

1A2

4320 TRACTOR

R16920

-UN-01JAN94



JOHN DEERE 4320 TRACTOR

(SPECIFICATIONS AND DESIGN SUBJECT TO CHANGE WITHOUT NOTICE)

COPYRIGHT (C) 1996. DEERE & COMPANY. MOLINE, ILLINOIS. ALL RIGHTS RESERVED.

1A3

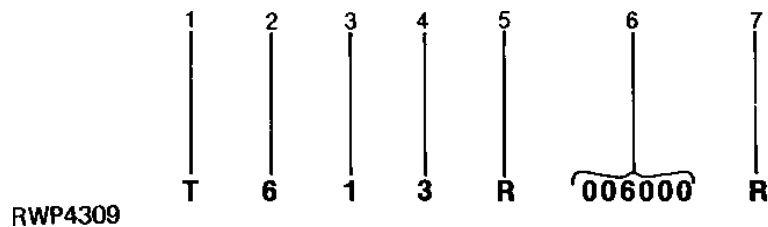
4320 TRACTOR

SERIAL NUMBERS

EACH 4320 TRACTOR HAS THE FOLLOWING SERIAL NUMBER PLATES: BASIC TRACTOR AND ENGINE.

BASIC TRACTOR SERIAL NUMBER

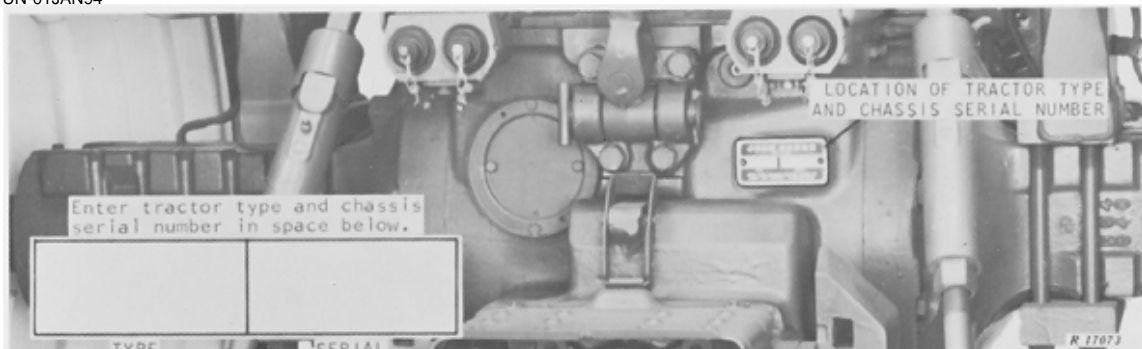
RWP4309 -UN-01JAN94



1. DESIGNATES TYPE OF UNIT
2. DESIGNATES MODEL SERIES
3. DESIGNATES CHASSIS DESIGN
4. DESIGNATES TYPE OF ENGINE
5. DESIGNATES TYPE OF TRANSMISSION
6. DESIGNATES TRACTOR SERIAL NUMBER
7. DESIGNATES TRACTOR MANUFACTURER

- T - TRACTOR
6 - 4320
1 - ROW-CROP
3 - DIESEL
R - SYNCRO-RANGE
R - JOHN DEERE TRACTOR WORKS

R17073 -UN-01JAN94



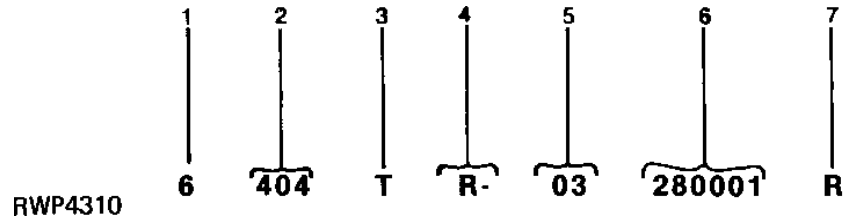
THE BASIC TRACTOR SERIAL NUMBER IS STAMPED ON A PLATE LOCATED AT THE REAR OF THE TRANSMISSION CASE.

1A4

4320 TRACTOR

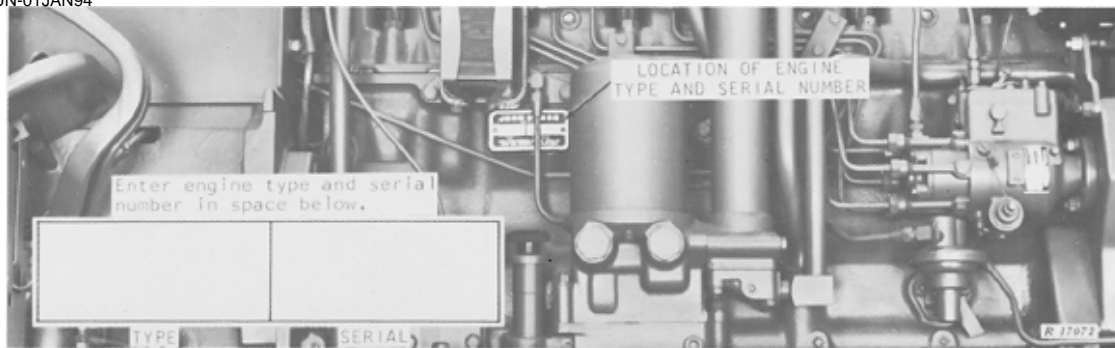
ENGINE SERIAL NUMBER

RWP4310 -UN-01JAN94



- | | |
|---|------------------------------|
| 1. DESIGNATES NUMBER OF CYLINDERS | 6 - SIX CYLINDERS |
| 2. DESIGNATES CUBIC INCH DISPLACEMENT | 404 |
| 3. DESIGNATES TYPE OF AIR INTAKE SYSTEM | T - TURBOCHARGED |
| 4. DESIGNATES USER FACTORY | R - JOHN DEERE TRACTOR WORKS |
| 5. DESIGNATES THE VERSION | 03- THIRD |
| 6. DESIGNATES ENGINE SERIAL NUMBER | |
| 7. DESIGNATES ENGINE MANUFACTURER | R - JOHN DEERE TRACTOR WORKS |

R17072 -UN-01JAN94



THE ENGINE SERIAL NUMBER IS STAMPED ON A PLATE LOCATED ON THE RIGHT-HAND SIDE OF THE ENGINE.

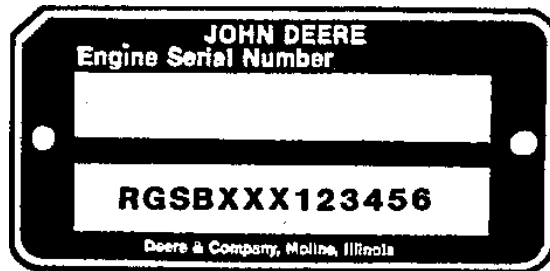
1A5

4320 TRACTOR

SHORT BLOCK SERIAL NUMBER PLATE

(-RGSB404882500)

RGP2856 -UN-01JAN94



RGP2856

A SHORT BLOCK SERIAL NUMBER PLATE PLUS 2-37H44 DRIVE SCREWS ARE USED TO ATTACH TO REPLACEMENT SHORT BLOCK ASSEMBLIES. THIS NUMBER WILL BE REFERRED TO WHEN NEW PARTS AFFECT THE SHORT BLOCK ASSEMBLY. THE PREVIOUS ENGINE SERIAL NUMBER SHOULD BE STAMPED INTO THE BLANK SPACE PROVIDED, AS A REFERENCE FOR YOUR DEALER.

- | | |
|---------------------------------------|----------------------------|
| 1. DESIGNATES ENGINE MANUFACTURER | RG - WATERLOO ENGINE WORKS |
| 2. DESIGNATES REPLACEMENT SHORT BLOCK | SB |
| 3. DESIGNATES CUBIC INCH | XXX- 404 |
| 4. DESIGNATES THE PRODUCTION DATE | 1234 |
| 5. DESIGNATES COMPONENT SEQUENCE | 56 |

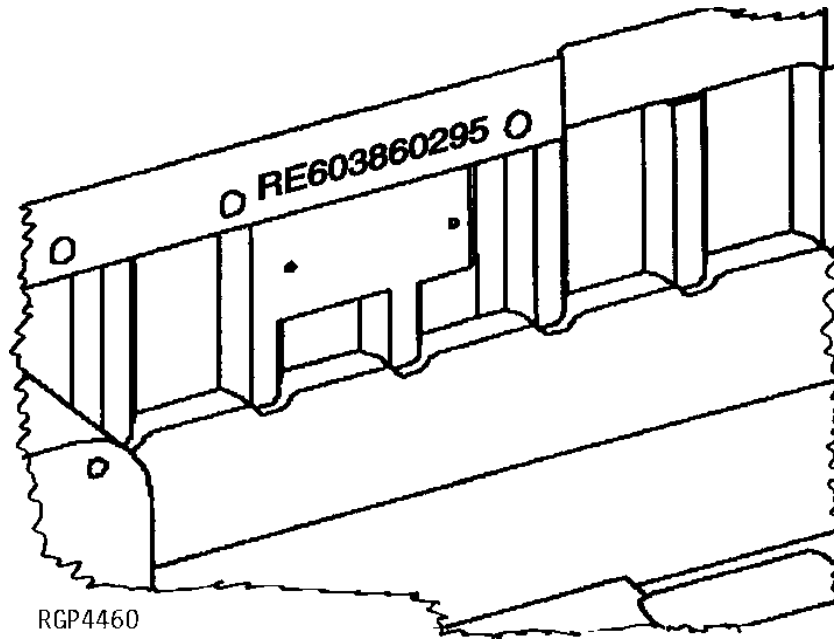
1A6

4320 TRACTOR

SHORT BLOCK SERIAL NUMBER IDENTIFICATION

(RE603860295-) (EXAMPLE)

RGP4460 -UN-04MAR95



SERIAL NUMBER STAMPED INTO CASTING OF BLOCK NEAR PREVIOUS SERIAL NUMBER PLATE.

EXAMPLE: RE603860295

- | | |
|-----------------------------------|---------|
| 1. DESIGNATES SERVICE PART NUMBER | RE60386 |
| 2. DESIGNATES MONTH ASSEMBLED | 02 |
| 3. DESIGNATES YEAR ASSEMBLED | 95 |

1A7

4320 TRACTOR

SERIAL NUMBER LISTING INFORMATION

SERIAL NUMBER INFORMATION IS LISTED TO SHOW ON WHICH MACHINES EACH PART CAN BE USED; FOR EXAMPLE:

- THE PART CAN BE USED ON ALL MACHINES.
- 000000- THE PART CAN BE USED ON ALL MACHINES BEGINNING WITH THE SERIAL NUMBER LISTED.
- 000000 THE PART CAN BE USED ON ALL MACHINES UP TO AND INCLUDING THE SERIAL NUMBER LISTED.
- 000000-000000 THE PART CAN BE USED ON ALL MACHINES BETWEEN AND INCLUDING THE SERIAL NUMBERS LISTED.

- 15BV1- WHEN A MODEL NUMBER BEGINS WITH 15BV, 14HA, 15PP, 25SC, 2RC, 4RC, 15RS, 3CY, 2SP, OR 31SV, IT REFERS TO THE MODEL NUMBER OF THE BRAKE VALVE, HYDRAULIC ACCUMULATOR, HYDRAULIC PUMP, REMOTE CYLINDER SELECTIVE CONTROL VALVE FOR NO ROCKSHAFT, REMOTE CYLINDER SELECTIVE CONTROL VALVES, REMOTE CYLINDERS, REMOTE CYLINDERS WITH MECHANICAL STOPS, ROCKSHAFT CONTROL VALVE, STEERING CYLINDER, STEERING METERING PUMP, OR STEERING VALVE.

WHEN XXXXXX'S ARE LISTED IN PLACE OF A SERIAL NUMBER, A SERIAL NUMBER CHANGE WAS MADE BUT THE EXACT SERIAL NUMBER WAS NOT AVAILABLE WHEN THE CATALOG WAS PRODUCED.

MODEL NUMBERS

THE COMPONENTS LISTED BELOW HAVE MODEL NUMBERS:

ACCUMULATOR	1HA3
BRAKE VALVE	7BV2
FLEXIBLE OIL LINE COUPLER	3DL1
HYDRAULIC PUMP	1PP4
PRESSURE CONTROL VALVE	2PC1
REMOTE CYLINDER SELECTIVE CONTROL VALVE - SINGLE	21SC1
REMOTE CYLINDER SELECTIVE CONTROL VALVE - DUAL	12SC1
REMOTE CYLINDER SELECTIVE CONTROL VALVE - TRIPLE	22SC1
REMOTE CYLINDER WITH HYDRAULIC STOP	2RC4
REMOTE CYLINDER WITH MECHANICAL STOP	4RC3
ROCKSHAFT CONTROL VALVE	9RS1
STEERING CYLINDER	1CY1
STEERING VALVE	3SY2

EACH OF THE ABOVE COMPONENTS HAS A MODEL NUMBER. WHEN THE DESIGN OF ONE OF THESE COMPONENTS IS CHANGED, THE MODEL NUMBER FOR THE NEWLY DESIGNED COMPONENT IS CHANGED.

DIRECTION ARROW

ARROWS ARE USED WITH ILLUSTRATIONS TO INDICATE THE FRONT OF THE UNIT. "RIGHT-HAND" AND "LEFT-HAND" SIDES ARE DETERMINED BY FACING IN THE DIRECTION OF MACHINE FORWARD TRAVEL.

BOX-ENCLOSED ILLUSTRATIONS

A KEY NUMBER, SHOWN IN THE PARTS LIST, IS ASSIGNED TO A BOX ENCLOSING ALL PARTS SOLD AS A SERVICE ASSEMBLY.

BOLT AND CAP SCREW STRENGTH IDENTIFICATION

U.S. CUSTOMARY DIMENSIONED PRODUCT: BOLTS AND CAP SCREWS REQUIRED TO HAVE HIGH-STRENGTH QUALITIES EQUIVALENT TO SAE GRADE 8 ARE IDENTIFIED THROUGHOUT THIS CATALOG BY THE DESCRIPTION HS SAE 8. ALL STANDARD BOLTS AND CAP SCREWS ARE SAE GRADE 5 OR LOWER.

METRIC DIMENSIONED PRODUCT: BOLTS AND CAP SCREWS REQUIRED TO HAVE HIGH-STRENGTH QUALITIES EQUIVALENT TO PROPERTY CLASS 10.9 ARE IDENTIFIED THROUGHOUT THIS CATALOG BY THE DESCRIPTION HS 10.9. ALL STANDARD BOLTS AND CAP SCREWS ARE PROPERTY CLASS 8.8 OR LOWER.

JDM REMANUFACTURED COMPONENTS

THE SERVICE PARTS LISTED IN THIS CATALOG ARE INTENDED FOR THE REPAIR OF ORIGINAL EQUIPMENT COMPONENTS. ALTHOUGH MOST SERVICE PARTS MAY BE USED TO REPAIR REMANUFACTURED COMPONENTS, THE REMANUFACTURING PROCESS MAY CHANGE PARTS SUFFICIENTLY SO THAT SERVICE PARTS ARE INADEQUATE OR NOT USABLE.

TRADEMARKS

THROUGHOUT THIS PARTS CATALOG, YOU WILL FIND THE FOLLOWING DEERE AND COMPANY TRADEMARKS:

HYDRACUSHIONED™
PERSONAL-POSTURE™
QUAD-RANGE™
INVESTIGATOR™ II

ROLL-GARD®
SOUND-GARD®
TORQ-GARD SUPREME®
HY-GARD®
QUIK-TATCH®

CHANGE INDICATOR LINE (MICROFICHE CATALOGS ONLY)

CHANGES AFFECTING THE ORDERING OF PARTS ARE IDENTIFIED BY VERTICAL LINES MARKED IN THE LEFT-HAND MARGIN OF REVISED PARTS LISTING IMAGES. A LINE IS ALSO AT THE LEFT-HAND EDGE OF THE SAME PART NUMBER IN THE NUMERICAL INDEX TO SHOW THE LOCATION OF REVISED INFORMATION.

1A9

4320 TRACTOR

QUANTITY COLUMN OR REMARKS COLUMN

GENERALLY THE QUANTITY SHOWN IS FOR THE ENTIRE TRACTOR AT ANY GIVEN LOCATION. THERE ARE EXCEPTIONS AS IN WHEEL HARDWARE WHERE ONLY ENOUGH IS SHOWN FOR ONE WHEEL.

THE FOLLOWING ABBREVIATIONS ARE USED IN THE REMARKS COLUMN:

NLR - NO LONGER REQUIRED

NA - NOT APPLICABLE

NLA - NO LONGER AVAILABLE

FI - FIELD INSTALLED

CA - CONVENIENCE ASSEMBLY

CA AND FI ARE OPTIONS THAT MUST BE ORDERED DIRECT FROM THE PRODUCING FACTORY.

1A10

4320 TRACTOR

SECTION INDEX

GENERAL INFORMATION	10
ENGINE	20
FUEL AND AIR	30
ELECTRICAL	40
POWER TRAIN	50
STEERING AND BRAKES	60
HYDRAULICS	70
WHEELS, FRONT AXLES, SHEET METAL	80
OPERATOR'S STATION	90
NUMERICAL INDEX	95

1A11

4320 TRACTOR

ALPHABETICAL INDEX

GRID		PAGE	GRID		PAGE
A					
2I12	ABSORBER, SHOCK, SEAT SUPPORT.....	90-16	2I24	BATTERY BOX (STANDARD).....	90-25
2B24	ACCUMULATOR.....	60-24	1E12	BATTERY CABLES.....	40-5
2B22	ACCUMULATOR, BRAKE.....	60-22	1E11	BATTERY CABLES (ROW-CROP).....	40-4
1D15	ADAPTER, COLD WEATHER STARTING AID.....	30-13	2I23	BATTERY CLAMPS (CAB).....	90-24
2E12	ADAPTER, IMPLEMENT QUICK COUPLER.....	70-54	2I24	BATTERY CLAMPS (STANDARD).....	90-25
2E14	ADAPTER, IMPLEMENT QUICK COUPLER.....	70-56	2G21	BEARING CONE.....	80-7A
1D15	AID, COLD WEATHER STARTING.....	30-13	2H3	BEARING CONE.....	80-13A
1E3	AIR CLEANER.....	30-26	1C5	BEARING KIT, UNDERSIZED MAIN BEARING CRANKSHAFT (EARLY DESIGN).....	20-21B
1E3	AIR CLEANER ELEMENT.....	30-26	1C6	BEARING KIT, UNDERSIZED MAIN BEARING CRANKSHAFT (LATE DESIGN).....	20-21C
1D7	AIR CLEANER ELEMENT CLEANING GUN.....	30-5	1C15	BEARING, WATER PUMP.....	20-30
1D4	AIR CLEANER, DRY.....	30-2	1C7	BEARINGS, MAIN.....	20-22
2H24	AIR COMPRESSOR WIRING.....	90-3	1C7	BEARINGS, MAIN THRUST.....	20-22
2D8	AIR CONDITIONING O-RING KIT.....	70-27	1J10	BELT PULLEY.....	50-27
2H23	AIR CONDITIONING, BELT, COMPRESSOR.....	90-2	2H23	BELT, COMPRESSOR.....	90-2
2H23	AIR CONDITIONING, COMPRESSOR.....	90-2	1E22	BELT, FAN AND ALTERNATOR DRIVE.....	40-16
2H23	AIR CONDITIONING, COMPRESSOR MOUNTING.....	90-2	2I14	BELT, SEAL (W/O HI CROP).....	90-17A
1D3	AIR INTAKE PIPES.....	30-1	2I13	BELT, SEAT (ROW-CROP AND STANDARD).....	90-17
1D5	AIR INTAKE PIPES.....	30-3	1C15	BELTS, FAN.....	20-30
1D6	AIR STACK CAP.....	30-4	1I20	BEVEL GEAR, DIFFERENTIAL.....	50-12
1E22	ALTERNATOR.....	40-16	1J12	BEVEL GEAR, DIFFERENTIAL.....	50-29
1E24	ALTERNATOR.....	40-18	1J15	BEVEL GEAR, DIFFERENTIAL.....	50-32
1E25	ALTERNATOR.....	40-19	1I20	BEVEL PINION, DIFFERENTIAL.....	50-12
1F1	ALTERNATOR.....	40-20	1J12	BEVEL PINION, DIFFERENTIAL.....	50-29
1F1	ALTERNATOR BRUSHES.....	40-20	1J15	BEVEL PINION, DIFFERENTIAL.....	50-32
1F2	ALTERNATOR BRUSHES.....	40-22	1B12	BLOCK, CYLINDER.....	20-10
1F2	ALTERNATOR FAN (LATE DESIGN).....	40-22	1J25	BLOCK, CYLINDER, WHEEL (PFWD).....	50-42
1E22	ALTERNATOR MOUNTING BRACKET.....	40-16	1B16	BLOCK, ENGINE SHORT (WITHOUT OIL PUMP).....	20-13A
1F2	ALTERNATOR PARTS (LATE DESIGN).....	40-22	1B14	BLOCK, ENGINE SHORT (WITH OIL PUMP).....	20-12
1H11	ANALOG TACHOMETER.....	40-78	1B12	BLOCK, SHORT.....	20-10
1G19	ANTENNA.....	40-64	2E17	BLOCK, SWAY CONTROL.....	70-59
1G21	ANTENNA.....	40-66	1I21	BLOCKERS, TRANSMISSION.....	50-14
1G23	ANTENNA.....	40-68	2J1	BODY, CAB (HINSON).....	90-26
1H3	ANTENNA, RADIO, CAB.....	40-70	1B7	BOLTS, HEAD.....	20-4
1E1	ARM, FOOT SPEED CONTROL.....	30-24	2I23	BOX, BATTERY (CAB).....	90-24
2D22	ARM, IMPLEMENT.....	70-41	2I22	BOX, BATTERY (ROW-CROP).....	90-23
2D20	ARM, LIFT.....	70-39	2I24	BOX, BATTERY (STANDARD).....	90-25
2D23	ARM, LOAD CONTROL.....	70-42	2J21	BOX, TOOL.....	90-43
2F18	ARM, REMOTE CYLINDER TRANSPORT.....	70-77	2J22	BOX, TOOL.....	90-44
2D20	ARM, ROCKSHAFT CRANK.....	70-39	1H13	BRACKET, ELECTRICAL REMOTE CONTROL.....	40-80
1J1	ARM, SPEED CHANGE SHIFTER.....	50-17	2K3	BRACKET, FIRE EXTINGUISHER.....	90-50
1I25	ARM, SPEED RANGE SHIFTER.....	50-16	2G14	BRACKET, FRONT AXLE PIVOT.....	80-1
2G16	ARM, STEERING.....	80-3	1H9	BRACKET,RADAR SENSOR.....	40-76
2G18	ARM, STEERING (FIXED TREAD).....	80-5	2B22	BRAKE ACCUMULATOR.....	60-22
1F12	ARMATURE, STARTER (DELCO-REMY).....	40-32	2B20	BRAKE DISK.....	60-19
1F18	ARMATURE, STARTER (JOHN DEERE) (DIESEL).....	40-38	2B19	BRAKE FACING.....	60-18
1B9	ARMS, ROCKER.....	20-6	2B20	BRAKE FACING.....	60-19
2G24	ARMS, STEERING (PFWD).....	80-10	2B21	BRAKE OIL PRESSURE LINES.....	60-20
2F15	AUXILIARY OUTLET COUPLER (EARLY DESIGN).....	70-75C	2C1	BRAKE OIL RETURN PIPE.....	60-26
2F17	AUXILIARY OUTLET COUPLER (LATE DESIGN).....	70-76	2B16	BRAKE PEDALS.....	60-15
2G22	AXLE HOUSING, FRONT (PFWD).....	80-8	2B20	BRAKE PLATE.....	60-19
2G15	AXLE KNEE, FRONT.....	80-2	2B19	BRAKE PLATES.....	60-18
2G14	AXLE, FRONT.....	80-1	1K1	BRAKE PLATES (PFWD).....	50-43
2G19	AXLE, FRONT.....	80-6	2B17	BRAKE VALVE.....	60-16
2G17	AXLE, FRONT (FIXED TREAD).....	80-4	2B18	BRAKE VALVE OVERHAUL KIT.....	60-17
1J20	AXLE, REAR.....	50-37	2F12	BREAKAWAY COUPLER.....	70-74
B					
2I10	BACK, SEAT.....	90-14	2F8	BREAKAWAY COUPLER (ISO CONVERSION KIT).....	70-70
2H15	BAFFLE, HOOD.....	80-25	2F7	BREAKAWAY COUPLER (ISO).....	70-69
1E13	BATTERY.....	40-6	2F14	BREAKAWAY COUPLER OVERHAUL KIT.....	70-75B
2I23	BATTERY BOX (CAB).....	90-24	1E14	BREAKER, CIRCUIT.....	40-7
2I22	BATTERY BOX (ROW-CROP).....	90-23	1H15	BREAKER, CIRCUIT, REMOTE CONTROL.....	40-83
			1H21	BREAKER, ELECTRICAL OUTLET CIRCUIT.....	40-89
			1F1	BRUSHES, ALTERNATOR.....	40-20
			1F2	BRUSHES, ALTERNATOR.....	40-22
			2J13	BULKHEAD INSULATION.....	90-36

1A12

4320 TRACTOR

ALPHABETICAL INDEX - CONTINUED

GRID		PAGE	GRID		PAGE
1F5	BYPASS STARTER LABEL	40-25	1110	CLUTCH FORK.....	50-2
1F17	BYPASS, STARTER LABEL	40-37	119	CLUTCH HOUSING	50-1
C					
2J8	CAB BAFFLES	90-31	1114	CLUTCH LEVER LINKAGE, PTO	50-6
2J10	CAB BAFFLES	90-33	1110	CLUTCH PEDAL.....	50-2
2I4	CAB BLOWER	90-8	1112	CLUTCH SHAFT.....	50-4
2I6	CAB BLOWER	90-10	1115	CLUTCH VALVE, PTO.....	50-7
2J1	CAB BODY (HINSON)	90-26	2H22	CLUTCH, COMPRESSOR	90-1
2I1	CAB CIRCUIT BREAKER.....	90-5	1112	CLUTCH, PTO	50-4
2I8	CAB CIRCUIT BREAKER.....	90-12	1116	CLUTCH, PTO, OIL PIPE	50-8
2I3	CAB COMPRESSOR LINES	90-7	2H22	COIL, COMPRESSOR	90-1
2I4	CAB CONDENSATE TRAY	90-8	1F19	COIL, STARTER (JOHN DEERE)	
2I1	CAB CONDENSER FAN MOTOR	90-5		(DIESEL).....	40-39
2I4	CAB CONSOLE FRONT COVER	90-8	1D15	COLD WEATHER STARTING AID	30-13
2I8	CAB CONTROL PANEL.....	90-12	1110	COLLAR, CLUTCH RELEASE BEARING	50-2
2J5	CAB DOOR.....	90-28	1I21	COLLAR, SYNCHRONIZER DRIVE	50-14
2I3	CAB EVAPORATOR.....	90-7	1F20	COMMUTATOR END FRAME, STARTER	
2J11	CAB FRONT SUPPORTS	90-34		(JOHN DEERE) (DIESEL)	40-40
2J7	CAB GLASS	90-30	2H22	COMPRESSOR.....	90-1
2I9	CAB HEATER	90-13	2H23	COMPRESSOR.....	90-2
2I3	CAB HEATER AND HOSES	90-7	2I2	COMPRESSOR, VALVE KIT	90-6
1G8	CAB LAMPS	40-53	2J6	CONDENSER COVER, CAB	90-29
2I6	CAB MOTOR, BLOWER	90-10	2H25	CONDENSER, CAB	90-4
1H3	CAB RADIO	40-70	1B22	CONNECTING RODS	20-16
2I8	CAB REAR CONSOLE COVER	90-12	1H22	CONNECTORS,ELECTRICAL	40-90
2J9	CAB REAR FILLER PANELS	90-32	1H24	CONNECTORS,ELECTRICAL	40-92
2J3	CAB REINFORCEMENT KIT	90-27A	1I1	CONNECTORS,ELECTRICAL	40-94
2J6	CAB ROOF	90-29	2J16	CONSOLE, ROCKSHAFT	90-39A
2I6	CAB TRAY, CONDENSATE	90-10	2J16	CONSOLE, SELECTIVE CONTROL	90-39A
1H8	CAB WASHER, WINDSHIELD.....	40-75	1H22	CONTAINER,ELECTRICAL PARTS.....	40-90
1H8	CAB WINDSHIELD WASHER	40-75	2J13	CONTROL SUPPORT	90-36
1H7	CAB WINDSHIELD WIPER	40-74	2D18	CONTROL VALVE HOUSING, ROCKSHAFT	70-37
1E12	CABLE, BATTERY	40-5	1K8	CONTROL VALVE OVERHAUL KIT (PFWD).....	50-50
1E11	CABLE, BATTERY (ROW-CROP)	40-4	2D17	CONTROL VALVE, FLOW, ROCKSHAFT.....	70-36
1G14	CABLE, SPEED-HOUR METER	40-59	2E1	CONTROL, LOAD SELECTOR	70-44
1J1	CAM, SPEED CHANGE SHIFTER	50-17	2E3	CONTROL, ROCKSHAFT LINKAGE	70-46
1B10	CAMSHAFT.....	20-7	1J2	CONTROL, TRANSMISSION SHIFTER	50-18
1B10	CAMSHAFT GEAR.....	20-7	2G4	CONVERSION KIT, REMOTE CYLINDER	70-88
2I16	CANOPY	90-18	2G7	CONVERSION KIT, REMOTE CYLINDER	70-91
1D18	CAP, FUEL FILLER	30-16	1C20	COOLANT HEATER, ENGINE (EARLY DESIGN)	
1C17	CAP, RADIATOR	20-32		(8440)	20-35
1K2	CARRIER, FIRST PLANET PINION	50-44	1C14	COOLER, ENGINE OIL	20-29
1J20	CARRIER, PLANET PINION	50-37	2D13	COOLER, HYDRAULIC OIL.....	70-32
1I17	CASE, TRANSMISSION.....	50-9	2I9	CORE, HEATER	90-13
2H4	CAST DISK REAR WHEELS	80-14	1I19	COUNTERSHAFT, TRANSMISSION	50-11
1D11	CENTER HOUSING, TURBOCHARGER		1I13	COUNTERWEIGHTED PTO CLUTCH OPERATING KIT ...	50-5
	(AIRESEARCH)	30-9	2F10	COUPLER OVERHAUL KIT (ISO).....	70-72
2E10	CENTER LINK	70-52	2F15	COUPLER, AUXILIARY OUTLET (EARLY DESIGN)	70-75C
2E22	CHAIN, IMPLEMENT SAFETY	70-64A	2F17	COUPLER, AUXILIARY OUTLET (LATE DESIGN)	70-76
2E23	CHAIN, SAFETY	70-64B	2F12	COUPLER, BREAKAWAY	70-74
1G18	CIGAR LIGHTER	40-63	2F8	COUPLER, BREAKAWAY (ISO CONVERSION KIT)	70-70
2J14	CIGAR LIGHTER	90-37	2F7	COUPLER, BREAKAWAY (ISO)	70-69
1E17	CIRCUIT BREAKER LEADS, AIR CONDITIONING	40-10	2G8	COUPLER, FLEXIBLE OIL LINE	70-92
1E17	CIRCUIT BREAKER LEADS, CAB	40-10	2E12	COUPLER, IMPLEMENT QUICK	70-54
1H21	CIRCUIT BREAKER, ELECTRICAL OUTLET	40-89	2E14	COUPLER, IMPLEMENT QUICK.....	70-56
1H18	CIRCUIT BREAKER, SUPPLEMENTARY WIRING	40-86	2F8	COUPLER, ISO CONVERSION KIT	70-70
1E14	CIRCUIT BREAKERS.....	40-7	2E20	COUPLER, MAIN FRAME	70-62
2I23	CLAMP, BATTERY (CAB)	90-24	2G11	COUPLINGS, REUSABLE	70-95
2I22	CLAMP, BATTERY (ROW-CROP).....	90-23	2J18	COVER, BATTERY BOX	90-40
2I24	CLAMP, BATTERY (STANDARD)	90-25	2J6	COVER, CONDENSER	90-29
1D4	CLEANER, DRY AIR	30-2	2G8	COVER, DUST, BREAKAWAY COUPLER	70-92
1I10	CLUTCH COLLAR	50-2	1D13	COVER, MUFFLER	30-11
1I10	CLUTCH CONTROL, TRANSMISSION	50-2	1K2	COVER, POWER FRONT WHEEL DRIVE	50-44
1I12	CLUTCH DISK	50-4	1B6	COVER, ROCKER ARM	20-3
			2D15	COVER, ROCKSHAFT HOUSING.....	70-34
			2D17	COVER, ROCKSHAFT PISTON	70-36
			2D21	COVER, ROCKSHAFT PISTON	70-40
			2E5	COVER, SELECTIVE CONTROL VALVE	70-47

1A13

4320 TRACTOR

ALPHABETICAL INDEX - CONTINUED

<i>GRID</i>		<i>PAGE</i>	<i>GRID</i>		<i>PAGE</i>
1F17	COVER, STARTER SOLENOID (JOHN DEERE)	40-37	2H2	DISK, FRONT WHEEL	80-13
2B8	COVER, STEERING VALVE	60-7	1I12	DISK, PTO CLUTCH	50-4
2B5	COVER, STEERING VALVE CYLINDER	60-4	1I21	DISK, TRANSMISSION SYNCHRONIZER	50-14
1C19	COVER, THERMOSTAT	20-34	1G11	DOVE LIGHT	40-56
1C10	COVER, TIMING GEAR	20-25	2J5	DOOR, CAB	90-28
1I18	COVER, TRANSMISSION CASE	50-10	2H10	DOUBLE FRONT WEIGHTS	80-20
2D16	COVER, TRANSMISSION REAR	70-35	2E9	DRAFT LINKS	70-51
2H13	COVERS, HYDRAULIC	80-23	2E16	DRAWBAR FRONT SUPPORT	70-58
2J15	COWL	90-38	2E17	DRAWBAR, REGULAR	70-59
2D20	CRANK, ROCKSHAFT	70-39	2E18	DRAWBAR, WIDE SWING	70-60
1B24	CRANKSHAFT	20-18	2H1	DRIVE WHEELS (PFWD)	80-12
1B24	CRANKSHAFT DAMPER	20-18	1B11	DRIVE, TACHOMETER	20-8
1C4	CRANKSHAFT KIT, UNDERSIZE (CONNECTING ROD JOURNAL) (LATE DESIGN)	20-21A	1D4	DRY AIR CLEANER	30-2
1C3	CRANKSHAFT KIT, UNDERSIZE (EARLY DESIGN)	20-21	1G17	DUAL HORN	40-62
1C9	CRANKSHAFT OIL SEAL	20-24	1G16	DUAL HORN ASSEMBLY	40-61
1C9	CRANKSHAFT OIL SEAL HOUSING	20-24	2H5	DUAL REAR WHEELS	80-15
1B24	CRANKSHAFT PULLEY	20-18	2G8	DUST COVER, BREAKAWAY COUPLER	70-92
1C1	CRANKSHAFT, REPLACEMENT	20-19A			
1C2	CRANKSHAFT, UNDERSIZE MAIN BEARING KIT (EARLIEST DESIGN)	20-20		E	
2I10	CUSHION, SEAT	90-14	1D8	ELBOW, EXHAUST	30-6
2I10	CUSHION, SEAT BACK	90-14	2C15	ELECTRIC DESTROKE SOLENOID	70-11A
1B12	CYLINDER BLOCK	20-10	2C24	ELECTRIC DESTROKE SOLENOID	70-19A
1J25	CYLINDER BLOCK, WHEEL (PFWD)	50-42	1G17	ELECTRIC HORN	40-62
1B7	CYLINDER HEAD	20-4	1D25	ELECTRIC SHUT OFF, FUEL INJECTION PUMP	30-23
1B7	CYLINDER HEAD GASKET	20-4	1I5	ELECTRICAL CONNECTOR AND TERMINAL KIT	40-98
1C21	CYLINDER HEAD GASKET SET	20-36	1H22	ELECTRICAL CONNECTORS	40-90
2G9	CYLINDER HOSE IDENTIFICATION KIT	70-93	1H24	ELECTRICAL CONNECTORS	40-92
1B22	CYLINDER LINER	20-16	1I1	ELECTRICAL CONNECTORS	40-94
2F18	CYLINDER, REMOTE	70-77	1H22	ELECTRICAL CRIMPING TOOL	40-90
2F19	CYLINDER, REMOTE	70-78	1H21	ELECTRICAL OUTLET CIRCUIT BREAKER	40-89
2F21	CYLINDER, REMOTE	70-80	1H21	ELECTRICAL OUTLET PLUG	40-89
2F23	CYLINDER, REMOTE	70-82	1H21	ELECTRICAL OUTLET SOCKET	40-89
2G1	CYLINDER, REMOTE	70-84	1H20	ELECTRICAL OUTLET SOCKET KIT	40-88
2G3	CYLINDER, REMOTE, OVERHAUL KIT	70-86	1H22	ELECTRICAL PARTS CONTAINER	40-90
2B3	CYLINDER, STEERING VALVE	60-2	1H13	ELECTRICAL REMOTE CONTROL	40-80
			1H13	ELECTRICAL REMOTE CONTROL BRACKETS	40-80
			1H14	ELECTRICAL REMOTE CONTROL KIT	40-81
			1H13	ELECTRICAL REMOTE CONTROL SWITCH	40-80
			1H15	ELECTRICAL REMOTE CONTROL WIRING	40-83
			1H16	ELECTRICAL REMOTE CONTROL WIRING KIT	40-84
			1H15	ELECTRICAL REMOTE CONTROL WIRING RELAY	40-83
			1G9	ELECTRICAL SWITCHES (PFWD)	40-54
			1H22	ELECTRICAL TERMINALS	40-90
			1H24	ELECTRICAL TERMINALS	40-92
			1I1	ELECTRICAL TERMINALS	40-94
			1I5	ELECTRICAL TOOLS	40-98
			1H22	ELECTRICAL WIRING	40-90
			1H24	ELECTRICAL WIRING	40-92
			1I1	ELECTRICAL WIRING	40-94
			1E3	ELEMENT, AIR CLEANER	30-26
			1E3	ELEMENT, ENGINE OIL FILTER	30-26
			1E3	ELEMENT, FUEL FILTER	30-26
			1J4	ELEMENT, OIL FILTER, TRANSMISSION	50-20
			1E3	ELEMENT, TRANSMISSION OIL FILLER	30-26
			2J23	EMBLEM, SLOW MOVING VEHICLE	90-45
			2B3	EMBLEM, STEERING WHEEL	60-2
			1F20	END FRAME, STARTER COMMUTATOR (JOHN DEERE) (DIESEL)	40-40
			2G16	END, TIE ROD	80-3
			2G18	END, TIE ROD (FIXED TREAD)	80-5
			1C20	ENGINE COOLANT HEATER (EARLY DESIGN) (8440)	20-35
			1C14	ENGINE OIL COOLER	20-29
			1B12	ENGINE OIL DIPSTICK	20-10
			1C13	ENGINE OIL FILTER	20-28

D

1C1	DAMPER KEY	20-19A
1B24	DAMPER, CRANKSHAFT	20-18
2J14	DASH ASSEMBLY	90-37
2J14	DASH SUPPORT	90-37
2H18	DECALS	80-28
2I10	DELUXE SEAT	90-14
2I11	DELUXE SEAT SUPPORT	90-15
2I12	DELUXE SEAT SUSPENSION	90-16
2H4	DEMOUNTABLE RIMS	80-14
2F6	DETENT KIT, SELECTIVE CONTROL VALVE	70-68B
1J16	DIFFERENTIAL COVER AND QUILL	50-33
1I20	DIFFERENTIAL DRIVE SHAFT	50-12
1J12	DIFFERENTIAL DRIVE SHAFT	50-29
1J15	DIFFERENTIAL DRIVE SHAFT	50-32
1J17	DIFFERENTIAL LOCK PEDAL	50-34
1J17	DIFFERENTIAL LOCK RELEASE LINK	50-34
1J18	DIFFERENTIAL LOCK VALVE	50-35
1J19	DIFFERENTIAL LOCK VALVE OIL PIPES	50-36
1G10	DIMMER SWITCH	40-55
1B12	DIPSTICK, ENGINE OIL	20-10
2D15	DIPSTICK, TRANSMISSION	70-34
2D16	DIPSTICK, TRANSMISSION	70-35
1K3	DIRECTIONAL CONTROL VALVE (PFWD)	50-45
1K4	DIRECTIONAL CONTROL VALVE (PFWD)	50-46
2B19	DISK, BRAKE	60-18
2B20	DISK, BRAKE	60-19

1A14

4320 TRACTOR

ALPHABETICAL INDEX - CONTINUED

GRID		PAGE	GRID		PAGE
1E3	ENGINE OIL FILTER	30-26	2H9	FRONT WEIGHTS	80-19
1C11	ENGINE OIL PUMP	20-26	2H10	FRONT WEIGHTS	80-20
1B18	ENGINE OVERHAUL KIT.....	20-13C	2H11	FRONT WEIGHTS	80-21
1C21	ENGINE REBUILD GASKET SET	20-36	2H12	FRONT WEIGHTS	80-22
1B16	ENGINE SHORT BLOCK (WITHOUT OIL PUMP)	20-13A	2G21	FRONT WHEEL BEARING KIT	80-7A
1B14	ENGINE SHORT BLOCK (WITH OIL PUMP)	20-12	2H3	FRONT WHEEL BEARING KIT	80-13A
1B23	ENGINE UNDERHAUL KIT (STD BRGS)	20-17	2H2	FRONT WHEEL DISKS	80-13
1B6	ENGINE VENTILATOR TUBE	20-3	2G20	FRONT WHEEL PARTS	80-7
1D16	ETHER STARTING AID KIT	30-14	1D19	FUEL FILTER	30-17
1D8	EXHAUST ELBOW.....	30-6	1E3	FUEL FILTER	30-26
1D14	EXHAUST MANIFOLD GASKET	30-12	1G13	FUEL GAUGE.....	40-58
1D14	EXHAUST MANIFOLDS.....	30-12	1D18	FUEL GAUGE SENDER	30-16
1B7	EXHAUST VALVES	20-4	1D21	FUEL INJECTION LINES.....	30-19
1D13	EXTENSION, MUFFLER	30-11	1D24	FUEL INJECTION NOZZLE	30-22
2J18	EXTENSION, PLATFORM	90-40	1D21	FUEL INJECTION NOZZLES.....	30-19
2G19	EXTENSION, SPINDLE, FRONT WHEEL.....	80-6	1D21	FUEL INJECTION PUMP	30-19
2J8	EXTENSIONS, PLATFORM	90-31	1B10	FUEL INJECTION PUMP DRIVE GEAR.....	20-7
2K3	EXTINGUISHER, FIRE.....	90-50	1D25	FUEL INJECTION PUMP ELECTRIC SHUT-OFF	30-23
			1D22	FUEL INJECTION PUMP FITTINGS AND LINKAGE	30-20
	F		1D20	FUEL LINES	30-18
2B19	FACING, BRAKE	60-18	1D20	FUEL PUMP	30-18
2B20	FACING, BRAKE	60-19	1D18	FUEL TANK	30-16
1C15	FAN	20-30			
1C15	FAN BELTS	20-30		G	
1C15	FAN PULLEY	20-30	1B20	GASKET OIL PAN	20-14
1C17	FAN SHROUD	20-32	1C21	GASKET SET, CYLINDER HEAD	20-36
1F2	FAN, ALTERNATOR (LATE DESIGN).....	40-22	1C21	GASKET SET, ENGINE REBUILD	20-36
2I18	FENDERS (ROW-CROP).....	90-19	1B7	GASKET, CYLINDER HEAD	20-4
2I19	FENDERS (STANDARD)	90-20	1D14	GASKET, EXHAUST MANIFOLD	30-12
1C13	FILTER, ENGINE OIL.....	20-28	1C15	GASKET, WATER PUMP.....	20-30
1E3	FILTER, ENGINE OIL.....	30-26	1G13	GAUGE, FUEL	40-58
1D19	FILTER, FUEL	30-17	1G13	GAUGE, OIL TEMPERATURE.....	40-58
1E3	FILTER, FUEL	30-26	2E7	GAUGE, POWER WEIGHT TRANSFER HITCH.....	70-49
1E3	FILTER, TRANSMISSION OIL.....	30-26	1G13	GAUGE, WATER TEMPERATURE	40-58
1J4	FILTER, TRANSMISSION OIL.....	50-20	1J2	GEAR SHIFT LEVER	50-18
1J21	FINAL DRIVE KIT.....	50-38	1J2	GEAR SHIFTER	50-18
2K3	FIRE EXTINGUISHER	90-50	1J12	GEAR, BEVEL, DIFFERENTIAL	50-29
1G12	FLASHER, WARNING LAMP.....	40-57	1J15	GEAR, BEVEL, DIFFERENTIAL	50-32
1G7	FLASHING WARNING LAMP KIT	40-52	1B10	GEAR, CAMSHAFT	20-7
2G8	FLEXIBLE OIL LINE COUPLER	70-92	1I19	GEAR, COUNTERSHAFT	50-11
2G11	FLEXIBLE OIL LINE, BULK	70-95	1B10	GEAR, FUEL INJECTION PUMP DRIVE	20-7
1G5	FLOOD LAMP KIT (REAR CENTER)	40-50	1J3	GEAR, OIL PUMP DRIVE	50-19
1G3	FLOOD LAMP KIT (UPPER FRONT)	40-48	1J8	GEAR, PTO DRIVE	50-25
2J10	FLOOR MAT.....	90-33	1J9	GEAR, PTO DRIVE	50-26
2D17	FLOW CONTROL VALVE, ROCKSHAFT	70-36	1J11	GEAR, PTO IDLER	50-28
2F2	FLOW CONTROL VALVE, SCV	70-66	1J7	GEAR, REAR PTO DRIVE.....	50-24
1D15	FLUID, STARTING	30-13	1B24	GEAR, STARTER	20-18
1B24	FLYWHEEL	20-18	1I20	GEARS, TRANSMISSION	50-12
1E1	FOOT SPEED CONTROL LINKAGE.....	30-24	2J7	GLASS, CAB.....	90-30
1I10	FORK, CLUTCH	50-2	2H14	GRILLE	80-24
2H8	FRAME, FRONT.....	80-18	2G23	GUARD, HYDRAULIC LINE (PFWD).....	80-9
2G17	FRONT AXLE (FIXED TREAD)	80-4	1J6	GUARD, PTO	50-23
2G14	FRONT AXLE HOUSING	80-1	1D7	GUN, AIR CLEANER ELEMENT CLEANING	30-5
2G15	FRONT AXLE KNEE	80-2			
2G22	FRONT AXLE PIVOT BRACKET (PFWD).....	80-8		H	
1G3	FRONT FLOOD LAMP KIT	40-48	1E2	HAND SPEED CONTROL LINKAGE.....	30-25
2H8	FRONT FRAME	80-18	2E10	HANDLE, CENTER LINK ADJUSTING	70-52
1F24	FRONT LAMPS (ROW-CROP)	40-44	2J15	HANDLE, MOUNTING	90-38
1G1	FRONT LAMPS (ROW-CROP)	40-46	1E8	HARNES, WIRING	40-1
1F25	FRONT LAMPS (STANDARD).....	40-45	2H24	HARNES, WIRING	90-3
1G2	FRONT LAMPS (STANDARD).....	40-47	1H18	HARNES, WIRING, SUPPLEMENTARY WIRING KIT.....	40-86
1G8	FRONT LAMPS, CAB.....	40-53	1B7	HEAD BOLTS	20-4
1C10	FRONT OIL SEAL	20-25			
2H14	FRONT PLATE	80-24			

1A15

4320 TRACTOR

ALPHABETICAL INDEX - CONTINUED

GRID	PAGE	GRID	PAGE
1B7	HEAD, CYLINDER		
1H5	HEADPHONES, RADIO		
2I9	HEATER, CAB		
1C23	HEATER, OIL		
1C20	HEATER,ENGINE COOLANT (EARLY DESIGN) (8440)		
2E12	HITCH, 3-POINT IMPLEMENT QUICK COUPLER.....		
2E14	HITCH, 3-POINT IMPLEMENT QUICK COUPLER.....		
2E10	HITCH, 3-POINT, CENTER LINK		
2E8	HITCH, 3-POINT, LIFT LINKS		
2H15	HOOD		
1G15	HORN		
1G16	HORN ASSEMBLY, DUAL.....		
1G17	HORN SWITCH		
1G17	HORN, ELECTRIC		
2G9	HOSE IDENTIFICATION KIT, REMOTE CYLINDER		
1C17	HOSE, RADIATOR.....		
2F18	HOSE, REMOTE CYLINDER.....		
2G11	HOSE, REMOTE CYLINDER.....		
2I9	HOSES, CAB HEATER		
1I9	HOUSING, CLUTCH.....		
1C9	HOUSING, CRANKSHAFT OIL SEAL.....		
1J12	HOUSING, DIFFERENTIAL		
1J15	HOUSING, DIFFERENTIAL		
1J18	HOUSING, DIFFERENTIAL LOCK VALVE		
2G14	HOUSING, FRONT AXLE		
2G22	HOUSING, FRONT AXLE (PFWD)		
2G25	HOUSING, FRONT WHEEL DRIVE MOTOR		
1J22	HOUSING, MOTOR (PFWD)		
1J5	HOUSING, OIL FILTER RELIEF VALVE.....		
1K1	HOUSING, PLANETARY (PFWD)		
2D9	HOUSING, PRESSURE CONTROL VALVE		
2D10	HOUSING, PRESSURE CONTROL VALVE		
1J20	HOUSING, REAR AXLE.....		
2D15	HOUSING, ROCKSHAFT.....		
2D17	HOUSING, ROCKSHAFT CONTROL VALVE		
2D18	HOUSING, ROCKSHAFT CONTROL VALVE		
2F2	HOUSING, SELECTIVE CONTROL VALVE		
2F4	HOUSING, SELECTIVE CONTROL VALVE		
2F12	HOUSING, SELECTIVE CONTROL VALVE		
1F18	HOUSING, STARTER DRIVE (JOHN DEERE) (DIESEL).....		
2B15	HOUSING, STEERING MOTOR		
2B6	HOUSING, STEERING VALVE		
2B7	HOUSING, STEERING VALVE		
1D11	HOUSING, TURBOCHARGER CENTER (AIRESEARCH)		
1J10	HUB, BELT PULLEY		
2H5	HUB, REAR WHEEL		
1J22	HUB, WHEEL (PFWD).....		
2H13	HYDRAULIC COVERS.....		
2D7	HYDRAULIC OIL		
2D13	HYDRAULIC OIL COOLER		
2G10	HYDRAULIC OIL LINES, IMPLEMENT		
2D11	HYDRAULIC OIL RETURN PIPE		
2C7	HYDRAULIC PUMP (3 IN3).....		
2C9	HYDRAULIC PUMP (4 IN3).....		
2C6	HYDRAULIC PUMP ASSEMBLY, REPLACEMENT		
2C13	HYDRAULIC PUMP ELECTRIC DESTROKE KIT.....		
2C15	HYDRAULIC PUMP ELECTRIC-DESTROKE KIT.....		
2C24	HYDRAULIC PUMP ELECTRIC-DESTROKE KIT.....		
2C16	HYDRAULIC PUMP OVERHAUL KIT		
2D1	HYDRAULIC PUMP OVERHAUL KIT		
2C18	HYDRAULIC PUMP REPLACEMENT (3 IN3).....		
2C20	HYDRAULIC PUMP REPLACEMENT (4 IN3).....		
2C11	HYDRAULIC PUMP STROKE CONTROL VALVE		
2C22	HYDRAULIC PUMP STROKE CONTROL VALVE		
		I	
1J11	IDLER GEAR, PTO		
1G12	IGNITION SWITCH.....		
1C15	IMPELLER, WATER PUMP		
2D22	IMPLEMENT ARMS		
2F18	IMPLEMENT ARMS		
2G10	IMPLEMENT HYDRAULIC OIL LINES AND FITTINGS		
2E14	IMPLEMENT QUICK COUPLER (HEAVY-DUTY).....		
2E12	IMPLEMENT QUICK COUPLER (REGULAR-DUTY)		
2E22	IMPLEMENT SAFETY CHAIN		
1G13	INDICATOR LAMPS.....		
1D24	INJECTION NOZZLE, FUEL		
1B7	INSERTS, VALVE.....		
1G13	INSTRUMENT PANELS AND INSTRUMENTS.....		
1D5	INTAKE MANIFOLD		
1B7	INTAKE VALVES		
2F8	ISO COUPLER CONVERSION KIT.....		
2F10	ISO COUPLER OVERHAUL KIT		
2F8	ISO COUPLER RECEPTACLE		
2F8	ISO TO JOHN DEERE COUPLER CONVERSION		
		K	
1G12	KEY SWITCH		
1C1	KEY, DAMPER		
1E16	KIT, ACCESSORY RELAY WIRING		
2D8	KIT, AIR CONDITIONING O-RING		
2B16	KIT, BRAKE VALVE OVERHAUL		
2B17	KIT, BRAKE VALVE OVERHAUL		
2B18	KIT, BRAKE VALVE OVERHAUL		
2F14	KIT, BREAKAWAY COUPLER OVERHAUL		
2J3	KIT, CAB REINFORCEMENT		
1K8	KIT, CONTROL VALVE OVERHAUL.....		
2G7	KIT, CONVERSION, REMOTE CYLINDER.....		
2G9	KIT, CYLINDER HOSE IDENTIFICATION.....		
2H18	KIT, DECAL		
1J16	KIT, DIFFERENTIAL COVER AND QUILL		
1H20	KIT, ELECTRICAL OUTLET SOCKET		
1H14	KIT, ELECTRICAL REMOTE CONTROL		
1H16	KIT, ELECTRICAL REMOTE CONTROL WIRING		
1B18	KIT, ENGINE OVERHAUL		
1D16	KIT, ETHER STARTING AID		
1D17	KIT, ETHER STARTING TUBE		
1J21	KIT, FINAL DRIVE		
1G7	KIT, FLASHING WARNING LAMP		
2G21	KIT, FRONT WHEEL BEARING		
2H3	KIT, FRONT WHEEL BEARING		
2C13	KIT, HYDRAULIC PUMP ELECTRIC DESTROKE		
2C15	KIT, HYDRAULIC PUMP ELECTRIC DESTROKE		
2C24	KIT, HYDRAULIC PUMP ELECTRIC DESTROKE		
2C16	KIT, HYDRAULIC PUMP OVERHAUL.....		
2D1	KIT, HYDRAULIC PUMP OVERHAUL.....		
1E21	KIT, NEUTRAL START SWITCH.....		
1E21	KIT, NEUTRAL START SWITCH ADJ.		
2D8	KIT, O-RING, HYDRAULIC		
2G6	KIT, OVERHAUL, REMOTE CYLINDER		
1K10	KIT, PFWD REPLACEMENT		
1B22	KIT, PISTON LINER		
1K6	KIT, PRESSURE RELIEF VALVE (PFWD)		
1H6	KIT, RADIO MOUNTING		
1G5	KIT, REAR CENTER FLOOD LAMP		
2G4	KIT, REMOTE CYLINDER CONVERSION		
2F21	KIT, REMOTE CYLINDER OVERHAUL		
2F23	KIT, REMOTE CYLINDER OVERHAUL		

1A16

4320 TRACTOR

ALPHABETICAL INDEX - CONTINUED

GRID	PAGE	GRID	PAGE		
2G1	KIT, REMOTE CYLINDER OVERHAUL	70-84	1D20	LINES, FUEL	30-18
2G3	KIT, REMOTE CYLINDER OVERHAUL	70-86	1D21	LINES, FUEL INJECTION	30-19
2D19	KIT, REVERSE SIGNAL LOCKOUT	70-38	2D14	LINES, OIL (PFWD)	70-33
2D23	KIT, REVERSE SIGNAL LOCKOUT	70-42	2B21	LINES, OIL PRESSURE, BRAKE	60-20
2F1	KIT, SELECTIVE CONTROL VALVE	70-65A	2E7	LINES, POWER WEIGHT TRANSFER HITCH	70-49
2F6	KIT, SELECTIVE CONTROL VALVE DETENT	70-68B	1D8	LINES, TURBOCHARGER OIL	30-6
2F5	KIT, SELECTIVE CONTROL VALVE OVERHAUL	70-68A	2E10	LINK, CENTER	70-52
1F5	KIT, STARTER SOLENOID COVER (DELCO-REMY)	40-25	1J17	LINK, DIFFERENTIAL LOCK RELEASE	50-34
1F6	KIT, STARTER SOLENOID KIT (DELCO-REMY)	40-25A	2E8	LINK, LIFT	70-50
1F23	KIT, STARTING MOTOR SEALING	40-43	2E21	LINK, POWER WEIGHT TRANSFER HITCH	70-63
2B9	KIT, STEERING VALVE CYLINDER OVERHAUL	60-8	2E1	LINKAGE, ROCKSHAFT CONTROL	70-44
2B7	KIT, STEERING VALVE OVERHAUL	60-6	2E25	LINKAGE, SELECTIVE CONTROL	70-65
2C11	KIT, STROKE CONTROL VALVE SHUT-OFF	70-8	1E1	LINKAGE, SPEED CONTROL	30-24
2C22	KIT, STROKE CONTROL VALVE SHUT-OFF	70-18	1E2	LINKAGE, SPEED CONTROL	30-25
2H23	KIT, SUPER HEAT SHUT-OFF	90-2	2E9	LINKS, DRAFT	70-51
1H18	KIT, SUPPLEMENTARY WIRING	40-86	2D23	LOAD CONTROL	70-42
1B23	KIT, UNDERHAUL ENGINE (STD. BRGS)	20-17	2E1	LOAD SELECTOR CONTROL	70-44
1C2	KIT, UNDERSIZE MAIN BRG CRANKSHAFT (EARLIEST DESIGN)	20-20	2J20	LOCTITE SEALANT	90-42
1C6	KIT, UNDERSIZE MN BEARING CRANKSHAFT AND BEARING (LATE DESIGN)	20-21C			
1C5	KIT, UNDERSIZE MN BRG CRANKSHAFT AND BRG (EARLY DESIGN)	20-21B		M	
1C3	KIT, UNDERSIZED CRANKSHAFT (EARLY DESIGN)	20-21	1C7	MAIN BEARINGS	20-22
1C4	KIT, UNDERSIZED CRANKSHAFT (CONNECTING ROD JOURNAL) (LATE DESIGN)	20-21A	1F19	MAIN FRAME, STARTER (JOHN DEERE) (DIESEL)	40-39
1G3	KIT, UPPER FRONT FLOOD LAMP	40-48	1C7	MAIN THRUST BEARINGS	20-22
1I5	KIT, ELECTRICAL CONNECTOR AND TERMINAL	40-98	1D14	MANIFOLD, EXHAUST	30-12
2G15	KNEE, FRONT AXLE	80-2	1D5	MANIFOLD, INTAKE	30-3
2G25	KNEE, FRONT AXLE (PFWD)	80-11	1C19	MANIFOLD, WATER	20-34
1E2	KNOB, HAND SPEED CONTROL LINKAGE	30-25	1J23	MANIFOLD, WHEEL (PFWD)	50-40
2G17	KNUCKLE, FRONT AXLE (FIXED TREAD)	80-4	1J6	MASTER SHIELD	50-23
			2J10	MAT, FLOOR	90-33
			2I20	MAT, PLATFORM (ROW-CROP)	90-21
			2I21	MAT, PLATFORM (STANDARD)	90-22
			1G14	METER, SPEED-HOUR	40-59
			2D17	METERING VALVE, ROCKSHAFT	70-36
			2F2	METERING VALVE, SCV	70-66
			2J25	MIRROR, REAR VIEW	90-47
			2K1	MIRROR, REAR VIEW	90-48
			1J22	MOTOR HOUSING (PFWD)	50-39
			2G25	MOTOR HOUSING (PFWD)	80-11
			1F4	MOTOR, STARTING	40-24
			1F7	MOTOR, STARTING (DELCO-REMY)	40-26
			2B15	MOTOR, STEERING	60-14
			1E22	MOUNTING BRACKET, ALTERNATOR	40-16
			2J15	MOUNTING HANDLE	90-38
			1H6	MOUNTING KIT, RADIO	40-73
			1D13	MUFFLER	30-11
				N	
			1I25	NEUTRAL START SWITCH	50-16
			1E21	NEUTRAL START SWITCH ADJ. KIT	40-14
			1E21	NEUTRAL START SWITCH KIT	40-14
			1G19	NOISE SUPPRESSOR, RADIO	40-64
			1G21	NOISE SUPPRESSOR, RADIO	40-66
			1G23	NOISE SUPPRESSOR, RADIO	40-68
			1D24	NOZZLE, FUEL INJECTION	30-22
			1D21	NOZZLES, FUEL INJECTION	30-19
				O	
			2D8	O-RING AIR CONDITIONING KIT	70-27
			2D8	O-RING PACKING KIT	70-27
			2D12	OIL COOLER RETURN PIPE	70-31

1A17

4320 TRACTOR

ALPHABETICAL INDEX - CONTINUED

GRID		PAGE	GRID		PAGE
1C14	OIL COOLER, ENGINE	20-29	1K1	PINION, PLANET (PFWD)	50-43
2D13	OIL COOLER, HYDRAULIC	70-32	1K2	PINION, PLANET (PFWD)	50-44
1J4	OIL FILTER COVER, TRANSMISSION	50-20	2D12	PIPE, OIL COOLER RETURN	70-31
1J4	OIL FILTER ELEMENT, TRANSMISSION	50-20	2C1	PIPE, OIL RETURN, BRAKE	60-26
1J5	OIL FILTER RELIEF VALVE	50-22	1K6	PIPE, PRESSURE RELIEF VALVE BYPASS	50-48
1C13	OIL FILTER, ENGINE	20-28	1D3	PIPES, AIR INTAKE	30-1
1C23	OIL HEATER	20-38	1D5	PIPES, AIR INTAKE	30-3
2D14	OIL LINES (PFWD)	70-33	1J19	PIPES, OIL, DIFFERENTIAL LOCK	50-36
2B21	OIL LINES, BRAKE, PRESSURE	60-20	2D10	PIPES, OIL, MAIN HYDRAULIC	70-29
2G10	OIL LINES, HYDRAULIC, IMPLEMENT	70-94	1I16	PIPES, OIL, PTO CLUTCH	50-8
2E7	OIL LINES, POWER WEIGHT TRANSFER	70-49	2D11	PIPES, OIL, RETURN	70-30
1D8	OIL LINES, TURBOCHARGER	30-6	2B12	PIPES, OIL, STEERING MOTOR	60-11
1B20	OIL PAN	20-14	2B13	PIPES, OIL, STEERING MOTOR	60-12
1B20	OIL PAN GASKET	20-14	2B11	PIPES, OIL, STEERING VALVE	60-10
1B21	OIL PAN REPLACEMENT KIT	20-15	2B14	PIPES, OIL, SUPPORT	60-13
2C1	OIL PIPE, BRAKE RETURN	60-26	2B22	PISTON ACCUMULATOR	60-22
2B14	OIL PIPES SUPPORT	60-13	1B22	PISTON LINER KIT	20-16
1J19	OIL PIPES, DIFFERENTIAL LOCK	50-36	1B22	PISTON RINGS	20-16
2D10	OIL PIPES, HYDRAULIC SYSTEM	70-29	1B22	PISTON, ENGINE	20-16
1I16	OIL PIPES, PTO CLUTCH	50-8	2D20	PISTON, ROCKSHAFT	70-39
2B12	OIL PIPES, STEERING MOTOR	60-11	2B3	PISTON, STEERING VALVE	60-2
2B13	OIL PIPES, STEERING MOTOR	60-12	1J25	PISTON, WHEEL CYLINDER BLOCK (PFWD)	50-42
2B11	OIL PIPES, STEERING VALVE	60-10	2G14	PIVOT BRACKET, FRONT AXLE	80-1
1C11	OIL PUMP, ENGINE	20-26	2G17	PIVOT BRACKET, FRONT AXLE	80-4
1C12	OIL PUMP, REPLACEMENT ENGINE	20-27	2G22	PIVOT BRACKET, FRONT AXLE (PFWD)	80-8
1J3	OIL PUMP, TRANSMISSION	50-19	1K1	PLANET PINION (PFWD)	50-43
2D13	OIL RESERVOIR	70-32	1K2	PLANET PINION (PFWD)	50-44
2D11	OIL RETURN PIPES, HYDRAULIC	70-30	1J20	PLANET PINION CARRIER	50-37
1C9	OIL SEAL, CRANKSHAFT	20-24	1K1	PLANETARY HOUSING (PFWD)	50-43
2D7	OIL, HYDRAULIC AND TRANSMISSION	70-26	2B20	PLATE, BRAKE	60-19
2J18	OPERATOR SHIELDS	90-40	2B19	PLATE, BRAKE FACING	60-18
2H15	ORNAMENT, HOOD	80-25	2B19	PLATE, BRAKE PRESSURE	60-18
2F14	OVERHAUL KIT, BREAKAWAY COUPLER	70-75B	2H14	PLATE, FRONT	80-24
1K8	OVERHAUL KIT, CONTROL VALVE (PFWD)	50-50	2H8	PLATE, FRONT FRAME	80-18
1B18	OVERHAUL KIT, ENGINE	20-13C	1I21	PLATE, SYNCHRONIZER	50-14
2C16	OVERHAUL KIT, HYDRAULIC PUMP	70-12	2J8	PLATFORM	90-31
2D1	OVERHAUL KIT, HYDRAULIC PUMP	70-20	2I20	PLATFORM (ROW-CROP)	90-21
2F10	OVERHAUL KIT, ISO COUPLER	70-72	2I21	PLATFORM (STANDARD)	90-22
2G6	OVERHAUL KIT, REMOTE CYLINDER	70-90	2I20	PLATFORM MAT (ROW-CROP)	90-21
2F5	OVERHAUL KIT, SELECTIVE CONTROL VALVE	70-68A	2I21	PLATFORM MAT (STANDARD)	90-22
2B9	OVERHAUL KIT, STEERING VALVE CYLINDER	60-8	2G22	POWER FRONT WHEEL DRIVE	80-8
2F4	OVERHAUL, SELECTIVE CONTROL VALVE	70-68	2E7	POWER WEIGHT HITCH OIL GAUGE	70-49
			2E6	POWER WEIGHT TRANSFER CONTROL VALVE	70-48
			2E20	POWER WEIGHT TRANSFER COUPLER	70-62
			2E21	POWER WEIGHT TRANSFER HITCH LINK	70-63
			2D9	PRESSURE CONTROL VALVE	70-28
			2D10	PRESSURE CONTROL VALVE	70-29
			1K6	PRESSURE RELIEF VALVE (PFWD)	50-48
			1I12	PTO CLUTCH	50-4
			1I14	PTO CLUTCH CONTROL	50-6
			1I14	PTO CLUTCH LEVER LINKAGE	50-6
			1I15	PTO CLUTCH VALVE	50-7
			1J11	PTO DRIVE SHAFT	50-28
			1J8	PTO DRIVE SHIFT	50-25
			1J6	PTO GUARD	50-23
			1J11	PTO IDLER GEARS	50-28
			1J6	PTO MASTER SHIELD	50-23
			1J10	PULLEY, BELT	50-27
			2H22	PULLEY, COMPRESSOR	90-1
			1B24	PULLEY, CRANKSHAFT	20-18
			1C15	PULLEY, FAN	20-30
			2C6	PUMP ASSEMBLY, HYDRAULIC, REPLACEMENT	70-3
			1C11	PUMP, ENGINE OIL	20-26
			1D20	PUMP, FUEL	30-18
			1D21	PUMP, FUEL INJECTION	30-19
			2C7	PUMP, HYDRAULIC (3 IN3)	70-4
			2C9	PUMP, HYDRAULIC (4 IN3)	70-6

P

1B20	PAN, OIL	20-14
2J8	PANEL, BAFFLE	90-31
2J9	PANEL, CAB REAR FILLER	90-32
2J5	PANEL, FRONT WINDOW PANEL	90-28
1G13	PANEL, INSTRUMENT	40-58
2H14	PANEL, SIDE	80-24
2B16	PEDAL, BRAKE	60-15
1I10	PEDAL, CLUTCH	50-2
1J17	PEDAL, DIFFERENTIAL LOCK	50-34
1E1	PEDAL, FOOT SPEED	30-24
1H11	PERFORMANCE TRAK II MINI-MONITOR	40-78
1K10	PFWD REPLACEMENT KIT	50-52
2E16	PIN, DRAWBAR	70-58
2E17	PIN, DRAWBAR	70-59
2E18	PIN, DRAWBAR	70-60
1I20	PINION, BEVEL, DIFFERENTIAL	50-12
1J12	PINION, BEVEL, DIFFERENTIAL	50-29
1J15	PINION, BEVEL, DIFFERENTIAL	50-32
1I21	PINION, HIGH RANGE	50-14
1I21	PINION, LOW RANGE	50-14
1J20	PINION, PLANET	50-37

1A18

4320 TRACTOR

ALPHABETICAL INDEX - CONTINUED

GRID	PAGE	GRID	PAGE		
2C18	PUMP, HYDRAULIC REPLACEMENT (3 IN3)	70-14	1H16	REMOTE CONTROL WIRING KIT, ELECTRICAL	40-84
2C20	PUMP, HYDRAULIC REPLACEMENT (4 IN3)	70-16	1H15	REMOTE CONTROL WIRING, ELECTRICAL.....	40-83
1J3	PUMP, OIL, TRANSMISSION	50-19	1H13	REMOTE CONTROL, ELECTRICAL	40-80
1C12	PUMP, REPLACEMENT ENGINE OIL	20-27	2F18	REMOTE CYLINDER	70-77
1C15	PUMP, WATER.....	20-30	2F19	REMOTE CYLINDER	70-78
1B9	PUSH RODS.....	20-6	2F21	REMOTE CYLINDER	70-80
Q					
1J2	QUADRANT, SPEED CHANGE	50-18	2G4	REMOTE CYLINDER CONVERSION KIT.....	70-88
1J2	QUADRANT, SPEED RANGE	50-18	2G7	REMOTE CYLINDER CONVERSION KIT.....	70-91
2E14	QUICK COUPLER (HEAVY-DUTY)	70-56	2G9	REMOTE CYLINDER HOSE IDENTIFICATION KIT.....	70-93
2E12	QUICK COUPLER (REGULAR-DUTY)	70-54	2G3	REMOTE CYLINDER OVERHAUL KIT	70-86
2H11	QUIK-TATCH WEIGHTS	80-21	2G6	REMOTE CYLINDER OVERHAUL KIT	70-90
2H12	QUIK-TATCH WEIGHTS	80-22	2F23	REMOTE CYLINDER PARTS	70-82
1J10	QUILL, BELT PULLEY	50-27	2G1	REMOTE CYLINDER PARTS	70-84
1J8	QUILL, PTO FRONT BEARING.....	50-25	1I23	REPAIR KIT, SYNCHRONIZER	50-15A
1J9	QUILL, PTO FRONT BEARING.....	50-26	1C16	REPAIR KIT, WATER PUMP.....	20-31
1J9	QUILL, PTO REAR BEARING	50-26	1C1	REPLACEMENT CRANKSHAFT	20-19A
1J7	QUILL, REAR PTO BEARING	50-24	1C12	REPLACEMENT ENGINE OIL PUMP.....	20-27
R					
1H9	RADAR SENSOR	40-76	2C6	REPLACEMENT HYDRAULIC PUMP ASSEMBLY.....	70-3
1H9	RADAR SENSOR BRACKET.....	40-76	1B21	REPLACEMENT KIT, OIL PAN	20-15
1H9	RADAR SENSOR WIRING HARNESS	40-76	1K7	REPLACEMENT RELIEF VALVE	50-49
1C17	RADIATOR	20-32	2D13	RESERVOIR, OIL.....	70-32
1C17	RADIATOR CAP	20-32	2D19	REVERSE SIGNAL LOCKOUT, KIT	70-38
1G23	RADIO (BENDIX)	40-68	2H4	RIM, DEMOUNTABLE	80-14
1G19	RADIO (MOTOROLA).....	40-64	1B22	RINGS, PISTON	20-16
1G21	RADIO (MOTOROLA).....	40-66	1B6	ROCKER ARM COVER	20-3
1H1	RADIO (MOTOROLA).....	40-69A	1B9	ROCKER ARM SHAFT.....	20-6
1H5	RADIO HEADPHONES.....	40-72	1B9	ROCKER ARMS	20-6
1H6	RADIO MOUNTING KIT	40-73	2J16	ROCKSHAFT CONSOLE	90-39A
1G19	RADIO NOISE SUPPRESSOR	40-64	2E3	ROCKSHAFT CONTROL LEVER	70-46
1G21	RADIO NOISE SUPPRESSOR	40-66	2D17	ROCKSHAFT CONTROL VALVE HOUSING	70-36
1G23	RADIO NOISE SUPPRESSOR	40-68	2D18	ROCKSHAFT CONTROL VALVE HOUSING	70-37
1H3	RADIO, CAB	40-70	2E3	ROCKSHAFT HEIGHT STOP	70-46
1J20	REAR AXLE HOUSING	50-37	2D15	ROCKSHAFT HOUSING	70-34
1J20	REAR AXLE SHAFT.....	50-37	2D15	ROCKSHAFT HOUSING COVER	70-34
1G5	REAR CENTER FLOOD LAMP KIT	40-50	2D20	ROCKSHAFT LIFT ARMS	70-39
1F24	REAR LAMPS (ROW-CROP).....	40-44	2E1	ROCKSHAFT LINKAGE AND CONTROL	70-44
1G1	REAR LAMPS (ROW-CROP).....	40-46	2D10	ROCKSHAFT OIL PIPES	70-29
1F25	REAR LAMPS (STANDARD).....	40-45	2D11	ROCKSHAFT OIL PIPES	70-30
1G2	REAR LAMPS (STANDARD)	40-47	2D20	ROCKSHAFT PISTON	70-39
1G8	REAR LAMPS, CAB.....	40-53	2D21	ROCKSHAFT PISTON COVER	70-40
2J25	REAR VIEW MIRROR	90-47	2G16	ROD, TIE	80-3
2K1	REAR VIEW MIRROR	90-48	2G18	ROD, TIE (FIXED TREAD)	80-5
2H6	REAR WHEEL WEIGHTS (CAST DISK WHEELS)	80-16	1B22	RODS, CONNECTING	20-16
2H4	REAR WHEELS	80-14	1B9	RODS, PUSH	20-6
2H5	REAR WHEELS, DUAL	80-15	2G24	RODS, TIE (PFWD)	80-10
2H25	RECEIVER-DRYER, CAB.....	90-4	2I13	ROLL-GARD (ROW-CROP AND STANDARD).....	90-17
1F1	REGULATOR	40-20	2I14	ROLL-GARD (W/O HI CROP)	90-17A
1E22	REGULATOR, ALTERNATOR	40-16	2I16	ROLL-GARD CANOPY.....	90-18
1F2	REGULATOR, ALTERNATOR (LATE DESIGN)	40-22	2J6	ROOF, CAB	90-29
1E15	RELAY WIRING KIT, ACCESSORY	40-8	1D11	ROTATING PARTS, TURBOCHARGER (AIRESEARCH)	30-9
1E18	RELAY, STARTER CIRCUIT	40-11	S		
1E19	RELAY, STARTER CIRCUIT	40-12	2E23	SAFETY CHAIN	70-64B
1E20	RELAY, STARTING CIRCUIT	40-13	2E23	SAFETY CHAIN ATTACHMENT KIT	70-64B
1H18	RELAY, SUPPLEMENTARY WIRING	40-86	2E22	SAFETY CHAIN, IMPLEMENT	70-64A
1H15	RELAY, WIRING, ELECTRICAL REMOTE CONTROL.....	40-83	1C9	SEAL, CRANKSHAFT OIL	20-24
1K7	RELIEF VALVE.....	50-49	1C10	SEAL, FRONT OIL	20-25
1J5	RELIEF VALVE, OIL FILTER	50-22	1C15	SEAL, WATER PUMP	20-30
1H15	REMOTE CONTROL CIRCUIT BREAKER	40-83	2J20	SEALANT, LOCTITE.....	90-42
1H14	REMOTE CONTROL KIT, ELECTRICAL	40-81	1F23	SEALING KIT, STARTING MOTOR	40-43
			2I10	SEAT BACK CUSHION	90-14
			2I13	SEAT BELT (ROW-CROP AND STANDARD)	90-17
			2I14	SEAT BELT (W/O HI CROP).....	90-17A
			2I10	SEAT CUSHION	90-14

1A19

4320 TRACTOR

ALPHABETICAL INDEX - CONTINUED

GRID		PAGE	GRID		PAGE
2I11	SEAT SUPPORT, DELUXE	90-15	1F18	STARTER ARMATURE (JOHN DEERE) (DIESEL).....	40-38
2I12	SEAT SUSPENSION, DELUXE	90-16	1E18	STARTER CIRCUIT RELAY.....	40-11
2J16	SELECTIVE CONTROL CONSOLE.....	90-39A	1E19	STARTER CIRCUIT RELAY.....	40-12
2E25	SELECTIVE CONTROL LEVERS	70-65	1F19	STARTER COIL (JOHN DEERE) (DIESEL).....	40-39
2F2	SELECTIVE CONTROL VALVE.....	70-66	1F20	STARTER COMMUTATOR END FRAME (JOHN DEERE) (DIESEL)	40-40
2F4	SELECTIVE CONTROL VALVE.....	70-68	1F12	STARTER DRIVE HOUSING (DELCO-REMY)	40-32
2F6	SELECTIVE CONTROL VALVE DETENT KIT	70-68B	1F18	STARTER DRIVE HOUSING (JOHN DEERE) (DIESEL).....	40-38
2F12	SELECTIVE CONTROL VALVE HOUSING	70-74	1B24	STARTER GEAR	20-18
2F1	SELECTIVE CONTROL VALVE KIT	70-65A	1F12	STARTER GEAR (DELCO-REMY)	40-32
2F5	SELECTIVE CONTROL VALVE OVERHAUL KIT.....	70-68A	1F14	STARTER MAIN FRAME (DELCO-REMY)	40-34
2E5	SELECTIVE CONTROL VALVE SUPPORT	70-47	1F19	STARTER MAIN FRAME (JOHN DEERE) (DIESEL).....	40-39
1D18	SENDER, FUEL GAUGE	30-16	1F17	STARTER SOLENOID COVER (JOHN DEERE)	40-37
1H9	SENSOR, RADAR	40-76	1F5	STARTER SOLENOID COVER KIT (DELCO-REMY).....	40-25
1J10	SHAFT, BELT PULLEY	50-27	1F6	STARTER SOLENOID COVER KIT (DELCO-REMY).....	40-25A
1I12	SHAFT, CLUTCH	50-4	1F16	STARTER SOLENOID SWITCH (DELCO-REMY)	40-36
1I14	SHAFT, CLUTCH FORK	50-6	1F21	STARTER SOLENOID SWITCH (JOHN DEERE).....	40-41
2D23	SHAFT, LOAD CONTROL	70-42	1F22	STARTER SOLENOID SWITCH (JOHN DEERE).....	40-42
1J20	SHAFT, PLANET PINION.....	50-37	1D16	STARTING AID KIT, ETHER	30-14
1J9	SHAFT, PTO.....	50-26	1D17	STARTING AID TUBE KIT.....	30-15
1J7	SHAFT, PTO DRIVE.....	50-24	1E20	STARTING CIRCUIT RELAY	40-13
1J11	SHAFT, PTO DRIVE.....	50-28	1D15	STARTING FLUID.....	30-13
1J20	SHAFT, REAR AXLE	50-37	1D17	STARTING FLUID TUBE KIT	30-15
1J7	SHAFT, REAR PTO	50-24	1F4	STARTING MOTOR	40-24
1B9	SHAFT, ROCKER ARM	20-6	1F7	STARTING MOTOR (DELCO-REMY)	40-26
1I25	SHAFT, SHIFTER	50-16	1F23	STARTING MOTOR SEALING KIT	40-43
1J1	SHAFT, SHIFTER	50-17	2G16	STEERING ARM.....	80-3
2B3	SHAFT, STEERING	60-2	2G18	STEERING ARM (FIXED TREAD).....	80-5
2G23	SHIELD, HYDRAULIC LINE (PFWD).....	80-9	2G24	STEERING ARMS (PFWD)	80-10
2J18	SHIELD, OPERATOR.....	90-40	2B15	STEERING MOTOR	60-14
1J6	SHIELD, PTO MASTER	50-23	2B12	STEERING MOTOR OIL PIPES	60-11
2H14	SHIELD, SIDE.....	80-24	2B13	STEERING MOTOR OIL PIPES	60-12
1I25	SHIFTER SHAFTS	50-16	2B6	STEERING VALVE ASSEMBLY	60-5
1J1	SHIFTER SHAFTS	50-17	2B7	STEERING VALVE ASSEMBLY	60-6
1B22	SHIM, LINER, ENGINE	20-16	2B8	STEERING VALVE COVER	60-7
2I12	SHOCK ABSORBER, SEAT SUPPORT	90-16	2B3	STEERING VALVE CYLINDER	60-2
1B12	SHORT BLOCK	20-10	2B5	STEERING VALVE CYLINDER COVER	60-4
1B16	SHORT BLOCK, ENGINE (WITHOUT OIL PUMP)	20-13A	2B9	STEERING VALVE CYLINDER OVERHAUL KIT	60-8
1B14	SHORT BLOCK, ENGINE (WITH OIL PUMP)	20-12	2B11	STEERING VALVE OIL PIPES	60-10
1C17	SHROUD, FAN	20-32	2B8	STEERING VALVE OPERATING LEVER	60-7
1D25	SHUT-OFF, FUEL INJECTION PUMP ELECTRIC	30-23	2B3	STEERING VALVE PISTON	60-2
2H14	SIDE PANELS	80-24	2B3	STEERING WHEEL	60-2
2H9	SIDE WEIGHT	80-19	2B3	STEERING WHEEL EMBLEM	60-2
2H8	SIDE, FRAME.....	80-18	2J11	STEP, CAB	90-34
2G20	SINGLE FRONT WHEEL	80-7	2H16	STEP, TRACTOR (ROW-CROP)	80-26
2J23	SLOW MOVING VEHICLE EMBLEM.....	90-45	2H17	STEP, TRACTOR (STANDARD)	80-27
1H21	SOCKET, ELECTRICAL OUTLET	40-89	2E3	STOP, ROCKSHAFT HEIGHT.....	70-46
1F7	SOLENOID SWITCH (DELCO-REMY)	40-26	1E12	STRAP, BATTERY GROUND	40-5
1F11	SOLENOID SWITCH (DELCO-REMY)	40-30	1E11	STRAP, BATTERY GROUND (ROW-CROP)	40-4
1F16	SOLENOID SWITCH (DELCO-REMY)	40-36	2C11	STROKE CONTROL VALVE SHUT-OFF KIT	70-8
1F21	SOLENOID SWITCH, STARTER (JOHN DEERE)	40-41	2C22	STROKE CONTROL VALVE SHUT-OFF KIT	70-18
1F22	SOLENOID SWITCH, STARTER (JOHN DEERE)	40-42	2C11	STROKE CONTROL VALVE, HYDRAULIC PUMP.....	70-8
1K3	SOLENOID VALVE (PFWD).....	50-45	2C22	STROKE CONTROL VALVE, HYDRAULIC PUMP.....	70-18
1K5	SOLENOID VALVE (PFWD).....	50-47	1I3	SUPPLEMENTARY TERMINALS AND CONNECTORS.....	40-96
2C15	SOLENOID, DESTROKE (ELECTRIC)	70-11A	1H18	SUPPLEMENTARY WIRING KIT	40-86
2C24	SOLENOID, DESTROKE (ELECTRIC)	70-19A	2J11	SUPPORT, CAB FRONT	90-34
1J1	SPEED CHANGE ARM	50-17	2J13	SUPPORT, CONTROL	90-36
1E1	SPEED CONTROL LINKAGE	30-24	2J14	SUPPORT, DASH.....	90-37
1E2	SPEED CONTROL LINKAGE	30-25	2I11	SUPPORT, DELUXE SEAT	90-15
1I25	SPEED RANGE ARM.....	50-16	2E16	SUPPORT, DRAWBAR FRONT.....	70-58
1G14	SPEED-HOUR METER.....	40-59	2H8	SUPPORT, FRONT PLATE	80-18
2G19	SPINDLE EXTENSION, FRONT WHEEL	80-6	2B14	SUPPORT, HYDRAULIC OIL PIPE	60-13
2B15	SPINDLE, STEERING MOTOR	60-14	2D23	SUPPORT, LOAD CONTROL	70-42
1D6	STACK, VERTICAL AIR	30-4			
1F4	STARTER	40-24			
1F7	STARTER (DELCO-REMY)	40-26			
1F9	STARTER (DELCO-REMY)	40-28			

1A20

4320 TRACTOR

ALPHABETICAL INDEX - CONTINUED

GRID		PAGE	GRID		PAGE
2E5	SUPPORT, SELECTIVE CONTROL VALVE	70-47		U	
2J21	SUPPORT, TOOL BOX	90-43	1B23	UNDERHAUL KIT, ENGINE (STD. BRGS)	20-17
2I12	SUSPENSION, DELUXE SEAT	90-16	1C4	UNDERSIZE CRANKSHAFT KIT (CONNECTING ROD JOURNAL) (LATE DESIGN)	20-21A
2E17	SWAY CONTROL BLOCKS	70-59	1C3	UNDERSIZE CRANKSHAFT KIT (EARLY DESIGN)	20-21
1G10	SWITCH, DIMMER	40-55	1C5	UNDERSIZE MAIN BEARING CRANKSHAFT AND BEARING KIT (EARLY DESIGN)	20-21B
1H13	SWITCH, ELECTRICAL REMOTE CONTROL	40-80	1C6	UNDERSIZE MAIN BEARING CRANKSHAFT AND BEARING KIT (LATE DESIGN)	20-21C
1G15	SWITCH, HORN	40-60	1C2	UNDERSIZE MAIN BEARING CRANKSHAFT KIT (EARLIEST DESIGN)	20-20
1G17	SWITCH, HORN	40-62	2J10	UPHOLSTERING	90-33
1G12	SWITCH, IGNITION	40-57		V	
1G12	SWITCH, KEY	40-57	2D18	VALVE HOUSING, ROCKSHAFT CONTROL	70-37
1G12	SWITCH, LIGHT	40-57	1B7	VALVE INSERTS	20-4
1I25	SWITCH, NEUTRAL START	50-16	2I2	VALVE KIT COMPRESSOR	90-6
1F7	SWITCH, SOLENOID (DELCO-REMY)	40-26	2B17	VALVE, BRAKE	60-16
1F11	SWITCH, SOLENOID (DELCO-REMY)	40-30	1K8	VALVE, CONTROL, OVERHAUL KIT (PFWD)	50-50
1F16	SWITCH, SOLENOID (DELCO-REMY)	40-36	1J18	VALVE, DIFFERENTIAL LOCK	50-35
1F21	SWITCH, STARTER SOLENOID (JOHN DEERE)	40-41	1K3	VALVE, DIRECTIONAL CONTROL (PFWD)	50-45
1F22	SWITCH, STARTER SOLENOID (JOHN DEERE)	40-42	1K4	VALVE, DIRECTIONAL CONTROL (PFWD)	50-46
1G9	SWITCHES, ELECTRICAL (PFWD)	40-54	2D17	VALVE, FLOW CONTROL, ROCKSHAFT	70-36
1I21	SYNCHRONIZER DRUM	50-14	2F2	VALVE, FLOW CONTROL, SCV	70-66
1I23	SYNCHRONIZER REPAIR KIT	50-15A	2D17	VALVE, METERING, ROCKSHAFT	70-36
	T		2F2	VALVE, METERING, SCV	70-66
1B11	TACHOMETER DRIVE	20-8	1J5	VALVE, OIL FILTER RELIEF	50-22
1G8	TAIL LAMPS, CAB	40-53	2E6	VALVE, POWER WEIGHT TRANSFER CONTROL	70-48
1D18	TANK, FUEL	30-16	2D9	VALVE, PRESSURE CONTROL	70-28
1I3	TERMINALS AND CONNECTORS, SUPPLEMENTARY	40-96	2D10	VALVE, PRESSURE CONTROL	70-29
1H22	TERMINALS, ELECTRICAL	40-90	1K6	VALVE, PRESSURE RELIEF (PFWD)	50-48
1H24	TERMINALS, ELECTRICAL	40-92	1I15	VALVE, PTO CLUTCH	50-7
1I1	TERMINALS, ELECTRICAL	40-94	1K7	VALVE, RELIEF	50-49
2D17	THERMAL RELIEF VALVE, ROCKSHAFT	70-36	2F2	VALVE, SELECTIVE CONTROL	70-66
1C19	THERMOSTAT	20-34	2F4	VALVE, SELECTIVE CONTROL	70-68
2E14	THREE-POINT HITCH	70-56	1K3	VALVE, SOLENOID (PFWD)	50-45
2G16	TIE RODS	80-3	1K5	VALVE, SOLENOID (PFWD)	50-47
2G18	TIE RODS (FIXED TREAD)	80-5	2B6	VALVE, STEERING ASSEMBLY	60-5
2G24	TIE RODS (PFWD)	80-10	2B7	VALVE, STEERING, ASSEMBLY	60-6
1C10	TIMING GEAR COVER	20-25	2D17	VALVE, THERMAL RELIEF, ROCKSHAFT	70-36
2J21	TOOL BOX	90-43	1B7	VALVES, EXHAUST	20-4
2J22	TOOL BOX	90-44	1B7	VALVES, INTAKE	20-4
2J19	TOOLS	90-41	1B6	VENTILATOR TUBE, ENGINE	20-3
2H16	TRACTOR STEP (ROW-CROP)	80-26	1D6	VERTICAL AIR STACK	30-4
2H17	TRACTOR, STEP (STANDARD)	80-27		W	
2E6	TRANSFER CONTROL VALVE, POWER WEIGHT	70-48	1G6	WARNING LAMP	40-51
2E20	TRANSFER COUPLER, POWER WEIGHT	70-62	1G12	WARNING LAMP FLASHER	40-57
1I21	TRANSMISSION BLOCKERS	50-14	1G7	WARNING LAMP KIT, FLASHING	40-52
1I17	TRANSMISSION CASE	50-9	1F24	WARNING LAMPS (ROW-CROP)	40-44
1I18	TRANSMISSION CASE COVER	50-10	1G1	WARNING LAMPS (ROW-CROP)	40-46
1I19	TRANSMISSION COUNTERSHAFT	50-11	1F25	WARNING LAMPS (STANDARD)	40-45
1I21	TRANSMISSION DRIVE	50-14	1G2	WARNING LAMPS (STANDARD)	40-47
1I21	TRANSMISSION DRUM	50-14	1G8	WARNING LAMPS, CAB	40-53
1I20	TRANSMISSION GEARS	50-12	1C19	WATER MANIFOLD	20-34
2D7	TRANSMISSION OIL	70-26	1C15	WATER PUMP	20-30
1E3	TRANSMISSION OIL FILTER	30-26	1C15	WATER PUMP BEARING	20-30
2D16	TRANSMISSION REAR COVER	70-35	1C15	WATER PUMP GASKET	20-30
1B6	TUBE, ENGINE VENTILATOR	20-3	1C15	WATER PUMP IMPELLER	20-30
1D9	TURBOCHARGER (AIRESEARCH)	30-7	1C16	WATER PUMP REPAIR KIT	20-31
1D10	TURBOCHARGER (AIRESEARCH)	30-8	1C15	WATER PUMP SEAL	20-30
1D12	TURBOCHARGER (SCHWITZER)	30-10	1G13	WATER TEMPERATURE GAUGE	40-58
1D11	TURBOCHARGER CENTER HOUSING (AIRESEARCH) ..	30-9			
1D8	TURBOCHARGER OIL LINES	30-6			
1D11	TURBOCHARGER ROTATING PARTS (AIRESEARCH)	30-9			

1A21

4320 TRACTOR

ALPHABETICAL INDEX - CONTINUED

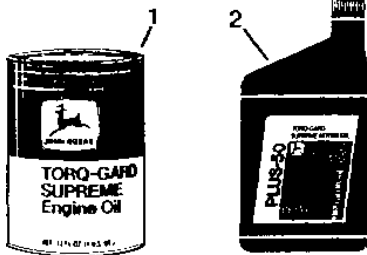
<i>GRID</i>		<i>PAGE</i>	<i>GRID</i>	<i>PAGE</i>
2K2	WEATHERSHIELDS	90-49		
2H9	WEIGHT, FRONT	80-19		
2H10	WEIGHT, FRONT	80-20		
2H11	WEIGHT, FRONT	80-21		
2H12	WEIGHT, FRONT	80-22		
2H6	WEIGHT, REAR WHEEL (CAST DISK WHEELS)	80-16		
2H7	WEIGHT, REAR WHEEL (34" OR 38" DISK)	80-17		
1J25	WHEEL CYLINDER BLOCK (PFWD)	50-42		
1J22	WHEEL HUB (PFWD)	50-39		
1J23	WHEEL MANIFOLD (PFWD)	50-40		
2G25	WHEEL MOTOR (PFWD).....	80-11		
2H7	WHEEL WEIGHT, REAR (34" OR 38" DISK)	80-17		
2H2	WHEEL, FRONT.....	80-13		
2G20	WHEEL, FRONT, PARTS.....	80-7		
2H4	WHEEL, REAR DISK	80-14		
2B3	WHEEL, STEERING	60-2		
2H1	WHEELS, DRIVE (PFWD)	80-12		
2H5	WHEELS, REAR DUAL	80-15		
2E18	WIDE SWING DRAWBAR	70-60		
2J5	WINDOW PANEL, FRONT.....	90-28		
1H7	WINDSHIELD WIPER (HINSON).....	40-74		
1E8	WIRING HARNESS	40-1		
1H9	WIRING HARNESS,RADAR SENSOR	40-76		
1E15	WIRING KIT, ACCESSORY RELAY	40-8		
1E16	WIRING KIT, ACCESSORY RELAY	40-9		
1H16	WIRING KIT, ELECTRICAL REMOTE CONTROL	40-84		
2H24	WIRING, AIR COMPRESSOR	90-3		
1E9	WIRING, CAB LAMP	40-2		
1E10	WIRING, CAB LAMP	40-3		
1H15	WIRING, ELECTRICAL REMOTE CONTROL.....	40-83		
1H18	WIRING, SUPPLEMENTARY.....	40-86		
1F24	WIRING, TRACTOR LAMP (ROW-CROP)	40-44		
1F25	WIRING, TRACTOR LAMP (STANDARD).....	40-45		

1B4

ENGINE

RGP3291 -UN-01JAN94

TORQ-GARD SUPREME AND PLUS-50 ENGINE OIL



RGP 3291

TORQ-GARD SUPREME ENGINE					
KEY	PART NO.	PART NAME	QTY	SERIAL NO.	REMARKS
1	TY6359	OIL	1	(SAE 5W/30), 0.9 L (1 QUART) CAN	
	TY6360	OIL	1	(SAE 5W/30), 19 L (5 GALLON) CAN	
	TY6361	OIL	1	(SAE 5W/30), 208 L (55 GALLON) DRUM	
	TY6364	OIL	1	(SAE 10W/30), 0.9 L (1 QUART) (BREAKIN)	
	TY6297	OIL	1	(SAE 15W/40), 0.9 L (1 QUART) CAN	
	TY6298	OIL	1	(SAE 15W/40), 19 L (5 GALLON) CAN	
	TY6300	OIL	1	(SAE 15W/40), 114 L (30 GALLON) DRUM	
	TY6301	OIL	1	(SAE 15W/40), 208 L (55 GALLON) DRUM	
	TY6311	OIL	1	(SAE 10W), 0.9 L (1 QUART) CAN	
	TY22009	OIL	1	(SAE 10W), 3.8 L (1 GALLON)	
	TY6312	OIL	1	(SAE 10W), 19 L (5 GALLON) CAN	
	TY6313	OIL	1	(SAE 10W), 208 L (55 GALLON) DRUM	
	AR63979	OIL	1	(SAE 30W), 0.2 L (1 HALF PINT) CAN	
	AR63218	OIL	1	(SAE 30W), 0.9 L (1 QUART) CAN	
	AR63219	OIL	1	(SAE 30W), 19 L (5 GALLON) CAN	
	TY6280	OIL	1	(SAE 30W), 114 L (30 GALLON) DRUM	
AR63222	OIL	1	(SAE 30W), 208 L (55 GALLON) DRUM		

TORQ-GARD PLUS-50 ENGINE					
KEY	PART NO.	PART NAME	QTY	SERIAL NO.	REMARKS
2	TY6389	OIL	1	(SAE 15W/40), 0.9 L (1 QUART)	
	TY22008	OIL	1	(SAE 15W/40), 3.8 L (1 GALLON)	
	TY6390	OIL	1	(SAE 15W/40), 19 L (5 GALLON)	
	TY22010	OIL	1	(SAE 15W/40), 113.6 L (30 GALLON)	
	TY6391	OIL	1	(SAE 15W/40), 208 L (55 GALLON)	
	TY6392	OIL	1	(SAE 30W), 0.9 L (1 QUART)	
	TY22007	OIL	1	(SAE 30W), 3.8 L (1 GALLON)	
	TY6393	OIL	1	(SAE 30W), 19 L (5 GALLON)	
	TY22011	OIL	1	(SAE 30W), 113.6 L (30 GALLON)	
	TY6394	OIL	1	(SAE 30W), 208 L (55 GALLON)	

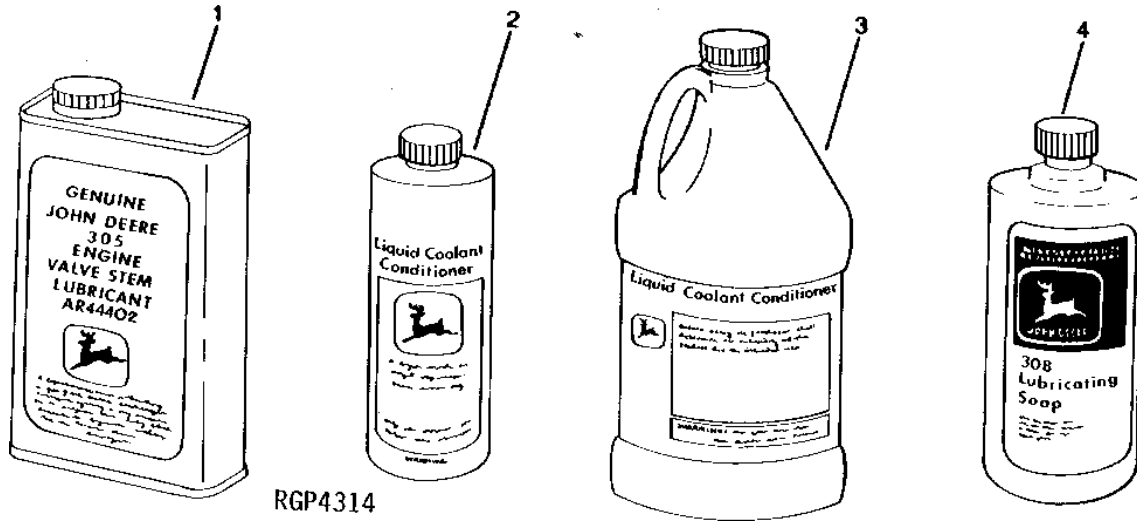
KITS (NOT ILLUSTRATED) ENGINE					
KEY	PART NO.	PART NAME	QTY	SERIAL NO.	REMARKS
..	AR41785	KIT	1		CONTAINS 0.9 L (1 QT.) (OFF-SEASON STORAGE)
..	AR41870	RUST INHIBITOR	1		0.9 L (1 QT.) CAN, (SUB AR41785)
..	AR21969	KIT	1		(DUST CAP/COVER KIT)
..	DS0251	KIT	1		(COOLANT SCAN TEST)
..	IPSKIT1	KIT	1		(OIL SCAN TEST)
..	DS0557	MERCHANDISING AID	1		(SAMPLING SYSTEM)

1B5

ENGINE

RGP4314 -UN-01JAN94

COOLANT CONDITIONER AND ENGINE PART LUBRICANTS



VALVE STEM LUBRICANT

KEY	PART NO.	PART NAME	QTY	SERIAL NO.	REMARKS
1	AR44402	OIL	1		.946ML (32 OZ.)

COOLANT CONDITIONER

KEY	PART NO.	PART NAME	QTY	SERIAL NO.	REMARKS
2	RE23182	ENGINE COOLANT CONDITIONER	1		0.473 L (16 OZ.) (PHOSPHATE - FREE) (SUB TY16004)
	TY16004	ENGINE COOLANT CONDITIONER	1		0.472 L (16 OZ.)
3	RE35992	ENGINE COOLANT CONDITIONER	1		3.8 L (1 GAL.) (PHOSPHATE - FREE) (SUB TY16005)
..	TY16005	ENGINE COOLANT CONDITIONER	1		1.9 L (1/2 GAL.)

CYLINDER LINER PACKING LUBRICANT

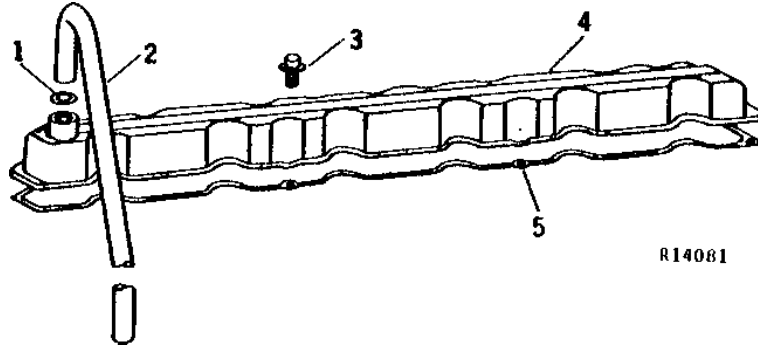
KEY	PART NO.	PART NAME	QTY	ENGINE SERIAL NO.	REMARKS
4	AR54749	LUBRICANT	1		.9L (1 QT.)

1B6

ENGINE

R14081 -UN-01JAN94

ROCKER ARM COVER AND VENTILATOR TUBE



KEY	PART NO.	PART NAME	QTY	ENGINE SERIAL NO.	REMARKS
1	R495R	O-RING	1		
2	R26405	LINE	1		
3	AR103811	SCREW, WITH WASHER	8		(SUB FOR AR45530)
4	AR26516	COVER	1		
5	R49866	GASKET	1		(SUB FOR R32593)

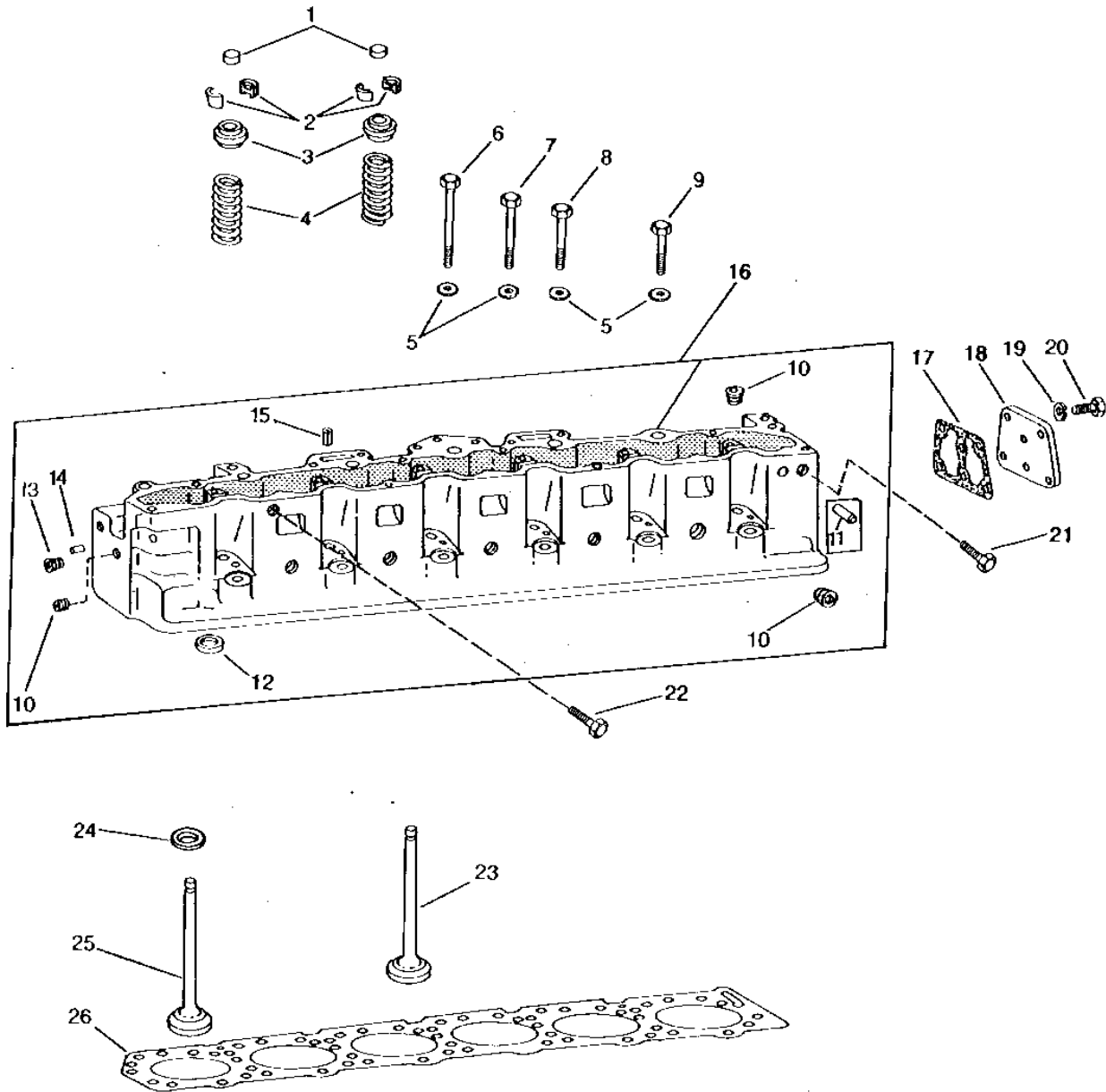
1B7

ENGINE

RGP2791

-UN-01JAN94

CYLINDER HEAD AND GASKET



RGP2791

1B8

ENGINE

CYLINDER HEAD AND GASKET - CONTINUED

KEY	PART NO.	PART NAME	QTY	ENGINE SERIAL NO.	REMARKS
1	T20129	CAP	12		
2	T20077	RETAINER	24		
3	RE11410	ROTATOR	12		(SUB FOR AR41006)
4	R26125	SPRING	12		
5	R76126	WASHER	26		(SUB FOR R42364) (USE WITH R62418, R62419, R62420 OR R62421 ONLY, APPL)
6	R62420	SCREW	7		(SUB R88045)
7	R62419	SCREW	8		(SUB R88044)
8	R62418	SCREW	5		(SUB R88043)
9	R62421	SCREW	6		(SUB R88042)
10	15H690	PIPE PLUG	13		3/4", (SUB FOR AR72318)
11	DOWEL PIN	1		(R48685 NO LONGER REQUIRED)
12	R43913	VALVE SEAT INSERT	6		STD (INTAKE)
	R43681	VALVE SEAT INSERT	6		STD (EXHAUST)
13	15H624	PIPE PLUG	1		1/2", (SUB FOR AR72319)
14	F1743R	DOWEL PIN	1		
15	34H387	SPRING PIN	1		3/16" X 3/4"
16	AR50000	CYLINDER HEAD	1		(MARKED R47320)
17	R43595	GASKET	1		
18	R43594	COVER	1		
19	12H324	WASHER	6		3/8"
20	T20166	SCREW	6		
	19H2127	CAP SCREW	6		5/16" X 7/8"
21	R45693	CAP SCREW	2		
22	R45692	CAP SCREW	1		
23	R43679	EXHAUST VALVE	6		STD
	R43787	EXHAUST VALVE	6		0.08 MM (.003") OS
	R43788	EXHAUST VALVE	6		0.38 MM (.015") OS
	R43789	EXHAUST VALVE	6		0.76 MM (.030") OS
24	R46209	VALVE SEAT INSERT	6		0.25 MM (.010") OS (INTAKE)
	R43683	VALVE SEAT INSERT	6		0.25 MM (0.10") OS (EXHAUST)
25	R43914	INTAKE VALVE	6		STD
	R46206	INTAKE VALVE	6		0.08 MM (.003") OS
	R46207	INTAKE VALVE	6		0.38 MM (.015") OS
	R46208	INTAKE VALVE	6		0.76 MM (.030") OS
26	R48291	GASKET	1		(MARKED R48291) (THIN)
..	R88042	SCREW	6		(NOT USED WITH R76126)
..	R88043	SCREW	5		(NOT USED WITH R76126)
..	R88044	SCREW	8		(NOT USED WITH R76126)
..	R88045	SCREW	7		(NOT USED WITH R76126)

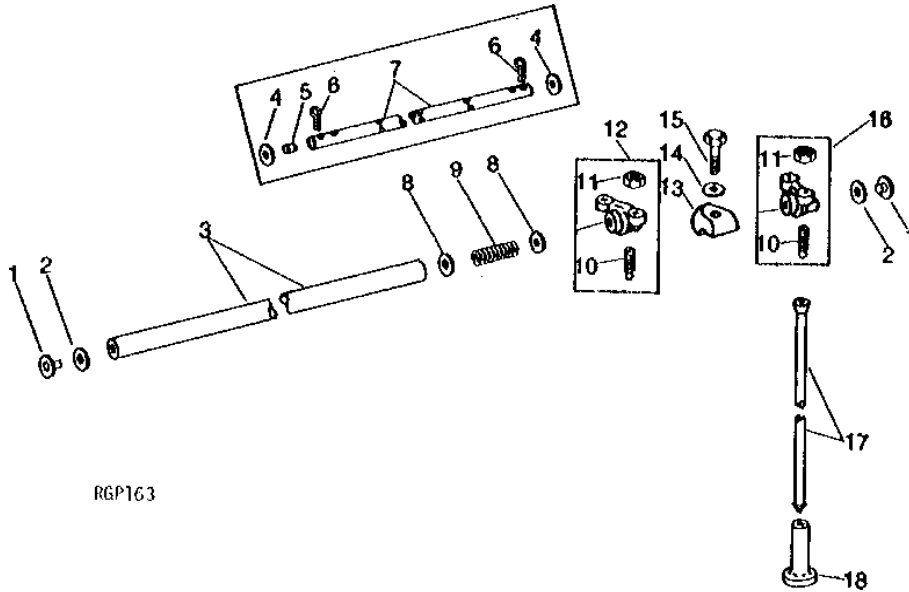
1B9

ENGINE

RGP163

-UN-01JAN94

ROCKER ARMS, SHAFT AND PUSH RODS



RGP163

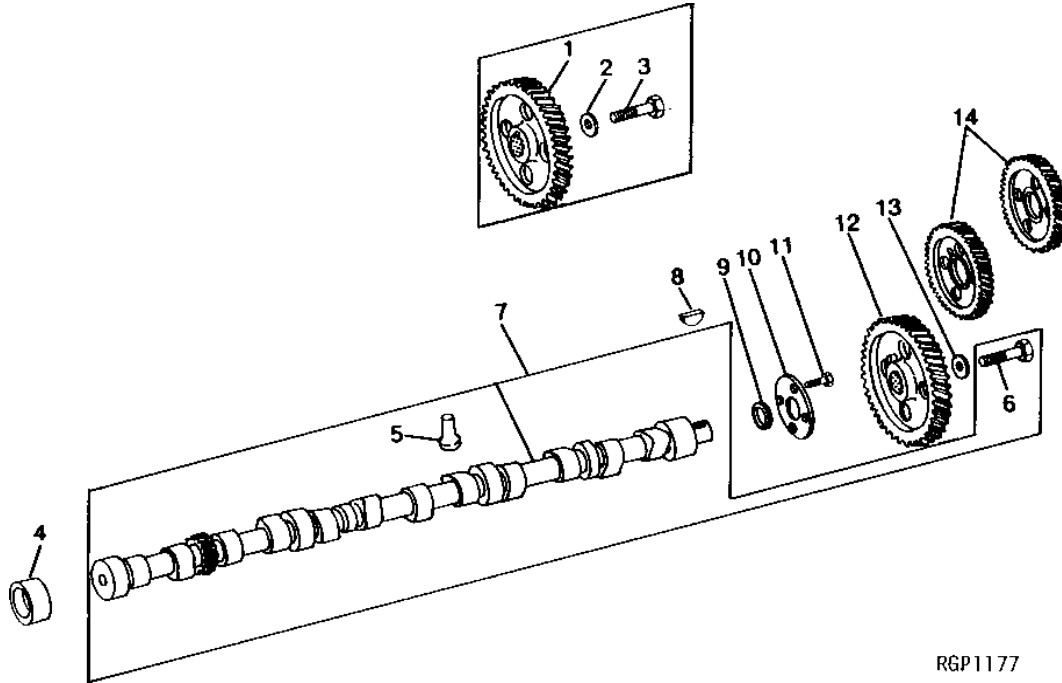
KEY	PART NO.	PART NAME	QTY	ENGINE SERIAL NO.	REMARKS
1	R54565	PLUG	2	349718-	
2	R26081	WASHER	2		
3	R70826	ROCKER ARM SHAFT	1	349718-	(SUB FOR R54564 OR R60650)
4	R71208	WASHER	2	-349717	19.500 X 26 X 0.910 MM (0.768" X 1.024" X 0.036")
5	R27529	PLUG	2	-349717	
6	11M7082	COTTER PIN	2	-349717	2.500 X 25 MM
7	AR26444	ROCKER ARM SHAFT	1	-349717	(SUB R70826 AND (2) R54565)
8	R71208	WASHER	10		19.500 X 26 X 0.910 MM (0.768" X 1.024" X 0.036")
9	R26079	SPRING	5		
10	R27443	SET SCREW	12		
11	14H846	NUT	12		3/8"
12	AR54904	ROCKER ARM	6		(1E, 2I, 3E, 4I, 5E, 6I)
13	R26748	CLAMP	6		
14	R26559	WASHER	6		
15	19H1740	CAP SCREW	6		7/16" X 1-3/4"
16	AR54905	ROCKER ARM	6		(1I, 2E, 3I, 4E, 5I, 6E)
17	R85027	PUSH ROD	12		(SUB FOR AR40680)
18	R52773	CAM FOLLOWER	12		

1B10

ENGINE

RGP1177 -UN-01JAN94

CAMSHAFT AND GEARS



RGP1177

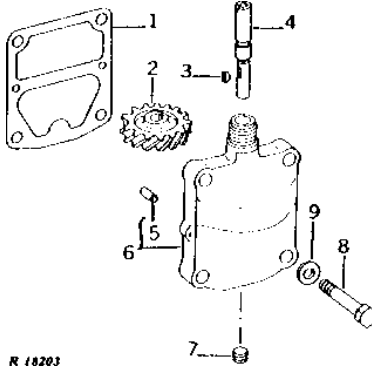
KEY	PART NO.	PART NAME	QTY	ENGINE SERIAL NO.	REMARKS
1	AR43594	GEAR	1	-280000	(MARKED R43742)
2	R35256	WASHER	1	-280000	
3	19H1721	CAP SCREW	1	-280000	1/2" X 1-1/2", (USE WITH R42352 OR R43677)
4	R46903	BUSHING	4		
5	R52773	CAM FOLLOWER	12		
6	19H3182	CAP SCREW	1		1/2" X 1-7/8", (USE WITH R59420)
	19H2473	CAP SCREW	1		1/2" X 1-3/4", (USE WITH R61150)
	R93238	CAP SCREW	1		12.700 X 50.800 MM (1/2" X 2") (USE WITH R71531) (SUB FOR R79850, THIS APPLICATION)
7	AR100385	CAMSHAFT	1		(MARKED R42352, R43677, R59420, R61150, R71531 OR R71529) (SUB FOR AR44394, AR63280, AR71709, AR74144 OR AR100384)
8	26H72	SHAFT KEY	1		1/8" X 5/8"
9	R42356	WASHER	1		
10	R49275	WASHER	1		
11	19H1813	CAP SCREW	4		5/16" X 5/8"
12	AR49503	GEAR	1	280001-	(MARKED R46999)
	34H170	SPRING PIN	1		3/8" X 7/8"
13	R47012	WASHER	1	280001-	
14	AR52671	GEAR	1	280001-	(MARKED R47011 AND R47013) (MATCHED SET)

1B11

ENGINE

R18203 -UN-01JAN94

TACHOMETER DRIVE



KEY	PART NO.	PART NAME	QTY	ENGINE SERIAL NO.	REMARKS
1	R44853	GASKET	1		
2	R32426	GEAR	1		
3	26H3	SHAFT KEY	1	3/32" X 3/8"	
4	R26172	SHAFT	1		
5	F1743R	DOWEL PIN	2		(NO LONGER REQUIRED)
6	R43851	HOUSING	1		(SUB FOR AR43652)
7	15H559	PIPE PLUG	1	1/4"	
8	19H1732	CAP SCREW	4	3/8" X 1-1/4"	
9	24M7096	WASHER	4	10.500 X 18 X 1.600 MM	

MEMORANDA

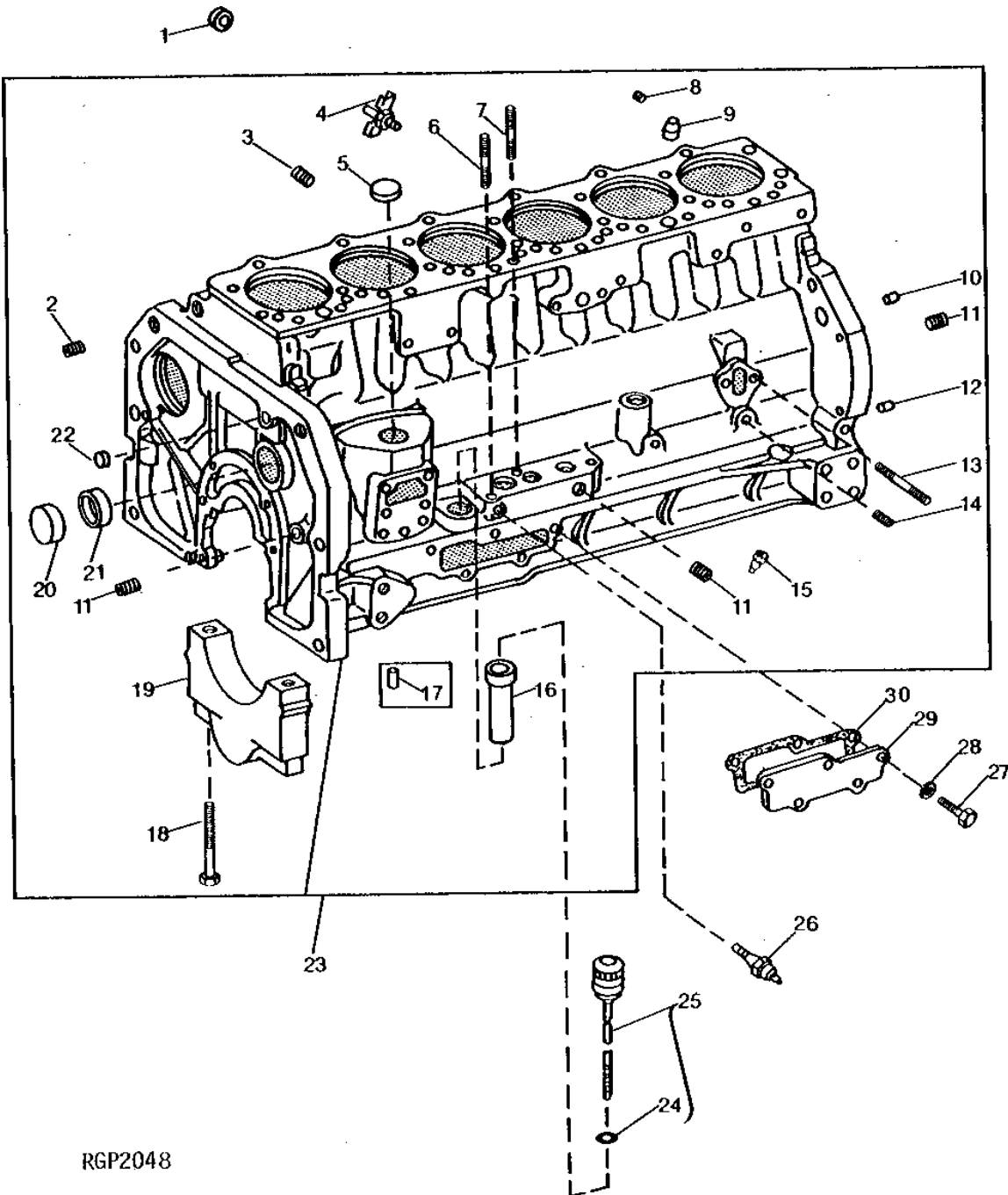
1B12

ENGINE

RGP2048

-UN-01JAN94

CYLINDER BLOCK



RGP2048

1B13

ENGINE

CYLINDER BLOCK - CONTINUED

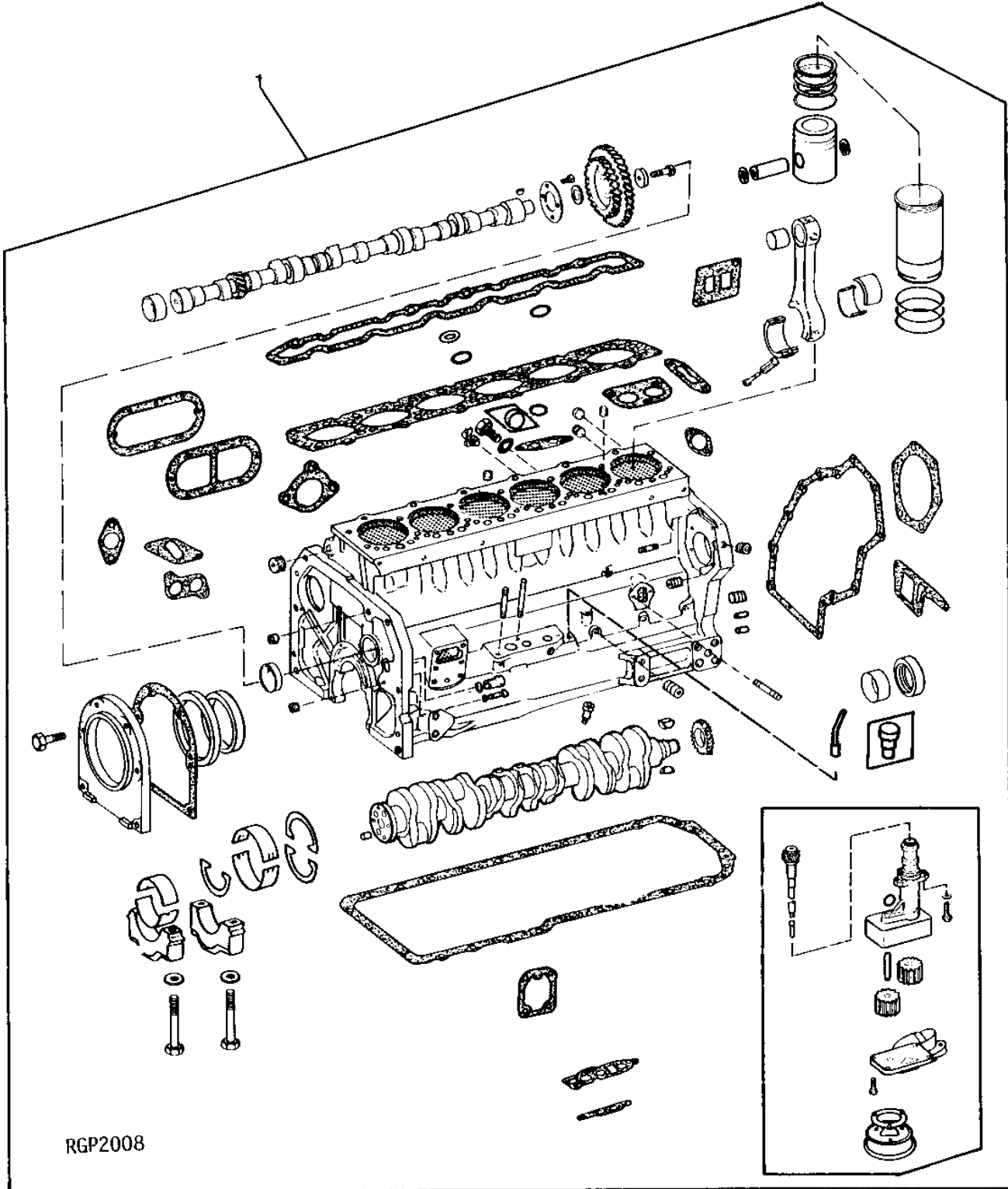
KEY	PART NO.	PART NAME	QTY	ENGINE SERIAL NO.	REMARKS
1	AR80294	PLUG	1	(SUB FOR R47092)	
2	15H562	PIPE PLUG	1	1", (SUB FOR AR78522)	
3	15H690	PIPE PLUG	3	3/4", (SUB FOR AR72318)	
4	AT13740	DRAIN VALVE	1		
5	30H25	PLUG	1	2"	
6	R106859	STUD	1	(SUB FOR F3646R OR R26622, APPL) F3646R OR R26622, APPL) (SUB R106859)	
7	R32042	STUD	1		
8	15H571	PIPE PLUG	1	3/8", (15H666 NO LONGER USED)	
9	R42340	BUSHING	2		
10	F1743R	DOWEL PIN	2		
11	15H624	PIPE PLUG	3	1/2", (SUB FOR AR72319)	
12	R1612R	DOWEL PIN	2		
13	R48755	STUD	2	(SUB FOR R26934)	
14	R104592	PIPE PLUG	5	1/8", (SUB FOR R21630, APPL)	
15	R43621	ORIFICE	6		
16	R41070	TUBE	1		
17	DOWEL PIN	1	(NO LONGER REQUIRED)	
18	T15539	BOLT	14		
19	R57158	BEARING CAP	6	(MAIN)	
	R57159	BEARING CAP	1	(MAIN THRUST)	
20	R26115	CAP	1		
21	R46903	BUSHING	4		
22	R43634	DOWEL PIN	1		
23	AR52061	CYLINDER BLOCK	1	(MARKED R47020) (SUB RE53476)	
24	A4730R	O-RING	2		
25	AR53997	DIPSTICK	1	(SUB AR53998)	
26	AT85174	SWITCH	1	(SUB FOR AR27977)	
27	19H2284	CAP SCREW	5	3/8" X 7/8"	
28	12H304	LOCK WASHER	5	3/8"	
29	R43441	COVER	1	(NLA)	
30	R45968	GASKET	1		

1B14

ENGINE

ENGINE SHORT BLOCK
(WITH OIL PUMP)

RGP2008 -UN-01JAN94



RGP2008

1B15

ENGINE

ENGINE SHORT BLOCK - CONTINUED
(WITH OIL PUMP)

KEY	PART NO.	PART NAME	QTY	ENGINE SERIAL NO.	REMARKS
1	RE13552	SHORT BLOCK ASSEMBLY	1		(MARKED R47020) (SUB FOR AR51419 OR AR51965) (SUB RE53476, AR71118, (2) R38614, (2) R41920 AND (2) M72490)

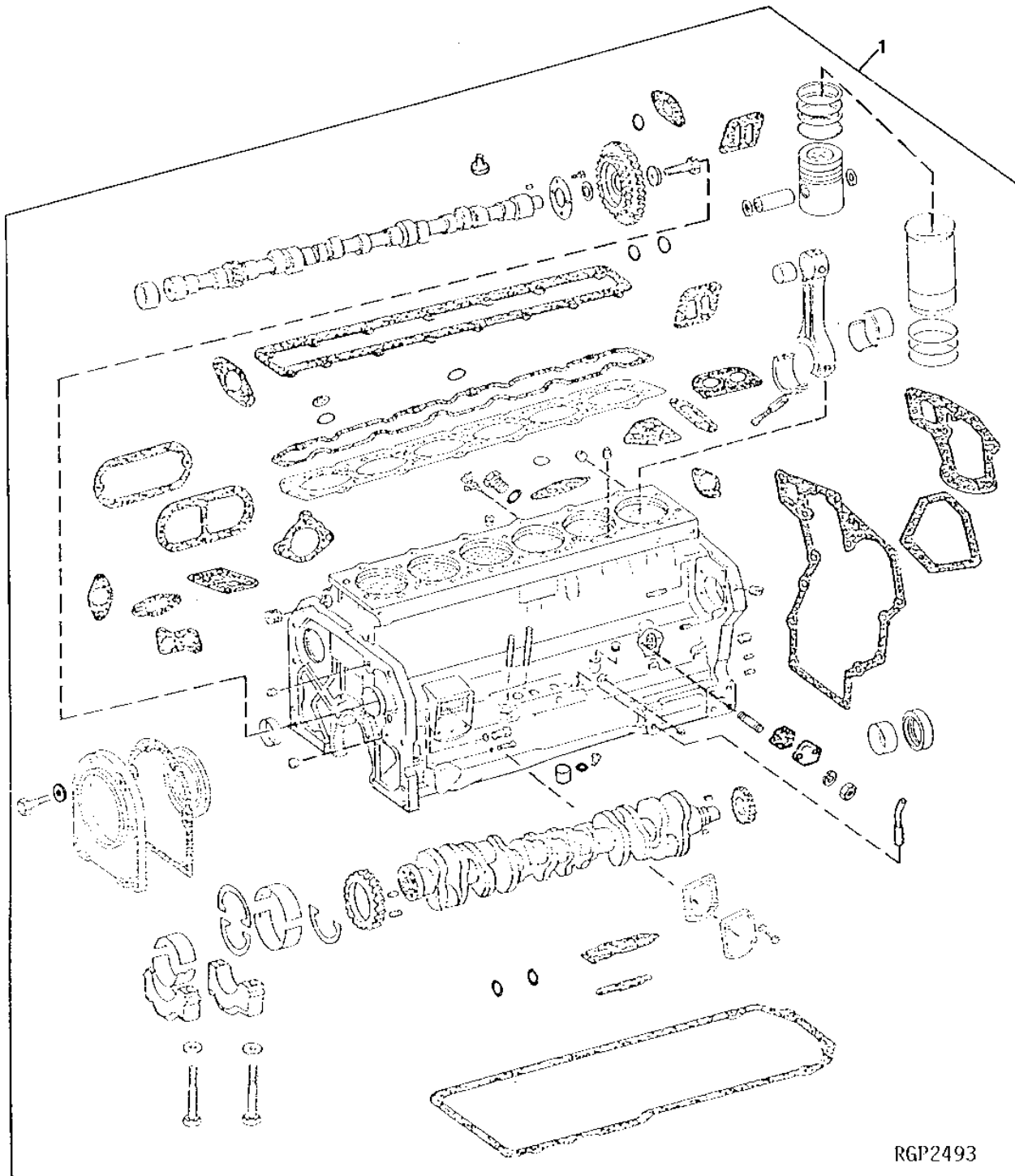
1B16

ENGINE

ENGINE SHORT BLOCK (REPLACEMENT) (WITHOUT OIL PUMP)

RGP2493

-UN-01JAN94



RGP2493

1B17

ENGINE

**ENGINE SHORT BLOCK (REPLACEMENT) - CONTINUED
(WITHOUT OIL PUMP)**

KEY	PART NO.	PART NAME	QTY	ENGINE SERIAL NO.	REMARKS
1	RE53476	SHORT BLOCK ASSEMBLY	1		(MARKED R47020) (SUB FOR AR51419, AR51965, AR52061 OR RE13552)

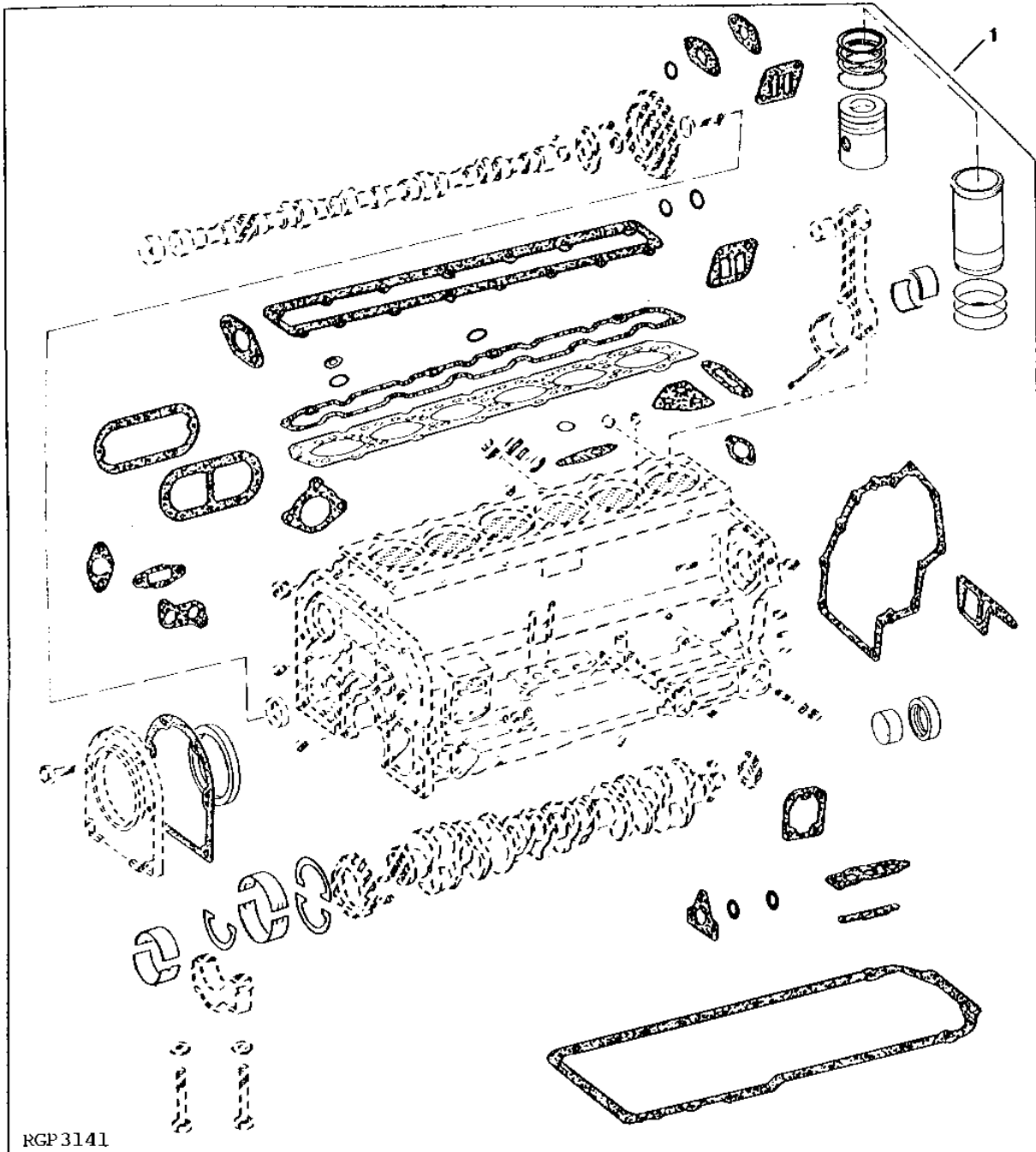
1B18

ENGINE

RGP3141

-UN-01JAN94

ENGINE OVERHAUL KIT



RGP 3141

1B19

ENGINE

ENGINE OVERHAUL KIT - CONTINUED

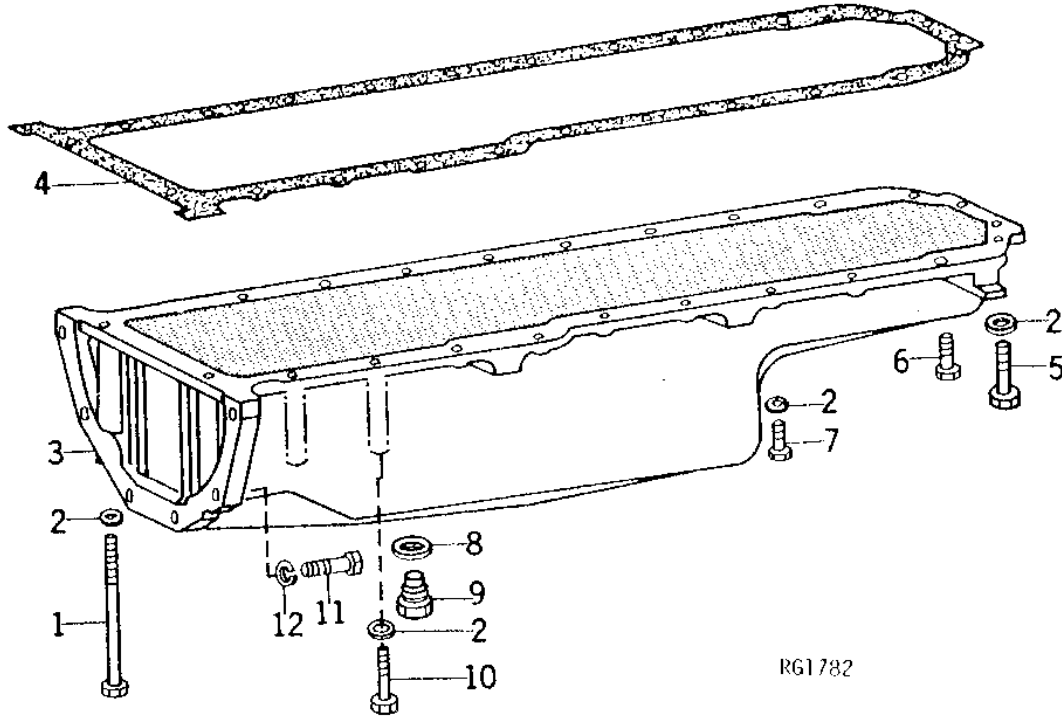
KEY	PART NO.	PART NAME	QTY	ENGINE SERIAL NO.	REMARKS
1	RG23435	ENGINE OVERHAUL KIT	1		(CONTAINS (6) AR51798 PISTON LINERS, GASKET KIT, STD BEARINGS, FRONT/REAR SEALS AND SNAP RINGS) (ALSO ORDER (12) R66452 ROD BOLTS) (SUB FOR RG21340)

1B20

ENGINE

RG1782 -UN-01JAN94

OIL PAN



RG1782

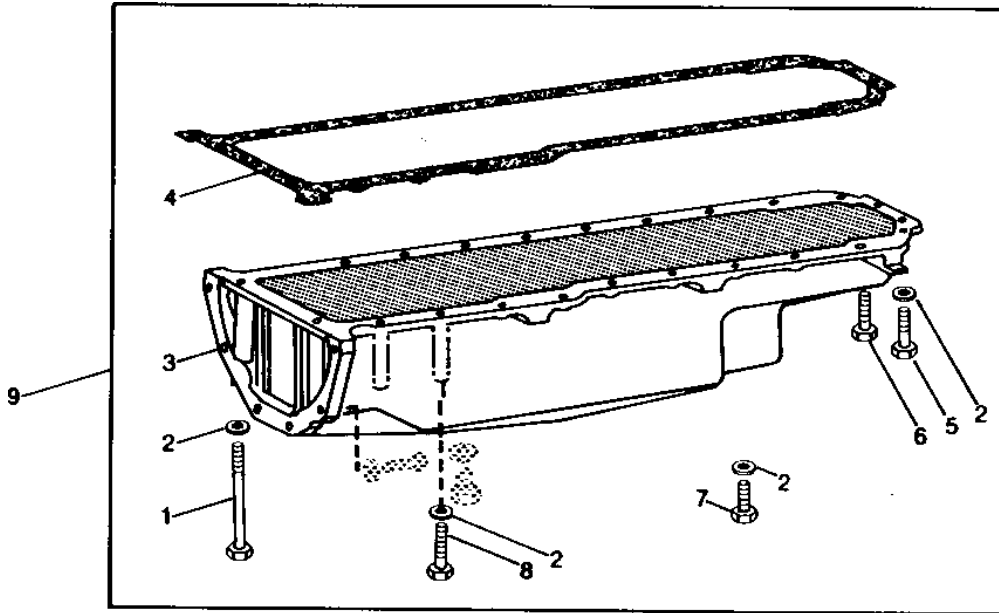
KEY	PART NO.	PART NAME	QTY	ENGINE SERIAL NO.	REMARKS
1	19H2205	CAP SCREW	2	3/8" X 6"	
2	12H304	LOCK WASHER	22	3/8"	
3	R62008	OIL PAN	1	(SUB FOR R46336 OR R53138)	(SUB AR94565)
4	R71918	GASKET	1	(SUB FOR R42424 OR R53282)	
5	19H1765	CAP SCREW	2	3/8" X 1-3/4"	
6	R27693	SCREW	2		
7	19H2552	CAP SCREW	16	3/8" X 1-1/8"	
8	A4827R	WASHER	1		
9	R26727	DRAIN PLUG	1		
10	19H2104	CAP SCREW	2	3/8" X 5"	
11	19H2473	CAP SCREW	6	1/2" X 1-3/4"	
12	12H301	LOCK WASHER	6	1/2"	

1B21

ENGINE

RGP2169 -UN-18OCT94

OIL PAN REPLACEMENT KIT



RGP2169

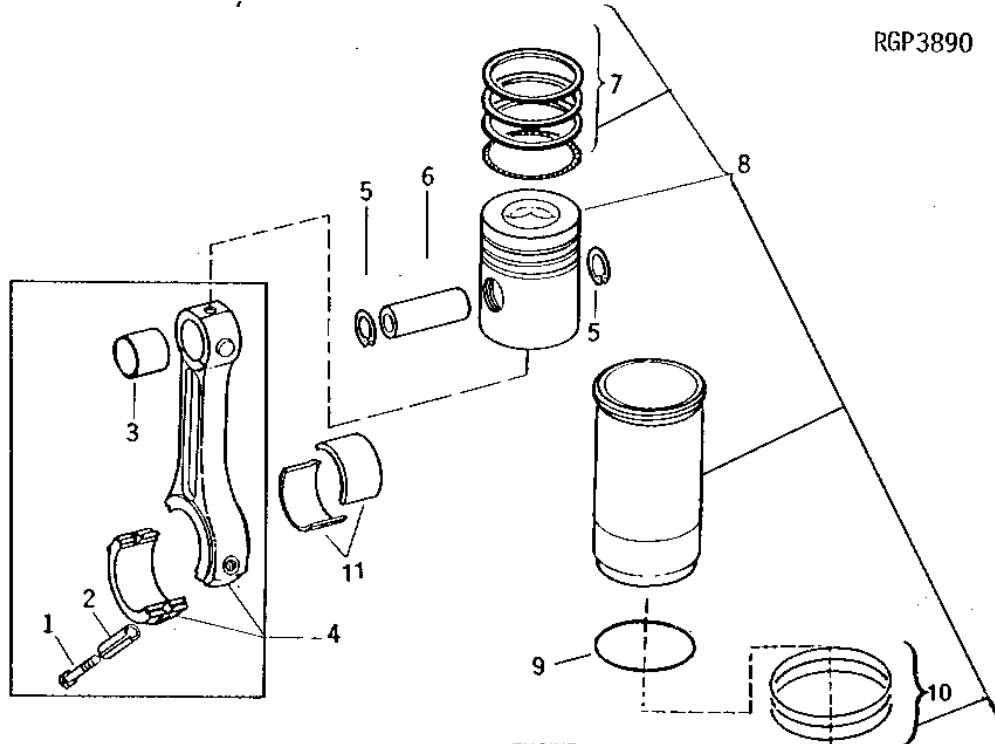
KEY	PART NO.	PART NAME	QTY	ENGINE SERIAL NO.	REMARKS
1	19H3562	CAP SCREW	2	3/8" X 6-1/8"	
2	12H304	LOCK WASHER	22	3/8"	
3	R71916	OIL PAN	1	(SUB AR94565)	
4	R71918	GASKET	1		
5	19H3485	CAP SCREW	2	3/8" X 2"	
6	R73445	SCREW	2		
7	19H3267	CAP SCREW	16	3/8" X 1-5/8"	
8	19H3504	CAP SCREW	2	3/8" X 5-3/8"	
9	AR94565	KIT	1		

1B22

ENGINE

RGP3890 -UN-01JAN94

PISTONS, RINGS, LINERS AND CONNECTING RODS



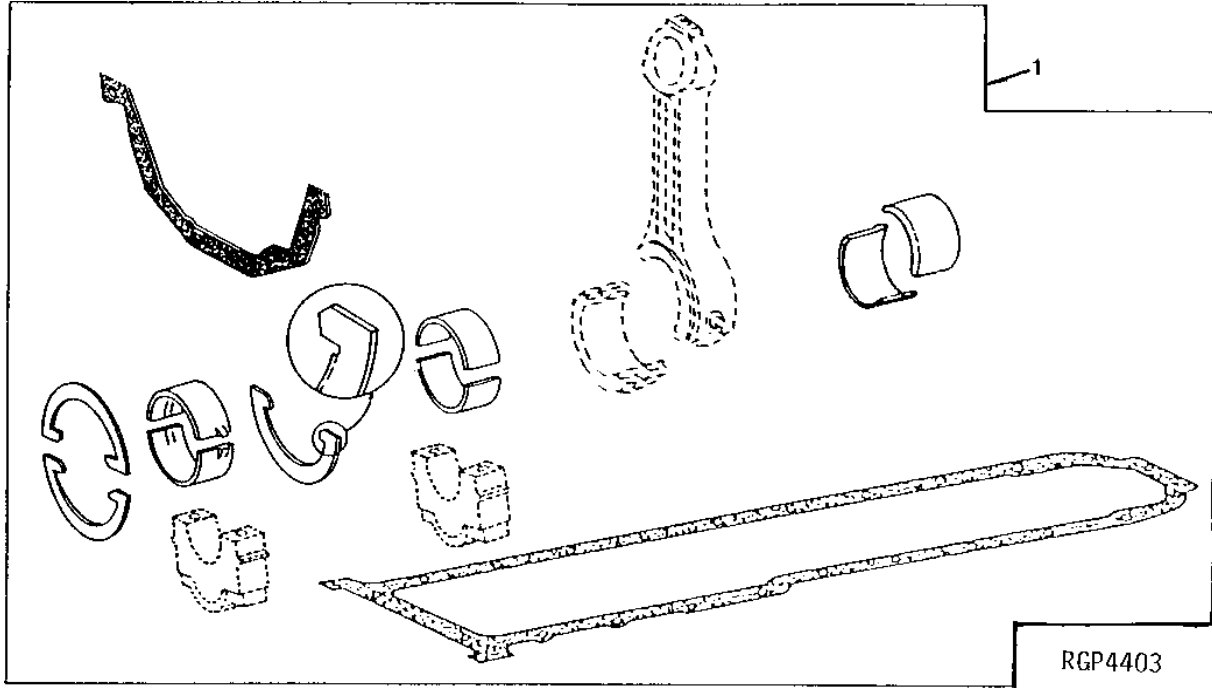
KEY	PART NO.	PART NAME	QTY	ENGINE SERIAL NO.	REMARKS
1	R53290	BOLT	12		(USE WITH R41423) (SUB FOR R26325) (SUB R66452)
	R66452	CAP SCREW	12		(USE WITH R58882 OR R66922)
2	R53292	SLEEVE	12		(USE WITH R58882 OR R66922)
3	R42173	BUSHING	6		
4	AR86980	CONNECTING ROD	6		(MARKED R41423, R58882 OR R66922) (SUB FOR AR41056 OR AR70912)
5	R41426	SNAP RING	12		
6	R41425	PISTON PIN	6		
	R54263	PISTON PIN	6		0.08 MM (.003") OS (MARKED YELLOW) (SUB FOR R42174)
	R54264	PISTON PIN	6		0.13 MM (.005") OS (MARKED RED) (SUB FOR R42175)
7	AR48768	PISTON RING	6	-285907	(USE WITH AR50625)
	AR51741	PISTON RING	6	285908-	(USE WITH AR50624)
8	AR51736	PISTON-LINER KIT	6	-285907	(MARKED AR50625) (SUB AR51798)
	AR51798	PISTON-LINER KIT	6	285908-	(MARKED AR50624 OR AR50940)
9	R116253	SHIM	AR		
10	AR65507	O-RING KIT	6		(SUB FOR AR51956 OR AR53443)
11	AR45723	BEARING	AR		(PKG (2) R44378)
	AR46395	BEARING	AR		0.05 MM (.002") US (PKG (2) R44925)
	AR46396	BEARING	AR		0.25 MM (.010") US (PKG (2) R44926)
	AR46397	BEARING	AR		0.51 MM (.020") US (PKG (2) R44927)
	AR46398	BEARING	AR		0.76 MM (.030") US (PKG (2) R44928)

1B23

ENGINE

RGP4403 -UN-14DEC94

ENGINE UNDERHAUL KIT (STD. BEARINGS)



RGP4403

KEY	PART NO.	PART NAME	QTY	ENGINE SERIAL NO.	REMARKS
1	RG23427	KIT	1	(A) (SUB FOR RG22790)	

(A) USE WITH BLOCK MARKED R40620, R40930, R40940, R45950, R47020, R47110, R47170, R48440, R49550, R49650, R59850, R72128 OR R87558.

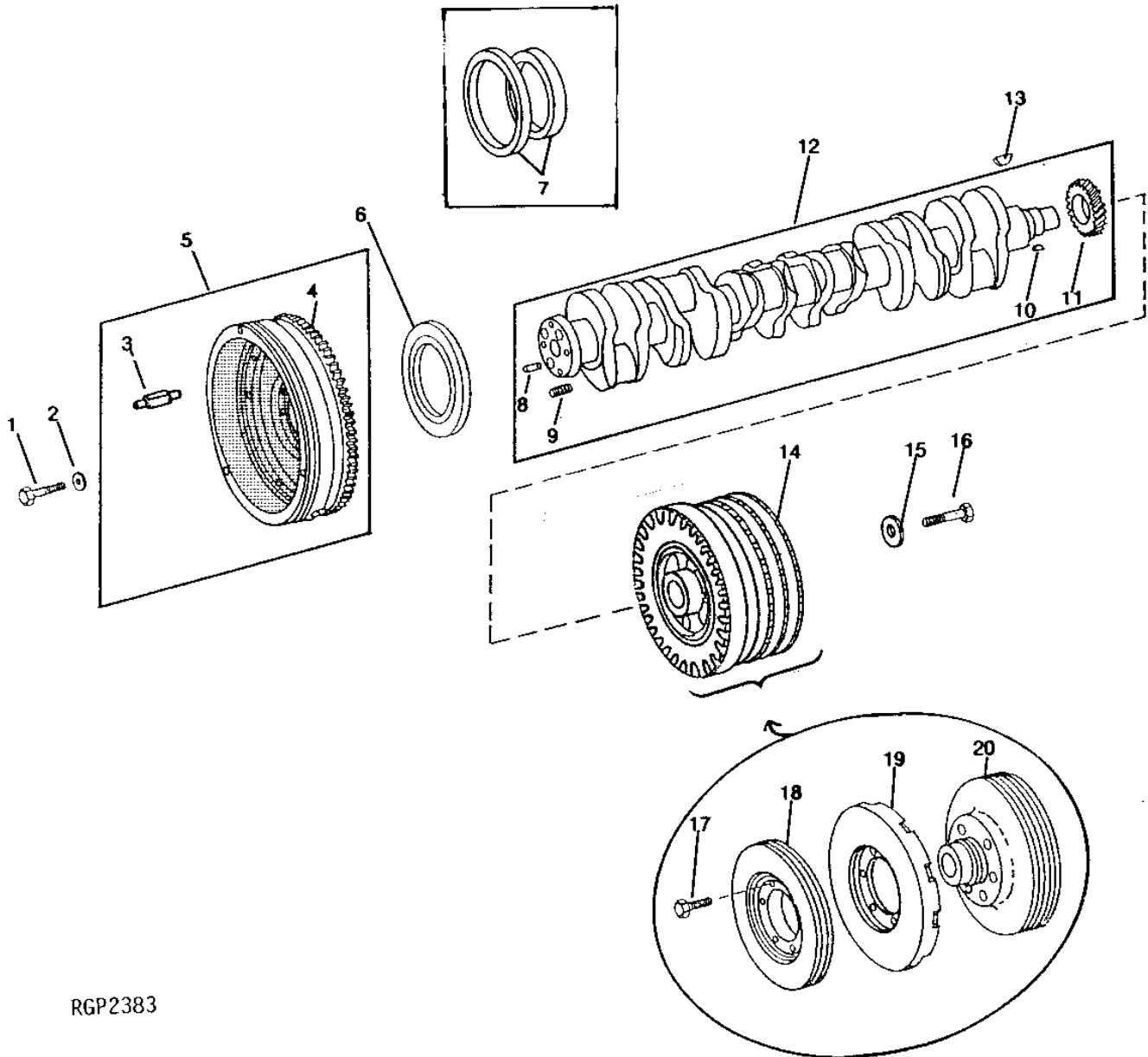
1B24

ENGINE

RGP2383

-UN-01JAN94

CRANKSHAFT AND FLYWHEEL



RGP2383

1B25

ENGINE

CRANKSHAFT AND FLYWHEEL - CONTINUED

KEY	PART NO.	PART NAME	QTY	ENGINE SERIAL NO.	REMARKS
1	R52634	CAP SCREW	4		
2	T23891	WASHER	4		
3	R46046	PIN	3		
4	R28811	GEAR	1		
5	AR48294	FLYWHEEL	1		(MARKED R46045)
6	RE22764	SEAL	1		(SUB FOR RE14953 OR RE17352)
7	AR63095	SEAL	1		(SUB RE22764) (SUB FOR AR49650)
8	R41934	DOWEL PIN	1		
9	22H821	SET SCREW	2		1/2" X 1/2", (CRANKSHAFT REAR FLANGE) (SUB FOR R61292)
10	R120752	KEY	1		1/8" X 0.625"
11	R26049	GEAR	1		
12	AR96189	CRANKSHAFT	1		STD, (MARKED R40740, R56934 OR R63451) (SUB FOR AR50136 OR AR74624) (SUB RE53422)
13	26H85	SHAFT KEY	1		1/4" X 1"
14	AR58175	ABSORBER	1		(SUB FOR AR50395)
15	R26333	WASHER	1		
16	19H2706	CAP SCREW	1		5/8" X 2"
17	19H1801	CAP SCREW	6		(A) 3/8" X 2"
18	R48396	PULLEY	1		(A)
19	AR43954	ABSORBER	1		(A)
20	R47127	PULLEY	1		(A)

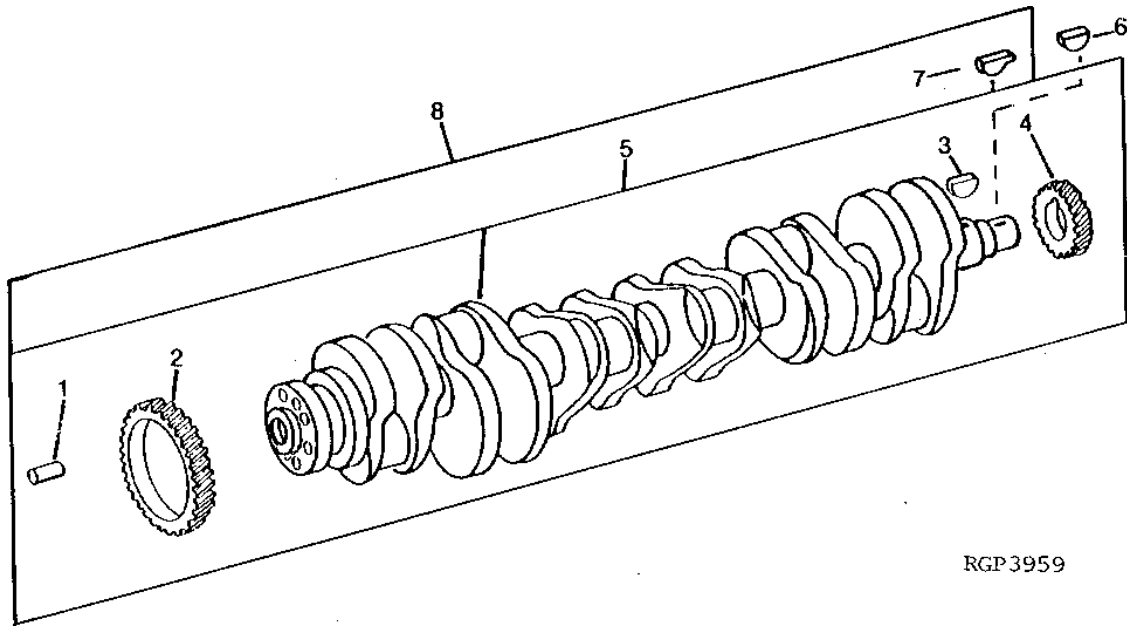
(A) AIR CONDITIONING

1C1

ENGINE

RGP3959 -UN-01JAN94

REPLACEMENT CRANKSHAFT



RGP3959

KEY	PART NO.	PART NAME	QTY	ENGINE SERIAL NO.	REMARKS
1	R41934	DOWEL PIN	1		
2	R63326	GEAR	NA		(NOT USED, APPL)
3	R120752	KEY	1		1/8" X 0.625"
4	R26049	GEAR	1		(USE WITH R40740, R47419, R56934, R56979 OR R63451)
	R105488	GEAR	1		(USE WITH RE42675 OR RE53203)
5	AR96189	CRANKSHAFT	1		(MARKED R63451) (SUB RE53422)
	RE42671	CRANKSHAFT	1		(MARKED RE52576) (SUB RE53422)
6	26H85	SHAFT KEY	1		1/4" X 1", (USE WITH R63451, RE42675, R40740 OR R56934)
7	R116311	KEY	1		(USE WITH RE53203 OR RE53423)
8	RE53422	CRANKSHAFT	1		(MARKED RE53203)

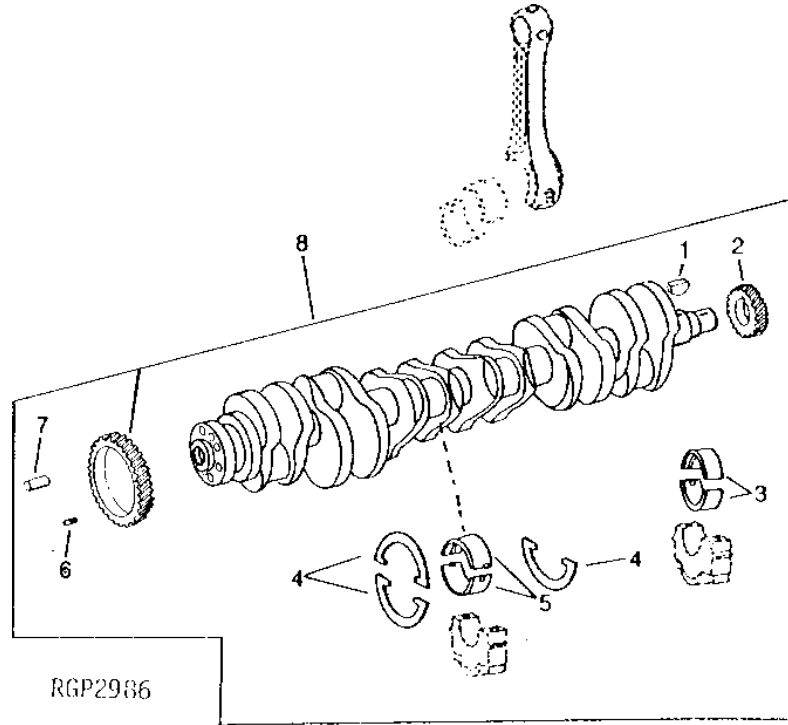
MEMORANDA

1C2

ENGINE

UNDERSIZE MAIN BEARING CRANKSHAFT KIT (EARLIEST DESIGN)

RGP2986 -UN-01JAN94



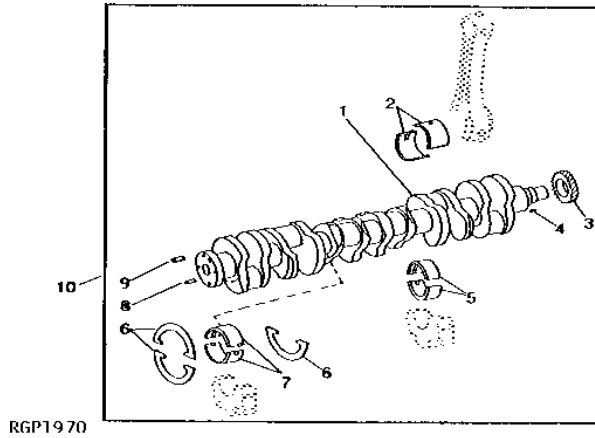
KEY	PART NO.	PART NAME	QTY	ENGINE SERIAL NO.	REMARKS
1	R120752	KEY	1		1/8" X 0.625"
2	R26049	GEAR	1		
3	AR74816	BEARING	6		0.25MM (.010") US, (PKG R61909 AND R60473)
4	AR77753	THRUST WASHER	1		0.18MM (.007") OS FLANGE (PKG (2) R63010 AND R62986)
5	AR77750	THRUST BEARING	1		0.25MM (.010") US, (PKG R63003 AND R63007)
6	22H821	SET SCREW	2		1/2" X 1/2"
7	R41934	DOWEL PIN	1		
8	RE36416	CRANKSHAFT	1		0.25MM (.010") US, (MARKED R96460) (SUB FOR RE33622) (SUB RE53425)

1C3

ENGINE

UNDERSIZE CONNECTING ROD JOURNAL CRANKSHAFT AND BEARING KIT (EARLY DESIGN)

RGP1970 -UN-01JAN94



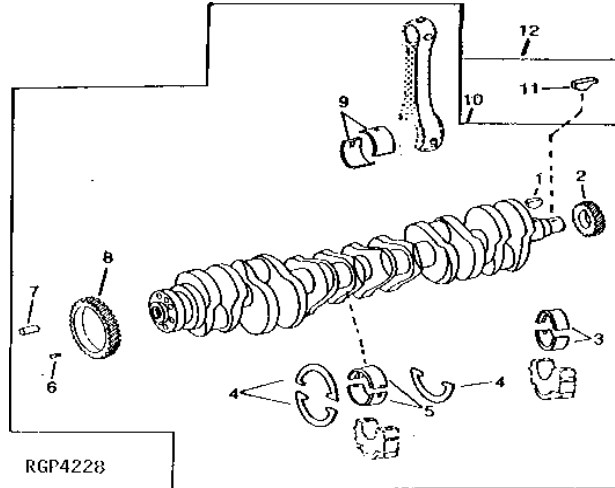
KEY	PART NO.	PART NAME	QTY	ENGINE SERIAL NO.	REMARKS
1	CRANKSHAFT	1		0.25MM (.010") US, (MARKED R78102 OR RE42679) (SUB RE53424)
2	AR46396	BEARING	6		0.25MM (.010") US, (PKG (2) R44926)
3	R26049	GEAR	1		
4	R120752	KEY	1		
5	AR74814	BEARING	6		STD, (PKG R57584 AND R61289)
6	AR77747	THRUST WASHER	1		STD, (PKG (3) R62986)
7	AR77748	THRUST BEARING	1		STD, (PKG R62987 AND R62988)
8	22H821	SET SCREW	2		1/2" X 1/2", (SUB FOR R61292)
9	R41934	DOWEL PIN	1		
10	RE12434	CRANKSHAFT	1		(MARKED R78102) (SUB RE53424)

1C4

ENGINE

UNDERSIZE CONNECTING ROD JOURNAL CRANKSHAFT AND BEARING KIT (LATE DESIGN)

RGP4228 -UN-01JAN94



KEY	PART NO.	PART NAME	QTY	ENGINE SERIAL NO.	REMARKS
1	R120752	KEY	1		
2	R105488	GEAR	1		(USE WITH RE42679 OR RE53205, APPL)
3	AR74814	BEARING	6		STD (PKG R57584 AND R61289)
4	AR77747	THRUST WASHER	1		STD (PKG (3) R62986)
5	AR77748	THRUST BEARING	1		STD (PKG R62987 AND R62988)
6	22H821	SET SCREW	2		1/2" X 1/2"
7	R41934	DOWEL PIN	1		
8	R63326	GEAR	1		
9	AR46396	BEARING	6		0.25MM (.010") US (PKG (2) R44926)
10	RE42673	CRANKSHAFT	1		0.25MM (.010") US, (MARKED RE42679) (SUB FOR RE12434) (SUB RE53424)
11	R116311	KEY	1		(USE WITH RE53205, APPL)
12	RE53424	CRANKSHAFT	1		(A) 0.25MM (.010") US, (MARKED RE53205) (SUB FOR RE12434 OR RE42673)

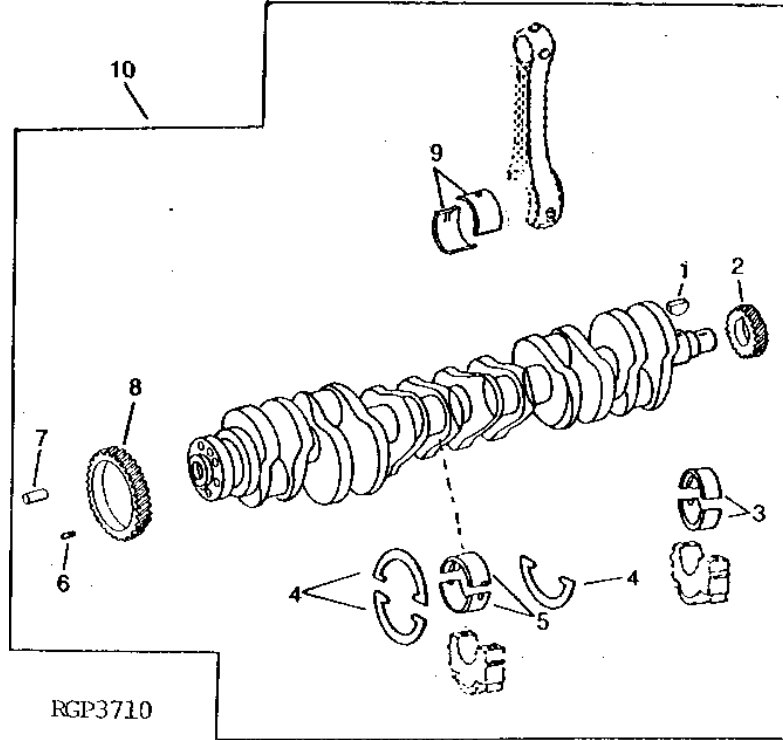
(A) RE53425 MAY BE USED IF RE53424 IS NOT AVAILABLE

1C5

ENGINE

UNDERSIZE MAIN BEARING CRANKSHAFT AND BEARING KIT (EARLY DESIGN)

RGP3710 -UN-01JAN94



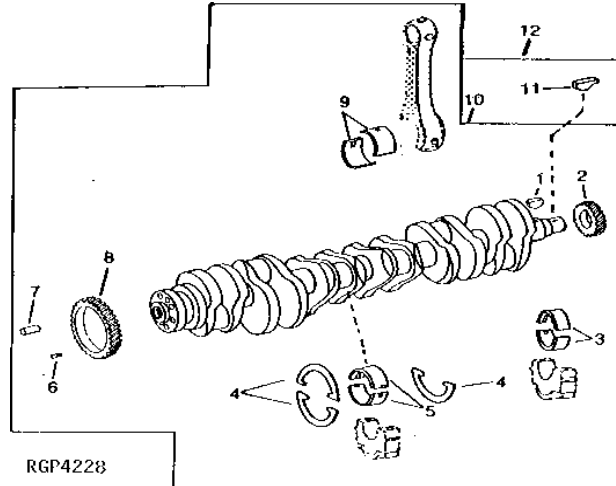
KEY	PART NO.	PART NAME	QTY	ENGINE SERIAL NO.	REMARKS
1	R120752	KEY	1		1/8" X 0.625", (USE WITH R105488)
2	R105488	GEAR	1		(USE WITH RE42678, APPL)
3	AR74816	BEARING	6		0.25MM (.010") US, (PKG R61909 AND R60473)
4	AR77753	THRUST WASHER	1		0.18MM (.007") OS FLANGE (PKG (2) R63010 AND R62986)
5	AR77750	THRUST BEARING	1		0.25MM (.010") US, (PKG R63003 AND R63007)
6	22H821	SET SCREW	2		1/2" X 1/2"
7	R41934	DOWEL PIN	1		
8	R63326	GEAR	1		
9	AR45723	BEARING	6		STD (PKG (2) R44378)
10	RE42672	CRANKSHAFT	1		0.25MM (.010") US, (MARKED RE42678) (SUB RE53425)

1C6

ENGINE

UNDERSIZE MAIN BEARING CRANKSHAFT AND BEARING KIT (LATE DESIGN)

RGP4228 -UN-01JAN94



KEY	PART NO.	PART NAME	QTY	ENGINE SERIAL NO.	REMARKS
1	R120752	KEY	1		
2	R105488	GEAR	1		(USE WITH RE42678 OR RE53204, APPL)
3	AR74816	BEARING	6		0.25MM (.010") US. (PKG R61909 AND R60473)
4	AR77753	THRUST WASHER	1		0.18MM (.007") OS FLANGE (PKG (2) R63010 AND R62986)
5	AR77750	THRUST BEARING	1		0.25MM (.010") US. (PKG R63003 AND R63007)
6	22H821	SET SCREW	2		1/2" X 1/2"
7	R41934	DOWEL PIN	1		
8	R63326	GEAR	1		
9	AR45723	BEARING	6		STD (PKG (2) R44378)
10	RE42672	CRANKSHAFT	1		0.25MM (.010") US. (MARKED RE42678) (SUB FOR RE36416) (SUB RE53425)
11	R116311	KEY	1		(USE WITH RE53204, APPL)
12	RE53425	CRANKSHAFT	1		(A) (MARKED RE53204) (SUB FOR RE36416 OR RE42672)

(A) RE53424 MAY BE USED IF RE53425 IS NOT AVAILABLE

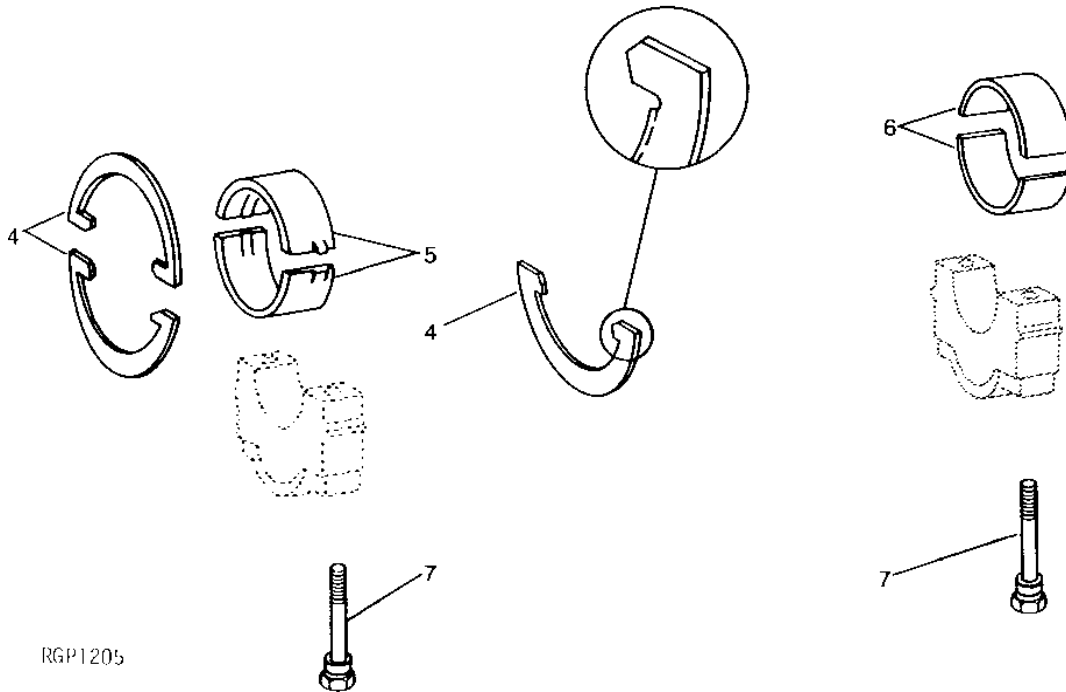
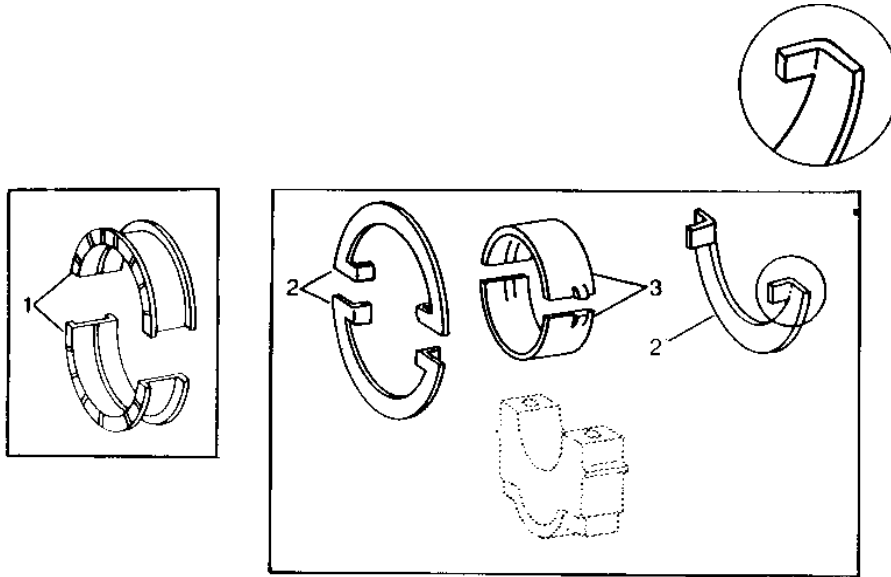
MEMORANDA

1C7

ENGINE

RGP1205 -UN-02JAN94

MAIN AND MAIN THRUST BEARINGS



RGP1205

1C8

ENGINE

MAIN AND MAIN THRUST BEARINGS - CONTINUED

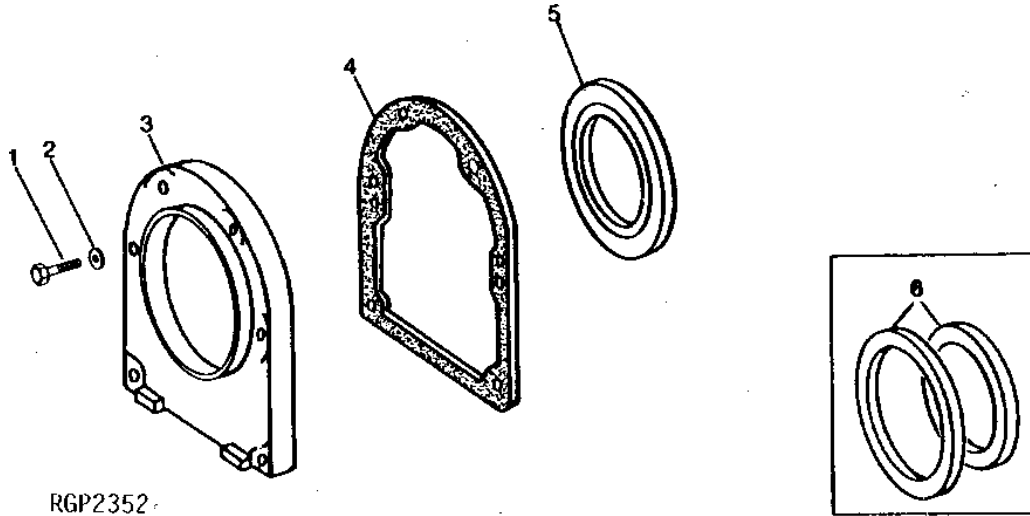
KEY	PART NO.	PART NAME	QTY	ENGINE SERIAL NO.	REMARKS
1	AR65235	THRUST BEARING	1	-444687	STD (PKG R55596 AND R55597) (SUB AR77748 AND AR77747 OR AR77753) (SUB FOR AR44624 OR AR48940)
	AR65236	THRUST BEARING	1	-444687	0.05 MM (.002") US (PKG R55737 AND R55738) (SUB AR77749 AND AR77747 OR AR77753) (SUB FOR AR46403 OR AR49232)
	AR65237	THRUST BEARING	1	-444687	0.25 MM (.010") US (PKG R55739 AND R55740) (SUB AR77750 AND AR77747 OR AR77753) (SUB FOR AR46404 OR AR49233)
	AR65238	THRUST BEARING	1	-444687	0.51 MM (.020") US (PKG R55741 AND R55742) (SUB AR77751 AND AR77747 OR AR77753) (SUB FOR AR46405 OR AR49234)
	AR65239	THRUST BEARING	1	-444687	0.76 MM (.030") US (PKG R55743 AND R55744) (SUB AR77752 AND AR77747 OR AR77753) (SUB FOR AR46406 OR AR49235)
	AR65240	THRUST BEARING	1	-444687	0.25 MM (.010") US WITH 0.18 MM (.007") OS FLANGE (PKG R55745 AND R55746) (SUB AR77750 AND AR77753) (SUB FOR AR46407 OR AR49236)
2	AR73275	THRUST WASHER	1	444688-XXXXXX	STD (PKG (3) R57778) (SUB AR77747)
	AR73276	THRUST WASHER	1	444688-XXXXXX	0.18 MM (.007") OS FLANGE (PKG (3) R60484) (SUB AR77753)
3	AR72998	THRUST BEARING	1	444688-XXXXXX	STD (PKG R57779 AND R57780) (SUB AR77748 AND AR77747 OR AR77753)
	AR73271	THRUST BEARING	1	444688-XXXXXX	0.05 MM (.002") US (PKG R60476 AND R60477) (SUB AR77749 AND AR77747 OR AR77753)
	AR73272	THRUST BEARING	1	444688-XXXXXX	0.25 MM (.010") US (PKG R60478 AND R60479) (SUB AR77750 AND AR77747 OR AR77753)
	AR73273	THRUST BEARING	1	444688-XXXXXX	0.51 MM (.020") US (PKG R60480 AND R60481) (SUB AR77751 AND AR77747 OR AR77753)
	AR73274	THRUST BEARING	1	444688-XXXXXX	0.76 MM (.030") US (PKG R60482 AND R60483) (SUB AR77752 AND AR77747 OR AR77753)
4	AR77747	THRUST WASHER	1	XXXXXX-	STD (PKG (3) R62986)
	AR77753	THRUST WASHER	1	XXXXXX-	0.18 MM (.007") OS FLANGE (PKG (2) R63010 AND R62906)
5	AR77748	THRUST BEARING	1	XXXXXX-	STD (PKG R62987 AND R62988)
	AR77749	THRUST BEARING	1	XXXXXX-	0.05 MM (.002") US (PKG R63002 AND R63006)
	AR77750	THRUST BEARING	1	XXXXXX-	0.25 MM (.010") US (PKG R63003 AND R63007)
	AR77751	THRUST BEARING	1	XXXXXX-	0.51 MM (.020") US (PKG R63004 AND R63008)
	AR77752	THRUST BEARING	1	XXXXXX-	0.76 MM (.030") US (PKG R63005 AND R63009)
6	AR74814	BEARING	AR		STD (PKG R61289 AND R57584) (SUB FOR AR44625)
	AR74815	BEARING	AR		0.05 MM (.002") US (PKG R61608 AND R60472) (SUB FOR AR46399)
	AR74816	BEARING	AR		0.25 MM (.010") US (PKG R61609 AND R60473) (SUB FOR AR46400)
	AR74817	BEARING	AR		0.51 MM (.020") US (PKG R61610 AND R60474) (SUB FOR AR46401)
	AR74818	BEARING	AR		0.76 MM (.030") US (PKG R61611 AND R60475) (SUB FOR AR46402)
7	T15539	BOLT	14		

1C9

ENGINE

RGP2352 -UN-01JAN94

REAR CRANKSHAFT OIL SEAL AND HOUSING



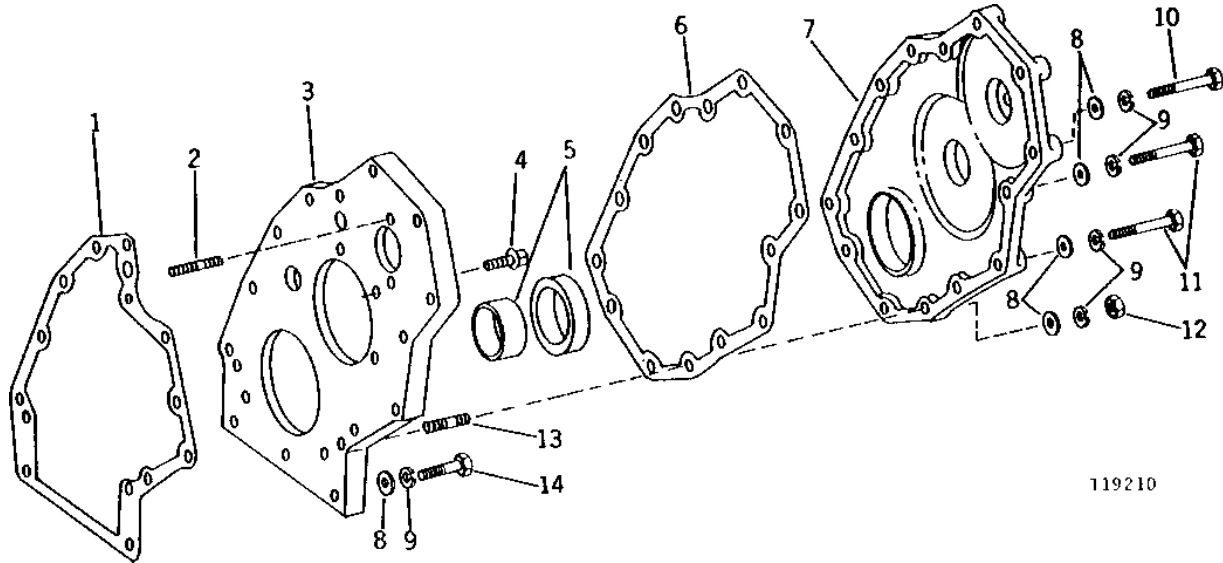
KEY	PART NO.	PART NAME	QTY	ENGINE SERIAL NO.	REMARKS
1	R47074	CAP SCREW	6		(USE WITH R78124)
2	T27860	WASHER	6		11/32" X 11/16" X 0.065"
3	R78124	HOUSING	1		(SUB FOR R41406) (SUB R125027 AND (6) T27860)
	R125027	HOUSING	1		(SUB FOR R115050)
4	R26058	GASKET	1		
5	RE22764	SEAL	1		(SUB FOR RE14953 OR RE17352)
6	AR63095	SEAL	1		(SUB RE22764) (SUB FOR AR49650)

1C10

ENGINE

T19210 -UN-01JAN94

TIMING GEAR COVER AND FRONT OIL SEAL



119210

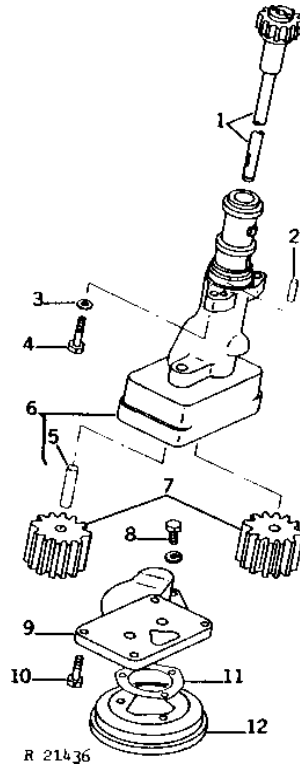
KEY	PART NO.	PART NAME	QTY	ENGINE SERIAL NO.	REMARKS
1	R46984	GASKET	1		
2	R47105	STUD	2	-283332	
	R47105	STUD	3	283333-	
3	R46893	LATCH	1	-283332	(NLA)
	R48893	HOUSING	1	283333-	
4	19H2915	CAP SCREW	3		5/16" X 1-1/4"
	24H1136	WASHER	3		11/32" X 11/16" X 0.065"
5	AR49025	SEAL	1		
6	R47047	GASKET	1		
7	AR49539	COVER	1		
8	24H1136	WASHER	14	-283332	11/32" X 11/16" X 0.065"
	24H1136	WASHER	16	283333-	11/32" X 11/16" X 0.065"
9	12H303	LOCK WASHER	16		5/16"
10	19H1949	CAP SCREW	1		5/16" X 2-1/2"
	19H1733	CAP SCREW	2	-283332	3/8" X 2-1/2"
	12H304	LOCK WASHER	2	-283332	3/8", (NOT REQ. W/E55662)
	E55662	FLANGE NUT	2	-283332	
	24H1305	WASHER	4	-283332	13/32" X 13/16" X 0.065"
11	19H1901	CAP SCREW	8	-283332	5/16" X 2"
	19H1901	CAP SCREW	10	283333-	5/16" X 2"
12	14H785	NUT	3		5/16"
13	R47104	STUD	3		(NLA)
14	19H2661	CAP SCREW	2		5/16" X 1-3/8"

1C11

ENGINE

R21436 -UN-01JAN94

ENGINE OIL PUMP



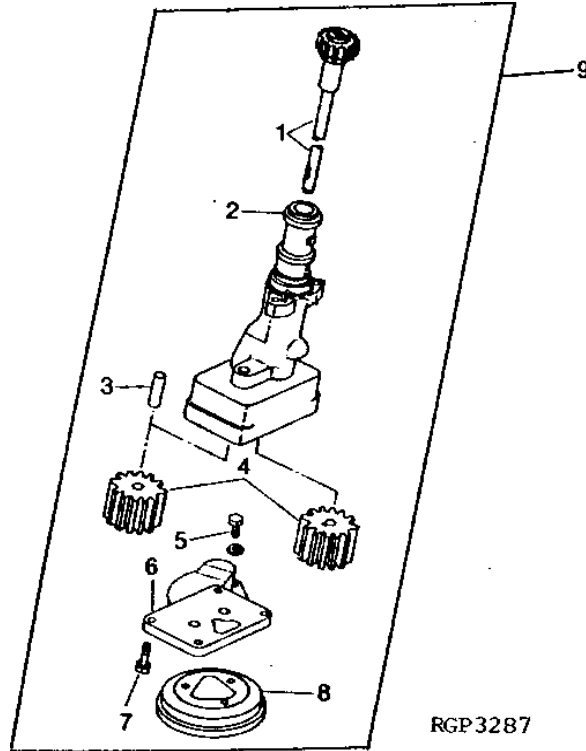
KEY	PART NO.	PART NAME	QTY	ENGINE SERIAL NO.	REMARKS
1	R45133	GEAR	1	-280000	
	R64568	GEAR	1	280001-	(W/O KEYWAY)
2	DOWEL PIN	1		(NO LONGER USED)
3	M72490	WASHER	2		(SUB FOR R42729)
4	R40808	CAP SCREW	2		(SUB AR63865, APPL)
5	R42390	SHAFT	1		
6	AR68180	HOUSING	1	-302198	(MARKED R46337 OR R56972) (SUB FOR AR48487)
	AR71124	KIT	1	302199-	(ALSO ORDER (2) R38614)
7	AR44444	GEAR	1	-302198	(MARKED R49015 OR R59034) (NLA)
	AR71123	GEAR	1	302199-	(SUB AR73714 AND R42392)
8	19H2127	CAP SCREW	3		(SUB FOR AR52570)
	12H303	LOCK WASHER	3		5/16" X 7/8"
9	R60754	COVER	1	328242-	5/16"
10	R46567	CAP SCREW	4		(SUB FOR R46338 OR R52048)
11	R52049	GASKET	1	328242-	
12	AR47524	FUNNEL	1	-328241	(SUB AR56639)
	AR56639	OIL PUMP INTAKE	1	328242-	
..	AR75896	OIL PUMP	1		(MARKED R59034) (SUB FOR AR49044 OR AR52571)
					(SUB AR71118, (2) R38614, (2) R41920 AND (2) M72490)

1C12

ENGINE

RGP3287 -UN-01JAN94

REPLACEMENT ENGINE OIL PUMP



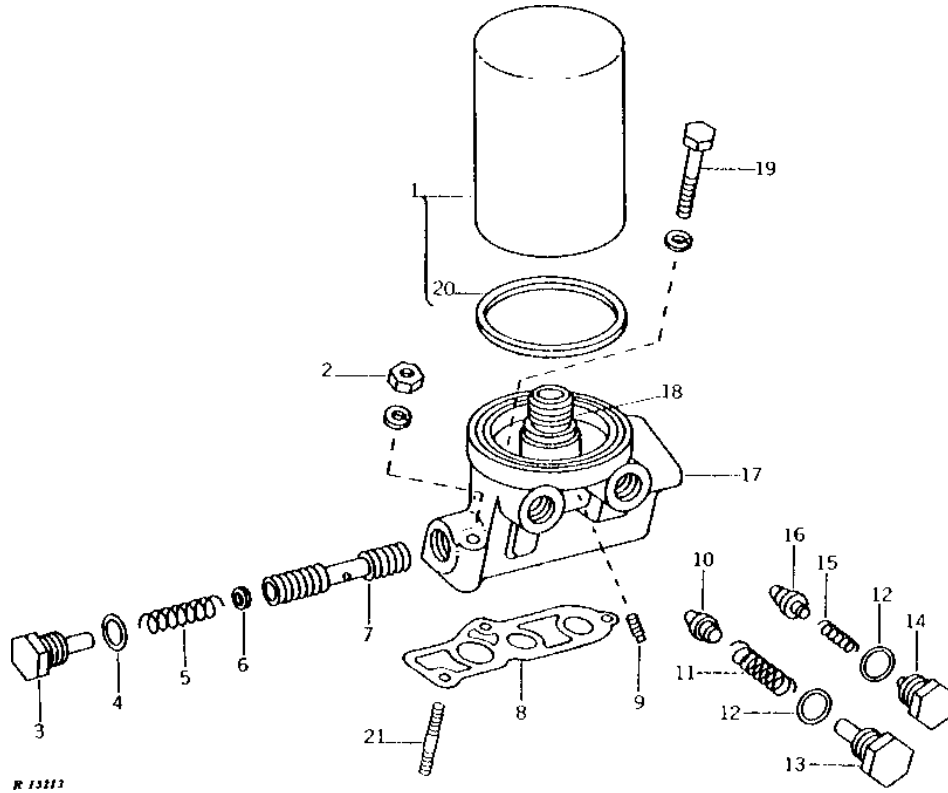
KEY	PART NO.	PART NAME	QTY	ENGINE SERIAL NO.	REMARKS
1	R45133	GEAR	1		
2	AR68180	HOUSING	1	-XXXXXX	(MARKED R46337 OR R56972) (SUB FOR AR48487) (ALSO ORDER (2) R38614)
	AR71124	KIT	1	XXXXXX-	(MARKED R49015, R56608 OR R59034) (SUB FOR AR52440 OR AR68314)
3	R42390	SHAFT	1		
4	AR44444	GEAR	1	-XXXXX	(MARKED R46337 OR R56972) (SUB AR73714 AND R42392) USE WITH HOUSING MARKED
	AR71123	GEAR	1	XXXXXX-	(MARKED R49015, R49016, R56608, R58943 OR R59034) USE WITH HOUSING MARKED (MARKED R60794)
	AR73714	GEAR	1		
	R42392	GEAR	1		
5	19H1905	CAP SCREW	3		5/16" X 1"
	12H303	LOCK WASHER	3		5/16"
6	R60754	COVER	1		(SUB FOR R46338) (ALSO ORDER R52049)
	R52049	GASKET	1	XXXXX-	
7	R46567	CAP SCREW	4		
8	AR56639	OIL PUMP INTAKE	1		(SUB FOR AR47524)
9	AR71118	OIL PUMP	1		

1C13

ENGINE

R13213 -UN-01JAN94

ENGINE OIL FILTER



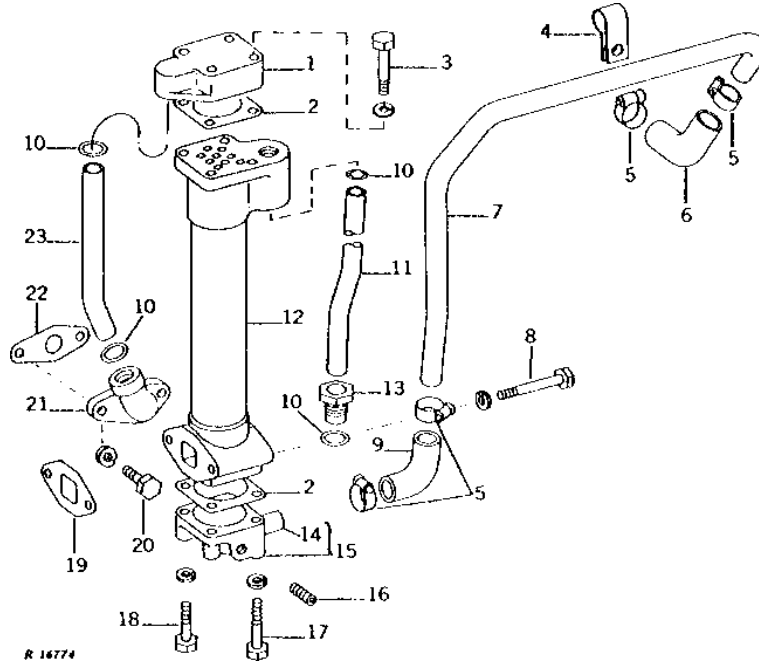
KEY	PART NO.	PART NAME	QTY	ENGINE SERIAL NO.	REMARKS
1	AR43634	OIL FILTER	1		(MARKED AR43261 OR AR43634)
2	E55662	FLANGE NUT	2		
	12H304	LOCK WASHER	2		3/8", (NOT REQ. W/E55662)
3	RE10834	DRAIN PLUG	1		(SUB FOR R43425)
4	R43424	WASHER	1		
5	R43548	SPRING	1		
6	U40750	WASHER	AR		
7	R77003	VALVE	1		(SUB FOR R43428, APPL)
8	R43774	GASKET	1		
9	R42852	PIPE PLUG	1		
10	R43423	VALVE	1		
11	T20303	SPRING	1		
12	R43424	WASHER	2		
13	R43425	DRAIN PLUG	1		(SUB R43427, APPL)
14	R43427	DRAIN PLUG	1		
15	R36715	SPRING	1		
16	R43426	VALVE	1		
17	AR43112	HOUSING	1		(MARKED R46424)
18	R43429	FITTING	1		(USE WITH AR43261 OR AR43634)
19	19H1726	CAP SCREW	1		3/8" X 2-1/4"
	12H304	LOCK WASHER	1		3/8"
20	R43660	PACKING	1		(USE WITH AR43261, AR98329 OR RE57394)
21	R106859	STUD	1		(SUB FOR F3646R OR R26622, APPL)
	R32042	STUD	1		

1C14

ENGINE

R16774 -UN-01JAN94

ENGINE OIL COOLER



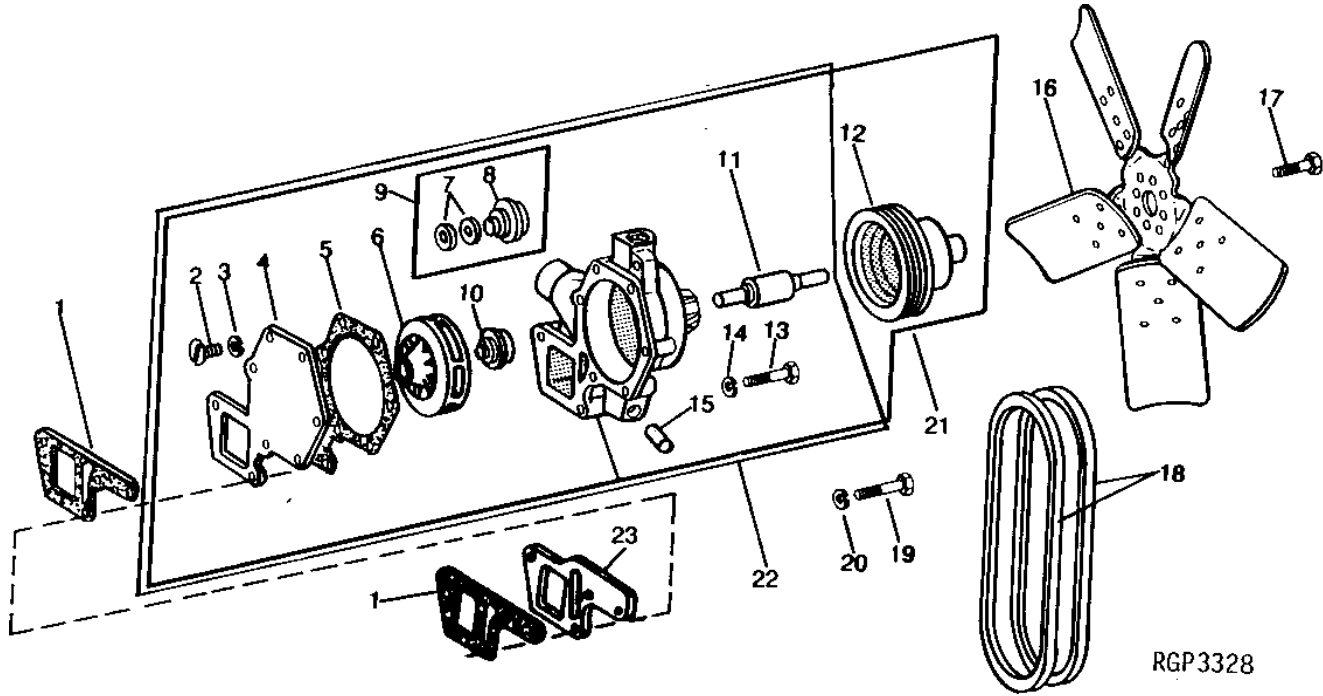
KEY	PART NO.	PART NAME	QTY	ENGINE SERIAL NO.	REMARKS
1	R43553	CAP	1		
2	R27948	GASKET	2		
3	19H1913	CAP SCREW	4	5/16" X 2-1/4"	
	12H303	LOCK WASHER	4	5/16"	
4	R48794	CLAMP	1		
5	TY22467	CLAMP	4		(SUB FOR AR21839)
6	R47091	HOSE	1		
7	R48774	LINE	1		
8	19H2636	CAP SCREW	2	3/8" X 3-5/8"	
	12H304	LOCK WASHER	2	3/8"	
9	R47430	HOSE	1		
10	R52811	O-RING	4		(SUB FOR R47102) (SUB R50402)
11	R43559	OIL TUBE	1		
12	AR51518	OIL COOLER	1		
13	R43560	NUT	1		
14	R43410	TUBE	1		
15	AR52222	CAP	1		(MARKED R48791)
16	15H559	PIPE PLUG	1	1/4"	
17	19H1875	CAP SCREW	2	5/16" X 1-3/4"	
	12H303	LOCK WASHER	2	5/16"	
18	19H1849	CAP SCREW	2	5/16" X 1-1/4"	
	12H303	LOCK WASHER	2	5/16"	
19	R43558	GASKET	1		
20	19H1731	CAP SCREW	2	3/8" X 1"	
	12H304	LOCK WASHER	2	3/8"	
21	R47914	ELBOW FITTING	1		
22	R43563	GASKET	1		
23	R48031	OIL LINE	1		

1C15

ENGINE

RGP3328 -UN-01JAN94

WATER PUMP AND FAN



KEY	PART NO.	PART NAME	QTY	ENGINE SERIAL NO.	REMARKS
1	R42406	GASKET	1		
	R42406	GASKET	2	(A)	
2	R43663	SCREW	4		
3	12H323	LOCK WASHER	4	5/16"	
4	AR43747	COVER	1		
5	R43117	GASKET	1		
6	R43904	IMPELLER	1		
7	AR41691	INSERT	1	(SUB AR101549)	
8	T27261	SEAL	1	(SUB AR101549)	
9	AR62934	SEAL	1	(SUB AR101549) (SUB FOR AR36668)	
10	AR101549	SEAL KIT	1		
11	JD9257	BALL BEARING	1		
12	R47847	PULLEY	1		
	R47126	SHEAVE	1	(A)	
13	19H1733	CAP SCREW	2	3/8" X 2-1/2"	
	19H2128	CAP SCREW	2	(A) 3/8" X 3"	
14	12H304	LOCK WASHER	2	3/8"	
15	R43410	TUBE	1		
16	AR48871	FAN	1		
17	19H2284	CAP SCREW	4	3/8" X 7/8"	
18	AR43219	BELT SET	1		
	AR56638	BELT SET	1	(A) (SUB FOR AR41574)	
19	19H1733	CAP SCREW	2	3/8" X 2-1/2"	
	19H2128	CAP SCREW	2	(A) 3/8" X 3"	
20	12H304	LOCK WASHER	2	3/8"	
21	AR51063	WATER PUMP	1	(MARKED R46561) (SUB RE20024) (ALSO ORDER AS REQUIRED (2) 19H1733, (2) 12H304, R47847 AND R43117)	
	AR49655	WATER PUMP	1	(A) (MARKED R46561) (SUB RE20024) (ALSO ORDER AS REQUIRED (2) 19H2128, (2) 12H304, R47126 AND R43117)	
22	RE20024	WATER PUMP	1	(MARKED R46561)	
23	R47114	SPACER	1	(A)	

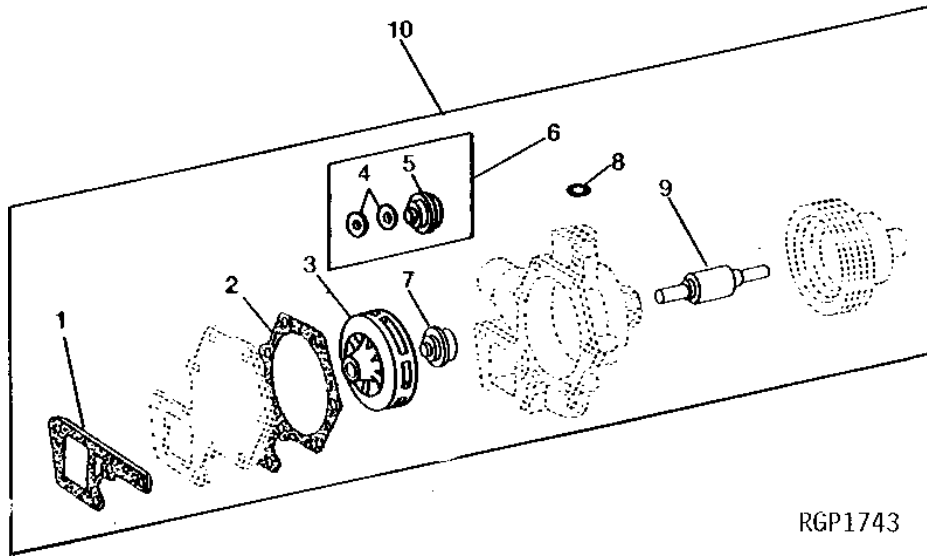
(A) AIR CONDITIONING

1C16

ENGINE

RGP1743 -UN-01JAN94

WATER PUMP REPAIR KIT



RGP1743

KEY	PART NO.	PART NAME	QTY	ENGINE SERIAL NO.	REMARKS
1	R42406	GASKET	2		
2	R43117	GASKET	1		
3	R43904	IMPELLER	1		
4	AR41691	INSERT	1	(SUB AR101549)	
5	T27261	SEAL	1	(SUB AR101549)	
6	AR62934	SEAL	1	(SUB AR101549)	(SUB FOR AR36668)
7	AR101549	SEAL KIT	1		
8	R47153	O-RING	2	(SUB FOR R50420 OR A4730R, APPL)	
9	JD9257	BALL BEARING	1		
10	AR98568	KIT	1	(SUB FOR AR55624)	

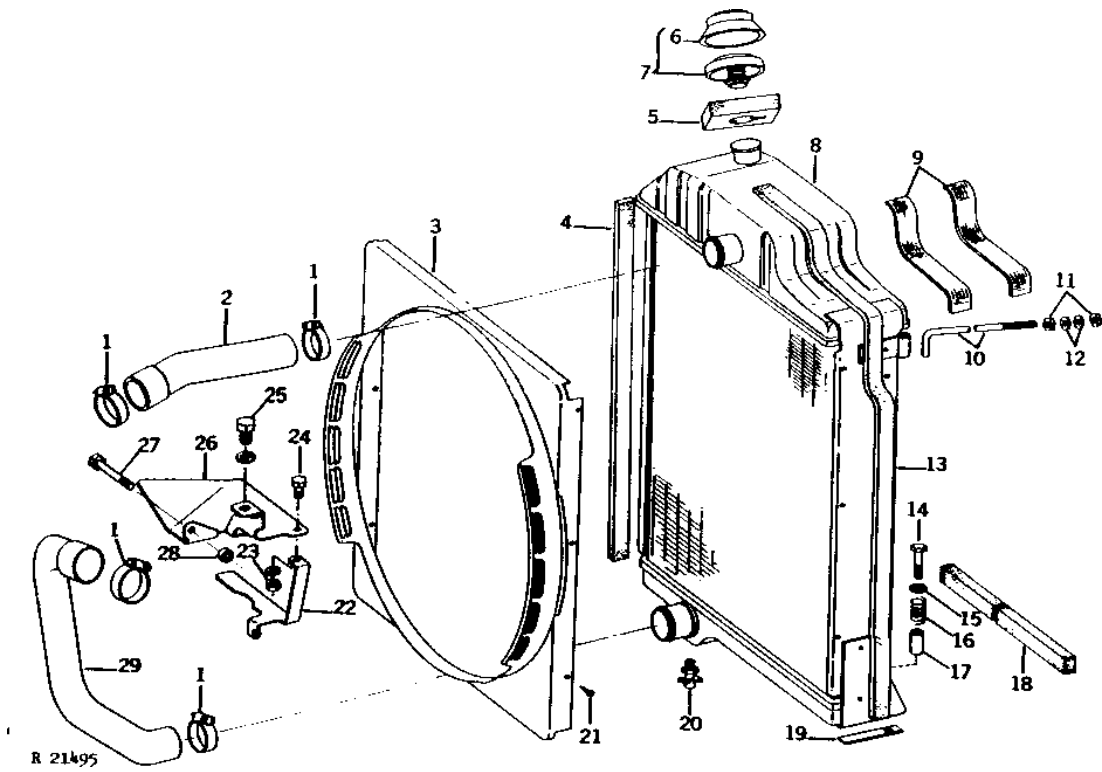
1C17

ENGINE

R21495

-UN-01JAN94

RADIATOR



1C18

ENGINE

RADIATOR - CONTINUED

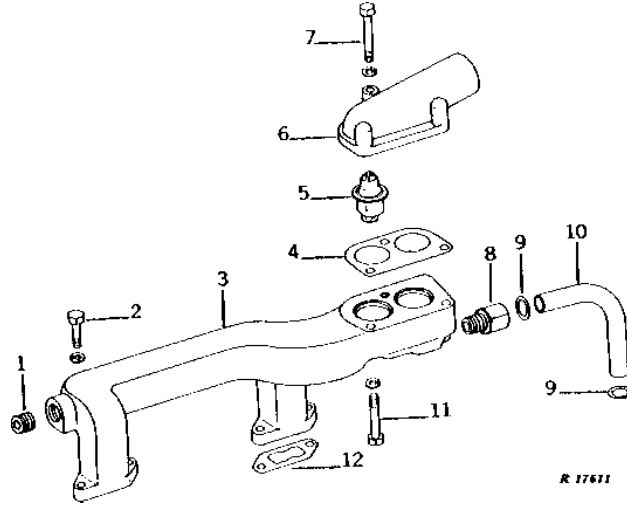
KEY	PART NO.	PART NAME	QTY	TRACTOR SERIAL NO.	REMARKS
1	AR21999	CLAMP	4		
2	R46452	HOSE	1		(SUB T41901)
3	R46523	SHROUD	1		
4	FOAM PAD	1		12.7 X 25.4 X 609.6MM (1/2" X 1" X 24") L.H. (MAKE FROM R30936)
5	R28015	FOAM PAD	1		
6	R27209	COVER	1		
7	AR28482	CAP	1		
8	AR48735	RADIATOR	1		
9	CUSHION	2		3.17 X 38 X 267MM (1/8" X 1-1/2" X 10-1/2") (MAKE FROM R21736) (ANTI-SQUEAK WEBBING)
10	R48824	HOOK BOLT	2		(SUB FOR R43580)
	AR52267	ROD	1		L.H. (WITH VERTICAL AIR STACK)
	24M7096	WASHER	2		10.500 X 18 X 1.600 MM, (USE WITH AR52267)
	11M7059	COTTER PIN	2		3.200 X 20 MM, (USE WITH AR52267)
11	14H1076	NUT	4		3/8"
12	24H1305	WASHER	4		13/32" X 13/16" X 0.065"
13	FOAM PAD	1		13 X 25 X 1.08MM (1/2" X 1" X 42-5/8") R.H. (MAKE FROM R30936)
14	19H2549	CAP SCREW	2		3/8" X 1-7/8"
15	24H1309	WASHER	2		13/32" X 1-1/16" X 0.120"
16	F2411R	SPRING	2		
17	R26417	SPACER	2		
18	FOAM PAD	1		25 X 571MM (1" X 22-1/2") (MAKE FROM R30937)
19	R26413	STRAP	2		
20	AT13740	DRAIN VALVE	1		
21	37H79	SCREW	6		1/4" X 5/8"
22	R49355	DEFLECTOR	1	016433-	(NLA)
23	14H1076	NUT	1	016433-	3/8"
	12H304	LOCK WASHER	1	016433-	3/8"
24	19H1936	CAP SCREW	1	016433-	3/8" X 3/4"
25	19H2367	CAP SCREW	1	016433-	5/8" X 3/4"
	12H294	LOCK WASHER	1	016433-	5/8"
26	R49354	DEFLECTOR	1	016433-	
	R49353	DEFLECTOR	1	016433-	(AIR CONDITIONING)
27	19H1912	CAP SCREW	1	016433-	3/8" X 3-1/2"
28	28H1518	WASHER	1	016433-	0.493" X 0.675" X 5/16"
29	R48427	HOSE	1		
	R46453	HOSE	1		(AIR CONDITIONING)

1C19

ENGINE

R17611 -UN-01JAN94

WATER MANIFOLD AND THERMOSTATS



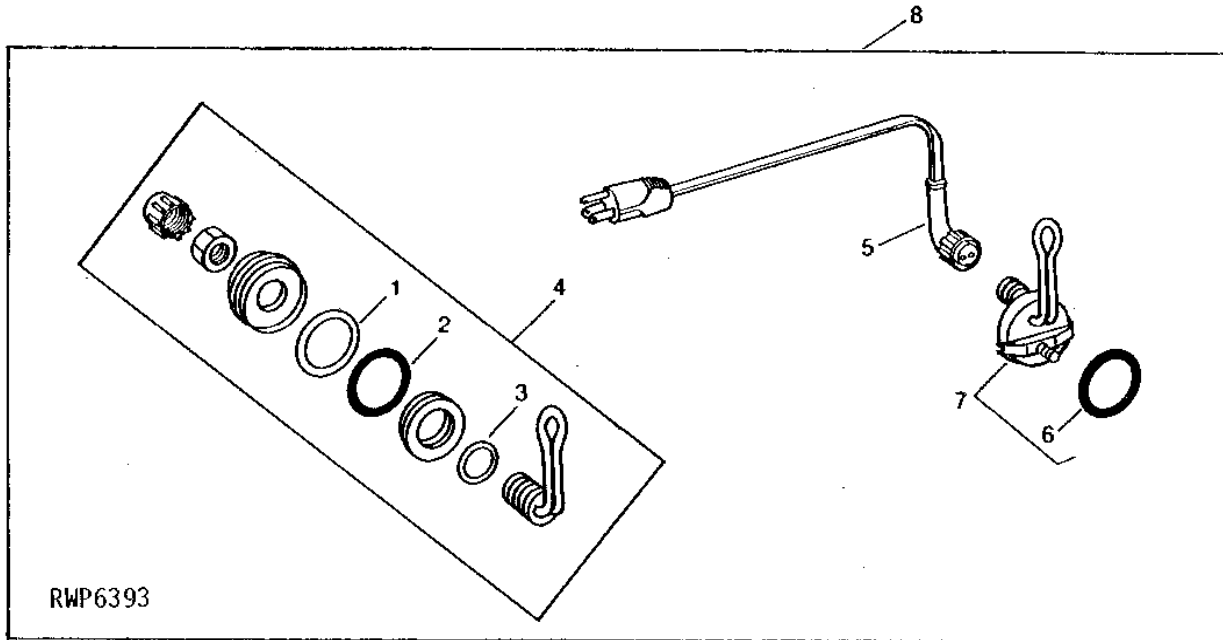
KEY	PART NO.	PART NAME	QTY	ENGINE SERIAL NO.	REMARKS
1	15H690	PIPE PLUG	1	3/4"	
2	19H1800	CAP SCREW	4	3/8" X 1-1/2"	
	12H304	LOCK WASHER	4	3/8"	
3	R46477	MANIFOLD	1	(NLA)	
4	R46479	GASKET	1		
5	AR48675	THERMOSTAT	2	82°C (180°F)	
6	R53423	COVER	1	(SUB FOR R46478)	
7	19H2553	CAP SCREW	1	3/8" X 2-5/8"	
	12H304	LOCK WASHER	1	3/8"	
8	R43491	FITTING	1		
9	R47153	O-RING	2	(SUB FOR R50420, APPL)	
10	R46480	TUBE	1		
11	19H1726	CAP SCREW	2	3/8" X 2-1/4"	
	12H304	LOCK WASHER	2	3/8"	
12	R88397	GASKET	2	(SUB FOR R42693)	

1C20

ENGINE

RWP6393 -UN-01JAN94

ENGINE COOLANT HEATER



KEY	PART NO.	PART NAME	QTY	ENGINE SERIAL NO.	REMARKS
1	R47692	RING	1		
2	R31378	O-RING	1		
3	R47693	GASKET	1		
4	AR50399	HEATER	1	(SUB RE29408)	
5	AR50411	WIRING LEAD	1		
6	R30200	O-RING	1		
7	RE29408	COOLANT HEATER	1		
8	AR50518	COOLANT HEATER	1		

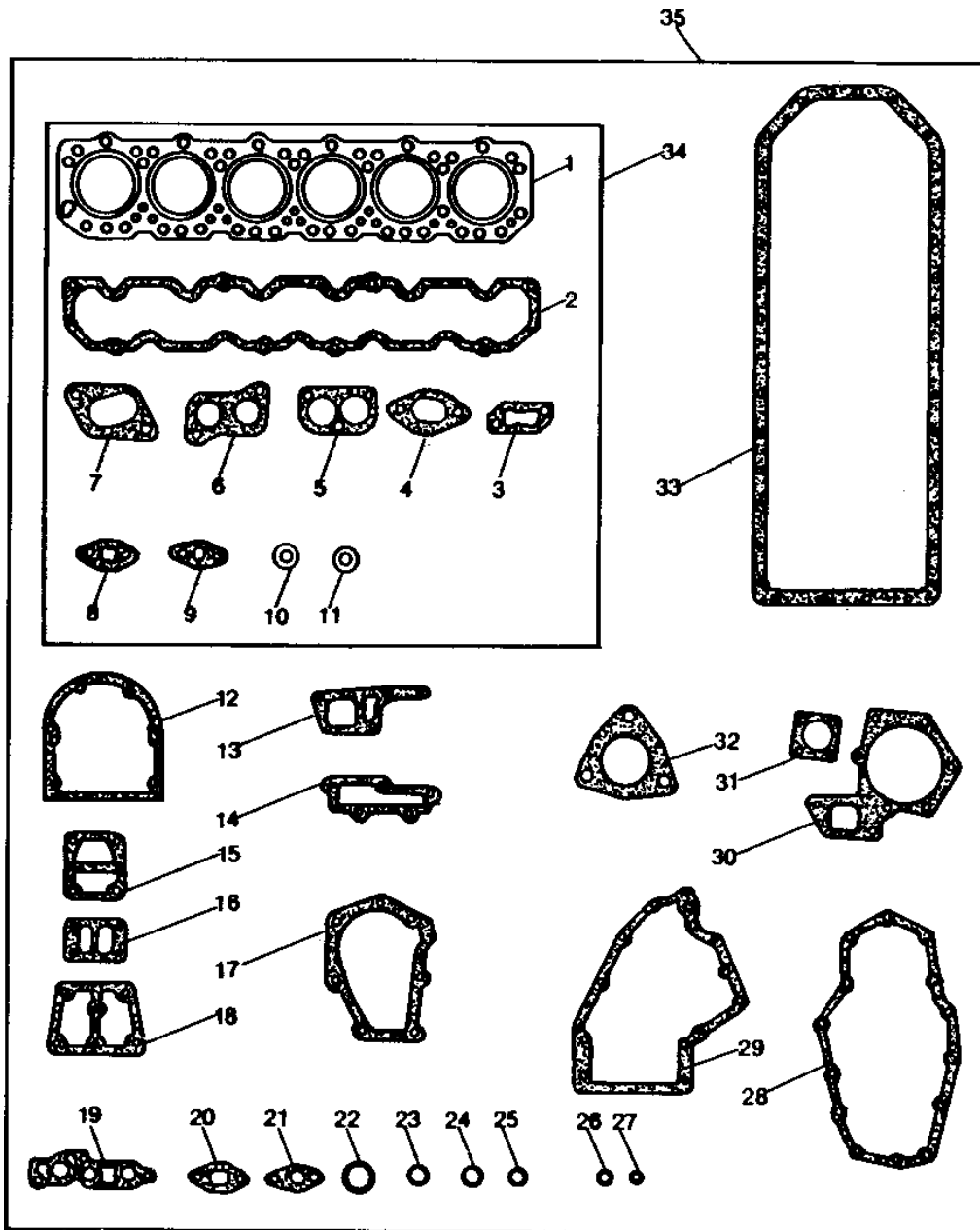
1C21

ENGINE

RGP1861

-UN-01JAN94

ENGINE GASKET SETS



RGP1861

1C22

ENGINE

ENGINE GASKET SETS - CONTINUED

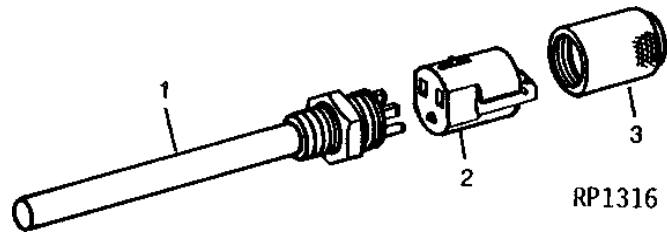
KEY	PART NO.	PART NAME	QTY	ENGINE SERIAL NO.	REMARKS
1	R48291	GASKET	1		CYLINDER HEAD (MARKED R48291) (THIN)
2	R49866	GASKET	1		ROCKER ARM COVER, (SUB FOR R32593)
3	R88397	GASKET	2		WATER OUTLET MANIFOLD, (SUB FOR R42693)
4	R83021	GASKET	2		(SUB FOR R44374) EXHAUST MANIFOLD, OUTER
5	R46479	GASKET	1		THERMOSTAT COVER
6	R83020	GASKET	2		EXHAUST MANIFOLD, INNER, (SUB FOR R44373)
7	R26297	GASKET	3		INTAKE MANIFOLD
8	R105346	GASKET	1		TURBOCHARGER OIL OUTLET ADAPTER, (SUB FOR R43416 OR R97349)
9	R97348	GASKET	1		(SUB FOR R43413) TURBOCHARGER OIL INLET ADAPTER
10	R64840	WASHER	6		INJECTION NOZZLE, (SUB FOR R48633)
11	R48693	WASHER	12		INJECTION LEAK-OFF LINE
12	R26058	GASKET	1		CRANKSHAFT OIL SEAL HOUSING
13	R42406	GASKET	2		WATER PUMP
14	R45968	GASKET	1		CYLINDER COVER
15	R44853	GASKET	1		TACHOMETER DRIVE HOUSING (SUB FOR R62410, APPL)
16	R43751	GASKET	1		TURBOCHARGER
17	R42404	GASKET	1		WATER PUMP HOUSING
18	R43595	GASKET	1		CYLINDER HEAD WATER OPENING COVER
19	R43774	GASKET	1		OIL FILTER
20	R43558	GASKET	1		OIL COOLER
21	R43563	GASKET	1		WATER INLET ELBOW
22	O-RING	1		FUEL PUMP, (SUB R48399)
23	R47153	O-RING	1		WATER BYPASS TUBE (SUB FOR A4730R OR R50420, APPL)
24	R495R	O-RING	4		VENT TUBE
25	R52811	O-RING	4		OIL COOLER LINES, (SUB FOR R47102)
26	R72328	O-RING	1		TURBOCHARGER INLET OIL, (SUB FOR R43780)
27	R51203	O-RING	1		TURBOCHARGER OUTLET LINE, (SUB FOR R43781)
28	R47047	GASKET	1		TIMING GEAR COVER
29	R46984	GASKET	1		GEAR HOUSING
30	R43117	GASKET	1		WATER PUMP COVER
31	R27948	GASKET	2		OIL COOLER CAP
32	R43488	GASKET	1		THERMOSTAT HOUSING
33	R71918	GASKET	1		OIL PAN, (SUB FOR R53282)
34	AR53095	GASKET KIT	1		CYLINDER HEAD
35	AR53094	GASKET KIT	1		ENGINE REBUILD, (ALSO ORDER R48399)

1C23

ENGINE

RP1316 -UN-01JAN94

OIL HEATER



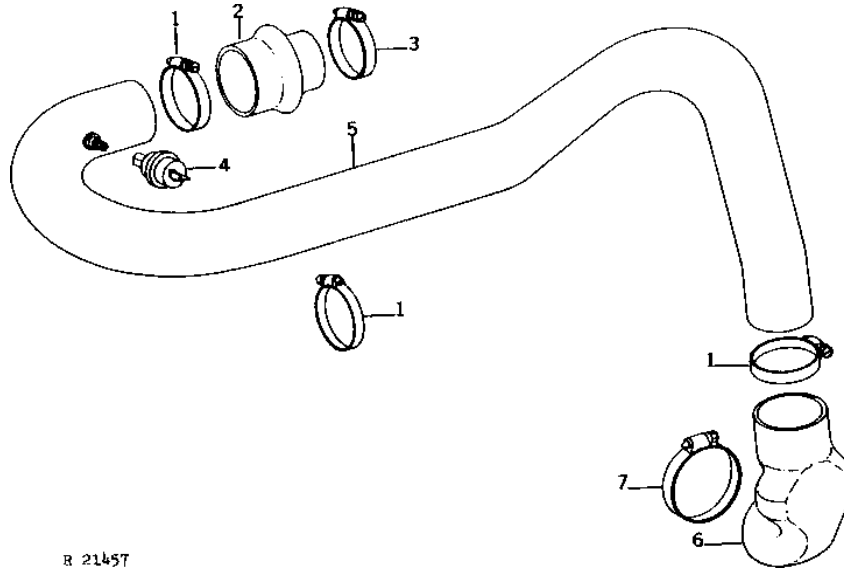
KEY	PART NO.	PART NAME	QTY	TRACTOR SERIAL NO.	REMARKS
1	AR27139	HEATING ELEMENT	1		(240-WATT) (SUB AR21024, R20878 AND T23925)
2	AR21024	FITTING	1		
3	R20878	PLUG	1		

1D3

FUEL AND AIR

R21457 -UN-01JAN94

AIR INTAKE PIPE AND HOSES



R 21457

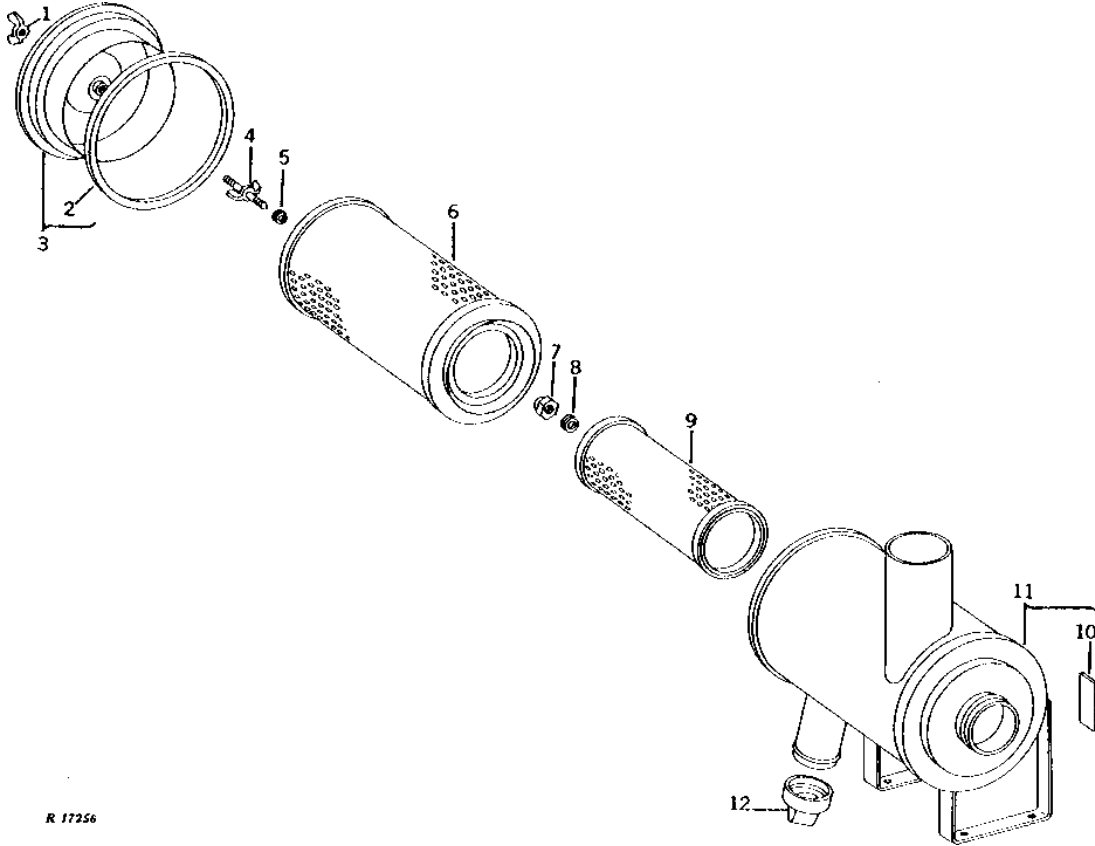
KEY	PART NO.	PART NAME	QTY	TRACTOR SERIAL NO.	REMARKS
1	TY22474	CLAMP	3		(SUB FOR AR21842)
2	R46627	HOSE	1		
3	TY22473	CLAMP	1		(SUB FOR AR21841)
4	AR50489	SWITCH	1		VACUUM INDICATOR
5	AR50183	PIPE	1		
6	R46626	HOSE	1		
7	TY22475	CLAMP	1		(SUB FOR C16054)

1D4

FUEL AND AIR

DRY AIR CLEANER

R17256 -UN-01JAN94



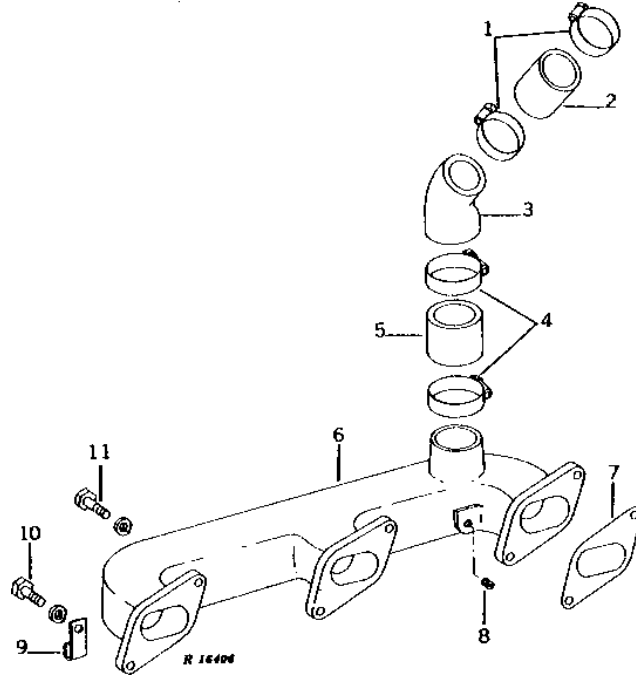
KEY	PART NO.	PART NAME	QTY	TRACTOR SERIAL NO.	REMARKS
1	R48723	WING NUT	1		
2	SEAL	1		(NOT REQUIRED)
3	AR62321	COVER	1		(SUB FOR AR52063)
4	AR52064	BOLT	1		
5	AR52065	PACKING	1		
6	AR49839	FILTER ELEMENT	1		(PRIMARY) (SUB AR79679 AND AR79680)
7	E17421	LOCK NUT	1		
8	AR52066	PACKING	1		
9	AR79680	FILTER ELEMENT	1		(SECONDARY) (SUB FOR AR49840 OR AR61968)
10	CUSHION	2		3 X 38 X 83MM (1/8" X 1-1/2" X 3-1/4")
11	AR49833	AIR CLEANER	1		(NLA)
12	R45096	VALVE	1		

1D5

FUEL AND AIR

R16406 -UN-01JAN94

INTAKE MANIFOLD



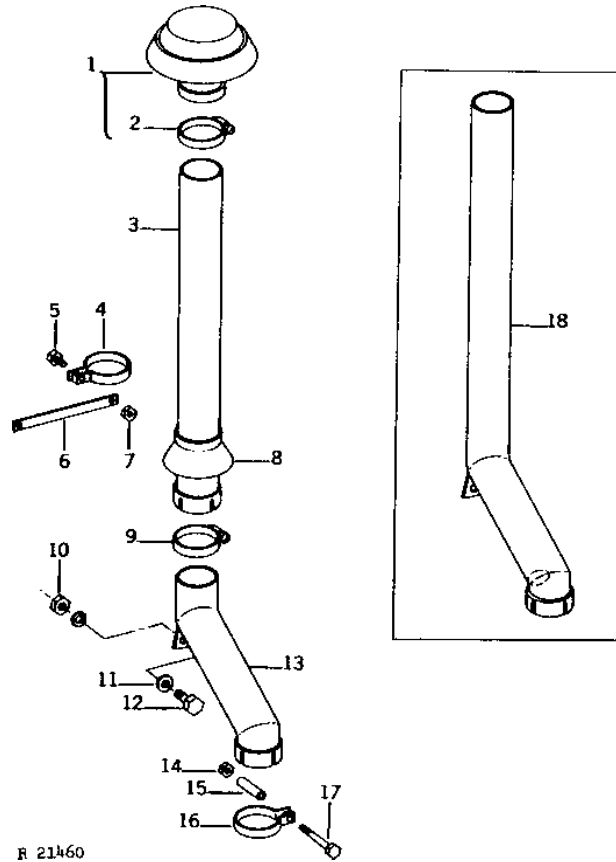
KEY	PART NO.	PART NAME	QTY	ENGINE SERIAL NO.	REMARKS
1	TY22474	CLAMP	2		(SUB FOR AR21840)
2	R43604	HOSE	1		
3	R47293	PIPE	1		
4	TY22473	CLAMP	1		(SUB FOR AR21841)
5	R43605	HOSE	1		
6	R46411	INTAKE MANIFOLD	1		
7	R26297	GASKET	3		
8	15H666	PIPE PLUG	1	3/8"	
9	B1986R	CLIP	1		
10	19H1800	CAP SCREW	1	3/8" X 1-1/2"	
	12H304	LOCK WASHER	1	3/8"	
11	19H1732	CAP SCREW	5	3/8" X 1-1/4"	
	12H304	LOCK WASHER	5	3/8"	

1D6

FUEL AND AIR

R21460 -UN-01JAN94

VERTICAL AIR STACK



R 21460

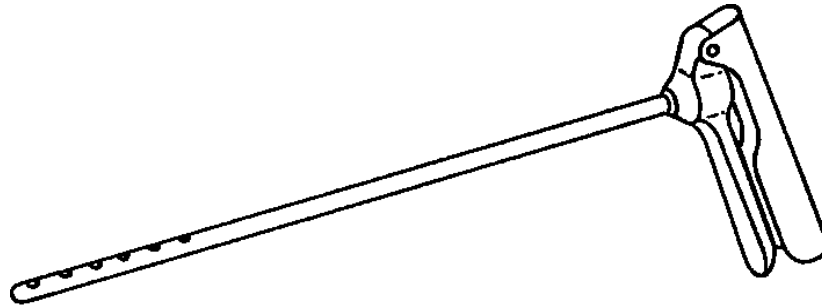
KEY	PART NO.	PART NAME	QTY	TRACTOR SERIAL NO.	REMARKS
1	AR72337	CAP	1		(SUB FOR AR43998)
2	TY22475	CLAMP	1		(SUB FOR C16054)
3	R49526	AIR INTAKE STACK	1		
4	R49104	CLAMP	1		
5	19H1732	CAP SCREW	1		3/8" X 1-1/4"
6	R49105	STRAP	1		(ALSO ORDER R49104) (SUB FOR R47922)
7	14H1076	NUT	1		3/8"
8	R51526	SEAL	1		
9	TY22475	CLAMP	1		(SUB FOR C16054)
10	14H1076	NUT	2		3/8"
	12H304	LOCK WASHER	2		3/8"
11	24M7096	WASHER	2		10.500 X 18 X 1.600 MM
12	19H2284	CAP SCREW	2		3/8" X 7/8"
13	AR53378	EXHAUST PIPE	1		(NO LONGER AVAILABLE)
14	14H1076	NUT	1		3/8"
15	28H207	BUSHING	1		3/8" X 2-3/8"
16	R49103	CLAMP	1		(SUB FOR R47921)
17	19H1925	CAP SCREW	1		3/8" X 4-1/4"
18	AR50843	EXTENSION	1		(NO LONGER AVAILABLE)
..	AR50840	AIR DUCT	1		(NO LONGER AVAILABLE)

1D7

FUEL AND AIR

RP474 -UN-01JAN94

DRY AIR CLEANER ELEMENT CLEANING GUN



RP474

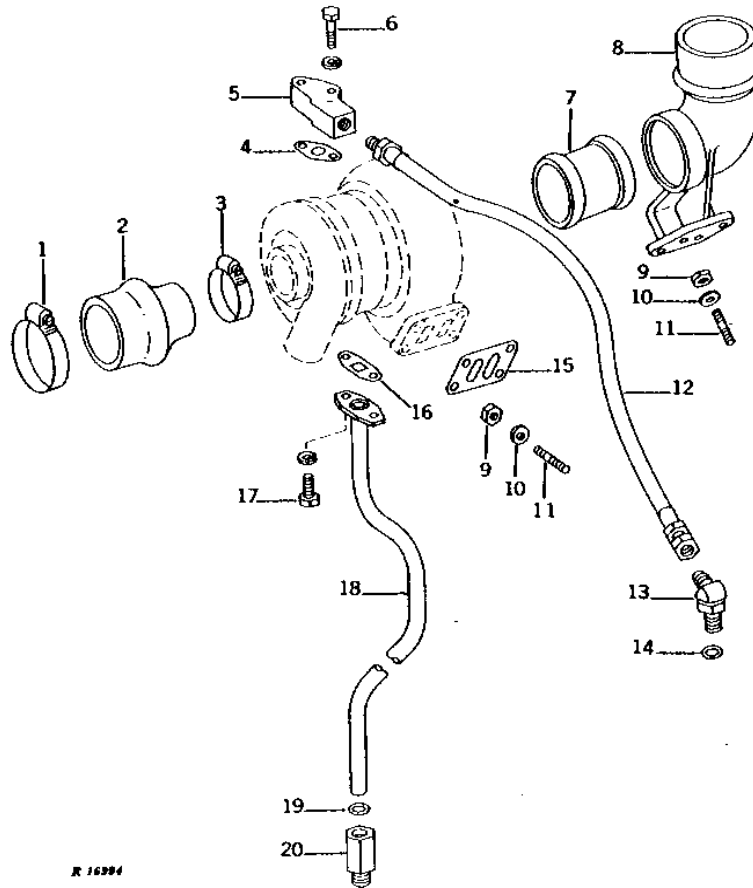
KEY	PART NO.	PART NAME	QTY	TRACTOR SERIAL NO.	REMARKS
..	AR62322	GREASE GUN	1		(MARKED R42726) (SUB FOR AR45035 OR AR62377) (NLA)
..	R36757	AIR CLEANER	1		(NLA)

1D8

FUEL AND AIR

R16994 -UN-01JAN94

TURBOCHARGER OIL LINES AND EXHAUST ELBOW



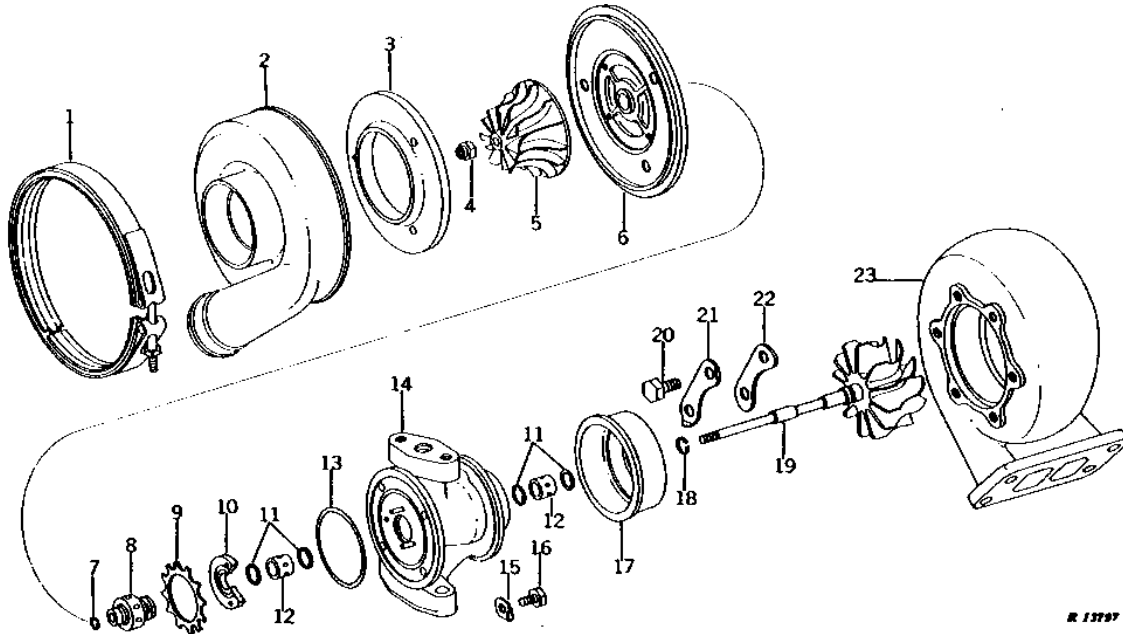
KEY	PART NO.	PART NAME	QTY	ENGINE SERIAL NO.	REMARKS
1	TY22474	CLAMP	1		(SUB FOR AR21842)
2	R46627	HOSE	1		
3	TY22473	CLAMP	1		(SUB FOR AR21841)
4	R97348	GASKET	1		(SUB FOR R43413)
5	R43928	ADAPTER	1		
6	19H3552	CAP SCREW	2	5/16" X 1-1/2"	
	12H303	LOCK WASHER	2	5/16"	
7	R43724	ADAPTER	1		(SUB FOR R83034, APPL)
8	R46473	ELBOW FITTING	1		
9	E55662	FLANGE NUT	8	3/8"	
10	24H1303	WASHER	8	13/32" X 11/16" X 0.065"	
11	R55078	STUD	8		(SUB FOR R43170)
12	AR76425	HOSE	1		(SUB FOR AR43770)
13	AR26745	ELBOW FITTING	1		
14	R51203	O-RING	1		(SUB FOR R43781)
15	R43751	GASKET	1		
16	R105346	GASKET	1		(SUB FOR R43416 OR R97349)
17	19H2284	CAP SCREW	2	3/8" X 7/8"	
	12H304	LOCK WASHER	2	3/8"	
18	AR50380	OIL LINE	1		
19	R72328	O-RING	1		(SUB FOR R43780)
20	R41285	ADAPTER	1		

1D9

FUEL AND AIR

R13797 -UN-01JAN94

TURBOCHARGER (AIRESEARCH)



KEY	PART NO.	PART NAME	QTY	ENGINE SERIAL NO.	REMARKS
1	R43809	CLAMP	1	(NLA)	
2	R43814	HOUSING	1	(NLA)	
3	R43811	DIFFUSER	1	(NLA)	
4	R43817	LOCK NUT	1	(A)	
5	R43813	IMPELLER	1	(A) (NLA)	
6	AR54935	PLATE	1	(A) (SUB FOR R43812)	
7	R43806	PISTON RING	1	(A)	
8	R43801	THRUST BEARING	1	(A)	
9	R43818	LOCK WASHER	1	(A) (SUB AR54935)	
10	R43808	BEARING	1	(A)	
11	R43816	SNAP RING	4	(A)	
12	R43803	BEARING	2	(A)	
13	R43805	O-RING	1	(A)	
14	AR43627	HOUSING	1	(A)	
	AR43626	HOUSING	1	(NLA)	
15	R43986	LOCK PLATE	2		
16	19H1919	CAP SCREW	4	1/4" X 5/8"	
17	R43804	SHROUD	1	(A)	
18	R43807	HOUSING	1	(A)	
19	AR43625	WHEEL	1	(A)	
20	R43819	CAP SCREW	6		
21	R43815	LOCK PLATE	3		
22	R43821	CLAMP	3		
23	R43799	HOUSING	1	(NLA)	
..	AR52020	TURBOCHARGER	1		REMANUFACTURED, (SUB AR70987)

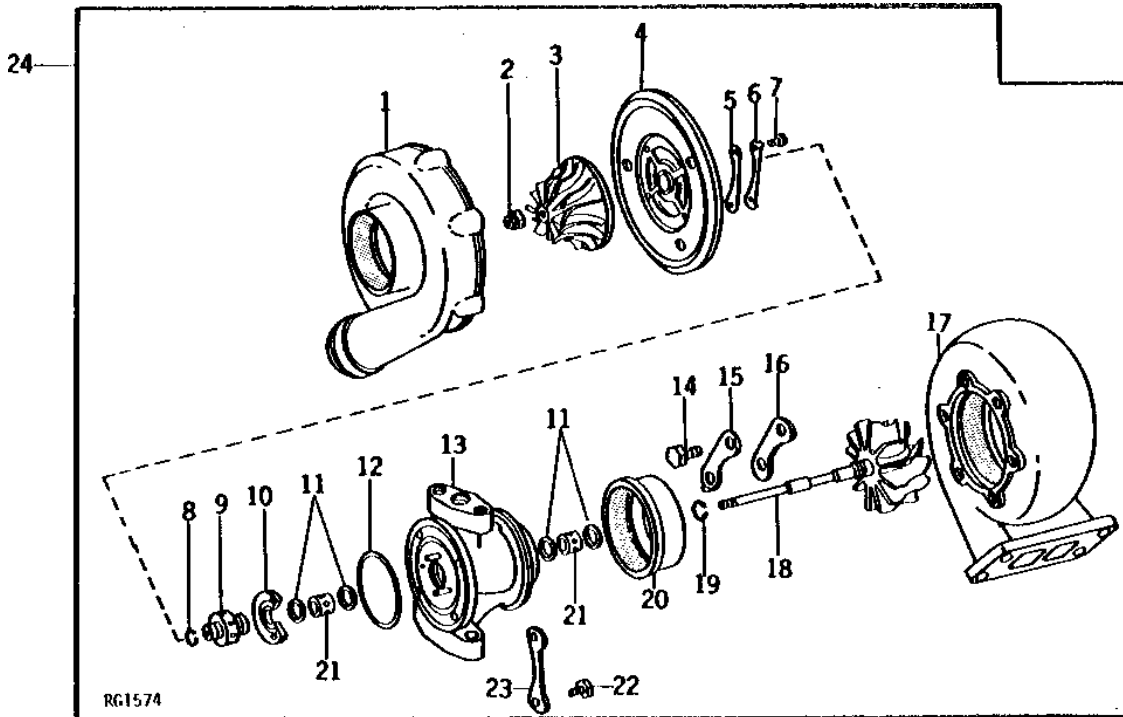
(A) CONTAINED IN AR43626

1D10

FUEL AND AIR

TURBOCHARGER (AIRESEARCH)

RG1574 -UN-01JAN94



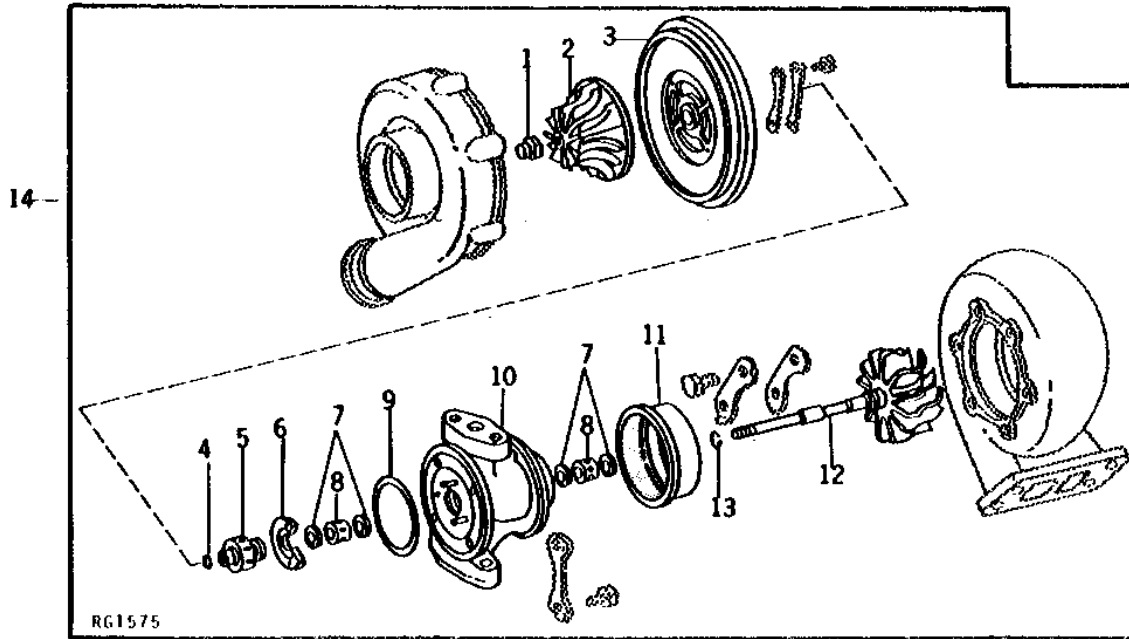
KEY	PART NO.	PART NAME	QTY	ENGINE SERIAL NO.	REMARKS
1	R48711	HOUSING	1		(SUB R55026 AND R55025)
	R55026	HOUSING	1		
2	R43817	LOCK NUT	1		
3	R48708	IMPELLER	1		(SUB R55025 AND R55026)
	R55025	IMPELLER	1		
4	AR54934	COVER	1		
5	R48709	CLAMP	3		
6	R48710	LOCK PLATE	3		
7	19H2020	CAP SCREW	6	5/16" X 1/2"	
8	R43806	PISTON RING	1		
9	R43801	THRUST BEARING	1		
10	R43808	BEARING	1		
11	R43816	SNAP RING	4		
12	R43805	O-RING	1		
13	AR63781	HOUSING	1		(SUB FOR AR43627)
14	R43819	CAP SCREW	6		
15	R43815	LOCK PLATE	3		
16	R43821	CLAMP	3		
17	R48712	HOUSING	1		
18	AR51988	TURBINE	1		
19	R55024	PISTON RING	1		
20	R43804	SHROUD	1		
21	R43803	BEARING	2		STANDARD
	R50784	BEARING	2		0.13 MM (.005") UNDERSIZE (NO LONGER AVAILABLE)
	R50785	BEARING	2		0.25 MM (.010") UNDERSIZE
22	19H1919	CAP SCREW	4	1/4" X 5/8"	
23	R43986	LOCK PLATE	2		
24	AR70987	TURBOCHARGER	1		REMANUFACTURED, (SUB FOR AR54930, AR63698 OR AR51987)

1D11

FUEL AND AIR

TURBOCHARGER CENTER HOUSING WITH ROTATING PARTS (AIRESEARCH)

RG1575 -UN-01JAN94



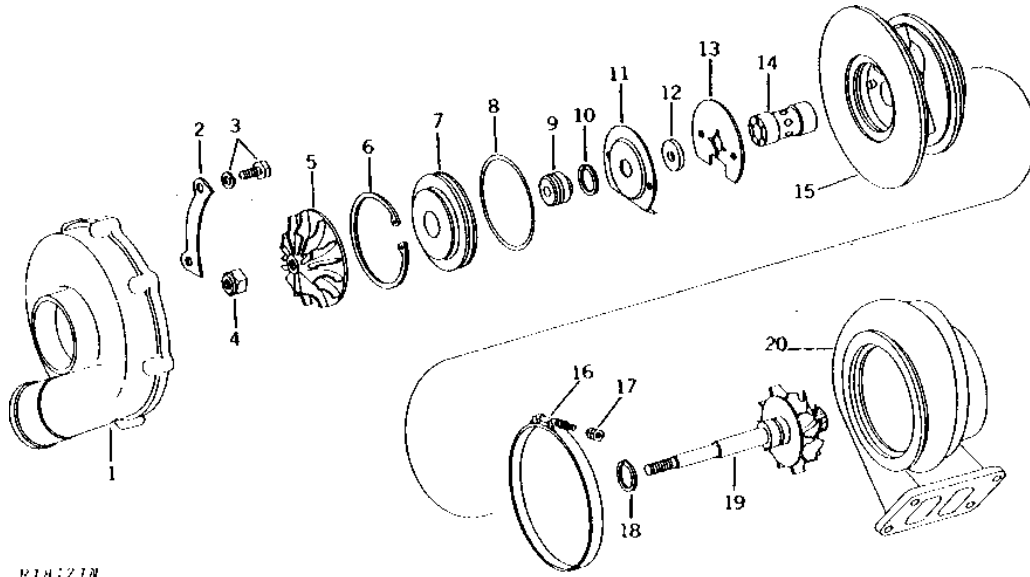
KEY	PART NO.	PART NAME	QTY	ENGINE SERIAL NO.	REMARKS
1	R43817	LOCK NUT	1		
2	R55025	IMPELLER	1		
3	AR54934	COVER	1		
4	R43806	PISTON RING	1		
5	R43801	THRUST BEARING	1		
6	R43808	BEARING	1		
7	R43816	SNAP RING	4		
8	R43803	BEARING	2		STANDARD
	R50784	BEARING	2		0.13 MM (.005") UNDERSIZE (NO LONGER AVAILABLE)
9	R50785	BEARING	2		0.25 MM (.010") UNDERSIZE
	R43805	O-RING	1		
10	AR63781	HOUSING	1		
11	R43804	SHROUD	1		
12	AR51988	TURBINE	1		
13	R55024	PISTON RING	1		
14	AR63780	HOUSING	1		

1D12

FUEL AND AIR

TURBOCHARGER (SCHWITZER)

R18171 -UN-01JAN94



R18171N

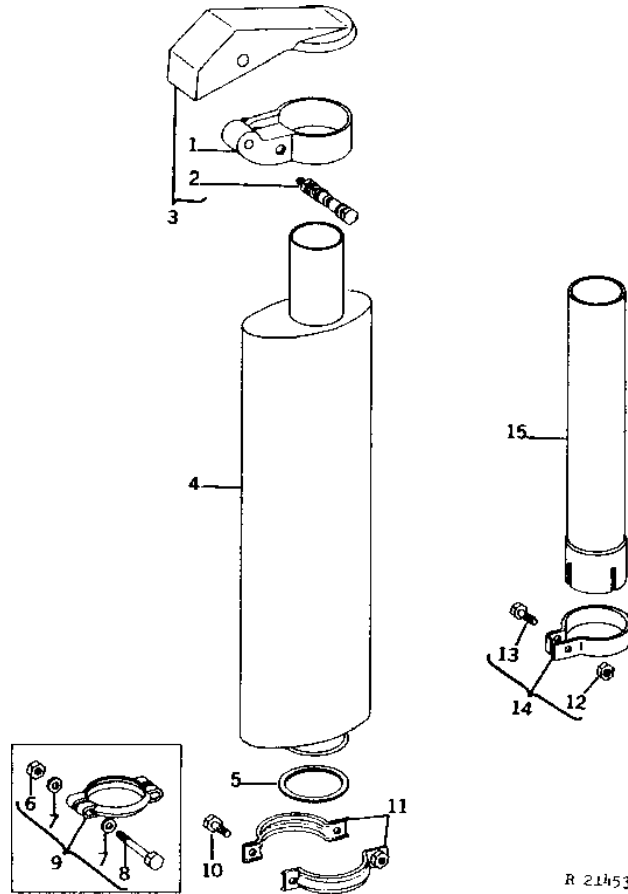
KEY	PART NO.	PART NAME	QTY	ENGINE SERIAL NO.	REMARKS
1	R54176	COVER	1		(SUB FOR R50504) (ALSO ORDER R54177)
2	R46693	CLAMP	4		
3	AR43976	SCREW	8		(NLA)
4	R46691	LOCK NUT	1		
5	R54177	WHEEL	1		(SUB FOR R50503) (ALSO ORDER R54176) (NLA)
6	R46686	SNAP RING	1		
7	R46687	INSERT	1		
8	R46685	O-RING	1		
9	R46689	SLEEVE	1		
10	R46688	PISTON RING	1		
11	R46682	DEFLECTOR	1		
12	R46683	RING	1		
13	R46684	PLATE	1		
14	R46681	BEARING	1		
15	AR43974	HOUSING	1		(NLA)
	AR61860	HOUSING	1		(SUB AR68137) (SUB FOR AR54633) (ALSO ORDER R54176) (NLA)
16	R56629	CLAMP	1		(SUB FOR R46690)
17	R46692	LOCK NUT	1		
18	R46679	PISTON RING	1		
19	AR63778	WHEEL	1		(SUB FOR AR43973) (NLA)
20	R55031	HOUSING	1		(SUB FOR R50502)
..	AR68137	TURBOCHARGER	1		REMANUFACTURED (MARKED AR68141)

1D13

FUEL AND AIR

R21453 -UN-01JAN94

MUFFLER, EXTENSION, AND COVER



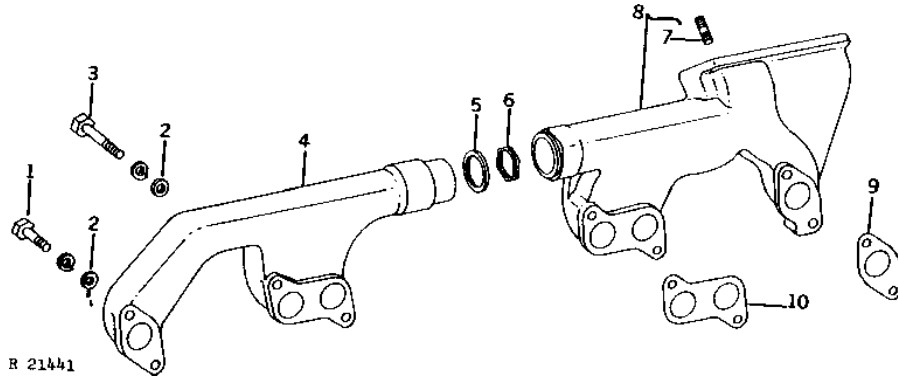
KEY	PART NO.	PART NAME	QTY	TRACTOR SERIAL NO.	REMARKS
1	AR45687	CLAMP	1		
2	AR47785	CAP SCREW	1		(ORDER AR56785) (NO LONGER AVAILABLE)
3	AR86600	CAP	1		(SUB FOR AR41706 OR AR56785)
4	AR86599	MUFFLER	1		(SUB FOR AR48773 OR AR61073) (SUB RE20224)
5	R42375	WASHER	1		
6	14H1076	NUT	2		3/8"
7	R42729	WASHER	4		
8	19H2023	CAP SCREW	2		3/8" X 3-1/4"
9	AR43704	CLAMP	1		(SUB FOR (2) AR64704 AND (2) 19H1732)
10	19H1732	CAP SCREW	2		3/8" X 1-1/4"
11	AR64704	CLAMP	2		(SUB AR43704)
12	14H1076	NUT	1		3/8"
13	19H1732	CAP SCREW	1		3/8" X 1-1/4"
14	R66689	CLAMP	1		
15	R66690	MUFFLER EXTENSION	1		483MM (19") (SUB FOR R46560)
..	R66688	MUFFLER EXTENSION	1		178MM (7") (SUB FOR R48477 OR R50294)
..	AR86809	MUFFLER EXTENSION	1		(CONSISTS OF R66690 AND AR35017)

1D14

FUEL AND AIR

R21441 -UN-01JAN94

EXHAUST MANIFOLDS



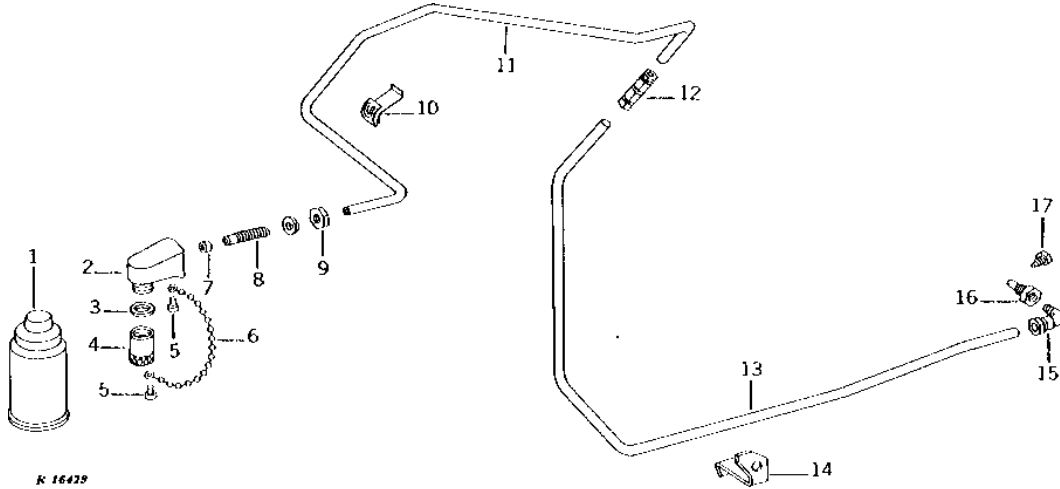
KEY	PART NO.	PART NAME	QTY	ENGINE SERIAL NO.	REMARKS
1	19H1765	CAP SCREW	4	3/8" X 1-3/4"	
	12H304	LOCK WASHER	4	3/8"	
2	24H1303	WASHER	8	13/32" X 11/16" X 0.065"	
3	19H2128	CAP SCREW	4	3/8" X 3"	
	12H304	LOCK WASHER	4	3/8"	
4	R46472	EXHAUST MANIFOLD	1		
5	R58109	RING	2	(SUB FOR R46575) (SUB R122595)	
6	R58109	RING	2	(SUB FOR R46575) (SUB R122595)	
	R58109	RING	2	(NOT AS SHOWN)	
7	R55078	STUD	8	(SUB FOR R43170)	
8	AR49501	EXHAUST MANIFOLD	1	(NLA) (SUB R46471 AND R55078)	
	R46471	EXHAUST MANIFOLD	1		
9	R83021	GASKET	2	(SUB FOR R44374)	
10	R83020	GASKET	2	(SUB FOR R44373)	

1D15

FUEL AND AIR

R16429 -UN-01JAN94

COLD WEATHER STARTING AID



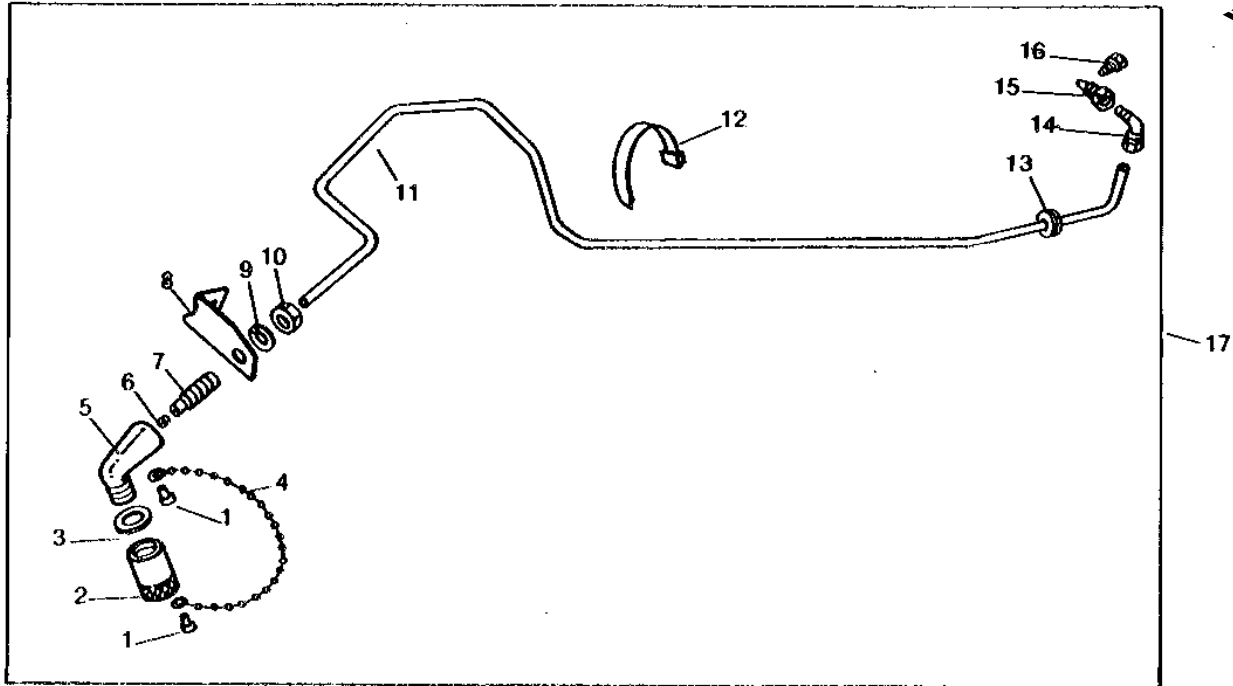
KEY	PART NO.	PART NAME	QTY	TRACTOR SERIAL NO.	REMARKS
1	RE30174	STARTING FLUID	1		(SUB FOR AR27814 OR RE24561)
2	R39534	ADAPTER	1		
3	R26149	PACKING	1		
4	R32306	CAP	1		
5	37H44	SCREW	2	0.151" X 3/8"	
6	AR27940	LINK CHAIN	1		
7	R34394	WASHER	1		
8	R34395	ADAPTER	1		
9	14H1040	NUT	1	1/2"	
	12H301	LOCK WASHER	1	1/2"	
10	R47113	CLIP	1		
11	TUBE	1		REAR, (ORDER RE50139)
12	R34388	UNION FITTING	1		
13	TUBE	1		FRONT, (ORDER RE50139)
14	R39571	CLAMP	1		
15	RE21790	ELBOW FITTING	1	90° 1/8"-27 NPT,	(SUB FOR AT25266)
16	R47160	NOZZLE HOLDER	1		
17	R28583	NOZZLE	1		
..	AR50499	STARTING AID	1		(SUB RE16182)

1D16

FUEL AND AIR

RWP5158 -UN-01JAN94

ETHER STARTING AID KIT



RWP5158

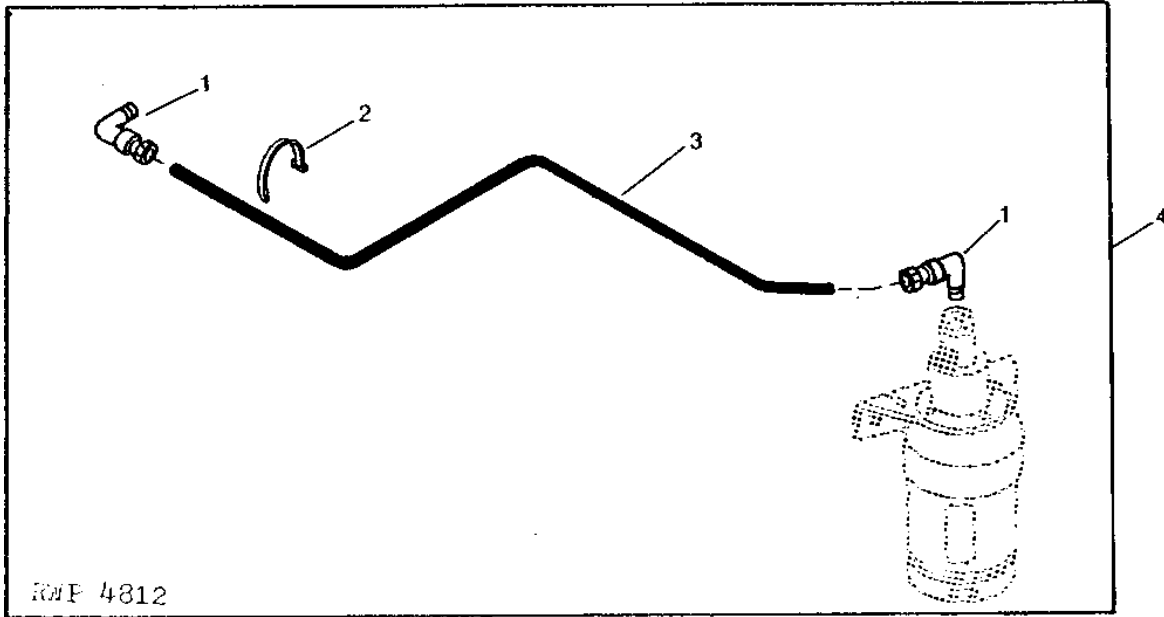
KEY	PART NO.	PART NAME	QTY	TRACTOR SERIAL NO.	REMARKS
1	37H44	SCREW	2	0.151" X 3/8"	
2	R32306	CAP	1		
3	R26149	PACKING	1		
4	AR27940	LINK CHAIN	1		
5	T22534	ADAPTER	1		
6	R34394	WASHER	1		
7	R34395	ADAPTER	1		
8	R54440	BRACKET	1		
9	12H301	LOCK WASHER	1	1/2"	
10	14H1040	NUT	1	1/2"	
11	TUBE	1	(ORDER RE16151)	
12	R44302	TIE BAND	4		
13	R27180	GROMMET	1		
14	RE21790	ELBOW FITTING	1	(SUB FOR AT25266)	
15	R47160	NOZZLE HOLDER	1		
16	R28583	NOZZLE	1		
17	AR50499	KIT	1	(SUB RE16182)	

1D17

FUEL AND AIR

RWP4812 -UN-01JAN94

STARTING FLUID TUBE KIT



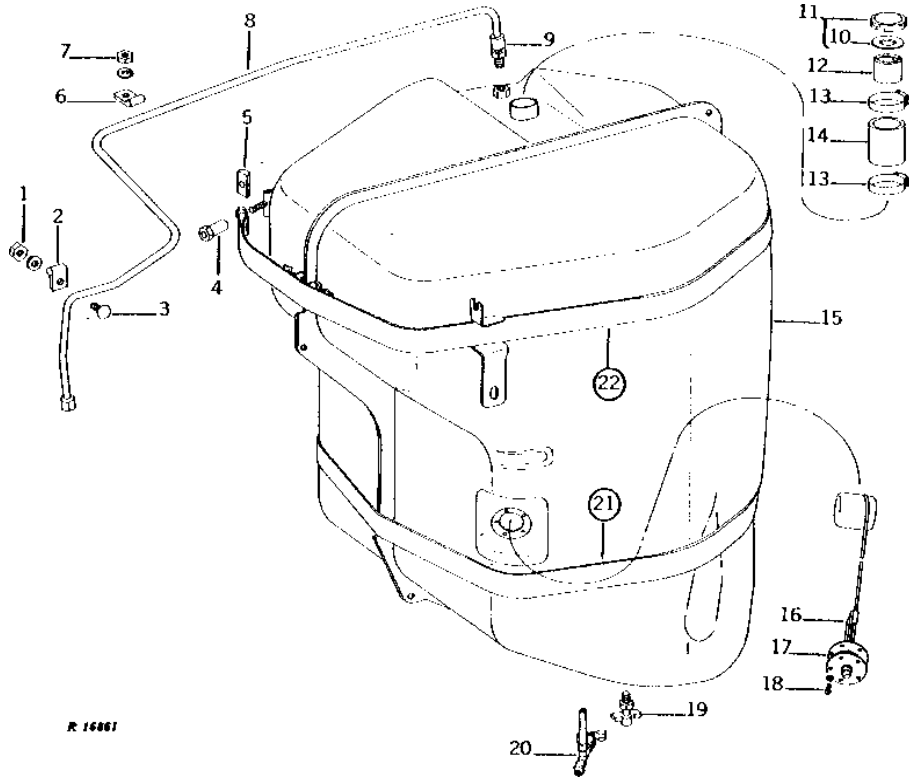
KEY	PART NO.	PART NAME	QTY	TRACTOR SERIAL NO.	REMARKS
1	RE21790	ELBOW FITTING	2		(SUB FOR AT25266)
2	R44302	TIE BAND	5		
3	TUBE	1		(ORDER RE16151)
4	RE50139	KIT	1		(SUB FOR RE16151)
..	R34394	WASHER	1		

1D18

FUEL AND AIR

R16861 -UN-01JAN94

FUEL TANK



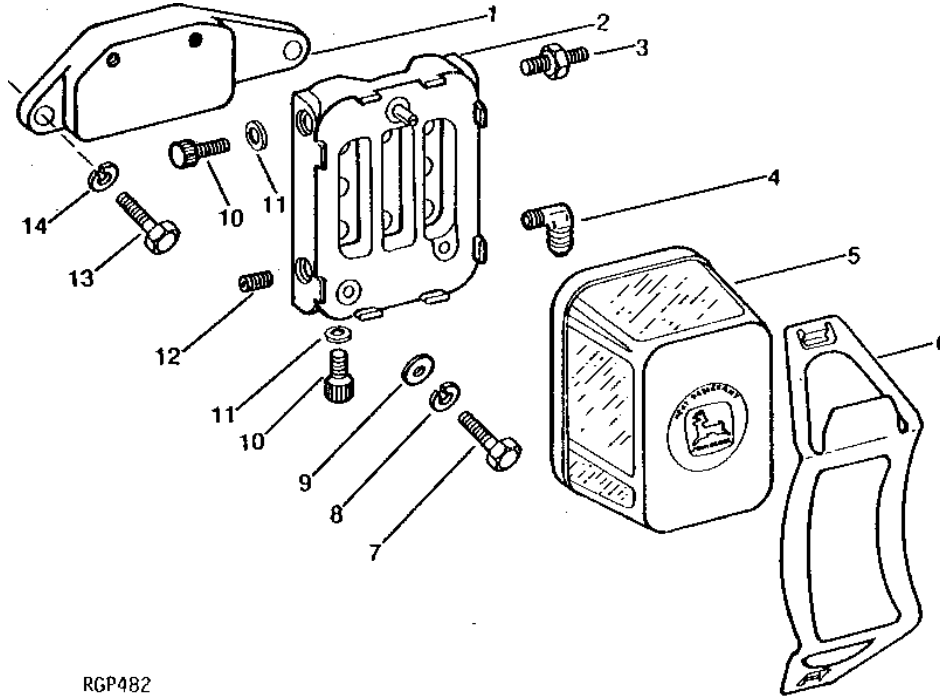
KEY	PART NO.	PART NAME	QTY	TRACTOR SERIAL NO.	REMARKS
1	14H1076	NUT	1	3/8"	
	12H304	LOCK WASHER	1	3/8"	
2	T14264	CLAMP	1		
3	03H1463	BOLT	1	3/8" X 3/4"	
4	R26594	NUT	2		
5	R26593	GUIDE	2		
6	R35422	CLAMP	1		
7	14H785	NUT	1	5/16"	
	12H303	LOCK WASHER	1	5/16"	
8	AR48699	FUEL LINE	1		
9	AR26649	FITTING	1		
10	R39615	WASHER	1		
11	AT20911	FILLER CAP	1		
12	R39895	FILLER NECK	1		
13	AR21840	CLAMP	2	(SUB TY22470)	
14	R26531	HOSE	1		
15	AR48621	FUEL TANK	1		
16	AR46268	SENDER	1		
17	R27181	GASKET	1		
18	37H95	SCREW	5	NO. 8 X 1/2"	
	12M7084	LOCK WASHER	1	0.169"	
19	AT13740	DRAIN VALVE	1		
20	R34656	SHUT-OFF VALVE	1		
21	AR48753	STRAP	1		
22	AR48752	STRAP	1	(NLA)	

1D19

FUEL AND AIR

RGP482 -UN-01JAN94

FUEL FILTER



RGP482

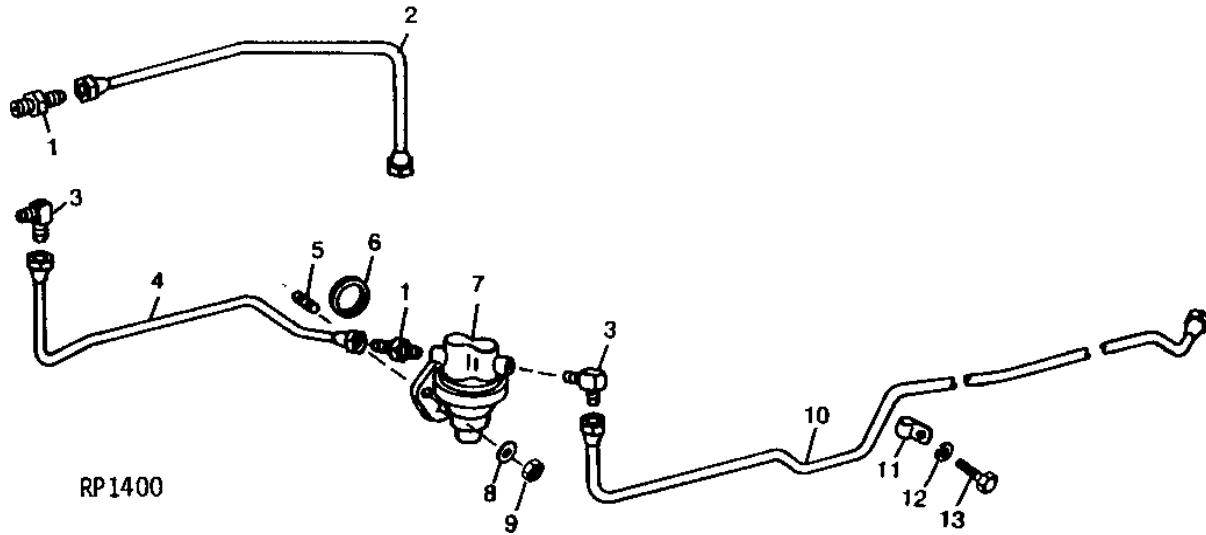
KEY	PART NO.	PART NAME	QTY	ENGINE SERIAL NO.	REMARKS
1	R47433	SUPPORT	1		
2	AR50040	HOUSING	1		
3	R27346	FITTING	1		
4	AR26674	ELBOW FITTING	2		
5	AR50041	FUEL FILTER	1		
6	R66821	CLAMP	1		(SUB FOR R47358 OR R57258)
7	19H1905	CAP SCREW	2	5/16" X 1"	
8	12H303	LOCK WASHER	2	5/16"	
9	24H1289	WASHER	1	21/64" X 5/8" X 0.049"	
10	R48071	DRAIN PLUG	2		
11	R26287	O-RING	2		(SUB FOR R34447)
12	R104592	PIPE PLUG	1	1/8"	
13	19H1822	CAP SCREW	2	7/16" X 1"	
14	12H293	LOCK WASHER	2	7/16"	

1D20

FUEL AND AIR

RP1400 -UN-01JAN94

FUEL PUMP AND FUEL LINES



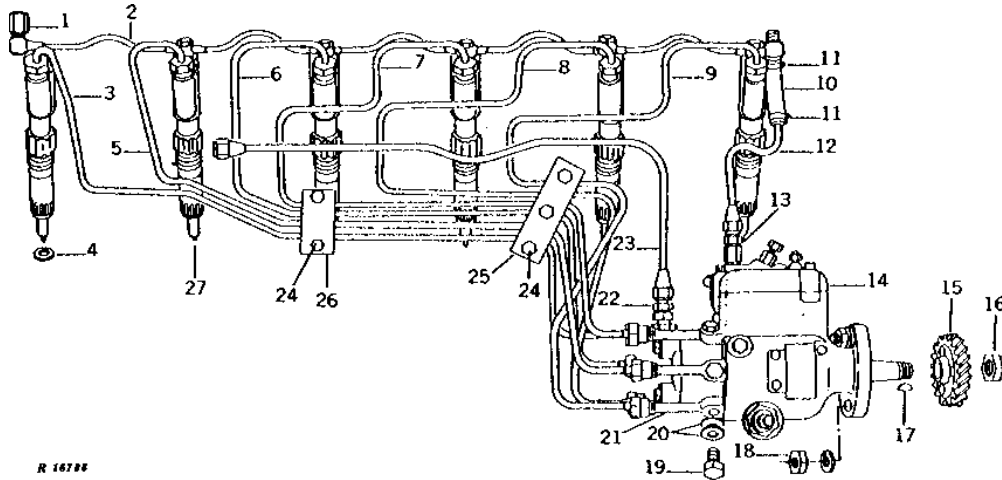
KEY	PART NO.	PART NAME	QTY	ENGINE SERIAL NO.	REMARKS
1	R27346	FITTING	1		
2	AR49786	FUEL LINE	1		
3	AR26674	ELBOW FITTING	2		
4	AR49785	FUEL LINE	1		
5	R48755	STUD	2		
6	R48399	WASHER	1		
7	RE43272	FUEL PUMP	1		(ALSO ORDER R97350) (SUB FOR RE36903)
	AR52556	LEVER	1		
	A4365R	O-RING	1		
8	12H303	LOCK WASHER	2	5/16"	
9	14H785	NUT	2	5/16"	
10	AR48716	FUEL LINE	1		
11	T14050	CLIP	1		(SUB T29527)
12	12H304	LOCK WASHER	1	3/8"	
13	19H1936	CAP SCREW	1	3/8" X 3/4"	

1D21

FUEL AND AIR

FUEL INJECTION PUMP, NOZZLES, AND FUEL LINES

R16788 -UN-01JAN94



R 16788

KEY	PART NO.	PART NAME	QTY	ENGINE SERIAL NO.	REMARKS
1	R31147	FITTING	1		
2	AR68961	FUEL LINE	1		(SUB FOR AR50732)
3	AR51057	FUEL LINE	1		
4	R64840	WASHER	6		(SUB FOR R48633)
5	AR51056	FUEL LINE	1		
6	AR51055	FUEL LINE	1		
7	AR51054	FUEL LINE	1		
8	AR51053	FUEL LINE	1		
9	AR51052	FUEL LINE	1		
10	TY22418.	BULK HOSE	1		(SUB FOR R32639) (BULK)
11	AR48236	CLAMP	2		
12	AR49613	FUEL LINE	1		
13	R35352	FITTING	1		
14	AR50003	FUEL INJECTION PUMP	1		(A) (ROOSA-MASTER NO. JDB633JT2400) (NLA)
15	AR52671	GEAR	1		(MATCHED SET) (SUB FOR R47013)
16	14H888	NUT	1		9/16"
17	26H10	SHAFT KEY	1		5/32" X 5/8"
18	14H1090	NUT	3		3/8", (SUB FOR E55662, APPL)
	12H304	LOCK WASHER	3		3/8", (NOT REQ. W/E55662 OR 14H1090)
	24H1303	WASHER	3		13/32" X 11/16" X 0.065"
19	R48512	SCREW	6		
20	R48511	WASHER	12		
21	R48510	FITTING	6		
22	R32136	FITTING	1		
23	AR49786	FUEL LINE	1		
24	19H1914	CAP SCREW	7		1/4" X 1"
25	R48358	STRAP	1		(THREADED)
	R48360	STRAP	1		
	R48359	CUSHION	1		
26	R26728	STRAP	2		(THREADED)
	R26789	STRAP	2		
	R26790	CUSHION	2		
27	INJECTION NOZZLE	6	-285855	(SUB AR51985)
	INJECTION NOZZLE	6	285856-	(SUB AR53091)

(A) "SEE YOUR AUTHORIZED PUMP REPAIR STATION FOR PARTS NOT LISTED."

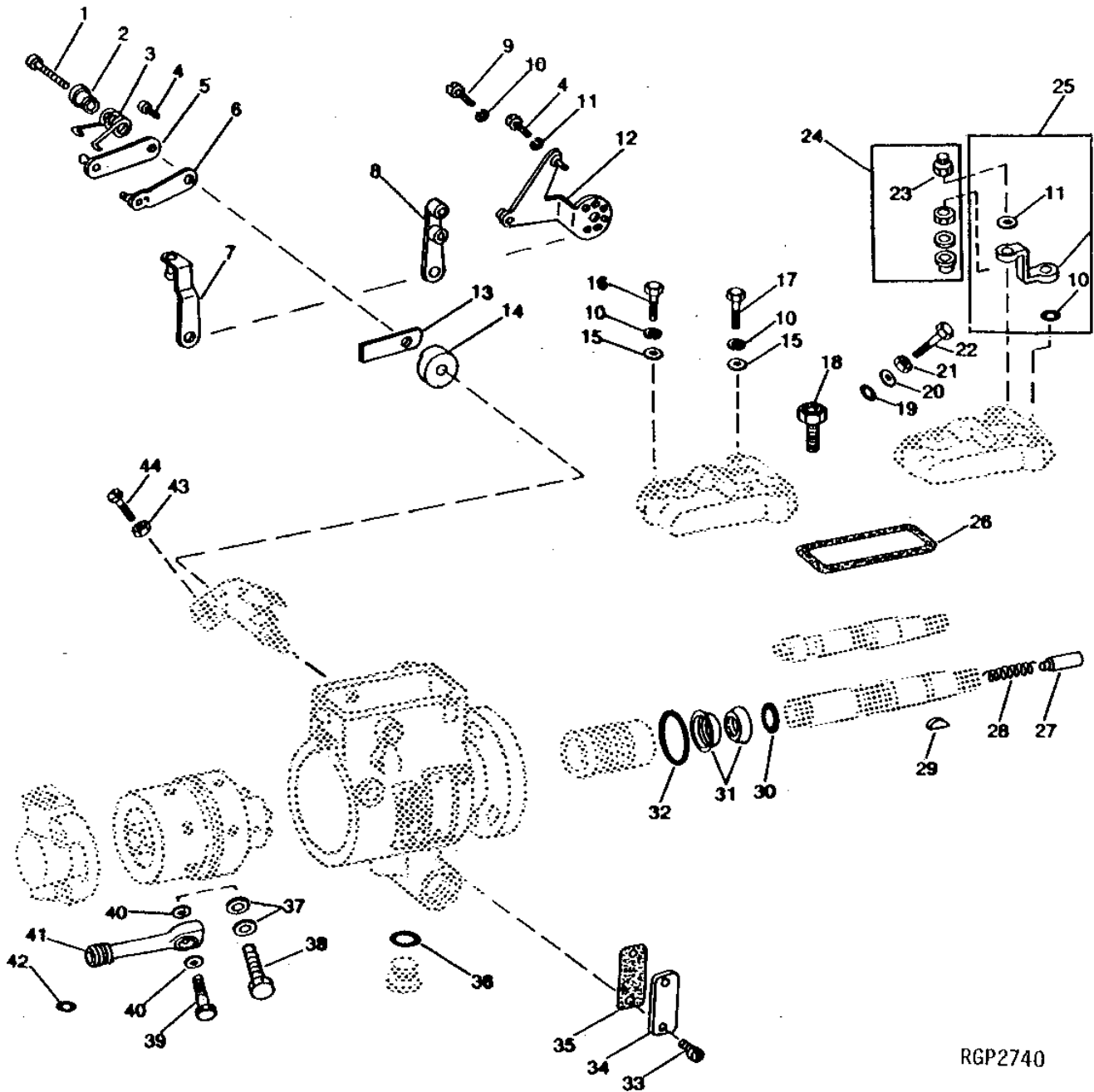
1D22

FUEL AND AIR

RGP2740

-UN-01JAN94

FUEL INJECTION PUMP FITTINGS AND LINKAGE



RGP2740

1D23

FUEL AND AIR

FUEL INJECTION PUMP FITTINGS AND LINKAGE - CONTINUED

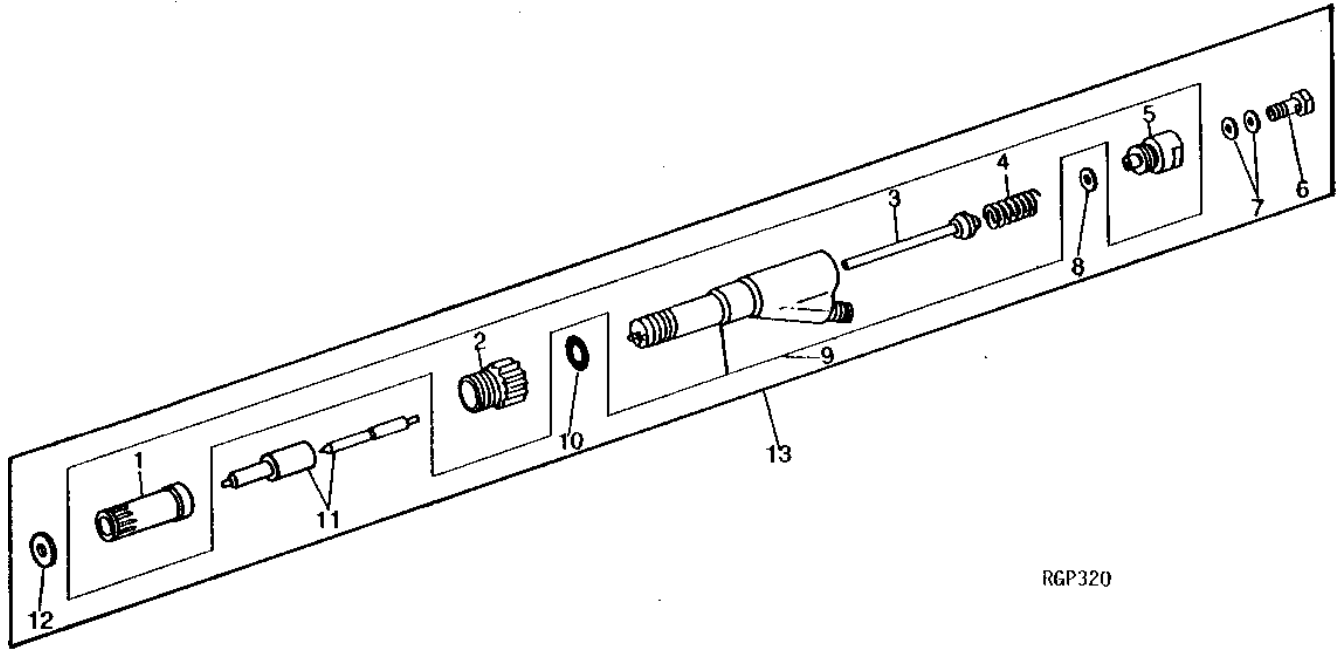
KEY	PART NO.	PART NAME	QTY	ENGINE SERIAL NO.	REMARKS
1	R70513	SCREW	1		
	SCREW	NA		
2	T17950	RETAINER	1		
3	T17949	SPRING	1		
4	T11917	SCREW	1		
5	LEVER	NA		
6	AR51718	LEVER	1		
7	LEVER	NA		
8	LEVER	NA		
9	SCREW	NA		
10	12H295	LOCK WASHER	4	0.190"	
11	R47077	LOCK WASHER	1		
12	LEVER	NA		
13	T19860	STRAP	1		
14	T19861	SPACER	1		
15	T15715	WASHER	3		
16	T15721	SCREW	1		
17	R71851	SCREW	2		
18	R36535	CHECK VALVE	1		
19	R34812	O-RING	1		
20	T17947	WASHER	1		
21	T11921	NUT	1		
22	T17953	CAP SCREW	1		
23	M63431	LOCK NUT	2		
24	AR90601	KIT	1	(SUB RE37091)	
25	AR50874	KIT	1		
26	T11918	GASKET	1		
27	T19855	PIN	1		
	PUSH BUTTON	NA		
28	R36540	SPRING	1		
29	26H10	SHAFT KEY	1		
30	O-RING	NA		
	R33259	O-RING	1	(SUB FOR T11934)	
31	T11290	SEAL	2		
32	T19854	O-RING	1		
33	T11884	SCREW	2		
34	T11882	COVER	1		
35	T11883	GASKET	1		
36	T15712	O-RING	1		
37	WASHER	NA		
38	SCREW	NA		
39	R48512	SCREW	6		
40	R48511	WASHER	12		
41	R48510	FITTING	6		
42	A3917R	O-RING	1	(SUB FOR T26256)	
43	T11921	NUT	1		
44	T11941	SCREW	1		
..	KIT	1	(SUB RE37089) (ALSO ORDER RE37091)	

1D24

FUEL AND AIR

RGP320 -UN-01JAN94

FUEL INJECTION NOZZLE



RGP320

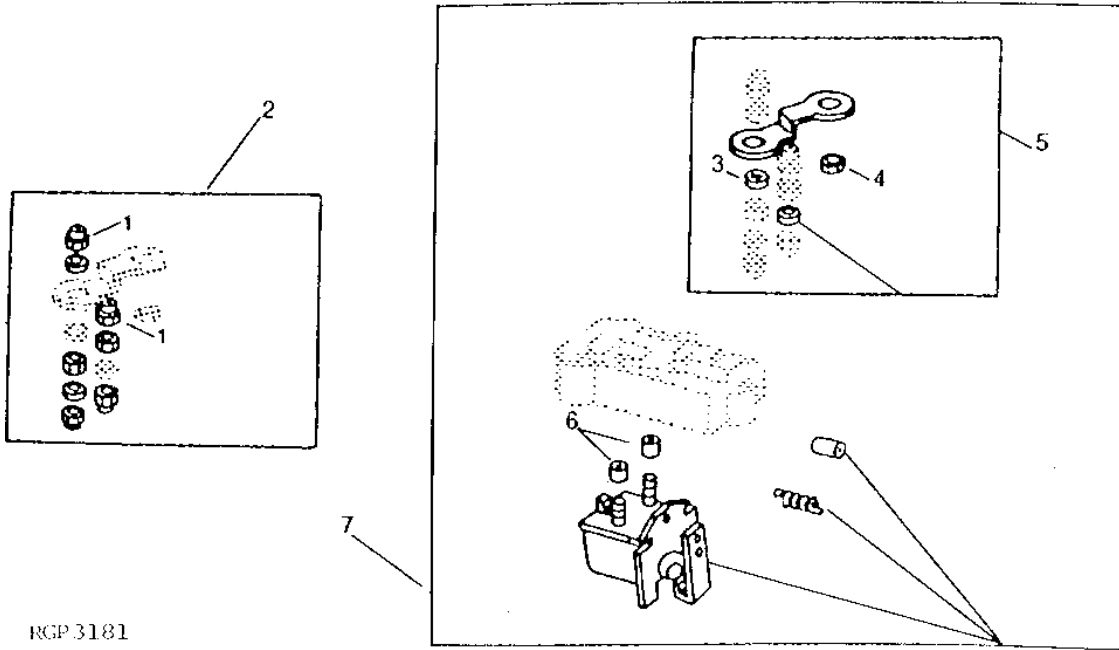
KEY	PART NO.	PART NAME	QTY	ENGINE SERIAL NO.	REMARKS
1	R48696	NUT	1		
2	R48695	NUT	1		
3	R48689	SPINDLE	1		
4	R48691	SPRING	1		
5	R48692	PLUG	1		
6	R48694	SCREW	1		
7	R48693	WASHER	2		
8	R48698	WASHER	1	1.09 MM (.043")	
	R48699	WASHER	1	1.14 MM (.045")	
	R48700	WASHER	1	1.19 MM (.047")	
	R48701	WASHER	1	1.24 MM (.049")	
	R48702	WASHER	1	1.30 MM (.051")	
	R48703	WASHER	1	1.35 MM (.053")	
	R48704	WASHER	1	1.40 MM (.055")	
	R48705	WASHER	1	1.45 MM (.057")	
	R48706	WASHER	1	1.50 MM (.059")	
	R49549	WASHER	1	1.55 MM (.061")	
	R49551	WASHER	1	1.60 MM (.063")	
	R49552	WASHER	1	1.65 MM (.065")	
	R49553	WASHER	1	1.70 MM (.067")	
	R49554	WASHER	1	1.75 MM (.069")	
	R49555	WASHER	1	1.80 MM (.071")	
	R49556	WASHER	1	1.85 MM (.073")	
	R49557	WASHER	1	1.91 MM (.075")	
	R49558	WASHER	1	1.96 MM (.077")	
9	AR52375	HOUSING	1		
10	R51603	O-RING	1		
11	R48697	NOZZLE	1		
12	R64840	WASHER	1		(SUB FOR R48633)
13	AR51985	NOZZLE HOLDER	6	-285855	(ROBERT BOSCH)
	AR53091	INJECTION NOZZLE	6	285856-	(ROBERT BOSCH)

1D25

FUEL AND AIR

RGP3181 -UN-01JAN94

FUEL INJECTION PUMP ELECTRIC SHUT-OFF KIT



RGP3181

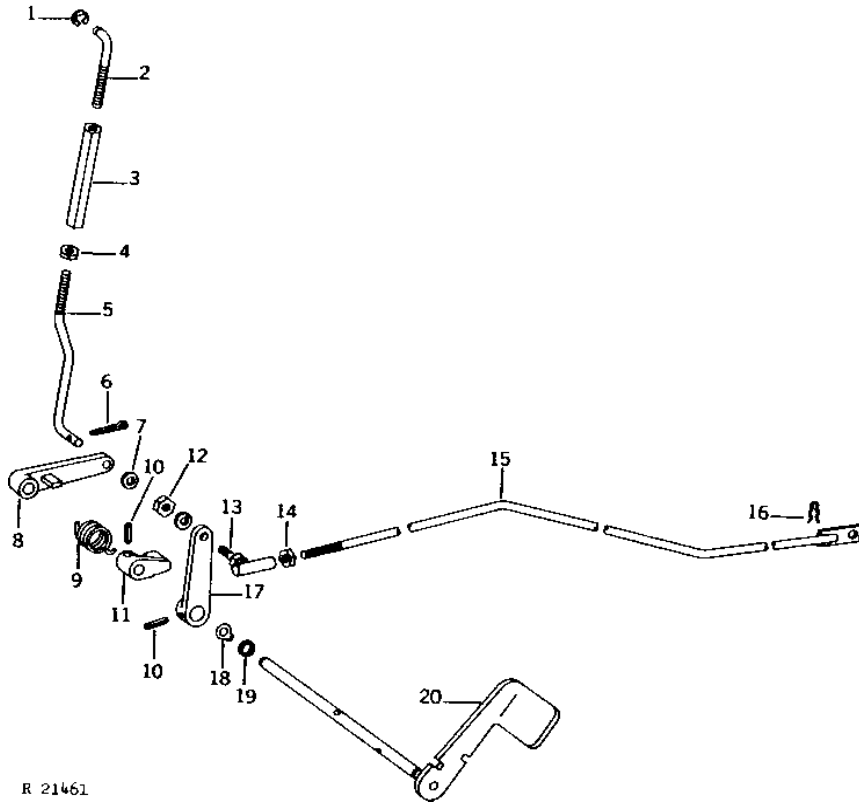
KEY	PART NO.	PART NAME	QTY	ENGINE SERIAL NO.	REMARKS
1	M63431	LOCK NUT	2		
2	RE37091	KIT	1		(SUB FOR AR90601)
3	R47077	LOCK WASHER	1		
4	12H295	LOCK WASHER	1	0.190"	
5	AR50874	KIT	1		(SUB FOR AR49542 OR R66593)
6	T11937	INSULATOR	2		
7	RE37089	SOLENOID	1		(SUB FOR AR48219, AT11524 OR AR90340) (SUB RE62240 AND RE37091)
	RE62240	SOLENOID	1		

1E1

FUEL AND AIR

FOOT SPEED CONTROL LINKAGE

R21461 -UN-01JAN94



R 21461

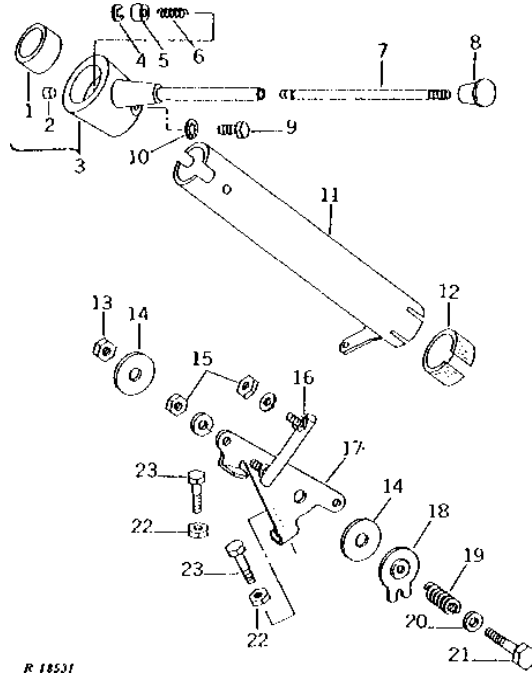
KEY	PART NO.	PART NAME	QTY	TRACTOR SERIAL NO.	REMARKS
1	R72653	SNAP RING	1		(SUB FOR M2396T)
2	R40985	BOLT	1		
3	R40986	TURNBUCKLE	1		
4	14H611	NUT	1	5/16"	
5	R48897	ROD	1		
6	11M7079	COTTER PIN	1	0.098" X 0.472"	
7	24H1136	WASHER	1	11/32" X 11/16" X 0.065"	
8	R40988	ARM	1		
9	R38143	SPRING	1		(SUB R117129)
10	34H282	SPRING PIN	2	3/16" X 1"	
11	R40991	ARM	1		
12	14H649	NUT	1	1/4"	
	12H302	LOCK WASHER	1	1/4"	
13	AR52085	BALL JOINT	1		
14	14H649	NUT	1	1/4"	
15	AR50457	SHIFTER ROD	1		
16	R47646	SPRING LOCKING PIN	1		
17	R40989	LEVER	1		
18	R26871	SNAP RING	1		(SUB FOR P44982)
19	T25050	WASHER	1		
20	AR40704	PEDAL	1		

1E2

FUEL AND AIR

R18531 -UN-01JAN94

HAND SPEED CONTROL LINKAGE



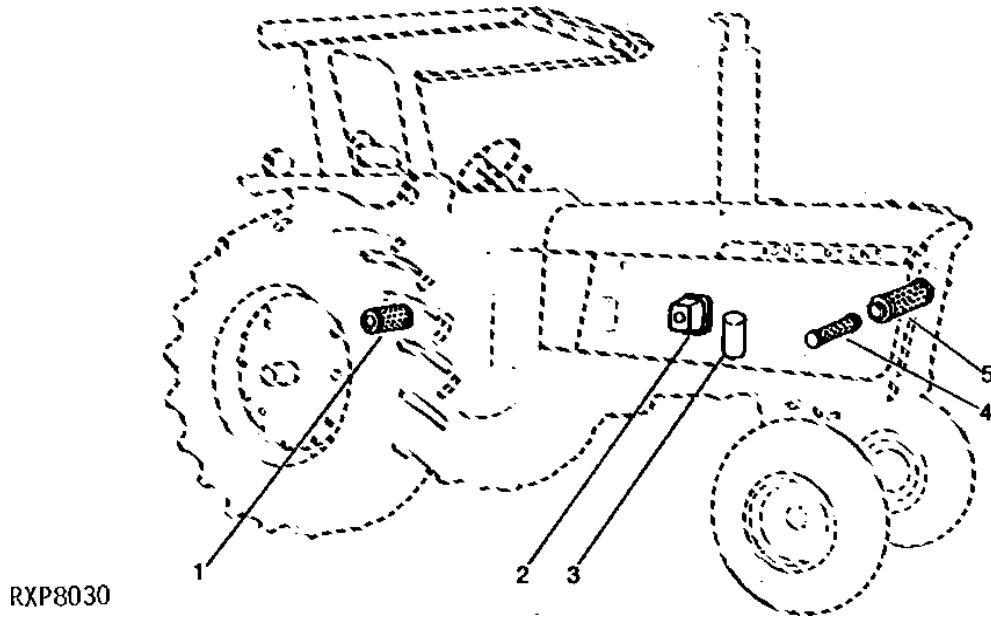
KEY	PART NO.	PART NAME	QTY	TRACTOR SERIAL NO.	REMARKS
1	R27075	BUSHING	1		
2	R51114	DOWEL PIN	1		
3	AR41565	HUB	1		(MARKED R41614)
4	R30828	SNAP RING	1		
5	R38377	WASHER	1		
6	R28009	SPRING	1		
7	R38376	LEVER	1		
8	R26670	KNOB	1		
9	R28007	BOLT	1		
10	12H310	LOCK WASHER	1		3/8"
11	AR40702	TUBE	1		
12	R26958	ISOLATOR	1		
13	K40003	LOCK NUT	1		(SUB FOR R41564)
14	R39985	WASHER	2		(SUB FOR R40983) (SUB R105814, THIS APPLICATION)
15	14H649	NUT	2		1/4"
	12H302	LOCK WASHER	2		1/4"
16	R40982	BALL JOINT	1		DOUBLE
17	AR40703	LEVER	1		
18	R40984	PLATE	1		
19	R31271	SPRING	1		
20	24H1305	WASHER	1		13/32" X 13/16" X 0.065"
21	19H1726	CAP SCREW	1		3/8" X 2-1/4"
22	14H611	NUT	2		5/16"
23	19H2831	CAP SCREW	2		5/16" X 1-1/2"

1E3

FUEL AND AIR

RXP8030 -UN-01JAN94

FILTERS



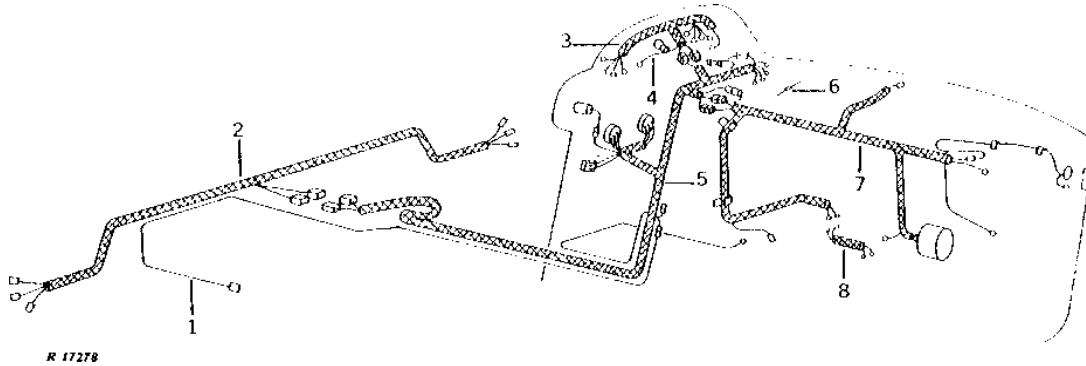
KEY	PART NO.	PART NAME	QTY	TRACTOR SERIAL NO.	REMARKS
1	AR75603	FILTER ELEMENT	1		TRANSMISSION
2	AR50041	FUEL FILTER	1		
3	AR43634	OIL FILTER	1		
4	AR79680	FILTER ELEMENT	1		AIR
5	AR49839	FILTER ELEMENT	1		AIR

1E8

ELECTRICAL

R17278 -UN-01JAN94

WIRING HARNESS



KEY	PART NO.	PART NAME	QTY	TRACTOR SERIAL NO.	REMARKS
1	AR50829	WIRING HARNESS	1		NEUTRAL START SWITCH TO MAIN HARNESS
2	AR48937	WIRING HARNESS	1		
	R34046	COVER	2		HARNESS TO REAR AXLE HOUSING
	19H2020	CAP SCREW	2		5/16" X 1/2"
	12H303	LOCK WASHER	2		5/16"
	R45211	CLAMP	2		(A) HARNESS TO FENDER SUPPORT
	19H1813	CAP SCREW	2		(A) 5/16" X 5/8"
	12H303	LOCK WASHER	2		(A) 5/16"
3	AR43986	WIRING HARNESS	1		INSTRUMENT PANEL
4	AR50838	WIRING HARNESS	1		SPEED-HOUR METER
5	AR48936	WIRING HARNESS	1		MAIN
	AR41694	WIRING LEAD	1		(NLA)
	R45211	CLAMP	1		
	19H1936	CAP SCREW	1		3/8" X 3/4"
	12H304	LOCK WASHER	1		3/8"
	14H1076	NUT	1		3/8"
	R41439	GROMMET	5		
	R44302	TIE BAND	AR		
6	AR47547	WIRING LEAD	1		
	AR47548	FUSE	1		
7	AR50913	WIRING HARNESS	1		ENGINE
	AR55283	WIRING HARNESS	1	019505-	ALTERNATOR ADAPTER WIRING
	R41439	GROMMET	8		
	R44302	TIE BAND	AR		
8	AR43609	WIRING HARNESS	1		STARTER
..	AT66865	LUBRICANT	1		0.15L (5.3 OZ) TUBE, (SUB FOR AR94760)

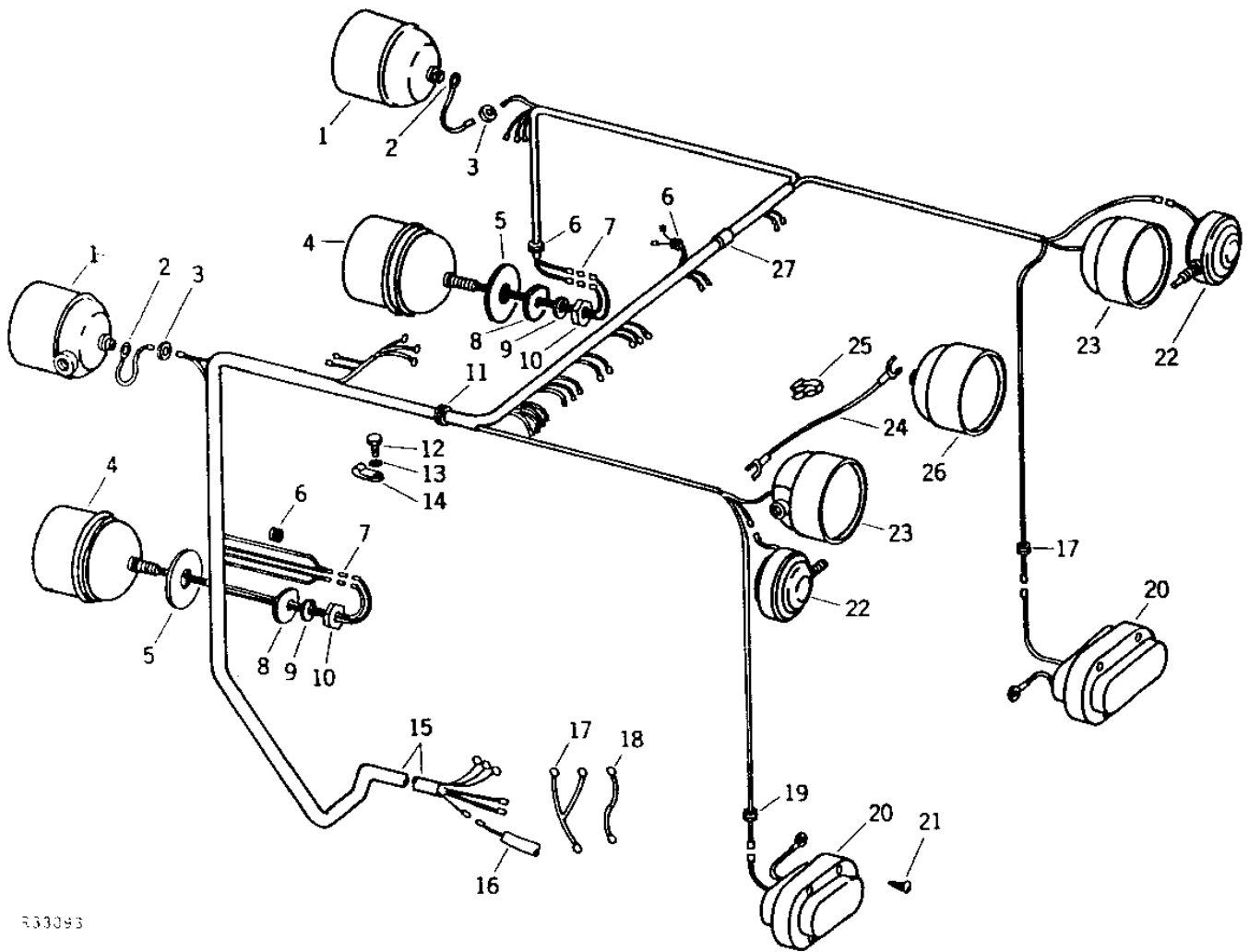
(A) ROW-CROP

1E9

ELECTRICAL

R33093 -UN-01JAN94

CAB LAMP WIRING (HINSON)



R33093

1E10

ELECTRICAL

CAB LAMP WIRING - CONTINUED (HINSON)

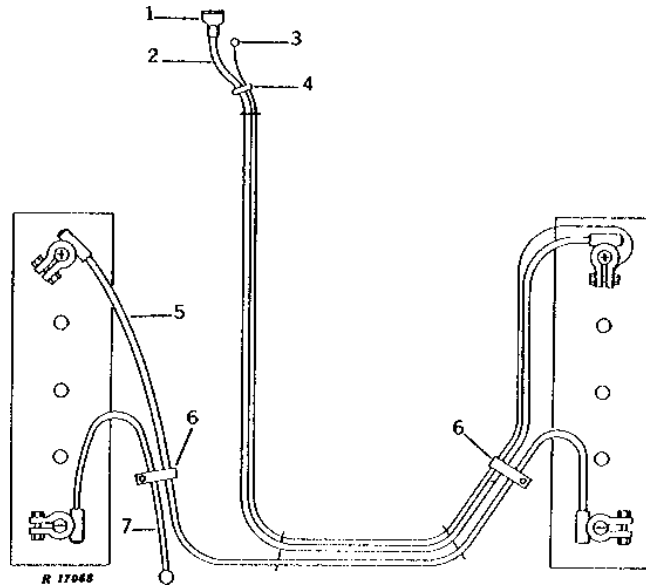
KEY	PART NO.	PART NAME	QTY	TRACTOR SERIAL NO.	REMARKS
1	RE19075	LAMP	2		(HOBBS OR GUIDE)
2	WIRING LEAD	2		191MM (7-1/2") (MAKE FROM R32018, R32027, R32007 AND R32025)
3	R2579R	GROMMET	2		
4	AR51335	LAMP	2		LOWER FRONT (SUB RE25126 R.H. AND RE25127 L.H.)
5	R48663	WASHER	2		RUBBER
6	R27180	GROMMET	3		
7	T28585	TERMINAL	4		FEMALE
	T28583	RECEPTACLE	4		MALE
8	F2935R	WASHER	2		
9	12H301	LOCK WASHER	2		1/2"
10	14H1040	NUT	2		1/2"
11	R27533	GROMMET	2		
12	19H1227	CAP SCREW	1		1/4" X 1/2"
13	12H302	LOCK WASHER	1		1/4"
14	R40791	CLAMP	1		
15	AR53157	WIRING HARNESS	1		(NLA)
	R48887	RECEPTACLE	1		3-WAY
	R48888	FITTING	1		3-WAY STACKED
16	WIRING HARNESS	1		(NOT REQUIRED)
17	AR49602	WIRING HARNESS	2		
18	WIRING LEAD	1		33.02CM (13") (MAKE FROM (2) R32022 AND R32007)
19	M1895T	GROMMET	4		
20	AR78825	TAIL LAMP	2		(SUB FOR AR45099)
21	37H2	SCREW	8		0.164" X 5/8"
22	AR38456	LAMP	2	-016037	WARNING
	AR54975	LAMP	4	016038-	WARNING
23	RE19075	LAMP	1		(HOBBS OR GUIDE)
24	WIRING LEAD	1		686MM (27") (MAKE FROM (2) R32016 AND R32007)
25	R21551	CLIP	2		
26	RE19075	LAMP	1		(HOBBS OR GUIDE)
27	R48883	CLAMP	2		
..	AR54976	WIRING HARNESS	2	016038-	(NLA)

1E11

ELECTRICAL

R17068 -UN-01JAN94

BATTERY CABLES (ROW-CROP)



KEY	PART NO.	PART NAME	QTY	TRACTOR SERIAL NO.	REMARKS
1	R30964	COVER	1		
2	AR45923	CABLE	1	-XXXXX	(A) 1.78M (70") (+)
	AR51394	CABLE	1	XXXXX-	(A) 1.27M (50") (+)
	AR51394	CABLE	1		(B) 1.27M (50")
	R46414	CLAMP	1		
	19H1765	CAP SCREW	1		3/8" X 1-3/4"
	12H304	LOCK WASHER	1		3/8"
	14H1076	NUT	1		3/8"
	24M7096	WASHER	1		10.500 X 18 X 1.600 MM
3	AR47086	WIRING LEAD	1		BATTERY TO STARTER CIRCUIT RELAY
	AR47087	WIRING LEAD	1		(B) BATTERY TO STARTER CIRCUIT RELAY
	R27583	GROMMET	1		WIRING LEAD TO CONTROL SUPPORT
4	R41439	GROMMET	1		BATTERY CABLE TO CONTROL SUPPORT
5	AR45924	CABLE	1		1.22M (48") (SUB AR48912)
	AR48912	CABLE	1		(B) 1.02M (40")
6	R49921	CLAMP	2		(SUB FOR R44605)
	19H2023	CAP SCREW	2		3/8" X 3-1/4"
	12H304	LOCK WASHER	2		3/8"
	24H1305	WASHER	2		13/32" X 13/16" X 0.065"
	28H207	BUSHING	2		3/8" X 2-3/8"
7	AR45925	CABLE	1		483MM (19") (SUB AR51395) (-)
	AR51395	CABLE	1		(B) 356MM (14") (-)
..	R44302	TIE BAND	AR		

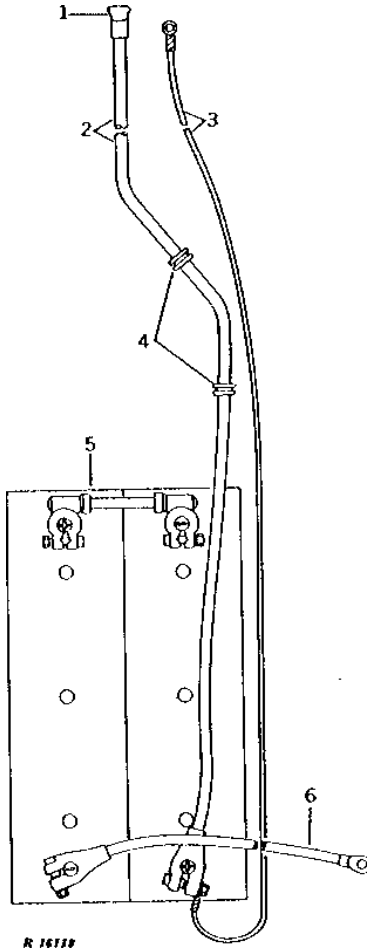
(A) LESS CAB
(B) CAB

1E12

ELECTRICAL

R16118 -UN-01JAN94

BATTERY CABLES (STANDARD)



R 16118

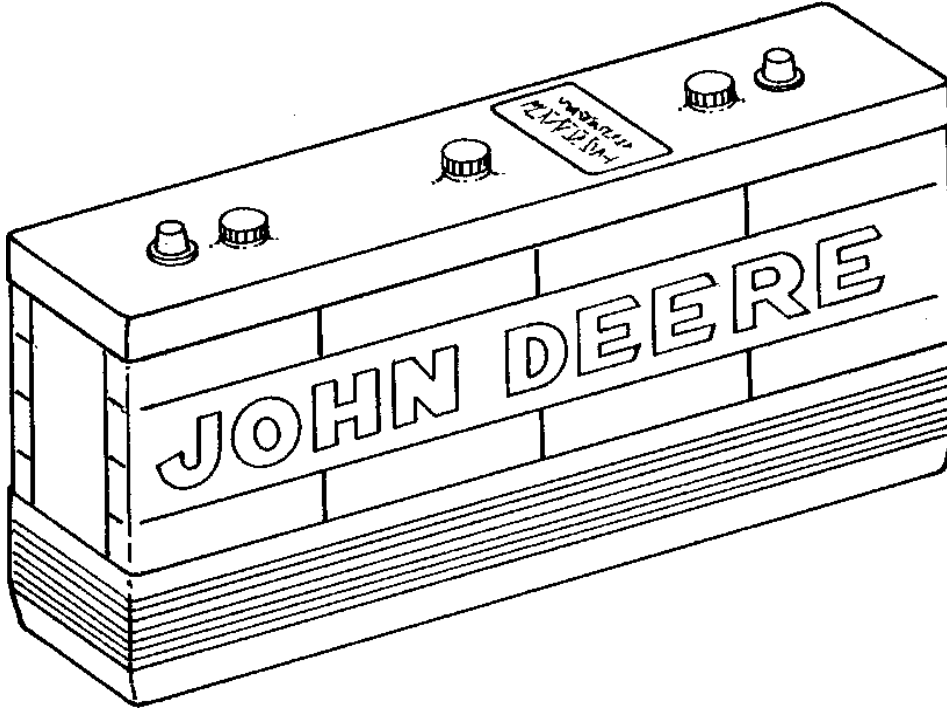
KEY	PART NO.	PART NAME	QTY	TRACTOR SERIAL NO.	REMARKS
1	R30964	COVER	1		STARTER TERMINAL
2	AR45926	CABLE	1		(+)
	R46414	CLAMP	1		
	19H1765	CAP SCREW	1		3/8" X 1-3/4"
	12H304	LOCK WASHER	1		3/8"
	14H1076	NUT	1		3/8"
	24M7096	WASHER	1		10.500 X 18 X 1.600 MM
3	AR47087	WIRING LEAD	1		BATTERY TO STARTER CIRCUIT RELAY
	R27583	GROMMET	1		WIRING LEAD TO CONTROL SUPPORT
4	R41439	GROMMET	2		
5	AR45927	CABLE	1		127MM (5")
6	AR69238	CABLE	1		(SUB FOR AR45975) (-)
..	R44302	TIE BAND	AR		

1E13

ELECTRICAL

RP1315 -UN-01JAN94

BATTERY



RP1315

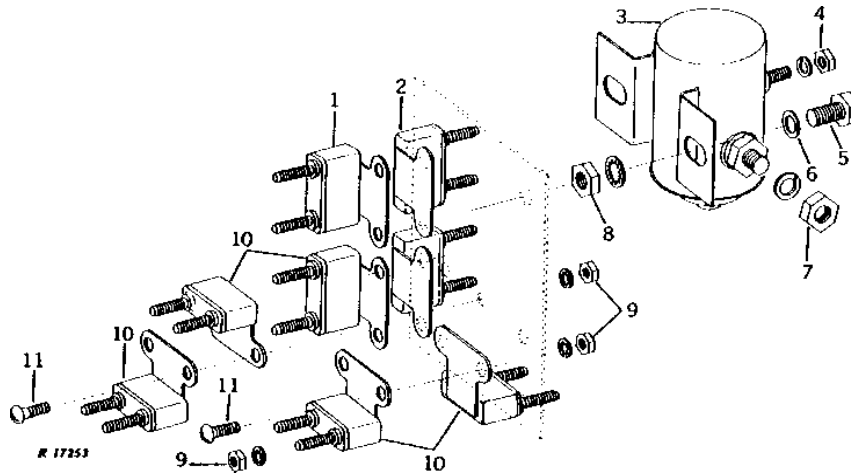
KEY	PART NO.	PART NAME	QTY	TRACTOR SERIAL NO.	REMARKS
1	TY21737	BATTERY	2		(6-VOLT) 850 AMPS AT -18C (0°F), 280 MINUTE RESERVE CAPACITY AT 25 AMPS (DRY STORAGE) (SUB FOR AR45450 OR TY6118) (DO NOT ACTIVATE UNTIL PLACED IN SERVICE)

1E14

ELECTRICAL

R17253 -UN-01JAN94

CIRCUIT BREAKERS



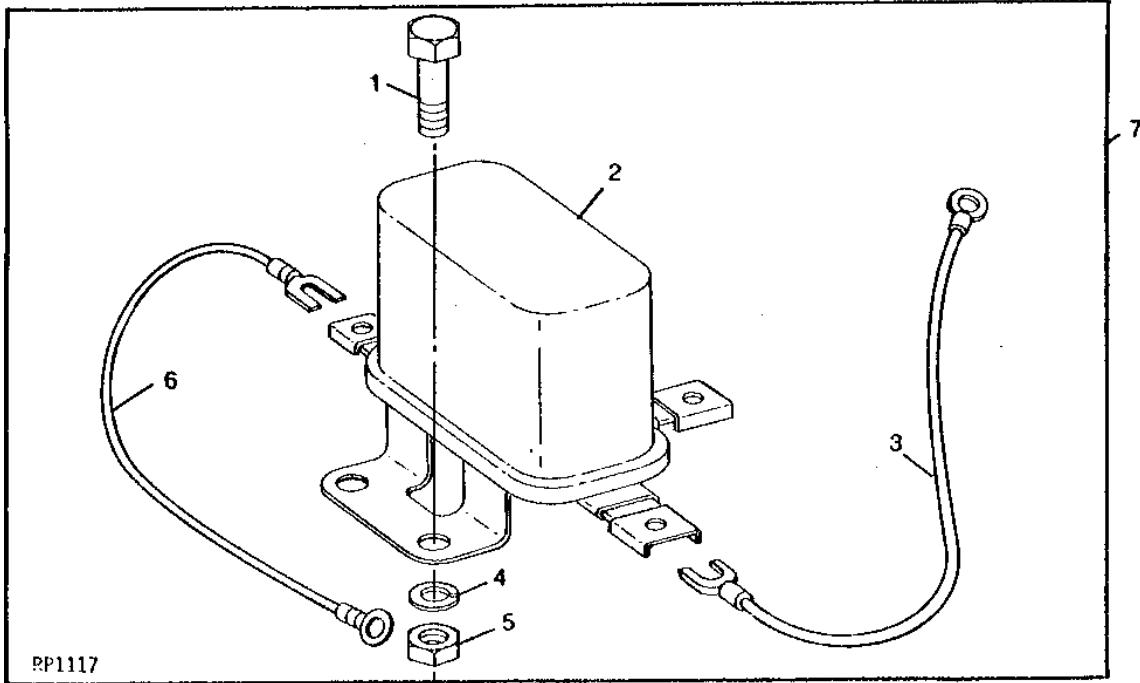
KEY	PART NO.	PART NAME	QTY	TRACTOR SERIAL NO.	REMARKS
1	AR55649	CIRCUIT BREAKER	1		10 AMP (IGNITION) (SUB FOR AR48726)
2	AR49352	CIRCUIT BREAKER	1		30 AMP, (AIR CONDITIONING)
3	AR78382	KIT	1		(SUB FOR AR46334 OR AR54484) (SUB AR91166, THIS APPLICATION)
4	14H631	NUT	1		0.190"
	12M7060	WASHER	1		0.209"
5	19H1227	CAP SCREW	2		1/4" X 1/2"
6	B1664R	SHIM	2		
7	14H650	NUT	2		5/16"
	12H303	LOCK WASHER	2		5/16"
8	14H786	NUT	2		1/4"
	12H297	LOCK WASHER	2		1/4"
9	14H631	NUT	24		0.190"
	12M7060	WASHER	24		0.209"
10	AR28403	CIRCUIT BREAKER	3		20 AMP
	AR28403	CIRCUIT BREAKER	5		20 AMP (CAB)
	AR28403	CIRCUIT BREAKER	1		20 AMP (OUTLET SOCKET)
11	21H1295	SCREW	8		0.190" X 5/8"
..	R48825	LABEL	1		WIRING

1E15

ELECTRICAL

RP1117 -UN-01JAN94

ACCESSORY RELAY WIRING KIT



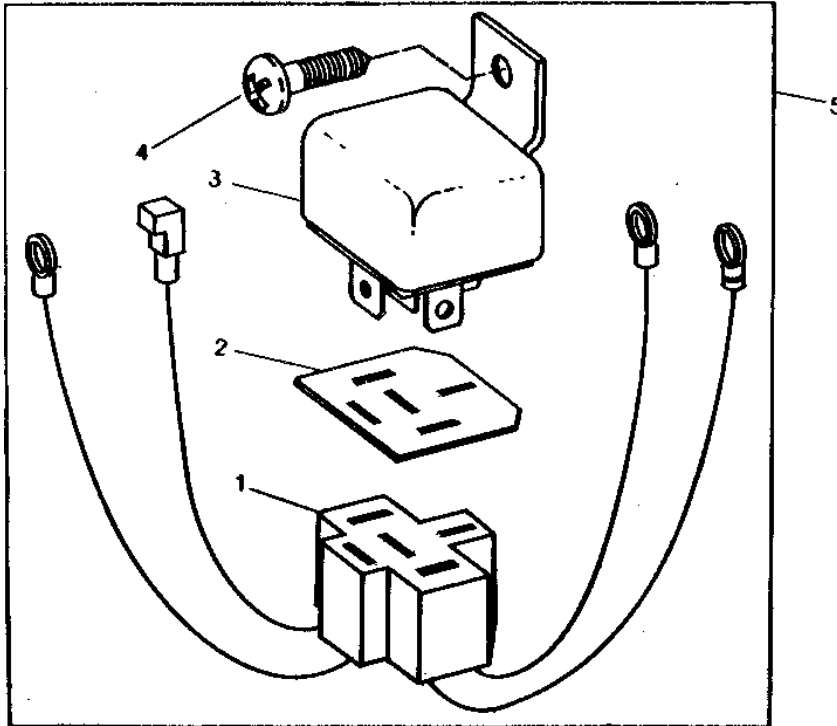
KEY	PART NO.	PART NAME	QTY	TRACTOR SERIAL NO.	REMARKS
1	19H1919	CAP SCREW	2	1/4" X 5/8"	
2	AE23861	RELAY	1	(SUB AH98337)	
3	AR78384	WIRING LEAD	1		
4	12H302	LOCK WASHER	1	1/4"	
5	14H786	NUT	2	1/4"	
6	AR78386	WIRING LEAD	1		
7	AR78382	KIT	1	(SUB AR91166)	

1E16

ELECTRICAL

RWP2586 -UN-01JAN94

ACCESSORY RELAY WIRING KIT



RWP2586

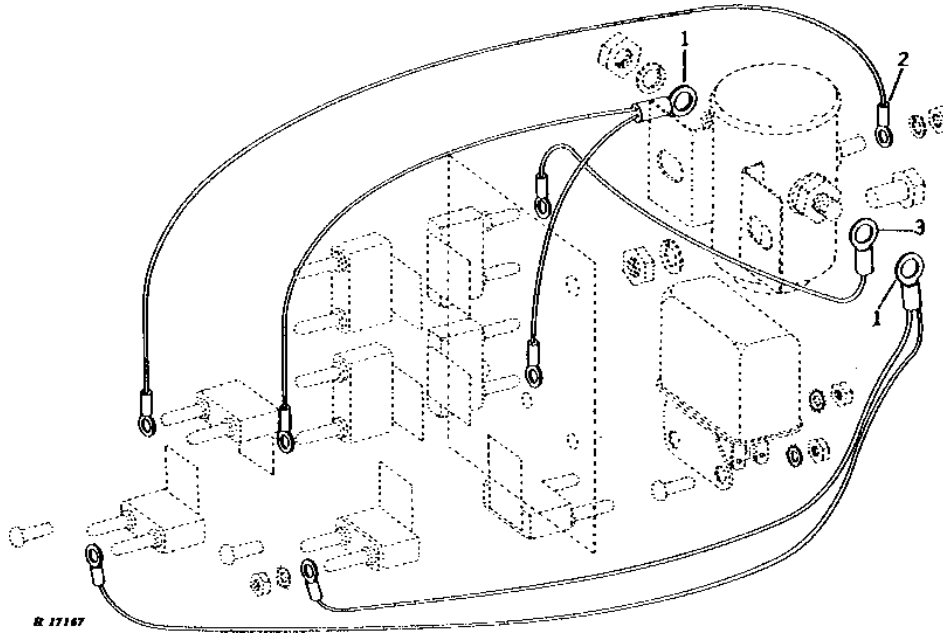
KEY	PART NO.	PART NAME	QTY	TRACTOR SERIAL NO.	REMARKS
1	AR91167	WIRING HARNESS	1		
	AR78384	WIRING LEAD	3		
	R32022	TERMINAL	2		
	R32028	TERMINAL	3		
2	R67982	COVER	1		
3	AR74411	RELAY	1		
4	37H52	SCREW	1	1/4" X 3/8"	
	19H1919	CAP SCREW	1	1/4" X 5/8"	
	12H302	LOCK WASHER	1	1/4"	
	14H786	NUT	1	1/4"	
5	AR91166	KIT	1		

1E17

ELECTRICAL

R17167 -UN-01JAN94

CIRCUIT BREAKER LEADS (CAB AND AIR CONDITIONING)



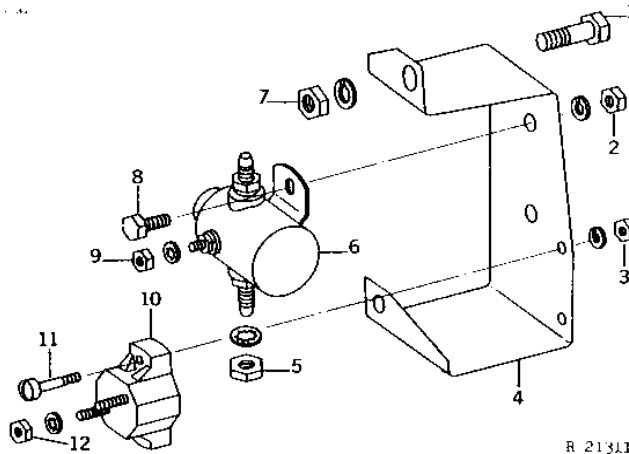
KEY	PART NO.	PART NAME	QTY	TRACTOR SERIAL NO.	REMARKS
1	AR49602	WIRING HARNESS	2		
2	WIRING LEAD	1		152MM (6") CIRCUIT BREAKER TO CAB RELAY, (MAKE FROM R32007 AND (2) R32018)
3	WIRING LEAD	1		152MM (6") CIRCUIT BREAKER TO CAB RELAY (AIR CONDITIONING) (MAKE FROM R32007, R32019 AND R32022)
..	R48825	LABEL	1		

1E18

ELECTRICAL

STARTING CIRCUIT RELAY AND MAIN CIRCUIT BREAKER (TRACTOR SERIAL NO. -018671)

R21311 -UN-01JAN94



R 21311

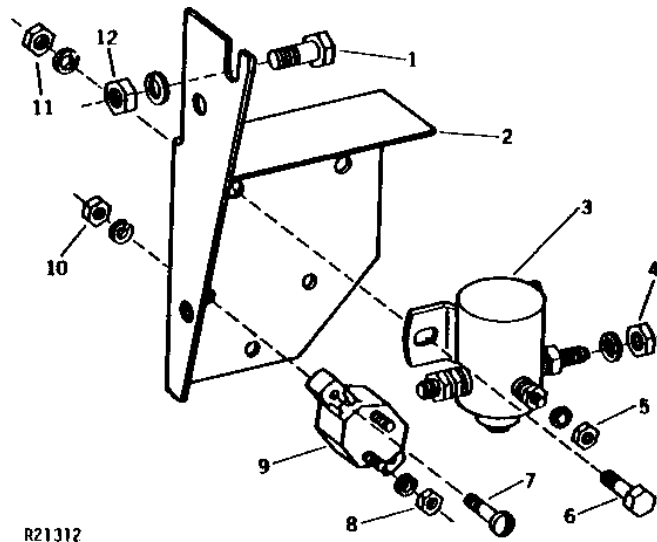
KEY	PART NO.	PART NAME	QTY	TRACTOR SERIAL NO.	REMARKS
1	19H1731	CAP SCREW	2	3/8" X 1"	
2	14H786	NUT	2	1/4"	
	12H302	LOCK WASHER	2	1/4"	
3	14H631	NUT	2	0.190"	
	12H246	LOCK WASHER	2	0.190"	
4	R42784	SUPPORT	1		(SUB AR55061, 19H1948 AND 12H302)
5	14H650	NUT	4	5/16"	
	12M7032	LOCK WASHER	4	0.331"	
6	AR44999	RELAY	1		(SUB FOR AM52191 OR AM53945) (SUB RE38391)
7	14H1076	NUT	2	3/8"	
	12H304	LOCK WASHER	2	3/8"	
8	19H1227	CAP SCREW	2	1/4" X 1/2"	
9	14H605	NUT	2	0.164"	
	12M7084	LOCK WASHER	2	0.169"	
10	AR41287	CIRCUIT BREAKER	1	MAIN	
11	21H1282	SCREW	2	0.190" X 7/8"	
12	14H631	NUT	4	0.190"	
	12M7060	WASHER	4	0.209"	

1E19

ELECTRICAL

STARTING CIRCUIT RELAY AND MAIN CIRCUIT BREAKER (TRACTOR SERIAL NO. 018672-)

R21312 -UN-01JAN94



R21312

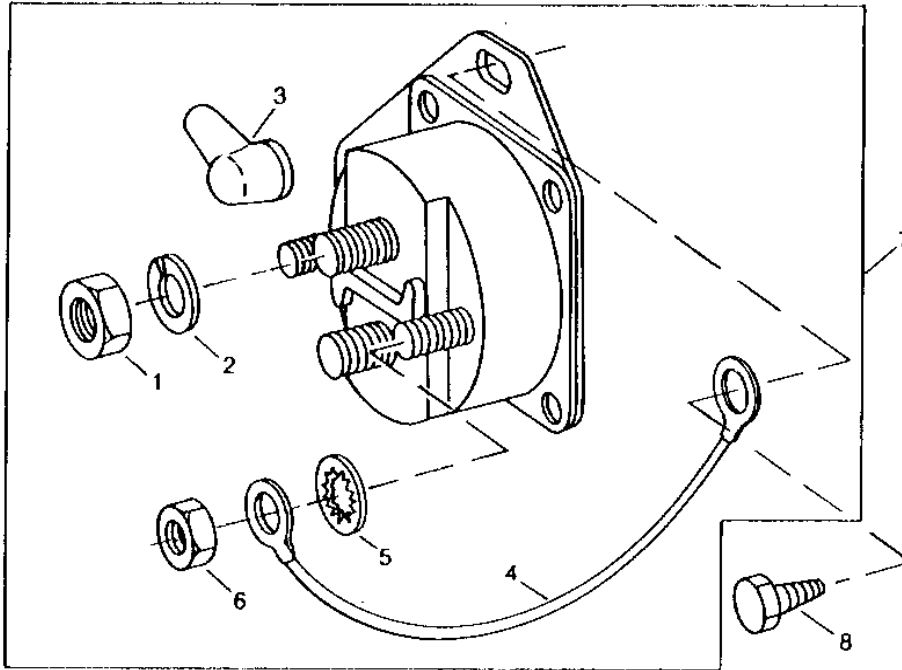
KEY	PART NO.	PART NAME	QTY	TRACTOR SERIAL NO.	REMARKS
1	19H1936	CAP SCREW	1	3/8" X 3/4"	
	19H2284	CAP SCREW	1	3/8" X 7/8"	
2	AR55061	SUPPORT	1		
3	AR44999	RELAY	1	(SUB RE38391)	
4	14H650	NUT	4	5/16"	
	12M7032	LOCK WASHER	4	0.331"	
5	14H605	NUT	2	0.164"	
	12M7084	LOCK WASHER	2	0.169"	
6	19H1227	CAP SCREW	2	1/4" X 1/2"	
7	21H1282	SCREW	2	0.190" X 7/8"	
8	14H631	NUT	4	0.190"	
	12M7060	WASHER	4	0.209"	
9	AR41287	CIRCUIT BREAKER	1	MAIN	
10	14H631	NUT	2	0.190"	
	12H246	LOCK WASHER	2	0.190"	
11	14H786	NUT	2	1/4"	
	12H302	LOCK WASHER	2	1/4"	
12	14H1076	NUT	2	3/8"	
	12H304	LOCK WASHER	2	3/8"	

1E20

ELECTRICAL

RXP7387 -UN-01JAN94

STARTING CIRCUIT RELAY



RXP7387

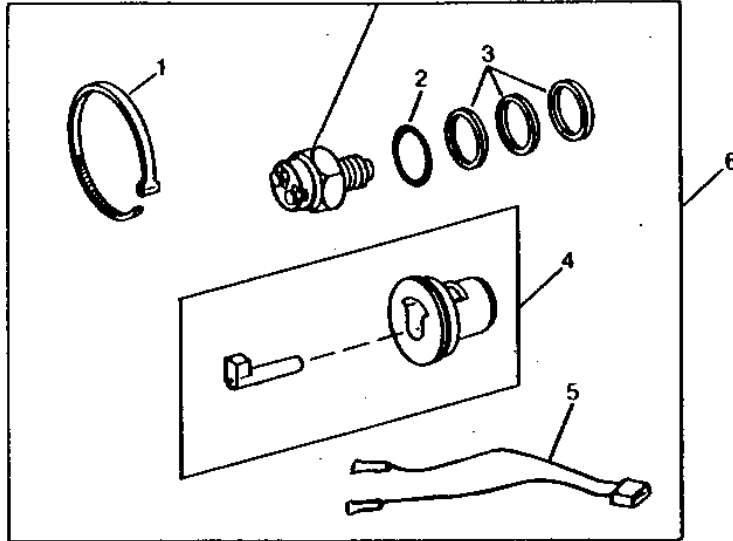
KEY	PART NO.	PART NAME	QTY	TRACTOR SERIAL NO.	REMARKS
1	14H785	NUT	2	5/16"	
2	12M7032	LOCK WASHER	2	0.331"	
3	R74993	BOOT	2		
4	WIRING LEAD	1	152 MM (6") (MAKE FROM R65593, R65599 AND R32018)	
5	12M7060	WASHER	2	0.209"	
6	14H631	NUT	2	0.190"	
7	RE38391	KIT	1	(SUB FOR AT68973 OR AR44999) (ALSO ORDER RE41287)	
8	R52938	CAP SCREW	2		

1E21

ELECTRICAL

RXP8097 -UN-01JAN94

NEUTRAL START SWITCH KIT



RXP8097

KEY	PART NO.	PART NAME	QTY	TRACTOR SERIAL NO.	REMARKS
1	R44302	TIE BAND	4		
2	R26448	O-RING	1		
3	T16911	SHIM	3		
4	RE37996	GAUGE	1		(NEUTRAL START SWITCH ADJ.)
5	RE14069	WIRING HARNESS	1		
6	RE38390	KIT	1		(SUB FOR R36265, AR85323 OR AR89691)

MEMORANDA

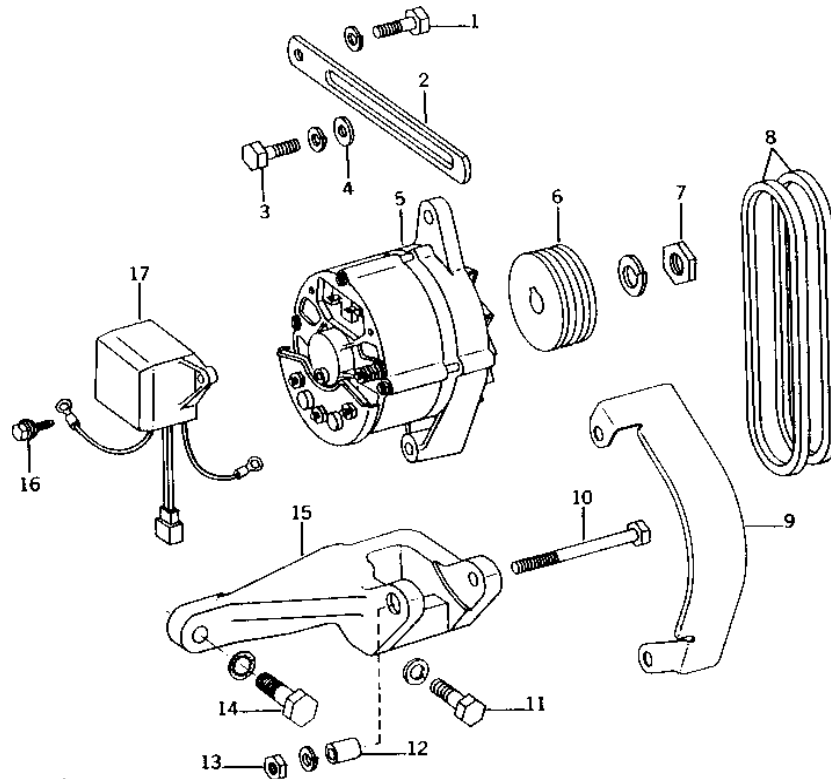
1E22

ELECTRICAL

R21787

-UN-01JAN94

ALTERNATOR, REGULATOR, AND MOUNTING BRACKET



R 21787

1E23

ELECTRICAL

ALTERNATOR, REGULATOR AND MOUNTING BRACKET - CONTINUED

KEY	PART NO.	PART NAME	QTY	ENGINE SERIAL NO.	REMARKS
1	19H2284	CAP SCREW	1		3/8" X 7/8"
	12H304	LOCK WASHER	1		3/8"
2	R43603	STRAP	1		
	R46731	STRAP	1		(A)
3	19H1905	CAP SCREW	1		5/16" X 1"
	12H303	LOCK WASHER	1		5/16"
4	24H1292	WASHER	1		11/32" X 3/4" X 0.120"
5	AR40420	ALTERNATOR	1		(55 AMP) (MOTOROLA NO. 70D44110C01) (SUB TY1430)
	TY1430	ALTERNATOR	1		(55 AMP) (REMANUFACTURED) (MOTOROLA)
	AR52077	ALTERNATOR	1	-019504	(A) (72 AMP) (MOTOROLA NO. 70D44414C01) (SUB TY6603)
	TY6603	ALTERNATOR	1		(A) (72 AMP) (REMANUFACTURED) (MOTOROLA)
	AR54796	ALTERNATOR	1		(55 AMP) (DELCO-REMY NO. 1100491) (SUB TY6772 OR TY6790)
	AR84306	ALTERNATOR	1		(72 AMP) ((DELCO-REMY NO. 1102932) (SUB RE31694, R71248, 12M7006, 19M7163 AND 12M7065 OR TY6790)
	AR93446	ALTERNATOR	1		(72 AMP) (DELCO-REMY NO. 1103128) (SUB RE31694 OR TY6790)
	RE13797	ALTERNATOR	1		(72 AMP) (DELCO-REMY NO. 1105175) (SUB RE31694 OR TY6790)
	RE27109	ALTERNATOR	1		(78 AMP) (DELCO-REMY NO. 1101268) (SUB RE31694 OR TY6686)
	RE31694	ALTERNATOR	1	019505-	(A) (72 AMP) (DELCO-REMY NO. 1101345) (SUB FOR AR54793, AR84306 OR AR93446) (ALSO ORDER R71248, 12M7006, 19M7163 AND 19M7065)
	TY6686	ALTERNATOR	1		(78 AMP) (REMANUFACTURED) (DELCO-REMY)
	TY6772	ALTERNATOR	1		(72 AMP) ((REMANUFACTURED) (DELCO-REMY)
	TY6790	ALTERNATOR	1		(90 AMP) (REMANUFACTURED) (DELCO-REMY) (SUB FOR TY6625)
6	R43828	PULLEY	1		
	AR55173	PULLEY	1	-019504	(A) (SUB FOR R48426)
	R50661	PULLEY	1	019505-	(A)
7	14H866	NUT	1		5/8"
	12H294	LOCK WASHER	1		5/8"
	14H866	NUT	1	-019504	5/8"
	12H294	LOCK WASHER	1	-019504	5/8"
	R11049	NUT	1	019505-	(A)
	T10745	WASHER	1	019505-	(A)
8	AR43219	BELT SET	1		
	AR56638	BELT SET	1		(A) (SUB FOR AR41574)
9	R56012	SHIELD	1		(SUB FOR R41334 OR R55245)
10	19H1854	CAP SCREW	1		3/8" X 3-3/4"
11	19H1740	CAP SCREW	1		7/16" X 1-3/4"
	12H293	LOCK WASHER	1		7/16"
12	R45377	SPACER	1		
13	14H1076	NUT	1		3/8"
	12H304	LOCK WASHER	1		3/8"
14	19H2731	CAP SCREW	1		7/16" X 1-3/8"
	12H325	LOCK WASHER	1		7/16"
15	R48777	BRACKET	1		
	AR55174	BRACKET	1		(A) (SUB FOR R48817)
16	R44008	SCREW	3		
	T31308	SCREW	2	-019504	(A)
17	AR78298	VOLTAGE REGULATOR	1		(MOTOROLA) (SUB FOR AR38459 OR AR52927) (USE WITH AR40420)
	AT56592	REGULATOR	1	-019504	(A) (MOTOROLA) (USE WITH AR52077)

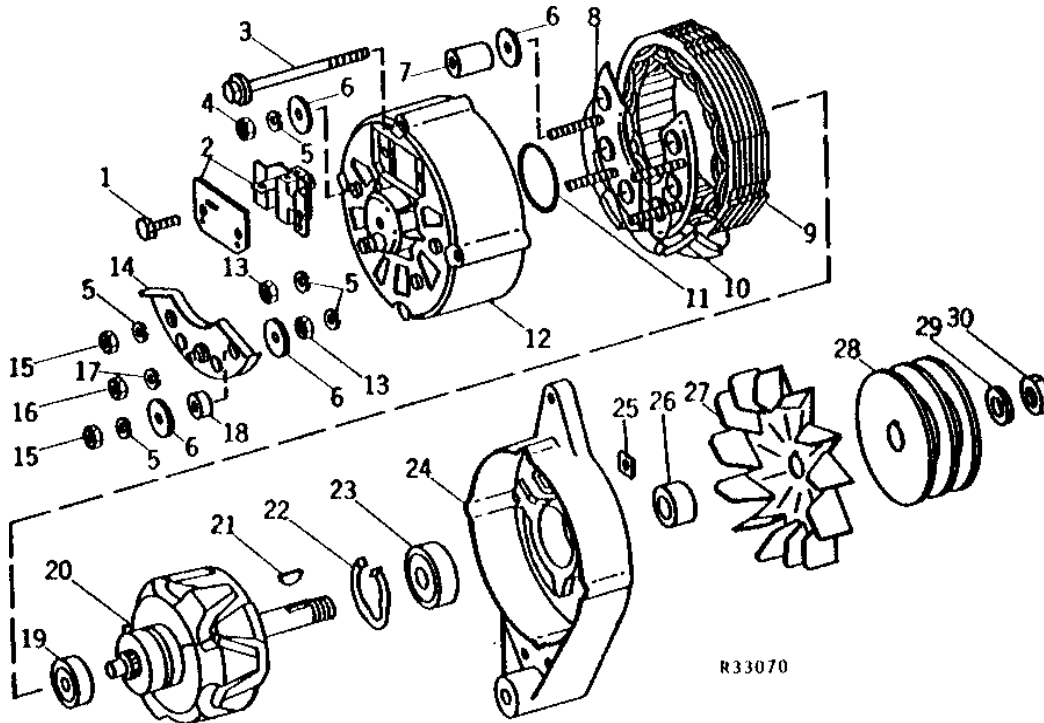
(A) AIR CONDITIONING

1E24

ELECTRICAL

ALTERNATOR
(12-VOLT) (55 AMP)
(MOTOROLA)

R33070 -UN-01JAN94



R33070

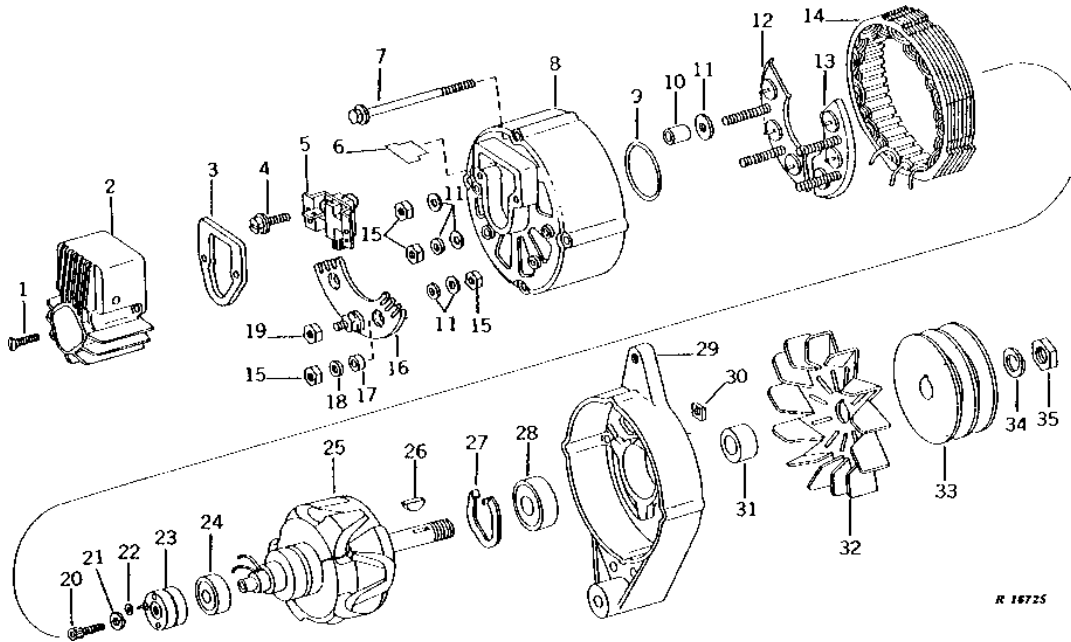
KEY	PART NO.	PART NAME	QTY	TRACTOR SERIAL NO.	REMARKS
1	37H10	SCREW	2		0.164" X 3/8"
2	AT27128	HOLDER	1		(SUB FOR R15026)
3	R15045	BOLT	4		
4	14H778	NUT	2		0.190"
5	12M7060	WASHER	4		0.209"
6	R15036	WASHER	5		INSULATOR
7	R15035	SLEEVE	2		INSULATOR
8	R15023	DIODE	1		POSITIVE
9	R39802	STATOR	1		
10	R15024	DIODE	1		NEGATIVE
11	R15030	O-RING	1		
12	R38374	HOUSING	1		
13	14H778	NUT	2		0.190"
14	R39800	DIODE	1		DUAL
15	14H778	NUT	2		0.190"
	12M7060	WASHER	2		0.209"
16	14H786	NUT	1		1/4"
	12H297	LOCK WASHER	1		1/4"
17	R15036	WASHER	1		INSULATOR
18	R39803	WASHER	1		INSULATOR
19	AT23189	BALL BEARING	1		(SUB FOR R15028)
20	R39801	ROTOR	1		
21	26H72	SHAFT KEY	1		1/8" X 5/8"
22	R15029	RETAINER	1		FRONT BEARING
23	JD9449	BALL BEARING	1		FRONT, (SUB FOR AT23188)
24	R15033	HOUSING	1		FRONT
25	T23610	NUT	4		
26	T25343	BUSHING	1		(SUB FOR R15038)
27	R15027	FAN	1		
28	R43828	PULLEY	1		
29	12H294	LOCK WASHER	1		5/8"
30	14H866	NUT	1		5/8"
..	AR40420	ALTERNATOR	1		(LESS PULLEY)
..	TY1430	ALTERNATOR	1		(REMANUFACTURED)

1E25

ELECTRICAL

ALTERNATOR (12-VOLT) (72 AMP) (MOTOROLA) (AIR CONDITIONING)
(TRACTOR SERIAL NO. -019504)

R16725 -UN-01JAN94



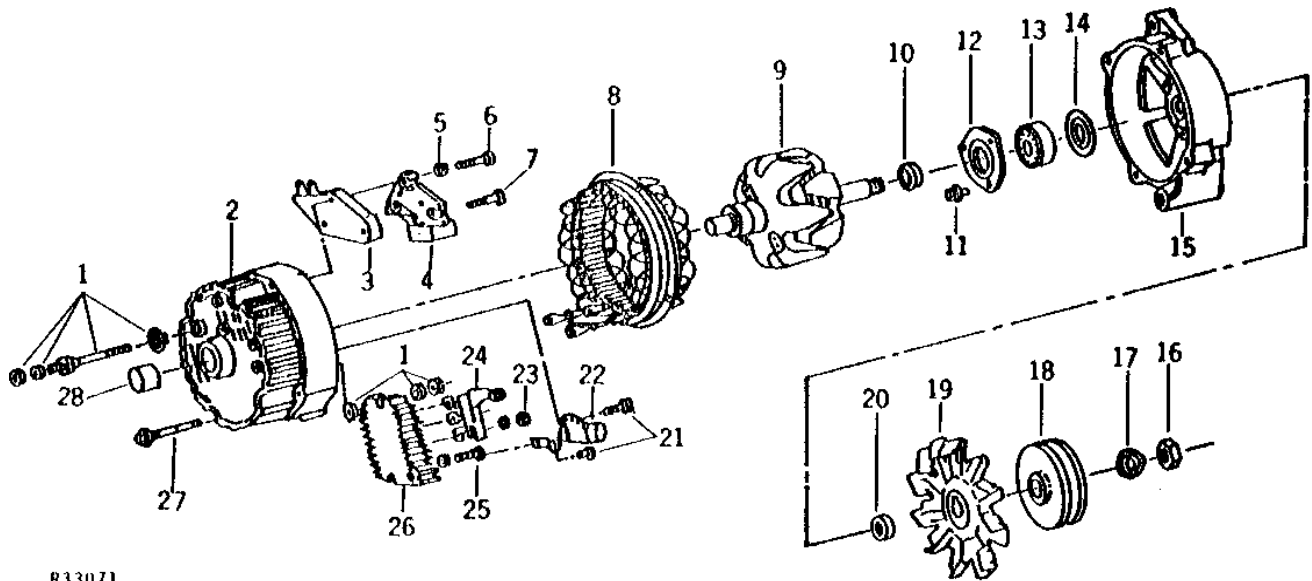
KEY	PART NO.	PART NAME	QTY	TRACTOR SERIAL NO.	REMARKS
1	T31308	SCREW	2		
2	AT56592	REGULATOR	1		(SUB FOR AR52079)
3	T29100	GASKET	1		
4	37H10	SCREW	2		0.164" X 3/8"
5	AT27128	HOLDER	1		
6	T25357	INSULATOR	1		
7	R47460	BOLT	4		
8	R48728	HOUSING	1		REAR
9	T29105	RETAINER	1		
10	T25353	BUSHING	2		INSULATOR
11	R15036	WASHER	7		INSULATOR
12	AH103067	PLATE	1		POSITIVE, (SUB FOR AR50225)
13	AH103068	PLATE	1		NEGATIVE
14	AR50226	STATOR	1		
15	14H778	NUT	8		0.190"
	12H246	LOCK WASHER	4		0.190"
16	AR50229	DIODE	1		ASSEMBLY
17	R39803	WASHER	1		INSULATOR
18	R15036	WASHER	1		INSULATOR, (SUB FOR R39804)
19	14H786	NUT	1		1/4"
	12H297	LOCK WASHER	1		1/4"
20	T17948	SCREW	1		(SUB FOR T29102)
21	12H246	LOCK WASHER	1		0.190"
22	R47461	INSULATOR	1		
23	AT27127	RING	1		(NLA)
24	JD9449	BALL BEARING	1		(SUB FOR AT23188)
25	AR50227	ROTOR	1		
26	26H72	SHAFT KEY	1		1/8" X 5/8"
27	R15029	RETAINER	1		
28	JD9449	BALL BEARING	1		(SUB FOR AT23188)
29	R15033	HOUSING	1		
30	T23610	NUT	4		
31	T25343	BUSHING	1		
32	R15027	FAN	1		
33	AR55173	PULLEY	1		(SUB FOR R48426)
34	12H294	LOCK WASHER	1		5/8"
35	14H866	NUT	1		5/8"
..	AR52077	ALTERNATOR	1		(LESS PULLEY)
..	TY6603	ALTERNATOR	1		(REMANUFACTURED)

1F1

ELECTRICAL

ALTERNATOR
(12-VOLT) (55 AMP) (72 AMP) (DELCO-REMY)
(TRACTOR SERIAL NO. 019505-)

R33071 -UN-01JAN94



R33071

KEY	PART NO.	PART NAME	QTY	TRACTOR SERIAL NO.	REMARKS
1	AR55834	TERMINAL	1	(SUB AR93945 AND 14M7165)	
2	R51529	HOUSING	1	(REAR)	
3	AR55827	VOLTAGE REGULATOR	1	(12-VOLT)	
4	AR69269	BRUSH	1	(SUB FOR AR55833)	
5	12M7084	LOCK WASHER	5	0.169"	
6	R51531	SCREW	1		
7	R51530	SCREW	2		
8	AR55837	STATOR	1	(72 AMP)	
	AR85940	STATOR	1	(55 AMP) (SUB FOR AR55829)	
9	AR78093	ROTOR	1	(SUB FOR AR55828)	
10	R51532	ECCENTRIC LOCKING COLLAR	1		
11	21H1301	SCREW	3	0.190" X 1/2"	
12	R11109	PLATE	1	(SUB FOR AR55836 OR R78755)	
13	JD9449	BALL BEARING	1	(SUB FOR AT23188)	
14	R51534	SHIM	1		
15	R69644	HOUSING	1	(FRONT) (ALSO ORDER R69645) (SUB FOR R51528)	(SUB R71399)
16	R11049	NUT	1		
17	T10745	WASHER	1		
18	R50661	PULLEY	1	(72 AMP)	
	R50662	PULLEY	1	(55 AMP)	
19	R50659	FAN	1		
	R87764	FAN	1	(USE WITH RE31694)	
20	R51533	ECCENTRIC LOCKING COLLAR	1		
21	37H2	SCREW	2	0.164" X 5/8"	
22	AR55835	CAPACITOR	1		
23	14H605	NUT	3	0.164"	
24	RE13798	DIODE	1	TRIO NEGATIVE, (SUB FOR AR55831)	
25	21H1319	SCREW	1	0.164" X 7/8"	
26	AR55832	RECTIFIER	1	BRIDGE POSITIVE	
27	R51535	BOLT	4		
28	AR77851	ROLLER BEARING	1	(SUB FOR AR55830)	
..	AR54796	ALTERNATOR	1	(55 AMP) (ALSO ORDER 14M7165, 12M7006, 12M7065 AND 19M7163) (SUB TY6772 OR TY6790)	

MEMORANDA

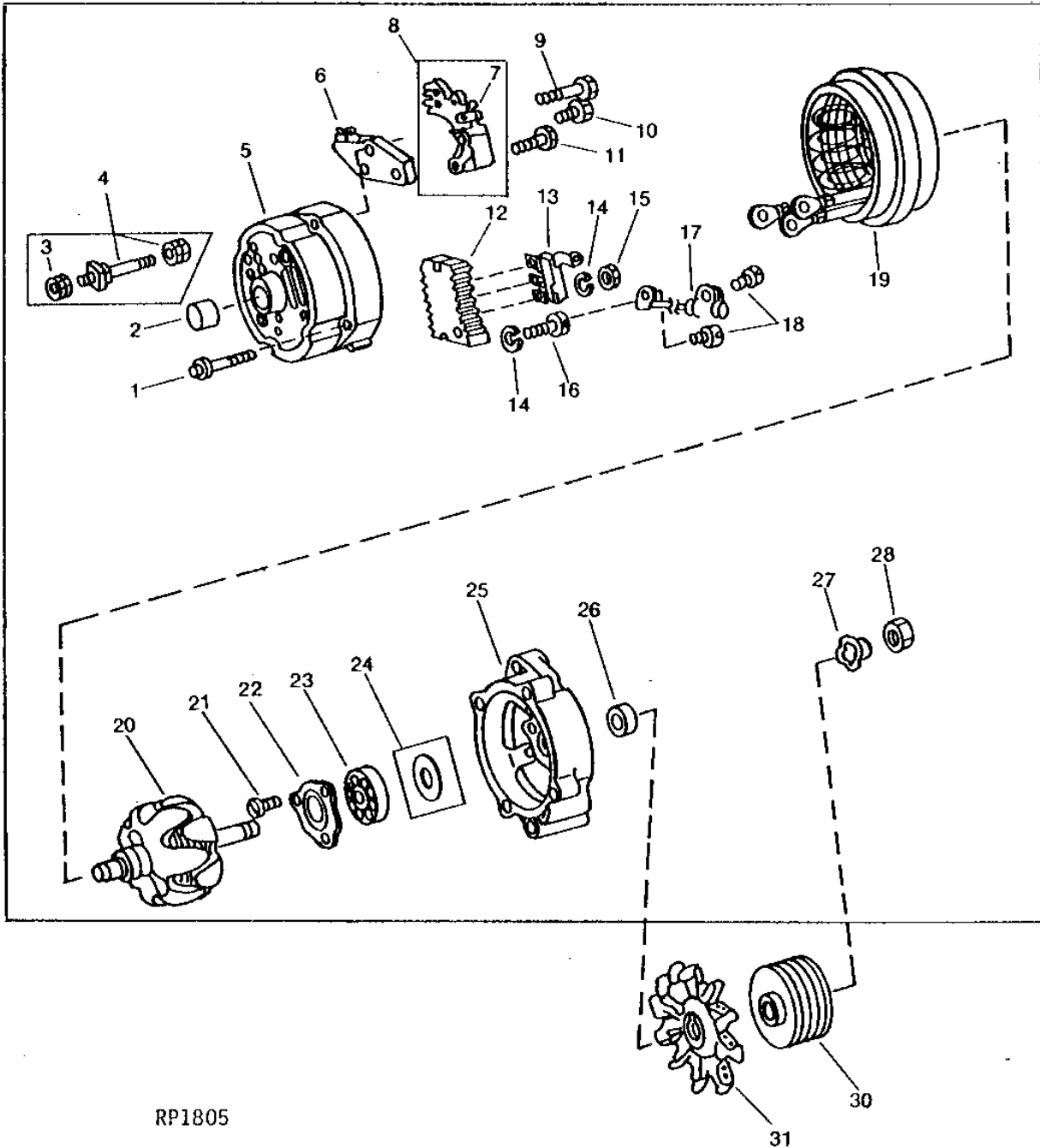
1F2

ELECTRICAL

RP1805

-UN-01JAN94

ALTERNATOR (12-VOLT) (DELCO-REMY)



RP1805

1F3

ELECTRICAL

ALTERNATOR - CONTINUED (12-VOLT) (DELCO-REMY)

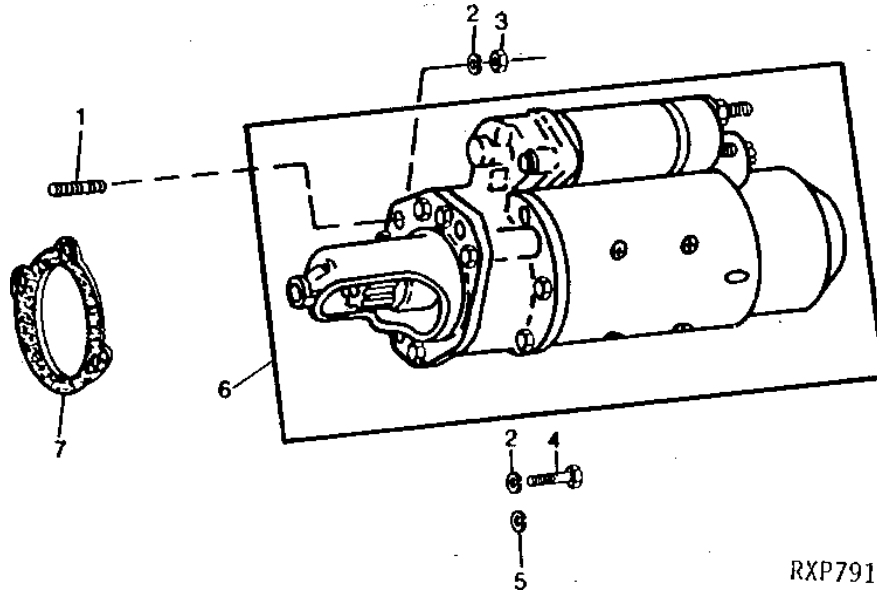
KEY	PART NO.	PART NAME	QTY	TRACTOR SERIAL NO.	REMARKS
1	R51535	BOLT	4		
2	AR77851	ROLLER BEARING	1		
3	14M7165	LOCK NUT	1	M6	
4	AR93945	TERMINAL	1		(ALSO ORDER 14M7165) (SUB FOR AR55834)
5	R66301	HOUSING	1		(REAR) (USE WITH AR84306)
	R71400	HOUSING	1		(REAR) (SUB FOR R66301) (USE WITH AR93446 OR RE13797)
6	AR55827	VOLTAGE REGULATOR	1		
7	AR90058	BRUSH	2		
8	AR85941	CARBON BRUSH HOLDER	1		
9	21H1376	SCREW	1	0.164" X 1-1/4"	
10	R51530	SCREW	2		
11	R66302	SCREW	1		
12	AR55832	RECTIFIER	1		(USE WITH AR84306 OR AR93446)
	RE13799	RECTIFIER	1		(USE WITH RE13797)
13	RE13798	DIODE	1		(SUB FOR AR55831)
14	12M7084	LOCK WASHER	4	0.169"	
15	14H605	NUT	3	0.164"	
16	21H1319	SCREW	1	0.164" X 7/8"	
17	AR55835	CAPACITOR	1		
18	37H2	SCREW	2	0.164" X 5/8"	
19	AR55837	STATOR	1		(SUB FOR RE13800)
20	RE13801	ROTOR	1		(SUB FOR AR78093)
21	21H1301	SCREW	3	0.190" X 1/2"	
22	R11109	PLATE	1		(SUB FOR AR55836 OR AR78755)
23	JD9449	BALL BEARING	1		(SUB FOR AT23188)
24	R51534	SHIM	1		
25	R71399	HOUSING	1		(FRONT) (SUB FOR R51528 OR R69644)
26	R51533	ECCENTRIC LOCKING COLLAR	1		
	R69645	WASHER	1		
27	T10745	WASHER	1		
28	R11049	NUT	1		
29	AR84306	ALTERNATOR	1		(72 AMP) (SUB RE31694, 12M7006, 12M7065, 14M7165 AND 19M7163 OR TY6790)
	AR93446	ALTERNATOR	1		(72 AMP) (SUB RE31694 OR TY6790)
	RE13797	ALTERNATOR	1		(72 AMP) (SUB RE31694 OR TY6790)
	TY6790	ALTERNATOR	1		(90 AMP) (REMANUFACTURED) (SUB FOR TY6625)
	RE27109	ALTERNATOR	1		(78 AMP) (SUB RE31694 OR TY6686)
	RE31694	ALTERNATOR	1		(78 AMP) (SUB FOR AR56728, AR54796, AR84306, AR93446, RE13797 OR RE27109) (ALSO FURNISH 14M7165, 12M7006, 12M7065 AND 19M7163)
	TY6686	ALTERNATOR	1		(78 AMP) (REMANUFACTURED)
30	R81507	PULLEY	1		(DOUBLE) (SUB FOR R52161)
31	R50659	FAN	1		
	R87764	FAN	1		(USE WITH RE27109 OR RE31694)

1F4

ELECTRICAL

RXP7911 -UN-01JAN94

STARTING MOTORS



RXP7911

KEY	PART NO.	PART NAME	QTY	TRACTOR SERIAL NO.	REMARKS
1	R56481	STUD	1	(A)	(SUB FOR M3636T)
	R55396	STUD	1	(B)	3/8" X 1-11/16"
2	12H304	LOCK WASHER	3	(C)	3/8", (NOT REQUIRED WITH E55662)
3	E55662	FLANGE NUT	1	(C)	3/8"
4	19H3219	CAP SCREW	2	(F)	3/8" X 1-3/8"
	19H1721	CAP SCREW	3	(D)	1/2" X 1-1/2"
	19H2552	CAP SCREW	2	(E)	3/8" X 1-1/8"
5	12H301	LOCK WASHER	3	(D)	1/2"
6	AR55638	STARTER	1		(DELCO-REMY NO. 1113672) (SUB TY6710)
	AR62267	STARTER	1		(DELCO-REMY NO. 1113402) (SUB TY6710)
	AR78538	STARTER	1		(DELO-REMY NO. 111391) (SUB TY6701, TY6713 OR RE41875)
	AR77254	STARTER	1		(NIPPONDENSONO. 028000-3290 OR 028000-3291) (SUB RE41875 OR TY6713)
	RE41875	STARTER	1		(NIPPONDENSONO NO. 02800-3292) (MARKED RE13722) (SUB FOR AR77254 OR AR78538)
	TY6701	STARTER	1		(DELCO-REMY) (REMANUFACTURED) (SUB FOR TY1597 OR TY6618)
	TY6710	STARTER	1		(DELCO-REMY) (REMANUFACTURED) (SUB FOR TY6667)
	TY6713	STARTER	1		(NIPPONDENSONO) (REMANUFACTURED) (SUB FOR TY6617)
7	R53108	GASKET	1		

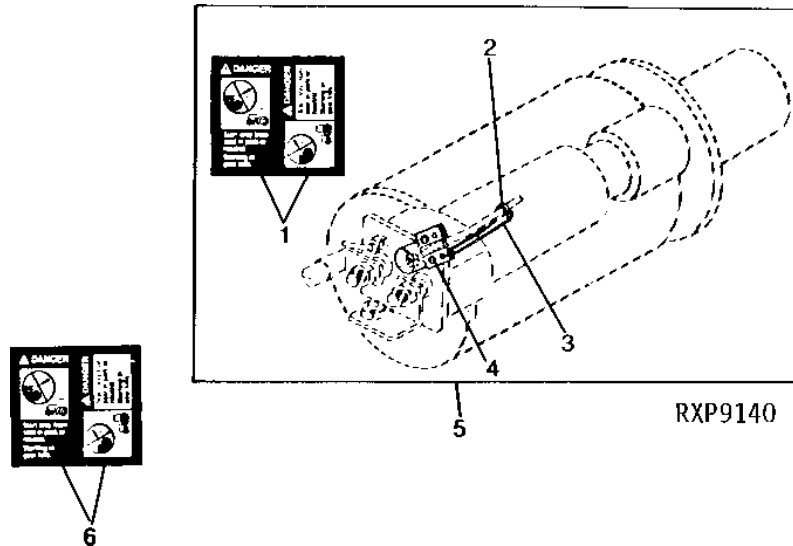
- (A) USE WITH AR55639, AR62267, RE41875, TY6710 OR TY6713
 (B) USE WITH AR77254, TY6701 OR TY6713
 (C) USE WITH AR55639, AR62267, AR77254, RE41875, TY6701, TY6710 OR TY6713
 (D) USE WITH AR78538 OR TY6701
 (E) USE WITH RE41875 OR TY6713
 (F) USE WITH AR55639, AR62267, AR77254, TY6710, TY6701 OR TY6713

1F5

ELECTRICAL

RXP9140 -UN-11NOV94

STARTER SOLENOID COVER KIT (DELCO-REMY)



KEY	PART NO.	PART NAME	QTY	TRACTOR SERIAL NO.	REMARKS
1	T146102	WARNING LABEL	1		(SUB FOR T84409 OR T134459) (ENGLISH)
2	R44302	TIE BAND	1		
3	R76477	TIE BAND	1		
4	R66117	SCREW	2		
5	RE39063	SHIELD	1	(A)	
6	T146106	WARNING LABEL	1		(SUB FOR T84410 OR T134452) (ESPANOL)
	T146104	WARNING LABEL	1		(SUB FOR T84411 OR T134453) (FRANCAIS)
	T146515	WARNING LABEL	1		(SUB FOR T84412 OR T134454) (DEUTSCH)
	T146516	WARNING LABEL	1		(SUB FOR T84413 OR T134455) (ITALIANO)
	T146517	WARNING LABEL	1		(SUB FOR T84578 OR T134456) (ENGLISH/FRANCAIS)

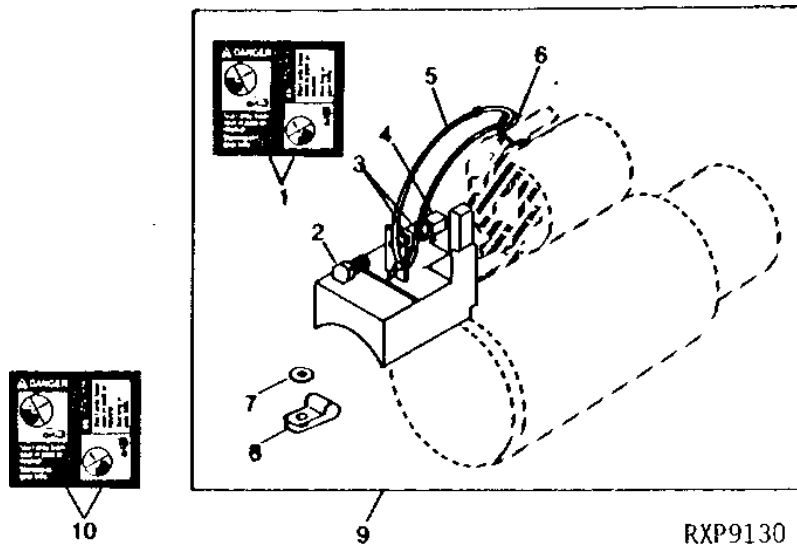
(A) USE WITH AR62267, AR78538, TY6667, TY6618, TY6701 OR TY6710

1F6

ELECTRICAL

STARTER SOLENOID COVER KIT (DELCO-REMY)

RXP9130 -UN-01JAN94



KEY	PART NO.	PART NAME	QTY	TRACTOR SERIAL NO.	REMARKS
1	T146102	WARNING LABEL	1		(ENGLISH) (SUB FOR T84409 OR T134459)
2	19H2038	CAP SCREW	1		3/8" X 1/2"
3	24H1305	WASHER	2		13/32" X 13/16" X 0.065"
4	R100380	NUT	1		
5	R76477	TIE BAND	1		
6	R44302	TIE BAND	1		
7	24H1289	WASHER	1		21/64" X 5/8" X 0.049"
8	R46414	CLAMP	1		
9	RE39061	SHIELD	1		(A)
10	T146106	WARNING LABEL	1		(ESPANOL) (SUB FOR T84410 OR T134452)
	T146104	WARNING LABEL	1		(FRANCAIS) (SUB FOR T84411 OR T134453)
	T146515	WARNING LABEL	1		(DEUTSCH) (SUB FOR T84412 OR T134454)
	T146516	WARNING LABEL	1		(ITALIANO) (SUB FOR T84413 OR T134455)
	T146517	WARNING LABEL	1		(ENGLISH/FRANCAIS) (SUB FOR T84578 OR T134456)

(A) USE WITH RE55638 OR TY1597

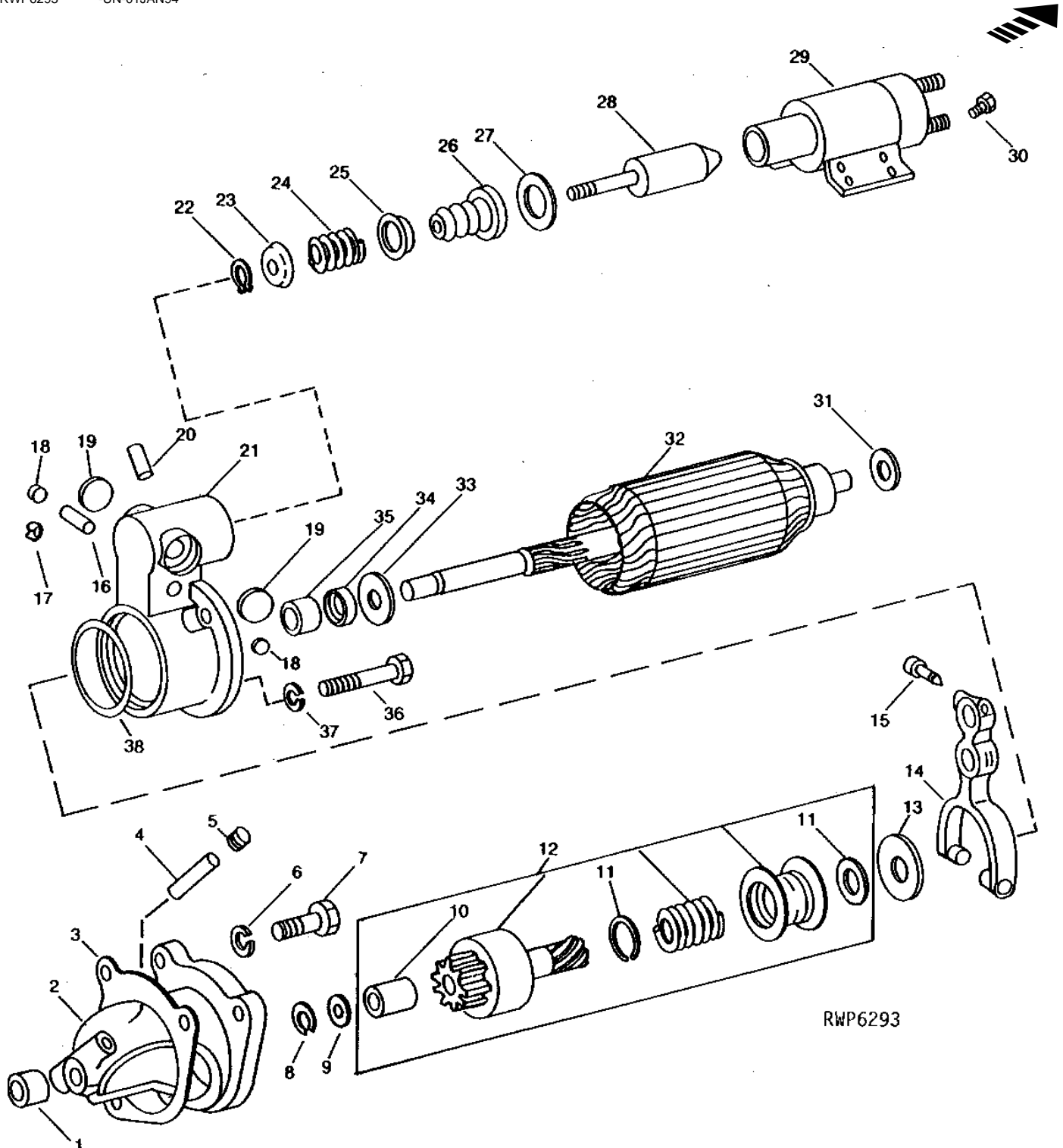
MEMORANDA

1F7

ELECTRICAL

STARTER DRIVE HOUSING, SOLENOID SWITCH AND ARMATURE (12-VOLT) (DELCO-REMY NO. 1113672 OR 1113402) (AR62267)

RWP6293 -UN-01JAN94



RWP6293

1F8

ELECTRICAL

STARTER DRIVE HOUSING, SOLENOID SWITCH AND ARMATURE - CONTINUED
(12-VOLT) (DELCO-REMY NO. 1113672 OR 1113402)
(AR62267)

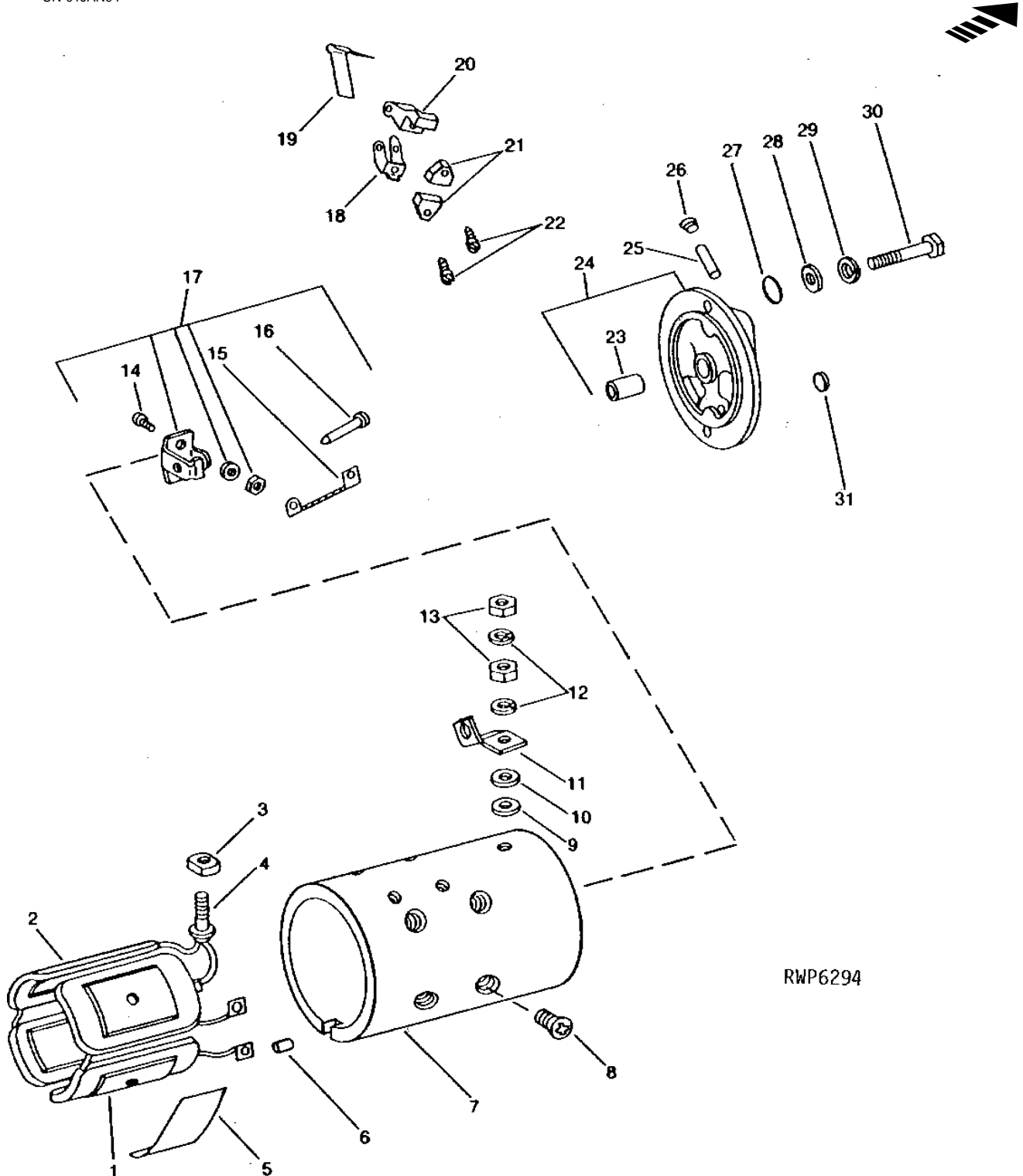
KEY	PART NO.	PART NAME	QTY	MODEL NO.	REMARKS
1	T11743	BUSHING	1		
2	AR11127	HOUSING	1		
3	R53108	GASKET	1		
4	R40337	WICK	1		
5	15H566	PIPE PLUG	1	1/8"	
6	12H304	LOCK WASHER	3	3/8"	
	M3636T	STUD	1		
	14H1076	NUT	2	3/8"	
7	19H3219	CAP SCREW	2	3/8" X 1-3/8"	
8	R11117	SNAP RING	1		
9	R48976	STOP	1		
10	1873796	BUSHING	1		
11	R11118	WIRE	2		
12	AR88880	BENDIX DRIVE	1		(SUB FOR AR44700 OR AR76841)
13	R11095	WASHER	1		
14	AR11128	LEVER	1		
15	R11222	PIN	1		
16	R11215	DOWEL PIN	2		
17	R11223	RETAINER	1		
18	30H7	PLUG	2	5/8"	
19	30H16	PLUG	2	1-3/16"	
20	R11201	WICK	1		
	R11016	PIPE PLUG	1		
21	AR11126	HOUSING	1		
22	R11026	SNAP RING	1		
23	R11129	CAP	1		
24	R11128	SPRING	1		
25	R11126	RETAINER	1		
26	R11127	BOOT	1		
27	R11221	WASHER	1		
28	AR11132	PLUNGER	1		
29	R11292	SWITCH	1		(DELCO-REMY NO. 1115510 OR 1115540)
30	T19909	BOLT	4		
31	R11096	WASHER	1		
32	AR44698	ARMATURE	1		
33	R11291	WASHER	1		
34	AR62964	SEAL	1		
35	R11212	BUSHING	1		
36	AR62963	SCREW	4		
37	12H303	LOCK WASHER	4	5/16"	
38	R40545	GASKET	1		
..	AR62267	STARTER	1		(SUB TY6710 OR TY6713) (SUB FOR AR55638)
..	TY6710	STARTER	1		(REMANUFACTURED) (SUB FOR TY6667 OR AR62267)
..	TY6713	STARTER	1		(REMANUFACTURED) (NIPPONDENSO)

1F9

ELECTRICAL

STARTER MAIN FRAME, COIL, AND COMMUTATOR END FRAME
(12-VOLT) (DELCO-REMY NO. 1113672 OR 1113402)
(AR62267)

RWP6294 -UN-01JAN94



RWP6294

1F10

ELECTRICAL

STARTER MAIN FRAME, COIL, AND COMMUTATOR END FRAME - CONTINUED
 (12-VOLT) (DELCO-REMY NO. 1113672 OR 1113402)
 (AR62267)

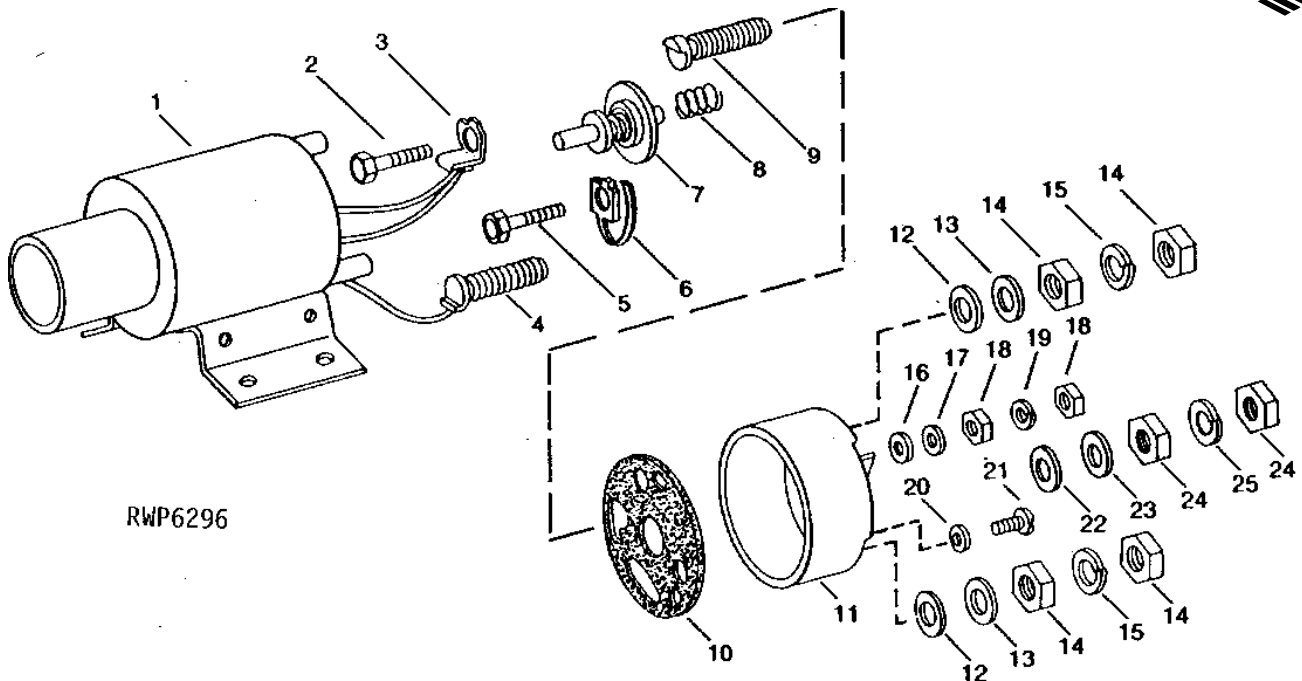
KEY	PART NO.	PART NAME	QTY	ENGINE SERIAL NO.	REMARKS
1	R11003	SHOE	4		
2	AR44699	ELECTRICAL COIL	1		
3	R11058	BUSHING	2		
4	R11059	STUD	1		
5	R11253	INSULATOR	2		
6	R11087	DOWEL PIN	1		
7	FRAME	1		(ORDER TY6710)
8	21H1280	SCREW	4		3/8" X 3/4"
9	R11000	WASHER	2		
10	24M7096	WASHER	1		10.500 X 18 X 1.600 MM
11	R11296	CONNECTOR	1		
12	12H304	LOCK WASHER	2		3/8"
13	14H732	NUT	2		3/8"
14	T18098	SCREW	2		
15	AR11001	WIRING LEAD	1		
16	R11233	PIN	2		
17	AR11124	SUPPORT	2		
18	T738T	HOLDER	2		
19	R11209	SPRING	2		
20	R11290	CARBON BRUSH HOLDER	2		
21	R42574	BRUSH	4		
22	37H78	SCREW	4		0.164" X 3/4"
23	R61932	BUSHING	1		(SUB FOR T11739)
24	AR11140	FRAME	1		
25	15H566	PIPE PLUG	1		1/8"
26	R40337	WICK	1		
27	R27976	O-RING	2		
28	24H1136	WASHER	2		11/32" X 11/16" X 0.065"
29	12H303	LOCK WASHER	2		5/16"
30	R11298	BOLT	2		
31	30H9	PLUG	1		3/4"
..	AR62267	STARTER	1		(SUB TY6710 OR TY6713)
..	TY6710	STARTER	1		(REMANUFACTURED) (SUB FOR TY6667 OR AR62267)
..	TY6713	STARTER	1		(REMANUFACTURED) (NIPPONDENSO)

1F11

ELECTRICAL

SOLENOID SWITCH
(12-VOLT) (DELCO-REMY NO. 1113672 OR 1113402)
(AR62267)

RWP6296 -UN-01JAN94



KEY	PART NO.	PART NAME	QTY	ENGINE SERIAL NO.	REMARKS
1	CASE	1		(ORDER R11292)
2	R11197	STUD	1		(SUB FOR T18110)
3	R11198	CLIP	1		(NLA)
4	R11293	STUD	1		
5	R11295	STUD	1		
6	R40546	CLIP	1		
7	AR11051	CONTACT	1		
8	R11066	SPRING	1		
9	T18105	STUD	1		
10	R40548	GASKET	1		
11	R11294	COVER	1		
12	T18107	WASHER	2		
13	24M7096	WASHER	1	10.500 X 18 X 1.600 MM	
14	14H732	NUT	4	3/8"	
15	12H304	LOCK WASHER	2	3/8"	
16	T18106	WASHER	1		
17	24H1283	WASHER	1	7/32" X 1/2" X 0.049"	
18	14H631	NUT	2	0.190"	
19	12H246	LOCK WASHER	2	0.190"	
20	R11039	WASHER	2		
21	21H1298	SCREW	2	0.190" X 3/8"	
22	T19607	WASHER	1		
23	24H1281	WASHER	1	5/32" X 3/8" X 0.049"	
24	14H605	NUT	2	0.164"	
25	12M7084	LOCK WASHER	2	0.169"	
..	R11292	SWITCH	1		(A) (DELCO-REMY NO. 1115510 OR 1115540)

(A) USE WITH AR55638 OR AR62267

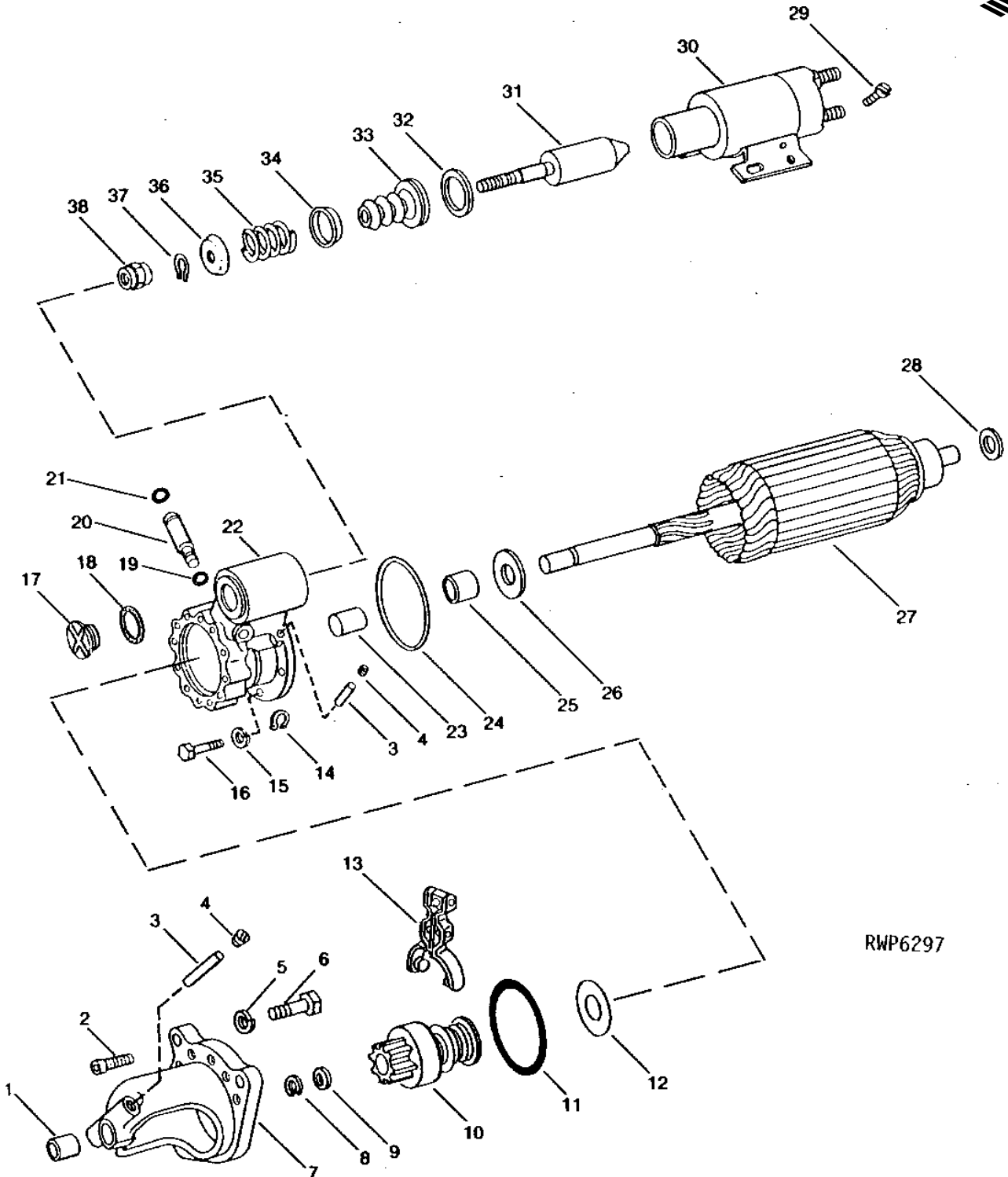
MEMORANDA

1F12

ELECTRICAL

STARTER, ARMATURE, DRIVE END HOUSING AND DRIVE
(12-VOLT) (DELCO-REMY NO. 1113391)
(AR78538)

RWP6297 -UN-01JAN94



1F13

ELECTRICAL

STARTER, ARMATURE, DRIVE END HOUSING AND DRIVE - CONTINUED
(12-VOLT) (DELCO-REMY NO. 1113391)
(AR78538)

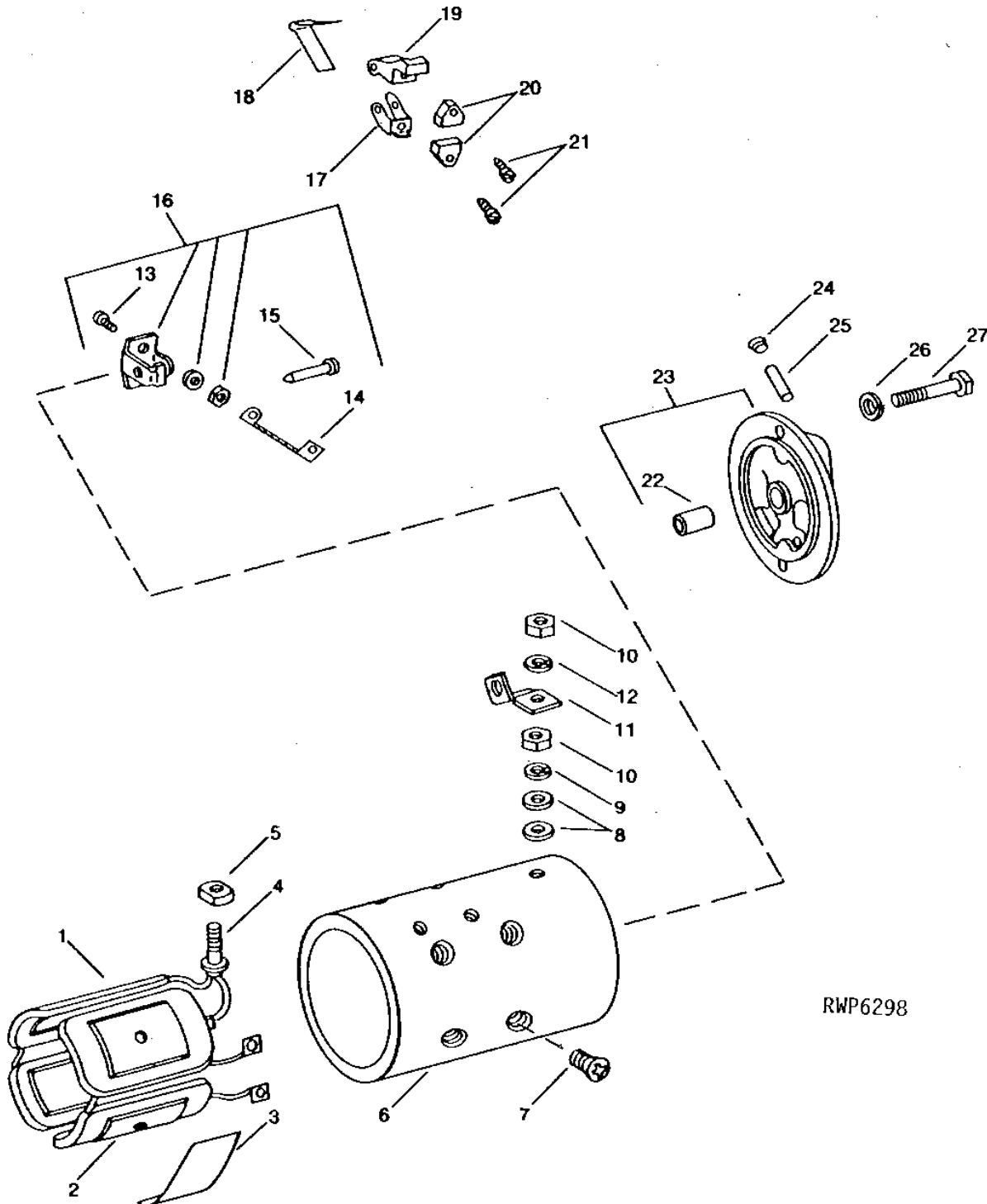
KEY	PART NO.	PART NAME	QTY	ENGINE SERIAL NO.	REMARKS
1	T11743	BUSHING	1		
2	R62674	SCREW	2		
3	R40337	WICK	2		
4	15H566	PIPE PLUG	2	1/8"	
5	12H301	LOCK WASHER	3	1/2"	
6	19H1721	CAP SCREW	3	1/2" X 1-1/2"	
7	AR77259	HOUSING	1		
8	R11117	SNAP RING	1		
9	R48976	STOP	1		
10	AR88880	BENDIX DRIVE	1	(SUB FOR AR76841)	
11	R62673	O-RING	1		
12	R11095	WASHER	1		
13	AR77261	LEVER	1		
14	R11026	SNAP RING	1		
15	12H302	LOCK WASHER	5	1/4"	
16	19H3005	CAP SCREW	5	1/4" X 1"	
17	R11133	PLUG	1		
18	R11121	GASKET	1		
19	A4365R	O-RING	1		
20	R62670	SHAFT	1		
21	A3917R	O-RING	1		
22	AR77260	HOUSING	1		
23	R11212	BUSHING	1		
24	R11120	O-RING	1		
25	AR62964	SEAL	1		
26	R11291	WASHER	2		
27	AR77257	ARMATURE	1		
28	R11096	WASHER	1		
29	T19909	BOLT	4		
30	AR77255	SWITCH	1		
31	AR77256	PLUNGER	1		
32	R11221	WASHER	1		
33	R11127	BOOT	1		
34	R11126	RETAINER	1		
35	R11128	SPRING	1		
36	R11129	CAP	1		
37	R11026	SNAP RING	1		
38	R62671	LOCK NUT	1		
..	AR78538	STARTER	1	(SUB FOR AR55638, AR62267 OR AR77215) (SUB TY6701, TY6713 OR RE41785)	
..	TY6701	STARTER	1	(REMANUFACTURED) (SUB FOR TY6618)	

1F14

ELECTRICAL

STARTER MAIN FRAME, COIL, AND COMMUTATOR END FRAME
(12-VOLT) (DELCO-REMY NO. 1113391)
(AR78538)

RWP6298 -UN-01JAN94



RWP6298

1F15

ELECTRICAL

STARTER MAIN FRAME, COIL, AND COMMUTATOR END FRAME - CONTINUED
 (12-VOLT) (DELCO-REMY NO. 1113391)
 (AR78538)

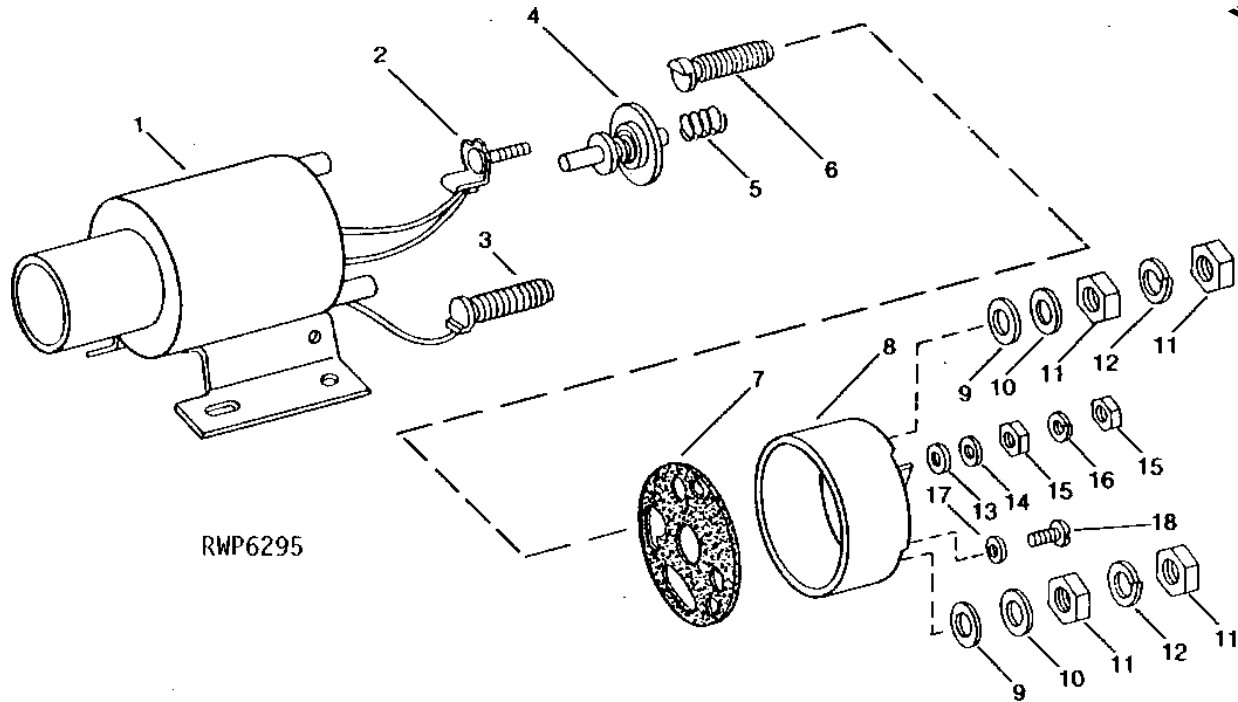
KEY	PART NO.	PART NAME	QTY	ENGINE SERIAL NO.	REMARKS
1	AR77258	FIELD WINDING COIL	1		
2	R11003	SHOE	4		
3	R62672	ISOLATOR	2		
4	R11146	SCREW	1		
5	AR40171	GROMMET	1		
6	FRAME	1	(ORDER TY6701)	
7	21H1280	SCREW	4	3/8" X 3/4"	
8	R11011	WASHER	2		
9	811912	WASHER	2		
10	14H971	NUT	2	1/2"	
11	R62669	CONNECTOR	1		
12	12H301	LOCK WASHER	1	1/2"	
13	T18098	SCREW	2		
	R11250	RIVET	2		
14	AR11001	WIRING LEAD	1		
15	R61933	PIN	2		
16	AR75908	KIT	2		
17	T738T	HOLDER	2		
18	R11209	SPRING	2		
19	R11290	CARBON BRUSH HOLDER	2		
20	R42574	BRUSH	4		
21	37H78	SCREW	4	0.164" X 3/4"	
22	R61932	BUSHING	1		
23	AR75905	FRAME	1		
24	15H566	PIPE PLUG	1	1/8"	
25	R61934	WICK	1		
26	12H302	LOCK WASHER	4	1/4"	
27	19H3005	CAP SCREW	4	1/4" X 1"	
..	AR78538	STARTER	1	(SUB FOR AR55638, AR62267 OR AR77215) (SUB TY6701, TY6713 OR RE41785)	
..	TY6701	STARTER	1	(REMANUFACTURED) (SUB FOR TY6618)	

1F16

ELECTRICAL

SOLENOID SWITCH (12-VOLT) (DELCO-REMY NO. 1113391) (AR78538)

RWP6295 -UN-01JAN94



KEY	PART NO.	PART NAME	QTY	ENGINE SERIAL NO.	REMARKS
1	CASE	1		(ORDER AR77255)
2	R11197	STUD	2		(SUB FOR T18110)
3	R11293	STUD	1		
4	AR11051	CONTACT	1		
5	R11066	SPRING	1		
6	T18105	STUD	1		(SUB FOR R62667)
7	R40548	GASKET	1		
8	R62668	COVER	1		
9	T18107	WASHER	2		
10	24M7096	WASHER	2		10.500 X 18 X 1.600 MM
11	14H732	NUT	4		3/8"
12	12H304	LOCK WASHER	2		3/8"
13	T18106	WASHER	2		
14	24H1283	WASHER	2		7/32" X 1/2" X 0.049"
15	14H631	NUT	4		0.190"
16	12H246	LOCK WASHER	2		0.190"
17	R11039	WASHER	2		
18	21H1298	SCREW	2		0.190" X 3/8"
..	AR77255	SWITCH	1		(A) (DELCO-REMY NO. 1115530)

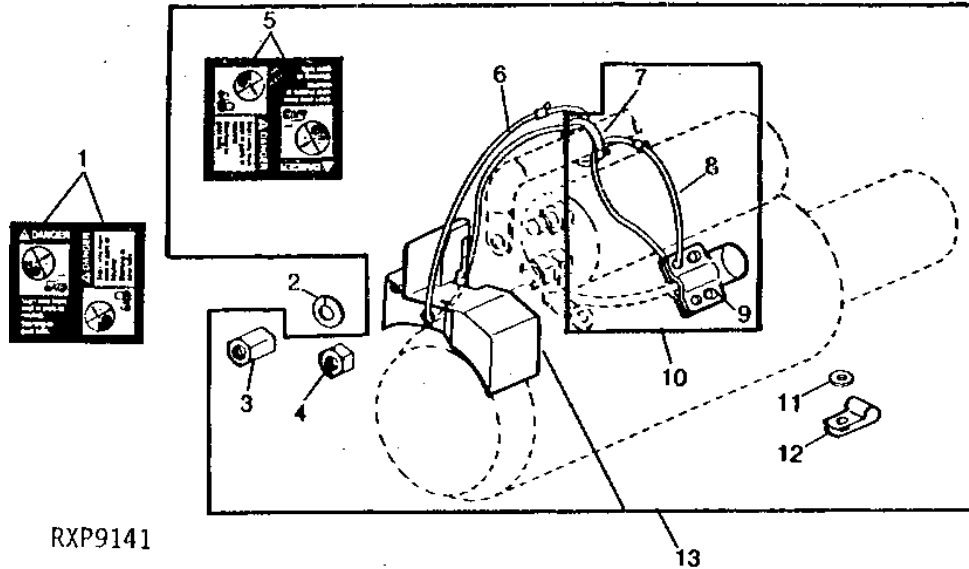
(A) USE WITH AR78538, TY6618 OR TY6701

1F17

ELECTRICAL

RXP9141 -UN-01JAN94

STARTER SOLENOID COVER KIT (JOHN DEERE)



RXP9141

KEY	PART NO.	PART NAME	QTY	TRACTOR SERIAL NO.	REMARKS
1	T146106	WARNING LABEL	1		(SUB FOR T84410 OR T134452) (ESPANOL)
	T146104	WARNING LABEL	1		(SUB FOR T84411 OR T134453) (FRANCAIS)
	T146515	WARNING LABEL	1		(SUB FOR T84412 OR T134454) (DEUTSCH)
	T146516	WARNING LABEL	1		(SUB FOR T84413 OR T134455) (ITALIANO)
	T146517	WARNING LABEL	1		(SUB FOR T84578 OR T134456) (ENGLISH/FRANCAIS)
2	12H246	LOCK WASHER	1		0.190"
3	R100380	NUT	1		
4	14H732	NUT	1		3/8"
5	T146102	WARNING LABEL	1		(SUB FOR T84409 OR T134459) (ENGLISH)
6	R76477	TIE BAND	1		
7	R44302	TIE BAND	1		
8	R76477	TIE BAND	1		
9	R66117	SCREW	2		
10	RE39063	SHIELD	1		(A)
11	24H1289	WASHER	1		
12	R46414	CLAMP	1		
13	RE39064	SHIELD	1		(A)

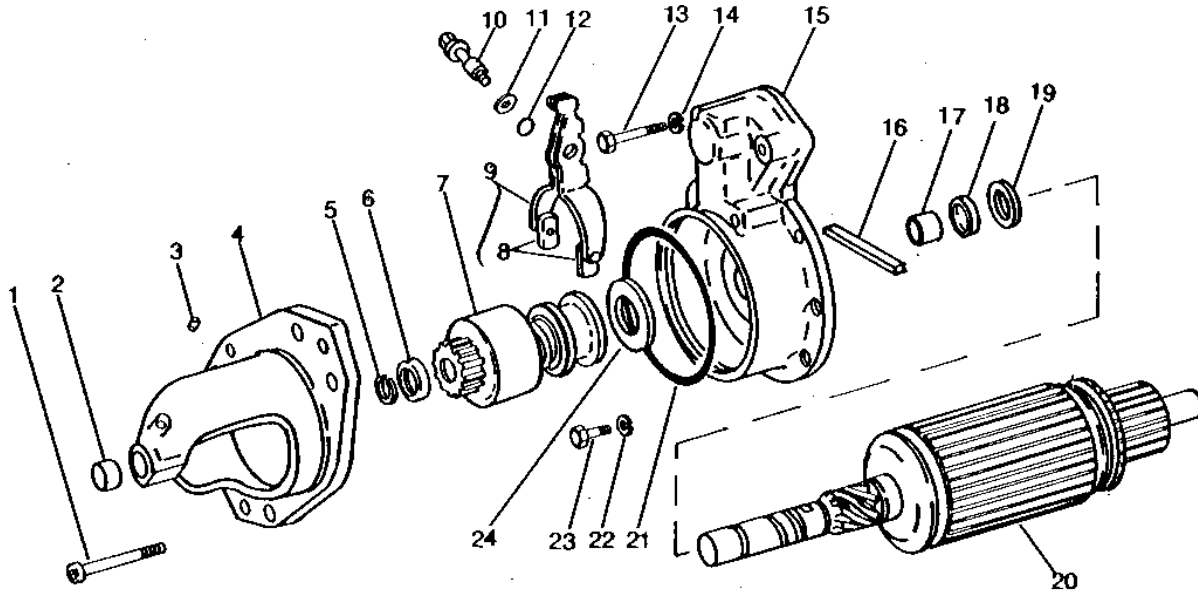
(A) USE WITH AR77254, RE41875, TY6617 OR TY6713

1F18

ELECTRICAL

STARTER DRIVE HOUSING AND ARMATURE
(12-VOLT) (JOHN DEERE) (NIPPONDENSO NO. 028000-3291 OR 028000-3292)
(AR77254 OR RE41875)

RGP1947 -UN-01JAN94



RGP1947

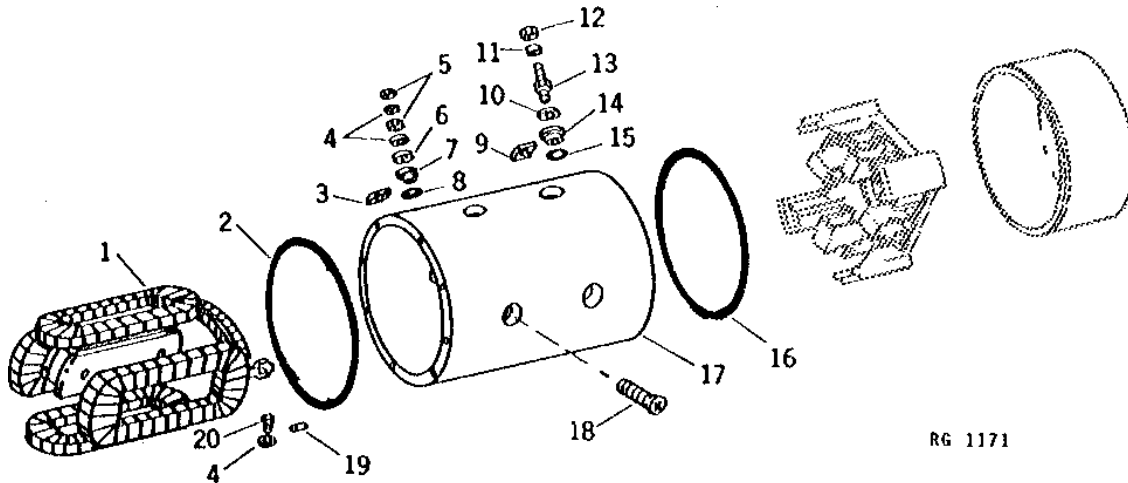
KEY	PART NO.	PART NAME	QTY	STARTER SERIAL NO.	REMARKS
1	R50900	SCREW	6		
2	R50891	BUSHING	1		(INCLUDED W/AR54990)
3	R50892	PLUG	1		
4	AR54990	HOUSING	1		(INCLUDES R50891)
5	R50902	SNAP RING	1		
6	R50903	STOP	1		
7	AR54992	DRIVE	1		
8	R51667	WEAR PLATE	2		
9	R50904	LEVER	1	-11L233	(USE WITH AR54993) (SUB AR67827 AND AR68430)
	AR67827	ARM	1	11L234-	(USE WITH HOUSING MARKED -J-)
10	R50897	SHAFT	1		
11	24H1289	WASHER	1		21/64" X 5/8" X 0.049", (USE WITH RE41875 OR TY6713)
12	R52387	O-RING	1		
13	R50893	SCREW	2		
14	12H302	LOCK WASHER	2		1/4"
15	AR54993	HOUSING	1	-11L233	(SUB AR68430 AND AR67827)
	AR68430	HOUSING	1	11L234-	(MARKED -J-) (INCLUDES AR55947, R51665 AND R51666)
16	R51666	WICK	1		
17	R51665	BUSHING	1		
18	AR55947	SEAL	1		
19	R50906	THRUST WASHER	1		
20	AR66778	ARMATURE	1		(SUB FOR AR54994)
21	R50901	WASHER	1		
22	12H317	LOCK WASHER	2		9/16"
23	R51661	SCREW	2		
24	R50905	WEAR RING	1		
..	AR77254	STARTER	1		(NIPPONDENSO NO. 028000-3291) (SUB RE41875 OR TY6713)
..	RE41875	STARTER	1		(NIPPONDENSO NO. 028000-3292) (MARKED RE13722) (SUB FOR AR77254)
..	TY6713	STARTER	1		(REMANUFACTURED) (SUB FOR AR77254 OR TY6617)

1F19

ELECTRICAL

STARTER MAIN FRAME AND COIL
 (12-VOLT) (JOHN DEERE) (NIPPONDENSO NO. 028000-3291 OR 028000-3292)
 (AR77254 OR RE41875)

RG1171 -UN-01JAN94



RG 1171

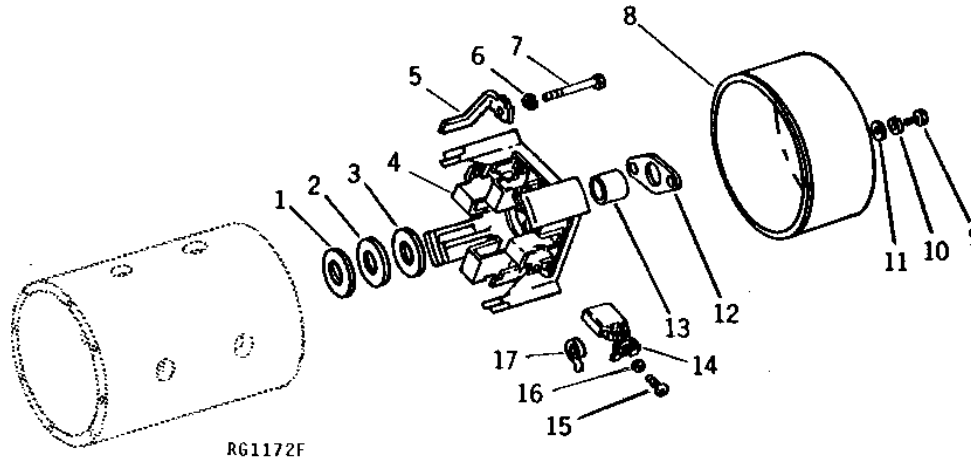
KEY	PART NO.	PART NAME	QTY	STARTER SERIAL NO.	REMARKS
1	AR54996	FIELD WINDING COIL	1	-9U0000	
	RE13731	FIELD WINDING COIL	1	9U0001-	
2	R50913	O-RING	1		
3	R50916	WASHER	1		
4	12H246	LOCK WASHER	3	0.190"	
5	R50907	NUT	2		
6	24H1283	WASHER	1	7/32" X 1/2" X 0.049"	
7	R50914	WASHER	1		
8	R50915	O-RING	1		
9	R50920	BUSHING	1		
10	R50917	WASHER	1		
11	R50899	LOCK WASHER	1		
12	R50909	NUT	1		
13	R56802	STUD	1	(SUB FOR R52386)	
14	R50918	WASHER	1		
15	R50919	O-RING	1		
16	R50922	O-RING	1		
17	FRAME	1	(ORDER RE41875 OR TY6713)	
18	R50921	SCREW	8		
19	R51664	DOWEL PIN	1		
20	R50931	SCREW	1	(SUB FOR R51663)	
..	AR77254	STARTER	1	(NIPPONDENSO NO. 028000-3291) (SUB RE41875 OR TY6713)	
..	RE41875	STARTER	1	(NIPPONDENSO NO. 028000-3292) (MARKED RE13722) (SUB FOR AR77254)	
..	TY6713	STARTER	1	(REMANUFACTURED) (SUB FOR AR77254 OR TY6617)	

1F20

ELECTRICAL

STARTER COMMUTATOR END FRAME
 (12-VOLT) (JOHN DEERE) (NIPPONDENSO NO. 028000-3291 OR 028000-3292)
 (AR77254 OR RE41875)

RG1172 -UN-01JAN94



R61172F

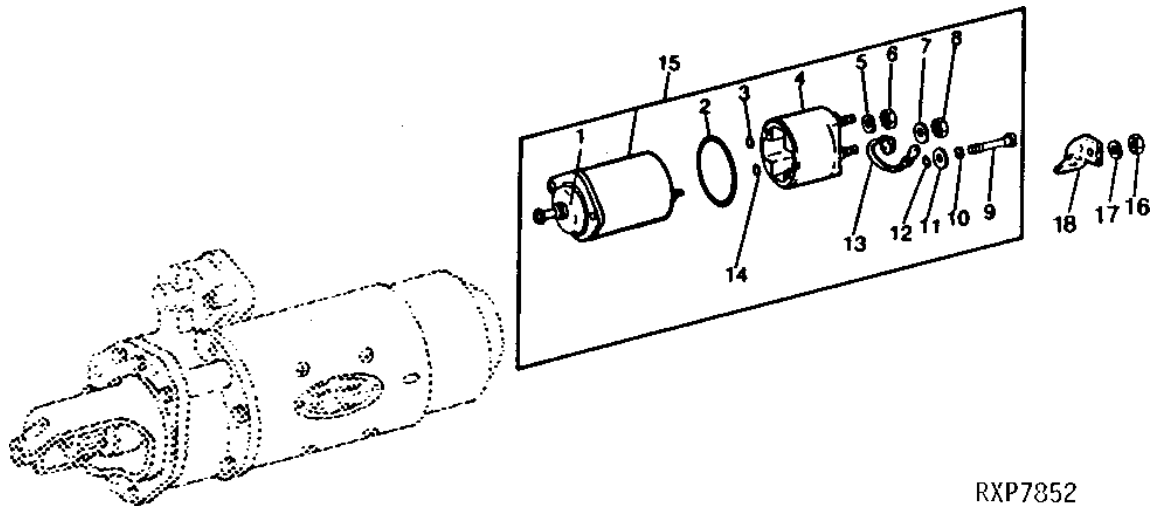
KEY	PART NO.	PART NAME	QTY	ENGINE SERIAL NO.	REMARKS
1	R50923	SHIM	AR		0.18 MM (.007") (USE WITH AR66778) (TYPE 1)
2	R50924	SHIM	AR		0.48 MM (.019") (USE WITH AR66778) (TYPE 1)
3	R50925	THRUST WASHER	1		(USE WITH AR66778) (TYPE 1)
4	AR54997	FRAME	1		
5	R51660	BRACKET	2		
6	12H317	LOCK WASHER	2	9/16"	
7	R51659	SCREW	2		
8	R50912	COVER	1		
9	R50931	SCREW	2		
10	12H246	LOCK WASHER	6	0.190"	
11	24H1283	WASHER	2	7/32" X 1/2" X 0.049"	
12	R50930	GASKET	1		
13	R50891	BUSHING	1		
14	R50927	CARBON BRUSH CONDUCTOR	4		
15	R50929	SCREW	4		
16	12H246	LOCK WASHER	4	0.190"	
17	R50928	SPRING	4		
..	AR77254	STARTER	1		(NIPPONDENSO NO. 028000-3291) (SUB RE41875 OR TY6713)
..	RE41875	STARTER	1		(NIPPONDENSO NO. 028000-3292) (MARKED RE13722) (SUB FOR AR77254)
..	TY6713	STARTER	1		(REMANUFACTURED) (SUB FOR AR77254 OR TY6617)

1F21

ELECTRICAL

STARTER SOLENOID SWITCH
(12-VOLT) (JOHN DEERE)
(STARTING MOTOR DATE CODE -8S2760)

RXP7852 -UN-18OCT94



RXP7852

KEY	PART NO.	PART NAME	QTY	ENGINE SERIAL NO.	REMARKS
1	R52385	BOOT	1		
2	R51668	WASHER	1		
3	R56793	SHIM	1		(SUB FOR R51672)
4	RE13733	SWITCH	1		(SUB FOR AR55948, AR71256 OR AR90071)
5	12H303	LOCK WASHER	1		5/16"
6	R51671	NUT	1		
7	12H246	LOCK WASHER	2		0.190"
8	14H631	NUT	2		0.190"
9	R51669	SCREW	2		
10	12H302	LOCK WASHER	2		1/4"
11	24H1305	WASHER	2		13/32" X 13/16" X 0.065"
12	R50894	O-RING	1		
13	AR55949	WIRING LEAD	1		(SUB RE15058)
14	R56792	WASHER	1		(SUB FOR R51670)
15	RE13732	SOLENOID	1		(A) (SUB FOR AR54991 OR AR90070) (ALSO ORDER RE39064)
16	14H732	NUT	3		3/8"
17	R50899	LOCK WASHER	3		
18	R50910	CONNECTOR	1		

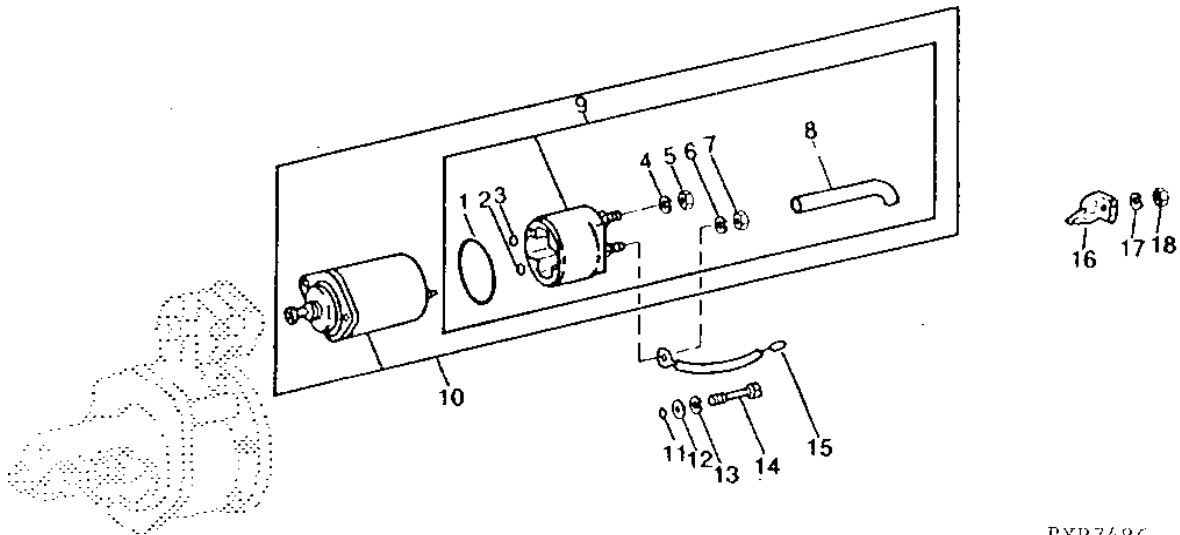
(A) USE WITH AR77254, RE41875, TY6617 OR TY6713

1F22

ELECTRICAL

**STARTER SOLENOID SWITCH
(12-VOLT) (JOHN DEERE)
(STARTING MOTOR DATE CODE 8S2761-)**

RXP7486 -UN-01JAN94



RXP7486

KEY	PART NO.	PART NAME	QTY	ENGINE SERIAL NO.	REMARKS
1	R68224	GASKET	1		
2	R56792	WASHER	1		
3	R56793	SHIM	1		
4	12H303	LOCK WASHER	1	5/16"	
5	R51671	NUT	1		
6	12H246	LOCK WASHER	1	0.190"	
7	14H631	NUT	2	0.190"	
8	R68222	HOSE	1		
9	RE13733	SWITCH	1		(NIPPONDENSO NO. 028099-3600) (SUB FOR AR90071)
10	RE13732	SOLENOID	1		(A) (SUB FOR AR90070) (ALSO ORDER RE39064) (NIPPONDENSO NO.028099-3610)
11	R50894	O-RING	2		
12	24H1305	WASHER	2	13/32" X 13/16" X 0.065"	
13	12H302	LOCK WASHER	2	1/4"	
14	R51669	SCREW	2		
15	RE15058	WIRE	1		(SUB FOR AR55949)
16	R50910	CONNECTOR	1		
17	R50899	LOCK WASHER	2		
18	14H732	NUT	2	3/8"	

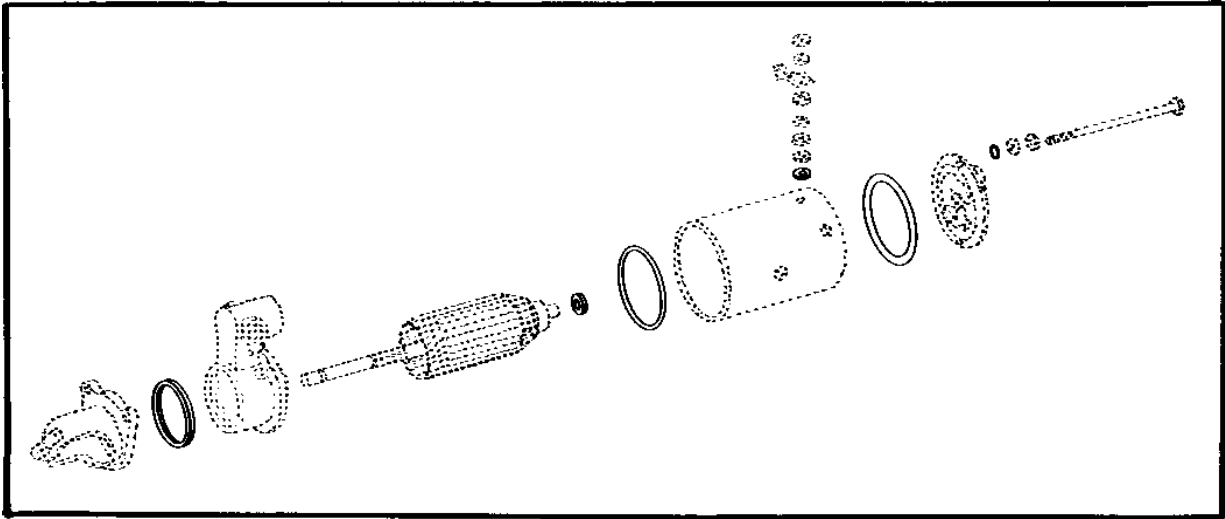
(A) USE WITH AR77254,RE41875,TY6617 OR TY6713

1F23

ELECTRICAL

**STARTING MOTOR SEALING KIT
(12- AND 24-VOLT)**

RP1234 -UN-20NOV95



RP1234

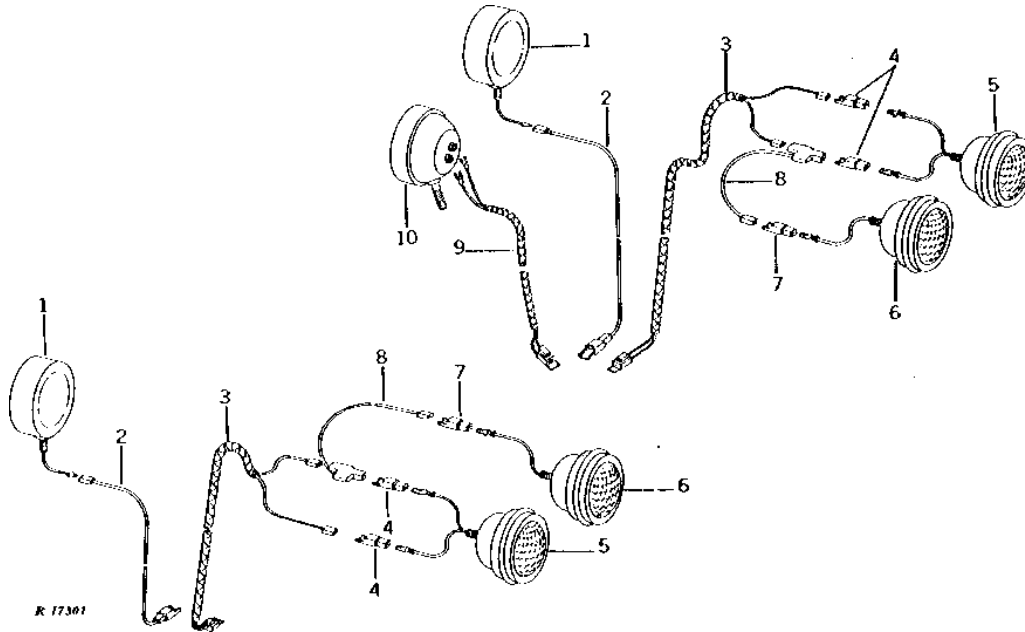
KEY	PART NO.	PART NAME	QTY	ENGINE SERIAL NO.	REMARKS
1	AR100161	SEAL KIT	1		(SUB FOR AR40174 OR AR85407)

1F24

ELECTRICAL

R17301 -UN-01JAN94

LAMP WIRING (ROW-CROP)



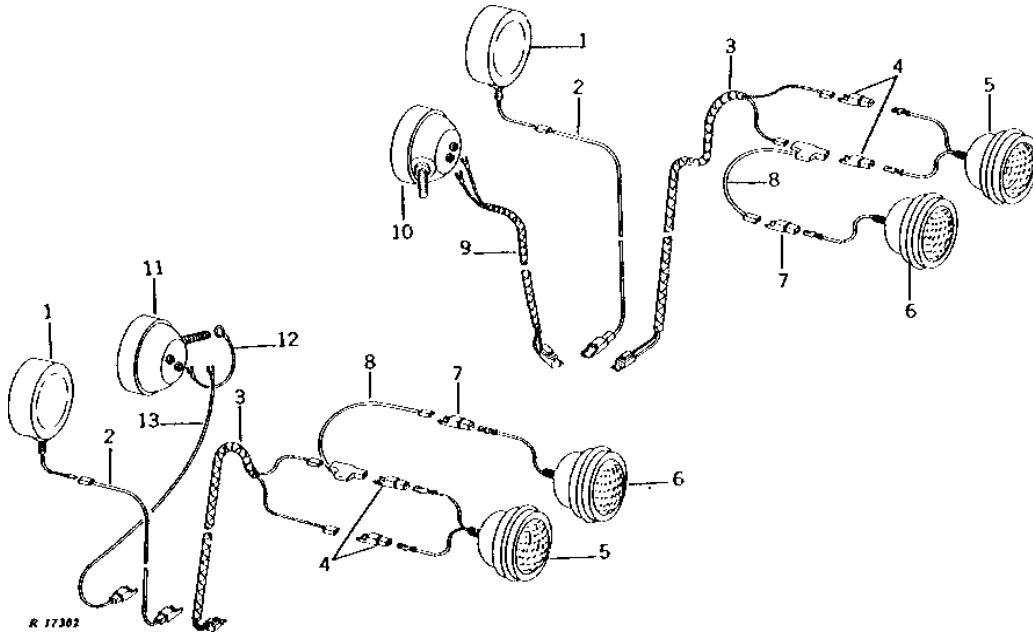
KEY	PART NO.	PART NAME	QTY	TRACTOR SERIAL NO.	REMARKS
1	AR50580	LAMP	2		
	R47831	WASHER	2	RUBBER	
	14H856	NUT	2	1/2"	
	12H292	LOCK WASHER	2	1/2"	
2	WIRING LEAD	2	686MM (27") (MAKE FROM (2) R32027, R32007, R32024 AND R32025)	
	WIRING LEAD	2	1.04M (41") (18.4-38, 20.8-34 OR 23.1-30 TIRES) (MAKE FROM (2) R32027, R32007, R32024 AND R32025)	
3	AR48938	WIRING HARNESS	2		
	AR48939	WIRING HARNESS	2	(18.4-38, 20.8-34 OR 23.1-30 TIRES)	
	R40445	GROMMET	2		
	R21551	CLIP	3		
4	T28585	TERMINAL	4	(DUAL BEAM)	
5	AR48721	LAMP	2	(12-VOLT DUAL BEAM) (SUB RE25126 R.H. AND RE25127 L.H. THIS APPLICATION)	
	R48663	WASHER	2	RUBBER	
	F2935R	WASHER	2		
	12H301	LOCK WASHER	2	1/2"	
	14H1040	NUT	2	1/2"	
6	RE19080	LAMP	2	(12-VOLT FLOOD) (HALOGEN) (SUB FOR AR48722)	
	R20758	WASHER	2	SPHERICAL	
	F2935R	WASHER	2		
	12H301	LOCK WASHER	2	1/2"	
	14H1040	NUT	2	1/2"	
7	T28585	TERMINAL	2	FLOOD LAMP	
8	AR50834	WIRING LEAD	2		
9	AR41699	WIRING HARNESS	1	L.H.	
	AR41702	WIRING HARNESS	1	L.H. (ROLL-GARD)	
	R40445	GROMMET	1		
	R26409	GROMMET	1		
10	AR77326	FLOODLAMP	1	(12-VOLT) L.H. (SUB FOR AR34990 OR AT16288)	
	12H301	LOCK WASHER	1	1/2"	
	14H1040	NUT	1	1/2"	
..	AR49615	LAMP	1	FLOOD LAMP AND FASTENINGS KIT, (SUB (2) AR50834, (2) F2935R, (2) RE19080, (2) R20758, (2) T28585, (2) 12H301 AND 14H1040)	

1F25

ELECTRICAL

R17302 -UN-01JAN94

LAMP WIRING (STANDARD)



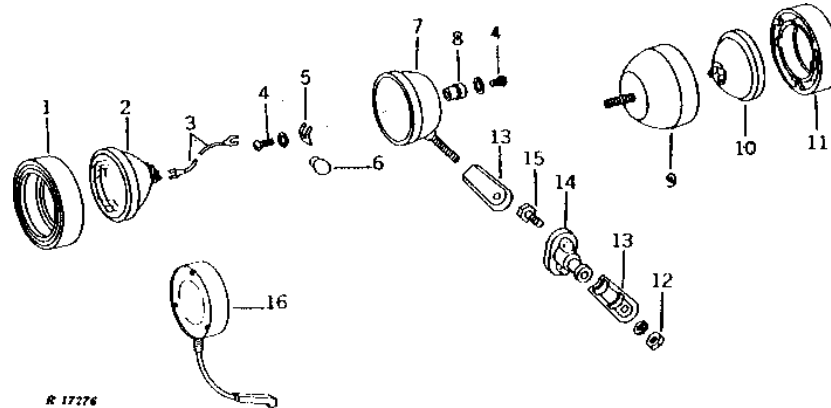
KEY	PART NO.	PART NAME	QTY	TRACTOR SERIAL NO.	REMARKS
1	AR50580	LAMP	2		
	R47831	WASHER	2	RUBBER	
	14H856	NUT	2	1/2"	
	12H292	LOCK WASHER	2	1/2"	
2	WIRING LEAD	2	356MM (14") (MAKE FROM (2) R32027, R32007, R32024 AND R32025)	
3	AR48939	WIRING HARNESS	2		
	R27180	GROMMET	4		
4	T28585	TERMINAL	4	(DUAL BEAM)	
5	AR48721	LAMP	2	(12-VOLT DUAL BEAM) (SUB RE25126 R.H. AND RE25127 L.H. THIS APPLICATION)	
	R48663	WASHER	2	RUBBER	
	F2935R	WASHER	2		
	12H301	LOCK WASHER	2	1/2"	
	14H1040	NUT	2	1/2"	
6	RE19080	LAMP	2	(12-VOLT FLOOD) (HALOGEN) (SUB FOR AR48722)	
	R20758	WASHER	2	SPHERICAL	
	F2935R	WASHER	2		
	12H301	LOCK WASHER	2	1/2"	
	14H1040	NUT	2	1/2"	
7	T28585	TERMINAL	2	FLOOD LAMP	
8	AR50834	WIRING LEAD	2		
9	AR41702	WIRING HARNESS	1	L.H.	
	R26936	GROMMET	2	L.H.	
10	AR77326	FLOODLAMP	1	(SUB FOR AT16288 OR AR28227)	
	12H301	LOCK WASHER	1	1/2"	
	14H1040	NUT	1	1/2"	
11	RE27099	LAMP	1	(12-VOLT) R.H. (SUB FOR AR35782)	
	12H301	LOCK WASHER	1	1/2"	
	14H1040	NUT	1	1/2"	
12	WIRING LEAD	1	152MM (6") R.H. (MAKE FROM R32016, R32023 AND R32007)	
13	WIRING LEAD	1	1.18M (46-1/2") R.H. (MAKE FROM R32016, R32027, R32007 AND R32024)	
..	AR49615	LAMP	1	FLOOD LAMP AND FASTENINGS KIT, (SUB (2) AR50834, (2) F2935R, (2) RE19080, (2) R20758, (2) T28585, (2) 12H301 AND 14H1040)	

1G1

ELECTRICAL

FRONT AND REAR LAMP AND REAR LAMP BRACKET (ROW-CROP)

R17276 -UN-01JAN94



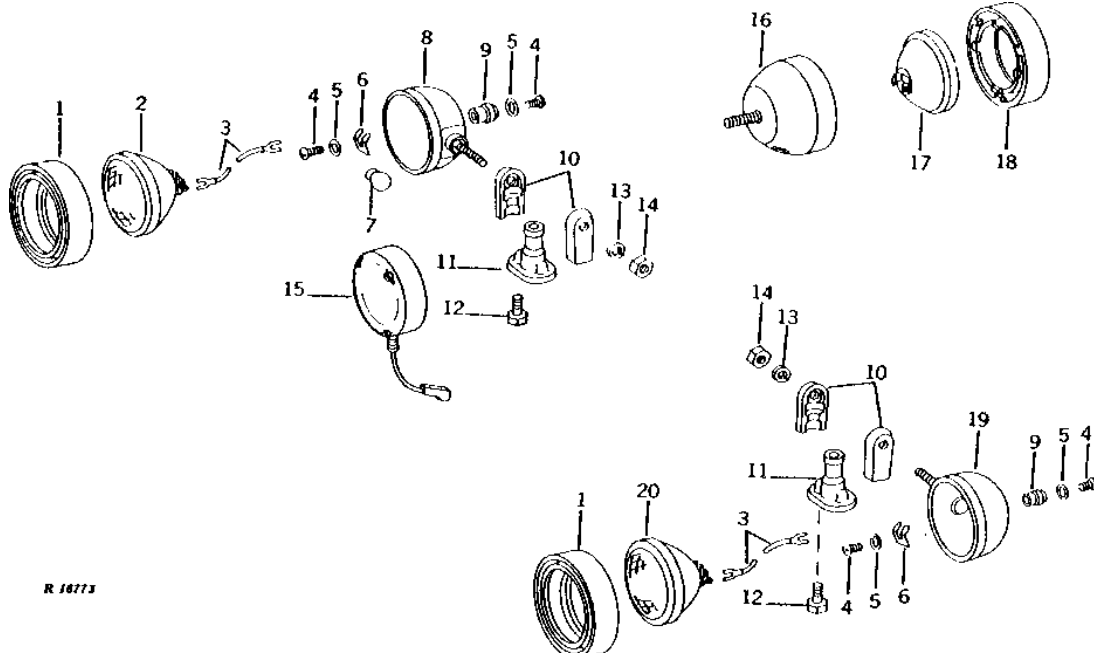
KEY	PART NO.	PART NAME	QTY	TRACTOR SERIAL NO.	REMARKS
1	R30182	BEZEL	1	(REAR LAMP) (HOBBS)	
	R31250	BEZEL	1	(REAR LAMP) (GUIDE)	
2	AR21737	LAMP	1	(12-VOLT) (REAR, L.H.) (SUB AR77324, AD2062R AND AR77325)	
3	WIRING LEAD	2	165MM (6-1/2") (MAKE FROM (2) R32016 AND R32007)	
4	21H1293	SCREW	2	0.164" X 5/16"	
	12M7084	LOCK WASHER	2	0.169"	
5	A2899R	ASSEMBLY LINE PARTS	2	L.H. (GUIDE)	
6	AR86969	BULB	1	15 C.P. (12-VOLT) L.H. (SUB FOR AR21739)	
7	AR77326	FLOODLAMP	1	(12-VOLT) (SUB FOR AR34990, AT16288 OR AR28277)	
	AR55888	SOCKET	1		
8	R30181	PLATE	2	L.H. (HOBBS)	
	AA3495R	SUPPORT	2	L.H. (GUIDE)	
9	AR48721	LAMP	2	(12-VOLT DUAL BEAM)	
	RE25126	DUAL BEAM LAMP	1	R.H. (SUB FOR AR48721, THIS APPLICATION)	
	RE25127	DUAL BEAM LAMP	1	L.H. (SUB FOR AR48721, THIS APPLICATION)	
	RE19080	LAMP	2	(12-VOLT FLOOD) (SUB FOR AR48722)	
10	RE25125	DUAL BEAM LAMP	2	(12-VOLT) (OUTER) (HALOGEN) (SUB FOR AR48723)	
	AR21059	HEADLIGHT	2	(12-VOLT FLOOD) (INNER)	
11	R30182	BEZEL	4	FRONT (HOBBS)	
	R31250	BEZEL	4	FRONT (GUIDE)	
12	14H1040	NUT	1	1/2"	
	12H301	LOCK WASHER	1	1/2"	
13	R27460	CLAMP	2		
14	R43662	BRACKET	1		
15	37H106	SCREW	2	3/8" X 5/8"	
16	AR50580	LAMP	2	WARNING	
	AD2062R	BULB	1	(12-16 VOLT)	
	R48664	LENS	1	AMBER WITH RED REFLECTOR	
	R48665	LENS	1	AMBER	
	R49296	SCREW	6		

1G2

ELECTRICAL

FRONT AND REAR LAMP AND REAR LAMP BRACKETS (STANDARD)

R16773 -UN-01JAN94



R 16773

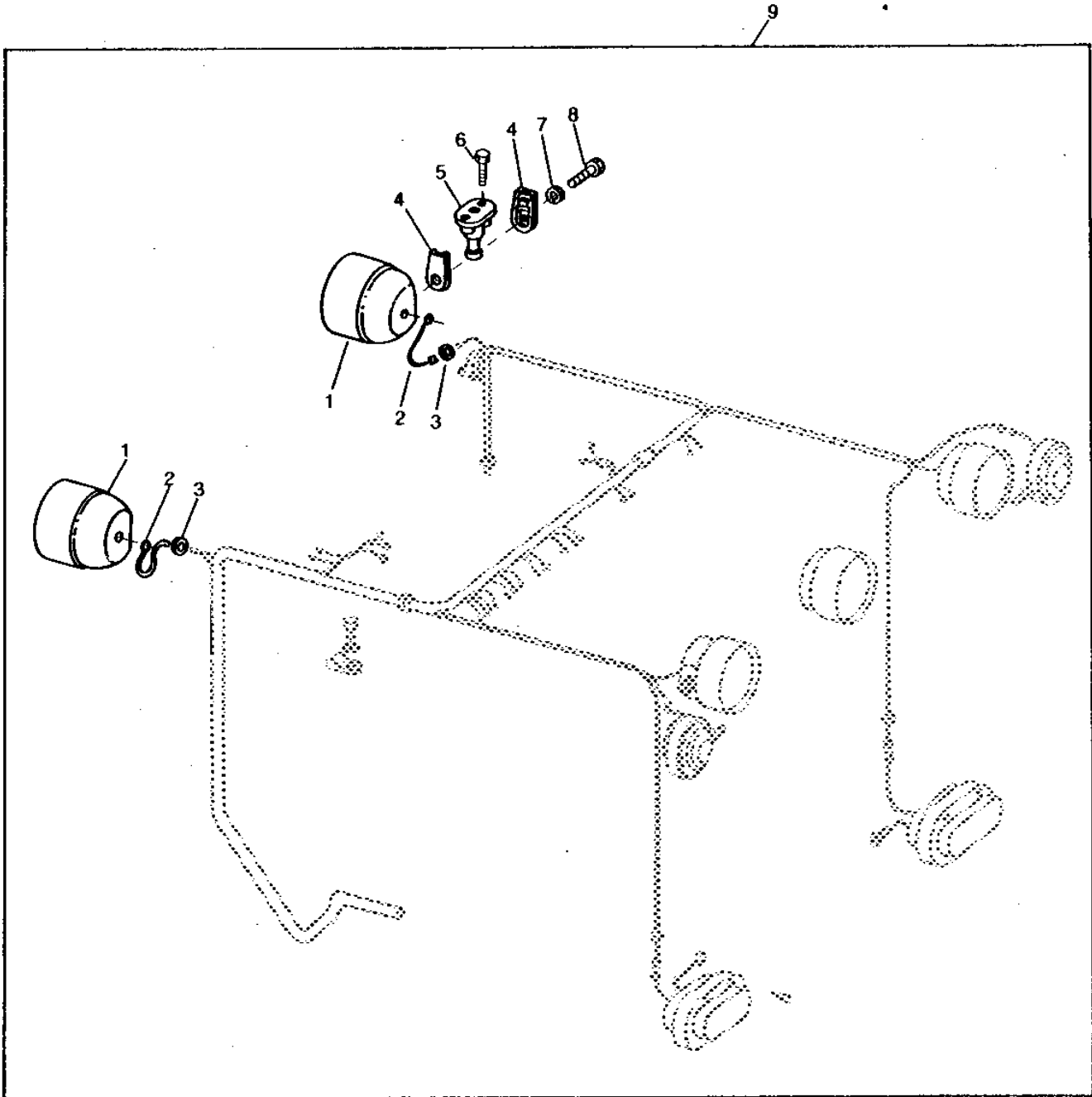
KEY	PART NO.	PART NAME	QTY	TRACTOR SERIAL NO.	REMARKS
1	R30182	BEZEL	2		REAR (HOBBS)
	R31250	BEZEL	2		REAR (GUIDE)
2	AR21737	LAMP	1		(12-VOLT) REAR L.H. (SUB AR77324, AD2062R AND AR77325) (WHEN ORDERED FOR AT16288)
	AR77324	LAMP	1		(USE WITH AR77326)
3	WIRING LEAD	2		165MM (6-1/2") (MAKE FROM (2) R32016 AND R32007)
4	21H1293	SCREW	2		0.164" X 5/16"
5	12M7084	LOCK WASHER	2		0.169"
6	A2899R	ASSEMBLY LINE PARTS	4		REAR (GUIDE)
7	AR86969	BULB	1		15 C.P. (12-VOLT) REAR L.H. (USE WITH AT16288) (SUB FOR AR21739)
	AD2062R	BULB	1		32 C.P. (12-VOLT) (USE WITH AR77326)
8	AR77326	FLOODLAMP	1		(SUB FOR AT16288 OR AR28277)
	AR55888	SOCKET	1		(USE WITH AT16288)
	AR77325	SOCKET	1		(USE WITH AR77326)
9	R30181	PLATE	4		REAR (HOBBS)
	AA3495R	SUPPORT	4		REAR (GUIDE)
10	R27460	CLAMP	4		
11	T19178	BRACKET	2		
12	37H106	SCREW	4		3/8" X 5/8"
	24H1309	WASHER	4		13/32" X 1-1/16" X 0.120"
13	12H301	LOCK WASHER	2		1/2"
14	14H1040	NUT	2		1/2"
15	AR50580	LAMP	2		WARNING
	AD2062R	BULB	1		32 C.P. (12-16 VOLT)
	R48664	LENS	1		AMBER WITH RED REFLECTOR
	R48665	LENS	1		AMBER
	R49296	SCREW	6		
16	AR48721	LAMP	2		(12-VOLT DUAL BEAM)
	RE25126	DUAL BEAM LAMP	1		R.H. (SUB FOR AR48721, THIS APPLICATION)
	RE25127	DUAL BEAM LAMP	1		L.H. (SUB FOR AR48721, THIS APPLICATION)
	RE19080	LAMP	2		(12-VOLT FLOOD) (HALOGEN) (SUB FOR AR48722)
17	RE25125	DUAL BEAM LAMP	2		(12-VOLT) (FRONT) (SUB FOR AR48723)
	AR21059	HEADLIGHT	2		(12-VOLT FLOOD) (FRONT)
18	R30182	BEZEL	4		FRONT (HOBBS)
	R31250	BEZEL	4		FRONT (GUIDE)
19	AR35782	LAMP	1		(12-VOLT)
20	AR21059	HEADLIGHT	1		(12-VOLT) (REAR R.H.)

1G3

ELECTRICAL

RWP4369 -UN-01JAN94

FLOOD LAMP KIT
(UPPER FRONT)



RWP4369

1G4

ELECTRICAL

FLOOD LAMP KIT - CONTINUED
(UPPER FRONT)

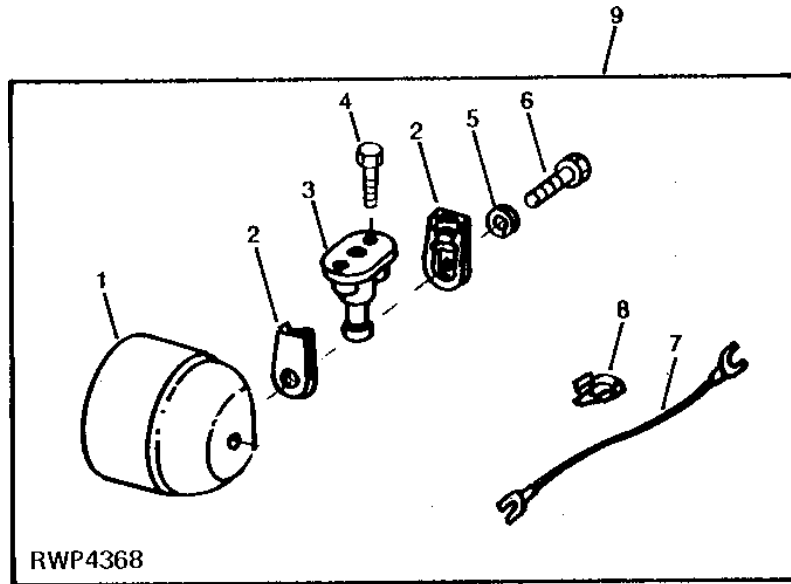
KEY	PART NO.	PART NAME	QTY	TRACTOR SERIAL NO.	REMARKS
1	RE19075	LAMP	2		(SUB FOR AR42119)
2	WIRING LEAD	2		191MM (7-1/2") (MAKE FROM R32018, R66319, R32027 AND R32025)
3	R2579R	GROMMET	2		
4	R27460	CLAMP	4		
5	R43662	BRACKET	2		
6	37H106	SCREW	4		
7	12H301	LOCK WASHER	2	1/2"	
8	19H2644	CAP SCREW	4	1/2" X 2-1/2"	
9	AR51968	KIT	1		

1G5

ELECTRICAL

RWP4368 -UN-01JAN94

FLOOD LAMP KIT (REAR CENTER)



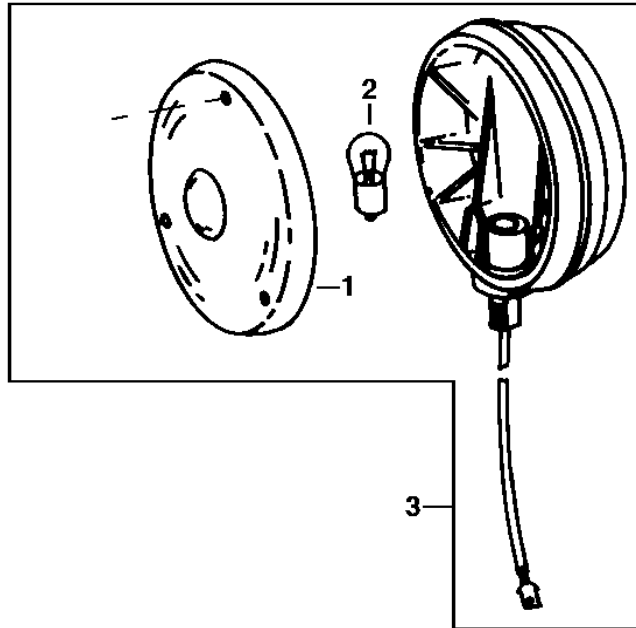
KEY	PART NO.	PART NAME	QTY	TRACTOR SERIAL NO.	REMARKS
1	RE19075	LAMP	1		(12-VOLT) (SUB FOR AR42119)
2	R27460	CLAMP	2		
3	R43662	BRACKET	1		
4	37H106	SCREW	2		
5	12H301	LOCK WASHER	1	1/2"	
6	19H2644	CAP SCREW	2	1/2" X 2-1/2"	
7	WIRING LEAD	1	689MM (27")	(MAKE FROM (2) AR32016 AND R66319)
8	R21551	CLIP	2		
9	AR52604	KIT	1		

1G6

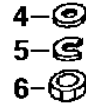
ELECTRICAL

RXP021418 -UN-24JAN96

WARNING LAMP



RXP021418



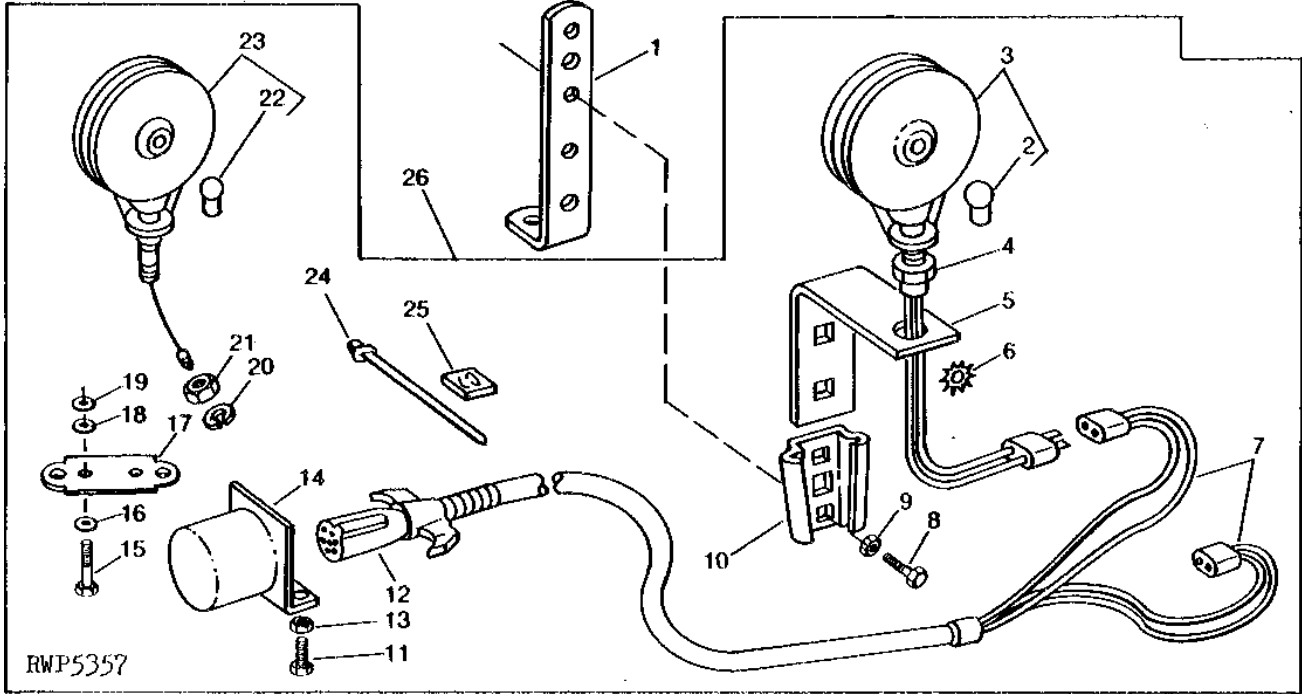
KEY	PART NO.	PART NAME	QTY	TRACTOR SERIAL NO.	REMARKS
1	R42666	LENS	2		(GUIDE) AMBER
	R42667	LENS	1		(GUIDE) RED (OPTION)
2	AD2062R	BULB	1		32 C.P. (12-16 VOLT)
3	AR38456	LAMP	1		(SUB FOR AR72257)
4	R47831	WASHER	1		
5	12H292	LOCK WASHER	1		1/2"
6	14H856	NUT	1		1/2"

1G7

ELECTRICAL

RWP5357 -UN-01JAN94

FLASHING WARNING LAMP KIT



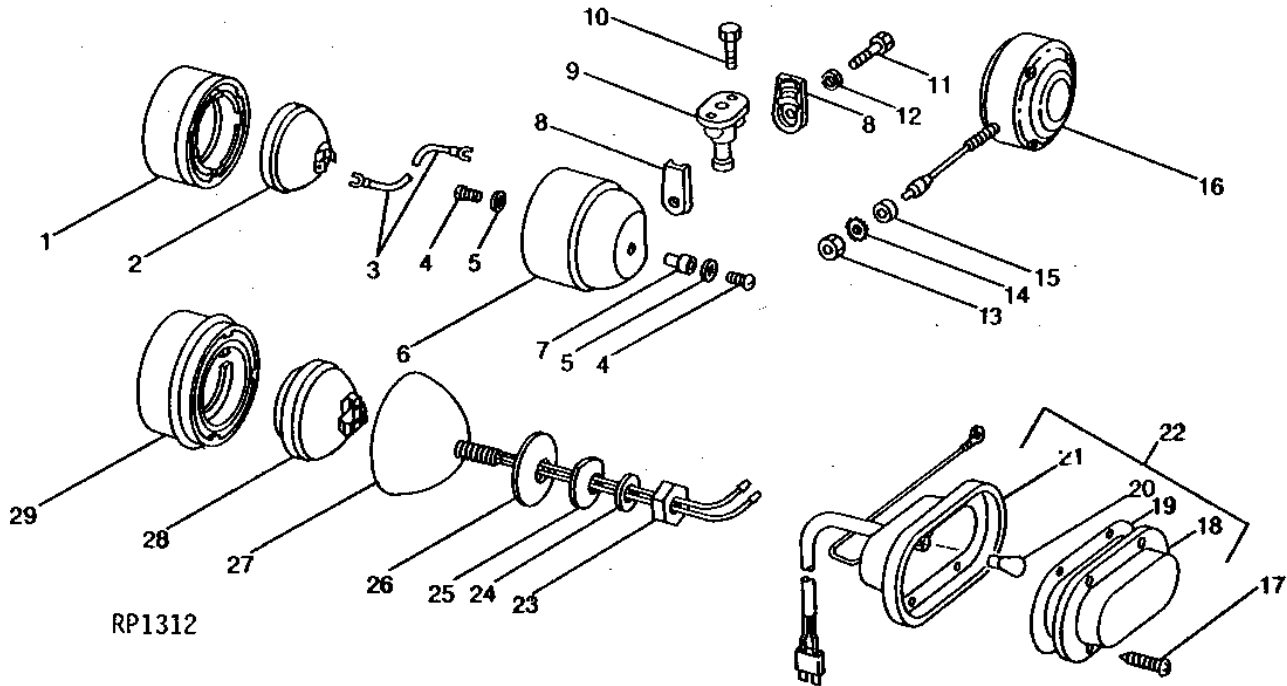
KEY	PART NO.	PART NAME	QTY	TRACTOR SERIAL NO.	REMARKS
1	A39716	BRACKET	2		
2	AD2062R	BULB	2		
3	AA34967	LAMP	2		(SUB FOR PT1293)
	A48331	LENS	2		
4	12H301	LOCK WASHER	2	1/2"	
	14H856	NUT	2	1/2"	
5	PT18180	BRACKET	2		(SUB FOR PT1624 OR PT9319)
6	PT9390	WASHER	1		
7	PT9318	WIRING HARNESS	1		(SUB FOR PT1294)
8	37H57	SCREW	5	5/16" X 3/4"	
9	14H785	NUT	5	5/16"	
10	JD126	SOCKET	2		
11	37H3	SCREW	2	1/4" X 5/8"	
12	AH93625	PLUG	1	(7-PIN)	
13	14H786	NUT	2	1/4"	
14	PT1296	BRACKET	1		
15	37H57	SCREW	5	5/16" X 3/4"	
16	24H1822	WASHER	1	11/32" X 7/8" X 1/16"	
17	PT18181	BRACKET	1		(SUB FOR PT9320)
18	24H1822	WASHER	1	11/32" X 7/8" X 1/16"	
19	14H788	NUT	5	3/8"	
20	12H301	LOCK WASHER	1	1/2"	
21	14H856	NUT	1	1/2"	
22	AR48041	BULB	1		
23	AA34968	TAIL LAMP	1		
	A48332	LENS	1		
24	R44302	TIE BAND	AR		
25	AT55441	BASE	AR		(SUB FOR PT9321)
26	TY16055	KIT	1		(SUB FOR TY9305 OR TY15263) (FI)
..	AA32178	WIRING LEAD	1		ACCESSORY

1G8

ELECTRICAL

CAB FRONT AND REAR LAMPS, TAIL LAMP, AND WARNING LAMPS (HINSON)

RP1312 -UN-01JAN94



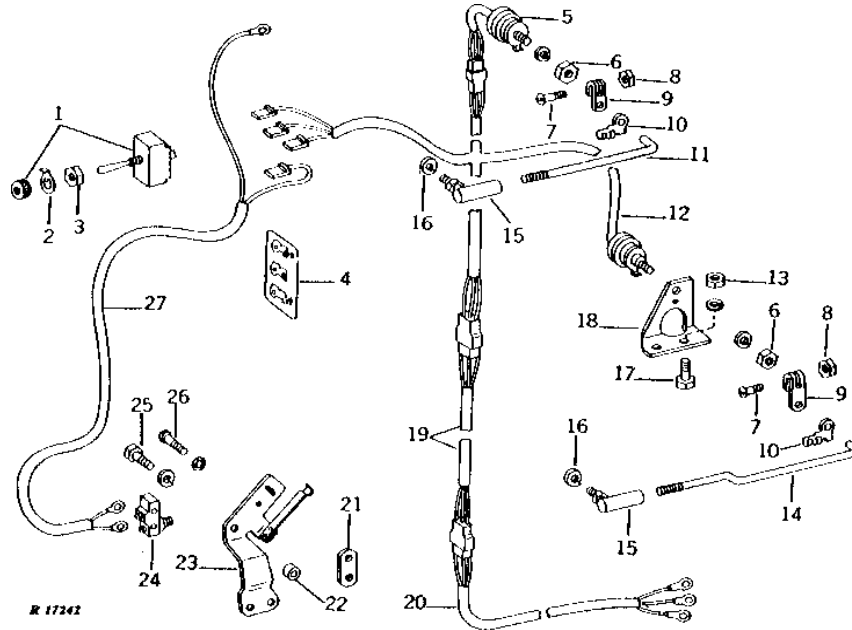
KEY	PART NO.	PART NAME	QTY	TRACTOR SERIAL NO.	REMARKS
1	R42689	BEZEL	1	(HOBBS)	
2	AR42591	HEADLIGHT	1	(12-VOLT) (USE WITH AR42119)	
	AR104119	HEADLIGHT	1	(12-VOLT) (USE WITH RE19075)	
3	WIRING LEAD	1	165MM (6-1/2") (MAKE FROM (2) R32016 AND R32007)	
4	21H1293	SCREW	2	0.164" X 5/16"	
5	12M7084	LOCK WASHER	2	0.169"	
6	AR42119	LAMP	1	(12-VOLT) UPPER, (SUB RE19075, THIS APPLICATION)	
7	R30181	PLATE	1	(HOBBS)	
8	R27460	CLAMP	2		
9	R43662	BRACKET	1		
10	37H106	SCREW	2	3/8" X 5/8"	
11	19H2644	CAP SCREW	1	1/2" X 2-1/2"	
12	12H301	LOCK WASHER	1	1/2"	
13	14H856	NUT	1	1/2"	
14	12H292	LOCK WASHER	1	1/2"	
15	R38371	WASHER	1	RUBBER	
	AD2062R	BULB	1	32 C.P. (12-VOLT)	
	R42666	LENS	1	AMBER	
	R42667	LENS	1	RED	
16	AR38456	LAMP	1	-016037	WARNING
	AR54975	LAMP	1	016038-	WARNING
17	37H2	SCREW	4	0.164" X 5/8"	
18	R45936	LENS	1		
19	R45937	GASKET	1		
20	AR48041	BULB	1		
21	AR48040	HOUSING	1	(SUB AR78825)	
22	AR78825	TAIL LAMP	1	(SUB FOR AR45099)	
23	14H809	NUT	1	1/2"	
24	12H301	LOCK WASHER	1	1/2"	
25	F2935R	WASHER	1		
26	R48663	WASHER	1	RUBBER	
27	AR51335	LAMP	1	LOWER (SUB RE25126 R.H. AND RE25127 L.H.)	
28	RE25125	DUAL BEAM LAMP	1	(12-VOLT) LOWER (GUIDE) (SUB FOR AR48723)	
29	R48293	BEZEL	1	(GUIDE)	

1G9

ELECTRICAL

ELECTRICAL SWITCHES AND WIRING (POWER FRONT WHEEL DRIVE) (SYNCRO-RANGE)

R17242 -UN-01JAN94



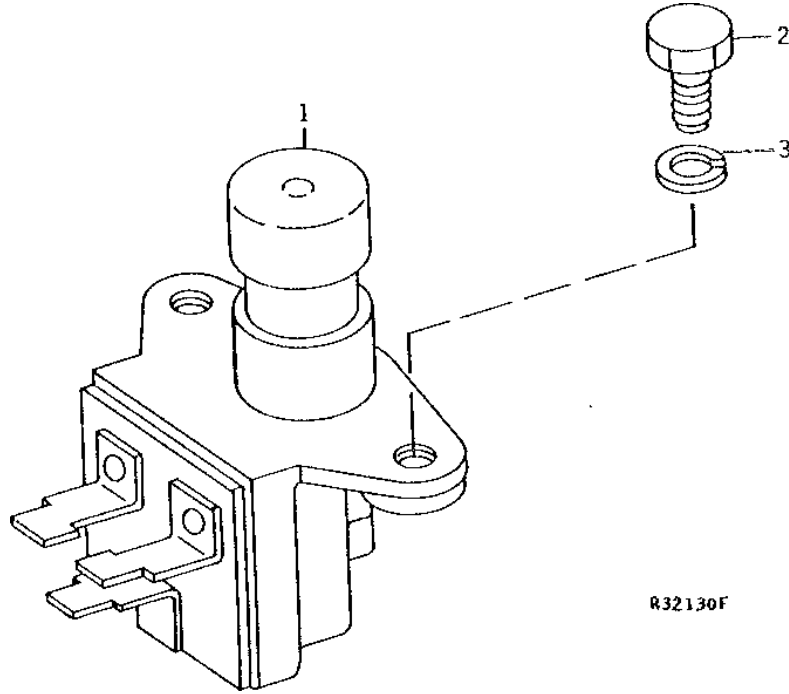
KEY	PART NO.	PART NAME	QTY	TRACTOR SERIAL NO.	REMARKS
1	AR53938	TOGGLE SWITCH	1		(SUB FOR AR45312)
2	R44096	LOCK PLATE	1		
3	R44097	NUT	1		
4	R44094	LABEL	1		(NLA)
5	AR46062	SWITCH	1	-014560	(NLA)
	AR49433	SWITCH	1	014561-	(NLA)
6	R44025	NUT	2		
	12H292	LOCK WASHER	2		1/2"
7	21H1315	SCREW	2		0.164" X 3/4"
8	T19977	LOCK NUT	2		
9	R42985	ARM	2		ROTARY
10	R42984	CLIP	2		
11	R42986	ROD	1		SPEED RANGE, (NLA)
12	AR46063	SWITCH	1	-014560	(NLA)
	AR49432	SWITCH	1	014561-	(NLA)
	R28193	GROMMET	1		
	R41439	GROMMET	3		
13	14H1076	NUT	2		3/8"
	12H304	LOCK WASHER	2		3/8"
14	R49785	ROD	1		SPEED RANGE, (SUB FOR R42987) (NLA)
15	AR45316	BALL JOINT	2		
16	12H246	LOCK WASHER	2		0.190"
17	19H2284	CAP SCREW	2		3/8" X 7/8"
18	R42988	BRACKET	1		(NLA)
19	AR49298	WIRING HARNESS	1		CONTROL SWITCH TO CONTROL VALVE
20	AR45734	WIRING HARNESS	1		CONTROL VALVE
	A5172R	CLIP	1		
	R41439	GROMMET	1		
21	R44016	STRAP	1		
22	28H1519	WASHER	1		0.493" X 0.675" X 3/8"
23	AR49303	BRACKET	1		(NLA)
24	R44017	SWITCH	1		
25	19H1732	CAP SCREW	1		3/8" X 1-1/4"
	12H304	LOCK WASHER	1		3/8"
26	21H1348	SCREW	2		0.138" X 1-1/8"
	12H321	WASHER	2		0.138"
27	AR49342	WIRING HARNESS	1		CIRCUIT BREAKER TO CLUTCH PEDAL SWITCH, (SUB FOR AR45389) (NLA)
	R41439	GROMMET	1		
..	R44302	TIE BAND	AR		

1G10

ELECTRICAL

R32130 -UN-01JAN94

DIMMER SWITCH



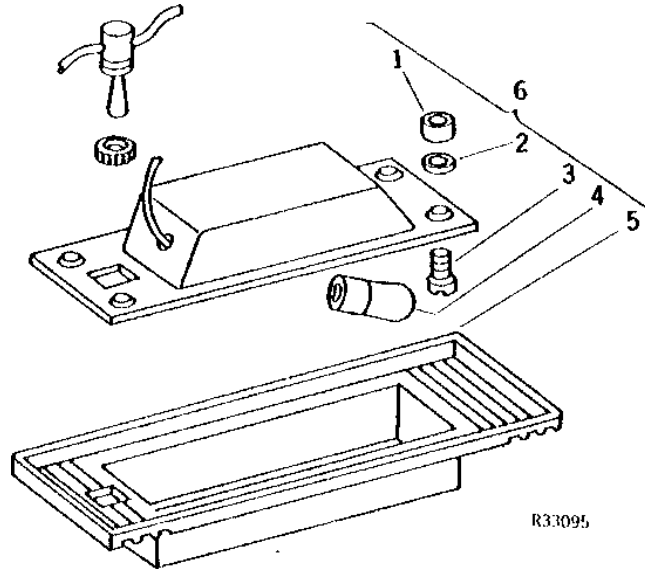
KEY	PART NO.	PART NAME	QTY	TRACTOR SERIAL NO.	REMARKS
1	AR48725	DIMMER SWITCH	1		
2	19H1919	CAP SCREW	2	1/4" X 5/8"	
3	12H302	LOCK WASHER	2	1/4"	

1G11

ELECTRICAL

R33095 -UN-01JAN94

DOME LIGHT (HINSON)



R33095

KEY	PART NO.	PART NAME	QTY	TRACTOR SERIAL NO.	REMARKS
1	14H1026	NUT	4	0.138"	
2	12H314	LOCK WASHER	4	0.138"	
3	21H1157	SCREW	4	0.138" X 3/4"	
4	AR86969	BULB	1	15 C.P. (12-VOLT) (SUB FOR AR21739)	
5	R47886	LENS	1		
6	AR50260	LAMP	1		
..	WIRING LEAD	1	203MM (8") DOME LIGHT GROUND, (MAKE FROM R32018, R66319 AND R32025)	
..	WIRING LEAD	1	165MM (6-1/2") (MAKE FROM R32007 AND R32025)	

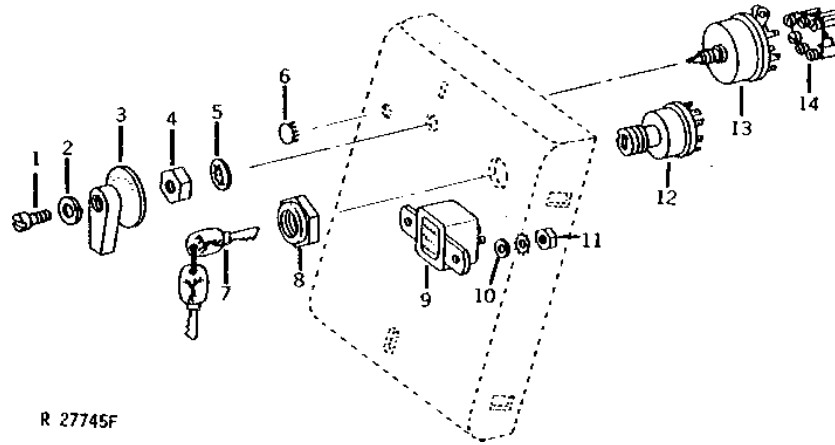
1G12

ELECTRICAL

R27745

-UN-01JAN94

LIGHT SWITCH, STARTER SWITCH, AND LAMP FLASHER



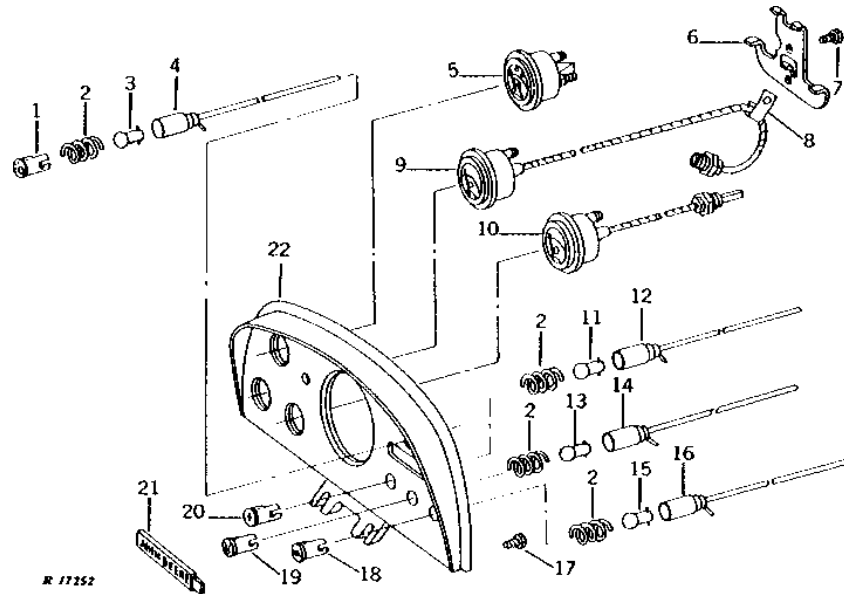
KEY	PART NO.	PART NAME	QTY	TRACTOR SERIAL NO.	REMARKS
1	21H1299	SCREW	1		0.164" X 3/8"
2	12H315	LOCK WASHER	1		0.164"
3	AR54445	KNOB	1		(SUB FOR R46092)
4	A4655R	NUT	1		
5	12H275	LOCK WASHER	1		1/2"
6	R28473	PLUG	1		
7	AR51481	KEY	1		(SUB FOR R45361)
8	R44342	NUT	1		
9	AR48594	FLASHER	1		(SUB FOR AR38453)
10	24H1283	WASHER	2		7/32" X 1/2" X 0.049"
11	14H631	NUT	2		0.190"
	12M7060	WASHER	2		0.209"
12	AR58126	KEY SWITCH	1		IGNITION, (SUB FOR AR47458 OR AR53452)
	AR47459	CYLINDER	1		(SUB FOR AR47458 OR AR53452)
13	AR48724	LIGHT SWITCH	1		LIGHT
14	AR83425	RECEPTACLE CONNECTOR BODY	1		

1G13

ELECTRICAL

R17252 -UN-01JAN94

INSTRUMENT PANEL, INSTRUMENTS, AND INDICATOR LAMPS



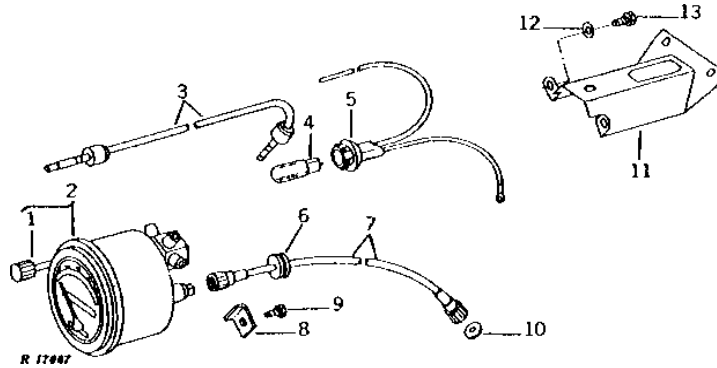
KEY	PART NO.	PART NAME	QTY	TRACTOR SERIAL NO.	REMARKS
1	AR47916	LENS	1		HIGH BEAM
2	R30378	SPRING	4		
3	AR50440	LAMP	1		HIGH BEAM
4	AR50508	INDICATOR LIGHT	1		
5	AR45436	GAUGE	1		FUEL
6	R44198	CLAMP	1		
7	37H98	SCREW	2		NO. 10 X 7/8"
8	B1986R	CLIP	1		
9	AR46979	PYROMETER	1		TRANSMISSION OIL
10	AR48640	TEMPERATURE GAUGE	1		WATER
11	AR55694	BULB	1		ALTERNATOR
12	AR48034	INDICATOR LIGHT	1		(SUB AT48673, AT44165, AR55694 AND R30378)
13	AR50439	LAMP	1		AIR CLEANER FILTER RESTRICTION
14	AR48033	INDICATOR LIGHT	1		AIR CLEANER FILTER RESTRICTION, (SUB AR45439, AT44165, AR55694 AND R30378)
15	AR55694	BULB	1		ENGINE OIL PRESSURE, (SUB FOR R30379)
16	AR48035	INDICATOR LIGHT	1		ENGINE OIL PRESSURE, (SUB AT48674, AT44165, AR55694 AND R30378)
17	37M7245	SCREW	2		NO. 10 X 3/8"
18	AT48674	LENS	1		ENGINE OIL PRESSURE, (SUB FOR AR45437)
19	AR45439	LENS	1		AIR CLEANER RESTRICTION
20	AT48673	LENS	1		ALTERNATOR, (SUB FOR AR45438)
21	AR45440	IDENTIFICATION PLATE	1		
22	R56320	INSTRUMENT PANEL	1		(SUB FOR AR51160 OR AR68199 OR AR66761)
..	R49025	LABEL	1		

1G14

ELECTRICAL

R17087 -UN-01JAN94

SPEED-HOUR METER



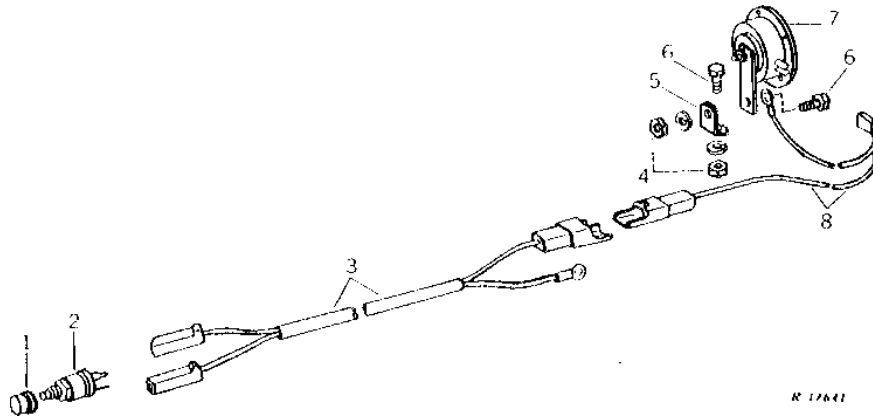
KEY	PART NO.	PART NAME	QTY	TRACTOR SERIAL NO.	REMARKS
1	AR40802	KNOB	1		
2	AR50406	TACHOMETER	1		(SUB FOR AR50402)
3	AR48016	WIRING LEAD	3		
4	AR48015	BULB	1		
5	AR50838	WIRING HARNESS	1		
6	R41440	GROMMET	1		
7	AR26721	CABLE	1		INNER (STEWARD WARNER)
	AR28589	CABLE	1		INNER (AC SPARK PLUG DIV.)
	AR28588	CABLE	1		
8	R34206	CLAMP	2		
9	37M7245	SCREW	2		NO. 10 X 3/8"
10	B3285R	WASHER	1		
11	R41706	SUPPORT	1		
12	24H1283	WASHER	2		7/32" X 1/2" X 0.049"
13	37H121	SCREW	2		NO. 10 X 5/8"

1G15

ELECTRICAL

R17641 -UN-01JAN94

HORN



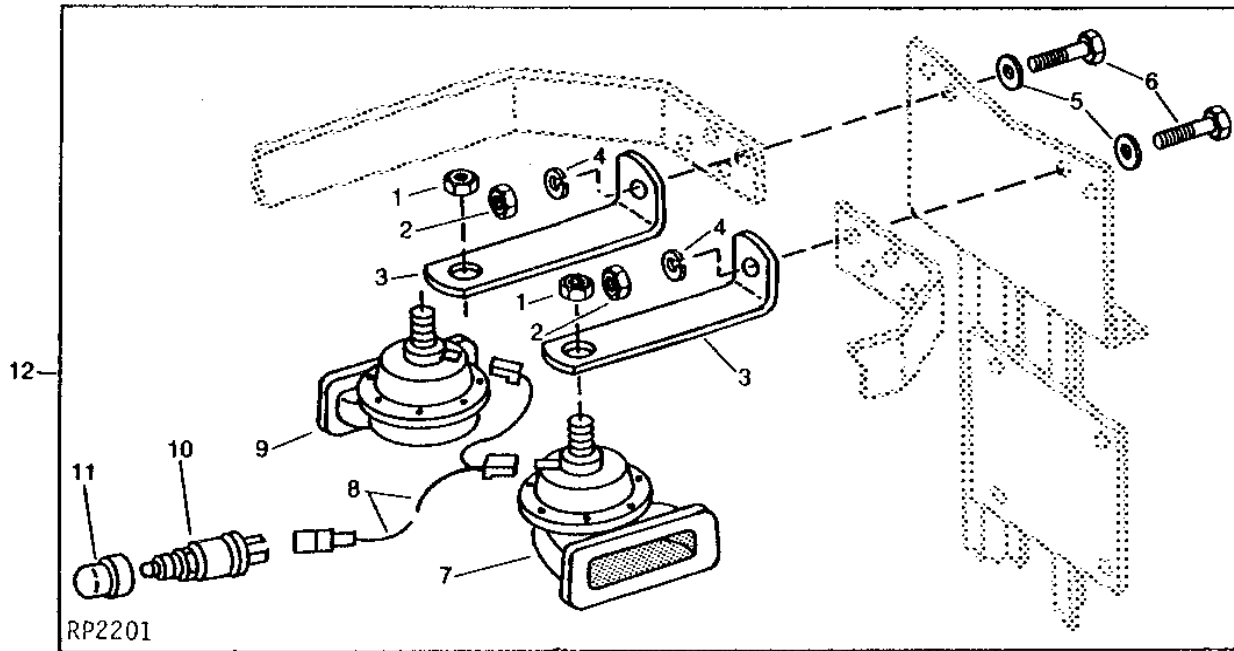
KEY	PART NO.	PART NAME	QTY	TRACTOR SERIAL NO.	REMARKS
1	T55501	CAP	1		(SUB FOR R21156, RE39549 OR AR47374, THIS APPLICATION)
2	AR21823	SWITCH	1		
3	AR46730	WIRING HARNESS	1		
4	14H785	NUT	2	5/16"	
	12H303	LOCK WASHER	2	5/16"	
5	R46791	BRACKET	1		
6	19H1813	CAP SCREW	2	5/16" X 5/8"	
7	AL14896	HORN	1		(12-VOLT) (SUB FOR AR49036 OR AR73579)
8	AR73580	WIRING HARNESS	1		(SUB FOR AR49038)

1G16

ELECTRICAL

RP2201 -UN-01JAN94

DUAL HORN ASSEMBLY



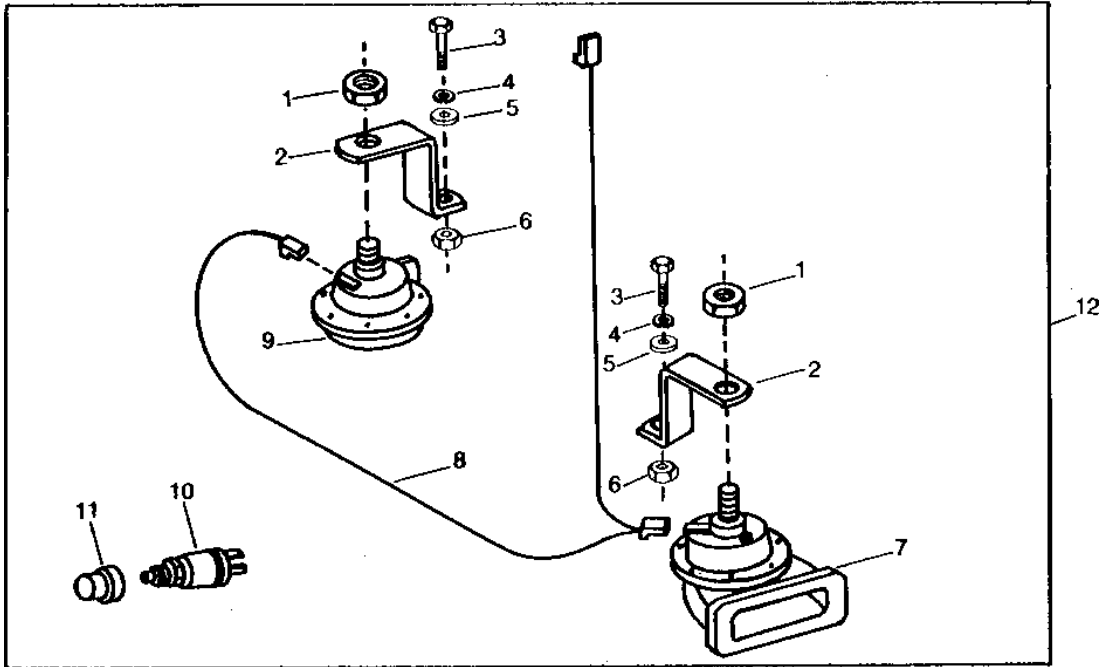
KEY	PART NO.	PART NAME	QTY	TRACTOR SERIAL NO.	REMARKS
1	R11278	NUT	2		
2	14H785	NUT	2	5/16"	
3	R64699	BRACKET	2		
	R75833	BRACKET	NA		(SUB FOR R66069)
4	12H303	LOCK WASHER	2	5/16"	
5	24H1136	WASHER	2	11/32" X 11/16" X 0.065"	
6	19H1849	CAP SCREW	2	5/16" X 1-1/4"	
7	R64700	LOW NOTE HORN	1		(12-VOLT) (LOW NOTE)
8	AR85578	WIRING HARNESS	1		
9	AT39043	HIGH NOTE HORN	1		(12-VOLT) (HIGH NOTE)
10	AR21823	SWITCH	1		
11	T55501	CAP	1		
12	AR81178	HORN	1		(SUB AR102454)

1G17

ELECTRICAL

RWP4230 -UN-01JAN94

DUAL HORN ASSEMBLY



RWP4230

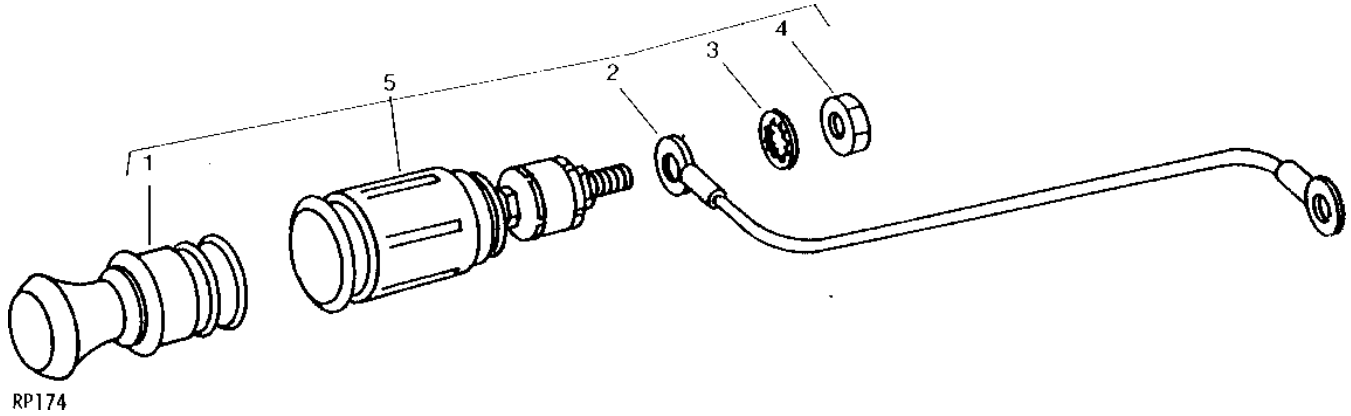
KEY	PART NO.	PART NAME	QTY	TRACTOR SERIAL NO.	REMARKS
1	R11278	NUT	2		
2	R75833	BRACKET	2		
	R64699	BRACKET	2		
3	19H1849	CAP SCREW	2	5/16" X 1-1/4"	
4	12H303	LOCK WASHER	2	5/16"	
5	24H1136	WASHER	2	11/32" X 11/16" X 0.065"	
6	14H785	NUT	2	5/16"	
7	R64700	LOW NOTE HORN	1	(12-VOLT) (LOW NOTE)	
8	AR85578	WIRING HARNESS	1		
9	AT39043	HIGH NOTE HORN	1	(12-VOLT) (HIGH NOTE)	
10	AR21823	SWITCH	1		
11	T55501	CAP	1		
12	AR102454	HORN	1	(NLA)	

1G18

ELECTRICAL

RP174 -UN-01JAN94

CIGAR LIGHTER ASSEMBLY



KEY	PART NO.	PART NAME	QTY	TRACTOR SERIAL NO.	REMARKS
1	AR60937	LIGHTER	1		
2	AR94130	WIRING LEAD	1		
3	12M7084	LOCK WASHER	1	4.300 MM	
4	14H605	NUT	2	0.164"	
5	AR48643	LIGHTER	1	CIGAR, (12-VOLT)	

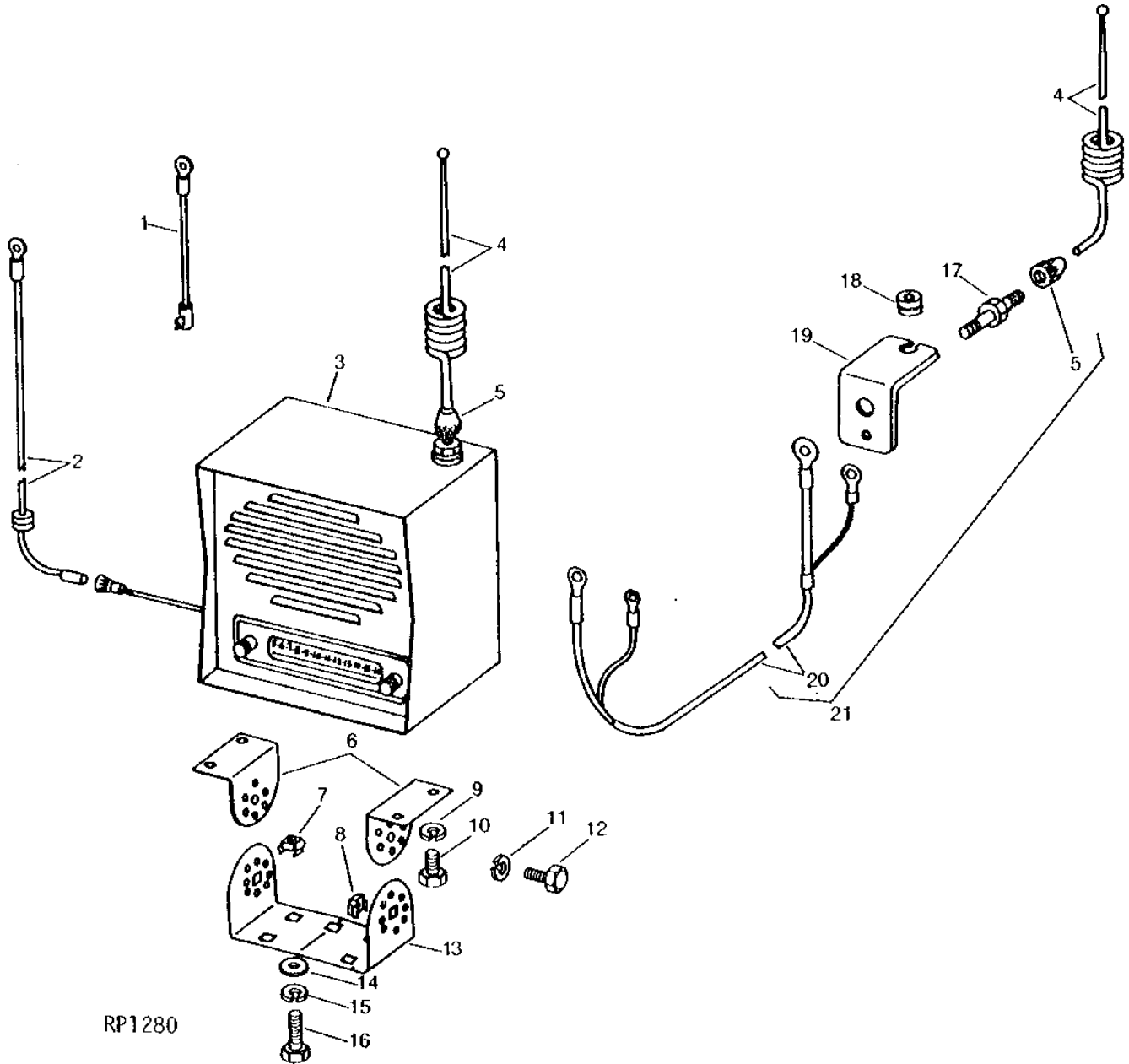
1G19

ELECTRICAL

RP1280

-UN-01JAN94

RADIO
(MOTOROLA)



RP1280

1G20

ELECTRICAL

RADIO - CONTINUED
(MOTOROLA)

KEY	PART NO.	PART NAME	QTY	TRACTOR SERIAL NO.	REMARKS
1	AR41758	CAPACITOR	1		
2	AR41756	WIRING LEAD	1		
3	AR42431	RADIO	1		(A) (NLA)
4	AR45013	MAST	1		(NLA)
5	R42800	NUT	1		(NLA)
6	R41879	BRACKET	2		
7	AR41951	NUT	4		
8	AR41950	NUT	2		
9	12H302	LOCK WASHER	4		1/4"
10	19H1227	CAP SCREW	4		1/4" X 1/2"
11	12H310	LOCK WASHER	2		3/8"
12	19H1936	CAP SCREW	2		3/8" X 3/4"
13	R41880	BRACKET	1		
14	24H1294	WASHER	4		11/32" X 1-1/8" X 1/16"
15	12M7032	LOCK WASHER	4		0.331"
16	19H1813	CAP SCREW	4		5/16" X 5/8"
17	AR45014	COUPLING	1		
18	R42801	GROMMET	1		
19	R42802	BRACKET	1		(NLA)
20	AR45015	ANTENNA	1		
21	AR42432	BASE	1		(WITH CAB) (SUB AR51483)

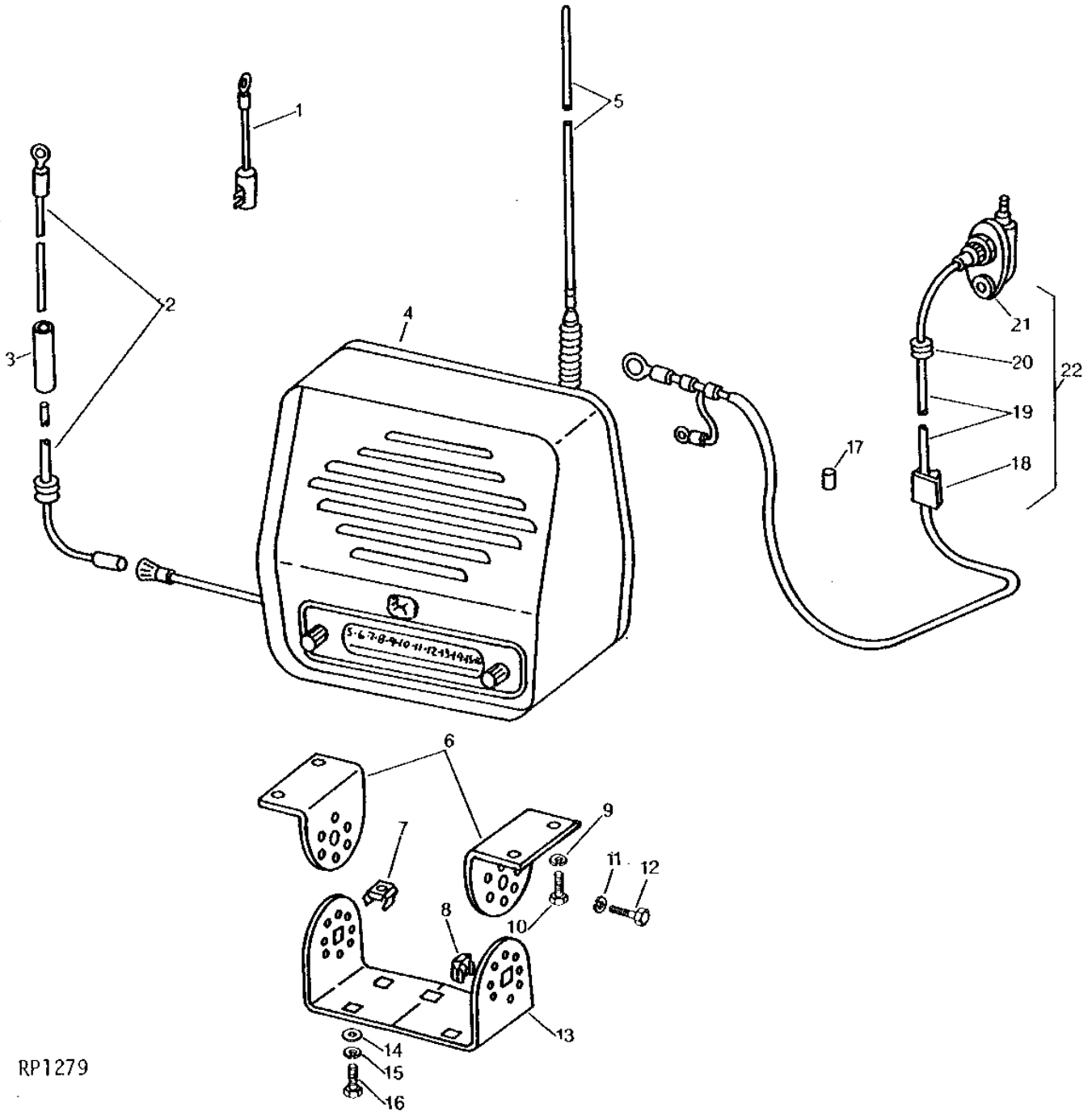
(A) CHECK AUDIOVOX DIRECT - SHIP PROGRAM GUIDE

1G21

ELECTRICAL

RP1279 -UN-01JAN94

RADIO
(MOTOROLA)



RP1279

1G22

ELECTRICAL

RADIO - CONTINUED
(MOTOROLA)

KEY	PART NO.	PART NAME	QTY	TRACTOR SERIAL NO.	REMARKS
1	AR41758	CAPACITOR	1		
2	AR41756	WIRING LEAD	1		
3	R42799	RESISTOR	1		
4	TY15276	RADIO	1		(A) (SUB FOR AR51973, AR57156, AR68361, AR101245 OR TY15155) (NLA)
5	AR46986	ANTENNA	1		
6	R52408	BRACKET	2		
7	AR41951	NUT	3		
8	AR41950	NUT	2		
9	12H302	LOCK WASHER	4	1/4"	
10	19H1227	CAP SCREW	4	1/4" X 1/2"	
11	12H310	LOCK WASHER	2	3/8"	
12	19H1936	CAP SCREW	2	3/8" X 3/4"	
13	R41880	BRACKET	1		
14	24H1294	WASHER	3	11/32" X 1-1/8" X 1/16"	
15	12M7032	LOCK WASHER	3	0.331"	
16	19H1813	CAP SCREW	3	5/16" X 5/8"	
17	R45136	PLUG	1		
18	R47474	CLIP	4		(SUB FOR R45137)
19	AR51484	WIRING LEAD	1		
20	R27583	GROMMET	1		
21	AR46984	BASE	1		
22	AR51483	BASE	1		(WITH CAB)

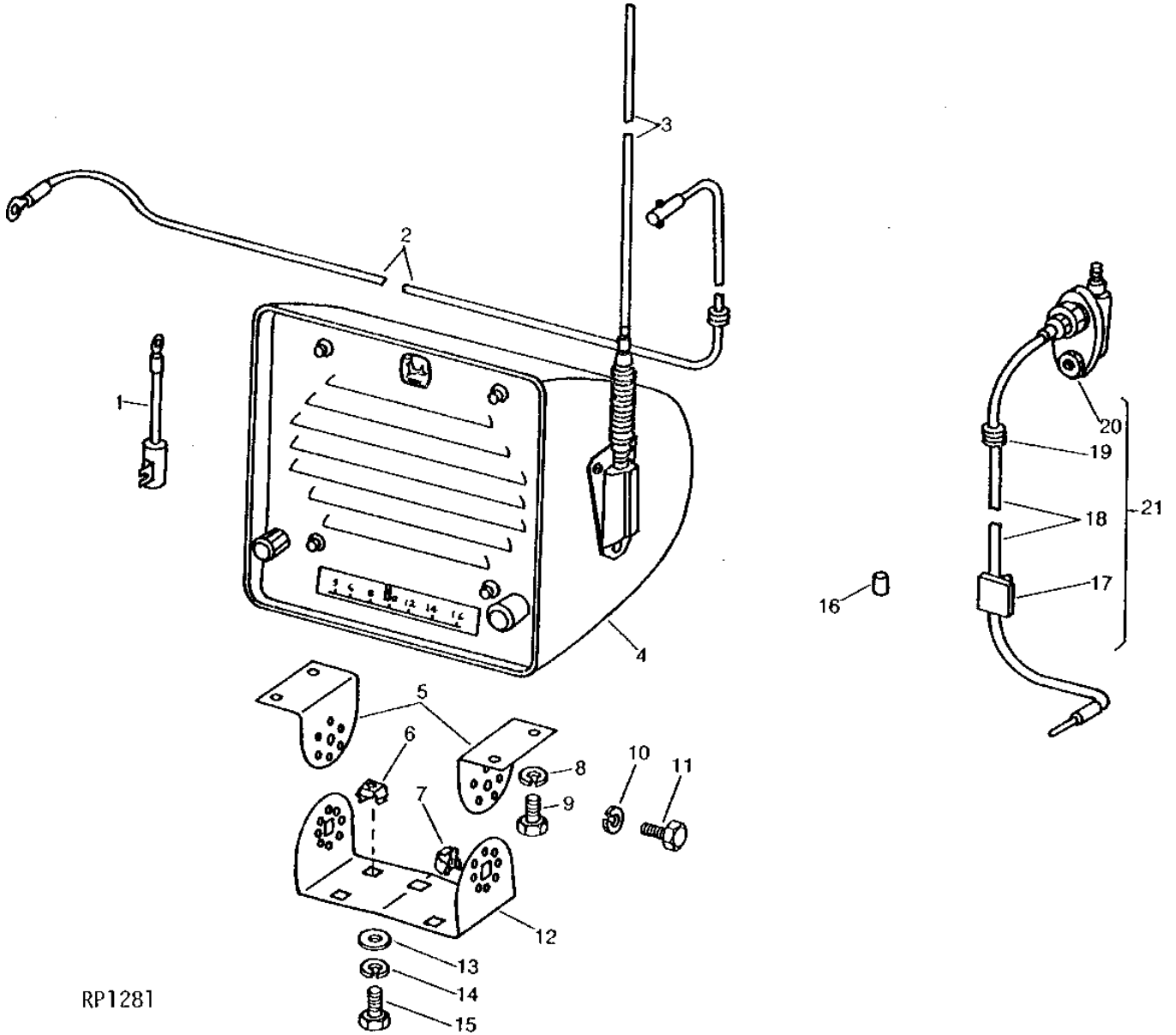
(A) CHECK AUDIOVOX DIRECT - SHIP PROGRAM GUIDE

1G23

ELECTRICAL

RP1281 -UN-01JAN94

RADIO
(BENDIX)



RP1281

1G24

ELECTRICAL

**RADIO - CONTINUED
(BENDIX)**

KEY	PART NO.	PART NAME	QTY	TRACTOR SERIAL NO.	REMARKS
1	AR41758	CAPACITOR	1		
2	AR41756	WIRING LEAD	1		
3	AR41760	ANTENNA	1		
4	AR46986 AR68362	ANTENNA RADIO	1 1		(THREADED TYPE) (A) (ALSO ORDER AR46986) (SUB FOR AR40947, AR48717, AR54755 OR AR57157) (NLA)
5	R41879	BRACKET	2		(USE WITH AR40947) (NLA)
	R46505	BRACKET	1		(USE WITH AR48717, AR57157 OR AR68362) (NLA)
6	AR41951	NUT	4		
7	AR41950	NUT	2		
8	12H302	LOCK WASHER	4		1/4"
9	19H1227	CAP SCREW	4		1/4" X 1/2"
10	12H310	LOCK WASHER	2		3/8"
11	19H1936	CAP SCREW	2		3/8" X 3/4"
12	R41880	BRACKET	1		
13	24H1294	WASHER	4		11/32" X 1-1/8" X 1/16"
14	12M7032	LOCK WASHER	4		0.331"
15	19H1813	CAP SCREW	4		5/16" X 5/8"
16	R45136	PLUG	1		
17	R47474	CLIP	1		(SUB FOR R45137)
18	AR46985	WIRING LEAD	1		
19	R27583	GROMMET	1		
20	AR46984	BASE	1		
21	AR46983	BASE	1		(WITH CAB) (NLA)

(A) CHECK AUDIOVOX DIRECT - SHIP PROGRAM GUIDE

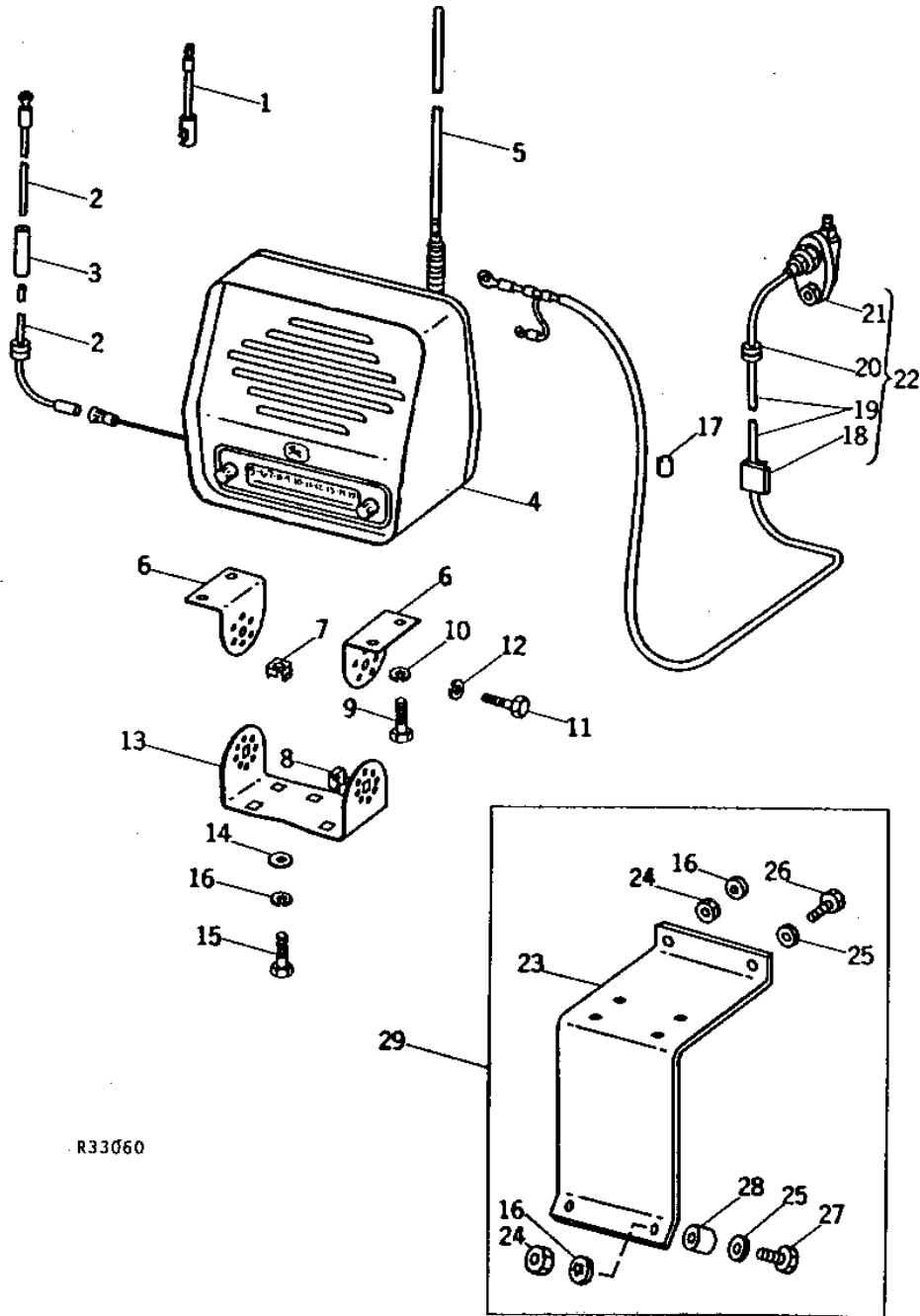
1H1

ELECTRICAL

R33060

-UN-01JAN94

RADIO
(MOTOROLA)



R33060

1H2

ELECTRICAL

**RADIO - CONTINUED
(MOTOROLA)**

KEY	PART NO.	PART NAME	QTY	TRACTOR SERIAL NO.	REMARKS
1	AR41758	CAPACITOR	1		
2	AR41756	WIRING LEAD	1		
3	R42799	RESISTOR	1		
4	TY15276	RADIO	1		(ALSO ORDER AR46986) (SUB FOR AR40947, AR57156, AR68362, AR68361, AR101245 OR TY15155)
5	AR46986	ANTENNA	1		
6	R52408	BRACKET	2		
7	AR41951	NUT	3		
8	AR41950	NUT	2		
9	19H1227	CAP SCREW	4		1/4" X 1/2"
10	12H297	LOCK WASHER	4		1/4"
11	19H1936	CAP SCREW	2		3/8" X 3/4"
12	12H310	LOCK WASHER	2		3/8"
13	R41880	BRACKET	1		
14	24H1294	WASHER	3		11/32" X 1-1/8" X 1/16"
15	19H1813	CAP SCREW	3		5/16" X 5/8"
16	12M7032	LOCK WASHER	7		0.331"
17	R45136	PLUG	1		
18	R47474	CLIP	4		
19	AR51484	WIRING LEAD	1		
20	R27583	GROMMET	1		
21	AR46984	BASE	1		
22	AR51483	BASE	1		(WITH CAB)
23	R49056	BRACKET	1		
24	14H785	NUT	4		5/16"
25	24H1294	WASHER	4		11/32" X 1-1/8" X 1/16"
26	19H1813	CAP SCREW	2		5/16" X 5/8"
27	19H1875	CAP SCREW	2		5/16" X 1-3/4"
28	28H1495	SPACER	2		3/8" X 1"
29	AR52478	KIT	1		RADIO MOUNTING (HINSON CAB)

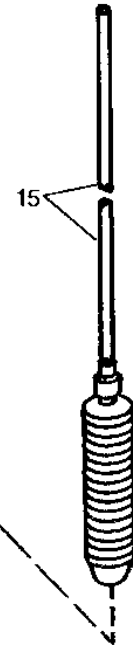
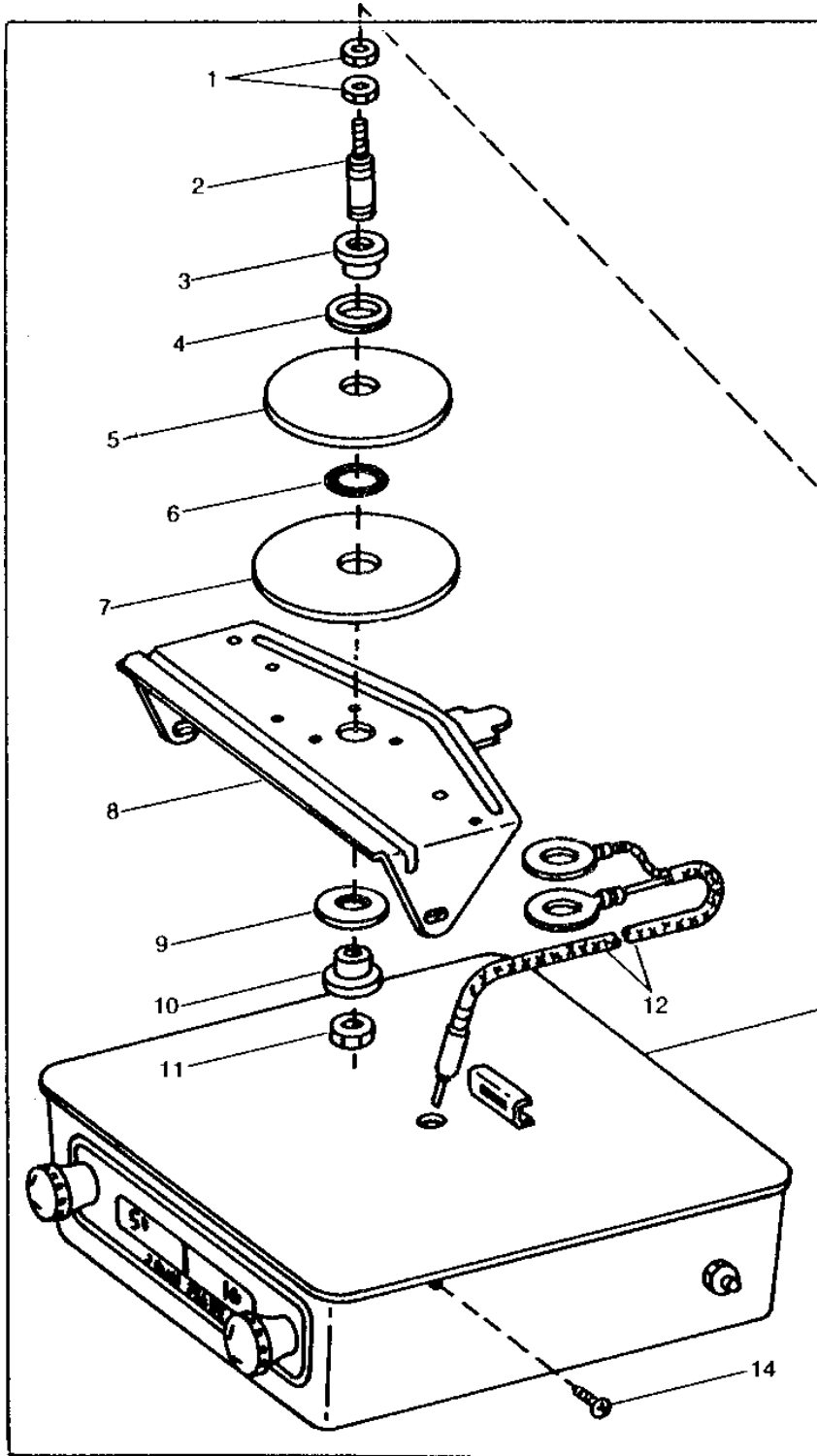
1H3

ELECTRICAL

RP1306

-UN-01JAN94

CAB RADIO



15

RP1306

1H4

ELECTRICAL

CAB RADIO - CONTINUED

KEY	PART NO.	PART NAME	QTY	TRACTOR SERIAL NO.	REMARKS
1	R53512	WELD NUT	2		
2	R53515	BUSHING	1	(NLA)	
3	R53516	WASHER	1	(LONG) (NLA)	
4	R53518	WASHER	1	(NLA)	
5	R53519	WASHER	1	(NLA)	
6	B2762R	O-RING	1	(NLA)	
7	R53520	WASHER	1	(NLA)	
8	R53521	BRACKET	1	(NLA)	
9	R53522	WASHER	1		
10	R53517	BUSHING	1	(SHORT) (NLA)	
11	R53512	WELD NUT	3	(NLA)	
12	AR60084	WIRING LEAD	1	(NLA)	
13	AR68363	RADIO	1	XXXXX-	(A) (ALSO ORDER AR46986) (SUB FOR AR60083) (NLA)
14	AR60089	SCREW	2	(NLA)	
15	AR46986	ANTENNA	1		
..	AR41758	CAPACITOR	1		
..	R42799	RESISTOR	1		

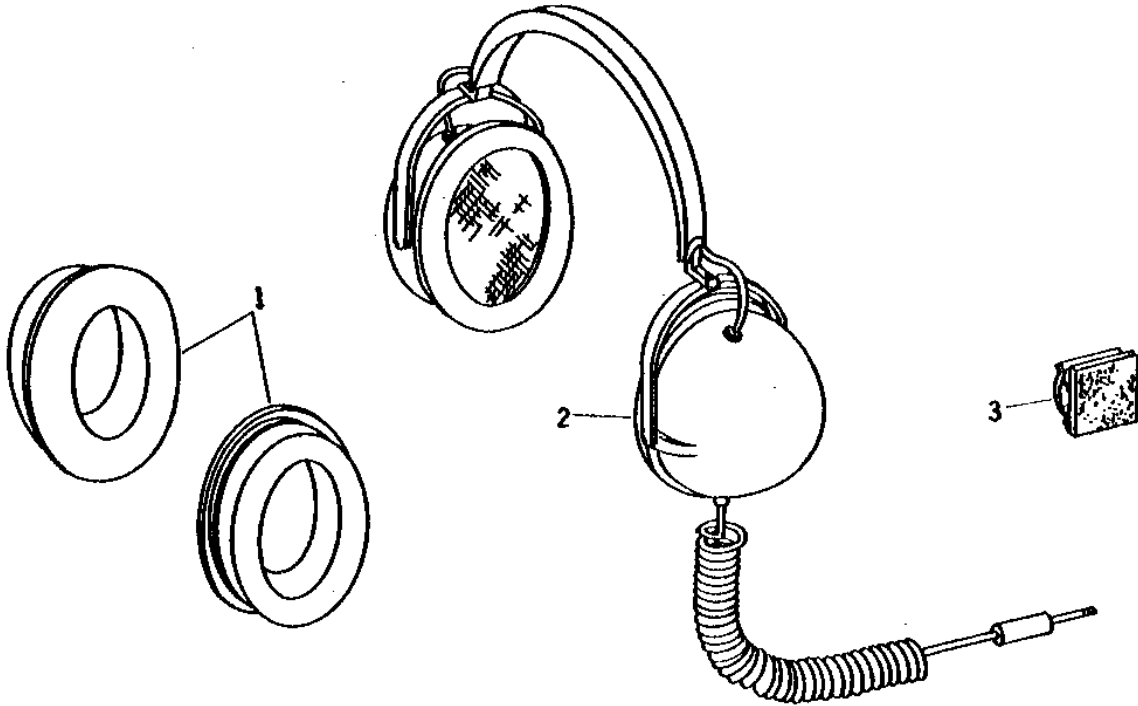
(A) CHECK AUDIOVOX DIRECT - SHIP PROGRAM GUIDE

1H5

ELECTRICAL

R33062 -UN-01JAN94

RADIO HEADPHONES



R33062

KEY	PART NO.	PART NAME	QTY	TRACTOR SERIAL NO.	REMARKS
1	AR73311	FOAM PAD	2		(PKG OF 2) (SUB FOR R53409)
2	AR59663	HEADPHONES	1		(A) (NLA)
3	R53410	CLIP	1		

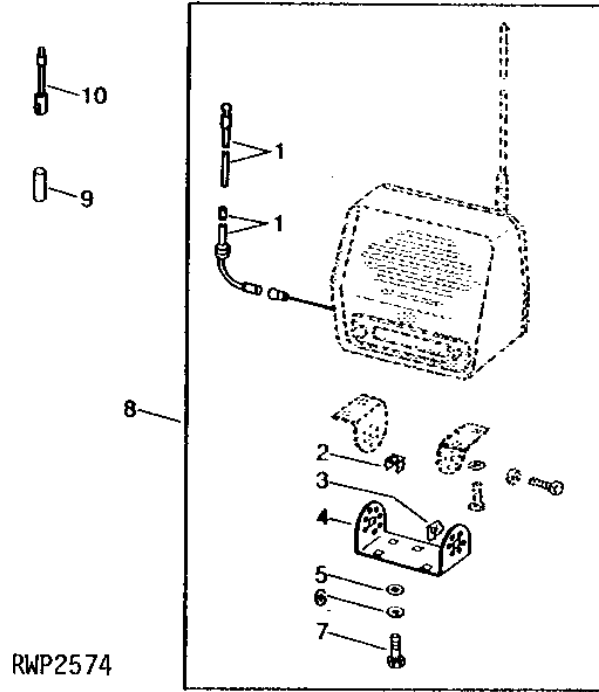
(A) CHECK AUDIOVOX DIRECT - SHIP PROGRAM GUIDE

1H6

ELECTRICAL

RWP2574 -UN-01JAN94

RADIO MOUNTING KIT



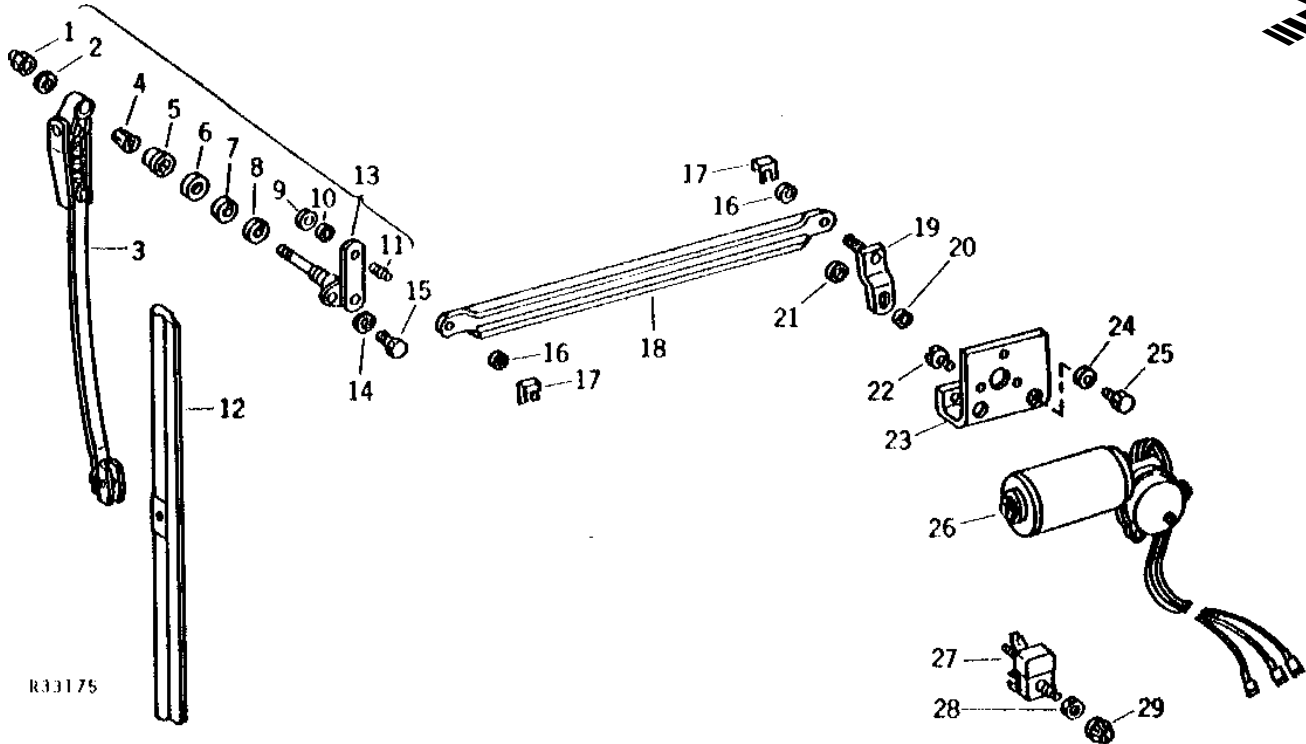
KEY	PART NO.	PART NAME	QTY	TRACTOR SERIAL NO.	REMARKS
1	AR41756	WIRING LEAD	1		
2	AR41951	NUT	3		
3	AR41950	NUT	2		
4	R41880	BRACKET	1		
5	24H1294	WASHER	3		11/32" X 1-1/8" X 1/16"
6	12M7032	LOCK WASHER	3		0.331"
7	19H1813	CAP SCREW	3		5/16" X 5/8"
8	AR41754	KIT	1		FOR 2ND VEHICLE RADIO APPLICATION
9	R42799	RESISTOR	1		
10	AR41758	CAPACITOR	1		NOISE SUPPRESSOR

1H7

ELECTRICAL

WINDSHIELD WIPER (HINSON)

R33175 -UN-01JAN94



R33175

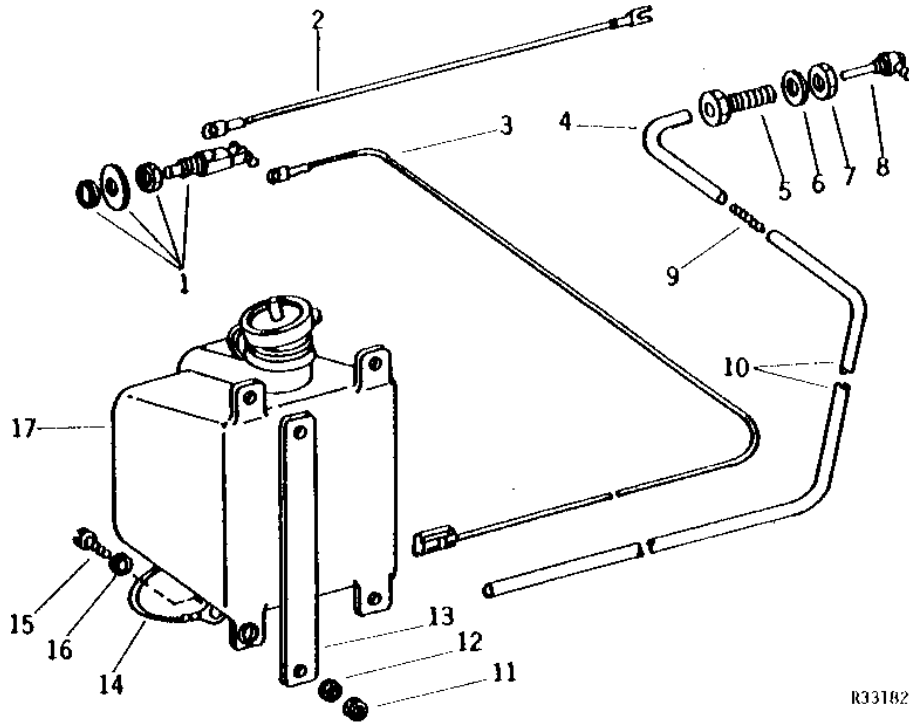
KEY	PART NO.	PART NAME	QTY	TRACTOR SERIAL NO.	REMARKS
1	U46514	NUT	1		
2	12H303	LOCK WASHER	1	5/16"	
3	AR55155	ARM	1		
4	U46513	NUT	1	KNURLED	
5	U46512	CAP	1		
6	U46511	NUT	1		
7	U46510	WASHER	1		
8	U46509	WASHER	1	FIBER	
9	14H649	NUT	1	1/4"	
10	12H297	LOCK WASHER	1	1/4"	
11	U46507	PIN	1		
12	AU42026	WIPER BLADE	1		
13	AU43852	SHAFT	1	(SUB AT58209)	
14	12H246	LOCK WASHER	2	0.190"	
15	21H1317	SCREW	2	0.190" X 5/8"	
16	T32255	SHIM	2		
17	U46506	CLIP	2		
18	AR52294	LINK	1		
19	AU43954	ARM	1		
20	U46508	WASHER	1	BOWED	
21	AU43857	LOCK NUT	1		
22	AU43854	SCREW	3		
23	R48875	BRACKET	1		
24	12H302	LOCK WASHER	2	1/4"	
25	19H1227	CAP SCREW	2	1/4" X 1/2"	
26	AR59444	MOTOR	1	(ALSO ORDER AR64992) (SUB FOR AT29855) (SUB AT66481 AND AT66482)	
27	AR45839	SWITCH	1	(USE WITH AT29855)	
	AR64992	WIPER SWITCH	1	(USE WITH AR59444)	
28	R44165	LOCK NUT	1		
29	AR69370	KNOB	1	(SUB FOR AR49969)	

1H8

ELECTRICAL

R33182 -UN-01JAN94

WINDSHIELD WASHER



R33182

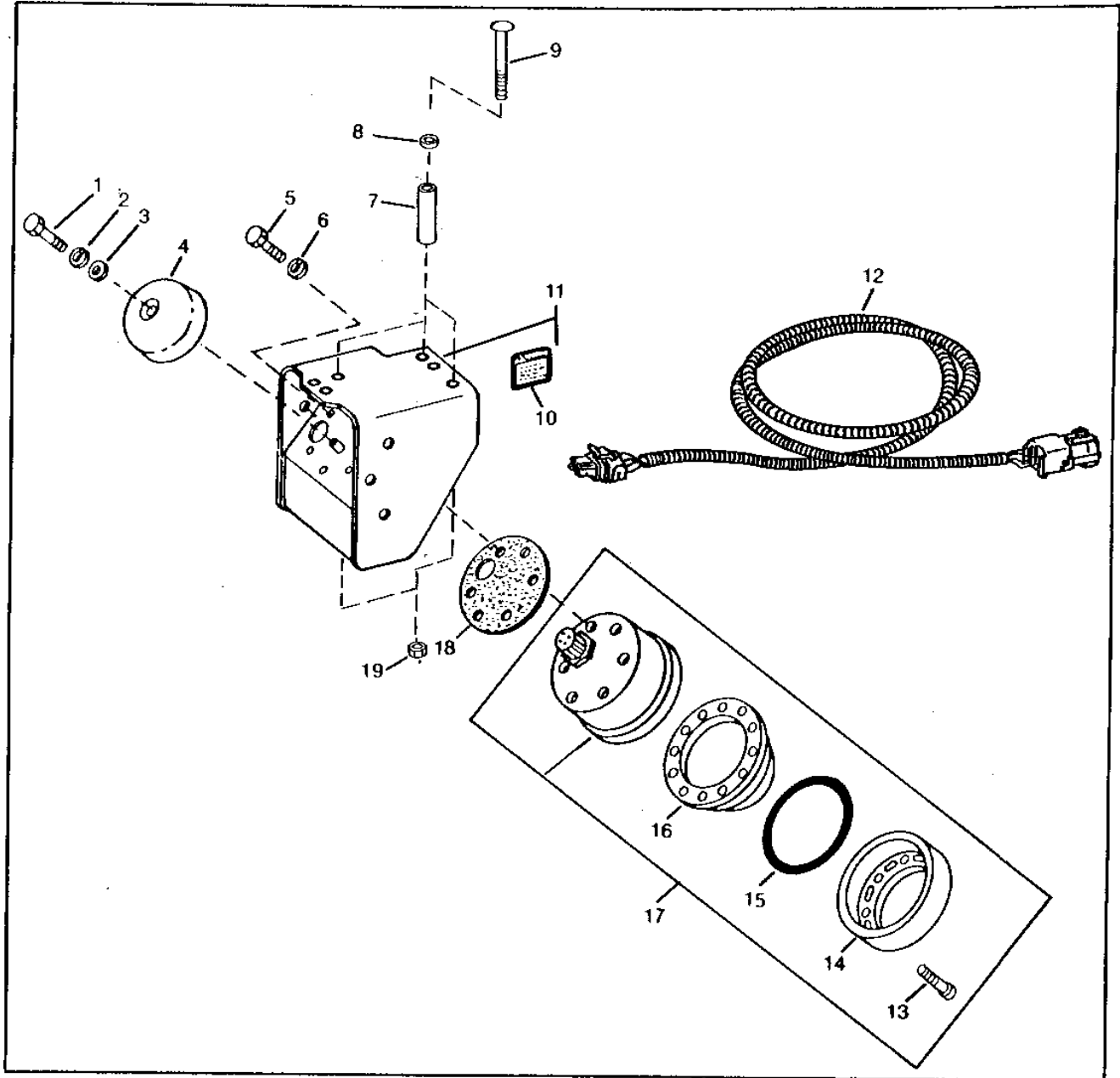
KEY	PART NO.	PART NAME	QTY	TRACTOR SERIAL NO.	REMARKS
1	AR62294	WIPER/WASHER SWITCH	1		
2	AR62295	WIRING LEAD	1		CIRCUIT BREAKER TO SWITCH, (NLA)
3	AR62296	WIRING LEAD	1		SWITCH TO MOTOR
4	HOSE	1		152MM (6") (MAKE FROM R54447)
5	R54446	BOLT	1		
6	D2865R	WASHER	1		(SUB 24H1111)
7	14H1040	NUT	1		1/2"
8	NOZZLE	1		(ORDER AR62293)
9	R54443	HOSE FITTING	1		
10	R54445	HOSE	1		2540MM (100") ROLL (CUT TO LENGTH)
11	14H786	NUT	4		1/4"
12	12H302	LOCK WASHER	4		1/4"
13	R54442	BRACKET	2		(NLA)
14	WIRING LEAD	1		
15	21H1303	SCREW	4		1/4" X 3/4"
16	24H1286	WASHER	4		9/32" X 1/2" X 1/16"
17	AR62293	KIT	1		(INCLUDES AR62294) (NLA)

1H9

ELECTRICAL

RXP9306 -UN-01JAN94

RADAR SENSOR



RXP9306

20

1H10

ELECTRICAL

RADAR SENSOR - CONTINUED

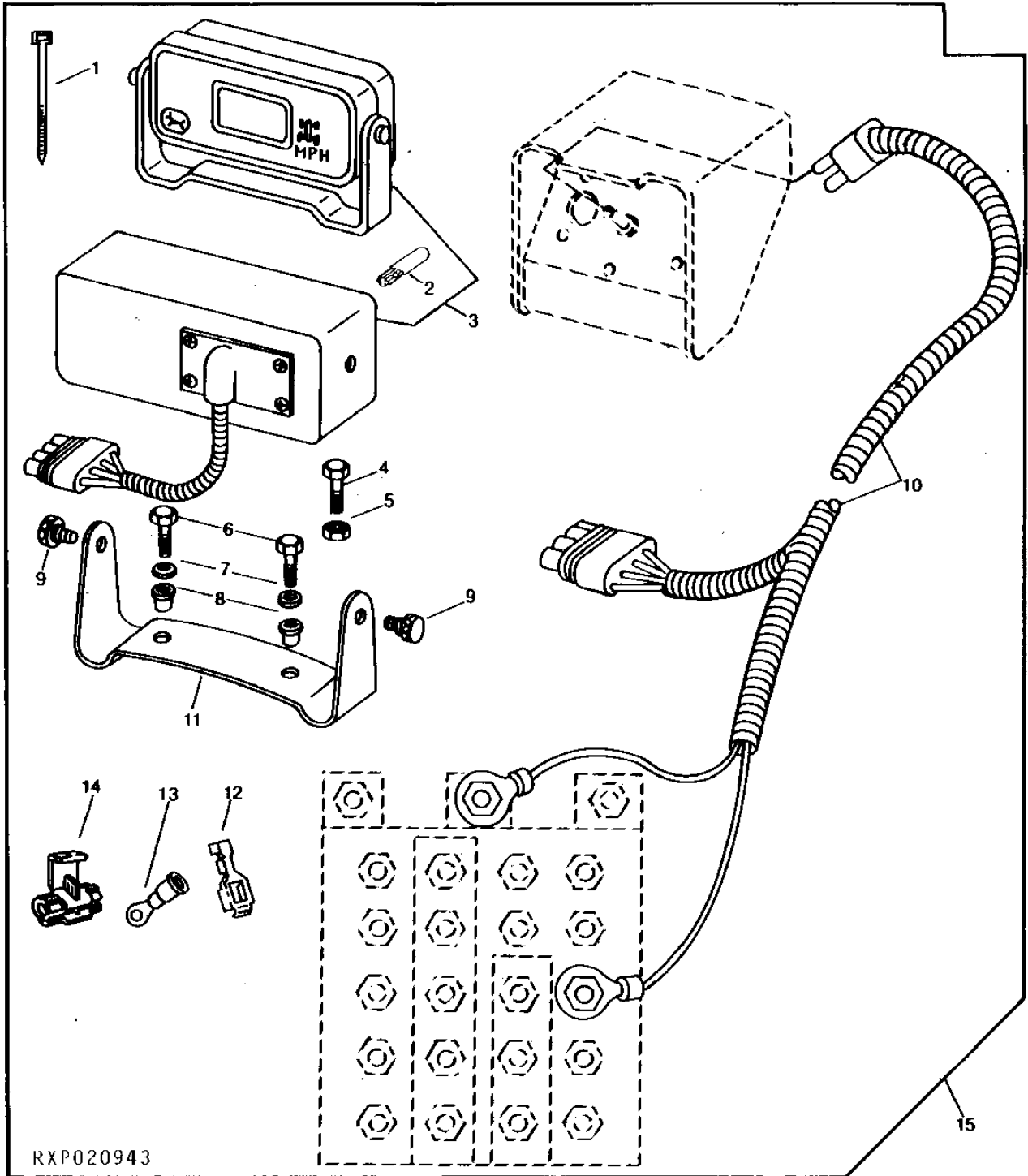
KEY	PART NO.	PART NAME	QTY	TRACTOR SERIAL NO.	REMARKS
1	19H1813	CAP SCREW	1	5/16" X 5/8"	
2	12H303	LOCK WASHER	1	5/16"	
3	24H1136	WASHER	1	11/32" X 11/16" X 0.065"	
4	R82355	SHIELD	1		
5	19H1813	CAP SCREW	6	5/16" X 5/8"	
6	12H303	LOCK WASHER	6	5/16"	
7	28H3343	BUSHING	3	0.546" X 0.840" X 5-3/8"	
8	24H1625	WASHER	2	17/32" X 1" X 0.120"	
9	03H2052	BOLT	3	1/2" X 6-1/2"	
10	R120107	LABEL	1	(ENGLISH)	
	R120106	LABEL	1	(FRANCAIS)	
	R105942	LABEL	1	(DEUTSCH)	
	R120108	LABEL	1	(ESPANOL)	
	L65000	LABEL	1		
11	RE46317	BRACKET	1	(SUB FOR RE21096 OR RE38707)	
12	RE46414	WIRING HARNESS	1		
13	R82239	SCREW	12		
14	R82237	SNAP RING	1		
15	R82238	O-RING	1		
16	R82236	COVER	1		
17	RE43025	RADAR SENSOR	1	(SUB FOR RE21073)	
18	R82243	GASKET	1		
19	14H1040	NUT	3	1/2"	
20	AR111058	SENSOR	1	(SUB FOR RE21510 OR RW26466) (FI)	

1H11

ELECTRICAL

PERFORMANCE TRAK II MINI-MONITOR (ANALOG TACHOMETER)

RXP020943 -UN-12OCT94



RXP020943

1H12

ELECTRICAL

PERFORMANCE TRAK II MINI-MONITOR - CONTINUED
(ANALOG TACHOMETER)

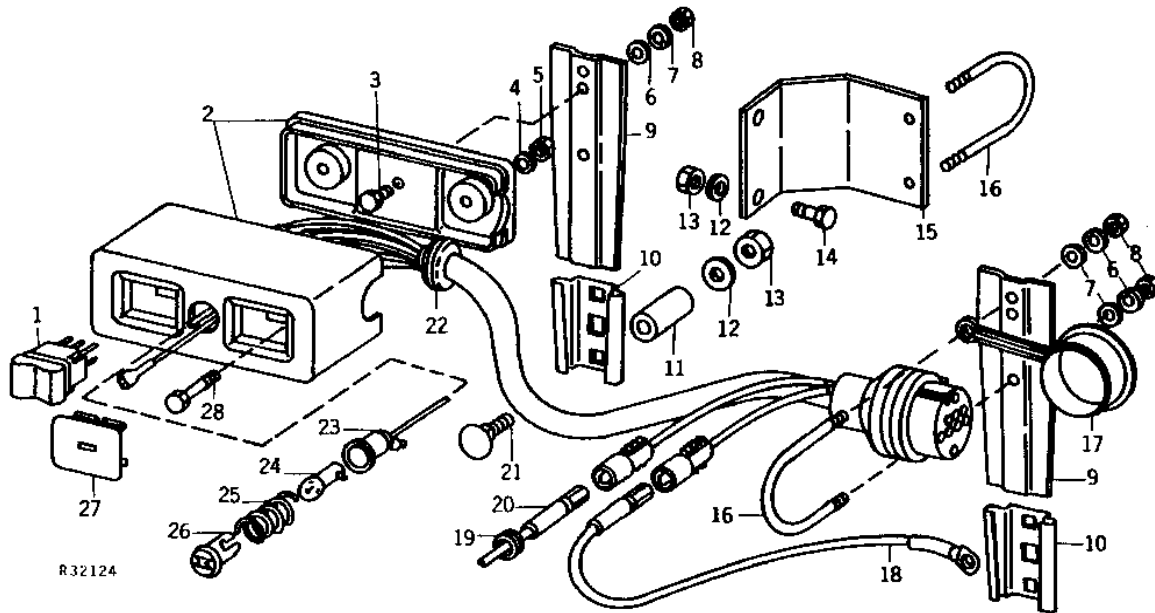
KEY	PART NO.	PART NAME	QTY	TRACTOR SERIAL NO.	REMARKS
1	R44302	TIE BAND	AR		
2	RE22589	LAMP	1		
3	RE21112	MONITOR CONSOLE	1		
4	19H1978	CAP SCREW	3	7/16" X 1-1/2"	
	12H293	LOCK WASHER	3	7/16"	
5	14H1047	NUT	3	7/16"	
	14H786	NUT	2	1/4"	
6	19H1914	CAP SCREW	2	1/4" X 1"	
7	24H1287	WASHER	4	9/32" X 5/8" X 0.065"	
8	R82423	NUT	2	RUBBER	
9	R83055	WING SCREW	2		
10	RE21113	WIRING HARNESS	1	3500MM (138")	
11	R83109	BRACKET	1		
12	U46662	TERMINAL	1		
13	R77489	TERMINAL	1		
	R84158	TERMINAL	1		
14	AR67855	CONNECTOR	3		
15	RE21738	MONITOR CONSOLE	1	(FI)	

1H13

ELECTRICAL

R32124 -UN-01JAN94

ELECTRICAL REMOTE CONTROL



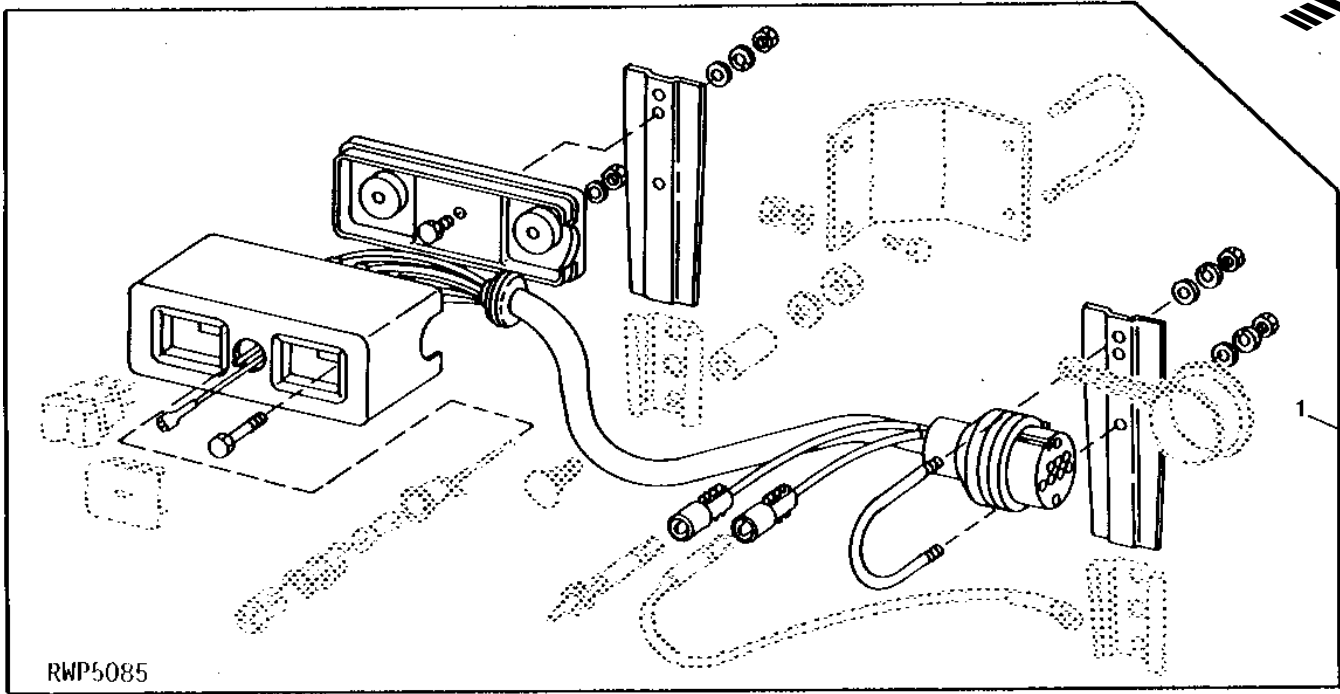
KEY	PART NO.	PART NAME	QTY	TRACTOR SERIAL NO.	REMARKS
1	AR49797	TOGGLE SWITCH	1		MOMENTARY ROCKER (FI)
	AR49798	ROCKER SWITCH	1		DETENT ROCKER (FI)
2	AR50779	WIRING HARNESS	1		TWO SWITCH
	AR50780	WIRING HARNESS	1		FOUR SWITCH
3	19H1914	CAP SCREW	1		1/4" X 1"
4	12H315	LOCK WASHER	2		0.164"
5	14H605	NUT	2		0.164"
6	24H1821	WASHER	3		9/32" X 47/64" X 1/16"
7	12H302	LOCK WASHER	3		1/4"
8	14H786	NUT	3		1/4"
9	R47861	BRACKET	AR		(2 USED, TWO SWITCH) (1 USED, FOUR SWITCH)
	R47860	BRACKET	1		FOUR SWITCH
10	JD126	SOCKET	2		
11	28H1495	SPACER	2		3/8" X 1"
12	24M7207	WASHER	4		8.400 X 24 X 2 MM
13	14H785	NUT	4		5/16"
14	21H1304	SCREW	2		5/16" X 3/4"
15	R54467	BRACKET	1		
16	E16050	U-BOLT	1		
17	R48048	CAP	1		
18	AR50928	WIRING LEAD	1		
19	H987R	GROMMET	4		
20	AR50927	WIRING LEAD	1		
21	03H1515	BOLT	2		5/16" X 2"
22	R36235	GROMMET	1		
23	AT44165	WIRING LEAD	1		
24	AR55694	BULB	1		
25	R30378	SPRING	1		
26	AT48673	LENS	1		
27	R48049	PLUG	1		
28	R48028	SCREW	2		
..	R48026	DECAL	1		
..	R48027	GROMMET	1		(CAB OPENING)
..	R32276	PLUG	1		(CAB OPENING)

1H14

ELECTRICAL

RWP5085 -UN-01JAN94

ELECTRICAL REMOTE CONTROL KIT



KEY	PART NO.	PART NAME	QTY	TRACTOR SERIAL NO.	REMARKS
1	AR62360	KIT	1		(TWO SWITCHES) (FI)

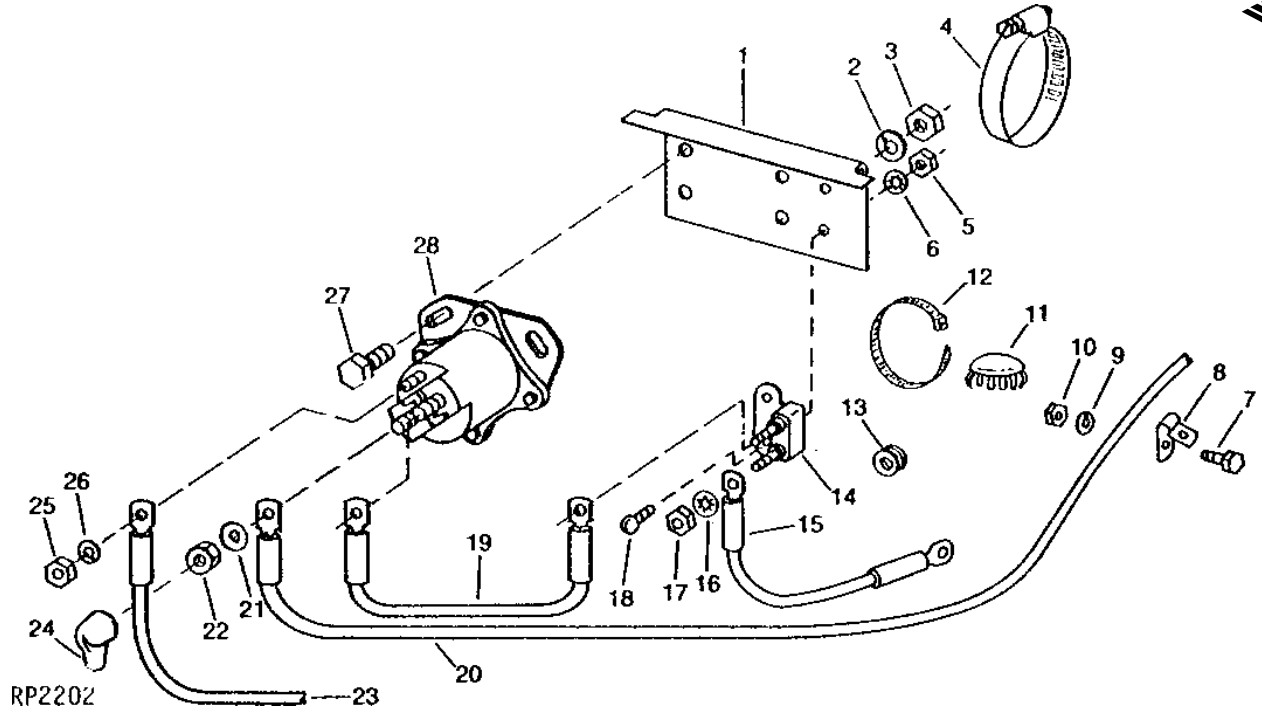
MEMORANDA

1H15

ELECTRICAL

RP2202 -UN-01JAN94

ELECTRICAL REMOTE CONTROL WIRING



KEY	PART NO.	PART NAME	QTY	TRACTOR SERIAL NO.	REMARKS
1	R69109	BRACKET	1	(SUB FOR R47859)	
2	12H297	LOCK WASHER	2	1/4"	
3	14H786	NUT	2	1/4"	
4	AR52392	CLAMP	2		
5	14H631	NUT	4	0.190"	
6	12H246	LOCK WASHER	2	0.190"	
7	19H1731	CAP SCREW	2	3/8" X 1"	
8	T14264	CLAMP	2		
9	12H304	LOCK WASHER	2	3/8"	
10	14H732	NUT	2	3/8"	
11	R32276	PLUG	1	(CAB OPENING)	
12	R44302	TIE BAND	AR		
13	R41439	GROMMET	1	(USED FOR BANDING)	
14	AR50926	CIRCUIT BREAKER	1		
15	AR50930	WIRING LEAD	1		
16	12M7060	WASHER	2	0.209"	
17	14H631	NUT	2	0.190"	
18	21H1295	SCREW	2	0.190" X 5/8"	
19	AR50929	WIRING LEAD	1		
20	AR50927	WIRING LEAD	1		
21	12H303	LOCK WASHER	2	5/16"	
22	14H785	NUT	2	5/16"	
23	AR50931	WIRING LEAD	1	IGNITION SWITCH	
24	R36732	BOOT	2		
25	14H631	NUT	1	0.190"	
26	12H246	LOCK WASHER	1	0.190"	
27	19H1919	CAP SCREW	2	1/4" X 5/8"	
28	RE44657	RELAY	1	(SUB FOR AR73144) (FI)	

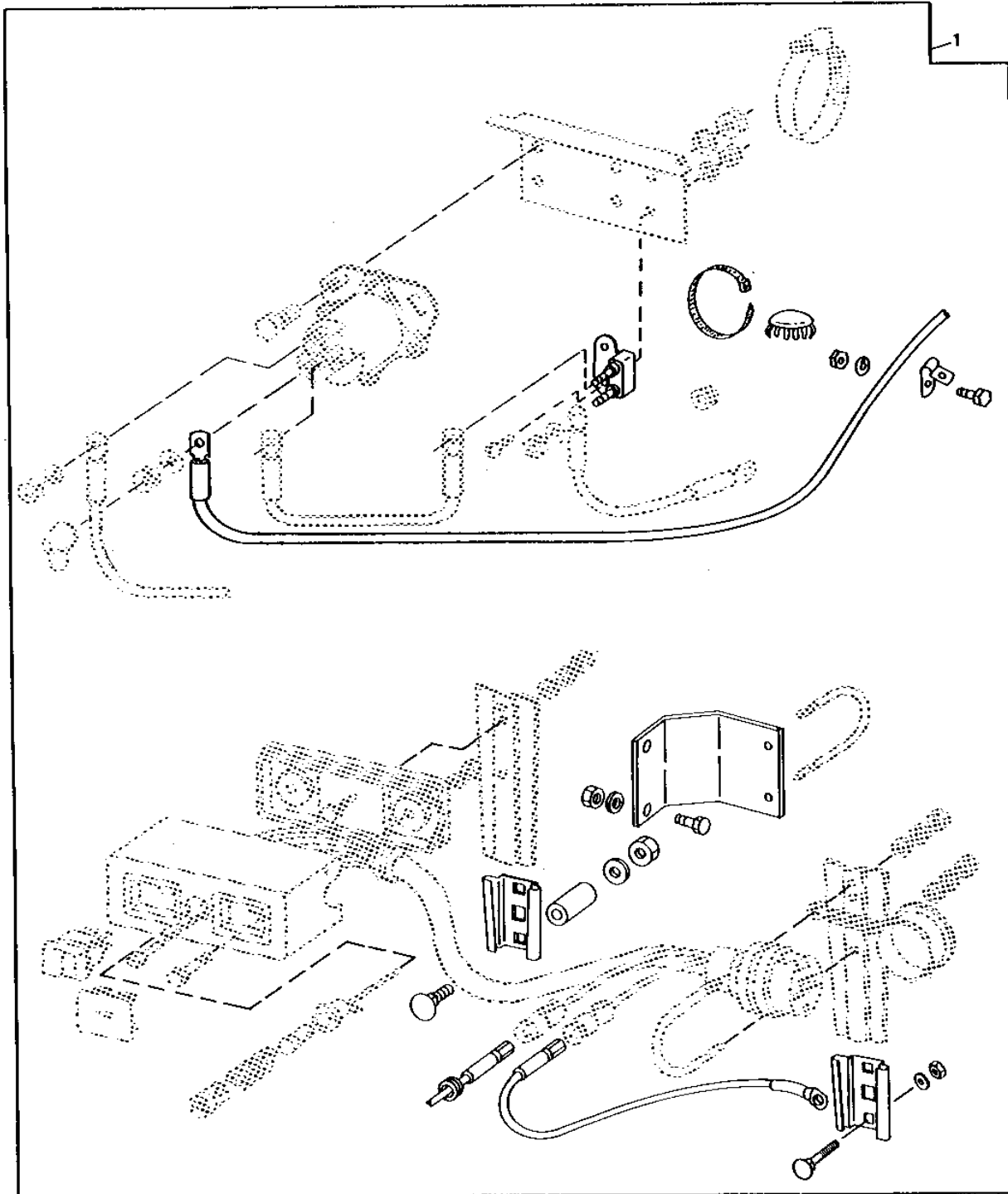
1H16

ELECTRICAL

RWP5666

-UN-01JAN94

ELECTRICAL REMOTE CONTROL WIRING KIT



RWP5666

1H17

ELECTRICAL

ELECTRICAL REMOTE CONTROL WIRING KIT - CONTINUED

KEY	PART NO.	PART NAME	QTY	TRACTOR SERIAL NO.	REMARKS
1	RE25621	KIT	1	(SUB FOR AR62359)	

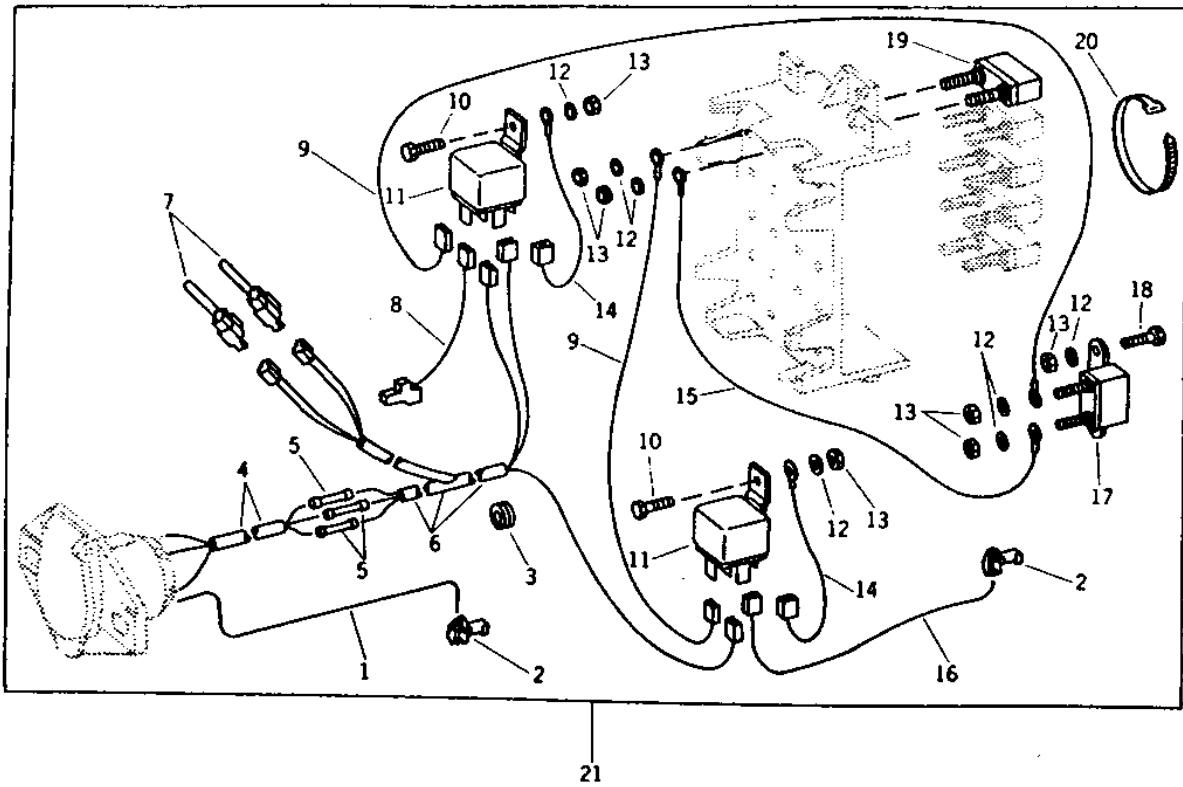
1H18

ELECTRICAL

R32129

-UN-07JAN91

7-TERMINAL SOCKET (SUPPLEMENTARY WIRING KIT)



1H19

ELECTRICAL

**7-TERMINAL SOCKET - CONTINUED
(SUPPLEMENTARY WIRING KIT)**

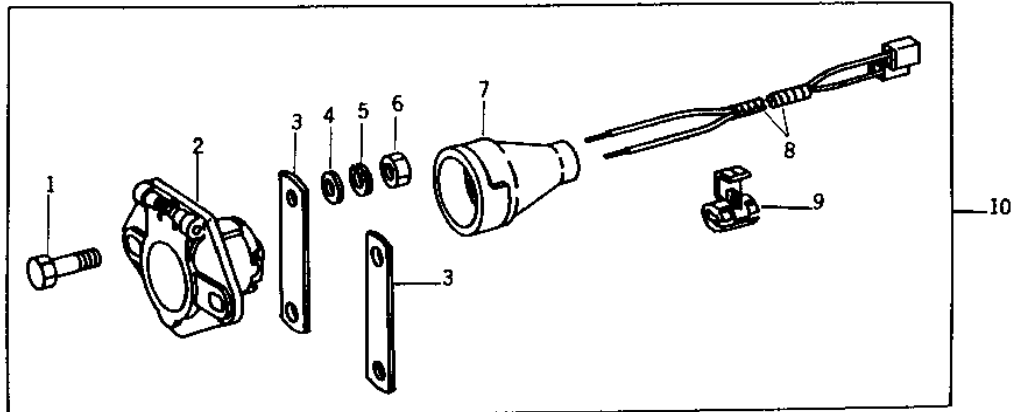
KEY	PART NO.	PART NAME	QTY	TRACTOR SERIAL NO.	REMARKS
1	WIRING LEAD	1		3962MM (156") (MAKE FROM R66319)
2	AR67855	CONNECTOR	2		
3	R40445	GROMMET	1		
4	AR82910	WIRING HARNESS	1		
5	R32027	CONNECTOR	4		
6	AR82912	WIRING HARNESS	1		
7	AR82911	WIRING LEAD	2		
8	AR50834	WIRING LEAD	1		
9	WIRING LEAD	3		311MM (12-1/4") (MAKE FROM R66319, R32018, R32027 AND R32024)
10	21H1282	SCREW	2		0.190" X 7/8"
11	AR74411	RELAY	2		
12	12M7060	WASHER	8		0.209"
13	14H631	NUT	8		0.190"
14	WIRING LEAD	2		152MM (6") (MAKE FROM R66319, R32021, R32027 AND R32025)
15	WIRING LEAD	2		152MM (6") (MAKE FROM R66319 AND (2) R32018)
16	AR82909	WIRING LEAD	1		
17	AR49352	CIRCUIT BREAKER	1		30 AMP
18	21H1295	SCREW	2		0.190" X 5/8"
19	AR28403	CIRCUIT BREAKER	1		20 AMP
20	R44302	TIE BAND	AR		
21	AR78052	KIT	1	006000-	(USE WITH AR75694)

1H20

ELECTRICAL

R32128 -UN-01JAN94

7-TERMINAL ELECTRICAL OUTLET SOCKET



R32128

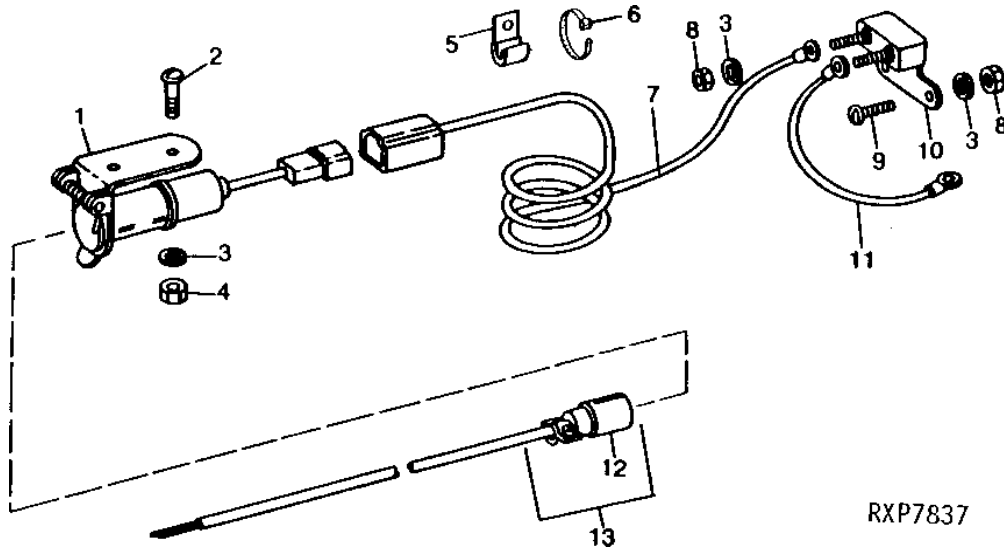
KEY	PART NO.	PART NAME	QTY	TRACTOR SERIAL NO.	REMARKS
1	19H1905	CAP SCREW	4	5/16" X 1"	
2	AR75695	SOCKET OUTLET	1		
3	R61776	STRAP	2		
4	24H1136	WASHER	4	11/32" X 11/16" X 0.065"	
5	12H303	LOCK WASHER	4	5/16"	
6	14H785	NUT	4	5/16"	
7	R61775	BOOT	1		
8	AR75696	WIRING HARNESS	1		GROUND
	WIRING LEAD	1		TAIL LAMP LEAD
9	AR67855	CONNECTOR	3		
10	RE17282	KIT	1	006000-	(SUB FOR AR75694) (FI)
..	AH93625	PLUG	1	006000-	OUTLET

1H21

ELECTRICAL

RXP7837 -UN-23SEP94

ELECTRICAL OUTLET SOCKET



RXP7837

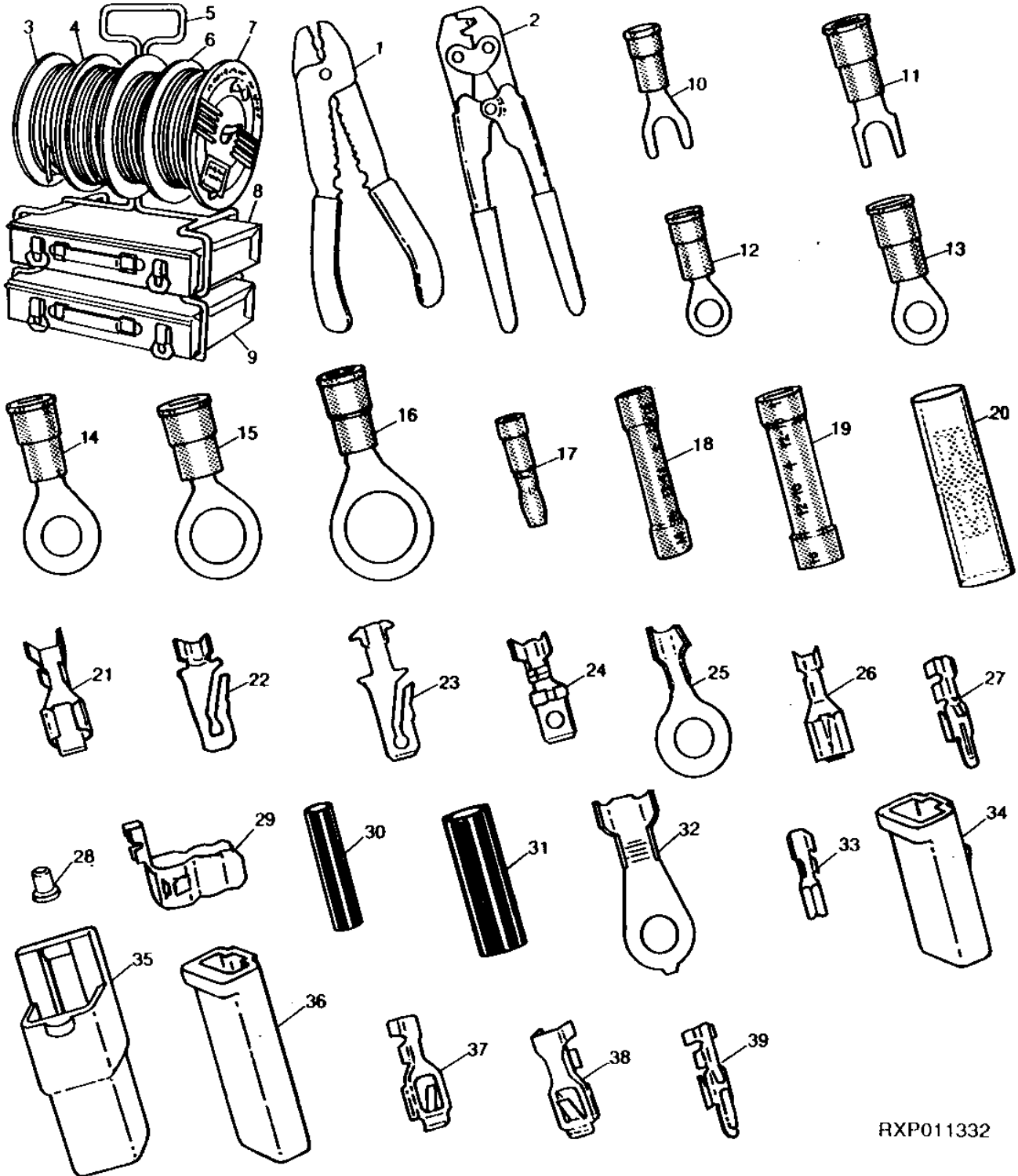
KEY	PART NO.	PART NAME	QTY	TRACTOR SERIAL NO.	REMARKS
1	AR26571	SOCKET	1		
2	21H1301	SCREW	2		0.190" X 1/2"
3	12M7060	WASHER	6		0.209"
4	14H778	NUT	2		0.190"
5	T32231	CLAMP	2		(SUB FOR R55618)
6	R44302	TIE BAND	5		
7	WIRING LEAD	1		4153MM (163-1/2") (MAKE FROM R66321, T28585, U46662, R77493 AND R77471)
8	14H631	NUT	4		0.190"
9	21H1295	SCREW	2		0.190" X 5/8"
10	AR28403	CIRCUIT BREAKER	1		
11	WIRING LEAD	1		152MM (6") (MAKE FROM R66321 AND (2) R77493)
12	AA5692R	ELECTRICAL PLUG	1		
13	AR40710	PLUG	1		

1H22

ELECTRICAL

RXP011332 -UN-27SEP94

ELECTRICAL TERMINALS,CONNECTORS AND WIRING



RXP011332

1H23

ELECTRICAL

ELECTRICAL TERMINALS,CONNECTORS AND WIRING - CONTINUED

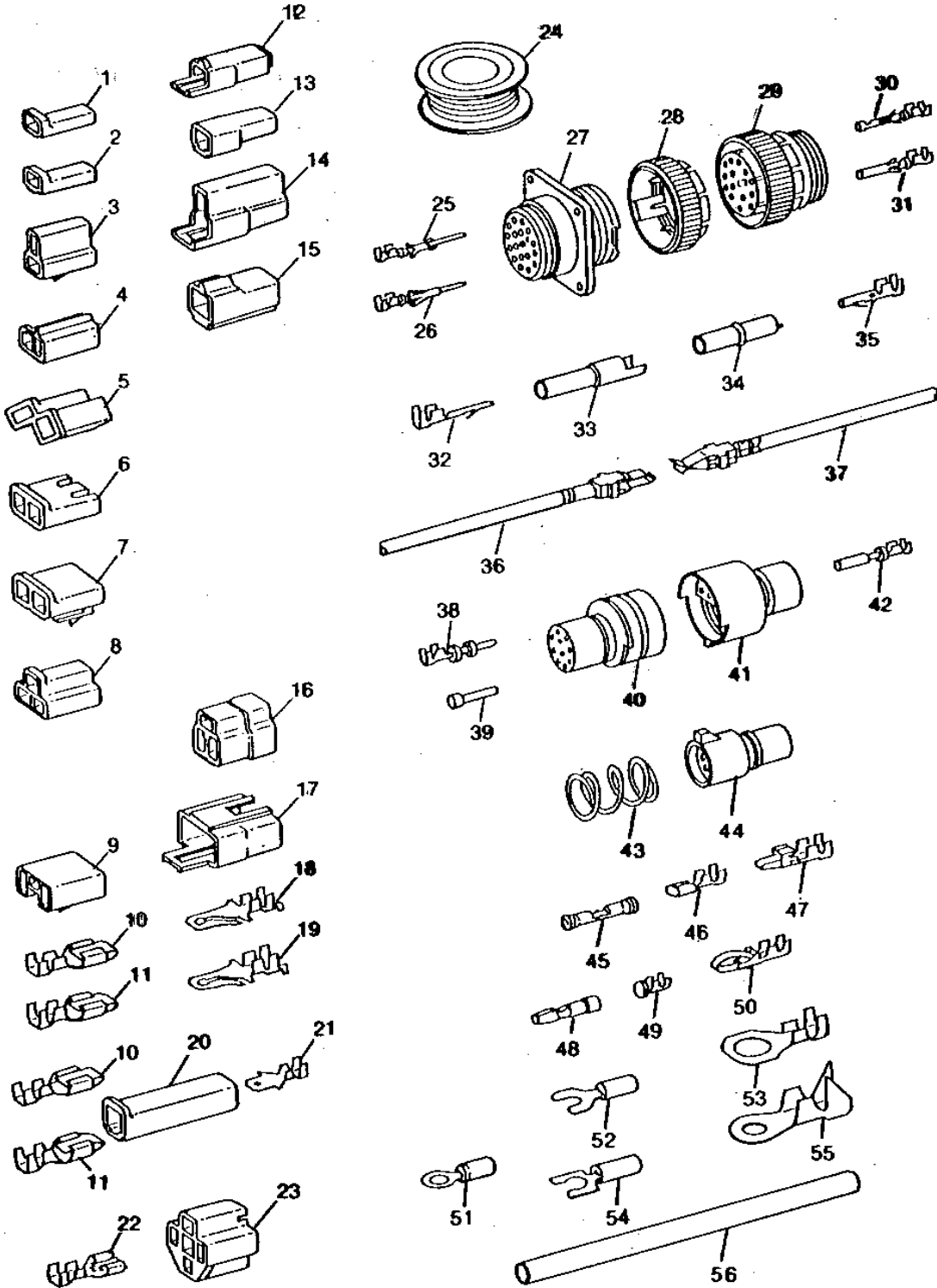
KEY	PART NO.	PART NAME	QTY	TRACTOR SERIAL NO.	REMARKS
1	R32011	TOOL	1	(NLA)	
2	R65594	TOOL	1		
3	R66319	WIRING LEAD	1	14 GA., 30.5 M (100 FT.) (1 SPOOL)	
4	R65593	WIRING LEAD	1	16 GA., 30.5 M (100 FT.) (1 SPOOL)	
5	R65608	RACK	1		
6	R66321	WIRING LEAD	1	10 GA., 15 M (50 FT.) (1 SPOOL)	
7	R66320	WIRING LEAD	1	12 GA., 30.5 M (100 FT.) (1 SPOOL)	
8	R65609	CONTAINER	1	(NLA)	
9	R65610	CONTAINER	1		
10	R32016	TERMINAL	1	14-16 GA., NO. 10 SPADE	
11	R32017	TERMINAL	1	10-12 GA., NO. 10 SPADE	
12	R32018	TERMINAL	1	14-16 GA., NO. 10 EYELET	
13	R32019	TERMINAL	1	10-12 GA., NO. 10 EYELET	
14	R32021	TERMINAL	1	10-12 GA., 1/4" EYELET	
15	R32022	TERMINAL	1	10-12 GA., 3/8" EYELET	
16	R32023	TERMINAL	1	10-12 GA., 1/2" EYELET	
17	R32026	TERMINAL	1	MALE BULLETT	
18	R32027	CONNECTOR	1	SPLICE, 14-16 GA.	
19	R32028	TERMINAL	1	SPLICE, 10-12 GA.	
20	AL2976T	CONNECTOR	1	(SUB FOR R32029) 2-WIRE BULLETT CONNECTOR	
21	R65595	TERMINAL	1	FEMALE, 10 GA.	
22	R65596	TERMINAL	1	MALE, 10 GA. OR TWO 14 GA. CABLES	
23	R65597	TERMINAL	1	MALE, 14-16 GA.	
24	R65598	TERMINAL	1	MALE, SHORT, 14-16 GA.	
25	R65599	TERMINAL	1	14-16 GA., 1/4" EYELET	
26	R65600	TERMINAL	1	FEMALE, 14-16 GA.	
27	R65601	TERMINAL	1	TWIN-LOCK, TWO 16 GA. CABLES	
28	R65602	SOCKET CONTACT	1	BULB SOCKET, 16-18 GA.	
29	R65603	TERMINAL NIPPLE	1	FUSE	
30	R65604	INSULATING SLEEVE	1	14-18 GA.	
31	R65605	INSULATING SLEEVE	1	8-12 GA.	
32	R65606	TERMINAL	1	6-8 GA., 1/4" EYELET	
33	R65607	TERMINAL	1	18-20 GA.	
34	T28583	RECEPTACLE	1	ONE CONTACT LOCK-TYPE, MALE	
35	T28585	TERMINAL	1	ONE CONTACT LOCK-TYPE, FEMALE	
36	U46370	CONNECTOR	1	CONNECTOR, ONE CONTACT SINGLE BODY, MALE	
37	U46662	TERMINAL	1	FEMALE	
38	U46663	TERMINAL	1	FEMALE	
39	U46664	TERMINAL	1	FEMALE	

1H24

ELECTRICAL

RXP010581 -UN-01JAN94

ELECTRICAL CONNECTORS, TERMINALS AND WIRING



RXP010581

1H25

ELECTRICAL

ELECTRICAL CONNECTORS, TERMINALS AND WIRING - CONTINUED

KEY	PART NO.	PART NAME	QTY	TRACTOR SERIAL NO.	REMARKS
1	T28583	RECEPTACLE	1	(B)	
2	M43835	FLAT CONNECTOR	1	(B)	
3	R77476	CONNECTOR	1	(A)	
4	R77477	CONNECTOR	1	(A)	
5	R77479	CONNECTOR	1	(A)	
6	R77480	CONNECTOR	1	(A)	
7	R77481	CONNECTOR	1	(A)	
8	R77482	CONNECTOR	1		
9	H104855	CONNECTOR	1		
10	U46662	TERMINAL	1	(E) (F)	
11	N115096	TERMINAL	1	(G) (SUB R65595) (PKG. OF 15)	
12	T28585	TERMINAL	1	(B)	
13	R77475	CONNECTOR	1	(B)	
14	T28586	CONNECTOR	1	(A)	
15	R77478	CONNECTOR	1	(A)	
16	R77483	CONNECTOR	1		
17	R48887	RECEPTACLE	1		
18	T34067	TERMINAL	1	(E) (F)	
19	R77484	TERMINAL	1	(G) (PKG. OF 15)	
20	U46370	CONNECTOR	1	(B)	
21	R77485	TAB	1	(C) (F)	
22	R77486	TERMINAL	1	(E) (F)	
23	R77487	CONNECTOR	1	(B)	
24	R66321	WIRING LEAD	1	15M (50 FT.) 10 GA.	
	R66320	WIRING LEAD	1	30.5M (100 FT.) 12 GA.	
	R77501	WIRE	1	30.5M (100 FT.) 14 GA.	
	R77500	WIRE	1	30.5M (100 FT.) 16 GA.	
	R77499	WIRE	1	30.5M (100 FT.) 18 GA.	
	R77498	WIRE	1	30.5M (100 FT.) 20 GA.	
25	R77462	PIN CONTACT	1	(PKG. OF 40) (20-22 OR 24 GA. WIRE)	
26	R77464	PIN CONTACT	1	(H) (PKG. OF 50)	
27	R77456	RECEPTACLE	1	(37 WAY)	
28	R77458	CONNECTOR	1	(A) (SIZE 23)	
	R77459	CONNECTOR	1	(A) (SIZE 17)	
	R77460	CONNECTOR	1	(A) (SIZE 13)	
	R77461	CONNECTOR	1	(A) (SIZE 11)	
29	R77457	ELECTRICAL PLUG	1	(37 WAY)	
30	R77463	SOCKET CONTACT	1	(PKG. OF 40) (20-22 OR 24 GA. WIRE)	
31	R77465	SOCKET CONTACT	1	(H) (PKG. OF 50)	
32	R77468	TERMINAL	1	(PKG. OF 5)	
33	R77466	CONNECTOR	1	(A)	
34	R77467	CONNECTOR	1	(A)	

(A) PKG. OF 2

(B) PKG. OF 3

(C) PKG. OF 10

(D) PKG. OF 20

(E) PKG. OF 25

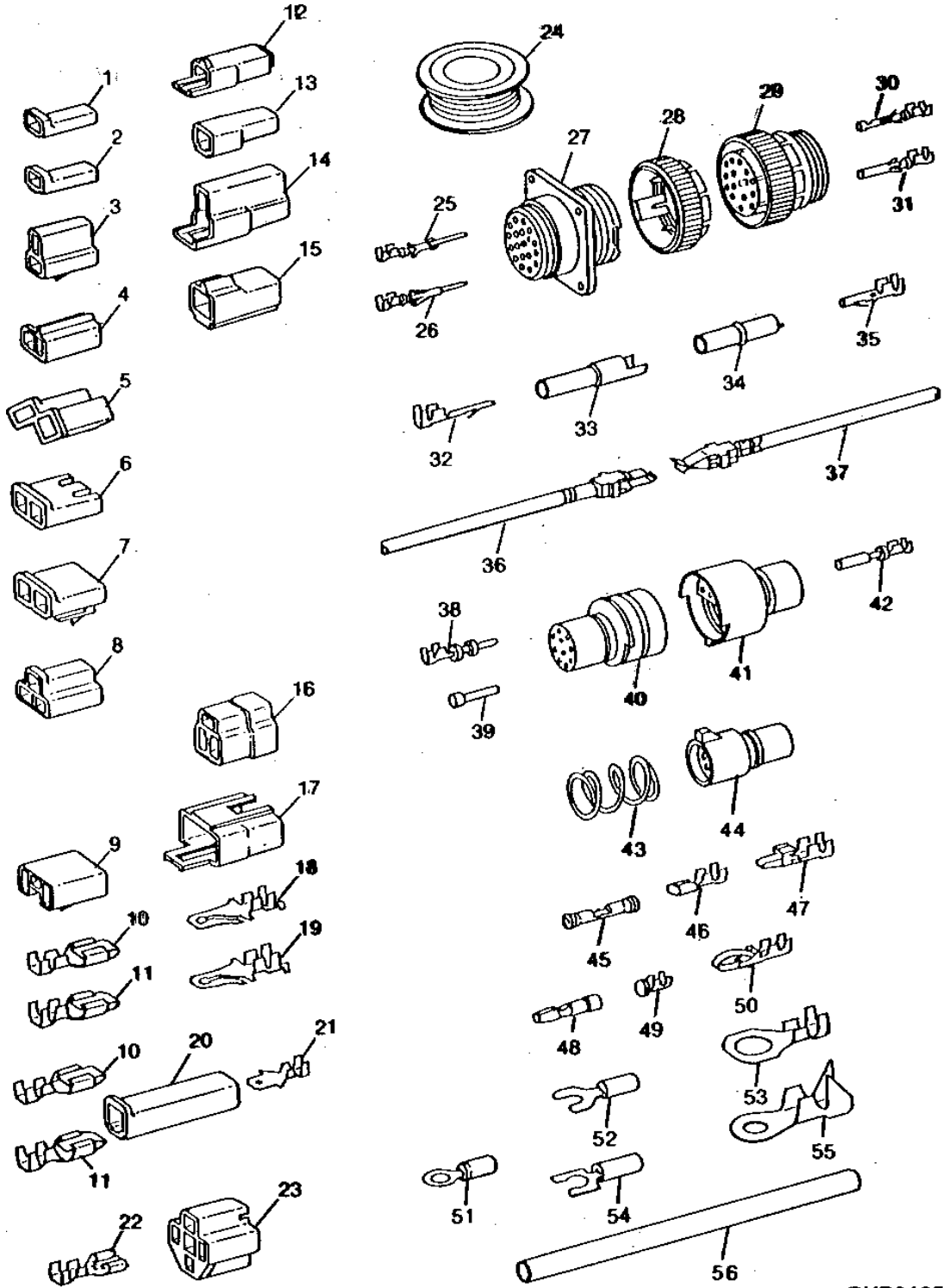
(F) 14 OR 16 GA. WIRE

(G) 10 OR 12 GA. WIRE

(H) 14-16 OR 18 GA. WIRE

ELECTRICAL CONNECTORS, TERMINALS AND WIRING - CONTINUED

RXP010581 -UN-01JAN94



RXP010581

112

ELECTRICAL

ELECTRICAL CONNECTORS, TERMINALS AND WIRING - CONTINUED

KEY	PART NO.	PART NAME	QTY	TRACTOR SERIAL NO.	REMARKS
35	R77469	TERMINAL	1		(PKG. OF 5)
36	RE11156	TERMINAL	1		(B) (MALE)
37	RE11157	TERMINAL	1		(B) (FEMALE)
38	R70222	PIN CONTACT	1		(D) (H)
39	R70221	ELECTRICAL PLUG	1		(E)
40	R70219	PLUG	1		(A) (10 WAY)
	R70217	PLUG	1		(A) (7 WAY)
	R70215	PLUG	1		(A) (4 WAY)
	R70213	PLUG	1		(A) (3 WAY)
41	R70211	CONNECTOR	1		(A) (2 WAY)
	R70218	RECEPTACLE	1		(A) (10 WAY)
	R70216	RECEPTACLE	1		(A) (7 WAY)
	R70214	RECEPTACLE	1		(A) (4 WAY)
	R70212	RECEPTACLE	1		(A) (3 WAY)
	R70210	RECEPTACLE	1		(A) (2 WAY)
42	AR91793	SOCKET CONTACT	1		(D)
43	R30378	SPRING	1		(C)
44	R77474	CONNECTOR	1		(A) (6 WAY)
45	R77470	TERMINAL	1		SPLICE (PKG. OF 15) (16-18-20 OR 22 GA. WIRE)
	R77471	TERMINAL	1		(C) (G) SPLICE
	R77472	TERMINAL	1		(A) SPLICE (8 GA. WIRE)
	R77473	TERMINAL	1		(A) SPLICE (6 GA. WIRE)
46	R65607	TERMINAL	1		(C) (18 OR 20 GA. WIRE)
47	U46664	TERMINAL	1		(C) (F)
48	R32026	TERMINAL	1		(D) (F)
49	R65602	SOCKET CONTACT	1		(C) (16 OR 18 GA. WIRE)
50	R70220	TERMINAL	1		(C) (18 OR 20 GA. WIRE)
51	R77489	TERMINAL	1		(D) (14-16-18 OR 20 GA. WIRE) (NO. 10 EYELET)
	R77493	TERMINAL	1		(D) (G) (NO. 10 EYELET)
	R77488	TERMINAL	1		(D) (14-16-18 OR 20 GA. WIRE) (3/8" EYELET)
	R77490	TERMINAL	1		(D) (G) (1/2" EYELET)
52	R77496	TERMINAL	1		(D) (F) (NO. 8 SPADE)
	R77495	TERMINAL	1		(D) (18 GA. WIRE) (NO. 10 SPADE)
53	R77497	TERMINAL	1		(D) (F) (NO. 6 SPADE)
54	R77491	TERMINAL	1		(D) (G) (3/8" EYELET)
	R77492	TERMINAL	1		(D) (G) (1/4" EYELET)
55	R77494	TERMINAL	1		(D) (6 OR 8 GA. WIRE) (1/4" EYELET)
56	R77502	TUBE	1		(PKG. OF 8) 3/8" (HEAT SHRINK)
	R77503	TUBE	1		(PKG. OF 8) 3/16" (HEAT SHRINK)

(A) PKG. OF 2

(B) PKG. OF 3

(C) PKG. OF 10

(D) PKG. OF 20

(E) PKG. OF 25

(F) 14 OR 16 GA. WIRE

(G) 10 OR 12 GA. WIRE

(H) 14-16 OR 18 GA. WIRE

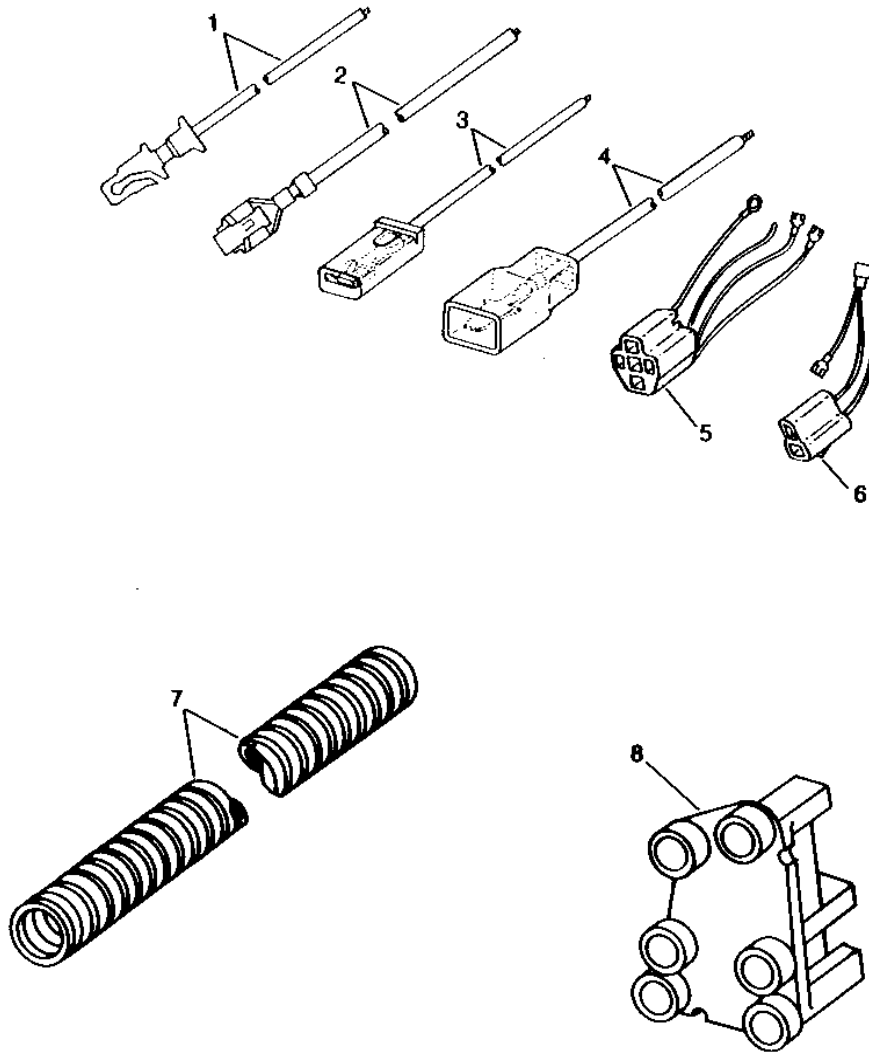
113

ELECTRICAL

RXP8619

-UN-28NOV94

SUPPLEMENTARY TERMINALS AND CONNECTORS



114

ELECTRICAL

SUPPLEMENTARY TERMINALS AND CONNECTORS - CONTINUED

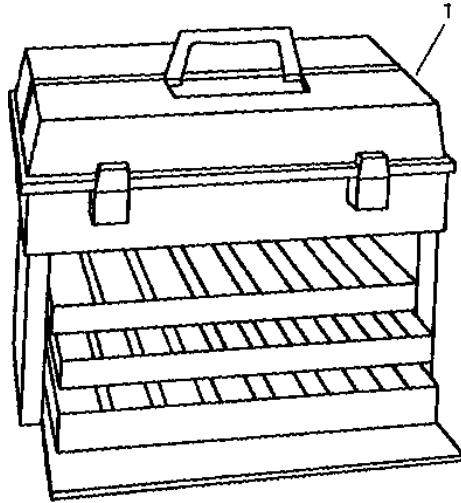
KEY	PART NO.	PART NAME	QTY	TRACTOR SERIAL NO.	REMARKS
1	AR65005	TERMINAL	1		
2	AR65006	TERMINAL	1		
3	R32024	WIRING LEAD	1		
4	R32025	WIRING LEAD	1		
5	RE21730	TERMINAL	1		
	RE21731	TERMINAL	1		
6	RE21732	TERMINAL	1		
7	R93219	CONDUIT	1		6.3 X 3048MM (1/4" X 120")
	R93220	CONDUIT	1		10.4 X 3048MM (13/32" X 120")
	R93221	CONDUIT	1		15.9 X 3048MM (5/8" X 120")
	R93222	CONDUIT	1		25.4 X 3048MM (1" X 120")
8	AR83425	RECEPTACLE CONNECTOR BODY	1		(LIGHT SWITCH)

115

ELECTRICAL

RXP010001 -UN-01JAN94

ELECTRICAL CONNECTOR AND TERMINAL KIT



RXP010001

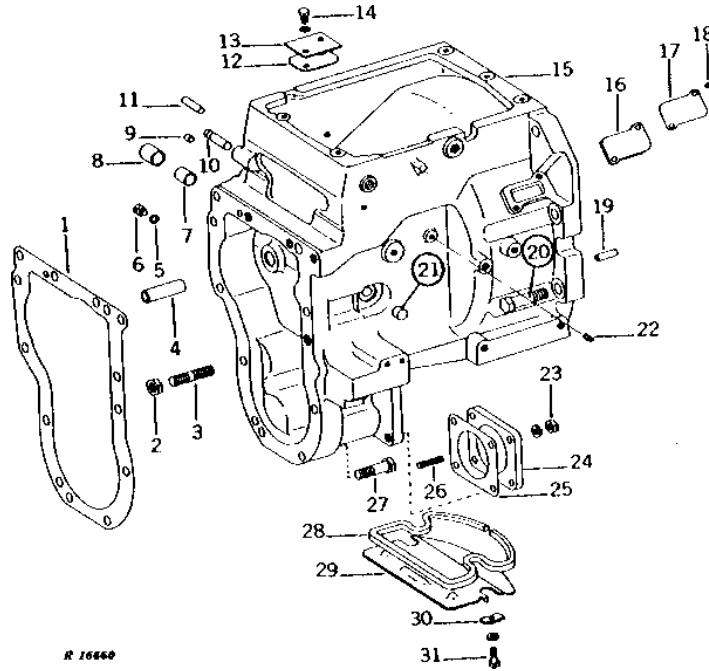
KEY	PART NO.	PART NAME	QTY	TRACTOR SERIAL NO.	REMARKS
1	PM797NA	KIT	1	(A)	
(A) KIT INCLUDES CONNECTORS,TERMINALS AND TOOLS					

119

POWER TRAIN

R16660 -UN-01JAN94

CLUTCH HOUSING (SYNCRO-RANGE)



R 16660

KEY	PART NO.	PART NAME	QTY	TRACTOR SERIAL NO.	REMARKS
1	R64326	GASKET	1		(SUB FOR R47082)
2	14H794	NUT	1		3/4"
3	F1549R	STUD	1		3/4" X 3-1/8"
4	R26663	DOWEL PIN	1		(PTO IDLER GER)
5	R26287	O-RING	1		
6	R27216	DRAIN PLUG	1		(SUB FOR R31631)
7	R26641	BUSHING	1		R.H.
8	R26642	BUSHING	1		L.H.
9	R31374	DOWEL PIN	1		(A)
10	AR48634	HOUSING	1		(SUB FOR R46696)
11	34H371	SPRING PIN	1		1/2" X 2", (NO LONGER AVAILABLE)
12	R41421	GASKET	1		(A)
13	R41422	STRAP	1		(A)
14	19H2284	CAP SCREW	2		3/8" X 7/8"
	12H304	LOCK WASHER	2		3/8"
15	AR48634	HOUSING	1		(MARKED R47800) (NO LONGER AVAILABLE)
16	R31494	GASKET	1		
17	R31493	COVER	1		
18	21H1318	SCREW	2		0.216" X 1/2"
19	T26565	DOWEL PIN	2		(SUB FOR C1220R)
20	19H1707	CAP SCREW	6		3/4" X 2-3/4"
21	R27035	CAP	1		
22	15H558	PIPE PLUG	2		1/8"
	15H638	PIPE PLUG	2		1/8"
23	14H1040	NUT	4		1/2"
	12H301	LOCK WASHER	4		1/2"
24	R33216	COVER	1		(A)
25	R33236	GASKET	1		
26	R32101	STUD	4		1/2" X 1-3/4"
27	19H1782	CAP SCREW	1		3/4" X 2-1/4"
	19H2600	CAP SCREW	2		3/4" X 2-5/8"
	19H1715	CAP SCREW	5		3/4" X 3"
28	R91558	FOAM PAD	1		(SUB FOR R30877)
29	R33403	COVER	1		
30	R27640	CLAMP	2		
31	19H1731	CAP SCREW	2		3/8" X 1"
	12H310	LOCK WASHER	2		3/8"

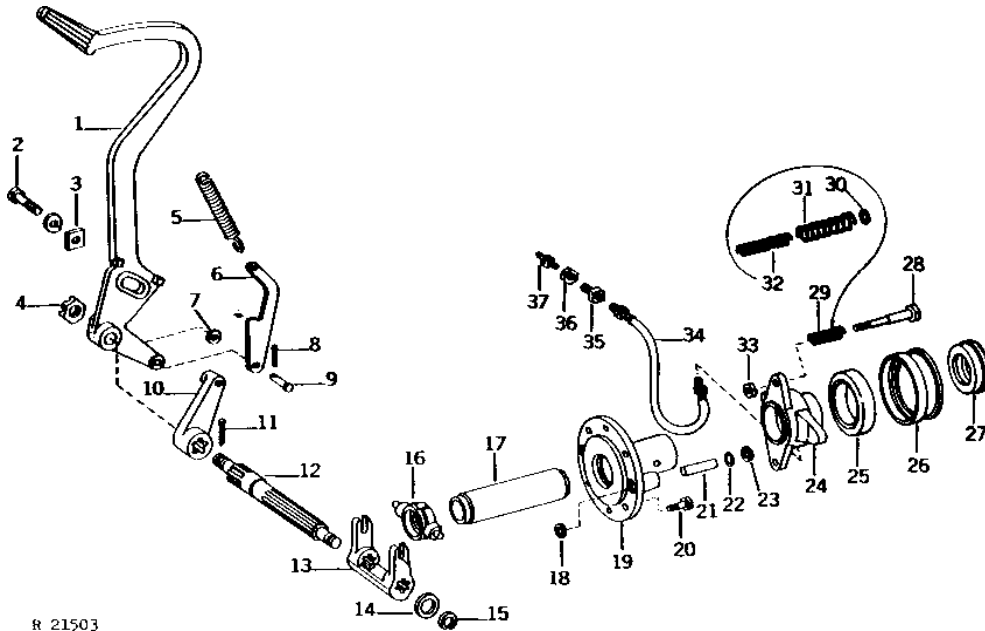
(A) LESS PTO

1110

POWER TRAIN

TRANSMISSION AND PTO CLUTCH CONTROL (SYNCRO-RANGE)

R21503 -UN-01JAN94



R 21503

KEY	PART NO.	PART NAME	QTY	TRACTOR SERIAL NO.	REMARKS
1	R46697	PEDAL	1		(NO LONGER AVAILABLE)
	R34483	LABEL	1		
2	19H1721	CAP SCREW	1		1/2" X 1-1/2"
	12H301	LOCK WASHER	1		1/2"
3	R27305	STRAP	1		
4	C1104R	NUT	1		SLOTTED
5	R46700	SPRING	1		
6	R46699	LEVER	1		
7	24H1325	WASHER	1		15/32" X 59/64" X 0.065"
8	11M7059	COTTER PIN	1		3.200 X 20 MM
9	B178R	PIN	1		
10	R46698	ARM	1		(NO LONGER AVAILABLE)
11	11M7083	COTTER PIN	1		0.126" X 1.969"
12	R46859	SHAFT	1		
13	R46860	FORK	1		
14	24H1396	WASHER	1		25/32" X 1-1/2" X 0.105"
15	R73380	SNAP RING	1		(SUB FOR A369R)
16	AR49147	SHIFT COLLAR	1		(MARKED R46857)
17	R46858	TUBE	1		
18	R26919	WASHER	2		(A) (PTO)
19	AR40572	SUPPORT	1		(MARKED R40734)
20	R63300	SELF-LOCKING SCREW	4		(SUB FOR R31198)
21	R41511	DOWEL PIN	2		(A) (PTO)
22	R56464	O-RING	2		(A)
23	R32588	BACK-UP RING	2		(A)
24	R52735	SLEEVE	1		(A) (SUB FOR R40736)
25	AR27447	BALL BEARING	1		(A)
26	R26666	SHIFT COLLAR	1		(A) (PTO)
27	AR41942	THRUST BEARING	1		
28	R40809	BOLT	2		(A)
29	R44104	SPRING	2		(A)
30	R52736	WASHER	2		(A)
31	R52737	SPRING	2		(A) OUTER
32	R51865	SPRING	2		(A) INNER

1111

POWER TRAIN

**TRANSMISSION AND PTO CLUTCH CONTROL - CONTINUED
(SYNCRO-RANGE)**

KEY	PART NO.	PART NAME	QTY	TRACTOR SERIAL NO.	REMARKS
33	14H849	NUT	2	(A) 7/16"	
34	R35644	HYDRAULIC HOSE	1	(A)	
35	R36311	FITTING	1	(A)	
36	E12379	NUT	1	(A)	
37	JD7797	LUBRICATION FITTING	1	(A)	
..	AR63607	KIT	1		COUNTERWEIGHTED PTO CLUTCH OPERATING LEVER CONVERSION

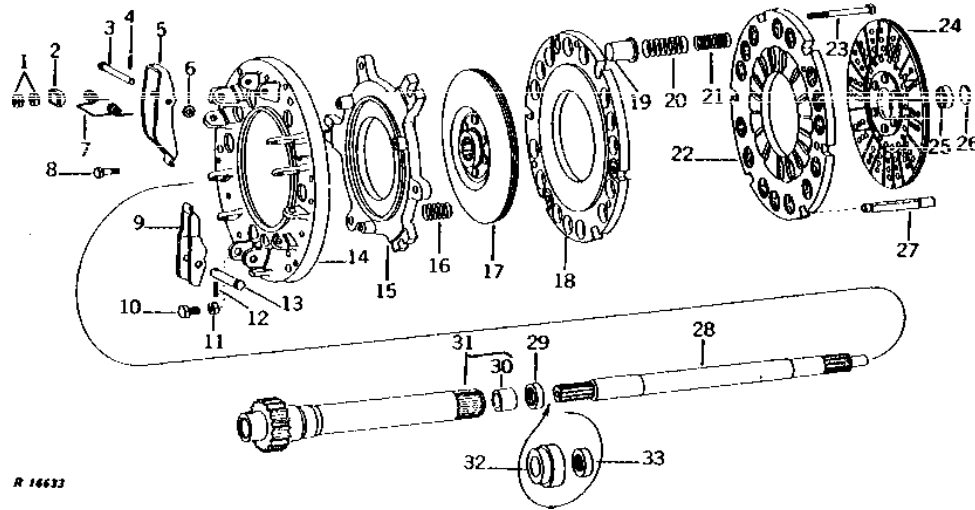
(A) NOT USED ON LESS PTO.

1112

POWER TRAIN

R16633 -UN-01JAN94

TRANSMISSION AND PTO CLUTCH (SYNCRO-RANGE)



KEY	PART NO.	PART NAME	QTY	TRACTOR SERIAL NO.	REMARKS
1	14H774	NUT	6	3/8"	
2	R32631	BAR	3		
3	R31131	PIN	3	(SUB R58111, 11M7021 AND 24H1301)	
4	11M7021	COTTER PIN	3	0.157" X 0.984"	
5	AR31906	LEVER	3	CLUTCH	
6	24M7096	WASHER	3	10.500 X 18 X 1.600 MM	
7	R26639	SPRING	3		
8	R46567	CAP SCREW	6	(SUB FOR R31198)	
9	AR58171	LEVER	3	(A) (PTO) WITH COUNTERWEIGHTS	
10	R55184	SELF-LOCKING SCREW	3	(A) (SUB FOR R43763)	
11	14H934	NUT	3	(A) 7/16"	
12	11M7021	COTTER PIN	3	(A) 0.157" X 0.984"	
13	R43418	PIN	3	(A)	
14	R46425	COVER	1		
15	R45223	PLATE	1	(A) REAR	
16	R26659	SPRING	3	(PTO)	
	R48618	SPRING	3	(A) (LESS PTO)	
17	RE29609	CLUTCH DISK	1	(A) (SUB FOR AR26688)	
18	R47628	PLATE	1	FRONT	
19	R27033	BUSHING	15		
20	R42058	SPRING	15	OUTER	
21	R46776	SPRING	15	INNER	
22	R47627	CLUTCH PLATE	1		
23	R49579	BOLT	3	(SUB FOR R32632)	
24	RE29775	CLUTCH DISK	1	(SUB FOR AR49011)	
	AR58024	CLUTCH DISK	1	(HEAVY-DUTY BUTTON TYPE) (SUB FOR AR50289)	
25	JD9449	BALL BEARING	1	(SUB FOR JD9281)	
26	R26656	WASHER	1		
27	R46046	PIN	3		
28	R34201	SHAFT	1		
29	AR26481	SEAL	1	(A)	
30	R30829	BUSHING	1	(A)	
31	AR48269	SHAFT	1	(A)	
32	R53585	QUILL	1	(LESS PTO) (SUB FOR R27042)	
33	AR26604	SEAL	1	(LESS PTO)	
..	AR63607	KIT	1	COUNTERWEIGHT PTO CLUTCH OPERATING LEVER CONVERSION	

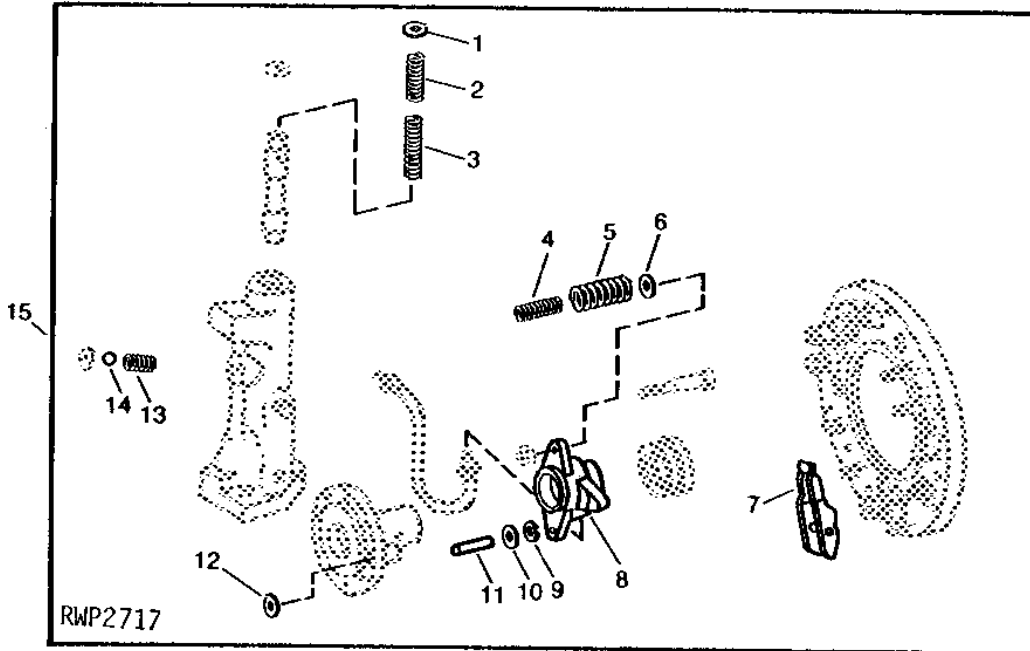
(A) NOT USED ON LESS PTO

1113

POWER TRAIN

RWP2717 -UN-01JAN94

COUNTERWEIGHTED PTO CLUTCH OPERATING LEVER CONVERSION KIT



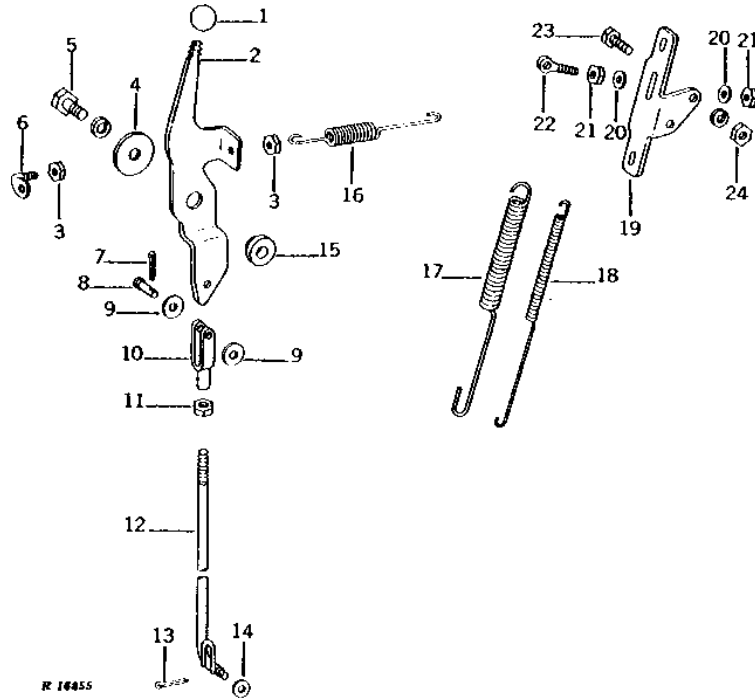
KEY	PART NO.	PART NAME	QTY	TRACTOR SERIAL NO.	REMARKS
1	R53237	SHIM	1		0.64MM (.025")
2	R52057	SPRING	1		INNER
3	R45582	SPRING	1		OUTER
4	R51865	SPRING	2		
5	R52737	SPRING	2		
6	R52736	WASHER	2		
7	AR58171	LEVER	3		
8	R52735	SLEEVE	1		(SUB FOR R40736)
9	R32588	BACK-UP RING	2		
10	R56464	O-RING	2		
11	R41511	DOWEL PIN	2		
12	R26919	WASHER	2		
13	R26373	SPRING	1		
14	400R	BALL	1		6MM (1/4")
15	AR63607	KIT	1		

1114

POWER TRAIN

R16855 -UN-01JAN94

PTO CLUTCH VALVE CONTROL LINKAGE (SYNCRO-RANGE)



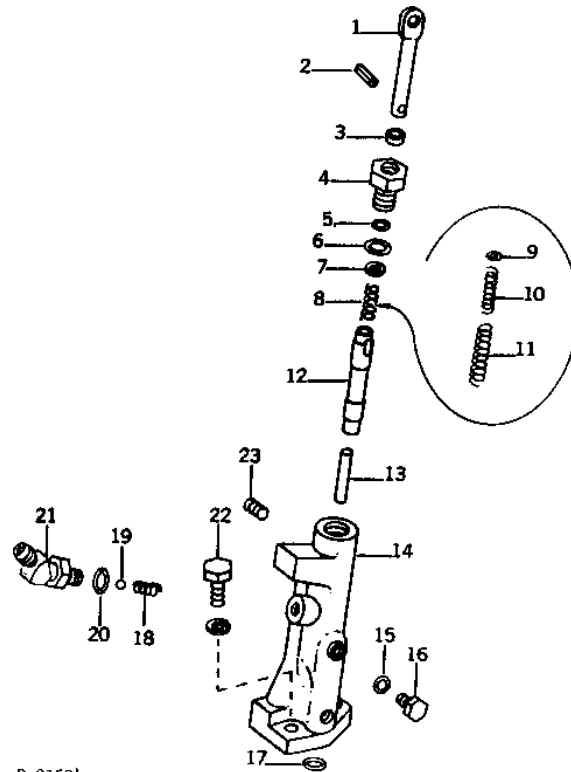
KEY	PART NO.	PART NAME	QTY	TRACTOR SERIAL NO.	REMARKS
1	R40948	KNOB	1		
2	R41370	LEVER	1		
3	14H732	NUT	2	3/8"	
4	F2912R	WASHER	1		
5	19H2354	CAP SCREW	1	9/16" X 1-1/4"	
	12H317	LOCK WASHER	1	9/16"	
6	R48102	STUD	1		
7	11M7081	COTTER PIN	1	0.098" X 0.787"	
8	R65563	PIN	1	(SUB FOR C1067R)	
9	24H1309	WASHER	2	13/32" X 1-1/16" X 0.120"	
10	L324T	YOKE	1		
11	14H774	NUT	1	3/8"	
12	AR48448	ROD	1		
13	11M7059	COTTER PIN	1	3.200 X 20 MM	
14	24H1136	WASHER	1	11/32" X 11/16" X 0.065"	
15	R26574	WASHER	1		
16	R48101	SPRING	1		
17	R42511	SPRING	1		
18	R42509	SPRING	1		
19	R46313	BRACKET	1		
20	24H1309	WASHER	2	13/32" X 1-1/16" X 0.120"	
21	14H1076	NUT	2	3/8"	
22	R42512	EYEBOLT	1		
23	19H2284	CAP SCREW	2	3/8" X 7/8"	
24	14H1076	NUT	1	3/8"	
	12H304	LOCK WASHER	1	3/8"	

1115

POWER TRAIN

R21504 -UN-01JAN94

PTO CLUTCH VALVE (SYNCRO-RANGE)



R 21504

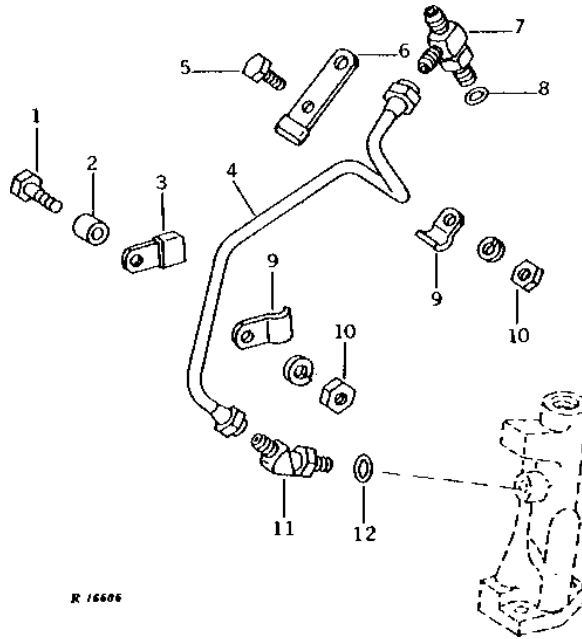
KEY	PART NO.	PART NAME	QTY	TRACTOR SERIAL NO.	REMARKS
1	R40812	SHAFT	1		
2	34H260	SPRING PIN	1	5/32" X 5/8"	
3	AR40687	SEAL	1		
4	R40813	DRAIN PLUG	1		
5	A3917R	O-RING	1		
6	R26375	O-RING	1		
7	R31632	SHIM	1		
8	R44204	SPRING	1		
9	R53237	SHIM	1		
10	R52057	SPRING	1		INNER
11	R45582	SPRING	1		OUTER
12	R40811	CONTROL VALVE	1		(NO LONGER AVAILABLE)
13	R36882	DOWEL PIN	1		(SUB R55081)
14	AR48963	HOUSING	1		(MARKED R46732)
15	R26287	O-RING	1		
16	R27216	DRAIN PLUG	1		(SUB FOR R31631)
17	R33259	O-RING	3		(SUB FOR T11934)
18	R26373	SPRING	1	024251-	
19	400R	BALL	1	024251-	6.35MM (1/4")
20	R26287	O-RING	1		
21	AR35223	ELBOW FITTING	1		45°, ADJUSTABLE
22	19H2552	CAP SCREW	2		3/8" X 1-1/8"
	12H304	LOCK WASHER	2		3/8"
	15H558	PIPE PLUG	2		1/8"
..	AR58572	HOUSING	1		COMPLETE LESS FITTING, (SUB AR46113, (3)
..	AR63607	KIT	1		R33259, (2) 12H304 AND (2) 19H2552) COUNTERWEIGHT PTO CLUTCH OPERATING LEVER CONVERSION

1116

POWER TRAIN

R16606 -UN-01JAN94

PTO CLUTCH VALVE OIL PIPE (SYNCRO-RANGE)



R 16606

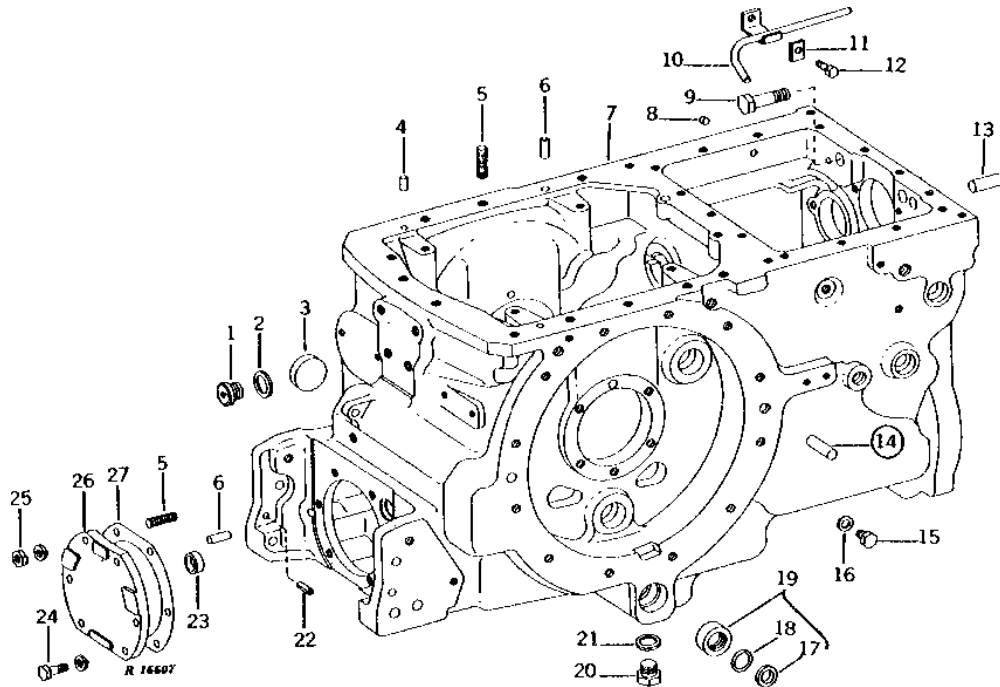
KEY	PART NO.	PART NAME	QTY	TRACTOR SERIAL NO.	REMARKS
1	19H1765	CAP SCREW	1	3/8" X 1-3/4"	
2	28H1697	SPACER	1	0.493" X 0.675" X 3/4"	
3	R31655	STRAP	1		
4	AR48447	HYDRAULIC LINE	1		
5	19H1936	CAP SCREW	1	3/8" X 3/4"	
6	R46658	PLATE	1		
7	AR30762	TEE FITTING	1	ADJUSTABLE	
8	R26286	O-RING	1		
9	R31654	CLAMP	2		
10	14H1076	NUT	2	3/8"	
	12H304	LOCK WASHER	2	3/8"	
11	AR35223	ELBOW FITTING	1	45°, ADJUSTABLE	
12	R26287	O-RING	1		

1117

POWER TRAIN

R16607 -UN-01JAN94

TRANSMISSION CASE (SYNCRO-RANGE)



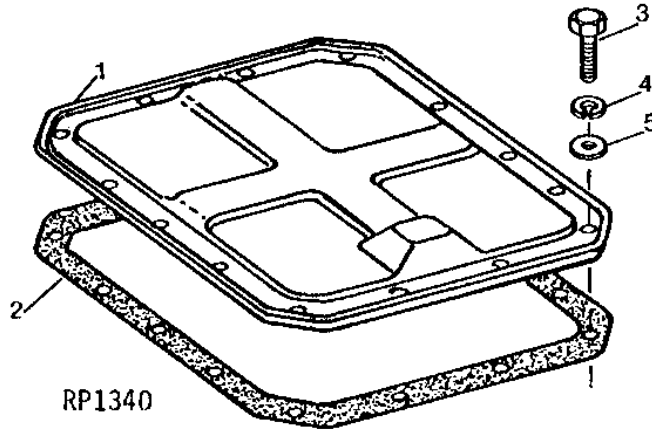
KEY	PART NO.	PART NAME	QTY	TRACTOR SERIAL NO.	REMARKS
1	R27483	PLUG	1		
2	H851R	WASHER	1	ALUMINUM	
3	R38344	CAP	1		
4	R1612R	DOWEL PIN	4		
	R21630	PIPE PLUG	4		
5	R32101	STUD	6	1/2" X 1-3/4"	
6	R48685	DOWEL PIN	4	(SUB FOR A120R)	
7	AR77477	CASE	1	(MARKED R45290, R49830 OR R61975) (ALSO ORDER R51195 AND (3) T12637)	
8	M4224T	PLUG	1		
9	19H1782	CAP SCREW	3	3/4" X 2-1/4"	
10	AR48755	TUBE	1		
11	R30959	LOCK PLATE	1		
12	19H2021	CAP SCREW	1	3/8" X 5/8"	
13	A776R	PIN	2		
14	R54380	DOWEL PIN	4	(SUB FOR T25317)	
15	R27218	FITTING PLUG	1	(LESS DIFFERENTIAL LOCK)	
16	R51494	WASHER	1	(LESS DIFFERENTIAL LOCK)	
17	R46511	WASHER	2		
	R53177	WASHER	2	(USE WHEN AR54481 OR AR85459 HAS BEEN INSTALLED)	
18	U12037	O-RING	2	(SUB FOR R48474)	
	R53180	O-RING	2	(USE WHEN AR54481 OR AR85459 HAS BEEN INSTALLED)	
19	AR54481	BUSHING	2	(SUB FOR AR49127, AR53116 OR AR85459)	
20	F3128R	DRAIN PLUG	1		
21	A4827R	WASHER	1	ALUMINUM	
22	34H348	SPRING PIN	2	3/8" X 1"	
23	R33498	CAP	1		
24	19H1815	CAP SCREW	4	1/2" X 1-1/4"	
	12H301	LOCK WASHER	4	1/2"	
25	14H1040	NUT	2	1/2"	
	12H301	LOCK WASHER	2	1/2"	
26	R33489	COVER	1	(LESS PTO)	
27	R33337	GASKET	1		
..	AR55735	KIT	1	TRANSMISSION LOAD CONTROL SHAFT BORE REPAIR	

1118

POWER TRAIN

RP1340 -UN-01JAN94

TRANSMISSION CASE COVER (SYNCRO-RANGE)



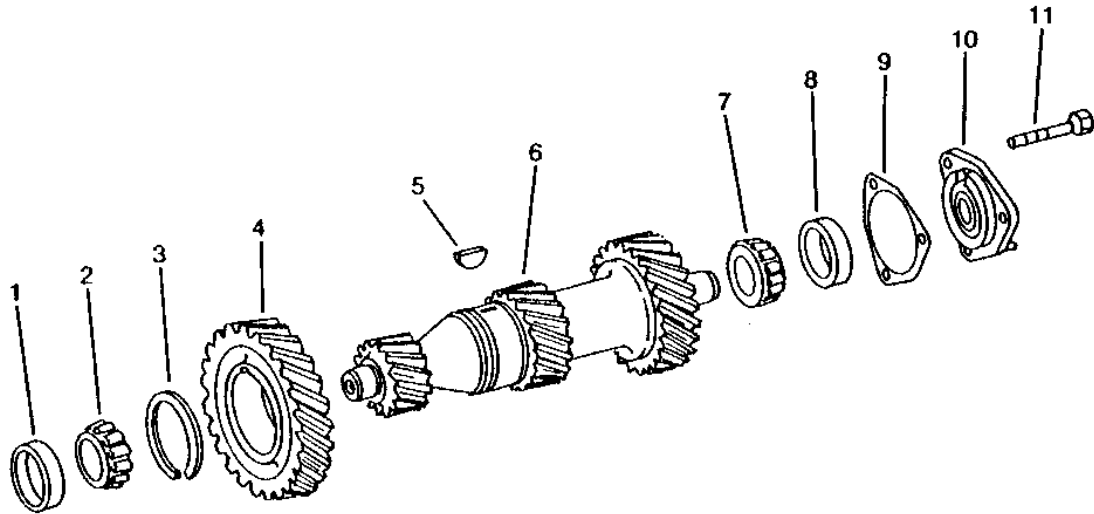
KEY	PART NO.	PART NAME	QTY	TRACTOR SERIAL NO.	REMARKS
1	R33424	COVER	1		
2	R33425	GASKET	1		
3	19H1731	CAP SCREW	12	3/8" X 1"	
	19H1801	CAP SCREW	2	3/8" X 2"	
	12H304	LOCK WASHER	14	3/8"	
4	A4624R	WASHER	14		

1119

POWER TRAIN

RP1342 -UN-01JAN94

COUNTERSHAFT (SYNCRO-RANGE)



RP1342

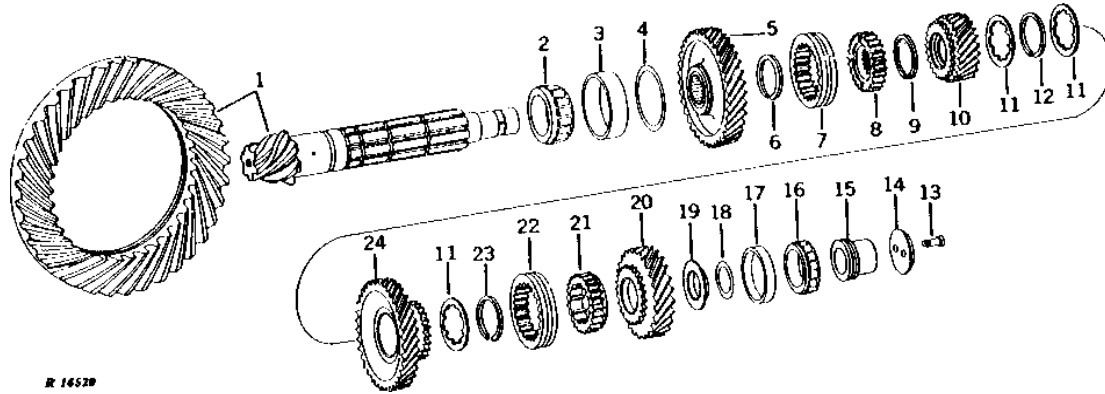
KEY	PART NO.	PART NAME	QTY	TRACTOR SERIAL NO.	REMARKS
1	JD8257	BEARING CUP	1		
2	JD8947	BEARING CONE	1		
3	H631R	SNAP RING	1		(SUB FOR R26210)
4	R46115	GEAR	1		6TH AND 8TH SPEED
5	26H89	SHAFT KEY	1		1/4" X 1-1/8"
6	R67222	COUNTERSHAFT	1		(SUB FOR R46114 OR R51205)
7	JD8198	BEARING CONE	1		
8	JD9111	BEARING CUP	1		
9	R46394	SHIM	AR		0.15MM (.006")
	R46395	SHIM	AR		0.25MM (.010")
	R46396	SHIM	AR		0.46MM (.018")
10	R46557	RETAINER	1		(NO LONGER AVAILABLE)
11	R57725	SCREW	3		(SUB FOR R40835)

1120

POWER TRAIN

DIFFERENTIAL DRIVE AND BEVEL PINION ASSEMBLY (SYNCRO-RANGE)

R16520 -UN-01JAN94



KEY	PART NO.	PART NAME	QTY	TRACTOR SERIAL NO.	REMARKS
1	AR48697	GEAR	1		(MARKED R33062 AND R46502) (MATCHED SET)
2	JD9046	BEARING CONE	1		
3	JD9112	BEARING CUP	1		
4	R46397	SHIM	AR		0.08MM (.003")
	R46398	SHIM	AR		0.13MM (.005")
	R46399	SHIM	AR		0.25MM (.010")
5	AR93240	GEAR	1		1ST AND 3RD SPEED, (MARKED R46116, R67219 OR R70966) (SUB FOR AR48217 OR AR87486)
6	R46400	SNAP RING	1		
7	R46439	SHIFT COLLAR	1		
8	R46436	GEAR	1		
9	R46401	SNAP RING	1		
10	R46120	GEAR	1		6TH AND 8TH SPEED
11	R26068	WASHER	3		
12	R46402	SNAP RING	1		
13	R57725	SCREW	2		(SUB FOR R40835)
14	R50365	PLATE	1		(SUB FOR R33347)
15	R46747	BEARING RACE	1		(LESS PTO) (SUB FOR R33346)
16	JD8980	BEARING CONE	1		
17	JD7430	BEARING CUP	1		
18	R33413	SHIM	AR		0.08MM (.003")
	R33414	SHIM	AR		0.13MM (.005")
	R33415	SHIM	AR		0.25MM (.010")
19	R69214	THRUST WASHER	1		(SUB FOR R33386)
20	R46118	GEAR	1		4TH AND 7TH SPEED
21	R46435	GEAR	1		
22	R26066	SHIFT COLLAR	1		
23	R46403	SNAP RING	1		
24	R46117	GEAR	1		2ND AND 5TH SPEED

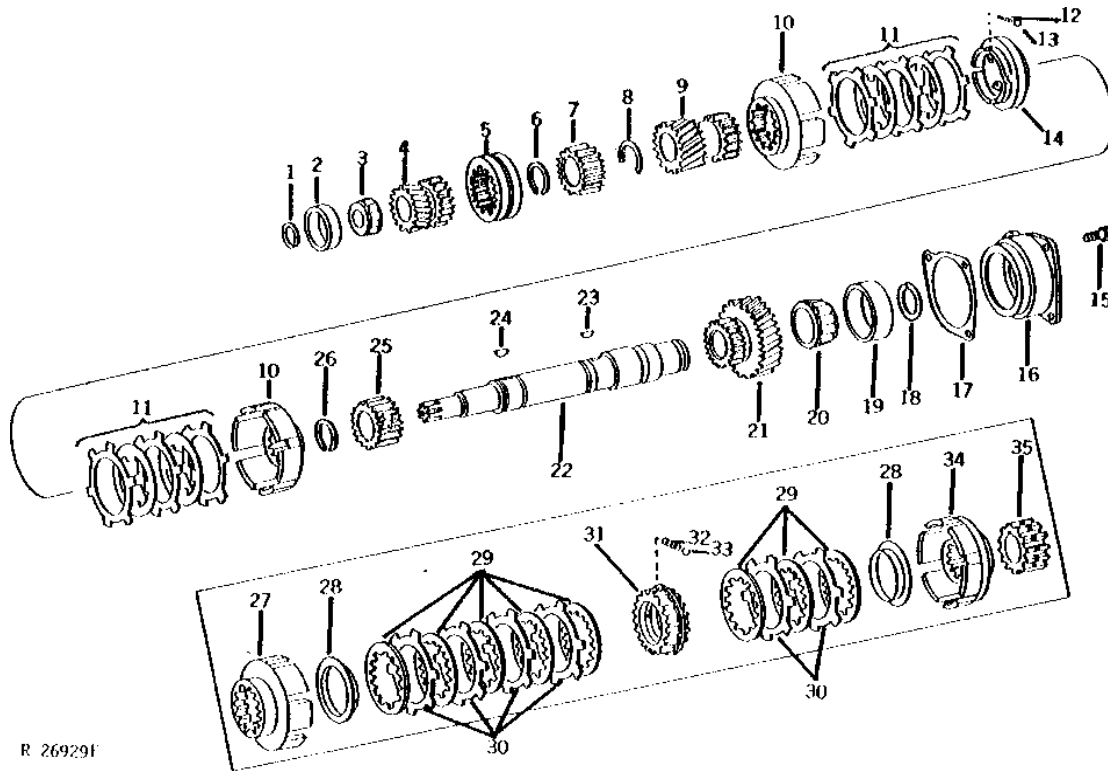
MEMORANDA

1121

POWER TRAIN

R26929 -UN-01JAN94

TRANSMISSION DRIVE SHAFT ASSEMBLY (SYNCRO-RANGE WITH COLLAR SHIFT REVERSE)



KEY	PART NO.	PART NAME	QTY	TRACTOR SERIAL NO.	REMARKS
1	R35164	SNAP RING	AR		1.93MM (.076")
	R35165	SNAP RING	AR		2.01MM (.079")
	R35166	SNAP RING	AR		2.08MM (.082")
	R35167	SNAP RING	AR		2.16MM (.085")
2	JD8291	BEARING CUP	1		
3	JD7232	BEARING CONE	1		
4	R63974	PINION	1		(REVERSE RANGE) (SUB FOR R46124)
5	R62993	SHIFT COLLAR	1		(SUB FOR R46438)
6	R26218	SNAP RING	1		
7	R50603	SHIFT COLLAR	1		(SUB FOR R46123)
8	R46405	SNAP RING	1		
9	R59613	PINION	1		(LOW RANGE) (SUB FOR R46122 AND R53179)
10	R31026	DRUM	2		(LOW AND HIGH RANGE)
11	RE37119	DISK	1		(2 SETS UED) (SUB FOR AR48673 OR AR69154)
12	R59860	SPRING	4		(SUB FOR R27730)
13	A4742R	BALL	4		4MM (5/32")
14	R31028	SYNCHRONIZER	1		(LOW AND HIGH RANGE)
15	R57725	SCREW	3		(SUB FOR R40835)
16	R46558	HOUSING	1		(NO LONGER AVAILABLE)
17	R26233	SHIM	AR		0.15MM (.006")
	R26234	SHIM	AR		0.25MM (.010")
18	R26214	SNAP RING	AR		1.93MM (.076") (SUB R49430)
	R26215	SNAP RING	AR		2.01MM (.079") (SUB R49431)
	R26216	SNAP RING	AR		2.08MM (.082") (SUB R49432)
	R26217	SNAP RING	AR		2.16MM (.085") (SUB R49433)
19	JD8236	BEARING CUP	1		
20	JD9047	BEARING CONE	1		

1122

POWER TRAIN

TRANSMISSION DRIVE SHAFT ASSEMBLY - CONTINUED
(SYNCRO-RANGE WITH COLLAR SHIFT REVERSE)

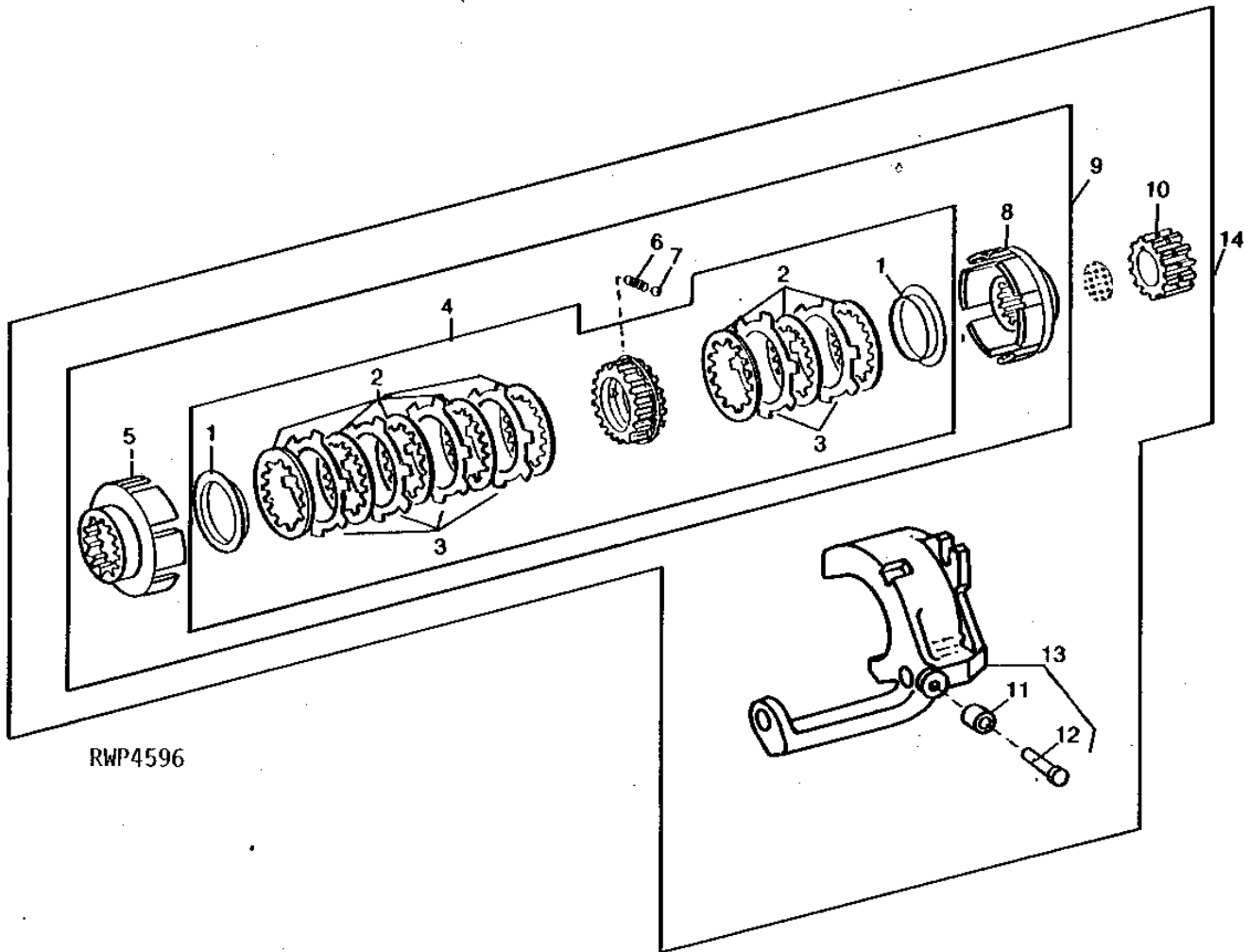
KEY	PART NO.	PART NAME	QTY	TRACTOR SERIAL NO.	REMARKS
21	R46119	PINION	1		(HIGH-RANGE)
22	R46121	SHAFT	1		
23	26H77	SHAFT KEY	1		3/16" X 3/4"
24	26H74	SHAFT KEY	1		3/16" X 5/8"
25	R46437	SHIFT COLLAR	1		(LOW AND HIGH RANGE)
26	R46404	SNAP RING	1		
27	R63073	BRAKE DRUM	1		
28	R63070	RETAINER	2		
29	RE36170	DISK, INNER SPLINE	8		(SUB FOR AR77819)
30	R63069	CLUTCH PLATE	6		
31	AR77817	SYNCHRONIZER	1		
32	R63074	SPRING	4		
33	R63075	BALL	4		5.5MM (7/32")
34	R63072	DRUM	1		
35	R62807	SHIFT COLLAR	1		

1123

POWER TRAIN

RWP4596 -UN-01JAN94

SYNCHRONIZER REPAIR KIT
(TRACTOR SERIAL NO. -XXXXXX)



1124

POWER TRAIN

SYNCHRONIZER REPAIR KIT - CONTINUED
(TRACTOR SERIAL NO. -XXXXXX)

KEY	PART NO.	PART NAME	QTY	TRACTOR SERIAL NO.	REMARKS
1	R63070	RETAINER	2		
2	RE36170	DISK, INNER SPLINE	8		(SUB FOR AR77819)
3	R63069	CLUTCH PLATE	6		
4	AR77817	SYNCHRONIZER	1		(A)
5	R63073	BRAKE DRUM	1		
6	R63074	SPRING	4		
7	R63075	BALL	4		6MM (7/32")
8	R63072	DRUM	1		(B)
9	AR77818	SYNCHRONIZER	1		(A) (SUB AR77817, R63072, R63073, (4) R63074 AND R63075)
10	R62807	SHIFT COLLAR	1		
11	R26207	ROLLER	1		
12	R26206	PIN	1		
13	AR77820	SHIFTER	1		(A) (MARKED R63076)
14	AR77816	KIT	1		(A)

(A) LOW-RANGE AND HIGH RANGE

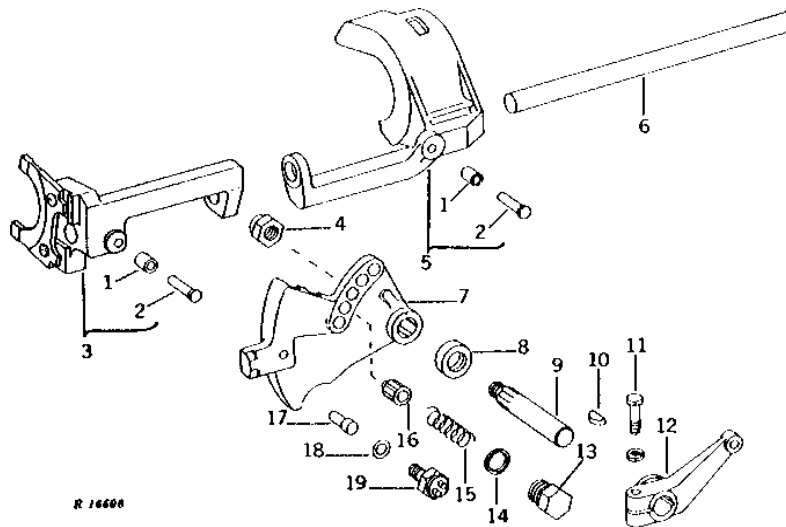
(B) HIGH RANGE

1125

POWER TRAIN

RANGE SHIFTERS AND SHIFTER SHAFT (SYNCRO-RANGE)

R16608 -UN-01JAN94



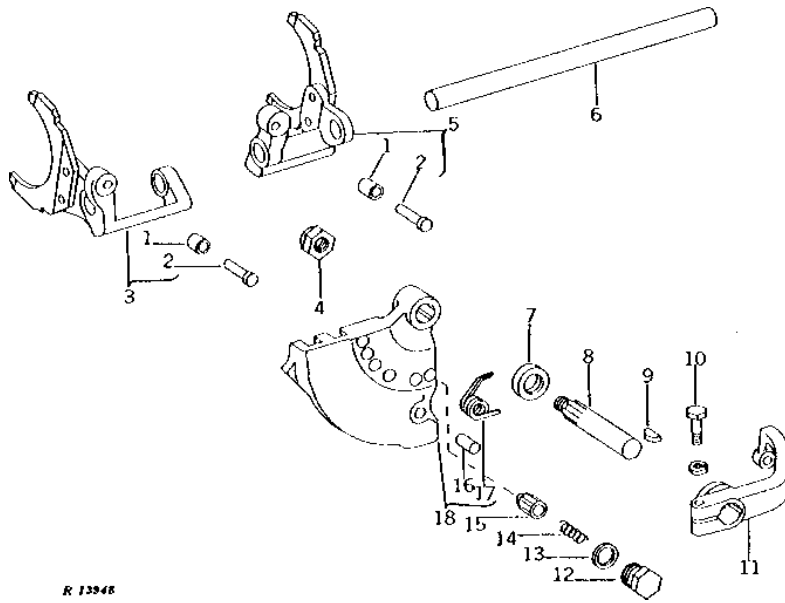
KEY	PART NO.	PART NAME	QTY	TRACTOR SERIAL NO.	REMARKS
1	R26207	ROLLER	2		
2	R26206	PIN	2		
3	AR46768	LEVER	1		REVERSE RANGE, (MARKED R44995)
4	E17421	LOCK NUT	1		
5	AR32175	SHIFTER	1		LOW AND HIGH-RANGE, (MARKED R33393) (SUB AR77820, R61567 AND 19H1988 OR 19H3225)
	AR77820	SHIFTER	1		LOW AND HIGH-RANGE, (MARKED R63076) (USE AFTER AR77816 HAS BEEN INSTALLED)
6	R33730	DOWEL PIN	1		
7	R44996	CAM	1		
8	AR389R	SEAL	1		
9	R32630	SHAFT	1		(ALSO ORDER E17421) (SUB FOR AR31904)
10	26H17	SHAFT KEY	1		3/16" X 7/8"
11	19H1800	CAP SCREW	1		3/8" X 1-1/2"
	12H304	LOCK WASHER	1		3/8"
12	R49207	ARM	1		(SUB FOR R26497)
13	R38181	FITTING	1		
14	A4827R	WASHER	1		ALUMINUM
15	B207R	SPRING	1		
16	R26202	PAWL	1		(DETENT)
17	R99556	PIN	1		(SUB FOR R33731)
18	T16911	SHIM	AR		ALUMINUM
19	RE38390	SWITCH	1		NEUTRAL START, (SUB FOR R36265, AR85323 OR AR89691)

1J1

POWER TRAIN

GEAR SHIFTERS AND SHIFTER SHAFT (SYNCRO-RANGE)

R13948 -UN-01JAN94



R 13948

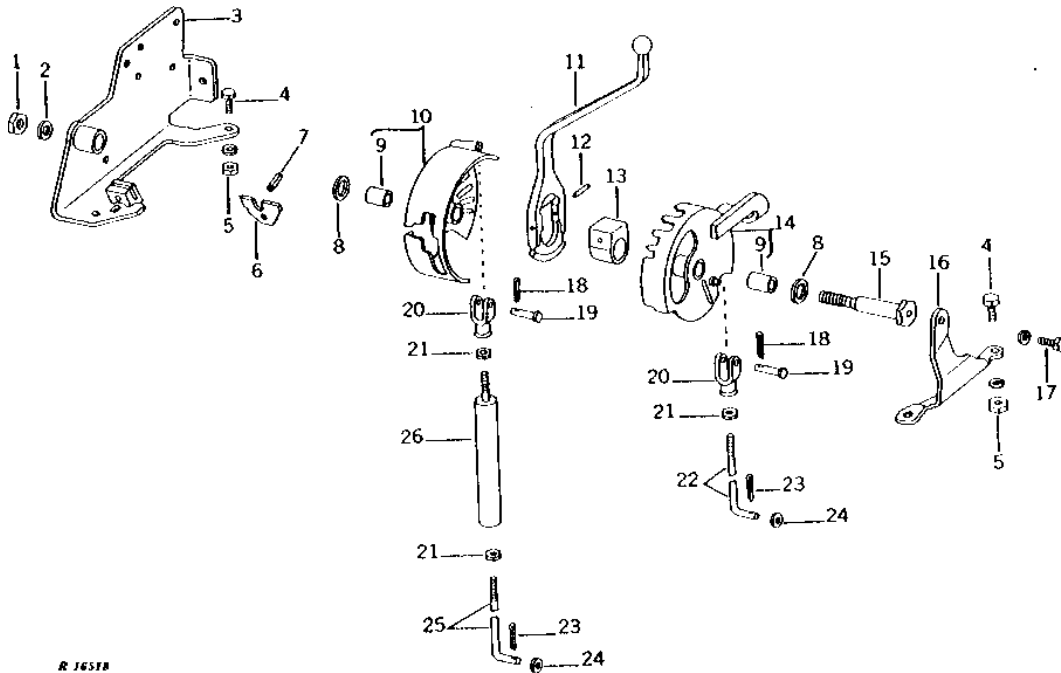
KEY	PART NO.	PART NAME	QTY	TRACTOR SERIAL NO.	REMARKS
1	R26207	ROLLER	2		
2	R26206	PIN	2		
3	AR73157	LEVER	1		1ST AND 3RD, 6TH AND 8TH SPEED, (MARKED R46464 OR R60336) (SUB FOR AR48668)
4	E17421	LOCK NUT	1		
5	AR32180	SHIFTER	1		2ND AND 5TH, 4TH AND 7TH SPEED, (MARKED R33399)
6	R33730	DOWEL PIN	1		
7	AR389R	SEAL	1		
8	E17421	LOCK NUT	1		(SUB FOR AR31904)
9	26H17	SHAFT KEY	1		3/16" X 7/8"
10	19H1800	CAP SCREW	1		3/8" X 1-1/2"
	12H304	LOCK WASHER	1		3/8"
11	R33765	ARM	1		
12	R38181	FITTING	1		
13	A4827R	WASHER	1		ALUMINUM
14	R26203	SPRING	1		
15	R26202	PAWL	1		(DETENT)
16	34H365	SPRING PIN	1		1/2" X 7/8"
17	R109478	SPRING	1		(SUB FOR R27243, R55910 OR R73444)
18	RE46990	CAM	1		(MARKED R33400) (SUB FOR AR32692, AR65493, AR74079 OR AR99412)

1J2

POWER TRAIN

TRANSMISSION SHIFTER CONTROL (SYNCRO-RANGE)

R16518 -UN-01JAN94



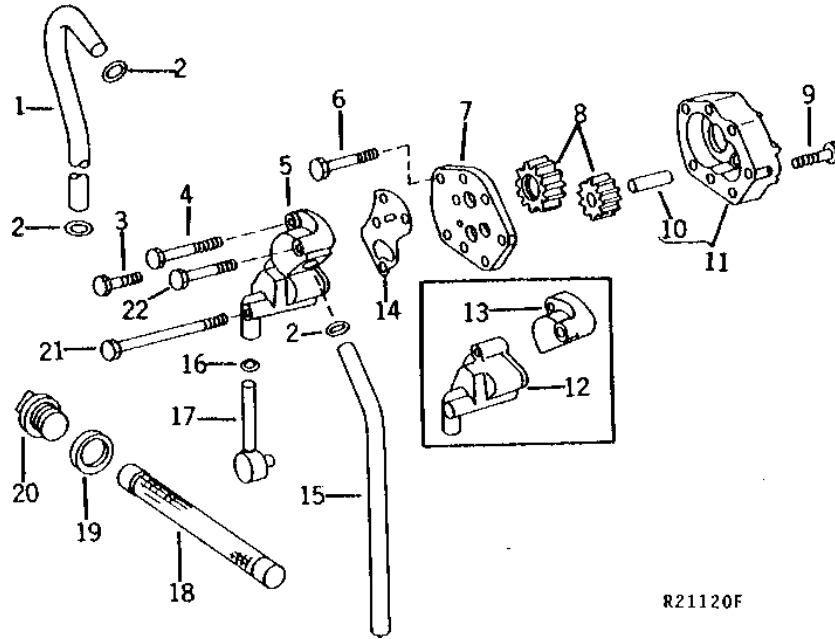
KEY	PART NO.	PART NAME	QTY	TRACTOR SERIAL NO.	REMARKS
1	14H1039	NUT	1	5/8"	
2	F2783R	WASHER	1		
3	AR46042	SUPPORT	1		
4	19H2284	CAP SCREW	5	3/8" X 7/8"	
5	14H1076	NUT	5	3/8"	
	12H304	LOCK WASHER	5	3/8"	
6	R52882	LATCH	1	(SUB FOR R42128)	
7	34H348	SPRING PIN	1	3/8" X 1"	
8	R42127	WASHER	2		
9	R26182	BUSHING	2		
10	AR45240	QUADRANT	1	SPEED CHANGE	
11	R46285	GEARSHIFT LEVER	1		
12	34H314	SPRING PIN	2	1/4" X 1-1/4"	
13	R53247	PIVOT	1	(ALSO ORDER (2) R26187) (SUB FOR R47203)	
14	AR45342	QUADRANT	1	SPEED RANGE	
15	R42126	SHAFT	1		
16	R42129	SUPPORT	1	OUTER	
17	19H2284	CAP SCREW	1	3/8" X 7/8"	
	12H304	LOCK WASHER	1	3/8"	
18	11M7081	COTTER PIN	2	0.098" X 0.787"	
19	R65563	PIN	2	(SUB FOR C1067R)	
20	C284R	YOKE	2		
21	14H732	NUT	3	3/8"	
	14H856	NUT	3	1/2", (USE WITH AR57247 AND R52586)	
22	R46303	HOOK BOLT	1		
23	11M7059	COTTER PIN	2	3.200 X 20 MM	
24	24H1302	WASHER	2	13/32" X 11/16" X 0.035"	
25	R52586	SHIFTER ROD	1	(ALSO ORDER AR57247 AND 14H856) (SUB FOR R46302)	
26	AR57247	SPRING ASSEMBLY	1	(ALSO ORDER R52586 AND 14H856) (SUB FOR AR49457)	

1J3

POWER TRAIN

R21120 -UN-01JAN94

TRANSMISSION OIL PUMP (SYNCRO-RANGE)



R21120F

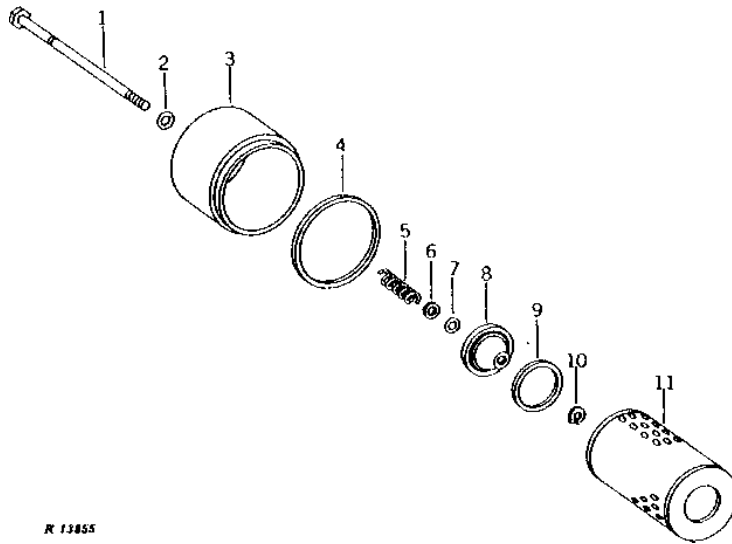
KEY	PART NO.	PART NAME	QTY	TRACTOR SERIAL NO.	REMARKS
1	R47813	OIL TUBE	1		
2	R56462	O-RING	3		
3	R41006	CAP SCREW	2		
4	R43257	CAP SCREW	1		
5	R51907	MANIFOLD	1	019911-	
6	R43252	CAP SCREW	2		
7	R43250	COVER	1		
8	AR40670	GEAR	1		(MATCHED SET)
9	R41006	CAP SCREW	1		
10	R40824	DOWEL PIN	1		
11	AR51652	HOUSING	1		(MARKED R48451)
12	R40833	VENT	1	-019910	(ORDER R51907) (NO LONGER AVAILABLE)
13	R40828	FILLER NECK	1	-019910	(ORDER R51907) (NO LONGER AVAILABLE)
14	R43253	GASKET	1		
15	R47812	HYDRAULIC LINE	1		INTAKE
16	A3917R	O-RING	1		
17	AR50631	HYDRAULIC LINE	1		
18	R53169	SCREEN	1		INTAKE (NYLON)
	AR26375	SCREEN	1		INTAKE (STEEL)
19	A4808R	WASHER	1		ALUMINUM
20	A4806R	PLUG	1		
21	R43256	CAP SCREW	1		
22	R41007	CAP SCREW	1		

1J4

POWER TRAIN

TRANSMISSION OIL FILTER (SYNCRO-RANGE)

R13855 -UN-01JAN94



R 13855

KEY	PART NO.	PART NAME	QTY	TRACTOR SERIAL NO.	REMARKS
1	R54750	CAP SCREW	1		(SUB FOR R39795)
2	R394R	O-RING	1		
3	R39796	COVER	1		
4	R34733	WASHER	1		
5	H819R	SPRING	1		
6	24H1227	WASHER	1		17/32" X 13/16" X 0.060"
7	R394R	O-RING	1		
8	R65892	RETAINER	1		
9	R28594	WASHER	1		
10	R32507	SNAP RING	1		
11	AR75603	FILTER ELEMENT	1		(SUB FOR AR28271)

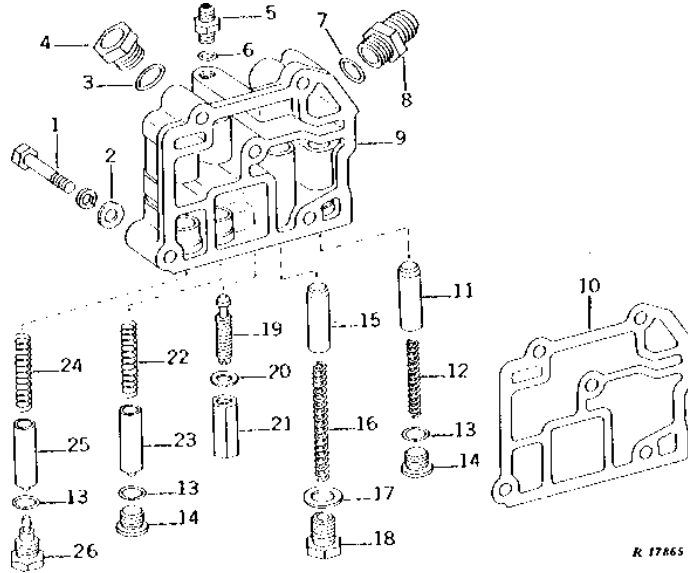
MEMORANDA

1J5

POWER TRAIN

R17865 -UN-01JAN94

OIL FILTER RELIEF VALVE HOUSING (SYNCRO-RANGE)



R 17865

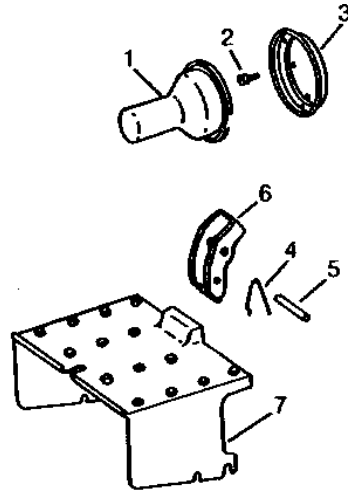
KEY	PART NO.	PART NAME	QTY	TRACTOR SERIAL NO.	REMARKS	
1	19H2500	CAP SCREW	1		7/16" X 1-3/8"	
	19H1828	CAP SCREW	1		7/16" X 4"	
	19H2055	CAP SCREW	2		7/16" X 2-1/4"	
	19H1227	CAP SCREW	1		1/4" X 1/2"	
	12H293	LOCK WASHER	5		7/16"	
2	24H1325	WASHER	5		15/32" X 59/64" X 0.065"	
3	B2762R	O-RING	1			
4	R76494	FITTING	1		(SUB FOR R33610)	
5	R27272	FITTING	1			
6	R26286	O-RING	1			
7	F3171R	O-RING	1			
8	R27267	FITTING	1		1-1/16"-12	
9	AR45542	HOUSING	1	-014662	(MARKED R40664 OR R44006) (SUB AR52630, (2) R57561 AND (2) R33259)	
	AR52630	HOUSING	1	014663-	(MARKED R49199 OR R49200)	
	R39112	FITTING	1		(USE WITH R44006 OR R49200)	
	R26375	O-RING	1		(USE WITH R44006 OR R49200)	
	400R	BALL	2		6MM (1/4") (USE WITH R44006 OR R49200)	
	10	R49758	GASKET	1		(SUB FOR R41463)
	11	R33162	VALVE	1	-014662	(SUB R33259 AND R57559)
	R49197	VALVE	1	014663-	(SUB R33259 AND R57561)	
12	R26686	SPRING	1			
13	R26375	O-RING	3			
14	R33138	FITTING	2			
15	R33162	VALVE	1	-014662	(SUB R33259 AND R57559)	
	R49197	VALVE	1	014663-	(SUB R33259 AND R57561)	
16	R39808	SPRING	1			
17	R1742R	WASHER	1		ALUMINUM	
18	R52589	FITTING PLUG	1		(SUB FOR R33163)	
19	R39587	SET SCREW	1			
20	F2846R	WASHER	1		ALUMINUM	
21	F2847R	NUT	1			
22	R28914	SPRING	1			
23	R33162	VALVE	1		(SUB R33259 AND R57559)	
24	R42057	SPRING	1			
25	R33162	VALVE	1		(SUB R33259 AND R57559)	
26	R36943	FITTING	1			

1J6

POWER TRAIN

RXP8623 -UN-01JAN94

MASTER SHIELD AND REAR PTO GUARD (SYNCRO-RANGE)



RXP8623

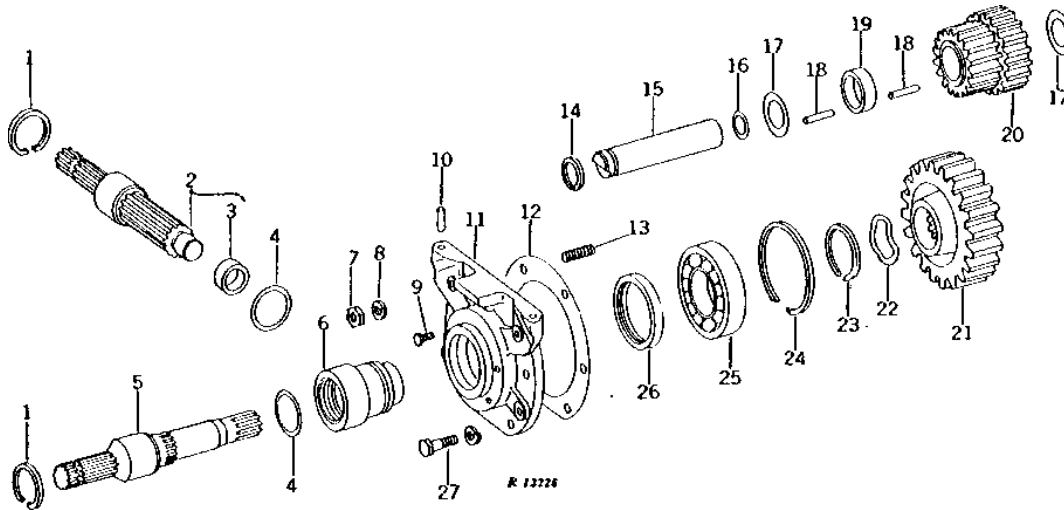
KEY	PART NO.	PART NAME	QTY	TRACTOR SERIAL NO.	REMARKS
1	AR26782	GUARD	1		
2	R27329	SCREW	2		
3	AR26707	RETAINER	1		
4	R42585	SPRING	1		
5	34H335	SPRING PIN	1	5/16" X 2-1/8"	
6	R42584	RETAINER	1	(SUB FOR AR44713)	
7	R33348	SHIELD	1		

1J7

POWER TRAIN

540 RPM AND 1000 RPM PTO REAR DRIVE GEAR AND SHAFTS (SYNCRO-RANGE)

R13226 -UN-01JAN94



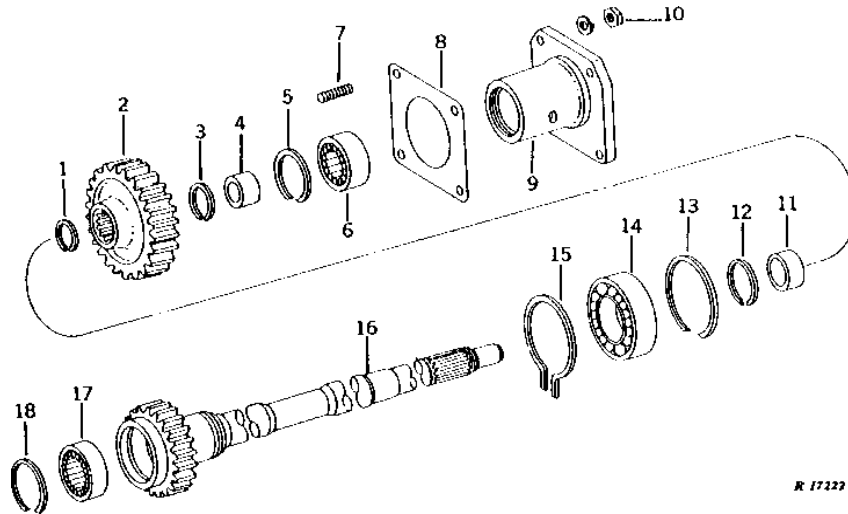
KEY	PART NO.	PART NAME	QTY	TRACTOR SERIAL NO.	REMARKS
1	R38221	SNAP RING	2		
2	AR41752	SHAFT	1	540 RPM	
3	JD7557	BEARING RACE	1		
4	P50631	O-RING	2		
5	R38224	SHAFT	1	1000 RPM	
6	R45126	GUIDE	1		
7	14H1040	NUT	2	1/2"	
8	12H301	LOCK WASHER	2	1/2"	
9	R27329	SCREW	2		
10	34H348	SPRING PIN	2	3/8" X 1"	
11	AR38168	QUILL	1	(MARKED R38218 OR R47507) (SUB RE47805, RE13181, R106866 AND R106715)	
12	R33337	GASKET	1		
13	R32101	STUD	2	1/2" X 1-3/4"	
14	R33320	SNAP RING	1		
15	R33852	COUNTERSHAFT	1		
16	R30319	O-RING	1		
17	R33853	THRUST WASHER	2		
18	R33028	NEEDLE ROLLER	48		
19	R33344	SPACER	1		
20	R33339	GEAR	1		
21	R42014	GEAR	1		
22	R38219	THRUST WASHER	1		
23	F1334R	SNAP RING	1		
24	C1919R	SNAP RING	1		
25	JD9320	BALL BEARING	1		
26	AT16431	SEAL	1	(SUB RE13181)	
27	19H1721	CAP SCREW	4	1/2" X 1-1/2"	
	12H301	LOCK WASHER	4	1/2"	

1J8

POWER TRAIN

540 RPM AND 1000 RPM PTO SHAFT AND DRIVE GEAR (SYNCRO-RANGE)

R17222 -UN-01JAN94



R 17222

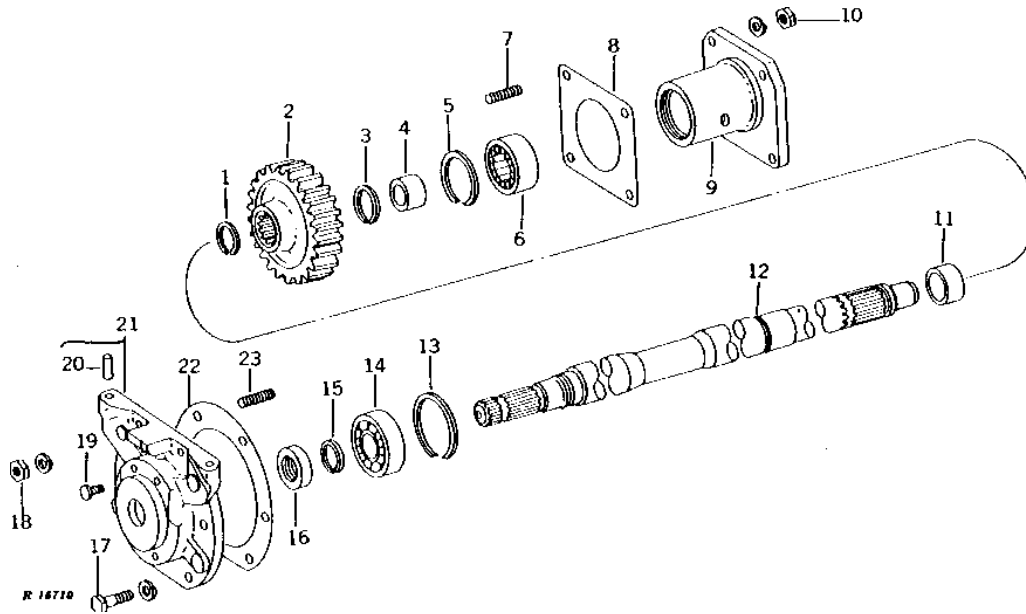
KEY	PART NO.	PART NAME	QTY	TRACTOR SERIAL NO.	REMARKS
1	R33325	SNAP RING	1		
2	R33488	GEAR	1		
3	R27000	SNAP RING	1		
4	JD7562	BEARING RACE	1		
5	F2367R	SNAP RING	1		
6	JD8725	ROLLER BEARING	1		
7	R32101	STUD	4	1/2" X 1-3/4"	
8	R33236	GASKET	1		
9	R47634	QUILL	1		(NO LONGER AVAILABLE)
10	14H1040	NUT	4	1/2"	
	12H301	LOCK WASHER	4	1/2"	
11	R34328	BUSHING	1		
12	R36295	SNAP RING	1		
13	R33321	RING	1		
14	JD8537	BEARING	1		
15	R33322	SNAP RING	1		
16	AR51494	SHAFT	1		(WITH GEAR AND INNER RACE)
17	JD7537	ROLLER BEARING	1		
18	F2367R	SNAP RING	1		

1J9

POWER TRAIN

1000 RPM ONLY PTO SHAFT AND DRIVE GEAR (SYNCRO-RANGE)

R16710 -UN-01JAN94



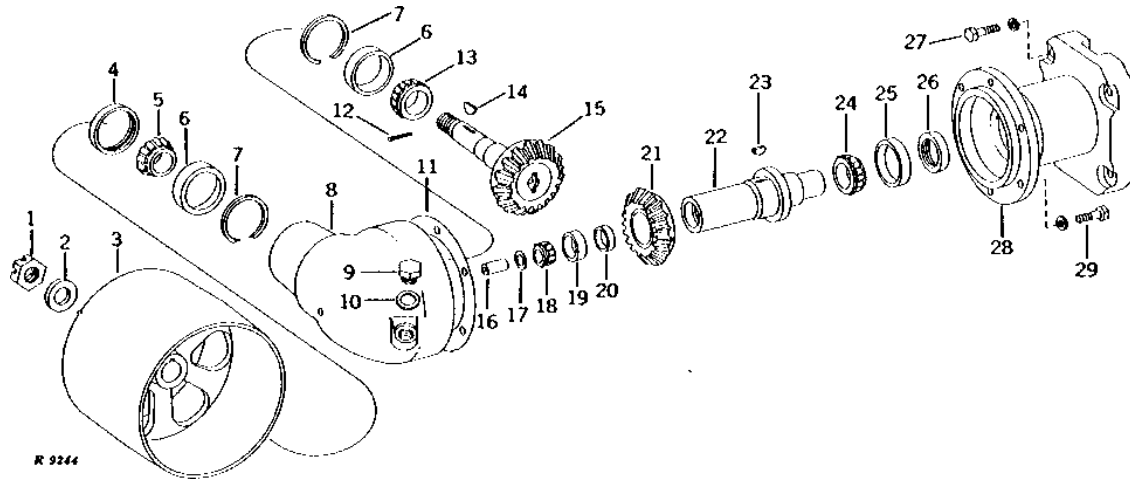
KEY	PART NO.	PART NAME	QTY	TRACTOR SERIAL NO.	REMARKS
1	R33325	SNAP RING	1		
2	R33488	GEAR	1		
3	R27000	SNAP RING	1		
4	JD7562	BEARING RACE	1		
5	F2367R	SNAP RING	1		
6	JD8725	ROLLER BEARING	1		
7	R32101	STUD	4	1/2" X 1-3/4"	
8	R33236	GASKET	1		
9	R47634	QUILL	1		(NO LONGER AVAILABLE)
10	14H1040	NUT	4	1/2"	
	12H301	LOCK WASHER	4	1/2"	
11	R34328	BUSHING	1		
12	AR50418	SHAFT	1		(SUB FOR R47638) (INNER RACE)
13	B190R	SNAP RING	1		
14	JD9345	BALL BEARING	1		
15	A364R	SNAP RING	1		
16	AT344T	SEAL	1		
17	19H1721	CAP SCREW	4	1/2" X 1-1/2"	
	12H301	LOCK WASHER	4	1/2"	
18	14H1040	NUT	2	1/2"	
	12H301	LOCK WASHER	2	1/2"	
19	R27329	SCREW	2		
20	34H348	SPRING PIN	2	3/8" X 1"	
21	AR54487	QUILL	1		(MARKED R33487, R47508 OR R50298) (ALSO ORDER AR55216) (SUB FOR AR32440)
22	R33337	GASKET	1		
23	R32101	STUD	2	1/2" X 1-3/4"	

1J10

POWER TRAIN

BELT PULLEY (FOR USE WITH 1000 RPM PTO)

R9244 -UN-01JAN94



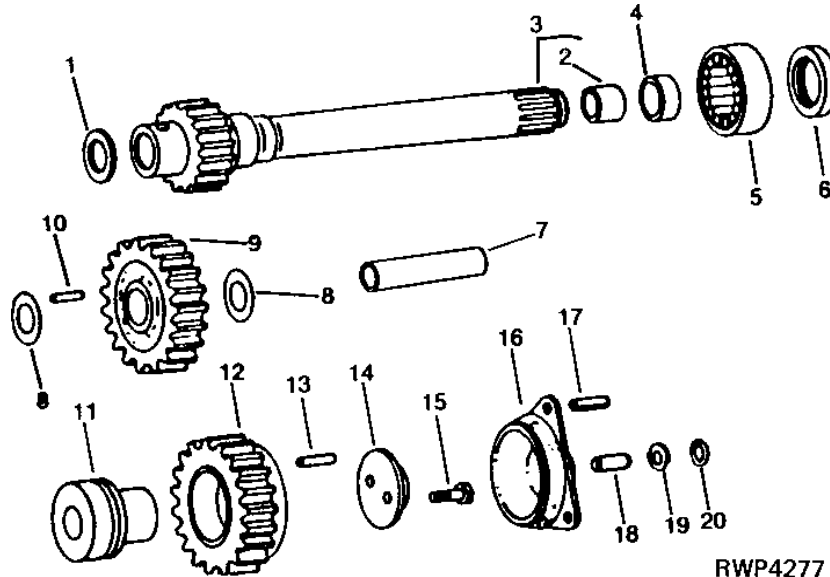
KEY	PART NO.	PART NAME	QTY	TRACTOR SERIAL NO.	REMARKS
1	14H540	NUT	1	1"	SLOTTED
2	R30399	WASHER	1		
3	T18718	PULLEY	1		
4	AT124396	SEAL	1		(SUB FOR AT16887)
5	JD8982	BEARING CONE	1		
6	JD7418	BEARING CUP	2		
7	T13325	SNAP RING	2		
8	T29242	CASE	1		
9	R26727	DRAIN PLUG	1		
10	A4827R	WASHER	1		ALUMINUM
11	R44372	SHIM	AR		0.13MM (.005")
	R44361	SHIM	AR		0.13MM (.005")
	T13341	SHIM	AR		0.25MM (.010")
12	11M7032	COTTER PIN	1		0.197" X 1.969"
13	JD8969	BEARING CONE	1		
14	26H93	SHAFT KEY	1		1/4" X 1-1/4"
15	R63691	SHAFT	1		(ALSO ORDER R63691) (SUB FOR T18717)
16	T13471	PIN	1		
17	T13331	SHIM	AR		0.08MM (.003")
	T13332	SHIM	AR		0.13MM (.005")
	T13333	SHIM	AR		0.25MM (.010")
18	JD8135	BEARING CONE	1		
19	JD7438	BEARING CUP	1		
20	M2206T	CAP	1		
21	R63692	GEAR	1		(ALSO ORDER R63691) (SUB FOR T13330)
22	T13329	HUB	1		
23	26H85	SHAFT KEY	1		1/4" X 1"
24	JD8922	BEARING CONE	1		
25	JD8247	BEARING CUP	1		
26	AT12431	SEAL	1		
27	19H1831	CAP SCREW	4		1/2" X 2"
	12H301	LOCK WASHER	4		1/2"
28	R34594	QUILL	1		(NO LONGER AVAILABLE)
29	19H3579	CAP SCREW	6		1/2" X 1-3/8"
	12H301	LOCK WASHER	6		1/2"
..	AR34071	PULLEY	1		

1J11

POWER TRAIN

PTO DRIVE SHAFT AND IDLER GEARS (SYNCRO-RANGE)

RWP4277 -UN-01JAN94



RWP4277

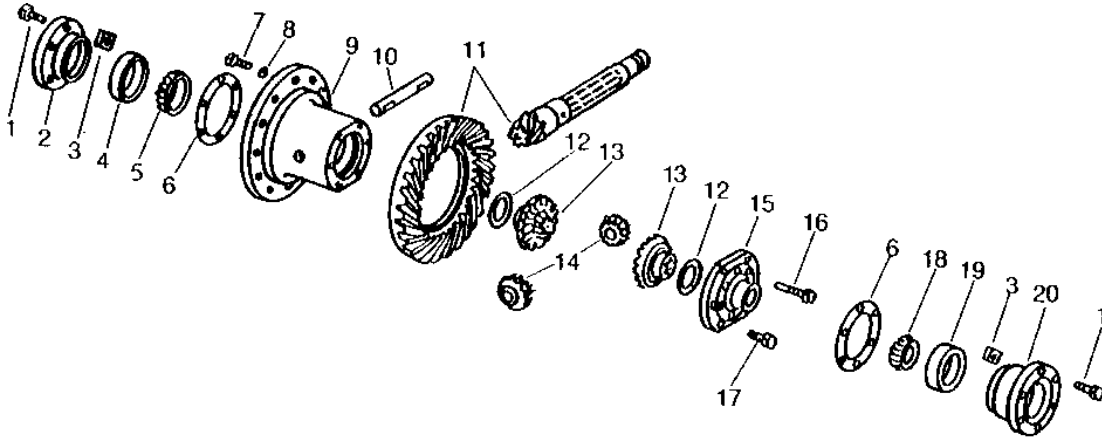
KEY	PART NO.	PART NAME	QTY	TRACTOR SERIAL NO.	REMARKS
1	R33856	WASHER	1		THRUST
2	R30829	BUSHING	1		
3	AR48269	SHAFT	1		
4	AR26481	SEAL	1		
5	JD9412	BEARING RACE	1		
6	AR72992	SEAL	1		(SUB FOR AR26482)
7	R26663	DOWEL PIN	1		
8	R33345	THRUST WASHER	2		
9	R26792	GEAR	1		(COUNTERSHAFT)
10	R26006	NEEDLE ROLLER	18		
11	R46747	BEARING RACE	1		INNER
12	R39792	GEAR	1		(DIFFERENTIAL SHAFT)
13	R26006	NEEDLE ROLLER	33		
14	R50365	PLATE	1		(SUB FOR R33347)
15	R57725	SCREW	2		(SUB FOR R40835)
16	RE20734	BRAKE SHOE	1		(SUB FOR AR40666)
17	34H349	SPRING PIN	3		3/8" X 1-1/4"
18	R40815	DOWEL PIN	1		
19	R26551	BACK-UP RING	1		
20	R394R	O-RING	1		

1J12

POWER TRAIN

DIFFERENTIAL (LESS DIFFERENTIAL LOCK)

R19106 -UN-01JAN94



R19106

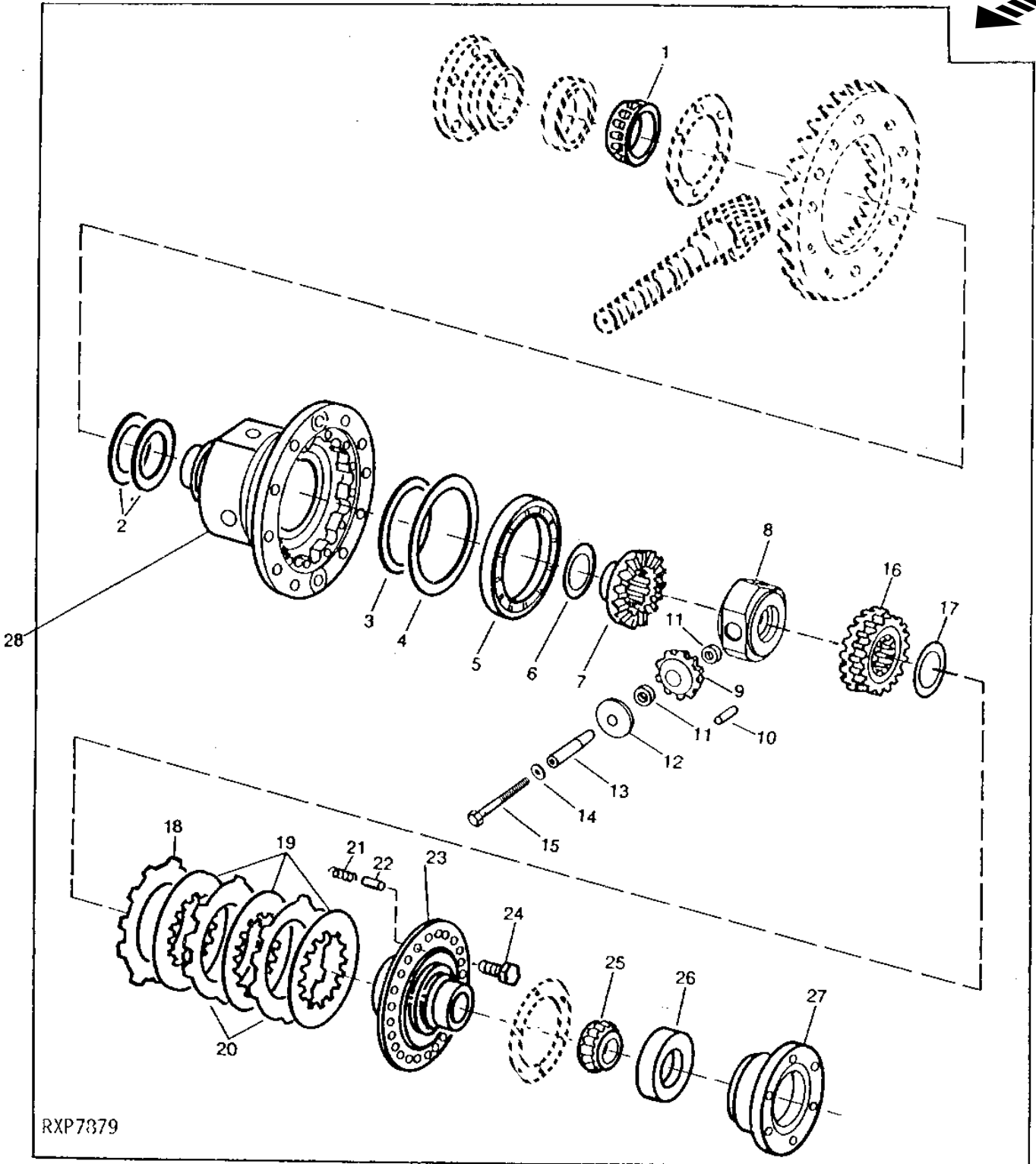
KEY	PART NO.	PART NAME	QTY	TRACTOR SERIAL NO.	REMARKS
1	R46162	SCREW	12		
2	R46360	QUILL	1	L.H. (SUB R72409)	
3	14H823	NUT	2	1/2", SQUARE	
4	JD8290	BEARING CUP	1		
5	JD9019	BEARING CONE	1		
6	R46323	SHIM	AR	0.08MM (.003")	
	R46324	SHIM	AR	0.13MM (.005")	
	R46325	SHIM	AR	0.25MM (.010")	
7	R41048	CAP SCREW	12		
8	WASHER	1	(NOT REQUIRED)	
9	R46466	HOUSING	1	(SUB AR101618)	
10	R58425	SHAFT	1	(SUB FOR R41903 OR R53740)	
11	AR48697	GEAR	1	(MARKED R33062 AND R46502) (MATCHED SET)	
12	R77145	WASHER	2	(USE WITH R54182) (SUB FOR R53202 OR R65741)	
13	R42446	GEAR	2	(SUB (2) R63477 AND (2) R77145)	
14	R42444	PINION	2		
15	R46467	QUILL	1		
16	R70236	CAP SCREW	1	(SUB FOR R41050)	
17	R52634	CAP SCREW	5	(SUB FOR R41049)	
18	JD8954	BEARING CONE	1		
19	JD8259	BEARING CUP	1		
20	R46446	QUILL	1	R.H.	

1J13

POWER TRAIN

AR101618 ANTI-FRICTION DIFFERENTIAL KIT (LESS DIFFERENTIAL LOCK AND DIFFERENTIAL LOCK)

RXP7879 -UN-01JAN94



RXP7879

1J14

POWER TRAIN

AR101618 ANTI-FRICTION DIFFERENTIAL KIT - CONTINUED
(LESS DIFFERENTIAL LOCK AND DIFFERENTIAL LOCK)

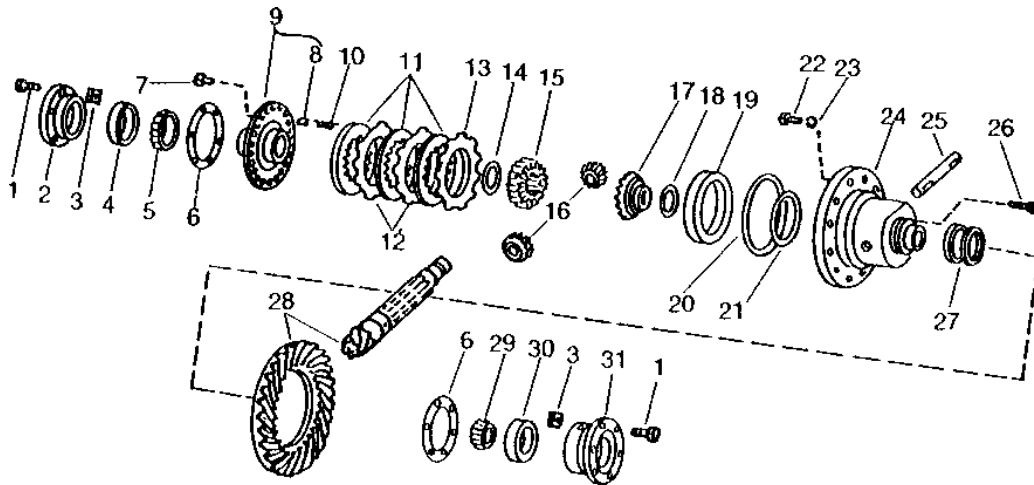
KEY	PART NO.	PART NAME	QTY	TRACTOR SERIAL NO.	REMARKS
1	JD8954	BEARING CONE	1		
2	R46326	RING	1		
3	R44328	WASHER	1		
4	R41017	WASHER	1		
5	R34855	PISTON	1		
6	R77145	WASHER	1		
7	R63477	BEVEL GEAR	1		
8	R93019	HUB	1		
9	R68170	PINION	3		
10	R68171	NEEDLE ROLLER	69		
11	R68167	WASHER	6		
12	R59460	THRUST WASHER	3		
13	R67783	SHAFT	3		
14	R57696	WASHER	3		
15	R89836	BOLT	3		
16	R66715	BEVEL GEAR	1		
17	R77145	WASHER	1		
18	R34857	CLUTCH PLATE	1		
19	RE53823	DISK	3		(SUB FOR RE29428)
20	R34858	CLUTCH PLATE	2		
21	R34863	SPRING	3		
22	34H311	SPRING PIN	3		1/4" X 7/8"
23	R94632	COVER	1		
24	R40236	CAP SCREW	12		
25	JD9055	BEARING CONE	1		
26	JD9118	BEARING CUP	1		
27	R73266	QUILL	1		
28	AR101618	KIT	1		

1J15

POWER TRAIN

DIFFERENTIAL (DIFFERENTIAL LOCK)

R19069 -UN-01JAN94



R19069

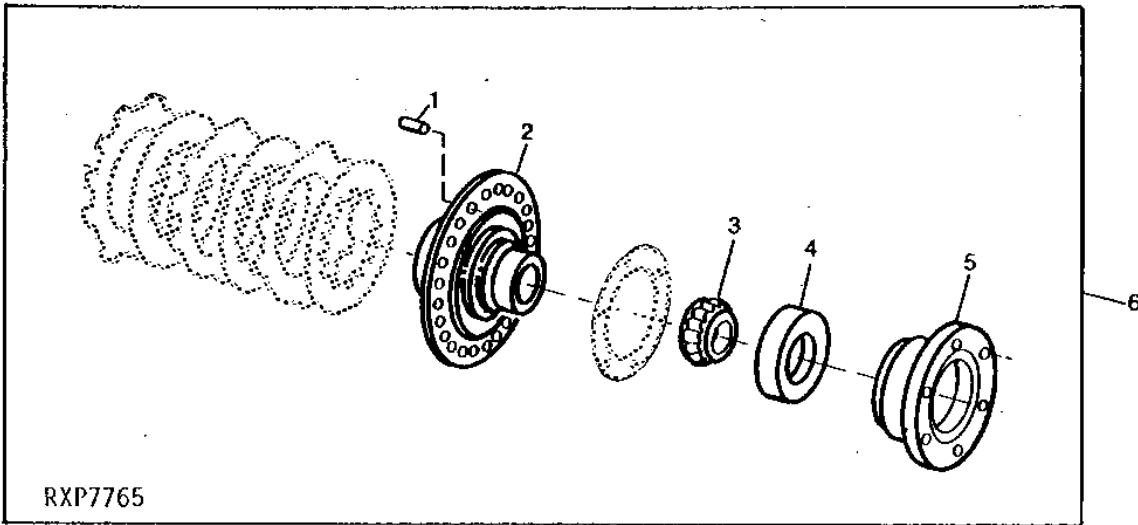
KEY	PART NO.	PART NAME	QTY	TRACTOR SERIAL NO.	REMARKS
1	R46162	SCREW	12		
2	AR103364	KIT	1		L.H. (SUB FOR R46360) (SUB JD9055, JD9118, R73266, R94632 AND (3) 34H311)
3	14H823	NUT	2		1/2", SQUARE
4	JD8290	BEARING CUP	1		
5	JD9019	BEARING CONE	1		
6	R46323	SHIM	AR		0.08MM (.003")
	R46324	SHIM	AR		0.13MM (.005")
	R46325	SHIM	AR		0.25MM (.010")
7	R40236	CAP SCREW	12		
8	34H311	SPRING PIN	3		1/4" X 7/8"
9	AR89837	COVER	1		(MARKED R46447 OR R68939) (SUB FOR AR48645) (SUB AR103364)
10	R34863	SPRING	3		
11	RE29428	DISK	3		(SUB FOR AR70154) (SUB RE53823, R34857 AND (2) R34858)
12	R34858	CLUTCH PLATE	2		
13	R34857	CLUTCH PLATE	1		
14	R77145	WASHER	1		(USE WITH R54180 OR R66715) (SUB FOR R53202 OR R65741)
15	R42448	GEAR	1		(SUB R66715, R63477 AND (2) R77145)
16	R42444	PINION	2		
17	R42446	GEAR	1		(SUB R63477, R66715 AND (2) R77145)
18	R77145	WASHER	1		(SUB FOR R53202 OR R69741) (USE WITH R65182)
19	R34855	PISTON	1		
20	R41017	WASHER	1		
21	R44328	WASHER	1		
22	R41048	CAP SCREW	12		
23	WASHER	1		(NOT REQUIRED)
24	AR48669	HOUSING	1		(MARKED R46468) (SUB AR101618)
25	R58425	SHAFT	1		(SUB FOR R41903 OR R53740)
26	R70236	CAP SCREW	1		(SUB FOR R41050)
27	R46326	RING	2		
28	AR48697	GEAR	1		(MARKED R33062 AND R46502) (MATCHED SET)
29	JD8954	BEARING CONE	1		
30	JD8259	BEARING CUP	1		
31	R46448	QUILL	1		R.H.

1J16

POWER TRAIN

AR103364 DIFFERENTIAL COVER AND QUILL KIT (DIFFERENTIAL LOCK)

RXP7765 -UN-01JAN94



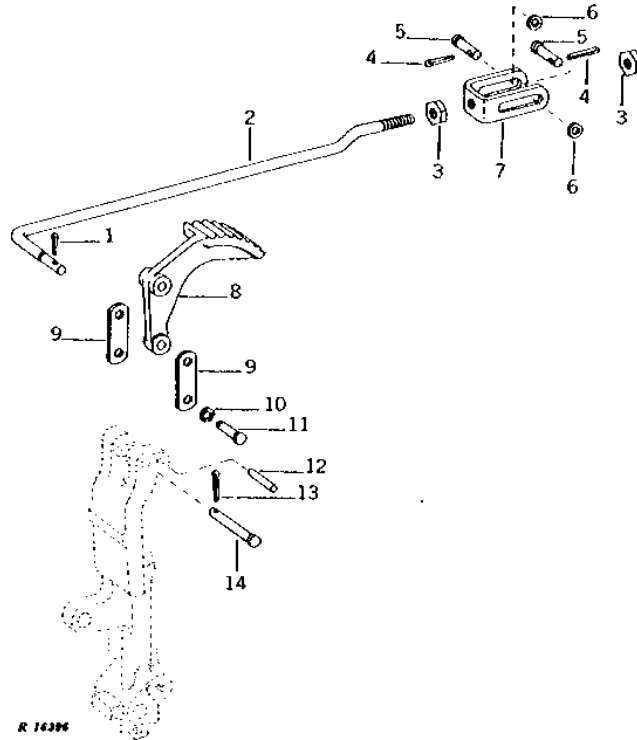
KEY	PART NO.	PART NAME	QTY	TRACTOR SERIAL NO.	REMARKS
1	34H311	SPRING PIN	3		
2	R94632	COVER	1		1/4" X 7/8"
3	JD9055	BEARING CONE	1		
4	JD9118	BEARING CUP	1		
5	R73266	QUILL	1		
6	AR103364	KIT	1		

1J17

POWER TRAIN

R16396 -UN-01JAN94

DIFFERENTIAL LOCK VALVE PEDAL AND LINK



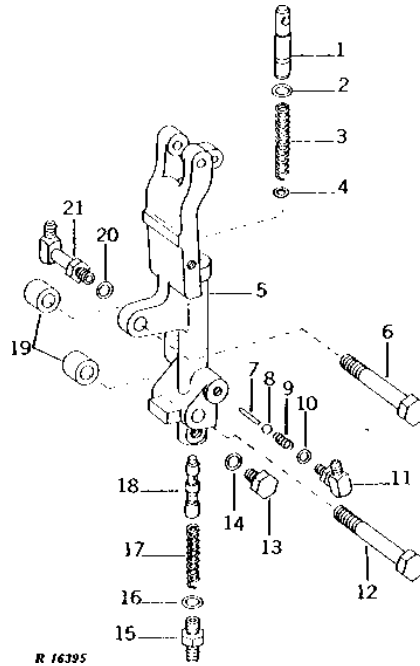
KEY	PART NO.	PART NAME	QTY	TRACTOR SERIAL NO.	REMARKS
1	11M7081	COTTER PIN	1		0.098" X 0.787"
2	R46867	ROD	1		
3	14H1076	NUT	2		3/8"
4	11M7079	COTTER PIN	2		0.098" X 0.472"
5	H858R	PIN	2		
6	24H1136	WASHER	2		11/32" X 11/16" X 0.065"
7	R46868	YOKE	1		
8	R46865	PEDAL	1		
9	R46902	STRAP	2		(SUB R79135)
10	R26386	SNAP RING	1		
11	R26385	PIN	1		
12	34H331	SPRING PIN	1		5/16" X 1-1/2"
13	11M7059	COTTER PIN	1		3.200 X 20 MM
14	R46866	PIN	1		

1J18

POWER TRAIN

R16395 -UN-01JAN94

DIFFERENTIAL LOCK VALVE



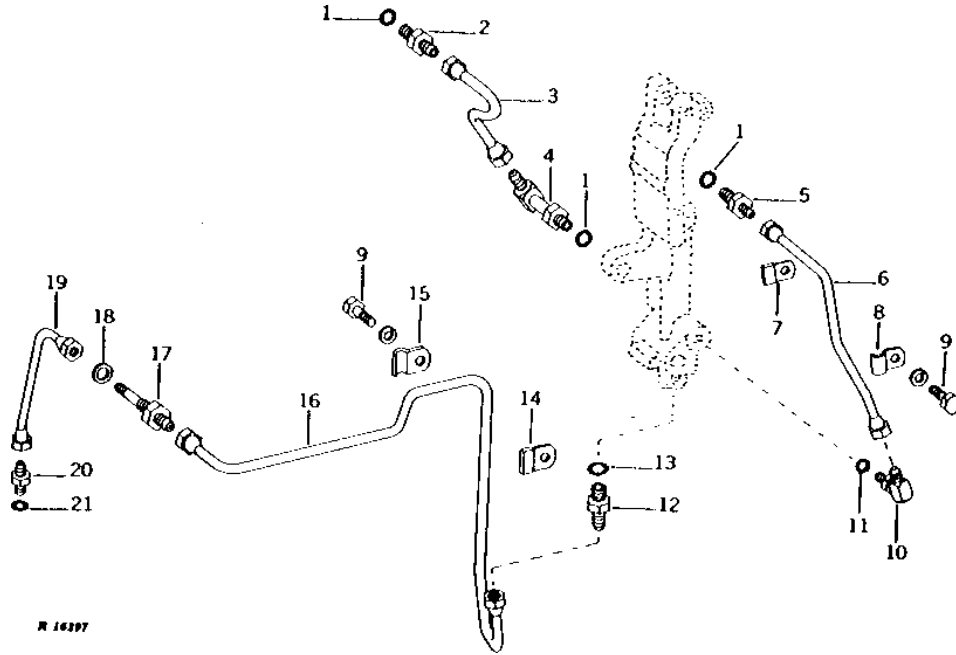
KEY	PART NO.	PART NAME	QTY	TRACTOR SERIAL NO.	REMARKS
1	R68648	PLUNGER	1		(SUB FOR R46863) (SUB R86162)
2	F3353R	O-RING	1		
3	R46862	SPRING	1		
4	R46901	SHIM	AR	0.51MM (.020")	
5	R86770	HOUSING	1		(ALSO ORDER R27094 AND R26286) (SUB FOR R46821, R79133 AND R64503)
6	19H2133	CAP SCREW	1	5/8" X 4-1/2"	
7	R33058	NEEDLE ROLLER	1		
8	400R	BALL	1	6.35MM (1/4")	
9	R26373	SPRING	1		
10	R26287	O-RING	1		
11	AT32335	ELBOW FITTING	1	90° ADJUSTABLE,	(SUB FOR AR26746)
12	19H1644	CAP SCREW	1	5/8" X 6"	
13	R27094	DRAIN PLUG	1		
14	R26286	O-RING	1		
15	R46856	FITTING	1		
16	R26448	O-RING	1		
17	R31698	SPRING	1		(SUB R74418 AND R79134)
18	R74417	VALVE	1		(ALSO ORDER R74418) (SUB FOR R46855) (SUB R79134)
19	R34495	SPACER	2		
20	R26286	O-RING	1		
21	AR35710	ELBOW FITTING	1	90°, ADJUSTABLE	

1J19

POWER TRAIN

R16397 -UN-01JAN94

DIFFERENTIAL LOCK VALVE OIL PIPES



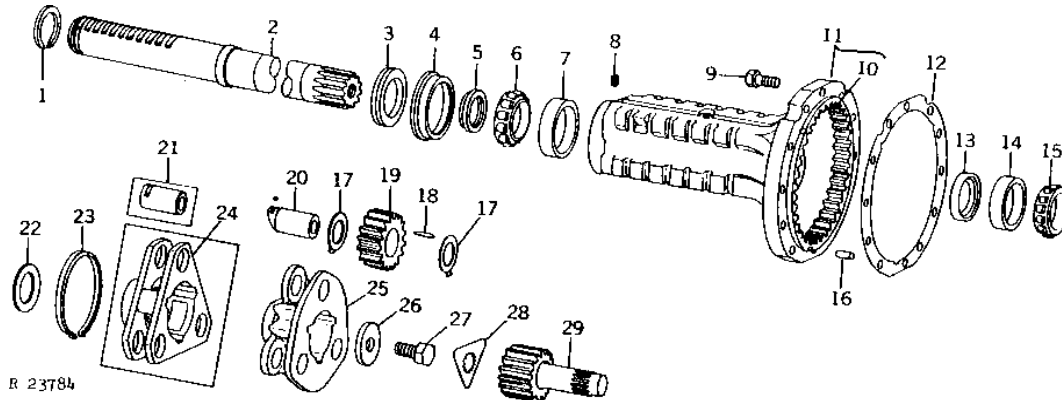
KEY	PART NO.	PART NAME	QTY	TRACTOR SERIAL NO.	REMARKS
1	R26286	O-RING	3		
2	R27272	FITTING	1		
3	AR49174	HYDRAULIC LINE	1		
4	AR35710	ELBOW FITTING	1	90°, ADJUSTABLE	
5	R40617	FITTING	1		
6	AR49173	HYDRAULIC LINE	1		
7	R31655	STRAP	1		
8	R31654	CLAMP	1		
9	19H1936	CAP SCREW	2	3/8" X 3/4"	
	12H304	LOCK WASHER	2	3/8"	
10	AT32335	ELBOW FITTING	1	90° ADJUSTABLE, (SUB FOR AR26746)	
11	R26287	O-RING	1		
12	R46856	FITTING	1		
13	R26448	O-RING	1		
14	R34819	PLATE	1		
15	R27539	CLAMP	1		
16	AR49176	HYDRAULIC LINE	1		
17	AR34569	FITTING	1		
18	R51494	WASHER	1	ALUMINUM	
19	AR34697	HYDRAULIC LINE	1		
20	R39597	ADAPTER	1		
21	R30903	O-RING	1		

1J20

POWER TRAIN

R23784 -UN-01JAN94

PLANETARY AND REAR AXLE



KEY	PART NO.	PART NAME	QTY	TRACTOR SERIAL NO.	REMARKS
1	R53658	SNAP RING	1		
2	R53641	SHAFT	1		860MM (33-7/8") (ALSO ORDER R53658) (SUB FOR R33015) (SUB R60077) (2311MM (91") TREAD)
	R53643	SHAFT	1		941MM (37-1/16") (ALSO ORDER R53658) (SUB FOR R40262) (SUB R60076) (2640MM (104") TREAD)
	R53642	SHAFT	1		1043MM (41-1/16") (ALSO ORDER R53658) (SUB FOR R33018) (SUB R59935) (2844MM (112") TREAD)
	R53644	SHAFT	1		1158MM (45-5/8") (ALSO ORDER R53658) (SUB FOR R41845) (SUB R60078) (SPECIAL DUAL)
3	R33026	SEAL	1		
4	R57269	OIL CUP	1		(SUB FOR R28128)
5	R65648	SPACER	1		15MM (.59") (SUB FOR R33020, R63105 OR R61175)
6	JD8191	BEARING CONE	1		
	JD10002	BEARING CONE	1		(UNDERSIZE)
7	JD8214	BEARING CUP	1		
8	15H559	PIPE PLUG	1		1/4"
9	19H1863	CAP SCREW	13		5/8" X 3"
10	R76845	PINION	1		
	R56733	GEAR	1		51MM (2") FINAL DRIVE, (SUB FOR RE13477 OR R61176)
11	AR54736	HOUSING	1		(A) (MARKED R34940, R50160 AND R64791) (SUB FOR AR34755) (SUB AR105556)
12	R100637	GASKET	1		(SUB FOR R34848)
13	R33027	SEAL	1		
14	JD8213	BEARING CUP	1		
15	JD8177	BEARING CONE	1		
16	R65543	DOWEL PIN	3		(SUB FOR R33024)
17	R33022	THRUST WASHER	6		
18	R33028	NEEDLE ROLLER	99		
19	R33004	PINION	3		
20	R97998	SHAFT	3		(SUB FOR R59930)
21	R63112	PINION SHAFT	3		(SUB FOR R33021)
22	R42101	SHIM	1		
23	R33029	SNAP RING	1		
24	R42901	PLANET PINION CARRIER	1		
25	R59933	PLANET PINION CARRIER	1		
26	R72169	SPACER	1		(SUB FOR R33023)
27	R82175	CAP SCREW	1		HS, SAE 8, (SUB FOR R26011 OR R60032)
28	R26012	LOCK PLATE	1		
29	R45779	SHAFT	1		
..	RE13476	KIT	1		51MM (2") WIDE FINAL DRIVE, (SUB FOR AR80300)

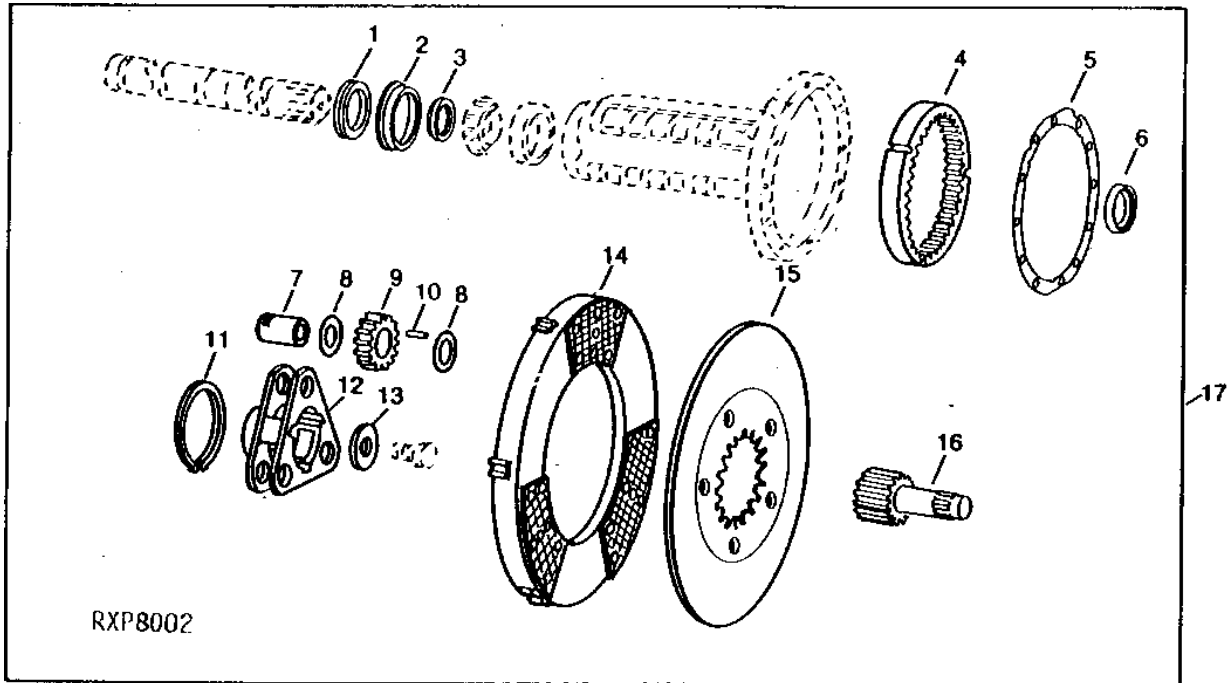
(A) WHEN AR80300 OR RE13476 HAS BEEN INSTALLED, ORDER AR81426

1J21

POWER TRAIN

FINAL DRIVE KIT 51MM (2") WIDE

RXP8002 -UN-01JAN94



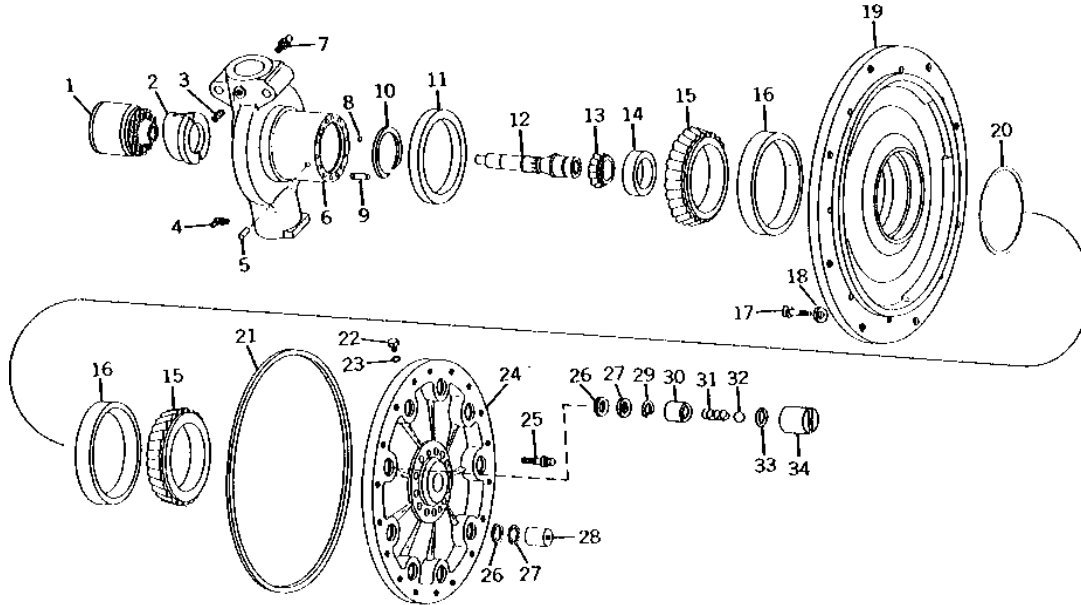
KEY	PART NO.	PART NAME	QTY	TRACTOR SERIAL NO.	REMARKS
1	R33026	SEAL	2		
2	R57269	OIL CUP	2		
3	R65648	SPACER	2		
4	R56733	GEAR	2		
5	R100637	GASKET	2		
6	R33027	SEAL	2		
7	R97998	SHAFT	3		
8	R33022	THRUST WASHER	6		
9	R108996	PLANET PINION	3	(SUB FOR R59929)	
10	R61033	NEEDLE ROLLER	72		
11	R33029	SNAP RING	1		
12	R59933	PLANET PINION CARRIER	1		
13	R72169	SPACER	1		
14	RE33013	PLATE	2	(MARKED R40152, R40153, R50585, R59931 OR R97786)	
15	R97799	BRAKE DISK	2		
16	R62685	SHAFT	2		
17	RE41241	KIT	1	(SUB FOR RE13476) (ALSO ORDER RE32681, UNLESS PREVIOUSLY INSTALLED)	

1J22

POWER TRAIN

WHEEL HUB, MOTOR, AND HOUSING (POWER FRONT WHEEL DRIVE)

R19696 -UN-01JAN94



R19696N

KEY	PART NO.	PART NAME	QTY	TRACTOR SERIAL NO.	REMARKS
1	AR73212	CYLINDER BLOCK	1	(SUB FOR AR45034)	
2	R42817	SWASH PLATE	1		
3	15H558	PIPE PLUG	1	1/8"	
4	JD7781	LUBRICATION FITTING	1	90°	
5	R42881	DOWEL PIN	1		
6	AR86538	HOUSING	1	(MARKED R42332) (ALSO ORDER (2) R66650) (SUB FOR AR45414)	
7	JD7759	LUBRICATION FITTING	1		
8	R27490	O-RING	1		
9	R36666	DOWEL PIN	2		
10	R45569	SNAP RING	1		
11	AR77224	SEAL	1	(SUB FOR AR47137)	
12	R42735	SHAFT	1		
13	JD9029	BEARING CONE	1		
14	JD7403	BEARING CUP	1		
15	JD9028	BEARING CONE	2		
16	JD8292	BEARING CUP	2		
17	19H1800	CAP SCREW	8	3/8" X 1-1/2"	
18	R42729	WASHER	8		
19	R41958	HUB	1		
20	R42765	SHIM	AR	0.08MM (.003")	
	R48811	SHIM	AR	0.13MM (.005")	
	R42766	SHIM	AR	0.25MM (.010")	
21	R42877	PACKING	1		
22	R27216	DRAIN PLUG	1	(SUB FOR R31631)	
23	R26287	O-RING	1		
24	AR44376	HOUSING	1		
25	R42969	BOLT	12		
26	R42763	O-RING	9	(SUB R29354)	
27	R35473	BACK-UP RING	9	(SUB R73101)	
28	R42927	PISTON	9		
29	R33282	SNAP RING	1	(A)	
30	PISTON	1	(A) (ORDER AR78303)	
31	R59860	SPRING	1	(A) (SUB FOR R27730)	
32	R26552	BALL	1	(A) 8MM (5/16")	
33	R34404	O-RING	1	(A) (SUB P48347)	
34	PISTON	1	(A) (ORDER AR78303)	
..	AR78303	PISTON	1	KIT, PISTON PLANET BRAKE BLEED VALVE AND OIL MANIFOLD UPPER CHECK VALVE	

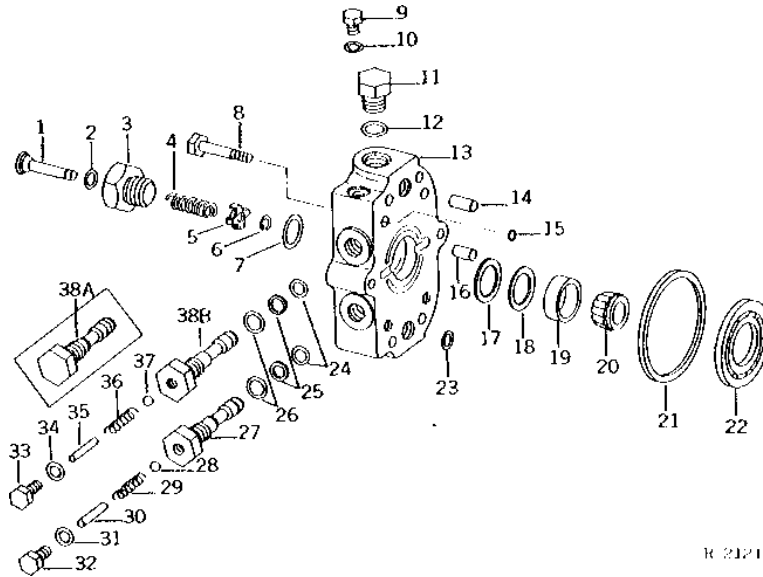
(A) INCLUDED IN AR78303

1J23

POWER TRAIN

WHEEL MANIFOLD (POWER FRONT WHEEL DRIVE)

R21218 -UN-01JAN94



R 21218

KEY	PART NO.	PART NAME	QTY	TRACTOR SERIAL NO.	REMARKS
1	R62512	RELIEF VALVE	1		(SUB FOR R45357) (ALSO ORDER R62513)
2	P46051	O-RING	1		
3	R45356	PRESSURE RELIEF FITTING	1		
4	R45358	SPRING	1		
5	R45359	RETAINER	1		
6	R40638	SNAP RING	1		
7	F3171R	O-RING	1		
8	19H3181	CAP SCREW	6	3/8" X 2"	
9	R27216	DRAIN PLUG	1	(SUB FOR R31631)	
10	R26287	O-RING	1		
11	R39112	FITTING	2		
12	R26375	O-RING	2		
13	R42468	MANIFOLD	1		
14	R28671	DOWEL PIN	2		
15	R42878	WASHER	1		
16	R42882	DOWEL PIN	1		
17	R42819	SHIM	AR	0.08MM (.003")	
18	R42820	SHIM	AR	0.25MM (.010")	
19	JD8293	BEARING CUP	1		
20	JD9030	BEARING CONE	1		
21	R42880	PACKING	1		
22	R42818	PLATE	1		
23	R42879	WASHER	2		
24	R42926	BACK-UP RING	2		
25	R28776	O-RING	2		
26	R26375	O-RING	2		
27	R42925	HOUSING	1		
28	400R	BALL	1	6.35MM (1/4")	
29	R26421	SPRING	1		
30	34H252	SPRING PIN	1	1/8" X 1-1/4"	
31	R26287	O-RING	1		
32	R27216	DRAIN PLUG	1		
33	R27216	DRAIN PLUG	1		
34	R26287	O-RING	1		
35	34H252	SPRING PIN	1	1/8" X 1-1/4"	
36	R54174	SPRING	1		

1J24

POWER TRAIN

**WHEEL MANIFOLD - CONTINUED
(POWER FRONT WHEEL DRIVE)**

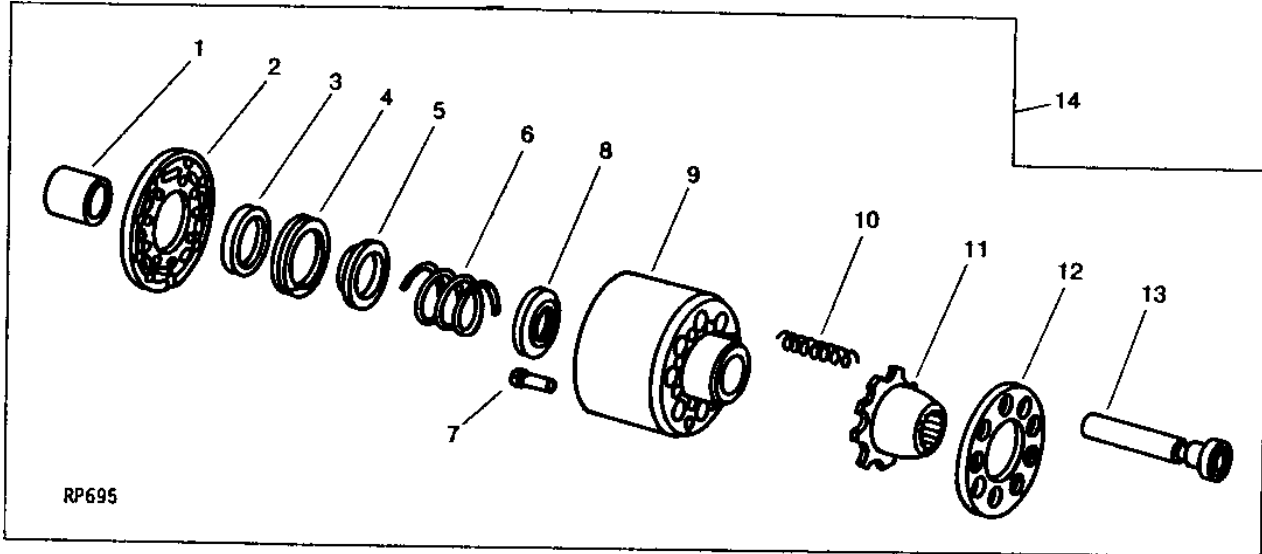
KEY	PART NO.	PART NAME	QTY	TRACTOR SERIAL NO.	REMARKS
37	400R	BALL	1		6MM (1/4")
38A	R42924	PLUG	1		(SUB 400R, R26287, R27216, R54173, R54174 AND 34H252)
38B	R54173	HOUSING	1		UPPER
..	AR78303	PISTON	1		KIT, PLANET BRAKE BLEED VALVE

1J25

POWER TRAIN

RP695 -UN-01JAN94

MOTOR CYLINDER BLOCK (POWER FRONT WHEEL DRIVE)



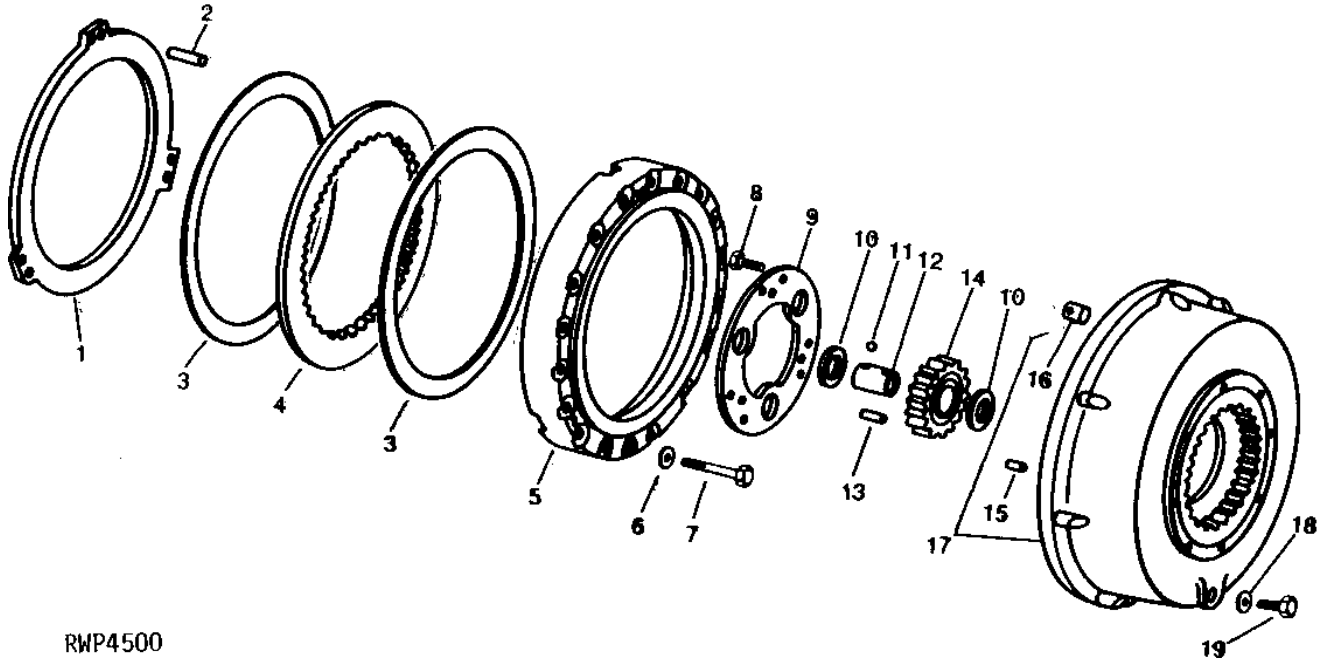
KEY	PART NO.	PART NAME	QTY	TRACTOR SERIAL NO.	REMARKS
1	R44415	BUSHING	1		
2	R44406	PLATE	1		
3	R44417	WASHER	1		
4	N107859	SNAP RING	1	(SUB FOR J17817)	
5	R44414	RETAINER	1		
6	R44409	SPRING	1		
7	R44416	DOWEL PIN	1		
8	R44412	SEAT	1		
9	AR73213	HOUSING	1	(SUB FOR AR45781) (SUB AR73212)	
10	R60428	SPRING	1	(PKG OF 6) (SUB FOR R44411 OR AR73214)	
11	R44408	GUIDE	1		
12	R44407	RETAINER	1		
13	AR45782	PISTON	9		
14	AR73212	CYLINDER BLOCK	1	(SUB FOR AR45034)	

1K1

POWER TRAIN

SECOND PLANET PINION, PLANETARY HOUSING, AND BRAKE PLATES (POWER FRONT WHEEL DRIVE)

RWP4500 -UN-01JAN94



RWP4500

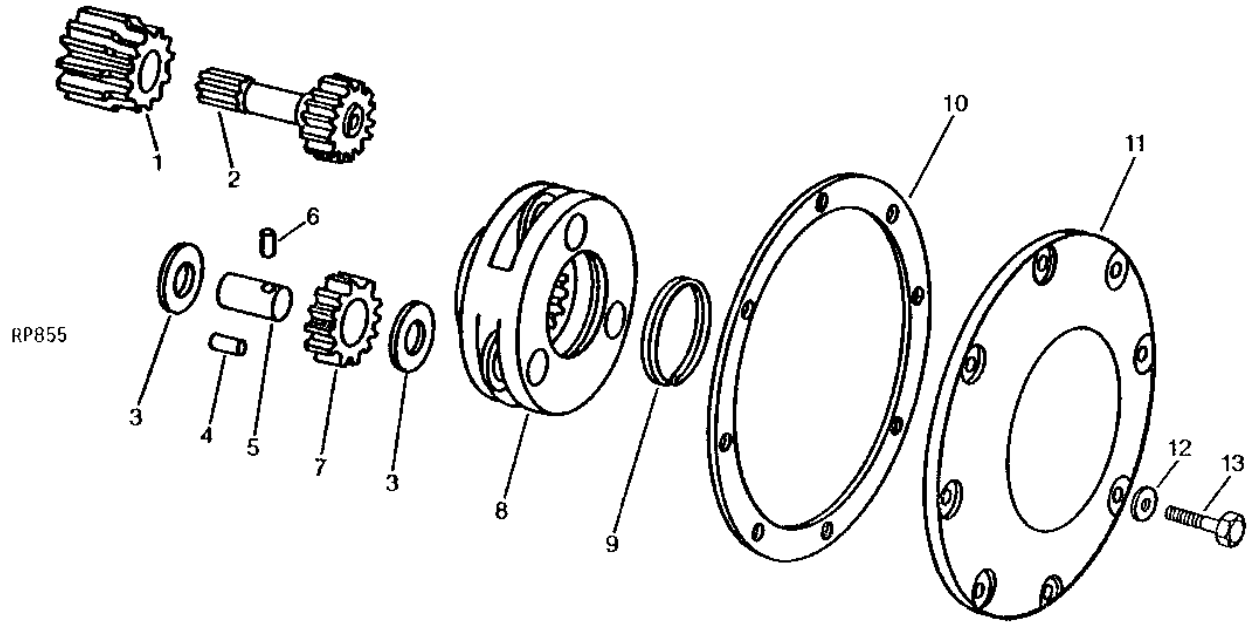
KEY	PART NO.	PART NAME	QTY	TRACTOR SERIAL NO.	REMARKS
1	R42328	PLATE	1	-014560	(NO LONGER AVAILABLE)
	R47142	PLATE	1	014561-	
2	R42762	SPRING	6		
3	R42517	DISK	2	-014560	
4	R42516	GEAR	1		
5	R45378	PLATE	1	-014560	
	R47141	PLATE	1	014561-	
6	R42729	WASHER	18		
7	19H1733	CAP SCREW	18		3/8" X 2-1/2"
8	19H2284	CAP SCREW	6		3/8" X 7/8"
9	R42333	RETAINER	1		
10	R42931	THRUST WASHER	6		
11	H871R	BALL	6		4.76MM (3/16")
12	R42932	PIN	3		
13	R42883	NEEDLE ROLLER	66		
14	R42518	PINION	3		
15	R28671	DOWEL PIN	3		
16	R1612R	DOWEL PIN	2		
17	AR44377	HOUSING	1	-014560	
	AR48527	HOUSING	1	014561-	
18	R26375	O-RING	1		
19	R39112	FITTING	1		

1K2

POWER TRAIN

FIRST PLANET PINION, CARRIER, AND COVER (POWER FRONT WHEEL DRIVE)

RP855 -UN-01JAN94



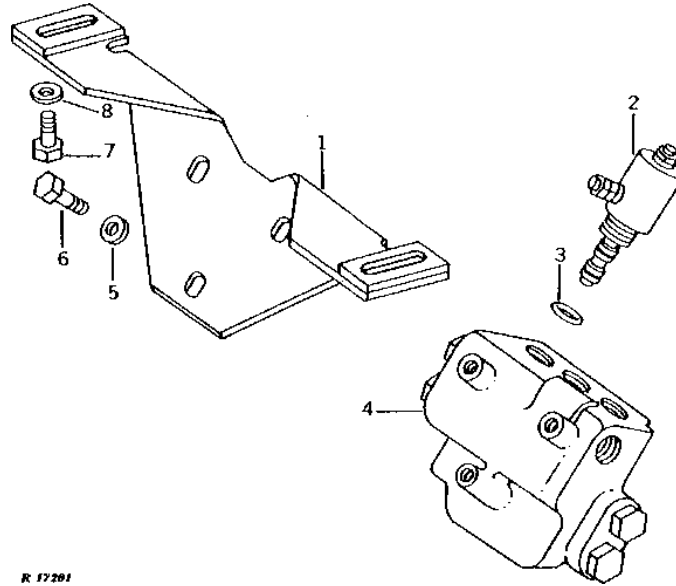
KEY	PART NO.	PART NAME	QTY	TRACTOR SERIAL NO.	REMARKS
1	R42734	PINION	1		(SECOND PLANET SUN)
2	R42733	PINION	1	-014560	(FIRST PLANET SUN)
	R46708	PINION	1	014561-	(FIRST PLANET SUN)
3	R42929	THRUST WASHER	6		
4	R42884	NEEDLE ROLLER	51		
5	R42930	PIN	3		
6	B2641R	DOWEL PIN	3		
7	R42928	PINION	3	-014560	
	R46709	PINION	3	014561-	
8	R42519	PLANET PINION CARRIER	1		
9	R44013	SNAP RING	1		
10	R42764	GASKET	1		
11	R42968	COVER	1		
12	R42729	WASHER	8		
13	19H2552	CAP SCREW	8	3/8" X 1-1/8"	

1K3

POWER TRAIN

CONTROL VALVE AND SUPPORT (POWER FRONT WHEEL DRIVE)

R17201 -UN-01JAN94



R 17201

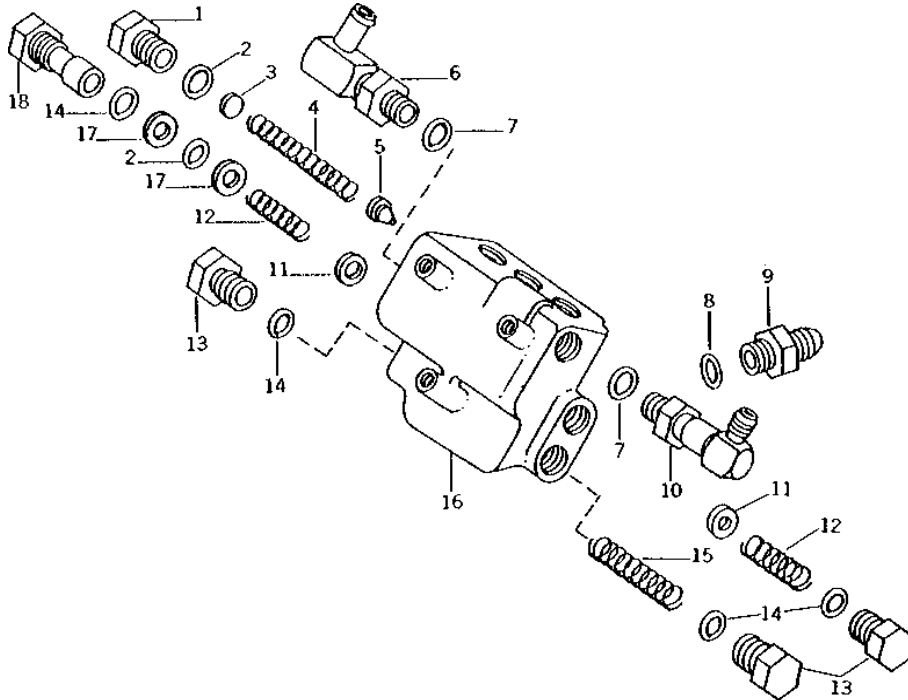
KEY	PART NO.	PART NAME	QTY	TRACTOR SERIAL NO.	REMARKS
1	AR45282	BRACKET	1		(NO LONGER AVAILABLE)
2	AR81175	SOLENOID VALVE	3		(SUB FOR AR48901, AR53046 OR AR70920)
3	U12547	O-RING	3		
4	AR81936	VALVE	1		(SUB FOR AR49420)
5	24H1309	WASHER	3		13/32" X 1-1/16" X 0.120"
6	19H2284	CAP SCREW	3	-014560	3/8" X 7/8"
	19H2284	CAP SCREW	2	014561-	3/8" X 7/8"
	19H1944	CAP SCREW	3	014561-	3/8" X 2-3/4"
7	19H2731	CAP SCREW	4		7/16" X 1-3/8"
8	24M7043	WASHER	4		12 X 25 X 3 MM

1K4

POWER TRAIN

R16418 -UN-01JAN94

CONTROL VALVE PARTS (POWER FRONT WHEEL DRIVE)



R 16418

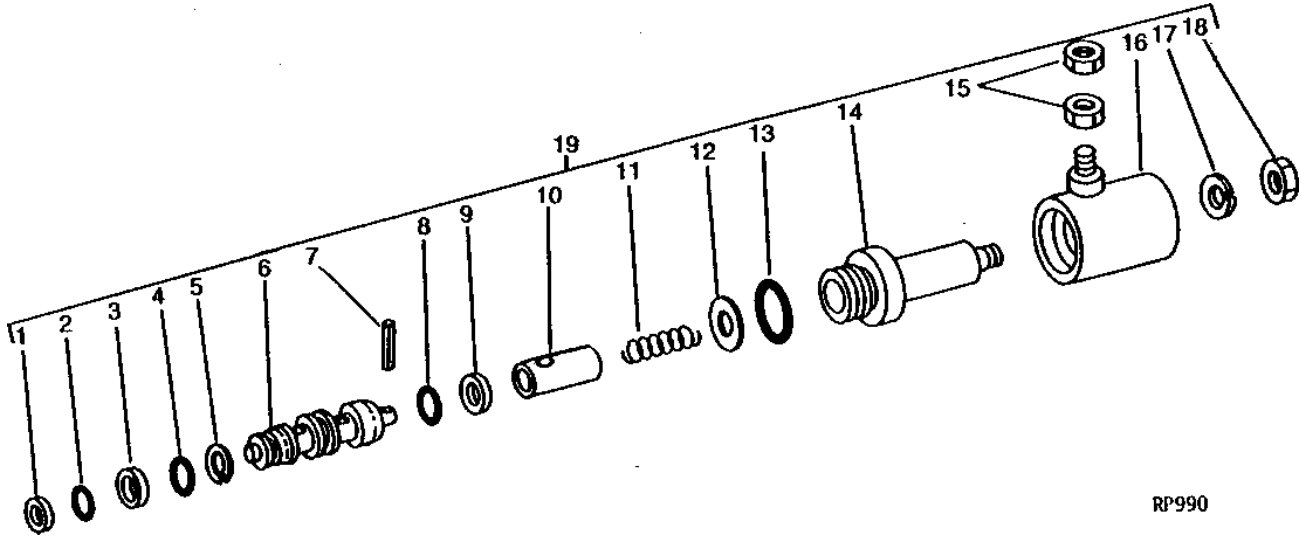
KEY	PART NO.	PART NAME	QTY	TRACTOR SERIAL NO.	REMARKS
1	R45179	FITTING	1		
2	P47908	O-RING	2		
3	T14587	SHIM	AR		0.61MM (.024")
4	R45183	SPRING	1		
5	R45176	ORIFICE	1		
6	AR46957	ELBOW FITTING	1	-014560	90°, (SUB AR53560, R26375 AND R39112)
	AR53560	FITTING	1	014561-	90°, (NO LONGER AVAILABLE)
7	U17409	O-RING	2		
8	F3171R	O-RING	4		
9	R27267	FITTING	1		
10	AR44384	ELBOW FITTING	1	-014560	90°, (ILLUSTRATED)
	AR53562	TEE FITTING	1	014561-	(NO LONGER AVAILABLE)
11	R45184	WASHER	2		
12	R45182	SPRING	2		
13	R45177	FITTING	3		
14	32240	O-RING	4		
15	R45181	SPRING	1		
16	AR81936	VALVE	1		(SUB FOR AR49420)
17	U40727	BACK-UP RING	2		
18	R45178	PLUG	1		
..	AR48904	KIT	1		CONTROL VALVE OVERHAUL

1K5

POWER TRAIN

RP990 -UN-01JAN94

POWER FRONT WHEEL DRIVE SOLENOID



RP990

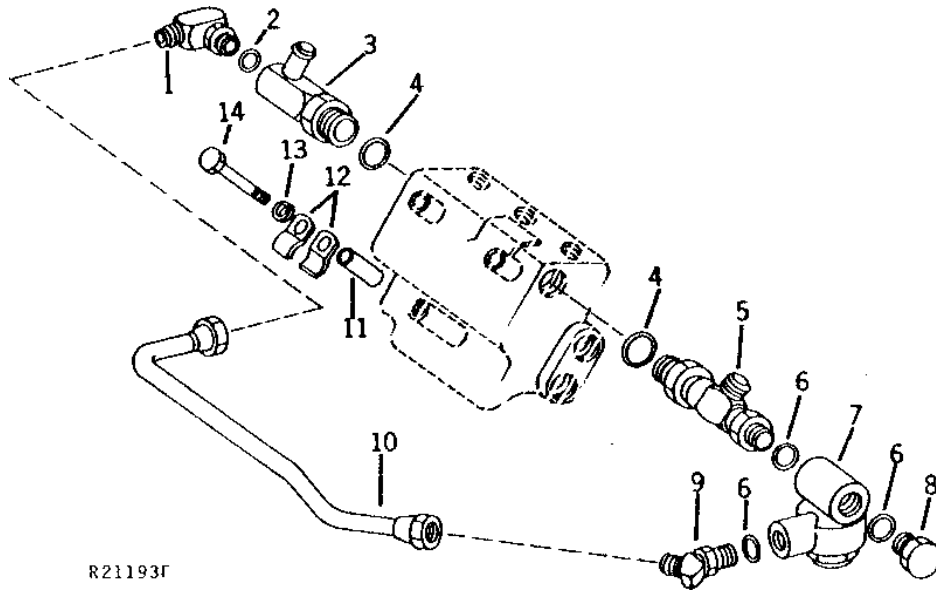
KEY	PART NO.	PART NAME	QTY	TRACTOR SERIAL NO.	REMARKS
1	R42926	BACK-UP RING	1		
2	R45186	O-RING	1		
3	R45187	BACK-UP RING	1		
4	R45638	O-RING	1		
5	R46701	SNAP RING	1		
6	AR70921	SLEEVE	1	-XXXXXX	(SUB FOR AR48902) (SUB AR81176) (ALSO ORDER R58884)
	AR81176	VALVE SPOOL	1	XXXXXX-	
7	34H227	SPRING PIN	1		3/32" X 1/2"
8	N31772	O-RING	1		
9	R46702	BACK-UP RING	1		
10	R45250	PLUNGER	1	-XXXXXX	(SUB AR81176 AND R58884)
	R58884	PLUNGER	1	XXXXXX-	
11	R64698	SPRING	1		(ALSO ORDER R64697 UNLESS PREVIOUSLY INSTALLED) (SUB FOR R45251)
12	R64697	SHIM	1	XXXXXX-	(USE WITH TUBE MARKED WITH A "V")
13	U12547	O-RING	1		
14	AR48903	GUIDE	1		
15	14H605	NUT	2		0.164"
16	AR70922	ELECTRICAL COIL	1		(SUB FOR AR47180 AND AR53047)
17	12H302	LOCK WASHER	1		1/4"
18	14H786	NUT	1		1/4"
19	AR81175	SOLENOID VALVE	1	-XXXXXX	(SUB FOR AR48901, AR53046 OR AR70920)
	AR81175	SOLENOID VALVE	1	XXXXXX-	(SUB FOR AR70920)
..	AR48904	KIT	1		CONTROL VALVE OVERHAUL

1K6

POWER TRAIN

**PRESSURE RELIEF VALVE AND BYPASS PIPE
(POWER FRONT WHEEL DRIVE)
(TRACTOR SERIAL NO. 014561-)**

R21193 -UN-01JAN94



R21193F

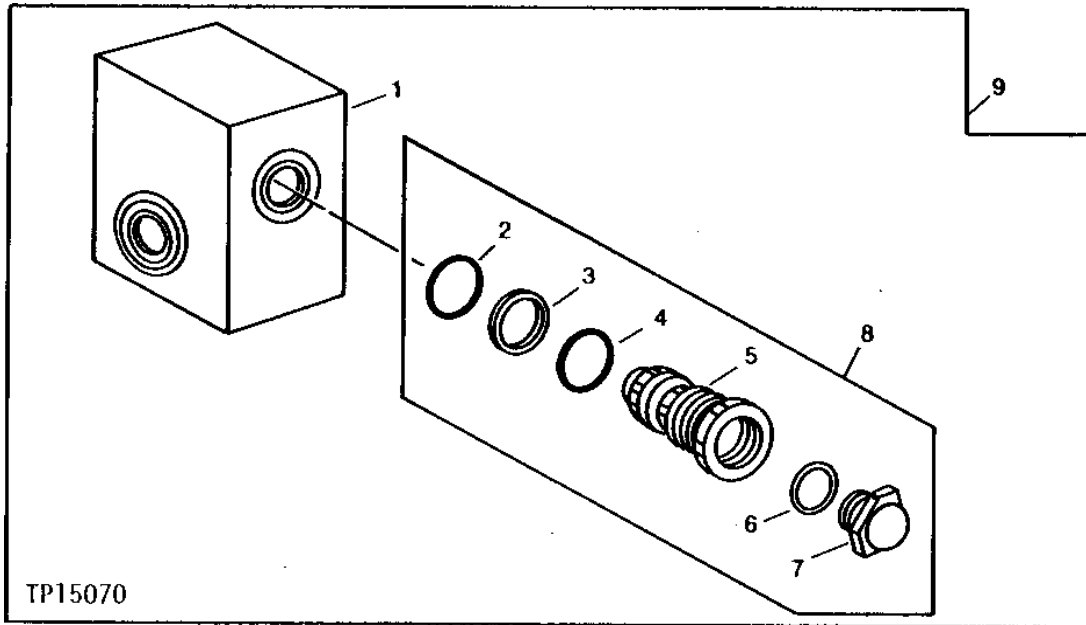
KEY	PART NO.	PART NAME	QTY	TRACTOR SERIAL NO.	REMARKS
1	AR30110	ELBOW FITTING	1		90°
2	R26375	O-RING	1		
3	AR53560	FITTING	1		90°, (NO LONGER AVAILABLE)
4	U17409	O-RING	2		
5	AR53562	TEE FITTING	1		(NO LONGER AVAILABLE)
6	R26906	O-RING	3		
7	AT30373	RELIEF VALVE	1		
8	R27474	DRAIN PLUG	1		
9	AT32338	FITTING	1		45°, (SUB FOR AR26828)
10	AR53564	OIL LINE	1		(NO LONGER AVAILABLE)
11	28H3380	SPACER	1		3/8" X 1-5/8"
12	R35726	CLAMP	2		
13	24M7096	WASHER	1		10.500 X 18 X 1.600 MM
14	19H1944	CAP SCREW	1		3/8" X 2-3/4"

1K7

POWER TRAIN

RELIEF VALVE
(POWER FRONT WHEEL DRIVE)
(TRACTOR SERIAL NO. 014561-)

TP15070 -UN-01JAN94



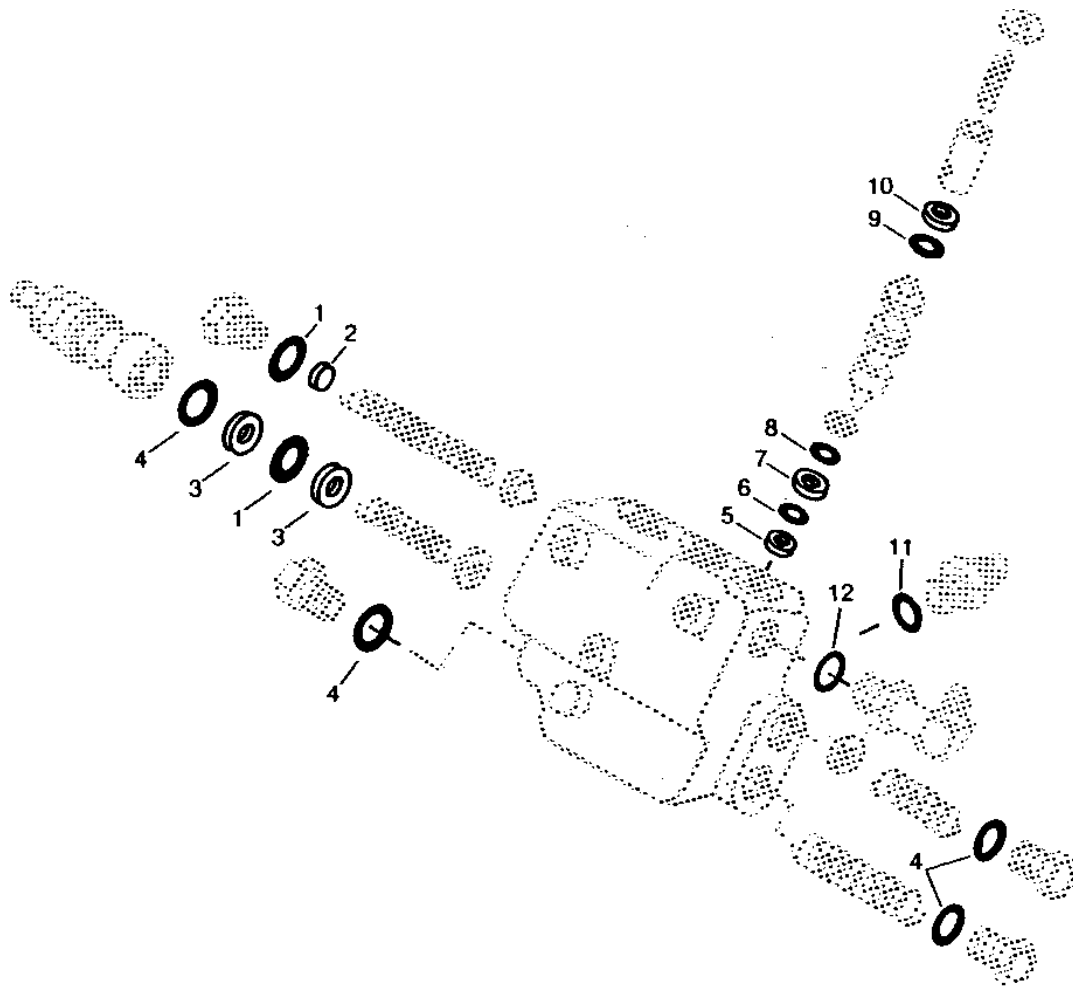
KEY	PART NO.	PART NAME	QTY	SERIAL NO.	REMARKS
1	VALVE	1		(SUB AT30373)
2	T77072	O-RING	1		
3	T75972	BACK-UP RING	1		
4	U15242	O-RING	1		
5	RELIEF VALVE	1		(SUB AT80421)
6	W19903	O-RING	1		
7	CAP	1		(SUB AT80421)
8	AT80421	VALVE	1		
9	AT30373	RELIEF VALVE	1		

1K8

POWER TRAIN

RWP6372 -UN-12OCT94

CONTROL VALVE OVERHAUL KIT
(POWER FRONT WHEEL DRIVE)



RWP6372

1K9

POWER TRAIN

CONTROL VALVE OVERHAUL KIT - CONTINUED
(POWER FRONT WHEEL DRIVE)

KEY	PART NO.	PART NAME	QTY	TRACTOR SERIAL NO.	REMARKS
1	P47908	O-RING	2		
2	T14587	SHIM	1	0.61MM (.024")	
3	U40727	BACK-UP RING	2		
4	32240	O-RING	4		
5	R42926	BACK-UP RING	1		
6	R45186	O-RING	1		
7	R45187	BACK-UP RING	1		
8	R45638	O-RING	1		
9	N31772	O-RING	1		
10	R46702	BACK-UP RING	1		
11	F3171R	O-RING	4		
12	U17409	O-RING	2		
13	AR48904	KIT	1		

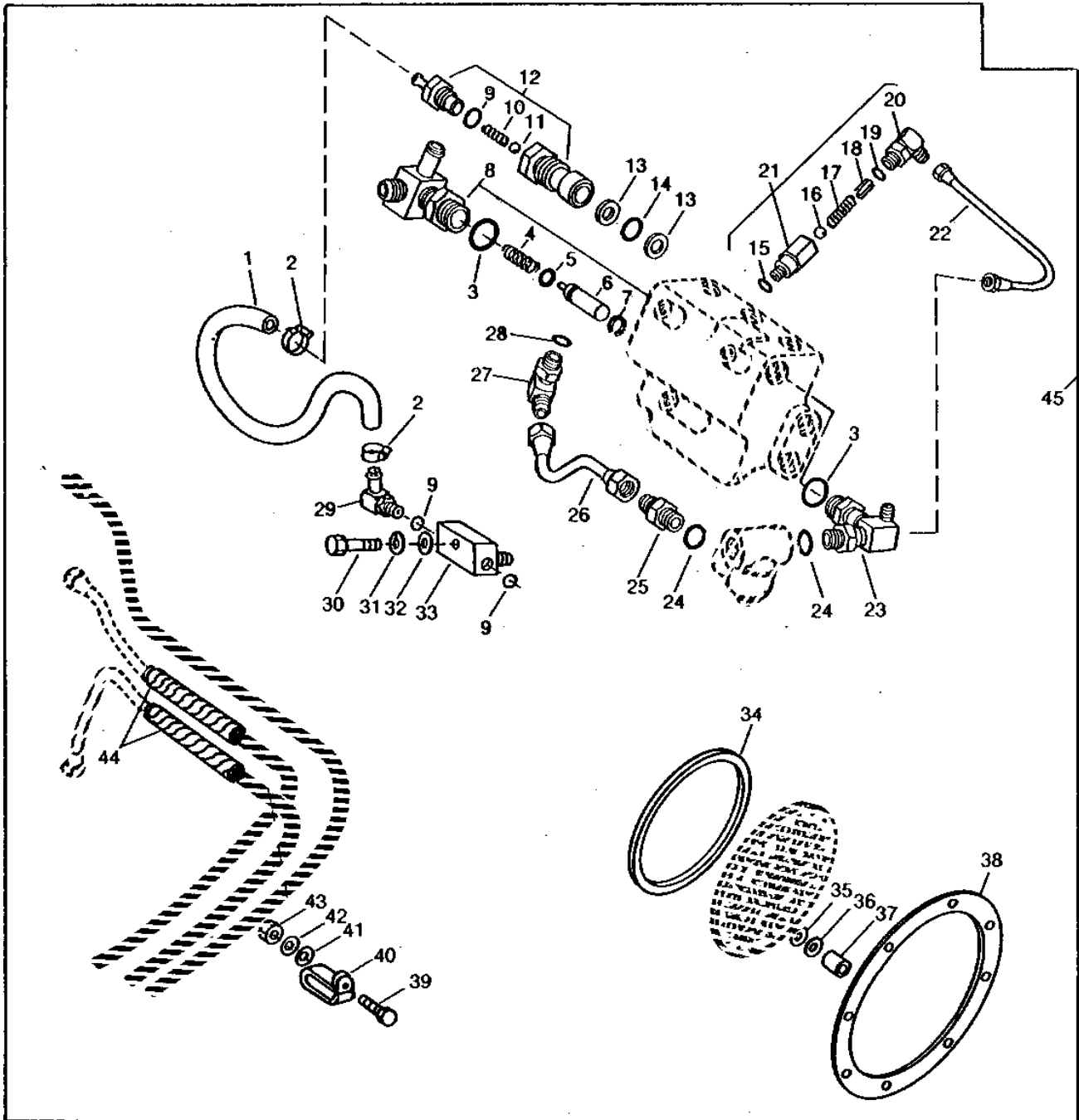
1K10

POWER TRAIN

RXP8621

-UN-01JAN94

POWER FRONT WHEEL DRIVE REPLACEMENT KIT



RXP8621

1K11

POWER TRAIN

POWER FRONT WHEEL DRIVE REPLACEMENT KIT - CONTINUED

KEY	PART NO.	PART NAME	QTY	TRACTOR SERIAL NO.	REMARKS
1	R66067	HYDRAULIC HOSE	1		
2	AR48236	CLAMP	2		(SUB TY22462)
3	U17409	O-RING	2		
4	F3463R	SPRING	1		
5	R45638	O-RING	1		
6	R64491	VALVE	1		
7	B474R	SNAP RING	1		
8	AR80591	TEE FITTING	1		
9	R26448	O-RING	3		
10	A4816R	SPRING	1		
11	R26552	BALL	1		
12	AR81968	BLEED VALVE	1		
13	U40727	BACK-UP RING	2		
14	P47908	O-RING	1		
15	R26286	O-RING	1		
16	R42849	BALL	1		
17	R227R	SPRING	1		
18	R55458	GUIDE	1		
19	R26448	O-RING	1		
20	AR58184	ELBOW FITTING	1		90°
21	AR85464	CHECK VALVE	1		
22	AR85463	LINE	1		
23	AR81935	TEE FITTING	1		
24	R26906	O-RING	2		
25	R31665	FITTING	1		
26	AR56611	HYDRAULIC LINE	1		
27	AT32332	ELBOW FITTING	1		90°
28	R26375	O-RING	1		
29	AR85574	ELBOW FITTING	1		90°
30	19H1765	CAP SCREW	1		3/8" X 1-3/4"
31	12H304	LOCK WASHER	1		3/8"
32	24M7096	WASHER	1		10.500 X 18 X 1.600 MM
33	AR80595	FITTING	1		
34	R42877	PACKING	1		
35	R29354	O-RING	18		(SUB FOR R42763)
36	R35473	BACK-UP RING	18		(SUB R73101, THIS APPLICATION)
37	R42927	PISTON	2		
38	R42764	GASKET	1		
39	19H2021	CAP SCREW	4		3/8" X 5/8"
40	R65207	CLAMP	4		
41	12H304	LOCK WASHER	4		3/8"
42	24H1305	WASHER	4		13/32" X 13/16" X 0.065"
43	14H1076	NUT	4		3/8"
44	R72341	HOSE GUARD	4		(SUB FOR R67366)
45	KIT	1		(NLA)

MEMORANDA

MEMORANDA

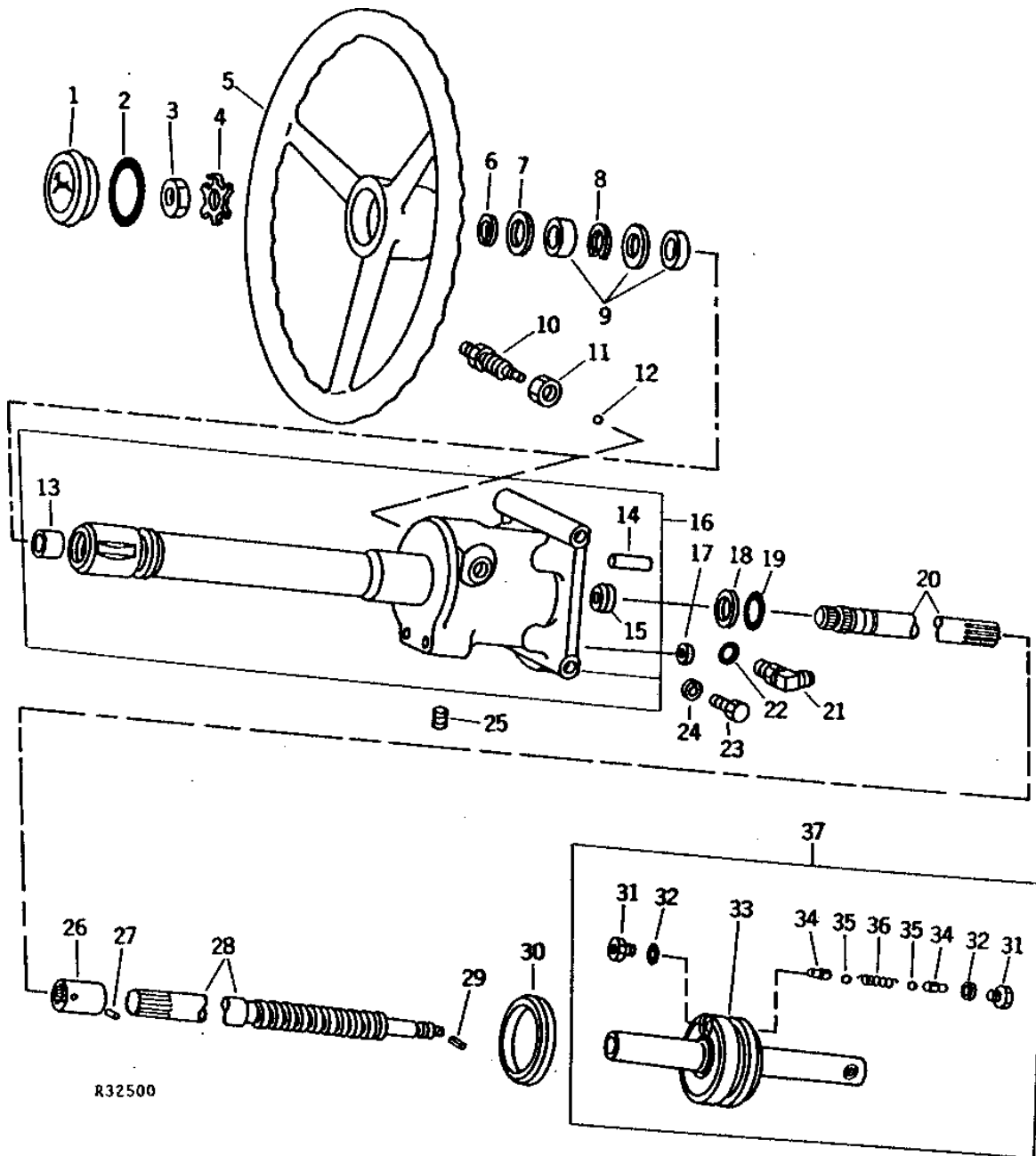
2B3

STEERING AND BRAKES

R32500

-UN-01JAN94

STEERING VALVE CYLINDER, SHAFT AND PISTON



R32500

2B4

STEERING AND BRAKES

STEERING VALVE CYLINDER, SHAFT AND PISTON - CONTINUED

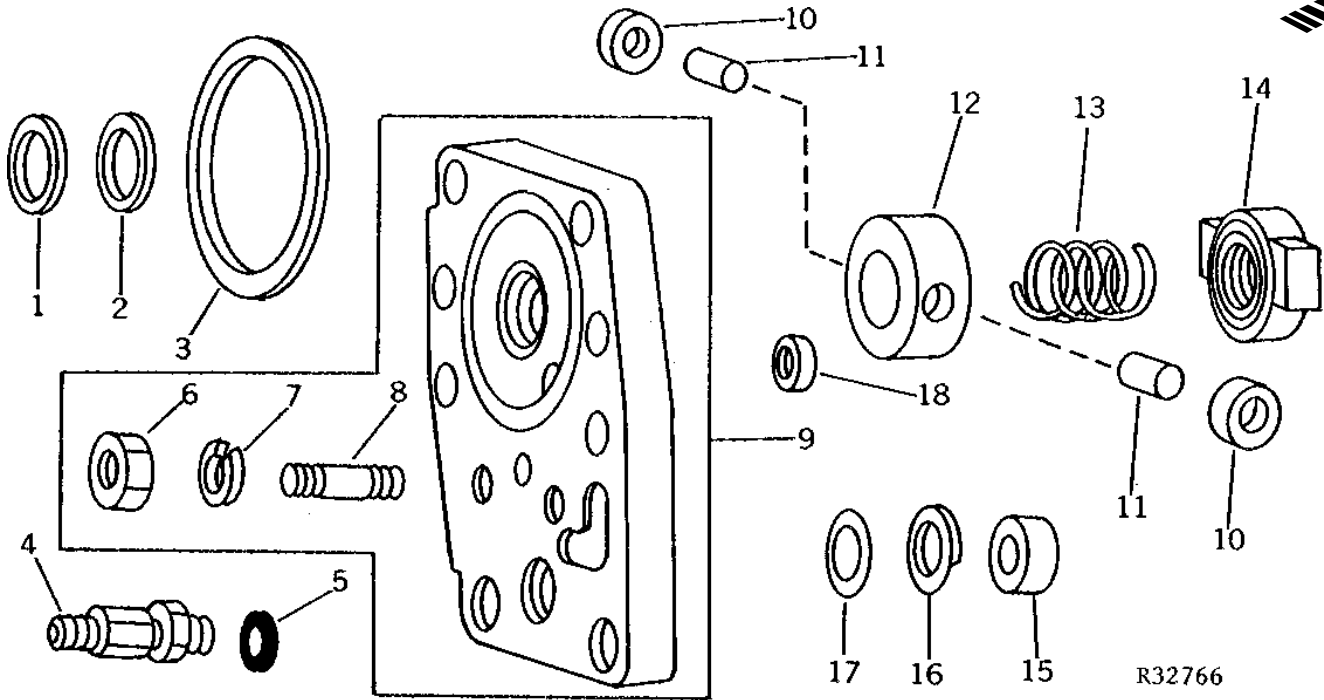
KEY	PART NO.	PART NAME	QTY	TRACTOR SERIAL NO.	REMARKS
1	R47998	CAP	1		(SUB FOR R45792)
2	B3690R	O-RING	1		
3	14H904	NUT	1		3/4"
4	T17148	LOCK WASHER	1		
5	AR26625	STEERING WHEEL	1		
6	B169R	SNAP RING	1		
7	R42629	WASHER	1		
8	R26933	SNAP RING	1		
9	AR34172	SEAL KIT	1		
10	R27299	SCREW	1		
11	R27453	NUT	1		
12	400R	BALL	1		6MM (1/4")
13	R27320	BUSHING	1		
14	R32186	DOWEL PIN	2		
15	R27087	WASHER	1		
16	AR47289	CYLINDER	1		(MARKED R45297)
17	AR67783	KIT	1		PACKING, (SUB FOR AR42009)
18	R26441	BACK-UP RING	1		
19	A3606R	O-RING	1		
20	R37426	SHAFT	1		(SUB R73737)
21	AT35121	ELBOW FITTING	1		90°, (SUB FOR AR26725)
22	R26448	O-RING	1		
23	19H1732	CAP SCREW	4		3/8" X 1-1/4"
24	12H304	LOCK WASHER	4		3/8"
25	15H558	PIPE PLUG	1		1/8"
26	R27319	SPLINED COUPLING	1		
27	34H282	SPRING PIN	1		3/16" X 1"
28	R34125	SHAFT	1		
29	11M7081	COTTER PIN	1		0.098" X 0.787"
30	R40567	WASHER	1		
31	R31202	VALVE	2		
32	R26287	O-RING	2		
33	AR30298	PISTON	1		(SUB AR30297)
34	R31201	SHAFT	2		
35	H871R	BALL	2		5MM (3/16")
36	A4816R	SPRING	1		
37	AR30297	PISTON	1		

2B5

STEERING AND BRAKES

R32766 -UN-01JAN94

STEERING VALVE CYLINDER COVER



R32766

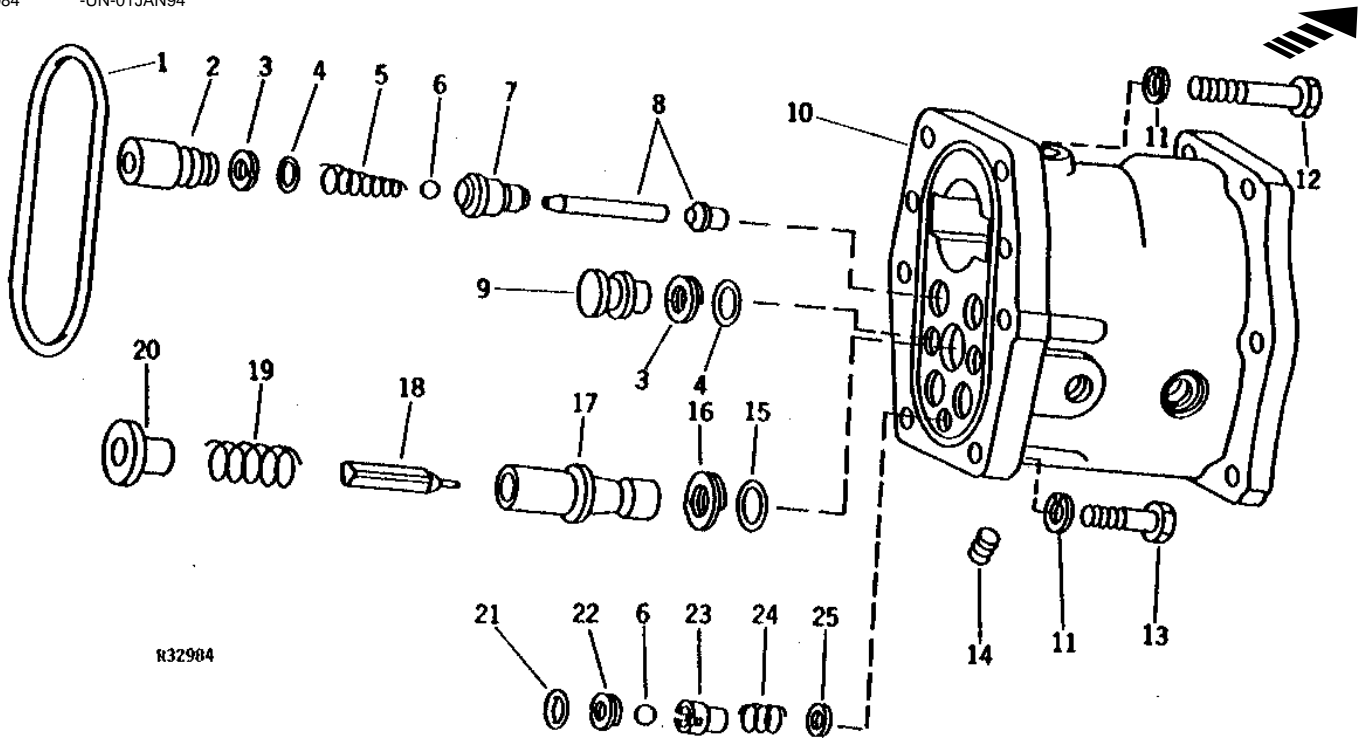
KEY	PART NO.	PART NAME	QTY	TRACTOR SERIAL NO.	REMARKS
1	A3606R	O-RING	1		
2	R26441	BACK-UP RING	1		
3	AR67783	KIT	1		PACKING, (SUB FOR AR42009)
4	R49018	FITTING	1		
5	R26286	O-RING	1		
6	14H1047	NUT	2	7/16"	
7	12H293	LOCK WASHER	2	7/16"	
8	R55183	STUD	2	7/16" X 2-1/8", (SUB FOR R45298)	
9	AR47293	COVER	1		(MARKED R44845)
10	R26755	WASHER	2		
11	R27091	PIN	2		
12	R40149	LOCKING COLLAR	1		
13	R40531	SPRING	1		
14	R27089	NUT	1		
15	R34121	PISTON	1		
16	R26485	BACK-UP RING	1		
17	R495R	O-RING	1		
18	AR67783	KIT	1		PACKING, (SUB FOR AR42009)

2B6

STEERING AND BRAKES

R32984 -UN-01JAN94

STEERING VALVE



R32984

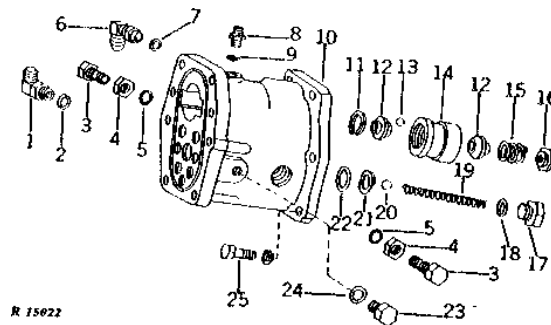
KEY	PART NO.	PART NAME	QTY	TRACTOR SERIAL NO.	REMARKS
1	R34733	WASHER	1		
2	R41724	PLUG	4		
3	R32588	BACK-UP RING	6		
4	R459R	O-RING	6		
5	R26565	SPRING	4		
6	400R	BALL	1	6.35MM (1/4")	
7	R28124	VALVE	4		
8	AR49535	SHAFT	2	UPPER	
	AR49536	SHAFT	2	LOWER	
9	R34131	PLUG	2		
10	AR43809	HOUSING	1	(MARKED R43962 OR R45811)	
11	12H301	LOCK WASHER	6	1/2"	
12	R48784	CAP SCREW	4	(SUB 19H1990)	
13	R48785	CAP SCREW	2		
14	15H558	PIPE PLUG	1	1/8"	
15	B2762R	O-RING	1		
16	R26546	BACK-UP RING	1		
17	R34123	VALVE SEAT	1		
18	R42661	SEAT	1		
19	R26151	SPRING	1		
20	R34122	STOP	1		
21	A4365R	O-RING	1		
22	R34129	BACK-UP RING	1		
23	R44254	GUIDE	1		
24	R44256	SPRING	1		
25	R44255	WASHER	1		

2B7

STEERING AND BRAKES

R15022 -UN-01JAN94

STEERING VALVE



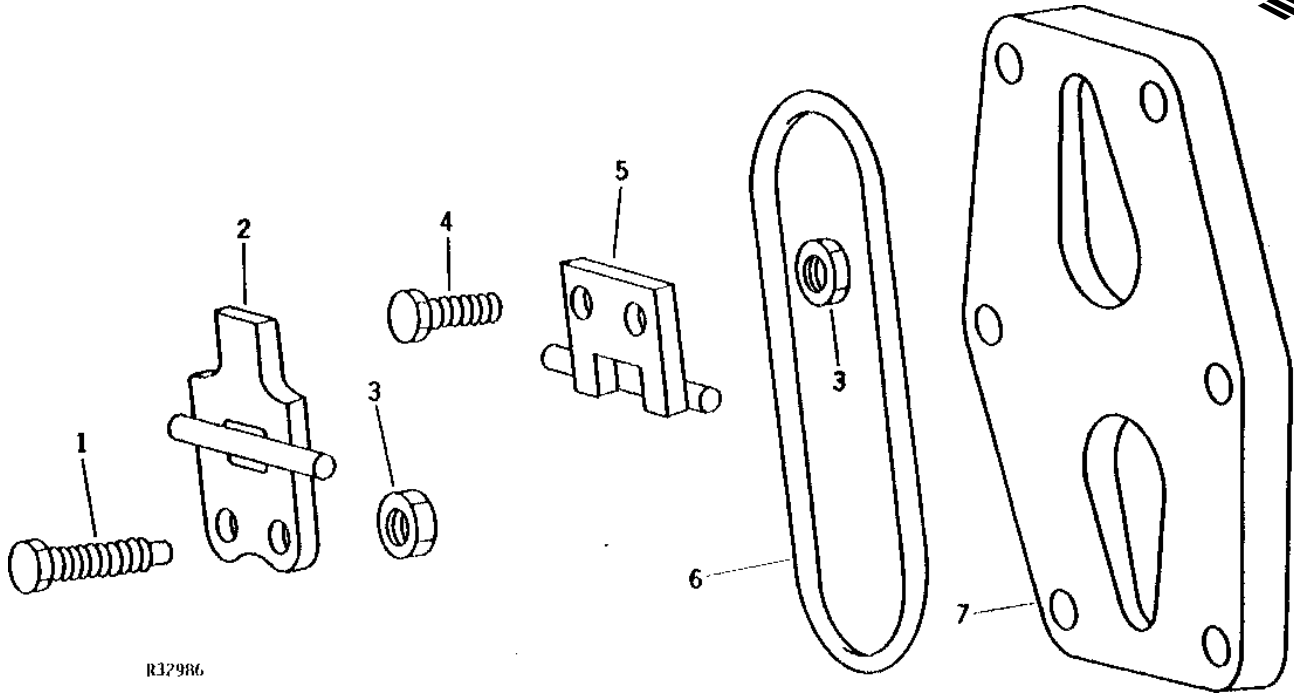
KEY	PART NO.	PART NAME	QTY	TRACTOR SERIAL NO.	REMARKS
1	AT35121	ELBOW FITTING	1		90°, (SUB FOR AR26725)
2	R26448	O-RING	1		
3	R40338	DRAIN PLUG	2		
4	R27296	NUT	2		
5	R26286	O-RING	2		
6	AT32333	ELBOW FITTING	1		90°, (SUB FOR AR26771)
7	R26286	O-RING	1		
8	R27527	ADAPTER	1		
9	R26287	O-RING	1		
10	AR43809	HOUSING	1		(MARKED R43962 OR R45811)
11	R26425	SNAP RING	1		
12	R40595	BEARING RACE	2		
13	R26552	BALL	13		8MM (5/16")
14	R40757	BUSHING	1		
15	R40596	SPRING	1		
16	R40597	LOCK NUT	1		
17	R39112	FITTING	1		
18	R26375	O-RING	1		
19	R31278	SPRING	1		
20	R42849	BALL	1		10MM (3/8")
21	R30323	BACK-UP RING	1		
22	P48347	O-RING	1		(SUB FOR T12860 OR R34404)
23	R27218	FITTING PLUG	1		
24	R26448	O-RING	1		
25	19H2552	CAP SCREW	5		3/8" X 1-1/8"
	19H1765	CAP SCREW	5		3/8" X 1-3/4"
	12H304	LOCK WASHER	6		3/8"

2B8

STEERING AND BRAKES

R32986 -UN-01JAN94

STEERING VALVE COVER AND VALVE OPERATING LEVERS



R32986

KEY	PART NO.	PART NAME	QTY	TRACTOR SERIAL NO.	REMARKS
1	R26554	SET SCREW	2		
2	AR26448	LEVER	1		LOWER
3	14H649	NUT	4		1/4"
4	R31217	SCREW	2		(SUB FOR R26762, THIS APPLICATION)
5	AR26402	LEVER	1		UPPER
6	R34733	WASHER	1		
7	R57034	COVER	1		(SUB FOR R26553 OR R51748)

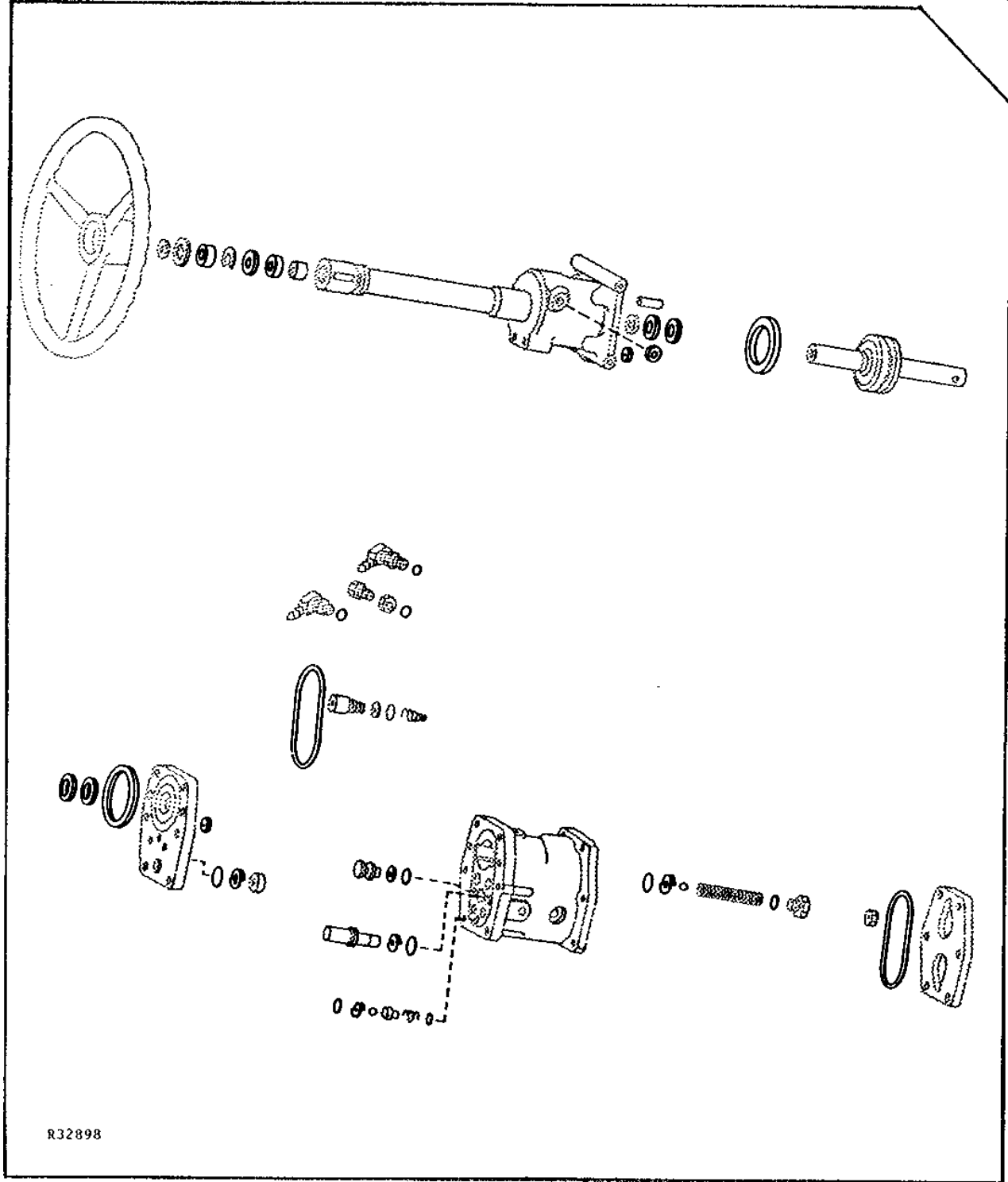
2B9

STEERING AND BRAKES

R32898

-UN-01JAN94

STEERING VALVE CYLINDER OVERHAUL KIT



R32898

2B10

STEERING AND BRAKES

STEERING VALVE CYLINDER OVERHAUL KIT - CONTINUED

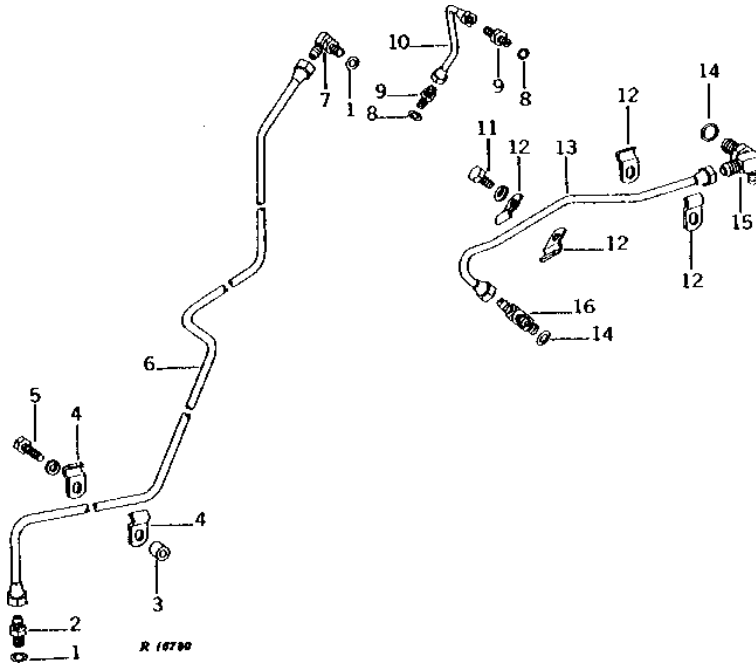
KEY	PART NO.	PART NAME	QTY	TRACTOR SERIAL NO.	REMARKS
1	AR39585	KIT	1		

2B11

STEERING AND BRAKES

R16780 -UN-01JAN94

STEERING VALVE OIL PRESSURE, OIL RETURN, AND OIL BLEED PIPES



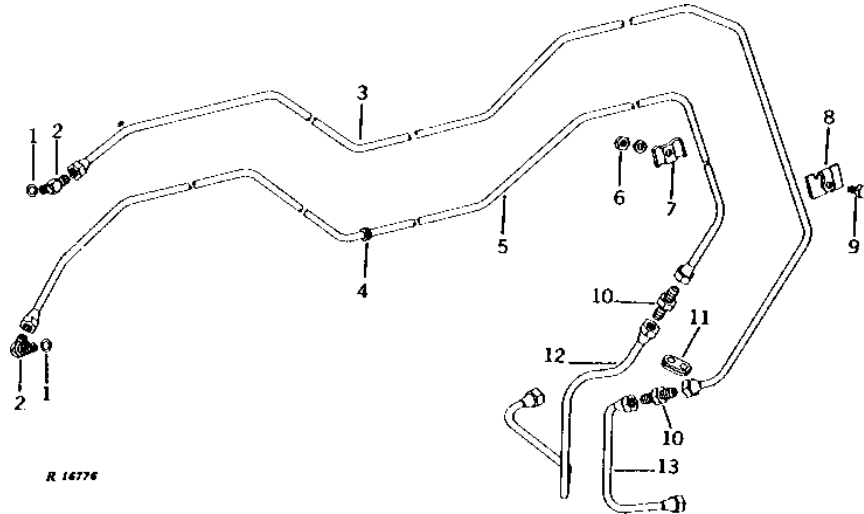
KEY	PART NO.	PART NAME	QTY	TRACTOR SERIAL NO.	REMARKS
1	R26286	O-RING	2		
2	R27272	FITTING	1		
3	28H1519	WASHER	1	0.493" X 0.675" X 3/8"	
4	R42357	CLAMP	2		
5	19H1732	CAP SCREW	1	3/8" X 1-1/4"	
	12H304	LOCK WASHER	1	3/8"	
6	AR48489	HYDRAULIC LINE	1		RETURN
7	AT32333	ELBOW FITTING	1		90°, (SUB FOR AR26771)
8	R26287	O-RING	2		
9	R27527	ADAPTER	2		
10	AR44635	HYDRAULIC LINE	1		PRESSURE
11	19H1936	CAP SCREW	1	3/8" X 3/4"	
	12H304	LOCK WASHER	1	3/8"	
12	R42357	CLAMP	4		
13	AR41130	HYDRAULIC LINE	1		PRESSURE
14	R26286	O-RING	1		
15	AR49789	TEE FITTING	1		90°
16	AR30762	TEE FITTING	1		(WITH PTO)
	R49018	FITTING	1		(SUB FOR AR35725) (LESS PTO)
..	AR21969	KIT	1		CAP PLUG ASSORTMENT

2B12

STEERING AND BRAKES

R16776 -UN-01JAN94

STEERING VALVE TO STEERING MOTOR OIL PIPES



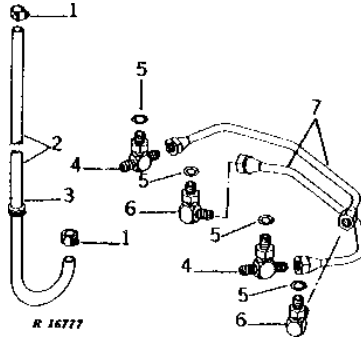
KEY	PART NO.	PART NAME	QTY	TRACTOR SERIAL NO.	REMARKS
1	R26448	O-RING	2		
2	AT35121	ELBOW FITTING	2	90°, (SUB FOR AR26725)	
3	AR53197	HYDRAULIC LINE	1	TOP R.H. (SUB FOR AR48788 OR AR52575)	
4	R41439	GROMMET	1		
5	AR48789	HYDRAULIC LINE	1	TOP L.H.	
6	14H786	NUT	1	1/4"	
	12H302	LOCK WASHER	1	1/4"	
7	R27323	CLAMP	1		
8	R27324	CLIP	1		
9	19H1914	CAP SCREW	1	1/4" X 1"	
10	R27095	FITTING	2		
11	R26418	GROMMET	1		
12	AR48791	HYDRAULIC LINE	1	BOTTOM L.H.	
13	AR48790	HYDRAULIC LINE	1	BOTTOM R.H.	
..	AR21969	KIT	1	CAP PLUG ASSORTMENT	

2B13

STEERING AND BRAKES

R16777 -UN-01JAN94

STEERING MOTOR OIL PIPES AND VENT HOSE



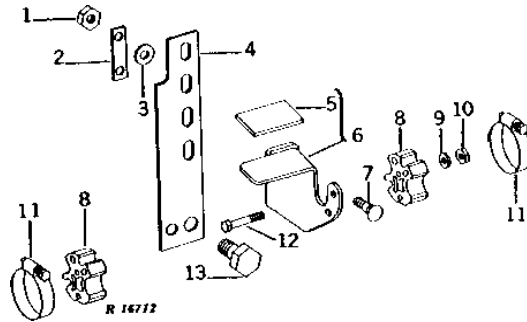
KEY	PART NO.	PART NAME	QTY	TRACTOR SERIAL NO.	REMARKS
1	AR21836	CLAMP	2		
2	R33733	HOSE	1		VENT
3	R26941	GROMMET	1		
4	AR27254	TEE FITTING	2		
5	R26286	O-RING	4		
6	AT32333	ELBOW FITTING	2		90°, (SUB FOR AR26771)
7	AR26679	OIL LINE	2		
..	AR21969	KIT	1		CAP PLUG ASSORTMENT

2B14

STEERING AND BRAKES

R16712 -UN-01JAN94

HYDRAULIC AND STEERING OIL PIPES SUPPORT



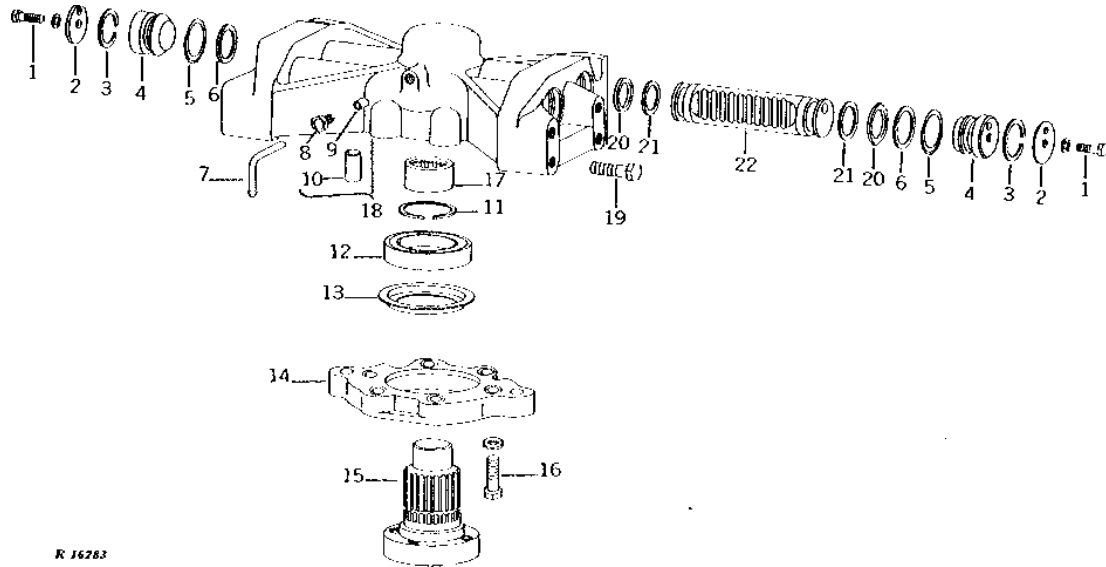
KEY	PART NO.	PART NAME	QTY	TRACTOR SERIAL NO.	REMARKS
1	14H1076	NUT	2	3/8"	
2	R27962	STRAP	1		
3	24H1305	WASHER	2	13/32" X 13/16" X 0.065"	
4	R41477	BRACKET	1		
5	CUSHION	1		3 X 38 X 57MM (1/8" X 1-1/2" X 2-1/4") (MAKE FROM R21736)
6	AR48671	SUPPORT	1		
7	03H1519	BOLT	2	3/8" X 1"	
8	AR41016	SPACER	2		
9	24H1287	WASHER	2	9/32" X 5/8" X 0.065"	
10	14H786	NUT	2	1/4"	
11	AR21840	CLAMP	2	(SUB TY22470)	
12	19H1898	CAP SCREW	2	1/4" X 1-1/2"	
13	R45692	CAP SCREW	1		

2B15

STEERING AND BRAKES

R16283 -UN-01JAN94

STEERING MOTOR



R 16283

KEY	PART NO.	PART NAME	QTY	TRACTOR SERIAL NO.	REMARKS
1	19H1732	CAP SCREW	4	3/8" X 1-1/4"	
	12H304	LOCK WASHER	4	3/8"	
2	R26281	WASHER	4		
3	R26283	SNAP RING	4		
4	R26280	PLUG	4		
5	R26290	BACK-UP RING	4	(A)	
6	R26282	O-RING	4	(A)	
7	R33732	OIL TUBE	1		
8	R28676	FITTING	1		
9	R28677	SLEEVE	1		
10	R26277	DOWEL PIN	2		
11	R26285	SNAP RING	1		
12	AR26981	BALL BEARING	1		
13	R34748	SEAL	1		
14	R31561	RETAINER	1		
15	AR34825	SPINDLE	1		
16	19H2550	CAP SCREW	6	1/2" X 1-5/8"	
	12H301	LOCK WASHER	6	1/2"	
17	JD9817	NEEDLE BEARING	1		
18	AR34824	HOUSING	1	(MARKED R34980)	
19	R31505	BOLT	8		
20	B3685R	O-RING	4	(A)	
21	R47083	BACK-UP RING	4	(A)	
22	R26278	PISTON	2		
..	AR52016	O-RING KIT	1	O-RINGS AND BACKUP RINGS	

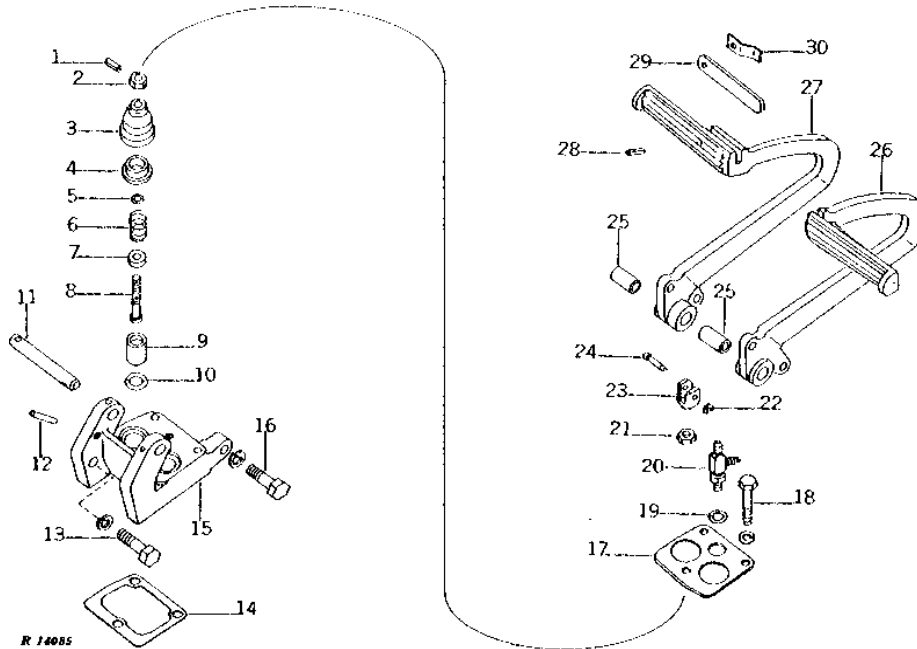
(A) INCLUDED IN AR52016

2B16

STEERING AND BRAKES

R14085 -UN-01JAN94

BRAKE PEDALS AND BRACKET



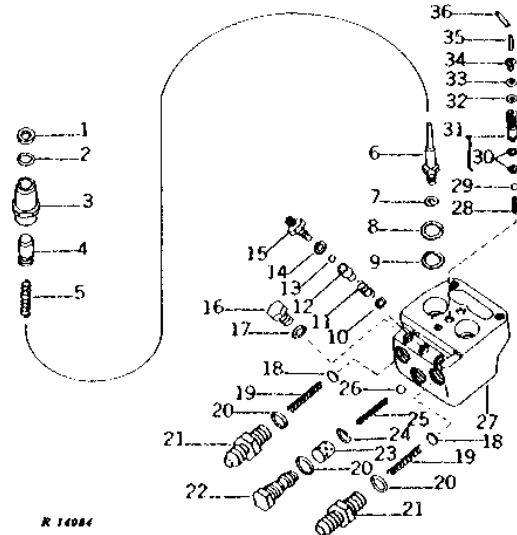
KEY	PART NO.	PART NAME	QTY	TRACTOR SERIAL NO.	REMARKS
1	34H245	SPRING PIN	2		1/8" X 5/8"
2	R39982	NUT	2		
3	R54059	BOOT	2		(SUB FOR R39981)
4	R31459	RETAINER	2		
5	R30903	O-RING	2		
6	R31271	SPRING	2		
7	R52168	STOP	2		(SUB FOR R31458)
8	R39980	BOLT	2		
9	R52169	GUIDE	2		(SUB FOR R31457)
10	A3606R	O-RING	2		
11	R45929	GROOVE PIN	1		
12	34H286	SPRING PIN	1		3/16" X 1-1/2"
13	19H2550	CAP SCREW	1		1/2" X 1-5/8"
	12H301	LOCK WASHER	1		1/2"
14	R31455	GASKET	1		
15	R45926	BRACKET	1		
16	19H3579	CAP SCREW	1		1/2" X 1-3/8"
	12H301	LOCK WASHER	1		1/2"
17	R26384	RETAINER	1		
18	19H1733	CAP SCREW	3		3/8" X 2-1/2"
	12H304	LOCK WASHER	3		3/8"
19	R26287	O-RING	1		
20	AR45251	TEE FITTING	1	-008695	(ILLUSTRATED)
	R27527	ADAPTER	1	008696-	
21	14H732	NUT	2		3/8"
22	R26386	SNAP RING	2		
23	R31273	YOKE	2		
24	R26385	PIN	2		
25	B177R	BUSHING	2		
26	AR40757	PEDAL	1		R.H. WITH BUSHING, (MARKED R41081)
27	AR49182	PEDAL	1		L.H. WITH BUSHING, (MARKED R46881)
28	34H313	SPRING PIN	1		1/4" X 1-1/8"
29	R50879	ARM	1		(SUB FOR R32376)
30	R50034	LEAF SPRING	1		(SUB FOR R31602)

2B17

STEERING AND BRAKES

R14084 -UN-01JAN94

BRAKE VALVE



KEY	PART NO.	PART NAME	QTY	TRACTOR SERIAL NO.	REMARKS
1	R32092	WASHER	2		
2	R459R	O-RING	2		
3	R32091	PISTON	2		
4	R32090	PLUNGER	2		
5	R26369	SPRING	2		
6	AR52497	VALVE	2		(SUB FOR AR47805)
7	R26286	O-RING	2		
8	R27137	BACK-UP RING	2		
9	R27149	O-RING	2		
10	R44255	WASHER	1		
11	R44256	SPRING	1		
12	R44254	GUIDE	1		
13	400R	BALL	1		6.35MM (1/4")
14	R26287	O-RING	1		
15	R36742	COUPLING	1		
16	R27216	DRAIN PLUG	2		(SUB FOR R31631) (USE WITH R31454)
17	R26287	O-RING	2		(USE WITH R31454)
18	R26376	DISK	2		
19	R227R	SPRING	2		
20	R26375	O-RING	3		
21	R42008	FITTING	2		
22	R28774	FITTING	1		
23	R42684	STRAINER	1		
24	R28776	O-RING	1		
25	R26372	SPRING	1		
26	R42849	BALL	1		9.52MM (3/8")
27	AR42400	HOUSING	1		(MARKED R31454 OR R42007)
28	A4816R	SPRING	2		
29	400R	BALL	2		6.35MM (1/4")
30	R30903	O-RING	4		
31	AR31016	GUIDE	2		
32	R31468	O-RING	2		
33	R31469	SHIM	2		
34	R31465	SLEEVE	2		
35	R31467	PIN	2		
36	R31464	PIN	2		

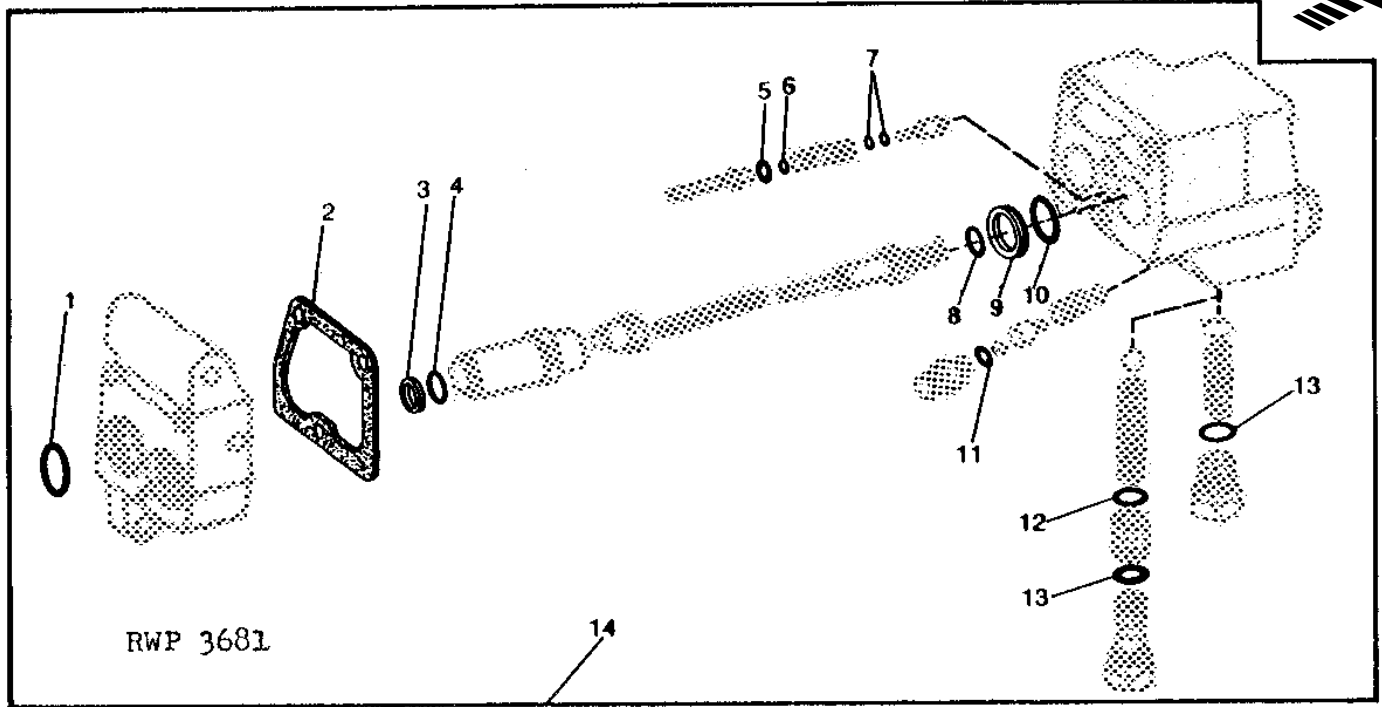
2B18

STEERING AND BRAKES

RWP3681

-UN-01JAN94

BRAKE VALVE OVERHAUL KIT



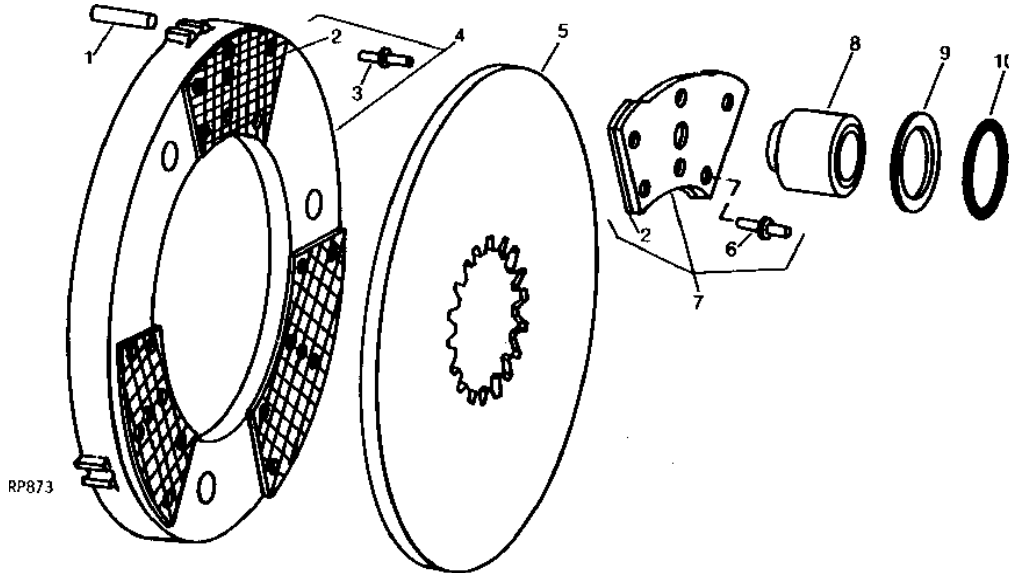
KEY	PART NO.	PART NAME	QTY	TRACTOR SERIAL NO.	REMARKS
1	A3606R	O-RING	2		
2	R31455	GASKET	1		
3	R32092	WASHER	2		
4	R459R	O-RING	2		
5	R31469	SHIM	2		
6	R31468	O-RING	2		
7	R30903	O-RING	4		
8	R26286	O-RING	2		
9	R27137	BACK-UP RING	2		
10	R27149	O-RING	2		
11	R26287	O-RING	4		
12	R28776	O-RING	1		
13	R26375	O-RING	3		
14	AR31946	KIT	1		

2B19

STEERING AND BRAKES

RP873 -UN-06OCT94

BRAKE PLATES AND FACINGS



KEY	PART NO.	PART NAME	QTY	TRACTOR SERIAL NO.	REMARKS
1	R65543	DOWEL PIN	6		(SUB FOR R33024)
2	R90085	BRAKE SHOE	12		62MM (2-7/16") WIDE, (SUB FOR AR28487) (SUB R110464)
	R90085	BRAKE SHOE	12		(A) 62MM (2-7/16") WIDE, (SUB FOR AR28487) (SUB R110464)
	R90086	BRAKE SHOE	12		76MM (3") WIDE, (SUB FOR AR28488) (USE WITH AR32243) (SUB R110464)
	R90086	BRAKE SHOE	12		(A) 76MM (3") WIDE, (SUB FOR AR28488) (SUB R110464)
3	R708R	RIVET	18		(USE WITH R59931, R40153, R40152 OR R50585)
	D1761R	RIVET	18		(USE WITH R59931, R40153 OR R40152)
	D2593R	RIVET	18		(USE WITH R50585)
4	AR40024	PLATE	2		(MARKED R40152, R40153 OR R50585) (SUB RE46332 AND (3) RE46328)
	AR72373	PLATE	2		(A) (MARKED R59931) (SUB RE46332, (3) RE46328 AND R113739)
5	R78430	DISK	2		(SUB FOR R48476 OR R45781) (SUB RE46332, (3) RE46328 AND R85708)
	R62686	BRAKE DISK	2		(A) (SUB FOR R56734) (SUB RE46332, (3) RE46328 AND R113739)
6	D1761R	RIVET	36		
7	AR32441	PLATE	6		62MM (2-7/16") WIDE, (SUB RE46332, (3) RE46328 AND R85708)
	AR32441	PLATE	6		(A) 62MM (2-7/16") WIDE, (SUB RE46332, (3) RE46328 AND R113739)
	AR32243	PLATE	6		76MM (3") WIDE, (SUB RE46332, (3) RE46328 AND R85708)
	AR32243	PLATE	6		(A) 76MM (3") WIDE, (SUB RE46332, (3) RE46328 AND R113739)
8	R48240	PISTON	6		
9	R26364	WASHER	6		
10	R26863	O-RING	6		

(A) 51MM FINAL DRIVE

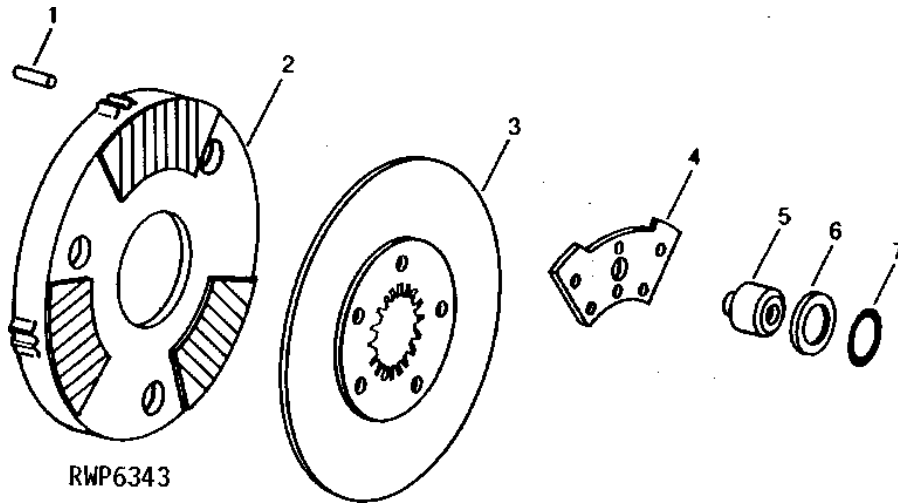
NOTE: THREE-PART SUBS ARE DUE TO INTRODUCTION OF NON-ASBESTOS LININGS. (SEE FOLLOWING PAGE)

2B20

STEERING AND BRAKES

RWP6343 -UN-01JAN94

BRAKE PLATES AND FACINGS



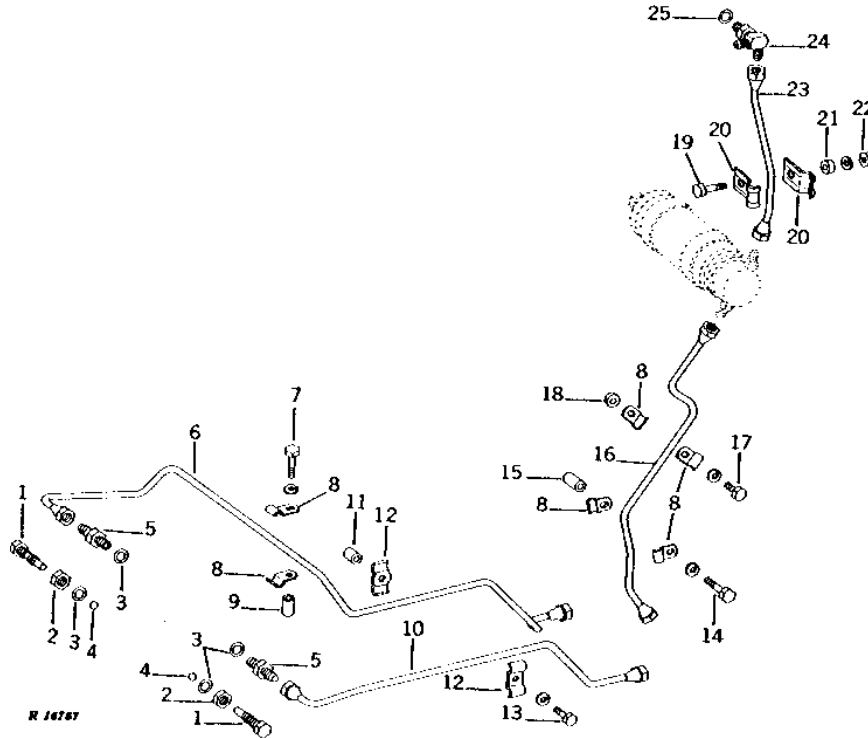
KEY	PART NO.	PART NAME	QTY	TRACTOR SERIAL NO.	REMARKS
1	R65543	DOWEL PIN	6		
2	RE33013	PLATE	2		(MARKED R97786) (SUB RE46332)
3	R85708	BRAKE DISK	2		
	R97799	BRAKE DISK	2		(51MM FINAL DRIVE) (SUB R113739)
4	RE32681	PLATE	6		(SUB RE46328)
5	R48240	PISTON	6		
6	R26364	WASHER	6		
7	R26863	O-RING	6		

2B21

STEERING AND BRAKES

R16767 -UN-01JAN94

BRAKE OIL PRESSURE LINES



KEY	PART NO.	PART NAME	QTY	TRACTOR SERIAL NO.	REMARKS
1	R27906	SCREW	2		
2	R27296	NUT	2		
3	R26286	O-RING	4		
4	R42849	BALL	2	9.52MM (3/8")	
5	R27272	FITTING	2		
6	AR58191	HYDRAULIC LINE	1	L.H. (SUB FOR AR42395)	
7	19H1801	CAP SCREW	2	3/8" X 2"	
	12H304	LOCK WASHER	2	3/8"	
8	R42357	CLAMP	8		
9	28H1495	SPACER	2	3/8" X 1"	
10	AR42394	HYDRAULIC LINE	1	R.H.	
11	28H1524	SPACER	1	3/8" X 7/8"	
12	R42009	CLAMP	2		
13	19H1765	CAP SCREW	1	3/8" X 1-3/4"	
	12H304	LOCK WASHER	1	3/8"	
14	19H1801	CAP SCREW	1	3/8" X 2"	
	12H304	LOCK WASHER	1	3/8"	
15	28H1938	BUSHING	1	3/8" X 1-3/16"	
16	AR48520	HYDRAULIC LINE	1	PRESSURE	
17	19H1731	CAP SCREW	1	3/8" X 1"	
	12H304	LOCK WASHER	1	3/8"	
18	WASHER	1		
19	19H1800	CAP SCREW	1	3/8" X 1-1/2"	
20	R57549	CLAMP	2	(SUB FOR R47687)	
21	28H1517	WASHER	1	0.493" X 0.675" X 1/4"	
22	14H1076	NUT	1	3/8"	
	12H304	LOCK WASHER	1	3/8"	
23	AR50514	HYDRAULIC LINE	1		
24	AR49789	TEE FITTING	1	90°	
25	R26286	O-RING	1		

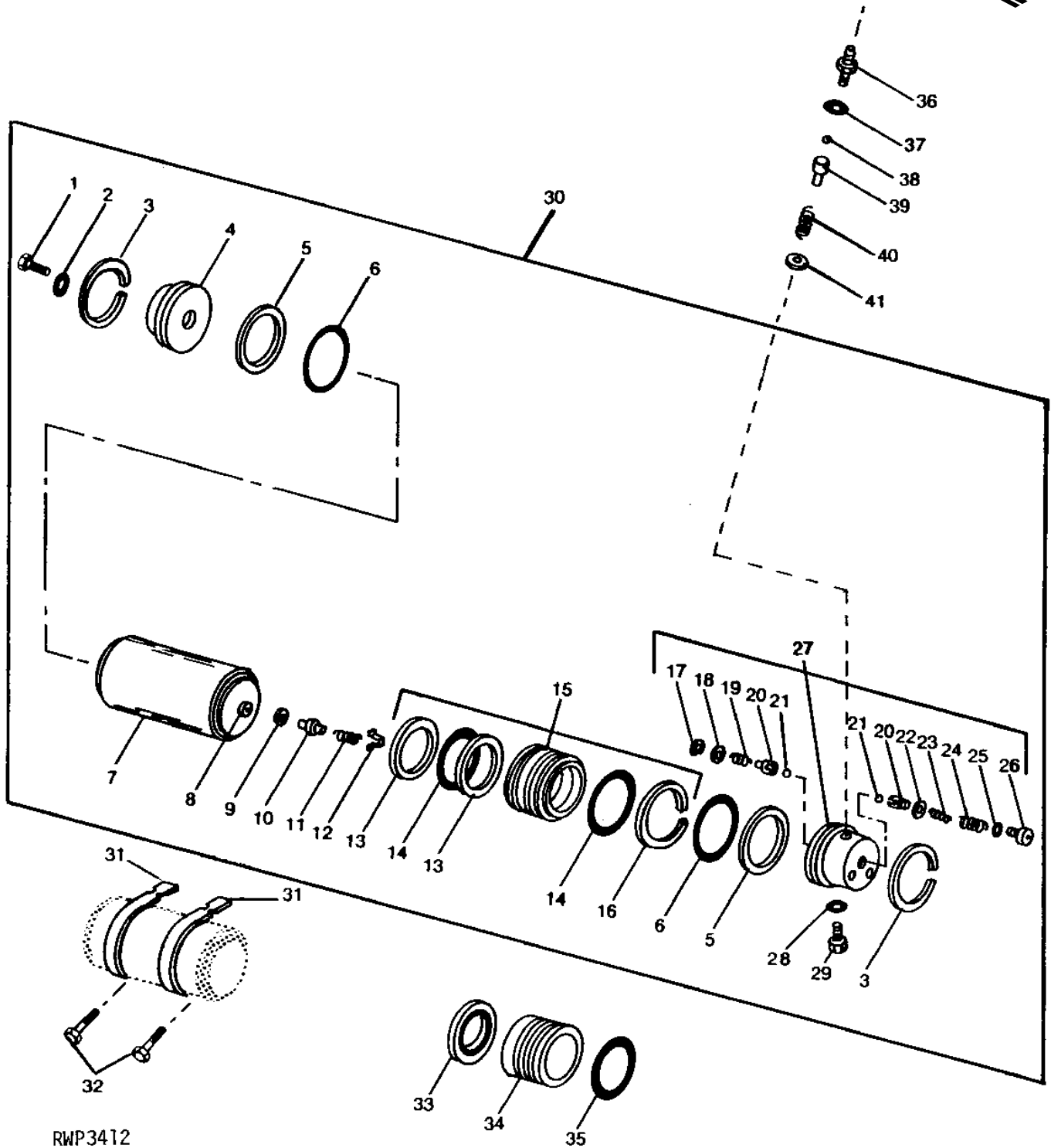
MEMORANDA

2B22

STEERING AND BRAKES

RWP3412 -UN-01JAN94

ACCUMULATOR



RWP3412

2B23

STEERING AND BRAKES

ACCUMULATOR - CONTINUED

KEY	PART NO.	PART NAME	QTY	MODEL NO.	REMARKS
1	R27094	DRAIN PLUG	1		
2	R26286	O-RING	1		
3	U10136	SNAP RING	2	-XXXXXX	(USE WITH R46987)
	R78101	SNAP RING	2	XXXXXX-	(USE WITH R77867)
4	R48957	END	1		
5	R35684	BACK-UP RING	2		
6	U12331	O-RING	2		
7	R46987	HYDRAULIC CYLINDER BARREL	1	-XXXXXX	(ALSO ORDER R48957, R35684, R60038, R41877, R47085, R47086, R47087, U10136 AND U12331)
	R77867	HYDRAULIC CYLINDER BARREL	1	XXXXXX-	(SUB FOR AR41947)
8	R60038	PACKING	1		(ALSO ORDER (2) R78101)
					(SUB FOR R26760)
9	R47087	WASHER	1	4HA2-	
10	R44252	VALVE	1	-4HA1	
	R47085	VALVE	1	4HA2-	
11	R26373	SPRING	1	-4HA1	
	R47086	SPRING	1	4HA2-	
12	R41877	GUIDE	1		
13	L29015	BACK-UP RING	2	10HA2-	
14	A4728R	O-RING	2	10HA2-	
15	AL23523	PISTON	1	10HA2-	(MARKED L29014) (SUB R57103, (2) A4728R, (2) L29015 AND R27649)
16	R27649	BACK-UP RING	1	10HA2-	
17	R33282	SNAP RING	1	10HA1-	
18	R48013	WASHER	1	10HA1-	
19	R44256	SPRING	1	10HA1-	
20	R44254	GUIDE	2	10HA1-	
21	400R	BALL	2	10HA1-	6MM (1/4")
22	R31632	SHIM	2	10HA1-	
23	R47606	SPRING	1	10HA1-	INNER
24	R47605	SPRING	1	10HA1-	OUTER
25	R26286	O-RING	1	10HA1-	
26	R47607	PIPE PLUG	1	10HA1-	
27	R41878	CAP	1	-4HA2	(SUB AR93259)
	AR50387	CAP	1	10HA1-	(SUB AR93259)
28	R26286	O-RING	1		
29	R27272	FITTING	1		
	AT58895	FITTING	1		(SUB FOR AR46095)
30	AR67778	ACCUMULATOR	1		(SUB FOR AR45157 OR AR51092) (SUB RE11956)
31	R41891	STRAP	2		
32	19H2284	CAP SCREW	2		3/8" X 7/8"
33	R35680	SEAL	1	-10HA1	(USE WITH R48952)
34	R48952	PISTON	1	-10HA1	(SUB (2) A4728R, (2) L29015, R27649 AND R57103)
	AR55711	PISTON	1		(MARKED R49345) (SUB (2) A4728R, (2) L29015, R27649 AND R57103)
35	A4728R	O-RING	AR	-10HA1	(1 USED WITH R48952) (2 USED WITH R49345)
36	R36742	COUPLING	1		
	R46431	ADAPTER	1		(A)
37	R26287	O-RING	1		
38	400R	BALL	1		(A) 6MM (1/4")
39	R44254	GUIDE	1		(A)
40	R44256	SPRING	1		(A)
41	R44255	WASHER	1		(A)

(A) POWER FRONT WHEEL DRIVE

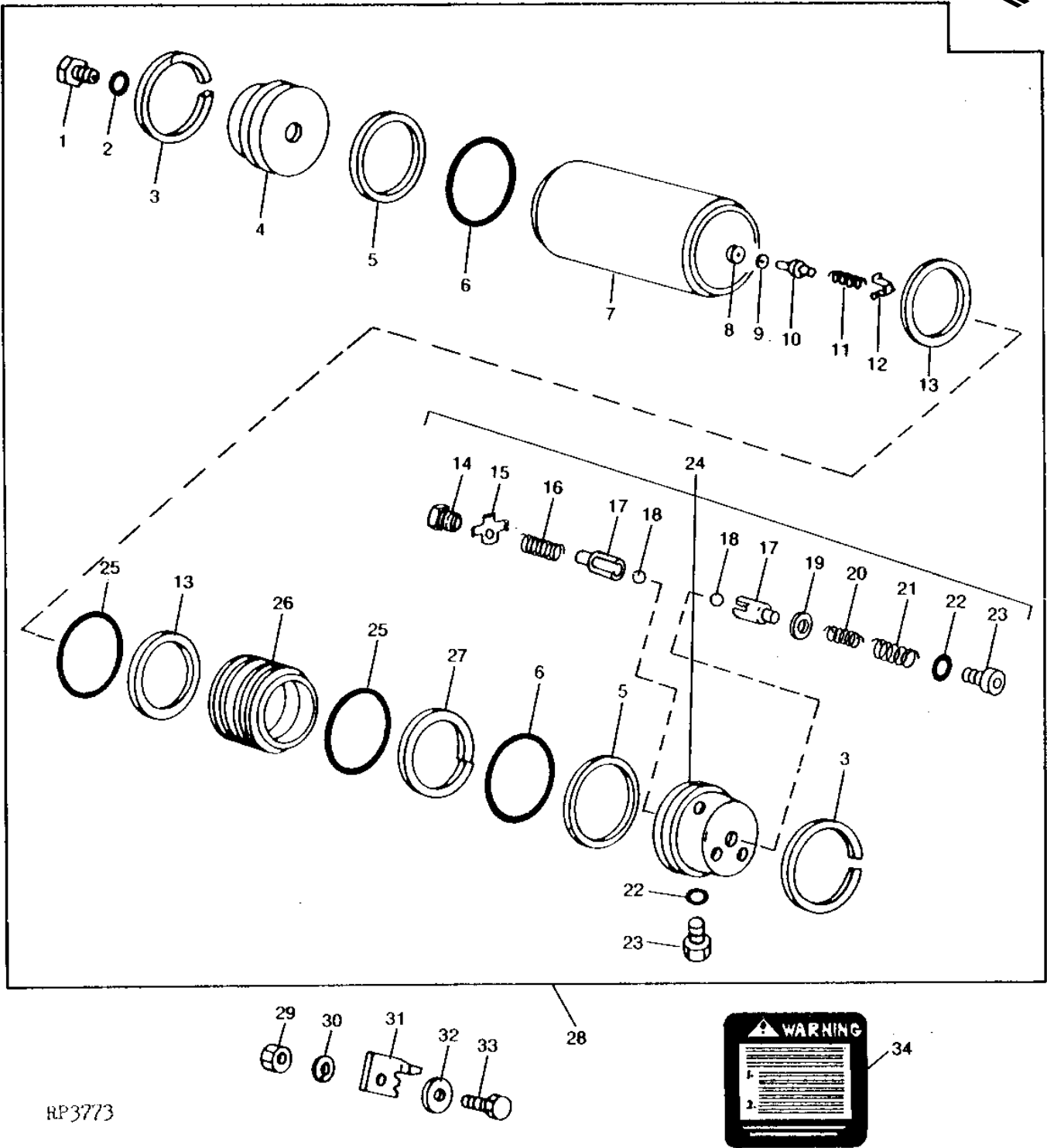
2B24

STEERING AND BRAKES

RP3773

-UN-01JAN94

ACCUMULATOR



RP3773

THIS PARTS LISTING IS CONTINUED

2B25

STEERING AND BRAKES

ACCUMULATOR - CONTINUED

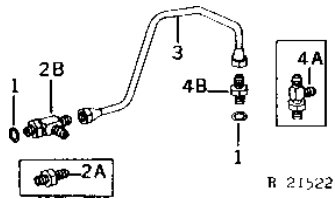
KEY	PART NO.	PART NAME	QTY	TRACTOR SERIAL NO.	REMARKS
1	R27094	DRAIN PLUG	1		
2	R26286	O-RING	1		
3	U10136	SNAP RING	2		(USE WITH R46987)
	R78101	SNAP RING	2		(USE WITH R77867)
4	R48957	END	1		
5	R35684	BACK-UP RING	2		
6	R86192	O-RING	2		
7	R46987	HYDRAULIC CYLINDER BARREL	1		(SUB R77867 AND (2) R78101)
8	R60038	PACKING	1		
9	R47087	WASHER	1		
10	R47085	VALVE	1		
11	R47086	SPRING	1		
12	R41877	GUIDE	1		
13	L29015	BACK-UP RING	2		
14	R74022	RETAINER	1		
15	R75866	LOCK PLATE	1		
16	R44256	SPRING	1		
17	R44254	GUIDE	2		
18	400R	BALL	2		6MM (1/4")
19	R31632	SHIM	AR		
20	R47606	SPRING	1		
21	R47605	SPRING	1		
22	R26286	O-RING	2		
23	R47607	PIPE PLUG	2		
24	AR93259	CAP	1		
25	A4728R	O-RING	2		
26	R57103	PISTON	1		
27	R27649	BACK-UP RING	1		
28	RE11956	ACCUMULATOR	1		(ALSO ORDER R120109, R120110, R80754 OR R82337) (SUB FOR AR67778)
29	14H785	NUT	1		5/16"
30	12H303	LOCK WASHER	1		5/16"
31	R51851	CLIP	1		
32	24H1299	WASHER	1		3/8" X 1-1/4" X 0.065"
33	19H1905	CAP SCREW	1		5/16" X 1"
34	R80752	LABEL	1		WARNING (ENGLISH) (SUB R120109)
	R80753	LABEL	1		WARNING (ESPANOL) (SUB R120110)
	R80754	LABEL	1		WARNING (FRANCAIS)
	R82337	LABEL	1		WARNING (DEUTSCH)

2C1

STEERING AND BRAKES

R21522 -UN-01JAN94

BRAKE OIL RETURN PIPE



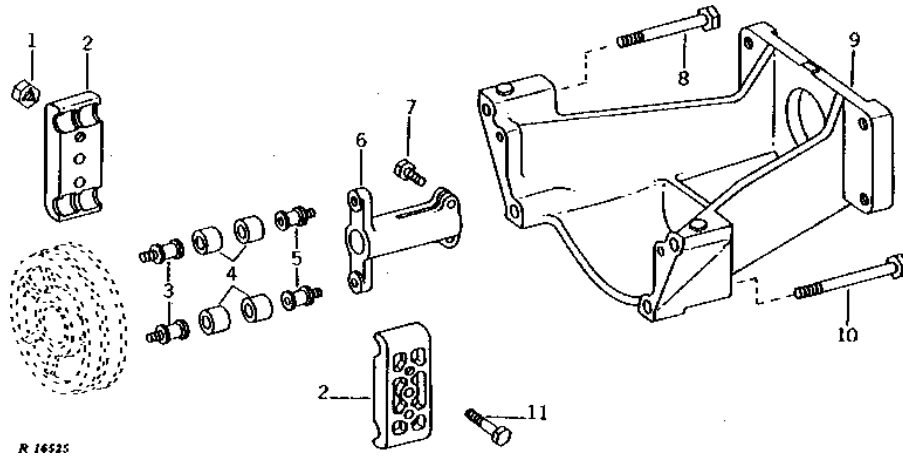
KEY	PART NO.	PART NAME	QTY	TRACTOR SERIAL NO.	REMARKS
1	R26287	O-RING	2		
2A	R27527	ADAPTER	1	-008695	
2B	AR45251	TEE FITTING	1	008696-	
3	AR49181	LINE	1	-008695	(NO LONGER AVAILABLE)
	AR52170	HYDRAULIC LINE	1	008696-	
4A	AR45251	TEE FITTING	1	-008695	
4B	R27527	ADAPTER	1	008696-	

2C5

HYDRAULICS

R16525 -UN-01JAN94

HYDRAULIC PUMP DRIVE AND SUPPORT



KEY	PART NO.	PART NAME	QTY	TRACTOR SERIAL NO.	REMARKS
1	M63446	LOCK NUT	2		
2	R34362	EXTERNAL HALF COUPLER	2		
3	R46345	SCREW	2		
4	R45822	BUSHING	1	(SUB FOR AR49427)	
5	R34360	SCREW	2		
6	R43075	SHAFT	1		
7	19H1732	CAP SCREW	2	3/8" X 1-1/4"	
8	19H1781	CAP SCREW	2	1/2" X 3-1/2"	
9	R55008	SUPPORT	1	(SUB FOR R46429 OR R49404)	
10	19H3597	CAP SCREW	2	1/2" X 4-3/4", HS, SAE 8	
11	19H2116	CAP SCREW	2	3/8" X 2-1/2"	

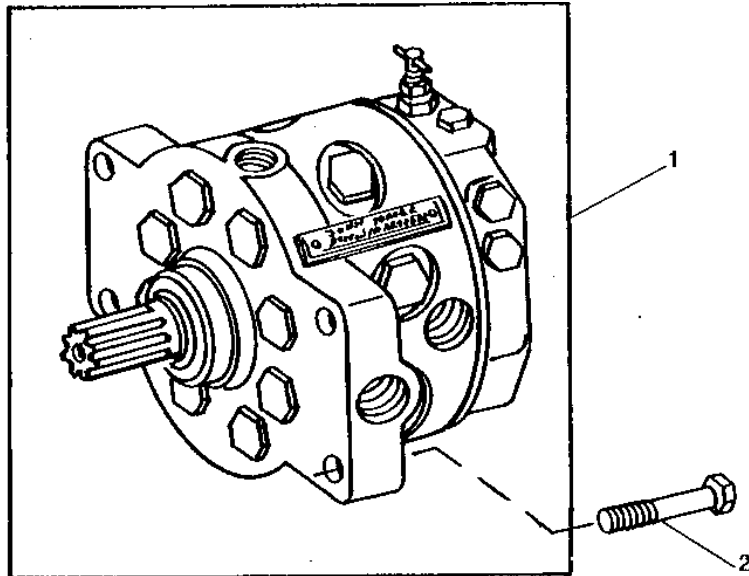
MEMORANDA

2C6

HYDRAULICS

RP3196 -UN-01JAN94

REPLACEMENT HYDRAULIC PUMP ASSEMBLY



RP3196

KEY	PART NO.	PART NAME	QTY	TRACTOR SERIAL NO.	REMARKS
1	AR94660	HYDRAULIC PUMP	1		(A) 50 CM3 (3 IN.3) (MODEL GA1) (ALSO ORDER AT33033 AND F3171R) (SUB FOR AR47802 OR AR56161)
	AR94660	HYDRAULIC PUMP	1	-014560	(B) 50 CM3 (3 IN.3) (MODEL GA1) (ALSO ORDER AR53565, R26906 AND F3171R) (SUB FOR AR47802 OR AR56161)
	AR94661	HYDRAULIC PUMP	1	014561-	(B) 65 CM3 (4 IN.3) (MODEL JA1) (ALSO ORDER R26906 AND F3171R) (SUB FOR AR46246, AR70722, AR73106 OR AR99839)
2	19H1990	CAP SCREW	4		1/2" X 2-1/4"

(A) LESS POWER FRONT WHEEL DRIVE
 (B) POWER FRONT WHEEL DRIVE

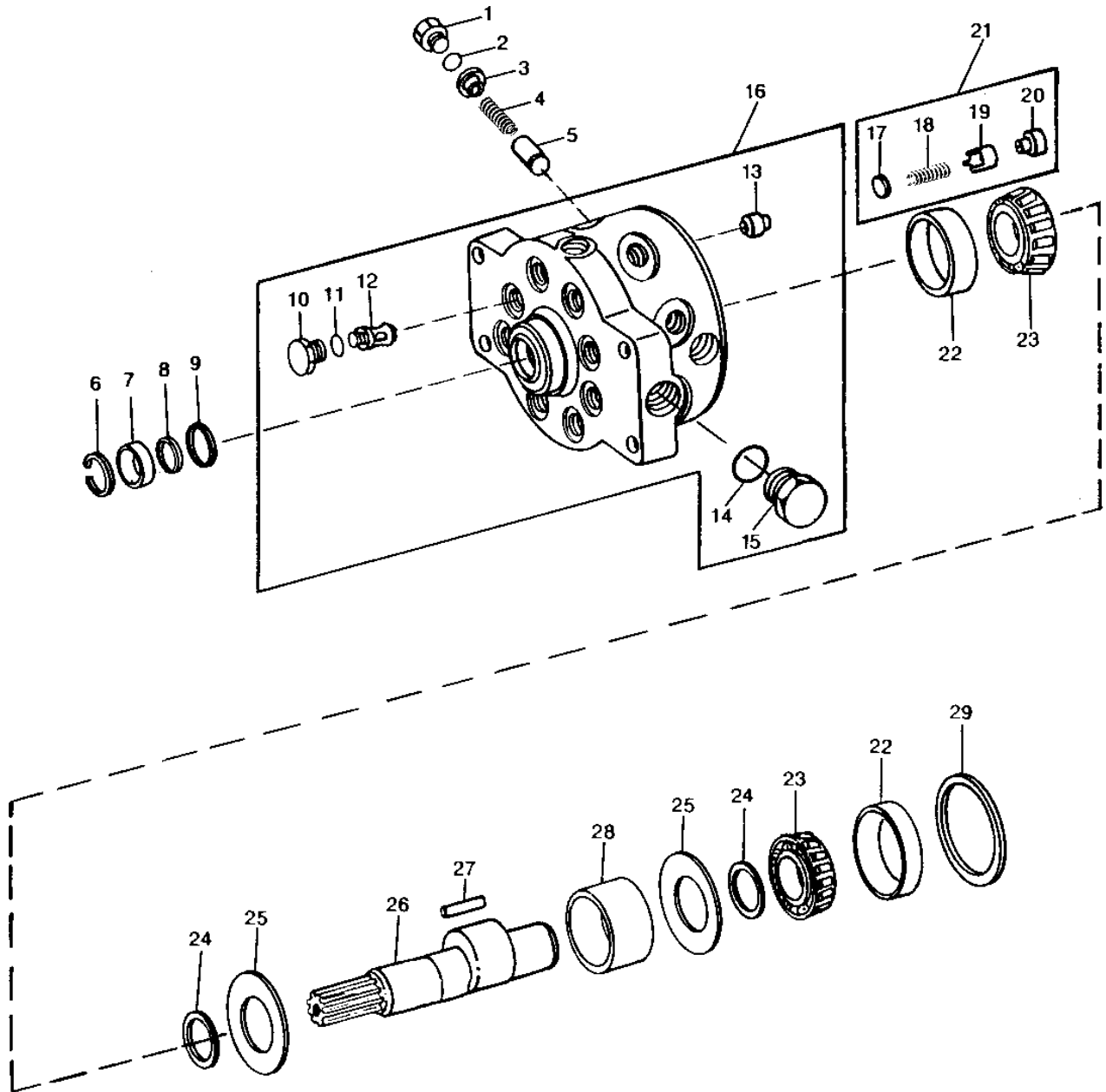
2C7

HYDRAULICS

RP3261

-UN-01JAN94

HYDRAULIC PUMP
49 CM3 (3 IN.3)
(PUMP LESS SERIAL PLATE)



2C8

HYDRAULICS

HYDRAULIC PUMP - CONTINUED
49 CM3 (3 IN.3)
(PUMP LESS SERIAL PLATE)

KEY	PART NO.	PART NAME	QTY	TRACTOR SERIAL NO.	REMARKS
1	R45438	FITTING	8		
2	R56463	O-RING	8		
3	AR101236	SHIELD	1		(SET OF 8) (SUB FOR R56749)
4	AR76762	SPRING	1		(SET OF 8) (SUB FOR AR55186)
5	R27150	PISTON	8		
6	R26137	SNAP RING	1		
7	RE28790	SEAL	1		(SUB FOR AR52224)
8	R56753	SHIM	1		
9	R39729	O-RING	1		
10	R78293	FITTING	8		(SUB FOR R44823)
11	R27149	O-RING	8		
12	AR53301	VALVE	8		(INLET) (SUB FOR AR26758)
13	R105583	SEAT	8		
14	U13639	O-RING	1		(USE WITH R45228)
	F3171R	O-RING	1		(USE WITH R45227)
15	R39741	DRAIN PLUG	1		1-5/8", (USE WITH R45228)
	R27175	DRAIN PLUG	1		1-1/16", (USE WITH R45227)
16	AR47580	HOUSING	1		(A) (B) (MARKED R45227 OR R45228) (SUB AR94660)
17	R49297	DISK	8		(SUB FOR R39074)
18	R39228	SPRING	8		
19	R48738	GUIDE	8		
20	R83508	STOP	8		(SUB FOR R39175, R48298 OR R72886)
21	RE23382	VALVE	8		(OUTLET) (SUB FOR AR52785 OR AR96613)
22	JD8223	BEARING CUP	2		
23	JD8192	BEARING CONE	2		
24	R34349	WASHER	2		
25	R60732	WASHER	2		(SUB FOR R42467)
26	R34348	SHAFT	1		
27	R27145	NEEDLE ROLLER	36		
28	R45874	BEARING RACE	1		
29	R27478	SHIM	AR		0.15MM (.006")
	R27479	SHIM	AR		0.25MM (.010")
..	AR47802	HYDRAULIC PUMP	1		(A) (B) (SUB AR94660)
..	AR56161	HYDRAULIC PUMP	1		(A) (B) (SUB AR94660) (SUB FOR AR47802)

(A) LESS POWER FRONT WHEEL DRIVE - ALSO ORDER AT33033 AND F3171R

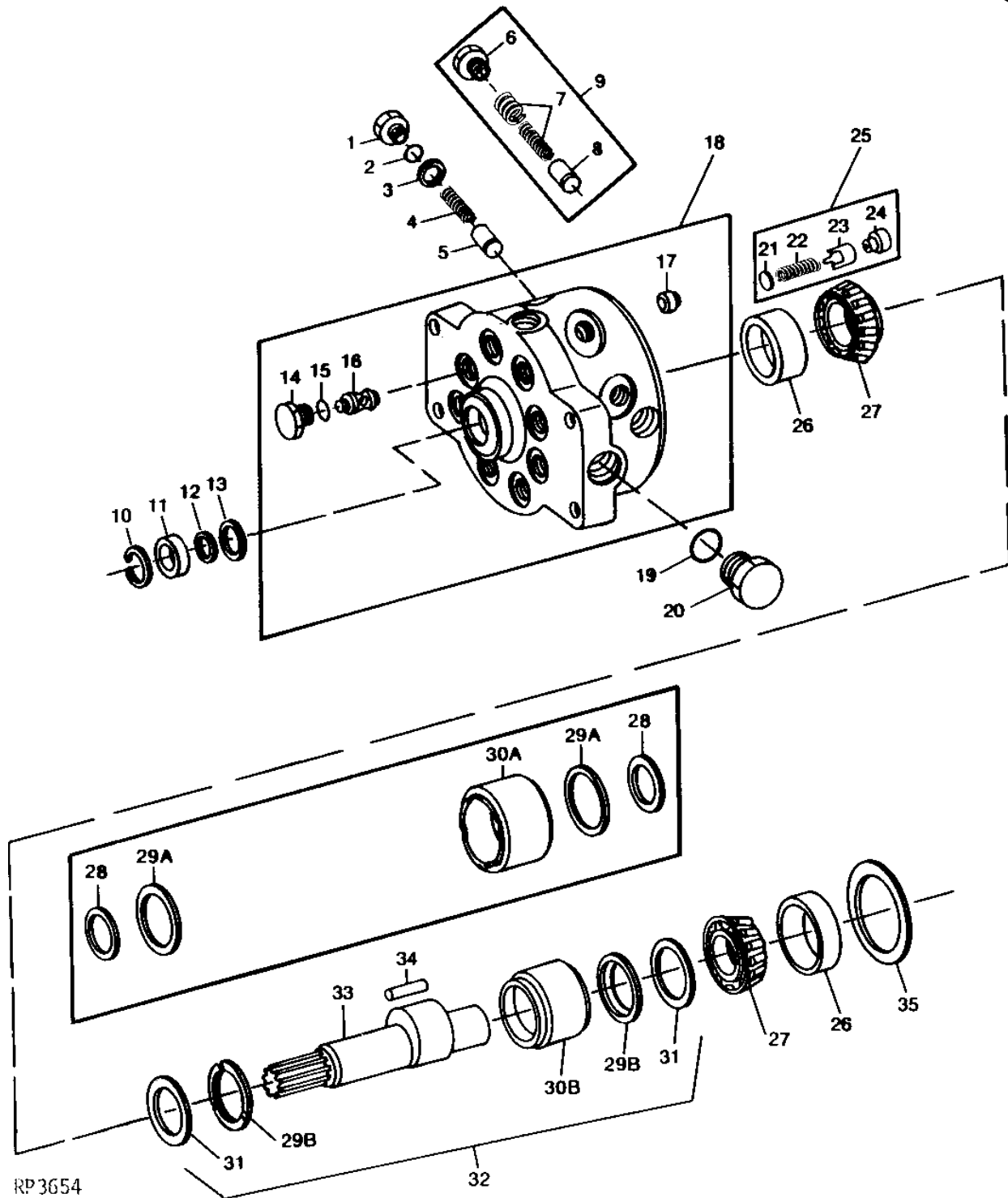
(B) POWER FRONT WHEEL DRIVE (-014560) - ALSO ORDER AR53565, R26906 AND F3171R

2C9

HYDRAULICS

HYDRAULIC PUMP
66 CM3 (4 IN.3)
(PUMP LESS SERIAL PLATE)
(POWER FRONT WHEEL DRIVE)
(TRACTOR SERIAL NO. 014561-)

RP3654 -UN-12OCT94



2C10

HYDRAULICS

HYDRAULIC PUMP - CONTINUED
 66 CM3 (4 IN.3)
 (PUMP LESS SERIAL PLATE)
 (POWER FRONT WHEEL DRIVE)
 (TRACTOR SERIAL NO. 014561-)

KEY	PART NO.	PART NAME	QTY	TRACTOR SERIAL NO.	REMARKS
1	R75642	DRAIN PLUG	8		(SUB FOR R44745)
2	R56751	O-RING	8		
3	AR101237	SHIELD	1		(SET OF 8) (SUB FOR R56750)
4	AR55330	SPRING	1		(SET OF 8)
5	R51827	PISTON	8		(SUB RE11814) (SUB FOR R44824)
6	R70648	DRAIN PLUG	8		
7	AR96408	SPRING	1		(SET OF 16)
8	R70976	PISTON	8		
9	RE11814	KIT	1		
10	R26137	SNAP RING	1		
11	RE28790	SEAL	1		(SUB FOR AR52224)
12	R56753	SHIM	1	XXXXXX-	
13	R39729	O-RING	1		
14	R78293	FITTING	8		(SUB FOR R44823)
15	R27149	O-RING	8		
16	AR53301	VALVE	8		(INLET)
17	R105583	SEAT	8		
18	AR70723	HOUSING	1		(MARKED R44801, R55010 OR R58773) (SUB AR94661) (SUB FOR AR48770)
19	U13639	O-RING	1		(USE WITH R44801)
	F3171R	O-RING	1		(USE WITH R58773)
20	R39741	DRAIN PLUG	1		1-5/8", (USE WITH R44801)
	R27175	DRAIN PLUG	1		1-1/16", (USE WITH R58773)
21	R49297	DISK	8		(SUB FOR R39074)
22	R39228	SPRING	8		
23	R48738	GUIDE	8		
24	R83508	STOP	8		(SUB FOR R39175, R49298 OR R72886)
25	RE23382	VALVE	8		(OUTLET) (SUB FOR AR52785 OR AR96613)
26	JD8223	BEARING CUP	2		
27	JD8192	BEARING CONE	2		
28	R45423	WASHER	2	-XXXXXX	(SUB RE12038) (ALSO ORDER RE11814)
29A	R72429	WASHER	2	-XXXXXX	(BRONZE) (SUB RE12038) (ALSO ORDER RE11814) (SUB FOR R45424)
29B	R72507	THRUST WASHER	2	XXXXXX-	
30A	R44744	BEARING RACE	1	-XXXXXX	(SUB RE12038) (ALSO ORDER RE11814)
30B	R80558	BEARING RACE	1	XXXXXX-	(SUB FOR R72509)
31	R77903	WASHER	2		(SUB FOR R45425)
32	RE12038	KIT	1		(ALSO ORDER RE11814) (SUB FOR AR95470)
33	R44743	SHAFT	1		(A) (SUB R79156 AND (2) R79151)
34	R45422	NEEDLE ROLLER	25		(SUB FOR R77904)
35	R27478	SHIM	AR		0.15MM (0.006")
	R27479	SHIM	AR		0.25MM (0.010")
..	AR46246	HYDRAULIC PUMP	1		(SUB AR94661) (ALSO ORDER R26906 AND F3171R)
..	AR70722	HYDRAULIC PUMP	1		(SUB AR94661) (ALSO ORDER R26906 AND F3171R) (SUB FOR AR46246 OR AR73106)
..	AR99839	HYDRAULIC PUMP	1		(SUB AR94661) (ALSO ORDER R26906 AND F3171R) (SUB FOR AR46246, AR70722 OR AR73106)

(A) ALSO ORDER R80558 AND (2) R72507 IF RE12038 KIT HAS NOT BEEN PREVIOUSLY INSTALLED

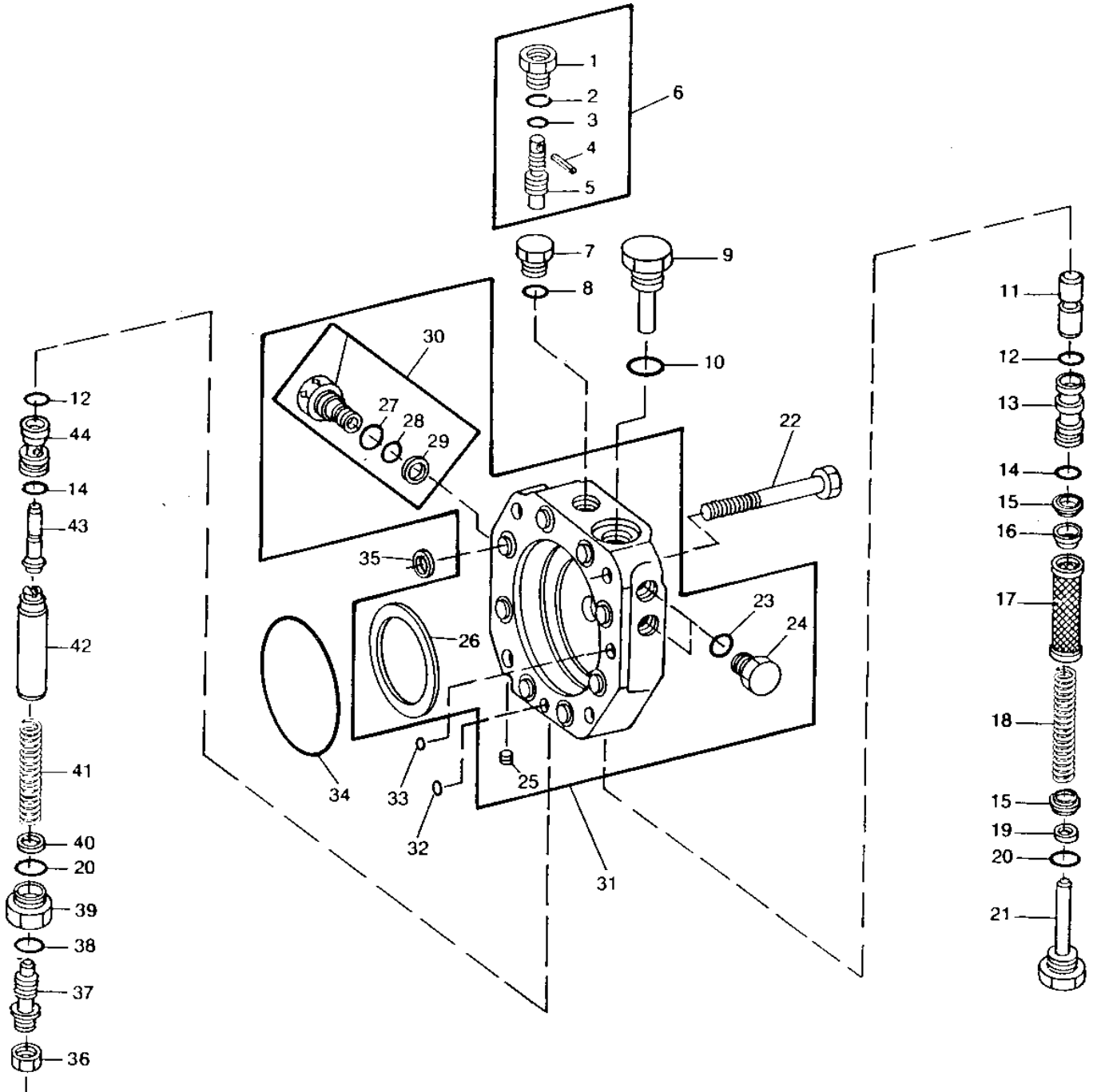
2C11

HYDRAULICS

HYDRAULIC PUMP STROKE CONTROL VALVE
(49 CM3 (3 IN.3) - 66 CM3 (4 IN.3))
(PUMP LESS SERIAL PLATE)

RP3510

-UN-01JAN94



RP 3510

2C12

HYDRAULICS

HYDRAULIC PUMP STROKE CONTROL VALVE - CONTINUED
 (49 CM3 (3 IN.3) - 66 CM3 (4 IN.3))
 (PUMP LESS SERIAL PLATE)

KEY	PART NO.	PART NAME	QTY	TRACTOR SERIAL NO.	REMARKS
1	R27475	FITTING	1		
2	R26448	O-RING	1		
3	A4365R	O-RING	1		
4	34H254	SPRING PIN	1		1/8" X 1-1/2"
5	R27171	SCREW	1		
6	AR33249	SCREW	1		(MANUAL DESTROKE)
7	R27218	FITTING PLUG	1		(LESS MANUAL DESTROKE)
8	R26448	O-RING	1		(LESS MANUAL DESTROKE)
9	AR51745	DRAIN PLUG	1		
10	R26906	O-RING	1		
11	R27172	VALVE	1		
12	R27564	O-RING	2		
13	R70351	SLEEVE	1		(SUB FOR R27476)
14	R27166	O-RING	2		
15	R27174	PACKING	2		
16	R27167	GUIDE	1		
17	R27173	FILTER ELEMENT	1		
18	R27159	SPRING	1		
19	R27170	SHIM	AR		0.010"
	24H1298	WASHER	AR		0.030"
20	R56751	O-RING	2		
21	AR26646	DRAIN PLUG	1		
22	19H3520	CAP SCREW	4		1/2" X 3-1/4"
23	R26287	O-RING	2		
24	R27216	DRAIN PLUG	2		
25	15H560	PIPE PLUG	1		1/16", (USE WITH R49071)
26	R49072	WASHER	1		(NOT USED IN ALL APPLICATIONS)
27	R26375	O-RING	1		(USE WITH R49071)
28	T40308	O-RING	1		(USE WITH R49071)
29	T57374	BACK-UP RING	1		(USE WITH R49071)
30	AR90378	PLUG	1		(USE WITH R49071)
31	AR38714	HOUSING	1		(MARKED R42663, R44802 OR R49071) (SUB FOR RE13611)
32	R56755	WASHER	1		
33	R56756	O-RING	1		
34	R56757	O-RING	1		
35	R69279	WASHER	8		(SUB FOR R56754)
36	14H1021	NUT	1		7/16"
37	AR52254	SET SCREW	1		
38	R28782	O-RING	1		
39	R28781	FITTING	1		
40	R42260	WASHER	1		
41	R31781	SPRING	1		
42	R71321	GUIDE	1		(SUB FOR R32344)
43	R70559	CONTROL VALVE	1		(SUB RE10712, R27166 AND R41057) (SUB FOR R27472 OR R65194)
44	R69262	SLEEVE	1		(SUB RE10712, R27166 AND R41057) (SUB FOR R27471, R58499 OR R65192)

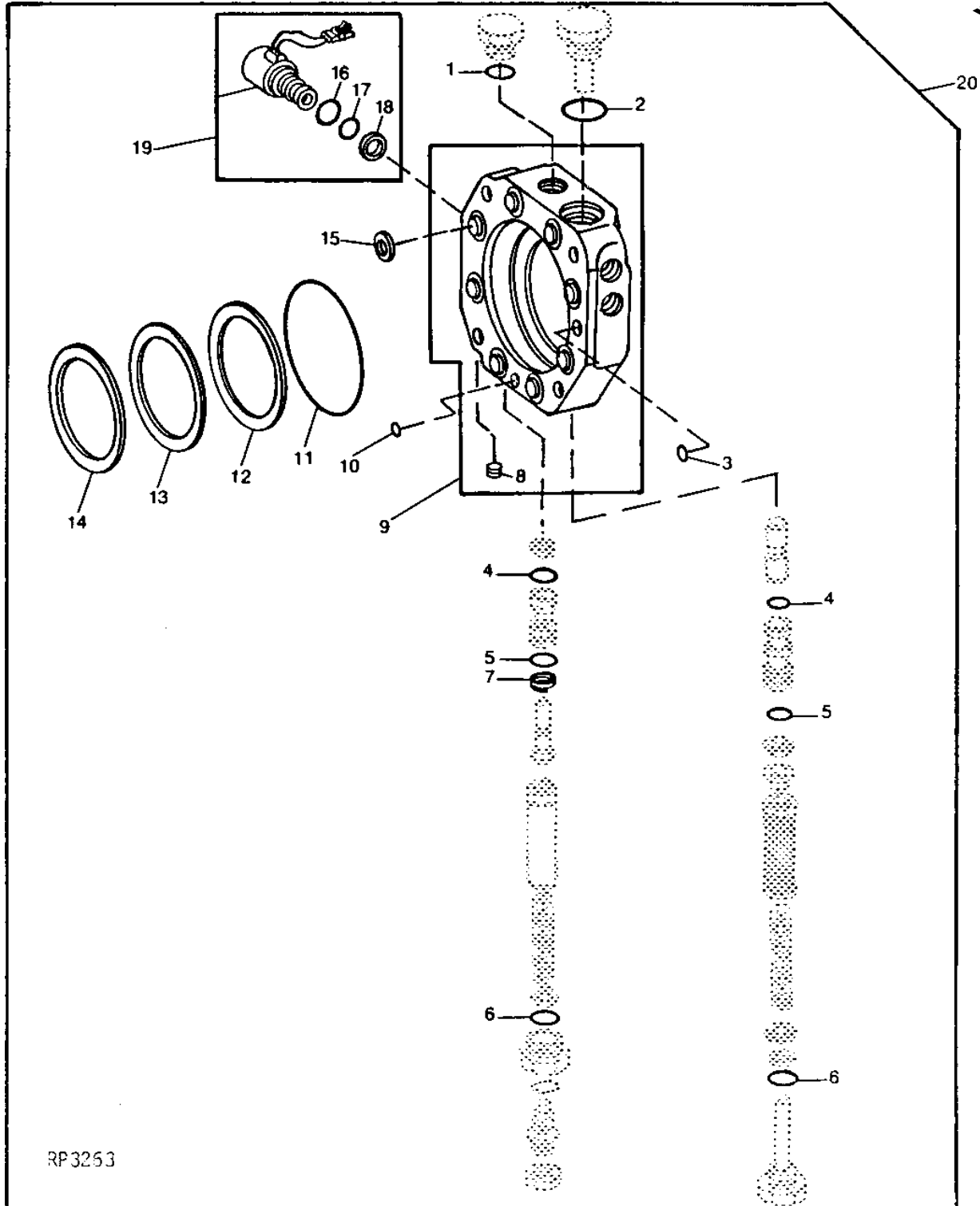
2C13

HYDRAULICS

HYDRAULIC PUMP ELECTRIC DESTROKE KIT
(49 CM3 (3 IN.3) - 66 CM3 (4 IN.3))
(PUMP LESS SERIAL PLATE)

RP3263

-UN-01JAN94



RP3263

2C14

HYDRAULICS

HYDRAULIC PUMP ELECTRIC DESTROKE KIT - CONTINUED
(49 CM3 (3 IN.3) - 66 CM3 (4 IN.3))
(PUMP LESS SERIAL PLATE)

KEY	PART NO.	PART NAME	QTY	TRACTOR SERIAL NO.	REMARKS
1	R26448	O-RING	1		
2	R26906	O-RING	1		
3	R56756	O-RING	1		
4	R27564	O-RING	2		
5	R27166	O-RING	2		
6	F3171R	O-RING	2		
7	R41057	BACK-UP RING	1		
8	15H560	PIPE PLUG	1		1/16"
9	AR52494	HOUSING	1		(MARKED R49071)
10	R56755	WASHER	1		
11	R56757	O-RING	1		
12	R27478	SHIM	2		0.15MM (.006")
13	R27479	SHIM	2		0.25MM (.010")
14	R49072	WASHER	1		(NOT USED IN ALL APPLICATIONS)
15	R69279	WASHER	8		
16	R26375	O-RING	1		
17	T40308	O-RING	1		
18	T57374	BACK-UP RING	1		
19	RE32529	SOLENOID VALVE	1		(SUB FOR RE21725)
20	RE14868	KIT	1		(A) (SUB RE40463)

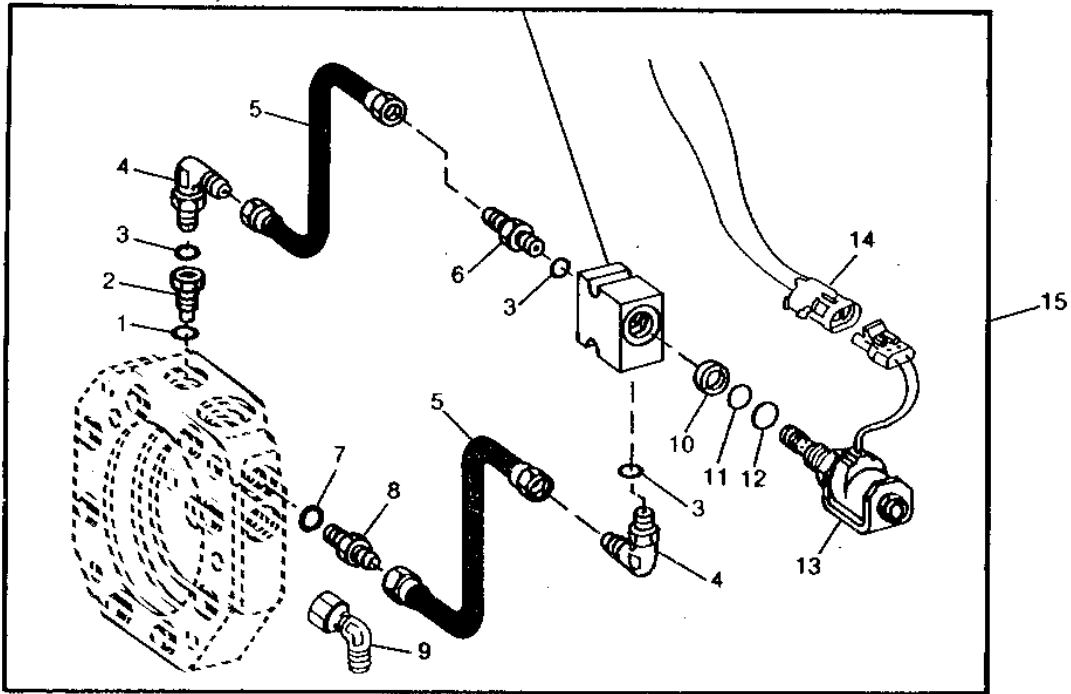
(A) INCLUDES RE12330 WIRE CONNECTORS

2C15

HYDRAULICS

RXP9501 -UN-01JAN94

ELECTRIC DESTROKE SOLENOID VALVE KIT



RXP9501

KEY	PART NO.	PART NAME	QTY	PUMP SERIAL NO.	REMARKS
1	R26906	O-RING	1		
2	R70617	PIPE PLUG	1		
3	R26448	O-RING	4		
4	AT35121	ELBOW FITTING	2		
5	AN250096	HYDRAULIC HOSE	2		
6	R27212	FITTING	1		
7	R26287	O-RING	1	(A)	
	R26448	O-RING	1	(B)	
8	T43535	FITTING	1	(A)	
	Z36276	ADAPTER	1	(B)	
9	AE24616	ELBOW FITTING	AR	(USE WITH T43535 OR Z36276)	
10	T57374	BACK-UP RING	1		
11	T40308	O-RING	1		
12	R26375	O-RING	1		
13	RE32529	SOLENOID VALVE	1		
14	RE50017	WIRING HARNESS	1		
15	RE40463	KIT	1		

(A) NON-SERIALIZED PUMP

(B) SERIALIZED PUMP

MEMORANDA

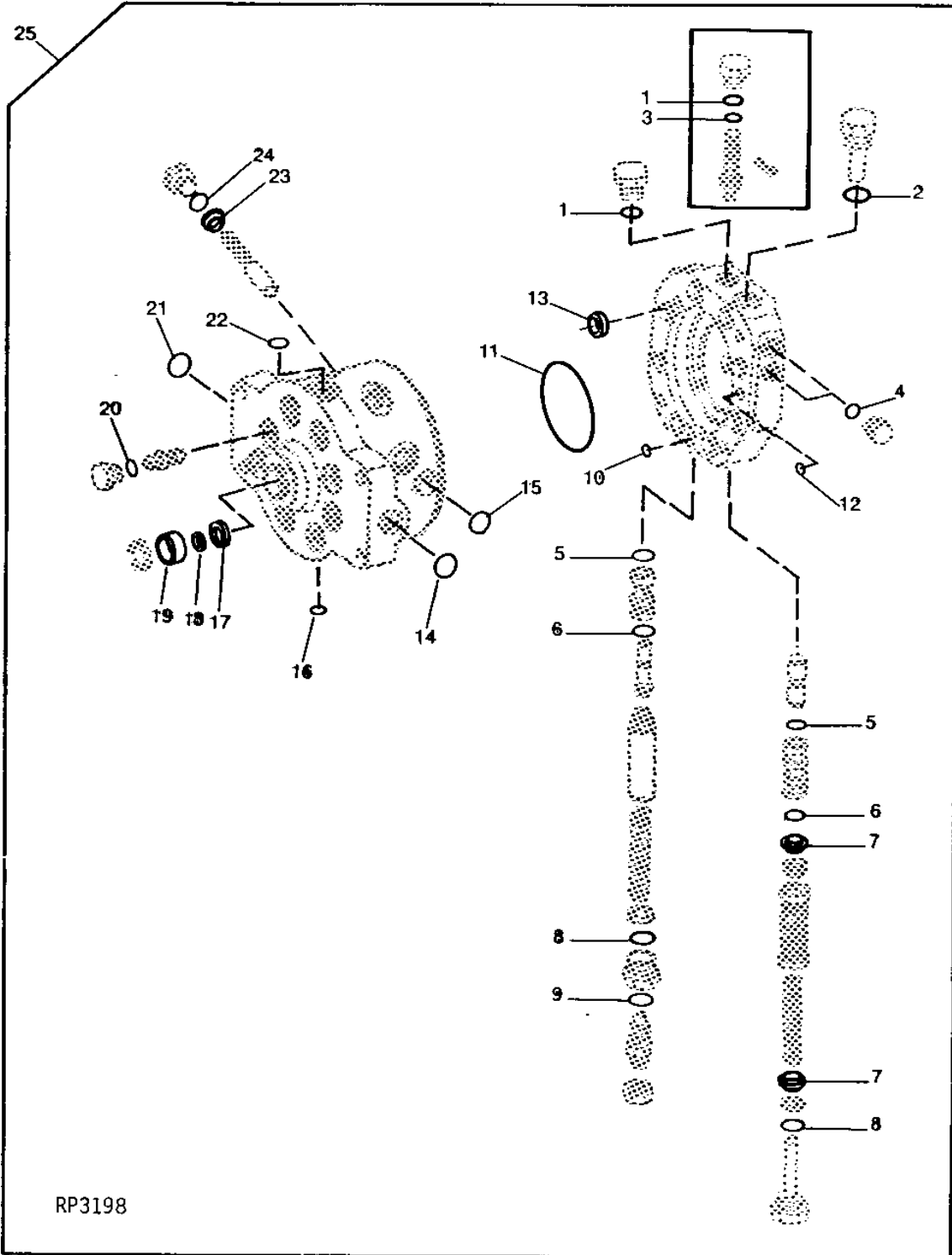
2C16

HYDRAULICS

HYDRAULIC PUMP AND STROKE CONTROL VALVE OVERHAUL KIT (49 CM3 (3 IN.3) - 66 CM3 (4 IN.3)) (PUMP LESS SERIAL PLATE)

RP3198

-UN-01JAN94



RP3198

2C17

HYDRAULICS

HYDRAULIC PUMP AND STROKE CONTROL VALVE OVERHAUL KIT - CONTINUED
(49 CM3 (3 IN.3) - 66 CM3 (4 IN.3))
(PUMP LESS SERIAL PLATE)

KEY	PART NO.	PART NAME	QTY	TRACTOR SERIAL NO.	REMARKS
1	R26448	O-RING	1		
2	R26906	O-RING	1		
3	A4365R	O-RING	1		
4	R26287	O-RING	2		
5	R27564	O-RING	2		
6	R27166	O-RING	2		
7	R27174	PACKING	2		
8	R56751	O-RING	2		
9	R28782	O-RING	1		
10	R56755	WASHER	1		
11	R56757	O-RING	1		
12	R56756	O-RING	1		
13	R69279	WASHER	8		
14	U13639	O-RING	1		
15	R26906	O-RING	1	(B)	
	R56751	O-RING	1	(C)	
16	R26287	O-RING	1		
17	R39729	O-RING	1		
18	R56753	SHIM	1		
19	RE28790	SEAL	1		
20	R27149	O-RING	8		
21	R56751	O-RING	1		
	R29936	O-RING	1	(A) (C)	
22	R27928	O-RING	2	(A) (TOP)	
	P47908	O-RING	1	(A) (BOTTOM)	
	R35827	WASHER	1	(A) (B)	
23	AR101236	SHIELD	1	(B) (SET OF 8)	
	AR101237	SHIELD	1	(C) (SET OF 8)	
24	R56463	O-RING	8	(B)	
	R56751	O-RING	8	(C)	
25	RE29103	KIT	1		49 CM3 (3 IN.3) (SUB FOR AR67718) (ALSO ORDER (2) R27166 AND (2) R41057, IF STROKE CONTROL VALVE HAS BEEN REPLACED.)
	RE29104	KIT	1		66 CM3 (4 IN.3) (SUB FOR AR67720) (ALSO ORDER (2) R27166 AND (2) R41057, IF STROKE CONTROL VALVE HAS BEEN REPLACED.)

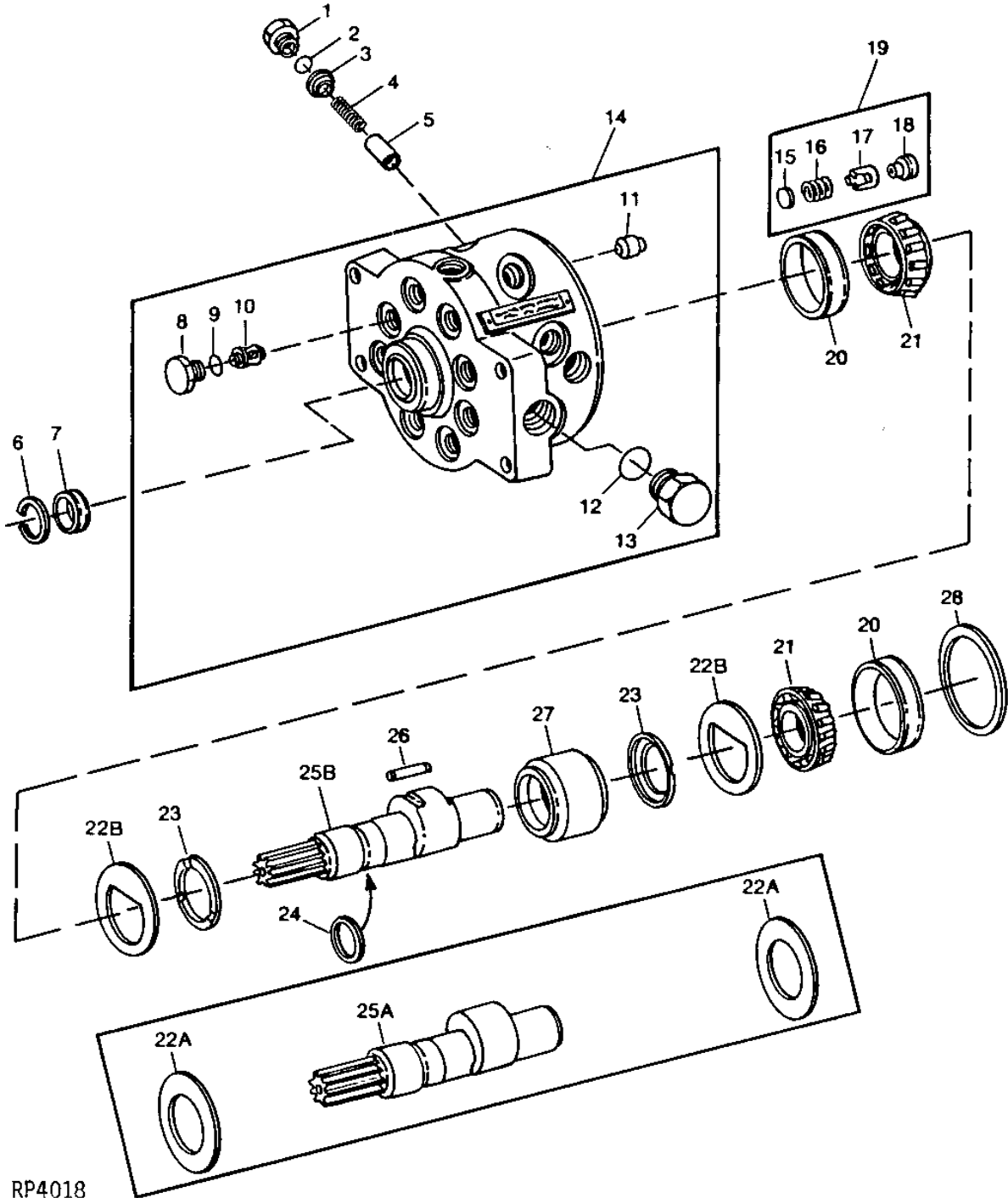
- (A) UNIVERSAL KIT - APPLICATIONS WILL VARY
- (B) INCLUDED IN RE29103
- (C) INCLUDED IN RE29104

2C18

HYDRAULICS

HYDRAULIC PUMP - MODEL GA1
50 CM3 (3 IN.3)
(REPLACEMENT PUMP WITH SERIAL PLATE)

RP4018 -UN-18OCT94



RP4018

2C19

HYDRAULICS

HYDRAULIC PUMP - MODEL GA1 - CONTINUED
50 CM3 (3 IN.3)
(REPLACEMENT PUMP WITH SERIAL PLATE)

KEY	PART NO.	PART NAME	QTY	PUMP SERIAL NO.	REMARKS
1	R45438	FITTING	8		
2	R56463	O-RING	8		
3	AR101236	SHIELD	1		(SET OF 8)
4	AR76762	SPRING	1		(SET OF 8)
5	R27150	PISTON	8		
6	R26137	SNAP RING	1		
7	RE28790	SEAL	1		(SUB FOR AR52224)
8	R78293	FITTING	8		
9	R27149	O-RING	8		
10	AR53301	VALVE	8		(INLET)
11	R105583	SEAT	8		
12	F3171R	O-RING	1		(USE WITH R71586)
	U13639	O-RING	1		(USE WITH R73741)
13	R27175	DRAIN PLUG	1		(USE WITH R71586)
	R39741	DRAIN PLUG	1		(USE WITH R73741)
14	RE11804	HOUSING	1		(MODEL PJ1) (MARKED R71586 OR R73741)
15	R49297	DISK	8		
16	R39228	SPRING	8		
17	R48738	GUIDE	8		
18	R83508	STOP	8		(SUB FOR R49298 OR R72886)
19	RE23382	VALVE	8		(OUTLET) (SUB FOR AR96613)
20	JD8223	BEARING CUP	2		
21	JD8192	BEARING CONE	2		
22A	R77903	WASHER	2	-023628	(SUB FOR R45425)
22B	R79151	LOCK WASHER	2	023629-	(USE WITH R79152)
23	R72507	THRUST WASHER	2		
24	R77611	RING	1		(SEALING) (SUB FOR R68252 OR RE11777)
25A	R71598	SHAFT	1	-023628	(SUB R79152) (ALSO ORDER (2) R79151)
25B	R79152	SHAFT	1	023629-	
26	R45422	NEEDLE ROLLER	25		
27	R80558	BEARING RACE	1		(SUB FOR R72506)
28	R27478	SHIM	AR		0.15MM (.006")
	R27479	SHIM	AR		0.25MM (.010")
..	AR94660	HYDRAULIC PUMP	1		

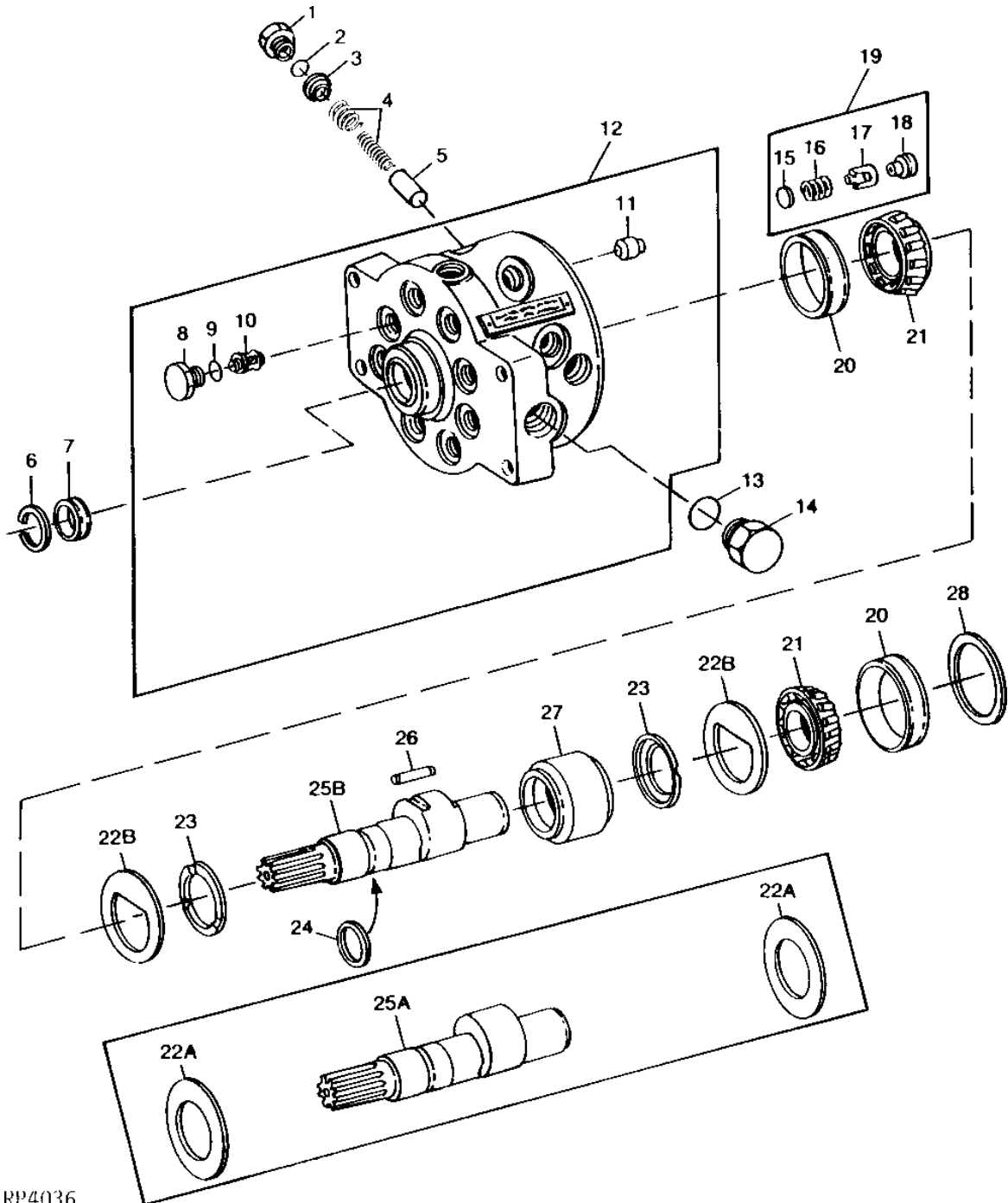
2C20

HYDRAULICS

HYDRAULIC PUMP - MODEL JA1
65 CM3 (4 IN.3)
(REPLACEMENT PUMP WITH SERIAL PLATE)

RP4036

-UN-23SEP94



RP4036

2C21

HYDRAULICS

HYDRAULIC PUMP - MODEL JA1 - CONTINUED
 65 CM3 (4 IN.3)
 (REPLACEMENT PUMP WITH SERIAL PLATE)

KEY	PART NO.	PART NAME	QTY	PUMP SERIAL NO.	REMARKS
1	R70648	DRAIN PLUG	8		
2	R56751	O-RING	8		
3	AR101237	SHIELD	1		(SET OF 8)
4	AR96408	SPRING	1		(SET OF 16)
5	R70976	PISTON	8		
6	R26137	SNAP RING	1		
7	RE28790	SEAL	1		(SUB FOR AR52224)
8	R78293	FITTING	8		
9	R27149	O-RING	8		
10	AR53301	VALVE	8		(INLET)
11	R105583	SEAT	8		
12	RE11810	HOUSING	1		(MODEL TG1) (MARKED R71587)
13	F3171R	O-RING	1		
14	R27175	DRAIN PLUG	1		
15	R49297	DISK	8		
16	R39228	SPRING	8		
17	R48738	GUIDE	8		
18	R83508	STOP	8		(SUB FOR R49298 OR R72886)
19	RE23382	VALVE	8		(OUTLET) (SUB FOR AR96613)
20	JD8223	BEARING CUP	2		
21	JD8192	BEARING CONE	2		
22A	R77903	WASHER	2	-010138	(SUB FOR R45425)
22B	R79151	LOCK WASHER	2	010139-	(USE WITH R79154)
23	R72507	THRUST WASHER	2		
24	R77611	RING	1		(SEALING) (SUB FOR R68252 OR RE11777)
25A	R71599	SHAFT	1	-010138	(SUB R79154) (ALSO ORDER (2) R79151)
25B	R79154	SHAFT	1	010139-	
26	R45422	NEEDLE ROLLER	25		
27	R80558	BEARING RACE	1		(SUB FOR R72509)
28	R27478	SHIM	AR		0.15MM (.006")
	R27479	SHIM	AR		0.25MM (.010")
..	AR94661	HYDRAULIC PUMP	1		

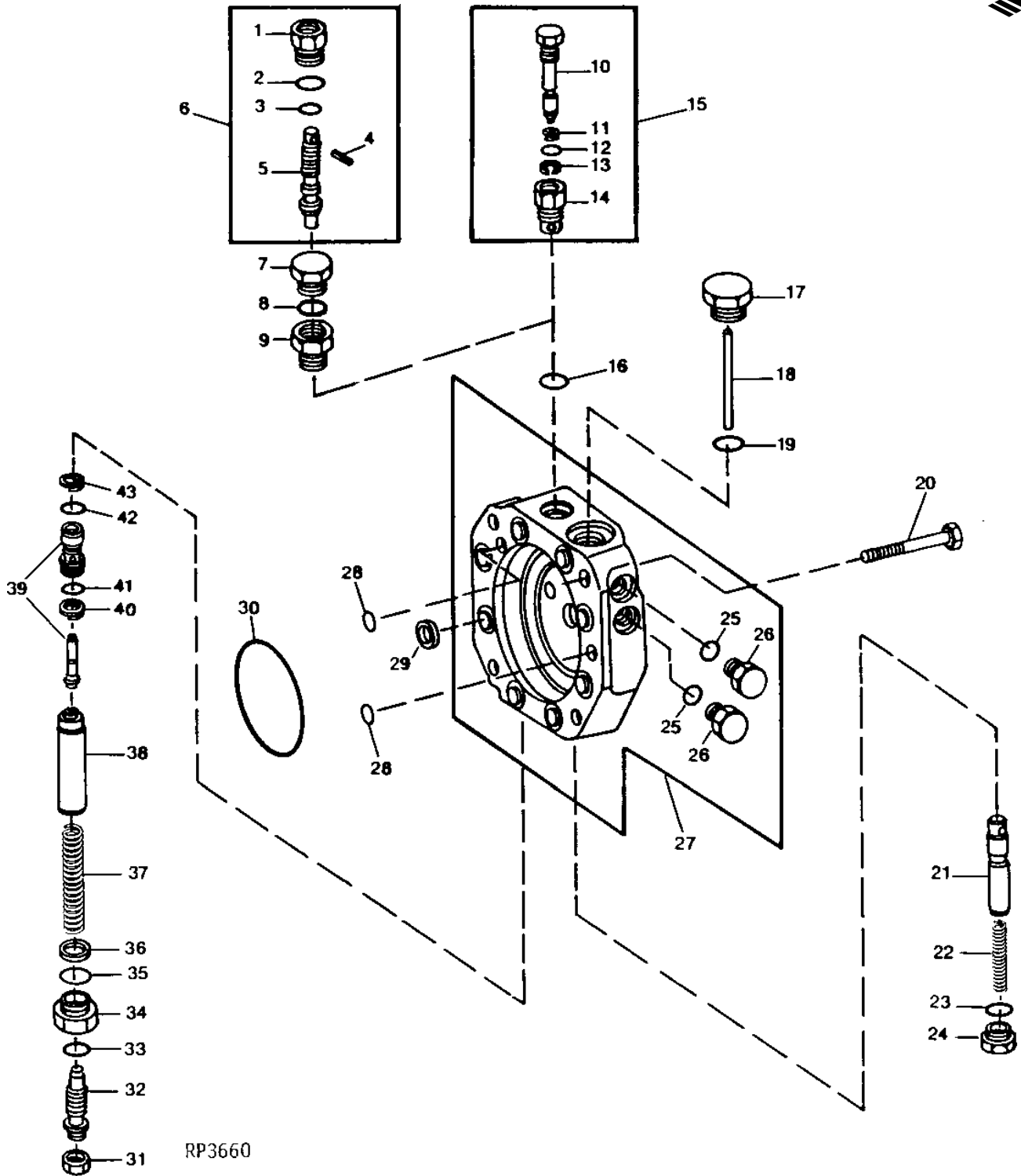
2C22

HYDRAULICS

HYDRAULIC PUMP STROKE CONTROL VALVE
(50 CM3 (3 IN.3) - 65 CM3 (4 IN.3))
(REPLACEMENT PUMP WITH SERIAL PLATE)

RP3660

-UN-14SEP94



RP3660

2C23

HYDRAULICS

HYDRAULIC PUMP STROKE CONTROL VALVE - CONTINUED
 (50 CM3 (3 IN.3) - 65 CM3 (4 IN.3))
 (REPLACEMENT PUMP WITH SERIAL PLATE)

KEY	PART NO.	PART NAME	QTY	PUMP SERIAL NO.	REMARKS
1	R27475	FITTING	1		
2	R26448	O-RING	1		
3	A4365R	O-RING	1		
4	34H254	SPRING PIN	1	1/8" X 1-1/2"	
5	R75879	SCREW	1		
6	AR96625	SCREW	1		(A) (MANUAL DESTROKE)
7	R27218	FITTING PLUG	1		(LESS MANUAL DESTROKE)
8	R26448	O-RING	1		(LESS MANUAL DESTROKE)
9	R70617	PIPE PLUG	1		
10	R79266	SCREW	1		
11	R36358	BACK-UP RING	1		
12	R34802	O-RING	1		
13	R79268	SNAP RING	1		
14	R79267	PLUG	1		
15	RE13271	SCREW	1		(A) (MANUAL DESTROKE)
16	R26906	O-RING	1		
17	R75642	DRAIN PLUG	1		
18	R75564	PIN	1		
19	R56751	O-RING	1		
20	19H3520	CAP SCREW	4	1/2" X 3-1/4"	
21	R70867	VALVE	1		
22	R70868	SPRING	1		
23	R26375	O-RING	1		
24	R73736	PLUG	1		
25	R26448	O-RING	2		
26	R75376	DRAIN PLUG	2		
27	RE12470	HOUSING	1		(MARKED R77714)
28	R56755	WASHER	2		
29	R69279	WASHER	8		
30	R56757	O-RING	1		
31	14H1021	NUT	1	7/16"	
32	AR52254	SET SCREW	1		
33	R28782	O-RING	1		
34	R28781	FITTING	1		
35	F3171R	O-RING	1		
36	R42260	WASHER	1		
37	R31781	SPRING	1		
38	R71321	GUIDE	1		
39	RE10712	CONTROL VALVE	1		
40	R41057	BACK-UP RING	1		
41	R27166	O-RING	1		
42	R27564	O-RING	1		
43	R75938	WASHER	1		

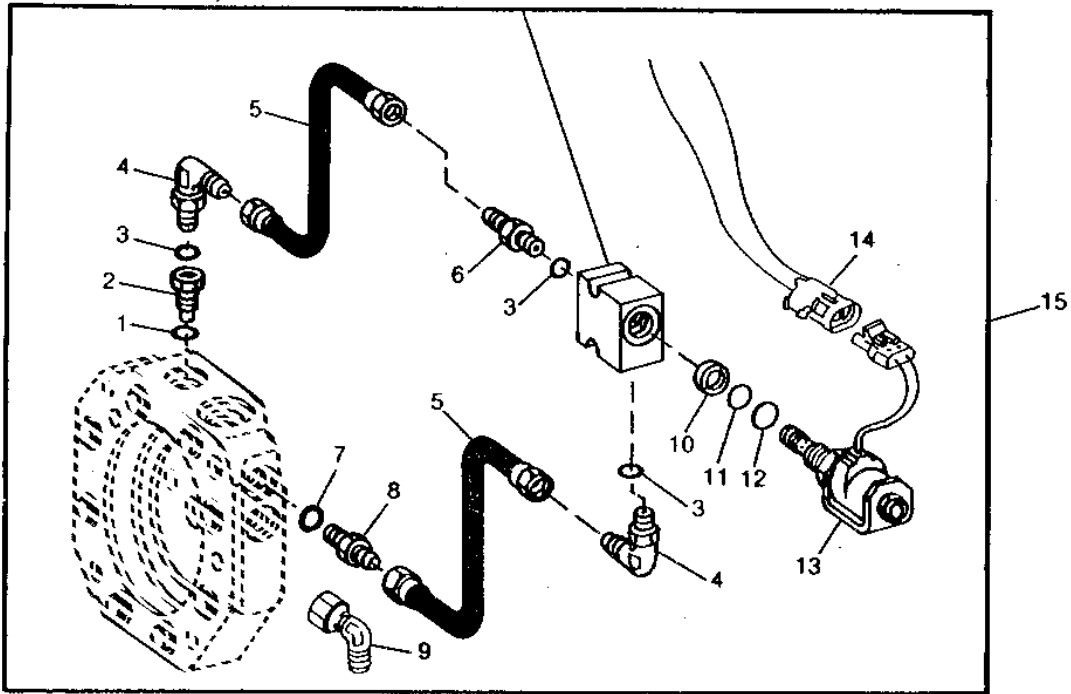
(A) DESIGNS INTERCHANGEABLE

2C24

HYDRAULICS

RXP9501 -UN-01JAN94

HYDRAULIC PUMP ELECTRIC DESTROKE KIT



RXP9501

KEY	PART NO.	PART NAME	QTY	PUMP SERIAL NO.	REMARKS
1	R26906	O-RING	1		
2	R70617	PIPE PLUG	1		
3	R26448	O-RING	4		
4	AT35121	ELBOW FITTING	2		
5	AN250096	HYDRAULIC HOSE	2		
6	R27212	FITTING	1		
7	R26287	O-RING	1	(A)	
	R26448	O-RING	1	(B)	
8	T43535	FITTING	1	(A)	
	Z36276	ADAPTER	1	(B)	
9	AE24616	ELBOW FITTING	1	(USE WITH T43535 OR Z36276)	
10	T57374	BACK-UP RING	1		
11	T40308	O-RING	1		
12	R26375	O-RING	1		
13	RE32529	SOLENOID VALVE	1		
14	RE50017	WIRING HARNESS	1		
15	RE40463	KIT	1		

(A) NON-SERIALIZED PUMP
(B) SERIALIZED PUMP

MEMORANDA

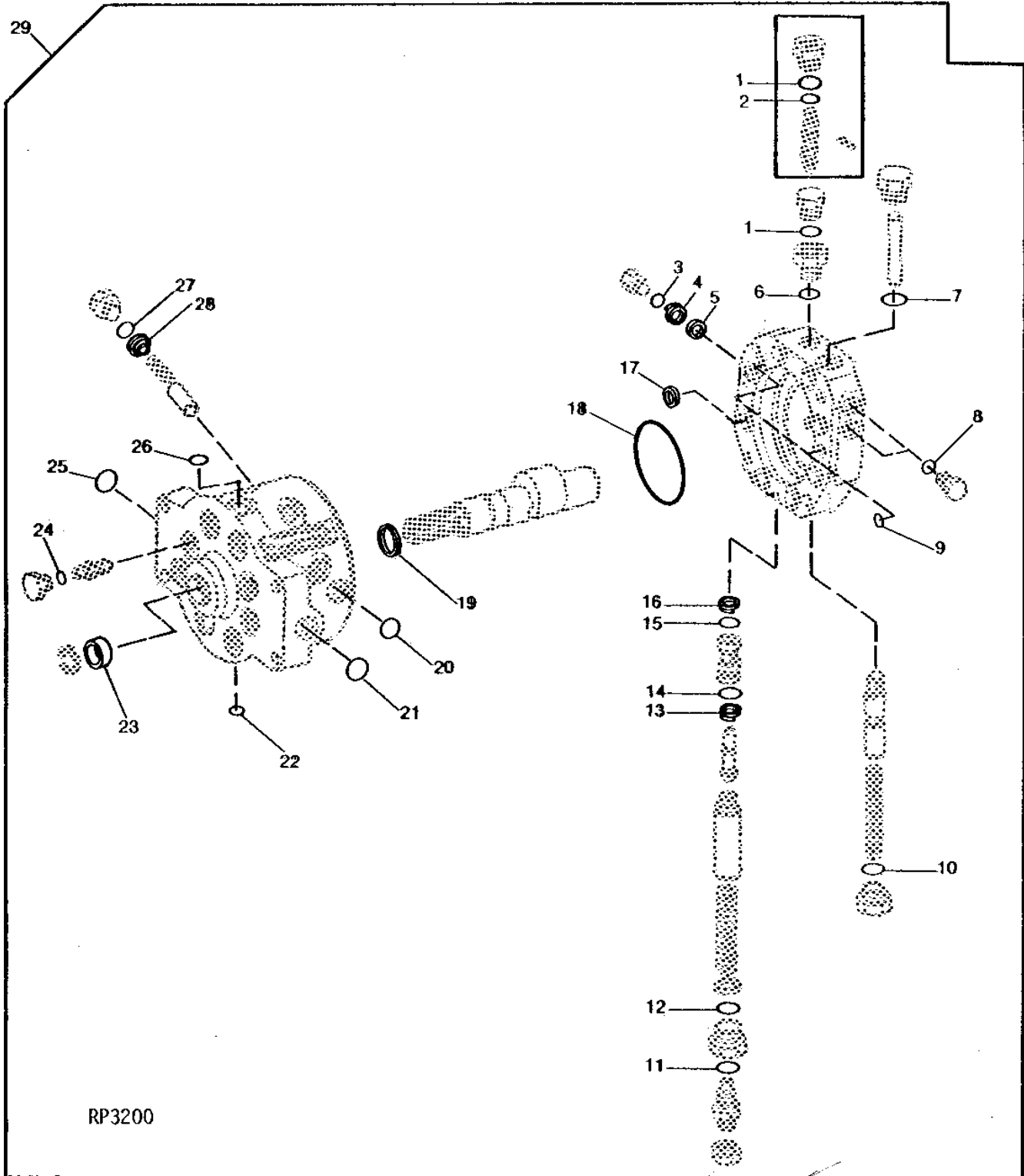
2D1

HYDRAULICS

HYDRAULIC PUMP AND STROKE CONTROL VALVE OVERHAUL KIT (50 CM3 (3 IN.3) - 65 CM3 (4 IN.3)) (REPLACEMENT PUMP WITH SERIAL PLATE)

RP3200

-UN-01JAN94



RP3200

2D2

HYDRAULICS

HYDRAULIC PUMP AND STROKE CONTROL VALVE OVERHAUL KIT - CONTINUED
(50 CM3 (3 IN.3) - 65 CM3 (4 IN.3))
(REPLACEMENT PUMP WITH SERIAL PLATE)

KEY	PART NO.	PART NAME	QTY	PUMP SERIAL NO.	REMARKS
1	R26448	O-RING	1		
2	A4365R	O-RING	1		
3	R26375	O-RING	1	(A)	
4	T40308	O-RING	1	(A)	
5	T57374	BACK-UP RING	1	(A)	
6	R26906	O-RING	1		
7	R56751	O-RING	1		
8	R26448	O-RING	2		
	R26287	O-RING	2	(A) (C)	
9	R56755	WASHER	2		
10	R26375	O-RING	1		
11	R28782	O-RING	1		
12	R56751	O-RING	1		
13	R41057	BACK-UP RING	1		
14	R27166	O-RING	1		
15	R27564	O-RING	1		
16	R75938	WASHER	1		
17	R69279	WASHER	8		
18	R56757	O-RING	1		
19	R77611	RING	1	(SEALING)	
20	R56751	O-RING	1		
21	U13639	O-RING	1	(A)	
	R56751	O-RING	1	(A)	
	R29936	O-RING	1	(A)	
22	R26287	O-RING	1		
23	RE28790	SEAL	1		
24	R27149	O-RING	8		
25	R56751	O-RING	1	(A)	
	R29936	O-RING	1	(A)	
26	R27928	O-RING	1	(A) TOP	
	P47908	O-RING	1	(A) BOTTOM	
	R26906	O-RING	1	(A)	
27	R56463	O-RING	8	(B)	
	R56751	O-RING	8	(C)	
28	AR101236	SHIELD	1	(B) (SET OF 8)	
	AR101237	SHIELD	1	(C) (SET OF 8)	
29	RE29107	KIT	1	50 CM3 (3 IN.3) (SUB FOR AR96321)	
	RE29109	KIT	1	65 CM3 (4 IN.3) (SUB FOR AR96323)	

(A) UNIVERSAL KIT - APPLICATIONS WILL VARY

(B) INCLUDED IN RE29107

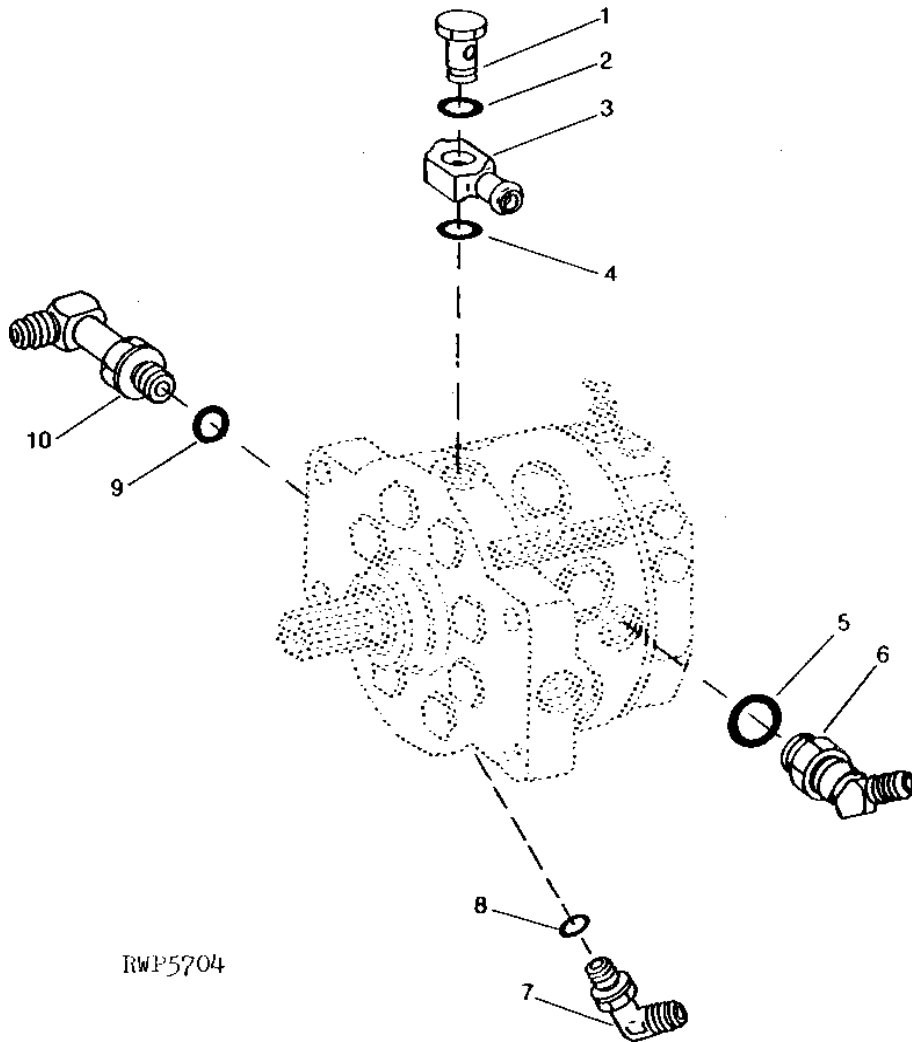
(C) INCLUDED IN RE29109

2D3

HYDRAULICS

HYDRAULIC PUMP CONNECTORS 49 CM3 (3 IN.3) PUMP (LESS POWER FRONT WHEEL DRIVE)

RWP5704 -UN-01JAN94



2D4

HYDRAULICS

HYDRAULIC PUMP CONNECTORS - CONTINUED
49 CM3 (3 IN.3) PUMP
(LESS POWER FRONT WHEEL DRIVE)

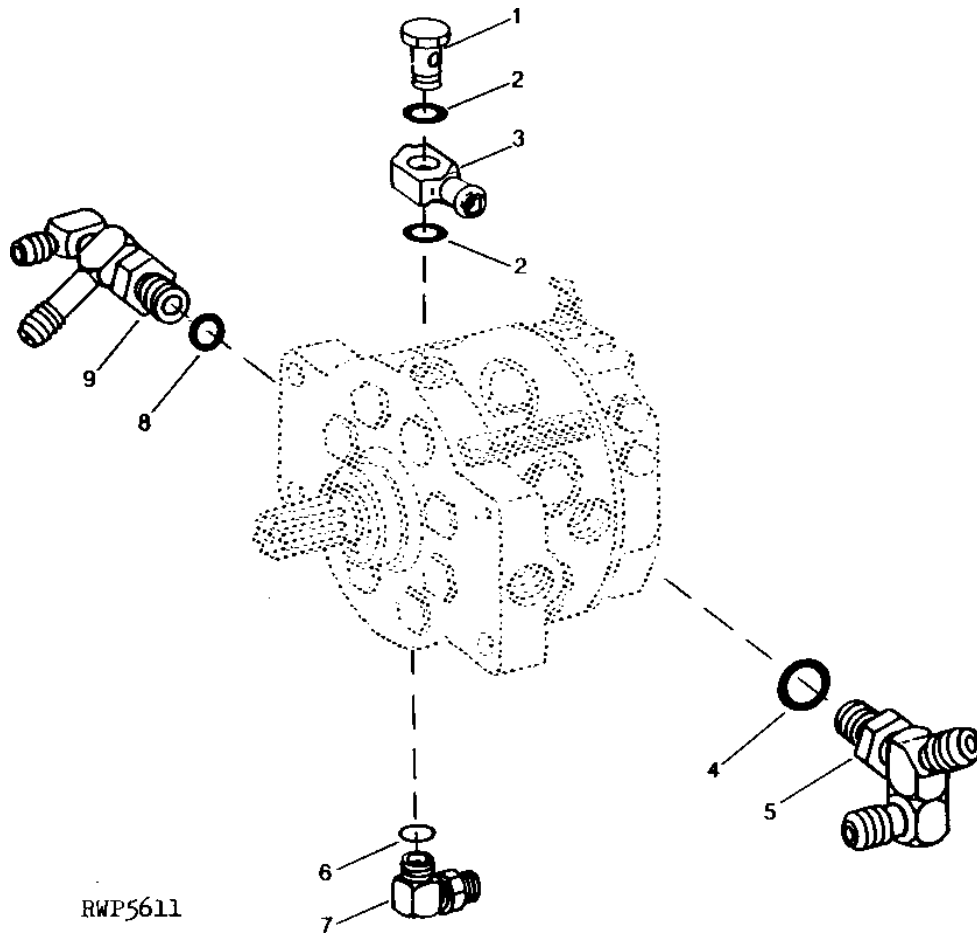
KEY	PART NO.	PART NAME	QTY	TRACTOR SERIAL NO.	REMARKS
1	R27927	HOLLOW SCREW	1		
2	R27928	O-RING	1		
3	R27926	FITTING	1		
4	R27928	O-RING	1		
	P47908	O-RING	1		(REPLACEMENT PUMP WITH SERIAL PLATE)
5	R26906	O-RING	1		
	F3171R	O-RING	1		(REPLACEMENT PUMP WITH SERIAL PLATE)
6	AR26744	ELBOW FITTING	1		
	AT33033	FITTING	1		(REPLACEMENT PUMP WITH SERIAL PLATE)
7	AT32335	ELBOW FITTING	1		(REPLACEMENT PUMP) (SUB FOR AR26746)
8	R26287	O-RING	1		(REPLACEMENT PUMP)
9	F3171R	O-RING	1		
10	AR26747	ELBOW FITTING	1		

2D5

HYDRAULICS

HYDRAULIC PUMP CONNECTORS
49 CM3 (3 IN.3) PUMP
66 CM3 (4 IN.3) PUMP
(POWER FRONT WHEEL DRIVE)

RWP5611 -UN-01JAN94



RWP5611

2D6

HYDRAULICS

HYDRAULIC PUMP CONNECTORS - CONTINUED
49 CM3 (3 IN.3) PUMP
66 CM3 (4 IN.3) PUMP
(POWER FRONT WHEEL DRIVE)

KEY	PART NO.	PART NAME	QTY	TRACTOR SERIAL NO.	REMARKS
1	R27927	HOLLOW SCREW	1		
2	R27928	O-RING	2		
3	R27926	FITTING	1		
4	R26906	O-RING	1		(C)
	F3171R	O-RING	1		(D)
	F3171R	O-RING	1		(C) (D) (REPLACEMENT PUMP WITH SERIAL PLATE)
5	AR44388	TEE FITTING	1	-014560	(C)
	AR53565	TEE FITTING	1	014561-	(D)
	AR53565	TEE FITTING	1		(C) (D) (REPLACEMENT PUMP WITH SERIAL PLATE)
6	R26287	O-RING	1		
7	AT32335	ELBOW FITTING	1		(SUB FOR AR26746)
8	R56751	O-RING	1		
9	AR45285	TEE FITTING	1		

(C) 49 CM3 (3 IN.3) PUMP

(D) 66 CM3 (4 IN.3) PUMP

2D7

HYDRAULICS

RE026740 -UN-20FEB96

TRANSMISSION AND HYDRAULIC OIL



RE026740



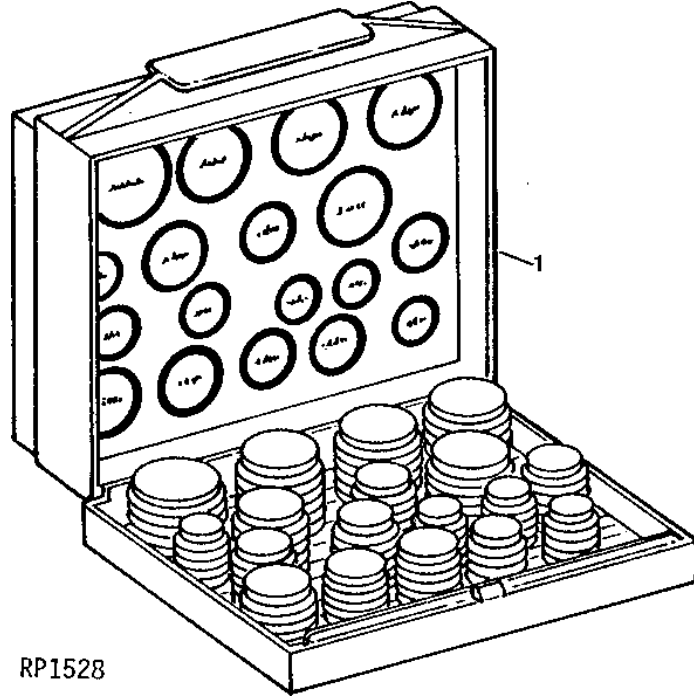
KEY	PART NO.	PART NAME	QTY	TRACTOR SERIAL NO.	REMARKS
1	AR69444	HY-GARD	1	19L (5 GAL)	
	AR69445	HY-GARD	1	208L (55 GAL)	(EMPTY DRUMS NOT RETURNABLE)
2	TY22043	OIL	1	(1 GAL)	
	TY22044	OIL	1	19 L (5 GAL)	
	TY22063	OIL	1	208 L (55 GAL)	

2D8

HYDRAULICS

RP1528 -UN-01JAN94

O-RING KIT



RP1528

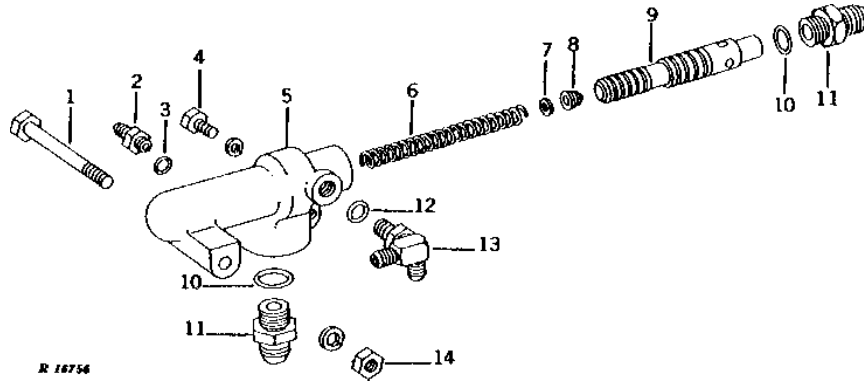
KEY	PART NO.	PART NAME	QTY	TRACTOR SERIAL NO.	REMARKS
1	AR73500 TY15939	KIT O-RING KIT	1 1		HYDRAULIC (AIR CONDITIONING)

2D9

HYDRAULICS

R16756 -UN-01JAN94

PRESSURE CONTROL VALVE PARTS



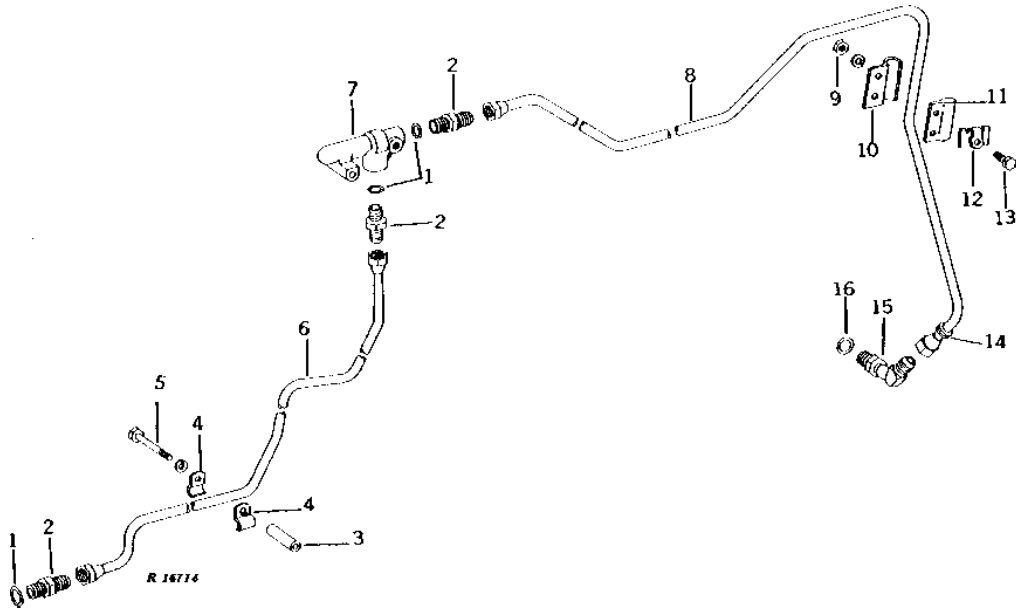
KEY	PART NO.	PART NAME	QTY	TRACTOR SERIAL NO.	REMARKS
1	19H3175	CAP SCREW	1		3/8" X 3-5/8", (HS, SAE 8)
2	R27527	ADAPTER	1		
3	R26287	O-RING	1		
4	19H1731	CAP SCREW	1		3/8" X 1"
	12H304	LOCK WASHER	1		3/8"
5	R40999	HOUSING	1		
6	R40072	SPRING	1		
7	24H1283	WASHER	AR		7/32" X 1/2" X 0.049"
8	R40562	APERTURE	1		
9	AR63906	VALVE	1		(SUB FOR R41001)
10	R26906	O-RING	2		
11	R27270	FITTING	2		
12	R26286	O-RING	1		
13	AR49789	TEE FITTING	1		90°
14	14H1076	NUT	1		3/8"
	12H304	LOCK WASHER	1		3/8"

2D10

HYDRAULICS

R16714 -UN-01JAN94

HYDRAULIC OIL PRESSURE PIPES



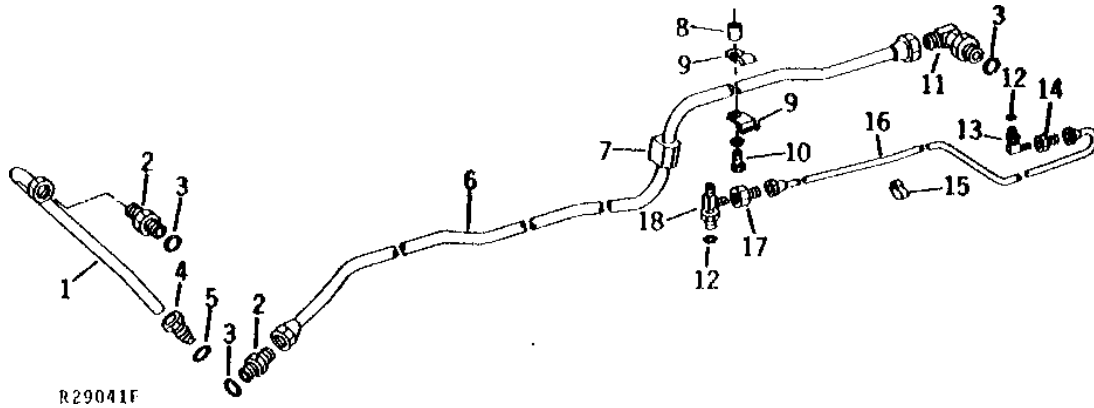
KEY	PART NO.	PART NAME	QTY	TRACTOR SERIAL NO.	REMARKS
1	R26906	O-RING	3		
2	R27270	FITTING	3		
3	28H1535	SPACER	1	3/8" X 2-3/4"	
4	R35726	CLAMP	2		
5	19H1912	CAP SCREW	1	3/8" X 3-1/2"	
	12H304	LOCK WASHER	1	3/8"	
6	AR48494	HYDRAULIC LINE	1		REAR PRESSURE
7	R40999	HOUSING	1		
8	AR48792	LINE	1	-013586	FRONT PRESSURE, (SUB AR53551 AND AR53197)
	AR53551	HYDRAULIC LINE	1	013587-	FRONT PRESSURE
9	14H786	NUT	2		1/4"
	12H302	LOCK WASHER	2		1/4"
10	R27534	CLAMP	1		
11	R27546	PLATE	1		
12	R27324	CLIP	1		
13	19H1914	CAP SCREW	2		1/4" X 1"
14	R27533	GROMMET	1		
15	AR26744	ELBOW FITTING	1		45°
	AT33033	FITTING	1		(REPLACEMENT PUMP WITH SERIAL PLATE)
	AR53565	TEE FITTING	1		POWER FRONT WHEEL DRIVE
16	R26906	O-RING	1		
	F3171R	O-RING	1		(REPLACEMENT PUMP WITH SERIAL PLATE)

2D11

HYDRAULICS

R29041 -UN-01JAN94

HYDRAULIC OIL RETURN PIPES



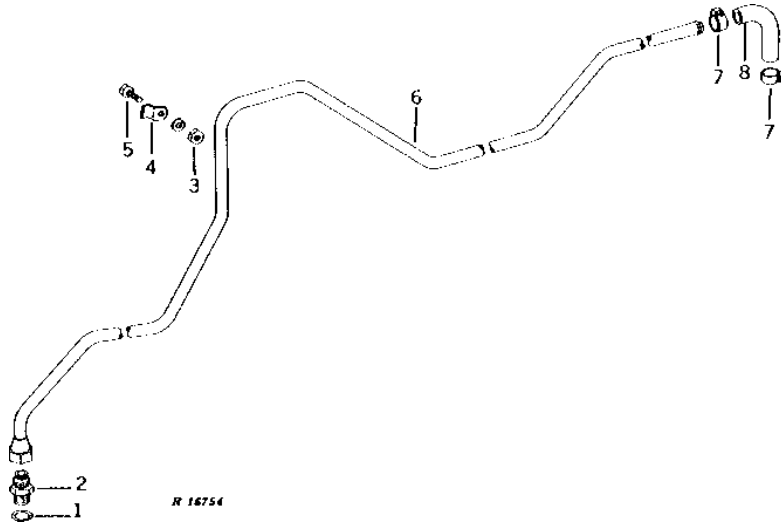
KEY	PART NO.	PART NAME	QTY	TRACTOR SERIAL NO.	REMARKS
1	AR74312	HYDRAULIC LINE	1		(SUB FOR AR41117)
2	R27267	FITTING	2		
3	F3171R	O-RING	3		
4	R76494	FITTING	1		(SUB FOR R33610)
5	B2762R	O-RING	1		
6	AR48781	HYDRAULIC LINE	1		
7	R43479	SPACER	1		
8	28H1697	SPACER	1		3/8" X 3/4"
9	R27531	CLAMP	2		
10	19H1800	CAP SCREW	1		3/8" X 1-1/2"
	12H304	LOCK WASHER	1		3/8"
11	AR26747	ELBOW FITTING	1		90°
	AR45285	TEE FITTING	1		POWER FRONT WHEEL DRIVE
12	R26287	O-RING	2		
13	AT32335	ELBOW FITTING	1		90°, (SUB FOR AR26746)
14	R64170	ADAPTER	1	XXXXXX-	90°
15	R21551	CLIP	1		
16	AR79711	HYDRAULIC LINE	1	-008695	(ALSO ORDER (2) R64170) (SUB FOR AR45250)
	AR79709	OIL LINE	1	008696-	(ALSO ORDER (2) R64170) (SUB FOR AR52626)
17	R64170	ADAPTER	1	XXXXXX-	
18	AR45251	TEE FITTING	1		

2D12

HYDRAULICS

R16754 -UN-01JAN94

HYDRAULIC OIL COOLER OIL RETURN PIPE



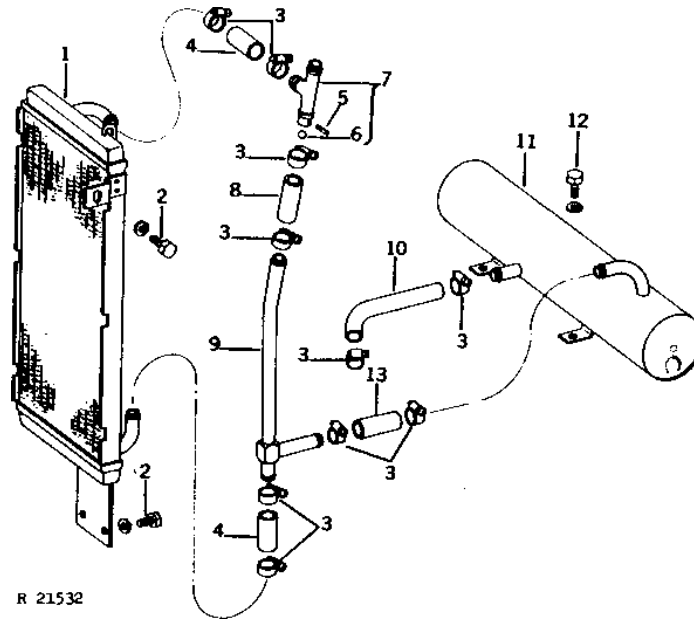
KEY	PART NO.	PART NAME	QTY	TRACTOR SERIAL NO.	REMARKS
1	F3171R	O-RING	1		
2	R27267	FITTING	1		
3	14H1076	NUT	1	3/8"	
	12H304	LOCK WASHER	1	3/8"	
4	R41465	CLAMP	1		
5	19H1936	CAP SCREW	1	3/8" X 3/4"	
6	AR48754	HYDRAULIC LINE	1		COOLER RETURN
7	AR21839	CLAMP	2		(SUB TY22467)
8	T22958	HOSE	1		(SUB FOR T40167)

2D13

HYDRAULICS

R21532 -UN-01JAN94

HYDRAULIC OIL COOLER AND RESERVOIR



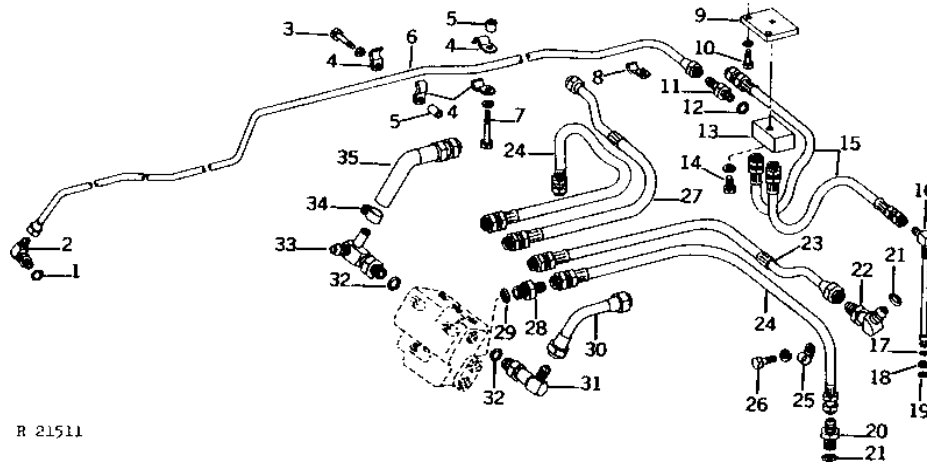
KEY	PART NO.	PART NAME	QTY	TRACTOR SERIAL NO.	REMARKS
1	AR48882	OIL COOLER	1		
2	19H1936	CAP SCREW	3	3/8" X 3/4"	
	12H304	LOCK WASHER	3	3/8"	
3	AR21839	CLAMP	10	(SUB TY22467)	
4	HOSE	2	57MM (2-1/4") (SUB FOR R27930 OR T35695)	(MAKE FROM T61939)
5	34H231	SPRING PIN	1	3/32" X 3/4"	
6	R48084	BALL	1		
7	AR49751	CHECK VALVE	1		
8	HOSE	1	63.5MM (2-1/2") (MAKE FROM TY22329)	
9	AR49750	ADAPTER	1		
10	R46485	HOSE	1		
11	AR49215	RESERVOIR	1	(NO LONGER AVAILABLE)	
12	19H2284	CAP SCREW	4	3/8" X 7/8"	
	12H304	LOCK WASHER	4	3/8"	
	24H1299	WASHER	4	3/8" X 1-1/4" X 0.065"	
13	HOSE	1	86MM (3-11/32") (MAKE FROM TY22329) (SUB FOR R36858 OR R34147)	

2D14

HYDRAULICS

R21511 -UN-01JAN94

HYDRAULIC LINES (POWER FRONT WHEEL DRIVE)



R 21511

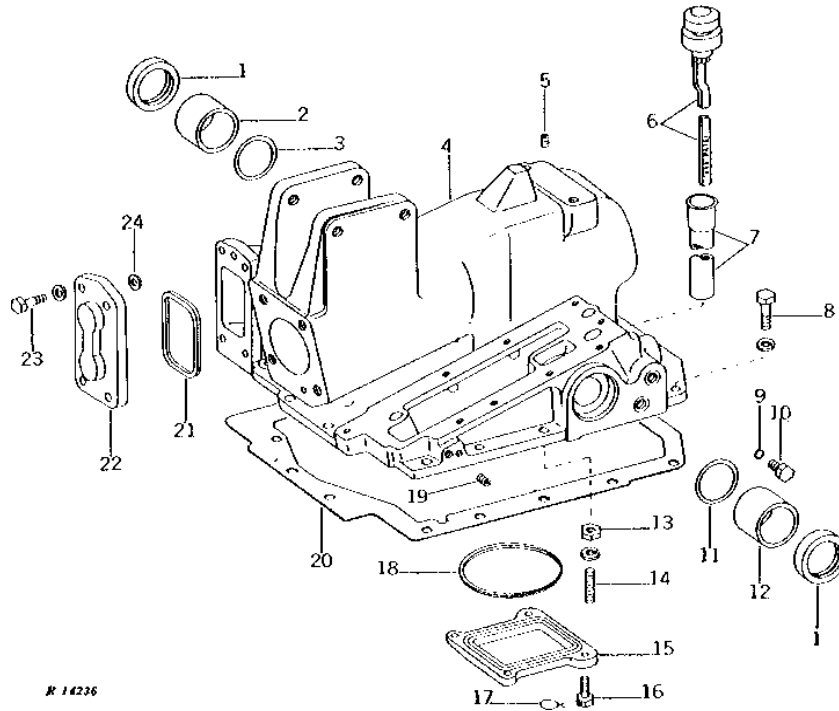
KEY	PART NO.	PART NAME	QTY	TRACTOR SERIAL NO.	REMARKS
1	R26375	O-RING	1		
2	AT32332	ELBOW FITTING	1		90°, (SUB FOR AR26763)
3	19H1801	CAP SCREW	1		3/8" X 2"
	12H304	LOCK WASHER	1		3/8"
4	R27539	CLAMP	4		
5	28H1697	SPACER	2		3/8" X 3/4"
6	AR52426	LINE	1		(NO LONGER AVAILABLE)
7	19H1733	CAP SCREW	1		3/8" X 2-1/2"
	12H304	LOCK WASHER	1		3/8"
8	R28538	CLAMP	1		
9	R48659	SUPPORT	1		
10	19H1731	CAP SCREW	2		3/8" X 1"
	12H304	LOCK WASHER	2		3/8"
11	R39249	ADAPTER	1		
12	R26448	O-RING	1		
13	AR45234	FITTING	1		
14	19H1800	CAP SCREW	1		3/8" X 1-1/2"
	12H304	LOCK WASHER	1		3/8"
15	AR45235	HYDRAULIC HOSE	2		(64" TO 82" TREAD)
	AR90081	HYDRAULIC HOSE	2		(70" TO 88" TREAD) (SUB FOR AR50770)
16	AR53447	ELBOW FITTING	2		90°, (SUB FOR AR45198)
17	R10093	O-RING	2		
18	R44778	BACK-UP RING	2		(SUB R61462 AND R61463)
19	R26448	O-RING	2		
20	R27267	FITTING	2		
21	F3171R	O-RING	4		
22	AR47803	ELBOW FITTING	2		60°
23	AR49295	HOSE	1		UPPER R.H. (64" TO 82" TREAD)
	AR51459	HOSE	1		UPPER R.H. (70" TO 88" TREAD)
24	AR49297	HYDRAULIC HOSE	2		(64" TO 82" TREAD)
	AR51461	HYDRAULIC HOSE	2		(70" TO 88" TREAD)
25	R33364	CLAMP	2		
26	19H2552	CAP SCREW	2		3/8" X 1-1/8"
	12H304	LOCK WASHER	2		3/8"
27	AR49296	HOSE	1		UPPER L.H. (64" TO 82" TREAD)
	AR51460	HYDRAULIC HOSE	1		UPPER L.H. (70" TO 88" TREAD)
28	R27267	FITTING	4		
29	F3171R	O-RING	4		
30	AR49293	OIL LINE	1		(NO LONGER AVAILABLE)
31	AR44384	ELBOW FITTING	1	-014560	90°, (ILLUSTRATED)
	AR53562	TEE FITTING	1	014561-	(NO LONGER AVAILABLE)
32	U17409	O-RING	2		
33	AR46957	ELBOW FITTING	1	-014560	90°, (SUB AR53560, R26375 AND R39112)
	AR53560	FITTING	1	014561-	90°, (NO LONGER AVAILABLE)
34	AR21839	CLAMP	1		(SUB TY22467)
35	AR46960	HYDRAULIC HOSE	1		(SUB FOR AR49294) (NO LONGER AVAILABLE)

2D15

HYDRAULICS

R14236 -UN-01JAN94

ROCKSHAFT HOUSING WITH BUSHINGS AND OIL SEALS



R 14236

KEY	PART NO.	PART NAME	QTY	TRACTOR SERIAL NO.	REMARKS
1	AF2643R	SEAL	2		
2	R26842	BUSHING	1	L.H.	
3	A4728R	O-RING	1		
4	AR41972	HOUSING	1	(MARKED R40630) (NLA)	
5	15H559	PIPE PLUG	1	1/4"	
6	AR40677	DIPSTICK	1		
7	R41858	LINE	1		
8	19H3579	CAP SCREW	6	1/2" X 1-3/8"	
	19H1815	CAP SCREW	6	1/2" X 1-1/4"	
	19H1990	CAP SCREW	6	1/2" X 2-1/4"	
	12H301	LOCK WASHER	8	1/2"	
9	R26286	O-RING	2	(A)	
10	R27094	DRAIN PLUG	2	(A)	
11	R26863	O-RING	1		
12	R26841	BUSHING	1	R.H.	
13	14H1040	NUT	4	1/2"	
	12H301	LOCK WASHER	4	1/2"	
14	R32101	STUD	4		
15	R55079	COVER	1	(SUB FOR R27210 OR R52246)	
16	D459R	BOLT	4	(DRILLED)	
17	WIRE	2	16 GAUGE X 12"	
18	R26769	WASHER	1		
19	15H558	PIPE PLUG	1	1/8"	
20	R92411	GASKET	1	(SUB FOR R40947 OR R80965)	
21	R40922	PACKING	1	(B)	
22	R41446	COVER	1	(B)	
23	19H2731	CAP SCREW	4	7/16" X 1-3/8"	
	12H293	LOCK WASHER	4	7/16"	
24	F2741R	PACKING	1	(B)	

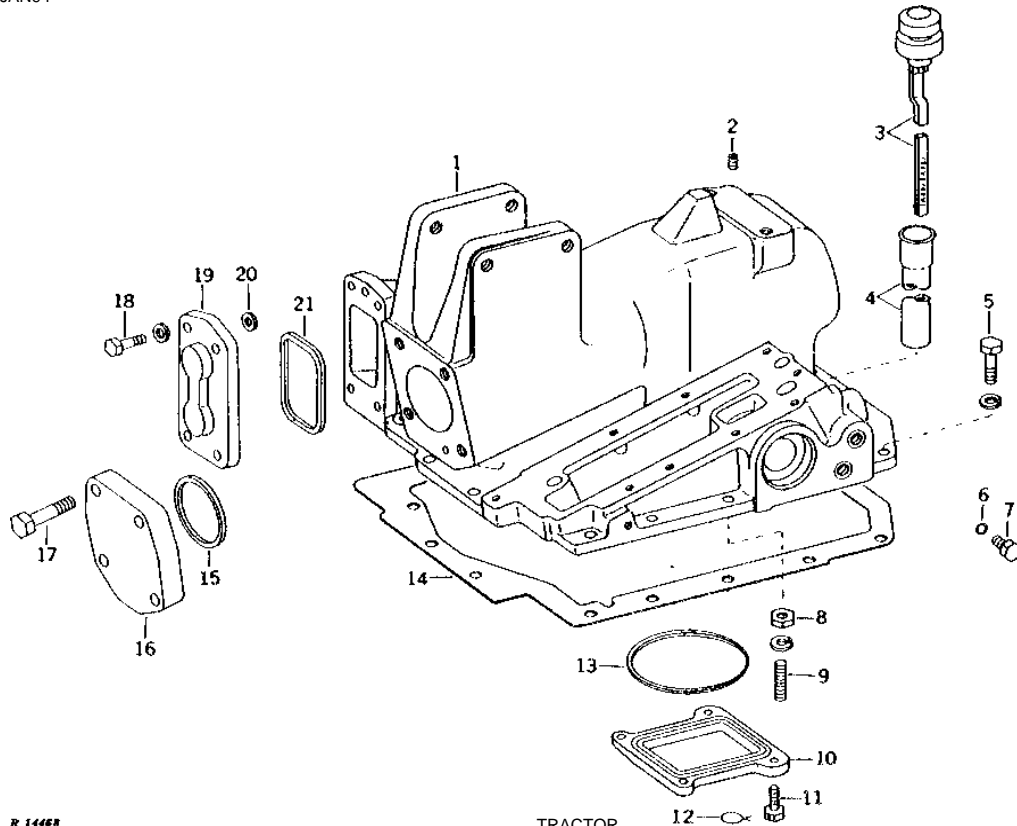
(A) LESS DIFFERENTIAL LOCK
 (B) LESS SELECTIVE CONTROL

2D16

HYDRAULICS

R14468 -UN-01JAN94

TRANSMISSION REAR COVER (LESS ROCKSHAFT)



KEY	PART NO.	PART NAME	QTY	TRACTOR SERIAL NO.	REMARKS
1	AR41974	COVER	1		(MARKED R40790) (NO LONGER AVAILABLE)
2	15H559	PIPE PLUG	1		1/4"
3	AR40677	DIPSTICK	1		
4	R41858	LINE	1		
5	19H3579	CAP SCREW	6		1/2" X 1-3/8"
	19H1815	CAP SCREW	6		1/2" X 1-1/4"
	19H1990	CAP SCREW	6		1/2" X 2-1/4"
	12H301	LOCK WASHER	8		1/2"
6	R26286	O-RING	2		(A)
7	R27094	DRAIN PLUG	2		(A)
8	14H1040	NUT	4		1/2"
	12H301	LOCK WASHER	4		1/2"
9	R32101	STUD	4		
10	R55079	COVER	1		(SUB FOR R27210 OR R52246)
11	D459R	BOLT	4		(DRILLED)
12	WIRE	2		16 GAUGE X 12"
13	R26769	WASHER	1		
14	R92411	GASKET	1		(SUB FOR R40947 OR R80965)
15	R34154	WASHER	1		
16	R40897	CAP	1		
17	19H3244	CAP SCREW	4		5/8" X 2-1/4"
18	19H2731	CAP SCREW	4		7/16" X 1-3/8"
	12H293	LOCK WASHER	4		7/16"
19	R41446	COVER	1		(B)
20	F2741R	PACKING	1		(B)
21	R40922	PACKING	1		(B)

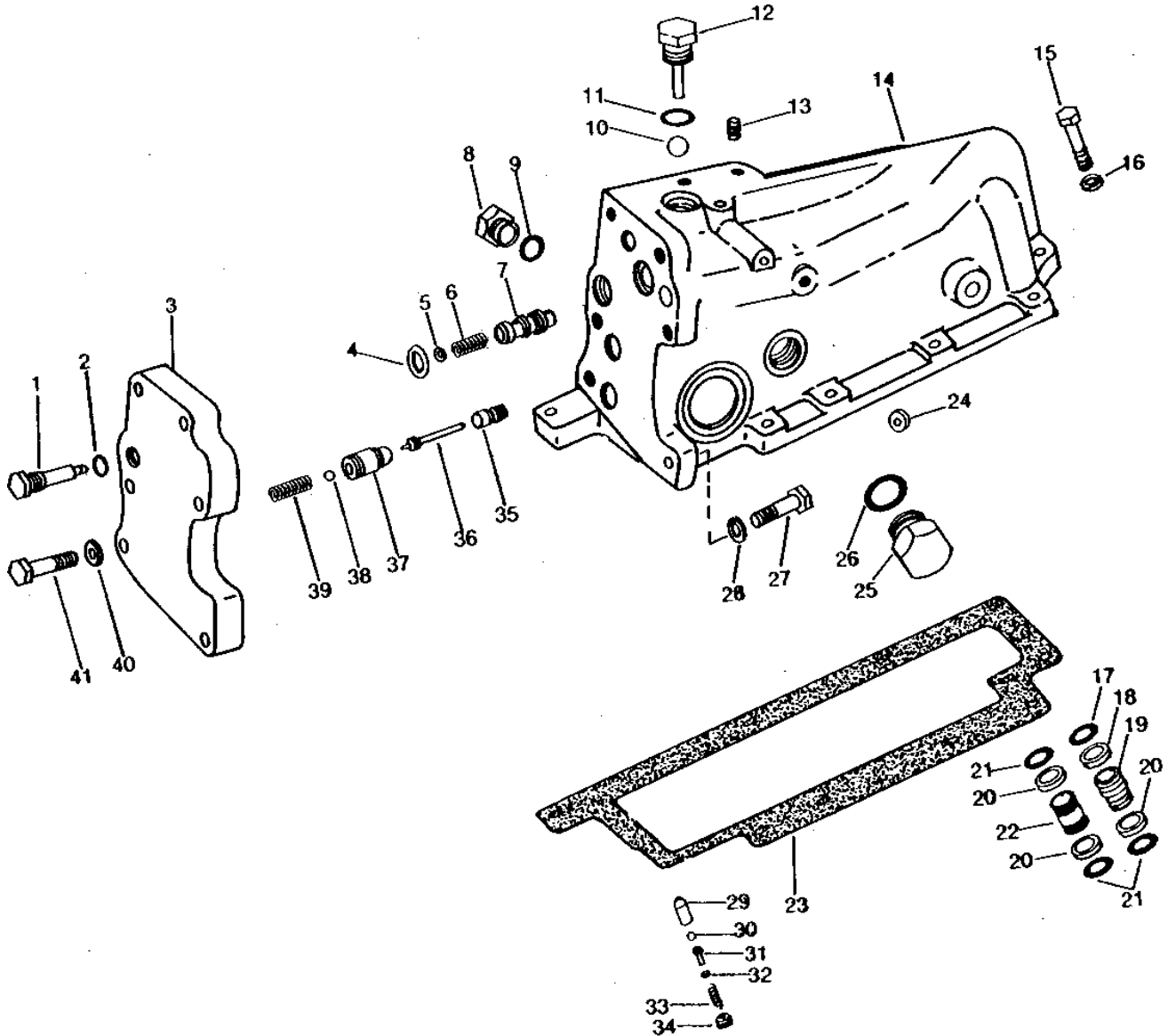
(A) LESS DIFFERENTIAL LOCK
(B) LESS SELECTIVE CONTROL

2D17

HYDRAULICS

RWP2752 -UN-01JAN94

ROCKSHAFT CONTROL VALVE HOUSING



RWP2752

2D18

HYDRAULICS

ROCKSHAFT CONTROL VALVE HOUSING - CONTINUED

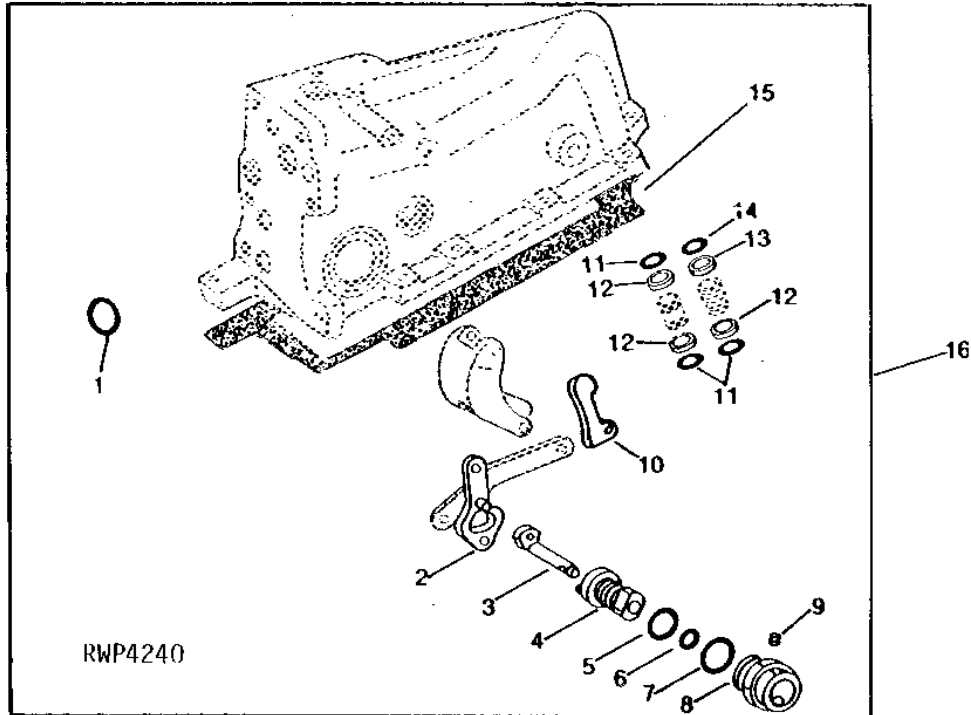
KEY	PART NO.	PART NAME	QTY	TRACTOR SERIAL NO.	REMARKS
1	R40881	FITTING	1		
2	R26448	O-RING	1		
3	R50065	VALVE COVER	1		(SUB FOR R41444) (SUB R59080 AND (2) R59082) (SINGLE OR NO SELECTIVE CONTROL)
4	R26149	PACKING	5		
5	B1664R	SHIM	AR		
6	R26566	SPRING	1		
7	AR50088	VALVE	1		FLOW CONTROL
8	R39112	FITTING	1		
9	R26375	O-RING	1		
10	M886T	BALL	1		16MM (5/8")
11	R26906	O-RING	1		
12	R56916	PLUG	1		(SUB FOR AR26761)
13	15H558	PIPE PLUG	4		1/8"
14	AR54329	HOUSING	1		(MARKED AR48007 OR AR54328) (SUB FOR AR48005)
15	19H1732	CAP SCREW	9		3/8" X 1-1/4"
16	12H304	LOCK WASHER	9		3/8"
17	R27564	O-RING	1		
18	R45925	BACK-UP RING	1		
19	R45924	BUSHING	1		
20	R41057	BACK-UP RING	3		
21	R27166	O-RING	3		
22	R40945	VALVE	1		
23	R40896	GASKET	1		
24	R66895	ORIFICE	1		(USE WITH AR94165)
25	R27175	DRAIN PLUG	1		
26	F3171R	O-RING	1		
27	19H2731	CAP SCREW	1		7/16" X 1-3/8"
28	12H293	LOCK WASHER	1		7/16"
29	R61349	VALVE SEAT INSERT	1		(ALSO ORDER R61350) (SUB FOR R40893)
30	R41776	BALL	1		2MM (3/32")
31	R41777	PIN	1		
32	R40895	SHIM	AR		0.51MM (.020")
33	R59766	SPRING	1		
34	R40894	PLUG	1		
35	AR78483	GUIDE	1		(PRESSURE) (SUB FOR AR31703)
	R31024	GUIDE	1		(RETURN)
36	R44298	SHAFT	2		
37	R59083	VALVE	2		(SUB FOR R44299)
38	400R	BALL	2		6MM (1/4")
39	R26565	SPRING	2		
40	12H293	LOCK WASHER	5		7/16"
41	19H1978	CAP SCREW	5		7/16" X 1-1/2"

2D19

HYDRAULICS

RWP4240 -UN-01JAN94

REVERSE SIGNAL LOCKOUT KIT (FOR ELIMINATION OF NEGATIVE STOP SCREW)



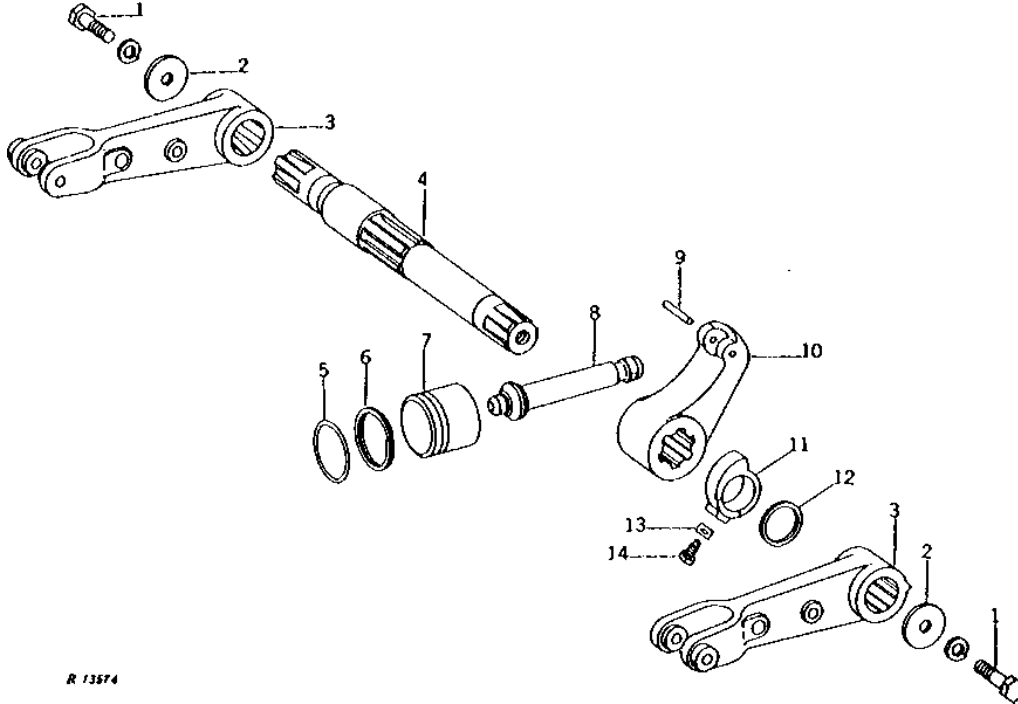
KEY	PART NO.	PART NAME	QTY	TRACTOR SERIAL NO.	REMARKS
1	R40922	PACKING	1		(LESS SELECTIVE CONTROL)
2	AR52797	LINK	1	5RS2-	
3	R49333	SHAFT	1	5RS2-	
4	AR52796	BUSHING	1	5RS2-	
5	R27928	O-RING	1	5RS2-	
6	R394R	O-RING	1	5RS2-	
7	U13639	O-RING	1	5RS2-	
8	R49332	QUILL	1	5RS2-	
9	22H1033	SET SCREW	1	5RS2-	5/16" X 3/8"
10	R49336	CAM FOLLOWER	1		(SUB FOR R40888)
11	R27166	O-RING	AR		(3 USED WITH AR48007 OR AR54328) (4 USED WITH AR40387)
12	R41057	BACK-UP RING	AR		(3 USED WITH AR48007 OR AR54328) (4 USED WITH AR40387)
13	R45925	BACK-UP RING	1		(USE WITH AR48007 OR AR54328)
14	R27564	O-RING	1		(USE WITH AR48007 OR AR54328)
15	R40896	GASKET	1		
16	AR55210	KIT	1		

2D20

HYDRAULICS

R13574 -UN-01JAN94

ROCKSHAFT, ROCKSHAFT PISTON AND LIFT ARMS



R 13574

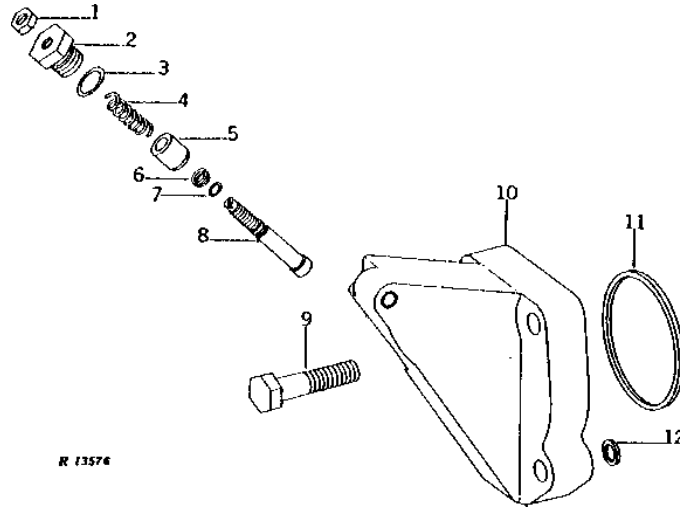
KEY	PART NO.	PART NAME	QTY	TRACTOR SERIAL NO.	REMARKS
1	19H1782	CAP SCREW	2	3/4" X 2-1/4"	
	12H236	LOCK WASHER	2	3/4"	
2	R20136	WASHER	2		
3	R56175	LIFT ARM	2	(SUB FOR R41565 OR R51130)	
4	R34487	SHAFT	1		
5	R36424	O-RING	1		
6	R34304	BACK-UP RING	1		
7	R34152	PISTON	1		
8	AR44356	ROD	1		
9	34H322	SPRING PIN	1	1/4" X 2-3/4"	
10	R42773	ARM	1		
11	R40887	CAM	1		
12	24H1602	WASHER	AR	2-17/64" X 2-3/4" X 0.060"	
13	F3173R	LOCK PLATE	1		
14	R69642	CAP SCREW	1	(SUB FOR R26626)	

2D21

HYDRAULICS

R13576 -UN-01JAN94

ROCKSHAFT PISTON COVER AND ASSOCIATED PARTS



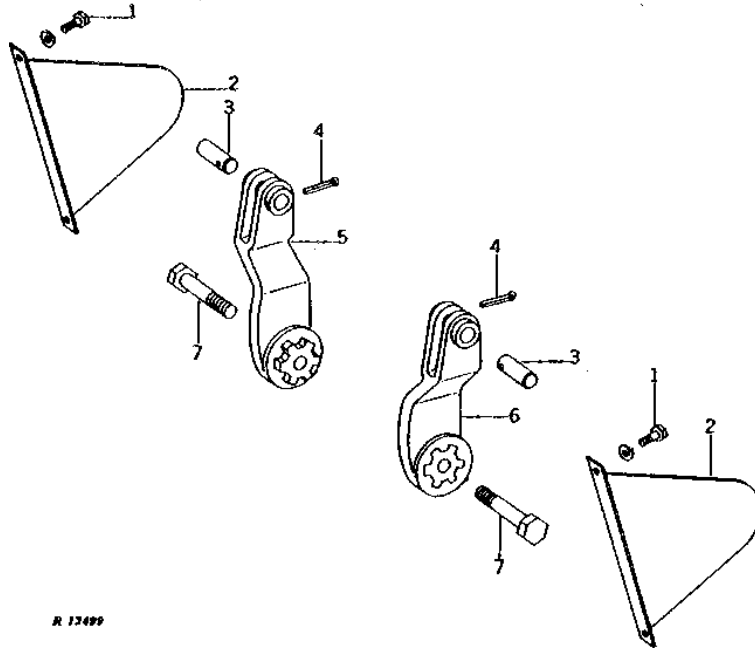
KEY	PART NO.	PART NAME	QTY	TRACTOR SERIAL NO.	REMARKS
1	14H774	NUT	1	3/8"	
2	R26458	FITTING	1		
3	R26906	O-RING	1		
4	B3686R	SPRING	1		
5	R59684	BUSHING	1	(SUB FOR R26457)	
6	R31136	BACK-UP RING	1		
7	A4365R	O-RING	1		
8	R26625	SHAFT	1		
9	19H3244	CAP SCREW	4	5/8" X 2-1/4"	
10	R41120	COVER	1		
	R44819	COVER	1	(POWER WEIGHT TRANSFER HITCH)	
11	R34154	WASHER	1		
12	F2741R	PACKING	1		

2D22

HYDRAULICS

R12499 -UN-01JAN94

IMPLEMENT ARMS



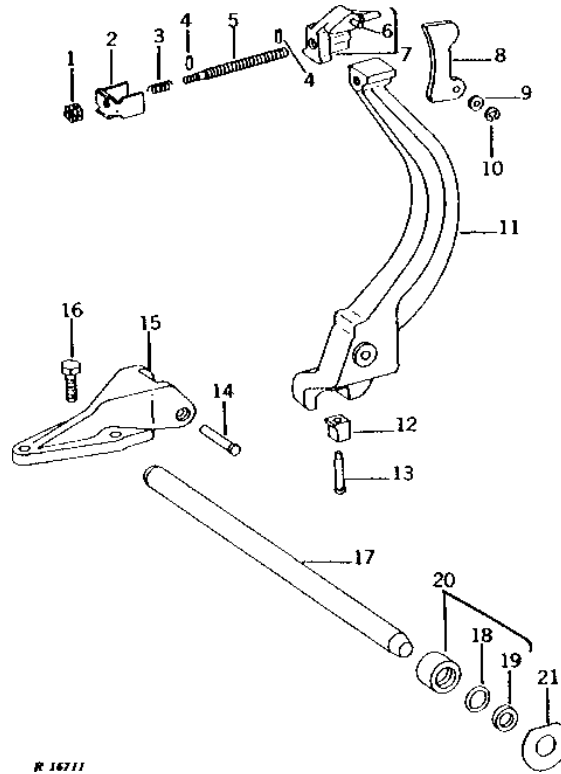
KEY	PART NO.	PART NAME	QTY	TRACTOR SERIAL NO.	REMARKS
1	19H1900	CAP SCREW	4	5/16" X 3/4"	
	12H303	LOCK WASHER	4	5/16"	
2	AR40977	GUARD	2	(NO LONGER AVAILABLE)	
3	R42644	PIN	2	(NO LONGER AVAILABLE)	
4	11M7096	COTTER PIN	2	5 X 80 MM	
5	AR40976	ARM	1	L.H. (MARKED R41361)	
6	AR44765	ARM	1	R.H. (MARKED R42643) (NO LONGER AVAILABLE)	
7	19H2113	CAP SCREW	2	3/4" X 3-1/4"	
..	AR44872	ARM	1	(LESS ROLL-GARD) (NO LONGER AVAILABLE)	

2D23

HYDRAULICS

R16711 -UN-01JAN94

LOAD CONTROL



R 16711

KEY	PART NO.	PART NAME	QTY	TRACTOR SERIAL NO.	REMARKS
1	14H936	NUT	1	3/8"	
2	R46443	LOCK PLATE	1		
3	F1463R	SPRING	1		
4	34H244	SPRING PIN	2	1/8" X 9/16"	
5	R26628	STUD	1		
6	R26869	PIN	1		
7	AR77700	EXTENSION	1		(MARKED R41121 OR R62931) (SUB FOR AR40785)
8	R49336	CAM FOLLOWER	1		(A) (SUB FOR R40888)
9	24H1287	WASHER	1		9/32" X 5/8" X 0.065"
10	R72654	SNAP RING	1		(SUB FOR R27507)
11	R40942	ARM	1		
12	R40889	FOLLOWER	1		
13	R40891	PIN	1		
14	R41078	PIN	1		
15	R40943	SUPPORT	1	-016402	(SUB R51195 AND (3) T12637)
	R51195	SUPPORT	1	016403-	
16	R41049	CAP SCREW	3	-016402	(SUB R52634)
	T12637	SCREW	3	016403-	
17	R46513	PIN	1		
18	U12037	O-RING	2		(SUB FOR R48474)
	R53180	O-RING	2		(USE WHEN AR54481 OR AR85459 HAS BEEN INSTALLED)
19	R46511	WASHER	2		(USE WHEN AR54481 OR AR85459 HAS BEEN INSTALLED)
	R53177	WASHER	2		(USE WHEN AR54481 OR AR85459 HAS BEEN INSTALLED)
20	AR85459	KIT	1		(SUB FOR AR49127, AR53116 OR AR54481)

2D24

HYDRAULICS

LOAD CONTROL - CONTINUED

KEY	PART NO.	PART NAME	QTY	TRACTOR SERIAL NO.	REMARKS
21	R47566	WASHER	1		1.21MM (.048") THICK
	R47566	WASHER	AR		1.21MM (.048") THICK
	R47567	WASHER	AR		0.91MM (.036") THICK
	R47568	WASHER	AR		1.57MM (.062") THICK
..	AR55735	KIT	1		TRANSMISSION CASE LOAD CONTROL SHAFT BORE REPAIR
..	AR55210	KIT	1		REVERSE SIGNAL LOCKOUT, FOR ELIMINATION OF NEGATIVE STOP SCREW

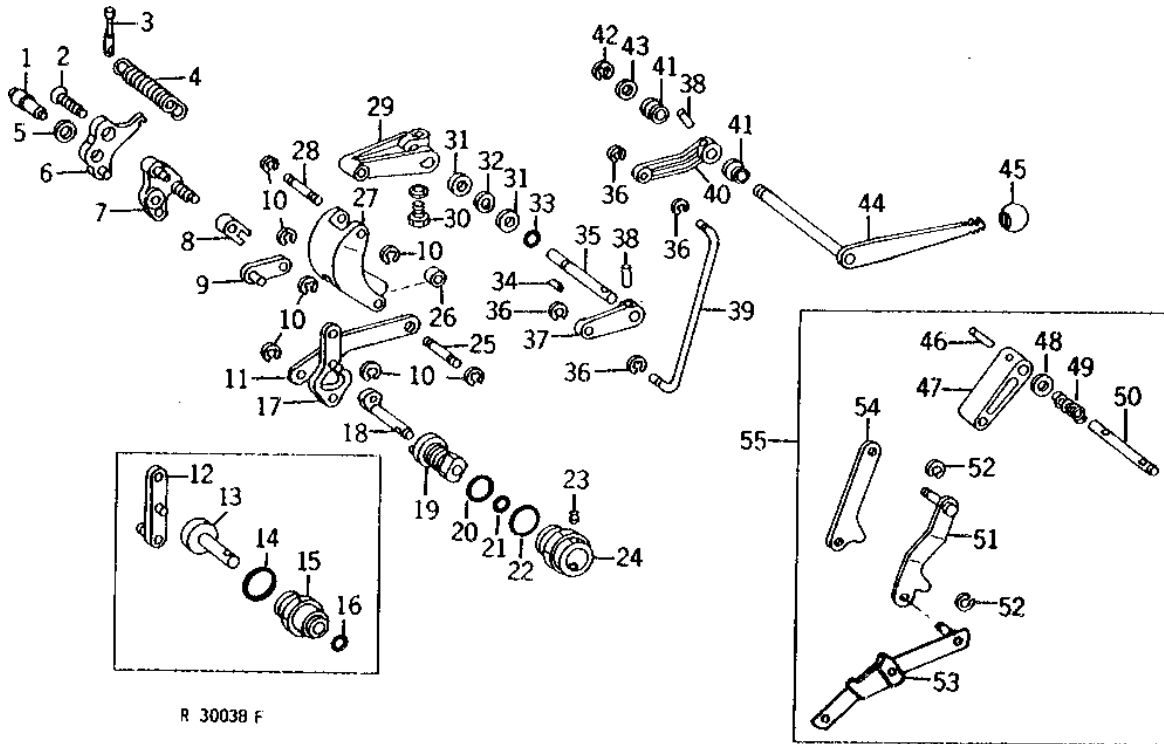
(A) INCLUDED IN AR55210

2E1

HYDRAULICS

R30038 -UN-01JAN94

ROCKSHAFT CONTROL LINKAGE AND LOAD SELECTOR CONTROL



KEY	PART NO.	PART NAME	QTY	TRACTOR SERIAL NO.	REMARKS
1	R64296	SHAFT	1		(SUB FOR R40949)
2	T22228	SCREW	1		
3	R41108	PIN	1		
4	R60730	SPRING	1		(SUB FOR R44300 OR R53033)
5	24H1321	SHIM	1		29/64" X 13/16" X 0.018"
6	AR40676	LEVER	1		
7	AR40754	LINK	1		(SUB AR81783, R64845, T519T AND R64843)
8	R40885	NUT	1		
9	AR40675	LEVER	1		
10	R72653	SNAP RING	7		(SUB FOR M2396T)
11	R51025	LINK	1		(SUB FOR R41079)
12	AR40753	LINK	1	-5RS1	
13	R41077	SHAFT	1	-5RS1	(SUB AR79505 AND AR72292)
14	U13639	O-RING	1	-5RS1	
15	R41115	QUILL	1	-5RS1	
16	R394R	O-RING	1	-5RS1	
17	AR52797	LINK	1	5RS2-	(A)
18	R49333	SHAFT	1	5RS2-	(A)
19	AR52796	BUSHING	1	5RS2-	(A)
20	R27928	O-RING	1	5RS2-	(A)
21	R394R	O-RING	1	5RS2-	(A)
22	U13639	O-RING	1	5RS2-	(A)
23	22H1033	SET SCREW	1	5RS2-	(A) 5/16" X 3/8"
24	R49332	QUILL	1	5RS2-	(A)
25	R41118	PIN	1		
26	R41661	BUSHING	1		
27	R40886	LINK	1		(SUB AR58474)
28	R41119	PIN	1		
29	R40944	ARM	1		(SUB AR58474)
30	19H1905	CAP SCREW	1		5/16" X 1"
	12H303	LOCK WASHER	1		5/16"
31	R47301	WASHER	2		
32	T519T	WASHER	2		
33	R394R	O-RING	1		
34	26H67	SHAFT KEY	1		1/8" X 3/8"

2E2

HYDRAULICS

ROCKSHAFT CONTROL LINKAGE AND LOAD SELECTOR CONTROL - CONTINUED

KEY	PART NO.	PART NAME	QTY	TRACTOR SERIAL NO.	REMARKS
35	R41117	SHAFT	1		
36	R72654	SNAP RING	1		(SUB FOR R27507)
37	R40892	LEVER	1		
38	34H297	SPRING PIN	2		7/32" X 1"
39	R40916	PIN	1		
40	R40915	LEVER	1		
41	R41076	GROMMET	2		
42	R26871	SNAP RING	1		(SUB FOR P44982)
43	24H1227	WASHER	1		17/32" X 13/16" X 0.060"
44	AR40683	LEVER	1		
45	R40948	KNOB	1		
46	R56504	SPRING PIN	1		
47	R56821	ARM	1		(SUB FOR R52824)
48	24H1341	WASHER	1		17/32" X 15/16" X 0.060"
49	B423R	SPRING	1		
50	R52823	SHAFT	1		
51	AR72294	LINK	1		(ALSO ORDER AR72293) (SUB FOR AR58236)
52	R72653	SNAP RING	2		(SUB FOR M2396T)
53	AR72293	LINK	1		
54	R52828	LINK	1		
55	AR86775	KIT	1		LOAD SELECTOR CONTROL LINKAGE, (SUB FOR AR58474)
..	AR55210	KIT	1		REVERSE SIGNAL LOCKOUT, FOR ELIMINATION OF NEGATIVE STOP SCREW

(A) INCLUDED IN AR55210

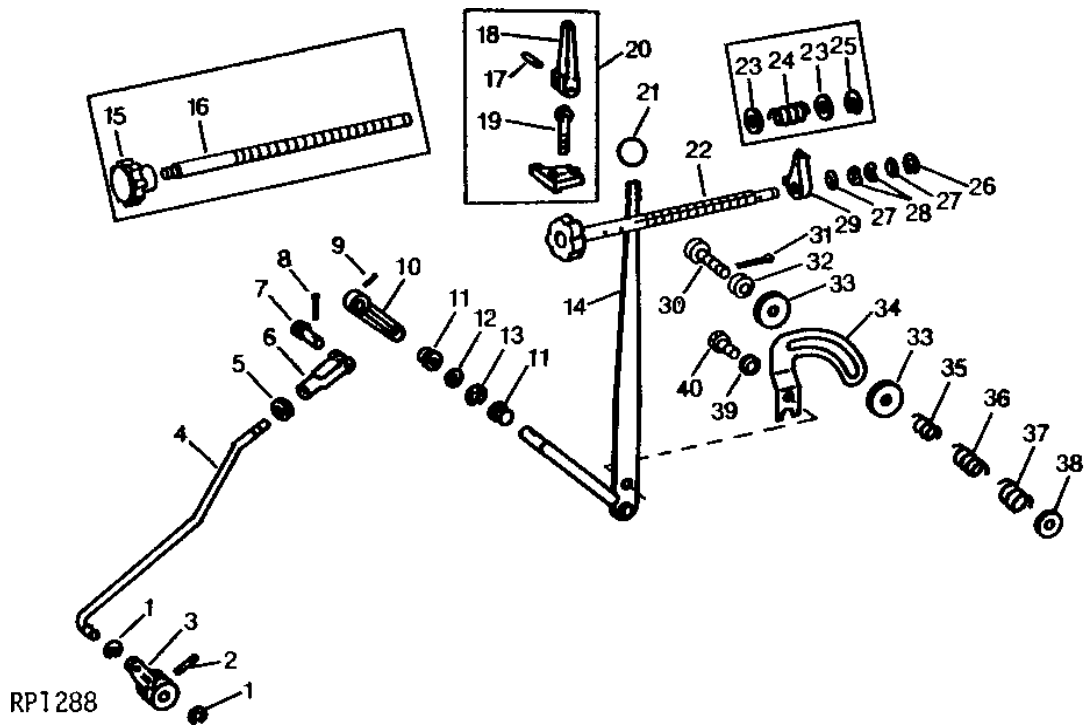
2E3

HYDRAULICS

RP1288

-UN-01JAN94

ROCKSHAFT CONTROL



2E4

HYDRAULICS

ROCKSHAFT CONTROL - CONTINUED

KEY	PART NO.	PART NAME	QTY	TRACTOR SERIAL NO.	REMARKS
1	R72653	SNAP RING	2		(SUB FOR M2396T)
2	34H284	SPRING PIN	1		3/16" X 1-1/4"
3	R41123	LEVER	1		(SUB R64829)
4	R40917	ROD	1		
5	14H882	NUT	1		5/16"
6	R82766	PIN	1		(ALSO ORDER T54033) (SUB FOR R42282)
7	R72660	PIN	1		
8	11M7079	COTTER PIN	1		0.098" X 0.472"
9	34H297	SPRING PIN	1		7/32" X 1"
10	R41122	LEVER	1		
11	R41076	GROMMET	2		
12	24H1227	WASHER	1	-011906	17/32" X 13/16" X 0.060"
13	R26871	SNAP RING	1	-011906	(SUB FOR P44982)
14	AR40988	LEVER	1	-011906	(ALSO ORDER R49411)
	AR40988	LEVER	1	011907-	
15	R41385	KNOB	1		
16	R41384	SCREW	1	-XXXXXX	(SUB R58204)
	R58204	SCREW	1	XXXXXX-	(SUB FOR R47300)
17	R42641	EYEBOLT	1		
18	34H387	SPRING PIN	1		3/16" X 3/4"
19	R34537	CAM	1		
20	AR60331	STOP	1		(SUB FOR R42640) (ORDER COMPONENT PARTS)
21	R41383	KNOB	1		
22	R58204	SCREW	1	XXXXXX-	(SUB FOR R41385 OR R47300)
23	24H1658	WASHER	2	-XXXXXX	21/32" X 1" X 0.060"
24	R1190R	SPRING	1	-XXXXXX	
25	F2863R	SNAP RING	1	-XXXXXX	
26	R26871	SNAP RING	1		(SUB FOR P44982)
27	24H1227	WASHER	2	-XXXXXX	17/32" X 13/16" X 0.060"
	R47301	WASHER	2	XXXXXX-	
28	T519T	WASHER	2	XXXXXX-	
29	R41386	STOP	1		
30	R42639	CAP SCREW	1		
31	11M7059	COTTER PIN	1		3.200 X 20 MM
32	14H732	NUT	1		3/8"
33	AR42287	WASHER	2		(SUB R105813 AND R41968)
34	R41966	PLATE	1	-011906	(SUB R49411)
	R49411	PLATE	1	011907-	
35	R41147	SPRING	1		
36	R44313	SPRING	1		
37	R44314	SPRING	1		
38	24H1299	WASHER	1		3/8" X 1-1/4" X 0.065"
39	12H303	LOCK WASHER	1		5/16"
40	19H2485	CAP SCREW	1		5/16" X 7/16"

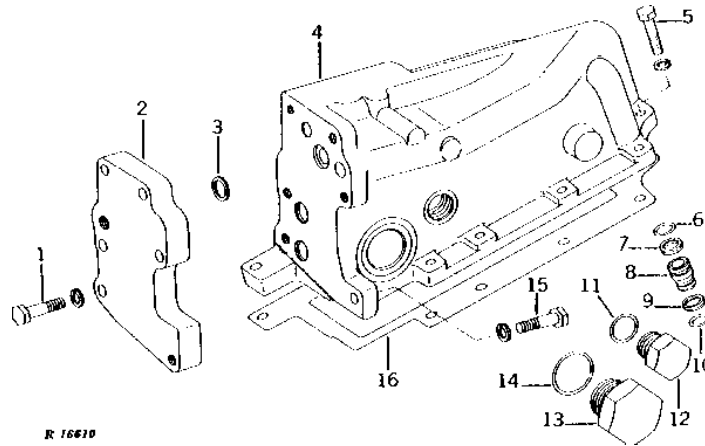
MEMORANDA

2E5

HYDRAULICS

SELECTIVE CONTROL VALVE SUPPORT (LESS ROCKSHAFT)

R16610 -UN-01JAN94



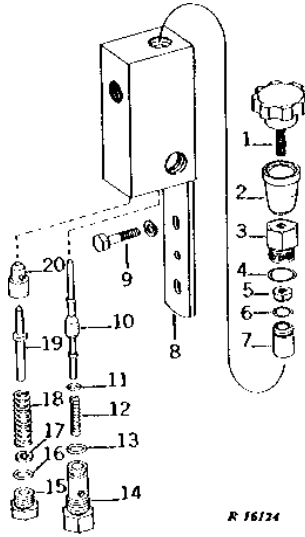
KEY	PART NO.	PART NAME	QTY	TRACTOR SERIAL NO.	REMARKS
1	19H1978	CAP SCREW	5	7/16" X 1-1/2"	
	19H2731	CAP SCREW	5	7/16" X 1-3/8"	
	12H293	LOCK WASHER	6	7/16"	
2	R50065	VALVE COVER	1		(SUB FOR R41444) (SUB R59080 AND (2) R59082)
3	R26149	PACKING	5		
4	AR76279	SUPPORT	1		(MARKED AR48008, AR54820, AR76278 AND AR94166) (SUB FOR AR48006 OR AR54944)
5	19H1732	CAP SCREW	9	3/8" X 1-1/4"	
	12H304	LOCK WASHER	9	3/8"	
6	R27564	O-RING	1		
7	R45925	BACK-UP RING	1		
8	R45924	BUSHING	1		
9	R41057	BACK-UP RING	1		
10	R27166	O-RING	1		
11	F3171R	O-RING	1		
12	R27175	DRAIN PLUG	1		
13	R39741	DRAIN PLUG	1		
14	U13639	O-RING	1		
15	19H2731	CAP SCREW	1	7/16" X 1-3/8"	
	12H293	LOCK WASHER	1	7/16"	
16	R40896	GASKET	1		

2E6

HYDRAULICS

R16124 -UN-01JAN94

POWER WEIGHT TRANSFER CONTROL VALVE



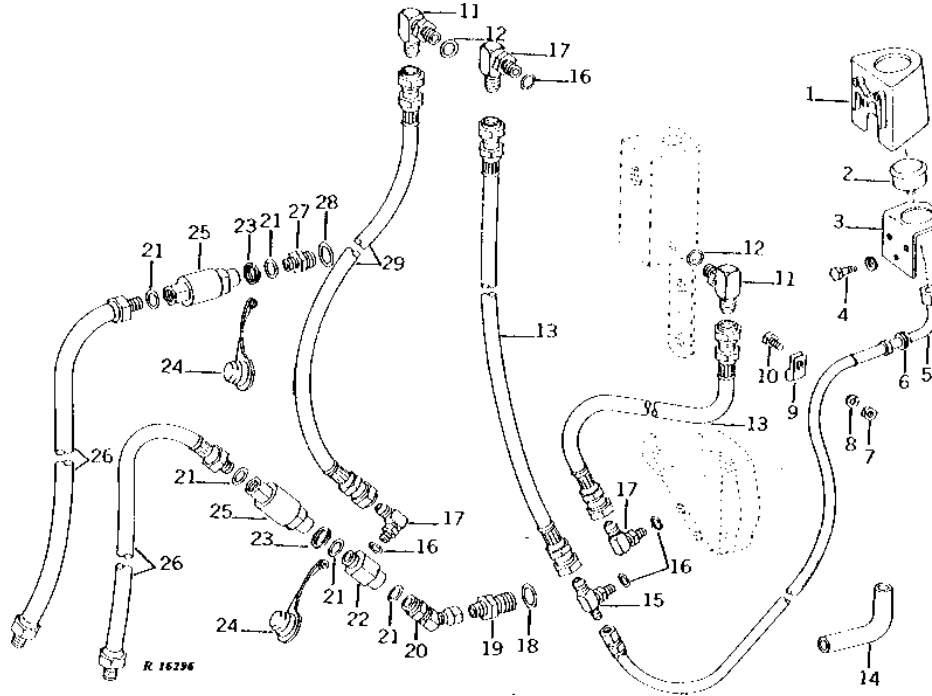
KEY	PART NO.	PART NAME	QTY	TRACTOR SERIAL NO.	REMARKS
1	AR49578	KNOB	1		
2	R54059	BOOT	1		(SUB FOR R39981)
3	R47016	ADAPTER	1		
4	F3171R	O-RING	1		
5	F3220R	LOCK NUT	1		
6	R26375	O-RING	1		
7	R47018	SHAFT	1		
8	AR49622	HOUSING	1		
9	19H2284	CAP SCREW	2	3/8" X 7/8"	
	12H304	LOCK WASHER	2	3/8"	
10	R44840	VALVE	1		
11	R375R	O-RING	1		
12	R26477	SPRING	1		
13	R495R	O-RING	1		
14	R47095	PLUG	1		
15	R27474	DRAIN PLUG	1		
16	R26906	O-RING	1		
17	R45189	SHIM	AR	0.51MM (.020")	
18	R35871	SPRING	1		
19	R45215	GUIDE	1		
20	R38543	VALVE	1		

2E7

HYDRAULICS

R16296 -UN-01JAN94

POWER WEIGHT TRANSFER HYDRAULIC OIL PRESSURE GAUGE AND LINES



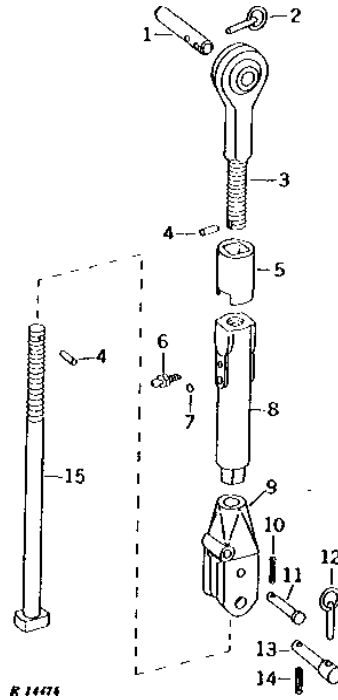
KEY	PART NO.	PART NAME	QTY	TRACTOR SERIAL NO.	REMARKS
1	R45669	COVER	1		(NO LONGER AVAILABLE)
2	AR47486	PRESSURE GAUGE	1		(NO LONGER AVAILABLE)
3	R45670	SUPPORT	1		(NO LONGER AVAILABLE)
4	19H1849	CAP SCREW	3	5/16" X 1-1/4"	
	12H303	LOCK WASHER	3	5/16"	
5	AR47753	HYDRAULIC HOSE	1		
6	R41439	GROMMET	1		
7	14H785	NUT	1	5/16"	
8	12H303	LOCK WASHER	1	5/16"	
9	R34557	CLAMP	4		
10	19H1813	CAP SCREW	1	5/16" X 5/8"	
11	AT32332	ELBOW FITTING	2	90°, (SUB FOR AR26763)	
12	R26375	O-RING	2		
13	AR40465	HYDRAULIC HOSE	2	9.52 X 527MM (3/8" X 20-3/4")	
14	T22958	HOSE	1	(SUB FOR T40167)	
15	AR47603	TEE FITTING	1		
16	R26448	O-RING	4		
17	AT35120	ELBOW FITTING	3	90°, (SUB FOR AR37017 AND AT32337)	
18	H851R	WASHER	1		
19	A15532	ADAPTER	1		
20	AA14850	ELBOW FITTING	1	45°	
21	R26375	O-RING	5		
22	R45106	FITTING	1		
23	R36946	SPRING	2		
24	R32419	COVER	2		
25	RE15361	COUPLING	2	(SUB FOR AR31611)	
26	HOSE	1		
27	R36945	FITTING	1		
28	F3171R	O-RING	1		
29	AR40465	HYDRAULIC HOSE	1	9.52 X 514MM (3/8" X 20-1/4")	

2E8

HYDRAULICS

R14476 -UN-01JAN94

HITCH LIFT LINK



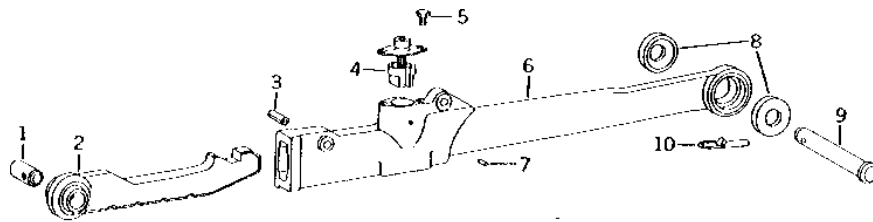
KEY	PART NO.	PART NAME	QTY	TRACTOR SERIAL NO.	REMARKS
1	R41544	PIN	2		
2	AR83396	QUICK LOCK PIN	2		(SUB FOR AR26556 OR AR62152) (SUB R69166 AND 11M7059, THIS APPLICATION)
3	AR44568	END	2		UPPER
4	34H282	SPRING PIN	4		3/16" X 1"
5	R41543	LOCK	2		
6	JD7759	LUBRICATION FITTING	2		1/8"
7	30H6	PLUG	4		9/16"
8	R41532	LINK BODY	2		
9	R56931	YOKE	2		(SUB FOR R41303)
10	11M7021	COTTER PIN	2		0.157" X 0.984"
11	T16068	PIN	2		
12	AR62149	QUICK LOCK PIN	2		(SUB FOR DA5883A)
13	R54170	PIN	2		(SUB FOR R26618)
14	11M7030	COTTER PIN	2		0.197" X 1.575"
15	R41528	LIFT LINK	2		
	R47888	LIFT LINK	2		(USE WITH 18.4-38, 20.8-34, OR 23.1-30 TIRES)

2E9

HYDRAULICS

R14465 -UN-01JAN94

HITCH DRAFT LINKS



R 14465

KEY	PART NO.	PART NAME	QTY	TRACTOR SERIAL NO.	REMARKS
1	R66432	BUSHING	2		(CATEGORY I) (SHORT) (SUB FOR F2684R)
	R66433	BUSHING	2		(CATEGORY I) (LONG) (SUB FOR F2685R)
2	AR26554	DRAFT LINK END	1		L.H. (MARKED R26907)
	AR26555	DRAFT LINK END	1		R.H. (MARKED R26911)
3	34H371	SPRING PIN	2		1/2" X 2"
4	AR30288	LOCK	2		(SUB AR69317)
5	19H1227	CAP SCREW	4		1/4" X 1/2"
	12H302	LOCK WASHER	2		1/4"
6	AR26944	LINK BODY	1		R.H. (SUB AR65381)
	AR80666	DRAG LINK	1		R.H. (USE WITH 18.4-38, 20.8-34 OR 23.1-30 TIRES) (SUB FOR AR50955 OR AR65383)
	AR26945	LINK BODY	1		L.H. (SUB AR65382) (NLA)
	AR80667	DRAG LINK	1		L.H. (USE WITH 18.4-38, 20.8-34 OR 23.1-30 TIRES) (SUB FOR AR50956 OR AR65384)
7	B2641R	DOWEL PIN	2		
8	R26608	WASHER	4		
9	R53558	PIN	2		(ALSO ORDER AR60372) (SUB FOR R42452)
10	AR62151	QUICK LOCK PIN	2		(USE WITH R42452) (SUB FOR B11182) (SUB M115827)
	AR60372	QUICK LOCK PIN	2		(USE WITH R53558)
..	AF3147R	BAR	1		IMPLEMENT HITCH (NOT ILLUSTRATED)

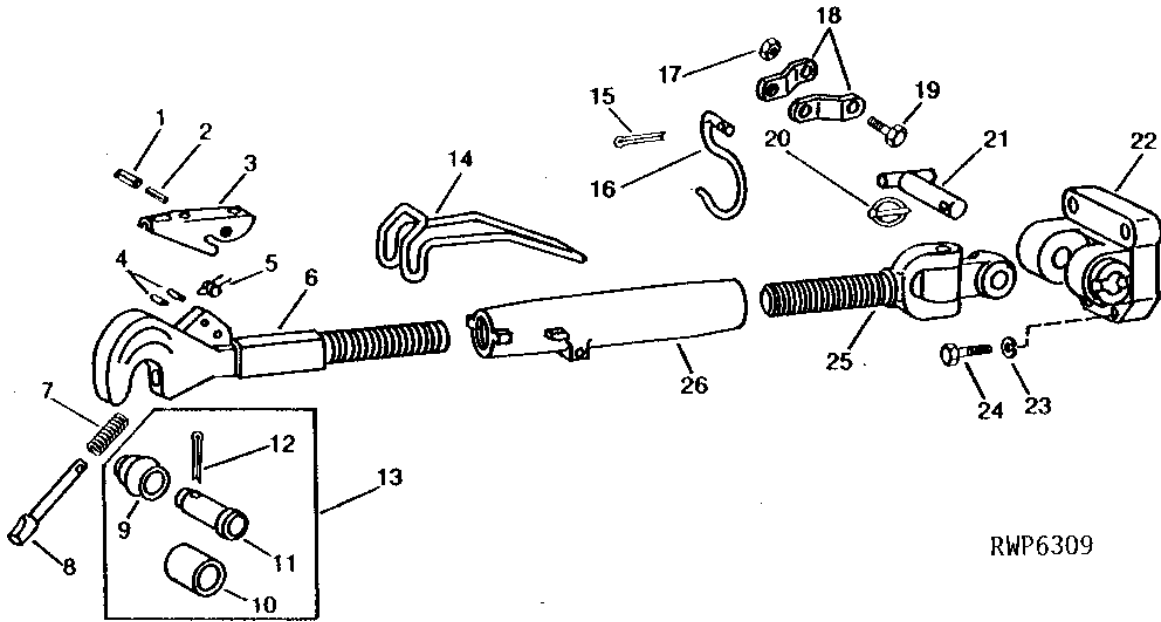
2E10

HYDRAULICS

RWP6309

-UN-01JAN94

HITCH CENTER LINK



RWP6309

2E11

HYDRAULICS

HITCH CENTER LINK - CONTINUED

KEY	PART NO.	PART NAME	QTY	TRACTOR SERIAL NO.	REMARKS
1	R56506	SPRING PIN	1		(A) 7/32" X 1-14"
2	34H252	SPRING PIN	1		(A) 1/8" X 1-1/4" 1/8" X 1-1/4", (SUB FOR R56505)
3	F2824R	HANDLE	1		(A)
4	34H283	SPRING PIN	2		(A) 3/16" X 1-1/8"
5	F2823R	SPRING	1		(A)
6	R51616	HOOK	1		(A) (SUB FOR R47824)
7	F2822R	SPRING	1		(A)
8	R53196	LATCH	1		(A) (SUB FOR F2821R)
9	F2680R	BALL STUD	1		(B)
	F2681R	BALL	1		(C)
10	28H1753	BUSHING	1		(C) 3/4" X 2.062"
	R66432	BUSHING	2		(B)
	R66433	BUSHING	2		(B)
11	AR58262	PIN	1		(B) (SUB FOR R44917)
	R53296	PIN	1		(C) (SUB FOR R44918)
12	11M7040	COTTER PIN	1		(B) 0.248" X 1.969"
	11M7038	COTTER PIN	1		(A) 0.248" X 1.575"
13	AF2710R	BALL	1		49/64" I.D. (SUB F2680R, R58262, (2) R66432, (2) R66433 AND 11M7038)
	AF2711R	BALL	1		1-1/64 I.D.
14	R42495	HANDLE	1		
15	11M7059	COTTER PIN	1		3.200 X 20 MM
16	R53762	HOOK	1		(SUB FOR R47072)
17	14H785	NUT	2		(D) 5/16"
18	R40633	BRACKET	2		(D)
19	19H1901	CAP SCREW	1		(D) 5/16" X 2"
20	AR62151	QUICK LOCK PIN	1		(SUB FOR B11182) (SUB M115827)
21	AR67881	PIN	1		(SUB FOR AR51867) (SUB RE56991)
22	R47458	BRACKET	1		
	R47458	BRACKET	1	-021021	(USE WITH 18.4-38, 20.8-34 OR 23.1-30 TIRES)
	R51525	BRACKET	1	021022-	(USE WITH 18.4-38, 20.8-34 OR 23.1-30 TIRES)
23	12H294	LOCK WASHER	4		5/8"
24	19H1824	CAP SCREW	4		5/8" X 2-1/4"
	19H1824	CAP SCREW	4	-021021	5/8" X 2-1/4"
	19H3244	CAP SCREW	2	021022-	5/8" X 2-1/4", (HS, SAE 8) (USE WITH 18.4-38, 20.8-34 OR 23.1-30 TIRES)
	19H3208	CAP SCREW	2	021022-	5/8" X 3", (HS, SAE 8) (USE WITH 18.4-38, 20.8-34 OR 23.1-30 TIRES)
25	AR50643	CENTER LINK END	1		
26	R47067	LINK BODY	1		
	R47887	LINK BODY	1	-021021	(USE WITH 18.4-38, 20.8-34 OR 23.1-30 TIRES) (SUB R51524, R51525, (2) 19H3244 AND (2) 19H3208)
	R51524	LINK BODY	1	021022-	(USE WITH 18.4-38, 20.8-34 OR 23.1-30 TIRES)
..	AR21110	BALL	1		(B) (49/64" I.D.) (CONSISTS OF F2680R, R58262 AND 11M7040)
..	AR61659	HOOK	1		CENTER LINK, COMPLETE

- (A) INCLUDED IN AR61659
- (B) CATEGORY I
- (C) CATEGORY II
- (D) POWER WEIGHT TRANSFER HITCH

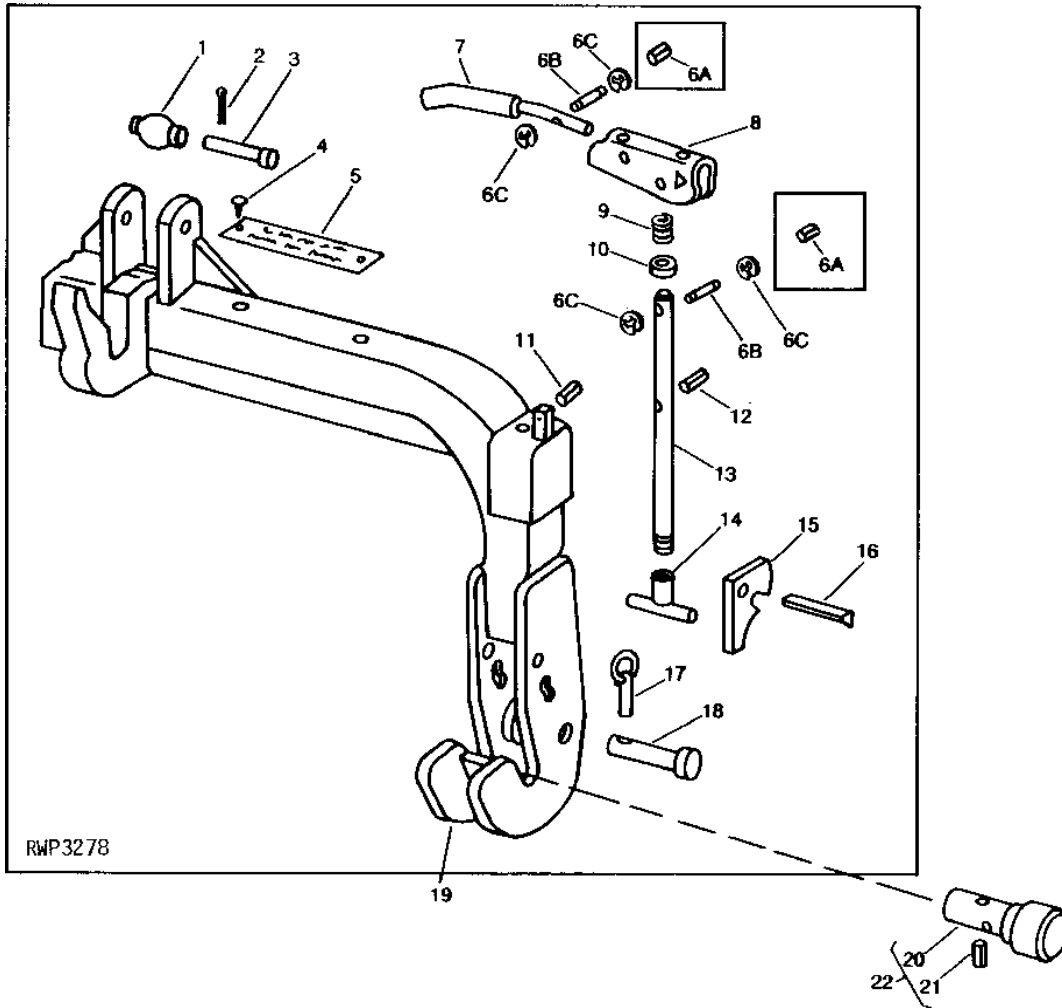
2E12

HYDRAULICS

RWP3278

-UN-06OCT94

REGULAR-DUTY IMPLEMENT QUICK COUPLER



2E13

HYDRAULICS

REGULAR-DUTY IMPLEMENT QUICK COUPLER - CONTINUED

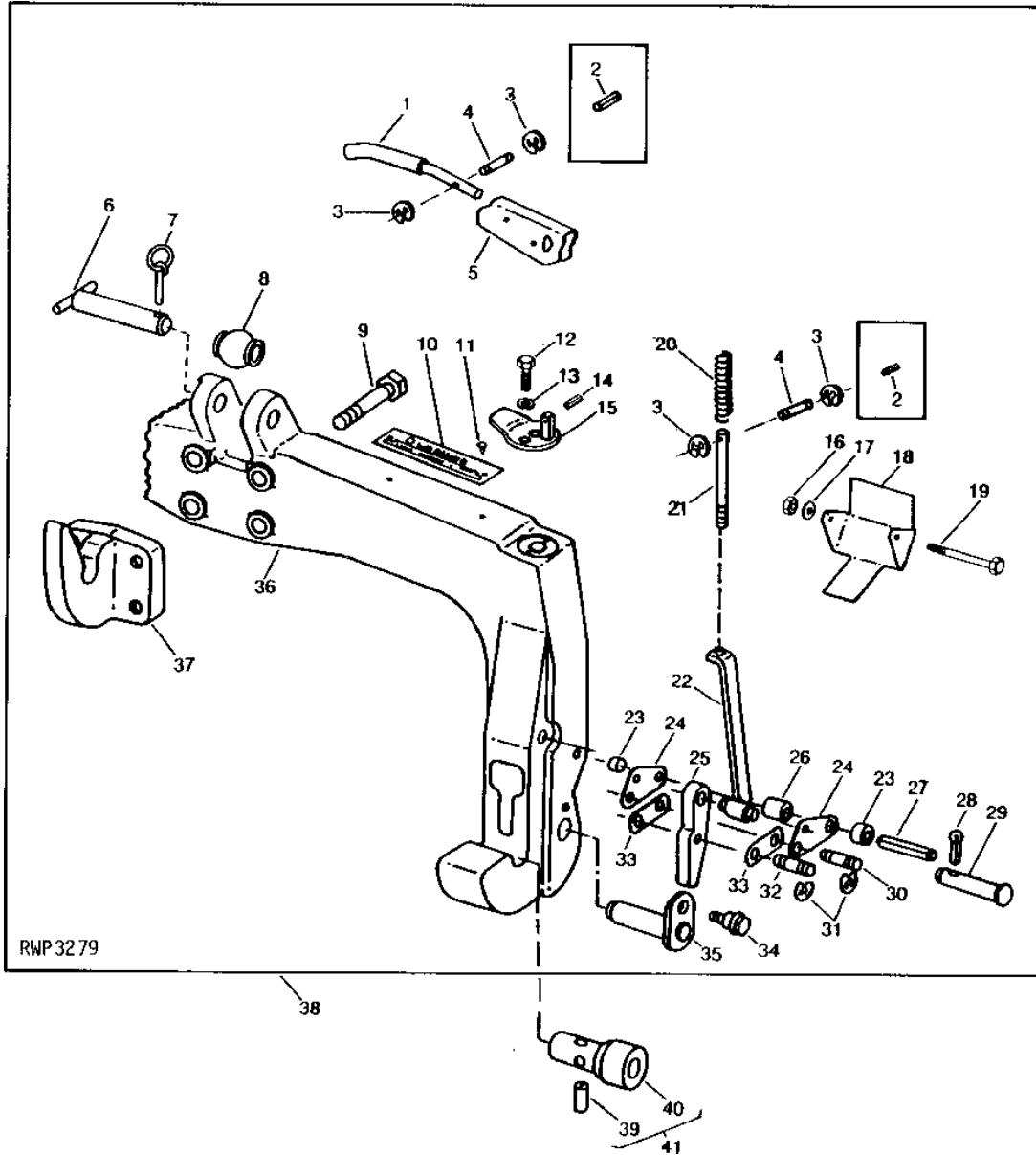
KEY	PART NO.	PART NAME	QTY	TRACTOR SERIAL NO.	REMARKS
1	F2681R	BALL	1		
2	11M7040	COTTER PIN	1		0.248" X 1.969"
3	R53296	PIN	1		(SUB FOR R44918)
4	R125955	RIVET	2		
5	R56039	DECAL	1		
6A	34H311	SPRING PIN	2	-XXXXXX	1/4" X 7/8"
6B	R66901	SPRING PIN	2	XXXXXX-	
6C	R72654	SNAP RING	2	XXXXXX-	(SUB FOR R27507)
7	R48163	HANDLE	2		
8	R48164	LEVER	2		
9	R43444	SPRING	2		
10	R46890	SLEEVE	2		
11	34H311	SPRING PIN	2		1/4" X 7/8", (SUB R66901 AND (2) R72654)
12	34H277	SPRING PIN	2		3/16" X 5/8"
13	R46889	STUD	2		
14	AR49206	PIN	2		
15	R46893	LATCH	2		
16	34H373	SPRING PIN	2		1/2" X 2-1/2"
17	AR62151	QUICK LOCK PIN	2		(SUB FOR B11182) (SUB M115827)
18	R58268	PIN	2		(SUB FOR R27997)
19	TY15269	HITCH	1		(SUB FOR AR49202)
20	R27998	HALF SLEEVE	2		
21	R27999	SPRING PIN	2		
22	AR27093	ADAPTER	1		

2E14

HYDRAULICS

RWP3279 -UN-06OCT94

HEAVY-DUTY IMPLEMENT QUICK COUPLER
(TRACTOR SERIAL NO. 150001-)



2E15

HYDRAULICS

HEAVY-DUTY IMPLEMENT QUICK COUPLER - CONTINUED
(TRACTOR SERIAL NO. 150001-)

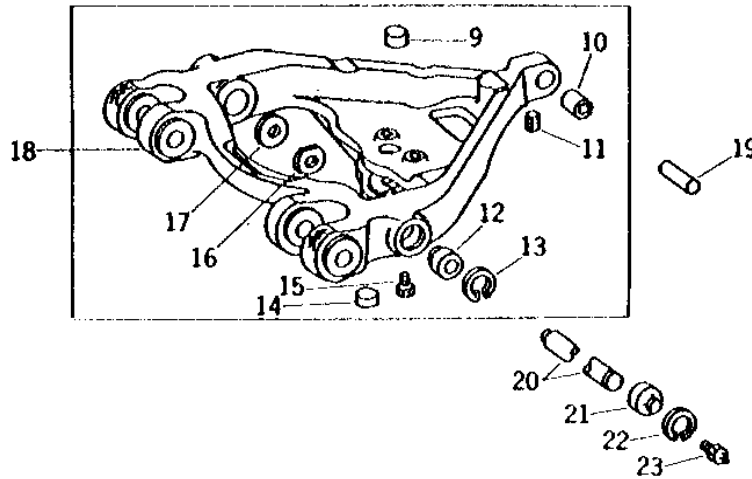
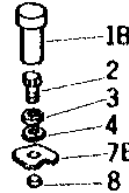
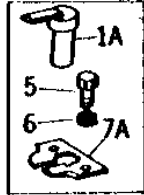
KEY	PART NO.	PART NAME	QTY	TRACTOR SERIAL NO.	REMARKS
1	R48163	HANDLE	2		
2	34H311	SPRING PIN	4	-XXXXXX	1/4" X 7/8"
3	R72654	SNAP RING	8	XXXXXX-	(SUB FOR R72654)
4	R66901	SPRING PIN	4	XXXXXX-	
5	R48164	LEVER	2		
6	AR67881	PIN	1		(SUB FOR AR51867) (SUB RE56991)
7	AR62151	QUICK LOCK PIN	1		(SUB FOR B11182) (SUB M115827)
8	F2681R	BALL	1		
9	19H2026	CAP SCREW	4		3/4" X 4"
10	R83531	LABEL	1		(SUB FOR R56038) (SUB R120103)
11	37H44	SCREW	2		0.151" X 3/8"
12	19H1731	CAP SCREW	4		3/8" X 1"
13	12H304	LOCK WASHER	4		3/8"
14	34H311	SPRING PIN	4		1/4" X 7/8"
15	AR50374	BRACKET	2		
16	14H786	NUT	2		1/4"
17	12H302	LOCK WASHER	2		1/4"
18	R53295	SHIELD	2		
19	19H2338	CAP SCREW	2		1/4" X 4-1/2"
20	R43444	SPRING	2		
21	R47578	STUD	2		
22	AR50372	BAR	1		R.H.
	AR50373	BAR	1		L.H.
23	F2206R	WASHER	4		
24	R65243	LINK	4		(SUB FOR R47581 OR R58203)
25	R40424	LATCH	2		
26	28H1919	BUSHING	2		1/2" X 15/16"
27	34H377	SPRING PIN	2		1/2" X 3-1/2"
28	11M7087	COTTER PIN	2		0.157" X 1.575"
29	R63736	PIN	2		(SUB FOR R40425)
30	R119275	PIN	2		(SUB FOR R47679)
31	F2208R	SNAP RING	8		
32	R119276	PIN	2		(SUB FOR R47678)
33	R65242	STRAP	4		(SUB FOR R47590)
34	AR74673	CAP SCREW	2		(SUB FOR AR48110)
35	AR48111	PIN	2		
36	R47577	FRAME	1		
37	R41861	HOOK	1		
38	AR50368	QUICK COUPLER	1		COMPLETE, HEAVY-DUTY (NLA)
39	R27999	SPRING PIN	2		
40	R27998	HALF SLEEVE	2		
41	AR27093	ADAPTER	1		

2E16

HYDRAULICS

R32028 -UN-01JAN94

DRAWBAR FRONT SUPPORT



R32028I

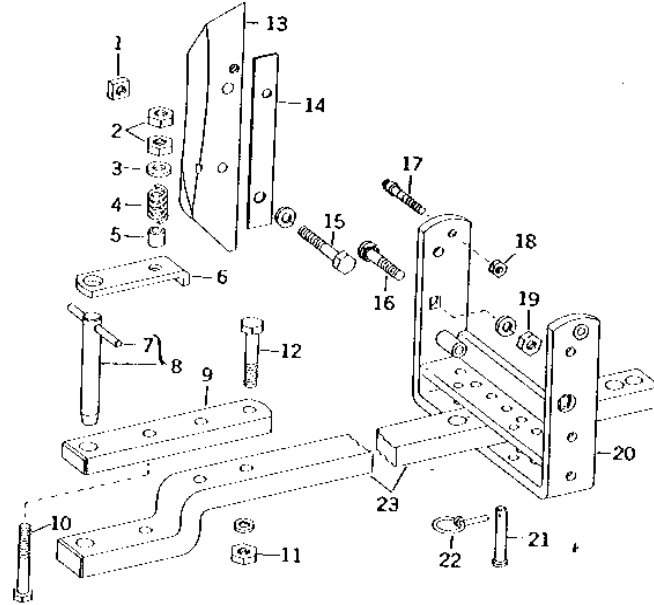
KEY	PART NO.	PART NAME	QTY	TRACTOR SERIAL NO.	REMARKS
1A	AR44189	PIN	1	-XXXXXX	
1B	R56728	DOWEL PIN	1	XXXXXX-	
2	19H1732	CAP SCREW	1	XXXXXX-	3/8" X 1-1/4"
3	12H304	LOCK WASHER	1	XXXXXX-	3/8"
4	A147R	LOCK WASHER	1	XXXXXX-	
5	19H2284	CAP SCREW	2	-XXXXXX	3/8" X 7/8"
6	12H304	LOCK WASHER	2	-XXXXXX	3/8"
7A	R34253	RETAINER	1	-XXXXXX	(SUB R96420, A147R, R28040, 19H1732 AND 12H304)
7B	R96420	RETAINER	1	XXXXXX-	(SUB FOR R56729)
8	R28040	WASHER	1	XXXXXX-	
9	R40557	BUSHING	1		
10	R31438	BUSHING	1		
11	34H309	SPRING PIN	1		1/4" X 5/8"
12	R71476	BUSHING	2		(SUB FOR R41084)
13	L1610N	SNAP RING	2	016080-	
14	R40558	BUSHING	1		
15	19H2020	CAP SCREW	2		5/16" X 1/2"
16	R47566	WASHER	1		
17	R47566	WASHER	AR		1.22MM (.048")
	R47567	WASHER	AR		0.91MM (.036")
	R47568	WASHER	AR		1.58MM (.062")
18	AR60944	SUPPORT	1	-016079	(MARKED R53559, R53560 OR R53561) (SUB AR83603) (ALSO ORDER AR55210 UNLESS PREVIOUSLY INSTALLED)
	AR83603	BRACKET	1	016080-	(MARKED R65535)
19	R26503	DOWEL PIN	1		
20	R46513	PIN	1		
21	R46514	RETAINER	2	-XXXXXX	(SUB R65531 AND JD7759)
	R65531	RETAINER	2	XXXXXX-	
22	N107859	SNAP RING	2		
23	JD7759	LUBRICATION FITTING	2	XXXXXX-	

2E17

HYDRAULICS

R14475 -UN-01JAN94

REGULAR DRAWBAR



R 14475

KEY	PART NO.	PART NAME	QTY	TRACTOR SERIAL NO.	REMARKS
1	14H893	NUT	2	5/8"	
2	14H1039	NUT	2	(A) 5/8"	
3	24H1372	WASHER	1	(A) 21/32" X 1-1/2" X 0.060"	
4	F3541R	SPRING	1	(A)	
5	F3542R	BUSHING	1	(A)	
6	F3539R	RETAINER	1	(A)	
7	34H363	SPRING PIN	1	3/8" X 4"	
8	AR26462	PIN	1	(A)	
9	R26584	STRAP	1	(A)	
10	19H2124	CAP SCREW	1	(A) 5/8" X 4-1/4"	
11	14H794	NUT	2	(A) 3/4"	
	12H236	LOCK WASHER	2	(A) 3/4"	
12	19H3027	CAP SCREW	2	(A) 3/4" X 3-1/2"	
13	R39512	SWAY BLOCK	1	R.H.	
	R39513	SWAY BLOCK	1	L.H.	
14	R65527	WASHER	2	(SUB FOR R34505)	
15	19H2233	CAP SCREW	2	5/8" X 3-1/2"	
	12H294	LOCK WASHER	2	5/8"	
16	R49106	BOLT	2		
17	R42440	CAP SCREW	2		
18	14H1040	NUT	2	1/2"	
19	14H1039	NUT	2	5/8"	
	12H294	LOCK WASHER	2	5/8"	
20	AR33911	SUPPORT	1		
21	R33831	PIN	2	(SUB R61967 AND A3581R)	
22	AR62151	QUICK LOCK PIN	2	(SUB FOR B11182) (SUB M115827)	
23	R34448	DRAWBAR	1	(SUB RE20663)	
	R80842	DRAWBAR	1	HEAVY-DUTY (NOT DRILLED FOR STRAP)	
..	AR46810	KIT	1	DRAWBAR FOR CONVERTING REGULAR TO WIDE SWING	
..	AR27033	CLEVIS	1		

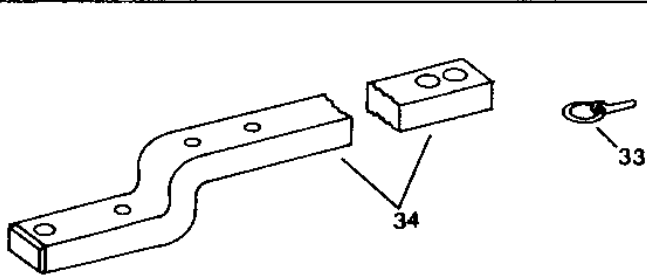
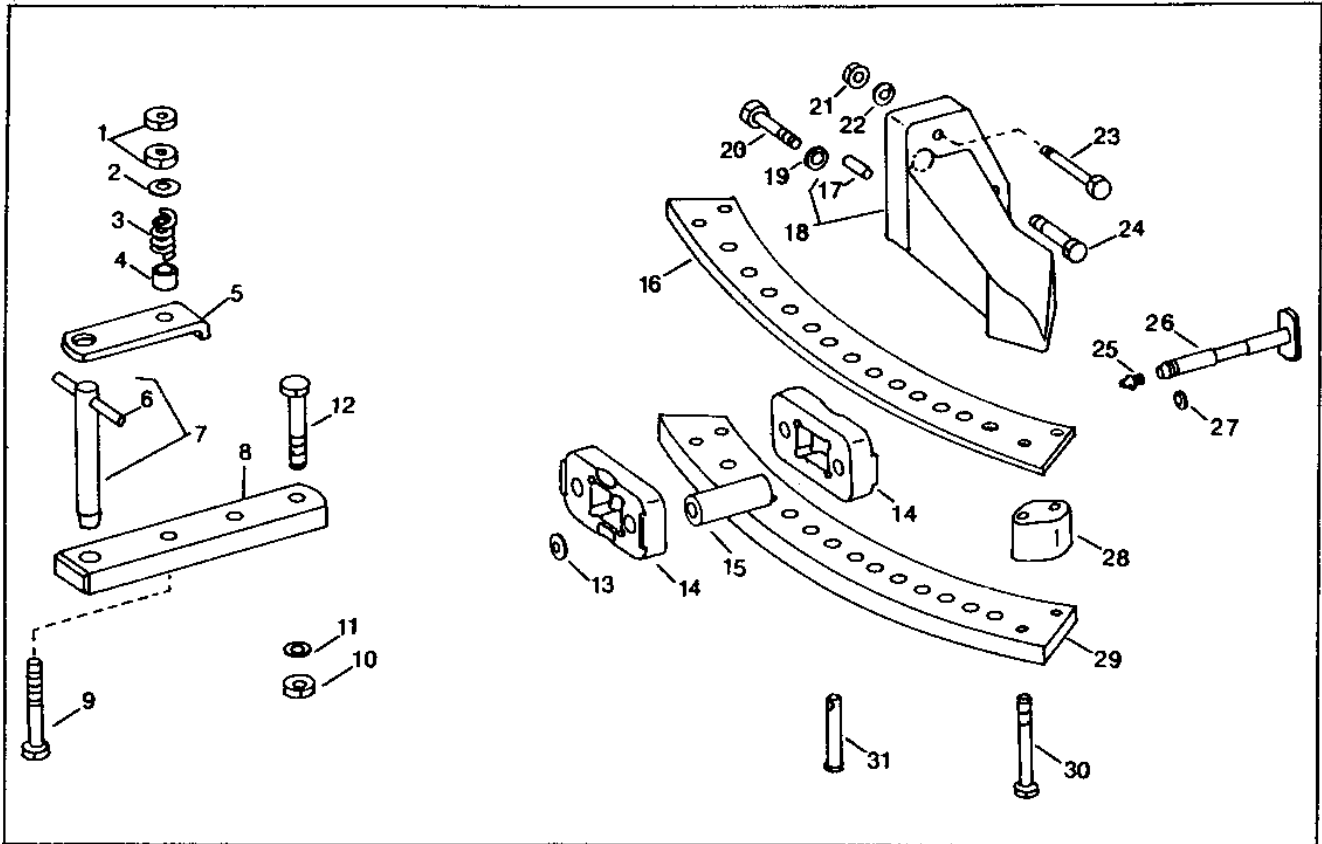
(A) INCLUDED IN AR27033

2E18

HYDRAULICS

RWP1906 -UN-01JAN94

WIDE SWING DRAWBAR



RWP1906

2E19

HYDRAULICS

WIDE SWING DRAWBAR - CONTINUED

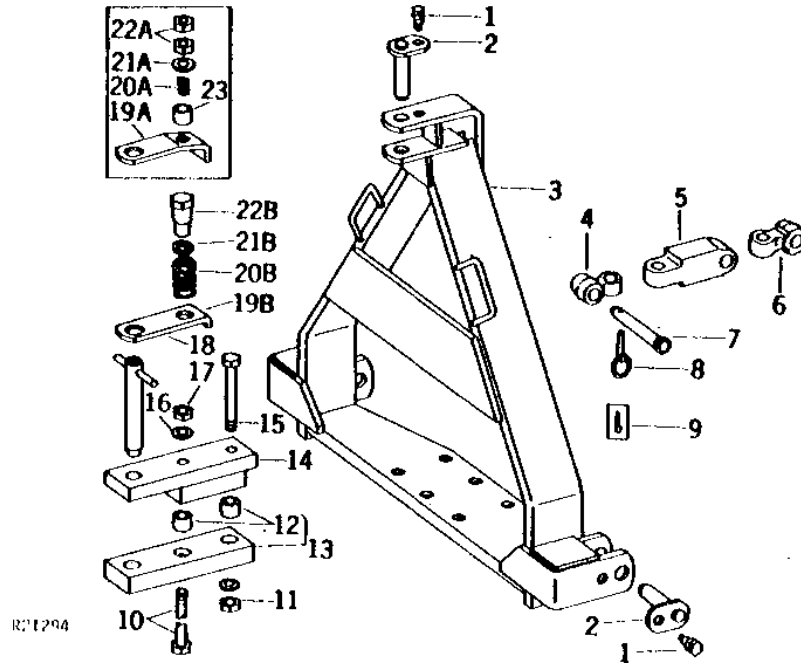
KEY	PART NO.	PART NAME	QTY	TRACTOR SERIAL NO.	REMARKS
1	14H1039	NUT	2	5/8"	
2	24H1372	WASHER	1	21/32" X 1-1/2" X 0.060"	
3	F3541R	SPRING	1		
4	F3542R	BUSHING	1		
5	F3539R	RETAINER	1		
6	34H363	SPRING PIN	1	3/8" X 4"	
7	AR26462	PIN	1		
8	R26584	STRAP	1		
9	19H2124	CAP SCREW	1	5/8" X 4-1/4"	
10	14H794	NUT	2	3/4"	
11	12H236	LOCK WASHER	2	3/4"	
12	19H3027	CAP SCREW	2	3/4" X 3-1/2"	
13	24M7353	WASHER	2	(SUB FOR R42660)	
14	R34450	HANGER	2		
15	R54141	BUSHING	2		
16	R34375	STRAP	1		
17	R54380	DOWEL PIN	2		
18	AR45104	SUPPORT	1	R.H. (MARKED R42695)	
	AR45105	SUPPORT	1	L.H. (MARKED R42696)	
19	12H294	LOCK WASHER	4	5/8"	
20	19H1890	CAP SCREW	4	5/8" X 2-3/4"	
21	14H1040	NUT	2	1/2"	
22	12H301	LOCK WASHER	2	1/2"	
23	19H1868	CAP SCREW	2	1/2" X 3-3/4"	
24	19H1847	CAP SCREW	2	5/8" X 2-1/2"	
25	JD7759	LUBRICATION FITTING	2		
26	AR61656	PIN	2		
27	R73380	SNAP RING	2	(SUB FOR R73380)	
28	R34373	SPACER	2		
29	R34376	SUPPORT	1		
30	19H2124	CAP SCREW	4	5/8" X 4-1/4"	
31	R58262	PIN	2		
32	AR46810	KIT	1	(CONVERT REGULAR DRAWBAR TO WIDE SWING)	
33	M115827	QUICK LOCK PIN	2	(SUB FOR AR62151)	
34	R34448	DRAWBAR	1	(SUB RE20663)	
	R80842	DRAWBAR	1	HEAVY-DUTY (NOT DRILLED FOR STRAP)	

2E20

HYDRAULICS

R21294 -UN-01JAN94

POWER WEIGHT TRANSFER COUPLER



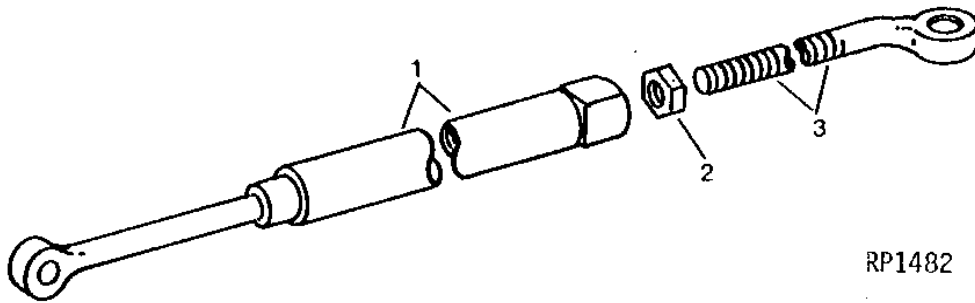
KEY	PART NO.	PART NAME	QTY	TRACTOR SERIAL NO.	REMARKS
1	AR74673	CAP SCREW	3		(SUB FOR AR48110)
2	AR48111	PIN	3		
3	AR46828	COUPLING	1		(SUB AR99336)
4	R44848	PIVOT	1		(NO LONGER AVAILABLE)
5	R54143	PIVOT	1		(USE WITH 18.4-38, 20.8-34 OR 23.1-30 TIRES) (SUB FOR R48226)
6	R48299	PIVOT	1		(NO LONGER AVAILABLE)
7	R58261	PIN	1		(ALSO ORDER AR60372) (SUB FOR R40516)
8	AR60372	QUICK LOCK PIN	1	XXXXXX-	
9	11M7038	COTTER PIN	1	-XXXXXX	0.248" X 1.575"
10	19H3234	CAP SCREW	1	-XXXXXX	3/4" X 8-1/2"
	19H1988	CAP SCREW	1	XXXXXX-	3/4" X 6"
11	14H794	NUT	1		3/4"
	12H236	LOCK WASHER	1		3/4"
12	R35479	BUSHING	1		
13	AR47567	DRAWBAR	1		
14	AR46256	STRAP	1		
15	19H1988	CAP SCREW	1		3/4" X 6"
16	12H236	LOCK WASHER	1		3/4"
17	14H794	NUT	1	-XXXXXX	3/4"
18	AR69988	PIN	1		(SUB FOR AR937R OR AR35807)
19A	R36609	RETAINER	1	-XXXXXX	(SUB R54064, R72433, F304R, 19H1988 AND 24H1513)
19B	R54064	RETAINER	1	XXXXXX-	
20A	A350R	SPRING	1	-XXXXXX	
20B	F304R	SPRING	1	XXXXXX-	
21A	24H1395	WASHER	1	-XXXXXX	25/32" X 1-7/16" X 0.060"
21B	24H1513	WASHER	1	XXXXXX-	1-13/32" X 2" X 0.060"
22A	R40121	LOCK NUT	2	-XXXXXX	
22B	R54065	NUT	1	XXXXXX-	(SUB R72433)
23	R47044	BUSHING	1	-XXXXXX	

2E21

HYDRAULICS

RP1482 -UN-01JAN94

POWER WEIGHT TRANSFER IMPLEMENT LINK



RP1482

KEY	PART NO.	PART NAME	QTY	TRACTOR SERIAL NO.	REMARKS
1	AR47490	LINK	1		
2	14H887	NUT	1	1-1/8"	
3	R45447	EYEBOLT	1		

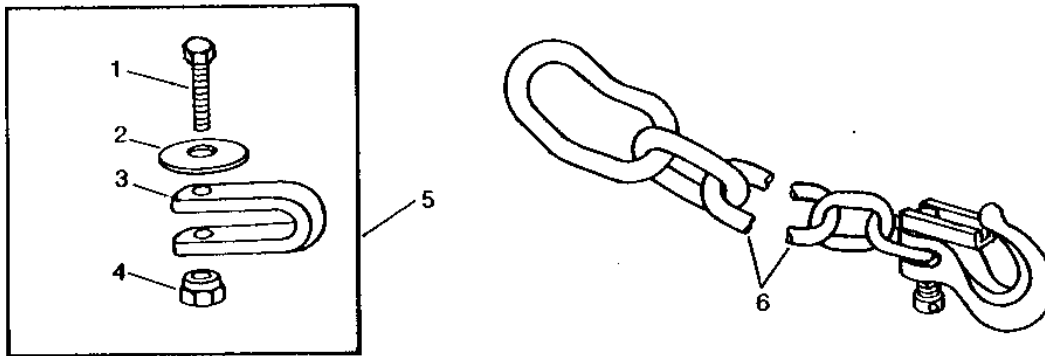
MEMORANDA

2E22

HYDRAULICS

RWP5796 -UN-01JAN94

IMPLEMENT SAFETY CHAIN



RWP5796

KEY	PART NO.	PART NAME	QTY	TRACTOR SERIAL NO.	REMARKS
1	19H1768	CAP SCREW	1	(A) (B)	
	19H2084	CAP SCREW	1	(A)	
	19H2174	CAP SCREW	1	(B)	
2	R36402	WASHER	1		
3	R69408	CLEVIS	1	(A)	
	R69409	CLEVIS	1	(B)	
4	T25879	NUT	2		
5	AR90577	SAFETY CHAIN ADAPTER KIT	1		CATEGORY IV DRAWBARS
	AR90578	CHAIN KIT	1		CATEGORY II AND III DRAWBARS
6	RE26739	LINK CHAIN	1		61 LINKS 6.4MM (1/4") DIA CHAIN (6,000 LB)
	AR90581	LINK CHAIN	1		61 LINKS 6.4MM (1/4") DIA CHAIN (10,000 LB)
	AR90579	LINK CHAIN	1		42 LINKS 9.5MM (3/8") DIA CHAIN
	AR90583	LINK CHAIN	1		43 LINKS 11.1MM (7/16") DIA CHAIN
	AN212996	LINK CHAIN	1		42 LINKS 12.7MM (1/2") DIA CHAIN, (SUB FOR RE26740)

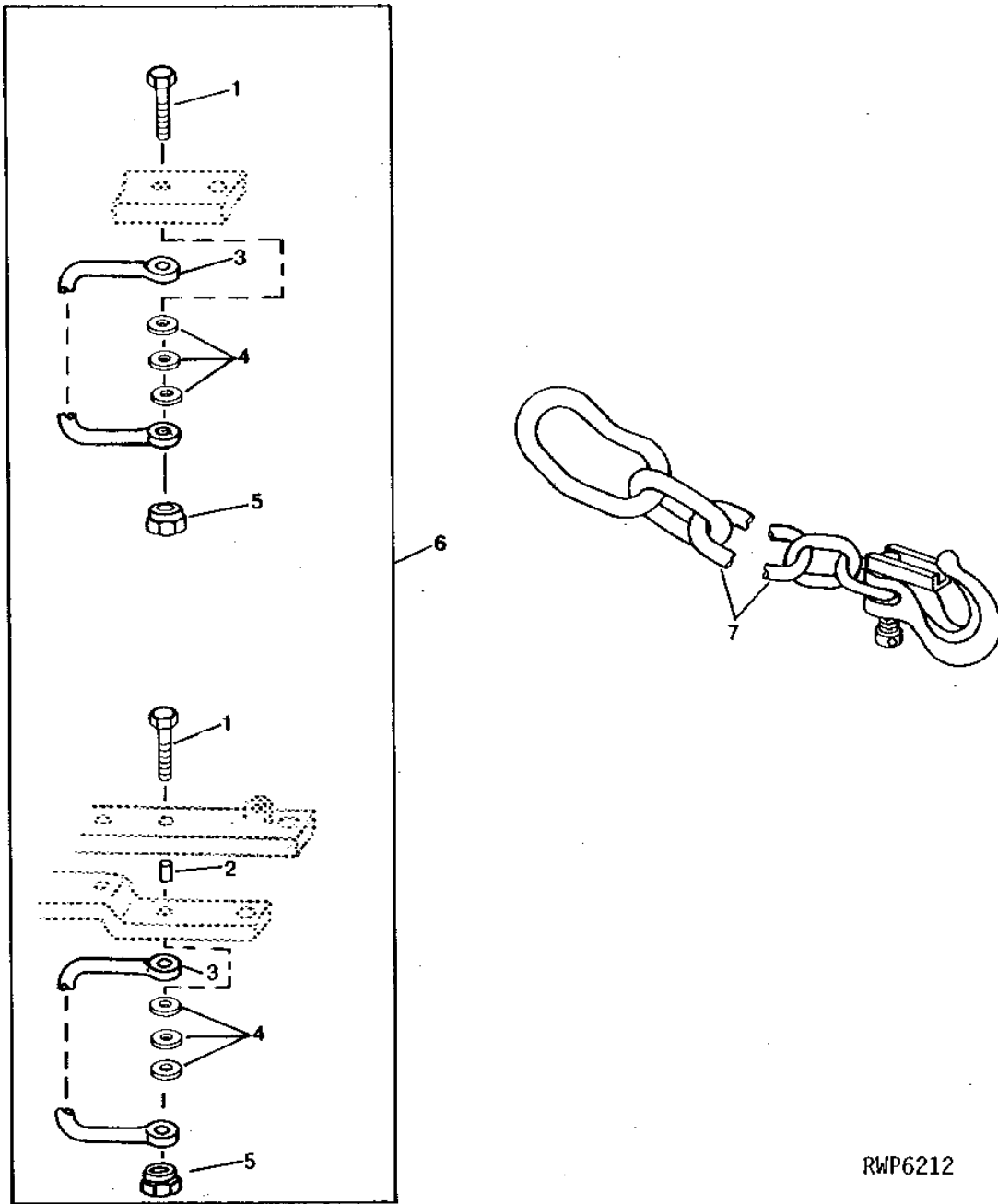
(A) INCLUDED IN AR90577
 (B) INCLUDED IN AR90578

2E23

HYDRAULICS

RWP6212 -UN-01JAN94

SAFETY CHAIN AND ATTACHMENT KIT



RWP6212

2E24

HYDRAULICS

SAFETY CHAIN AND ATTACHMENT KIT - CONTINUED

KEY	PART NO.	PART NAME	QTY	TRACTOR SERIAL NO.	REMARKS
1	19H2233	CAP SCREW	1	5/8" X 3-1/2"	
	08H4770	CAP SCREW	1	5/8" X 8-1/4"	
2	N186901	SPACER	1		
3	18940	CLEVIS	1		(ORDER RE19428)
4	R1836R	WASHER	3		
5	N101344	LOCK NUT	1		
6	RE19428	CHAIN KIT	1		
7	RE26739	LINK CHAIN	1		61 LINKS 6.4MM (1/4") DIA CHAIN (6,000 LB)
	AR90581	LINK CHAIN	1		61 LINKS 6.4MM (1/4") DIA CHAIN (10,000 LB)
	AR90579	LINK CHAIN	1		42 LINKS 9.5MM (3/8") DIA CHAIN
	AR90583	LINK CHAIN	1		43 LINKS 11.1MM (7/16") DIA CHAIN
	AN212996	LINK CHAIN	1		42 LINKS 12.7 MM (1/2") DIA CHAIN, (SUB FOR RE26740)

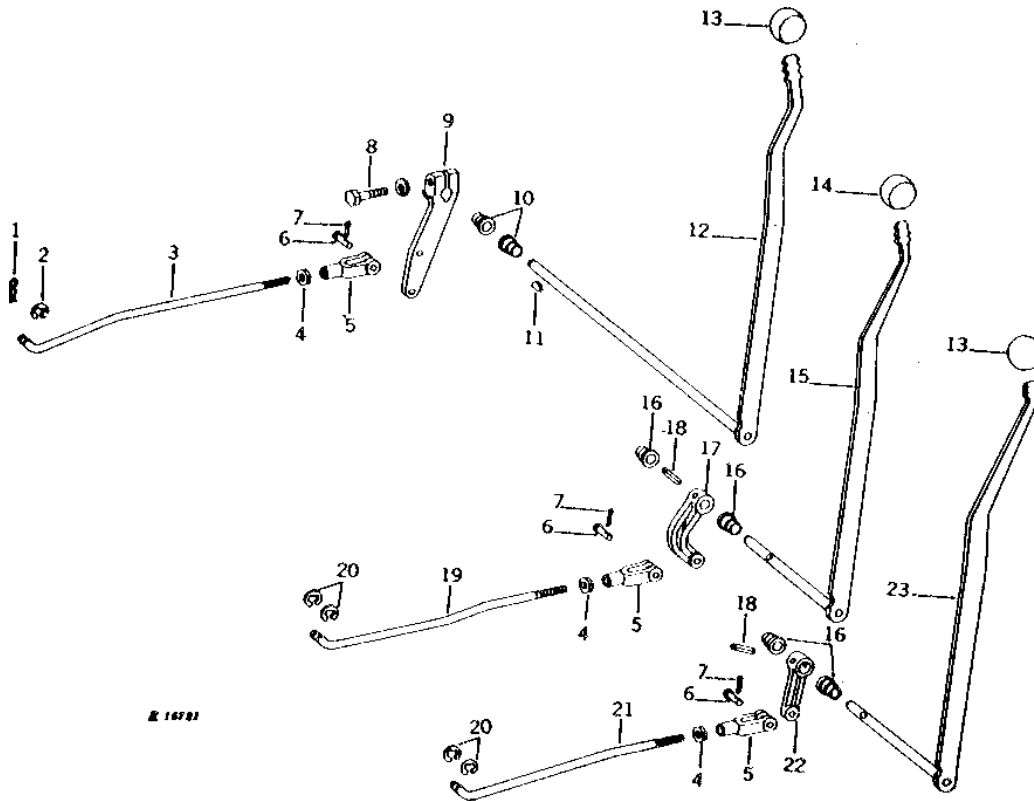
MEMORANDA

2E25

HYDRAULICS

R16781 -UN-01JAN94

SELECTIVE CONTROL LEVERS AND LINKAGE



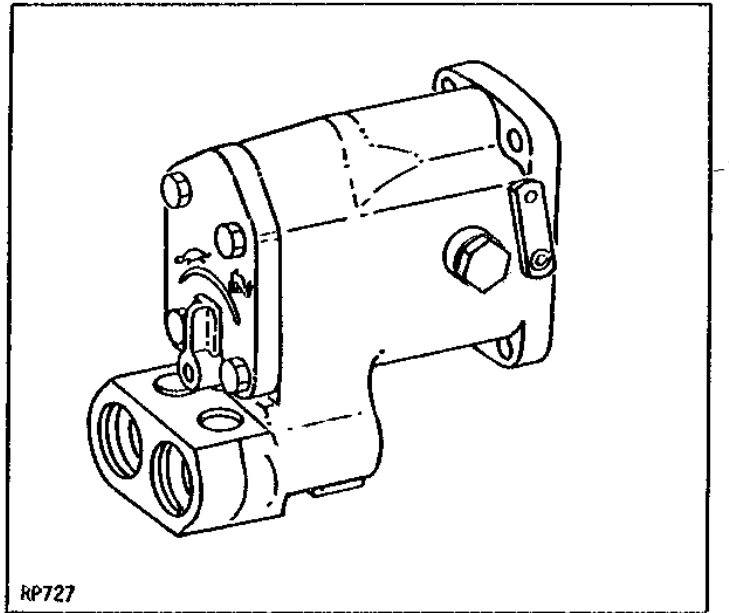
KEY	PART NO.	PART NAME	QTY	TRACTOR SERIAL NO.	REMARKS
1	R46528	SPRING LOCKING PIN	1		
2	R72653	SNAP RING	1		(SUB FOR M2396T)
3	R46527	ROD	1		
4	14H882	NUT	1		5/16"
5	R82766	PIN	1		(ALSO ORDER T54033) (SUB FOR R42282)
6	R72660	PIN	1		(SUB FOR R662R)
7	11M7079	COTTER PIN	1		0.098" X 0.472"
8	19H1732	CAP SCREW	1		3/8" X 1-1/4"
	12H304	LOCK WASHER	1		3/8"
9	R42094	ARM	1		
10	R42093	GROMMET	2		
11	26H15	SHAFT KEY	1		1/4" X 3/4"
12	AR40989	LEVER	1		(SINGLE)
13	R44695	KNOB	1		
14	R41387	KNOB	1		
15	AR40990	LEVER	1		(DUAL)
16	R41076	GROMMET	2		
17	R40923	ARM	1		
18	34H297	SPRING PIN	1		7/32" X 1"
19	R41392	ROD	1		
20	R72653	SNAP RING	2		(SUB FOR M2396T)
21	R41058	ROD	1		
22	R41122	LEVER	1		
23	AR40991	LEVER	1		(TRIPLE)
..	R47309	SHIFTER ROD	1		(SINGLE) (USE WHEN AUXILIARY HYDRAULIC OUTLET HAS BEEN INSTALLED)

2F1

HYDRAULICS

RP727 -UN-01JAN94

SELECTIVE CONTROL VALVE KITS



KEY	PART NO.	PART NAME	QTY	TRACTOR SERIAL NO.	REMARKS
1	AR44129	VALVE	1	(SINGLE)	
	AR44129	VALVE	1	(DUAL)	
	AR44130	VALVE	1	(TRIPLE) (NLA)	

MEMORANDA

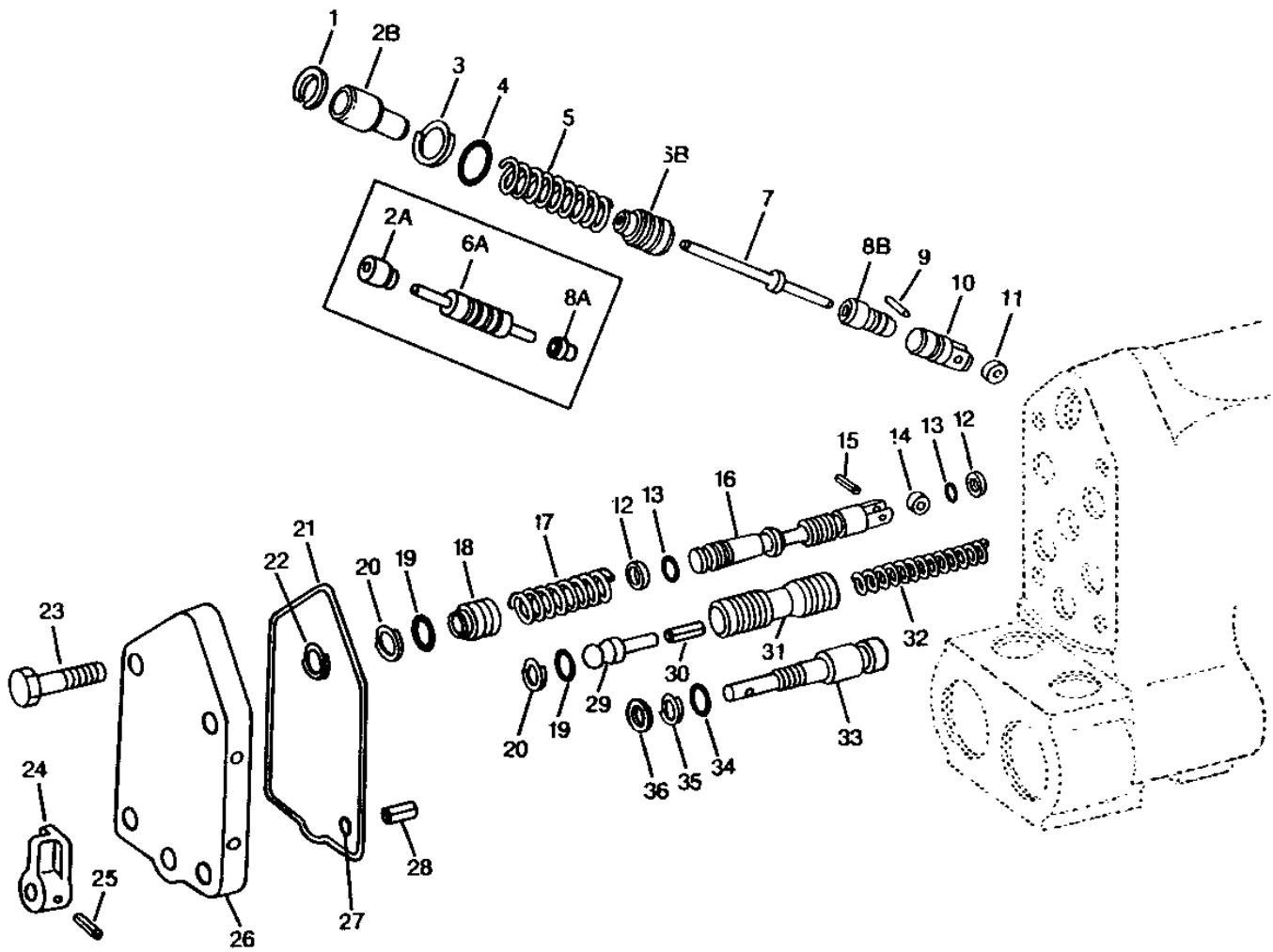
2F2

HYDRAULICS

RP1264

-UN-01JAN94

SELECTIVE CONTROL VALVE HOUSING VALVES



RP1264

2F3

HYDRAULICS

SELECTIVE CONTROL VALVE HOUSING VALVES - CONTINUED

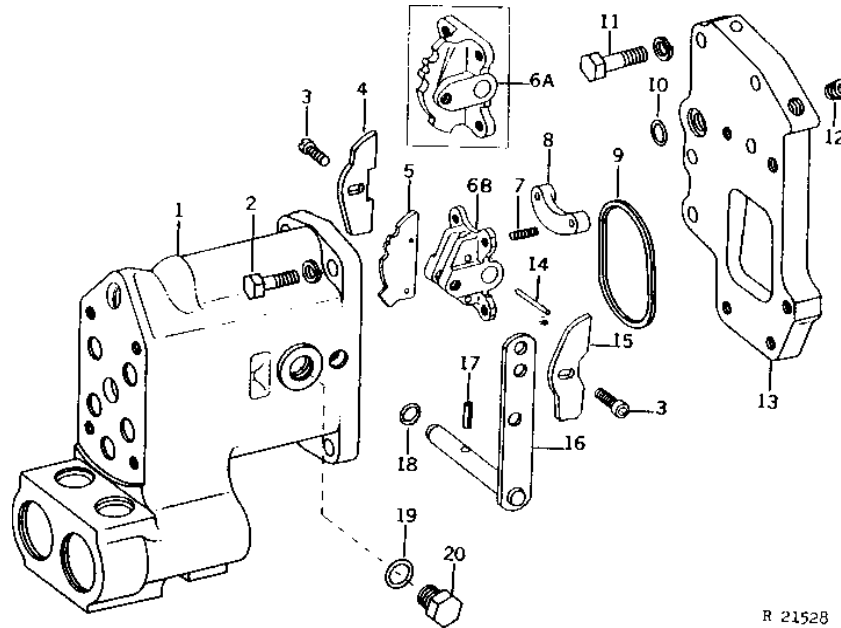
KEY	PART NO.	PART NAME	QTY	MODEL NO.	REMARKS
1	R46722	SNAP RING	1		
2A	AR48933	GUIDE	1	-18SC2	(SUB AR52394)
2B	R48979	GUIDE	1	18SC3-	(SUB R55397 AND R55398)
3	R26546	BACK-UP RING	1		
4	B2762R	O-RING	1		
5	R41055	SPRING	1	18SC3-	
6A	AR40939	PISTON	1	-18SC2	(SUB AR52394)
6B	R48980	PISTON	1	18SC3-	
7	R55398	PIN	1	18SC3-	(SUB FOR R48981)
8A	AR40744	GUIDE	1	-18SC2	
8B	R48978	GUIDE	1	18SC3-	
9	34H241	SPRING PIN	1	-18SC3	1/8" X 3/8"
	R51411	PIN	1	18SC4-	
10	R45016	FOLLOWER	1	-18SC3	(SUB FOR R40903) (SUB R51410, R51409 AND R51411)
	R51410	CAM FOLLOWER	1	18SC4-	
11	R41613	WASHER	1	-18SC3	(SUB R51409)
	R51409	SPACER	1	18SC4-	
12	R26484	BACK-UP RING	6		
13	R65286	O-RING	6		(SUB FOR A3917R, THIS APPLICATION)
14	R41613	WASHER	4	-18SC3	(SUB R51409)
	R51409	SPACER	4	18SC4-	
15	34H242	SPRING PIN	4		1/8" X 7/16"
16	AR45647	VALVE	4	-18SC2	(SUB AR86535)
	AR52629	VALVE	4	-18SC3	(SUB AR86535)
17	AR86535	VALVE	4	18SC4-	SUB. FOR AR56120 (OR AR78396)
	R65501	SPRING	2		RETURN
	R65502	SPRING	2		PRESSURE, (SUB FOR R44310)
18	R66416	BUSHING	4		(SUB FOR R41156)
19	R27166	O-RING	4		
20	R41057	BACK-UP RING	4		
21	R74695	WASHER	1		(USE WITH R59629)
22	R26149	PACKING	6		
23	19H1732	CAP SCREW	4		3/8" X 1-1/4"
24	R62652	ARM	1		(SUB FOR R41338)
25	34H231	SPRING PIN	1		3/32" X 3/4"
26	AR40688	COVER	1		(MARKED R40899 OR R49708) (USE WITH R40499)
	AR85628	COVER	1		(MARKED R59629) (USE WITH R65284)
27	R34812	O-RING	1		
28	34H275	SPRING PIN	1		3/16" X 1/2"
29	R66916	STOP	1		(USE WITH R59629)
30	34H284	SPRING PIN	1		3/16" X 1-1/4"
31	R41154	VALVE	1	-18SC3	FLOW CONTROL, (SUB R52549)
	R52549	SHUT-OFF VALVE	1	18SC4-	FLOW CONTROL
32	R41549	SPRING	1		
33	R41149	VALVE	1	-18SC3	METERING, (SUB R52548 AND R52549)
	R52548	VALVE	1	18SC4-	METERING, (USE WITH R40499)
	R65289	VALVE	1		METERING, (USE WITH R65284)
34	P46051	O-RING	1		
35	R40937	BACK-UP RING	1		
36	R41339	SHIM	1		

2F4

HYDRAULICS

R21528 -UN-01JAN94

SELECTIVE CONTROL VALVE HOUSING, COVER, ROCKER, AND OPERATING CAMS



R 21528

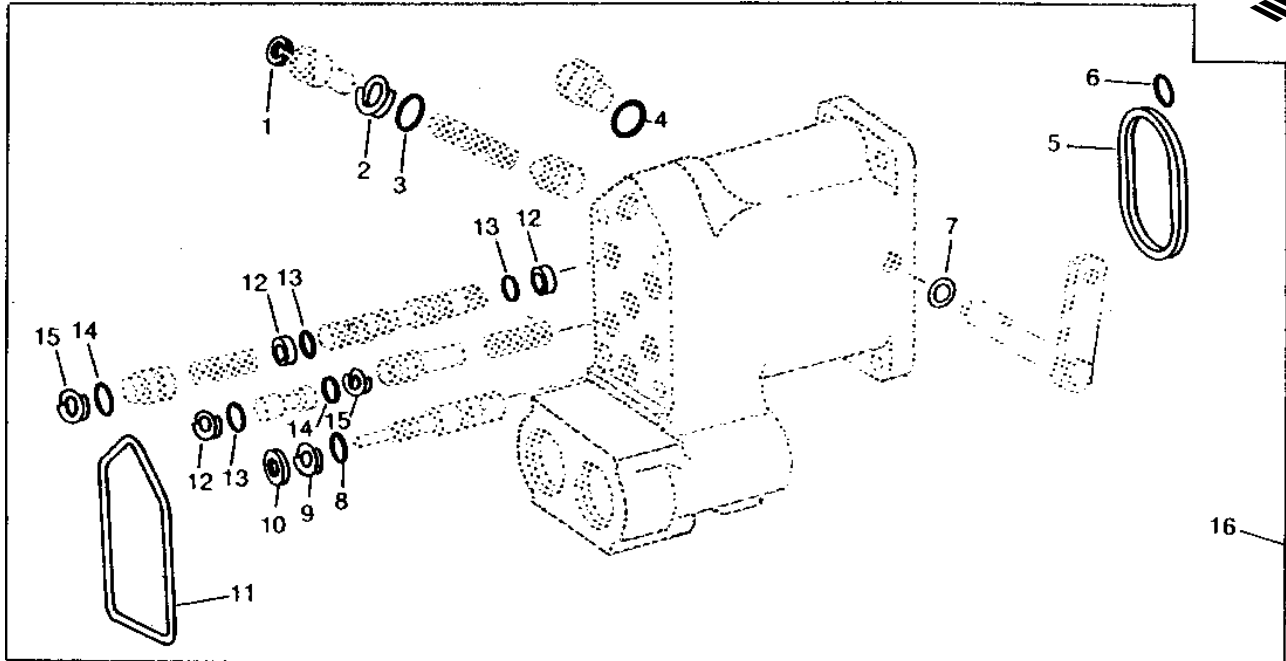
KEY	PART NO.	PART NAME	QTY	TRACTOR SERIAL NO.	REMARKS
1	AR40827	HOUSING	1	-XXXXXX	(MARKED R40499) (SUB AR82572, AR85628 AND R65289)
	AR82572	HOUSING	1	XXXXXX-	(MARKED R65284)
2	19H2731	CAP SCREW	AR		7/16" X 1-3/8", (4 USED SINGLE) (7 USED DUAL) (11 USED TRIPLE)
	19H2055	CAP SCREW	1		7/16" X 2-1/4", (1 USED DUAL AND TRIPLE ONLY)
	12H293	LOCK WASHER	4		7/16"
3	R27233	SCREW	2		
4	R41931	CAM	1	18SC3-	UPPER, (SUB R51414)
	R51414	CAM	1	18SC4-	REGULAR
5	R51413	CAM	1	18SC4-	DETENT
6A	R40898	ROCKER	1	18SC3-	(SUB R51412, R51413, R51414, R51415 AND (2) R28744)
6B	R51412	ROCKER	1	18SC4-	
7	22H1025	SET SCREW	4		1/4" X 7/8"
8	R49221	RETAINER	2		
9	R40922	PACKING	1		
10	F2741R	PACKING	1		
11	19H1978	CAP SCREW	4		7/16" X 1-1/2"
	19H2731	CAP SCREW	4		7/16" X 1-3/8"
	12H293	LOCK WASHER	5		7/16"
12	15H559	PIPE PLUG	AR		1/4", (1 USED DUAL) (2 USED TRIPLE)
	15H558	PIPE PLUG	1		1/8", (TRIPLE ONLY)
13	AR71188	COVER	1		(MARKED R41445, R50066 OR R60334) (ALSO ORDER (2) R59082) (SUB FOR AR41969 OR AR54331) (DUAL)
	AR71189	COVER	1		(MARKED R41448, R50067 OR R59084) (ALSO ORDER (2) R59082) (SUB FOR AR41970 OR AR54332) (TRIPLE)
14	R28744	PIN	2	18SC4-	
15	R41932	CAM	1	18SC3-	LOWER, (SUB R51415)
	R51415	CAM	1	18SC4-	FLOAT
16	AR48734	ARM	1		
17	34H297	SPRING PIN	1		7/32" X 1"
18	R65287	O-RING	2		
19	R26375	O-RING	2		
20	R41155	PLUG	2		

2F5

HYDRAULICS

RWP3167 -UN-01JAN94

SELECTIVE CONTROL VALVE OVERHAUL KIT



RWP3167

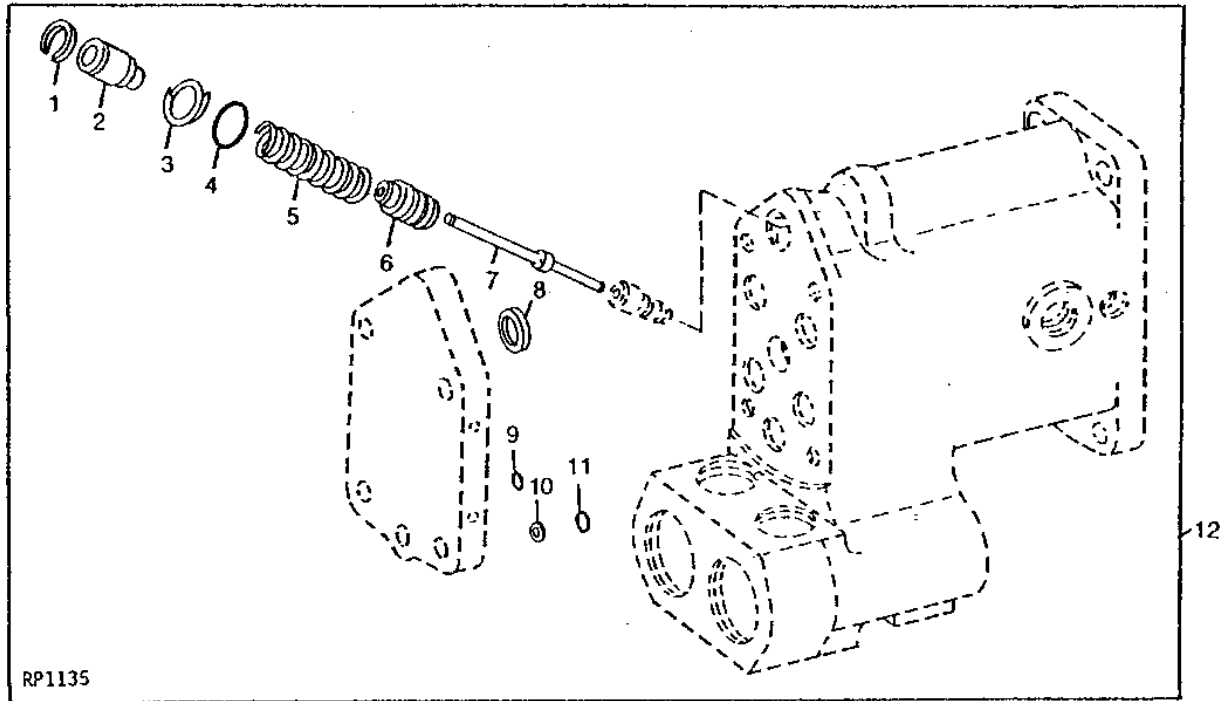
KEY	PART NO.	PART NAME	QTY	TRACTOR SERIAL NO.	REMARKS
1	R46722	SNAP RING	1		
2	R26546	BACK-UP RING	1		
3	B2762R	O-RING	1		
4	R26375	O-RING	2		
5	R40922	PACKING	1		
6	F2741R	PACKING	1		
7	R65287	O-RING	2		
8	P46051	O-RING	1		
9	R40937	BACK-UP RING	1		
10	R41339	SHIM	1		
11	R74695	WASHER	1		
12	R26484	BACK-UP RING	6		(4 PRESSURE, 2 RETURN)
13	R65286	O-RING	6		(4 PRESSURE, 2 RETURN)
14	R27166	O-RING	5		
15	R41057	BACK-UP RING	5		
16	RE10924	KIT	1		(SUB FOR AR82571)

2F6

HYDRAULICS

RP1135 -UN-01JAN94

SELECTIVE CONTROL VALVE DETENT KIT



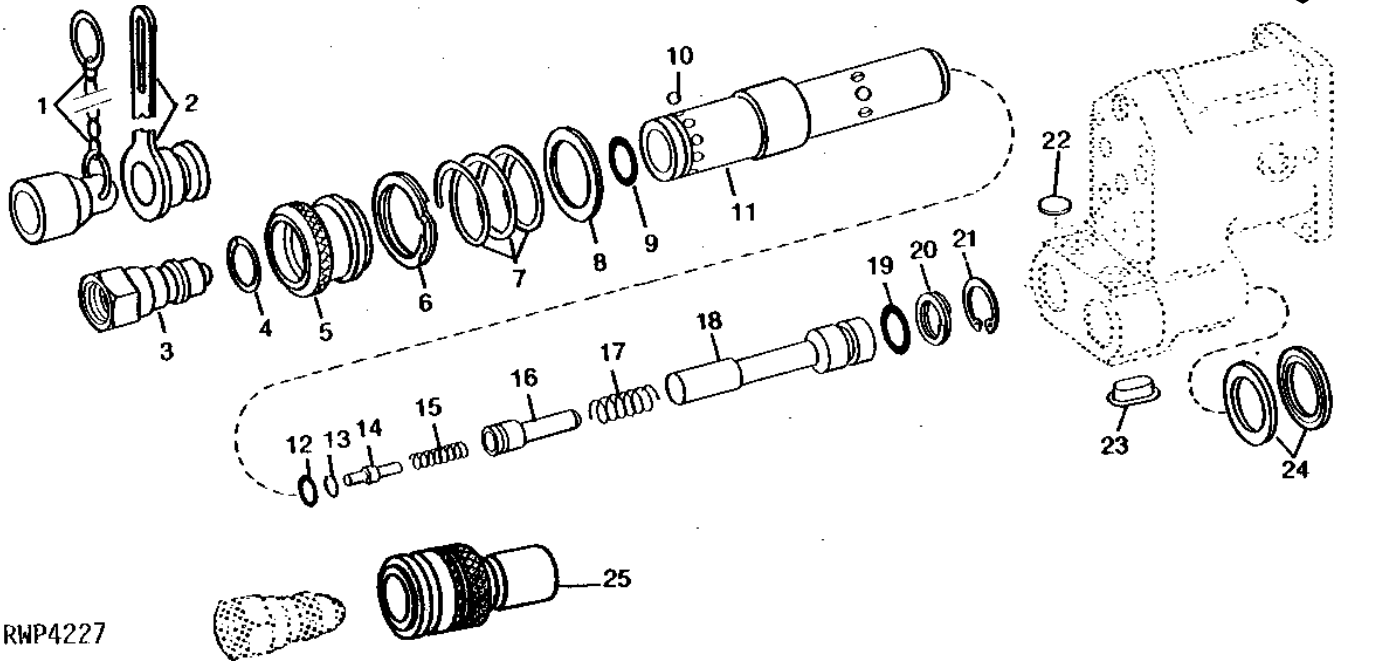
KEY	PART NO.	PART NAME	QTY	TRACTOR SERIAL NO.	REMARKS
1	R46722	SNAP RING	1		
2	R55397	GUIDE	1		(ALSO ORDER R55398)
3	R26546	BACK-UP RING	1		
4	B2762R	O-RING	1		
5	R41055	SPRING	1		
6	R48980	PISTON	1		
7	R55398	PIN	1		
8	R26149	PACKING	6		
9	R34812	O-RING	1		
10	R40937	BACK-UP RING	1		
11	P46051	O-RING	1		
12	AR52394	KIT	1	-002316	(INCLUDES R49187)

2F7

HYDRAULICS

ISO BREAKAWAY COUPLER (SERVICE PARTS FOR AR80911)

RWP4227 -UN-01JAN94



RWP4227

KEY	PART NO.	PART NAME	QTY	TRACTOR SERIAL NO.	REMARKS
1	A15898	CAP	1		
2	A15899	CAP	1		
3	AR94522	INTERNAL HALF COUPLER	1		(SUB FOR AL26973)
4	R64617	SNAP RING	1		
5	R64618	SLEEVE	1		
6	R64615	SNAP RING	1		
7	R64609	SPRING	1		
8	R64608	WASHER	1		
9	R21722	O-RING	1		
10	H871R	BALL	8	5MM (3/16")	
11	R64605	EXTERNAL HALF COUPLER	1		
12	R64613	O-RING	1		
13	R64614	SNAP RING	1		
14	R64612	PIN	1		
15	R64611	SPRING	1		
16	R64610	POPPET	1		
17	R64607	SPRING	1		
18	R64606	GUIDE	1		
19	R375R	O-RING	1		
20	R26482	RING	1		
21	U15969	SNAP RING	1		
22	30H15	PLUG	1	1-1/8"	
23	R64561	PLUG	1		
24	R74530	SEAL	2		
25	AL26972	EXTERNAL HALF COUPLER	1		(SUB R79311)

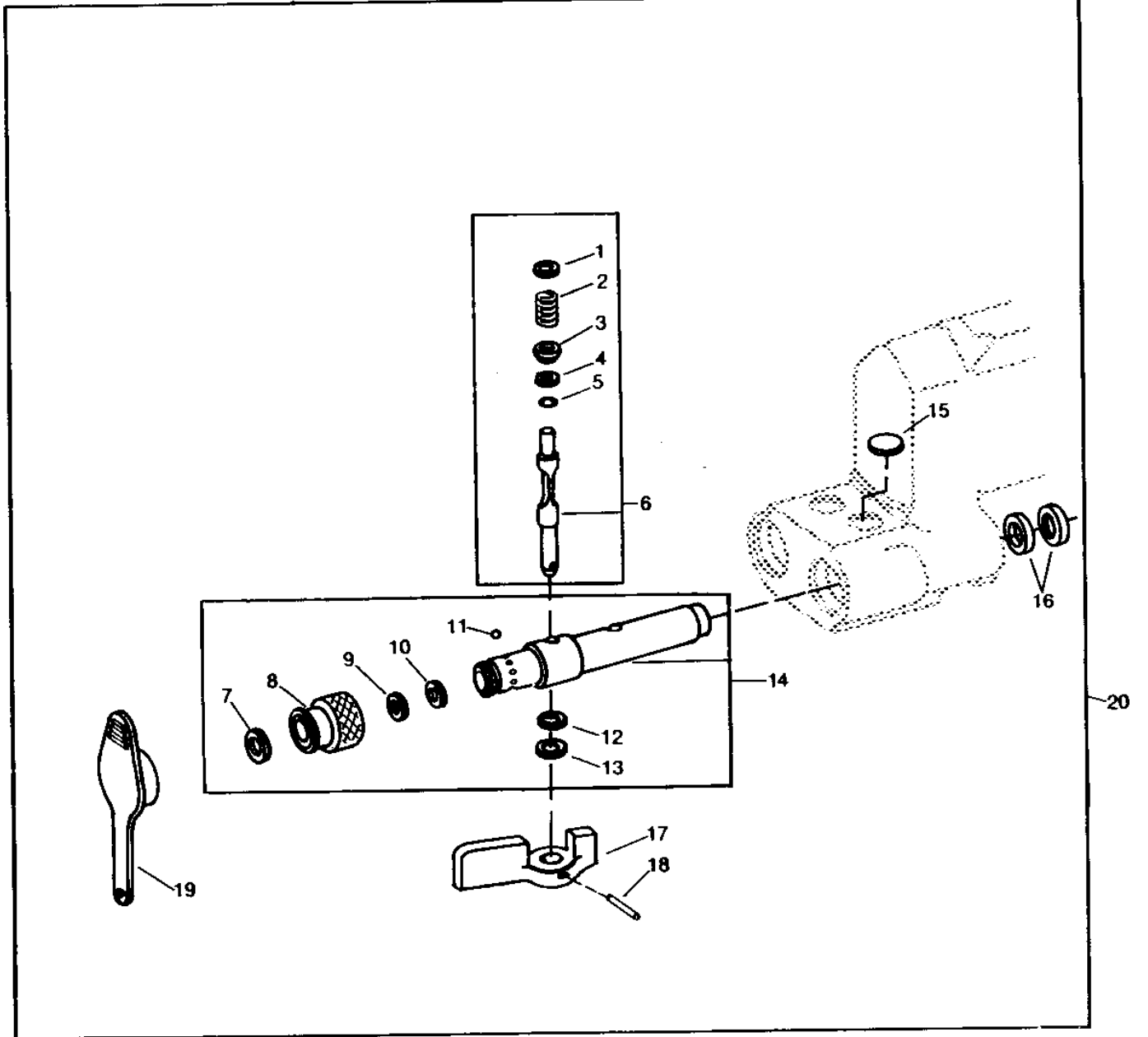
2F8

HYDRAULICS

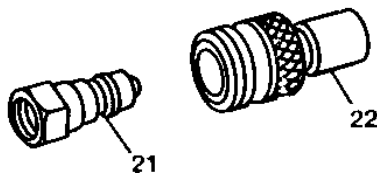
RWP4194

-UN-12OCT94

JOHN DEERE TO ISO COUPLER CONVERSION KIT



RWP4194



2F9

HYDRAULICS

JOHN DEERE TO ISO COUPLER CONVERSION KIT - CONTINUED

KEY	PART NO.	PART NAME	QTY	TRACTOR SERIAL NO.	REMARKS
1	R54242	SNAP RING	2		
2	R78767	SPRING	2		
3	R48698	WASHER	2		
4	R31136	BACK-UP RING	2		
5	R10093	O-RING	2		
6	RE13814	SHAFT	2		
7	40M4378	SNAP RING	2		
8	R78765	SLEEVE	2		
9	R71387	WASHER	2		
10	R74210	O-RING	2		
11	H871R	BALL	16		
12	P51212	O-RING	2		
13	R78766	BACK-UP RING	2		
14	RE13813	RECEPTACLE	2		
15	30H15	PLUG	2	1-1/8"	
16	R79311	SEAL	2	(SUB FOR R74530)	
17	R78769	HANDLE	2		
18	34H247	SPRING PIN	2	1/8" X 3/4"	
19	R78768	COVER	2		
20	RE12121	RECEIVER	1		
21	AR94522	INTERNAL HALF COUPLER	AR	(SUB FOR AL26973)	
22	AL26972	EXTERNAL HALF COUPLER	AR		

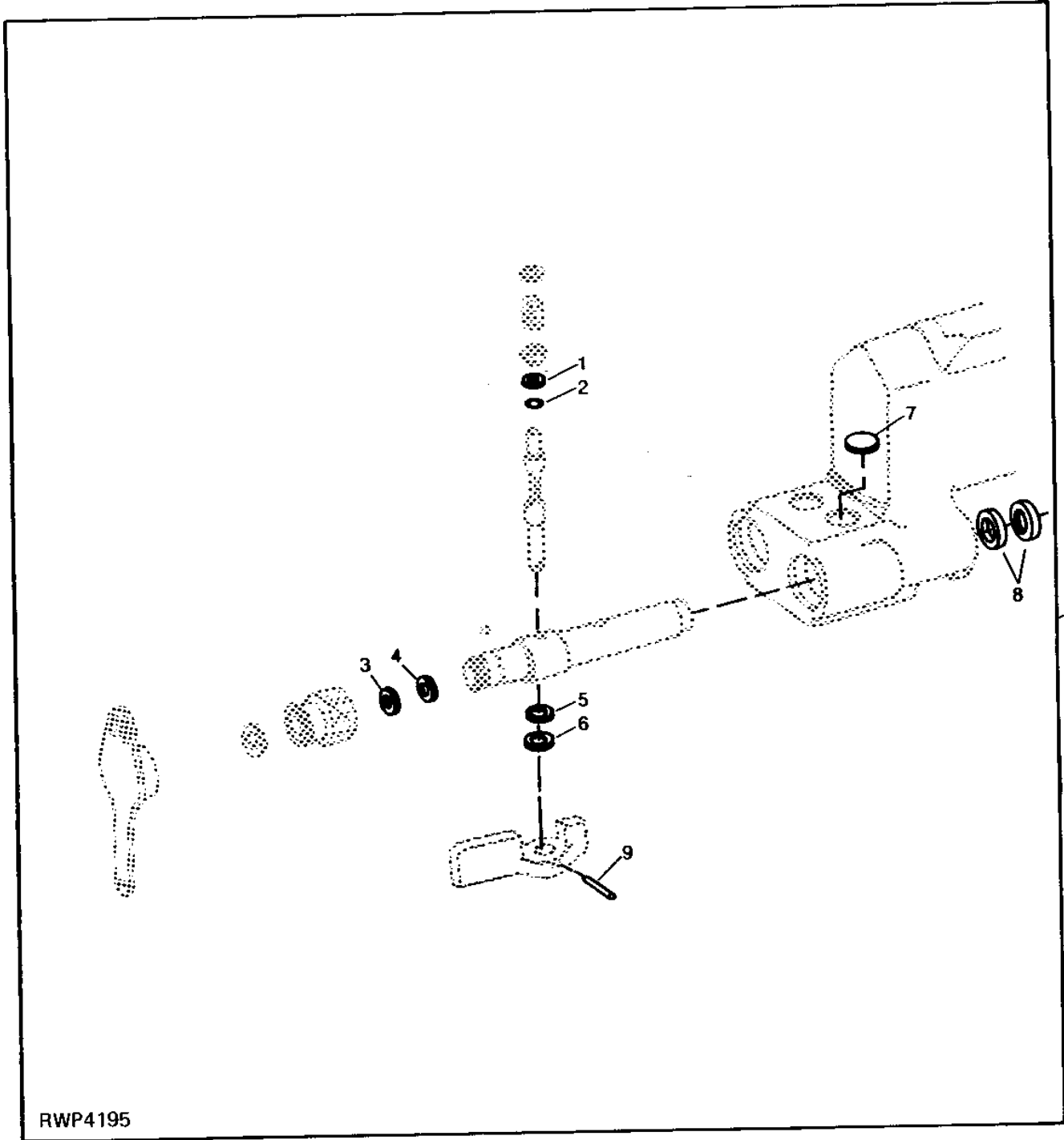
2F10

HYDRAULICS

RWP4195

-UN-12OCT94

ISO COUPLER OVERHAUL KIT



2F11

HYDRAULICS

ISO COUPLER OVERHAUL KIT - CONTINUED

KEY	PART NO.	PART NAME	QTY	TRACTOR SERIAL NO.	REMARKS
1	R31136	BACK-UP RING	2		
2	R10093	O-RING	2		
3	R71387	WASHER	2		
4	R74210	O-RING	2		
5	P51212	O-RING	2		
6	R78766	BACK-UP RING	2		
7	30H15	PLUG	2	1-1/8"	
8	R79311	SEAL	4	(SUB FOR R74530)	
9	34H247	SPRING PIN	2	1/8" X 3/4"	
10	RE13815	KIT	1		

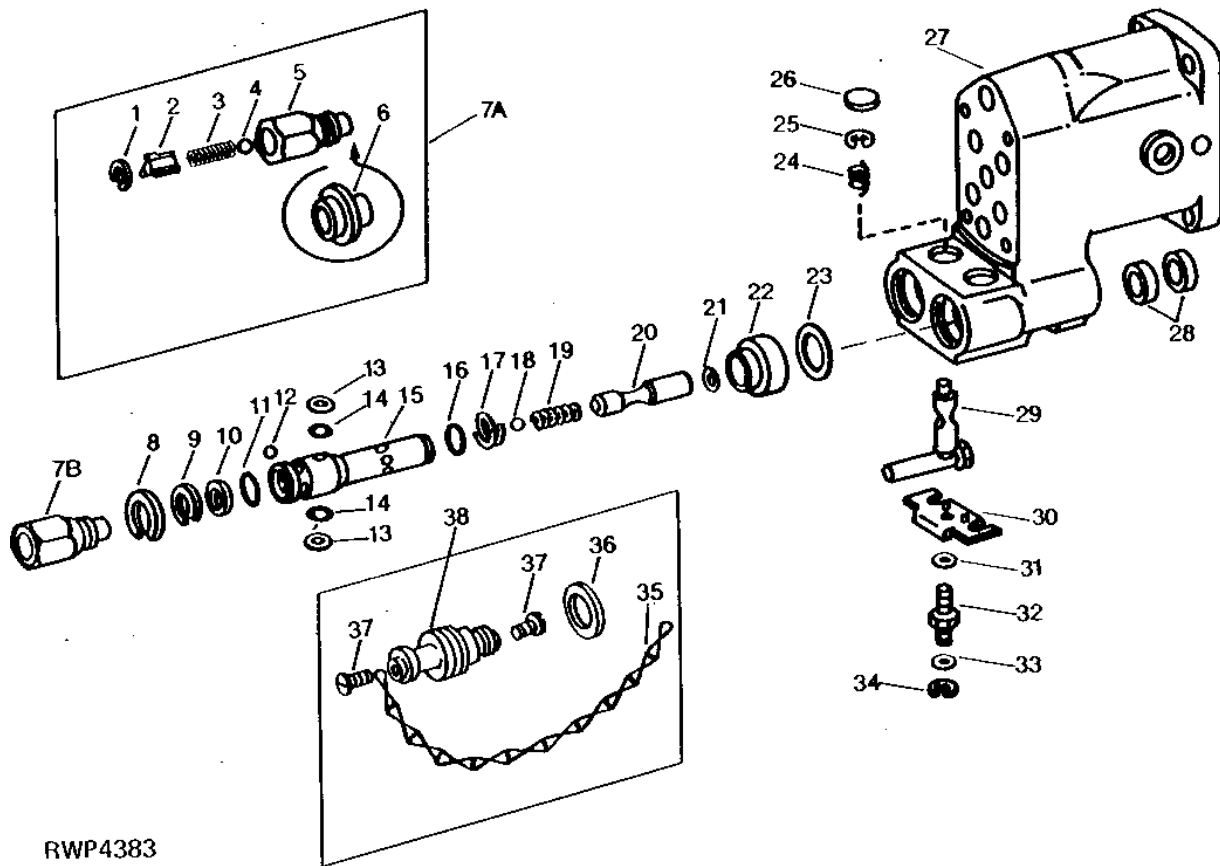
2F12

HYDRAULICS

RWP4383

-UN-01JAN94

BREAKAWAY COUPLER



RWP4383

2F13

HYDRAULICS

BREAKAWAY COUPLER - CONTINUED

KEY	PART NO.	PART NAME	QTY	TRACTOR SERIAL NO.	REMARKS
1	R59633	WEAR RING	2		(SUB FOR R28204)
2	R28085	GUIDE	2		(SUB AR93819 OR AR93820, THIS APPLICATION)
3	R28084	SPRING	2		
4	D2361R	BALL	2		13MM (1/2")
5	R27430	HYD. QUICK-CONNECT COUPLER	1		PRESSURE, (SUB AR93819)
	R45630	HYD. QUICK-CONNECT COUPLER	1		RETURN, (SUB AR93820)
6	R28006	CAP	2		
7A	AR30210	INTERNAL HALF COUPLER	1		PRESSURE, (SUB AR93819)
	AR47643	BREAKAWAY COUPLER	1		RETURN, (SUB AR93820)
7B	AR30210	INTERNAL HALF COUPLER	1		PRESSURE, (SUB AR93819)
	AR47643	BREAKAWAY COUPLER	1		RETURN, (SUB AR93820)
8	R34399	SNAP RING	2		
9	R32356	SNAP RING	2		
10	R26485	BACK-UP RING	2		
11	R59343	RING	2		
12	400R	BALL	12		6MM (1/4")
13	R26484	BACK-UP RING	4		
14	R65286	O-RING	4		(SUB R78436, THIS APPLICATION)
15	R34397	SOCKET OUTLET	2		
16	R375R	O-RING	2		
17	R26482	RING	2		
18	D2361R	BALL	2		13MM (1/2")
19	R28084	SPRING	2		
20	R34400	PLUG	2		
21	R26483	SNAP RING	2		
22	R34398	SLEEVE	2		
23	R56753	SHIM	2		
24	R31890	SPRING	2		
25	R72653	SNAP RING	2		(SUB FOR M2396T)
26	30H15	PLUG	2		1-1/8"
27	AR40827	HOUSING	1	-XXXXXX	(MARKED R40499) (SUB AR82572, R27166, R41057, R59629, R65289, (2) R65501, (2) R65502, R66916 AND R74695)
	AR82572	HOUSING	1	XXXXXX-	(MARKED R65284)
28	R79311	SEAL	4		(A) (SUB FOR R65285, R26480 OR R74530)
	A4730R	O-RING	2		(B)
	R26480	BACK-UP RING	2		(B)
29	AR99100	LEVER	2		(SUB FOR AR33877 OR AR82576)
30	AR75958	CAM	1	XXXXXX-	(SUB FOR R51285)
31	12H303	LOCK WASHER	1		5/16"
32	R49191	SCREW	1		(ALSO ORDER R72654, 12H303 AND 24H1286) (SUB FOR R45618)
33	24H1286	WASHER	1		9/32" X 1/2" X 1/16"
34	R72654	SNAP RING	1		(SUB FOR R27507)
35	R49193	LINK CHAIN	2		(SUB FOR A3184R) (SUB AN163885)
36	R34589	WASHER	2		
37	37H97	SCREW	4		0.242" X 3/4"
38	AR52623	PLUG	2		(SUB FOR AR34059)

(A) USE ON HOUSING MARKED 2601 OR ABOVE ON RECEPTACLE FACE
 (B) USE ON HOUSING MARKED 2600 OR BELOW ON RECEPTACLE FACE

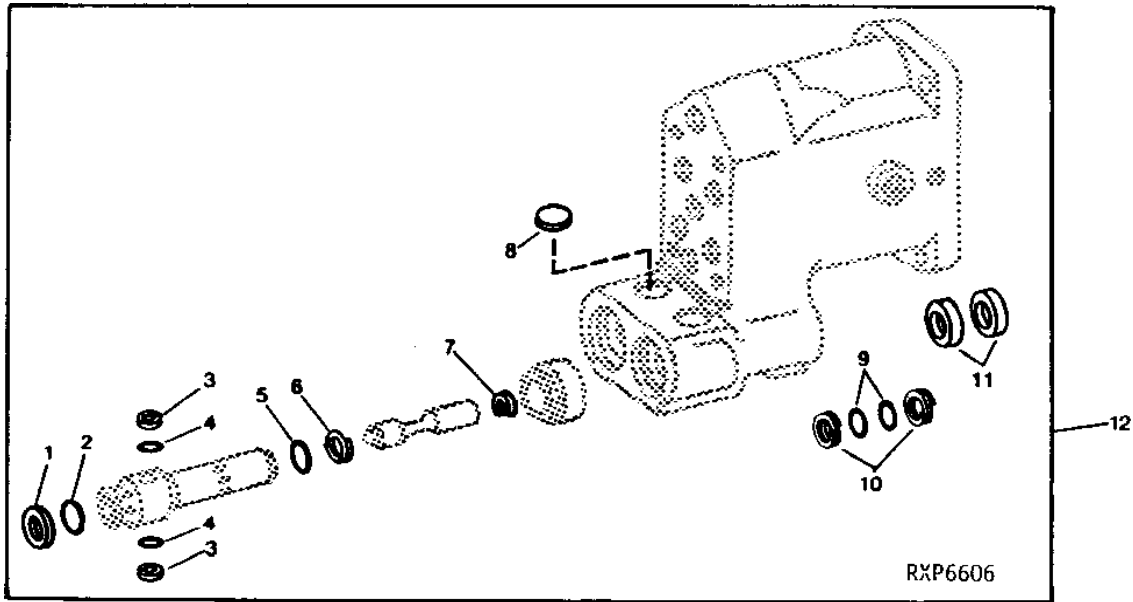
MEMORANDA

2F14

HYDRAULICS

RXP6606 -UN-06OCT94

BREAKAWAY COUPLER OVERHAUL KIT



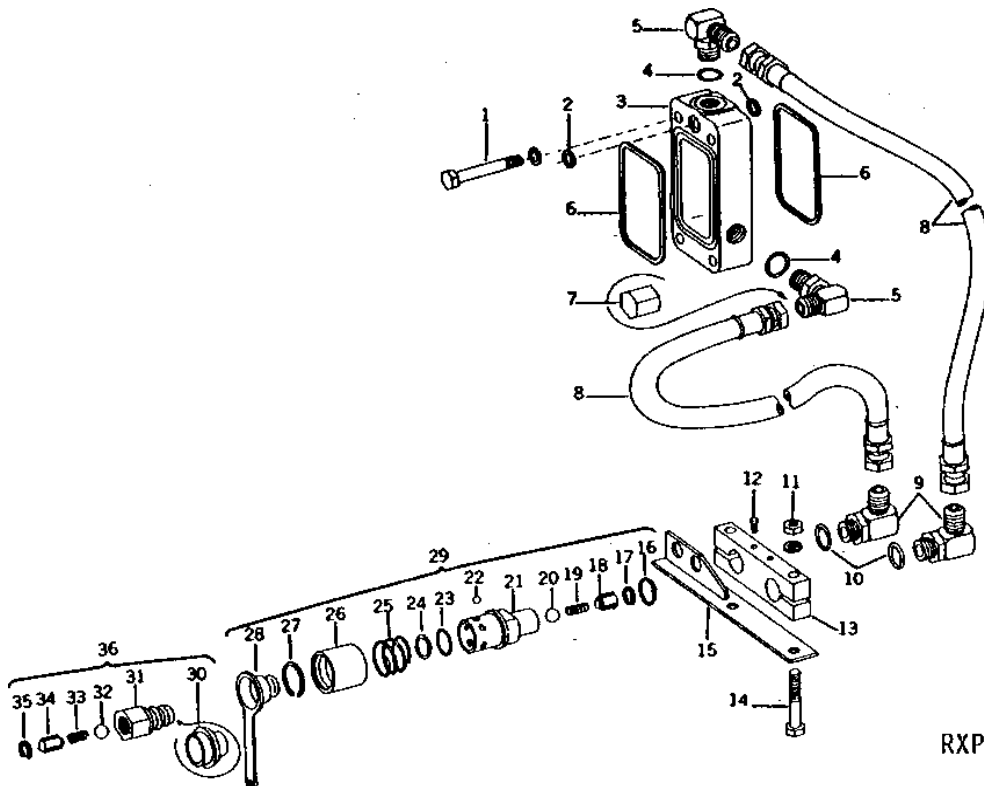
KEY	PART NO.	PART NAME	QTY	TRACTOR SERIAL NO.	REMARKS
1	R26485	BACK-UP RING	2		
2	R59343	RING	2		
3	R26484	BACK-UP RING	4		
4	R65286	O-RING	4		
5	R375R	O-RING	2		
6	R26482	RING	2		
7	R26483	SNAP RING	2		
8	30H15	PLUG	2	1-1/8"	
9	A4730R	O-RING	4	(EARLY DESIGN)	
10	R26480	BACK-UP RING	4	(EARLY DESIGN)	
11	R79311	SEAL	4	(CURRENT DESIGN) (SUB FOR R65285 AND R74530)	
12	AR82570	KIT	1	(SUB FOR AR30685)	

2F15

HYDRAULICS

AUXILIARY OUTLET COUPLER (EARLY DESIGN)

RXP6542 -UN-01JAN94



RXP6542

2F16

HYDRAULICS

AUXILIARY OUTLET COUPLER - CONTINUED (EARLY DESIGN)

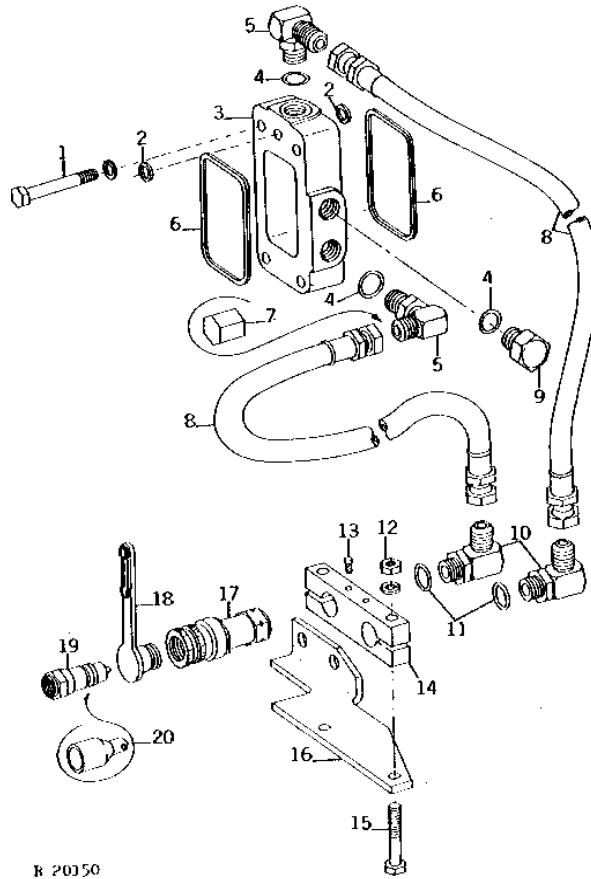
KEY	PART NO.	PART NAME	QTY	TRACTOR SERIAL NO.	REMARKS
1	19H2106	CAP SCREW	4		7/16" X 2-3/4"
	12H292	LOCK WASHER	4		1/2"
2	F2741R	PACKING	2		
3	R54312	MANIFOLD	1		(SUB FOR R47307)
4	R26375	O-RING	2		
5	AR27738	ELBOW FITTING	1		
6	R40922	PACKING	2		
7	R31736	FITTING	2		
8	AN140274	HYDRAULIC HOSE	2		
9	AT32332	ELBOW FITTING	2		(SUB FOR AR26763)
10	R26375	O-RING	2		
11	14H1076	NUT	2		3/8"
	12H304	LOCK WASHER	2		3/8"
12	A5748R	STUD	2		
13	N140340	BRACKET	1		
14	19H1726	CAP SCREW	2		3/8" X 2-1/4"
15	AN140262	SUPPORT	1		
16	R36946	SPRING	2		
17	R59633	WEAR RING	2		(SUB FOR R28204)
18	R28085	GUIDE	2		(SUB RE15361)
19	R28084	SPRING	2		
20	D2361R	BALL	2		13MM (1/2")
21	R32353	SOCKET OUTLET	1		
22	400R	BALL	12		6MM (1/4")
23	R495R	O-RING	2		
24	R26485	BACK-UP RING	2		
25	R32354	SPRING	2		(SUB RE15361)
26	R32355	SLEEVE	2		
27	R32356	SNAP RING	2		
28	R32419	COVER	2		
29	AR47331	SOCKET OUTLET	2		(SUB RE15361)
30	R28006	CAP	2		
31	R27430	HYD. QUICK-CONNECT COUPLER	1		(PRESSURE) (SUB AR93819)
	R45630	HYD. QUICK-CONNECT COUPLER	1		(RETURN) (SUB AR93820)
32	D2361R	BALL	2		13MM (1/2")
33	R28084	SPRING	2		
34	R28085	GUIDE	2		(SUB AR93819 AND AR93820, THIS APPLICATION)
35	R59633	WEAR RING	2		(SUB FOR R28204)
36	AR30210	INTERNAL HALF COUPLER	1		PRESSURE, (SUB AR93819)
	AR47643	BREAKAWAY COUPLER	1		RETURN, (SUB AR93820)
..	R47309	SHIFTER ROD	1		

2F17

HYDRAULICS

R20150 -UN-01JAN94

AUXILIARY OUTLET COUPLER (LATE DESIGN)



R 20150

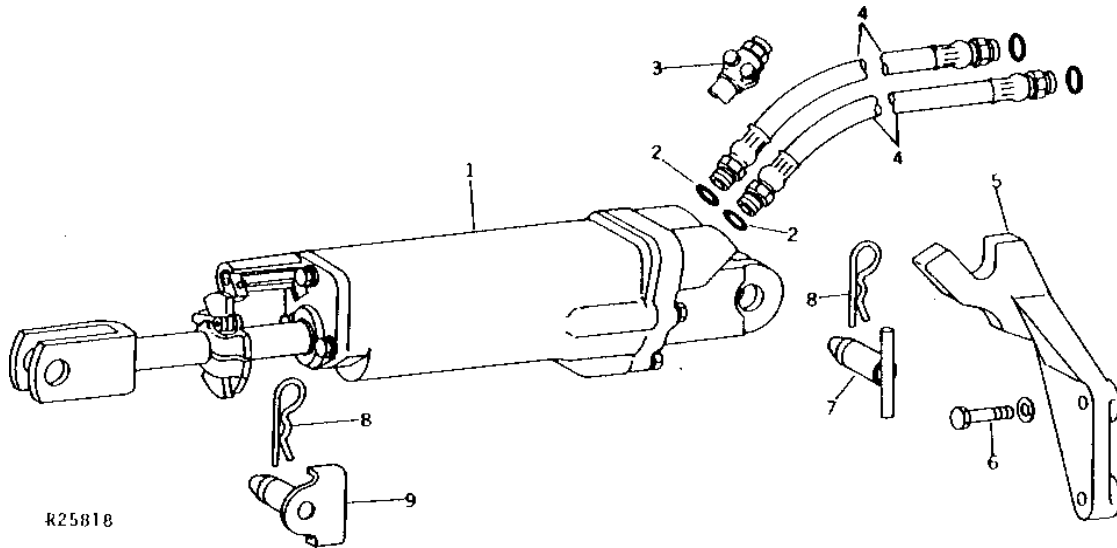
KEY	PART NO.	PART NAME	QTY	TRACTOR SERIAL NO.	REMARKS
1	19H2106	CAP SCREW	4	7/16" X 2-3/4"	
	12H293	LOCK WASHER	4	7/16"	
2	F2741R	PACKING	2		
3	R54312	MANIFOLD	1		
4	R26375	O-RING	3		
5	AR27738	ELBOW FITTING	2		
6	R40922	PACKING	2		
7	R31736	FITTING	2		
8	AN140274	HYDRAULIC HOSE	2		
9	R39112	FITTING	1		
10	AT32332	ELBOW FITTING	2		(SUB FOR AR26763)
11	R26375	O-RING	2		
12	14H1076	NUT	2	3/8"	
	12H304	LOCK WASHER	2	3/8"	
13	A5748R	STUD	2		
14	R49668	BRACKET	1		
15	19H1944	CAP SCREW	2	3/8" X 2-3/4"	
16	R59154	SUPPORT	1		(SUB FOR R49667)
17	AA15043	HYD. QUICK-CONNECT COUPLER	2		
18	A15899	CAP	2		
19	AA15042	HYD. QUICK-CONNECT COUPLER	2		
20	A15898	CAP	2		
	R47309	SHIFTER ROD	1		

2F18

HYDRAULICS

R25818 -UN-01JAN94

REMOTE CYLINDER, HOSES AND ARM



KEY	PART NO.	PART NAME	QTY	TRACTOR SERIAL NO.	REMARKS
1	AR27437	CYLINDER	1		(A) 7.6CM X 20CM (3" X 8") (ILLUSTRATED) (ORDER COMPONENT PARTS)
	AR34829	CYLINDER	1		(B) 7.6CM X 20CM (3" X 8")
	AR35261	CYLINDER	1		(A) 8.9CM X 20CM (3-1/2" X 8")
	AR36303	CYLINDER	1		(B) 8.9CM X 20CM (3-1/2" X 8")
2	R26375	O-RING	4		
3	AR30784	TEE FITTING	1		
4	AR26407	HYDRAULIC HOSE	2		10 X 233MM (3/8" X 92") (USE WITH 3" X 8" CYLINDER)
	R32183	HYDRAULIC HOSE	2		2.3M (92") (USE WITH 3" X 8" CYLINDER)
	R36795	HYDRAULIC HOSE	2		10 X 300MM (3/8" X 120") (USE WITH 3-1/2" X 8" CYLINDER)
5	R32118	ARM	1		L.H.
	R32117	ARM	1		R.H. (DUAL SELECTIVE CONTROL)
6	19H1765	CAP SCREW	2		3/8" X 1-3/4", (4 USED DUAL SELECTIVE CONTROL)
	12H304	LOCK WASHER	2		3/8", (4 USED DUAL SELECTIVE CONTROL)
7	AR47825	PIN	1		(SUB FOR AA6309R) (USE WITH AR27437)
	AR47825	PIN	2		(SUB FOR AA6309R) (USE WITH AR34829, AR35261 AND AR36303)
8	A3581R	SPRING LOCKING PIN	2		
9	AA6307R	PIN	1	-XXXXXX	(USE WITH AR27437) (SUB AR71902)
	AR71902	PIN	1	XXXXXX-	

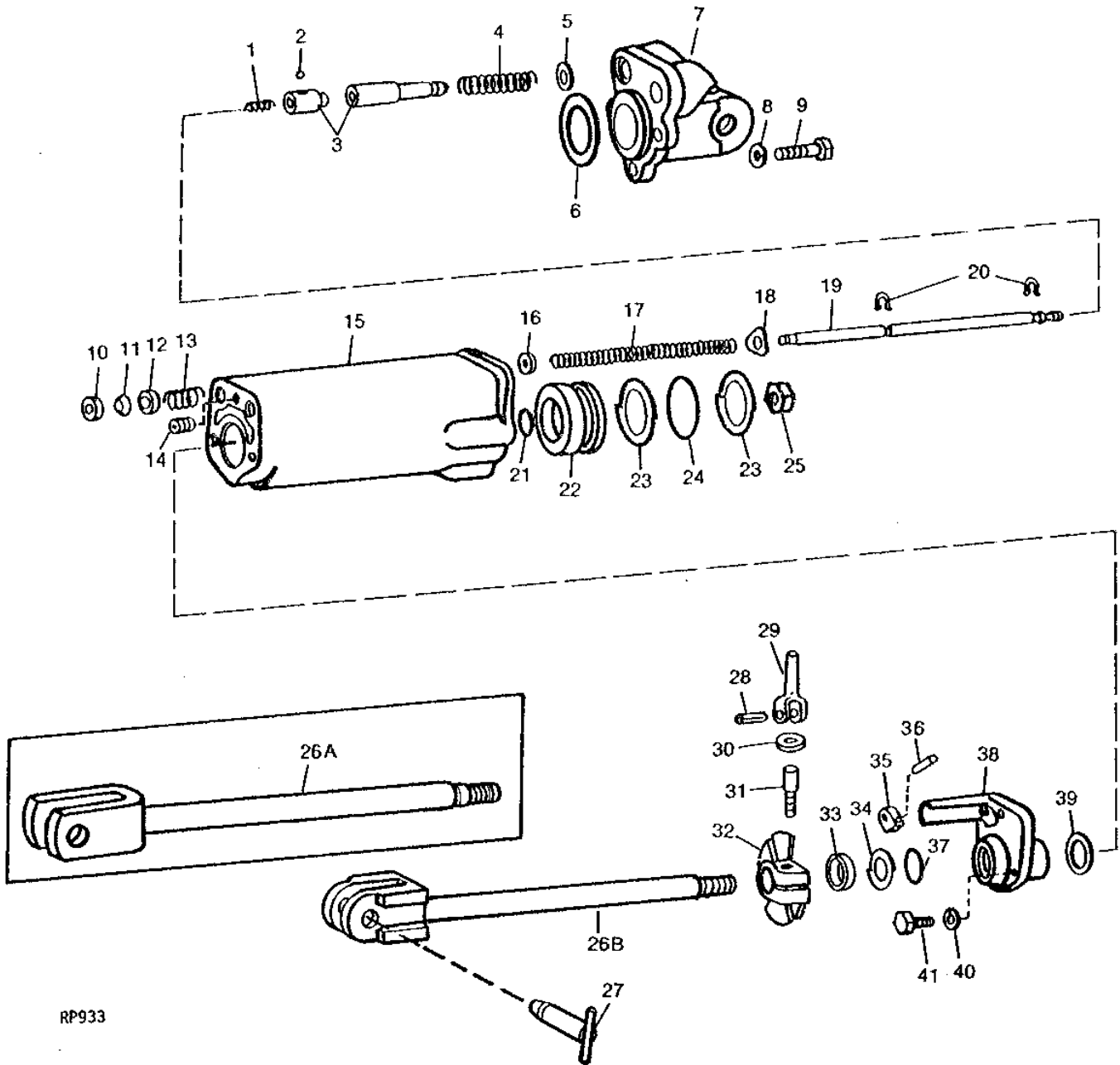
(A) HYDRAULIC STOP
(B) MECHANICAL STOP

2F19

HYDRAULICS

3" X 8" REMOTE CYLINDER PARTS (HYDRAULIC STOP)

RP933 -UN-01JAN94



RP933

2F20

HYDRAULICS

3" X 8" REMOTE CYLINDER PARTS - CONTINUED (HYDRAULIC STOP)

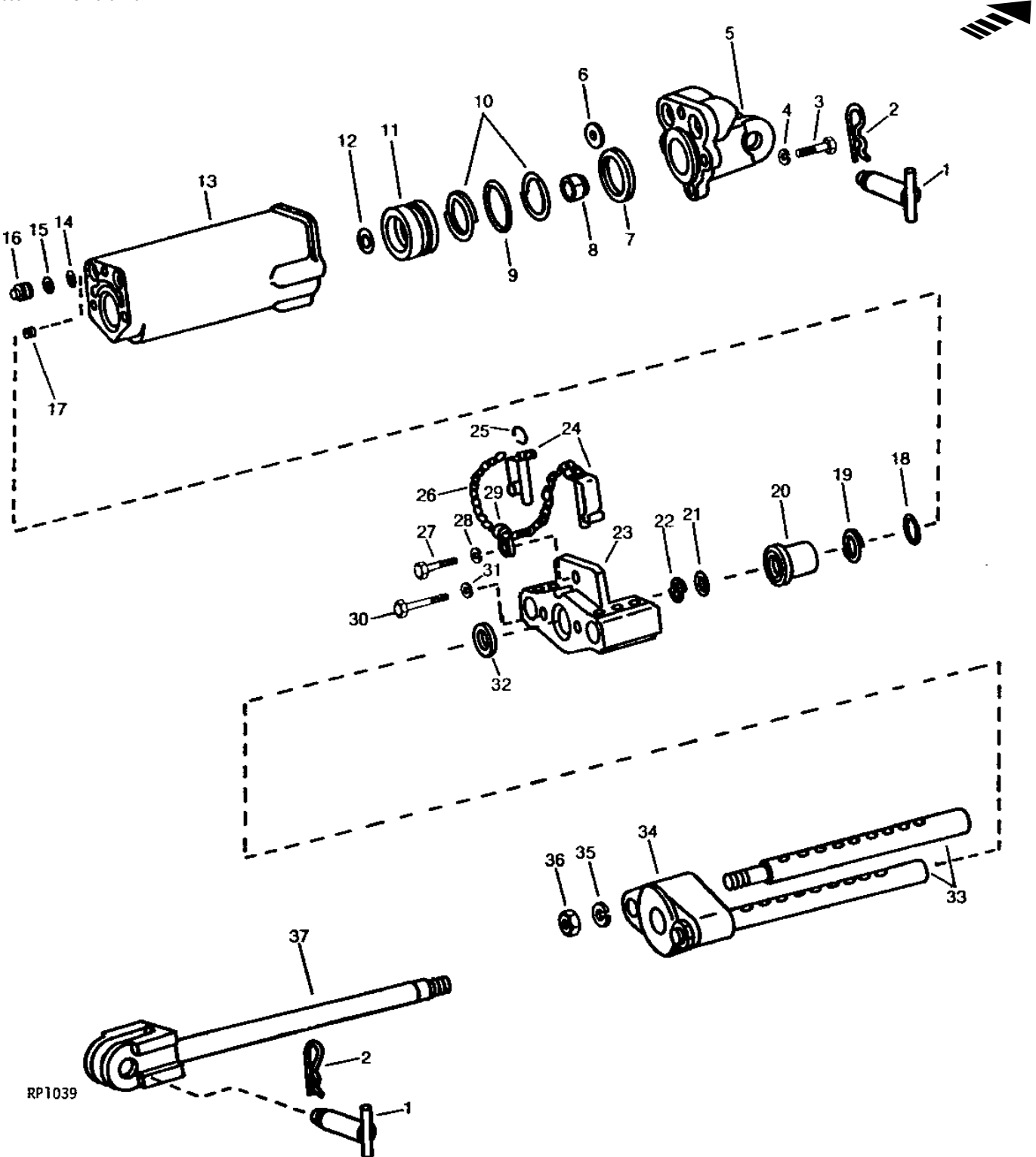
KEY	PART NO.	PART NAME	QTY	TRACTOR SERIAL NO.	REMARKS
1	A4741R	SPRING	1		(FIELD OPTION)
2	A4742R	BALL	1		(FIELD OPTION)
3	AA5731R	VALVE	1		(FIELD OPTION)
	R39012	VALVE	1		
4	R49352	SPRING	1		
5	A4723R	WASHER	2		
6	A4722R	WASHER	1		
7	R27427	HYDRAULIC CYLINDER CAP	1		
8	12H301	LOCK WASHER	4		1/2"
9	19H2473	CAP SCREW	4		1/2" X 1-3/4"
10	A4746R	ADAPTER	1		FEMALE
11	A4745R	PACKING	3		
12	A4747R	WASHER	1		MALE
13	A4748R	SPRING ASSEMBLY	1		
14	15H624	PIPE PLUG	1		1/2"
15	R27421	CYLINDER	1		
16	24H1301	WASHER	1		13/32" X 9/16" X 0.065"
17	A4737R	SPRING	1		
18	R57696	WASHER	1		
19	A4736R	ROD	1		
20	A4739R	RING	2		
21	R27564	O-RING	1		
22	R44296	PISTON	1		
23	R27649	BACK-UP RING	2		
24	A4728R	O-RING	1		
25	R45620	LOCK NUT	1		
26A	AR45543	ROD	1		(SUB AR45545 AND AR47825)
26B	AR45545	ROD	1		
27	AR47825	PIN	1		
28	34H264	SPRING PIN	1		5/32" X 7/8"
29	A5302R	YOKE	1		
30	R1870R	WASHER	1		(SUB R57696)
31	A5301R	SCREW	1		
32	R27423	STOP	1		
33	AP19547	SEAL	1		
34	R26441	BACK-UP RING	1		
35	R27426	ARM	1		
36	25H760	GROOVE PIN	1		7/32" X 1-1/4"
37	A3606R	O-RING	1		
38	R40218	GUIDE	1		
39	F1441R	WASHER	1		
40	12H304	LOCK WASHER	3		3/8"
41	19H1731	CAP SCREW	3		3/8" X 1"

2F21

HYDRAULICS

3" X 8" REMOTE CYLINDER PARTS (MECHANICAL STOP)

RP1039 -UN-01JAN94



2F22

HYDRAULICS

3" X 8" REMOTE CYLINDER PARTS - CONTINUED (MECHANICAL STOP)

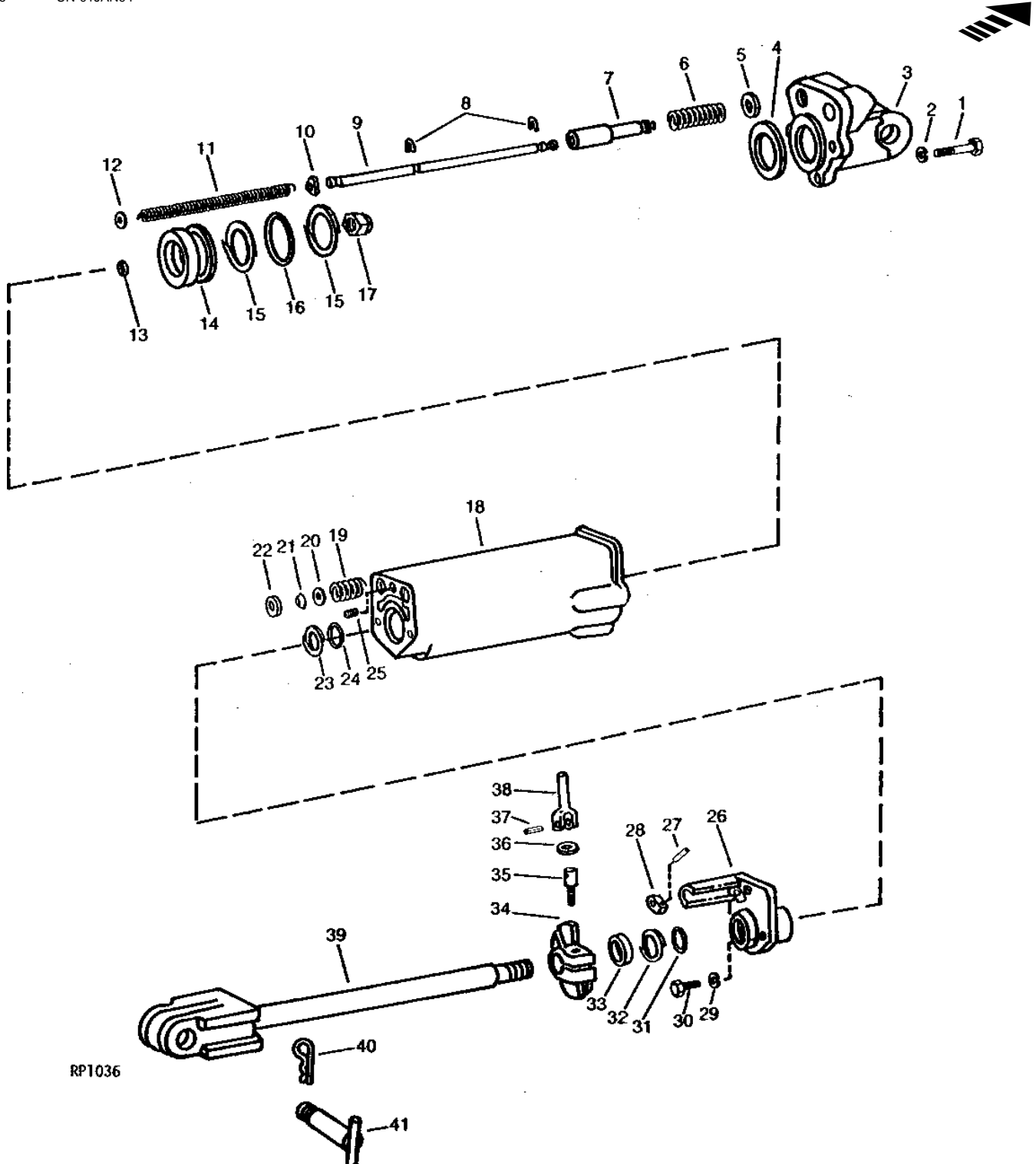
KEY	PART NO.	PART NAME	QTY	TRACTOR SERIAL NO.	REMARKS
1	AR47825	PIN	2		
2	A3581R	SPRING LOCKING PIN	2		
3	19H2473	CAP SCREW	4		1/2" X 1-3/4"
4	12H301	LOCK WASHER	4		1/2"
5	R27427	HYDRAULIC CYLINDER CAP	1		
6	A4723R	WASHER	2		
7	A4722R	WASHER	1		
8	R45620	LOCK NUT	1		
9	A4728R	O-RING	1		
10	R27649	BACK-UP RING	2		
11	R44296	PISTON	1		
12	R27564	O-RING	1		
13	R27421	CYLINDER	1		
14	R459R	O-RING	1		
15	R32588	BACK-UP RING	1		
16	R34131	PLUG	1		
17	15H624	PIPE PLUG	1		1/2"
18	R1138R	O-RING	1		
19	R34966	BACK-UP RING	1		
20	R34965	GUIDE	1		
21	A3606R	O-RING	1		
22	R26441	BACK-UP RING	1		
23	R44285	GUIDE	1		
24	AR68145	QUICK LOCK PIN	2		
25	D2913R	LINK	2		
26	AN163885	LINK CHAIN	1		(SUB FOR R49193)
27	19H2552	CAP SCREW	1		3/8" X 1-1/8"
28	12H304	LOCK WASHER	1		3/8"
29	T13073	CLIP	1		
30	19H1726	CAP SCREW	2		3/8" X 2-1/4"
31	12H304	LOCK WASHER	2		3/8"
32	AP19547	SEAL	1		
33	R44287	ROD	2		
34	R36952	STOP	1		
35	12H236	LOCK WASHER	2		3/4"
36	14H905	NUT	2		3/4"
37	AR45545	ROD	1		

2F23

HYDRAULICS

3-1/2" X 8" REMOTE CYLINDER PARTS (HYDRAULIC STOP)

RP1036 -UN-01JAN94



RP1036

2F24

HYDRAULICS

3-1/2" X 8" REMOTE CYLINDER PARTS - CONTINUED (HYDRAULIC STOP)

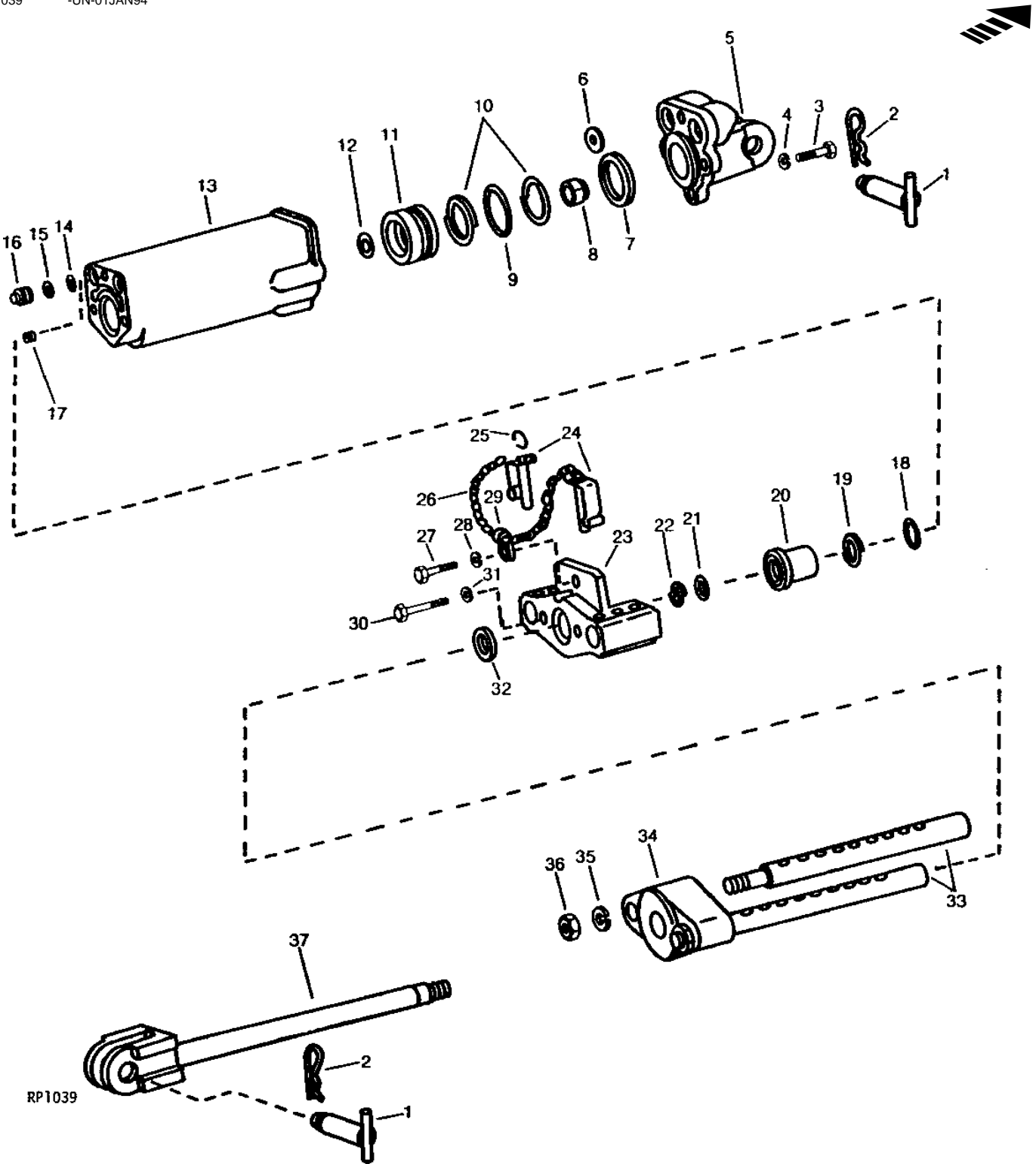
KEY	PART NO.	PART NAME	QTY	TRACTOR SERIAL NO.	REMARKS
1	19H2357	CAP SCREW	4		9/16" X 2"
2	12H317	LOCK WASHER	4		9/16"
3	R35452	CYLINDER HEAD	1		
4	F1427R	WASHER	1		
5	A4723R	WASHER	2		
6	R49352	SPRING	1		
7	R39012	VALVE	1		
8	A4739R	RING	2		
9	A4736R	ROD	1		
10	R57696	WASHER	1		
11	A4737R	SPRING	1		
12	24H1301	WASHER	1		13/32" X 9/16" X 0.065"
13	R27564	O-RING	1		
14	R44297	PISTON	1		
15	R35472	BACK-UP RING	2		
16	F1430R	O-RING	1		
17	R45620	LOCK NUT	1		
18	R35447	CYLINDER	1		
19	A4748R	SPRING ASSEMBLY	1		
20	A4747R	WASHER	1		
21	A4745R	PACKING	3		
22	A4746R	ADAPTER	1		
23	R35474	BACK-UP RING	1		
24	T11220	O-RING	1		
25	15H624	PIPE PLUG	1		1/2"
26	R40219	GUIDE	1		
27	25H760	GROOVE PIN	1		7/32" X 1-1/4"
28	A5304R	ARM	1		
29	12H304	LOCK WASHER	3		3/8"
30	19H1731	CAP SCREW	3		3/8" X 1"
31	R29463	O-RING	1		
32	R35473	BACK-UP RING	1		
33	R35738	SEAL	1		
34	R35448	STOP	1		
35	A5301R	SCREW	1		
36	R1870R	WASHER	1		(SUB R57696)
37	34H264	SPRING PIN	1		5/32" X 7/8"
38	A5302R	YOKE	1		
39	AR45544	ROD	1		
40	A3581R	SPRING LOCKING PIN	2		
41	AR47825	PIN	2		

2G1

HYDRAULICS

3-1/2" X 8" REMOTE CYLINDER PARTS (MECHANICAL STOP)

RP1039 -UN-01JAN94



2G2

HYDRAULICS

3-1/2" X 8" REMOTE CYLINDER PARTS - CONTINUED (MECHANICAL STOP)

KEY	PART NO.	PART NAME	QTY	TRACTOR SERIAL NO.	REMARKS
1	AR47825	PIN	2		
2	A3581R	SPRING LOCKING PIN	2		
3	19H2357	CAP SCREW	4		9/16" X 2"
4	12H317	LOCK WASHER	4		9/16"
5	R35452	CYLINDER HEAD	1		
6	A4723R	WASHER	2		
7	F1427R	WASHER	1		
8	R45620	LOCK NUT	1		
9	F1430R	O-RING	1		
10	R35472	BACK-UP RING	2		
11	R44297	PISTON	1		
12	R27564	O-RING	1		
13	R35447	CYLINDER	1		
14	R459R	O-RING	1		
15	R32588	BACK-UP RING	1		
16	R34131	PLUG	1		
17	15H624	PIPE PLUG	1		1/2"
18	T11220	O-RING	1		
19	R35474	BACK-UP RING	1		
20	R36951	GUIDE	1		
21	R29463	O-RING	1		
22	R35473	BACK-UP RING	1		
23	R44286	GUIDE	1		
24	AR68145	QUICK LOCK PIN	2		
25	D2913R	LINK	2		
26	AN163885	LINK CHAIN	1		(SUB FOR R49193)
27	19H2552	CAP SCREW	1		3/8" X 1-1/8"
28	12H304	LOCK WASHER	1		3/8"
29	T13073	CLIP	1		
30	19H1726	CAP SCREW	2		3/8" X 2-1/4"
31	12H304	LOCK WASHER	2		3/8"
32	R35738	SEAL	1		
33	R44287	ROD	2		
34	R36952	STOP	1		
35	12H236	LOCK WASHER	2		3/4"
36	14H905	NUT	2		3/4"
37	AR45544	ROD	1		

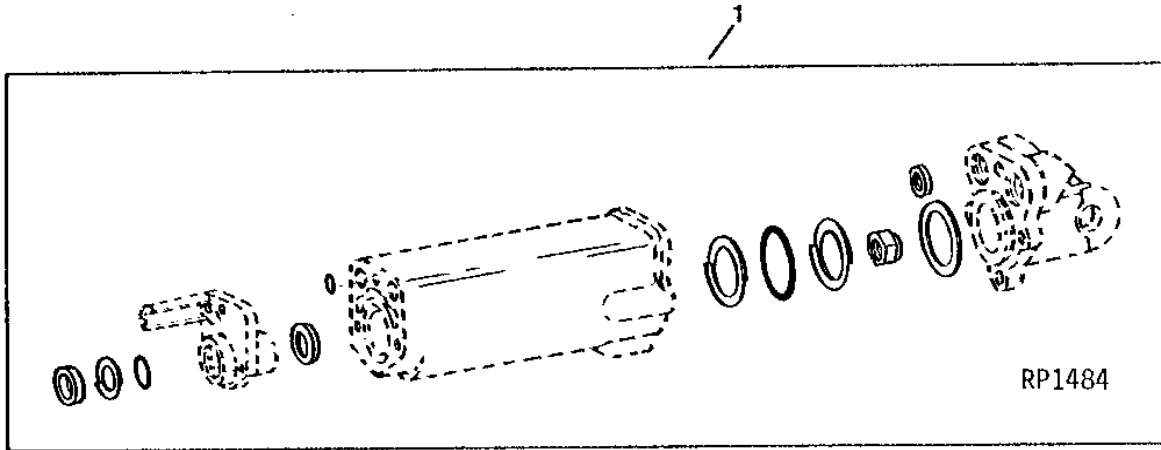
2G3

HYDRAULICS

RP1484

-UN-01JAN94

REMOTE CYLINDER OVERHAUL KIT (3" X 8" HYDRAULIC STOP)



KEY	PART NO.	PART NAME	QTY	TRACTOR SERIAL NO.	REMARKS
1	AR67389	KIT	1		

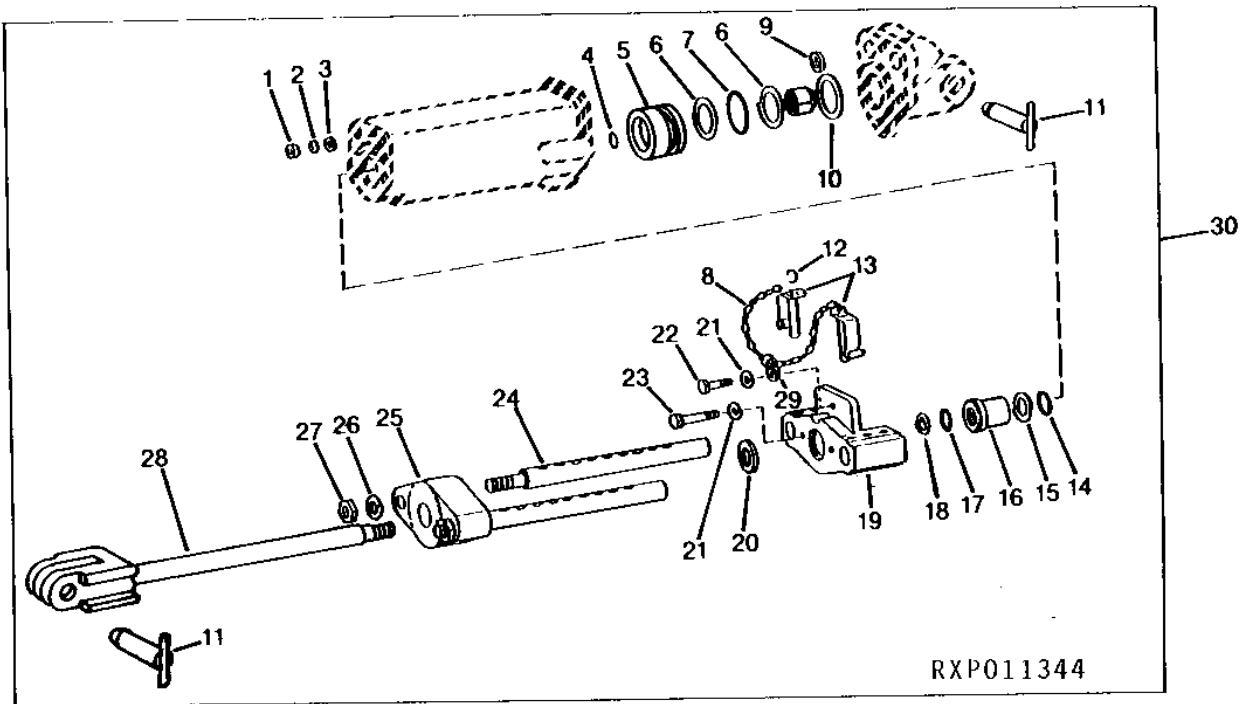
MEMORANDA

2G4

HYDRAULICS

RXP011344 -UN-12OCT94

REMOTE CYLINDER CONVERSION KIT
(3" X 8" HYDRAULIC STOP TO MECHANICAL STOP)



2G5

HYDRAULICS

**REMOTE CYLINDER CONVERSION KIT - CONTINUED
(3" X 8" HYDRAULIC STOP TO MECHANICAL STOP)**

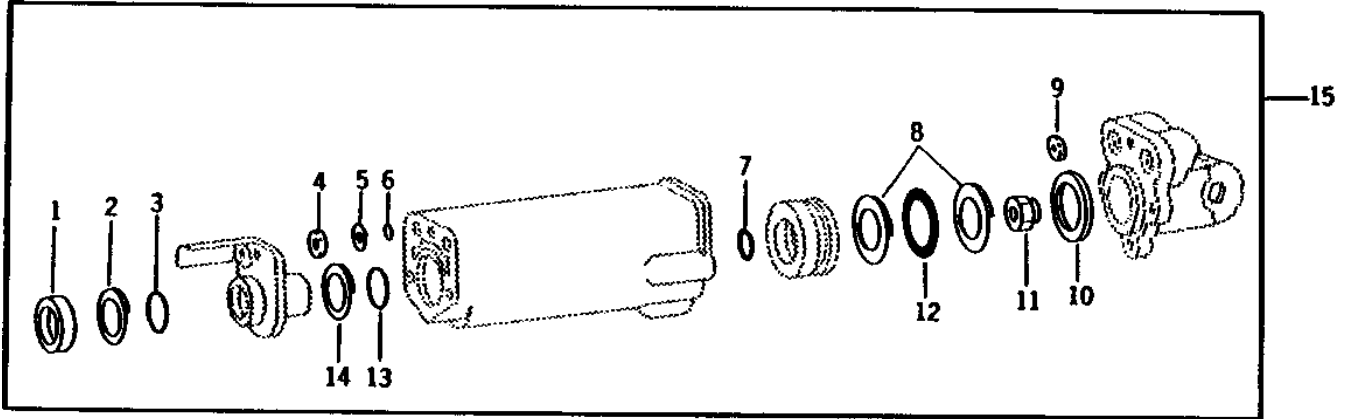
KEY	PART NO.	PART NAME	QTY	TRACTOR SERIAL NO.	REMARKS
1	R34131	PLUG	1		
2	R32588	BACK-UP RING	1		
3	R56464	O-RING	1		
4	R27564	O-RING	1		
5	R44296	PISTON	1		
6	R27649	BACK-UP RING	2		
7	A4728R	O-RING	1		
8	AN163885	LINK CHAIN	1		(SUB FOR R49193)
9	A4723R	WASHER	2		
10	A4722R	WASHER	1		
11	AR47825	PIN	2		
12	D2913R	LINK	2		
13	AR68145	QUICK LOCK PIN	2		
14	R1138R	O-RING	1		
15	R34966	BACK-UP RING	1		
16	R34965	GUIDE	1		
17	A3606R	O-RING	1		
18	R26441	BACK-UP RING	1		
19	R44285	GUIDE	1		
20	AP19547	SEAL	1		
21	12H304	LOCK WASHER	3		3/8"
22	19H2552	CAP SCREW	1		3/8" X 1-1/8"
23	19H1726	CAP SCREW	2		3/8" X 2-1/4"
24	R44287	ROD	2		
25	R36952	STOP	1		
26	12H236	LOCK WASHER	2		3/4"
27	14H905	NUT	2		3/4"
28	AR45545	ROD	1		
29	T13073	CLIP	1		
30	AR45535	KIT	1		(FI)

2G6

HYDRAULICS

R32035 -UN-23SEP94

REMOTE CYLINDER OVERHAUL KIT (3-1/2" X 8" HYDRAULIC OR MECHANICAL STOP)



R 320 35F

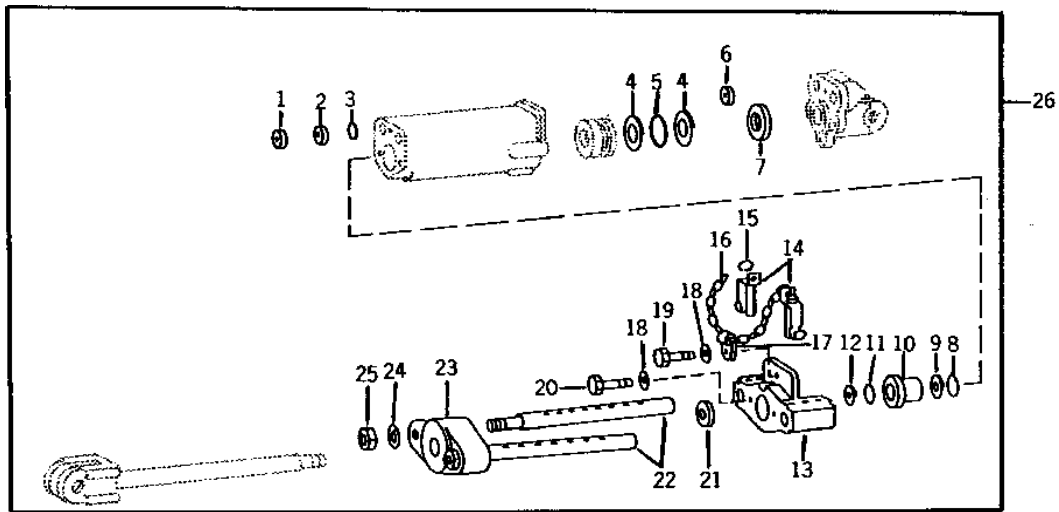
KEY	PART NO.	PART NAME	QTY	TRACTOR SERIAL NO.	REMARKS
1	R35738	SEAL	1		
2	R35473	BACK-UP RING	1		
3	R29463	O-RING	1		
4	A4745R	PACKING	3		(HYDRAULIC STOP)
5	R32588	BACK-UP RING	1		(MECHANICAL STOP)
6	R459R	O-RING	1		(MECHANICAL STOP)
7	R27564	O-RING	1		
8	R35472	BACK-UP RING	2		
9	A4723R	WASHER	2		
10	F1427R	WASHER	1		
11	R45620	LOCK NUT	1		
12	F1430R	O-RING	1		
13	T11220	O-RING	1		
14	R35474	BACK-UP RING	1		
15	AR31945	KIT	1		

2G7

HYDRAULICS

R32034 -UN-06OCT94

REMOTE CYLINDER CONVERSION KIT (3-1/2" X 8" HYDRAULIC STOP TO MECHANICAL STOP)



R32034F

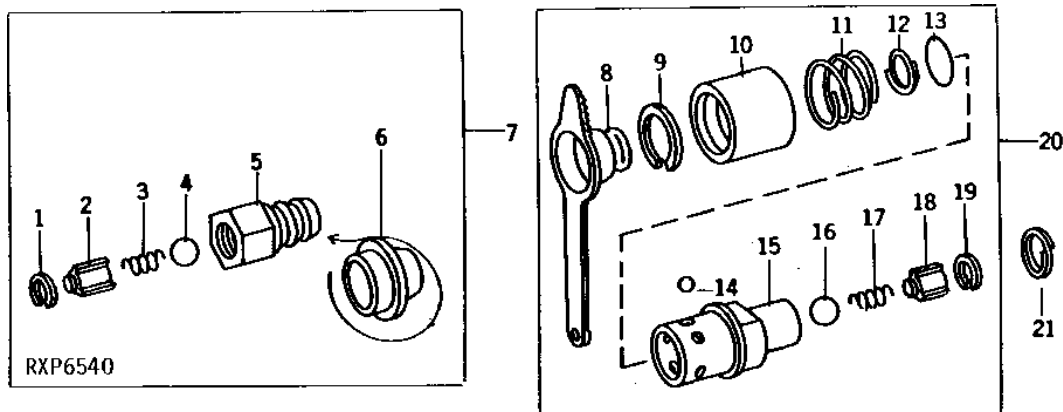
KEY	PART NO.	PART NAME	QTY	TRACTOR SERIAL NO.	REMARKS
1	R34131	PLUG	1		
2	R32588	BACK-UP RING	1		
3	R459R	O-RING	1		
4	R35472	BACK-UP RING	2		
5	F1430R	O-RING	1		
6	A4723R	WASHER	2		
7	F1427R	WASHER	1		
8	T11220	O-RING	1		
9	R35474	BACK-UP RING	1		
10	R36951	GUIDE	1		
11	R29463	O-RING	1		
12	R35473	BACK-UP RING	1		
13	R44286	GUIDE	1		
14	AR68145	QUICK LOCK PIN	2		
15	D2913R	LINK	2		
16	AN163885	LINK CHAIN	1		(SUB FOR R49193)
17	T13073	CLIP	1		
18	12H304	LOCK WASHER	3		3/8"
19	19H2552	CAP SCREW	1		3/8" X 1-1/8"
20	19H1726	CAP SCREW	2		3/8" X 2-1/4"
21	R35738	SEAL	1		
22	R44287	ROD	2		
23	R36952	STOP	1		
24	12H236	LOCK WASHER	2		3/4"
25	14H905	NUT	2		3/4"
26	AR45534	KIT	1		

2G8

HYDRAULICS

RXP6540 -UN-06OCT94

FLEXIBLE OIL LINE COUPLER



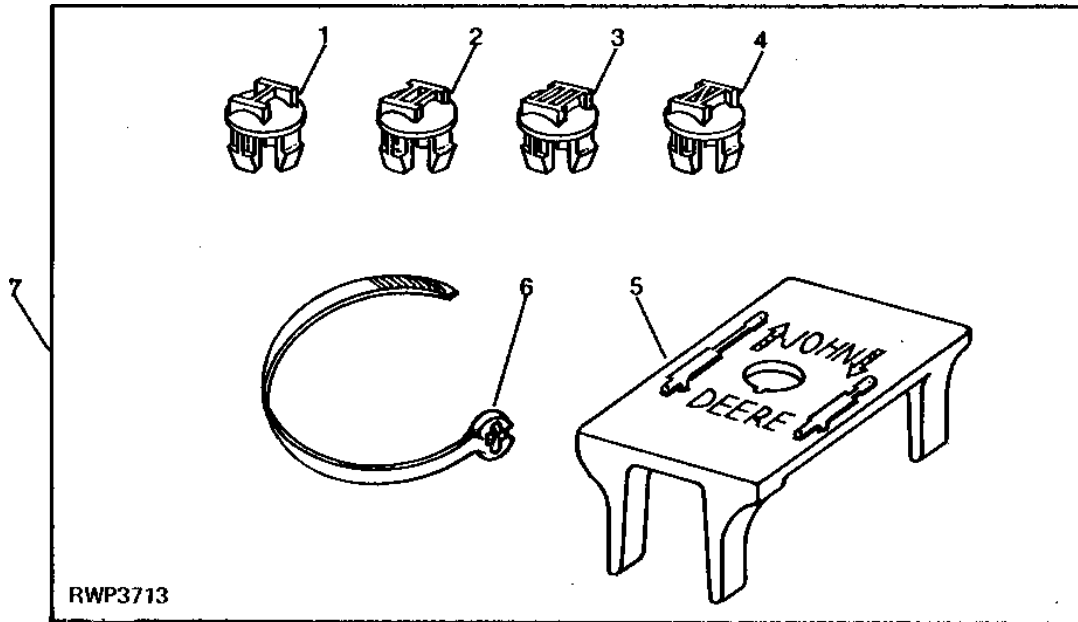
KEY	PART NO.	PART NAME	QTY	TRACTOR SERIAL NO.	REMARKS
1	R59633	WEAR RING	1		
2	R28085	GUIDE	1		(SUB AR93819 AND AR93820)
3	R28084	SPRING	1		
4	D2361R	BALL	1		13MM (1/2")
5	R27430	HYD. QUICK-CONNECT COUPLER	1		(PRESSURE) (SUB AR93819)
	R45630	HYD. QUICK-CONNECT COUPLER	1		(RETURN)
6	R28006	CAP	1		
7	AR30210	INTERNAL HALF COUPLER	1		(PRESSURE) (SUB AR93819)
	AR47643	BREAKAWAY COUPLER	1		(RETURN) (SUB AR93820)
8	R32419	COVER	1		
9	R32356	SNAP RING	1		
10	R32355	SLEEVE	1		
11	R32354	SPRING	1		
12	R26485	BACK-UP RING	1		
13	R495R	O-RING	1		
14	400R	BALL	6		6MM (1/4")
15	R32353	SOCKET OUTLET	1		
16	D2361R	BALL	1		13MM (1/2")
17	R28084	SPRING	1		
18	R28085	GUIDE	1		(SUB RE15361)
19	R59633	WEAR RING	1		
20	AR47331	SOCKET OUTLET	1		(SUB RE15361)
21	R36946	SPRING	1		

2G9

HYDRAULICS

RWP3713 -UN-01JAN94

REMOTE CYLINDER HOSE IDENTIFICATION KIT



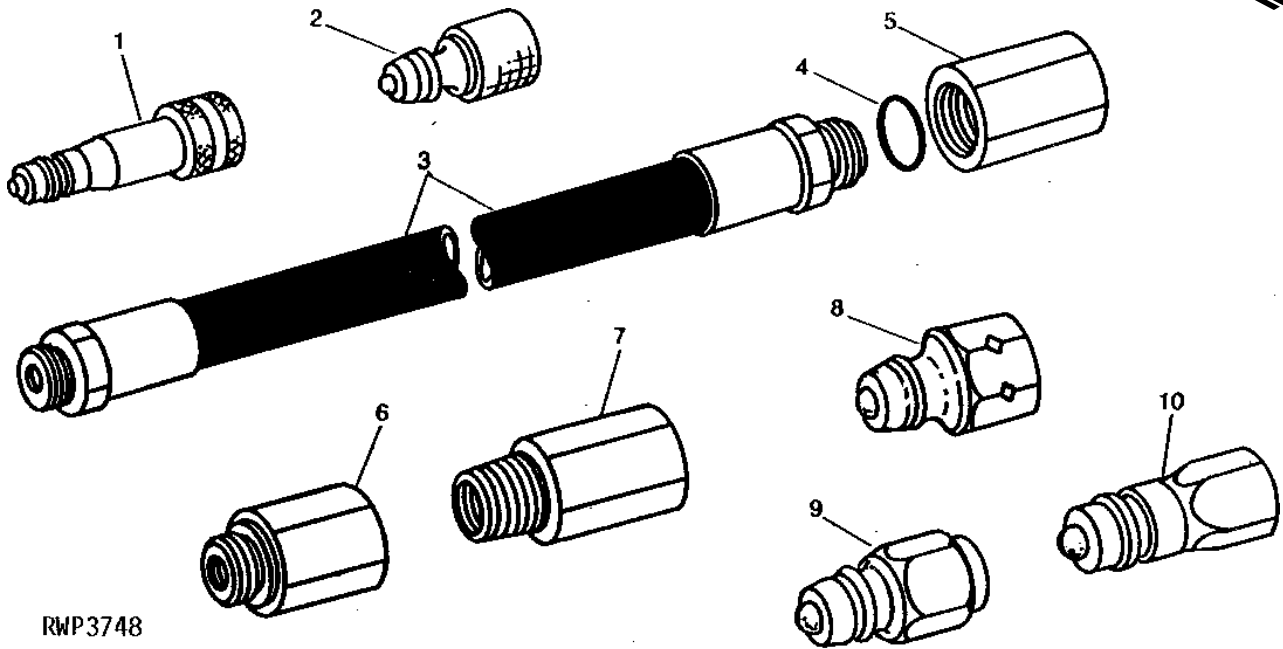
KEY	PART NO.	PART NAME	QTY	TRACTOR SERIAL NO.	REMARKS
1	R74242	PLUG	1		
2	R74243	PLUG	1		
3	R74244	PLUG	1		
4	R74246	PLUG	1		
5	R76459	TAG	1		
6	R76477	TIE BAND	2		
7	AR103808	KIT	1		

2G10

HYDRAULICS

RWP3748 -UN-01JAN94

IMPLEMENT HYDRAULIC OIL LINES AND FITTINGS



RWP3748

KEY	PART NO.	PART NAME	QTY	TRACTOR SERIAL NO.	REMARKS
1	AR98202	HYD. QUICK-CONNECT COUPLER	1		ISO TO JOHN DEERE
	RE11457	ADAPTER	1		IHC TO ISO
2	AR98201	HYD. QUICK-CONNECT COUPLER	1		ISO TO JOHN DEERE (FI)
	RE11456	ADAPTER	1		IHC TO JOHN DEERE
	RE11458	ADAPTER	1		JOHN DEERE TO IHC
	RE11463	ADAPTER	1		ISO TO IHC
3	AR28754	HYDRAULIC HOSE	1		(SUB TY3018) 10 X 610MM (3/8" X 24")
	AR28755	HYDRAULIC HOSE	1		10 X 914MM (3/8" X 36")
	R36658	HYDRAULIC HOSE	1		13 X 610MM (1/2" X 24")
	R36659	HYDRAULIC HOSE	1		13 X 914MM (1/2" X 36")
4	R26375	O-RING	1		
5	R30815	FITTING	1		3/4" THREAD
6	R30817	ADAPTER	1		3/4"-16UNF MALE X 1/2"-14NPT FEMALE
7	R30816	ADAPTER	1		1/2"-14NPT MALE X 3/4"-16UNF FEMALE
8	AR93820	FITTING	1		JOHN DEERE, 3/4"-16 UNF
9	RE11447	FITTING	1		JOHN DEERE, 1/2"-14NPT
10	AR94522	INTERNAL HALF COUPLER	1		ISO, 3/4"-16UNF

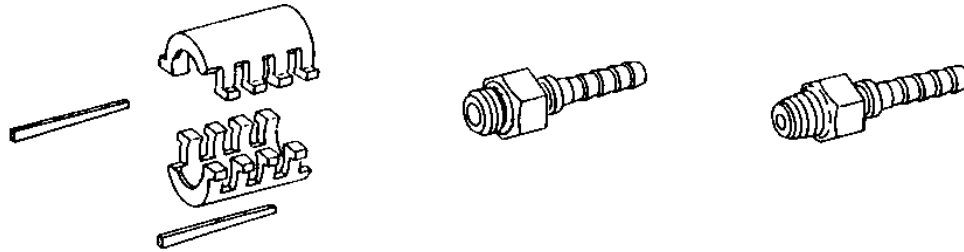
2G11

HYDRAULICS

RXP7733

-UN-23SEP94

BULK FLEXIBLE OIL LINE AND REUSABLE LOK-PIN COUPLINGS



Oil Line (Length) Approx. 50 ft.)		Set of Ferrules with Pins*	Stem-Straight Thread with O-ring	Stem-Pipe Thread
R 34790	3/8" I.D. — 1 Wire	AR 39635* *	R 39687
R 34791	1/2" I.D. — 1 Wire	AR 39636* *	R 39688
R 34792	3/4" I.D. — 1 Wire	AR 39637#	R 39689
R 34793	3/8" I.D. — 2 Wire	AR 39632	AR 39635* *	R 39687
R 34794	1/2" I.D. — 2 Wire	AR 39636* *	R 39688
R 34795	3/4" I.D. — 2 Wire	AR 39637#	R 39689

* Each set of ferrules includes two R39681 pins - extra pins may be ordered, packed 20 in a package.
 **Includes R26375 O-ring.
 # Includes F3171R O-ring.

REUSABLE COUPLINGS (Use With Braid Flexible Oil Line)



1 WR Single Wire		2 WR Double Wire		I.D.	Thread
Coupling No.		Coupling No.			
AF 3585	R	AR 21629		3/8"	3/8" — 18 NPTF
AF 3586	R	AR 21630		1/2"	1/2" — 14 NPTF
AF 3587	R		5/8"	3/4" — 14 NPTF
AF 3588	R	AR 21632		3/4"	3/4" — 14 NPTF
R 34644		AR 21634		1"	1" — 11-1/2" NPTF
R 34646		R 34647		3/8"	3/4" — 16 O-ring type thread
				1/2"	3/4" — 16 O-ring type thread

BULK SINGLE WIRE BRAID FLEXIBLE OIL LINE (Use With Reusable Coupling for Single Wire Braid Flexible Oil Line)

Part No.	I.D.	O.D.	Length
A 5776 R	1/2"	29/32"	Approx. 50 ft.
A 5777 R	5/8"	1-1/32"	Approx. 50 ft.

BULK DOUBLE WIRE BRAID FLEXIBLE OIL LINE (Use with Reusable Coupling for Double Wire Braid Flexible Oil Line)

Part No.	I.D.	O.D.	Length
R 21531	3/8"	29/32"	Approx. 50 ft.
R 21532 RXP7733	1/2"	31/32"	Approx. 50 ft.

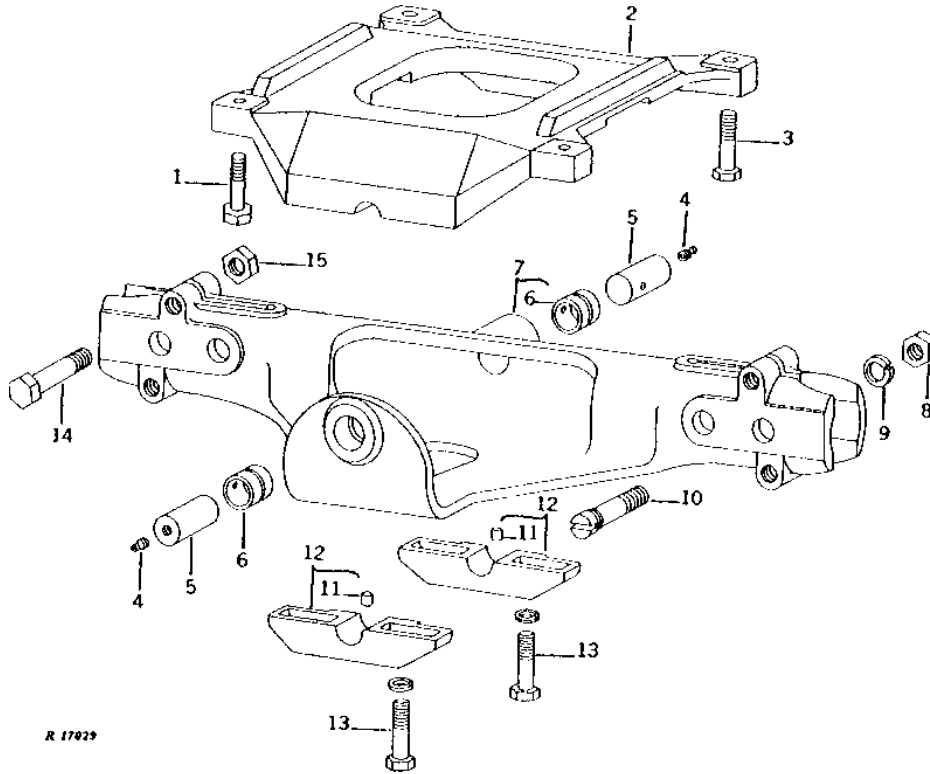
MEMORANDA

2G14

WHEELS, FRONT AXLES, SHEET METAL

R17029 -UN-01JAN94

ADJUSTABLE FRONT AXLE HOUSING AND PIVOT BRACKET



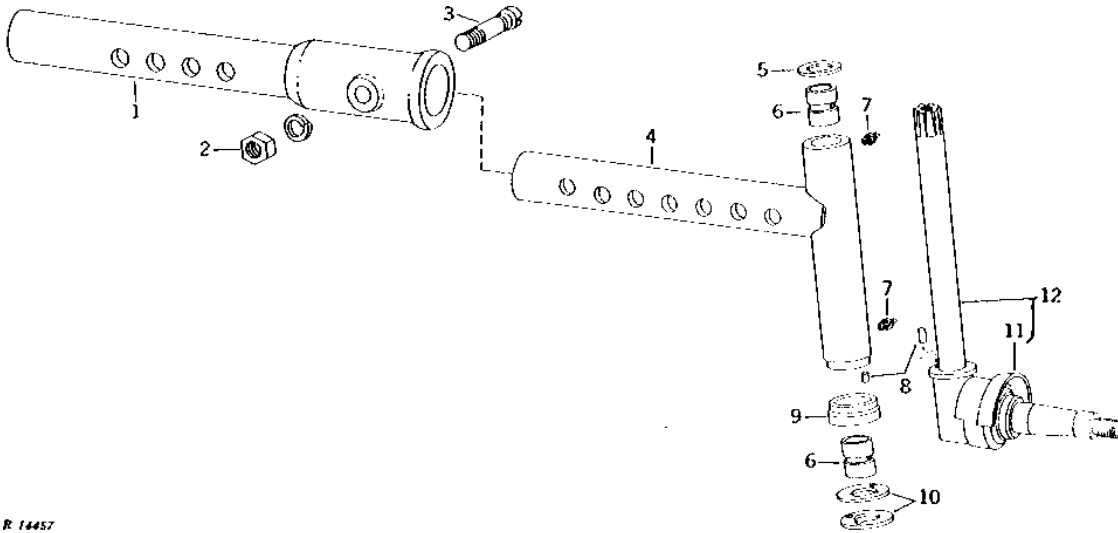
KEY	PART NO.	PART NAME	QTY	TRACTOR SERIAL NO.	REMARKS
1	19H1890	CAP SCREW	2		
2	AR69836	BRACKET	1		(MARKED R47180) (WITH LOWER CLAMPS) (SUB FOR R47180)
3	19H1862	CAP SCREW	2		3/4" X 2-1/2"
4	JD7759	LUBRICATION FITTING	2		
5	R27817	PIN	2		
6	A877R	BUSHING	2		
7	AR50865	HOUSING	1		(MARKED R47735, R47736 OR R51305)
8	14H854	NUT	2		1"
9	12H234	LOCK WASHER	2		1"
10	B2694R	BOLT	2		
11	R726R	DOWEL PIN	2		
12	AR30154	CLAMP	2		(MARKED R27809)
13	19H1707	CAP SCREW	4		3/4" X 2-3/4"
	12H236	LOCK WASHER	4		3/4"
14	19H2026	CAP SCREW	4		3/4" X 4"
15	14H794	NUT	4		3/4"

2G15

WHEELS, FRONT AXLES, SHEET METAL

R14457 -UN-01JAN94

ADJUSTABLE FRONT AXLE KNEE



R 14457

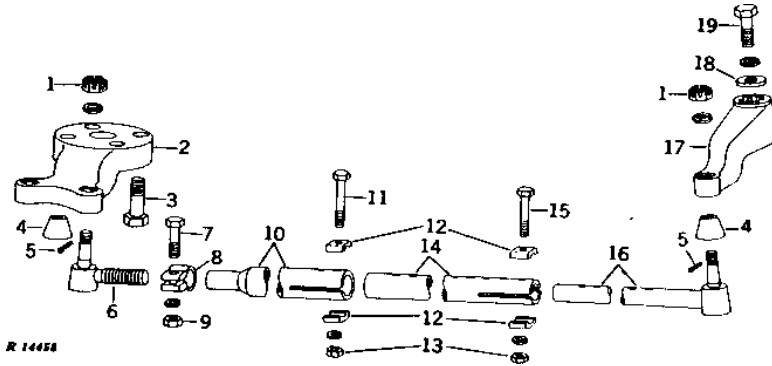
KEY	PART NO.	PART NAME	QTY	TRACTOR SERIAL NO.	REMARKS
1	R30747	EXTENSION	1		(NO LONGER AVAILABLE)
2	14H854	NUT	1		1"
	12H234	LOCK WASHER	1		1"
3	B2694R	BOLT	1		
4	AR50962	AXLE KNEE	2		
	AR50963	AXLE KNEE	2		(EXTRA WIDE TREAD)
5	D467R	WASHER	2		
	R34757	SHIM	2		
6	A877R	BUSHING	4		
7	JD7759	LUBRICATION FITTING	4		
8	34H308	SPRING PIN	4		1/4" X 1/2"
9	B2693R	DUST SHIELD	2		
10	A890R	THRUST WASHER	4		
11	R20255	DUST SHIELD	2		
12	AR55180	KNUCKLE	2		(SUB FOR AR50984)

2G16

WHEELS, FRONT AXLES, SHEET METAL

ADJUSTABLE TREAD FRONT AXLE STEERING ARMS AND TIE RODS

R14458 -UN-01JAN94



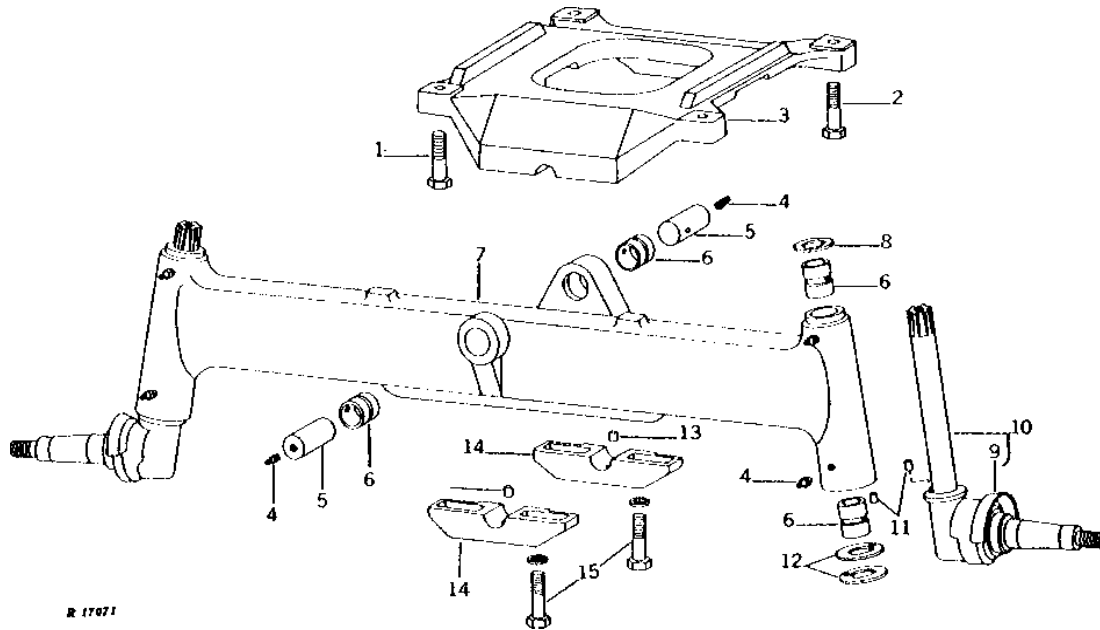
KEY	PART NO.	PART NAME	QTY	TRACTOR SERIAL NO.	REMARKS
1	14H918	NUT	4	5/8"	
	12H294	LOCK WASHER	4	5/8"	
2	R27808	ARM	1		
3	19H2663	CAP SCREW	4	3/4" X 2-1/8"	
4	R40589	COVER	4		
5	11M7015	COTTER PIN	4	3.200 X 25 MM	
6	AR27351	UNIVERSAL JOINT	2		
	JD7806	LUBRICATION FITTING	2	90°	
7	19H1802	CAP SCREW	2	7/16" X 1-7/8"	
8	R28023	CLAMP	2		
9	14H1047	NUT	2	7/16"	
	12H293	LOCK WASHER	2	7/16"	
10	R28021	TUBE	2	OUTER	
	R30748	TUBE	1	OUTER (USED WITH KNEE EXTENSION)	
11	19H3065	CAP SCREW	4	3/8" X 2"	
12	R28024	CLAMP	16	-XXXXXX	
13	K40003	LOCK NUT	8		
	12H304	LOCK WASHER	8		
14	R28022	TUBE	2	INNER	
	R31573	TUBE	2	INNER (EXTRA WIDE TREAD)	
15	19H1733	CAP SCREW	4	3/8" X 2-1/2"	
16	AR51584	TIE ROD END	2	OUTER	
	JD7797	LUBRICATION FITTING	2		
17	R47765	STEERING ARM	1	R.H.	
	R47766	STEERING ARM	1	L.H.	
18	R20135	WASHER	2		
19	19H1890	CAP SCREW	2	5/8" X 2-3/4"	
	12H294	LOCK WASHER	2	5/8"	

2G17

WHEELS, FRONT AXLES, SHEET METAL

R17071 -UN-01JAN94

FIXED TREAD FRONT AXLE



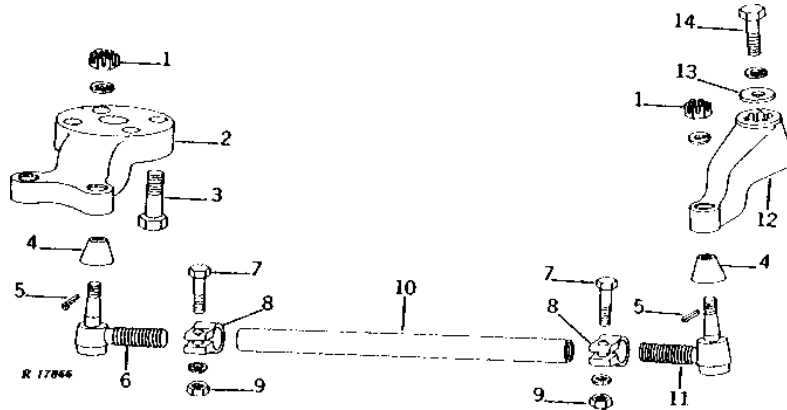
KEY	PART NO.	PART NAME	QTY	TRACTOR SERIAL NO.	REMARKS
1	19H1890	CAP SCREW	2	5/8" X 2-3/4"	
2	19H1862	CAP SCREW	2	3/4" X 2-1/2"	
3	AR69836	BRACKET	1	(MARKED R47180) (WITH LOWER CLAMPS) (SUB FOR R47180)	
4	JD7759	LUBRICATION FITTING	6		
5	R27817	PIN	2		
6	A877R	BUSHING	6		
7	AR27555	FRONT AXLE	1	(MARKED R27950)	
8	D467R	WASHER	2		
	R34757	SHIM	2		
9	R20255	DUST SHIELD	2		
10	AR55179	KNUCKLE	2	(SUB FOR AR50982)	
11	34H308	SPRING PIN	4	1/4" X 1/2"	
12	A890R	THRUST WASHER	4		
13	R726R	DOWEL PIN	2		
14	AR30154	CLAMP	2	(MARKED R27809)	
15	19H1707	CAP SCREW	4	3/4" X 2-3/4"	
	12H236	LOCK WASHER	4	3/4"	

2G18

WHEELS, FRONT AXLES, SHEET METAL

R17066 -UN-01JAN94

FIXED TREAD FRONT AXLE STEERING ARMS AND TIE RODS



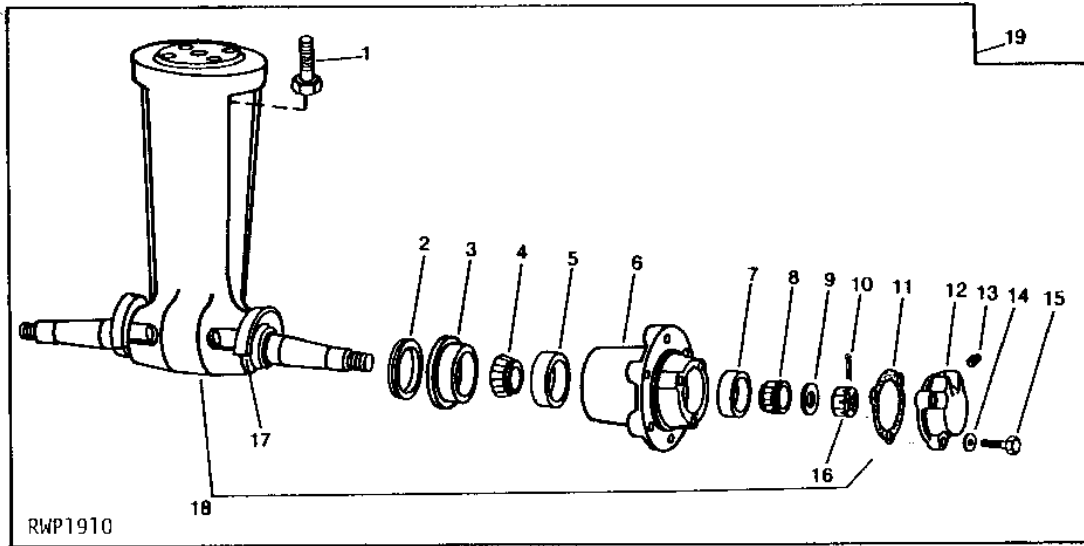
KEY	PART NO.	PART NAME	QTY	TRACTOR SERIAL NO.	REMARKS
1	14H918	NUT	4	5/8"	
	12H294	LOCK WASHER	4	5/8"	
2	R27808	ARM	1		
3	19H2663	CAP SCREW	4	3/4" X 2-1/8"	
4	R40589	COVER	4		
5	11M7015	COTTER PIN	4	3.200 X 25 MM	
6	AR27351	UNIVERSAL JOINT	2	INNER	
	JD7806	LUBRICATION FITTING	2	90°	
7	19H1802	CAP SCREW	4	7/16" X 1-7/8"	
8	R28023	CLAMP	4		
9	14H1047	NUT	4	7/16"	
	12H293	LOCK WASHER	4	7/16"	
10	R28114	TUBE	2		
11	AR27430	TIE ROD END	2	OUTER	
	JD7797	LUBRICATION FITTING	2		
12	R47765	STEERING ARM	1	R.H.	
	R47766	STEERING ARM	1	L.H.	
13	R20135	WASHER	2		
14	19H1890	CAP SCREW	2	5/8" X 2-3/4"	
	12H294	LOCK WASHER	2	5/8"	

2G19

WHEELS, FRONT AXLES, SHEET METAL

RWP1910 -UN-06OCT94

SPINDLE EXTENSION AND HUBS FOR DOUBLE FRONT WHEEL



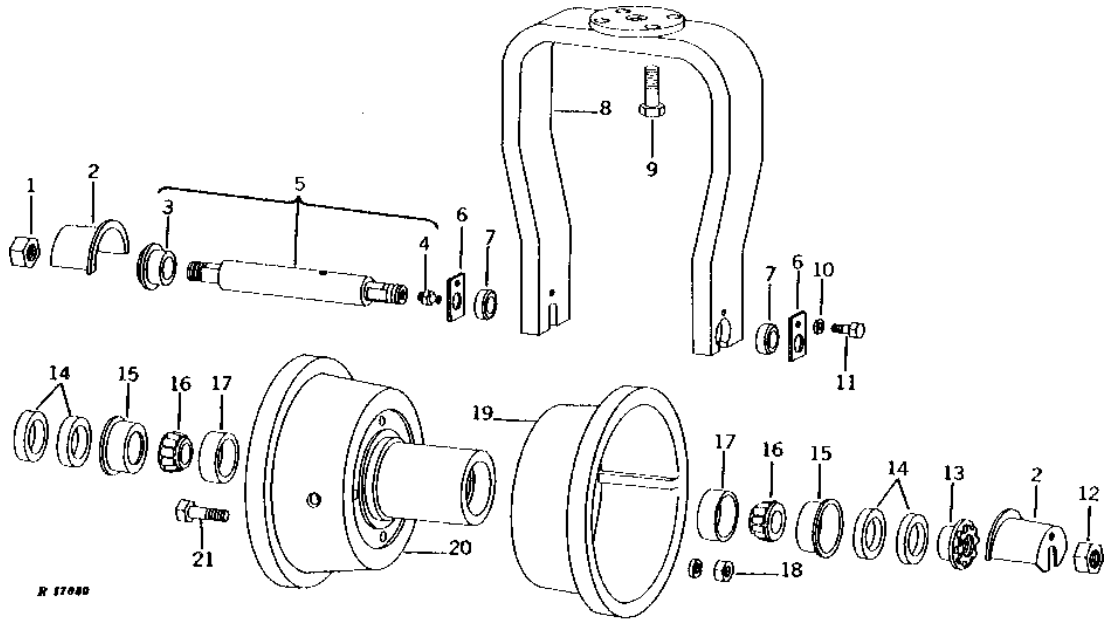
KEY	PART NO.	PART NAME	QTY	TRACTOR SERIAL NO.	REMARKS
1	19H2663	CAP SCREW	4		3/4" X 2-1/8"
2	AR26480	SEAL	2		
3	R26632	BUSHING	2		
4	JD8913	BEARING CONE	2		
5	JD7445	BEARING CUP	2		
6	R26631	HUB	2	-013589	(SUB R48763 AND (6) JD16)
	R48763	HUB	2	013590-	
7	JD8251	BEARING CUP	2		
8	JD8929	BEARING CONE	2		
9	R28575	WASHER	2		(SUB FOR A5146R)
10	11M7030	COTTER PIN	2		0.197" X 1.575"
11	A1556R	GASKET	2		
12	A1555R	CAP	2		
13	15H638	PIPE PLUG	2		1/8"
14	24H1136	WASHER	6		11/32" X 11/16" X 0.065"
15	19H2915	CAP SCREW	6		5/16" X 1-1/4"
16	14H920	NUT	2		1"
17	R20255	DUST SHIELD	2		
18	AR26823	EXTENSION	1		(MARKED R26860)
19	AR27054	KNUCKLE	1		

2G20

WHEELS, FRONT AXLES, SHEET METAL

R17080 -UN-01JAN94

SINGLE FRONT WHEEL



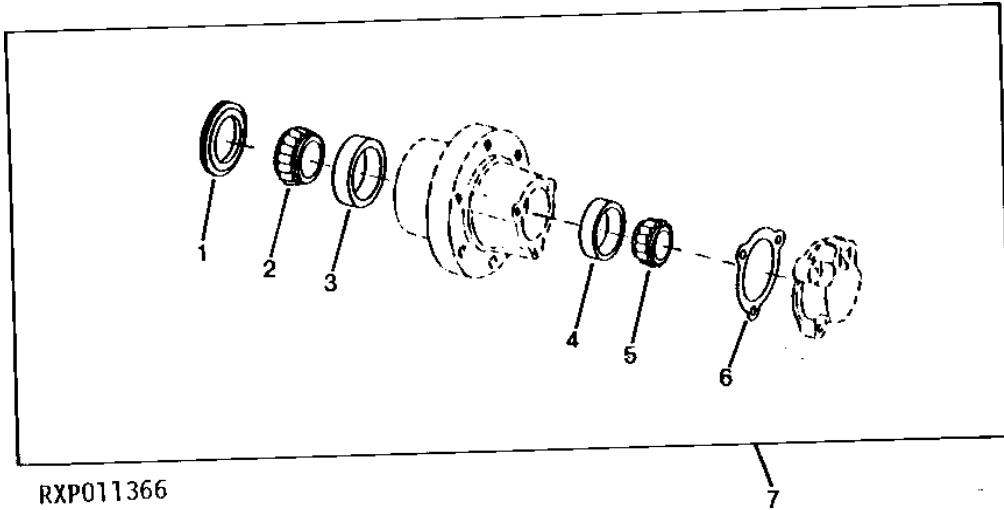
KEY	PART NO.	PART NAME	QTY	TRACTOR SERIAL NO.	REMARKS
1	14H975	NUT	1	1-1/4"	
2	R20655	DUST SHIELD	2		
3	R20654	SPACER	1		
4	JD7759	LUBRICATION FITTING	1		
5	AR20750	FRONT AXLE	1	(NLA)	
6	R20648	STRAP	2		
7	R20656	SPACER	2	(NLA)	
8	AR28243	YOKE	1		
9	19H2663	CAP SCREW	4	3/4" X 2-1/8"	
10	12H304	LOCK WASHER	1	3/8"	
11	H772R	SET SCREW	1		
12	14H1019	NUT	1	1-1/4"	
13	R20653	NUT	1		
14	R3R	WASHER	4	FELT	
15	R2R	RETAINER	2	FELT	
16	JD8913	BEARING CONE	2		
17	JD7445	BEARING CUP	2		
18	14H800	NUT	4	5/8"	
	12H294	LOCK WASHER	4	5/8"	
19	R31226	RIM	1		
20	R31225	HUB	1		
21	19H1824	CAP SCREW	4	5/8" X 2-1/4"	

2G21

WHEELS, FRONT AXLES, SHEET METAL

RXP011366 -UN-12OCT94

FRONT WHEEL BEARING KIT



KEY	PART NO.	PART NAME	QTY	TRACTOR SERIAL NO.	REMARKS
1	AR26480	SEAL	1		
2	JD8913	BEARING CONE	1		
3	JD7445	BEARING CUP	1		
4	JD8251	BEARING CUP	1		
5	JD8929	BEARING CONE	1		
6	A1556R	GASKET	1		
7	RE54814	BEARING KIT	1	(USE WITH R48763)	

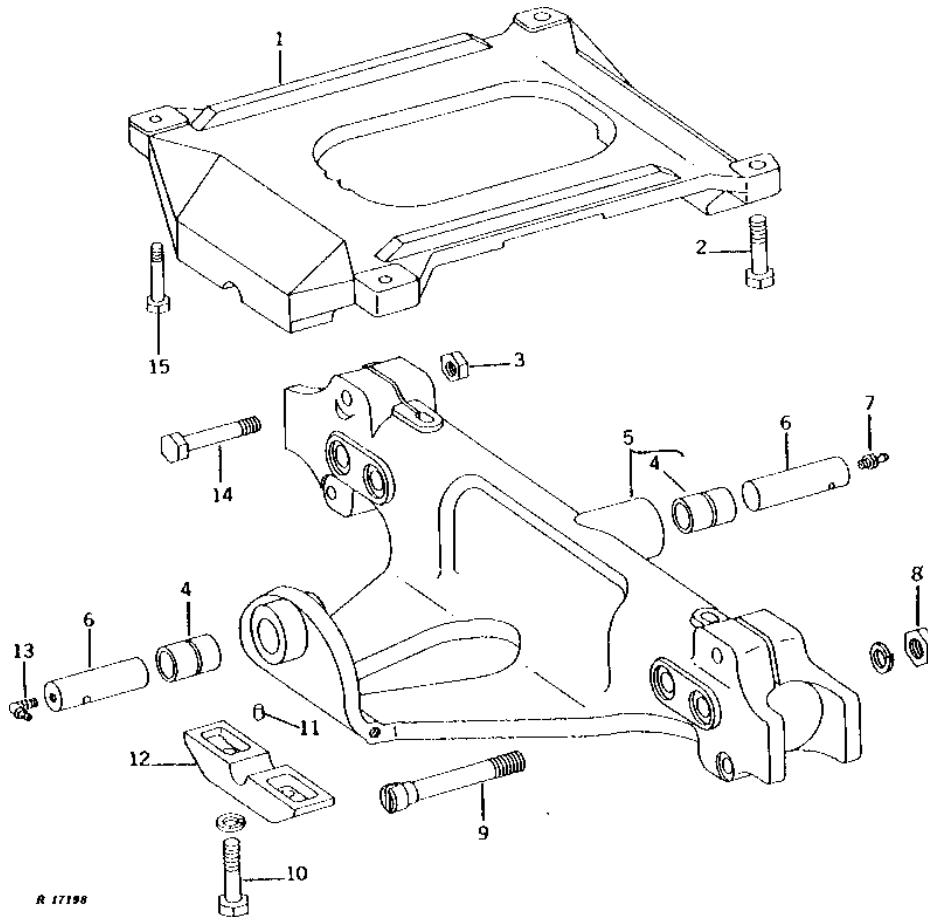
MEMORANDA

2G22

WHEELS, FRONT AXLES, SHEET METAL

FRONT AXLE HOUSING AND PIVOT BRACKET (POWER FRONT WHEEL DRIVE)

R17198 -UN-01JAN94



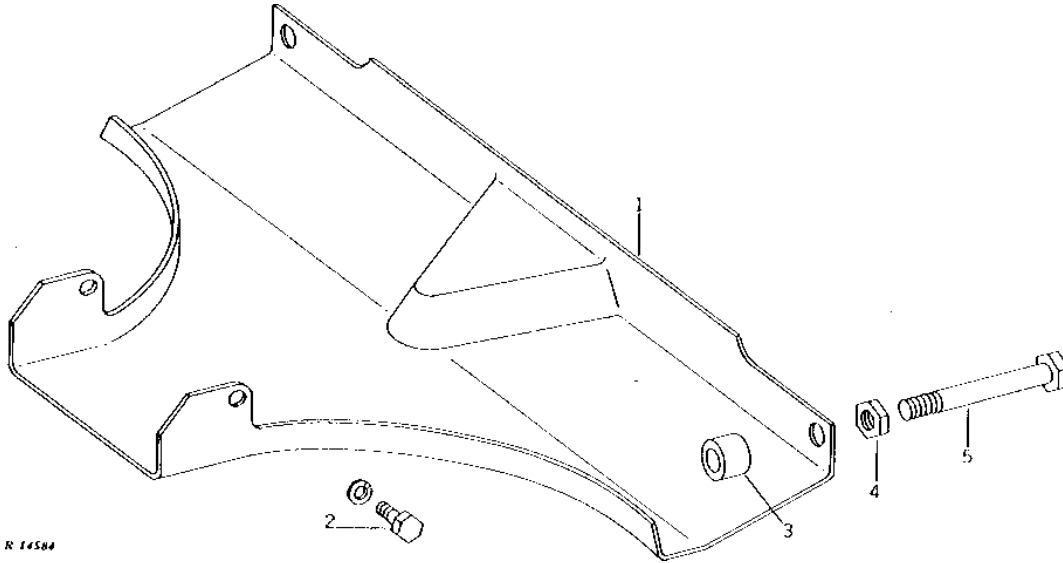
KEY	PART NO.	PART NAME	QTY	TRACTOR SERIAL NO.	REMARKS
1	AR69836	BRACKET	1		(MARKED R47180) (SUB FOR R47180) (WITH LOWER CLAMPS)
2	19H1862	CAP SCREW	2		3/4" X 2-1/2"
3	14H794	NUT	2		3/4"
4	A877R	BUSHING	2		
5	AR50865	HOUSING	1		(MARKED R47736 OR R51305)
6	R27817	PIN	2		
7	JD7759	LUBRICATION FITTING	1		
8	14H854	NUT	2		1"
	12H234	LOCK WASHER	2		1"
9	B2694R	BOLT	2		
10	19H1707	CAP SCREW	4		3/4" X 2-3/4"
	12H236	LOCK WASHER	4		3/4"
11	R726R	DOWEL PIN	2		
12	AR30154	CLAMP	2		(MARKED R27809)
13	JD7781	LUBRICATION FITTING	1		
14	19H2026	CAP SCREW	2		3/4" X 4"
15	19H1847	CAP SCREW	2		5/8" X 2-1/2"

2G23

WHEELS, FRONT AXLES, SHEET METAL

R14584 -UN-01JAN94

HYDRAULIC LINE SHIELD (POWER FRONT WHEEL DRIVE)



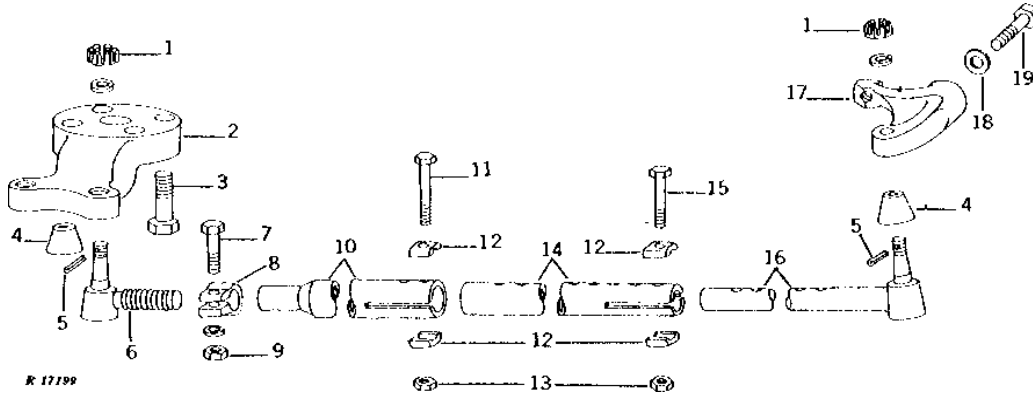
KEY	PART NO.	PART NAME	QTY	TRACTOR SERIAL NO.	REMARKS
1	R44012	GUARD	1		(NO LONGER AVAILABLE)
2	19H3530	CAP SCREW	2		1/2" X 7/8"
	12H301	LOCK WASHER	2		1/2"
3	R44011	BUSHING	2		(NO LONGER AVAILABLE)
4	14H794	NUT	2		3/4"
5	19H1892	CAP SCREW	2		3/4" X 5-1/4"
..	R45661	CLIP	2		OIL LINE TO AXLE HOUSING (NO LONGER AVAILABLE)

2G24

WHEELS, FRONT AXLES, SHEET METAL

STEERING ARMS AND TIE RODS (POWER FRONT WHEEL DRIVE)

R17199 -UN-01JAN94



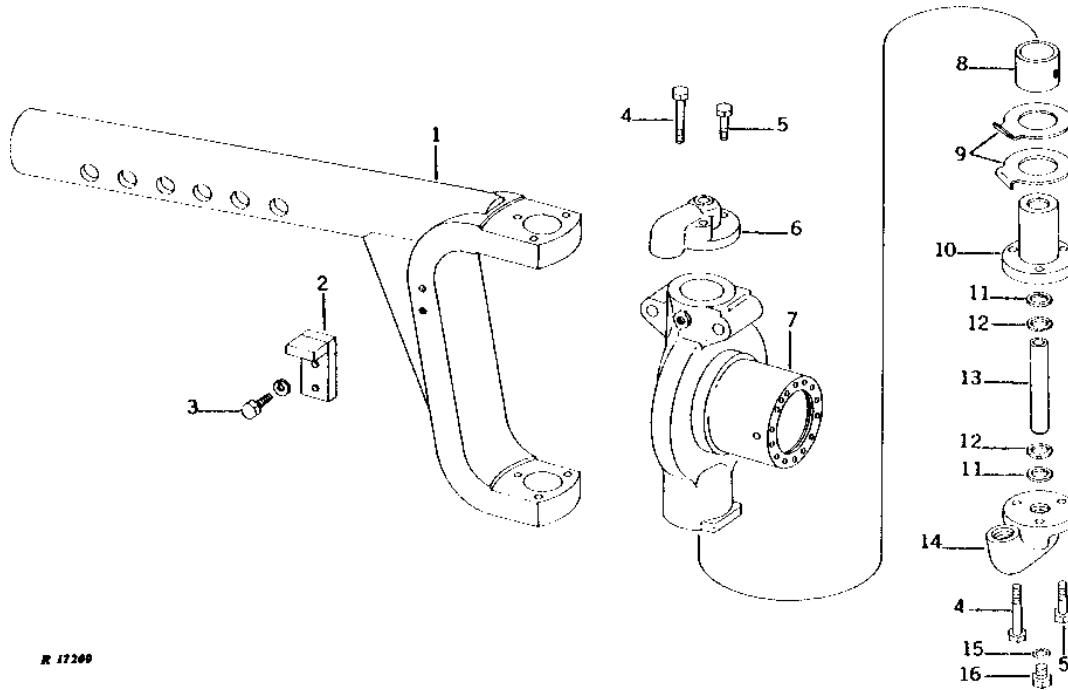
KEY	PART NO.	PART NAME	QTY	TRACTOR SERIAL NO.	REMARKS
1	14H918	NUT	4	5/8"	
	12H294	LOCK WASHER	4	5/8"	
2	R27808	ARM	1		
3	19H2663	CAP SCREW	4	3/4" X 2-1/8"	
4	R40589	COVER	4		
5	11M7015	COTTER PIN	4	3.200 X 25 MM	
6	AR27351	UNIVERSAL JOINT	2	INNER	
	JD7806	LUBRICATION FITTING	2	90°	
7	19H1802	CAP SCREW	2	7/16" X 1-7/8"	
8	R28023	CLAMP	2		
9	14H1047	NUT	2	7/16"	
	12H293	LOCK WASHER	2	7/16"	
10	R28021	TUBE	2	OUTER (1626MM (64") TO 2083MM (82") TREAD)	
	R47843	TUBE	2	OUTER (1778MM (70") TO 2235MM (88") TREAD)	
11	19H2128	CAP SCREW	4	3/8" X 3"	
12	R28024	CLAMP	16		
13	T11234	LOCK NUT	8		
14	R31573	TUBE	2	INNER	
15	19H1733	CAP SCREW	4	3/8" X 2-1/2"	
16	AR51584	TIE ROD END	2	OUTER, (SUB FOR AR27350)	
	JD7797	LUBRICATION FITTING	2		
17	R44009	ARM	1	R.H.	
	R44010	ARM	1	L.H.	
18	R1836R	WASHER	4		
19	19H2233	CAP SCREW	4	5/8" X 3-1/2"	

2G25

WHEELS, FRONT AXLES, SHEET METAL

R17200 -UN-01JAN94

KNEE AND MOTOR HOUSING (POWER FRONT WHEEL DRIVE)



R 17200

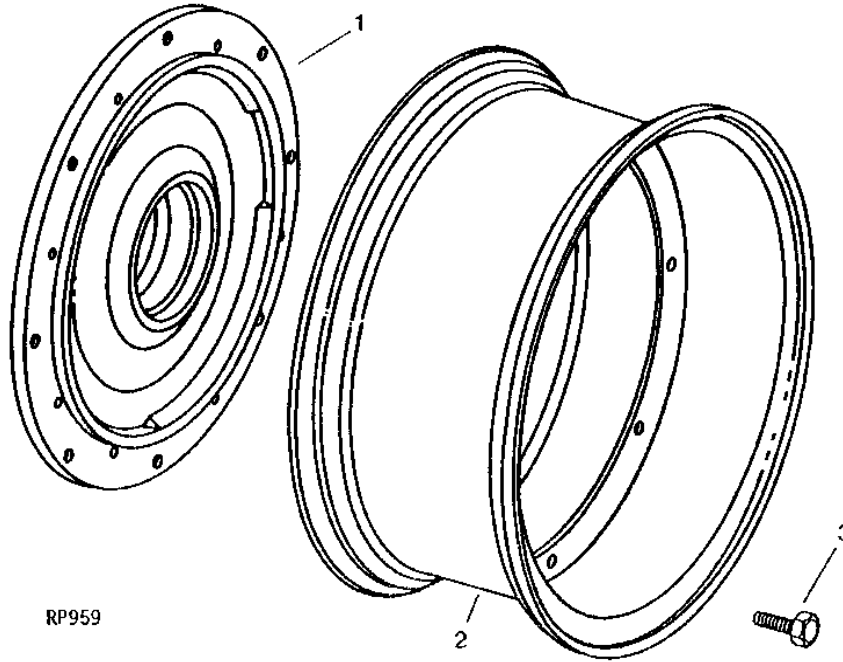
KEY	PART NO.	PART NAME	QTY	TRACTOR SERIAL NO.	REMARKS
1	AR50186	AXLE	1	(1626 TO 2083MM (64" TO 82") TREAD)	
	AR50776	AXLE	1	(1778 TO 2235MM (70" TO 88") TREAD)	
2	AR50106	STOP	1	(NO LONGER AVAILABLE)	
3	19H2552	CAP SCREW	2	3/8" X 1-1/8"	
	12H304	LOCK WASHER	2	3/8"	
4	19H1726	CAP SCREW	4	3/8" X 2-1/4"	
5	19H1732	CAP SCREW	2	3/8" X 1-1/4"	
6	R42885	COVER	2	(UPPER R.H. AND LOWER L.H.)	
7	AR86538	HOUSING	1	(MARKED R42332) (ALSO ORDER (2) R66650) (SUB FOR AR45414)	
8	R42821	BUSHING	2		
9	R61514	THRUST WASHER	4	(SUB FOR R42973)	
10	R42887	PIN	2		
11	R42975	O-RING	4	(SUB U11647)	
12	R44979	BACK-UP RING	4	(SUB R73102)	
13	R42974	BUSHING	2		
14	R42886	COVER	2	(UPPER L.H. AND LOWER R.H.)	
15	R26448	O-RING	1		
16	R27218	FITTING PLUG	1		

2H1

WHEELS, FRONT AXLES, SHEET METAL

RP959 -UN-01JAN94

POWER FRONT WHEEL DRIVE WHEELS



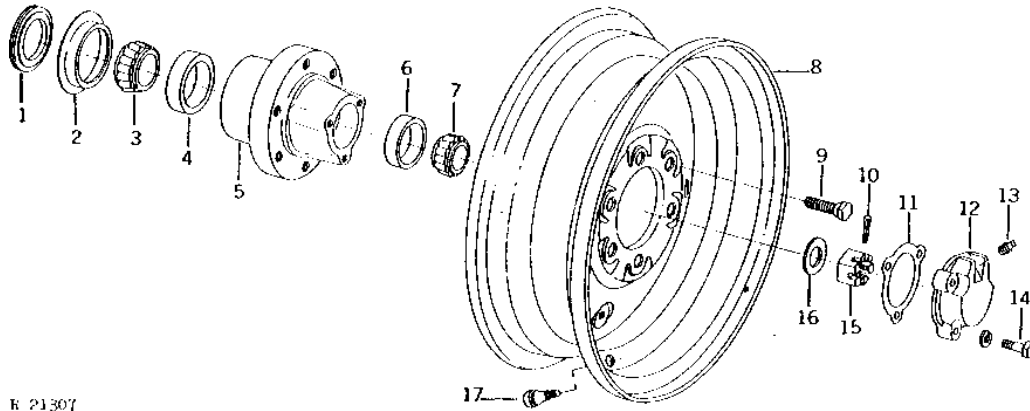
KEY	PART NO.	PART NAME	QTY	TRACTOR SERIAL NO.	REMARKS
1	R41958	HUB	1		
2	AR45318	RIM	1		(FOR 11.2-24 OR 12.4-24 TIRE)
3	JD17	WHEEL BOLT	8		

2H2

WHEELS, FRONT AXLES, SHEET METAL

FRONT WHEELS (EXCEPT SINGLE FRONT WHEEL)

R21307 -UN-01JAN94



R 21307

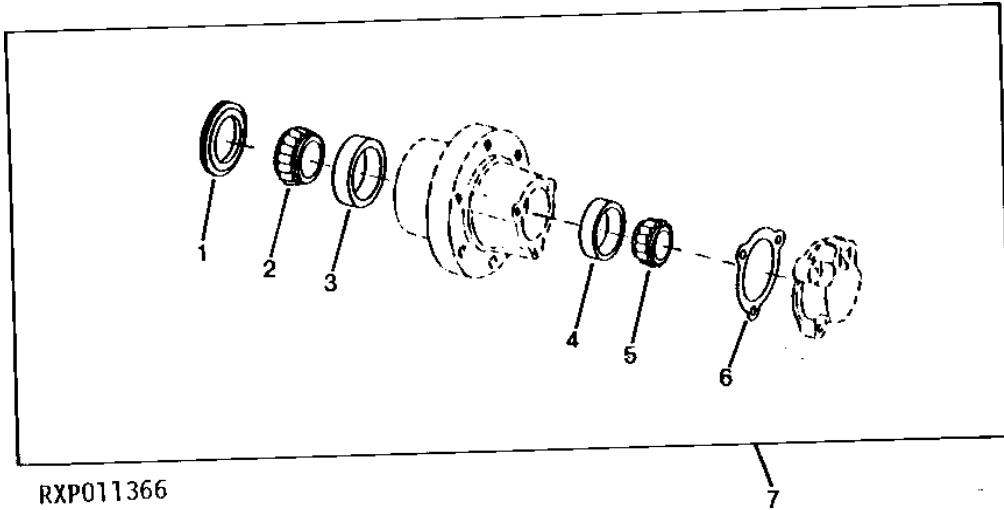
KEY	PART NO.	PART NAME	QTY	TRACTOR SERIAL NO.	REMARKS
1	AR26480	SEAL	1		
2	R26632	BUSHING	1		
3	JD8913	BEARING CONE	1		
4	JD7445	BEARING CUP	1		
5	R26631	HUB	1	-013589	(SUB R48763 AND (6) JD16)
	R48763	HUB	1	013590-	
6	JD8251	BEARING CUP	1		
7	JD8929	BEARING CONE	1		
8	JD1091	WHEEL	1		(7.50-15", 6- OR 8-PLY TIRE)
	JD3039	WHEEL	1		(7.50-16", 6-PLY TIRE) (SUB FOR JD1293)
	JD3211	WHEEL	1		(7.50-18", 6-PLY TIRE)
	JD3210	WHEEL	1		(10.00-16" OR 11.00-16", 8-PLY TIRE)
	JD3219	RIM	1		(11.00L-15", 6-PLY TIRE)
9	JD22	WHEEL BOLT	6	-013589	
	JD16	WHEEL BOLT	6	013590-	
10	11M7030	COTTER PIN	1		0.197" X 1.575"
11	A1556R	GASKET	1		
12	A1555R	CAP	1		(BOLT ON TYPE)
	R50992	CAP	1		(TAP IN TYPE)
13	15H638	PIPE PLUG	1		1/8"
14	19H2915	CAP SCREW	3		5/16" X 1-1/4"
	24H1136	WASHER	3		11/32" X 11/16" X 0.065"
15	14H920	NUT	1		1"
16	R28575	WASHER	1		(SUB FOR A5146R)
17	AM30347	TIRE VALVE STEM	1		(USE WITH TUBELESS TIRES)

2H3

WHEELS, FRONT AXLES, SHEET METAL

RXP011366 -UN-12OCT94

FRONT WHEEL BEARING KIT



KEY	PART NO.	PART NAME	QTY	TRACTOR SERIAL NO.	REMARKS
1	AR26480	SEAL	1		
2	JD8913	BEARING CONE	1		
3	JD7445	BEARING CUP	1		
4	JD8251	BEARING CUP	1		
5	JD8929	BEARING CONE	1		
6	A1556R	GASKET	1		
7	RE54814	BEARING KIT	1	(USE WITH R48763)	

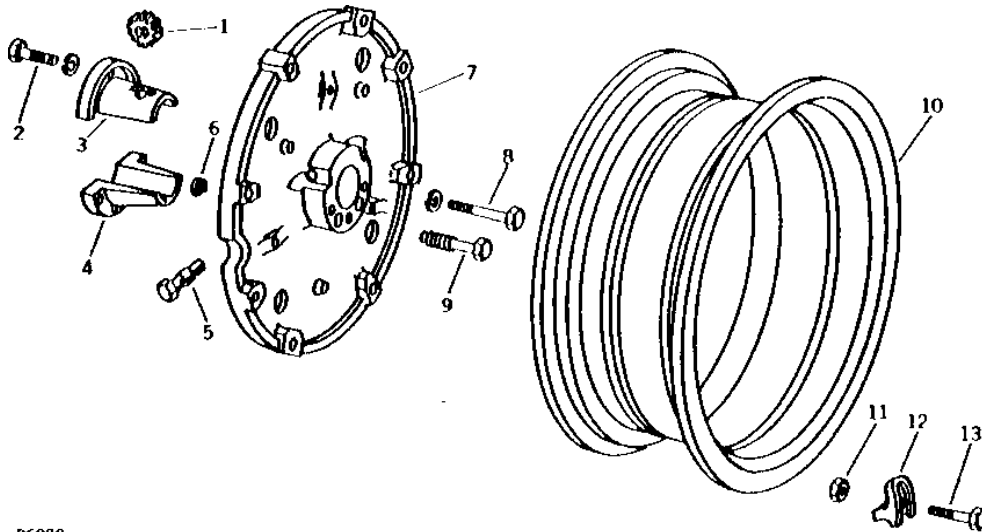
MEMORANDA

2H4

WHEELS, FRONT AXLES, SHEET METAL

R6020 -UN-01JAN94

REAR WHEELS



R6020

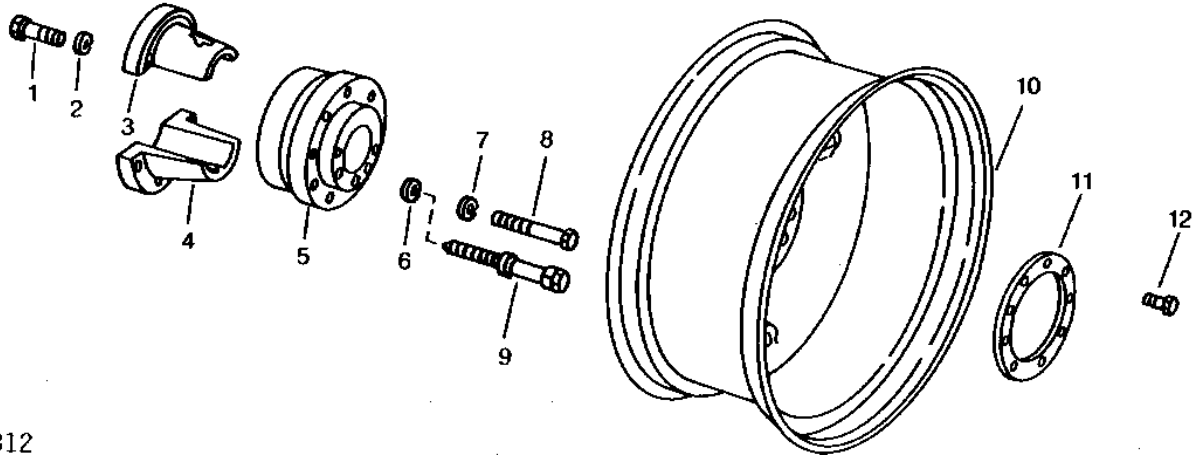
KEY	PART NO.	PART NAME	QTY	TRACTOR SERIAL NO.	REMARKS
1	A4379R	PINION	1		
2	19H2600	CAP SCREW	3	3/4" X 2-5/8"	
	12H236	LOCK WASHER	3	3/4"	
3	R33531	HALF SLEEVE	1	PINION, (SUB R93955)	
4	R33532	HALF SLEEVE	1	KEY	
5	A4380R	PINION SHAFT	1		
6	A4883R	RING	2		
7	R48955	WHEEL	1	(16.9-34, 18.4-34 OR 20.8-34 TIRE) (SUB FOR R33440)	
	R52160	WHEEL	1	(SPECIAL OFFSET) (16.9-34, 18.4-34 OR 20.8-34 TIRE)	
	R48954	WHEEL	1	(15.5-38 OR 18.4-38 TIRE) (SUB FOR R33430)	
	R33450	DISK	1	(SPECIAL OFFSET) (15.5-38, 16.9-38 OR 18.4-38 TIRE) (SUB R70309)	
	R34680	WHEEL	1	(23.1-30 TIRE)	
8	08H4419	CAP SCREW	3	7/8" X 6-1/2"	
	12H245	LOCK WASHER	3	7/8"	
9	R58303	SCREW	2	(SUB FOR R33706)	
10	R31490	RIM	1	(13.6-38 TIRE)	
	R31491	RIM	1	(15.5-38 TIRE)	
	R31592	RIM	1	(16.9-34 TIRE)	
	R41846	RIM	1	(16.9-38 TIRE)	
	R31943	RIM	1	(18.4-34 TIRE)	
	R41012	WHEEL	1	(18.4-38 TIRE) (SUB R80306)	
	R48146	RIM	1	(20.8-34 TIRE)	
	R34659	RIM	1	(23.1-30 TIRE)	
11	14H800	NUT	AR	5/8", (8 USED WITH R34680) (12 USED WITH R33430, R33440, R33450, R48954, R48955 AND R52160)	
12	A4388R	CLAMP	12	(USE WITH R33430, R33440, R33450, R48954, R48955 AND R52160)	
	B634R	CLAMP	8	(USE WITH R34680)	
13	08H4694	BOLT	12	5/8" X 4" HS, SAE 8, (USE WITH R33430, R33450, R48954, R48955 AND R52160) (SUB FOR A4389R)	
	A4064R	BOLT	8	(USE WITH R34680) (SUB R34801)	

2H5

WHEELS, FRONT AXLES, SHEET METAL

RWP6312 -UN-01JAN94

DUAL REAR WHEELS (ROW-CROP)



RWP6312

KEY	PART NO.	PART NAME	QTY	TRACTOR SERIAL NO.	REMARKS
1	19H2600	CAP SCREW	3	3/4" X 2-5/8"	
2	12H236	LOCK WASHER	3	3/4"	
3	R33533	HALF SLEEVE	1	(A)	
4	R33531	HALF SLEEVE	1	(B) (SUB R93955)	
	R33534	SLEEVE	1	(A)	
	R33532	HALF SLEEVE	1	(B)	
5	R28490	HUB	1		
	R57969	HUB	2		
6	A4883R	RING	2		
7	12H245	LOCK WASHER	3	7/8"	
8	19H2310	CAP SCREW	3	(A) 7/8" X 6"	
	R58302	SCREW	3	(B)	
9	R39758	SCREW	2	(A)	
	R58303	SCREW	2	(B)	
10	JD3019	WHEEL	1	(13.6-38 TIRE)	
	JD3222	WHEEL	1	(15.5-38 TIRE)	
	JD3223	WHEEL	1	(16.9-38 TIRE)	
	JD3224	WHEEL	1	(18.4-34 TIRE)	
	JD3225	WHEEL	1	(18.4-38 TIRE)	
	JD3226	WHEEL	1	(20.8-34 TIRE)	
11	R54983	WHEEL RING	1	(USE WITH JD3223, JD3224, JD3225 AND JD3226)	
12	JD27	SCREW	9	(USE WITH JD3019 AND JD3222)	
	19H2672	CAP SCREW	9	5/8" X 2" HS, SAE 8, (USE WITH JD3223, JD3224, JD3225 AND JD3226)	

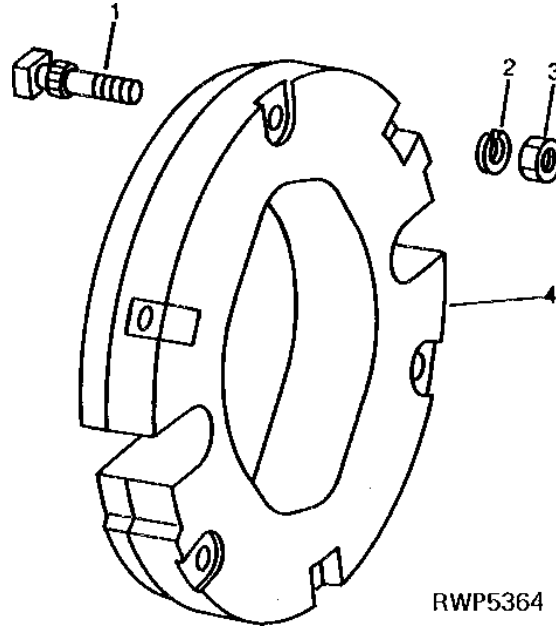
(A) USE WITH R28490
(B) USE WITH R57969

2H6

WHEELS, FRONT AXLES, SHEET METAL

**REAR WHEEL WEIGHTS
(FOR 30", 34", AND 38" CAST DISK WHEELS)
(FIRST AND ADDITIONAL WEIGHT TO WHEELS)**

RWP5364 -UN-01JAN94



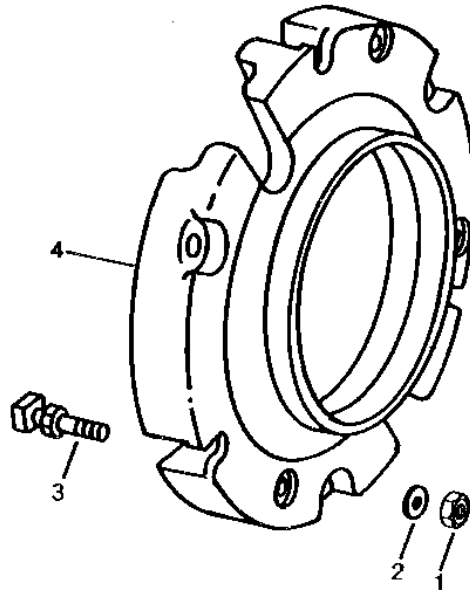
KEY	PART NO.	PART NAME	QTY	TRACTOR SERIAL NO.	REMARKS
1	R34801	BOLT	3		
	R81272	BOLT	3		(SUB FOR R48956 OR R67235) (USE WITH R48954 OR R48955)
2	12H294	LOCK WASHER	3		5/8"
3	14H1039	NUT	3		5/8"
4	R61524	WEIGHT	2		64 KG (140 LBS) (34" AND 38" WHEEL)
	R61727	WEIGHT	2		54KG (120 LBS) (30" WHEEL)

2H7

WHEELS, FRONT AXLES, SHEET METAL

REAR WHEEL WEIGHTS (FOR 34" AND 38" CAST DISK WHEELS)

RWP5365 -UN-01JAN94



RWP5365

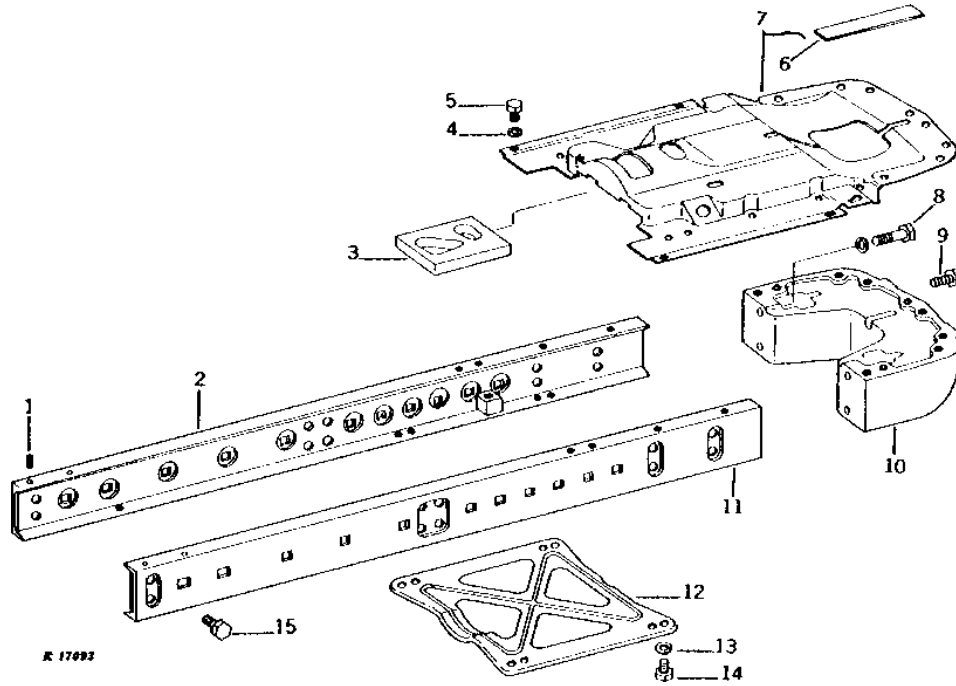
KEY	PART NO.	PART NAME	QTY	TRACTOR SERIAL NO.	REMARKS
1	14H1039	NUT	3	5/8"	
2	12H294	LOCK WASHER	3	5/8"	
3	R34801	BOLT	3	5/8" X 3"	
4	T21689	WEIGHT	1	54KG (120 LBS) (FIRST AND ADDITIONAL WEIGHTS TO WHEEL)	

2H8

WHEELS, FRONT AXLES, SHEET METAL

R17093 -UN-01JAN94

FRAME, FRAME PLATES AND SUPPORT



KEY	PART NO.	PART NAME	QTY	TRACTOR SERIAL NO.	REMARKS
1	34H309	SPRING PIN	4	1/4" X 5/8"	
2	AR60486	FRAME	1	L.H. (SUB FOR AR48854) (NO LONGER AVAILABLE)	
3	R27898	ISOLATOR	1		
4	24H1325	WASHER	8	15/32" X 59/64" X 0.065"	
5	19H1924	CAP SCREW	8	7/16" X 3/4"	
6	CUSHION	2	3.17 X 50.8 X 254MM (1/8" X 2" X 10") (MAKE FROM R21737)	
7	AR48835	PLATE	1	UPPER (NO LONGER AVAILABLE)	
	CUSHION	2	25.4 X 50.8 X 228.6MM (1" X 2" X 9") (MAKE FROM R28123)	
8	19H1890	CAP SCREW	4	5/8" X 2-3/4"	
	12H294	LOCK WASHER	4	5/8"	
9	19H2009	CAP SCREW	2	3/4" X 1-5/8"	
10	R46628	SUPPORT	1	FRONT (NO LONGER AVAILABLE)	
11	AR60485	FRAME	1	R.H. (SUB FOR AR48853)	
12	R39934	PLATE	1	(A) LOWER (NO LONGER AVAILABLE)	
13	24H1325	WASHER	8	(A) 15/32" X 59/64" X 0.065"	
14	19H1924	CAP SCREW	8	(A) 7/16" X 3/4"	
15	R31505	BOLT	20		

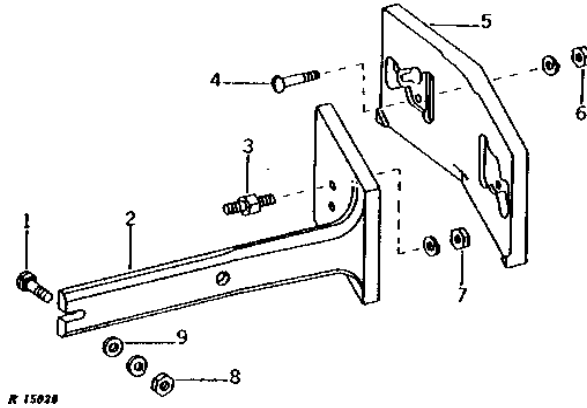
(A) LESS WIDE FRONT AXLE

2H9

WHEELS, FRONT AXLES, SHEET METAL

R15028 -UN-01JAN94

FRAME SIDE AND FRONT WEIGHTS



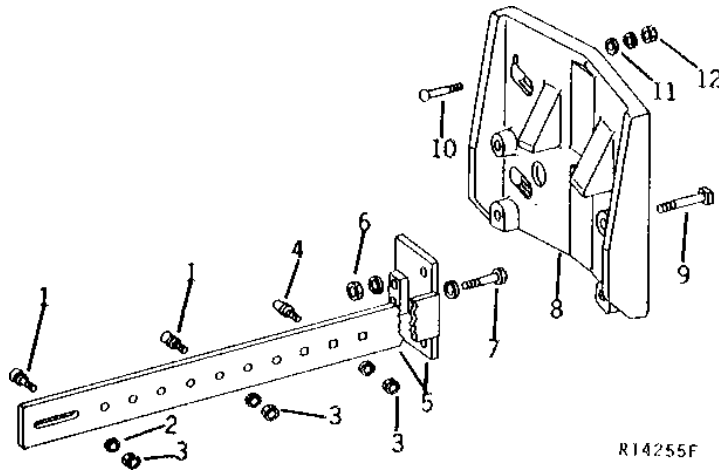
KEY	PART NO.	PART NAME	QTY	TRACTOR SERIAL NO.	REMARKS
1	03H1857	BOLT	2	5/8" X 2-3/4"	
2	R54144	WEIGHT	2	5/8" X 2-3/4"	SIDE, (SUB FOR R27642) (NLA)
3	R27645	STUD	2		
4	03H1857	BOLT	2	5/8" X 2-3/4"	
5	R27643	WEIGHT	1	5/8" X 2-3/4"	FRAME FRONT
6	14H800	NUT	2	5/8"	
	12H294	LOCK WASHER	2	5/8"	
7	14H794	NUT	2	3/4"	
	12H236	LOCK WASHER	2	3/4"	
8	14H800	NUT	2	5/8"	
	12H294	LOCK WASHER	2	5/8"	
9	F2783R	WASHER	2		

2H10

WHEELS, FRONT AXLES, SHEET METAL

R14255 -UN-01JAN94

DOUBLE FRONT WEIGHT



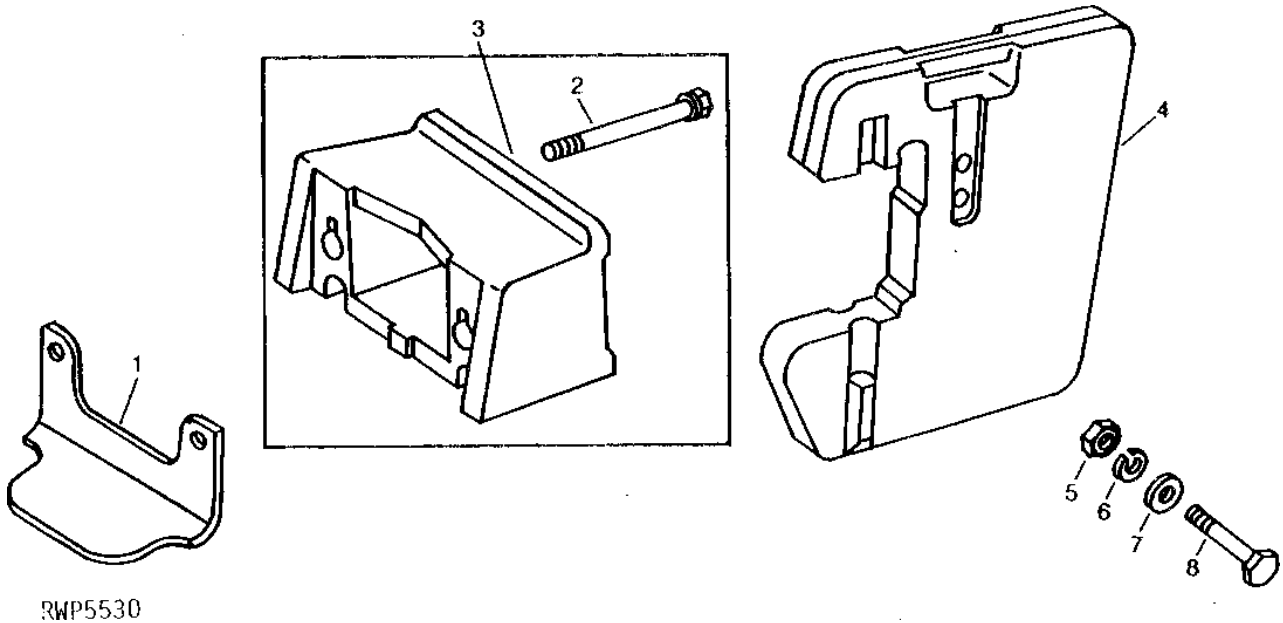
KEY	PART NO.	PART NAME	QTY	TRACTOR SERIAL NO.	REMARKS
1	03H1399	BOLT	4	5/8" X 1-3/4"	
2	24H1367	WASHER	2	21/32" X 1-1/4" X 1/4"	
3	14H1039	NUT	6	5/8"	
	12H294	LOCK WASHER	4	5/8"	
4	03H1399	BOLT	2	5/8" X 1-3/4"	
5	AR58357	SUPPORT	2	(NO LONGER AVAILABLE) (SUB FOR AR46289)	
6	14H794	NUT	4	3/4"	
	12H236	LOCK WASHER	4	3/4"	
7	19H2725	CAP SCREW	2	3/4" X 3-3/4"	
	12H236	LOCK WASHER	2	3/4"	
8	R44350	WEIGHT	1	(NO LONGER AVAILABLE)	
9	08H4222	BOLT	4	3/4" X 3-3/4"	
10	03H1858	BOLT	4	5/8" X 3-1/2"	
11	R44890	NUT	4		
12	14H1039	NUT	4	5/8"	
	12H294	LOCK WASHER	4	5/8"	

2H11

WHEELS, FRONT AXLES, SHEET METAL

RWP5530 -UN-01JAN94

TWO, FOUR OR SIX QUIK-TATCH FRONT WEIGHTS



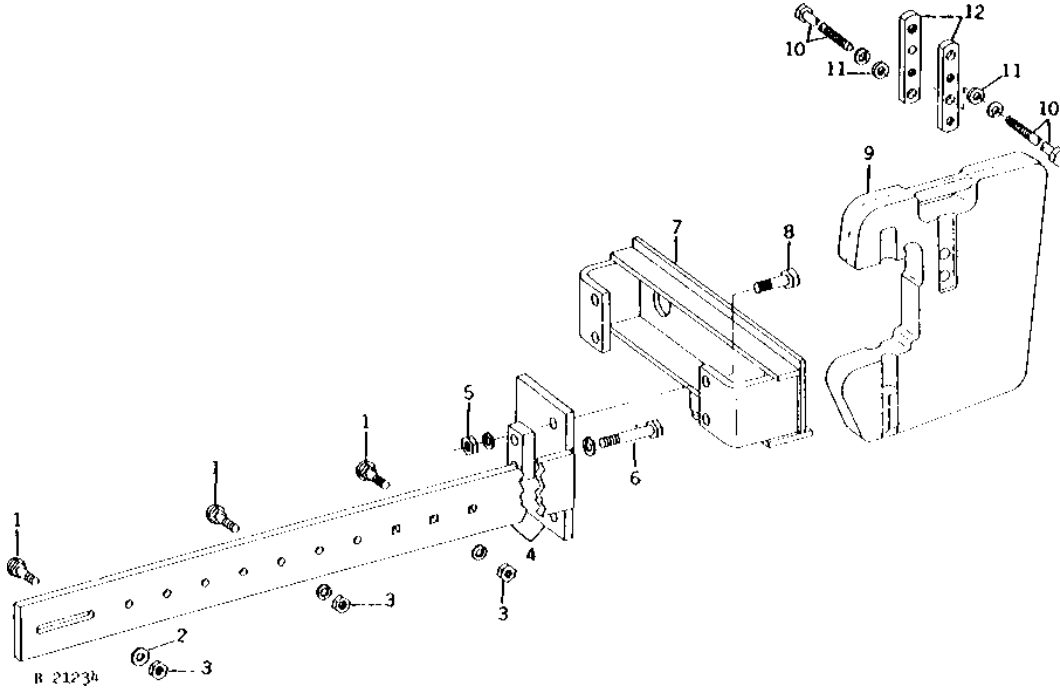
KEY	PART NO.	PART NAME	QTY	TRACTOR SERIAL NO.	REMARKS
1	R52914	ADAPTER	1		
2	R52924	SELF-LOCKING SCREW	2		
3	AR92425	SUPPORT	1		(SUB FOR R51679 OR AR58363) (ORDER R70417 AND (2) R52524)
4	R51680	WEIGHT	1		
5	14H1039	NUT	1	5/8"	
6	12H294	LOCK WASHER	1	5/8"	
7	24H1367	WASHER	1	21/32" X 1-1/4" X 1/4"	
8	19H1926	CAP SCREW	1	5/8" X 4-3/4", (USE WITH 2 QUIK-TATCH WEIGHTS)	
	08H4260	CAP SCREW	1	5/8" X 9", (USE WITH 4 QUIK-TATCH WEIGHTS)	
	R51681	CAP SCREW	1	5/8" X 13-3/8", (USE WITH 6 QUIK-TATCH WEIGHTS)	

2H12

WHEELS, FRONT AXLES, SHEET METAL

R21234 -UN-01JAN94

EIGHT OR TEN QUIK-TATCH FRONT WEIGHTS



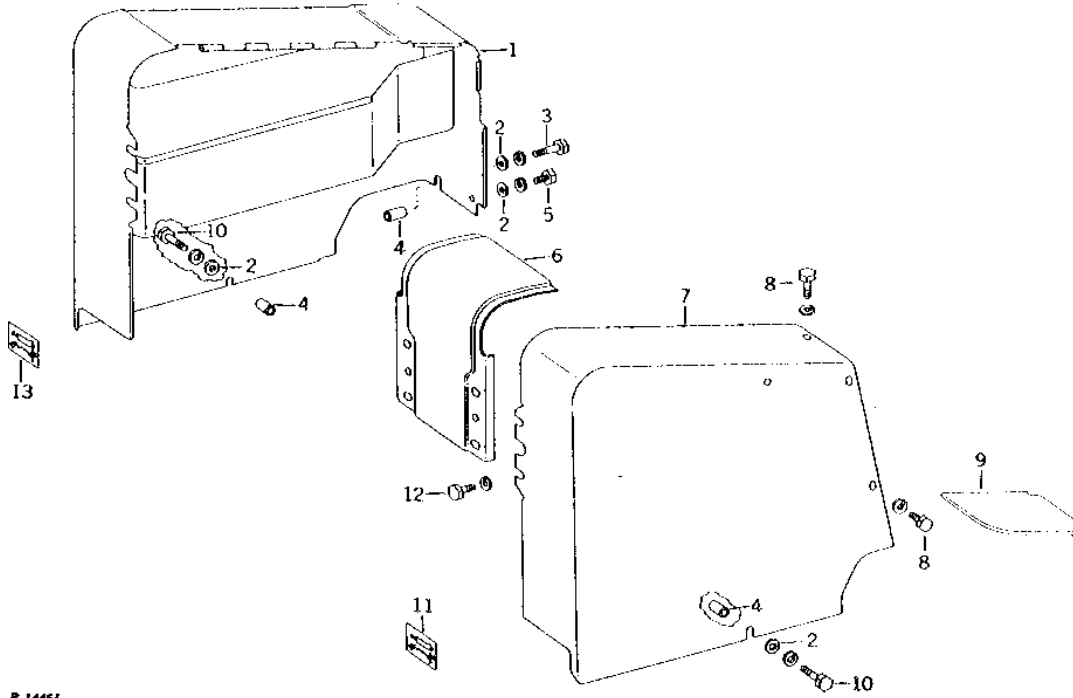
KEY	PART NO.	PART NAME	QTY	TRACTOR SERIAL NO.	REMARKS
1	03H1399	BOLT	6	5/8" X 1-3/4"	
2	24H1367	WASHER	2	21/32" X 1-1/4" X 1/4"	
3	14H1039	NUT	6	5/8"	
	12H294	LOCK WASHER	4	5/8"	
4	AR58357	SUPPORT	2	(NO LONGER AVAILABLE)	
5	14H794	NUT	4	3/4"	
	12H236	LOCK WASHER	4	3/4"	
6	19H2725	CAP SCREW	2	3/4" X 3-3/4"	
	12H236	LOCK WASHER	2	3/4"	
7	AR58362	SUPPORT	1	(NO LONGER AVAILABLE)	
8	19H1782	CAP SCREW	4	3/4" X 2-1/4"	
9	R51680	WEIGHT	1		
10	R51681	CAP SCREW	2		
	12H294	LOCK WASHER	2	5/8"	
11	24H1367	WASHER	2	21/32" X 1-1/4" X 1/4"	
12	T32148	RETAINER	2	(SUB AR68801)	

2H13

WHEELS, FRONT AXLES, SHEET METAL

R14461 -UN-01JAN94

HYDRAULIC COVERS



R 14461

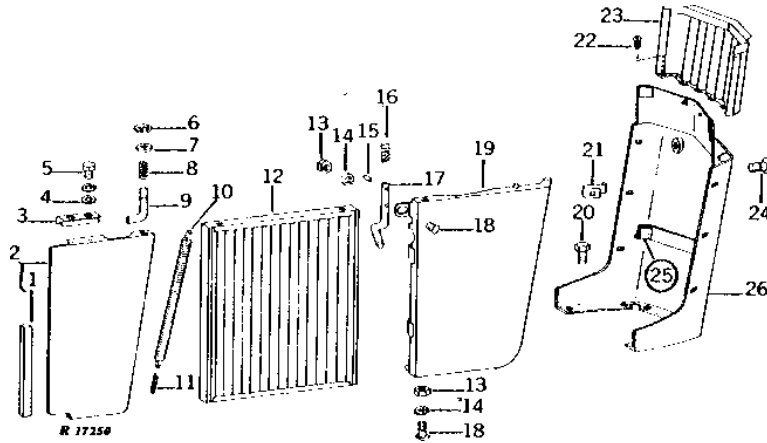
KEY	PART NO.	PART NAME	QTY	TRACTOR SERIAL NO.	REMARKS
1	AR40817	COVER	1	L.H.	
2	24H1305	WASHER	4	13/32" X 13/16" X 0.065"	
3	19H1800	CAP SCREW	1	3/8" X 1-1/2"	
4	12H304	LOCK WASHER	1	3/8"	
4	R27168	BUSHING	3		
5	19H2038	CAP SCREW	1	3/8" X 1/2"	
	12H304	LOCK WASHER	1	3/8"	
6	R41231	SUPPORT	1		
7	AR41599	COVER	1	R.H.	
8	19H1900	CAP SCREW	4	5/16" X 3/4"	
	12H303	LOCK WASHER	4	5/16"	
9	R41663	SHIELD	1		
10	19H1765	CAP SCREW	2	3/8" X 1-3/4"	
	12H304	LOCK WASHER	2	3/8"	
11	R44315	LABEL	1	R.H.	
12	19H1936	CAP SCREW	4	3/8" X 3/4"	
	12H304	LOCK WASHER	4	3/8"	
13	R41933	LABEL	1	L.H.	

2H14

WHEELS, FRONT AXLES, SHEET METAL

R17250 -UN-01JAN94

SIDE SHIELDS, GRILLES, PANEL, AND FRONT PLATE



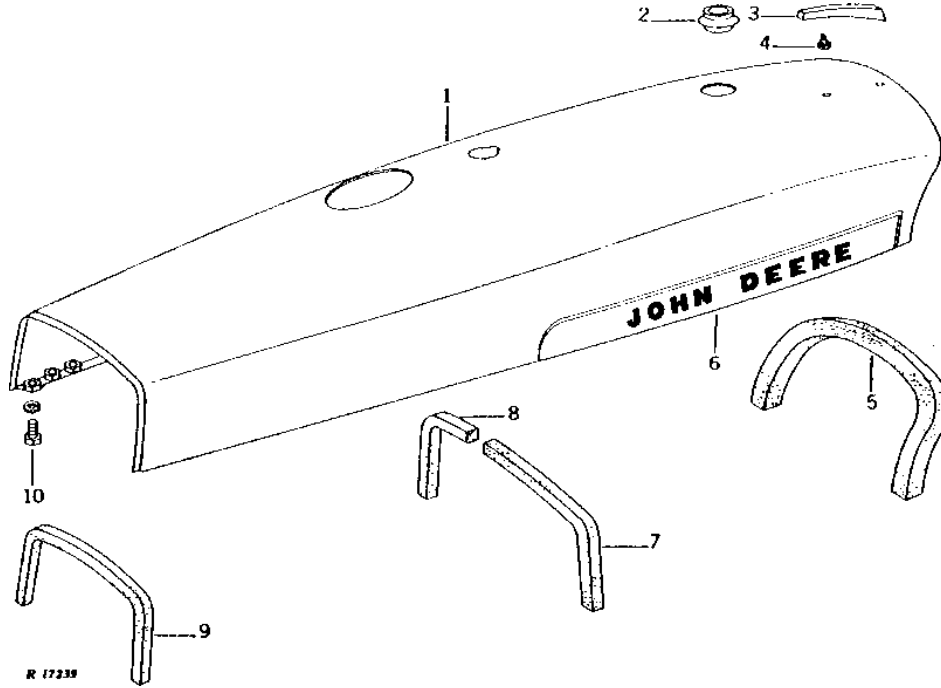
KEY	PART NO.	PART NAME	QTY	TRACTOR SERIAL NO.	REMARKS
1	FOAM PAD	1		15 X 25 X 254MM (1/2" X 1" X 10") (MAKE FROM R30936)
2	AR49200	SHIELD	1		R.H. SIDE (NO LONGER AVAILABLE)
	AR49201	SHIELD	1		L.H. SIDE (NO LONGER AVAILABLE)
3	R41983	SPRING	2		
4	24H1286	WASHER	4		9/32" X 1/2" X 1/16"
5	19H2479	CAP SCREW	4		1/4" X 3/8"
	12H302	LOCK WASHER	4		1/4"
6	R72654	SNAP RING	2		(SUB FOR R27507)
7	24H1286	WASHER	2		9/32" X 1/2" X 1/16"
8	R28783	SPRING	2		
9	R27506	PIN	2		
10	R35769	SPRING	2		
11	11M7084	COTTER PIN	2		5 X 25 MM
12	AR48488	GRILLE	2		
13	14H1076	NUT	4		3/8"
14	12H304	LOCK WASHER	4		3/8"
15	34H387	SPRING PIN	4		3/16" X 3/4"
16	B161R	SPRING	2		
17	R26702	ROD	1		R.H.
	R26703	ROD	1		L.H.
18	03H1765	BOLT	4		3/8" X 3/4"
19	AR48399	PANEL	1		R.H. SIDE (NLA)
	AR48399	PANEL	1		L.H. SIDE (NLA)
20	19H1815	CAP SCREW	8		1/2" X 1-1/4"
21	R26694	CLIP	6		
22	37H84	SCREW	6		1/4" X 3/4"
23	AR48449	GRILLE	1		
24	19H2009	CAP SCREW	2		3/4" X 1-5/8"
25	CUSHION	4		3.17 X 38 X 83MM (1/8" X 1-1/2" X 3-1/4") (MAKE FROM R21736)
26	AR48681	PLATE	1		FRONT (NO LONGER AVAILABLE)

2H15

WHEELS, FRONT AXLES, SHEET METAL

R17239 -UN-01JAN94

HOOD



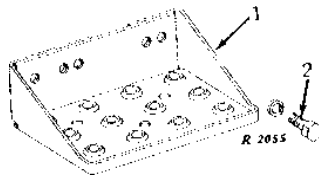
KEY	PART NO.	PART NAME	QTY	TRACTOR SERIAL NO.	REMARKS
1	AR48405	HOOD	1		(LESS NAME PLATE)
	AR50841	HOOD	1		(LESS NAME PLATE) (VERTICAL AIR STACK)
2	R39613	GROMMET	1		
3	AR28047	MEDALLION	1		
4	37M7245	SCREW	2		NO. 10 X 3/8
5	R44791	ISOLATOR	1		
6	AR28048	MOLDING	1		R.H.
	AR28049	MOLDING	1		L.H.
	R42662	NUT	10		
7	ISOLATOR	1		38 X 38 X 61.59M (1-1/2" X 1-1/2" X 24-1/4") RADIATOR TOP, R.H. (MAKE FROM R43753)
8	ISOLATOR	1		38 X 38 X 362MM (1-1/2" X 1-1/2" X 14-1/4") RADIATOR TOP, L.H. (MAKE FROM R43753)
9	ISOLATOR	1		25 X 25 X 813MM (1" X 1" X 32") HOOD REAR, (MAKE FROM R30937)
10	19H1936	CAP SCREW	2		3/8" X 3/4"
	12H304	LOCK WASHER	2		3/8"

2H16

WHEELS, FRONT AXLES, SHEET METAL

TRACTOR STEP (ROW-CROP)

R2055 -UN-01JAN94



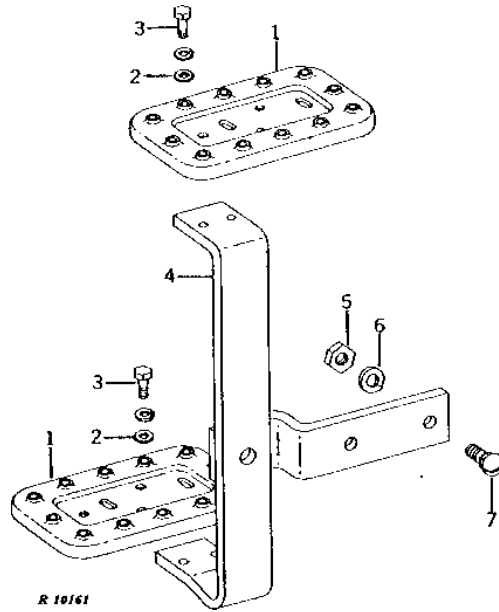
KEY	PART NO.	PART NAME	QTY	TRACTOR SERIAL NO.	REMARKS
1	R27883	STEP	2		
2	19H1815	CAP SCREW	4	1/2" X 1-1/4"	
	12H301	LOCK WASHER	4	1/2"	

2H17

WHEELS, FRONT AXLES, SHEET METAL

R10161 -UN-01JAN94

TRACTOR STEPS (STANDARD)



R 10161

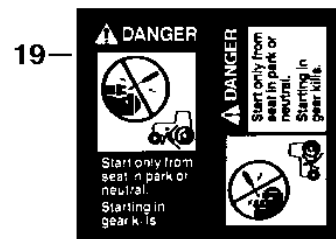
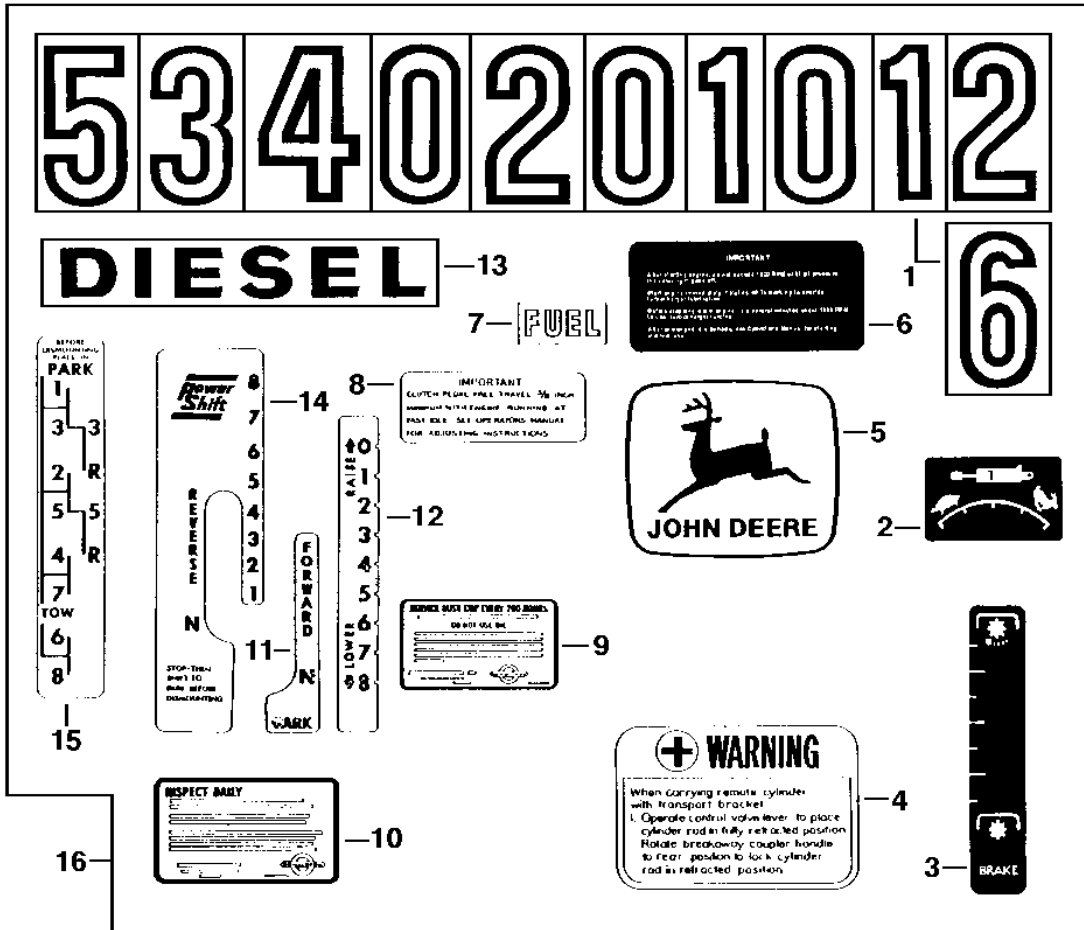
KEY	PART NO.	PART NAME	QTY	TRACTOR SERIAL NO.	REMARKS
1	F3195R	STEP	2		
2	24H1305	WASHER	4	13/32" X 13/16" X 0.065"	
3	19H2284	CAP SCREW	4	3/8" X 7/8"	
	12H304	LOCK WASHER	4	3/8"	
4	AR42594	SUPPORT	1	(NO LONGER AVAILABLE)	
5	14H1039	NUT	2	5/8"	
6	12H294	LOCK WASHER	2	5/8"	
7	03H1399	BOLT	2	5/8" X 1-3/4"	

2H18

WHEELS, FRONT AXLES, SHEET METAL

RXP021480 -UN-19MAR96

DECAL SET



RXP021480

2H19

WHEELS, FRONT AXLES, SHEET METAL

DECAL SET - CONTINUED

KEY	PART NO.	PART NAME	QTY	TRACTOR SERIAL NO.	REMARKS
1	R48361	DECAL	2		(SUB FOR R45957)
2	R44315	LABEL	1		R.H. REMOTE CYLINDER
	R41933	LABEL	1		L.H. REMOTE CYLINDER
3	R53293	LABEL	1		(A) PTO, (SUB FOR R44951)
	R53294	LABEL	1		(B) PTO, (SUB FOR R44952)
4	R36689	DECAL	1		REMOTE CYLINDER WARNING
5	JD5234	DECAL	1		SEAT POST
6	R51908	LABEL	1		LABEL, INSTRUCTION
7	R31287	DECAL	1		
8	R34483	LABEL	1		CLUTCH
9	R36756	DECAL	1		AIR CLEANER INDICATOR
	R44710	LABEL	1		AIR CLEANER INDICATOR
10	R34608	DECAL	1		AIR CLEANER, (SUB AR52393)
11	R40505	LABEL	1		(B) PARK
12	R40509	LABEL	1		SELECTIVE CONTROL
13	R30694	DECAL	2		
14	R40504	LABEL	1		(B) QUADRANT
15	R40676	LABEL	1		(A) QUADRANT
16	AR52393	DECAL	1		(SUB FOR AR47091) (ALSO ORDER T146102)
17	R83103	LABEL	1		PTO SAFETY, (SUB FOR R64391) (SUB R120111)
18	R87529	LABEL	1		SAFETY, (SUB FOR R47739, R51821, R69270, R76341 OR R82425)
19	T146102	WARNING LABEL	1		BYPASS START (ENGLISH) (SUB FOR T84409 OR T134459)
	T146106	WARNING LABEL	1		(ESPANOL) (SUB FOR T84410 OR T134452)
	T146104	WARNING LABEL	1		(FRANCAIS) (SUB FOR T84411 OR T134453)
	T146515	WARNING LABEL	1		(DEUTSCH) (SUB FOR T84412 OR T134454)
	T146516	WARNING LABEL	1		(ITALIANO) (SUB FOR T84413 OR T134455)
	T146517	WARNING LABEL	1		(ENGLISH/FRANCAIS) (SUB FOR T84578 OR T134456)

(A) SYNCRO-RANGE TRANSMISSION
(B) POWER SHIFT TRANSMISSION

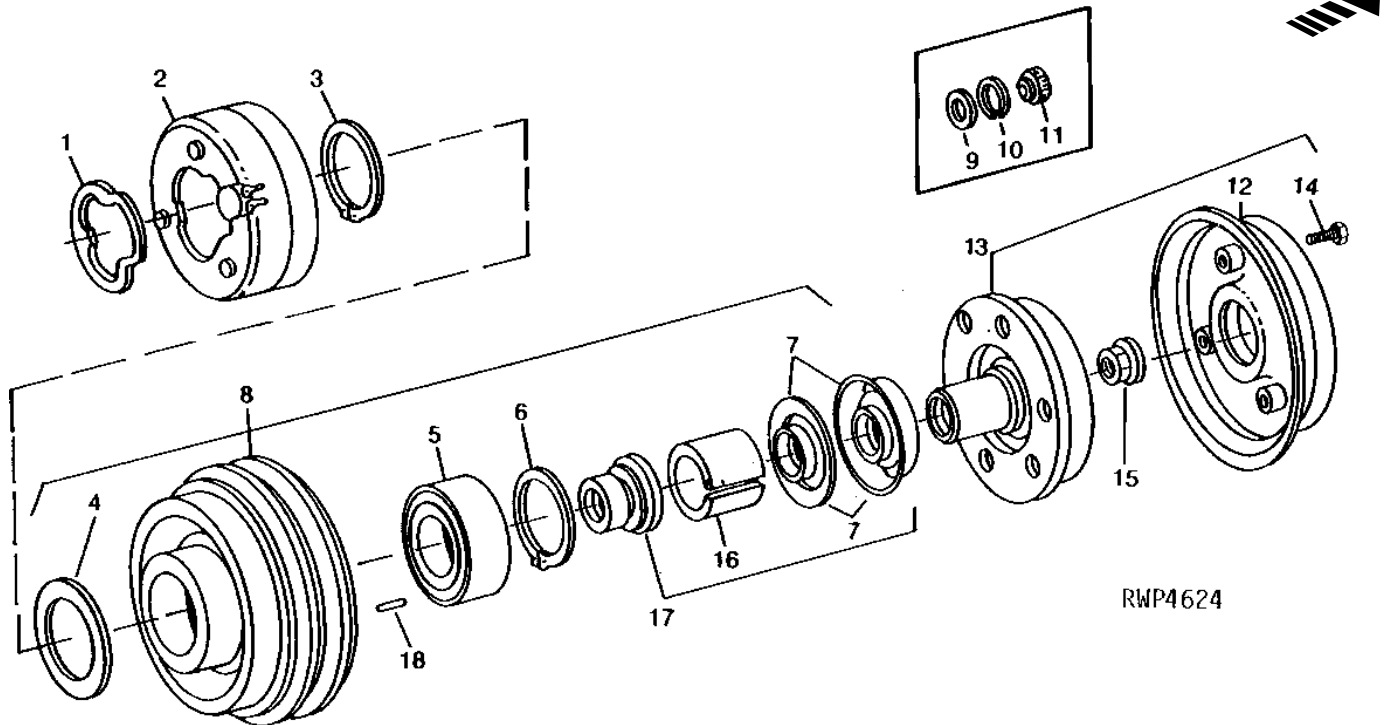
MEMORANDA

2H22

OPERATOR'S STATION

RWP4624 -UN-01JAN94

COMPRESSOR COIL, CLUTCH, AND PULLEY



RWP4624

KEY	PART NO.	PART NAME	QTY	TRACTOR SERIAL NO.	REMARKS
1	R56246	GASKET	1	(A)	
2	AR49803	ELECTRICAL COIL	1	(A)	
3	R47224	SNAP RING	1	(A)	
4	R54766	WASHER	1	(A)	
5	AR71288	BALL BEARING	1	(SUB FOR AR49805)	
6	R47226	SNAP RING	1	(A)	
7	AR71289	SHIELD	1	(SUB FOR R47228 AND AR63254)	
8	AR71287	PULLEY	1	(INCLUDES R54766, AR71288 AND AR71290) (SUB FOR AR49804)	
9	R47230	WASHER	1	-XXXXXX (SUB R69536)	
10	R69297	FLANGE NUT	1	-XXXXXX (SUB FOR R47231)	
11	R47232	NUT	1	-XXXXXX (SUB R69297, THIS APPLICATION)	
12	AR71290	COVER	1	(SUB FOR AR53446)	
13	AR71286	CLUTCH	1	(SUB FOR AR63255)	
14	37H32	SCREW	3	0.190" X 3/8"	
15	R69297	FLANGE NUT	1	XXXXXX-	
16	R47227	SEAL	1	(A)	
17	AR71285	KIT	1	(A)	COMPRESSOR SHAFT SEAL WITH PULLEY BEARING FRONT SHIELD, (SUB FOR AR49806)
18	R47229	SHAFT KEY	1		

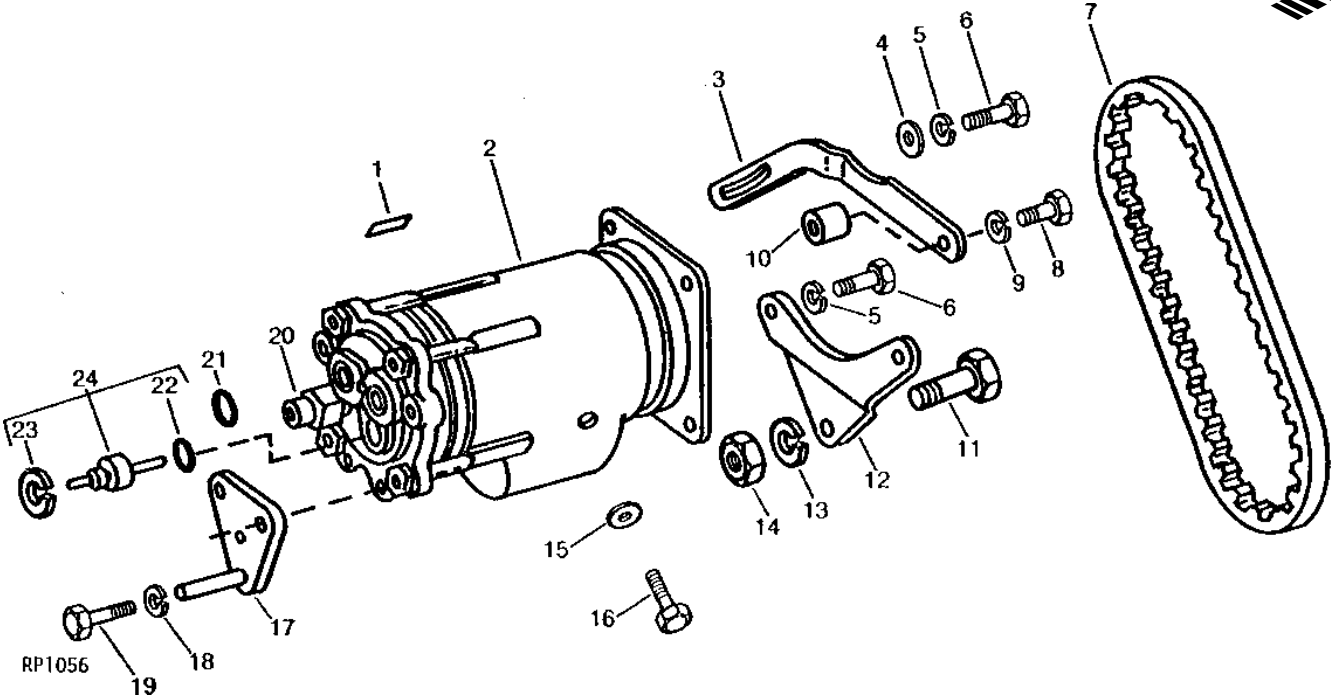
(A) ALSO ORDER AR71289

2H23

OPERATOR'S STATION

RP1056 -UN-01JAN94

COMPRESSOR AND MOUNTING BRACKETS



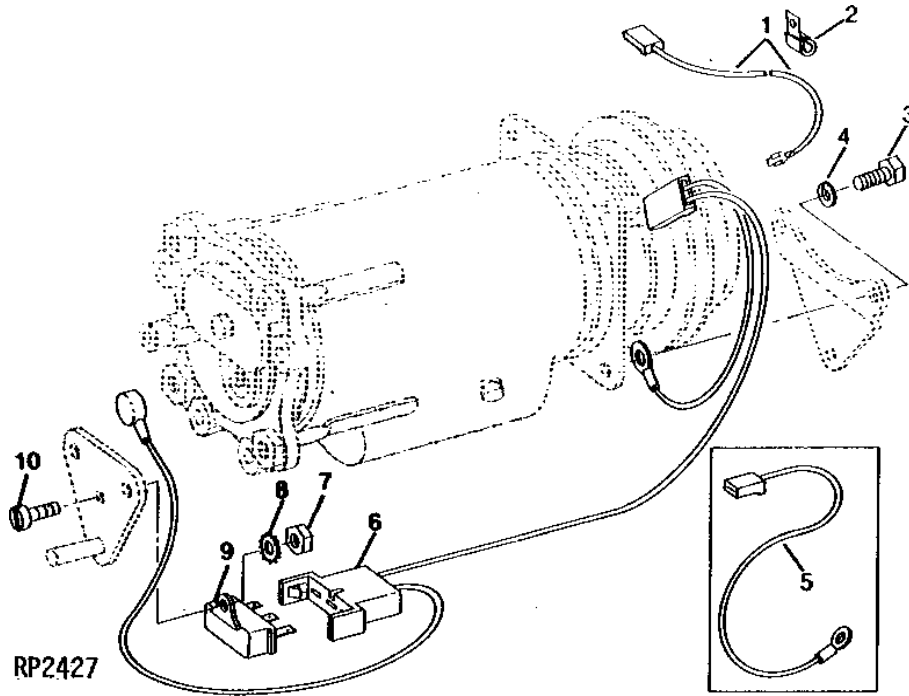
KEY	PART NO.	PART NAME	QTY	CAB SERIAL NO.	REMARKS
1	R42822	LABEL	1		
2	AR77343	COMPRESSOR	1	-XXXXXX	(SUB AR92109, 19M7170, (3) 19M7163, (2) 19M7662, (3) 12M7065 AND (3) 12M7066) (SUB FOR AR49799, AR49802, AR60948 OR AR68802)
	AR92109	COMPRESSOR	1	XXXXXX-	
	TY6665	COMPRESSOR	1		(REMANUFACTURED)
3	R46099	STRAP	1		
4	R56397	WASHER	1		
5	12H303	LOCK WASHER	3	-XXXXXX	5/16"
	12M7065	LOCK WASHER	3	XXXXXX-	M8
6	19H2529	CAP SCREW	3	-XXXXXX	5/16" X 1"
	19M7163	CAP SCREW	3	XXXXXX-	M8 X 25
7	R71603	BELT	1		(SUB FOR R46098 OR R69562, THIS APPLICATION)
8	19H1800	CAP SCREW	1		3/8" X 1-1/2"
9	12H304	LOCK WASHER	1		3/8"
10	28H3381	SPACER	1		3/8" X 5/8"
11	19H1831	CAP SCREW	1		1/2" X 2"
12	R45981	BRACKET	1		
13	12H301	LOCK WASHER	1		1/2"
14	14H1040	NUT	1		1/2"
15	R47234	WASHER	1		
16	R47233	PLUG	1		
17	AR49485	BRACKET	1		(SUB AR77342)
18	12H304	LOCK WASHER	2	-XXXXXX	3/8"
	12M7066	LOCK WASHER	2	XXXXXX-	M10
19	19M7662	CAP SCREW	2	XXXXXX-	M10 X 30
	19H1731	CAP SCREW	2	-XXXXXX	3/8" X 1"
20	AR49808	VALVE	1		
21	R74210	O-RING	2		(SUB FOR R47235)
22	32240	O-RING	1	XXXXXX-	
23	R63571	SNAP RING	1	XXXXXX-	
24	AR78501	KIT	1	XXXXXX-	SUPER HEAT SHUT-OFF
..	TY6384	OIL	1		0.9L (1 QT.) (SUB FOR R49856)

2H24

OPERATOR'S STATION

RP2427 -UN-01JAN94

AIR COMPRESSOR WIRING HARNESS



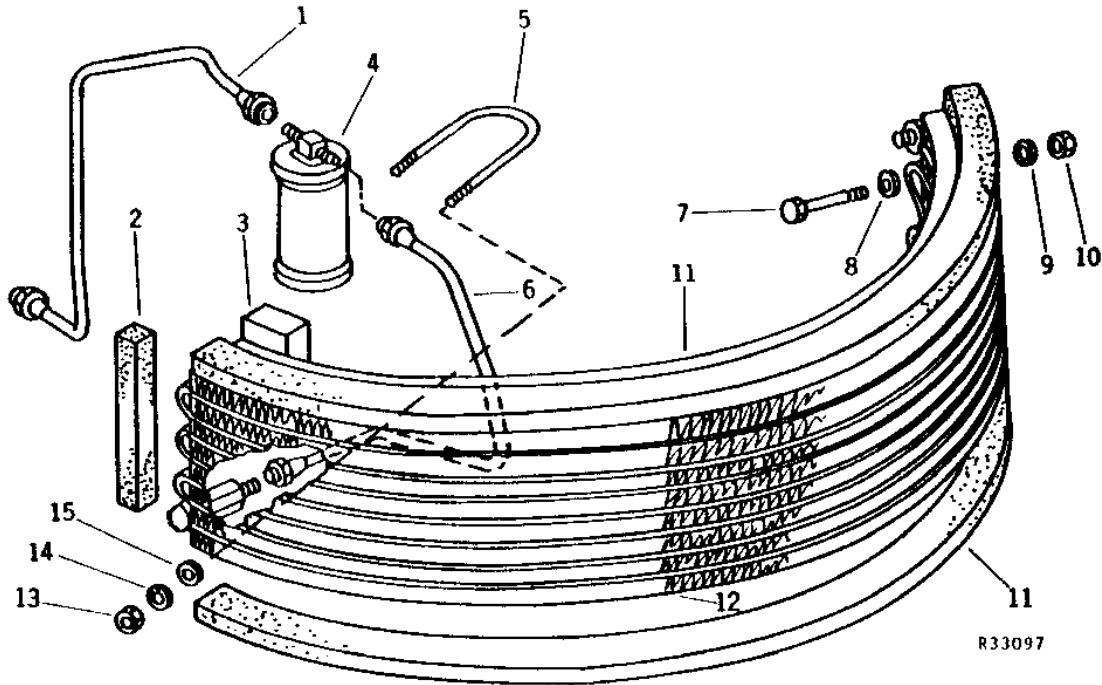
KEY	PART NO.	PART NAME	QTY	CAB SERIAL NO.	REMARKS
1	AR48956	WIRING LEAD	1	-XXXXXX	(NO LONGER AVAILABLE)
2	T32231	CLAMP	1		(SUB FOR T15737)
3	19H2529	CAP SCREW	3		5/16" X 1"
4	12H303	LOCK WASHER	3		5/16"
5	AR48957	WIRING LEAD	1	-XXXXXX	
6	AR77345	WIRING HARNESS	1	XXXXXX-	
7	14H631	NUT	1	XXXXXX-	0.190"
8	12M7060	WASHER	1	XXXXXX-	0.209"
9	AR77344	FUSE	1	XXXXXX-	
10	21H1295	SCREW	1	XXXXXX-	0.190" X 5/8"

2H25

OPERATOR'S STATION

R33097 -UN-01JAN94

CONDENSER AND RECEIVER-DRYER (HINSON)



R33097

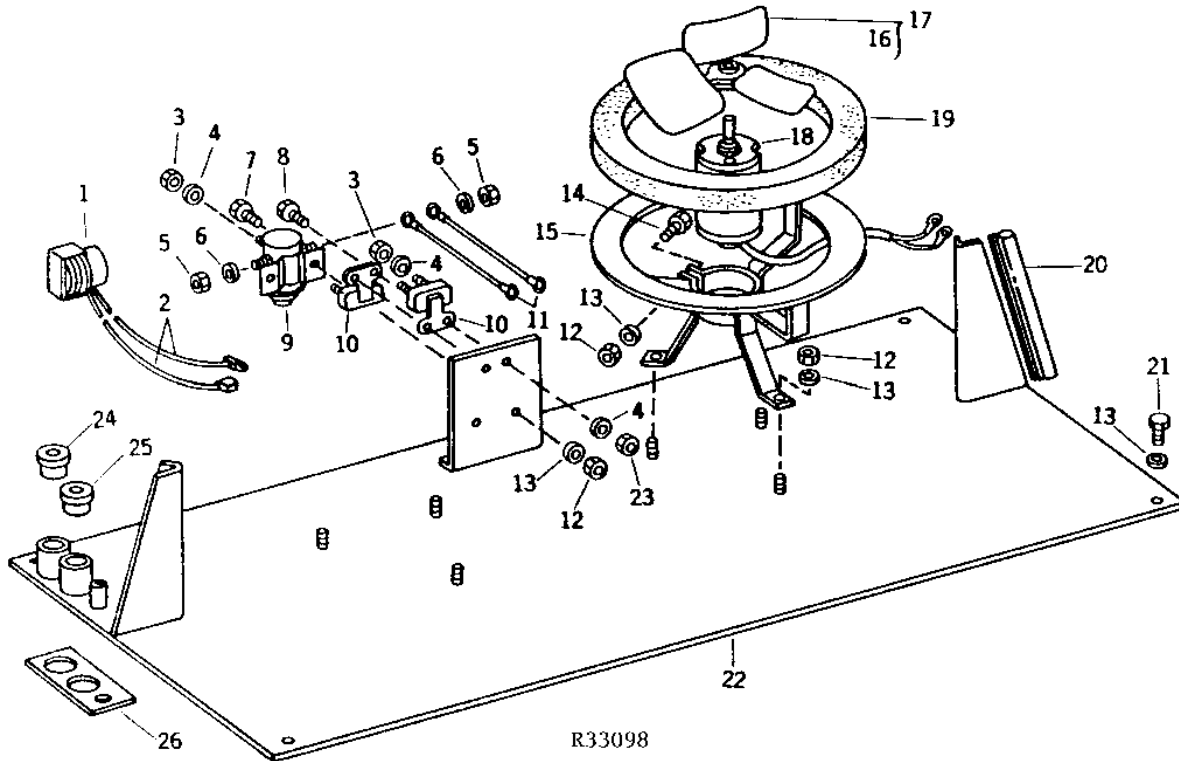
KEY	PART NO.	PART NAME	QTY	TRACTOR SERIAL NO.	REMARKS
1	AR52319	LINE	1		
2	FOAM PAD	2		25 X 25 X 203MM (1" X 1" X 8") (MAKE FROM R30937)
3	FOAM PAD	1		25 X 51 X 152MM (1" X 2" X 6") (MAKE FROM R28123)
4	AR45867	RECEIVER	1		
5	R21244	U-BOLT	1		(NO LONGER AVAILABLE)
6	AR52318	LINE	1		
7	19H1949	CAP SCREW	2		5/16" X 2-1/2"
8	24H1291	WASHER	2		21/64" X 1-15/32" X 7/64"
9	12H303	LOCK WASHER	2		5/16"
10	14H785	NUT	2		5/16"
11	FOAM PAD	2		25 X 25 X 1270MM (1" X 1" X 50") (MAKE FROM R30937)
12	AR49967	CORE	1		
13	14H786	NUT	2		1/4"
14	12H302	LOCK WASHER	2		1/4"
15	24H1291	WASHER	2		21/64" X 1-15/32" X 7/64"

211

OPERATOR'S STATION

R33098 -UN-01JAN94

CONDENSER FAN MOTOR AND CIRCUIT BREAKER (HINSON)



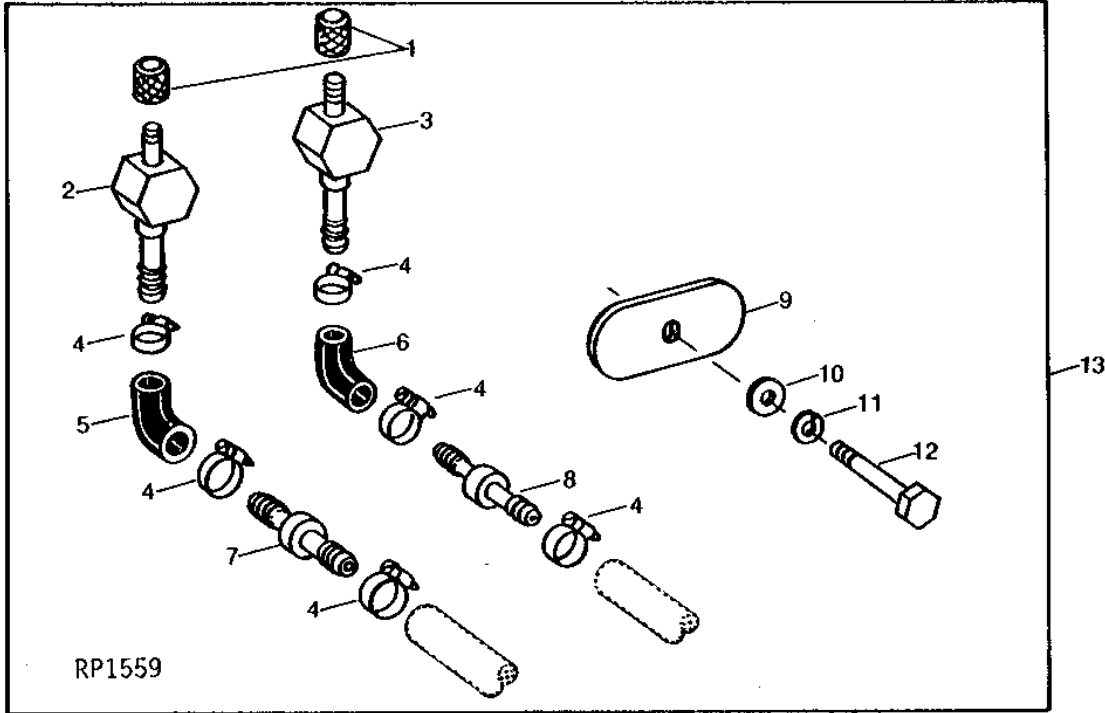
KEY	PART NO.	PART NAME	QTY	TRACTOR SERIAL NO.	REMARKS
1	AR45868	THERMOSTAT	1		
2	WIRING LEAD	2		(MAKE FROM R32027, R65597 AND R65604)
3	14H631	NUT	6	0.190"	
4	12H246	LOCK WASHER	8	0.190"	
5	14H650	NUT	2	5/16"	
6	12H303	LOCK WASHER	2	5/16"	
7	19H1919	CAP SCREW	2	1/4" X 5/8"	
8	21H1317	SCREW	2	0.190" X 5/8"	
9	AR54484	RELAY	1		
10	AR28403	CIRCUIT BREAKER	2		
11	WIRING LEAD	2		203MM (8") (MAKE FROM R66319, R32018 AND R32022)
12	14H786	NUT	8	1/4"	
13	12H302	LOCK WASHER	14	1/4"	
14	19H1948	CAP SCREW	2	1/4" X 3/4"	
15	AR52316	SUPPORT	2		
16	22H922	SET SCREW	2	0.190" X 1/4"	
17	AR49963	FAN	2		
18	AR49962	MOTOR	2		
19	R47470	ISOLATOR	2		
20	MOLDING	2		254MM (10") (MAKE FROM R44447)
21	19H1227	CAP SCREW	6	1/4" X 1/2"	
22	AR52315	PLATE	1		
23	14H774	NUT	2	3/8"	
24	R48900	GROMMET	1		
25	R48901	GROMMET	1		
26	R48899	GASKET	1		

212

OPERATOR'S STATION

RP1559 -UN-01JAN94

COMPRESSOR VALVE KIT



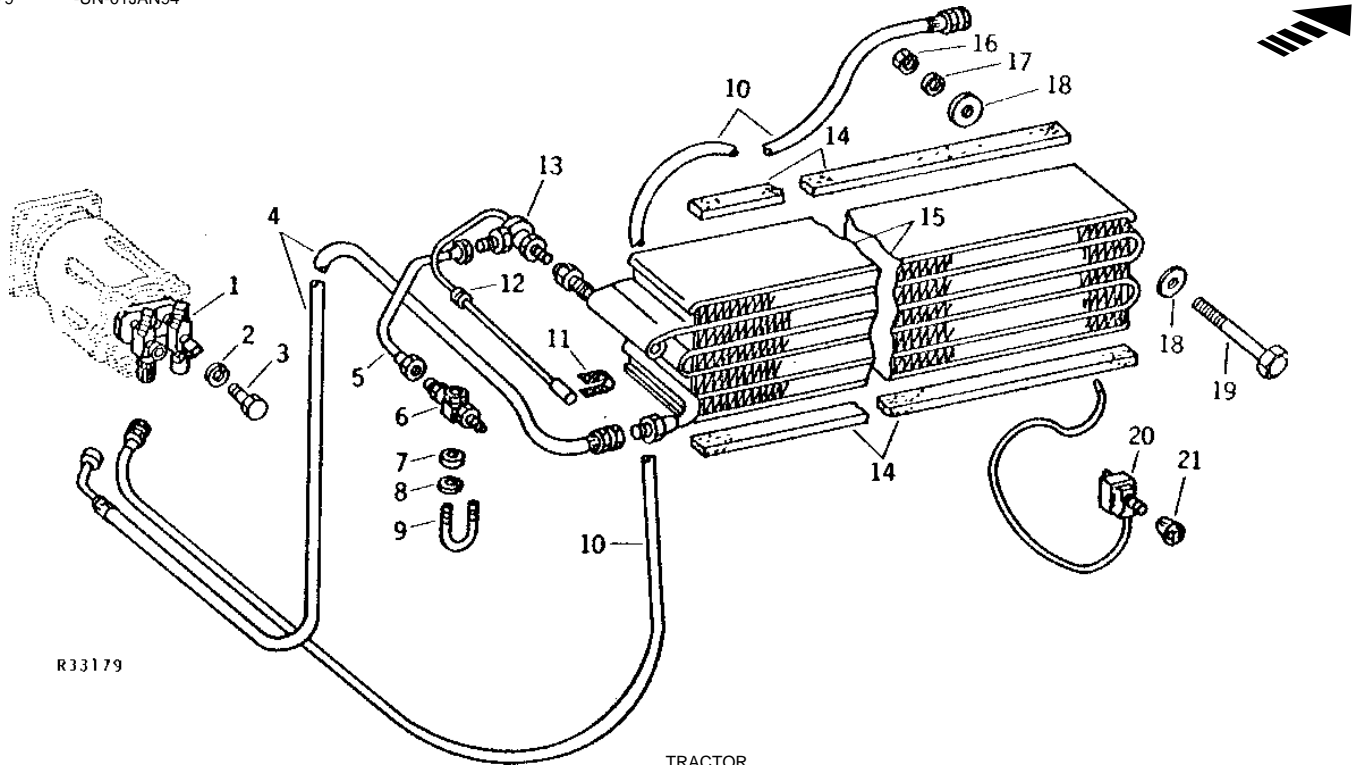
KEY	PART NO.	PART NAME	QTY	CAB SERIAL NO.	REMARKS
1	R60172	NUT	2		
2	AR94974	ADAPTER	1		
3	AR94975	ADAPTER	1		
4	AR21837	CLAMP	6	(SUB TY22465)	
5	R72229	HOSE	1	(NO. 10, 12.7ID X 25.4OD X 3650 SAE J51 TYPE A)	
6	R72228	HOSE	1	(NO. 8 10.3ID X 23OD X 3650 SAE J51 TYPE A)	
7	R72227	COUPLING	1		
8	R72226	COUPLING	1		
9	R60171	STRAP	1		
10	24H1884	WASHER	1	13/32" X 13/16" X 0.120"	
11	12H304	LOCK WASHER	1	3/8"	
12	19H2959	CAP SCREW	1	3/8" X 2"	
13	AR94973	FITTING	1		

213

OPERATOR'S STATION

R33179 -UN-01JAN94

EVAPORATOR AND MANIFOLD (HINSON)



R33179

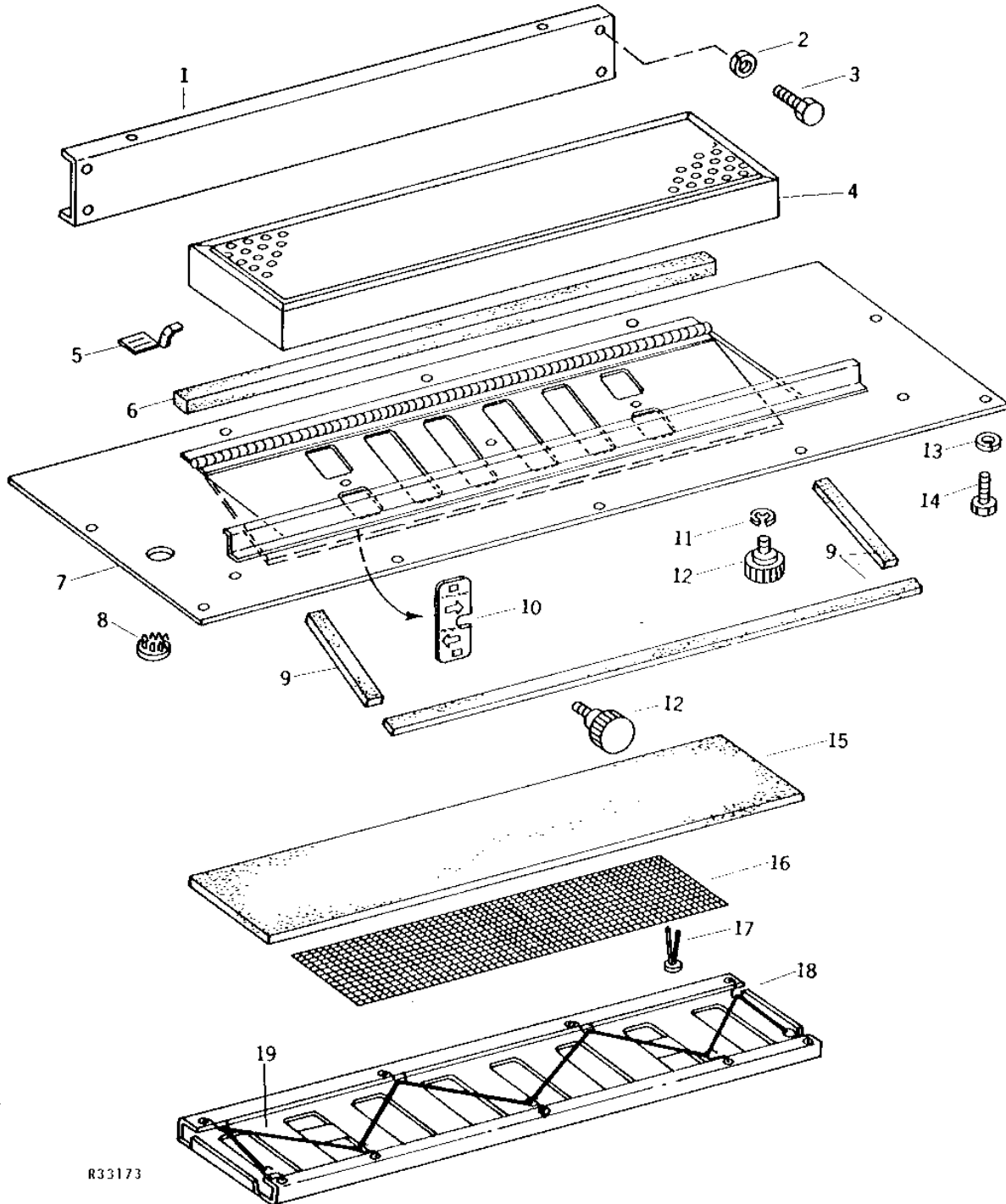
KEY	PART NO.	PART NAME	QTY	TRACTOR SERIAL NO.	REMARKS
1	AR94973	FITTING	1		(SUB FOR AR52325)
2	12H304	LOCK WASHER	1	-XXXXXX	3/8"
	12M7066	LOCK WASHER	1	XXXXXX-	10.200 MM
3	19H1938	CAP SCREW	1	-XXXXXX	3/8" X 13/16"
	19M7170	CAP SCREW	1	XXXXXX-	M10 X 50
4	AR64088	HOSE	1		(SUB RE58483)
5	AR52322	LINE	1		
6	AR52321	SIGHT PLUG	1		
7	12H302	LOCK WASHER	4		1/4"
8	14H786	NUT	4		1/4"
9	R21230	U-BOLT	2		
10	AR64087	HOSE	1		(SUB RE57318)
	R40791	CLAMP	1		
11	CLAMP	1		(NOT FURNISHED)
12	R27180	GROMMET	1		
13	AR49961	VALVE	1		
14	FOAM PAD	2		762MM (30") (MAKE FROM R48884)
15	AR49966	CORE	1		
16	14H785	NUT	3		5/16"
17	12H303	LOCK WASHER	3		5/16"
18	24H1291	WASHER	6		21/64" X 1-15/32" X 7/64"
19	19H2342	CAP SCREW	3		5/16" X 4-1/2"
20	AR52324	SWITCH	1		
	R26409	GROMMET	2		
21	AR69370	KNOB	1		(SUB FOR AR49969)
..	R76477	TIE BAND	1		(SUB FOR R45440)
..	R57003	TAPE	1		9144MM (360") (SUB TY15709)

214

OPERATOR'S STATION

CONSOLE COVER FRONT AND FILTER (HINSON)

R33173 -UN-01JAN94



R33173

215

OPERATOR'S STATION

CONSOLE COVER FRONT AND FILTER - CONTINUED
(HINSON)

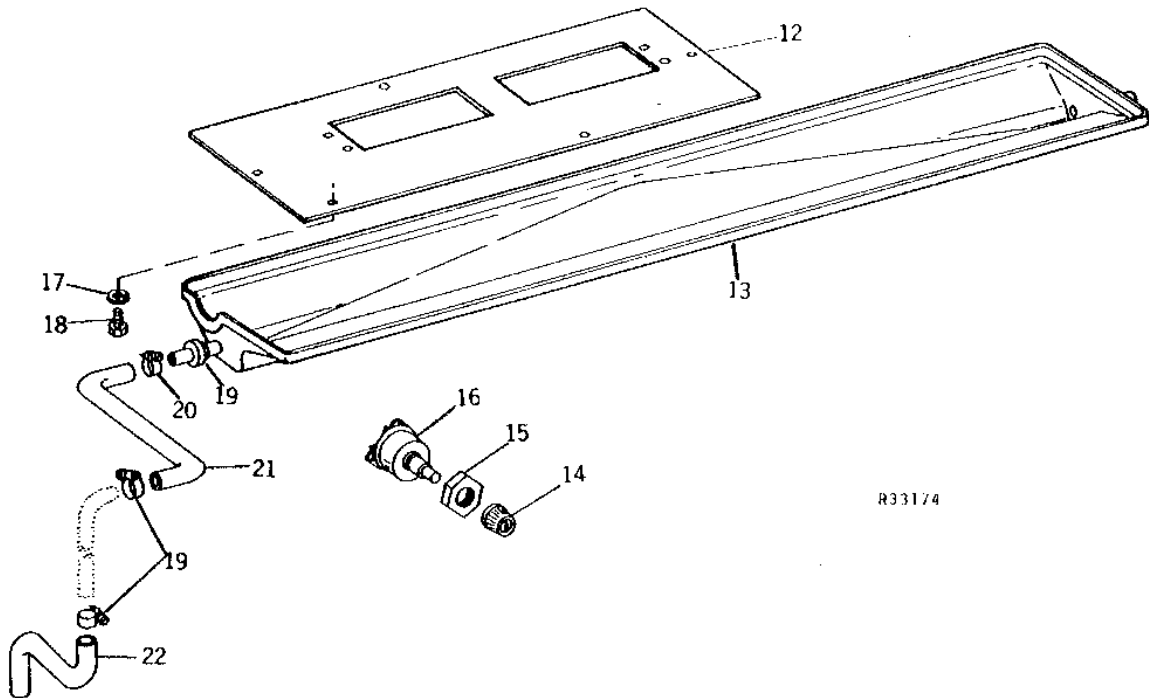
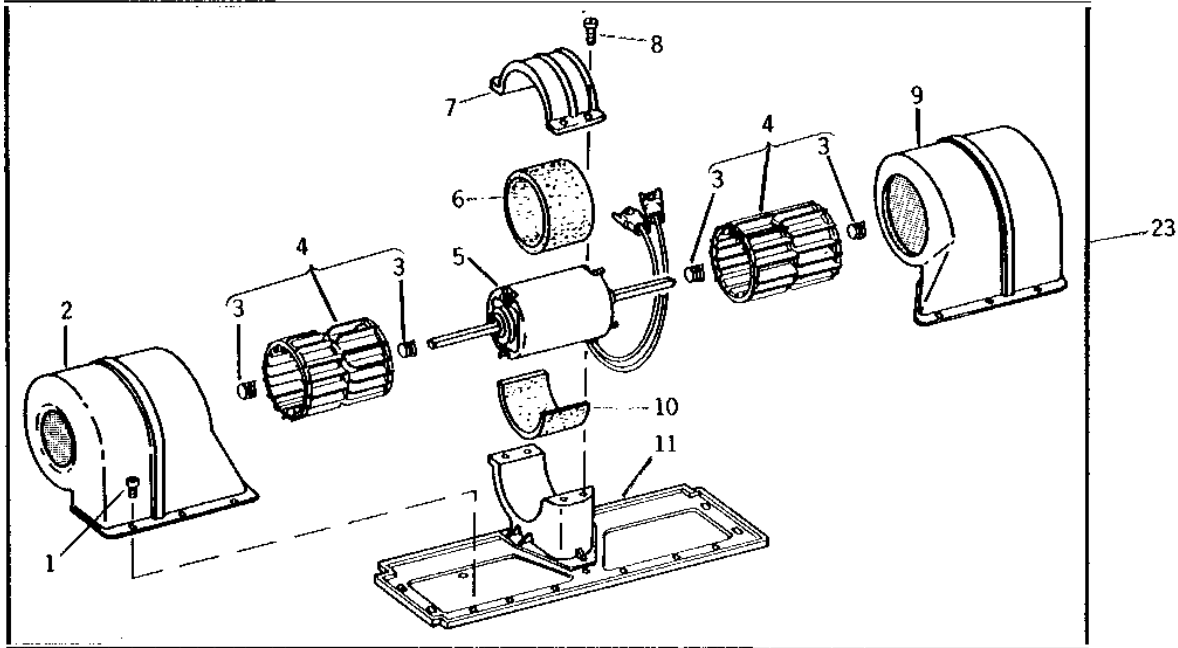
KEY	PART NO.	PART NAME	QTY	TRACTOR SERIAL NO.	REMARKS
1	AR52296	PANEL	1		
2	12H302	LOCK WASHER	7		1/4"
3	19H1227	CAP SCREW	7		1/4" X 1/2"
4	AR61903	AIR FILTER	1		(SUB FOR AR49986)
5	AR50010	CLIP	4		
6	R48880	WEATHERSTRIP	1		787MM (31")
7	AR52297	COVER	1	-035020	
	AR70450	COVER	1	035021-	
	R48884	WEATHERSTRIP	1		
8	R36590	PLUG	1		
9	R48879	WEATHERSTRIP	1		1270MM (50")
10	R48878	LABEL	1		
11	R72654	SNAP RING	2		(SUB FOR R27507)
12	AR52300	KNOB	4	-035020	
	AR52300	KNOB	2	035021-	
13	12H302	LOCK WASHER	14		1/4"
14	19H1227	CAP SCREW	14		1/4" X 1/2"
15	R48881	FILTER ELEMENT	1		
16	R58619	FILTER	1	035021-	
17	R58620	RETAINER	3	035021-	
18	AR63928	DOOR	1		(SUB FOR AR52298)
19	AR52299	CABLE	1		

216

OPERATOR'S STATION

R33174 -UN-01JAN94

BLOWER AND CONDENSATE TRAY (HINSON)



R33174

217

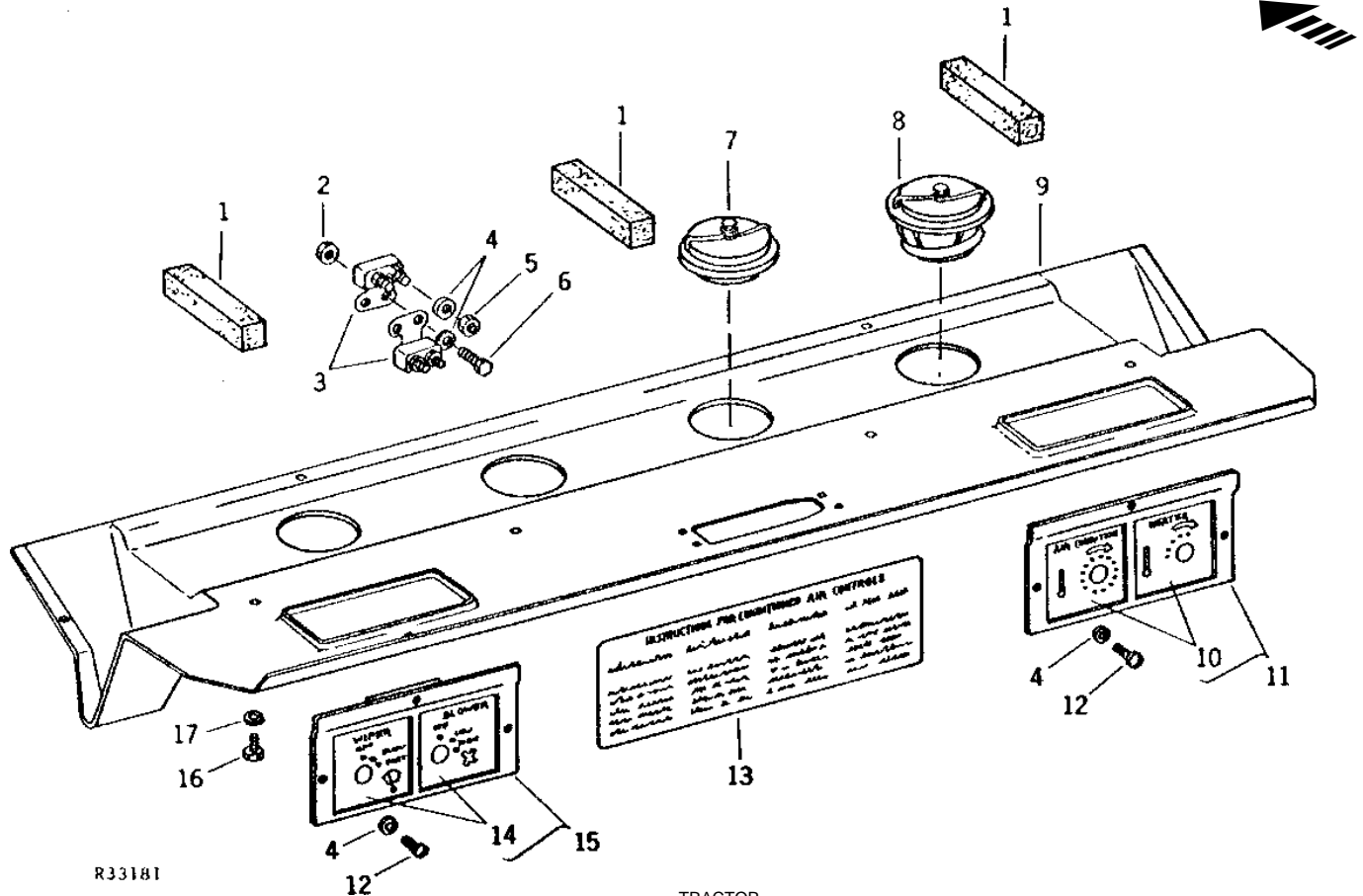
OPERATOR'S STATION

BLOWER AND CONDENSATE TRAY - CONTINUED (HINSON)

KEY	PART NO.	PART NAME	QTY	TRACTOR SERIAL NO.	REMARKS
1	14H605	NUT	8	-XXXXX	0.164"
	12H315	LOCK WASHER	8	-XXXXX	0.164"
	21H1158	SCREW	8	-XXXXX	0.164" X 1/2"
	37H32	SCREW	8	XXXXX-	0.190" X 3/8"
2	AR69012	HOUSING	2		L.H.
3	R56101	CLIP	4		(PER MOTOR)
4	AR66034	IMPELLER	2		(PER MOTOR) (SUB FOR AR66028)
5	AR62497	MOTOR	2		
6	R57606	CUSHION	1		(PER MOTOR)
7	R59450	RETAINER	1		(PER MOTOR)
8	37H80	SCREW	4		0.190" X 1/2"
9	AR69011	HOUSING	2		R.H.
10	CUSHION	1		102MM (4") (MAKE FROM R57606)
11	AR74020	BASE	2		(SUB FOR AR68974) (INCLUDES CAP AND SCREW)
12	R48885	PANEL	2		
13	AR52323	CONTAINER	1		
	WEATHERSTRIP	1		6 X 13 X 1016MM (1/4" X 1/2" X 40") (MAKE FROM R48884)
	ISOLATOR	1		6 X 13 X 965MM (1/4" X 1/2" X 38") (MAKE FROM R48884)
	ISOLATOR	2		6 X 13 X 51MM (1/4" X 1/2" X 2") (MAKE FROM R48884)
	R49858	ISOLATOR	1		
14	AR69370	KNOB	1		(SUB FOR AR49969)
15	R27296	NUT	1		
16	AR53155	SWITCH	1		(SUB FOR AR49964 OR AR53154)
17	12H302	LOCK WASHER	4		1/4"
18	19H1227	CAP SCREW	4		1/4" X 1/2"
19	R48902	GROMMET	2		
20	AR21837	CLAMP	6		(SUB TY22465)
21	R48913	HOSE	2		
22	R49293	HOSE	2		
23	AR74019	BLOWER	2		(SUB FOR AR49968, AR53156, AR62561, AR66027 OR AR68973)
..	R44302	TIE BAND	AR		

REAR CONSOLE COVER AND CONTROL PANEL (HINSON)

R33181 -UN-01JAN94



R33181

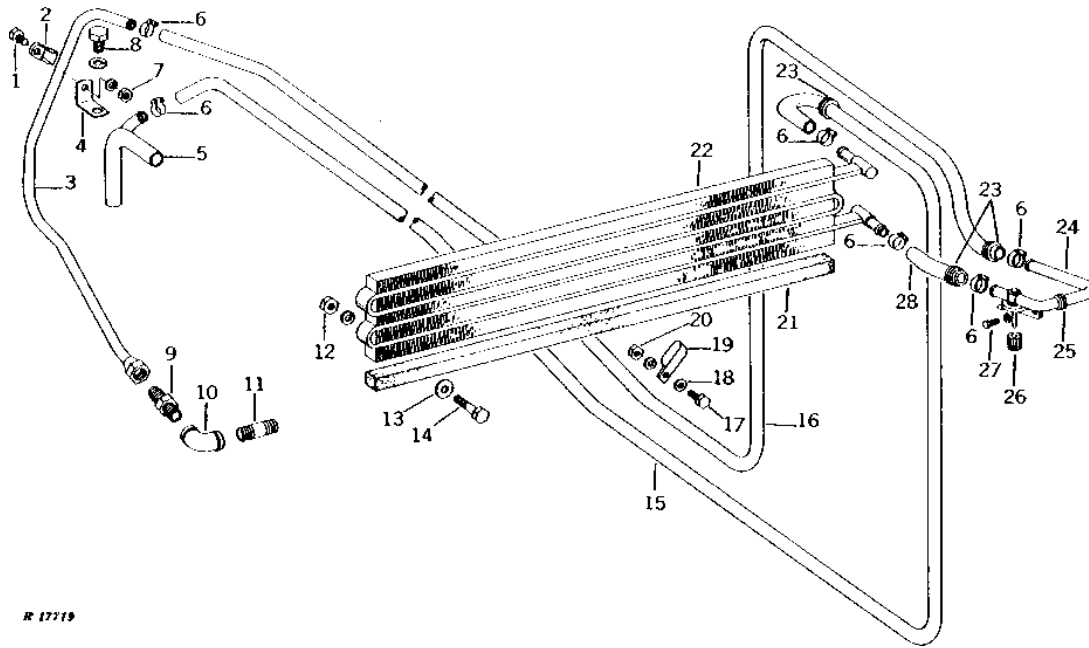
KEY	PART NO.	PART NAME	QTY	TRACTOR SERIAL NO.	REMARKS
1	ISOLATOR	3	25 X 25 X 127MM (1" X 1" X 6") (MAKE FROM R30937)	
2	14H778	NUT	2	0.190"	
3	AR28403	CIRCUIT BREAKER	2		
4	12H246	LOCK WASHER	10	0.190"	
5	14H631	NUT	4	0.190"	
6	21H1317	SCREW	2	0.190" X 5/8"	
7	AR49952	DEFLECTOR	3		
8	AR49970	DEFLECTOR	1		
9	R48874	COVER	1		
10	R48896	LABEL	1		(HEATER)
	R48908	LABEL	1		(AIR CONDITIONING)
	R48911	LABEL	1		(AIR CONDITIONING AND HEATER) (NLA)
11	AR52313	PANEL	1		
	AR52314	PANEL	1		(HEATER)
	AR52326	PANEL	1		(AIR CONDITIONING)
	AR52327	PANEL	1		(AIR CONDITIONING AND HEATER)
12	21H1317	SCREW	4	0.190" X 5/8"	
13	R54839	LABEL	1		(AIR CONDITIONING) (SUB FOR R48903)
	R54840	LABEL	1		(PRESSURIZER)
14	R48882	LABEL	1		(WIPER AND BLOWER) (NO LONGER AVAILABLE)
15	AR52301	PANEL	1		(WIPER AND BLOWER) (NO LONGER AVAILABLE)
16	19H1227	CAP SCREW	11	1/4" X 1/2"	
17	12H302	LOCK WASHER	11	1/4"	
..	R36590	PLUG	3		(LESS AIR CONDITIONING)
..	R36590	PLUG	1		(LESS AIR CONDITIONING)
..	R36590	PLUG	1		(LESS HEATER)
..	M42229	PLUG	1		(LESS AIR CONDITIONING) (SUB FOR R32234 OR T11708)
..	T13911	PLUG	1		(LESS AIR CONDITIONING)

219

OPERATOR'S STATION

CAB HEATER AND HOSES (HINSON)

R17719 -UN-01JAN94



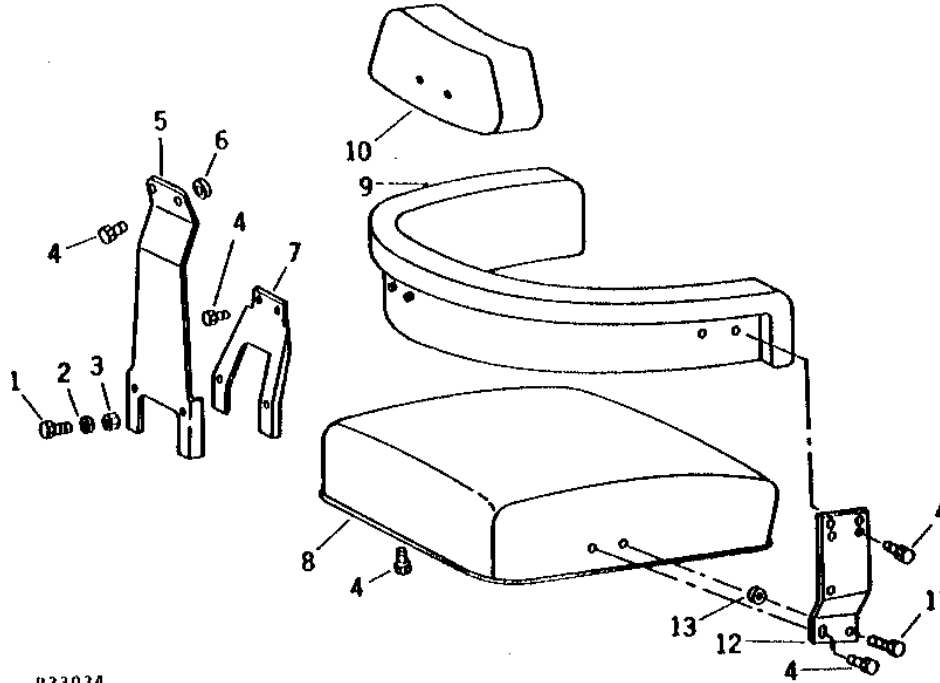
KEY	PART NO.	PART NAME	QTY	TRACTOR SERIAL NO.	REMARKS
1	19H1936	CAP SCREW	1	3/8" X 3/4"	
2	R46414	CLAMP	1		
3	AR51440	LINE	1	INLET	
4	R48385	ANGLE	1		
5	AR50598	TUBE	1		
6	AR21837	CLAMP	6	(SUB TY22465)	
7	14H1076	NUT	1	3/8"	
	12H304	LOCK WASHER	1	3/8"	
8	19H1833	CAP SCREW	1	5/8" X 1-1/4"	
	12H294	LOCK WASHER	1	5/8"	
9	R48384	FITTING	1		
10	15H99	ELBOW FITTING	1	90°, 3/4"	
11	29H253	THREADED NIPPLE	1	3/4"	
12	14H785	NUT	3	5/16"	
	12H303	LOCK WASHER	3	5/16"	
13	24H1291	WASHER	3	21/64" X 1-15/32" X 7/64"	
14	19H1906	CAP SCREW	3	5/16" X 1-1/2"	
15	HOSE	1	(MAKE FROM R45847) (CUT TO LENGTH)	
16	HOSE	1	(MAKE FROM R45847) (CUT TO LENGTH)	
17	19H1936	CAP SCREW	1	3/8" X 3/4"	
18	24H1301	WASHER	1	13/32" X 9/16" X 0.065"	
19	R42045	CLIP	1		
20	14H1076	NUT	1	3/8"	
	12H304	LOCK WASHER	1	3/8"	
21	R47468	ISOLATOR	1		
22	AR49965	CORE	1		
23	H31207	GROMMET	3		
24	AR49987	VALVE	1		
25	P41858	GROMMET	1		
26	AR69370	KNOB	1	(SUB FOR AR49969)	
27	19H1227	CAP SCREW	2	1/4" X 1/2"	
	12H302	LOCK WASHER	2	1/4"	
28	HOSE	1	203MM (8") (MAKE FROM R45847)	

2110

OPERATOR'S STATION

R33034 -UN-01JAN94

DELUXE SEAT



033034

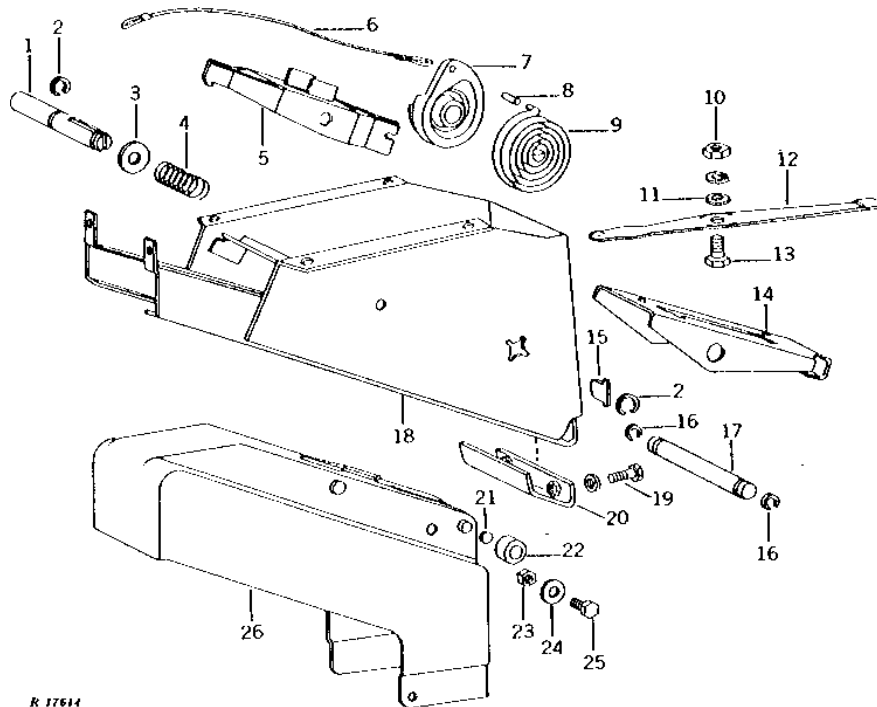
KEY	PART NO.	PART NAME	QTY	TRACTOR SERIAL NO.	REMARKS
1	19H1905	CAP SCREW	2	5/16" X 1"	
2	12H303	LOCK WASHER	2	5/16"	
3	14H785	NUT	2	5/16"	
4	19H1813	CAP SCREW	16	5/16" X 5/8"	
5	R34272	SUPPORT	1		
6	24H448	WASHER	2	25/32" X 1-1/8" X 0.090"	
7	R27785	SUPPORT	1		
8	AR44763	CUSHION	1	(SUB FOR AR59681)	
	R32736	COVER	1	(NATURAL CANVAS) (SUB AR44763)	
	R34618	CUSHION COVER	1	(YELLOW VINYL)	
9	AR59680	ARMREST	1	(SUB FOR AR42598)	
	R34620	CUSHION COVER	1		
10	AR59679	SEAT BACK	1	(SUB FOR R34267)	
	R34619	CUSHION COVER	1		
11	19H2127	CAP SCREW	2	5/16" X 7/8"	
12	R57274	SUPPORT	1	R.H. (SUB FOR R41937)	
	R41938	SUPPORT	1	L.H.	
13	24H1517	WASHER	2	1-13/32" X 2-23/32" X 0.036"	

2111

OPERATOR'S STATION

R17614 -UN-01JAN94

DELUXE SEAT SUPPORT



R 17614

KEY	PART NO.	PART NAME	QTY	TRACTOR SERIAL NO.	REMARKS
1	R26874	SHAFT	1		
2	R73380	SNAP RING	2		
3	24H1395	WASHER	1	25/32" X 1-7/16" X 0.060"	
4	A4744R	SPRING	1		
5	R26828	LATCH	1		
6	AR26403	CABLE	1	(SUB R78257)	
7	R26432	REEL	1		
8	34H282	SPRING PIN	1	3/16" X 1"	
9	R31260	SPRING	1	(SUB FOR R26433)	
10	14H786	NUT	1	1/4"	
	12H302	LOCK WASHER	1	1/4"	
11	24H1287	WASHER	1	9/32" X 5/8" X 0.065"	
12	R27439	LEVER	1		
13	R26431	SCREW	1		
14	R26830	HANDLE	1		
15	R26434	LATCH	1		
16	R26871	SNAP RING	2	(SUB FOR P44982)	
17	R26829	PIN	1		
18	AR36047	SUPPORT	1	(SUB A369R, AR68728, R57572 AND (2) 24H1384)	
19	19H1900	CAP SCREW	2	(A) 5/16" X 3/4"	
	12H303	LOCK WASHER	2	(A) 5/16"	
20	AR50937	STOP	1	(A) (NO LONGER AVAILABLE)	
21	R26872	SHIM	AR	0.25MM (.010")	
	R26873	SHIM	AR	0.51MM (.020")	
22	R26436	ROLLER	4		
23	M63440	LOCK NUT	2	(SUB T11234)	
24	R27441	WASHER	2		
25	19H2552	CAP SCREW	2	3/8" X 1-1/8"	
26	AR26632	FRAME	1		

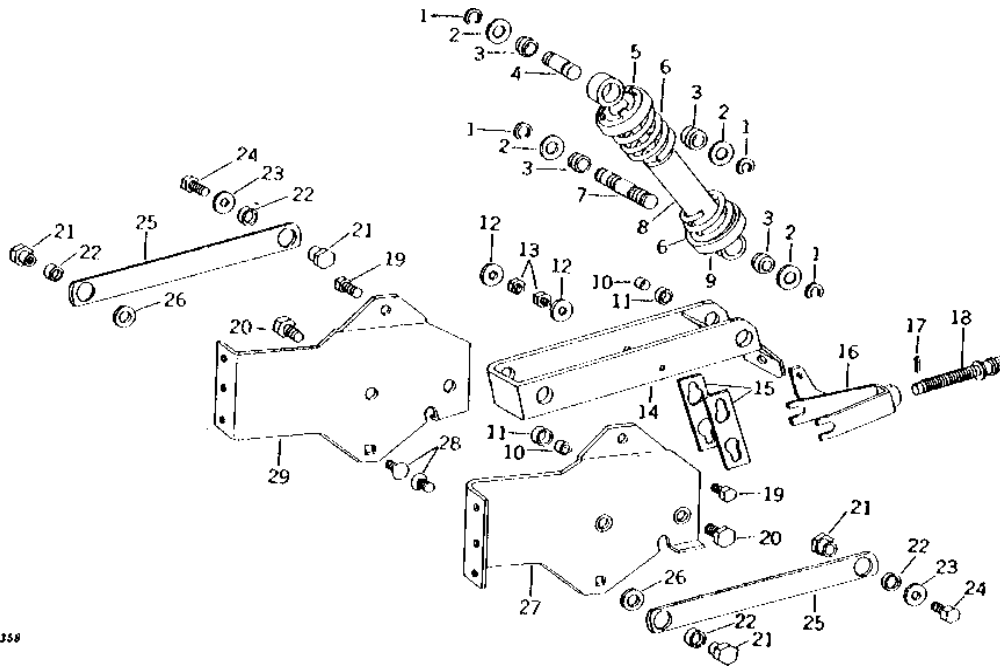
(A) WITH HINSON CAB

2112

OPERATOR'S STATION

R14358 -UN-01JAN94

DELUXE SEAT SUSPENSION



R 14358

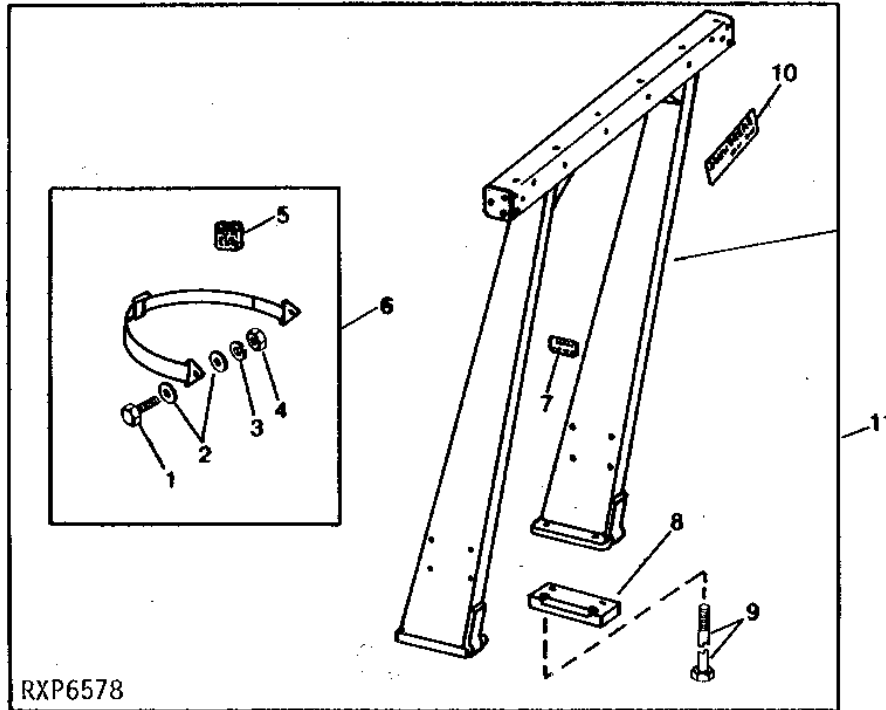
KEY	PART NO.	PART NAME	QTY	TRACTOR SERIAL NO.	REMARKS
1	F2863R	SNAP RING	4		
2	R1836R	WASHER	4		
3	R26832	BUSHING	4		RUBBER
4	R26875	PIN	1		UPPER
5	R27442	CAP	1		UPPER
6	R26877	SPRING	1		
7	R26876	SHAFT	1		LOWER
8	AR71976	ABSORBER	1		(SUB FOR AR26529 AND AR69854) (SUB AR62234)
9	R26879	CAP	1		LOWER
10	R27440	BUSHING	4		
11	R51648	WASHER	4		
12	R27441	WASHER	2		
13	M63440	LOCK NUT	2		(SUB T11234)
14	AR36048	ARM	1		
15	R26878	LINK	2		
16	AR69271	YOKE	1		(SUB FOR AR26530)
17	34H247	SPRING PIN	1		1/8" X 3/4"
18	R57623	SCREW	1		(SUB FOR R27121) (ALSO ORDER 34H113)
19	19H1732	CAP SCREW	2		3/8" X 1-1/4"
20	R31505	BOLT	4		
21	R26880	NUT	4		
22	R51648	WASHER	4		(SUB FOR R36704)
23	R27441	WASHER	2		
24	19H1936	CAP SCREW	2		3/8" X 3/4"
25	AR31977	LINK	2		
26	R48450	WASHER	2		(SUB FOR R26113)
27	R40926	SUPPORT	1		R.H. (NO LONGER AVAILABLE)
28	10H1026	BOLT	2		3/8" X 1"
29	R40927	SUPPORT	1		L.H.

2113

OPERATOR'S STATION

RXP6578 -UN-01JAN94

ROLL-GARD AND SEAT BELT (ROW-CROP AND STANDARD)



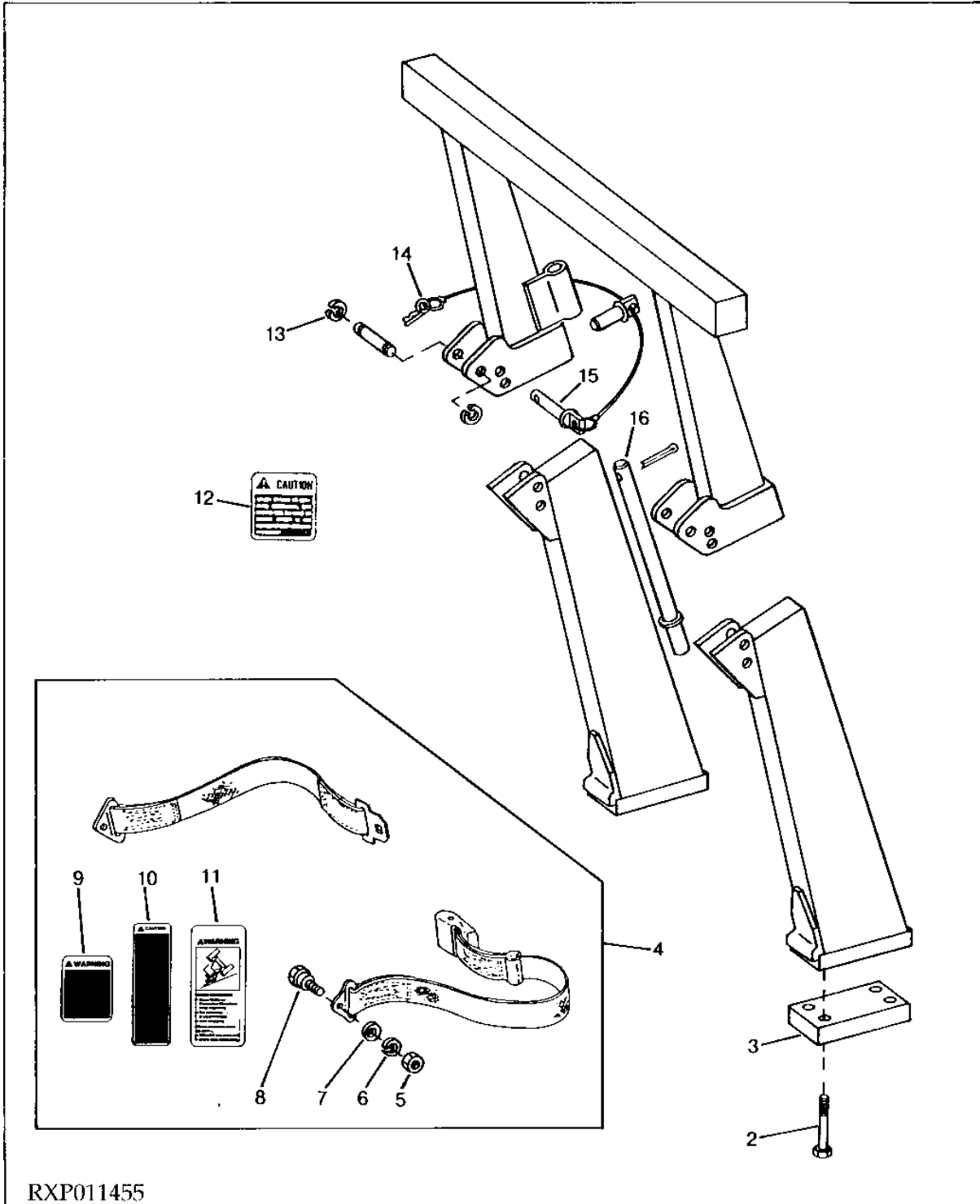
KEY	PART NO.	PART NAME	QTY	TRACTOR SERIAL NO.	REMARKS
1	R41778	BOLT	2		
2	24H1226	WASHER	4	1/2" X 1-1/4" X 0.083"	
3	12H293	LOCK WASHER	2	7/16"	
4	14H807	NUT	2	7/16"	
5	R81424	LABEL	1		SEAT BELT CAUTION (USE WITH ROLL-GARD ONLY) (2" WIDTH)
6	AR41761	SEAT BELT	1		(ILLUSTRATED) (USE WITH ROLL-GARD ONLY) (3" WIDTH)
7	AT38518	SEAT BELT	1		
	R87527	LABEL	1		CAUTION
	R83316	LABEL	1		ROPS WARNING
8	R41355	PLATE	2		
9	R42439	BOLT	8		
10	R47292	LABEL	1		
11	AR51416	ROLL-GARD	1		(SUB FOR AR41594 OR AR44776)

2114

OPERATOR'S STATION

ROLL-GARD AND SEAT BELT (W/O HI CROP)

RXP011455 -UN-12DEC94



2115

OPERATOR'S STATION

ROLL-GARD AND SEAT BELT - CONTINUED
(W/O HI CROP)

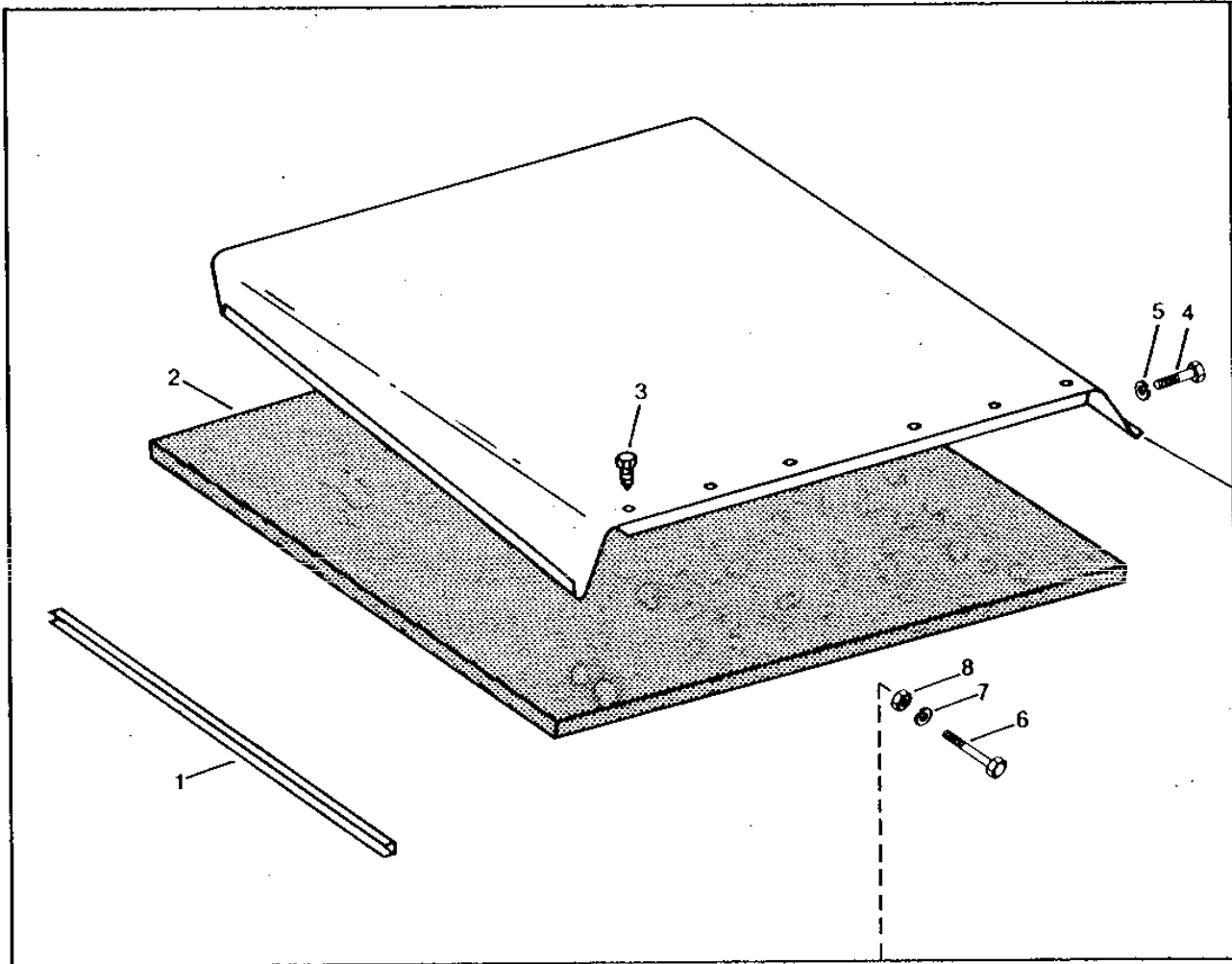
KEY	PART NO.	PART NAME	QTY	CAB SERIAL NO.	REMARKS
1	RE58257	ROLL-GARD	1	(FI)	
2	R42439	BOLT	8		
3	R41355	PLATE	2		
4	AR41761	SEAT BELT	1		
5	14H807	NUT	2	7/16"	
6	12H293	LOCK WASHER	2	7/16"	
7	24H1226	WASHER	2	1/2" X 1-1/4" X 0.083"	
8	R41778	BOLT	2		
9	R117491	DECAL	1		
10	R120124	LABEL	1		
11	R120128	LABEL	1		
12	R81424	LABEL	1		
13	40M7195	SNAP RING	4		
14	99M7080	SPRING LOCKING PIN	1		
15	RE58679	HINGE	2		
16	RE58612	ROD	2		
..	37M7131	SCREW	1		

2116

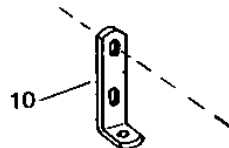
OPERATOR'S STATION

RWP4392 -UN-01JAN94

CANOPY



RWP4392



2117

OPERATOR'S STATION

CANOPY - CONTINUED

KEY	PART NO.	PART NAME	QTY	TRACTOR SERIAL NO.	REMARKS
1	R41358	ISOLATOR	2		
2	R47197	FOAM PAD	1		
3	37H27	SCREW	10	5/16" X 7/8"	
4	19H1731	CAP SCREW	6	3/8" X 1"	
5	12H304	LOCK WASHER	6	3/8"	
6	19H2054	CAP SCREW	6	3/8" X 4-3/4"	
7	12H304	LOCK WASHER	6	3/8"	
8	14H1076	NUT	6	3/8"	
9	AR51452	CANOPY	1		
10	R52195	BRACKET	2		WARNING LAMP

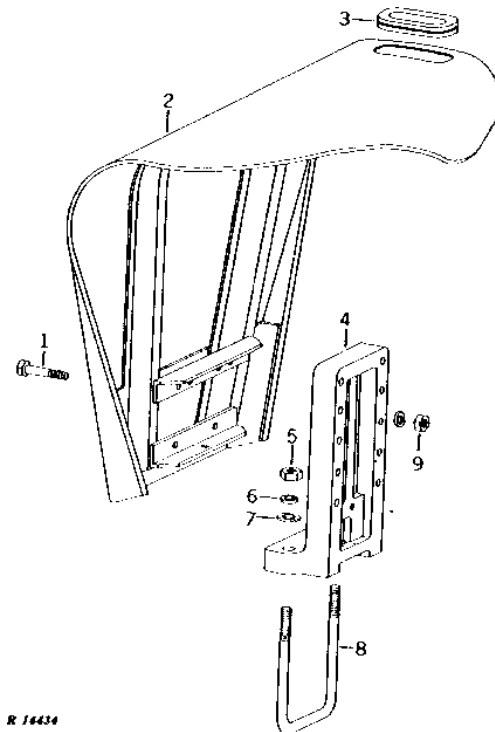
MEMORANDA

2118

OPERATOR'S STATION

R14434 -UN-01JAN94

FENDERS (ROW-CROP)



R 14434

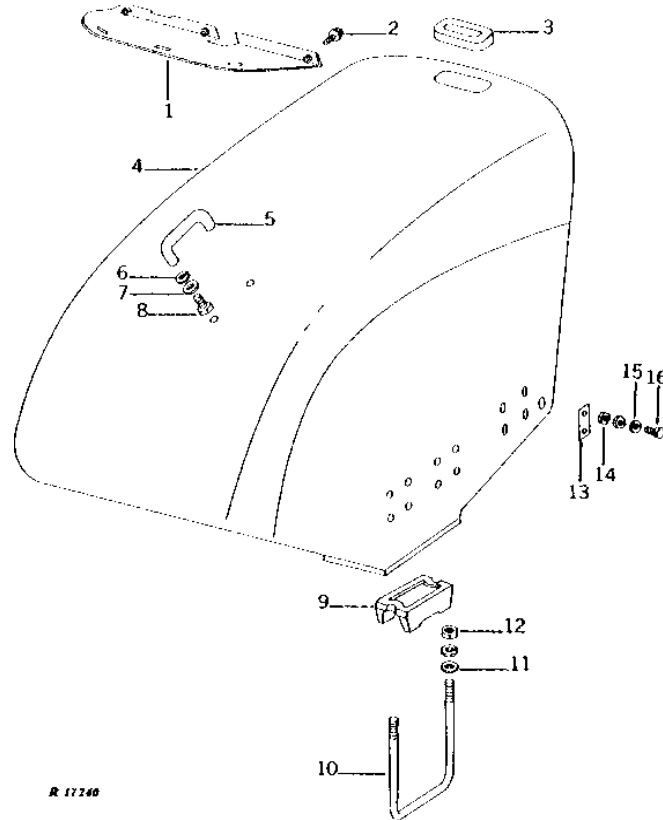
KEY	PART NO.	PART NAME	QTY	TRACTOR SERIAL NO.	REMARKS
1	19H1974	CAP SCREW	4		1/2" X 2-3/4"
	19H1820	CAP SCREW	4		1/2" X 3", (ROLL-GARD)
2	AR48872	FENDER	1		R.H.
	AR51444	FENDER	1		R.H. (WITH 18.4-38, 20.8-34 OR 23.1-30 TIRES AND NO ROLL-GARD) (NLA)
	AR51446	FENDER	1		R.H. (WITH 18.4-38, 20.8-34 OR 23.1-30 TIRES AND ROLL-GARD) (NO LONGER AVAILABLE)
	AR48873	FENDER	1		L.H.
	AR51445	FENDER	1		L.H. (WITH 18.4-38, 20.8-34 OR 23.1-30 TIRES AND NO ROLL-GARD) (NO LONGER AVAILABLE)
	AR51447	FENDER	1		L.H. (WITH 18.4-38, 20.8-34 OR 23.1-30 TIRES AND ROLL-GARD) (NO LONGER AVAILABLE)
	R82425	LABEL	1		L.H. (SUB FOR R47739, R51821 OR R76341, R69270)
3	R20759	GROMMET	1		
4	R54541	SUPPORT	1		(SUB FOR R41296)
	R48397	SUPPORT	1		(WITH 18.4-38, 20.8-34 OR 23.1-30 TIRES AND NO ROLL-GARD) (SUB R67410)
5	14H1039	NUT	2		5/8"
6	12H294	LOCK WASHER	2		5/8"
7	24H1139	WASHER	2		11/16" X 1-1/4" X 0.105"
8	R26992	U-BOLT	1		
9	14H1040	NUT	4		1/2"
	12H301	LOCK WASHER	4		1/2"

2119

OPERATOR'S STATION

R17240 -UN-01JAN94

FENDERS



KEY	PART NO.	PART NAME	QTY	TRACTOR SERIAL NO.	REMARKS
1	AR35271	SHIELD	1	L.H.	
	AR35270	SHIELD	1	R.H.	
2	AR26568	SCREW	3		
3	R20759	GROMMET	1		
4	AR49063	FENDER	1	L.H. (NLA)	
	AR81651	FENDER	1	R.H. (SUB FOR AR49062) (NLA)	
	R82425	LABEL	1	L.H. (SUB FOR R47739, R51821, R76341 OR R69270) (SUB R87529)	
5	R31618	HANDLE	1		
6	24H1309	WASHER	2	13/32" X 1-1/16" X 0.120"	
7	R27441	WASHER	2		
8	19H1936	CAP SCREW	2	3/8" X 3/4"	
9	R39766	SPACER	2	(A) (NLA)	
10	R26992	U-BOLT	2		
	R39767	U-BOLT	2	(A)	
11	24H1139	WASHER	4	11/16" X 1-1/4" X 0.105"	
12	14H1039	NUT	4	5/8"	
	12H294	LOCK WASHER	4	5/8"	
13	R26789	STRAP	1	(A)	
14	14H786	NUT	1	(A) 1/4"	
	12H302	LOCK WASHER	1	(A) 1/4"	
15	24H1287	WASHER	1	(A) 9/32" X 5/8" X 0.065"	
16	19H1919	CAP SCREW	1	(A) 1/4" X 5/8"	

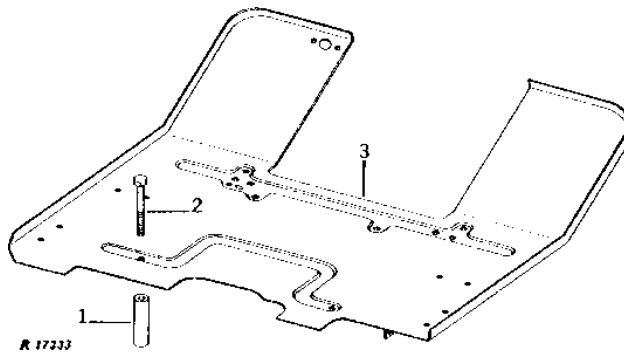
(A) WITH 18.4-38, 20.8-34, OR 23.1-30 TIRES

2120

OPERATOR'S STATION

R17233 -UN-01JAN94

PLATFORM
(ROW-CROP)



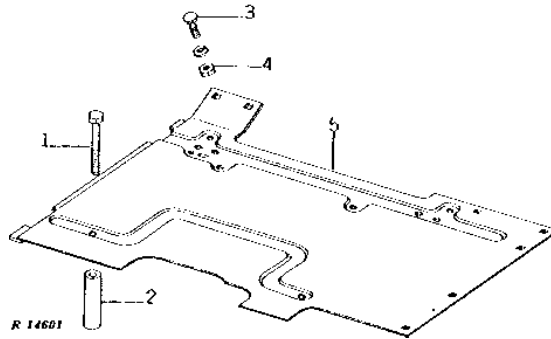
KEY	PART NO.	PART NAME	QTY	TRACTOR SERIAL NO.	REMARKS
1	28H3292	BUSHING	4	0.423" X 0.675" X 3-35/64"	
2	19H1925	CAP SCREW	4	3/8" X 4-1/4"	
3	AR48727	PLATFORM	1		
..	R44960	MAT	1	BLACK RUBBER	

2121

OPERATOR'S STATION

R14601 -UN-01JAN94

PLATFORM
(STANDARD)



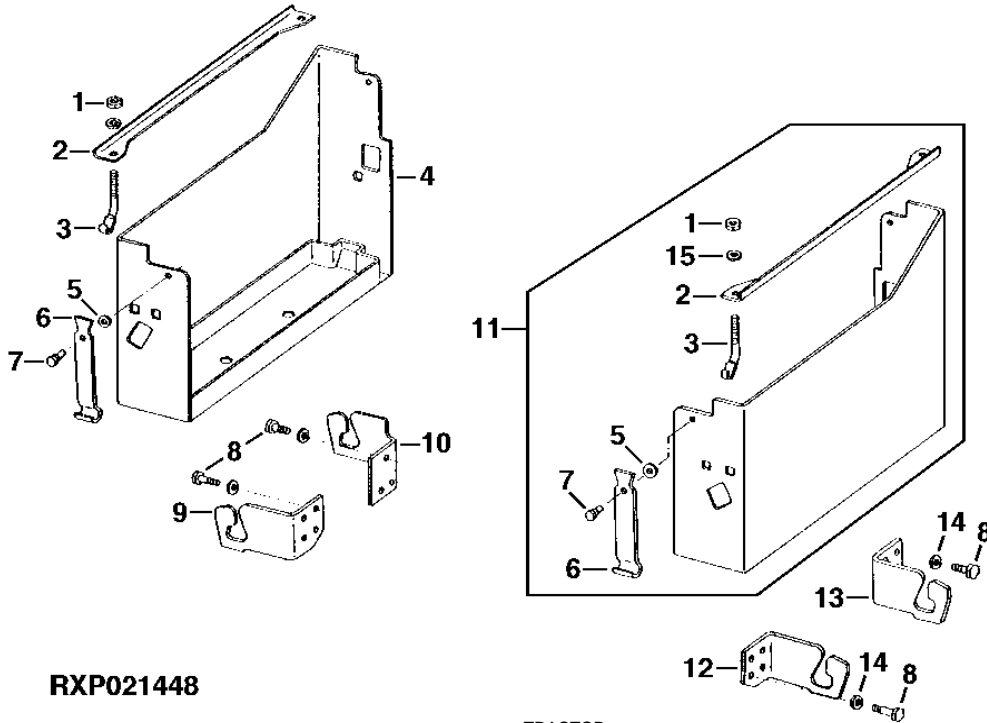
KEY	PART NO.	PART NAME	QTY	TRACTOR SERIAL NO.	REMARKS
1	19H1925	CAP SCREW	4	3/8" X 4-1/4"	
2	28H3292	BUSHING	4	0.423" X 0.675" X 3-35/64"	
3	03H1765	BOLT	5	3/8" X 3/4"	
	12H304	LOCK WASHER	5	3/8"	
4	14H1076	NUT	5	3/8"	
5	AR40871	PLATFORM	1		
..	R44966	MAT	1	BLACK RUBBER	

2122

OPERATOR'S STATION

RXP021448 -UN-01FEB96

BATTERY BOXES (ROW-CROP)



RXP021448

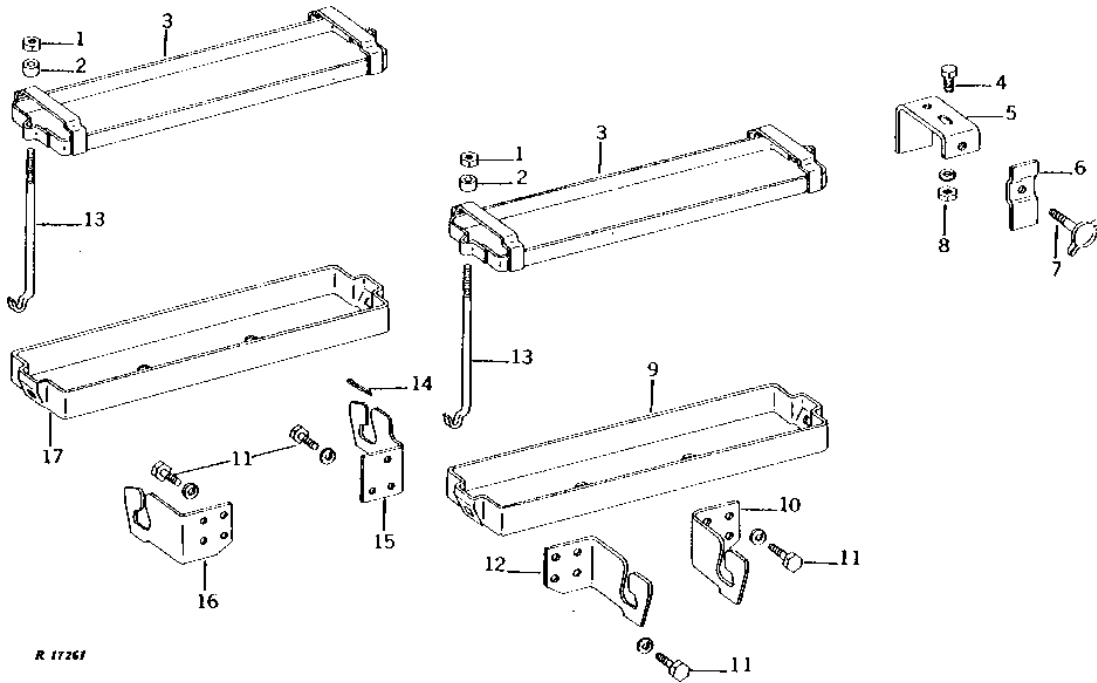
KEY	PART NO.	PART NAME	QTY	TRACTOR SERIAL NO.	REMARKS
1	14H786	NUT	4	1/4"	
2	T104373	ANGLE	2	(SUB FOR R40423)	
3	R30805	ROD	4		
4	AR40674	BATTERY BOX	1	L.H.	
5	24H1283	WASHER	4	7/32" X 1/2" X 0.049"	
6	R27084	CLAMP	2	FRONT	
	R34958	LATCH	2	REAR	
7	R27085	RIVET	4		
8	19H2284	CAP SCREW	8	3/8" X 7/8"	
9	R40876	SUPPORT	1	L.H.	
10	R40875	SUPPORT	1	L.H.	
11	AR40673	BATTERY BOX	1	R.H.	
12	R40876	SUPPORT	1	R.H.	
13	R40842	SUPPORT	1	R.H.	
14	12H304	LOCK WASHER	8	3/8"	
15	24H1821	WASHER	4	9/32" X 47/64" X 1/16"	

2123

OPERATOR'S STATION

R17261 -UN-01JAN94

BATTERY BOXES (CAB)



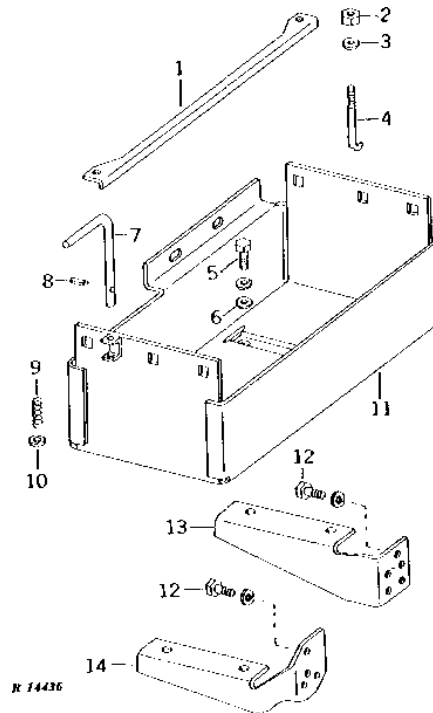
KEY	PART NO.	PART NAME	QTY	TRACTOR SERIAL NO.	REMARKS
1	14H786	NUT	4	1/4"	
2	R20522	BUSHING	4		
3	AR26469	HOLD-DOWN CLIP	2		
4	19H1936	CAP SCREW	4	3/8" X 3/4"	
5	AR50921	STOP	2		
6	R46538	CLAMP	2		
7	R45896	WING SCREW	1		
8	14H1076	NUT	4	3/8"	
	12H304	LOCK WASHER	4	3/8"	
9	AR47939	BASE	1	R.H.	
10	R40842	SUPPORT	1	R.H.	
11	19H2284	CAP SCREW	8	3/8" X 7/8"	
	12H304	LOCK WASHER	8	3/8"	
12	R40876	SUPPORT	1	R.H.	
13	R45893	ROD	4		
14	11M7084	COTTER PIN	2	5 X 25 MM	
15	R40875	SUPPORT	1	L.H.	
16	R40876	SUPPORT	1	L.H.	
17	AR47940	BASE	1	L.H.	

2124

OPERATOR'S STATION

R14436 -UN-01JAN94

BATTERY BOX AND SUPPORTS (STANDARD)



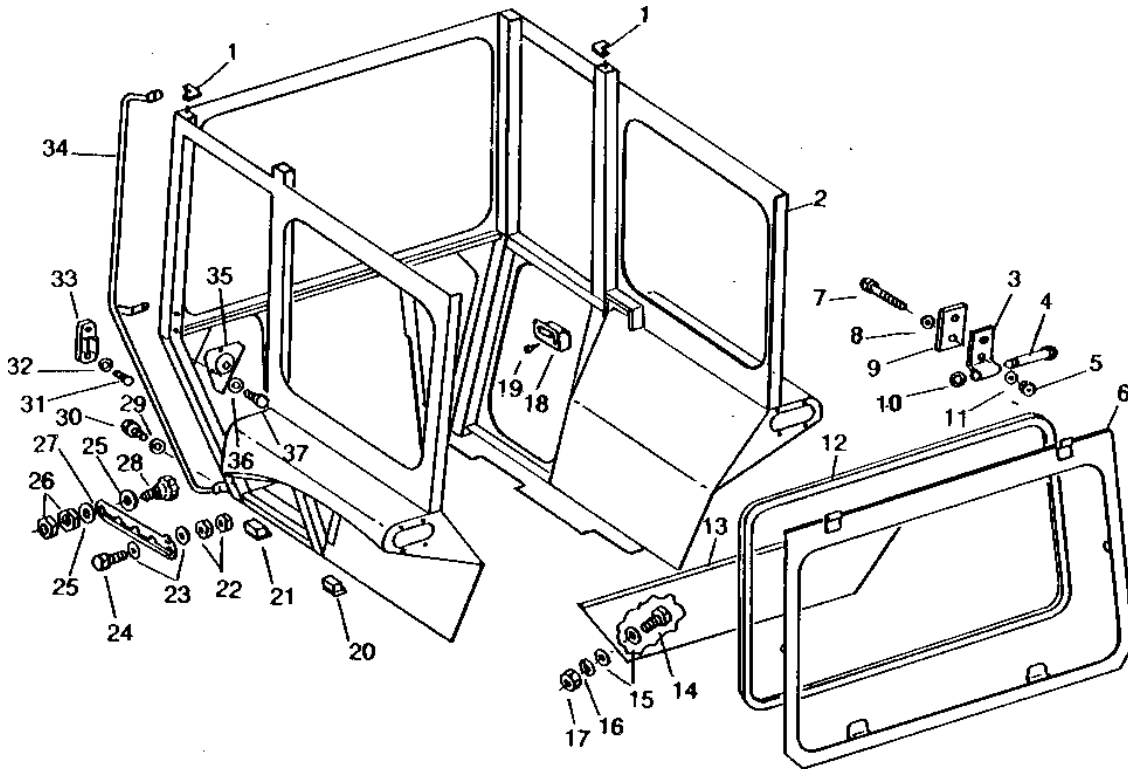
KEY	PART NO.	PART NAME	QTY	TRACTOR SERIAL NO.	REMARKS
1	T104373	ANGLE	2	(SUB FOR R40423)	
2	14H786	NUT	4	1/4"	
3	24H1821	WASHER	4	9/32" X 47/64" X 1/16"	
4	R30805	ROD	4		
5	19H2284	CAP SCREW	4	3/8" X 7/8"	
	12H304	LOCK WASHER	4	3/8"	
6	24H1305	WASHER	4	13/32" X 13/16" X 0.065"	
7	R42893	PIN	1		
8	34H244	SPRING PIN	1	1/8" X 9/16"	
9	H26232	SPRING	1		
10	24H1301	WASHER	1	13/32" X 9/16" X 0.065"	
11	AR45207	BOX	1	(NO LONGER AVAILABLE)	
12	19H2284	CAP SCREW	4	3/8" X 7/8"	
	12H304	LOCK WASHER	4	3/8"	
13	AR45129	SUPPORT	1	FRONT	
14	AR45130	SUPPORT	1	REAR	

2J1

OPERATOR'S STATION

RWP5399 -UN-01JAN94

CAB BODY
(HINSON)



RWP5399

2J2

OPERATOR'S STATION

CAB BODY - CONTINUED (HINSON)

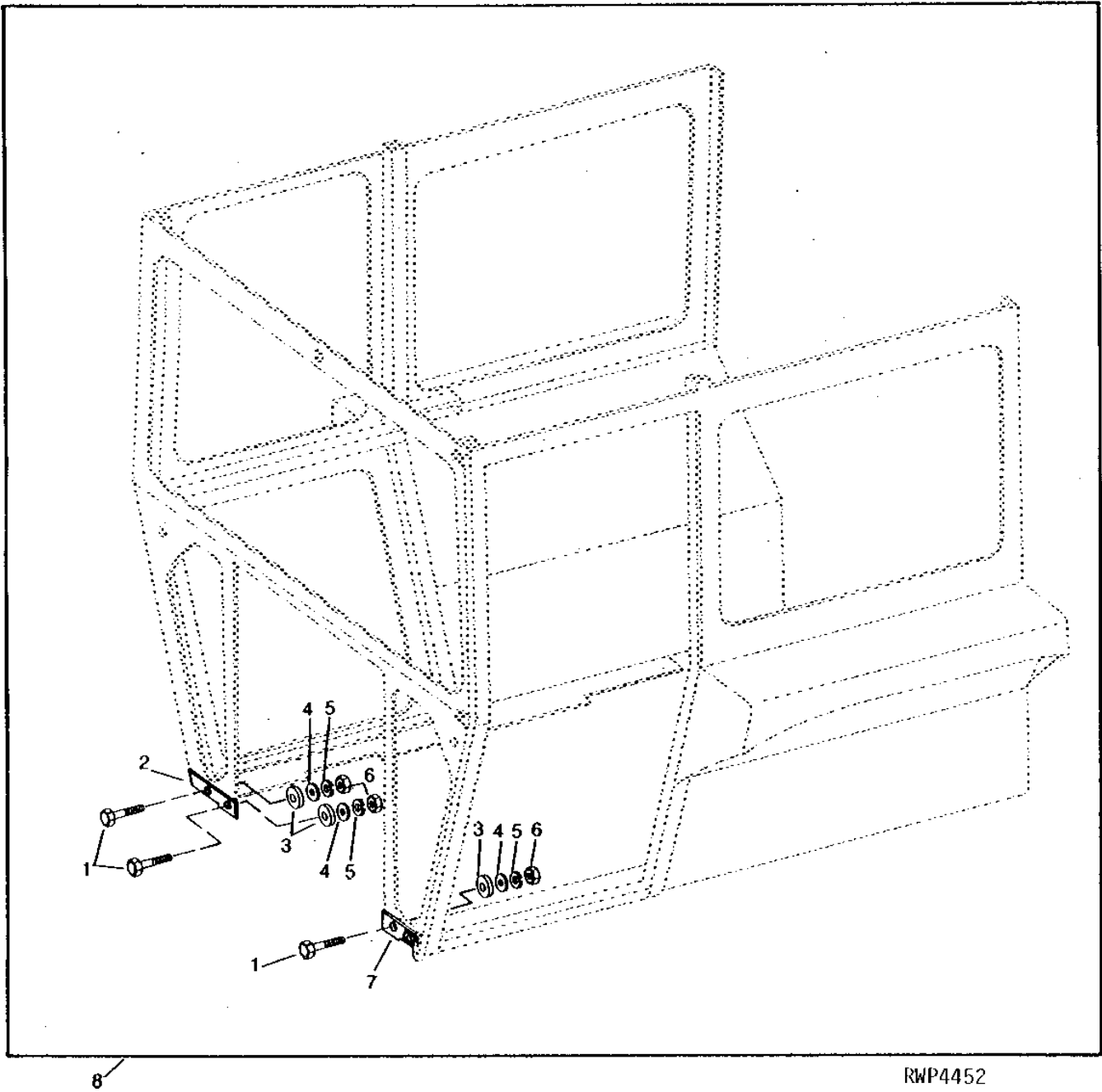
KEY	PART NO.	PART NAME	QTY	TRACTOR SERIAL NO.	REMARKS
1	MOLDING	4		76MM (3") (MAKE FROM R41358)
2	AR52306	FRAME	1		(NO LONGER AVAILABLE)
3	R48877	HINGE	2		
4	R55170	PIN	2		
5	14H1076	NUT	4		3/8"
6	AR52290	PANEL	1		
7	19H2345	CAP SCREW	4		3/8" X 5-1/2"
8	24H1305	WASHER	4		13/32" X 13/16" X 0.065"
9	R48889	SPACER	2		(NO LONGER AVAILABLE)
10	R11026	SNAP RING	2	-014207	
	R72655	SNAP RING	2	014208-	
11	12H304	LOCK WASHER	4		3/8"
12	WEATHERSTRIP	1		4216MM (166") (MAKE FROM H61993)
13	AR52307	PANEL	1		(NO LONGER AVAILABLE)
14	19H1900	CAP SCREW	2		5/16" X 3/4"
	19H1905	CAP SCREW	2		5/16" X 1"
15	24H1136	WASHER	8		11/32" X 11/16" X 0.065"
16	12H303	LOCK WASHER	2		5/16"
17	14H785	NUT	2		5/16"
18	AH80057	ASHTRAY	1		
19	37H95	SCREW	2		NO. 8 X 1/2"
20	R48892	PLUG	1		L.H. CENTER POST (LESS AIR CONDITIONING)
	R48895	GROMMET	1		L.H. CENTER POST (AIR CONDITIONING)
	R48892	PLUG	1		R.H. CENTER POST (LESS HEATER)
	R48895	GROMMET	1		R.H. CENTER POST (HEATER)
21	R48890	GROMMET	1		L.H. CORNER POST (LESS AIR CONDITIONING)
	R48904	GROMMET	1		L.H. CORNER POST (AIR CONDITIONING)
	R48891	PLUG	1		R.H. CORNER POST (LESS HEATER)
	R48894	GROMMET	1		R.H. CORNER POST (HEATER) (NLA)
22	14H732	NUT	4		3/8"
23	24H1287	WASHER	4		9/32" X 5/8" X 0.065"
24	19H1948	CAP SCREW	2		1/4" X 3/4"
25	24H1136	WASHER	4		11/32" X 11/16" X 0.065"
26	14H611	NUT	4		5/16"
27	R44444	ARM	2		WINDOW ADJUSTING
28	R48872	KNOB	2		
29	12H304	LOCK WASHER	3		3/8"
30	19H1731	CAP SCREW	3		3/8" X 1"
31	21H1021	SCREW	2		1/4" X 1/2"
32	12H322	LOCK WASHER	2		1/4"
33	H63952	PLATE	1		STRIKER
	R60165	NUT	2		
34	AR52305	HANDLE	1		CAB DOOR
35	AR52295	COVER	2		LAMP STUD
36	12H302	LOCK WASHER	2		1/4"
37	19H1227	CAP SCREW	2		1/4" X 1/2"

2J3

OPERATOR'S STATION

RWP4452 -UN-01JAN94

CAB REINFORCEMENT KIT



2J4

OPERATOR'S STATION

CAB REINFORCEMENT KIT - CONTINUED

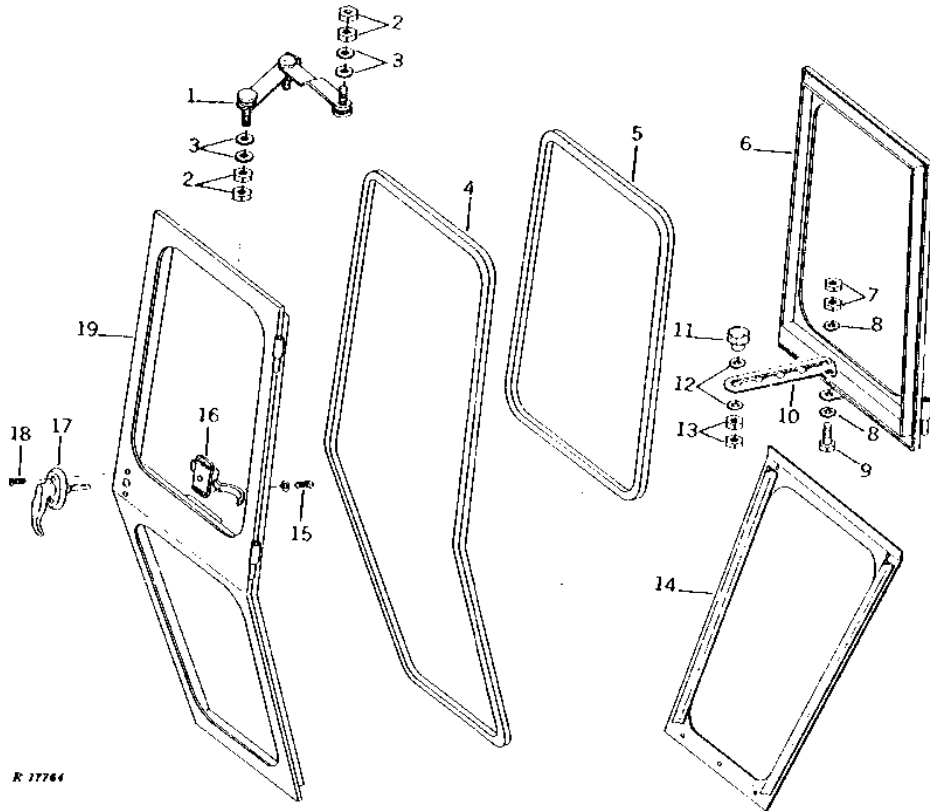
KEY	PART NO.	PART NAME	QTY	TRACTOR SERIAL NO.	REMARKS
1	19H1731	CAP SCREW	3		3/8" X 1"
2	R53791	REINFORCEMENT	1		R.H. (SUB AR61156)
3	R1929R	WASHER	3		(SUB A147R)
4	24H1305	WASHER	3		13/32" X 13/16" X 0.065"
5	12H304	LOCK WASHER	3		3/8"
6	14H1076	NUT	3		3/8"
7	R53792	REINFORCEMENT	1		L.H. (SUB AR61156) (NO LONGER AVAILABLE)
8	AR61156	KIT	1		CAB REINFORCEMENT (NO LONGER AVAILABLE)

2J5

OPERATOR'S STATION

CAB DOOR AND RIGHT-HAND FRONT WINDOW PANEL (HINSON)

R17764 -UN-01JAN94



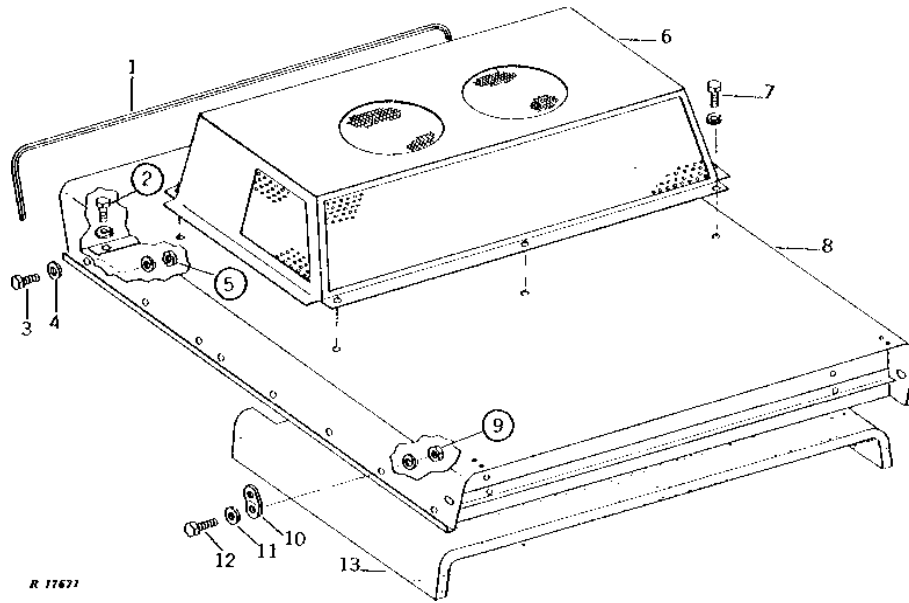
KEY	PART NO.	PART NAME	QTY	TRACTOR SERIAL NO.	REMARKS
1	AR52293	REGULATOR	1		
2	14H611	NUT	2	5/16"	
3	24H1136	WASHER	4	11/32" X 11/16" X 0.065"	
4	WEATHERSTRIP	1	3810MM (150") (MAKE FROM H61993)	
5	WEATHERSTRIP	1	2620MM (103") (MAKE FROM H61993)	
6	AR52289	PANEL	1	R.H.	
7	14H850	NUT	2	1/4"	
8	24H1287	WASHER	2	9/32" X 5/8" X 0.065"	
9	19H1919	CAP SCREW	1	1/4" X 5/8"	
10	R44444	ARM	1		
11	R48872	KNOB	1		
12	24H1136	WASHER	2	11/32" X 11/16" X 0.065"	
13	14H611	NUT	2	5/16"	
14	AR52803	PANEL	1		
15	21H1301	SCREW	4	0.190" X 1/2"	
	12H246	LOCK WASHER	4	0.190"	
16	AR52291	LATCH	1		
17	AR55154	HANDLE	1	(SUB FOR AR52292)	
	AR51481	KEY	1		
18	21H1073	SCREW	2	0.190" X 1/2"	
19	AR52304	DOOR	1		

2J6

OPERATOR'S STATION

CAB ROOF AND CONDENSER COVER (HINSON)

R17621 -UN-01JAN94



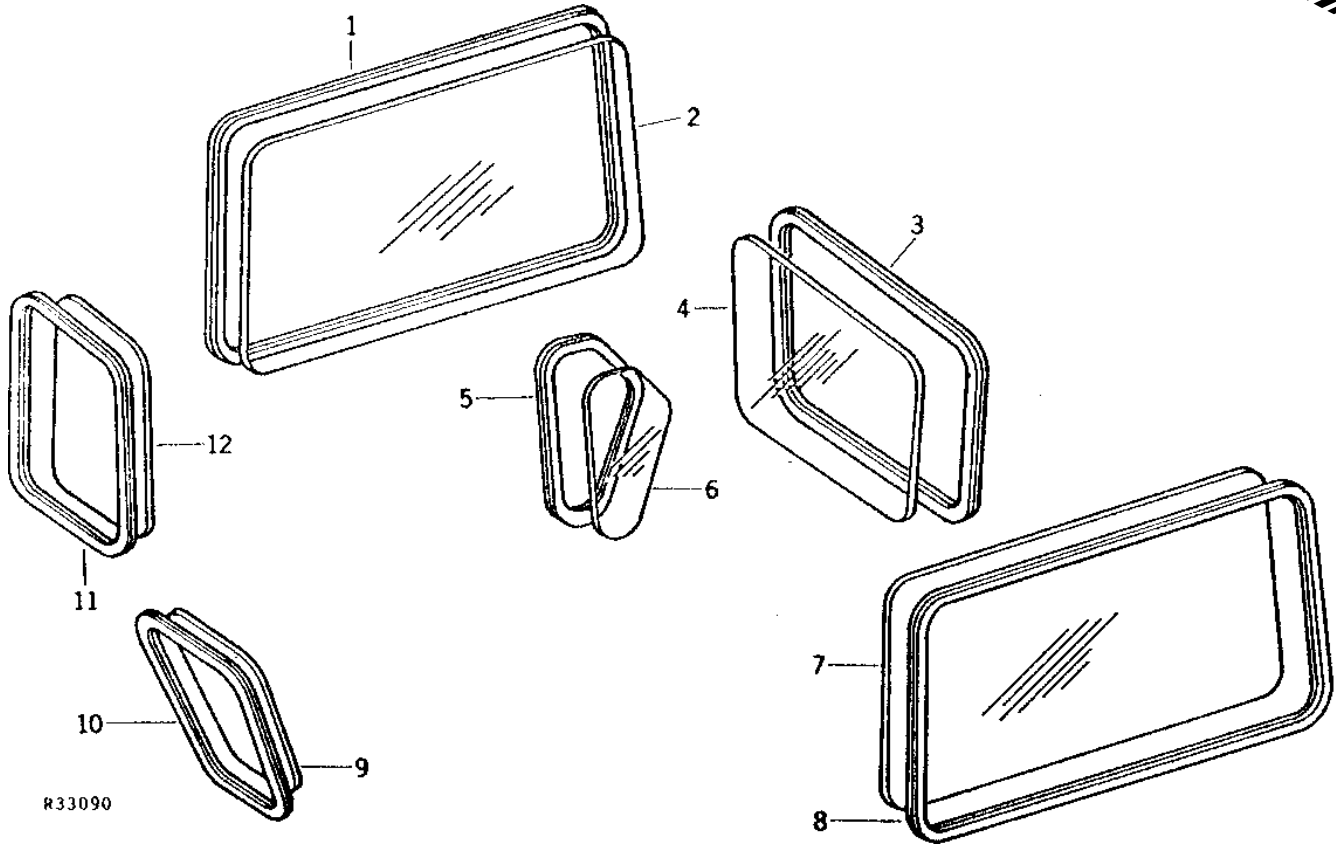
KEY	PART NO.	PART NAME	QTY	TRACTOR SERIAL NO.	REMARKS
1	ISOLATOR	1	1520MM (60") (MAKE FROM R41358)	
2	19H1227	CAP SCREW	5	1/4" X 1/2"	
	12H302	LOCK WASHER	5	1/4"	
3	19H1906	CAP SCREW	14	5/16" X 1-1/2"	
4	24H1136	WASHER	14	11/32" X 11/16" X 0.065"	
5	14H785	NUT	14	5/16"	
	12H303	LOCK WASHER	14	5/16"	
6	AR52320	COVER	1		
7	19H1227	CAP SCREW	6	1/4" X 1/2"	
	12H302	LOCK WASHER	6	1/4"	
8	AR68107	ROOF	1		(PRESSURIZED CAB) (SUB FOR AR52311)
	AR68108	ROOF	1		(AIR CONDITIONED CAB) (SUB FOR AR52312) (NLA)
9	14H785	NUT	4	5/16"	
	12H303	LOCK WASHER	4	5/16"	
10	R48876	HOOK	4		
11	24H1136	WASHER	4	11/32" X 11/16" X 0.065"	
12	19H1900	CAP SCREW	4	5/16" X 3/4"	
13	R48912	HEADLINER	1		

2J7

OPERATOR'S STATION

R33090 -UN-01JAN94

CAB GLASS
(HINSON)



R33090

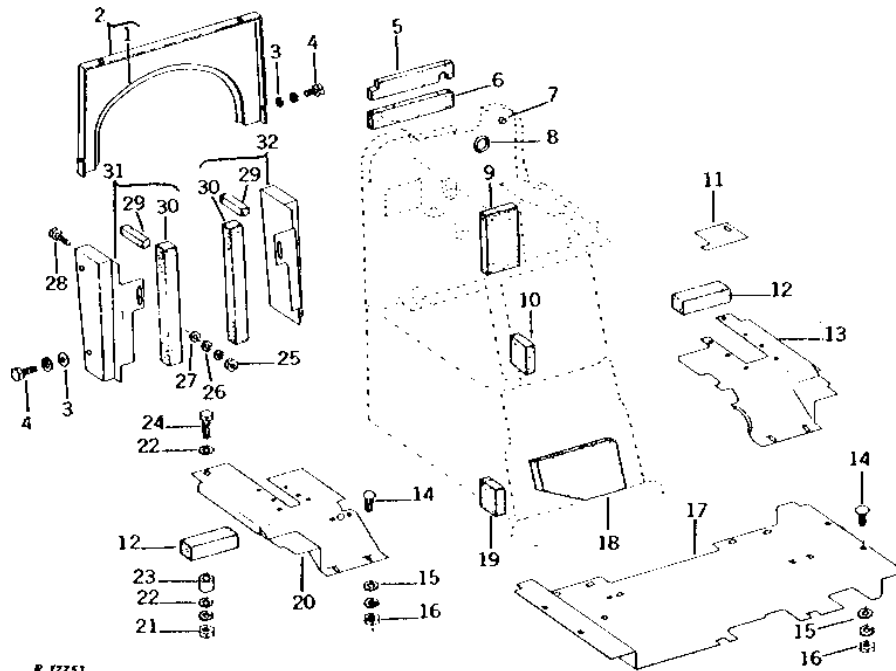
KEY	PART NO.	PART NAME	QTY	TRACTOR SERIAL NO.	REMARKS
1	ISOLATOR	1	3680MM (145") (MAKE FROM R49857 AND R44438) (SUB FOR R48866)	
2	R48867	WINDOWPANE	1		
3	ISOLATOR	2	2740MM (108") (MAKE FROM R49857 AND R44438) (SUB FOR R48866)	
4	R48870	WINDOWPANE	2	SIDE REAR	
5	ISOLATOR	2	1390MM (55") (MAKE FROM R49857 AND R44438) (SUB FOR R48866)	
6	R48868	WINDOWPANE	2		
7	R48865	WINDOWPANE	1		
8	R49857 R44438	MOLDING ISOLATOR	1 1	3730MM (147")	
9	R48869	WINDOWPANE	2	DOOR LOWER AND R.H. LOWER	
10	ISOLATOR	2	1880MM (74") (MAKE FROM R49857 AND R44438) (SUB FOR R48866)	
11	ISOLATOR	2	1990MM (78-1/2") (MAKE FROM R49857 AND R44438) (SUB FOR R48866)	
12	R48871	WINDOWPANE	2	DOOR UPPER AND R.H. UPPER	

2J8

OPERATOR'S STATION

SEALING Baffles, COWL PANEL, PLATFORM, AND EXTENSION (HINSON)

R17753 -UN-01JAN94



R 17753

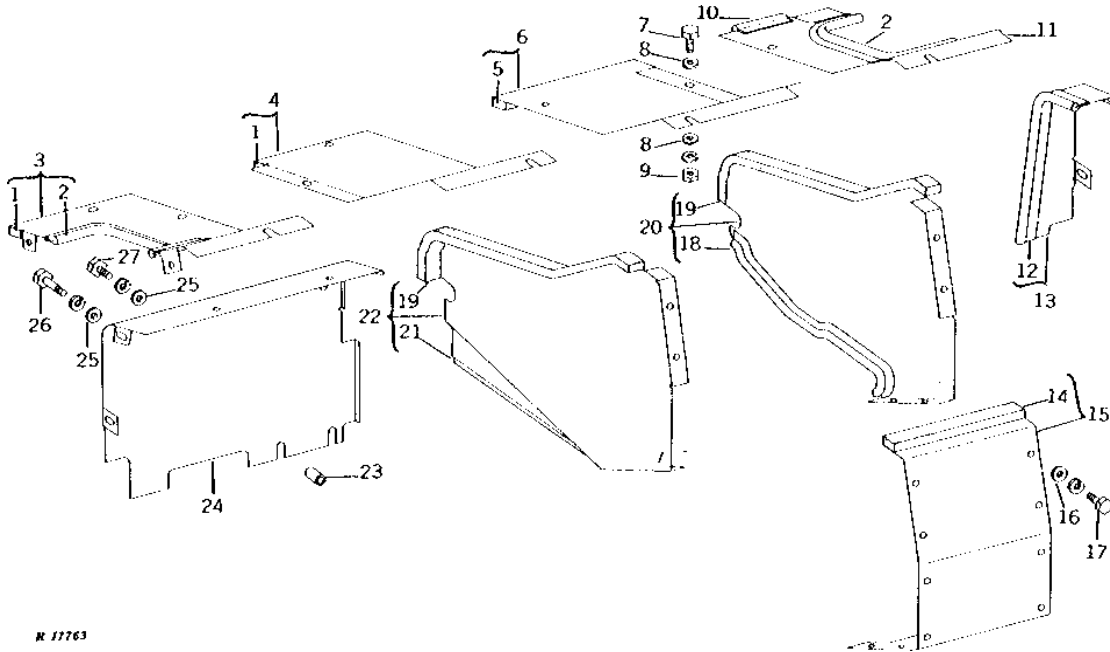
KEY	PART NO.	PART NAME	QTY	TRACTOR SERIAL NO.	REMARKS
1	R44585	SEAL	1		
2	AR51588	PANEL	1		(NO LONGER AVAILABLE)
3	24H1136	WASHER	8		11/32" X 11/16" X 0.065"
4	19H1900	CAP SCREW	8		5/16" X 3/4"
	12H303	LOCK WASHER	8		5/16"
5	R45395	FOAM PAD	1		UPPER (NO LONGER AVAILABLE)
6	R45396	FOAM PAD	1		CENTER (NO LONGER AVAILABLE)
7	R45401	PLUG	6		(NO LONGER AVAILABLE)
8	R45398	PLUG	1		
9	R48737	FOAM PAD	1		
10	R46904	ISOLATOR	1		
11	R47907	PANEL	1		(NO LONGER AVAILABLE)
12	ISOLATOR	2		38 X 51 X 140MM (1-1/2" X 2" X 5-1/2") (MAKE FROM R35339)
13	AR53142	EXTENSION	1		R.H. (SUB FOR AR50818) (ALSO ORDER 19H1900, 12H303 AND 24H1136)
14	03H1519	BOLT	10		3/8" X 1"
15	24H1305	WASHER	10		13/32" X 13/16" X 0.065"
16	14H1076	NUT	10		3/8"
	12H304	LOCK WASHER	10		3/8"
17	R47898	PLATFORM	1		(NO LONGER AVAILABLE)
18	R36415	ISOLATOR	1		REAR
19	R46904	ISOLATOR	2		
20	AR53143	EXTENSION	1		L.H. (SUB FOR AR50819) (ALSO ORDER 19H1900, 12H303 AND 24H1136) (NO LONGER AVAILABLE)
21	14H1076	NUT	2		3/8"
	12H304	LOCK WASHER	2		3/8"
22	24H1305	WASHER	4		13/32" X 13/16" X 0.065"
23	28H1525	BUSHING	2		0.493" X 0.675" X 1-1/16"
24	19H1726	CAP SCREW	2		3/8" X 2-1/4"
25	14H732	NUT	2		3/8"
	12H304	LOCK WASHER	2		3/8"
26	24H1305	WASHER	2		13/32" X 13/16" X 0.065"
27	R48378	WASHER	2		
28	19H2791	CAP SCREW	2		3/8" X 1-3/4"
29	ISOLATOR	2		19 X 19 X 95MM (3/4" X 3/4" X 3-3/4") (MAKE FROM R47941)
30	R47941	ISOLATOR	2		
31	AR50854	PANEL	1		L.H.
32	AR50853	PANEL	1		R.H.

2J9

OPERATOR'S STATION

R17763 -UN-01JAN94

CAB REAR FILLER PANELS (HINSON)



R 17763

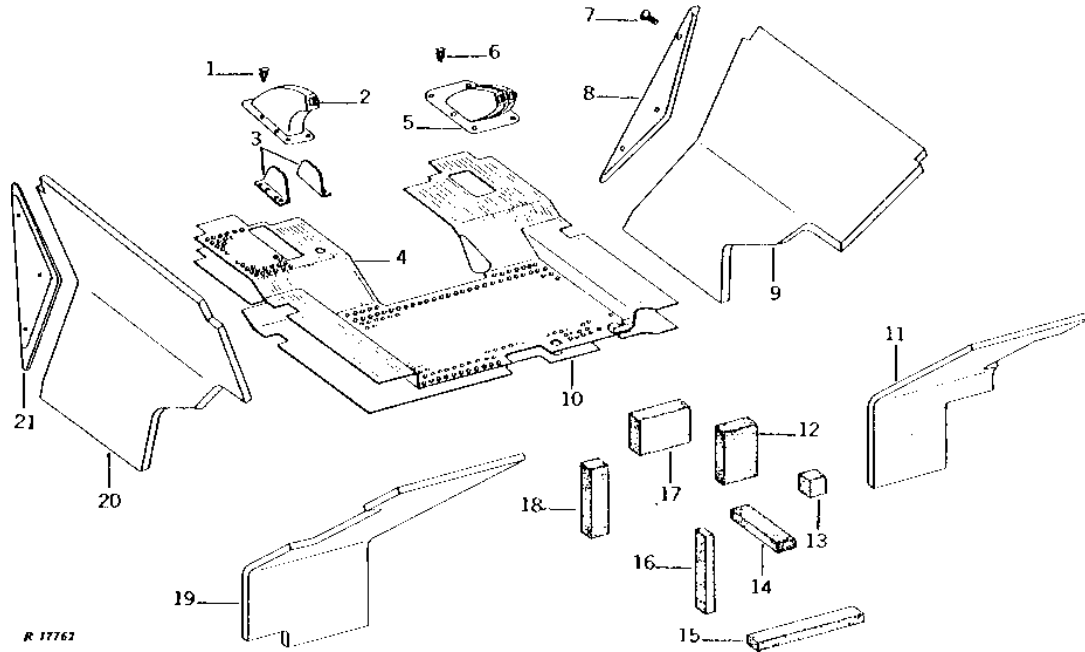
KEY	PART NO.	PART NAME	QTY	TRACTOR SERIAL NO.	REMARKS
1		ISOLATOR	2		13 X 25 X 178MM (1/2" X 1" X 7") (MAKE FROM R30936)
2		WEATHERSTRIP	2		406MM (16") (MAKE FROM R44447)
3	AR45896	PANEL	1		OUTER, L.H. (NO LONGER AVAILABLE)
4	AR46376	PANEL	1		INNER, L.H.
5		ISOLATOR	1		13 X 25 X 219MM (1/2" X 1" X 8-5/8") (MAKE FROM R30936)
6	AR46375	PANEL	1		INNER, R.H. (NO LONGER AVAILABLE)
	R50605	BRACE	1		
7	19H1900	CAP SCREW	20		5/16" X 3/4"
8	24H1136	WASHER	40		11/32" X 11/16" X 0.065"
9	14H785	NUT	20		5/16"
	12H303	LOCK WASHER	20		5/16"
10		WEATHERSTRIP	1		38MM (1-1/2") (MAKE FROM R44447)
11	AR45895	PANEL	1		OUTER, R.H. (NO LONGER AVAILABLE)
12		WEATHERSTRIP	1		279MM (11") (MAKE FROM R44447)
13	AR45902	PANEL	1		FRONT, R.H. (NO LONGER AVAILABLE)
14		ISOLATOR	1		13 X 25 X 203MM (1/2" X 1" X 8") (MAKE FROM R30936)
15	AR46374	PANEL	1	-009936	REAR
	AR52708	PANEL	1	009937-	REAR
16	24H1136	WASHER	8		11/32" X 11/16" X 0.065"
17	19H1900	CAP SCREW	8		5/16" X 3/4"
	12H303	LOCK WASHER	8		5/16"
18		WEATHERSTRIP	1		203MM (8") (MAKE FROM R44447)
19		ISOLATOR	2		13 X 25 X 279MM (1/2" X 1" X 11") (MAKE FROM R30936)
20	AR45900	ISOLATOR	1		R.H. (NO LONGER AVAILABLE)
21		WEATHERSTRIP	1		178MM (7") (MAKE FROM R44447)
22	AR45901	ISOLATOR	1	-009936	L.H.
	AR52707	ISOLATOR	1	009937-	L.H.
23	R27168	BUSHING	1		
24	R44533	PANEL	1		L.H. (NO LONGER AVAILABLE)
25	24H1305	WASHER	2		13/32" X 13/16" X 0.065"
26	19H1765	CAP SCREW	1		3/8" X 1-3/4"
	12H304	LOCK WASHER	1		3/8"
27	19H1936	CAP SCREW	1		3/8" X 3/4"
	12H304	LOCK WASHER	1		3/8"

2J10

OPERATOR'S STATION

CAB FLOOR MAT, UPHOLSTERING, AND BAFFLES (HINSON)

R17762 -UN-01JAN94



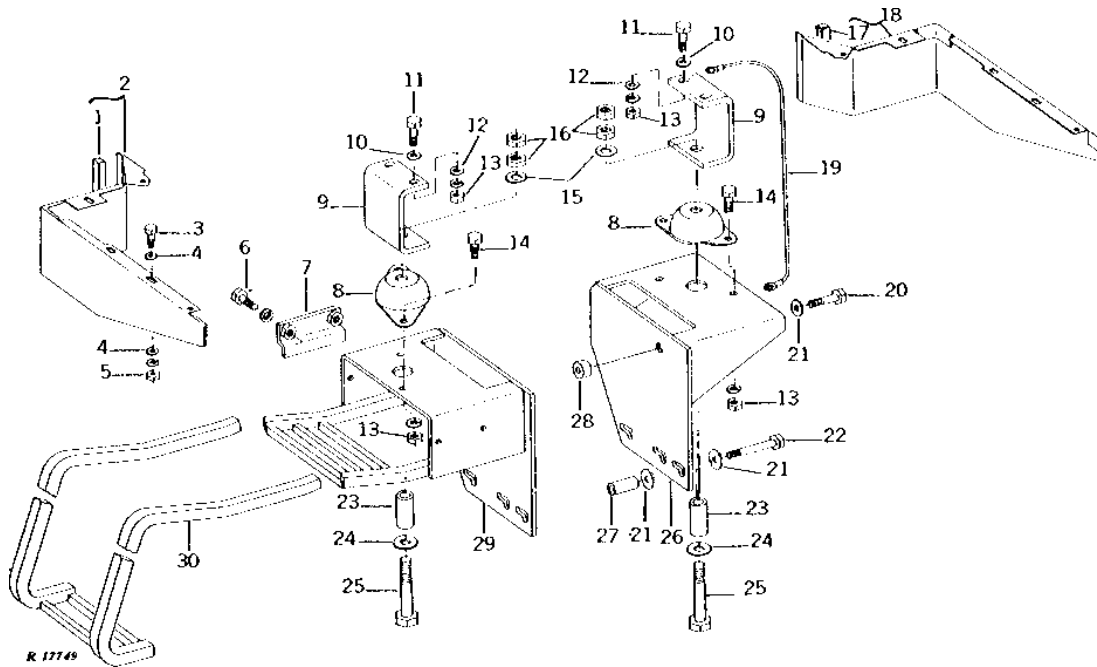
KEY	PART NO.	PART NAME	QTY	TRACTOR SERIAL NO.	REMARKS
1	R49043	CLIP	6		
2	R48150	BOOT	1		
3	R49042	SUPPORT	2		
4	R48306	MAT	1		
5	R48151	BOOT	1		
6	R49043	CLIP	6		(SUB FOR R46038)
7	37H79	SCREW	6		1/4" X 5/8"
8	R48279	COVER	1		R.H.
9	R53203	FOAM PAD	1		R.H. (SUB FOR R48281)
10	R48308	FOAM PAD	1		
11	R47288	FOAM PAD	1		R.H.
12	R46632	ISOLATOR	1		
13	ISOLATOR	1		51 X 51 X 51MM (2" X 2" X 2") (MAKE FROM R35340)
14	ISOLATOR	1		25 X 51 X 229MM (1" X 2" X 9") (MAKE FROM R28123)
15	ISOLATOR	1		25 X 51 X 330MM (1" X 2" X 13") (MAKE FROM R28123)
16	ISOLATOR	1		25 X 51 X 229MM (1" X 2" X 9") (MAKE FROM R28123)
17	R46632	ISOLATOR	1		
18	ISOLATOR	1		51 X 51 X 203MM (2" X 2" X 8") (MAKE FROM R35340)
19	R47289	FOAM PAD	1		L.H.
20	R53204	FOAM PAD	1		L.H. (SUB FOR R48282)
21	R48280	COVER	1		L.H.
..	R53745	TAPE	1		(180 FT. ROLL) (SUB FOR R46662)
..	R46663	SEALING TRIM	1		(60 FT. PER BOX)

2J11

OPERATOR'S STATION

CAB FRONT SUPPORTS AND STEP (HINSON)

R17749 -UN-01JAN94



KEY	PART NO.	PART NAME	QTY	TRACTOR SERIAL NO.	REMARKS
1	ISOLATOR	1		13 X 13 X 111MM (1/2" X 1/2" X 4-3/8")
2	AR53138	KIT	1	-014573	PANEL LOWER FRONT, L.H. (SUB FOR AR50856) (NO LONGER AVAILABLE)
	AR53140	PANEL	1	014574-	
	AR53141	CLIP	1	014574-	(NLA)
3	19H1936	CAP SCREW	1		3/8" X 3/4"
4	24H1305	WASHER	2		13/32" X 13/16" X 0.065"
5	14H1076	NUT	1		3/8"
	12H304	LOCK WASHER	1		3/8"
6	19H1731	CAP SCREW	4		3/8" X 1"
	12H304	LOCK WASHER	4		3/8"
7	AR51347	CLAMP	2		(NO LONGER AVAILABLE)
8	AR51810	SUPPORT	2		
9	R47982	BRACKET	2		UPPER (NO LONGER AVAILABLE)
10	24H1227	WASHER	4		17/32" X 13/16" X 0.060"
11	19H1815	CAP SCREW	4		1/2" X 1-1/4"
12	24H1111	WASHER	4		
13	14H1040	NUT	8		1/2"
	12H301	LOCK WASHER	8		1/2"
14	19H1792	CAP SCREW	4		1/2" X 1"
15	24H1396	WASHER	2		25/32" X 1-1/2" X 0.105"
16	R40121	LOCK NUT	4	-017443	
	14H794	NUT	2	017444-	3/4"
17	ISOLATOR	1		13 X 13 X 111MM (1/2" X 1/2" X 4-3/8") (MAKE FROM R47941)
18	AR53137	KIT	1	-014573	PANEL LOWER FRONT, R.H. (SUB FOR AR50855) (NO LONGER AVAILABLE)
	AR53139	PANEL	1	014574-	R.H.
	AR53141	CLIP	1	014574-	(NLA)
19	AR46820	WIRING LEAD	1	-XXXXX	
	AR56758	WIRING LEAD	1	XXXXX-	

2J12

OPERATOR'S STATION

CAB FRONT SUPPORTS AND STEP - CONTINUED (HINSON)

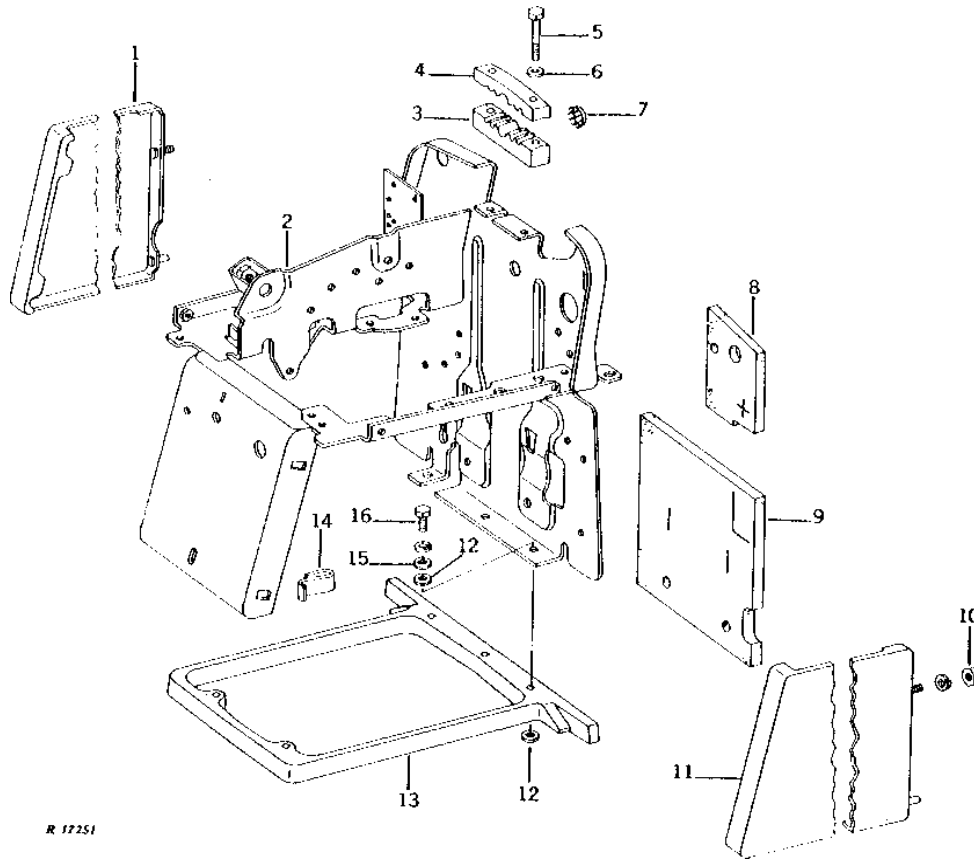
KEY	PART NO.	PART NAME	QTY	TRACTOR SERIAL NO.	REMARKS
20	19H1831	CAP SCREW	2		1/2" X 2"
21	R63024	WASHER	10		(SUB FOR R26575)
22	19H1781	CAP SCREW	4		1/2" X 3-1/2"
23	R44221	BUSHING	2		
24	24H1402	WASHER	2		25/32" X 1-7/8" X 1/4"
25	19H2026	CAP SCREW	2		3/4" X 4"
26	AR50866	SUPPORT	1		R.H. (NO LONGER AVAILABLE)
27	28H2588	SPACER	4		1/2" X 1-11/16", (NO LONGER AVAILABLE)
28	R48168	BUSHING	2		
29	AR50867	SUPPORT	1		L.H. (NO LONGER AVAILABLE)
30	AR50870	STEP	1		

2J13

OPERATOR'S STATION

R17251 -UN-01JAN94

CONTROL SUPPORT AND COVERS



R 17251

KEY	PART NO.	PART NAME	QTY	TRACTOR SERIAL NO.	REMARKS
1	AR40585	COVER	1	L.H.	
2	AR51071	SUPPORT	1	(NLA)	
3	R41442	CLAMP	1	LOWER	
4	R41438	CLAMP	1	UPPER	
5	19H2334	CAP SCREW	2	1/4" X 2-1/2"	
6	24H1287	WASHER	2	9/32" X 5/8" X 0.065"	
7	R36590	PLUG	1		
8	R41435	FOAM PAD	1	UPPER	
9	R41436	FOAM PAD	1	LOWER	
10	14H785	NUT	2	5/16"	
	12H303	LOCK WASHER	2	5/16"	
11	AR40584	COVER	1	R.H.	
.....	ISOLATOR	1	25 X 25 X 102MM (1" X 1" X 4") (MAKE FROM R30937)	
12	R48378	WASHER	10	(A)	
13	R46646	SPACER	1	(NO LONGER AVAILABLE)	
14	R42275	CLIP	4		
15	A4624R	WASHER	5	(A)	
16	19H1765	CAP SCREW	5	3/8" X 1-3/4"	
	R40235	CAP SCREW	5	(A)	
	12H304	LOCK WASHER	5	3/8"	
..	R45395	FOAM PAD	1	(A) UPPER (NO LONGER AVAILABLE)	
..	R45396	FOAM PAD	1	(A) CENTER (NO LONGER AVAILABLE)	
..	R45397	INSULATOR	1	(A)	

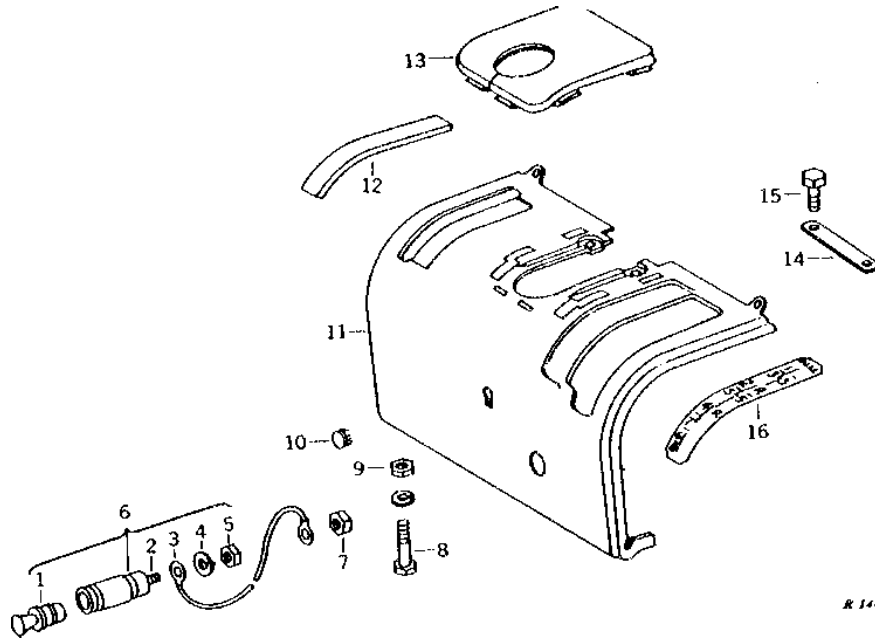
(A) WITH CAB

2J14

OPERATOR'S STATION

R14429 -UN-01JAN94

DASH AND COVER



R 14429

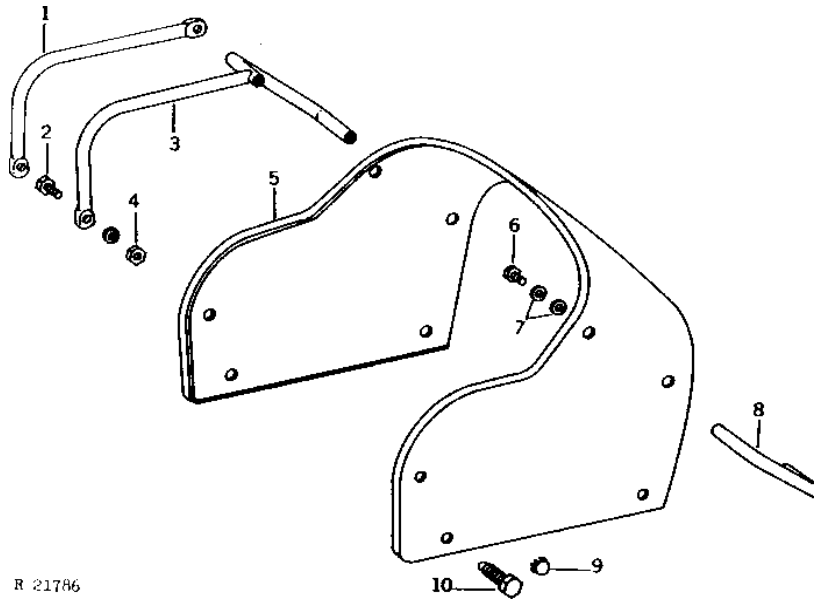
KEY	PART NO.	PART NAME	QTY	TRACTOR SERIAL NO.	REMARKS
1	AA5787R	LIGHTER	1		
2	CIRCUIT BREAKER	1		(NOT REQUIRED)
3	AR94130	WIRING LEAD	1		
4	12M7084	LOCK WASHER	1	0.169"	
5	14H605	NUT	1	0.164"	
6	AR48643	LIGHTER	1		(12-VOLT)
7	14H631	NUT	1	0.190"	
8	19H2284	CAP SCREW	2	3/8" X 7/8"	
	12H304	LOCK WASHER	2	3/8"	
9	14H1076	NUT	2	3/8"	
10	M42229	PLUG	1		(SUB FOR T11708)
11	AR49632	INSTRUMENT PANEL	1		(SUB T34432 AND R56264)
12	R45405	ISOLATOR	1		
	R53293	LABEL	1		(SUB FOR R44951)
13	R41604	COVER	1		
14	R40925	PLATE	1		
15	19H1900	CAP SCREW	2	5/16" X 3/4"	
16	R40676	LABEL	1		

2J15

OPERATOR'S STATION

R21786 -UN-01JAN94

COWL



R 21786

KEY	PART NO.	PART NAME	QTY	TRACTOR SERIAL NO.	REMARKS
1	R45540	ARMREST	1		L.H. (WITH CAB) (SUB AR45370)
2	19H1731	CAP SCREW	AR		(B) 3/8" X 1"
3	AR45370	HANDLE	1		(A)
4	14H1076	NUT	AR		(B) 3/8"
	12H304	LOCK WASHER	AR		(B) 3/8"
5	AR41584	COWL	1		(SUB FOR AR45371)
6	19H1936	CAP SCREW	4		3/8" X 3/4"
7	24H1305	WASHER	8		13/32" X 13/16" X 0.065"
8	R31618	HANDLE	AR		(1 USED WITH PTO AND LESS CAB) (2 USED, LESS PTO AND LESS CAB)
9	H113924	PLUG	1		(SUB FOR R42451) (SUB T15005)
10	AR26568	SCREW	4		

(A) WITH PTO AND LESS CAB

(B) 1 USED WITH PTO AND LESS CAB; 2 USED WITH CAB

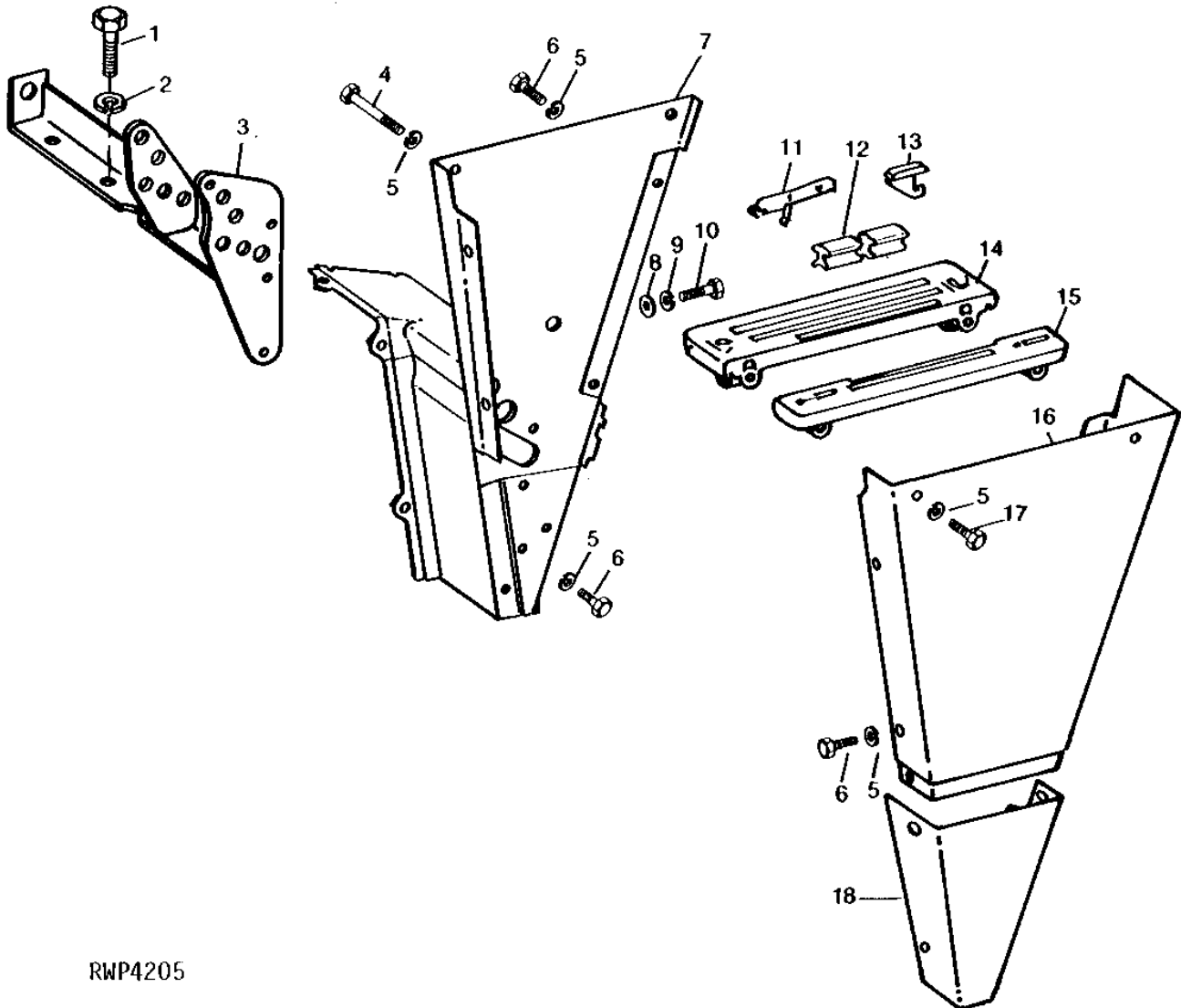
MEMORANDA

2J16

OPERATOR'S STATION

RWP4205 -UN-01JAN94

ROCKSHAFT AND SELECTIVE CONTROL CONSOLE



RWP4205

2J17

OPERATOR'S STATION

ROCKSHAFT AND SELECTIVE CONTROL CONSOLE - CONTINUED

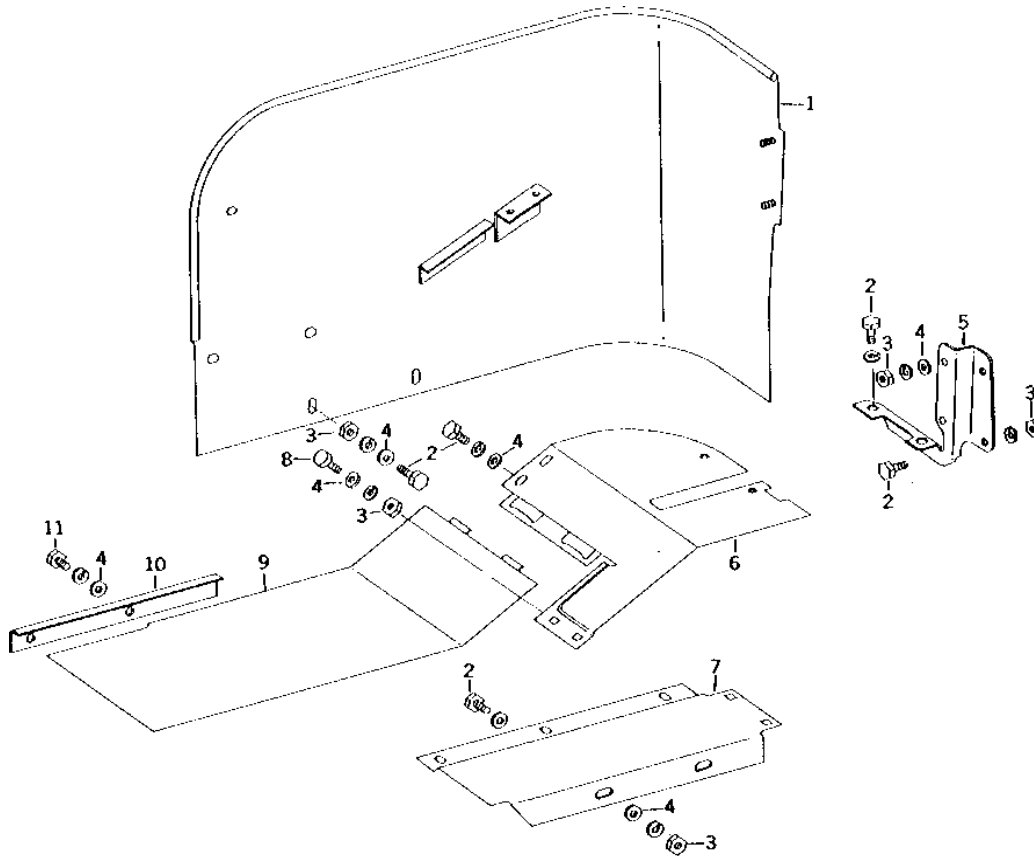
KEY	PART NO.	PART NAME	QTY	TRACTOR SERIAL NO.	REMARKS
1	19H1815	CAP SCREW	2		1/2" X 1-1/4"
2	12H301	LOCK WASHER	2		1/2"
3	AR40806	BRACKET	1		
4	19H1921	CAP SCREW	2		5/16" X 3-1/4"
5	12H303	LOCK WASHER	16		5/16"
6	19H1900	CAP SCREW	12		5/16" X 3/4"
7	AR40809	COVER	1		HYDRAULIC, FRONT, R.H.
8	24H1305	WASHER	2		13/32" X 13/16" X 0.065"
9	12H304	LOCK WASHER	2		3/8"
10	19H1936	CAP SCREW	1		3/8" X 3/4"
	19H2038	CAP SCREW	1		3/8" X 1/2"
11	R51302	SPRING	1		SELECTIVE CONTROL VALVE LEVER LOCK, (SUB FOR AR55421)
12	R54533	STOP	1		SELECTIVE CONTROL VALVE STOP, (SUB FOR AR62598)
13	AR53792	STRAP	1		SELECTIVE CONTROL LEVER STOP
14	R41194	GUIDE	1		INNER
15	R41760	GUIDE	1		OUTER
16	AR40812	COVER	1		HYDRAULIC, OUTER, UPPER (NLA)
	AR47752	COVER	1		HYDRAULIC, OUTER, UPPER (WITH POWER WEIGHT TRANSFER HITCH) (NO LONGER AVAILABLE)
17	19H2020	CAP SCREW	2		5/16" X 1/2"
18	AR41602	COVER	1		HYDRAULIC, OUTER, LOWER (NLA)

2J18

OPERATOR'S STATION

OPERATOR SHIELDS, EXTENSIONS, AND BATTERY BOX COVER (STANDARD)

R14433 -UN-01JAN94



R 14433

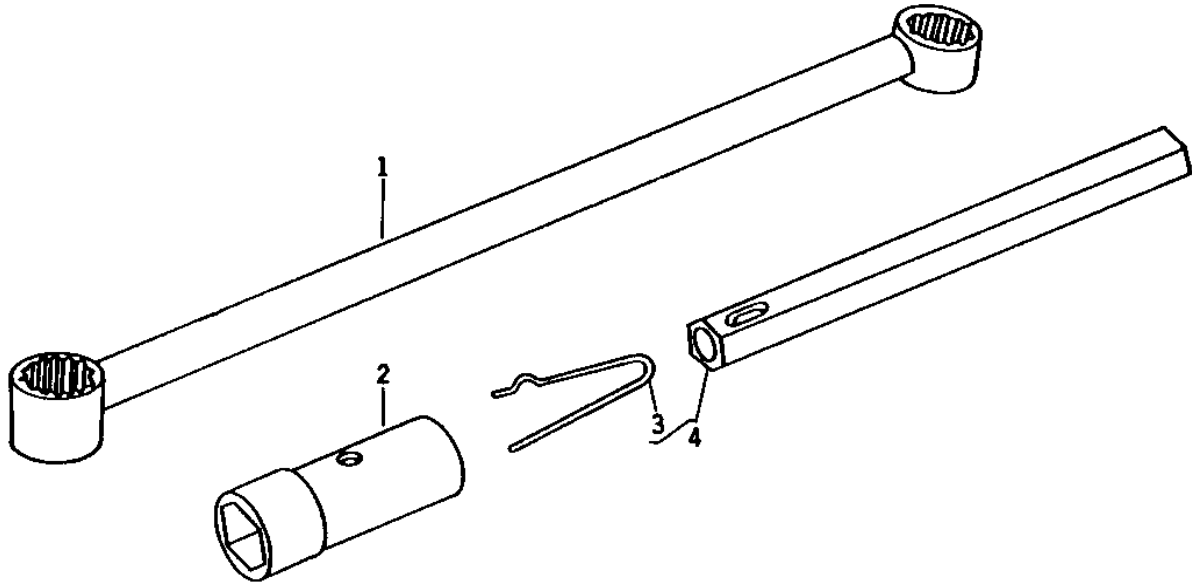
KEY	PART NO.	PART NAME	QTY	TRACTOR SERIAL NO.	REMARKS
1	AR41138	SHIELD	1	L.H. (NO LONGER AVAILABLE)	
	AR41137	SHIELD	1	R.H. (NO LONGER AVAILABLE)	
2	19H1936	CAP SCREW	16	3/8" X 3/4"	
	12H304	LOCK WASHER	16	3/8"	
3	14H1076	NUT	11	3/8"	
4	24H1305	WASHER	10	13/32" X 13/16" X 0.065"	
5	AR48900	SUPPORT	1	L.H. (NO LONGER AVAILABLE)	
	AR48899	SUPPORT	1	R.H. (NO LONGER AVAILABLE)	
6	AR48964	EXTENSION	1	L.H. (NO LONGER AVAILABLE)	
	R41253	EXTENSION	1	R.H. (NO LONGER AVAILABLE)	
7	R41451	EXTENSION	1	R.H. (NO LONGER AVAILABLE)	
8	03H1765	BOLT	4	3/8" X 3/4"	
	12H304	LOCK WASHER	4	3/8"	
9	AR42989	COVER	1	(NO LONGER AVAILABLE)	
10	AR41174	SUPPORT	1	(NO LONGER AVAILABLE)	
11	19H1936	CAP SCREW	2	3/8" X 3/4"	
	12H304	LOCK WASHER	2	3/8"	

2J19

OPERATOR'S STATION

R32260 -UN-12OCT94

TOOLS



R32260F

KEY	PART NO.	PART NAME	QTY	TRACTOR SERIAL NO.	REMARKS
1	R34827	WRENCH	1		
2	AR39683	WRENCH	1		
3	R39739	SPRING LOCKING PIN	1		
4	AR39682	EXTENSION	1		

2J20

OPERATOR'S STATION

R32259 -UN-01JAN94

LOCTITE SEALANT



R32259f

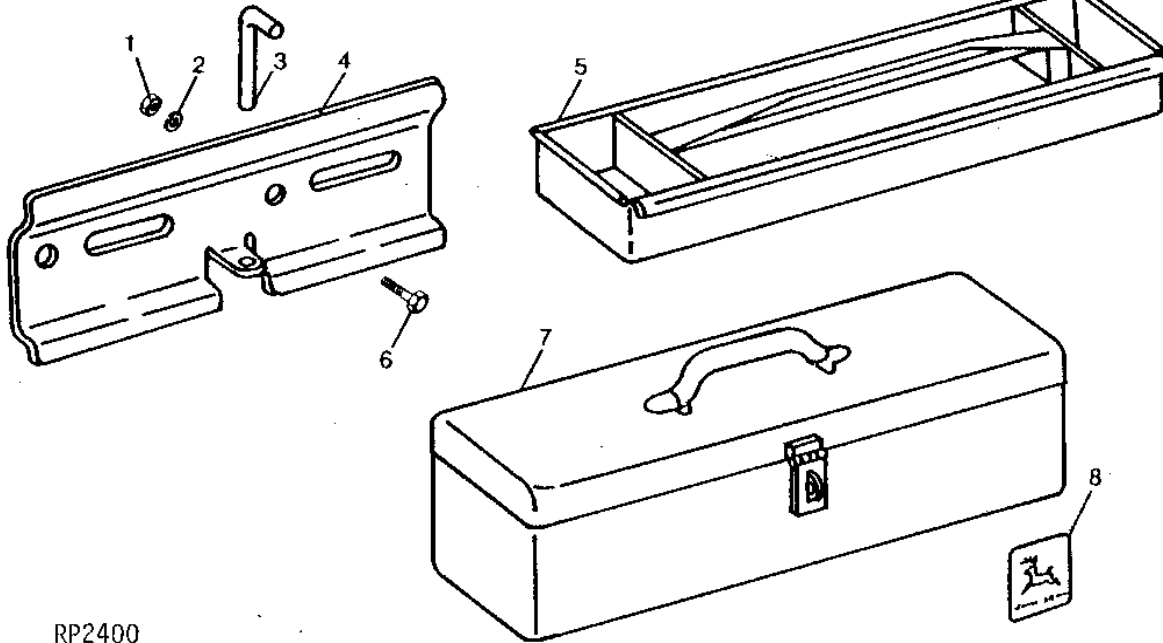
KEY	PART NO.	PART NAME	QTY	TRACTOR SERIAL NO.	REMARKS
1	AT14927	SEALANT	1		(TUBE OF 2 CC) (SUB TY9371) (NO LONGER AVAILABLE)
	AT24538	ADHESIVE	1		(BOTTLE OF APPRO. 18 CC) (SUB TY9371) (NO LONGER AVAILABLE)
	TY9371	ADHESIVE	1		(TUBE OF 6 CC)

2J21

OPERATOR'S STATION

RP2400 -UN-01JAN94

TOOLBOX AND SUPPORTS



RP2400

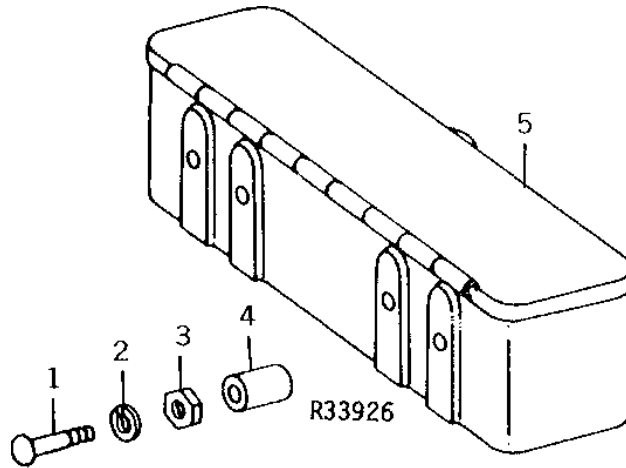
KEY	PART NO.	PART NAME	QTY	TRACTOR SERIAL NO.	REMARKS
1	14H1039	NUT	2	5/8"	
2	12H294	LOCK WASHER	2	5/8"	
3	T23027	PIN	1		
4	T23033	BRACKET	1		
5	AT22073	HOLDER	1		
6	19H2461	CAP SCREW	2	3/8" X 1-1/4"	
7	AT22070	TOOLBOX	1		
8	JD5272	LABEL	1	-XXXXXX	
	JD5602	LABEL	1	XXXXXX-	

2J22

OPERATOR'S STATION

R33926 -UN-01JAN94

TOOL BOX
(HINSON)



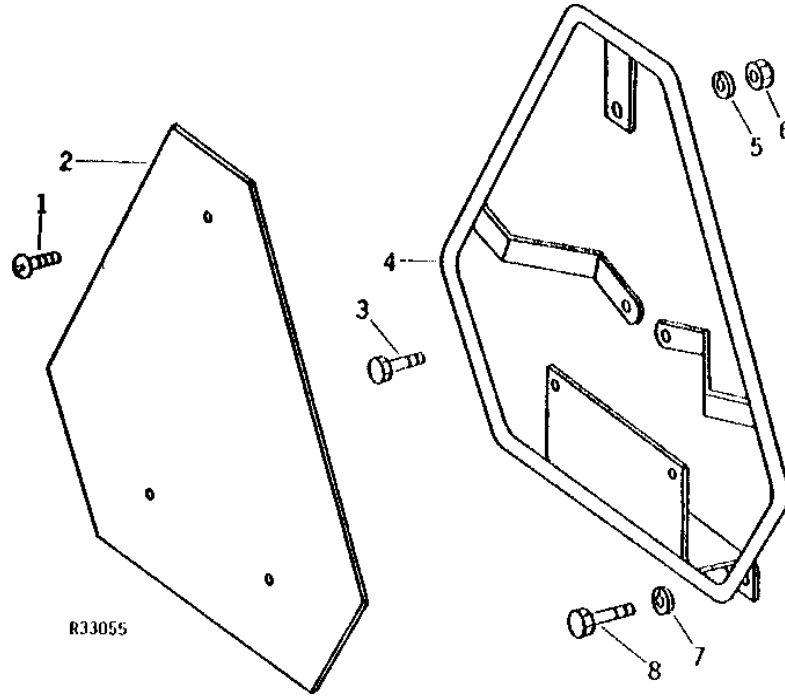
KEY	PART NO.	PART NAME	QTY	TRACTOR SERIAL NO.	REMARKS
1	03H1558	BOLT	2	3/8" X 1-1/2"	
2	12H304	LOCK WASHER	2	3/8"	
3	14H1076	NUT	2	3/8"	
4	28H1919	BUSHING	2	0.622" X 0.840" X 15/16"	
5	AR34684	TOOLBOX	1		

2J23

OPERATOR'S STATION

R33055 -UN-01JAN94

SLOW MOVING VEHICLE EMBLEM



KEY	PART NO.	PART NAME	QTY	TRACTOR SERIAL NO.	REMARKS
1	21H1301	SCREW	3	(A) 0.190" X 1/2"	
2	JD5403	SMV EMBLEM	1		
3	19H1900	CAP SCREW	2	(A) 5/16" X 3/4"	
4	AR46282	SUPPORT	1		
5	12H246	LOCK WASHER	3	(A) 0.190"	
6	14H778	NUT	3	(A) 0.190"	
7	12H303	LOCK WASHER	2	5/16"	
8	19H1849	CAP SCREW	2	(A) 5/16" X 1-1/4"	

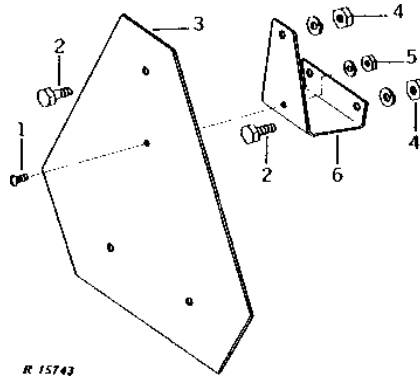
(A) INCLUDED IN AR46282

2J24

OPERATOR'S STATION

R15743 -UN-01JAN94

SLOW MOVING VEHICLE EMBLEM (WITH CAB)



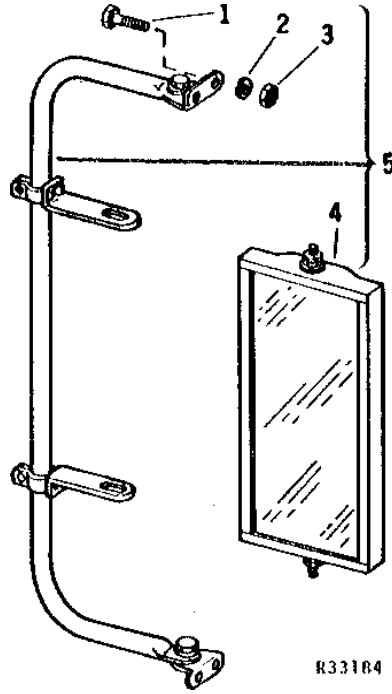
KEY	PART NO.	PART NAME	QTY	TRACTOR SERIAL NO.	REMARKS
1	21H1301	SCREW	1	0.190" X 1/2"	
2	19H2644	CAP SCREW	3	1/2" X 2-1/2"	
3	JD5403	SMV EMBLEM	1		
4	14H785	NUT	3	5/16"	
	12H303	LOCK WASHER	3	5/16"	
5	14H778	NUT	1	0.190"	
	12H246	LOCK WASHER	1	0.190"	
6	AR47859	BRACKET	1		

2J25

OPERATOR'S STATION

R33184 -UN-01JAN94

CAB REAR VIEW MIRROR



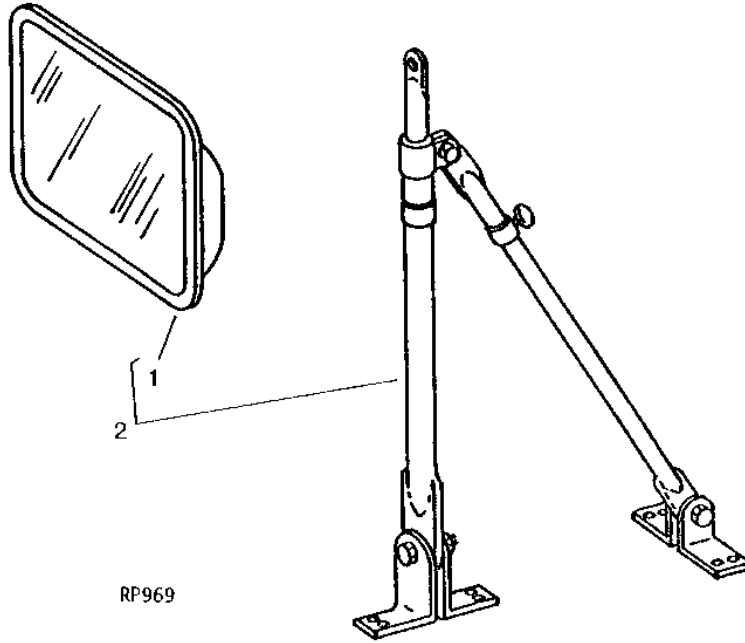
KEY	PART NO.	PART NAME	QTY	TRACTOR SERIAL NO.	REMARKS
1	19H1948	CAP SCREW	4	1/4" X 3/4"	
2	12H302	LOCK WASHER	4	1/4"	
3	14H786	NUT	4	1/4"	
4	AR52555	REAR VIEW MIRROR	1		
5	AR52554	REAR VIEW MIRROR	1	(WITH BRACKET)	

2K1

OPERATOR'S STATION

RP969 -UN-01JAN94

REAR VIEW MIRROR



KEY	PART NO.	PART NAME	QTY	TRACTOR SERIAL NO.	REMARKS
1	AR89137	REAR VIEW MIRROR	1		(SUB FOR AR44255)
2	AR44254	REAR VIEW MIRROR	1		(WITH BRACKET) (SUB AH85483, AR89137 AND H78354)

2K2

OPERATOR'S STATION

**PARTS FOR WEATHERSHIELDS
(NOT ILLUSTRATED)**

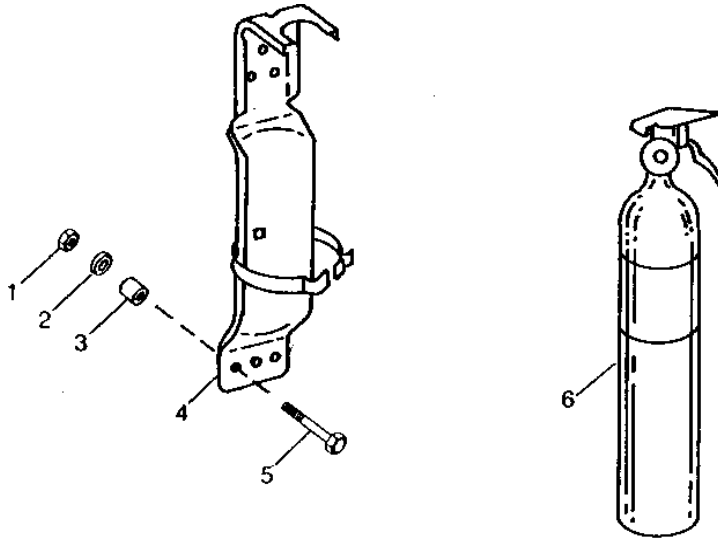
KEY	PART NO.	PART NAME	QTY	TRACTOR SERIAL NO.	REMARKS
..	AR30516	WINDOW	2		
..	R20123	WINDSHIELD	2		
..	R20124	FRAME	2		

2K3

OPERATOR'S STATION

RWP2787 -UN-01JAN94

FIRE EXTINGUISHER



RWP2787

KEY	PART NO.	PART NAME	QTY	SG BODY SERIAL NO.	REMARKS
1	14H786	NUT	2	1/4"	
2	24H1287	WASHER	2	9/32" X 5/8" X 0.065"	
3	28H1914	BUSHING	2		
4	AT75387	BRACKET	1	(SUB FOR AT62019)	
5	21H1035	SCREW	2	1/4" X 1-1/2"	
6	AT141924	FIRE EXTINGUISHER	1	(SUB FOR AT81764)	

1K13

4320 TRACTOR

NUMERICAL INDEX

PART NO.	GRID	KEY	PAGE	PART NO.	GRID	KEY	PAGE	PART NO.	GRID	KEY	PAGE
AA14850	2E7	20	70 - 49	AR101237	2C10	3	70 - 7	AR21842	1D8	1	30 - 6
AA15042	2F17	19	70 - 76	AR101237	2C17	23	70 - 13	AR21969	1B4	..	20 - 1
AA15043	2F17	17	70 - 76	AR101237	2C21	3	70 - 17	AR21969	2B11	..	60 - 10
AA32178	1G7	..	40 - 52	AR101237	2D2	28	70 - 21	AR21969	2B12	..	60 - 11
AA3495R	1G1	8	40 - 46	AR101245	1G22	4	40 - 67	AR21969	2B13	..	60 - 12
AA3495R	1G2	9	40 - 47	AR101245	1H2	4	40 - 69B	AR21999	1C18	1	20 - 33
AA34967	1G7	3	40 - 52	AR101549	1C15	7	20 - 30	AR26375	1J3	18	50 - 19
AA34968	1G7	23	40 - 52	AR101549	1C15	8	20 - 30	AR26402	2B8	5	60 - 7
AA5692R	1H21	12	40 - 89	AR101549	1C15	9	20 - 30	AR26403	2I11	6	90 - 15
AA5731R	2F20	3	70 - 79	AR101549	1C15	10	20 - 30	AR26407	2F18	4	70 - 77
AA5787R	2J14	1	90 - 37	AR101549	1C16	4	20 - 31	AR26444	1B9	7	20 - 6
AA6307R	2F18	9	70 - 77	AR101549	1C16	5	20 - 31	AR26448	2B8	2	60 - 7
AA6309R	2F18	7	70 - 77	AR101549	1C16	6	20 - 31	AR26462	2E17	8	70 - 59
AD2062R	1G1	2	40 - 46	AR101549	1C16	7	20 - 31	AR26462	2E19	7	70 - 61
AD2062R	1G1	16	40 - 46	AR101618	1J12	9	50 - 29	AR26469	2I23	3	90 - 24
AD2062R	1G2	2	40 - 47	AR101618	1J14	28	50 - 31	AR26480	2G19	2	80 - 6
AD2062R	1G2	7	40 - 47	AR101618	1J15	24	50 - 32	AR26480	2G21	1	80 - 7A
AD2062R	1G2	15	40 - 47	AR102454	1G16	12	40 - 61	AR26480	2H2	1	80 - 13
AD2062R	1G6	2	40 - 51	AR102454	1G17	12	40 - 62	AR26480	2H3	1	80 - 13A
AD2062R	1G7	2	40 - 52	AR103364	1J15	2	50 - 32	AR26481	1I12	29	50 - 4
AD2062R	1G8	15	40 - 53	AR103364	1J15	9	50 - 32	AR26481	1J15	4	50 - 28
AE23861	1E15	2	40 - 8	AR103364	1J16	6	50 - 33	AR26482	1J11	6	50 - 28
AE24616	2C15	9	70 - 11A	AR103808	2G9	7	70 - 93	AR26516	1B6	4	20 - 3
AE24616	2C24	9	70 - 19A	AR103811	1B6	3	20 - 3	AR26529	2I12	8	90 - 16
AF2643R	2D15	1	70 - 34	AR104119	1G8	2	40 - 53	AR26530	2I12	16	90 - 16
AF2710R	2E11	13	70 - 53	AR105556	1J20	11	50 - 37	AR26554	2E9	2	70 - 51
AF2711R	2E11	13	70 - 53	AR11001	1F10	15	40 - 29	AR26555	2E9	2	70 - 51
AF3147R	2E9	..	70 - 51	AR11001	1F15	14	40 - 35	AR26556	2E8	2	70 - 50
AH103067	1E25	12	40 - 19	AR11051	1F11	7	40 - 30	AR26568	1F19	2	90 - 20
AH103068	1E25	13	40 - 19	AR11051	1F16	4	40 - 36	AR26568	2J15	10	90 - 38
AH80057	2J2	18	90 - 27	AR111058	1H10	20	40 - 77	AR26571	1H21	1	40 - 89
AH85483	2K1	2	90 - 48	AR11124	1F10	17	40 - 29	AR26604	1I12	33	50 - 4
AH93625	1G7	12	40 - 52	AR11126	1F8	21	40 - 27	AR26625	2B4	5	60 - 3
AH93625	1H20	..	40 - 88	AR11127	1F8	2	40 - 27	AR26632	2I11	26	90 - 15
AH98337	1E15	2	40 - 8	AR11128	1F8	14	40 - 27	AR26646	2C12	21	70 - 9
AL14896	1G15	7	40 - 60	AR11132	1F8	28	40 - 27	AR26649	1D18	9	30 - 16
AL23523	2B23	15	60 - 23	AR11140	1F10	24	40 - 29	AR26674	1D19	4	30 - 17
AL26972	2F7	25	70 - 69	AR20750	2G20	5	80 - 7	AR26674	1D20	3	30 - 18
AL26972	2F9	22	70 - 71	AR21024	1C23	1	20 - 38	AR26679	2B13	7	60 - 12
AL26973	2F7	3	70 - 69	AR21024	1C23	2	20 - 38	AR26688	1I12	17	50 - 4
AL26973	2F9	21	70 - 71	AR21059	1G1	10	40 - 46	AR26707	1J6	3	50 - 23
AL2976T	1H23	20	40 - 91	AR21059	1G2	17	40 - 47	AR26721	1G14	7	40 - 59
AM30347	2H2	17	80 - 13	AR21059	1G2	20	40 - 47	AR26725	2B4	21	60 - 3
AM52191	1E18	6	40 - 11	AR21110	2E11	..	70 - 53	AR26725	2B7	1	60 - 6
AM53945	1E18	6	40 - 11	AR21737	1G1	2	40 - 46	AR26725	2B12	2	60 - 11
AN140262	2F16	15	70 - 75D	AR21737	1G2	2	40 - 47	AR26744	2D4	6	70 - 23
AN140274	2F16	8	70 - 75D	AR21739	1G1	6	40 - 46	AR26744	2D10	15	70 - 29
AN140274	2F17	8	70 - 76	AR21739	1G2	7	40 - 47	AR26745	1D8	13	30 - 6
AN163885	2F13	35	70 - 75	AR21739	1G11	4	40 - 56	AR26746	1J18	11	50 - 35
AN163885	2F22	26	70 - 81	AR21823	1G15	2	40 - 60	AR26746	1J19	10	50 - 36
AN163885	2G2	26	70 - 85	AR21823	1G16	10	40 - 61	AR26746	2D4	7	70 - 23
AN163885	2G5	8	70 - 89	AR21823	1G17	10	40 - 62	AR26746	2D6	7	70 - 25
AN163885	2G7	16	70 - 91	AR21836	2B13	1	60 - 12	AR26746	2D11	13	70 - 30
AN212996	2E22	6	70 - 64A	AR21837	2I2	4	90 - 6	AR26747	2D4	10	70 - 23
AN212996	2E24	7	70 - 64C	AR21837	2I7	20	90 - 11	AR26747	2D11	11	70 - 30
AN250096	2C15	5	70 - 11A	AR21837	2I9	6	90 - 13	AR26758	2C8	12	70 - 5
AN250096	2C24	5	70 - 19A	AR21839	1C14	5	20 - 29	AR26761	2D18	12	70 - 37
AP19547	2F20	33	70 - 79	AR21839	2D12	7	70 - 31	AR26763	2D14	2	70 - 33
AP19547	2F22	32	70 - 81	AR21839	2D13	3	70 - 32	AR26763	2E7	11	70 - 49
AP19547	2G5	20	70 - 89	AR21839	2D14	34	70 - 33	AR26763	2F16	9	70 - 75D
AR100161	1F23	1	40 - 43	AR21840	1D5	1	30 - 3	AR26763	2F17	10	70 - 76
AR100384	1B10	7	20 - 7	AR21840	1D18	13	30 - 16	AR26771	2B7	6	60 - 6
AR100385	1B10	7	20 - 7	AR21840	2B14	11	60 - 13	AR26771	2B11	7	60 - 10
AR101236	2C8	3	70 - 5	AR21841	1D3	3	30 - 1	AR26771	2B13	6	60 - 12
AR101236	2C17	23	70 - 13	AR21841	1D5	4	30 - 3	AR26782	1J6	1	50 - 23
AR101236	2C19	3	70 - 15	AR21841	1D8	3	30 - 6	AR26823	2G19	18	80 - 6
AR101236	2D2	28	70 - 21	AR21842	1D3	1	30 - 1	AR26828	1K6	9	50 - 48

1K14

4320 TRACTOR

NUMERICAL INDEX - CONTINUED

PART NO.	GRID	KEY	PAGE	PART NO.	GRID	KEY	PAGE	PART NO.	GRID	KEY	PAGE
AR26944	2E9	6	70 - 51	AR31906	1112	5	50 - 4	AR40465	2E7	13	70 - 49
AR26945	2E9	6	70 - 51	AR31945	2G6	15	70 - 90	AR40465	2E7	29	70 - 49
AR26981	2B15	12	60 - 14	AR31946	2B18	14	60 - 17	AR40572	1110	19	50 - 2
AR27033	2E17	..	70 - 59	AR31977	2112	25	90 - 16	AR40584	2J13	11	90 - 36
AR27054	2G19	19	80 - 6	AR32016	1G5	7	40 - 50	AR40585	2J13	1	90 - 36
AR27093	2E13	22	70 - 55	AR32175	1125	5	50 - 16	AR40666	1J11	16	50 - 28
AR27093	2E15	41	70 - 57	AR32180	1J1	5	50 - 17	AR40670	1J3	8	50 - 19
AR27139	1C23	1	20 - 38	AR32243	2B19	2	60 - 18	AR40673	2122	11	90 - 23
AR27254	2B13	4	60 - 12	AR32243	2B19	7	60 - 18	AR40674	2122	4	90 - 23
AR27350	2G24	16	80 - 10	AR32440	1J9	21	50 - 26	AR40675	2E1	9	70 - 44
AR27351	2G16	6	80 - 3	AR32441	2B19	7	60 - 18	AR40676	2E1	6	70 - 44
AR27351	2G18	6	80 - 5	AR32692	1J1	18	50 - 17	AR40677	2D15	6	70 - 34
AR27351	2G24	6	80 - 10	AR33249	2C12	6	70 - 9	AR40677	2D16	3	70 - 35
AR27430	2G18	11	80 - 5	AR33877	2F13	29	70 - 75	AR40680	1B9	17	20 - 6
AR27437	2F18	1	70 - 77	AR33911	2E17	20	70 - 59	AR40683	2E2	44	70 - 45
AR27437	2F18	7	70 - 77	AR34059	2F13	38	70 - 75	AR40687	1115	3	50 - 7
AR27437	2F18	9	70 - 77	AR34071	1J10	..	50 - 27	AR40688	2F3	26	70 - 67
AR27447	1110	25	50 - 2	AR34172	2B4	9	60 - 3	AR40702	1E2	11	30 - 25
AR27555	2G17	7	80 - 4	AR34569	1J19	17	50 - 36	AR40703	1E2	17	30 - 25
AR27738	2F16	5	70 - 75D	AR34684	2J22	5	90 - 44	AR40704	1E1	20	30 - 24
AR27738	2F17	5	70 - 76	AR34697	1J19	19	50 - 36	AR40710	1H21	13	40 - 89
AR27814	1D15	1	30 - 13	AR34755	1J20	11	50 - 37	AR40744	2F3	8A	70 - 67
AR27940	1D15	6	30 - 13	AR34824	2B15	18	60 - 14	AR40753	2E1	12	70 - 44
AR27940	1D16	4	30 - 14	AR34825	2B15	15	60 - 14	AR40754	2E1	7	70 - 44
AR27977	1B13	26	20 - 11	AR34829	2F18	1	70 - 77	AR40757	2B16	26	60 - 15
AR28047	2H15	3	80 - 25	AR34829	2F18	7	70 - 77	AR40785	2D23	7	70 - 42
AR28048	2H15	6	80 - 25	AR34990	1F24	10	40 - 44	AR40802	1G14	1	40 - 59
AR28049	2H15	6	80 - 25	AR34990	1G1	7	40 - 46	AR40806	2J17	3	90 - 39B
AR28227	1F25	10	40 - 45	AR35017	1D13	..	30 - 11	AR40809	2J17	7	90 - 39B
AR28243	2G20	8	80 - 7	AR35223	1115	21	50 - 7	AR40812	2J17	16	90 - 39B
AR28271	1J4	11	50 - 20	AR35223	1116	11	50 - 8	AR40817	2H13	1	80 - 23
AR28277	1G1	7	40 - 46	AR35261	2F18	1	70 - 77	AR40827	2F4	1	70 - 68
AR28277	1G2	8	40 - 47	AR35261	2F18	7	70 - 77	AR40827	2F13	27	70 - 75
AR28403	1E14	10	40 - 7	AR35270	2119	1	90 - 20	AR40871	2121	5	90 - 22
AR28403	1H19	19	40 - 87	AR35271	2119	1	90 - 20	AR40939	2F3	6A	70 - 67
AR28403	1H21	10	40 - 89	AR35710	1J18	21	50 - 35	AR40947	1G24	4	40 - 69
AR28403	211	10	90 - 5	AR35710	1J19	4	50 - 36	AR40947	1G24	5	40 - 69
AR28403	218	3	90 - 12	AR35725	2B11	16	60 - 10	AR40947	1H2	4	40 - 69B
AR28482	1C18	7	20 - 33	AR35782	1F25	11	40 - 45	AR40976	2D22	5	70 - 41
AR28487	2B19	2	60 - 18	AR35782	1G2	19	40 - 47	AR40977	2D22	2	70 - 41
AR28488	2B19	2	60 - 18	AR35807	2E20	18	70 - 62	AR40988	2E4	14	70 - 46A
AR28588	1G14	7	40 - 59	AR36047	2111	18	90 - 15	AR40989	2E25	12	70 - 65
AR28589	1G14	7	40 - 59	AR36048	2112	14	90 - 16	AR40990	2E25	15	70 - 65
AR28754	2G10	3	70 - 94	AR36303	2F18	1	70 - 77	AR40991	2E25	23	70 - 65
AR28755	2G10	3	70 - 94	AR36303	2F18	7	70 - 77	AR41006	1B8	3	20 - 5
AR30110	1K6	1	50 - 48	AR36668	1C15	9	20 - 30	AR41016	2B14	8	60 - 13
AR30154	2G14	12	80 - 1	AR36668	1C16	6	20 - 31	AR41056	1B22	4	20 - 16
AR30154	2G17	14	80 - 4	AR37017	2E7	17	70 - 49	AR41117	2D11	1	70 - 30
AR30154	2G22	12	80 - 8	AR38168	1J7	11	50 - 24	AR41130	2B11	13	60 - 10
AR30210	2F13	7A	70 - 75	AR38453	1G12	9	40 - 57	AR41137	2J18	1	90 - 40
AR30210	2F13	7B	70 - 75	AR38456	1E10	22	40 - 3	AR41138	2J18	1	90 - 40
AR30210	2F16	36	70 - 75D	AR38456	1G6	3	40 - 51	AR41174	2J18	10	90 - 40
AR30210	2G8	7	70 - 92	AR38456	1G8	16	40 - 53	AR41287	1E18	10	40 - 11
AR30288	2E9	4	70 - 51	AR38459	1E23	17	40 - 17	AR41287	1E19	9	40 - 12
AR30297	2B4	33	60 - 3	AR38714	2C12	31	70 - 9	AR41565	1E2	3	30 - 25
AR30297	2B4	37	60 - 3	AR389R	1125	8	50 - 16	AR41574	1C15	18	20 - 30
AR30298	2B4	33	60 - 3	AR389R	1J1	7	50 - 17	AR41574	1E23	8	40 - 17
AR30516	2K2	..	90 - 49	AR39585	2B10	1	60 - 9	AR41584	2J15	5	90 - 38
AR30685	2F14	12	70 - 75B	AR39682	2J19	4	90 - 41	AR41594	2113	11	90 - 17
AR30762	1116	7	50 - 8	AR39683	2J19	2	90 - 41	AR41599	2H13	7	80 - 23
AR30762	2B11	16	60 - 10	AR40024	2B19	4	60 - 18	AR41602	2J17	18	90 - 39B
AR30784	2F18	3	70 - 77	AR40171	1F15	5	40 - 35	AR41691	1C15	7	20 - 30
AR31016	2B17	31	60 - 16	AR40174	1F23	1	40 - 43	AR41691	1C16	4	20 - 31
AR31611	2E7	25	70 - 49	AR40387	2D19	11	70 - 38	AR41694	1E8	5	40 - 1
AR31703	2D18	35	70 - 37	AR40420	1E23	5	40 - 17	AR41699	1F24	9	40 - 44
AR31904	1125	9	50 - 16	AR40420	1E23	17	40 - 17	AR41702	1F24	9	40 - 44
AR31904	1J1	8	50 - 17	AR40420	1E24	..	40 - 18	AR41702	1F25	9	40 - 45

1K15

4320 TRACTOR

NUMERICAL INDEX - CONTINUED

PART NO.	GRID	KEY	PAGE	PART NO.	GRID	KEY	PAGE	PART NO.	GRID	KEY	PAGE
AR41706	1D13	3	30 - 11	AR43652	1B11	6	20 - 8	AR45285	2D6	9	70 - 25
AR41752	1J7	2	50 - 24	AR43704	1D13	9	30 - 11	AR45285	2D11	11	70 - 30
AR41754	1H6	8	40 - 73	AR43704	1D13	11	30 - 11	AR45312	1G9	1	40 - 54
AR41756	1G20	2	40 - 65	AR43747	1C15	4	20 - 30	AR45316	1G9	15	40 - 54
AR41756	1G22	2	40 - 67	AR43770	1D8	12	30 - 6	AR45318	2H1	2	80 - 12
AR41756	1G24	2	40 - 69	AR43809	2B6	10	60 - 5	AR45342	1J2	14	50 - 18
AR41756	1H2	2	40 - 69B	AR43809	2B7	10	60 - 6	AR45370	2J15	1	90 - 38
AR41756	1H6	1	40 - 73	AR43954	1B25	19	20 - 19	AR45370	2J15	3	90 - 38
AR41758	1G20	1	40 - 65	AR43973	1D12	19	30 - 10	AR45371	2J15	5	90 - 38
AR41758	1G22	1	40 - 67	AR43974	1D12	15	30 - 10	AR45389	1G9	27	40 - 54
AR41758	1G24	1	40 - 69	AR43976	1D12	3	30 - 10	AR45414	1J22	6	50 - 39
AR41758	1H2	1	40 - 69B	AR43986	1E8	3	40 - 1	AR45414	2G25	7	80 - 11
AR41758	1H4	..	40 - 71	AR43998	1D6	1	30 - 4	AR45436	1G13	5	40 - 58
AR41758	1H6	10	40 - 73	AR44129	2F1	1	70 - 65A	AR45437	1G13	18	40 - 58
AR41760	1G24	3	40 - 69	AR44130	2F1	1	70 - 65A	AR45438	1G13	20	40 - 58
AR41761	2I13	6	90 - 17	AR44189	2E16	1A	70 - 58	AR45439	1G13	14	40 - 58
AR41761	2I15	4	90 - 17B	AR44254	2K1	2	90 - 48	AR45439	1G13	19	40 - 58
AR41785	1B4	..	20 - 1	AR44255	2K1	1	90 - 48	AR45440	1G13	21	40 - 58
AR41870	1B4	..	20 - 1	AR44356	2D20	8	70 - 39	AR45450	1E13	1	40 - 6
AR41942	1I10	27	50 - 2	AR44376	1J22	24	50 - 39	AR45530	1B6	3	20 - 3
AR41947	2B23	7	60 - 23	AR44377	1K1	17	50 - 43	AR45534	2G7	26	70 - 91
AR41950	1G20	8	40 - 65	AR44384	1K4	10	50 - 46	AR45535	2G5	30	70 - 89
AR41950	1G22	8	40 - 67	AR44384	2D14	31	70 - 33	AR45542	1J5	9	50 - 22
AR41950	1G24	7	40 - 69	AR44388	2D6	5	70 - 25	AR45543	2F20	26A	70 - 79
AR41950	1H2	8	40 - 69B	AR44394	1B10	7	20 - 7	AR45544	2F24	39	70 - 83
AR41950	1H6	3	40 - 73	AR44402	1B5	1	20 - 2	AR45544	2G2	37	70 - 85
AR41951	1G20	7	40 - 65	AR44444	1C11	7	20 - 26	AR45545	2F20	26A	70 - 79
AR41951	1G22	7	40 - 67	AR44444	1C12	4	20 - 27	AR45545	2F20	26B	70 - 79
AR41951	1G24	6	40 - 69	AR44568	2E8	3	70 - 50	AR45545	2F22	37	70 - 81
AR41951	1H2	7	40 - 69B	AR44624	1C8	1	20 - 23	AR45545	2G5	28	70 - 89
AR41951	1H6	2	40 - 73	AR44625	1C8	6	20 - 23	AR45647	2F3	16	70 - 67
AR41969	2F4	13	70 - 68	AR44635	2B11	10	60 - 10	AR45687	1D13	1	30 - 11
AR41970	2F4	13	70 - 68	AR44698	1F8	32	40 - 27	AR45723	1B22	11	20 - 16
AR41972	2D15	4	70 - 34	AR44699	1F10	2	40 - 29	AR45723	1C5	9	20 - 21B
AR41974	2D16	1	70 - 35	AR44700	1F8	12	40 - 27	AR45723	1C6	9	20 - 21C
AR42009	2B4	17	60 - 3	AR44713	1J6	6	50 - 23	AR45734	1G9	20	40 - 54
AR42009	2B5	3	60 - 4	AR44763	2I10	8	90 - 14	AR45781	1J25	9	50 - 42
AR42009	2B5	18	60 - 4	AR44765	2D22	6	70 - 41	AR45782	1J25	13	50 - 42
AR42119	1G4	1	40 - 49	AR44776	2I13	11	90 - 17	AR45839	1H7	27	40 - 74
AR42119	1G5	1	40 - 50	AR44872	2D22	..	70 - 41	AR45867	2H25	4	90 - 4
AR42119	1G8	2	40 - 53	AR44999	1E18	6	40 - 11	AR45868	2I1	1	90 - 5
AR42119	1G8	6	40 - 53	AR44999	1E19	3	40 - 12	AR45895	2J9	11	90 - 32
AR42287	2E4	33	70 - 46A	AR44999	1E20	7	40 - 13	AR45896	2J9	3	90 - 32
AR42394	2B21	10	60 - 20	AR45013	1G20	4	40 - 65	AR45900	2J9	20	90 - 32
AR42395	2B21	6	60 - 20	AR45014	1G20	17	40 - 65	AR45901	2J9	22	90 - 32
AR42400	2B17	27	60 - 16	AR45015	1G20	20	40 - 65	AR45902	2J9	13	90 - 32
AR42431	1G20	3	40 - 65	AR45034	1J22	1	50 - 39	AR45923	1E11	2	40 - 4
AR42432	1G20	21	40 - 65	AR45034	1J25	14	50 - 42	AR45924	1E11	5	40 - 4
AR42591	1G8	2	40 - 53	AR45035	1D7	..	30 - 5	AR45925	1E11	7	40 - 4
AR42594	2H17	4	80 - 27	AR45099	1E10	20	40 - 3	AR45926	1E12	2	40 - 5
AR42598	2I10	9	90 - 14	AR45099	1G8	22	40 - 53	AR45927	1E12	5	40 - 5
AR42989	2J18	9	90 - 40	AR45104	2E19	18	70 - 61	AR45975	1E12	6	40 - 5
AR43112	1C13	17	20 - 28	AR45105	2E19	18	70 - 61	AR46042	1J2	3	50 - 18
AR43219	1C15	18	20 - 30	AR45129	2I24	13	90 - 25	AR46062	1G9	5	40 - 54
AR43219	1E23	8	40 - 17	AR45130	2I24	14	90 - 25	AR46063	1G9	12	40 - 54
AR43261	1C13	1	20 - 28	AR45157	2B23	30	60 - 23	AR46095	2B23	29	60 - 23
AR43261	1C13	18	20 - 28	AR45198	2D14	16	70 - 33	AR46113	1I15	..	50 - 7
AR43261	1C13	20	20 - 28	AR45207	2I24	11	90 - 25	AR46246	2C6	1	70 - 3
AR43594	1B10	1	20 - 7	AR45234	2D14	13	70 - 33	AR46246	2C10	..	70 - 7
AR43609	1E8	8	40 - 1	AR45235	2D14	15	70 - 33	AR46256	2E20	14	70 - 62
AR43625	1D9	19	30 - 7	AR45240	1J2	10	50 - 18	AR46268	1D18	16	30 - 16
AR43626	1D9	14	30 - 7	AR45250	2D11	16	70 - 30	AR46282	2J23	4	90 - 45
AR43627	1D9	14	30 - 7	AR45251	2B16	20	60 - 15	AR46282	2J23	..	90 - 45
AR43627	1D10	13	30 - 8	AR45251	2C1	2B	60 - 26	AR46289	2H10	5	80 - 20
AR43634	1C13	1	20 - 28	AR45251	2C1	4A	60 - 26	AR46334	1E14	3	40 - 7
AR43634	1C13	18	20 - 28	AR45251	2D11	18	70 - 30	AR46374	2J9	15	90 - 32
AR43634	1E3	3	30 - 26	AR45282	1K3	1	50 - 45	AR46375	2J9	6	90 - 32

1K16

4320 TRACTOR

NUMERICAL INDEX - CONTINUED

PART NO.	GRID	KEY	PAGE	PART NO.	GRID	KEY	PAGE	PART NO.	GRID	KEY	PAGE
AR46376	2J9	4	90 - 32	AR47802	2C6	1	70 - 3	AR48675	1C19	5	20 - 34
AR46395	1B22	11	20 - 16	AR47802	2C8	..	70 - 5	AR48681	2H14	26	80 - 24
AR46396	1B22	11	20 - 16	AR47803	2D14	22	70 - 33	AR48697	1I20	1	50 - 12
AR46396	1C3	2	20 - 21	AR47805	2B17	6	60 - 16	AR48697	1J12	11	50 - 29
AR46396	1C4	9	20 - 21A	AR47825	2F18	7	70 - 77	AR48697	1J15	28	50 - 32
AR46397	1B22	11	20 - 16	AR47825	2F20	26A	70 - 79	AR48699	1D18	8	30 - 16
AR46398	1B22	11	20 - 16	AR47825	2F20	27	70 - 79	AR48716	1D20	10	30 - 18
AR46399	1C8	6	20 - 23	AR47825	2F22	1	70 - 81	AR48717	1G24	4	40 - 69
AR46400	1C8	6	20 - 23	AR47825	2F24	41	70 - 83	AR48717	1G24	5	40 - 69
AR46401	1C8	6	20 - 23	AR47825	2G2	1	70 - 85	AR48721	1F24	5	40 - 44
AR46402	1C8	6	20 - 23	AR47825	2G5	11	70 - 89	AR48721	1F25	5	40 - 45
AR46403	1C8	1	20 - 23	AR47859	2J24	6	90 - 46	AR48721	1G1	9	40 - 46
AR46404	1C8	1	20 - 23	AR47916	1G13	1	40 - 58	AR48721	1G2	16	40 - 47
AR46405	1C8	1	20 - 23	AR47939	2I23	9	90 - 24	AR48722	1F24	6	40 - 44
AR46406	1C8	1	20 - 23	AR47940	2I23	17	90 - 24	AR48722	1F25	6	40 - 45
AR46407	1C8	1	20 - 23	AR48005	2D18	14	70 - 37	AR48722	1G1	9	40 - 46
AR46730	1G15	3	40 - 60	AR48006	2E5	4	70 - 47	AR48722	1G2	16	40 - 47
AR46768	1I25	3	50 - 16	AR48007	2D18	14	70 - 37	AR48723	1G1	10	40 - 46
AR46810	2E17	..	70 - 59	AR48007	2D19	11	70 - 38	AR48723	1G2	17	40 - 47
AR46810	2E19	32	70 - 61	AR48007	2D19	12	70 - 38	AR48723	1G8	28	40 - 53
AR46820	2J11	19	90 - 34	AR48007	2D19	13	70 - 38	AR48724	1G12	13	40 - 57
AR46828	2E20	3	70 - 62	AR48007	2D19	14	70 - 38	AR48725	1G10	1	40 - 55
AR46957	1K4	6	50 - 46	AR48008	2E5	4	70 - 47	AR48726	1E14	1	40 - 7
AR46957	2D14	33	70 - 33	AR48015	1G14	4	40 - 59	AR48727	2I20	3	90 - 21
AR46960	2D14	35	70 - 33	AR48016	1G14	3	40 - 59	AR48734	2F4	16	70 - 68
AR46979	1G13	9	40 - 58	AR48033	1G13	14	40 - 58	AR48735	1C18	8	20 - 33
AR46983	1G24	21	40 - 69	AR48034	1G13	12	40 - 58	AR48752	1D18	22	30 - 16
AR46984	1G22	21	40 - 67	AR48035	1G13	16	40 - 58	AR48753	1D18	21	30 - 16
AR46984	1G24	20	40 - 69	AR48040	1G8	21	40 - 53	AR48754	2D12	6	70 - 31
AR46984	1H2	21	40 - 69B	AR48041	1G7	22	40 - 52	AR48755	1I17	10	50 - 9
AR46985	1G24	18	40 - 69	AR48041	1G8	20	40 - 53	AR48768	1B22	7	20 - 16
AR46986	1G22	5	40 - 67	AR48110	2E15	34	70 - 57	AR48770	2C10	18	70 - 7
AR46986	1G24	3	40 - 69	AR48110	2E20	1	70 - 62	AR48773	1D13	4	30 - 11
AR46986	1G24	4	40 - 69	AR48111	2E15	35	70 - 57	AR48781	2D11	6	70 - 30
AR46986	1H2	4	40 - 69B	AR48111	2E20	2	70 - 62	AR48788	2B12	3	60 - 11
AR46986	1H2	5	40 - 69B	AR48217	1I20	5	50 - 12	AR48789	2B12	5	60 - 11
AR46986	1H4	13	40 - 71	AR48219	1D25	7	30 - 23	AR48790	2B12	13	60 - 11
AR46986	1H4	15	40 - 71	AR48236	1D21	11	30 - 19	AR48791	2B12	12	60 - 11
AR47086	1E11	3	40 - 4	AR48236	1K11	2	50 - 53	AR48792	2D10	8	70 - 29
AR47087	1E11	3	40 - 4	AR48269	1I12	31	50 - 4	AR48835	2H8	7	80 - 18
AR47087	1E12	3	40 - 5	AR48269	1J11	3	50 - 28	AR48853	2H8	11	80 - 18
AR47091	2H19	16	80 - 29	AR48294	1B25	5	20 - 19	AR48854	2H8	2	80 - 18
AR47137	1J22	11	50 - 39	AR48398	2H14	19	80 - 24	AR48871	1C15	16	20 - 30
AR47180	1K5	16	50 - 47	AR48399	2H14	19	80 - 24	AR48872	2I18	2	90 - 19
AR47289	2B4	16	60 - 3	AR48405	2H15	1	80 - 25	AR48873	2I18	2	90 - 19
AR47293	2B5	9	60 - 4	AR48447	1I16	4	50 - 8	AR48882	2D13	1	70 - 32
AR47331	2F16	29	70 - 75D	AR48448	1I14	12	50 - 6	AR48899	2J18	5	90 - 40
AR47331	2G8	20	70 - 92	AR48449	2H14	23	80 - 24	AR48900	2J18	5	90 - 40
AR47374	1G15	1	40 - 60	AR48487	1C11	6	20 - 26	AR48901	1K3	2	50 - 45
AR47458	1G12	12	40 - 57	AR48487	1C12	2	20 - 27	AR48901	1K5	19	50 - 47
AR47459	1G12	12	40 - 57	AR48488	2H14	12	80 - 24	AR48902	1K5	6	50 - 47
AR47486	2E7	2	70 - 49	AR48489	2B11	6	60 - 10	AR48903	1K5	14	50 - 47
AR47490	2E21	1	70 - 63	AR48494	2D10	6	70 - 29	AR48904	1K4	..	50 - 46
AR47524	1C11	12	20 - 26	AR48520	2B21	16	60 - 20	AR48904	1K5	..	50 - 47
AR47524	1C12	8	20 - 27	AR48527	1K1	17	50 - 43	AR48904	1K9	13	50 - 51
AR47547	1E8	6	40 - 1	AR48594	1G12	9	40 - 57	AR48912	1E11	5	40 - 4
AR47548	1E8	6	40 - 1	AR48621	1D18	15	30 - 16	AR48933	2F3	2A	70 - 67
AR47567	2E20	13	70 - 62	AR48634	1I9	10	50 - 1	AR48936	1E8	5	40 - 1
AR47580	2C8	16	70 - 5	AR48634	1I9	15	50 - 1	AR48937	1E8	2	40 - 1
AR47603	2E7	15	70 - 49	AR48640	1G13	10	40 - 58	AR48938	1F24	3	40 - 44
AR47643	2F13	7A	70 - 75	AR48643	1G18	5	40 - 63	AR48939	1F24	3	40 - 44
AR47643	2F13	7B	70 - 75	AR48643	2J14	6	90 - 37	AR48939	1F25	3	40 - 45
AR47643	2F16	36	70 - 75D	AR48645	1J15	9	50 - 32	AR48940	1C8	1	20 - 23
AR47643	2G8	7	70 - 92	AR48668	1J1	3	50 - 17	AR48956	2H24	1	90 - 3
AR47752	2J17	16	90 - 39B	AR48669	1J15	24	50 - 32	AR48957	2H24	5	90 - 3
AR47753	2E7	5	70 - 49	AR48671	2B14	6	60 - 13	AR48963	1I15	14	50 - 7
AR47785	1D13	2	30 - 11	AR48673	1I21	11	50 - 14	AR48964	2J18	6	90 - 40

1K17

4320 TRACTOR

NUMERICAL INDEX - CONTINUED

PART NO.	GRID	KEY	PAGE	PART NO.	GRID	KEY	PAGE	PART NO.	GRID	KEY	PAGE
AR49011	1112	24	50 - 4	AR49797	1H13	1	40 - 80	AR50580	1F24	1	40 - 44
AR49025	1C10	5	20 - 25	AR49798	1H13	1	40 - 80	AR50580	1F25	1	40 - 45
AR49036	1G15	7	40 - 60	AR49799	2H23	2	90 - 2	AR50580	1G1	16	40 - 46
AR49038	1G15	8	40 - 60	AR49802	2H23	2	90 - 2	AR50580	1G2	15	40 - 47
AR49044	1C11	..	20 - 26	AR49803	2H22	2	90 - 1	AR50598	2I9	5	90 - 13
AR49062	2I19	4	90 - 20	AR49804	2H22	8	90 - 1	AR50624	1B22	7	20 - 16
AR49063	2I19	4	90 - 20	AR49805	2H22	5	90 - 1	AR50624	1B22	8	20 - 16
AR49127	1117	19	50 - 9	AR49806	2H22	17	90 - 1	AR50625	1B22	7	20 - 16
AR49127	2D23	20	70 - 42	AR49808	2H23	20	90 - 2	AR50625	1B22	8	20 - 16
AR49147	1110	16	50 - 2	AR49833	1D4	11	30 - 2	AR50631	1J3	17	50 - 19
AR49173	1J19	6	50 - 36	AR49839	1D4	6	30 - 2	AR50643	2E11	25	70 - 53
AR49174	1J19	3	50 - 36	AR49839	1E3	5	30 - 26	AR50732	1D21	2	30 - 19
AR49176	1J19	16	50 - 36	AR49840	1D4	9	30 - 2	AR50770	2D14	15	70 - 33
AR49181	2C1	3	60 - 26	AR49952	2I8	7	90 - 12	AR50776	2G25	1	80 - 11
AR49182	2B16	27	60 - 15	AR49961	2I3	13	90 - 7	AR50779	1H13	2	40 - 80
AR49200	2H14	2	80 - 24	AR49962	2I1	18	90 - 5	AR50780	1H13	2	40 - 80
AR49201	2H14	2	80 - 24	AR49963	2I1	17	90 - 5	AR50818	2J8	13	90 - 31
AR49202	2E13	19	70 - 55	AR49964	2I7	16	90 - 11	AR50819	2J8	20	90 - 31
AR49206	2E13	14	70 - 55	AR49965	2I9	22	90 - 13	AR50829	1E8	1	40 - 1
AR49215	2D13	11	70 - 32	AR49966	2I3	15	90 - 7	AR50834	1F24	8	40 - 44
AR49232	1C8	1	20 - 23	AR49967	2H25	12	90 - 4	AR50834	1F24	..	40 - 44
AR49233	1C8	1	20 - 23	AR49968	2I7	23	90 - 11	AR50834	1F25	8	40 - 45
AR49234	1C8	1	20 - 23	AR49969	1H7	29	40 - 74	AR50834	1F25	..	40 - 45
AR49235	1C8	1	20 - 23	AR49969	2I3	21	90 - 7	AR50834	1H19	8	40 - 87
AR49236	1C8	1	20 - 23	AR49969	2I7	14	90 - 11	AR50838	1E8	4	40 - 1
AR49293	2D14	30	70 - 33	AR49969	2I9	26	90 - 13	AR50838	1G14	5	40 - 59
AR49294	2D14	35	70 - 33	AR49970	2I8	8	90 - 12	AR50840	1D6	..	30 - 4
AR49295	2D14	23	70 - 33	AR49986	2I5	4	90 - 9	AR50841	2H15	1	80 - 25
AR49296	2D14	27	70 - 33	AR49987	2I9	24	90 - 13	AR50843	1D6	18	30 - 4
AR49297	2D14	24	70 - 33	AR50000	1B8	16	20 - 5	AR50853	2J8	32	90 - 31
AR49298	1G9	19	40 - 54	AR50003	1D21	14	30 - 19	AR50854	2J8	31	90 - 31
AR49303	1G9	23	40 - 54	AR50010	2I5	5	90 - 9	AR50855	2J11	18	90 - 34
AR49342	1G9	27	40 - 54	AR50040	1D19	2	30 - 17	AR50856	2J11	2	90 - 34
AR49352	1E14	2	40 - 7	AR50041	1D19	5	30 - 17	AR50865	2G14	7	80 - 1
AR49352	1H19	17	40 - 87	AR50041	1E3	2	30 - 26	AR50865	2G22	5	80 - 8
AR49420	1K3	4	50 - 45	AR50088	2D18	7	70 - 37	AR50866	2J12	26	90 - 35
AR49420	1K4	16	50 - 46	AR50106	2G25	2	80 - 11	AR50867	2J12	29	90 - 35
AR49427	2C5	4	70 - 1	AR50136	1B25	12	20 - 19	AR50870	2J12	30	90 - 35
AR49432	1G9	12	40 - 54	AR50183	1D3	5	30 - 1	AR50874	1D23	25	30 - 21
AR49433	1G9	5	40 - 54	AR50186	2G25	1	80 - 11	AR50874	1D25	5	30 - 23
AR49457	1J2	26	50 - 18	AR50225	1E25	12	40 - 19	AR50913	1E8	7	40 - 1
AR49485	2H23	17	90 - 2	AR50226	1E25	14	40 - 19	AR50921	2I23	5	90 - 24
AR49501	1D14	8	30 - 12	AR50227	1E25	25	40 - 19	AR50926	1H15	14	40 - 83
AR49503	1B10	12	20 - 7	AR50229	1E25	16	40 - 19	AR50927	1H13	20	40 - 80
AR49535	2B6	8	60 - 5	AR50260	1G11	6	40 - 56	AR50927	1H15	20	40 - 83
AR49536	2B6	8	60 - 5	AR50289	1112	24	50 - 4	AR50928	1H13	18	40 - 80
AR49539	1C10	7	20 - 25	AR50368	2E15	38	70 - 57	AR50929	1H15	19	40 - 83
AR49542	1D25	5	30 - 23	AR50372	2E15	22	70 - 57	AR50930	1H15	15	40 - 83
AR49578	2E6	1	70 - 48	AR50373	2E15	22	70 - 57	AR50931	1H15	23	40 - 83
AR49602	1E10	17	40 - 3	AR50374	2E15	15	70 - 57	AR50937	2I11	20	90 - 15
AR49602	1E17	1	40 - 10	AR50380	1D8	18	30 - 6	AR50940	1B22	8	20 - 16
AR49613	1D21	12	30 - 19	AR50387	2B23	27	60 - 23	AR50955	2E9	6	70 - 51
AR49615	1F24	..	40 - 44	AR50395	1B25	14	20 - 19	AR50956	2E9	6	70 - 51
AR49615	1F25	..	40 - 45	AR50399	1C20	4	20 - 35	AR50962	2G15	4	80 - 2
AR49622	2E6	8	70 - 48	AR50402	1G14	2	40 - 59	AR50963	2G15	4	80 - 2
AR49632	2J14	11	90 - 37	AR50406	1G14	2	40 - 59	AR50982	2G17	10	80 - 4
AR49650	1B25	7	20 - 19	AR50411	1C20	5	20 - 35	AR50984	2G15	12	80 - 2
AR49650	1C9	6	20 - 24	AR50418	1J9	12	50 - 26	AR51052	1D21	9	30 - 19
AR49655	1C15	21	20 - 30	AR50439	1G13	13	40 - 58	AR51053	1D21	8	30 - 19
AR49750	2D13	9	70 - 32	AR50440	1G13	3	40 - 58	AR51054	1D21	7	30 - 19
AR49751	2D13	7	70 - 32	AR50457	1E1	15	30 - 24	AR51055	1D21	6	30 - 19
AR49785	1D20	4	30 - 18	AR50489	1D3	4	30 - 1	AR51056	1D21	5	30 - 19
AR49786	1D20	2	30 - 18	AR50499	1D15	..	30 - 13	AR51057	1D21	3	30 - 19
AR49786	1D21	23	30 - 19	AR50499	1D16	17	30 - 14	AR51063	1C15	21	20 - 30
AR49789	2B11	15	60 - 10	AR50508	1G13	4	40 - 58	AR51071	2J13	2	90 - 36
AR49789	2B21	24	60 - 20	AR50514	2B21	23	60 - 20	AR51092	2B23	30	60 - 23
AR49789	2D9	13	70 - 28	AR50518	1C20	8	20 - 35	AR51160	1G13	22	40 - 58

1K18

4320 TRACTOR

NUMERICAL INDEX - CONTINUED

PART NO.	GRID	KEY	PAGE	PART NO.	GRID	KEY	PAGE	PART NO.	GRID	KEY	PAGE
AR51335	1E10	4	40 - 3	AR52224	2C21	7	70 - 17	AR52796	2E1	19	70 - 44
AR51335	1G8	27	40 - 53	AR52254	2C12	37	70 - 9	AR52797	2D19	2	70 - 38
AR51347	2J11	7	90 - 34	AR52254	2C23	32	70 - 19	AR52797	2E1	17	70 - 44
AR51394	1E11	2	40 - 4	AR52267	1C18	10	20 - 33	AR52803	2J5	14	90 - 28
AR51395	1E11	7	40 - 4	AR52289	2J5	6	90 - 28	AR52927	1E23	17	40 - 17
AR51416	2I13	11	90 - 17	AR52290	2J2	6	90 - 27	AR53046	1K3	2	50 - 45
AR51419	1B15	1	20 - 13	AR52291	2J5	16	90 - 28	AR53046	1K5	19	50 - 47
AR51419	1B17	1	20 - 13B	AR52292	2J5	17	90 - 28	AR53047	1K5	16	50 - 47
AR51440	2I9	3	90 - 13	AR52293	2J5	1	90 - 28	AR53091	1D21	27	30 - 19
AR51444	2I18	2	90 - 19	AR52294	1H7	18	40 - 74	AR53091	1D24	13	30 - 22
AR51445	2I18	2	90 - 19	AR52295	2J2	35	90 - 27	AR53094	1C22	35	20 - 37
AR51446	2I18	2	90 - 19	AR52296	2I5	1	90 - 9	AR53095	1C22	34	20 - 37
AR51447	2I18	2	90 - 19	AR52297	2I5	7	90 - 9	AR53116	1I17	19	50 - 9
AR51452	2I17	9	90 - 18A	AR52298	2I5	18	90 - 9	AR53116	2D23	20	70 - 42
AR51459	2D14	23	70 - 33	AR52299	2I5	19	90 - 9	AR53137	2J11	18	90 - 34
AR51460	2D14	27	70 - 33	AR52300	2I5	12	90 - 9	AR53138	2J11	2	90 - 34
AR51461	2D14	24	70 - 33	AR52301	2I8	15	90 - 12	AR53139	2J11	18	90 - 34
AR51481	1G12	7	40 - 57	AR52304	2J5	19	90 - 28	AR53140	2J11	2	90 - 34
AR51481	2J5	17	90 - 28	AR52305	2J2	34	90 - 27	AR53141	2J11	2	90 - 34
AR51483	1G20	21	40 - 65	AR52306	2J2	2	90 - 27	AR53141	2J11	18	90 - 34
AR51483	1G22	22	40 - 67	AR52307	2J2	13	90 - 27	AR53142	2J8	13	90 - 31
AR51483	1H2	22	40 - 69B	AR52311	2J6	8	90 - 29	AR53143	2J8	20	90 - 31
AR51484	1G22	19	40 - 67	AR52312	2J6	8	90 - 29	AR53154	2I7	16	90 - 11
AR51484	1H2	19	40 - 69B	AR52313	2I8	11	90 - 12	AR53155	2I7	16	90 - 11
AR51494	1J8	16	50 - 25	AR52314	2I8	11	90 - 12	AR53156	2I7	23	90 - 11
AR51518	1C14	12	20 - 29	AR52315	2I1	22	90 - 5	AR53157	1E10	15	40 - 3
AR51584	2G16	16	80 - 3	AR52316	2I1	15	90 - 5	AR53197	2B12	3	60 - 11
AR51584	2G24	16	80 - 10	AR52318	2H25	6	90 - 4	AR53197	2D10	8	70 - 29
AR51588	2J8	2	90 - 31	AR52319	2H25	1	90 - 4	AR53301	2C8	12	70 - 5
AR51652	1J3	11	50 - 19	AR52320	2J6	6	90 - 29	AR53301	2C10	16	70 - 7
AR51718	1D23	6	30 - 21	AR52321	2I3	6	90 - 7	AR53301	2C19	10	70 - 15
AR51736	1B22	8	20 - 16	AR52322	2I3	5	90 - 7	AR53301	2C21	10	70 - 17
AR51741	1B22	7	20 - 16	AR52323	2I7	13	90 - 11	AR53378	1D6	13	30 - 4
AR51745	2C12	9	70 - 9	AR52324	2I3	20	90 - 7	AR53443	1B22	10	20 - 16
AR51798	1B19	1	20 - 13D	AR52325	2I3	1	90 - 7	AR53446	2H22	12	90 - 1
AR51798	1B22	8	20 - 16	AR52326	2I8	11	90 - 12	AR53447	2D14	16	70 - 33
AR51810	2J11	8	90 - 34	AR52327	2I8	11	90 - 12	AR53452	1G12	12	40 - 57
AR51867	2E11	21	70 - 53	AR52375	1D24	9	30 - 22	AR53551	2D10	8	70 - 29
AR51867	2E15	6	70 - 57	AR52392	1H15	4	40 - 83	AR53560	1K4	6	50 - 46
AR51956	1B22	10	20 - 16	AR52393	2H19	10	80 - 29	AR53560	1K6	3	50 - 48
AR51965	1B15	1	20 - 13	AR52393	2H19	16	80 - 29	AR53560	2D14	33	70 - 33
AR51965	1B17	1	20 - 13B	AR52394	2F3	2A	70 - 67	AR53562	1K4	10	50 - 46
AR51968	1G4	9	40 - 49	AR52394	2F3	6A	70 - 67	AR53562	1K6	5	50 - 48
AR51973	1G22	4	40 - 67	AR52394	2F6	12	70 - 68B	AR53562	2D14	31	70 - 33
AR51985	1D21	27	30 - 19	AR52426	2D14	6	70 - 33	AR53564	1K6	10	50 - 48
AR51985	1D24	13	30 - 22	AR52440	1C12	2	20 - 27	AR53565	2C6	1	70 - 3
AR51987	1D10	24	30 - 8	AR52478	1H2	29	40 - 69B	AR53565	2C8	..	70 - 5
AR51988	1D10	18	30 - 8	AR52494	2C14	9	70 - 11	AR53565	2D6	5	70 - 25
AR51988	1D11	12	30 - 9	AR52497	2B17	6	60 - 16	AR53565	2D10	15	70 - 29
AR52016	2B15	..	60 - 14	AR52554	2J25	5	90 - 47	AR53792	2J17	13	90 - 39B
AR52020	1D9	..	30 - 7	AR52555	2J25	4	90 - 47	AR53938	1G9	1	40 - 54
AR52061	1B13	23	20 - 11	AR52556	1D20	7	30 - 18	AR53997	1B13	25	20 - 11
AR52061	1B17	1	20 - 13B	AR52570	1C11	7	20 - 26	AR53998	1B13	25	20 - 11
AR52063	1D4	3	30 - 2	AR52571	1C11	..	20 - 26	AR54328	2D18	14	70 - 37
AR52064	1D4	4	30 - 2	AR52575	2B12	3	60 - 11	AR54328	2D19	11	70 - 38
AR52065	1D4	5	30 - 2	AR52604	1G5	9	40 - 50	AR54328	2D19	12	70 - 38
AR52066	1D4	8	30 - 2	AR52623	2F13	38	70 - 75	AR54328	2D19	13	70 - 38
AR52077	1E23	5	40 - 17	AR52626	2D11	16	70 - 30	AR54328	2D19	14	70 - 38
AR52077	1E23	17	40 - 17	AR52629	2F3	16	70 - 67	AR54329	2D18	14	70 - 37
AR52077	1E25	..	40 - 19	AR52630	1J5	9	50 - 22	AR54331	2F4	13	70 - 68
AR52079	1E25	2	40 - 19	AR52671	1B10	14	20 - 7	AR54332	2F4	13	70 - 68
AR52085	1E1	13	30 - 24	AR52671	1D21	15	30 - 19	AR54445	1G12	3	40 - 57
AR52170	2C1	3	60 - 26	AR52707	2J9	22	90 - 32	AR54481	1I17	17	50 - 9
AR52222	1C14	15	20 - 29	AR52708	2J9	15	90 - 32	AR54481	1I17	18	50 - 9
AR52224	2C8	7	70 - 5	AR52785	2C8	21	70 - 5	AR54481	1I17	19	50 - 9
AR52224	2C10	11	70 - 7	AR52785	2C10	25	70 - 7	AR54481	2D23	18	70 - 42
AR52224	2C19	7	70 - 15	AR52796	2D19	4	70 - 38	AR54481	2D23	19	70 - 42

1K19

4320 TRACTOR

NUMERICAL INDEX - CONTINUED

PART NO.	GRID	KEY	PAGE	PART NO.	GRID	KEY	PAGE	PART NO.	GRID	KEY	PAGE
AR54481	2D23	20	70 - 42	AR55827	1F1	3	40 - 20	AR60084	1H4	12	40 - 71
AR54484	1E14	3	40 - 7	AR55827	1F3	6	40 - 23	AR60089	1H4	14	40 - 71
AR54484	2I1	9	90 - 5	AR55828	1F1	9	40 - 20	AR60331	2E4	20	70 - 46A
AR54487	1J9	21	50 - 26	AR55829	1F1	8	40 - 20	AR60372	2E9	9	70 - 51
AR54633	1D12	15	30 - 10	AR55830	1F1	28	40 - 20	AR60372	2E9	10	70 - 51
AR54736	1J20	11	50 - 37	AR55831	1F1	24	40 - 20	AR60372	2E20	7	70 - 62
AR54749	1B5	4	20 - 2	AR55831	1F3	13	40 - 23	AR60372	2E20	8	70 - 62
AR54755	1G24	4	40 - 69	AR55832	1F1	26	40 - 20	AR60485	2H8	11	80 - 18
AR54793	1E23	5	40 - 17	AR55832	1F3	12	40 - 23	AR60486	2H8	2	80 - 18
AR54796	1E23	5	40 - 17	AR55833	1F1	4	40 - 20	AR60937	1G18	1	40 - 63
AR54796	1F1	..	40 - 20	AR55834	1F1	1	40 - 20	AR60944	2E16	18	70 - 58
AR54796	1F3	29	40 - 23	AR55834	1F3	4	40 - 23	AR60948	2H23	2	90 - 2
AR54820	2E5	4	70 - 47	AR55835	1F1	22	40 - 20	AR61073	1D13	4	30 - 11
AR54904	1B9	12	20 - 6	AR55835	1F3	17	40 - 23	AR61156	2J4	2	90 - 27B
AR54905	1B9	16	20 - 6	AR55836	1F1	12	40 - 20	AR61156	2J4	7	90 - 27B
AR54930	1D10	24	30 - 8	AR55836	1F3	22	40 - 23	AR61156	2J4	8	90 - 27B
AR54934	1D10	4	30 - 8	AR55837	1F1	8	40 - 20	AR61656	2E19	26	70 - 61
AR54934	1D11	3	30 - 9	AR55837	1F3	19	40 - 23	AR61659	2E11	..	70 - 53
AR54935	1D9	6	30 - 7	AR55888	1G1	7	40 - 46	AR61860	1D12	15	30 - 10
AR54935	1D9	9	30 - 7	AR55888	1G2	8	40 - 47	AR61903	2I5	4	90 - 9
AR54944	2E5	4	70 - 47	AR55947	1F18	15	40 - 38	AR61968	1D4	9	30 - 2
AR54975	1E10	22	40 - 3	AR55947	1F18	18	40 - 38	AR62149	2E8	12	70 - 50
AR54975	1G8	16	40 - 53	AR55948	1F21	4	40 - 41	AR62151	2E9	10	70 - 51
AR54976	1E10	..	40 - 3	AR55949	1F21	13	40 - 41	AR62151	2E11	20	70 - 53
AR54990	1F18	4	40 - 38	AR55949	1F22	15	40 - 42	AR62151	2E13	17	70 - 55
AR54991	1F21	15	40 - 41	AR56161	2C6	1	70 - 3	AR62151	2E15	7	70 - 57
AR54992	1F18	7	40 - 38	AR56161	2C8	..	70 - 5	AR62151	2E17	22	70 - 59
AR54993	1F18	9	40 - 38	AR56611	1K11	26	50 - 53	AR62151	2E19	33	70 - 61
AR54993	1F18	15	40 - 38	AR56638	1C15	18	20 - 30	AR62152	2E8	2	70 - 50
AR54994	1F18	20	40 - 38	AR56638	1E23	8	40 - 17	AR62234	2I12	8	90 - 16
AR54996	1F19	1	40 - 39	AR56639	1C11	12	20 - 26	AR62267	1F4	6	40 - 24
AR54997	1F20	4	40 - 40	AR56639	1C12	8	20 - 27	AR62267	1F4	..	40 - 24
AR55061	1E18	4	40 - 11	AR56728	1F3	29	40 - 23	AR62267	1F5	..	40 - 25
AR55061	1E19	2	40 - 12	AR56758	2J11	19	90 - 34	AR62267	1F8	..	40 - 27
AR55154	2J5	17	90 - 28	AR56785	1D13	2	30 - 11	AR62267	1F10	..	40 - 29
AR55155	1H7	3	40 - 74	AR56785	1D13	3	30 - 11	AR62267	1F11	..	40 - 30
AR55173	1E23	6	40 - 17	AR57156	1G22	4	40 - 67	AR62267	1F13	..	40 - 33
AR55173	1E25	33	40 - 19	AR57156	1H2	4	40 - 69B	AR62267	1F15	..	40 - 35
AR55174	1E23	15	40 - 17	AR57157	1G24	4	40 - 69	AR62293	1H8	8	40 - 75
AR55179	2G17	10	80 - 4	AR57157	1G24	5	40 - 69	AR62293	1H8	17	40 - 75
AR55180	2G15	12	80 - 2	AR57247	1J2	21	50 - 18	AR62294	1H8	1	40 - 75
AR55186	2C8	4	70 - 5	AR57247	1J2	25	50 - 18	AR62294	1H8	17	40 - 75
AR55210	2D19	16	70 - 38	AR57247	1J2	26	50 - 18	AR62295	1H8	2	40 - 75
AR55210	2D24	..	70 - 43	AR58024	1I12	24	50 - 4	AR62296	1H8	3	40 - 75
AR55210	2E2	..	70 - 45	AR58126	1G12	12	40 - 57	AR62321	1D4	3	30 - 2
AR55210	2E16	18	70 - 58	AR58171	1I12	9	50 - 4	AR62322	1D7	..	30 - 5
AR55216	1J9	21	50 - 26	AR58171	1I13	7	50 - 5	AR62359	1H17	1	40 - 85
AR55283	1E8	7	40 - 1	AR58175	1B25	14	20 - 19	AR62360	1H14	1	40 - 81
AR55330	2C10	4	70 - 7	AR58184	1K11	20	50 - 53	AR62377	1D7	..	30 - 5
AR55421	2J17	11	90 - 39B	AR58191	2B21	6	60 - 20	AR62497	2I7	5	90 - 11
AR55624	1C16	10	20 - 31	AR58236	2E2	51	70 - 45	AR62561	2I7	23	90 - 11
AR55638	1F4	6	40 - 24	AR58262	2E11	11	70 - 53	AR62598	2J17	12	90 - 39B
AR55638	1F8	..	40 - 27	AR58357	2H10	5	80 - 20	AR62934	1C15	9	20 - 30
AR55638	1F11	..	40 - 30	AR58357	2H12	4	80 - 22	AR62934	1C16	6	20 - 31
AR55638	1F13	..	40 - 33	AR58362	2H12	7	80 - 22	AR62963	1F8	36	40 - 27
AR55638	1F15	..	40 - 35	AR58363	2H11	3	80 - 21	AR62964	1F8	34	40 - 27
AR55639	1F4	..	40 - 24	AR58474	2E1	27	70 - 44	AR62964	1F13	25	40 - 33
AR55649	1E14	1	40 - 7	AR58474	2E1	29	70 - 44	AR63095	1B25	7	20 - 19
AR55694	1G13	11	40 - 58	AR58474	2E2	55	70 - 45	AR63095	1C9	6	20 - 24
AR55694	1G13	12	40 - 58	AR58572	1I15	..	50 - 7	AR63218	1B4	1	20 - 1
AR55694	1G13	14	40 - 58	AR59444	1H7	26	40 - 74	AR63219	1B4	1	20 - 1
AR55694	1G13	15	40 - 58	AR59444	1H7	27	40 - 74	AR63222	1B4	1	20 - 1
AR55694	1G13	16	40 - 58	AR59663	1H5	2	40 - 72	AR63254	2H22	7	90 - 1
AR55694	1H13	24	40 - 80	AR59679	2I10	10	90 - 14	AR63255	2H22	13	90 - 1
AR55711	2B23	34	60 - 23	AR59680	2I10	9	90 - 14	AR63280	1B10	7	20 - 7
AR55735	1I17	..	50 - 9	AR59681	2I10	8	90 - 14	AR63607	1I11	..	50 - 3
AR55735	2D24	..	70 - 43	AR60083	1H4	13	40 - 71	AR63607	1I12	..	50 - 4

1K20

4320 TRACTOR

NUMERICAL INDEX - CONTINUED

PART NO.	GRID	KEY	PAGE	PART NO.	GRID	KEY	PAGE	PART NO.	GRID	KEY	PAGE
AR63607	1113	15	50-5	AR68361	1G22	4	40-67	AR72292	2E1	13	70-44
AR63607	1115	..	50-7	AR68361	1H2	4	40-69B	AR72293	2E2	51	70-45
AR63698	1D10	24	30-8	AR68362	1G24	4	40-69	AR72293	2E2	53	70-45
AR63778	1D12	19	30-10	AR68362	1G24	5	40-69	AR72294	2E2	51	70-45
AR63780	1D11	14	30-9	AR68362	1H2	4	40-69B	AR72318	1B8	10	20-5
AR63781	1D10	13	30-8	AR68363	1H4	13	40-71	AR72318	1B13	3	20-11
AR63781	1D11	10	30-9	AR68430	1F18	9	40-38	AR72319	1B8	13	20-5
AR63865	1C11	4	20-26	AR68430	1F18	15	40-38	AR72319	1B13	11	20-11
AR63906	2D9	9	70-28	AR68728	2I11	18	90-15	AR72337	1D6	1	30-4
AR63928	2I5	18	90-9	AR68801	2H12	12	80-22	AR72373	2B19	4	60-18
AR63979	1B4	1	20-1	AR68802	2H23	2	90-2	AR72992	1J11	6	50-28
AR64087	2I3	10	90-7	AR68961	1D21	2	30-19	AR72998	1C8	3	20-23
AR64088	2I3	4	90-7	AR68973	2I7	23	90-11	AR73106	2C6	1	70-3
AR64704	1D13	9	30-11	AR68974	2I7	11	90-11	AR73106	2C10	..	70-7
AR64704	1D13	11	30-11	AR69011	2I7	9	90-11	AR73144	1H15	28	40-83
AR64992	1H7	26	40-74	AR69012	2I7	2	90-11	AR73157	1J1	3	50-17
AR64992	1H7	27	40-74	AR69154	1I21	11	50-14	AR73212	1J22	1	50-39
AR65005	1I4	1	40-97	AR69238	1E12	6	40-5	AR73212	1J25	9	50-42
AR65006	1I4	2	40-97	AR69269	1F1	4	40-20	AR73212	1J25	14	50-42
AR65235	1C8	1	20-23	AR69271	2I12	16	90-16	AR73213	1J25	9	50-42
AR65236	1C8	1	20-23	AR69317	2E9	4	70-51	AR73214	1J25	10	50-42
AR65237	1C8	1	20-23	AR69370	1H7	29	40-74	AR73271	1C8	3	20-23
AR65238	1C8	1	20-23	AR69370	2I3	21	90-7	AR73272	1C8	3	20-23
AR65239	1C8	1	20-23	AR69370	2I7	14	90-11	AR73273	1C8	3	20-23
AR65240	1C8	1	20-23	AR69370	2I9	26	90-13	AR73274	1C8	3	20-23
AR65381	2E9	6	70-51	AR69444	2D7	1	70-26	AR73275	1C8	2	20-23
AR65382	2E9	6	70-51	AR69445	2D7	1	70-26	AR73276	1C8	2	20-23
AR65383	2E9	6	70-51	AR69836	2G14	2	80-1	AR73311	1H5	1	40-72
AR65384	2E9	6	70-51	AR69836	2G17	3	80-4	AR73500	2D8	1	70-27
AR65493	1J1	18	50-17	AR69836	2G22	1	80-8	AR73579	1G15	7	40-60
AR65507	1B22	10	20-16	AR69854	2I12	8	90-16	AR73580	1G15	8	40-60
AR66027	2I7	23	90-11	AR69988	2E20	18	70-62	AR73714	1C11	7	20-26
AR66028	2I7	4	90-11	AR70154	1J15	11	50-32	AR73714	1C12	4	20-27
AR66034	2I7	4	90-11	AR70450	2I5	7	90-9	AR74019	2I7	23	90-11
AR66761	1G13	22	40-58	AR70722	2C6	1	70-3	AR74020	2I7	11	90-11
AR66778	1F18	20	40-38	AR70722	2C10	..	70-7	AR74079	1J1	18	50-17
AR66778	1F20	1	40-40	AR70723	2C10	18	70-7	AR74144	1B10	7	20-7
AR66778	1F20	2	40-40	AR70912	1B22	4	20-16	AR74312	2D11	1	70-30
AR66778	1F20	3	40-40	AR70920	1K3	2	50-45	AR74411	1E16	3	40-9
AR67389	2G3	1	70-86	AR70920	1K5	19	50-47	AR74411	1H19	11	40-87
AR67718	2C17	25	70-13	AR70921	1K5	6	50-47	AR74624	1B25	12	20-19
AR67720	2C17	25	70-13	AR70922	1K5	16	50-47	AR74673	2E15	34	70-57
AR67778	2B23	30	60-23	AR70987	1D9	..	30-7	AR74673	2E20	1	70-62
AR67778	2B25	28	60-25	AR70987	1D10	24	30-8	AR74814	1C3	5	20-21
AR67783	2B4	17	60-3	AR71118	1B15	1	20-13	AR74814	1C4	3	20-21A
AR67783	2B5	3	60-4	AR71118	1C11	..	20-26	AR74814	1C8	6	20-23
AR67783	2B5	18	60-4	AR71118	1C12	9	20-27	AR74815	1C8	6	20-23
AR67827	1F18	9	40-38	AR71123	1C11	7	20-26	AR74816	1C2	3	20-20
AR67827	1F18	15	40-38	AR71123	1C12	4	20-27	AR74816	1C5	3	20-21B
AR67855	1H12	14	40-79	AR71124	1C11	6	20-26	AR74816	1C6	3	20-21C
AR67855	1H19	2	40-87	AR71124	1C12	2	20-27	AR74816	1C8	6	20-23
AR67855	1H20	9	40-88	AR71188	2F4	13	70-68	AR74817	1C8	6	20-23
AR67881	2E11	21	70-53	AR71189	2F4	13	70-68	AR74818	1C8	6	20-23
AR67881	2E15	6	70-57	AR71256	1F21	4	40-41	AR75603	1E3	1	30-26
AR68107	2J6	8	90-29	AR71285	2H22	17	90-1	AR75603	1J4	11	50-20
AR68108	2J6	8	90-29	AR71286	2H22	13	90-1	AR75694	1H19	21	40-87
AR68137	1D12	15	30-10	AR71287	2H22	8	90-1	AR75694	1H20	10	40-88
AR68137	1D12	..	30-10	AR71288	2H22	5	90-1	AR75695	1H20	2	40-88
AR68141	1D12	..	30-10	AR71288	2H22	8	90-1	AR75696	1H20	8	40-88
AR68145	2F22	24	70-81	AR71289	2H22	7	90-1	AR75896	1C11	..	20-26
AR68145	2G2	24	70-85	AR71289	2H22	..	90-1	AR75905	1F15	23	40-35
AR68145	2G5	13	70-89	AR71290	2H22	8	90-1	AR75908	1F15	16	40-35
AR68145	2G7	14	70-91	AR71290	2H22	12	90-1	AR75958	2F13	30	70-75
AR68180	1C11	6	20-26	AR71709	1B10	7	20-7	AR76278	2E5	4	70-47
AR68180	1C12	2	20-27	AR71902	2F18	9	70-77	AR76279	2E5	4	70-47
AR68199	1G13	22	40-58	AR71976	2I12	8	90-16	AR76425	1D8	12	30-6
AR68314	1C12	2	20-27	AR72257	1G6	3	40-51	AR76762	2C8	4	70-5

1K21

4320 TRACTOR

NUMERICAL INDEX - CONTINUED

PART NO.	GRID	KEY	PAGE	PART NO.	GRID	KEY	PAGE	PART NO.	GRID	KEY	PAGE
AR76762	2C19	4	70 - 15	AR77753	1C6	4	20 - 21C	AR81936	1K3	4	50 - 45
AR76841	1F8	12	40 - 27	AR77753	1C8	1	20 - 23	AR81936	1K4	16	50 - 46
AR76841	1F13	10	40 - 33	AR77753	1C8	2	20 - 23	AR81968	1K11	12	50 - 53
AR77215	1F13	..	40 - 33	AR77753	1C8	3	20 - 23	AR82570	2F14	12	70 - 75B
AR77215	1F15	..	40 - 35	AR77753	1C8	4	20 - 23	AR82571	2F5	16	70 - 68A
AR77224	1J22	11	50 - 39	AR77816	1I24	14	50 - 15B	AR82572	2F4	1	70 - 68
AR77254	1F4	6	40 - 24	AR77816	1I25	5	50 - 16	AR82572	2F13	27	70 - 75
AR77254	1F4	..	40 - 24	AR77817	1I22	31	50 - 15	AR82576	2F13	29	70 - 75
AR77254	1F17	..	40 - 37	AR77817	1I24	4	50 - 15B	AR82909	1H19	16	40 - 87
AR77254	1F18	..	40 - 38	AR77817	1I24	9	50 - 15B	AR82910	1H19	4	40 - 87
AR77254	1F19	..	40 - 39	AR77817	1I24	9	50 - 15B	AR82911	1H19	7	40 - 87
AR77254	1F20	..	40 - 40	AR77819	1I22	29	50 - 15	AR82912	1H19	6	40 - 87
AR77254	1F21	..	40 - 41	AR77819	1I24	2	50 - 15B	AR83396	2E8	2	70 - 50
AR77255	1F13	30	40 - 33	AR77820	1I24	13	50 - 15B	AR83425	1G12	14	40 - 57
AR77255	1F16	1	40 - 36	AR77820	1I25	5	50 - 16	AR83425	1I4	8	40 - 97
AR77255	1F16	..	40 - 36	AR77851	1F1	28	40 - 20	AR83603	2E16	18	70 - 58
AR77256	1F13	31	40 - 33	AR77851	1F3	2	40 - 23	AR84306	1E23	5	40 - 17
AR77257	1F13	27	40 - 33	AR78052	1H19	21	40 - 87	AR84306	1F3	5	40 - 23
AR77258	1F15	1	40 - 35	AR78093	1F1	9	40 - 20	AR84306	1F3	12	40 - 23
AR77259	1F13	7	40 - 33	AR78093	1F3	20	40 - 23	AR84306	1F3	29	40 - 23
AR77260	1F13	22	40 - 33	AR78298	1E23	17	40 - 17	AR85323	1E21	6	40 - 14
AR77261	1F13	13	40 - 33	AR78303	1J22	30	50 - 39	AR85323	1I25	19	50 - 16
AR77324	1G1	2	40 - 46	AR78303	1J22	34	50 - 39	AR85407	1F23	1	40 - 43
AR77324	1G2	2	40 - 47	AR78303	1J22	..	50 - 39	AR85459	1I17	17	50 - 9
AR77325	1G1	2	40 - 46	AR78303	1J24	..	50 - 41	AR85459	1I17	18	50 - 9
AR77325	1G2	2	40 - 47	AR78382	1E14	3	40 - 7	AR85459	1I17	19	50 - 9
AR77325	1G2	8	40 - 47	AR78382	1E15	7	40 - 8	AR85459	2D23	18	70 - 42
AR77326	1F24	10	40 - 44	AR78384	1E15	3	40 - 8	AR85459	2D23	19	70 - 42
AR77326	1F25	10	40 - 45	AR78384	1E16	1	40 - 9	AR85459	2D23	20	70 - 42
AR77326	1G1	7	40 - 46	AR78386	1E15	6	40 - 8	AR85463	1K11	22	50 - 53
AR77326	1G2	2	40 - 47	AR78396	2F3	16	70 - 67	AR85464	1K11	21	50 - 53
AR77326	1G2	7	40 - 47	AR78483	2D18	35	70 - 37	AR85574	1K11	29	50 - 53
AR77326	1G2	8	40 - 47	AR78501	2H23	24	90 - 2	AR85578	1G16	8	40 - 61
AR77342	2H23	17	90 - 2	AR78522	1B13	2	20 - 11	AR85578	1G17	8	40 - 62
AR77343	2H23	2	90 - 2	AR78538	1F4	6	40 - 24	AR85628	2F3	26	70 - 67
AR77344	2H24	9	90 - 3	AR78538	1F4	..	40 - 24	AR85628	2F4	1	70 - 68
AR77345	2H24	6	90 - 3	AR78538	1F5	..	40 - 25	AR85940	1F1	8	40 - 20
AR77477	1I17	7	50 - 9	AR78538	1F13	..	40 - 33	AR85941	1F3	8	40 - 23
AR77700	2D23	7	70 - 42	AR78538	1F15	..	40 - 35	AR86535	2F3	16	70 - 67
AR77747	1C3	6	20 - 21	AR78538	1F16	..	40 - 36	AR86538	1J22	6	50 - 39
AR77747	1C4	4	20 - 21A	AR78755	1F3	22	40 - 23	AR86538	2G25	7	80 - 11
AR77747	1C8	1	20 - 23	AR78825	1E10	20	40 - 3	AR86599	1D13	4	30 - 11
AR77747	1C8	2	20 - 23	AR78825	1G8	21	40 - 53	AR86600	1D13	3	30 - 11
AR77747	1C8	3	20 - 23	AR78825	1G8	22	40 - 53	AR86775	2E2	55	70 - 45
AR77747	1C8	4	20 - 23	AR79505	2E1	13	70 - 44	AR86809	1D13	..	30 - 11
AR77748	1C3	7	20 - 21	AR79679	1D4	6	30 - 2	AR86969	1G1	6	40 - 46
AR77748	1C4	5	20 - 21A	AR79680	1D4	6	30 - 2	AR86969	1G2	7	40 - 47
AR77748	1C8	1	20 - 23	AR79680	1D4	9	30 - 2	AR86969	1G11	4	40 - 56
AR77748	1C8	3	20 - 23	AR79680	1E3	4	30 - 26	AR86980	1B22	4	20 - 16
AR77748	1C8	5	20 - 23	AR79709	2D11	16	70 - 30	AR87486	1I20	5	50 - 12
AR77749	1C8	1	20 - 23	AR79711	2D11	16	70 - 30	AR88880	1F8	12	40 - 27
AR77749	1C8	3	20 - 23	AR80294	1B13	1	20 - 11	AR88880	1F13	10	40 - 33
AR77749	1C8	5	20 - 23	AR80300	1J20	..	50 - 37	AR89137	2K1	1	90 - 48
AR77750	1C2	5	20 - 20	AR80300	1J20	..	50 - 37	AR89137	2K1	2	90 - 48
AR77750	1C5	5	20 - 21B	AR80591	1K11	8	50 - 53	AR89691	1E21	6	40 - 14
AR77750	1C6	5	20 - 21C	AR80595	1K11	33	50 - 53	AR89691	1I25	19	50 - 16
AR77750	1C8	1	20 - 23	AR80666	2E9	6	70 - 51	AR89837	1J15	9	50 - 32
AR77750	1C8	3	20 - 23	AR80667	2E9	6	70 - 51	AR90058	1F3	7	40 - 23
AR77750	1C8	5	20 - 23	AR81175	1K3	2	50 - 45	AR90070	1F21	15	40 - 41
AR77751	1C8	1	20 - 23	AR81175	1K5	19	50 - 47	AR90070	1F22	10	40 - 42
AR77751	1C8	3	20 - 23	AR81176	1K5	6	50 - 47	AR90071	1F21	4	40 - 41
AR77751	1C8	5	20 - 23	AR81176	1K5	10	50 - 47	AR90071	1F22	9	40 - 42
AR77752	1C8	1	20 - 23	AR81178	1G16	12	40 - 61	AR90081	2D14	15	70 - 33
AR77752	1C8	3	20 - 23	AR81426	1J20	..	50 - 37	AR90340	1D25	7	30 - 23
AR77752	1C8	5	20 - 23	AR81651	2I19	4	90 - 20	AR90378	2C12	30	70 - 9
AR77753	1C2	4	20 - 20	AR81783	2E1	7	70 - 44	AR90577	2E22	5	70 - 64A
AR77753	1C5	4	20 - 21B	AR81935	1K11	23	50 - 53	AR90577	2E22	..	70 - 64A

1K22

4320 TRACTOR

NUMERICAL INDEX - CONTINUED

PART NO.	GRID	KEY	PAGE	PART NO.	GRID	KEY	PAGE	PART NO.	GRID	KEY	PAGE
AR90578	2E22	5	70 - 64A	AR94973	2I3	1	90 - 7	AT32333	2B11	7	60 - 10
AR90578	2E22	..	70 - 64A	AR94974	2I2	2	90 - 6	AT32333	2B13	6	60 - 12
AR90579	2E22	6	70 - 64A	AR94975	2I2	3	90 - 6	AT32335	1J18	11	50 - 35
AR90579	2E24	7	70 - 64C	AR95470	2C10	32	70 - 7	AT32335	1J19	10	50 - 36
AR90581	2E22	6	70 - 64A	AR96189	1B25	12	20 - 19	AT32335	2D4	7	70 - 23
AR90581	2E24	7	70 - 64C	AR96189	1C1	5	20 - 19A	AT32335	2D6	7	70 - 25
AR90583	2E22	6	70 - 64A	AR96321	2D2	29	70 - 21	AT32335	2D11	13	70 - 30
AR90583	2E24	7	70 - 64C	AR96323	2D2	29	70 - 21	AT32337	2E7	17	70 - 49
AR90601	1D23	24	30 - 21	AR96408	2C10	7	70 - 7	AT32338	1K6	9	50 - 48
AR90601	1D25	2	30 - 23	AR96408	2C21	4	70 - 17	AT33033	2C6	1	70 - 3
AR91166	1E14	3	40 - 7	AR96613	2C8	21	70 - 5	AT33033	2C8	..	70 - 5
AR91166	1E15	7	40 - 8	AR96613	2C10	25	70 - 7	AT33033	2D4	6	70 - 23
AR91166	1E16	5	40 - 9	AR96613	2C19	19	70 - 15	AT33033	2D10	15	70 - 29
AR91167	1E16	1	40 - 9	AR96613	2C21	19	70 - 17	AT344T	1J9	16	50 - 26
AR91793	1I2	42	40 - 95	AR96625	2C23	6	70 - 19	AT35120	2E7	17	70 - 49
AR92109	2H23	2	90 - 2	AR98201	2G10	2	70 - 94	AT35121	2B4	21	60 - 3
AR92425	2H11	3	80 - 21	AR98202	2G10	1	70 - 94	AT35121	2B7	1	60 - 6
AR93240	1I20	5	50 - 12	AR98329	1C13	20	20 - 28	AT35121	2B12	2	60 - 11
AR93259	2B23	27	60 - 23	AR98568	1C16	10	20 - 31	AT35121	2C15	4	70 - 11A
AR93259	2B25	24	60 - 25	AR99100	2F13	29	70 - 75	AT35121	2C24	4	70 - 19A
AR93446	1E23	5	40 - 17	AR99336	2E20	3	70 - 62	AT38518	2I13	6	90 - 17
AR93446	1F3	5	40 - 23	AR99412	1J1	18	50 - 17	AT39043	1G16	9	40 - 61
AR93446	1F3	12	40 - 23	AR99839	2C6	1	70 - 3	AT39043	1G17	9	40 - 62
AR93446	1F3	29	40 - 23	AR99839	2C10	..	70 - 7	AT44165	1G13	12	40 - 58
AR937R	2E20	18	70 - 62	AT11524	1D25	7	30 - 23	AT44165	1G13	14	40 - 58
AR93819	2F13	2	70 - 75	AT12431	1J10	26	50 - 27	AT44165	1G13	16	40 - 58
AR93819	2F13	5	70 - 75	AT124396	1J10	4	50 - 27	AT44165	1H13	23	40 - 80
AR93819	2F13	7A	70 - 75	AT13740	1B13	4	20 - 11	AT48673	1G13	12	40 - 58
AR93819	2F13	7B	70 - 75	AT13740	1C18	20	20 - 33	AT48673	1G13	20	40 - 58
AR93819	2F16	31	70 - 75D	AT13740	1D18	19	30 - 16	AT48673	1H13	26	40 - 80
AR93819	2F16	34	70 - 75D	AT141924	2K3	6	90 - 50	AT48674	1G13	16	40 - 58
AR93819	2F16	36	70 - 75D	AT14927	2J20	1	90 - 42	AT48674	1G13	18	40 - 58
AR93819	2G8	2	70 - 92	AT16288	1F24	10	40 - 44	AT55441	1G7	25	40 - 52
AR93819	2G8	5	70 - 92	AT16288	1F25	10	40 - 45	AT56592	1E23	17	40 - 17
AR93819	2G8	7	70 - 92	AT16288	1G1	7	40 - 46	AT56592	1E25	2	40 - 19
AR93820	2F13	2	70 - 75	AT16288	1G2	2	40 - 47	AT58209	1H7	13	40 - 74
AR93820	2F13	5	70 - 75	AT16288	1G2	7	40 - 47	AT58895	2B23	29	60 - 23
AR93820	2F13	7A	70 - 75	AT16288	1G2	8	40 - 47	AT62019	2K3	4	90 - 50
AR93820	2F13	7B	70 - 75	AT16431	1J7	26	50 - 24	AT66481	1H7	26	40 - 74
AR93820	2F16	31	70 - 75D	AT16887	1J10	4	50 - 27	AT66482	1H7	26	40 - 74
AR93820	2F16	34	70 - 75D	AT20911	1D18	11	30 - 16	AT66865	1E8	..	40 - 1
AR93820	2F16	36	70 - 75D	AT22070	2J21	7	90 - 43	AT68973	1E20	7	40 - 13
AR93820	2G8	2	70 - 92	AT22073	2J21	5	90 - 43	AT75387	2K3	4	90 - 50
AR93820	2G8	7	70 - 92	AT23188	1E24	23	40 - 18	AT80421	1K7	5	50 - 49
AR93820	2G10	8	70 - 94	AT23188	1E25	24	40 - 19	AT80421	1K7	7	50 - 49
AR93945	1F1	1	40 - 20	AT23188	1E25	28	40 - 19	AT80421	1K7	8	50 - 49
AR93945	1F3	4	40 - 23	AT23188	1F1	13	40 - 20	AT81764	2K3	6	90 - 50
AR94130	1G18	2	40 - 63	AT23188	1F3	23	40 - 23	AT85174	1B13	26	20 - 11
AR94130	2J14	3	90 - 37	AT23189	1E24	19	40 - 18	AU42026	1H7	12	40 - 74
AR94165	2D18	24	70 - 37	AT24538	2J20	1	90 - 42	AU43852	1H7	13	40 - 74
AR94166	2E5	4	70 - 47	AT25266	1D15	15	30 - 13	AU43854	1H7	22	40 - 74
AR94522	2F7	3	70 - 69	AT25266	1D16	14	30 - 14	AU43857	1H7	21	40 - 74
AR94522	2F9	21	70 - 71	AT25266	1D17	1	30 - 15	AU43954	1H7	19	40 - 74
AR94522	2G10	10	70 - 94	AT27127	1E25	23	40 - 19	A120R	1I17	6	50 - 9
AR94565	1B20	3	20 - 14	AT27128	1E24	2	40 - 18	A147R	2E16	4	70 - 58
AR94565	1B21	3	20 - 15	AT27128	1E25	5	40 - 19	A147R	2E16	7A	70 - 58
AR94565	1B21	9	20 - 15	AT29855	1H7	26	40 - 74	A147R	2J4	3	90 - 27B
AR94660	2C6	1	70 - 3	AT29855	1H7	27	40 - 74	A15532	2E7	19	70 - 49
AR94660	2C8	16	70 - 5	AT30373	1K6	7	50 - 48	A1555R	2G19	12	80 - 6
AR94660	2C8	..	70 - 5	AT30373	1K7	1	50 - 49	A1555R	2H2	12	80 - 13
AR94660	2C19	..	70 - 15	AT30373	1K7	9	50 - 49	A1556R	2G19	11	80 - 6
AR94661	2C6	1	70 - 3	AT32332	1K11	27	50 - 53	A1556R	2G21	6	80 - 7A
AR94661	2C10	18	70 - 7	AT32332	2D14	2	70 - 33	A1556R	2H2	11	80 - 13
AR94661	2C10	..	70 - 7	AT32332	2E7	11	70 - 49	A1556R	2H3	6	80 - 13A
AR94661	2C21	..	70 - 17	AT32332	2F16	9	70 - 75D	A15898	2F7	1	70 - 69
AR94760	1E8	..	40 - 1	AT32332	2F17	10	70 - 76	A15898	2F17	20	70 - 76
AR94973	2I2	13	90 - 6	AT32333	2B7	6	60 - 6	A15899	2F7	2	70 - 69

1K23

4320 TRACTOR

NUMERICAL INDEX - CONTINUED

PART NO.	GRID	KEY	PAGE	PART NO.	GRID	KEY	PAGE	PART NO.	GRID	KEY	PAGE
A15899	2F17	18	70 - 76	A4736R	2F24	9	70 - 83	B2694R	2G14	10	80 - 1
A2899R	1G1	5	40 - 46	A4737R	2F20	17	70 - 79	B2694R	2G15	3	80 - 2
A2899R	1G2	6	40 - 47	A4737R	2F24	11	70 - 83	B2694R	2G22	9	80 - 8
A3184R	2F13	35	70 - 75	A4739R	2F20	20	70 - 79	B2762R	1H4	6	40 - 71
A350R	2E20	20A	70 - 62	A4739R	2F24	8	70 - 83	B2762R	1J5	3	50 - 22
A3581R	2E17	21	70 - 59	A4741R	2F20	1	70 - 79	B2762R	2B6	15	60 - 5
A3581R	2F18	8	70 - 77	A4742R	1I21	13	50 - 14	B2762R	2D11	5	70 - 30
A3581R	2F22	2	70 - 81	A4742R	2F20	2	70 - 79	B2762R	2F3	4	70 - 67
A3581R	2F24	40	70 - 83	A4744R	2I11	4	90 - 15	B2762R	2F5	3	70 - 68A
A3581R	2G2	2	70 - 85	A4745R	2F20	11	70 - 79	B2762R	2F6	4	70 - 68B
A3606R	2B4	19	60 - 3	A4745R	2F24	21	70 - 83	B3285R	1G14	10	40 - 59
A3606R	2B5	1	60 - 4	A4745R	2G6	4	70 - 90	B3685R	2B15	20	60 - 14
A3606R	2B16	10	60 - 15	A4746R	2F20	10	70 - 79	B3686R	2D21	4	70 - 40
A3606R	2B18	1	60 - 17	A4746R	2F24	22	70 - 83	B3690R	2B4	2	60 - 3
A3606R	2F20	37	70 - 79	A4747R	2F20	12	70 - 79	B423R	2E2	49	70 - 45
A3606R	2F22	21	70 - 81	A4747R	2F24	20	70 - 83	B474R	1K11	7	50 - 53
A3606R	2G5	17	70 - 89	A4748R	2F20	13	70 - 79	B634R	2H4	12	80 - 14
A364R	1J9	15	50 - 26	A4748R	2F24	19	70 - 83	C1067R	1I14	8	50 - 6
A369R	1I10	15	50 - 2	A4806R	1J3	20	50 - 19	C1067R	1J2	19	50 - 18
A369R	2I11	18	90 - 15	A4808R	1J3	19	50 - 19	C1104R	1I10	4	50 - 2
A3917R	1D23	42	30 - 21	A4816R	1K11	10	50 - 53	C1220R	1I9	19	50 - 1
A3917R	1F13	21	40 - 33	A4816R	2B4	36	60 - 3	C16054	1D3	7	30 - 1
A3917R	1I15	5	50 - 7	A4816R	2B17	28	60 - 16	C16054	1D6	2	30 - 4
A3917R	1J3	16	50 - 19	A4827R	1B20	8	20 - 14	C16054	1D6	9	30 - 4
A3917R	2F3	13	70 - 67	A4827R	1I17	21	50 - 9	C1919R	1J7	24	50 - 24
A39716	1G7	1	40 - 52	A4827R	1I25	14	50 - 16	C284R	1J2	20	50 - 18
A4064R	2H4	13	80 - 14	A4827R	1J1	13	50 - 17	DA5883A	2E8	12	70 - 50
A4365R	1D20	7	30 - 18	A4827R	1J10	10	50 - 27	DS0251	1B4	..	20 - 1
A4365R	1F13	19	40 - 33	A48331	1G7	3	40 - 52	DS0557	1B4	..	20 - 1
A4365R	2B6	21	60 - 5	A48332	1G7	23	40 - 52	D1761R	2B19	3	60 - 18
A4365R	2C12	3	70 - 9	A4883R	2H4	6	80 - 14	D1761R	2B19	6	60 - 18
A4365R	2C17	3	70 - 13	A4883R	2H5	6	80 - 15	D2361R	2F13	4	70 - 75
A4365R	2C23	3	70 - 19	A5146R	2G19	9	80 - 6	D2361R	2F13	18	70 - 75
A4365R	2D2	2	70 - 21	A5146R	2H2	16	80 - 13	D2361R	2F16	20	70 - 75D
A4365R	2D21	7	70 - 40	A5172R	1G9	20	40 - 54	D2361R	2F16	32	70 - 75D
A4379R	2H4	1	80 - 14	A5301R	2F20	31	70 - 79	D2361R	2G8	4	70 - 92
A4380R	2H4	5	80 - 14	A5301R	2F24	35	70 - 83	D2361R	2G8	16	70 - 92
A4388R	2H4	12	80 - 14	A5302R	2F20	29	70 - 79	D2593R	2B19	3	60 - 18
A4389R	2H4	13	80 - 14	A5302R	2F24	38	70 - 83	D2865R	1H8	6	40 - 75
A4624R	1I18	4	50 - 10	A5304R	2F24	28	70 - 83	D2913R	2F22	25	70 - 81
A4624R	2J13	15	90 - 36	A5748R	2F16	12	70 - 75D	D2913R	2G2	25	70 - 85
A4655R	1G12	4	40 - 57	A5748R	2F17	13	70 - 76	D2913R	2G5	12	70 - 89
A4722R	2F20	6	70 - 79	A776R	1I17	13	50 - 9	D2913R	2G7	15	70 - 91
A4722R	2F22	7	70 - 81	A877R	2G14	6	80 - 1	D459R	2D15	16	70 - 34
A4722R	2G5	10	70 - 89	A877R	2G15	6	80 - 2	D459R	2D16	11	70 - 35
A4723R	2F20	5	70 - 79	A877R	2G17	6	80 - 4	D467R	2G15	5	80 - 2
A4723R	2F22	6	70 - 81	A877R	2G22	4	80 - 8	D467R	2G17	8	80 - 4
A4723R	2F24	5	70 - 83	A890R	2G15	10	80 - 2	E12379	1I11	36	50 - 3
A4723R	2G2	6	70 - 85	A890R	2G17	12	80 - 4	E16050	1H13	16	40 - 80
A4723R	2G5	9	70 - 89	B11182	2E9	10	70 - 51	E17421	1D4	7	30 - 2
A4723R	2G6	9	70 - 90	B11182	2E11	20	70 - 53	E17421	1I25	4	50 - 16
A4723R	2G7	6	70 - 91	B11182	2E13	17	70 - 55	E17421	1I25	9	50 - 16
A4728R	2B23	14	60 - 23	B11182	2E15	7	70 - 57	E17421	1J1	4	50 - 17
A4728R	2B23	15	60 - 23	B11182	2E17	22	70 - 59	E17421	1J1	8	50 - 17
A4728R	2B23	34	60 - 23	B161R	2H14	16	80 - 24	E55662	1C10	10	20 - 25
A4728R	2B23	35	60 - 23	B1664R	1E14	6	40 - 7	E55662	1C13	2	20 - 28
A4728R	2B25	25	60 - 25	B1664R	2D18	5	70 - 37	E55662	1D8	9	30 - 6
A4728R	2D15	3	70 - 34	B169R	2B4	6	60 - 3	E55662	1D21	18	30 - 19
A4728R	2F20	24	70 - 79	B177R	2B16	25	60 - 15	E55662	1F4	3	40 - 24
A4728R	2F22	9	70 - 81	B178R	1I10	9	50 - 2	F1334R	1J7	23	50 - 24
A4728R	2G5	7	70 - 89	B190R	1J9	13	50 - 26	F1427R	2F24	4	70 - 83
A4730R	1B13	24	20 - 11	B1986R	1D5	9	30 - 3	F1427R	2G2	7	70 - 85
A4730R	1C16	8	20 - 31	B1986R	1G13	8	40 - 58	F1427R	2G6	10	70 - 90
A4730R	1C22	23	20 - 37	B207R	1I25	15	50 - 16	F1427R	2G7	7	70 - 91
A4730R	2F13	28	70 - 75	B2641R	1K2	6	50 - 44	F1430R	2F24	16	70 - 83
A4730R	2F14	9	70 - 75B	B2641R	2E9	7	70 - 51	F1430R	2G2	9	70 - 85
A4736R	2F20	19	70 - 79	B2693R	2G15	9	80 - 2	F1430R	2G6	12	70 - 90

1K24

4320 TRACTOR

NUMERICAL INDEX - CONTINUED

PART NO.	GRID	KEY	PAGE	PART NO.	GRID	KEY	PAGE	PART NO.	GRID	KEY	PAGE
F1430R	2G7	5	70-91	F3171R	2D11	3	70-30	JD3225	2H5	10	80-15
F1441R	2F20	39	70-79	F3171R	2D12	1	70-31	JD3225	2H5	11	80-15
F1463R	2D23	3	70-42	F3171R	2D14	21	70-33	JD3225	2H5	12	80-15
F1549R	1I9	3	50-1	F3171R	2D14	29	70-33	JD3226	2H5	10	80-15
F1743R	1B8	14	20-5	F3171R	2D18	26	70-37	JD3226	2H5	11	80-15
F1743R	1B11	5	20-8	F3171R	2E5	11	70-47	JD3226	2H5	12	80-15
F1743R	1B13	10	20-11	F3171R	2E6	4	70-48	JD5234	2H19	5	80-29
F2206R	2E15	23	70-57	F3171R	2E7	28	70-49	JD5272	2J21	8	90-43
F2208R	2E15	31	70-57	F3173R	2D20	13	70-39	JD5403	2J23	2	90-45
F2367R	1J8	5	50-25	F3195R	2H17	1	80-27	JD5403	2J24	3	90-46
F2367R	1J8	18	50-25	F3220R	2E6	5	70-48	JD5602	2J21	8	90-43
F2367R	1J9	5	50-26	F3353R	1J18	2	50-35	JD7232	1I21	3	50-14
F2411R	1C18	16	20-33	F3463R	1K11	4	50-53	JD7403	1J22	14	50-39
F2680R	2E11	9	70-53	F3539R	2E17	6	70-59	JD7418	1J10	6	50-27
F2680R	2E11	13	70-53	F3539R	2E19	5	70-61	JD7430	1I20	17	50-12
F2680R	2E11	..	70-53	F3541R	2E17	4	70-59	JD7438	1J10	19	50-27
F2681R	2E11	9	70-53	F3541R	2E19	3	70-61	JD7445	2G19	5	80-6
F2681R	2E13	1	70-55	F3542R	2E17	5	70-59	JD7445	2G20	17	80-7
F2681R	2E15	8	70-57	F3542R	2E19	4	70-61	JD7445	2G21	3	80-7A
F2684R	2E9	1	70-51	F3646R	1B13	6	20-11	JD7445	2H2	4	80-13
F2685R	2E9	1	70-51	F3646R	1C13	21	20-28	JD7445	2H3	3	80-13A
F2741R	2D15	24	70-34	H104855	1H25	9	40-93	JD7537	1J8	17	50-25
F2741R	2D16	20	70-35	H113924	2J15	9	90-38	JD7557	1J7	3	50-24
F2741R	2D21	12	70-40	H26232	2I24	9	90-25	JD7562	1J8	4	50-25
F2741R	2F4	10	70-68	H31207	2I9	23	90-13	JD7562	1J9	4	50-26
F2741R	2F5	6	70-68A	H61993	2J2	12	90-27	JD7759	1J22	7	50-39
F2741R	2F16	2	70-75D	H61993	2J5	4	90-28	JD7759	2E8	6	70-50
F2741R	2F17	2	70-76	H61993	2J5	5	90-28	JD7759	2E16	21	70-58
F2783R	1J2	2	50-18	H631R	1I19	3	50-11	JD7759	2E16	23	70-58
F2783R	2H9	9	80-19	H63952	2J2	33	90-27	JD7759	2E19	25	70-61
F2821R	2E11	8	70-53	H772R	2G20	11	80-7	JD7759	2G14	4	80-1
F2822R	2E11	7	70-53	H78354	2K1	2	90-48	JD7759	2G15	7	80-2
F2823R	2E11	5	70-53	H819R	1J4	5	50-20	JD7759	2G17	4	80-4
F2824R	2E11	3	70-53	H851R	1I17	2	50-9	JD7759	2G20	4	80-7
F2846R	1J5	20	50-22	H851R	2E7	18	70-49	JD7759	2G22	7	80-8
F2847R	1J5	21	50-22	H858R	1J17	5	50-34	JD7781	1J22	4	50-39
F2863R	2E4	25	70-46A	H871R	1K1	11	50-43	JD7781	2G22	13	80-8
F2863R	2I12	1	90-16	H871R	2B4	35	60-3	JD7797	1I11	37	50-3
F2912R	1I14	4	50-6	H871R	2F7	10	70-69	JD7797	2G16	16	80-3
F2935R	1E10	8	40-3	H871R	2F9	11	70-71	JD7797	2G18	11	80-5
F2935R	1F24	5	40-44	H987R	1H13	19	40-80	JD7797	2G24	16	80-10
F2935R	1F24	6	40-44	IPSKIT1	1B4	..	20-1	JD7806	2G16	6	80-3
F2935R	1F24	..	40-44	JD10002	1J20	6	50-37	JD7806	2G18	6	80-5
F2935R	1F25	5	40-45	JD1091	2H2	8	80-13	JD7806	2G24	6	80-10
F2935R	1F25	6	40-45	JD126	1G7	10	40-52	JD8135	1J10	18	50-27
F2935R	1F25	..	40-45	JD126	1H13	10	40-80	JD8177	1J20	15	50-37
F2935R	1G8	25	40-53	JD1293	2H2	8	80-13	JD8191	1J20	6	50-37
F304R	2E20	19A	70-62	JD16	2G19	6	80-6	JD8192	2C8	23	70-5
F304R	2E20	20B	70-62	JD16	2H2	5	80-13	JD8192	2C10	27	70-7
F3128R	1I17	20	50-9	JD16	2H2	9	80-13	JD8192	2C19	21	70-15
F3171R	1J5	7	50-22	JD17	2H1	3	80-12	JD8192	2C21	21	70-17
F3171R	1J23	7	50-40	JD22	2H2	9	80-13	JD8198	1I19	7	50-11
F3171R	1K4	8	50-46	JD27	2H5	12	80-15	JD8213	1J20	14	50-37
F3171R	1K9	11	50-51	JD3019	2H5	10	80-15	JD8214	1J20	7	50-37
F3171R	2C6	1	70-3	JD3019	2H5	12	80-15	JD8223	2C8	22	70-5
F3171R	2C8	14	70-5	JD3039	2H2	8	80-13	JD8223	2C10	26	70-7
F3171R	2C8	..	70-5	JD3210	2H2	8	80-13	JD8223	2C19	20	70-15
F3171R	2C10	19	70-7	JD3211	2H2	8	80-13	JD8223	2C21	20	70-17
F3171R	2C10	..	70-7	JD3219	2H2	8	80-13	JD8236	1I21	19	50-14
F3171R	2C14	6	70-11	JD3222	2H5	10	80-15	JD8247	1J10	25	50-27
F3171R	2C19	12	70-15	JD3222	2H5	12	80-15	JD8251	2G19	7	80-6
F3171R	2C21	13	70-17	JD3223	2H5	10	80-15	JD8251	2G21	4	80-7A
F3171R	2C23	35	70-19	JD3223	2H5	11	80-15	JD8251	2H2	6	80-13
F3171R	2D4	5	70-23	JD3223	2H5	12	80-15	JD8251	2H3	4	80-13A
F3171R	2D4	9	70-23	JD3224	2H5	10	80-15	JD8257	1I19	1	50-11
F3171R	2D6	4	70-25	JD3224	2H5	11	80-15	JD8259	1J12	19	50-29
F3171R	2D10	16	70-29	JD3224	2H5	12	80-15	JD8259	1J15	30	50-32

1K25

4320 TRACTOR

NUMERICAL INDEX - CONTINUED

PART NO.	GRID	KEY	PAGE	PART NO.	GRID	KEY	PAGE	PART NO.	GRID	KEY	PAGE
JD8290	1J12	4	50 - 29	M115827	2E15	7	70 - 57	P51212	2F11	5	70 - 73
JD8290	1J15	4	50 - 32	M115827	2E17	22	70 - 59	RE10712	2C12	43	70 - 9
JD8291	1I21	2	50 - 14	M115827	2E19	33	70 - 61	RE10712	2C12	44	70 - 9
JD8292	1J22	16	50 - 39	M1895T	1E10	19	40 - 3	RE10712	2C23	39	70 - 19
JD8293	1J23	19	50 - 40	M2206T	1J10	20	50 - 27	RE10834	1C13	3	20 - 28
JD8537	1J8	14	50 - 25	M2396T	1E1	1	30 - 24	RE10924	2F5	16	70 - 68A
JD8725	1J8	6	50 - 25	M2396T	2E1	10	70 - 44	RE11156	1I2	36	40 - 95
JD8725	1J9	6	50 - 26	M2396T	2E2	52	70 - 45	RE11157	1I2	37	40 - 95
JD8913	2G19	4	80 - 6	M2396T	2E4	1	70 - 46A	RE11410	1B8	3	20 - 5
JD8913	2G20	16	80 - 7	M2396T	2E25	2	70 - 65	RE11447	2G10	9	70 - 94
JD8913	2G21	2	80 - 7A	M2396T	2E25	20	70 - 65	RE11456	2G10	2	70 - 94
JD8913	2H2	3	80 - 13	M2396T	2F13	25	70 - 75	RE11457	2G10	1	70 - 94
JD8913	2H3	2	80 - 13A	M3636T	1F4	1	40 - 24	RE11458	2G10	2	70 - 94
JD8922	1J10	24	50 - 27	M3636T	1F8	6	40 - 27	RE11463	2G10	2	70 - 94
JD8929	2G19	8	80 - 6	M42229	2I8	..	90 - 12	RE11777	2C19	24	70 - 15
JD8929	2G21	5	80 - 7A	M42229	2J14	10	90 - 37	RE11777	2C21	24	70 - 17
JD8929	2H2	7	80 - 13	M4224T	1I17	8	50 - 9	RE11804	2C19	14	70 - 15
JD8929	2H3	5	80 - 13A	M43835	1H25	2	40 - 93	RE11810	2C21	12	70 - 17
JD8947	1I19	2	50 - 11	M63431	1D23	23	30 - 21	RE11814	2C10	5	70 - 7
JD8954	1J12	18	50 - 29	M63431	1D25	1	30 - 23	RE11814	2C10	9	70 - 7
JD8954	1J14	1	50 - 31	M63440	2I11	23	90 - 15	RE11814	2C10	28	70 - 7
JD8954	1J15	29	50 - 32	M63440	2I12	13	90 - 16	RE11814	2C10	29A	70 - 7
JD8969	1J10	13	50 - 27	M63446	2C5	1	70 - 1	RE11814	2C10	30A	70 - 7
JD8980	1I20	16	50 - 12	M72490	1B15	1	20 - 13	RE11814	2C10	32	70 - 7
JD8982	1J10	5	50 - 27	M72490	1C11	3	20 - 26	RE11956	2B23	30	60 - 23
JD9019	1J12	5	50 - 29	M72490	1C11	..	20 - 26	RE11956	2B25	28	60 - 25
JD9019	1J15	5	50 - 32	M886T	2D18	10	70 - 37	RE12038	2C10	28	70 - 7
JD9028	1J22	15	50 - 39	N101344	2E24	5	70 - 64C	RE12038	2C10	29A	70 - 7
JD9029	1J22	13	50 - 39	N107859	1J25	4	50 - 42	RE12038	2C10	30A	70 - 7
JD9030	1J23	20	50 - 40	N107859	2E16	22	70 - 58	RE12038	2C10	32	70 - 7
JD9046	1I20	2	50 - 12	N115096	1H25	11	40 - 93	RE12038	2C10	..	70 - 7
JD9047	1I21	20	50 - 14	N140340	2F16	13	70 - 75D	RE12121	2F9	20	70 - 71
JD9055	1J14	25	50 - 31	N186901	2E24	2	70 - 64C	RE12434	1C3	10	20 - 21
JD9055	1J15	2	50 - 32	N31772	1K5	8	50 - 47	RE12434	1C4	10	20 - 21A
JD9055	1J16	3	50 - 33	N31772	1K9	9	50 - 51	RE12434	1C4	12	20 - 21A
JD9111	1I19	8	50 - 11	PM797NA	1I5	1	40 - 98	RE12470	2C23	27	70 - 19
JD9112	1I20	3	50 - 12	PT1293	1G7	3	40 - 52	RE13181	1J7	11	50 - 24
JD9118	1J14	26	50 - 31	PT1294	1G7	7	40 - 52	RE13181	1J7	26	50 - 24
JD9118	1J15	2	50 - 32	PT1296	1G7	14	40 - 52	RE13271	2C23	15	70 - 19
JD9118	1J16	4	50 - 33	PT1624	1G7	5	40 - 52	RE13476	1J20	..	50 - 37
JD9257	1C15	11	20 - 30	PT18180	1G7	5	40 - 52	RE13476	1J20	..	50 - 37
JD9257	1C16	9	20 - 31	PT18181	1G7	17	40 - 52	RE13476	1J21	17	50 - 38
JD9281	1I12	25	50 - 4	PT9318	1G7	7	40 - 52	RE13477	1J20	10	50 - 37
JD9320	1J7	25	50 - 24	PT9319	1G7	5	40 - 52	RE13552	1B15	1	20 - 13
JD9345	1J9	14	50 - 26	PT9320	1G7	17	40 - 52	RE13552	1B17	1	20 - 13B
JD9412	1J11	5	50 - 28	PT9321	1G7	25	40 - 52	RE13611	2C12	31	70 - 9
JD9449	1E24	23	40 - 18	PT9390	1G7	6	40 - 52	RE13722	1F4	6	40 - 24
JD9449	1E25	24	40 - 19	P41858	2I9	25	90 - 13	RE13722	1F18	..	40 - 38
JD9449	1E25	28	40 - 19	P44982	1E1	18	30 - 24	RE13722	1F19	..	40 - 39
JD9449	1F1	13	40 - 20	P44982	2E2	42	70 - 45	RE13722	1F20	..	40 - 40
JD9449	1F3	23	40 - 23	P44982	2E4	13	70 - 46A	RE13731	1F19	1	40 - 39
JD9449	1I12	25	50 - 4	P44982	2E4	26	70 - 46A	RE13732	1F21	15	40 - 41
JD9817	2B15	17	60 - 14	P44982	2I11	16	90 - 15	RE13732	1F22	10	40 - 42
J17817	1J25	4	50 - 42	P46051	1J23	2	50 - 40	RE13733	1F21	4	40 - 41
K40003	1E2	13	30 - 25	P46051	2F3	34	70 - 67	RE13733	1F22	9	40 - 42
K40003	2G16	13	80 - 3	P46051	2F5	8	70 - 68A	RE13797	1E23	5	40 - 17
L1610N	2E16	13	70 - 58	P46051	2F6	11	70 - 68B	RE13797	1F3	5	40 - 23
L29014	2B23	15	60 - 23	P47908	1K4	2	50 - 46	RE13797	1F3	12	40 - 23
L29015	2B23	13	60 - 23	P47908	1K9	1	50 - 51	RE13797	1F3	29	40 - 23
L29015	2B23	15	60 - 23	P47908	1K11	14	50 - 53	RE13798	1F1	24	40 - 20
L29015	2B23	34	60 - 23	P47908	2C17	22	70 - 13	RE13798	1F3	13	40 - 23
L29015	2B25	13	60 - 25	P47908	2D2	26	70 - 21	RE13799	1F3	12	40 - 23
L324T	1I14	10	50 - 6	P47908	2D4	4	70 - 23	RE13800	1F3	19	40 - 23
L65000	1H10	10	40 - 77	P48347	1J22	33	50 - 39	RE13801	1F3	20	40 - 23
M115827	2E9	10	70 - 51	P48347	2B7	22	60 - 6	RE13813	2F9	14	70 - 71
M115827	2E11	20	70 - 53	P50631	1J7	4	50 - 24	RE13814	2F9	6	70 - 71
M115827	2E13	17	70 - 55	P51212	2F9	12	70 - 71	RE13815	2F11	10	70 - 73

1L1

4320 TRACTOR

NUMERICAL INDEX - CONTINUED

PART NO.	GRID	KEY	PAGE	PART NO.	GRID	KEY	PAGE	PART NO.	GRID	KEY	PAGE
RE14069	1E21	5	40 - 14	RE25125	1G8	28	40 - 53	RE37091	1D25	7	30 - 23
RE14868	2C14	20	70 - 11	RE25126	1E10	4	40 - 3	RE37119	1I21	11	50 - 14
RE14953	1B25	6	20 - 19	RE25126	1F24	5	40 - 44	RE37996	1E21	4	40 - 14
RE14953	1C9	5	20 - 24	RE25126	1F25	5	40 - 45	RE38390	1E21	6	40 - 14
RE15058	1F21	13	40 - 41	RE25126	1G1	9	40 - 46	RE38390	1I25	19	50 - 16
RE15058	1F22	15	40 - 42	RE25126	1G2	16	40 - 47	RE38391	1E18	6	40 - 11
RE15361	2E7	25	70 - 49	RE25126	1G8	27	40 - 53	RE38391	1E19	3	40 - 12
RE15361	2F16	18	70 - 75D	RE25127	1E10	4	40 - 3	RE38391	1E20	7	40 - 13
RE15361	2F16	25	70 - 75D	RE25127	1F24	5	40 - 44	RE38707	1H10	11	40 - 77
RE15361	2F16	29	70 - 75D	RE25127	1F25	5	40 - 45	RE39061	1F6	9	40 - 25A
RE15361	2G8	18	70 - 92	RE25127	1G1	9	40 - 46	RE39063	1F5	5	40 - 25
RE15361	2G8	20	70 - 92	RE25127	1G2	16	40 - 47	RE39063	1F17	10	40 - 37
RE16151	1D16	11	30 - 14	RE25127	1G8	27	40 - 53	RE39064	1F17	13	40 - 37
RE16151	1D17	3	30 - 15	RE25621	1H17	1	40 - 85	RE39064	1F21	15	40 - 41
RE16151	1D17	4	30 - 15	RE26739	2E22	6	70 - 64A	RE39064	1F22	10	40 - 42
RE16182	1D15	..	30 - 13	RE26739	2E24	7	70 - 64C	RE39549	1G15	1	40 - 60
RE16182	1D16	17	30 - 14	RE26740	2E22	6	70 - 64A	RE40463	2C14	20	70 - 11
RE17282	1H20	10	40 - 88	RE26740	2E24	7	70 - 64C	RE40463	2C15	15	70 - 11A
RE17352	1B25	6	20 - 19	RE27099	1F25	11	40 - 45	RE40463	2C24	15	70 - 19A
RE17352	1C9	5	20 - 24	RE27109	1E23	5	40 - 17	RE41241	1J21	17	50 - 38
RE19075	1E10	1	40 - 3	RE27109	1F3	29	40 - 23	RE41287	1E20	7	40 - 13
RE19075	1E10	23	40 - 3	RE27109	1F3	31	40 - 23	RE41785	1F13	..	40 - 33
RE19075	1E10	26	40 - 3	RE28790	2C8	7	70 - 5	RE41785	1F15	..	40 - 35
RE19075	1G4	1	40 - 49	RE28790	2C10	11	70 - 7	RE41875	1F4	6	40 - 24
RE19075	1G5	1	40 - 50	RE28790	2C17	19	70 - 13	RE41875	1F4	..	40 - 24
RE19075	1G8	2	40 - 53	RE28790	2C19	7	70 - 15	RE41875	1F17	..	40 - 37
RE19075	1G8	6	40 - 53	RE28790	2C21	7	70 - 17	RE41875	1F18	11	40 - 38
RE19080	1F24	6	40 - 44	RE28790	2D2	23	70 - 21	RE41875	1F18	..	40 - 38
RE19080	1F24	..	40 - 44	RE29103	2C17	25	70 - 13	RE41875	1F19	17	40 - 39
RE19080	1F25	6	40 - 45	RE29103	2C17	..	70 - 13	RE41875	1F19	..	40 - 39
RE19080	1F25	..	40 - 45	RE29104	2C17	25	70 - 13	RE41875	1F20	..	40 - 40
RE19080	1G1	9	40 - 46	RE29104	2C17	..	70 - 13	RE41875	1F21	..	40 - 41
RE19080	1G2	16	40 - 47	RE29107	2D2	29	70 - 21	RE42671	1C1	5	20 - 19A
RE19428	2E24	3	70 - 64C	RE29107	2D2	..	70 - 21	RE42672	1C5	10	20 - 21B
RE19428	2E24	6	70 - 64C	RE29109	2D2	29	70 - 21	RE42672	1C6	10	20 - 21C
RE20024	1C15	21	20 - 30	RE29109	2D2	..	70 - 21	RE42672	1C6	12	20 - 21C
RE20024	1C15	22	20 - 30	RE29408	1C20	4	20 - 35	RE42673	1C4	10	20 - 21A
RE20224	1D13	4	30 - 11	RE29408	1C20	7	20 - 35	RE42673	1C4	12	20 - 21A
RE20663	2E17	23	70 - 59	RE29428	1J14	19	50 - 31	RE42675	1C1	4	20 - 19A
RE20663	2E19	34	70 - 61	RE29428	1J15	11	50 - 32	RE42675	1C1	6	20 - 19A
RE20734	1J11	16	50 - 28	RE29609	1I12	17	50 - 4	RE42675	1C5	2	20 - 21B
RE21073	1H10	17	40 - 77	RE29775	1I12	24	50 - 4	RE42678	1C5	10	20 - 21B
RE21096	1H10	11	40 - 77	RE30174	1D15	1	30 - 13	RE42678	1C6	2	20 - 21C
RE21112	1H12	3	40 - 79	RE31694	1E23	5	40 - 17	RE42678	1C6	10	20 - 21C
RE21113	1H12	10	40 - 79	RE31694	1F1	19	40 - 20	RE42679	1C3	1	20 - 21
RE21510	1H10	20	40 - 77	RE31694	1F3	29	40 - 23	RE42679	1C4	2	20 - 21A
RE21725	2C14	19	70 - 11	RE31694	1F3	31	40 - 23	RE42679	1C4	10	20 - 21A
RE21730	1I4	5	40 - 97	RE32529	2C14	19	70 - 11	RE43025	1H10	17	40 - 77
RE21731	1I4	5	40 - 97	RE32529	2C15	13	70 - 11A	RE43272	1D20	7	30 - 18
RE21732	1I4	6	40 - 97	RE32529	2C24	13	70 - 19A	RE44657	1H15	28	40 - 83
RE21738	1H12	15	40 - 79	RE32681	1J21	17	50 - 38	RE46317	1H10	11	40 - 77
RE21790	1D15	15	30 - 13	RE32681	2B20	4	60 - 19	RE46328	2B19	4	60 - 18
RE21790	1D16	14	30 - 14	RE33013	1J21	14	50 - 38	RE46328	2B19	5	60 - 18
RE21790	1D17	1	30 - 15	RE33013	2B20	2	60 - 19	RE46328	2B19	7	60 - 18
RE22589	1H12	2	40 - 79	RE33622	1C2	8	20 - 20	RE46328	2B20	4	60 - 19
RE22764	1B25	6	20 - 19	RE35992	1B5	3	20 - 2	RE46332	2B19	4	60 - 18
RE22764	1B25	7	20 - 19	RE36170	1I22	29	50 - 15	RE46332	2B19	5	60 - 18
RE22764	1C9	5	20 - 24	RE36170	1I24	2	50 - 15B	RE46332	2B19	7	60 - 18
RE22764	1C9	6	20 - 24	RE36416	1C2	8	20 - 20	RE46332	2B20	2	60 - 19
RE23182	1B5	2	20 - 2	RE36416	1C6	10	20 - 21C	RE46414	1H10	12	40 - 77
RE23382	2C8	21	70 - 5	RE36416	1C6	12	20 - 21C	RE46990	1J1	18	50 - 17
RE23382	2C10	25	70 - 7	RE36903	1D20	7	30 - 18	RE47805	1J7	11	50 - 24
RE23382	2C19	19	70 - 15	RE37089	1D23	..	30 - 21	RE50017	2C15	14	70 - 11A
RE23382	2C21	19	70 - 17	RE37089	1D25	7	30 - 23	RE50017	2C24	14	70 - 19A
RE24561	1D15	1	30 - 13	RE37091	1D23	24	30 - 21	RE50139	1D15	11	30 - 13
RE25125	1G1	10	40 - 46	RE37091	1D23	..	30 - 21	RE50139	1D15	13	30 - 13
RE25125	1G2	17	40 - 47	RE37091	1D25	2	30 - 23	RE50139	1D17	4	30 - 15

1L2

4320 TRACTOR

NUMERICAL INDEX - CONTINUED

PART NO.	GRID	KEY	PAGE	PART NO.	GRID	KEY	PAGE	PART NO.	GRID	KEY	PAGE
RE52576	1C1	5	20 - 19A	R106859	1B13	6	20 - 11	R11291	1F13	26	40 - 33
RE53203	1C1	4	20 - 19A	R106859	1C13	21	20 - 28	R11292	1F8	29	40 - 27
RE53203	1C1	7	20 - 19A	R106866	1J7	11	50 - 24	R11292	1F11	1	40 - 30
RE53203	1C1	8	20 - 19A	R108996	1J21	9	50 - 38	R11292	1F11	..	40 - 30
RE53204	1C6	2	20 - 21C	R109478	1J1	17	50 - 17	R11293	1F11	4	40 - 30
RE53204	1C6	11	20 - 21C	R11000	1F10	9	40 - 29	R11293	1F16	3	40 - 36
RE53204	1C6	12	20 - 21C	R11003	1F10	1	40 - 29	R11294	1F11	11	40 - 30
RE53205	1C4	2	20 - 21A	R11003	1F15	2	40 - 35	R11295	1F11	5	40 - 30
RE53205	1C4	11	20 - 21A	R11011	1F15	8	40 - 35	R11296	1F10	11	40 - 29
RE53205	1C4	12	20 - 21A	R11016	1F8	20	40 - 27	R11298	1F10	30	40 - 29
RE53422	1B25	12	20 - 19	R11026	1F8	22	40 - 27	R113739	2B19	4	60 - 18
RE53422	1C1	5	20 - 19A	R11026	1F13	14	40 - 33	R113739	2B19	5	60 - 18
RE53422	1C1	8	20 - 19A	R11026	1F13	37	40 - 33	R113739	2B19	7	60 - 18
RE53423	1C1	7	20 - 19A	R11026	2J2	10	90 - 27	R113739	2B20	3	60 - 19
RE53424	1C3	1	20 - 21	R11039	1F11	20	40 - 30	R1138R	2F22	18	70 - 81
RE53424	1C3	10	20 - 21	R11039	1F16	17	40 - 36	R1138R	2G5	14	70 - 89
RE53424	1C4	10	20 - 21A	R110464	2B19	2	60 - 18	R115050	1C9	3	20 - 24
RE53424	1C4	12	20 - 21A	R11049	1E23	7	40 - 17	R116253	1B22	9	20 - 16
RE53425	1C2	8	20 - 20	R11049	1F1	16	40 - 20	R116311	1C1	7	20 - 19A
RE53425	1C5	10	20 - 21B	R11049	1F3	28	40 - 23	R116311	1C4	11	20 - 21A
RE53425	1C6	10	20 - 21C	R11058	1F10	3	40 - 29	R116311	1C6	11	20 - 21C
RE53425	1C6	12	20 - 21C	R11059	1F10	4	40 - 29	R117129	1E1	9	30 - 24
RE53476	1B13	23	20 - 11	R11066	1F11	8	40 - 30	R117491	2I15	9	90 - 17B
RE53476	1B15	1	20 - 13	R11066	1F16	5	40 - 36	R1190R	2E4	24	70 - 46A
RE53476	1B17	1	20 - 13B	R11087	1F10	6	40 - 29	R119275	2E15	30	70 - 57
RE53823	1J14	19	50 - 31	R11095	1F8	13	40 - 27	R119276	2E15	32	70 - 57
RE53823	1J15	11	50 - 32	R11095	1F13	12	40 - 33	R120103	2E15	10	70 - 57
RE54814	2G21	7	80 - 7A	R11096	1F8	31	40 - 27	R120106	1H10	10	40 - 77
RE54814	2H3	7	80 - 13A	R11096	1F13	28	40 - 33	R120107	1H10	10	40 - 77
RE56991	2E11	21	70 - 53	R11109	1F1	12	40 - 20	R120108	1H10	10	40 - 77
RE56991	2E15	6	70 - 57	R11109	1F3	22	40 - 23	R120109	2B25	28	60 - 25
RE57318	2I3	10	90 - 7	R11117	1F8	8	40 - 27	R120109	2B25	34	60 - 25
RE57394	1C13	20	20 - 28	R11117	1F13	8	40 - 33	R120110	2B25	28	60 - 25
RE58257	2I15	1	90 - 17B	R11118	1F8	11	40 - 27	R120110	2B25	34	60 - 25
RE58483	2I3	4	90 - 7	R11120	1F13	24	40 - 33	R120111	2H19	17	80 - 29
RE58612	2I15	16	90 - 17B	R11121	1F13	18	40 - 33	R120124	2I15	10	90 - 17B
RE58679	2I15	15	90 - 17B	R11126	1F8	25	40 - 27	R120128	2I15	11	90 - 17B
RE62240	1D25	7	30 - 23	R11126	1F13	34	40 - 33	R120752	1B25	10	20 - 19
RG21340	1B19	1	20 - 13D	R11127	1F8	26	40 - 27	R120752	1C1	3	20 - 19A
RG22790	1B23	1	20 - 17	R11127	1F13	33	40 - 33	R120752	1C2	1	20 - 20
RG23427	1B23	1	20 - 17	R11128	1F8	24	40 - 27	R120752	1C3	4	20 - 21
RG23435	1B19	1	20 - 13D	R11128	1F13	35	40 - 33	R120752	1C4	1	20 - 21A
RW26466	1H10	20	40 - 77	R11129	1F8	23	40 - 27	R120752	1C5	1	20 - 21B
R100380	1F6	4	40 - 25A	R11129	1F13	36	40 - 33	R120752	1C6	1	20 - 21C
R100380	1F17	3	40 - 37	R11133	1F13	17	40 - 33	R122595	1D14	5	30 - 12
R100637	1J20	12	50 - 37	R11146	1F15	4	40 - 35	R122595	1D14	6	30 - 12
R100637	1J21	5	50 - 38	R11197	1F11	2	40 - 30	R125027	1C9	3	20 - 24
R10093	2D14	17	70 - 33	R11197	1F16	2	40 - 36	R125955	2E13	4	70 - 55
R10093	2F9	5	70 - 71	R11198	1F11	3	40 - 30	R15023	1E24	8	40 - 18
R10093	2F11	2	70 - 73	R11201	1F8	20	40 - 27	R15024	1E24	10	40 - 18
R104592	1B13	14	20 - 11	R11209	1F10	19	40 - 29	R15026	1E24	2	40 - 18
R104592	1D19	12	30 - 17	R11209	1F15	18	40 - 35	R15027	1E24	27	40 - 18
R105346	1C22	8	20 - 37	R11212	1F8	35	40 - 27	R15027	1E25	32	40 - 19
R105346	1D8	16	30 - 6	R11212	1F13	23	40 - 33	R15028	1E24	19	40 - 18
R105488	1C1	4	20 - 19A	R11215	1F8	16	40 - 27	R15029	1E24	22	40 - 18
R105488	1C4	2	20 - 21A	R11221	1F8	27	40 - 27	R15029	1E25	27	40 - 19
R105488	1C5	1	20 - 21B	R11221	1F13	32	40 - 33	R15030	1E24	11	40 - 18
R105488	1C5	2	20 - 21B	R11222	1F8	15	40 - 27	R15033	1E24	24	40 - 18
R105488	1C6	2	20 - 21C	R11223	1F8	17	40 - 27	R15033	1E25	29	40 - 19
R105583	2C8	13	70 - 5	R11233	1F10	16	40 - 29	R15035	1E24	7	40 - 18
R105583	2C10	17	70 - 7	R11250	1F15	13	40 - 35	R15036	1E24	6	40 - 18
R105583	2C19	11	70 - 15	R11253	1F10	5	40 - 29	R15036	1E24	17	40 - 18
R105583	2C21	11	70 - 17	R11278	1G16	1	40 - 61	R15036	1E25	11	40 - 19
R105813	2E4	33	70 - 46A	R11278	1G17	1	40 - 62	R15036	1E25	18	40 - 19
R105814	1E2	14	30 - 25	R11290	1F10	20	40 - 29	R15038	1E24	26	40 - 18
R105942	1H10	10	40 - 77	R11290	1F15	19	40 - 35	R15045	1E24	3	40 - 18
R106715	1J7	11	50 - 24	R11291	1F8	33	40 - 27	R1612R	1B13	12	20 - 11

1L3

4320 TRACTOR

NUMERICAL INDEX - CONTINUED

PART NO.	GRID	KEY	PAGE	PART NO.	GRID	KEY	PAGE	PART NO.	GRID	KEY	PAGE
R1612R	1117	4	50-9	R26137	2C8	6	70-5	R26287	1116	12	50-8
R1612R	1K1	16	50-43	R26137	2C10	10	70-7	R26287	1J18	10	50-35
R1742R	1J5	17	50-22	R26137	2C19	6	70-15	R26287	1J19	11	50-36
R1836R	2E24	4	70-64C	R26137	2C21	6	70-17	R26287	1J22	23	50-39
R1836R	2G24	18	80-10	R26149	1D15	3	30-13	R26287	1J23	10	50-40
R1836R	2I12	2	90-16	R26149	1D16	3	30-14	R26287	1J23	31	50-40
R1870R	2F20	30	70-79	R26149	2D18	4	70-37	R26287	1J23	34	50-40
R1870R	2F24	36	70-83	R26149	2E5	3	70-47	R26287	1J24	38A	50-41
R1929R	2J4	3	90-27B	R26149	2F3	22	70-67	R26287	2B4	32	60-3
R2R	2G20	15	80-7	R26149	2F6	8	70-68B	R26287	2B7	9	60-6
R20123	2K2	..	90-49	R26151	2B6	19	60-5	R26287	2B11	8	60-10
R20124	2K2	..	90-49	R26172	1B11	4	20-8	R26287	2B16	19	60-15
R20135	2G16	18	80-3	R26182	1J2	9	50-18	R26287	2B17	14	60-16
R20135	2G18	13	80-5	R26187	1J2	13	50-18	R26287	2B17	17	60-16
R20136	2D20	2	70-39	R26202	1I25	16	50-16	R26287	2B18	11	60-17
R20255	2G15	11	80-2	R26202	1J1	15	50-17	R26287	2B23	37	60-23
R20255	2G17	9	80-4	R26203	1J1	14	50-17	R26287	2C1	1	60-26
R20255	2G19	17	80-6	R26206	1I24	12	50-15B	R26287	2C12	23	70-9
R20522	2I23	2	90-24	R26206	1I25	2	50-16	R26287	2C15	7	70-11A
R20648	2G20	6	80-7	R26206	1J1	2	50-17	R26287	2C17	4	70-13
R20653	2G20	13	80-7	R26207	1I24	11	50-15B	R26287	2C17	16	70-13
R20654	2G20	3	80-7	R26207	1I25	1	50-16	R26287	2C24	7	70-19A
R20655	2G20	2	80-7	R26207	1J1	1	50-17	R26287	2D2	8	70-21
R20656	2G20	7	80-7	R26210	1I19	3	50-11	R26287	2D2	22	70-21
R20758	1F24	6	40-44	R26214	1I21	18	50-14	R26287	2D4	8	70-23
R20758	1F24	..	40-44	R26215	1I21	18	50-14	R26287	2D6	6	70-25
R20758	1F25	6	40-45	R26216	1I21	18	50-14	R26287	2D9	3	70-28
R20758	1F25	..	40-45	R26217	1I21	18	50-14	R26287	2D11	12	70-30
R20759	2I18	3	90-19	R26218	1I21	6	50-14	R26290	2B15	5	60-14
R20759	2I19	3	90-20	R26233	1I21	17	50-14	R26297	1C22	7	20-37
R20878	1C23	1	20-38	R26234	1I21	17	50-14	R26297	1D5	7	30-3
R20878	1C23	3	20-38	R26277	2B15	10	60-14	R26325	1B22	1	20-16
R21156	1G15	1	40-60	R26278	2B15	22	60-14	R26333	1B25	15	20-19
R21230	2I3	9	90-7	R26280	2B15	4	60-14	R26364	2B19	9	60-18
R21244	2H25	5	90-4	R26281	2B15	2	60-14	R26364	2B20	6	60-19
R21551	1E10	25	40-3	R26282	2B15	6	60-14	R26369	2B17	5	60-16
R21551	1F24	3	40-44	R26283	2B15	3	60-14	R26372	2B17	25	60-16
R21551	1G5	8	40-50	R26285	2B15	11	60-14	R26373	1I13	13	50-5
R21551	2D11	15	70-30	R26286	1I16	8	50-8	R26373	1I15	18	50-7
R21630	1B13	14	20-11	R26286	1J5	6	50-22	R26373	1J18	9	50-35
R21630	1I17	4	50-9	R26286	1J18	5	50-35	R26373	2B23	11	60-23
R21722	2F7	9	70-69	R26286	1J18	14	50-35	R26375	1I15	6	50-7
R21736	1C18	9	20-33	R26286	1J18	20	50-35	R26375	1J5	9	50-22
R21736	2B14	5	60-13	R26286	1J19	1	50-36	R26375	1J5	13	50-22
R21736	2H14	25	80-24	R26286	1K11	15	50-53	R26375	1J23	12	50-40
R21737	2H8	6	80-18	R26286	2B5	5	60-4	R26375	1J23	26	50-40
R227R	1K11	17	50-53	R26286	2B7	5	60-6	R26375	1K1	18	50-43
R227R	2B17	19	60-16	R26286	2B7	7	60-6	R26375	1K4	6	50-46
R2579R	1E10	3	40-3	R26286	2B11	1	60-10	R26375	1K6	2	50-48
R2579R	1G4	3	40-49	R26286	2B11	14	60-10	R26375	1K11	28	50-53
R26006	1J11	10	50-28	R26286	2B13	5	60-12	R26375	2B7	18	60-6
R26006	1J11	13	50-28	R26286	2B17	7	60-16	R26375	2B17	20	60-16
R26011	1J20	27	50-37	R26286	2B18	8	60-17	R26375	2B18	13	60-17
R26012	1J20	28	50-37	R26286	2B21	3	60-20	R26375	2C12	27	70-9
R26049	1B25	11	20-19	R26286	2B21	25	60-20	R26375	2C14	16	70-11
R26049	1C1	4	20-19A	R26286	2B23	2	60-23	R26375	2C15	12	70-11A
R26049	1C2	2	20-20	R26286	2B23	25	60-23	R26375	2C23	23	70-19
R26049	1C3	3	20-21	R26286	2B23	28	60-23	R26375	2C24	12	70-19A
R26058	1C9	4	20-24	R26286	2B25	2	60-25	R26375	2D2	3	70-21
R26058	1C22	12	20-37	R26286	2B25	22	60-25	R26375	2D2	10	70-21
R26066	1I20	22	50-12	R26286	2D9	12	70-28	R26375	2D14	1	70-33
R26068	1I20	11	50-12	R26286	2D15	9	70-34	R26375	2D14	33	70-33
R26079	1B9	9	20-6	R26286	2D16	6	70-35	R26375	2D18	9	70-37
R26081	1B9	2	20-6	R26287	1D19	11	30-17	R26375	2E6	6	70-48
R26113	2I12	26	90-16	R26287	1I9	5	50-1	R26375	2E7	12	70-49
R26115	1B13	20	20-11	R26287	1I15	15	50-7	R26375	2E7	21	70-49
R26125	1B8	4	20-5	R26287	1I15	20	50-7	R26375	2F4	19	70-68

1L4

4320 TRACTOR

NUMERICAL INDEX - CONTINUED

PART NO.	GRID	KEY	PAGE	PART NO.	GRID	KEY	PAGE	PART NO.	GRID	KEY	PAGE
R26375	2F5	4	70 - 68A	R26483	2F14	7	70 - 75B	R26789	2I19	13	90 - 20
R26375	2F16	4	70 - 75D	R26484	2F3	12	70 - 67	R26790	1D21	26	30 - 19
R26375	2F16	10	70 - 75D	R26484	2F5	12	70 - 68A	R26792	1J11	9	50 - 28
R26375	2F17	4	70 - 76	R26484	2F13	13	70 - 75	R26828	2I11	5	90 - 15
R26375	2F17	11	70 - 76	R26484	2F14	3	70 - 75B	R26829	2I11	17	90 - 15
R26375	2F18	2	70 - 77	R26485	2B5	16	60 - 4	R26830	2I11	14	90 - 15
R26375	2G10	4	70 - 94	R26485	2F13	10	70 - 75	R26832	2I12	3	90 - 16
R26376	2B17	18	60 - 16	R26485	2F14	1	70 - 75B	R26841	2D15	12	70 - 34
R26384	2B16	17	60 - 15	R26485	2F16	24	70 - 75D	R26842	2D15	2	70 - 34
R26385	1J17	11	50 - 34	R26485	2G8	12	70 - 92	R26860	2G19	18	80 - 6
R26385	2B16	24	60 - 15	R26497	1I25	12	50 - 16	R26863	2B19	10	60 - 18
R26386	1J17	10	50 - 34	R26503	2E16	19	70 - 58	R26863	2B20	7	60 - 19
R26386	2B16	22	60 - 15	R26531	1D18	14	30 - 16	R26863	2D15	11	70 - 34
R26405	1B6	2	20 - 3	R26546	2B6	16	60 - 5	R26869	2D23	6	70 - 42
R26409	1F24	9	40 - 44	R26546	2F3	3	70 - 67	R26871	1E1	18	30 - 24
R26409	2I3	20	90 - 7	R26546	2F5	2	70 - 68A	R26871	2E2	42	70 - 45
R26413	1C18	19	20 - 33	R26546	2F6	3	70 - 68B	R26871	2E4	13	70 - 46A
R26417	1C18	17	20 - 33	R26551	1J11	19	50 - 28	R26871	2E4	26	70 - 46A
R26418	2B12	11	60 - 11	R26552	1J22	32	50 - 39	R26871	2I11	16	90 - 15
R26421	1J23	29	50 - 40	R26552	1K11	11	50 - 53	R26872	2I11	21	90 - 15
R26425	2B7	11	60 - 6	R26552	2B7	13	60 - 6	R26873	2I11	21	90 - 15
R26431	2I11	13	90 - 15	R26553	2B8	7	60 - 7	R26874	2I11	1	90 - 15
R26432	2I11	7	90 - 15	R26554	2B8	1	60 - 7	R26875	2I12	4	90 - 16
R26433	2I11	9	90 - 15	R26559	1B9	14	20 - 6	R26876	2I12	7	90 - 16
R26434	2I11	15	90 - 15	R26565	2B6	5	60 - 5	R26877	2I12	6	90 - 16
R26436	2I11	22	90 - 15	R26565	2D18	39	70 - 37	R26878	2I12	15	90 - 16
R26441	2B4	18	60 - 3	R26566	2D18	6	70 - 37	R26879	2I12	9	90 - 16
R26441	2B5	2	60 - 4	R26574	1I14	15	50 - 6	R26880	2I12	21	90 - 16
R26441	2F20	34	70 - 79	R26575	2J12	21	90 - 35	R26906	1K6	6	50 - 48
R26441	2F22	22	70 - 81	R26584	2E17	9	70 - 59	R26906	1K11	24	50 - 53
R26441	2G5	18	70 - 89	R26584	2E19	8	70 - 61	R26906	2C6	1	70 - 3
R26448	1E21	2	40 - 14	R26593	1D18	5	30 - 16	R26906	2C8	..	70 - 5
R26448	1J18	16	50 - 35	R26594	1D18	4	30 - 16	R26906	2C10	..	70 - 7
R26448	1J19	13	50 - 36	R26608	2E9	8	70 - 51	R26906	2C12	10	70 - 9
R26448	1K11	9	50 - 53	R26618	2E8	13	70 - 50	R26906	2C14	2	70 - 11
R26448	1K11	19	50 - 53	R26622	1B13	6	20 - 11	R26906	2C15	1	70 - 11A
R26448	2B4	22	60 - 3	R26622	1C13	21	20 - 28	R26906	2C17	2	70 - 13
R26448	2B7	2	60 - 6	R26625	2D21	8	70 - 40	R26906	2C17	15	70 - 13
R26448	2B7	24	60 - 6	R26626	2D20	14	70 - 39	R26906	2C23	16	70 - 19
R26448	2B12	1	60 - 11	R26628	2D23	5	70 - 42	R26906	2C24	1	70 - 19A
R26448	2C12	2	70 - 9	R26631	2G19	6	80 - 6	R26906	2D2	6	70 - 21
R26448	2C12	8	70 - 9	R26631	2H2	5	80 - 13	R26906	2D2	26	70 - 21
R26448	2C14	1	70 - 11	R26632	2G19	3	80 - 6	R26906	2D4	5	70 - 23
R26448	2C15	3	70 - 11A	R26632	2H2	2	80 - 13	R26906	2D6	4	70 - 25
R26448	2C15	7	70 - 11A	R26639	1I12	7	50 - 4	R26906	2D9	10	70 - 28
R26448	2C17	1	70 - 13	R26641	1I9	7	50 - 1	R26906	2D10	1	70 - 29
R26448	2C23	2	70 - 19	R26642	1I9	8	50 - 1	R26906	2D10	16	70 - 29
R26448	2C23	8	70 - 19	R26656	1I12	26	50 - 4	R26906	2D18	11	70 - 37
R26448	2C23	25	70 - 19	R26659	1I12	16	50 - 4	R26906	2D21	3	70 - 40
R26448	2C24	3	70 - 19A	R26663	1I9	4	50 - 1	R26906	2E6	16	70 - 48
R26448	2C24	7	70 - 19A	R26663	1J11	7	50 - 28	R26907	2E9	2	70 - 51
R26448	2D2	1	70 - 21	R26666	1I10	26	50 - 2	R26911	2E9	2	70 - 51
R26448	2D2	8	70 - 21	R26670	1E2	8	30 - 25	R26919	1I10	18	50 - 2
R26448	2D14	12	70 - 33	R26686	1J5	12	50 - 22	R26919	1I13	12	50 - 5
R26448	2D14	19	70 - 33	R26694	2H14	21	80 - 24	R26933	2B4	8	60 - 3
R26448	2D18	2	70 - 37	R26702	2H14	17	80 - 24	R26934	1B13	13	20 - 11
R26448	2E7	16	70 - 49	R26703	2H14	17	80 - 24	R26936	1F25	9	40 - 45
R26448	2G25	15	80 - 11	R26727	1B20	9	20 - 14	R26941	2B13	3	60 - 12
R26457	2D21	5	70 - 40	R26727	1J10	9	50 - 27	R26958	1E2	12	30 - 25
R26458	2D21	2	70 - 40	R26728	1D21	26	30 - 19	R26992	2I18	8	90 - 19
R26477	2E6	12	70 - 48	R26748	1B9	13	20 - 6	R26992	2I19	10	90 - 20
R26480	2F13	28	70 - 75	R26755	2B5	10	60 - 4	R27000	1J8	3	50 - 25
R26480	2F14	10	70 - 75B	R26760	2B23	8	60 - 23	R27000	1J9	3	50 - 26
R26482	2F7	20	70 - 69	R26762	2B8	4	60 - 7	R27033	1I12	19	50 - 4
R26482	2F13	17	70 - 75	R26769	2D15	18	70 - 34	R27035	1I9	21	50 - 1
R26482	2F14	6	70 - 75B	R26769	2D16	13	70 - 35	R27042	1I12	32	50 - 4
R26483	2F13	21	70 - 75	R26789	1D21	26	30 - 19	R27075	1E2	1	30 - 25

1L5

4320 TRACTOR

NUMERICAL INDEX - CONTINUED

PART NO.	GRID	KEY	PAGE	PART NO.	GRID	KEY	PAGE	PART NO.	GRID	KEY	PAGE
R27084	2I22	6	90 - 23	R27216	1I15	16	50 - 7	R27472	2C12	43	70 - 9
R27085	2I22	7	90 - 23	R27216	1J22	22	50 - 39	R27474	1K6	8	50 - 48
R27087	2B4	15	60 - 3	R27216	1J23	9	50 - 40	R27474	2E6	15	70 - 48
R27089	2B5	14	60 - 4	R27216	1J23	32	50 - 40	R27475	2C12	1	70 - 9
R27091	2B5	11	60 - 4	R27216	1J23	33	50 - 40	R27475	2C23	1	70 - 19
R27094	1J18	5	50 - 35	R27216	1J24	38A	50 - 41	R27476	2C12	13	70 - 9
R27094	1J18	13	50 - 35	R27216	2B17	16	60 - 16	R27478	2C8	29	70 - 5
R27094	2B23	1	60 - 23	R27216	2C12	24	70 - 9	R27478	2C10	35	70 - 7
R27094	2B25	1	60 - 25	R27218	1I17	15	50 - 9	R27478	2C14	12	70 - 11
R27094	2D15	10	70 - 34	R27218	2B7	23	60 - 6	R27478	2C19	28	70 - 15
R27094	2D16	7	70 - 35	R27218	2C12	7	70 - 9	R27478	2C21	28	70 - 17
R27095	2B12	10	60 - 11	R27218	2C23	7	70 - 19	R27479	2C8	29	70 - 5
R27121	2I12	18	90 - 16	R27218	2G25	16	80 - 11	R27479	2C10	35	70 - 7
R27137	2B17	8	60 - 16	R27233	2F4	3	70 - 68	R27479	2C14	13	70 - 11
R27137	2B18	9	60 - 17	R27243	1J1	17	50 - 17	R27479	2C19	28	70 - 15
R27145	2C8	27	70 - 5	R27267	1J5	8	50 - 22	R27479	2C21	28	70 - 17
R27149	2B17	9	60 - 16	R27267	1K4	9	50 - 46	R27483	1I17	1	50 - 9
R27149	2B18	10	60 - 17	R27267	2D11	2	70 - 30	R27490	1J22	8	50 - 39
R27149	2C8	11	70 - 5	R27267	2D12	2	70 - 31	R27506	2H14	9	80 - 24
R27149	2C10	15	70 - 7	R27267	2D14	20	70 - 33	R27507	2D23	10	70 - 42
R27149	2C17	20	70 - 13	R27267	2D14	28	70 - 33	R27507	2E2	36	70 - 45
R27149	2C19	9	70 - 15	R27270	2D9	11	70 - 28	R27507	2E13	6C	70 - 55
R27149	2C21	9	70 - 17	R27270	2D10	2	70 - 29	R27507	2F13	34	70 - 75
R27149	2D2	24	70 - 21	R27272	1J5	5	50 - 22	R27507	2H14	6	80 - 24
R27150	2C8	5	70 - 5	R27272	1J19	2	50 - 36	R27507	2I5	11	90 - 9
R27150	2C19	5	70 - 15	R27272	2B11	2	60 - 10	R27527	2B7	8	60 - 6
R27159	2C12	18	70 - 9	R27272	2B21	5	60 - 20	R27527	2B11	9	60 - 10
R27166	2C12	14	70 - 9	R27272	2B23	29	60 - 23	R27527	2B16	20	60 - 15
R27166	2C12	43	70 - 9	R27296	2B7	4	60 - 6	R27527	2C1	2A	60 - 26
R27166	2C12	44	70 - 9	R27296	2B21	2	60 - 20	R27527	2C1	4B	60 - 26
R27166	2C14	5	70 - 11	R27296	2I7	15	90 - 11	R27527	2D9	2	70 - 28
R27166	2C17	6	70 - 13	R27299	2B4	10	60 - 3	R27529	1B9	5	20 - 6
R27166	2C17	25	70 - 13	R27305	1I10	3	50 - 2	R27531	2D11	9	70 - 30
R27166	2C23	41	70 - 19	R27319	2B4	26	60 - 3	R27533	1E10	11	40 - 3
R27166	2D2	14	70 - 21	R27320	2B4	13	60 - 3	R27533	2D10	14	70 - 29
R27166	2D18	21	70 - 37	R27323	2B12	7	60 - 11	R27534	2D10	10	70 - 29
R27166	2D19	11	70 - 38	R27324	2B12	8	60 - 11	R27539	1J19	15	50 - 36
R27166	2E5	10	70 - 47	R27324	2D10	12	70 - 29	R27539	2D14	4	70 - 33
R27166	2F3	19	70 - 67	R27329	1J6	2	50 - 23	R27546	2D10	11	70 - 29
R27166	2F5	14	70 - 68A	R27329	1J7	9	50 - 24	R27564	2C12	12	70 - 9
R27166	2F13	27	70 - 75	R27329	1J9	19	50 - 26	R27564	2C14	4	70 - 11
R27167	2C12	16	70 - 9	R27346	1D19	3	30 - 17	R27564	2C17	5	70 - 13
R27168	2H13	4	80 - 23	R27346	1D20	1	30 - 18	R27564	2C23	42	70 - 19
R27168	2J9	23	90 - 32	R27421	2F20	15	70 - 79	R27564	2D2	15	70 - 21
R27170	2C12	19	70 - 9	R27421	2F22	13	70 - 81	R27564	2D18	17	70 - 37
R27171	2C12	5	70 - 9	R27423	2F20	32	70 - 79	R27564	2D19	14	70 - 38
R27172	2C12	11	70 - 9	R27426	2F20	35	70 - 79	R27564	2E5	6	70 - 47
R27173	2C12	17	70 - 9	R27427	2F20	7	70 - 79	R27564	2F20	21	70 - 79
R27174	2C12	15	70 - 9	R27427	2F22	5	70 - 81	R27564	2F22	12	70 - 81
R27174	2C17	7	70 - 13	R27430	2F13	5	70 - 75	R27564	2F24	13	70 - 83
R27175	2C8	15	70 - 5	R27430	2F16	31	70 - 75D	R27564	2G2	12	70 - 85
R27175	2C10	20	70 - 7	R27430	2G8	5	70 - 92	R27564	2G5	4	70 - 89
R27175	2C19	13	70 - 15	R27439	2I11	12	90 - 15	R27564	2G6	7	70 - 90
R27175	2C21	14	70 - 17	R27440	2I12	10	90 - 16	R27583	1E11	3	40 - 4
R27175	2D18	25	70 - 37	R27441	2I11	24	90 - 15	R27583	1E12	3	40 - 5
R27175	2E5	12	70 - 47	R27441	2I12	12	90 - 16	R27583	1G22	20	40 - 67
R27180	1D16	13	30 - 14	R27441	2I12	23	90 - 16	R27583	1G24	19	40 - 69
R27180	1E10	6	40 - 3	R27441	2I19	7	90 - 20	R27583	1H2	20	40 - 69B
R27180	1F25	3	40 - 45	R27442	2I12	5	90 - 16	R27640	1I9	30	50 - 1
R27180	2I3	12	90 - 7	R27443	1B9	10	20 - 6	R27642	2H9	2	80 - 19
R27181	1D18	17	30 - 16	R27453	2B4	11	60 - 3	R27643	2H9	5	80 - 19
R27209	1C18	6	20 - 33	R27460	1G1	13	40 - 46	R27645	2H9	3	80 - 19
R27210	2D15	15	70 - 34	R27460	1G2	10	40 - 47	R27649	2B23	15	60 - 23
R27210	2D16	10	70 - 35	R27460	1G4	4	40 - 49	R27649	2B23	16	60 - 23
R27212	2C15	6	70 - 11A	R27460	1G5	2	40 - 50	R27649	2B23	34	60 - 23
R27212	2C24	6	70 - 19A	R27460	1G8	8	40 - 53	R27649	2B25	27	60 - 25
R27216	1I9	6	50 - 1	R27471	2C12	44	70 - 9	R27649	2F20	23	70 - 79

1L6

4320 TRACTOR

NUMERICAL INDEX - CONTINUED

PART NO.	GRID	KEY	PAGE	PART NO.	GRID	KEY	PAGE	PART NO.	GRID	KEY	PAGE
R27649	2F22	10	70 - 81	R28114	2G18	10	80 - 5	R30399	1J10	2	50 - 27
R27649	2G5	6	70 - 89	R28123	2H8	7	80 - 18	R30694	2H19	13	80 - 29
R27693	1B20	6	20 - 14	R28123	2H25	3	90 - 4	R30747	2G15	1	80 - 2
R27730	1I21	12	50 - 14	R28123	2J10	14	90 - 33	R30748	2G16	10	80 - 3
R27730	1J22	31	50 - 39	R28123	2J10	15	90 - 33	R30805	2I22	3	90 - 23
R27785	2I10	7	90 - 14	R28123	2J10	16	90 - 33	R30805	2I24	4	90 - 25
R27808	2G16	2	80 - 3	R28124	2B6	7	60 - 5	R30815	2G10	5	70 - 94
R27808	2G18	2	80 - 5	R28128	1J20	4	50 - 37	R30816	2G10	7	70 - 94
R27808	2G24	2	80 - 10	R28193	1G9	12	40 - 54	R30817	2G10	6	70 - 94
R27809	2G14	12	80 - 1	R28204	2F13	1	70 - 75	R30828	1E2	4	30 - 25
R27809	2G17	14	80 - 4	R28204	2F16	17	70 - 75D	R30829	1I12	30	50 - 4
R27809	2G22	12	80 - 8	R28204	2F16	35	70 - 75D	R30829	1J11	2	50 - 28
R27817	2G14	5	80 - 1	R28473	1G12	6	40 - 57	R30877	1I9	28	50 - 1
R27817	2G17	5	80 - 4	R28490	2H5	5	80 - 15	R30903	1J19	21	50 - 36
R27817	2G22	6	80 - 8	R28490	2H5	..	80 - 15	R30903	2B16	5	60 - 15
R27883	2H16	1	80 - 26	R28538	2D14	8	70 - 33	R30903	2B17	30	60 - 16
R27898	2H8	3	80 - 18	R28575	2G19	9	80 - 6	R30903	2B18	7	60 - 17
R27906	2B21	1	60 - 20	R28575	2H2	16	80 - 13	R30936	1C18	4	20 - 33
R27926	2D4	3	70 - 23	R28583	1D15	17	30 - 13	R30936	1C18	13	20 - 33
R27926	2D6	3	70 - 25	R28583	1D16	16	30 - 14	R30936	2H14	1	80 - 24
R27927	2D4	1	70 - 23	R28594	1J4	9	50 - 20	R30936	2J9	1	90 - 32
R27927	2D6	1	70 - 25	R28671	1J23	14	50 - 40	R30936	2J9	5	90 - 32
R27928	2C17	22	70 - 13	R28671	1K1	15	50 - 43	R30936	2J9	14	90 - 32
R27928	2D2	26	70 - 21	R28676	2B15	8	60 - 14	R30936	2J9	19	90 - 32
R27928	2D4	2	70 - 23	R28677	2B15	9	60 - 14	R30937	1C18	18	20 - 33
R27928	2D4	4	70 - 23	R28744	2F4	6A	70 - 68	R30937	2H15	9	80 - 25
R27928	2D6	2	70 - 25	R28744	2F4	14	70 - 68	R30937	2H25	2	90 - 4
R27928	2D19	5	70 - 38	R28774	2B17	22	60 - 16	R30937	2H25	11	90 - 4
R27928	2E1	20	70 - 44	R28776	1J23	25	50 - 40	R30937	2I8	1	90 - 12
R27930	2D13	4	70 - 32	R28776	2B17	24	60 - 16	R30937	2J13	11	90 - 36
R27948	1C14	2	20 - 29	R28776	2B18	12	60 - 17	R30959	1I17	11	50 - 9
R27948	1C22	31	20 - 37	R28781	2C12	39	70 - 9	R30964	1E11	1	40 - 4
R27950	2G17	7	80 - 4	R28781	2C23	34	70 - 19	R30964	1E12	1	40 - 5
R27962	2B14	2	60 - 13	R28782	2C12	38	70 - 9	R31024	2D18	35	70 - 37
R27976	1F10	27	40 - 29	R28782	2C17	9	70 - 13	R31026	1I21	10	50 - 14
R27997	2E13	18	70 - 55	R28782	2C23	33	70 - 19	R31028	1I21	14	50 - 14
R27998	2E13	20	70 - 55	R28782	2D2	11	70 - 21	R31131	1I12	3	50 - 4
R27998	2E15	40	70 - 57	R28783	2H14	8	80 - 24	R31136	2D21	6	70 - 40
R27999	2E13	21	70 - 55	R28811	1B25	4	20 - 19	R31136	2F9	4	70 - 71
R27999	2E15	39	70 - 57	R28914	1J5	22	50 - 22	R31136	2F11	1	70 - 73
R28006	2F13	6	70 - 75	R29354	1J22	26	50 - 39	R31147	1D21	1	30 - 19
R28006	2F16	30	70 - 75D	R29354	1K11	35	50 - 53	R31198	1I10	20	50 - 2
R28006	2G8	6	70 - 92	R29463	2F24	31	70 - 83	R31198	1I12	8	50 - 4
R28007	1E2	9	30 - 25	R29463	2G2	21	70 - 85	R31201	2B4	34	60 - 3
R28009	1E2	6	30 - 25	R29463	2G6	3	70 - 90	R31202	2B4	31	60 - 3
R28015	1C18	5	20 - 33	R29463	2G7	11	70 - 91	R31217	2B8	4	60 - 7
R28021	2G16	10	80 - 3	R29936	2C17	21	70 - 13	R31225	2G20	20	80 - 7
R28021	2G24	10	80 - 10	R29936	2D2	21	70 - 21	R31226	2G20	19	80 - 7
R28022	2G16	14	80 - 3	R29936	2D2	25	70 - 21	R31250	1G1	1	40 - 46
R28023	2G16	8	80 - 3	R3R	2G20	14	80 - 7	R31250	1G1	11	40 - 46
R28023	2G18	8	80 - 5	R30181	1G1	8	40 - 46	R31250	1G2	1	40 - 47
R28023	2G24	8	80 - 10	R30181	1G2	9	40 - 47	R31250	1G2	18	40 - 47
R28024	2G16	12	80 - 3	R30181	1G8	7	40 - 53	R31260	2I11	9	90 - 15
R28024	2G24	12	80 - 10	R30182	1G1	1	40 - 46	R31271	1E2	19	30 - 25
R28040	2E16	7A	70 - 58	R30182	1G1	11	40 - 46	R31271	2B16	6	60 - 15
R28040	2E16	8	70 - 58	R30182	1G2	1	40 - 47	R31273	2B16	23	60 - 15
R28084	2F13	3	70 - 75	R30182	1G2	18	40 - 47	R31278	2B7	19	60 - 6
R28084	2F13	19	70 - 75	R30200	1C20	6	20 - 35	R31287	2H19	7	80 - 29
R28084	2F16	19	70 - 75D	R30319	1J7	16	50 - 24	R31374	1I9	9	50 - 1
R28084	2F16	33	70 - 75D	R30323	2B7	21	60 - 6	R31378	1C20	2	20 - 35
R28084	2G8	3	70 - 92	R30378	1G13	2	40 - 58	R31438	2E16	10	70 - 58
R28084	2G8	17	70 - 92	R30378	1G13	12	40 - 58	R31454	2B17	16	60 - 16
R28085	2F13	2	70 - 75	R30378	1G13	14	40 - 58	R31454	2B17	17	60 - 16
R28085	2F16	18	70 - 75D	R30378	1G13	16	40 - 58	R31454	2B17	27	60 - 16
R28085	2F16	34	70 - 75D	R30378	1H13	25	40 - 80	R31455	2B16	14	60 - 15
R28085	2G8	2	70 - 92	R30378	1I2	43	40 - 95	R31455	2B18	2	60 - 17
R28085	2G8	18	70 - 92	R30379	1G13	15	40 - 58	R31457	2B16	9	60 - 15

1L7

4320 TRACTOR

NUMERICAL INDEX - CONTINUED

PART NO.	GRID	KEY	PAGE	PART NO.	GRID	KEY	PAGE	PART NO.	GRID	KEY	PAGE
R31458	2B16	7	60 - 15	R32018	1E20	4	40 - 13	R32306	1D15	4	30 - 13
R31459	2B16	4	60 - 15	R32018	1G4	2	40 - 49	R32306	1D16	2	30 - 14
R31464	2B17	36	60 - 16	R32018	1G11	..	40 - 56	R32344	2C12	42	70 - 9
R31465	2B17	34	60 - 16	R32018	1H19	9	40 - 87	R32353	2F16	21	70 - 75D
R31467	2B17	35	60 - 16	R32018	1H19	15	40 - 87	R32353	2G8	15	70 - 92
R31468	2B17	32	60 - 16	R32018	1H23	12	40 - 91	R32354	2F16	25	70 - 75D
R31468	2B18	6	60 - 17	R32018	2I1	11	90 - 5	R32354	2G8	11	70 - 92
R31469	2B17	33	60 - 16	R32019	1E17	3	40 - 10	R32355	2F16	26	70 - 75D
R31469	2B18	5	60 - 17	R32019	1H23	13	40 - 91	R32355	2G8	10	70 - 92
R31490	2H4	10	80 - 14	R32021	1H19	14	40 - 87	R32356	2F13	9	70 - 75
R31491	2H4	10	80 - 14	R32021	1H23	14	40 - 91	R32356	2F16	27	70 - 75D
R31493	1I9	17	50 - 1	R32022	1E10	18	40 - 3	R32356	2G8	9	70 - 92
R31494	1I9	16	50 - 1	R32022	1E16	1	40 - 9	R32376	2B16	29	60 - 15
R31505	2B15	19	60 - 14	R32022	1E17	3	40 - 10	R32419	2E7	24	70 - 49
R31505	2H8	15	80 - 18	R32022	1H23	15	40 - 91	R32419	2F16	28	70 - 75D
R31505	2I12	20	90 - 16	R32022	2I1	11	90 - 5	R32419	2G8	8	70 - 92
R31561	2B15	14	60 - 14	R32023	1F25	12	40 - 45	R32426	1B11	2	20 - 8
R31573	2G16	14	80 - 3	R32023	1H23	16	40 - 91	R32507	1J4	10	50 - 20
R31573	2G24	14	80 - 10	R32024	1F24	2	40 - 44	R32588	1I10	23	50 - 2
R31592	2H4	10	80 - 14	R32024	1F25	2	40 - 45	R32588	1I13	9	50 - 5
R31602	2B16	30	60 - 15	R32024	1F25	13	40 - 45	R32588	2B6	3	60 - 5
R31618	2I19	5	90 - 20	R32024	1H19	9	40 - 87	R32588	2F22	15	70 - 81
R31618	2J15	8	90 - 38	R32024	1I4	3	40 - 97	R32588	2G2	15	70 - 85
R31631	1I9	6	50 - 1	R32025	1E10	2	40 - 3	R32588	2G5	2	70 - 89
R31631	1I15	16	50 - 7	R32025	1F24	2	40 - 44	R32588	2G6	5	70 - 90
R31631	1J22	22	50 - 39	R32025	1F25	2	40 - 45	R32588	2G7	2	70 - 91
R31631	1J23	9	50 - 40	R32025	1G4	2	40 - 49	R32593	1B6	5	20 - 3
R31631	2B17	16	60 - 16	R32025	1G11	..	40 - 56	R32593	1C22	2	20 - 37
R31632	1I15	7	50 - 7	R32025	1H19	14	40 - 87	R32630	1I25	9	50 - 16
R31632	2B23	22	60 - 23	R32025	1I4	4	40 - 97	R32631	1I12	2	50 - 4
R31632	2B25	19	60 - 25	R32026	1H23	17	40 - 91	R32632	1I12	23	50 - 4
R31654	1I16	9	50 - 8	R32026	1I2	48	40 - 95	R32639	1D21	10	30 - 19
R31654	1J19	8	50 - 36	R32027	1E10	2	40 - 3	R32736	2I10	8	90 - 14
R31655	1I16	3	50 - 8	R32027	1F24	2	40 - 44	R33004	1J20	19	50 - 37
R31655	1J19	7	50 - 36	R32027	1F25	2	40 - 45	R33015	1J20	2	50 - 37
R31665	1K11	25	50 - 53	R32027	1F25	13	40 - 45	R33018	1J20	2	50 - 37
R31698	1J18	17	50 - 35	R32027	1G4	2	40 - 49	R33020	1J20	5	50 - 37
R31736	2F16	7	70 - 75D	R32027	1H19	5	40 - 87	R33021	1J20	21	50 - 37
R31736	2F17	7	70 - 76	R32027	1H19	9	40 - 87	R33022	1J20	17	50 - 37
R31781	2C12	41	70 - 9	R32027	1H19	14	40 - 87	R33022	1J21	8	50 - 38
R31781	2C23	37	70 - 19	R32027	1H23	18	40 - 91	R33023	1J20	26	50 - 37
R31890	2F13	24	70 - 75	R32027	2I1	2	90 - 5	R33024	1J20	16	50 - 37
R31943	2H4	10	80 - 14	R32028	1E16	1	40 - 9	R33024	2B19	1	60 - 18
R32007	1E10	2	40 - 3	R32028	1H23	19	40 - 91	R33026	1J20	3	50 - 37
R32007	1E10	18	40 - 3	R32029	1H23	20	40 - 91	R33026	1J21	1	50 - 38
R32007	1E10	24	40 - 3	R32042	1B13	7	20 - 11	R33027	1J20	13	50 - 37
R32007	1E17	2	40 - 10	R32042	1C13	21	20 - 28	R33027	1J21	6	50 - 38
R32007	1E17	3	40 - 10	R32090	2B17	4	60 - 16	R33028	1J7	18	50 - 24
R32007	1F24	2	40 - 44	R32091	2B17	3	60 - 16	R33028	1J20	18	50 - 37
R32007	1F25	2	40 - 45	R32092	2B17	1	60 - 16	R33029	1J20	23	50 - 37
R32007	1F25	12	40 - 45	R32092	2B18	3	60 - 17	R33029	1J21	11	50 - 38
R32007	1F25	13	40 - 45	R32101	1I9	26	50 - 1	R33058	1J18	7	50 - 35
R32007	1G1	3	40 - 46	R32101	1I17	5	50 - 9	R33062	1I20	1	50 - 12
R32007	1G2	3	40 - 47	R32101	1J7	13	50 - 24	R33062	1J12	11	50 - 29
R32007	1G8	3	40 - 53	R32101	1J8	7	50 - 25	R33062	1J15	28	50 - 32
R32007	1G11	..	40 - 56	R32101	1J9	7	50 - 26	R33138	1J5	14	50 - 22
R32011	1H23	1	40 - 91	R32101	1J9	23	50 - 26	R33162	1J5	11	50 - 22
R32016	1E10	24	40 - 3	R32101	2D15	14	70 - 34	R33162	1J5	15	50 - 22
R32016	1F25	12	40 - 45	R32101	2D16	9	70 - 35	R33162	1J5	23	50 - 22
R32016	1F25	13	40 - 45	R32117	2F18	5	70 - 77	R33162	1J5	25	50 - 22
R32016	1G1	3	40 - 46	R32118	2F18	5	70 - 77	R33163	1J5	18	50 - 22
R32016	1G2	3	40 - 47	R32136	1D21	22	30 - 19	R33216	1I9	24	50 - 1
R32016	1G8	3	40 - 53	R32183	2F18	4	70 - 77	R33236	1I9	25	50 - 1
R32016	1H23	10	40 - 91	R32186	2B4	14	60 - 3	R33236	1J8	8	50 - 25
R32017	1H23	11	40 - 91	R32234	2I8	..	90 - 12	R33236	1J9	8	50 - 26
R32018	1E10	2	40 - 3	R32276	1H13	..	40 - 80	R33259	1D23	30	30 - 21
R32018	1E17	2	40 - 10	R32276	1H15	11	40 - 83	R33259	1I15	17	50 - 7

1L8

4320 TRACTOR

NUMERICAL INDEX - CONTINUED

PART NO.	GRID	KEY	PAGE	PART NO.	GRID	KEY	PAGE	PART NO.	GRID	KEY	PAGE
R33259	1115	..	50 - 7	R33853	1J7	17	50 - 24	R34733	1J4	4	50 - 20
R33259	1J5	9	50 - 22	R33856	1J11	1	50 - 28	R34733	2B6	1	60 - 5
R33259	1J5	11	50 - 22	R34046	1E8	2	40 - 1	R34733	2B8	6	60 - 7
R33259	1J5	15	50 - 22	R34121	2B5	15	60 - 4	R34748	2B15	13	60 - 14
R33259	1J5	23	50 - 22	R34122	2B6	20	60 - 5	R34757	2G15	5	80 - 2
R33259	1J5	25	50 - 22	R34123	2B6	17	60 - 5	R34757	2G17	8	80 - 4
R33282	1J22	29	50 - 39	R34125	2B4	28	60 - 3	R34801	2H4	13	80 - 14
R33282	2B23	17	60 - 23	R34129	2B6	22	60 - 5	R34801	2H6	1	80 - 16
R33320	1J7	14	50 - 24	R34131	2B6	9	60 - 5	R34801	2H7	3	80 - 17
R33321	1J8	13	50 - 25	R34131	2F22	16	70 - 81	R34802	2C23	12	70 - 19
R33322	1J8	15	50 - 25	R34131	2G2	16	70 - 85	R34812	1D23	19	30 - 21
R33325	1J8	1	50 - 25	R34131	2G5	1	70 - 89	R34812	2F3	27	70 - 67
R33325	1J9	1	50 - 26	R34131	2G7	1	70 - 91	R34812	2F6	9	70 - 68B
R33337	1117	27	50 - 9	R34147	2D13	13	70 - 32	R34819	1J19	14	50 - 36
R33337	1J7	12	50 - 24	R34152	2D20	7	70 - 39	R34827	2J19	1	90 - 41
R33337	1J9	22	50 - 26	R34154	2D16	15	70 - 35	R34848	1J20	12	50 - 37
R33339	1J7	20	50 - 24	R34154	2D21	11	70 - 40	R34855	1J14	5	50 - 31
R33344	1J7	19	50 - 24	R34201	1112	28	50 - 4	R34855	1J15	19	50 - 32
R33345	1J11	8	50 - 28	R34206	1G14	8	40 - 59	R34857	1J14	18	50 - 31
R33346	1120	15	50 - 12	R34253	2E16	7A	70 - 58	R34857	1J15	11	50 - 32
R33347	1120	14	50 - 12	R34267	2110	10	90 - 14	R34857	1J15	13	50 - 32
R33347	1J11	14	50 - 28	R34272	2110	5	90 - 14	R34858	1J14	20	50 - 31
R33348	1J6	7	50 - 23	R34304	2D20	6	70 - 39	R34858	1J15	11	50 - 32
R33364	2D14	25	70 - 33	R34328	1J8	11	50 - 25	R34858	1J15	12	50 - 32
R33386	1120	19	50 - 12	R34328	1J9	11	50 - 26	R34863	1J14	21	50 - 31
R33393	1125	5	50 - 16	R34348	2C8	26	70 - 5	R34863	1J15	10	50 - 32
R33399	1J1	5	50 - 17	R34349	2C8	24	70 - 5	R34940	1J20	11	50 - 37
R33400	1J1	18	50 - 17	R34360	2C5	5	70 - 1	R34958	2I22	6	90 - 23
R33403	119	29	50 - 1	R34362	2C5	2	70 - 1	R34965	2F22	20	70 - 81
R33413	1120	18	50 - 12	R34373	2E19	28	70 - 61	R34965	2G5	16	70 - 89
R33414	1120	18	50 - 12	R34375	2E19	16	70 - 61	R34966	2F22	19	70 - 81
R33415	1120	18	50 - 12	R34376	2E19	29	70 - 61	R34966	2G5	15	70 - 89
R33424	1118	1	50 - 10	R34388	1D15	12	30 - 13	R34980	2B15	18	60 - 14
R33425	1118	2	50 - 10	R34394	1D15	7	30 - 13	R35164	1I21	1	50 - 14
R33430	2H4	7	80 - 14	R34394	1D16	6	30 - 14	R35165	1I21	1	50 - 14
R33430	2H4	11	80 - 14	R34394	1D17	..	30 - 15	R35166	1I21	1	50 - 14
R33430	2H4	12	80 - 14	R34395	1D15	8	30 - 13	R35167	1I21	1	50 - 14
R33430	2H4	13	80 - 14	R34395	1D16	7	30 - 14	R35256	1B10	2	20 - 7
R33440	2H4	7	80 - 14	R34397	2F13	15	70 - 75	R35339	2J8	12	90 - 31
R33440	2H4	11	80 - 14	R34398	2F13	22	70 - 75	R35340	2J10	13	90 - 33
R33440	2H4	12	80 - 14	R34399	2F13	8	70 - 75	R35340	2J10	18	90 - 33
R33450	2H4	7	80 - 14	R34400	2F13	20	70 - 75	R35352	1D21	13	30 - 19
R33450	2H4	11	80 - 14	R34404	1J22	33	50 - 39	R35422	1D18	6	30 - 16
R33450	2H4	12	80 - 14	R34404	2B7	22	60 - 6	R35447	2F24	18	70 - 83
R33450	2H4	13	80 - 14	R34447	1D19	11	30 - 17	R35447	2G2	13	70 - 85
R33487	1J9	21	50 - 26	R34448	2E17	23	70 - 59	R35448	2F24	34	70 - 83
R33488	1J8	2	50 - 25	R34448	2E19	34	70 - 61	R35452	2F24	3	70 - 83
R33488	1J9	2	50 - 26	R34450	2E19	14	70 - 61	R35452	2G2	5	70 - 85
R33489	1117	26	50 - 9	R34483	1110	1	50 - 2	R35472	2F24	15	70 - 83
R33498	1117	23	50 - 9	R34483	2H19	8	80 - 29	R35472	2G2	10	70 - 85
R33531	2H4	3	80 - 14	R34487	2D20	4	70 - 39	R35472	2G6	8	70 - 90
R33531	2H5	3	80 - 15	R34495	1J18	19	50 - 35	R35472	2G7	4	70 - 91
R33532	2H4	4	80 - 14	R34505	2E17	14	70 - 59	R35473	1J22	27	50 - 39
R33532	2H5	4	80 - 15	R34537	2E4	19	70 - 46A	R35473	1K11	36	50 - 53
R33533	2H5	3	80 - 15	R34557	2E7	9	70 - 49	R35473	2F24	32	70 - 83
R33534	2H5	4	80 - 15	R34589	2F13	36	70 - 75	R35473	2G2	22	70 - 85
R33610	1J5	4	50 - 22	R34594	1J10	28	50 - 27	R35473	2G6	2	70 - 90
R33610	2D11	4	70 - 30	R34608	2H19	10	80 - 29	R35473	2G7	12	70 - 91
R33706	2H4	9	80 - 14	R34618	2110	8	90 - 14	R35474	2F24	23	70 - 83
R33730	1125	6	50 - 16	R34619	2110	10	90 - 14	R35474	2G2	19	70 - 85
R33730	1J1	6	50 - 17	R34620	2110	9	90 - 14	R35474	2G6	14	70 - 90
R33731	1125	17	50 - 16	R34656	1D18	20	30 - 16	R35474	2G7	9	70 - 91
R33732	2B15	7	60 - 14	R34659	2H4	10	80 - 14	R35479	2E20	12	70 - 62
R33733	2B13	2	60 - 12	R34680	2H4	7	80 - 14	R35644	1111	34	50 - 3
R33765	1J1	11	50 - 17	R34680	2H4	11	80 - 14	R35680	2B23	33	60 - 23
R33831	2E17	21	70 - 59	R34680	2H4	12	80 - 14	R35684	2B23	5	60 - 23
R33852	1J7	15	50 - 24	R34680	2H4	13	80 - 14	R35684	2B23	7	60 - 23

1L9

4320 TRACTOR

NUMERICAL INDEX - CONTINUED

PART NO.	GRID	KEY	PAGE	PART NO.	GRID	KEY	PAGE	PART NO.	GRID	KEY	PAGE
R35684	2B25	5	60 - 25	R38543	2E6	20	70 - 48	R40072	2D9	6	70 - 28
R35726	1K6	12	50 - 48	R38614	1B15	1	20 - 13	R40121	2E20	22A	70 - 62
R35726	2D10	4	70 - 29	R38614	1C11	6	20 - 26	R40121	2J11	16	90 - 34
R35738	2F24	33	70 - 83	R38614	1C11	..	20 - 26	R40149	2B5	12	60 - 4
R35738	2G2	32	70 - 85	R38614	1C12	2	20 - 27	R40152	1J21	14	50 - 38
R35738	2G6	1	70 - 90	R39012	2F20	3	70 - 79	R40152	2B19	3	60 - 18
R35738	2G7	21	70 - 91	R39012	2F24	7	70 - 83	R40152	2B19	4	60 - 18
R35769	2H14	10	80 - 24	R39074	2C8	17	70 - 5	R40153	1J21	14	50 - 38
R35827	2C17	22	70 - 13	R39074	2C10	21	70 - 7	R40153	2B19	3	60 - 18
R35871	2E6	18	70 - 48	R39112	1J5	9	50 - 22	R40153	2B19	4	60 - 18
R36235	1H13	22	40 - 80	R39112	1J23	11	50 - 40	R40218	2F20	38	70 - 79
R36265	1E21	6	40 - 14	R39112	1K1	19	50 - 43	R40219	2F24	26	70 - 83
R36265	1I25	19	50 - 16	R39112	1K4	6	50 - 46	R40235	2J13	16	90 - 36
R36295	1J8	12	50 - 25	R39112	2B7	17	60 - 6	R40236	1J14	24	50 - 31
R36311	1I11	35	50 - 3	R39112	2D14	33	70 - 33	R40236	1J15	7	50 - 32
R36358	2C23	11	70 - 19	R39112	2D18	8	70 - 37	R40262	1J20	2	50 - 37
R36402	2E22	2	70 - 64A	R39112	2F17	9	70 - 76	R40337	1F8	4	40 - 27
R36415	2J8	18	90 - 31	R39175	2C8	20	70 - 5	R40337	1F10	26	40 - 29
R36424	2D20	5	70 - 39	R39175	2C10	24	70 - 7	R40337	1F13	3	40 - 33
R36535	1D23	18	30 - 21	R39228	2C8	18	70 - 5	R40338	2B7	3	60 - 6
R36540	1D23	28	30 - 21	R39228	2C10	22	70 - 7	R40423	2I22	2	90 - 23
R36590	2I5	8	90 - 9	R39228	2C19	16	70 - 15	R40423	2I24	1	90 - 25
R36590	2I8	..	90 - 12	R39228	2C21	16	70 - 17	R40424	2E15	25	70 - 57
R36590	2J13	7	90 - 36	R39249	2D14	11	70 - 33	R40425	2E15	29	70 - 57
R36609	2E20	19A	70 - 62	R394R	1J4	2	50 - 20	R40445	1F24	3	40 - 44
R36658	2G10	3	70 - 94	R394R	1J4	7	50 - 20	R40445	1F24	9	40 - 44
R36659	2G10	3	70 - 94	R394R	1J11	20	50 - 28	R40445	1H19	3	40 - 87
R36666	1J22	9	50 - 39	R394R	2D19	6	70 - 38	R40499	2F3	26	70 - 67
R36689	2H19	4	80 - 29	R394R	2E1	16	70 - 44	R40499	2F3	33	70 - 67
R36704	2I12	22	90 - 16	R394R	2E1	21	70 - 44	R40499	2F4	1	70 - 68
R36715	1C13	15	20 - 28	R394R	2E1	33	70 - 44	R40499	2F13	27	70 - 75
R36732	1H15	24	40 - 83	R39512	2E17	13	70 - 59	R40504	2H19	14	80 - 29
R36742	2B17	15	60 - 16	R39513	2E17	13	70 - 59	R40505	2H19	11	80 - 29
R36742	2B23	36	60 - 23	R39534	1D15	2	30 - 13	R40509	2H19	12	80 - 29
R36756	2H19	9	80 - 29	R39571	1D15	14	30 - 13	R40516	2E20	7	70 - 62
R36757	1D7	..	30 - 5	R39587	1J5	19	50 - 22	R40531	2B5	13	60 - 4
R36795	2F18	4	70 - 77	R39597	1J19	20	50 - 36	R40545	1F8	38	40 - 27
R36858	2D13	13	70 - 32	R39613	2H15	2	80 - 25	R40546	1F11	6	40 - 30
R36882	1I15	13	50 - 7	R39615	1D18	10	30 - 16	R40548	1F11	10	40 - 30
R36943	1J5	26	50 - 22	R39729	2C8	9	70 - 5	R40548	1F16	7	40 - 36
R36945	2E7	27	70 - 49	R39729	2C10	13	70 - 7	R40557	2E16	9	70 - 58
R36946	2E7	23	70 - 49	R39729	2C17	17	70 - 13	R40558	2E16	14	70 - 58
R36946	2F16	16	70 - 75D	R39739	2J19	3	90 - 41	R40562	2D9	8	70 - 28
R36946	2G8	21	70 - 92	R39741	2C8	15	70 - 5	R40567	2B4	30	60 - 3
R36951	2G2	20	70 - 85	R39741	2C10	20	70 - 7	R40589	2G16	4	80 - 3
R36951	2G7	10	70 - 91	R39741	2C19	13	70 - 15	R40589	2G18	4	80 - 5
R36952	2F22	34	70 - 81	R39741	2E5	13	70 - 47	R40589	2G24	4	80 - 10
R36952	2G2	34	70 - 85	R39758	2H5	9	80 - 15	R40595	2B7	12	60 - 6
R36952	2G5	25	70 - 89	R39766	2I19	9	90 - 20	R40596	2B7	15	60 - 6
R36952	2G7	23	70 - 91	R39767	2I19	10	90 - 20	R40597	2B7	16	60 - 6
R37426	2B4	20	60 - 3	R39792	1J11	12	50 - 28	R40617	1J19	5	50 - 36
R375R	2E6	11	70 - 48	R39795	1J4	1	50 - 20	R40630	2D15	4	70 - 34
R375R	2F7	19	70 - 69	R39796	1J4	3	50 - 20	R40633	2E11	18	70 - 53
R375R	2F13	16	70 - 75	R39800	1E24	14	40 - 18	R40638	1J23	6	50 - 40
R375R	2F14	5	70 - 75B	R39801	1E24	20	40 - 18	R40664	1J5	9	50 - 22
R38143	1E1	9	30 - 24	R39802	1E24	9	40 - 18	R40676	2H19	15	80 - 29
R38181	1I25	13	50 - 16	R39803	1E24	18	40 - 18	R40676	2J14	16	90 - 37
R38181	1J1	12	50 - 17	R39803	1E25	17	40 - 19	R40734	1I10	19	50 - 2
R38218	1J7	11	50 - 24	R39804	1E25	18	40 - 19	R40736	1I10	24	50 - 2
R38219	1J7	22	50 - 24	R39808	1J5	16	50 - 22	R40736	1I13	8	50 - 5
R38221	1J7	1	50 - 24	R39895	1D18	12	30 - 16	R40740	1B25	12	20 - 19
R38224	1J7	5	50 - 24	R39934	2H8	12	80 - 18	R40740	1C1	4	20 - 19A
R38344	1I17	3	50 - 9	R39980	2B16	8	60 - 15	R40740	1C1	6	20 - 19A
R38371	1G8	15	40 - 53	R39981	2B16	3	60 - 15	R40757	2B7	14	60 - 6
R38374	1E24	12	40 - 18	R39981	2E6	2	70 - 48	R40790	2D16	1	70 - 35
R38376	1E2	7	30 - 25	R39982	2B16	2	60 - 15	R40791	1E10	14	40 - 3
R38377	1E2	5	30 - 25	R39985	1E2	14	30 - 25	R40791	2I3	10	90 - 7

1L10

4320 TRACTOR

NUMERICAL INDEX - CONTINUED

PART NO.	GRID	KEY	PAGE	PART NO.	GRID	KEY	PAGE	PART NO.	GRID	KEY	PAGE
R40808	1C11	4	20 - 26	R40983	1E2	14	30 - 25	R41334	1E23	9	40 - 17
R40809	1110	28	50 - 2	R40984	1E2	18	30 - 25	R41338	2F3	24	70 - 67
R40811	1115	12	50 - 7	R40985	1E1	2	30 - 24	R41339	2F3	36	70 - 67
R40812	1115	1	50 - 7	R40986	1E1	3	30 - 24	R41339	2F5	10	70 - 68A
R40813	1115	4	50 - 7	R40988	1E1	8	30 - 24	R41355	2113	8	90 - 17
R40815	1J11	18	50 - 28	R40989	1E1	17	30 - 24	R41355	2115	3	90 - 17B
R40824	1J3	10	50 - 19	R40991	1E1	11	30 - 24	R41358	2117	1	90 - 18A
R40828	1J3	13	50 - 19	R40999	2D9	5	70 - 28	R41358	2J2	1	90 - 27
R40833	1J3	12	50 - 19	R40999	2D10	7	70 - 29	R41358	2J6	1	90 - 29
R40835	1119	11	50 - 11	R41001	2D9	9	70 - 28	R41361	2D22	5	70 - 41
R40835	1120	13	50 - 12	R41006	1J3	3	50 - 19	R41370	1114	2	50 - 6
R40835	1121	15	50 - 14	R41006	1J3	9	50 - 19	R41383	2E4	21	70 - 46A
R40835	1J11	15	50 - 28	R41007	1J3	22	50 - 19	R41384	2E4	16	70 - 46A
R40842	2I22	13	90 - 23	R41012	2H4	10	80 - 14	R41385	2E4	15	70 - 46A
R40842	2I23	10	90 - 24	R41017	1J14	4	50 - 31	R41385	2E4	22	70 - 46A
R40875	2I22	10	90 - 23	R41017	1J15	20	50 - 32	R41386	2E4	29	70 - 46A
R40875	2I23	15	90 - 24	R41048	1J12	7	50 - 29	R41387	2E25	14	70 - 65
R40876	2I22	9	90 - 23	R41048	1J15	22	50 - 32	R41392	2E25	19	70 - 65
R40876	2I22	12	90 - 23	R41049	1J12	17	50 - 29	R41406	1C9	3	20 - 24
R40876	2I23	12	90 - 24	R41049	2D23	16	70 - 42	R41421	1I9	12	50 - 1
R40876	2I23	16	90 - 24	R41050	1J12	16	50 - 29	R41422	1I9	13	50 - 1
R40881	2D18	1	70 - 37	R41050	1J15	26	50 - 32	R41423	1B22	1	20 - 16
R40885	2E1	8	70 - 44	R41055	2F3	5	70 - 67	R41423	1B22	4	20 - 16
R40886	2E1	27	70 - 44	R41055	2F6	5	70 - 68B	R41425	1B22	6	20 - 16
R40887	2D20	11	70 - 39	R41057	2C12	43	70 - 9	R41426	1B22	5	20 - 16
R40888	2D19	10	70 - 38	R41057	2C12	44	70 - 9	R41435	2J13	8	90 - 36
R40888	2D23	8	70 - 42	R41057	2C14	7	70 - 11	R41436	2J13	9	90 - 36
R40889	2D23	12	70 - 42	R41057	2C17	25	70 - 13	R41438	2J13	4	90 - 36
R40891	2D23	13	70 - 42	R41057	2C23	40	70 - 19	R41439	1E8	5	40 - 1
R40892	2E2	37	70 - 45	R41057	2D2	13	70 - 21	R41439	1E8	7	40 - 1
R40893	2D18	29	70 - 37	R41057	2D18	20	70 - 37	R41439	1E11	4	40 - 4
R40894	2D18	34	70 - 37	R41057	2D19	12	70 - 38	R41439	1E12	4	40 - 5
R40895	2D18	32	70 - 37	R41057	2E5	9	70 - 47	R41439	1G9	12	40 - 54
R40896	2D18	23	70 - 37	R41057	2F3	20	70 - 67	R41439	1G9	20	40 - 54
R40896	2D19	15	70 - 38	R41057	2F5	15	70 - 68A	R41439	1G9	27	40 - 54
R40896	2E5	16	70 - 47	R41057	2F13	27	70 - 75	R41439	1H15	13	40 - 83
R40897	2D16	16	70 - 35	R41058	2E25	21	70 - 65	R41439	2B12	4	60 - 11
R40898	2F4	6A	70 - 68	R41070	1B13	16	20 - 11	R41439	2E7	6	70 - 49
R40899	2F3	26	70 - 67	R41076	2E2	41	70 - 45	R41440	1G14	6	40 - 59
R40903	2F3	10	70 - 67	R41076	2E4	11	70 - 46A	R41442	2J13	3	90 - 36
R40915	2E2	40	70 - 45	R41076	2E25	16	70 - 65	R41444	2D18	3	70 - 37
R40916	2E2	39	70 - 45	R41077	2E1	13	70 - 44	R41444	2E5	2	70 - 47
R40917	2E4	4	70 - 46A	R41078	2D23	14	70 - 42	R41445	2F4	13	70 - 68
R40922	2D15	21	70 - 34	R41079	2E1	11	70 - 44	R41446	2D15	22	70 - 34
R40922	2D16	21	70 - 35	R41081	2B16	26	60 - 15	R41446	2D16	19	70 - 35
R40922	2D19	1	70 - 38	R41084	2E16	12	70 - 58	R41448	2F4	13	70 - 68
R40922	2F4	9	70 - 68	R41108	2E1	3	70 - 44	R41451	2J18	7	90 - 40
R40922	2F5	5	70 - 68A	R41115	2E1	15	70 - 44	R41463	1J5	10	50 - 22
R40922	2F16	6	70 - 75D	R41117	2E2	35	70 - 45	R41465	2D12	4	70 - 31
R40922	2F17	6	70 - 76	R41118	2E1	25	70 - 44	R41477	2B14	4	60 - 13
R40923	2E25	17	70 - 65	R41119	2E1	28	70 - 44	R41511	1110	21	50 - 2
R40925	2J14	14	90 - 37	R41120	2D21	10	70 - 40	R41511	1113	11	50 - 5
R40926	2I12	27	90 - 16	R41121	2D23	7	70 - 42	R41528	2E8	15	70 - 50
R40927	2I12	29	90 - 16	R41122	2E4	10	70 - 46A	R41532	2E8	8	70 - 50
R40937	2F3	35	70 - 67	R41122	2E25	22	70 - 65	R41543	2E8	5	70 - 50
R40937	2F5	9	70 - 68A	R41123	2E4	3	70 - 46A	R41544	2E8	1	70 - 50
R40937	2F6	10	70 - 68B	R41147	2E4	35	70 - 46A	R41549	2F3	32	70 - 67
R40942	2D23	11	70 - 42	R41149	2F3	33	70 - 67	R41564	1E2	13	30 - 25
R40943	2D23	15	70 - 42	R41154	2F3	31	70 - 67	R41565	2D20	3	70 - 39
R40944	2E1	29	70 - 44	R41155	2F4	20	70 - 68	R41604	2J14	13	90 - 37
R40945	2D18	22	70 - 37	R41156	2F3	18	70 - 67	R41613	2F3	11	70 - 67
R40947	2D15	20	70 - 34	R41194	2J17	14	90 - 39B	R41613	2F3	14	70 - 67
R40947	2D16	14	70 - 35	R41231	2H13	6	80 - 23	R41614	1E2	3	30 - 25
R40948	1114	1	50 - 6	R41253	2J18	6	90 - 40	R41661	2E1	26	70 - 44
R40948	2E2	45	70 - 45	R41285	1D8	20	30 - 6	R41663	2H13	9	80 - 23
R40949	2E1	1	70 - 44	R41296	2I18	4	90 - 19	R41706	1G14	11	40 - 59
R40982	1E2	16	30 - 25	R41303	2E8	9	70 - 50	R41724	2B6	2	60 - 5

1L11

4320 TRACTOR

NUMERICAL INDEX - CONTINUED

PART NO.	GRID	KEY	PAGE	PART NO.	GRID	KEY	PAGE	PART NO.	GRID	KEY	PAGE
R41760	2J17	15	90 - 39B	R42332	1J22	6	50 - 39	R42729	1C11	3	20 - 26
R41776	2D18	30	70 - 37	R42332	2G25	7	80 - 11	R42729	1D13	7	30 - 11
R41777	2D18	31	70 - 37	R42333	1K1	9	50 - 43	R42729	1J22	18	50 - 39
R41778	2I13	1	90 - 17	R42340	1B13	9	20 - 11	R42729	1K1	6	50 - 43
R41778	2I15	8	90 - 17B	R42352	1B10	3	20 - 7	R42729	1K2	12	50 - 44
R41845	1J20	2	50 - 37	R42352	1B10	7	20 - 7	R42733	1K2	2	50 - 44
R41846	2H4	10	80 - 14	R42356	1B10	9	20 - 7	R42734	1K2	1	50 - 44
R41858	2D15	7	70 - 34	R42357	2B11	4	60 - 10	R42735	1J22	12	50 - 39
R41858	2D16	4	70 - 35	R42357	2B11	12	60 - 10	R42762	1K1	2	50 - 43
R41861	2E15	37	70 - 57	R42357	2B21	8	60 - 20	R42763	1J22	26	50 - 39
R41877	2B23	7	60 - 23	R42364	1B8	5	20 - 5	R42763	1K11	35	50 - 53
R41877	2B23	12	60 - 23	R42375	1D13	5	30 - 11	R42764	1K2	10	50 - 44
R41877	2B25	12	60 - 25	R42390	1C11	5	20 - 26	R42764	1K11	38	50 - 53
R41878	2B23	27	60 - 23	R42390	1C12	3	20 - 27	R42765	1J22	20	50 - 39
R41879	1G20	6	40 - 65	R42392	1C11	7	20 - 26	R42766	1J22	20	50 - 39
R41879	1G24	5	40 - 69	R42392	1C12	4	20 - 27	R42773	2D20	10	70 - 39
R41880	1G20	13	40 - 65	R42404	1C22	17	20 - 37	R42784	1E18	4	40 - 11
R41880	1G22	13	40 - 67	R42406	1C15	1	20 - 30	R42799	1G22	3	40 - 67
R41880	1G24	12	40 - 69	R42406	1C16	1	20 - 31	R42799	1H2	3	40 - 69B
R41880	1H2	13	40 - 69B	R42406	1C22	13	20 - 37	R42799	1H4	..	40 - 71
R41880	1H6	4	40 - 73	R42424	1B20	4	20 - 14	R42799	1H6	9	40 - 73
R41891	2B23	31	60 - 23	R42439	2I13	9	90 - 17	R42800	1G20	5	40 - 65
R41903	1J12	10	50 - 29	R42439	2I15	2	90 - 17B	R42801	1G20	18	40 - 65
R41903	1J15	25	50 - 32	R42440	2E17	17	70 - 59	R42802	1G20	19	40 - 65
R41920	1B15	1	20 - 13	R42444	1J12	14	50 - 29	R42817	1J22	2	50 - 39
R41920	1C11	..	20 - 26	R42444	1J15	16	50 - 32	R42818	1J23	22	50 - 40
R41931	2F4	4	70 - 68	R42446	1J12	13	50 - 29	R42819	1J23	17	50 - 40
R41932	2F4	15	70 - 68	R42446	1J15	17	50 - 32	R42820	1J23	18	50 - 40
R41933	2H13	13	80 - 23	R42448	1J15	15	50 - 32	R42821	2G25	8	80 - 11
R41933	2H19	2	80 - 29	R42451	2J15	9	90 - 38	R42822	2H23	1	90 - 2
R41934	1B25	8	20 - 19	R42452	2E9	9	70 - 51	R42849	1K11	16	50 - 53
R41934	1C1	1	20 - 19A	R42452	2E9	10	70 - 51	R42849	2B7	20	60 - 6
R41934	1C2	7	20 - 20	R42467	2C8	25	70 - 5	R42849	2B17	26	60 - 16
R41934	1C3	9	20 - 21	R42468	1J23	13	50 - 40	R42849	2B21	4	60 - 20
R41934	1C4	7	20 - 21A	R42495	2E11	14	70 - 53	R42852	1C13	9	20 - 28
R41934	1C5	7	20 - 21B	R42509	1I14	18	50 - 6	R42877	1J22	21	50 - 39
R41934	1C6	7	20 - 21C	R42511	1I14	17	50 - 6	R42877	1K11	34	50 - 53
R41937	2I10	12	90 - 14	R42512	1I14	22	50 - 6	R42878	1J23	15	50 - 40
R41938	2I10	12	90 - 14	R42516	1K1	4	50 - 43	R42879	1J23	23	50 - 40
R41958	1J22	19	50 - 39	R42517	1K1	3	50 - 43	R42880	1J23	21	50 - 40
R41958	2H1	1	80 - 12	R42518	1K1	14	50 - 43	R42881	1J22	5	50 - 39
R41966	2E4	34	70 - 46A	R42519	1K2	8	50 - 44	R42882	1J23	16	50 - 40
R41968	2E4	33	70 - 46A	R42574	1F10	21	40 - 29	R42883	1K1	13	50 - 43
R41983	2H14	3	80 - 24	R42574	1F15	20	40 - 35	R42884	1K2	4	50 - 44
R42007	2B17	27	60 - 16	R42585	1J6	6	50 - 23	R42885	2G25	6	80 - 11
R42008	2B17	21	60 - 16	R42585	1J6	4	50 - 23	R42886	2G25	14	80 - 11
R42009	2B21	12	60 - 20	R42629	2B4	7	60 - 3	R42887	2G25	10	80 - 11
R42014	1J7	21	50 - 24	R42639	2E4	30	70 - 46A	R42893	2I24	7	90 - 25
R42045	2I9	19	90 - 13	R42640	2E4	20	70 - 46A	R42901	1J20	24	50 - 37
R42057	1J5	24	50 - 22	R42641	2E4	17	70 - 46A	R42924	1J24	38A	50 - 41
R42058	1I12	20	50 - 4	R42643	2D22	6	70 - 41	R42925	1J23	27	50 - 40
R42093	2E25	10	70 - 65	R42644	2D22	3	70 - 41	R42926	1J23	24	50 - 40
R42094	2E25	9	70 - 65	R42660	2E19	13	70 - 61	R42926	1K5	1	50 - 47
R42101	1J20	22	50 - 37	R42661	2B6	18	60 - 5	R42926	1K9	5	50 - 51
R42126	1J2	15	50 - 18	R42662	2H15	6	80 - 25	R42927	1J22	28	50 - 39
R42127	1J2	8	50 - 18	R42663	2C12	31	70 - 9	R42927	1K11	37	50 - 53
R42128	1J2	6	50 - 18	R42666	1G6	1	40 - 51	R42928	1K2	7	50 - 44
R42129	1J2	16	50 - 18	R42666	1G8	15	40 - 53	R42929	1K2	3	50 - 44
R42173	1B22	3	20 - 16	R42667	1G6	1	40 - 51	R42930	1K2	5	50 - 44
R42174	1B22	6	20 - 16	R42667	1G8	15	40 - 53	R42931	1K1	10	50 - 43
R42175	1B22	6	20 - 16	R42684	2B17	23	60 - 16	R42932	1K1	12	50 - 43
R42260	2C12	40	70 - 9	R42689	1G8	1	40 - 53	R42968	1K2	11	50 - 44
R42260	2C23	36	70 - 19	R42693	1C19	12	20 - 34	R42969	1J22	25	50 - 39
R42275	2J13	14	90 - 36	R42693	1C22	3	20 - 37	R42973	2G25	9	80 - 11
R42282	2E4	6	70 - 46A	R42695	2E19	18	70 - 61	R42974	2G25	13	80 - 11
R42282	2E25	5	70 - 65	R42696	2E19	18	70 - 61	R42975	2G25	11	80 - 11
R42328	1K1	1	50 - 43	R42726	1D7	..	30 - 5	R42984	1G9	10	40 - 54

1L12

4320 TRACTOR

NUMERICAL INDEX - CONTINUED

PART NO.	GRID	KEY	PAGE	PART NO.	GRID	KEY	PAGE	PART NO.	GRID	KEY	PAGE
R42985	1G9	9	40 - 54	R43724	1D8	7	30 - 6	R44008	1E23	16	40 - 17
R42986	1G9	11	40 - 54	R43742	1B10	1	20 - 7	R44009	2G24	17	80 - 10
R42987	1G9	14	40 - 54	R43751	1C22	16	20 - 37	R44010	2G24	17	80 - 10
R42988	1G9	18	40 - 54	R43751	1D8	15	30 - 6	R44011	2G23	3	80 - 9
R43075	2C5	6	70 - 1	R43753	2H15	7	80 - 25	R44012	2G23	1	80 - 9
R43117	1C15	5	20 - 30	R43753	2H15	8	80 - 25	R44013	1K2	9	50 - 44
R43117	1C15	21	20 - 30	R43763	1112	10	50 - 4	R44016	1G9	21	40 - 54
R43117	1C16	2	20 - 31	R43774	1C13	8	20 - 28	R44017	1G9	24	40 - 54
R43117	1C22	30	20 - 37	R43774	1C22	19	20 - 37	R44025	1G9	6	40 - 54
R43170	1D8	11	30 - 6	R43780	1C22	26	20 - 37	R44094	1G9	4	40 - 54
R43170	1D14	7	30 - 12	R43780	1D8	19	30 - 6	R44096	1G9	2	40 - 54
R43250	1J3	7	50 - 19	R43781	1C22	27	20 - 37	R44097	1G9	3	40 - 54
R43252	1J3	6	50 - 19	R43781	1D8	14	30 - 6	R44104	1110	29	50 - 2
R43253	1J3	14	50 - 19	R43787	1B8	23	20 - 5	R44165	1H7	28	40 - 74
R43256	1J3	21	50 - 19	R43788	1B8	23	20 - 5	R44198	1G13	6	40 - 58
R43257	1J3	4	50 - 19	R43789	1B8	23	20 - 5	R44204	1115	8	50 - 7
R43410	1C14	14	20 - 29	R43799	1D9	23	30 - 7	R44221	2J12	23	90 - 35
R43410	1C15	15	20 - 30	R43801	1D9	8	30 - 7	R44252	2B23	10	60 - 23
R43413	1C22	9	20 - 37	R43801	1D10	9	30 - 8	R44254	2B6	23	60 - 5
R43413	1D8	4	30 - 6	R43801	1D11	5	30 - 9	R44254	2B17	12	60 - 16
R43416	1C22	8	20 - 37	R43803	1D9	12	30 - 7	R44254	2B23	20	60 - 23
R43416	1D8	16	30 - 6	R43803	1D10	21	30 - 8	R44254	2B23	39	60 - 23
R43418	1112	13	50 - 4	R43803	1D11	8	30 - 9	R44254	2B25	17	60 - 25
R43423	1C13	10	20 - 28	R43804	1D9	17	30 - 7	R44255	2B6	25	60 - 5
R43424	1C13	4	20 - 28	R43804	1D10	20	30 - 8	R44255	2B17	10	60 - 16
R43424	1C13	12	20 - 28	R43804	1D11	11	30 - 9	R44255	2B23	41	60 - 23
R43425	1C13	3	20 - 28	R43805	1D9	13	30 - 7	R44256	2B6	24	60 - 5
R43425	1C13	13	20 - 28	R43805	1D10	12	30 - 8	R44256	2B17	11	60 - 16
R43426	1C13	16	20 - 28	R43805	1D11	9	30 - 9	R44256	2B23	19	60 - 23
R43427	1C13	13	20 - 28	R43806	1D9	7	30 - 7	R44256	2B23	40	60 - 23
R43427	1C13	14	20 - 28	R43806	1D10	8	30 - 8	R44256	2B25	16	60 - 25
R43428	1C13	7	20 - 28	R43806	1D11	4	30 - 9	R44285	2F22	23	70 - 81
R43429	1C13	18	20 - 28	R43807	1D9	18	30 - 7	R44285	2G5	19	70 - 89
R43441	1B13	29	20 - 11	R43808	1D9	10	30 - 7	R44286	2G2	23	70 - 85
R43444	2E13	9	70 - 55	R43808	1D10	10	30 - 8	R44286	2G7	13	70 - 91
R43444	2E15	20	70 - 57	R43808	1D11	6	30 - 9	R44287	2F22	33	70 - 81
R43479	2D11	7	70 - 30	R43809	1D9	1	30 - 7	R44287	2G2	33	70 - 85
R43488	1C22	32	20 - 37	R43811	1D9	3	30 - 7	R44287	2G5	24	70 - 89
R43491	1C19	8	20 - 34	R43812	1D9	6	30 - 7	R44287	2G7	22	70 - 91
R43548	1C13	5	20 - 28	R43813	1D9	5	30 - 7	R44296	2F20	22	70 - 79
R43553	1C14	1	20 - 29	R43814	1D9	2	30 - 7	R44296	2F22	11	70 - 81
R43558	1C14	19	20 - 29	R43815	1D9	21	30 - 7	R44296	2G5	5	70 - 89
R43558	1C22	20	20 - 37	R43815	1D10	15	30 - 8	R44297	2F24	14	70 - 83
R43559	1C14	11	20 - 29	R43816	1D9	11	30 - 7	R44297	2G2	11	70 - 85
R43560	1C14	13	20 - 29	R43816	1D10	11	30 - 8	R44298	2D18	36	70 - 37
R43563	1C14	22	20 - 29	R43816	1D11	7	30 - 9	R44299	2D18	37	70 - 37
R43563	1C22	21	20 - 37	R43817	1D9	4	30 - 7	R44300	2E1	4	70 - 44
R43580	1C18	10	20 - 33	R43817	1D10	2	30 - 8	R44302	1D16	12	30 - 14
R43594	1B8	18	20 - 5	R43817	1D11	1	30 - 9	R44302	1D17	2	30 - 15
R43595	1B8	17	20 - 5	R43818	1D9	9	30 - 7	R44302	1E8	5	40 - 1
R43595	1C22	18	20 - 37	R43819	1D9	20	30 - 7	R44302	1E8	7	40 - 1
R43603	1E23	2	40 - 17	R43819	1D10	14	30 - 8	R44302	1E11	..	40 - 4
R43604	1D5	2	30 - 3	R43821	1D9	22	30 - 7	R44302	1E12	..	40 - 5
R43605	1D5	5	30 - 3	R43821	1D10	16	30 - 8	R44302	1E21	1	40 - 14
R43621	1B13	15	20 - 11	R43828	1E23	6	40 - 17	R44302	1F5	2	40 - 25
R43634	1B13	22	20 - 11	R43828	1E24	28	40 - 18	R44302	1F6	6	40 - 25A
R43660	1C13	20	20 - 28	R43851	1B11	6	20 - 8	R44302	1F17	7	40 - 37
R43662	1G1	14	40 - 46	R43904	1C15	6	20 - 30	R44302	1G7	24	40 - 52
R43662	1G4	5	40 - 49	R43904	1C16	3	20 - 31	R44302	1G9	..	40 - 54
R43662	1G5	3	40 - 50	R43913	1B8	12	20 - 5	R44302	1H12	1	40 - 79
R43662	1G8	9	40 - 53	R43914	1B8	25	20 - 5	R44302	1H15	12	40 - 83
R43663	1C15	2	20 - 30	R43928	1D8	5	30 - 6	R44302	1H19	20	40 - 87
R43677	1B10	3	20 - 7	R43962	2B6	10	60 - 5	R44302	1H21	6	40 - 89
R43677	1B10	7	20 - 7	R43962	2B7	10	60 - 6	R44302	2I7	..	90 - 11
R43679	1B8	23	20 - 5	R43986	1D9	15	30 - 7	R44310	2F3	17	70 - 67
R43681	1B8	12	20 - 5	R43986	1D10	23	30 - 8	R44313	2E4	36	70 - 46A
R43683	1B8	24	20 - 5	R44006	1J5	9	50 - 22	R44314	2E4	37	70 - 46A

1L13

4320 TRACTOR

NUMERICAL INDEX - CONTINUED

PART NO.	GRID	KEY	PAGE	PART NO.	GRID	KEY	PAGE	PART NO.	GRID	KEY	PAGE
R44315	2H13	11	80 - 23	R44926	1B22	11	20 - 16	R45422	2C10	34	70 - 7
R44315	2H19	2	80 - 29	R44926	1C3	2	20 - 21	R45422	2C19	26	70 - 15
R44328	1J14	3	50 - 31	R44926	1C4	9	20 - 21A	R45422	2C21	26	70 - 17
R44328	1J15	21	50 - 32	R44927	1B22	11	20 - 16	R45423	2C10	28	70 - 7
R44342	1G12	8	40 - 57	R44928	1B22	11	20 - 16	R45424	2C10	29A	70 - 7
R44350	2H10	8	80 - 20	R44951	2H19	3	80 - 29	R45425	2C10	31	70 - 7
R44361	1J10	11	50 - 27	R44951	2J14	12	90 - 37	R45425	2C19	22A	70 - 15
R44372	1J10	11	50 - 27	R44952	2H19	3	80 - 29	R45425	2C21	22A	70 - 17
R44373	1C22	6	20 - 37	R44960	2I20	..	90 - 21	R45438	2C8	1	70 - 5
R44373	1D14	10	30 - 12	R44966	2I21	..	90 - 22	R45438	2C19	1	70 - 15
R44374	1C22	4	20 - 37	R44979	2G25	12	80 - 11	R45440	2I3	..	90 - 7
R44374	1D14	9	30 - 12	R44995	1I25	3	50 - 16	R45447	2E21	3	70 - 63
R44378	1B22	11	20 - 16	R44996	1I25	7	50 - 16	R45540	2J15	1	90 - 38
R44378	1C5	9	20 - 21B	R45016	2F3	10	70 - 67	R45569	1J22	10	50 - 39
R44378	1C6	9	20 - 21C	R45096	1D4	12	30 - 2	R45582	1I13	3	50 - 5
R44406	1J25	2	50 - 42	R45106	2E7	22	70 - 49	R45582	1I15	11	50 - 7
R44407	1J25	12	50 - 42	R45126	1J7	6	50 - 24	R45618	2F13	32	70 - 75
R44408	1J25	11	50 - 42	R45133	1C11	1	20 - 26	R45620	2F20	25	70 - 79
R44409	1J25	6	50 - 42	R45133	1C12	1	20 - 27	R45620	2F22	8	70 - 81
R44411	1J25	10	50 - 42	R45136	1G22	17	40 - 67	R45620	2F24	17	70 - 83
R44412	1J25	8	50 - 42	R45136	1G24	16	40 - 69	R45620	2G2	8	70 - 85
R44414	1J25	5	50 - 42	R45136	1H2	17	40 - 69B	R45620	2G6	11	70 - 90
R44415	1J25	1	50 - 42	R45137	1G22	18	40 - 67	R45630	2F13	5	70 - 75
R44416	1J25	7	50 - 42	R45137	1G24	17	40 - 69	R45630	2F16	31	70 - 75D
R44417	1J25	3	50 - 42	R45176	1K4	5	50 - 46	R45630	2G8	5	70 - 92
R44438	2J7	1	90 - 30	R45177	1K4	13	50 - 46	R45638	1K5	4	50 - 47
R44438	2J7	3	90 - 30	R45178	1K4	18	50 - 46	R45638	1K9	8	50 - 51
R44438	2J7	5	90 - 30	R45179	1K4	1	50 - 46	R45638	1K11	5	50 - 53
R44438	2J7	8	90 - 30	R45181	1K4	15	50 - 46	R45661	2G23	..	80 - 9
R44438	2J7	10	90 - 30	R45182	1K4	12	50 - 46	R45669	2E7	1	70 - 49
R44438	2J7	11	90 - 30	R45183	1K4	4	50 - 46	R45670	2E7	3	70 - 49
R44444	2J2	27	90 - 27	R45184	1K4	11	50 - 46	R45692	1B8	22	20 - 5
R44444	2J5	10	90 - 28	R45186	1K5	2	50 - 47	R45692	2B14	13	60 - 13
R44447	2I1	20	90 - 5	R45186	1K9	6	50 - 51	R45693	1B8	21	20 - 5
R44447	2J9	2	90 - 32	R45187	1K5	3	50 - 47	R45779	1J20	29	50 - 37
R44447	2J9	10	90 - 32	R45187	1K9	7	50 - 51	R45781	2B19	5	60 - 18
R44447	2J9	12	90 - 32	R45189	2E6	17	70 - 48	R45792	2B4	1	60 - 3
R44447	2J9	18	90 - 32	R45211	1E8	2	40 - 1	R45811	2B6	10	60 - 5
R44447	2J9	21	90 - 32	R45211	1E8	5	40 - 1	R45811	2B7	10	60 - 6
R44533	2J9	24	90 - 32	R45215	2E6	19	70 - 48	R45822	2C5	4	70 - 1
R44585	2J8	1	90 - 31	R45223	1I12	15	50 - 4	R45847	2I9	15	90 - 13
R44605	1E11	6	40 - 4	R45227	2C8	14	70 - 5	R45847	2I9	16	90 - 13
R44695	2E25	13	70 - 65	R45227	2C8	15	70 - 5	R45847	2I9	28	90 - 13
R44710	2H19	9	80 - 29	R45227	2C8	16	70 - 5	R45874	2C8	28	70 - 5
R44743	2C10	33	70 - 7	R45228	2C8	14	70 - 5	R45893	2I23	13	90 - 24
R44744	2C10	30A	70 - 7	R45228	2C8	15	70 - 5	R45896	2I23	7	90 - 24
R44745	2C10	1	70 - 7	R45228	2C8	16	70 - 5	R459R	2B6	4	60 - 5
R44778	2D14	18	70 - 33	R45250	1K5	10	50 - 47	R459R	2B17	2	60 - 16
R44791	2H15	5	80 - 25	R45251	1K5	11	50 - 47	R459R	2B18	4	60 - 17
R44801	2C10	18	70 - 7	R45290	1I17	7	50 - 9	R459R	2F22	14	70 - 81
R44801	2C10	19	70 - 7	R45297	2B4	16	60 - 3	R459R	2G2	14	70 - 85
R44801	2C10	20	70 - 7	R45298	2B5	8	60 - 4	R459R	2G6	6	70 - 90
R44802	2C12	31	70 - 9	R45356	1J23	3	50 - 40	R459R	2G7	3	70 - 91
R44819	2D21	10	70 - 40	R45357	1J23	1	50 - 40	R45924	2D18	19	70 - 37
R44823	2C8	10	70 - 5	R45358	1J23	4	50 - 40	R45924	2E5	8	70 - 47
R44823	2C10	14	70 - 7	R45359	1J23	5	50 - 40	R45925	2D18	18	70 - 37
R44824	2C10	5	70 - 7	R45361	1G12	7	40 - 57	R45925	2D19	13	70 - 38
R44840	2E6	10	70 - 48	R45377	1E23	12	40 - 17	R45925	2E5	7	70 - 47
R44845	2B5	9	60 - 4	R45378	1K1	5	50 - 43	R45926	2B16	15	60 - 15
R44848	2E20	4	70 - 62	R45395	2J8	5	90 - 31	R45929	2B16	11	60 - 15
R44853	1B11	1	20 - 8	R45395	2J13	..	90 - 36	R45936	1G8	18	40 - 53
R44853	1C22	15	20 - 37	R45396	2J8	6	90 - 31	R45937	1G8	19	40 - 53
R44890	2H10	11	80 - 20	R45396	2J13	..	90 - 36	R45957	2H19	1	80 - 29
R44917	2E11	11	70 - 53	R45397	2J13	..	90 - 36	R45968	1B13	30	20 - 11
R44918	2E11	11	70 - 53	R45398	2J8	8	90 - 31	R45968	1C22	14	20 - 37
R44918	2E13	3	70 - 55	R45401	2J8	7	90 - 31	R45981	2H23	12	90 - 2
R44925	1B22	11	20 - 16	R45405	2J14	12	90 - 37	R46038	2J10	6	90 - 33

1L14

4320 TRACTOR

NUMERICAL INDEX - CONTINUED

PART NO.	GRID	KEY	PAGE	PART NO.	GRID	KEY	PAGE	PART NO.	GRID	KEY	PAGE
R46045	1B25	5	20 - 19	R46436	1I20	8	50 - 12	R46691	1D12	4	30 - 10
R46046	1B25	3	20 - 19	R46437	1I22	25	50 - 15	R46692	1D12	17	30 - 10
R46046	1I12	27	50 - 4	R46438	1I21	5	50 - 14	R46693	1D12	2	30 - 10
R46092	1G12	3	40 - 57	R46439	1I20	7	50 - 12	R46696	1I9	10	50 - 1
R46098	2H23	7	90 - 2	R46443	2D23	2	70 - 42	R46697	1I10	1	50 - 2
R46099	2H23	3	90 - 2	R46446	1J12	20	50 - 29	R46698	1I10	10	50 - 2
R46114	1I19	6	50 - 11	R46447	1J15	9	50 - 32	R46699	1I10	6	50 - 2
R46115	1I19	4	50 - 11	R46448	1J15	31	50 - 32	R46700	1I10	5	50 - 2
R46116	1I20	5	50 - 12	R46452	1C18	2	20 - 33	R46701	1K5	5	50 - 47
R46117	1I20	24	50 - 12	R46453	1C18	29	20 - 33	R46702	1K5	9	50 - 47
R46118	1I20	20	50 - 12	R46464	1J1	3	50 - 17	R46702	1K9	10	50 - 51
R46119	1I22	21	50 - 15	R46466	1J12	9	50 - 29	R46708	1K2	2	50 - 44
R46120	1I20	10	50 - 12	R46467	1J12	15	50 - 29	R46709	1K2	7	50 - 44
R46121	1I22	22	50 - 15	R46468	1J15	24	50 - 32	R46722	2F3	1	70 - 67
R46122	1I21	9	50 - 14	R46471	1D14	8	30 - 12	R46722	2F5	1	70 - 68A
R46123	1I21	7	50 - 14	R46472	1D14	4	30 - 12	R46722	2F6	1	70 - 68B
R46124	1I21	4	50 - 14	R46473	1D8	8	30 - 6	R46731	1E23	2	40 - 17
R46162	1J12	1	50 - 29	R46477	1C19	3	20 - 34	R46732	1I15	14	50 - 7
R46162	1J15	1	50 - 32	R46478	1C19	6	20 - 34	R46747	1I20	15	50 - 12
R46206	1B8	25	20 - 5	R46479	1C19	4	20 - 34	R46747	1J11	11	50 - 28
R46207	1B8	25	20 - 5	R46479	1C22	5	20 - 37	R46776	1I12	21	50 - 4
R46208	1B8	25	20 - 5	R46480	1C19	10	20 - 34	R46791	1G15	5	40 - 60
R46209	1B8	24	20 - 5	R46485	2D13	10	70 - 32	R46821	1J18	5	50 - 35
R46285	1J2	11	50 - 18	R46502	1I20	1	50 - 12	R46855	1J18	18	50 - 35
R46302	1J2	25	50 - 18	R46502	1J12	11	50 - 29	R46856	1J18	15	50 - 35
R46303	1J2	22	50 - 18	R46502	1J15	28	50 - 32	R46856	1J19	12	50 - 36
R46313	1I14	19	50 - 6	R46505	1G24	5	40 - 69	R46857	1I10	16	50 - 2
R46323	1J12	6	50 - 29	R46511	1I17	17	50 - 9	R46858	1I10	17	50 - 2
R46323	1J15	6	50 - 32	R46511	2D23	19	70 - 42	R46859	1I10	12	50 - 2
R46324	1J12	6	50 - 29	R46513	2D23	17	70 - 42	R46860	1I10	13	50 - 2
R46324	1J15	6	50 - 32	R46513	2E16	20	70 - 58	R46862	1J18	3	50 - 35
R46325	1J12	6	50 - 29	R46514	2E16	21	70 - 58	R46863	1J18	1	50 - 35
R46325	1J15	6	50 - 32	R46523	1C18	3	20 - 33	R46865	1J17	8	50 - 34
R46326	1J14	2	50 - 31	R46527	2E25	3	70 - 65	R46866	1J17	14	50 - 34
R46326	1J15	27	50 - 32	R46528	2E25	1	70 - 65	R46867	1J17	2	50 - 34
R46336	1B20	3	20 - 14	R46538	2I23	6	90 - 24	R46868	1J17	7	50 - 34
R46337	1C11	6	20 - 26	R46557	1I19	10	50 - 11	R46881	2B16	27	60 - 15
R46337	1C12	2	20 - 27	R46558	1I21	16	50 - 14	R46889	2E13	13	70 - 55
R46337	1C12	4	20 - 27	R46560	1D13	15	30 - 11	R46890	2E13	10	70 - 55
R46338	1C11	9	20 - 26	R46561	1C15	21	20 - 30	R46893	1C10	3	20 - 25
R46338	1C12	6	20 - 27	R46561	1C15	22	20 - 30	R46893	2E13	15	70 - 55
R46345	2C5	3	70 - 1	R46567	1C11	10	20 - 26	R46901	1J18	4	50 - 35
R46360	1J12	2	50 - 29	R46567	1C12	7	20 - 27	R46902	1J17	9	50 - 34
R46360	1J15	2	50 - 32	R46567	1I12	8	50 - 4	R46903	1B10	4	20 - 7
R46394	1I19	9	50 - 11	R46575	1D14	5	30 - 12	R46903	1B13	21	20 - 11
R46395	1I19	9	50 - 11	R46575	1D14	6	30 - 12	R46904	2J8	10	90 - 31
R46396	1I19	9	50 - 11	R46626	1D3	6	30 - 1	R46904	2J8	19	90 - 31
R46397	1I20	4	50 - 12	R46627	1D3	2	30 - 1	R46984	1C10	1	20 - 25
R46398	1I20	4	50 - 12	R46627	1D8	2	30 - 6	R46984	1C22	29	20 - 37
R46399	1I20	4	50 - 12	R46628	2H8	10	80 - 18	R46987	2B23	3	60 - 23
R46400	1I20	6	50 - 12	R46632	2J10	12	90 - 33	R46987	2B23	7	60 - 23
R46401	1I20	9	50 - 12	R46632	2J10	17	90 - 33	R46987	2B25	3	60 - 25
R46402	1I20	12	50 - 12	R46646	2J13	13	90 - 36	R46987	2B25	7	60 - 25
R46403	1I20	23	50 - 12	R46658	1I16	6	50 - 8	R46999	1B10	12	20 - 7
R46404	1I22	26	50 - 15	R46662	2J10	..	90 - 33	R47011	1B10	14	20 - 7
R46405	1I21	8	50 - 14	R46663	2J10	..	90 - 33	R47012	1B10	13	20 - 7
R46411	1D5	6	30 - 3	R46679	1D12	18	30 - 10	R47013	1B10	14	20 - 7
R46414	1E11	2	40 - 4	R46681	1D12	14	30 - 10	R47013	1D21	15	30 - 19
R46414	1E12	2	40 - 5	R46682	1D12	11	30 - 10	R47016	2E6	3	70 - 48
R46414	1F6	8	40 - 25A	R46683	1D12	12	30 - 10	R47018	2E6	7	70 - 48
R46414	1F17	12	40 - 37	R46684	1D12	13	30 - 10	R47020	1B13	23	20 - 11
R46414	2I9	2	90 - 13	R46685	1D12	8	30 - 10	R47020	1B15	1	20 - 13
R46424	1C13	17	20 - 28	R46686	1D12	6	30 - 10	R47020	1B17	1	20 - 13B
R46425	1I12	14	50 - 4	R46687	1D12	7	30 - 10	R47044	2E20	23	70 - 62
R46429	2C5	9	70 - 1	R46688	1D12	10	30 - 10	R47047	1C10	6	20 - 25
R46431	2B23	36	60 - 23	R46689	1D12	9	30 - 10	R47047	1C22	28	20 - 37
R46435	1I20	21	50 - 12	R46690	1D12	16	30 - 10	R47067	2E11	26	70 - 53

1L15

4320 TRACTOR

NUMERICAL INDEX - CONTINUED

PART NO.	GRID	KEY	PAGE	PART NO.	GRID	KEY	PAGE	PART NO.	GRID	KEY	PAGE
R47072	2E11	16	70 - 53	R47458	2E11	22	70 - 53	R47921	1D6	16	30 - 4
R47074	1C9	1	20 - 24	R47460	1E25	7	40 - 19	R47922	1D6	6	30 - 4
R47077	1D23	11	30 - 21	R47461	1E25	22	40 - 19	R47941	2J8	29	90 - 31
R47077	1D25	3	30 - 23	R47468	2I9	21	90 - 13	R47941	2J8	30	90 - 31
R47082	1I9	1	50 - 1	R47470	2I1	19	90 - 5	R47941	2J11	17	90 - 34
R47083	2B15	21	60 - 14	R47474	1G22	18	40 - 67	R47982	2J11	9	90 - 34
R47085	2B23	7	60 - 23	R47474	1G24	17	40 - 69	R47998	2B4	1	60 - 3
R47085	2B23	10	60 - 23	R47474	1H2	18	40 - 69B	R48013	2B23	18	60 - 23
R47085	2B25	10	60 - 25	R47507	1J7	11	50 - 24	R48026	1H13	..	40 - 80
R47086	2B23	7	60 - 23	R47508	1J9	21	50 - 26	R48027	1H13	..	40 - 80
R47086	2B23	11	60 - 23	R47566	2D24	21	70 - 43	R48028	1H13	28	40 - 80
R47086	2B25	11	60 - 25	R47566	2E16	16	70 - 58	R48031	1C14	23	20 - 29
R47087	2B23	7	60 - 23	R47566	2E16	17	70 - 58	R48048	1H13	17	40 - 80
R47087	2B23	9	60 - 23	R47567	2D24	21	70 - 43	R48049	1H13	27	40 - 80
R47087	2B25	9	60 - 25	R47567	2E16	17	70 - 58	R48071	1D19	10	30 - 17
R47091	1C14	6	20 - 29	R47568	2D24	21	70 - 43	R48084	2D13	6	70 - 32
R47092	1B13	1	20 - 11	R47568	2E16	17	70 - 58	R48101	1I14	16	50 - 6
R47095	2E6	14	70 - 48	R47577	2E15	36	70 - 57	R48102	1I14	6	50 - 6
R47102	1C14	10	20 - 29	R47578	2E15	21	70 - 57	R48146	2H4	10	80 - 14
R47102	1C22	25	20 - 37	R47581	2E15	24	70 - 57	R48150	2J10	2	90 - 33
R47104	1C10	13	20 - 25	R47590	2E15	33	70 - 57	R48151	2J10	5	90 - 33
R47105	1C10	2	20 - 25	R47605	2B23	24	60 - 23	R48163	2E13	7	70 - 55
R47113	1D15	10	30 - 13	R47605	2B25	21	60 - 25	R48163	2E15	1	70 - 57
R47114	1C15	23	20 - 30	R47606	2B23	23	60 - 23	R48164	2E13	8	70 - 55
R47126	1C15	12	20 - 30	R47606	2B25	20	60 - 25	R48164	2E15	5	70 - 57
R47126	1C15	21	20 - 30	R47607	2B23	26	60 - 23	R48168	2J12	28	90 - 35
R47127	1B25	20	20 - 19	R47607	2B25	23	60 - 25	R48226	2E20	5	70 - 62
R47141	1K1	5	50 - 43	R47627	1I12	22	50 - 4	R48240	2B19	8	60 - 18
R47142	1K1	1	50 - 43	R47628	1I12	18	50 - 4	R48240	2B20	5	60 - 19
R47153	1C16	8	20 - 31	R47634	1J8	9	50 - 25	R48279	2J10	8	90 - 33
R47153	1C19	9	20 - 34	R47634	1J9	9	50 - 26	R48280	2J10	21	90 - 33
R47153	1C22	23	20 - 37	R47638	1J9	12	50 - 26	R48281	2J10	9	90 - 33
R47160	1D15	16	30 - 13	R47646	1E1	16	30 - 24	R48282	2J10	20	90 - 33
R47160	1D16	15	30 - 14	R47678	2E15	32	70 - 57	R48291	1B8	26	20 - 5
R47180	2G14	2	80 - 1	R47679	2E15	30	70 - 57	R48291	1C22	1	20 - 37
R47180	2G17	3	80 - 4	R47687	2B21	20	60 - 20	R48293	1G8	29	40 - 53
R47180	2G22	1	80 - 8	R47692	1C20	1	20 - 35	R48298	2C8	20	70 - 5
R47197	2I17	2	90 - 18A	R47693	1C20	3	20 - 35	R48299	2E20	6	70 - 62
R47203	1J2	13	50 - 18	R47735	2G14	7	80 - 1	R48306	2J10	4	90 - 33
R47224	2H22	3	90 - 1	R47736	2G14	7	80 - 1	R48308	2J10	10	90 - 33
R47226	2H22	6	90 - 1	R47736	2G22	5	80 - 8	R48358	1D21	25	30 - 19
R47227	2H22	16	90 - 1	R47739	2H19	18	80 - 29	R48359	1D21	25	30 - 19
R47228	2H22	7	90 - 1	R47739	2I18	2	90 - 19	R48360	1D21	25	30 - 19
R47229	2H22	18	90 - 1	R47739	2I19	4	90 - 20	R48361	2H19	1	80 - 29
R47230	2H22	9	90 - 1	R47765	2G16	17	80 - 3	R48378	2J8	27	90 - 31
R47231	2H22	10	90 - 1	R47765	2G18	12	80 - 5	R48378	2J13	12	90 - 36
R47232	2H22	11	90 - 1	R47766	2G16	17	80 - 3	R48384	2I9	9	90 - 13
R47233	2H23	16	90 - 2	R47766	2G18	12	80 - 5	R48385	2I9	4	90 - 13
R47234	2H23	15	90 - 2	R47800	1I9	15	50 - 1	R48396	1B25	18	20 - 19
R47235	2H23	21	90 - 2	R47812	1J3	15	50 - 19	R48397	2I18	4	90 - 19
R47288	2J10	11	90 - 33	R47813	1J3	1	50 - 19	R48399	1C22	22	20 - 37
R47289	2J10	19	90 - 33	R47824	2E11	6	70 - 53	R48399	1C22	35	20 - 37
R47292	2I13	10	90 - 17	R47831	1F24	1	40 - 44	R48399	1D20	6	30 - 18
R47293	1D5	3	30 - 3	R47831	1F25	1	40 - 45	R48426	1E23	6	40 - 17
R47300	2E4	16	70 - 46A	R47831	1G6	4	40 - 51	R48426	1E25	33	40 - 19
R47300	2E4	22	70 - 46A	R47843	2G24	10	80 - 10	R48427	1C18	29	20 - 33
R47301	2E1	31	70 - 44	R47847	1C15	12	20 - 30	R48450	2I12	26	90 - 16
R47301	2E4	27	70 - 46A	R47847	1C15	21	20 - 30	R48451	1J3	11	50 - 19
R47307	2F16	3	70 - 75D	R47859	1H15	1	40 - 83	R48474	1I17	18	50 - 9
R47309	2E25	..	70 - 65	R47860	1H13	9	40 - 80	R48474	2D23	18	70 - 42
R47309	2F16	..	70 - 75D	R47861	1H13	9	40 - 80	R48476	2B19	5	60 - 18
R47309	2F17	20	70 - 76	R47886	1G11	5	40 - 56	R48477	1D13	15	30 - 11
R47320	1B8	16	20 - 5	R47887	2E11	26	70 - 53	R48510	1D21	21	30 - 19
R47358	1D19	6	30 - 17	R47888	2E8	15	70 - 50	R48510	1D23	41	30 - 21
R47419	1C1	4	20 - 19A	R47898	2J8	17	90 - 31	R48511	1D21	20	30 - 19
R47430	1C14	9	20 - 29	R47907	2J8	11	90 - 31	R48511	1D23	40	30 - 21
R47433	1D19	1	30 - 17	R47914	1C14	21	20 - 29	R48512	1D21	19	30 - 19

1L16

4320 TRACTOR

NUMERICAL INDEX - CONTINUED

PART NO.	GRID	KEY	PAGE	PART NO.	GRID	KEY	PAGE	PART NO.	GRID	KEY	PAGE
R48512	1D23	39	30 - 21	R48866	2J7	10	90 - 30	R48980	2F6	6	70 - 68B
R48618	1112	16	50 - 4	R48866	2J7	11	90 - 30	R48981	2F3	7	70 - 67
R48633	1C22	10	20 - 37	R48867	2J7	2	90 - 30	R49015	1C11	6	20 - 26
R48633	1D21	4	30 - 19	R48868	2J7	6	90 - 30	R49015	1C12	2	20 - 27
R48633	1D24	12	30 - 22	R48869	2J7	9	90 - 30	R49015	1C12	4	20 - 27
R48659	2D14	9	70 - 33	R48870	2J7	4	90 - 30	R49016	1C12	4	20 - 27
R48663	1E10	5	40 - 3	R48871	2J7	12	90 - 30	R49018	2B5	4	60 - 4
R48663	1F24	5	40 - 44	R48872	2J2	28	90 - 27	R49018	2B11	16	60 - 10
R48663	1F25	5	40 - 45	R48872	2J5	11	90 - 28	R49025	1G13	..	40 - 58
R48663	1G8	26	40 - 53	R48874	2I8	9	90 - 12	R49042	2J10	3	90 - 33
R48664	1G1	16	40 - 46	R48875	1H7	23	40 - 74	R49043	2J10	1	90 - 33
R48664	1G2	15	40 - 47	R48876	2J6	10	90 - 29	R49043	2J10	6	90 - 33
R48665	1G1	16	40 - 46	R48877	2J2	3	90 - 27	R49056	1H2	23	40 - 69B
R48665	1G2	15	40 - 47	R48878	2I5	10	90 - 9	R49071	2C12	25	70 - 9
R48685	1117	6	50 - 9	R48879	2I5	9	90 - 9	R49071	2C12	27	70 - 9
R48689	1D24	3	30 - 22	R48880	2I5	6	90 - 9	R49071	2C12	28	70 - 9
R48691	1D24	4	30 - 22	R48881	2I5	15	90 - 9	R49071	2C12	29	70 - 9
R48692	1D24	5	30 - 22	R48882	2I8	14	90 - 12	R49071	2C12	30	70 - 9
R48693	1C22	11	20 - 37	R48882	2I8	14	90 - 12	R49071	2C12	31	70 - 9
R48693	1D24	7	30 - 22	R48883	1E10	27	40 - 3	R49071	2C12	31	70 - 9
R48694	1D24	6	30 - 22	R48884	2I3	14	90 - 7	R49071	2C14	9	70 - 11
R48695	1D24	2	30 - 22	R48884	2I5	7	90 - 9	R49072	2C12	26	70 - 9
R48696	1D24	1	30 - 22	R48884	2I7	13	90 - 11	R49072	2C14	14	70 - 11
R48697	1D24	11	30 - 22	R48885	2I7	12	90 - 11	R49103	1D6	16	30 - 4
R48698	1D24	8	30 - 22	R48887	1E10	15	40 - 3	R49104	1D6	4	30 - 4
R48698	2F9	3	70 - 71	R48887	1H25	17	40 - 93	R49104	1D6	6	30 - 4
R48699	1D24	8	30 - 22	R48888	1E10	15	40 - 3	R49105	1D6	6	30 - 4
R48700	1D24	8	30 - 22	R48888	2J2	9	90 - 27	R49106	2E17	16	70 - 59
R48701	1D24	8	30 - 22	R48889	2J2	21	90 - 27	R49187	2F6	12	70 - 68B
R48702	1D24	8	30 - 22	R48890	2J2	21	90 - 27	R49191	2F13	32	70 - 75
R48703	1D24	8	30 - 22	R48891	2J2	20	90 - 27	R49193	2F13	35	70 - 75
R48703	1D24	8	30 - 22	R48892	2J2	20	90 - 27	R49193	2F22	26	70 - 81
R48704	1D24	8	30 - 22	R48893	1C10	3	20 - 25	R49193	2G2	26	70 - 85
R48705	1D24	8	30 - 22	R48894	2J2	21	90 - 27	R49193	2G5	8	70 - 89
R48706	1D24	8	30 - 22	R48894	2J2	20	90 - 27	R49193	2G7	16	70 - 91
R48708	1D10	3	30 - 8	R48896	2I8	10	90 - 12	R49197	1J5	11	50 - 22
R48709	1D10	5	30 - 8	R48897	1E1	5	30 - 24	R49197	1J5	15	50 - 22
R48710	1D10	6	30 - 8	R48899	2I1	26	90 - 5	R49197	1J5	9	50 - 22
R48711	1D10	1	30 - 8	R48900	2I1	24	90 - 5	R49199	1J5	9	50 - 22
R48712	1D10	17	30 - 8	R48901	2I1	25	90 - 5	R49200	1J5	9	50 - 22
R48723	1D4	1	30 - 2	R48902	2I7	19	90 - 11	R49207	1I25	12	50 - 16
R48728	1E25	8	40 - 19	R48903	2I8	13	90 - 12	R49221	2F4	8	70 - 68
R48737	2J8	9	90 - 31	R48904	2I8	13	90 - 12	R49275	1B10	10	20 - 7
R48738	2C8	19	70 - 5	R48904	2J2	21	90 - 27	R49293	2I7	22	90 - 11
R48738	2C10	23	70 - 7	R48908	2I8	10	90 - 12	R49296	1G1	16	40 - 46
R48738	2C19	17	70 - 15	R48911	2I8	10	90 - 12	R49296	1G2	15	40 - 47
R48738	2C21	17	70 - 17	R48912	2J6	13	90 - 29	R49297	2C8	17	70 - 5
R48755	1B13	13	20 - 11	R48913	2I7	21	90 - 11	R49297	2C10	21	70 - 7
R48755	1D20	5	30 - 18	R48913	2I7	21	90 - 11	R49297	2C19	15	70 - 15
R48763	2G19	6	80 - 6	R48952	2B23	33	60 - 23	R49297	2C21	15	70 - 17
R48763	2G21	7	80 - 7A	R48952	2B23	34	60 - 23	R49298	2C10	24	70 - 7
R48763	2H2	5	80 - 13	R48952	2B23	35	60 - 23	R49298	2C19	18	70 - 15
R48763	2H3	7	80 - 13A	R48954	2H4	7	80 - 14	R49298	2C19	18	70 - 15
R48774	1C14	7	20 - 29	R48954	2H4	11	80 - 14	R49298	2C21	18	70 - 17
R48777	1E23	15	40 - 17	R48954	2H4	12	80 - 14	R49332	2D19	8	70 - 38
R48784	2B6	12	60 - 5	R48954	2H4	13	80 - 14	R49332	2E1	24	70 - 44
R48785	2B6	13	60 - 5	R48954	2H6	1	80 - 16	R49333	2D19	3	70 - 38
R48791	1C14	15	20 - 29	R48955	2H4	7	80 - 14	R49333	2E1	18	70 - 44
R48794	1C14	4	20 - 29	R48955	2H4	11	80 - 14	R49333	2E1	18	70 - 44
R48811	1J22	20	50 - 39	R48955	2H4	12	80 - 14	R49336	2D19	10	70 - 38
R48817	1E23	15	40 - 17	R48955	2H4	13	80 - 14	R49336	2D23	8	70 - 42
R48824	1C18	10	20 - 33	R48955	2H6	1	80 - 16	R49345	2B23	35	60 - 23
R48825	1E14	..	40 - 7	R48956	2H6	1	80 - 16	R49352	2F20	4	70 - 79
R48825	1E17	..	40 - 10	R48957	2B23	4	60 - 23	R49352	2F24	6	70 - 83
R48865	2J7	7	90 - 30	R48957	2B23	7	60 - 23	R49353	1C18	26	20 - 33
R48866	2J7	1	90 - 30	R48957	2B25	4	60 - 25	R49354	1C18	26	20 - 33
R48866	2J7	3	90 - 30	R48976	1F8	9	40 - 27	R49355	1C18	22	20 - 33
R48866	2J7	5	90 - 30	R48976	1F13	9	40 - 33	R49404	2C5	9	70 - 1
				R48978	2F3	8B	70 - 67	R49411	2E4	14	70 - 46A
				R48979	2F3	2B	70 - 67	R49411	2E4	34	70 - 46A
				R48980	2F3	6B	70 - 67				

1L17

4320 TRACTOR

NUMERICAL INDEX - CONTINUED

PART NO.	GRID	KEY	PAGE	PART NO.	GRID	KEY	PAGE	PART NO.	GRID	KEY	PAGE
R49430	1I21	18	50 - 14	R50785	1D10	21	30 - 8	R51413	2F4	6A	70 - 68
R49431	1I21	18	50 - 14	R50785	1D11	8	30 - 9	R51414	2F4	4	70 - 68
R49432	1I21	18	50 - 14	R50879	2B16	29	60 - 15	R51414	2F4	6A	70 - 68
R49433	1I21	18	50 - 14	R50891	1F18	2	40 - 38	R51415	2F4	6A	70 - 68
R495R	1B6	1	20 - 3	R50891	1F18	4	40 - 38	R51415	2F4	15	70 - 68
R495R	1C22	24	20 - 37	R50891	1F20	13	40 - 40	R51494	1I17	16	50 - 9
R495R	2B5	17	60 - 4	R50892	1F18	3	40 - 38	R51494	1J19	18	50 - 36
R495R	2E6	13	70 - 48	R50893	1F18	13	40 - 38	R51524	2E11	26	70 - 53
R495R	2F16	23	70 - 75D	R50894	1F21	12	40 - 41	R51525	2E11	22	70 - 53
R495R	2G8	13	70 - 92	R50894	1F22	11	40 - 42	R51525	2E11	26	70 - 53
R49526	1D6	3	30 - 4	R50897	1F18	10	40 - 38	R51526	1D6	8	30 - 4
R49549	1D24	8	30 - 22	R50899	1F19	11	40 - 39	R51528	1F1	15	40 - 20
R49551	1D24	8	30 - 22	R50899	1F21	17	40 - 41	R51528	1F3	25	40 - 23
R49552	1D24	8	30 - 22	R50899	1F22	17	40 - 42	R51529	1F1	2	40 - 20
R49553	1D24	8	30 - 22	R50900	1F18	1	40 - 38	R51530	1F1	7	40 - 20
R49554	1D24	8	30 - 22	R50901	1F18	21	40 - 38	R51530	1F3	10	40 - 23
R49555	1D24	8	30 - 22	R50902	1F18	5	40 - 38	R51531	1F1	6	40 - 20
R49556	1D24	8	30 - 22	R50903	1F18	6	40 - 38	R51532	1F1	10	40 - 20
R49557	1D24	8	30 - 22	R50904	1F18	9	40 - 38	R51533	1F1	20	40 - 20
R49558	1D24	8	30 - 22	R50905	1F18	24	40 - 38	R51533	1F3	26	40 - 23
R49579	1I12	23	50 - 4	R50906	1F18	19	40 - 38	R51534	1F1	14	40 - 20
R49667	2F17	16	70 - 76	R50907	1F19	5	40 - 39	R51534	1F3	24	40 - 23
R49668	2F17	14	70 - 76	R50909	1F19	12	40 - 39	R51535	1F1	27	40 - 20
R49708	2F3	26	70 - 67	R50910	1F21	18	40 - 41	R51535	1F3	1	40 - 23
R49758	1J5	10	50 - 22	R50910	1F22	16	40 - 42	R51603	1D24	10	30 - 22
R49785	1G9	14	40 - 54	R50912	1F20	8	40 - 40	R51616	2E11	6	70 - 53
R49830	1I17	7	50 - 9	R50913	1F19	2	40 - 39	R51648	2I12	11	90 - 16
R49856	2H23	..	90 - 2	R50914	1F19	7	40 - 39	R51648	2I12	22	90 - 16
R49857	2J7	1	90 - 30	R50915	1F19	8	40 - 39	R51659	1F20	7	40 - 40
R49857	2J7	3	90 - 30	R50916	1F19	3	40 - 39	R51660	1F20	5	40 - 40
R49857	2J7	5	90 - 30	R50917	1F19	10	40 - 39	R51661	1F18	23	40 - 38
R49857	2J7	8	90 - 30	R50918	1F19	14	40 - 39	R51663	1F19	20	40 - 39
R49857	2J7	10	90 - 30	R50919	1F19	15	40 - 39	R51664	1F19	19	40 - 39
R49857	2J7	11	90 - 30	R50920	1F19	9	40 - 39	R51665	1F18	15	40 - 38
R49858	2I7	13	90 - 11	R50921	1F19	18	40 - 39	R51665	1F18	17	40 - 38
R49866	1B6	5	20 - 3	R50922	1F19	16	40 - 39	R51666	1F18	15	40 - 38
R49866	1C22	2	20 - 37	R50923	1F20	1	40 - 40	R51666	1F18	16	40 - 38
R49921	1E11	6	40 - 4	R50924	1F20	2	40 - 40	R51667	1F18	8	40 - 38
R50034	2B16	30	60 - 15	R50925	1F20	3	40 - 40	R51668	1F21	2	40 - 41
R50065	2D18	3	70 - 37	R50927	1F20	14	40 - 40	R51669	1F21	9	40 - 41
R50065	2E5	2	70 - 47	R50928	1F20	17	40 - 40	R51669	1F22	14	40 - 42
R50066	2F4	13	70 - 68	R50929	1F20	15	40 - 40	R51670	1F21	14	40 - 41
R50067	2F4	13	70 - 68	R50930	1F20	12	40 - 40	R51671	1F21	6	40 - 41
R50160	1J20	11	50 - 37	R50931	1F19	20	40 - 39	R51671	1F22	5	40 - 42
R50294	1D13	15	30 - 11	R50931	1F20	9	40 - 40	R51672	1F21	3	40 - 41
R50298	1J9	21	50 - 26	R50992	2H2	12	80 - 13	R51679	2H11	3	80 - 21
R50365	1I20	14	50 - 12	R51025	2E1	11	70 - 44	R51680	2H11	4	80 - 21
R50365	1J11	14	50 - 28	R51114	1E2	2	30 - 25	R51680	2H12	9	80 - 22
R50402	1C14	10	20 - 29	R51130	2D20	3	70 - 39	R51681	2H11	8	80 - 21
R50420	1C16	8	20 - 31	R51195	1I17	7	50 - 9	R51681	2H12	10	80 - 22
R50420	1C19	9	20 - 34	R51195	2D23	15	70 - 42	R51748	2B8	7	60 - 7
R50420	1C22	23	20 - 37	R51203	1C22	27	20 - 37	R51821	2H19	18	80 - 29
R50502	1D12	20	30 - 10	R51203	1D8	14	30 - 6	R51821	2I18	2	90 - 19
R50503	1D12	5	30 - 10	R51205	1I19	6	50 - 11	R51821	2I19	4	90 - 20
R50504	1D12	1	30 - 10	R51285	2F13	30	70 - 75	R51827	2C10	5	70 - 7
R50585	1J21	14	50 - 38	R51302	2J17	11	90 - 39B	R51851	2B25	31	60 - 25
R50585	2B19	3	60 - 18	R51305	2G14	7	80 - 1	R51865	1I10	32	50 - 2
R50585	2B19	4	60 - 18	R51305	2G22	5	80 - 8	R51865	1I13	4	50 - 5
R50603	1I21	7	50 - 14	R51409	2F3	10	70 - 67	R51907	1J3	5	50 - 19
R50605	2J9	6	90 - 32	R51409	2F3	11	70 - 67	R51907	1J3	12	50 - 19
R50659	1F1	19	40 - 20	R51409	2F3	14	70 - 67	R51907	1J3	13	50 - 19
R50659	1F3	31	40 - 23	R51410	2F3	10	70 - 67	R51908	2H19	6	80 - 29
R50661	1E23	6	40 - 17	R51411	2F3	9	70 - 67	R52048	1C11	9	20 - 26
R50661	1F1	18	40 - 20	R51411	2F3	10	70 - 67	R52049	1C11	11	20 - 26
R50662	1F1	18	40 - 20	R51412	2F4	6A	70 - 68	R52049	1C12	6	20 - 27
R50784	1D10	21	30 - 8	R51412	2F4	6B	70 - 68	R52057	1I13	2	50 - 5
R50784	1D11	8	30 - 9	R51413	2F4	5	70 - 68	R52057	1I15	10	50 - 7

1L18

4320 TRACTOR

NUMERICAL INDEX - CONTINUED

PART NO.	GRID	KEY	PAGE	PART NO.	GRID	KEY	PAGE	PART NO.	GRID	KEY	PAGE
R52160	2H4	7	80 - 14	R53293	2J14	12	90 - 37	R54446	1H8	5	40 - 75
R52160	2H4	11	80 - 14	R53294	2H19	3	80 - 29	R54447	1H8	4	40 - 75
R52160	2H4	12	80 - 14	R53295	2E15	18	70 - 57	R54467	1H13	15	40 - 80
R52160	2H4	13	80 - 14	R53296	2E11	11	70 - 53	R54533	2J17	12	90 - 39B
R52161	1F3	30	40 - 23	R53296	2E13	3	70 - 55	R54541	2I18	4	90 - 19
R52168	2B16	7	60 - 15	R53409	1H5	1	40 - 72	R54564	1B9	3	20 - 6
R52169	2B16	9	60 - 15	R53410	1H5	3	40 - 72	R54565	1B9	1	20 - 6
R52195	2I17	10	90 - 18A	R53423	1C19	6	20 - 34	R54565	1B9	7	20 - 6
R52246	2D15	15	70 - 34	R53512	1H4	1	40 - 71	R54750	1J4	1	50 - 20
R52246	2D16	10	70 - 35	R53512	1H4	11	40 - 71	R54766	2H22	4	90 - 1
R52385	1F21	1	40 - 41	R53515	1H4	2	40 - 71	R54766	2H22	8	90 - 1
R52386	1F19	13	40 - 39	R53516	1H4	3	40 - 71	R54839	2I8	13	90 - 12
R52387	1F18	12	40 - 38	R53517	1H4	10	40 - 71	R54840	2I8	13	90 - 12
R52408	1G22	6	40 - 67	R53518	1H4	4	40 - 71	R54983	2H5	11	80 - 15
R52408	1H2	6	40 - 69B	R53519	1H4	5	40 - 71	R55008	2C5	9	70 - 1
R52524	2H11	3	80 - 21	R53520	1H4	7	40 - 71	R55010	2C10	18	70 - 7
R52548	2F3	33	70 - 67	R53521	1H4	8	40 - 71	R55024	1D10	19	30 - 8
R52549	2F3	31	70 - 67	R53522	1H4	9	40 - 71	R55024	1D11	13	30 - 9
R52549	2F3	33	70 - 67	R53558	2E9	9	70 - 51	R55025	1D10	1	30 - 8
R52586	1J2	21	50 - 18	R53558	2E9	10	70 - 51	R55025	1D10	3	30 - 8
R52586	1J2	25	50 - 18	R53559	2E16	18	70 - 58	R55025	1D11	2	30 - 9
R52586	1J2	26	50 - 18	R53560	2E16	18	70 - 58	R55026	1D10	1	30 - 8
R52589	1J5	18	50 - 22	R53561	2E16	18	70 - 58	R55026	1D10	3	30 - 8
R52634	1B25	1	20 - 19	R53585	1I12	32	50 - 4	R55031	1D12	20	30 - 10
R52634	1J12	17	50 - 29	R53641	1J20	2	50 - 37	R55078	1D8	11	30 - 6
R52634	2D23	16	70 - 42	R53642	1J20	2	50 - 37	R55078	1D14	7	30 - 12
R52735	1I10	24	50 - 2	R53643	1J20	2	50 - 37	R55078	1D14	8	30 - 12
R52735	1I13	8	50 - 5	R53644	1J20	2	50 - 37	R55079	2D15	15	70 - 34
R52736	1I10	30	50 - 2	R53658	1J20	1	50 - 37	R55079	2D16	10	70 - 35
R52736	1I13	6	50 - 5	R53658	1J20	2	50 - 37	R55081	1I15	13	50 - 7
R52737	1I10	31	50 - 2	R53740	1J12	10	50 - 29	R55170	2J2	4	90 - 27
R52737	1I13	5	50 - 5	R53740	1J15	25	50 - 32	R55183	2B5	8	60 - 4
R52773	1B9	18	20 - 6	R53745	2J10	..	90 - 33	R55184	1I12	10	50 - 4
R52773	1B10	5	20 - 7	R53762	2E11	16	70 - 53	R55245	1E23	9	40 - 17
R52811	1C14	10	20 - 29	R53791	2J4	2	90 - 27B	R55396	1F4	1	40 - 24
R52811	1C22	25	20 - 37	R53792	2J4	7	90 - 27B	R55397	2F3	2B	70 - 67
R52823	2E2	50	70 - 45	R54059	2B16	3	60 - 15	R55397	2F6	2	70 - 68B
R52824	2E2	47	70 - 45	R54059	2E6	2	70 - 48	R55398	2F3	2B	70 - 67
R52828	2E2	54	70 - 45	R54064	2E20	19A	70 - 62	R55398	2F3	7	70 - 67
R52882	1J2	6	50 - 18	R54064	2E20	19B	70 - 62	R55398	2F6	2	70 - 68B
R52914	2H11	1	80 - 21	R54064	2E20	22B	70 - 62	R55398	2F6	7	70 - 68B
R52924	2H11	2	80 - 21	R54141	2E19	15	70 - 61	R55398	1K11	18	50 - 53
R52938	1E20	8	40 - 13	R54143	2E20	5	70 - 62	R55596	1C8	1	20 - 23
R53033	2E1	4	70 - 44	R54144	2H9	2	80 - 19	R55597	1C8	1	20 - 23
R53108	1F4	7	40 - 24	R54170	2E8	13	70 - 50	R55618	1H21	5	40 - 89
R53108	1F8	3	40 - 27	R54173	1J24	38A	50 - 41	R55737	1C8	1	20 - 23
R53138	1B20	3	20 - 14	R54173	1J24	38B	50 - 41	R55738	1C8	1	20 - 23
R53169	1J3	18	50 - 19	R54174	1J23	36	50 - 40	R55739	1C8	1	20 - 23
R53177	1I17	17	50 - 9	R54174	1J24	38A	50 - 41	R55740	1C8	1	20 - 23
R53177	2D23	19	70 - 42	R54176	1D12	1	30 - 10	R55741	1C8	1	20 - 23
R53179	1I21	9	50 - 14	R54176	1D12	5	30 - 10	R55742	1C8	1	20 - 23
R53180	1I17	18	50 - 9	R54176	1D12	15	30 - 10	R55743	1C8	1	20 - 23
R53180	2D23	18	70 - 42	R54177	1D12	1	30 - 10	R55744	1C8	1	20 - 23
R53196	2E11	8	70 - 53	R54177	1D12	5	30 - 10	R55745	1C8	1	20 - 23
R53202	1J12	12	50 - 29	R54180	1J15	14	50 - 32	R55746	1C8	1	20 - 23
R53202	1J15	14	50 - 32	R54182	1J12	12	50 - 29	R55910	1J1	17	50 - 17
R53202	1J15	18	50 - 32	R54242	2F9	1	70 - 71	R56012	1E23	9	40 - 17
R53203	2J10	9	90 - 33	R54263	1B22	6	20 - 16	R56038	2E15	10	70 - 57
R53204	2J10	20	90 - 33	R54264	1B22	6	20 - 16	R56039	2E13	5	70 - 55
R53237	1I13	1	50 - 5	R54312	2F16	3	70 - 75D	R56101	2I7	3	90 - 11
R53237	1I15	9	50 - 7	R54312	2F17	3	70 - 76	R56175	2D20	3	70 - 39
R53247	1J2	13	50 - 18	R54380	1I17	14	50 - 9	R56246	2H22	1	90 - 1
R53282	1B20	4	20 - 14	R54380	2E19	17	70 - 61	R56264	2J14	11	90 - 37
R53282	1C22	33	20 - 37	R54440	1D16	8	30 - 14	R56320	1G13	22	40 - 58
R53290	1B22	1	20 - 16	R54442	1H8	13	40 - 75	R56397	2H23	4	90 - 2
R53292	1B22	2	20 - 16	R54443	1H8	9	40 - 75	R56462	1J3	2	50 - 19
R53293	2H19	3	80 - 29	R54445	1H8	10	40 - 75	R56463	2C8	2	70 - 5

1L19

4320 TRACTOR

NUMERICAL INDEX - CONTINUED

PART NO.	GRID	KEY	PAGE	PART NO.	GRID	KEY	PAGE	PART NO.	GRID	KEY	PAGE
R56463	2C17	24	70 - 13	R56979	1C1	4	20 - 19A	R58884	1K5	10	50 - 47
R56463	2C19	2	70 - 15	R57003	2I3	..	90 - 7	R58943	1C12	4	20 - 27
R56463	2D2	27	70 - 21	R57034	2B8	7	60 - 7	R59034	1C11	6	20 - 26
R56464	1110	22	50 - 2	R57103	2B23	15	60 - 23	R59034	1C11	..	20 - 26
R56464	1113	10	50 - 5	R57103	2B23	34	60 - 23	R59034	1C12	2	20 - 27
R56464	2G5	3	70 - 89	R57103	2B25	26	60 - 25	R59034	1C12	4	20 - 27
R56481	1F4	1	40 - 24	R57158	1B13	19	20 - 11	R59080	2D18	3	70 - 37
R56504	2E2	46	70 - 45	R57159	1B13	19	20 - 11	R59080	2E5	2	70 - 47
R56505	2E11	2	70 - 53	R57258	1D19	6	30 - 17	R59082	2D18	3	70 - 37
R56506	2E11	1	70 - 53	R57269	1J20	4	50 - 37	R59082	2E5	2	70 - 47
R56608	1C12	2	20 - 27	R57269	1J21	2	50 - 38	R59082	2F4	13	70 - 68
R56608	1C12	4	20 - 27	R57274	2I10	12	90 - 14	R59083	2D18	37	70 - 37
R56629	1D12	16	30 - 10	R57549	2B21	20	60 - 20	R59084	2F4	13	70 - 68
R56728	2E16	1B	70 - 58	R57559	1J5	11	50 - 22	R59154	2F17	16	70 - 76
R56729	2E16	7B	70 - 58	R57559	1J5	15	50 - 22	R59343	2F13	11	70 - 75
R56733	1J20	10	50 - 37	R57559	1J5	23	50 - 22	R59343	2F14	2	70 - 75B
R56733	1J21	4	50 - 38	R57559	1J5	25	50 - 22	R59420	1B10	6	20 - 7
R56734	2B19	5	60 - 18	R57561	1J5	9	50 - 22	R59420	1B10	7	20 - 7
R56749	2C8	3	70 - 5	R57561	1J5	11	50 - 22	R59450	2I7	7	90 - 11
R56750	2C10	3	70 - 7	R57561	1J5	15	50 - 22	R59460	1J14	12	50 - 31
R56751	2C10	2	70 - 7	R57572	2I11	18	90 - 15	R59613	1I21	9	50 - 14
R56751	2C12	20	70 - 9	R57584	1C3	5	20 - 21	R59629	2F3	21	70 - 67
R56751	2C17	8	70 - 13	R57584	1C4	3	20 - 21A	R59629	2F3	26	70 - 67
R56751	2C17	15	70 - 13	R57584	1C8	6	20 - 23	R59629	2F3	29	70 - 67
R56751	2C17	21	70 - 13	R57606	2I7	6	90 - 11	R59629	2F13	27	70 - 75
R56751	2C17	24	70 - 13	R57606	2I7	10	90 - 11	R59633	2F13	1	70 - 75
R56751	2C21	2	70 - 17	R57623	2I12	18	90 - 16	R59633	2F16	17	70 - 75D
R56751	2C23	19	70 - 19	R57696	1J14	14	50 - 31	R59633	2F16	35	70 - 75D
R56751	2D2	7	70 - 21	R57696	2F20	18	70 - 79	R59633	2G8	1	70 - 92
R56751	2D2	12	70 - 21	R57696	2F20	30	70 - 79	R59633	2G8	19	70 - 92
R56751	2D2	20	70 - 21	R57696	2F24	10	70 - 83	R59684	2D21	5	70 - 40
R56751	2D2	21	70 - 21	R57696	2F24	36	70 - 83	R59766	2D18	33	70 - 37
R56751	2D2	25	70 - 21	R57725	1I19	11	50 - 11	R59860	1I21	12	50 - 14
R56751	2D2	27	70 - 21	R57725	1I20	13	50 - 12	R59860	1J22	31	50 - 39
R56751	2D6	8	70 - 25	R57725	1I21	15	50 - 14	R59929	1J21	9	50 - 38
R56753	2C8	8	70 - 5	R57725	1J11	15	50 - 28	R59930	1J20	20	50 - 37
R56753	2C10	12	70 - 7	R57778	1C8	2	20 - 23	R59931	1J21	14	50 - 38
R56753	2C17	18	70 - 13	R57779	1C8	3	20 - 23	R59931	2B19	3	60 - 18
R56753	2F13	23	70 - 75	R57780	1C8	3	20 - 23	R59931	2B19	4	60 - 18
R56754	2C12	35	70 - 9	R57969	2H5	5	80 - 15	R59933	1J20	25	50 - 37
R56755	2C12	32	70 - 9	R57969	2H5	..	80 - 15	R59933	1J21	12	50 - 38
R56755	2C14	10	70 - 11	R58109	1D14	5	30 - 12	R59935	1J20	2	50 - 37
R56755	2C17	10	70 - 13	R58109	1D14	6	30 - 12	R60032	1J20	27	50 - 37
R56755	2C23	28	70 - 19	R58111	1I12	3	50 - 4	R60038	2B23	7	60 - 23
R56755	2D2	9	70 - 21	R58203	2E15	24	70 - 57	R60038	2B23	8	60 - 23
R56756	2C12	33	70 - 9	R58204	2E4	16	70 - 46A	R60038	2B25	8	60 - 25
R56756	2C14	3	70 - 11	R58204	2E4	22	70 - 46A	R60076	1J20	2	50 - 37
R56756	2C17	12	70 - 13	R58261	2E20	7	70 - 62	R60077	1J20	2	50 - 37
R56757	2C12	34	70 - 9	R58262	2E11	13	70 - 53	R60078	1J20	2	50 - 37
R56757	2C14	11	70 - 11	R58262	2E11	..	70 - 53	R60165	2J2	33	90 - 27
R56757	2C17	11	70 - 13	R58262	2E19	31	70 - 61	R60171	2I2	9	90 - 6
R56757	2C23	30	70 - 19	R58268	2E13	18	70 - 55	R60172	2I2	1	90 - 6
R56757	2D2	18	70 - 21	R58302	2H5	8	80 - 15	R60334	2F4	13	70 - 68
R56792	1F21	14	40 - 41	R58303	2H4	9	80 - 14	R60336	1J1	3	50 - 17
R56792	1F22	2	40 - 42	R58303	2H5	9	80 - 15	R60428	1J25	10	50 - 42
R56793	1F21	3	40 - 41	R58425	1J12	10	50 - 29	R60472	1C8	6	20 - 23
R56793	1F22	3	40 - 42	R58425	1J15	25	50 - 32	R60473	1C2	3	20 - 20
R56802	1F19	13	40 - 39	R58499	2C12	44	70 - 9	R60473	1C5	3	20 - 21B
R56821	2E2	47	70 - 45	R58619	2I5	16	90 - 9	R60473	1C6	3	20 - 21C
R56916	2D18	12	70 - 37	R58620	2I5	17	90 - 9	R60473	1C8	6	20 - 23
R56931	2E8	9	70 - 50	R58773	2C10	18	70 - 7	R60474	1C8	6	20 - 23
R56934	1B25	12	20 - 19	R58773	2C10	19	70 - 7	R60475	1C8	6	20 - 23
R56934	1C1	4	20 - 19A	R58773	2C10	20	70 - 7	R60476	1C8	3	20 - 23
R56934	1C1	6	20 - 19A	R58882	1B22	1	20 - 16	R60477	1C8	3	20 - 23
R56972	1C11	6	20 - 26	R58882	1B22	2	20 - 16	R60478	1C8	3	20 - 23
R56972	1C12	2	20 - 27	R58882	1B22	4	20 - 16	R60479	1C8	3	20 - 23
R56972	1C12	4	20 - 27	R58884	1K5	6	50 - 47	R60480	1C8	3	20 - 23

1L20

4320 TRACTOR

NUMERICAL INDEX - CONTINUED

PART NO.	GRID	KEY	PAGE	PART NO.	GRID	KEY	PAGE	PART NO.	GRID	KEY	PAGE
R60481	1C8	3	20 - 23	R62906	1C8	4	20 - 23	R63691	1J10	15	50 - 27
R60482	1C8	3	20 - 23	R62931	2D23	7	70 - 42	R63691	1J10	21	50 - 27
R60483	1C8	3	20 - 23	R62986	1C2	4	20 - 20	R63692	1J10	15	50 - 27
R60484	1C8	2	20 - 23	R62986	1C3	6	20 - 21	R63692	1J10	21	50 - 27
R60650	1B9	3	20 - 6	R62986	1C4	4	20 - 21A	R63736	2E15	29	70 - 57
R60730	2E1	4	70 - 44	R62986	1C5	4	20 - 21B	R63974	1I21	4	50 - 14
R60732	2C8	25	70 - 5	R62986	1C6	4	20 - 21C	R64170	2D11	14	70 - 30
R60754	1C11	9	20 - 26	R62986	1C8	4	20 - 23	R64170	2D11	16	70 - 30
R60754	1C12	6	20 - 27	R62987	1C3	7	20 - 21	R64170	2D11	17	70 - 30
R60794	1C12	4	20 - 27	R62987	1C4	5	20 - 21A	R64296	2E1	1	70 - 44
R61033	1J21	10	50 - 38	R62987	1C8	5	20 - 23	R64326	1I9	1	50 - 1
R61150	1B10	6	20 - 7	R62988	1C4	5	20 - 21A	R64391	2H19	17	80 - 29
R61150	1B10	7	20 - 7	R62988	1C8	5	20 - 23	R64491	1K11	6	50 - 53
R61175	1J20	5	50 - 37	R62993	1I21	5	50 - 14	R64503	1J18	5	50 - 35
R61176	1J20	10	50 - 37	R63002	1C8	5	20 - 23	R64561	2F7	23	70 - 69
R61289	1C4	3	20 - 21A	R63003	1C2	5	20 - 20	R64568	1C11	1	20 - 26
R61289	1C8	6	20 - 23	R63003	1C5	5	20 - 21B	R64605	2F7	11	70 - 69
R61292	1B25	9	20 - 19	R63003	1C6	5	20 - 21C	R64606	2F7	18	70 - 69
R61292	1C3	8	20 - 21	R63003	1C8	5	20 - 23	R64607	2F7	17	70 - 69
R61349	2D18	29	70 - 37	R63004	1C8	5	20 - 23	R64608	2F7	8	70 - 69
R61350	2D18	29	70 - 37	R63005	1C8	5	20 - 23	R64609	2F7	7	70 - 69
R61462	2D14	18	70 - 33	R63006	1C8	5	20 - 23	R64610	2F7	16	70 - 69
R61463	2D14	18	70 - 33	R63007	1C2	5	20 - 20	R64611	2F7	15	70 - 69
R61514	2G25	9	80 - 11	R63007	1C5	5	20 - 21B	R64612	2F7	14	70 - 69
R61524	2H6	4	80 - 16	R63007	1C6	5	20 - 21C	R64613	2F7	12	70 - 69
R61567	1I25	5	50 - 16	R63007	1C8	5	20 - 23	R64614	2F7	13	70 - 69
R61608	1C8	6	20 - 23	R63008	1C8	5	20 - 23	R64615	2F7	6	70 - 69
R61609	1C8	6	20 - 23	R63009	1C8	5	20 - 23	R64617	2F7	4	70 - 69
R61610	1C8	6	20 - 23	R63010	1C2	4	20 - 20	R64618	2F7	5	70 - 69
R61611	1C8	6	20 - 23	R63010	1C5	4	20 - 21B	R64697	1K5	11	50 - 47
R61727	2H6	4	80 - 16	R63010	1C6	4	20 - 21C	R64697	1K5	12	50 - 47
R61775	1H20	7	40 - 88	R63010	1C8	4	20 - 23	R64698	1K5	11	50 - 47
R61776	1H20	3	40 - 88	R63024	2J12	21	90 - 35	R64699	1G16	3	40 - 61
R61909	1C2	3	20 - 20	R63069	1I22	30	50 - 15	R64699	1G17	2	40 - 62
R61909	1C5	3	20 - 21B	R63069	1I24	3	50 - 15B	R64700	1G16	7	40 - 61
R61909	1C6	3	20 - 21C	R63070	1I22	28	50 - 15	R64700	1G17	7	40 - 62
R61932	1F10	23	40 - 29	R63070	1I24	1	50 - 15B	R64791	1J20	11	50 - 37
R61932	1F15	22	40 - 35	R63072	1I22	34	50 - 15	R64829	2E4	3	70 - 46A
R61933	1F15	15	40 - 35	R63072	1I24	8	50 - 15B	R64840	1C22	10	20 - 37
R61934	1F15	25	40 - 35	R63072	1I24	9	50 - 15B	R64840	1D21	4	30 - 19
R61967	2E17	21	70 - 59	R63073	1I22	27	50 - 15	R64840	1D24	12	30 - 22
R61975	1I17	7	50 - 9	R63073	1I24	5	50 - 15B	R64843	2E1	7	70 - 44
R62008	1B20	3	20 - 14	R63073	1I24	9	50 - 15B	R64845	2E1	7	70 - 44
R62410	1C22	15	20 - 37	R63074	1I22	32	50 - 15	R65182	1J15	18	50 - 32
R62418	1B8	5	20 - 5	R63074	1I24	6	50 - 15B	R65192	2C12	44	70 - 9
R62418	1B8	8	20 - 5	R63074	1I24	9	50 - 15B	R65194	2C12	43	70 - 9
R62419	1B8	5	20 - 5	R63075	1I22	33	50 - 15	R65207	1K11	40	50 - 53
R62419	1B8	7	20 - 5	R63075	1I24	7	50 - 15B	R65242	2E15	33	70 - 57
R62420	1B8	5	20 - 5	R63075	1I24	9	50 - 15B	R65243	2E15	24	70 - 57
R62420	1B8	6	20 - 5	R63076	1I24	13	50 - 15B	R65284	2F3	26	70 - 67
R62421	1B8	5	20 - 5	R63076	1I25	5	50 - 16	R65284	2F3	33	70 - 67
R62421	1B8	9	20 - 5	R63105	1J20	5	50 - 37	R65284	2F4	1	70 - 68
R62512	1J23	1	50 - 40	R63112	1J20	21	50 - 37	R65284	2F13	27	70 - 75
R62513	1J23	1	50 - 40	R63300	1I10	20	50 - 2	R65285	2F13	28	70 - 75
R62652	2F3	24	70 - 67	R63326	1C1	2	20 - 19A	R65285	2F14	11	70 - 75B
R62667	1F16	6	40 - 36	R63326	1C4	8	20 - 21A	R65286	2F3	13	70 - 67
R62668	1F16	8	40 - 36	R63326	1C5	8	20 - 21B	R65286	2F5	13	70 - 68A
R62669	1F15	11	40 - 35	R63326	1C6	8	20 - 21C	R65286	2F13	14	70 - 75
R62670	1F13	20	40 - 33	R63451	1B25	12	20 - 19	R65286	2F14	4	70 - 75B
R62671	1F13	38	40 - 33	R63451	1C1	4	20 - 19A	R65287	2F4	18	70 - 68
R62672	1F15	3	40 - 35	R63451	1C1	5	20 - 19A	R65287	2F5	7	70 - 68A
R62673	1F13	11	40 - 33	R63451	1C1	6	20 - 19A	R65289	2F3	33	70 - 67
R62674	1F13	2	40 - 33	R63477	1J12	13	50 - 29	R65289	2F4	1	70 - 68
R62685	1J21	16	50 - 38	R63477	1J14	7	50 - 31	R65289	2F13	27	70 - 75
R62686	2B19	5	60 - 18	R63477	1J15	15	50 - 32	R65501	2F3	17	70 - 67
R62807	1I22	35	50 - 15	R63477	1J15	17	50 - 32	R65501	2F13	27	70 - 75
R62807	1I24	10	50 - 15B	R63571	2H23	23	90 - 2	R65502	2F3	17	70 - 67

1L21

4320 TRACTOR

NUMERICAL INDEX - CONTINUED

PART NO.	GRID	KEY	PAGE	PART NO.	GRID	KEY	PAGE	PART NO.	GRID	KEY	PAGE
R65502	2F13	27	70 - 75	R66433	2E11	13	70 - 53	R70213	1I2	40	40 - 95
R65527	2E17	14	70 - 59	R66452	1B22	1	20 - 16	R70214	1I2	41	40 - 95
R65531	2E16	21	70 - 58	R66593	1D25	5	30 - 23	R70215	1I2	40	40 - 95
R65535	2E16	18	70 - 58	R66650	1J22	6	50 - 39	R70216	1I2	41	40 - 95
R65543	1J20	16	50 - 37	R66650	2G25	7	80 - 11	R70217	1I2	40	40 - 95
R65543	2B19	1	60 - 18	R66688	1D13	15	30 - 11	R70218	1I2	41	40 - 95
R65543	2B20	1	60 - 19	R66689	1D13	14	30 - 11	R70219	1I2	40	40 - 95
R65563	1I14	8	50 - 6	R66690	1D13	15	30 - 11	R70220	1I2	50	40 - 95
R65563	1J2	19	50 - 18	R66690	1D13	..	30 - 11	R70221	1I2	39	40 - 95
R65593	1E20	4	40 - 13	R66715	1J14	16	50 - 31	R70222	1I2	38	40 - 95
R65593	1H23	4	40 - 91	R66715	1J15	14	50 - 32	R70236	1J12	16	50 - 29
R65594	1H23	2	40 - 91	R66715	1J15	15	50 - 32	R70236	1J15	26	50 - 32
R65595	1H23	21	40 - 91	R66715	1J15	17	50 - 32	R70309	2H4	7	80 - 14
R65595	1H25	11	40 - 93	R66821	1D19	6	30 - 17	R70351	2C12	13	70 - 9
R65596	1H23	22	40 - 91	R66895	2D18	24	70 - 37	R70417	2H11	3	80 - 21
R65597	1H23	23	40 - 91	R66901	2E13	6B	70 - 55	R70513	1D23	1	30 - 21
R65597	2I1	2	90 - 5	R66901	2E13	11	70 - 55	R70559	2C12	43	70 - 9
R65598	1H23	24	40 - 91	R66901	2E15	4	70 - 57	R70617	2C15	2	70 - 11A
R65599	1E20	4	40 - 13	R66916	2F3	29	70 - 67	R70617	2C23	9	70 - 19
R65599	1H23	25	40 - 91	R66916	2F13	27	70 - 75	R70617	2C24	2	70 - 19A
R65600	1H23	26	40 - 91	R66922	1B22	1	20 - 16	R70648	2C10	6	70 - 7
R65601	1H23	27	40 - 91	R66922	1B22	2	20 - 16	R70648	2C21	1	70 - 17
R65602	1H23	28	40 - 91	R66922	1B22	4	20 - 16	R708R	2B19	3	60 - 18
R65602	1I2	49	40 - 95	R67219	1I20	5	50 - 12	R70826	1B9	3	20 - 6
R65603	1H23	29	40 - 91	R67222	1I19	6	50 - 11	R70826	1B9	7	20 - 6
R65604	1H23	30	40 - 91	R67235	2H6	1	80 - 16	R70867	2C23	21	70 - 19
R65604	2I1	2	90 - 5	R67366	1K11	44	50 - 53	R70868	2C23	22	70 - 19
R65605	1H23	31	40 - 91	R67410	2I18	4	90 - 19	R70966	1I20	5	50 - 12
R65606	1H23	32	40 - 91	R67783	1J14	13	50 - 31	R70976	2C10	8	70 - 7
R65607	1H23	33	40 - 91	R67982	1E16	2	40 - 9	R70976	2C21	5	70 - 17
R65607	1I2	46	40 - 95	R68167	1J14	11	50 - 31	R71208	1B9	4	20 - 6
R65608	1H23	5	40 - 91	R68170	1J14	9	50 - 31	R71208	1B9	8	20 - 6
R65609	1H23	8	40 - 91	R68171	1J14	10	50 - 31	R71248	1E23	5	40 - 17
R65610	1H23	9	40 - 91	R68222	1F22	8	40 - 42	R71321	2C12	42	70 - 9
R65648	1J20	5	50 - 37	R68224	1F22	1	40 - 42	R71321	2C23	38	70 - 19
R65648	1J21	3	50 - 38	R68252	2C19	24	70 - 15	R71387	2F9	9	70 - 71
R65741	1J12	12	50 - 29	R68252	2C21	24	70 - 17	R71387	2F11	3	70 - 73
R65741	1J15	14	50 - 32	R68648	1J18	1	50 - 35	R71399	1F1	15	40 - 20
R65892	1J4	8	50 - 20	R68939	1J15	9	50 - 32	R71399	1F3	25	40 - 23
R66067	1K11	1	50 - 53	R69109	1H15	1	40 - 83	R71400	1F3	5	40 - 23
R66069	1G16	3	40 - 61	R69166	2E8	2	70 - 50	R71476	2E16	12	70 - 58
R66117	1F5	4	40 - 25	R69214	1I20	19	50 - 12	R71529	1B10	7	20 - 7
R66117	1F17	9	40 - 37	R69262	2C12	44	70 - 9	R71531	1B10	6	20 - 7
R662R	2E25	6	70 - 65	R69270	2H19	18	80 - 29	R71531	1B10	7	20 - 7
R66301	1F3	5	40 - 23	R69270	2I18	2	90 - 19	R71586	2C19	12	70 - 15
R66302	1F3	11	40 - 23	R69270	2I19	4	90 - 20	R71586	2C19	13	70 - 15
R66319	1G4	2	40 - 49	R69279	2C12	35	70 - 9	R71586	2C19	14	70 - 15
R66319	1G5	7	40 - 50	R69279	2C14	15	70 - 11	R71587	2C21	12	70 - 17
R66319	1G11	..	40 - 56	R69279	2C17	13	70 - 13	R71598	2C19	25A	70 - 15
R66319	1H19	1	40 - 87	R69279	2C23	29	70 - 19	R71599	2C21	25A	70 - 17
R66319	1H19	9	40 - 87	R69279	2D2	17	70 - 21	R71603	2H23	7	90 - 2
R66319	1H19	14	40 - 87	R69297	2H22	10	90 - 1	R71851	1D23	17	30 - 21
R66319	1H19	15	40 - 87	R69297	2H22	11	90 - 1	R71916	1B21	3	20 - 15
R66319	1H23	3	40 - 91	R69297	2H22	15	90 - 1	R71918	1B20	4	20 - 14
R66319	2I1	11	90 - 5	R69408	2E22	3	70 - 64A	R71918	1B21	4	20 - 15
R66320	1H23	7	40 - 91	R69409	2E22	3	70 - 64A	R71918	1C22	33	20 - 37
R66320	1H25	24	40 - 93	R69536	2H22	9	90 - 1	R72169	1J20	26	50 - 37
R66321	1H21	7	40 - 89	R69562	2H23	7	90 - 2	R72169	1J21	13	50 - 38
R66321	1H21	11	40 - 89	R69642	2D20	14	70 - 39	R72226	2I2	8	90 - 6
R66321	1H23	6	40 - 91	R69644	1F1	15	40 - 20	R72227	2I2	7	90 - 6
R66321	1H25	24	40 - 93	R69644	1F3	25	40 - 23	R72228	2I2	6	90 - 6
R66416	2F3	18	70 - 67	R69645	1F1	15	40 - 20	R72229	2I2	5	90 - 6
R66432	2E9	1	70 - 51	R69645	1F3	26	40 - 23	R72328	1C22	26	20 - 37
R66432	2E11	10	70 - 53	R69741	1J15	18	50 - 32	R72328	1D8	19	30 - 6
R66432	2E11	13	70 - 53	R70210	1I2	41	40 - 95	R72341	1K11	44	50 - 53
R66433	2E9	1	70 - 51	R70211	1I2	40	40 - 95	R72409	1J12	2	50 - 29
R66433	2E11	10	70 - 53	R70212	1I2	41	40 - 95	R72429	2C10	29A	70 - 7

1L22

4320 TRACTOR

NUMERICAL INDEX - CONTINUED

PART NO.	GRID	KEY	PAGE	PART NO.	GRID	KEY	PAGE	PART NO.	GRID	KEY	PAGE
R72433	2E20	19A	70 - 62	R74695	2F3	21	70 - 67	R77484	1H25	19	40 - 93
R72433	2E20	22B	70 - 62	R74695	2F5	11	70 - 68A	R77485	1H25	21	40 - 93
R72506	2C19	27	70 - 15	R74695	2F13	27	70 - 75	R77486	1H25	22	40 - 93
R72507	2C10	29B	70 - 7	R74993	1E20	3	40 - 13	R77487	1H25	23	40 - 93
R72507	2C10	..	70 - 7	R75376	2C23	26	70 - 19	R77488	1I2	51	40 - 95
R72507	2C19	23	70 - 15	R75564	2C23	18	70 - 19	R77489	1H12	13	40 - 79
R72507	2C21	23	70 - 17	R75642	2C10	1	70 - 7	R77489	1I2	51	40 - 95
R72509	2C10	30B	70 - 7	R75642	2C23	17	70 - 19	R77490	1I2	51	40 - 95
R72509	2C21	27	70 - 17	R75833	1G16	3	40 - 61	R77491	1I2	54	40 - 95
R726R	2G14	11	80 - 1	R75833	1G17	2	40 - 62	R77492	1I2	54	40 - 95
R726R	2G17	13	80 - 4	R75866	2B25	15	60 - 25	R77493	1H21	7	40 - 89
R726R	2G22	11	80 - 8	R75879	2C23	5	70 - 19	R77493	1H21	11	40 - 89
R72653	1E1	1	30 - 24	R75938	2C23	43	70 - 19	R77493	1I2	51	40 - 95
R72653	2E1	10	70 - 44	R75938	2D2	16	70 - 21	R77494	1I2	55	40 - 95
R72653	2E2	52	70 - 45	R76126	1B8	5	20 - 5	R77495	1I2	52	40 - 95
R72653	2E4	1	70 - 46A	R76126	1B8	..	20 - 5	R77496	1I2	52	40 - 95
R72653	2E25	2	70 - 65	R76341	2H19	18	80 - 29	R77497	1I2	53	40 - 95
R72653	2E25	20	70 - 65	R76341	2I18	2	90 - 19	R77498	1H25	24	40 - 93
R72653	2F13	25	70 - 75	R76341	2I19	4	90 - 20	R77499	1H25	24	40 - 93
R72654	2D23	10	70 - 42	R76459	2G9	5	70 - 93	R77500	1H25	24	40 - 93
R72654	2E2	36	70 - 45	R76477	1F5	3	40 - 25	R77501	1H25	24	40 - 93
R72654	2E13	6C	70 - 55	R76477	1F6	5	40 - 25A	R77502	1I2	56	40 - 95
R72654	2E13	11	70 - 55	R76477	1F17	6	40 - 37	R77503	1I2	56	40 - 95
R72654	2E15	3	70 - 57	R76477	1F17	8	40 - 37	R77611	2C19	24	70 - 15
R72654	2F13	32	70 - 75	R76477	2G9	6	70 - 93	R77611	2C21	24	70 - 17
R72654	2F13	34	70 - 75	R76477	2I3	..	90 - 7	R77611	2D2	19	70 - 21
R72654	2H14	6	80 - 24	R76494	1J5	4	50 - 22	R77714	2C23	27	70 - 19
R72654	2I5	11	90 - 9	R76494	2D11	4	70 - 30	R77867	2B23	3	60 - 23
R72654	2J2	10	90 - 27	R76845	1J20	10	50 - 37	R77867	2B23	7	60 - 23
R72660	2E4	7	70 - 46A	R77003	1C13	7	20 - 28	R77867	2B25	3	60 - 25
R72660	2E25	6	70 - 65	R77145	1J12	12	50 - 29	R77867	2B25	7	60 - 25
R72886	2C8	20	70 - 5	R77145	1J12	13	50 - 29	R77903	2C10	31	70 - 7
R72886	2C10	24	70 - 7	R77145	1J14	6	50 - 31	R77903	2C19	22A	70 - 15
R72886	2C19	18	70 - 15	R77145	1J14	17	50 - 31	R77903	2C21	22A	70 - 17
R72886	2C21	18	70 - 17	R77145	1J15	14	50 - 32	R77904	2C10	34	70 - 7
R73101	1J22	27	50 - 39	R77145	1J15	15	50 - 32	R78101	2B23	3	60 - 23
R73101	1K11	36	50 - 53	R77145	1J15	17	50 - 32	R78101	2B23	7	60 - 23
R73102	2G25	12	80 - 11	R77145	1J15	18	50 - 32	R78101	2B25	3	60 - 25
R73266	1J14	27	50 - 31	R77456	1H25	27	40 - 93	R78101	2B25	7	60 - 25
R73266	1J15	2	50 - 32	R77457	1H25	29	40 - 93	R78102	1C3	1	20 - 21
R73266	1J16	5	50 - 33	R77458	1H25	28	40 - 93	R78102	1C3	10	20 - 21
R73380	1I10	15	50 - 2	R77459	1H25	28	40 - 93	R78124	1C9	1	20 - 24
R73380	2E19	27	70 - 61	R77460	1H25	28	40 - 93	R78124	1C9	3	20 - 24
R73380	2I11	2	90 - 15	R77461	1H25	28	40 - 93	R78257	2I11	6	90 - 15
R73444	1J1	17	50 - 17	R77462	1H25	25	40 - 93	R78293	2C8	10	70 - 5
R73445	1B21	6	20 - 15	R77463	1H25	30	40 - 93	R78293	2C10	14	70 - 7
R73736	2C23	24	70 - 19	R77464	1H25	26	40 - 93	R78293	2C19	8	70 - 15
R73737	2B4	20	60 - 3	R77465	1H25	31	40 - 93	R78293	2C21	8	70 - 17
R73741	2C19	12	70 - 15	R77466	1H25	33	40 - 93	R78430	2B19	5	60 - 18
R73741	2C19	13	70 - 15	R77467	1H25	34	40 - 93	R78436	2F13	14	70 - 75
R73741	2C19	14	70 - 15	R77468	1H25	32	40 - 93	R78755	1F1	12	40 - 20
R74022	2B25	14	60 - 25	R77469	1I2	35	40 - 95	R78765	2F9	8	70 - 71
R74210	2F9	10	70 - 71	R77470	1I2	45	40 - 95	R78766	2F9	13	70 - 71
R74210	2F11	4	70 - 73	R77471	1H21	7	40 - 89	R78766	2F11	6	70 - 73
R74210	2H23	21	90 - 2	R77471	1I2	45	40 - 95	R78767	2F9	2	70 - 71
R74242	2G9	1	70 - 93	R77472	1I2	45	40 - 95	R78768	2F9	19	70 - 71
R74243	2G9	2	70 - 93	R77473	1I2	45	40 - 95	R78769	2F9	17	70 - 71
R74244	2G9	3	70 - 93	R77474	1I2	44	40 - 95	R79133	1J18	5	50 - 35
R74246	2G9	4	70 - 93	R77475	1H25	13	40 - 93	R79134	1J18	17	50 - 35
R74417	1J18	18	50 - 35	R77476	1H25	3	40 - 93	R79134	1J18	18	50 - 35
R74418	1J18	17	50 - 35	R77477	1H25	4	40 - 93	R79135	1J17	9	50 - 34
R74418	1J18	18	50 - 35	R77478	1H25	15	40 - 93	R79151	2C10	33	70 - 7
R74530	2F7	24	70 - 69	R77479	1H25	5	40 - 93	R79151	2C19	22B	70 - 15
R74530	2F9	16	70 - 71	R77480	1H25	6	40 - 93	R79151	2C19	25A	70 - 15
R74530	2F11	8	70 - 73	R77481	1H25	7	40 - 93	R79151	2C21	22B	70 - 17
R74530	2F13	28	70 - 75	R77482	1H25	8	40 - 93	R79151	2C21	25A	70 - 17
R74530	2F14	11	70 - 75B	R77483	1H25	16	40 - 93	R79152	2C19	22B	70 - 15

1L23

4320 TRACTOR

NUMERICAL INDEX - CONTINUED

PART NO.	GRID	KEY	PAGE	PART NO.	GRID	KEY	PAGE	PART NO.	GRID	KEY	PAGE
R79152	2C19	25A	70 - 15	R86192	2B25	6	60 - 25	TY22009	1B4	1	20 - 1
R79152	2C19	25B	70 - 15	R86770	1J18	5	50 - 35	TY22010	1B4	2	20 - 1
R79154	2C21	22B	70 - 17	R87527	2I13	7	90 - 17	TY22011	1B4	2	20 - 1
R79154	2C21	25A	70 - 17	R87529	2H19	18	80 - 29	TY22043	2D7	2	70 - 26
R79154	2C21	25B	70 - 17	R87529	2I19	4	90 - 20	TY22044	2D7	2	70 - 26
R79156	2C10	33	70 - 7	R87764	1F1	19	40 - 20	TY22063	2D7	2	70 - 26
R79266	2C23	10	70 - 19	R87764	1F3	31	40 - 23	TY22329	2D13	8	70 - 32
R79267	2C23	14	70 - 19	R88042	1B8	9	20 - 5	TY22329	2D13	13	70 - 32
R79268	2C23	13	70 - 19	R88042	1B8	..	20 - 5	TY22418	1D21	10	30 - 19
R79311	2F7	25	70 - 69	R88043	1B8	8	20 - 5	TY22462	1K11	2	50 - 53
R79311	2F9	16	70 - 71	R88043	1B8	..	20 - 5	TY22465	2I2	4	90 - 6
R79311	2F11	8	70 - 73	R88044	1B8	7	20 - 5	TY22465	2I7	20	90 - 11
R79311	2F13	28	70 - 75	R88044	1B8	..	20 - 5	TY22465	2I9	6	90 - 13
R79311	2F14	11	70 - 75B	R88045	1B8	6	20 - 5	TY22467	1C14	5	20 - 29
R79850	1B10	6	20 - 7	R88045	1B8	..	20 - 5	TY22467	2D12	7	70 - 31
R80306	2H4	10	80 - 14	R88397	1C19	12	20 - 34	TY22467	2D13	3	70 - 32
R80558	2C10	30B	70 - 7	R88397	1C22	3	20 - 37	TY22467	2D14	34	70 - 33
R80558	2C10	..	70 - 7	R89836	1J14	15	50 - 31	TY22470	1D18	13	30 - 16
R80558	2C19	27	70 - 15	R90085	2B19	2	60 - 18	TY22470	2B14	11	60 - 13
R80558	2C21	27	70 - 17	R90086	2B19	2	60 - 18	TY22473	1D3	3	30 - 1
R80752	2B25	34	60 - 25	R91558	1I9	28	50 - 1	TY22473	1D5	4	30 - 3
R80753	2B25	34	60 - 25	R92411	2D15	20	70 - 34	TY22473	1D8	3	30 - 6
R80754	2B25	28	60 - 25	R92411	2D16	14	70 - 35	TY22474	1D3	1	30 - 1
R80754	2B25	34	60 - 25	R93019	1J14	8	50 - 31	TY22474	1D5	1	30 - 3
R80842	2E17	23	70 - 59	R93219	1I4	7	40 - 97	TY22474	1D8	1	30 - 6
R80842	2E19	34	70 - 61	R93220	1I4	7	40 - 97	TY22475	1D3	7	30 - 1
R80965	2D15	20	70 - 34	R93221	1I4	7	40 - 97	TY22475	1D6	2	30 - 4
R80965	2D16	14	70 - 35	R93222	1I4	7	40 - 97	TY22475	1D6	9	30 - 4
R81272	2H6	1	80 - 16	R93238	1B10	6	20 - 7	TY3018	2G10	3	70 - 94
R81424	2I13	5	90 - 17	R93955	2H4	3	80 - 14	TY6118	1E13	1	40 - 6
R81424	2I15	12	90 - 17B	R93955	2H5	3	80 - 15	TY6280	1B4	1	20 - 1
R81507	1F3	30	40 - 23	R94632	1J14	23	50 - 31	TY6297	1B4	1	20 - 1
R82175	1J20	27	50 - 37	R94632	1J15	2	50 - 32	TY6298	1B4	1	20 - 1
R82236	1H10	16	40 - 77	R94632	1J16	2	50 - 33	TY6300	1B4	1	20 - 1
R82237	1H10	14	40 - 77	R96420	2E16	7A	70 - 58	TY6301	1B4	1	20 - 1
R82238	1H10	15	40 - 77	R96420	2E16	7B	70 - 58	TY6311	1B4	1	20 - 1
R82239	1H10	13	40 - 77	R96460	1C2	8	20 - 20	TY6312	1B4	1	20 - 1
R82243	1H10	18	40 - 77	R97348	1C22	9	20 - 37	TY6313	1B4	1	20 - 1
R82337	2B25	28	60 - 25	R97348	1D8	4	30 - 6	TY6359	1B4	1	20 - 1
R82337	2B25	34	60 - 25	R97349	1C22	8	20 - 37	TY6360	1B4	1	20 - 1
R82355	1H10	4	40 - 77	R97349	1D8	16	30 - 6	TY6361	1B4	1	20 - 1
R82423	1H12	8	40 - 79	R97350	1D20	7	30 - 18	TY6364	1B4	1	20 - 1
R82425	2H19	18	80 - 29	R97786	1J21	14	50 - 38	TY6384	2H23	..	90 - 2
R82425	2I18	2	90 - 19	R97786	2B20	2	60 - 19	TY6389	1B4	2	20 - 1
R82425	2I19	4	90 - 20	R97799	1J21	15	50 - 38	TY6390	1B4	2	20 - 1
R82766	2E4	6	70 - 46A	R97799	2B20	3	60 - 19	TY6391	1B4	2	20 - 1
R82766	2E25	5	70 - 65	R97998	1J20	20	50 - 37	TY6392	1B4	2	20 - 1
R83020	1C22	6	20 - 37	R97998	1J21	7	50 - 38	TY6393	1B4	2	20 - 1
R83020	1D14	10	30 - 12	R99556	1I25	17	50 - 16	TY6394	1B4	2	20 - 1
R83021	1C22	4	20 - 37	TY1430	1E23	5	40 - 17	TY6603	1E23	5	40 - 17
R83021	1D14	9	30 - 12	TY1430	1E24	..	40 - 18	TY6603	1E25	..	40 - 19
R83034	1D8	7	30 - 6	TY15155	1G22	4	40 - 67	TY6617	1F4	6	40 - 24
R83055	1H12	9	40 - 79	TY15155	1H2	4	40 - 69B	TY6617	1F17	..	40 - 37
R83103	2H19	17	80 - 29	TY15263	1G7	26	40 - 52	TY6617	1F18	..	40 - 38
R83109	1H12	11	40 - 79	TY15269	2E13	19	70 - 55	TY6617	1F19	..	40 - 39
R83316	2I13	7	90 - 17	TY15276	1G22	4	40 - 67	TY6617	1F20	..	40 - 40
R83508	2C8	20	70 - 5	TY15276	1H2	4	40 - 69B	TY6617	1F21	..	40 - 41
R83508	2C10	24	70 - 7	TY15709	2I3	..	90 - 7	TY6618	1F4	6	40 - 24
R83508	2C19	18	70 - 15	TY15939	2D8	1	70 - 27	TY6618	1F5	..	40 - 25
R83508	2C21	18	70 - 17	TY1597	1F4	6	40 - 24	TY6618	1F13	..	40 - 33
R83531	2E15	10	70 - 57	TY16004	1B5	2	20 - 2	TY6618	1F15	..	40 - 35
R84158	1H12	13	40 - 79	TY16005	1B5	3	20 - 2	TY6618	1F16	..	40 - 36
R85027	1B9	17	20 - 6	TY16005	1B5	..	20 - 2	TY6625	1E23	5	40 - 17
R85708	2B19	5	60 - 18	TY16055	1G7	26	40 - 52	TY6625	1F3	29	40 - 23
R85708	2B19	7	60 - 18	TY21737	1E13	1	40 - 6	TY6665	2H23	2	90 - 2
R85708	2B20	3	60 - 19	TY22007	1B4	2	20 - 1	TY6667	1F4	6	40 - 24
R86162	1J18	1	50 - 35	TY22008	1B4	2	20 - 1	TY6667	1F5	..	40 - 25

1L24

4320 TRACTOR

NUMERICAL INDEX - CONTINUED

PART NO.	GRID	KEY	PAGE	PART NO.	GRID	KEY	PAGE	PART NO.	GRID	KEY	PAGE
TY6667	1F8	..	40 - 27	T12637	2D23	15	70 - 42	T146517	1F6	10	40 - 25A
TY6667	1F10	..	40 - 29	T12637	2D23	16	70 - 42	T146517	1F17	1	40 - 37
TY6686	1E23	5	40 - 17	T12860	2B7	22	60 - 6	T146517	2H19	19	80 - 29
TY6686	1F3	29	40 - 23	T13073	2F22	29	70 - 81	T15005	2J15	9	90 - 38
TY6701	1F4	6	40 - 24	T13073	2G2	29	70 - 85	T15539	1B13	18	20 - 11
TY6701	1F4	..	40 - 24	T13073	2G5	29	70 - 89	T15539	1C8	7	20 - 23
TY6701	1F5	..	40 - 25	T13073	2G7	17	70 - 91	T15712	1D23	36	30 - 21
TY6701	1F13	..	40 - 33	T13325	1J10	7	50 - 27	T15715	1D23	15	30 - 21
TY6701	1F15	6	40 - 35	T13329	1J10	22	50 - 27	T15721	1D23	16	30 - 21
TY6701	1F15	..	40 - 35	T13330	1J10	21	50 - 27	T15737	2H24	2	90 - 3
TY6701	1F16	..	40 - 36	T13331	1J10	17	50 - 27	T16068	2E8	11	70 - 50
TY6710	1F4	6	40 - 24	T13332	1J10	17	50 - 27	T16911	1E21	3	40 - 14
TY6710	1F4	..	40 - 24	T13333	1J10	17	50 - 27	T16911	1I25	18	50 - 16
TY6710	1F5	..	40 - 25	T13341	1J10	11	50 - 27	T17148	2B4	4	60 - 3
TY6710	1F8	..	40 - 27	T134452	1F5	6	40 - 25	T17947	1D23	20	30 - 21
TY6710	1F10	7	40 - 29	T134452	1F6	10	40 - 25A	T17948	1E25	20	40 - 19
TY6710	1F10	..	40 - 29	T134452	1F17	1	40 - 37	T17949	1D23	3	30 - 21
TY6713	1F4	6	40 - 24	T134452	2H19	19	80 - 29	T17950	1D23	2	30 - 21
TY6713	1F4	..	40 - 24	T134453	1F5	6	40 - 25	T17953	1D23	22	30 - 21
TY6713	1F8	..	40 - 27	T134453	1F6	10	40 - 25A	T18098	1F10	14	40 - 29
TY6713	1F10	..	40 - 29	T134453	1F17	1	40 - 37	T18098	1F15	13	40 - 35
TY6713	1F13	..	40 - 33	T134453	2H19	19	80 - 29	T18105	1F11	9	40 - 30
TY6713	1F15	..	40 - 35	T134454	1F5	6	40 - 25	T18105	1F16	6	40 - 36
TY6713	1F17	..	40 - 37	T134454	1F6	10	40 - 25A	T18106	1F11	16	40 - 30
TY6713	1F18	11	40 - 38	T134454	1F17	1	40 - 37	T18106	1F16	13	40 - 36
TY6713	1F18	..	40 - 38	T134454	2H19	19	80 - 29	T18107	1F11	12	40 - 30
TY6713	1F19	17	40 - 39	T134455	1F5	6	40 - 25	T18107	1F16	9	40 - 36
TY6713	1F19	..	40 - 39	T134455	1F6	10	40 - 25A	T18110	1F11	2	40 - 30
TY6713	1F20	..	40 - 40	T134455	1F17	1	40 - 37	T18110	1F16	2	40 - 36
TY6713	1F21	..	40 - 41	T134455	2H19	19	80 - 29	T18717	1J10	15	50 - 27
TY6772	1E23	5	40 - 17	T134456	1F5	6	40 - 25	T18718	1J10	3	50 - 27
TY6772	1F1	..	40 - 20	T134456	1F6	10	40 - 25A	T19178	1G2	11	40 - 47
TY6790	1E23	5	40 - 17	T134456	1F17	1	40 - 37	T19607	1F11	22	40 - 30
TY6790	1F1	..	40 - 20	T134456	2H19	19	80 - 29	T19854	1D23	32	30 - 21
TY6790	1F3	29	40 - 23	T134459	1F5	1	40 - 25	T19855	1D23	27	30 - 21
TY9305	1G7	26	40 - 52	T134459	1F6	1	40 - 25A	T19860	1D23	13	30 - 21
TY9371	2J20	1	90 - 42	T134459	1F17	5	40 - 37	T19861	1D23	14	30 - 21
T104373	2I22	2	90 - 23	T134459	2H19	19	80 - 29	T19909	1F8	30	40 - 27
T104373	2I24	1	90 - 25	T13471	1J10	16	50 - 27	T19909	1F13	29	40 - 33
T10745	1E23	7	40 - 17	T13911	2I8	..	90 - 12	T19977	1G9	8	40 - 54
T10745	1F1	17	40 - 20	T14050	1D20	11	30 - 18	T20077	1B8	2	20 - 5
T10745	1F3	27	40 - 23	T14264	1D18	2	30 - 16	T20129	1B8	1	20 - 5
T11220	2F24	24	70 - 83	T14264	1H15	8	40 - 83	T20166	1B8	20	20 - 5
T11220	2G2	18	70 - 85	T14587	1K4	3	50 - 46	T20303	1C13	11	20 - 28
T11220	2G6	13	70 - 90	T14587	1K9	2	50 - 51	T21689	2H7	4	80 - 17
T11220	2G7	8	70 - 91	T146102	1F5	1	40 - 25	T22228	2E1	2	70 - 44
T11234	2G24	13	80 - 10	T146102	1F6	1	40 - 25A	T22534	1D16	5	30 - 14
T11234	2I11	23	90 - 15	T146102	1F17	5	40 - 37	T22958	2D12	8	70 - 31
T11234	2I12	13	90 - 16	T146102	2H19	16	80 - 29	T22958	2E7	14	70 - 49
T11290	1D23	31	30 - 21	T146102	2H19	19	80 - 29	T23027	2J21	3	90 - 43
T11708	2I8	..	90 - 12	T146104	1F5	6	40 - 25	T23033	2J21	4	90 - 43
T11708	2J14	10	90 - 37	T146104	1F6	10	40 - 25A	T23610	1E24	25	40 - 18
T11739	1F10	23	40 - 29	T146104	1F17	1	40 - 37	T23610	1E25	30	40 - 19
T11743	1F8	1	40 - 27	T146104	2H19	19	80 - 29	T23891	1B25	2	20 - 19
T11743	1F13	1	40 - 33	T146106	1F5	6	40 - 25	T23925	1C23	1	20 - 38
T11882	1D23	34	30 - 21	T146106	1F6	10	40 - 25A	T25050	1E1	19	30 - 24
T11883	1D23	35	30 - 21	T146106	1F17	1	40 - 37	T25317	1I17	14	50 - 9
T11884	1D23	33	30 - 21	T146106	2H19	19	80 - 29	T25343	1E24	26	40 - 18
T11917	1D23	4	30 - 21	T146515	1F5	6	40 - 25	T25343	1E25	31	40 - 19
T11918	1D23	26	30 - 21	T146515	1F6	10	40 - 25A	T25353	1E25	10	40 - 19
T11921	1D23	21	30 - 21	T146515	1F17	1	40 - 37	T25357	1E25	6	40 - 19
T11921	1D23	43	30 - 21	T146515	2H19	19	80 - 29	T25879	2E22	4	70 - 64A
T11934	1D23	30	30 - 21	T146516	1F5	6	40 - 25	T26256	1D23	42	30 - 21
T11934	1I15	17	50 - 7	T146516	1F6	10	40 - 25A	T26565	1I9	19	50 - 1
T11937	1D25	6	30 - 23	T146516	1F17	1	40 - 37	T27261	1C15	8	20 - 30
T11941	1D23	44	30 - 21	T146516	2H19	19	80 - 29	T27261	1C16	5	20 - 31
T12637	1I17	7	50 - 9	T146517	1F5	6	40 - 25	T27860	1C9	2	20 - 24

1L25

4320 TRACTOR

NUMERICAL INDEX - CONTINUED

PART NO.	GRID	KEY	PAGE	PART NO.	GRID	KEY	PAGE	PART NO.	GRID	KEY	PAGE
T27860	1C9	3	20 - 24	T84411	1F5	6	40 - 25	Z36276	2C24	8	70 - 19A
T28583	1E10	7	40 - 3	T84411	1F6	10	40 - 25A	Z36276	2C24	9	70 - 19A
T28583	1H23	34	40 - 91	T84411	1F17	1	40 - 37	1873796	1F8	10	40 - 27
T28583	1H25	1	40 - 93	T84411	2H19	19	80 - 29	18940	2E24	3	70 - 64C
T28585	1E10	7	40 - 3	T84412	1F5	6	40 - 25	32240	1K4	14	50 - 46
T28585	1F24	4	40 - 44	T84412	1F6	10	40 - 25A	32240	1K9	4	50 - 51
T28585	1F24	7	40 - 44	T84412	1F17	1	40 - 37	32240	2H23	22	90 - 2
T28585	1F24	..	40 - 44	T84412	2H19	19	80 - 29	400R	1113	14	50 - 5
T28585	1F25	4	40 - 45	T84413	1F5	6	40 - 25	400R	1115	19	50 - 7
T28585	1F25	7	40 - 45	T84413	1F6	10	40 - 25A	400R	1J5	9	50 - 22
T28585	1F25	..	40 - 45	T84413	1F17	1	40 - 37	400R	1J18	8	50 - 35
T28585	1H21	7	40 - 89	T84413	2H19	19	80 - 29	400R	1J23	28	50 - 40
T28585	1H23	35	40 - 91	T84578	1F5	6	40 - 25	400R	1J24	37	50 - 41
T28585	1H25	12	40 - 93	T84578	1F6	10	40 - 25A	400R	1J24	38A	50 - 41
T28586	1H25	14	40 - 93	T84578	1F17	1	40 - 37	400R	2B4	12	60 - 3
T29100	1E25	3	40 - 19	T84578	2H19	19	80 - 29	400R	2B6	6	60 - 5
T29102	1E25	20	40 - 19	U10136	2B23	3	60 - 23	400R	2B17	13	60 - 16
T29105	1E25	9	40 - 19	U10136	2B23	7	60 - 23	400R	2B17	29	60 - 16
T29242	1J10	8	50 - 27	U10136	2B25	3	60 - 25	400R	2B23	21	60 - 23
T29527	1D20	11	30 - 18	U11647	2G25	11	80 - 11	400R	2B23	38	60 - 23
T31308	1E23	16	40 - 17	U12037	1117	18	50 - 9	400R	2B25	18	60 - 25
T31308	1E25	1	40 - 19	U12037	2D23	18	70 - 42	400R	2D18	38	70 - 37
T32148	2H12	12	80 - 22	U12331	2B23	6	60 - 23	400R	2F13	12	70 - 75
T32231	1H21	5	40 - 89	U12331	2B23	7	60 - 23	400R	2F16	22	70 - 75D
T32231	2H24	2	90 - 3	U12547	1K3	3	50 - 45	400R	2G8	14	70 - 92
T32255	1H7	16	40 - 74	U12547	1K5	13	50 - 47	811912	1F15	9	40 - 35
T34067	1H25	18	40 - 93	U13639	2C8	14	70 - 5				
T34432	2J14	11	90 - 37	U13639	2C10	19	70 - 7				
T35695	2D13	4	70 - 32	U13639	2C17	14	70 - 13				
T40167	2D12	8	70 - 31	U13639	2C19	12	70 - 15				
T40167	2E7	14	70 - 49	U13639	2D2	21	70 - 21				
T40308	2C12	28	70 - 9	U13639	2D19	7	70 - 38				
T40308	2C14	17	70 - 11	U13639	2E1	14	70 - 44				
T40308	2C15	11	70 - 11A	U13639	2E1	22	70 - 44				
T40308	2C24	11	70 - 19A	U13639	2E5	14	70 - 47				
T40308	2D2	4	70 - 21	U15242	1K7	4	50 - 49				
T41901	1C18	2	20 - 33	U15969	2F7	21	70 - 69				
T43535	2C15	8	70 - 11A	U17409	1K4	7	50 - 46				
T43535	2C15	9	70 - 11A	U17409	1K6	4	50 - 48				
T43535	2C24	8	70 - 19A	U17409	1K9	12	50 - 51				
T43535	2C24	9	70 - 19A	U17409	1K11	3	50 - 53				
T519T	2E1	7	70 - 44	U17409	2D14	32	70 - 33				
T519T	2E1	32	70 - 44	U40727	1K4	17	50 - 46				
T519T	2E4	28	70 - 46A	U40727	1K9	3	50 - 51				
T54033	2E4	6	70 - 46A	U40727	1K11	13	50 - 53				
T54033	2E25	5	70 - 65	U40750	1C13	6	20 - 28				
T55501	1G15	1	40 - 60	U46370	1H23	36	40 - 91				
T55501	1G16	11	40 - 61	U46370	1H25	20	40 - 93				
T55501	1G17	11	40 - 62	U46506	1H7	17	40 - 74				
T57374	2C12	29	70 - 9	U46507	1H7	11	40 - 74				
T57374	2C14	18	70 - 11	U46508	1H7	20	40 - 74				
T57374	2C15	10	70 - 11A	U46509	1H7	8	40 - 74				
T57374	2C24	10	70 - 19A	U46510	1H7	7	40 - 74				
T57374	2D2	5	70 - 21	U46511	1H7	6	40 - 74				
T61939	2D13	4	70 - 32	U46512	1H7	5	40 - 74				
T738T	1F10	18	40 - 29	U46513	1H7	4	40 - 74				
T738T	1F15	17	40 - 35	U46514	1H7	1	40 - 74				
T75972	1K7	3	50 - 49	U46662	1H12	12	40 - 79				
T77072	1K7	2	50 - 49	U46662	1H21	7	40 - 89				
T84409	1F5	1	40 - 25	U46662	1H23	37	40 - 91				
T84409	1F6	1	40 - 25A	U46662	1H25	10	40 - 93				
T84409	1F17	5	40 - 37	U46663	1H23	38	40 - 91				
T84409	2H19	19	80 - 29	U46664	1H23	39	40 - 91				
T84410	1F5	6	40 - 25	U46664	1I2	47	40 - 95				
T84410	1F6	10	40 - 25A	W19903	1K7	6	50 - 49				
T84410	1F17	1	40 - 37	Z36276	2C15	8	70 - 11A				
T84410	2H19	19	80 - 29	Z36276	2C15	9	70 - 11A				