

1A2

TRACTOR - 4620

RWP4468 -UN-01JAN94



JOHN DEERE 4620 TRACTOR

(SPECIFICATIONS AND DESIGN SUBJECT TO CHANGE WITHOUT NOTICE)

JOHN DEERE 4620 TRACTOR

(SPECIFICATIONS AND DESIGN SUBJECT TO CHANGE WITHOUT NOTICE)

1A3

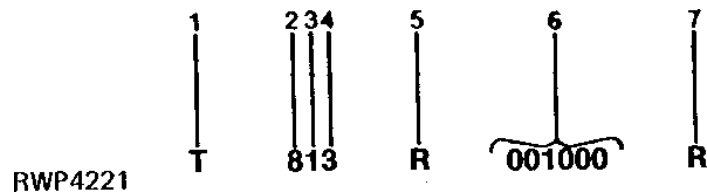
TRACTOR - 4620

SERIAL NUMBERS

EACH 4620 TRACTOR HAS THE FOLLOWING SERIAL NUMBER PLATES: BASIC TRACTOR AND ENGINE.

BASIC TRACTOR SERIAL NUMBER

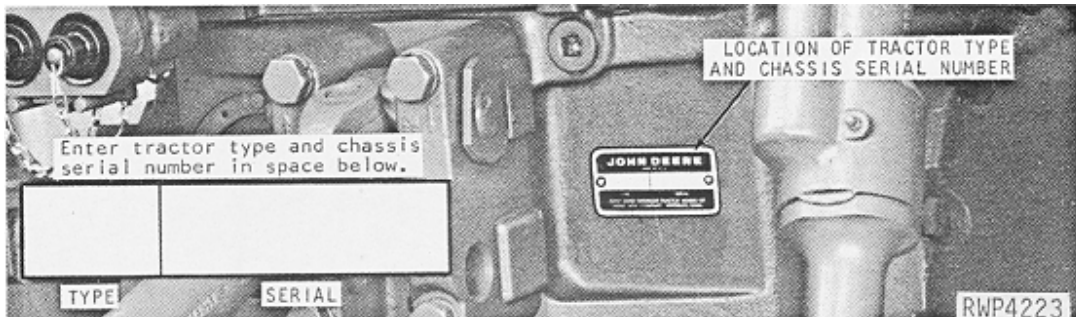
RWP4221 -UN-01JAN94



1. DESIGNATES TYPE OF UNIT
2. DESIGNATES MODEL SERIES
1. DESIGNATES CHASSIS DESIGN
4. DESIGNATES TYPE OF ENGINE
5. DESIGNATES TYPE OF TRANSMISSION
6. DESIGNATES TRACTOR SERIAL NUMBER
7. DESIGNATES TRACTOR MANUFACTURER

- T - TRACTOR
8 - 4620
1 - ROW-CROP
3 - DIESEL
R - SYNCRO-RANGE
R - JOHN DEERE TRACTOR WORKS

RWP4223 -UN-01JAN94



THE BASIC TRACTOR SERIAL NUMBER PLATE IS LOCATED AT THE REAR OF THE TRANSMISSION CASE.

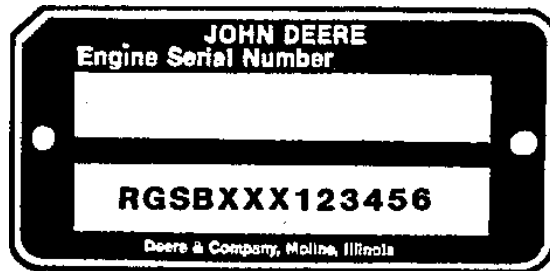
1A4

TRACTOR - 4620

SHORT BLOCK SERIAL NUMBER PLATE

(SHORT BLOCK SERIAL NO. -RGSB404882600)

RGP2856 -UN-01JAN94



RGP2856

A SHORT BLOCK SERIAL NUMBER PLATE IS ATTACHED TO REPLACEMENT SHORT BLOCK ASSEMBLIES. THIS NUMBER WILL BE REFERRED TO WHEN NEW PARTS AFFECT THE SHORT BLOCK ASSEMBLY. THE PREVIOUS ENGINE SERIAL NUMBER SHOULD BE STAMPED INTO THE BLANK SPACE PROVIDED, AS A REFERENCE FOR YOUR DEALER.

- | | |
|---------------------------------------|----------------------------|
| 1. DESIGNATES ENGINE MANUFACTURER | RG - WATERLOO ENGINE WORKS |
| 2. DESIGNATES REPLACEMENT SHORT BLOCK | SB |
| 3. DESIGNATES CUBIC INCH | 404 |
| 4. DESIGNATES ENGINE SERIAL NUMBER | 8826 |
| 5. DESIGNATES COMPONENT SEQUENCE | 00 |

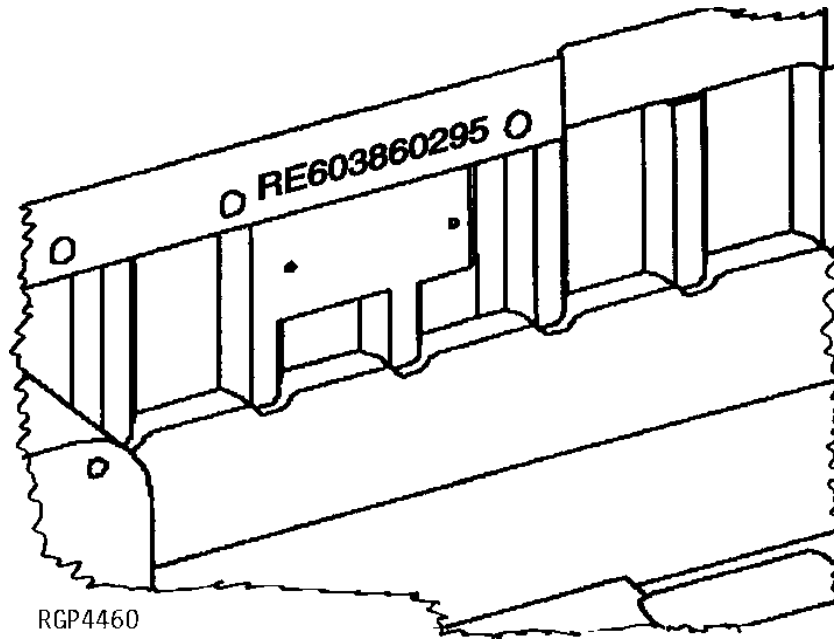
1A5

TRACTOR - 4620

SHORT BLOCK SERIAL NUMBER IDENTIFICATION

(RE603860295-) (EXAMPLE)

RGP4460 -UN-04MAR95



SERIAL NUMBER STAMPED INTO CASTING OF BLOCK NEAR PREVIOUS SERIAL NUMBER PLATE.

EXAMPLE: RE603860295

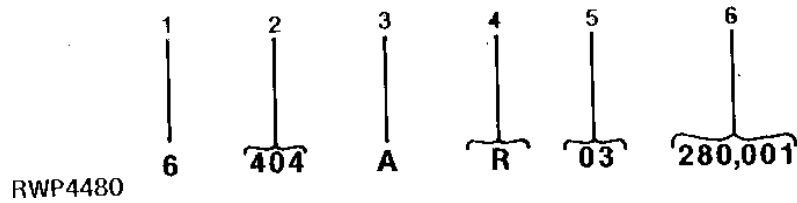
- | | |
|-----------------------------------|---------|
| 1. DESIGNATES SERVICE PART NUMBER | RE60386 |
| 2. DESIGNATES MONTH ASSEMBLED | 02 |
| 3. DESIGNATES YEAR ASSEMBLED | 95 |

1A6

TRACTOR - 4620

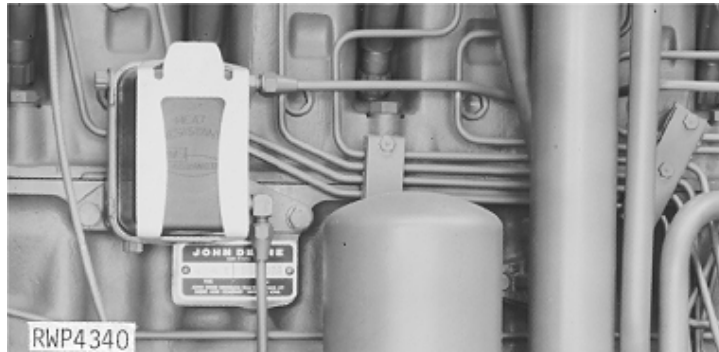
EXPLANATION OF ENGINE SERIAL NUMBER

RWP4480 -UN-01JAN94



- | | |
|---|----------------------------------|
| 1. DESIGNATES NUMBER OF CYLINDERS | 6 - SIX CYLINDERS |
| 2. DESIGNATES CUBIC INCH DISPLACEMENT | 404 |
| 3. DESIGNATES TYPE OF AIR INTAKE SYSTEM | A - TURBOCHARGED AND INTERCOOLED |
| 4. DESIGNATES USER FACTORY | R - JOHN DEERE TRACTOR WORKS |
| 5. DESIGNATES THE VERSION | 03- THIRD |
| 6. DESIGNATES ENGINE SERIAL NUMBER | |

RWP4340 -UN-01JAN94



THE ENGINE SERIAL NUMBER PLATE IS LOCATED ON THE RIGHT-HAND SIDE OF THE ENGINE.

1A7

TRACTOR - 4620

SERIAL NUMBER LISTING INFORMATION

SERIAL NUMBER INFORMATION IS LISTED TO SHOW ON WHICH MACHINES EACH PART CAN BE USED; FOR EXAMPLE:

- THE PART CAN BE USED ON ALL MACHINES.
- 000000- THE PART CAN BE USED ON ALL MACHINES BEGINNING WITH THE SERIAL NUMBER LISTED.
- 000000 THE PART CAN BE USED ON ALL MACHINES UP TO AND INCLUDING THE SERIAL NUMBER LISTED.
- 000000-000000 THE PART CAN BE USED ON ALL MACHINES BETWEEN AND INCLUDING THE SERIAL NUMBERS LISTED.

- 15BV1- WHEN A MODEL NUMBER BEGINS WITH 15BV, 14HA, 15PP, 25SC, 2RC, 4RC, 15RS, 3CY, 2SP, OR 31SV, IT REFERS TO THE MODEL NUMBER OF THE BRAKE VALVE, HYDRAULIC ACCUMULATOR, HYDRAULIC PUMP, REMOTE CYLINDER SELECTIVE CONTROL VALVE FOR NO ROCKSHAFT, REMOTE CYLINDER SELECTIVE CONTROL VALVES, REMOTE CYLINDERS, REMOTE CYLINDERS WITH MECHANICAL STOPS, ROCKSHAFT CONTROL VALVE, STEERING CYLINDER, STEERING METERING PUMP, OR STEERING VALVE.

WHEN XXXXXX'S ARE LISTED IN PLACE OF A SERIAL NUMBER, A SERIAL NUMBER CHANGE WAS MADE BUT THE EXACT SERIAL NUMBER WAS NOT AVAILABLE WHEN THE CATALOG WAS PRODUCED.

MODEL NUMBERS

THE COMPONENTS LISTED BELOW HAVE MODEL NUMBERS:

ACCUMULATOR	1HA3
BRAKE VALVE	7BV2
FLEXIBLE OIL LINE COUPLER	3DL1
HYDRAULIC PUMP	1PP4
PRESSURE CONTROL VALVE	2PC1
REMOTE CYLINDER SELECTIVE CONTROL VALVE - SINGLE	21SC1
REMOTE CYLINDER SELECTIVE CONTROL VALVE - DUAL	12SC1
REMOTE CYLINDER SELECTIVE CONTROL VALVE - TRIPLE	22SC1
REMOTE CYLINDER WITH HYDRAULIC STOP	2RC4
REMOTE CYLINDER WITH MECHANICAL STOP	4RC3
ROCKSHAFT CONTROL VALVE	9RS1
STEERING CYLINDER	1CY1
STEERING VALVE	3SY2

EACH OF THE ABOVE COMPONENTS HAS A MODEL NUMBER. WHEN THE DESIGN OF ONE OF THESE COMPONENTS IS CHANGED, THE MODEL NUMBER FOR THE NEWLY DESIGNED COMPONENT IS CHANGED.

1A8

TRACTOR - 4620

DIRECTION ARROW

ARROWS ARE USED WITH ILLUSTRATIONS TO INDICATE THE FRONT OF THE UNIT. "RIGHT-HAND" AND "LEFT-HAND" SIDES ARE DETERMINED BY FACING IN THE DIRECTION OF MACHINE FORWARD TRAVEL.

BOX-ENCLOSED ILLUSTRATIONS

A KEY NUMBER, SHOWN IN THE PARTS LIST, IS ASSIGNED TO A BOX ENCLOSING ALL PARTS SOLD AS A SERVICE ASSEMBLY.

BOLT AND CAP SCREW STRENGTH IDENTIFICATION

U.S. CUSTOMARY DIMENSIONED PRODUCT: BOLTS AND CAP SCREWS REQUIRED TO HAVE HIGH-STRENGTH QUALITIES EQUIVALENT TO SAE GRADE 8 ARE IDENTIFIED THROUGHOUT THIS CATALOG BY THE DESCRIPTION HS SAE 8. ALL STANDARD BOLTS AND CAP SCREWS ARE SAE GRADE 5 OR LOWER.

METRIC DIMENSIONED PRODUCT: BOLTS AND CAP SCREWS REQUIRED TO HAVE HIGH-STRENGTH QUALITIES EQUIVALENT TO PROPERTY CLASS 10.9 ARE IDENTIFIED THROUGHOUT THIS CATALOG BY THE DESCRIPTION HS 10.9. ALL STANDARD BOLTS AND CAP SCREWS ARE PROPERTY CLASS 8.8 OR LOWER.

JDM REMANUFACTURED COMPONENTS

THE SERVICE PARTS LISTED IN THIS CATALOG ARE INTENDED FOR THE REPAIR OF ORIGINAL EQUIPMENT COMPONENTS. ALTHOUGH MOST SERVICE PARTS MAY BE USED TO REPAIR REMANUFACTURED COMPONENTS, THE REMANUFACTURING PROCESS MAY CHANGE PARTS SUFFICIENTLY SO THAT SERVICE PARTS ARE INADEQUATE OR NOT USABLE.

TRADEMARKS

THROUGHOUT THIS PARTS CATALOG, YOU WILL FIND THE FOLLOWING TRADEMARKS:

HYDRACUSHIONED™
PERSONAL-POSTURE™
QUAD-RANGE™
PERFORMANCE TRAK™ II

ROLL-GARD®
SOUND-GARD®
TORQ-GARD PLUS 50®
HY-GARD®
QUIK-TATCH®
LOCTITE®

CHANGE INDICATOR LINE (MICROFICHE CATALOGS ONLY)

CHANGES AFFECTING THE ORDERING OF PARTS ARE IDENTIFIED BY VERTICAL LINES MARKED IN THE LEFT-HAND MARGIN OF REVISED PARTS LISTING IMAGES. A LINE IS ALSO AT THE LEFT-HAND EDGE OF THE SAME PART NUMBER IN THE NUMERICAL INDEX TO SHOW THE LOCATION OF REVISED INFORMATION.

1A9

TRACTOR - 4620

QUANTITY COLUMN OR REMARKS COLUMN

GENERALLY THE QUANTITY SHOWN IS FOR THE ENTIRE TRACTOR AT ANY GIVEN LOCATION. THERE ARE EXCEPTIONS AS IN WHEEL HARDWARE WHERE ONLY ENOUGH IS SHOWN FOR ONE WHEEL.

THE FOLLOWING ABBREVIATIONS ARE USED IN THE REMARKS COLUMN:

NLR - NO LONGER REQUIRED

NA - NOT APPLICABLE

NLA - NO LONGER AVAILABLE

FI - FIELD INSTALLED

CA - CONVENIENCE ASSEMBLY

CA AND FI ARE OPTIONS THAT MUST BE ORDERED DIRECT FROM THE PRODUCING FACTORY.

1A10

TRACTOR - 4620

SECTION INDEX

GENERAL INFORMATION	10
ENGINE	20
FUEL AND AIR	30
ELECTRICAL	40
POWER TRAIN	50
STEERING AND BRAKES	60
HYDRAULICS	70
WHEELS, FRONT AXLES, SHEET METAL	80
OPERATOR'S STATION	90
NUMERICAL INDEX	95

1A11

TRACTOR - 4620

ALPHABETICAL INDEX

GRID		PAGE	GRID		PAGE
A					
3H4	ABSORBER, SHOCK, SEAT SUPPORT.....	90-17	1E22	BATTERY CABLES (ROW-CROP)	40-10
1E25	ACCESSORY RELAY WIRING KIT.....	40-13	1E23	BATTERY CABLES (STANDARD).....	40-11
2D4	ACCUMULATOR PISTON (POWER SHIFT).....	50-48	1E22	BATTERY CLAMPS (ROW-CROP)	40-10
2F23	ACCUMULATOR, BRAKE	60-22	1E23	BATTERY CLAMPS (STANDARD)	40-11
2G1	ACCUMULATOR, BRAKE	60-24	3F13	BEARING KIT, FRONT WHEEL	80-2B
3C12	ACCUMULATOR, HYDRAULIC (PFWD).....	70-33	1C2	BEARING KIT, UNDERSIZED MAIN BEARING CRANKSHAFT (EARLY DESIGN).....	20-14A
1D20	ADAPTER, COLD WEATHER STARTING AID.....	30-19	1C3	BEARING KIT, UNDERSIZED MAIN BEARING CRANKSHAFT (LATE DESIGN)	20-15
3D11	ADAPTER, IMPLEMENT QUICK COUPLER.....	70-56	1C6	BEARING, CONNECTING ROD	20-18
1F11	ADJUSTING STRAP, ALTERNATOR	40-24	1C4	BEARINGS, MAIN.....	20-16
1D11	AFTERCOOLER	30-9	1C4	BEARINGS, MAIN THRUST.....	20-16
1D5	AIR CLEANER	30-3	1F7	BELT, FAN AND ALTERNATOR DRIVE.....	40-20
1E8	AIR CLEANER ELEMENT	30-32	1F8	BELT, FAN AND ALTERNATOR DRIVE.....	40-21
1D3	AIR CLEANER ELEMENT CLEANING GUN.....	30-1	3H7	BELT, SEAT	90-20
1G21	AIR CLEANER RESTRICTION INDICATOR LAMP	40-60	3H9	BELT, SEAT	90-21A
3G14	AIR COMPRESSOR WIRING	90-1	1C12	BELTS, FAN	20-24
3G15	AIR CONDITIONING COMPRESSOR	90-2	2D15	BEVEL GEAR, DIFFERENTIAL (LESS DIFFERENTIAL LOCK)	50-57
3F6	AIR CONDITIONING O-RING KIT	70-99	2D16	BEVEL PINION, DIFFERENTIAL (DIFFERENTIAL LOCK).....	50-58
1D8	AIR INTAKE KIT, VERTICAL	30-6	2D17	BEVEL PINION, DIFFERENTIAL (DIFFERENTIAL LOCK).....	50-59
1D6	AIR STACK, VERTICAL	30-4	2D15	BEVEL PINION, DIFFERENTIAL (LESS DIFFERENTIAL LOCK)	50-57
1F7	ALTERNATOR	40-20	2D16	BEVEL, GEAR, DIFFERENTIAL (DIFFERENTIAL LOCK).....	50-58
1F8	ALTERNATOR	40-21	2D17	BEVEL, GEAR, DIFFERENTIAL (DIFFERENTIAL LOCK).....	50-59
1F11	ALTERNATOR	40-24	2B18	BEVEL, GEAR, DIFFERENTIAL (SRT)	50-12
1F12	ALTERNATOR	40-25	2B18	BEVEL, PINION, DIFFERENTIAL (SRT).....	50-12
1F9	ALTERNATOR (MOTOROLA) (12-VOLT) (55 AMP).....	40-22	1B11	BLOCK, CYLINDER	20-8
1F10	ALTERNATOR (MOTOROLA) (12-VOLT) (72 AMP).....	40-23	2E23	BLOCK, CYLINDER, WHEEL (PFWD)	50-89
1F11	ALTERNATOR ADJUSTING STRAP	40-24	1B15	BLOCK, ENGINE SHORT (WITHOUT OIL PUMP)	20-9C
1F11	ALTERNATOR BRACKET	40-24	1B13	BLOCK, ENGINE SHORT (WITH OIL PUMP)	20-9A
1F12	ALTERNATOR BRUSHES	40-25	1B11	BLOCK, SHORT	20-8
1F13	ALTERNATOR BRUSHES	40-26	2B19	BLOCKERS, TRANSMISSION (SYNCRO-RANGE)	50-13
1F13	ALTERNATOR FAN (LATE DESIGN)	40-26	3G21	BLOWER (HINSON)	90-8
1G21	ALTERNATOR INDICATOR LAMP	40-60	3G21	BLOWER MOTOR	90-8
1F7	ALTERNATOR MOUNTING BRACKET.....	40-20	3H14	BODY, CAB (HINSON).....	90-26
1F8	ALTERNATOR MOUNTING BRACKET.....	40-21	1B6	BOLTS, HEAD	20-3
1F13	ALTERNATOR PARTS (LATE DESIGN).....	40-26	3G3	BOX, BATTERY	80-18
1E13	ALTERNATOR WIRING HARNESS.....	40-1	3G1	BOX, BATTERY (LESS CAB)	80-16
1H24	ANALOG TACHOMETER	40-90	3G2	BOX, BATTERY (WITH CAB)	80-17
1E7	ARM, FOOT SPEED CONTROL	30-31	1F11	BRACKET, ALTERNATOR.....	40-24
1E7	ARM, HAND SPEED CONTROL	30-31	2F16	BRACKET, BRAKE PEDAL	60-15
2C6	ARM, PTO CLUTCH VALVE	50-25	1H13	BRACKET, ELECTRICAL REMOTE CONTROL	40-78
3E20	ARM, REMOTE CYLINDER TRANSPORT	70-88	3I15	BRACKET, FIRE EXTINGUISHER.....	90-52
2B21	ARM, SPEED CHANGE SHIFTER (SYNCRO-RANGE)	50-15	3I10	BRACKET, TOOLBOX	90-47
2B20	ARM, SPEED RANGE SHIFTER (SYNCRO-RANGE)	50-14	1H22	BRACKET,RADAR SENSOR	40-88
2E25	ARM, STEERING	50-91	2F23	BRAKE ACCUMULATOR	60-22
2E24	ARM, STEERING (POWER FRONT WHEEL DRIVE)	50-90	2G1	BRAKE ACCUMULATOR	60-24
2D8	ARM, TRANSMISSION VALVE OPERATING (PST)	50-50	2F20	BRAKE FACING	60-19
1F23	ARMATURE, STARTER (DELCO-REMY)	40-36	2F21	BRAKE OIL LINES	60-20
1G5	ARMATURE, STARTER (JOHN DEERE) (DIESEL).....	40-42	2F22	BRAKE OIL LINES	60-21
3I4	ARMREST (COWL)	90-41	2F16	BRAKE PEDAL AND BRACKET	60-15
1B8	ARMS, ROCKER	20-5	2F19	BRAKE PISTON	60-18
3E16	AUXILIARY OUTLET COUPLER (EARLY DESIGN).....	70-84	2C17	BRAKE PISTON (POWER SHIFT)	50-36
3E18	AUXILIARY OUTLET COUPLER (LATE DESIGN).....	70-86	2E15	BRAKE PISTON SEAL KIT (PFWD)	50-81
2E20	AXLE HOUSING (POWER FRONT WHEEL DRIVE)	50-86	2D14	BRAKE PISTON, PTO (POWER SHIFT)	50-56
3F11	AXLE, FRONT	80-1	2B25	BRAKE PISTON, PTO (SYNCRO-RANGE)	50-19
2D23	AXLE, REAR.....	50-64	2F20	BRAKE PLATE	60-19
B					
3G7	BAFFLE, HOOD	80-22	2E13	BRAKE PLATES (PFWD).....	50-78
3H21	BAFFLES, CAB, STEERING	90-33	2F18	BRAKE VALVE OVERHAUL KIT	60-17
1E21	BATTERY	40-9	2F19	BRAKE, FACING	60-18
3G3	BATTERY BOX.....	80-18	2C20	BRAKE, FIRST PLANETARY (POWER SHIFT)	50-39
3G1	BATTERY BOX (LESS CAB).....	80-16			
3G2	BATTERY BOX (WITH CAB).....	80-17			

1A12

TRACTOR - 4620

ALPHABETICAL INDEX - CONTINUED

GRID		PAGE	GRID		PAGE
2C17	BRAKE, FOURTH PLANETARY (POWER SHIFT).....	50-36	3G24	CIRCUIT BREAKER, CONTROL PANEL	90-12
2F19	BRAKE, PLATES	60-18	1H18	CIRCUIT BREAKER, ELECTRICAL OUTLET	40-83
2C19	BRAKE, SECOND PLANETARY (POWER SHIFT).....	50-38	1H20	CIRCUIT BREAKER, SUPPLEMENTARY WIRING	40-86
2C18	BRAKE, THIRD PLANETARY (POWER SHIFT).....	50-37	1E22	CLAMP, BATTERY (ROW-CROP).....	40-10
2F17	BRAKE, VALVE	60-16	1E23	CLAMP, BATTERY (STANDARD)	40-11
3E9	BREAKAWAY COUPLER.....	70-76	1D5	CLEANER, AIR	30-3
3E11	BREAKAWAY COUPLER OVERHAUL KIT.....	70-79	2C11	CLUTCH ASSEMBLY (POWER SHIFT)	50-30
1E24	BREAKER, CIRCUIT	40-12	2C12	CLUTCH ASSEMBLY (POWER SHIFT)	50-31
1F2	BREAKER, CIRCUIT	40-15	2B8	CLUTCH COLLAR (SYNCRO-RANGE).....	50-3
1H17	BREAKER, CIRCUIT, REMOTE CONTROL	40-82	2C6	CLUTCH CONTROL, PTO (POWER SHIFT)	50-25
1H18	BREAKER, ELECTRICAL OUTLET CIRCUIT	40-83	2C4	CLUTCH CONTROL, TRANS. DISCONNECT (PST)	50-23
1F12	BRUSHES, ALTERNATOR	40-25	2B8	CLUTCH CONTROL, TRANSMISSION	50-3
1F13	BRUSHES, ALTERNATOR	40-26	2C3	CLUTCH DISK (POWER SHIFT).....	50-22
3D10	BUSHING KIT, LOAD CONTROL SHAFT.....	70-55	2B7	CLUTCH DISK (SYNCRO-RANGE).....	50-2
1F16	BYPASS STARTER LABEL	40-29	2C7	CLUTCH DRIVE SHAFT (POWER SHIFT).....	50-26
3C11	BYPASS VALVE, THERMOSTATIC	70-31	2C11	CLUTCH DRIVE SHAFT (POWER SHIFT).....	50-30
1G4	BYPASS, STARTER LABEL	40-41	2C12	CLUTCH DRIVE SHAFT (POWER SHIFT).....	50-31
			2C9	CLUTCH DRUM (POWER SHIFT).....	50-28
			2C10	CLUTCH DRUM (POWER SHIFT).....	50-29
			2C5	CLUTCH FORK (POWER SHIFT)	50-24
			2B8	CLUTCH FORK (SYNCRO-RANGE)	50-3
			2C1	CLUTCH HOUSING (POWER SHIFT)	50-20
			2B6	CLUTCH HOUSING (SYNCRO-RANGE).....	50-1
			2B11	CLUTCH LEVER LINKAGE, PTO (SYNCRO-RANGE).....	50-5B
			2C7	CLUTCH OIL MANIFOLD (POWER SHIFT)	50-26
			2C8	CLUTCH OIL PUMP ASSEMBLY	50-27
			2B12	CLUTCH OPERATING KIT,COUNTERWEIGHTED PTO	50-6
			2C11	CLUTCH PACK (POWER SHIFT)	50-30
			2C12	CLUTCH PACK (POWER SHIFT)	50-31
			2C9	CLUTCH PACK, TRANSMISSION, FRONT (PST)	50-28
			2C10	CLUTCH PACK, TRANSMISSION, REAR (PST)	50-29
			2C2	CLUTCH PEDAL (POWER SHIFT)	50-21
			2B8	CLUTCH PEDAL (SYNCRO-RANGE)	50-3
			2C9	CLUTCH PISTON (POWER SHIFT)	50-28
			2B8	CLUTCH PTO (SYNCRO-RANGE)	50-3
			2C3	CLUTCH SHAFT (POWER SHIFT)	50-22
			2B7	CLUTCH SHAFT (SYNCRO-RANGE)	50-2
			2C13	CLUTCH VALVE HOUSING (POWER SHIFT)	50-32
			2B9	CLUTCH VALVE, PTO	50-4
			2C13	CLUTCH VALVE, TRANSMISSION (POWER SHIFT)	50-32
			3G16	CLUTCH, COMPRESSOR	90-3
			2C3	CLUTCH, PTO (POWER SHIFT).....	50-22
			2C10	CLUTCH, PTO (POWER SHIFT).....	50-29
			2B13	CLUTCH, PTO, OIL LINES (SYNCRO-RANGE).....	50-7
			2C3	CLUTCH, TRANSMISSION DISCONNECT	50-22
			3G16	COIL, COMPRESSOR	90-3
			1G6	COIL, STARTER (JOHN DEERE) (DIESEL).....	40-43
			1D20	COLD WEATHER STARTING AID	30-19
			2B8	COLLAR, CLUTCH (SYNCRO-RANGE)	50-3
			2B8	COLLAR, CLUTCH RELEASE BEARING	50-3
			2B18	COLLAR, SYNCHRONIZE DRIVE (SYNCRO-RANGE).....	50-12
			1G7	COMMUTATOR END FRAME, STARTER (JOHN DEERE) (DIESEL)	40-44
			3G16	COMPRESSOR.....	90-3
			3G15	COMPRESSOR (AIR CONDITIONING).....	90-2
			3G20	COMPRESSOR LINES.....	90-7
			3G19	COMPRESSOR VALVE KIT.....	90-6
			3G21	CONDENSATE TRAY	90-8
			3G17	CONDENSER (HINSON)	90-4
			3G18	CONDENSER (HINSON)	90-5
			3H19	CONDENSER COVER	90-31
			1B5	CONDITIONER, COOLANT	20-2
			1C6	CONNECTING RODS	20-18
			1I1	CONNECTORS,ELECTRICAL	40-92
			1I3	CONNECTORS,ELECTRICAL	40-94
			1I5	CONNECTORS,ELECTRICAL	40-96

C

3H21	CAB BAFFLES, SEALING	90-33
3H14	CAB BODY (HINSON)	90-26
1F4	CAB CIRCUIT BREAKER LEADS	40-17
3G17	CAB CONDENSER (HINSON).....	90-4
3H22	CAB COVERS, FUNCTION	90-34
3G17	CAB DRYER (HINSON)	90-4
1E8	CAB FILTER ELEMENT	30-32
3H23	CAB FLOOR MAT	90-35
3H20	CAB GLASS (HINSON)	90-32
3H22	CAB INTERIOR PANELS (HINSON).....	90-34
1E16	CAB LAMPS	40-4
3I8	CAB MIRROR, OUTSIDE.....	90-45
3H21	CAB PANEL, COWL.....	90-33
3H22	CAB PANELS	90-34
3H21	CAB PLATFORM	90-33
1H3	CAB RADIO	40-68
3H16	CAB REINFORCEMENT KIT	90-28
3H19	CAB ROOF	90-31
3H24	CAB STEP	90-36
3H24	CAB SUPPORT, FRONT	90-36
3I9	CAB TOOLBOX	90-46
3H23	CAB UPHOLSTERING	90-35
1E16	CAB WIRING, LAMP	40-4
1E22	CABLE, BATTERY (ROW-CROP)	40-10
1E23	CABLE, BATTERY (STANDARD)	40-11
1G24	CABLE, SPEED-HOUR METER	40-63
3D1	CAM, CONTROL VALVE ADJUSTING	70-46
1B9	CAMSHAFT.....	20-6
1B9	CAMSHAFT GEAR	20-6
3H5	CANOPY	90-18
1D19	CAP, EXHAUST	30-18
1D23	CAP, FUEL FILLER	30-22
1C16	CAP, RADIATOR	20-28
2E14	CARRIER, FIRST PLANET PINION (PFWD)	50-79
2D23	CARRIER, PLANET PINION	50-64
2C15	CASE, TRANSMISSION (POWER SHIFT)	50-34
2B14	CASE, TRANSMISSION (SYNCRO-RANGE)	50-8
3F15	CAST DISK WHEEL, REAR.....	80-4
1D16	CENTER HOUSING, TURBOCHARGER (AIRESEARCH)	30-15
3D6	CENTER LINK	70-51
3D13	CHAIN, IMPLEMENT SAFETY	70-58
1G23	CIGAR LIGHTER	40-62
1E24	CIRCUIT BREAKER	40-12
1F2	CIRCUIT BREAKER	40-15
3G18	CIRCUIT BREAKER (FAN MOTOR)	90-5

1A13

TRACTOR - 4620

ALPHABETICAL INDEX - CONTINUED

GRID	PAGE	GRID	PAGE
3G23	CONSOLE COVER AND FILTER, FRONT	90-11	
3G24	CONSOLE COVER, REAR	90-12	
3I5	CONSOLE, ROCKSHAFT	90-42	
3I5	CONSOLE, SELECTIVE CONTROL	90-42	
1I1	CONTAINER, ELECTRICAL PARTS	40-92	
3G24	CONTROL PANEL (HINSON)	90-12	
2C5	CONTROL ROD, CLUTCH (POWER SHIFT)	50-24	
2E3	CONTROL VALVE (PFWD)	50-68	
2D8	CONTROL VALVE COVER, TRANSMISSION (PST)	50-50	
2E5	CONTROL VALVE OVERHAUL KIT (PFWD)	50-70	
2E4	CONTROL VALVE PARTS (PFWD)	50-69	
3C21	CONTROL VALVE, FLOW, ROCKSHAFT	70-42	
3D25	CONTROL VALVE, POWER WEIGHT TRANSFER	70-66	
3C19	CONTROL, LOAD	70-40	
2C4	CONTROL, PTO CLUTCH (POWER SHIFT)	50-23	
2C6	CONTROL, PTO CLUTCH (POWER SHIFT)	50-25	
3C23	CONTROL, ROCKSHAFT LINKAGE	70-44	
3I2	CONTROL, SUPPORT	90-39	
3E12	CONVERSION KIT, ISO COUPLER	70-80	
3F2	CONVERSION KIT, REMOTE CYLINDER	70-95	
1B5	COOLANT CONDITIONER	20-2	
1C19	COOLANT HEATER, ENGINE (EARLY DESIGN) (8640)	20-31	
1C11	COOLER, ENGINE OIL	20-23	
3C8	COOLER, HYDRAULIC OIL (SYNCRO-RANGE)	70-28	
3C10	COOLER, OIL (POWER SHIFT)	70-30	
2B17	COUNTERSHAFT, TRANSMISSION (SYNCRO-RANGE)	50-11	
2B12	COUNTERWEIGHTED PTO CLUTCH OPERATING KIT	50-6	
3E16	COUPLER, AUXILIARY OUTLET (EARLY DESIGN)	70-84	
3E18	COUPLER, AUXILIARY OUTLET (LATE DESIGN)	70-86	
3E9	COUPLER, BREAKAWAY	70-76	
3F3	COUPLER, FLEXIBLE OIL LINE	70-96	
3D11	COUPLER, IMPLEMENT QUICK	70-56	
3B4	COUPLER, MAIN PUMP DRIVE	70-1	
3D23	COUPLER, POWER WEIGHT TRANSFER	70-64	
3F8	COUPLINGS, REUSABLE	70-101	
3G7	COVER, AIR CLEANER ACCESS	80-22	
3H19	COVER, CONDENSER	90-31	
3I2	COVER, CONTROL SUPPORT	90-39	
3I3	COVER, DASH	90-40	
3E19	COVER, DUST (DIAGNOSTIC RECEPTACLE)	70-87	
3F3	COVER, DUST, BREAKAWAY COUPLER	70-96	
1B7	COVER, ROCKER ARM	20-4	
3I1	COVER, ROCKSHAFT HOUSING	90-38	
3C21	COVER, ROCKSHAFT PISTON	70-42	
1G4	COVER, STARTER SOLENOID (JOHN DEERE)	40-41	
2F5	COVER, STEERING CYLINDER VALVE	60-4	
2F8	COVER, STEERING VALVE	60-7	
1C14	COVER, THERMOSTAT	20-26	
1C7	COVER, TIMING GEAR	20-19	
2C16	COVER, TRANSMISSION, FRONT (POWER SHIFT)	50-35	
2B16	COVER, TRANSMISSION, FRONT (SRT)	50-10	
3D3	COVER, TRANSMISSION, REAR (LESS ROCKSHAFT)	70-48	
3H22	COVERS, FUNCTION	90-34	
3H22	COVERS, HYDRAULIC	90-34	
3H2	COVERS, SEAT	90-15	
3I4	COWL	90-41	
3H21	COWL PANEL	90-33	
1B22	CRANKSHAFT	20-12	
1B22	CRANKSHAFT DAMPER	20-12	
1B25	CRANKSHAFT KIT, UNDERSIZE (CONNECTING ROD JOURNAL) (LATE DESIGN)	20-13	
1B24	CRANKSHAFT KIT, UNDERSIZE (EARLY DESIGN)	20-12B	
1C7	CRANKSHAFT OIL SEAL HOUSING	20-19	
1B22	CRANKSHAFT PULLEY	20-12	
1B23	CRANKSHAFT, REPLACEMENT	20-12A	
1C1	CRANKSHAFT, UNDERSIZE MAIN BEARING KIT (EARLIEST DESIGN)	20-14	
3H2	CUSHION, SEAT	90-15	
3H2	CUSHION, SEAT BACK	90-15	
1B11	CYLINDER BLOCK	20-8	
2E23	CYLINDER BLOCK, WHEEL (PFWD)	50-89	
2F5	CYLINDER COVER, STEERING VALVE	60-4	
1B6	CYLINDER HEAD	20-3	
1B6	CYLINDER HEAD GASKET	20-3	
1C20	CYLINDER HEAD GASKET SET	20-32	
3F5	CYLINDER HOSE IDENTIFICATION KIT	70-98	
1C6	CYLINDER LINER	20-18	
1B5	CYLINDER LINER PACKING LUBRICANT	20-2	
3E20	CYLINDER, REMOTE	70-88	
3E22	CYLINDER, REMOTE (HYDRAULIC STOP)	70-90	
3E24	CYLINDER, REMOTE (MECHANICAL STOP)	70-92	
2F15	CYLINDER, STEERING	60-14	
2F3	CYLINDER, STEERING VALVE	60-2	
2F6	CYLINDER, STEERING VALVE	60-5	
2F7	CYLINDER, STEERING VALVE	60-6	
D			
1B23	DAMPER KEY	20-12A	
1B22	DAMPER, CRANKSHAFT	20-12	
3I3	DASH ASSEMBLY	90-40	
1G24	DASH LAMP, SPEED-HOUR METER	40-63	
3I3	DASH SUPPORT	90-40	
3I3	DASH, COVER	90-40	
3G10	DECALS	80-26	
1C18	DEFLECTOR, FAN BLAST	20-30	
3H2	DELUXE SEAT	90-15	
3H3	DELUXE SEAT SUPPORT	90-16	
3H4	DELUXE SEAT SUSPENSION	90-17	
3F15	DEMOUNTABLE RIM	80-4	
3E6	DETENT KIT, SELECTIVE CONTROL VALVE	70-73	
3E19	DIAGNOSTIC RECEPTACLE	70-87	
2D16	DIFFERENTIAL (DIFFERENTIAL LOCK)	50-58	
2D17	DIFFERENTIAL (DIFFERENTIAL LOCK)	50-59	
2D15	DIFFERENTIAL (LESS DIFFERENTIAL LOCK)	50-57	
2B18	DIFFERENTIAL DRIVE (SRT)	50-12	
2D16	DIFFERENTIAL DRIVE SHAFT (DIFFERENTIAL LOCK)	50-58	
2D17	DIFFERENTIAL DRIVE SHAFT (DIFFERENTIAL LOCK)	50-59	
2D15	DIFFERENTIAL DRIVE SHAFT (LESS DIFFERENTIAL LOCK)	50-57	
2C25	DIFFERENTIAL DRIVE SHAFT (POWER SHIFT)	50-44	
2D21	DIFFERENTIAL KIT, ANTI-FRICTION	50-62	
2D18	DIFFERENTIAL LOCK PEDAL	50-59B	
2D18	DIFFERENTIAL LOCK RELEASE LINK	50-59B	
2D19	DIFFERENTIAL LOCK VALVE	50-60	
2D20	DIFFERENTIAL LOCK VALVE OIL LINES	50-61	
1G20	DIMMER SWITCH	40-59	
1B11	DIPSTICK, ENGINE OIL	20-8	
3D3	DIPSTICK, TRANSMISSION	70-48	
2E3	DIRECTIONAL CONTROL VALVE (PFWD)	50-68	
2E4	DIRECTIONAL CONTROL VALVE PARTS (PFWD)	50-69	
2F19	DISK, BRAKE	60-18	
2C3	DISK, CLUTCH (POWER SHIFT)	50-22	
2C10	DISK, PTO CLUTCH (POWER SHIFT)	50-29	
2B7	DISK, PTO CLUTCH (SYNCRO-RANGE)	50-2	
2B19	DISK, TRANSMISSION SYNCHRONIZER (SRT)	50-13	
3F16	DISK, WHEEL, DUAL	80-5	
1G18	DOME LIGHT (HINSON)	40-57	
3H18	DOOR PANEL	90-30	

1A14

TRACTOR - 4620

ALPHABETICAL INDEX - CONTINUED

GRID		PAGE	GRID		PAGE
3F22	DOUBLE FRONT WEIGHT	80-11	2E24	END, TIE ROD (POWER FRONT WHEEL DRIVE)	50-90
3D5	DRAFT LINK SUPPORT	70-50	1C19	ENGINE COOLANT HEATER (EARLY DESIGN) (8640)	20-31
3D6	DRAFT LINKS	70-51	1B4	ENGINE OIL	20-1
3C15	DRAIN LINES, HYDRAULIC OIL (PFWD).....	70-36	1C11	ENGINE OIL COOLER.....	20-23
3D17	DRAWBAR SUPPORT KIT	70-61A	1B11	ENGINE OIL DIPSTICK	20-8
3D21	DRAWBAR SUPPORT KIT	70-63A	1C10	ENGINE OIL FILTER	20-22
3D14	DRAWBAR SUPPORT, FRONT.....	70-59	1E8	ENGINE OIL FILTER ELEMENT	30-32
3D15	DRAWBAR, HEAVY-DUTY (REGULAR)	70-60	1G21	ENGINE OIL PRESSURE INDICATOR LAMP	40-60
3D19	DRAWBAR, HEAVY-DUTY (WIDE SWING)	70-62	1C8	ENGINE OIL PUMP	20-20
3D15	DRAWBAR, REGULAR	70-60	1C9	ENGINE OIL PUMP REPLACEMENT	20-21
3D19	DRAWBAR, WIDE SWING.....	70-62	1B17	ENGINE OVERHAUL KIT.....	20-9E
2C7	DRIVE SHAFT, CLUTCH (POWER SHIFT)	50-26	1C20	ENGINE REBUILD GASKET SET	20-32
2C11	DRIVE SHAFT, CLUTCH (POWER SHIFT)	50-30	1B15	ENGINE SHORT BLOCK (WITHOUT OIL PUMP)	20-9C
2C12	DRIVE SHAFT, CLUTCH (POWER SHIFT)	50-31	1B13	ENGINE SHORT BLOCK (WITH OIL PUMP).....	20-9A
3B4	DRIVE, HYDRAULIC PUMP.....	70-1	1B19	ENGINE UNDERHAUL KIT (STD BRGS)	20-9H
1B10	DRIVE, TACHOMETER	20-7	1B5	ENGINE VALVE STEM LUBRICANT.....	20-2
2C9	DRUM, CLUTCH (POWER SHIFT)	50-28	1B7	ENGINE VENTILATOR TUBE	20-4
2C10	DRUM, CLUTCH (POWER SHIFT)	50-29	1D22	ETHER STARTING AID KIT	30-21
2C17	DRUM, PLANETARY CLUTCH (POWER SHIFT).....	50-36	3G20	EVAPORATOR (HINSON)	90-7
2C12	DRUM, REAR (POWER SHIFT)	50-31	1D19	EXHAUST CAP.....	30-18
2C11	DRUM, REAR, CLUTCH (POWER SHIFT).....	50-30	1D18	EXHAUST ELBOW.....	30-17
2B19	DRUM, SYNCHRONIZER (SYNCRANGE)	50-13	1D18	EXHAUST MANIFOLD GASKET	30-17
1H1	DUAL HORN.....	40-65	1D18	EXHAUST MANIFOLDS	30-17
3F16	DUAL WHEELS	80-5	1B8	EXHAUST VALVES	20-5
3F3	DUST COVER, BREAKAWAY COUPLER.....	70-96	1D6	EXTENSION, MUFFLER	30-4
			1D19	EXTENSION, MUFFLER	30-18
			3I15	EXTINGUISHER, FIRE.....	90-52
	E				
1D18	ELBOW, EXHAUST	30-17		F	
3B14	ELECTRIC DESTROKE KIT, HYDRAULIC PUMP	70-12	2F19	FACING, BRAKE	60-18
3B24	ELECTRIC DESTROKE KIT, HYDRAULIC PUMP	70-21A	2F20	FACING, BRAKE	60-19
3C1	ELECTRIC DESTROKE SOLENOID	70-21D	1C12	FAN	20-24
1E3	ELECTRIC SHUT OFF, FUEL INJECTION PUMP.....	30-27	1C12	FAN BELTS	20-24
1I9	ELECTRICAL CONNECTOR AND TERMINAL KIT	40-100	1C18	FAN BLAST DEFLECTOR	20-30
1I1	ELECTRICAL CONNECTORS	40-92	1C12	FAN PULLEY	20-24
1I3	ELECTRICAL CONNECTORS	40-94	1C16	FAN SHROUD	20-28
1I5	ELECTRICAL CONNECTORS	40-96	1F13	FAN, ALTERNATOR (LATE DESIGN).....	40-26
1I1	ELECTRICAL CRIMPING TOOL	40-92	3G5	FENDER (STANDARD)	80-20
1H18	ELECTRICAL OUTLET CIRCUIT BREAKER	40-83	3G4	FENDERS (ROW-CROP)	80-19
1H18	ELECTRICAL OUTLET PLUG	40-83	3G23	FILTER (HINSON)	90-11
1H18	ELECTRICAL OUTLET SOCKET	40-83	1E8	FILTER, AIR CLEANER	30-32
1H19	ELECTRICAL OUTLET SOCKET KIT	40-84	1E8	FILTER, CAB	30-32
1H19	ELECTRICAL OUTLET SOCKET, 7-TERMINAL.....	40-84	1C10	FILTER, ENGINE OIL.....	20-22
1I1	ELECTRICAL PARTS CONTAINER	40-92	1E8	FILTER, ENGINE OIL.....	30-32
1H13	ELECTRICAL REMOTE CONTROL	40-78	1D24	FILTER, FUEL	30-23
1H13	ELECTRICAL REMOTE CONTROL BRACKETS	40-78	1E8	FILTER, FUEL	30-32
1H14	ELECTRICAL REMOTE CONTROL KIT	40-79	2D11	FILTER, TRANSMISSION HYDRAULIC OIL (PST)	50-53
1H13	ELECTRICAL REMOTE CONTROL SWITCH.....	40-78	2B24	FILTER, TRANSMISSION HYDRAULIC OIL (SRT)	50-18
1H17	ELECTRICAL REMOTE CONTROL WIRING	40-82	1E8	FILTER, TRANSMISSION OIL	30-32
1H15	ELECTRICAL REMOTE CONTROL WIRING KIT.....	40-80	2E1	FINAL DRIVE KIT, HIGH PRESSURE ANGLE.....	50-66
1H17	ELECTRICAL REMOTE CONTROL WIRING RELAY.....	40-82	2D23	FINAL DRIVE SHAFT AND SUN PINION.....	50-64
1I1	ELECTRICAL TERMINALS	40-92	3I15	FIRE EXTINGUISHER	90-52
1I3	ELECTRICAL TERMINALS	40-94	2E14	FIRST PLANET PINION (PFWD)	50-79
1I5	ELECTRICAL TERMINALS	40-96	2C20	FIRST PLANETARY BRAKE (POWER SHIFT).....	50-39
1I9	ELECTRICAL TOOLS.....	40-100	1G22	FLASHER, WARNING LAMP	40-61
1I1	ELECTRICAL WIRING	40-92	1G16	FLASHING WARNING LAMP KIT	40-55
1I3	ELECTRICAL WIRING	40-94	3F3	FLEXIBLE OIL LINE COUPLER	70-96
1I5	ELECTRICAL WIRING	40-96	3F8	FLEXIBLE OIL LINE, BULK	70-101
2D11	ELEMENT, OIL FILTER, TRANSMISSION (PST).....	50-53	2F14	FLEXIBLE STEERING LINES	60-13
2B24	ELEMENT, OIL FILTER, TRANSMISSION (SRT).....	50-18	1E20	FLOOD LAMP KIT (REAR CENTER)	40-8
3I13	EMBLEM, SLOW MOVING VEHICLE	90-50	1E18	FLOOD LAMP KIT (UPPER FRONT)	40-6
3I14	EMBLEM, SLOW MOVING VEHICLE (WITH CAB)	90-51	3H23	FLOOR MAT, CAB	90-35
2F3	EMBLEM, STEERING WHEEL	60-2	3C21	FLOW CONTROL VALVE, ROCKSHAFT	70-42
1G7	END FRAME, STARTER COMMUTATOR (JOHN DEERE) (DIESEL)	40-44			
2E25	END, TIE ROD	50-91			

1A15

TRACTOR - 4620

ALPHABETICAL INDEX - CONTINUED

GRID		PAGE	GRID		PAGE
3E2	FLOW CONTROL VALVE, SCV	70-68	2D15	GEAR, BEVEL, DIFFERENTIAL (LESS DIFFERENTIAL LOCK)	50-57
1D20	FLUID, STARTING	30-19	1B9	GEAR, CAMSHAFT	20-6
1B22	FLYWHEEL	20-12	2B17	GEAR, COUNTERSHAFT (SYNCRO-RANGE)	50-11
1E7	FOOT SPEED CONTROL LINKAGE	30-31	2C25	GEAR, DIFFERENTIAL DRIVE (POWER SHIFT)	50-44
2C5	FORK, CLUTCH (POWER SHIFT)	50-24	1B9	GEAR, FUEL INJECTION PUMP DRIVE	20-6
2B8	FORK, CLUTCH (SYNCRO-RANGE)	50-3	2C24	GEAR, IDLER, TRANSMISSION (POWER SHIFT)	50-43
2C17	FOURTH PLANETARY BRAKE	50-36	2B23	GEAR, OIL PUMP DRIVE (SYNCRO-RANGE)	50-17
3F21	FRAME, FRONT	80-10	2D14	GEAR, PTO DRIVE (POWER SHIFT)	50-56
3H7	FRAME, ROLL-GARD	90-20	2B25	GEAR, PTO DRIVE (SYNCRO-RANGE)	50-19
3H9	FRAME, ROLL-GARD	90-21A	2B22	GEAR, SHIFT LEVER (SYNCRO-RANGE)	50-16
2E20	FRONT AXLE (POWER FRONT WHEEL DRIVE)	50-86	1B22	GEAR, STARTER	20-12
3F11	FRONT AXLE HOUSING	80-1	2C24	GEAR, TRANSMISSION (POWER SHIFT)	50-43
2E25	FRONT AXLE KNEE	50-91	2D14	GEARS, IDLER, PTO (POWER SHIFT)	50-56
2E21	FRONT AXLE KNEE (PFWD)	50-87	2B25	GEARS, IDLER, PTO (SYNCRO-RANGE)	50-19
3F11	FRONT AXLE, ADJUSTABLE TREAD	80-1	1C8	GEARS, OIL PUMP	20-20
1E18	FRONT FLOOD LAMP KIT	40-6	2B18	GEARS, TRANSMISSION (SYNCRO-RANGE)	50-12
1G11	FRONT LAMPS (ROW-CROP)	40-50	2D10	GEARSHIFT LEVER	50-52
1G12	FRONT LAMPS (STANDARD)	40-51	2B22	GEARSHIFT LEVER (SYNCRO-RANGE)	50-16
3G6	FRONT PLATE	80-21	3H20	GLASS, CAB (HINSON)	90-32
3F21	FRONT SUPPORT	80-10	3G6	GRILLE	80-21
3F22	FRONT WEIGHTS	80-11	1E22	GROUND STRAP, BATTERY (ROW-CROP)	40-10
3F24	FRONT WEIGHTS (EIGHT OR TEN)	80-14	1E23	GROUND STRAP, BATTERY (STANDARD)	40-11
3F23	FRONT WEIGHTS (TWO, FOUR OR SIX)	80-12	1D3	GUN, AIR CLEANER ELEMENT CLEANING	30-1
3F12	FRONT WHEEL	80-2			
3F13	FRONT WHEEL BEARING KIT	80-2B		H	
1D24	FUEL FILTER	30-23	1E6	HAND SPEED CONTROL LINKAGE	30-30
1E8	FUEL FILTER ELEMENT	30-32	3D6	HANDLE, CENTER LINK ADJUSTING	70-51
1G21	FUEL GAUGE	40-60	3G5	HANDLE, TRACTOR MOUNTING (FENDER)	80-20
1D23	FUEL GAUGE SENDER	30-22	3G14	HARNES, WIRING	90-1
1E1	FUEL INJECTION LINES	30-25	1E13	HARNES, WIRING, MAIN	40-1
1E2	FUEL INJECTION NOZZLE	30-26	1H20	HARNES, WIRING, SUPPLEMENTARY WIRING KIT	40-86
1E1	FUEL INJECTION NOZZLES	30-25	1B6	HEAD BOLTS	20-3
1E1	FUEL INJECTION PUMP	30-25	1B6	HEAD, CYLINDER	20-3
1B9	FUEL INJECTION PUMP DRIVE GEAR	20-6	1H10	HEADPHONES, RADIO	40-75
1E3	FUEL INJECTION PUMP ELECTRIC SHUT-OFF	30-27	3H1	HEATER (HINSON)	90-14
1E4	FUEL INJECTION PUMP FITTINGS AND LINKAGE	30-28	3G20	HEATER AND HOSES	90-7
1D25	FUEL LINES	30-24	3H1	HEATER HOSES	90-14
1D23	FUEL PIPES	30-22	1C19	HEATER, ENGINE COOLANT (EARLY DESIGN) (8640)	20-31
1D23	FUEL PUMP	30-22	1H2	HEATER, OIL	40-67
1D25	FUEL PUMP	30-24	2E1	HIGH PRESSURE ANGLE FINAL DRIVE KIT	50-66
1D23	FUEL TANK	30-22	1G21	HIGH-BEAM INDICATOR LAMP	40-60
	G		3D6	HITCH, 3-POINT, CENTER LINK	70-51
1C20	GASKET SET, CYLINDER HEAD	20-32	3D6	HITCH, 3-POINT, DRAFT LINKS	70-51
1C20	GASKET SET, ENGINE REBUILD	20-32	3D11	HITCH, 3-POINT, QUICK COUPLER, IMPLEMENT	70-56
1B6	GASKET, CYLINDER HEAD	20-3	3G7	HOOD	80-22
1D18	GASKET, EXHAUST MANIFOLD	30-17	3G7	HOOD BAFFLE	80-22
1D11	GASKET, INTAKE MANIFOLD	30-9	3G7	HOOD ORNAMENT	80-22
1B20	GASKET, OIL PAN	20-10	1G25	HORN	40-64
1B7	GASKET, ROCKER ARM COVER	20-4	1H1	HORN, DUAL	40-65
1B10	GASKET, TACHOMETER DRIVE	20-7	3F5	HOSE IDENTIFICATION KIT, REMOTE CYLINDER	70-98
1C7	GASKET, TIMING GEAR COVER	20-19	3H1	HOSE, HEATER	90-14
1C12	GASKET, WATER PUMP	20-24	1C16	HOSE, RADIATOR	20-28
1G21	GAUGE, FUEL	40-60	3E20	HOSE, REMOTE CYLINDER	70-88
3E1	GAUGE, POWER WEIGHT TRANSFER OIL	70-67	3F8	HOSE, REMOTE CYLINDER	70-101
1G21	GAUGE, TRANSMISSION OIL TEMPERATURE	40-60	2C17	HOUSING, BRAKE PISTON (POWER SHIFT)	50-36
1G21	GAUGE, WATER TEMPERATURE	40-60	2F17	HOUSING, BRAKE VALVE	60-16
2B21	GEAR SHIFTER (SYNCRO-RANGE)	50-15	2C1	HOUSING, CLUTCH (POWER SHIFT)	50-20
2B18	GEAR, BEVEL DIFFERENTIAL (SRT)	50-12	2B6	HOUSING, CLUTCH (SYNCRO-RANGE)	50-1
2D16	GEAR, BEVEL, DIFFERENTIAL (DIFFERENTIAL LOCK)	50-58	2C14	HOUSING, CLUTCH OIL REGULATING VALVE	50-33
2D17	GEAR, BEVEL, DIFFERENTIAL (DIFFERENTIAL LOCK)	50-59	1C7	HOUSING, CRANKSHAFT OIL SEAL	20-19
			2D15	HOUSING, DIFFERENTIAL (LESS DIFFERENTIAL LOCK)	50-57
			2D19	HOUSING, DIFFERENTIAL LOCK VALVE	50-60

1A16

TRACTOR - 4620

ALPHABETICAL INDEX - CONTINUED

GRID		PAGE	GRID		PAGE
2D16	HOUSING, DIFFERENTIAL(DIFFERENTIAL LOCK).....	50-58	3F20	INNER WHEEL WEIGHT (32",34",38" AND 42")	80-9
2D17	HOUSING, DIFFERENTIAL(DIFFERENTIAL LOCK).....	50-59	1B6	INSERTS, VALVE.....	20-3
2E20	HOUSING, FRONT AXLE	50-86	1E13	INSTRUMENT PANEL WIRING HARNESS	40-1
3C6	HOUSING, OIL FILTER RELIEF VALVE.....	70-26	1D10	INTAKE MANIFOLD	30-8
2E13	HOUSING, PLANETARY (PFWD)	50-78	1D11	INTAKE MANIFOLD	30-9
2E22	HOUSING, POWER FRONT WHEEL DRIVE	50-88	1D11	INTAKE MANIFOLD GASKET	30-9
3C3	HOUSING, PRESSURE CONTROL VALVE	70-23	1B8	INTAKE VALVES	20-5
3C4	HOUSING, PRESSURE CONTROL VALVE	70-24	1D6	INTAKE, VERTICAL AIR	30-4
2C11	HOUSING, PUMP, CLUTCH (POWER SHIFT).....	50-30	1D10	INTERCOOLER.....	30-8
2C12	HOUSING, PUMP, CLUTCH (POWER SHIFT).....	50-31	3E12	ISO COUPLER CONVERSION KIT.....	70-80
2C7	HOUSING, PUMP, TRANSMISSION CLUTCH.....	50-26	3E14	ISO COUPLER OVERHAUL KIT	70-82
2D23	HOUSING, REAR AXLE.....	50-64			
3C16	HOUSING, ROCKSHAFT	70-37		K	
3C21	HOUSING, ROCKSHAFT CONTROL VALVE	70-42	1G22	KEY SWITCH	40-61
3E2	HOUSING, SELECTIVE CONTROL VALVE	70-68	1B23	KEY, DAMPER	20-12A
3E4	HOUSING, SELECTIVE CONTROL VALVE	70-70	1E25	KIT, ACCESSORY RELAY WIRING	40-13
3E9	HOUSING, SELECTIVE CONTROL VALVE	70-76	1F1	KIT, ACCESSORY RELAY WIRING	40-14
1G5	HOUSING, STARTER DRIVE (JOHN DEERE) (DIESEL).....	40-42	3F6	KIT, AIR CONDITIONING O-RING	70-99
2F7	HOUSING, STEERING VALVE	60-6	2E15	KIT, BRAKE PISTON SEAL (PFWD)	50-81
2C2	HOUSING, TRANSMISSION CLUTCH VALVE.....	50-21	2F18	KIT, BRAKE VALVE OVERHAUL	60-17
2C13	HOUSING, TRANSMISSION CLUTCH VALVE (PST)	50-32	3E11	KIT, BREAKAWAY COUPLER OVERHAUL	70-79
2D4	HOUSING, TRANSMISSION CONTROL VALVE	50-48	3H16	KIT, CAB REINFORCEMENT	90-28
1D16	HOUSING, TURBOCHARGER CENTER (AIRESEARCH)	30-15	2E5	KIT, CONTROL VALVE OVERHAUL.....	50-70
3F12	HUB, FRONT WHEEL	80-2	3F5	KIT, CYLINDER HOSE IDENTIFICATION.....	70-98
2E22	HUB, POWER FRONT WHEEL DRIVE.....	50-88	3G10	KIT, DECAL	80-26
3F16	HUB, WHEEL, DUAL	80-5	2D21	KIT, DIFFERENTIAL, ANTI-FRICTION	50-62
3C12	HYDRAULIC ACCUMULATOR (PFWD)	70-33	3D17	KIT, DRAWBAR SUPPORT	70-61A
3E19	HYDRAULIC DIAGNOSTIC RECEPTACLE	70-87	3D21	KIT, DRAWBAR SUPPORT	70-63A
2E9	HYDRAULIC LINE SHIELD (PFWD)	50-74	1H19	KIT, ELECTRICAL OUTLET SOCKET	40-84
3F7	HYDRAULIC OIL	70-100	1H14	KIT, ELECTRICAL REMOTE CONTROL	40-79
3C8	HYDRAULIC OIL COOLER (SYNCRO-RANGE).....	70-28	1H15	KIT, ELECTRICAL REMOTE CONTROL WIRING	40-80
3C15	HYDRAULIC OIL DRAIN LINES, REAR (PFWD)	70-36	1B17	KIT, ENGINE OVERHAUL	20-9E
3C13	HYDRAULIC OIL LINES, FRONT (PFWD)	70-34	1D22	KIT, ETHER STARTING AID.....	30-21
3F4	HYDRAULIC OIL LINES, IMPLEMENT	70-97	1D21	KIT, ETHER STARTING TUBE	30-20
3B6	HYDRAULIC PUMP (3 IN3).....	70-4	1G16	KIT, FLASHING WARNING LAMP	40-55
3B8	HYDRAULIC PUMP (4 IN3).....	70-6	3F13	KIT, FRONT WHEEL BEARING	80-2B
3B5	HYDRAULIC PUMP ASSEMBLY, REPLACEMENT	70-3	2E1	KIT, HIGH PRESSURE ANGLE FINAL DRIVE.....	50-66
3B14	HYDRAULIC PUMP ELECTRIC DESTROKE KIT.....	70-12	3F6	KIT, HYDRAULIC O-RING	70-99
3B24	HYDRAULIC PUMP ELECTRIC DESTROKE KIT.....	70-21A	3B14	KIT, HYDRAULIC PUMP ELECTRIC DESTROKE	70-12
3C1	HYDRAULIC PUMP ELECTRIC-DESTROKE KIT.....	70-21D	3B24	KIT, HYDRAULIC PUMP ELECTRIC DESTROKE	70-21A
3B12	HYDRAULIC PUMP OVERHAUL KIT	70-10	3C1	KIT, HYDRAULIC PUMP ELECTRIC DESTROKE	70-21D
3B22	HYDRAULIC PUMP OVERHAUL KIT	70-20	3B12	KIT, HYDRAULIC PUMP OVERHAUL.....	70-10
3B16	HYDRAULIC PUMP REPLACEMENT (3 IN3).....	70-14	3B22	KIT, HYDRAULIC PUMP OVERHAUL.....	70-20
3B18	HYDRAULIC PUMP REPLACEMENT (4 IN3).....	70-16	3E12	KIT, ISO COUPLER CONVERSION	70-80
3C2	HYDRAULIC PUMP SEAL DRAIN LINES.....	70-22	3E14	KIT, ISO COUPLER OVERHAUL	70-82
3B10	HYDRAULIC PUMP STROKE CONTROL VALVE	70-8	3D10	KIT, LOAD CONTROL SHAFT BUSHING.....	70-55
3B20	HYDRAULIC PUMP STROKE CONTROL VALVE	70-18	2E16	KIT, MANIFOLD AND PIVOT PIN SEAL (PFWD)	50-82
3B4	HYDRAULIC PUMP, DRIVE.....	70-1	1G19	KIT, NEUTRAL START SWITCH.....	40-58
1G21	HYDRAULIC RESTRICTION INDICATOR LAMP	40-60	1B21	KIT, OIL PAN	20-11
2D12	HYDRAULIC RETURN OIL LINES	50-54	1C6	KIT, PISTON LINER.....	20-18
2D12	HYDRAULIC RETURN OIL LINES (PST)	50-54	2E18	KIT, POWER FRONT WHEEL DRIVE IMPROVEMENT	50-84
	I		1C15	KIT, RADIATOR BAFFLES AND FOAM PAD.....	20-27
2C24	IDLER GEAR AND SHAFT (POWER SHIFT).....	50-43	1H9	KIT, RADIO MOUNTING	40-74
2D14	IDLER GEARS, PTO (POWER SHIFT).....	50-56	1E20	KIT, REAR CENTER FLOOD LAMP	40-8
2B25	IDLER GEARS, PTO (SYNCRO-RANGE).....	50-19	3F2	KIT, REMOTE CYLINDER CONVERSION	70-95
1G22	IGNITION SWITCH.....	40-61	3F1	KIT, REMOTE CYLINDER OVERHAUL	70-94
1C12	IMPELLER, WATER PUMP	20-24	3C17	KIT, REVERSE SIGNAL LOCKOUT	70-38
3F4	IMPLEMENT HYDRAULIC OIL LINES	70-97	3E6	KIT, SELECTIVE CONTROL VALVE DETENT.....	70-73
3D11	IMPLEMENT QUICK COUPLER	70-56	3E5	KIT, SELECTIVE CONTROL VALVE OVERHAUL	70-71
3D13	IMPLEMENT SAFETY CHAIN	70-58	1F16	KIT, STARTER SOLENOID COVER (DELCO-REMY)	40-29
2E18	IMPROVEMENT KIT, POWER FRONT WHEEL DRIVE	50-84	1F17	KIT, STARTER SOLENOID KIT (DELCO-REMY)	40-29A
1G21	INDICATOR LAMPS.....	40-60	2F9	KIT, STEERING VALVE CYLINDER OVERHAUL	60-8
			3B10	KIT, STROKE CONTROL VALVE SHUT-OFF	70-8
			3B20	KIT, STROKE CONTROL VALVE SHUT-OFF	70-18
			1H20	KIT, SUPPLEMENTARY WIRING	40-86

1A17

TRACTOR - 4620

ALPHABETICAL INDEX - CONTINUED

GRID	PAGE	GRID	PAGE
2D6	KIT, TRANSMISSION CONTROL VALVE	50-49A	
1B19	KIT, UNDERHAUL ENGINE (STD. BRGS)	20-9H	
1C1	KIT, UNDERSIZE MAIN BRG CRANKSHAFT (EARLIEST DESIGN)	20-14	
1C3	KIT, UNDERSIZE MN BEARING CRANKSHAFT AND BEARING (LATE DESIGN)	20-15	
1C2	KIT, UNDERSIZE MN BRG CRANKSHAFT AND BRG (EARLY DESIGN)	20-14A	
1B24	KIT, UNDERSIZED CRANKSHAFT (EARLY DESIGN)	20-12B	
1B25	KIT, UNDERSIZED CRANKSHAFT (CONNECTING ROD JOURNAL) (LATE DESIGN)	20-13	
1E18	KIT, UPPER FRONT FLOOD LAMP	40-6	
1D8	KIT, VERTICAL AIR INTAKE	30-6	
1C13	KIT, WATER PUMP REPAIR	20-25	
1I9	KIT, ELECTRICAL CONNECTOR AND TERMINAL	40-100	
1G10	KIT, STARTING MOTOR SEALING (12 AND 24-V)	40-48	
2E25	KNEE, FRONT AXLE	50-91	
1E6	KNOB, HAND SPEED CONTROL LEVER	30-30	
L			
3G10	LABEL KIT	80-26	
1F16	LABEL, BYPASS STARTER	40-29	
1G4	LABEL, BYPASS STARTER	40-41	
1G21	LABELS, INSTRUMENT PANEL	40-60	
1E14	LAMP WIRING (ROW-CROP)	40-2	
1E15	LAMP WIRING (STANDARD)	40-3	
1G13	LAMP, CAB (HINSON)	40-52	
1G24	LAMP, DASH, SPEED-HOUR METER	40-63	
1G15	LAMP, FLASHING WARNING (IMPLEMENT)	40-54	
1G11	LAMP, FRONT (ROW-CROP)	40-50	
1G12	LAMP, FRONT (STANDARD)	40-51	
1G21	LAMP, INDICATOR	40-60	
1G11	LAMP, REAR (ROW-CROP)	40-50	
1G12	LAMP, REAR (STANDARD)	40-51	
1G17	LAMP, WARNING	40-56	
1G11	LAMP, WARNING (ROW-CROP)	40-50	
1G12	LAMP, WARNING (STANDARD)	40-51	
1F4	LEADS, CAB CIRCUIT BREAKER	40-17	
2D2	LEVER AND LINKAGE, PARK LOCK (PST)	50-46	
2B22	LEVER, GEARSHIFT (SYNCRO-RANGE)	50-16	
3C23	LEVER, LOAD SELECTOR CONTROL	70-44	
3D1	LEVER, LOAD SELECTOR CONTROL	70-46	
2C6	LEVER, PTO CLUTCH (POWER SHIFT)	50-25	
2B11	LEVER, PTO CLUTCH (SYNCRO-RANGE)	50-5B	
3C23	LEVER, ROCKSHAFT CONTROL	70-44	
2F8	LEVER, STEERING VALVE OPERATING	60-7	
2C4	LEVER, TRANS. DISCONNECT CLUTCH (PST)	50-23	
2C23	LEVER, TRANSMISSION DISCONNECT (PST)	50-42	
2D10	LEVER, TRANSMISSION SHIFTER CONTROL	50-52	
3E7	LEVERS, SELECTIVE CONTROL	70-74	
3C18	LIFT ARM, ROCKSHAFT	70-39	
3D9	LIFT LINK (LEFT-HAND)	70-54	
3D7	LIFT LINK (RIGHT-HAND)	70-52	
1G22	LIGHT SWITCH	40-61	
1G18	LIGHT, DOME (HINSON)	40-57	
1G23	LIGHTER, CIGAR	40-62	
3C2	LINE, HYDRAULIC PUMP SEAL DRAIN	70-22	
2E7	LINE, OIL (PFWD)	50-72	
1C6	LINER SHIM	20-18	
1C6	LINER, CYLINDER	20-18	
2F21	LINES, BRAKE OIL	60-20	
2F22	LINES, BRAKE OIL	60-21	
2F14	LINES, FLEXIBLE STEERING	60-13	
1D25	LINES, FUEL	30-24	
1E1	LINES, FUEL INJECTION	30-25	
3C13	LINES, HYDRAULIC OIL (PFWD)	70-34	
2F11	LINES, OIL STEERING	60-10	
2F12	LINES, OIL STEERING	60-11	
2F13	LINES, OIL STEERING	60-12	
2D20	LINES, OIL, DIFFERENTIAL LOCK	50-61	
2D20	LINES, OIL, DIFFERENTIAL LOCK VALVE	50-61	
3C7	LINES, OIL, HYDRAULIC RETURN	70-27	
3F4	LINES, OIL, IMPLEMENT HYDRAULIC	70-97	
3C4	LINES, OIL, MAIN HYDRAULIC	70-24	
2D12	LINES, OIL, ROCKSHAFT	50-54	
2D12	LINES, OIL, ROCKSHAFT (PST)	50-54	
2F12	LINES, OIL, ROCKSHAFT HOUSING RETURN	60-11	
2F12	LINES, OIL, STEERING	60-11	
2D12	LINES, OIL, TRANSMISSION CONTROL	50-54	
2D12	LINES, OIL, TRANSMISSION CONTROL (PST)	50-54	
3E1	LINES, POWER WEIGHT TRANSFER	70-67	
1D13	LINES, TURBOCHARGER OIL	30-12	
3D6	LINK, CENTER	70-51	
2D18	LINK, DIFFERENTIAL LOCK RELEASE	50-59B	
3D6	LINK, DRAFT	70-51	
3D9	LINK, LIFT (LEFT-HAND)	70-54	
3D7	LINK, LIFT (RIGHT-HAND)	70-52	
3D24	LINK, POWER WEIGHT TRANSFER IMPLEMENT	70-65	
3D1	LINKAGE, ROCKSHAFT CONTROL	70-46	
3E7	LINKAGE, SELECTIVE CONTROL	70-74	
1E6	LINKAGE, SPEED CONTROL	30-30	
1E7	LINKAGE, SPEED CONTROL	30-31	
3C19	LOAD CONTROL	70-40	
3D5	LOAD CONTROL SHAFT	70-50	
3D10	LOAD CONTROL SHAFT BUSHING KIT	70-55	
3D1	LOAD SELECTOR CONTROL	70-46	
3I12	LOCTITE SEALANT	90-49	
1B5	LUBRICANT, CYLINDER LINER PACKING	20-2	
1B5	LUBRICANT, ENGINE VALVE STEM	20-2	
M			
1C4	MAIN BEARINGS	20-16	
1G6	MAIN FRAME, STARTER (JOHN DEERE) (DIESEL)	40-43	
1C4	MAIN THRUST BEARINGS	20-16	
2E16	MANIFOLD AND PIVOT PIN SEAL KIT (PFWD)	50-82	
2C7	MANIFOLD, CLUTCH OIL (POWER SHIFT)	50-26	
1D10	MANIFOLD, INTAKE	30-8	
1D11	MANIFOLD, INTAKE	30-9	
2F11	MANIFOLD, STEERING LINE	60-10	
1C14	MANIFOLD, WATER	20-26	
2E11	MANIFOLD, WHEEL, POWER FRONT WHEEL DRIVE	50-76	
1D18	MANIFOLDS, EXHAUST	30-17	
3H13	MAT, PLATFORM	90-25	
3C21	METERING VALVE, ROCKSHAFT	70-42	
3E2	METERING VALVE, SCV	70-68	
3I8	MIRROR, OUTSIDE, CAB	90-45	
3I7	MIRROR, REAR VIEW	90-44	
2E23	MOTOR CYLINDER BLOCK PARTS (PFWD)	50-89	
2E21	MOTOR HOUSING, POWER FRONT WHEEL DRIVE	50-87	
3G21	MOTOR, BLOWER	90-8	
2E22	MOTOR, POWER FRONT WHEEL DRIVE	50-88	
1F15	MOTOR, STARTING	40-28	
1F18	MOTOR, STARTING (DELCO-REMY)	40-30	
1F7	MOUNTING BRACKET, ALTERNATOR	40-20	
1F8	MOUNTING BRACKET, ALTERNATOR	40-21	
3I4	MOUNTING HANDLE (COWL)	90-41	
3G5	MOUNTING HANDLE (FENDER)	80-20	
1H9	MOUNTING KIT, RADIO	40-74	

1A18

TRACTOR - 4620

ALPHABETICAL INDEX - CONTINUED

GRID		PAGE	GRID		PAGE
1D19	MUFFLER	30-18	3E11	OVERHAUL KIT, BREAKAWAY COUPLER	70-79
1D6	MUFFLER EXTENSIOIN	30-4	2E5	OVERHAUL KIT, CONTROL VALVE (PFWD)	50-70
1D19	MUFFLER EXTENSION	30-18	1B17	OVERHAUL KIT, ENGINE	20-9E
N					
3G7	NAME PLATE	80-22	3B12	OVERHAUL KIT, HYDRAULIC PUMP.....	70-10
1G19	NEURTAL START SWITCH KIT	40-58	3B22	OVERHAUL KIT, HYDRAULIC PUMP.....	70-20
1G19	NEUTRAL START SWITCH.....	40-58	3E14	OVERHAUL KIT, ISO COUPLER	70-82
2D4	NEUTRAL START SWITCH.....	50-48	3F1	OVERHAUL KIT, REMOTE CYLINDER	70-94
1F6	NEUTRAL START SWITCH (PFWD) (PST)	40-19	3E5	OVERHAUL KIT, SELECTIVE CONTROL VALVE	70-71
1E2	NOZZLE, FUEL INJECTION	30-26	P		
1E1	NOZZLES, FUEL INJECTION	30-25	1B5	PACKING, LUBRICANT, CYLINDER LINER.....	20-2
O					
3F6	O-RING PACKING KIT.....	70-99	1B20	PAN, OIL.....	20-10
3C10	OIL COOLER (POWER SHIFT).....	70-30	1B21	PAN, OIL, KIT.....	20-11
3C7	OIL COOLER RETURN LINES	70-27	3H18	PANEL, DOOR	90-30
1C11	OIL COOLER, ENGINE	20-23	1G21	PANEL, INSTRUMENT.....	40-60
3C8	OIL COOLER, HYDRAULIC (SYNCRO-RANGE)	70-28	3H18	PANEL, RIGHT FRONT WINDOW	90-30
2B24	OIL FILTER COVER (SYNCRO-RANGE)	50-18	3G6	PANEL, SIDE	80-21
2D11	OIL FILTER COVER, TRANSMISSION (PST)	50-53	3H22	PANELS, INTERIOR.....	90-34
2D11	OIL FILTER ELEMENT, TRANSMISSION (PST)	50-53	2D2	PARK LOCK CONTROL LEVER (POWER SHIFT)	50-46
2B24	OIL FILTER ELEMENT, TRANSMISSION (SRT)	50-18	2D1	PARK LOCK, TRANSMISSION (POWER SHIFT).....	50-45
1C10	OIL FILTER, ENGINE.....	20-22	2F16	PEDAL, BRAKE	60-15
3C6	OIL FILTER, RELIEF VALVE.....	70-26	2C2	PEDAL, CLUTCH (POWER SHIFT)	50-21
1H2	OIL HEATER.....	40-67	2B8	PEDAL, CLUTCH (SYNCRO-RANGE)	50-3
3F3	OIL LINE COUPLER	70-96	2D18	PEDAL, DIFFERENTIAL LOCK	50-59B
2E9	OIL LINE SHIELD (PFWD)	50-74	1E7	PEDAL, FOOT SPEED.....	30-31
2D20	OIL LINES, DIFFERENTIAL LOCK VALVE.....	50-61	1H24	PERFORMANCE TRAK II MINI-MONITOR.....	40-90
3C13	OIL LINES, FRONT HYDRAULIC (PFWD)	70-34	2E13	PFWD PLANETARY HOUSING.....	50-78
2F21	OIL LINES, HYDRAULIC	60-20	2E13	PFWD SECOND PLANET PINION	50-78
2F22	OIL LINES, HYDRAULIC	60-21	3D15	PIN, DRAWBAR (REGULAR).....	70-60
2F12	OIL LINES, HYDRAULIC SYSTEM	60-11	3D19	PIN, DRAWBAR (WIDE SWING).....	70-62
3C4	OIL LINES, HYDRAULIC SYSTEM	70-24	2C25	PINION, BEVEL DIFFERENTIAL (POWER SHIFT)	50-44
3C4	OIL LINES, HYDRAULIC, AND FITTINGS	70-24	2B18	PINION, BEVEL DIFFERENTIAL (SRT)	50-12
3C7	OIL LINES, HYDRAULIC, AND FITTINGS	70-27	2D15	PINION, BEVEL, DIFFERENTIAL (LESS DIFFERENTIAL LOCK)	50-57
3F4	OIL LINES, HYDRAULIC, IMPLEMENT	70-97	2D16	PINION, BEVEL, DIFFERENTIAL(DIFFERENTIAL LOCK).....	50-58
3C7	OIL LINES, OIL COOLER RETURN	70-27	2D17	PINION, BEVEL, DIFFERENTIAL(DIFFERENTIAL LOCK).....	50-59
2D12	OIL LINES, ROCKSHAFT	50-54	2C21	PINION, FIRST AND SECOND PLANET (PST)	50-40
3C4	OIL LINES, ROCKSHAFT	70-24	2C21	PINION, FOURTH PLANET (POWER SHIFT)	50-40
2D12	OIL LINES, ROCKSHAFT (PST)	50-54	2B19	PINION, HIGH RANGE (SYNCRO-RANGE)	50-13
2F12	OIL LINES, STEERING	60-11	2B19	PINION, LOW RANGE (SYNCRO-RANGE)	50-13
2F13	OIL LINES, STEERING	60-12	2C21	PINION, PLANET (POWER SHIFT)	50-40
1D13	OIL LINES, TURBOCHARGER	30-12	2C21	PINION, THIRD PLANET (POWER SHIFT)	50-40
2E11	OIL MANIFOLD, WHEEL (PFWD).....	50-76	1D23	PIPES, FUEL	30-22
1B20	OIL PAN	20-10	2F11	PIPES, OIL STEERING	60-10
1B20	OIL PAN GASKET	20-10	1C14	PIPES, WATER BYPASS.....	20-26
1B21	OIL PAN KIT.....	20-11	2F23	PISTON ACCUMULATOR	60-22
2F11	OIL PIPES, HYDRAULIC SYSTEM	60-10	1C6	PISTON ENGINE	20-18
2B13	OIL PIPES, PTO CLUTCH OIL LINES (SRT).....	50-7	1C6	PISTON LINER KIT	20-18
2F11	OIL PIPES, STEERING	60-10	1C6	PISTON RINGS	20-18
3E1	OIL PRESSURE GAUGE AND LINES	70-67	2D4	PISTON, ACCUMULATOR.....	50-48
1C8	OIL PUMP GEARS.....	20-20	2F19	PISTON, BRAKE	60-18
1C8	OIL PUMP, ENGINE.....	20-20	2C17	PISTON, BRAKE (POWER SHIFT)	50-36
2B23	OIL PUMP, TRANSMISSION (SYNCRO-RANGE)	50-17	2C18	PISTON, BRAKE (POWER SHIFT)	50-37
2C7	OIL PUMP, TRANSMISSION CLUTCH (PST)	50-26	2C20	PISTON, BRAKE (POWER SHIFT)	50-39
3C8	OIL RESERVOIR (SYNCRO-RANGE).....	70-28	2F17	PISTON, BRAKE VALVE	60-16
1B4	OIL, ENGINE	20-1	2D4	PISTON, CLUTCH OIL ACCUMULATOR	50-48
3F7	OIL, HYDRAULIC	70-100	2C9	PISTON, HIGH RANGE CLUTCH (POWER SHIFT)	50-28
3F7	OIL, TRANSMISSION.....	70-100	2C9	PISTON, LOW RANGE CLUTCH (POWER SHIFT)	50-28
3H12	OPERATOR SHIELD.....	90-23	2C17	PISTON, PLANETARY CLUTCH (POWER SHIFT)	50-36
3G7	ORNAMENT, HOOD.....	80-22	2D14	PISTON, PTO BRAKE (POWER SHIFT)	50-56
3I8	OUTSIDE MIRROR, CAB.....	90-45	2B25	PISTON, PTO BRAKE (SYNCRO-RANGE)	50-19
			2C10	PISTON, PTO CLUTCH (POWER SHIFT)	50-29
			3C18	PISTON, ROCKSHAFT.....	70-39

1A19

TRACTOR - 4620

ALPHABETICAL INDEX - CONTINUED

GRID	PAGE	GRID	PAGE
2F3	PISTON, STEERING VALVE	60-2	
2E23	PISTON, WHEEL CYLINDER BLOCK (PFWD)	50-89	
2D23	PLANET PINION CARRIER	50-64	
2C21	PLANET PINION CARRIER (POWER SHIFT)	50-40	
2C20	PLANETARY ASSEMBLY (POWER SHIFT)	50-39	
2C21	PLANETARY ASSEMBLY (POWER SHIFT)	50-40	
2C22	PLANETARY ASSEMBLY, COMPLETE	50-41	
2C20	PLANETARY BRAKE, FIRST (POWER SHIFT)	50-39	
2C17	PLANETARY BRAKE, FOURTH (POWER SHIFT)	50-36	
2C19	PLANETARY BRAKE, SECOND (POWER SHIFT)	50-38	
2C18	PLANETARY BRAKE, THIRD (POWER SHIFT)	50-37	
2C17	PLANETARY CLUTCH (POWER SHIFT)	50-36	
2C18	PLANETARY CLUTCH (POWER SHIFT)	50-37	
2C19	PLANETARY CLUTCH (POWER SHIFT)	50-38	
2C20	PLANETARY CLUTCH (POWER SHIFT)	50-39	
2E13	PLANETARY HOUSING (PFWD)	50-78	
2C22	PLANETARY, TRANSMISSION, ASSEMBLED (PST)	50-41	
2F19	PLATE BRAKE FACING	60-18	
2F19	PLATE BRAKE PRESSURE	60-18	
2F20	PLATE, BRAKE	60-19	
2C3	PLATE, CLUTCH DRIVE (POWER SHIFT)	50-22	
3G6	PLATE, FRONT	80-21	
2B19	PLATE, SYNCHRONIZER (SYNCRO-RANGE)	50-13	
3H11	PLATFORM	90-22	
3H12	PLATFORM	90-23	
3H13	PLATFORM MAT	90-25	
3H21	PLATFORM, CAB	90-33	
1H18	PLUG, ELECTRICAL OUTLET	40-83	
3C12	POWER FRONT WHEEL DRIVE ACCUMULATOR	70-33	
2E20	POWER FRONT WHEEL DRIVE AXLE HOUSING	50-86	
2E13	POWER FRONT WHEEL DRIVE BRAKE PLATES	50-78	
2E3	POWER FRONT WHEEL DRIVE CONTROL VALVE	50-68	
2E4	POWER FRONT WHEEL DRIVE CONTROL VALVE	50-69	
2E23	POWER FRONT WHEEL DRIVE CYLINDER BLOCK	50-89	
2E14	POWER FRONT WHEEL DRIVE FIRST PLANET	50-79	
2E21	POWER FRONT WHEEL DRIVE KNEE	50-87	
2E21	POWER FRONT WHEEL DRIVE MOTOR	50-87	
2E22	POWER FRONT WHEEL DRIVE MOTOR	50-88	
2E9	POWER FRONT WHEEL DRIVE OIL LINE SHIELD	50-74	
3C13	POWER FRONT WHEEL DRIVE OIL LINES	70-34	
3C15	POWER FRONT WHEEL DRIVE OIL LINES (REAR)	70-36	
2E20	POWER FRONT WHEEL DRIVE PIVOT BRACKET	50-86	
2E7	POWER FRONT WHEEL DRIVE RELIEF VALVE	50-72	
2E10	POWER FRONT WHEEL DRIVE SOLENOID PARTS	50-75	
2E24	POWER FRONT WHEEL DRIVE STEERING ARM	50-90	
1F6	POWER FRONT WHEEL DRIVE SWITCHES (PST)	40-19	
1F5	POWER FRONT WHEEL DRIVE SWITCHES (SRT)	40-18	
2E3	POWER FRONT WHEEL DRIVE VALVE SUPPORT	50-68	
2E14	POWER FRONT WHEEL DRIVE WHEEL COVER	50-79	
2E22	POWER FRONT WHEEL DRIVE WHEEL HUB	50-88	
2E11	POWER FRONT WHEEL DRIVE WHEEL MANIFOLD	50-76	
3F14	POWER FRONT WHEEL DRIVE WHEELS	80-3	
1F6	POWER FRONT WHEEL DRIVE WIRING (PST)	40-19	
1F5	POWER FRONT WHEEL DRIVE WIRING (SRT)	40-18	
3D25	POWER WEIGHT TRANSFER CONTROL VALVE	70-66	
3D23	POWER WEIGHT TRANSFER COUPLER	70-64	
3D24	POWER WEIGHT TRANSFER IMPLEMENT LINK	70-65	
3E1	POWER WEIGHT TRANSFER OIL GAUGE	70-67	
1D4	PRE-CLEANER	30-2	
3C3	PRESSURE CONTROL VALVE	70-23	
3C4	PRESSURE CONTROL VALVE OIL LINES	70-24	
2D19	PRESSURE CONTROL VALVE, DIFFERENTIAL	50-60	
2E7	PRESSURE RELIEF VALVE (PFWD)	50-72	
1F6	PRESSURE SWITCH, CLUTCH VALVE(PFWD)(PST)	40-19	
2C10	PTO CLUTCH (POWER SHIFT)	50-29	
2C6	PTO CLUTCH CONTROL (POWER SHIFT)	50-25	
2B11	PTO CLUTCH CONTROL (SYNCRO-RANGE)	50-5B	
2B11	PTO CLUTCH LEVER LINKAGE (SYNCRO-RANGE)	50-5B	
2B9	PTO CLUTCH VALVE	50-4	
2D13	PTO DRIVE GEAR	50-55	
2D13	PTO DRIVE GEAR (SYNCRO-RANGE)	50-55	
2D13	PTO DRIVE SHAFT	50-55	
2D14	PTO DRIVE SHAFT AND IDLER GEARS (PST)	50-56	
2B25	PTO DRIVE SHAFT AND IDLER GEARS (SRT)	50-19	
2D13	PTO GUARD	50-55	
2B7	PTO, CLUTCH (SYNCRO-RANGE)	50-2	
3G16	PULLEY, COMPRESSOR	90-3	
1B22	PULLEY, CRANKSHAFT	20-12	
1C12	PULLEY, FAN	20-24	
2C8	PUMP ASSEMBLY, CLUTCH OIL	50-27	
3B5	PUMP ASSEMBLY, HYDRAULIC REPLACEMENT	70-3	
3B4	PUMP DRIVE COUPLER	70-1	
3C2	PUMP HYDRAULIC DRAIN LINE	70-22	
3B16	PUMP REPLACEMENT, HYDRAULIC (3 IN3)	70-14	
3B18	PUMP REPLACEMENT, HYDRAULIC (4 IN3)	70-16	
1C8	PUMP, ENGINE OIL	20-20	
1D23	PUMP, FUEL	30-22	
1D25	PUMP, FUEL	30-24	
1E1	PUMP, FUEL INJECTION	30-25	
3B6	PUMP, HYDRAULIC (3 IN3)	70-4	
3B8	PUMP, HYDRAULIC (4 IN3)	70-6	
2B23	PUMP, OIL, TRANSMISSION (SYNCRO-RANGE)	50-17	
2C7	PUMP, OIL, TRANSMISSION CLUTCH (PST)	50-26	
1C9	PUMP, REPLACEMENT, ENGINE OIL	20-21	
1C12	PUMP, WATER	20-24	
Q			
2B22	QUADRANT, SPEED CHANGE (SYNCRO-RANGE)	50-16	
2B22	QUADRANT, SPEED RANGE (SYNCRO-RANGE)	50-16	
3D11	QUICK COUPLER, IMPLEMENT	70-56	
3F24	QUIK-TATCH FRONT WEIGHTS (EIGHT OR TEN)	80-14	
3F23	QUIK-TATCH FRONT WEIGHTS (TWO, FOUR OR SIX)	80-12	
R			
1H22	RADAR SENSOR	40-88	
1H22	RADAR SENSOR BRACKET	40-88	
1H22	RADAR SENSOR WIRING HARNESS	40-88	
1C16	RADIATOR	20-28	
1C15	RADIATOR BAFFLES AND FOAM PAD KIT	20-27	
1C16	RADIATOR CAP	20-28	
1H7	RADIO (BENDIX)	40-72	
1H5	RADIO (MOTOROLA)	40-70	
1H10	RADIO HEADPHONES	40-75	
1H9	RADIO MOUNTING KIT	40-74	
1H3	RADIO, CAB	40-68	
1G11	REAR AND WARNING LAMP (ROW-CROP)	40-50	
1G12	REAR AND WARNING LAMP (STANDARD)	40-51	
2D23	REAR AXLE HOUSING	50-64	
2D23	REAR AXLE SHAFT	50-64	
1E20	REAR CENTER FLOOD LAMP KIT	40-8	
3G24	REAR CONSOLE COVER	90-12	
3F20	REAR INNER WHEEL WEIGHT (32",34",38" AND 42")	80-9	
3I7	REAR VIEW MIRROR	90-44	
3F15	REAR WHEEL	80-4	
3F17	REAR WHEEL WEIGHT (32" AND 38" CAST WHEEL)	80-6	
3F18	REAR WHEEL WEIGHT (38" CAST WHEEL)	80-7	
3G17	RECEIVER DRYER (HINSON)	90-4	

1A20

TRACTOR - 4620

ALPHABETICAL INDEX - CONTINUED

GRID	PAGE	GRID	PAGE		
3E19	RECEPTACLE, DIAGNOSTIC	70-87	3I12	SEALANT, LOCTITE.....	90-49
1F12	REGULATOR	40-25	3H21	SEALING BAFFLES	90-33
1F13	REGULATOR, ALTERNATOR (LATE DESIGN)	40-26	3H2	SEAT BACK	90-15
1F10	REGULATOR, ALTERNATOR (MOTOROLA)	40-23	3H2	SEAT BACK CUSHION	90-15
1F7	REGULATOR, VOLTAGE.....	40-20	3H7	SEAT BELT.....	90-20
1F8	REGULATOR, VOLTAGE.....	40-21	3H9	SEAT BELT.....	90-21A
1E25	RELAY WIRING KIT, ACCESSORY	40-13	3H2	SEAT CUSHION	90-15
1E24	RELAY, CIRCUIT BREAKER	40-12	3H3	SEAT SUPPORT, DELUXE	90-16
1F2	RELAY, STARTING CIRCUIT	40-15	3H4	SEAT SUSPENSION, DELUXE	90-17
1F3	RELAY, STARTING CIRCUIT	40-16	2E13	SECOND PLANET PINION (PFWD)	50-78
1H20	RELAY, SUPPLEMENTARY WIRING	40-86	2C19	SECOND PLANETARY BRAKE (POWER SHIFT)	50-38
1H17	RELAY, WIRING, ELECTRICAL REMOTE CONTROL.....	40-82	3I5	SELECTIVE CONTROL CONSOLE.....	90-42
2E8	RELIEF VALVE.....	50-73	3E7	SELECTIVE CONTROL LEVER	70-74
2E7	RELIEF VALVE (PFWD)	50-72	3E7	SELECTIVE CONTROL LINKAGE.....	70-74
3C6	RELIEF VALVE, OIL FILTER.....	70-26	3E4	SELECTIVE CONTROL VALVE.....	70-70
1H17	REMOTE CONTROL CIRCUIT BREAKER	40-82	3E6	SELECTIVE CONTROL VALVE DETENT KIT	70-73
1H14	REMOTE CONTROL KIT, ELECTRICAL	40-79	3E2	SELECTIVE CONTROL VALVE HOUSING	70-68
1H15	REMOTE CONTROL WIRING KIT, ELECTRICAL	40-80	3E9	SELECTIVE CONTROL VALVE HOUSING	70-76
1H17	REMOTE CONTROL WIRING, ELECTRICAL.....	40-82	3E5	SELECTIVE CONTROL VALVE OVERHAUL KIT.....	70-71
1H13	REMOTE CONTROL, ELECTRICAL	40-78	3D4	SELECTIVE CONTROL VALVE SUPPORT	70-49
3F2	REMOTE CYLINDER CONVERSION KIT.....	70-95	1D23	SENDER, FUEL GAUGE	30-22
3F5	REMOTE CYLINDER HOSE IDENTIFICATION KIT	70-98	1H22	SENSOR, RADAR	40-88
3F1	REMOTE CYLINDER OVERHAUL KIT	70-94	2C3	SHAFT, CLUTCH (POWER SHIFT)	50-22
3E22	REMOTE CYLINDER PARTS (HYDRAULIC STOP)	70-90	2C9	SHAFT, CLUTCH (POWER SHIFT)	50-28
3E24	REMOTE CYLINDER PARTS (MECHANICAL STOP)	70-92	2B7	SHAFT, CLUTCH (SYNCRO-RANGE)	50-2
1D12	REMOTE MOUNTED VACUUM SWITCH.....	30-10	2C7	SHAFT, CLUTCH DRIVE (POWER SHIFT)	50-26
1C13	REPAIR KIT, WATER PUMP.....	20-25	2C11	SHAFT, CLUTCH DRIVE (POWER SHIFT)	50-30
1B23	REPLACEMENT CRANKSHAFT	20-12A	2C12	SHAFT, CLUTCH DRIVE (POWER SHIFT)	50-31
3B5	REPLACEMENT HYDRAULIC PUMP ASSEMBLY.....	70-3	2C5	SHAFT, CLUTCH FORK (POWER SHIFT).....	50-24
2E8	REPLACEMENT RELIEF VALVE	50-73	2B8	SHAFT, CLUTCH FORK (SYNCRO-RANGE)	50-3
1C9	REPLACEMENT, ENGINE OIL PUMP	20-21	2D23	SHAFT, FINAL DRIVE	50-64
3C8	RESERVOIR, OIL (SYNCRO-RANGE)	70-28	2F6	SHAFT, METERING, STEERING VALVE	60-5
3C17	REVERSE SIGNAL LOCKOUT, KIT	70-38	2D23	SHAFT, PLANET PINION.....	50-64
3F15	RIM, DEMOUNTABLE	80-4	2D13	SHAFT, PTO DRIVE.....	50-55
1C6	RINGS, PISTON	20-18	2D14	SHAFT, PTO DRIVE (POWER SHIFT)	50-56
1B7	ROCKER ARM COVER	20-4	2B25	SHAFT, PTO DRIVE (SYNCRO-RANGE)	50-19
1B7	ROCKER ARM COVER GASKET	20-4	2D23	SHAFT, REAR AXLE	50-64
1B8	ROCKER ARM SHAFT.....	20-5	1B8	SHAFT, ROCKER ARM	20-5
1B8	ROCKER ARMS	20-5	2F3	SHAFT, STEERING	60-2
3I5	ROCKSHAFT CONSOLE	90-42	2B19	SHAFT, TRANSMISSION DRIVE (SYNCRO-RANGE)	50-13
3C23	ROCKSHAFT CONTROL LEVER	70-44	2B20	SHAFTS, SHIFTER (SYNCRO-RANGE)	50-14
3C21	ROCKSHAFT CONTROL VALVE HOUSING	70-42	2B21	SHAFTS, SHIFTER (SYNCRO-RANGE)	50-15
3C23	ROCKSHAFT HEIGHT STOP	70-44	3H12	SHIELD, OPERATOR.....	90-23
3C16	ROCKSHAFT HOUSING	70-37	2E9	SHIELD, POWER FRONT WHEEL DRIVE OIL LINE	50-74
3I1	ROCKSHAFT HOUSING COVERS	90-38	2D13	SHIELD, PTO MASTER	50-55
3D1	ROCKSHAFT LINKAGE AND CONTROL	70-46	3G6	SHIELD, SIDE.....	80-21
2D12	ROCKSHAFT OIL LINES	50-54	2D3	SHIFT VALVE, TRANSMISSION (POWER SHIFT)	50-47
2D12	ROCKSHAFT OIL LINES (PST)	50-54	2B20	SHIFTER SHAFTS (SYNCRO-RANGE)	50-14
3C18	ROCKSHAFT PISTON AND LIFT ARMS	70-39	2B21	SHIFTER SHAFTS (SYNCRO-RANGE)	50-15
3C20	ROCKSHAFT THROTTLE VALVE.....	70-41	1C6	SHIM, LINER	20-18
2C5	ROD, CLUTCH CONTROL (POWER SHIFT)	50-24	3H4	SHOCK ABSORBER, SEAT SUSPENSION	90-17
3E7	ROD, SELECTIVE CONTROL LEVER	70-74	1B11	SHORT BLOCK	20-8
1C6	RODS, CONNECTING	20-18	1B15	SHORT BLOCK, ENGINE (WITHOUT OIL PUMP)	20-9C
3H7	ROLL-GARD	90-20	1B13	SHORT BLOCK, ENGINE (WITH OIL PUMP)	20-9A
3H9	ROLL-GARD	90-21A	1C16	SHROUD, FAN.....	20-28
3H5	ROLL-GARD CANOPY.....	90-18	1E3	SHUT-OFF, FUEL INJECTION PUMP ELECTRIC	30-27
3H19	ROOF, CAB	90-31	3F21	SIDE FRAMES	80-10
1D16	ROTATING PARTS, TURBOCHARGER (AIRESEARCH)	30-15	3G6	SIDE PANEL.....	80-21
3H11	ROW-CROP PLATFORM.....	90-22	3F16	SLEEVE, WHEEL, DUAL	80-5
			3I13	SLOW MOVING VEHICLE EMBLEM.....	90-50
			3I14	SLOW MOVING VEHICLE EMBLEM (WITH CAB).....	90-51
			1H18	SOCKET, ELECTRICAL OUTLET	40-83
			1H19	SOCKET, ELECTRICAL OUTLET, 7-TERMINAL	40-84
			1F18	SOLENOID SWITCH (DELCO-REMY)	40-30
			1F22	SOLENOID SWITCH (DELCO-REMY)	40-34
			1G3	SOLENOID SWITCH (DELCO-REMY)	40-40

S

3D13	SAFETY CHAIN, IMPLEMENT	70-58
2E15	SEAL KIT, BRAKE PISTON (PFWD)	50-81
1C12	SEAL, WATER PUMP	20-24

1A21

TRACTOR - 4620

ALPHABETICAL INDEX - CONTINUED

GRID	PAGE	GRID	PAGE		
1G8	SOLENOID SWITCH, STARTER (JOHN DEERE)	40-46	1F11	STRAP, ALTERNATOR ADJUSTING	40-24
1G9	SOLENOID SWITCH, STARTER (JOHN DEERE)	40-47	1E22	STRAP, BATTERY GROUND (ROW-CROP)	40-10
3C1	SOLENOID, DESTROKE (ELECTRIC)	70-21D	1E23	STRAP, BATTERY GROUND (STANDARD).....	40-11
2E10	SOLENOID, POWER FRONT WHEEL DRIVE	50-75	3B10	STROKE CONTROL VALVE SHUT-OFF KIT	70-8
2B21	SPEED CHANGE ARM (SYNCRO-RANGE).....	50-15	3B20	STROKE CONTROL VALVE SHUT-OFF KIT	70-18
1E6	SPEED CONTROL LINKAGE	30-30	3B10	STROKE CONTROL VALVE, HYDRAULIC PUMP.....	70-8
1E7	SPEED CONTROL LINKAGE	30-31	3B20	STROKE CONTROL VALVE, HYDRAULIC PUMP.....	70-18
2B20	SPEED RANGE ARM (SYNCRO-RANGE)	50-14	1I7	SUPPLEMENTARY TERMINALS AND CONNECTORS.....	40-98
1G24	SPEED-HOUR METER.....	40-63	1H20	SUPPLEMENTARY WIRING KIT.....	40-86
1E13	SPEED-HOUR METER WIRING HARNESS	40-1	3I2	SUPPORT, CONTROL	90-39
1D6	STACK, VERTICAL AIR	30-4	3I3	SUPPORT, DASH.....	90-40
1F15	STARTER	40-28	3H3	SUPPORT, DELUXE SEAT	90-16
1F18	STARTER (DELCO-REMY)	40-30	3D5	SUPPORT, DRAFT LINK	70-50
1F20	STARTER (DELCO-REMY)	40-32	3D14	SUPPORT, DRAWBAR, FRONT	70-59
1G5	STARTER ARMATURE (JOHN DEERE) (DIESEL).....	40-42	3F21	SUPPORT, FRONT	80-10
1G6	STARTER COIL (JOHN DEERE) (DIESEL).....	40-43	3F24	SUPPORT, FRONT WEIGHT (EIGHT OR TEN)	80-14
1G7	STARTER COMMUTATOR END FRAME (JOHN DEERE) (DIESEL)	40-44	3F23	SUPPORT, FRONT WEIGHT (TWO, FOUR OR SIX)	80-12
1F23	STARTER DRIVE HOUSING (DELCO-REMY)	40-36	3H24	SUPPORT, FRONT, CAB.....	90-36
1G5	STARTER DRIVE HOUSING (JOHN DEERE) (DIESEL).....	40-42	3D4	SUPPORT, SELECTIVE CONTROL VALVE	70-49
1B22	STARTER GEAR	20-12	1F2	SUPPORT, STARTING CIRCUIT RELAY	40-15
1F23	STARTER GEAR (DELCO-REMY)	40-36	3H4	SUSPENSION, DELUXE SEAT	90-17
1G1	STARTER MAIN FRAME (DELCO-REMY)	40-38	1F6	SWITCH, CLUTCH VALVE PRESSURE(PFWD)(PST).....	40-19
1G6	STARTER MAIN FRAME (JOHN DEERE) (DIESEL).....	40-43	1G20	SWITCH, DIMMER	40-59
1G4	STARTER SOLENOID COVER (JOHN DEERE)	40-41	1H13	SWITCH, ELECTRICAL REMOTE CONTROL	40-78
1F16	STARTER SOLENOID COVER KIT (DELCO-REMY).....	40-29	1G22	SWITCH, IGNITION KEY	40-61
1F17	STARTER SOLENOID COVER KIT (DELCO-REMY).....	40-29A	1G22	SWITCH, LIGHT	40-61
1G3	STARTER SOLENOID SWITCH (DELCO-REMY)	40-40	1G19	SWITCH, NEUTRAL START	40-58
1G8	STARTER SOLENOID SWITCH (JOHN DEERE).....	40-46	1F6	SWITCH, NEUTRAL START (PFWD) (PST).....	40-19
1G9	STARTER SOLENOID SWITCH (JOHN DEERE).....	40-47	2D4	SWITCH, NEUTRAL START (POWER SHIFT).....	50-48
1D22	STARTING AID KIT, ETHER	30-21	2B20	SWITCH, NEUTRAL START (SYNCRO-RANGE).....	50-14
1D21	STARTING AID TUBE KIT.....	30-20	1D12	SWITCH, REMOTE MOUNTED VACUUM	30-10
1D20	STARTING AID, COLD WEATHER	30-19	1F18	SWITCH, SOLENOID (DELCO-REMY)	40-30
1F2	STARTING CIRCUIT RELAY	40-15	1F22	SWITCH, SOLENOID (DELCO-REMY)	40-34
1F3	STARTING CIRCUIT RELAY	40-16	1G3	SWITCH, SOLENOID (DELCO-REMY)	40-40
1D20	STARTING FLUID.....	30-19	1G8	SWITCH, STARTER SOLENOID (JOHN DEERE)	40-46
1D21	STARTING FLUID TUBE KIT	30-20	1G9	SWITCH, STARTER SOLENOID (JOHN DEERE)	40-47
1F15	STARTING MOTOR	40-28	1F6	SWITCHES (PFWD) (POWER SHIFT)	40-19
1F18	STARTING MOTOR (DELCO-REMY)	40-30	1F5	SWITCHES (PFWD) (SRT)	40-18
1G10	STARTING MOTOR SEALING KIT (12 AND 24-V)	40-48	2B19	SYNCHRONIZER DRUM (SYNCRO-RANGE)	50-13
2E25	STEERING ARM	50-91			
2F15	STEERING CYLINDER.....	60-14			
2F11	STEERING LINE MANIFOLD.....	60-10			
2F14	STEERING LINES, FLEXIBLE	60-13			
2F13	STEERING OIL LINES	60-12			
2F12	STEERING OIL LINES (SYNCRO-RANGE)	60-11			
2F11	STEERING OIL PIPES.....	60-10			
2F7	STEERING VALVE ASSEMBLY	60-6			
2F8	STEERING VALVE COVER AND OPERATING LEVER	60-7			
2F3	STEERING VALVE CYLINDER	60-2			
2F5	STEERING VALVE CYLINDER COVER	60-4			
2F9	STEERING VALVE CYLINDER OVERHAUL KIT	60-8			
2F6	STEERING VALVE METERING SHAFT	60-5			
2F3	STEERING VALVE PISTON	60-2			
2F3	STEERING WHEEL	60-2			
2F3	STEERING WHEEL EMBLEM.....	60-2			
2E24	STEERING, ARM (POWER FRONT WHEEL DRIVE)	50-90			
2F6	STEERING, VALVE ASSEMBLY	60-5			
2F8	STEERING, VALVE OPERATING LEVER	60-7			
3H24	STEP, CAB.....	90-36			
3G8	STEP, TRACTOR (ROW-CROP)	80-24			
3G9	STEP, TRACTOR (STANDARD)	80-25			
3C23	STOP, ROCKSHAFT HEIGHT	70-44			

T

1B10	TACHOMETER DRIVE.....	20-7
1B10	TACHOMETER DRIVE GASKET	20-7
1G13	TAIL LAMP (HINSON)	40-52
1D23	TANK, FUEL	30-22
1I7	TERMINALS AND CONNECTORS,SUPPLEMENTARY	40-98
1I1	TERMINALS,ELECTRICAL.....	40-92
1I3	TERMINALS,ELECTRICAL.....	40-94
1I5	TERMINALS,ELECTRICAL.....	40-96
3C21	THERMAL RELIEF VALVE, ROCKSHAFT	70-42
1C14	THERMOSTAT	20-26
3C11	THERMOSTATIC BYPASS VALVE	70-31
2C18	THIRD PLANETARY BRAKE (POWER SHIFT)	50-37
3D6	THREE-POINT HITCH	70-51
3C20	THROTTLE VALVE, ROCKSHAFT	70-41
2E25	TIE ROD	50-91
2E24	TIE ROD END (POWER FRONT WHEEL DRIVE).....	50-90
1C7	TIMING GEAR COVER	20-19
1C7	TIMING GEAR COVER GASKET	20-19
3I9	TOOLBOX.....	90-46
3I10	TOOLBOX.....	90-47
3I11	TOOLS	90-48
3G8	TRACTOR STEP (ROW-CROP)	80-24
3G9	TRACTOR STEP (STANDARD).....	80-25
2B19	TRANSMISSION BLOCKERS (SYNCRO-RANGE).....	50-13

ALPHABETICAL INDEX - CONTINUED

GRID	PAGE	GRID	PAGE	
2C15	TRANSMISSION CASE (POWER SHIFT).....	50-34	2E11 VALVE, CHECK, WHEEL MANIFOLD (PFWD)	50-76
2B14	TRANSMISSION CASE (SYNCRO-RANGE).....	50-8	2E3 VALVE, CONTROL (PFWD).....	50-68
2C7	TRANSMISSION CLUTCH OIL PUMP (PST)	50-26	2E4 VALVE, CONTROL (PFWD).....	50-69
2C9	TRANSMISSION CLUTCH PACK (POWER SHIFT).....	50-28	2E5 VALVE, CONTROL, OVERHAUL KIT (PFWD)	50-70
2C10	TRANSMISSION CLUTCH PACK (POWER SHIFT).....	50-29	2D19 VALVE, DIFFERENTIAL LOCK	50-60
2C14	TRANSMISSION CLUTCH REGULATING VALVE	50-33	3C21 VALVE, FLOW CONTROL, ROCKSHAFT.....	70-42
2C2	TRANSMISSION CLUTCH VALVE (POWER SHIFT).....	50-21	3E2 VALVE, FLOW CONTROL, SCV	70-68
2C13	TRANSMISSION CLUTCH VALVE (POWER SHIFT).....	50-32	3C21 VALVE, METERING, ROCKSHAFT	70-42
2D12	TRANSMISSION CONTROL OIL LINES.....	50-54	3E2 VALVE, METERING, SCV	70-68
2D12	TRANSMISSION CONTROL OIL LINES (PST)	50-54	3C6 VALVE, OIL FILTER RELIEF	70-26
2D4	TRANSMISSION CONTROL VALVE	50-48	2F8 VALVE, OPERATING LEVERS, STEERING	60-7
2D6	TRANSMISSION CONTROL VALVE KIT	50-49A	3D25 VALVE, POWER WEIGHT TRANSFER CONTROL	70-66
2D8	TRANSMISSION CONTROL VALVES (PST)	50-50	3C3 VALVE, PRESSURE CONTROL	70-23
2B17	TRANSMISSION COUNTERSHAFT (SYNCRO-RANGE)....	50-11	2E7 VALVE, PRESSURE RELIEF (PFWD)	50-72
2C16	TRANSMISSION COVER, FRONT (POWER SHIFT).....	50-35	2E11 VALVE, PRESSURE RELIEF, WHEEL MANIFOLD	50-76
2B16	TRANSMISSION COVER, FRONT (SRT)	50-10	2B9 VALVE, PTO CLUTCH	50-4
2C23	TRANSMISSION DISCONNECT (POWER SHIFT).....	50-42	2E8 VALVE, RELIEF	50-73
2C5	TRANSMISSION DISCONNECT CLUTCH (PST)	50-24	3C20 VALVE, ROCKSHAFT THROTTLE	70-41
2C4	TRANSMISSION DISCONNECT CONTROL (PST)	50-23	2D3 VALVE, SHIFT, TRANSMISSION (POWER SHIFT)	50-47
2C24	TRANSMISSION IDLER GEAR (POWER SHIFT)	50-43	2F6 VALVE, STEERING ASSEMBLY	60-5
2D1	TRANSMISSION LOCK (POWER SHIFT).....	50-45	2F7 VALVE, STEERING ASSEMBLY	60-6
3F7	TRANSMISSION OIL	70-100	3C21 VALVE, THERMAL RELIEF, ROCKSHAFT.....	70-42
1E8	TRANSMISSION OIL FILTER ELEMENT	30-32	3C11 VALVE, THERMOSTATIC BYPASS	70-31
2B23	TRANSMISSION OIL PUMP (SYNCRO-RANGE).....	50-17	2C2 VALVE, TRANSMISSION CLUTCH (POWER SHIFT)	50-21
2D2	TRANSMISSION PARK LOCK LEVER.....	50-46	2C13 VALVE, TRANSMISSION CLUTCH (POWER SHIFT)	50-32
2C22	TRANSMISSION PLANETARY, ASSEMBLED (PST).....	50-41	2C14 VALVE, TRANSMISSION CLUTCH REGULATING	50-33
3D3	TRANSMISSION REAR COVER (LESS ROCKSHAFT).....	70-48	2D4 VALVE, TRANSMISSION CONTROL AND SHIFT	50-48
2B22	TRANSMISSION SHIFT CONTROL(SYNCRO-RANGE)....	50-16	1B8 VALVES, EXHAUST	20-5
2D3	TRANSMISSION SHIFT VALVE (POWER SHIFT).....	50-47	1B8 VALVES, INTAKE	20-5
2D10	TRANSMISSION SHIFTER (POWER SHIFT)	50-52	3E2 VALVES, SELECTIVE CONTROL	70-68
2B22	TRANSMISSION SHIFTER (SYNCRO-RANGE)	50-16	1B7 VENTILATOR TUBE, ENGINE.....	20-4
2D10	TRANSMISSION SHIFTER CONTROL	50-52	1D8 VERTICAL AIR INTAKE KIT	30-6
2B19	TRANSMISSION SYNCHRONIZER DISK (SRT)	50-13	1F7 VOLTAGE REGULATOR	40-20
3E20	TRANSPORT ARM.....	70-88	1F8 VOLTAGE REGULATOR	40-21
3G21	TRAY, CONDENSATE	90-8		
1B7	TUBE, ENGINE VENTILATOR.....	20-4		
1D15	TURBOCHARGER (AIRESEARCH).....	30-14		
1D17	TURBOCHARGER (SCHWITZER).....	30-16		
1D16	TURBOCHARGER CENTER HOUSING (AIRESEARCH) ..	30-15		
1D13	TURBOCHARGER OIL LINES.....	30-12		
1D16	TURBOCHARGER ROTATING PARTS (AIRESEARCH)	30-15		
U				
1B19	UNDERHAUL KIT, ENGINE (STD. BRGS)	20-9H		
1B25	UNDERSIZE CRANKSHAFT KIT (CONNECTING ROD JOURNAL) (LATE DESIGN)	20-13		
1B24	UNDERSIZE CRANKSHAFT KIT (EARLY DESIGN)	20-12B		
1C2	UNDERSIZE MAIN BEARING CRANKSHAFT AND BEARING KIT (EARLY DESIGN)	20-14A		
1C3	UNDERSIZE MAIN BEARING CRANKSHAFT AND BEARING KIT (LATE DESIGN).....	20-15		
1C1	UNDERSIZE MAIN BEARING CRANKSHAFT KIT (EARLIEST DESIGN).....	20-14		
V				
1D12	VACUUM SWITCH, REMOTE MOUNTED	30-10		
1B6	VALVE INSERTS	20-3		
3G19	VALVE KIT, COMPRESSOR	90-6		
1B5	VALVE STEM LUBRICANT, ENGINE	20-2		
3D4	VALVE SUPPORT, SELECTIVE CONTROL.....	70-49		
2F17	VALVE, BRAKE	60-16		
2F17	VALVE, BRAKE EQUALIZING.....	60-16		
2E11	VALVE, CHECK, WHEEL MANIFOLD (PFWD)	50-76		
2E3	VALVE, CONTROL (PFWD).....	50-68		
2E4	VALVE, CONTROL (PFWD).....	50-69		
2E5	VALVE, CONTROL, OVERHAUL KIT (PFWD)	50-70		
2D19	VALVE, DIFFERENTIAL LOCK	50-60		
3C21	VALVE, FLOW CONTROL, ROCKSHAFT.....	70-42		
3E2	VALVE, FLOW CONTROL, SCV	70-68		
3C21	VALVE, METERING, ROCKSHAFT	70-42		
3E2	VALVE, METERING, SCV	70-68		
3C6	VALVE, OIL FILTER RELIEF	70-26		
2F8	VALVE, OPERATING LEVERS, STEERING	60-7		
3D25	VALVE, POWER WEIGHT TRANSFER CONTROL	70-66		
3C3	VALVE, PRESSURE CONTROL	70-23		
2E7	VALVE, PRESSURE RELIEF (PFWD)	50-72		
2E11	VALVE, PRESSURE RELIEF, WHEEL MANIFOLD	50-76		
2B9	VALVE, PTO CLUTCH	50-4		
2E8	VALVE, RELIEF	50-73		
3C20	VALVE, ROCKSHAFT THROTTLE	70-41		
2D3	VALVE, SHIFT, TRANSMISSION (POWER SHIFT)	50-47		
2F6	VALVE, STEERING ASSEMBLY	60-5		
2F7	VALVE, STEERING ASSEMBLY	60-6		
3C21	VALVE, THERMAL RELIEF, ROCKSHAFT.....	70-42		
3C11	VALVE, THERMOSTATIC BYPASS	70-31		
2C2	VALVE, TRANSMISSION CLUTCH (POWER SHIFT)	50-21		
2C13	VALVE, TRANSMISSION CLUTCH (POWER SHIFT)	50-32		
2C14	VALVE, TRANSMISSION CLUTCH REGULATING	50-33		
2D4	VALVE, TRANSMISSION CONTROL AND SHIFT	50-48		
1B8	VALVES, EXHAUST	20-5		
1B8	VALVES, INTAKE	20-5		
3E2	VALVES, SELECTIVE CONTROL	70-68		
1B7	VENTILATOR TUBE, ENGINE.....	20-4		
1D8	VERTICAL AIR INTAKE KIT	30-6		
1F7	VOLTAGE REGULATOR	40-20		
1F8	VOLTAGE REGULATOR	40-21		
W				
1G17	WARNING LAMP	40-56		
1G13	WARNING LAMP (HINSON)	40-52		
1G11	WARNING LAMP (ROW-CROP)	40-50		
1G12	WARNING LAMP (STANDARD)	40-51		
1G22	WARNING LAMP FLASHER	40-61		
1G16	WARNING LAMP KIT, FLASHING	40-55		
1G15	WARNING LAMP, FLASHING (IMPLEMENT).....	40-54		
1H12	WASHER, WINDSHIELD	40-77		
1C14	WATER BYPASS PIPES	20-26		
1C14	WATER MANIFOLD	20-26		
1C12	WATER PUMP	20-24		
1C12	WATER PUMP GASKET	20-24		
1C13	WATER PUMP REPAIR KIT	20-25		
1G21	WATER TEMPERATURE GAUGE.....	40-60		
3I16	WEATHERSHIELD	90-53		
3F22	WEIGHT, FRONT	80-11		
3F24	WEIGHT, FRONT (EIGHT OR TEN)	80-14		
3F23	WEIGHT, FRONT (TWO, FOUR OR SIX).....	80-12		
3F21	WEIGHT, FRONT FRAME	80-10		
3F19	WEIGHT, INNER REAR WHEEL(32" CAST WHEEL)	80-8		
3F20	WEIGHT, REAR INNER WHEEL (32", 34", 38" AND 42")	80-9		
3F17	WEIGHT, REAR WHEEL (32" AND 38" CAST WHEEL)	80-6		
3F18	WEIGHT, REAR WHEEL (38" CAST WHEEL)	80-7		
3F21	WEIGHT, SIDE FRAME	80-10		
3F13	WHEEL BEARING KIT, FRONT	80-2B		
2E11	WHEEL MANIFOLD, POWER FRONT WHEEL DRIVE	50-76		
3F19	WHEEL WEIGHT, INNER REAR(32" CAST WHEEL)	80-8		

1A23

TRACTOR - 4620

ALPHABETICAL INDEX - CONTINUED

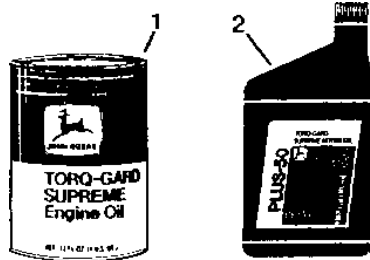
<i>GRID</i>		<i>PAGE</i>	<i>GRID</i>	<i>PAGE</i>
3F20	WHEEL WEIGHT, REAR INNER (32", 34", 38" AND 42")	80-9		
3F12	WHEEL, FRONT	80-2		
3F15	WHEEL, REAR	80-4		
2F3	WHEEL, STEERING	60-2		
3F16	WHEELS, DUAL REAR	80-5		
3F14	WHEELS, POWER FRONT WHEEL DRIVE	80-3		
3D19	WIDE SWING DRAWBAR	70-62		
3H20	WINDOW, CAB (HINSON)	90-32		
3H18	WINDOW, RIGHT FRONT	90-30		
1H12	WINDSHIELD WASHER	40-77		
1H11	WINDSHIELD WIPER	40-76		
1H11	WIPER, WINDSHIELD	40-76		
1F6	WIRING (PFW) (POWER SHIFT)	40-19		
1F5	WIRING (PFW) (SRT)	40-18		
1E13	WIRING HARNESS, MAIN	40-1		
1H22	WIRING HARNESS, RADAR SENSOR	40-88		
1F1	WIRING KIT, ACCESSORY RELAY	40-14		
1H15	WIRING KIT, ELECTRICAL REMOTE CONTROL	40-80		
3G14	WIRING, AIR COMPRESSOR	90-1		
1E16	WIRING, CAB	40-4		
1H17	WIRING, ELECTRICAL REMOTE CONTROL	40-82		
1E14	WIRING, LAMP (ROW-CROP)	40-2		
1E15	WIRING, LAMP (STANDARD)	40-3		
1H20	WIRING, SUPPLEMENTARY	40-86		
3I11	WRENCH	90-48		

1B4

ENGINE

RGP3291 -UN-01JAN94

TORQ-GARD SUPREME AND PLUS-50 ENGINE OIL



RGP 3291

TORQ-GARD SUPREME ENGINE					
KEY	PART NO.	PART NAME	QTY	SERIAL NO.	REMARKS
1	TY6359	OIL	1	(SAE 5W/30), 0.9 L (1 QUART) CAN	
	TY6360	OIL	1	(SAE 5W/30), 19 L (5 GALLON) CAN	
	TY6361	OIL	1	(SAE 5W/30), 208 L (55 GALLON) DRUM	
	TY6364	OIL	1	(SAE 10W/30), 0.9 L (1 QUART) (BREAKIN)	
	TY6297	OIL	1	(SAE 15W/40), 0.9 L (1 QUART) CAN	
	TY6298	OIL	1	(SAE 15W/40), 19 L (5 GALLON) CAN	
	TY6300	OIL	1	(SAE 15W/40), 114 L (30 GALLON) DRUM	
	TY6301	OIL	1	(SAE 15W/40), 208 L (55 GALLON) DRUM	
	TY6311	OIL	1	(SAE 10W), 0.9 L (1 QUART) CAN	
	TY22009	OIL	1	(SAE 10W), 3.8 L (1 GALLON)	
	TY6312	OIL	1	(SAE 10W), 19 L (5 GALLON) CAN	
	TY6313	OIL	1	(SAE 10W), 208 L (55 GALLON) DRUM	
	AR63979	OIL	1	(SAE 30W), 0.2 L (1 HALF PINT) CAN	
	AR63218	OIL	1	(SAE 30W), 0.9 L (1 QUART) CAN	
	AR63219	OIL	1	(SAE 30W), 19 L (5 GALLON) CAN	
	TY6280	OIL	1	(SAE 30W), 114 L (30 GALLON) DRUM	
AR63222	OIL	1	(SAE 30W), 208 L (55 GALLON) DRUM		

TORQ-GARD PLUS-50 ENGINE					
KEY	PART NO.	PART NAME	QTY	SERIAL NO.	REMARKS
2	TY6389	OIL	1	(SAE 15W/40), 0.9 L (1 QUART)	
	TY22008	OIL	1	(SAE 15W/40), 3.8 L (1 GALLON)	
	TY6390	OIL	1	(SAE 15W/40), 19 L (5 GALLON)	
	TY22010	OIL	1	(SAE 15W/40), 113.6 L (30 GALLON)	
	TY6391	OIL	1	(SAE 15W/40), 208 L (55 GALLON)	
	TY6392	OIL	1	(SAE 30W), 0.9 L (1 QUART)	
	TY22007	OIL	1	(SAE 30W), 3.8 L (1 GALLON)	
	TY6393	OIL	1	(SAE 30W), 19 L (5 GALLON)	
	TY22011	OIL	1	(SAE 30W), 113.6 L (30 GALLON)	
	TY6394	OIL	1	(SAE 30W), 208 L (55 GALLON)	

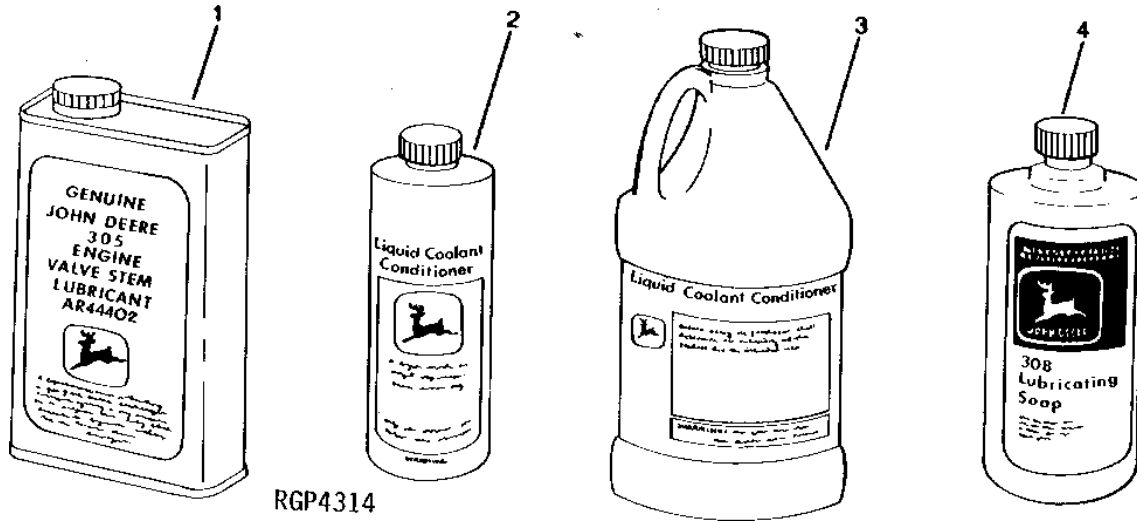
KITS (NOT ILLUSTRATED) ENGINE					
KEY	PART NO.	PART NAME	QTY	SERIAL NO.	REMARKS
..	AR41785	KIT	1		CONTAINS 0.9 L (1 QT.) (OFF-SEASON STORAGE)
..	AR41870	RUST INHIBITOR	1		0.9 L (1 QT.) CAN, (SUB AR41785)
..	AR21969	KIT	1		(DUST CAP/COVER KIT)
..	DS0251	KIT	1		(COOLANT SCAN TEST)
..	IPSKIT1	KIT	1		(OIL SCAN TEST)
..	DS0557	MERCHANDISING AID	1		(SAMPLING SYSTEM)

1B5

ENGINE

RGP4314 -UN-01JAN94

COOLANT CONDITIONER AND ENGINE PART LUBRICANTS



KEY	PART NO.	PART NAME	QTY	SERIAL NO.	REMARKS
1	AR44402	OIL	1		.473ML (32 OZ.) CAN

COOLANT CONDITIONER

KEY	PART NO.	PART NAME	QTY	SERIAL NO.	REMARKS
2	RE23182	ENGINE COOLANT CONDITIONER	1		.473L (32 OZ.) (PHOSPHATE - FREE) (SUB TY16004)
	TY16004	ENGINE COOLANT CONDITIONER	1		0.473 L (16 OZ.)
3	RE35992	ENGINE COOLANT CONDITIONER	1		3.8 L (1 GAL.) (PHOSPHATE - FREE) (SUB TY16005)
..	TY16005	ENGINE COOLANT CONDITIONER	1		1.9 L (1/2 GAL.)

CYLINDER LINER PACKING LUBRICANT

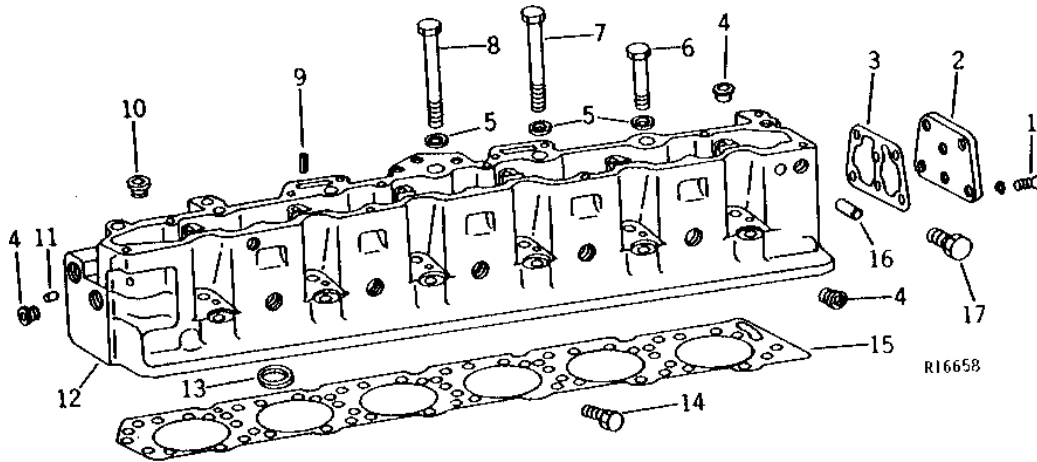
KEY	PART NO.	PART NAME	QTY	ENGINE SERIAL NO.	REMARKS
4	AR54749	LUBRICANT	1		.9L (1 QT.) CAN

1B6

ENGINE

R16658 -UN-01JAN94

CYLINDER HEAD AND GASKET



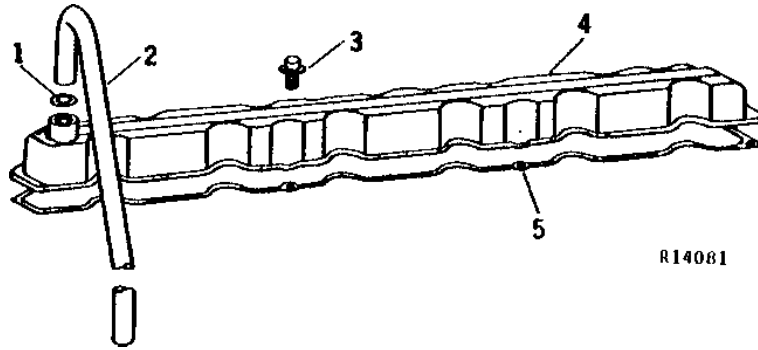
KEY	PART NO.	PART NAME	QTY	ENGINE SERIAL NO.	REMARKS
1	T20166	SCREW	6		
	12H324	WASHER	6	3/8"	
2	R43594	COVER	1		
3	R43595	GASKET	1		
4	15H690	PIPE PLUG	13	3/4", (SUB FOR AR72318)	
5	R76126	WASHER	26	(SUB FOR R42364) (USE WITH R62421, R62418, R62419, OR R62420 ONLY)	
6	R62421	SCREW	6	(SUB FOR R45195) (SUB R88042)	
7	R62418	SCREW	5	(SUB FOR R45192) (SUB R88043)	
8	R62419	SCREW	8	(SUB FOR R45193) (SUB R88044)	
	R62420	SCREW	7	(SUB FOR R45194) (SUB R88045)	
9	34H387	SPRING PIN	1	3/16" X 3/4"	
10	15H624	PIPE PLUG	1	1/2", (SUB FOR AR72319)	
11	F1743R	DOWEL PIN	1		
12	AR50000	CYLINDER HEAD	1	(MARKED R47320)	
13	R43913	VALVE SEAT INSERT	AR	STD	
	R46209	VALVE SEAT INSERT	AR	0.25 MM (.010") OS	
	R43681	VALVE SEAT INSERT	AR	STD	
	R43683	VALVE SEAT INSERT	AR	0.25 MM (.010") OS	
14	R45692	CAP SCREW	1		
15	R48291	GASKET	1	(MARKED R48291) (THIN)	
16	DOWEL PIN	1	(R20423 NO LONGER REQUIRED)	
17	R45693	CAP SCREW	1		
..	R88042	SCREW	6	(NOT USED WITH R76126)	
..	R88043	SCREW	5	(NOT USED WITH R76126)	
..	R88044	SCREW	8	(NOT USED WITH R76126)	
..	R88045	SCREW	7	(NOT USED WITH R76126)	

1B7

ENGINE

R14081 -UN-01JAN94

ROCKER ARM COVER AND VENTILATOR TUBE



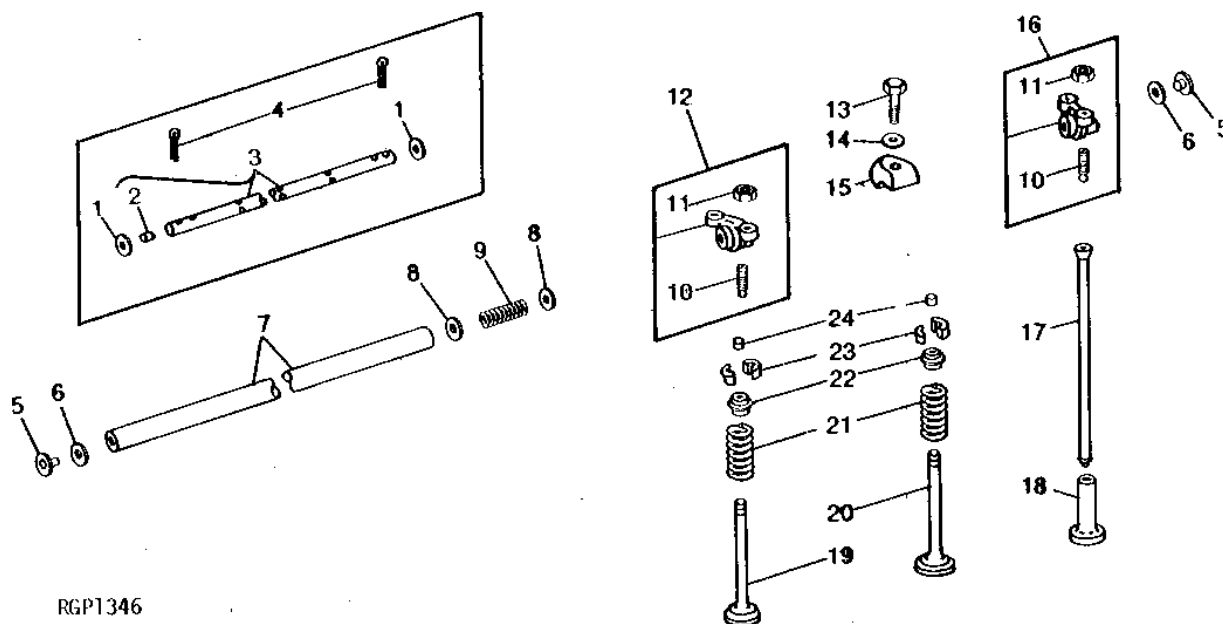
KEY	PART NO.	PART NAME	QTY	ENGINE SERIAL NO.	REMARKS
1	R495R	O-RING	1		
2	R26405	LINE	1		
3	AR103811	SCREW, WITH WASHER	8		(SUB FOR AR45530)
4	AR26516	COVER	1		
5	R49866	GASKET	1		(SUB FOR R32593)

1B8

ENGINE

RGP1346 -UN-01JAN94

ROCKER ARMS, SHAFT, AND VALVES



RGP1346

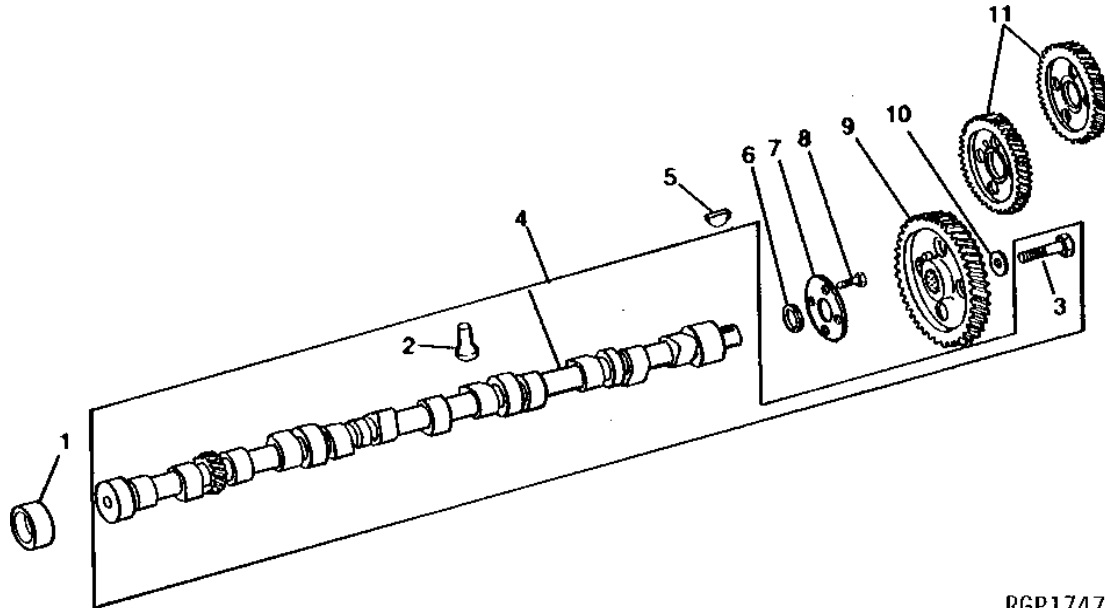
KEY	PART NO.	PART NAME	QTY	ENGINE SERIAL NO.	REMARKS
1	R71208	WASHER	12	-XXXXXX	19.500 X 26 X 0.910 MM (0.768" X 1.024" X 0.036")
2	R27529	PLUG	2	-XXXXXX	
3	AR26444	ROCKER ARM SHAFT	1	-XXXXXX	(SUB R70826) (ALSO ORDER (2) R54565)
4	11M7082	COTTER PIN	2	-XXXXXX	2.500 X 25 MM
5	R54565	PLUG	2	XXXXXX-	
6	R26081	WASHER	2	XXXXXX-	
7	R70826	ROCKER ARM SHAFT	1	XXXXXX-	(SUB FOR R54564 OR R60650) (ALSO ORDER (2) R54565)
8	R71208	WASHER	10	XXXXXX-	19.500 X 26 X 0.910 MM (0.768" X 1.024" X 0.036")
9	R26079	SPRING	5		
10	R27443	SET SCREW	12		
11	14H846	NUT	12		3/8"
12	AR54905	ROCKER ARM	6		(SUB FOR AR34294)
13	19H1740	CAP SCREW	6		7/16" X 1-3/4"
14	R26559	WASHER	6		
15	R26748	CLAMP	6		
16	AR54904	ROCKER ARM	6		(SUB FOR AR34293)
17	R85027	PUSH ROD	12		(SUB FOR AR40680)
18	R52773	CAM FOLLOWER	12		(SUB FOR R40906)
19	R43914	INTAKE VALVE	6		STD
	R46206	INTAKE VALVE	6		0.08 MM (.003") OS
	R46207	INTAKE VALVE	6		0.38 MM (.015") OS
	R46208	INTAKE VALVE	6		0.76 MM (.030") OS
20	R43679	EXHAUST VALVE	6		STD
	R43787	EXHAUST VALVE	6		0.08 MM (.003") OS
	R43788	EXHAUST VALVE	6		0.38 MM (.015") OS
	R43789	EXHAUST VALVE	6		0.76 MM (.030") OS
21	R26125	SPRING	12		
22	RE11410	ROTATOR	12		(SUB FOR AR41006)
23	T20077	RETAINER	24		
24	T20129	CAP	12		

1B9

ENGINE

RGP1747 -UN-01JAN94

CAMSHAFT AND GEARS



RGP1747

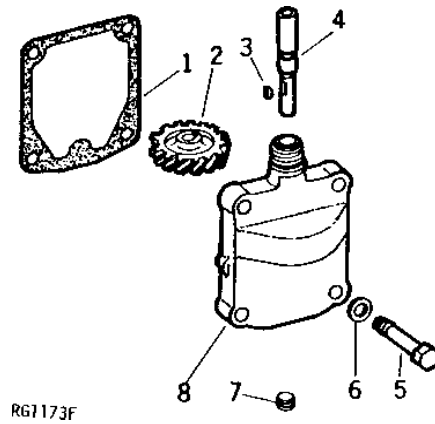
KEY	PART NO.	PART NAME	QTY	ENGINE SERIAL NO.	REMARKS
1	R46903	BUSHING	4		
2	R52773	CAM FOLLOWER	12		
3	19H3182	CAP SCREW	1		1/2" X 1-7/8", (USE WITH R59420)
	R93238	CAP SCREW	1		12.700 X 50.800 MM (1/2" X 2") (USE WITH R71531 OR R71529) (SUB FOR 19H1831 OR R79850, APPL)
4	AR100385	CAMSHAFT	1		(MARKED R64086, R71529, R42352, R43677, R59420, R57289 OR R71531) (SUB FOR AR79610, AR44394, AR63280, AR69270, AR71709, AR74144 OR AR100384)
5	26H72	SHAFT KEY	1		1/8" X 5/8"
6	R42356	WASHER	1		
7	R49275	WASHER	1		
8	19H1813	CAP SCREW	4		5/16" X 5/8", (USE WITH R71529 OR R71531)
9	AR49503	GEAR	1		(MARKED R46999)
	34H170	SPRING PIN	1		3/8" X 7/8"
10	R47012	WASHER	1		
11	AR52671	GEAR	1		(MARKED R47011 AND R47013) (MATCHED SET)

1B10

ENGINE

RG1173 -UN-01JAN94

TACHOMETER DRIVE



KEY	PART NO.	PART NAME	QTY	ENGINE SERIAL NO.	REMARKS
1	R62410	GASKET	1		(SUB FOR R44853)
2	R32426	GEAR	1		
3	26H3	SHAFT KEY	1		3/32" X 3/8"
4	R26172	SHAFT	1		
5	19H1732	CAP SCREW	4		3/8" X 1-1/4"
6	24H1303	WASHER	4		13/32" X 11/16" X 0.065"
7	15H559	PIPE PLUG	1		1/4"
8	R43851	HOUSING	1		(SUB FOR AR43652)

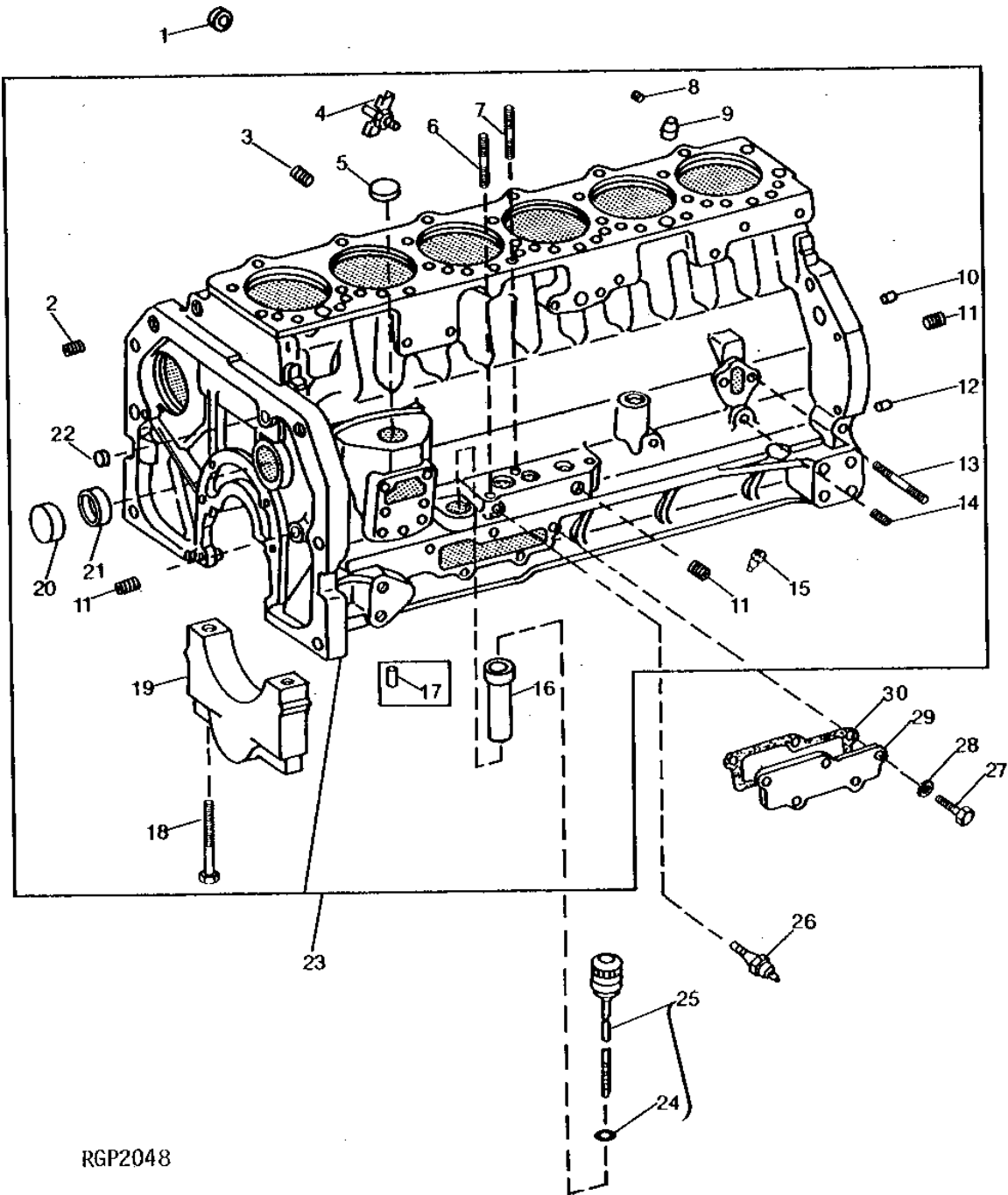
1B11

ENGINE

RGP2048

-UN-01JAN94

CYLINDER BLOCK



RGP2048

1B12

ENGINE

CYLINDER BLOCK - CONTINUED

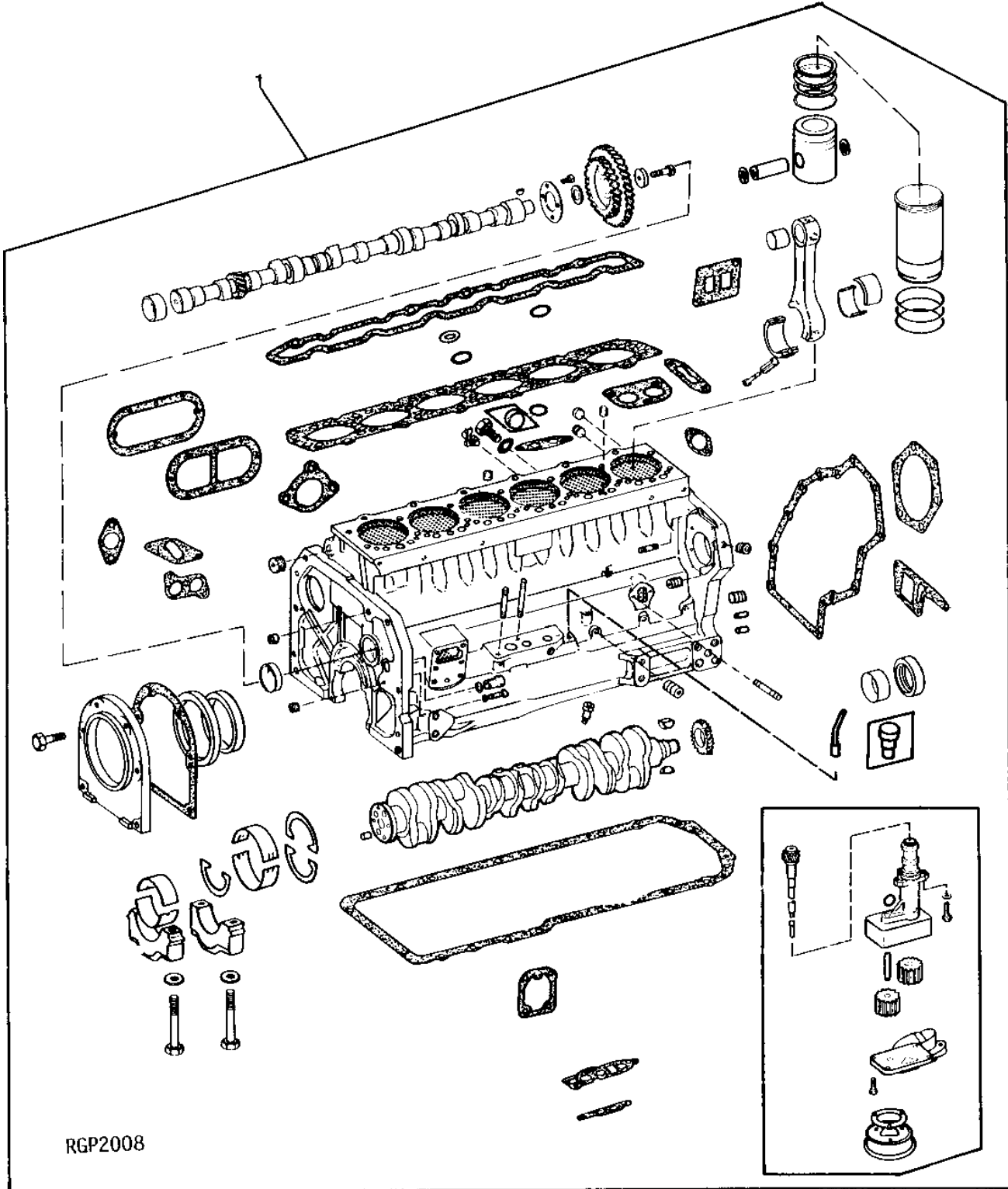
KEY	PART NO.	PART NAME	QTY	ENGINE SERIAL NO.	REMARKS
1	AR80294	PLUG	1	(SUB FOR R47092)	
2	15H562	PIPE PLUG	1	1", (SUB FOR AR78522)	
3	15H690	PIPE PLUG	3	3/4", (SUB FOR AR72318)	
4	AT13740	DRAIN VALVE	1		
5	30H25	PLUG	1	2"	
6	R106859	STUD	1	(SUB FOR T20173, F3646R OR R26622, APPL)	
7	R32042	STUD	1		
8	PIPE PLUG	1	(15H666 NO LONGER USED)	
9	R42340	BUSHING	2		
10	F1743R	DOWEL PIN	2		
11	15H624	PIPE PLUG	3	1/2", (SUB FOR AR72319)	
12	R1612R	DOWEL PIN	2		
13	R48755	STUD	2	(SUB FOR R26934)	
14	R104592	PIPE PLUG	5	(SUB FOR R21630, APPL)	
15	R43621	ORIFICE	6		
16	R41070	TUBE	1		
17	DOWEL PIN	1	(NO LONGER REQUIRED)	
18	T15539	BOLT	14		
19	R57158	BEARING CAP	6	(MAIN)	
	R57159	BEARING CAP	1	(MAIN THRUST)	
20	R26115	CAP	1		
21	R46903	BUSHING	4		
22	R43634	DOWEL PIN	1		
23	AR52061	CYLINDER BLOCK	1	(MARKED R47020 OR R47110) (SUB RE53476)	
24	A4730R	O-RING	2		
25	AR53998	DIPSTICK	1	(SUB FOR AR53997)	
26	AT85174	SWITCH	1	(SUB FOR AR27977)	
27	19H2284	CAP SCREW	5	3/8" X 7/8"	
28	12H304	LOCK WASHER	5	3/8"	
29	R43441	COVER	1		
30	R45968	GASKET	1		

1B13

ENGINE

ENGINE SHORT BLOCK (WITH OIL PUMP)

RGP2008 -UN-01JAN94



RGP2008

1B14

ENGINE

**ENGINE SHORT BLOCK - CONTINUED
(WITH OIL PUMP)**

KEY	PART NO.	PART NAME	QTY	ENGINE SERIAL NO.	REMARKS
1	AR51965	SHORT BLOCK ASSEMBLY	1		(SUB RE53476, AR71118, (2) R38614, (2) R41920 AND (2) M72490)

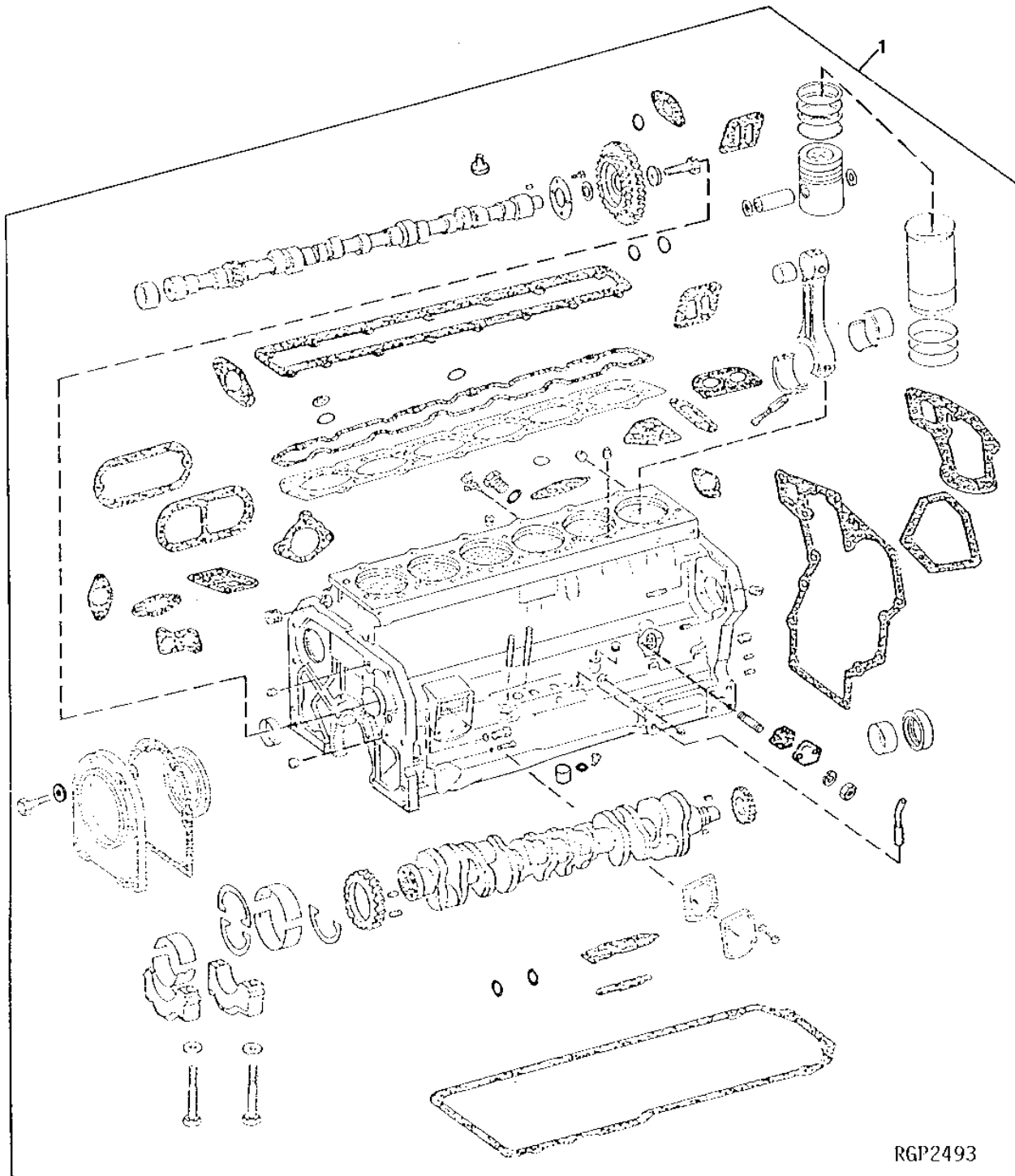
1B15

ENGINE

ENGINE SHORT BLOCK (REPLACEMENT) (WITHOUT OIL PUMP)

RGP2493

-UN-01JAN94



RGP2493

1B16

ENGINE

**ENGINE SHORT BLOCK (REPLACEMENT) - CONTINUED
(WITHOUT OIL PUMP)**

KEY	PART NO.	PART NAME	QTY	ENGINE SERIAL NO.	REMARKS
1	RE53476	SHORT BLOCK ASSEMBLY	1		(MARKED R47020) (SUB FOR AR51419, AR51965 OR RE13552)

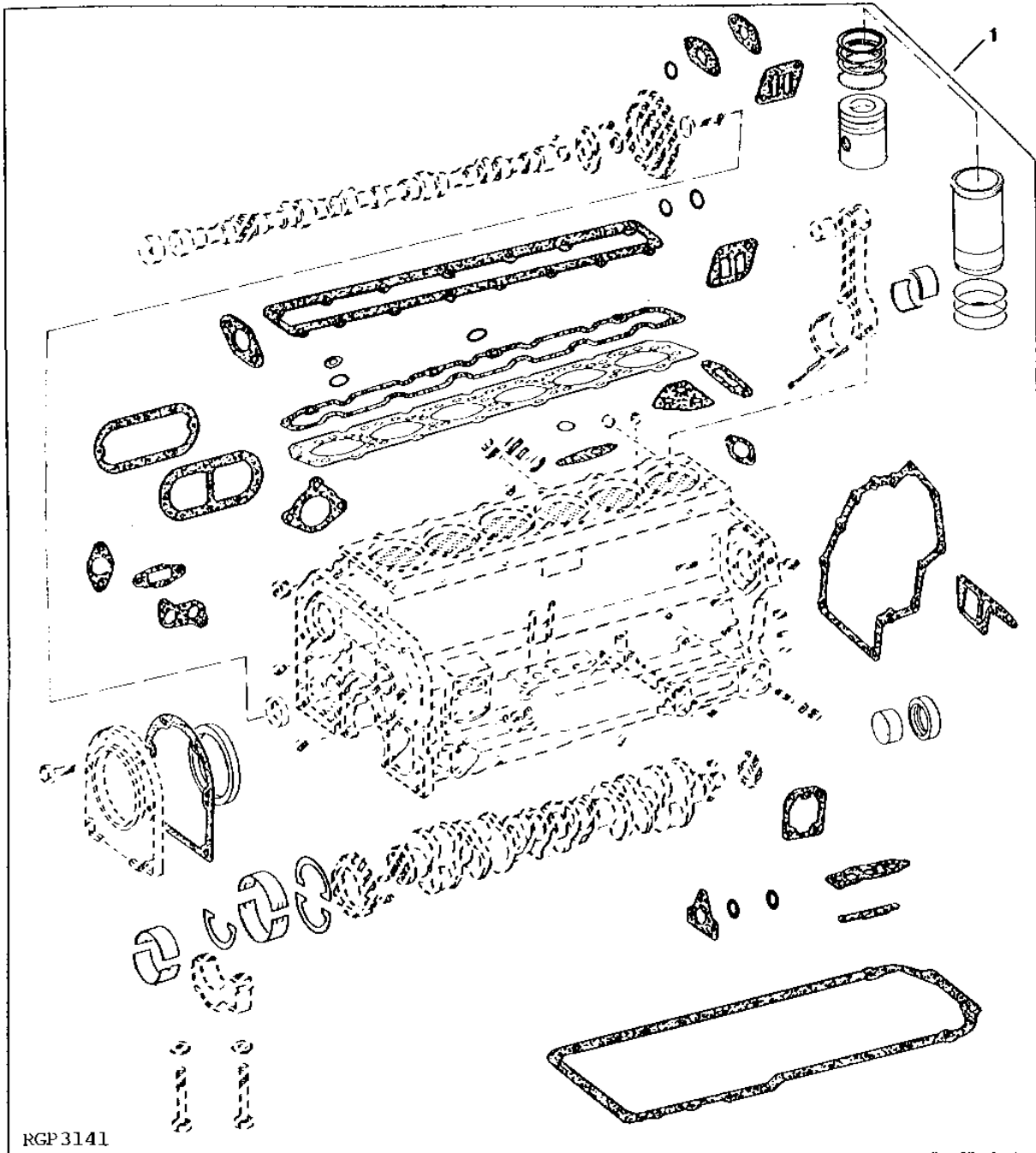
1B17

ENGINE

RGP3141

-UN-01JAN94

ENGINE OVERHAUL KIT



1B18

ENGINE

ENGINE OVERHAUL KIT - CONTINUED

KEY	PART NO.	PART NAME	QTY	ENGINE SERIAL NO.	REMARKS
1	RG23435	ENGINE OVERHAUL KIT	1		(CONTAINS (6) AR51798 PISTON LINERS, GASKET KIT, STD BEARINGS, FRONT/REAR SEALS AND SNAP RINGS) (ALSO ORDER R66452 ROD BOLTS) (SUB FOR RG21340)

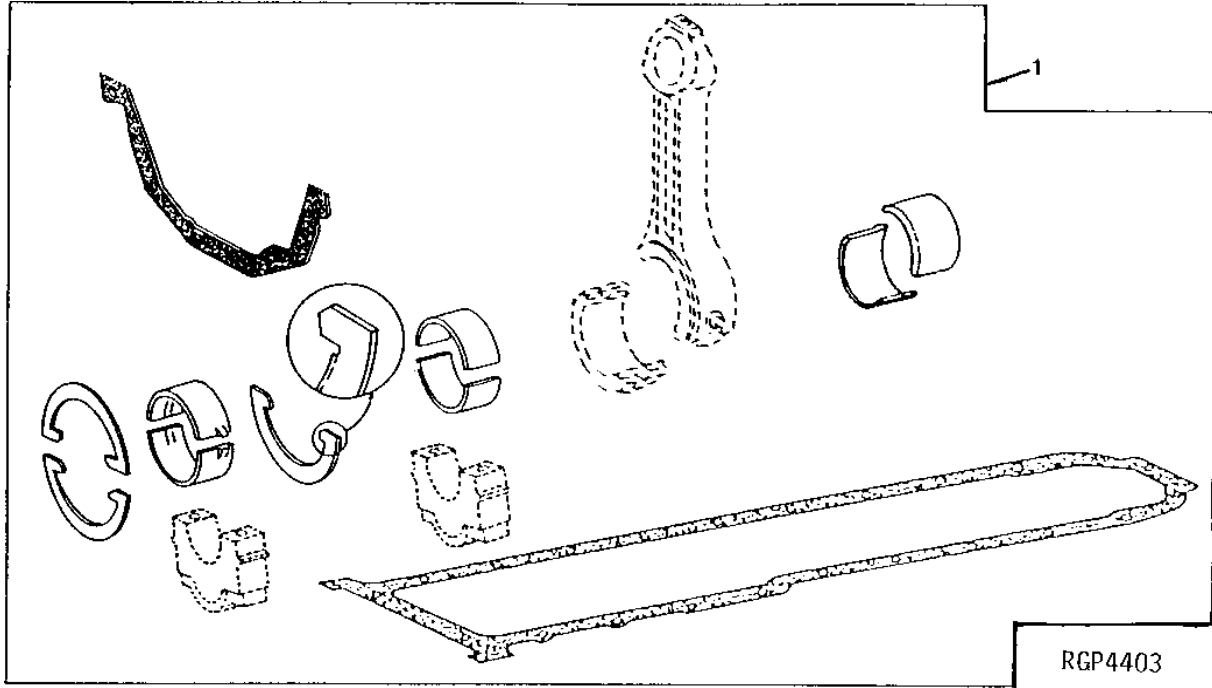
MEMORANDA

1B19

ENGINE

RGP4403 -UN-14DEC94

ENGINE UNDERHAUL KIT (STD. BEARINGS)



RGP4403

KEY	PART NO.	PART NAME	QTY	ENGINE SERIAL NO.	REMARKS
1	RG23427	KIT	1	(A) (SUB FOR RG22790)	

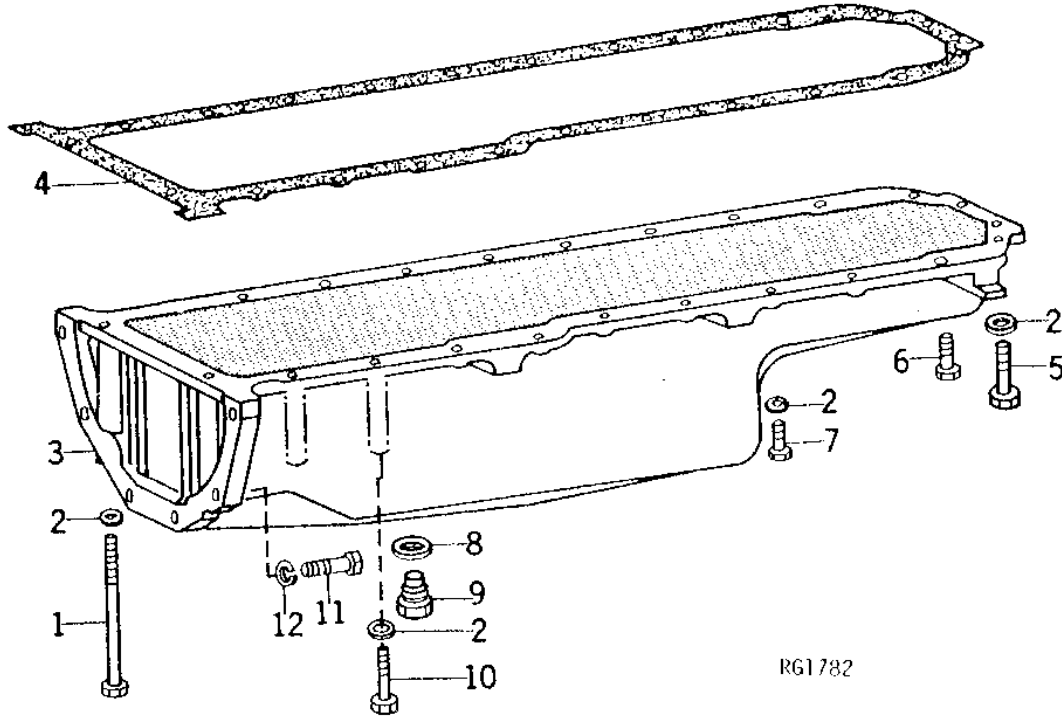
(A) USE WITH BLOCK MARKED R40620, R40930, R40940, R45950, R47020, R47110, R47170, R48440, R49550, R49650, R59850, R72128 OR R87558.

1B20

ENGINE

RG1782 -UN-01JAN94

OIL PAN



RG1782

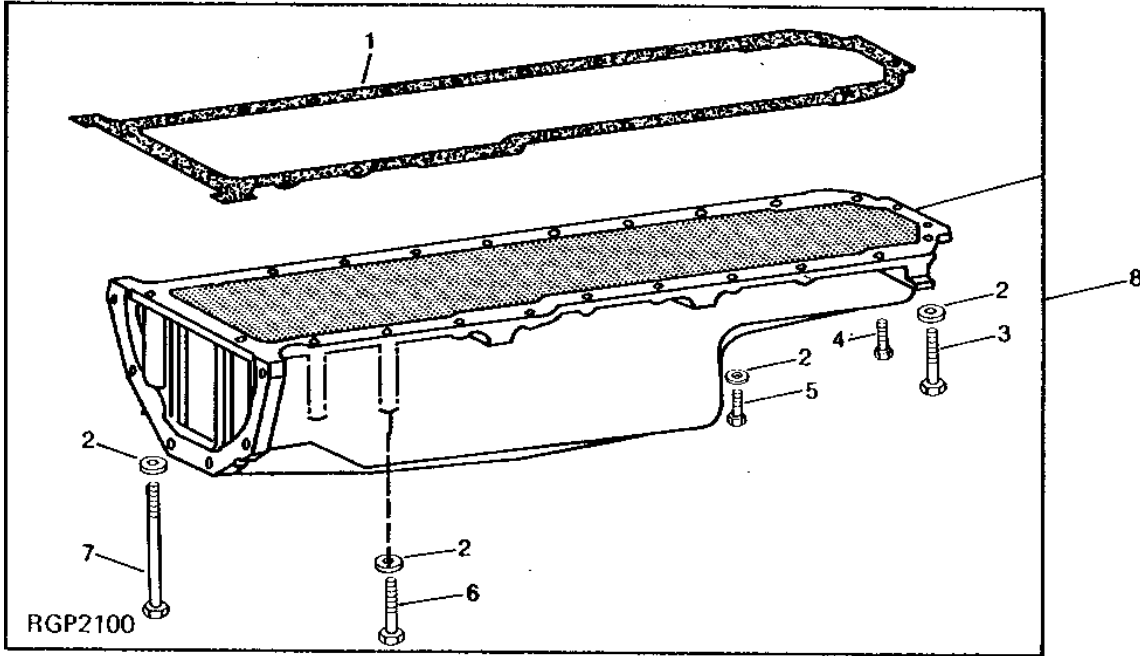
KEY	PART NO.	PART NAME	QTY	ENGINE SERIAL NO.	REMARKS
1	19H2205	CAP SCREW	2	3/8" X 6"	
2	12H304	LOCK WASHER	22	3/8"	
3	R53013	OIL PAN	1	(SUB AR94560) (SUB FOR AR43119)	
4	R71918	GASKET	1	(SUB FOR R42424 OR R53282)	
5	19H1765	CAP SCREW	2	3/8" X 1-3/4"	
6	R27693	SCREW	2		
7	19H2552	CAP SCREW	16	3/8" X 1-1/8"	
8	A4827R	WASHER	2		
9	R26727	DRAIN PLUG	1	(SUB FOR R51944)	
10	19H2104	CAP SCREW	2	3/8" X 5"	
11	19H2473	CAP SCREW	6	1/2" X 1-3/4"	
12	12H301	LOCK WASHER	6	1/2"	

1B21

ENGINE

RGP2100 -UN-01JAN94

OIL PAN KIT



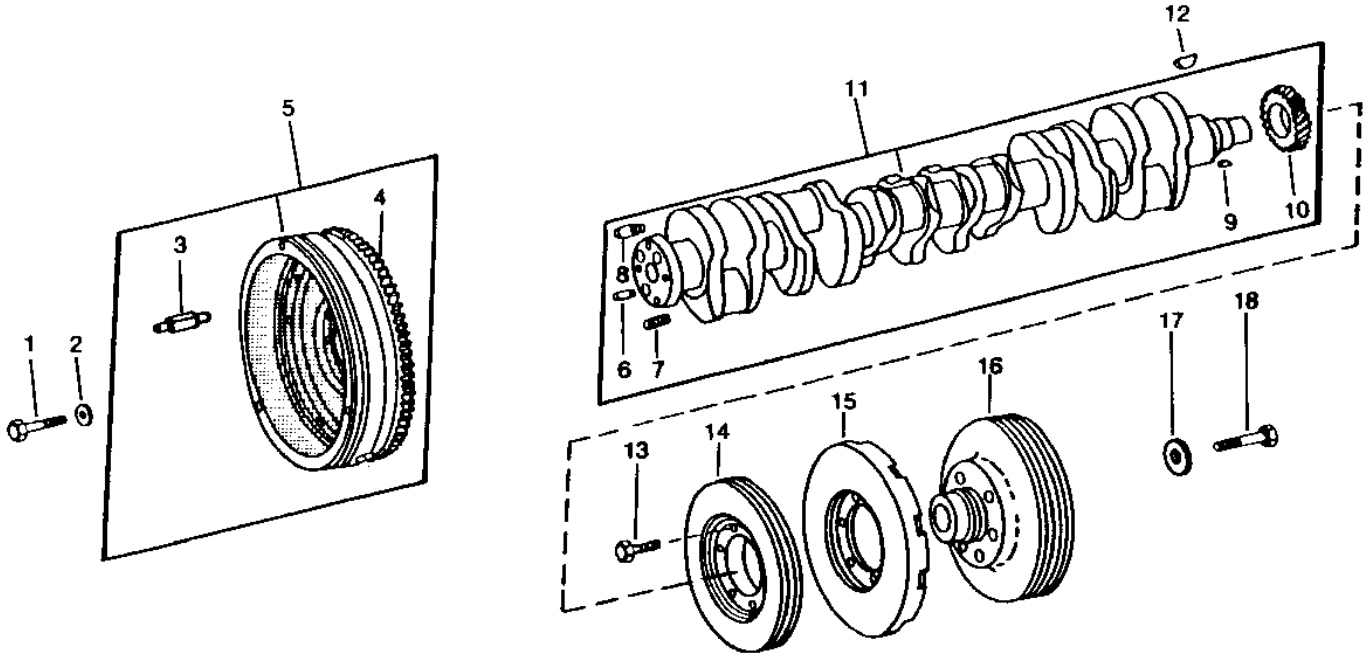
KEY	PART NO.	PART NAME	QTY	ENGINE SERIAL NO.	REMARKS
1	R71918	GASKET	1		(SUB FOR R53282)
2	12H304	LOCK WASHER	22		3/8"
3	19H3485	CAP SCREW	2		3/8" X 2"
4	R73445	SCREW	2		
5	19H3267	CAP SCREW	16		3/8" X 1-5/8"
6	19H3504	CAP SCREW	2		3/8" X 5-3/8"
7	19H3562	CAP SCREW	2		3/8" X 6-1/8"
8	AR94560	KIT	1		(MARKED R71909) (SUB FOR R53013)

1B22

ENGINE

RGP2658 -UN-01JAN94

CRANKSHAFT AND FLYWHEEL



RGP2658

KEY	PART NO.	PART NAME	QTY	ENGINE SERIAL NO.	REMARKS
1	R41049	CAP SCREW	4	(SUB R52634)	
2	T23891	WASHER	4		
3	R32192	DOWEL PIN	3	(D)	
4	R28811	GEAR	1		
5	AR56075	FLYWHEEL	1	(A) (MARKED R43110 OR R51870) (SUB FOR AR43013)	
	AR78914	FLYWHEEL	1	(D) (MARKED R43100, R49531, R51860 OR R61420) (SUB FOR AR53381, AR43162 OR AR60009)	
6	22H821	SET SCREW	2	1/2" X 1/2", (SUB FOR R61292)	
7	R41934	DOWEL PIN	1		
8	R43093	PIN	1	(A)	
9	R120752	KEY	1	1/8" X 0.625"	
10	R26049	GEAR	1		
11	RE42671	CRANKSHAFT	1	(MARKED R47419, R40740, R56979 OR R63451) (SUB FOR AR50136, AR74624 OR AR96189) (SUB RE53422)	
12	26H85	SHAFT KEY	1	1/4" X 1"	
13	19H3221	CAP SCREW	6	3/8" X 1-1/4"	
	19H3181	CAP SCREW	6	3/8" X 2"	
14	R48396	PULLEY	1	(G)	
15	AR43954	ABSORBER	1		
16	R48395	PULLEY	1		
	R47127	PULLEY	1	(G)	
17	R26333	WASHER	1		
18	19H1734	CAP SCREW	1	5/8" X 2"	

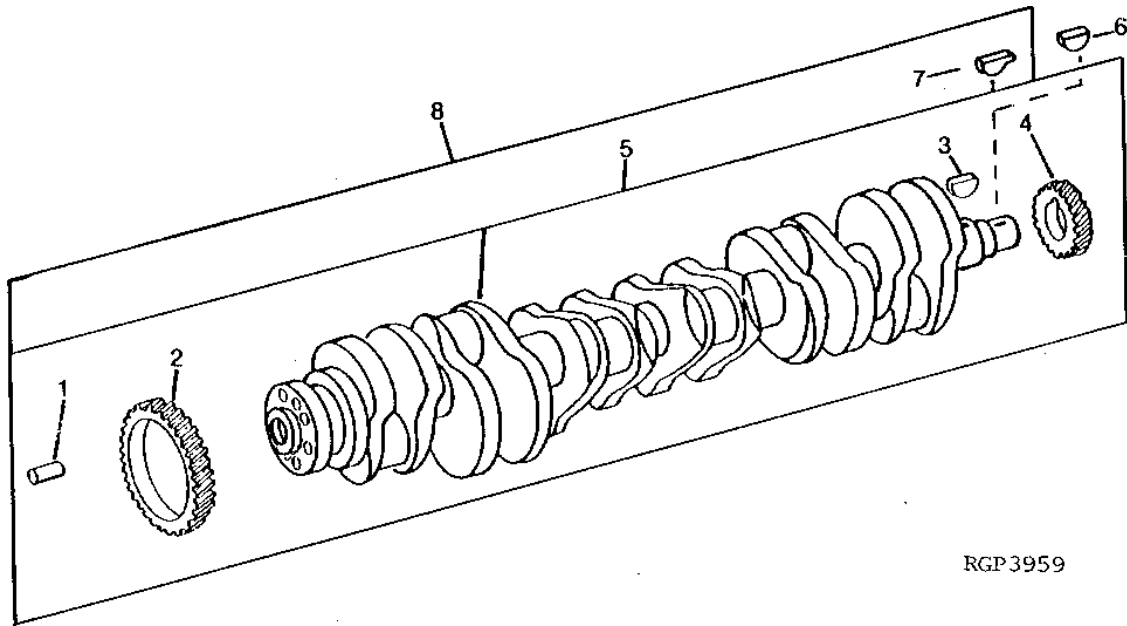
(A) SYNCRO-RANGE TRANSMISSION
(D) POWER SHIFT TRANSMISSION
(G) AIR CONDITIONING

1B23

ENGINE

RGP3959 -UN-01JAN94

REPLACEMENT CRANKSHAFT



RGP3959

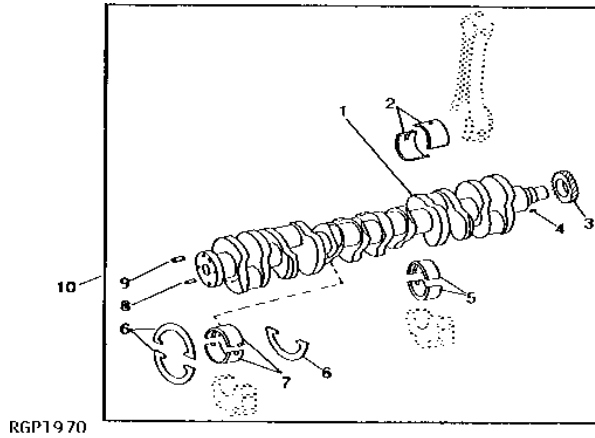
KEY	PART NO.	PART NAME	QTY	ENGINE SERIAL NO.	REMARKS
1	R41934	DOWEL PIN	1		
2	R63326	GEAR	NA		(NOT USED THIS APPLICATION)
3	R120752	KEY	1		1/8" X 0.625"
4	R26049	GEAR	1		(USE WITH R40740, R47419, R56979 OR R63451)
	R105488	GEAR	1		(USE WITH RE42675 OR RE53203)
5	AR96189	CRANKSHAFT	1		(MARKED R63451) (SUB RE53422)
	RE42671	CRANKSHAFT	1		(MARKED RE52576) (SUB RE53422)
6	26H85	SHAFT KEY	1		1/4" X 1", (USE WITH R63451, RE42675, R40740, R56979 OR R56934)
7	R116311	KEY	1		(USE WITH RE53203 OR RE53423)
8	RE53422	CRANKSHAFT	1		(MARKED RE53203)

1B24

ENGINE

UNDERSIZE CONNECTING ROD JOURNAL CRANKSHAFT AND BEARING KIT (EARLY DESIGN)

RGP1970 -UN-01JAN94



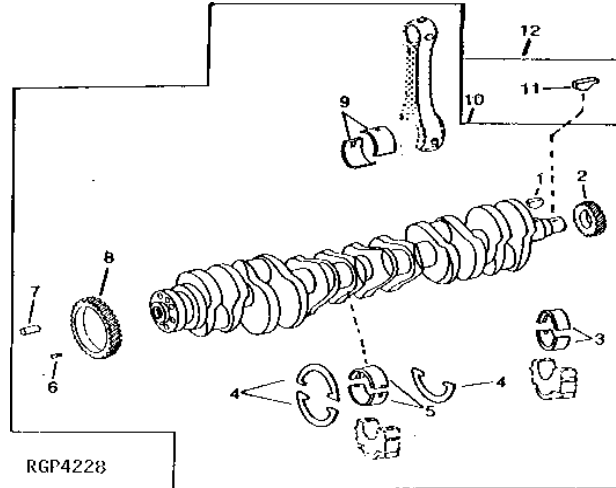
KEY	PART NO.	PART NAME	QTY	ENGINE SERIAL NO.	REMARKS
1	CRANKSHAFT	1		0.25MM (.010") US, (MARKED R78102 OR RE42679) (SUB RE53424)
2	AR46396	BEARING	6		0.25MM (.010") US, (PKG (2) R44926)
3	R26049	GEAR	1		
4	R120752	KEY	1		
5	AR74814	BEARING	6		STD, (PKG R57584 AND R61289)
6	AR77747	THRUST WASHER	1		STD, (PKG (3) R62986)
7	AR77748	THRUST BEARING	1		STD, (PKG R62987 AND R62988)
8	22H821	SET SCREW	2		1/2" X 1/2", (SUB FOR R61292)
9	R41934	DOWEL PIN	1		
10	RE12434	CRANKSHAFT	1		(MARKED R78102) (SUB RE53424)

1B25

ENGINE

UNDERSIZE CONNECTING ROD JOURNAL CRANKSHAFT AND BEARING KIT (LATE DESIGN)

RGP4228 -UN-01JAN94



KEY	PART NO.	PART NAME	QTY	ENGINE SERIAL NO.	REMARKS
1	R120752	KEY	1		
2	R105488	GEAR	1		(USE WITH RE42679 OR RE53205, APPL)
3	AR74814	BEARING	6		STD (PKG R57584 AND R61289)
4	AR77747	THRUST WASHER	1		STD (PKG (3) R62986)
5	AR77748	THRUST BEARING	1		STD (PKG R62987 AND R62988)
6	22H821	SET SCREW	2		1/2" X 1/2"
7	R41934	DOWEL PIN	1		
8	R63326	GEAR	1		
9	AR46396	BEARING	6		0.25MM (.010") US (PKG (2) R44926)
10	RE42673	CRANKSHAFT	1		0.25MM (.010") US, (MARKED RE42679) (SUB FOR RE12434) (SUB RE53424)
11	R116311	KEY	1		(USE WITH RE53205, APPL)
12	RE53424	CRANKSHAFT	1		(A) 0.25MM (.010") US, (MARKED RE53205) (SUB FOR RE12434 OR RE42673)

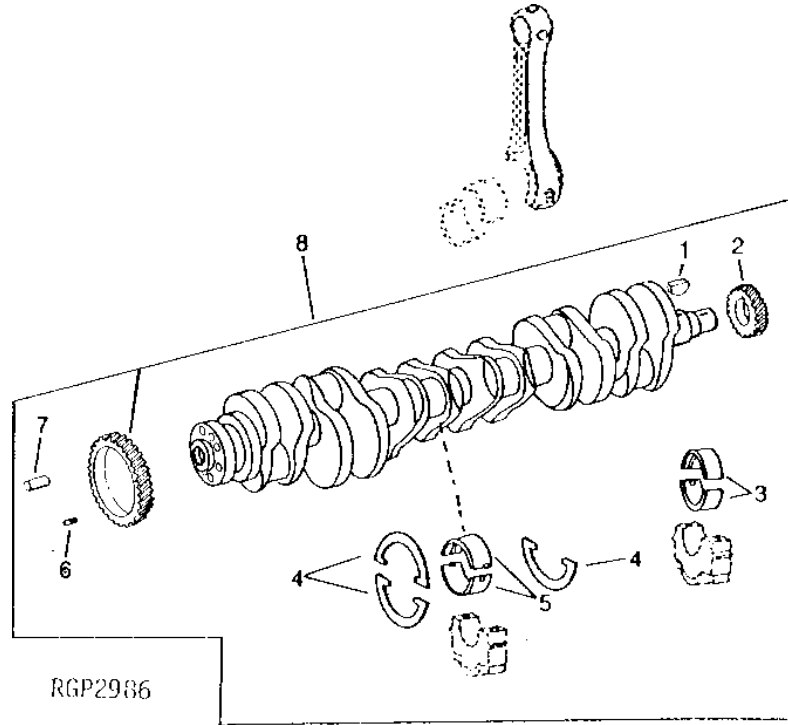
(A) RE53425 MAY BE USED IF RE53424 IS NOT AVAILABLE

1C1

ENGINE

UNDERSIZE MAIN BEARING CRANKSHAFT KIT (EARLIEST DESIGN)

RGP2986 -UN-01JAN94



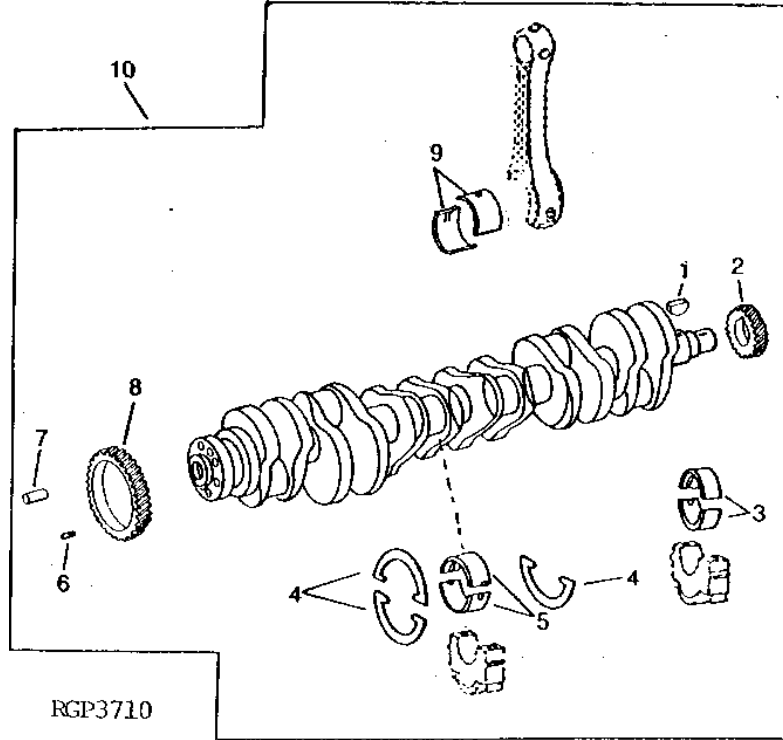
KEY	PART NO.	PART NAME	QTY	ENGINE SERIAL NO.	REMARKS
1	R120752	KEY	1		1/8" X 0.625"
2	R26049	GEAR	1		
3	AR74816	BEARING	6		0.25MM (.010") US. (PKG R61909 AND R60473)
4	AR77753	THRUST WASHER	1		0.18MM (.007") OS FLANGE (PKG (2) R63010 AND R62986)
5	AR77750	THRUST BEARING	1		0.25MM (.010") US. (PKG R63003 AND R63007)
6	22H821	SET SCREW	2		1/2" X 1/2"
7	R41934	DOWEL PIN	1		
8	RE36416	CRANKSHAFT	1		0.25MM (.010") US. (MARKED R96460) (SUB FOR RE33622) (SUB RE53425)

1C2

ENGINE

UNDERSIZE MAIN BEARING CRANKSHAFT AND BEARING KIT (EARLY DESIGN)

RGP3710 -UN-01JAN94



KEY	PART NO.	PART NAME	QTY	ENGINE SERIAL NO.	REMARKS
1	R120752	KEY	1		1/8" X 0.625", (USE WITH R105488)
2	R105488	GEAR	1		(USE WITH RE42678, APPL)
3	AR74816	BEARING	6		0.25MM (.010") US. (PKG R61909 AND R60473)
4	AR77753	THRUST WASHER	1		0.18MM (.007") OS FLANGE (PKG (2) R63010 AND R62986)
5	AR77750	THRUST BEARING	1		0.25MM (.010") US. (PKG R63003 AND R63007)
6	22H821	SET SCREW	2		1/2" X 1/2"
7	R41934	DOWEL PIN	1		
8	R63326	GEAR	1		
9	AR45723	BEARING	6		STD (PKG (2) R44378)
10	RE42672	CRANKSHAFT	1		0.25MM (.010") US. (MARKED RE42678) (SUB RE53425)

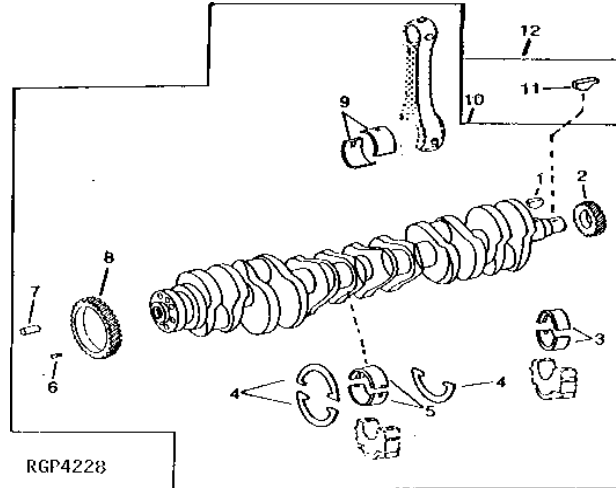
MEMORANDA

1C3

ENGINE

UNDERSIZE MAIN BEARING CRANKSHAFT AND BEARING KIT (LATE DESIGN)

RGP4228 -UN-01JAN94



KEY	PART NO.	PART NAME	QTY	ENGINE SERIAL NO.	REMARKS
1	R120752	KEY	1		
2	R105488	GEAR	1		(USE WITH RE42678 OR RE53204, APPL)
3	AR74816	BEARING	6		0.25MM (.010") US. (PKG R61909 AND R60473)
4	AR77753	THRUST WASHER	1		0.18MM (.007") OS FLANGE (PKG (2) R63010 AND R62986)
5	AR77750	THRUST BEARING	1		0.25MM (.010") US. (PKG R63003 AND R63007)
6	22H821	SET SCREW	2		1/2" X 1/2"
7	R41934	DOWEL PIN	1		
8	R63326	GEAR	1		
9	AR45723	BEARING	6		STD (PKG (2) R44378)
10	RE42672	CRANKSHAFT	1		0.25MM (.010") US. (MARKED RE42678) (SUB FOR RE36416) (SUB RE53425)
11	R116311	KEY	1		(USE WITH RE53204, APPL)
12	RE53425	CRANKSHAFT	1		(A) (MARKED RE53204) (SUB FOR RE36416 OR RE42672)

(A) RE53424 MAY BE USED IF RE53425 IS NOT AVAILABLE

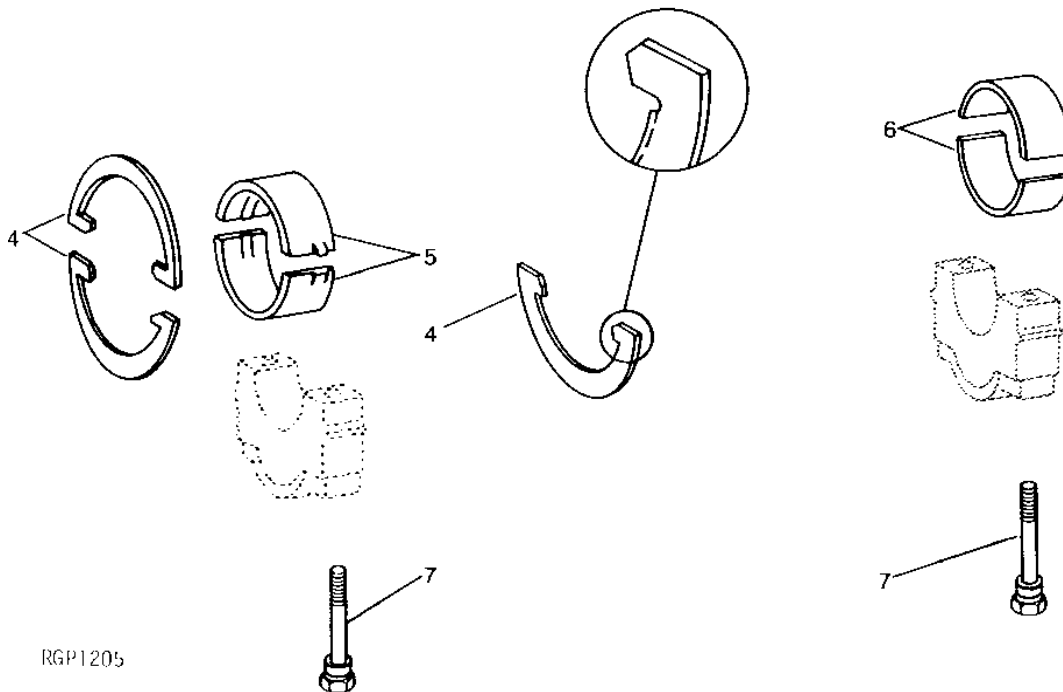
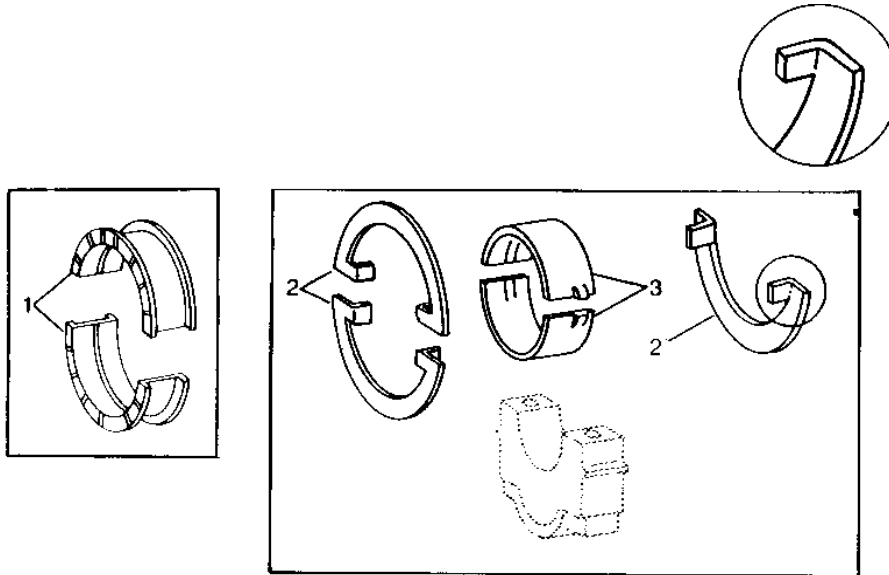
1C4

ENGINE

RGP1205

-UN-02JAN94

MAIN AND MAIN THRUST BEARINGS



RGP1205

1C5

ENGINE

MAIN AND MAIN THRUST BEARINGS - CONTINUED

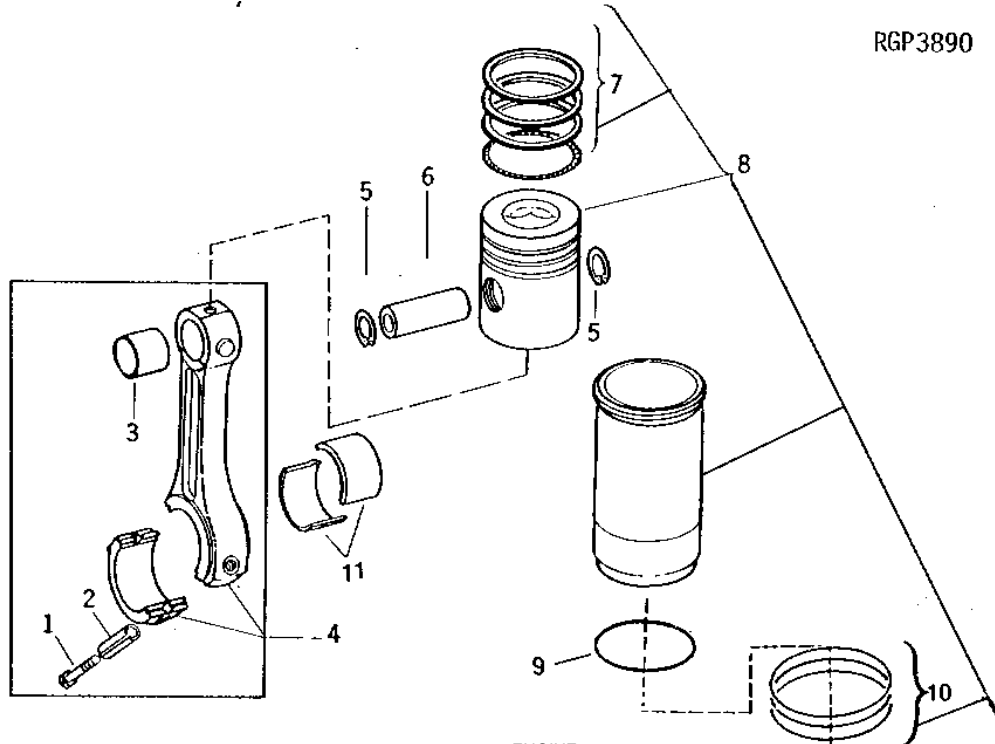
KEY	PART NO.	PART NAME	QTY	ENGINE SERIAL NO.	REMARKS
1	AR65235	THRUST BEARING	1	-444687	STD (PKG R55596 AND R55597) (SUB AR77748 AND AR77747 OR AR77753) (SUB FOR AR44624 OR AR48940)
	AR65236	THRUST BEARING	1	-444687	0.05 MM (.002") US (PKG R55737 AND R55738) (SUB AR77749 AND AR77747 OR AR77753) (SUB FOR AR46403 OR AR49232)
	AR65237	THRUST BEARING	1	-444687	0.25 MM (.010") US (PKG R55739 AND R55740) (SUB AR77750 AND AR77747 OR AR77753) (SUB FOR AR46404 OR AR49233)
	AR65238	THRUST BEARING	1	-444687	0.51 MM (.020") US (PKG R55741 AND R55742) (SUB AR77751 AND AR77747 OR AR77753) (SUB FOR AR46405 OR AR49234)
	AR65239	THRUST BEARING	1	-444687	0.76 MM (.030") US (PKG R55743 AND R55744) (SUB AR77752 AND AR77747 OR AR77753) (SUB FOR AR46406 OR AR49235)
	AR65240	THRUST BEARING	1	-444687	0.25 MM (.010") US WITH 0.18 MM (.007") OS FLANGE (PKG R55745 AND R55746) (SUB AR77750 AND AR77753) (SUB FOR AR46407 OR AR49236)
2	AR73275	THRUST WASHER	1	444688-XXXXXX	STD (PKG (3) R57778) (SUB AR77747)
	AR73276	THRUST WASHER	1	444688-XXXXXX	0.18 MM (.007") OS FLANGE (PKG (3) R60484) (SUB AR77753)
3	AR72998	THRUST BEARING	1	444688-XXXXXX	STD (PKG R57779 AND R57780) (SUB AR77748 AND AR77747 OR AR77753)
	AR73271	THRUST BEARING	1	444688-XXXXXX	0.05 MM (.002") US (PKG R60476 AND R60477) (SUB AR77749 AND AR77747 OR AR77753)
	AR73272	THRUST BEARING	1	444688-XXXXXX	0.25 MM (.010") US (PKG R60478 AND R60479) (SUB AR77750 AND AR77747 OR AR77753)
	AR73273	THRUST BEARING	1	444688-XXXXXX	0.51 MM (.020") US (PKG R60480 AND R60481) (SUB AR77751 AND AR77747 OR AR77753)
	AR73274	THRUST BEARING	1	444688-XXXXXX	0.76 MM (.030") US (PKG R60482 AND R60483) (SUB AR77752 AND AR77747 OR AR77753)
4	AR77747	THRUST WASHER	1	XXXXXX-	STD (PKG (3) R62986)
	AR77753	THRUST WASHER	1	XXXXXX-	0.18 MM (.007") OS FLANGE (PKG (2) R63010 AND R62906)
5	AR77748	THRUST BEARING	1	XXXXXX-	STD (PKG R62987 AND R62988)
	AR77749	THRUST BEARING	1	XXXXXX-	0.05 MM (.002") US (PKG R63002 AND R63006)
	AR77750	THRUST BEARING	1	XXXXXX-	0.25 MM (.010") US (PKG R63003 AND R63007)
	AR77751	THRUST BEARING	1	XXXXXX-	0.51 MM (.020") US (PKG R63004 AND R63008)
	AR77752	THRUST BEARING	1	XXXXXX-	0.76 MM (.030") US (PKG R63005 AND R63009)
6	AR74814	BEARING	AR		STD (PKG R61289 AND R57584) (SUB FOR AR44625)
	AR74815	BEARING	AR		0.05 MM (.002") US (PKG R61608 AND R60472) (SUB FOR AR46399)
	AR74816	BEARING	AR		0.25 MM (.010") US (PKG R61609 AND R60473) (SUB FOR AR46400)
	AR74817	BEARING	AR		0.51 MM (.020") US (PKG R61610 AND R60474) (SUB FOR AR46401)
	AR74818	BEARING	AR		0.76 MM (.030") US (PKG R61611 AND R60475) (SUB FOR AR46402)
7	T15539	BOLT	14		

1C6

ENGINE

RGP3890 -UN-01JAN94

PISTON, RINGS, LINERS AND CONNECTING RODS



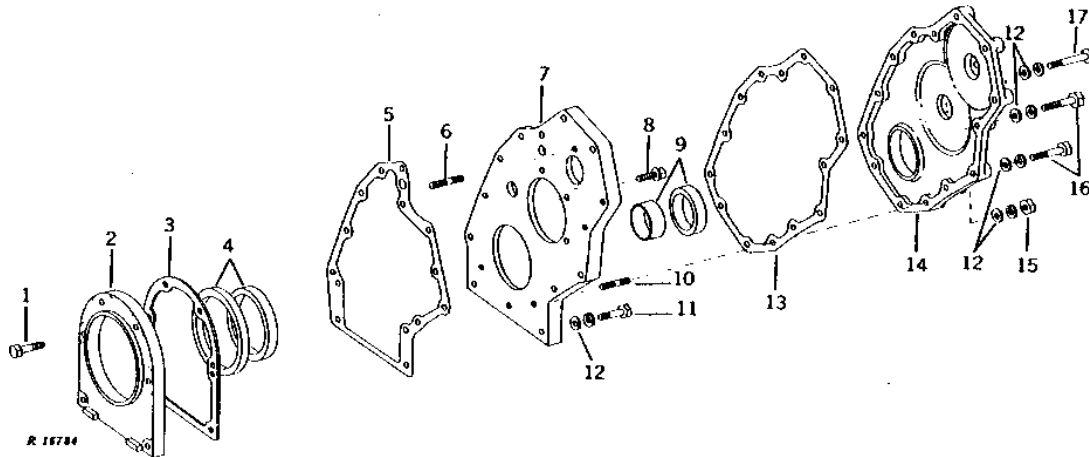
KEY	PART NO.	PART NAME	QTY	ENGINE SERIAL NO.	REMARKS
1	R66452	CAP SCREW	12		(SUB FOR R26325 OR R53290)
2	R53292	SLEEVE	12		
3	R42173	BUSHING	6		
4	AR86980	CONNECTING ROD	6		(MARKED R41423, R58882 OR R66922) (SUB FOR AR41056 OR AR70912)
5	R41426	SNAP RING	12		
6	R41425	PISTON PIN	6		STD
	R54263	PISTON PIN	6		0.08 MM (.003") OS, (SUB FOR R42174) (MARKED YELLOW)
	R54264	PISTON PIN	6		0.13 MM (.005") OS, (SUB FOR R42175) (MARKED RED)
7	AR51741	PISTON RING	6		
8	AR51798	PISTON-LINER KIT	6		(MARKED AR50624 OR AR50940)
	PISTON-LINER KIT	NA		(SUB (6) AR51798 AND (6) AR70645) (AR55250 NLA)
9	R116253	SHIM	AR		0.050MM (.002")
10	AR65507	O-RING KIT	6		
11	AR45723	BEARING	AR		STD (PKG (2) R44378)
	AR46395	BEARING	AR		0.05 MM (.002") US (PKG (2) R44925)
	AR46396	BEARING	AR		0.25 MM (.010") US (PKG (2) R44926)
	AR46397	BEARING	AR		0.51 MM (.020") US (PKG (2) R44927)
	AR46398	BEARING	AR		0.76 MM (.030") US (PKG (2) R44928)

1C7

ENGINE

R16784 -UN-01JAN94

CRANKSHAFT OIL SEAL HOUSING AND TIMING GEAR COVER



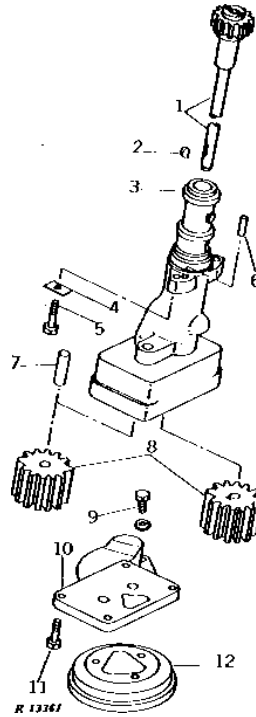
KEY	PART NO.	PART NAME	QTY	ENGINE SERIAL NO.	REMARKS
1	R47074	CAP SCREW	6		(USE WITH R78124)
	T27860	WASHER	6		11/32" X 11/16" X 0.065"
2	R78124	HOUSING	1		(SUB FOR R41406) (ALSO ORDER (6) T27860)
3	R26058	GASKET	1		
4	AR63095	SEAL	1		(SUB FOR AR49650) (SUB RE22764)
5	R46984	GASKET	1		
6	R47105	STUD	2	-283849	
	R47105	STUD	3	283850-	
7	HOUSING	1	-283849	(R46983 NO LONGER AVAILABLE)
	R48893	HOUSING	1	283850-	
8	19H2915	CAP SCREW	3		5/16" X 1-1/4"
	24H1136	WASHER	3		11/32" X 11/16" X 0.065"
9	AR49025	SEAL	1		
10	R47104	STUD	3		(NLA)
11	19H2661	CAP SCREW	2		5/16" X 1-3/8"
	12H303	LOCK WASHER	2		5/16"
12	24H1136	WASHER	14	-283849	11/32" X 11/16" X 0.065"
	24H1136	WASHER	16	283850-	11/32" X 11/16" X 0.065"
13	R47047	GASKET	1		
14	AR49539	COVER	1		
15	14H785	NUT	3		5/16"
	12H303	LOCK WASHER	3		5/16"
16	19H1901	CAP SCREW	8	-283849	5/16" X 2"
	12H303	LOCK WASHER	8	-283849	5/16"
	19H1901	CAP SCREW	10	283850-	5/16" X 2"
	12H303	LOCK WASHER	10	283850-	5/16"
17	19H1949	CAP SCREW	1		5/16" X 2-1/2"
	12H303	LOCK WASHER	1		5/16"
	19H1733	CAP SCREW	2	-283849	3/8" X 2-1/2"
	12H304	LOCK WASHER	2	-283849	3/8", (NOT REQ W/ E55662)
	E55662	FLANGE NUT	2	-283849	
	24H1305	WASHER	4	-283849	13/32" X 13/16" X 0.065"
..	RE22764	SEAL	1		(SUB FOR RE14953 OR RE17352)

1C8

ENGINE

R13361 -UN-01JAN94

ENGINE OIL PUMP



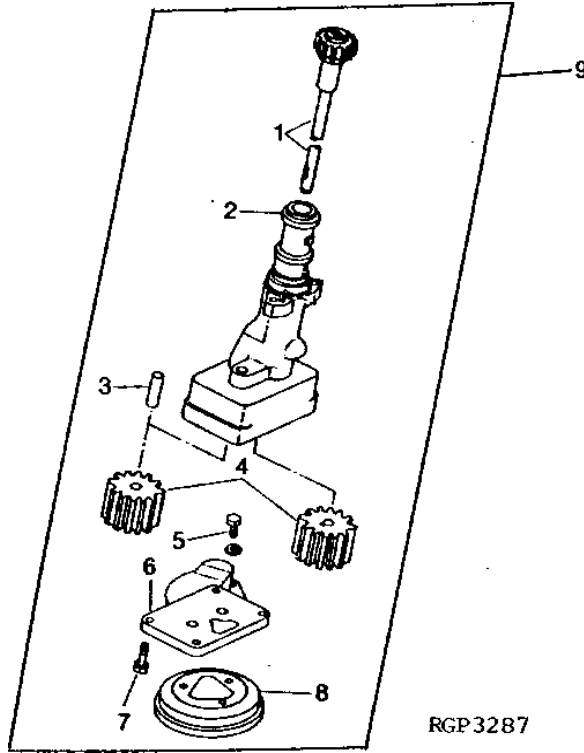
KEY	PART NO.	PART NAME	QTY	ENGINE SERIAL NO.	REMARKS
1	R45133	GEAR	1		
2	26H73	SHAFT KEY	1		
3	AR68180	HOUSING	1	-XXXXXX	(MARKED R46337 OR R56972) (SUB FOR AR48487)
	AR71124	KIT	1	XXXXXX-	(ALSO ORDER (2) R38614) (MARKED R49015, R56608 OR R59034) (SUB FOR AR52440 OR AR68314)
4	M72490	WASHER	2		(SUB FOR R42729)
5	R41920	CAP SCREW	2		
6	DOWEL PIN	1		(H826R NOT REQUIRED)
7	R42390	SHAFT	1		
8	AR44444	GEAR	1	-XXXXXX	(USE WITH HOUSING MARKED R46337 OR R56972) (SUB AR73714 AND R42392)
	AR71123	GEAR	1	XXXXXX-	(USE WITH HOUSING MARKED R49015, R56608 OR R59034)
	AR73714	GEAR	1		(MARKED R60794)
	R42392	GEAR	1		
9	19H1905	CAP SCREW	3		5/16" X 1"
	12H303	LOCK WASHER	3		5/16"
10	R60754	COVER	1		(SUB FOR R46338) (ALSO ORDER R52049)
	R52049	GASKET	1	XXXXXX-	
11	R46567	CAP SCREW	4		
12	AR56639	OIL PUMP INTAKE	1		(SUB FOR AR47524)
..	AR75896	OIL PUMP	1		(SUB FOR AR49044, AR52571 OR AR71118) (SUB AR71118, (2) R38614, (2) R41920 AND (2) M72490)

1C9

ENGINE

RGP3287 -UN-01JAN94

REPLACEMENT ENGINE OIL PUMP



RGP3287

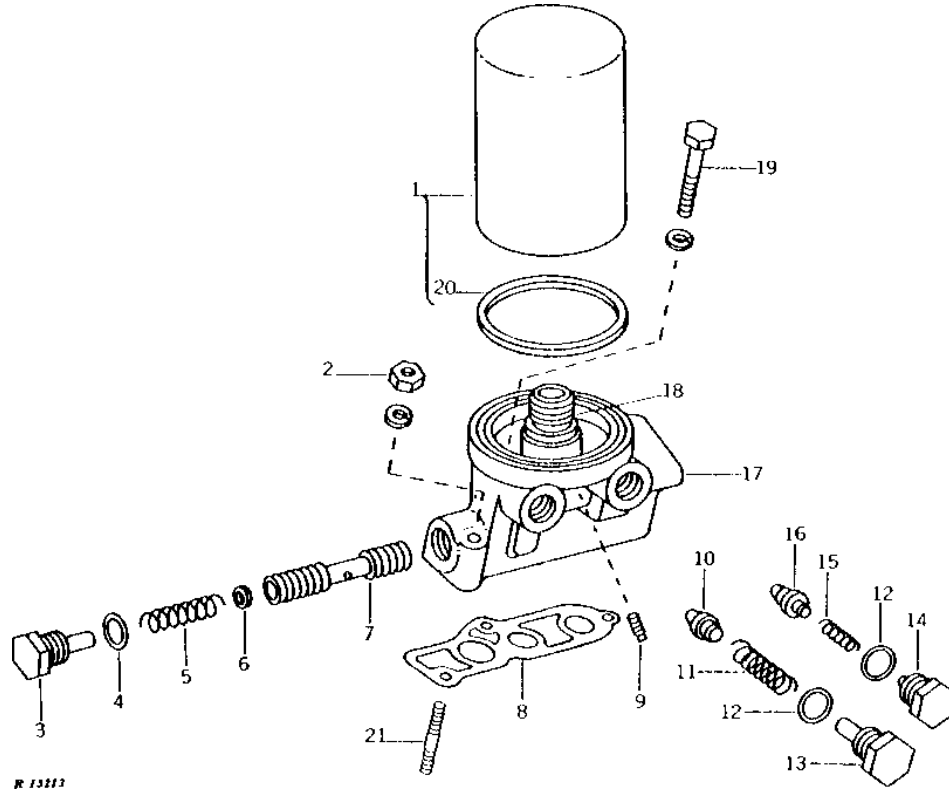
KEY	PART NO.	PART NAME	QTY	ENGINE SERIAL NO.	REMARKS
1	R45133	GEAR	1		
2	AR68180	HOUSING	1	-XXXXXX	(MARKED R46337 OR R56972) (SUB FOR AR48487) (ALSO ORDER (2) R38614)
	AR71124	KIT	1	XXXXXX-	(MARKED R49015, R56608 OR R59034) (SUB FOR AR52440 OR AR68314)
3	R42390	SHAFT	1		
4	AR44444	GEAR	1	-XXXXXX	(USE WITH HOUSING MARKED R46337 OR R56972) (SUB AR73714 AND R42392)
	AR71123	GEAR	1	XXXXXX-	(USE WITH HOUSING MARKED R49015, R56608 AND R59034)
	AR73714	GEAR	1		
	R42392	GEAR	1		
5	19H1905	CAP SCREW	3		5/16" X 1"
	12H303	LOCK WASHER	3		5/16"
6	R60754	COVER	1		(SUB FOR R46338) (ALSO ORDER R52049)
	R52049	GASKET	1	XXXXXX-	
7	R46567	CAP SCREW	4		
8	AR56639	OIL PUMP INTAKE	1		(SUB FOR AR47524)
9	AR71118	OIL PUMP	1		

1C10

ENGINE

R13213 -UN-01JAN94

ENGINE OIL FILTER



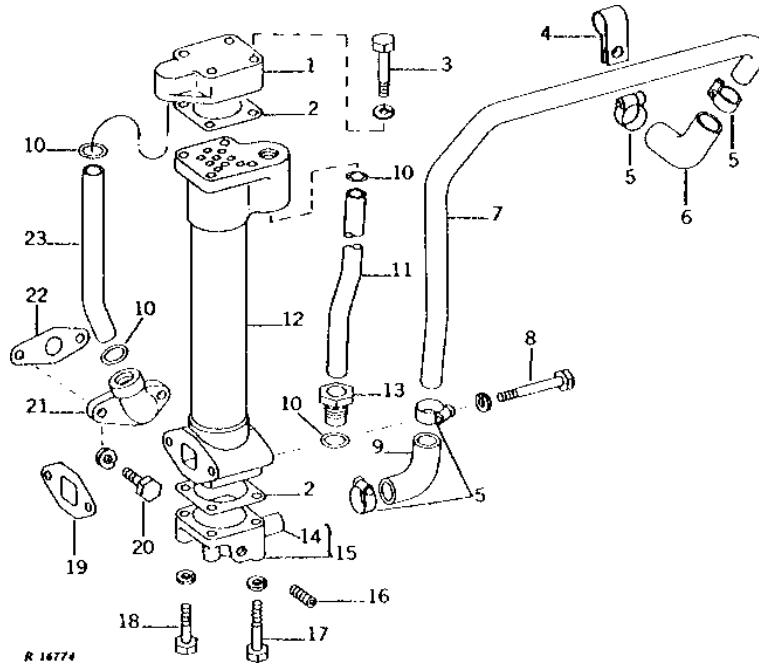
KEY	PART NO.	PART NAME	QTY	ENGINE SERIAL NO.	REMARKS
1	AR43634	OIL FILTER	1		(MARKED AR43261 OR AR43634)
2	E55662	FLANGE NUT	2		3/8"
	12H304	LOCK WASHER	2		3/8", (NOT REQ. W/ E55662)
3	RE10834	DRAIN PLUG	1		(SUB FOR R43425)
4	R43424	WASHER	1		
5	R43548	SPRING	1		
6	U40750	WASHER	AR		
7	R77003	VALVE	1		(SUB FOR R43428)
8	R43774	GASKET	1		
9	R42852	PIPE PLUG	1		
10	R43423	VALVE	1		
11	T20303	SPRING	1		
12	R43424	WASHER	2		
13	R43425	DRAIN PLUG	1		(SUB R43427, THIS APPLICATION)
14	R43427	DRAIN PLUG	1		
15	R36715	SPRING	1		
16	R43426	VALVE	1		
17	AR43112	HOUSING	1		(MARKED R46424)
18	R43429	FITTING	1		(USE WITH AR43261 OR AR43634)
19	19H1726	CAP SCREW	1		3/8" X 2-1/4"
	12H304	LOCK WASHER	2		3/8"
20	R43660	PACKING	1		(USE WITH AR43261 OR AR43634)
21	R106859	STUD	1		(SUB FOR F3646R OR R26622, APPL)
	R32042	STUD	1		

1C11

ENGINE

ENGINE OIL COOLER

R16774 -UN-01JAN94



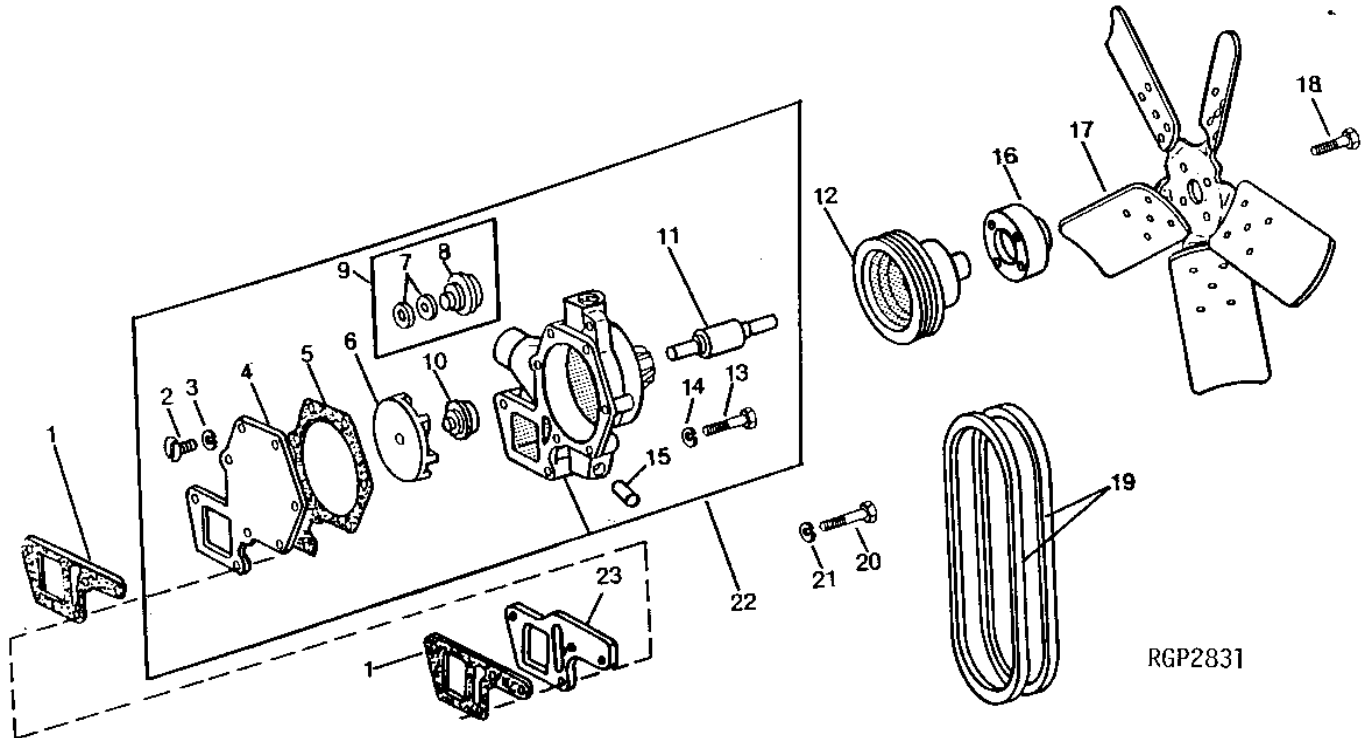
KEY	PART NO.	PART NAME	QTY	ENGINE SERIAL NO.	REMARKS
1	R43553	CAP	1		
2	R27948	GASKET	2		
3	19H1913	CAP SCREW	4	5/16" X 2-1/4"	
	12H303	LOCK WASHER	4	5/16"	
4	R48794	CLAMP	1		
5	TY22467	CLAMP	4		(SUB FOR AR21839)
6	R47091	HOSE	1		
7	R48774	LINE	1		
8	19H2636	CAP SCREW	2	3/8" X 3-5/8"	
	12H304	LOCK WASHER	2	3/8"	
9	R50402	HOSE	1		(SUB FOR R47430)
10	R52811	O-RING	2		(SUB FOR R47102)
11	R46532	OIL TUBE	1		
12	AR51519	OIL COOLER	1		
13	R43560	NUT	1		
14	R43410	TUBE	1		
15	AR52222	CAP	1		(MARKED R48791)
16	15H559	PIPE PLUG	1	1/4"	
17	19H1875	CAP SCREW	2	5/16" X 1-3/4"	
	12H303	LOCK WASHER	2	5/16"	
18	19H1849	CAP SCREW	2	5/16" X 1-1/4"	
	12H303	LOCK WASHER	2	5/16"	
19	R43558	GASKET	1		
20	19H1731	CAP SCREW	2	3/8" X 1"	
	12H304	LOCK WASHER	2	3/8"	
21	R47914	ELBOW FITTING	1		
22	R43563	GASKET	1		
23	R48032	LINE	1		

1C12

ENGINE

RGP2831 -UN-01JAN94

WATER PUMP AND FAN



KEY	PART NO.	PART NAME	QTY	ENGINE SERIAL NO.	REMARKS
1	R42406	GASKET	1		
	R42406	GASKET	2	(A)	
2	R43663	SCREW	4		
3	12H323	LOCK WASHER	4	5/16"	
4	AR43747	COVER	1		
5	R43117	GASKET	1		
6	R43904	IMPELLER	1		
7	AR41691	INSERT	1	(SUB AR101549)	
8	T27261	SEAL	1	(SUB AR101549)	
9	AR62934	SEAL	1	(SUB AR101549) (SUB FOR AR36668)	
10	AR101549	SEAL KIT	1		
11	JD9257	BALL BEARING	1		
12	R46562	PULLEY	1		
	R47126	SHEAVE	1	(A)	
13	19H2128	CAP SCREW	2	3/8" X 3"	
14	12H304	LOCK WASHER	2	3/8"	
15	R43410	TUBE	1		
16	HUB	NA		
17	AR48871	FAN	1		
18	19H2549	CAP SCREW	4	3/8" X 1-7/8"	
19	AR51059	BELT SET	1		
	AR56638	BELT SET	1	(A) (SUB FOR AR41574)	
20	19H2128	CAP SCREW	2	3/8" X 3"	
21	12H304	LOCK WASHER	2	3/8"	
22	RE20024	WATER PUMP	1	(MARKED R46561)	
23	R47114	SPACER	1		
..	AR49649	WATER PUMP	1	(ALSO ORDER R46562, (2) 12H304 AND (2) 19H2128 AS REQUIRED) (MARKED R46561) (SUB RE20024 AND R43117)	
..	AR49655	WATER PUMP	1	(A) (ALSO ORDER R47126, (2) 12H304 AND (2) 19H2128 AS REQUIRED) (MARKED R46561) (SUB RE20024 AND R43117)	

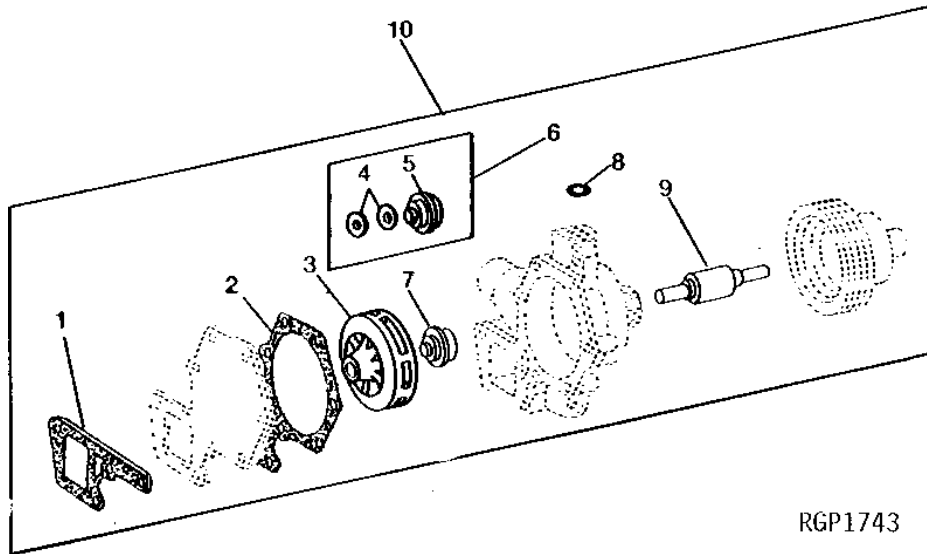
(A) AIR CONDITIONING

1C13

ENGINE

RGP1743 -UN-01JAN94

WATER PUMP REPAIR KIT



RGP1743

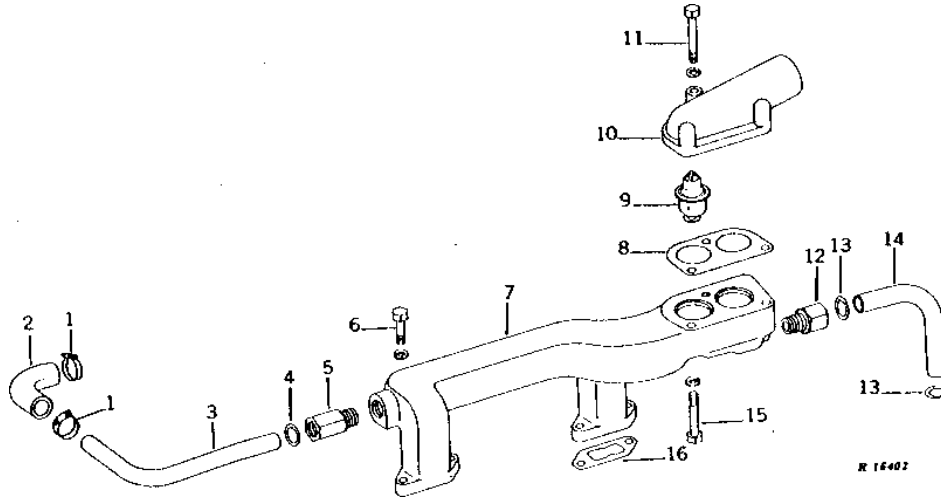
KEY	PART NO.	PART NAME	QTY	ENGINE SERIAL NO.	REMARKS
1	R42406	GASKET	2		
2	R43117	GASKET	1		
3	R43904	IMPELLER	1		
4	AR41691	INSERT	1	(SUB AR101549)	
5	T27261	SEAL	1	(SUB AR101549) (SUB FOR A4730R OR R50420, APPL)	
6	AR62934	SEAL	1	(SUB AR101549) (SUB FOR AR36668)	
7	AR101549	SEAL KIT	1		
8	R47153	O-RING	2	(SUB FOR R50420 OR A4730R)	
9	JD9257	BALL BEARING	1		
10	AR98568	KIT	1	(SUB FOR AR55624)	

1C14

ENGINE

R16402 -UN-01JAN94

WATER MANIFOLD AND THERMOSTATS



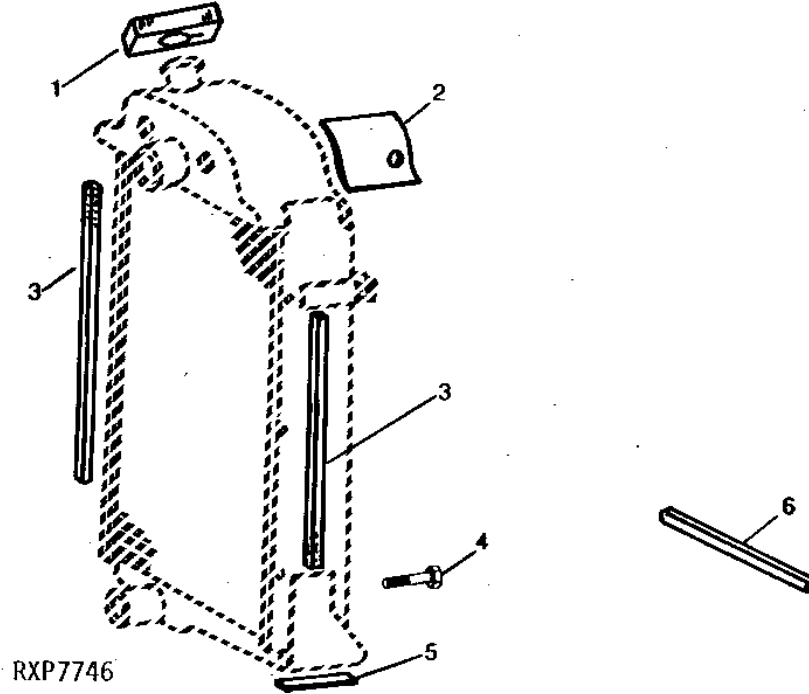
KEY	PART NO.	PART NAME	QTY	ENGINE SERIAL NO.	REMARKS
1	TY22467	CLAMP	2		(SUB FOR AR21839)
2	R47430	HOSE	1		
3	R47429	LINE	1		
4	R52811	O-RING	1		(SUB FOR R47102)
5	FITTING	1		(R47426 NLA)
6	19H1800	CAP SCREW	4		3/8" X 1-1/2"
	12H304	LOCK WASHER	4		3/8"
7	MANIFOLD	1		(R46477 NLA)
8	R46479	GASKET	1		
9	AR48675	THERMOSTAT	2		
10	R53423	COVER	1		(SUB FOR R46478)
11	19H2553	CAP SCREW	1		3/8" X 2-5/8"
	12H304	LOCK WASHER	1		3/8"
12	R43491	FITTING	1		
13	R47153	O-RING	1		(SUB FOR R50420, APPL)
14	R46480	TUBE	1		
15	12H304	LOCK WASHER	2		3/8"
16	R88397	GASKET	2		(SUB FOR R42693)

1C15

ENGINE

RXP7746 -UN-01JAN94

RADIATOR BAFFLES AND FOAM PAD KIT



KEY	PART NO.	PART NAME	QTY	TRACTOR SERIAL NO.	REMARKS
1	R28015	FOAM PAD	1		
2	FOAM PAD	1		3 X 102 X 127MM (1/8" X 4" X 5") (MAKE FROM R30597)
3	ISOLATOR	2	-067999	13 X 19 X 495MM (1/2" X 3/4" X 19-1/2") (MAKE FROM R30936)
4	37H99	SCREW	6		0.099" X 1/4", FAN SHROUD TO RADIATOR
5	R26413	STRAP	2		
6	R91558	FOAM PAD	1		13 X 13 X 400MM (1/2" X 1/2" X 5-3/4") (SUB FOR R30877)

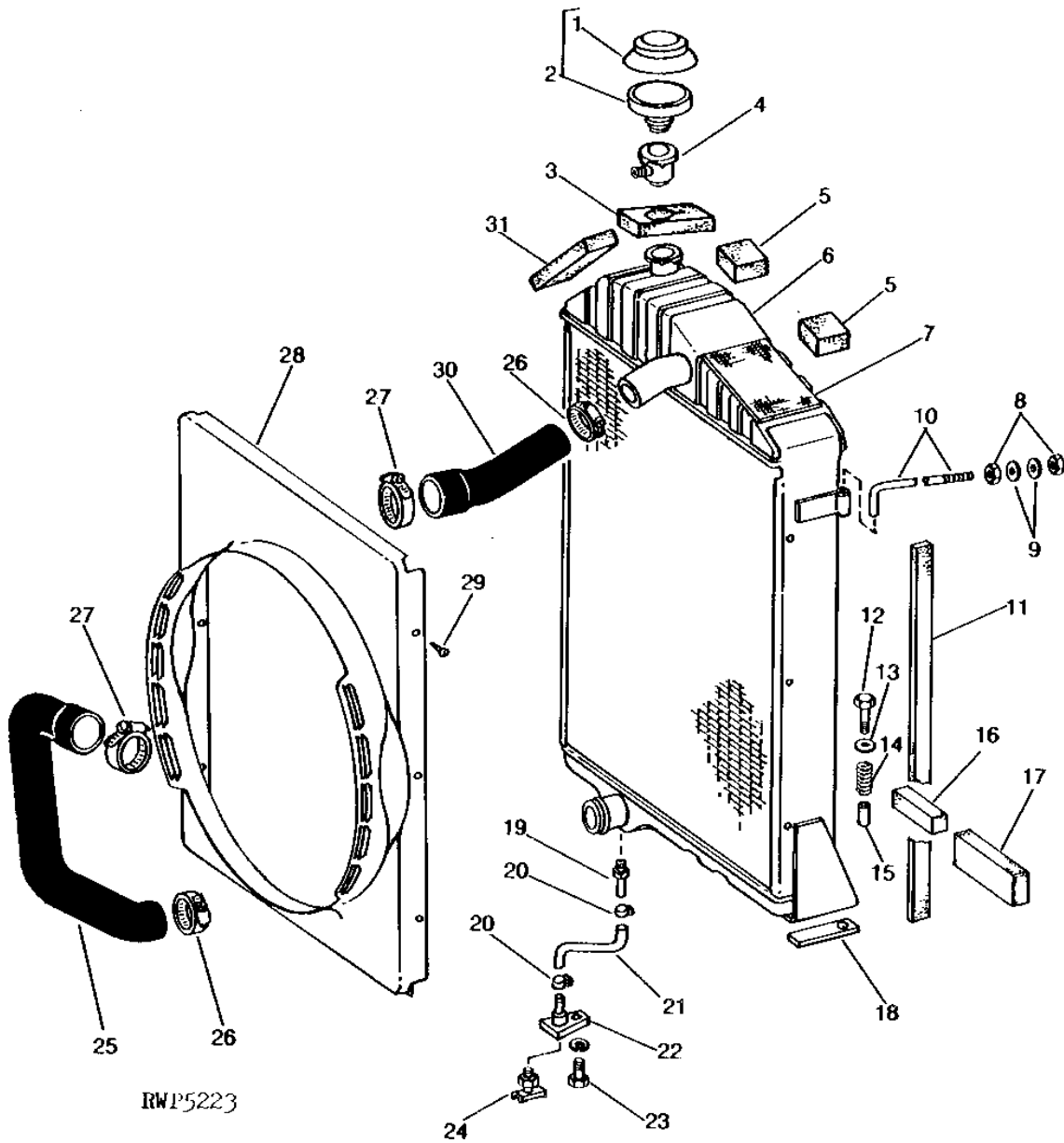
1C16

ENGINE

RWP5223

-UN-01JAN94

RADIATOR



RWP5223

1C17

ENGINE

RADIATOR - CONTINUED

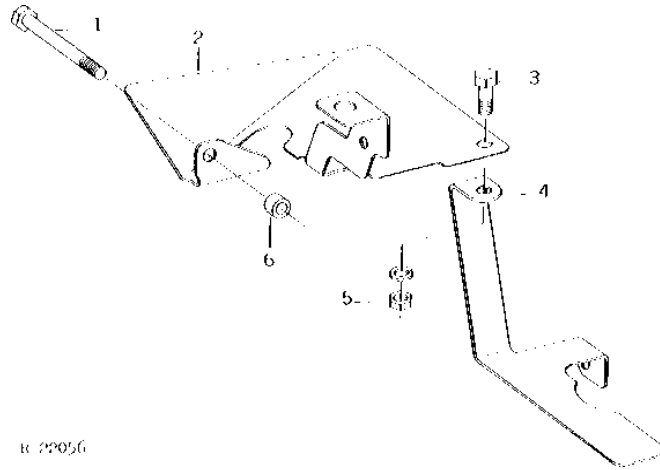
KEY	PART NO.	PART NAME	QTY	TRACTOR SERIAL NO.	REMARKS
1	R27209	COVER	1		
2	AR28482	CAP	1		
3	R28015	FOAM PAD	1		
4	RE15427	FILLER NECK	1		
5	FOAM PAD	4		38 X 64 X 89MM (1-1/2" X 2-1/2" X 3-1/2") (MAKE FROM R35339)
6	AR43945	RADIATOR	1		(MARKED AR43947)
7	CUSHION	1		3 X 102 X 140MM (1/8" X 4" X 5-1/2") (MAKE FROM R30597)
8	14H1076	NUT	4		3/8"
9	24H1305	WASHER	4		13/32" X 13/16" X 0.065"
10	R48824	HOOK BOLT	2		(SUB FOR R43580)
	R48824	HOOK BOLT	1		R.H. (SUB FOR R43580)
	R48824	HOOK BOLT	1		L.H.
	11M7059	COTTER PIN	2		3.200 X 20 MM
	24M7096	WASHER	2		10.500 X 18 X 1.600 MM
11	FOAM PAD	2		13 X 25 X 610MM (1/2" X 1" X 24") (MAKE FROM R30936)
12	19H2549	CAP SCREW	2		3/8" X 1-7/8"
13	24H1309	WASHER	2		13/32" X 1-1/16" X 0.120"
14	F2411R	SPRING	2		
15	R26417	SPACER	2		
16	FOAM PAD	1	-XXXXXX	25 X 25 X 102MM (1" X 1" X 4") (MAKE FROM R30937)
	FOAM PAD	1	XXXXXX-	25 X 25 X 572MM (1" X 1" X 22-1/2") (MAKE FROM R30937)
17	FOAM PAD	2	-XXXXXX	25 X 51 X 152MM (1" X 2" X 6") (MAKE FROM R28123)
	FOAM PAD	1	XXXXXX-	25 X 51 X 102MM (1" X 2" X 4") (MAKE FROM R28123)
18	R26413	STRAP	2		
19	R43583	FITTING	1		
20	AR21836	CLAMP	2		
21	HOSE	1		229MM (9") (MAKE FROM R32639)
22	AR43843	SUPPORT	1		
23	19H1801	CAP SCREW	1		3/8" X 2"
	12H304	LOCK WASHER	1		3/8"
24	AT13740	DRAIN VALVE	1		
25	R48427	HOSE	1		(NLA)
	R46453	HOSE	1		(AIR CONDITIONING)
26	AR21999	CLAMP	2		
27	AR21999	CLAMP	2		
28	R46522	SHROUD	1		
29	37H79	SCREW	6		1/4" X 5/8"
30	R46521	HOSE	1		
31	FOAM PAD	1		38 X 51 X 140MM (1-1/2" X 2" X 5-1/2") (MAKE FROM R35339)

1C18

ENGINE

R22056 -UN-01JAN94

FAN BLAST DEFLECTOR



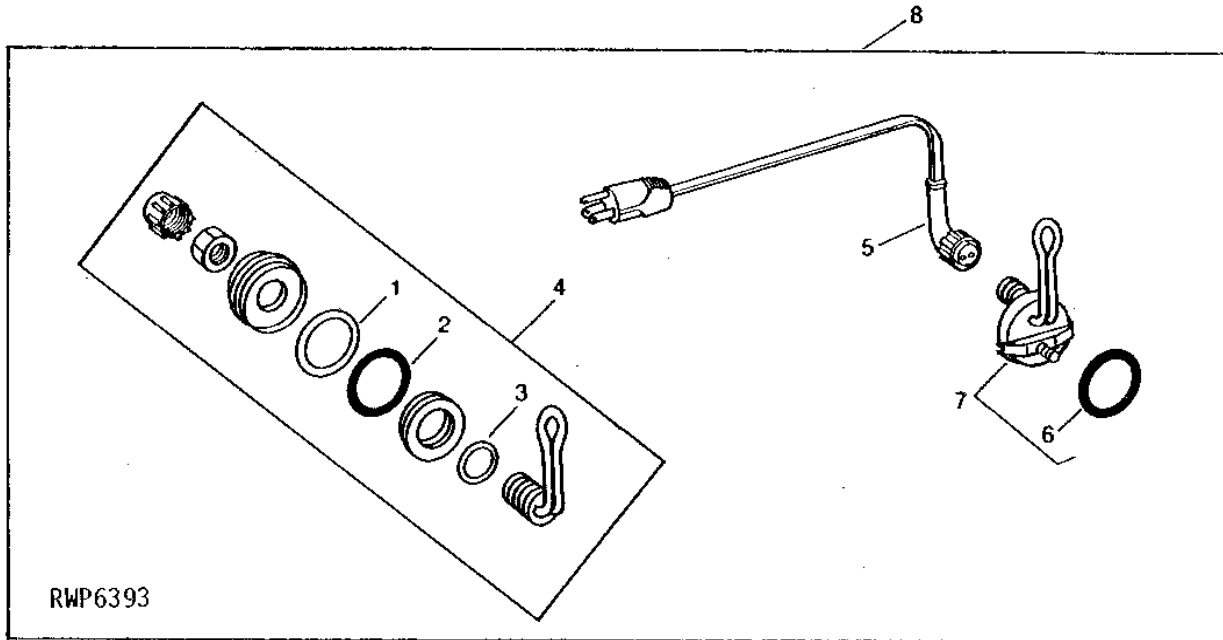
KEY	PART NO.	PART NAME	QTY	TRACTOR SERIAL NO.	REMARKS
1	19H1912	CAP SCREW	1	3/8" X 3-1/2"	
2	R49353	DEFLECTOR	1	(NLA)	
3	19H1936	CAP SCREW	1	3/8" X 3/4"	
4	R49355	DEFLECTOR	1	(NLA)	
5	14H1076	NUT	1	3/8"	
	12H304	LOCK WASHER	1	3/8"	
6	28H1518	WASHER	1	0.493" X 0.675" X 5/16"	

1C19

ENGINE

RWP6393 -UN-01JAN94

ENGINE COOLANT HEATER



KEY	PART NO.	PART NAME	QTY	ENGINE SERIAL NO.	REMARKS
1	R47692	RING	1		
2	R31378	O-RING	1		
3	R88397	GASKET	1		(SUB FOR R47693)
4	AR50399	HEATER	1		(SUB RE29408)
5	AR50411	WIRING LEAD	1		
6	R30200	O-RING	1		
7	RE29408	COOLANT HEATER	1		
8	AR50518	COOLANT HEATER	1		

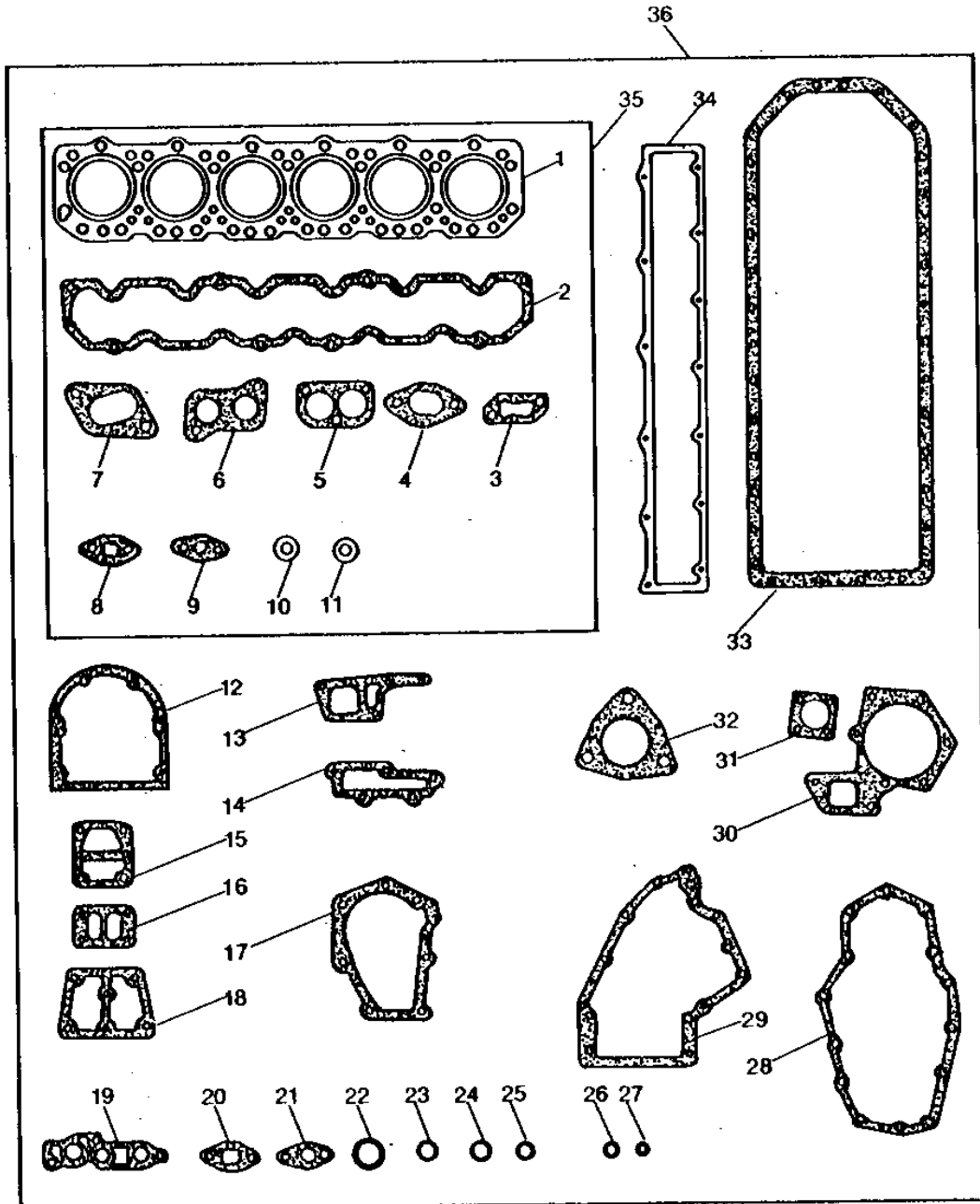
1C20

ENGINE

RGP2051

-UN-01JAN94

ENGINE GASKET SETS



RGP2051

1C21

ENGINE

ENGINE GASKET SETS - CONTINUED

KEY	PART NO.	PART NAME	QTY	ENGINE SERIAL NO.	REMARKS
1	R48291	GASKET	1		CYLINDER HEAD (MARKED R48291) (THIN)
2	R49866	GASKET	1		ROCKER ARM COVER, (SUB FOR R32593)
3	R88397	GASKET	2		WATER OUTLET MANIFOLD (SUB FOR R42693)
4	R83021	GASKET	2		EXHAUST MANIFOLD, OUTER (SUB FOR R44374)
5	R46479	GASKET	1		THERMOSTAT COVER
6	R83020	GASKET	2		(SUB FOR R44373) EXHAUST MANIFOLD, INNER
7	R26297	GASKET	3		INTAKE MANIFOLD
8	R97349	GASKET	1		(SUB FOR R43416) TURBOCHARGER OIL OUTLET ADAPTER
9	R97348	GASKET	1		(SUB FOR R43413) TURBOCHARGER OIL INLET ADAPTER
10	R64840	WASHER	6		(SUB FOR R48633, APPL) INJECTION NOZZLE
11	R48693	WASHER	12		INJECTION LEAK-OFF LINE
12	R26058	GASKET	1		CRANKSHAFT OIL SEAL HOUSING
13	R42406	GASKET	2		WATER PUMP
14	R45968	GASKET	1		CYLINDER COVER
15	R44853	GASKET	1		(SUB FOR R62410, APPL) TACHOMETER DRIVE HOUSING
16	R43751	GASKET	1		TURBOCHARGER
17	R42404	GASKET	1		WATER PUMP HOUSING
18	R43595	GASKET	1		CYLINDER HEAD WATER OPENING COVER
19	R43774	GASKET	1		OIL FILTER
20	R43558	GASKET	1		OIL COOLER
21	R43563	GASKET	1		WATER INLET ELBOW
22	O-RING	1		FUEL PUMP, (SUB R48399)
23	R47153	O-RING	1		(SUB FOR A4730R OR R50420, APPL) WATER BYPASS TUBE
24	R495R	O-RING	4		VENT TUBE
25	R52811	O-RING	4		OIL COOLER LINES, (SUB FOR R47102)
26	R72328	O-RING	1		(SUB FOR R43780) TURBOCHARGER INLET OIL
27	R51203	O-RING	1		TURBOCHARGER OUTLET LINE, (SUB FOR R43781)
28	R47047	GASKET	1		TIMING GEAR COVER
29	R46984	GASKET	1		GEAR HOUSING
30	R43117	GASKET	1		WATER PUMP COVER
31	R27948	GASKET	2		OIL COOLER CAP
32	R43488	GASKET	1		THERMOSTAT HOUSING
33	R71918	GASKET	1		OIL PAN, (SUB FOR R42424 OR R53282)
34	R47394	GASKET	2		INTERCOOLER
35	AR53095	GASKET KIT	1		CYLINDER HEAD
36	AR53094	GASKET KIT	1		ENGINE REBUILD, (ALSO ORDER R48399)

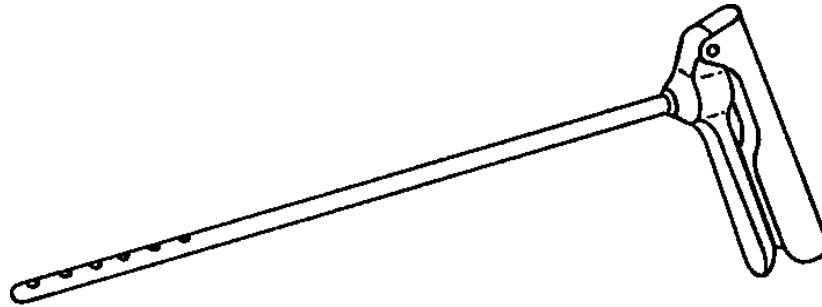
MEMORANDA

1D3

FUEL AND AIR

RP474 -UN-01JAN94

DRY AIR CLEANER ELEMENT CLEANING GUN



RP474

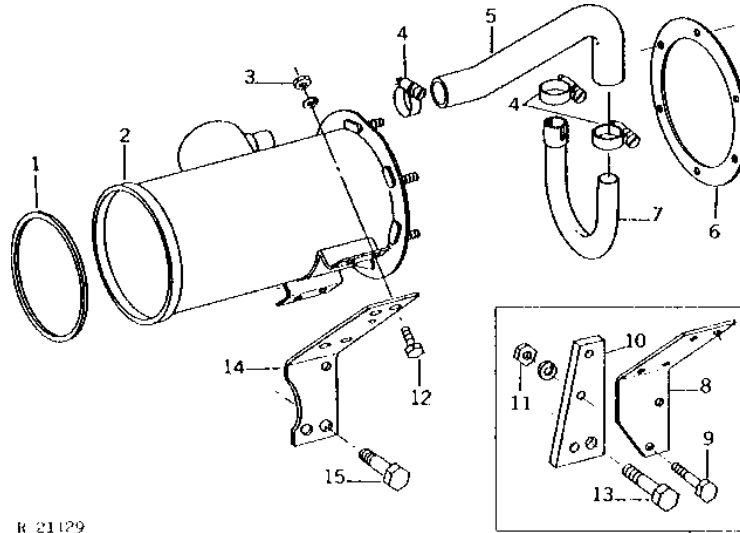
KEY	PART NO.	PART NAME	QTY	TRACTOR SERIAL NO.	REMARKS
..	AR62322	GREASE GUN	1		(MARKED R42726) (SUB FOR AR45035 OR AR62377) (NLA)
..	R36757	AIR CLEANER	1		(NLA)

1D4

FUEL AND AIR

R21129 -UN-01JAN94

PRE-CLEANER



R 21129

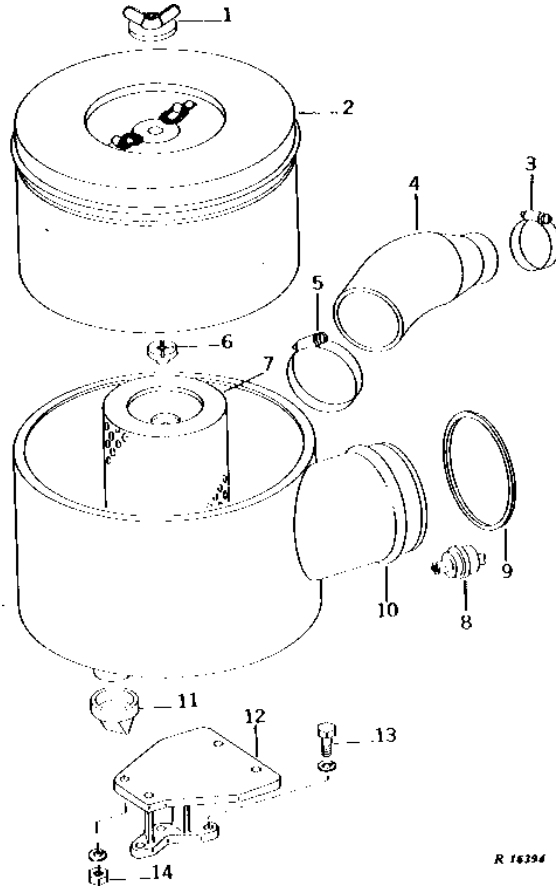
KEY	PART NO.	PART NAME	QTY	TRACTOR SERIAL NO.	REMARKS
1	R47065	SEAL	1		
2	AR43544	PRESCREENER	1		
3	14H785	NUT	3	5/16"	
	12H303	LOCK WASHER	3	5/16"	
4	AR21839	CLAMP	3	(SUB TY22467)	
5	R43702	HOSE	1		
6	R43749	SPACER	1		
7	R43703	LINE	1		
8	R43698	SUPPORT	1	(SUB R52250 AND R45692)	
9	19H1732	CAP SCREW	2	3/8" X 1-1/4"	
10	R43610	SUPPORT	1	(SUB R52250 AND R45692)	
11	14H1076	NUT	2	3/8"	
	12H304	LOCK WASHER	2	3/8"	
12	19H1900	CAP SCREW	3	5/16" X 3/4"	
13	19H1756	CAP SCREW	1	5/8" X 1-1/2"	
14	R52250	SUPPORT	1		
15	R45692	CAP SCREW	1		

1D5

FUEL AND AIR

R16394 -UN-01JAN94

AIR CLEANER AND SUPPORT



R 16394

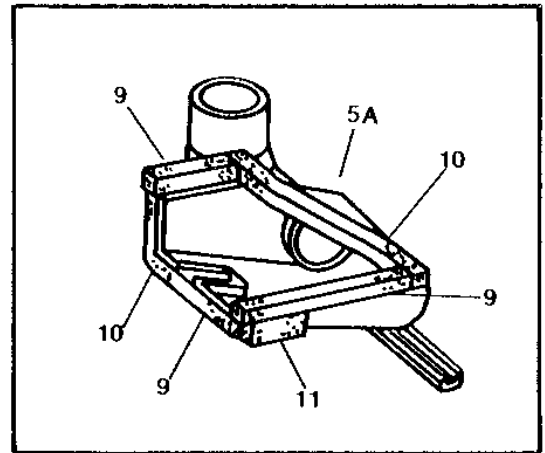
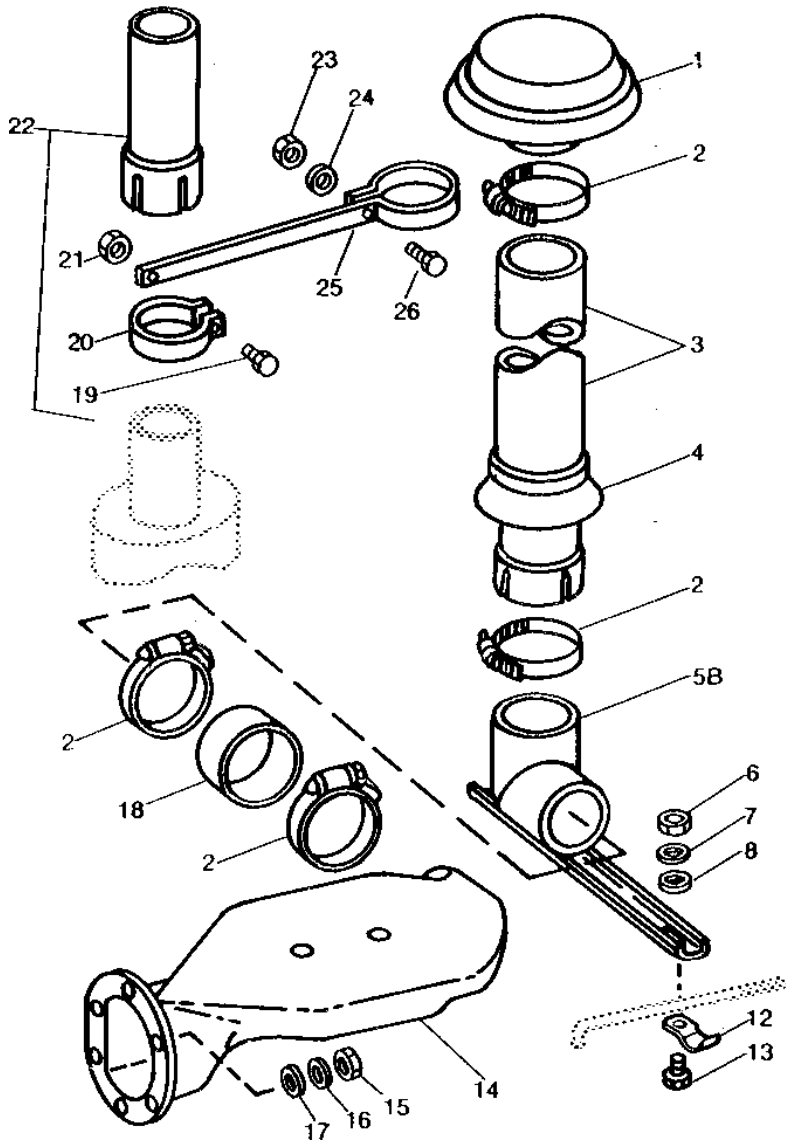
KEY	PART NO.	PART NAME	QTY	TRACTOR SERIAL NO.	REMARKS
1	R44418	WING NUT	1		(ALSO ORDER AR43940) (SUB FOR AR52041)
2	AR51431	FILTER ELEMENT	1		
3	AR21841	CLAMP	1		
4	R46952	HOSE	1		
5	TY22474	CLAMP	1		(SUB FOR AR21842)
6	R48567	NUT	1		
7	AR61988	FILTER ELEMENT	1		(SUB FOR AR51432)
8	AR50489	SWITCH	1		
9	R47065	SEAL	1		
10	AR51728	AIR CLEANER	1		(NLA)
11	R48568	VALVE	1		
12	R47116	SUPPORT	1		(SUB FOR R46971)
13	19H1731	CAP SCREW	3		3/8" X 1"
	12H304	LOCK WASHER	3		3/8"
14	14H1076	NUT	4		3/8"
	12H304	LOCK WASHER	4		3/8"
..	R49240	LABEL	1		(PRIMARY ELEMENT) (NLA)
..	R49403	LABEL	1		(HOUSING) (NLA)

1D6

FUEL AND AIR

RWP5397 -UN-01JAN94

VERTICAL AIR INTAKE



RWP5397

1D7

FUEL AND AIR

VERTICAL AIR INTAKE - CONTINUED

KEY	PART NO.	PART NAME	QTY	TRACTOR SERIAL NO.	REMARKS
1	AR72337	CAP	1		(ALSO ORDER TY22475) (SUB FOR AR43998)
2	TY22475	CLAMP	4		(SUB FOR C16054)
3	R49526	AIR INTAKE STACK	1		(SUB FOR R47195)
4	R39984	SEAL	1	-XXXXXX	
	R51526	SEAL	1	XXXXXX-	
5A	AR49760	AIR DUCT	1	-XXXXXX	
5B	AR55753	AIR DUCT	1	XXXXXX-	
6	14H786	NUT	2		1/4"
7	12H302	LOCK WASHER	2		1/4"
8	24H1821	WASHER	2		9/32" X 47/64" X 1/16"
9	FOAM PAD	2		38 X 51 X 203MM (1-1/2" X 2" X 8") (MAKE FROM R35339)
	FOAM PAD	1		38 X 51 X 254MM (1-1/2" X 2" X 10") (MAKE FROM R35339)
10	FOAM PAD	2		38 X 51 X 267MM (1-1/2" X 2" X 10-1/2") (MAKE FROM R35339)
11	R47193	ISOLATOR	2		25 X 76 X 89MM (1" X 3" X 3-1/2")
12	R27747	CLAMP	2		
13	19H2036	CAP SCREW	2		1/4" X 7/8"
14	AR55752	AIR DUCT	1	XXXXXX-	(SUB FOR AR43545 OR AR55751)
	R51479	ISOLATOR	1	XXXXXX-	
15	14H785	NUT	6		5/16"
16	12H303	LOCK WASHER	6		5/16"
17	24H1292	WASHER	6		11/32" X 3/4" X 0.120"
18	R51380	HOSE	1	XXXXXX-	114 X 64MM (4-1/2" X 2-1/2")
19	19H1732	CAP SCREW	1		3/8" X 1-1/4"
20	R66692	CLAMP	1		(ALSO ORDER 19H1732 AND 14H1076) (SUB RE54187)
21	14H1076	NUT	1		3/8"
22	AR59435	EXHAUST PIPE	1		(SUB FOR AR43716)
23	14H1076	NUT	1		3/8"
24	12H304	LOCK WASHER	1		3/8"
25	R47194	CLAMP	1		
26	19H988	CAP SCREW	1		3/8" X 1-1/4"

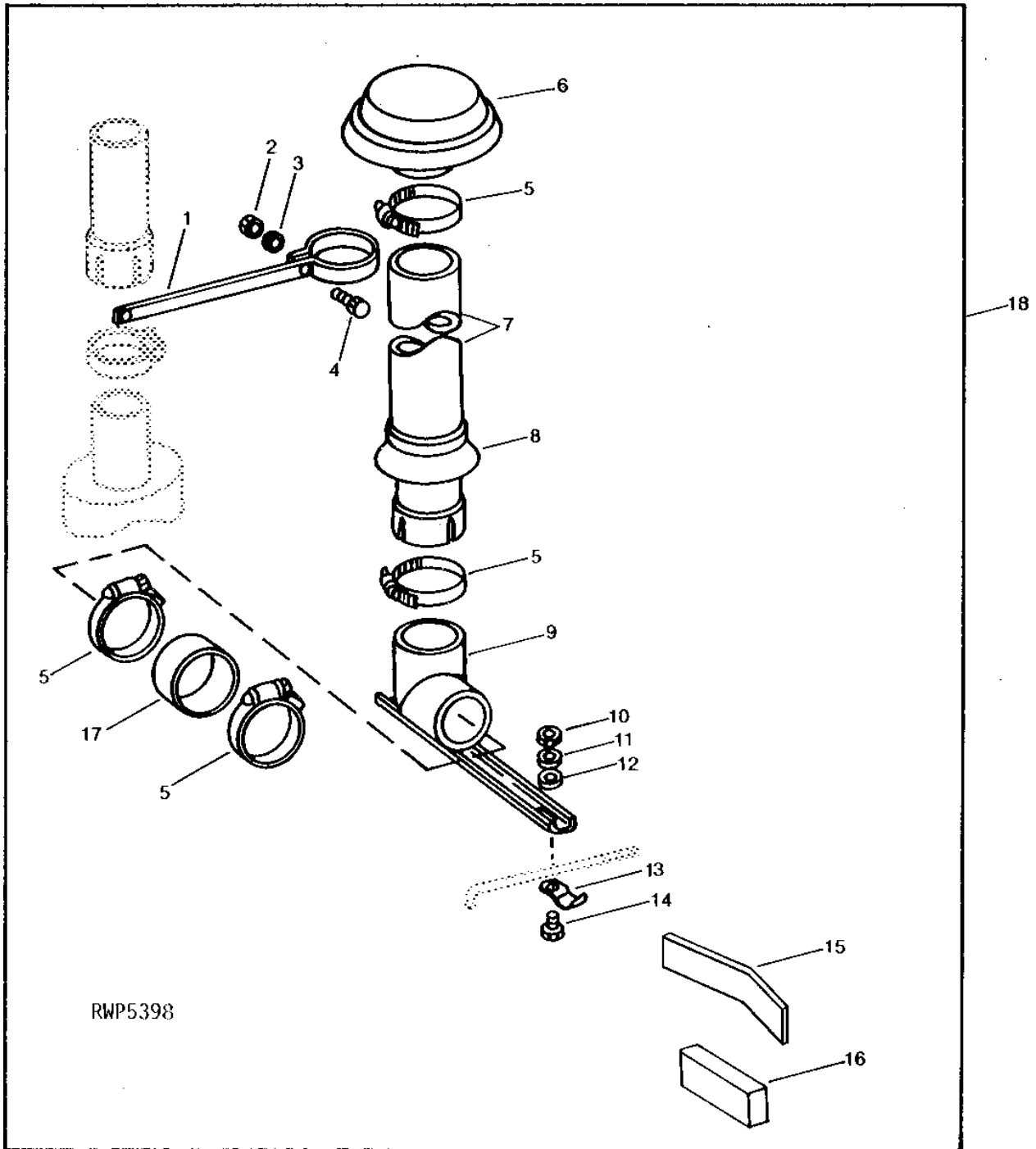
1D8

FUEL AND AIR

RWP5398

-UN-01JAN94

VERTICAL AIR STACK KIT



RWP5398

1D9

FUEL AND AIR

VERTICAL AIR STACK KIT - CONTINUED

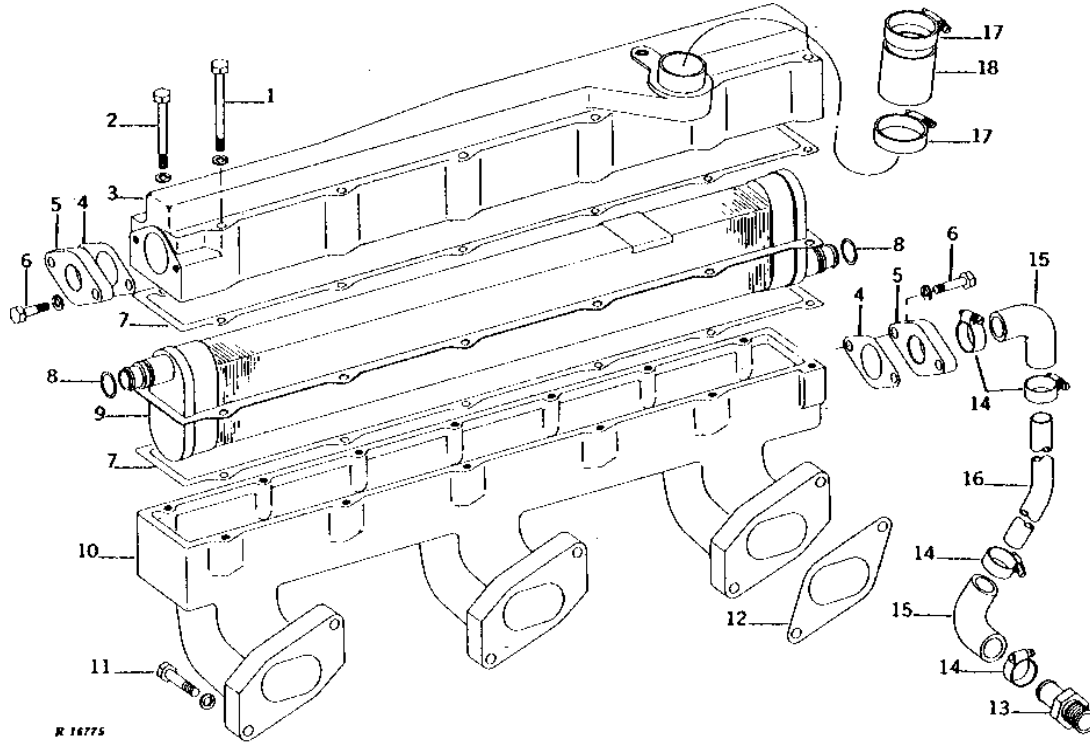
KEY	PART NO.	PART NAME	QTY	TRACTOR SERIAL NO.	REMARKS
1	R47194	CLAMP	1		
2	14H1076	NUT	1	3/8"	
3	12H304	LOCK WASHER	1	3/8"	
4	19H988	CAP SCREW	1	3/8" X 1-1/4"	
5	TY22475	CLAMP	4	(SUB FOR C16054)	
6	AR72337	CAP	1	(ALSO ORDER TY22475) (SUB FOR AR43998)	
7	R49526	AIR INTAKE STACK	1	(SUB FOR R47195)	
8	R51526	SEAL	1		
9	AR55753	AIR DUCT	1	(INCLUDES BAFFLES)	
10	14H786	NUT	2	1/4"	
11	12H302	LOCK WASHER	2	1/4"	
12	24H1821	WASHER	2	9/32" X 47/64" X 1/16"	
	11M7059	COTTER PIN	1	3.200 X 20 MM, L.H.	
13	R27747	CLAMP	2		
14	19H2036	CAP SCREW	2	1/4" X 7/8"	
15	CUSHION	1	3 X 38 X 267MM (1/8" X 1-1/2" X 10-1/2") (MAKE FROM R21736)	
16	FOAM PAD	1	25 X 51 X 152MM (1" X 2" X 6") LOWER RADIATOR, (MAKE FROM R28123)	
17	R51380	HOSE	1	114 X 64MM (4-1/2" X 2-1/2")	
18	AR55750	AIR DUCT	1	VERTICAL AIR STACK (NLA)	

1D10

FUEL AND AIR

R16775 -UN-01JAN94

INTERCOOLER AND INTAKE MANIFOLD



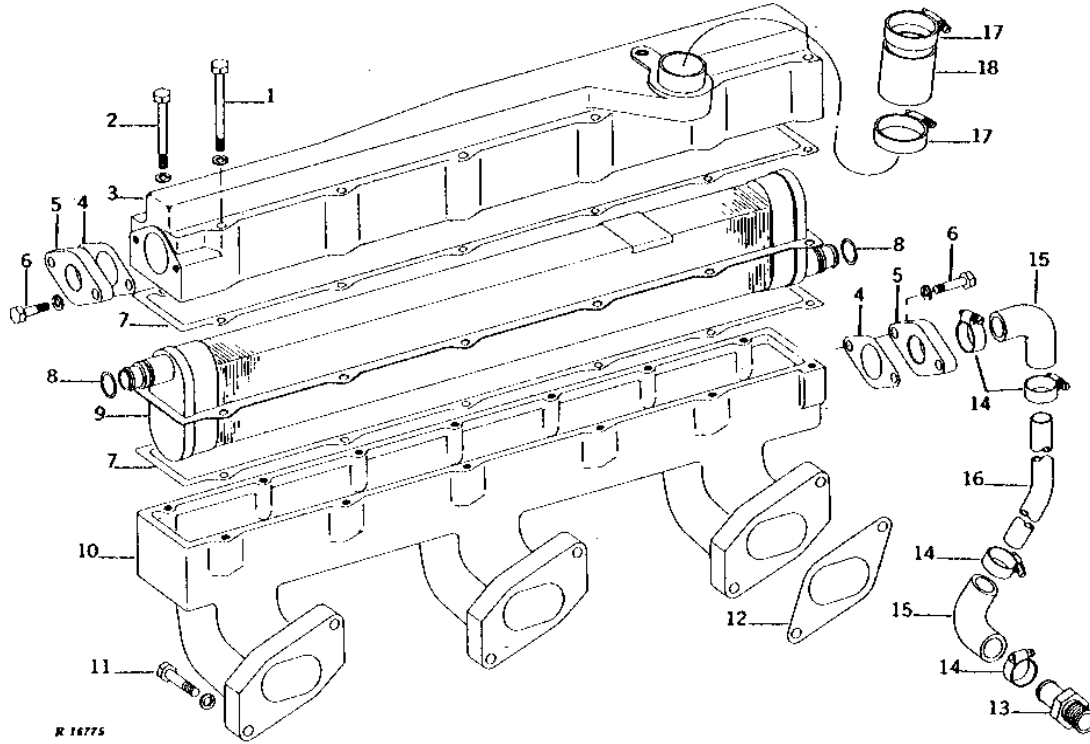
KEY	PART NO.	PART NAME	QTY	ENGINE SERIAL NO.	REMARKS
1	19H1921	CAP SCREW	10	5/16" X 3-1/4"	
	12H303	LOCK WASHER	10	5/16"	
2	19H1907	CAP SCREW	3	5/16" X 2-3/4"	
	12H303	LOCK WASHER	3	5/16"	
3	AR49998	COVER	1	(MARKED R47312)	
4	R97346	GASKET	2	(SUB FOR R47395)	
5	R47314	ADAPTER	2		
6	19H2117	CAP SCREW	4	5/16" X 1-1/8"	
	12H303	LOCK WASHER	4	5/16"	
7	R47394	GASKET	2		
8	R52811	O-RING	2	(SUB FOR R47102)	
9	AR50152	AFTERCOOLER	1		
10	R47311	INTAKE MANIFOLD	1		
11	19H1765	CAP SCREW	6	3/8" X 1-3/4"	
	12H304	LOCK WASHER	6	3/8"	
12	R26297	GASKET	3		
13	R48362	ADAPTER	1		
14	AR21839	CLAMP	4	(SUB TY22467)	
15	R47430	HOSE	2	(SUB R50402)	
16	R49270	TUBE	1	(SUB FOR R47428)	
17	AR21840	CLAMP	2	(SUB TY22470)	
18	R43604	HOSE	1		

1D11

FUEL AND AIR

R16775 -UN-01JAN94

AFTERCOOLER AND INTAKE MANIFOLD



R 16775

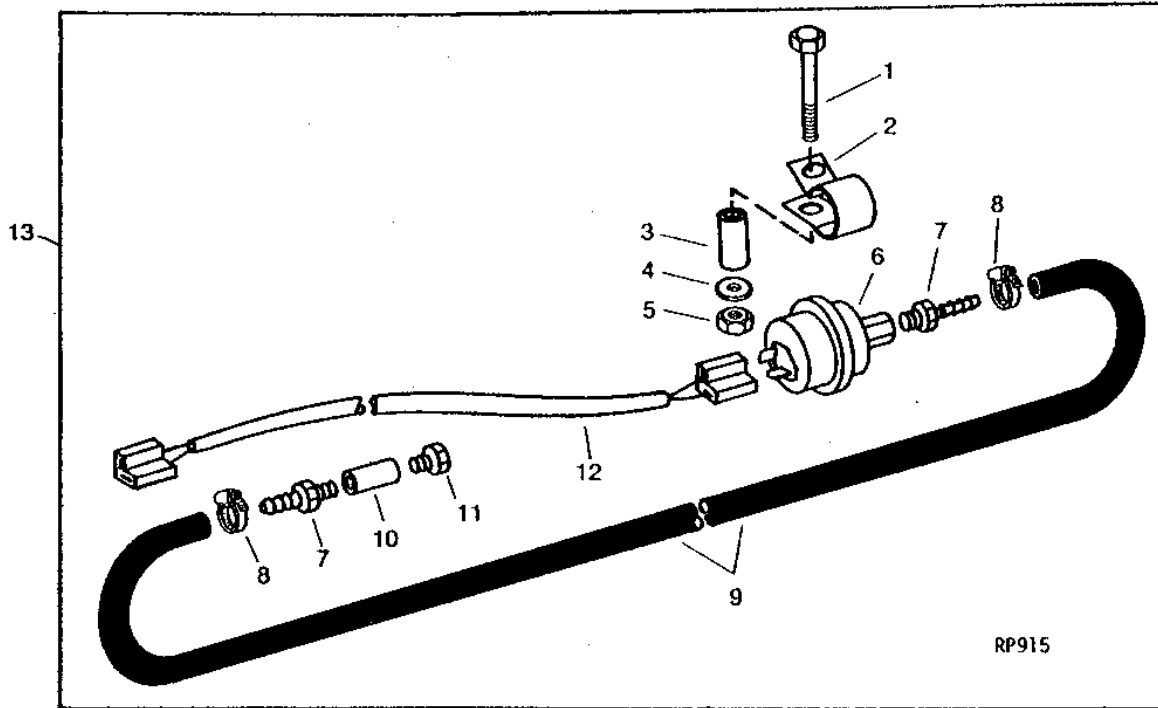
KEY	PART NO.	PART NAME	QTY	ENGINE SERIAL NO.	REMARKS
1	19H1921	CAP SCREW	10	5/16" X 3-1/4"	
	12H303	LOCK WASHER	10	5/16"	
2	19H1907	CAP SCREW	3	5/16" X 2-3/4"	
	12H303	LOCK WASHER	3	5/16"	
3	AR49998	COVER	1	(MARKED R47312) (NLA)	
4	R97346	GASKET	2	(SUB FOR R47395)	
5	R47314	ADAPTER	2		
6	19H2117	CAP SCREW	4	5/16" X 1-1/8"	
	12H303	LOCK WASHER	4	5/16"	
7	R47394	GASKET	2		
8	R52811	O-RING	2	(SUB FOR R47102)	
9	AFTERCOOLER	1	(AR50152 NLA)	
10	INTAKE MANIFOLD	1	(R47311 NLA)	
11	19H1765	CAP SCREW	6	3/8" X 1-3/4"	
	12H304	LOCK WASHER	6	3/8"	
12	R26297	GASKET	3		
13	R48362	ADAPTER	1		
14	TY22467	CLAMP	4	(SUB FOR AR21839)	
15	R50402	HOSE	2	(SUB FOR R47430)	
16	R49270	TUBE	1	(SUB FOR R47428)	
17	AR21840	CLAMP	2	(SUB TY22470)	
18	R43604	HOSE	1		

1D12

FUEL AND AIR

RP915 -UN-01JAN94

REMOTE MOUNTED VACUUM SWITCH



KEY	PART NO.	PART NAME	QTY	TRACTOR SERIAL NO.	REMARKS
1	19H1913	CAP SCREW	1	5/16" X 2-1/4"	
	19H2791	CAP SCREW	1	3/8" X 1-3/4"	
2	R46414	CLAMP	1	(SUB FOR AH78125)	
3	28H1495	SPACER	1	3/8" X 1"	
4	12H304	LOCK WASHER	1	3/8"	
5	14H1076	NUT	1	3/8"	
6	AR50489	SWITCH	1		
7	R57286	FITTING	2		
8	AR48236	CLAMP	2	(SUB TY22462)	
9	T31483	HOSE	1		
10	15H73	COUPLING	1	1/8"	
11	15H639	PIPE BUSHING	1	1/4" X 1/8"	
12	AR68734	WIRING HARNESS	1		
13	AR68733	KIT	1	(NLA)	
..	R44302	TIE BAND	AR		

MEMORANDA

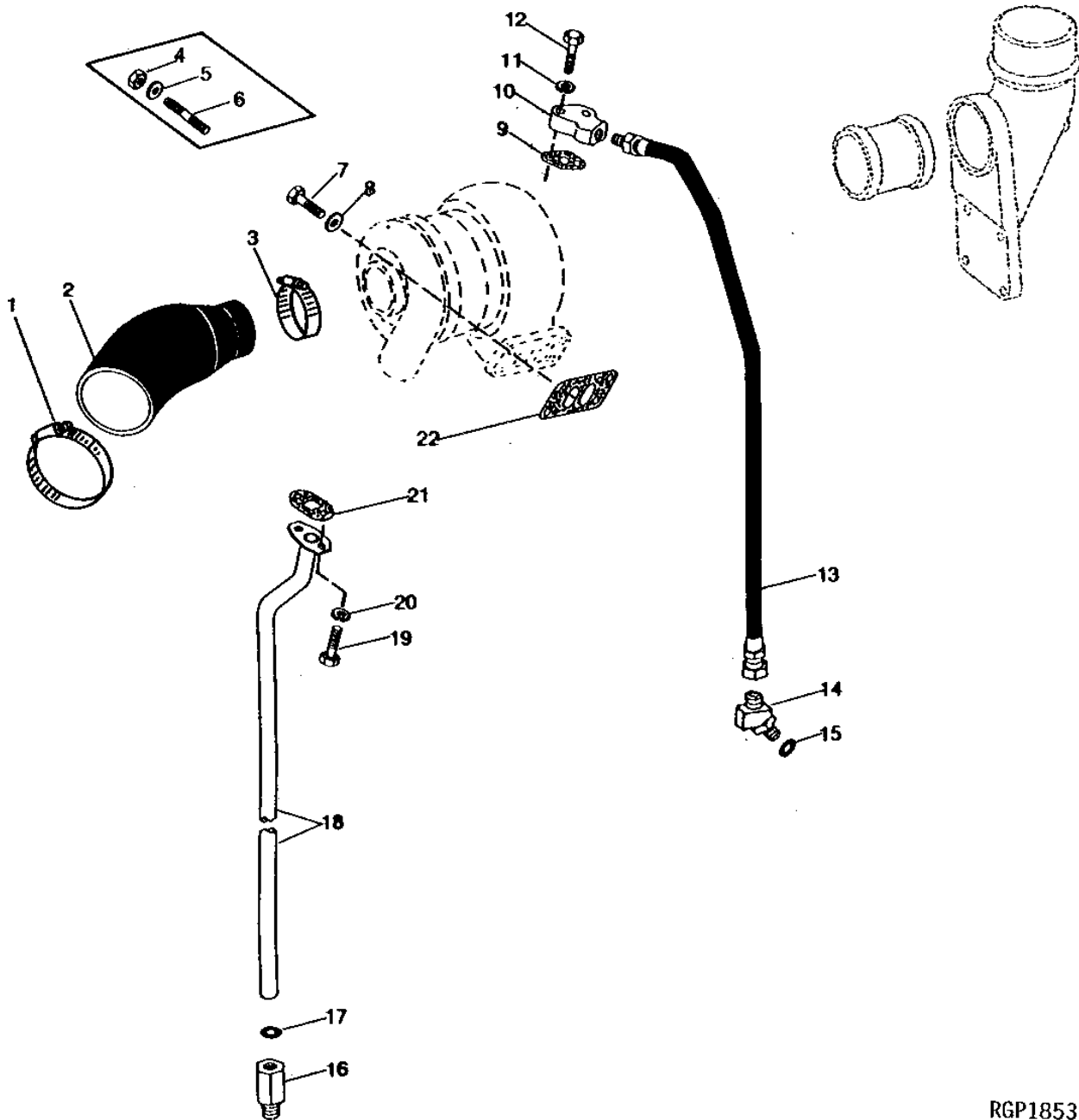
1D13

FUEL AND AIR

RGP1853

-UN-01JAN94

TURBOCHARGER OIL LINES



RGP1853

1D14

FUEL AND AIR

TURBOCHARGER OIL LINES - CONTINUED

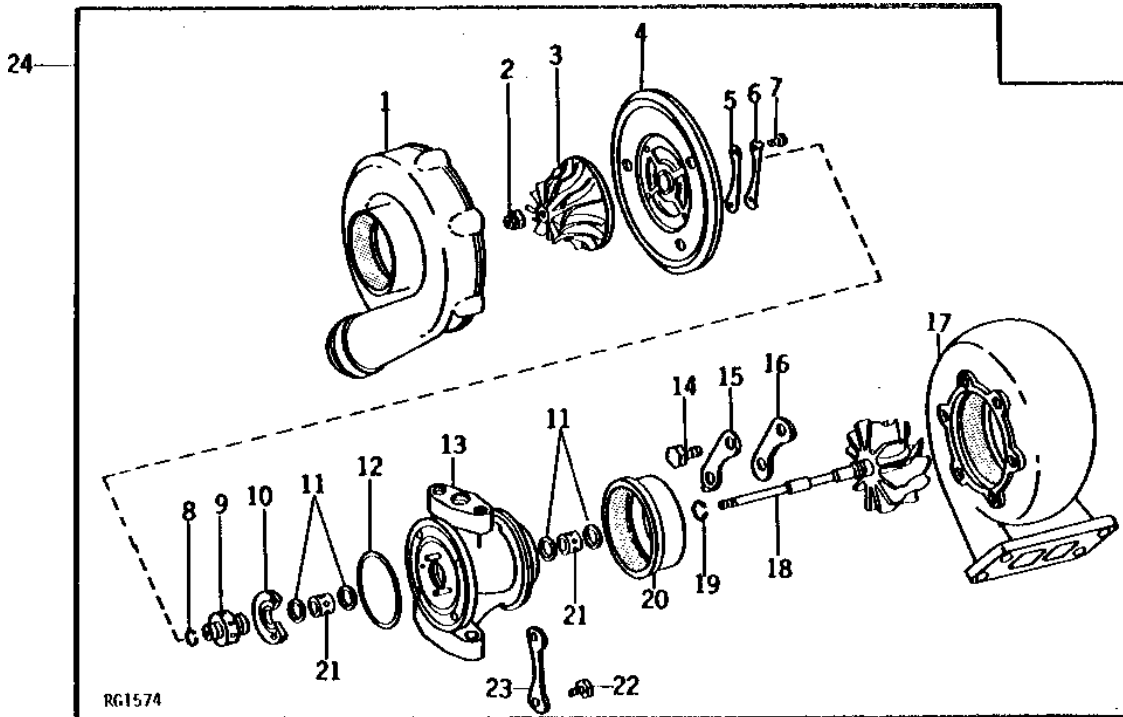
KEY	PART NO.	PART NAME	QTY	ENGINE SERIAL NO.	REMARKS
1	TY22474	CLAMP	1		(SUB FOR AR21842)
2	R46952	HOSE	1		
3	AR21841	CLAMP	1		
4	E55662	FLANGE NUT	4	3/8"	
5	24H1303	WASHER	4	13/32" X 11/16" X 0.065"	
6	R55078	STUD	4		(SUB R54500 AND 24H1305, APPL)
7	R54500	SCREW	4		
8	24H1305	WASHER	4	13/32" X 13/16" X 0.065"	
9	R97348	GASKET	1		(SUB FOR R43413)
10	R43928	ADAPTER	1		
11	12H303	LOCK WASHER	2	5/16"	
12	19H3552	CAP SCREW	2	5/16" X 1-1/2"	
13	AR76425	HOSE	1		(SUB FOR AR43770)
14	AR26745	ELBOW FITTING	1		
15	R51203	O-RING	1		
16	R41285	ADAPTER	1		
17	R72328	O-RING	1		(SUB FOR R43780)
18	AR50150	OIL LINE	1		
19	19H2284	CAP SCREW	2	3/8" X 7/8"	
20	12H304	LOCK WASHER	2	3/8"	
21	R105346	GASKET	1		(SUB FOR R43416 OR R97349)
22	R43751	GASKET	1		

1D15

FUEL AND AIR

TURBOCHARGER (AIRESEARCH)

RG1574 -UN-01JAN94



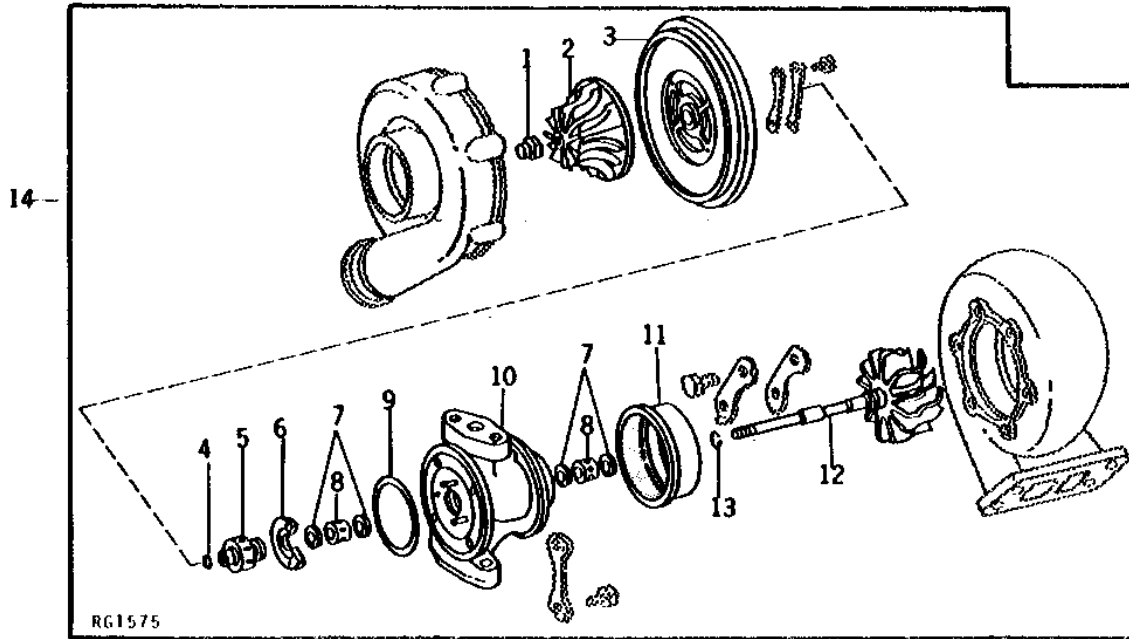
KEY	PART NO.	PART NAME	QTY	ENGINE SERIAL NO.	REMARKS
1	R48711	HOUSING	1		(SUB R55026 AND R55025)
	R55026	HOUSING	1		
2	R43817	LOCK NUT	1		
3	R48708	IMPELLER	1		(SUB R55025 AND R55026)
	R55025	IMPELLER	1		
4	AR54934	COVER	1		
5	R48709	CLAMP	3		
6	R48710	LOCK PLATE	3		
7	19H2020	CAP SCREW	6	5/16" X 1/2"	
8	R43806	PISTON RING	1		
9	R43801	THRUST BEARING	1		
10	R43808	BEARING	1		
11	R43816	SNAP RING	4		
12	R43805	O-RING	1		
13	AR63781	HOUSING	1		(SUB FOR AR43627)
14	R43819	CAP SCREW	6		
15	R43815	LOCK PLATE	3		
16	R43821	CLAMP	3		
17	R48712	HOUSING	1		
18	AR51988	TURBINE	1		
19	R55024	PISTON RING	1		
20	R43804	SHROUD	1		
21	R43803	BEARING	2		STD
	R50784	BEARING	2		0.13 MM (.005") US (NLA)
	R50785	BEARING	2		0.25 MM (.010") US
22	19H1919	CAP SCREW	4		1/4" X 5/8"
23	R43986	LOCK PLATE	2		
24	AR70987	TURBOCHARGER	1		REMANUFACTURED, (SUB FOR AR54930, AR63698 OR AR51987)

1D16

FUEL AND AIR

TURBOCHARGER CENTER HOUSING WITH ROTATING PARTS (AIRESEARCH)

RG1575 -UN-01JAN94



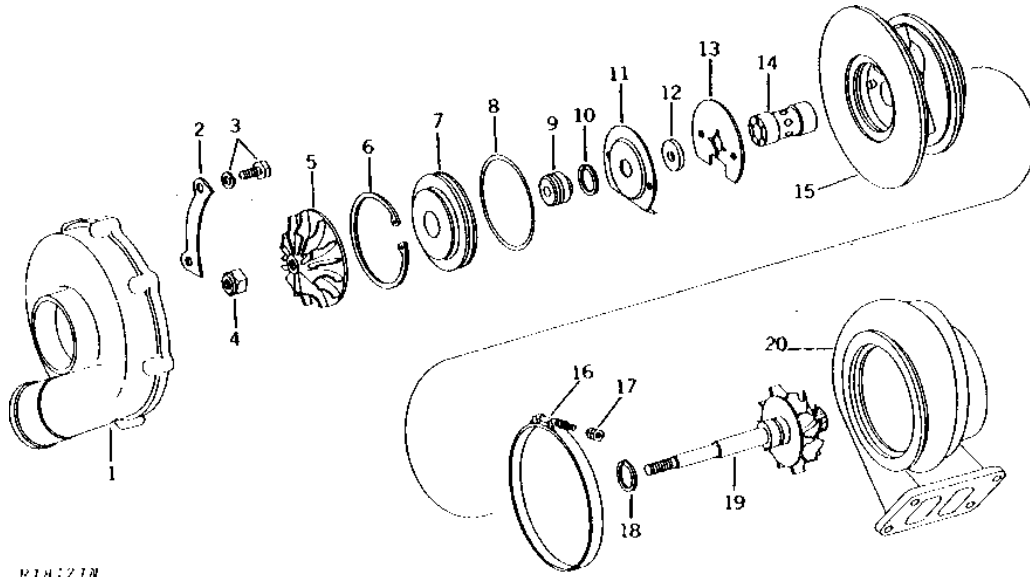
KEY	PART NO.	PART NAME	QTY	ENGINE SERIAL NO.	REMARKS
1	R43817	LOCK NUT	1		
2	R55025	IMPELLER	1		
3	AR54934	COVER	1		
4	R43806	PISTON RING	1		
5	R43801	THRUST BEARING	1		
6	R43808	BEARING	1		
7	R43816	SNAP RING	4		
8	R43803	BEARING	2		STD
	R50784	BEARING	2		0.13 MM (.005") US (NLA)
	R50785	BEARING	2		0.25 MM (.010") US
9	R43805	O-RING	1		
10	AR63781	HOUSING	1		
11	R43804	SHROUD	1		
12	AR51988	TURBINE	1		
13	R55024	PISTON RING	1		
14	AR63780	HOUSING	1		

1D17

FUEL AND AIR

TURBOCHARGER (SCHWITZER)

R18171 -UN-01JAN94



R18171N

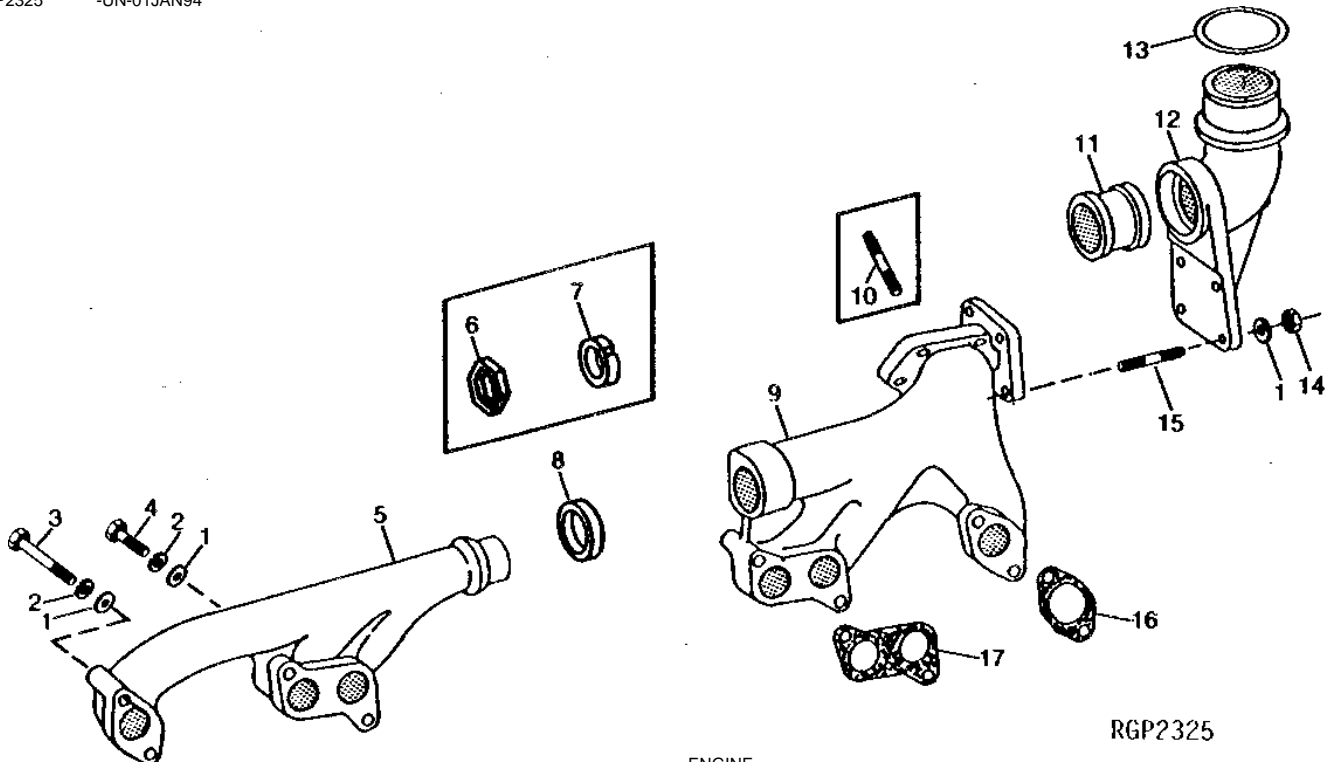
KEY	PART NO.	PART NAME	QTY	ENGINE SERIAL NO.	REMARKS
1	R46678	COVER	1	(NLA)	
2	R46693	CLAMP	4		
3	AR43976	SCREW	8	(NLA)	
4	R46691	LOCK NUT	1		
5	R46677	WHEEL	1	(NLA)	
6	R46686	SNAP RING	1		
7	R46687	INSERT	1		
8	R46685	O-RING	1		
9	R46689	SLEEVE	1		
10	R46688	PISTON RING	1		
11	R46682	DEFLECTOR	1		
12	R46683	RING	1		
13	R46684	PLATE	1		
14	R46681	BEARING	1		
15	AR43974	HOUSING	1	(NLA)	
	AR43975	HOUSING	1		
16	R56629	CLAMP	1	(SUB FOR R46690)	
17	R46692	LOCK NUT	1		
18	R46679	PISTON RING	1		
19	AR63778	WHEEL	1	(SUB FOR AR43973) (NLA)	
20	R50502	HOUSING	1	(NLA)	
..	AR68138	TURBOCHARGER	1	(REMANUFACTURED) (MARKED AR68142) (NLA)	

1D18

FUEL AND AIR

RGP2325 -UN-01JAN94

EXHAUST MANIFOLDS AND ELBOW



RGP2325

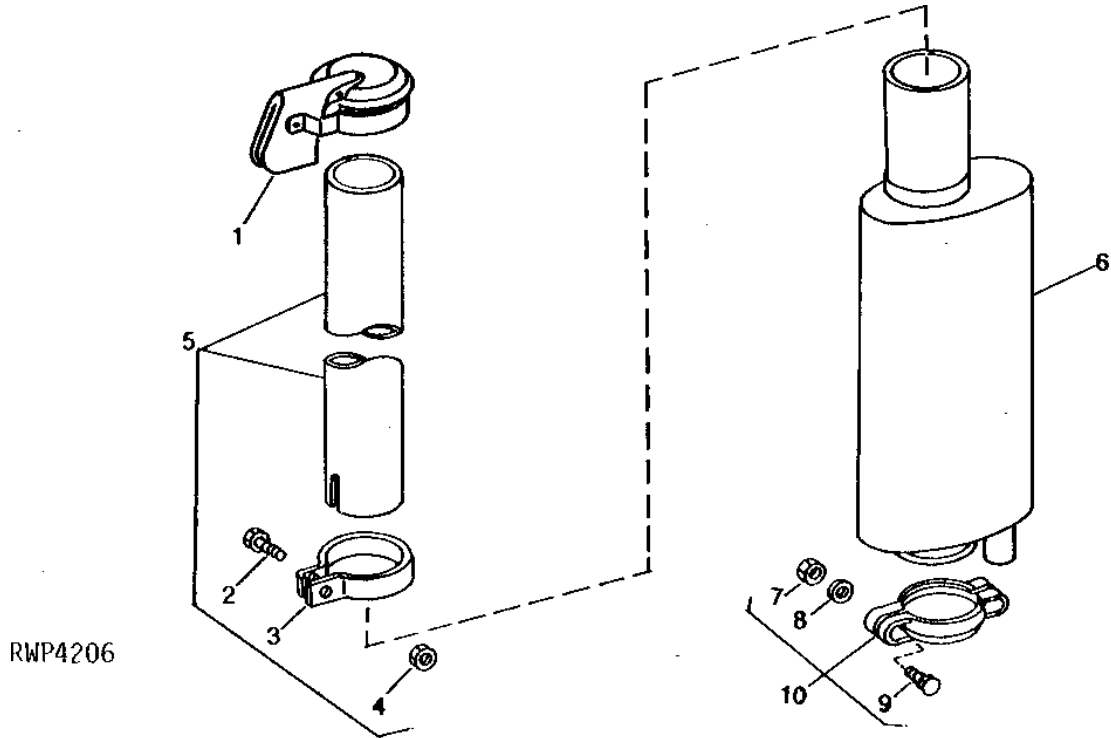
KEY	PART NO.	PART NAME	QTY	ENGINE SERIAL NO.	REMARKS
1	24H1303	WASHER	12		13/32" X 11/16" X 0.065"
2	12H304	LOCK WASHER	8		3/8"
3	19H2128	CAP SCREW	4		3/8" X 3"
4	19H1765	CAP SCREW	4		3/8" X 1-3/4"
5	R43167	EXHAUST MANIFOLD	1		
6	R46575	RING	1		(SUB R58109)
7	R46576	RING	1		(SUB R58109)
8	R58109	RING	1		
9	R43166	EXHAUST MANIFOLD	1		
10	R55078	STUD	4		(SUB R54500 AND 24H1305, APPL)
11	R43724	ADAPTER	1		
12	R54181	ELBOW FITTING	1		(SUB FOR R43172, APPL)
13	R42375	WASHER	1		
14	E55662	FLANGE NUT	4		
15	R55078	STUD	4		
16	R83021	GASKET	2		(SUB FOR R44374)
17	R83020	GASKET	2		(SUB FOR R44373)

1D19

FUEL AND AIR

RWP4206 -UN-01JAN94

MUFFLER, EXTENSION, AND COVER



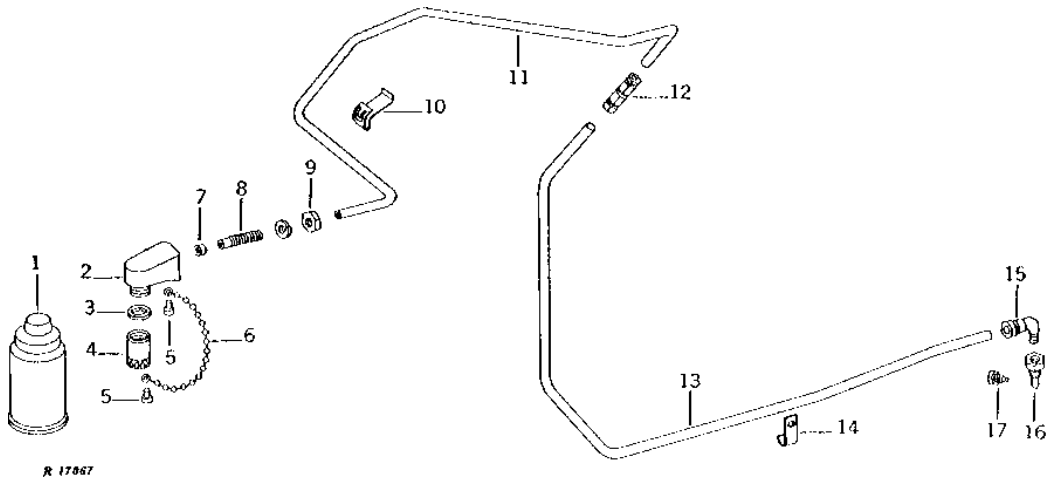
KEY	PART NO.	PART NAME	QTY	TRACTOR SERIAL NO.	REMARKS
1	AR86603	CAP	1		(SUB FOR AR43577 OR AR56787)
	AR56785	EXHAUST CAP	1		(SUB FOR AR45687) (SUB AR86600)
	AR47785	CAP SCREW	1		(NO LONGER AVAILABLE)
2	19H1732	CAP SCREW	1		3/8" X 1-1/4"
3	R66692	CLAMP	1		(SUB FOR AR43579) (SUB RE54187) (ALSO ORDER 19H1732 AND 14H1076)
4	14H1076	NUT	1		3/8"
5	AR59435	EXHAUST PIPE	1		(SUB FOR AR43716)
6	AR44418	MUFFLER	1		
7	14H1076	NUT	2		3/8"
8	R42729	WASHER	4		
9	19H2128	CAP SCREW	2		3/8" X 3"
10	AR43704	CLAMP	1		(SUB FOR AR64704)

1D20

FUEL AND AIR

R17067 -UN-01JAN94

COLD WEATHER STARTING AID



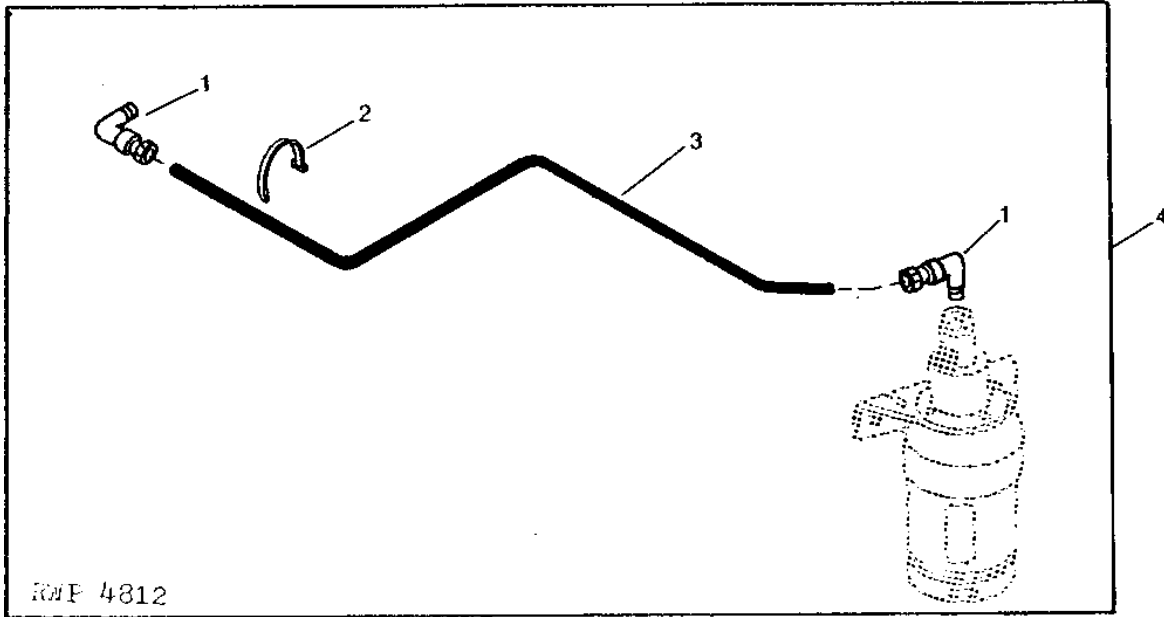
KEY	PART NO.	PART NAME	QTY	TRACTOR SERIAL NO.	REMARKS
1	RE30174	STARTING FLUID	1		(SUB FOR AR27814 OR RE24561)
2	R39534	ADAPTER	1		
3	R26149	PACKING	1		
4	R32306	CAP	1		
5	37H44	SCREW	2	0.151" X 3/8"	
6	AR27940	LINK CHAIN	1		
7	R34394	WASHER	1		
8	R34395	ADAPTER	1		
9	14H1040	NUT	1	1/2"	
	12H301	LOCK WASHER	1	1/2"	
10	R47113	CLIP	1		
11	TUBE	1		(ORDER RE50139)
12	R34388	UNION FITTING	1		
13	TUBE	1		(ORDER RE50139)
14	B1986R	CLIP	2		
15	RE21790	ELBOW FITTING	1		(SUB FOR AT25266)
16	R47160	NOZZLE HOLDER	1		
17	R28583	NOZZLE	1		
..	RE16182	STARTING AID	1		(SUB FOR AR50501)

1D21

FUEL AND AIR

RWP4812 -UN-01JAN94

STARTING FLUID TUBE KIT



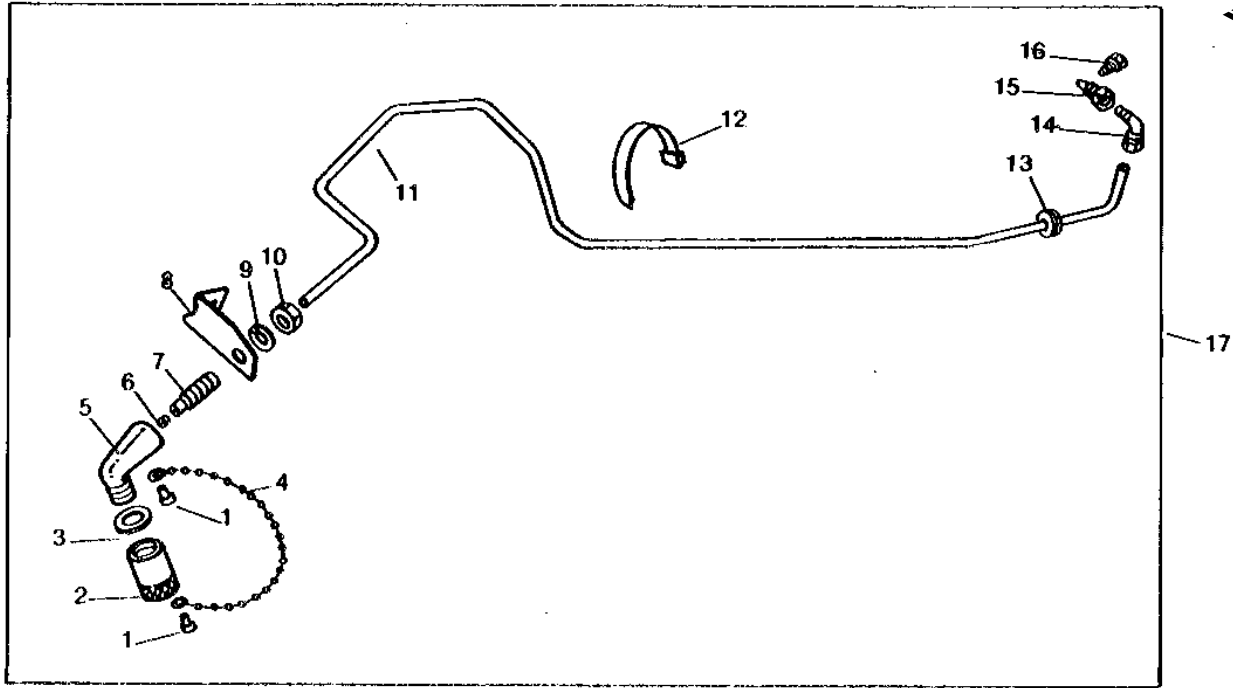
KEY	PART NO.	PART NAME	QTY	TRACTOR SERIAL NO.	REMARKS
1	RE21790	ELBOW FITTING	2		(SUB FOR AT25266)
2	R44302	TIE BAND	5		
3	TUBE	1		(ORDER RE16151)
4	RE50139	KIT	1		(SUB FOR RE16151)
..	R34394	WASHER	1		

1D22

FUEL AND AIR

RWP5158 -UN-01JAN94

ETHER STARTING AID KIT



RWP5158

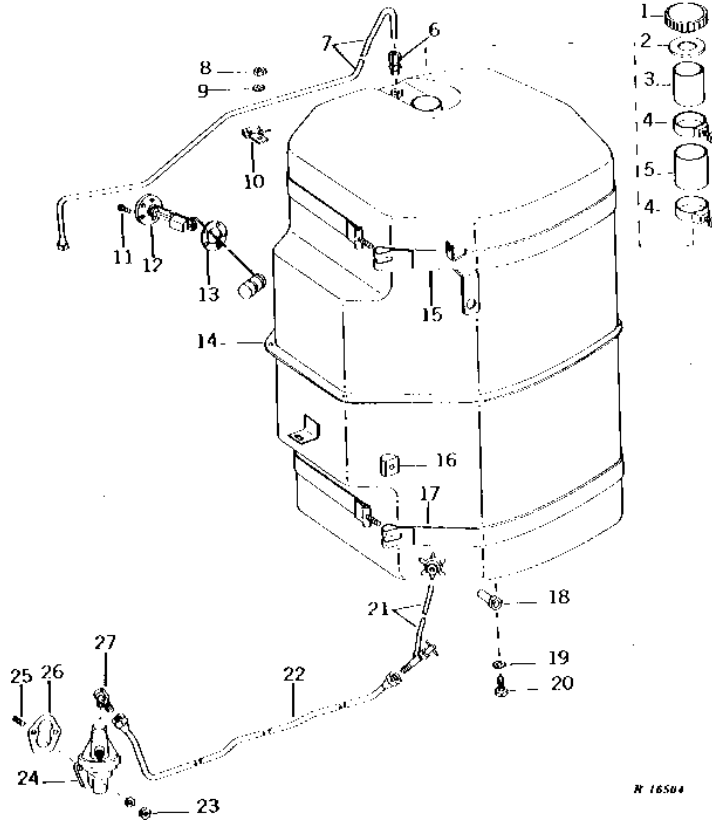
KEY	PART NO.	PART NAME	QTY	TRACTOR SERIAL NO.	REMARKS
1	37H44	SCREW	2	0.151" X 3/8"	
2	R32306	CAP	1		
3	R26149	PACKING	1		
4	AR27940	LINK CHAIN	1		
5	T22534	ADAPTER	1		
6	R34394	WASHER	1		
7	R34395	ADAPTER	1		
8	R54440	BRACKET	1		
9	12H301	LOCK WASHER	1	1/2"	
10	14H1040	NUT	1	1/2"	
11	TUBE	1	(ORDER RE16151)	
12	R44302	TIE BAND	4		
13	R27180	GROMMET	1		
14	RE21790	ELBOW FITTING	1	(SUB FOR AT25266)	
15	R47160	NOZZLE HOLDER	1		
16	R28583	NOZZLE	1		
17	RE16182	KIT	1		

1D23

FUEL AND AIR

R16504 -UN-01JAN94

FUEL TANK AND FUEL PUMP



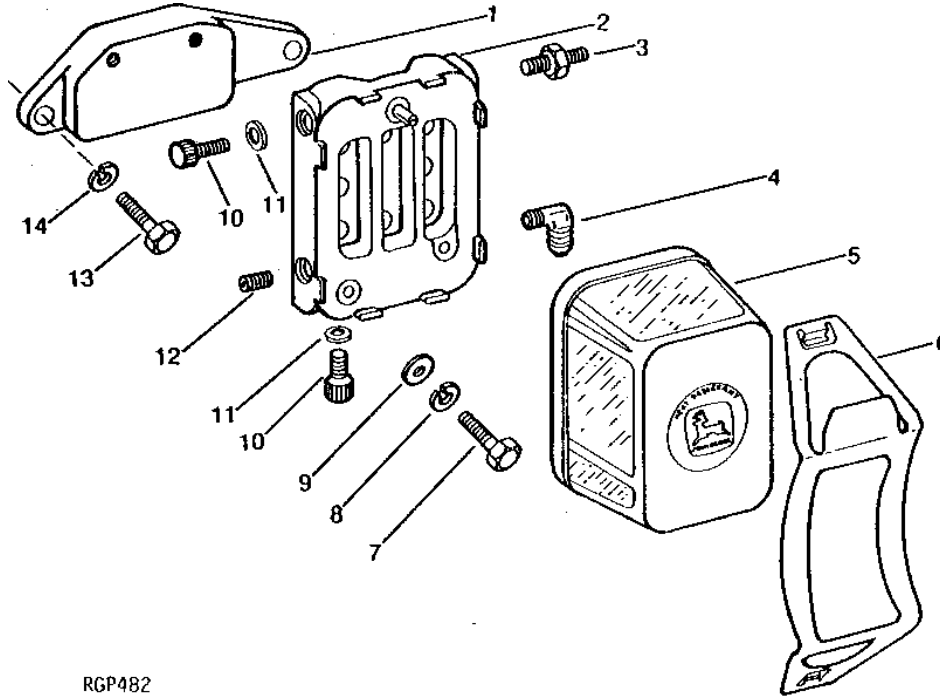
KEY	PART NO.	PART NAME	QTY	TRACTOR SERIAL NO.	REMARKS
1	AT20911	FILLER CAP	1		
2	R39615	WASHER	1		
3	R39895	FILLER NECK	1		
4	AR21840	CLAMP	2		(SUB TY22470)
5	R26531	HOSE	1		57 X 64MM (2-1/4" X 2-1/2")
6	AR26649	FITTING	1		
7	AR43301	FUEL LINE	1		
8	14H785	NUT	1		5/16"
9	12H303	LOCK WASHER	1		5/16"
10	R35422	CLAMP	1		
11	37H95	SCREW	5		NO. 8 X 1/2"
	12M7084	LOCK WASHER	5		0.169", 5/16"
12	AR43676	SENDER	1		
13	R27181	GASKET	1		
14	AR55182	FUEL TANK	1		(SUB FOR AR43022) (NLA)
15	AR43208	STRAP	1		
16	R26593	GUIDE	2		
17	AR43209	STRAP	1		
18	R26594	NUT	2		
19	R20770	WASHER	1		-XXXXXX
20	R43127	PLUG	1		-XXXXXX
	AT13740	DRAIN VALVE	1	XXXXXX-	
21	AR43252	SHUT-OFF VALVE	1		
22	AR50148	FUEL LINE	1		
23	14H785	NUT	2		5/16"
	12H303	LOCK WASHER	2		5/16"
24	RE36903	FUEL PUMP	1		(SUB FOR AR49771)
25	R48755	STUD	2		
26	R97350	GASKET	1		(SUB FOR R27285)
27	AR26674	ELBOW FITTING	1		

1D24

FUEL AND AIR

RGP482 -UN-01JAN94

FUEL FILTER



RGP482

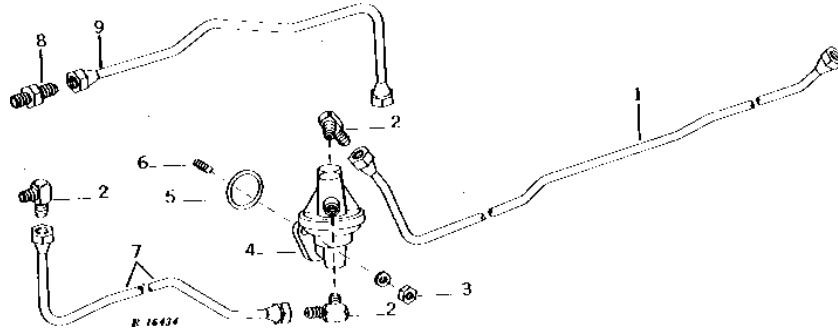
KEY	PART NO.	PART NAME	QTY	ENGINE SERIAL NO.	REMARKS
1	R47433	SUPPORT	1		
2	AR50040	HOUSING	1		
3	R27346	FITTING	1		
4	AR26674	ELBOW FITTING	2		
5	AR50041	FUEL FILTER	1		
6	R66821	CLAMP	1		(SUB FOR R47358 OR R57258)
7	19H1905	CAP SCREW	2	5/16" X 1"	
8	12H303	LOCK WASHER	2	5/16"	
9	24H1289	WASHER	1	21/64" X 5/8" X 0.049"	
10	R48071	DRAIN PLUG	2		
11	R26287	O-RING	2		(SUB FOR R34447)
12	R104592	PIPE PLUG	1		
13	19H1822	CAP SCREW	2	7/16" X 1"	
14	12H293	LOCK WASHER	2	7/16"	

1D25

FUEL AND AIR

R16434 -UN-01JAN94

FUEL PUMP AND FUEL LINES



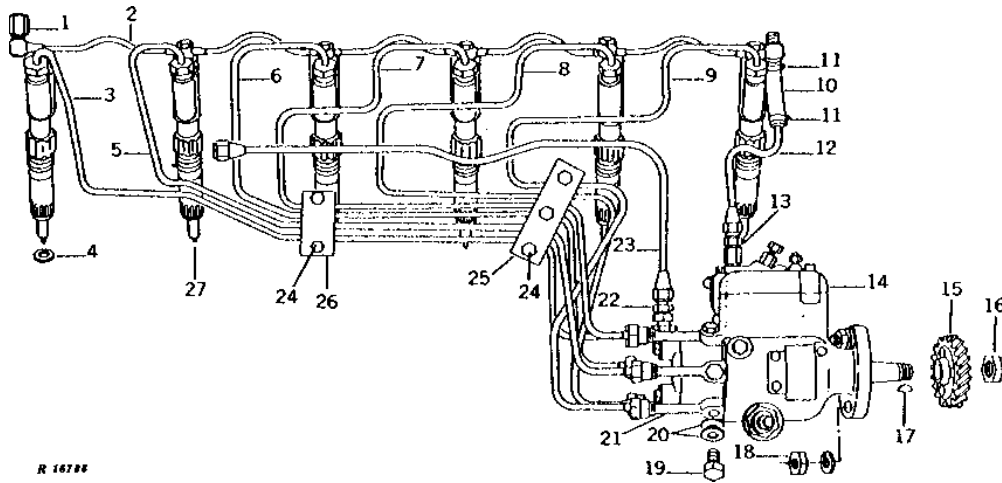
KEY	PART NO.	PART NAME	QTY	ENGINE SERIAL NO.	REMARKS
1	AR50148	FUEL LINE	1		
2	AR26674	ELBOW FITTING	3		
3	14H785	NUT	2	5/16"	
	12H303	LOCK WASHER	2	5/16"	
4	RE36903	FUEL PUMP	1		(SUB FOR AR49771) (SUB RE43272 AND R97350)
	LEVER	1		(SUB AR52556)
	R97350	GASKET	1		(SUB A4635R) (USE WITH AR49771)
	RE43272	FUEL PUMP	1		
	R97350	GASKET	1		(USE WITH RE43272 OR RE36903)
5	R48399	WASHER	1		
6	R48755	STUD	2		
7	AR49785	FUEL LINE	1		
8	R27346	FITTING	2		
9	AR49786	FUEL LINE	1		

1E1

FUEL AND AIR

FUEL INJECTION PUMP, NOZZLES, AND FUEL LINES

R16788 -UN-01JAN94



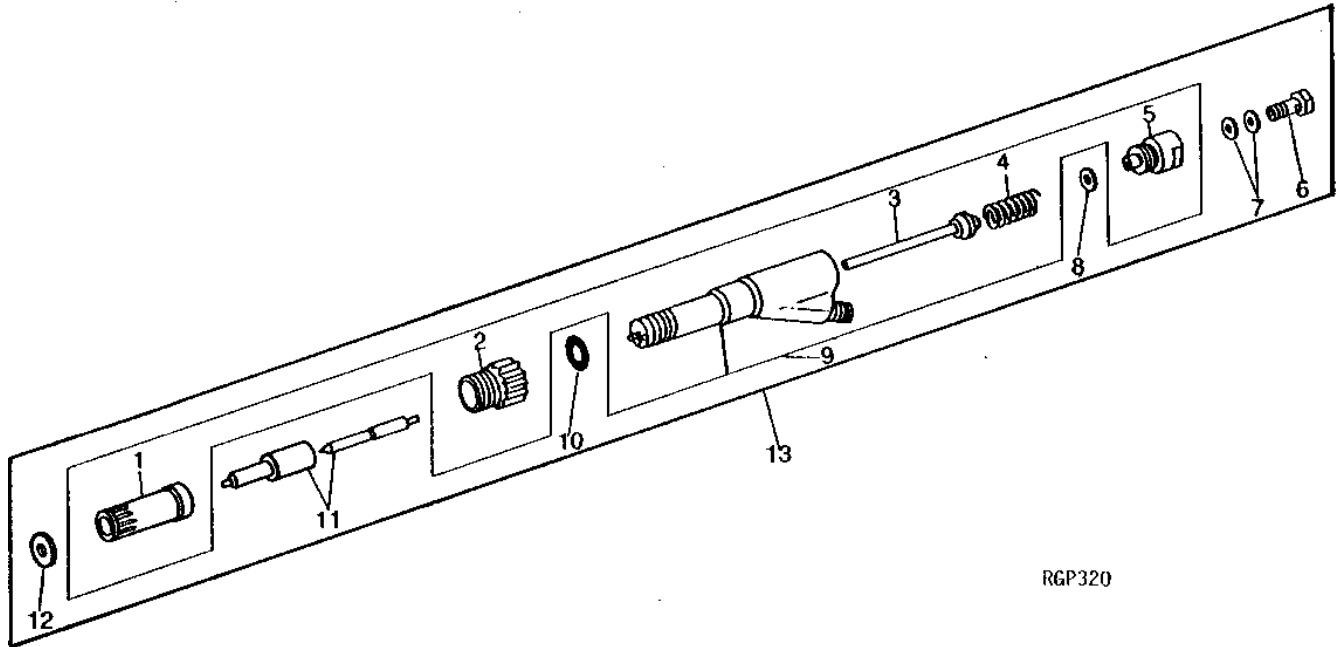
KEY	PART NO.	PART NAME	QTY	ENGINE SERIAL NO.	REMARKS
1	R31147	FITTING	1		
2	AR68961	FUEL LINE	1		(SUB FOR AR50732)
3	AR51057	FUEL LINE	1		
4	R64840	WASHER	6		(SUB FOR R48633, APPL)
5	AR51056	FUEL LINE	1		
6	AR51055	FUEL LINE	1		
7	AR51054	FUEL LINE	1		
8	AR51053	FUEL LINE	1		
9	AR51052	FUEL LINE	1		
10	HOSE	1		36" (915 MM) (SUB FOR R32639) (MAKE FROM TY22418)
11	AR48236	CLAMP	2		(SUB TY22462)
12	AR49613	FUEL LINE	1		
13	R35352	FITTING	1		
14	FUEL INJECTION PUMP	1		(ROOSA-MASTER NO. JDC625JT2398) (AR50002 NLA)
15	AR52671	GEAR	1		(MATCHED SET) (SUB FOR R47013)
16	14H888	NUT	1		9/16"
17	26H10	SHAFT KEY	1		5/32" X 5/8"
18	14H1090	NUT	2		3/8", (SUB FOR R32511 OR E55662, APPL)
	12H304	LOCK WASHER	2		3/8"
19	R48512	SCREW	6		
20	R48511	WASHER	12		
21	R48510	FITTING	6		
22	R32136	FITTING	1		
23	AR49786	FUEL LINE	1		
24	19H1914	CAP SCREW	5		1/4" X 1"
25	R48358	STRAP	1		(THREADED)
	R48360	STRAP	1		
	R48359	CUSHION	1		
26	R26728	STRAP	2		(THREADED)
	R26789	STRAP	2		
	R26790	CUSHION	2		
27	INJECTION NOZZLE	1		(SUB AR53091)

1E2

FUEL AND AIR

RGP320 -UN-01JAN94

FUEL INJECTION NOZZLE



RGP320

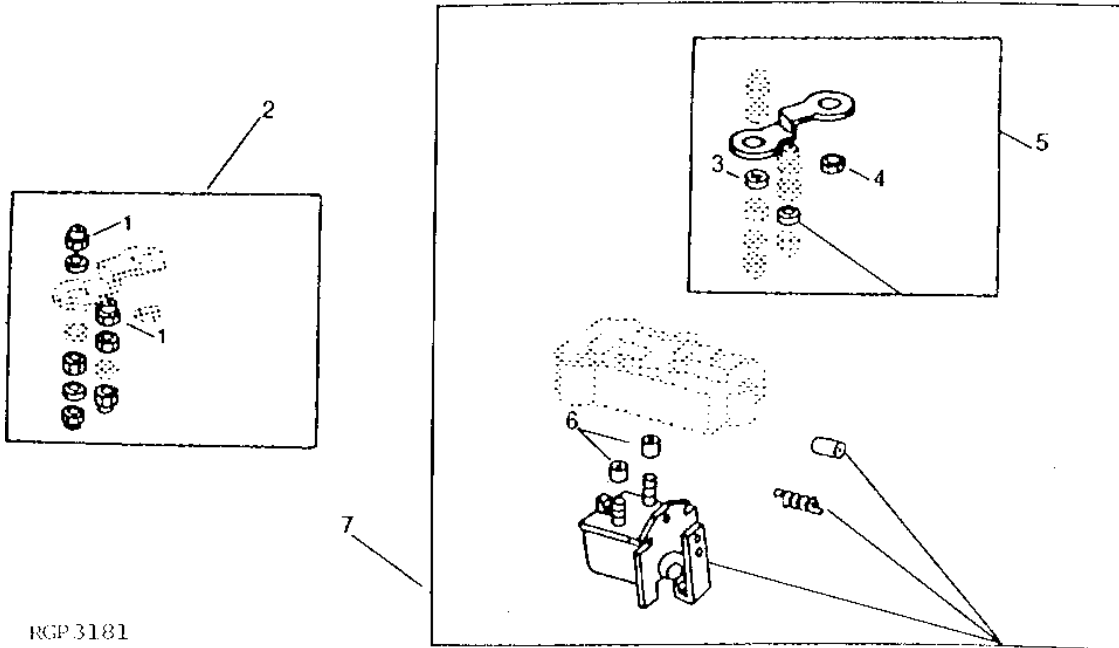
KEY	PART NO.	PART NAME	QTY	ENGINE SERIAL NO.	REMARKS
1	R48696	NUT	1		
2	R48695	NUT	1		
3	R48689	SPINDLE	1		
4	R48691	SPRING	1		
5	R48692	PLUG	1		
6	R48694	SCREW	1		
7	R48693	WASHER	2		
8	R48698	WASHER	1	1.09 MM (.043")	
	R48699	WASHER	1	1.14 MM (.045")	
	R48700	WASHER	1	1.19 MM (.047")	
	R48701	WASHER	1	1.24 MM (.049")	
	R48702	WASHER	1	1.30 MM (.051")	
	R48703	WASHER	1	1.35 MM (.053")	
	R48704	WASHER	1	1.40 MM (.055")	
	R48705	WASHER	1	1.45 MM (.057")	
	R48706	WASHER	1	1.50 MM (.059")	
	R49549	WASHER	1	1.55 MM (.061")	
	R49551	WASHER	1	1.60 MM (.063")	
	R49552	WASHER	1	1.65 MM (.065")	
	R49553	WASHER	1	1.70 MM (.067")	
	R49554	WASHER	1	1.75 MM (.069")	
	R49555	WASHER	1	1.80 MM (.071")	
	R49556	WASHER	1	1.85 MM (.073")	
	R49557	WASHER	1	1.91 MM (.075")	
	R49558	WASHER	1	1.96 MM (.077")	
9	AR52375	HOUSING	1	(SUB FOR AR51986)	
10	R51603	O-RING	1		
11	R48697	NOZZLE	1		
12	R64840	WASHER	1	(SUB FOR R48633, THIS APPLICATION)	
13	AR53091	INJECTION NOZZLE	6	(SUB FOR AR51985, AR53149 OR AR52376)	

1E3

FUEL AND AIR

RGP3181 -UN-01JAN94

FUEL INJECTION PUMP ELECTRIC SHUT-OFF KIT



RGP3181

KEY	PART NO.	PART NAME	QTY	ENGINE SERIAL NO.	REMARKS
1	M63431	LOCK NUT	2		
2	RE37091	KIT	1		(SUB FOR AR90601)
3	R47077	LOCK WASHER	1		
4	12H295	LOCK WASHER	1	0.190"	
5	AR50874	KIT	1		(SUB FOR AR49542 OR R66593)
6	T11937	INSULATOR	2		
7	RE37089	SOLENOID	1		(SUB FOR AR48219, AT11524 OR AR90340) (SUB RE62240) (ALSO ORDER RE37091)
	RE62240	SOLENOID	1		

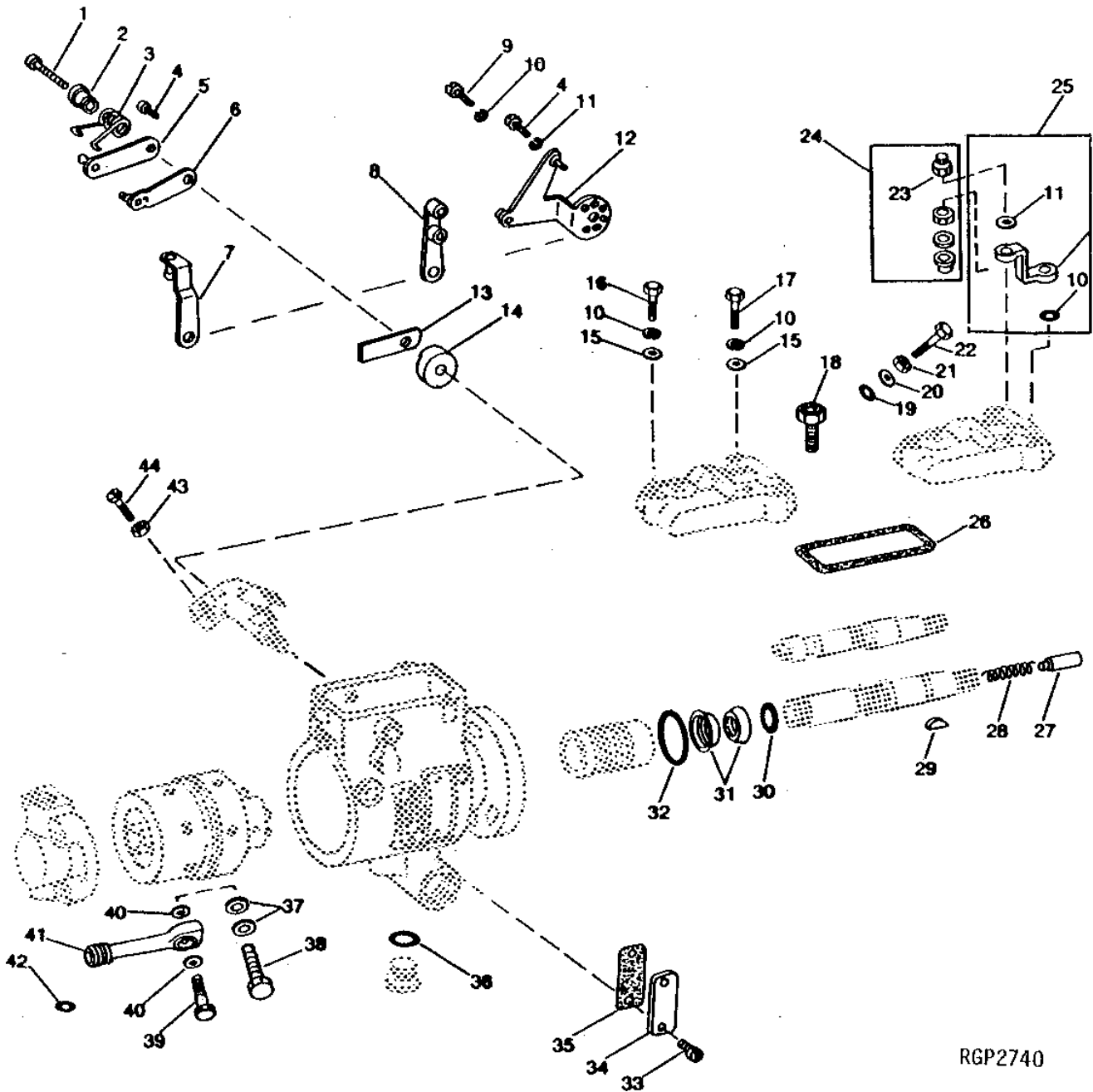
1E4

FUEL AND AIR

RGP2740

-UN-01JAN94

FUEL INJECTION PUMP FITTINGS AND LINKAGE



RGP2740

1E5

FUEL AND AIR

FUEL INJECTION PUMP FITTINGS AND LINKAGE - CONTINUED

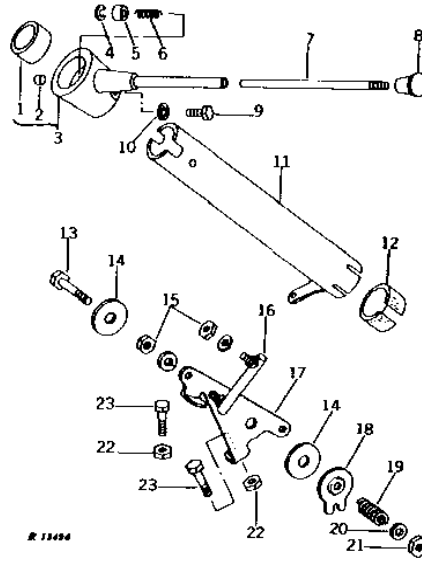
KEY	PART NO.	PART NAME	QTY	ENGINE SERIAL NO.	REMARKS
1	R70513	SCREW	1		
	SCREW	NA		
2	T17950	RETAINER	1		
3	T17949	SPRING	1		
4	T11917	SCREW	1		
5	LEVER	NA		
6	AR51718	LEVER	1		
7	LEVER	NA		
8	LEVER	NA		
9	SCREW	NA		
10	12H295	LOCK WASHER	4	0.190"	
11	LOCK WASHER	NA		
12	LEVER	NA		
13	T19860	STRAP	1		
14	T19861	SPACER	1		
15	T15715	WASHER	3		
16	T15721	SCREW	1		
17	R71851	SCREW	2		
18	R36535	CHECK VALVE	1		
19	R34812	O-RING	1		
20	T17947	WASHER	1		
21	T11921	NUT	1		
22	T17953	CAP SCREW	1		
23	M63431	LOCK NUT	2		
24	AR90601	KIT	1	(SUB RE37091)	
25	AR50874	KIT	1		
26	T11918	GASKET	1		
27	T19855	PIN	1		
	PUSH BUTTON	NA		
28	R36540	SPRING	1		
29	26H10	SHAFT KEY	1		
30	O-RING	NA		
	R33259	O-RING	1	(SUB FOR T11934)	
31	T11290	SEAL	2		
32	T19854	O-RING	1		
33	T11884	SCREW	2		
34	T11882	COVER	1		
35	T11883	GASKET	1		
36	T15712	O-RING	1		
37	WASHER	NA		
38	SCREW	NA		
39	R48512	SCREW	6		
40	R48511	WASHER	12		
41	R48510	FITTING	6		
42	A3917R	O-RING	1	(SUB FOR T26256)	
43	T11921	NUT	1		
44	T11941	SCREW	1		
..	KIT	1	(SUB RE37089) (ALSO ORDER RE37091)	

1E6

FUEL AND AIR

R13494 -UN-01JAN94

HAND SPEED CONTROL LEVER AND LINKAGE



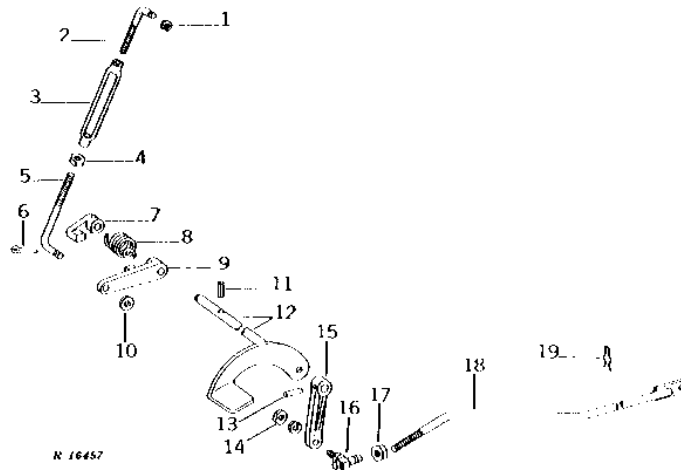
KEY	PART NO.	PART NAME	QTY	TRACTOR SERIAL NO.	REMARKS
1	R27075	BUSHING	1		
2	R51114	DOWEL PIN	1		
3	AR30472	HUB	1		(MARKED R27072)
4	R30828	SNAP RING	1		
5	R38377	WASHER	1		
6	R28009	SPRING	1		
7	R38376	LEVER	1		
8	R52578	KNOB	1		
9	R28007	BOLT	1		
10	12H310	LOCK WASHER	1	3/8"	
11	AR40702	TUBE	1		
12	R26958	ISOLATOR	1		
13	19H1726	CAP SCREW	1	3/8" X 2-1/4"	
14	R50226	WASHER	2		(SUB FOR R40983 OR R39985) (SUB R105814)
15	14H649	NUT	2	1/4"	
	12H302	LOCK WASHER	2	1/4"	
16	R40982	BALL JOINT	1		
17	AR40703	LEVER	1		
18	R40984	PLATE	1		
19	R31271	SPRING	1		
20	24H1305	WASHER	1	13/32" X 13/16" X 0.065"	
21	K40003	LOCK NUT	1		(SUB FOR R41564)
22	14H611	NUT	2	5/16"	
23	19H2831	CAP SCREW	2	5/16" X 1-1/2"	

1E7

FUEL AND AIR

R16457 -UN-01JAN94

FOOT SPEED CONTROL PEDAL AND LINKAGE



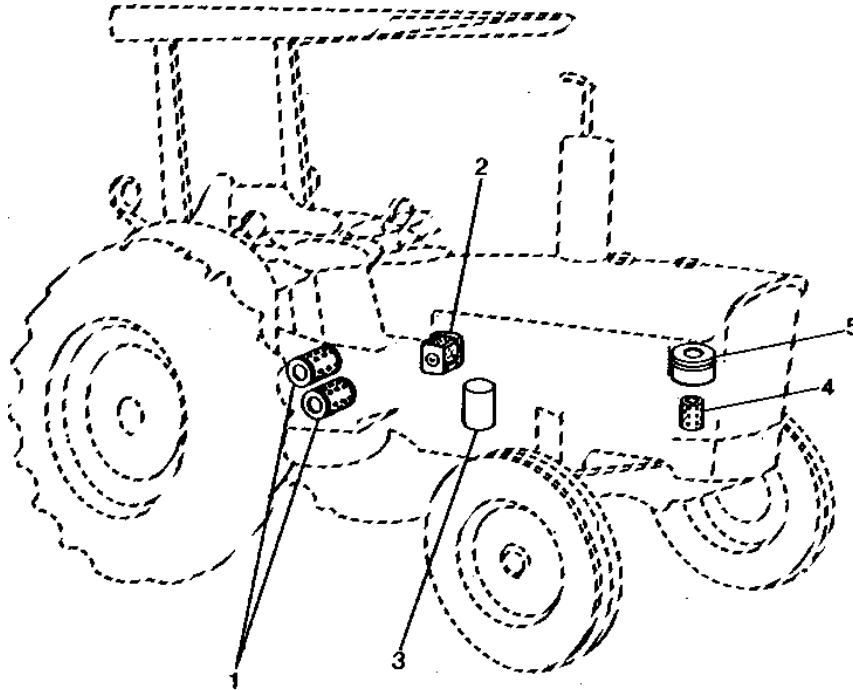
KEY	PART NO.	PART NAME	QTY	TRACTOR SERIAL NO.	REMARKS
1	R72653	SNAP RING	1		(SUB FOR M2396T)
2	R40985	BOLT	1		
3	R40986	TURNBUCKLE	1		
4	14H611	NUT	1	5/16"	
5	R43525	ROD	1		
6	11M7079	COTTER PIN	1	0.098" X 0.472"	
7	R40991	ARM	1		
8	R38143	SPRING	1		(SUB R117129)
9	R40988	ARM	1		
10	24H1136	WASHER	1	11/32" X 11/16" X 0.065"	
11	34H282	SPRING PIN	1	3/16" X 1"	
12	AR43161	PEDAL	1		
13	34H282	SPRING PIN	1	3/16" X 1"	
14	14H649	NUT	1	1/4"	
	12H302	LOCK WASHER	1	1/4"	
15	R40989	LEVER	1		
16	AR52085	BALL JOINT	1		
17	14H649	NUT	1	1/4"	
18	AR52211	SHIFTER ROD	1		
19	R47646	SPRING LOCKING PIN	1		

1E8

FUEL AND AIR

RXP7904 -UN-01JAN94

FILTERS



RXP7904

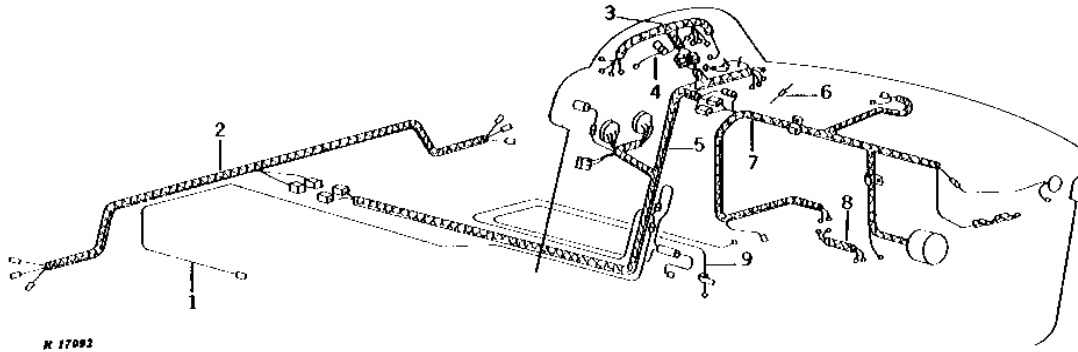
KEY	PART NO.	PART NAME	QTY	TRACTOR SERIAL NO.	REMARKS
1	AR75603	FILTER ELEMENT	1		SYNCHRO-RANGE TRANSMISSION
	AR75603	FILTER ELEMENT	2		POWER SHIFT TRANSMISSION
2	AR50041	FUEL FILTER	1		FUEL
3	AR43634	OIL FILTER	1		ENGINE
4	AR61988	FILTER ELEMENT	1		AIR
5	AR51431	FILTER ELEMENT	1		AIR
..	R48881	FILTER ELEMENT	1		CAB (NOT SHOWN)

1E13

ELECTRICAL

R17092 -UN-01JAN94

MAIN WIRING HARNESS



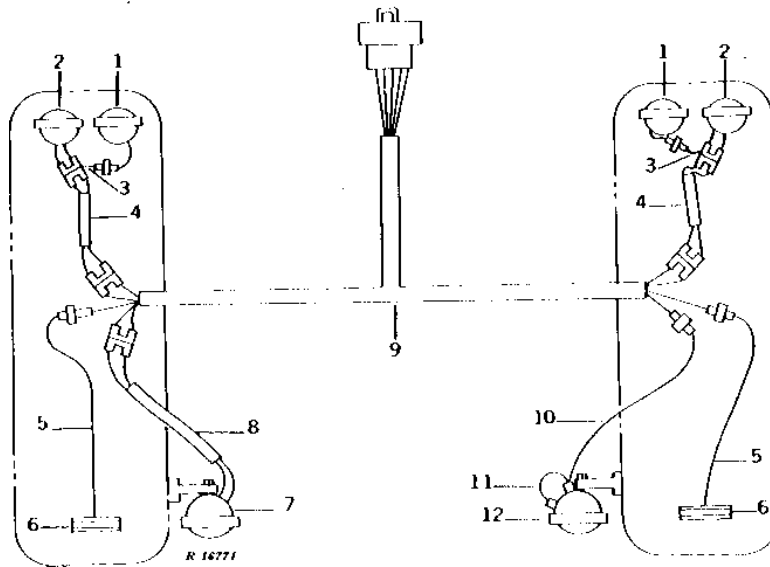
KEY	PART NO.	PART NAME	QTY	TRACTOR SERIAL NO.	REMARKS
1	AR50829	WIRING HARNESS	1		NEUTRAL START
2	AR48937	WIRING HARNESS	1		MAIN LIGHTING
3	AR43986	WIRING HARNESS	1		(SYNCRO-RANGE)
	AR43987	WIRING HARNESS	1		(POWER SHIFT)
4	AR50838	WIRING HARNESS	1		TACHOMETER
5	AR48936	WIRING HARNESS	1		MAIN
	AR48594	FLASHER	1		
	AR41694	WIRING LEAD	1		(NO LONGER AVAILABLE)
6	AR47547	WIRING LEAD	1		
	AR47548	FUSE	1		25 AMP
7	AR50914	WIRING HARNESS	1		ENGINE
	AR55283	WIRING HARNESS	1	014118-	ALTERNATOR ADAPTER
	R44302	TIE BAND	AR		
	R45211	CLAMP	6		
	R21551	CLIP	1		
8	AR43609	WIRING HARNESS	1		STARTING CIRCUIT
9	AR52467	WIRING HARNESS	1		(SUB FOR AR50833)
..	AT55441	BASE	1		0.15L (5.3 OZ) TUBE, ELECTRICAL, (SUB FOR AR94760)

1E14

ELECTRICAL

R16771 -UN-01JAN94

LAMP WIRING (ROW-CROP)



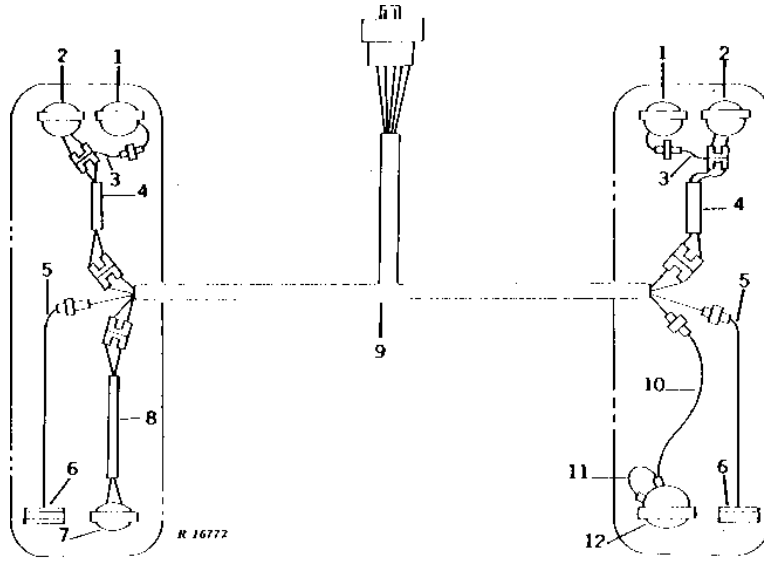
KEY	PART NO.	PART NAME	QTY	TRACTOR SERIAL NO.	REMARKS
1	RE19080	LAMP	2		(12-VOLT FLOOD) (SUB FOR AR48722)
	R20758	WASHER	2		SPHERICAL
	F2935R	WASHER	2		
	12H301	LOCK WASHER	2	1/2"	
	14H1040	NUT	2	1/2"	
2	AR48721	LAMP	2		(12-VOLT DUAL BEAM) (SUB RE25126 AND RE25127, THIS APPLICATION)
	R48663	WASHER	2		RUBBER
	F2935R	WASHER	2		
	12H301	LOCK WASHER	2	1/2"	
	14H1040	NUT	2	1/2"	
3	AR50834	WIRING LEAD	2		
4	AR48939	WIRING HARNESS	2		
	R40445	GROMMET	2		
	R44302	TIE BAND	AR		
	R21551	CLIP	1		
5	WIRING LEAD	1		1041MM (41") (MAKE FROM R66319, R32024, R32027 AND R32025)
6	AR50580	LAMP	2		WARNING
	AD2062R	BULB	2		12-16-VOLT
	R47831	WASHER	2		RUBBER
	14H856	NUT	2	1/2"	
	12H292	LOCK WASHER	2	1/2"	
7	AR77326	FLOODLAMP	1		COMBINATION, (SUB FOR AR34990 OR AT16288)
	AR55888	SOCKET	1		
	12H301	LOCK WASHER	1	1/2"	
	14H1040	NUT	1	1/2"	
8	AR41702	WIRING HARNESS	1		
	R26936	GROMMET	2		
9	AR48937	WIRING HARNESS	1		
	R43264	COVER	2		
	19H2020	CAP SCREW	2	5/16" X 1/2"	
	12H303	LOCK WASHER	2	5/16"	
	T32231	CLAMP	1		
10	WIRING LEAD	1		1181MM (46-1/2") R.H. REAR LAMP TO LAMP HARNESS, (MAKE FROM R66319, R32016, R32024 AND R32027)
11	WIRING LEAD	1		152MM (6") R.H. REAR LAMP GROUND, (MAKE FROM R66319, R32016 AND R32028)
12	RE27099	LAMP	1		R.H. 12-VOLT, (SUB FOR AR28167)
	12H301	LOCK WASHER	1	1/2"	
	14H1040	NUT	1	1/2"	
..	T28585	TERMINAL	4		ONE-CONTACT LOCK TYPE

1E15

ELECTRICAL

R16772 -UN-01JAN94

LAMP WIRING (STANDARD)



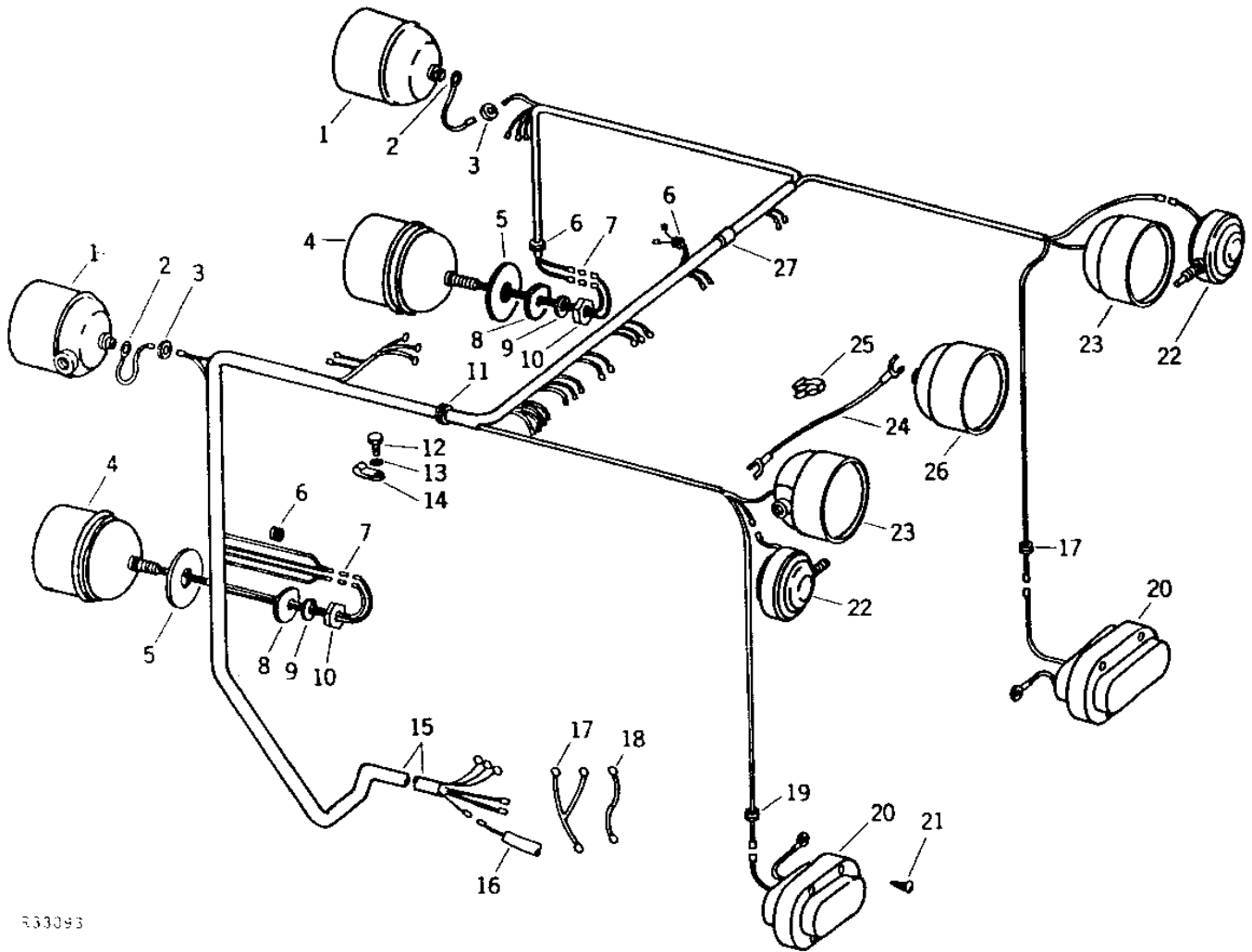
KEY	PART NO.	PART NAME	QTY	TRACTOR SERIAL NO.	REMARKS
1	RE19080	LAMP	2		(12-VOLT FLOOD) (SUB FOR AR48722)
	R20758	WASHER	2		SPHERICAL
	F2935R	WASHER	2		
	12H301	LOCK WASHER	2	1/2"	
	14H1040	NUT	2	1/2"	
2	AR48721	LAMP	2		(12-VOLT DUAL BEAM) (SUB RE25126 AND RE25127, THIS APPLICATION)
	R48663	WASHER	2		RUBBER
	F2935R	WASHER	2		
	12H301	LOCK WASHER	2	1/2"	
	14H1040	NUT	2	1/2"	
3	AR50834	WIRING LEAD	2		
4	AR48939	WIRING HARNESS	2		
	R27180	GROMMET	4		
	R21551	CLIP	2		
	F2081R	WASHER	2		
5	WIRING LEAD	1		1041MM (41") (MAKE FROM R66319, R32024, (2) R32027 AND R32025)
6	AR50580	LAMP	2		WARNING
	AD2062R	BULB	2		12-16-VOLT
	R47831	WASHER	2		RUBBER
	12H292	LOCK WASHER	2	1/2"	
	14H856	NUT	2	1/2"	
7	AR77326	FLOODLAMP	1		COMBINATION, (SUB FOR AT16288 OR AR34990)
	12H301	LOCK WASHER	1	1/2"	
	14H1040	NUT	1	1/2"	
8	AR41702	WIRING HARNESS	1		
	R26936	GROMMET	2		
9	AR48937	WIRING HARNESS	1		
	B1986R	CLIP	1		
	R32320	CLIP	2		
	R43264	COVER	2		
	19H2020	CAP SCREW	2	5/16" X 1/2"	
	19H2020	CAP SCREW	2	5/16" X 1/2"	
10	WIRING LEAD	1		1181MM (46-1/2") (MAKE FROM R66319, R32016, R32024 AND R32027)
11	WIRING LEAD	1		152MM (6") (MAKE FROM R66319, R32016 AND R32028)
12	AR35782	LAMP	1		R.H. 12-VOLT
	12H301	LOCK WASHER	1	1/2"	
	14H1040	NUT	1	1/2"	
..	T28585	TERMINAL	4		ONE-CONTACT LOCK TYPE

1E16

ELECTRICAL

R33093 -UN-01JAN94

CAB LAMP WIRING (HINSON)



R33093

1E17

ELECTRICAL

CAB LAMP WIRING - CONTINUED (HINSON)

KEY	PART NO.	PART NAME	QTY	TRACTOR SERIAL NO.	REMARKS
1	AR42119	LAMP	2		(A) (SUB RE19075, THIS APPLICATION)
2	WIRING LEAD	2		191MM (7-1/2") (MAKE FROM R32018, R66319, R32027 AND R32025)
3	R2579R	GROMMET	2		
4	AR51335	LAMP	2		LOWER FRONT, (SUB RE25126 AND RE25127)
5	R48663	WASHER	2		
6	R27180	GROMMET	3		
7	T28585	TERMINAL	4		LAMP LEADS
	T28583	RECEPTACLE	4		WIRING HARNESS LEADS
8	F2935R	WASHER	2		
9	12H301	LOCK WASHER	2		1/2"
10	14H1040	NUT	2		1/2"
11	R27533	GROMMET	2		
12	19H1227	CAP SCREW	1		1/4" X 1/2"
13	12H302	LOCK WASHER	1		1/4"
14	R40791	CLAMP	1		
15	AR67346	WIRING HARNESS	1		(SUB FOR AR53157) (NLA)
	R48887	RECEPTACLE	1		
	R48888	FITTING	1		
16	WIRING HARNESS	1		(NOT REQUIRED)
17	AR49602	WIRING HARNESS	2		
18	WIRING LEAD	1		152MM (6") CIRCUIT BREAKER TO CAB RELAY, (MAKE FROM (2) R32018 AND R66319)
19	M1895T	GROMMET	2		
20	AR78825	TAIL LAMP	2		(SUB FOR AR45099)
21	37H2	SCREW	2		0.164" X 5/8"
22	AR38456	LAMP	2	-XXXXXX	WARNING
	AR54975	LAMP	4	XXXXXX-	WARNING
23	AR42119	LAMP	2		(A) (SUB RE19075, THIS APPLICATION)
24	WIRING LEAD	1		686MM (27") (MAKE FROM (2) R32016 AND R66319)
25	R21551	CLIP	2		
26	AR42119	LAMP	1		(A) (SUB RE19075, THIS APPLICATION)
27	R48883	CLAMP	2		
..	AR54976	WIRING HARNESS	2		FRONT WARNING LAMP (NLA)
..	AR104119	HEADLIGHT	AR		(HALOGEN) (USE WITH RE19075)

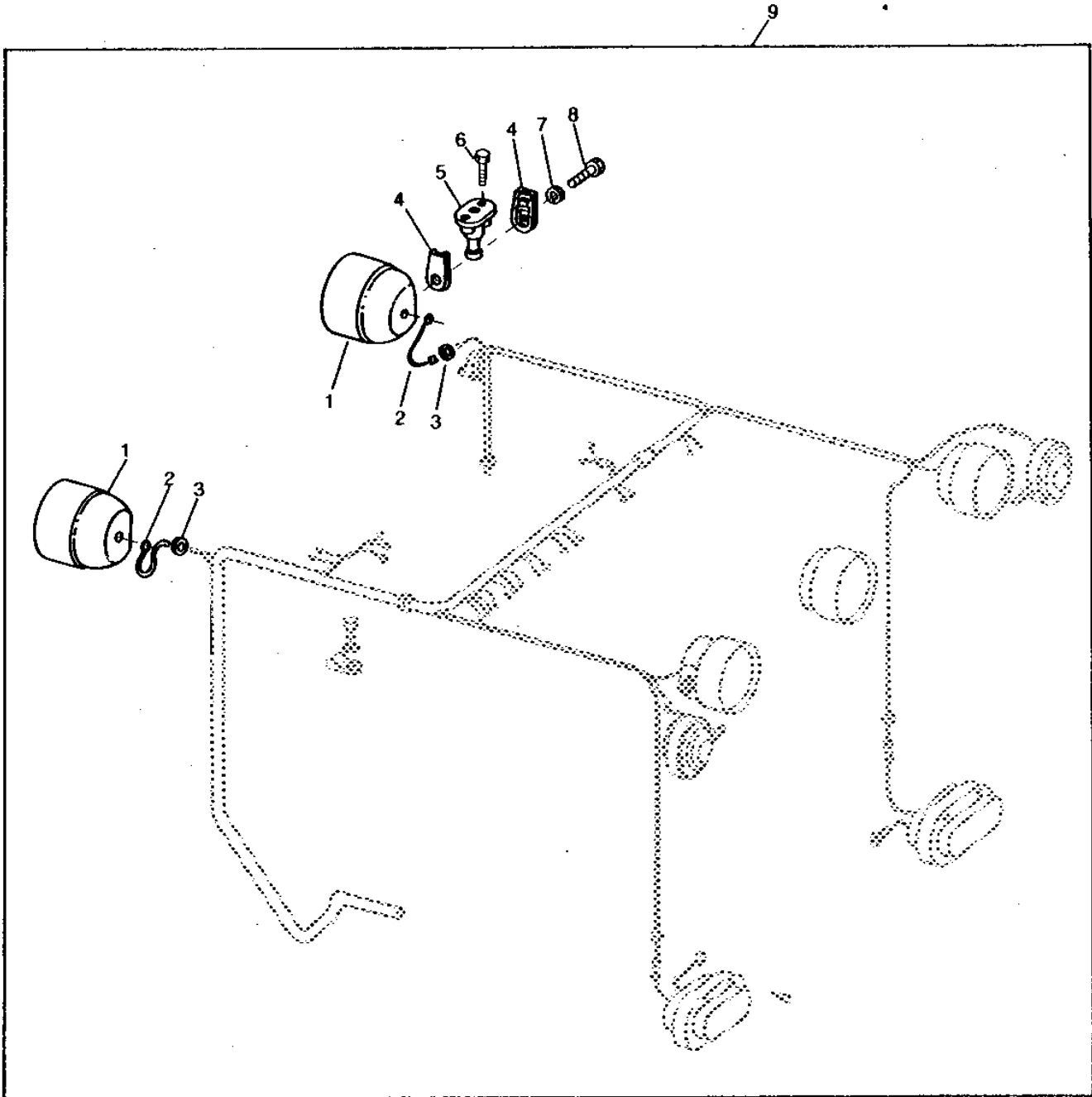
(A) HOBBS OR GUIDE

1E18

ELECTRICAL

RWP4369 -UN-01JAN94

FLOOD LAMP KIT
(UPPER FRONT)



RWP4369

1E19

ELECTRICAL

FLOOD LAMP KIT - CONTINUED
(UPPER FRONT)

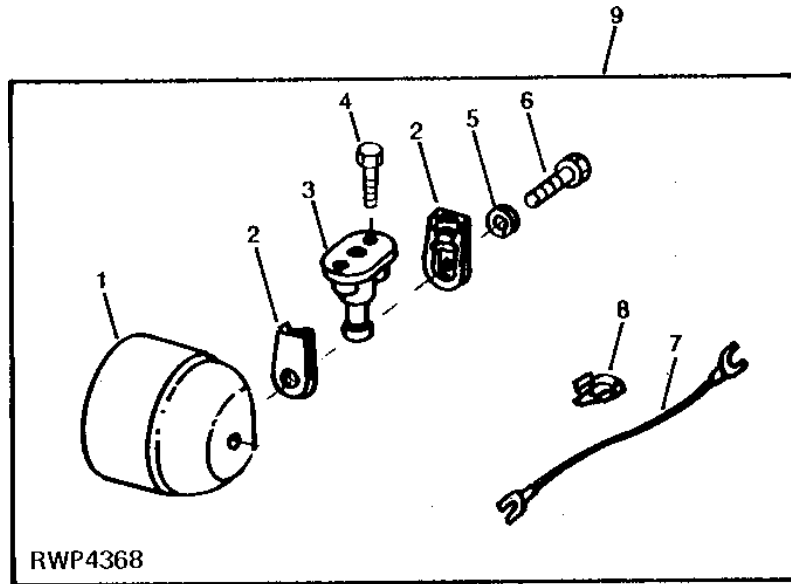
KEY	PART NO.	PART NAME	QTY	TRACTOR SERIAL NO.	REMARKS
1	AR42119	LAMP	2		(SUB RE19075, THIS APPLICATION)
	AR104119	HEADLIGHT	2		(HALOGEN) (USE WITH RE19075)
2	WIRING LEAD	2		191MM (7-1/2") (MAKE FROM R32018, R66319, R32027 AND R32025)
3	R2579R	GROMMET	2		
4	R27460	CLAMP	4		
5	R43662	BRACKET	2		
6	37H106	SCREW	4		
7	12H301	LOCK WASHER	2	1/2"	
8	19H2644	CAP SCREW	2	1/2" X 2-1/2"	
9	AR51968	KIT	1		

1E20

ELECTRICAL

RWP4368 -UN-01JAN94

FLOOD LAMP KIT (REAR CENTER)



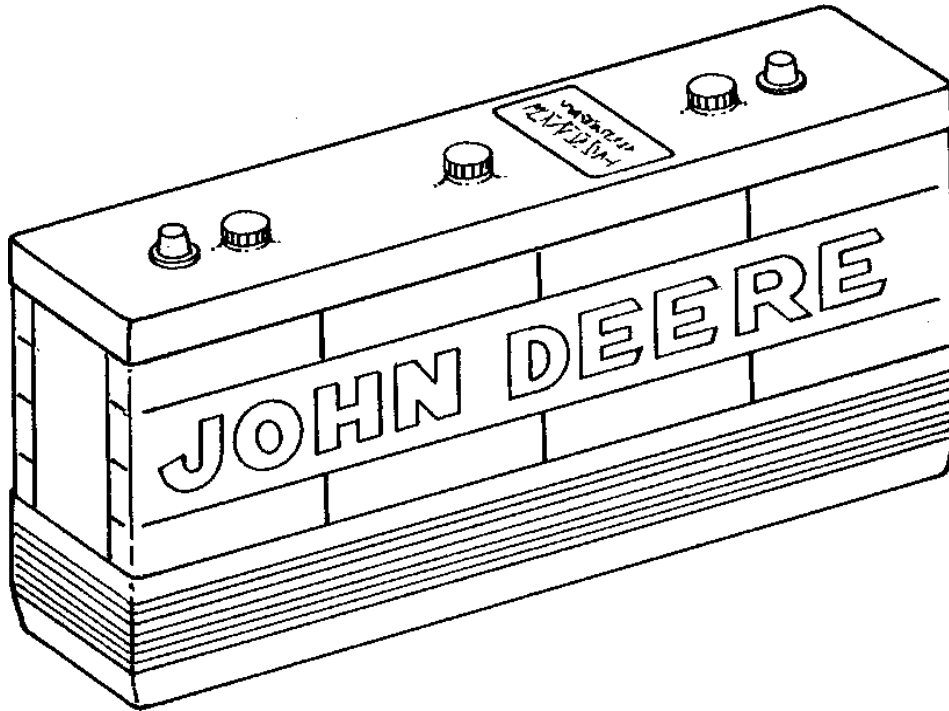
KEY	PART NO.	PART NAME	QTY	TRACTOR SERIAL NO.	REMARKS
1	AR42119	LAMP	1		(12-VOLT) (SUB RE19075, THIS APPLICATION)
2	R27460	CLAMP	2		
3	R43662	BRACKET	1		
4	37H106	SCREW	2		
5	12H301	LOCK WASHER	1	1/2"	
6	19H2644	CAP SCREW	2	1/2" X 2-1/2"	
7	WIRING LEAD	1	689MM (27")	(MAKE FROM (2) AR32016 AND R66319)
8	R21551	CLIP	2		
9	AR52604	KIT	1		

1E21

ELECTRICAL

RP1315 -UN-01JAN94

BATTERY



RP1315

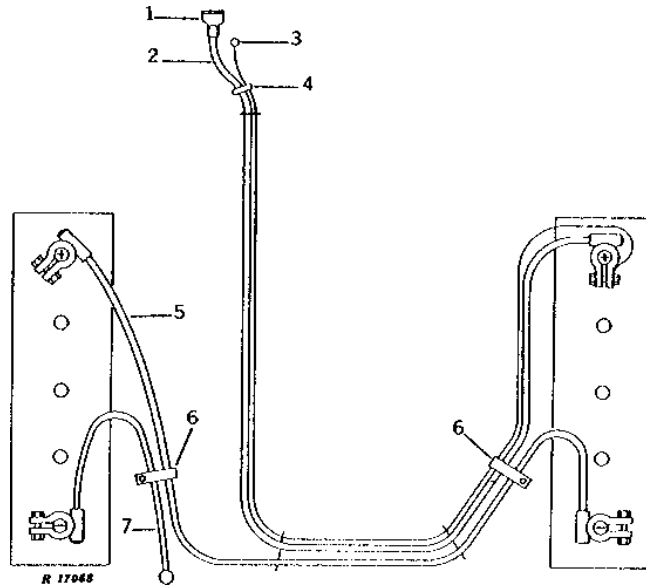
KEY	PART NO.	PART NAME	QTY	TRACTOR SERIAL NO.	REMARKS
..	TY21737	BATTERY	2		6-VOLT, 850 COLD CRANKING AMPS AT 0°F (-18°C), 280-MINUTE RESERVE CAPACITY AT 25 AMPS, (SUB FOR AR45450 OR TY6118)

1E22

ELECTRICAL

R17068 -UN-01JAN94

BATTERY CABLES (ROW-CROP)



KEY	PART NO.	PART NAME	QTY	TRACTOR SERIAL NO.	REMARKS
1	R30964	COVER	1		
2	AR51394	CABLE	1	(A) 1270MM (50")	
	AR45923	CABLE	1	(B) 1778MM (70")	
3	AR47087	WIRING LEAD	1	(A) BATTERY TO STARTER CIRCUIT RELAY	
	AR47086	WIRING LEAD	1	(B) BATTERY TO STARTER CIRCUIT RELAY	
4	R41439	GROMMET	1		
5	AR48912	CABLE	1	1016MM (40") (SUB FOR AR45924)	
	R43498	SUPPORT	2		
6	R49921	CLAMP	AR	(2 USED LESS CAB) (3 USED (A), (C)) (1 USED (B), (C)) (SUB FOR R44605)	
	28H207	BUSHING	2	3/8" X 2-3/8"	
	28H1535	SPACER	2	3/8" X 2-3/4"	
	28H1635	SPACER	3	(C) 3/8" X 2-1/2"	
	19H2104	CAP SCREW	3	(C) 3/8" X 5"	
	19H2205	CAP SCREW	2	3/8" X 6"	
	12H304	LOCK WASHER	3	(C) 3/8"	
	A4624R	WASHER	3	(C)	
7	AR51395	CABLE	1	GROUND, (SUB FOR AR45925)	
..	R44302	TIE BAND	AR		

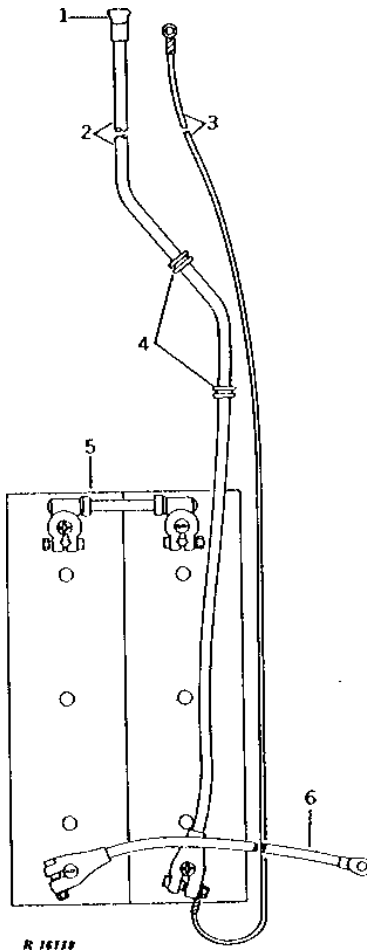
(A) SYNCRO-RANGE TRANSMISSION
(B) POWER SHIFT TRANSMISSION
(C) CAB

1E23

ELECTRICAL

R16118 -UN-01JAN94

BATTERY CABLES (STANDARD)



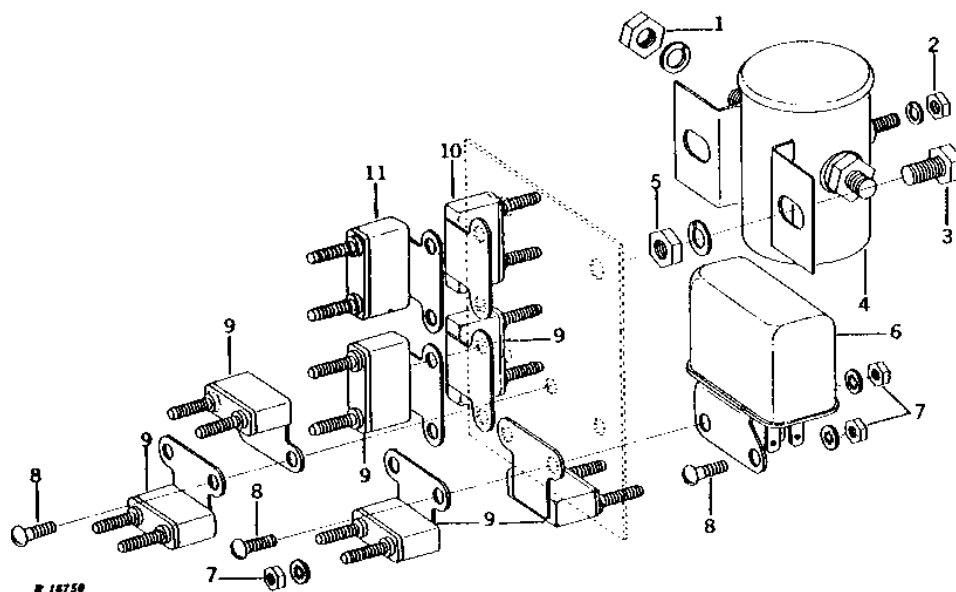
KEY	PART NO.	PART NAME	QTY	TRACTOR SERIAL NO.	REMARKS
1	R30964	COVER	1		
2	AR45926	CABLE	1	1422MM (56")	(BATTERY TO STARTER CIRCUIT RELAY)
3	AR47087	WIRING LEAD	1		(SYNCRO-RANGE)
	AR47086	WIRING LEAD	1		(BATTERY TO STARTER CIRCUIT RELAY)
					(POWERSHIFT)
4	R41439	GROMMET	2		
5	AR45927	CABLE	1		CONNECTOR
6	AR45975	CABLE	1		GROUND
..	R44302	TIE BAND	AR		

1E24

ELECTRICAL

R16750 -UN-01JAN94

CIRCUIT BREAKERS



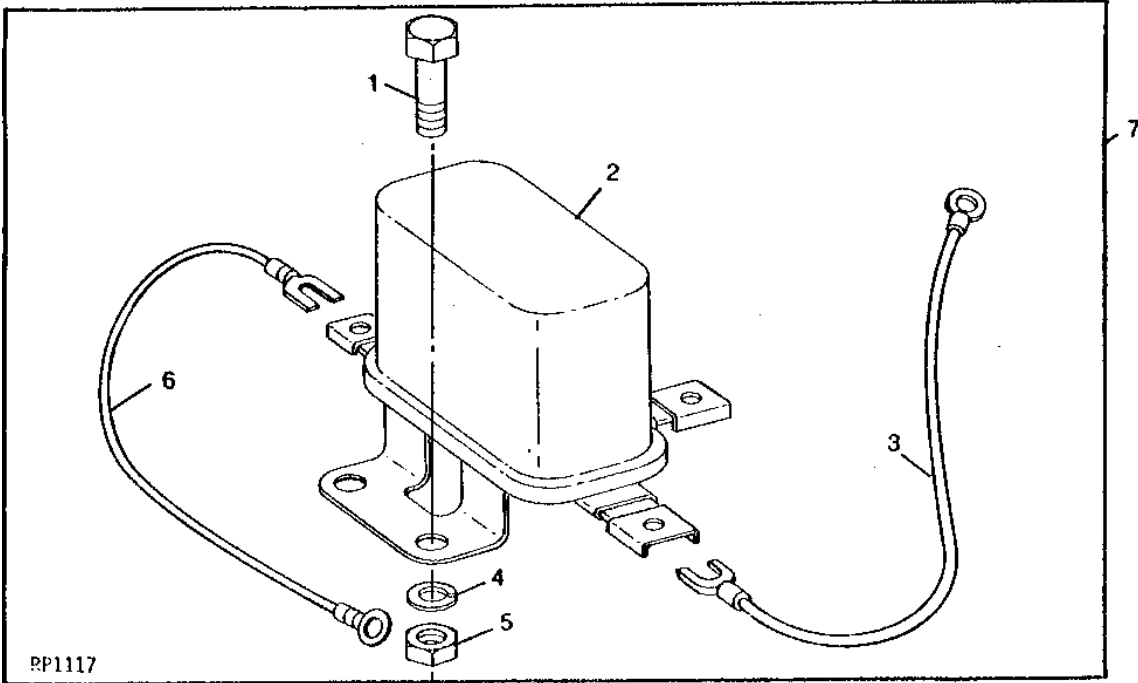
KEY	PART NO.	PART NAME	QTY	TRACTOR SERIAL NO.	REMARKS
1	14H650	NUT	2	5/16"	
	12H303	LOCK WASHER	2	5/16"	
2	14H605	NUT	1	0.164"	
	12H315	LOCK WASHER	1	0.164"	
3	19H1227	CAP SCREW	2	1/4" X 1/2"	
4	AR54484	RELAY	1		CAB WIRING, (SUB FOR AR46334) (SUB AR91166, THIS APPLICATION)
5	14H786	NUT	2	1/4"	
	12H302	LOCK WASHER	2	1/4"	
6	AH62341	RELAY	1		INDICATOR LAMP, (POWER SHIFT) (SUB AR74411, AR99909 AND R67982)
7	14H631	NUT	17	0.190"	
	12M7060	WASHER	17	0.209"	
8	21H1295	SCREW	5	0.190" X 5/8"	
9	AR28403	CIRCUIT BREAKER	3		20 AMP, (5 USED WITH CAB) (6 USED WITH OUTLET SOCKET)
10	AR49352	CIRCUIT BREAKER	1		30 AMP, (AIR CONDITIONING)
11	AR55649	CIRCUIT BREAKER	1		10 AMP (IGNITION) (SUB FOR AR48726)
..	R48825	LABEL	1		

1E25

ELECTRICAL

RP1117 -UN-01JAN94

ACCESSORY RELAY WIRING KIT



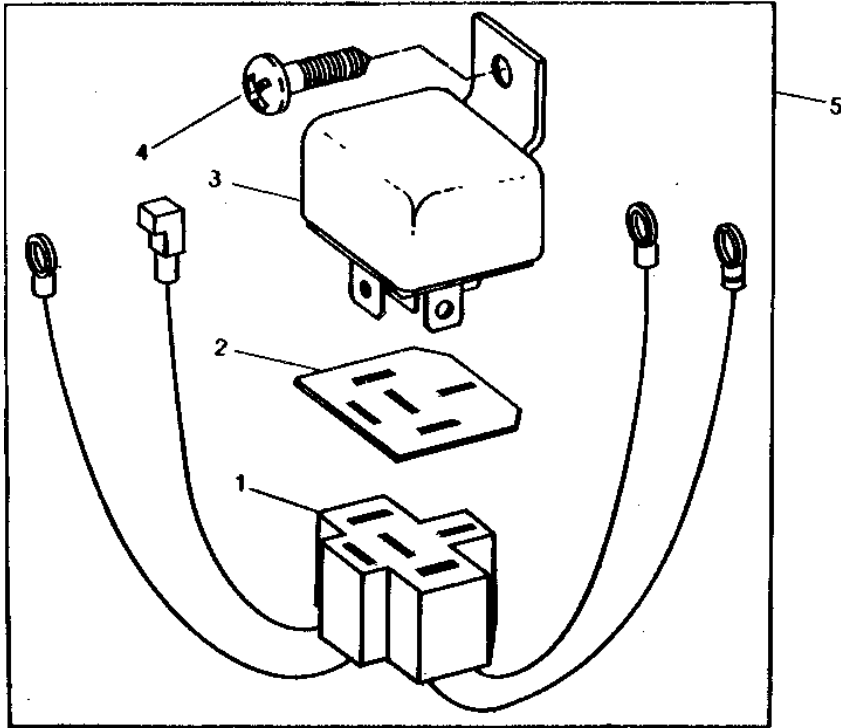
KEY	PART NO.	PART NAME	QTY	TRACTOR SERIAL NO.	REMARKS
1	19H1919	CAP SCREW	2	1/4" X 5/8"	
2	AH98337	RELAY	1		
3	AR78384	WIRING LEAD	1		
4	12H302	LOCK WASHER	2	1/4"	
5	14H786	NUT	2	1/4"	
6	AR78386	WIRING LEAD	1		
7	AR78382	KIT	1	(SUB AR91166)	

1F1

ELECTRICAL

RWP2586 -UN-01JAN94

ACCESSORY RELAY WIRING KIT



RWP2586

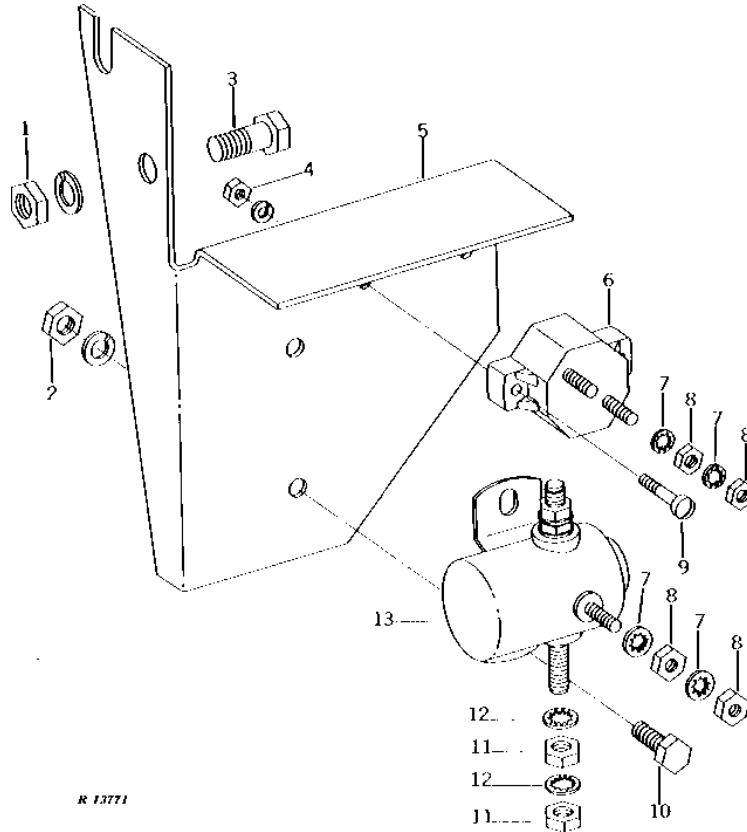
KEY	PART NO.	PART NAME	QTY	TRACTOR SERIAL NO.	REMARKS
1	AR91167	WIRING HARNESS	1		
	AR78384	WIRING LEAD	3		
	R32022	TERMINAL	2		
	R32028	TERMINAL	3		
2	R67982	COVER	1		
3	AR74411	RELAY	1		
4	37H52	SCREW	1	1/4" X 3/8"	
	19H1919	CAP SCREW	1	1/4" X 5/8"	
	12H302	LOCK WASHER	1	1/4"	
	14H786	NUT	1	1/4"	
5	AR91166	KIT	1		

1F2

ELECTRICAL

R13771 -UN-01JAN94

STARTING CIRCUIT RELAY AND MAIN CIRCUIT BREAKER



R 13771

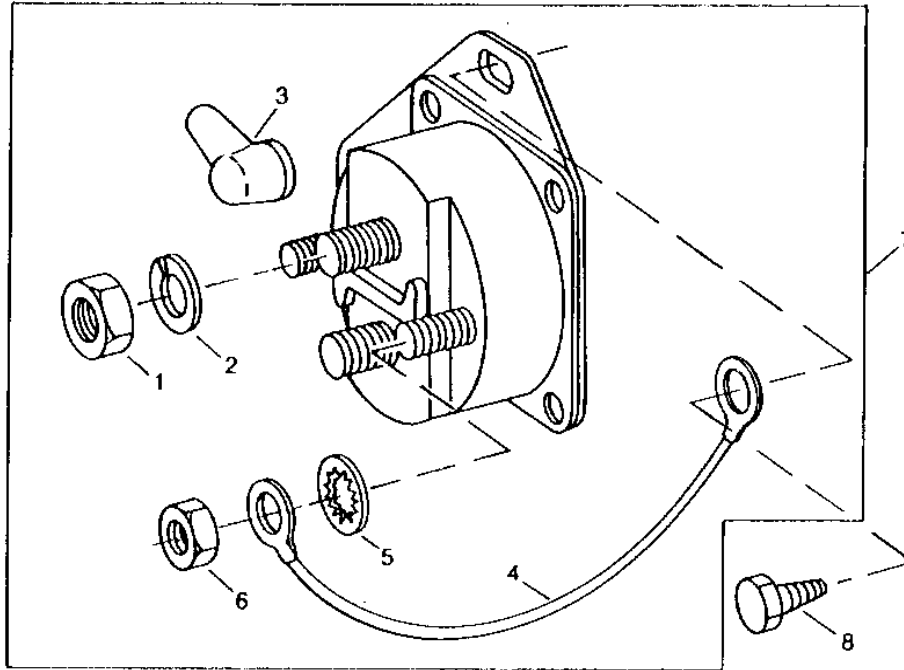
KEY	PART NO.	PART NAME	QTY	TRACTOR SERIAL NO.	REMARKS
1	14H1076	NUT	1	3/8"	
	12H310	LOCK WASHER	2	3/8"	
2	14H786	NUT	2	1/4"	
	12H302	LOCK WASHER	2	1/4"	
3	19H2284	CAP SCREW	1	3/8" X 7/8"	
4	14H631	NUT	2	0.190"	
	12H246	LOCK WASHER	2	0.190"	
5	AR55061	SUPPORT	1	(SUB FOR R43740)	
6	AR41287	CIRCUIT BREAKER	1	MAIN	
7	12M7060	WASHER	6	0.209"	
8	14H631	NUT	6	0.190"	
9	21H1282	SCREW	2	0.190" X 7/8"	
10	19H1227	CAP SCREW	2	1/4" X 1/2"	
11	14H650	NUT	4	5/16"	
12	12M7032	LOCK WASHER	4	0.331"	
13	AR44999	RELAY	1	(SUB RE38391)	

1F3

ELECTRICAL

RXP7387 -UN-01JAN94

STARTING CIRCUIT RELAY



RXP7387

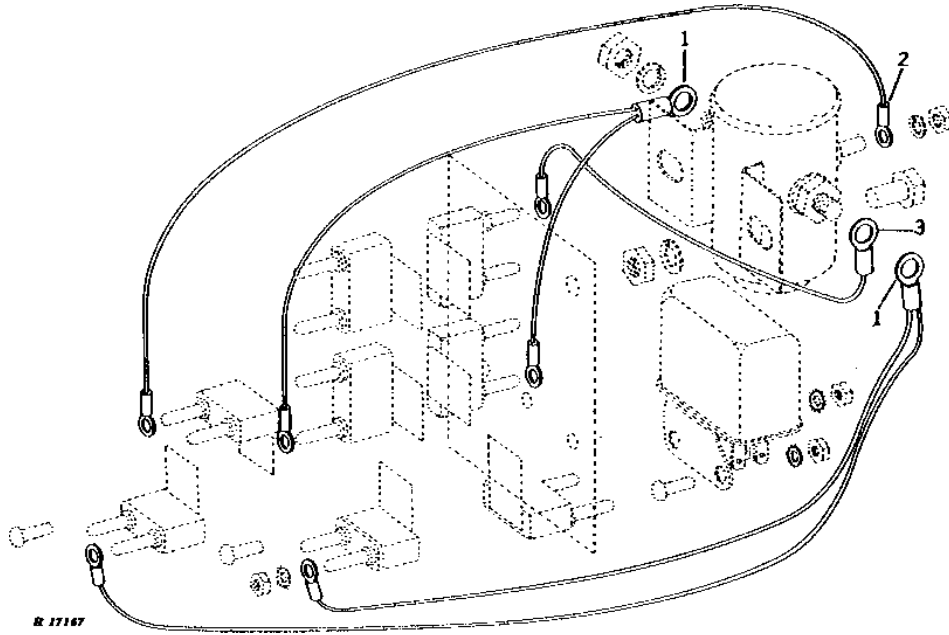
KEY	PART NO.	PART NAME	QTY	TRACTOR SERIAL NO.	REMARKS
1	14H785	NUT	2	5/16"	
2	12M7032	LOCK WASHER	2	0.331"	
3	R74993	BOOT	2		
4	WIRING LEAD	1	152 MM (6") (MAKE FROM R65593, R65599 AND R32018)	
5	12M7060	WASHER	2	0.209"	
6	14H631	NUT	2	0.190"	
7	RE38391	KIT	1	(SUB FOR AT68973 OR AR44999) (ALSO ORDER RE41287)	
8	R52938	CAP SCREW	2		

1F4

ELECTRICAL

R17167 -UN-01JAN94

CIRCUIT BREAKER LEADS (CAB AND AIR CONDITIONING)



R 17167

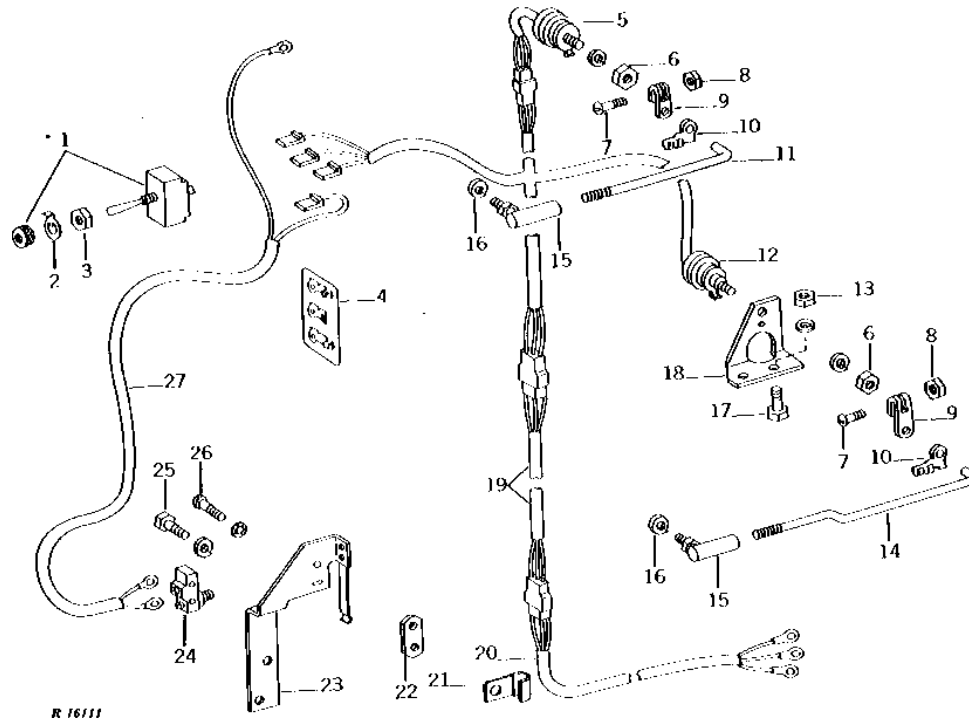
KEY	PART NO.	PART NAME	QTY	TRACTOR SERIAL NO.	REMARKS
1	AR49602	WIRING HARNESS	2		
2	WIRING LEAD	1		152MM (6") (CIRCUIT BREAKER TO CAB RELAY) (MAKE FROM R66319 AND (2) R32018)
3	WIRING LEAD	1		152MM (6") (CIRCUIT BREAKER TO CAB RELAY) (AIR CONDITIONING) (MAKE FROM R66319, R32019 AND R32022)
..	R48825	LABEL	1		

1F5

ELECTRICAL

ELECTRICAL SWITCHES AND WIRING (POWER FRONT WHEEL DRIVE) (SYNCRO-RANGE)

R16111 -UN-01JAN94



R 16111

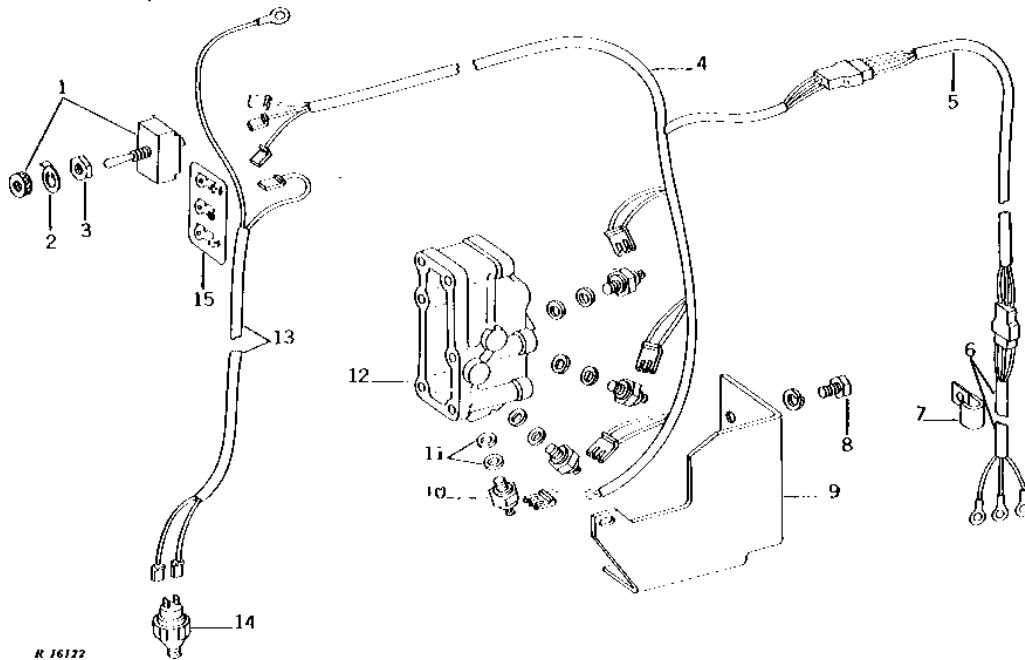
KEY	PART NO.	PART NAME	QTY	TRACTOR SERIAL NO.	REMARKS
1	AR53938	TOGGLE SWITCH	1		(SUB FOR AR45312)
2	R44096	LOCK PLATE	1		
3	R44097	NUT	1		
4	R44094	LABEL	1		
5	AR49433	SWITCH	1		ROTARY, (NLA)
6	R44025	NUT	2		
7	12H292	LOCK WASHER	2		1/2"
8	21H1315	SCREW	2		0.164" X 3/4"
9	T19977	LOCK NUT	2		NO. 8
10	R42985	ARM	2		
11	R42984	CLIP	2		
12	R42986	BOLT	1		
13	AR49432	SWITCH	1		(NLA)
14	14H1076	NUT	2		3/8"
15	12H304	LOCK WASHER	2		3/8"
16	R49785	ROD	1		SPEED CHANGE, (SUB FOR R42987) (NLA)
17	AR45316	BALL JOINT	2		
18	12H246	LOCK WASHER	2		0.190"
19	19H2284	CAP SCREW	2		3/8" X 7/8"
20	R49784	BRACKET	1		(SUB FOR R42988) (NLA)
21	AR45390	WIRING HARNESS	1		CONTROL SWITCH TO CONTROL VALVE (NLA)
22	AR45734	WIRING HARNESS	1		CONTROL VALVE
23	T13744	CLAMP	1		
24	R44016	STRAP	1		
25	AR49082	BRACKET	1		(NLA)
26	R44017	SWITCH	1		CLUTCH PEDAL
27	19H1800	CAP SCREW	1		3/8" X 1-1/2"
28	12H304	LOCK WASHER	1		3/8"
29	21H1348	SCREW	2		0.138" X 1-1/8"
30	12H321	WASHER	2		0.138"
31	AR49342	WIRING HARNESS	1		(CIRCUIT BREAKER TO CLUTCH PEDAL SWITCH AND CONTROL SWITCH) (NLA)

1F6

ELECTRICAL

ELECTRICAL SWITCHES AND WIRING (POWER FRONT WHEEL DRIVE) (POWER SHIFT)

R16122 -UN-01JAN94



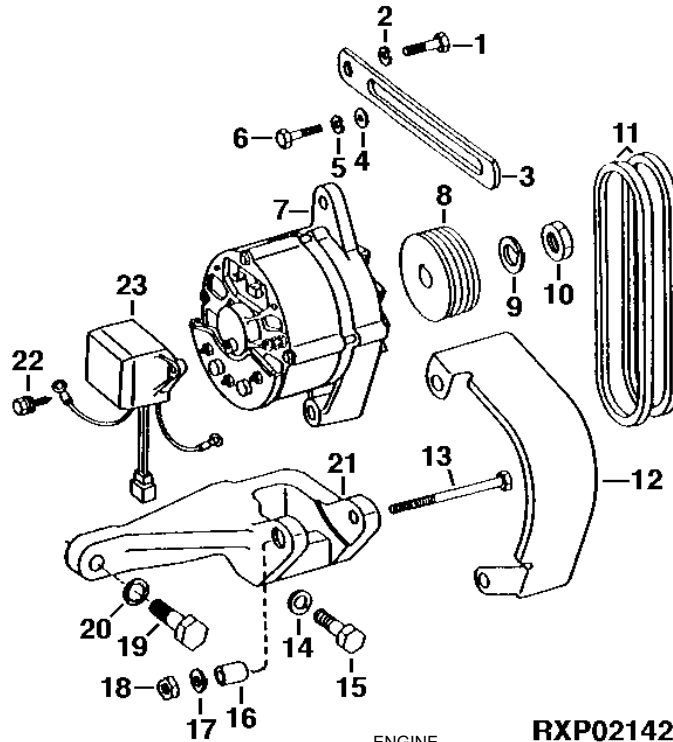
KEY	PART NO.	PART NAME	QTY	TRACTOR SERIAL NO.	REMARKS
1	AR53938	TOGGLE SWITCH	1		(SUB FOR AR45312)
2	R44096	LOCK PLATE	1		
3	R44097	NUT	1		
4	AR49479	WIRING HARNESS	1		CONTROL VALVE HOUSING SWITCH (NLA)
5	AR45390	WIRING HARNESS	1		CONTROL SWITCH TO CONTROL VALVE (NLA)
6	AR45734	WIRING HARNESS	1		CONTROL VALVE
7	T32231	CLAMP	1		
8	19H3530	CAP SCREW	2		1/2" X 7/8", (SUB FOR 19H2548)
	12H301	LOCK WASHER	2		1/2"
9	R47833	SHIELD	1		
10	RE38390	SWITCH	4		NEUTRAL START, (SUB FOR R36265, AR85323 OR AT85153)
11	T16911	SHIM	8		
12	R82331	COVER	1		TRANSMISSION CONTROL VALVE HOUSING, (SUB FOR AR52180, AR95904 OR RE21305) (ALSO ORDER R26287, (5) R26448, R27216 AND R27218)
13	AR51373	WIRING HARNESS	1		CIRCUIT BREAKER TO PRESSURE SWITCH AND CONTROL SWITCH (NLA)
14	AR51372	SWITCH	1		CLUTCH VALVE HOUSING, (SUB AL67715)
	15H639	PIPE BUSHING	1		1/4" X 1/8"
	R44094	LABEL	1		
..	R44302	TIE BAND	AR		

1F7

ELECTRICAL

**ALTERNATOR, REGULATOR, AND MOUNTING BRACKET
(MOTOROLA) (AR40420)
(TRACTOR SERIAL NO. -014117)**

RXP021423 -UN-24JAN96



RXP021423

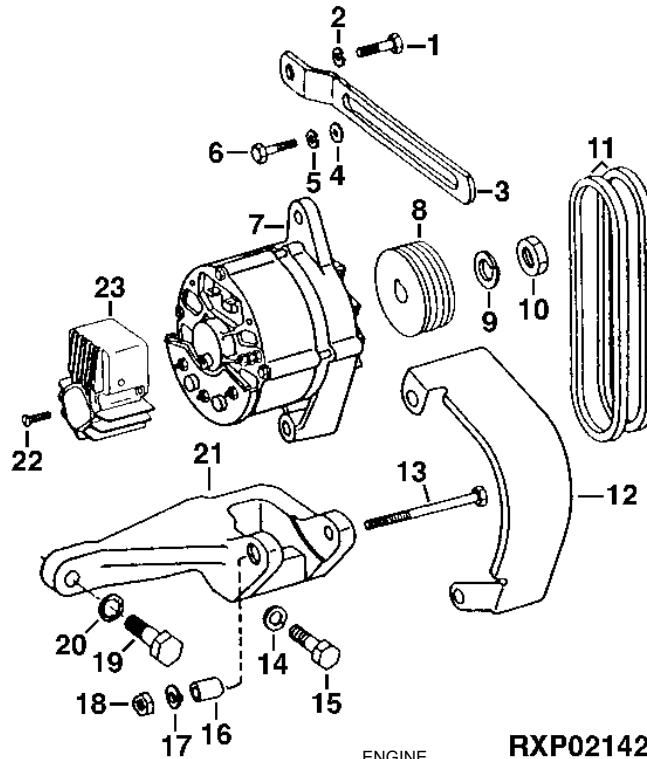
KEY	PART NO.	PART NAME	QTY	ENGINE SERIAL NO.	REMARKS
1	19H2284	CAP SCREW	1	3/8" X 7/8"	
2	12H304	LOCK WASHER	1	3/8"	
3	R43603	STRAP	1		
4	24H1292	WASHER	1	11/32" X 3/4" X 0.120"	
5	12H303	LOCK WASHER	1	5/16"	
6	19H1905	CAP SCREW	1	5/16" X 1"	
7	AR40420	ALTERNATOR	1	(55 AMP) (MOTOROLA NO.70D44110C01) (SUB TY1430)	(55AMP) REMANUFACTURED
	TY1430	ALTERNATOR	1		
8	R43828	PULLEY	1		
9	12H294	LOCK WASHER	1	5/8"	
10	14H866	NUT	1	5/8"	
11	AR43219	BELT SET	1		
12	R56012	SHIELD	1	(SUB FOR R41334 OR R55245)	
13	19H1854	CAP SCREW	1	3/8" X 3-3/4"	
14	12H293	LOCK WASHER	1	7/16"	
15	19H1740	CAP SCREW	1	7/16" X 1-3/4"	
16	R45377	SPACER	1	(SUB FOR R36615)	
17	12H304	LOCK WASHER	1	3/8"	
18	14H1076	NUT	1	3/8"	
19	19H2731	CAP SCREW	1	7/16" X 1-3/8"	
20	12H325	LOCK WASHER	1	7/16"	
21	R48777	BRACKET	1		
22	R44008	SCREW	3		
23	AR78298	VOLTAGE REGULATOR	1	(12-VOLT) (SUB FOR AR38459 OR AR52927)	

1F8

ELECTRICAL

**ALTERNATOR, REGULATOR, AND MOUNTING BRACKET
(MOTOROLA) (WITH AIR CONDITIONING) (AR52077)
(TRACTOR SERIAL NO. -014117)**

RXP021424 -UN-09JAN96



RXP021424

KEY	PART NO.	PART NAME	QTY	ENGINE SERIAL NO.	REMARKS
1	19H2284	CAP SCREW	1	3/8" X 7/8"	
2	12H304	LOCK WASHER	1	3/8"	
3	R46731	STRAP	1		
4	24H1292	WASHER	1	11/32" X 3/4" X 0.120"	
5	12H303	LOCK WASHER	1	5/16"	
6	19H1905	CAP SCREW	1	5/16" X 1"	
7	AR52077	ALTERNATOR	1	(72 AMP) (MOTOROLA NO.70D44414C01) (SUB TY6603)	
	TY6603	ALTERNATOR	1	(72 AMP) (REMANUFACTURED)	
8	AR55173	PULLEY	1	(SUB FOR R48426)	
9	12H294	LOCK WASHER	1	5/8"	
10	14H866	NUT	1	5/8"	
11	AR43955	BELT SET	1	(A) (NLA)	
12	R56012	SHIELD	1	(SUB FOR R41334 OR R55245)	
13	19H1854	CAP SCREW	1	3/8" X 3-3/4"	
14	12H293	LOCK WASHER	1	7/16"	
15	19H1740	CAP SCREW	1	7/16" X 1-3/4"	
16	R45377	SPACER	1	(SUB FOR R36615)	
17	12H304	LOCK WASHER	1	3/8"	
18	14H1076	NUT	1	3/8"	
19	19H2731	CAP SCREW	1	7/16" X 1-3/8"	
20	12H325	LOCK WASHER	1	7/16"	
21	R48778	BRACKET	1		
22	T31308	SCREW	2		
23	AT56592	REGULATOR	1	(SUB FOR AR38459 OR AR52927)	

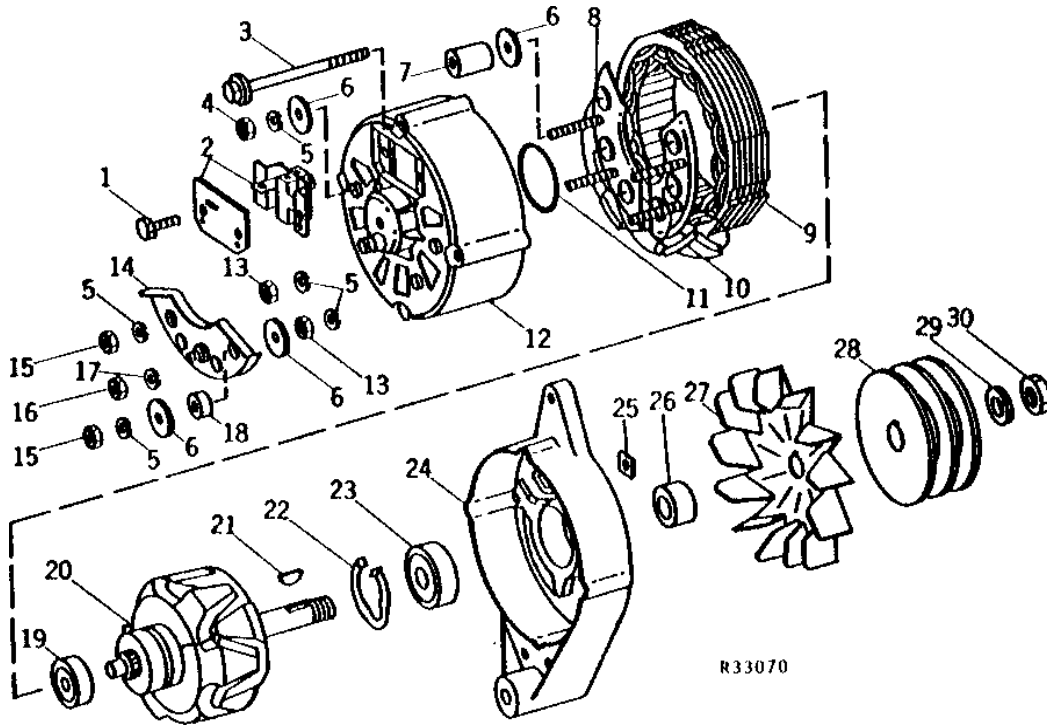
(A) AIR CONDITIONING

1F9

ELECTRICAL

ALTERNATOR PARTS
(12-VOLT) (55 AMP) (MOTOROLA) (AR40420)
(TRACTOR SERIAL NO. -014117)

R33070 -UN-01JAN94



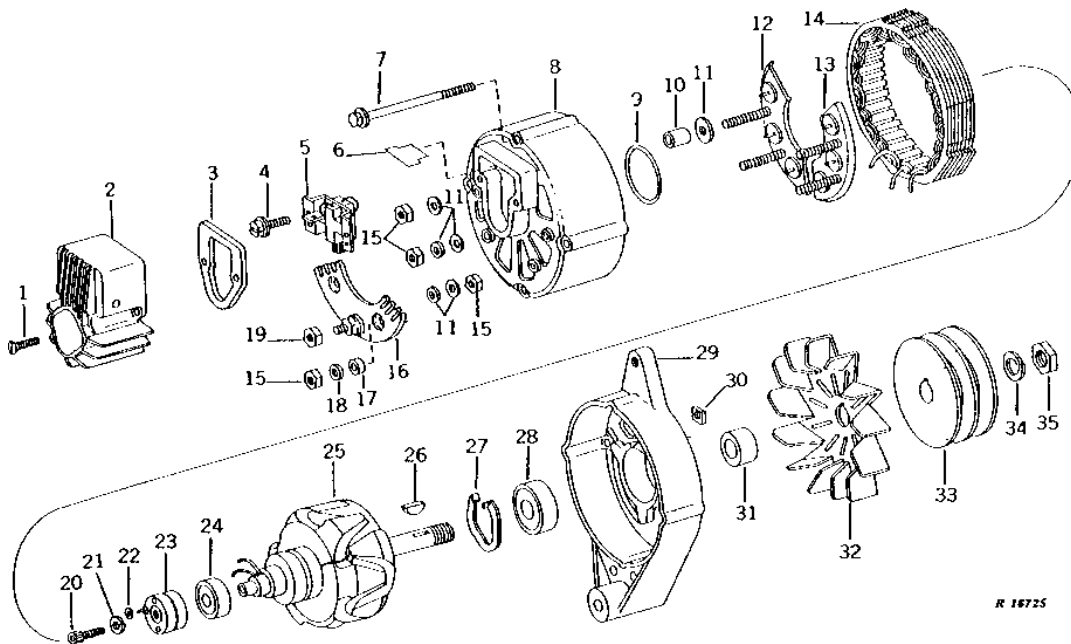
KEY	PART NO.	PART NAME	QTY	TRACTOR SERIAL NO.	REMARKS
1	37H10	SCREW	2		0.164" X 3/8"
2	AT27128	HOLDER	1		(SUB FOR R15026)
3	R15045	BOLT	4		
4	14H778	NUT	2		0.190"
5	12M7060	WASHER	6		0.209"
6	R15036	WASHER	6		
7	R15035	SLEEVE	2		
8	R15023	DIODE	1		RECTIFYING, POSITIVE
9	R39802	STATOR	1		
10	R15024	DIODE	1		RECTIFYING, NEGATIVE
11	R15030	O-RING	1		
12	R38374	HOUSING	1		(REAR)
13	14H778	NUT	2		0.190"
14	R39800	DIODE	1		INSULATOR, DUAL
15	14H778	NUT	2		0.190"
16	14H786	NUT	1		1/4"
17	12H297	LOCK WASHER	2		1/4"
18	R39803	WASHER	1		
19	AT23189	BALL BEARING	1		
20	R39801	ROTOR	1		
21	26H72	SHAFT KEY	1		1/8" X 5/8"
22	R15029	RETAINER	1		
23	JD8535	BALL BEARING	1		
24	R15033	HOUSING	1		(FRONT)
25	T23610	NUT	4		
26	T25343	BUSHING	1		
27	R15027	FAN	1		
28	R43828	PULLEY	1		
29	12H294	LOCK WASHER	1		5/8"
30	14H866	NUT	1		5/8"
..	AR40420	ALTERNATOR	1		(LESS PULLEY) (MOTOROLA NO. 70D44110C01)
..	TY1430	ALTERNATOR	1		(REMANUFACTURED)

1F10

ELECTRICAL

ALTERNATOR PARTS (12-VOLT) (72 AMP) (MOTOROLA) (AIR CONDITIONING) (AR52077) (TRACTOR SERIAL NO. -014117)

R16725 -UN-01JAN94



R 16725

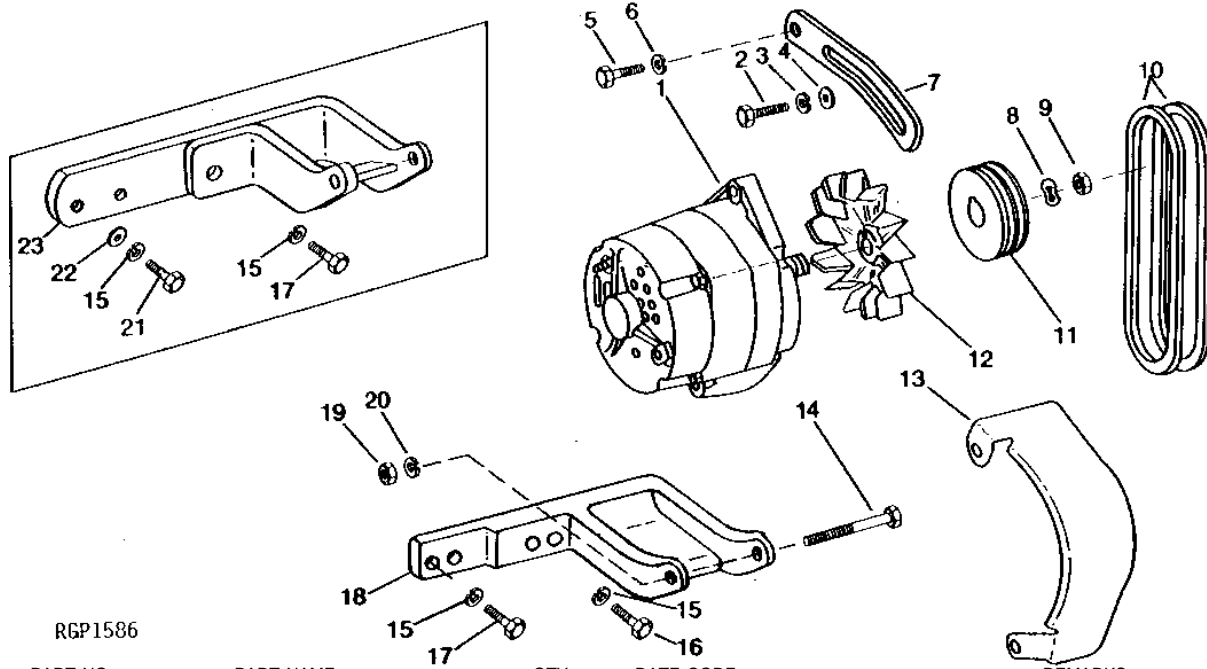
KEY	PART NO.	PART NAME	QTY	TRACTOR SERIAL NO.	REMARKS
1	T31308	SCREW	2		
2	AT56592	REGULATOR	1		(MARKED AT29926) (SUB FOR AR52079)
3	T29100	GASKET	1		
4	37H10	SCREW	2		0.164" X 3/8"
5	AT27128	HOLDER	1		
6	T25357	INSULATOR	1		
7	R47460	BOLT	4		
8	R48728	HOUSING	1		(REAR)
9	T29105	RETAINER	1		
10	T25353	BUSHING	2		
11	R15036	WASHER	7		
12	AH103067	PLATE	1		RECTIFYING, POSITIVE, (SUB FOR AR50225)
13	AH103068	PLATE	1		RECTIFYING, NEGATIVE
14	AR50226	STATOR	1		
15	14H778	NUT	6		0.190"
	12H246	LOCK WASHER	4		0.190"
16	AR50229	DIODE	1		
17	R39803	WASHER	1		
18	R15036	WASHER	1		(SUB FOR R39804)
19	14H786	NUT	1		1/4"
	12H297	LOCK WASHER	1		1/4"
20	T17948	SCREW	1		(SUB FOR T29102)
21	12H246	LOCK WASHER	1		0.190"
22	R47461	INSULATOR	1		
23	AT27127	RING	1		(NLA)
24	JD9449	BALL BEARING	1		(SUB FOR AT23188)
25	AR50227	ROTOR	1		
26	26H72	SHAFT KEY	1		1/8" X 5/8"
27	R15029	RETAINER	1		
28	JD9449	BALL BEARING	1		(SUB FOR AT23188)
29	R15033	HOUSING	1		(FRONT)
30	T23610	NUT	4		
31	T25343	BUSHING	1		
32	R15027	FAN	1		
33	AR55173	PULLEY	1		(SUB FOR R48426)
34	12H294	LOCK WASHER	1		5/8"
35	14H866	NUT	1		5/8"
..	AR52077	ALTERNATOR	1		(LESS PULLEY (MOROROLA NO. 70D44414C01)
..	TY6603	ALTERNATOR	1		(REMANUFACTURED)

1F11

ELECTRICAL

ALTERNATOR AND MOUNTING BRACKET (DELCO-REMY) (TRACTOR SERIAL NO. 014118-)

RGP1586 -UN-01JAN94



RGP1586

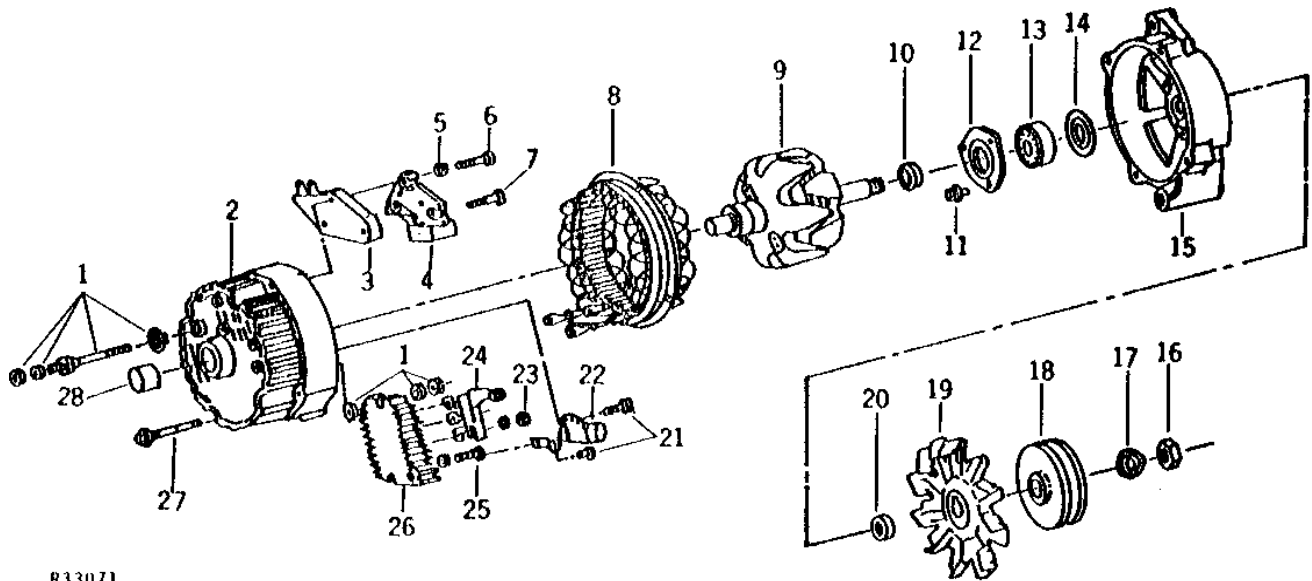
KEY	PART NO.	PART NAME	QTY	DATE CODE	REMARKS
1	RE31694	ALTERNATOR	1		(78 AMP) (SUB FOR AR84306, AR93446, RE13797 OR RE27109) (ALSO ORDER 14M7165, 12M7006, 19M7163 AND 12M7065)
	TY6772	ALTERNATOR	1		(72 AMP) (REMANUFACTURED) (SUB FOR AR54796 OR TY6600)
	TY6686	ALTERNATOR	1		(78 AMP) (REMANUFACTURED)
	TY6790	ALTERNATOR	1		(90 AMP) (REMANUFACTURED) (SUB FOR AR84306, AR93445, AR93446, RE13797 OR RE17379)
2	19H2661	CAP SCREW	1	-8H29	5/16" X 1-3/8"
	19M7298	CAP SCREW	1	8H30-	M8 X 35
3	12H303	LOCK WASHER	1	-8H29	5/16"
	12M7065	LOCK WASHER	1	8H30-	8.100 MM
4	R56397	WASHER	1		
5	19H2284	CAP SCREW	1		3/8" X 7/8"
6	12H304	LOCK WASHER	1		3/8"
7	R71250	STRAP	1		(SUB FOR R43603, THIS APPLICATION)
8	T10745	WASHER	1		
9	R11049	NUT	1		
10	AR57266	BELT SET	1		(SUB FOR AR54592, THIS APPLICATION)
11	R50662	PULLEY	1		
	R50661	PULLEY	1		(W/AIR CONDITIONING)
12	R50659	FAN	1		
	R87764	FAN	1		(USE WITH RE31694)
13	R56012	SHIELD	1		(SUB FOR R41334)
14	19H2023	CAP SCREW	1	-8H29	3/8" X 3-1/4"
	19M7408	CAP SCREW	1	8H30-	M10 X 90
15	12H293	LOCK WASHER	2		7/16"
16	19H1978	CAP SCREW	1		7/16" X 1-1/2"
17	19H2731	CAP SCREW	1		7/16" X 1-3/8"
18	R70870	BRACKET	1		
19	E55662	FLANGE NUT	1	-8H29	3/8"
	14M7274	NUT	1	8H30-	M10
20	12H304	LOCK WASHER	1	-8H29	3/8", (NOT REQUIRED W/E55662)
	12M7066	LOCK WASHER	1	8H30-	10.200 MM
21	19H2964	CAP SCREW	1		7/16" X 1-1/8", (USE WITH AR56010)
22	24M7044	WASHER	1		13 X 20 X 2 MM, (USE WITH AR56010)
23	AR56010	BRACKET	1		(SUB R70870 AND 19H1978)

1F12

ELECTRICAL

ALTERNATOR
(12-VOLT) (55 AMP) (72 AMP) (DELCO-REMY)
(TRACTOR SERIAL NO. 014118-)

R33071 -UN-01JAN94



R33071

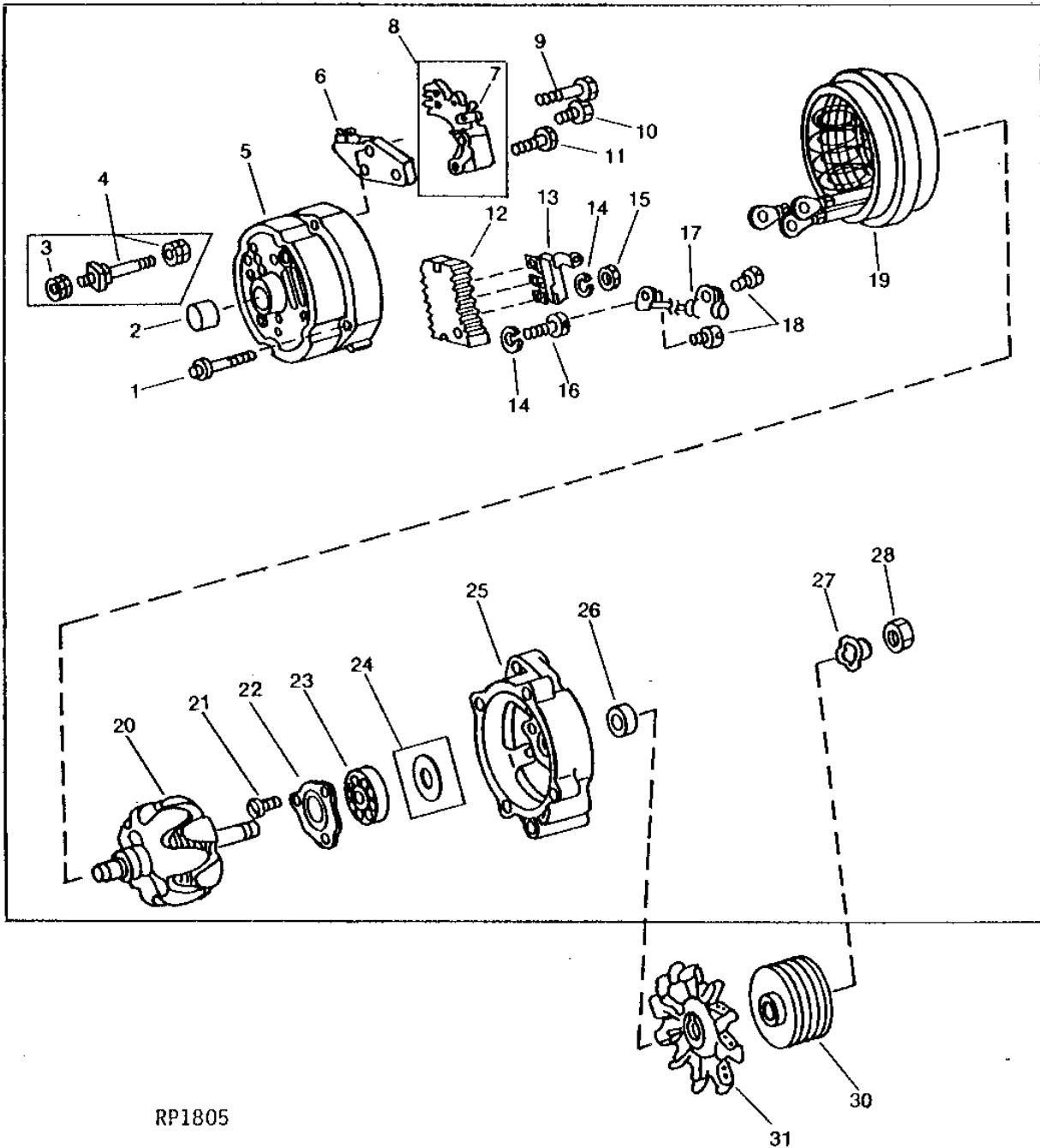
KEY	PART NO.	PART NAME	QTY	TRACTOR SERIAL NO.	REMARKS
1	AR55834	TERMINAL	1	(SUB AR93945 AND 14M7165)	
2	R51529	HOUSING	1	(REAR)	
3	AR55827	VOLTAGE REGULATOR	1	(12-VOLT)	
4	AR69269	BRUSH	1	(SUB FOR AR55833)	
5	12M7084	LOCK WASHER	5	0.169"	
6	R51531	SCREW	1		
7	R51530	SCREW	2		
8	AR55837	STATOR	1	(72 AMP)	
	AR85940	STATOR	1	(55 AMP) (SUB FOR AR55829)	
9	AR78093	ROTOR	1	(SUB FOR AR55828)	
10	R51532	ECCENTRIC LOCKING COLLAR	1		
11	21H1301	SCREW	3	0.190" X 1/2"	
12	R11109	PLATE	1	(SUB FOR AR55836 OR R78755)	
13	JD9449	BALL BEARING	1	(SUB FOR AT23188)	
14	R51534	SHIM	1		
15	R69644	HOUSING	1	(FRONT) (ALSO ORDER R69645) (SUB FOR R51528)	(SUB R71399)
16	R11049	NUT	1		
17	T10745	WASHER	1		
18	R50661	PULLEY	1	(72 AMP)	
	R50662	PULLEY	1	(55 AMP)	
19	R50659	FAN	1		
	R87764	FAN	1	(USE WITH RE31694)	
20	R51533	ECCENTRIC LOCKING COLLAR	1		
21	37H2	SCREW	2	0.164" X 5/8"	
22	AR55835	CAPACITOR	1		
23	14H605	NUT	3	0.164"	
24	RE13798	DIODE	1	TRIO NEGATIVE, (SUB FOR AR55831)	
25	21H1319	SCREW	1	0.164" X 7/8"	
26	AR55832	RECTIFIER	1	BRIDGE POSITIVE	
27	R51535	BOLT	4		
28	AR77851	ROLLER BEARING	1	(SUB FOR AR55830)	
..	AR54796	ALTERNATOR	1	(55 AMP) (ALSO ORDER 14M7165, 12M7006,	
				12M7065 AND 19M7163) (SUB TY6772 OR TY6790)	
..	AR54793	ALTERNATOR	1	(72 AMP) (ALSO ORDER 14M7165, 12M7006,	
				12M7065 AND 19M7163) (SUB TY6772 OR TY6790)	

1F13

ELECTRICAL

ALTERNATOR
(12-VOLT) (DELCO-REMY)
(TRACTOR SERIAL NO. 014118 -)

RP1805 -UN-01JAN94



RP1805

1F14

ELECTRICAL

ALTERNATOR - CONTINUED
(12-VOLT) (DELCO-REMY)
(TRACTOR SERIAL NO. 014118-)

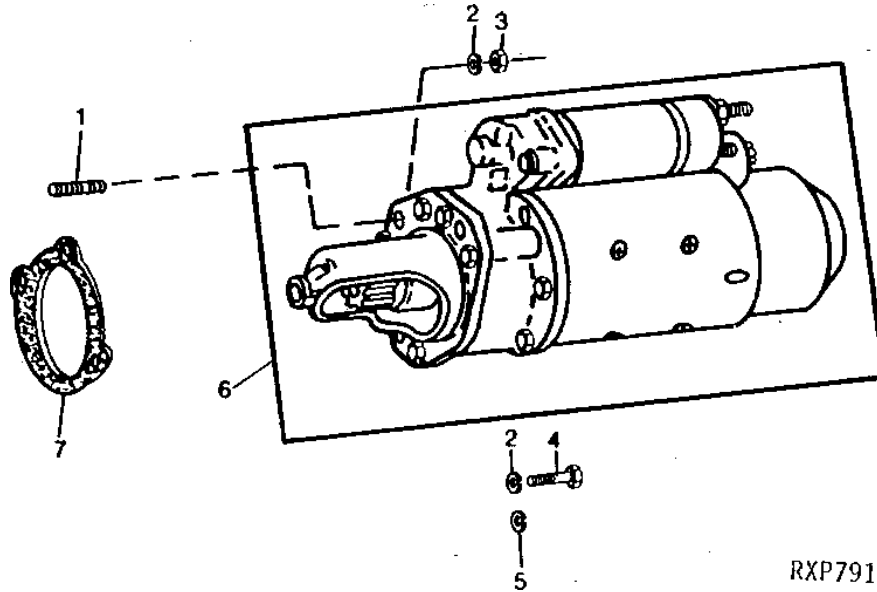
KEY	PART NO.	PART NAME	QTY	TRACTOR SERIAL NO.	REMARKS
1	R51535	BOLT	4		
2	AR77851	ROLLER BEARING	1		
3	14M7165	LOCK NUT	1	M6	
4	AR93945	TERMINAL	1		(ALSO ORDER 14M7165) (SUB FOR AR55834)
5	R66301	HOUSING	1		(REAR) (USE WITH AR84306)
	R71400	HOUSING	1		(REAR) (SUB FOR R66301) (USE WITH AR93446 OR RE13797)
6	AR55827	VOLTAGE REGULATOR	1		
7	AR90058	BRUSH	2		
8	AR85941	CARBON BRUSH HOLDER	1		
9	21H1376	SCREW	1	0.164" X 1-1/4"	
10	R51530	SCREW	2		
11	R66302	SCREW	1		
12	AR55832	RECTIFIER	1		(USE WITH AR84306 OR AR93446)
	RE13799	RECTIFIER	1		(USE WITH RE13797)
13	RE13798	DIODE	1		(SUB FOR AR55831)
14	12M7084	LOCK WASHER	4	0.169"	
15	14H605	NUT	3	0.164"	
16	21H1319	SCREW	1	0.164" X 7/8"	
17	AR55835	CAPACITOR	1		
18	37H2	SCREW	2	0.164" X 5/8"	
19	AR55837	STATOR	1		(SUB FOR RE13800)
20	RE13801	ROTOR	1		(SUB FOR AR78093)
21	21H1301	SCREW	3	0.190" X 1/2"	
22	R11109	PLATE	1		(SUB FOR AR55836 OR AR78755)
23	JD9449	BALL BEARING	1		(SUB FOR AT23188)
24	R51534	SHIM	1		
25	R71399	HOUSING	1		(FRONT) (SUB FOR R51528 OR R69644)
26	R51533	ECCENTRIC LOCKING COLLAR	1		
	R69645	WASHER	1		
27	T10745	WASHER	1		
28	R11049	NUT	1		
29	AR84306	ALTERNATOR	1		(72 AMP) (SUB RE31694, 12M7006, 12M7065, 14M7165 AND 19M7163 OR TY6790)
	AR93446	ALTERNATOR	1		(72 AMP) (SUB RE31694 OR TY6790)
	RE13797	ALTERNATOR	1		(72 AMP) (SUB RE31694 OR TY6790)
	TY6790	ALTERNATOR	1		(90 AMP) (REMANUFACTURED) (SUB FOR TY6625)
	RE27109	ALTERNATOR	1		(78 AMP) (SUB RE31694 OR TY6686)
	RE31694	ALTERNATOR	1		(78 AMP) (SUB FOR AR56728, AR54796, AR84306, AR93446, RE13797 OR RE27109) (ALSO FURNISH 14M7165, 12M7006, 12M7065 AND 19M7163)
	TY6686	ALTERNATOR	1		(78 AMP) (REMANUFACTURED)
30	R81507	PULLEY	1		(DOUBLE) (SUB FOR R52161)
31	R50659	FAN	1		
	R87764	FAN	1		(USE WITH RE27109 OR RE31694)

1F15

ELECTRICAL

RXP7911 -UN-01JAN94

STARTING MOTORS



RXP7911

KEY	PART NO.	PART NAME	QTY	TRACTOR SERIAL NO.	REMARKS
1	R56481	STUD	1	(A)	(SUB FOR M3636T)
	R55396	STUD	1	(B)	3/8" X 1-11/16"
2	12H304	LOCK WASHER	3	(C)	3/8", (NOT REQUIRED WITH E55662)
3	E55662	FLANGE NUT	1	(C)	3/8"
4	19H3219	CAP SCREW	2	(F)	3/8" X 1-3/8"
	19H1721	CAP SCREW	3	(D)	1/2" X 1-1/2"
	19H2552	CAP SCREW	2	(E)	3/8" X 1-1/8"
5	12H301	LOCK WASHER	3	(D)	1/2"
6	AR55638	STARTER	1		(DELCO-REMY NO. 1113672) (SUB TY6710)
	AR62267	STARTER	1		(DELCO-REMY NO. 1113402) (SUB TY6710)
	AR78538	STARTER	1		(DELO-REMY NO. 111391) (SUB RE41785 OR TY6701)
	AR77254	STARTER	1		(NIPPONDENSONO. 028000-3290 OR 028000-3291) (SUB RE41875 OR TY6713)
	RE41875	STARTER	1		(NIPPONDENSONO NO. 02800-3292) (MARKED RE13722) (SUB FOR AR77254 OR AR78538)
	TY6701	STARTER	1		(DELCO-REMY) (REMANUFACTURED) (SUB FOR TY1597 OR TY6618)
	TY6710	STARTER	1		(DELCO-REMY) (REMANUFACTURED) (SUB FOR TY6667)
	TY6713	STARTER	1		(NIPPONDENSONO) (REMANUFACTURED) (SUB FOR TY6617)
7	R53108	GASKET	1		

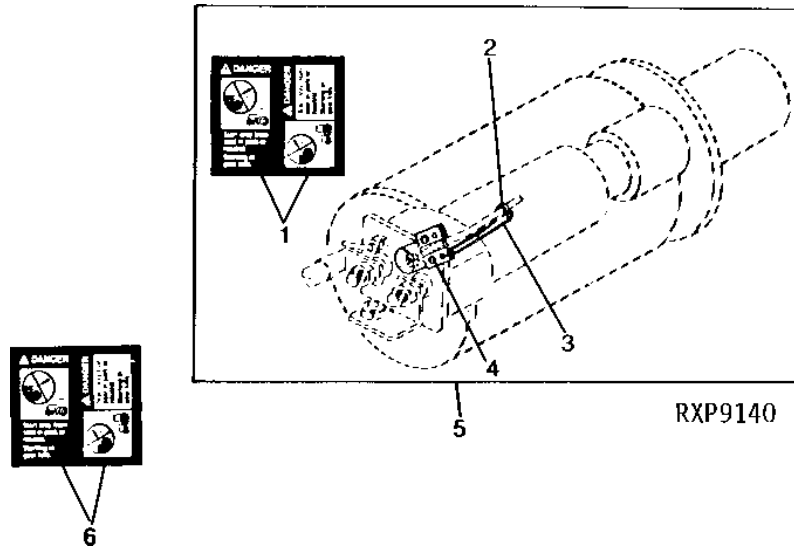
- (A) USE WITH AR55639, AR62267, RE41875, TY6710 OR TY6713
 (B) USE WITH AR77254, TY6701 OR TY6713
 (C) USE WITH AR55639, AR62267, AR77254, RE41875, TY6701, TY6710 OR TY6713
 (D) USE WITH AR78538 OR TY6701
 (E) USE WITH RE41875 OR TY6713
 (F) USE WITH AR55639, AR62267, AR77254, TY6710, TY6701 OR TY6713

1F16

ELECTRICAL

RXP9140 -UN-11NOV94

STARTER SOLENOID COVER KIT (DELCO-REMY)



KEY	PART NO.	PART NAME	QTY	TRACTOR SERIAL NO.	REMARKS
1	T146102	WARNING LABEL	1		(ENGLISH, (SUB FOR T84409 OR T134459)
2	R44302	TIE BAND	1		
3	R76477	TIE BAND	1		
4	R66117	SCREW	2		
5	RE39063	SHIELD	1		(A)
6	T146106	WARNING LABEL	1		(ESPANOL) (SUB FOR T84410 OR T134452)
	T146104	WARNING LABEL	1		(FRANCAIS) (SUB FOR T84411 OR T134453)
	T146515	WARNING LABEL	1		(DEUTSCH) (SUB FOR T84412 OR T134454)
	T146516	WARNING LABEL	1		(ITALIANO) (SUB FOR T84413 OR T134455)
	T146517	WARNING LABEL	1		(ENGLISH/FRANCAIS) (SUB FOR T84578 OR T134456)

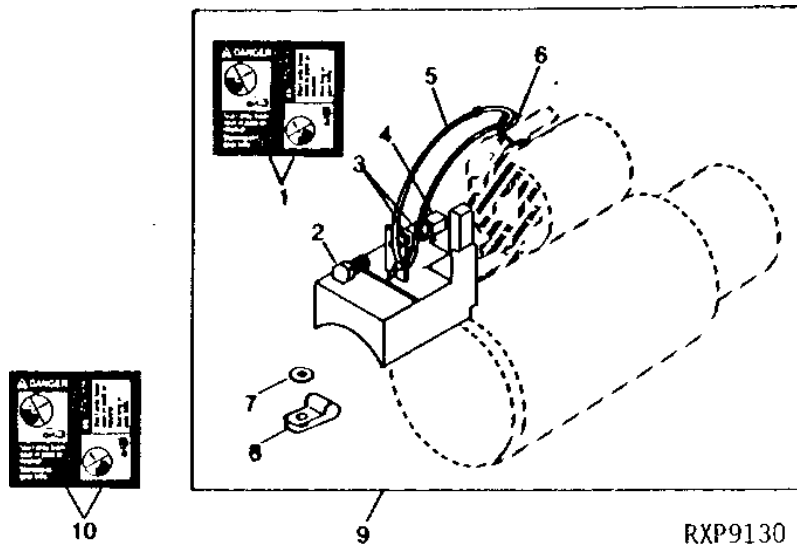
(A) USE WITH AR62267, AR78538, TY6667, TY6618, TY6701 OR TY6710

1F17

ELECTRICAL

STARTER SOLENOID COVER KIT (DELCO-REMY)

RXP9130 -UN-01JAN94



KEY	PART NO.	PART NAME	QTY	TRACTOR SERIAL NO.	REMARKS
1	T146102	WARNING LABEL	1		(ENGLISH) (SUB FOR T84409 OR T134459)
2	19H2038	CAP SCREW	1		3/8" X 1/2"
3	24H1305	WASHER	2		13/32" X 13/16" X 0.065"
4	R100380	NUT	1		
5	R76477	TIE BAND	1		
6	R44302	TIE BAND	1		
7	24H1289	WASHER	1		21/64" X 5/8" X 0.049"
8	R46414	CLAMP	1		
9	RE39061	SHIELD	1		(A)
10	T146106	WARNING LABEL	1		(ESPANOL) (SUB FOR T84410 OR T134452)
	T146104	WARNING LABEL	1		(FRENCH) (SUB FOR T84411 OR T134453)
	T146515	WARNING LABEL	1		(DEUTSCH) (SUB FOR T84412 OR T134454)
	T146516	WARNING LABEL	1		(ITALIANO) (SUB FOR T84413 OR T134455)
	T146517	WARNING LABEL	1		(ENGLISH/FRANCAIS) (SUB FOR T84578 OR T134456)

(A) USE WITH RE55638 OR TY1597

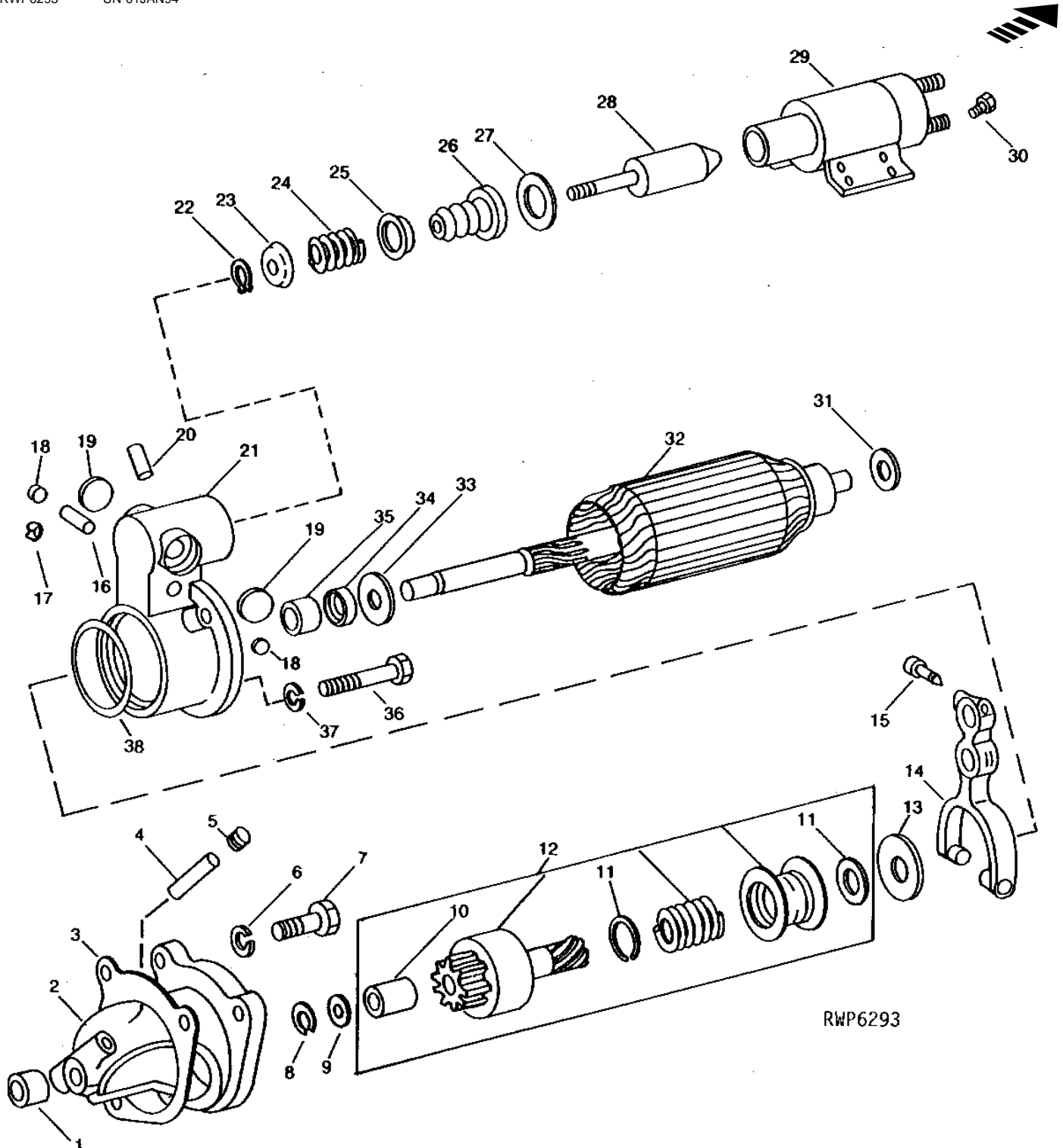
MEMORANDA

1F18

ELECTRICAL

STARTER DRIVE HOUSING, SOLENOID SWITCH AND ARMATURE
(12-VOLT) (DELCO-REMY NO. 1113672 OR 1113402)
(AR62267)

RWP6293 -UN-01JAN94



RWP6293

1F19

ELECTRICAL

STARTER DRIVE HOUSING, SOLENOID SWITCH AND ARMATURE - CONTINUED
(12-VOLT) (DELCO-REMY NO. 1113672 OR 1113402)
(AR62267)

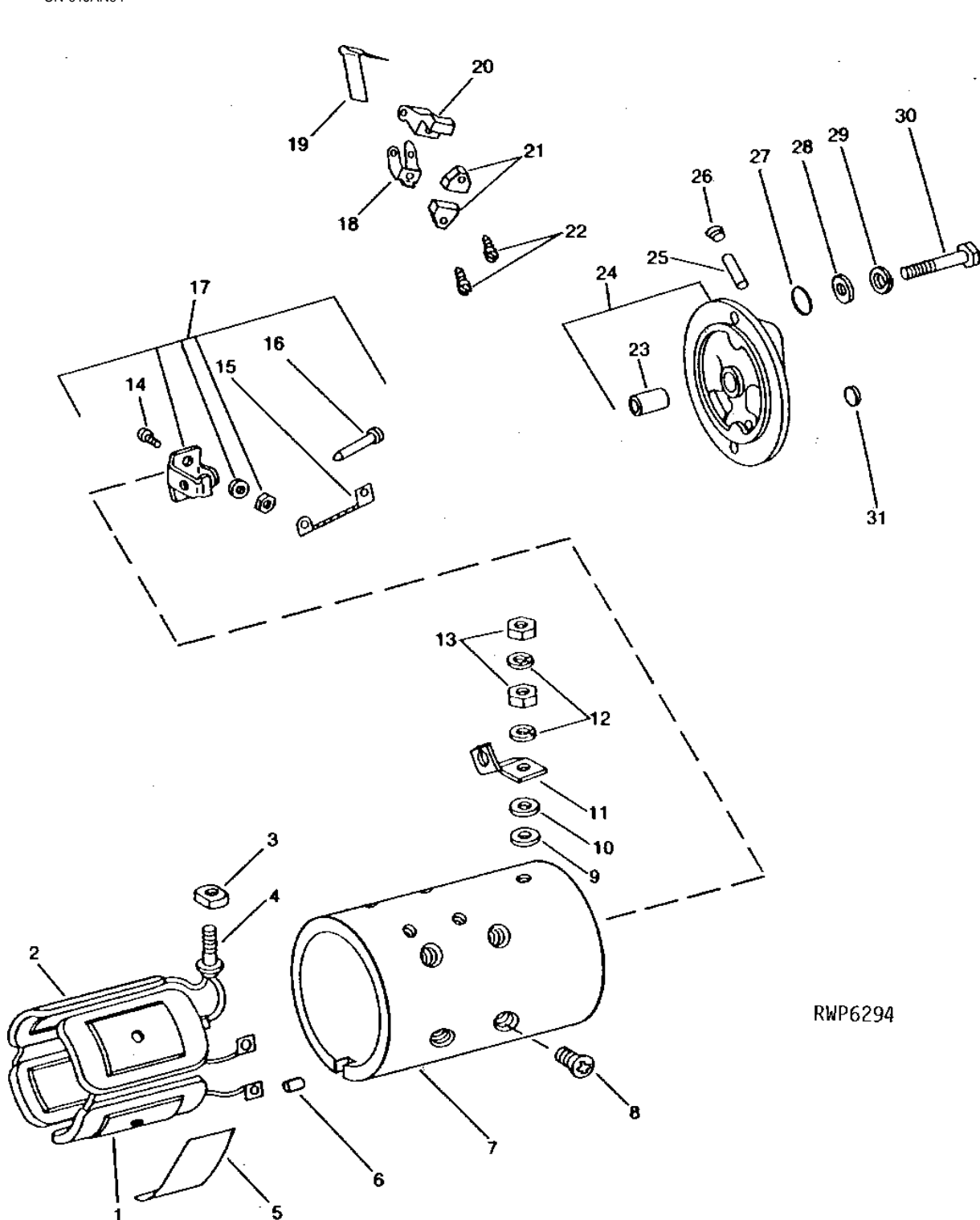
KEY	PART NO.	PART NAME	QTY	MODEL NO.	REMARKS
1	T11743	BUSHING	1		
2	AR11127	HOUSING	1		
3	R53108	GASKET	1		
4	R40337	WICK	1		
5	15H566	PIPE PLUG	1	1/8"	
6	12H304	LOCK WASHER	3	3/8"	
	M3636T	STUD	1		
	14H1076	NUT	2	3/8"	
7	19H3219	CAP SCREW	2	3/8" X 1-3/8"	
8	R11117	SNAP RING	1		
9	R48976	STOP	1		
10	1873796	BUSHING	1		
11	R11118	WIRE	2		
12	AR88880	BENDIX DRIVE	1		(SUB FOR AR44700 OR AR76841)
13	R11095	WASHER	1		
14	AR11128	LEVER	1		
15	R11222	PIN	1		
16	R11215	DOWEL PIN	2		
17	R11223	RETAINER	1		
18	30H7	PLUG	2	5/8"	
19	30H16	PLUG	2	1-3/16"	
20	R11201	WICK	1		
	R11016	PIPE PLUG	1		
21	AR11126	HOUSING	1		
22	R11026	SNAP RING	1		
23	R11129	CAP	1		
24	R11128	SPRING	1		
25	R11126	RETAINER	1		
26	R11127	BOOT	1		
27	R11221	WASHER	1		
28	AR11132	PLUNGER	1		
29	R11292	SWITCH	1		(12-VOLT) (DELCO-REMY NO. 1115510 OR 1115540)
30	T19909	BOLT	4		
31	R11096	WASHER	1		
32	AR44698	ARMATURE	1		
33	R11291	WASHER	1		
34	AR62964	SEAL	1		
35	R11212	BUSHING	1		
36	AR62963	SCREW	4		
37	12H303	LOCK WASHER	4	5/16"	
38	R40545	GASKET	1		
..	AR62267	STARTER	1		(SUB FOR AR55638) (SUB TY6710)
..	TY6710	STARTER	1		(REMANUFACTURED) (SUB FOR TY6667)

1F20

ELECTRICAL

STARTER MAIN FRAME, COIL, AND COMMUTATOR END FRAME
(12-VOLT) (DELCO-REMY NO. 1113672 OR 1113402)
(AR62267)

RWP6294 -UN-01JAN94



RWP6294

1F21

ELECTRICAL

STARTER MAIN FRAME, COIL, AND COMMUTATOR END FRAME - CONTINUED
 (12-VOLT) (DELCO-REMY NO. 1113672 OR 1113402)
 (AR62267)

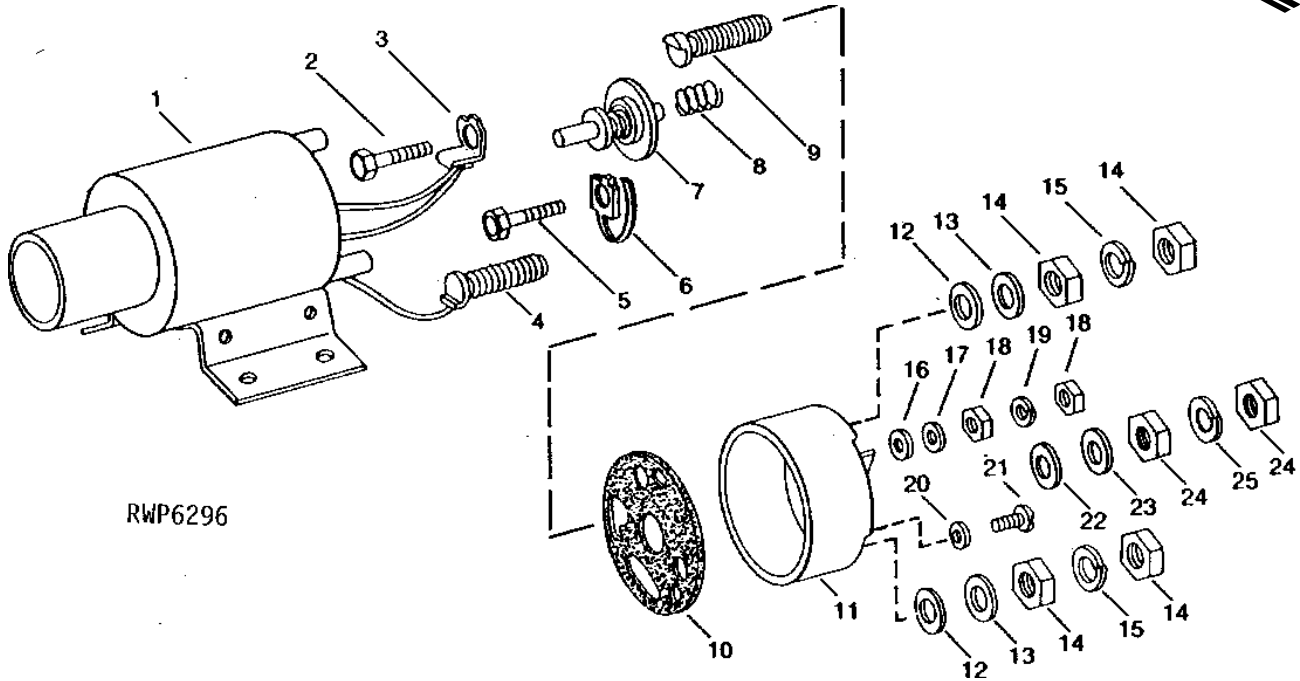
KEY	PART NO.	PART NAME	QTY	ENGINE SERIAL NO.	REMARKS
1	R11003	SHOE	4		
2	AR44699	ELECTRICAL COIL	1		
3	R11058	BUSHING	2		
4	R11059	STUD	1		
5	R11253	INSULATOR	2		
6	R11087	DOWEL PIN	1		
7	FRAME	1		(ORDER TY6710)
8	21H1280	SCREW	4		3/8" X 3/4"
9	R11000	WASHER	2		
10	24M7096	WASHER	1		10.500 X 18 X 1.600 MM
11	R11296	CONNECTOR	1		
12	12H304	LOCK WASHER	2		3/8"
13	14H732	NUT	2		3/8"
14	T18098	SCREW	2		
15	AR11001	WIRING LEAD	1		
16	R11233	PIN	2		
17	AR11124	SUPPORT	2		
18	T738T	HOLDER	2		
19	R11209	SPRING	2		
20	R11290	CARBON BRUSH HOLDER	2		
21	R42574	BRUSH	4		
22	37H78	SCREW	4		0.164" X 3/4"
23	R61932	BUSHING	1		(SUB FOR T11739)
24	AR11140	FRAME	1		
25	15H566	PIPE PLUG	1		1/8"
26	R40337	WICK	1		
27	R27976	O-RING	2		
28	24H1136	WASHER	2		11/32" X 11/16" X 0.065"
29	12H303	LOCK WASHER	2		5/16"
30	R11298	BOLT	2		
31	30H9	PLUG	1		3/4"
..	AR62267	STARTER	1		(SUB FOR AR55638) (SUB TY6710)
..	TY6710	STARTER	1		(REMANUFACTURED) (SUB TY6667)

1F22

ELECTRICAL

RWP6296 -UN-01JAN94

SOLENOID SWITCH (12-VOLT) (DELCO-REMY NO. 1113672 OR 1113402)



RWP6296

KEY	PART NO.	PART NAME	QTY	ENGINE SERIAL NO.	REMARKS
1	CASE	1		(ORDER R11292)
2	R11197	STUD	1		(SUB FOR T18110)
3	R11198	CLIP	1		(NLA)
4	R11293	STUD	1		
5	R11295	STUD	1		
6	R40546	CLIP	1		
7	AR11051	CONTACT	1		
8	R11066	SPRING	1		
9	T18105	STUD	1		
10	R40548	GASKET	1		
11	R11294	COVER	1		
12	T18107	WASHER	2		
13	24M7096	WASHER	1	10.500 X 18 X 1.600 MM	
14	14H732	NUT	4	3/8"	
15	12H304	LOCK WASHER	2	3/8"	
16	T18106	WASHER	1		
17	24H1283	WASHER	1	7/32" X 1/2" X 0.049"	
18	14H631	NUT	2	0.190"	
19	12H246	LOCK WASHER	2	0.190"	
20	R11039	WASHER	2		
21	21H1298	SCREW	2	0.190" X 3/8"	
22	T19607	WASHER	1		
23	24H1281	WASHER	1	5/32" X 3/8" X 0.049"	
24	14H605	NUT	2	0.164"	
25	12M7084	LOCK WASHER	2	0.169"	
..	R11292	SWITCH	1		(A) (DELCO-REMY NO. 1115510 OR 1115540)

(A) USE WITH AR55638 OR AR62267

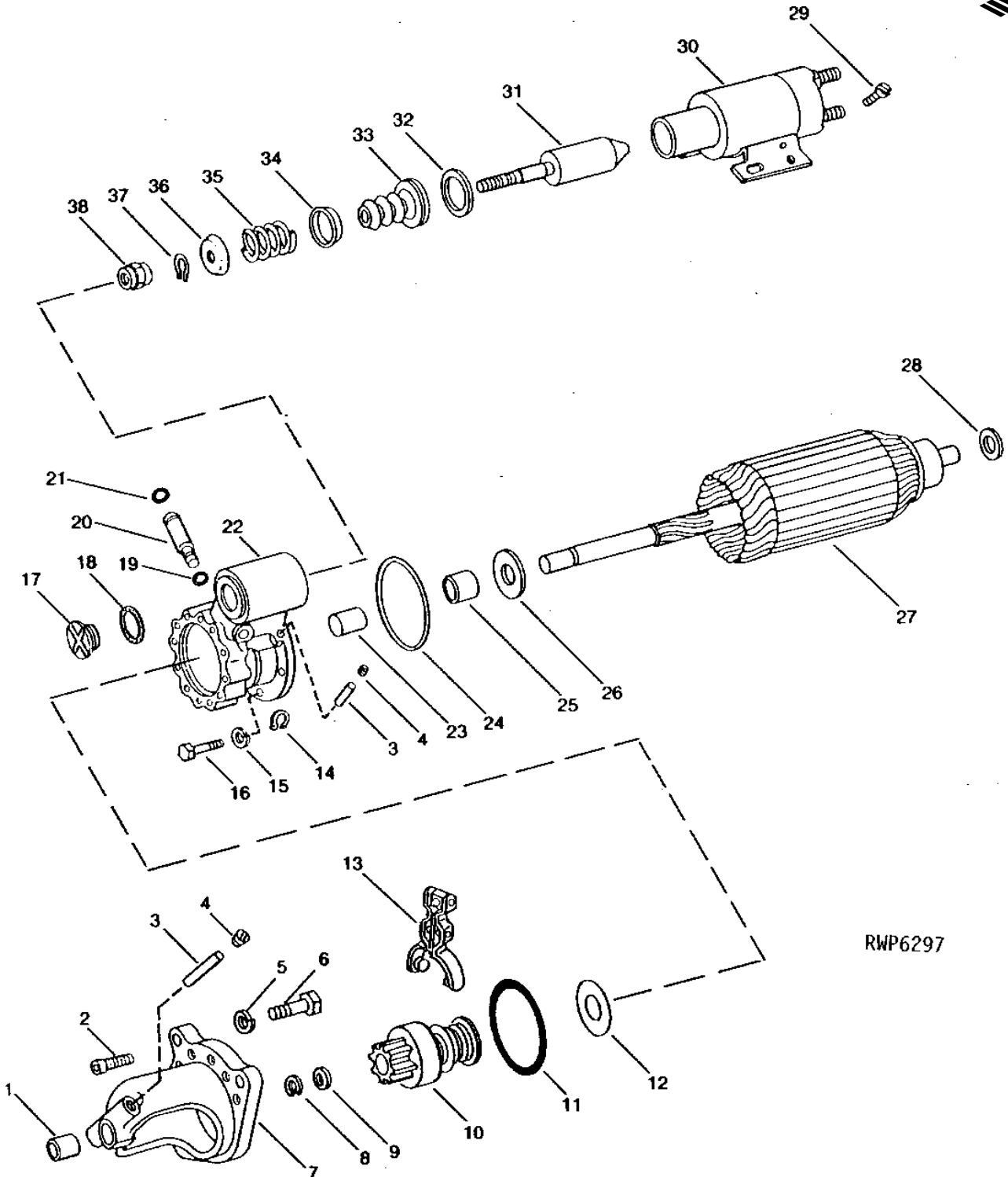
MEMORANDA

1F23

ELECTRICAL

STARTER, ARMATURE, DRIVE END HOUSING AND DRIVE
(12-VOLT) (DELCO-REMY NO. 1113391)
(AR78538)

RWP6297 -UN-01JAN94



1F24

ELECTRICAL

STARTER, ARMATURE, DRIVE END HOUSING AND DRIVE - CONTINUED
(12-VOLT) (DELCO-REMY NO. 1113391)
(AR78538)

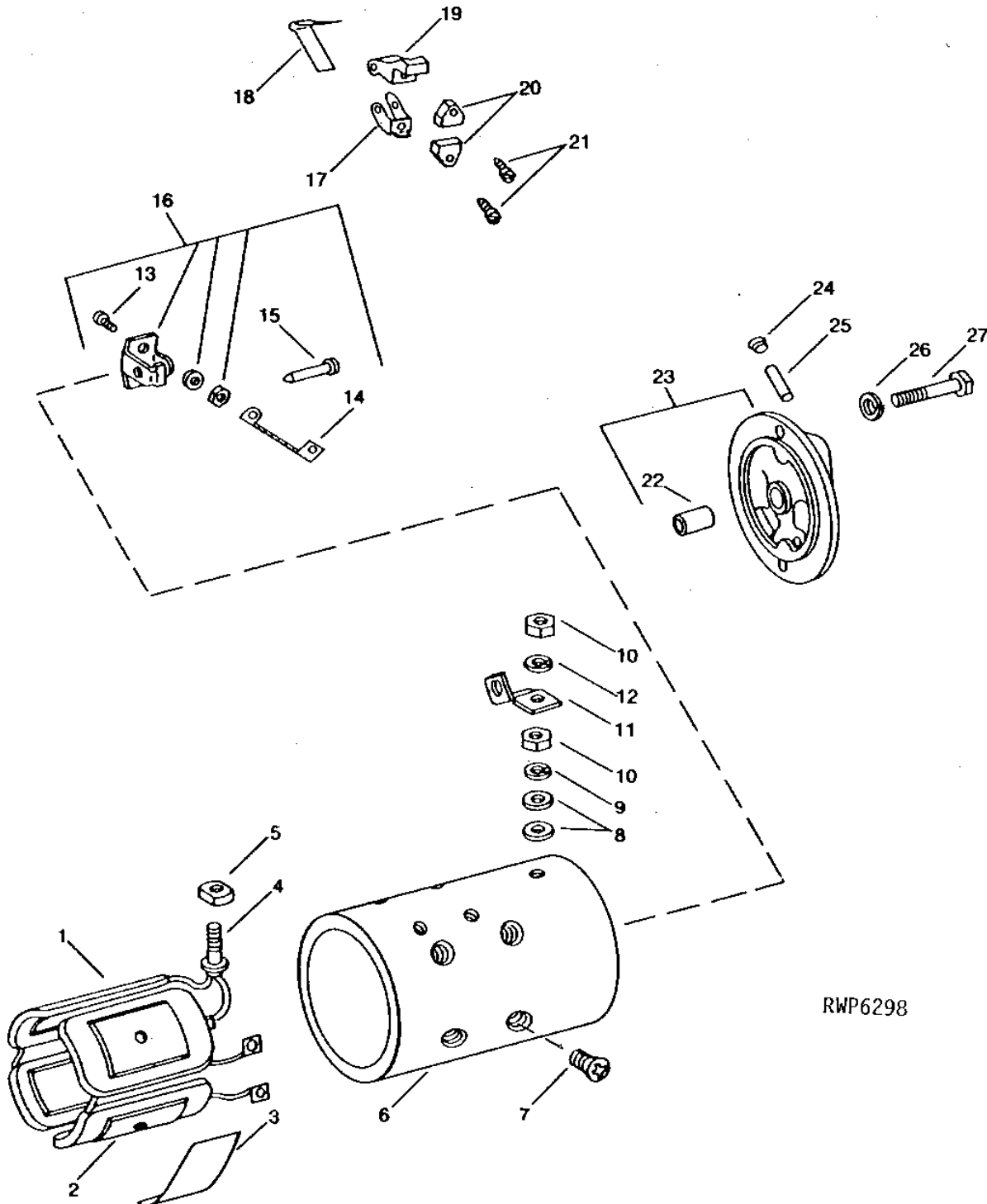
KEY	PART NO.	PART NAME	QTY	ENGINE SERIAL NO.	REMARKS
1	T11743	BUSHING	1		
2	R62674	SCREW	2		
3	R40337	WICK	2		
4	15H566	PIPE PLUG	2	1/8"	
5	12H301	LOCK WASHER	3	1/2"	
6	19H1721	CAP SCREW	3	1/2" X 1-1/2"	
7	AR77259	HOUSING	1		
8	R11117	SNAP RING	1		
9	R48976	STOP	1		
10	AR88880	BENDIX DRIVE	1		(SUB FOR AR76841)
11	R62673	O-RING	1		
12	R11095	WASHER	1		
13	AR77261	LEVER	1		
14	R11026	SNAP RING	1		
15	12H302	LOCK WASHER	5	1/4"	
16	19H3005	CAP SCREW	5	1/4" X 1"	
17	R11133	PLUG	1		
18	R11121	GASKET	1		
19	A4365R	O-RING	1		
20	R62670	SHAFT	1		
21	A3917R	O-RING	1		
22	AR77260	HOUSING	1		
23	R11212	BUSHING	1		
24	R11120	O-RING	1		
25	AR62964	SEAL	1		
26	R11291	WASHER	2		
27	AR77257	ARMATURE	1		
28	R11096	WASHER	1		
29	T19909	BOLT	4		
30	AR77255	SWITCH	1		
31	AR77256	PLUNGER	1		
32	R11221	WASHER	1		
33	R11127	BOOT	1		
34	R11126	RETAINER	1		
35	R11128	SPRING	1		
36	R11129	CAP	1		
37	R11026	SNAP RING	1		
38	R62671	LOCK NUT	1		
..	AR78538	STARTER	1		(SUB FOR AR55638 OR AR62267) (SUB TY6701)
..	TY6701	STARTER	1		(REMANUFACTURED) (SUB FOR TY6618)

1G1

ELECTRICAL

STARTER MAIN FRAME, COIL, AND COMMUTATOR END FRAME (12-VOLT) (DELCO-REMY NO. 1113391) (AR78538)

RWP6298 -UN-01JAN94



RWP6298

1G2

ELECTRICAL

STARTER MAIN FRAME, COIL, AND COMMUTATOR END FRAME - CONTINUED
 (12-VOLT) (DELCO-REMY NO. 1113391)
 (AR78538)

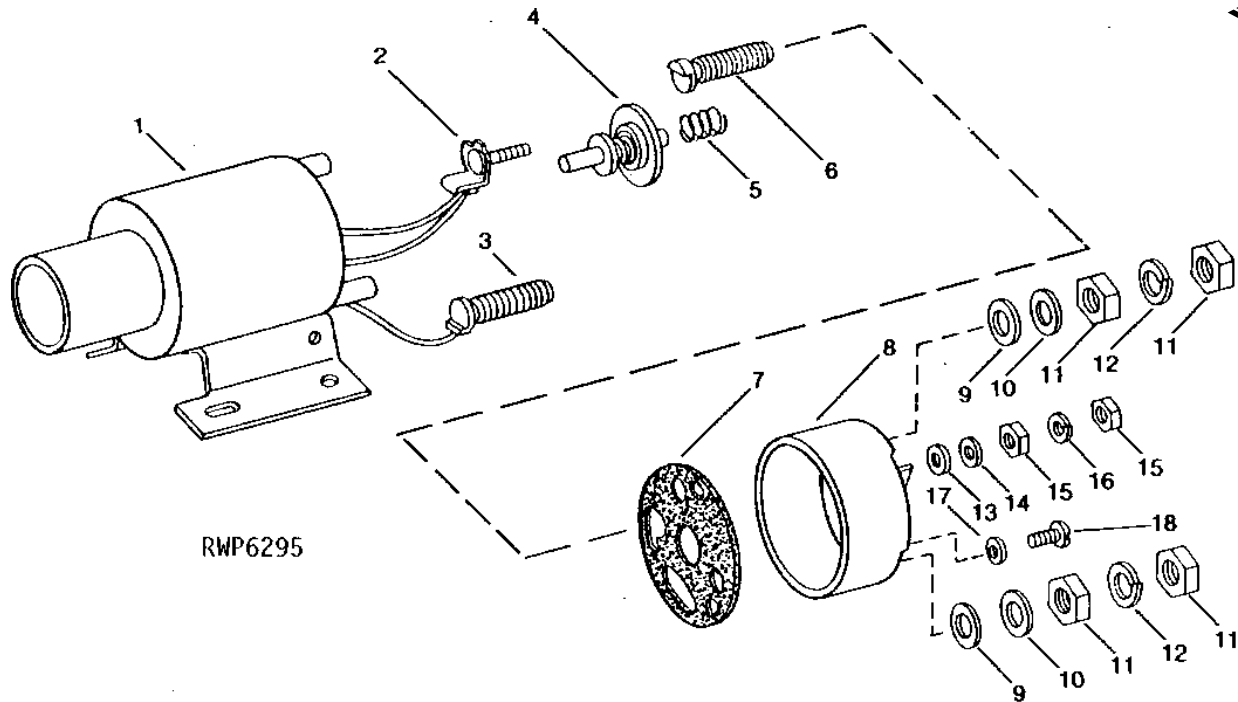
KEY	PART NO.	PART NAME	QTY	ENGINE SERIAL NO.	REMARKS
1	AR77258	FIELD WINDING COIL	1		
2	R11003	SHOE	4		
3	R62672	ISOLATOR	2		
4	R11146	SCREW	1		
5	AR40171	GROMMET	1		
6	FRAME	1		(ORDER TY6701)
7	21H1280	SCREW	4		3/8" X 3/4"
8	R11011	WASHER	2		
9	811912	WASHER	2		
10	14H971	NUT	2		1/2"
11	R62669	CONNECTOR	1		
12	12H301	LOCK WASHER	1		1/2"
13	T18098	SCREW	2		
	R11250	RIVET	2		
14	AR11001	WIRING LEAD	1		
15	R61933	PIN	2		
16	AR75908	KIT	2		
17	T738T	HOLDER	2		
18	R11209	SPRING	2		
19	R11290	CARBON BRUSH HOLDER	2		
20	R42574	BRUSH	4		
21	37H78	SCREW	4		0.164" X 3/4"
22	R61932	BUSHING	1		
23	AR75905	FRAME	1		
24	15H566	PIPE PLUG	1		1/8"
25	R61934	WICK	1		
26	12H302	LOCK WASHER	4		1/4"
27	19H3005	CAP SCREW	4		1/4" X 1"
..	AR78538	STARTER	1		(SUB FOR AR55638 OR AR62267) (SUB TY6701)
..	TY6701	STARTER	1		(REMANUFACTURED) (SUB FOR TY6618)

1G3

ELECTRICAL

RWP6295 -UN-01JAN94

SOLENOID SWITCH (12-VOLT) (DELCO-REMY NO. 1113391)



KEY	PART NO.	PART NAME	QTY	ENGINE SERIAL NO.	REMARKS
1	CASE	1		(ORDER AR77255)
2	R11197	STUD	2		(SUB FOR T18110)
3	R11293	STUD	1		
4	AR11051	CONTACT	1		
5	R11066	SPRING	1		
6	T18105	STUD	1		(SUB FOR R62667)
7	R40548	GASKET	1		
8	R62668	COVER	1		
9	T18107	WASHER	2		
10	24M7096	WASHER	2	10.500 X 18 X 1.600 MM	
11	14H732	NUT	4	3/8"	
12	12H304	LOCK WASHER	2	3/8"	
13	T18106	WASHER	2		
14	24H1283	WASHER	2	7/32" X 1/2" X 0.049"	
15	14H631	NUT	4	0.190"	
16	12H246	LOCK WASHER	2	0.190"	
17	R11039	WASHER	2		
18	21H1298	SCREW	2	0.190" X 3/8"	
..	AR77255	SWITCH	1		(A) (12-VOLT) (DELCO-REMY NO. 1115530)

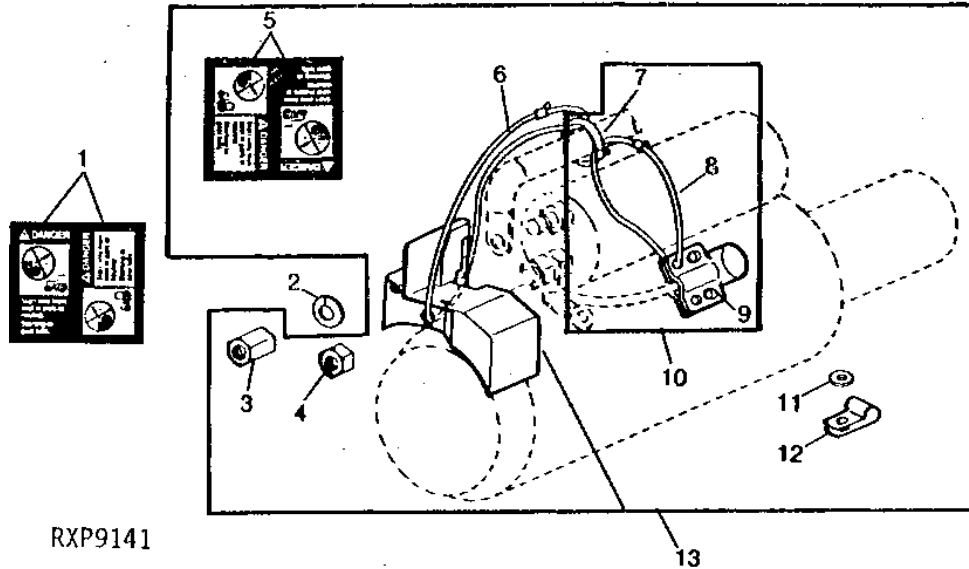
(A) USE WITH AR78538, TY6618 OR TY6701

1G4

ELECTRICAL

RXP9141 -UN-01JAN94

STARTER SOLENOID COVER KIT (JOHN DEERE)



KEY	PART NO.	PART NAME	QTY	TRACTOR SERIAL NO.	REMARKS
1	T146106	WARNING LABEL	1		(ESPAÑOL) (SUB FOR T84410 OR T134452)
	T146104	WARNING LABEL	1		(FRANCAIS) (SUB FOR T84411 OR T134453)
	T146515	WARNING LABEL	1		(DEUTSCH) (SUB FOR T84412 OR T134454)
	T146516	WARNING LABEL	1		(ITALIANO) (SUB FOR T84413 OR T134455)
	T146517	WARNING LABEL	1		(ENGLISH/FRANCAIS) (SUB FOR T84578 OR T134456)
2	12H246	LOCK WASHER	1		0.190"
3	R100380	NUT	1		
4	14H732	NUT	1		3/8"
5	T146102	WARNING LABEL	1		(ENGLISH) (SUB FOR T84409 OR T134459)
6	R76477	TIE BAND	1		
7	R44302	TIE BAND	1		
8	R76477	TIE BAND	1		
9	R66117	SCREW	2		
10	RE39063	SHIELD	1		(A)
11	24H1289	WASHER	1		
12	R46414	CLAMP	1		
13	RE39064	SHIELD	1		(A)

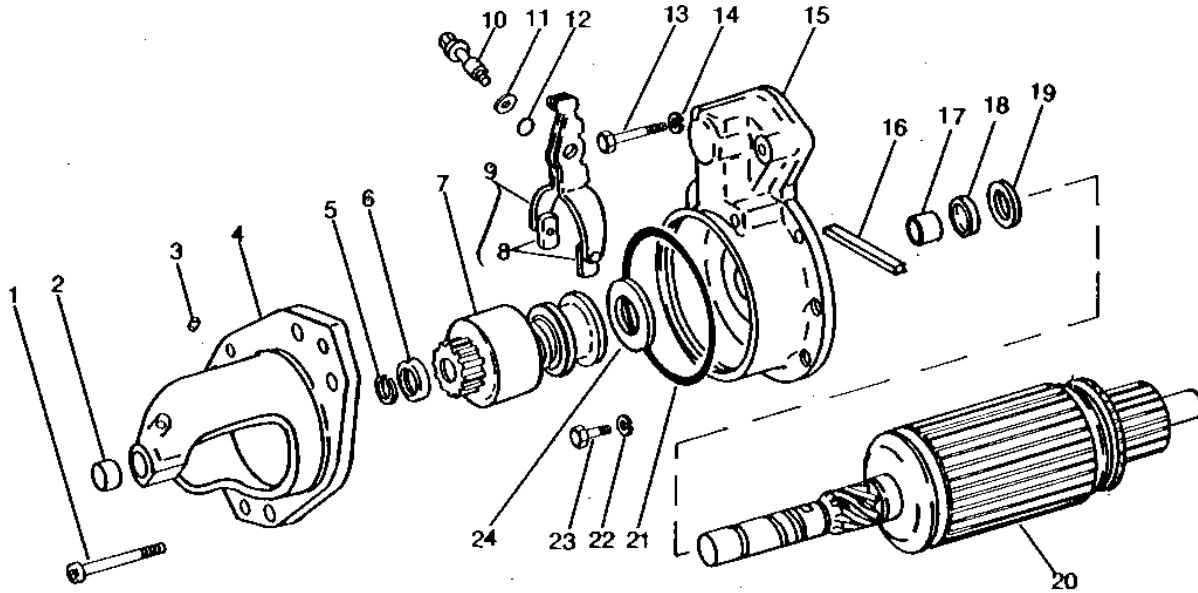
(A) USE WITH AR77254, RE41875, TY6617 OR TY6713

1G5

ELECTRICAL

STARTER DRIVE HOUSING AND ARMATURE
(12-VOLT) (JOHN DEERE) (NIPPONDENSO NO. 028000-3291 OR 028000-3292)
(AR77254 OR RE41875)

RGP1947 -UN-01JAN94



RGP1947

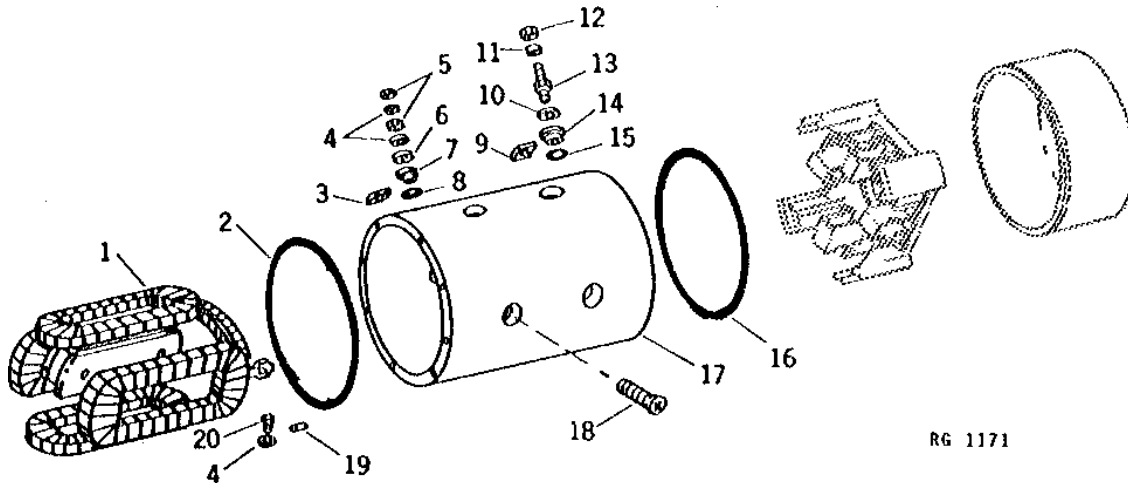
KEY	PART NO.	PART NAME	QTY	STARTER SERIAL NO.	REMARKS
1	R50900	SCREW	6		
2	R50891	BUSHING	1		(INCLUDED W/AR54990)
3	R50892	PLUG	1		
4	AR54990	HOUSING	1		(INCLUDES R50891)
5	R50902	SNAP RING	1		
6	R50903	STOP	1		
7	AR54992	DRIVE	1		
8	R51667	WEAR PLATE	2		
9	R50904	LEVER	1	-11L233	(USE WITH AR54993) (SUB AR67827 AND AR68430)
10	AR67827	ARM	1	11L234-	(USE WITH HOUSING MARKED -J-)
11	R50897	SHAFT	1		
11	24H1289	WASHER	1		21/64" X 5/8" X 0.049", (USE WITH RE41875 OR TY6713)
12	R52387	O-RING	1		
13	R50893	SCREW	2		
14	12H302	LOCK WASHER	2		1/4"
15	AR54993	HOUSING	1	-11L233	(SUB AR68430 AND AR67827)
15	AR68430	HOUSING	1	11L234-	(MARKED -J-) (INCLUDES AR55947, R51665 AND R51666)
16	R51666	WICK	1		
17	R51665	BUSHING	1		
18	AR55947	SEAL	1		
19	R50906	THRUST WASHER	1		
20	AR66778	ARMATURE	1		(SUB FOR AR54994)
21	R50901	WASHER	1		
22	12H317	LOCK WASHER	2		9/16"
23	R51661	SCREW	2		
24	R50905	WEAR RING	1		
..	AR77254	STARTER	1		(NIPPONDENSO NO. 028000-3291) (SUB RE41875 OR TY6713)
..	RE41875	STARTER	1		(NIPPONDENSO NO. 028000-3292) (MARKED RE13722) (SUB FOR AR77254)
..	TY6713	STARTER	1		(REMANUFACTURED) (SUB FOR AR77254 OR TY6617)

1G6

ELECTRICAL

STARTER MAIN FRAME AND COIL
 (12-VOLT) (JOHN DEERE) (NIPPONDENSO NO. 028000-3291 OR 028000-3292)
 (AR77254 OR RE41875)

RG1171 -UN-01JAN94



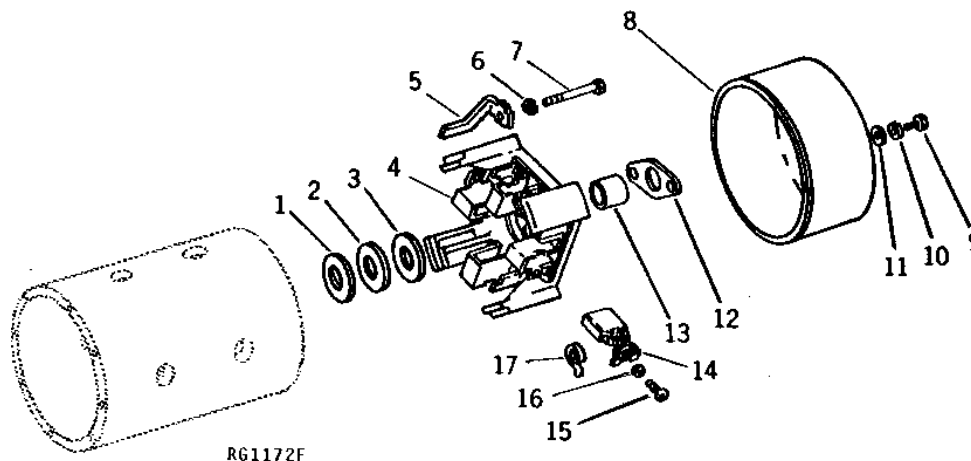
KEY	PART NO.	PART NAME	QTY	STARTER SERIAL NO.	REMARKS
1	AR54996	FIELD WINDING COIL	1	-9U0000	
	RE13731	FIELD WINDING COIL	1	9U0001-	
2	R50913	O-RING	1		
3	R50916	WASHER	1		
4	12H246	LOCK WASHER	3	0.190"	
5	R50907	NUT	2		
6	24H1283	WASHER	1	7/32" X 1/2" X 0.049"	
7	R50914	WASHER	1		
8	R50915	O-RING	1		
9	R50920	BUSHING	1		
10	R50917	WASHER	1		
11	R50899	LOCK WASHER	1		
12	R50909	NUT	1		
13	R56802	STUD	1	(SUB FOR R52386)	
14	R50918	WASHER	1		
15	R50919	O-RING	1		
16	R50922	O-RING	1		
17	FRAME	1	(ORDER RE41875 OR TY6713)	
18	R50921	SCREW	8		
19	R51664	DOWEL PIN	1		
20	R50931	SCREW	1	(SUB FOR R51663)	
..	AR77254	STARTER	1	(NIPPONDENSO NO. 028000-3291) (SUB RE41875 OR TY6713)	
..	RE41875	STARTER	1	(NIPPONDENSO NO. 028000-3292) (MARKED RE13722) (SUB FOR AR77254)	
..	TY6713	STARTER	1	(REMANUFACTURED) (SUB FOR AR77254 OR TY6617)	

1G7

ELECTRICAL

STARTER COMMUTATOR END FRAME
(12-VOLT) (JOHN DEERE) (NIPPONDENSO NO. 028000-3291 OR 028000-3292)
(AR77254 OR RE41875)

RG1172 -UN-01JAN94



KEY	PART NO.	PART NAME	QTY	ENGINE SERIAL NO.	REMARKS
1	R50923	SHIM	AR		0.18 MM (.007") (USE WITH AR66778) (TYPE 1)
2	R50924	SHIM	AR		0.48 MM (.019") (USE WITH AR66778) (TYPE 1)
3	R50925	THRUST WASHER	1		(USE WITH AR66778) (TYPE 1)
4	AR54997	FRAME	1		
5	R51660	BRACKET	2		
6	12H317	LOCK WASHER	2	9/16"	
7	R51659	SCREW	2		
8	R50912	COVER	1		
9	R50931	SCREW	2		
10	12H246	LOCK WASHER	6	0.190"	
11	24H1283	WASHER	2	7/32" X 1/2" X 0.049"	
12	R50930	GASKET	1		
13	R50891	BUSHING	1		
14	R50927	CARBON BRUSH CONDUCTOR	4		
15	R50929	SCREW	4		
16	12H246	LOCK WASHER	4	0.190"	
17	R50928	SPRING	4		
..	AR77254	STARTER	1		(NIPPONDENSO NO. 028000-3291) (SUB RE41875 OR TY6713)
..	RE41875	STARTER	1		(NIPPONDENSO NO. 028000-3292) (MARKED RE13722) (SUB FOR AR77254)
..	TY6713	STARTER	1		(REMANUFACTURED) (SUB FOR AR77254 OR TY6617)

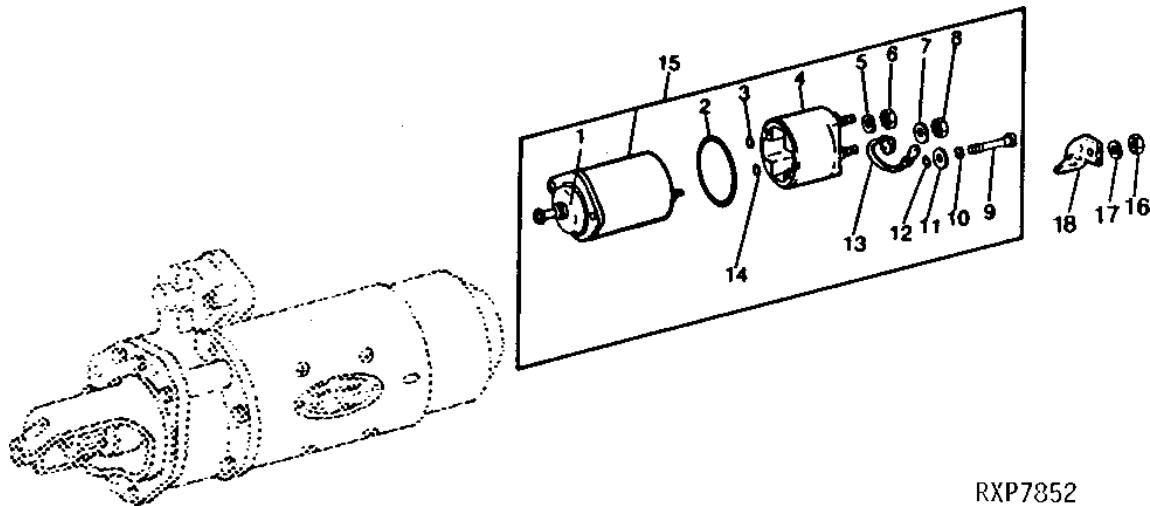
MEMORANDA

1G8

ELECTRICAL

STARTER SOLENOID SWITCH
(12-VOLT) (JOHN DEERE)
(STARTING MOTOR DATE CODE -8S2760)

RXP7852 -UN-18OCT94



RXP7852

KEY	PART NO.	PART NAME	QTY	ENGINE SERIAL NO.	REMARKS
1	R52385	BOOT	1		
2	R51668	WASHER	1		
3	R56793	SHIM	1		(SUB FOR R51672)
4	RE13733	SWITCH	1		(SUB FOR AR55948, AR71256 OR AR90071)
5	12H303	LOCK WASHER	1		5/16"
6	R51671	NUT	1		
7	12H246	LOCK WASHER	2		0.190"
8	14H631	NUT	2		0.190"
9	R51669	SCREW	2		
10	12H302	LOCK WASHER	2		1/4"
11	24H1305	WASHER	2		13/32" X 13/16" X 0.065"
12	R50894	O-RING	1		
13	AR55949	WIRING LEAD	1		(SUB RE15058)
14	R56792	WASHER	1		(SUB FOR R51670)
15	RE13732	SOLENOID	1		(A) (SUB FOR AR54991 OR AR90070) (ALSO ORDER RE39064)
16	14H732	NUT	3		3/8"
17	R50899	LOCK WASHER	3		
18	R50910	CONNECTOR	1		

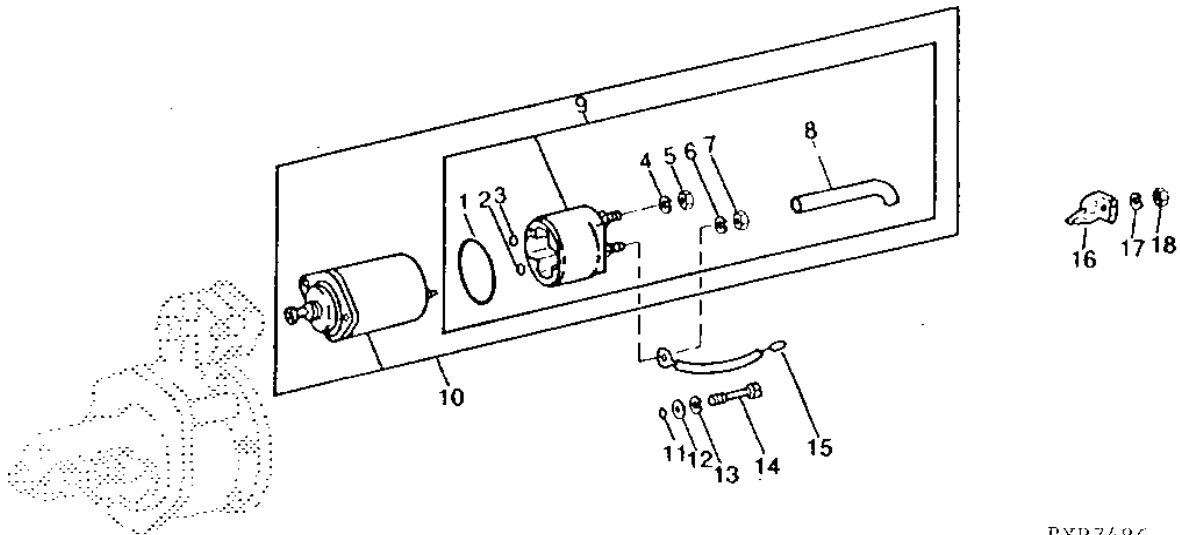
(A) USE WITH AR77254, RE41875, TY6617 OR TY6713

1G9

ELECTRICAL

**STARTER SOLENOID SWITCH
(12-VOLT) (JOHN DEERE)
(STARTING MOTOR DATE CODE 8S2761-)**

RXP7486 -UN-01JAN94



RXP7486

KEY	PART NO.	PART NAME	QTY	ENGINE SERIAL NO.	REMARKS
1	R68224	GASKET	1		
2	R56792	WASHER	1		
3	R56793	SHIM	1		
4	12H303	LOCK WASHER	1	5/16"	
5	R51671	NUT	1		
6	12H246	LOCK WASHER	1	0.190"	
7	14H631	NUT	2	0.190"	
8	R68222	HOSE	1		
9	RE13733	SWITCH	1		(NIPPONDENSO NO. 028099-3600) (SUB FOR AR90071)
10	RE13732	SOLENOID	1		(A) (NIPPONDENSO NO. 028099-3610) (SUB FOR AR90070) (ALSO ORDER RE39064)
11	R50894	O-RING	2		
12	24H1305	WASHER	2	13/32" X 13/16" X 0.065"	
13	12H302	LOCK WASHER	2	1/4"	
14	R51669	SCREW	2		
15	RE15058	WIRE	1		(SUB FOR AR55949)
16	R50910	CONNECTOR	1		
17	R50899	LOCK WASHER	2		
18	14H732	NUT	2	3/8"	

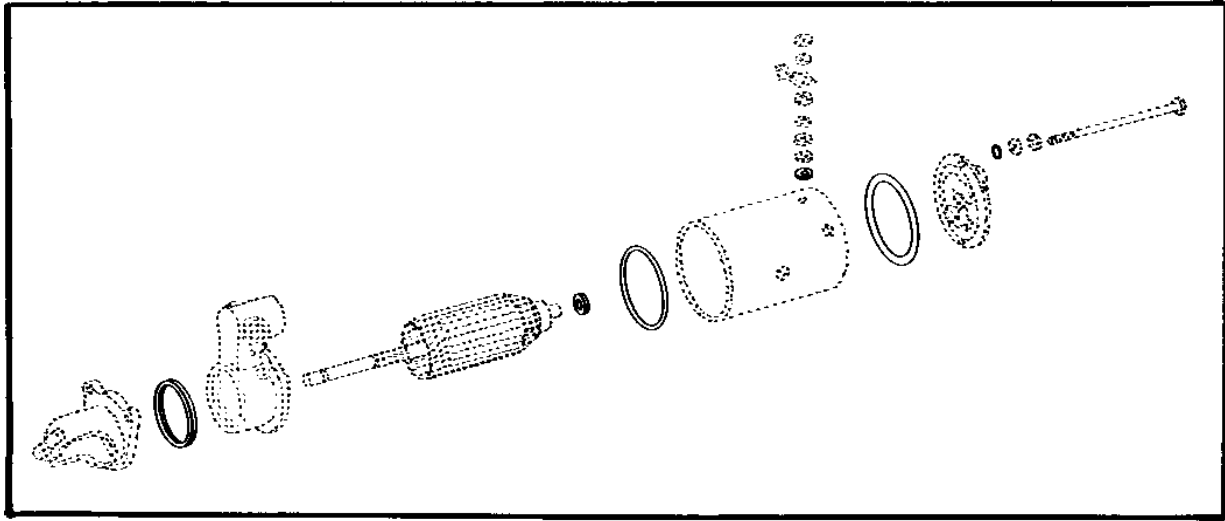
(A) USE WITH AR77254,RE41875,TY6617 OR TY6713

1G10

ELECTRICAL

RP1234 -UN-20NOV95

STARTING MOTOR SEALING KIT (12 AND 24-VOLT)



RP1234

KEY	PART NO.	PART NAME	QTY	ENGINE SERIAL NO.	REMARKS
1	AR100161	SEAL KIT	1		(A) (SUB FOR AR40174 OR AR85407)
		(A) USE WITH AR55638 OR AR62267			

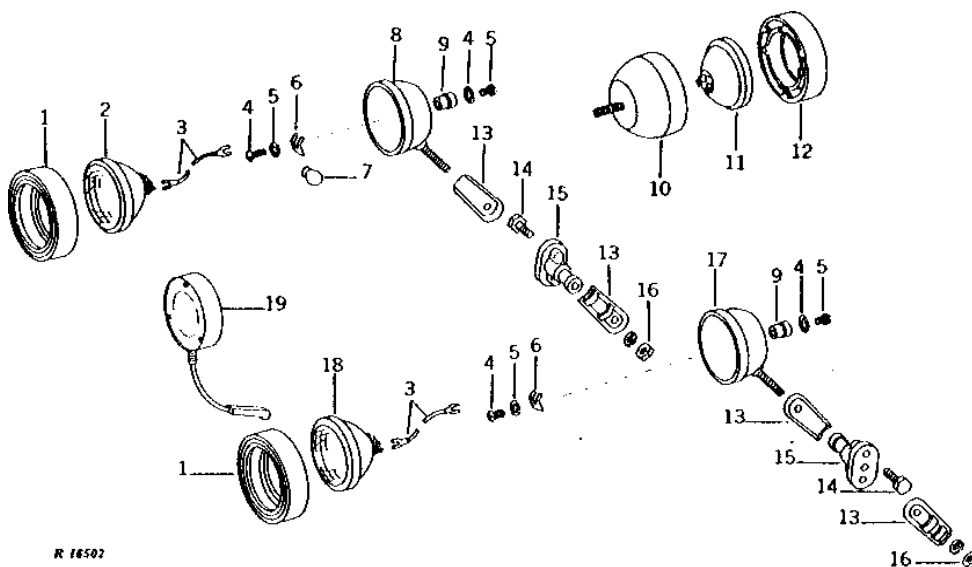
MEMORANDA

1G11

ELECTRICAL

FRONT AND REAR LAMPS AND WARNING LAMPS (ROW-CROP)

R16502 -UN-01JAN94



R 16502

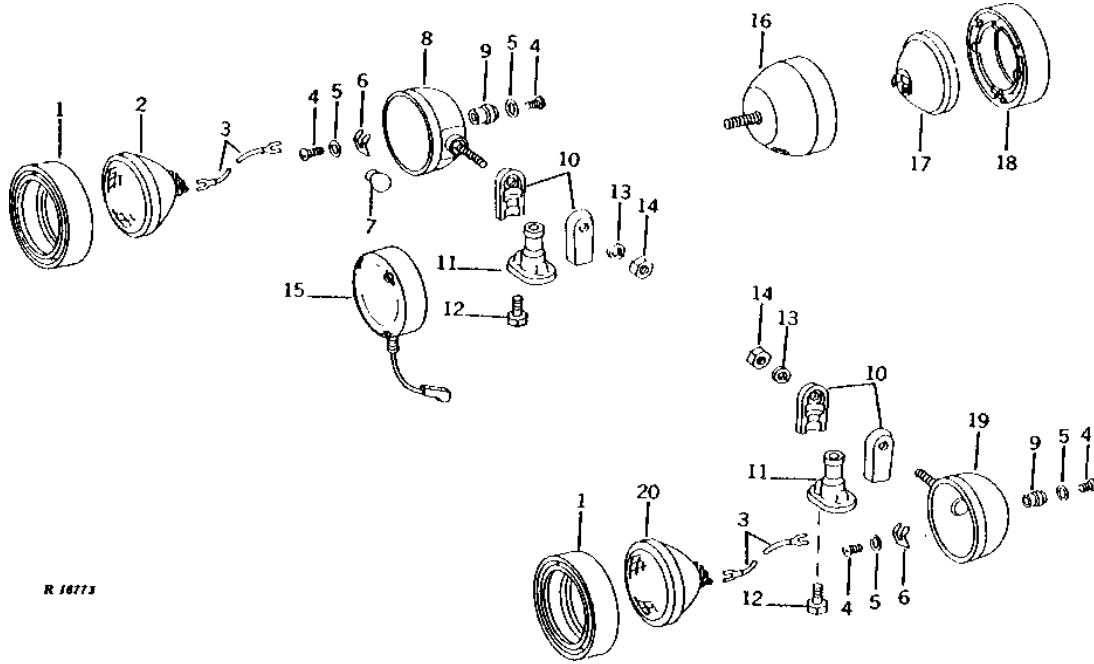
KEY	PART NO.	PART NAME	QTY	TRACTOR SERIAL NO.	REMARKS
1	R30182	BEZEL	2		(REAR LAMPS) (HOBBS)
	R31250	BEZEL	2		(REAR LAMPS) (GUIDE)
2	AR21737	LAMP	1	-XXXXXX	(REAR, L.H.) (12-VOLT) (SUB AR77324, AD2062R AND AR77325)
	AR77324	LAMP	1		(USE WITH AR77326)
3	WIRING LEAD	6		165MM (6-1/2") SEALED UNIT TO TERMINAL PLATE, (MAKE FROM R66319 AND (2) R32016)
4	21H1293	SCREW	12		0.164" X 5/16"
5	12M7084	LOCK WASHER	12		0.169"
6	A2899R	ASSEMBLY LINE PARTS	2		(REAR LAMPS) (GUIDE)
7	AR86969	BULB	1		15 C.P., 12-VOLT (REAR LAMP, L.H.) (USE WITH AT16288) (SUB FOR AR21739)
8	AD2062R	BULB	1		(12-VOLT) (USE WITH AR77326)
	AR77326	FLOODLAMP	1	XXXXXX-	(SUB FOR AR34990 OR AT16288)
	AR55888	SOCKET	1		(USE WITH AT16288)
	AR77325	SOCKET	1		(USE WITH AR77326)
9	R30181	PLATE	4		(REAR LAMPS) (HOBBS)
	AA3495R	SUPPORT	4		(REAR LAMPS) (GUIDE)
10	AR48721	LAMP	2		(OUTER) (12-VOLT DUAL BEAM) (SUB RE25126 AND RE25127)
	RE19080	LAMP	2		(INNER) (12-VOLT FLOOD) (SUB FOR AR48722)
11	RE25125	DUAL BEAM LAMP	2		(FRONT LAMP, OUTER) (SUB FOR AR48723)
	AR21059	HEADLIGHT	2		(12-VOLT FLOOD) (FRONT LAMP, INNER)
12	R30182	BEZEL	4		(FRONT LAMPS) (HOBBS)
	R31250	BEZEL	4		(FRONT LAMPS) (GUIDE)
13	R27460	CLAMP	4		
14	37H106	SCREW	4		3/8" X 5/8"
15	R43662	BRACKET	2		
16	14H1040	NUT	2		1/2"
	12H301	LOCK WASHER	2		1/2"
17	RE27099	LAMP	1		(SUB FOR AR28167)
18	AR21059	HEADLIGHT	1		(12-VOLT) (REAR, R.H.)
19	AR50580	LAMP	2		WARNING
	AD2062R	BULB	1		(12-16-VOLT)
	R48664	LENS	1		(WITH RED REFLECTOR)
	R48665	LENS	1		
	R49296	SCREW	3		

1G12

ELECTRICAL

FRONT AND REAR LAMPS AND WARNING LAMPS (STANDARD)

R16773 -UN-01JAN94



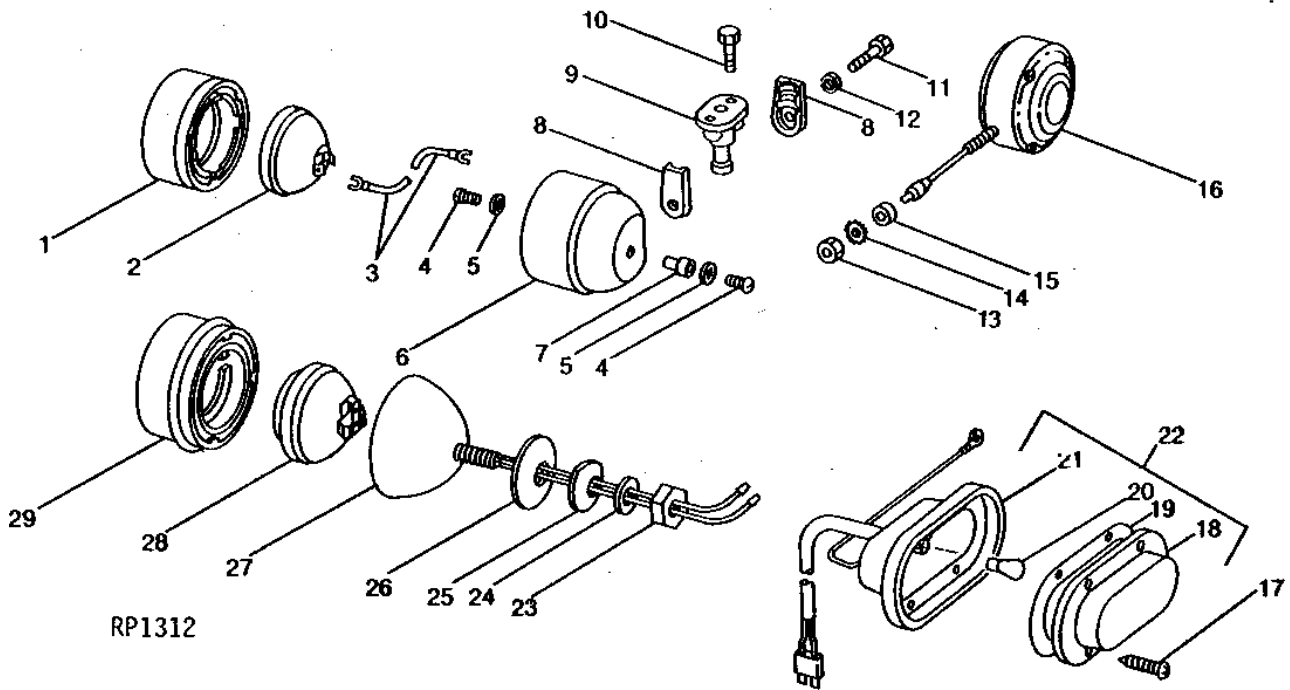
KEY	PART NO.	PART NAME	QTY	TRACTOR SERIAL NO.	REMARKS
1	R30182	BEZEL	2		(REAR LAMPS) (HOBBS)
	R31250	BEZEL	2		(REAR LAMPS) (GUIDE)
2	AR21737	LAMP	1	-XXXXXX	(12-VOLT) (REAR, L.H.) (SUB AR77324, AD2062R AND AR77325)
	AR77324	LAMP	1		(USE WITH AR77326)
3	WIRING LEAD	4		165MM (6-1/2") SEALED UNIT TO TERMINAL PLATE (REAR LAMPS) (MAKE FROM R66319 AND (2) R32016)
4	21H1293	SCREW	8		0.164" X 5/16"
5	12M7084	LOCK WASHER	8		0.169"
6	A2899R	ASSEMBLY LINE PARTS	4		(REAR LAMPS) (GUIDE)
7	AR86969	BULB	1		15 C.P., 12-VOLT (REAR LAMP, L.H.) (USE WITH AT16288) (SUB FOR AR21739)
8	AD2062R	BULB	1		(12-VOLT) (USE WITH AR77326)
	AR77326	FLOODLAMP	1	XXXXXX-	(SUB FOR AT16288)
	AR55888	SOCKET	1		(USE WITH AT16288)
	AR77325	SOCKET	1		(USE WITH AR77326) (HOBBS)
9	R30181	PLATE	4		(REAR LAMPS) (HOBBS)
	AA3495R	SUPPORT	4		(REAR LAMPS) (GUIDE)
10	R27460	CLAMP	4		
11	R43662	BRACKET	2		
12	37H106	SCREW	4		3/8" X 5/8"
	24H1309	WASHER	4		13/32" X 1-1/16" X 0.120"
13	12H301	LOCK WASHER	2		1/2"
14	14H1040	NUT	2		1/2"
15	AR50580	LAMP	2		
	AD2062R	BULB	1		(12-16-VOLT)
	R48664	LENS	1		
	R48665	LENS	1		
	R49296	SCREW	3		
16	RE19080	LAMP	2		(INNER) (12-VOLT FLOOD) (SUB FOR AR48722)
	AR48721	LAMP	2		(OUTER) (12-VOLT DUAL BEAM) (SUB RE25126 AND RE25127)
17	AR21059	HEADLIGHT	2		(12-VOLT FLOOD) (FRONT, INNER)
	RE25125	DUAL BEAM LAMP	2		(SUB FOR AR48723) (12-VOLT DUAL BEAM) (FRONT, OUTER)
18	R30182	BEZEL	4		(FRONT LAMPS) (HOBBS)
	R31250	BEZEL	4		(FRONT LAMPS) (GUIDE)
19	AR35782	LAMP	1		
20	AR21059	HEADLIGHT	1		(12-VOLT) (REAR, R.H.)

1G13

ELECTRICAL

CAB FRONT AND REAR LAMPS, TAIL LAMP, AND WARNING LAMPS (HINSON)

RP1312 -UN-01JAN94



1G14

ELECTRICAL

**CAB FRONT AND REAR LAMPS, TAIL LAMP, AND WARNING LAMPS - CONTINUED
(HINSON)**

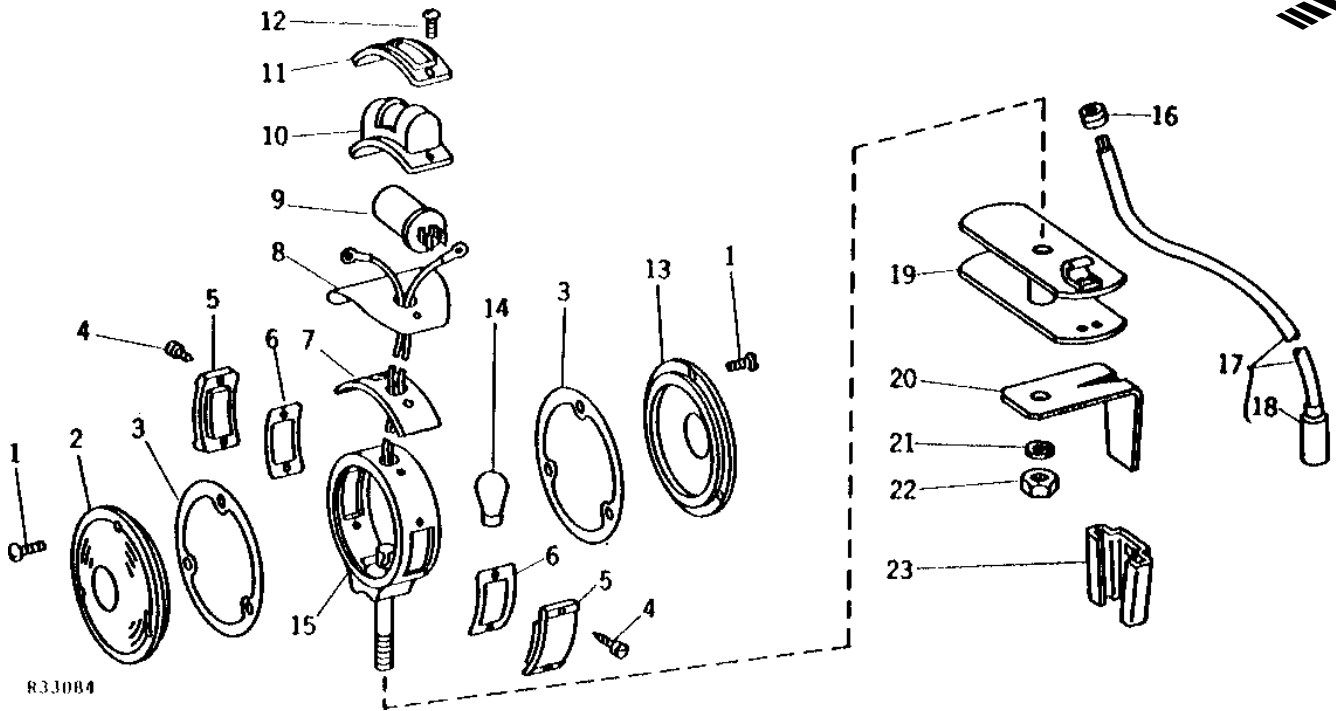
KEY	PART NO.	PART NAME	QTY	TRACTOR SERIAL NO.	REMARKS
1	R42689	BEZEL	5	(HOBBS)	
	R48293	BEZEL	5	(GUIDE)	
2	AR42591	HEADLIGHT	5	(12-VOLT)	(FRONT AND REAR UPPER LAMPS AND CENTER FLOOD LAMP) (USE WITH AR42119)
	AR104119	HEADLIGHT	5	(12-VOLT)	(FRONT AND REAR UPPER LAMPS AND CENTER FLOOD LAMP) (USE WITH RE19075)
3	WIRING LEAD	3		165MM (6-1/2") SEALED UNIT TO TERMINAL PLATE, (MAKE FROM R66319 AND (2) R32016)
4	21H1293	SCREW	6		0.164" X 5/16"
5	12M7084	LOCK WASHER	6		0.169"
6	AR42119	LAMP	3		(12-VOLT) (UPPER FRONT, REAR AND CENTER FLOOD LAMP) (SUB RE19075, THIS APPLICATION)
7	R30181	PLATE	3		(HOBBS)
8	R27460	CLAMP	6		
9	R43662	BRACKET	3		
10	37H106	SCREW	6		
11	19H2644	CAP SCREW	3		1/2" X 2-1/2"
12	12H301	LOCK WASHER	3		1/2"
13	14H856	NUT	2		1/2", (4 USED WITH AR54975)
14	12H292	LOCK WASHER	2		1/2", (4 USED WITH AR54975)
15	R38371	WASHER	2		(4 USED WITH AR54975)
16	AR38456	LAMP	2	-XXXXXX	
	AR54975	LAMP	4	XXXXXX-	
	AR54976	WIRING HARNESS	2	XXXXXX-	
	AD2062R	BULB	2		
	R42666	LENS	2		
	R42667	LENS	2		
17	37H2	SCREW	8		0.164" X 5/8"
18	R45936	LENS	2		
19	AR48041	BULB	2		
20	R45937	GASKET	2		
21	AR78825	TAIL LAMP	2		(SUB FOR AR48040)
22	AR78825	TAIL LAMP	2		(SUB FOR AR45099)
23	14H1040	NUT	2		1/2"
24	12H301	LOCK WASHER	2		1/2"
25	F2935R	WASHER	2		
26	R48663	WASHER	2		
27	AR51335	LAMP	2		(TRACTOR) (NLA)
28	RE25125	DUAL BEAM LAMP	1		UNIT, DUAL SEALED BEAM, (12-VOLT) (FRONT LOWER) (SUB FOR AR48723)
29	R48293	BEZEL	1		

1G15

ELECTRICAL

R33084 -UN-01JAN94

FLASHING WARNING LAMP (TOWED IMPLEMENT)



R33084

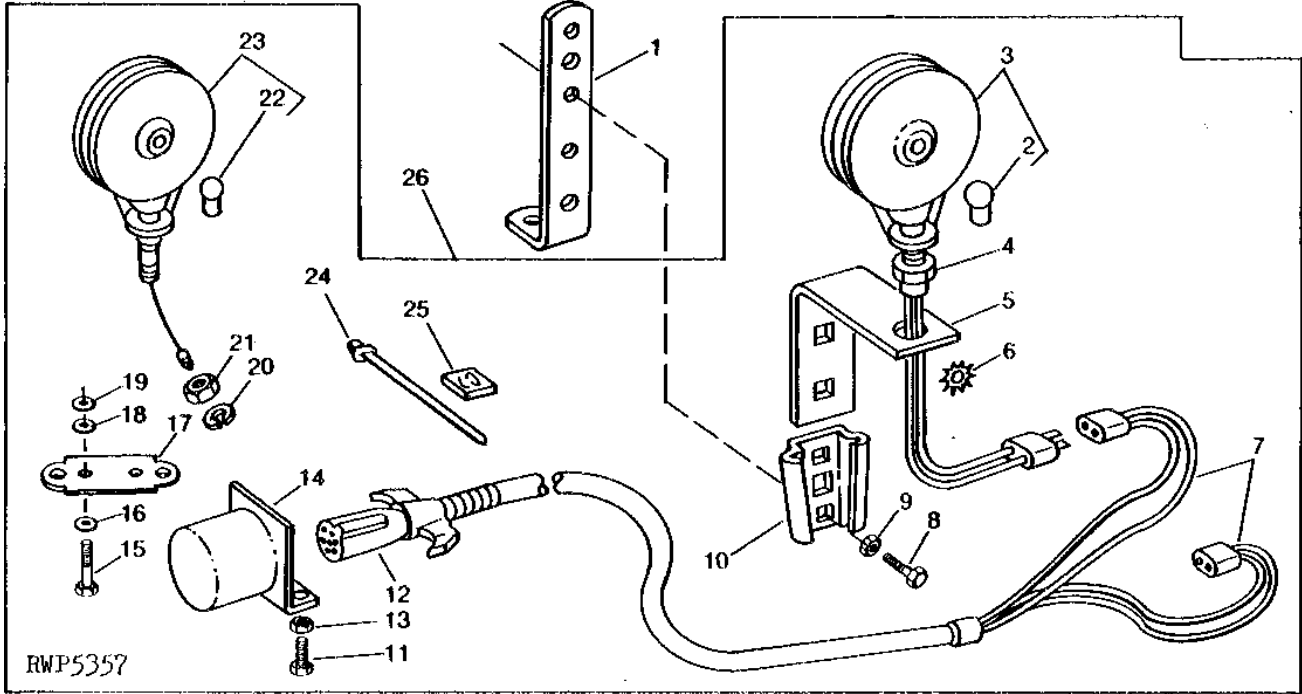
KEY	PART NO.	PART NAME	QTY	TRACTOR SERIAL NO.	REMARKS
1	21H1290	SCREW	6	0.138" X 1/2"	
2	A5276R	LENS	1		
3	A5277R	GASKET	2	(NLA)	
4	34H46	SCREW	4	1/8" X 1-1/8"	
5	A5278R	LENS	2		
6	A5279R	GASKET	2	OUTLOOK LENS	
7	R41327	GASKET	1	(NLA)	
8	R41328	HOOD	1	(NLA)	
9	AR21858	FLASHER	1	(12-VOLT)	
10	R41325	COVER	1	(NLA)	
11	R41326	BEZEL	1	(NLA)	
12	34H47	SCREW	2	1/8" X 1-1/4"	
13	A5275R	LENS	1		
14	AA6218R	BULB	1	(12-14 VOLT) S.C.	
15	HOUSING	1	(NLA)	
16	R2579R	GROMMET	1		
17	AR40710	PLUG	1	(WITH CABLE)	
18	AA5692R	ELECTRICAL PLUG	1	(LESS CABLE)	
19	AA6217R	REEL	1	(NLA)	
20	R63180	BRACKET	1	(SUB FOR A5273R)	
21	12H293	LOCK WASHER	1	7/16"	
22	14H813	NUT	1	7/16"	
23	JD126	SOCKET	1		

1G16

ELECTRICAL

RWP5357 -UN-01JAN94

FLASHING WARNING LAMP KIT



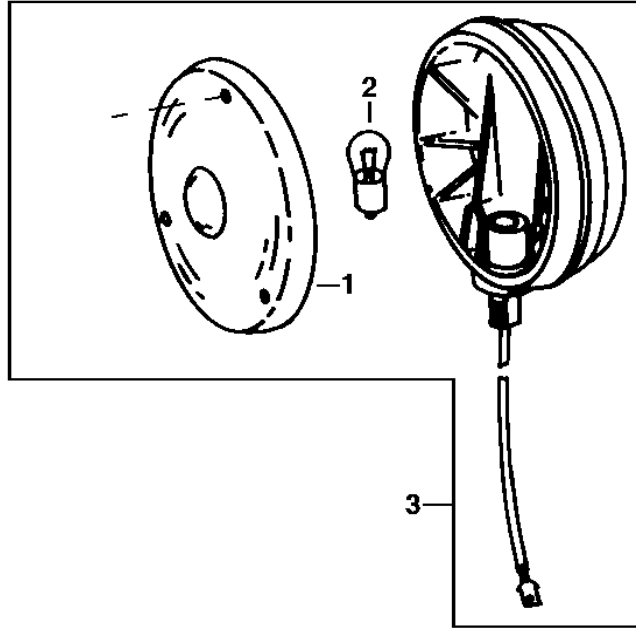
KEY	PART NO.	PART NAME	QTY	TRACTOR SERIAL NO.	REMARKS
1	A39716	BRACKET	2		
2	AD2062R	BULB	2		
3	AA34967	LAMP	2		(SUB FOR PT1293)
	A48331	LENS	2		
4	12H301	LOCK WASHER	2	1/2"	
	14H856	NUT	2	1/2"	
5	PT18180	BRACKET	2		(SUB FOR PT1624 OR PT9319)
6	PT9390	WASHER	1		
7	PT9318	WIRING HARNESS	1		(SUB FOR PT1294)
8	37H57	SCREW	5	5/16" X 3/4"	
9	14H785	NUT	5	5/16"	
10	JD126	SOCKET	2		
11	37H3	SCREW	2	1/4" X 5/8"	
12	AH93625	PLUG	1	(7-PIN)	
13	14H786	NUT	2	1/4"	
14	PT1296	BRACKET	1		
15	37H57	SCREW	5	5/16" X 3/4"	
16	24H1822	WASHER	1	11/32" X 7/8" X 1/16"	
17	PT9320	BRACKET	1		
18	24H1822	WASHER	1	11/32" X 7/8" X 1/16"	
19	14H788	NUT	5	3/8"	
20	12H301	LOCK WASHER	1	1/2"	
21	14H856	NUT	1	1/2"	
22	AR48041	BULB	1		
23	AA34968	TAIL LAMP	1		
	A48332	LENS	1		
24	R44302	TIE BAND	AR		
25	AT55441	BASE	AR		(SUB FOR PT9321)
26	TY16055	KIT	1		(SUB FOR TY9305 OR TY15263) (FI)
..	AA32178	WIRING LEAD	1		ACCESSORY

1G17

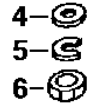
ELECTRICAL

RXP021418 -UN-24JAN96

WARNING LAMP



RXP021418



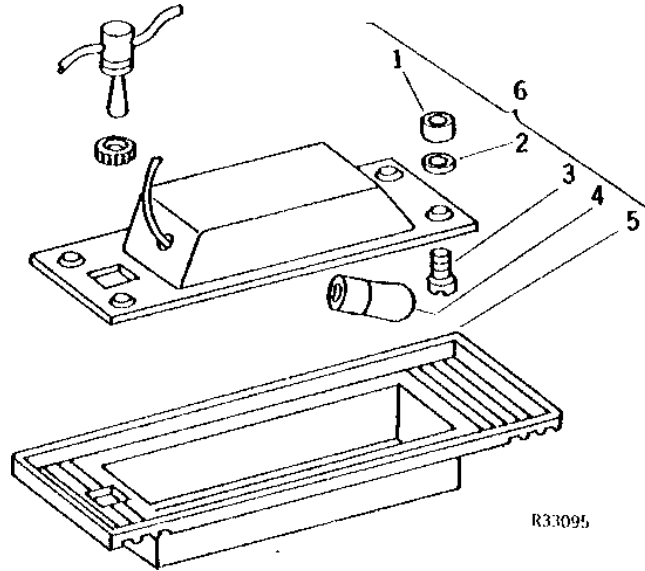
KEY	PART NO.	PART NAME	QTY	TRACTOR SERIAL NO.	REMARKS
1	R42666	LENS	1		(GUIDE) AMBER
	R42667	LENS	1		(GUIDE) RED (OPTION)
2	AD2062R	BULB	1		32 C.P. (12-16 VOLT)
3	AR38456	LAMP	1		(SUB FOR AR72257)
4	R47831	WASHER	1		
5	12H292	LOCK WASHER	1		1/2"
6	14H856	NUT	1		1/2"

1G18

ELECTRICAL

R33095 -UN-01JAN94

DOME LIGHT (HINSON)



R33095

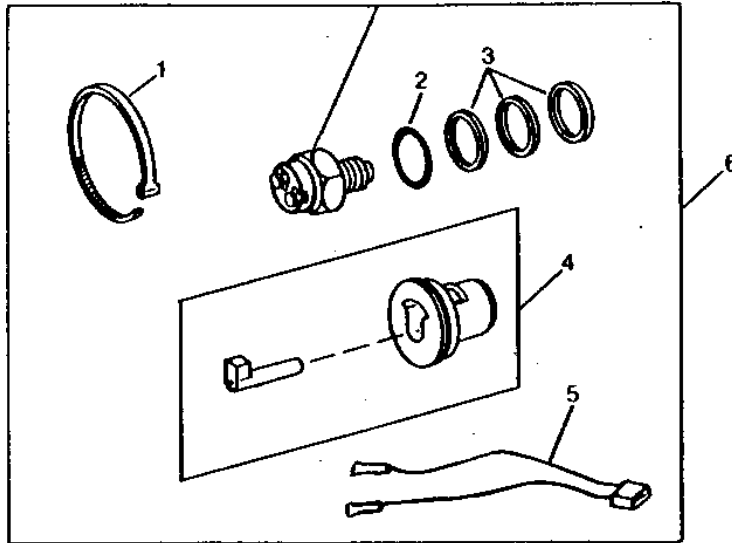
KEY	PART NO.	PART NAME	QTY	TRACTOR SERIAL NO.	REMARKS
1	14H1026	NUT	4	0.138"	
2	12H314	LOCK WASHER	4	0.138"	
3	21H1353	SCREW	4	NO. 10 X 1-1/2"	
4	AR86969	BULB	1	NO. 1003 15 C.P. (SUB FOR AR21739)	
5	R47886	LENS	1		
6	AR50260	LAMP	1		
..	WIRING LEAD	1	203MM (8") DOME LIGHT GROUND, (MAKE FROM R32018, R66319 AND R32025)	
..	WIRING LEAD	1	(MAKE FROM R32027 AND R32025)	

1G19

ELECTRICAL

RXP8097 -UN-01JAN94

NEUTRAL START SWITCH KIT



RXP8097

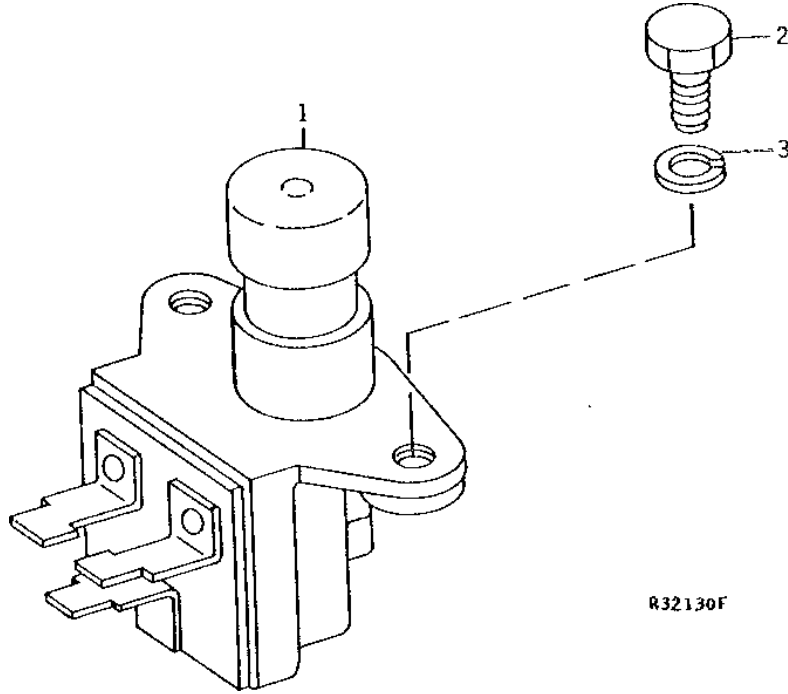
KEY	PART NO.	PART NAME	QTY	TRACTOR SERIAL NO.	REMARKS
1	R44302	TIE BAND	2		
2	R26448	O-RING	1		
3	T16911	SHIM	3		
4	RE37996	GAUGE	1		(NEUTRAL START SWITCH ADJ.)
5	RE14069	WIRING HARNESS	1		
6	RE38390	SWITCH	1		(SUB FOR AR89691 OR AR85153)

1G20

ELECTRICAL

R32130 -UN-01JAN94

DIMMER SWITCH



R32130F

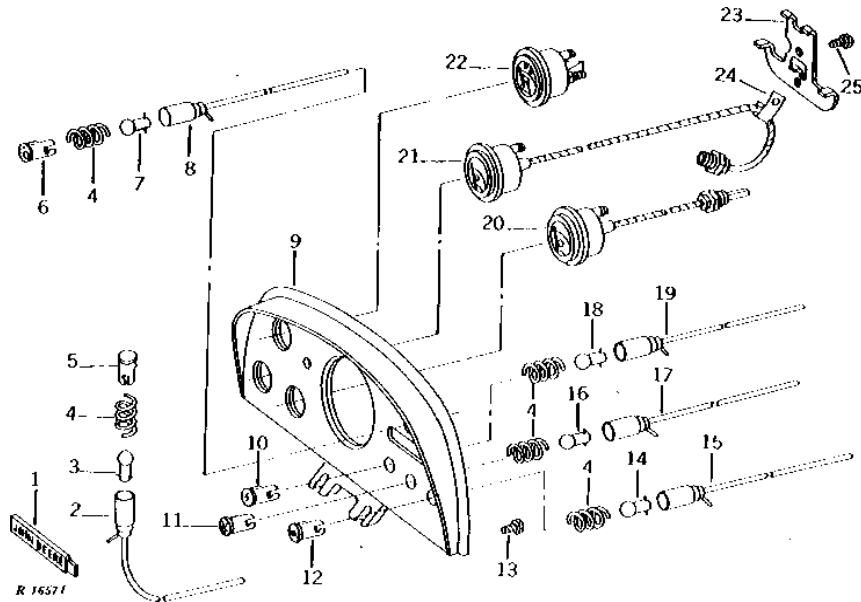
KEY	PART NO.	PART NAME	QTY	TRACTOR SERIAL NO.	REMARKS
1	AR48725	DIMMER SWITCH	1		
2	19H1919	CAP SCREW	2	1/4" X 5/8"	
3	12H302	LOCK WASHER	2	1/4"	

1G21

ELECTRICAL

R16571 -UN-01JAN94

INSTRUMENT PANEL, INSTRUMENTS, AND INDICATOR LAMPS



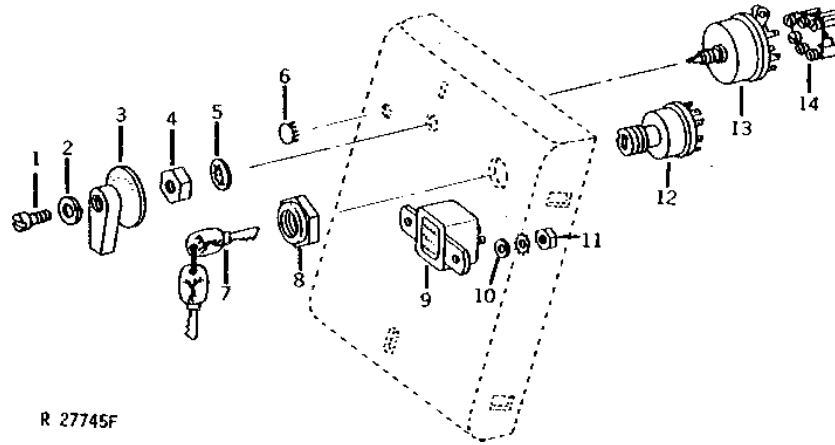
KEY	PART NO.	PART NAME	QTY	TRACTOR SERIAL NO.	REMARKS
1	AR45440	PLATE	1		
2	AR48032	INDICATOR LIGHT	1		(SUB AT44165, AR55694, AR45446 AND R30378) HYDRAULIC FILTER RESTRICTION (POWER SHIFT)
3	AR55694	BULB	1		(SUB FOR R30379)
4	R30378	SPRING	AR		(4 USED, SYNCRO-RANGE) (5 USED, POWER SHIFT)
5	AR45446	LENS	1		HYDRAULIC FILTER RESTRICTION, (POWER SHIFT)
6	AR47916	LENS	1		HIGH BEAM INDICATOR
7	AR50440	LAMP	1		
8	AR50508	INDICATOR LIGHT	1		HIGH-BEAM LIGHT INDICATOR
9	R56320	INSTRUMENT PANEL	1		(SUB FOR AR51160 OR AR68199 OR AR66761) (ALSO ORDER T16738 PLUG)
	R49025	LABEL	1		
10	AT48673	LENS	1		ALTERNATOR, (SUB AT48673)
11	AR45439	LENS	1		AIR CLEANER FILTER RESTRICTION
12	AT48674	LENS	1		ENGINE OIL PRESSURE, (SUB AT48674)
13	37M7245	SCREW	2		NO. 10 X 3/8"
14	AR55694	BULB	1		(SUB FOR R30379)
15	AR48035	INDICATOR LIGHT	1		ENGINE OIL PRESSURE, (SUB AR55694, AT48674, AT44165 AND R30378)
16	AR50439	LAMP	1		
17	AR48033	INDICATOR LIGHT	1		AIR CLEANER FILTER RESTRICTION, (SUB AR45439, AR55694, R30378 AND AT44165)
18	AR50439	LAMP	1		
19	AR48034	INDICATOR LIGHT	1		ALTERNATOR, (SUB AT48673, R30378, AR55694 AND AT44165)
20	AR48640	TEMPERATURE GAUGE	1		WATER TEMPERATURE
21	AR46979	PYROMETER	1		TRANSMISSION OIL TEMPERATURE
22	AR45436	GAUGE	1		FUEL
23	R44198	CLAMP	1		
24	R45211	CLAMP	1		
25	37H98	SCREW	AR		(2 USED SYNCRO-RANGE) (1 USED POWER SHIFT)
	37H41	SCREW	2		(POWER SHIFT)

1G22

ELECTRICAL

R27745 -UN-01JAN94

LIGHT AND IGNITION SWITCHES



R 27745F

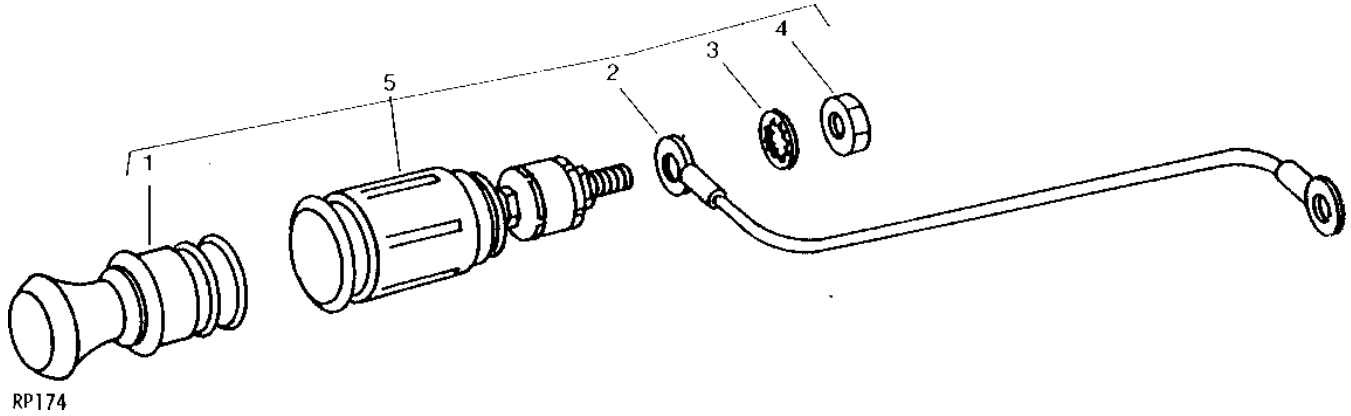
KEY	PART NO.	PART NAME	QTY	TRACTOR SERIAL NO.	REMARKS
1	21H1299	SCREW	1		0.164" X 3/8"
2	12H315	LOCK WASHER	1		0.164"
3	AR54445	KNOB	1		(SUB FOR R46092)
4	A4655R	NUT	1		
5	12H275	LOCK WASHER	1		1/2"
6	R28473	PLUG	1		
7	AR51481	KEY	1		
8	R44342	NUT	1		
9	AR48594	FLASHER	1		
10	24H1283	WASHER	2		7/32" X 1/2" X 0.049"
11	14H631	NUT	2		0.190"
	12M7060	WASHER	2		0.209"
12	AR58126	KEY SWITCH	1		(SUB FOR AR47458 OR AR53452)
	AR47459	CYLINDER	1		(USE WITH AR47458 OR AR53452)
13	AR48724	LIGHT SWITCH	1		
14	AR83425	RECEPTACLE CONNECTOR BODY	1		

1G23

ELECTRICAL

RP174 -UN-01JAN94

CIGAR LIGHTER ASSEMBLY



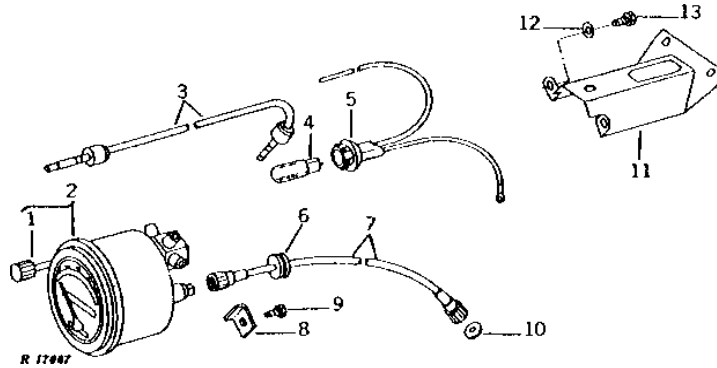
KEY	PART NO.	PART NAME	QTY	TRACTOR SERIAL NO.	REMARKS
1	AR60937	LIGHTER	1		
2	AR94130	WIRING LEAD	1		
3	12M7084	LOCK WASHER	1	0.169"	
4	14H605	NUT	2	0.164"	
5	AR48643	LIGHTER	1		CIGAR, (12-VOLT)

1G24

ELECTRICAL

R17087 -UN-01JAN94

SPEED-HOUR METER



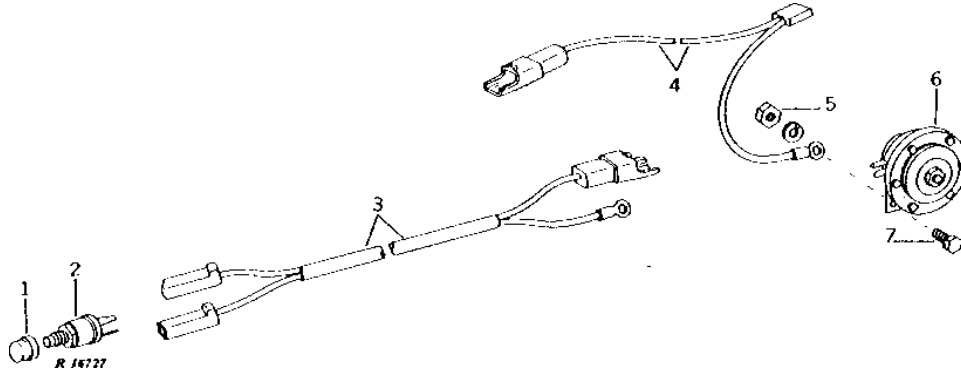
KEY	PART NO.	PART NAME	QTY	TRACTOR SERIAL NO.	REMARKS
1	AR40802	KNOB	1		
2	AR50406	TACHOMETER	1		(SYNCRO-RANGE) (SUB FOR AR50402)
	AR50407	TACHOMETER	1		(POWER SHIFT) (SUB FOR AR50403)
3	AR48016	WIRING LEAD	3		FIBER OPTIC
4	AR48015	BULB	1		
5	AR50838	WIRING HARNESS	1		
6	R41440	GROMMET	1		
7	AR26721	CABLE	1		(COMPLETE CABLE, WITH INNER CABLE) (SUB FOR AR28588)
	AR28589	CABLE	1		(STEWART-WARNER) (INNER CABLE)
8	R34206	CLAMP	2		
9	37M7245	SCREW	2		NO. 10 X 3/8"
10	B3285R	WASHER	1		
11	R41706	SUPPORT	1		
12	24H1283	WASHER	2		7/32" X 1/2" X 0.049"
13	37H121	SCREW	2		NO. 10 X 5/8"

1G25

ELECTRICAL

R16727 -UN-01JAN94

HORN



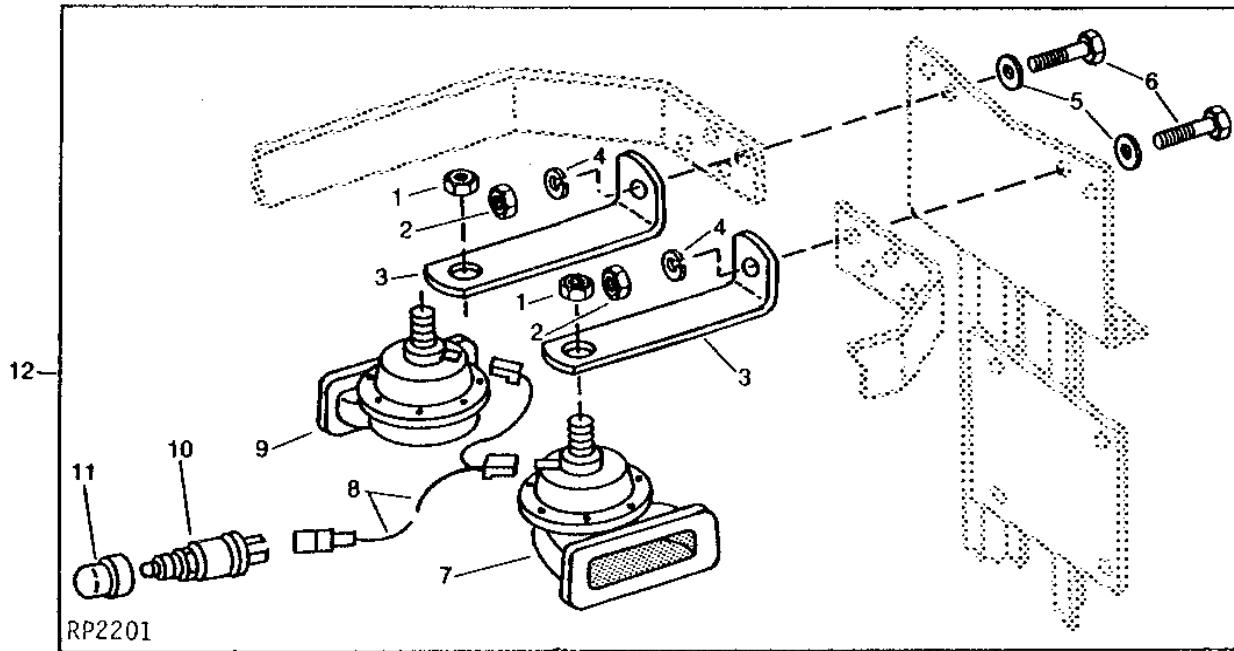
KEY	PART NO.	PART NAME	QTY	TRACTOR SERIAL NO.	REMARKS
1	T55501	CAP	1		(SUB FOR AR47374, THIS APPLICATION)
2	AR21823	SWITCH	1		
3	AR46730	WIRING HARNESS	1		SWITCH WIRING
4	AR73580	WIRING HARNESS	1		HORN WIRING, (SUB FOR AR49038)
5	14H785	NUT	1		5/16"
	12H303	LOCK WASHER	1		5/16"
6	AL14896	HORN	1		(12-VOLT) (SUB FOR AR49036 OR AR73579)
7	19H1813	CAP SCREW	1		5/16" X 5/8"
..	AR49032	HORN	1		(SUB AR102454)

1H1

ELECTRICAL

RP2201 -UN-01JAN94

DUAL HORN ASSEMBLY



KEY	PART NO.	PART NAME	QTY	TRACTOR SERIAL NO.	REMARKS
1	R11278	NUT	2		
2	14H785	NUT	2	5/16"	
3	R64699	BRACKET	2		(ILLUSTRATED) (USE FOR, THIS APPLICATION)
	R75833	BRACKET	2		(SUB FOR R66069)
4	12H303	LOCK WASHER	2	5/16"	
5	24H1136	WASHER	2	11/32" X 11/16" X 0.065"	
6	19H1849	CAP SCREW	2	5/16" X 1-1/4"	
7	R64700	LOW NOTE HORN	1		(12-VOLT) (LOW NOTE)
8	AR85578	WIRING HARNESS	1		
9	AT39043	HIGH NOTE HORN	1		(12-VOLT) (HIGH NOTE)
10	AR21823	SWITCH	1		
11	T55501	CAP	1		
12	AR102454	HORN	1		(SUB FOR AR81178) (ORDER COMPONENT PARTS)

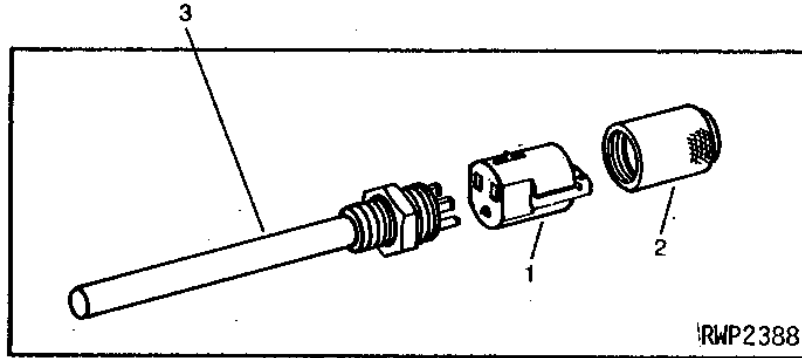
MEMORANDA

1H2

ELECTRICAL

RWP2388 -UN-01JAN94

OIL HEATER



KEY	PART NO.	PART NAME	QTY	TRACTOR SERIAL NO.	REMARKS
1	AR21024	FITTING	1	(240 WATT)	
2	R20878	PLUG	1		
3	AR27139	HEATING ELEMENT	1	(240-WATT) (SUB AR21024, R20878 AND T23925)	

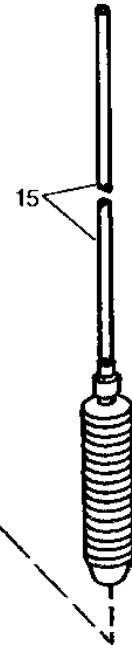
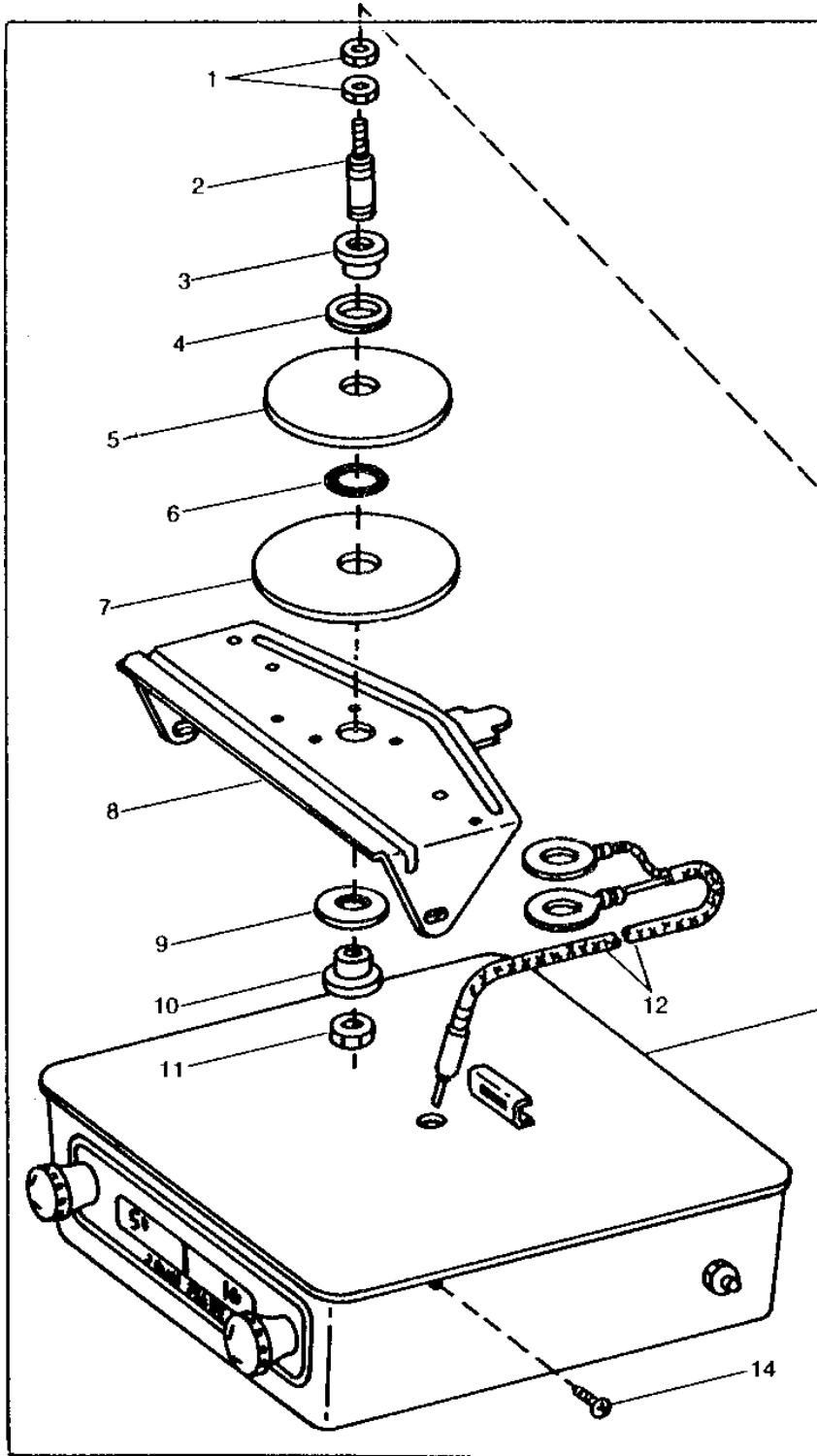
1H3

ELECTRICAL

RP1306

-UN-01JAN94

CAB RADIO



RP1306

1H4

ELECTRICAL

CAB RADIO - CONTINUED

KEY	PART NO.	PART NAME	QTY	TRACTOR SERIAL NO.	REMARKS
1	R53512	WELD NUT	2		
2	R53515	BUSHING	1	(NLA)	
3	R53516	WASHER	1	(LONG) (NLA)	
4	R53518	WASHER	1	(NLA)	
5	R53519	WASHER	1	(NLA)	
6	B2762R	O-RING	1	(NLA)	
7	R53520	WASHER	1	(NLA)	
8	R53521	BRACKET	1	(NLA)	
9	R53522	WASHER	1		
10	R53517	BUSHING	1	(SHORT) (NLA)	
11	R53512	WELD NUT	3	(NLA)	
12	AR60084	WIRING LEAD	1	(NLA)	
13	AR68363	RADIO	1	(A) (ALSO ORDER AR46986) (SUB FOR AR60083)	
				(NLA)	
14	AR60089	SCREW	2	(NLA)	
15	AR46986	ANTENNA	1		
..	AR41758	CAPACITOR	1		
..	R42799	RESISTOR	1		

(A) CHECK AUDIOVOX DIRECT - SHIP PROGRAM GUIDE

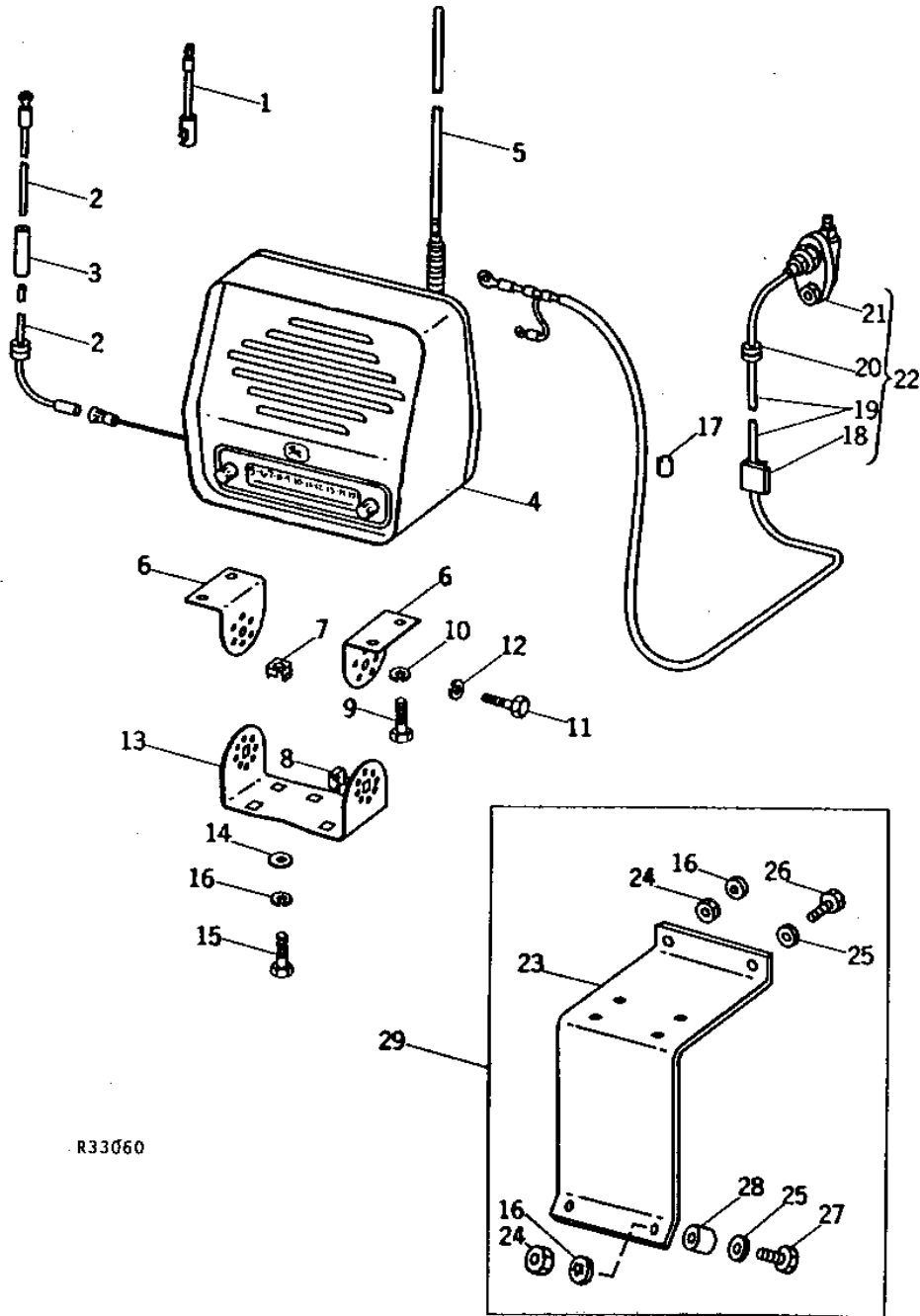
1H5

ELECTRICAL

R33060

-UN-01JAN94

RADIO
(MOTOROLA)



R33060

1H6

ELECTRICAL

RADIO - CONTINUED
(MOTOROLA)

KEY	PART NO.	PART NAME	QTY	TRACTOR SERIAL NO.	REMARKS
1	AR41758	CAPACITOR	1		
2	AR41756	WIRING LEAD	1		
3	R42799	RESISTOR	1		
4	TY15276	RADIO	1		(A) (ALSO ORDER AR46986) (SUB FOR AR51973, AR57156, AR68361, AR101245 OR TY15155) (NLA)
5	AR46986	ANTENNA	1		
6	R52408	BRACKET	2		
7	AR41951	NUT	3		
8	AR41950	NUT	2		
9	19H1227	CAP SCREW	4		1/4" X 1/2"
10	12H297	LOCK WASHER	4		1/4"
11	19H1936	CAP SCREW	2		3/8" X 3/4"
12	12H310	LOCK WASHER	2		3/8"
13	R41880	BRACKET	1		
14	24H1294	WASHER	3		11/32" X 1-1/8" X 1/16"
15	19H1813	CAP SCREW	3		5/16" X 5/8"
16	12M7032	LOCK WASHER	7		0.331"
17	R45136	PLUG	1		
18	R47474	CLIP	4		
19	AR51484	WIRING LEAD	1		
20	R27583	GROMMET	1		
21	AR46984	BASE	1		
22	AR51483	BASE	1		(WITH CAB)
23	R49056	BRACKET	1		
24	14H785	NUT	4		5/16"
25	24H1294	WASHER	4		11/32" X 1-1/8" X 1/16"
26	19H1813	CAP SCREW	2		5/16" X 5/8"
27	19H1875	CAP SCREW	2		5/16" X 1-3/4"
28	28H1495	SPACER	2		3/8" X 1"
29	AR52478	KIT	1		RADIO MOUNTING (HINSON CAB) (NLA)

(A) CHECK AUDIOVOX DIRECT - SHIP PROGRAM GUIDE

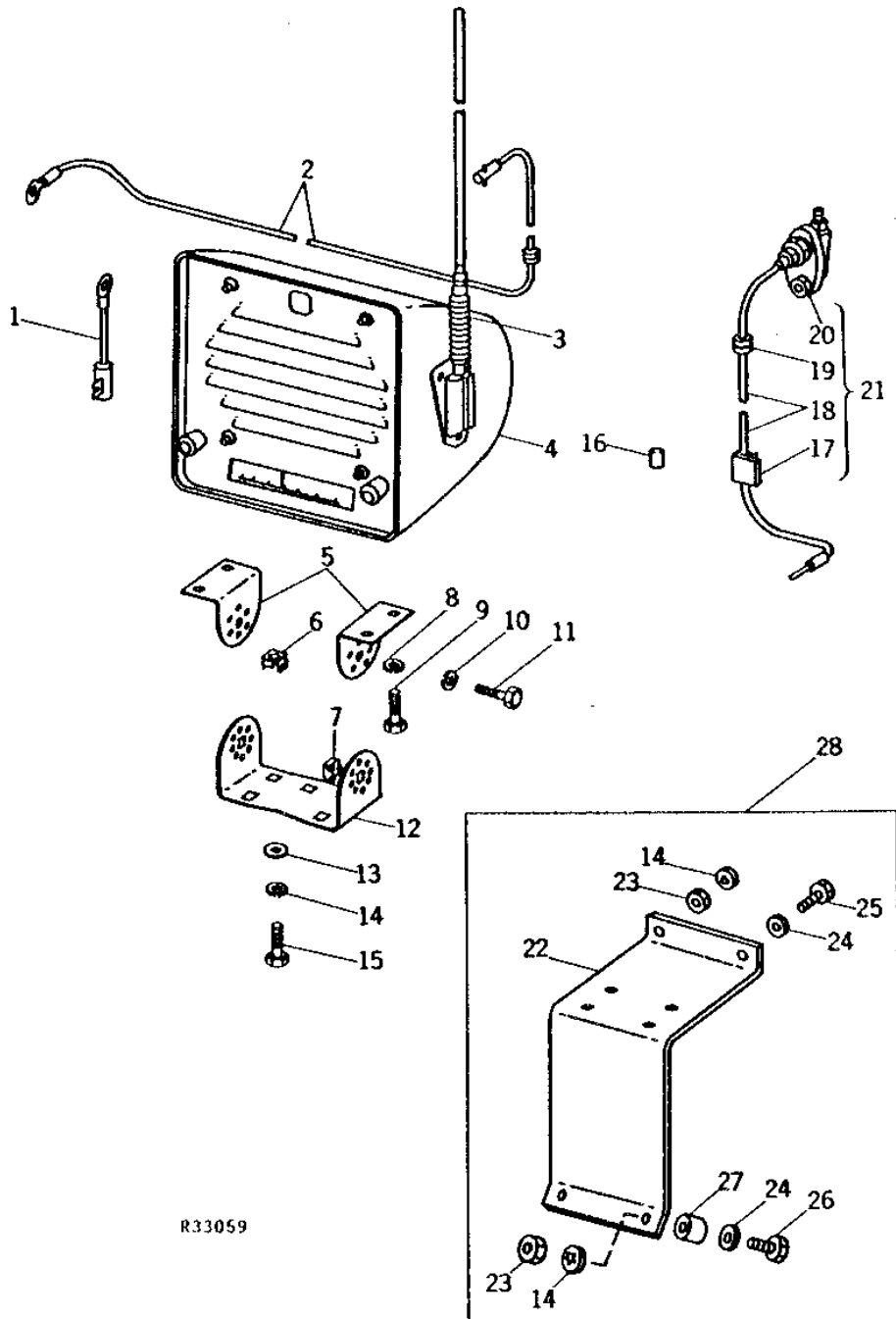
1H7

ELECTRICAL

R33059

-UN-01JAN94

RADIO
(BENDIX)



R33059

1H8

ELECTRICAL

**RADIO - CONTINUED
(BENDIX)**

KEY	PART NO.	PART NAME	QTY	TRACTOR SERIAL NO.	REMARKS
1	AR41758	CAPACITOR	1		
2	AR41756	WIRING LEAD	1		
3	AR41760	ANTENNA	1		
4	AR46986	ANTENNA	1		(THREADED TYPE)
4	AR68362	RADIO	1		(A) (ALSO ORDER AR46986) (SUB FOR AR40947, AR54755 OR AR57157) (NLA)
5	R41879	BRACKET	1		(USE WITH AR40947) (NLA)
	R46505	BRACKET	2		(USE WITH AR48717, AR57157 OR AR68362) (NLA)
6	AR41951	NUT	4		
7	AR41950	NUT	2		
8	12H297	LOCK WASHER	4		1/4"
9	19H1227	CAP SCREW	4		1/4" X 1/2"
10	12H310	LOCK WASHER	2		3/8"
11	19H1936	CAP SCREW	2		3/8" X 3/4"
12	R41880	BRACKET	1		
13	24H1294	WASHER	4		11/32" X 1-1/8" X 1/16"
14	12M7032	LOCK WASHER	4		0.331"
	12M7032	LOCK WASHER	4		0.331"
15	19H1813	CAP SCREW	4		5/16" X 5/8"
16	R45136	PLUG	1		
17	R47474	CLIP	1		
18	AR46985	WIRING LEAD	1		
19	R27583	GROMMET	1		
20	AR46984	BASE	1		
21	AR46983	BASE	1		(WITH CAB) (NLA)
22	R49056	BRACKET	1		
23	14H785	NUT	4		5/16"
24	24H1294	WASHER	4		11/32" X 1-1/8" X 1/16"
25	19H1813	CAP SCREW	2		5/16" X 5/8"
26	19H1875	CAP SCREW	2		5/16" X 1-3/4"
27	28H1495	SPACER	2		3/8" X 1"
28	AR52478	KIT	1		RADIO MOUNTING (HINSON CAB) (NLA)

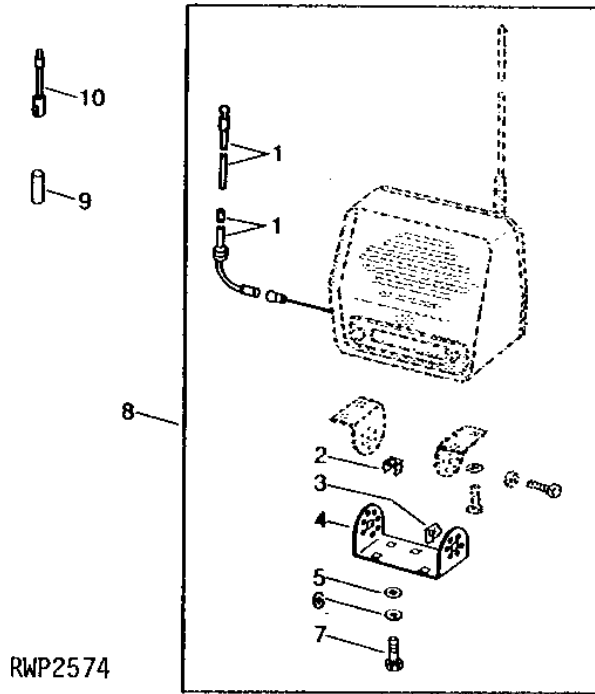
(A) CHECK AUDIOVOX DIRECT - SHIP PROGRAM GUIDE

1H9

ELECTRICAL

RADIO MOUNTING KIT (MOTOROLA)

RWP2574 -UN-01JAN94



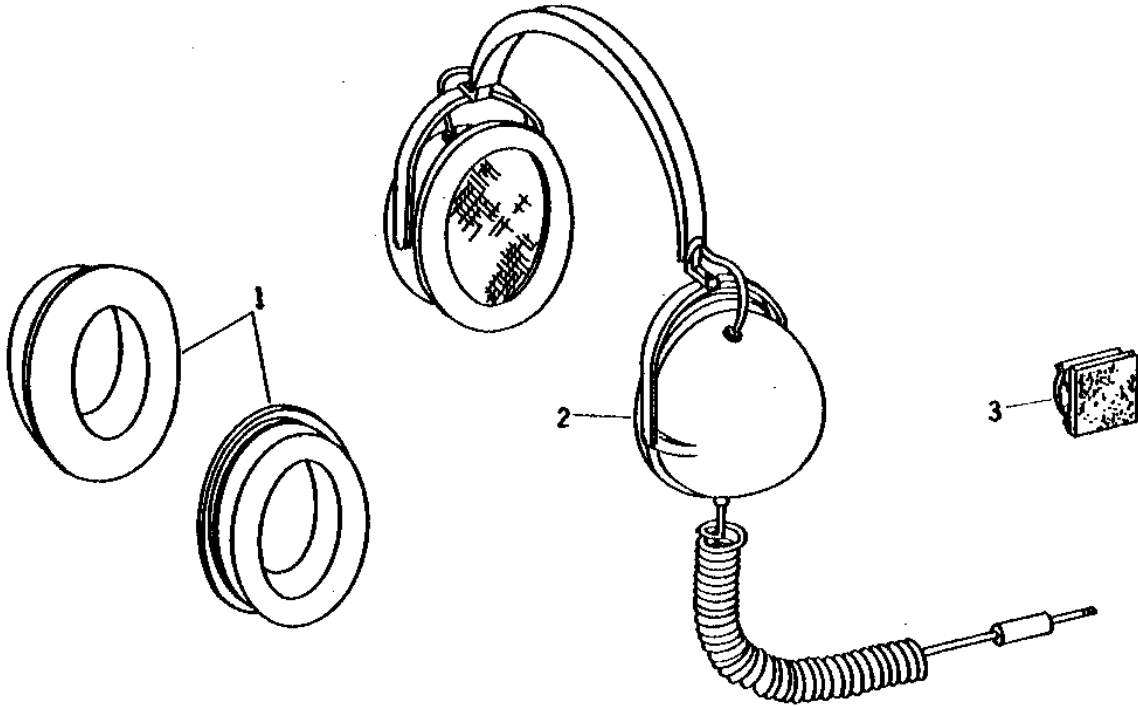
KEY	PART NO.	PART NAME	QTY	TRACTOR SERIAL NO.	REMARKS
1	AR41756	WIRING LEAD	1		
2	AR41951	NUT	3		
3	AR41950	NUT	2		
4	R41880	BRACKET	1		
5	24H1294	WASHER	3		11/32" X 1-1/8" X 1/16"
6	12M7032	LOCK WASHER	3		0.331"
7	19H1813	CAP SCREW	3		5/16" X 5/8"
8	AR41754	KIT	1		FOR 2ND VEHICLE RADIO APPLICATION
9	R42799	RESISTOR	1		NOISE SUPPRESSOR
10	AR41758	CAPACITOR	1		

1H10

ELECTRICAL

R33062 -UN-01JAN94

RADIO HEADPHONES



R33062

KEY	PART NO.	PART NAME	QTY	TRACTOR SERIAL NO.	REMARKS
1	AR73311	FOAM PAD	1		(PKG OF 2) (SUB FOR R53409)
2	AR59663	HEADPHONES	1		(A)
3	R53410	CLIP	1		

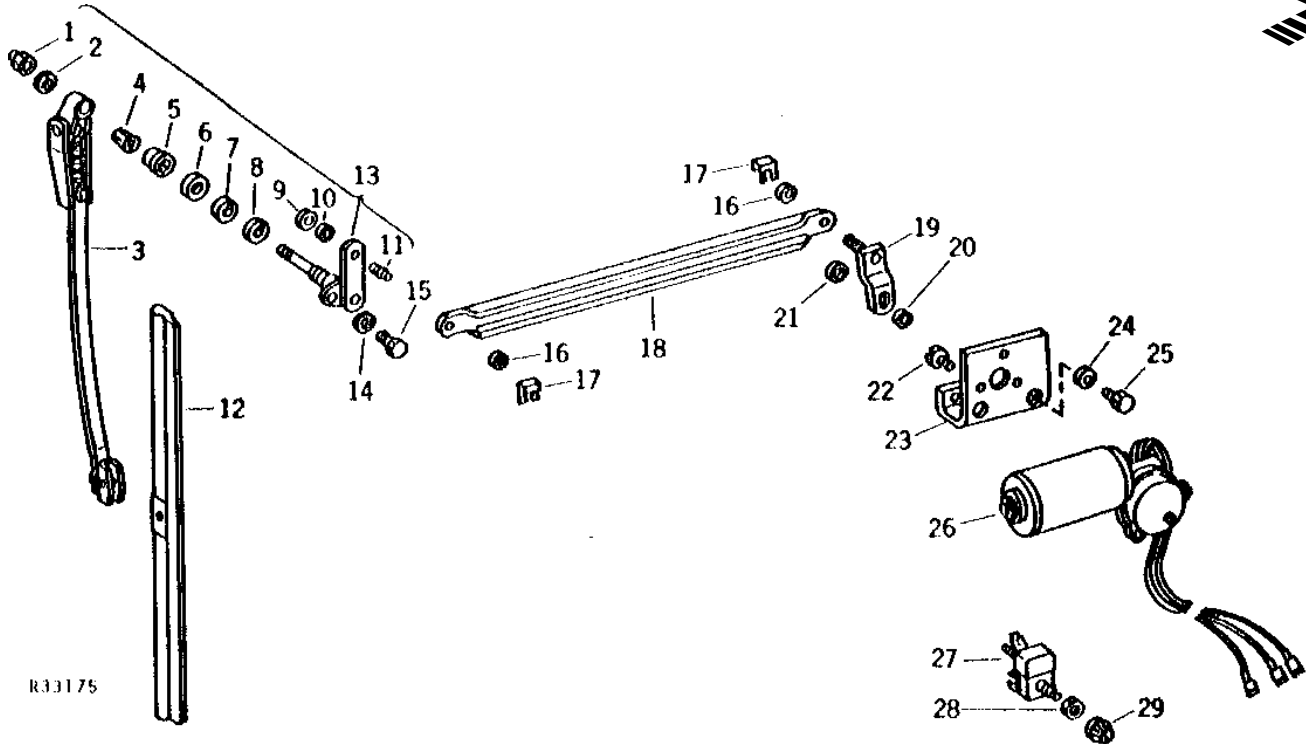
(A) CHECK AUDIOVOX DIRECT - SHIP PROGRAM GUIDE

1H11

ELECTRICAL

R33175 -UN-01JAN94

WINDSHIELD WIPER (HINSON)



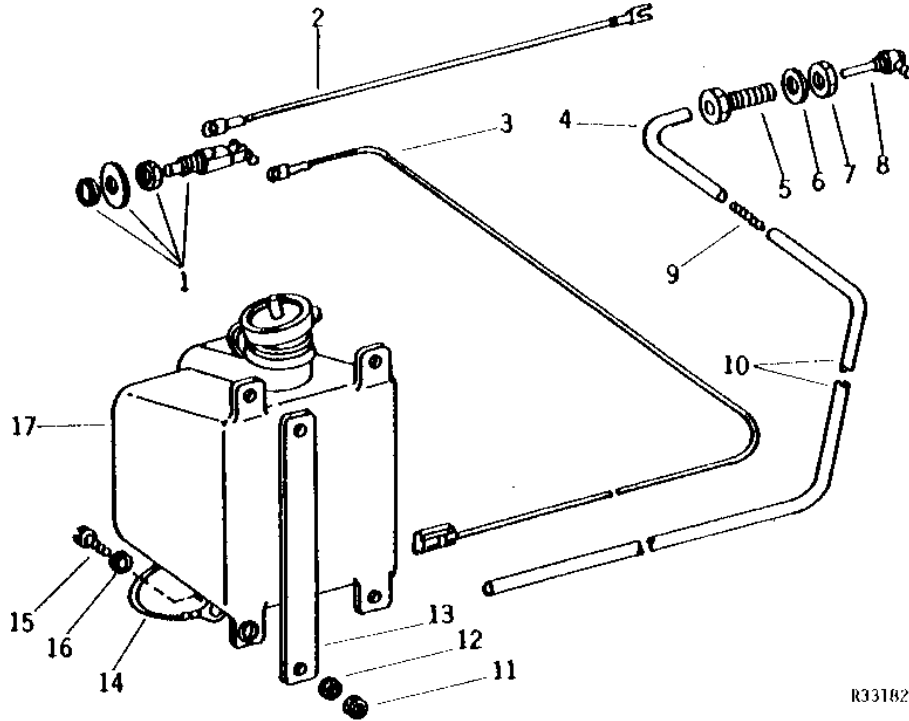
KEY	PART NO.	PART NAME	QTY	TRACTOR SERIAL NO.	REMARKS
1	U46514	NUT	1		
2	12H303	LOCK WASHER	1		5/16"
3	AR45843	ARM	1	-008145	
	AR55155	ARM	1	008146-	
4	U46513	NUT	1		
5	U46512	CAP	1		
6	U46511	NUT	1		
7	U46510	WASHER	1		STEEL
8	U46509	WASHER	1		FIBER
9	14H649	NUT	1		1/4"
10	12H297	LOCK WASHER	1		1/4"
11	U46507	PIN	1		
12	AR45844	WINDSHIELD WIPER	1	-008145	
	AU42026	WIPER BLADE	1	008146-	
13	AU43852	SHAFT	1		(SUB AT58209)
14	12H246	LOCK WASHER	2		0.190"
15	21H1317	SCREW	2		0.190" X 5/8"
16	T32255	SHIM	2		
17	U46506	CLIP	2		
18	AR52294	LINK	1		(NLA)
19	AU43954	ARM	1		
20	U46508	WASHER	1		
21	AU43857	LOCK NUT	1		
22	AU43854	SCREW	3		
23	R48875	BRACKET	1		(NLA)
24	12H302	LOCK WASHER	2		1/4"
25	19H1227	CAP SCREW	2		1/4" X 1/2"
26	AT29855	MOTOR	1		(SUB AT66481, AT66482 AND AR64992)
27	AR45839	SWITCH	1		
28	R44165	LOCK NUT	1		
29	AR69370	KNOB	1		(SUB FOR AR49969)

1H12

ELECTRICAL

R33182 -UN-01JAN94

WINDSHIELD WASHER



R33182

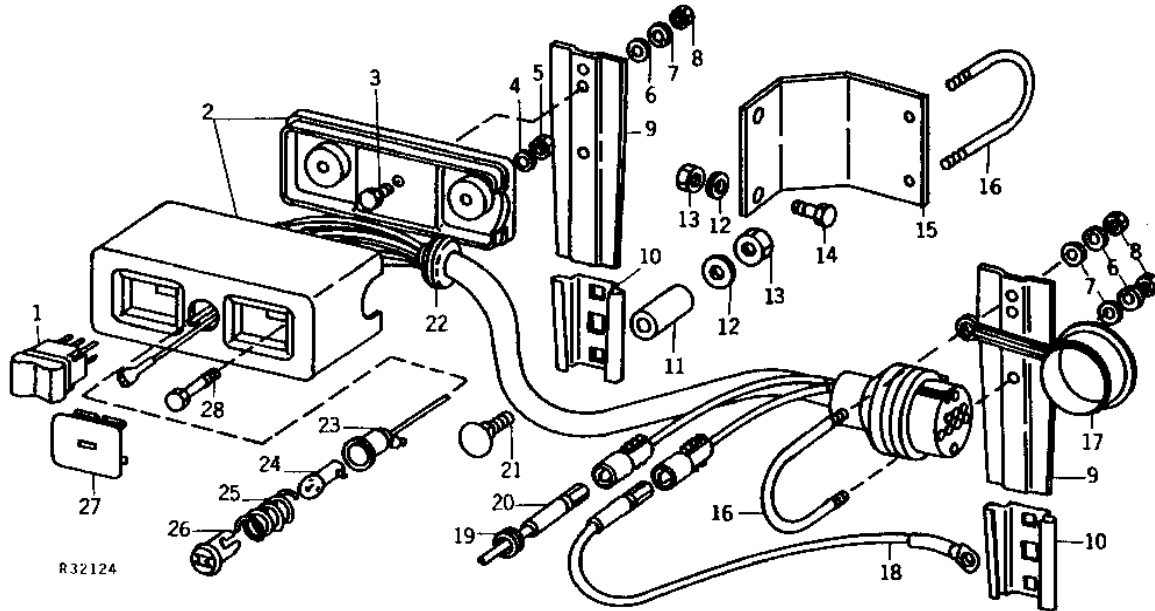
KEY	PART NO.	PART NAME	QTY	TRACTOR SERIAL NO.	REMARKS
1	AR62294	WIPER/WASHER SWITCH	1		
2	AR62295	WIRING LEAD	1		CIRCUIT BREAKER TO SWITCH
3	AR62296	WIRING LEAD	1		SWITCH TO MOTOR
4	HOSE	1		152MM (6") (MAKE FROM R54447)
5	R54446	BOLT	1		
6	D2865R	WASHER	1		(SUB 24H1111)
7	14H1040	NUT	1		1/2"
8	NOZZLE	1		(ORDER AR62293)
9	R54443	HOSE FITTING	1		
10	R54445	HOSE	1		2540MM (100") ROLL
11	14H786	NUT	4		1/4"
12	12H302	LOCK WASHER	4		1/4"
13	R54442	BRACKET	2		
14	WIRING LEAD	1		
15	21H1303	SCREW	4		1/4" X 3/4"
16	24H1286	WASHER	4		9/32" X 1/2" X 1/16"
17	AR62293	KIT	1		(INCLUDES AR62294)

1H13

ELECTRICAL

R32124 -UN-01JAN94

ELECTRICAL REMOTE CONTROL



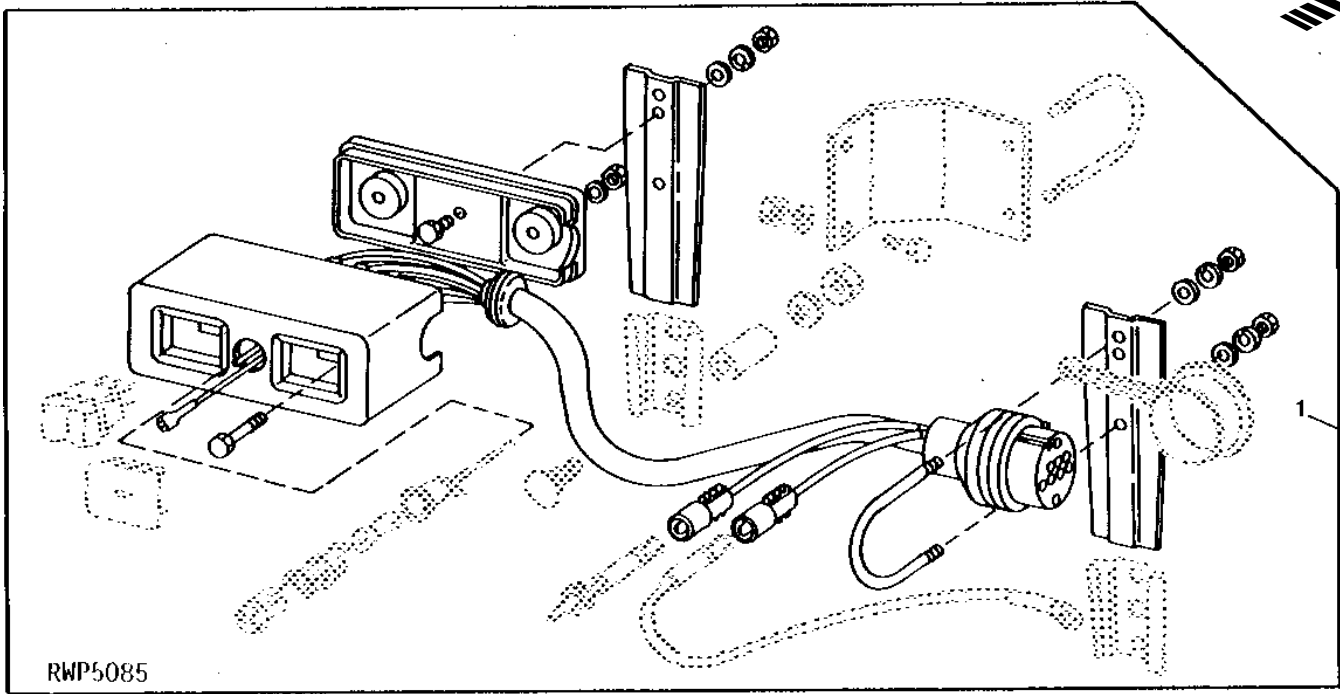
KEY	PART NO.	PART NAME	QTY	TRACTOR SERIAL NO.	REMARKS
1	AR49797	TOGGLE SWITCH	1		MOMENTARY ROCKER (FI)
	AR49798	ROCKER SWITCH	1		DETENT ROCKER (FI)
2	AR50779	WIRING HARNESS	1		TWO SWITCH
	AR50780	WIRING HARNESS	1		FOUR SWITCH
3	19H1914	CAP SCREW	1		1/4" X 1"
4	12H315	LOCK WASHER	2		0.164"
5	14H605	NUT	2		0.164"
6	24H1821	WASHER	3		9/32" X 47/64" X 1/16"
7	12H302	LOCK WASHER	3		1/4"
8	14H786	NUT	3		1/4"
9	R47861	BRACKET	AR		(2 USED, TWO SWITCH) (1 USED, FOUR SWITCH)
	R47860	BRACKET	1		FOUR SWITCH
10	JD126	SOCKET	2		
11	28H1495	SPACER	2		3/8" X 1"
12	24M7207	WASHER	4		8.400 X 24 X 2 MM
13	14H785	NUT	4		5/16"
14	21H1304	SCREW	2		5/16" X 3/4"
15	R54467	BRACKET	1		
16	E16050	U-BOLT	1		
17	R48048	CAP	1		
18	AR50928	WIRING LEAD	1		
19	H987R	GROMMET	4		
20	AR50927	WIRING LEAD	1		
21	03H1515	BOLT	2		5/16" X 2"
22	R36235	GROMMET	1		
23	AT44165	WIRING LEAD	1		
24	AR55694	BULB	1		
25	R30378	SPRING	1		
26	AT48673	LENS	1		
27	R48049	PLUG	1		
28	R48028	SCREW	2		
..	R48026	DECAL	1		
..	R48027	GROMMET	1		(CAB OPENING)
..	R32276	PLUG	1		(CAB OPENING)

1H14

ELECTRICAL

RWP5085 -UN-01JAN94

ELECTRICAL REMOTE CONTROL KIT



KEY	PART NO.	PART NAME	QTY	TRACTOR SERIAL NO.	REMARKS
1	AR62360	KIT	1		(TWO SWITCHES) (FI)

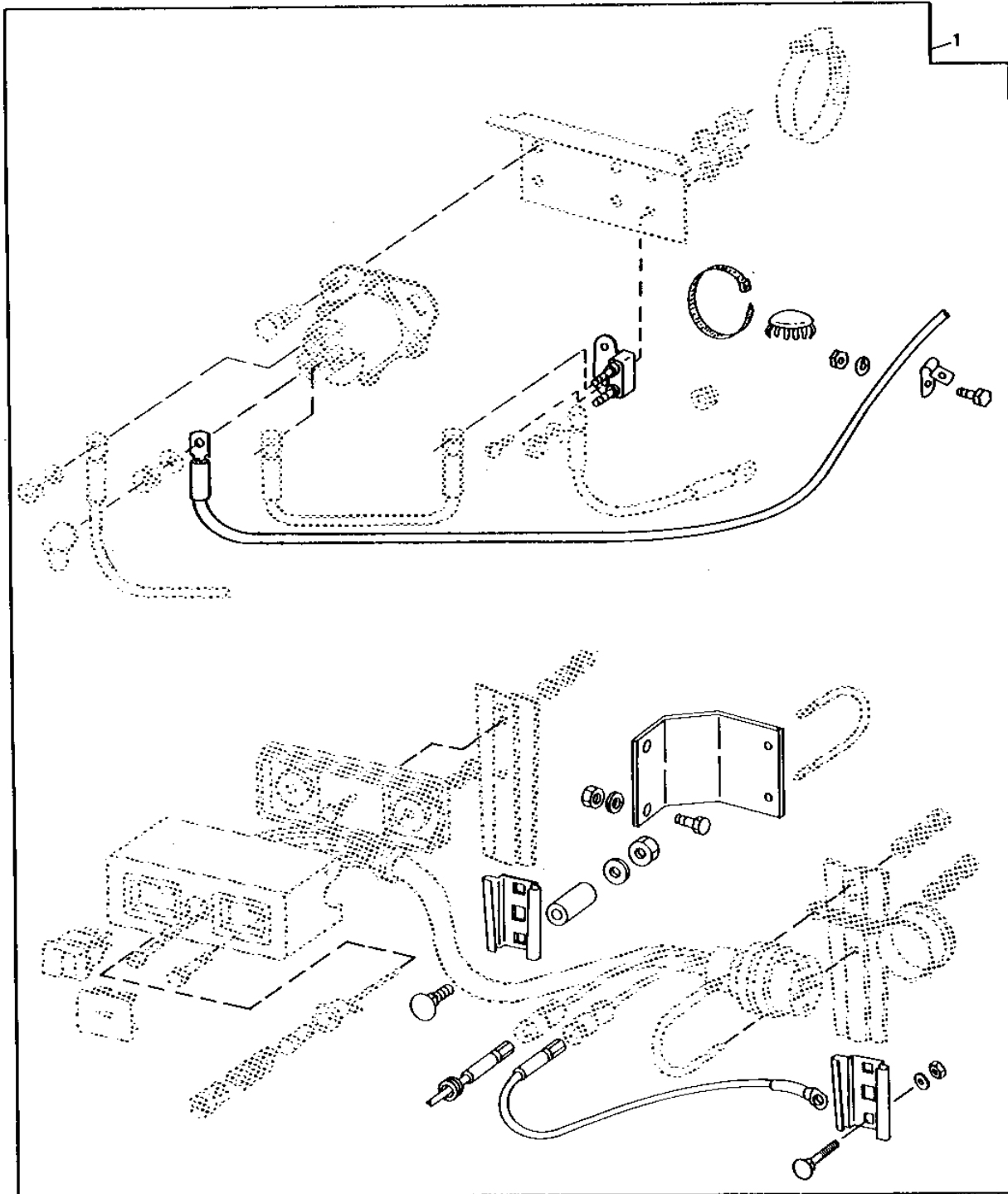
1H15

ELECTRICAL

RWP5666

-UN-01JAN94

ELECTRICAL REMOTE CONTROL WIRING KIT



RWP5666

1H16

ELECTRICAL

ELECTRICAL REMOTE CONTROL WIRING KIT - CONTINUED

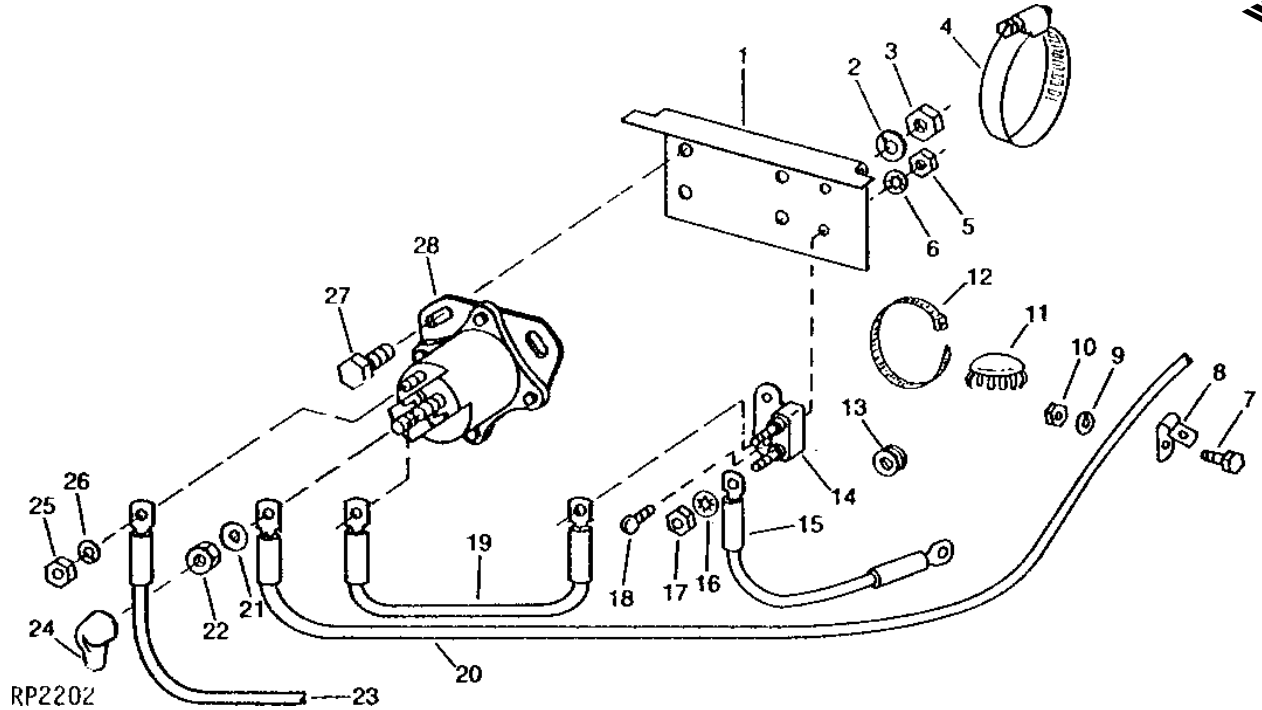
KEY	PART NO.	PART NAME	QTY	TRACTOR SERIAL NO.	REMARKS
1	RE25621	KIT	1	(SUB FOR AR62359)	

1H17

ELECTRICAL

RP2202 -UN-01JAN94

ELECTRICAL REMOTE CONTROL WIRING



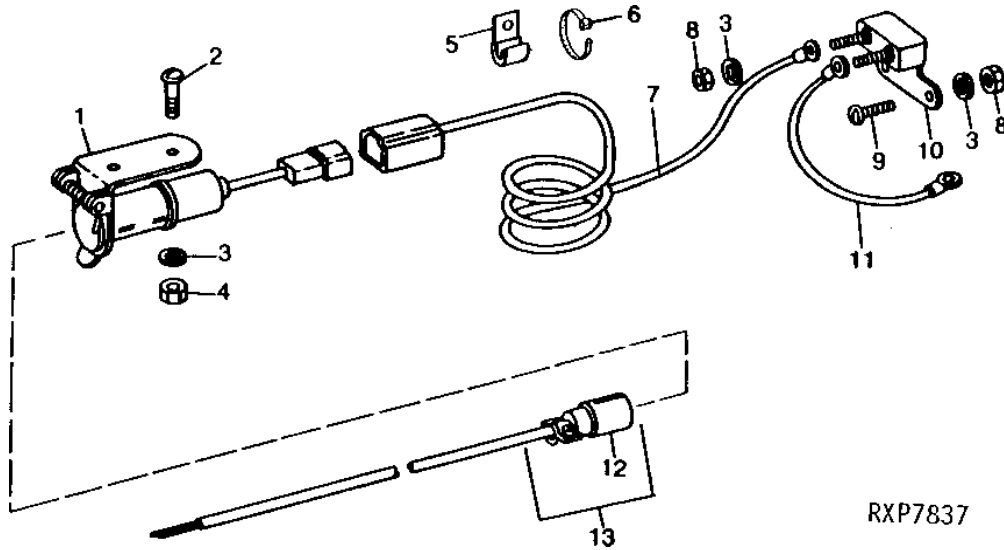
KEY	PART NO.	PART NAME	QTY	TRACTOR SERIAL NO.	REMARKS
1	R69109	BRACKET	1	(SUB FOR R47859)	
2	12H297	LOCK WASHER	2	1/4"	
3	14H786	NUT	2	1/4"	
4	AR52392	CLAMP	2		
5	14H631	NUT	4	0.190"	
6	12H246	LOCK WASHER	2	0.190"	
7	19H1731	CAP SCREW	2	3/8" X 1"	
8	T14264	CLAMP	2		
9	12H304	LOCK WASHER	2	3/8"	
10	14H732	NUT	2	3/8"	
11	R32276	PLUG	1	(CAB OPENING)	
12	R44302	TIE BAND	AR		
13	R41439	GROMMET	1	(USED FOR BANDING)	
14	AR50926	CIRCUIT BREAKER	1		
15	AR50930	WIRING LEAD	1		
16	12M7060	WASHER	2	0.209"	
17	14H631	NUT	2	0.190"	
18	21H1295	SCREW	2	0.190" X 5/8"	
19	AR50929	WIRING LEAD	1		
20	AR50927	WIRING LEAD	1		
21	12H303	LOCK WASHER	2	5/16"	
22	14H785	NUT	2	5/16"	
23	AR50931	WIRING LEAD	1	TO IGNITION SWITCH	
24	R36732	BOOT	2		
25	14H631	NUT	1	0.190"	
26	12H246	LOCK WASHER	1	0.190"	
27	19H1919	CAP SCREW	2	1/4" X 5/8"	
28	RE44657	RELAY	1	(FI)	

1H18

ELECTRICAL

RXP7837 -UN-23SEP94

ELECTRICAL OUTLET SOCKET



RXP7837

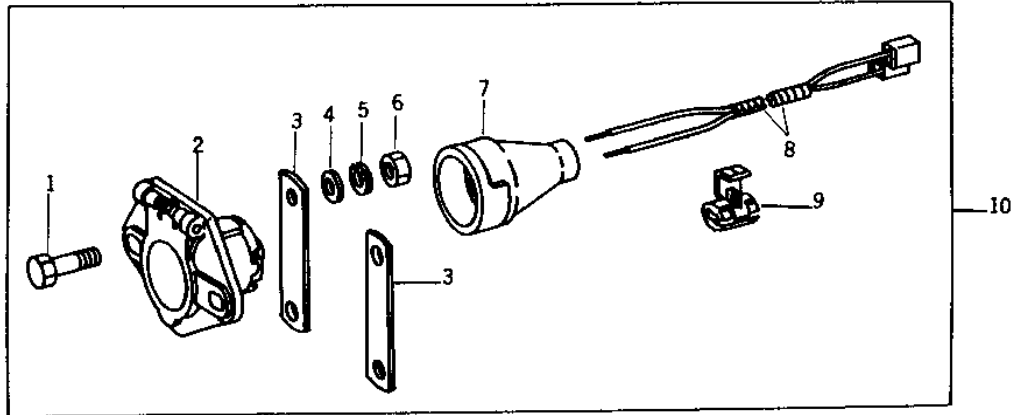
KEY	PART NO.	PART NAME	QTY	TRACTOR SERIAL NO.	REMARKS
1	AR26571	SOCKET	1		
2	21H1301	SCREW	2	0.190" X 1/2"	
3	12M7060	WASHER	6	0.209"	
4	14H631	NUT	2	0.190"	
5	T32231	CLAMP	2	(SUB FOR R55618)	
6	R44302	TIE BAND	AR		
7	WIRING LEAD	1	4153MM (163-1/2") (MAKE FROM R66321, U46662, T28585, R77493 AND R77471)	
8	14H631	NUT	4	0.190"	
9	21H1295	SCREW	2	0.190" X 5/8"	
10	AR28403	CIRCUIT BREAKER	1		
11	WIRING LEAD	1	152MM (6") (MAKE FROM R66321 AND (2) R77493)	
12	AA5692R	ELECTRICAL PLUG	1		
13	AR40710	PLUG	1		

1H19

ELECTRICAL

ELECTRICAL OUTLET SOCKET (7-TERMINAL)

R32128 -UN-01JAN94



R32128

KEY	PART NO.	PART NAME	QTY	TRACTOR SERIAL NO.	REMARKS
1	19H1905	CAP SCREW	2	5/16" X 1"	
2	AR75695	SOCKET OUTLET	1		
3	R61776	STRAP	2		
4	24H1136	WASHER	2	11/32" X 11/16" X 0.065"	
5	12H303	LOCK WASHER	2	5/16"	
6	14H785	NUT	2	5/16"	
7	R61775	BOOT	1		
8	AR75696	WIRING HARNESS	1		
9	AR67855	CONNECTOR	2		
10	AR75694	KIT	1	(SUB RE17282) (FI)	

MEMORANDA

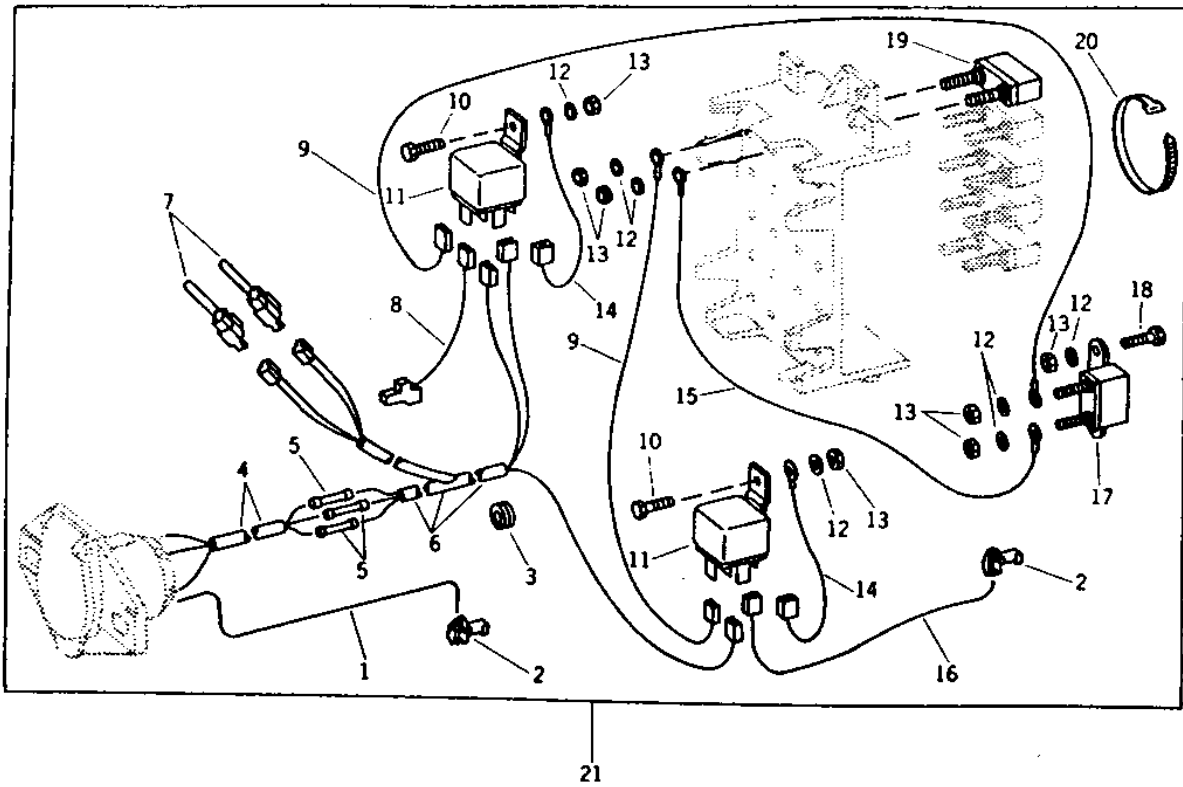
1H20

ELECTRICAL

R32129

-UN-07JAN91

SUPPLEMENTARY WIRING KIT (7-TERMINAL SOCKET)



1H21

ELECTRICAL

SUPPLEMENTARY WIRING KIT (7-TERMINAL SOCKET)

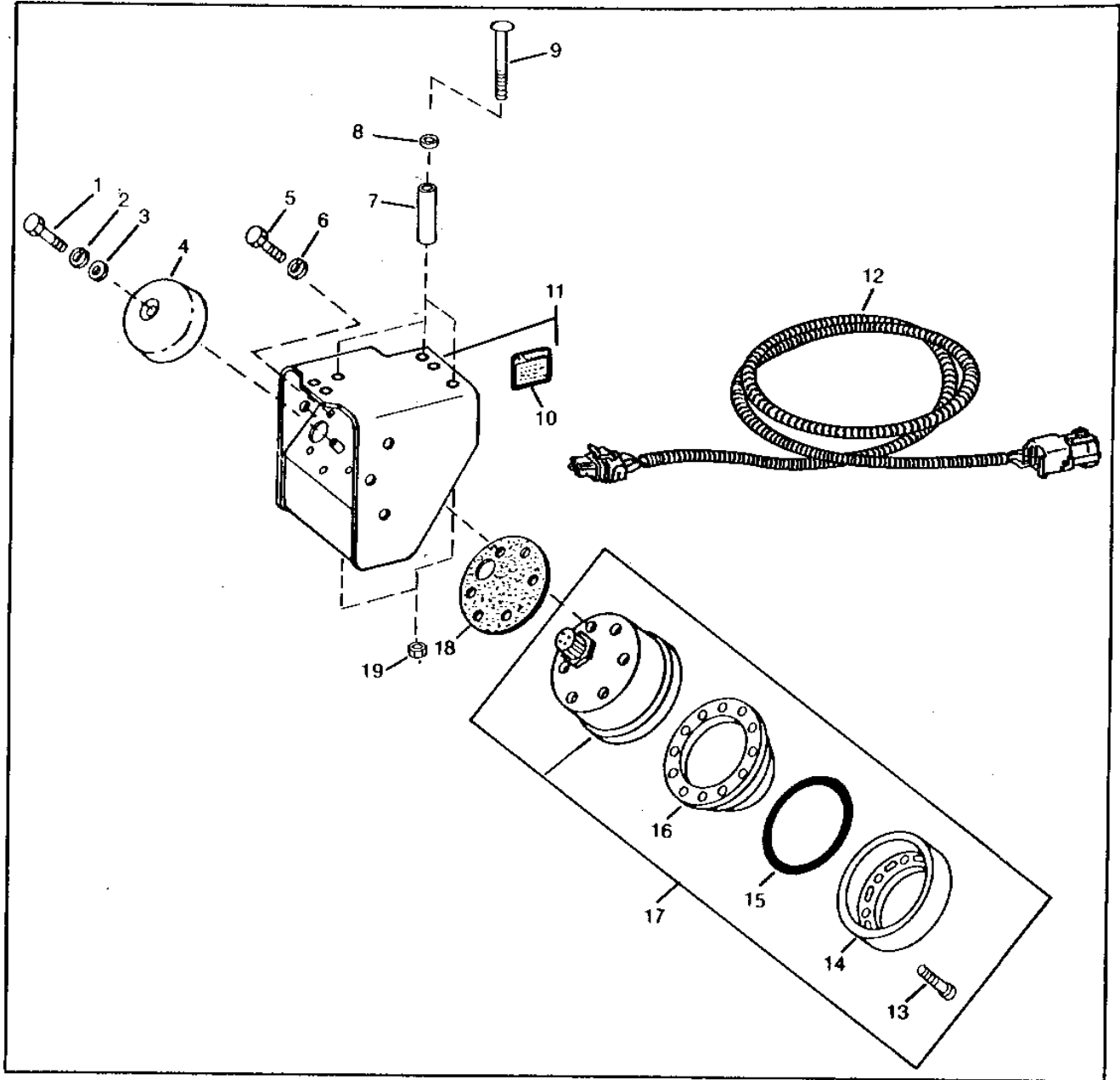
KEY	PART NO.	PART NAME	QTY	TRACTOR SERIAL NO.	REMARKS
1	WIRING LEAD	1		3962MM (156") (MAKE FROM R66319)
2	AR67855	CONNECTOR	2		
3	R40445	GROMMET	1		
4	AR82910	WIRING HARNESS	1		
5	R32027	CONNECTOR	4		
6	AR82912	WIRING HARNESS	1		
7	AR82911	WIRING LEAD	2		
8	AR50834	WIRING LEAD	1		
9	WIRING LEAD	3		311MM (12-1/4") (MAKE FROM R66319, R32018, R32027 AND R32024)
10	21H1282	SCREW	2		0.190" X 7/8"
11	AR74411	RELAY	2		
12	12H295	LOCK WASHER	8		0.190"
13	14H631	NUT	8		0.190"
14	WIRING LEAD	2		152MM (6") (MAKE FROM R66319, R32021, R32027 AND R32025)
15	WIRING LEAD	2		152MM (6") (MAKE FROM R66319 AND (2) R32018)
16	AR82909	WIRING LEAD	1		
17	AR49352	CIRCUIT BREAKER	1		(30 AMP)
18	21H1295	SCREW	2		0.190" X 5/8"
19	AR28403	CIRCUIT BREAKER	1		(20 AMP)
20	R44302	TIE BAND	AR		
21	AR78052	KIT	1		(USE WITH AR75694)

1H22

ELECTRICAL

RXP9306 -UN-01JAN94

RADAR SENSOR



RXP9306

20

1H23

ELECTRICAL

RADAR SENSOR - CONTINUED

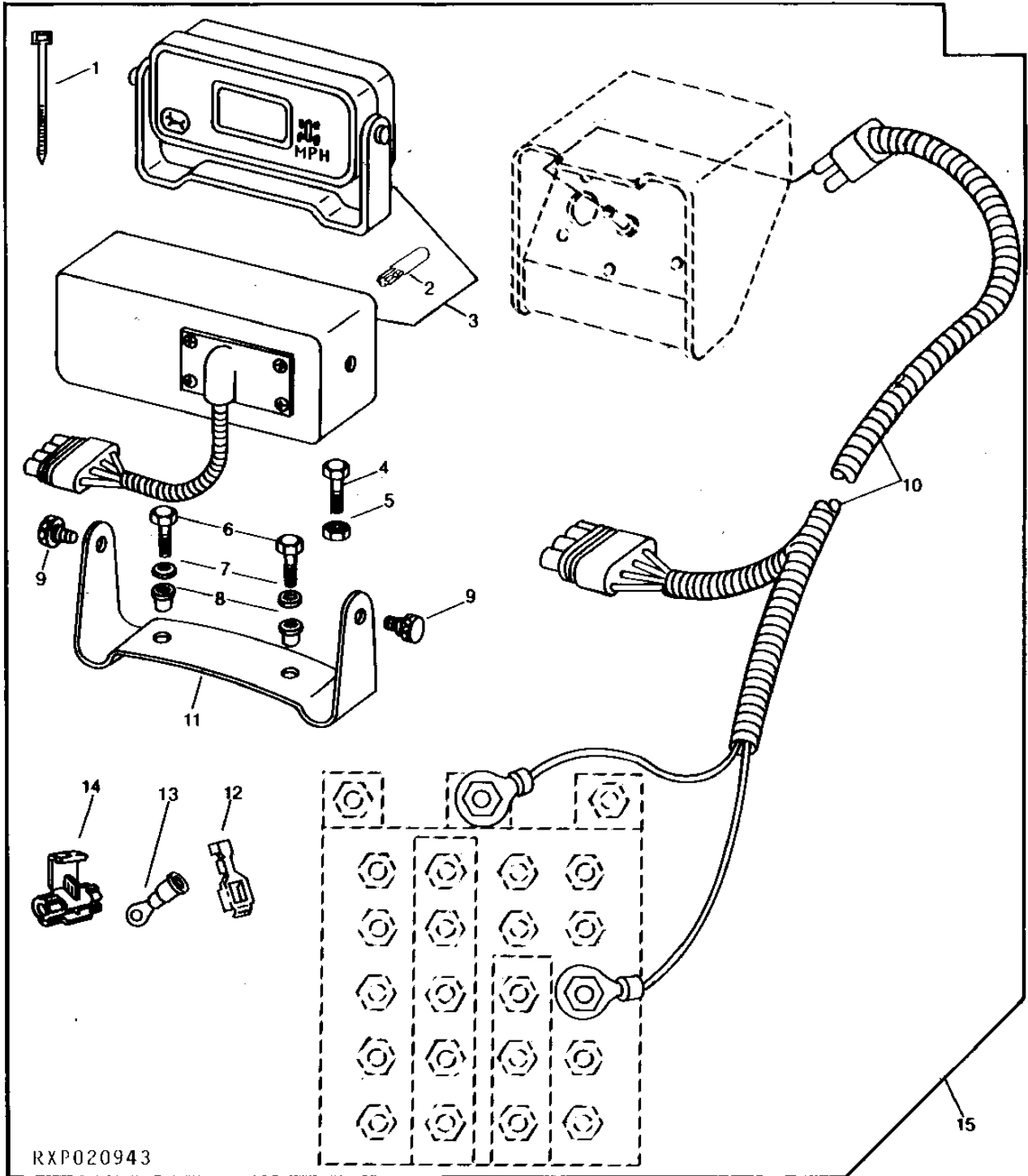
KEY	PART NO.	PART NAME	QTY	TRACTOR SERIAL NO.	REMARKS
1	19H1813	CAP SCREW	1	5/16" X 5/8"	
2	12H303	LOCK WASHER	1	5/16"	
3	24H1136	WASHER	1	11/32" X 11/16" X 0.065"	
4	R82355	SHIELD	1		
5	19H1813	CAP SCREW	6	5/16" X 5/8"	
6	12H303	LOCK WASHER	6	5/16"	
7	28H3343	BUSHING	3	0.546" X 0.840" X 5-3/8"	
8	24H1625	WASHER	2	17/32" X 1" X 0.120"	
9	03H2052	BOLT	3	1/2" X 6-1/2"	
10	R120107	LABEL	1	(ENGLISH)	
	R120106	LABEL	1	(FRENCH)	
	R105942	LABEL	1	(GERMAN)	
	R120108	LABEL	1	(SPANISH)	
	L65000	LABEL	1		
11	RE46317	BRACKET	1	(SUB FOR RE21096 OR RE38707)	
12	RE46414	WIRING HARNESS	1		
13	R82239	SCREW	12		
14	R82237	SNAP RING	1		
15	R82238	O-RING	1		
16	R82236	COVER	1		
17	RE43025	RADAR SENSOR	1	(SUB FOR RE21073)	
18	R82243	GASKET	1		
19	14H1040	NUT	3	1/2"	
20	AR111058	SENSOR	1	(SUB FOR RE21510 OR RW26466) (FI)	

1H24

ELECTRICAL

PERFORMANCE TRAK II MINI-MONITOR (ANALOG TACHOMETER)

RXP020943 -UN-12OCT94



1H25

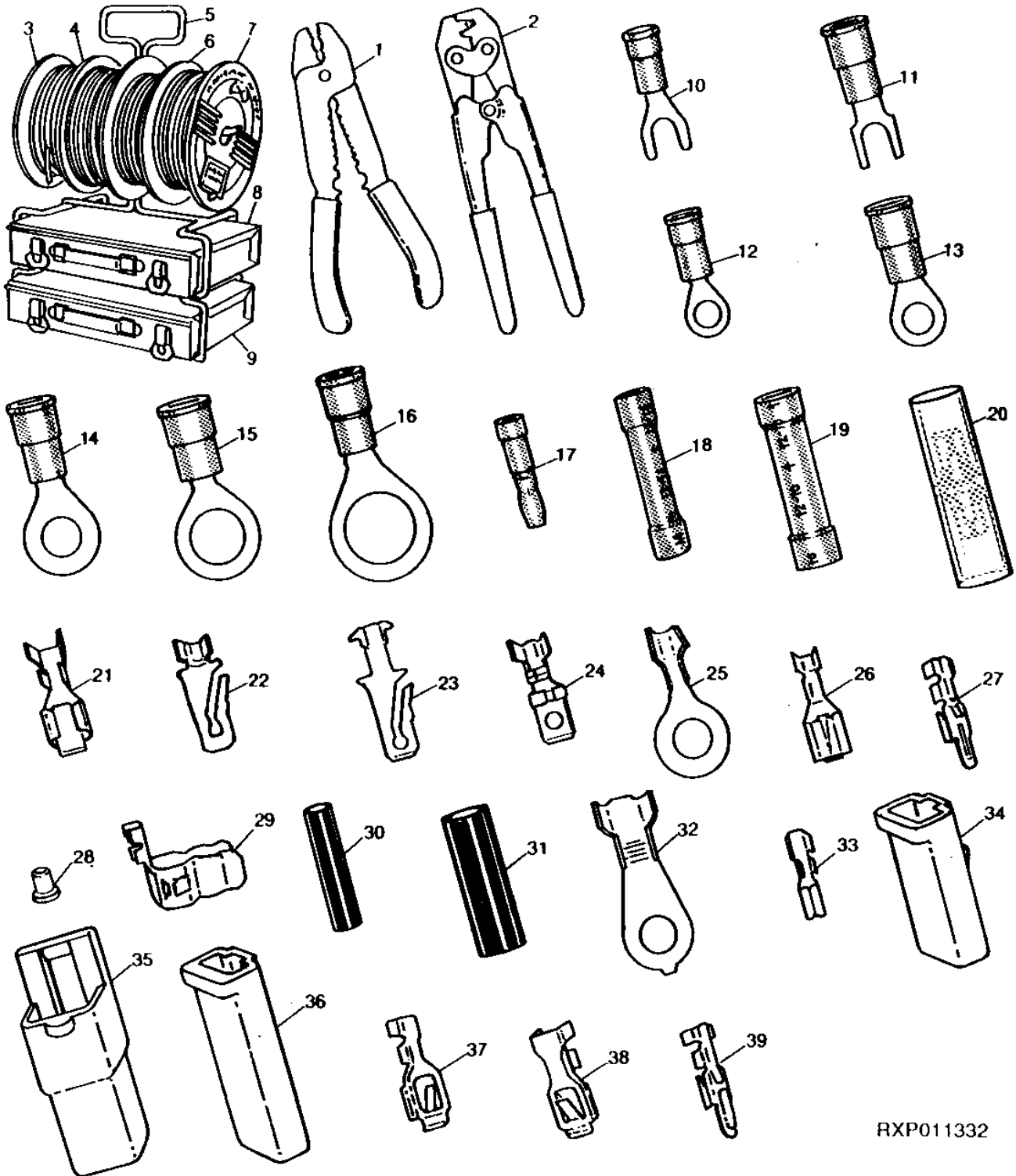
ELECTRICAL

PERFORMANCE TRAK II MINI-MONITOR - CONTINUED
(ANALOG TACHOMETER)

KEY	PART NO.	PART NAME	QTY	TRACTOR SERIAL NO.	REMARKS
1	R44302	TIE BAND	AR		
2	RE22589	LAMP	1		
3	RE21112	MONITOR CONSOLE	1		
4	19H1978	CAP SCREW	3	7/16" X 1-1/2"	
	12H293	LOCK WASHER	3	7/16"	
5	14H1047	NUT	3	7/16"	
	14H786	NUT	2	1/4"	
6	19H1914	CAP SCREW	2	1/4" X 1"	
7	24H1287	WASHER	4	9/32" X 5/8" X 0.065"	
8	R82423	NUT	2	RUBBER	
9	R83055	WING SCREW	2		
10	RE21113	WIRING HARNESS	1	3500MM (138")	
11	R83109	BRACKET	1		
12	U46662	TERMINAL	1		
13	R77489	TERMINAL	1		
	R84158	TERMINAL	1		
14	AR67855	CONNECTOR	3		
15	RE21738	MONITOR CONSOLE	1	(FI)	

RXP011332 -UN-27SEP94

ELECTRICAL TERMINALS,CONNECTORS AND WIRING



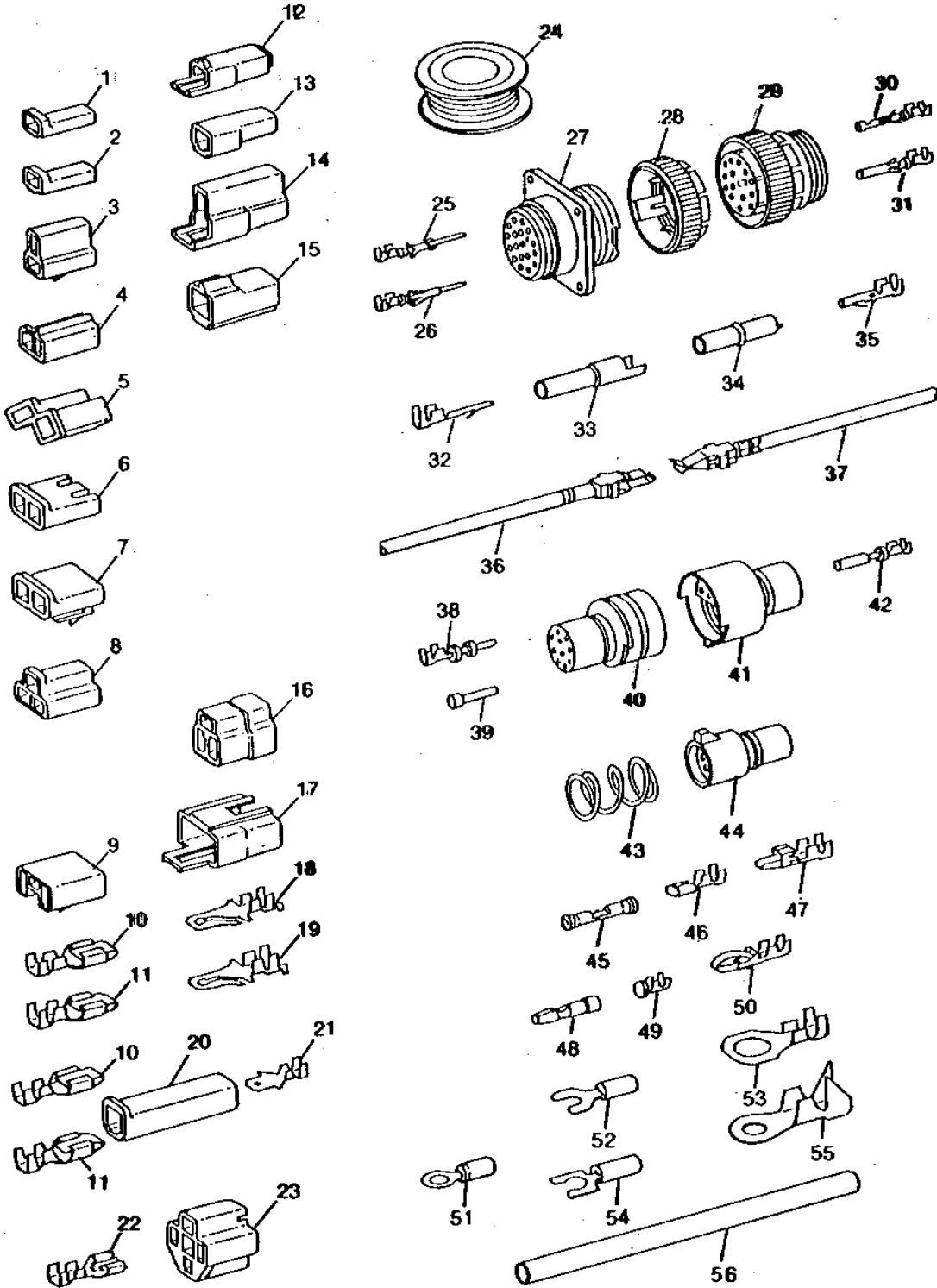
RXP011332

ELECTRICAL TERMINALS,CONNECTORS AND WIRING - CONTINUED

KEY	PART NO.	PART NAME	QTY	TRACTOR SERIAL NO.	REMARKS
1	R32011	TOOL	1	(NLA)	
2	R65594	TOOL	1		
3	R66319	WIRING LEAD	1	14 GA., 30.5 M (100 FT.) (1 SPOOL)	
4	R65593	WIRING LEAD	1	16 GA., 30.5 M (100 FT.) (1 SPOOL)	
5	R65608	RACK	1		
6	R66321	WIRING LEAD	1	10 GA., 15 M (50 FT.) (1 SPOOL)	
7	R66320	WIRING LEAD	1	12 GA., 30.5 M (100 FT.) (1 SPOOL)	
8	R65609	CONTAINER	1	(NLA)	
9	R65610	CONTAINER	1		
10	R32016	TERMINAL	1	14-16 GA., NO. 10 SPADE	
11	R32017	TERMINAL	1	10-12 GA., NO. 10 SPADE	
12	R32018	TERMINAL	1	14-16 GA., NO. 10 EYELET	
13	R32019	TERMINAL	1	10-12 GA., NO. 10 EYELET	
14	R32021	TERMINAL	1	10-12 GA., 1/4" EYELET	
15	R32022	TERMINAL	1	10-12 GA., 3/8" EYELET	
16	R32023	TERMINAL	1	10-12 GA., 1/2" EYELET	
17	R32026	TERMINAL	1	MALE BULLETT	
18	R32027	CONNECTOR	1	SPLICE, 14-16 GA.	
19	R32028	TERMINAL	1	SPLICE, 10-12 GA.	
20	AL2976T	CONNECTOR	1	(SUB FOR R32029) 2-WIRE BULLETT CONNECTOR	
21	R65595	TERMINAL	1	FEMALE, 10 GA.	
22	R65596	TERMINAL	1	MALE, 10 GA. OR TWO 14 GA. CABLES	
23	R65597	TERMINAL	1	MALE, 14-16 GA.	
24	R65598	TERMINAL	1	MALE, SHORT, 14-16 GA.	
25	R65599	TERMINAL	1	14-16 GA., 1/4" EYELET	
26	R65600	TERMINAL	1	FEMALE, 14-16 GA.	
27	R65601	TERMINAL	1	TWIN-LOCK, TWO 16 GA. CABLES	
28	R65602	SOCKET CONTACT	1	BULB SOCKET, 16-18 GA.	
29	R65603	TERMINAL NIPPLE	1	FUSE	
30	R65604	INSULATING SLEEVE	1	14-18 GA.	
31	R65605	INSULATING SLEEVE	1	8-12 GA.	
32	R65606	TERMINAL	1	6-8 GA., 1/4" EYELET	
33	R65607	TERMINAL	1	18-20 GA.	
34	T28583	RECEPTACLE	1	ONE CONTACT LOCK-TYPE, MALE	
35	T28585	TERMINAL	1	ONE CONTACT LOCK-TYPE, FEMALE	
36	U46370	CONNECTOR	1	CONNECTOR, ONE CONTACT SINGLE BODY, MALE	
37	U46662	TERMINAL	1	FEMALE	
38	U46663	TERMINAL	1	FEMALE	
39	U46664	TERMINAL	1	FEMALE	

RXP010581 -UN-01JAN94

ELECTRICAL CONNECTORS, TERMINALS AND WIRING



RXP010581

ELECTRICAL CONNECTORS, TERMINALS AND WIRING - CONTINUED

KEY	PART NO.	PART NAME	QTY	TRACTOR SERIAL NO.	REMARKS
1	T28583	RECEPTACLE	1	(B)	
2	M43835	FLAT CONNECTOR	1	(B)	
3	R77476	CONNECTOR	1	(A)	
4	R77477	CONNECTOR	1	(A)	
5	R77479	CONNECTOR	1	(A)	
6	R77480	CONNECTOR	1	(A)	
7	R77481	CONNECTOR	1	(A)	
8	R77482	CONNECTOR	1		
9	H104855	CONNECTOR	1		
10	U46662	TERMINAL	1	(E) (F)	
11	N115096	TERMINAL	1	(G) (SUB R65595) (PKG. OF 15)	
12	T28585	TERMINAL	1	(B)	
13	R77475	CONNECTOR	1	(B)	
14	T28586	CONNECTOR	1	(A)	
15	R77478	CONNECTOR	1	(A)	
16	R77483	CONNECTOR	1		
17	R48887	RECEPTACLE	1		
18	T34067	TERMINAL	1	(E) (F)	
19	R77484	TERMINAL	1	(G) (PKG. OF 15)	
20	U46370	CONNECTOR	1	(B)	
21	R77485	TAB	1	(C) (F)	
22	R77486	TERMINAL	1	(E) (F)	
23	R77487	CONNECTOR	1	(B)	
24	R66321	WIRING LEAD	1	15M (50 FT.) 10 GA.	
	R66320	WIRING LEAD	1	30.5M (100 FT.) 12 GA.	
	R77501	WIRE	1	30.5M (100 FT.) 14 GA.	
	R77500	WIRE	1	30.5M (100 FT.) 16 GA.	
	R77499	WIRE	1	30.5M (100 FT.) 18 GA.	
	R77498	WIRE	1	30.5M (100 FT.) 20 GA.	
25	R77462	PIN CONTACT	1	(PKG. OF 40) (20-22 OR 24 GA. WIRE)	
26	R77464	PIN CONTACT	1	(H) (PKG. OF 50)	
27	R77456	RECEPTACLE	1	(37 WAY)	
28	R77458	CONNECTOR	1	(A) (SIZE 23)	
	R77459	CONNECTOR	1	(A) (SIZE 17)	
	R77460	CONNECTOR	1	(A) (SIZE 13)	
	R77461	CONNECTOR	1	(A) (SIZE 11)	
29	R77457	ELECTRICAL PLUG	1	(37 WAY)	
30	R77463	SOCKET CONTACT	1	(PKG. OF 40) (20-22 OR 24 GA. WIRE)	
31	R77465	SOCKET CONTACT	1	(H) (PKG. OF 50)	
32	R77468	TERMINAL	1	(PKG. OF 5)	
33	R77466	CONNECTOR	1	(A)	
34	R77467	CONNECTOR	1	(A)	

(A) PKG. OF 2

(B) PKG. OF 3

(C) PKG. OF 10

(D) PKG. OF 20

(E) PKG. OF 25

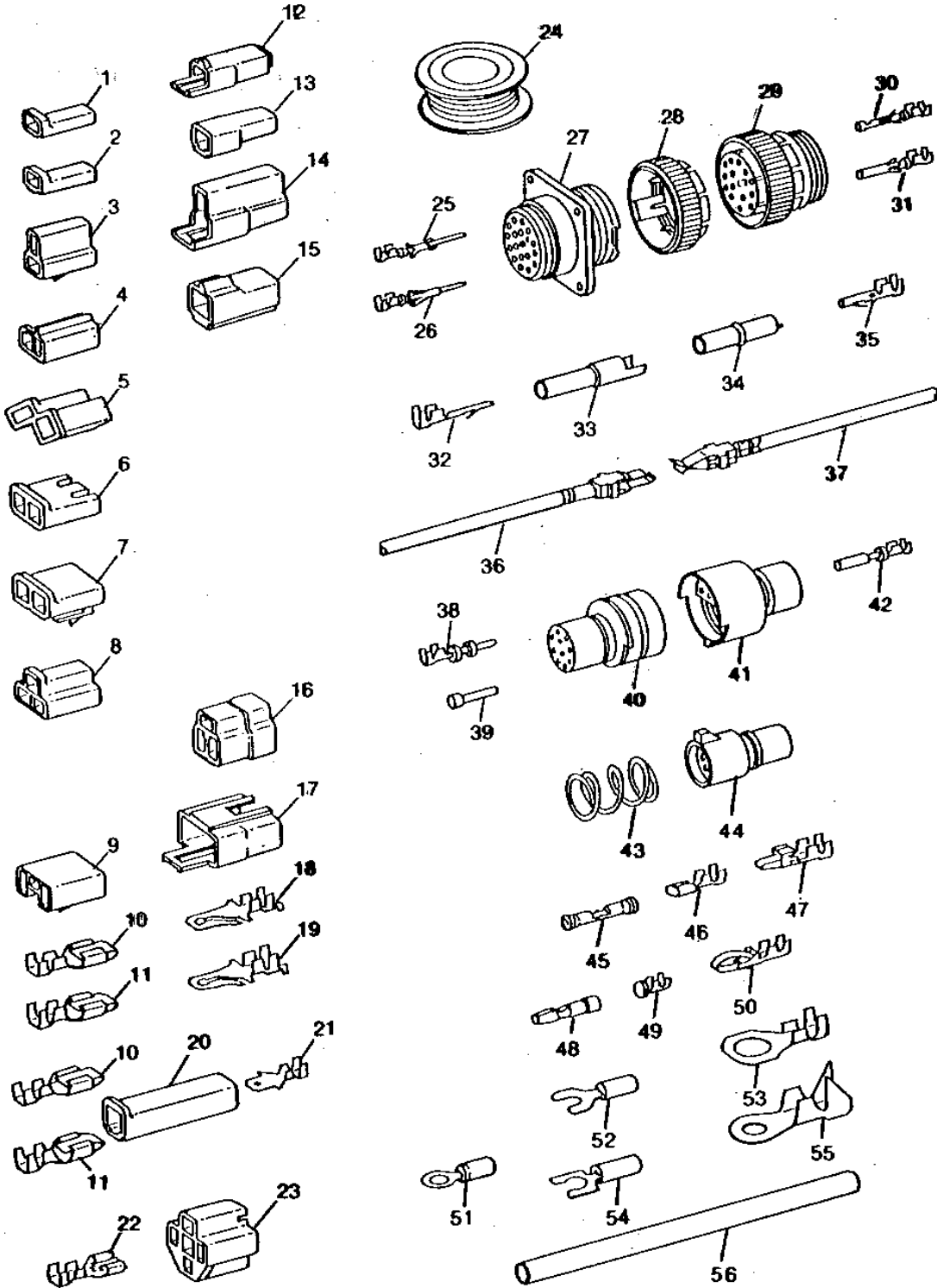
(F) 14 OR 16 GA. WIRE

(G) 10 OR 12 GA. WIRE

(H) 14-16 OR 18 GA. WIRE

ELECTRICAL CONNECTORS, TERMINALS AND WIRING - CONTINUED

RXP010581 -UN-01JAN94



RXP010581

116

ELECTRICAL

ELECTRICAL CONNECTORS, TERMINALS AND WIRING - CONTINUED

KEY	PART NO.	PART NAME	QTY	TRACTOR SERIAL NO.	REMARKS
35	R77469	TERMINAL	1		(PKG. OF 5)
36	RE11156	TERMINAL	1		(B) (MALE)
37	RE11157	TERMINAL	1		(B) (FEMALE)
38	R70222	PIN CONTACT	1		(D) (H)
39	R70221	ELECTRICAL PLUG	1		(E)
40	R70219	PLUG	1		(A) (10 WAY)
	R70217	PLUG	1		(A) (7 WAY)
	R70215	PLUG	1		(A) (4 WAY)
	R70213	PLUG	1		(A) (3 WAY)
41	R70211	CONNECTOR	1		(A) (2 WAY)
	R70218	RECEPTACLE	1		(A) (10 WAY)
	R70216	RECEPTACLE	1		(A) (7 WAY)
	R70214	RECEPTACLE	1		(A) (4 WAY)
	R70212	RECEPTACLE	1		(A) (3 WAY)
	R70210	RECEPTACLE	1		(A) (2 WAY)
42	AR91793	SOCKET CONTACT	1		(D)
43	R30378	SPRING	1		(C)
44	R77474	CONNECTOR	1		(A) (6 WAY)
45	R77470	TERMINAL	1		SPLICE (PKG. OF 15) (16-18-20 OR 22 GA. WIRE)
	R77471	TERMINAL	1		(C) (G) SPLICE
	R77472	TERMINAL	1		(A) SPLICE (8 GA. WIRE)
	R77473	TERMINAL	1		(A) SPLICE (6 GA. WIRE)
46	R65607	TERMINAL	1		(C) (18 OR 20 GA. WIRE)
47	U46664	TERMINAL	1		(C) (F)
48	R32026	TERMINAL	1		(D) (F)
49	R65602	SOCKET CONTACT	1		(C) (16 OR 18 GA. WIRE)
50	R70220	TERMINAL	1		(C) (18 OR 20 GA. WIRE)
51	R77489	TERMINAL	1		(D) (14-16-18 OR 20 GA. WIRE) (NO. 10 EYELET)
	R77493	TERMINAL	1		(D) (G) (NO. 10 EYELET)
	R77488	TERMINAL	1		(D) (14-16-18 OR 20 GA. WIRE) (3/8" EYELET)
	R77490	TERMINAL	1		(D) (G) (1/2" EYELET)
52	R77496	TERMINAL	1		(D) (F) (NO. 8 SPADE)
	R77495	TERMINAL	1		(D) (18 GA. WIRE) (NO. 10 SPADE)
53	R77497	TERMINAL	1		(D) (F) (NO. 6 SPADE)
54	R77491	TERMINAL	1		(D) (G) (3/8" EYELET)
	R77492	TERMINAL	1		(D) (G) (1/4" EYELET)
55	R77494	TERMINAL	1		(D) (6 OR 8 GA. WIRE) (1/4" EYELET)
56	R77502	TUBE	1		(PKG. OF 8) 3/8" (HEAT SHRINK)
	R77503	TUBE	1		(PKG. OF 8) 3/16" (HEAT SHRINK)

(A) PKG. OF 2

(B) PKG. OF 3

(C) PKG. OF 10

(D) PKG. OF 20

(E) PKG. OF 25

(F) 14 OR 16 GA. WIRE

(G) 10 OR 12 GA. WIRE

(H) 14-16 OR 18 GA. WIRE

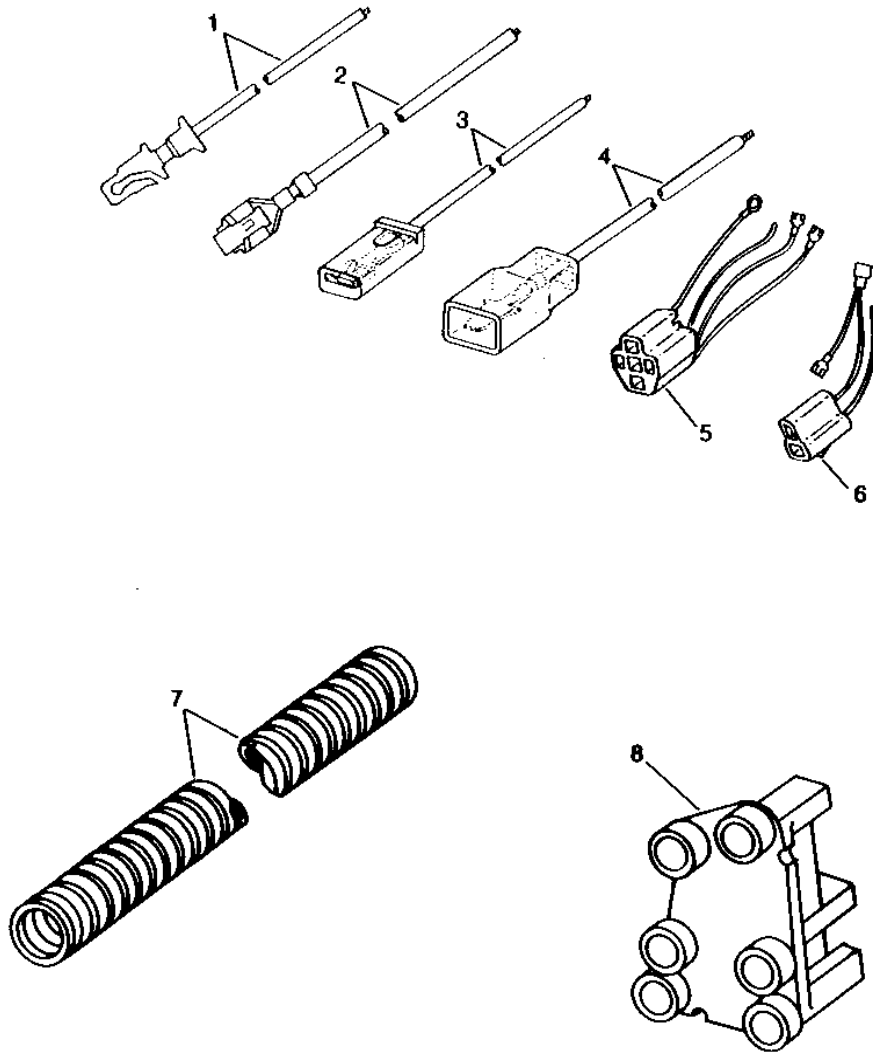
117

ELECTRICAL

RXP8619

-UN-28NOV94

SUPPLEMENTARY TERMINALS AND CONNECTORS



118

ELECTRICAL

SUPPLEMENTARY TERMINALS AND CONNECTORS - CONTINUED

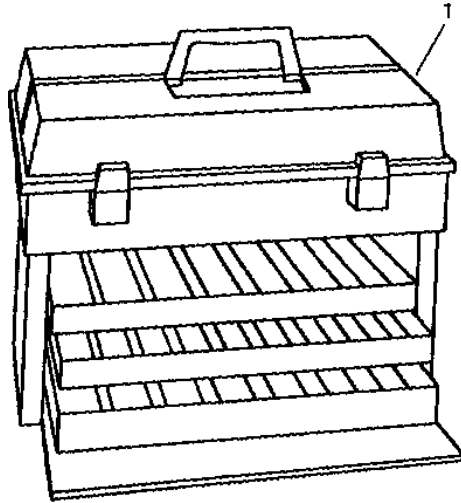
KEY	PART NO.	PART NAME	QTY	TRACTOR SERIAL NO.	REMARKS
1	AR65005	TERMINAL	1		
2	AR65006	TERMINAL	1		
3	R32024	WIRING LEAD	1		
4	R32025	WIRING LEAD	1		
5	RE21730	TERMINAL	1		
	RE21731	TERMINAL	1		
6	RE21732	TERMINAL	1		
7	R93219	CONDUIT	1		6.3 X 3048MM (1/4" X 120")
	R93220	CONDUIT	1		10.4 X 3048MM (13/32" X 120")
	R93221	CONDUIT	1		15.9 X 3048MM (5/8" X 120")
	R93222	CONDUIT	1		25.4 X 3048MM (1" X 120")
8	AR83425	RECEPTACLE CONNECTOR BODY	1		(LIGHT SWITCH)

119

ELECTRICAL

RXP010001 -UN-01JAN94

ELECTRICAL CONNECTOR AND TERMINAL KIT



RXP010001

KEY	PART NO.	PART NAME	QTY	TRACTOR SERIAL NO.	REMARKS
1	PM797NA	KIT	1	(A)	

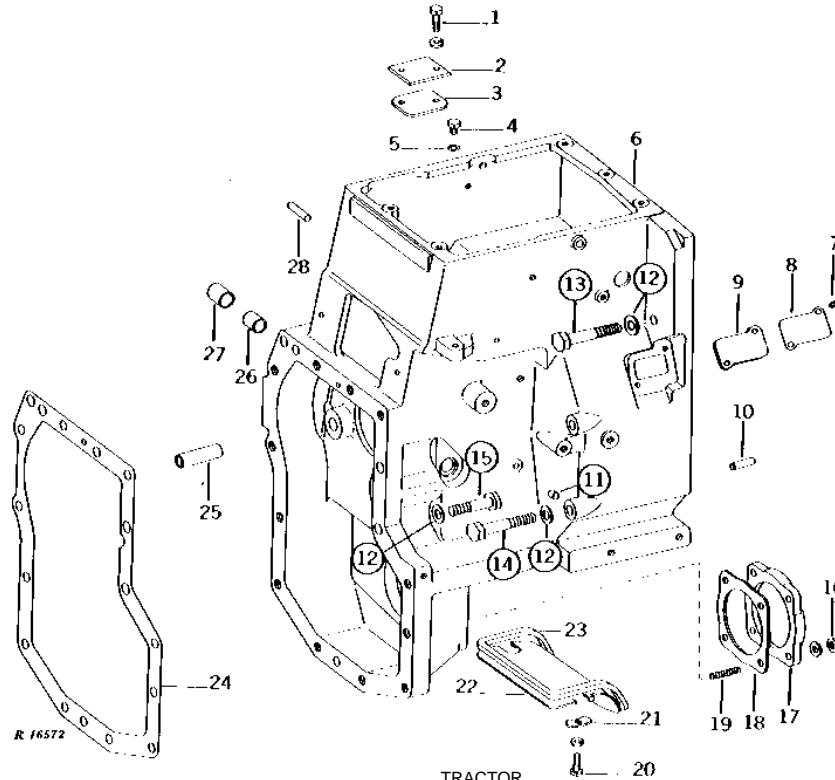
(A) KIT INCLUDES CONNECTORS,TERMINALS AND TOOLS

2B6

POWER TRAIN

R16572 -UN-01JAN94

CLUTCH HOUSING (SYNCRO-RANGE)



KEY	PART NO.	PART NAME	QTY	TRACTOR SERIAL NO.	REMARKS
1	19H2284	CAP SCREW	2	(A) 3/8" X 7/8"	
	12H304	LOCK WASHER	2	(A) 3/8"	
2	R41422	STRAP	1	(A)	
3	R41421	GASKET	1	(A)	
4	R27216	DRAIN PLUG	2	(SUB FOR R31631)	
5	R26287	O-RING	2	(WITH BUSHINGS, PINS, PLUGS, SHAFT AND STUDS)	
6	AR49880	HOUSING	1	(MARKED R47750 OR R47820)	
7	21H1318	SCREW	2	0.216" X 1/2"	
8	R31493	COVER	1		
9	R31494	GASKET	1	(SUB R67989)	
10	T26565	DOWEL PIN	2	(SUB FOR C1220R)	
11	R31374	DOWEL PIN	1		
12	T21397	WASHER	6		
13	19H1425	CAP SCREW	2	3/4" X 2-3/4"	
14	R43360	CAP SCREW	4	(NLA)	
15	19H1374	CAP SCREW	1	3/4" X 2"	
	19H2113	CAP SCREW	1	3/4" X 3-1/4"	
	19H2725	CAP SCREW	1	3/4" X 3-3/4"	
16	14H1040	NUT	4	1/2"	
	12H301	LOCK WASHER	4	1/2"	
17	R43236	COVER	1	(A)	
18	R43234	GASKET	1	(A)	
19	R32101	STUD	4		
20	19H1731	CAP SCREW	2	3/8" X 1"	
	12H304	LOCK WASHER	2	3/8"	
21	R27640	CLAMP	2		
22	R43230	COVER	1		
23	R91558	FOAM PAD	1	(SUB FOR R30877)	
24	R99291	GASKET	1	(SUB FOR R47111 OR R47666)	
25	R26663	DOWEL PIN	1		
26	R26641	BUSHING	1	CLUTCH FORK, R.H.	
27	R26642	BUSHING	1	CLUTCH FORK, L.H.	
28	34H371	SPRING PIN	1	1/2" X 2"	

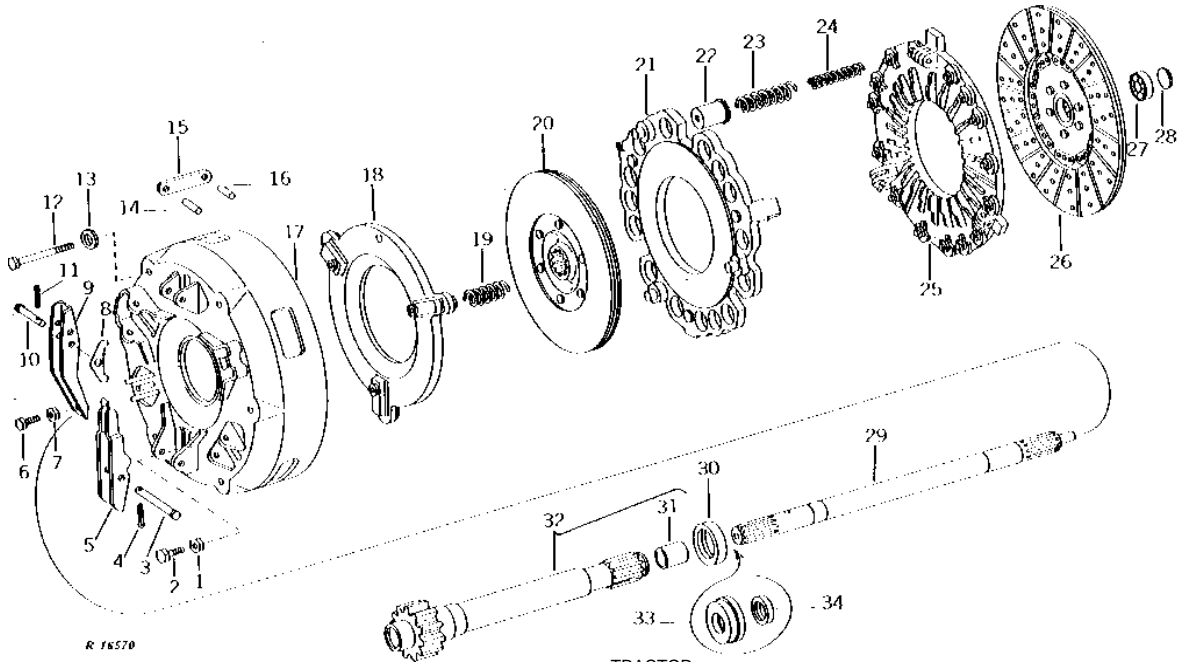
(A) LESS PTO

2B7

POWER TRAIN

R16570 -UN-01JAN94

TRANSMISSION AND PTO CLUTCH (SYNCRO-RANGE)



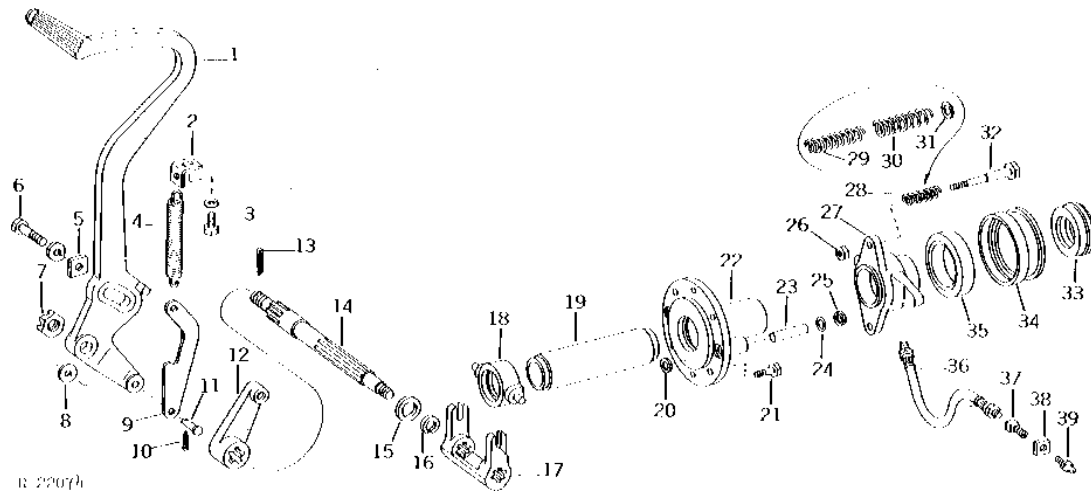
KEY	PART NO.	PART NAME	QTY	TRACTOR SERIAL NO.	REMARKS
1	14H934	NUT	3	7/16"	
2	R55184	SELF-LOCKING SCREW	3	(SUB FOR R43763)	
3	R43418	PIN	3		
4	11M7021	COTTER PIN	3	0.157" X 0.984"	
5	R33550	LEVER	3		
	AR63609	LEVER	3	(USE ONLY IF AR63606 HAS BEEN INSTALLED)	
6	R43446	BOLT	3		
7	14H774	NUT	3	3/8"	
8	R43625	PLATE	6		
9	R43445	LEVER	3		
10	R43388	PIN	3		
11	11M7021	COTTER PIN	3	0.157" X 0.984"	
12	R64523	BOLT	6	(SUB FOR R43866)	
13	R1870R	WASHER	6	(SUB R57696)	
14	R43389	DOWEL PIN	3		
15	R43387	STRAP	3		
	AR68421	KIT	1	LINK, SPECIAL, (SUB (3) R57133)	
16	R35075	QUICK LOCK PIN	3		
17	AR43069	COVER	1		
18	R43334	PLATE	1		
19	R26659	SPRING	3		
20	RE29612	CLUTCH DISK	1	(SUB FOR AR43028)	
21	R43386	PLATE	1		
22	R43385	RETAINER	15		
23	R47108	SPRING	15		
24	R47109	SPRING	15		
25	R49044	CLUTCH PLATE	1	(SUB FOR R43944)	
26	RE29776	CLUTCH DISK	1	-016469 (SUB FOR AR43117)	
	AR55663	CLUTCH DISK	1	016470- (HEAVY DUTY)	
27	JD9449	BALL BEARING	1	(SUB FOR JD9281)	
28	R26656	WASHER	1		
29	R43094	SHAFT	1		
30	AR43085	SEAL	1		
31	R43233	BUSHING	1		
32	AR43052	SHAFT	1		
33	R43235	QUILL	1	(LESS PTO)	
34	AR70406	SEAL	1	(LESS PTO) (SUB FOR R35642)	

2B8

POWER TRAIN

TRANSMISSION AND PTO CLUTCH PEDAL AND LINKAGE (SYNCRO-RANGE)

R22074 -UN-01JAN94



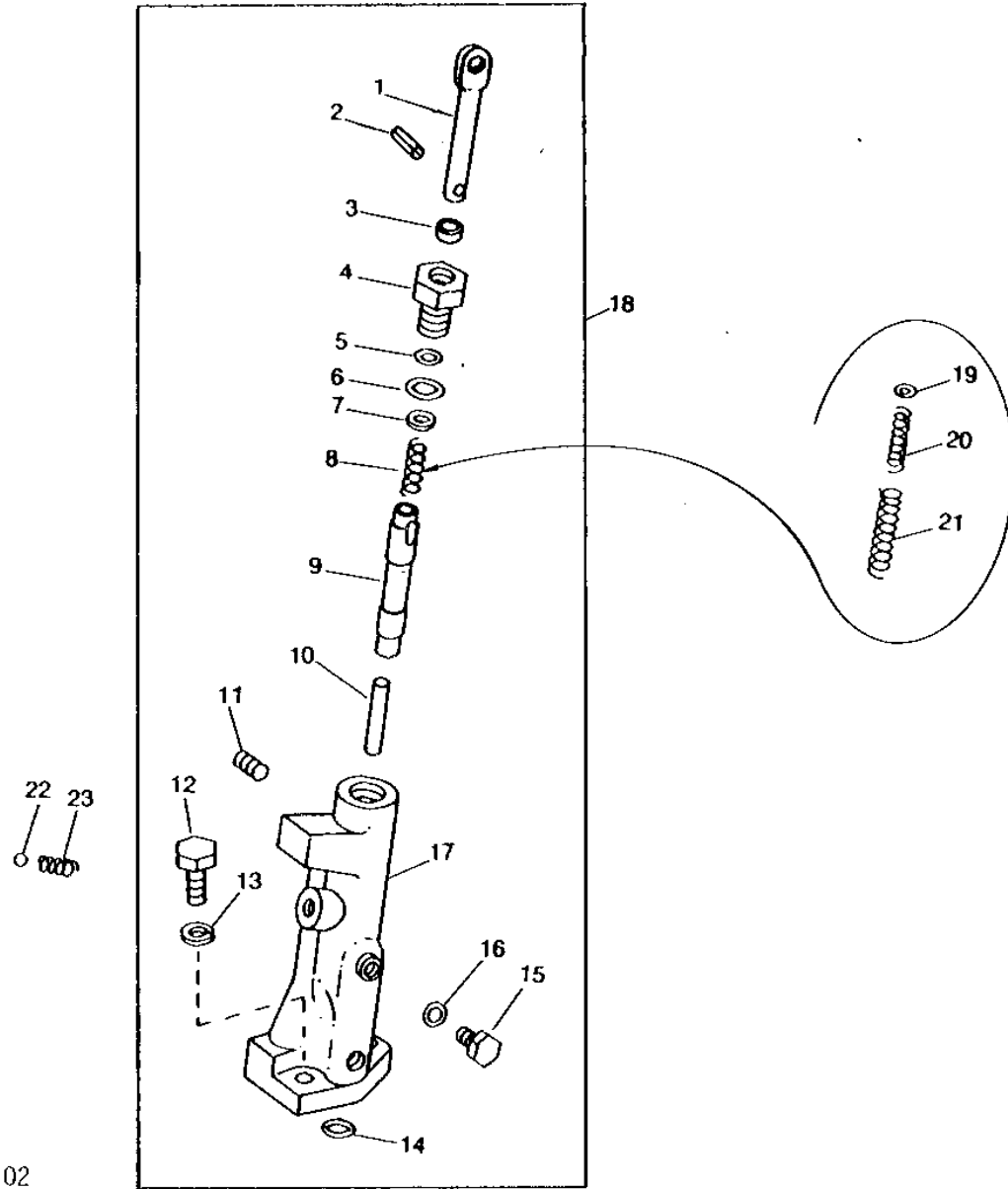
KEY	PART NO.	PART NAME	QTY	TRACTOR SERIAL NO.	REMARKS
1	R47106	PEDAL	1		
	R34483	LABEL	1		
2	R47107	ANGLE	1		
3	19H268	CAP SCREW	1	3/8" X 2-1/2"	
	12H304	LOCK WASHER	1	3/8"	
	14H1076	NUT	1	3/8"	
4	R46700	SPRING	1		
5	R27305	STRAP	1		
6	19H1721	CAP SCREW	1	1/2" X 1-1/2"	
	12H301	LOCK WASHER	1	1/2"	
7	C1104R	NUT	1		
8	24H1325	WASHER	1	15/32" X 59/64" X 0.065"	
9	R46699	LEVER	1		
10	11M7059	COTTER PIN	1	3.200 X 20 MM	
11	B178R	PIN	1		
12	R26652	LEVER	1		
13	11M7083	COTTER PIN	1		
14	R43335	SHAFT	1	0.126" X 1.969" (NLA)	
15	24H1396	WASHER	1	25/32" X 1-1/2" X 0.105"	
16	A369R	SNAP RING	1	(SUB R73380)	
17	R46860	FORK	1		
18	AR55864	SHIFT COLLAR	1	(SUB FOR AR43063)	
19	R51559	TUBE	1	(SUB FOR R43277) (ALSO ORDER AR55864)	
20	R26919	WASHER	2		
21	R63300	SELF-LOCKING SCREW	4	(SUB FOR R31198)	
22	AR55865	SUPPORT	1	(SUB FOR AR43064)	
23	R41511	DOWEL PIN	2		
24	R56464	O-RING	2		
25	R32588	BACK-UP RING	2		
26	14H849	NUT	1	7/16"	
27	R52355	SLEEVE	1	(SUB FOR R43333)	
28	R51865	SPRING	2	(SUB FOR R44104)	
29	R51865	SPRING	2		
30	R52737	SPRING	2		
31	R52736	WASHER	2		
32	R40809	BOLT	2		
33	AR43065	THRUST BEARING	1		
34	R43332	LOCKING COLLAR	1		
35	AR43084	BALL BEARING	1		
36	R35644	HYDRAULIC HOSE	1		
37	R36311	FITTING	1		
38	E12379	NUT	1		
39	JD7797	LUBRICATION FITTING	1		

2B9

POWER TRAIN

RWP5402 -UN-01JAN94

PTO CLUTCH VALVE
(SYNCRO-RANGE)



RWP5402

2B10

POWER TRAIN

PTO CLUTCH VALVE - CONTINUED (SYNCRO-RANGE)

KEY	PART NO.	PART NAME	QTY	TRACTOR SERIAL NO.	REMARKS
1	R40812	SHAFT	1		
2	34H260	SPRING PIN	1	5/32" X 5/8"	
3	AR40687	SEAL	1		
4	R40813	DRAIN PLUG	1		
5	A3917R	O-RING	1		
6	R26375	O-RING	1		
7	R31632	SHIM	1		
8	R44204	SPRING	1		
9	R40811	CONTROL VALVE	1		
10	R36882	DOWEL PIN	1	(SUB R55081)	
11	15H558	PIPE PLUG	2	1/8"	
12	19H2552	CAP SCREW	2	3/8" X 1-1/8"	
13	12H304	LOCK WASHER	2	3/8"	
14	R33259	O-RING	3		
15	R27216	DRAIN PLUG	1	(SUB FOR R31631)	
16	R26287	O-RING	1		
17	AR48963	HOUSING	1	(MARKED R46732)	
18	AR58572	HOUSING	1	(SUB AR46113, (3) R33259, (2) 12H304 AND (2) 19H2552)	
19	R53237	SHIM	AR		
20	R52057	SPRING	1		
21	R45582	SPRING	1		
22	400R	BALL	1	6MM (1/4")	
23	R26373	SPRING	1		

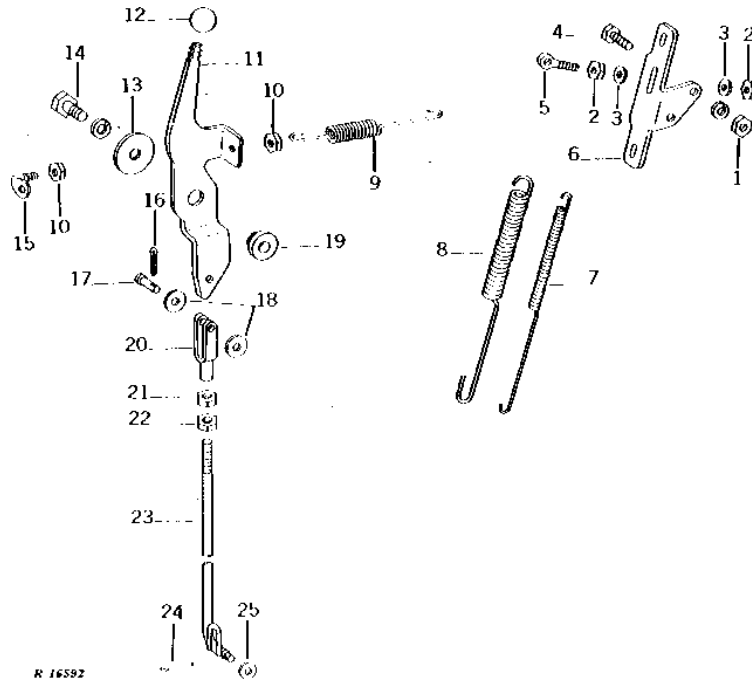
MEMORANDA

2B11

POWER TRAIN

R16592 -UN-01JAN94

PTO CLUTCH LEVER AND LINKAGE (SYNCRO-RANGE)



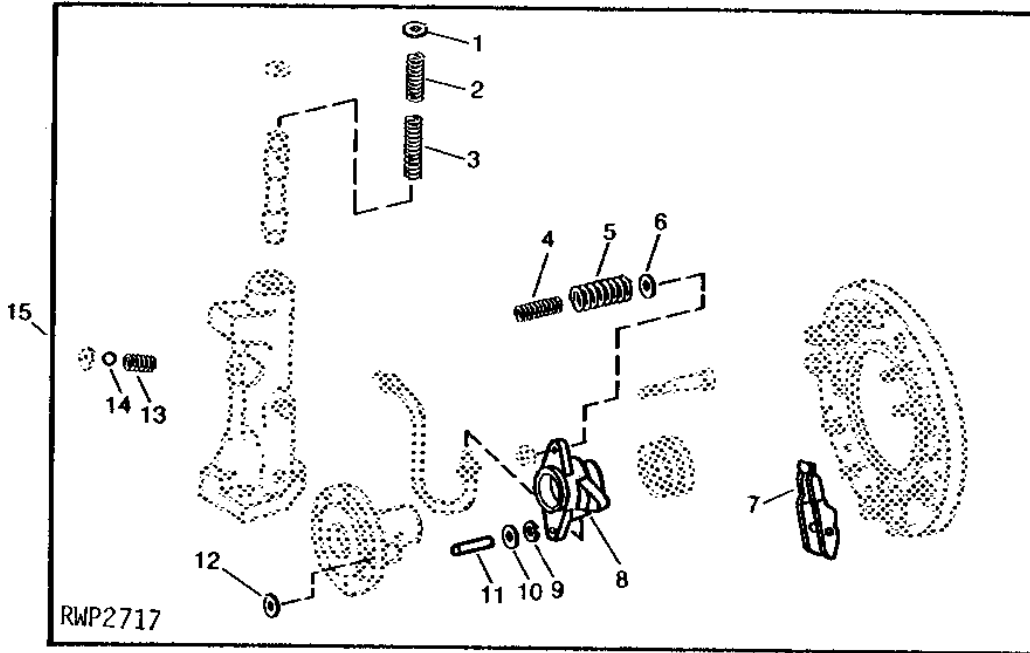
KEY	PART NO.	PART NAME	QTY	TRACTOR SERIAL NO.	REMARKS
1	14H1076	NUT	2	3/8"	
	12H304	LOCK WASHER	2	3/8"	
2	14H1076	NUT	2	3/8"	
3	24H1305	WASHER	2	13/32" X 13/16" X 0.065"	
4	19H2284	CAP SCREW	2	3/8" X 7/8"	
5	R42512	EYEBOLT	1		
6	R46313	BRACKET	1		
7	R42509	SPRING	1		
8	R42511	SPRING	1		
9	R48101	SPRING	1		
10	14H732	NUT	2	3/8"	
11	R41370	LEVER	1		
12	R40948	KNOB	1		
13	F2912R	WASHER	1		
14	19H2354	CAP SCREW	1	9/16" X 1-1/4"	
	12H317	LOCK WASHER	1	9/16"	
15	R48102	STUD	1		
16	11M7081	COTTER PIN	1	0.098" X 0.787"	
17	R65563	PIN	1	(SUB FOR C1067R)	
18	24H1309	WASHER	2	13/32" X 1-1/16" X 0.120"	
19	R26574	WASHER	1		
20	L324T	YOKE	1		
21	14H774	NUT	1	3/8"	
22	14H1080	NUT	1	3/8"	
23	AR43561	ROD	1		
24	11M7059	COTTER PIN	1	3.200 X 20 MM	
25	24H1136	WASHER	1	11/32" X 11/16" X 0.065"	

2B12

POWER TRAIN

RWP2717 -UN-01JAN94

COUNTERWEIGHTED PTO CLUTCH OPERATING LEVER CONVERSION KIT



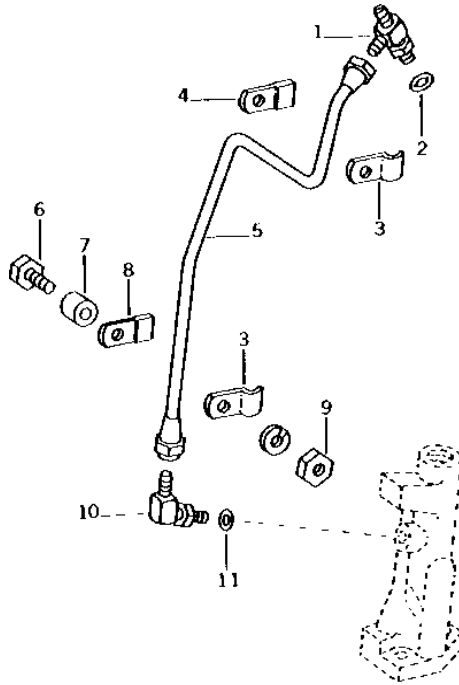
KEY	PART NO.	PART NAME	QTY	TRACTOR SERIAL NO.	REMARKS
1	R53237	SHIM	1		0.64MM (.025")
2	R52057	SPRING	1		INNER
3	R45582	SPRING	1		OUTER
4	R51865	SPRING	2		
5	R52737	SPRING	2		
6	R52736	WASHER	2		
7	AR63609	LEVER	3		
8	R52355	SLEEVE	1		
9	R32588	BACK-UP RING	2		
10	R56464	O-RING	2		
11	R41511	DOWEL PIN	2		
12	R26919	WASHER	2		
13	R26373	SPRING	1		
14	400R	BALL	1		6MM (1/4")
15	AR63606	KIT	1		

2B13

POWER TRAIN

R16573 -UN-01JAN94

PTO CLUTCH OIL LINES (SYNCRO-RANGE)



R 16573

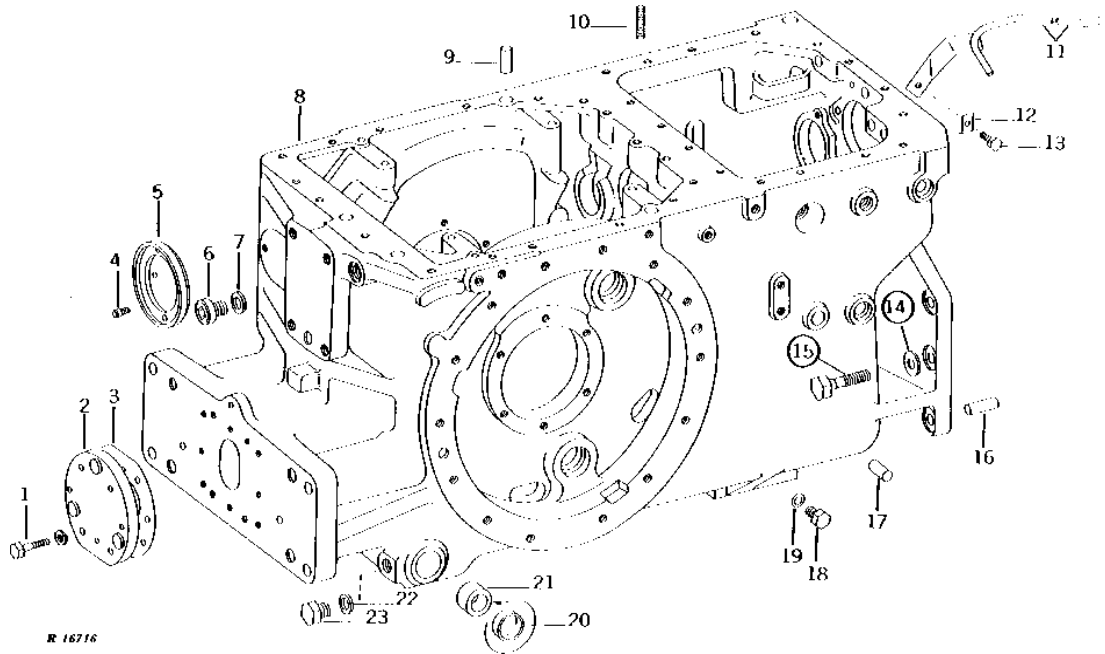
KEY	PART NO.	PART NAME	QTY	TRACTOR SERIAL NO.	REMARKS
1	AR30762	TEE FITTING	1		
2	R26286	O-RING	1		
3	R31654	CLAMP	2		
4	R31655	STRAP	1		
5	AR43122	HYDRAULIC LINE	1		
6	19H1765	CAP SCREW	1	3/8" X 1-3/4"	
7	19H1936	CAP SCREW	1	3/8" X 3/4"	
8	28H1697	SPACER	1	3/8" X 3/4"	
9	R42290	PLATE	1		
10	14H1076	NUT	2	3/8"	
11	12H304	LOCK WASHER	2	3/8"	
10	AT32335	ELBOW FITTING	1	(SUB FOR AR26746)	
11	R26287	O-RING	1		

2B14

POWER TRAIN

R16716 -UN-01JAN94

TRANSMISSION CASE
(SYNCRO-RANGE)



2B15

POWER TRAIN

TRANSMISSION CASE - CONTINUED (SYNCRO-RANGE)

KEY	PART NO.	PART NAME	QTY	TRACTOR SERIAL NO.	REMARKS
1	19H2473	CAP SCREW	6		1/2" X 1-3/4"
	12H301	LOCK WASHER	6		1/2"
2	R35274	COVER	1		(LESS PTO)
3	R58900	GASKET	1		(SUB FOR R35621)
4	R27329	SCREW	2		
5	AR26707	RETAINER	1		
6	R27483	PLUG	1		
7	H851R	WASHER	1		
8	AR77463	TRANSMISSION CASE	1		(MARKED R46680, R49840, R55480 OR R62810) (SUB FOR AR49732, AR63311 OR AR64640) (ALSO ORDER AR63947)
	AR54983	FITTING PLUG	1		(A) (USE WITH R49840)
	F3171R	O-RING	1		(A) (USE WITH R49840)
	R27094	DRAIN PLUG	1	XXXXXX-	(A) (USE WITH R49840)
9	R26616	DOWEL PIN	3		
10	D488R	STUD	1		
11	AR49146	TUBE	1		
12	R30959	LOCK PLATE	1		
13	19H2021	CAP SCREW	1		3/8" X 5/8"
14	T21397	WASHER	12		
15	19H1707	CAP SCREW	10		3/4" X 2-3/4"
	19H1862	CAP SCREW	2		3/4" X 2-1/2"
16	A776R	PIN	2		
17	T25317	DOWEL PIN	4		
18	R27218	FITTING PLUG	1		(LESS DIFFERENTIAL LOCK)
19	R51494	WASHER	1		(LESS DIFFERENTIAL LOCK)
20	R43409	CAP	2		(LESS ROCKSHAFT)
	R54213	CAP	2		(A) (LESS ROCKSHAFT) (USE WITH R49840)
21	R43315	BUSHING	2	-XXXXXX	(WITH ROCKSHAFT) (USE WITH R46680)
	R43931	BUSHING	1	-XXXXXX	0.08MM (.003") (USE WITH R46680)
	R43932	BUSHING	1	-XXXXXX	0.15MM (.006") (USE WITH R46680)
	R46802	BUSHING	1	-XXXXXX	0.23MM (.009") (USE WITH R46680)
	AR56769	BUSHING	2	XXXXXX-	(A) (SUB FOR AR85460) (INCLUDES R52184 AND R53198) (USE WITH R49840 OR R55480)
	R52184	WASHER	2	XXXXXX-	(USE WITH R49840 OR R55480)
	R53198	O-RING	2	XXXXXX-	(USE WITH R49840 OR R55480)
22	R26906	O-RING	1		
23	R27474	DRAIN PLUG	1		
..	AR63947	SUPPORT	1		LOAD CONTROL ARM, (USE WITH R49840)

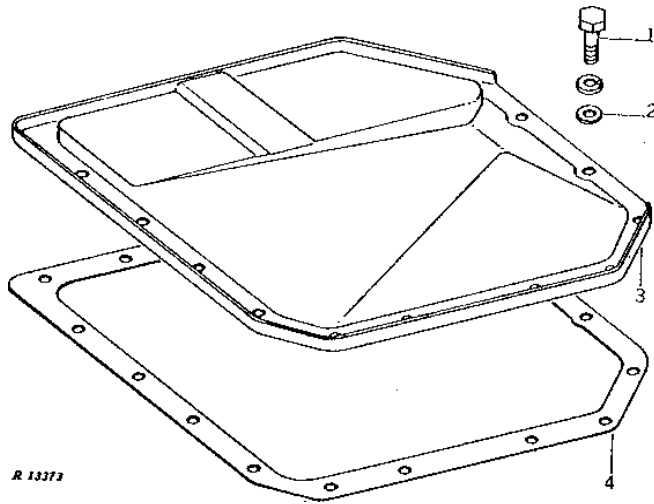
(A) INCLUDED IN AR63947

2B16

POWER TRAIN

R13373 -UN-01JAN94

TRANSMISSION CASE COVER (SYNCRO-RANGE)



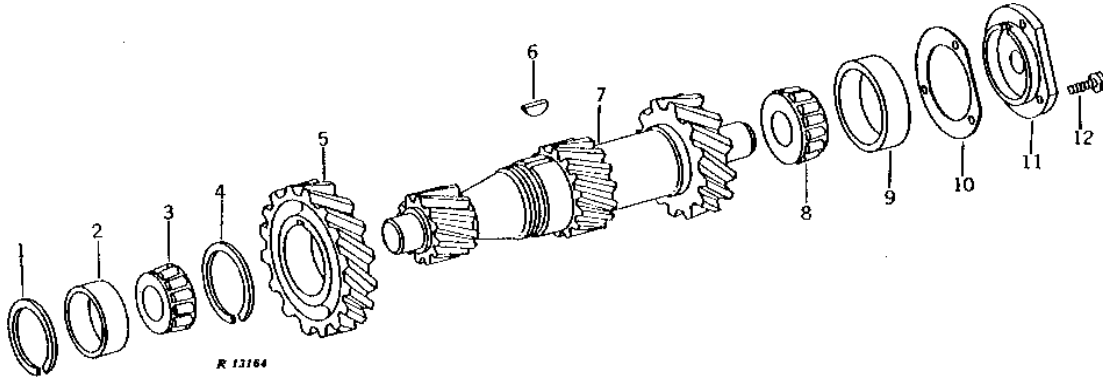
KEY	PART NO.	PART NAME	QTY	TRACTOR SERIAL NO.	REMARKS
1	19H1731	CAP SCREW	11	3/8" X 1"	
	19H1765	CAP SCREW	2	3/8" X 1-3/4"	
	19H1854	CAP SCREW	11	3/8" X 3-3/4"	
	19H2205	CAP SCREW	11	3/8" X 6"	
	24H1305	WASHER	2	13/32" X 13/16" X 0.065"	
	12H304	LOCK WASHER	14	3/8"	
2	A4624R	WASHER	14		
3	AR88539	COVER	1	(SUB FOR R43190)	
4	R43260	GASKET	1		

2B17

POWER TRAIN

R13164 -UN-01JAN94

COUNTERSHAFT (SYNCRO-RANGE)



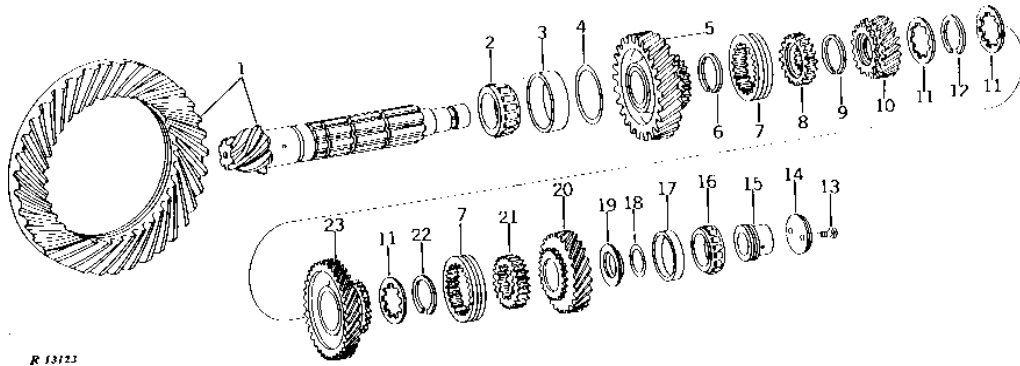
KEY	PART NO.	PART NAME	QTY	TRACTOR SERIAL NO.	REMARKS
1	R35377	SNAP RING	1		
2	JD8262	BEARING CUP	1		(SUB JD10005 AND JD8113)
3	JD7383	BEARING CONE	1		
4	R35369	SNAP RING	1		
5	R43017	GEAR	1		SIXTH AND EIGHT SPEED
6	26H93	SHAFT KEY	1		1/4" X 1-1/4"
7	R43128	COUNTERSHAFT	1		
8	JD9015	BEARING CONE	1		
9	JD8288	BEARING CUP	1		
10	R43346	SHIM	AR		0.15MM (.006")
	R43347	SHIM	AR		0.25MM (.010")
	R43348	SHIM	AR		0.46MM (.018")
11	R43129	RETAINER	1		
12	R57725	SCREW	3		(SUB FOR R40835)

2B18

POWER TRAIN

DIFFERENTIAL DRIVE AND BEVEL PINION ASSEMBLY (SYNCRO-RANGE)

R13123 -UN-25SEP95



KEY	PART NO.	PART NAME	QTY	TRACTOR SERIAL NO.	REMARKS
1	AR43006	GEAR	1		(MATCHED SET) (MARKED R43023 AND R43024)
2	JD8977	BEARING CONE	1		(USE WITH R46680)
	JD9066	BEARING CONE	1		(A) (USE WITH R49840)
3	JD8266	BEARING CUP	1		(USE WITH R46680)
	JD8280	BEARING CUP	1		(A) (USE WITH R49840)
4	R35365	SHIM	AR		0.08MM (.003")
	R35366	SHIM	AR		0.13MM (.005")
	R35367	SHIM	AR		0.25MM (.010")
5	AR54679	GEAR	1		FIRST AND THIRD SPEED, (MARKED R43131 OR R50561) (SUB FOR AR43025)
6	R35372	SNAP RING	1		
7	R35491	SHIFT COLLAR	2		
8	R43191	GEAR	1		TRANSMISSION SHIFTER, REAR
9	R43349	SNAP RING	1		
10	R43018	GEAR	1		SIXTH AND EIGHTH SPEED
11	R35426	THRUST WASHER	3		
12	R35373	SNAP RING	1		
13	R57725	SCREW	2		(SUB FOR R40835)
14	R43463	PLATE	1		
15	R43056	BEARING RACE	1		
16	JD7359	BEARING CONE	1		
17	JD8235	BEARING CUP	1		
18	R36765	SHIM	AR		0.08MM (.003")
	R36766	SHIM	AR		0.13MM (.005")
	R36767	SHIM	AR		0.25MM (.010")
19	R36764	BUSHING	1		
20	R43019	GEAR	1		FOURTH AND SEVENTH SPEED
21	R35489	GEAR	1		TRANSMISSION SHIFTER, FRONT
22	R35371	SNAP RING	1		
23	R43134	GEAR	1		SECOND AND FIFTH SPEED
..	AR63947	SUPPORT	1		LOAD CONTROL ARM, (USE WITH R49840)

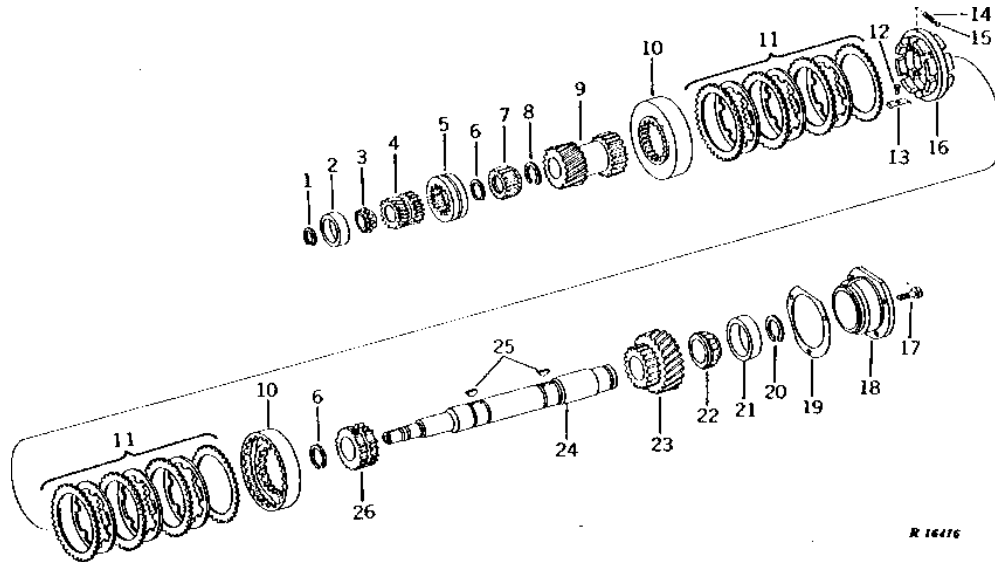
(A) INCLUDED IN AR63947

2B19

POWER TRAIN

TRANSMISSION DRIVE SHAFT ASSEMBLY (SYNCRO-RANGE WITH COLLAR SHIFT REVERSE)

R16416 -UN-01JAN94



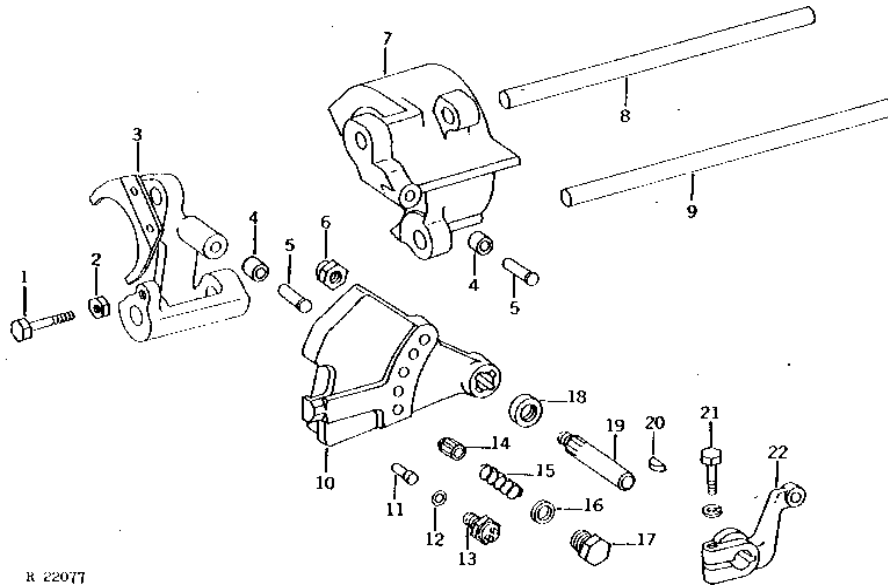
KEY	PART NO.	PART NAME	QTY	TRACTOR SERIAL NO.	REMARKS
1	R35164	SNAP RING	1		1.93MM (.076")
	R35165	SNAP RING	1		2.01MM (.079")
	R35166	SNAP RING	1		2.08MM (.082")
	R35167	SNAP RING	1		2.16MM (.085")
	R40713	SNAP RING	1		2.24MM (.088")
	R40714	SNAP RING	1		2.31MM (.091")
	R40715	SNAP RING	1		2.39MM (.094")
2	JD8291	BEARING CUP	1		
3	JD7232	BEARING CONE	1		
4	R47119	PINION	1		REVERSE RANGE
5	R47118	SHIFT COLLAR	1		REVERSE RANGE
6	R35385	SNAP RING	2		
7	R47117	SHIFT COLLAR	1		REVERSE RANGE
8	R35386	SNAP RING	1		
9	R59827	PINION	1		LOW RANGE, (SUB FOR R43021 OR R51842)
10	R36678	DRUM	2		LOW AND HIGH RANGE
11	RE37120	DISK	1		(2 SET USED) (SUB FOR AR42990 OR AR69155)
12	R45225	STUD	2		
13	R35461	CLAMP	2		
14	R59860	SPRING	4		(SUB FOR R27730)
15	A4742R	BALL	4		3.97MM (5/32")
16	AR35403	SYNCHRONIZER	1		LOW AND HIGH RANGE
17	R57725	SCREW	3		(SUB FOR R40835)
18	R50564	QUILL	1		(SUB FOR R43133)
19	R57977	SHIM	AR		0.15MM (.006") (SUB FOR R43350)
	R57978	SHIM	AR		0.28MM (.011") (SUB FOR R43351)
	R57979	SHIM	AR		0.46MM (.018") (SUB FOR R43352)
20	R35381	SNAP RING	1		1.93MM (.076")
	R35382	SNAP RING	1		2.01MM (.079")
	R35383	SNAP RING	1		2.08MM (.082")
	R35384	SNAP RING	1		2.16MM (.085")
	R40711	SNAP RING	1		2.24MM (.088")
	R40712	SNAP RING	1		2.31MM (.091")
21	JD8240	BEARING CUP	1		
22	JD8907	BEARING CONE	1		
23	R54567	PINION	1		HIGH RANGE, (SUB FOR R43020)
24	R43189	DRIVE SHAFT	1	-XXXXXX	(USE WITH R48451 OR R43251)
	R49587	DRIVE SHAFT	1	XXXXXX-	(USE WITH R49588)
	26H82	SHAFT KEY	2		1/4" X 7/8"
26	R35457	SHIFT COLLAR	1		LOW AND HIGH RANGE SYNCHRONIZER, (SUB FOR R64129)

2B20

POWER TRAIN

R22077 -UN-01JAN94

RANGE SHIFTERS AND SHIFTER SHAFTS (SYNCRO-RANGE WITH COLLAR SHIFT REVERSE)



R 22077

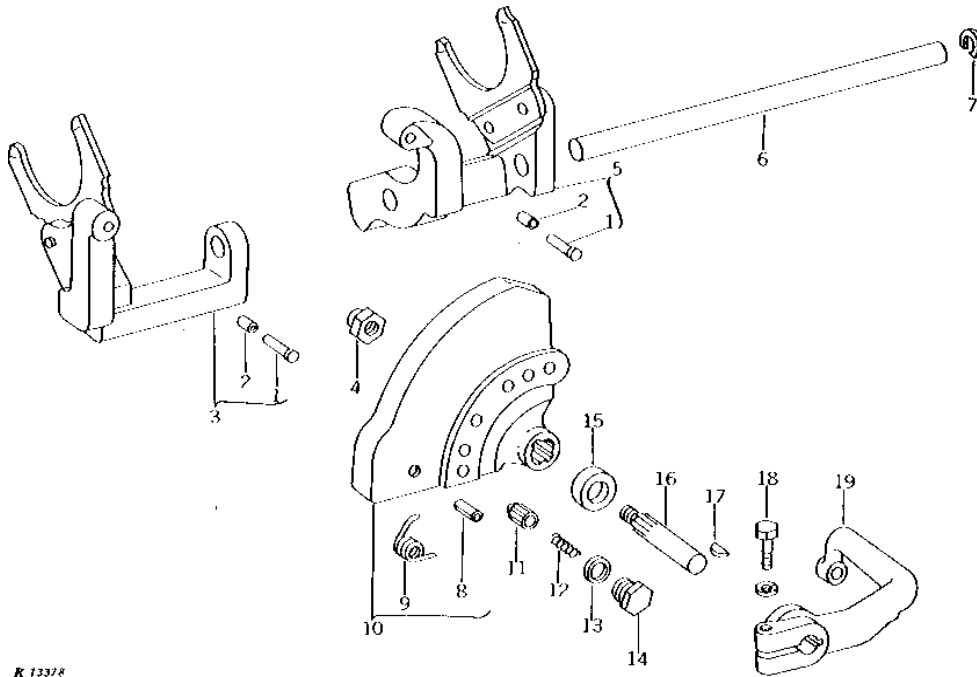
KEY	PART NO.	PART NAME	QTY	TRACTOR SERIAL NO.	REMARKS
1	19H2873	CAP SCREW	1	3/8" X 2-3/4"	
2	14H1076	NUT	1	3/8"	
3	AR73158	SHIFTER	1		REVERSE RANGE, (MARKED R47121 OR R60339) (SUB FOR AR49652)
4	R43906	SPACER	2		
5	R43907	PIN	2		(SUB R97316)
6	E17421	LOCK NUT	1		
7	AR43744	SHIFTER	1		LOW AND HIGH RANGE, (MARKED R43137)
8	R70558	SHAFT	1		(SUB FOR R43461)
9	R43460	SHAFT	1		
10	R43393	CAM	1		
11	R99556	PIN	1		(SUB FOR R33731)
12	T16911	SHIM	AR		
13	RE38390	SWITCH	1		NEUTRAL START, (SUB FOR R36265, AR85323 OR AT85153)
14	R26202	PAWL	1		
15	T23856	SPRING	1		
16	A4827R	WASHER	1		
17	R38181	FITTING	1		
18	AR389R	SEAL	1		
19	R32630	SHAFT	1		(SUB FOR AR31904)
20	26H17	SHAFT KEY	1	3/16" X 7/8"	
21	19H1800	CAP SCREW	1	3/8" X 1-1/2"	
	12H304	LOCK WASHER	1	3/8"	
22	R43394	ARM	1		SPEED RANGE SHIFTER

2B21

POWER TRAIN

GEAR SHIFTERS AND SHIFTER SHAFTS (SYNCRO-RANGE)

R13378 -UN-01JAN94



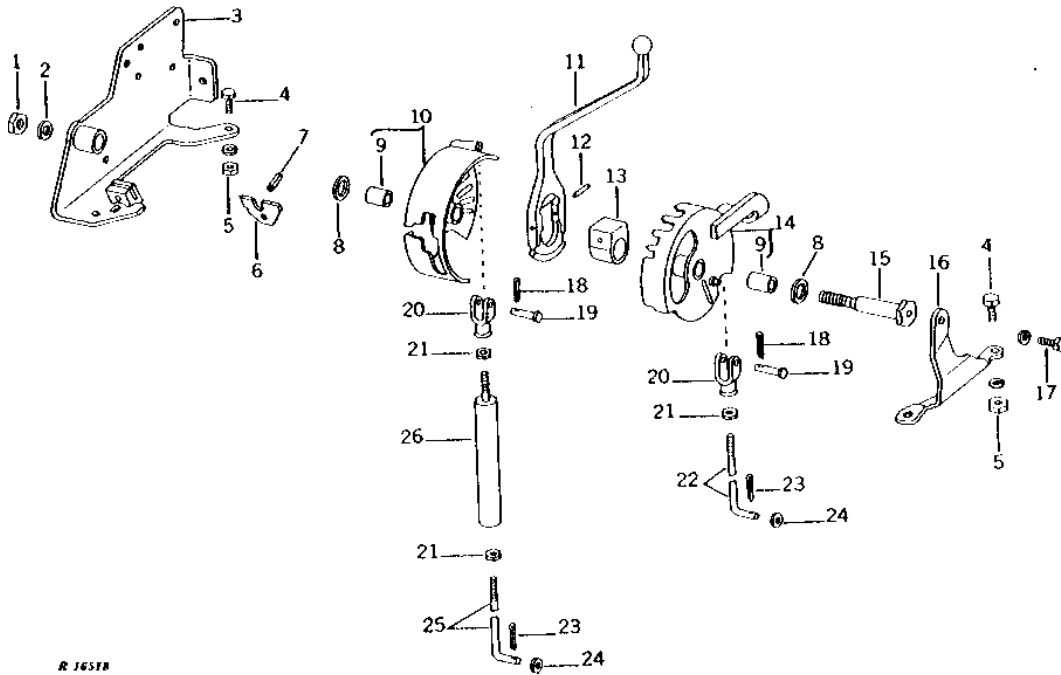
KEY	PART NO.	PART NAME	QTY	TRACTOR SERIAL NO.	REMARKS
1	R26206	PIN	2		
2	R26207	ROLLER	2		
3	AR43026	LEVER	1		FIRST AND THIRD, SIXTH AND EIGHTH SPEED, (MARKED R43135)
4	E17421	LOCK NUT	1		
5	AR43027	LEVER	1		SECOND AND FIFTH, FOURTH AND SEVENTH SPEED, (MARKED R43136)
6	R43460	SHAFT	1		
7	R46205	RING	1		
8	34H365	SPRING PIN	1		1/2" X 7/8"
9	R43593	SPRING	1		
10	AR77725	CAM	1		(MARKED R43391, R61108, R62803 OR R62972) (SUB FOR AR43097, AR74081 AND AR77462)
11	R26202	PAWL	1		
12	R26203	SPRING	1		
13	A4827R	WASHER	1		
14	R38181	FITTING	1		
15	AR389R	SEAL	1		
16	R32630	SHAFT	1		(SUB FOR AR31904)
17	26H17	SHAFT KEY	1		3/16" X 7/8"
18	19H1800	CAP SCREW	1		3/8" X 1-1/2"
	12H304	LOCK WASHER	1		3/8"
19	R43392	ARM	1		SPEED CHANGE SHIFTER

2B22

POWER TRAIN

R16518 -UN-01JAN94

TRANSMISSION SHIFTER CONTROL (SYNCRO-RANGE)



R 16518

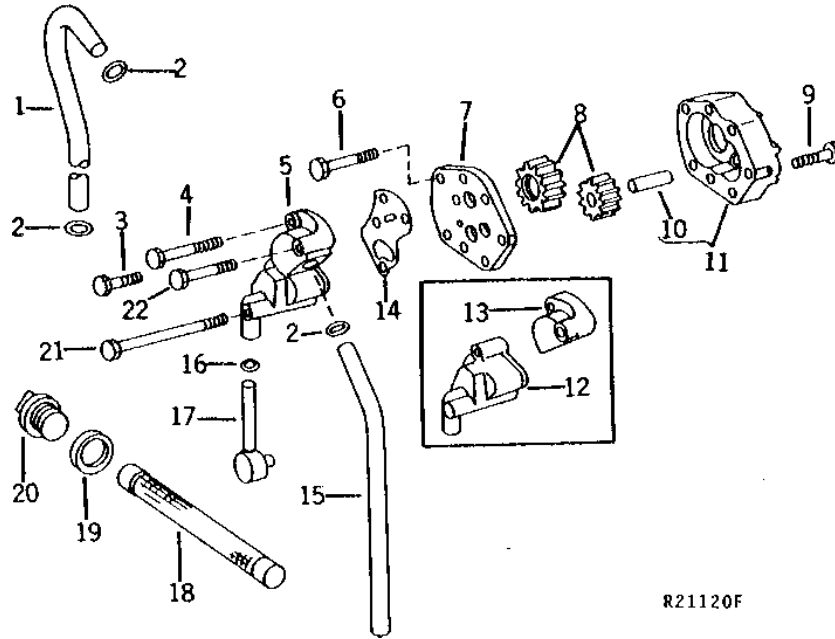
KEY	PART NO.	PART NAME	QTY	TRACTOR SERIAL NO.	REMARKS
1	14H1039	NUT	1	5/8"	
2	F2783R	WASHER	1		
3	AR46042	SUPPORT	1		
4	19H2284	CAP SCREW	4	3/8" X 7/8"	
	19H246	CAP SCREW	4	3/8" X 1-3/4"	
5	14H1076	NUT	5	3/8"	
	12H304	LOCK WASHER	5	3/8"	
6	R52882	LATCH	1	(SUB FOR R42128)	
7	34H348	SPRING PIN	1	3/8" X 1"	
8	R42127	WASHER	2		
9	R26182	BUSHING	2		
10	AR45240	QUADRANT	1		
11	AR59446	LEVER	1	(SUB FOR R31188)	
12	34H314	SPRING PIN	2	1/4" X 1-1/4"	
13	R47203	PIVOT	1	(SUB R26187 AND R53247)	
14	AR45342	QUADRANT	1		
15	R42126	SHAFT	1		
16	R42129	SUPPORT	1		
17	19H2284	CAP SCREW	1	3/8" X 7/8"	
	12H304	LOCK WASHER	1	3/8"	
18	11M7081	COTTER PIN	2	0.098" X 0.787"	
19	R65563	PIN	2	(SUB FOR C1067R)	
20	C284R	YOKE	2		
21	14H732	NUT	3	3/8"	
22	R43462	BOLT	1	SPEED RANGE SHIFTER	
				3.200 X 20 MM	
23	11M7059	COTTER PIN	2	13/32" X 11/16" X 0.035"	
24	24H1302	WASHER	2		
25	R43462	BOLT	1	SPEED CHANGE SHIFTER, (SUB FOR R43886)	
26	AR49457	SPRING ASSEMBLY	1	PARK RELEASE	

2B23

POWER TRAIN

R21120 -UN-01JAN94

TRANSMISSION OIL PUMP (SYNCRO-RANGE)



R21120F

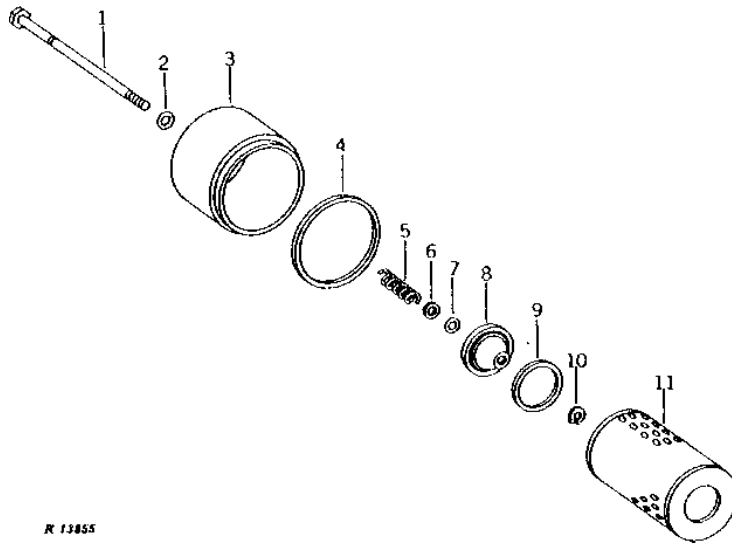
KEY	PART NO.	PART NAME	QTY	TRACTOR SERIAL NO.	REMARKS
1	R43254	OIL TUBE	1		
2	R56462	O-RING	3		
3	R41006	CAP SCREW	1		
4	R43257	CAP SCREW	1		
5	R51907	MANIFOLD	1	014470-	
6	R43252	CAP SCREW	2		
7	R43250	COVER	1		
8	AR40670	GEAR	1		
9	R41006	CAP SCREW	2		
10	R40824	DOWEL PIN	1		
11	AR51652	HOUSING	1	-XXXXXX	(MARKED R48451 OR R43251)
	AR53449	HOUSING	1	XXXXXX-	(MARKED R49588)
12	R40833	VENT	1	-014469	OUTLET, (ORDER R51907)
13	R40828	FILLER NECK	1	-014469	INLET, (ORDER R51907)
14	R43253	GASKET	1		
15	R40831	HYDRAULIC LINE	1		
16	A3917R	O-RING	1		
17	AR43058	HYDRAULIC LINE	1		
18	R53169	SCREEN	1		(NYLON)
	AR26375	SCREEN	1		(STEEL)
19	A4808R	WASHER	1		
20	R40147	FITTING	1		(SUB FOR A4806R)
21	R43256	CAP SCREW	1		
22	R41007	CAP SCREW	1		

2B24

POWER TRAIN

R13855 -UN-01JAN94

TRANSMISSION OIL FILTER (SYNCRO-RANGE)



R 13855

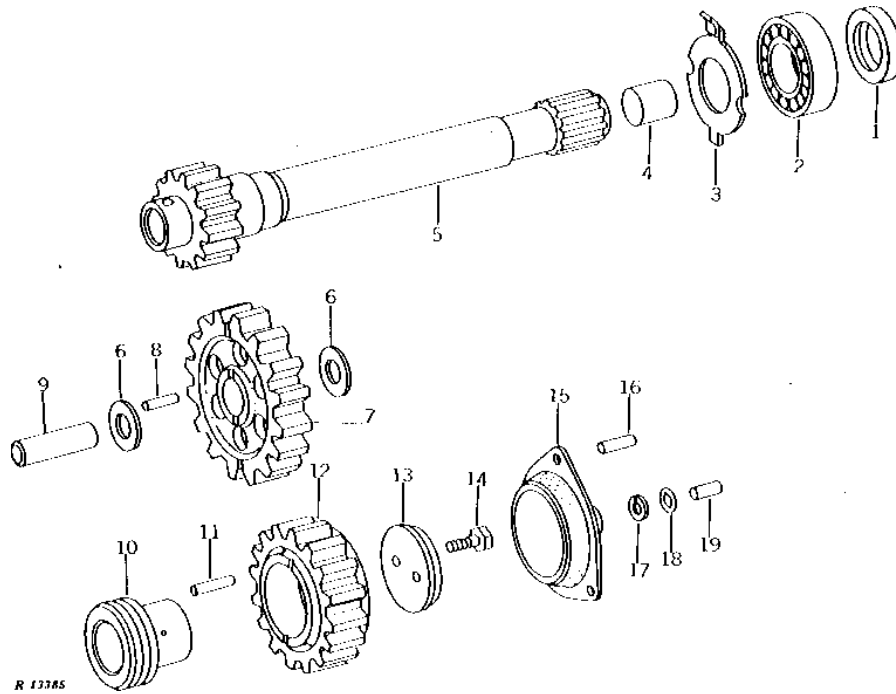
KEY	PART NO.	PART NAME	QTY	TRACTOR SERIAL NO.	REMARKS
1	R54750	CAP SCREW	1		(SUB FOR R39795)
2	R394R	O-RING	1		
3	R39796	COVER	1		
4	R34733	WASHER	1		
5	H819R	SPRING	1		
6	24H1227	WASHER	1		17/32" X 13/16" X 0.060"
7	R394R	O-RING	1		
8	R65892	RETAINER	1		
9	R28594	WASHER	1		
10	R32507	SNAP RING	1		
11	AR75603	FILTER ELEMENT	1		(SUB FOR AR28271 OR AR75601)

2B25

POWER TRAIN

DRIVE SHAFT AND IDLER GEARS (1000 RPM PTO) (SYNCRO-RANGE)

R13385 -UN-01JAN94



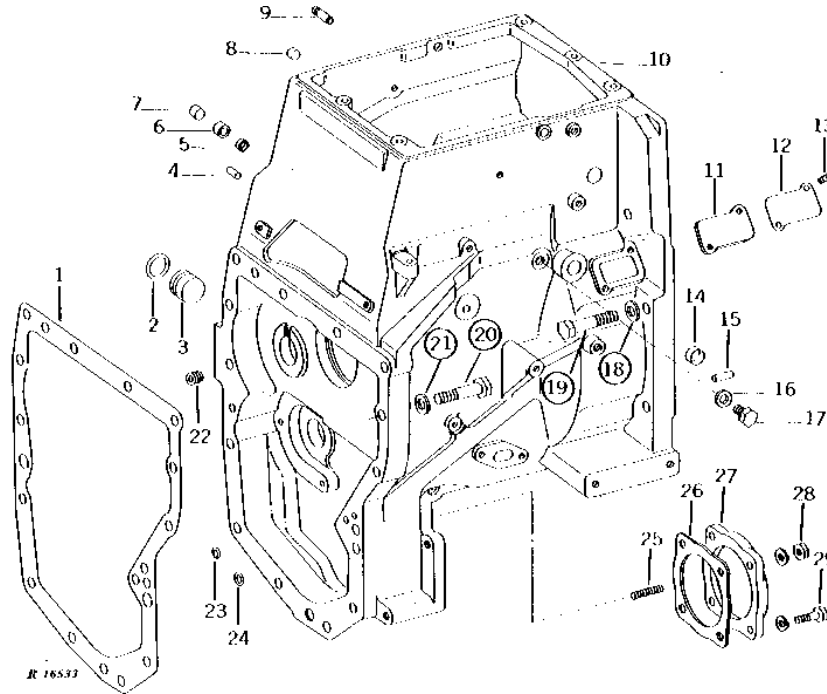
KEY	PART NO.	PART NAME	QTY	TRACTOR SERIAL NO.	REMARKS
1	R35643	SEAL	1		
2	JD7997	ROLLER BEARING	1		
3	R53440	WASHER	1		(SUB FOR AR43562)
4	R43233	BUSHING	1		
5	AR43052	SHAFT	1		
6	R33345	THRUST WASHER	2		
7	R43054	STEERING GEAR	1		
8	R26006	NEEDLE ROLLER	18		
9	R26663	DOWEL PIN	1		
10	R43056	BEARING RACE	1		
11	R33028	NEEDLE ROLLER	40		
12	R43055	STEERING GEAR	1		
13	R43463	PLATE	1		
14	R57725	SCREW	2		(SUB FOR R40835)
15	AR43031	BRAKE SHOE	1		(SUB RE20735)
16	34H349	SPRING PIN	3		3/8" X 1-1/4"
17	R26551	BACK-UP RING	1		
18	R394R	O-RING	1		
19	R40815	DOWEL PIN	1		PTO BRAKE

2C1

POWER TRAIN

R16533 -UN-01JAN94

CLUTCH HOUSING (POWER SHIFT)



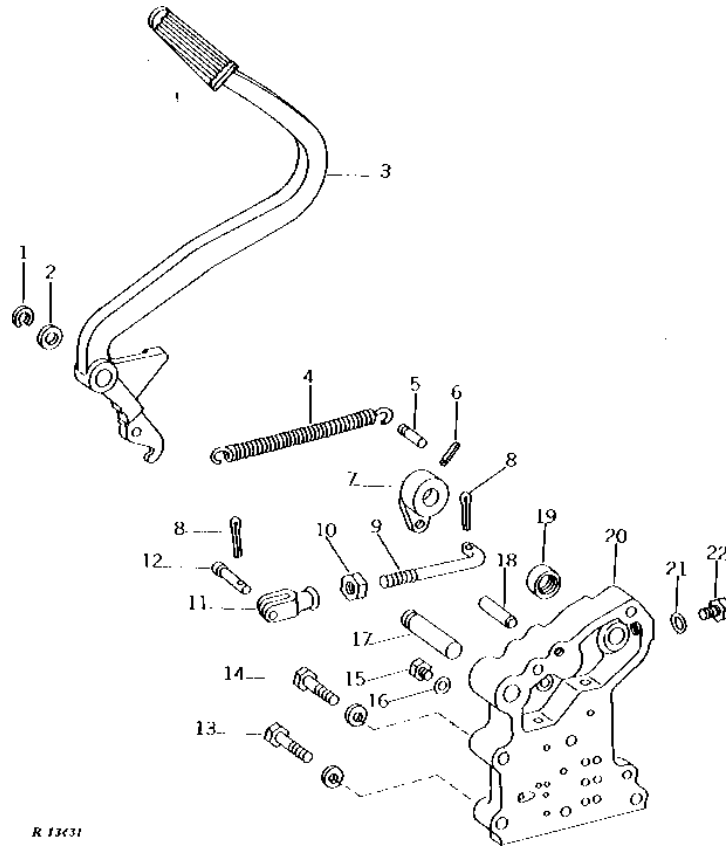
KEY	PART NO.	PART NAME	QTY	TRACTOR SERIAL NO.	REMARKS
1	R50973	GASKET	1		(SUB FOR R43536)
2	R48594	SEAL	1		
3	R47443	PIN	1		
4	R1612R	DOWEL PIN	2		
5	AR26338	SEAL	1		
6	R28359	WASHER	1		
7	R28361	DOWEL PIN	1		(LESS PTO)
8	R46809	PLUG	1		(LESS COLD WEATHER DISCONNECT)
9	R33837	PIN	1		
10	AR43982	HOUSING	1		(MARKED R47740 OR R47810)
11	R31494	GASKET	1		(SUB R67989)
12	R31493	COVER	1		
13	21H1318	SCREW	2		0.216" X 1/2"
14	A3910R	CAP	1		(LESS COLD WEATHER DISCONNECT) (SUB N102039)
15	T26565	DOWEL PIN	2		(SUB FOR C1220R)
16	R26286	O-RING	2		
17	R27094	DRAIN PLUG	2		
18	T21397	WASHER	6		
19	19H1425	CAP SCREW	6		3/4" X 2-3/4"
20	19H1862	CAP SCREW	2		3/4" X 2-1/2"
	19H1425	CAP SCREW	2		3/4" X 2-3/4"
	19H2000	CAP SCREW	1		3/4" X 5"
	19H2113	CAP SCREW	3		3/4" X 3-1/4"
	19H2174	CAP SCREW	2		3/4" X 4-1/4"
	19H1707	CAP SCREW	4		3/4" X 2-3/4"
21	T21397	WASHER	14		
22	15H624	PIPE PLUG	1		1/2"
23	A4730R	O-RING	2		
24	R26919	WASHER	2		
25	R32101	STUD	2		
26	R43234	GASKET	1		
27	R43236	COVER	1		(LESS PTO)
28	14H1040	NUT	2		1/2"
	12H301	LOCK WASHER	2		1/2"
29	19H3579	CAP SCREW	2		1/2" X 1-3/8"
	12H301	LOCK WASHER	2		1/2"

2C2

POWER TRAIN

TRANSMISSION CLUTCH VALVE, PEDAL, AND LINKAGE (POWER SHIFT)

R13431 -UN-01JAN94



R 13431

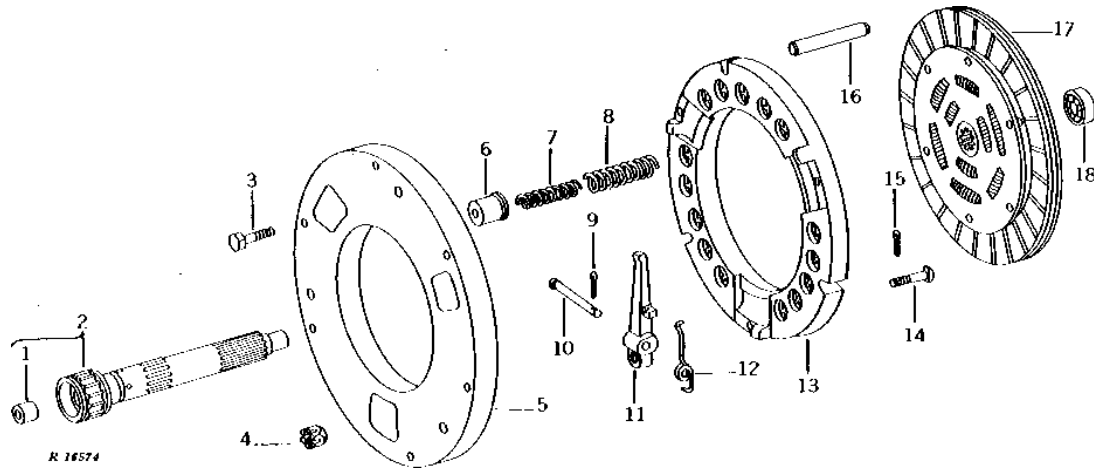
KEY	PART NO.	PART NAME	QTY	TRACTOR SERIAL NO.	REMARKS
1	A369R	SNAP RING	1		(SUB R73380)
2	24H1395	WASHER	1		25/32" X 1-7/16" X 0.060"
3	R43467	PEDAL	1		
4	R43684	SPRING	1		
5	R33837	PIN	1		
6	34H188	SPRING PIN	1		5/16" X 1-3/4"
7	R33157	LEVER	1		
8	11M7081	COTTER PIN	2		0.098" X 0.787"
9	R33165	HOOK BOLT	1		
10	14H732	NUT	1		3/8"
11	C284R	YOKE	1		
12	R65563	PIN	1		(SUB FOR C1067R)
13	19H2055	CAP SCREW	5		7/16" X 2-1/4"
	12H293	LOCK WASHER	5		7/16"
14	19H2227	CAP SCREW	2		7/16" X 2-1/2"
	12H293	LOCK WASHER	2		7/16"
15	R27094	DRAIN PLUG	3		
16	R26286	O-RING	3		
17	R33156	PIN	1		
18	B3595R	DOWEL PIN	2		
19	AF2907R	SEAL	1		
20	AR88040	HOUSING	1		(MARKED R41151, R41152, R41153 OR R44164) (SUB FOR AR40794 OR AR45381) (ALSO ORDER 15H558)
	15H559	PIPE PLUG	1		1/4"
21	R26448	O-RING	1		
22	R27218	FITTING PLUG	1		

2C3

POWER TRAIN

R16574 -UN-01JAN94

TRANSMISSION DISCONNECT CLUTCH (POWER SHIFT)



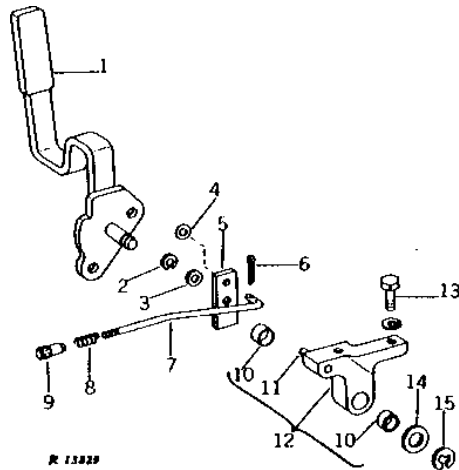
KEY	PART NO.	PART NAME	QTY	TRACTOR SERIAL NO.	REMARKS
1	R43214	BUSHING	1		
2	AR43045	SHAFT	1		
3	R49527	CAP SCREW	6		
4	R39893	NUT	3		
5	R42110	COVER	1		
6	R33135	BUSHING	15		
7	R38185	SPRING	15		
8	R26637	SPRING	15		
9	11M7059	COTTER PIN	3	3.200 X 20 MM	
10	R31711	PIN	3		
11	R39892	LEVER	3		
12	R20152	SPRING	3		
13	R46808	CLUTCH PLATE	1		
14	R31713	BOLT	3		
15	11M7081	COTTER PIN	3	0.098" X 0.787"	
16	R32192	DOWEL PIN	3		
17	RE29603	CLUTCH DISK	1	(SUB FOR AR43018, AR57268 OR AR73542)	
18	JD9449	BALL BEARING	1	(SUB FOR JD9281)	

2C4

POWER TRAIN

TRANSMISSION DISCONNECT CLUTCH LEVER AND LINKAGE (POWER SHIFT)

R13829 -UN-01JAN94



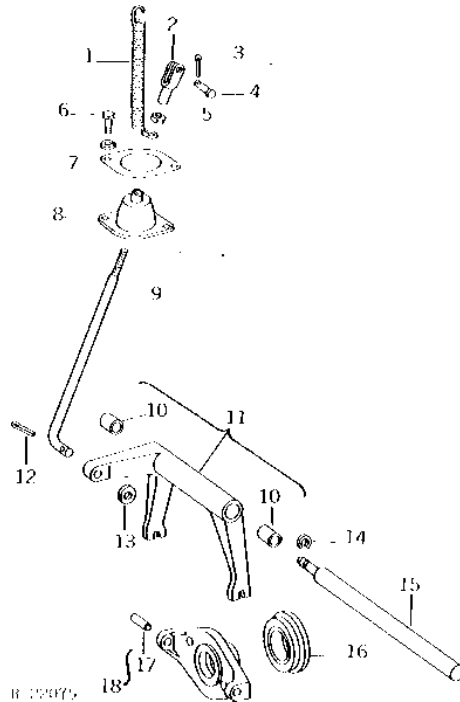
KEY	PART NO.	PART NAME	QTY	TRACTOR SERIAL NO.	REMARKS
1	AR40694	LEVER	1		(SUB FOR AR54733)
2	F3396R	SNAP RING	1		
3	24M7096	WASHER	1		10.500 X 18 X 1.600 MM
4	24H1283	WASHER	1		7/32" X 1/2" X 0.049"
5	R40970	STRAP	1		
6	11M7005	COTTER PIN	1		0.063" X 0.394"
7	R40971	ROD	1		
8	A3182R	SPRING	1		
9	R40972	PUSH BUTTON	1		
10	R27116	BUSHING	2		
11	F3392R	PIN	1		
12	AR40671	SUPPORT	1		(MARKED R40845)
13	19H1936	CAP SCREW	2		3/8" X 3/4"
	12H304	LOCK WASHER	2		3/8"
14	24H1395	WASHER	1		25/32" X 1-7/16" X 0.060"
15	R27434	SNAP RING	1		

2C5

POWER TRAIN

TRANSMISSION DISCONNECT CLUTCH FORK AND CONTROL ROD (POWER SHIFT)

R22075 -UN-01JAN94



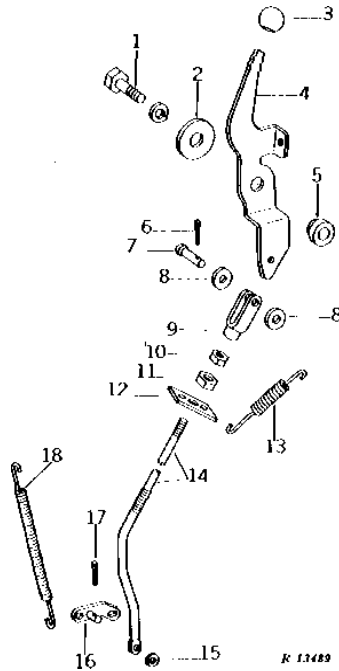
KEY	PART NO.	PART NAME	QTY	TRACTOR SERIAL NO.	REMARKS
1	R41892	SPRING	1		
2	L300T	YOKE	1		
3	11M7015	COTTER PIN	1	3.200 X 25 MM	
4	B178R	PIN	1		
5	14H934	NUT	1	7/16"	
6	19H2127	CAP SCREW	2	5/16" X 7/8"	
	12H303	LOCK WASHER	2	5/16"	
7	R33963	CLAMP	1		
8	R33962	BOOT	1		
9	R43535	BOLT	1		
10	R776R	BUSHING	2		
11	AR43034	FORK	1	(MARKED R43164)	
12	11M7015	COTTER PIN	1	3.200 X 25 MM	
13	24H1227	WASHER	1	17/32" X 13/16" X 0.060"	
14	R33527	SNAP RING	1		
15	R43624	SHAFT	1		
16	AR43065	THRUST BEARING	1		
17	R35075	QUICK LOCK PIN	2		
18	AR43035	PLANET PINION CARRIER	1	(MARKED R43165)	

2C6

POWER TRAIN

PTO CLUTCH CONTROL LEVER AND LINKAGE (POWER SHIFT)

R13489 -UN-01JAN94



R 13489

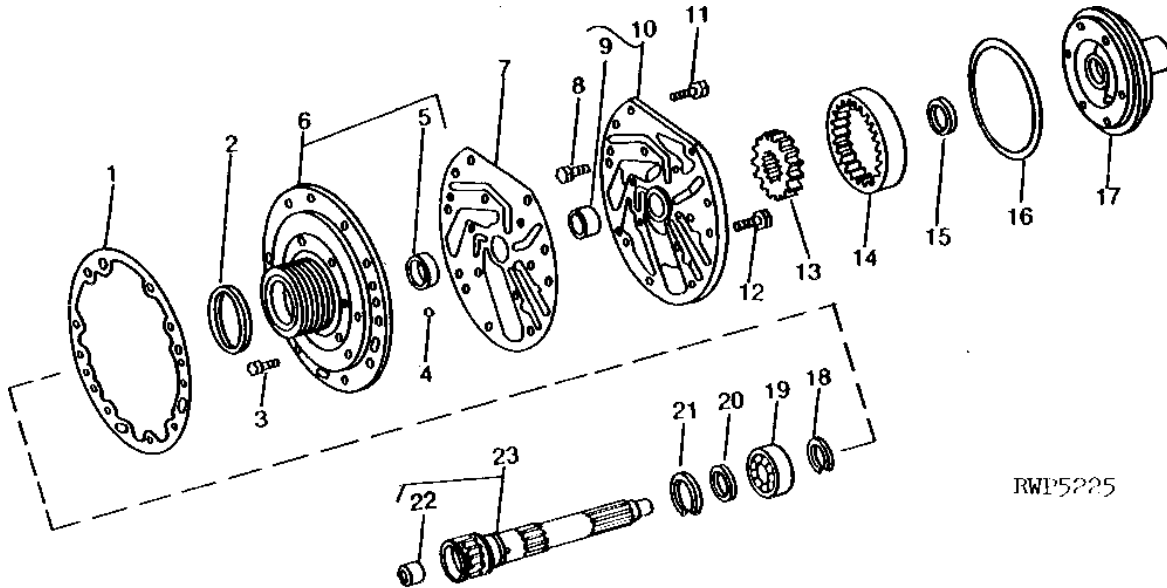
KEY	PART NO.	PART NAME	QTY	TRACTOR SERIAL NO.	REMARKS
1	19H2354	CAP SCREW	1	9/16" X 1-1/4"	
	12H317	LOCK WASHER	1	9/16"	
2	F2912R	WASHER	1		
3	R40948	KNOB	1		
4	R41370	LEVER	1		
5	R26574	WASHER	1		
6	11M7081	COTTER PIN	1	0.098" X 0.787"	
7	R65563	PIN	1	(SUB FOR C1067R)	
8	24H1309	WASHER	2	13/32" X 1-1/16" X 0.120"	
9	L324T	YOKE	1		
10	14H774	NUT	1	3/8"	
11	14H934	NUT	1	7/16"	
12	R43537	BUSHING	1		
13	R43538	SPRING	1		
14	R43471	ROD	1		
15	24H1286	WASHER	1	9/32" X 1/2" X 1/16"	
16	AR48689	ARM	1		
17	11M7077	COTTER PIN	1	0.063" X 0.984"	
18	R41499	SPRING	1		

2C7

POWER TRAIN

TRANSMISSION CLUTCH OIL PUMP AND MANIFOLD (POWER SHIFT)

RWP5225 -UN-01JAN94



RWP5225

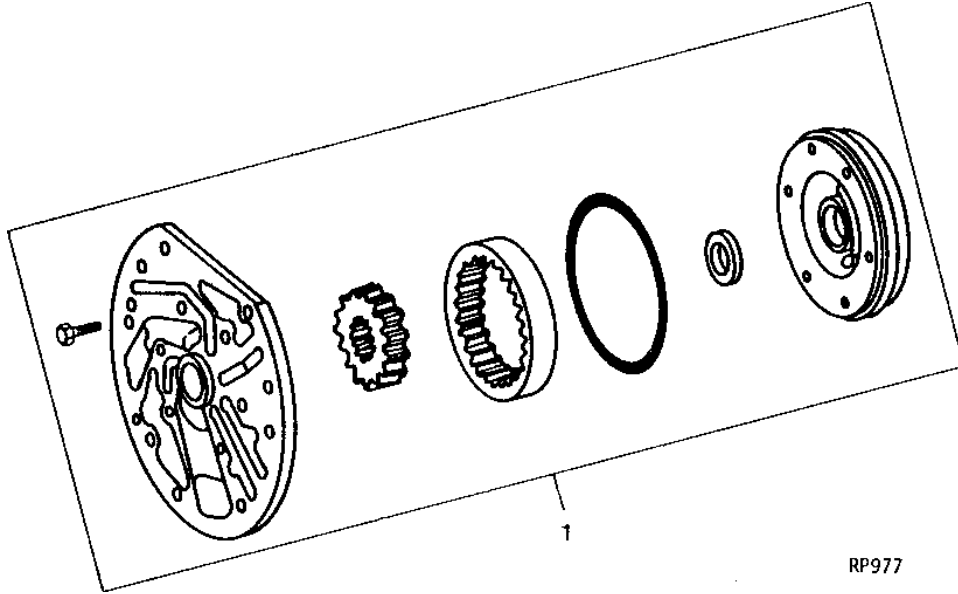
KEY	PART NO.	PART NAME	QTY	TRACTOR SERIAL NO.	REMARKS
1	R94323	GASKET	1		(SUB FOR R47685, R52568 OR R69305)
2	R43752	RING	4		
3	R41035	CAP SCREW	6		
4	R42849	BALL	2	10MM (3/8")	
5	R45205	BUSHING	1		
6	AR63307	MANIFOLD	1		(MARKED R45204, R48648 OR R54791) (SUB FOR AR51913)
7	R94326	GASKET	1		(SUB FOR R47684, R69306 OR R70250)
8	19H1900	CAP SCREW	1		5/16" X 3/4"
9	R43099	BUSHING	1		
10	RE21328	HOUSING	1		(MARKED R43098, R69303 OR R82362) (SUB FOR AR43017 OR AR90454)
11	T31784	BOLT	2		
12	T31783	BOLT	9		(SUB R41041)
13	R46450	GEAR	1		
14	R46451	GEAR	1		
15	AR70406	SEAL	1		(SUB FOR R35642)
16	R39876	PACKING	1		
17	AR48897	HOUSING	1		(MARKED R46449) (SUB FOR AR48646)
18	A364R	SNAP RING	1		
19	JD8514	BALL BEARING	1		
20	R43738	THRUST WASHER	1		
21	B3169R	SNAP RING	1		
22	R43214	BUSHING	1		
23	AR43045	SHAFT	1		CLUTCH DRIVE
..	AR90515	CLUTCH	1		(SUB FOR AR49395)
..	AR90516	CLUTCH	1		(SUB FOR AR49396)

2C8

POWER TRAIN

RP977 -UN-16NOV94

CLUTCH OIL PUMP ASSEMBLY



RP977

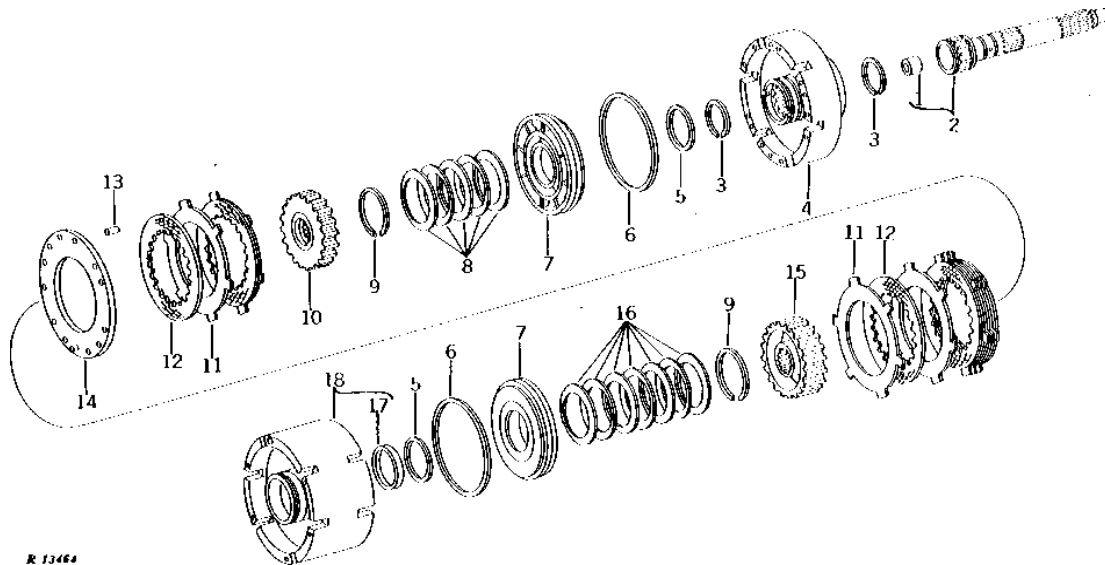
KEY	PART NO.	PART NAME	QTY	TRACTOR SERIAL NO.	REMARKS
1	AR90530	OIL PUMP	1	(MARKED R46449)	(SUB FOR AR90528)

2C9

POWER TRAIN

FRONT TRANSMISSION CLUTCH PACK (POWER SHIFT)

R13464 -UN-01JAN94



R 13464

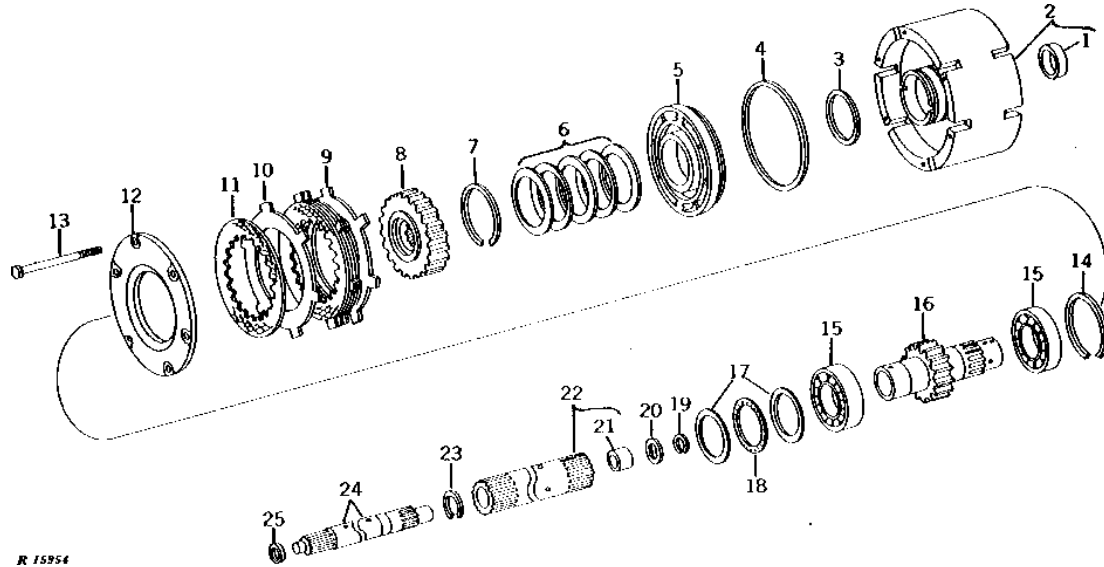
KEY	PART NO.	PART NAME	QTY	TRACTOR SERIAL NO.	REMARKS
1	R43214	BUSHING	1		
2	AR43045	SHAFT	1		CLUTCH DRIVE
3	R36295	SNAP RING	2		
4	R43025	DRUM	1		
5	R43381	WASHER	2		
6	R43380	WASHER	2		
7	R43304	PISTON	2		LOW RANGE CLUTCH
8	R70027	DISK SPRING	5		(SUB FOR R43382)
9	R43383	SNAP RING	2		
10	R43027	HUB	1		LOW RANGE CLUTCH
11	R46418	DISK	8		
12	RE28023	CLUTCH DISK	8		(SUB FOR AR43057, AR68352, AR87484 OR RE20133) (ALSO ORDER R46418)
13	R30587	DOWEL PIN	2		
14	AR43001	CLUTCH PLATE	1		(SUB AR68353)
15	R43029	HUB	1		HIGH RANGE CLUTCH
16	R70027	DISK SPRING	7		(SUB FOR R43382)
17	R43367	BUSHING	1		
18	AR49654	DRUM	1		(MARKED R47124)
..	AR90515	CLUTCH	1		PTO, (SUB FOR AR49395)
..	AR90516	CLUTCH	1		LESS PTO, (SUB FOR AR49396)

2C10

POWER TRAIN

REAR TRANSMISSION CLUTCH PACK (POWER SHIFT)

R15954 -UN-01JAN94



R 15954

KEY	PART NO.	PART NAME	QTY	TRACTOR SERIAL NO.	REMARKS
1	R43367	BUSHING	1	(A) (B)	
2	AR49654	DRUM	1	(A) (B) (MARKED R47124)	
3	R43381	WASHER	1	(A) (C)	
4	R43380	WASHER	1	(A) (C) (SUB R120841)	
5	R43304	PISTON	1	(A) (C) PTO CLUTCH	
6	R70027	DISK SPRING	5	(A) (C) (SUB FOR R43382)	
7	R43383	SNAP RING	1	(A) (C)	
8	R47125	HUB	1	(A) (C)	
9	R46418	DISK	1	(A) (C) (FLAT)	
10	R46419	CLUTCH PLATE	3	(A) (C) (WAVY)	
11	RE28023	CLUTCH DISK	4	(A) (C) (SUB FOR AR43057, AR68352, AR87484 OR RE20133) (ALSO ORDER R46418)	
12	R43151	PLATE	1	(A) (C)	
13	19H2343	CAP SCREW	6	(A) (B) 5/16" X 5-1/2"	
14	F2622R	SNAP RING	1		
15	JD9320	BALL BEARING	2		
16	R43905	SHAFT	1		
17	JD9894	BEARING RACE	2		
18	JD9886	THRUST BEARING	1		
19	R43273	SNAP RING	1		
20	R43374	THRUST WASHER	1		
21	R43305	BUSHING	1		
22	AR43074	SHAFT	1	(HIGH RANGE DRIVE)	
23	F2197R	SNAP RING	1		
24	R43109	SHAFT	1	(LOW RANGE DRIVE)	
25	AT12889	SEAL	1		

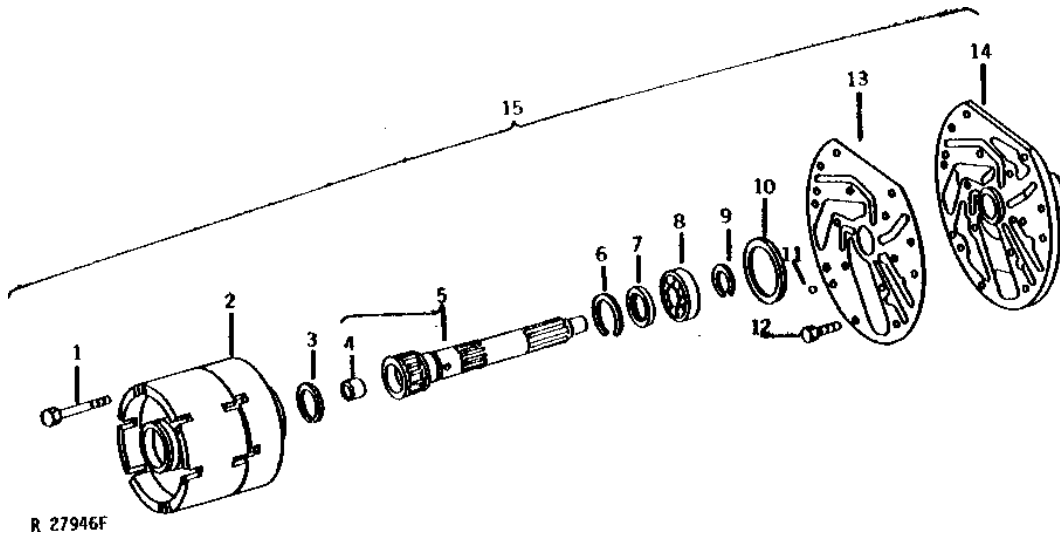
- (A) INCLUDED IN AR90515
- (B) INCLUDED IN AR90516
- (C) NOT REQUIRED ON TRACTORS LESS PTO

2C11

POWER TRAIN

R27946 -UN-01JAN94

CLUTCH ASSEMBLY (POWER SHIFT LESS PTO)



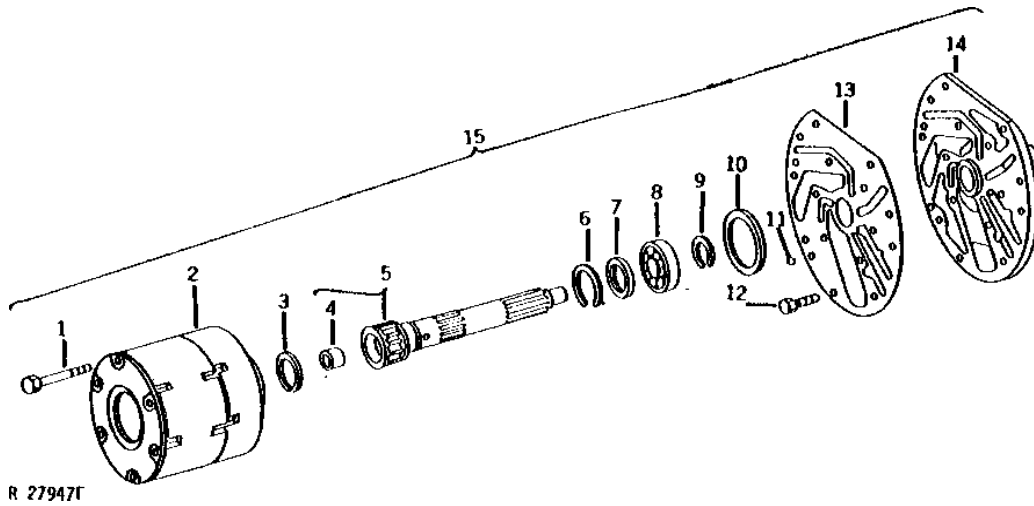
KEY	PART NO.	PART NAME	QTY	TRACTOR SERIAL NO.	REMARKS
1	19H2343	CAP SCREW	6	5/16" X 5-1/2"	
2	KIT	1		FRONT CLUTCH PACK AND REAR DRUM
3	R36295	SNAP RING	1		
4	R43214	BUSHING	1		
5	AR43045	SHAFT	1		DRIVE
6	B3169R	SNAP RING	1		
7	R43738	THRUST WASHER	1		
8	JD8514	BALL BEARING	1		
9	A364R	SNAP RING	1		
10	R43752	RING	4		
11	R42849	BALL	2		
12	R41035	CAP SCREW	6		
13	R94326	GASKET	1		(SUB FOR R43533, R47684, R69306 OR R70250)
14	HOUSING	1		PUMP
15	AR90516	CLUTCH	1		(SUB FOR AR49396)

2C12

POWER TRAIN

R27947 -UN-01JAN94

CLUTCH ASSEMBLY (POWER SHIFT WITH PTO)



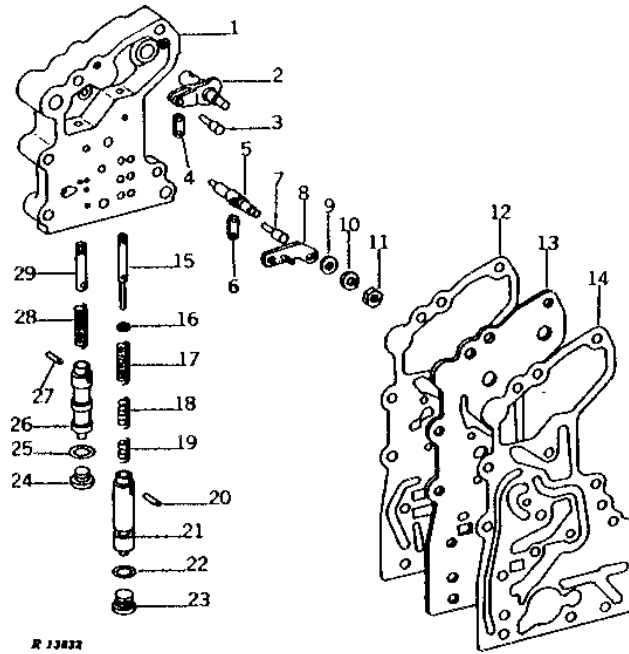
KEY	PART NO.	PART NAME	QTY	TRACTOR SERIAL NO.	REMARKS
1	19H2343	CAP SCREW	6	5/16" X 5-1/2"	
2	KIT	1	FRONT AND REAR CLUTCH PACK	
3	R36295	SNAP RING	1		
4	R43214	BUSHING	1		
5	AR43045	SHAFT	1	DRIVE	
6	B3169R	SNAP RING	1		
7	R43738	THRUST WASHER	1		
8	JD8514	BALL BEARING	1		
9	A364R	SNAP RING	1		
10	R43752	RING	4		
11	R42849	BALL	2		
12	R41035	CAP SCREW	6		
13	R94326	GASKET	1	(SUB FOR R43533, R47684, R69306 OR R70250)	
14	HOUSING	1	PUMP	
15	AR90515	CLUTCH	1	(SUB FOR AR49395)	

2C13

POWER TRAIN

TRANSMISSION CLUTCH VALVE HOUSING, VALVES, AND GASKETS (POWER SHIFT)

R13832 -UN-01JAN94



KEY	PART NO.	PART NAME	QTY	TRACTOR SERIAL NO.	REMARKS
1	AR88040	HOUSING	1		(MARKED R41151, R41152, R41153 OR R41164) (SUB FOR AR40794 OR AR45381) (ALSO ORDER 15H558)
2	AR32128	SHAFT	1		(SUB RE19993)
3	R33145	PIN	2		
4	R28401	LINK	1		
5	AR61609	SHAFT	1		(A) (SUB FOR AR48690) (SUB AR98146 AND (2) R28359)
6	R28401	LINK	1		(A)
7	R33145	PIN	2		(A)
8	AR48689	ARM	1		(A) (SUB FOR AR40929)
9	24H1287	WASHER	1		(A) 9/32" X 5/8" X 0.065"
10	12H302	LOCK WASHER	1		(A) 1/4"
11	14H786	NUT	1		(A) 1/4"
12	R98926	GASKET	1		(SUB FOR R46816, R33178 OR R51573)
13	R33164	PLATE	1		
14	R94331	GASKET	1		(SUB FOR R33177 OR R46815)
15	R33137	SHAFT	1		
16	R33521	SHIM	1		0.76MM (.030")
17	R33173	SPRING	1		
18	R33174	SPRING	1		
19	R33175	SPRING	1		
20	34H245	SPRING PIN	1		1/8" X 5/8"
21	R33136	VALVE	1		CLUTCH
22	R26375	O-RING	1		
23	R33138	FITTING	1		
25	R26375	O-RING	1		
26	R47509	VALVE	1		PTO CLUTCH
27	34H260	SPRING PIN	1		5/32" X 5/8"
28	R31725	SPRING	1		
	R26686	SPRING	1		(B)
29	R41503	SHAFT	1		
	R57559	VALVE	1		(B) PTO CLUTCH VALVE, (SUB FOR R33162) (ALSO ORDER R33259)

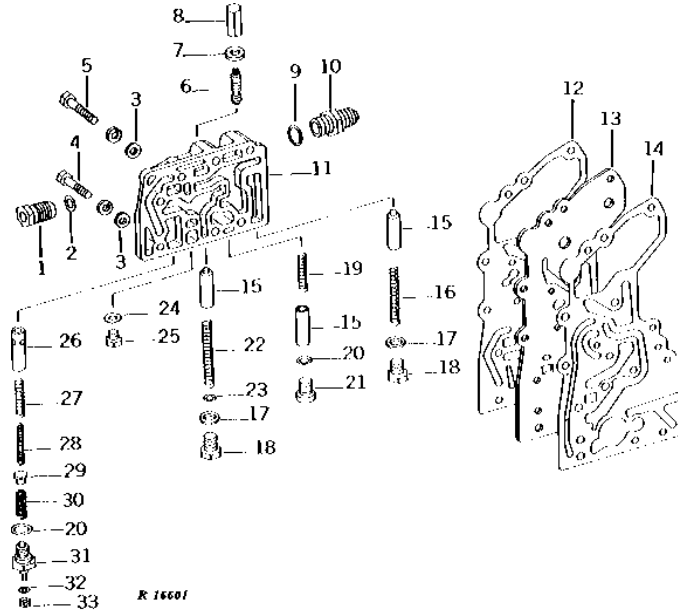
(A) NOT REQUIRED ON TRACTORS LESS PTO
(B) POWER FRONT WHEEL DRIVE WITH NO PTO

2C14

POWER TRAIN

TRANSMISSION CLUTCH REGULATING VALVE HOUSING, VALVES, AND GASKETS (POWER SHIFT)

R16601 -UN-01JAN94



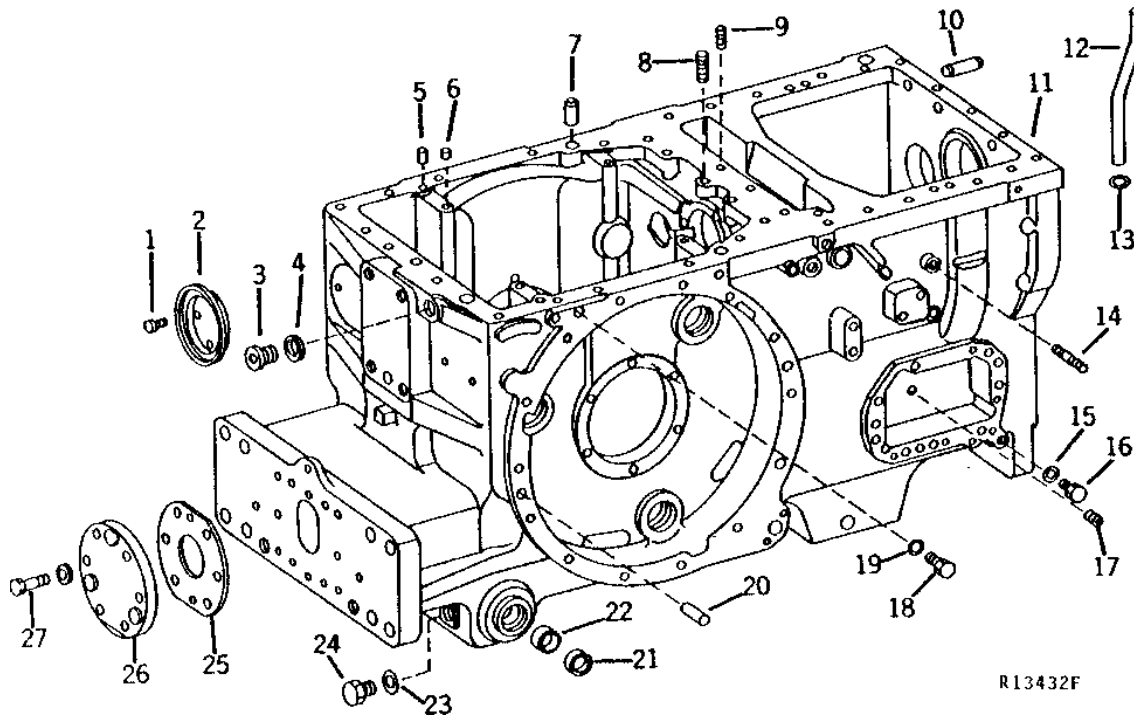
KEY	PART NO.	PART NAME	QTY	TRACTOR SERIAL NO.	REMARKS
1	R33610	FITTING	1	(SUB R76494)	
2	B2762R	O-RING	1		
3	24H1325	WASHER	7	15/32" X 59/64" X 0.065"	
4	19H2055	CAP SCREW	5	7/16" X 2-1/4"	
	12H293	LOCK WASHER	5	7/16"	
5	19H1828	CAP SCREW	2	7/16" X 4"	
	12H293	LOCK WASHER	2	7/16"	
6	R39587	SET SCREW	1		
7	F2846R	WASHER	1	ALUMINUM	
8	F2847R	NUT	1		
9	F3171R	O-RING	1		
10	R27267	FITTING	1		
11	R41405	HOUSING	1		
12	R98926	GASKET	1	(SUB FOR R46816 OR R51573)	
13	R33164	PLATE	1		
14	R46815	GASKET	1	(SUB R94331)	
15	R57559	VALVE	3	(SUB FOR R33162) (ALSO ORDER R33259)	
16	R39808	SPRING	1		
17	R1742R	WASHER	2	ALUMINUM	
18	R52589	FITTING PLUG	2	(SUB FOR R33163)	
19	R28914	SPRING	1		
20	R26375	O-RING	2		
21	R33138	FITTING	1		
22	R41850	SPRING	1		
23	R33521	SHIM	AR	0.76MM (.030")	
24	R26286	O-RING	1		
25	R27094	DRAIN PLUG	1		
26	R49198	VALVE	1	FILTER BYPASS, (SUB R33259 AND R57560)	
27	R42057	SPRING	1	(OUTER)	
28	R33173	SPRING	1	(INNER)	
29	R65652	GUIDE	1	(SUB FOR R41148)	
30	R46426	SPRING	1		
31	AR40795	TOUCH SWITCH	1		
32	24H1283	WASHER	1	7/32" X 1/2" X 0.049"	
33	14H631	NUT	1	0.190"	

2C15

POWER TRAIN

R13432 -UN-01JAN94

TRANSMISSION CASE (POWER SHIFT)



R13432F

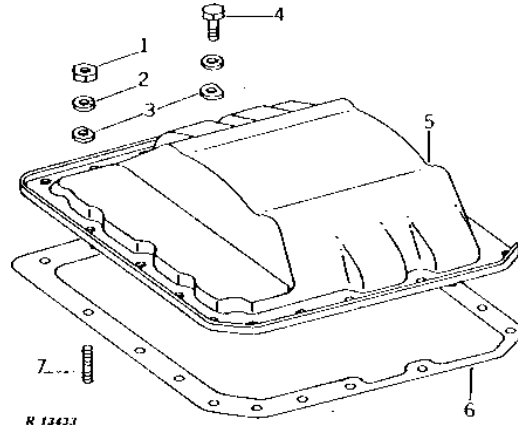
KEY	PART NO.	PART NAME	QTY	TRACTOR SERIAL NO.	REMARKS
1	R27329	SCREW	2		
2	AR26707	RETAINER	1		
3	R27483	PLUG	1		
4	H851R	WASHER	1		
5	R48685	DOWEL PIN	2		(SUB FOR A120R)
6	R726R	DOWEL PIN	4		(SUB FOR R47316)
7	R26616	DOWEL PIN	3		
8	D488R	STUD	1		1/2" X 2"
9	R32042	STUD	2		3/8" X 1-3/8"
10	A776R	PIN	2		
11	AR49616	TRANSMISSION CASE	1		(MARKED R46960)
12	R43145	OIL TUBE	1		
13	B2762R	O-RING	1		
14	R27612	STUD	1		3/8" X 2-3/8"
15	R26286	O-RING	1		
16	R27094	DRAIN PLUG	1		
17	15H559	PIPE PLUG	5		1/4"
18	R27218	FITTING PLUG	1		(LESS DIFFERENTIAL LOCK)
19	R51494	WASHER	1		(LESS DIFFERENTIAL LOCK)
20	T25317	DOWEL PIN	4		
21	R43409	CAP	2		(LESS ROCKSHAFT)
22	R43315	BUSHING	2		(ROCKSHAFT)
	R43931	BUSHING	1		0.08MM (.003") OS
	R43932	BUSHING	1		0.15MM (.006") OS
	R46802	BUSHING	1		0.23MM (.009") OS
23	R26906	O-RING	1		
24	R27474	DRAIN PLUG	1		
25	R58900	GASKET	1		(SUB FOR R35621)
26	R35274	COVER	1		(LESS PTO)
27	19H2473	CAP SCREW	6		1/2" X 1-3/4"
	12H301	LOCK WASHER	6		1/2"

2C16

POWER TRAIN

R13433 -UN-01JAN94

TRANSMISSION CASE COVER (POWER SHIFT)



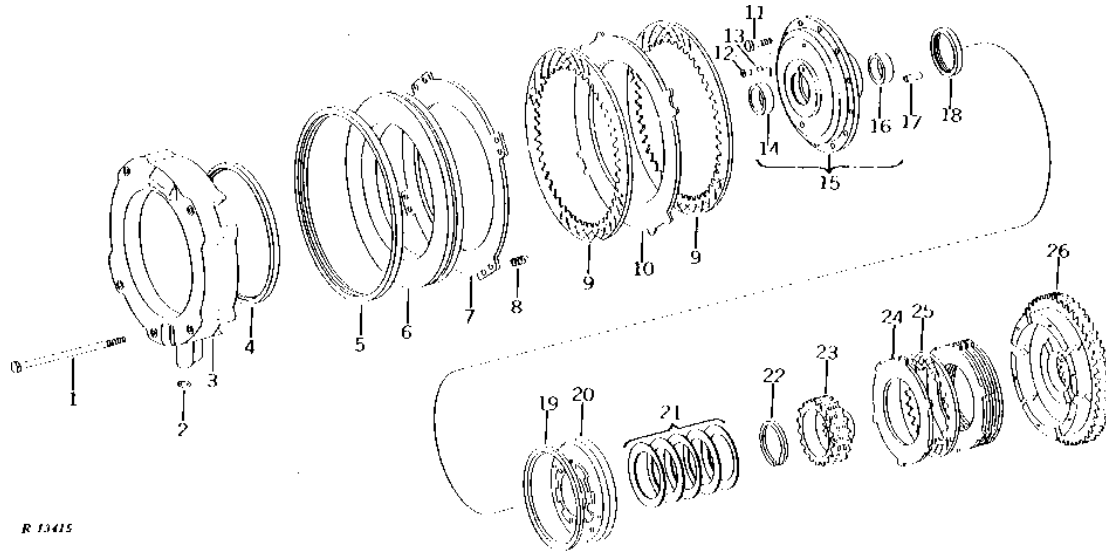
KEY	PART NO.	PART NAME	QTY	TRACTOR SERIAL NO.	REMARKS
1	14H1076	NUT	3	3/8"	
2	12H304	LOCK WASHER	3	3/8"	
3	A4624R	WASHER	15		
4	19H1731	CAP SCREW	11	3/8" X 1"	
	19H1765	CAP SCREW	11	3/8" X 1-3/4"	
	12H304	LOCK WASHER	12	3/8"	
5	R43179	COVER	1		
6	R43376	GASKET	1		
7	R32042	STUD	3	3/8" X 1-3/8"	

2C17

POWER TRAIN

R13415 -UN-01JAN94

FOURTH PLANETARY BRAKE (POWER SHIFT)



R 13415

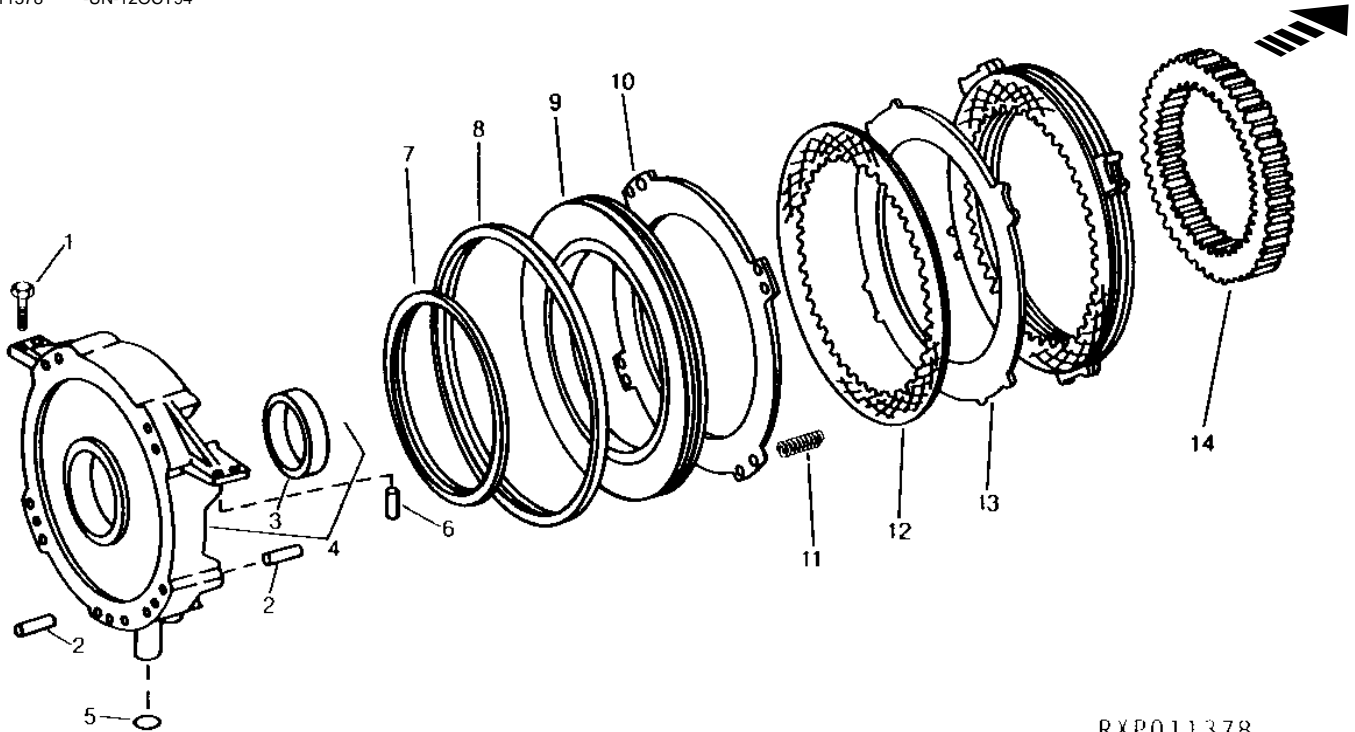
KEY	PART NO.	PART NAME	QTY	TRACTOR SERIAL NO.	REMARKS
1	08H4318	CAP SCREW	5		3/8" X 9"
2	R459R	O-RING	2		
3	R43013	HOUSING	1		BRAKE PISTON
4	R43379	SEAL	1		SECOND AND FOURTH PLANET
5	R43378	SEAL	1		
6	R65589	PISTON	1		BRAKE, SECOND AND FOURTH PLANET, (SUB FOR R43220)
7	R46417	PLATE	1		
8	R33054	SPRING	8		(SUB R74852)
9	AR48096	DISK	2	-XXXXXX	(SUB RE62897)
	AR94515	DISK, INNER SPLINE	2	XXXXXX-	(SUB FOR AR68345) (SUB RE62897)
10	R46416	PLATE	1		
11	R41168	CAP SCREW	6		
12	R43053	SEAT	1		
13	400R	BALL	1		6MM (1/4")
14	R43052	BUSHING	1		
15	AR43005	HOUSING	1		PLANETARY CLUTCH PISTON, (MARKED R43051)
16	R43050	BUSHING	1		(SUB R78662)
17	R28671	DOWEL PIN	1		
18	R43381	WASHER	1		
19	R43380	WASHER	1		(SUB R120841)
20	R43304	PISTON	1		PLANETARY CLUTCH
21	R70027	DISK SPRING	5		(SUB FOR R43382)
22	R43383	SNAP RING	1		
23	R43140	HUB	1		PLANETARY CLUTCH
24	R46418	DISK	4	-XXXXXX	
	R81922	CLUTCH PLATE	3	XXXXXX-	
25	RE28023	CLUTCH DISK	4		(SUB FOR AR43057, AR68352, AR87484, RE20133, THIS APPLICATION)
26	R43036	DRUM	1		

2C18

POWER TRAIN

RXP011378 -UN-12OCT94

THIRD PLANETARY BRAKE (POWER SHIFT)



RXP011378

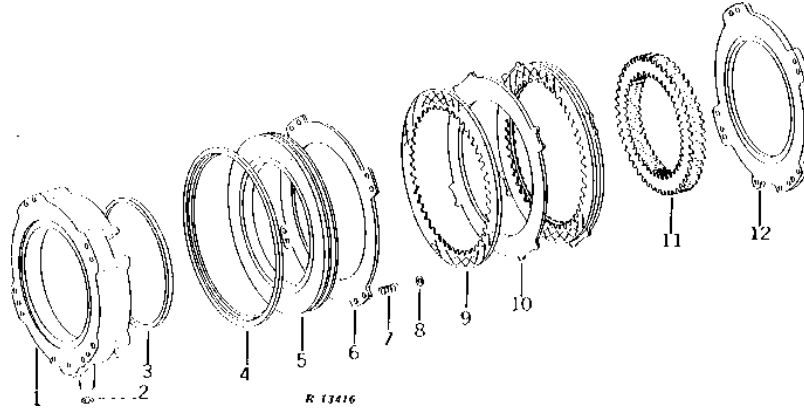
KEY	PART NO.	PART NAME	QTY	TRACTOR SERIAL NO.	REMARKS
1	19H1800	CAP SCREW	2	3/8" X 1-1/2"	
2	R36666	DOWEL PIN	4		
3	R45269	BUSHING	1		
4	AR51463	HOUSING	1		BRAKE PISTON, THIRD PLANET, (MARKED R48401 OR R43102) (SUB FOR AR43113) (ALSO ORDER R76312)
5	R459R	O-RING	1		
6	R33703	DOWEL PIN	2		
7	R43377	SEAL	1		FIRST AND THIRD PLANET
8	R43378	SEAL	1		
9	R65588	PISTON	1		BRAKE, FIRST AND THIRD PLANET, (SUB FOR R43219)
10	R46417	PLATE	1		
11	H343R	SPRING	8		
12	AR48096	DISK	4	-XXXXXX	(SUB RE62897)
	AR94515	DISK, INNER SPLINE	3	XXXXXX-	(SUB FOR AR68345 OR AR48096) (SUB RE62897)
13	R46416	PLATE	3	-XXXXXX	
	R46416	PLATE	2	XXXXXX-	
14	R43035	GEAR	1		

2C19

POWER TRAIN

R13416 -UN-01JAN94

SECOND PLANETARY BRAKE (POWER SHIFT)



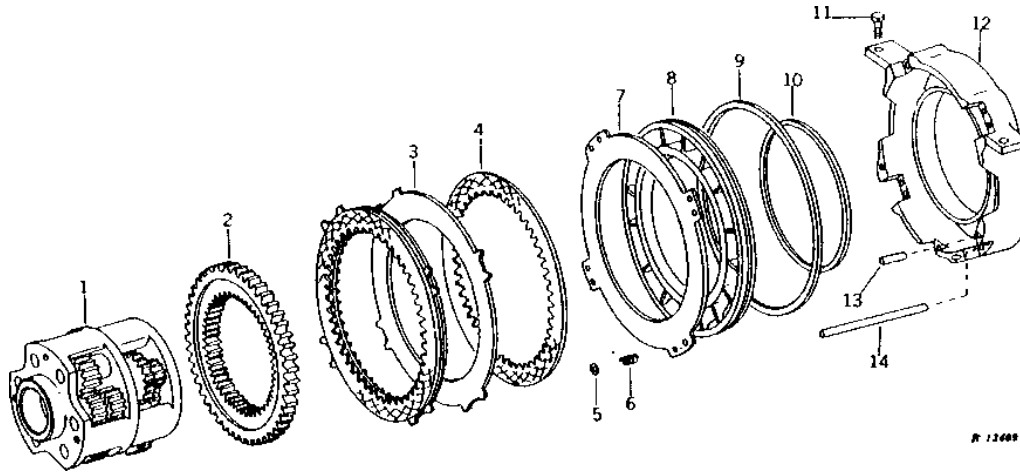
KEY	PART NO.	PART NAME	QTY	TRACTOR SERIAL NO.	REMARKS
1	R43011	HOUSING	1		BRAKE PISTON, SECOND PLANET
2	R459R	O-RING	1		
3	R43379	SEAL	1		
4	R43378	SEAL	1		
5	R65589	PISTON	1		SECOND AND FOURTH PLANET, (SUB FOR R43220)
6	R46417	PLATE	1		
7	R33054	SPRING	8		(SUB R74852)
8	24H1301	WASHER	8		13/32" X 9/16" X 0.065"
9	AR48096	DISK	3	-XXXXXX	(SUB RE62897)
10	AR94515	DISK, INNER SPLINE	2	XXXXXX-	(SUB FOR AR68345 OR AR48096) (SUB RE62897)
	R46416	PLATE	2	-XXXXXX	
	R46416	PLATE	1	XXXXXX-	
11	R43034	GEAR	1		
12	R43139	PLATE	1		

2C20

POWER TRAIN

R13409 -UN-01JAN94

FIRST PLANETARY BRAKE (POWER SHIFT)



R 13409

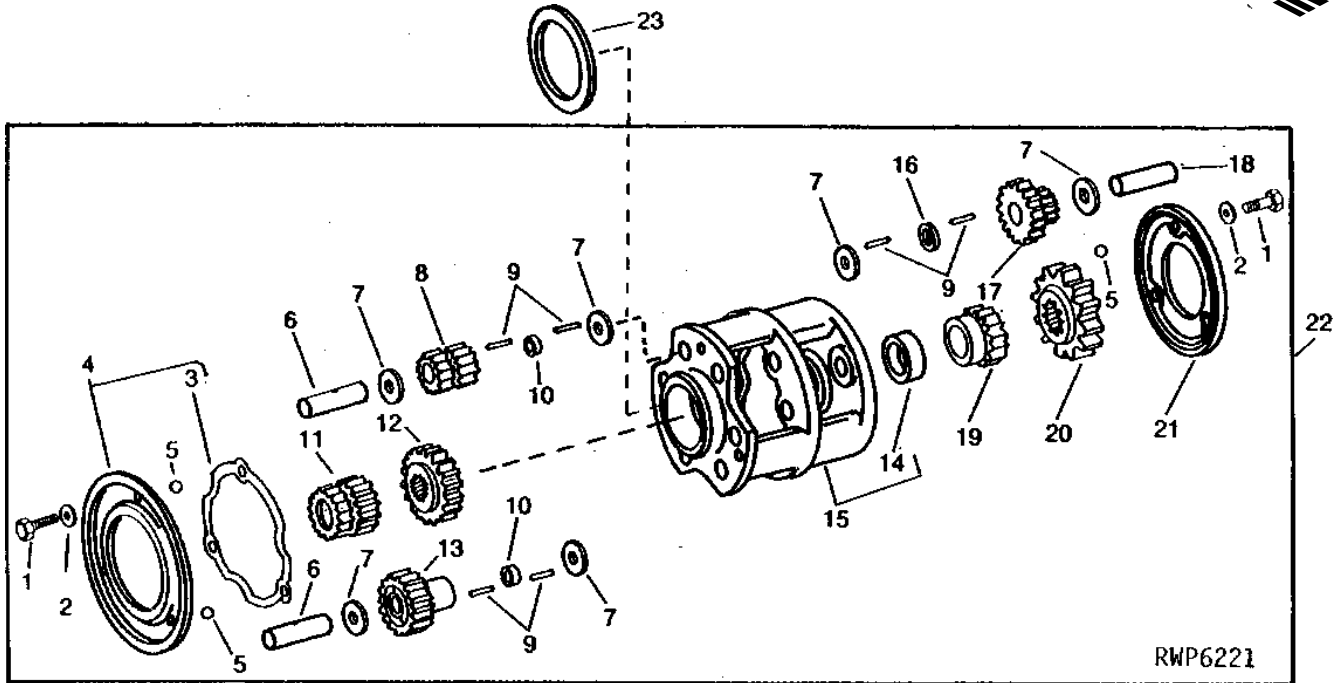
KEY	PART NO.	PART NAME	QTY	TRACTOR SERIAL NO.	REMARKS
1	AR53039	PLANETARY ASSEMBLY	1		
2	R43033	GEAR	1		
3	R46416	PLATE	2	-XXXXXX	
4	R46416	PLATE	1	XXXXXX-	
4	AR48096	DISK	3	-XXXXXX	(SUB RE62897)
	AR94515	DISK, INNER SPLINE	2	XXXXXX-	(SUB FOR AR68345 OR AR48096) (SUB RE62897)
5	24H1301	WASHER	8		13/32" X 9/16" X 0.065"
6	R33054	SPRING	8		(SUB R74852)
7	R46417	PLATE	1		
8	R65588	PISTON	1		FIRST AND THIRD PLANET, (SUB FOR R43219)
9	R43378	SEAL	1		
10	R43377	SEAL	1		
11	19H1800	CAP SCREW	2		3/8" X 1-1/2"
12	R43009	HOUSING	1		BRAKE PISTON, FIRST PLANET
13	R36666	DOWEL PIN	2		
14	R44110	DOWEL PIN	4		

2C21

POWER TRAIN

RWP6221 -UN-01JAN94

PLANETARY ASSEMBLY (POWER SHIFT)



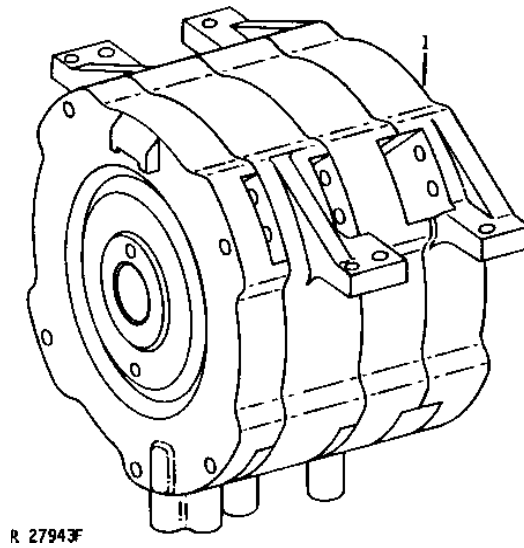
KEY	PART NO.	PART NAME	QTY	TRACTOR SERIAL NO.	REMARKS
1	R30165	CAP SCREW	6		
2	24H1685	WASHER	6	11/32" X 47/64" X 0.083"	
3	R98928	GASKET	1	(SUB FOR R43372, R51993 OR R68154)	
4	RE25404	RETAINER	1	(SUB FOR R43183 OR R68155)	
5	H871R	BALL	9	5MM (3/16")	
6	R65053	PIN	6	(SUB FOR R43217)	
7	R66197	THRUST WASHER	18	(SUB FOR R43216)	
8	R43047	PINION	3	THIRD PLANET	
9	R66196	NEEDLE ROLLER	360	(SUB FOR R43420)	
10	R66143	WASHER	6	(SUB FOR R43215)	
11	R43049	PINION	1	FOURTH PLANET SUN	
12	R43046	PLANET PINION	1	THIRD PLANET SUN	
13	R43048	PINION	3	FOURTH PLANET	
14	R48789	BUSHING	1	(SUB FOR R45213)	
15	AR52230	PLANET PINION CARRIER	1	(MARKED R45212) (SUB FOR AR47147)	
16	R66145	WASHER	3	(SUB FOR R43218)	
17	R43032	PINION	3	FIRST AND SECOND PLANET	
18	R43217	SHAFT	3		
19	AR47148	PINION	1	SECOND PLANET SUN	
20	AR47132	PINION	1	FIRST PLANET SUN	
21	R43182	RETAINER	1		
22	AR53039	GEAR	1	PLANETARY ASSEMBLY (COMPLETE)	
23	R45271	WASHER	1	010880- (SUB R76312)	

2C22

POWER TRAIN

R27943 -UN-01JAN94

TRANSMISSION PLANETARY (POWER SHIFT)



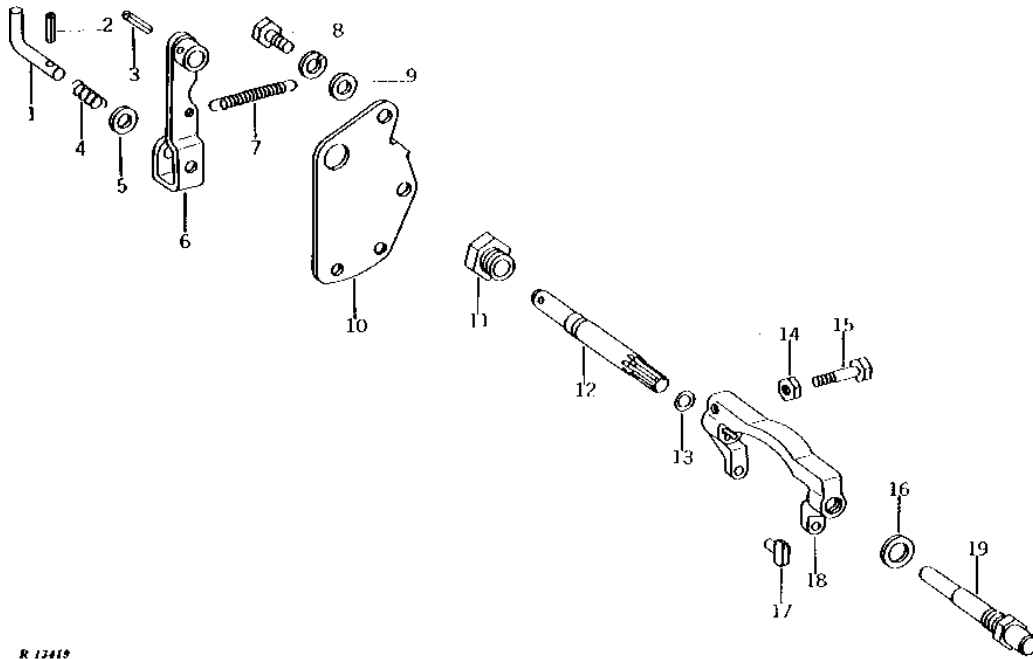
KEY	PART NO.	PART NAME	QTY	TRACTOR SERIAL NO.	REMARKS
1	AR49426	TRANSMISSION	1		PLANETARY (COMPLETE)

2C23

POWER TRAIN

TRANSMISSION DISCONNECT SHIFTER (POWER SHIFT)

R13419 -UN-01JAN94



R 13419

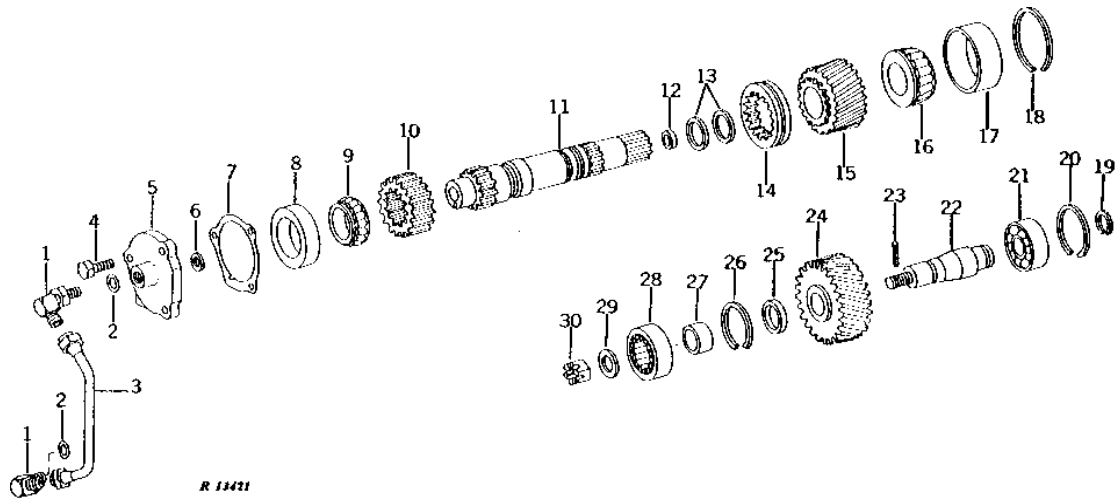
KEY	PART NO.	PART NAME	QTY	TRACTOR SERIAL NO.	REMARKS
1	R42379	PIN	1		
2	34H245	SPRING PIN	1	1/8" X 5/8"	
3	34H312	SPRING PIN	1	1/4" X 1"	
4	R26169	SPRING	1		
5	24M7096	WASHER	1	10.500 X 18 X 1.600 MM	
6	AR44423	LEVER	1		
7	R31877	SPRING	1		
8	19H2284	CAP SCREW	2	3/8" X 7/8"	
	12H304	LOCK WASHER	2	3/8"	
9	24H1305	WASHER	2	13/32" X 13/16" X 0.065"	
10	R48465	STRAP	1	(SUB FOR R43725)	
11	R33228	RETAINER	1		
12	R33227	PIN	1	L.H.	
13	R33259	O-RING	1		
14	14H1076	NUT	1	3/8"	
15	19H2791	CAP SCREW	1	3/8" X 1-3/4"	
16	R41623	WASHER	1	ALUMINUM	
17	R33240	PIN	2		
18	R43144	YOKE	1		
19	R42492	SHAFT	1	R.H.	

2C24

POWER TRAIN

TRANSMISSION GEAR REDUCTION AND IDLER GEAR AND SHAFT (POWER SHIFT)

R13421 -UN-01JAN94



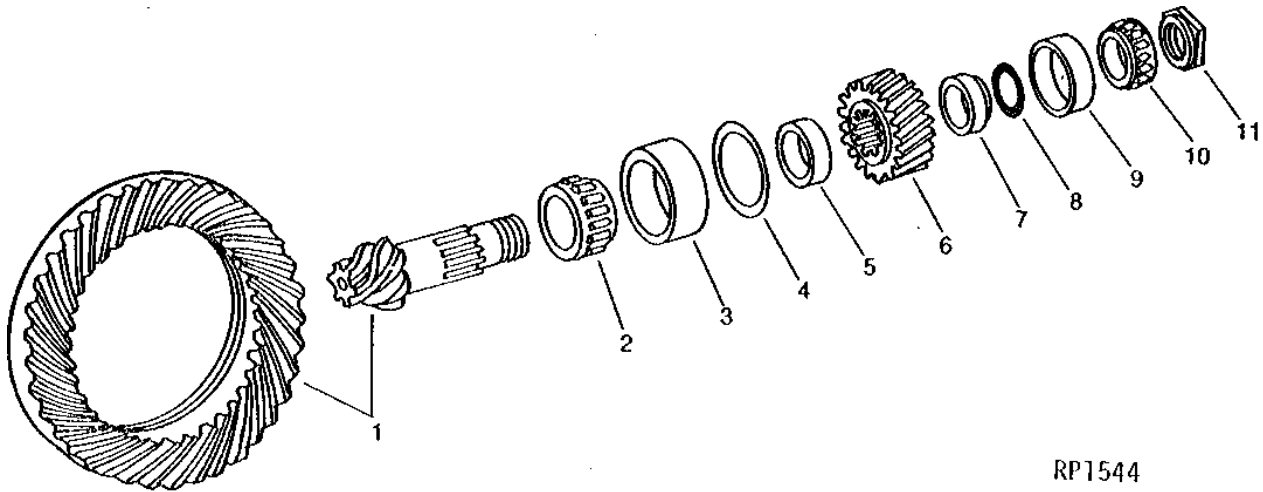
KEY	PART NO.	PART NAME	QTY	TRACTOR SERIAL NO.	REMARKS
1	AT32332	ELBOW FITTING	2		(SUB FOR AR26763)
2	R26375	O-RING	2		
3	AR43101	HYDRAULIC LINE	1		
4	R43766	CAP SCREW	3		
5	R58914	RETAINER	1		(SUB FOR R43746 OR R57756)
6	R33248	PISTON RING	1		
7	R43274	SHIM	AR	0.08MM (.003")	
	R43275	SHIM	AR	0.13MM (.005")	
	R43276	SHIM	AR	0.25MM (.010")	
8	JD7425	BEARING CUP	1		
9	JD9002	BEARING CONE	1		
10	R43143	GEAR	1		
11	R43946	SHAFT	1		REDUCTION, (SUB FOR R43038)
12	AT12889	SEAL	1		
13	R43659	RING	2		
14	R43248	SHIFT COLLAR	1		
15	R43947	GEAR	1		
16	JD8941	BEARING CONE	1		
17	JD8287	BEARING CUP	1		
18	R81R	SNAP RING	1		
19	A364R	SNAP RING	1		
20	31415A	SNAP RING	1		
21	JD7155	BALL BEARING	1		
22	R43141	SHAFT	1		
23	11M7086	COTTER PIN	1	0.098" X 1.969"	
24	R43112	GEAR	1		IDLER
25	R43307	SPACER	1		
26	F2367R	SNAP RING	1		
27	JD7561	BEARING RACE	1		
28	AT151388	ROLLER BEARING	1		(SUB FOR JD7951)
29	B3310R	WASHER	1		
30	F2664R	NUT	1		

2C25

POWER TRAIN

TRANSMISSION DIFFERENTIAL DRIVE (POWER SHIFT)

RP1544 -UN-01JAN94



RP1544

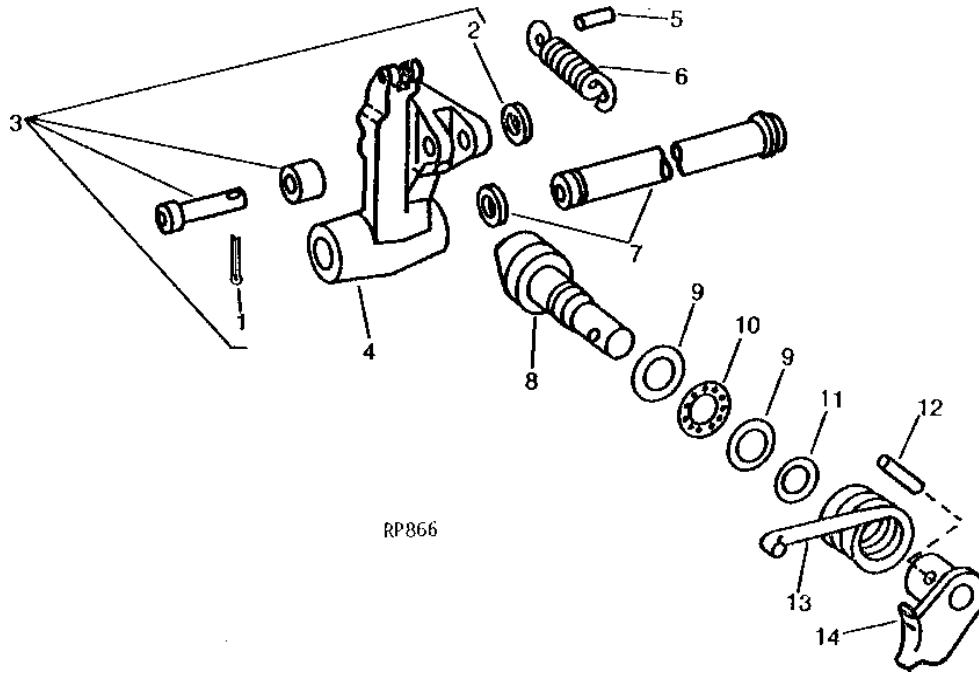
KEY	PART NO.	PART NAME	QTY	TRACTOR SERIAL NO.	REMARKS
1	AR63373	BEVEL GEAR DRIVE	1		(MATCHED SET) (MARKED R43023 AND R43031) (SUB FOR AR43007)
2	JD8977	BEARING CONE	1		
3	JD8266	BEARING CUP	1		
4	R35365	SHIM	AR		0.08MM (.003")
	R35366	SHIM	AR		0.13MM (.005")
	R35367	SHIM	AR		0.25MM (0.10")
5	R53303	SLEEVE	1		(SUB FOR R43401)
6	R42828	GEAR	1		
7	R43306	SPACER	1		
8	R33414	SHIM	AR	-012062	0.08MM (.003")
	R33414	SHIM	AR	-012062	0.13MM (.005")
	R33415	SHIM	AR	-012062	0.25MM (0.10")
	R51196	SHIM	AR	012063-	0.18MM (.007")
	R51197	SHIM	AR	012063-	0.25MM (0.10")
	R51198	SHIM	AR	012063-	0.30MM (0.12")
	R51199	SHIM	AR	012063-	0.38MM (0.15")
9	JD7446	BEARING CUP	1		
10	JD8195	BEARING CONE	1		
11	R51200	LOCK NUT	1		(SUB FOR R33219)

2D1

POWER TRAIN

RP866 -UN-01JAN94

TRANSMISSION PARK LOCK



RP866

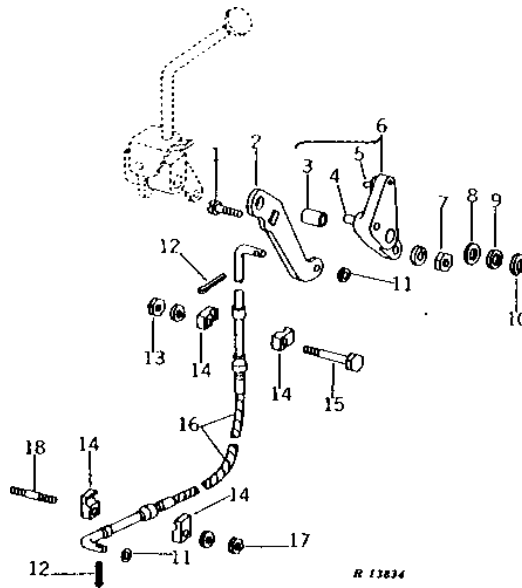
KEY	PART NO.	PART NAME	QTY	TRACTOR SERIAL NO.	REMARKS
1	11M7021	COTTER PIN	1		0.157" X 0.984"
2	24H1227	WASHER	1		17/32" X 13/16" X 0.060"
3	AR44553	PIN	1		
4	AR64922	PAWL	1		(SUB FOR AR43569) (SUB RE16371)
5	34H311	SPRING PIN	1		1/4" X 7/8"
6	R79985	SPRING	1		(SUB FOR R42485, R50575 OR R76504)
7	AR43592	SHAFT	1		
8	R43113	CAM	1		
9	JD9812	THRUST BEARING	2		
10	JD8856	NEEDLE BEARING	1		
11	B2762R	O-RING	1		
12	34H314	SPRING PIN	1		1/4" X 1-1/4"
13	R41131	TORSION SPRING	1		
14	RE12162	ARM	1		(SUB FOR AR44554 OR AR81571)

2D2

POWER TRAIN

TRANSMISSION PARK LOCK CONTROL LEVER AND LINKAGE (POWER SHIFT)

R13834 -UN-01JAN94



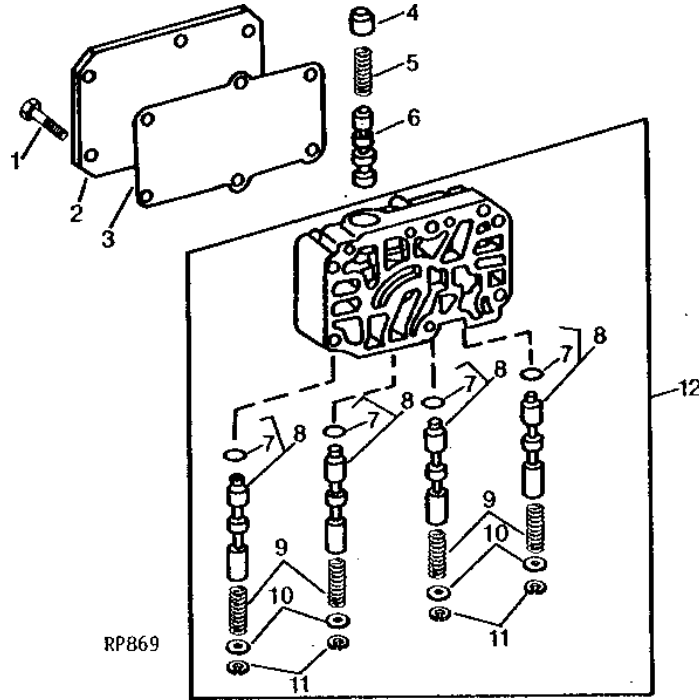
KEY	PART NO.	PART NAME	QTY	TRACTOR SERIAL NO.	REMARKS
1	03H1480	BOLT	1	3/8" X 1-1/4"	
2	R41132	ARM	1		
3	R653R	BUSHING	1		
4	R1800R	DOWEL PIN	1		
5	T15329	PIN	1		
6	AR40793	HUB	1	(MARKED R41142)	
7	14H1076	NUT	1	3/8"	
	12H304	LOCK WASHER	1	3/8"	
8	24H1366	WASHER	AR	21/32" X 1-1/8" X 0.036"	
9	24H1658	WASHER	AR	21/32" X 1" X 0.060"	
10	A4883R	RING	1		
11	B1664R	SHIM	2		
12	11M7077	COTTER PIN	2	0.063" X 0.984"	
13	14H1076	NUT	1	3/8"	
	12H304	LOCK WASHER	1	3/8"	
14	T33483	CLAMP	4		
15	19H1944	CAP SCREW	1	3/8" X 2-3/4"	
16	AR43102	PUSH PULL CABLE	1		
	R39725	SEAL	2		
	R39726	SEAL	1	CABLE HOUSING	
	R39727	SEAL	1	BOTTOM END	
17	14H1076	NUT	1	3/8", TOP END	
	12H304	LOCK WASHER	1	3/8"	
18	R27612	STUD	1		

2D3

POWER TRAIN

RP869 -UN-01JAN94

TRANSMISSION SHIFT VALVE (POWER SHIFT)



KEY	PART NO.	PART NAME	QTY	TRACTOR SERIAL NO.	REMARKS
1	19H1949	CAP SCREW	6	5/16" X 2-1/2"	
2	R33307	COVER	1		
3	R92474	GASKET	1		(SUB FOR R33276 OR R68821)
4	R34175	BOLT	1		
5	R47444	SPRING	1		
6	R48647	VALVE	1		
7	R35155	O-RING	4		
8	AR52251	VALVE	4		(SUB FOR AR48589) (SUB R48769 AND R35155)
9	R47393	SPRING	4		
10	R48013	WASHER	4		
11	R33282	SNAP RING	4		
12	AR52335	HOUSING	1		(MARKED R33077)

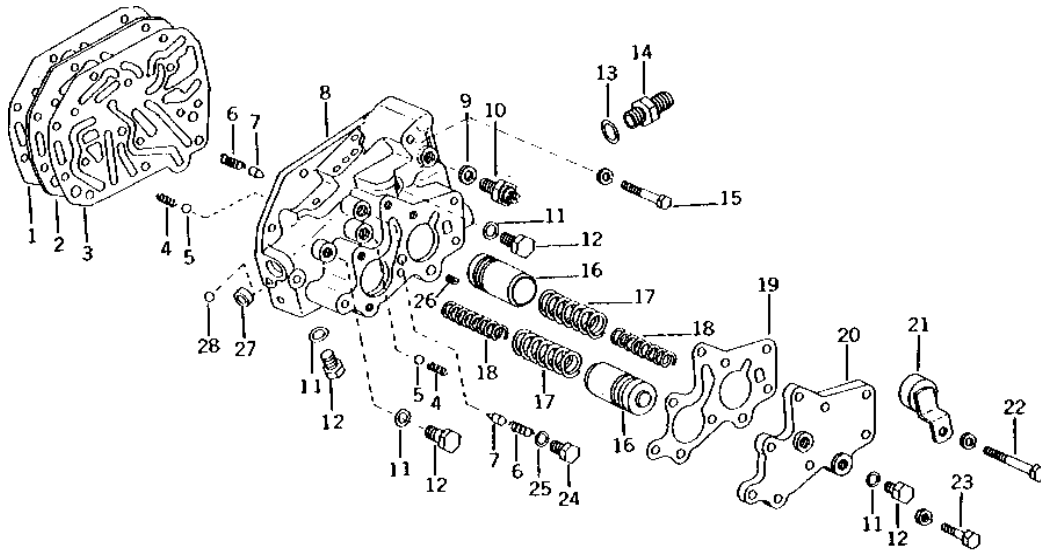
2D4

POWER TRAIN

R16436

-UN-01JAN94

TRANSMISSION CONTROL VALVE (POWER SHIFT)



R 16436

2D5

POWER TRAIN

TRANSMISSION CONTROL VALVE - CONTINUED (POWER SHIFT)

KEY	PART NO.	PART NAME	QTY	TRACTOR SERIAL NO.	REMARKS
1	R94321	GASKET	1		(SUB FOR R46817, R50567 OR R68817)
2	R50566	PLATE	1		(SUB FOR R33304)
3	R100308	GASKET	1		(SUB FOR R46818, R47073, R50568 OR R68818)
	R68819	GASKET	1		(USE WITH R46042, R53604 OR R57382) (SUB R94322) (USE WITH R67037, R72408 OR R78742)
4	R47816	SPRING	2		
5	D2361R	BALL	2		13MM (1/2")
6	R33277	SPRING	2		
7	R42697	DETENT	2		
8	AR87115	HOUSING	1	-XXXXXX	TRANSMISSION CONTROL VALVE, (MARKED R46042, R53604, R57382 OR R67037) (SUB FOR R50171 OR AR60519) (SUB RE46459)
	AR95903	HOUSING	1	XXXXXX-	TRANSMISSION CONTROL VALVE, (MARKED R72408 OR R78742) (SUB RE46459)
	RE20832	HOUSING	1		(SUB RE46459) (ALSO ORDER (2) R33277 AND (2) R42697)
	R27094	DRAIN PLUG	5		(USE WITH R57382)
	R26286	O-RING	5		(USE WITH R57382)
9	T16911	SHIM	AR		
10	RE38390	SWITCH	1		(SUB FOR R36265, AR85323 OR AT85153)
11	R26286	O-RING	9		
12	R27094	DRAIN PLUG	9		
13	R26906	O-RING	1		
14	R27270	FITTING	1		
15	19H2023	CAP SCREW	1		3/8" X 3-1/4"
	19H2128	CAP SCREW	1		3/8" X 3"
	19H1732	CAP SCREW	2		3/8" X 1-1/4"
	12H304	LOCK WASHER	4		3/8"
16	R47319	PISTON	2		
17	R47449	SPRING	2		
18	R47450	SPRING	2		
19	R98929	GASKET	1		(SUB FOR R47445, R52971 OR R68820)
20	R47321	COVER	1		(SUB R79852, (4) 19H1731 AND (4) 19H2205)
21	AR50180	COVER	1		
22	19H3180	CAP SCREW	4		3/8" X 6-1/4"
	12H304	LOCK WASHER	4		3/8"
23	19H988	CAP SCREW	4		3/8" X 1-1/4"
	12H304	LOCK WASHER	4		3/8"
24	R27218	FITTING PLUG	2		
25	R26448	O-RING	2		
26	R47448	ORIFICE	2		(SUB FOR R48765)
27	A3910R	CAP	1		(SUB N102039)
28	R42849	BALL	1		10MM (3/8")

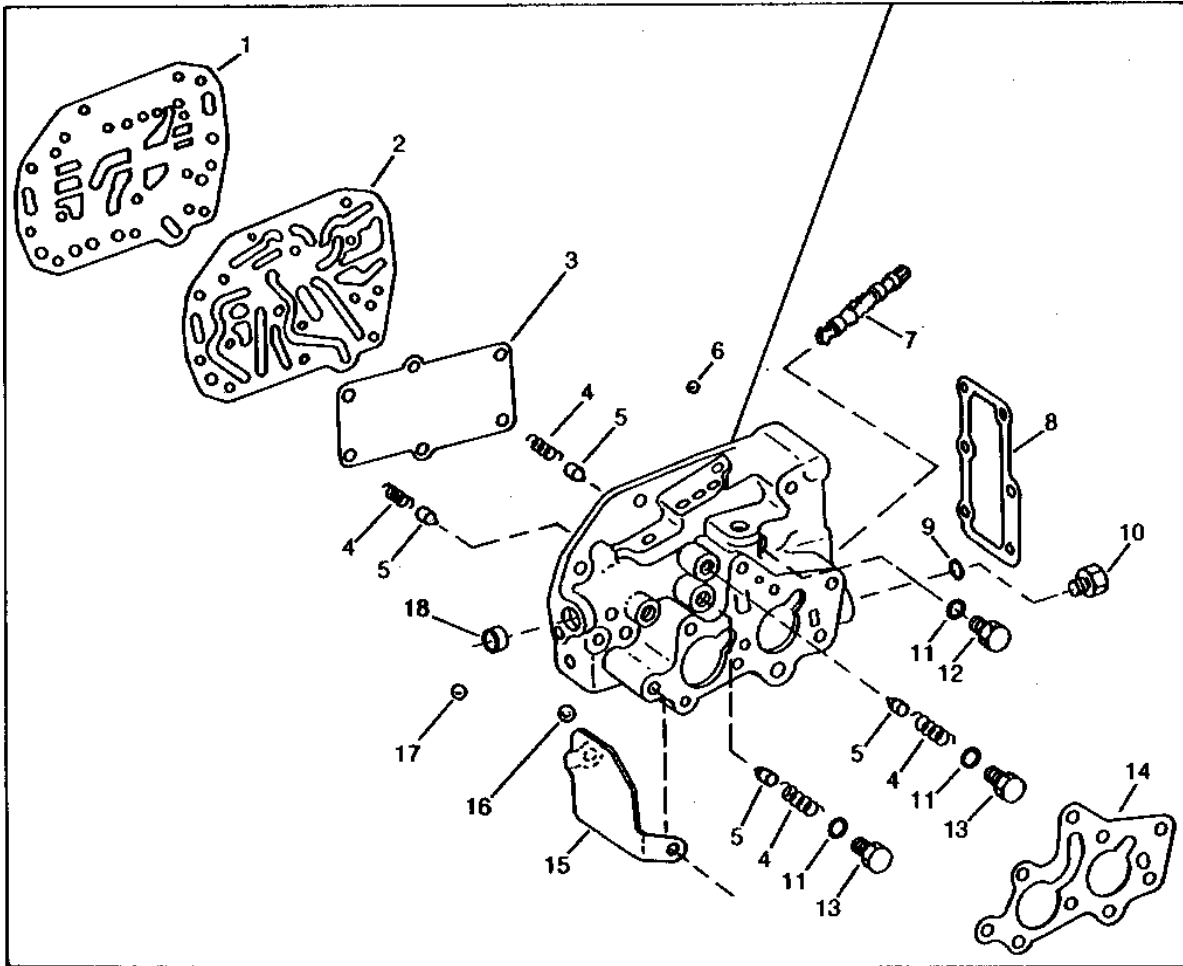
2D6

POWER TRAIN

RXP8633

-UN-01JAN94

TRANSMISSION CONTROL VALVE KIT



RXP8633

19

2D7

POWER TRAIN

TRANSMISSION CONTROL VALVE KIT - CONTINUED

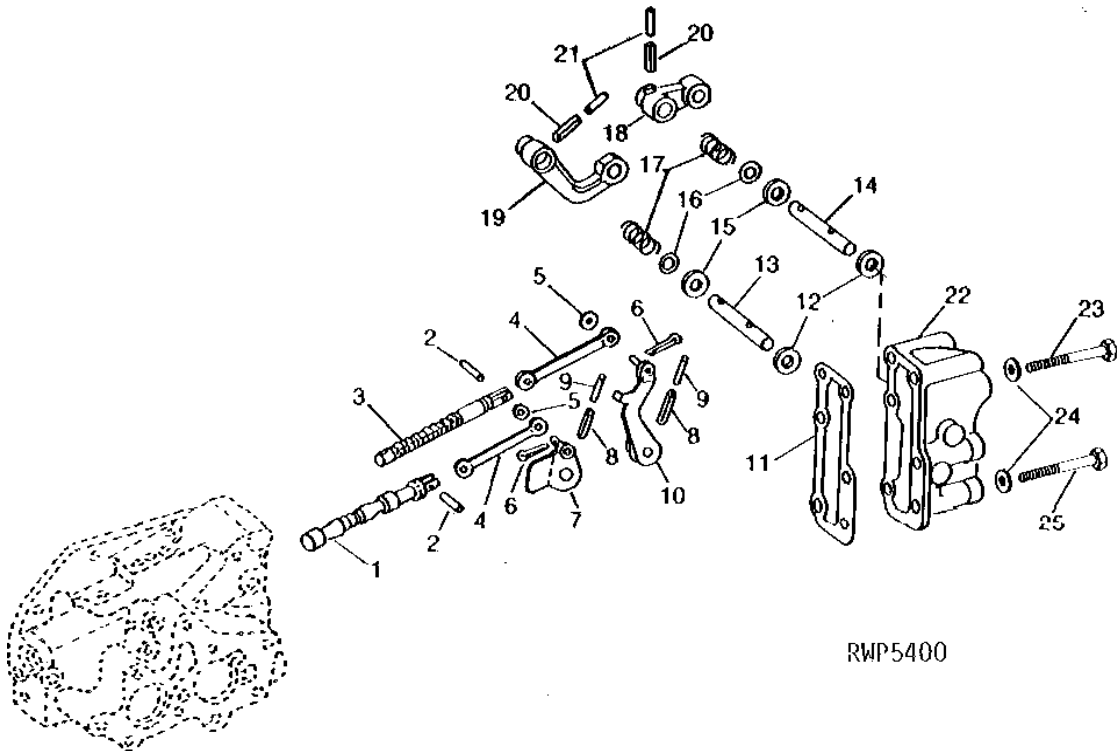
KEY	PART NO.	PART NAME	QTY	TRACTOR SERIAL NO.	REMARKS
1	R94321	GASKET	1		
2	R94322	GASKET	1		
3	R92474	GASKET	1		
4	R33277	SPRING	4		
5	R42697	DETENT	4		
6	R26552	BALL	5		
7	R82024	VALVE	1		
8	R33275	GASKET	1		
9	R26906	O-RING	1		
10	R27474	DRAIN PLUG	1		
11	R26448	O-RING	7		
12	R27094	DRAIN PLUG	7		
13	R27218	FITTING PLUG	2		
14	R98929	GASKET	1		
15	R72415	SHIELD	1		
16	R42849	BALL	1		
17	D2361	BALL	2		
18	30H13	PLUG	AR	1"	
19	RE46459	KIT	1		(SUB FOR AR87115, AR95903 OR RE20832) (ALSO FURNISH RE38390)

2D8

POWER TRAIN

TRANSMISSION CONTROL VALVE COVER, CONTROL VALVES AND ARMS (POWER SHIFT)

RWP5400 -UN-01JAN94



RWP5400

2D9

POWER TRAIN

TRANSMISSION CONTROL VALVE COVER, CONTROL VALVES AND ARMS - CONTINUED (POWER SHIFT)

KEY	PART NO.	PART NAME	QTY	TRACTOR SERIAL NO.	REMARKS
1	R82024	VALVE	1		(SUB FOR R33291 OR R72411)
2	34H309	SPRING PIN	2		1/4" X 5/8"
3	R48370	VALVE	1		(SUB FOR R33292)
4	R33290	LINK	2		
5	24H753	WASHER	2		9/32" X 5/8" X 0.049"
6	11M7077	COTTER PIN	2		0.063" X 0.984"
7	AR32154	ARM	1	-013786	(SUB RE22320, R49817, R49819, 34H251, 34H252, 34H297 AND 34H299)
	RE22320	ARM	1	013787-	(SUB FOR AR53841)
	AR45314	ARM	1	-013786	(A) (SUB RE22321, R49817, R49819, 34H251, 34H252, 34H297 AND 34H299)
	AR53843	ARM	1	013787-	(A)
8	SPRING PIN	2	-013786	
	34H297	SPRING PIN	2	013787-	7/32" X 1"
9	34H251	SPRING PIN	2	013787-	1/8" X 1"
10	AR32155	ARM	1	-013786	(SUB RE21304, R49816, R49819, 34H251, 34H252, 34H297 AND 24H299)
	RE21304	ARM	1	013787-	(SUB FOR AR53840)
	AR45315	ARM	1	-013786	(A) (SUB RE21304, R49816, R49819, 34H251, 34H252, 34H297 AND 34H299)
	AR53844	ARM	1	013787-	(A) (SUB RE21304)
11	R33275	GASKET	1		
12	R33587	SEAL	2		
13	R33287	SHAFT	1	-013786	(ORDER RE21304, R49816, R49819, 34H251, 34H252, 34H297 AND 34H299)
	R49819	PIN	1	013787-	
	R33287	SHAFT	1	-013786	(A) (ORDER RE21304, R49816, R49819, 34H251, 34H252, 34H297 AND 34H299)
	R49819	PIN	1	013787-	(A)
14	R33287	SHAFT	1	-013786	(ORDER RE22320, R49817, R49819, 34H251, 34H252, 34H297 AND 34H299)
	R49819	PIN	1	013787-	(A)
	R33287	SHAFT	1	-013786	(A) (ORDER RE22321, R49817, R49819, 34H251, 34H252, 34H297 AND 34H299)
	R49819	PIN	1	013787-	(A)
15	R36364	WASHER	2		FELT
16	24H1359	WASHER	2		5/8" X 7/8" X 0.060"
17	F3221R	SPRING	2		
18	R33272	ARM	1	-013786	(ORDER RE22320, R49817, R49819, 34H251, 34H252, 34H297 AND 34H299)
	R49817	LEVER	1	013787-	
	R33272	ARM	1	-013786	(A) (ORDER RE22321, R49817, R49819, 34H251, 34H252, 34H297 AND 34H299)
	R49817	LEVER	1	013787-	(A)
19	R33271	ARM	1	-013786	(ORDER RE21304, R49816, R49819, 34H251, 34H252, 34H297 AND 34H299)
	R49816	LEVER	1	013787-	(A)
	R33271	ARM	1	-013786	(A) (ORDER RE21304, R49816, R49819, 34H251, 34H252, 34H297 AND 34H299)
	R49816	LEVER	1	013787-	(A)
20	34H299	SPRING PIN	2		7/32" X 1-1/4"
21	34H252	SPRING PIN	2	013787-	1/8" X 1-1/4"
22	AR45255	COVER	1		(MARKED R33268 OR R44030)
	R82331	COVER	1		(A) (SUB FOR AR52180, AR95904 OR RE21305) (ALSO FURNISH R26287, (5) R26448, R27216 AND R27218)
23	19H2023	CAP SCREW	5		3/8" X 3-1/4"
24	24M7096	WASHER	6		10.500 X 18 X 1.600 MM
25	19H1854	CAP SCREW	1		3/8" X 3-3/4"

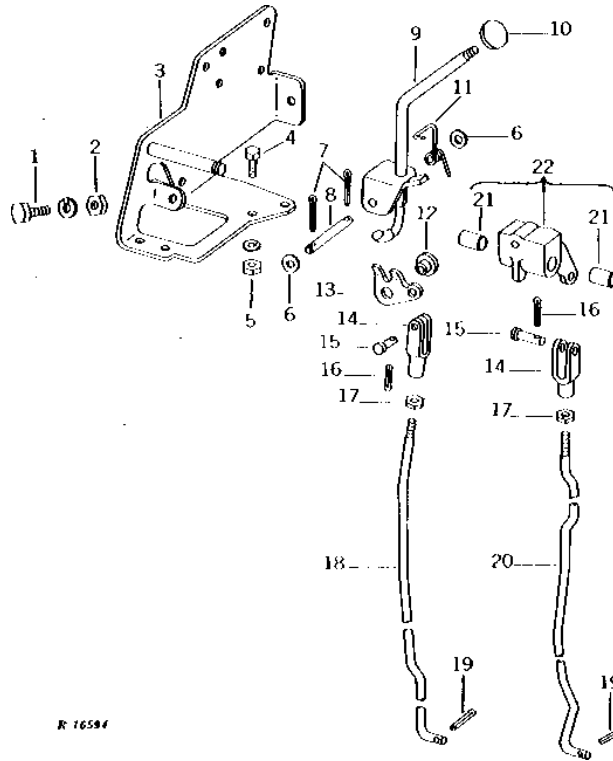
(A) POWER FRONT WHEEL DRIVE

2D10

POWER TRAIN

TRANSMISSION SHIFTER CONTROL SUPPORT, LEVER AND LINKAGE (POWER SHIFT)

R16594 -UN-01JAN94



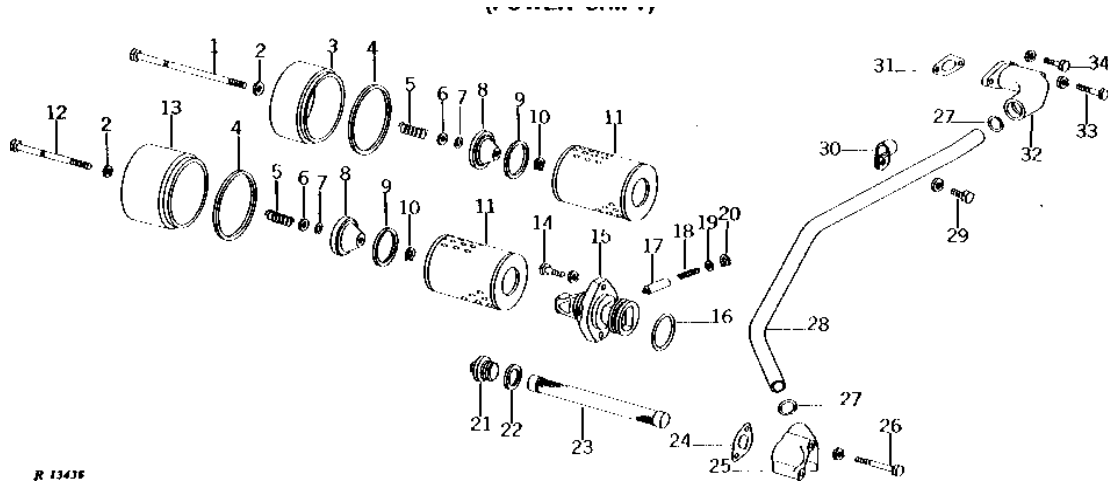
KEY	PART NO.	PART NAME	QTY	TRACTOR SERIAL NO.	REMARKS
1	19H2552	CAP SCREW	1	3/8" X 1-1/8"	
	12H304	LOCK WASHER	1	3/8"	
2	14H1076	NUT	1	3/8"	
3	AR40788	SUPPORT	1		
4	19H2284	CAP SCREW	5	3/8" X 7/8"	
5	14H1076	NUT	5	3/8"	
	12H304	LOCK WASHER	5	3/8"	
6	24H1289	WASHER	2	21/64" X 5/8" X 0.049"	
7	11M7079	COTTER PIN	1	0.098" X 0.472"	
8	R45832	PIN	1		
9	AR50118	LEVER	1		(SUB FOR AR40792) (ALSO ORDER AR50119 AND R47409)
10	F2861R	KNOB	1		(SUB R60458)
11	R45651	SPRING	1		
12	R41134	BUSHING	1		
13	R41133	FULCRUM	1	-010192	
	R47409	FULCRUM	1	010193-	
14	L324T	YOKE	2		
15	R65563	PIN	2		(SUB FOR C1067R)
16	11M7081	COTTER PIN	2		0.098" X 0.787"
17	14H774	NUT	2		3/8"
18	R43084	ROD	1		
19	11M7059	COTTER PIN	2		3.200 X 20 MM
20	R43085	ROD	1		
21	R653R	BUSHING	2		
22	AR40790	PIVOT	1	-010192	(MARKED R41128)
	AR50119	PIVOT	1	010193-	(MARKED R47410)

2D11

POWER TRAIN

TRANSMISSION OIL FILTER AND OIL PUMP INTAKE (POWER SHIFT)

R13436 -UN-01JAN94



R 13436

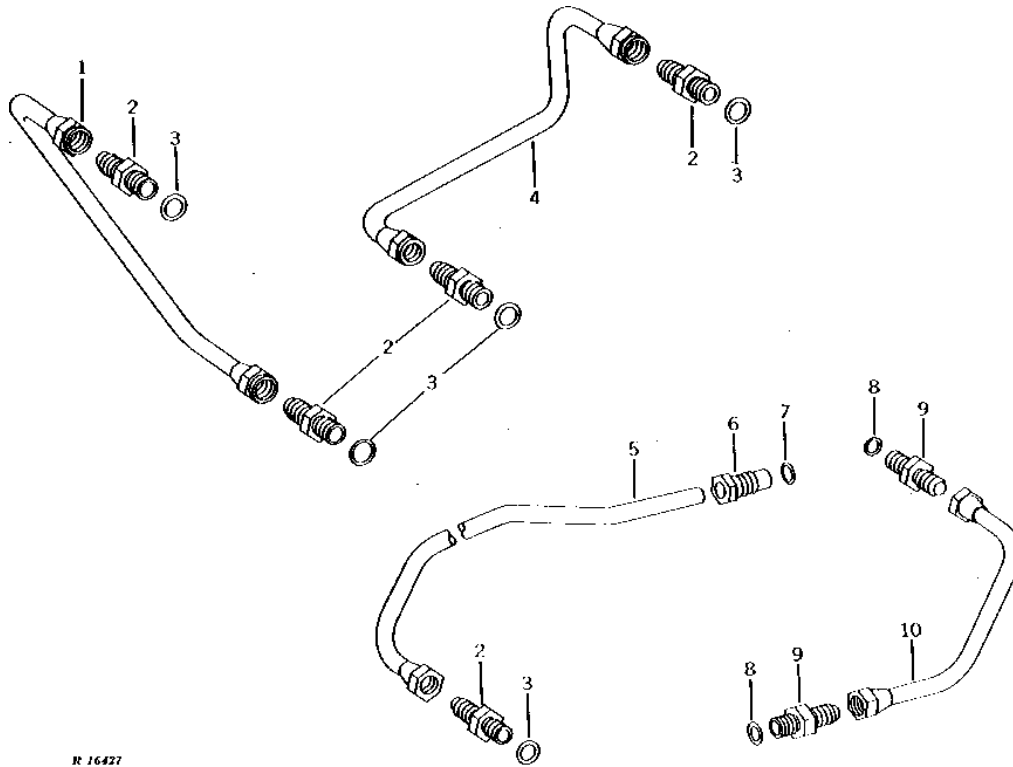
KEY	PART NO.	PART NAME	QTY	TRACTOR SERIAL NO.	REMARKS
1	R54750	CAP SCREW	1		(SUB FOR R39795)
2	R394R	O-RING	2		
3	R39794	COVER	1		TRANSMISSION OIL FILTER
4	R34733	WASHER	2		
5	H819R	SPRING	2		
6	24H1227	WASHER	2		17/32" X 13/16" X 0.060"
7	R394R	O-RING	2		
8	R65892	RETAINER	2		
9	R28594	WASHER	2		
10	R32507	SNAP RING	2		
11	AR75603	FILTER ELEMENT	2		(SUB FOR AR28271 OR AR75601)
12	R54751	CAP SCREW	1		(SUB FOR R39797)
13	R39796	COVER	1		HYDRAULIC OIL FILTER
14	19H1800	CAP SCREW	2		3/8" X 1-1/2"
	12H304	LOCK WASHER	2		3/8"
15	R54962	HOUSING	1		(SUB FOR R39586)
16	U12198	O-RING	1		
17	R57559	VALVE	1		BYPASS, (SUB FOR R33162) (ALSO ORDER R33259)
18	R26686	SPRING	1		
19	R48013	WASHER	1		
20	R33282	SNAP RING	1		
21	R40147	FITTING	1		(SUB FOR A4806R)
22	A4808R	WASHER	1		
23	R53169	SCREEN	1		(NYLON)
	AR26375	SCREEN	1		(STEEL)
24	R28110	GASKET	1		
25	R84270	ADAPTER	1		(SUB FOR R33911)
26	19H1944	CAP SCREW	2		3/8" X 2-3/4"
	12H304	LOCK WASHER	2		3/8"
27	A3606R	O-RING	2		
28	R43249	TUBE	1		
29	19H2284	CAP SCREW	1		3/8" X 7/8"
	12H304	LOCK WASHER	1		3/8"
30	R33364	CLAMP	1		
31	R33363	GASKET	1		
32	AR41885	ADAPTER	1		
33	19H1765	CAP SCREW	1		3/8" X 1-3/4"
	12H304	LOCK WASHER	1		3/8"
34	19H1732	CAP SCREW	1		3/8" X 1-1/4"
	12H304	LOCK WASHER	1		3/8"

2D12

POWER TRAIN

TRANSMISSION CONTROL AND CLUTCH OIL LINES (POWER SHIFT)

R16427 -UN-01JAN94



R 16427

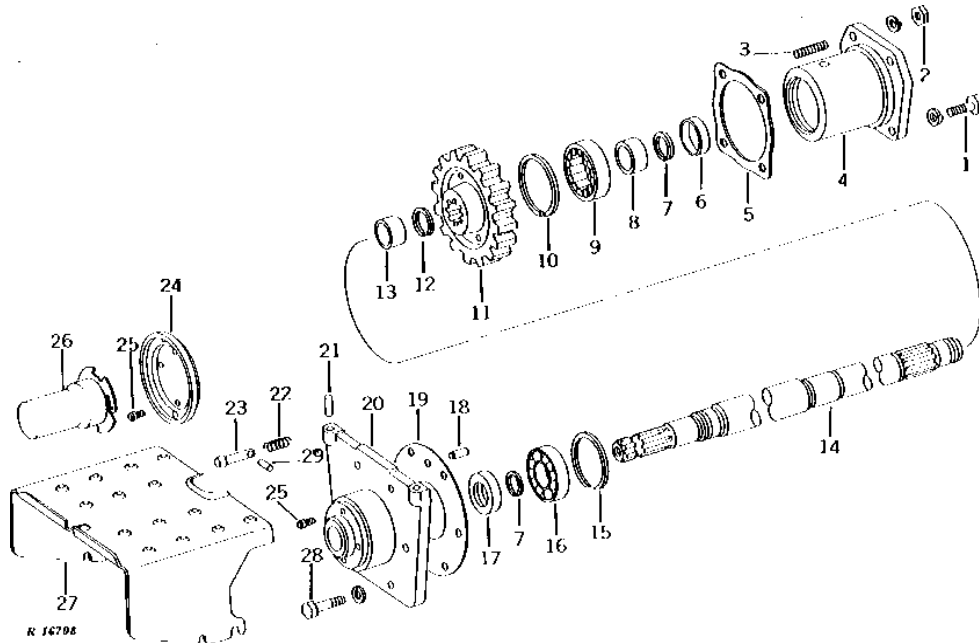
KEY	PART NO.	PART NAME	QTY	TRACTOR SERIAL NO.	REMARKS
1	AR43154	LINE	1		HYDRAULIC RETURN
2	R27267	FITTING	5		
3	F3171R	O-RING	5		
4	AR43126	HYDRAULIC LINE	1		CLUTCH HOUSING TO TRANSMISSION CASE
5	AR43125	HYDRAULIC LINE	1		CLUTCH OIL PRESSURE REGULATING VALVE TO TRANSMISSION CASE
6	R76494	FITTING	1		
7	B2762R	O-RING	1		(SUB FOR R33610)
8	R26906	O-RING	2		
9	R27270	FITTING	1		
10	AR50166	HYDRAULIC LINE	1		TRANSMISSION CONTROL VALVE TO CLUTCH HOUSING

2D13

POWER TRAIN

R16708 -UN-01JAN94

PTO SHAFT (1000 RPM PTO)



KEY	PART NO.	PART NAME	QTY	TRACTOR SERIAL NO.	REMARKS
1	19H3579	CAP SCREW	2	(A) 1/2" X 1-3/8"	
2	14H1040	NUT	AR	1/2", (2 USED A) (4 USED B)	
	12H301	LOCK WASHER	AR	1/2", (2 USED A) (4 USED B)	
3	R32101	STUD	AR	(2 USED A) (4 USED B)	
4	R43057	QUILL	1	(B)	
	R43059	QUILL	1	(A)	
5	R43234	GASKET	1		
6	R45844	CAP	1		
7	A364R	SNAP RING	2		
8	JD7595	BEARING RACE	1		
9	JD8731	BEARING RACE	1	(SUB FOR JD8722)	
10	31415	SNAP RING	1		
11	R43097	STEERING GEAR	1	PTO DRIVE	
12	R33325	SNAP RING	1		
13	R34328	BUSHING	1	(USE WITH R46680, R46960 OR R49840)	
	R55489	BUSHING	1	(USE WITH R55480)	
14	R47641	SHAFT	1	(B)	
	R47642	SHAFT	1	(A)	
15	B190R	SNAP RING	1		
16	JD9345	BALL BEARING	1		
17	AT344T	SEAL	1		
18	R26650	DOWEL PIN	2		
19	R58900	GASKET	1	(SUB FOR R35621)	
20	AR53471	HOUSING	1	(MARKED R35620 OR R49639) (SUB FOR AR35952)	
21	34H348	SPRING PIN	2	3/8" X 1"	
22	F1463R	SPRING	1		
23	F1462R	PIN	1		
24	AR26707	RETAINER	1		
25	R27329	SCREW	4		
26	AR26701	GUARD	1		
27	R27562	SHIELD	1		
28	19H2473	CAP SCREW	6	1/2" X 1-3/4"	
	12H301	LOCK WASHER	6	1/2"	
29	34H286	SPRING PIN	1	3/16" X 1-1/2"	

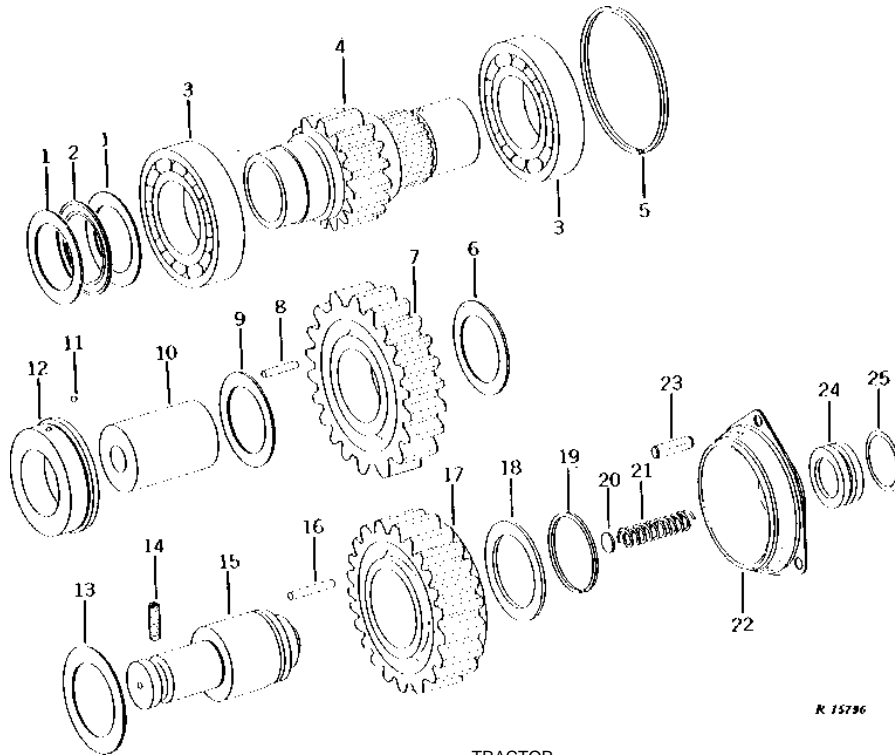
(A) POWER SHIFT
(B) SYNCRO-RANGE

2D14

POWER TRAIN

DRIVE SHAFT AND IDLER GEARS (1000 RPM PTO) (POWER SHIFT)

R15796 -UN-01JAN94



R 15796

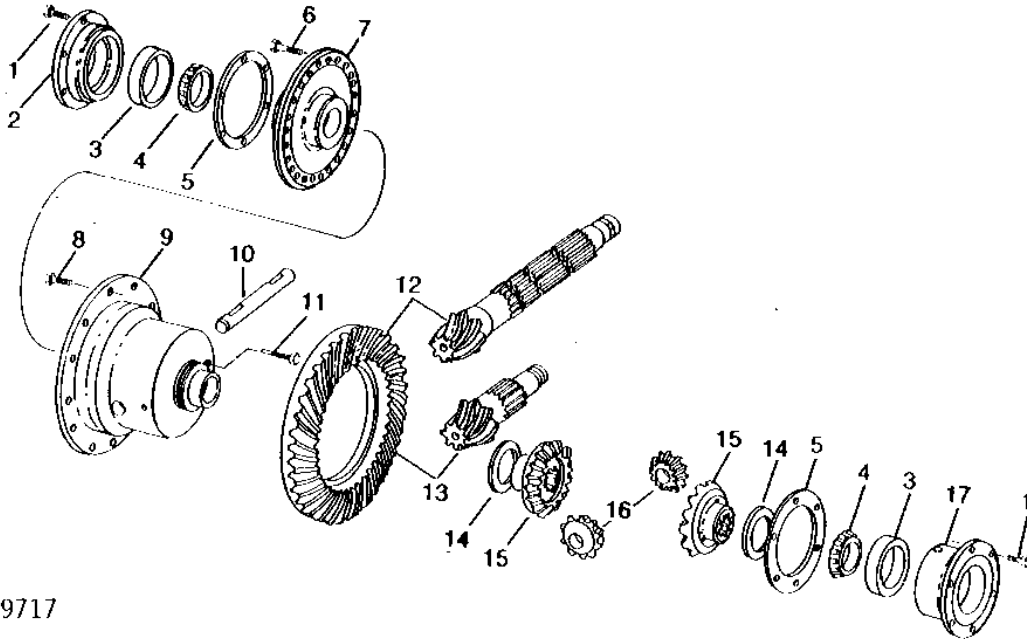
KEY	PART NO.	PART NAME	QTY	TRACTOR SERIAL NO.	REMARKS
1	JD9894	BEARING RACE	2		
2	JD9886	THRUST BEARING	1		
3	JD9320	BALL BEARING	2		
4	R43905	SHAFT	1		
5	F2622R	SNAP RING	1		
6	R43362	THRUST WASHER	1		
7	R43058	GEAR	1		
8	R26006	NEEDLE ROLLER	36		
9	R43477	THRUST WASHER	1		
10	R43150	SHAFT	1		
11	H871R	BALL	1		5MM (3/16")
12	R43361	QUILL	1		
13	R43365	WASHER	1		
14	R34582	SET SCREW	1		
15	R43363	SHAFT	1		(NLA)
16	R33028	NEEDLE ROLLER	40		
17	R43055	STEERING GEAR	1		
18	R43364	THRUST WASHER	1		
19	F1334R	SNAP RING	1		
20	30H9	PLUG	1		3/4"
21	A4546R	SPRING	1		
22	AR43031	BRAKE SHOE	1		(SUB RE20735)
23	34H349	SPRING PIN	3		3/8" X 1-1/4"
24	R43366	PISTON	1		PTO BRAKE
25	R31378	O-RING	1		

2D15

POWER TRAIN

DIFFERENTIAL (LESS DIFFERENTIAL LOCK)

R19717 -UN-01JAN94



R19717

KEY	PART NO.	PART NAME	QTY	TRACTOR SERIAL NO.	REMARKS
1	R41049	CAP SCREW	12	(SUB R52634)	
2	R43186	QUILL	1	(A)	
3	JD8214	BEARING CUP	1	(A) L.H.	
	JD8214	BEARING CUP	1	R.H.	
4	JD9019	BEARING CONE	1	(A) L.H.	
	JD9019	BEARING CONE	1	R.H.	
5	R35501	SHIM	AR	0.08MM (.003")	
	R35502	SHIM	AR	0.13MM (.005")	
	R35503	SHIM	AR	0.25MM (0.10")	
6	R43369	SELF-LOCKING SCREW	12	(SUB FOR R42407)	
7	AR88242	COVER	1	(A) (MARKED R43184 OR R46636) (SUB FOR AR43243)	
	34H311	SPRING PIN	3	1/4" X 7/8"	
8	R43368	CAP SCREW	12		
9	AR43114	HOUSING	1	(MARKED R43002 OR R43003) (SUB AR111163 AND R113732 OR R113733) (ALSO ORDER JD8298, JD8962, R73274, R94631 AND (3) 34H311)	
10	R58424	PINION SHAFT	1	(SUB FOR R43344 OR R52154)	
11	R70236	CAP SCREW	1	(SUB FOR R41050)	
12	AR43006	GEAR	1	(MATCHED SET) (SYNCRO-RANGE) (MARKED R43032 AND R43024)	
13	AR63373	BEVEL GEAR DRIVE	1	(MATCHED SET) (POWER SHIFT) (MARKED R43023 AND R43031) (SUB FOR AR43007)	
14	R72586	THRUST WASHER	1	(SUB FOR R52157 OR R66788) (USE WITH R52155 OR R64257)	
15	R64257	BEVEL GEAR	2	(SUB FOR R48251 OR R52155) (SUB R109489 AND R113732 OR R113733) (ALSO ORDER (2) R72586)	
16	R48253	PINION	2	(SUB FOR R35498)	
17	R35500	QUILL	1		

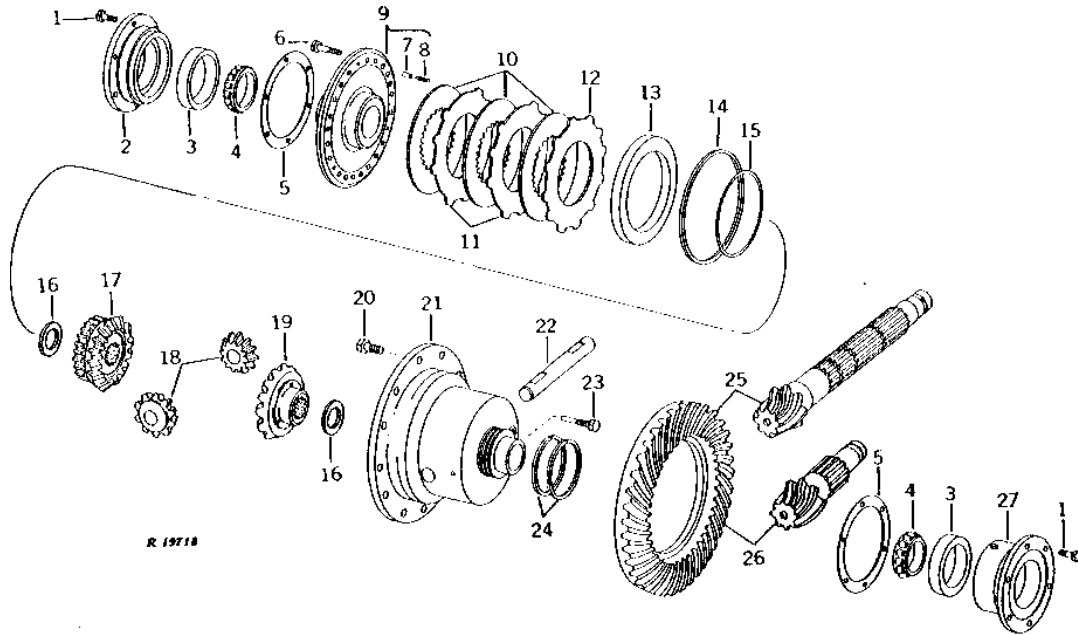
(A) SUB JD8298, JD8962, (2) R109489, R113732 (13 TEETH), R113733 (14 TEETH), (2) R72586, R94631 AND (3) 34H311

2D16

POWER TRAIN

R19718 -UN-01JAN94

DIFFERENTIAL (DIFFERENTIAL LOCK)



2D17

POWER TRAIN

DIFFERENTIAL - CONTINUED (DIFFERENTIAL LOCK)

KEY	PART NO.	PART NAME	QTY	TRACTOR SERIAL NO.	REMARKS
1	R41049	CAP SCREW	12		(SUB FOR R43459) (SUB R52634)
2	R43186	QUILL	1		
3	JD8214	BEARING CUP	1		(A) L.H.
	JD8214	BEARING CUP	1		R.H.
4	JD9019	BEARING CONE	1		(A) L.H.
	JD9019	BEARING CONE	1		R.H.
5	R35501	SHIM	AR		0.08MM (.003")
	R35502	SHIM	AR		0.13MM (.005")
	R35503	SHIM	AR		0.25MM (.010")
6	R43369	SELF-LOCKING SCREW	12		(SUB FOR R42407)
7	34H311	SPRING PIN	3		1/4" X 7/8"
8	R34863	SPRING	3		
9	AR88242	COVER	1		(A) (MARKED R43184) (SUB FOR AR43243)
10	AR88550	DISK	3		(SUB FOR AR43086) (SUB RE29429, R43340 AND (2) R43343)
11	R43343	CLUTCH PLATE	2		
12	R43340	PLATE	1		
13	R43337	PISTON	1		
14	R43339	WASHER	1		
15	R46004	PACKING	1		
16	R72586	THRUST WASHER	1		(SUB FOR R52157 OR R66788)
17	R90869	BEVEL GEAR	1		(SUB FOR R48252, R52156 OR R66317) (SUB R112169 AND R113732 OR R113733) (ALSO ORDER (2) R72586)
18	R48253	PINION	2		
19	R64257	BEVEL GEAR	1		(SUB FOR R48251 OR R52155) (SUB R109489 AND R113732 OR R113733) (ALSO ORDER (2) R72586)
20	R43368	CAP SCREW	12		
21	AR43114	HOUSING	1		(MARKED R43002 OR R43003) (SUB AR111163 AND R113732 OR R113733) (ALSO ORDER JD8298, JD8962, R73274, R94631 AND (3) 34H311)
22	R58424	PINION SHAFT	1		(SUB FOR R43344 OR R52154)
23	R70236	CAP SCREW	1		(SUB FOR R41050)
24	R36881	RING	2		
25	AR43006	GEAR	1		(MATCHED SET) (SYNCRO-RANGE) (MARKED R43023 AND R43024)
26	AR63373	BEVEL GEAR DRIVE	1		(MATCHED SET) (POWER SHIFT) (MARKED R43023 AND R43031) (SUB FOR AR43007)
27	R43345	QUILL	1		

(A) SUB JD8298, JD8962, R109489 AND R113732 (13 TEETH) OR R113733 (14 TEETH), (2) R72586, R73274, R112169, R94631 AND (3) 34H311.

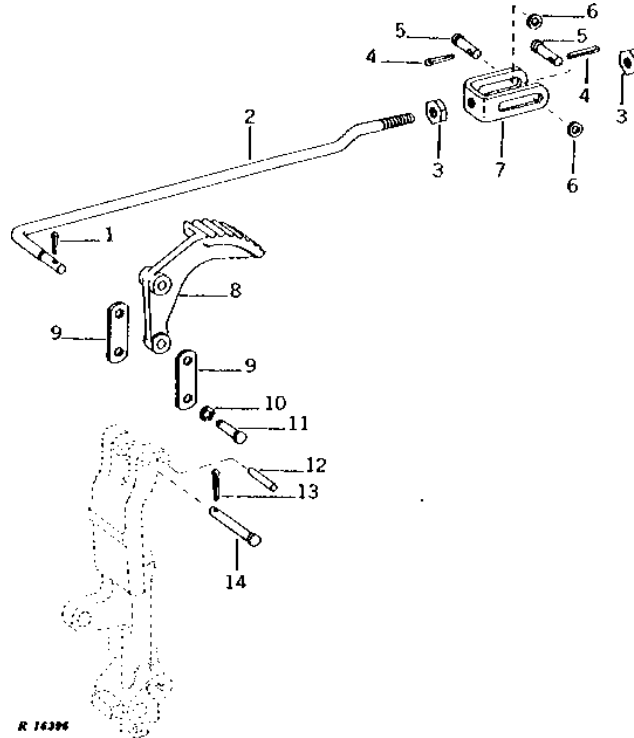
MEMORANDA

2D18

POWER TRAIN

R16396 -UN-01JAN94

DIFFERENTIAL LOCK CONTROL PEDAL AND LINKAGE



R 16396

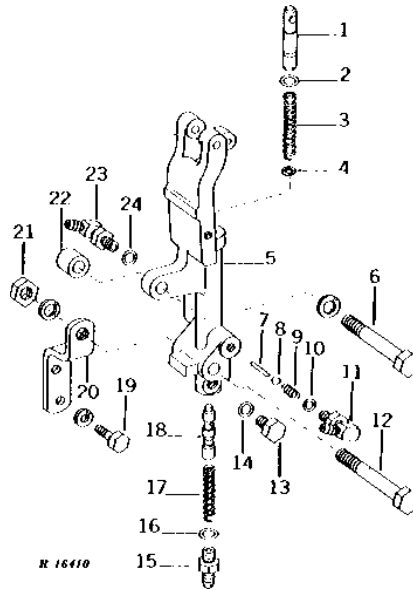
KEY	PART NO.	PART NAME	QTY	TRACTOR SERIAL NO.	REMARKS
1	11M7081	COTTER PIN	1		
2	R46873	ROD	1		0.098" X 0.787"
3	14H1076	NUT	2		3/8"
4	11M7079	COTTER PIN	2		0.098" X 0.472"
5	H858R	PIN	2		
6	24H1136	WASHER	2		11/32" X 11/16" X 0.065"
7	R46868	YOKE	1		
8	R46865	PEDAL	1		
9	R46902	STRAP	2		(SUB R79135)
10	R26386	SNAP RING	1		
11	R26385	PIN	1		
12	34H331	SPRING PIN	1		5/16" X 1-1/2"
13	11M7059	COTTER PIN	1		3.200 X 20 MM
14	R46866	PIN	1		

2D19

POWER TRAIN

R16410 -UN-01JAN94

DIFFERENTIAL LOCK VALVE



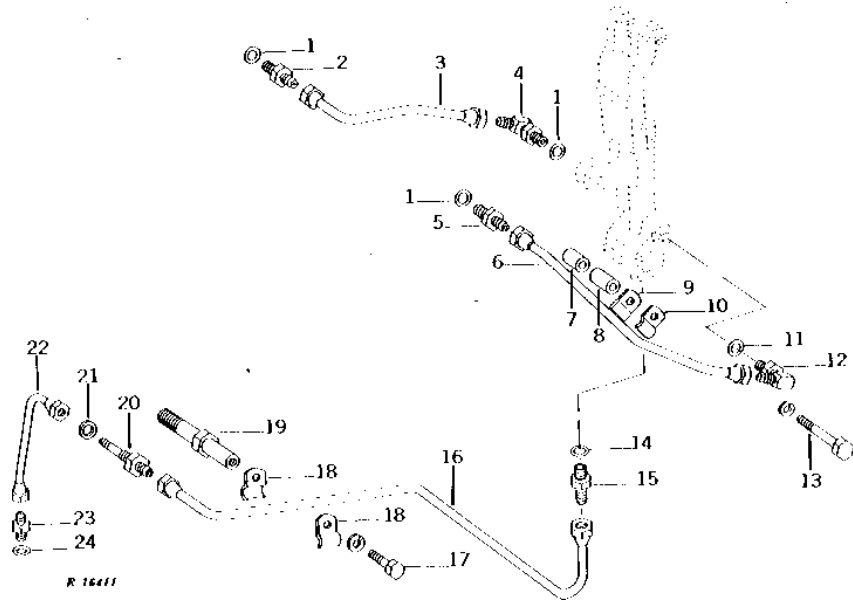
KEY	PART NO.	PART NAME	QTY	TRACTOR SERIAL NO.	REMARKS
1	R86162	PLUNGER	1		(SUB FOR R46863 OR R68648)
2	F3353R	O-RING	1		
3	R46862	SPRING	1		
4	R46901	SHIM	AR	0.51MM (.020")	
5	R86770	HOUSING	1		(SUB FOR R79133, R27216, R26287 OR R46821)
6	19H2615	CAP SCREW	1		5/8" X 3-3/4"
	12H294	LOCK WASHER	1		5/8"
7	R33058	NEEDLE ROLLER	1		
8	400R	BALL	1		6MM (1/4")
9	R26373	SPRING	1		
10	R26287	O-RING	1		
11	AT32335	ELBOW FITTING	1		(SUB FOR AR26746)
12	19H2615	CAP SCREW	1		5/8" X 3-3/4"
13	R27094	DRAIN PLUG	1		
14	R26286	O-RING	1		
15	R46856	FITTING	1		
16	R26448	O-RING	1		
17	R31698	SPRING	1		(SUB R82134, R74418 AND (11) R82133, THIS APPLICATION)
18	R82134	VALVE	1		PRESSURE CONTROL, (SUB FOR R46855, R74417 OR R79134) (ALSO ORDER R74418 AND (11) R82133)
19	19H1731	CAP SCREW	2		3/8" X 1"
	12H304	LOCK WASHER	2		3/8"
	24H1367	WASHER	2		21/32" X 1-1/4" X 1/4"
20	R49581	SUPPORT	1		(SUB FOR R46877) (ALSO ORDER 24H1367)
21	14H1039	NUT	1		5/8"
	12H294	LOCK WASHER	1		5/8"
22	28H2627	BUSHING	1		3/4" X 2-1/4"
23	AT32333	ELBOW FITTING	1		(SUB FOR AR26771)
24	R26286	O-RING	1		

2D20

POWER TRAIN

R16411 -UN-01JAN94

DIFFERENTIAL LOCK VALVE OIL LINES



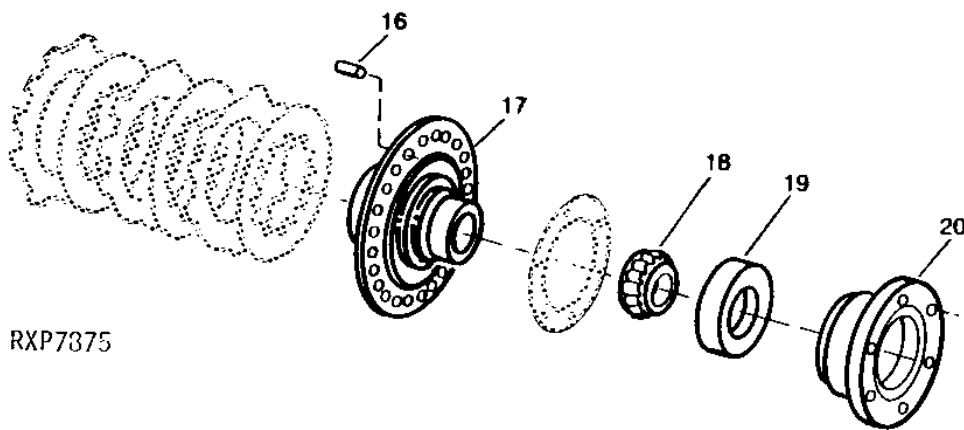
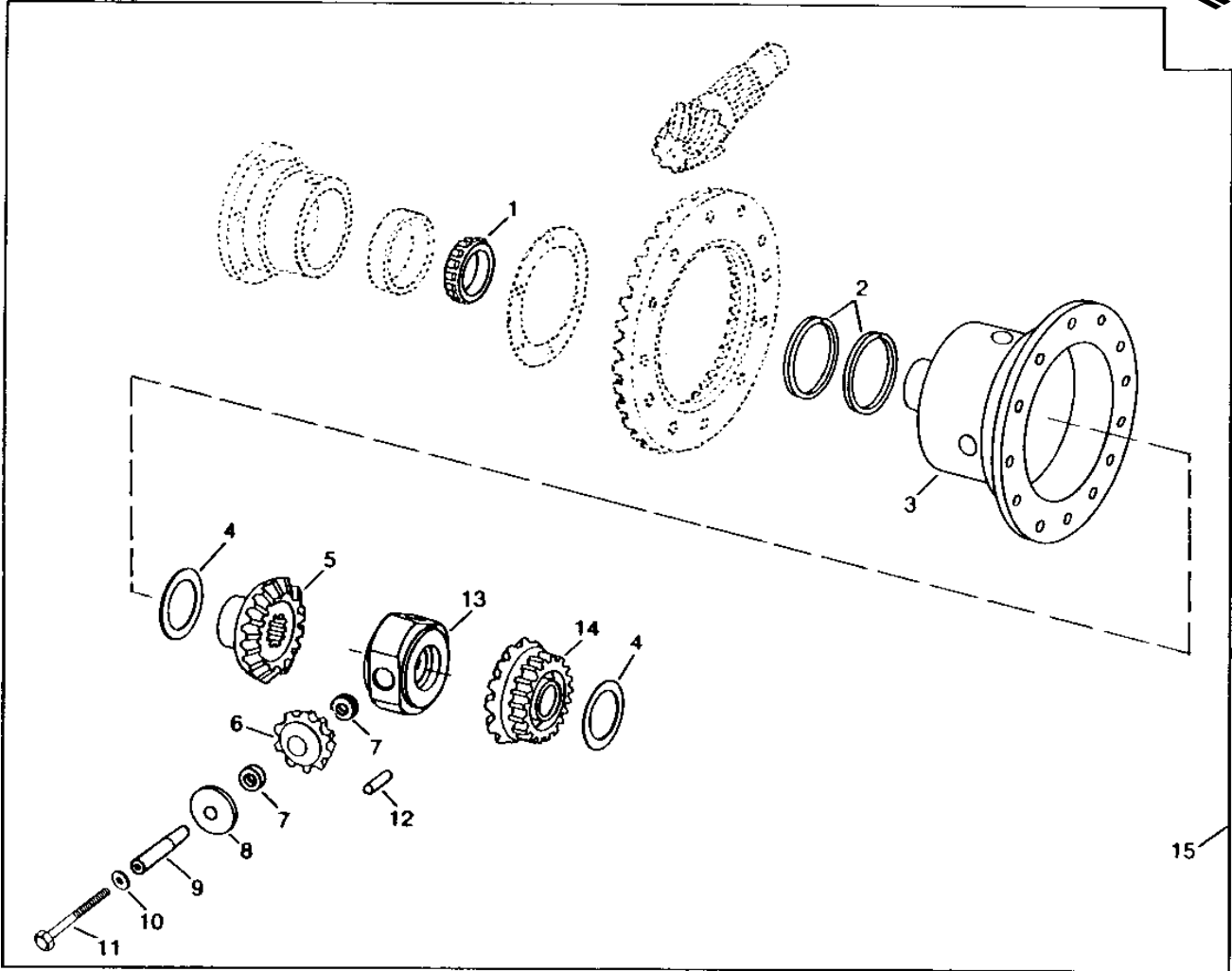
KEY	PART NO.	PART NAME	QTY	TRACTOR SERIAL NO.	REMARKS
1	R26286	O-RING	3		
2	R27272	FITTING	1		
3	AR49178	HYDRAULIC LINE	1		RETURN
4	AT32333	ELBOW FITTING	1		(SUB FOR AR26771)
5	R40617	FITTING	1		
6	AR49177	LINE	1		PRESSURE
7	28H1697	SPACER	1		3/8" X 3/4", (PRESSURE LINE)
8	28H1526	BUSHING	1		3/8" X 1-5/16", (PRESSURE LINE)
9	R31655	STRAP	1		
10	R31654	CLAMP	1		
11	R26287	O-RING	1		
12	AT32335	ELBOW FITTING	1		(SUB FOR AR26746)
13	19H2128	CAP SCREW	1		3/8" X 3"
	12H304	LOCK WASHER	1		3/8"
14	R26448	O-RING	1		
15	R46856	FITTING	1		
16	AR49179	HYDRAULIC LINE	1		
17	19H1731	CAP SCREW	1		3/8" X 1"
	12H304	LOCK WASHER	1		3/8"
18	R42357	CLAMP	2		
19	R43370	SCREW	1		
20	AR34569	FITTING	1		
21	R51494	WASHER	1		(SUB FOR T16911)
22	AR43134	HYDRAULIC LINE	1		
23	R39597	ADAPTER	1		
24	R30903	O-RING	1		

2D21

POWER TRAIN

RXP7875 -UN-16NOV94

ANTI-FRICTION DIFFERENTIAL KIT



RXP7875

2D22

POWER TRAIN

ANTI-FRICTION DIFFERENTIAL KIT - CONTINUED

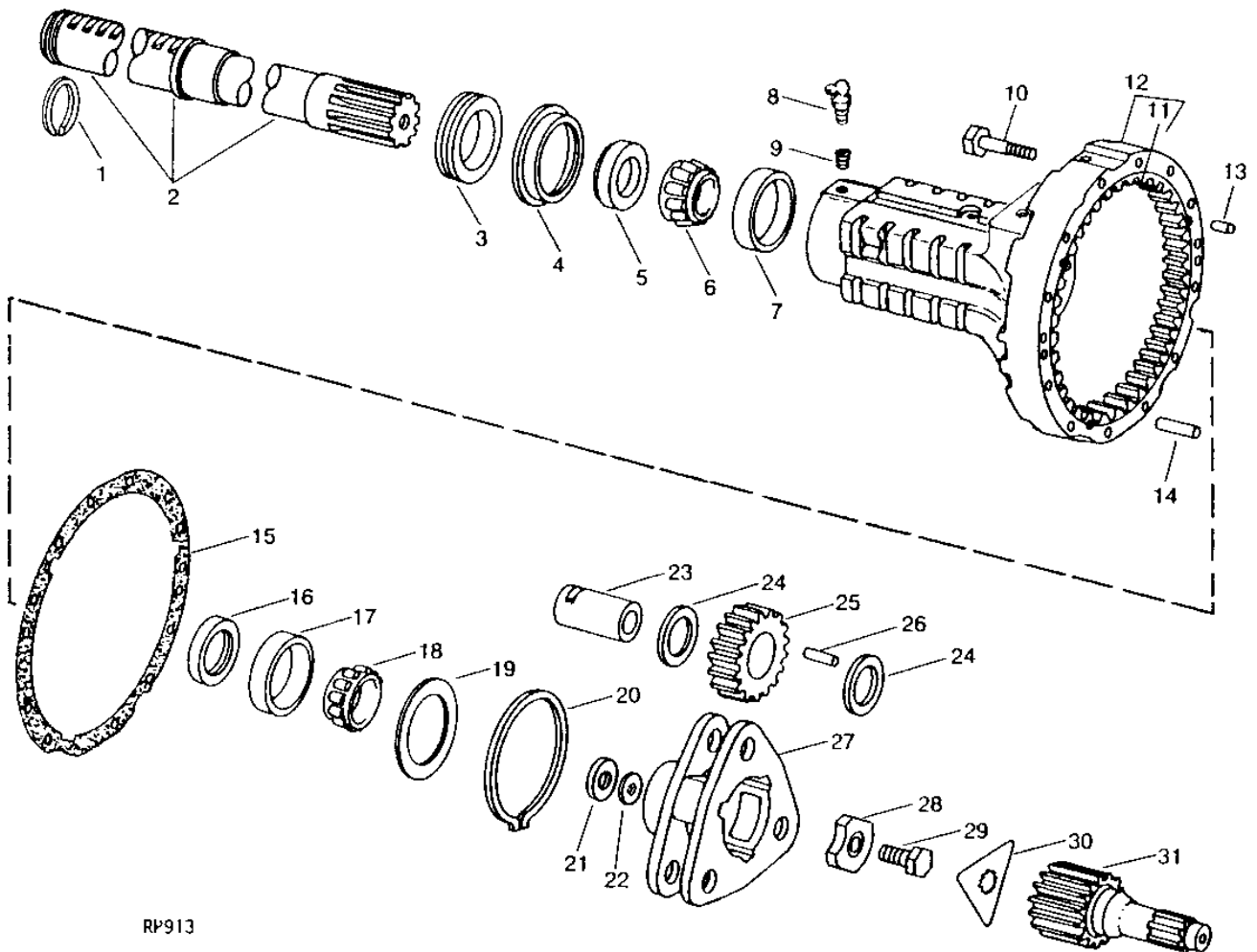
KEY	PART NO.	PART NAME	QTY	TRACTOR SERIAL NO.	REMARKS
1	JD9019	BEARING CONE	1		
2	R36881	RING	2		
3	AR88775	HOUSING	1		(MARKED R68165)
4	R99466	THRUST WASHER	2		(SUB FOR R72586)
5	R109489	BEVEL GEAR	1		
6	R67784	PINION	3		
7	R68167	WASHER	6		
8	R68166	THRUST WASHER	3		
9	R67782	SHAFT	3		
10	R57696	WASHER	3		
11	R89837	CAP SCREW	3		(SUB FOR R71309)
12	R55081	NEEDLE ROLLER	54		
13	R93019	HUB	1		
14	R112169	BEVEL GEAR	1		(SUB FOR R66317)
15	AR111163	KIT	1		(SUB FOR AR91055 OR AR101624) (ALSO ORDER JD8298, JD8962, R73274, R94631, (3) 34H311 AND R113732 OR R113733)
16	34H311	SPRING PIN	3		
17	R94631	COVER	1		
18	JD8962	BEARING CONE	1		
19	JD8298	BEARING CUP	1		
20	R73274	QUILL	1		

2D23

POWER TRAIN

RP913 -UN-16NOV94

PLANETARY AND REAR AXLE



RP913

2D24

POWER TRAIN

PLANETARY AND REAR AXLE - CONTINUED

KEY	PART NO.	PART NAME	QTY	TRACTOR SERIAL NO.	REMARKS
1	R53659	SNAP RING	1	XXXXXX-	
2	R53651	SHAFT	1		AXLE LENGTH 908MM (35.75") (SUB FOR R43228)
	R53652	SHAFT	1		AXLE LENGTH 1068MM (42.05") (SUB FOR R43400)
	R53653	SHAFT	1		AXLE LENGTH 1195MM (47.06") (SUB FOR R43529)
3	R35634	SEAL	1		(SUB AR68721 AND R57268)
	RE31702	SEAL	1		(SUB FOR AH93852)
4	R59074	OIL CUP	1		(SUB FOR R35002 OR R57268)
5	R63106	SPACER	1		(SUB FOR R35119 OR R53635)
6	JD8962	BEARING CONE	1		
	JD10003	BEARING CONE	1		(US)
7	JD8248	BEARING CUP	1		
8	JD7781	LUBRICATION FITTING	1		
9	15H639	PIPE BUSHING	1		1/4" X 1/8"
10	19H3168	CAP SCREW	AR		5/8" X 3-3/4", HS SAE 8 (13 USED DIFFERENTIAL LOCK) (14 USED LESS DIFFERENTIAL LOCK)
11	R47169	GEAR	1		
	R57616	GEAR	1		(58 TEETH) (SUB FOR R61678 OR RE13479) (USE WHEN R57614 OR R61711 HAS BEEN INSTALLED)
12	AR54738	HOUSING	1		(53 TEETH) (MARKED R50240 OR R58294) (SUB FOR AR43050)
13	T25317	DOWEL PIN	2		
14	R44961	DOWEL PIN	3		
15	R99394	GASKET	1		(SUB FOR R43227, R58295 OR R65308)
16	AR85311	SEAL	1		(SUB FOR R35735)
	AR98649	SEAL	1		(US) (SUB FOR AR87199)
17	JD8248	BEARING CUP	1		
18	JD8962	BEARING CONE	1		
	JD10003	BEARING CONE	1		(US)
19	R42529	SHIM	1		
20	R33029	SNAP RING	1		
21	R59439	SHIM	AR		0.13MM (.005")
	R59440	SHIM	AR		0.51MM (.020")
	R61461	SHIM	AR		0.08MM (.003")
22	F2380	WASHER	1		
23	R43015	SHAFT	3		
24	R43245	THRUST WASHER	6		(SUB R83096)
25	R43014	PINION	3		
	R57615	PLANET PINION	3		(USE WHEN R57614 OR R61711 HAS BEEN INSTALLED)
26	R43244	NEEDLE ROLLER	126		
27	R43001	PLANET PINION CARRIER	1		
28	R61771	RETAINER	1		(SUB FOR R35006 OR R46806)
29	R82175	CAP SCREW	1		(SUB FOR R26011 OR R60032)
30	R26012	LOCK PLATE	1		1" X 2", HS SAE 8
31	R43016	SHAFT	1		(13 TEETH) (SUB R113732)
	R57614	SHAFT	1		(A) (14 TEETH) (SUB R113733)
	R113733	SHAFT	1		(A) (14 TEETH) (SUB FOR R113733)
..	R72232	BALL	1		AXLE SHIM LEAD BALL (PKG OF 200) (SUB FOR AR94976)

(A) ALSO ORDER RE46334, (3) RE46328 AND R113741 IF NOT PREVIOUSLY INSTALLED

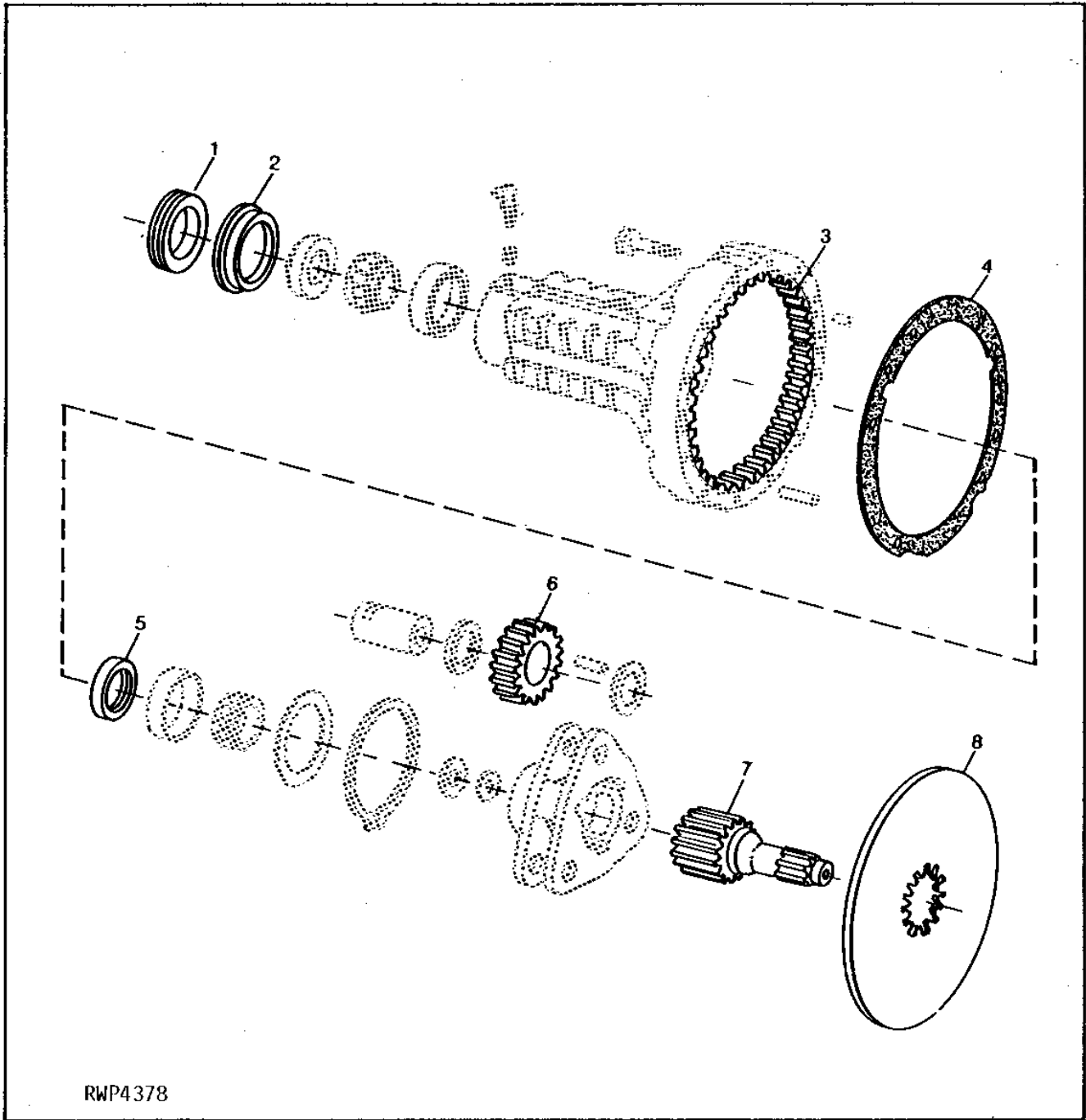
2E1

POWER TRAIN

RWP4378

-UN-01JAN94

HIGH PRESSURE ANGLE FINAL DRIVE KIT



9

2E2

POWER TRAIN

HIGH PRESSURE ANGLE FINAL DRIVE KIT - CONTINUED

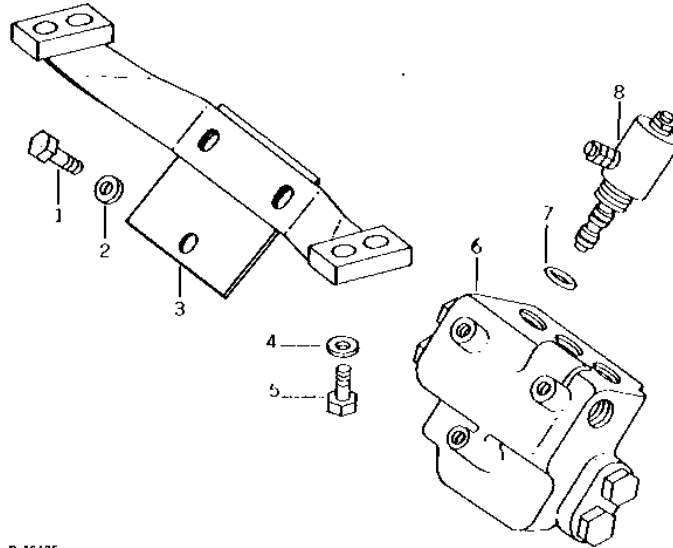
KEY	PART NO.	PART NAME	QTY	TRACTOR SERIAL NO.	REMARKS
1	RE31702	SEAL	2		(SUB FOR AR68721 OR AH93852)
2	R59074	OIL CUP	2		(SUB FOR R35002 OR R57268)
3	R57616	GEAR	2		(SUB FOR R61678 OR RE13479)
4	R99394	GASKET	2		(SUB FOR R65308)
5	AR98649	SEAL	2		
6	R57615	PLANET PINION	6		
7	R113733	SHAFT	2		(SUB FOR R61711)
8	R113741	BRAKE DISK	2		(SUB FOR R61712, R91826 OR R97801) (ALSO ORDER RE46334 AND (3) RE46328)
9	RE41242	KIT	1		(SUB FOR AR80297 OR RE13478)

2E3

POWER TRAIN

R16106 -UN-01JAN94

DIRECTIONAL CONTROL VALVE AND SUPPORT (POWER FRONT WHEEL DRIVE)



R 16106

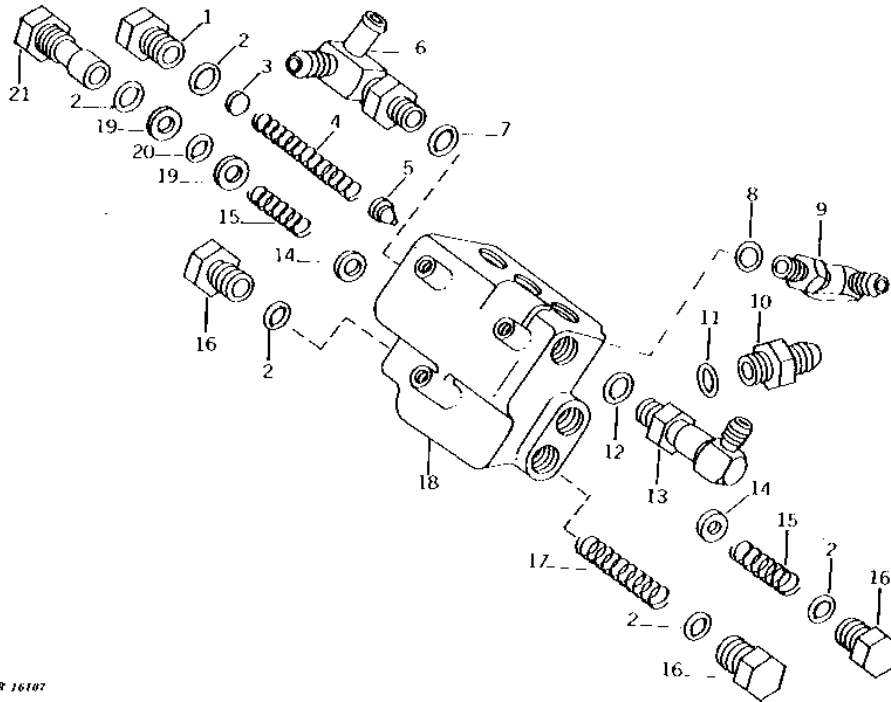
KEY	PART NO.	PART NAME	QTY	TRACTOR SERIAL NO.	REMARKS
1	19H1944	CAP SCREW	1	3/8" X 2-3/4"	
	19H2552	CAP SCREW	2	3/8" X 1-1/8"	
2	24H1309	WASHER	3	13/32" X 1-1/16" X 0.120"	
3	AR49231	BRACKET	1		
4	24H1325	WASHER	4	15/32" X 59/64" X 0.065"	
5	19H2731	CAP SCREW	4	7/16" X 1-3/8"	
6	AR81936	VALVE	1	(SUB FOR AR45341 OR AR49420)	
7	U12547	O-RING	3		
8	AR81175	SOLENOID VALVE	3	(SUB FOR AR48901, AR53046 OR AR70920)	

2E4

POWER TRAIN

R16107 -UN-01JAN94

DIRECTIONAL CONTROL VALVE PARTS (POWER FRONT WHEEL DRIVE)



R 16107

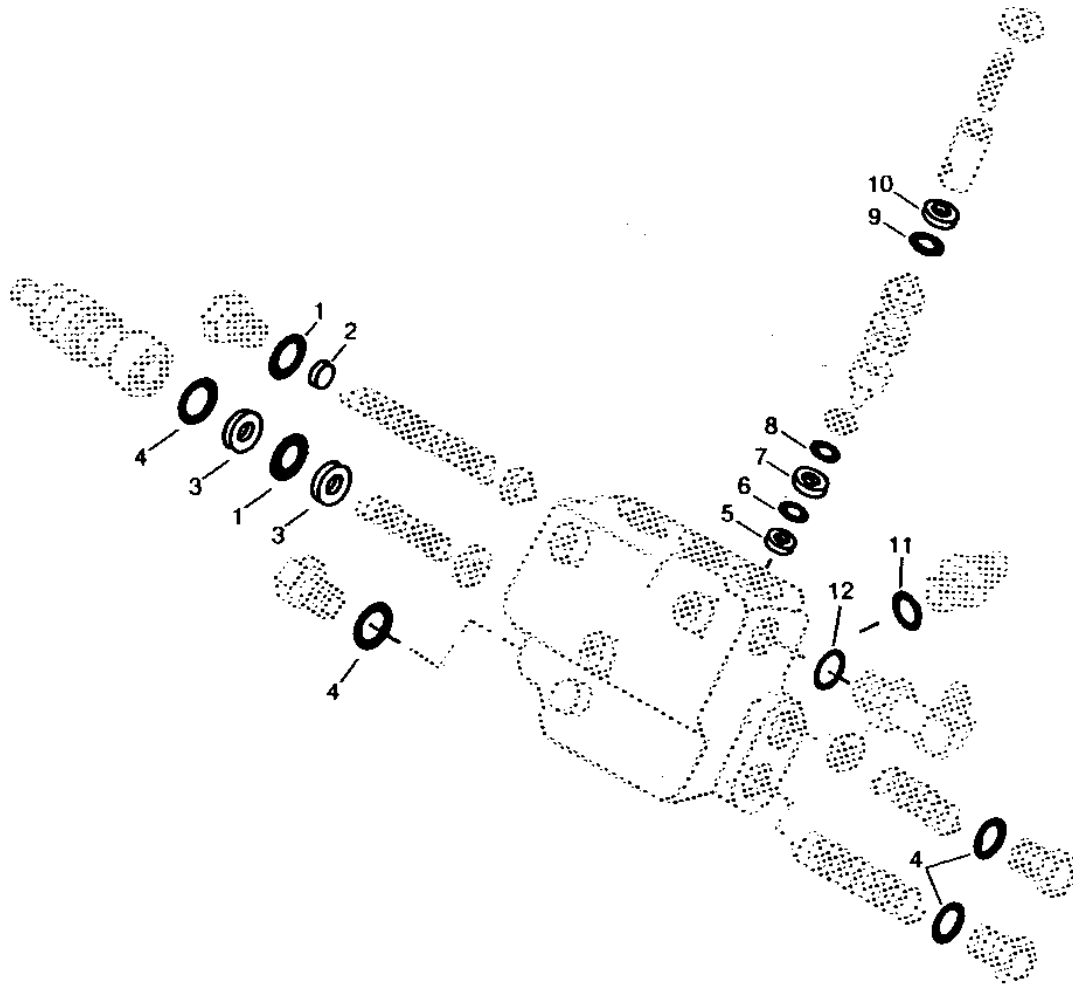
KEY	PART NO.	PART NAME	QTY	TRACTOR SERIAL NO.	REMARKS
1	R45179	FITTING	1		
2	P47908	O-RING	1		
3	T14587	SHIM	AR		0.61MM (.024")
4	R45183	SPRING	1		
5	R45176	ORIFICE	1		PRIORITY VALVE
6	AR49132	TEE FITTING	1	-012940	L.H. (SUB AR54694, R39112 AND R26375)
	AR54694	TEE FITTING	1	012941-	L.H.
7	U17409	O-RING	1		
8	R26375	O-RING	1		
9	AT32332	ELBOW FITTING	1		(SUB FOR AR26763)
10	R27267	FITTING	4		
11	F3171R	O-RING	4		
12	U17409	O-RING	1		
13	AR44384	ELBOW FITTING	1	-012940	R.H.
	AR53562	TEE FITTING	1	012941-	R.H.
14	R45184	WASHER	2		
15	R45182	SPRING	2		
16	R45177	FITTING	3		
17	R45181	SPRING	1		
18	AR81936	VALVE	1		DIRECTIONAL CONTROL, (SUB FOR AR45341 OR AR49420)
19	U40727	BACK-UP RING	2		
20	P47908	O-RING	1		
21	R45178	PLUG	1		DIRECTIONAL PORT

2E5

POWER TRAIN

RWP6372 -UN-12OCT94

CONTROL VALVE OVERHAUL KIT
(POWER FRONT WHEEL DRIVE)



RWP6372

2E6

POWER TRAIN

CONTROL VALVE OVERHAUL KIT - CONTINUED (POWER FRONT WHEEL DRIVE)

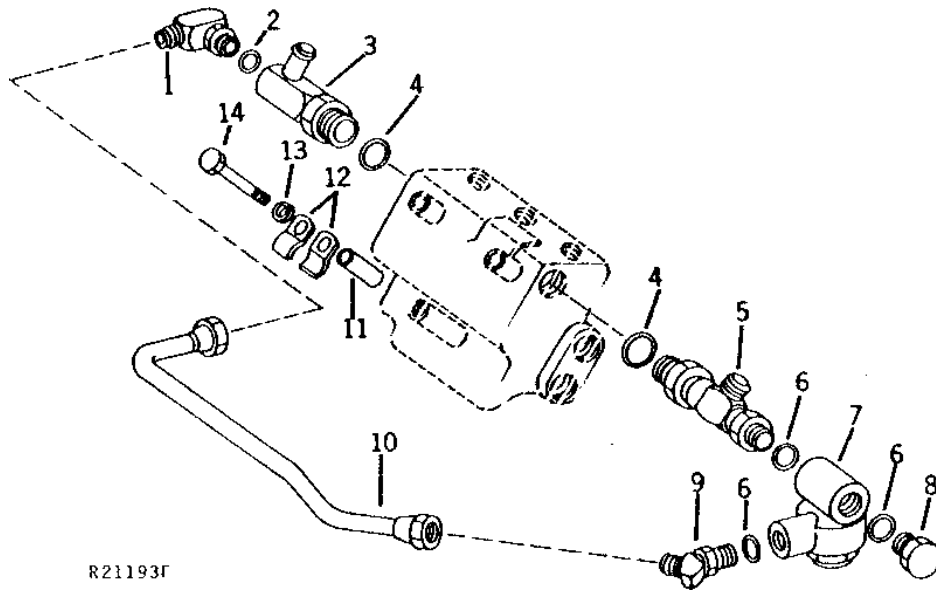
KEY	PART NO.	PART NAME	QTY	TRACTOR SERIAL NO.	REMARKS
1	P47908	O-RING	2		
2	T14587	SHIM	1	0.61MM (.024")	
3	U40727	BACK-UP RING	2		
4	32240	O-RING	3		
5	R42926	BACK-UP RING	1		
6	R45186	O-RING	1		
7	R45187	BACK-UP RING	1		
8	R45638	O-RING	1		
9	N31772	O-RING	1		
10	R46702	BACK-UP RING	1		
11	F3171R	O-RING	4		
12	U17409	O-RING	2		
13	AR48904	KIT	1		

2E7

POWER TRAIN

**PRESSURE RELIEF VALVE AND BYPASS LINE
(POWER FRONT WHEEL DRIVE)
(TRACTOR SERIAL NO. 012941-)**

R21193 -UN-01JAN94



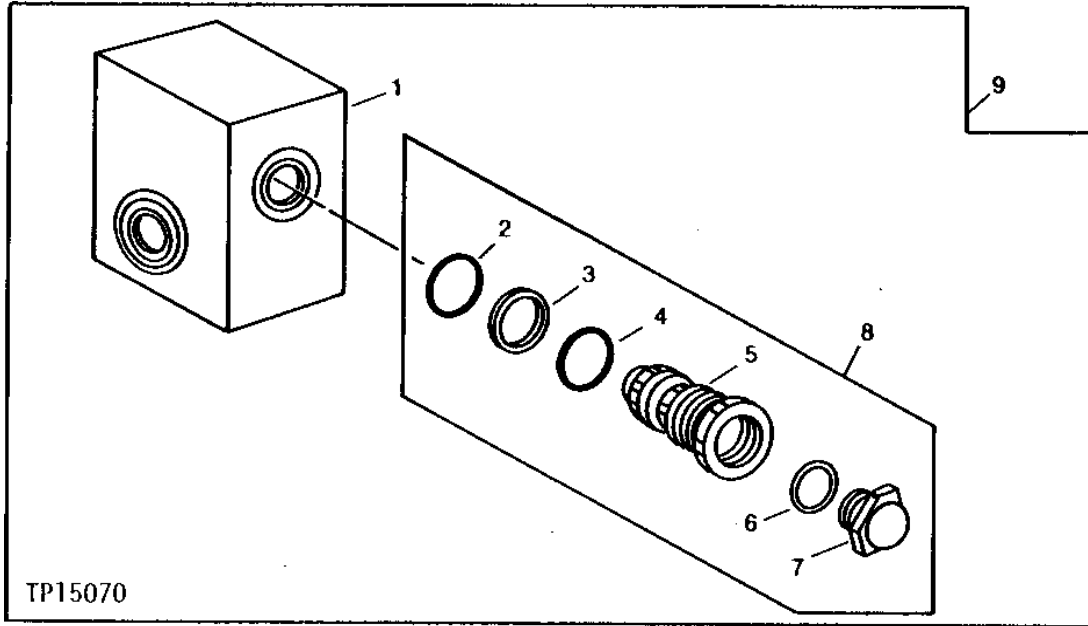
KEY	PART NO.	PART NAME	QTY	TRACTOR SERIAL NO.	REMARKS
1	AR30110	ELBOW FITTING	1		
2	R26375	O-RING	1		
3	AR54694	TEE FITTING	1		
4	U17409	O-RING	2		
5	AR53562	TEE FITTING	1		
6	R26906	O-RING	3		
7	AT30373	RELIEF VALVE	1		
8	R27474	DRAIN PLUG	1		
9	AT32338	FITTING	1		(SUB FOR AR26828)
10	AR53564	OIL LINE	1		
11	28H3380	SPACER	1		3/8" X 1-5/8"
12	R35726	CLAMP	2		
13	24M7096	WASHER	1		10.500 X 18 X 1.600 MM
14	19H1944	CAP SCREW	1		3/8" X 2-3/4"

2E8

POWER TRAIN

TP15070 -UN-01JAN94

REPLACEMENT RELIEF VALVE



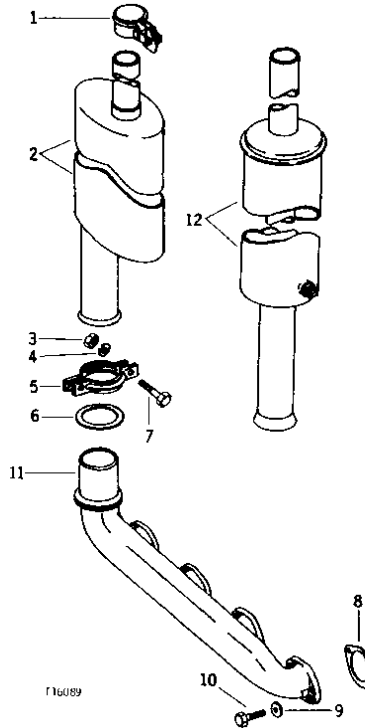
KEY	PART NO.	PART NAME	QTY	SERIAL NO.	REMARKS
1	VALVE	1	(SUB AT30373)	
2	T77072	O-RING	1		
3	T75972	BACK-UP RING	1		
4	U15242	O-RING	1		
5	RELIEF VALVE	1	(SUB AT80421)	
6	W19903	O-RING	1		
7	CAP	1	(SUB AT80421)	
8	AT80421	VALVE	1		
9	AT30373	RELIEF VALVE	1		

2E9

POWER TRAIN

R16089 -UN-01JAN94

HYDRAULIC LINE SHIELD (POWER FRONT WHEEL DRIVE)



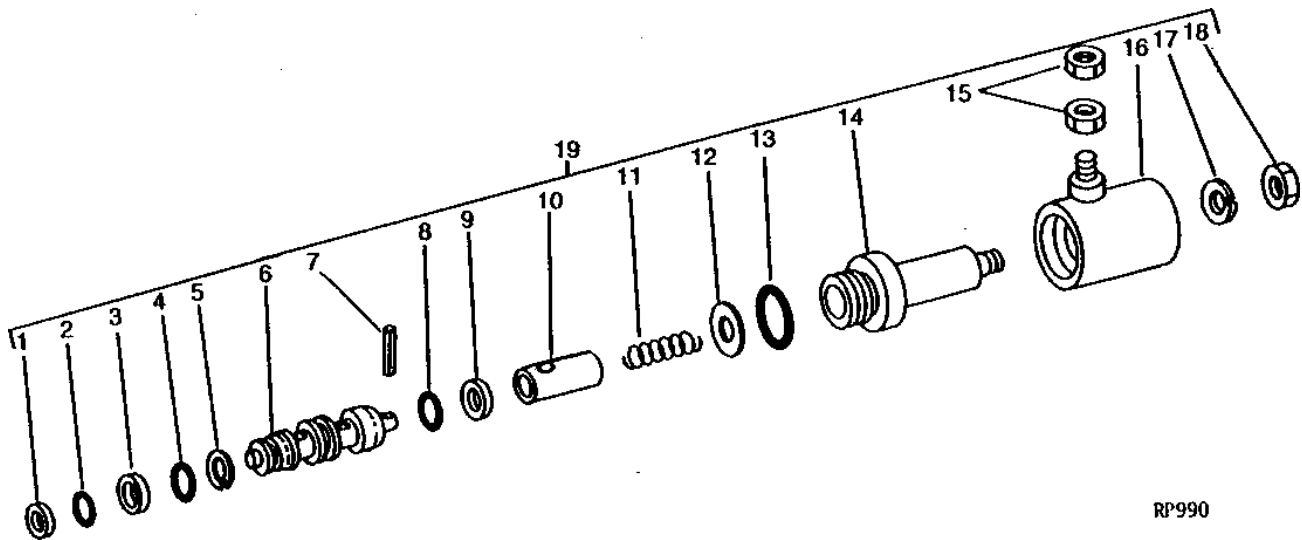
KEY	PART NO.	PART NAME	QTY	TRACTOR SERIAL NO.	REMARKS
1	R46899	GUARD	1		
2	AR49209	GUARD	1		
3	14H794	NUT	2	3/4"	
4	R46898	GUARD	1		
5	19H2284	CAP SCREW	8	3/8" X 7/8"	
	12H304	LOCK WASHER	8	3/8"	
6	19H1988	CAP SCREW	2	3/4" X 6"	
7	24H1392	WASHER	2	25/32" X 1-3/8" X 0.120"	

2E10

POWER TRAIN

RP990 -UN-01JAN94

SOLENOID (POWER FRONT WHEEL DRIVE)



RP990

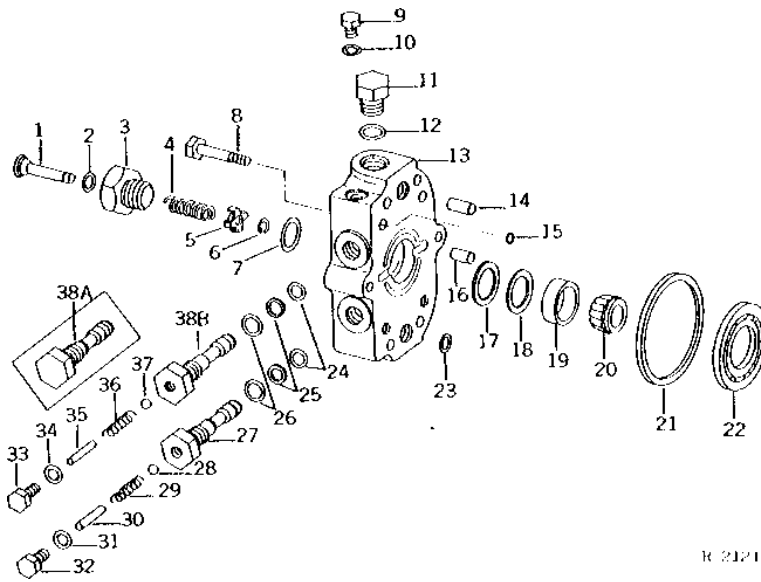
KEY	PART NO.	PART NAME	QTY	TRACTOR SERIAL NO.	REMARKS
1	R42926	BACK-UP RING	1		
2	R45186	O-RING	1		
3	R45187	BACK-UP RING	1		
4	R45638	O-RING	1		
5	R46701	SNAP RING	1		
6	AR70921	SLEEVE	1	-XXXXXX	(SUB FOR AR48902) (SUB AR81176) (ALSO ORDER R58884)
	AR81176	VALVE SPOOL	1	XXXXXX-	
7	34H227	SPRING PIN	1		3/32" X 1/2"
8	N31772	O-RING	1		
9	R46702	BACK-UP RING	1		
10	R45250	PLUNGER	1	-XXXXXX	(SUB AR81176 AND R58884)
	R58884	PLUNGER	1	XXXXXX-	
11	R64698	SPRING	1		(SUB FOR R45251) (ALSO ORDER R64697, IF NOT PREVIOUSLY INSTALLED)
12	R64697	SHIM	1		(USE WITH TUBE MARKED WITH A "V")
13	U12547	O-RING	1		
14	AR48903	GUIDE	1		
15	14H605	NUT	2		0.164"
16	AR70922	ELECTRICAL COIL	1		(SUB FOR AR47180 OR AR53047)
17	12H297	LOCK WASHER	1		1/4"
18	14H786	NUT	1		1/4"
19	AR81175	SOLENOID VALVE	1		(SUB FOR AR48901, AR53046 OR AR70920)

2E11

POWER TRAIN

R21218 -UN-01JAN94

WHEEL MANIFOLD (POWER FRONT WHEEL DRIVE)



R 21218

2E12

POWER TRAIN

WHEEL MANIFOLD - CONTINUED (POWER FRONT WHEEL DRIVE)

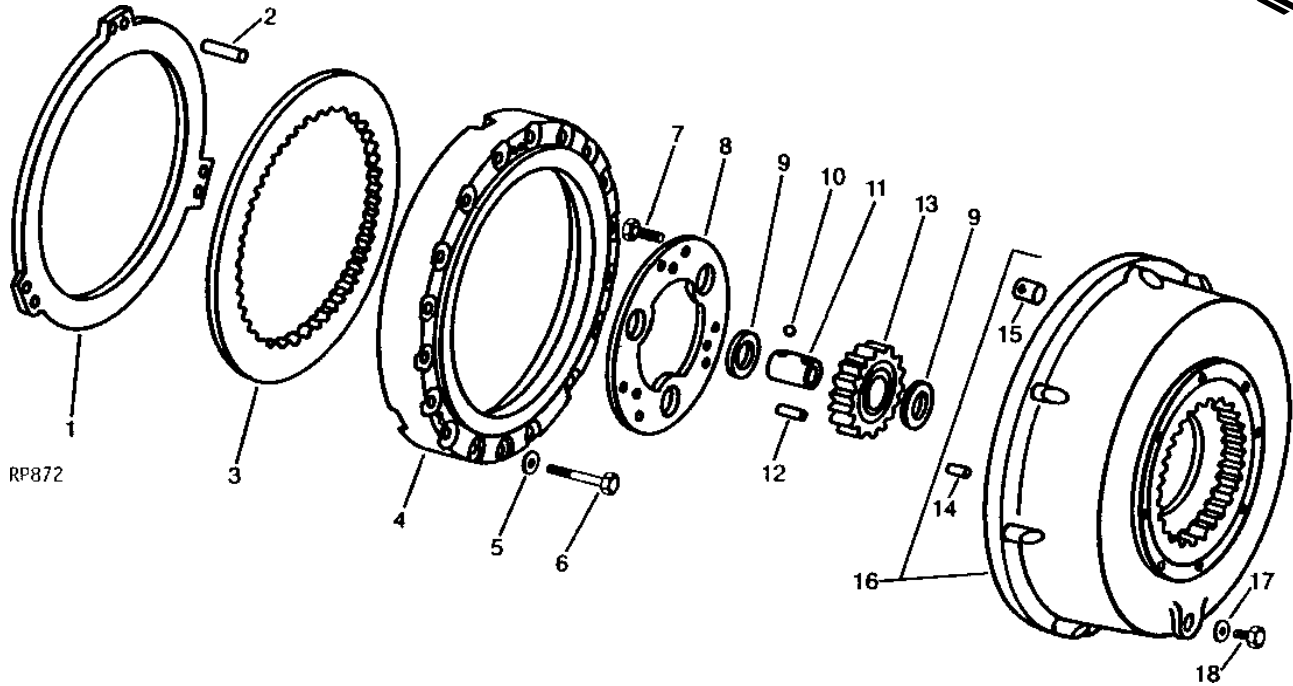
KEY	PART NO.	PART NAME	QTY	TRACTOR SERIAL NO.	REMARKS
1	R45357	VALVE	1		PRESSURE RELIEF, (SUB R62512 AND R62513)
2	P46051	O-RING	1		
3	R45356	PRESSURE RELIEF FITTING	1		
4	R45358	SPRING	1		
5	R45359	RETAINER	1		
6	R40638	SNAP RING	1		
7	F3171R	O-RING	1		
8	19H3181	CAP SCREW	6		3/8" X 2"
9	R27216	DRAIN PLUG	1		(SUB FOR R31631)
10	R26287	O-RING	1		
11	R39112	FITTING	2		
12	R26375	O-RING	2		
13	R42468	MANIFOLD	1		
14	R28671	DOWEL PIN	2		
15	R42878	WASHER	1		
16	R42882	DOWEL PIN	1		
17	R42819	SHIM	AR		0.08MM (.003")
18	R42820	SHIM	AR		0.25MM (.010")
19	JD8293	BEARING CUP	1		
20	JD9030	BEARING CONE	1		
21	R42880	PACKING	1		
22	R42818	PLATE	1		
23	R42879	WASHER	2		
24	R42926	BACK-UP RING	2		
25	R28776	O-RING	2		
26	R26375	O-RING	2		
27	R42925	HOUSING	1		CHECK VALVE
28	400R	BALL	1		6MM (1/4")
29	R26421	SPRING	1		
30	34H252	SPRING PIN	1		1/8" X 1-1/4"
31	R26287	O-RING	1		
32	R27216	DRAIN PLUG	1		
33	R27216	DRAIN PLUG	1		
34	R26287	O-RING	1		
35	34H252	SPRING PIN	1		1/8" X 1-1/4"
36	R54174	SPRING	1		
37	400R	BALL	1		6MM (1/4")
38A	R42924	PLUG	1		(SUB 400R, R26287, R27216, R54173, R54174 AND 34H252)
38B	R54173	HOUSING	1		CHECK VALVE

2E13

POWER TRAIN

SECOND PLANET PINION, PLANETARY HOUSING, AND BRAKE PLATES (POWER FRONT WHEEL DRIVE)

RP872 -UN-19OCT94



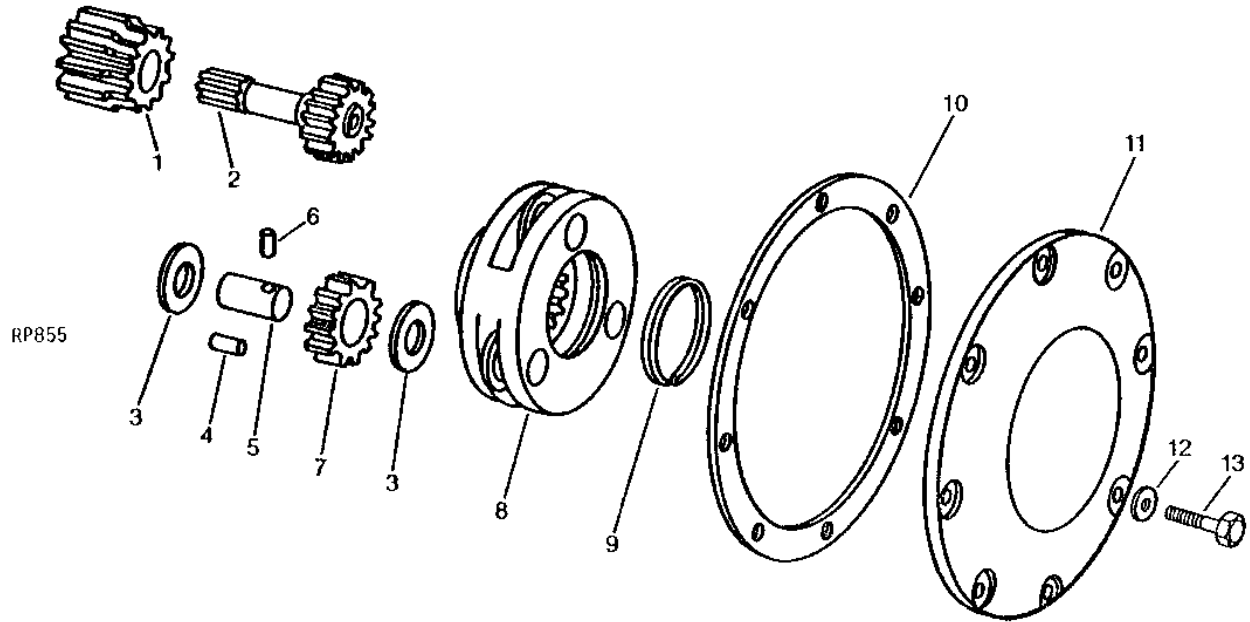
KEY	PART NO.	PART NAME	QTY	TRACTOR SERIAL NO.	REMARKS
1	R47142	PLATE	1		
2	R42762	SPRING	6		
3	R42516	GEAR	1		
4	R47141	PLATE	1		
5	R42729	WASHER	18		
6	19H268	CAP SCREW	18	3/8" X 2-1/2"	
7	19H2284	CAP SCREW	6	3/8" X 7/8"	
8	R42333	RETAINER	1		
9	R42931	THRUST WASHER	6		
10	H871R	BALL	6	5MM (3/16")	
11	R42932	PIN	3		
12	R42883	NEEDLE ROLLER	66		
13	R42518	PINION	3		
14	R28671	DOWEL PIN	3		
15	R1612R	DOWEL PIN	2		
16	AR48527	HOUSING	1		
17	R26375	O-RING	1		
18	R39112	FITTING	1		

2E14

POWER TRAIN

FIRST PLANET PINION, CARRIER, AND COVER (POWER FRONT WHEEL DRIVE)

RP855 -UN-01JAN94



KEY	PART NO.	PART NAME	QTY	TRACTOR SERIAL NO.	REMARKS
1	R42734	PINION	1		
2	R46708	PINION	1	(14 TEETH)	
3	R42929	THRUST WASHER	6		
4	R42884	NEEDLE ROLLER	51		
5	R42930	PIN	3		
6	B2641R	DOWEL PIN	3		
7	R46709	PINION	3		
8	R42519	PLANET PINION CARRIER	1		
9	R44013	SNAP RING	1		
10	R42764	GASKET	1		
11	R42968	COVER	1		
12	R42729	WASHER	8		
13	19H2552	CAP SCREW	8	3/8" X 1-1/8"	

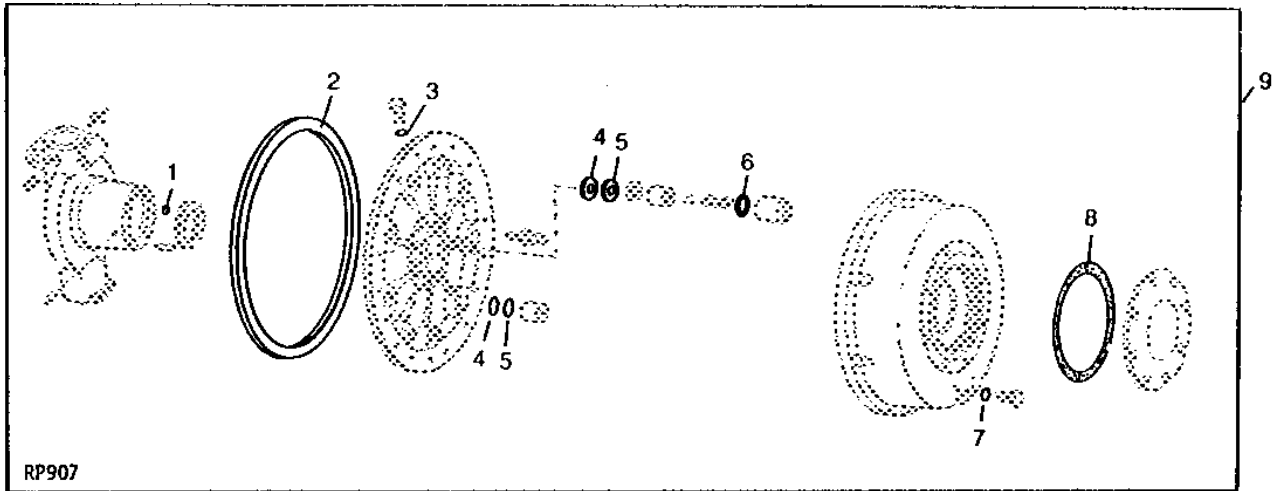
MEMORANDA

2E15

POWER TRAIN

BRAKE PISTON SEAL KIT (POWER FRONT WHEEL DRIVE)

RP907 -UN-01JAN94



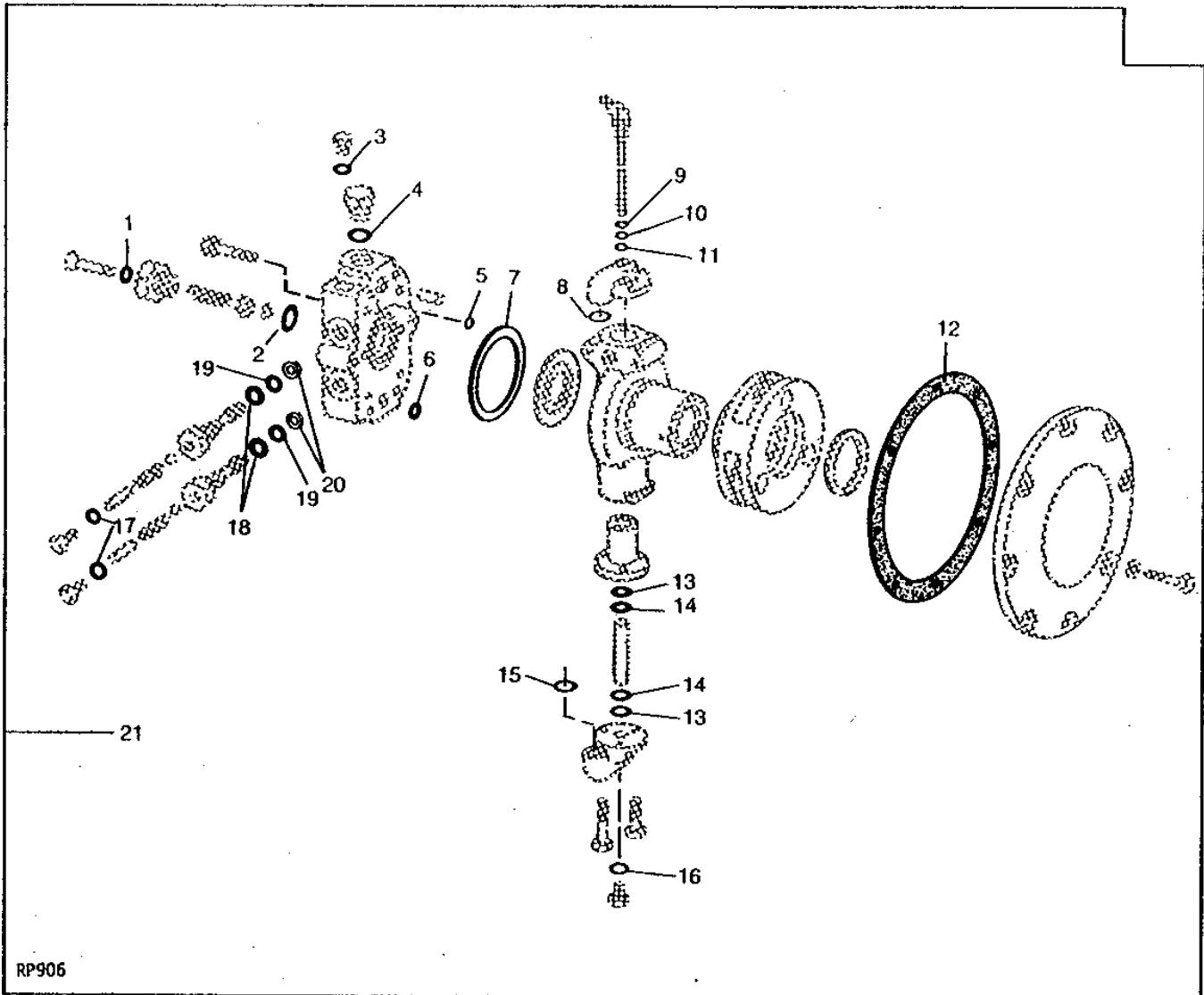
KEY	PART NO.	PART NAME	QTY	TRACTOR SERIAL NO.	REMARKS
1	R27490	O-RING	2		
2	R42877	PACKING	1		
3	R26287	O-RING	1		
4	R29354	O-RING	9	(SUB FOR R42763)	
5	R35473	BACK-UP RING	9	(SUB R29354)	
6	R34404	O-RING	1	(SUB P48347)	
7	R26375	O-RING	1		
8	R42764	GASKET	1		
9	AR63930	KIT	1		

2E16

POWER TRAIN

MANIFOLD AND PIVOT PIN SEAL KIT (POWER FRONT WHEEL DRIVE)

RP906 -UN-01JAN94



RP906

2E17

POWER TRAIN

MANIFOLD AND PIVOT PIN SEAL KIT - CONTINUED
(POWER FRONT WHEEL DRIVE)

KEY	PART NO.	PART NAME	QTY	TRACTOR SERIAL NO.	REMARKS
1	R62513	O-RING	1		(SUB FOR P46051, THIS APPLICATION)
2	F3171R	O-RING	1		
3	R26287	O-RING	1		
4	R26375	O-RING	2		
5	R42878	WASHER	1		
6	R42879	WASHER	2		
7	R42880	PACKING	1		
8	F3171R	O-RING	1		
9	R61462	RING	1		(SUB FOR R26448, THIS APPLICATION)
10	R61463	BACK-UP RING	1		(SUB FOR R10093, THIS APPLICATION)
11	R26448	O-RING	1		(SUB FOR R44778, THIS APPLICATION)
12	R42764	GASKET	1		
13	R42975	O-RING	4		(SUB U11647)
14	R44979	BACK-UP RING	4		(SUB R73102)
15	F3171R	O-RING	1		
16	R26448	O-RING	1		
17	R26287	O-RING	2		
18	R26375	O-RING	2		
19	R28776	O-RING	2		
20	R42926	BACK-UP RING	2		
21	AR63929	KIT	1		(SUB FOR AR61857)

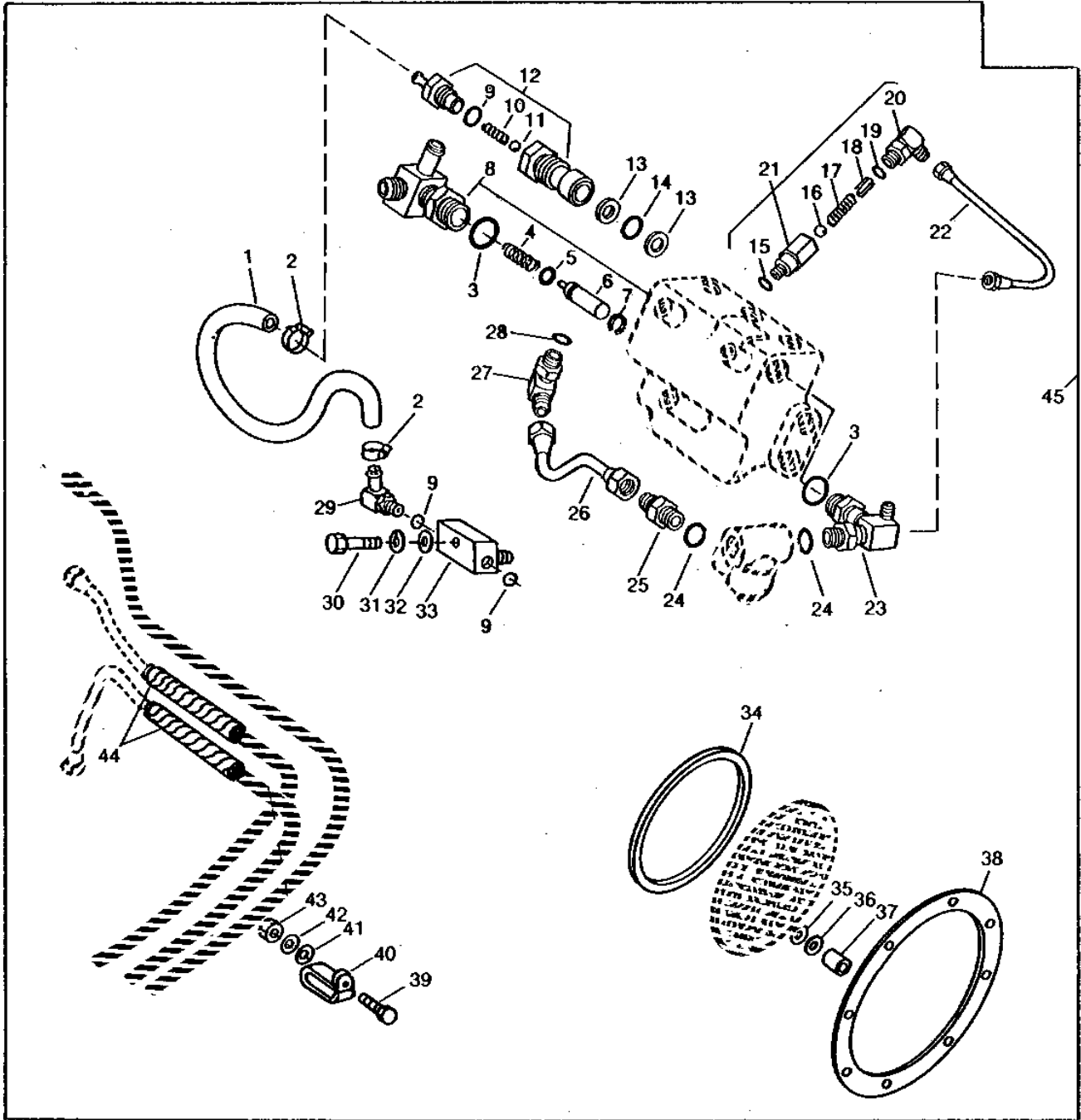
2E18

POWER TRAIN

RXP8621

-UN-01JAN94

POWER FRONT WHEEL DRIVE IMPROVEMENT KIT



RXP8621

2E19

POWER TRAIN

POWER FRONT WHEEL DRIVE IMPROVEMENT KIT - CONTINUED

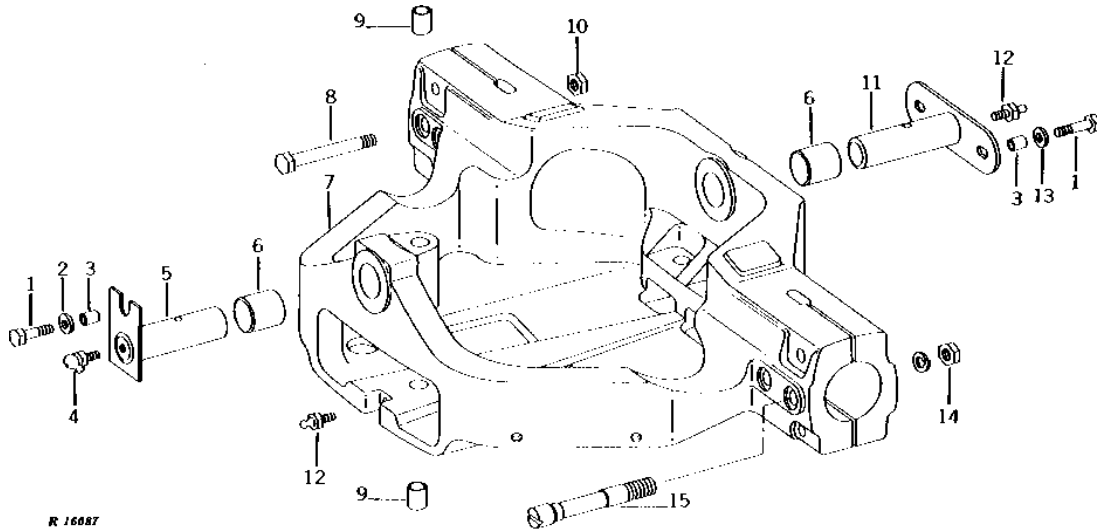
KEY	PART NO.	PART NAME	QTY	TRACTOR SERIAL NO.	REMARKS
1	R66067	HYDRAULIC HOSE	1		
2	AR48236	CLAMP	2		(SUB TY22462)
3	U17409	O-RING	2		
4	F3463R	SPRING	1		
5	R45638	O-RING	1		
6	R64491	VALVE	1		
7	B474R	SNAP RING	1		
8	AR80591	TEE FITTING	1		
9	R26448	O-RING	3		
10	A4816R	SPRING	1		
11	R26552	BALL	1		8MM (5/16")
12	AR81968	BLEED VALVE	1		
13	U40727	BACK-UP RING	2		
14	P47908	O-RING	2		
15	R26286	O-RING	1		
16	R42849	BALL	1		10MM (3/8")
17	R227R	SPRING	1		
18	R55458	GUIDE	1		
19	R26448	O-RING	1		
20	AR58184	ELBOW FITTING	1		
21	AR85464	CHECK VALVE	1		
22	AR85463	LINE	1		CHECK VALVE TO CONTROL VALVE
23	AR86975	TEE FITTING	1		(SUB FOR AR81935) (ALSO ORDER R36929)
24	R26906	O-RING	3		
25	R31665	FITTING	1		
26	AR56611	HYDRAULIC LINE	1		OIL BYPASS
27	AT32332	ELBOW FITTING	1		
28	R26375	O-RING	1		
29	AR85574	ELBOW FITTING	1		
30	19H1765	CAP SCREW	1		3/8" X 1-3/4"
31	12H304	LOCK WASHER	1		3/8"
32	24M7096	WASHER	1		10.500 X 18 X 1.600 MM
33	AR80595	FITTING	1		
34	R42877	PACKING	1		
35	R29354	O-RING	9		(SUB FOR R42763)
36	R35473	BACK-UP RING	9		(SUB R73101, THIS APPLICATION)
37	R42927	PISTON	9		
38	R42764	GASKET	1		
39	19H2021	CAP SCREW	4		3/8" X 5/8"
40	R65207	CLAMP	4		
41	12H304	LOCK WASHER	4		3/8"
42	24H1305	WASHER	4		13/32" X 13/16" X 0.065"
43	14H1076	NUT	4		3/8"
44	R72341	HOSE GUARD	4		(SUB FOR R67366)
45	KIT	1		(NLA)

2E20

POWER TRAIN

R16087 -UN-01JAN94

AXLE HOUSING (POWER FRONT WHEEL DRIVE)



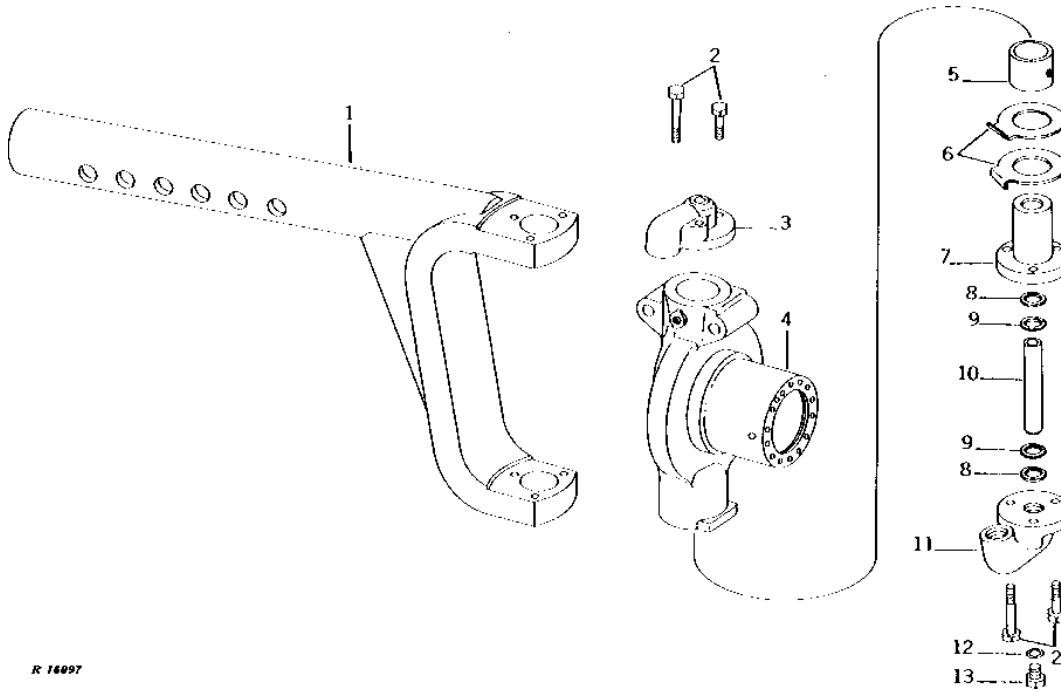
KEY	PART NO.	PART NAME	QTY	TRACTOR SERIAL NO.	REMARKS
1	19H2511	CAP SCREW	3		1/2" X 1-7/8"
2	T23891	WASHER	1		
3	R36728	BUSHING	3		
4	JD7781	LUBRICATION FITTING	1		
5	AR43039	PIN	1		
6	R35389	BUSHING	2		
7	AR49250	HOUSING	1		(MARKED R46782)
8	19H1988	CAP SCREW	2		3/4" X 6", (LOWER)
	19H2000	CAP SCREW	2		3/4" X 5", (UPPER)
9	R43199	BUSHING	4		
10	14H794	NUT	4		3/4"
11	AR43038	PIN	1		
12	JD7759	LUBRICATION FITTING	2		
13	24H1272	WASHER	2		9/16" X 1-1/4" X 1/4"
14	14H854	NUT	2		1"
	12H234	LOCK WASHER	2		1"
15	R40198	BOLT	2		

2E21

POWER TRAIN

R16097 -UN-01JAN94

MOTOR HOUSING AND KNEE (POWER FRONT WHEEL DRIVE)



R 16097

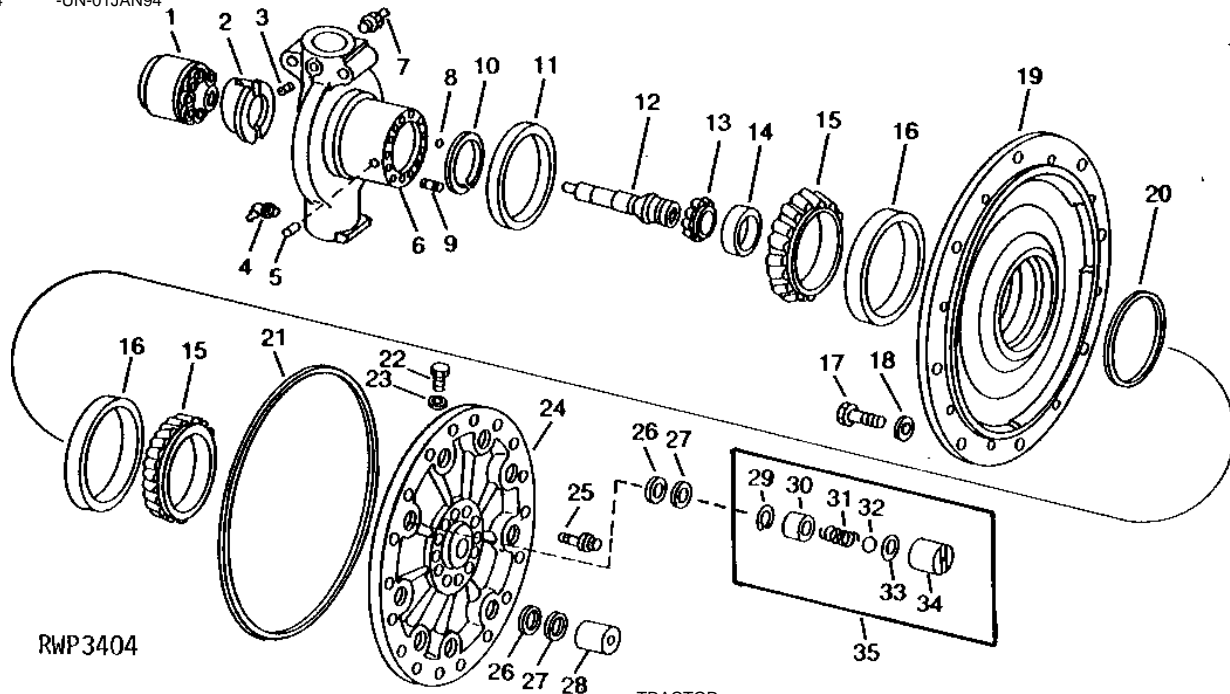
KEY	PART NO.	PART NAME	QTY	TRACTOR SERIAL NO.	REMARKS
1	AR43983	AXLE	1	R.H.	
	AR43984	AXLE	1	L.H.	
2	19H988	CAP SCREW	2	3/8" X 1-1/4"	
	19H1726	CAP SCREW	4	3/8" X 2-1/4"	
3	R42885	COVER	2	(UPPER R.H. AND LOWER L.H.)	
4	AR86538	HOUSING	1	(MARKED R42332) (SUB FOR AR45414) (ALSO ORDER (2) R66650)	
5	R42821	BUSHING	2		
6	R61514	THRUST WASHER	4	(SUB FOR R42973)	
7	R42887	PIN	2		
8	R42975	O-RING	4	(SUB U11647)	
9	R44979	BACK-UP RING	4	(SUB R73102)	
10	R42974	BUSHING	2		
11	R42886	COVER	2	(UPPER L.H. AND LOWER R.H.)	
12	R26448	O-RING	1		
13	R27218	FITTING PLUG	1		

2E22

POWER TRAIN

RWP3404 -UN-01JAN94

WHEEL HUB, MOTOR, AND HOUSING (POWER FRONT WHEEL DRIVE)



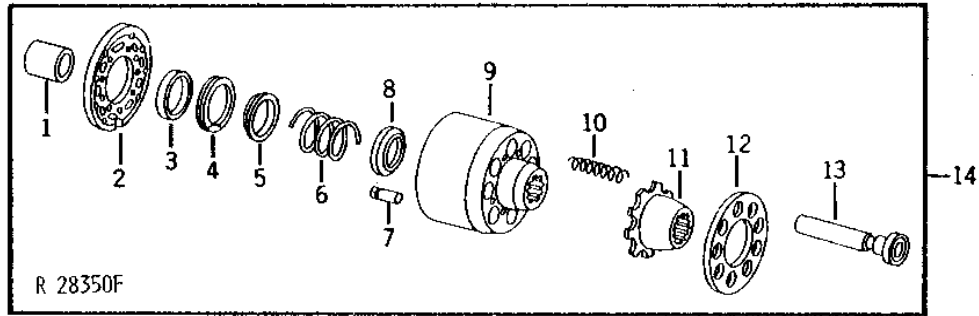
KEY	PART NO.	PART NAME	QTY	TRACTOR SERIAL NO.	REMARKS
1	AR73212	CYLINDER BLOCK	1		(SUB FOR AR45034)
2	R42817	SWASH PLATE	1		
3	15H558	PIPE PLUG	1		1/8"
4	JD7781	LUBRICATION FITTING	1		
5	R42881	DOWEL PIN	1		
6	AR86538	HOUSING	1		(MARKED R42332) (SUB FOR AR45414) (ALSO ORDER (2) R66650)
7	JD7759	LUBRICATION FITTING	1		
8	R27490	O-RING	1		
9	R36666	DOWEL PIN	2		
10	R45569	SNAP RING	1		
11	AR77224	SEAL	1		(SUB FOR AR47137)
12	R42735	SHAFT	1		
13	JD9029	BEARING CONE	1		
14	JD7403	BEARING CUP	1		
15	JD9028	BEARING CONE	2		
16	JD8292	BEARING CUP	2		
17	19H1800	CAP SCREW	8		3/8" X 1-1/2"
18	R42729	WASHER	8		
19	R41958	HUB	1		
20	R42765	SHIM	AR		0.08MM (.003")
	R48811	SHIM	AR		0.13MM (.005")
	R42766	SHIM	AR		0.25MM (0.10")
21	R42877	PACKING	1		
22	R27216	DRAIN PLUG	1		(SUB FOR R31631)
23	R26287	O-RING	1		
24	AR44376	HOUSING	1		
25	R42969	BOLT	12		(SUB FOR R42763)
26	R29354	O-RING	9		
27	R35473	BACK-UP RING	9		
28	R42927	PISTON	9		
29	R33282	SNAP RING	1		
30	R54172	PLUNGER	1		(SUB AR78303)
31	R59860	SPRING	1		(SUB FOR R27730)
32	R26552	BALL	1		8MM (5/16")
33	R34404	O-RING	1		(SUB P48347)
34	R54171	PISTON	1		(SUB AR78303)
35	AR78303	PISTON	1		PISTON PLANET BRAKE BLEED VALVE AND OIL MANIFOLD UPPER CHECK VALVE, (SUB FOR AR61857)

2E23

POWER TRAIN

R28350 -UN-01JAN94

MOTOR CYLINDER BLOCK PARTS (POWER FRONT WHEEL DRIVE)



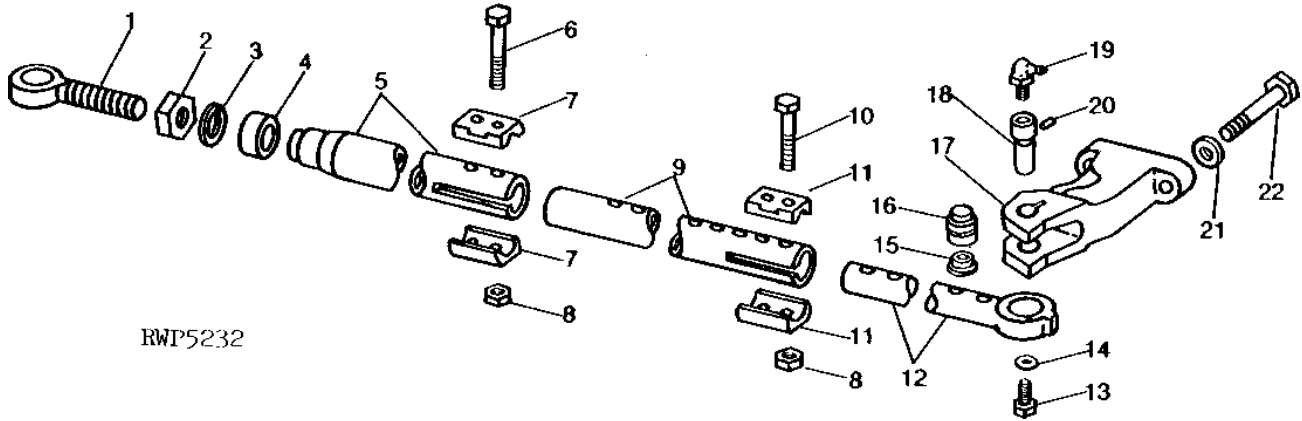
KEY	PART NO.	PART NAME	QTY	TRACTOR SERIAL NO.	REMARKS
1	R44415	BUSHING	1		
2	R44406	PLATE	1		
3	R44417	WASHER	1		
4	N107859	SNAP RING	1		
5	R44414	RETAINER	1		
6	R44409	SPRING	1		
7	R44416	DOWEL PIN	1		
8	R44412	SEAT	1		
9	AR45781	CYLINDER BLOCK	1	(SUB AR73212)	
10	AR73214	SPRING	1	(PKG OF 6) (SUB FOR R44411) (SUB R60428)	
11	R44408	GUIDE	1		
12	R44407	RETAINER	1		
13	AR45782	PISTON	1		
14	AR73212	CYLINDER BLOCK	1	(SUB FOR AR45034)	

2E24

POWER TRAIN

RWP5232 -UN-01JAN94

STEERING ARMS, BELL CRANK AND TIE RODS (POWER FRONT WHEEL DRIVE)

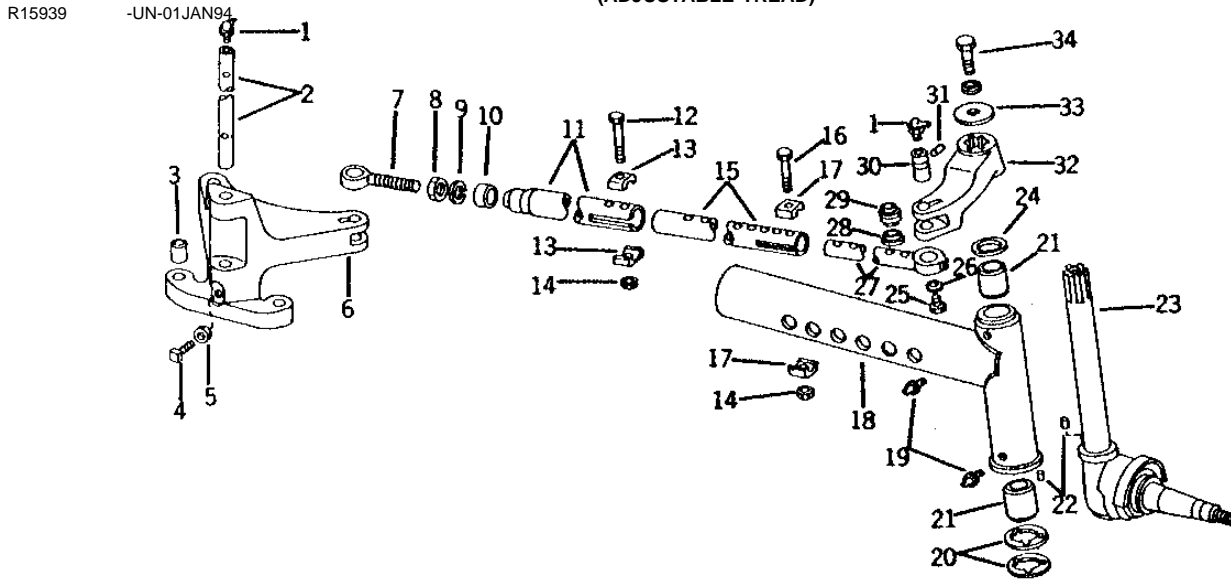


KEY	PART NO.	PART NAME	QTY	TRACTOR SERIAL NO.	REMARKS
1	AR43265	TIE ROD END	2		
2	14H876	NUT	2	1"	
3	12H234	LOCK WASHER	2	1"	
4	R43572	TIE ROD END	2		
5	R46848	TUBE	2		
6	19H2444	CAP SCREW	4	7/16" X 3-1/4"	
7	R46744	CLAMP	4		
8	N101346	LOCK NUT	8		
9	R43162	TUBE	2		
10	19H2106	CAP SCREW	4	7/16" X 2-3/4"	
11	R46963	CLAMP	4		
12	AR43040	TIE ROD END	2		
13	R43569	CAP SCREW	4	(SUB R72371)	
14	R43696	WASHER	4		
15	R43568	WASHER	4		
16	R43206	BUSHING	4		
17	R46742	ARM	1	R.H.	
	R46743	ARM	1	L.H.	
18	R43204	PIN	4		
19	JD7781	LUBRICATION FITTING	4		
20	T16573	PIN	4		
21	R1836R	WASHER	2		
22	19H2233	CAP SCREW	2	5/8" X 3-1/2"	

2E25

POWER TRAIN

STEERING ARMS, BELL CRANK AND TIE RODS (ADJUSTABLE TREAD)



KEY	PART NO.	PART NAME	QTY	TRACTOR SERIAL NO.	REMARKS
1	JD7781	LUBRICATION FITTING	5		
2	R43203	PIN	1		
3	R43199	BUSHING	2		
4	22H952	SET SCREW	1	1/2" X 1-1/2"	
5	14H971	NUT	1	1/2"	
6	AR43269	LEVER	1	(MARKED R43157)	
7	AR43265	TIE ROD END	2		
8	14H876	NUT	2	1"	
9	12H234	LOCK WASHER	2	1"	
10	R43572	TIE ROD END	2		
11	R43161	TUBE	2		
	R43956	TUBE	2	(EXTRA WIDE TREAD)	
12	19H2444	CAP SCREW	2	7/16" X 3-1/4"	
13	R43571	CLAMP	4		
14	N101346	LOCK NUT	4		
15	R43162	TUBE	2		
16	19H2227	CAP SCREW	2	7/16" X 2-1/2"	
17	R43570	CLAMP	4	(OUTER)	
18	AR51604	AXLE	1	(A) R.H. (SUB FOR AR43032)	
	AR51605	AXLE	1	(A) L.H. (SUB FOR AR43032)	
	AR51602	AXLE	1	(B) R.H. (EXTRA WIDE TREAD) (SUB FOR AR43802)	
	AR51603	AXLE	1	(B) L.H. (EXTRA WIDE TREAD) (SUB FOR AR43802)	
19	JD7759	LUBRICATION FITTING	4		
20	R30398	WASHER	4		
21	R52188	BUSHING	4	(SUB FOR R28471)	
22	34H308	SPRING PIN	4	1/4" X 1/2"	
23	AR71631	KNUCKLE	2	(SUB FOR AR43176) (NLA)	
24	R31251	WASHER	2		
25	R43569	CAP SCREW	4	(SUB R72371)	
26	R43696	WASHER	4		
27	AR43040	TIE ROD END	2		
28	R43568	WASHER	4		
29	R43206	BUSHING	4		
30	R43204	PIN	4		
31	T16573	PIN	4		
32	R48471	STEERING ARM	1	R.H. (SUB FOR R43195)	
	R48472	STEERING ARM	1	L.H. (SUB FOR R43196) (NLA)	
33	F3607R	WASHER	2		
34	19H1798	CAP SCREW	2	3/4" X 1-3/4"	
	12H236	LOCK WASHER	2	3/4"	

(A) 24" HORIZONTAL LENGTH
(B) 20" HORIZONTAL LENGTH

MEMORANDA

MEMORANDA

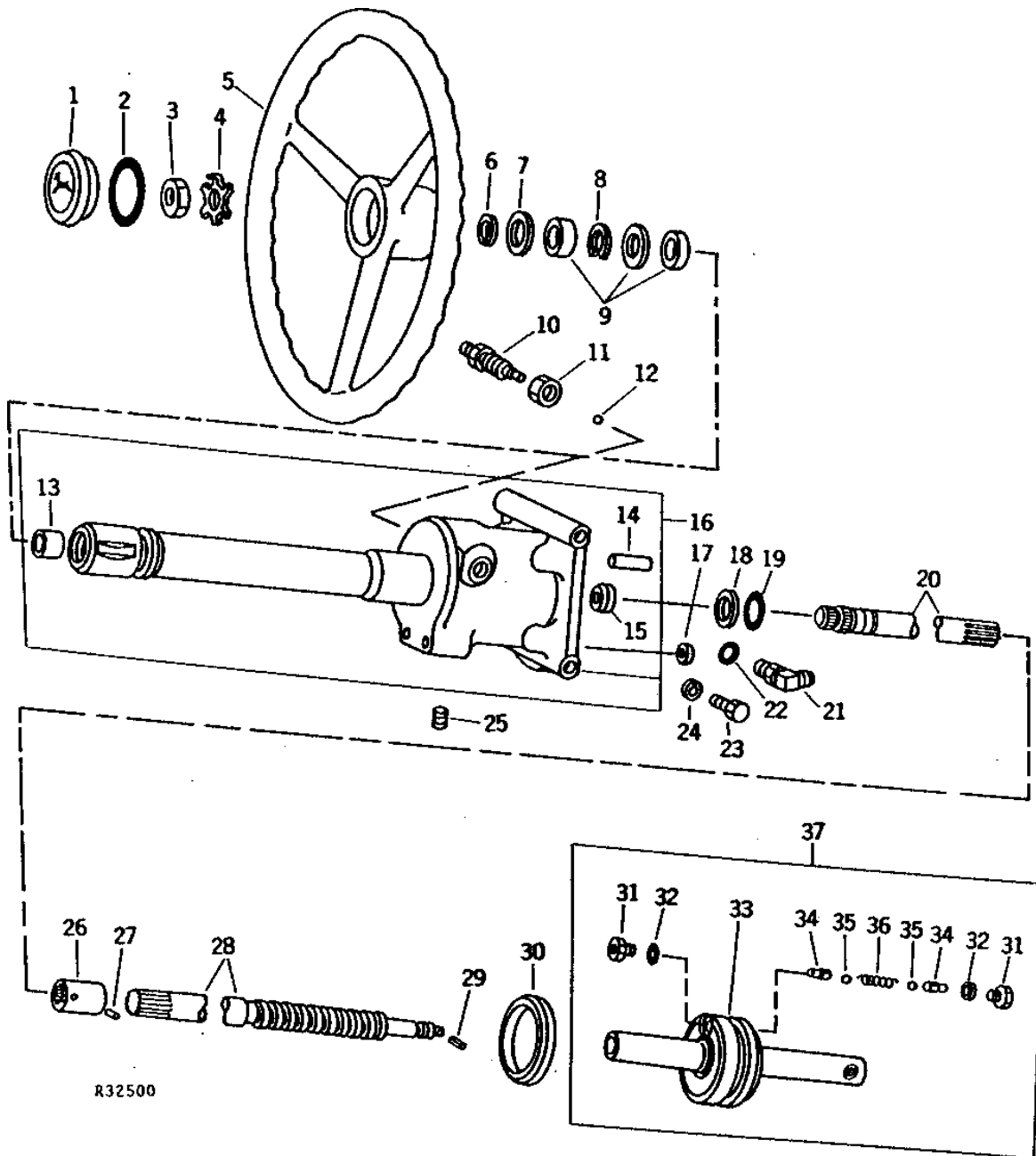
2F3

STEERING AND BRAKES

R32500

-UN-01JAN94

STEERING VALVE CYLINDER, SHAFT AND PISTON



R32500

2F4

STEERING AND BRAKES

STEERING VALVE CYLINDER, SHAFT AND PISTON - CONTINUED

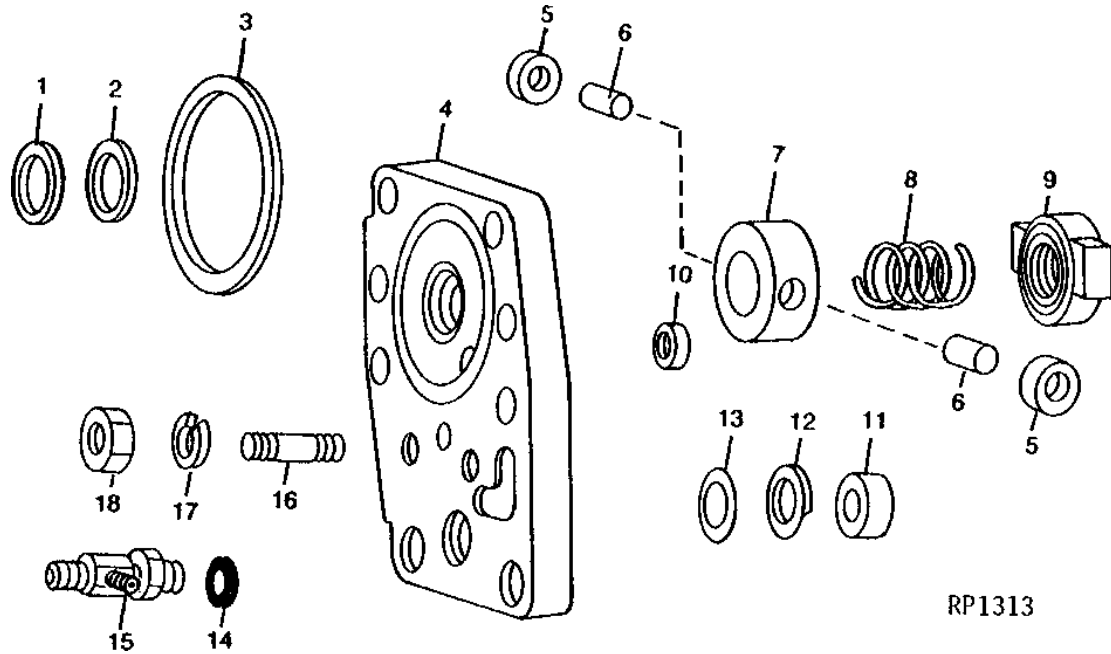
KEY	PART NO.	PART NAME	QTY	TRACTOR SERIAL NO.	REMARKS
1	R47998	CAP	1		(SUB FOR R45792)
2	B3690R	O-RING	1		
3	14H904	NUT	1		3/4"
4	T17148	LOCK WASHER	1		
5	AR26625	STEERING WHEEL	1		
6	B169R	SNAP RING	1		
7	R42629	WASHER	1		
8	R26933	SNAP RING	1		
9	AR34172	SEAL KIT	1		OIL SEAL
10	R27299	SCREW	1		
11	R27453	NUT	1		
12	400R	BALL	1		6MM (1/4")
13	R27320	BUSHING	1		
14	R32186	DOWEL PIN	2		
15	R27087	WASHER	1		
16	AR47289	CYLINDER	1		(MARKED R45297)
17	AR67783	O-RING KIT	1		(SUB FOR AR42009)
18	R26441	BACK-UP RING	1		
19	A3606R	O-RING	1		
20	R37426	SHAFT	1		(SUB R73737)
21	AT35121	ELBOW FITTING	1		(SUB FOR AR26725)
22	R26448	O-RING	1		
23	19H1732	CAP SCREW	4		3/8" X 1-1/4"
24	12H304	LOCK WASHER	4		3/8"
25	15H558	PIPE PLUG	1		1/8"
26	R27319	SPLINED COUPLING	1		
27	34H282	SPRING PIN	1		3/16" X 1"
28	R34125	SHAFT	1		
29	11M7081	COTTER PIN	1		0.098" X 0.787"
30	R40567	WASHER	1		
31	R31202	VALVE	2		
32	R26287	O-RING	2		
33	AR30298	PISTON	1		(SUB AR30297)
34	R31201	SHAFT	2		
35	H871R	BALL	2		5MM (3/16")
36	A4816R	SPRING	1		
37	AR30297	PISTON	1		

2F5

STEERING AND BRAKES

RP1313 -UN-01JAN94

STEERING VALVE CYLINDER COVER



RP1313

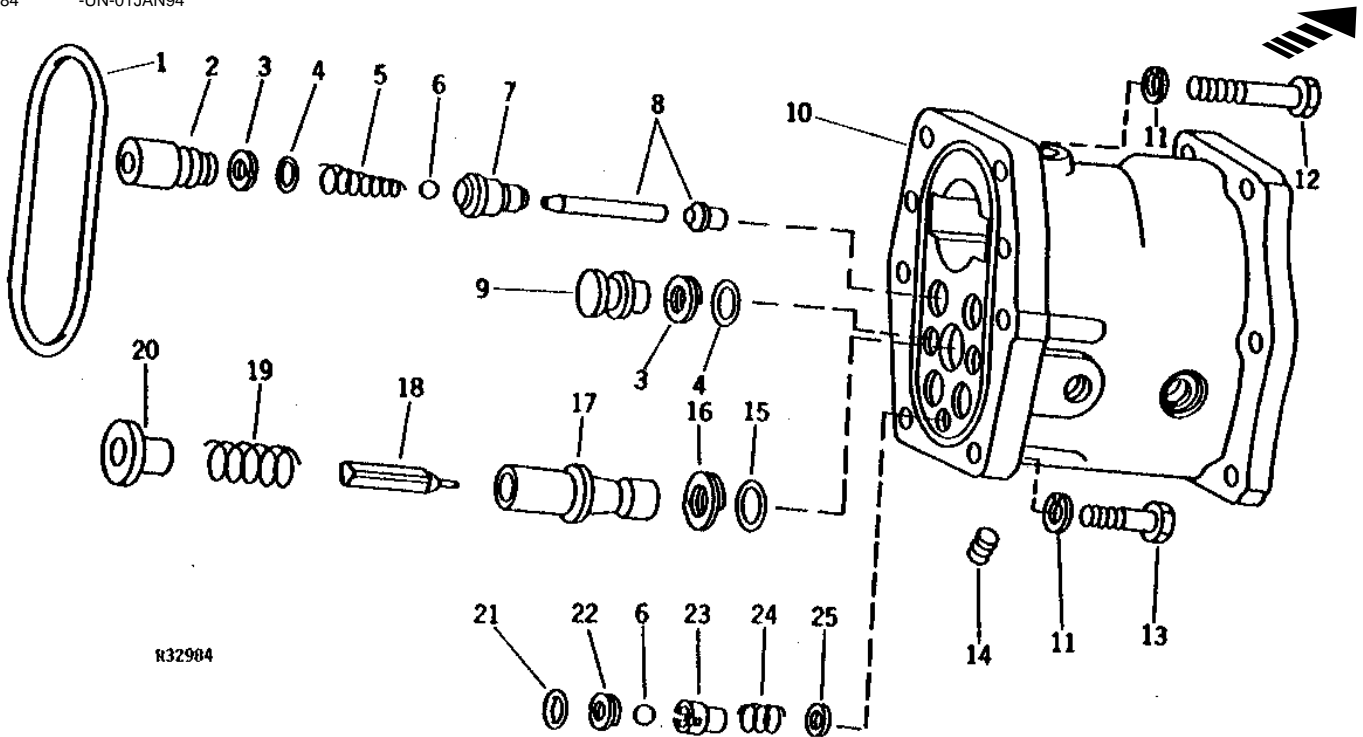
KEY	PART NO.	PART NAME	QTY	TRACTOR SERIAL NO.	REMARKS
1	A3606R	O-RING	1		
2	R26441	BACK-UP RING	1		
3	AR67783	O-RING KIT	1		(SUB FOR AR42009)
4	AR47293	COVER	1		(MARKED R44845)
5	R26755	WASHER	2		
6	R27091	PIN	2		
7	R40149	LOCKING COLLAR	1		
8	R40531	SPRING	1		
9	R27089	NUT	1		
10	AR67783	O-RING KIT	1		(SUB FOR AR42009)
11	R34121	PISTON	1		
12	R47694	BACK-UP RING	1		
13	R495R	O-RING	1		
14	R26286	O-RING	1		
15	R49018	FITTING	1		(POWER SHIFT) (SUB FOR AR35725)
	R49018	FITTING	1		(SYNCRO-RANGE LESS PTO) (SUB FOR AR35725)
	AR30762	TEE FITTING	1		(SYNCRO-RANGE WITH PTO)
16	R55183	STUD	2		(SUB FOR R45298)
17	14H1047	NUT	2	7/16"	
	12H293	LOCK WASHER	2	7/16"	
..	AR39585	KIT	1		STEERING VALVE CYLINDER OVERHAUL

2F6

STEERING AND BRAKES

R32984 -UN-01JAN94

STEERING VALVE AND METERING SHAFT



R32984

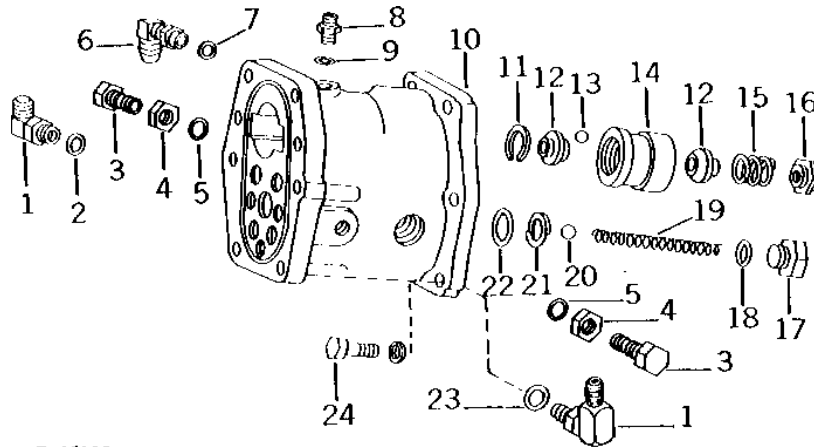
KEY	PART NO.	PART NAME	QTY	TRACTOR SERIAL NO.	REMARKS
1	R34733	WASHER	1		
2	R41724	PLUG	4		
3	R32588	BACK-UP RING	6		
4	R459R	O-RING	6		
5	R26565	SPRING	4		
6	400R	BALL	5	6MM (1/4")	
7	R28124	VALVE	4		
8	AR49535	SHAFT	2	(SUB FOR AR30589)	
	AR49536	SHAFT	2	(SUB FOR AR30590)	
9	R34131	PLUG	2		
10	AR43809	HOUSING	1	(MARKED R43962 OR R45811)	
11	12H301	LOCK WASHER	6	1/2"	
12	19H1990	CAP SCREW	4	1/2" X 2-1/4"	
13	19H2510	CAP SCREW	2	1/2" X 1-5/8"	
14	15H558	PIPE PLUG	1	1/8"	
15	B2762R	O-RING	1		
16	R26546	BACK-UP RING	1		
17	R34123	VALVE SEAT	1		
18	R42661	SEAT	1		
19	R26151	SPRING	1		
20	R34122	STOP	1		
21	A4365R	O-RING	1		
22	R34129	BACK-UP RING	1		
23	R44254	GUIDE	1		
24	R44256	SPRING	1		
25	R44255	WASHER	1		
..	AR39585	KIT	1		STEERING VALVE CYLINDER OVERHAUL

2F7

STEERING AND BRAKES

R15923 -UN-01JAN94

STEERING VALVE



R 15923

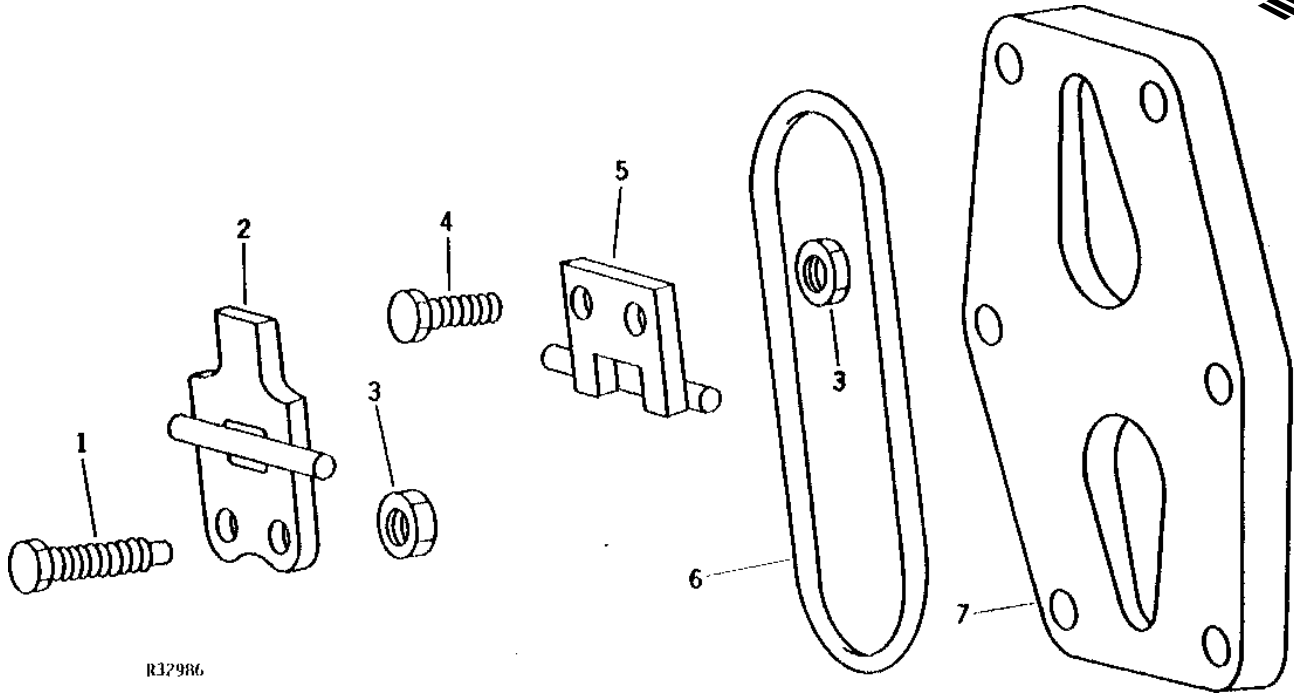
KEY	PART NO.	PART NAME	QTY	TRACTOR SERIAL NO.	REMARKS
1	AT35121	ELBOW FITTING	2		(SUB FOR AR26725)
2	R26448	O-RING	1		
3	R40338	DRAIN PLUG	2		
4	R27296	NUT	2		
5	R26286	O-RING	2		
6	AT32333	ELBOW FITTING	1		(SUB FOR AR26771)
7	R26286	O-RING	1		
8	R27527	ADAPTER	1		
9	R26287	O-RING	1		
10	AR43809	HOUSING	1		(MARKED R43962 OR R45811)
11	R26425	SNAP RING	1		
12	R40595	BEARING RACE	2		
13	R26552	BALL	13		8MM (5/16")
14	R40757	BUSHING	1		
15	R40596	SPRING	1		
16	R40597	LOCK NUT	1		
17	R39112	FITTING	1		
18	R26375	O-RING	1		
19	R31278	SPRING	1		
20	R42849	BALL	1		10MM (3/8")
21	R30323	BACK-UP RING	1		
22	R34404	O-RING	1		(SUB FOR T12860) (SUB P48347)
23	R26448	O-RING	1		
24	19H2552	CAP SCREW	4		3/8" X 1-1/8"
	19H1765	CAP SCREW	4		3/8" X 1-3/4"
	19H1800	CAP SCREW	4		3/8" X 1-1/2"
	12H304	LOCK WASHER	6		3/8"
..	AR39585	KIT	1		STEERING VALVE CYLINDER OVERHAUL

2F8

STEERING AND BRAKES

R32986 -UN-01JAN94

STEERING VALVE COVER AND VALVE OPERATING LEVERS



R32986

KEY	PART NO.	PART NAME	QTY	TRACTOR SERIAL NO.	REMARKS
1	R26554	SET SCREW	2		
2	AR26448	LEVER	1		
3	14H649	NUT	4	1/4"	
4	R31217	SCREW	2		(SUB FOR R26762, THIS APPLICATION)
5	AR26402	LEVER	1		
6	R34733	WASHER	1		
7	R57034	COVER	1		(SUB FOR R26553 OR R51748)
..	AR39585	KIT	1		STEERING VALVE CYLINDER OVERHAUL

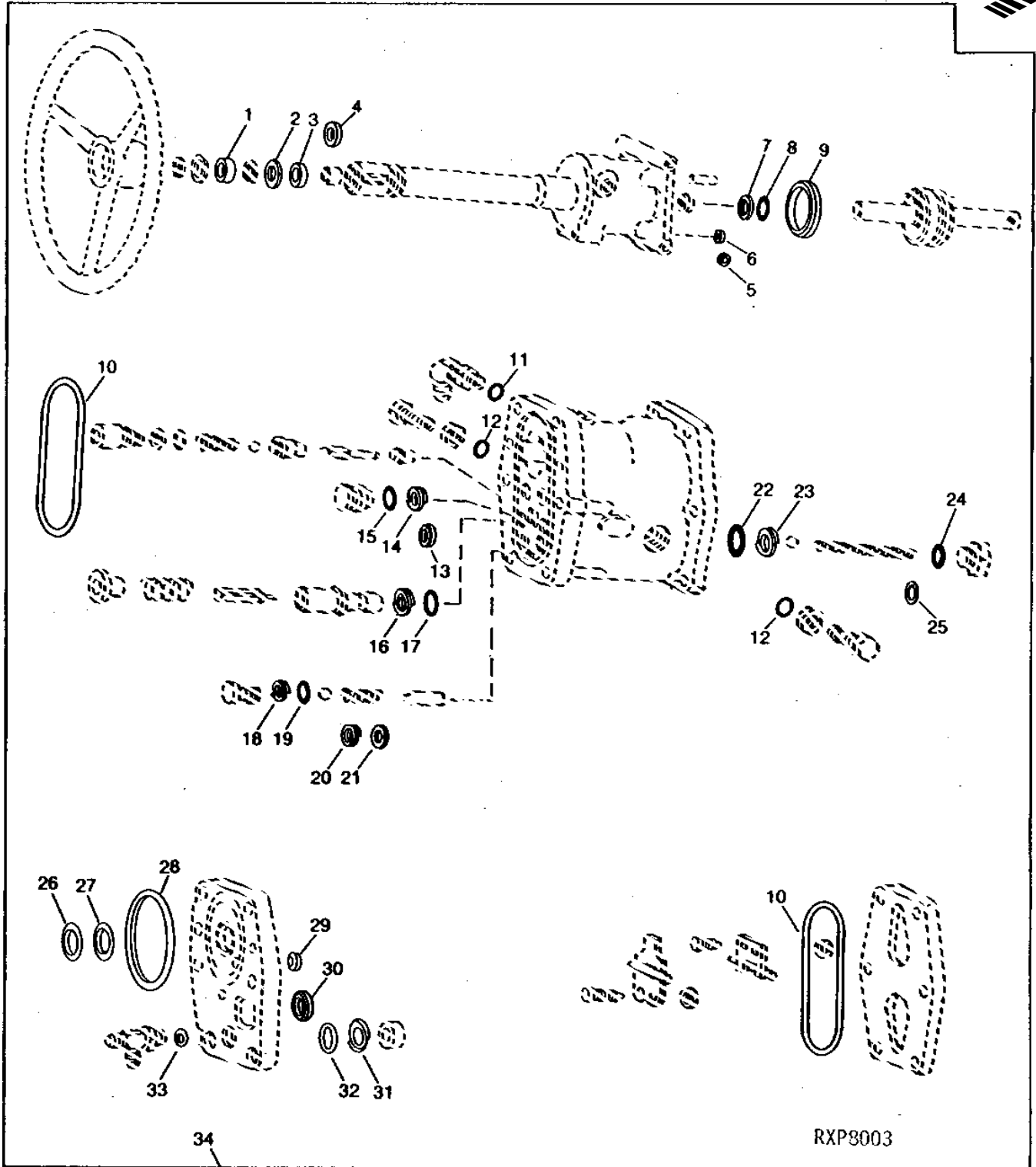
2F9

STEERING AND BRAKES

RXP8003

-UN-01JAN94

STEERING VALVE CYLINDER OVERHAUL KIT



RXP8003

2F10

STEERING AND BRAKES

STEERING VALVE CYLINDER OVERHAUL KIT - CONTINUED

KEY	PART NO.	PART NAME	QTY	TRACTOR SERIAL NO.	REMARKS
1	R72858	SEAL	1		
2	R32731	WASHER	1		
3	R72858	SEAL	1		
4	R54063	SEAL	1	(A)	
5	R26448	O-RING	2		
6	AR67783	O-RING KIT	1		
7	R26441	BACK-UP RING	1		
8	A3606R	O-RING	2		
9	R40567	WASHER	1		
10	R34733	WASHER	2		
11	R26286	O-RING	1		
12	R26286	O-RING	2		
13	R31488	WASHER	2	(A)	
14	R459R	O-RING	6		
15	R32588	BACK-UP RING	6		
16	R26546	BACK-UP RING	2		
17	B2762R	O-RING	2		
18	R34129	BACK-UP RING	1		
19	A4365R	O-RING	1		
20	R26551	BACK-UP RING	1	(A)	
21	R394R	O-RING	1		
22	R34404	O-RING	1	(SUB P48347)	
23	R30323	BACK-UP RING	1		
24	R26375	O-RING	1		
25	R26547	WASHER	2	(A)	
26	A3606R	O-RING	2		
27	R26441	BACK-UP RING	1		
28	AR67783	O-RING KIT	1		
29	AR67783	O-RING KIT	1		
30	R31489	WASHER	1	(A)	
31	R47694	BACK-UP RING	1		
	R26485	BACK-UP RING	1	(A)	
32	R495R	O-RING	1		
33	R26286	O-RING	1		
34	AR39585	KIT	1	(A)	

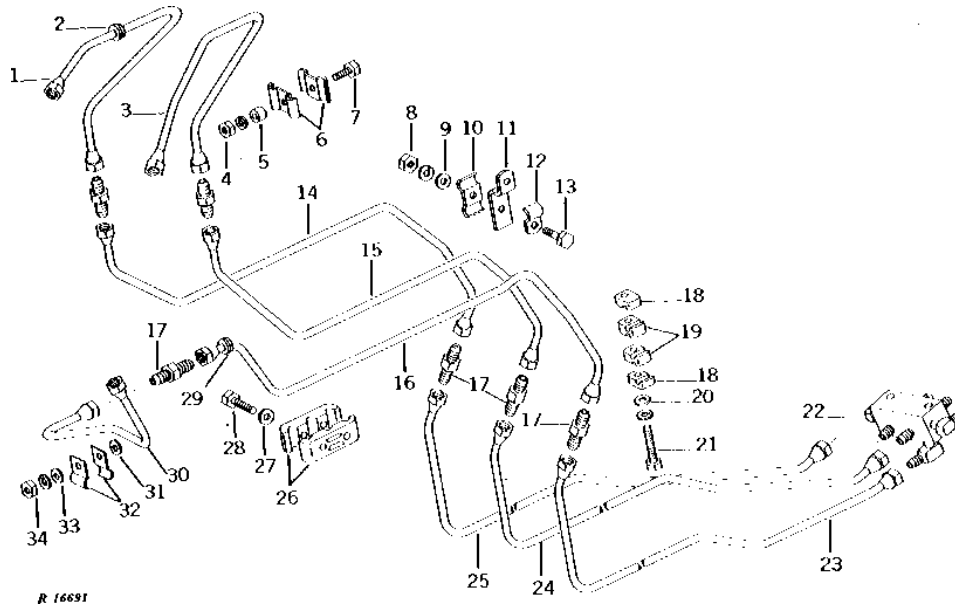
(A) EARLY DESIGN

2F11

STEERING AND BRAKES

R16691 -UN-01JAN94

STEERING OIL PIPES



R 16691

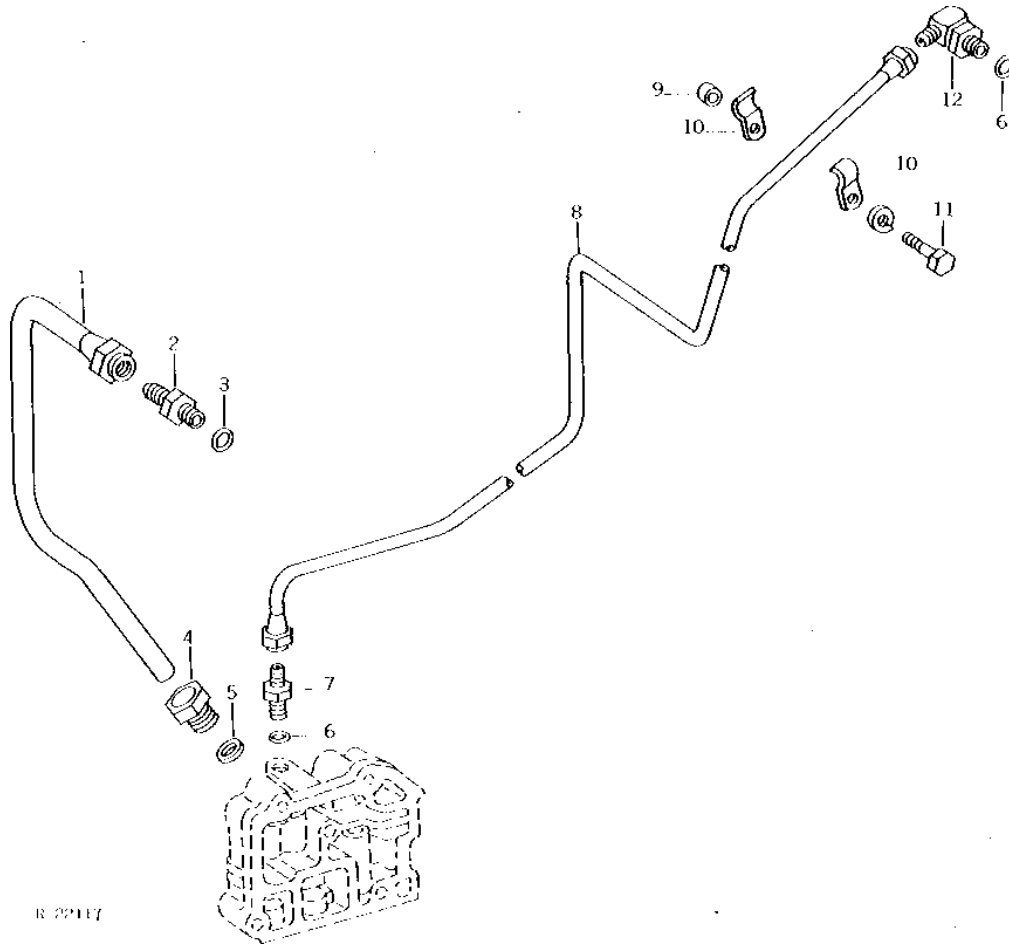
KEY	PART NO.	PART NAME	QTY	TRACTOR SERIAL NO.	REMARKS
1	AR43421	HYDRAULIC LINE	1		STEERING VALVE, REAR, L.H.
2	R41441	GROMMET	1		
3	AR43420	LINE	1		STEERING VALVE, REAR, R.H.
4	14H1076	NUT	1		3/8"
	12H304	LOCK WASHER	1		3/8"
5	28H1519	WASHER	1		0.493" X 0.675" X 3/8"
6	R27491	CLAMP	2		
7	19H1800	CAP SCREW	1		3/8" X 1-1/2"
8	14H786	NUT	1		1/4"
	12H302	LOCK WASHER	1		1/4"
9	24H1821	WASHER	1		9/32" X 47/64" X 1/16"
10	R27323	CLAMP	1		
11	R43648	SUPPORT	1		
12	R27590	CLAMP	1		
13	19H1914	CAP SCREW	1		1/4" X 1"
14	AR43960	LINE	1		STEERING VALVE MIDDLE, L.H.
15	AR43958	LINE	1		STEERING VALVE, MIDDLE, CENTER
16	AR43959	LINE	1		STEERING VALVE, MIDDLE, R.H.
17	R27095	FITTING	6		
18	R46067	CLAMP	2		
19	R46066	CLAMP	2		
20	24H1305	WASHER	1		13/32" X 13/16" X 0.065"
21	19H2985	CAP SCREW	1		3/8" X 2-1/2"
	12H304	LOCK WASHER	1		3/8"
22	AR43549	MANIFOLD	1		
23	AR43839	HYDRAULIC LINE	1		STEERING VALVE, FRONT
24	AR43841	LINE	1		STEERING VALVE, FRONT, R.H.
25	AR43842	LINE	1		STEERING VALVE, FRONT, L.H.
26	R43761	CLAMP	2		
27	24H1305	WASHER	2		13/32" X 13/16" X 0.065"
28	19H1765	CAP SCREW	2		3/8" X 1-3/4"
	12H304	LOCK WASHER	2		3/8"
29	R41440	GROMMET	1		
30	AR49248	LINE	1		
31	B1828R	BUSHING	2		
32	R27720	CLAMP	2		
33	24M7096	WASHER	1		10.500 X 18 X 1.600 MM
34	14H1076	NUT	1		3/8"
	12H304	LOCK WASHER	1		3/8"

2F12

STEERING AND BRAKES

STEERING AND HYDRAULIC RETURN OIL LINES (SYNCRO-RANGE)

R22117 -UN-01JAN94



R 22117

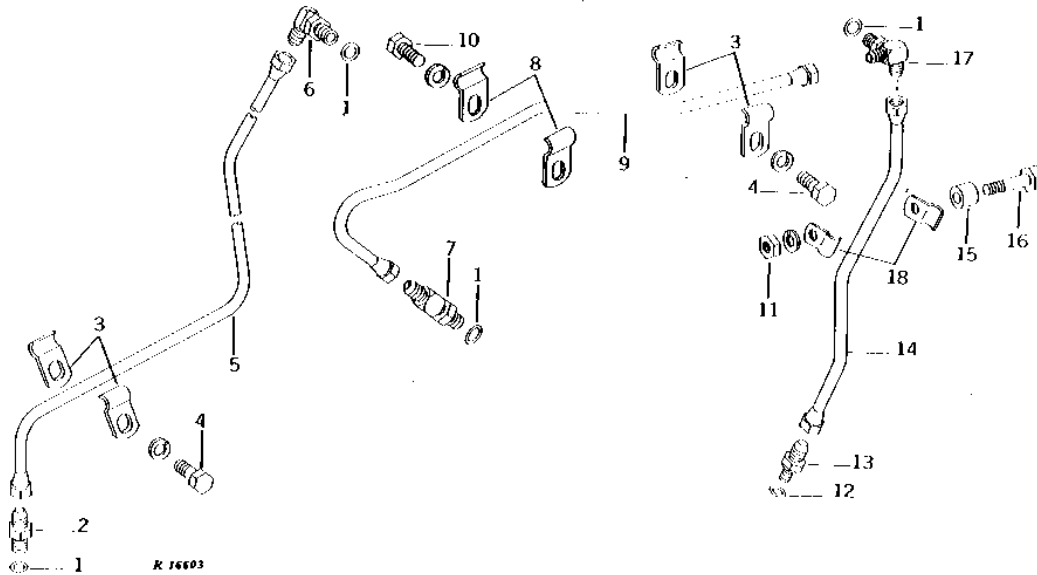
KEY	PART NO.	PART NAME	QTY	TRACTOR SERIAL NO.	REMARKS
1	AR43153	HYDRAULIC LINE	1		HYDRAULIC RETURN TO ROCKSHAFT HOUSING
2	R27267	FITTING	1		
3	F3171R	O-RING	1		
4	R76494	FITTING	1		(SUB FOR R33610)
5	B2762R	O-RING	1		
6	R26286	O-RING	2		
7	R27272	FITTING	1		
8	AR49657	HYDRAULIC LINE	1		STEERING VALVE RETURN TO FILTER RELIEF VALVE
9	28H1517	WASHER	1		0.493" X 0.675" X 1/4"
10	R42357	CLAMP	2		
11	19H1731	CAP SCREW	1		3/8" X 1"
	12H304	LOCK WASHER	1		3/8"
12	AT32333	ELBOW FITTING	1		(SUB FOR AR26771)

2F13

STEERING AND BRAKES

R16603 -UN-01JAN94

BRAKE PRESSURE, STEERING PRESSURE AND STEERING RETURN LINES



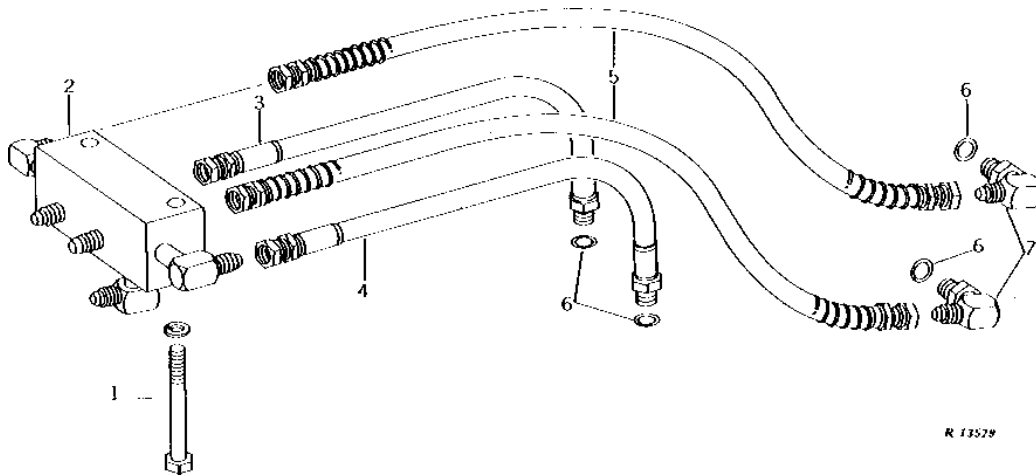
KEY	PART NO.	PART NAME	QTY	TRACTOR SERIAL NO.	REMARKS
1	R26286	O-RING	4		
2	R27272	FITTING	1		
3	R42357	CLAMP	4		
4	19H1936	CAP SCREW	2	3/8" X 3/4"	
	12H304	LOCK WASHER	2	3/8"	
5	AR41131	HYDRAULIC LINE	1		STEERING RETURN (POWER SHIFT) (ILLUSTRATED)
	AR49657	HYDRAULIC LINE	1		STEERING RETURN (SYNCRO-RANGE)
6	AT32333	ELBOW FITTING	1		(SUB FOR AR26771)
7	R49018	FITTING	1		(LESS PTO) (SUB FOR AR35725)
	AR30762	TEE FITTING	1		(PTO)
8	R57549	CLAMP	2		(SUB FOR R47687)
9	AR41130	HYDRAULIC LINE	1		
10	19H1731	CAP SCREW	1	3/8" X 1"	
	12H304	LOCK WASHER	1	3/8"	
11	14H1076	NUT	1	3/8"	
	12H304	LOCK WASHER	1	3/8"	
12	R26287	O-RING	1		
13	R36742	COUPLING	1		
14	AR50514	HYDRAULIC LINE	1		
15	28H1518	WASHER	1	0.493" X 0.675" X 5/16"	
16	19H1800	CAP SCREW	1	3/8" X 1-1/2"	
17	AR49789	TEE FITTING	1		
18	R57549	CLAMP	2		(SUB FOR R47687)

2F14

STEERING AND BRAKES

R13529 -UN-01JAN94

FLEXIBLE STEERING LINES



R 13529

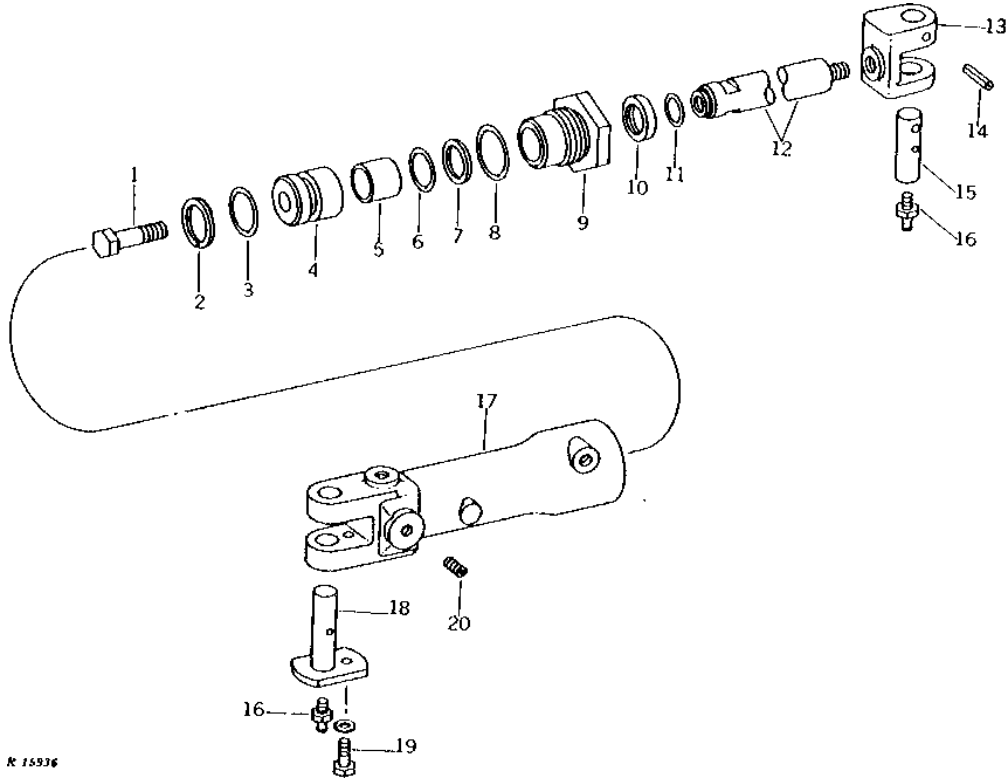
KEY	PART NO.	PART NAME	QTY	TRACTOR SERIAL NO.	REMARKS
1	19H1944	CAP SCREW	2	3/8" X 2-3/4"	
	12H304	LOCK WASHER	2	3/8"	
2	AR43549	MANIFOLD	1		
3	R43708	HYDRAULIC HOSE	1	L.H. (SUB AR47514)	
4	AR43580	HYDRAULIC HOSE	1	R.H.	
5	R43707	HYDRAULIC HOSE	2		
6	R26448	O-RING	4		
7	AT35121	ELBOW FITTING	2	(SUB FOR AR26725)	

2F15

STEERING AND BRAKES

R15936 -UN-01JAN94

STEERING CYLINDER



R 15936

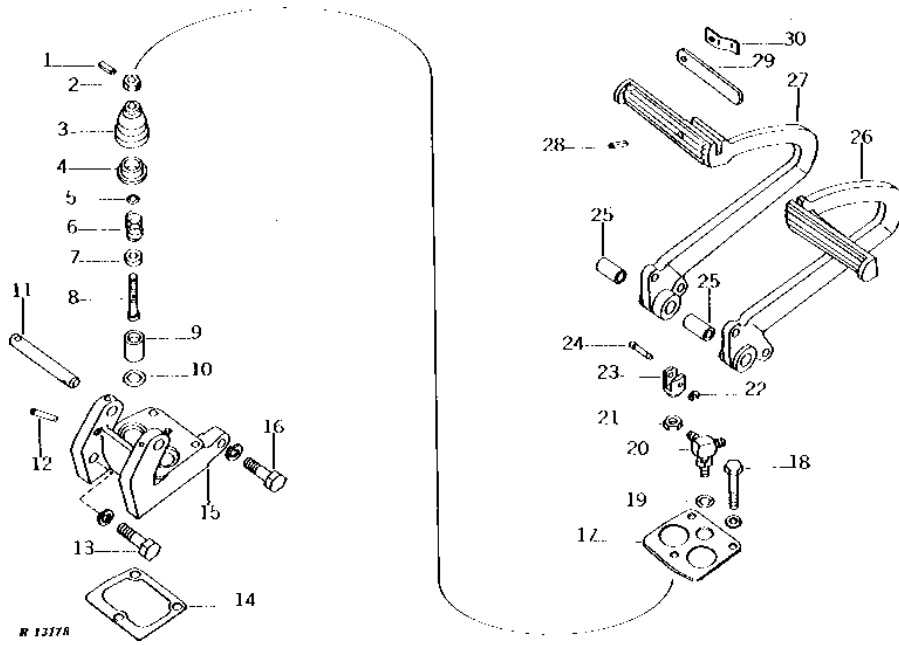
KEY	PART NO.	PART NAME	QTY	TRACTOR SERIAL NO.	REMARKS
1	19H2663	CAP SCREW	1	3/4" X 2-1/8"	
2	R43686	BACK-UP RING	2		
3	U11017	O-RING	1		
4	R43685	PISTON	1		
5	B2498R	BUSHING	1		
6	U10289	O-RING	1		
7	R43689	BACK-UP RING	1		
8	R43750	O-RING	1		
9	AR43542	PIPE PLUG	1		
10	AR43540	SEAL	1		
11	R29354	O-RING	1		
12	AR52719	ROD	1	(SUB FOR R43687)	
13	AR52719	ROD	1	(SUB FOR R43286)	
14	34H188	SPRING PIN	1	5/16" X 1-3/4"	
15	R43288	PIN	1		
16	JD7759	LUBRICATION FITTING	2		
17	AR43792	CYLINDER	1	(MARKED R43676)	
18	AR43541	PIN	1		
19	19H2552	CAP SCREW	2	3/8" X 1-1/8"	
	12H304	LOCK WASHER	2	3/8"	
20	15H571	PIPE PLUG	2	3/8"	

2F16

STEERING AND BRAKES

R13178 -UN-01JAN94

BRAKE PEDALS AND BRACKET



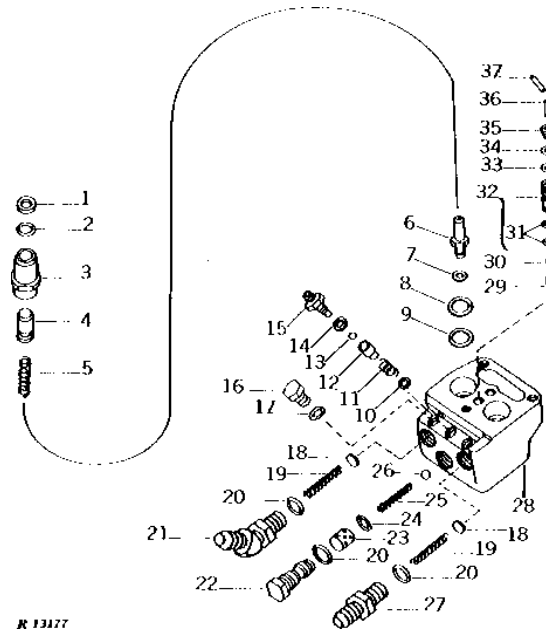
KEY	PART NO.	PART NAME	QTY	TRACTOR SERIAL NO.	REMARKS
1	34H245	SPRING PIN	2		1/8" X 5/8"
2	R39982	NUT	2		
3	R54059	BOOT	2		(SUB FOR R39981)
4	R31459	RETAINER	2		
5	R30903	O-RING	2		
6	R31271	SPRING	2		
7	R52168	STOP	2		(SUB FOR R31458)
8	R39980	BOLT	2		
9	R52169	GUIDE	2		(SUB FOR R31457)
10	A3606R	O-RING	2		
11	R45929	GROOVE PIN	1		
12	34H286	SPRING PIN	1		3/16" X 1-1/2"
13	19H2550	CAP SCREW	1		1/2" X 1-5/8"
	12H301	LOCK WASHER	1		1/2"
14	R31455	GASKET	1		
15	R45926	BRACKET	1		
16	19H1721	CAP SCREW	1		1/2" X 1-1/2"
	12H301	LOCK WASHER	1		1/2"
17	R26384	RETAINER	1		
18	19H1733	CAP SCREW	3		3/8" X 2-1/2"
	12H304	LOCK WASHER	3		3/8"
19	R26287	O-RING	1		
20	AR45252	TEE FITTING	1		
21	14H732	NUT	2		3/8"
22	R26386	SNAP RING	2		
23	R31273	YOKE	2		
24	R26385	PIN	2		
25	B177R	BUSHING	2		
26	AR43047	PEDAL	1		R.H. (MARKED R43225)
27	AR43048	PEDAL	1		L.H. (MARKED R43226)
28	34H313	SPRING PIN	1		1/4" X 1-1/8"
29	R50879	ARM	1		(SUB FOR R32376)
30	R50034	LEAF SPRING	1		(SUB FOR R31602)

2F17

STEERING AND BRAKES

R13177 -UN-01JAN94

BRAKE VALVE



KEY	PART NO.	PART NAME	QTY	TRACTOR SERIAL NO.	REMARKS
1	R32092	WASHER	2		
2	R459R	O-RING	2		
3	R32091	PISTON	2		
4	R32090	PLUNGER	2		
5	R26369	SPRING	2		
6	AR52497	VALVE	2		(SUB FOR AR47805)
7	R26286	O-RING	2		
8	R27137	BACK-UP RING	2		
9	R27149	O-RING	2		
10	R44255	WASHER	1		
11	R44256	SPRING	1		
12	R44254	GUIDE	1		
13	400R	BALL	1	6MM (1/4")	
14	R26287	O-RING	1		
15	R36742	COUPLING	1		
16	R27216	DRAIN PLUG	2		(SUB FOR R31631) (USED IN R31454)
17	R26287	O-RING	2		(USED IN R31454)
18	R26376	DISK	2		
19	R227R	SPRING	2		
20	R26375	O-RING	3		
21	AR43167	ELBOW FITTING	1		
22	R28774	FITTING	1		
23	R42684	STRAINER	1		
24	R28776	O-RING	1		
25	R26372	SPRING	1		
26	R42849	BALL	1	10MM (3/8")	
27	R42008	FITTING	1		
28	AR42400	HOUSING	1		(MARKED R31454 OR R42007)
29	A4816R	SPRING	2		
30	400R	BALL	2	6MM (1/4")	
31	R30903	O-RING	4		
32	AR31016	GUIDE	2		
33	R31468	O-RING	2		
34	R31469	SHIM	2		
35	R31465	SLEEVE	2		
36	R31467	PIN	2		
37	R31464	PIN	2		

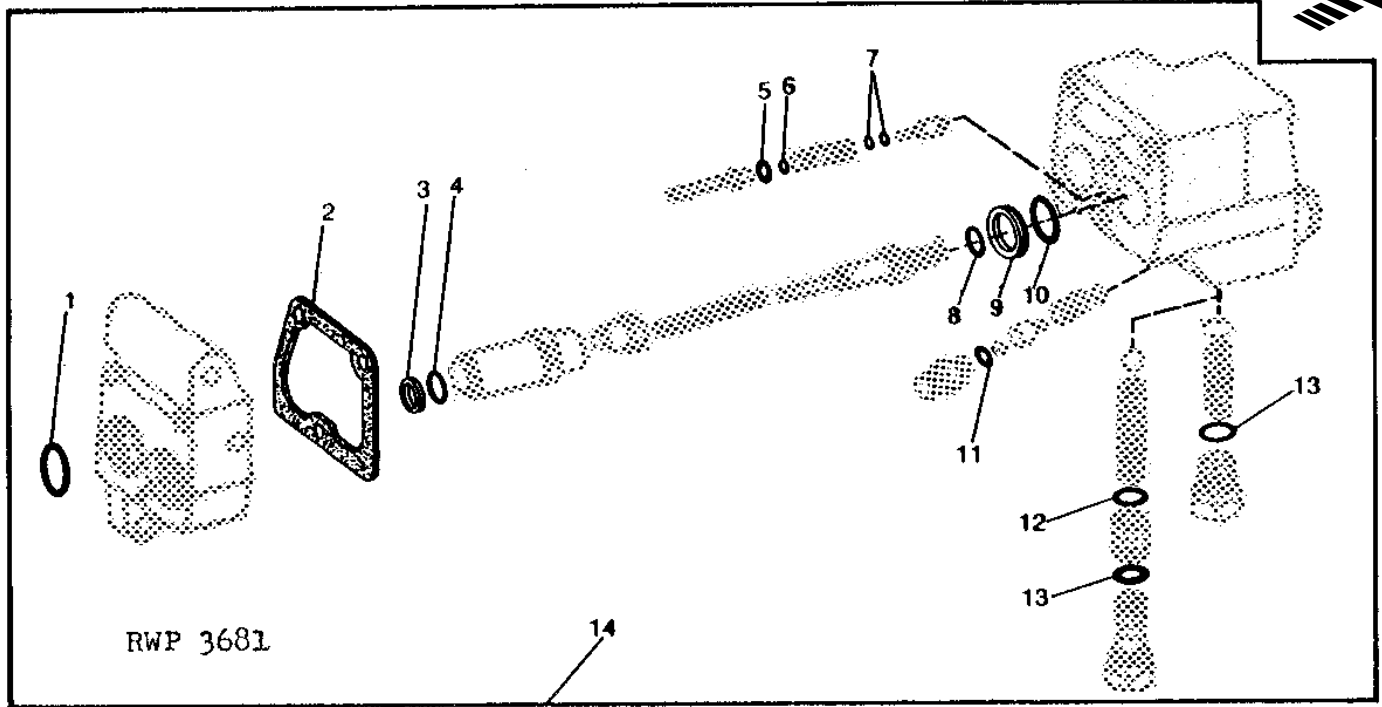
2F18

STEERING AND BRAKES

RWP3681

-UN-01JAN94

BRAKE VALVE OVERHAUL KIT



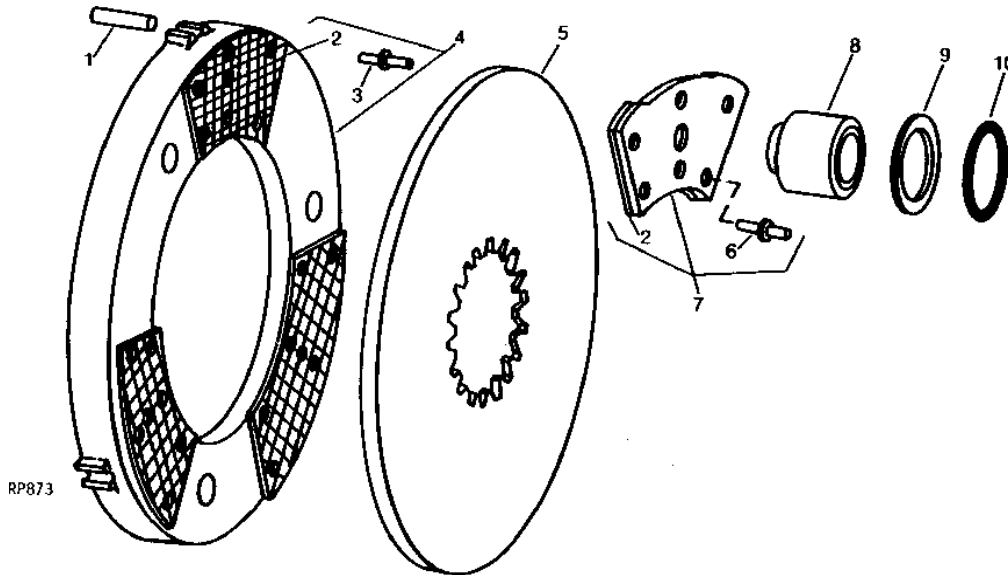
KEY	PART NO.	PART NAME	QTY	TRACTOR SERIAL NO.	REMARKS
1	A3606R	O-RING	2		
2	R31455	GASKET	1		
3	R32092	WASHER	2		
4	R459R	O-RING	2		
5	R31469	SHIM	2		
6	R31468	O-RING	2		
7	R30903	O-RING	4		
8	R26286	O-RING	2		
9	R27137	BACK-UP RING	2		
10	R27149	O-RING	2		
11	R26287	O-RING	4		
12	R28776	O-RING	1		
13	R26375	O-RING	3		
14	AR31946	KIT	1		

2F19

STEERING AND BRAKES

RP873 -UN-06OCT94

BRAKE PLATES AND FACINGS



KEY	PART NO.	PART NAME	QTY	TRACTOR SERIAL NO.	REMARKS
1	R44961	DOWEL PIN	6		
2	R90086	BRAKE SHOE	12		(SUB FOR AR28488) (SUB R110464)
3	D1761R	RIVET	18		(SHORT)
	R708R	RIVET	18		(LONG)
4	AR99647	PLATE	2		(MARKED R43224) (SUB FOR AR43046) (SUB RE46334, (3) RE46328 AND R100797)
	AR99647	PLATE	2		(A) (MARKED R43224) (SUB FOR AR43046) (SUB RE46334, (3) RE46328 AND R113741)
5	R48864	BRAKE DISK	2		(13 TEETH) (SUB FOR R43223) (SUB RE46334, (3) RE46328 AND R100797)
	R91826	BRAKE DISK	2		(A) (14 TEETH) (SUB FOR R61712) (SUB RE46334, (3) RE46328 AND R113741)
6	D1761R	RIVET	36		
7	AR32243	PLATE	6		(SUB RE46334, (3) RE46328 AND R100797)
	AR32243	PLATE	6		(A) (SUB RE46334, (3) RE46328 AND R113741)
8	R46674	PISTON	6		
9	R46673	WASHER	6		
10	A4728R	O-RING	6		

(A) USE WHEN R61711 HAS BEEN INSTALLED

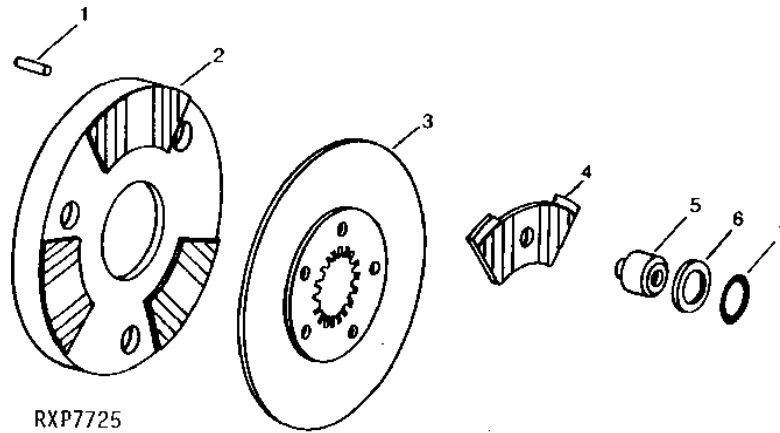
NOTE: THREE-PART SUBS ARE DUE TO INTRODUCTION OF NON-ASBESTOS LININGS. (SEE FOLLOWING PAGE)

2F20

STEERING AND BRAKES

RXP7725 -UN-06OCT94

BRAKE PLATES AND FACINGS



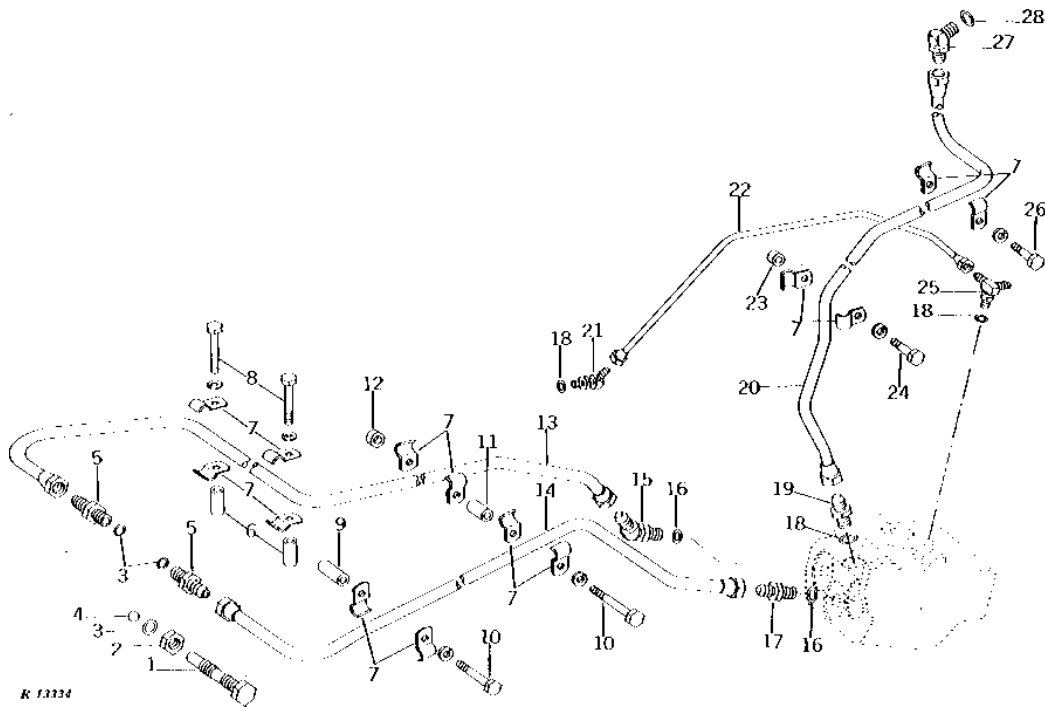
KEY	PART NO.	PART NAME	QTY	TRACTOR SERIAL NO.	REMARKS
1	R44961	DOWEL PIN	6		
2	RE44415	PLATE	2	(MARKED R97993 OR R107178) (SUB FOR RE36647) (SUB RE46334)	
3	R100797	BRAKE DISK	2	(13 TEETH)	
	R113741	BRAKE DISK	2	(A) (14 TEETH) (SUB R113741)	
4	RE32681	PLATE	6	(SUB RE46328)	
5	R46674	PISTON	6		
6	R46673	WASHER	6		
7	A4728R	O-RING	6		

(A) USE WHEN R61711 OR R113733 HAS BEEN INSTALLED.

2F21

R13334 -UN-01JAN94

BRAKE OIL LINES



2F22

STEERING AND BRAKES

BRAKE OIL LINES - CONTINUED

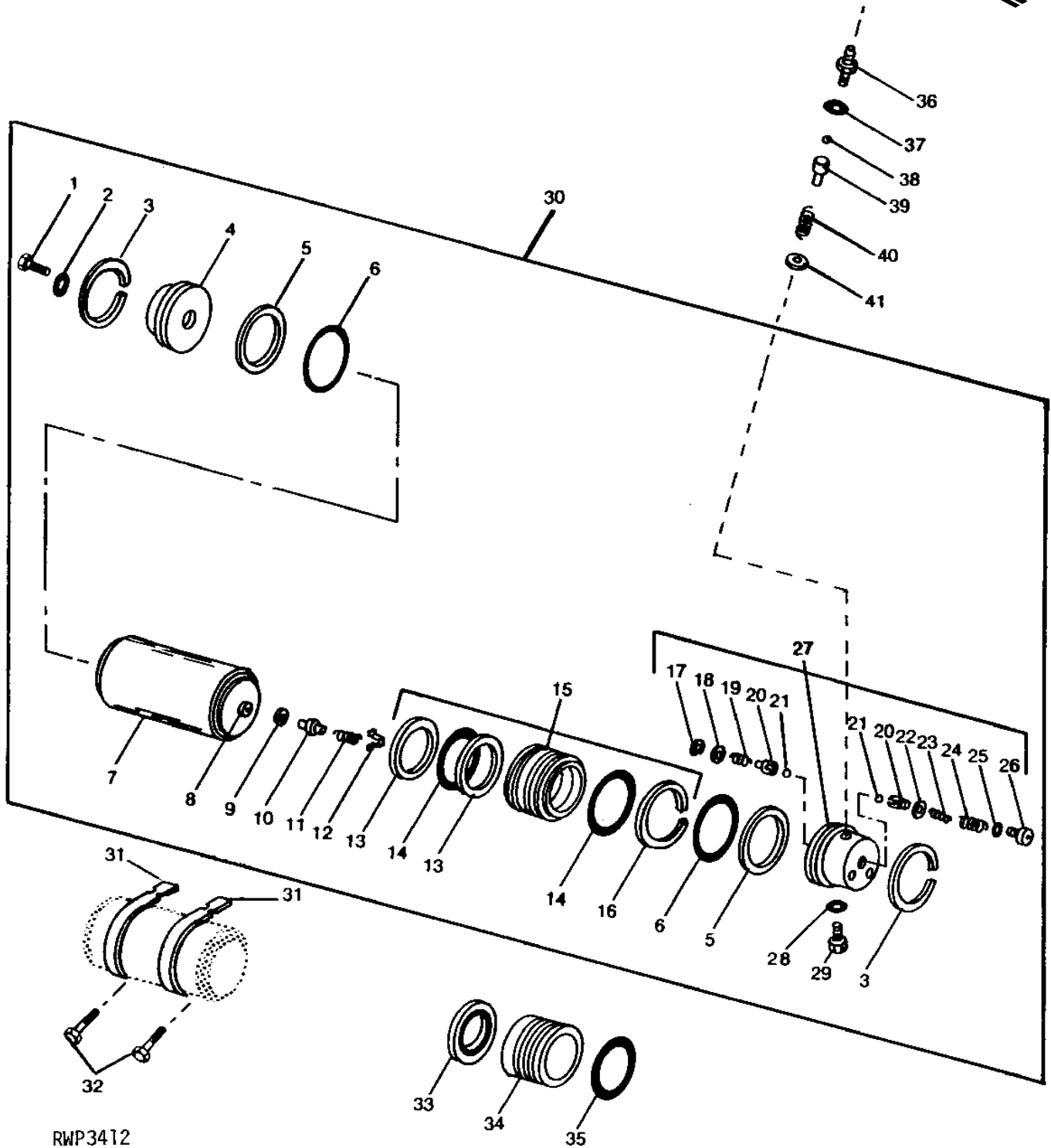
KEY	PART NO.	PART NAME	QTY	TRACTOR SERIAL NO.	REMARKS
1	R27906	SCREW	2		
2	R27296	NUT	2		
3	R26286	O-RING	4		
4	R42849	BALL	2		10MM (3/8")
5	R27272	FITTING	2		
6	B1828R	BUSHING	2		
7	R42357	CLAMP	8		
8	19H1765	CAP SCREW	AR		3/8" X 1-3/4", (2 USED SYNCRO-RANGE) (1 USED POWER SHIFT)
	12H304	LOCK WASHER	2		3/8"
	14H1076	NUT	2		3/8", (POWER SHIFT)
9	28H1526	BUSHING	1		(LESS DIFFERENTIAL LOCK)
	28H1878	SPACER	1		(INNER) (DIFFERENTIAL LOCK)
	B1828R	BUSHING	1		(OUTER) (DIFFERENTIAL LOCK)
10	19H1765	CAP SCREW	1		3/8" X 1-3/4"
	12H304	LOCK WASHER	1		3/8"
11	28H1878	SPACER	1		3/8" X 7/16"
12	28H1862	WASHER	1		0.493" X 0.675" X 7/32"
13	AR43164	HYDRAULIC LINE	1		L.H.
14	AR43163	HYDRAULIC LINE	1		R.H.
15	AR43167	ELBOW FITTING	1		
16	R26375	O-RING	2		
17	R42008	FITTING	1		
18	R26287	O-RING	4		
19	R36742	COUPLING	1		
20	AR43165	HYDRAULIC LINE	1		
21	AR35223	ELBOW FITTING	1	-014240	(SYNCRO-RANGE)
	AR52172	TEE FITTING	1	014241-	(SYNCRO-RANGE)
	AT32335	ELBOW FITTING	1	-011331	(POWER SHIFT) (SUB FOR AR26746)
	AR45252	TEE FITTING	1	011332-	(POWER SHIFT)
22	AR43166	HYDRAULIC LINE	1	-014240	(SYNCRO-RANGE)
	AR54790	LINE	1	014241-	(SYNCRO-RANGE)
	AR52171	HYDRAULIC LINE	1		(POWER SHIFT) (SUB FOR AR32240)
23	28H1878	SPACER	1		3/8" X 7/16"
24	19H1732	CAP SCREW	1		3/8" X 1-1/4"
	12H304	LOCK WASHER	1		3/8"
25	AR45252	TEE FITTING	1		
26	19H1936	CAP SCREW	1		3/8" X 3/4"
	12H304	LOCK WASHER	1		3/8"
27	AT58895	FITTING	1		(SUB FOR AR36874 OR AR46095)
28	R26286	O-RING	1		

2F23

STEERING AND BRAKES

RWP3412 -UN-01JAN94

ACCUMULATOR



RWP3412

2F24

STEERING AND BRAKES

ACCUMULATOR - CONTINUED

KEY	PART NO.	PART NAME	QTY	MODEL NO.	REMARKS
1	R27094	DRAIN PLUG	1		
2	R26286	O-RING	1		
3	U10136	SNAP RING	2		
4	R48957	END	1		
5	R35684	BACK-UP RING	2		
6	R86192	O-RING	2		
7	R46987	HYDRAULIC CYLINDER BARREL	1		(SUB FOR AR41947) (ALSO ORDER R48957, R35684, R60038, R41877, R47085, R47086, R47087, U10136 AND U12331)
8	R60038	PACKING	1		(SUB FOR R26760)
9	R47087	WASHER	1	4HA2-	
10	R44252	VALVE	1	-4HA1	
	R47085	VALVE	1	4HA2-	
11	R26373	SPRING	1	-4HA1	
	R47086	SPRING	1	4HA2-	
12	R41877	GUIDE	1		
13	L29015	BACK-UP RING	2	10HA2-	
14	A4728R	O-RING	2	10HA2-	
15	AL23523	PISTON	1	10HA2-	(MARKED L29014) (SUB R57103, (2) A4728R, (2) L29015 AND R27649)
16	R27649	BACK-UP RING	1	10HA2-	
17	R33282	SNAP RING	1	10HA1-	
18	R48013	WASHER	1	10HA1-	
19	R44256	SPRING	1	10HA1-	
20	R44254	GUIDE	2	10HA1-	
21	400R	BALL	2	10HA1-	6MM (1/4")
22	R31632	SHIM	2	10HA1-	
23	R47606	SPRING	1	10HA1-	INNER
24	R47605	SPRING	1	10HA1-	OUTER
25	R26286	O-RING	1	10HA1-	
26	R47607	PIPE PLUG	1	10HA1-	
27	R41878	CAP	1	-4HA2	(SUB AR93259)
	AR50387	CAP	1	10HA1-	(SUB AR93259)
28	R26286	O-RING	1		
29	R27272	FITTING	1		
	AT58895	FITTING	1		(SUB FOR AR46095)
30	AR67778	ACCUMULATOR	1		(SUB FOR AR45157 OR AR51092) (SUB RE11956)
31	R41891	STRAP	2		
32	19H2284	CAP SCREW	2		3/8" X 7/8"
33	R35680	SEAL	1	-10HA1	(USE WITH R48952)
34	R48952	PISTON	1	-10HA1	(SUB (2) A4728R, (2) L29015, R27649 AND R57103)
	AR55711	PISTON	1		(MARKED R49345) (SUB (2) A4728R, (2) L29015, R27649 AND R57103)
35	A4728R	O-RING	AR	-10HA1	(1 USED WITH R48952) (2 USED WITH R49345)
36	R36742	COUPLING	1		
	R46431	ADAPTER	1		(A)
37	R26287	O-RING	1		
38	400R	BALL	1		(A) 6MM (1/4")
39	R44254	GUIDE	1		(A)
40	R44256	SPRING	1		(A)
41	R44255	WASHER	1		(A)

(A) POWER FRONT WHEEL DRIVE

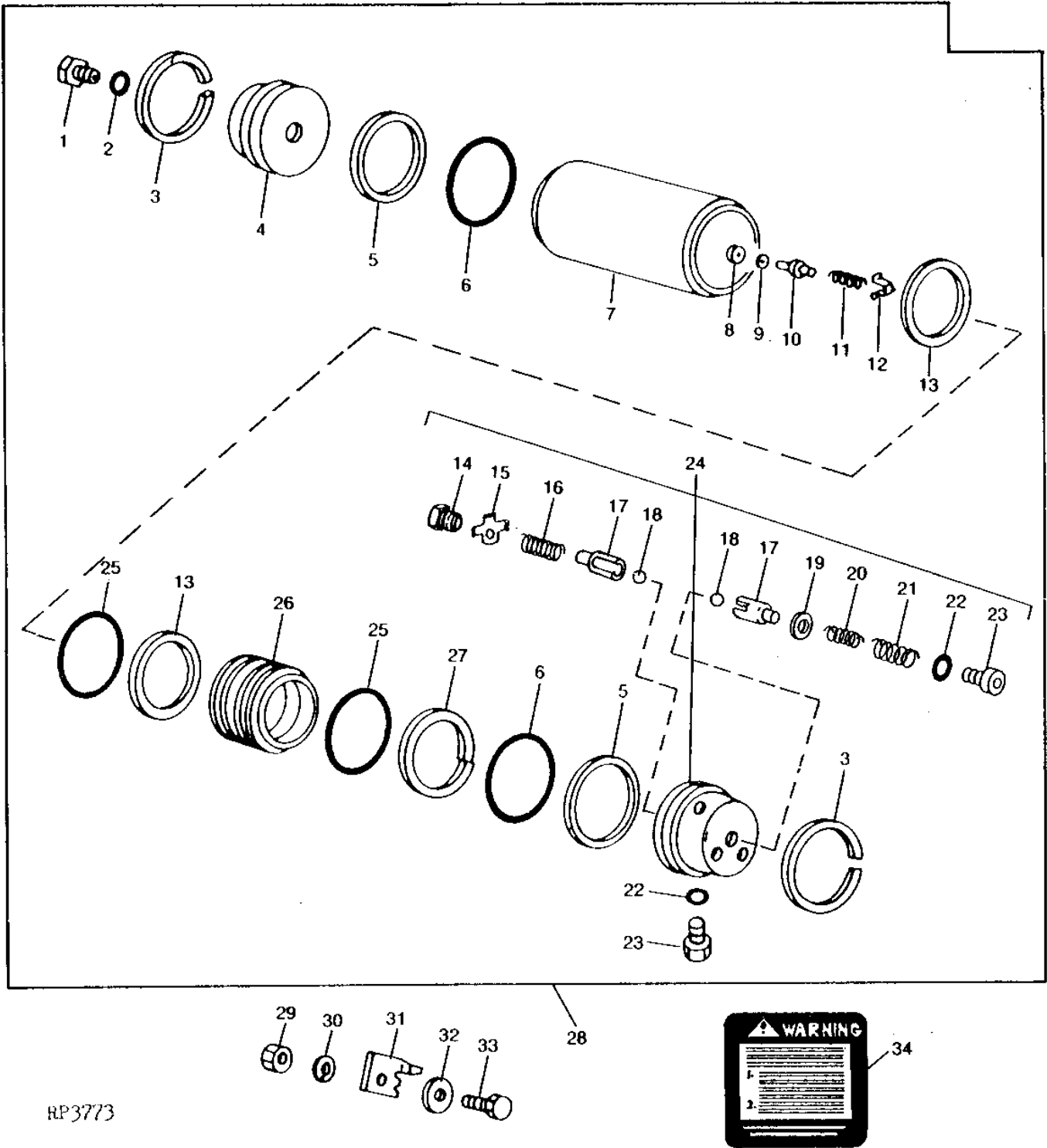
2G1

STEERING AND BRAKES

RP3773

-UN-01JAN94

ACCUMULATOR



RP3773



2G2

STEERING AND BRAKES

ACCUMULATOR - CONTINUED

KEY	PART NO.	PART NAME	QTY	TRACTOR SERIAL NO.	REMARKS
1	R27094	DRAIN PLUG	1		
2	R77673	O-RING	1		
3	U10136	SNAP RING	2		(USE WITH R46987)
	R78101	SNAP RING	2		(USE WITH R77867)
4	R48957	END	1		
5	R35684	BACK-UP RING	2		
6	U12331	O-RING	2		
7	R46987	HYDRAULIC CYLINDER BARREL	1		(SUB R77867 AND (2) R78101)
8	R60038	PACKING	1		
9	R47087	WASHER	1		
10	R47085	VALVE	1		
11	R47086	SPRING	1		
12	R41877	GUIDE	1		
13	L29015	BACK-UP RING	2		
14	R74022	RETAINER	1		
15	R75866	LOCK PLATE	1		
16	R44256	SPRING	1		
17	R44254	GUIDE	2		
18	400R	BALL	2		6MM (1/4")
19	R31632	SHIM	AR		
20	R47606	SPRING	1		
21	R47605	SPRING	1		
22	R77673	O-RING	2		
23	R47607	PIPE PLUG	2		
24	AR93259	CAP	1		
25	A4728R	O-RING	2		
26	R57103	PISTON	1		
27	R27649	BACK-UP RING	1		
28	RE11956	ACCUMULATOR	1		(SUB FOR AR67778) (ALSO ORDER R120109, R120110, R80754 OR R82337)
29	14H785	NUT	1		5/16"
30	12H303	LOCK WASHER	1		5/16"
31	R51851	CLIP	1		
32	24H1299	WASHER	1		3/8" X 1-1/4" X 0.065"
33	19H1905	CAP SCREW	1		5/16" X 1"
34	R80752	LABEL	1		WARNING (ENGLISH) (SUB R120109)
	R80753	LABEL	1		WARNING (ESPANOL) (SUB R120110)
	R80754	LABEL	1		WARNING (FRANCAIS)
	R82337	LABEL	1		WARNING (DEUTSCH)

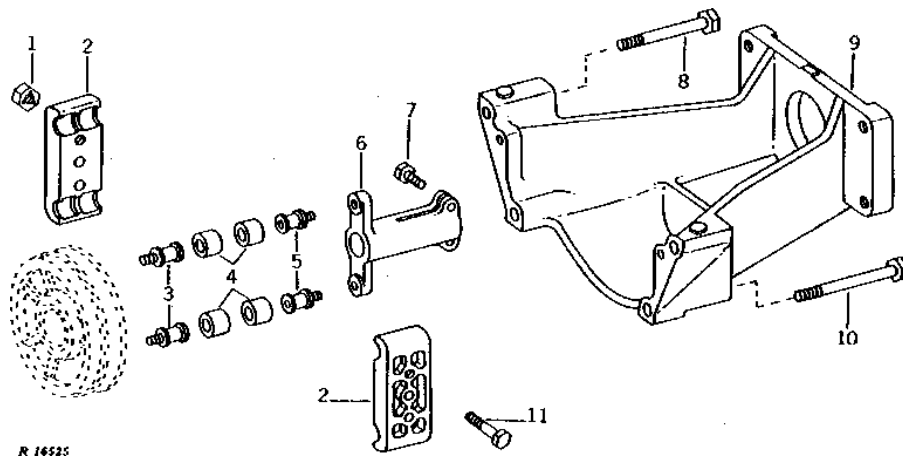
MEMORANDA

3B4

HYDRAULICS

R16525 -UN-01JAN94

HYDRAULIC PUMP DRIVE AND SUPPORT



KEY	PART NO.	PART NAME	QTY	TRACTOR SERIAL NO.	REMARKS
1	M63440	LOCK NUT	2		(SUB T11234)
2	R34362	EXTERNAL HALF COUPLER	2		
3	R46345	SCREW	2		
4	R45822	BUSHING	4		(SUB FOR AR49427)
5	R34360	SCREW	2		
6	R43075	SHAFT	1		
7	19H1732	CAP SCREW	2	3/8" X 1-1/4"	
8	19H1781	CAP SCREW	2	1/2" X 3-1/2"	
9	R55008	SUPPORT	1		(SUB FOR R46429 OR R49404)
10	19H3597	CAP SCREW	2	1/2" X 4-3/4"	
11	19H2116	CAP SCREW	2	3/8" X 2-1/2"	

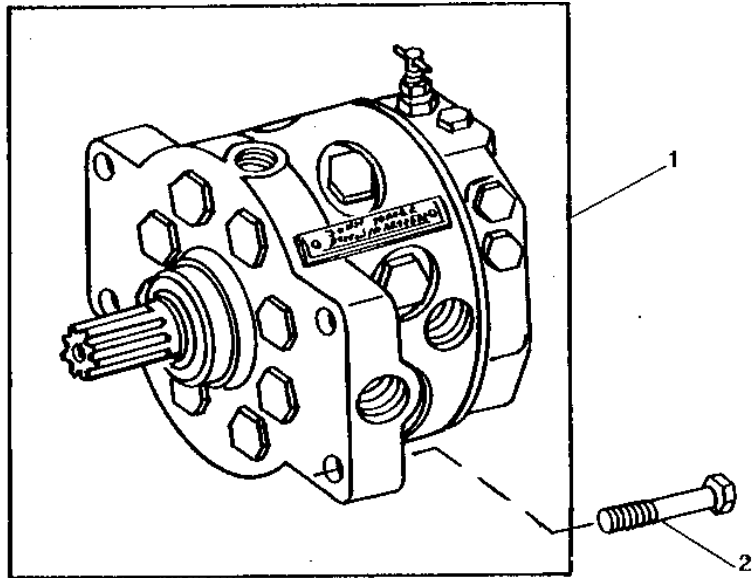
MEMORANDA

3B5

HYDRAULICS

RP3196 -UN-01JAN94

REPLACEMENT HYDRAULIC PUMP ASSEMBLY



RP3196

KEY	PART NO.	PART NAME	QTY	TRACTOR SERIAL NO.	REMARKS
1	AR94660	HYDRAULIC PUMP	1		(A) 50 CM3 (3 IN.3) (MODEL GA1) (SUB FOR AR47802 OR AR56161) (ALSO ORDER RE19313 AND F3171R)
	AR94661	HYDRAULIC PUMP	1		(B) 65 CM3 (4 IN.3) (MODEL JA1) (SUB FOR AR46246, AR70722, AR73106 OR AR99839)
2	19H1990	CAP SCREW	4		1/2" X 2-1/4"

(A) LESS POWER FRONT WHEEL DRIVE
(B) POWER FRONT WHEEL DRIVE

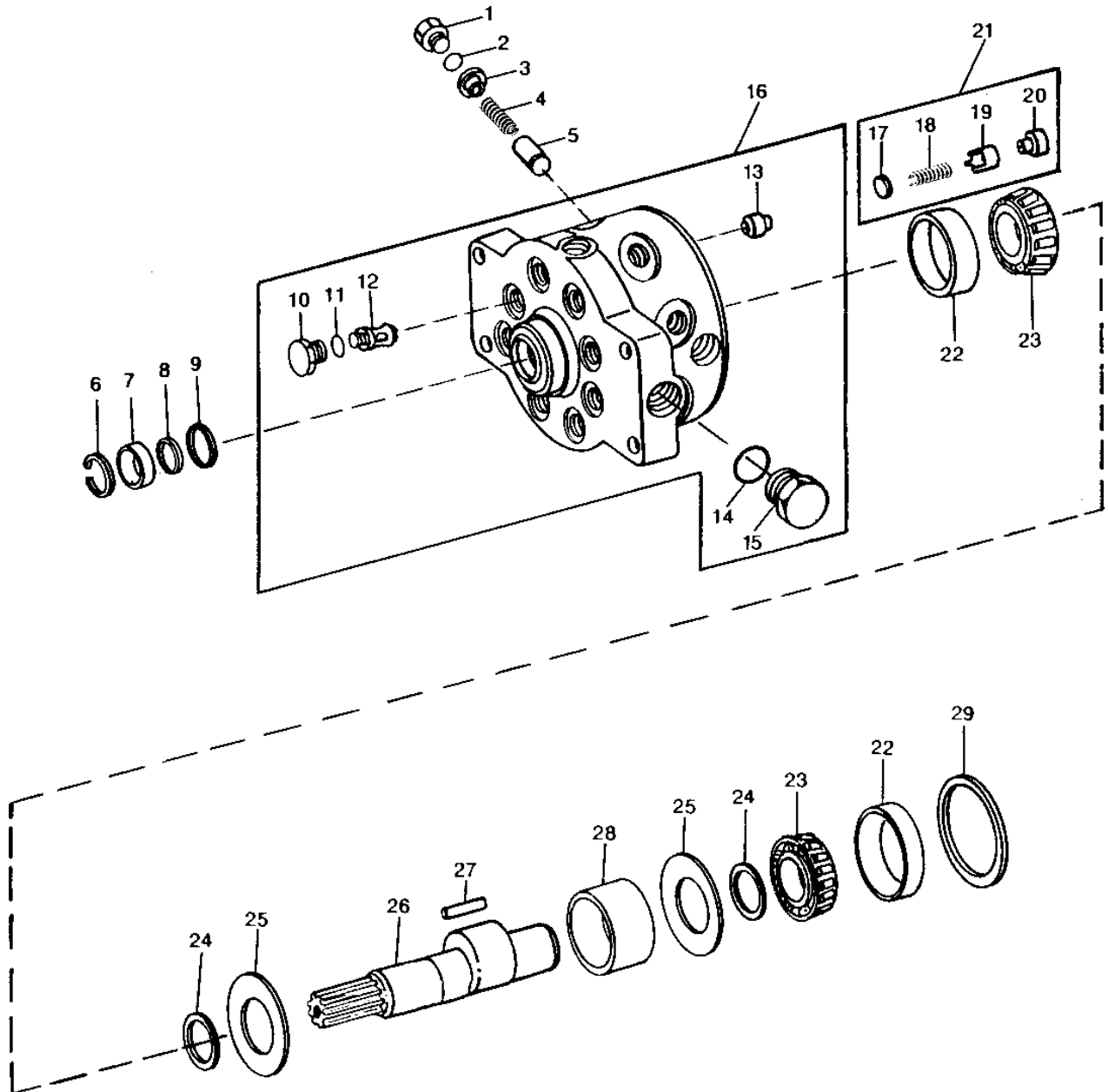
3B6

HYDRAULICS

RP3261

-UN-01JAN94

HYDRAULIC PUMP
49 CM3 (3 IN.3)
(PUMP LESS SERIAL PLATE)



3B7

HYDRAULICS

HYDRAULIC PUMP - CONTINUED
49 CM3 (3 IN.3)
(PUMP LESS SERIAL PLATE)

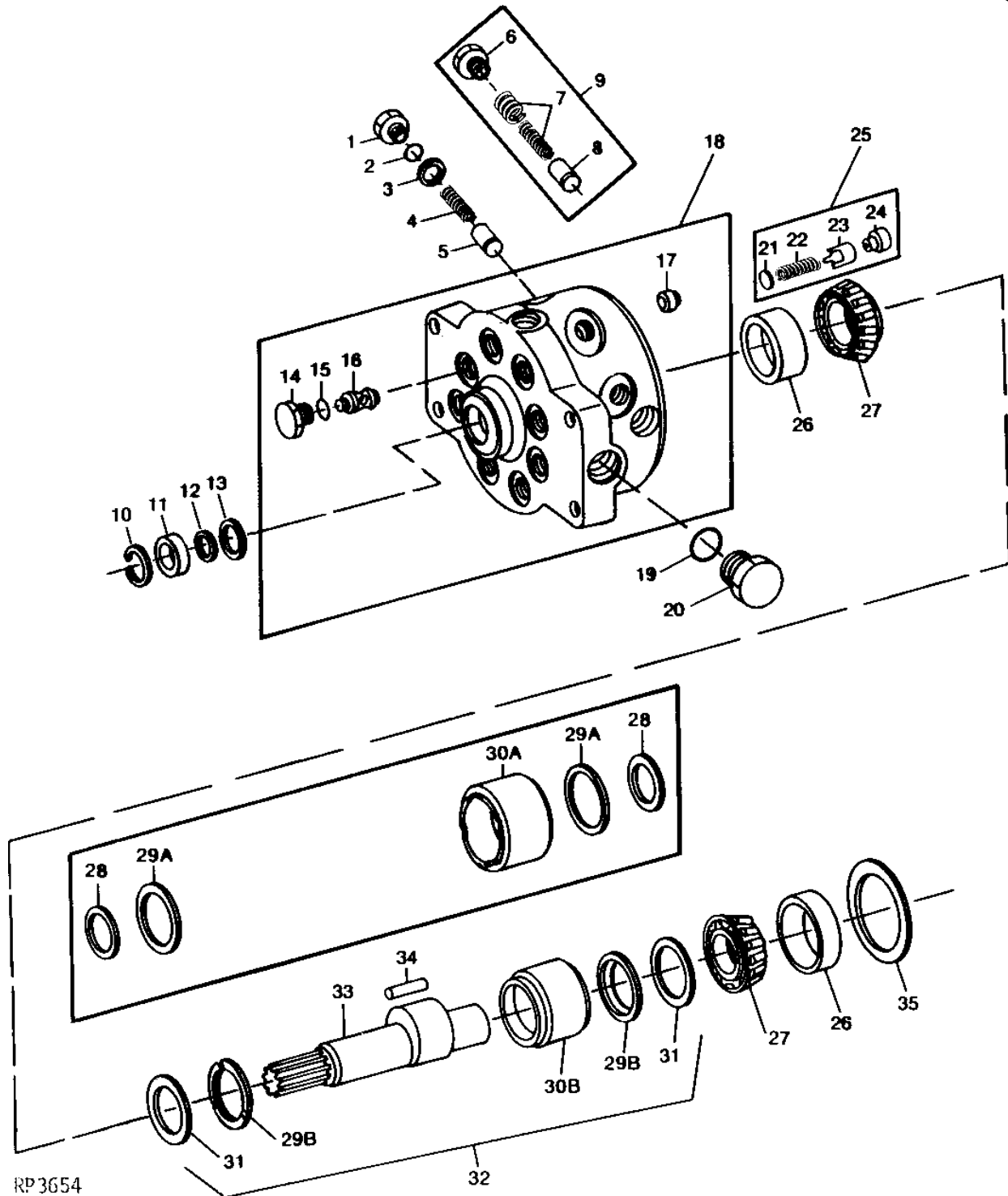
KEY	PART NO.	PART NAME	QTY	TRACTOR SERIAL NO.	REMARKS
1	R45438	FITTING	8		
2	R56463	O-RING	8		
3	AR101236	SHIELD	1		(SET OF 8) (SUB FOR R56749)
4	AR76762	SPRING	1		(SET OF 8) (SUB FOR AR33821 OR AR55186)
5	R27150	PISTON	8		
6	R26137	SNAP RING	1		
7	RE28790	SEAL	1		(SUB FOR AR52224)
8	R56753	SHIM	1		
9	R39729	O-RING	1		
10	R78293	FITTING	8		(SUB FOR R44823)
11	R27149	O-RING	8		
12	AR53301	VALVE	8		(INLET) (SUB FOR AR26758)
13	R105583	SEAT	8		
14	U13639	O-RING	1		(USE WITH R45228)
	F3171R	O-RING	1		(USE WITH R45227)
15	R39741	DRAIN PLUG	1		1-5/8", (USE WITH R45228)
	R27175	DRAIN PLUG	1		1-1/16", (USE WITH R45227)
16	AR47580	HOUSING	1		(MARKED R45227, R45228 OR R60494) (SUB AR94660) (ALSO ORDER RE19313 AND F3171R)
17	R49297	DISK	8		(SUB FOR R39074)
18	R39228	SPRING	8		
19	R48738	GUIDE	8		(SUB FOR R39174)
20	R83508	STOP	8		(SUB FOR R49298 OR R72886)
21	RE23382	VALVE	8		(OUTLET) (SUB FOR AR52785 OR AR96613)
22	JD8223	BEARING CUP	2		
23	JD8192	BEARING CONE	2		
24	R34349	WASHER	2		
25	R60732	WASHER	2		(SUB FOR R42467)
26	R34348	SHAFT	1		
27	R27145	NEEDLE ROLLER	36		
28	R45874	BEARING RACE	1		
29	R27478	SHIM	AR		0.15MM (.006")
	R27479	SHIM	AR		0.25MM (.010")
..	AR47802	HYDRAULIC PUMP	1		(SUB AR94660) (ALSO ORDER RE19313 AND F3171R)
..	AR56161	HYDRAULIC PUMP	1		(SUB FOR AR47802) (SUB AR94660) (ALSO ORDER RE19313 AND F3171R)

3B8

HYDRAULICS

HYDRAULIC PUMP
66 CM³ (4 IN.³)
(PUMP LESS SERIAL PLATE)
(POWER FRONT WHEEL DRIVE)

RP3654 -UN-12OCT94



RP3654

32

3B9

HYDRAULICS

HYDRAULIC PUMP - CONTINUED
66 CM3 (4 IN.3)
(PUMP LESS SERIAL PLATE)
(POWER FRONT WHEEL DRIVE)

KEY	PART NO.	PART NAME	QTY	TRACTOR SERIAL NO.	REMARKS
1	R75642	DRAIN PLUG	8		(SUB FOR R44745)
2	R56751	O-RING	8		
3	AR101237	SHIELD	1		(SET OF 8)
4	AR55330	SPRING	1		(SET OF 8)
5	R51827	PISTON	8		(SUB FOR R44824) (SUB RE11814)
6	R70648	DRAIN PLUG	8		
7	AR96408	SPRING	1		(SET OF 16)
8	R70976	PISTON	8		
9	RE11814	KIT	1		
10	R26137	SNAP RING	1		
11	RE28790	SEAL	1		(SUB FOR AR52224)
12	R56753	SHIM	1	XXXXXX-	
13	R39729	O-RING	1		
14	R78293	FITTING	8		(SUB FOR R44823)
15	R27149	O-RING	8		
16	AR53301	VALVE	8		(INLET)
17	R105583	SEAT	8		
18	AR70723	HOUSING	1		(MARKED R44801, R55010 OR R58773) (SUB FOR AR48770) (SUB AR94661)
19	U13639	O-RING	1		(USE WITH R44801)
	F3171R	O-RING	1		(USE WITH R58773)
20	R39741	DRAIN PLUG	1		1-5/8", (USE WITH R44801)
	R27175	DRAIN PLUG	1		1-1/16", (USE WITH R58773)
21	R49297	DISK	8		(SUB FOR R39074)
22	R39228	SPRING	8		
23	R48738	GUIDE	8		
24	R83508	STOP	8		(SUB FOR R49298 OR R72886)
25	RE23382	VALVE	8		(OUTLET) (SUB FOR AR52785 OR AR96613)
26	JD8223	BEARING CUP	2		
27	JD8192	BEARING CONE	2		
28	R45423	WASHER	2	-XXXXXX	(SUB RE12038) (ALSO ORDER RE11814)
29A	R72429	WASHER	2	-XXXXXX	(BRONZE) (SUB FOR R45424) (SUB RE12038) (ALSO ORDER RE11814)
29B	R72507	THRUST WASHER	2	XXXXXX-	
30A	R44744	BEARING RACE	1	-XXXXXX	(SUB RE12038) (ALSO ORDER RE11814)
30B	R80558	BEARING RACE	1	XXXXXX-	(SUB FOR R72509)
31	R77903	WASHER	2		(SUB FOR R45425)
32	RE12038	KIT	1		(SUB FOR AR95470) (ALSO ORDER RE11814)
33	R44743	SHAFT	1		(A) (SUB R79156 AND (2) R79151)
34	R45422	NEEDLE ROLLER	25		(SUB FOR R77904)
35	R27478	SHIM	AR		0.15MM (0.006")
	R27479	SHIM	AR		0.25MM (0.010")
..	AR46246	HYDRAULIC PUMP	1		(SUB AR94661)
..	AR70722	HYDRAULIC PUMP	1		(SUB FOR AR46246 OR AR73106) (SUB AR94661)
..	AR99839	HYDRAULIC PUMP	1		(SUB FOR AR46246, AR70722 OR AR73106) (SUB AR94661)

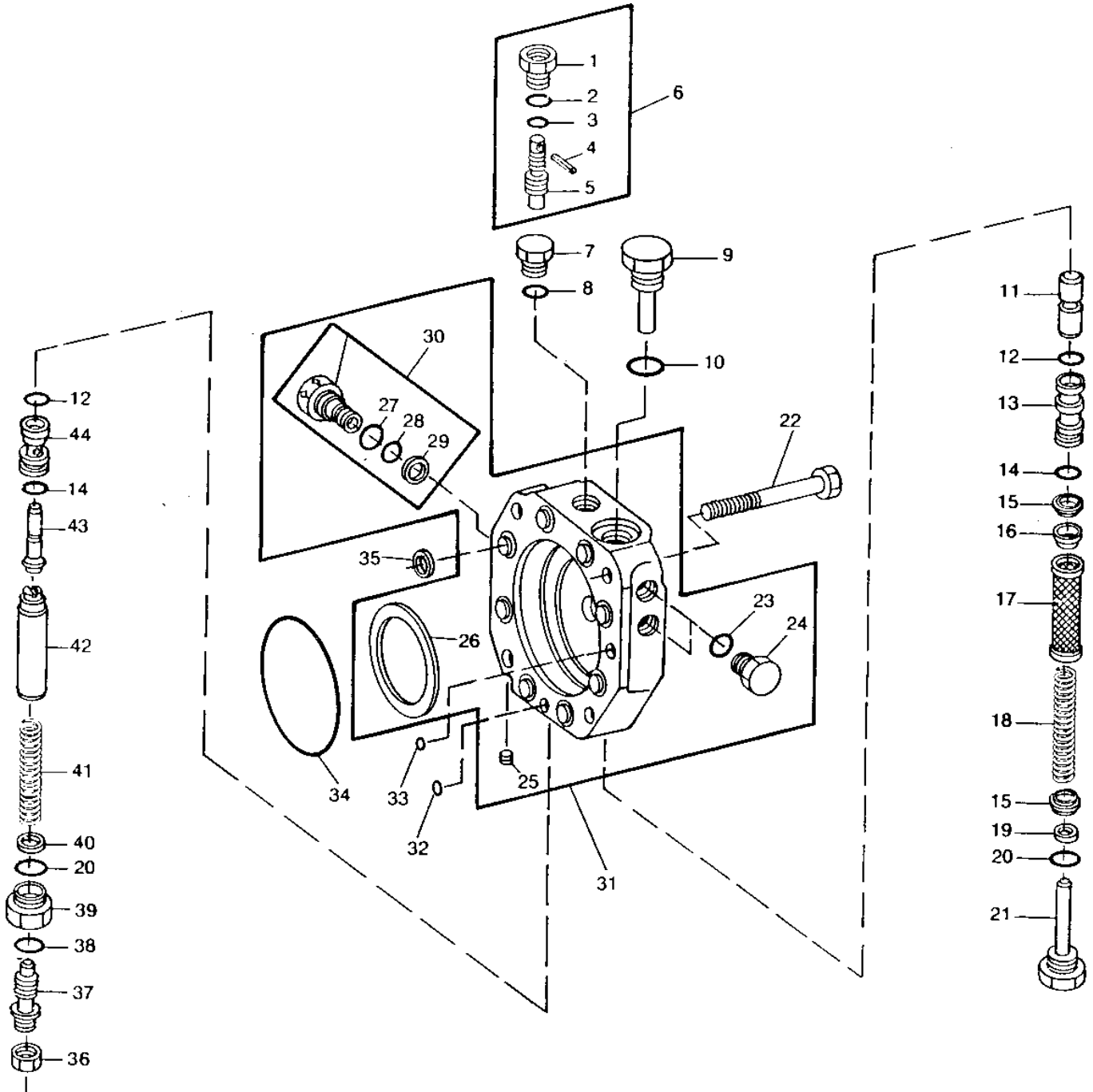
(A) ALSO ORDER R80558 AND (2) R72507 IF RE12038 KIT HAS NOT BEEN PREVIOUSLY INSTALLED

3B10

HYDRAULICS

HYDRAULIC PUMP STROKE CONTROL VALVE
49 CM3 (3 IN.3) - 66 CM3 (4 IN.3)
(PUMP LESS SERIAL PLATE)

RP3510 -UN-01JAN94



RP 3510

3B11

HYDRAULICS

HYDRAULIC PUMP STROKE CONTROL VALVE - CONTINUED
 49 CM3 (3 IN.3) - 66 CM3 (4 IN.3)
 (PUMP LESS SERIAL PLATE)

KEY	PART NO.	PART NAME	QTY	TRACTOR SERIAL NO.	REMARKS
1	R27475	FITTING	1		
2	R26448	O-RING	1		
3	A4365R	O-RING	1		
4	34H254	SPRING PIN	1		1/8" X 1-1/2"
5	R27171	SCREW	1		
6	AR33249	SCREW	1		(MANUAL DESTROKE)
7	R27218	FITTING PLUG	1		(LESS MANUAL DESTROKE)
8	R26448	O-RING	1		(LESS MANUAL DESTROKE)
9	AR51745	DRAIN PLUG	1		
10	R26906	O-RING	1		
11	R27172	VALVE	1		
12	R27564	O-RING	2		
13	R70351	SLEEVE	1		(SUB FOR R27476)
14	R27166	O-RING	2		
15	R27174	PACKING	2		
16	R27167	GUIDE	1		
17	R27173	FILTER ELEMENT	1		
18	R27159	SPRING	1		
19	R27170	SHIM	AR		0.010"
	24H1298	WASHER	AR		0.030"
20	R56751	O-RING	2		
21	AR26646	DRAIN PLUG	1		
22	19H3520	CAP SCREW	4		1/2" X 3-1/4"
23	R26287	O-RING	2		
24	R27216	DRAIN PLUG	2		
25	15H560	PIPE PLUG	1		1/16", (USE WITH R49071)
26	R49072	WASHER	1		(NOT USED IN ALL APPLICATIONS)
27	R26375	O-RING	1		(USE WITH R49071)
28	T40308	O-RING	1		(USE WITH R49071)
29	T57374	BACK-UP RING	1		(USE WITH R49071)
30	AR90378	PLUG	1		(USE WITH R49071)
31	AR38714	HOUSING	1		(MARKED R42663, R44802 OR R49071) (SUB FOR RE13611)
32	R56755	WASHER	1		
33	R56756	O-RING	1		
34	R56757	O-RING	1		
35	R69279	WASHER	8		(SUB FOR R56754)
36	14H1021	NUT	1		7/16"
37	AR52254	SET SCREW	1		
38	R28782	O-RING	1		
39	R28781	FITTING	1		
40	R42260	WASHER	1		
41	R31781	SPRING	1		
42	R71321	GUIDE	1		(SUB FOR R32344)
43	R70559	CONTROL VALVE	1		(SUB FOR R27472 OR R65194) (SUB RE10712, R27166 AND R41057)
44	R69262	SLEEVE	1		(SUB FOR R27471, R58499 OR R65192) (SUB RE10712, R27166 AND R41057)

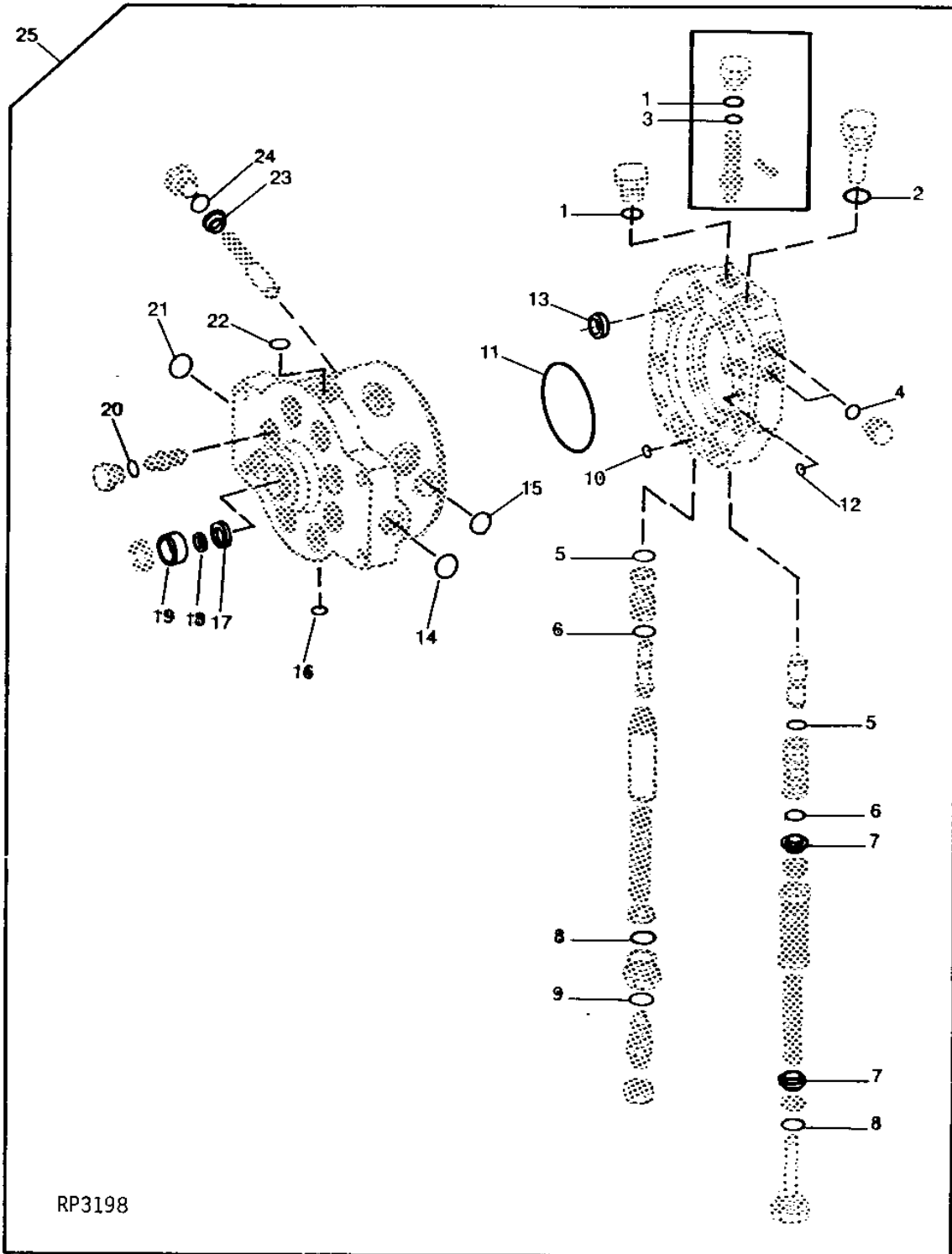
3B12

HYDRAULICS

HYDRAULIC PUMP AND STROKE CONTROL VALVE OVERHAUL KIT 49 CM3 (3 IN.3) - 66 CM3 (4 IN.3) (PUMP LESS SERIAL PLATE)

RP3198

-UN-01JAN94



RP3198

3B13

HYDRAULICS

HYDRAULIC PUMP AND STROKE CONTROL VALVE OVERHAUL KIT - CONTINUED
 49 CM3 (3 IN.3) - 66 CM3 (4 IN.3)
 (PUMP LESS SERIAL PLATE)

KEY	PART NO.	PART NAME	QTY	TRACTOR SERIAL NO.	REMARKS
1	R26448	O-RING	1		
2	R26906	O-RING	1		
3	A4365R	O-RING	1		
4	R26287	O-RING	2		
5	R27564	O-RING	2		
6	R27166	O-RING	2		
7	R27174	PACKING	2		
8	R56751	O-RING	2		
9	R28782	O-RING	1		
10	R56755	WASHER	1		
11	R56757	O-RING	1		
12	R56756	O-RING	1		
13	R69279	WASHER	8		
14	U13639	O-RING	1		
15	R26906	O-RING	1	(B)	
	R56751	O-RING	1	(C)	
16	R26287	O-RING	1		
17	R39729	O-RING	1		
18	R56753	SHIM	1		
19	RE28790	SEAL	1		
20	R27149	O-RING	8		
21	R56751	O-RING	1		
	R29936	O-RING	1	(A) (C)	
22	R27928	O-RING	2	(A) (TOP)	
	P47908	O-RING	1	(A) (BOTTOM)	
	R35827	WASHER	1	(A) (B)	
23	AR101236	SHIELD	1	(B) (SET OF 8)	
	AR101237	SHIELD	1	(C) (SET OF 8)	
24	R56463	O-RING	8	(B)	
	R56751	O-RING	8	(C)	
25	RE29103	KIT	1		49 CM3 (3 IN.3) (SUB FOR AR67718) (ALSO ORDER (2) R27166 AND (2) R41057, IF STROKE CONTROL VALVE HAS BEEN REPLACED)
	RE29104	KIT	1		66 CM3 (4 IN.3) (SUB FOR AR67720) (ALSO ORDER (2) R27166 AND (2) R41057, IF STROKE CONTROL VALVE HAS BEEN REPLACED)

- (A) UNIVERSAL KIT - APPLICATIONS WILL VARY
- (B) INCLUDED IN RE29103
- (C) INCLUDED IN RE29104

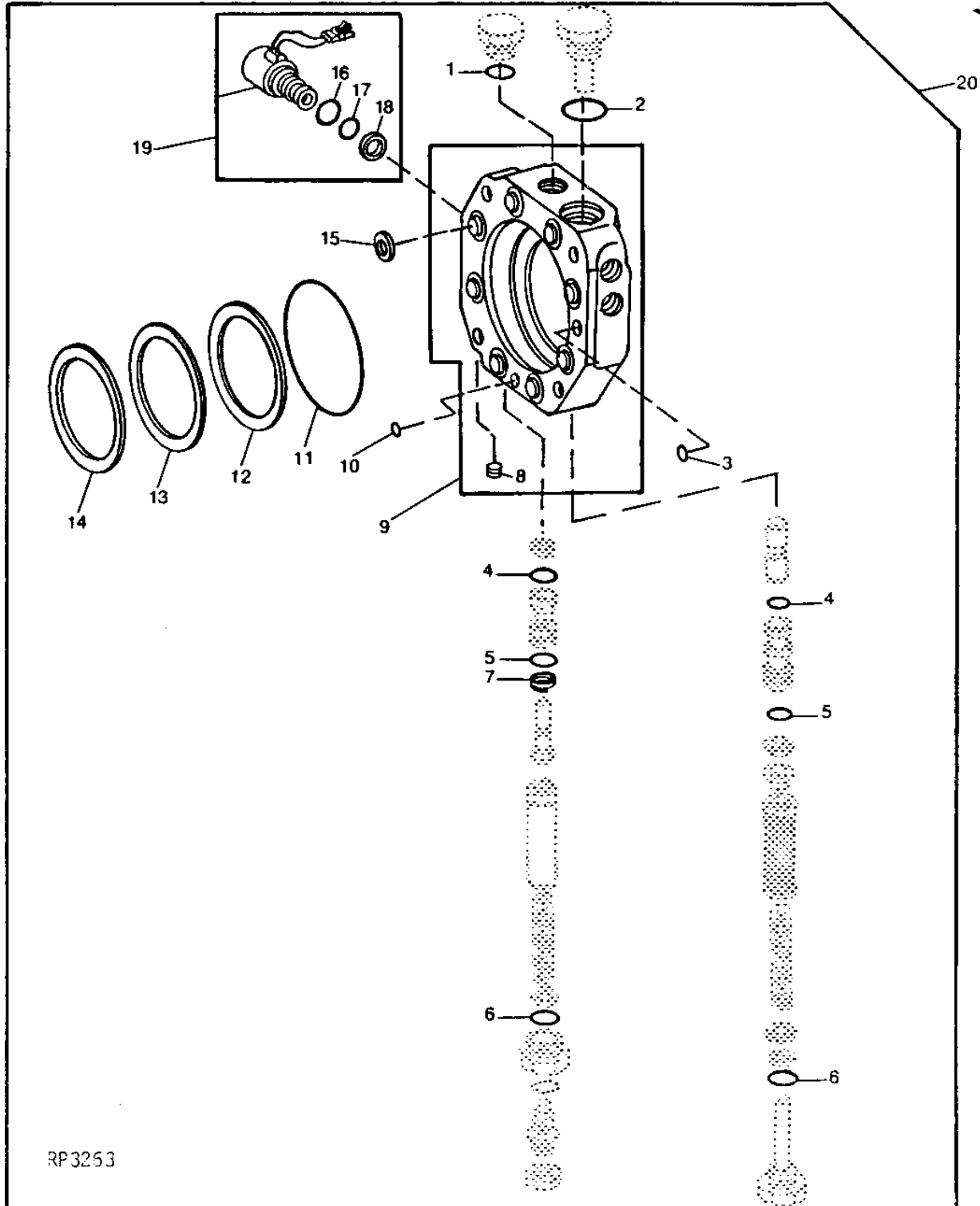
3B14

HYDRAULICS

HYDRAULIC PUMP ELECTRIC DESTROKE KIT
49 CM3 (3 IN.3) - 66 CM3 (4 IN.3)
(PUMP LESS SERIAL PLATE)

RP3263

-UN-01JAN94



RP3263

3B15

HYDRAULICS

HYDRAULIC PUMP ELECTRIC DESTROKE KIT - CONTINUED
49 CM3 (3 IN.3) - 66 CM3 (4 IN.3)
(PUMP LESS SERIAL PLATE)

KEY	PART NO.	PART NAME	QTY	TRACTOR SERIAL NO.	REMARKS
1	R26448	O-RING	1		
2	R26906	O-RING	1		
3	R56756	O-RING	1		
4	R27564	O-RING	2		
5	R27166	O-RING	2		
6	F3171R	O-RING	2		
7	R41057	BACK-UP RING	1		
8	15H560	PIPE PLUG	1		1/16"
9	AR52494	HOUSING	1		(MARKED R49071)
10	R56755	WASHER	1		
11	R56757	O-RING	1		
12	R27478	SHIM	2		0.15MM (.006")
13	R27479	SHIM	2		0.25MM (.010")
14	R49072	WASHER	1		(NOT USED IN ALL APPLICATIONS)
15	R69279	WASHER	8		
16	R26375	O-RING	1		
17	T40308	O-RING	1		
18	T57374	BACK-UP RING	1		
19	RE32529	SOLENOID VALVE	1		(SUB FOR RE21725)
20	RE14868	KIT	1		(A) (SUB RE40463)

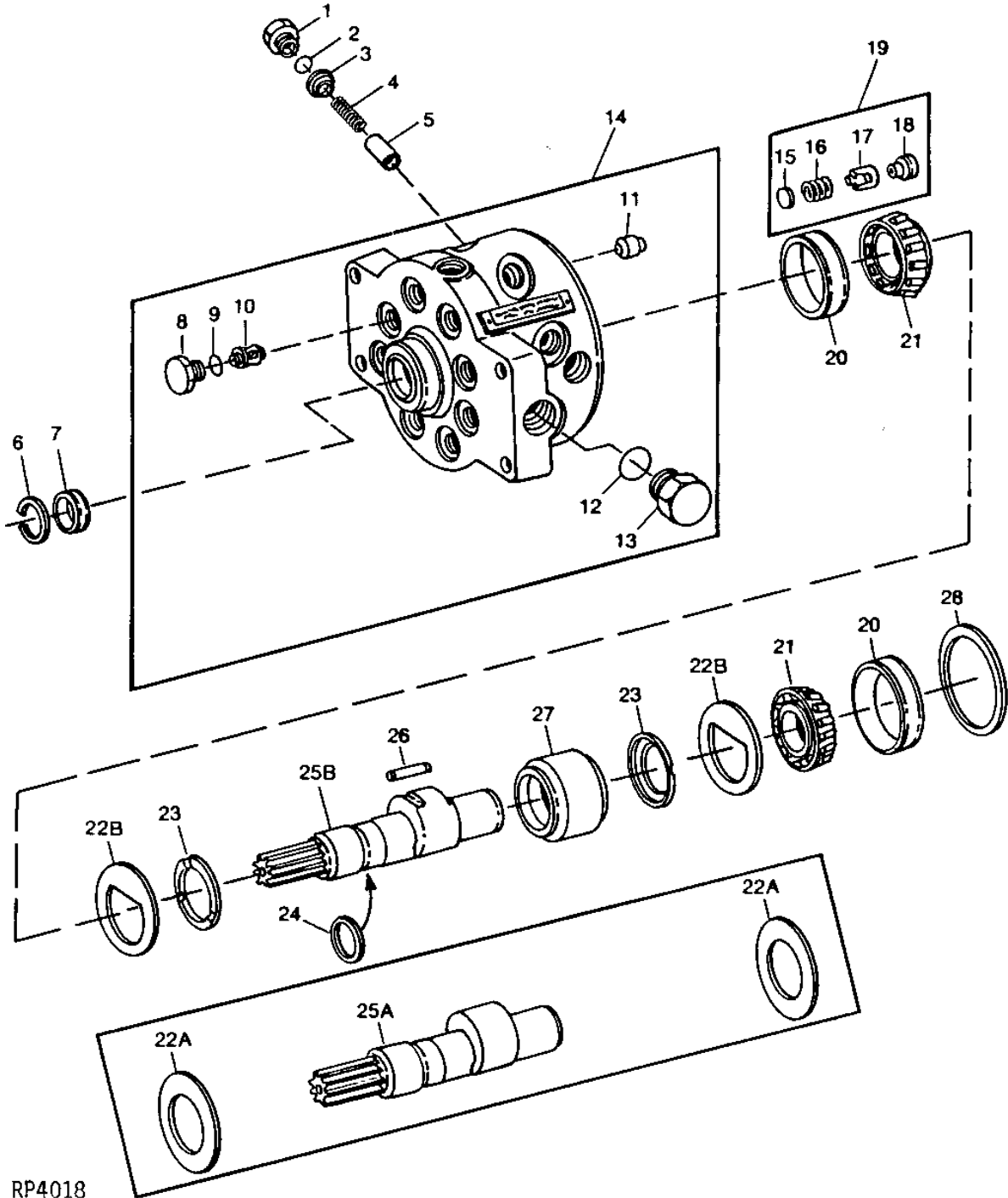
(A) INCLUDES RE12330 WIRE CONNECTORS

3B16

HYDRAULICS

HYDRAULIC PUMP - MODEL GA1
50 CM3 (3 IN.3)
(REPLACEMENT PUMP WITH SERIAL PLATE)

RP4018 -UN-18OCT94



RP4018

3B17

HYDRAULICS

HYDRAULIC PUMP - MODEL GA1 - CONTINUED
50 CM3 (3 IN.3)
(REPLACEMENT PUMP WITH SERIAL PLATE)

KEY	PART NO.	PART NAME	QTY	PUMP SERIAL NO.	REMARKS
1	R45438	FITTING	8		
2	R56463	O-RING	8		
3	AR101236	SHIELD	1		(SET OF 8)
4	AR76762	SPRING	1		(SET OF 8)
5	R27150	PISTON	8		
6	R26137	SNAP RING	1		
7	RE28790	SEAL	1		(SUB FOR AR52224)
8	R78293	FITTING	8		
9	R27149	O-RING	8		
10	AR53301	VALVE	8		(INLET)
11	R105583	SEAT	8		
12	F3171R	O-RING	1		(USE WITH R71586)
	U13639	O-RING	1		(USE WITH R73741)
13	R27175	DRAIN PLUG	1		(USE WITH R71586)
	R39741	DRAIN PLUG	1		(USE WITH R73741)
14	RE11804	HOUSING	1		(MODEL PJ1) (MARKED R71586 OR R73741)
15	R49297	DISK	8		
16	R39228	SPRING	8		
17	R48738	GUIDE	8		
18	R83508	STOP	8		(SUB FOR R49298 OR R72886)
19	RE23382	VALVE	8		(OUTLET) (SUB FOR AR96613)
20	JD8223	BEARING CUP	2		
21	JD8192	BEARING CONE	2		
22A	R77903	WASHER	2	-023628	(SUB FOR R45425)
22B	R79151	LOCK WASHER	2	023629-	(USE WITH R79152)
23	R72507	THRUST WASHER	2		
24	R77611	RING	1		(SEALING) (SUB FOR R68252 OR RE11777)
25A	R71598	SHAFT	1	-023628	(SUB R79152) (ALSO ORDER (2) R79151)
25B	R79152	SHAFT	1	023629-	
26	R45422	NEEDLE ROLLER	25		
27	R80558	BEARING RACE	1		(SUB FOR R72506)
28	R27478	SHIM	AR		0.15MM (.006")
	R27479	SHIM	AR		0.25MM (.010")
..	AR94660	HYDRAULIC PUMP	1		

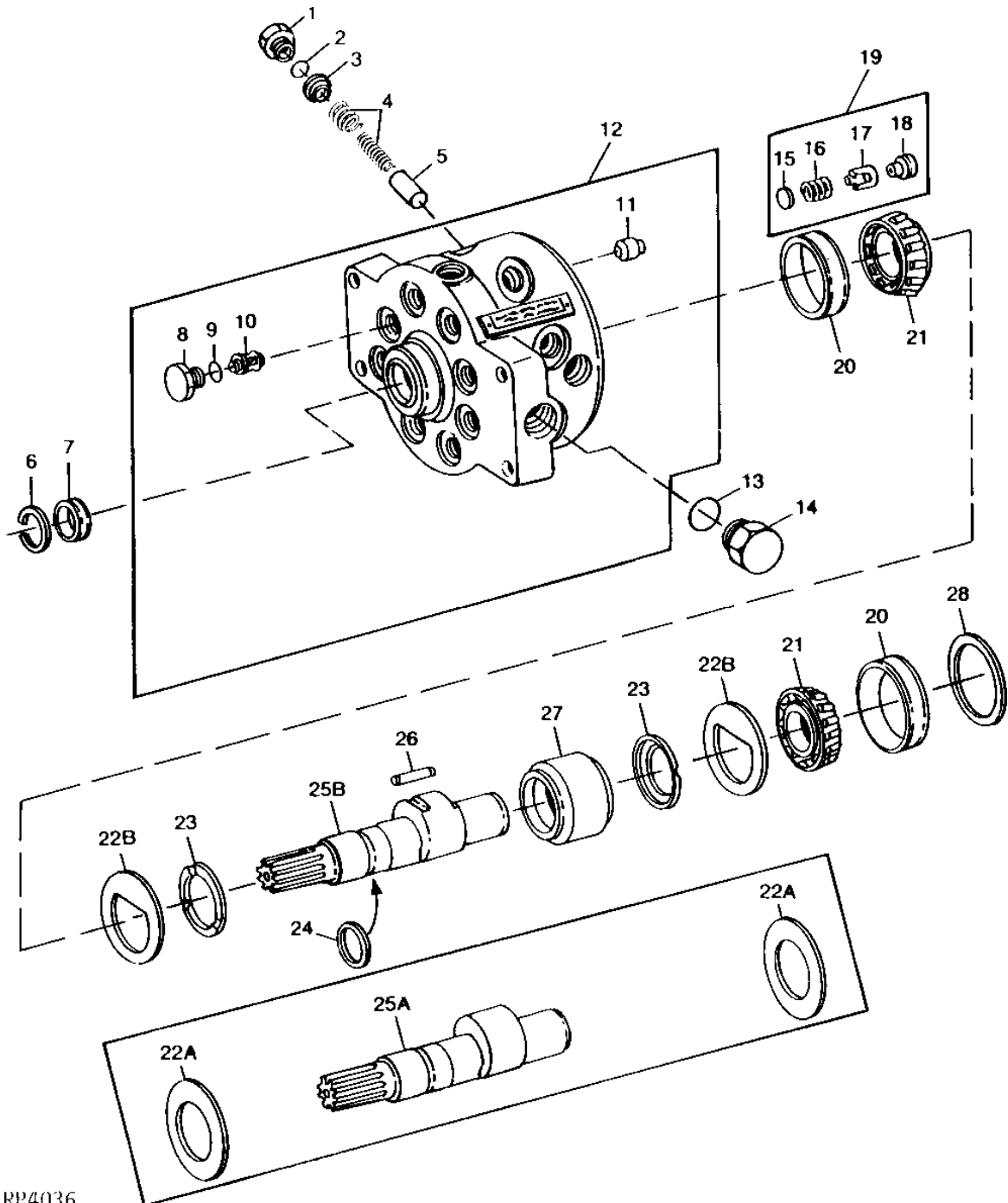
3B18

HYDRAULICS

HYDRAULIC PUMP - MODEL JA1
65 CM3 (4 IN.3)
(REPLACEMENT PUMP WITH SERIAL PLATE)
(POWER FRONT WHEEL DRIVE)

RP4036

-UN-23SEP94



RP4036

3B19

HYDRAULICS

HYDRAULIC PUMP - MODEL JA1 - CONTINUED
 65 CM3 (4 IN.3)
 (REPLACEMENT PUMP WITH SERIAL PLATE)
 (POWER FRONT WHEEL DRIVE)

KEY	PART NO.	PART NAME	QTY	PUMP SERIAL NO.	REMARKS
1	R70648	DRAIN PLUG	8		
2	R56751	O-RING	8		
3	AR101237	SHIELD	1		(SET OF 8)
4	AR96408	SPRING	1		(SET OF 16)
5	R70976	PISTON	8		
6	R26137	SNAP RING	1		
7	RE28790	SEAL	1		(SUB FOR AR52224)
8	R78293	FITTING	8		
9	R27149	O-RING	8		
10	AR53301	VALVE	8		(INLET)
11	R105583	SEAT	8		
12	RE11810	HOUSING	1		(MODEL TG1) (MARKED R71587)
13	F3171R	O-RING	1		
14	R27175	DRAIN PLUG	1		
15	R49297	DISK	8		
16	R39228	SPRING	8		
17	R48738	GUIDE	8		
18	R83508	STOP	8		(SUB FOR R49298 OR R72866)
19	RE23382	VALVE	8		(OUTLET) (SUB FOR AR96613)
20	JD8223	BEARING CUP	2		
21	JD8192	BEARING CONE	2		
22A	R77903	WASHER	2	-010138	(SUB FOR R45425)
22B	R79151	LOCK WASHER	2	010139-	(USE WITH R79154)
23	R72507	THRUST WASHER	2		
24	R77611	RING	1		(SEALING) (SUB FOR R68252 OR RE11777)
25A	R71599	SHAFT	1	-010138	(SUB R79154) (ALSO ORDER (2) R79151)
25B	R79154	SHAFT	1	010139-	
26	R45422	NEEDLE ROLLER	25		
27	R80558	BEARING RACE	1		(SUB FOR R72509)
28	R27478	SHIM	AR		0.15MM (.006")
	R27479	SHIM	AR		0.25MM (.010")
..	AR94661	HYDRAULIC PUMP	1		

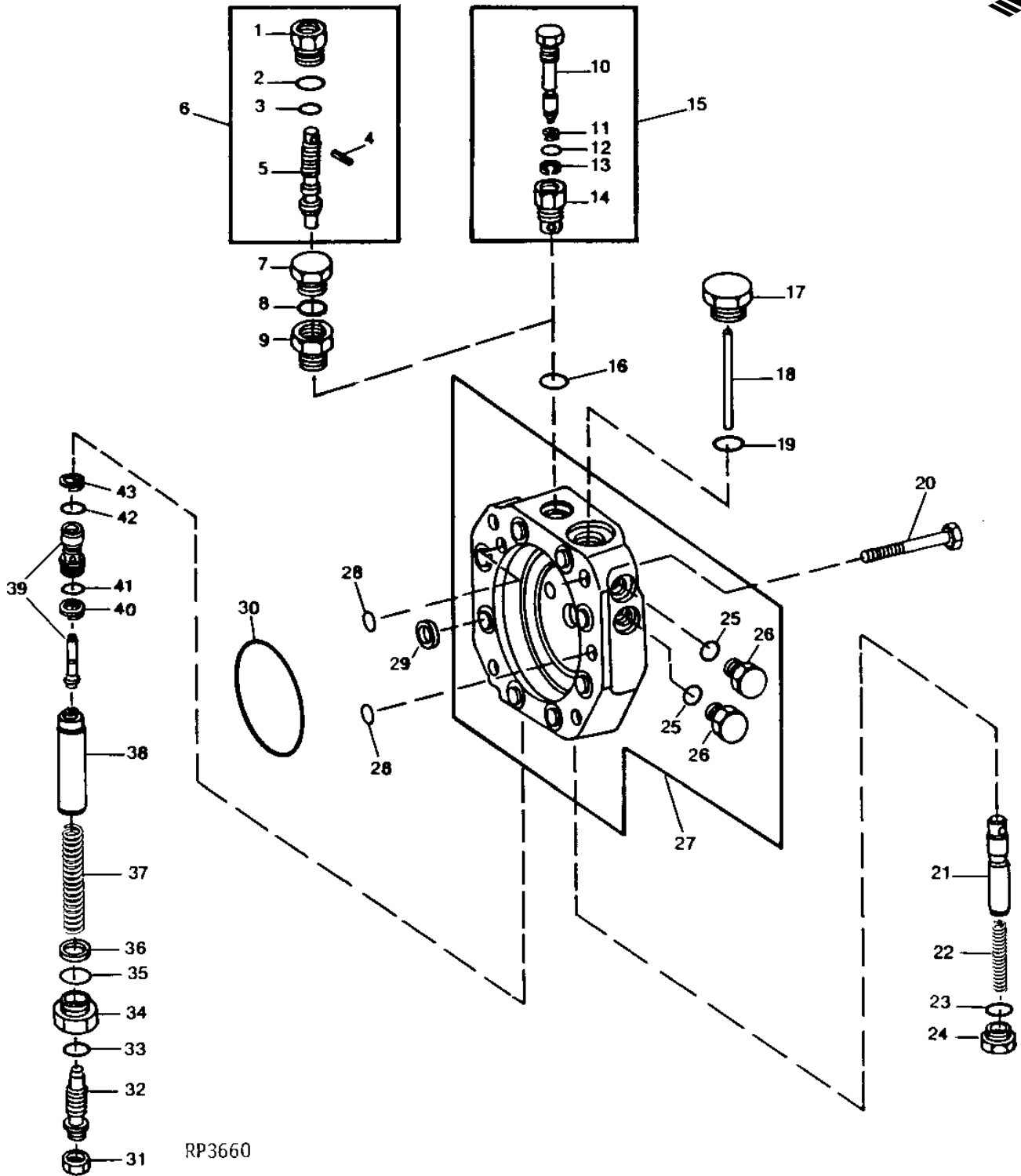
3B20

HYDRAULICS

HYDRAULIC PUMP STROKE CONTROL VALVE
50 CM3 (3 IN.3) - 65 CM3 (4 IN.3)
(REPLACEMENT PUMP WITH SERIAL PLATE)

RP3660

-UN-14SEP94



RP3660

3B21

HYDRAULICS

HYDRAULIC PUMP STROKE CONTROL VALVE - CONTINUED
 50 CM3 (3 IN.3) - 65 CM3 (4 IN.3)
 (REPLACEMENT PUMP WITH SERIAL PLATE)

KEY	PART NO.	PART NAME	QTY	PUMP SERIAL NO.	REMARKS
1	R27475	FITTING	1		
2	R26448	O-RING	1		
3	A4365R	O-RING	1		
4	34H254	SPRING PIN	1	1/8" X 1-1/2"	
5	R75879	SCREW	1		
6	AR96625	SCREW	1		(A) (MANUAL DESTROKE)
7	R27218	FITTING PLUG	1		(LESS MANUAL DESTROKE)
8	R26448	O-RING	1		(LESS MANUAL DESTROKE)
9	R70617	PIPE PLUG	1		
10	R79266	SCREW	1		
11	R36358	BACK-UP RING	1		
12	R34802	O-RING	1		
13	R79268	SNAP RING	1		
14	R79267	PLUG	1		
15	RE13271	SCREW	1		(A) (MANUAL DESTROKE)
16	R26906	O-RING	1		
17	R75642	DRAIN PLUG	1		
18	R75564	PIN	1		
19	R56751	O-RING	1		
20	19H3520	CAP SCREW	4	1/2" X 3-1/4"	
21	R70867	VALVE	1		
22	R70868	SPRING	1		
23	R26375	O-RING	1		
24	R73736	PLUG	1		
25	R26448	O-RING	2		
26	R75376	DRAIN PLUG	2		
27	RE12470	HOUSING	1		(MARKED R77714)
28	R56755	WASHER	2		
29	R69279	WASHER	8		
30	R56757	O-RING	1		
31	14H1021	NUT	1	7/16"	
32	AR52254	SET SCREW	1		
33	R28782	O-RING	1		
34	R28781	FITTING	1		
35	F3171R	O-RING	1		
36	R42260	WASHER	1		
37	R31781	SPRING	1		
38	R71321	GUIDE	1		
39	RE10712	CONTROL VALVE	1		
40	R41057	BACK-UP RING	1		
41	R27166	O-RING	1		
42	R27564	O-RING	1		
43	R75938	WASHER	1		

(A) DESIGNS INTERCHANGEABLE

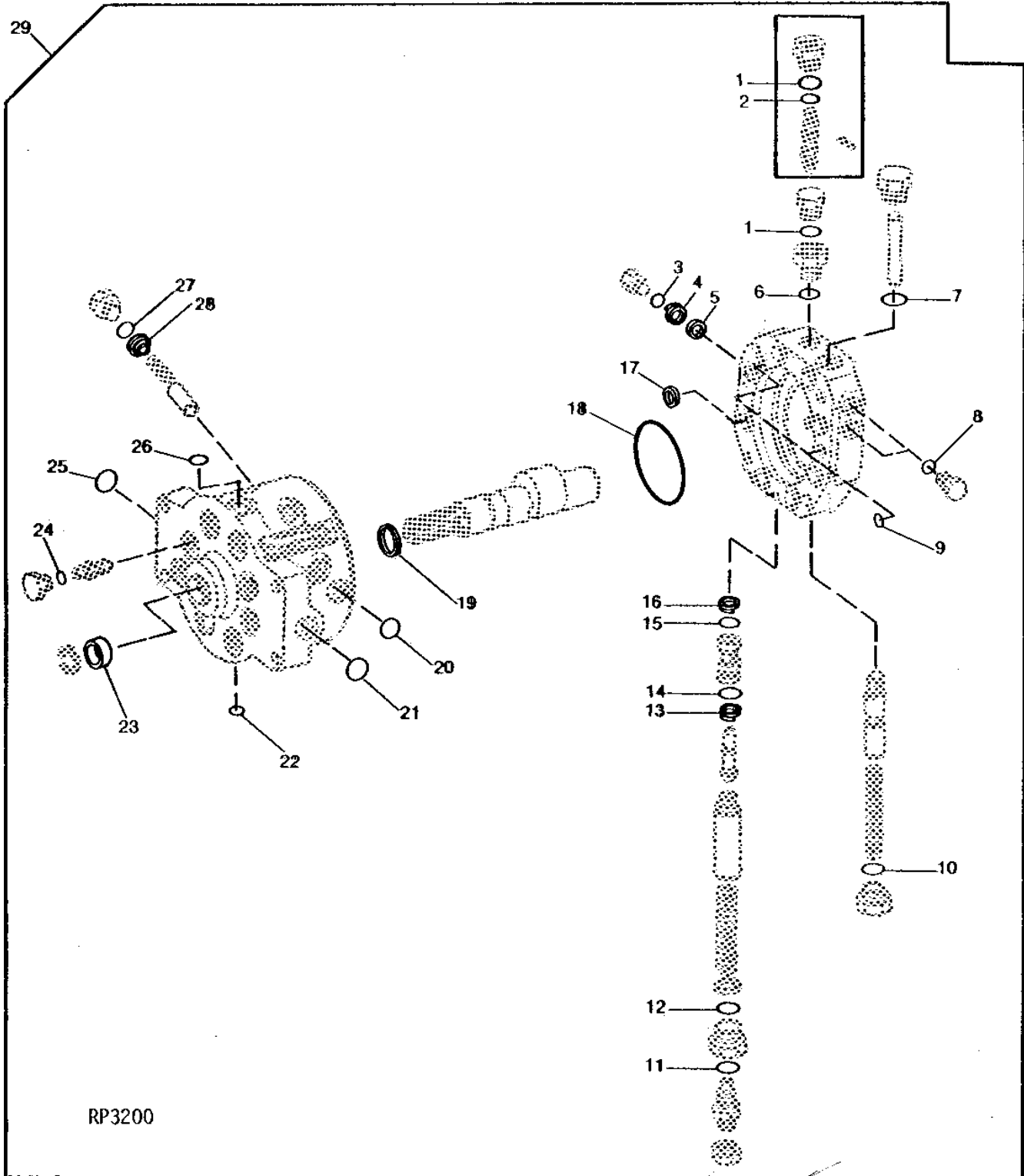
3B22

HYDRAULICS

HYDRAULIC PUMP AND STROKE CONTROL VALVE OVERHAUL KIT 50 CM3 (3 IN.3) - 65 CM3 (4 IN.3) (REPLACEMENT PUMP WITH SERIAL PLATE)

RP3200

-UN-01JAN94



RP3200

3B23

HYDRAULICS

HYDRAULIC PUMP AND STROKE CONTROL VALVE OVERHAUL KIT - CONTINUED
 50 CM3 (3 IN.3) - 65 CM3 (4 IN.3)
 (REPLACEMENT PUMP WITH SERIAL PLATE)

KEY	PART NO.	PART NAME	QTY	PUMP SERIAL NO.	REMARKS
1	R26448	O-RING	1		
2	A4365R	O-RING	1		
3	R26375	O-RING	1	(A)	
4	T40308	O-RING	1	(A)	
5	T57374	BACK-UP RING	1	(A)	
6	R26906	O-RING	1		
7	R56751	O-RING	1		
8	R26448	O-RING	2		
	R26287	O-RING	2	(A) (C)	
9	R56755	WASHER	2		
10	R26375	O-RING	1		
11	R28782	O-RING	1		
12	R56751	O-RING	1		
13	R41057	BACK-UP RING	1		
14	R27166	O-RING	1		
15	R27564	O-RING	1		
16	R75938	WASHER	1		
17	R69279	WASHER	8		
18	R56757	O-RING	1		
19	R77611	RING	1	(SEALING)	
20	R56751	O-RING	1		
21	U13639	O-RING	1	(A)	
	R56751	O-RING	1	(A)	
	R29936	O-RING	1	(A)	
22	R26287	O-RING	1		
23	RE28790	SEAL	1		
24	R27149	O-RING	8		
25	R56751	O-RING	1	(A)	
	R29936	O-RING	1	(A)	
26	R27928	O-RING	1	(A) TOP	
	P47908	O-RING	1	(A) BOTTOM	
	R26906	O-RING	1	(A)	
27	R56463	O-RING	8	(B)	
	R56751	O-RING	8	(C)	
28	AR101236	SHIELD	1	(B) (SET OF 8)	
	AR101237	SHIELD	1	(C) (SET OF 8)	
29	RE29107	KIT	1	50 CM3 (3 IN.3) (SUB FOR AR96321)	
	RE29109	KIT	1	65 CM3 (4 IN.3) (SUB FOR AR96323)	

- (A) UNIVERSAL KIT - APPLICATIONS WILL VARY
- (B) INCLUDED IN RE29107
- (C) INCLUDED IN RE29109

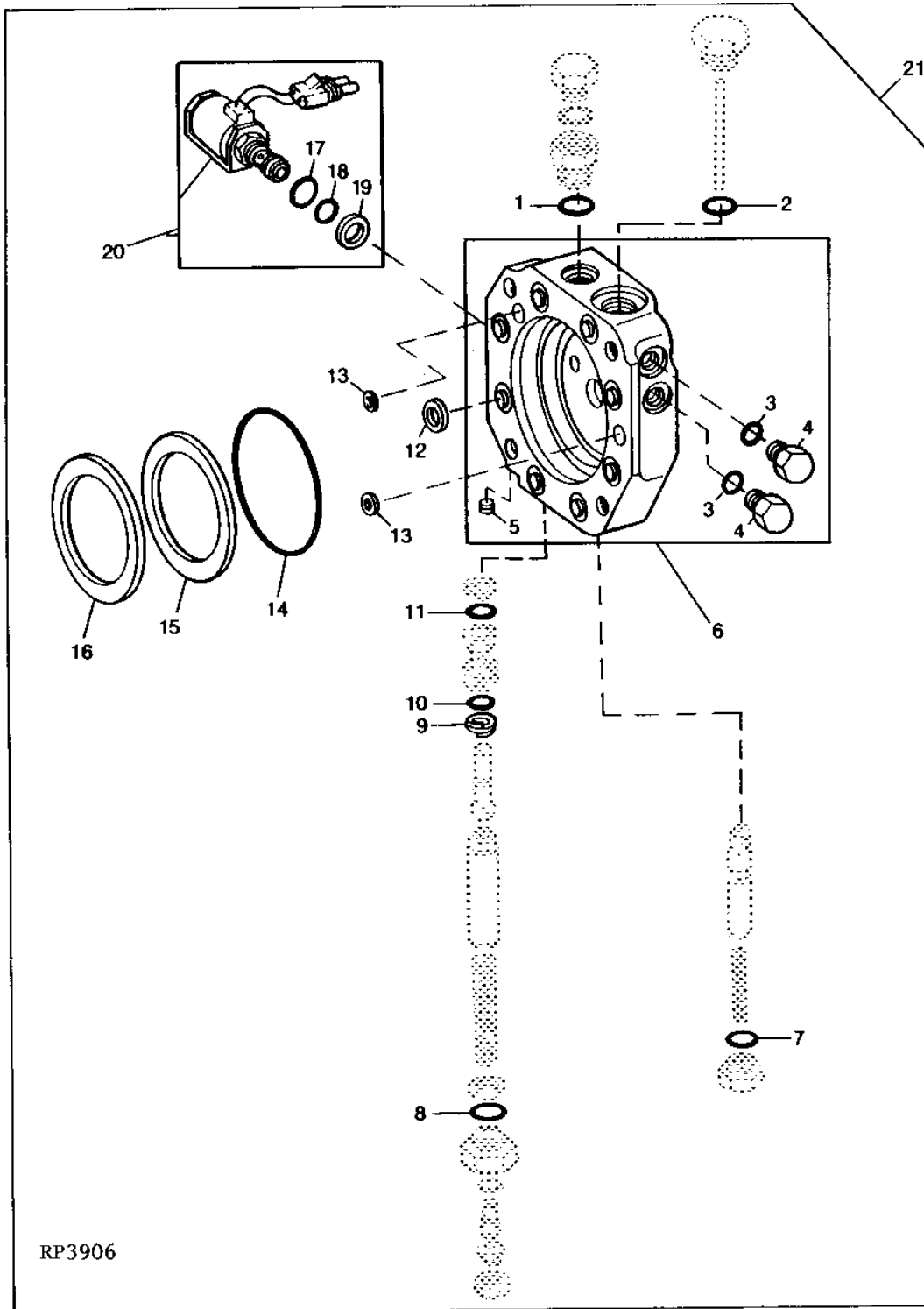
3B24

HYDRAULICS

HYDRAULIC PUMP ELECTRIC DESTROKE KIT
50 CM3 (3 IN.3) - 65 CM3 (4 IN.3)
(REPLACEMENT PUMP WITH SERIAL PLATE)

RP3906

-UN-12OCT94



RP3906

3B25

HYDRAULICS

HYDRAULIC PUMP ELECTRIC DESTROKE KIT - CONTINUED
50 CM3 (3 IN.3) - 65 CM3 (4 IN.3)
(REPLACEMENT PUMP WITH SERIAL PLATE)

KEY	PART NO.	PART NAME	QTY	PUMP SERIAL NO.	REMARKS
1	R26906	O-RING	1		
2	R56751	O-RING	1		
3	R26448	O-RING	2		
4	R75376	DRAIN PLUG	2		
5	15H560	PIPE PLUG	1	1/16"	
6	AR101632	HOUSING	1	(MARKED R77712)	
7	R26375	O-RING	1		
8	F3171R	O-RING	1		
9	R41057	BACK-UP RING	1		
10	R27166	O-RING	1		
11	R27564	O-RING	1		
12	R69279	WASHER	8		
13	R56755	WASHER	2		
14	R56757	O-RING	1		
15	R27478	SHIM	2	0.15MM (.006")	
16	R27479	SHIM	2	0.25MM (.010")	
17	R26375	O-RING	1		
18	T40308	O-RING	1		
19	T57374	BACK-UP RING	1		
20	RE32529	SOLENOID VALVE	1		
21	RE24647	KIT	1	(A) (SUB RE40463)	

(A) INCLUDES RE12330 WIRE CONNECTORS

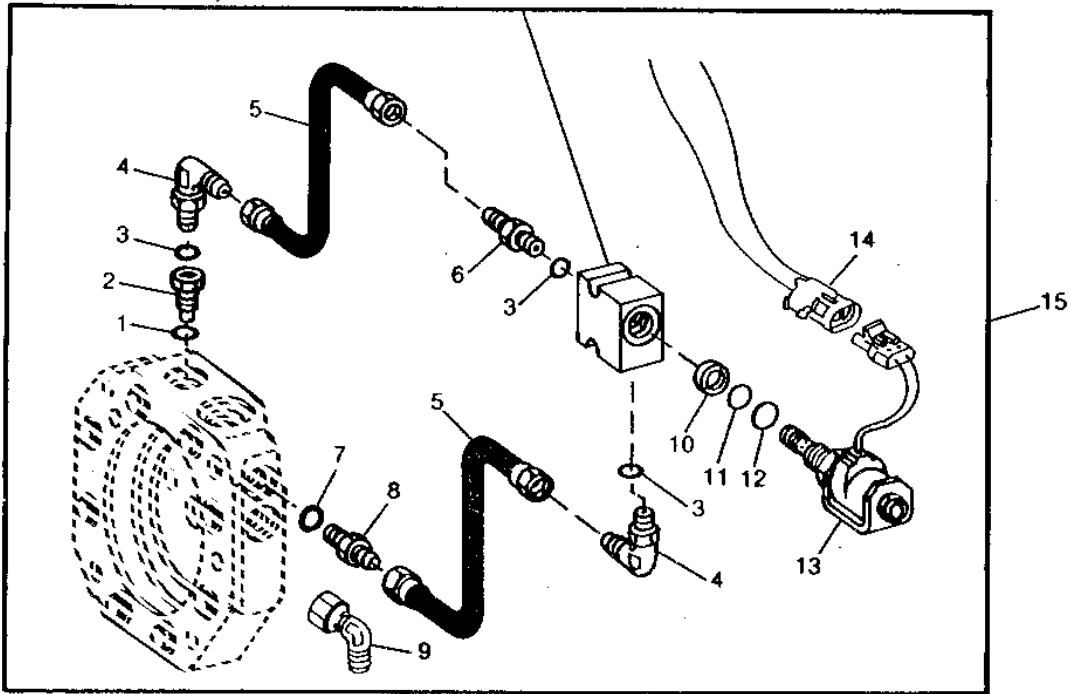
MEMORANDA

3C1

HYDRAULICS

RXP9501 -UN-01JAN94

ELECTRIC DESTROKE SOLENOID VALVE KIT



RXP9501

KEY	PART NO.	PART NAME	QTY	PUMP SERIAL NO.	REMARKS
1	R26906	O-RING	1		
2	R70617	PIPE PLUG	1		
3	R26448	O-RING	4		
4	AT35121	ELBOW FITTING	2		
5	AN250096	HYDRAULIC HOSE	2		
6	R27212	FITTING	1		
7	R26287	O-RING	1	(A)	
	R26448	O-RING	1	(B)	
8	T43535	FITTING	1	(A)	
	Z36276	ADAPTER	1	(B)	
9	AE24616	ELBOW FITTING	AR	(USE WITH T43535 OR Z36276)	
10	T57374	BACK-UP RING	1		
11	T40308	O-RING	1		
12	R26375	O-RING	1		
13	RE32529	SOLENOID VALVE	1		
14	RE50017	WIRING HARNESS	1		
15	RE40463	KIT	1		

(A) NON-SERIALIZED PUMP

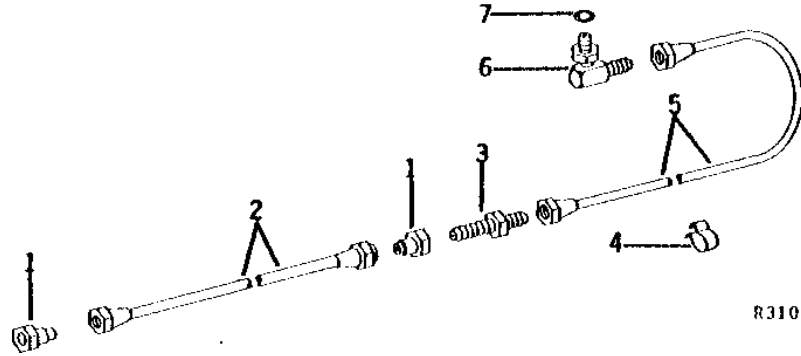
(B) SERIALIZED PUMP

3C2

HYDRAULICS

R31006 -UN-01JAN94

HYDRAULIC PUMP SEAL DRAIN LINES



R31006F

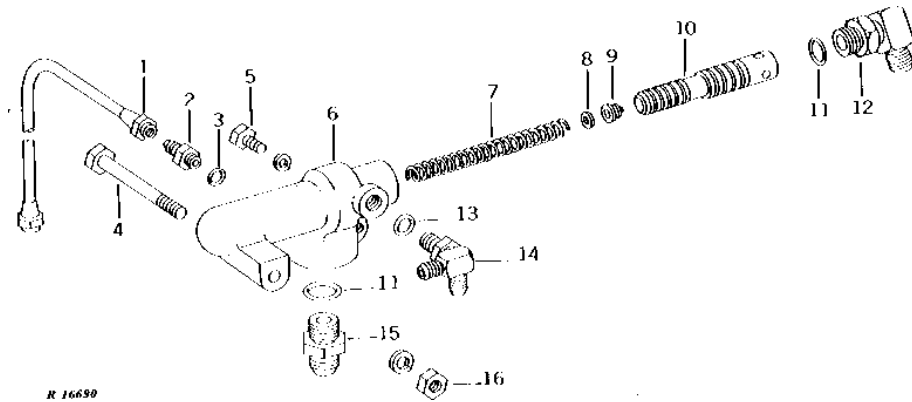
KEY	PART NO.	PART NAME	QTY	TRACTOR SERIAL NO.	REMARKS
1	R64170	ADAPTER	2		
2	AR79711	HYDRAULIC LINE	1		(SYNCRO-RANGE) (SUB FOR AR45250)
	AR79712	HYDRAULIC LINE	1		(POWER SHIFT) (SUB FOR AR52174)
3	R43783	FITTING	1		
4	R21551	CLIP	4		
5	AT27324	HYDRAULIC LINE	1		(NYLON)
6	AT32335	ELBOW FITTING	1		(SUB FOR AR26746)
7	R26287	O-RING	1		

3C3

HYDRAULICS

R16690 -UN-01JAN94

PRESSURE CONTROL VALVE



KEY	PART NO.	PART NAME	QTY	TRACTOR SERIAL NO.	REMARKS
1	AR44635	HYDRAULIC LINE	1		
2	R27527	ADAPTER	1		
3	R26287	O-RING	1		
4	19H3175	CAP SCREW	1	3/8" X 3-5/8", HS, SAE 8	
5	19H1731	CAP SCREW	1	3/8" X 1"	
	12H304	LOCK WASHER	1	3/8"	
6	R40999	HOUSING	1		
7	R40072	SPRING	1		
8	24H1283	WASHER	AR	7/32" X 1/2" X 0.049"	
9	R40562	APERTURE	1		
10	AR63906	VALVE	1	(SUB FOR R41001)	
11	R26906	O-RING	2		
12	AR26724	ELBOW FITTING	1		
13	R26286	O-RING	1		
14	AR49789	TEE FITTING	1		
15	R27270	FITTING	1		
16	14H1076	NUT	1	3/8"	
	12H304	LOCK WASHER	1	3/8"	

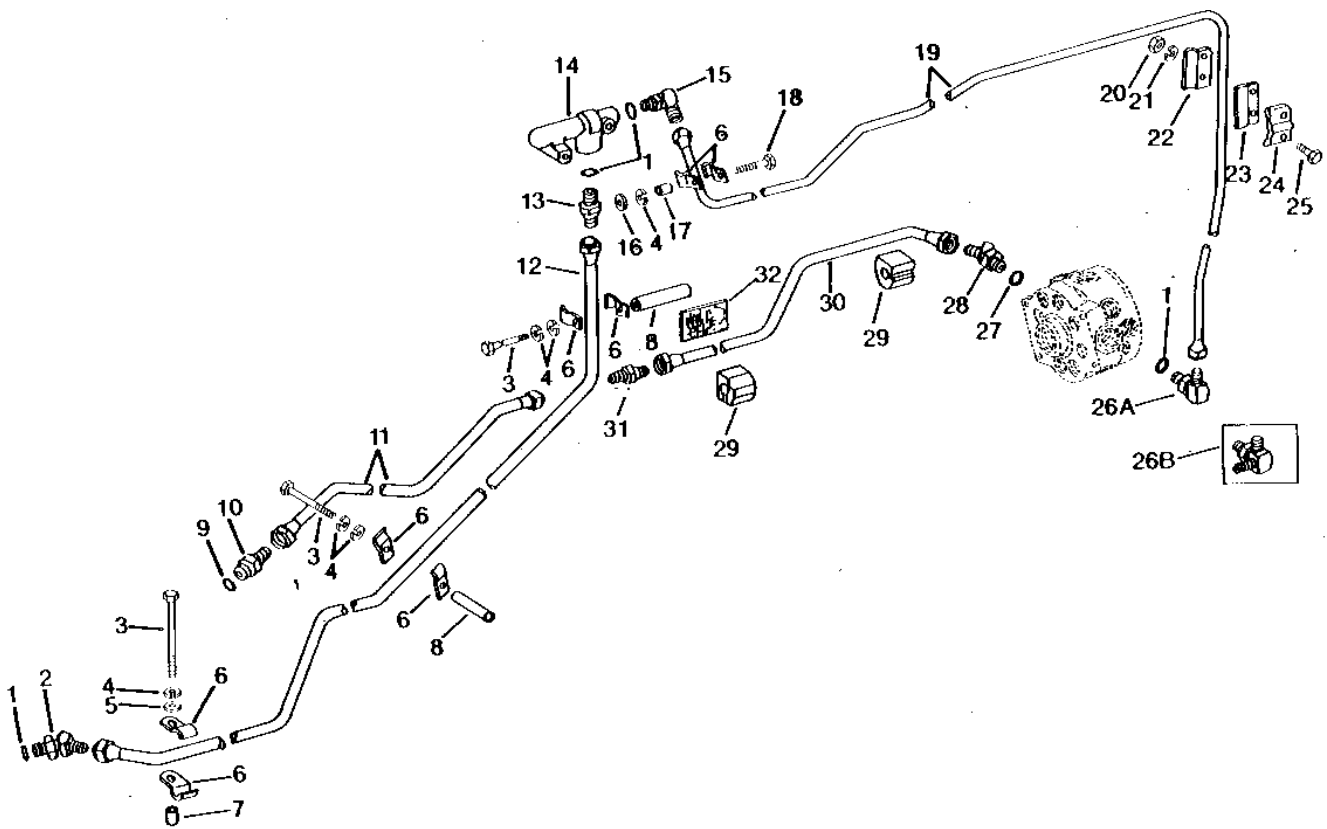
3C4

HYDRAULICS

RWP4461

-UN-01JAN94

PRESSURE CONTROL VALVE OIL LINES



RWP4461

3C5

HYDRAULICS

PRESSURE CONTROL VALVE OIL LINES - CONTINUED

KEY	PART NO.	PART NAME	QTY	TRACTOR SERIAL NO.	REMARKS
1	R26906	O-RING	4		
	R26906	O-RING	3	(D)	
	F3171R	O-RING	1	(D) (ELBOW TO HYDRAULIC PUMP)	
2	AR43734	ELBOW FITTING	1		
3	19H2054	CAP SCREW	3	3/8" X 4-3/4"	
4	12H304	LOCK WASHER	5	3/8"	
5	24M7096	WASHER	3	10.500 X 18 X 1.600 MM	
6	R35726	CLAMP	6		
7	28H3292	BUSHING	1	3/8" X 1/2"	
8	28H2099	BUSHING	2	3/8" X 3-7/8"	
9	R26286	O-RING	1		
10	R27267	FITTING	1		
11	AR43150	HYDRAULIC LINE	1		(A) FILTER RELIEF VALVE, REAR TO HYDRAULIC PUMP
12	AR43733	HYDRAULIC LINE	1		ROCKSHAFT HOUSING OR TRANSMISSION REAR COVER TO PRESSURE CONTROL VALVE
13	R27270	FITTING	1		
14	R40999	HOUSING	1		PRESSURE CONTROL VALVE
15	AR26724	ELBOW FITTING	1		
16	14H1076	NUT	2	3/8"	
17	28H1685	SPACER	1	3/8" X 1-11/16"	
18	19H1944	CAP SCREW	1	3/8" X 2-3/4"	
	19H246	CAP SCREW	1	3/8" X 1-3/4"	
19	AR49660	HYDRAULIC LINE	1		HYDRAULIC PUMP TO PRESSURE CONTROL VALVE
20	14H786	NUT	2	1/4"	
21	12H302	LOCK WASHER	2	1/4"	
22	R27534	CLAMP	1		
23	R27546	PLATE	1		
24	R27251	CLAMP	1		
	AR35712	ELBOW FITTING	1	45MM (1-25/32") NIPPLE	
25	19H1914	CAP SCREW	2	1/4" X 1"	
26A	AR26724	ELBOW FITTING	1	37MM (1-13/32") NIPPLE	
26B	AR49116	TEE FITTING	1	(C)	
27	F3171R	O-RING	1		
28	AR47803	ELBOW FITTING	1		
29	R43479	SPACER	2		
30	AR43151	HYDRAULIC LINE	1	(A)	
	AR43155	HYDRAULIC LINE	1	(B)	
31	R27266	FITTING	1	(A)	
	R27267	FITTING	1	(B)	
	F3171R	O-RING	1	(B)	
32	CUSHION	1		3 X 51 X 81MM (1/8" X 2" X 3-3/16") SIDE FRAME TO HYDRAULIC OIL RETURN PIPE, (MAKE FROM R21737)

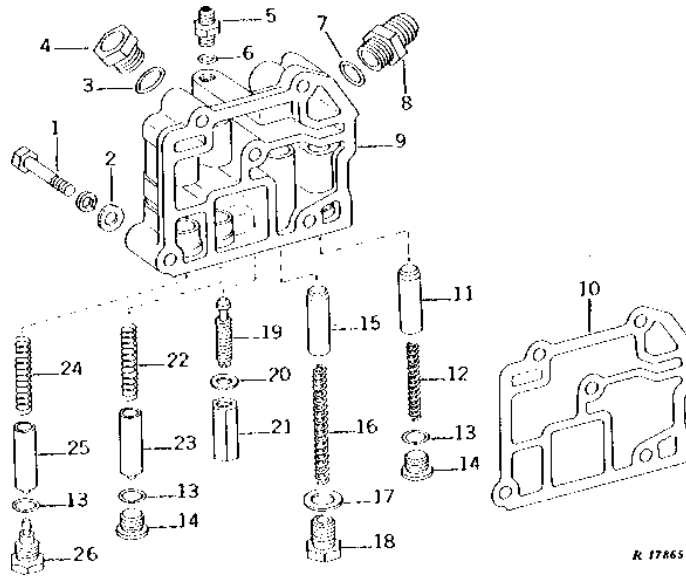
- (A) SYNCRO-RANGE
- (B) POWER SHIFT
- (C) POWER FRONT WHEEL DRIVE
- (D) REPLACEMENT PUMP WITH SERIAL PLATE

3C6

HYDRAULICS

R17865 -UN-01JAN94

OIL FILTER RELIEF VALVE HOUSING (SYNCRO-RANGE)



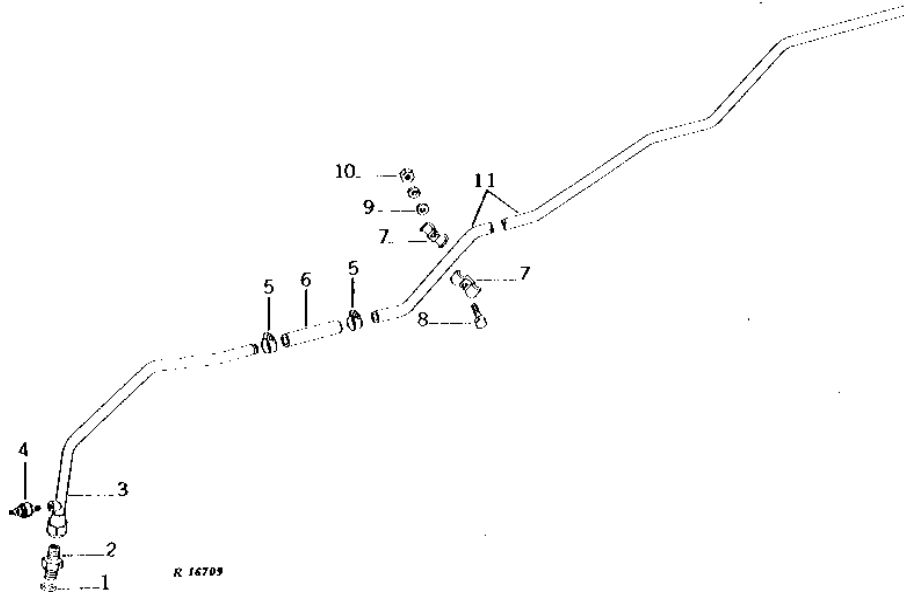
KEY	PART NO.	PART NAME	QTY	TRACTOR SERIAL NO.	REMARKS	
1	19H2731	CAP SCREW	1	7/16" X 1-3/8"		
	19H1828	CAP SCREW	1	7/16" X 4"		
	19H2055	CAP SCREW	2	7/16" X 2-1/4"		
	19H1227	CAP SCREW	1	1/4" X 1/2"		
	12H293	LOCK WASHER	5	7/16"		
2	24H1325	WASHER	5	15/32" X 59/64" X 0.065"		
	B2762R	O-RING	1			
3	R76494	FITTING	1			
4	R27272	FITTING	1			
5	R26286	O-RING	1			
	F3171R	O-RING	1			
6	R27267	FITTING	1			
9	AR52630	HOUSING	1		(MARKED R49199, R40664, R44006 OR R49200) (ALSO ORDER (2) R57561 AND R33259 WHEN SUB FOR AR45542)	
	R39112	FITTING	1		(USE WITH R44006 OR R49200)	
	R26375	O-RING	1		(USE WITH R44006 OR R49200)	
	400R	BALL	2		6MM (1/4") (USE WITH R44006 OR R49200)	
	10	R49758	GASKET	1		(SUB FOR R41463)
	11	R49198	VALVE	1		(SUB R57560 AND R33259) (USE WITH R40664 OR R44006)
		R49197	VALVE	1		(SUB R57561 AND R33259) (USE WITH R49199 OR R49200)
	12	R26686	SPRING	1		
	13	R26375	O-RING	3		
	14	R33138	FITTING	2		
15	R49198	VALVE	1		(SUB R57560 AND R33259) (USE WITH R40664 OR R44006)	
	R49197	VALVE	1		(SUB R57561 AND R33259) (USE WITH R49199 OR R49200)	
	R39808	SPRING	1			
17	R1742R	WASHER	1			
18	R52589	FITTING PLUG	1		(SUB FOR R33163)	
19	R39587	SET SCREW	1			
20	F2846R	WASHER	1		ALUMINUM	
21	F2847R	NUT	1			
22	R28914	SPRING	1			
23	R57559	VALVE	1		(SUB FOR R33162) (ALSO ORDER R33259)	
24	R42057	SPRING	1			
25	R57559	VALVE	1		(SUB FOR R33162) (ALSO ORDER R33259)	
26	R36943	FITTING	1			

3C7

HYDRAULICS

R16709 -UN-01JAN94

HYDRAULIC OIL COOLER RETURN LINES



KEY	PART NO.	PART NAME	QTY	TRACTOR SERIAL NO.	REMARKS
1	F3171R	O-RING	1		
2	AT48506	ELBOW FITTING	1	(A) (SUB FOR AR28251)	
	R27267	FITTING	1	(B)	
3	AR49656	HYDRAULIC LINE	1	(A)	
	AR49658	OIL LINE	1	(B)	
	R43755	GROMMET	1		
4	AR52607	TOUCH SWITCH	1	(B) (SUB FOR AR46727)	
5	AR21837	CLAMP	2	(SUB TY22465)	
6	HOSE	1	19 X 129MM (3/4" X 5-3/32") (SUB FOR R34603 OR R32087) (MAKE FROM TY22475)	
7	R43475	CLAMP	4		
8	19H2117	CAP SCREW	1	5/16" X 1-1/8"	
	19H1901	CAP SCREW	1	5/16" X 2"	
9	28H1888	BUSHING	1	3/8" X 1/2"	
	28H1697	SPACER	1	3/8" X 3/4"	
10	14H785	NUT	2	5/16"	
	12H303	LOCK WASHER	2	5/16"	
11	R47133	TUBE	1		

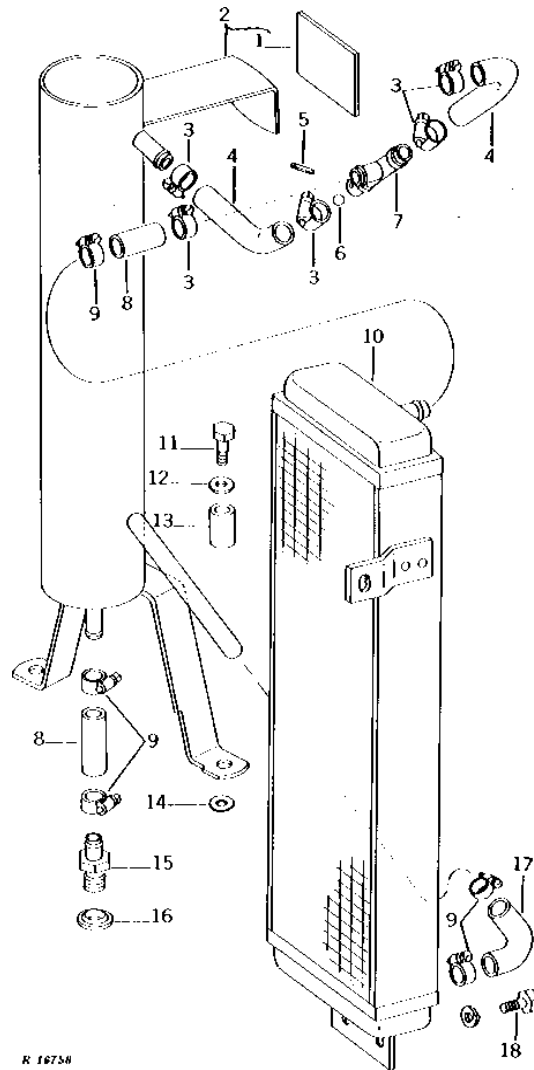
(A) SYNCRO-RANGE
(B) POWER SHIFT

3C8

HYDRAULICS

R16758 -UN-01JAN94

HYDRAULIC OIL COOLER AND RESERVOIR (SYNCRO-RANGE)



3C9

HYDRAULICS

HYDRAULIC OIL COOLER AND RESERVOIR - CONTINUED (SNYCRO-RANGE)

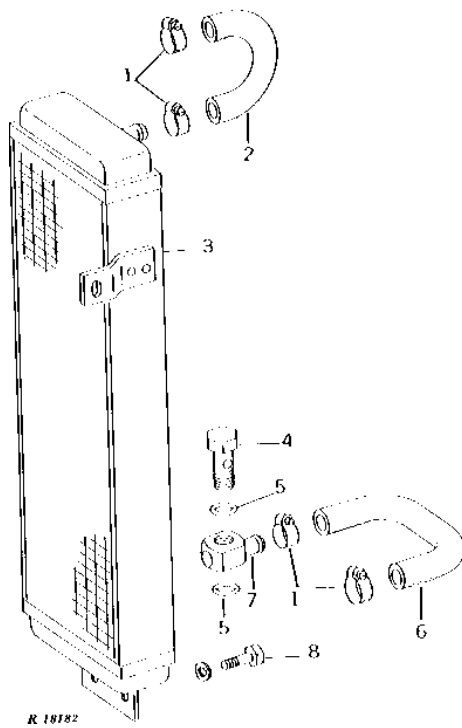
KEY	PART NO.	PART NAME	QTY	TRACTOR SERIAL NO.	REMARKS
1	CUSHION	1		51 X 102MM (2" X 4") (MAKE FROM R30596)
2	AR50593	RESERVOIR	1		
3	AR21839	CLAMP	5		(SUB TY22467)
4	T22958	HOSE	2		(SUB L35843)
5	34H231	SPRING PIN	1		3/32" X 3/4"
6	R48084	BALL	1		
7	AR49751	CHECK VALVE	1		
8	HOSE	2		19 X 86MM (3/4" X 3-11/32") (SUB FOR R34147) (MAKE FROM TY22329)
9	AT18904	CLAMP	5		
10	AR43525	OIL COOLER	1		
11	19H1731	CAP SCREW	2		3/8" X 1"
12	R27441	WASHER	2		
13	28H1878	SPACER	2		3/8" X 7/16"
14	F1791R	WASHER	2		
15	R39215	FITTING	1		
16	R35827	WASHER	1		
17	T22958	HOSE	1		(SUB L35843)
18	19H1936	CAP SCREW	3		3/8" X 3/4"
	12H304	LOCK WASHER	3		3/8"

3C10

HYDRAULICS

R18182 -UN-01JAN94

HYDRAULIC OIL COOLER (POWER SHIFT)



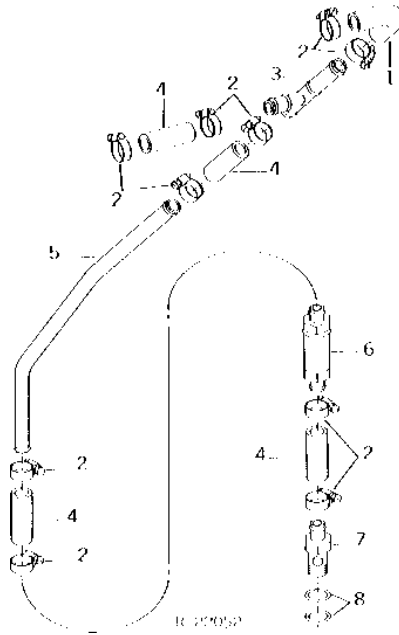
KEY	PART NO.	PART NAME	QTY	TRACTOR SERIAL NO.	REMARKS
1	AR21839	CLAMP	4		
2	R43643	HOSE	1		(SUB TY22467)
3	AR43525	OIL COOLER	1		
4	R27927	HOLLOW SCREW	1		
5	R27928	O-RING	2		
6	R43642	HOSE	1		
7	R27926	FITTING	1		
8	19H1936	CAP SCREW	3	3/8" X 3/4"	
	12H304	LOCK WASHER	3	3/8"	

3C11

HYDRAULICS

R22052 -UN-01JAN94

THERMOSTATIC BYPASS VALVE (POWER SHIFT)



KEY	PART NO.	PART NAME	QTY	TRACTOR SERIAL NO.	REMARKS
1	R42281	HOSE	1		
2	AR21839	CLAMP	10		(SUB TY22467)
3	R61955	TEE FITTING	1		(SUB FOR R43735)
4	HOSE	4		19 X 64MM (3/4" X 2-1/2") (MAKE FROM TY22329)
5	R51583	TUBE	1		
6	AR54473	VALVE	1		
7	R43737	FITTING	1		
8	R27928	O-RING	2		

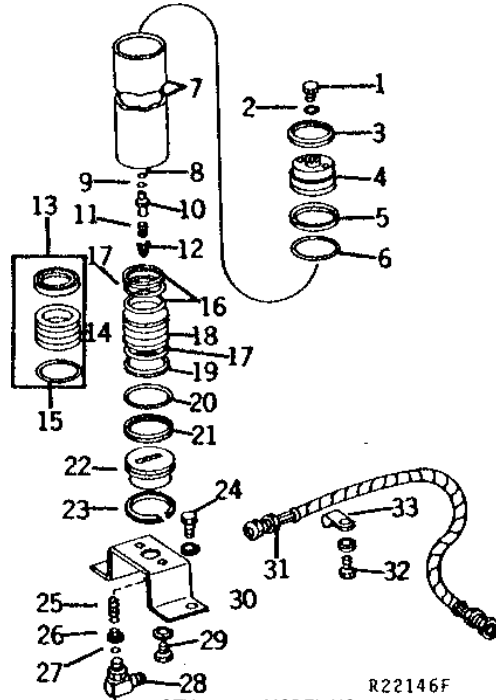
MEMORANDA

3C12

HYDRAULICS

R22146 -UN-01JAN94

HYDRAULIC ACCUMULATOR
(POWER FRONT WHEEL DRIVE)
(TRACTOR SERIAL NO. -012940)



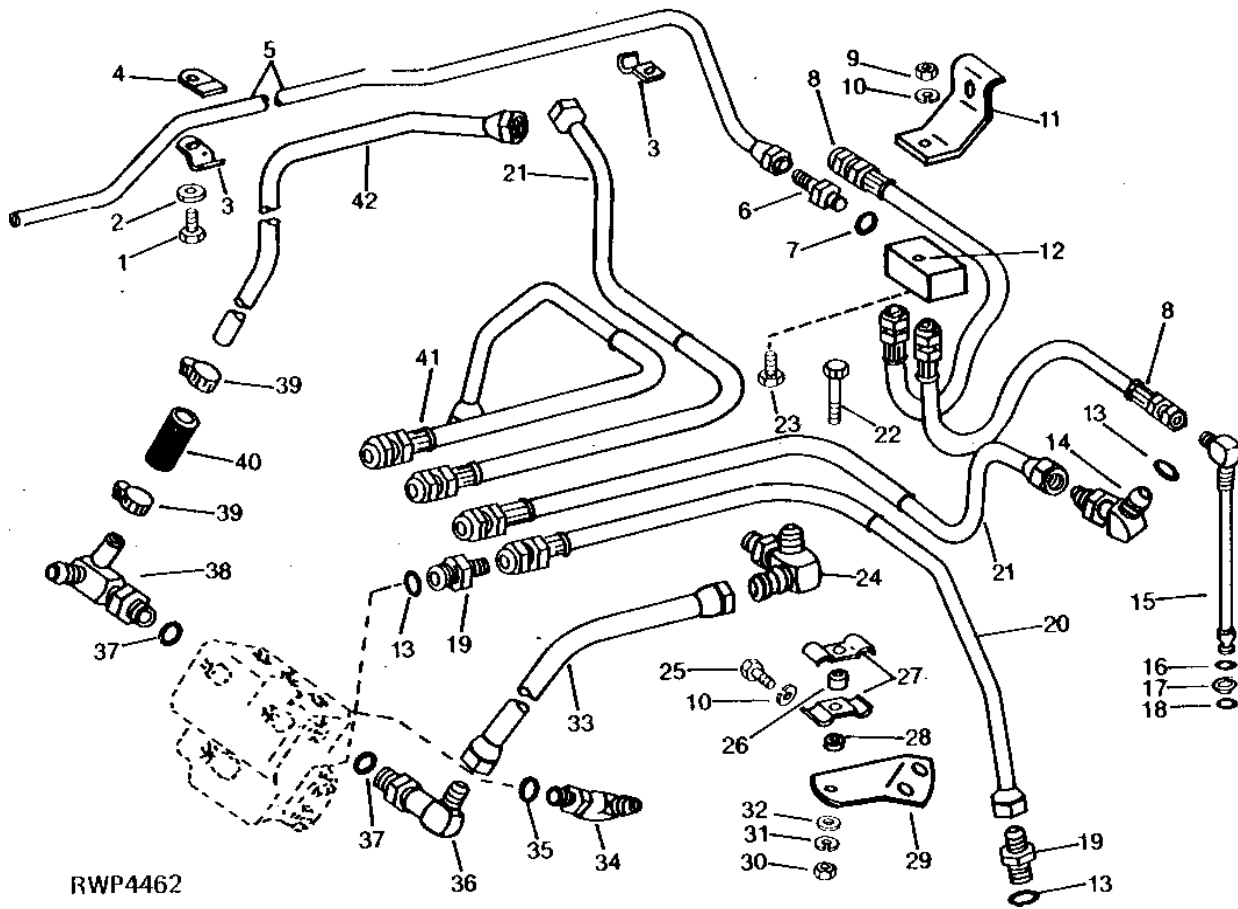
KEY	PART NO.	PART NAME	QTY	MODEL NO.	REMARKS
1	R27094	DRAIN PLUG	1		
2	R26286	O-RING	1		
3	U10136	SNAP RING	1		
4	R48957	END	1		(SUB FOR R46988)
5	R35684	BACK-UP RING	1		
6	R86192	O-RING	1		(SUB FOR U12331)
7	R77866	HYDRAULIC CYLINDER BARREL	1		(SUB FOR R46986) (ALSO ORDER (2) R78101)
8	R60038	PACKING	1		(SUB FOR R26760)
9	R47087	WASHER	1		
10	R47085	VALVE	1		
11	R47086	SPRING	1		
12	R41877	GUIDE	1		
13	R35680	SEAL	1	-7HA3	
14	R44253	PISTON	1	-7HA3	(SUB R57103, (2) A4728R, (2) L29015 AND R27649)
15	A4728R	O-RING	1	-7HA3	
16	L29015	BACK-UP RING	2	7HA4-	
17	A4728R	O-RING	2	7HA4-	
18	R57103	PISTON	1	7HA4-	
19	R27649	BACK-UP RING	1	7HA4-	
20	R86192	O-RING	1		(SUB FOR U12331)
21	R35684	BACK-UP RING	1		
22	R47912	CAP	1		
23	U10136	SNAP RING	1		
24	19H1822	CAP SCREW	2		7/16" X 1"
	12H293	LOCK WASHER	2		7/16"
	24H1325	WASHER	2		15/32" X 59/64" X 0.065"
25	R28084	SPRING	1		
26	R47913	ORIFICE	1		
27	R26375	O-RING	1		
28	AT32332	ELBOW FITTING	1		(SUB FOR AR26763)
29	19H2284	CAP SCREW	1		3/8" X 7/8"
	12H304	LOCK WASHER	1		3/8"
30	R46827	BRACKET	1		
31	AT71976	HYDRAULIC HOSE	1		(SUB FOR AR49310)
32	19H1134	CAP SCREW	1		3/8" X 3/4"
	12H304	LOCK WASHER	1		3/8"
33	T24959	CLAMP	1		
..	AR70038	ACCUMULATOR	1		(SUB FOR AR45428 OR AR56184) (SUB RE11958)

3C13

HYDRAULICS

RWP4462 -UN-01JAN94

FRONT HYDRAULIC OIL LINES (POWER FRONT WHEEL DRIVE)



3C14

HYDRAULICS

FRONT HYDRAULIC OIL LINES - CONTINUED
(POWER FRONT WHEEL DRIVE)

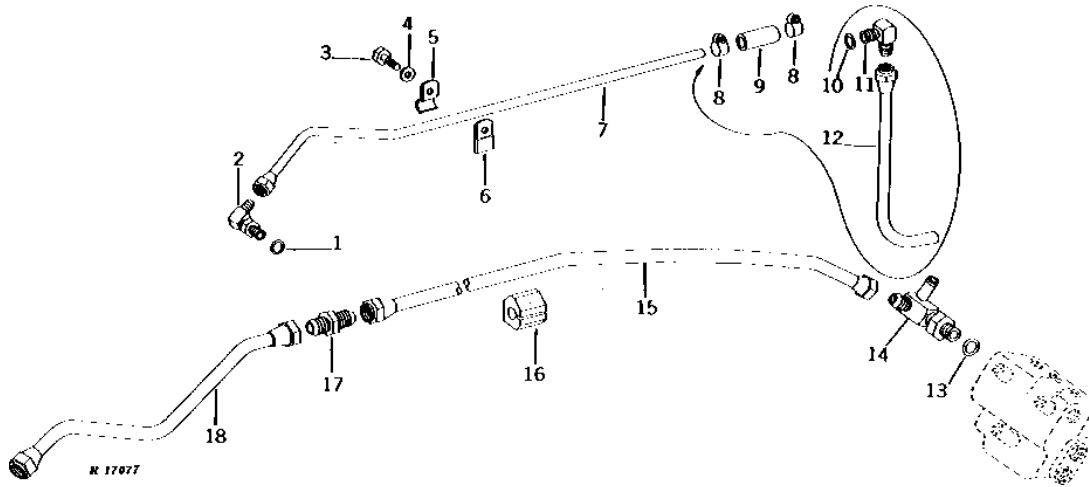
KEY	PART NO.	PART NAME	QTY	TRACTOR SERIAL NO.	REMARKS
1	19H2021	CAP SCREW	1		3/8" X 5/8"
2	24H1652	WASHER	1		13/32" X 11/16" X 7/64"
3	R28538	CLAMP	2		
4	R28539	CLAMP	1		
5	AR49131	LINE	1		
6	R39249	ADAPTER	1		
7	R26448	O-RING	1		
8	AR82265	HYDRAULIC HOSE	2		DRAIN, (SUB FOR AR49311 OR AR64634)
9	14H1076	NUT	1		3/8"
10	12H304	LOCK WASHER	5		3/8"
11	R46962	BRACKET	1		
12	AR45234	FITTING	1		
13	F3171R	O-RING	8		
14	AR47803	ELBOW FITTING	2		
15	AR53447	ELBOW FITTING	2		(SUB FOR AR45198)
16	R10093	O-RING	2		(SUB R61462 AND R61463)
17	R44778	BACK-UP RING	2		(SUB R61462 AND R61463)
18	R26448	O-RING	2		
19	R27267	FITTING	6		
20	AR49217	HYDRAULIC HOSE	1		LOWER, R.H.
21	AR49216	HYDRAULIC HOSE	2		UPPER
22	19H1899	CAP SCREW	2		7/16" X 2"
23	19H246	CAP SCREW	1		3/8" X 1-3/4"
24	AR49116	TEE FITTING	1		
25	19H2284	CAP SCREW	4		3/8" X 7/8"
26	28H2482	BUSHING	2		1/2" X 1/2"
27	R46919	CLAMP	4		
28	28H1863	WASHER	1		0.622" X 0.840" X 7/32"
	24H1325	WASHER	2		15/32" X 59/64" X 0.065"
29	R46917	SUPPORT	1		R.H.
	R46918	SUPPORT	1		L.H.
30	14H1047	NUT	2		7/16"
31	12H293	LOCK WASHER	2		7/16"
32	24H1325	WASHER	2		15/32" X 59/64" X 0.065"
33	AR49129	HYDRAULIC LINE	1		HYDRAULIC PRESSURE
34	AT32332	ELBOW FITTING	1		(SUB FOR AR26763)
35	R26375	O-RING	1		
36	AR44384	ELBOW FITTING	1	-012940	
	AR53562	TEE FITTING	1	012941-	
37	U17409	O-RING	2		
38	AR49132	TEE FITTING	1	-012940	L.H. (SUB AR54694, R39112 AND R26375)
	AR54694	TEE FITTING	1	012941-	L.H.
39	AR21839	CLAMP	2		(SUB TY22467)
40	HOSE	1		(MAKE FROM TY22329)
41	AR49218	HYDRAULIC HOSE	1		LOWER, L.H.
42	AR49130	OIL LINE	1		RETURN, CONTROL VALVE TO HYDRAULIC PUMP
..	AR63929	KIT	1		POWER FRONT WHEEL DRIVE MANIFOLD AND PIVOT PIN SEAL

3C15

HYDRAULICS

REAR HYDRAULIC OIL DRAIN LINES (POWER FRONT WHEEL DRIVE)

R17077 -UN-01JAN94



KEY	PART NO.	PART NAME	QTY	TRACTOR SERIAL NO.	REMARKS
1	R26375	O-RING	1	(A)	
2	AT32332	ELBOW FITTING	1	(A) (SUB FOR AR26763)	
3	19H1134	CAP SCREW	1	3/8" X 3/4"	
4	24M7096	WASHER	1	10.500 X 18 X 1.600 MM	
5	R28538	CLAMP	1		
6	R28539	CLAMP	1		
7	AR49083	LINE	1	(A) REAR DRAIN	
8	AR21837	CLAMP	2	(SUB TY22465)	
9	HOSE	1	914 MM (36") (SUB FOR R33678 OR R32461) (MAKE FROM TY22327)	
10	R26448	O-RING	1	(B)	
11	AT35120	ELBOW FITTING	1	(B) (SUB FOR AR37017 AND AT32337)	
12	AR49081	LINE	1	(B) REAR DRAIN	
13	U17409	O-RING	1		
14	AR49132	TEE FITTING	1	(SUB AR54694, R39112 AND R26375)	
15	AR49118	OIL LINE	1	(A) FILTER RELIEF VALVE TO CONTROL VALVE (FRONT)	
	AR49119	OIL LINE	1	(B) CLUTCH REGULATING VALVE TO CONTROL VALVE	
16	R43479	SPACER	1		
17	R27266	FITTING	1		
18	AR43150	HYDRAULIC LINE	1	(A) FILTER RELIEF VALVE TO CONTROL VALVE (REAR)	

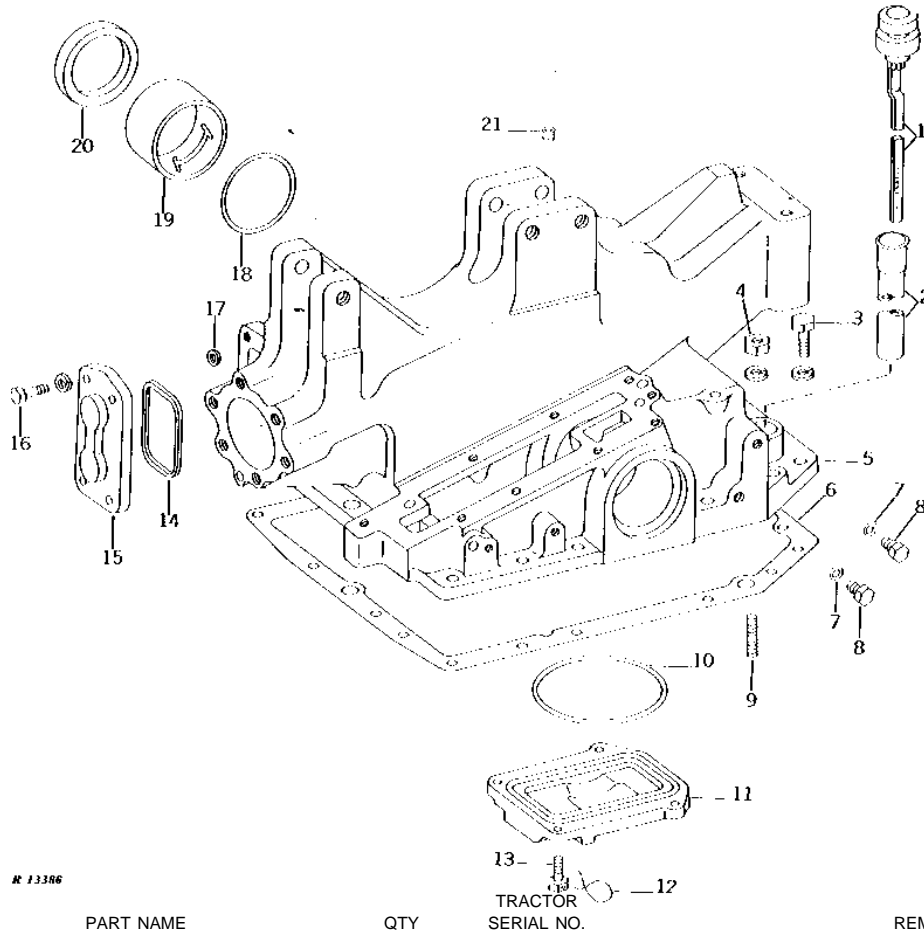
(A) SYNCRO-RANGE
(B) POWER SHIFT

3C16

HYDRAULICS

R13386 -UN-01JAN94

ROCKSHAFT HOUSING WITH BUSHINGS AND OIL SEAL



R 13386

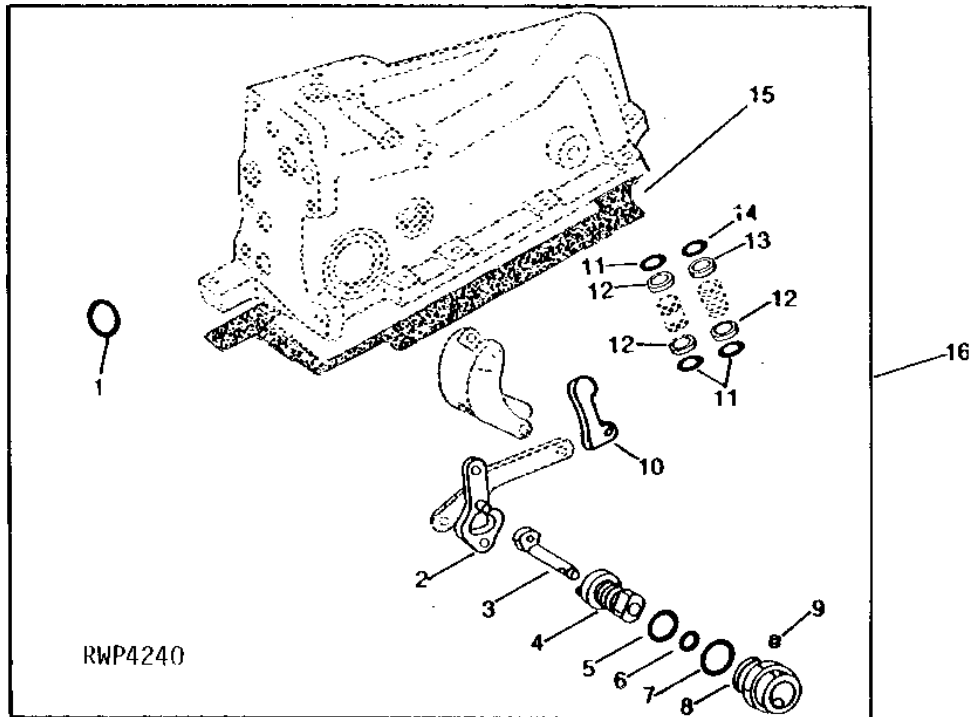
KEY	PART NO.	PART NAME	QTY	TRACTOR SERIAL NO.	REMARKS
1	AR43083	DIPSTICK	1		
	A4730R	O-RING	1		
2	R43325	HOOK BOLT	1		
3	19H1721	CAP SCREW	13	1/2" X 1-1/2"	
	19H1990	CAP SCREW	4	1/2" X 2-1/4"	
	12H301	LOCK WASHER	17	1/2"	
4	14H1040	NUT	1	1/2"	
	12H301	LOCK WASHER	1	1/2"	
5	AR43220	HOUSING	1	(MARKED R41280)	
6	R43408	GASKET	1		
7	R26286	O-RING	2	(LESS DIFFERENTIAL LOCK)	
8	R27094	DRAIN PLUG	2	(LESS DIFFERENTIAL LOCK)	
9	D488R	STUD	1		
10	R36425	WASHER	1		
11	R55080	COVER	1	(SUB FOR R43448) (SUB R58544, THIS APPLICATION)	
12	WIRE	1	-XXXXXX	356MM (14") 16 GA.
13	R57725	SCREW	4		(SUB FOR R61762)
14	R40922	PACKING	1		
15	R41446	COVER	1		L.H. (LESS SELECTIVE CONTROL)
16	19H2731	CAP SCREW	4	7/16" X 1-3/8"	
	12H293	LOCK WASHER	4	7/16"	
17	F2741R	PACKING	1		
18	R36424	O-RING	1		L.H.
	A5598R	O-RING	1		R.H.
19	R36378	BUSHING	1		L.H.
	R36379	BUSHING	1		R.H.
20	R36423	SEAL	2		
21	15H559	PIPE PLUG	1	1/4"	
..	AR55210	KIT	1		REVERSE SIGNAL LOCKOUT

3C17

HYDRAULICS

REVERSE SIGNAL LOCKOUT KIT (FOR ELIMINATION OF NEGATIVE STOP SCREW)

RWP4240 -UN-01JAN94



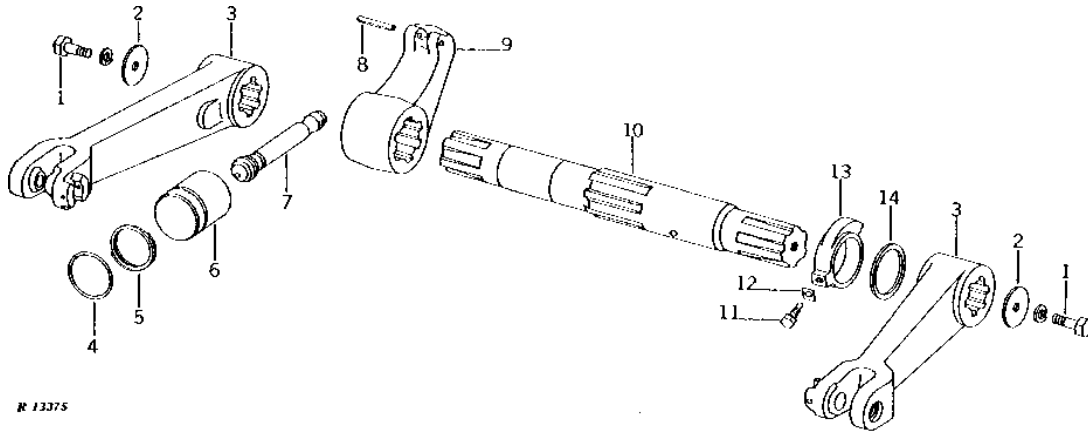
KEY	PART NO.	PART NAME	QTY	TRACTOR SERIAL NO.	REMARKS
1	R40922	PACKING	1		(LESS SELECTIVE CONTROL)
2	AR52797	LINK	1		
3	R49333	SHAFT	1		
4	AR52796	BUSHING	1		
5	R27928	O-RING	1		
6	R394R	O-RING	1		
7	U13639	O-RING	1		
8	R49332	QUILL	1		
9	22H1033	SET SCREW	1	5/16" X 3/8"	
10	R49336	CAM FOLLOWER	1	(SUB FOR R40888)	
11	R27166	O-RING	AR	(3 USED WITH AR48007 OR AR54328) (4 USED WITH AR40387)	
12	R41057	BACK-UP RING	AR	(3 USED WITH AR48007 OR AR54328) (4 USED WITH AR40387)	
13	R45925	BACK-UP RING	1	(USE WITH AR48007 OR AR54328)	
14	R27564	O-RING	1	(USE WITH AR48007 OR AR54328)	
15	R40896	GASKET	1		
16	AR55210	KIT	1		

3C18

HYDRAULICS

R13375 -UN-01JAN94

ROCKSHAFT, ROCKSHAFT PISTON, AND LIFT ARMS



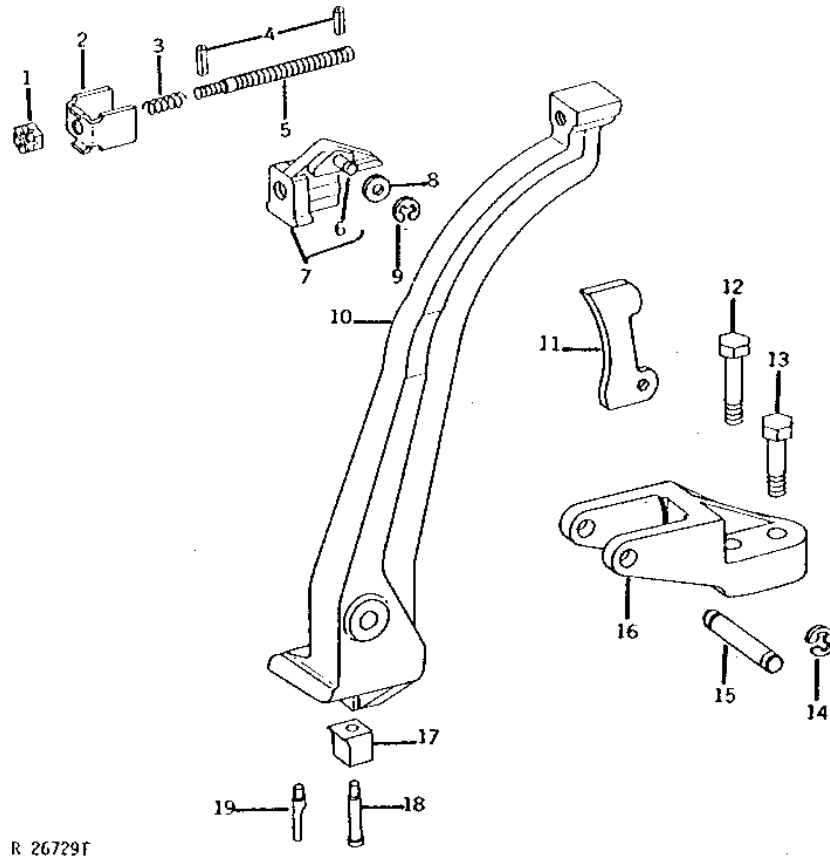
KEY	PART NO.	PART NAME	QTY	TRACTOR SERIAL NO.	REMARKS
1	19H2589	CAP SCREW	2		3/4" X 1-7/8"
	12H236	LOCK WASHER	2		3/4"
2	R36402	WASHER	2		
3	R43314	LIFT ARM	2		
4	A5598R	O-RING	1		
5	R43404	BACK-UP RING	1		
6	R43313	PISTON	1		
7	AR43547	ROD	1		
8	34H323	SPRING PIN	1		1/4" X 3"
9	R54165	ARM	1		(SUB FOR R43311)
10	R43324	ROCKSHAFT	1		
11	R69642	CAP SCREW	1		(SUB FOR R26626)
12	F3173R	LOCK PLATE	1		
13	R62500	CAM	1		(SUB FOR R43312)
14	R43601	WASHER	2		

3C19

HYDRAULICS

R26729 -UN-01JAN94

LOAD CONTROL



R 26729F

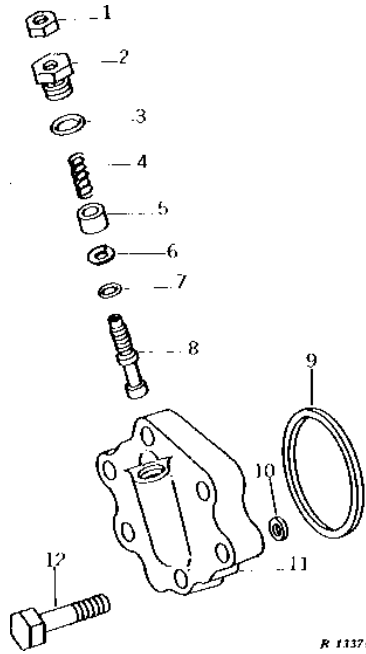
KEY	PART NO.	PART NAME	QTY	TRACTOR SERIAL NO.	REMARKS
1	14H993	NUT	1	3/8"	
2	R46443	LOCK PLATE	1		
3	F1463R	SPRING	1		
4	34H244	SPRING PIN	2	1/8" X 9/16"	
5	R26628	STUD	1		
6	R64295	SPRING PIN	1		
7	AR77700	EXTENSION	1		(MARKED R41121 OR R62931) (SUB FOR AR40785)
8	24H1287	WASHER	1		9/32" X 5/8" X 0.065"
9	R27507	SNAP RING	1		(SUB R72654)
10	R43921	ARM	1		
11	R49336	CAM FOLLOWER	1		(SUB FOR R40888)
12	R43406	CAP SCREW	2	-XXXXXX	(SUB R115437)
13	R42407	BOLT	1	-XXXXXX	(SUB R43369)
	R42407	BOLT	3	XXXXXX-	(SUB R43369)
14	F2863R	SNAP RING	2		
15	R43769	PIN	1		
16	R51751	SUPPORT	1		(SUB FOR AR43615 OR R48418) (NLA)
	R51751	SUPPORT	1		(USE WITH R49840) (NLA)
17	R40889	FOLLOWER	1		
18	R40891	PIN	1		
19	R43922	PIN	1		

3C20

HYDRAULICS

R13374 -UN-01JAN94

ROCKSHAFT THROTTLE VALVE



R 13374

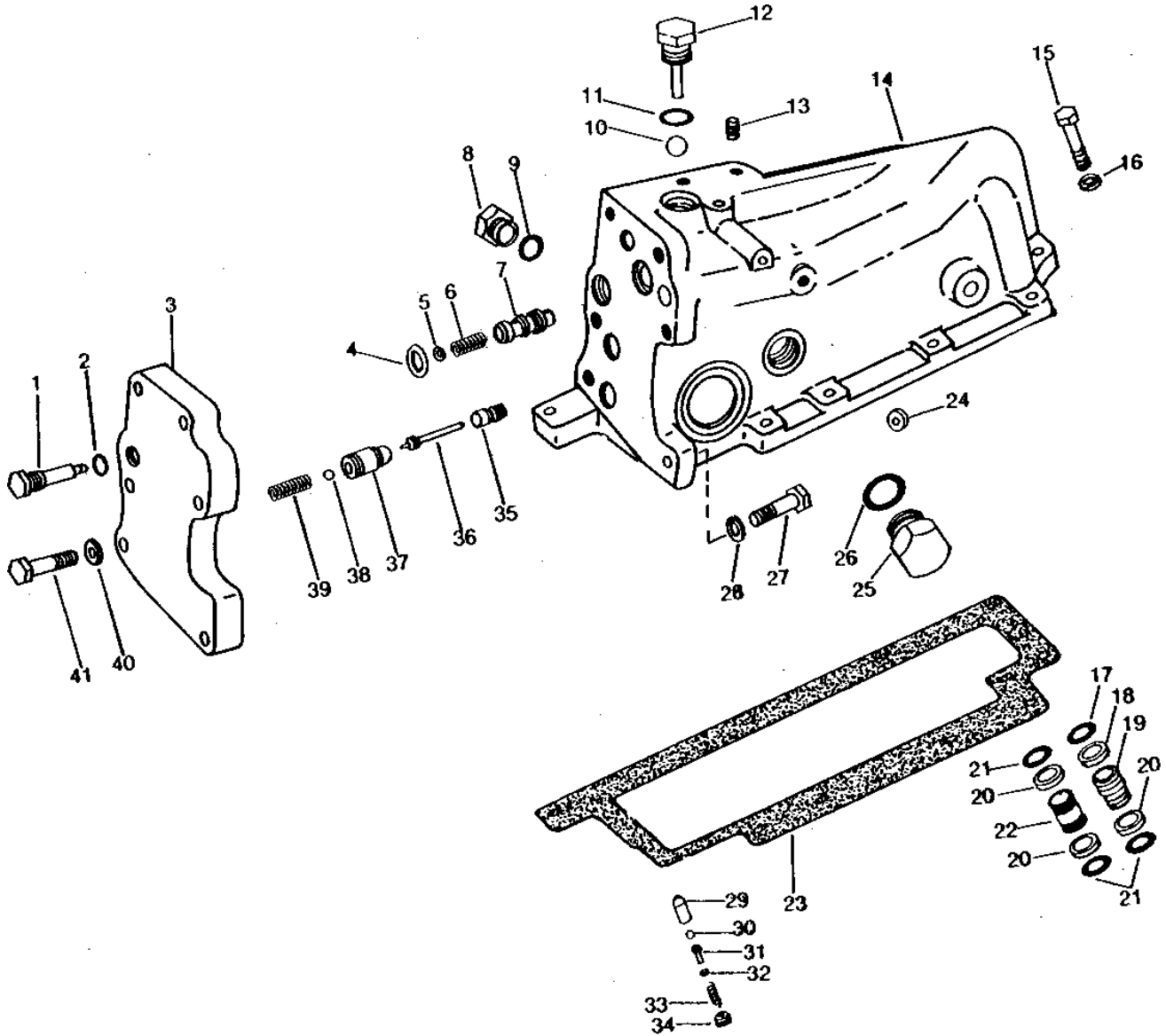
KEY	PART NO.	PART NAME	QTY	TRACTOR SERIAL NO.	REMARKS
1	14H774	NUT	1	3/8"	
2	R26458	FITTING	1		
3	R26906	O-RING	1		
4	B3686R	SPRING	1		
5	R59684	BUSHING	1	(SUB FOR R26457)	
6	R31136	BACK-UP RING	1		
7	A4365R	O-RING	1		
8	R26625	SHAFT	1		
9	R43403	WASHER	1		
10	F2741R	PACKING	1		
11	R43086	COVER	1		
	R43086	COVER	1	(LESS ROCKSHAFT) (ALSO ORDER R26906 AND R27474)	
	R44820	COVER	1	(WITH POWER WEIGHT TRANSFER HITCH)	
	15H558	PIPE PLUG	1	1/8"	
12	19H1387	CAP SCREW	6	5/8" X 2-1/4"	

3C21

HYDRAULICS

RWP2752 -UN-01JAN94

ROCKSHAFT CONTROL VALVE HOUSING



RWP2752

3C22

HYDRAULICS

ROCKSHAFT CONTROL VALVE HOUSING - CONTINUED

KEY	PART NO.	PART NAME	QTY	TRACTOR SERIAL NO.	REMARKS
1	R40881	FITTING	1		
2	R26448	O-RING	1		
3	R50065	VALVE COVER	1		SINGLE OR NO SELECTIVE CONTROL, (SUB FOR R41444) (SUB R59080 AND (2) R59082)
4	R26149	PACKING	5		
5	B1664R	SHIM	AR		
6	R26566	SPRING	1		
7	R51342	CONTROL VALVE	1		FLOW CONTROL
8	R39112	FITTING	1		
9	R26375	O-RING	1		
10	M886T	BALL	1		
11	R26906	O-RING	1		
12	R56916	PLUG	1		(SUB FOR AR26761)
13	15H558	PIPE PLUG	4		1/8"
14	AR76340	HOUSING	1		(MARKED R40541, R45975, AR54328, AR76277 OR AR94165) (SUB FOR AR41976, AR48005 OR AR54329)
15	19H1732	CAP SCREW	9		3/8" X 1-1/4"
16	12H304	LOCK WASHER	9		3/8"
17	R27166	O-RING	1		(USE WITH R40541)
	R27564	O-RING	1		(USE WITH R45975 AND AR54328)
18	R41057	BACK-UP RING	1		(USE WITH R40541)
	R45925	BACK-UP RING	1		(USE WITH R45975 AND AR54328)
19	R40945	VALVE	1		(USE WITH R40541)
	R45924	BUSHING	1		(USE WITH R45975 AND AR54328)
20	R41057	BACK-UP RING	3		
21	R27166	O-RING	3		
22	R40945	VALVE	1		
23	R40896	GASKET	1		
24	R66895	ORIFICE	1		(USE WITH AR94165)
25	R27175	DRAIN PLUG	1		
26	F3171R	O-RING	1		
27	19H2731	CAP SCREW	1		7/16" X 1-3/8"
28	12H293	LOCK WASHER	1		7/16"
29	R40893	VALVE SEAT INSERT	1		(SUB R61349 AND R61350)
30	R41776	BALL	1		(3/32")
31	R41777	PIN	1		
32	R40895	SHIM	AR		0.51MM (.020")
33	R59766	SPRING	1		(SUB FOR R27730)
34	R40894	PLUG	1		THERMAL RELIEF
35	AR78483	GUIDE	1		(PRESSURE) (SUB FOR AR31703)
	R31024	GUIDE	1		(RETURN)
36	R44298	SHAFT	2		METERING
37	R59083	VALVE	2		(SUB FOR R44299)
38	400R	BALL	2		
39	R26565	SPRING	2		
40	12H293	LOCK WASHER	5		7/16"
41	19H1978	CAP SCREW	5		7/16" X 1-1/2"

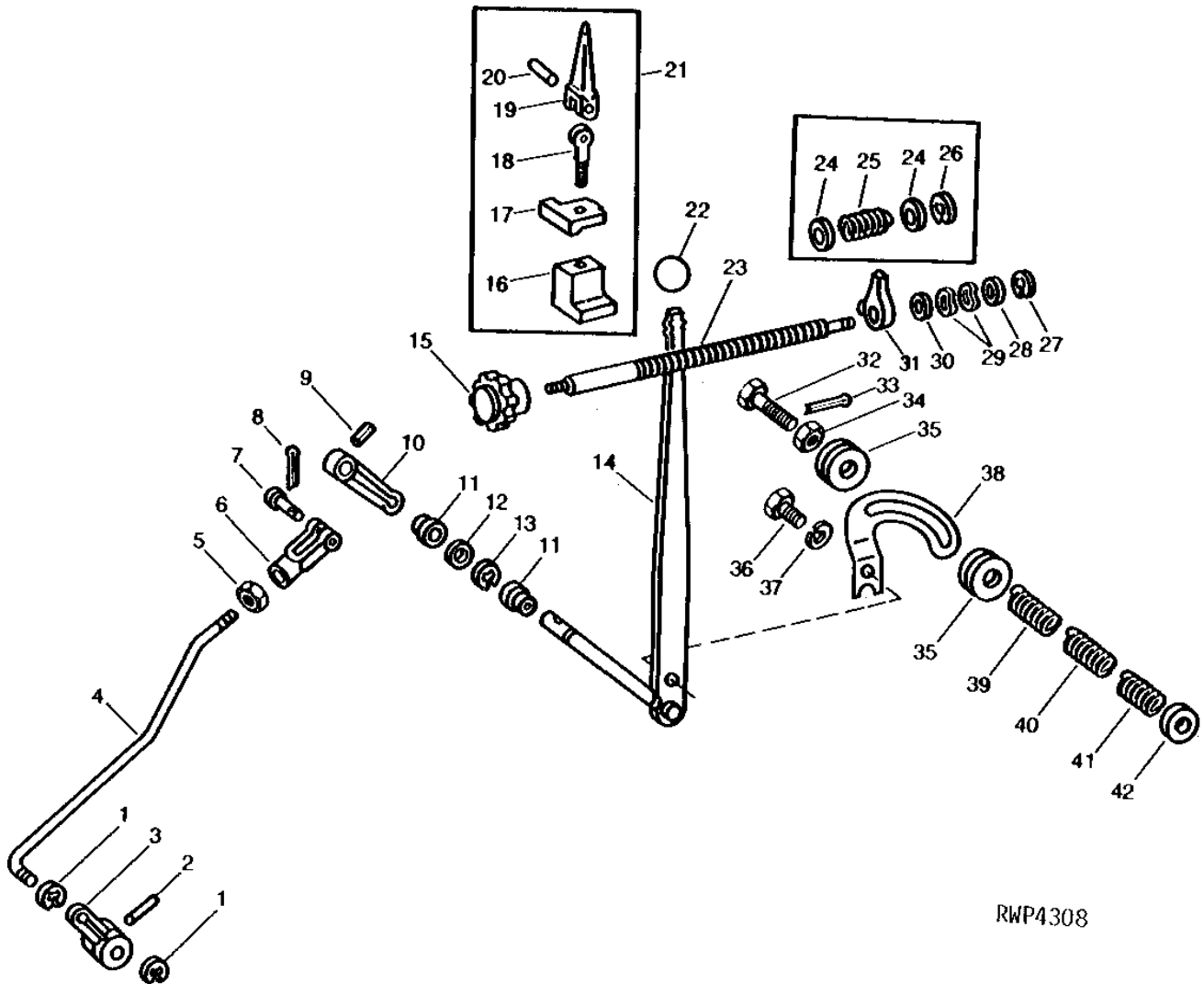
3C23

HYDRAULICS

RWP4308

-UN-01JAN94

ROCKSHAFT CONTROL



RWP4308

3C24

HYDRAULICS

ROCKSHAFT CONTROL - CONTINUED

KEY	PART NO.	PART NAME	QTY	TRACTOR SERIAL NO.	REMARKS
1	R72653	SNAP RING	2		(SUB FOR M2396T)
2	34H284	SPRING PIN	1		3/16" X 1-1/4"
3	R64829	ARM	1		(SUB FOR R41123)
4	R43647	ROD	1		
5	14H882	NUT	1		5/16"
6	R42282	YOKE	1		(SUB R82766 AND T54033)
7	R72660	PIN	1		(SUB FOR R662R)
8	11M7079	COTTER PIN	1		0.098" X 0.472"
9	34H297	SPRING PIN	1		7/32" X 1"
10	R41122	LEVER	1		
11	R41076	GROMMET	2		
12	24H1227	WASHER	1	-011798	17/32" X 13/16" X 0.060"
13	R26871	SNAP RING	1	-011798	(SUB FOR P44982)
14	AR40988	LEVER	1	-011798	(ALSO ORDER R49411)
	AR40988	LEVER	1	011799-	
15	R41385	KNOB	1		
16	R53476	NUT	1		
17	R53475	STOP	1		(SUB FOR R42640)
18	R42641	EYEBOLT	1		
19	R34537	CAM	1		
20	34H387	SPRING PIN	1		3/16" X 3/4"
21	AR60331	STOP	1		(SUB FOR R42640) (NLA)
22	R41383	KNOB	1		
23	R41384	SCREW	1	-XXXXXX	(SUB R47300, (2) R47301 AND (2) T519T)
	R58204	SCREW	1	XXXXXX-	(SUB FOR R41385 OR R47300)
24	24H1658	WASHER	2	-XXXXXX	21/32" X 1" X 0.060"
25	R1190R	SPRING	1	-XXXXXX	
26	F2863R	SNAP RING	1	-XXXXXX	
27	R26871	SNAP RING	1		(SUB FOR P44982)
28	24H1227	WASHER	2	-XXXXXX	17/32" X 13/16" X 0.060"
29	R47301	WASHER	2	XXXXXX-	
30	T519T	WASHER	2	XXXXXX-	
31	R41386	STOP	1		
32	R42639	CAP SCREW	1		
33	11M7059	COTTER PIN	1		3.200 X 20 MM
34	14H732	NUT	1		3/8"
35	AR42287	WASHER	2		(SUB R105813 AND R41968)
36	19H2485	CAP SCREW	1		5/16" X 7/16"
37	12H303	LOCK WASHER	1		5/16"
38	R41966	PLATE	1	-011798	(SUB R49411)
	R49411	PLATE	1	011799-	
39	R41147	SPRING	1		
40	R44313	SPRING	1		
41	R44314	SPRING	1		
42	24H1299	WASHER	1		3/8" X 1-1/4" X 0.065"

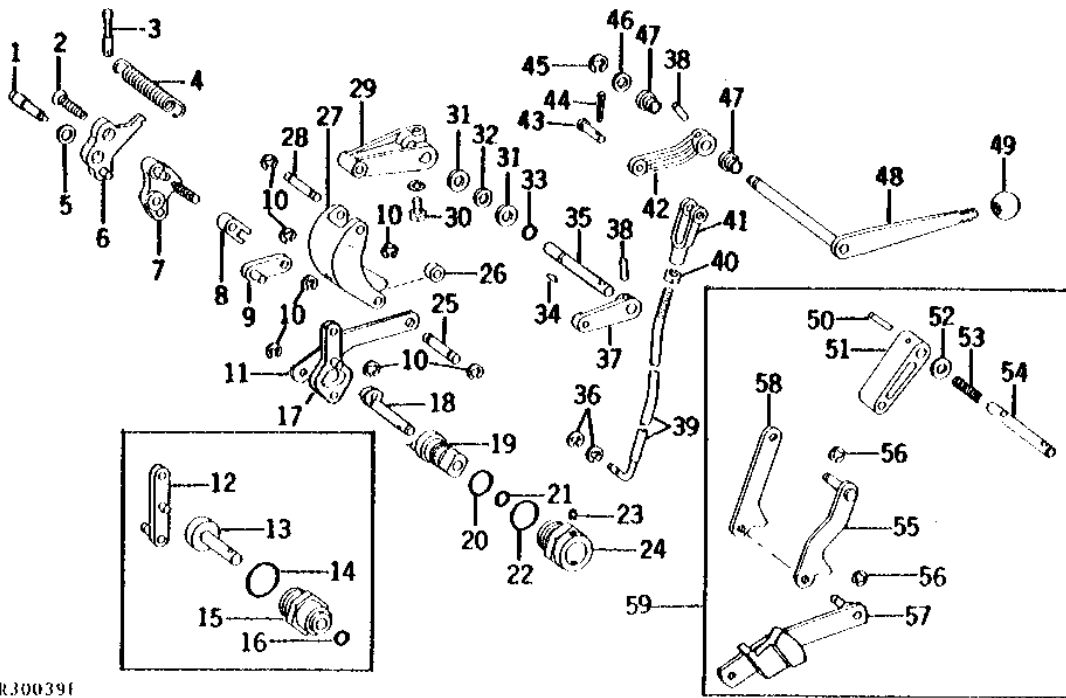
3D1

HYDRAULICS

R30039

-UN-01JAN94

ROCKSHAFT CONTROL LINKAGE AND LOAD SELECTOR CONTROL



R30039f

3D2

HYDRAULICS

ROCKSHAFT CONTROL LINKAGE AND LOAD SELECTOR CONTROL - CONTINUED

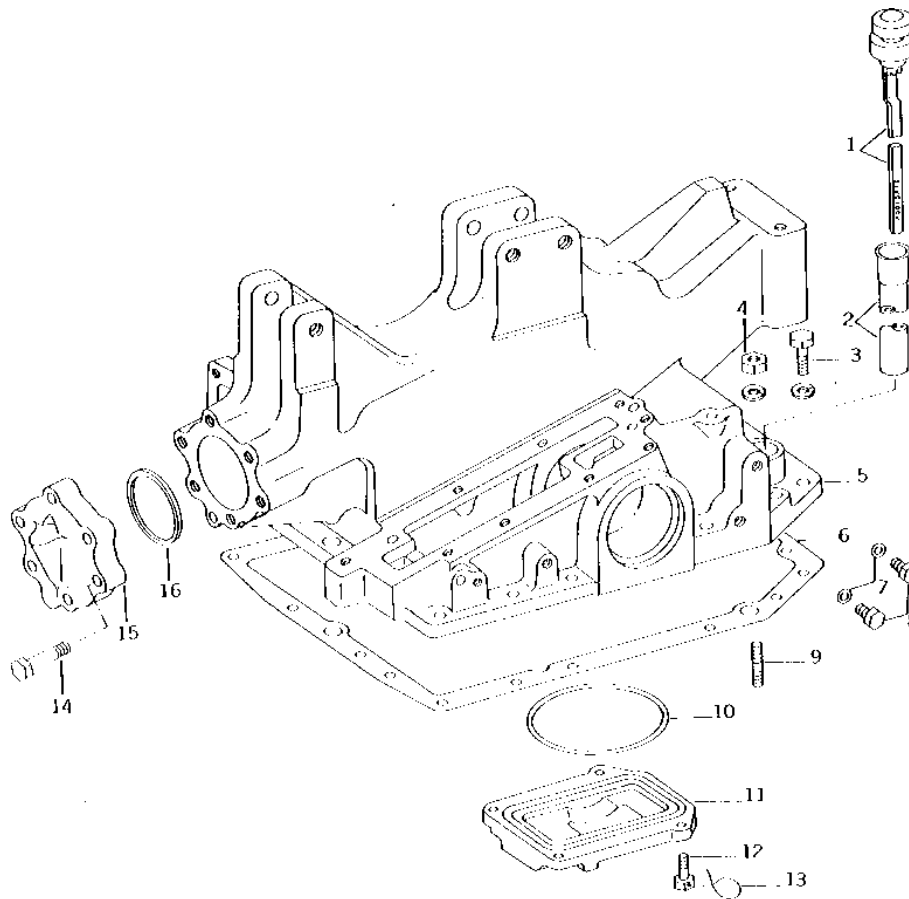
KEY	PART NO.	PART NAME	QTY	MODEL NO.	REMARKS
1	R64296	SHAFT	1		(SUB FOR R40949)
2	T22228	SCREW	1		
3	R41108	PIN	1	-XXXXXX	
	R66894	PIN	1	XXXXXX-	
4	R60730	SPRING	1		(SUB FOR R44300 OR R53033)
5	24H1321	SHIM	1		0.018"
6	AR40676	LEVER	1		CONTROL VALVE ADJUSTING
7	AR40754	LINK	1		CONTROL VALVE ADJUSTING, (SUB AR81783, R64845 AND R64843)
8	R40885	NUT	1		CONTROL ADJUSTING LINK SCREW
9	AR40675	LEVER	1		
10	R72653	SNAP RING	7		(SUB FOR M2396T)
11	R51025	LINK	1		VALVE OPERATING, (SUB FOR R41079)
12	AR40753	LINK	1	5RS1-	(SUB AR72292 AND AR79505)
13	R41077	SHAFT	1	5RS1-	(SUB AR79505 AND AR72292)
14	U13639	O-RING	1	5RS1-	
15	R41115	QUILL	1	5RS1-	
16	R394R	O-RING	1	5RS1-	
17	AR52797	LINK	1	-5RS2	
18	R49333	SHAFT	1	-5RS2	
19	AR52796	BUSHING	1	-5RS2	
20	R27928	O-RING	1	-5RS2	
21	R394R	O-RING	1	-5RS2	
22	U13639	O-RING	1	-5RS2	
23	22H1033	SET SCREW	1	-5RS2	5/16" X 3/8"
24	R49332	QUILL	1	-5RS2	
25	R41118	PIN	1		
26	R41661	BUSHING	1		ROCKSHAFT SERVO CAM
27	R40886	LINK	1		LOAD SELECTOR CONTROL, (SUB AR86775)
28	R41119	PIN	1		
29	R40944	ARM	1		LOAD SELECTOR CONTROL, (SUB AR86775)
30	19H1905	CAP SCREW	1		5/16" X 1"
	12H303	LOCK WASHER	1		5/16"
31	R47301	WASHER	2		
32	T519T	WASHER	2		
33	R394R	O-RING	1		
34	26H67	SHAFT KEY	1		1/8" X 3/8"
35	R41117	SHAFT	1		LOAD SELECTOR CONTROL
36	R27507	SNAP RING	4		(SUB R72654)
37	R40892	LEVER	1		
38	34H297	SPRING PIN	2		7/32" X 1"
39	R43926	ROD	1		LOAD SELECTOR CONTROL
40	14H882	NUT	1		5/16"
41	R42282	YOKE	1		(SUB R82766 AND T54033)
42	R40915	LEVER	1		
43	R72660	PIN	1		(SUB FOR R662R)
44	11M7079	COTTER PIN	1		0.098" X 0.472"
45	R26871	SNAP RING	1		
46	24H1227	WASHER	1		17/32" X 13/16" X 0.060"
47	R41076	GROMMET	2		
48	AR40683	LEVER	1		
49	R40948	KNOB	1		
50	R56504	SPRING PIN	1		
51	R56821	ARM	1		(SUB FOR R52824)
52	24H1341	WASHER	1		17/32" X 15/16" X 0.060"
53	B423R	SPRING	1		LOAD SELECTOR CONTROL
54	R52823	SHAFT	1		
55	AR72294	LINK	1		(SUB FOR AR58236) (ALSO ORDER AR72293)
56	R72653	SNAP RING	3		(SUB FOR M2396T)
57	AR72293	LINK	1		VALVE OPERATING
58	R52828	LINK	1		
59	AR86775	KIT	1		LOAD SELECTOR CONTROL LINKAGE, (SUB FOR AR58474)
..	AR55210	KIT	1		REVERSE SIGNAL LOCKOUT

3D3

HYDRAULICS

R15801 -UN-01JAN94

TRANSMISSION REAR COVER (LESS ROCKSHAFT)



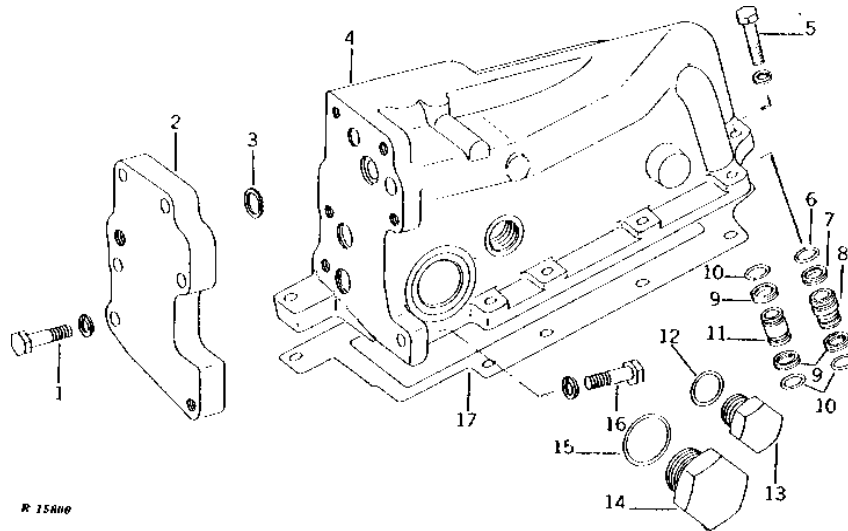
KEY	PART NO.	PART NAME	QTY	TRACTOR SERIAL NO.	REMARKS
1	AR43083	DIPSTICK	1		
	A4730R	O-RING	1		
2	R43325	HOOK BOLT	1		
3	19H1990	CAP SCREW	4	1/2" X 2-1/4"	
	19H1721	CAP SCREW	13	1/2" X 1-1/2"	
	12H301	LOCK WASHER	17	1/2"	
4	14H1040	NUT	1	1/2"	
	12H301	LOCK WASHER	1	1/2"	
5	AR50039	COVER	1	(MARKED R41290)	
6	R43408	GASKET	1		
7	R26286	O-RING	2	(LESS DIFFERENTIAL LOCK)	
8	R27094	DRAIN PLUG	2	(LESS DIFFERENTIAL LOCK)	
9	D488R	STUD	1		
10	R36425	WASHER	1		
11	R55080	COVER	1	(SUB FOR R43448) (SUB R58544, THIS APPLICATION)	
12	R57725	SCREW	4	(SUB FOR R61762)	
13	WIRE	1	356MM (14") 16 GA. (NO LONGER REQUIRED)	
14	19H1387	CAP SCREW	6	5/8" X 2-1/4"	
15	R43086	COVER	1	(SUB FOR R43091) (ALSO ORDER R26906 AND R27474)	
16	R43403	WASHER	1		

3D4

HYDRAULICS

R15800 -UN-01JAN94

SELECTIVE CONTROL VALVE SUPPORT (LESS ROCKSHAFT)



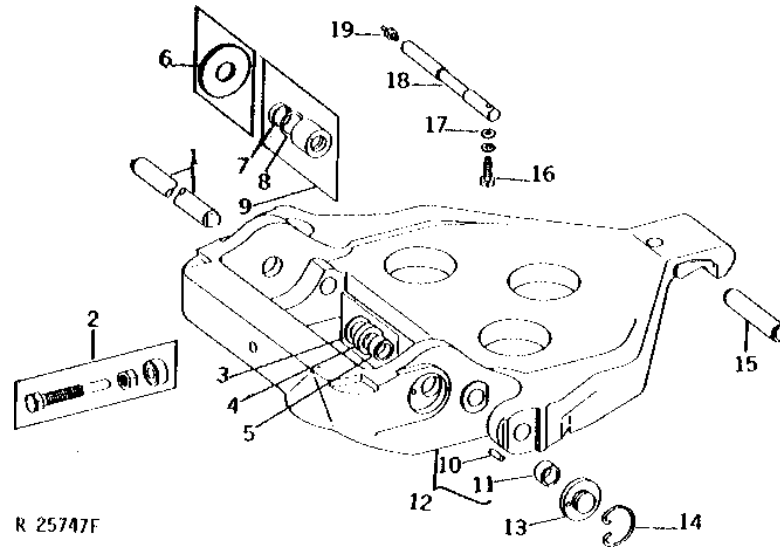
KEY	PART NO.	PART NAME	QTY	TRACTOR SERIAL NO.	REMARKS
1	19H1978	CAP SCREW	5	7/16" X 1-1/2"	
	19H2731	CAP SCREW	5	7/16" X 1-3/8"	
	12H293	LOCK WASHER	6	7/16"	
2	R50065	VALVE COVER	1		(SUB FOR R41444) (SUB R59080 AND (2) R59082)
3	R26149	PACKING	6		(NO LONGER REQUIRED)
4	AR76279	SUPPORT	1		(MARKED R40541, R45975, AR54820, AR76278 OR AR94166) (SUB FOR AR40505, AR48006 OR AR54944)
5	19H1732	CAP SCREW	9	3/8" X 1-1/4"	
	12H304	LOCK WASHER	9	3/8"	
6	R27564	O-RING	1		(USE WITH R45975)
7	R45925	BACK-UP RING	1		(USE WITH R45975)
8	R45924	BUSHING	1		(USE WITH R45975)
9	R41057	BACK-UP RING	AR		(2 USED WITH R40541) (1 USED WITH R45975)
10	R27166	O-RING	AR		(2 USED WITH R40541) (1 USED WITH R45975)
11	R40945	VALVE	1		(USE WITH R40541)
12	F3171R	O-RING	1		
13	R27175	DRAIN PLUG	1		
14	R39741	DRAIN PLUG	1		
15	U13639	O-RING	1		
16	19H2731	CAP SCREW	1	7/16" X 1-3/8"	
	12H293	LOCK WASHER	1	7/16"	
17	R40896	GASKET	1		

3D5

HYDRAULICS

R25747 -UN-01JAN94

DRAFT LINK SUPPORT



KEY	PART NO.	PART NAME	QTY	TRACTOR SERIAL NO.	REMARKS
1	R43318	PIN	1		LOAD CONTROL
2	AR52606	KIT	1		NEGATIVE STOP SCREW, WITH BUSHING
3	H394R	WASHER	2	-XXXXXX	(SUB FOR R43449) (USE WITH R46680 OR R46960)
4	AR84793	SEAL	2	-XXXXXX	(SUB FOR AR43103 OR AR78339) (USE WITH R46680 OR R46960)
5	R43315	BUSHING	2	-XXXXXX	INNER, (USE WITH R46680 OR R46960)
	R43931	BUSHING	1	-XXXXXX	0.08MM (.003") OS O.D. (USE WITH R46680)
	R43932	BUSHING	1	-XXXXXX	0.15MM (.006") OS O.D. (USE WITH R46680)
	R46802	BUSHING	1	-XXXXXX	0.23MM (.009") OS O.D. (USE WITH R46680)
6	H394R	WASHER	AR	-XXXXXX	1.58MM (.062") OS O.D. (USE WITH AR78339)
	R51154	WASHER	AR	-XXXXXX	1.3MM (.050") OS O.D. (USE WITH AR78339 OR AR84793)
	R51155	WASHER	AR	-XXXXXX	1.5MM (.060") OS O.D. (USE WITH AR78339 OR AR84793)
	R51156	WASHER	AR	-XXXXXX	1.8MM (.072") OS O.D. (USE WITH AR78339 OR AR84793)
7	R52184	WASHER	2	XXXXXX-	(A) (USE WITH R49840 OR R55480)
8	R53198	O-RING	2	XXXXXX-	(A) (USE WITH R49840 OR R55480)
9	AR56769	BUSHING	2	XXXXXX-	(A) (SUB FOR AR85460) (USE WITH R49840 OR R55480)
10	R1612R	DOWEL PIN	2		
11	R43316	BUSHING	2		OUTER
12	AR62307	SUPPORT	1		(MARKED R47544 OR R54197) (SUB FOR AR50462) (ALSO ORDER AR55210)
13	R43299	RETAINER	2		
14	R43764	SNAP RING	2		
15	R43326	BUSHING	1		
16	R43450	SET SCREW	1		
	12H304	LOCK WASHER	1		3/8"
	24M7096	WASHER	1		10.500 X 18 X 1.600 MM
17	R43298	PIN	1		
18	JD7759	LUBRICATION FITTING	1		
..	AR63947	SUPPORT	1		LOAD CONTROL ARM, (USE WITH R49840)

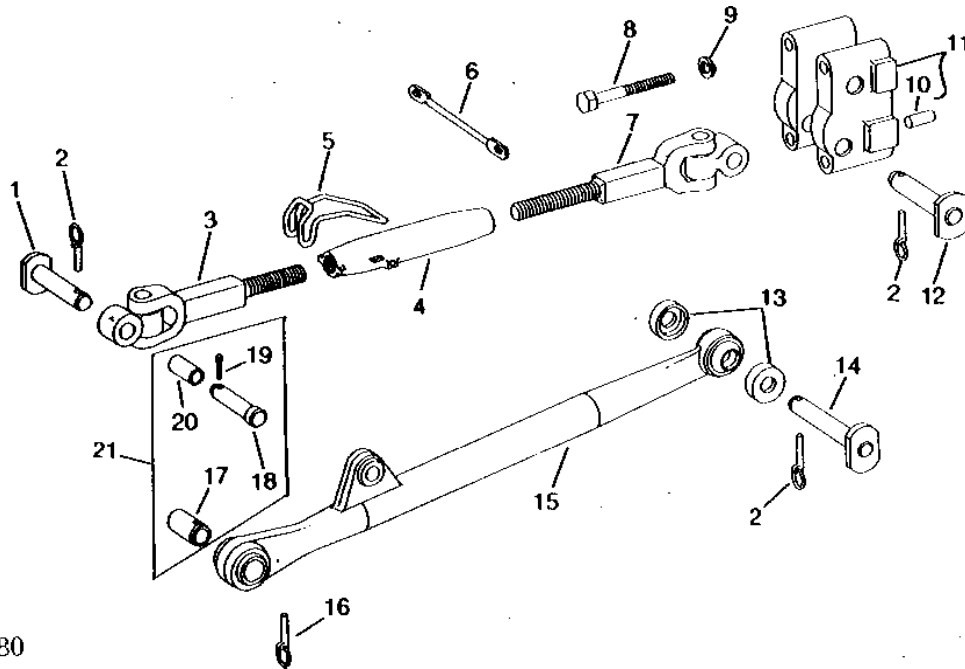
(A) INCLUDED IN AR63947

3D6

HYDRAULICS

RWP4380 -UN-01JAN94

DRAFT LINKS AND CENTER LINK



RWP4380

KEY	PART NO.	PART NAME	QTY	TRACTOR SERIAL NO.	REMARKS
1	AR70026	PIN	1	(SUB FOR AR35763)	
2	M115827	QUICK LOCK PIN	4	6MM (1/4") (SUB FOR AR62151)	
	AR62149	QUICK LOCK PIN	4	11MM (7/16")	
3	AR60110	CENTER LINK END	1	(SUB FOR AR49566)	
4	R47067	LINK BODY	1		
5	R42495	HANDLE	1		
6	R43726	CENTER LINK	1		
7	AR60109	CENTER LINK END	1	(SUB FOR AR49565)	
8	19H2001	CAP SCREW	4	3/4" X 5-1/2"	
9	12H236	LOCK WASHER	4	3/4"	
10	R26277	DOWEL PIN	1		
11	AR43316	BRACKET	1	(MARKED R43081)	
12	R125450	PIN	1	(SUB FOR AR35773, AR70025 OR AR89302)	
13	R26608	WASHER	4		
14	AR60295	PIN	2	(SUB FOR AR43077) (ALSO ORDER AR62149)	
15	AR55150	DRAFT LINK	1	R.H. (SUB FOR AR35802)	
	AR55151	DRAFT LINK	1	L.H. (SUB FOR AR35803)	
16	AR62150	QUICK LOCK PIN	2	(SUB FOR R36471)	
17	R66435	BUSHING	2	(A) (SUB FOR R36470)	
18	R53296	PIN	1	(A) (SUB FOR R44918)	
19	11M7040	COTTER PIN	1	0.248" X 1.969"	
20	R66434	BUSHING	1	(A) (SUB FOR R36469)	
21	AR35857	BUSHING	1	(A) IMPLEMENT HITCH, (CONSISTS OF R36469, (2) R36470, R53296 AND 11M7040)	

(A) CATEGORY II

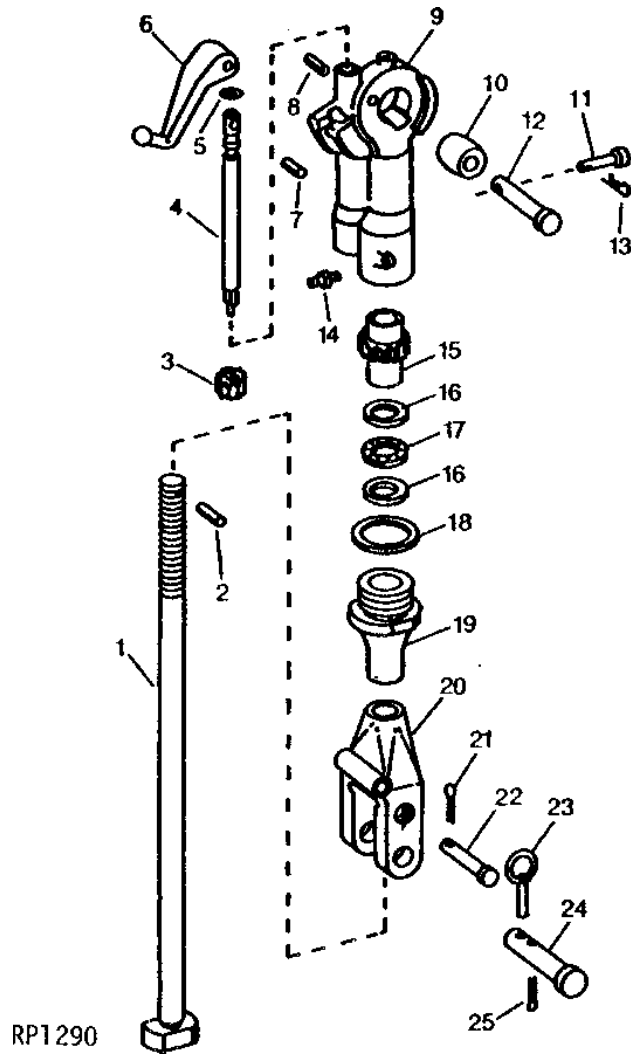
3D7

HYDRAULICS

RP1290

-UN-01JAN94

LIFT LINK
(RIGHT-HAND)



RP1290

3D8

HYDRAULICS

LIFT LINK - CONTINUED (RIGHT-HAND)

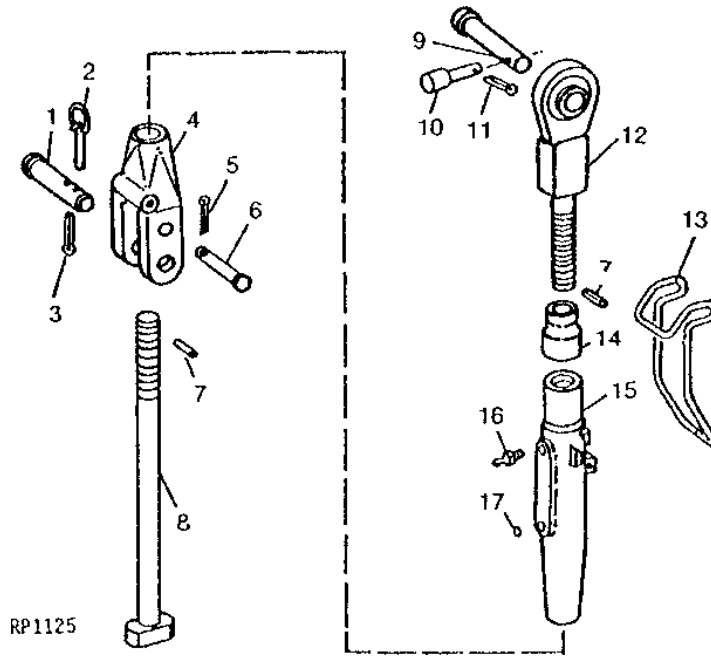
KEY	PART NO.	PART NAME	QTY	TRACTOR SERIAL NO.	REMARKS
1	R43258	LIFT LINK	1		
2	34H284	SPRING PIN	1	3/16" X 1-1/4"	
3	R43261	PINION	1		
4	R43080	PINION SHAFT	1		
5	R33259	O-RING	1	(SUB FOR T11934)	
6	R43262	CRANK	1		
7	34H314	SPRING PIN	1	1/4" X 1-1/4"	
8	34H252	SPRING PIN	1	1/8" X 1-1/4"	
9	R43076	HOUSING	1		
10	R27011	BALL	1		
11	R68672	PIN	1	(SUB FOR AR26556, AR62152 OR AR83396, THIS APPLICATION) (ALSO ORDER 11M7059)	
12	R79916	DOWEL PIN	1	(SUB FOR AR43140 OR AR70027)	
13	11M7059	COTTER PIN	1	3.200 X 20 MM	
14	JD7797	LUBRICATION FITTING	1		
15	R43077	GEAR	1		
16	JD9853	BEARING RACE	2		
17	JD9847	THRUST BEARING	1		
18	R43322	WASHER	1		
19	R43078	BUSHING	1		
20	R58934	YOKE	1	(SUB FOR R42171)	
21	11M7021	COTTER PIN	1	0.157" X 0.984"	
22	R63737	PIN	1	(SUB FOR R42172)	
23	AR62149	QUICK LOCK PIN	1	(SUB FOR DA5883A)	
24	R58264	PIN	1	(SUB FOR R43323)	
25	11M7030	COTTER PIN	1	0.197" X 1.575"	

3D9

HYDRAULICS

RP1125 -UN-01JAN94

LIFT LINK (LEFT-HAND)



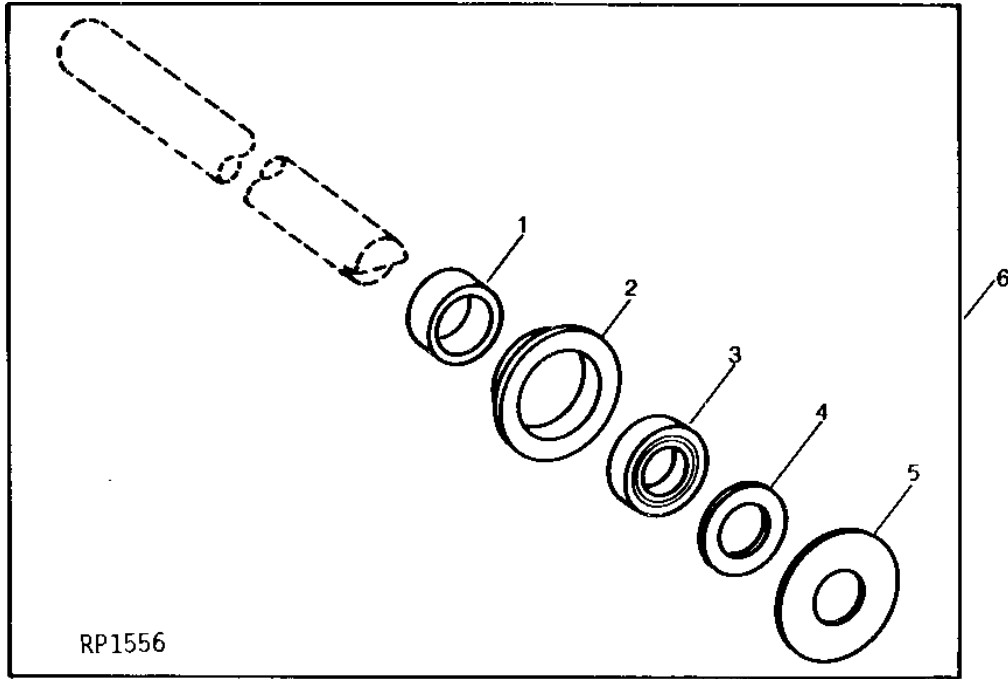
KEY	PART NO.	PART NAME	QTY	TRACTOR SERIAL NO.	REMARKS
1	R58264	PIN	1	(SUB FOR R43323)	
2	AR62149	QUICK LOCK PIN	1	(SUB FOR DA5883A)	
3	11M7030	COTTER PIN	1	0.197" X 1.575"	
4	R58934	YOKE	1	(SUB FOR R42171)	
5	11M7021	COTTER PIN	1	0.157" X 0.984"	
6	R63737	PIN	1	(SUB FOR R42172)	
7	34H284	SPRING PIN	2	3/16" X 1-1/4"	
8	R43259	LIFT LINK	1		
9	R79916	DOWEL PIN	1	(SUB FOR AR43140 OR AR70027)	
10	R68672	PIN	1	(SUB FOR AR26556, AR62152 OR AR83396, THIS APPLICATION) (ALSO ORDER 11M7059)	
11	11M7059	COTTER PIN	1	3.200 X 20 MM	
12	AR78526	DRAFT LINK END	1	(SUB FOR AR43059) (SUB RE44555)	
13	R42495	HANDLE	1		
14	R43706	SLEEVE	1		
15	R43079	LINK BODY	1		
16	JD7759	LUBRICATION FITTING	1		
17	30H6	PLUG	3	9/16"	

3D10

HYDRAULICS

RP1556 -UN-20NOV95

LOAD CONTROL SHAFT BUSHING KIT



KEY	PART NO.	PART NAME	QTY	TRACTOR SERIAL NO.	REMARKS
1	R68429	BUSHING	2	(.030" OS)	
2	R68430	BUSHING	2		
3	AR43103	SEAL	2		
4	H394R	WASHER	2		
5	R51154	WASHER	AR	1.27MM (.050")	
	R51155	WASHER	AR	1.52MM (.060")	
	R51156	WASHER	AR	1.83MM (.072")	
6	AR89133	KIT	1		LOAD CONTROL REPAIR

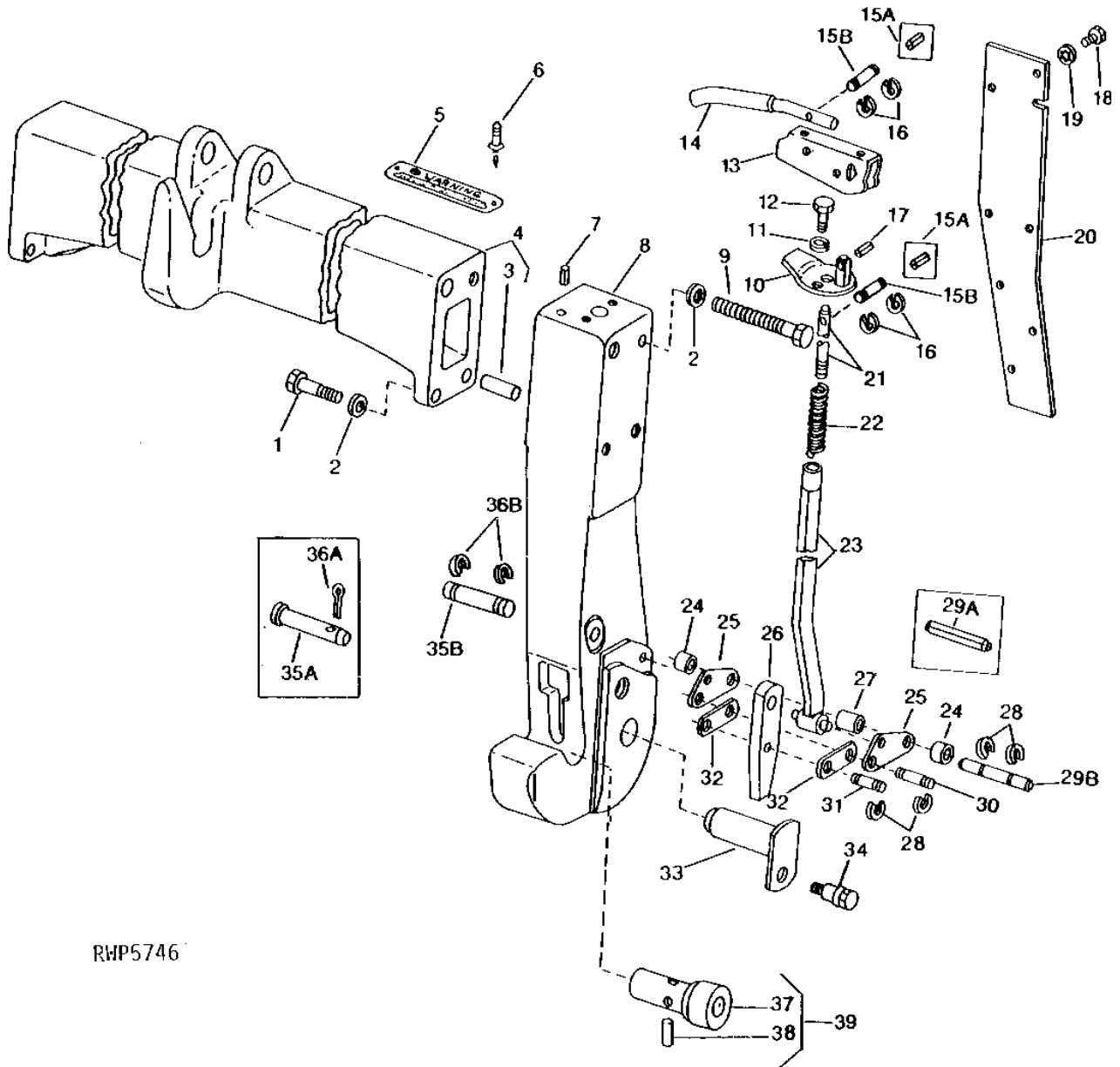
3D11

HYDRAULICS

RWP5746

-UN-01JAN94

IMPLEMENT QUICK COUPLER



RWP5746

3D12

HYDRAULICS

IMPLEMENT QUICK COUPLER - CONTINUED

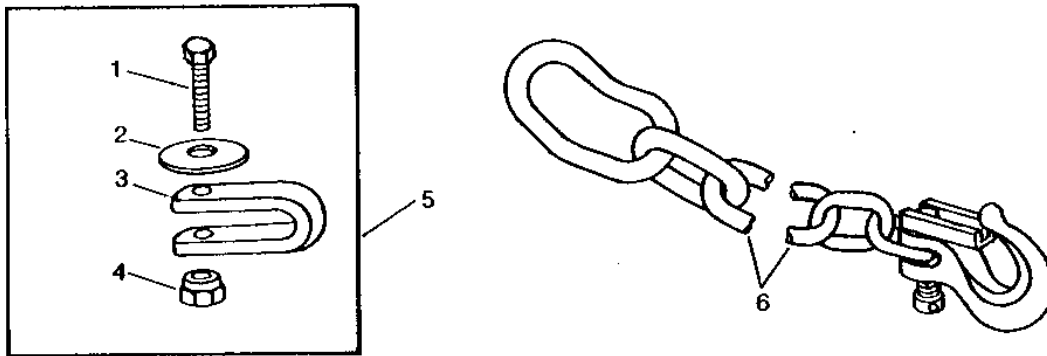
KEY	PART NO.	PART NAME	QTY	TRACTOR SERIAL NO.	REMARKS
1	19H1708	CAP SCREW	2		5/8" X 1-3/4"
2	12H294	LOCK WASHER	4		5/8"
3	A776R	PIN	4		
4	AR84904	SUPPORT	1		(MARKED R36448, R65817 OR R65203) (SUB FOR AR35851 OR AR82263)
5	R46895	INSTRUCTION PLATE	1		
6	37H44	SCREW	2		0.151" X 3/8"
7	34H311	SPRING PIN	2		1/4" X 7/8"
8	R66985	QUICK COUPLER	1		R.H. (SUB FOR R47585 OR R65085) (ALSO ORDER R66987 AND (2) A369R)
	R66986	QUICK COUPLER	1		L.H. (SUB FOR R47586 OR R65086) (ALSO ORDER R66987 AND (2) A369R)
9	19H1708	CAP SCREW	2		5/8" X 1-3/4"
10	AR50374	BRACKET	1		
11	12H304	LOCK WASHER	4		3/8"
12	19H1731	CAP SCREW	4		3/8" X 1"
13	R48164	LEVER	1		
14	R48163	HANDLE	1		
15A	34H311	SPRING PIN	4	-XXXXXX	1/4" X 7/8"
15B	R66901	SPRING PIN	4	XXXXXX-	
16	R27507	SNAP RING	8	XXXXXX-	(SUB R72654)
17	34H311	SPRING PIN	2		1/4" X 7/8"
18	19H1227	CAP SCREW	14		1/4" X 1/2"
19	12H302	LOCK WASHER	14		1/4"
20	R58617	SHIELD	2		(SUB FOR R36444)
21	R47578	STUD	2		
22	R43444	SPRING	2		
23	AR50377	BAR	2		
24	F2206R	WASHER	4		
25	R65243	LINK	4		(SUB FOR R47581 OR R58203)
26	R36441	LATCH	2		
27	28H1919	BUSHING	2		1/2" X 15/16"
28	F2208R	SNAP RING	12		
29A	34H375	SPRING PIN	2	-XXXXXX	1/2" X 3", (USE WITH R47585 AND R47586)
29B	R65082	PIN	2	XXXXXX-	(USE WITH R65085 AND R65086)
30	R119275	PIN	2		(SUB FOR R47679)
31	R119276	PIN	2		(SUB FOR R47678)
32	R65242	STRAP	4		(SUB FOR R47590)
33	AR48112	PIN	2		
	AR76161	PIN	1		(USE WITH R65085 AND R65086)
34	AR74673	CAP SCREW	2		(SUB FOR AR48110)
	AR78289	CAP SCREW	1		(USE WITH R65085 AND R65086)
35A	R28556	PIN	2	-XXXXXX	
35B	R66987	PIN	2	XXXXXX-	
36A	11M7087	COTTER PIN	2	-XXXXXX	0.157" X 1.575"
36B	A369R	SNAP RING	4	XXXXXX-	(SUB R73380)
37	R27998	HALF SLEEVE	2		
38	R27999	SPRING PIN	2		
39	AR27093	ADAPTER	1		

3D13

HYDRAULICS

RWP5796 -UN-01JAN94

IMPLEMENT SAFETY CHAIN



RWP5796

KEY	PART NO.	PART NAME	QTY	TRACTOR SERIAL NO.	REMARKS
1	19H1768	CAP SCREW	1	(A) (B)	
	19H2084	CAP SCREW	1	(A)	
	19H2174	CAP SCREW	1	(B)	
2	R36402	WASHER	1		
3	R69408	CLEVIS	1	(A)	
	R69409	CLEVIS	1	(B)	
4	T25879	NUT	2		
5	AR90577	SAFETY CHAIN ADAPTER KIT	1		CATEGORY IV DRAWBARS
	AR90578	CHAIN KIT	1		CATEGORY II AND III DRAWBARS
6	RE26739	LINK CHAIN	1		61 LINKS 6.4MM (1/4") DIA CHAIN (6,000 LB)
	AR90581	LINK CHAIN	1		61 LINKS 6.4MM (1/4") DIA CHAIN (10,000 LB)
	AR90579	LINK CHAIN	1		42 LINKS 9.5MM (3/8") DIA CHAIN
	AR90583	LINK CHAIN	1		43 LINKS 11.1MM (7/16") DIA CHAIN
	AN212996	LINK CHAIN	1		42 LINKS 12.7MM (1/2") DIA CHAIN, (SUB FOR RE26740)

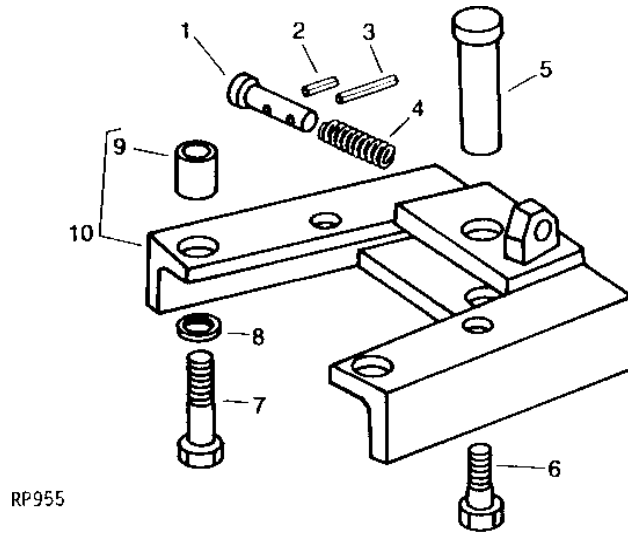
(A) INCLUDED IN AR90577
 (B) INCLUDED IN AR90578

3D14

HYDRAULICS

RP955 -UN-16NOV94

DRAWBAR FRONT SUPPORT



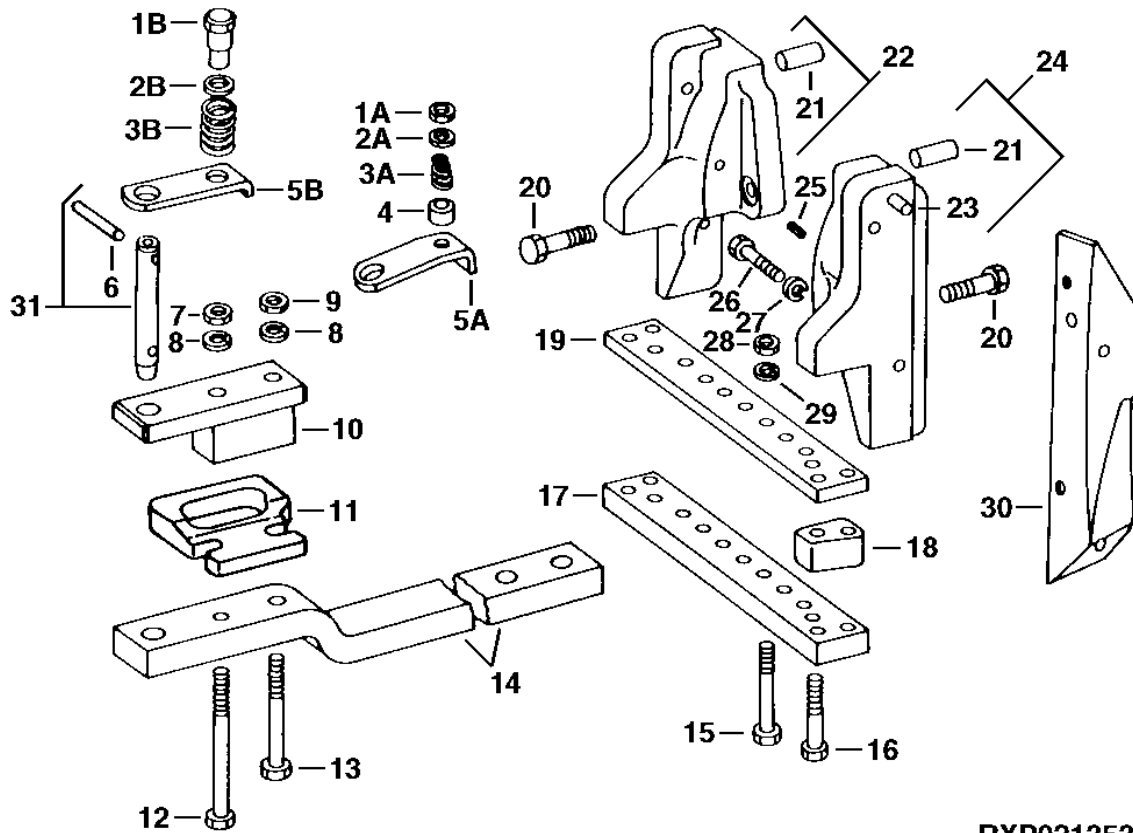
KEY	PART NO.	PART NAME	QTY	TRACTOR SERIAL NO.	REMARKS
1	R43319	PIN	1		
2	34H279	SPRING PIN	1	3/16" X 13/16"	
3	34H391	SPRING PIN	1	5/16" X 15/16"	
4	B423R	SPRING	1		
5	R62760	PIN	1	(SUB FOR R43320)	
6	19H2009	CAP SCREW	2	3/4" X 1-5/8"	
7	19H1425	CAP SCREW	2	3/4" X 2-3/4"	
8	B3627R	WASHER	2		
9	R35479	BUSHING	2		
10	AR43075	SUPPORT	1	-XXXXXX	
	AR55074	SUPPORT	1	XXXXXX-	(HEAVY-DUTY)

3D15

HYDRAULICS

RXP021353 -UN-26OCT95

REGULAR DRAWBAR



RXP021353

3D16

HYDRAULICS

REGULAR DRAWBAR - CONTINUED

KEY	PART NO.	PART NAME	QTY	TRACTOR SERIAL NO.	REMARKS
1A	R40121	LOCK NUT	1	-XXXXXX	
1B	R54065	NUT	1	XXXXXX-	(A) (SUB R72433)
2A	24H1395	WASHER	1	-XXXXXX	25/32" X 1-7/16" X 0.060"
2B	24H1513	WASHER	1	XXXXXX-	(A) 1-13/32" X 2" X 0.060"
3A	A350R	SPRING	1	-XXXXXX	
3B	F304R	SPRING	1	XXXXXX-	(A)
4	R47044	BUSHING	1	-XXXXXX	
5A	R36609	RETAINER	1		(SUB R54064, F304R, 19H1988 AND 24H1513)
5B	R54064	RETAINER	1	XXXXXX-	(A)
6	25H1191	GROOVE PIN	1		(SUB FOR T56005) (USE WITH AR69987)
7	14H794	NUT	1	-XXXXXX	3/4"
8	12H236	LOCK WASHER	2		3/4"
9	14H794	NUT	1		3/4"
10	R78214	STRAP	1	-XXXXXX	(SUB FOR AR35912 OR RE19375)
	R80447	STRAP	1	XXXXXX-	(A) (SUB FOR AR53877, RE19377 OR R83170)
11	R105478	RETAINER	1		
12	19H2951	CAP SCREW	1	-XXXXXX	3/4" X 8-1/4"
	19H3225	CAP SCREW	1	XXXXXX-	(A) 3/4" X 6-1/2"
13	19H1988	CAP SCREW	1	-XXXXXX	3/4" X 6"
	19H2825	CAP SCREW	1	XXXXXX-	(A) 3/4" X 4-1/4"
14	R36608	DRAWBAR	1	-XXXXXX	
	R50984	DRAWBAR	1	XXXXXX-	(A)
15	19H2827	CAP SCREW	2		3/4" X 4-3/4"
16	19H2000	CAP SCREW	4		3/4" X 5"
	19H3210	CAP SCREW	4		(A) 3/4" X 5-1/4"
17	R36273	SUPPORT	1		
18	R36509	SPACER	2		
	R40028	SPACER	2		(A)
19	R36272	STRAP	1		
20	19H2089	CAP SCREW	6		7/8" X 2-3/4"
21	R35482	DOWEL PIN	4		
22	AR35862	BRACKET	1		L.H. (MARKED R36508)
23	R26277	DOWEL PIN	2		
24	AR35861	BRACKET	1		R.H. (MARKED R36507)
25	34H348	SPRING PIN	2		3/8" X 1"
26	19H1863	CAP SCREW	4		5/8" X 3"
27	12H294	LOCK WASHER	4		5/8"
28	14H794	NUT	2		3/4"
29	12H236	LOCK WASHER	2		3/4"
30	R48815	SWAY BLOCK	1		R.H. (SUB FOR R36435)
	R48816	SWAY BLOCK	1		L.H. (SUB FOR R36436)
31	AR69988	PIN	1	-XXXXXX	1-1/4" DIA. (SUB FOR AR937R)
	AR69987	PIN	1	XXXXXX-	(A) 1-3/8" DIA. (SUB FOR AR35807)
..	AR63793	DRAWBAR	1		HEAVY-DUTY, REGULAR, (SUB AR71026 AND R50984) (INCLUDES AR55074)

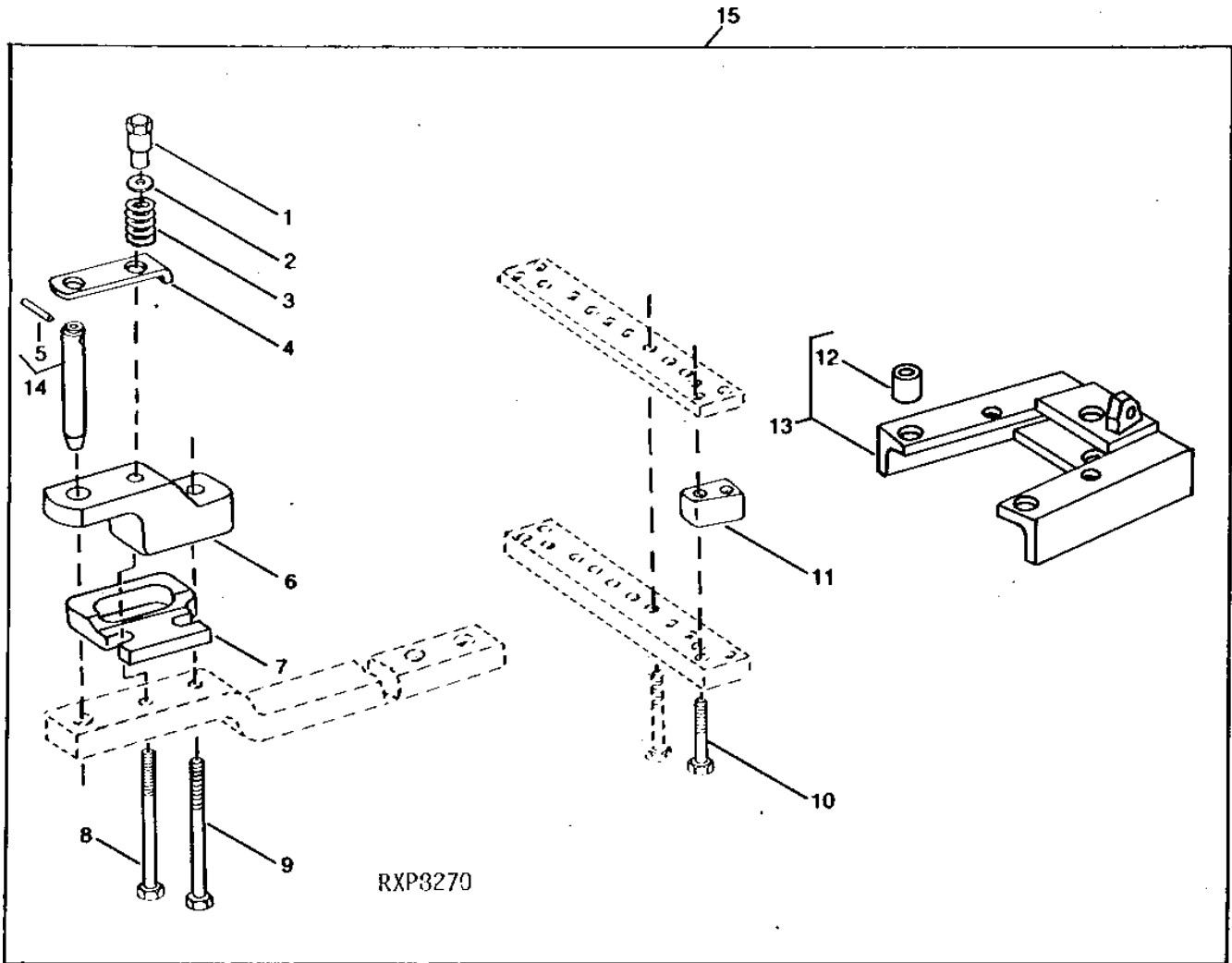
(A) INCLUDED IN AR63793

3D17

HYDRAULICS

DRAWBAR SUPPORT KIT
(REGULAR DRAWBAR)
(HEAVY-DUTY)

RXP8270 -UN-01JAN94



3D18

HYDRAULICS

**DRAWBAR SUPPORT KIT - CONTINUED
(REGULAR DRAWBAR)
(HEAVY-DUTY)**

KEY	PART NO.	PART NAME	QTY	TRACTOR SERIAL NO.	REMARKS
1	R72433	NUT	1		
2	24H1513	WASHER	1		
3	F304R	SPRING	1		1-13/32" X 2" X 0.060"
4	R54064	RETAINER	1		
5	AR69987	PIN	1		
6	R80447	STRAP	1		
7	R105478	RETAINER	1		
8	19H3225	CAP SCREW	1		3/4" X 6-1/2"
9	19H2825	CAP SCREW	1		3/4" X 4-1/4"
10	19H3219	CAP SCREW	4		3/8" X 1-3/8"
11	R40028	SPACER	2		
12	R35479	BUSHING	2		
13	AR55074	SUPPORT	1		

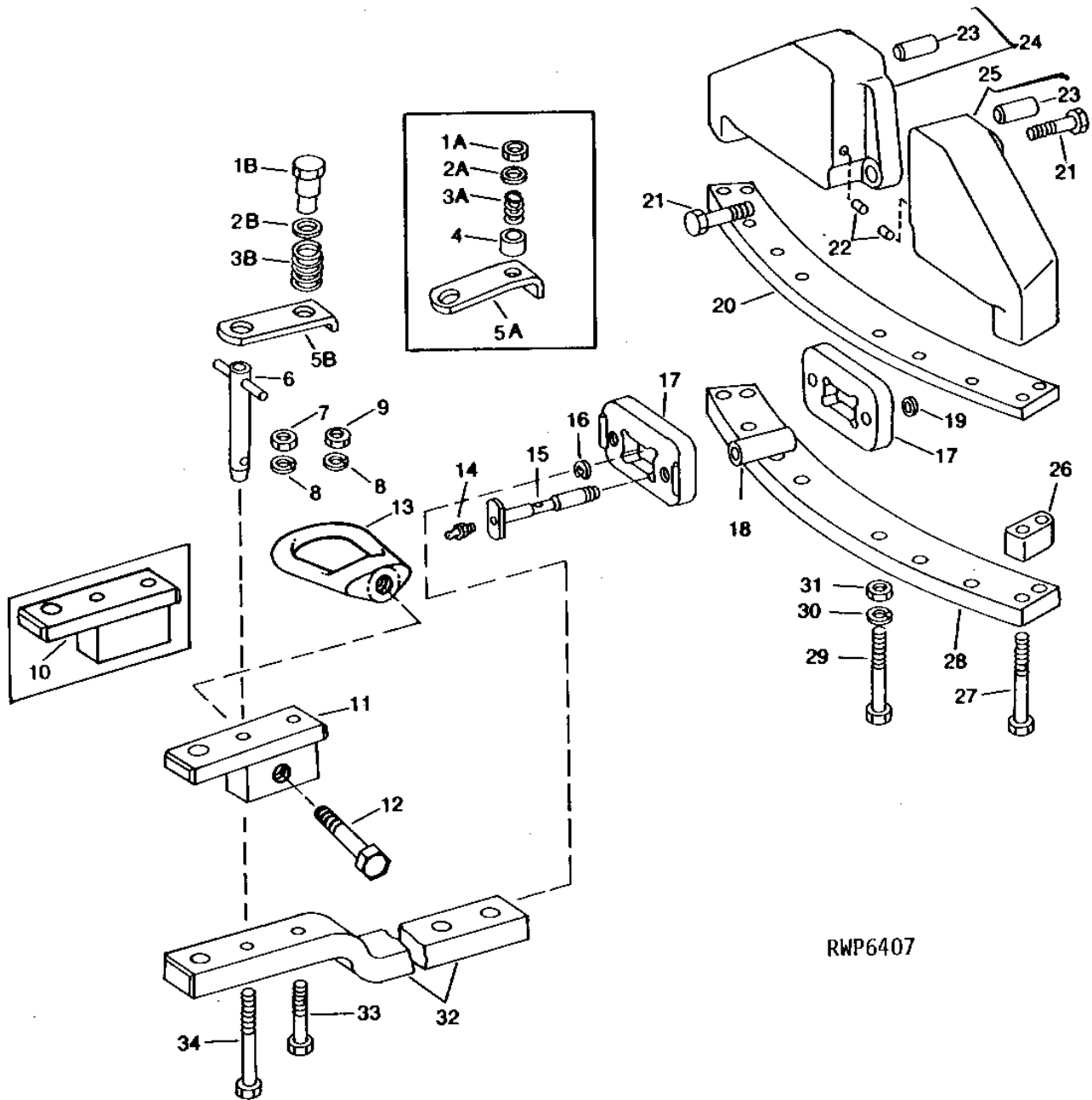
3D19

HYDRAULICS

RWP6407

-UN-01JAN94

WIDE SWING DRAWBAR



RWP6407

3D20

HYDRAULICS

WIDE SWING DRAWBAR - CONTINUED

KEY	PART NO.	PART NAME	QTY	TRACTOR SERIAL NO.	REMARKS
1A	R40121	LOCK NUT	1	-XXXXXX	
1B	R54065	NUT	1	XXXXXX-	(A) (SUB R72433)
2A	24H1395	WASHER	1	-XXXXXX	25/32" X 1-7/16" X 0.060"
2B	24H1513	WASHER	1	XXXXXX-	(A) 1-13/32" X 2" X 0.060"
3A	A350R	SPRING	1	-XXXXXX	
3B	F304R	SPRING	1	XXXXXX-	(A)
4	R47044	BUSHING	1	-XXXXXX	
5A	R36609	RETAINER	1	-XXXXXX	(SUB R54064, R72433, F304R, 19H1988 AND 24H1513)
5B	R54064	RETAINER	1	XXXXXX-	(A)
6	AR69988	PIN	1	-XXXXXX	1-1/4" DIA. (SUB FOR AR937R)
	AR69987	PIN	1	XXXXXX-	(A) 1-3/8" DIA. (SUB FOR AR35807)
	25H1191	GROOVE PIN	1		(SUB FOR T56005) (USE WITH AR69987)
7	14H794	NUT	1	-XXXXXX	3/4"
8	12H236	LOCK WASHER	2		3/4"
9	14H794	NUT	1		3/4"
10	AR35912	STRAP	1	-XXXXXX	(SUB R78214, R105478, 19H3196 AND 19H3612)
11	RE19377	STRAP	1	XXXXXX-	(A) (SUB FOR AR53877) (SUB R80447, R105478, 19H2825 AND 19H3225)
12	19H2728	CAP SCREW	1	XXXXXX-	3/4" X 3"
13	R81245	SUPPORT	1	XXXXXX-	
14	JD7759	LUBRICATION FITTING	2		
15	AR61656	PIN	2		(SUB FOR AR44820)
16	R73380	SNAP RING	2		(SUB FOR A369R)
17	R52390	HANGER	2	-XXXXXX	(SUB FOR R35838)
	R49879	HANGER	2	XXXXXX-	(A)
18	R35839	ROLLER	2	-XXXXXX	(SUB R54141)
	R54141	BUSHING	2	XXXXXX-	
19	24M7353	WASHER	2		(SUB FOR R42660)
20	R83112	SUPPORT	1		(SUB FOR R35483)
21	19H2089	CAP SCREW	6		7/8" X 2-3/4"
22	34H348	SPRING PIN	2		3/8" X 1"
23	R35482	DOWEL PIN	4		
24	AR71405	BRACKET	1		(MARKED R35468 OR R59198) (SUB FOR AR35527)
25	AR71404	BRACKET	1		(MARKED R35467 OR R59197) (SUB FOR AR35526)
26	R35835	SPACER	2	-XXXXXX	
	R49878	SPACER	2	XXXXXX-	(A)
27	19H2000	CAP SCREW	4	-XXXXXX	3/4" X 5"
	19H3210	CAP SCREW	4	XXXXXX-	(A) 3/4" X 5-1/4"
28	R83111	SUPPORT	1		(SUB FOR R35476)
29	19H2827	CAP SCREW	2		3/4" X 4-3/4"
30	12H236	LOCK WASHER	2		3/4"
31	14H794	NUT	2		3/4"
32	R36608	DRAWBAR	1	-XXXXXX	
	R50984	DRAWBAR	1	XXXXXX-	(A)
33	19H1988	CAP SCREW	1	-XXXXXX	3/4" X 6"
	19H3225	CAP SCREW	1	XXXXXX-	3/4" X 6-1/2"
34	19H2951	CAP SCREW	1	-XXXXXX	3/4" X 8-1/4"
	19H3225	CAP SCREW	1	XXXXXX-	(A) 3/4" X 6-1/2"
..	AR63792	DRAWBAR	1		HEAVY-DUTY, (INCLUDES AR55074)

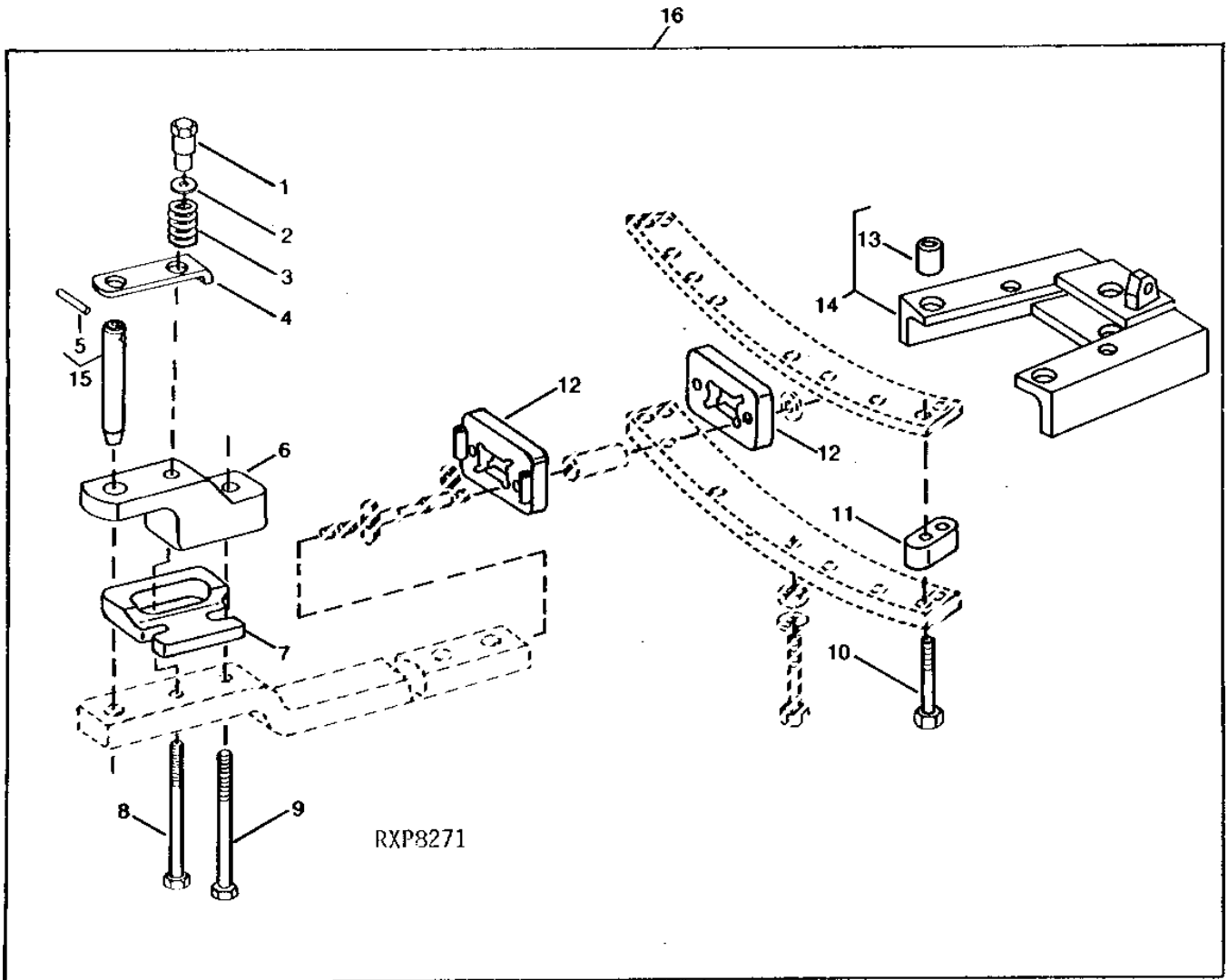
(A) INCLUDED IN AR63792

3D21

HYDRAULICS

DRAWBAR SUPPORT KIT
(WIDE SWING DRAWBAR)
(HEAVY-DUTY)

RXP8271 -UN-01JAN94



3D22

HYDRAULICS

**DRAWBAR SUPPORT KIT - CONTINUED
(WIDE SWING DRAWBAR)
(HEAVY-DUTY)**

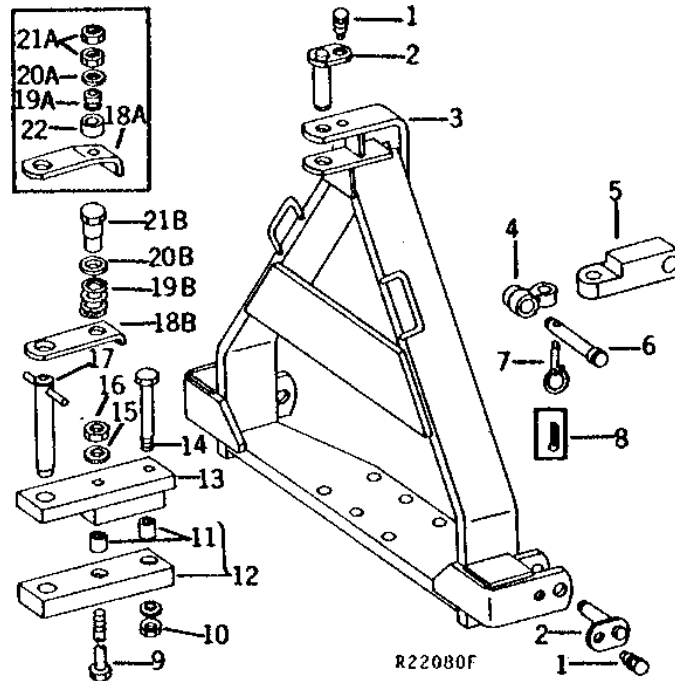
KEY	PART NO.	PART NAME	QTY	TRACTOR SERIAL NO.	REMARKS
1	R72433	NUT	1		
2	24H1513	WASHER	1		1-13/32" X 2" X 0.060"
3	F304R	SPRING	1		
4	R54064	RETAINER	1		
5	AR69987	PIN	1		
6	R80447	STRAP	1		
7	R105478	RETAINER	1		
8	19H3225	CAP SCREW	1		3/4" X 6-1/2"
9	19H2825	CAP SCREW	1		3/4" X 4-1/4"
10	19H3219	CAP SCREW	4		3/8" X 1-3/8"
11	R49878	SPACER	2		
12	R49879	HANGER	2		
13	R35479	BUSHING	2		
14	AR55074	SUPPORT	1		

3D23

HYDRAULICS

R22080 -UN-01JAN94

COUPLER (POWER WEIGHT TRANSFER HITCH)



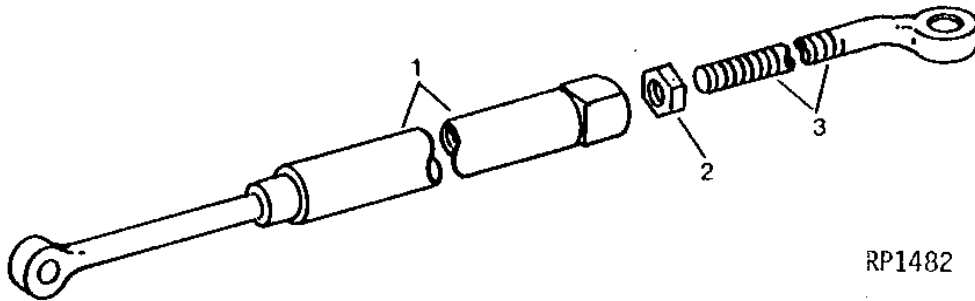
KEY	PART NO.	PART NAME	QTY	TRACTOR SERIAL NO.	REMARKS
1	AR40865	CAP SCREW	3		(SUB AR74673) (USE WITH PIN WITH 1/4" THICK HANDLE)
	AR48110	CAP SCREW	3		(SUB AR74673) (USE WITH PIN WITH 3/8" THICK HANDLE)
2	AR48111	PIN	3		(SUB FOR AR39783) (ALSO ORDER AR74673)
3	AR46828	COUPLING	1		(SUB AR99336)
4	R44848	PIVOT	1		
5	R44847	PIVOT	1		
6	R58261	PIN	1		(SUB FOR R40516 OR R53562) (ALSO ORDER AR60372)
7	AR60372	QUICK LOCK PIN	1	XXXXXX-	
8	11M7038	COTTER PIN	1	-XXXXXX	0.248" X 1.575"
9	19H3234	CAP SCREW	1	-XXXXXX	3/4" X 8-1/2"
	19H1988	CAP SCREW	1	XXXXXX-	3/4" X 6"
10	14H794	NUT	1		3/4"
	12H236	LOCK WASHER	1		3/4"
11	R35479	BUSHING	2		
12	AR47567	DRAWBAR	1		
13	AR46256	STRAP	1		
14	19H1988	CAP SCREW	1		3/4" X 6"
15	12H236	LOCK WASHER	1		3/4"
16	14H794	NUT	1	-XXXXXX	3/4"
17	AR69988	PIN	1		(SUB FOR AR937R)
18A	R36609	RETAINER	1	-XXXXXX	(SUB R54064, F304R, 19H1988 AND 24H1513)
	R54064	RETAINER	1	XXXXXX-	
19A	A350R	SPRING	1	-XXXXXX	
19B	F304R	SPRING	1	XXXXXX-	
20A	24H1395	WASHER	1	-XXXXXX	25/32" X 1-7/16" X 0.060"
20B	24H1513	WASHER	1	XXXXXX-	1-13/32" X 2" X 0.060"
21A	R40121	LOCK NUT	2	-XXXXXX	
21B	R54065	NUT	1	XXXXXX-	(SUB R72433)
22	R47044	BUSHING	1	-XXXXXX	

3D24

HYDRAULICS

RP1482 -UN-01JAN94

IMPLEMENT LINK
(POWER WEIGHT TRANSFER HITCH)



RP1482

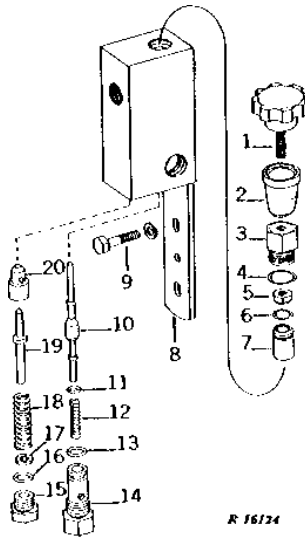
KEY	PART NO.	PART NAME	QTY	TRACTOR SERIAL NO.	REMARKS
1	AR47490	LINK	1		
2	14H887	NUT	1	1-1/8"	
3	R45447	EYEBOLT	1		

3D25

HYDRAULICS

R16124 -UN-01JAN94

CONTROL VALVE (POWER WEIGHT TRANSFER HITCH)



R 16124

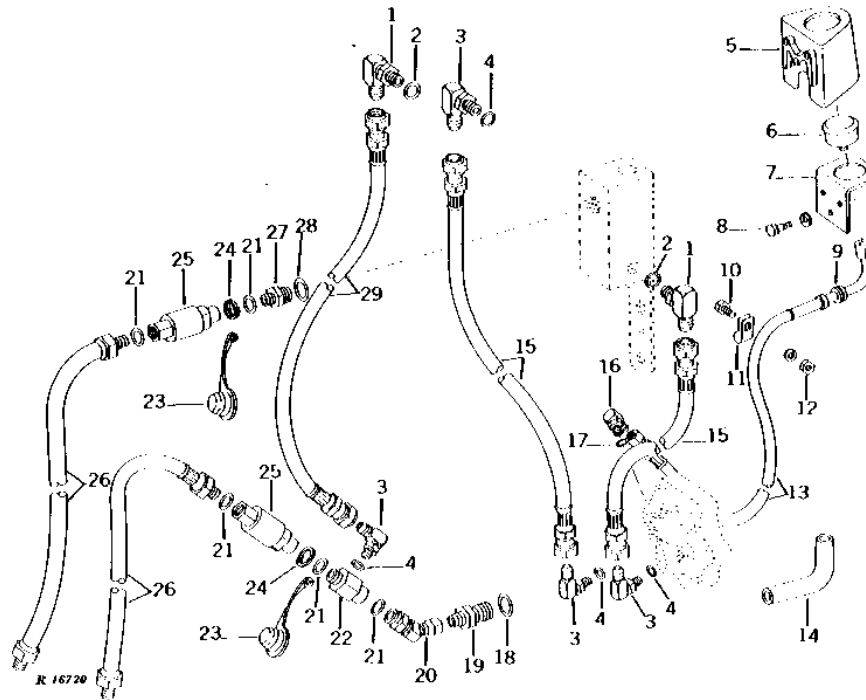
KEY	PART NO.	PART NAME	QTY	TRACTOR SERIAL NO.	REMARKS
1	AR49578	KNOB	1		
2	R54059	BOOT	1		(SUB FOR R39981)
3	R47016	ADAPTER	1		
4	F3171R	O-RING	1		
5	F3220R	LOCK NUT	1		
6	R26375	O-RING	1		
7	R47018	SHAFT	1		
8	AR49622	HOUSING	1		
9	19H1765	CAP SCREW	2	3/8" X 1-3/4"	
	12H304	LOCK WASHER	2	3/8"	
10	R44840	VALVE	1		
11	R375R	O-RING	1		
12	R26477	SPRING	1		
13	R495R	O-RING	1		
14	R47095	PLUG	1		
15	R27474	DRAIN PLUG	1		
16	R26906	O-RING	1		
17	R45189	SHIM	AR	0.51MM (.020")	
18	R35871	SPRING	1		
19	R45215	GUIDE	1		
20	R38543	VALVE	1		

3E1

HYDRAULICS

R16720 -UN-01JAN94

HYDRAULIC OIL PRESSURE GAUGE AND LINES (POWER WEIGHT TRANSFER HITCH)



KEY	PART NO.	PART NAME	QTY	TRACTOR SERIAL NO.	REMARKS
1	AT32332	ELBOW FITTING	2		(SUB FOR AR26763)
2	R26375	O-RING	2		
3	AT35120	ELBOW FITTING	4		(SUB FOR AR37017 AND AT32337)
4	R26448	O-RING	4		
5	R45669	COVER	1		
6	AR47486	PRESSURE GAUGE	1		
7	R45670	SUPPORT	1		
8	19H1849	CAP SCREW	3	5/16" X 1-1/4"	
	12H303	LOCK WASHER	3	5/16"	
9	R41439	GROMMET	1		
10	19H1813	CAP SCREW	4	5/16" X 5/8"	
11	R34557	CLAMP	4		
12	14H785	NUT	4	5/16"	
	12H303	LOCK WASHER	4	5/16"	
13	AR43795	HYDRAULIC HOSE	1		
14	T22958	HOSE	1		
15	AR40465	HYDRAULIC HOSE	2	10 X 527MM (3/8" X 20-3/4")	(SUB L35843)
16	AR40475	ELBOW FITTING	1		
17	R26286	O-RING	1		
18	H851R	WASHER	1		
19	A15532	ADAPTER	1		
20	AA14850	ELBOW FITTING	1		
21	R26375	O-RING	5		
22	R45106	FITTING	1		
23	R32419	COVER	2		
24	R36946	SPRING	2		
25	AR31611	COUPLING	2		(SUB RE15361)
26	R32183	HYDRAULIC HOSE	1	10 X 2343MM (3/8" X 92-1/4")	
	AR26407	HYDRAULIC HOSE	1	10 X 2337MM (3/8" X 92")	
27	R36945	FITTING	1		
28	F3171R	O-RING	1		
29	AN140274	HYDRAULIC HOSE	1		

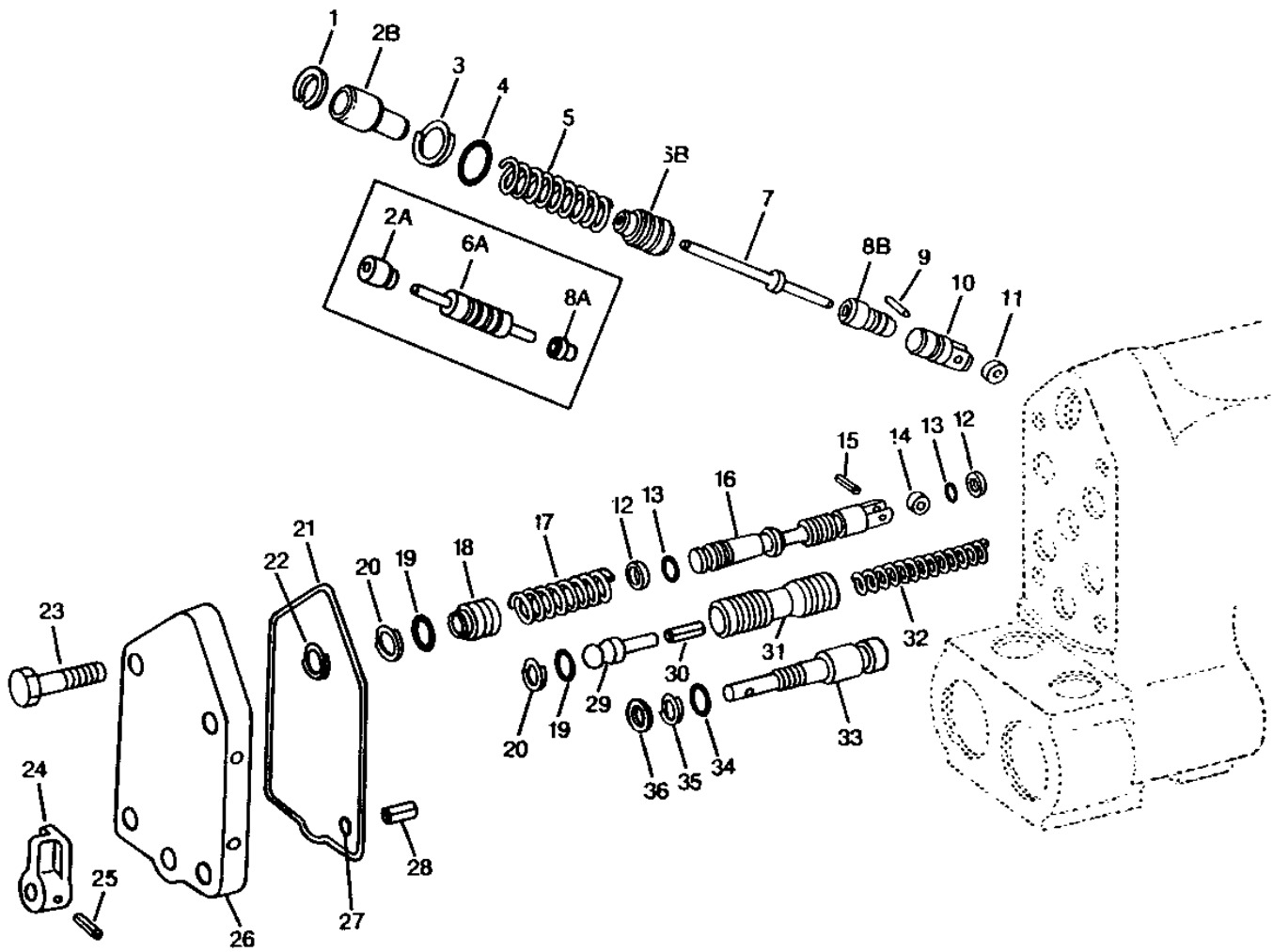
3E2

HYDRAULICS

RP1264

-UN-01JAN94

SELECTIVE CONTROL VALVE HOUSING VALVES



RP1264

3E3

HYDRAULICS

SELECTIVE CONTROL VALVE HOUSING VALVES - CONTINUED

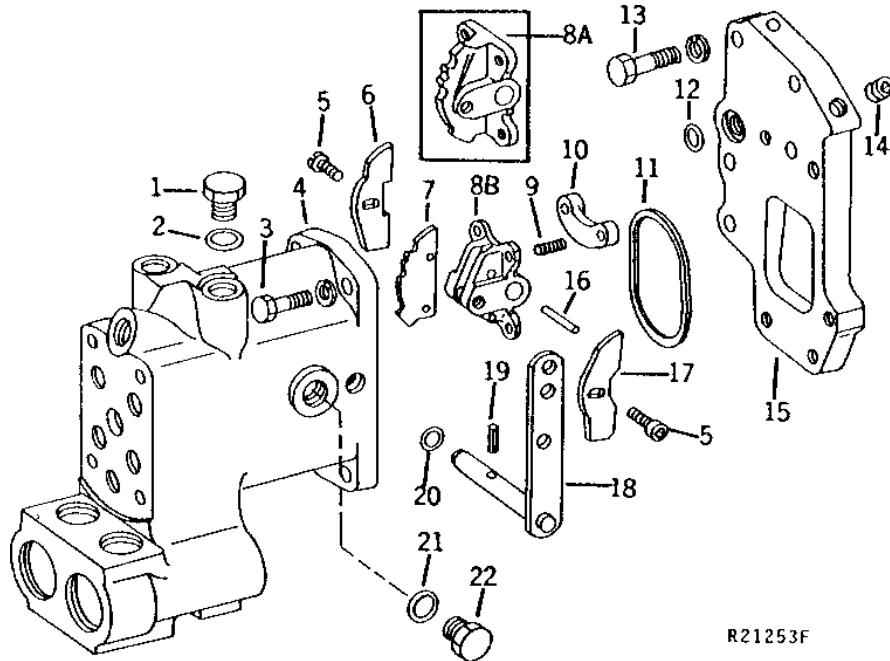
KEY	PART NO.	PART NAME	QTY	MODEL NO.	REMARKS
1	R46722	SNAP RING	1		
2A	AR48933	GUIDE	1	-18SC2	(SUB AR52394)
2B	R48979	GUIDE	1	18SC3-	(SUB R55397 AND R55398)
3	R26546	BACK-UP RING	1		
4	B2762R	O-RING	1		
5	R41055	SPRING	1	18SC3-	
6A	AR40939	PISTON	1	-18SC2	(SUB AR52394)
6B	R48980	PISTON	1	18SC3-	
7	R55398	PIN	1	18SC3-	(SUB FOR R48981)
8A	AR40744	GUIDE	1	-18SC2	
8B	R48978	GUIDE	1	18SC3-	
9	34H241	SPRING PIN	1	-18SC3	1/8" X 3/8"
	R51411	PIN	1	18SC4-	
10	R45016	FOLLOWER	1	-18SC3	(SUB FOR R40903) (SUB R51410, R51409 AND R51411)
	R51410	CAM FOLLOWER	1	18SC4-	
11	R41613	WASHER	1	-18SC3	(SUB R51409)
	R51409	SPACER	1	18SC4-	
12	R26484	BACK-UP RING	6		
13	R65286	O-RING	6		(SUB FOR A3917R, THIS APPLICATION)
14	R41613	WASHER	4	-18SC3	(SUB R51409)
	R51409	SPACER	4	18SC4-	
15	34H242	SPRING PIN	4		1/8" X 7/16"
16	AR45647	VALVE	4	-18SC2	(SUB AR86535)
	AR52629	VALVE	4	-18SC3	(SUB AR86535)
17	AR86535	VALVE	4	18SC4-	SUB. FOR AR56120 (OR AR78396)
	R65501	SPRING	2		RETURN
	R65502	SPRING	2		PRESSURE, (SUB FOR R44310)
18	R66416	BUSHING	4		(SUB FOR R41156)
19	R27166	O-RING	4		
20	R41057	BACK-UP RING	4		
21	R74695	WASHER	1		(USE WITH R59629)
22	R26149	PACKING	6		
23	19H1732	CAP SCREW	4		3/8" X 1-1/4"
24	R41338	ARM	1		(SUB R62652)
25	34H231	SPRING PIN	1		3/32" X 3/4"
26	AR40688	COVER	1		(MARKED R40899 OR R49708) (USE WITH R40499)
	AR85628	COVER	1		(MARKED R59629) (SUB R27166, R41057, R59629, R65501, R65502, R66916 AND R74695) (USE WITH R65284)
27	R34812	O-RING	1		
28	34H275	SPRING PIN	1		3/16" X 1/2"
29	R66916	STOP	1		(USE WITH R59629)
30	34H284	SPRING PIN	1		3/16" X 1-1/4"
31	R41154	VALVE	1	-18SC3	FLOW CONTROL, (SUB R52549)
	R52549	SHUT-OFF VALVE	1	18SC4-	FLOW CONTROL
32	R41549	SPRING	1		
33	R41149	VALVE	1	-18SC3	METERING, (SUB R52548 AND R52549)
	R52548	VALVE	1	18SC4-	METERING, (USE WITH R40499)
	R65289	VALVE	1		METERING, (USE WITH R65284)
34	P46051	O-RING	1		
35	R40937	BACK-UP RING	1		
36	R41339	SHIM	1		

3E4

HYDRAULICS

R21253 -UN-01JAN94

SELECTIVE CONTROL VALVE HOUSING, COVER, ROCKER, AND OPERATING CAMS



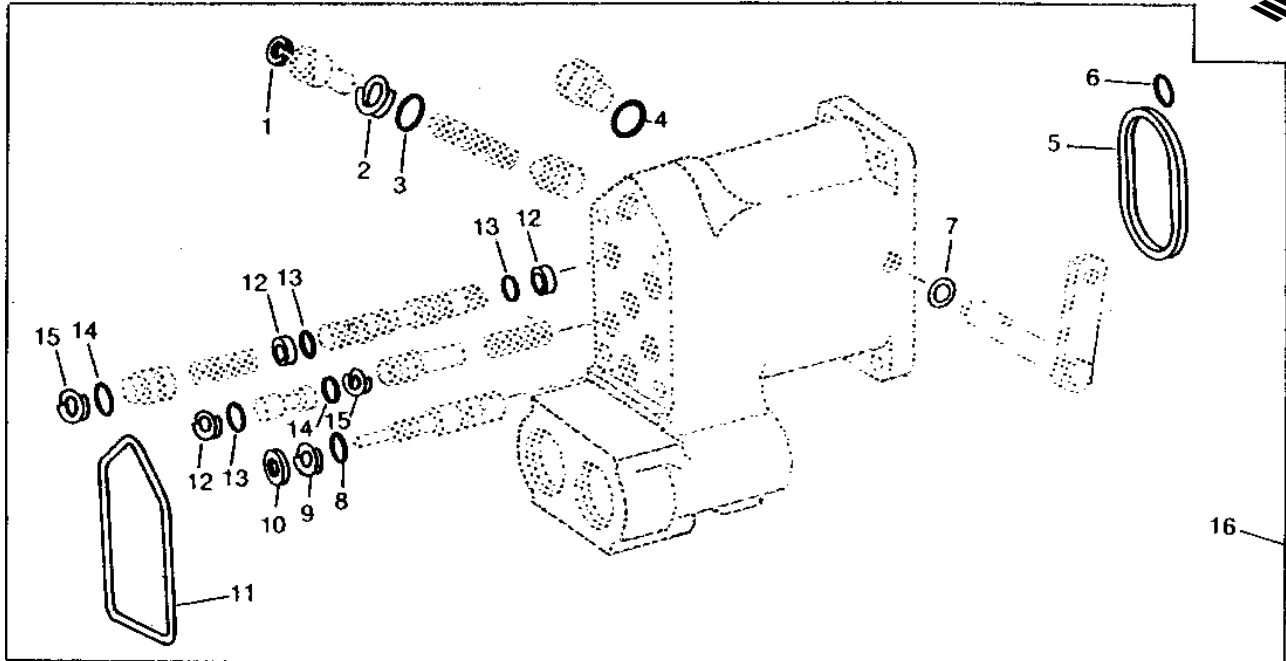
KEY	PART NO.	PART NAME	QTY	MODEL NO.	REMARKS
1	R39112	FITTING	AR		
2	R26375	O-RING	AR		
3	19H2731	CAP SCREW	AR		7/16" X 1-3/8", (4 USED SINGLE) (7 USED DUAL) (11 USED TRIPLE)
	19H2055	CAP SCREW	1		7/16" X 2-1/4", (DUAL OR TRIPLE)
	12H293	LOCK WASHER	4		7/16", (SINGLE)
4	AR40827	HOUSING	1	-XXXXXX	(MARKED R40499) (SUB AR82572, R27166, R41057, R59629, R65501, R65502, R66916, R74695 AND R65289)
	AR82572	HOUSING	1	XXXXXX-	(MARKED R65284)
5	R27233	SCREW	2		
6	R41931	CAM	1	-18SC3	(SUB R51414)
	R51414	CAM	1	18SC4-	
7	R51413	CAM	1	18SC4-	
8A	R40898	ROCKER	1	-18SC3	(SUB R51412, R51413, R51414, R51415 AND (2) R28744)
8B	R51412	ROCKER	1	18SC4-	
9	22H1025	SET SCREW	4		1/4" X 7/8"
10	R49221	RETAINER	2		
11	R40922	PACKING	1		
12	F2741R	PACKING	1		
13	19H1978	CAP SCREW	4		7/16" X 1-1/2"
	19H2731	CAP SCREW	4		7/16" X 1-3/8"
	12H293	LOCK WASHER	5		7/16"
14	15H559	PIPE PLUG	AR		1/4", (1 USED DUAL) (2 USED TRIPLE)
	15H558	PIPE PLUG	1		1/8", (TRIPLE)
15	AR54331	COVER	1		(DUAL) (MARKED R41445 OR R50066) (SUB FOR AR41969) (SUB AR71188 AND (2) R59082)
	AR54332	COVER	1		(TRIPLE) (MARKED R41448 OR R50067) (SUB FOR AR41970) (SUB AR71189 AND (2) R59082)
16	R28744	PIN	2	18SC4-	
17	R41932	CAM	1	-18SC3	(SUB R51415)
	R51415	CAM	1	18SC4-	
18	AR48734	ARM	1		(SUB FOR AR40684)
19	34H297	SPRING PIN	1		7/32" X 1"
20	R65287	O-RING	2		
21	R26375	O-RING	2		
22	R41155	PLUG	2		

3E5

HYDRAULICS

RWP3167 -UN-01JAN94

SELECTIVE CONTROL VALVE OVERHAUL KIT



RWP3167

KEY	PART NO.	PART NAME	QTY	TRACTOR SERIAL NO.	REMARKS
1	R46722	SNAP RING	1		
2	R26546	BACK-UP RING	1		
3	B2762R	O-RING	1		
4	R26375	O-RING	2		
5	R40922	PACKING	1		
6	F2741R	PACKING	1		
7	R65287	O-RING	2		
8	P46051	O-RING	1		
9	R40937	BACK-UP RING	1		
10	R41339	SHIM	1		
11	R74695	WASHER	1		
12	R26484	BACK-UP RING	6		(4 PRESSURE, 2 RETURN)
13	R65286	O-RING	6		(4 PRESSURE, 2 RETURN)
14	R27166	O-RING	5		
15	R41057	BACK-UP RING	5		
16	RE10924	KIT	1		(SUB FOR AR82571)

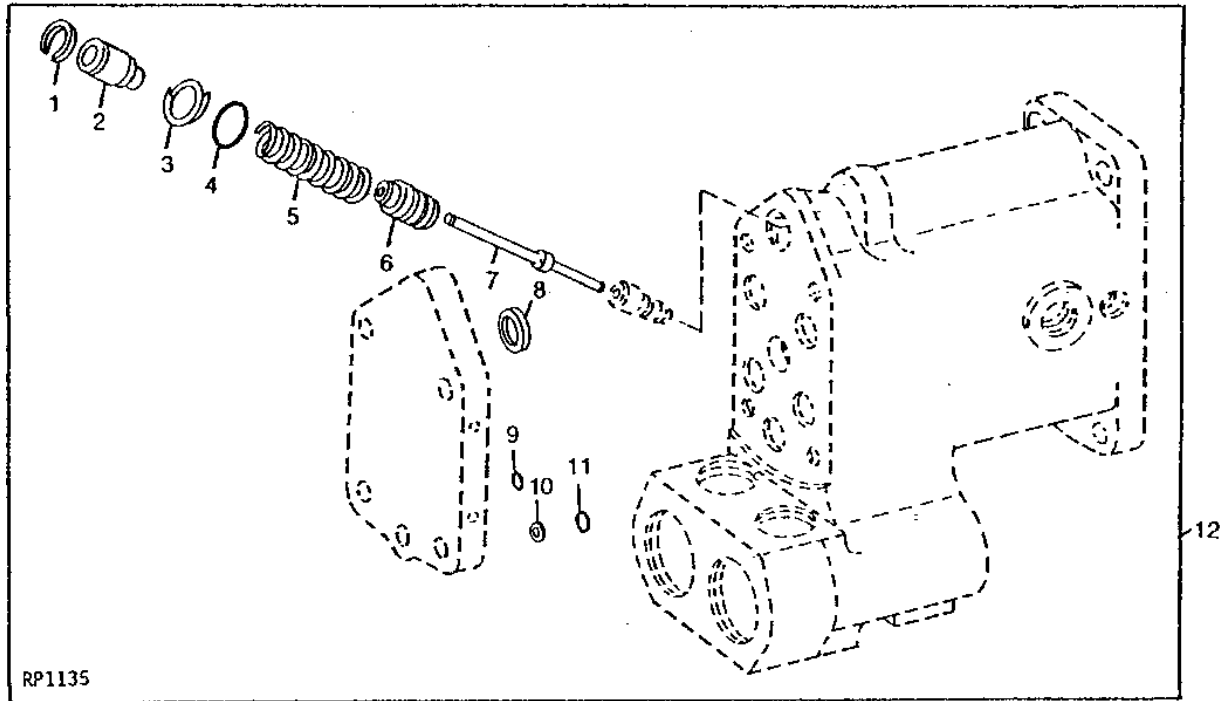
MEMORANDA

3E6

HYDRAULICS

RP1135 -UN-01JAN94

SELECTIVE CONTROL VALVE DETENT KIT



RP1135

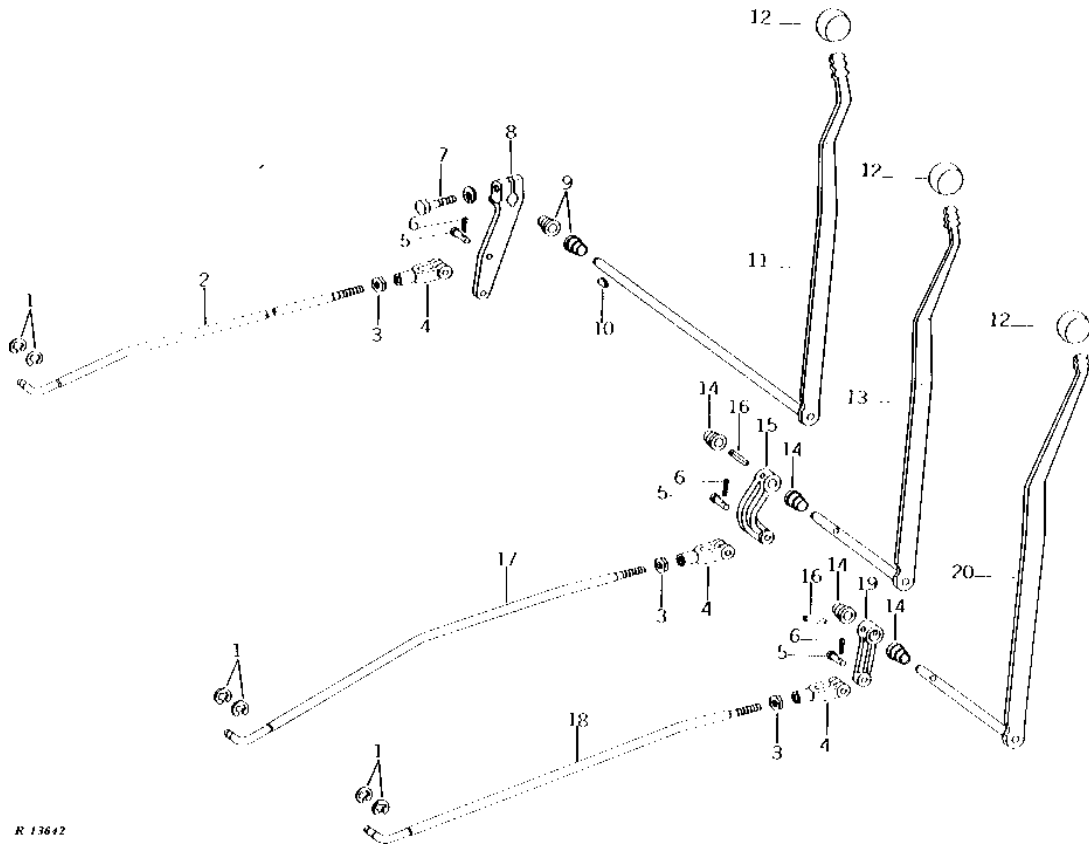
KEY	PART NO.	PART NAME	QTY	TRACTOR SERIAL NO.	REMARKS
1	R46722	SNAP RING	1		
2	R55397	GUIDE	1		(ALSO ORDER R55398)
3	R26546	BACK-UP RING	1		
4	B2762R	O-RING	1		
5	R41055	SPRING	1		
6	R48980	PISTON	1		
7	R55398	PIN	1		
8	R26149	PACKING	6		
9	R34812	O-RING	1		
10	R40937	BACK-UP RING	1		
11	P46051	O-RING	1		
12	AR52394	KIT	1	-002316	(INCLUDES R49187)

3E7

HYDRAULICS

R13642 -UN-01JAN94

SELECTIVE CONTROL LEVERS AND LINKAGES



3E8

HYDRAULICS

SELECTIVE CONTROL LEVERS AND LINKAGES - CONTINUED

KEY	PART NO.	PART NAME	QTY	TRACTOR SERIAL NO.	REMARKS
1	R72653	SNAP RING	AR		(1 USED SINGLE) (3 USED DUAL) (5 USED TRIPLE) (SUB FOR M2396T)
	R46528	SPRING LOCKING PIN	1		(SINGLE)
2	R46529	SHIFTER ROD	1		
	R47309	SHIFTER ROD	1		(USE WHEN AUXILIARY HYDRAULIC OUTLET HAS BEEN INSTALLED)
3	14H882	NUT	1		5/16"
4	R42282	YOKE	1		(SUB R82766 AND T54033)
5	R72660	PIN	1		(SUB FOR R662R)
6	11M7079	COTTER PIN	1		0.098" X 0.472"
7	19H1732	CAP SCREW	1		3/8" X 1-1/4"
	12H304	LOCK WASHER	1		3/8"
8	R42094	ARM	1		
9	R42093	GROMMET	2		
10	26H15	SHAFT KEY	1		1/4" X 3/4"
11	AR40989	LEVER	1		
12	R44695	KNOB	1		(SINGLE AND TRIPLE)
	R41387	KNOB	1		(DUAL)
13	AR40990	LEVER	1		(DUAL)
14	R41076	GROMMET	AR		(2 USED DUAL) (4 USED TRIPLE)
15	R40923	ARM	1		
16	34H297	SPRING PIN	1		7/32" X 1"
17	R43927	ROD	1		(DUAL)
18	R43639	ROD	1		(TRIPLE)
19	R41122	LEVER	1		
20	AR40991	LEVER	1		(TRIPLE)
	R51302	SPRING	1		(SUB FOR AR55421)

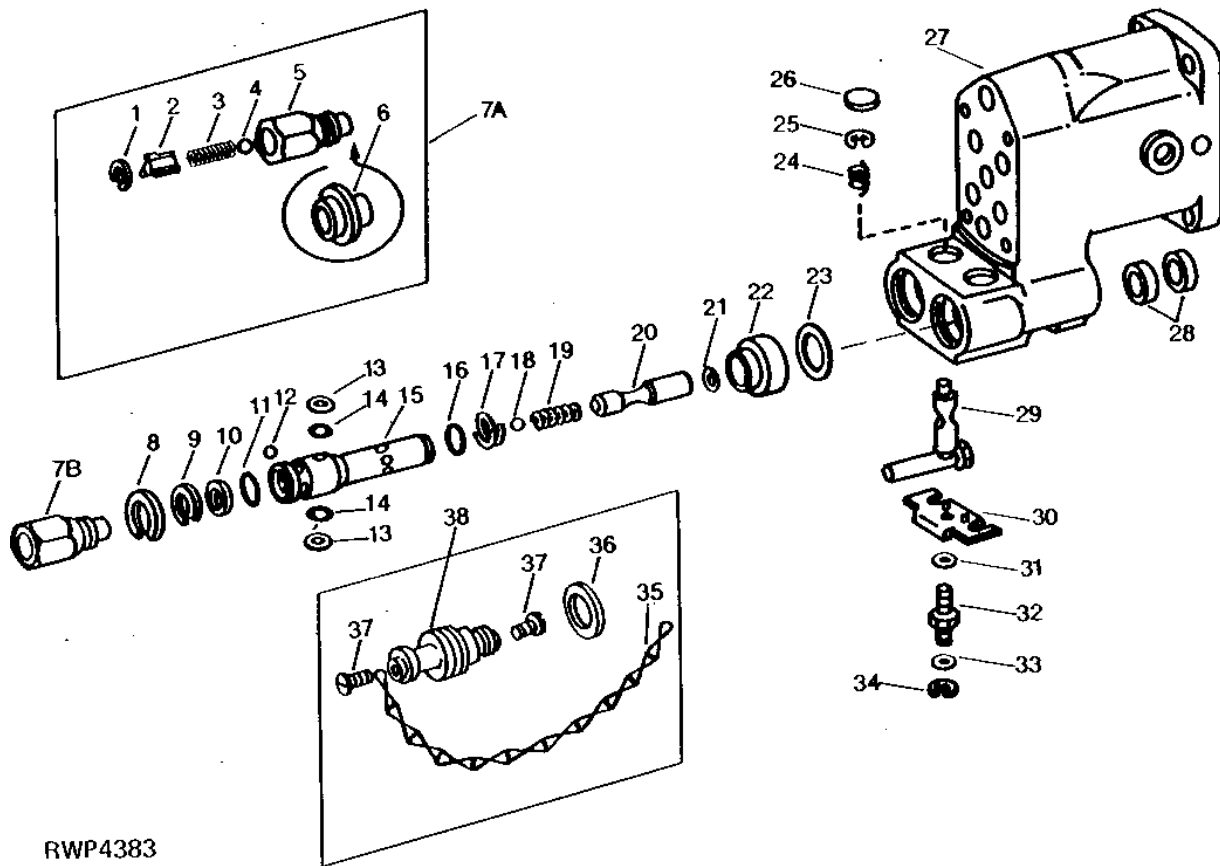
3E9

HYDRAULICS

RWP4383

-UN-01JAN94

BREAKAWAY COUPLER



RWP4383

3E10

HYDRAULICS

BREAKAWAY COUPLER - CONTINUED

KEY	PART NO.	PART NAME	QTY	TRACTOR SERIAL NO.	REMARKS
1	R59633	WEAR RING	2		(SUB FOR R28204)
2	R28085	GUIDE	2		(SUB AR93819 OR AR93820, THIS APPLICATION)
3	R28084	SPRING	2		
4	D2361R	BALL	2		13MM (1/2")
5	R27430	HYD. QUICK-CONNECT COUPLER	1		PRESSURE, (SUB AR93819)
	R45630	HYD. QUICK-CONNECT COUPLER	1		RETURN, (SUB AR93820)
6	R28006	CAP	2		
7A	AR30210	INTERNAL HALF COUPLER	1		PRESSURE, (SUB AR93819)
	AR47643	BREAKAWAY COUPLER	1		RETURN, (SUB AR93820)
7B	AR30210	INTERNAL HALF COUPLER	1		PRESSURE, (SUB AR93819)
	AR47643	BREAKAWAY COUPLER	1		RETURN, (SUB AR93820)
8	R34399	SNAP RING	2		
9	R32356	SNAP RING	2		
10	R26485	BACK-UP RING	2		
11	R59343	RING	2		
12	400R	BALL	12		6MM (1/4")
13	R26484	BACK-UP RING	4		
14	R65286	O-RING	4		(SUB R78436, THIS APPLICATION)
15	R34397	SOCKET OUTLET	2		
16	R375R	O-RING	2		
17	R26482	RING	2		
18	D2361R	BALL	2		13MM (1/2")
19	R28084	SPRING	2		
20	R34400	PLUG	2		
21	R26483	SNAP RING	2		
22	R34398	SLEEVE	2		
23	R56753	SHIM	2		
24	R31890	SPRING	2		
25	R72653	SNAP RING	2		(SUB FOR M2396T)
26	30H15	PLUG	2		1-1/8"
27	AR40827	HOUSING	1	-XXXXXX	(MARKED R40499) (SUB AR82572, R27166, R41057, R59629, R65501, R65502, R66916, R74695 AND R65289)
	AR82572	HOUSING	1	XXXXXX-	(MARKED R65284)
28	R79311	SEAL	4		(SUB FOR R65285, R26480 OR R74530)
29	AR99100	LEVER	2		(SUB FOR AR33877 OR AR82576)
30	AR75958	CAM	1	XXXXXX-	(SUB FOR R51285)
31	12H303	LOCK WASHER	1		5/16"
32	R49191	SCREW	1		(SUB FOR R45618) (ALSO ORDER R27507, 12H303 AND 24H1286)
33	24H1286	WASHER	1		9/32" X 1/2" X 1/16"
34	R27507	SNAP RING	1		(SUB R72654)
35	R49193	LINK CHAIN	2		(SUB FOR A3184R) (SUB AN163885)
36	R34589	WASHER	2		
37	37H97	SCREW	4		0.242" X 3/4"
38	AR52623	PLUG	2		(SUB FOR AR34059)

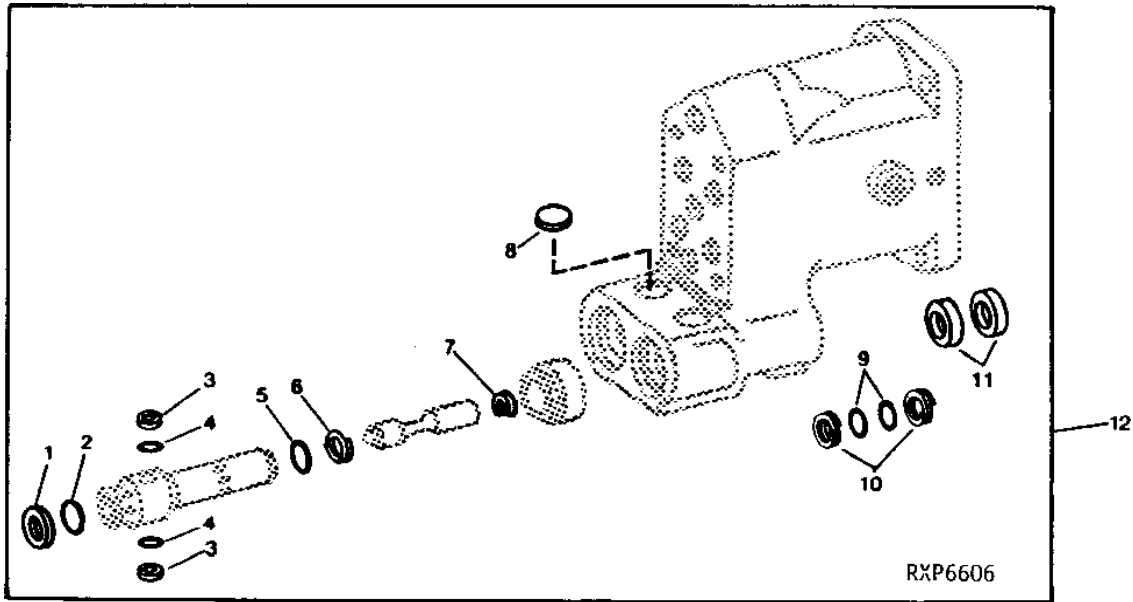
MEMORANDA

3E11

HYDRAULICS

RXP6606 -UN-06OCT94

BREAKAWAY COUPLER OVERHAUL KIT



KEY	PART NO.	PART NAME	QTY	TRACTOR SERIAL NO.	REMARKS
1	R26485	BACK-UP RING	2		
2	R59343	RING	2		
3	R26484	BACK-UP RING	4		
4	R65286	O-RING	4		
5	R375R	O-RING	2		
6	R26482	RING	2		
7	R26483	SNAP RING	2		
8	30H15	PLUG	2	1-1/8"	
9	A4730R	O-RING	4	(EARLY DESIGN)	
10	R26480	BACK-UP RING	4	(EARLY DESIGN)	
11	R79311	SEAL	4	(CURRENT DESIGN) (SUB FOR R65285 AND R74530)	
12	AR82570	KIT	1	(SUB FOR AR30685)	

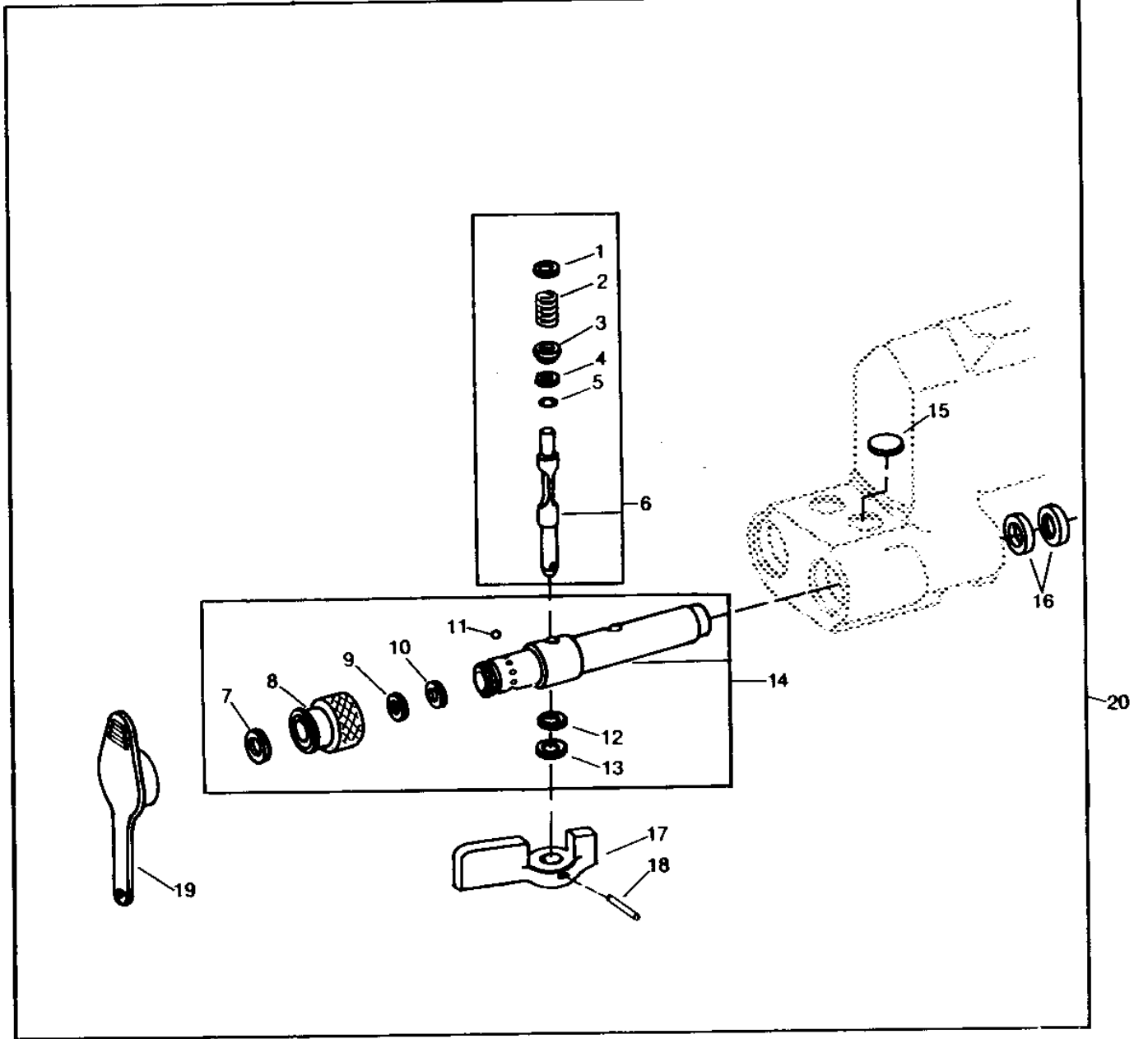
3E12

HYDRAULICS

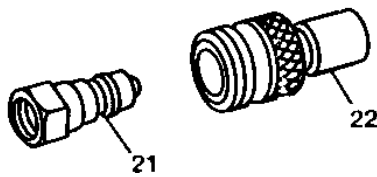
RWP4194

-UN-12OCT94

JOHN DEERE TO ISO COUPLER COVERION KIT



RWP4194



3E13

HYDRAULICS

JOHN DEERE TO ISO COUPLER CONVERSION KIT - CONTINUED

KEY	PART NO.	PART NAME	QTY	TRACTOR SERIAL NO.	REMARKS
1	R54242	SNAP RING	2		
2	R78767	SPRING	2		
3	R48698	WASHER	2		
4	R31136	BACK-UP RING	2		
5	R10093	O-RING	2		
6	RE13814	SHAFT	2		
7	40M4378	SNAP RING	2		
8	R78765	SLEEVE	2		
9	R71387	WASHER	2		
10	R74210	O-RING	2		
11	H871	BALL	16		
12	P51212	O-RING	2		
13	R78766	BACK-UP RING	2		
14	RE13813	RECEPTACLE	2		
15	30H15	PLUG	2		1-1/8"
16	R79311	SEAL	2		(SUB FOR R74530)
17	R78769	HANDLE	2		
18	34H247	SPRING PIN	2		
19	R78768	COVER	2		
20	RE12121	RECEIVER	1		
21	AR94522	INTERNAL HALF COUPLER	AR		(SUB FOR AL26973)
22	AL26972	EXTERNAL HALF COUPLER	AR		

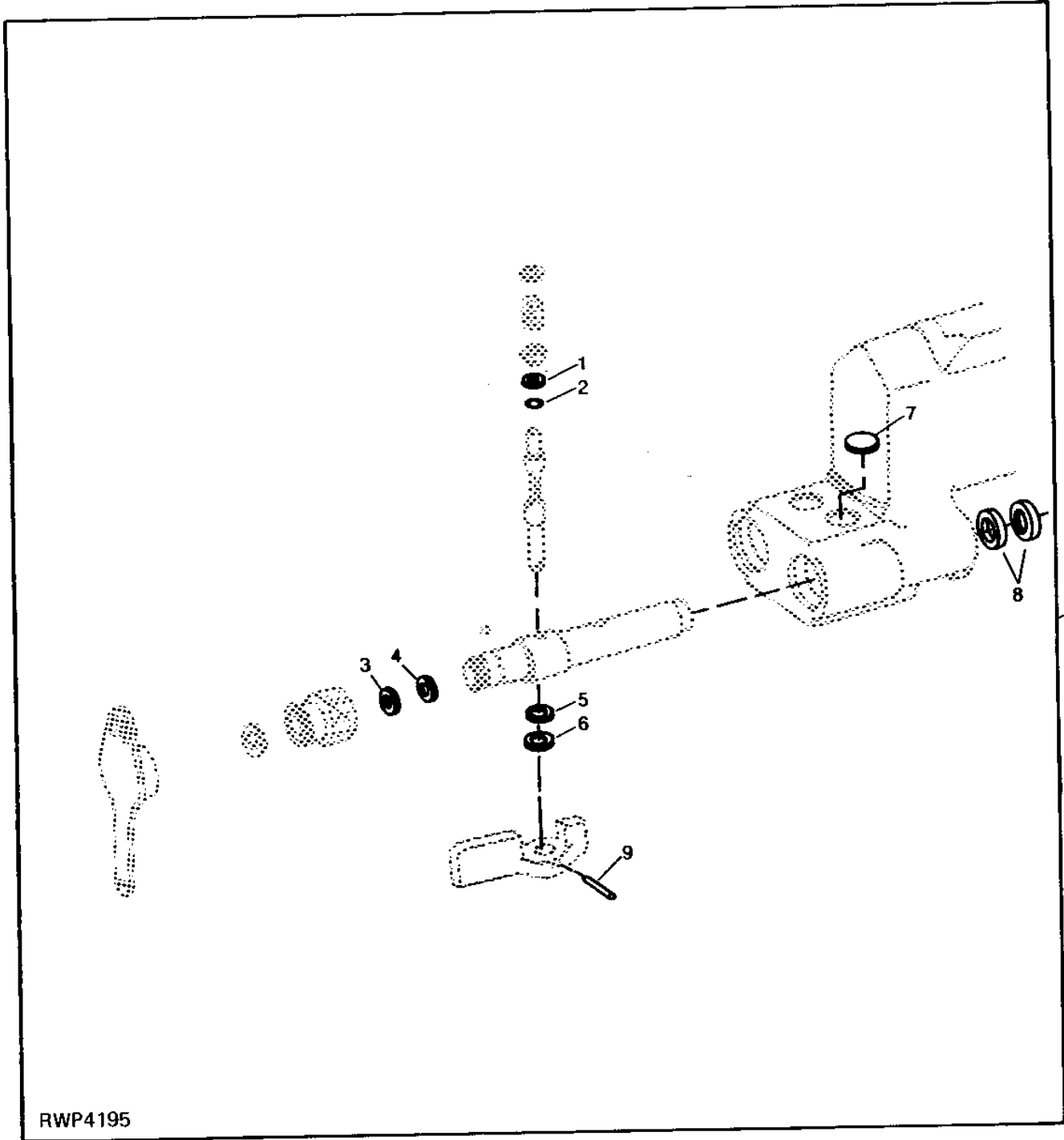
3E14

HYDRAULICS

RWP4195

-UN-12OCT94

ISO COUPLER OVERHAUL KIT



3E15

HYDRAULICS

ISO COUPLER OVERHAUL KIT - CONTINUED

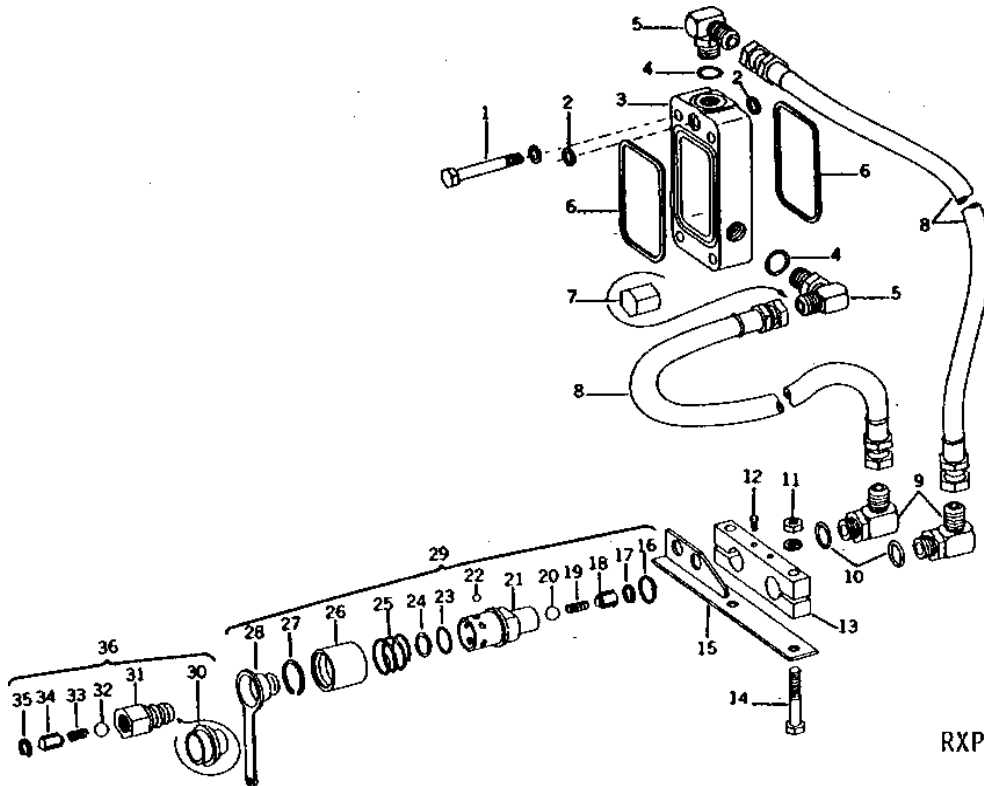
KEY	PART NO.	PART NAME	QTY	TRACTOR SERIAL NO.	REMARKS
1	R31136	BACK-UP RING	2		
2	R10093	O-RING	2		
3	R71387	WASHER	2		
4	R74210	O-RING	2		
5	P51212	O-RING	2		
6	R78766	BACK-UP RING	2		
7	30H15	PLUG	2	1-1/8"	
8	R79311	SEAL	4	(SUB FOR R74530)	
9	34H247	SPRING PIN	2		
10	RE13815	KIT	1		

3E16

HYDRAULICS

AUXILIARY OUTLET COUPLER (EARLY DESIGN)

RXP6542 -UN-01JAN94



RXP6542

3E17

HYDRAULICS

AUXILIARY OUTLET COUPLER - CONTINUED (EARLY DESIGN)

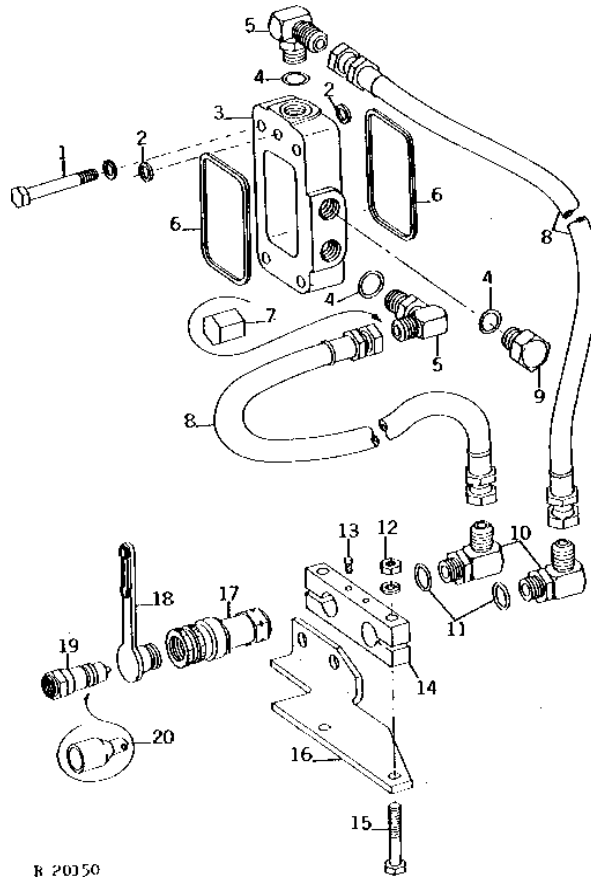
KEY	PART NO.	PART NAME	QTY	TRACTOR SERIAL NO.	REMARKS
1	19H2106	CAP SCREW	4		7/16" X 2-3/4"
	12H292	LOCK WASHER	4		1/2"
2	F2741R	PACKING	2		
3	R54312	MANIFOLD	1		(SUB FOR R47307)
4	R26375	O-RING	2		
5	AR27738	ELBOW FITTING	1		
6	R40922	PACKING	2		
7	R31736	FITTING	2		
8	AN140274	HYDRAULIC HOSE	2		
9	AT32332	ELBOW FITTING	2		(SUB FOR AR26763)
10	R26375	O-RING	2		
11	14H1076	NUT	2		3/8"
	12H304	LOCK WASHER	2		3/8"
12	A5748R	STUD	2		
13	N140340	BRACKET	1		
14	19H1726	CAP SCREW	2		3/8" X 2-1/4"
15	AN140262	SUPPORT	1		
16	R36946	SPRING	2		
17	R59633	WEAR RING	2		(SUB FOR R28204)
18	R28085	GUIDE	2		(SUB RE15361)
19	R28084	SPRING	2		
20	D2361R	BALL	2		13MM (1/2")
21	R32353	SOCKET OUTLET	1		
22	400R	BALL	12		6MM (1/4")
23	R495R	O-RING	2		
24	R26485	BACK-UP RING	2		
25	R32354	SPRING	2		(SUB RE15361)
26	R32355	SLEEVE	2		
27	R32356	SNAP RING	2		
28	R32419	COVER	2		
29	AR47331	SOCKET OUTLET	2		(SUB RE15361)
30	R28006	CAP	2		
31	R27430	HYD. QUICK-CONNECT COUPLER	1		(PRESSURE) (SUB AR93819)
	R45630	HYD. QUICK-CONNECT COUPLER	1		(RETURN) (SUB AR93820)
32	D2361R	BALL	2		13MM (1/2")
33	R28084	SPRING	2		
34	R28085	GUIDE	2		(SUB AR93819 OR AR93820, THIS APPLICATION)
35	R59633	WEAR RING	2		(SUB FOR R28204)
36	AR30210	INTERNAL HALF COUPLER	1		PRESSURE, (SUB AR93819)
	AR47643	BREAKAWAY COUPLER	1		RETURN, (SUB AR93820)
..	R47309	SHIFTER ROD	1		

3E18

HYDRAULICS

R20150 -UN-01JAN94

AUXILIARY OUTLET COUPLER (LATE DESIGN)



R 20150

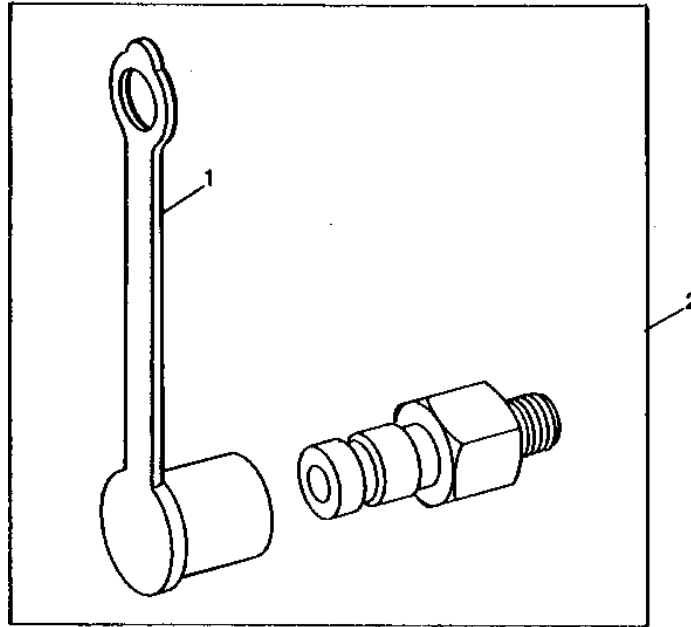
KEY	PART NO.	PART NAME	QTY	TRACTOR SERIAL NO.	REMARKS
1	19H2106	CAP SCREW	4	7/16" X 2-3/4"	
	12H293	LOCK WASHER	4	7/16"	
2	F2741R	PACKING	2		
3	R54312	MANIFOLD	1		
4	R26375	O-RING	3		
5	AR27738	ELBOW FITTING	2		
6	R40922	PACKING	2		
7	R31736	FITTING	2		
8	AN140274	HYDRAULIC HOSE	2		
9	R39112	FITTING	1		
10	AT32332	ELBOW FITTING	2		(SUB FOR AR26763)
11	R26375	O-RING	2		
12	14H1076	NUT	2	3/8"	
	12H304	LOCK WASHER	2	3/8"	
13	A5748R	STUD	2		
14	R49668	BRACKET	1		
15	19H1944	CAP SCREW	2	3/8" X 2-3/4"	
16	R59154	SUPPORT	1		(SUB FOR R49667)
17	AA15043	HYD. QUICK-CONNECT COUPLER	2		
18	A15899	CAP	2		
19	AA15042	HYD. QUICK-CONNECT COUPLER	2		
20	A15898	CAP	2		
	R47309	SHIFTER ROD	1		

3E19

HYDRAULICS

RWP5202 -UN-01JAN94

DIAGNOSTIC RECEPTACLE



RWP5202

KEY	PART NO.	PART NAME	QTY	TRACTOR SERIAL NO.	REMARKS
1	R77175	COVER	1		
2	RE13561	RECEPTACLE	1	12.7MM (1/2") PORT	
	RE13562	RECEPTACLE	1	9.525MM (3/8") PORT	

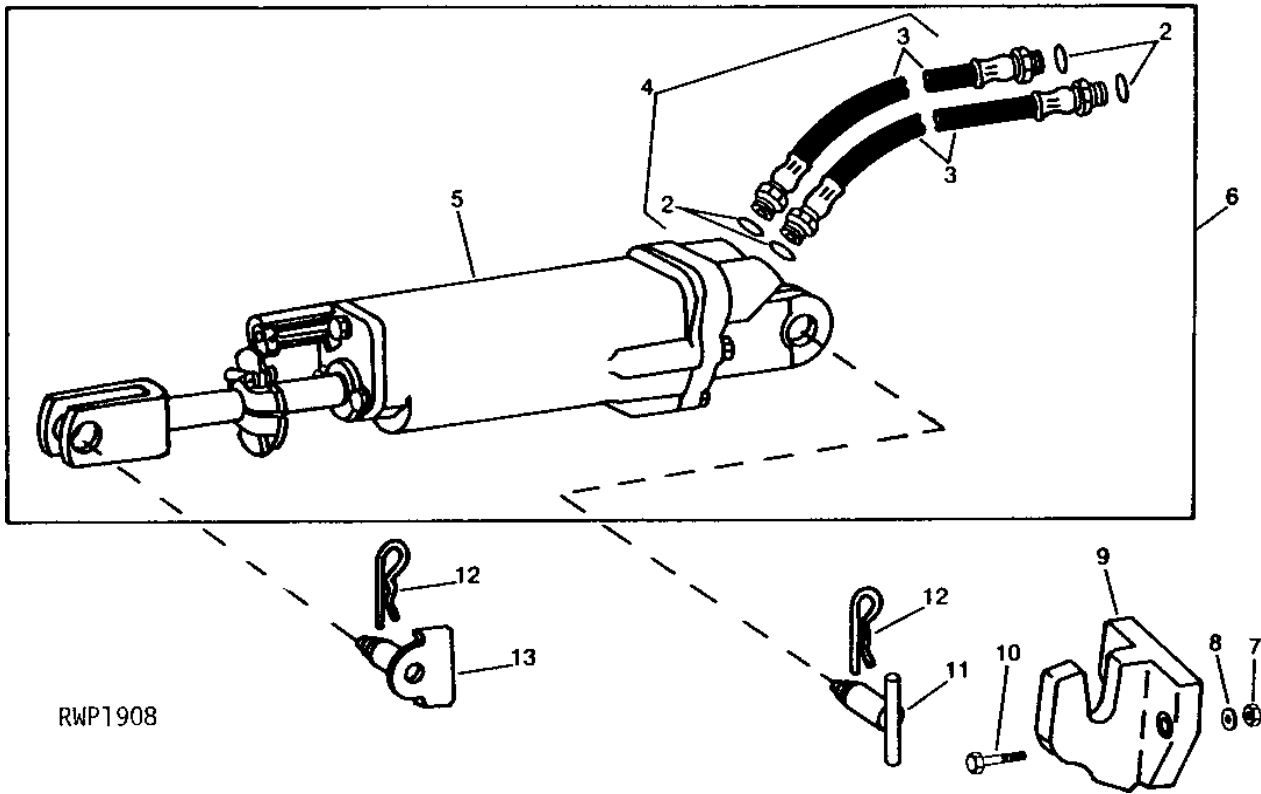
3E20

HYDRAULICS

RWP1908

-UN-17OCT94

REMOTE CYLINDER, HOSES AND TRANSPORT ARM



RWP1908

3E21

HYDRAULICS

REMOTE CYLINDER, HOSES AND TRANSPORT ARM - CONTINUED

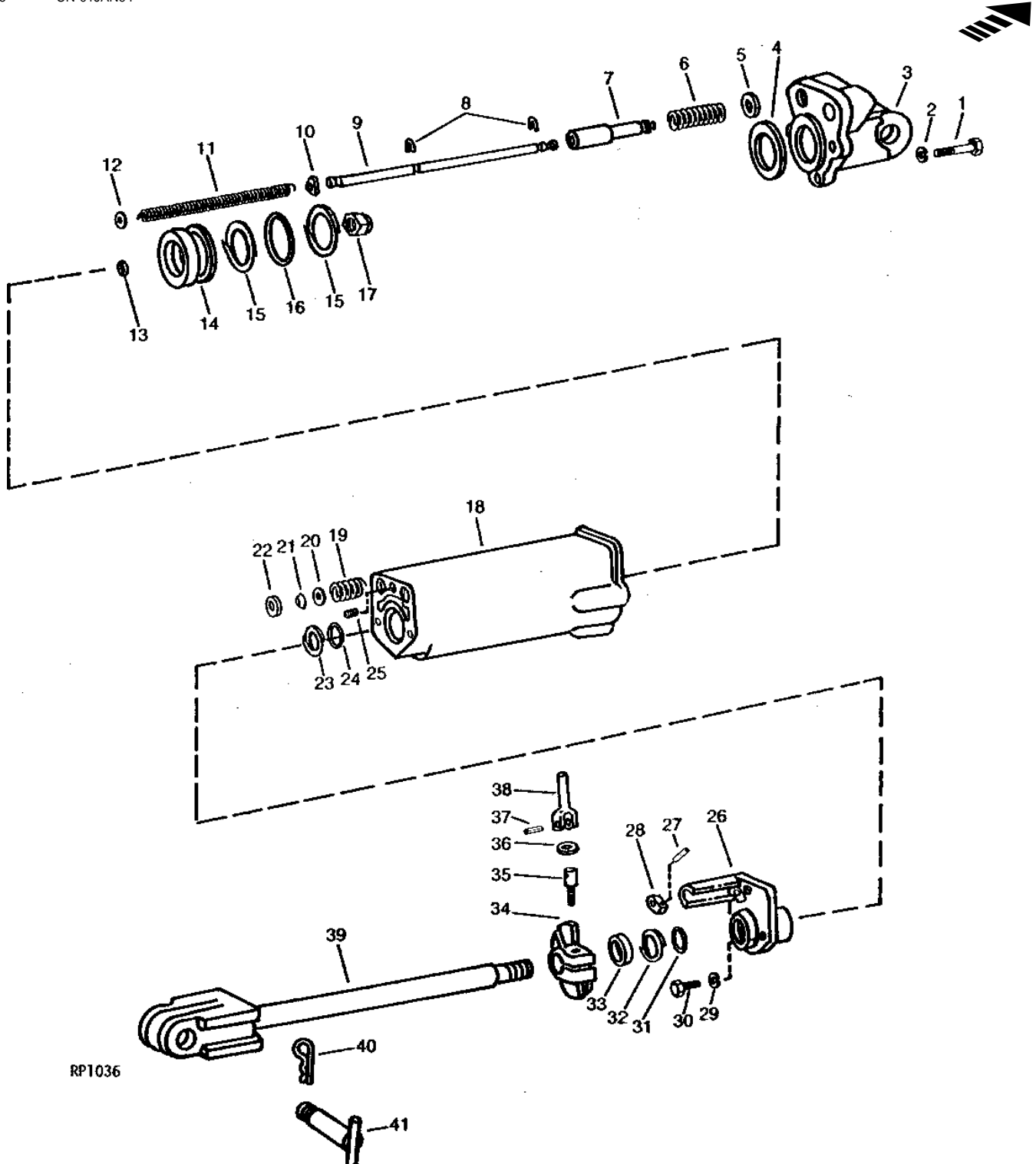
KEY	PART NO.	PART NAME	QTY	TRACTOR SERIAL NO.	REMARKS
1	AR30784	TEE FITTING	1		FOR 3/8" SWING TO WIRE BRAID LINE
2	R26375	O-RING	4		
3	R36795	HYDRAULIC HOSE	2		13 X 3048MM (1/2" X 120")
4	AR36158	OIL LINE	1		
5	AR35261	CYLINDER	1		HYDRAULIC STOP
	AR36303	CYLINDER	1		MECHANICAL STOP
6	HYDRAULIC CYLINDER	1		HYDRAULIC STOP, (ORDER AR36158 AND AR35261)
	HYDRAULIC CYLINDER	1		MECHANICAL STOP, (ORDER AR36158 AND AR36303)
7	14H1076	NUT	3		3/8"
8	12H304	LOCK WASHER	3		3/8"
9	R43207	ARM	1		R.H. (NOT AS ILLUSTRATED)
	R43208	ARM	1		L.H. (NOT AS ILLUSTRATED)
10	19H1765	CAP SCREW	3		3/8" X 1-3/4"
11	AR47825	PIN	2		
12	A3581R	SPRING LOCKING PIN	2		
13	PIN	1		(SUB AR47825) (NO LONGER USED)

3E22

HYDRAULICS

RP1036 -UN-01JAN94

REMOTE CYLINDER PARTS (HYDRAULIC STOP)



3E23

HYDRAULICS

REMOTE CYLINDER PARTS - CONTINUED (HYDRAULIC STOP)

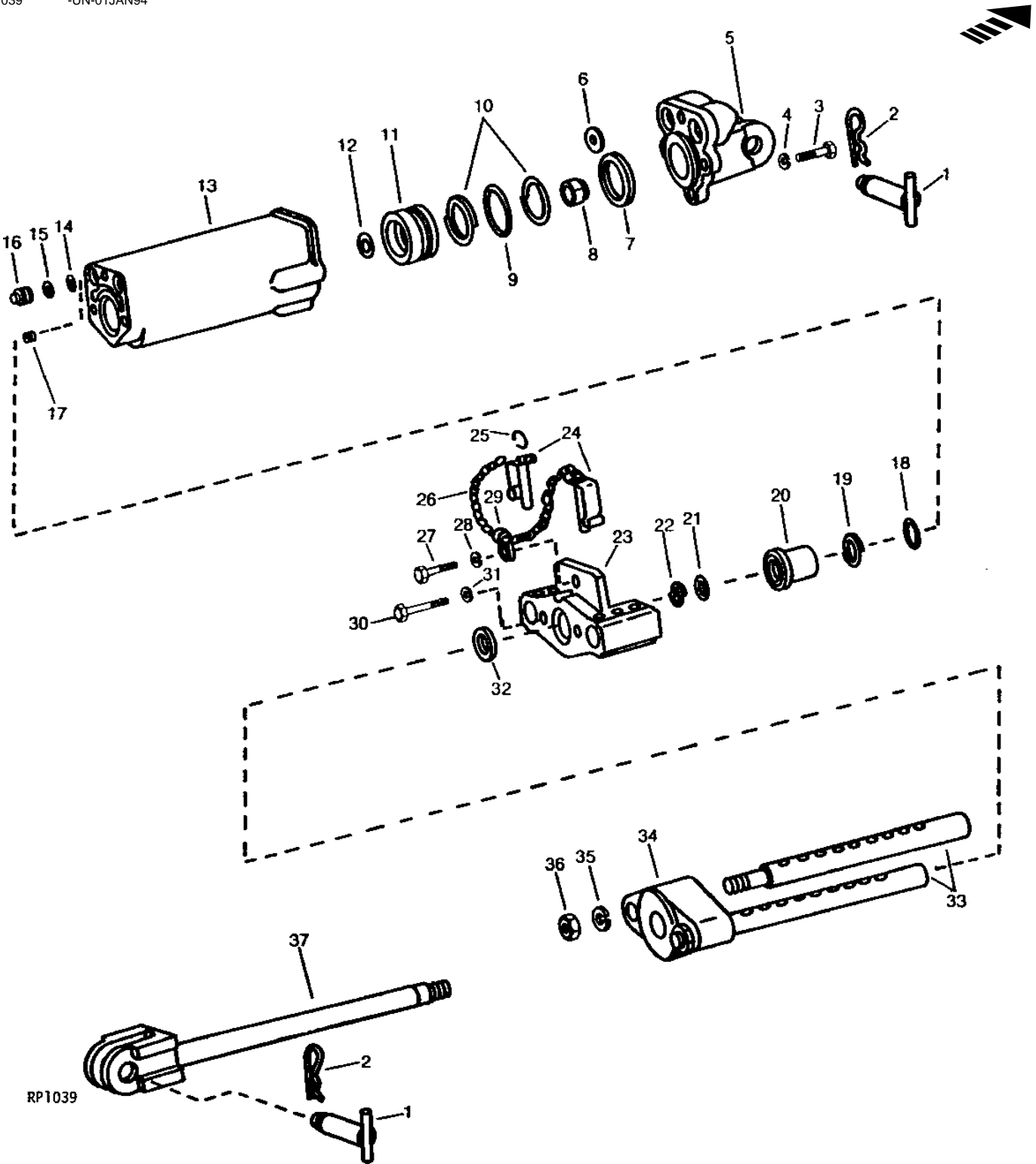
KEY	PART NO.	PART NAME	QTY	TRACTOR SERIAL NO.	REMARKS
1	19H2357	CAP SCREW	4		9/16" X 2"
2	12H317	LOCK WASHER	4		9/16"
3	R35452	CYLINDER HEAD	1		
4	F1427R	WASHER	1		
5	A4723R	WASHER	2		
6	R49352	SPRING	1		
7	R39012	VALVE	1		
8	A4739R	RING	2		
9	A4736R	ROD	1		
10	R57696	WASHER	1		
11	A4737R	SPRING	1		
12	24H1301	WASHER	1		13/32" X 9/16" X 0.065"
13	R27564	O-RING	1		
14	R44297	PISTON	1		
15	R35472	BACK-UP RING	2		
16	F1430R	O-RING	1		
17	R45620	LOCK NUT	1		
18	R35447	CYLINDER	1		
19	A4748R	SPRING ASSEMBLY	1		
20	A4747R	WASHER	1		
21	A4745R	PACKING	3		
22	A4746R	ADAPTER	1		
23	R35474	BACK-UP RING	1		
24	T11220	O-RING	1		
25	15H624	PIPE PLUG	1		1/2"
26	R40219	GUIDE	1		
27	25H760	GROOVE PIN	1		7/32" X 1-1/4"
28	A5304R	ARM	1		
29	12H304	LOCK WASHER	3		3/8"
30	19H1731	CAP SCREW	3		3/8" X 1"
31	R29463	O-RING	1		
32	R35473	BACK-UP RING	1		
33	R35738	SEAL	1		
34	R35448	STOP	1		
35	A5301R	SCREW	1		
36	R1870R	WASHER	1		(SUB R57696)
37	34H264	SPRING PIN	1		5/32" X 7/8"
38	A5302R	YOKE	1		
39	AR45544	ROD	1		
40	A3581R	SPRING LOCKING PIN	2		
41	AR47825	PIN	2		

3E24

HYDRAULICS

RP1039 -UN-01JAN94

REMOTE CYLINDER PARTS (MECHANICAL STOP)



RP1039

3E25

HYDRAULICS

REMOTE CYLINDER PARTS - CONTINUED (MECHANICAL STOP)

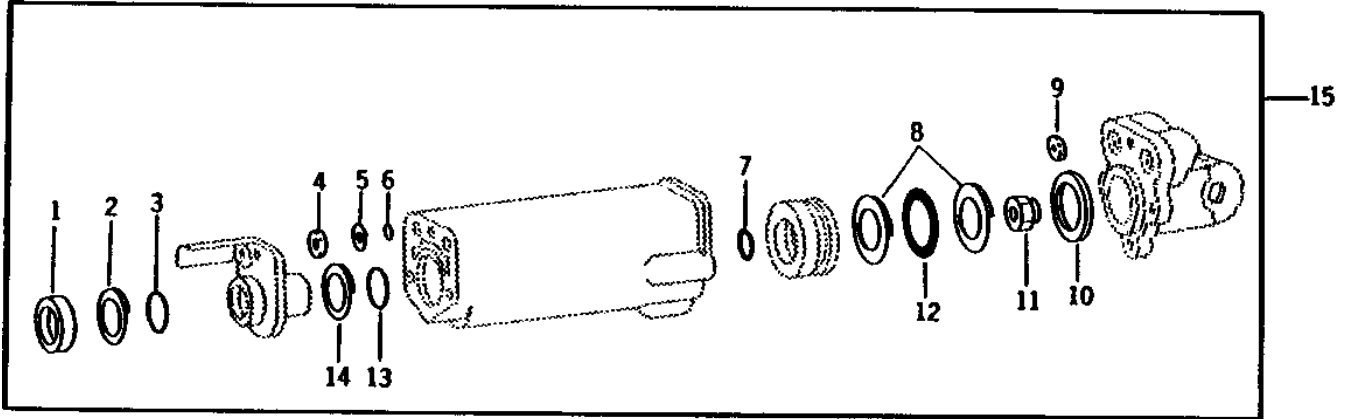
KEY	PART NO.	PART NAME	QTY	TRACTOR SERIAL NO.	REMARKS
1	AR47825	PIN	2		
2	A3581R	SPRING LOCKING PIN	2		
3	19H2357	CAP SCREW	4		9/16" X 2"
4	12H317	LOCK WASHER	4		9/16"
5	R35452	CYLINDER HEAD	1		
6	A4723R	WASHER	2		
7	F1427R	WASHER	1		
8	R45620	LOCK NUT	1		
9	F1430R	O-RING	1		
10	R35472	BACK-UP RING	2		
11	R44297	PISTON	1		
12	R27564	O-RING	1		
13	R35447	CYLINDER	1		
14	R459R	O-RING	1		
15	R32588	BACK-UP RING	1		
16	R34131	PLUG	1		
17	15H624	PIPE PLUG	1		1/2"
18	T11220	O-RING	1		
19	R35474	BACK-UP RING	1		
20	R36951	GUIDE	1		
21	R29463	O-RING	1		
22	R35473	BACK-UP RING	1		
23	R44286	GUIDE	1		
24	AR68145	QUICK LOCK PIN	2		
25	D2913R	LINK	2		
26	R49193	LINK CHAIN	1		(SUB AN163885)
27	19H2552	CAP SCREW	1		3/8" X 1-1/8"
28	12H304	LOCK WASHER	1		3/8"
29	T13073	CLIP	1		
30	19H1726	CAP SCREW	2		3/8" X 2-1/4"
31	12H304	LOCK WASHER	3		3/8"
32	R35738	SEAL	1		
33	R44287	ROD	2		
34	R36952	STOP	1		
35	12H236	LOCK WASHER	2		3/4"
36	14H905	NUT	2		3/4"
37	AR45544	ROD	1		

3F1

HYDRAULICS

R32035 -UN-23SEP94

REMOTE CYLINDER OVERHAUL KIT (3-1/2" X 8" HYDRAULIC OR MECHANICAL STOP)



R 320 35F

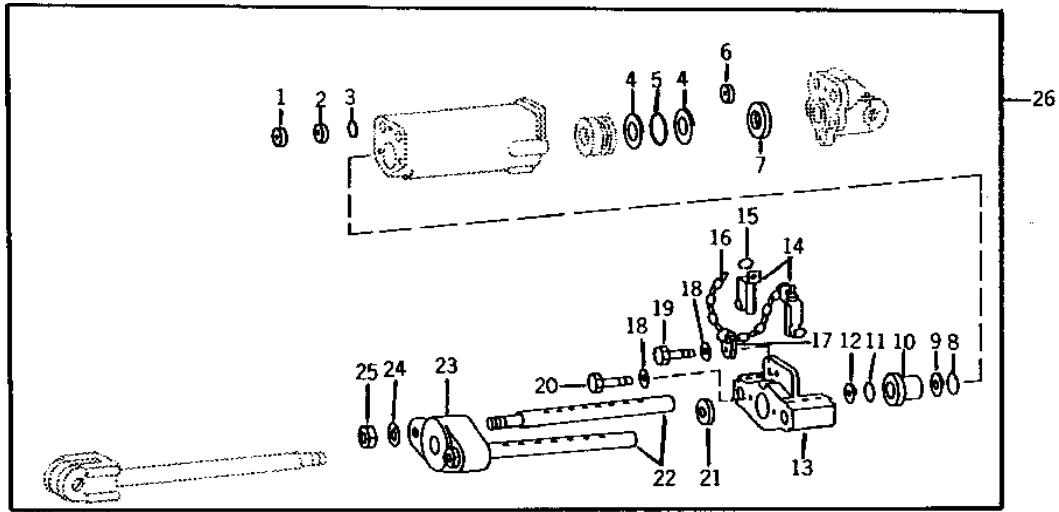
KEY	PART NO.	PART NAME	QTY	TRACTOR SERIAL NO.	REMARKS
1	R35738	SEAL	1		
2	R35473	BACK-UP RING	1		
3	R29463	O-RING	1		
4	A4745R	PACKING	3		(HYDRAULIC STOP)
5	R32588	BACK-UP RING	1		(MECHANICAL STOP)
6	R459R	O-RING	1		(MECHANICAL STOP)
7	R27564	O-RING	1		
8	R35472	BACK-UP RING	2		
9	A4723R	WASHER	2		
10	F1427R	WASHER	1		
11	R45620	LOCK NUT	1		
12	F1430R	O-RING	1		
13	T11220	O-RING	1		
14	R35474	BACK-UP RING	1		
15	AR31945	KIT	1		

3F2

HYDRAULICS

R32034 -UN-06OCT94

REMOTE CYLINDER CONVERSION KIT (3-1/2" X 8" HYDRAULIC STOP TO MECHANICAL STOP)



R32034F

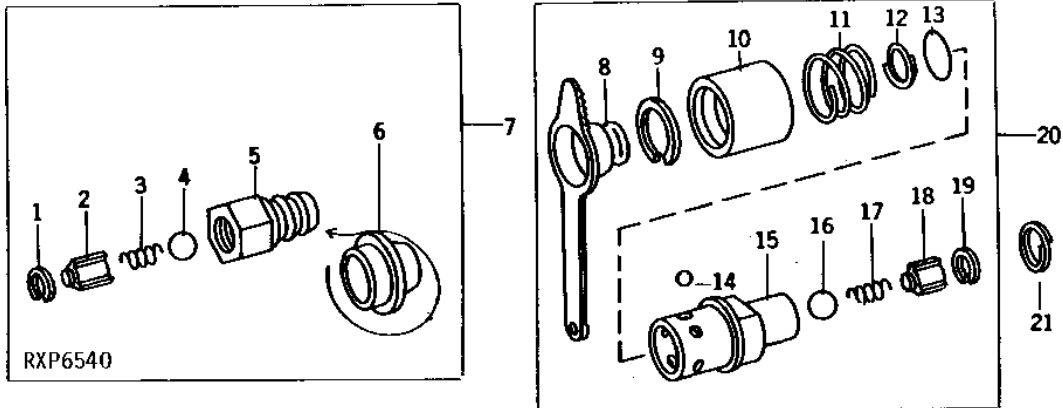
KEY	PART NO.	PART NAME	QTY	TRACTOR SERIAL NO.	REMARKS
1	R34131	PLUG	1		
2	R32588	BACK-UP RING	1		
3	R459R	O-RING	1		
4	R35472	BACK-UP RING	2		
5	F1430R	O-RING	1		
6	A4723R	WASHER	2		
7	F1427R	WASHER	1		
8	T11220	O-RING	1		
9	R35474	BACK-UP RING	1		
10	R36951	GUIDE	1		
11	R29463	O-RING	1		
12	R35473	BACK-UP RING	1		
13	R44286	GUIDE	1		
14	AR68145	QUICK LOCK PIN	2		
15	D2913R	LINK	2		
16	R49193	LINK CHAIN	1	(SUB AN163885)	
17	T13073	CLIP	1		
18	12H304	LOCK WASHER	3	3/8"	
19	19H2552	CAP SCREW	1	3/8" X 1-1/8"	
20	19H1726	CAP SCREW	2	3/8" X 2-1/4"	
21	R35738	SEAL	1		
22	R44287	ROD	2		
23	R36952	STOP	1		
24	12H236	LOCK WASHER	2	3/4"	
25	14H905	NUT	2	3/4"	
26	AR45534	KIT	1		

3F3

HYDRAULICS

RXP6540 -UN-06OCT94

FLEXIBLE OIL LINE COUPLER



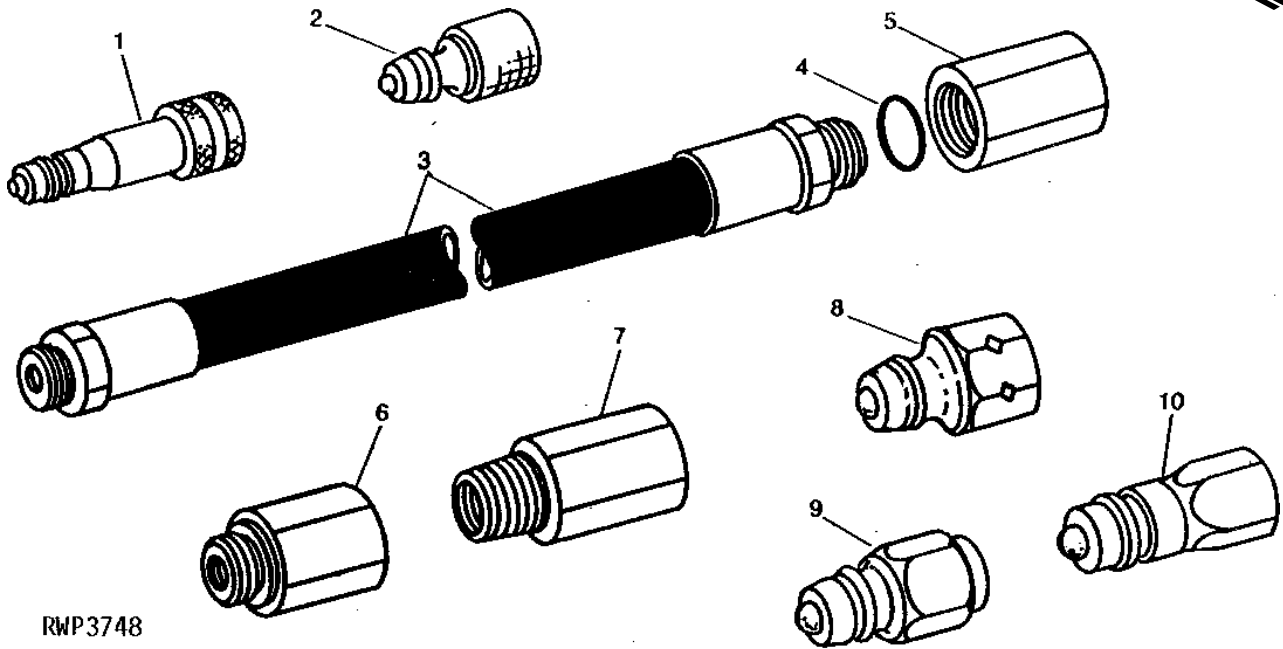
KEY	PART NO.	PART NAME	QTY	TRACTOR SERIAL NO.	REMARKS
1	R59633	WEAR RING	1		(SUB FOR R28204)
2	R28085	GUIDE	1		(SUB AR93819 OR AR93820, THIS APPLICATION)
3	R28084	SPRING	1		
4	D2361R	BALL	1	13MM (1/2")	
5	R27430	HYD. QUICK-CONNECT COUPLER	1		PRESSURE, (SUB AR93819)
	R45630	HYD. QUICK-CONNECT COUPLER	1		RETURN, (SUB AR93820)
6	R28006	CAP	1		
7	AR93819	HYD. QUICK-CONNECT COUPLER	1		PRESSURE, (SUB FOR AR30210)
	AR93820	FITTING	1		RETURN, (SUB FOR AR47643)
8	R32419	COVER	1		
9	R32356	SNAP RING	1		
10	R32355	SLEEVE	1		
11	R32354	SPRING	1		(SUB RE15361)
12	R26485	BACK-UP RING	1		
13	R495R	O-RING	1		
14	400R	BALL	6	6MM (1/4")	
15	R32353	SOCKET OUTLET	1		
16	D2361R	BALL	1	13MM (1/2")	
17	R28084	SPRING	1		
18	R28085	GUIDE	1		(SUB RE15361)
19	R59633	WEAR RING	1		(SUB FOR R28204)
20	AR47331	SOCKET OUTLET	1		(SUB RE15361)
21	R36946	SPRING	1		

3F4

HYDRAULICS

RWP3748 -UN-01JAN94

IMPLEMENT HYDRAULIC OIL LINES AND FITTINGS



RWP3748

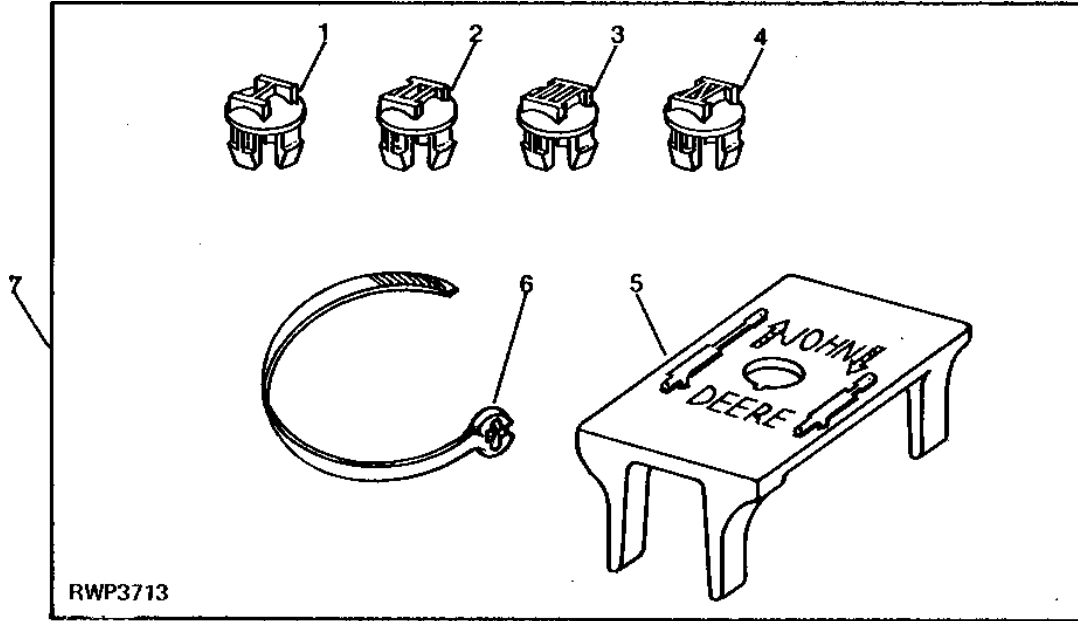
KEY	PART NO.	PART NAME	QTY	TRACTOR SERIAL NO.	REMARKS
1	AR98202	HYD. QUICK-CONNECT COUPLER	1	JOHN DEERE TO ISO	
	R21722	O-RING	1	(INCLUDED IN AR98202)	
	RE11457	ADAPTER	1	IHC TO ISO	
	U11647	O-RING	1	(INCLUDED IN RE11457)	
2	AR98201	HYD. QUICK-CONNECT COUPLER	1	ISO TO JOHN DEERE (FI)	
	R21722	O-RING	1	(INCLUDED IN AR90201, RE11458 AND RE11463)	
	R71387	WASHER	1	(INCLUDED IN AR98201) (FI)	
	RE11456	ADAPTER	1	IHC TO JOHN DEERE	
	RE11458	ADAPTER	1	JOHN DEERE TO IHC	
	RE11463	ADAPTER	1	ISO TO IHC	
3	TY3018	HYDRAULIC HOSE	1	10 X 610MM (3/8" X 24")	(SUB FOR AR28754)
	AR28755	HYDRAULIC HOSE	1	10 X 914MM (3/8" X 36")	
	R36658	HYDRAULIC HOSE	1	13 X 610MM (1/2" X 24")	
	R36659	HYDRAULIC HOSE	1	13 X 914MM (1/2" X 36")	
4	R26375	O-RING	1		
5	R30815	FITTING	1	3/4" THREAD	
6	R30817	ADAPTER	1	3/4"-16UNF MALE X 1/2"-14NPT FEMALE	
7	R30816	ADAPTER	1	1/2"-14NPT MALE X 3/4"-16UNF FEMALE	
8	AR93820	FITTING	1	JOHN DEERE, 3/4"-16 UNF	
9	RE11447	FITTING	1	JOHN DEERE, 1/2"-14NPT	
10	AR94522	INTERNAL HALF COUPLER	1	ISO, 3/4"-16UNF	

3F5

HYDRAULICS

RWP3713 -UN-01JAN94

REMOTE CYLINDER HOSE IDENTIFICATION KIT



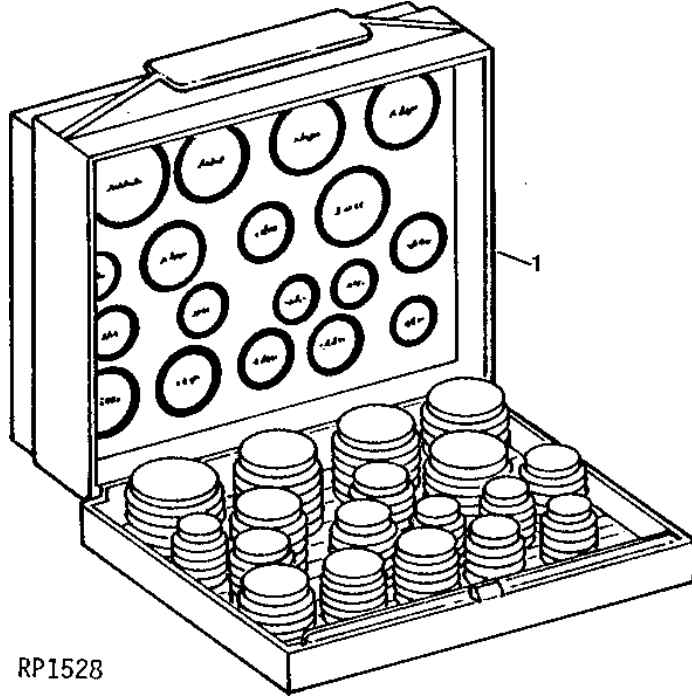
KEY	PART NO.	PART NAME	QTY	TRACTOR SERIAL NO.	REMARKS
1	R74242	PLUG	1		
2	R74243	PLUG	1		
3	R74244	PLUG	1		
4	R74246	PLUG	1		
5	R76459	TAG	1		
6	R76477	TIE BAND	2		
7	AR103808	KIT	1		

3F6

HYDRAULICS

RP1528 -UN-01JAN94

O-RING KIT



RP1528

KEY	PART NO.	PART NAME	QTY	TRACTOR SERIAL NO.	REMARKS
1	AR73500 TY15939	KIT O-RING KIT	1 1		HYDRAULIC AIR CONDITIONING, (SUB FOR AT66632)

3F7

HYDRAULICS

RE026740 -UN-20FEB96

TRANSMISSION AND HYDRAULIC OIL



RE026740



KEY	PART NO.	PART NAME	QTY	TRACTOR SERIAL NO.	REMARKS
1	AR69444	HY-GARD	1		19 L (5 GAL)
	AR69445	HY-GARD	1		208 L (55 GAL)
2	TY22043	OIL	1		(1 GAL)
	TY22044	OIL	1		19 L (5 GAL)
	TY22063	OIL	1		208 L (55 GAL)

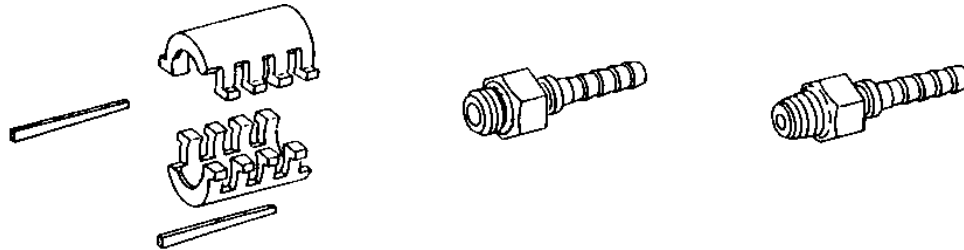
3F8

HYDRAULICS

RXP7733

-UN-23SEP94

BULK FLEXIBLE OIL LINE AND REUSABLE LOK-PIN COUPLINGS



Oil Line (Length) Approx. 50 ft.)		Set of Ferrules with Pins*	Stem-Straight Thread with O-ring	Stem-Pipe Thread
R 34790	3/8" I.D. — 1 Wire	AR 39635* *	R 39687
R 34791	1/2" I.D. — 1 Wire	AR 39636* *	R 39688
R 34792	3/4" I.D. — 1 Wire	AR 39637#	R 39689
R 34793	3/8" I.D. — 2 Wire	AR 39632	AR 39635* *	R 39687
R 34794	1/2" I.D. — 2 Wire	AR 39636* *	R 39688
R 34795	3/4" I.D. — 2 Wire	AR 39637#	R 39689

* Each set of ferrules includes two R39681 pins - extra pins may be ordered, packed 20 in a package.
 **Includes R26375 O-ring.
 # Includes F3171R O-ring.

REUSABLE COUPLINGS (Use With Braid Flexible Oil Line)



1 WR Single Wire		2 WR Double Wire		I.D.	Thread
Coupling No.		Coupling No.			
AF 3585	R	AR 21629		3/8"	3/8" — 18 NPTF
AF 3586	R	AR 21630		1/2"	1/2" — 14 NPTF
AF 3587	R		5/8"	3/4" — 14 NPTF
AF 3588	R	AR 21632		3/4"	3/4" — 14 NPTF
R 34644		AR 21634		1"	1" — 11-1/2" NPTF
R 34646		R 34647		3/8"	3/4" — 16 O-ring type thread
				1/2"	3/4" — 16 O-ring type thread

BULK SINGLE WIRE BRAID FLEXIBLE OIL LINE (Use With Reusable Coupling for Single Wire Braid Flexible Oil Line)

Part No.	I.D.	O.D.	Length
A 5776 R	1/2"	29/32"	Approx. 50 ft.
A 5777 R	5/8"	1-1/32"	Approx. 50 ft.

BULK DOUBLE WIRE BRAID FLEXIBLE OIL LINE (Use with Reusable Coupling for Double Wire Braid Flexible Oil Line)

Part No.	I.D.	O.D.	Length
R 21531	3/8"	29/32"	Approx. 50 ft.
R 21532 RXP7733	1/2"	31/32"	Approx. 50 ft.

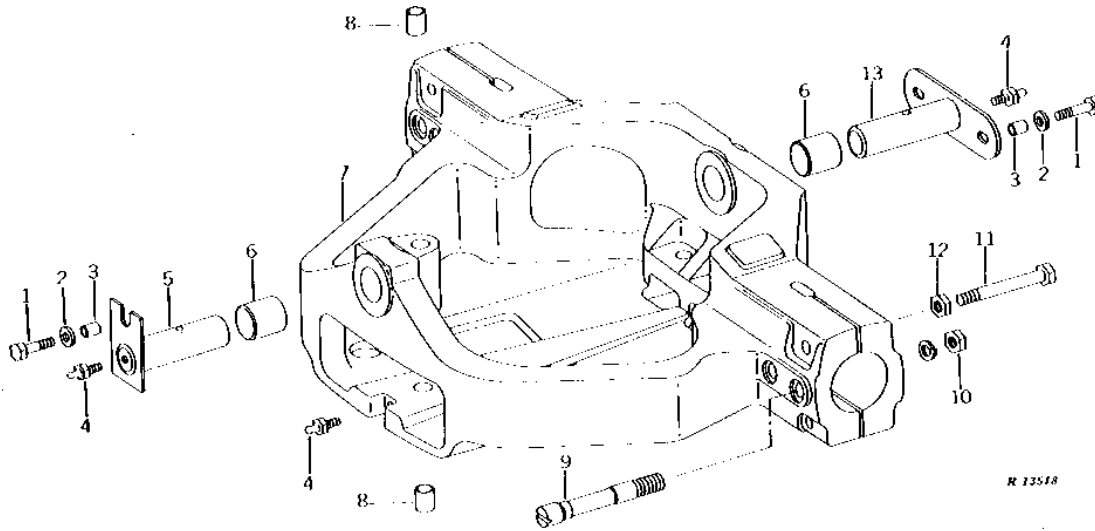
MEMORANDA

3F11

WHEELS, FRONT AXLES, SHEET METAL

R13518 -UN-01JAN94

FRONT AXLE HOUSING (ADJUSTABLE THREAD)



R 13518

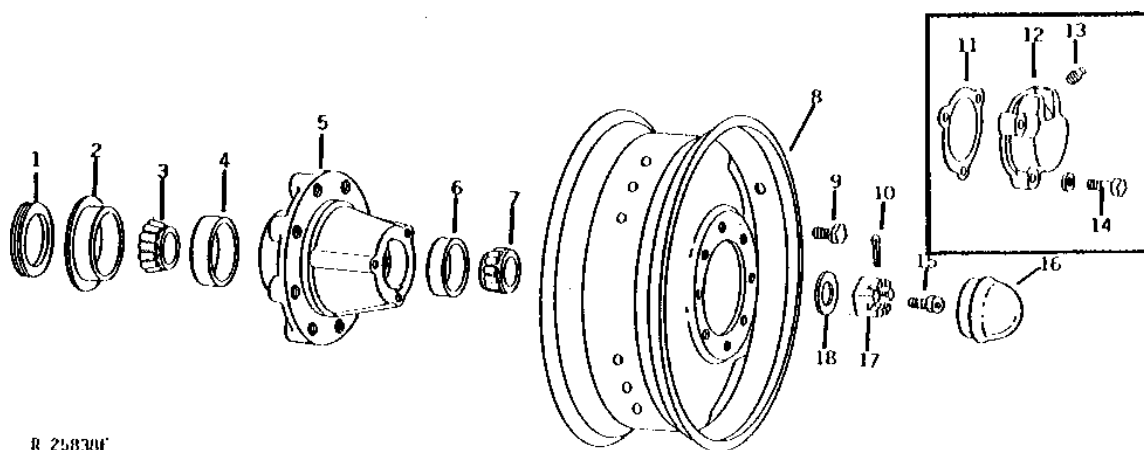
KEY	PART NO.	PART NAME	QTY	TRACTOR SERIAL NO.	REMARKS
1	19H2511	CAP SCREW	3	1/2" X 1-7/8"	
2	24H1272	WASHER	3	9/16" X 1-1/4" X 1/4"	
3	R36728	BUSHING	3		
4	JD7759	LUBRICATION FITTING	3		
5	AR43039	PIN	1		
6	R35389	BUSHING	2		
7	AR49250	HOUSING	1	(MARKED R43158 OR R46782) (SUB FOR AR43268)	
8	R43199	BUSHING	4		
9	R40198	BOLT	2		
10	14H854	NUT	2	1"	
	12H234	LOCK WASHER	2	1"	
11	19H3210	CAP SCREW	2	3/4" X 5-1/4", (LOWER)	
	19H2000	CAP SCREW	2	3/4" X 5", (UPPER)	
12	14H794	NUT	4	3/4"	
13	AR43038	PIN	1		

3F12

WHEELS, FRONT AXLES, SHEET METAL

R25838 -UN-01JAN94

FRONT WHEEL



R 25838F

KEY	PART NO.	PART NAME	QTY	TRACTOR SERIAL NO.	REMARKS
1	AR27806	SEAL	1		
2	R28574	SEAL	1		
3	JD8131	BEARING CONE	1		
4	JD7439	BEARING CUP	1		
5	R40194	HUB	1	-XXXXXX	(SUB R63556, DT2127W, (8) 19H3418 AND 22H841)
	R63555	HUB	1	XXXXXX-	(SUB R63556)
6	JD7266	BEARING CUP	1		
7	JD8981	BEARING CONE	1		(SUB JD10190)
8	JD3207	WHEEL	1		(11.00X16 TIRE)
	JD3213	WHEEL	1		(9.50X20 TIRE)
	JD3216	WHEEL	1		(10.00X16 TIRE) (SUB RE51671 AND (8) 19H3570)
	JD3221	WHEEL	1		(14.00X16A TIRE) (SUB JD3232)
9	JD16	WHEEL BOLT	8		(USE WITH R63556)
	19H3418	CAP SCREW	8		5/8" X 1-1/2", (USE WITH R63556)
10	11M7032	COTTER PIN	1		0.197" X 1.969"
11	A1556R	GASKET	1	-XXXXXX	
12	A1555R	CAP	1	-XXXXXX	
13	15H638	PIPE PLUG	1	-XXXXXX	1/8"
14	19H2915	CAP SCREW	3	-XXXXXX	5/16" X 1-1/4"
	24H1136	WASHER	3	-XXXXXX	11/32" X 11/16" X 0.065"
15	22H841	SET SCREW	1	XXXXXX-	1/4" X 1/4"
16	DT2127W	CAP	1	XXXXXX-	
17	14H920	NUT	1		1"
18	R28575	WASHER	1		

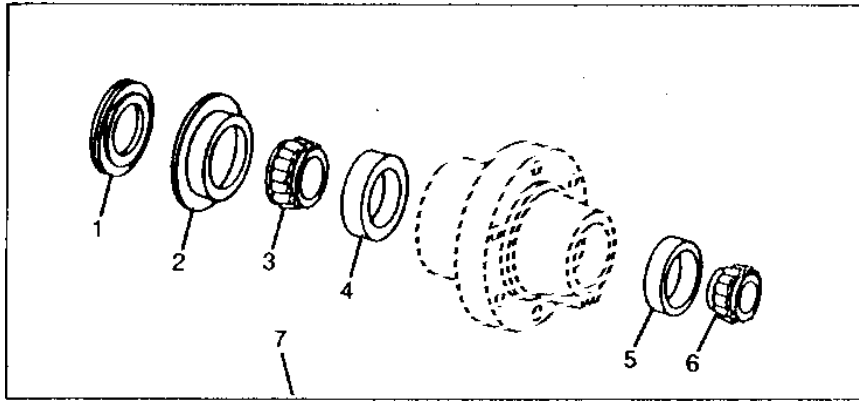
MEMORANDA

3F13

WHEELS, FRONT AXLES, SHEET METAL

RXP9981 -UN-01JAN94

FRONT WHEEL BEARING KIT



RXP9981

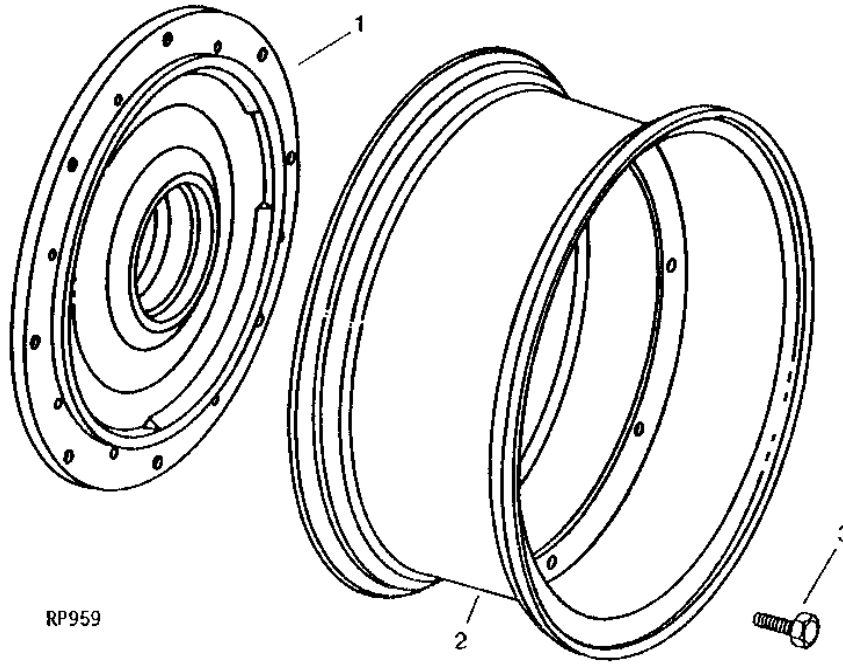
KEY	PART NO.	PART NAME	QTY	TRACTOR SERIAL NO.	REMARKS
1	AR27806	SEAL	1		
2	R28574	SEAL	1		
3	JD8131	BEARING CONE	1		
4	JD7439	BEARING CUP	1		
5	JD7266	BEARING CUP	1		
6	JD10190	BEARING CONE	1		
7	RE54816	BEARING KIT	1		

3F14

WHEELS, FRONT AXLES, SHEET METAL

RP959 -UN-01JAN94

WHEELS
(POWER FRONT WHEEL DRIVE)



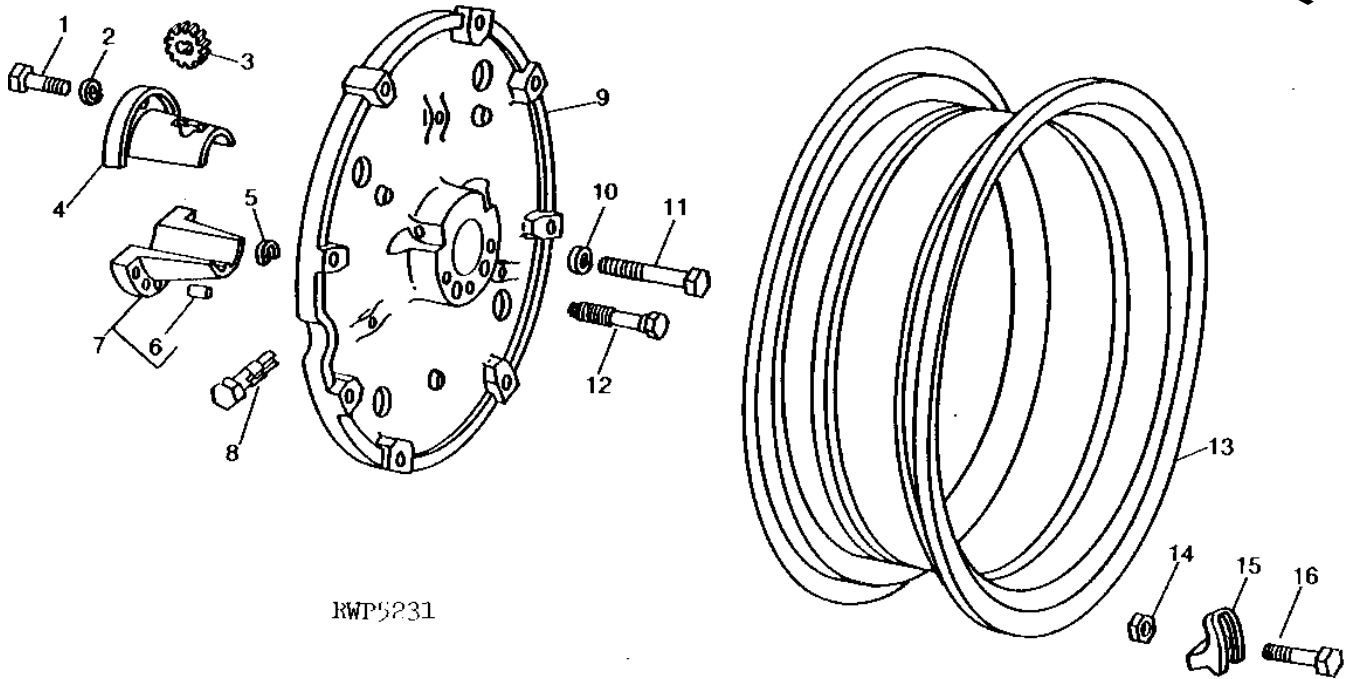
KEY	PART NO.	PART NAME	QTY	TRACTOR SERIAL NO.	REMARKS
1	R41958	HUB	1		
2	AR49138	RIM	1	(14.9X24 TIRE)	
3	JD17	WHEEL BOLT	8		

3F15

WHEELS, FRONT AXLES, SHEET METAL

RWP5231 -UN-01JAN94

REAR WHEELS



RWP5231

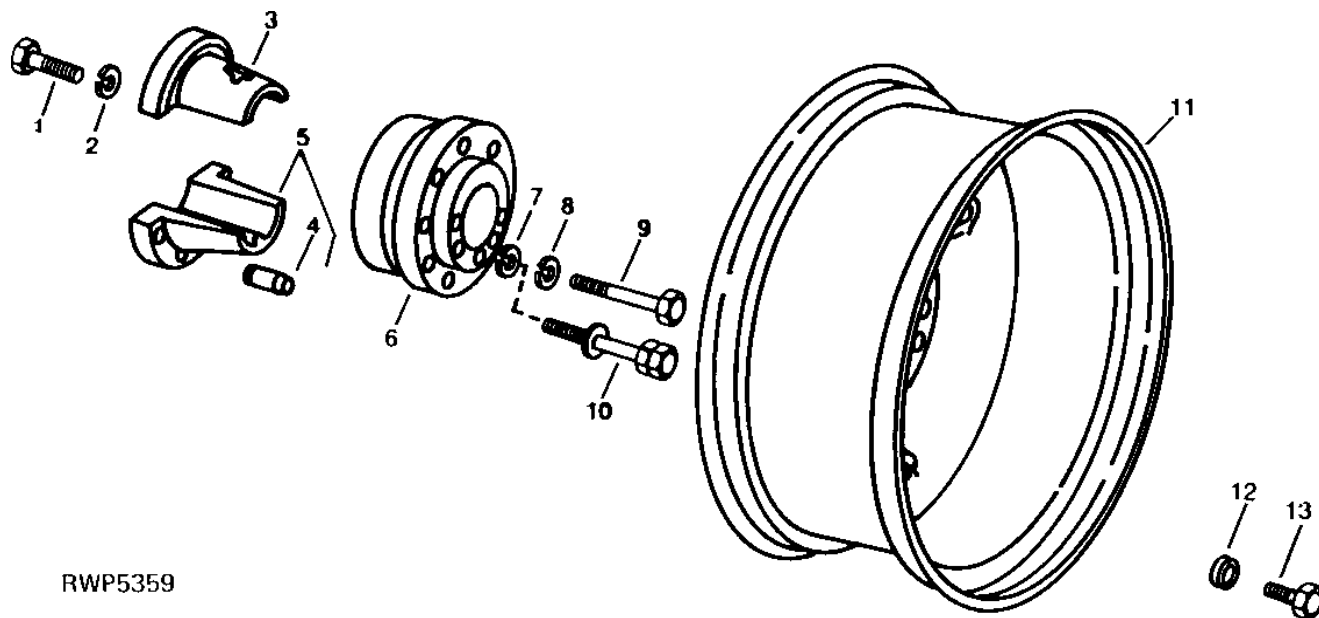
KEY	PART NO.	PART NAME	QTY	TRACTOR SERIAL NO.	REMARKS
1	19H2600	CAP SCREW	3	3/4" X 2-5/8"	
2	12H236	LOCK WASHER	3	3/4"	
3	A4379R	PINION	1		
4	R35302	HALF SLEEVE	1		
5	R35333	SNAP RING	2		
6	R35335	DOWEL PIN	2		
7	AR83354	SLEEVE	1	(SUB FOR R35303)	
8	A4380R	PINION SHAFT	1		
9	R36190	WHEEL	1	(24.5-32 TIRE)	
	R49860	WHEEL	1	(18.4-38 OR 20.8-38 TIRE) (SUB FOR R41020)	
	R43530	WHEEL	1	(12.4-42 TIRE)	
10	12H245	LOCK WASHER	3	7/8"	
11	08H4486	CAP SCREW	3	7/8" X 7-1/2"	
12	R35332	SCREW	2		
13	R36097	RIM	1	(24.5-32 TIRE)	
	R41012	WHEEL	1	(18.4-38 TIRE) (SUB R80306)	
	R43743	RIM	1	(12.4-42 TIRE)	
	R74851	RIM	1	(20.8-38 TIRE) (SUB FOR R43744)	
14	14H800	NUT	AR	5/8", (12 USED WITH R36190) (16 USED WITH R41020, R49860, AND R43530)	
15	B634R	CLAMP	12	(USE WITH R36190)	
	A4388R	CLAMP	16	(USE WITH R41020, R43530 AND R49860)	
16	A4064R	BOLT	12	(SUB R34801) (USE WITH R36190)	
	08H4694	BOLT	16	5/8" X 4", (USE WITH R41020, R43530 AND R49860)	

3F16

WHEELS, FRONT AXLES, SHEET METAL

RWP5359 -UN-17NOV94

DUAL WHEELS



RWP5359

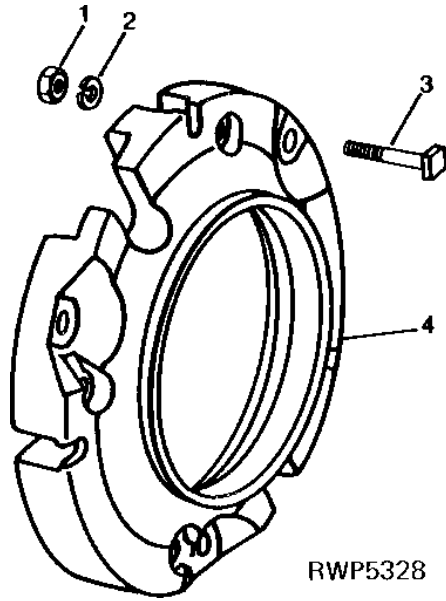
KEY	PART NO.	PART NAME	QTY	TRACTOR SERIAL NO.	REMARKS
1	19H1707	CAP SCREW	3	3/4" X 2-3/4"	
2	12H236	LOCK WASHER	3	3/4"	
3	R35302	HALF SLEEVE	1	PINION, (USE WITH AR86328 OR AR86329)	
	R58864	HALF SLEEVE	1	PINION, (USE WITH AR86336, AR86337 OR AR86378)	
4	R35335	DOWEL PIN	1		
5	AR83354	SLEEVE	1	KEY HALF, (SUB FOR R35303) (USE WITH AR86328 OR AR86329)	
	AR83356	SLEEVE	1	KEY HALF, (SUB FOR R59899) (USE WITH AR86336, AR86337 OR AR86378)	
6	R54160	HUB	1		
7	R35333	SNAP RING	2		
8	12H245	LOCK WASHER	3	7/8"	
9	08H4486	CAP SCREW	3	7/8" X 7-1/2"	
10	R35332	SCREW	2		
11	RE50911	WHEEL	1	(18.4-42) (SUB FOR AR73885 OR RE33928)	
	AR89141	WHEEL	1	(20.8-38) (SUB FOR JD3231) (SUB RE51962)	
	AR89140	WHEEL	1	(18.4-38) (SUB FOR JD3230) (NLA)	
12	R52006	WASHER	10		
13	19H2088	CAP SCREW	10	7/8" X 1-3/4"	
14	AR86328	WHEEL	2	(20.8-38)	
	AR66544	WHEEL	1	(20.8-38) (SET OF 2)	
	AR86329	WHEEL	2	(18.4-38)	
	AR86370	WHEEL	2	(18.4-42)	
	AR86377	WHEEL	1	(18.4-42) (SET OF 2)	
	AR86336	WHEEL	2	(18.4-38) (100MM AXLE)	
	AR86311	WHEEL	1	(18.4-38) (100MM AXLE) (SET OF 2)	
	AR86337	WHEEL	2	(20.8-38) (100MM AXLE)	
	AR86312	WHEEL	1	(20.8-38) (100MM AXLE) (SET OF 2)	

3F17

WHEELS, FRONT AXLES, SHEET METAL

RWP5328 -UN-01JAN94

REAR WHEEL WEIGHT
(FOR 32" AND 38" CAST WHEEL)



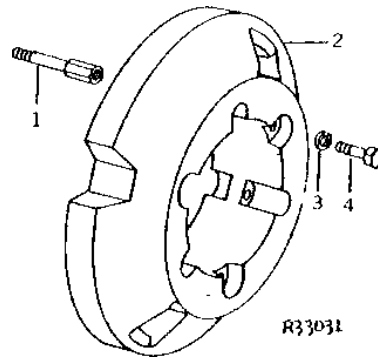
KEY	PART NO.	PART NAME	QTY	TRACTOR SERIAL NO.	REMARKS
1	14H1039	NUT	3	5/8"	
2	12H294	LOCK WASHER	3	5/8"	
3	R34801	BOLT	3	5/8" X 3", (USE WITH 32" WHEEL)	
	R81272	BOLT	3	5/8" X 5-1/4", (SUB FOR R48956 OR R67235)	
4	T21689	WEIGHT	1	52KG (115 LBS) (NLA)	

3F18

WHEELS, FRONT AXLES, SHEET METAL

REAR WHEEL WEIGHT
(FOR 38" CAST WHEEL)
(USE WITH R43530 OR R49860 ONLY)

R33031 -UN-01JAN94



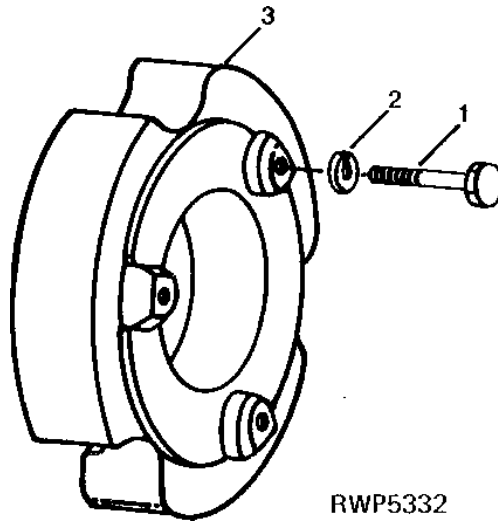
KEY	PART NO.	PART NAME	QTY	TRACTOR SERIAL NO.	REMARKS
1	R41256	SCREW	3		1-1/8" X 6-1/4", (INSIDE OR 2ND OUTSIDE WEIGHT)
2	R41030	WEIGHT	1		235.82KG (520 LBS)
3	12H236	LOCK WASHER	3		3/4"
4	19H2174	CAP SCREW	3		3/4" X 4-1/4", (INSIDE OR OUTSIDE WEIGHTS)
	19H1782	CAP SCREW	3		3/4" X 2-1/4", (FIRST OUTSIDE WEIGHTS FOR USE WITH INSIDE WEIGHT)

3F19

WHEELS, FRONT AXLES, SHEET METAL

RWP5332 -UN-01JAN94

REAR WHEEL INNER WEIGHT
(FOR 32" CAST WHEEL)



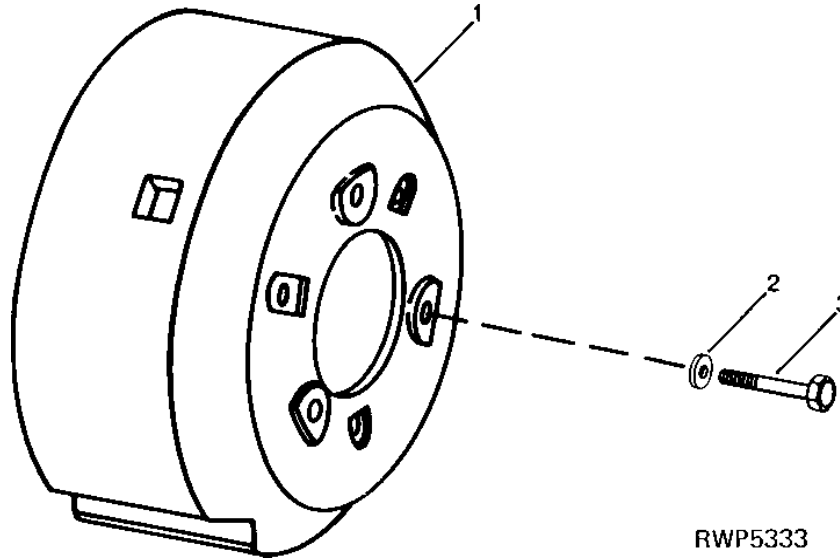
KEY	PART NO.	PART NAME	QTY	TRACTOR SERIAL NO.	REMARKS
1	19H1862	CAP SCREW	3	3/4" X 2-1/2"	
2	12H236	LOCK WASHER	3	3/4"	
3	R35780	WEIGHT	1	129KG (285 LBS)	

3F20

WHEELS, FRONT AXLES, SHEET METAL

RWP5333 -UN-17NOV94

REAR WHEEL INNER WEIGHT
(FOR 32", 34", 38" AND 42" CAST WHEEL)



RWP5333

KEY	PART NO.	PART NAME	QTY	TRACTOR SERIAL NO.	REMARKS
1	R72266	WEIGHT	1	680KG (1500 LBS)	
2	R78019	WASHER	3		
3	19H3167	CAP SCREW	3	(A)	
	19H2826	CAP SCREW	3	(B) 3/4" X 4-1/2"	

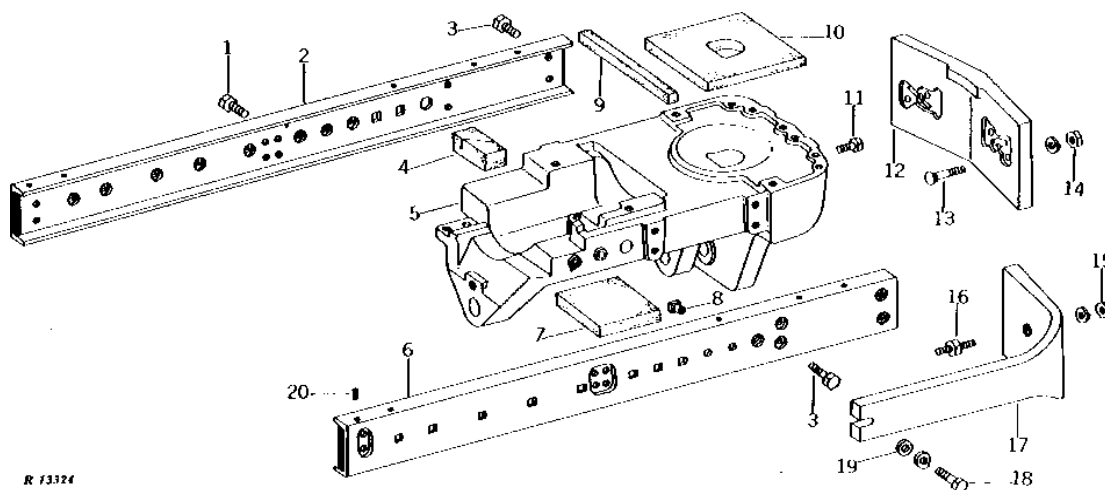
(A) 32" OR 34" WHEEL
(B) 38" OR 42" WHEEL

3F21

WHEELS, FRONT AXLES, SHEET METAL

R13324 -UN-01JAN94

SIDE FRAMES, FRONT SUPPORT AND FRAME WEIGHTS



R 13324

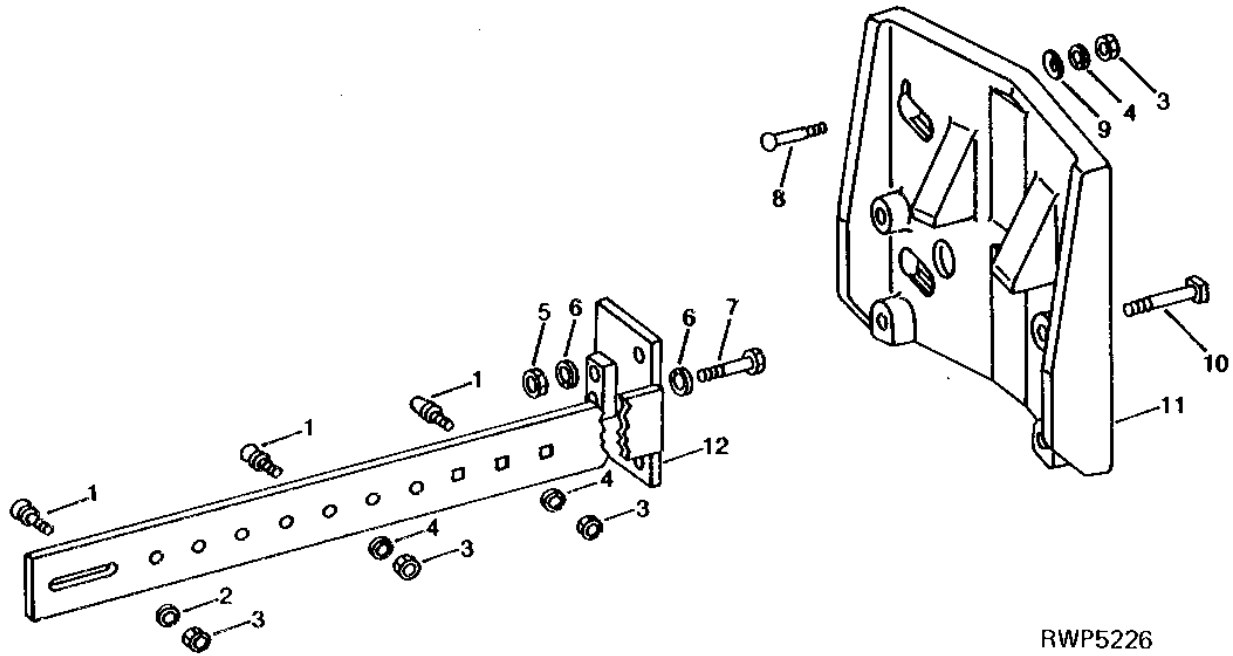
KEY	PART NO.	PART NAME	QTY	TRACTOR SERIAL NO.	REMARKS
1	R31505	BOLT	12		
2	AR50975	FRAME	1	(NLA)	
3	R35192	WHEEL BOLT	8		
4	ISOLATOR	1	51 X 51 X 114MM (2" X 2" X 4-1/2") PUMP LINE, (MAKE FROM R35340)	
5	R46780	FRAME	1	(NLA)	
6	AR49108	FRAME	1	(NLA)	
7	R43782	COVER	1	(NLA)	
8	R43246	NUT	4		
9	ISOLATOR	1	25 X 25 X 305MM (1" X 1" X 12") (MAKE FROM R30937)	
10	R43599	CUSHION	1		
11	19H2009	CAP SCREW	2	3/4" X 1-5/8"	
12	R27643	WEIGHT	1		
13	03H1857	BOLT	2	5/8" X 2-3/4"	
14	14H800	NUT	2	5/8"	
	12H294	LOCK WASHER	2	5/8"	
15	14H794	NUT	2	3/4"	
	12H236	LOCK WASHER	2	3/4"	
16	R27645	STUD	2		
17	WEIGHT	2	(NLA)	
18	19H1847	CAP SCREW	2	5/8" X 2-1/2"	
	12H294	LOCK WASHER	2	5/8"	
19	F2783R	WASHER	2		
20	34H312	SPRING PIN	4	1/4" X 1"	

3F22

WHEELS, FRONT AXLES, SHEET METAL

RWP5226 -UN-01JAN94

DOUBLE FRONT WEIGHT



RWP5226

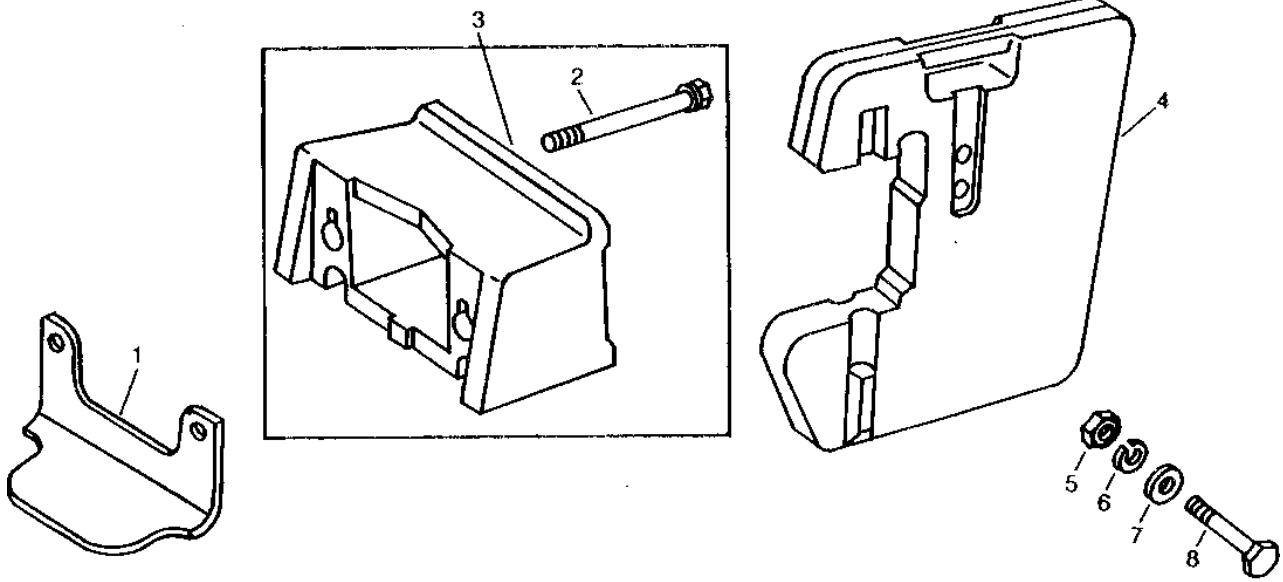
KEY	PART NO.	PART NAME	QTY	TRACTOR SERIAL NO.	REMARKS
1	03H1399	BOLT	6	5/8" X 1-3/4"	
2	24H1367	WASHER	2	21/32" X 1-1/4" X 1/4"	
3	14H1039	NUT	10	5/8"	
4	12H294	LOCK WASHER	8	5/8"	
5	14H794	NUT	4	3/4"	
6	12H236	LOCK WASHER	6	3/4"	
7	19H2725	CAP SCREW	2	3/4" X 3-3/4"	
8	03H1858	BOLT	4	5/8" X 3-1/2"	
9	R44890	NUT	4		
10	08H4222	BOLT	4	3/4" X 3-3/4"	
11	R44350	WEIGHT	1	(NLA)	
12	AR58357	SUPPORT	1	(NLA)	

3F23

WHEELS, FRONT AXLES, SHEET METAL

FRONT WEIGHTS (TWO, FOUR, OR SIX QUIK-TATCH WEIGHTS)

RWP5530 -UN-01JAN94



RWP5530

KEY	PART NO.	PART NAME	QTY	TRACTOR SERIAL NO.	REMARKS
1	R52914	ADAPTER	1		
2	R52924	SELF-LOCKING SCREW	2	3/4" X 7-1/4"	
3	AR92425	SUPPORT	1	(SUB FOR R51679 OR AR58363) (ORDER R70417 AND (2) R52924)	
4	R51680	WEIGHT	1		
5	14H1039	NUT	1	5/8"	
6	12H294	LOCK WASHER	1	5/8"	
7	24H1367	WASHER	1	21/32" X 1-1/4" X 1/4"	
8	08H4260	CAP SCREW	1	5/8" X 9", (USE WITH 4 QUIK-TATCH WEIGHTS)	
	R51681	CAP SCREW	1	5/8" X 13-3/8", (USE WITH 6 QUIK-TATCH WEIGHTS)	
	19H1926	CAP SCREW	1	5/8" X 4-3/4", (USE WITH 2 QUIK-TATCH WEIGHTS)	

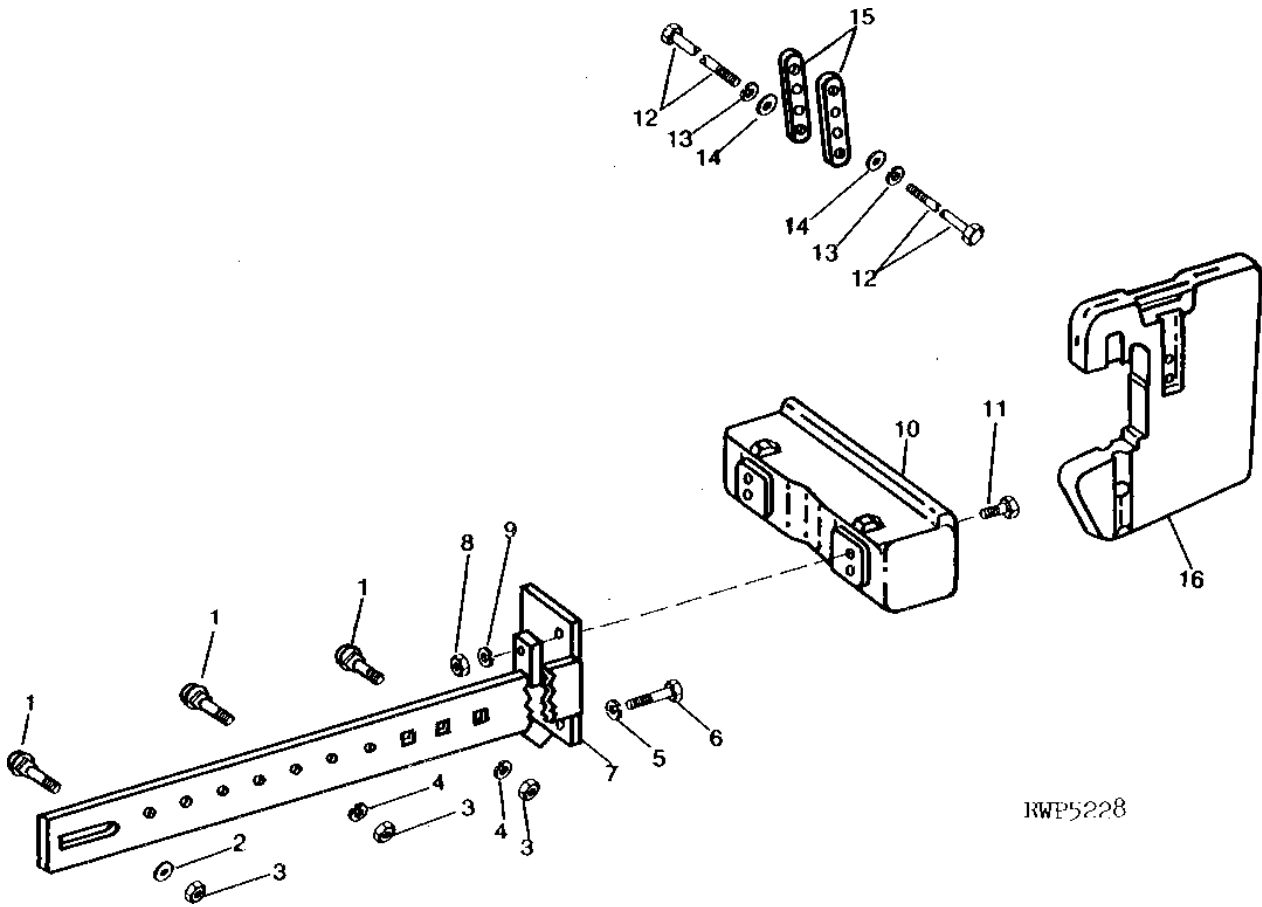
MEMORANDA

3F24

WHEELS, FRONT AXLES, SHEET METAL

FRONT WEIGHTS (EIGHT OR TEN QUIK-TATCH WEIGHTS)

RWP5228 -UN-01JAN94



RWP5228

3F25

WHEELS, FRONT AXLES, SHEET METAL

**FRONT WEIGHTS - CONTINUED
(EIGHT OR TEN QUIK-TATCH WEIGHTS)**

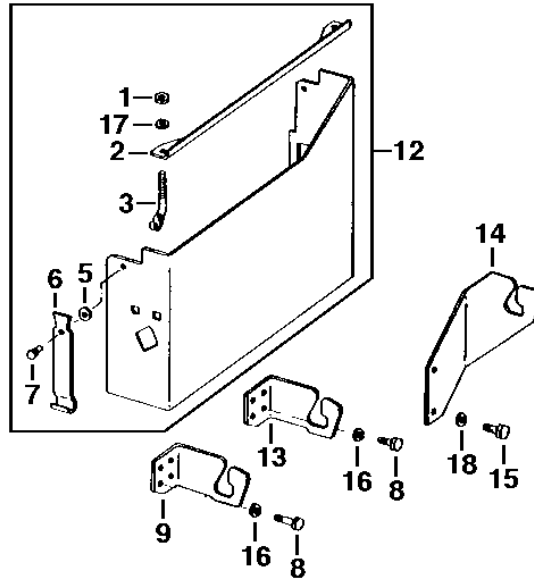
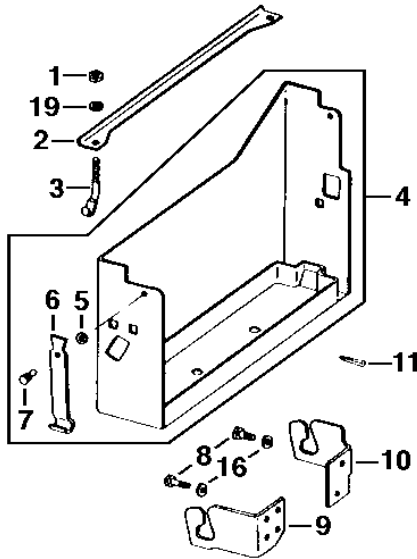
KEY	PART NO.	PART NAME	QTY	TRACTOR SERIAL NO.	REMARKS
1	03H1399	BOLT	6		5/8" X 1-3/4"
2	24H1367	WASHER	2		21/32" X 1-1/4" X 1/4"
3	14H1039	NUT	6		5/8"
4	12H294	LOCK WASHER	4		5/8"
5	12H236	LOCK WASHER	2		3/4"
6	19H2725	CAP SCREW	2		3/4" X 3-3/4"
7	AR58357	SUPPORT	2		(NLA)
8	14H794	NUT	4		3/4"
9	12H236	LOCK WASHER	4		3/4"
10	R80326	SUPPORT	1		(SUB FOR AR72132)
11	19H1782	CAP SCREW	4		3/4" X 2-1/4"
12	R51681	CAP SCREW	2		
13	12H294	LOCK WASHER	2		5/8"
14	24H1367	WASHER	2		21/32" X 1-1/4" X 1/4"
15	AR68801	RETAINER	2		(SUB FOR T32148)
16	R51680	WEIGHT	1		

3G1

WHEELS, FRONT AXLES, SHEET METAL

RXP021372 -UN-06DEC95

BATTERY BOXES (LESS CAB)



RXP021372

KEY	PART NO.	PART NAME	QTY	TRACTOR SERIAL NO.	REMARKS
1	14H786	NUT	4	1/4"	
2	R40423	CLAMP	2	(SUB T104373)	
3	R30805	ROD	4		
4	AR43141	BATTERY BOX	1		
5	24H1283	WASHER	4	7/32" X 1/2" X 0.049"	
6	R27084	CLAMP	2		
	R34958	LATCH	2		
7	R27085	RIVET	4		
8	19H2284	CAP SCREW	8	3/8" X 7/8"	
9	R40876	SUPPORT	2		
10	R43503	SUPPORT	1		
11	11M7084	COTTER PIN	2	5 X 25 MM	
12	AR40673	BATTERY BOX	1		
13	R40876	SUPPORT	1	(B)	
14	R43502	SUPPORT	1	(A)	
15	19H2284	CAP SCREW	2	(A) 3/8" X 7/8"	
16	12H304	LOCK WASHER	8	3/8"	
17	24H1821	WASHER	2	9/32" X 47/64" X 1/16"	
18	12H304	LOCK WASHER	2	(A)	
19	24H1287	WASHER	2		
..	R38361	LABEL	1	(NO LONGER REQUIRED)	

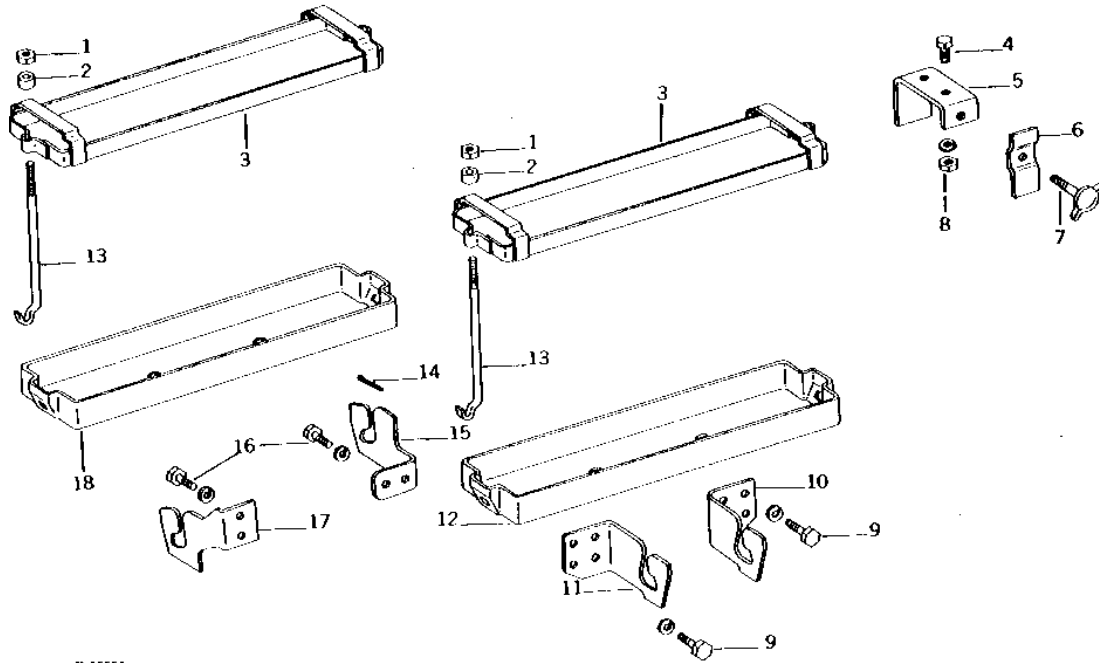
(A) SYNCRO-RANGE TRANSMISSION
(B) POWER SHIFT TRANSMISSION

3G2

WHEELS, FRONT AXLES, SHEET METAL

R15551 -UN-01JAN94

BATTERY BOXES (WITH CAB)



R 15551

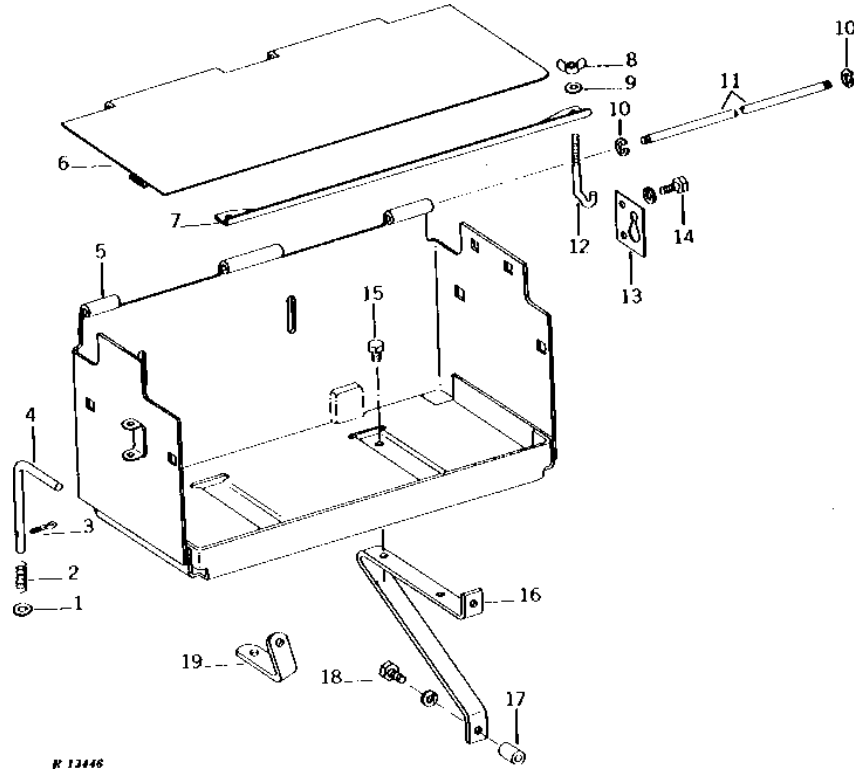
KEY	PART NO.	PART NAME	QTY	TRACTOR SERIAL NO.	REMARKS
1	14H786	NUT	4	1/4"	
2	R20522	BUSHING	4		
3	AR26469	HOLD-DOWN CLIP	2		
4	03H1519	BOLT	4	3/8" X 1"	
5	AR50921	STOP	2		
6	R46538	CLAMP	2		(SUB FOR R45895)
7	R45896	WING SCREW	1		
8	14H1076	NUT	4	3/8"	
	12H304	LOCK WASHER	4	3/8"	
	A147R	LOCK WASHER	1		
9	19H2284	CAP SCREW	4	3/8" X 7/8"	
	12H304	LOCK WASHER	4	3/8"	
10	R43502	SUPPORT	1		(SYNCRO-RANGE TRANSMISSION)
	R40876	SUPPORT	1		(POWER SHIFT TRANSMISSION)
11	R40876	SUPPORT	1		
12	AR47939	BASE	1		
13	R45893	ROD	4		
14	11M7084	COTTER PIN	2	5 X 25 MM	
15	R43503	SUPPORT	1		
16	19H2284	CAP SCREW	4	3/8" X 7/8"	
	12H304	LOCK WASHER	4	3/8"	
17	R40876	SUPPORT	1		
18	AR43939	BASE	1		
..	R38361	LABEL	1		(NO LONGER REQUIRED)

3G3

WHEELS, FRONT AXLES, SHEET METAL

R13446 -UN-01JAN94

BATTERY BOX (STANDARD)



R 13446

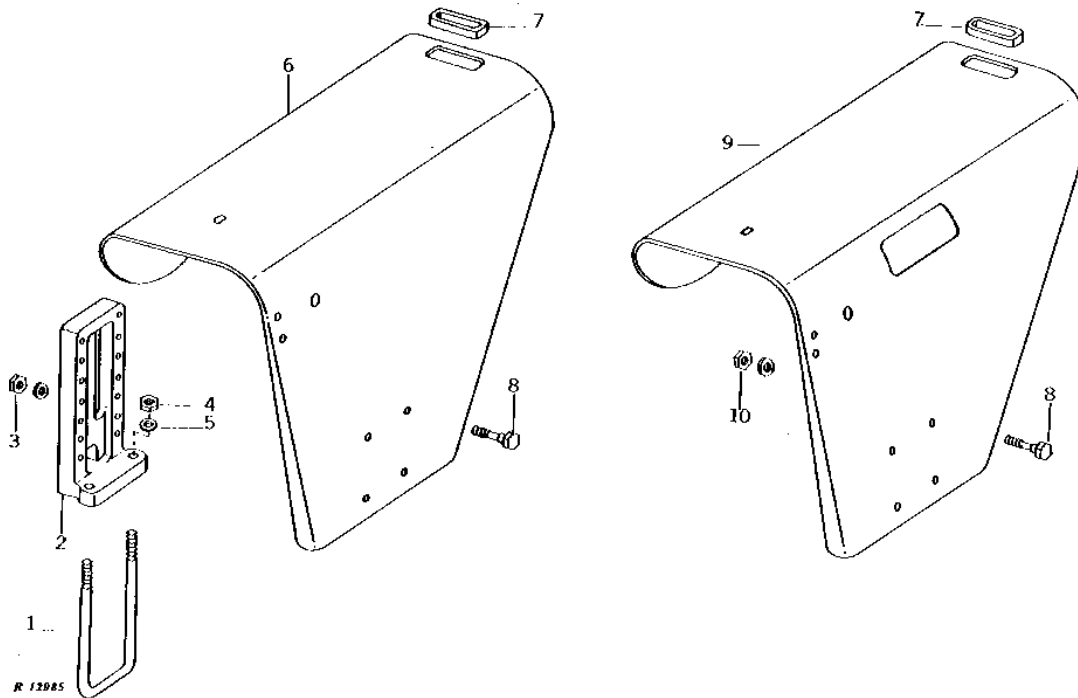
KEY	PART NO.	PART NAME	QTY	TRACTOR SERIAL NO.	REMARKS
1	24H1301	WASHER	1		13/32" X 9/16" X 0.065"
2	H26232	SPRING	1		
3	34H244	SPRING PIN	1		1/8" X 9/16"
4	R41548	PIN	1		
5	AR43523	BOX	1		
6	AR43138	DOOR	1		
7	R40423	CLAMP	2		(SUB T104373)
8	14H786	NUT	4		1/4"
9	24H1821	WASHER	4		9/32" X 47/64" X 1/16"
10	T12808	SNAP RING	2		(SUB R72655)
11	R43494	PIN	1		
12	R30805	ROD	4		
13	R43498	SUPPORT	1		
14	19H1936	CAP SCREW	2		3/8" X 3/4"
	12H304	LOCK WASHER	2		3/8"
15	19H2038	CAP SCREW	1		3/8" X 1/2"
16	R43495	BRACKET	1		
17	28H1525	BUSHING	1		3/8" X 1-1/16"
18	19H2284	CAP SCREW	2		3/8" X 7/8", (UPPER)
	19H246	CAP SCREW	2		3/8" X 1-3/4", (LOWER) (SYNCRO-RANGE)
	19H2284	CAP SCREW	2		3/8" X 7/8", (LOWER) (POWER SHIFT)
	12H304	LOCK WASHER	3		3/8"
19	R43496	BRACKET	1		

3G4

WHEELS, FRONT AXLES, SHEET METAL

FENDERS (ROW-CROP)

R12985 -UN-01JAN94



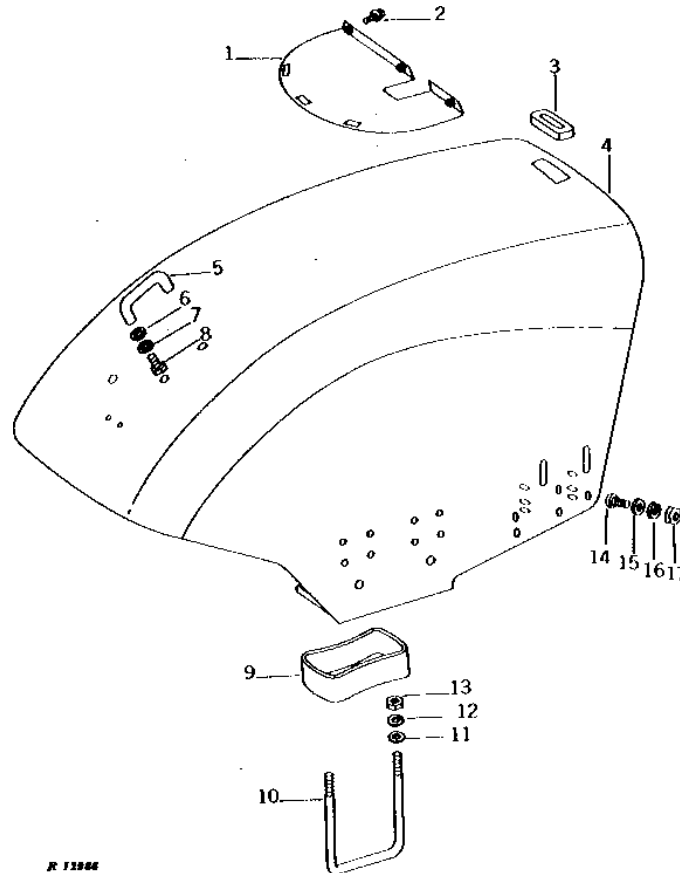
KEY	PART NO.	PART NAME	QTY	TRACTOR SERIAL NO.	REMARKS
1	R43390	U-BOLT	2		
2	R70588	SUPPORT	2		(SUB FOR R43396 OR R67410)
3	14H1040	NUT	8		1/2"
	12H301	LOCK WASHER	8		1/2"
4	14H1039	NUT	4		5/8"
5	24H1139	WASHER	4		11/16" X 1-1/4" X 0.105"
6	AR43968	FENDER	1		L.H.
	AR43967	FENDER	1		R.H.
	R32239	PLUG	1	XXXXXX-	(R.H. FENDER LAMP HOLE)
	R28473	PLUG	2	XXXXXX-	(R.H. FENDER LAMP HOLES)
7	R20759	GROMMET	2		
8	19H1974	CAP SCREW	8		1/2" X 2-3/4"
9	AR43970	FENDER	1		L.H. (ROLL-GARD)
	AR43969	FENDER	1		R.H. (ROLL-GARD)
	R32239	PLUG	1	XXXXXX-	(R.H. FENDER LAMP HOLE)
	R28473	PLUG	2	XXXXXX-	(R.H. FENDER LAMP HOLES)
10	14H1040	NUT	8		1/2"
	12H301	LOCK WASHER	8		1/2"
..	R82425	LABEL	1		SAFETY, (SUB FOR R47739, R51821, R69270 OR R76341)

3G5

WHEELS, FRONT AXLES, SHEET METAL

R12986 -UN-01JAN94

FENDERS (STANDARD)



R 12986

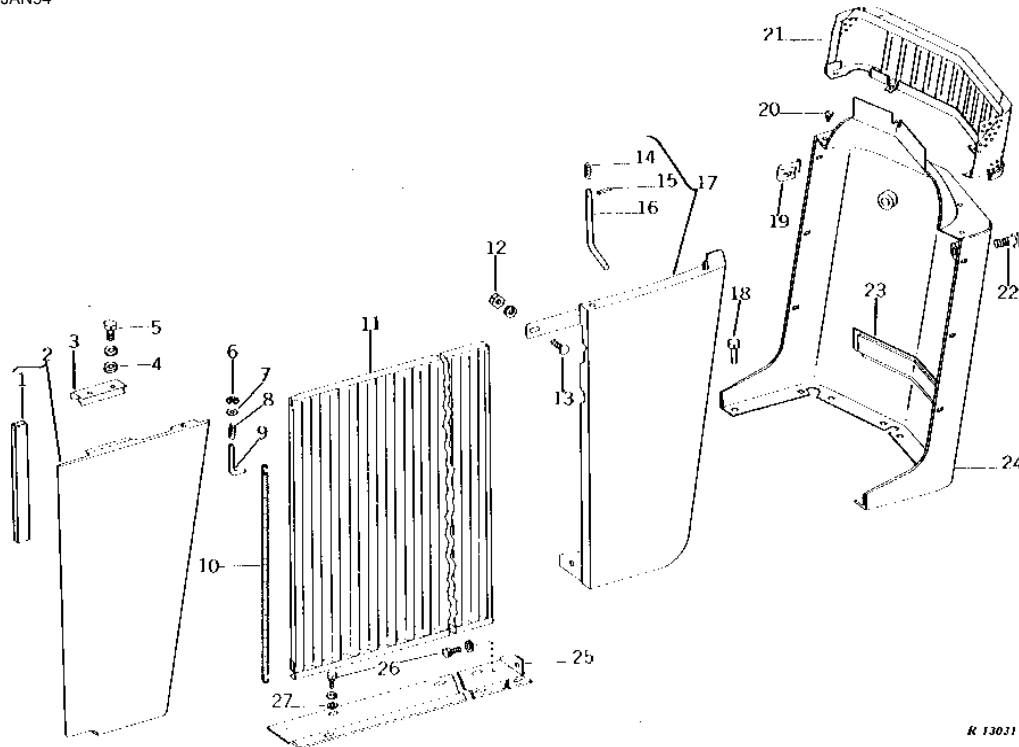
KEY	PART NO.	PART NAME	QTY	TRACTOR SERIAL NO.	REMARKS
1	AR35271	SHIELD	1	L.H.	
	AR35270	SHIELD	1	R.H.	
2	AR26586	SPINDLE	1		
3	R20759	GROMMET	2		
4	AR49063	FENDER	1	L.H. (NLA)	
	AR81651	FENDER	1	R.H. (SUB FOR AR43616 OR AR49062) (NLA)	
	AR49793	FENDER	1	L.H. (ROLL-GARD)	
	AR81650	FENDER	1	R.H. (ROLL-GARD) (SUB FOR AR49792)	
5	R31618	HANDLE	1		
6	24H1309	WASHER	2	13/32" X 1-1/16" X 0.120"	
7	R27441	WASHER	2		
8	19H1134	CAP SCREW	2	3/8" X 3/4"	
9	AR43099	SPACER	2		
	AR43100	SPACER	2	(24.5X32 R20 TIRES)	
10	R43666	U-BOLT	2		
	R43398	U-BOLT	4	(24.5X32 R20 TIRES)	
11	24H1139	WASHER	8	11/16" X 1-1/4" X 0.105"	
12	12H294	LOCK WASHER	8	5/8"	
13	14H1039	NUT	8	5/8"	
14	03H1765	BOLT	2	3/8" X 3/4"	
15	24M7096	WASHER	2	10.500 X 18 X 1.600 MM	
16	12H304	LOCK WASHER	2	3/8"	
17	14H1076	NUT	2	3/8"	

3G6

WHEELS, FRONT AXLES, SHEET METAL

R13031 -UN-01JAN94

SIDE SHIELDS, GRILLES, PANELS, AND FRONT PLATE



R 13031

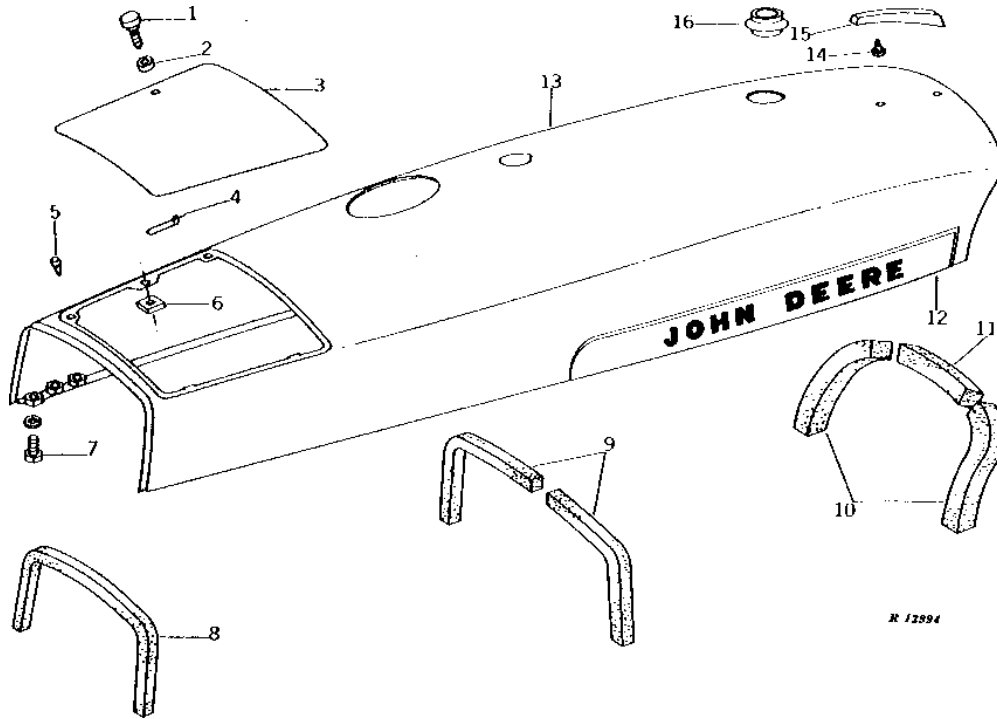
KEY	PART NO.	PART NAME	QTY	TRACTOR SERIAL NO.	REMARKS
1	ISOLATOR	2		13 X 25 X 254MM (1/2" X 1" X 10") (MAKE FROM R30936)
2	AR43290	SHIELD	1		R.H.
	AR51804	SHIELD	1		L.H.
3	R41983	SPRING	2		
4	24H1286	WASHER	4		9/32" X 1/2" X 1/16"
5	19H2479	CAP SCREW	4		1/4" X 3/8"
	12H302	LOCK WASHER	4		1/4"
6	R27507	SNAP RING	2		(SUB R72654)
7	24H1286	WASHER	2		9/32" X 1/2" X 1/16"
8	R28783	SPRING	2		
9	R27506	PIN	2		
10	R35769	SPRING	2		
11	AR43060	GRILLE	2		
12	14H1076	NUT	2		3/8"
	12H304	LOCK WASHER	2		3/8"
13	03H1765	BOLT	2		3/8" X 3/4"
14	B161R	SPRING	2		
15	34H387	SPRING PIN	2		3/16" X 3/4"
16	R26702	ROD	1		R.H.
	R26703	ROD	1		L.H.
17	AR43216	PANEL	1		R.H.
	AR43217	PANEL	1		L.H.
18	19H1815	CAP SCREW	8		1/2" X 1-1/4"
19	R26694	CLIP	6		
20	37H84	SCREW	5		1/4" X 3/4"
21	AR43009	GRILLE	1		
22	19H2009	CAP SCREW	2		3/4" X 1-5/8"
23	CUSHION	1		3 X 38 X 267MM (1/8" X 1-1/2" X 10-1/2") (MAKE FROM R21736)
24	AR43008	PLATE	1		
25	R43484	SUPPORT	1		R.H.
	R46781	SUPPORT	1		L.H.
26	19H1936	CAP SCREW	6		3/8" X 3/4"
	12H304	LOCK WASHER	6		3/8"
27	24H1305	WASHER	4		13/32" X 13/16" X 0.065"

3G7

WHEELS, FRONT AXLES, SHEET METAL

R12994 -UN-01JAN94

HOOD AND AIR CLEANER ACCESS COVER



R 12994

KEY	PART NO.	PART NAME	QTY	TRACTOR SERIAL NO.	REMARKS
1	R43631	KNOB	1		
2	R43661	RETAINER	1		
3	AR43256	COVER	1	(NLA)	
4	R43630	SPRING LOCKING PIN	2		
5	R43632	BUMPER	2		
6	14H1030	NUT	1	5/16"	
7	19H1936	CAP SCREW	2	3/8" X 3/4"	
	12H304	LOCK WASHER	2	3/8"	
8	ISOLATOR	1	25 X 25 X 737MM (1" X 1" X 29") (MAKE FROM R30937)	
9	ISOLATOR	2	25 X 25 X 292MM (1" X 1" X 11-1/2") (MAKE FROM R30937)	
10	R35340	FOAM PAD	2		
11	R26890	FOAM PAD	1		
12	AR28048	MOLDING	1	R.H.	
	AR28049	MOLDING	1	L.H.	
	R42662	NUT	10		
13	AR43254	HOOD	1		
	AR50337	HOOD	1	(VERTICAL AIR STACK) (NLA)	
14	37M7245	SCREW	2	NO. 10 X 3/8"	
15	AR28047	MEDALLION	1		
16	R39613	GROMMET	1		

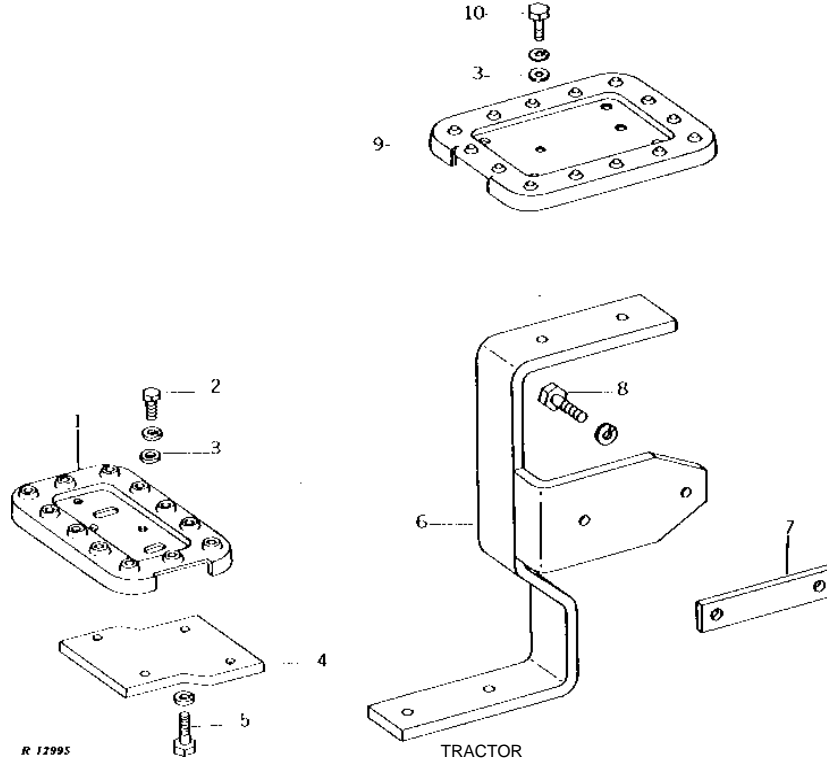
MEMORANDA

3G8

WHEELS, FRONT AXLES, SHEET METAL

R12995 -UN-01JAN94

TRACTOR STEPS (ROW-CROP)



KEY	PART NO.	PART NAME	QTY	TRACTOR SERIAL NO.	REMARKS
1	F3195R	STEP	1	(A)	
2	19H1936	CAP SCREW	2	3/8" X 3/4"	
	12H304	LOCK WASHER	2	3/8"	
3	24H1305	WASHER	10	13/32" X 13/16" X 0.065"	
4	R35396	SUPPORT	1	(A) (NLA)	
5	19H1815	CAP SCREW	2	1/2" X 1-1/4"	
	12H301	LOCK WASHER	2	1/2"	
6	AR43090	SUPPORT	1	L.H.	
	AR43089	SUPPORT	1	R.H.	
7	R43575	STRAP	2		
8	19H2511	CAP SCREW	2	L.H. BRACKET	
	19H1721	CAP SCREW	2	1/2" X 1-1/2", R.H. BRACKET	
	12H301	LOCK WASHER	4	1/2"	
9	R43356	STEP	4		
10	19H2284	CAP SCREW	4	3/8" X 7/8"	
	12H304	LOCK WASHER	4	3/8"	

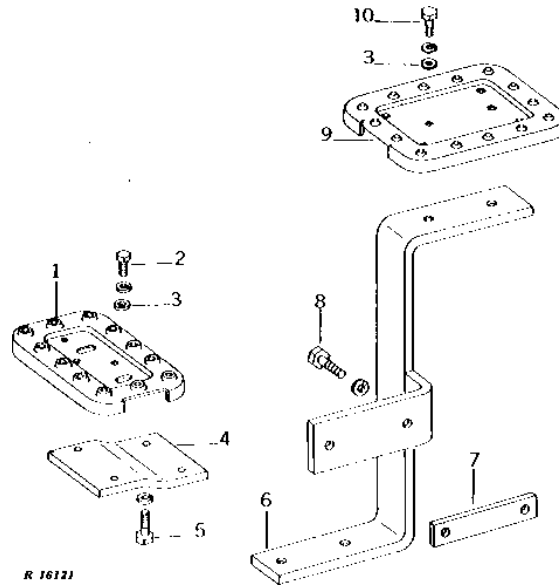
(A) WIDE SWING DRAWBAR

3G9

WHEELS, FRONT AXLES, SHEET METAL

R16121 -UN-01JAN94

TRACTOR STEPS (STANDARD)



R 16121

KEY	PART NO.	PART NAME	QTY	TRACTOR SERIAL NO.	REMARKS
1	F3195R	STEP	1	(A)	
2	19H1936	CAP SCREW	2	3/8" X 3/4"	
	12H304	LOCK WASHER	2	3/8"	
3	24H1305	WASHER	10	13/32" X 13/16" X 0.065"	
4	R35396	SUPPORT	1	(A) (NLA)	
5	19H1815	CAP SCREW	2	1/2" X 1-1/4"	
	12H301	LOCK WASHER	2	1/2"	
6	AR43092	SUPPORT	1	L.H.	
	AR43091	SUPPORT	1	R.H.	
7	R43575	STRAP	2		
8	19H2511	CAP SCREW	2	L.H. BRACKET	
	19H1721	CAP SCREW	2	1/2" X 1-1/2", R.H. BRACKET	
	12H301	LOCK WASHER	4	1/2"	
9	R43356	STEP	4		
10	19H2284	CAP SCREW	4	3/8" X 7/8"	
	12H304	LOCK WASHER	4	3/8"	

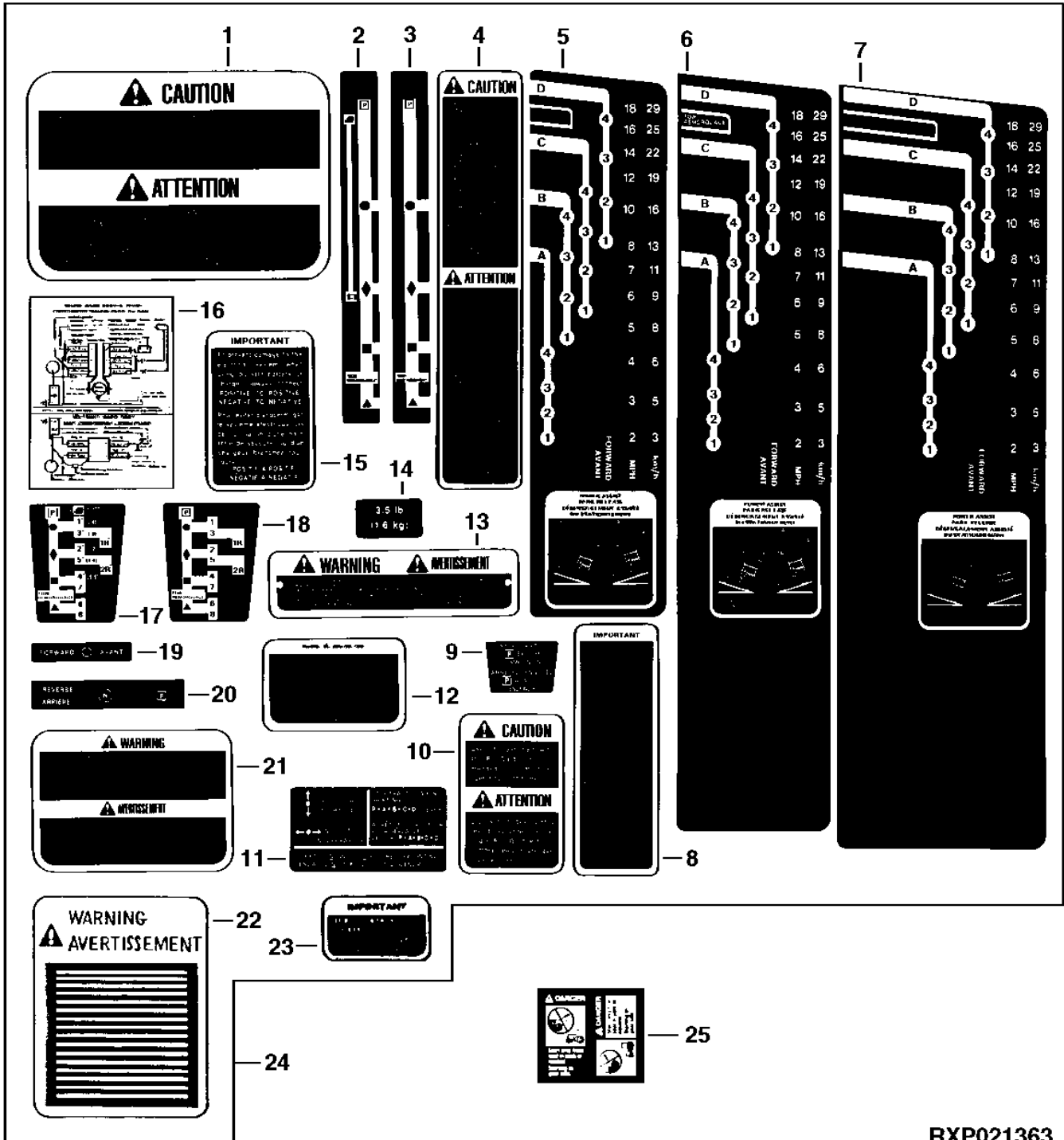
(A) WIDE SWING DRAWBAR

3G10

WHEELS, FRONT AXLES, SHEET METAL

RXP021363 -UN-06NOV95

DECAL SET



RXP021363

3G11

WHEELS, FRONT AXLES, SHEET METAL

DECAL SET - CONTINUED

KEY	PART NO.	PART NAME	QTY	TRACTOR SERIAL NO.	REMARKS
1	R48361	DECAL	2		(SUB FOR R45957)
2	R44315	LABEL	1		R.H. REMOTE CYLINDER
	R41933	LABEL	1		L.H. REMOTE CYLINDER
3	R53293	LABEL	1		(A) PTO, (SUB FOR R44951)
	R53294	LABEL	1		(B) PTO, (SUB FOR R44952)
4	R36689	DECAL	1		REMOTE CYLINDER WARNING
5	JD5234	DECAL	1		SEAT POST
6	R51908	LABEL	1		LABEL, INSTRUCTION
7	R31287	DECAL	1		
8	R34483	LABEL	1		CLUTCH
9	R36756	DECAL	1		AIR CLEANER INDICATOR
	R44710	LABEL	1		AIR CLEANER INDICATOR
10	R34608	DECAL	1		AIR CLEANER, (SUB AR52393)
11	R40505	LABEL	1		(B) PARK
12	R40509	LABEL	1		SELECTIVE CONTROL
13	R30694	DECAL	2		
14	R40504	LABEL	1		(B) QUADRANT
15	R40676	LABEL	1		(A) QUADRANT
16	AR52393	DECAL	1		(SUB FOR AR47091) (ALSO ORDER T146102)
17	R83103	LABEL	1		PTO SAFETY, (SUB FOR R64391) (SUB R120111)
18	R87529	LABEL	1		SAFETY, (SUB FOR R47739, R51821, R69270, R76341 OR R82425)
19	T146102	WARNING LABEL	1		BYPASS START (ENGLISH) (SUB FOR T84409 OR T134459)
	T146106	WARNING LABEL	1		(ESPANOL) (SUB FOR T84410 OR T134452)
	T146104	WARNING LABEL	1		(FRANCAIS) (SUB FOR T84411 OR T134453)
	T146515	WARNING LABEL	1		(DEUTSCH) (SUB FOR T84412 OR T134454)
	T146516	WARNING LABEL	1		(ITALIANO) (SUB FOR T84413 OR T134455)
	T146517	WARNING LABEL	1		(ENGLISH/FRANCAIS) (SUB FOR T84578 OR T134456)

(A) SYNCRO-RANGE TRANSMISSION
(B) POWER SHIFT TRANSMISSION

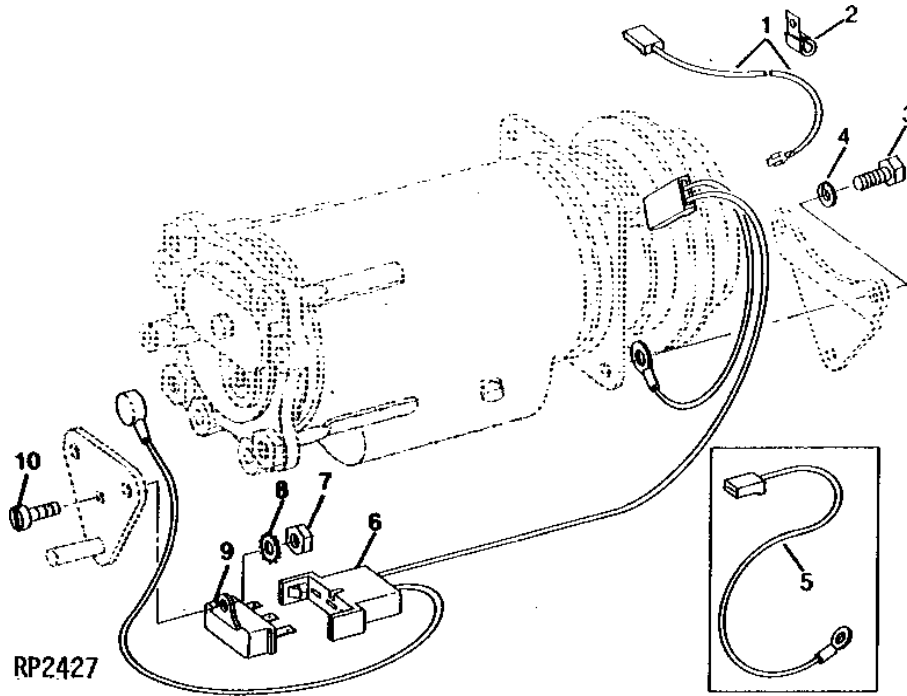
MEMORANDA

3G14

OPERATOR'S STATION

RP2427 -UN-01JAN94

AIR COMPRESSOR WIRING HARNESS



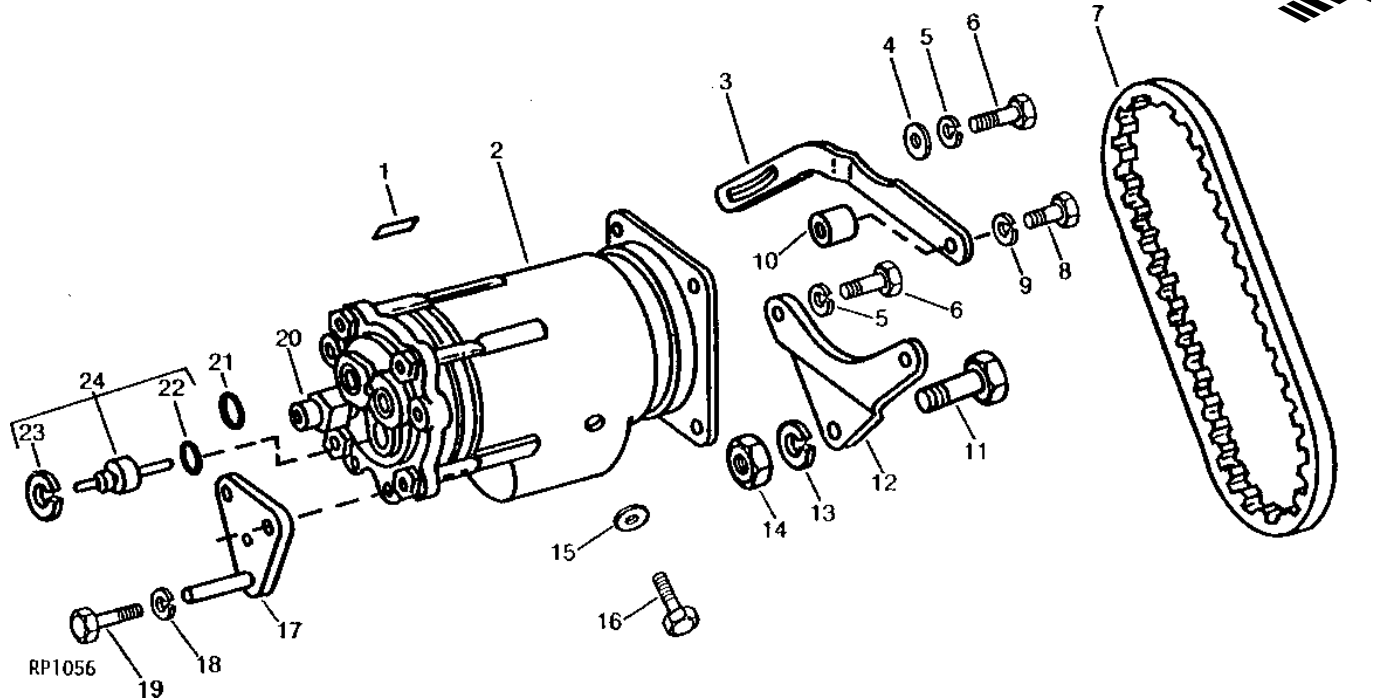
KEY	PART NO.	PART NAME	QTY	CAB SERIAL NO.	REMARKS
1	AR48956	WIRING LEAD	1	-XXXXXX	
2	T32231	CLAMP	1		(SUB FOR T15737)
3	19H2529	CAP SCREW	3		5/16" X 1"
4	12H303	LOCK WASHER	3		5/16"
5	AR48957	WIRING LEAD	1	-XXXXXX	
6	AR77345	WIRING HARNESS	1	XXXXXX-	
7	14H631	NUT	1	XXXXXX-	0.190"
8	12M7060	WASHER	1	XXXXXX-	0.209"
9	AR77344	FUSE	1	XXXXXX-	
10	21H1295	SCREW	1	XXXXXX-	0.190" X 5/8"

3G15

OPERATOR'S STATION

COMPRESSOR AND MOUNTING BRACKETS (HINSON)

RP1056 -UN-01JAN94



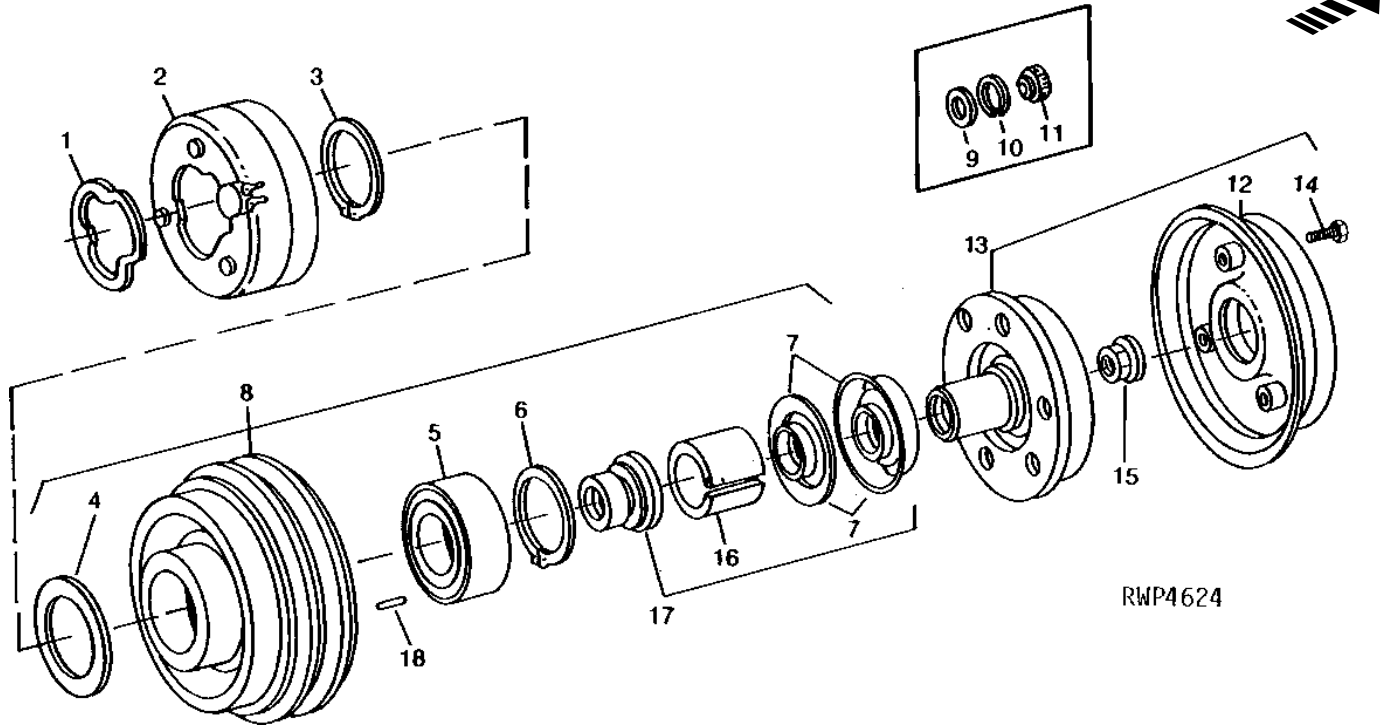
KEY	PART NO.	PART NAME	QTY	TRACTOR SERIAL NO.	REMARKS
1	R42822	LABEL	1		
2	AR77343	COMPRESSOR	1	-XXXXXX	(SUB FOR AR49799, AR49802, AR60948 OR AR68802) (SUB TY6665, 19M7170, (3) 19M7163, (2) 19M7662, (3) 12M7065 AND (2) 12M7066) (SUB TY6665) (REMANUFACTURED)
	AR92109	COMPRESSOR	1	XXXXXX-	(SUB TY6665)
	TY6665	COMPRESSOR	1		(REMANUFACTURED)
3	R46099	STRAP	1		
4	R56397	WASHER	1		
5	12H303	LOCK WASHER	3	-XXXXXX	5/16"
	12M7065	LOCK WASHER	3	XXXXXX-	M8
6	19H2529	CAP SCREW	3	-XXXXXX	5/16" X 1"
	19M7163	CAP SCREW	1	XXXXXX-	M8 X 25
7	R71603	BELT	1		(SUB FOR R46098 OR R69562, THIS APPLICATION)
8	19H1800	CAP SCREW	1		3/8" X 1-1/2"
9	12H304	LOCK WASHER	1		3/8"
10	28H3381	SPACER	1		3/8" X 5/8"
11	19H1831	CAP SCREW	1		1/2" X 2"
12	R45981	BRACKET	1		
13	12H301	LOCK WASHER	1		1/2"
14	14H1040	NUT	1		1/2"
15	R47234	WASHER	1		
16	R47233	PLUG	1		
17	AR77342	SUPPORT	1		(SUB FOR AR49485) (ALSO ORDER R67225)
18	12H304	LOCK WASHER	2	-XXXXXX	3/8"
	12M7066	LOCK WASHER	2	XXXXXX-	M10
19	19H1731	CAP SCREW	2	-XXXXXX	3/8" X 1"
	19M7662	CAP SCREW	2	XXXXXX-	M10 X 30
20	AR49808	VALVE	1		
21	R74210	O-RING	2		(SUB FOR R47235)
22	32240	O-RING	1		
23	R63571	SNAP RING	1		
24	AR78501	KIT	1		SUPER HEAT SHUT-OFF
..	TY6384	OIL	1		0.9L (1 QT) (SUB FOR R49856)

3G16

OPERATOR'S STATION

RWP4624 -UN-01JAN94

COMPRESSOR COIL, CLUTCH, AND PULLEY



RWP4624

KEY	PART NO.	PART NAME	QTY	TRACTOR SERIAL NO.	REMARKS
1	R56246	GASKET	1	(A)	
2	AR49803	ELECTRICAL COIL	1	(A)	
3	R47224	SNAP RING	1	(A)	
4	R54766	WASHER	1	(A)	
5	AR71288	BALL BEARING	1	(SUB FOR AR49805)	
6	R47226	SNAP RING	1	(A)	
7	AR71289	SHIELD	1	(SUB FOR R47228 AND AR63254)	
8	AR71287	PULLEY	1	(SUB FOR AR49804) (INCLUDES AR71290)	
9	R47230	WASHER	1	-XXXXXX	(SUB R69297, THIS APPLICATION)
10	R47231	SNAP RING	1	-XXXXXX	(SUB R69297)
11	R47232	NUT	1	-XXXXXX	(SUB R69297)
12	AR71290	COVER	1	(SUB FOR AR53446)	
13	AR71286	CLUTCH	1	(SUB FOR AR63255)	
14	37H32	SCREW	3		0.190" X 3/8"
15	R69297	FLANGE NUT	1	XXXXXX-	
16	R47227	SEAL	1	(A)	
17	AR71285	KIT	1		COMPRESSOR SHAFT SEAL WITH PULLEY BEARING FRONT SHIELD, (SUB FOR AR49806)
18	R47229	SHAFT KEY	1		

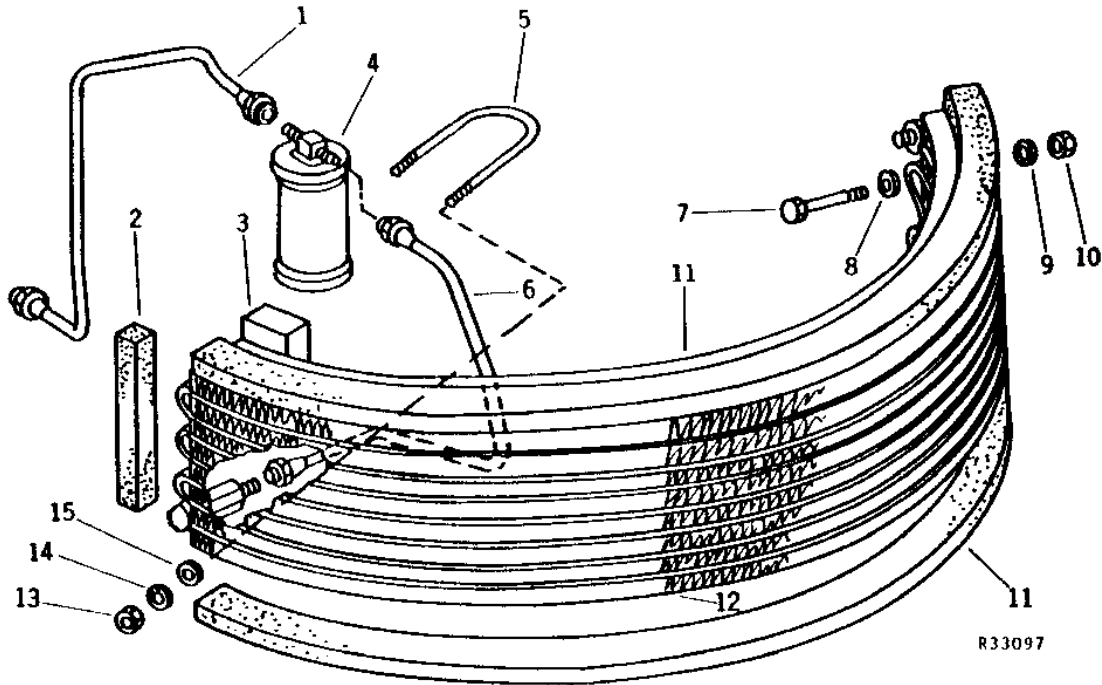
(A) ALSO ORDER AR71289

3G17

OPERATOR'S STATION

CONDENSER AND RECEIVER DRYER (HINSON)

R33097 -UN-01JAN94



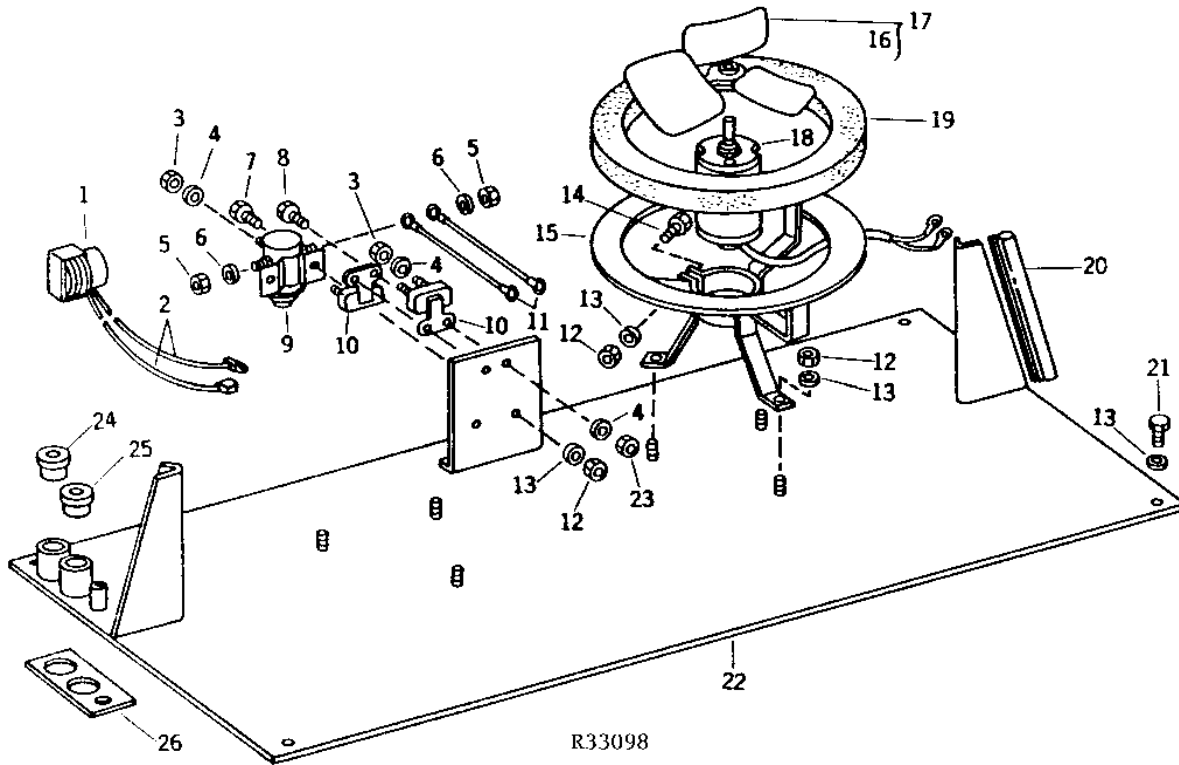
KEY	PART NO.	PART NAME	QTY	TRACTOR SERIAL NO.	REMARKS
1	AR52319	LINE	1		(DRYER TO SIGHT GLASS)
2	ISOLATOR	1		25 X 25 X 203MM (1" X 1" X 8") (MAKE FROM R30937)
3	ISOLATOR	1		25 X 51 X 152MM (1" X 2" X 6") (MAKE FROM R28123)
4	AR45867	RECEIVER	1		
5	R21244	U-BOLT	1		
6	AR52318	LINE	1		
7	19H1949	CAP SCREW	2		5/16" X 2-1/2"
8	24H1291	WASHER	2		21/64" X 1-15/32" X 7/64"
9	12H303	LOCK WASHER	2		5/16"
10	14H785	NUT	2		5/16"
11	ISOLATOR	2		25 X 25 X 1270MM (1" X 1" 50") (MAKE FROM R30937)
12	AR49967	CORE	1		
13	14H786	NUT	2		1/4"
14	12H302	LOCK WASHER	2		1/4"
15	24H1291	WASHER	2		21/64" X 1-15/32" X 7/64"

3G18

OPERATOR'S STATION

CONDENSER FAN MOTOR AND CIRCUIT BREAKER (HINSON)

R33098 -UN-01JAN94



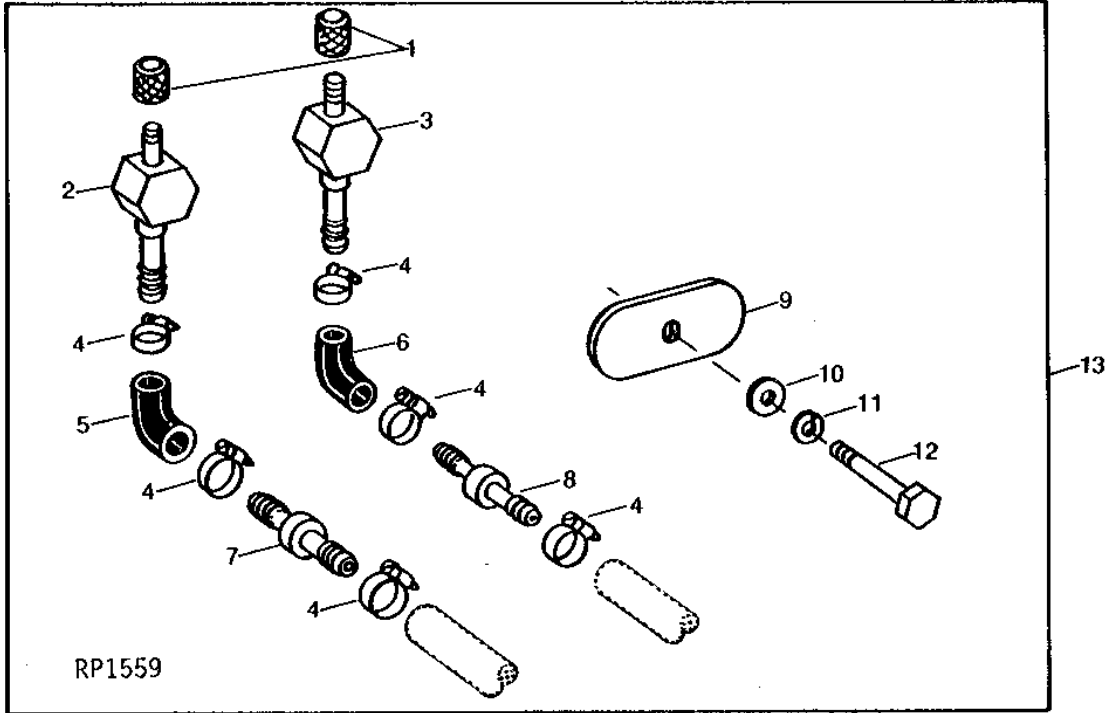
KEY	PART NO.	PART NAME	QTY	TRACTOR SERIAL NO.	REMARKS
1	AR45868	THERMOSTAT	1		
2	WIRING LEAD	2		(MAKE FROM R32027, R65597 AND R65604)
3	14H631	NUT	6		0.190"
4	12H246	LOCK WASHER	8		0.190"
5	14H650	NUT	2		5/16"
6	12H303	LOCK WASHER	2		5/16"
7	19H1919	CAP SCREW	2		1/4" X 5/8"
8	21H1317	SCREW	2		0.190" X 5/8"
9	AR54484	RELAY	1		
10	AR28403	CIRCUIT BREAKER	2		
11	WIRING LEAD	2		203MM (8") (MAKE FROM R66319, R32018 AND R32022)
12	14H786	NUT	8		1/4"
13	12H302	LOCK WASHER	14		1/4"
14	19H1948	CAP SCREW	2		1/4" X 3/4"
15	AR52316	SUPPORT	2		
16	22H922	SET SCREW	2		0.190" X 1/4"
17	AR49963	FAN	2		
18	AR49962	MOTOR	2		
19	R47470	ISOLATOR	2		
20	MOLDING	2		254MM (10") (MAKE FROM R44447)
21	19H1227	CAP SCREW	6		1/4" X 1/2"
22	AR52315	PLATE	1		
23	14H774	NUT	2		3/8"
24	R48900	GROMMET	1		
25	R48901	GROMMET	1		
26	R48899	GASKET	1		

3G19

OPERATOR'S STATION

RP1559 -UN-01JAN94

COMPRESSOR VALVE KIT



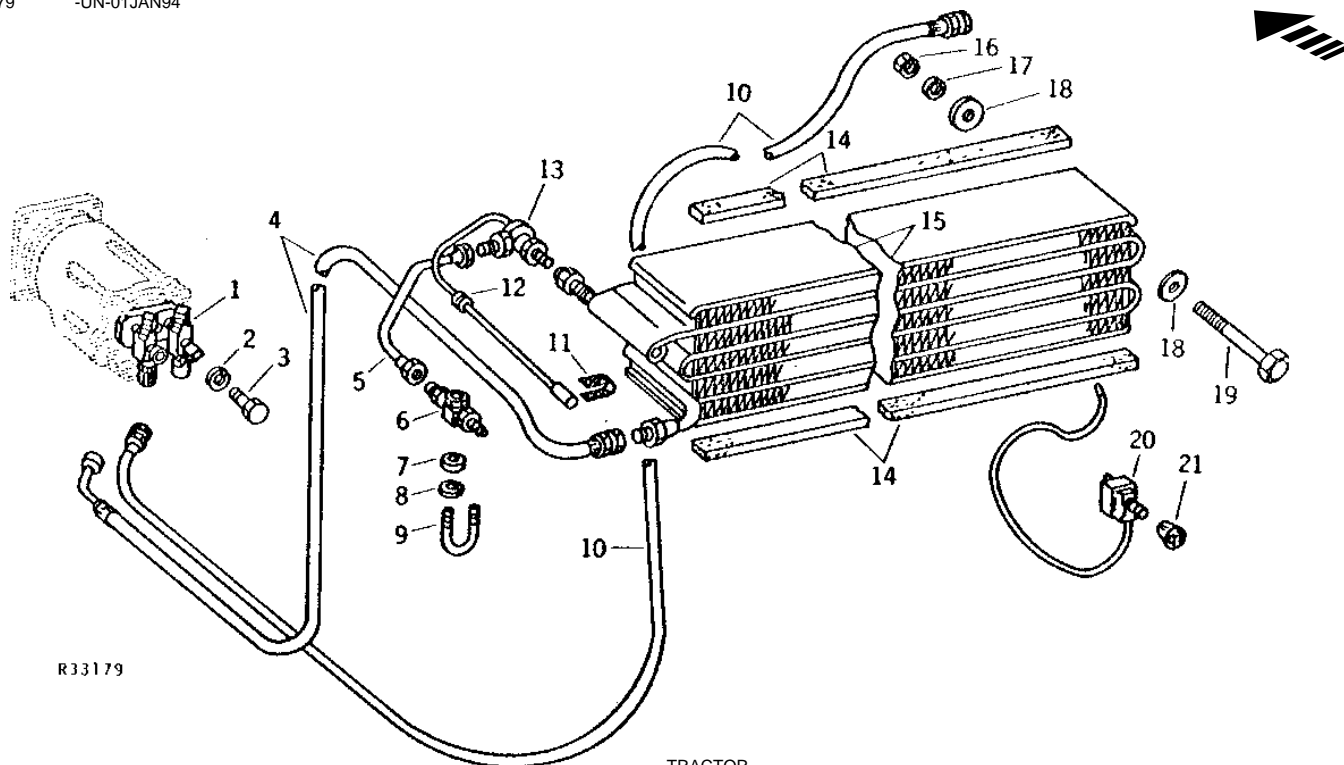
KEY	PART NO.	PART NAME	QTY	CAB SERIAL NO.	REMARKS
1	R60172	NUT	2		
2	AR94974	ADAPTER	1		
3	AR94975	ADAPTER	1		
4	AR21837	CLAMP	6		(SUB TY22465)
5	R72229	HOSE	1		
6	R72228	HOSE	1		
7	R72227	COUPLING	1		
8	R72226	COUPLING	1		
9	R60171	STRAP	1		
10	24H1884	WASHER	1		13/32" X 13/16" X 0.120"
11	12H304	LOCK WASHER	1		3/8"
12	19H2959	CAP SCREW	1		3/8" X 2"
13	AR94973	FITTING	1		

3G20

OPERATOR'S STATION

R33179 -UN-01JAN94

EVAPORATOR AND MANIFOLD (HINSON)



R33179

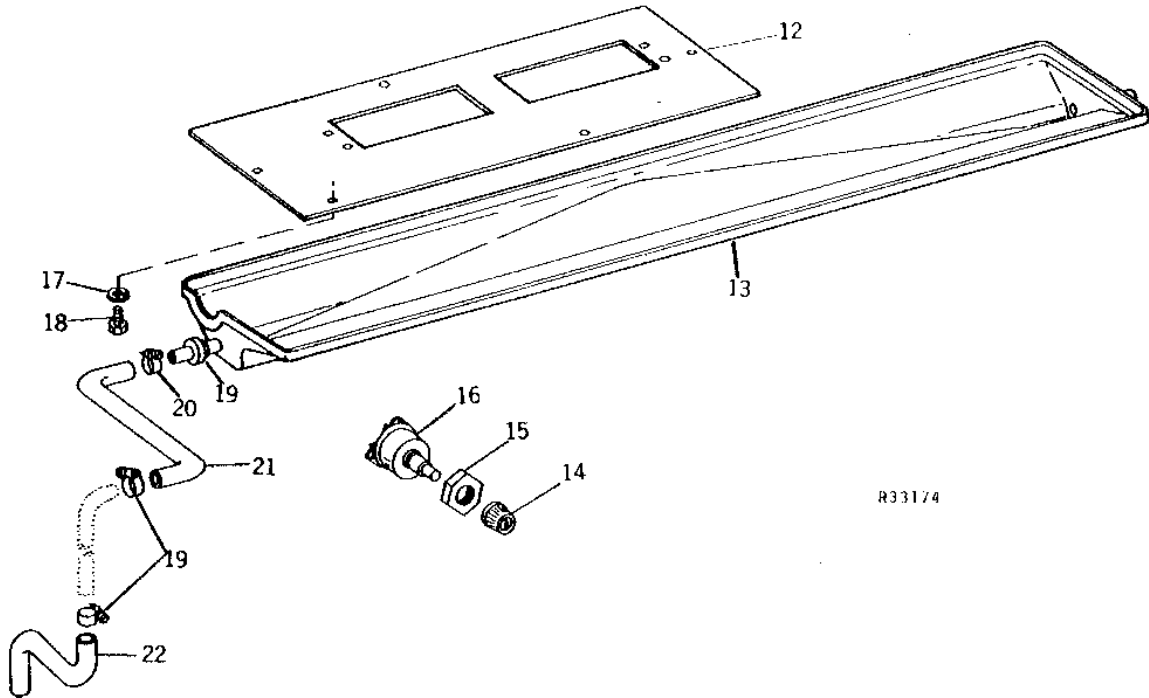
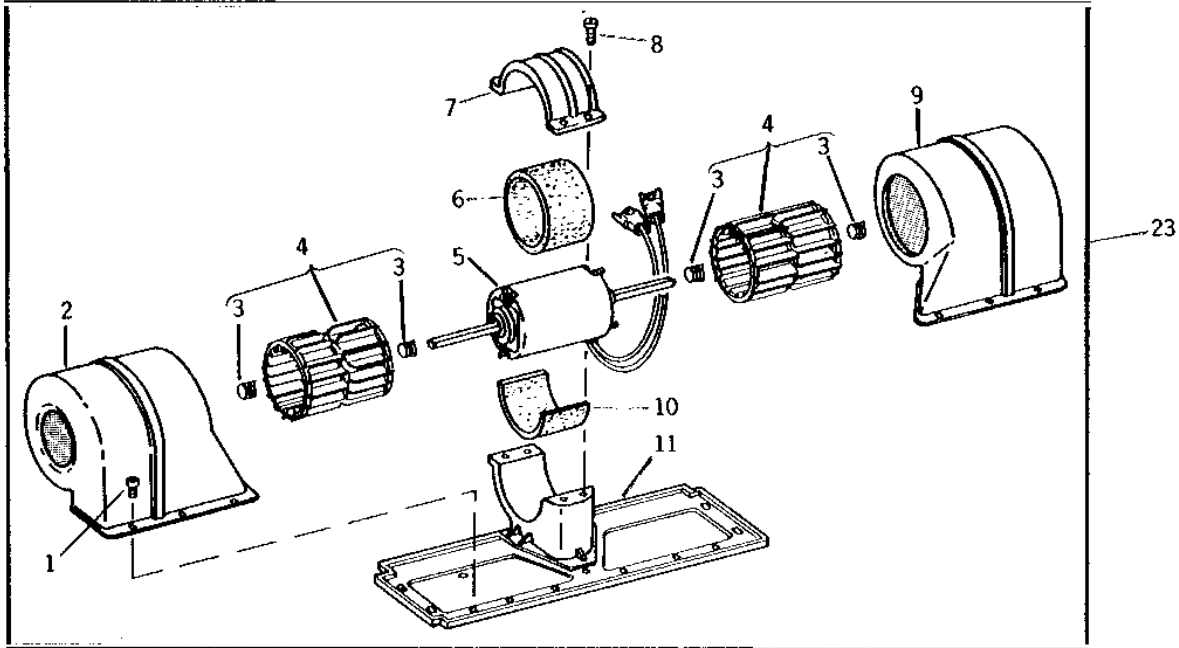
KEY	PART NO.	PART NAME	QTY	TRACTOR SERIAL NO.	REMARKS
1	AR52325	VALVE	1		
2	12H304	LOCK WASHER	1	-XXXXXX	3/8"
	12M7066	LOCK WASHER	1	XXXXXX-	M10
3	19H1938	CAP SCREW	1	-XXXXXX	3/8" X 13/16"
	19M7170	CAP SCREW	1	XXXXXX-	M10 X 50
4	AR64088	HOSE	1		EVAPORATOR CORE TO COMPRESSOR SUCTION, (SUB RE58483)
5	AR52322	LINE	1		
6	AR52321	SIGHT PLUG	1		
7	12H302	LOCK WASHER	4		1/4"
8	14H786	NUT	4		1/4"
9	R21230	U-BOLT	2		
10	AR64087	HOSE	1		COMPRESSOR TO CONDENSER, (SUB RE57318)
	R40791	CLAMP	1		
11	CLAMP	1		(NOT FURNISHED)
12	R27180	GROMMET	1		
13	AR49961	VALVE	1		
14	ISOLATOR	2		762MM (30") (MAKE FROM R48884)
15	AR49966	CORE	1		
16	14H785	NUT	3		5/16"
17	12H303	LOCK WASHER	3		5/16"
18	24H1291	WASHER	6		21/64" X 1-15/32" X 7/64"
19	19H2342	CAP SCREW	3		5/16" X 4-1/2"
20	AR52324	SWITCH	1		
	R26409	GROMMET	2		
21	AR69370	KNOB	1		(SUB FOR AR49969)
..	R45440	TIE BAND	AR		(SUB R76477)
..	R57003	TAPE	1		9144MM (360") ROLL, (SUB TY15709)
..	TY15939	O-RING KIT	1		AIR CONDITIONING ORING, (SUB FOR AT66632)

3G21

OPERATOR'S STATION

R33174 -UN-01JAN94

BLOWER AND CONDENSATE TRAY (HINSON)



R33174

3G22

OPERATOR'S STATION

BLOWER AND CONDENSATE TRAY - CONTINUED (HINSON)

KEY	PART NO.	PART NAME	QTY	TRACTOR SERIAL NO.	REMARKS
1	14H605	NUT	8	-XXXXXX	0.164"
	12H315	LOCK WASHER	8	-XXXXXX	0.164"
	21H1158	SCREW	8	-XXXXXX	0.164" X 1/2"
	37H32	SCREW	8	XXXXXX-	0.190" X 3/8"
2	AR69012	HOUSING	2		
3	R56101	CLIP	4		
4	AR66028	IMPELLER	2		(SUB FOR AR66034)
5	AR62497	MOTOR	2		
6	R57606	CUSHION	1		
7	R59450	RETAINER	1		
8	37H80	SCREW	4		0.190" X 1/2"
9	AR69011	HOUSING	2		
10	CUSHION	1		102MM (4") (MAKE FROM R57606)
11	AR74020	BASE	2		(SUB FOR AR68974) (INCLUDES R59450 AND 37H80)
12	R48885	PANEL	2		
13	AR52323	CONTAINER	1		
	WEATHERSTRIP	1		6 X 13 X 1016MM (1/4" X 1/2" X 40") (MAKE FROM R48884)
	ISOLATOR	1		6 X 13 X 965MM (1/4 X 1/2" X 38") (MAKE FROM R48884)
	ISOLATOR	2		6 X 13 X 51MM (1/4" X 1/2" X 2") (MAKE FROM R48884)
	R49858	ISOLATOR	1		
14	AR69370	KNOB	1		(SUB FOR AR49969)
15	R27296	NUT	1		
16	AR53155	SWITCH	1		(SUB FOR AR49964 OR AR53154)
17	12H302	LOCK WASHER	4		1/4"
18	19H1227	CAP SCREW	4		1/4" X 1/2"
19	R48902	GROMMET	2		
20	AR21837	CLAMP	6		(SUB TY22465)
21	R48913	HOSE	2		
22	R49293	HOSE	2		
23	AR74019	BLOWER	2		(SUB FOR AR49968, AR53156, AR62561, AR66027 OR AR68973)
..	R44302	TIE BAND	AR		

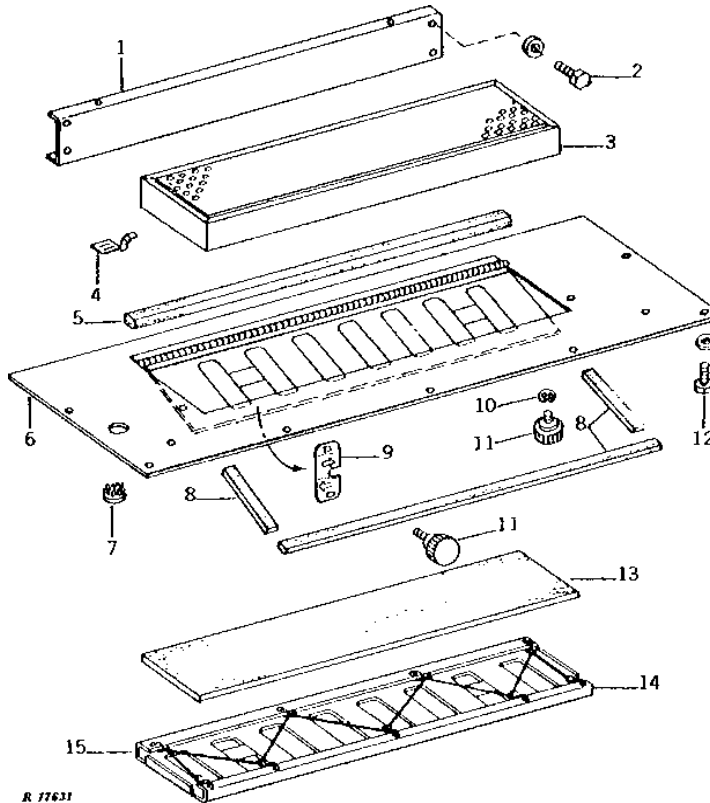
MEMORANDA

3G23

OPERATOR'S STATION

R17631 -UN-01JAN94

FRONT CONSOLE COVER AND FILTER (HINSON)



R 17631

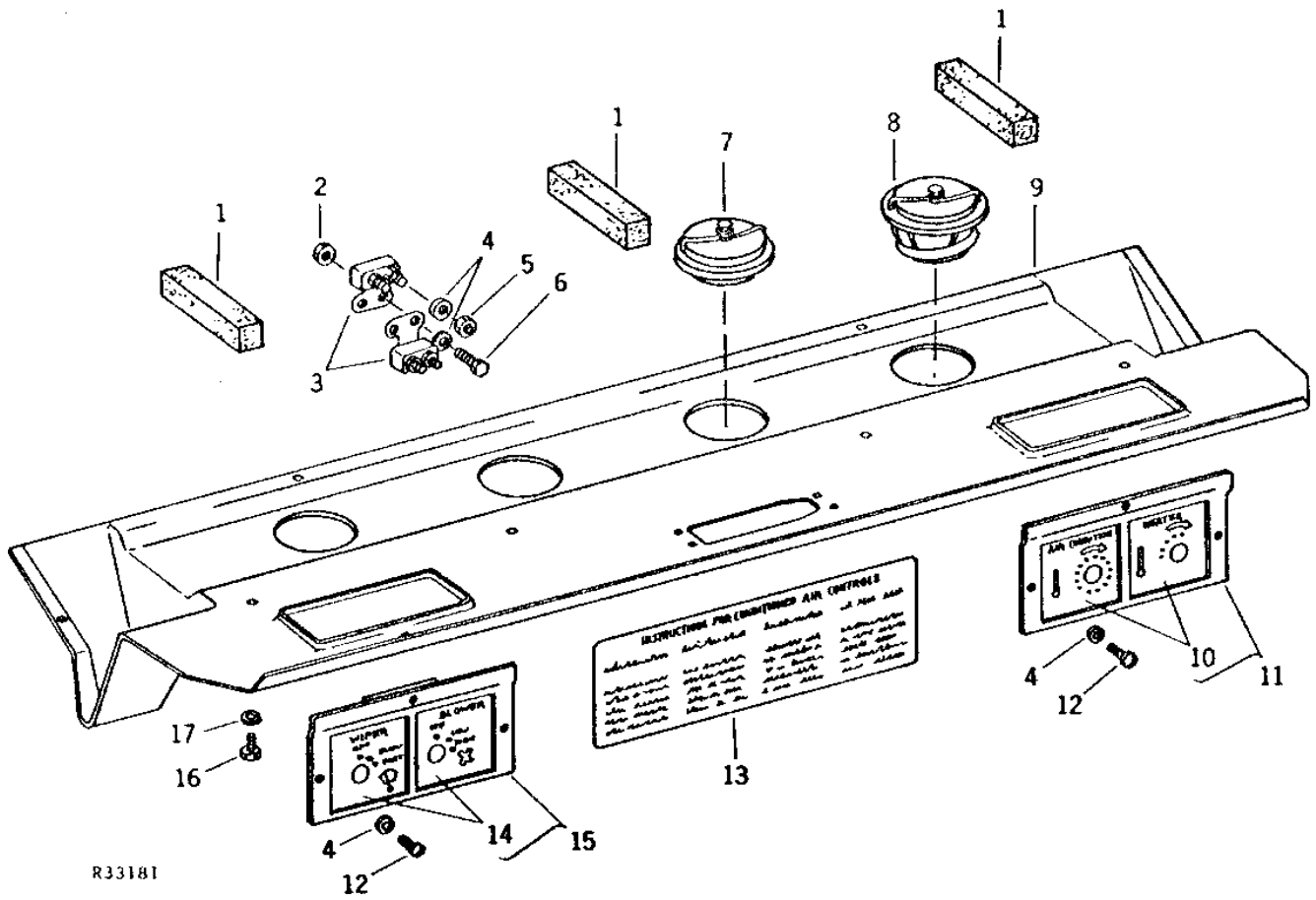
KEY	PART NO.	PART NAME	QTY	TRACTOR SERIAL NO.	REMARKS
1	AR52296	PANEL	1		
2	19H1227	CAP SCREW	7	1/4" X 1/2"	
	12H302	LOCK WASHER	7	1/4"	
3	AR61903	AIR FILTER	1	(SUB FOR AR49986)	
4	AR50010	CLIP	4	(SUB FOR AR50009)	
5	R48880	WEATHERSTRIP	1	787MM (31")	
6	AR52297	COVER	1		
	R48884	WEATHERSTRIP	1		
7	R36590	PLUG	1		
8	R48879	WEATHERSTRIP	1	1270MM (50")	
9	R48878	LABEL	1		
10	R27507	SNAP RING	2	(SUB R72654)	
11	AR52300	KNOB	4		
12	19H1227	CAP SCREW	14	1/4" X 1/2"	
	12H302	LOCK WASHER	14	1/4"	
13	R48881	FILTER ELEMENT	1		
14	AR63928	DOOR	1	(SUB FOR AR52298)	
15	AR52299	CABLE	1		

3G24

OPERATOR'S STATION

REAR CONSOLE COVER AND CONTROL PANEL (HINSON)

R33181 -UN-01JAN94



R33181

3G25

OPERATOR'S STATION

REAR CONSOLE COVER AND CONTROL PANEL - CONTINUED (HINSON)

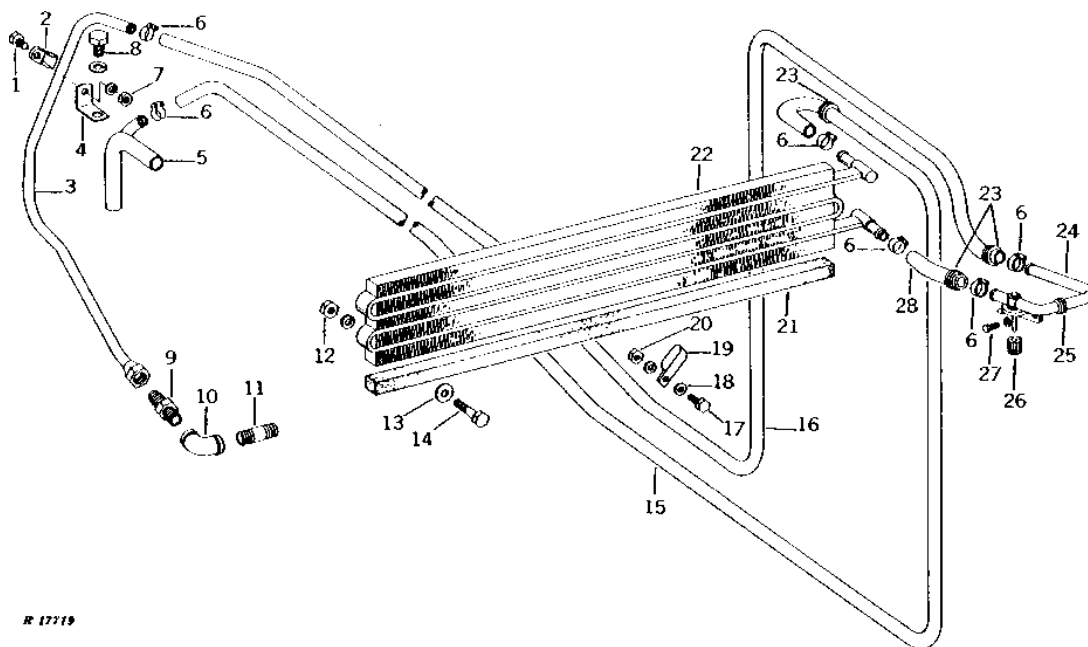
KEY	PART NO.	PART NAME	QTY	TRACTOR SERIAL NO.	REMARKS
1	ISOLATOR	3		25 X 25 X 127MM (1" X 1" X 5") (MAKE FROM R30937)
2	14H778	NUT	2		0.190"
3	AR28403	CIRCUIT BREAKER	2		
4	12H246	LOCK WASHER	10		0.190"
5	14H631	NUT	4		0.190"
6	21H1317	SCREW	2		0.190" X 5/8"
7	AR49952	DEFLECTOR	3		
8	AR49970	DEFLECTOR	1		
9	R48874	COVER	1		
10	R48896	LABEL	1		HEATER
	R48908	LABEL	1		(AIR CONDITIONING)
	R48911	LABEL	1		(AIR CONDITIONING AND HEATER) (NLA)
11	AR52313	PANEL	1		
	AR52314	PANEL	1		(HEATER)
	AR52326	PANEL	1		(AIR CONDITIONING)
	AR52327	PANEL	1		(AIR CONDITIONING AND HEATER)
12	21H1317	SCREW	4		0.190" X 5/8"
13	R54839	LABEL	1		(AIR CONDITIONING) (SUB FOR R48903)
	R54840	LABEL	1		(PRESSURIZER)
14	R48882	LABEL	1		(WIPER AND BLOWER)
15	AR52301	PANEL	1		(WIPER AND BLOWER) (NLA)
16	19H1227	CAP SCREW	11		1/4" X 1/2"
17	12H302	LOCK WASHER	11		1/4"
..	R36590	PLUG	1		SUCTION LINE HOLE IN PLATE (LESS AIR CONDITIONING)
..	R36590	PLUG	1		HEATER HOSE HOLES IN CONSOLE (LESS HEATER)
..	M42229	PLUG	1		EXPANSION VALVE SENSING BULB HOLE (LESS AIR CONDITIONING) (SUB FOR R32234 OR T11708)
..	T13911	PLUG	1		CONTROL SWITCH CAPILLARY HOLE (LESS AIR CONDITIONING)

3H1

OPERATOR'S STATION

CAB HEATER AND HOSES (HINSON)

R17719 -UN-01JAN94



R 17719

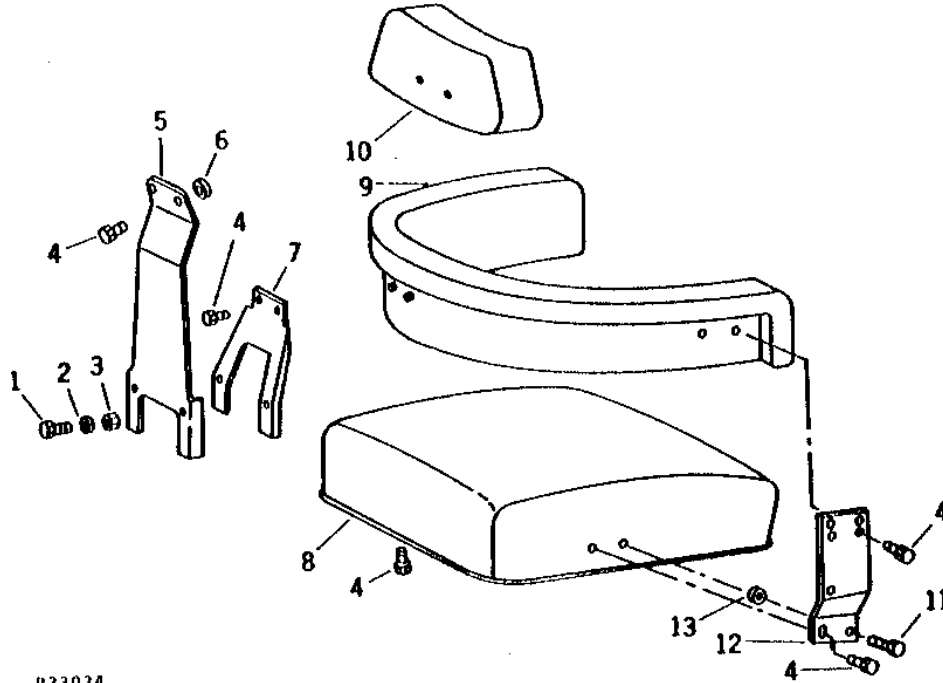
KEY	PART NO.	PART NAME	QTY	TRACTOR SERIAL NO.	REMARKS
1	19H1936	CAP SCREW	1	3/8" X 3/4"	
2	R46414	CLAMP	1		
3	AR51440	LINE	1		HEATER INLET
4	R48385	ANGLE	1		
5	AR50598	TUBE	1		
6	AR21837	CLAMP	2		(SUB TY22465)
7	14H1076	NUT	1	3/8"	
8	12H304	LOCK WASHER	1	3/8"	
8	19H1833	CAP SCREW	1	5/8" X 1-1/4"	
	12H294	LOCK WASHER	1	5/8"	
9	R48384	FITTING	1		
10	15H99	ELBOW FITTING	1	3/4" 90°	
11	29H658	THREADED NIPPLE	1	3/4" X 2"	
12	14H785	NUT	3	5/16"	
	12H303	LOCK WASHER	3	5/16"	
13	24H1291	WASHER	3	21/64" X 1-15/32" X 7/64"	
14	19H3552	CAP SCREW	3	5/16" X 1-1/2"	
15	HOSE	1		(CUT TO LENGTH) (MAKE FROM TY22328) (SUB FOR R45847)
16	HOSE	1		(CUT TO LENGTH) (MAKE FROM TY22328) (SUB FOR R45847)
17	19H1936	CAP SCREW	1	3/8" X 3/4"	
18	24H1301	WASHER	1	13/32" X 9/16" X 0.065"	
19	R42045	CLIP	1		
20	14H1076	NUT	1	3/8"	
	12H304	LOCK WASHER	1	3/8"	
21	R47468	ISOLATOR	1		
22	AR49965	CORE	1		
23	H31207	GROMMET	3		
24	AR49987	VALVE	1		
25	P41858	GROMMET	1		
26	AR69370	KNOB	1		(SUB FOR AR49969)
27	19H1227	CAP SCREW	2	1/4" X 1/2"	
	12H302	LOCK WASHER	2	1/4"	
28	HOSE	1		203MM (8") (MAKE FROM TY22328) (SUB FOR R45847)
..	R44302	TIE BAND	AR		

3H2

OPERATOR'S STATION

R33034 -UN-01JAN94

DELUXE SEAT



423034

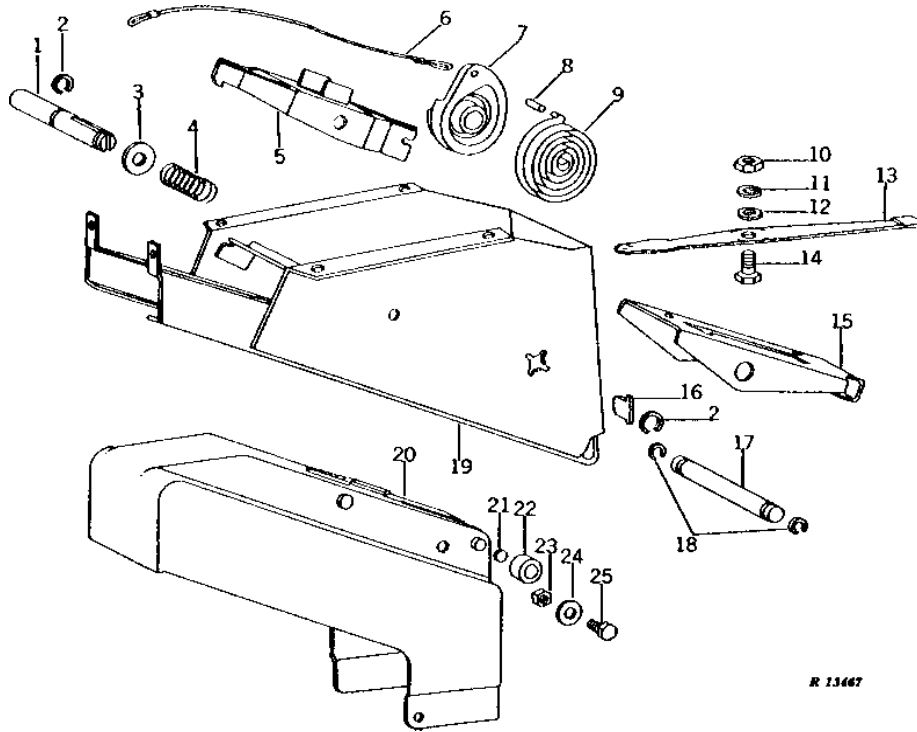
KEY	PART NO.	PART NAME	QTY	TRACTOR SERIAL NO.	REMARKS
1	19H1905	CAP SCREW	2	5/16" X 1"	
2	12H303	LOCK WASHER	2	5/16"	
3	14H785	NUT	2	5/16"	
4	19H1813	CAP SCREW	16	5/16" X 5/8"	
5	R34272	SUPPORT	1		
6	24H448	WASHER	2	25/32" X 1-1/8" X 0.090"	
7	R27785	SUPPORT	1		
8	AR44763	CUSHION	1	(SUB FOR AR59681)	
	R32736	COVER	1	(NATURAL CANVAS)	
	R34618	CUSHION COVER	1	(YELLOW VINYL)	
	R34609	COVER	1	(WHITE CANVAS)	
9	AR59680	ARMREST	1	(SUB FOR AR42598)	
	R34620	CUSHION COVER	1		
10	R34267	SEAT BACK	1	(SUB FOR AR59679)	
	R34619	CUSHION COVER	1		
11	19H2127	CAP SCREW	2	5/16" X 7/8"	
12	R57274	SUPPORT	1	R.H. (SUB FOR AR41937)	
	R41938	SUPPORT	1	L.H.	
13	24H1517	WASHER	2	1-13/32" X 2-23/32" X 0.036"	

3H3

OPERATOR'S STATION

R13467 -UN-01JAN94

DELUXE SEAT SUPPORT



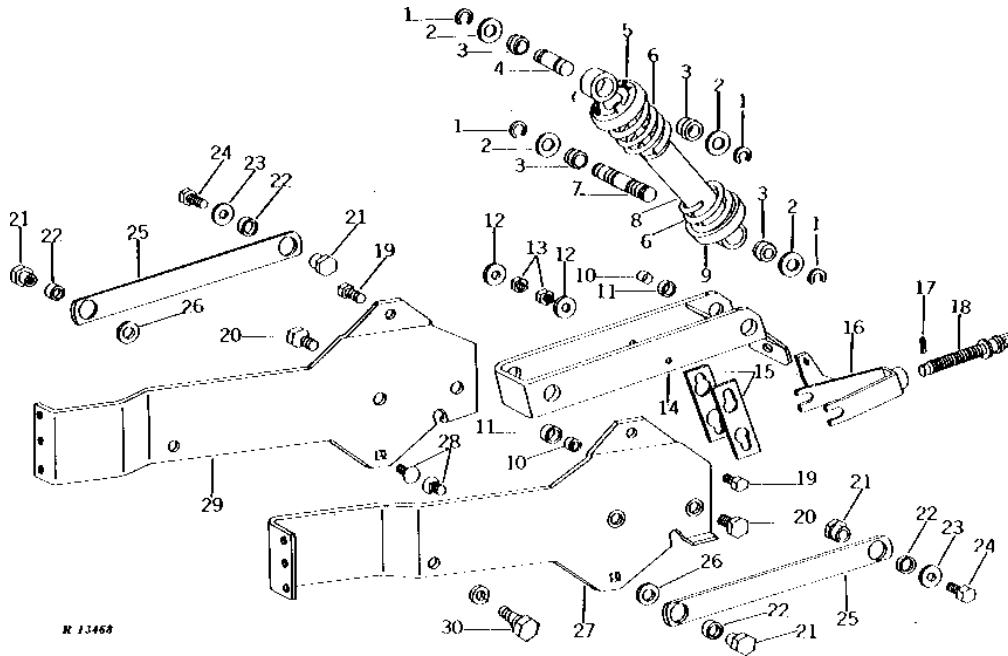
KEY	PART NO.	PART NAME	QTY	TRACTOR SERIAL NO.	REMARKS
1	R26874	SHAFT	1		
2	A369R	SNAP RING	2	(SUB R73380)	
3	24H1395	WASHER	1	25/32" X 1-7/16" X 0.060"	
4	A4744R	SPRING	1		
5	R26828	LATCH	1		
6	AR26403	CABLE	1	(SUB R78257)	
7	R26432	REEL	1		
8	34H282	SPRING PIN	1	3/16" X 1"	
9	R31260	SPRING	1	(SUB FOR R26433)	
10	14H786	NUT	1	1/4"	
11	12H302	LOCK WASHER	1	1/4"	
12	24H1287	WASHER	1	9/32" X 5/8" X 0.065"	
13	R27439	LEVER	1		
14	R26431	SCREW	1		
15	R26830	HANDLE	1		
16	R26434	LATCH	1		
17	R26829	PIN	1		
18	R26871	SNAP RING	2	(SUB FOR P44982)	
19	AR36047	SUPPORT	1	(SUB R73380, AR68728, R57572 AND (2) 24H1384)	
20	AR26632	FRAME	1		
21	R26872	SHIM	1	0.25MM (.010")	
	R26873	SHIM	1	0.51MM (.020")	
22	R26436	ROLLER	4		
23	M63440	LOCK NUT	2	(SUB T11234)	
24	R27441	WASHER	2		
25	19H2552	CAP SCREW	2	3/8" X 1-1/8"	

3H4

OPERATOR'S STATION

R13468 -UN-01JAN94

DELUXE SEAT SUSPENSION



R 13468

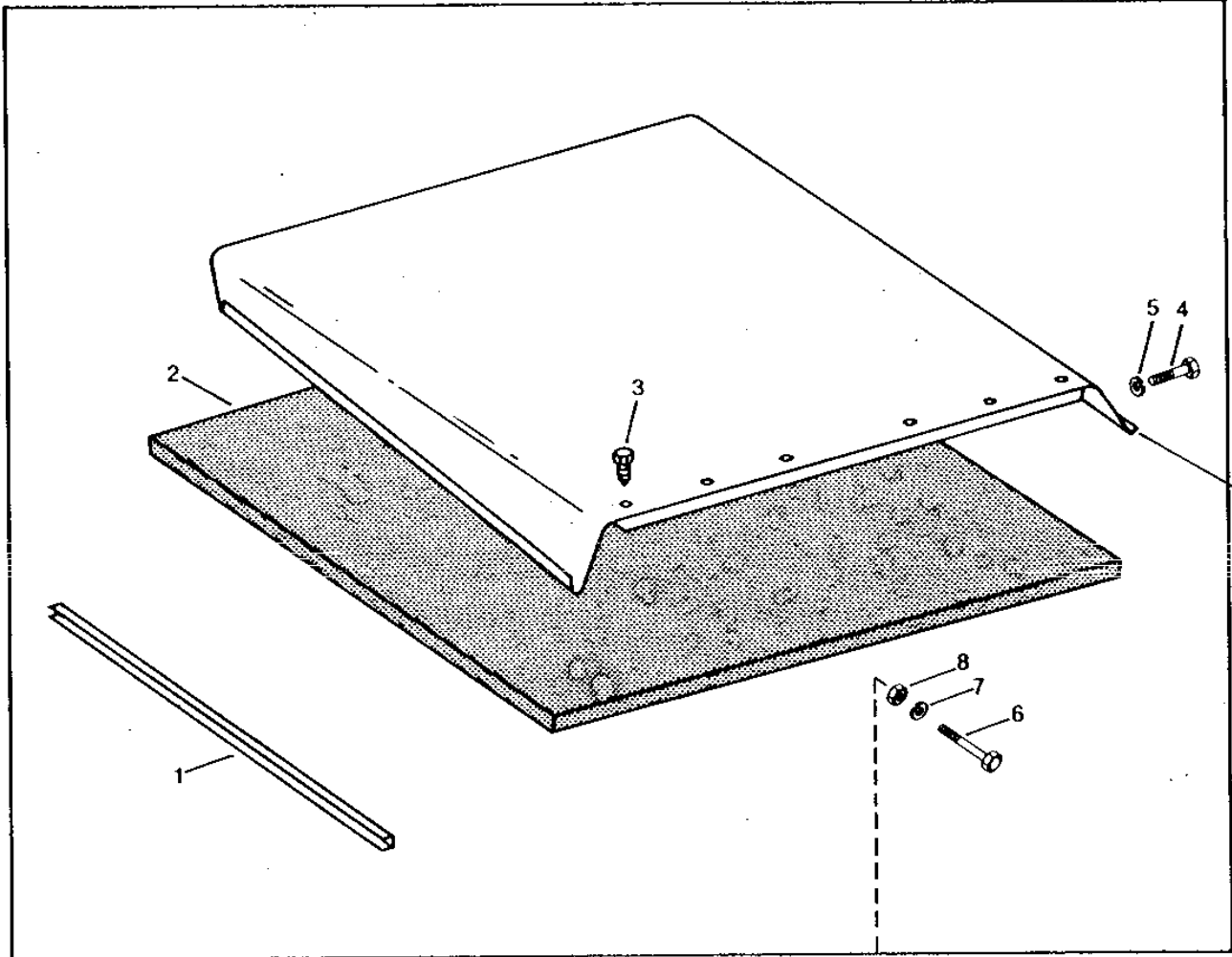
KEY	PART NO.	PART NAME	QTY	TRACTOR SERIAL NO.	REMARKS
1	F2863R	SNAP RING	4		
2	R1836R	WASHER	4		
3	R26832	BUSHING	4		
4	R26875	PIN	1		
5	R27442	CAP	1		
6	R26877	SPRING	1		
7	R26876	SHAFT	1		
8	AR71976	ABSORBER	1		(SUB FOR AR26529) (SUB RE62234)
9	R26879	CAP	1		
10	R27440	BUSHING	4		
11	R36704	BUSHING	4		(SUB R51648)
12	R27441	WASHER	4		
13	M63440	LOCK NUT	4		(SUB T11234)
14	AR60029	ARM	1		(SUB FOR AR36048)
15	R26878	LINK	2		
16	AR69271	YOKE	1		(SUB FOR AR26530)
17	34H247	SPRING PIN	1		1/8" X 3/4"
18	R27121	SCREW	1		(SUB R57623 AND 34H323)
19	19H1732	CAP SCREW	2		3/8" X 1-1/4"
20	R31505	BOLT	4		
21	R26880	NUT	4		
22	R36704	WASHER	4		(SUB R51648)
23	R27441	WASHER	2		
24	19H1936	CAP SCREW	2		3/8" X 3/4"
25	AR31977	LINK	2		
26	R48450	WASHER	2		(SUB FOR R26113)
27	R43121	SUPPORT	1		
28	10H1026	BOLT	2		3/8" X 1"
29	R43122	SUPPORT	1		
30	19H1815	CAP SCREW	2		1/2" X 1-1/4"
	12H301	LOCK WASHER	2		1/2"

3H5

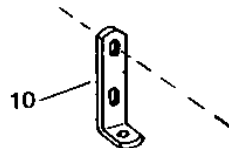
OPERATOR'S STATION

RWP4392 -UN-01JAN94

CANOPY



RWP4392



3H6

OPERATOR'S STATION

CANOPY - CONTINUED

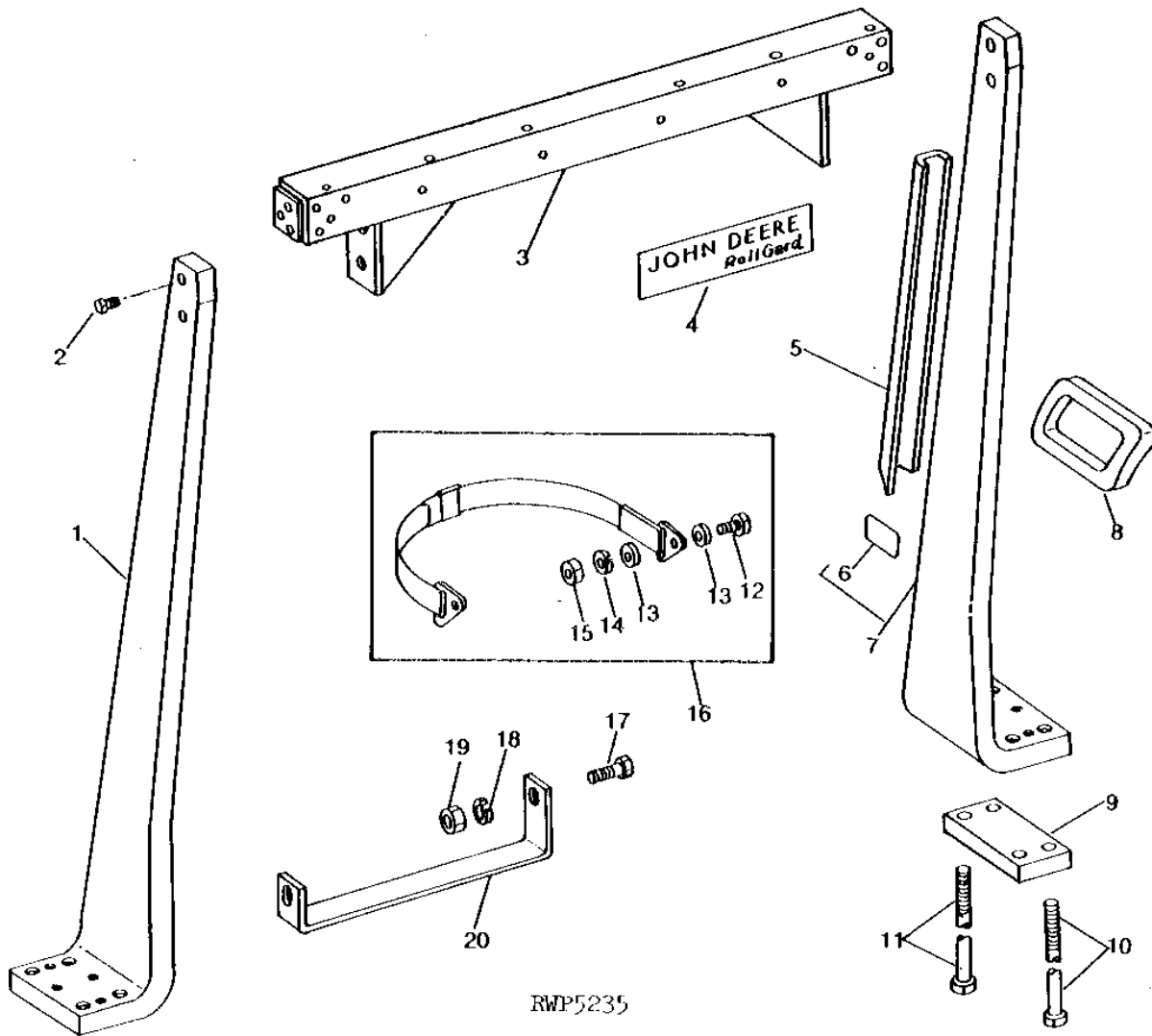
KEY	PART NO.	PART NAME	QTY	TRACTOR SERIAL NO.	REMARKS
1	R41358	ISOLATOR	2		
2	R47197	FOAM PAD	1		
3	37H27	SCREW	10	5/16" X 7/8"	
4	19H1731	CAP SCREW	6	3/8" X 1"	
5	12H304	LOCK WASHER	6	3/8"	
6	19H2054	CAP SCREW	6	3/8" X 4-3/4"	
7	12H304	LOCK WASHER	6	3/8"	
8	14H1076	NUT	6	3/8"	
9	AR51452	CANOPY	1		
10	R52195	BRACKET	2		WARNING LAMP

3H7

OPERATOR'S STATION

RWP5235 -UN-01JAN94

ROLL-GARD AND SEAT BELT



3H8

OPERATOR'S STATION

ROLL-GARD AND SEAT BELT - CONTINUED

KEY	PART NO.	PART NAME	QTY	TRACTOR SERIAL NO.	REMARKS
1	R47713	FRAME	1	(A) (NLA)	
	R47715	FRAME	1	(B) (NLA)	
2	19H2728	CAP SCREW	4	3/4" X 3"	
3	AR44613	CROSSBAR	1	(SUB FOR AR42508 OR AR68306) (NLA)	
4	R47292	LABEL	1	(SUB FOR T27155)	
5	R42646	FOAM PAD	2		
6	R87527	LABEL	1	CAUTION, (SUB FOR R41781)	
7	AR50539	FRAME	1	(A) (NLA)	
	AR50540	FRAME	1	(B) (NLA)	
8	R44619	GROMMET	1	R.H.	
	R44621	GROMMET	1	L.H.	
9	R44582	PLATE	2		
10	R47722	CAP SCREW	4		
11	R47721	SCREW	4		
12	R41778	BOLT	2		
13	24H1226	WASHER	4	1/2" X 1-1/4" X 0.083"	
14	12H293	LOCK WASHER	2	7/16"	
15	14H807	NUT	2	7/16"	
16	AR41761	SEAT BELT	1	51MM (2")	
	AT38518	SEAT BELT	1	76MM (3")	
	R81424	LABEL	1	(C) CAUTION, (SUB FOR R42732)	
17	19H2284	CAP SCREW	2	3/8" X 7/8"	
18	12H304	LOCK WASHER	2	3/8"	
19	14H1076	NUT	2	3/8"	
20	R43887	BRACKET	2		

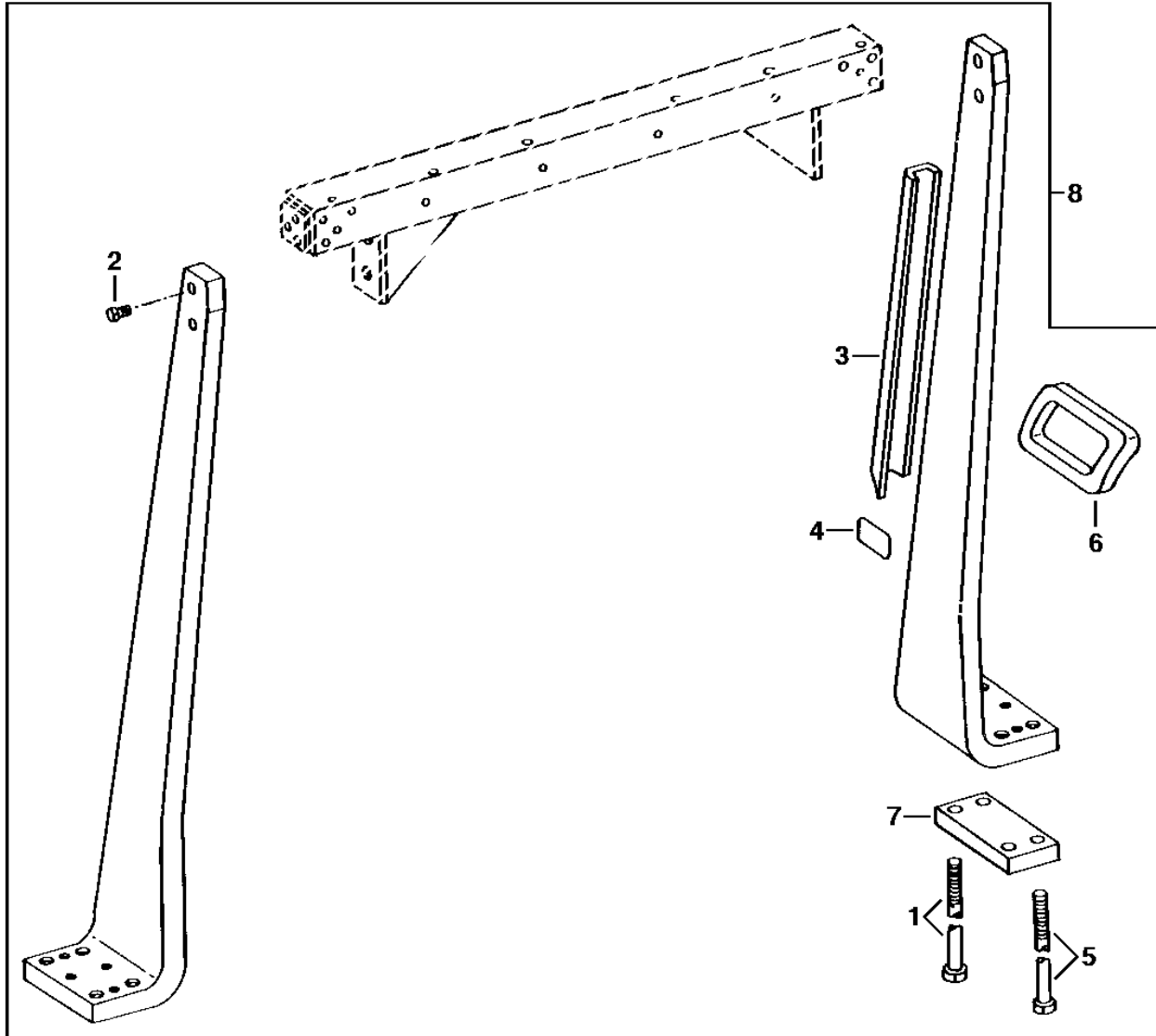
(A) ROW-CROP
(B) STANDARD

3H9

OPERATOR'S STATION

RXP025159 -UN-06DEC95

ROLL-GARD FRAME KIT



RXP025159

3H10

OPERATOR'S STATION

ROLL-GARD FRAME KIT - CONTINUED

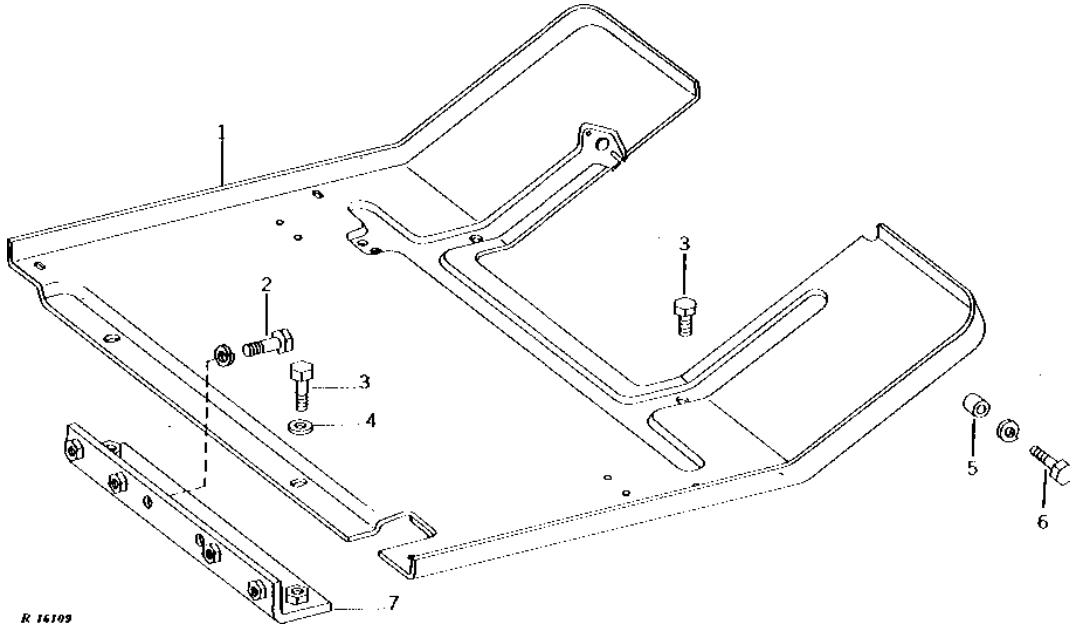
KEY	PART NO.	PART NAME	QTY	TRACTOR SERIAL NO.	REMARKS
1	R47721	SCREW	4		
2	19H2728	CAP SCREW	4		3/4" X 3"
3	R42646	FOAM PAD	2		
4	R87527	LABEL	1		CAUTION, (SUB FOR R41781)
5	R47722	CAP SCREW	4		
6	R44619	GROMMET	1		R.H.
	R44621	GROMMET	1		L.H.
7	R44582	PLATE	2		
8	AR50534	ROLL-GARD	1		
..	19H1974	CAP SCREW	8		1/2" X 2-3/4"

3H11

OPERATOR'S STATION

R16109 -UN-01JAN94

PLATFORM (ROW-CROP)



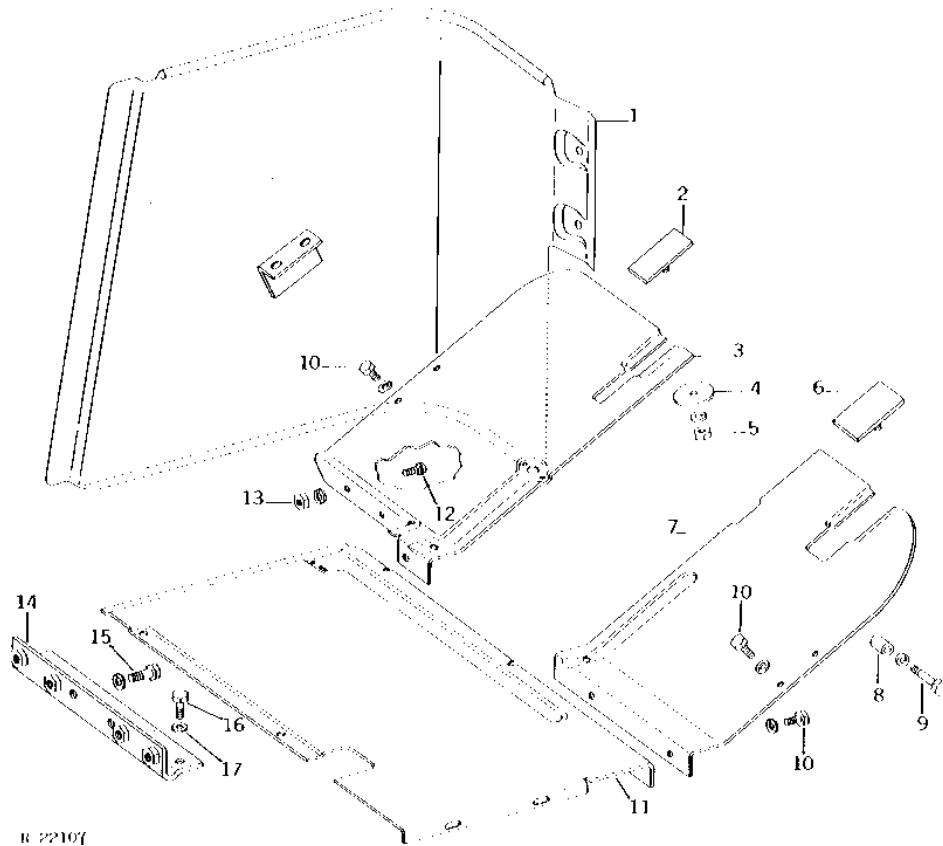
KEY	PART NO.	PART NAME	QTY	TRACTOR SERIAL NO.	REMARKS
1	AR43948	PLATFORM	1		(SUB FOR AR43098 AND AR43949)
2	19H1815	CAP SCREW	2		1/2" X 1-1/4"
	12H301	LOCK WASHER	2		1/2"
3	19H1936	CAP SCREW	4		3/8" X 3/4"
4	24H1305	WASHER	2		13/32" X 13/16" X 0.065"
5	B3675R	BUSHING	2		
6	19H1765	CAP SCREW	2		3/8" X 1-3/4"
	12H304	LOCK WASHER	2		3/8"
7	AR43133	SUPPORT	1		

3H12

OPERATOR'S STATION

R22107 -UN-01JAN94

PLATFORM AND OPERATOR SHIELD (STANDARD)



R 22107

KEY	PART NO.	PART NAME	QTY	TRACTOR SERIAL NO.	REMARKS
1	AR43088	SHIELD	1		L.H.
	AR43087	SHIELD	1		R.H.
2	AR43120	COVER	1		CLUTCH
3	R47222	EXTENSION	1		
4	R43456	WASHER	2		
5	14H785	NUT	2		5/16"
6	AR43119	COVER	1		BRAKE
7	R43452	EXTENSION	1		
8	B3675R	BUSHING	2		
9	19H1765	CAP SCREW	2		3/8" X 1-3/4"
	12H304	LOCK WASHER	2		3/8"
10	19H1134	CAP SCREW	7		3/8" X 3/4"
	12H304	LOCK WASHER	7		3/8"
11	AR49186	PLATFORM	1		
12	03H1463	BOLT	2		3/8" X 3/4"
13	14H1076	NUT	2		3/8"
	12H304	LOCK WASHER	2		3/8"
14	AR43133	SUPPORT	1		
15	19H1815	CAP SCREW	2		1/2" X 1-1/4"
	12H301	LOCK WASHER	2		1/2"
16	19H1134	CAP SCREW	2		3/8" X 3/4"
17	24H1305	WASHER	2		13/32" X 13/16" X 0.065"

MEMORANDA

3H13

OPERATOR'S STATION

**PLATFORM MAT
(NOT ILLUSTRATED)**

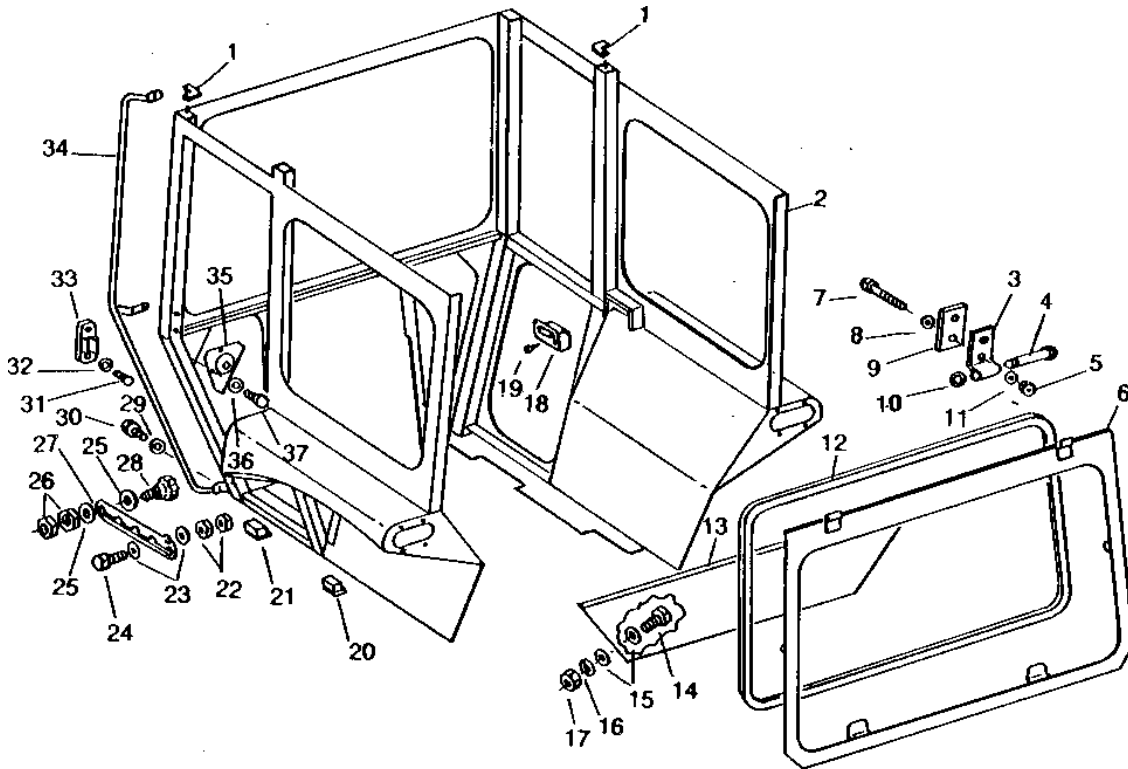
KEY	PART NO.	PART NAME	QTY	TRACTOR SERIAL NO.	REMARKS
..	R43877	MAT	1		(ROW-CROP) (NLA)
..	R47680	MAT	1		(STANDARD) (NLA)

3H14

OPERATOR'S STATION

RWP5399 -UN-01JAN94

CAB BODY
(HINSON)



RWP5399

3H15

OPERATOR'S STATION

CAB BODY - CONTINUED (HINSON)

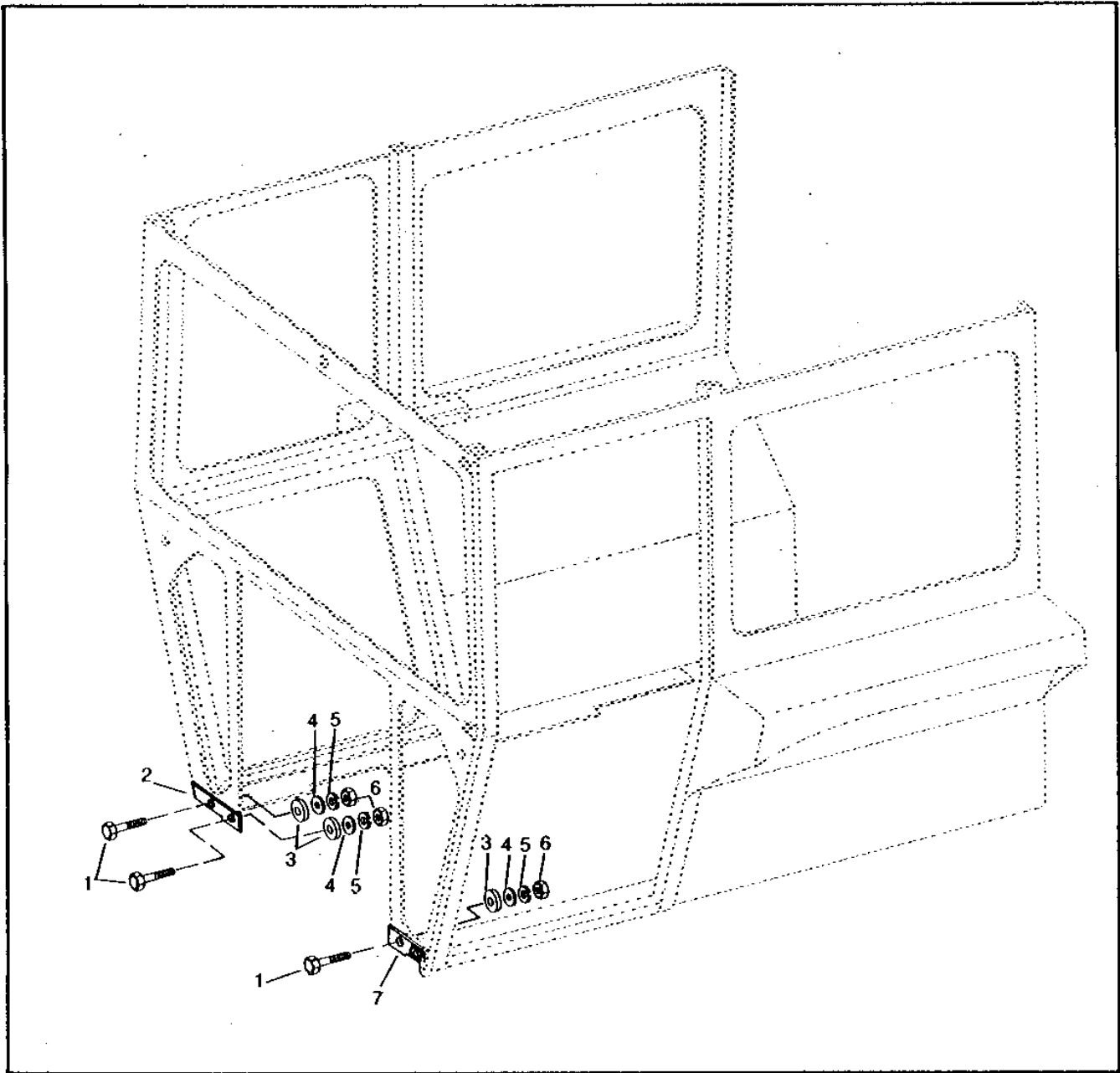
KEY	PART NO.	PART NAME	QTY	TRACTOR SERIAL NO.	REMARKS
1	MOLDING	4		76MM (3") (MAKE FROM R41358)
2	AR52309	FRAME	1		
3	R48877	HINGE	2		
4	R55170	PIN	2		
5	14H1076	NUT	4		3/8"
6	AR52290	PANEL	1		
7	19H2345	CAP SCREW	4		3/8" X 5-1/2"
8	24H1305	WASHER	4		13/32" X 13/16" X 0.065"
9	R48889	SPACER	2		
10	R11026	SNAP RING	2	-014207	
	T12808	SNAP RING	2	014208-	(SUB R72655)
11	12H304	LOCK WASHER	4		3/8"
12	WEATHERSTRIP	1		4216MM (166") (MAKE FROM H61993)
13	AR52308	PANEL	1		
14	19H1900	CAP SCREW	2		5/16" X 3/4"
	19H1905	CAP SCREW	2		5/16" X 1"
15	24H1136	WASHER	8		11/32" X 11/16" X 0.065"
16	12H303	LOCK WASHER	2		5/16"
17	14H785	NUT	2		5/16"
18	AH80057	ASHTRAY	1		
19	37H95	SCREW	2		NO. 8 X 1/2"
20	R48892	PLUG	1		L.H. CENTER POST (LESS AIR CONDITIONING)
	R48895	GROMMET	1		L.H. CENTER POST (AIR CONDITIONING)
	R48892	PLUG	1		R.H. CENTER POST (LESS HEATER)
	R48895	GROMMET	1		R.H. CENTER POST (HEATER)
21	R48890	GROMMET	1		L.H. CORNER POST (LESS AIR CONDITIONING)
	R48904	GROMMET	1		L.H. CORNER POST (AIR CONDITIONING)
	R48891	PLUG	1		R.H. CORNER POST (LESS HEATER)
	R48894	GROMMET	1		R.H. CORNER POST (HEATER) (NLA)
22	14H850	NUT	4		1/4"
23	24H1287	WASHER	4		9/32" X 5/8" X 0.065"
24	19H1948	CAP SCREW	2		1/4" X 3/4"
25	24H1136	WASHER	4		11/32" X 11/16" X 0.065"
26	14H611	NUT	4		5/16"
27	R44444	ARM	2		WINDOW ADJUSTING
28	R48872	KNOB	2		
29	12H304	LOCK WASHER	3		3/8"
30	19H1731	CAP SCREW	3		3/8" X 1"
31	21H1021	SCREW	2		1/4" X 1/2"
32	12H322	LOCK WASHER	2		1/4"
33	H63952	PLATE	1		STRIKER
	R60165	NUT	2		
34	AR52305	HANDLE	1		CAB DOOR
35	AR52295	COVER	2		LAMP STUD
36	12H302	LOCK WASHER	2		1/4"
37	19H1227	CAP SCREW	2		1/4" X 1/2"

3H16

OPERATOR'S STATION

RWP4452 -UN-01JAN94

CAB REINFORCEMENT KIT



8

RWP4452

3H17

OPERATOR'S STATION

CAB REINFORCEMENT KIT - CONTINUED

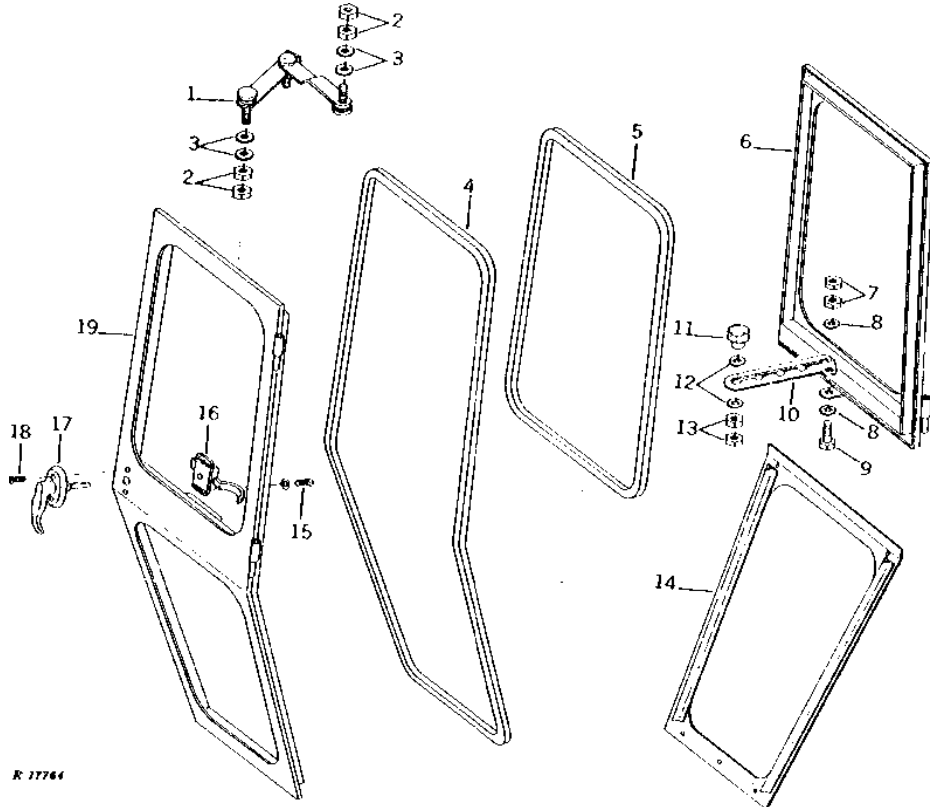
KEY	PART NO.	PART NAME	QTY	TRACTOR SERIAL NO.	REMARKS
1	19H1731	CAP SCREW	3		3/8" X 1"
2	R53791	REINFORCEMENT	1		R.H. (SUB AR61156)
3	R1929R	WASHER	3		(SUB A147R)
4	24H1305	WASHER	3		13/32" X 13/16" X 0.065"
5	12H304	LOCK WASHER	3		3/8"
6	14H1076	NUT	3		3/8"
7	R53792	REINFORCEMENT	1		L.H. (SUB AR61156)
8	AR61156	KIT	1		CAB REINFORCEMENT (NLA)

3H18

OPERATOR'S STATION

CAB DOOR AND RIGHT FRONT WINDOW PANELS (HINSON)

R17764 -UN-01JAN94



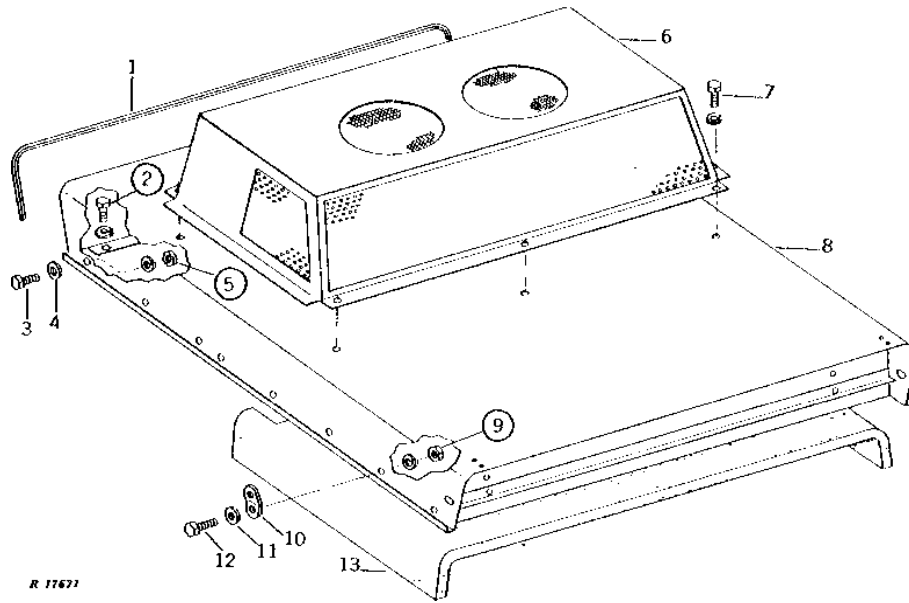
KEY	PART NO.	PART NAME	QTY	TRACTOR SERIAL NO.	REMARKS
1	AR52293	REGULATOR	1		
2	14H611	NUT	4	5/16"	
3	24H1136	WASHER	4	11/32" X 11/16" X 0.065"	
4	WEATHERSTRIP	1	3810MM (150") (MAKE FROM H61993)	
5	WEATHERSTRIP	1	2616MM (103") (MAKE FROM H61993)	
6	AR52289	PANEL	1	UPPER R.H. (NLA)	
7	14H850	NUT	2	1/4"	
8	24H1287	WASHER	2	9/32" X 5/8" X 0.065"	
9	19H1919	CAP SCREW	1	1/4" X 5/8"	
10	R44444	ARM	1		
11	R48872	KNOB	1		
12	24H1136	WASHER	2	11/32" X 11/16" X 0.065"	
13	14H611	NUT	2	5/16"	
14	AR52803	PANEL	1	LOWER R.H. (NLA)	
15	21H1301	SCREW	4	0.190" X 1/2"	
	12H246	LOCK WASHER	4	0.190"	
16	AR52291	LATCH	1		
17	AR55154	HANDLE	1	(SUB FOR AR52292)	
	AR53995	KEY	1	(NLA)	
18	21H1073	SCREW	2	0.190" X 1/2"	
19	AR52304	DOOR	1		
..	AR85792	ADHESIVE	1	.15L (5 OZ) TUBE, (SUB AR31790)	
..	AR57248	KIT	1	WEATHER SEAL REPAIR (NLA)	

3H19

OPERATOR'S STATION

CAB ROOF AND CONDENSER COVER (HINSON)

R17621 -UN-01JAN94



R 17621

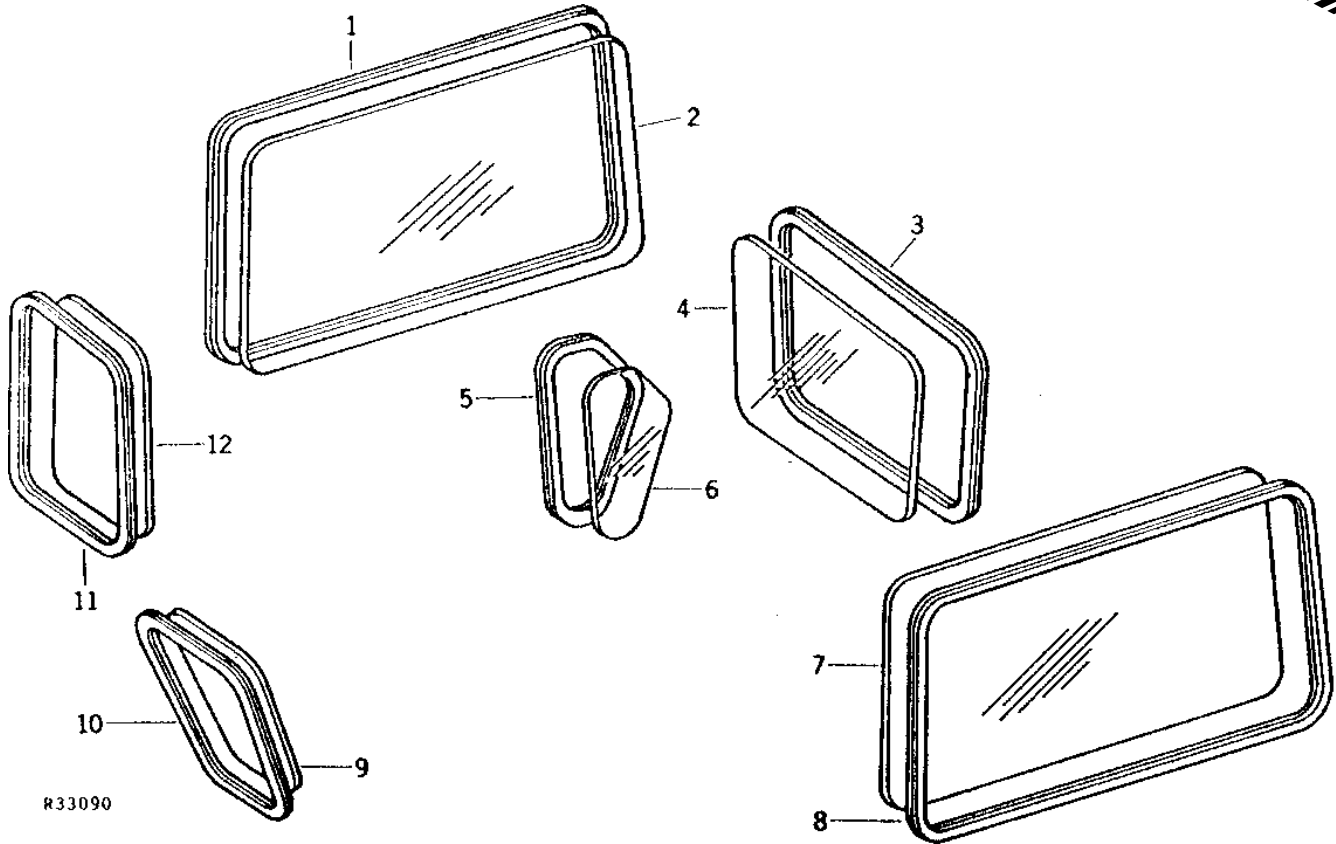
KEY	PART NO.	PART NAME	QTY	TRACTOR SERIAL NO.	REMARKS
1	MOLDING	1	1524MM (60")	(MAKE FROM (2) R41358)
2	19H1227	CAP SCREW	5	1/4" X 1/2"	
	12H302	LOCK WASHER	5	1/4"	
3	19H3552	CAP SCREW	14	5/16" X 1-1/2"	
4	24H1136	WASHER	14	11/32" X 11/16" X 0.065"	
5	14H785	NUT	14	5/16"	
	12H303	LOCK WASHER	14	5/16"	
6	AR52320	COVER	1		
7	19H1227	CAP SCREW	6	1/4" X 1/2"	
	12H302	LOCK WASHER	6	1/4"	
8	AR68107	ROOF	1		(SUB FOR AR52311) (NLA)
	AR68108	ROOF	1		(WITH AIR CONDITIONING) (SUB FOR AR52312)
					(NLA)
9	14H785	NUT	4	5/16"	
	12H303	LOCK WASHER	4	5/16"	
10	R48876	HOOK	4		(NLA)
11	24H1136	WASHER	4	11/32" X 11/16" X 0.065"	
12	19H1900	CAP SCREW	4	5/16" X 3/4"	
13	R48912	HEADLINER	1		

3H20

OPERATOR'S STATION

R33090 -UN-01JAN94

CAB GLASS
(HINSON)



R33090

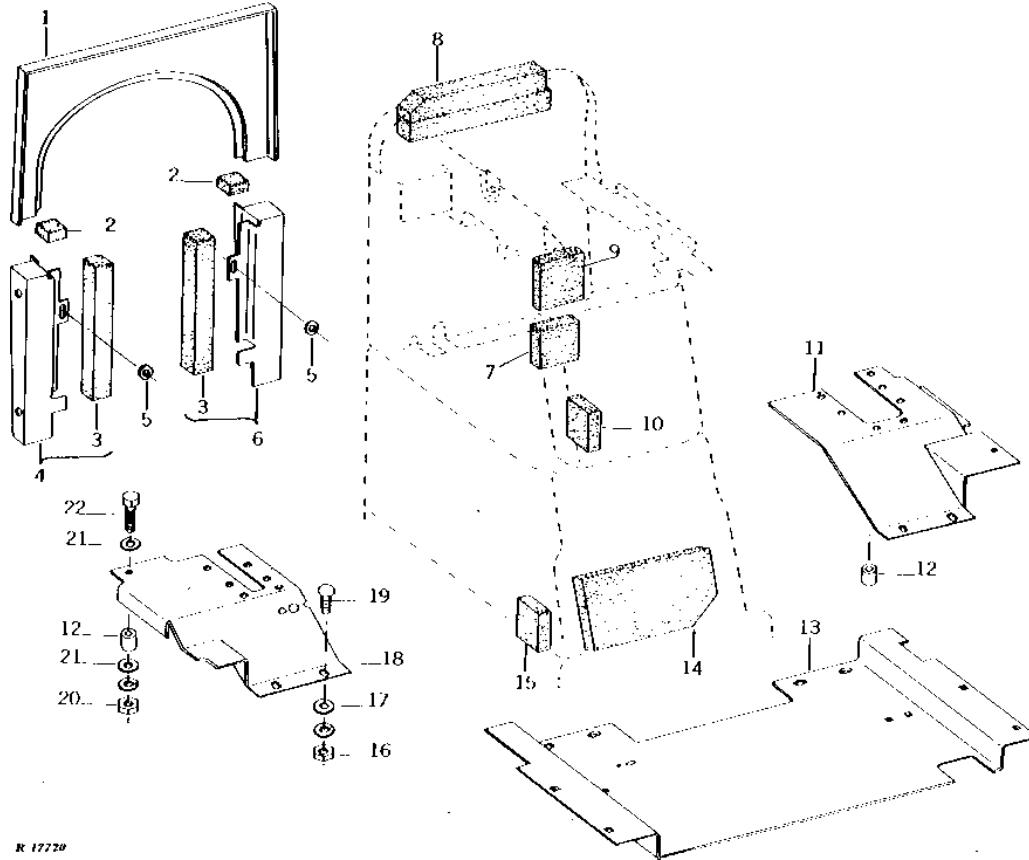
KEY	PART NO.	PART NAME	QTY	TRACTOR SERIAL NO.	REMARKS
1	MOLDING	1	3683MM (145") (MAKE FROM R49857)	
2	R48867	WINDOWPANE	1	WINDSHIELD	
3	MOLDING	2	2743MM (108") (MAKE FROM R49857)	
4	R48870	WINDOWPANE	2	SIDE REAR	
5	MOLDING	2	1397MM (55") (MAKE FROM R49857)	
6	R48868	WINDOWPANE	2	FRONT, LOWER	
7	R48865	WINDOWPANE	1	REAR	
8	R49857	MOLDING	1	3734MM (147")	
	R44438	ISOLATOR	1	LOCKING	
9	R48869	WINDOWPANE	2	DOOR LOWER AND R.H. LOWER	
10	MOLDING	2	1880MM (74") (MAKE FROM R49857)	
11	MOLDING	2	1994MM (78-1/2) (MAKE FROM R49857)	
12	R48871	WINDOWPANE	2	DOOR, UPPER AND R.H. UPPER	

3H21

OPERATOR'S STATION

R17720 -UN-01JAN94

COWL PANEL, PLATFORMS AND SEALING BAFFLES



R 17720

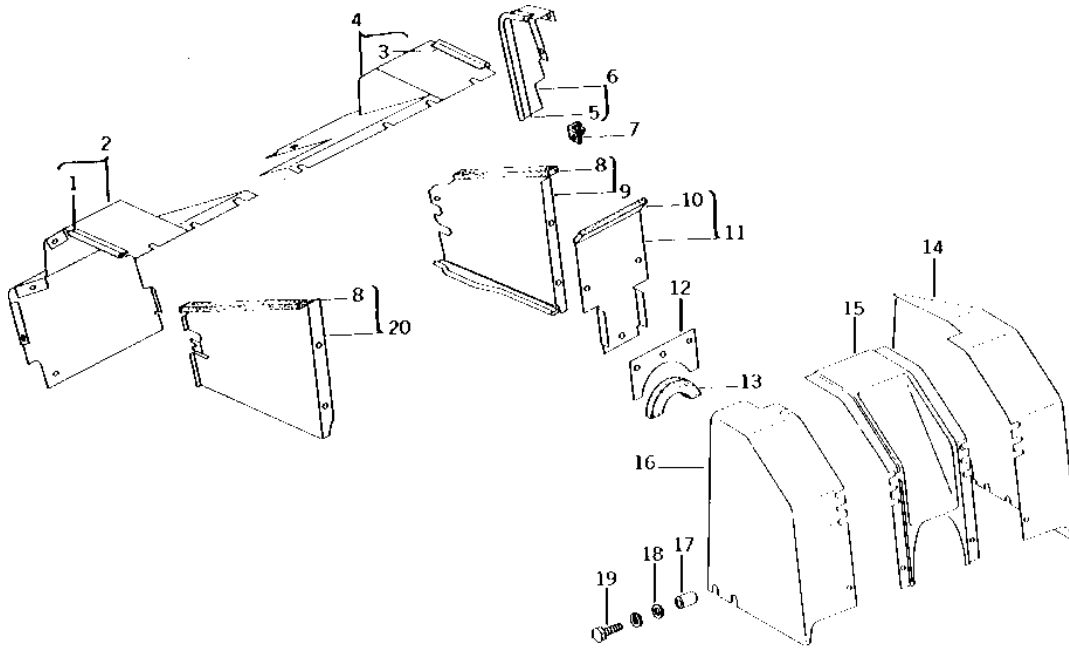
KEY	PART NO.	PART NAME	QTY	TRACTOR SERIAL NO.	REMARKS
1	AR51589	PANEL	1		COWL
2	FOAM PAD	2		25 X 25 X 60MM (1" X 1" X 2-3/8") (MAKE FROM R30937)
3	FOAM PAD	2		38 X 38 X 262MM (1-1/2" X 1-1/2" X 10-5/16") (MAKE FROM R47941)
4	AR51210	PANEL	1		UPPER FRONT, L.H.
5	R48378	WASHER	2		
6	AR51209	PANEL	1		UPPER FRONT, R.H.
7	R45397	INSULATOR	1		HOLE IN CLUTCH HOUSING
8	R45395	FOAM PAD	1		CONTROL SUPPORT, UPPER FRONT
	R45396	FOAM PAD	1		CONTROL SUPPORT, LOWER FRONT
9	R48737	FOAM PAD	1		THROTTLE ROD IN CONTROL SUPPORT
10	R46904	ISOLATOR	1		BRAKE PRESSURE PIPE HOLE
11	AR53144	EXTENSION	1		PLATFORM, R.H. (SUB FOR AR50820) (SUB AR63181, 12H303, 19H1900 AND 24H1136)
12	28H1525	BUSHING	2		3/8" X 1.06"
13	R47899	PLATFORM	1		(NLA)
14	R36415	ISOLATOR	1		CLUTCH HOUSING REAR
15	R46904	ISOLATOR	1		STEERING RETURN PIPE HOLE
16	14H1076	NUT	10		3/8"
	12H304	LOCK WASHER	10		3/8"
17	24H1305	WASHER	10		13/32" X 13/16" X 0.065"
18	AR64281	EXTENSION	1		PLATFORM, L.H. (SUB FOR AR50821) (SUB AR64281, 12H303, 19H1900 AND 24H1136)
19	03H1519	BOLT	10		3/8" X 1"
20	14H1076	NUT	2		3/8"
	12H304	LOCK WASHER	2		3/8"
21	24H1305	WASHER	4		13/32" X 13/16" X 0.065"
22	19H1726	CAP SCREW	2		3/8" X 2-1/4"

3H22

OPERATOR'S STATION

R15928 -UN-01JAN94

FUNCTION COVERS AND PANELS (HINSON)



R 15928

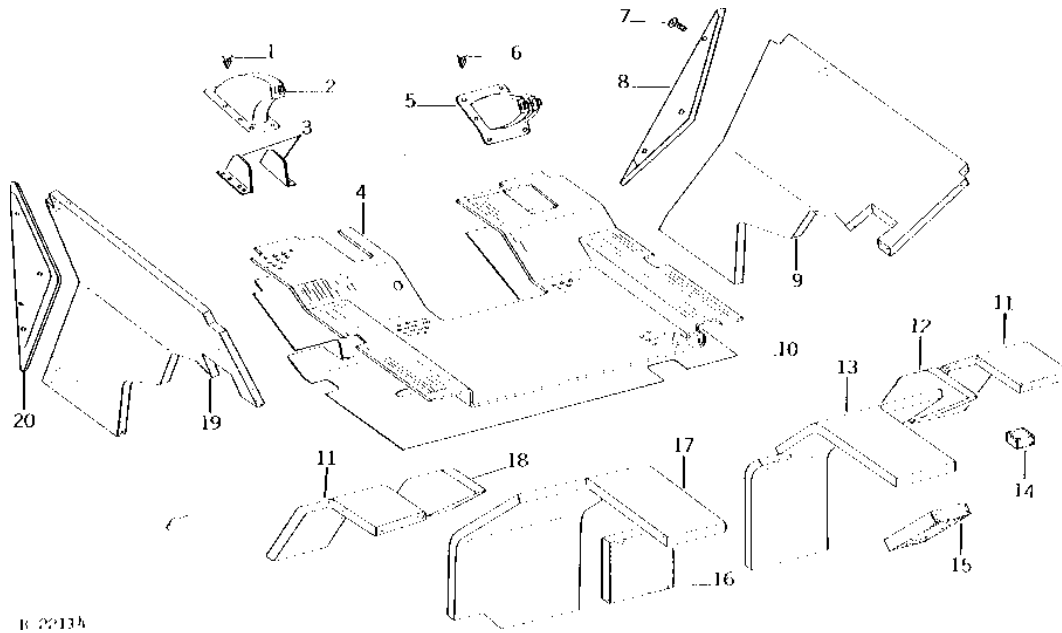
KEY	PART NO.	PART NAME	QTY	TRACTOR SERIAL NO.	REMARKS
1	AR43658	PANEL	1		TOP, L.H.
2 R44720	MOLDING PLUG	2 1		219MM (8-5/8") (MAKE FROM R44447)
3	FOAM PAD	1		13 X 25 X 143MM (1/2" X 1" X 5-5/8") (MAKE FROM R45015)
4	AR43657 R44720	PANEL PLUG	1 1		TOP, R.H.
5	MOLDING	1		381MM (15") (MAKE FROM R44447)
6	AR43656	PANEL	1		FRONT, R.H.
7	AR43662	BRACKET	1		
8	FOAM PAD	2		13 X 25 X 533MM (1/2" X 1" X 21") (MAKE FROM R45015)
9	AR43659	PANEL	1		BAFFLE, R.H.
10	FOAM PAD	1		13 X 25 X 194MM (1/2" X 1" X 7-5/8") (MAKE FROM R45015)
11	AR43661	PANEL	1		REAR, UPPER
12	R49243	PANEL	1		REAR, LOWER, (SUB FOR R43852)
13	FOAM PAD	1		25 X 25 X 267MM (1" X 1" 10-1/2") (MAKE FROM R30937)
14	R43915	COVER	1		HYDRAULIC, REAR, R.H. (SINGLE OR DUAL SELECTIVE CONTROL)
	R50119	COVER	1		HYDRAULIC, REAR, R.H. (TRIPLE SELECTIVE CONTROL) (SUB FOR R43916)
15	AR43759	COVER	1		HYDRAULIC, CENTER
16	R43917	COVER	1		HYDRAULIC, REAR, L.H.
17	R27168	BUSHING	4		
18	24H1305	WASHER	6		13/32" X 13/16" X 0.065"
19	19H1765	CAP SCREW	4		3/8" X 1-3/4"
	12H304	LOCK WASHER	4		3/8"
20	AR52709	PANEL	1		BAFFLE, L.H. (SUB FOR AR43660)

3H23

OPERATOR'S STATION

R22114 -UN-01JAN94

FLOOR MAT AND UPHOLSTERING (HINSON)



R 22114

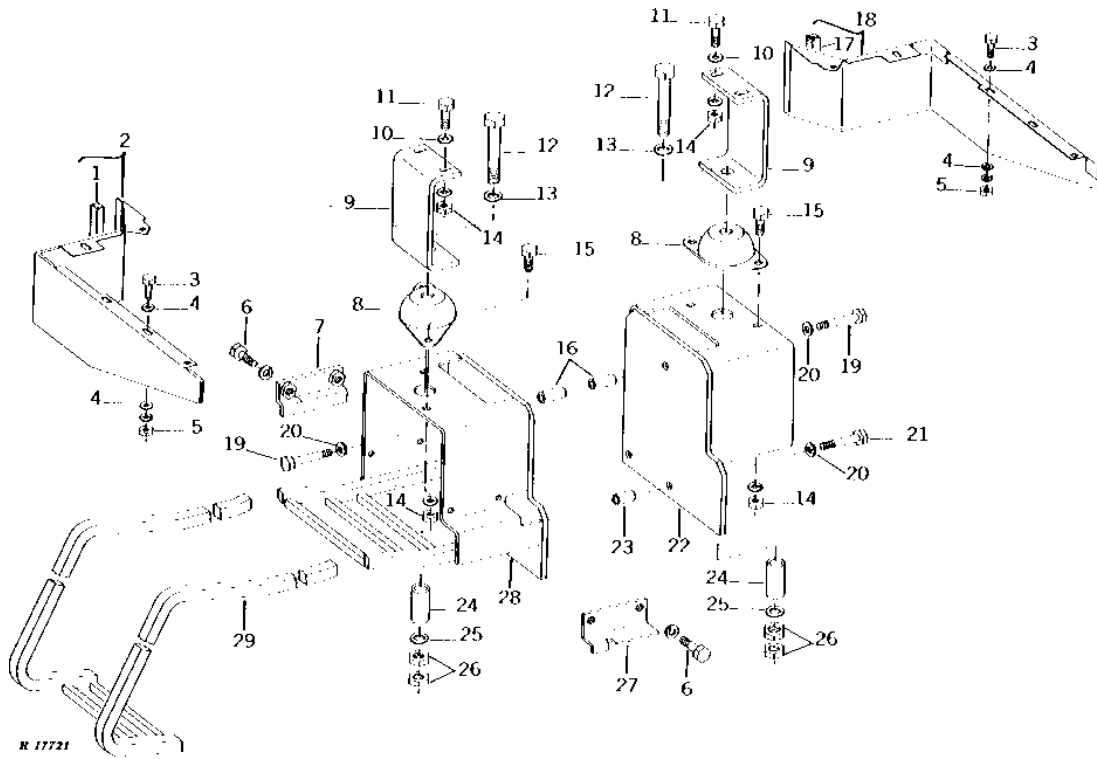
KEY	PART NO.	PART NAME	QTY	TRACTOR SERIAL NO.	REMARKS
1	R49043	CLIP	6		SPEED
2	R48150	BOOT	1		
3	R49042	SUPPORT	2		
4	R48307	MAT	1		
5	R48151	BOOT	1		
6	R49043	CLIP	6		SPEED, (SUB FOR R46038)
7	37H79	SCREW	6		1/4" X 5/8"
8	R48279	COVER	1		FENDER, R.H.
9	R53206	FOAM PAD	1		UPHOLSTERING, FENDER, R.H. (SUB FOR R48319)
10	R48309	FOAM PAD	1		
11	R48324	FOAM PAD	2		ROCKSHAFT HUMP
12	R48322	FOAM PAD	1		ROCKSHAFT HUMP, R.H.
13	R48325	FOAM PAD	1		FILLER PANEL, R.H.
14	FOAM PAD	1		51 X 51 X 51MM (2" X 2" X 2") CONSOLE, (MAKE FROM R35340)
15	R46632	ISOLATOR	1		51 X 102 X 152MM (2" X 4" X 6") TRANSMISSION OIL FILLER TUBE
16	R48321	FOAM PAD	1		LOWER
17	R53207	FOAM PAD	1		FILLER PANEL, L.H. (SUB FOR R48326)
18	R48323	FOAM PAD	1		ROCKSHAFT HUMP, L.H.
19	R53205	FOAM PAD	1		FENDER, L.H. (SUB FOR R48320)
20	R48280	COVER	1		FENDER, L.H.
..	R53745	TAPE	1		54.86M (180 FT) ROLL, (SUB FOR R46662)
..	R46663	SEALING TRIM	1		18.29M (60 FT) BOX
..	AR49923	ADHESIVE	1		.7L (1.6 LBS)

3H24

OPERATOR'S STATION

CAB FRONT SUPPORT AND STEP (HINSON)

R17721 -UN-01JAN94



3H25

OPERATOR'S STATION

CAB FRONT SUPPORT AND STEP - CONTINUED (HINSON)

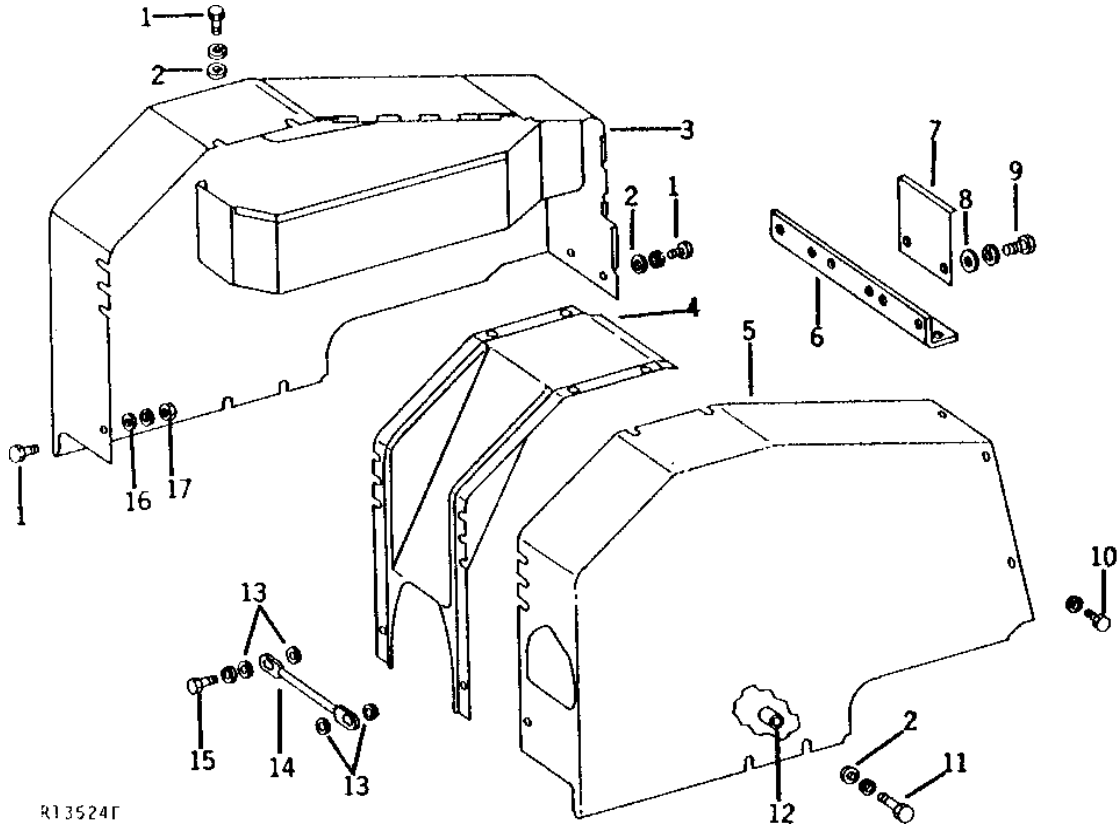
KEY	PART NO.	PART NAME	QTY	TRACTOR SERIAL NO.	REMARKS
1	FOAM PAD	1		13 X 13 X 111MM (1/2" X 1/2" X 4-3/8") (MAKE FROM R47941)
2	AR53138	KIT	1	-012724	(INCLUDES AR53141, R42045 AND ATTACHING HARDWARE)
3	AR53140 19H1936	PANEL CAP SCREW	1 6	012725-	(SUB FOR AR50856) 3/8" X 3/4"
4	24H1305	WASHER	12		13/32" X 13/16" X 0.065"
5	14H1076 12H304	NUT LOCK WASHER	6 1		3/8" 3/8"
6	19H1731 12H304	CAP SCREW LOCK WASHER	4 4		3/8" X 1" 3/8"
7	AR51347	CLAMP	1		
8	AR51810	SUPPORT	2		
9	R47983	BRACKET	2		
10	24H1227	WASHER	4		17/32" X 13/16" X 0.060"
11	19H1815	CAP SCREW	4		1/2" X 1-1/4"
12	19H2026	CAP SCREW	2		3/4" X 4"
13	24H1402	WASHER	2		25/32" X 1-7/8" X 1/4"
14	14H1040 12H301	NUT LOCK WASHER	8 8		1/2" 1/2"
15	19H1792	CAP SCREW	4		1/2" X 1"
16	28H1787	SPACER	3		1/2" X 1.55"
17	FOAM PAD	1		13 X 13 X 111MM (1/2" X 1/2" X 4-3/8") (MAKE FROM R47941)
18	AR53137	KIT	1	-012724	(INCLUDES AR53141, R42045 AND ATTACHING HARDWARE)
	AR53139	PANEL	1	012725-	(SUB FOR AR50855) (INCLUDES AR53141, R42045 AND ATTACHING HARDWARE)
19	19H1974	CAP SCREW	3		1/2" X 2-3/4"
20	24H1211	WASHER	6		9/16" X 1-3/8" X 0.105"
	19H1974	CAP SCREW	6		1/2" X 2-3/4"
21	19H2644	CAP SCREW	2		1/2" X 2-1/2"
22	AR50868	SUPPORT	1		
23	28H3395	BUSHING	3		1/2" X .19"
24	R44221	BUSHING	2		(NLA)
25	24H1396	WASHER	2		25/32" X 1-1/2" X 0.105"
26	14H794	NUT	2		3/4"
27	AR51346	CLAMP	1		
28	AR50869	SUPPORT	1		
29	AR50870	STEP	1		
..	AR53141	CLIP	2		(NLA)
..	R42045	CLIP	1		HEATER HOSE

311

OPERATOR'S STATION

R13524 -UN-01JAN94

ROCKSHAFT HOUSING COVERS



R13524T

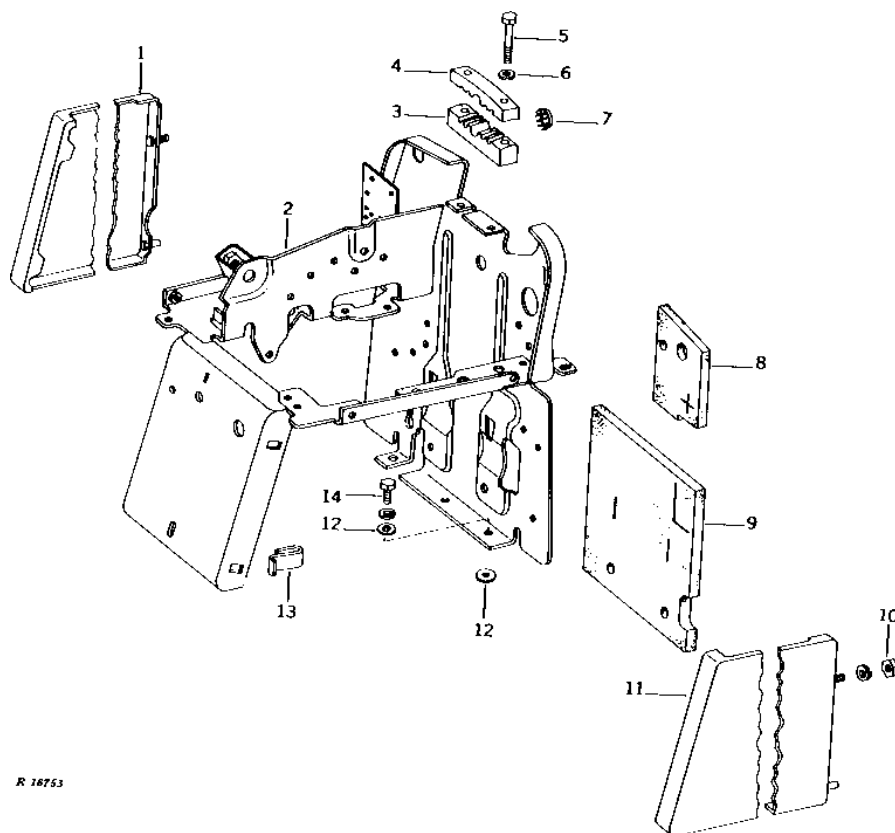
KEY	PART NO.	PART NAME	QTY	TRACTOR SERIAL NO.	REMARKS
1	19H1936	CAP SCREW	10	3/8" X 3/4"	
	12H304	LOCK WASHER	10	3/8"	
2	24H1305	WASHER	14	13/32" X 13/16" X 0.065"	
3	AR43010	COVER	1	L.H. WITH TOOLBOX	
	R41933	LABEL	1	REMOTE CYLINDER, R.H.	
4	AR43070	COVER	1	CENTER	
5	R43071	COVER	1	R.H. (SUB FOR R43294 OR R49190)	
	R44315	LABEL	1	REMOTE CYLINDER, L.H.	
6	AR43133	SUPPORT	1	PLATFORM	
7	R43291	COVER	1	FRONT	
8	24H1338	WASHER	2	33/64" X 7/8" X 0.048"	
9	19H1815	CAP SCREW	2	1/2" X 1-1/4"	
	12H301	LOCK WASHER	2	1/2"	
10	19H1900	CAP SCREW	3	5/16" X 3/4"	
	12H303	LOCK WASHER	3	5/16"	
11	19H1765	CAP SCREW	4	3/8" X 1-3/4"	
	12H304	LOCK WASHER	4	3/8"	
12	R27168	BUSHING	4		
13	A4847R	WASHER	4		
14	R43726	CENTER LINK	1		
15	19H1936	CAP SCREW	4	3/8" X 3/4"	
	19H1731	CAP SCREW	2	3/8" X 1"	
	12H304	LOCK WASHER	6	3/8"	
16	24M7207	WASHER	2	8.400 X 24 X 2 MM	
17	14H1076	NUT	2	3/8"	
	12H304	LOCK WASHER	2	3/8"	

312

OPERATOR'S STATION

R16753 -UN-25SEP95

CONTROL SUPPORT AND COVERS



KEY	PART NO.	PART NAME	QTY	TRACTOR SERIAL NO.	REMARKS
1	AR40585	COVER	1	L.H.	
2	AR51071	SUPPORT	1	(NLA)	
3	R41442	CLAMP	1	UPPER	
4	R41438	CLAMP	1	LOWER	
5	19H2334	CAP SCREW	2	1/4" X 2-1/2"	
6	24H1287	WASHER	2	9/32" X 5/8" X 0.065"	
7	R36590	PLUG	1	(B)	
8	R41435	FOAM PAD	1	UPPER	
9	R41436	FOAM PAD	1	LOWER	
10	14H785	NUT	2	5/16"	
	12H303	LOCK WASHER	2	5/16"	
11	AR40584	COVER	1	R.H.	
.....		INSULATOR	1	25 X 25 X 102MM (1" X 1" X 4") (MAKE FROM R30937)	
12	24H1305	WASHER	5	(B) 13/32" X 13/16" X 0.065"	
	A4624R	WASHER	5	(A)	
	R48378	WASHER	10	(A)	
13	R42275	CLIP	4		
14	19H1936	CAP SCREW	5	3/8" X 3/4"	
	12H304	LOCK WASHER	5	3/8"	
	R57725	SCREW	5	(A) (SUB FOR R40835)	
..	R45395	FOAM PAD	1	(A) UPPER	
..	R45396	FOAM PAD	1	(A) CENTER	
..	R45397	INSULATOR	1	(A) THROTTLE ROD	

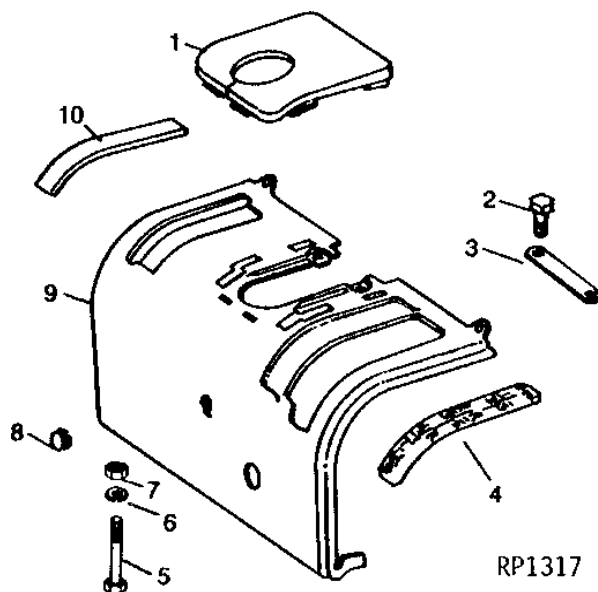
(A) WITH CAB
(B) LESS CAB

313

OPERATOR'S STATION

RP1317 -UN-01JAN94

DASH AND COVER



KEY	PART NO.	PART NAME	QTY	TRACTOR SERIAL NO.	REMARKS
1	R41604	COVER	1	DASH	
2	19H1900	CAP SCREW	2	5/16" X 3/4"	
3	R40925	PLATE	1		
4	R40676	LABEL	1	(A) SHIFT	
	R40504	LABEL	1	(B) SHIFT	
	R40505	LABEL	1	(B) PARK	
5	19H2284	CAP SCREW	2	3/8" X 7/8"	
6	12H304	LOCK WASHER	2	3/8"	
7	14H1076	NUT	2	3/8"	
8	T11708	PLUG	1	(LESS COLD WEATHER STARTING AID) (NLA)	
	R32289	GROMMET	1	(B) (LESS CLUTCH DISCONNECT)	
9	AR49632	INSTRUMENT PANEL	1	(A) DASH ASSEMBLY	
	AR49631	INSTRUMENT PANEL	1	(B) DASH ASSEMBLY	
10	R45405	ISOLATOR	1	(LESS PTO)	
	R53293	LABEL	1	(A) PTO LEVER, (SUB FOR R44951)	
	R53294	LABEL	1	(B) PTO LEVER, (SUB FOR R44952)	

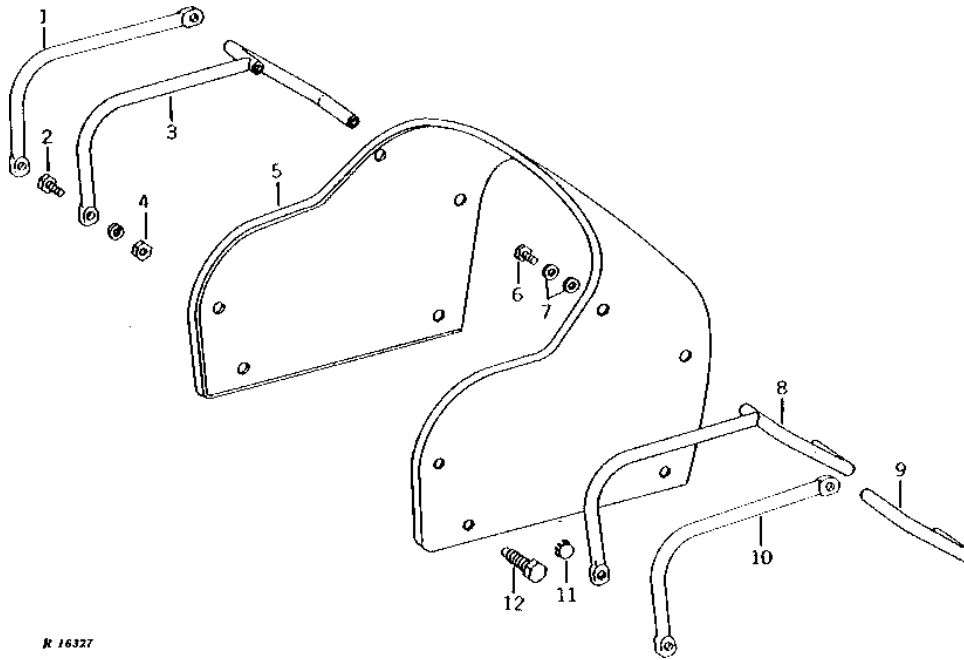
(A) SYNCRO-RANGE
(B) POWER SHIFT

314

OPERATOR'S STATION

R16327 -UN-01JAN94

COWL



R 16327

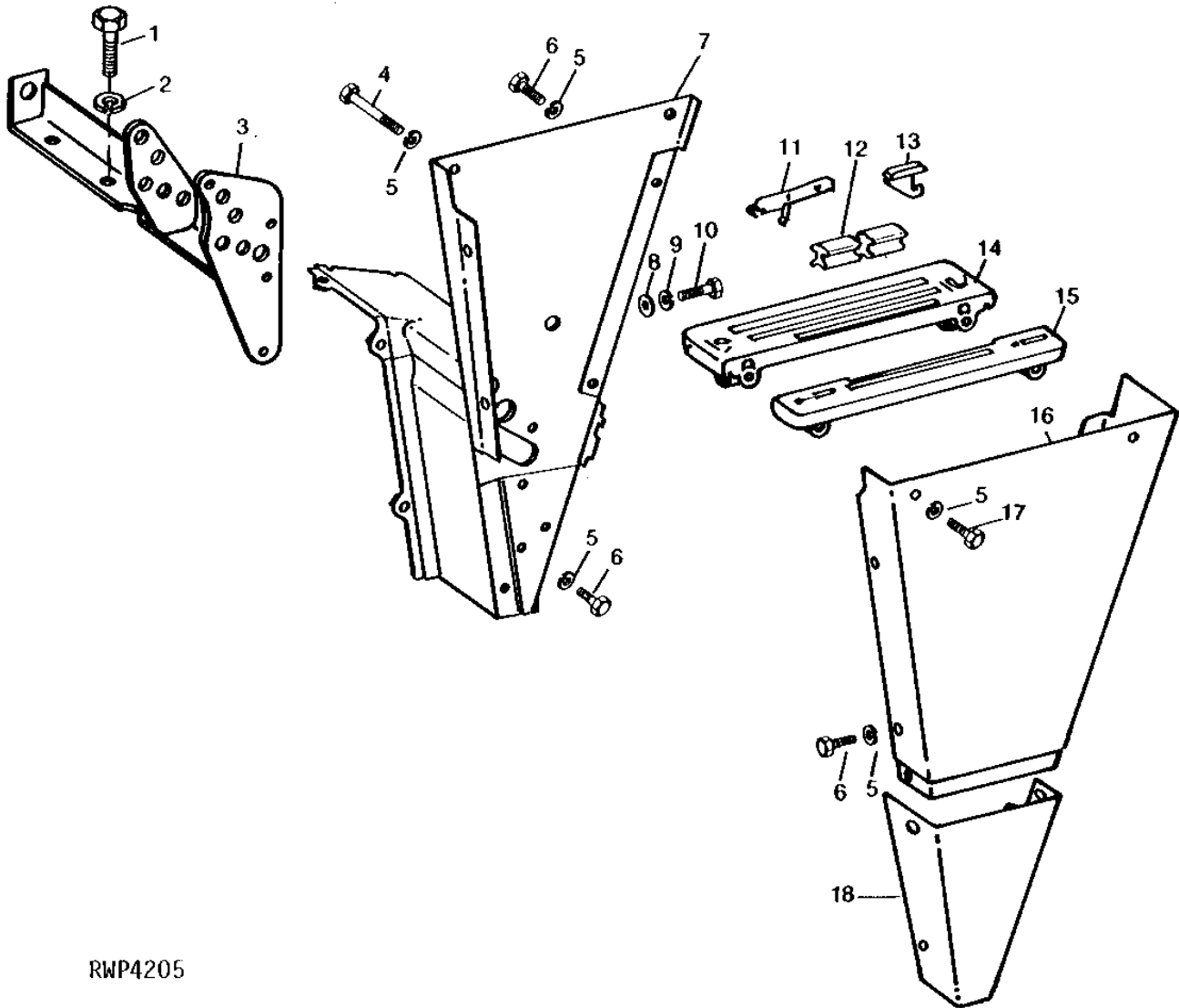
KEY	PART NO.	PART NAME	QTY	TRACTOR SERIAL NO.	REMARKS
1	AR45370	HANDLE	1		ARM REST, L.H. (WITH CAB) (SUB FOR R45540)
2	19H1731	CAP SCREW	1		3/8" X 1"
3	AR45370	HANDLE	1		MOUNTING, L.H.
4	14H1076	NUT	1		3/8"
	12H304	LOCK WASHER	1		3/8"
5	AR41584	COWL	1		
6	19H1936	CAP SCREW	4		3/8" X 3/4"
7	24H1305	WASHER	8		13/32" X 13/16" X 0.065"
8	AR45369	HANDLE	1		MOUNTING, R.H.
9	R31618	HANDLE	1		(SYNCRO-RANGE LESS CAB)
10	R45439	ARMREST	1		R.H. (POWER SHIFT WITH CAB) (SUB AR45369)
11	H113924	PLUG	1		(SUB FOR R42451) (SUB T15005)
12	AR26568	SCREW	4		
..	R52978	FOAM PAD	1		

315

OPERATOR'S STATION

RWP4205 -UN-01JAN94

ROCKSHAFT AND SELECTIVE CONTROL CONSOLE



RWP4205

316

OPERATOR'S STATION

ROCKSHAFT AND SELECTIVE CONTROL CONSOLE - CONTINUED

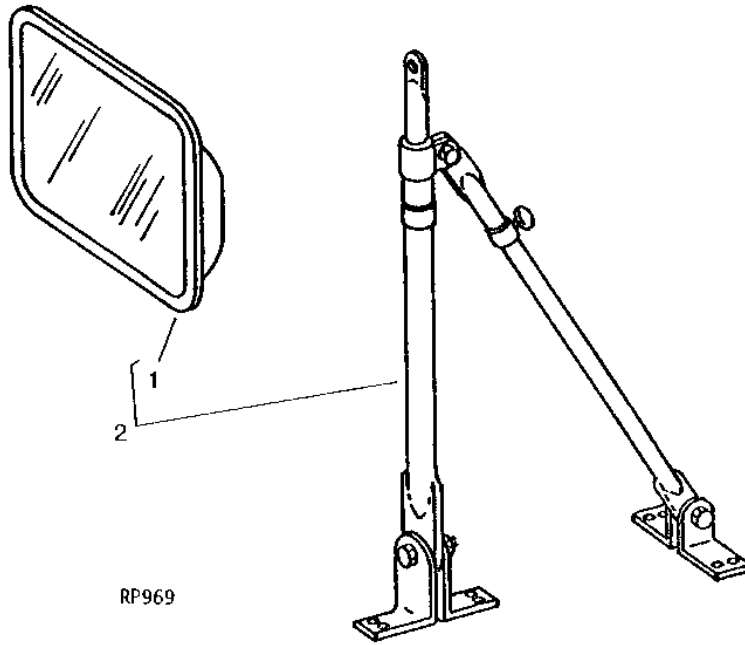
KEY	PART NO.	PART NAME	QTY	TRACTOR SERIAL NO.	REMARKS
1	19H1815	CAP SCREW	2		1/2" X 1-1/4"
2	12H301	LOCK WASHER	2		1/2"
3	AR40806	BRACKET	1		(NLA)
4	19H1921	CAP SCREW	2		5/16" X 3-1/4"
5	12H303	LOCK WASHER	16		5/16"
6	19H1900	CAP SCREW	12		5/16" X 3/4"
7	AR43123	COVER	1		HYDRAULIC, FRONT, R.H. (NLA)
8	24H1305	WASHER	2		13/32" X 13/16" X 0.065"
9	12H304	LOCK WASHER	2		3/8"
10	19H1936	CAP SCREW	1		3/8" X 3/4"
	19H2038	CAP SCREW	1		3/8" X 1/2"
11	R51302	SPRING	1		SELECTIVE CONTROL VALVE LEVER LOCK, (SUB FOR AR55421)
12	R54533	STOP	1		SELECTIVE CONTROL VAVLE STOP, (SUB FOR AR62598)
13	AR53792	STRAP	1		SELECTIVE CONTROL LEVER STOP (NLA)
14	R41194	GUIDE	1		INNER
15	R41760	GUIDE	1		OUTER
16	AR40812	COVER	1		HYDRAULIC, OUTER, UPPER (NLA)
	AR47752	COVER	1		HYDRAULIC, OUTER, UPPER (WITH POWER WEIGHT TRANSFER HITCH) (NLA)
17	19H2020	CAP SCREW	2		5/16" X 1/2"
18	AR41602	COVER	1		HYDRAULIC, OUTER, LOWER (NLA)

317

OPERATOR'S STATION

RP969 -UN-01JAN94

REAR VIEW MIRROR



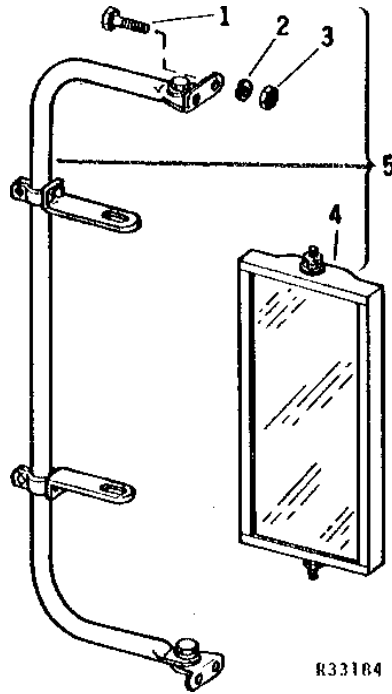
KEY	PART NO.	PART NAME	QTY	TRACTOR SERIAL NO.	REMARKS
1	AR89137	REAR VIEW MIRROR	1		(SUB FOR AR44255)
2	AR44254	REAR VIEW MIRROR	1		WITH MOUNTING BRACKET, (SUB AH85483, AR89137 AND H78354)

318

OPERATOR'S STATION

R33184 -UN-01JAN94

OUTSIDE MIRROR



R33184

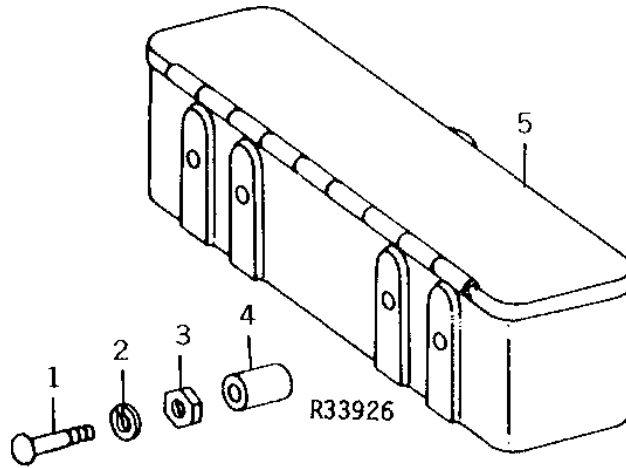
KEY	PART NO.	PART NAME	QTY	TRACTOR SERIAL NO.	REMARKS
1	19H1948	CAP SCREW	4	1/4" X 3/4"	
2	12H302	LOCK WASHER	4	1/4"	
3	14H786	NUT	4	1/4"	
4	AR52555	REAR VIEW MIRROR	1		
5	AR52554	REAR VIEW MIRROR	1		COMPLETE, WITH SWING AWAY BRACKET

319

OPERATOR'S STATION

R33926 -UN-01JAN94

TOOLBOX



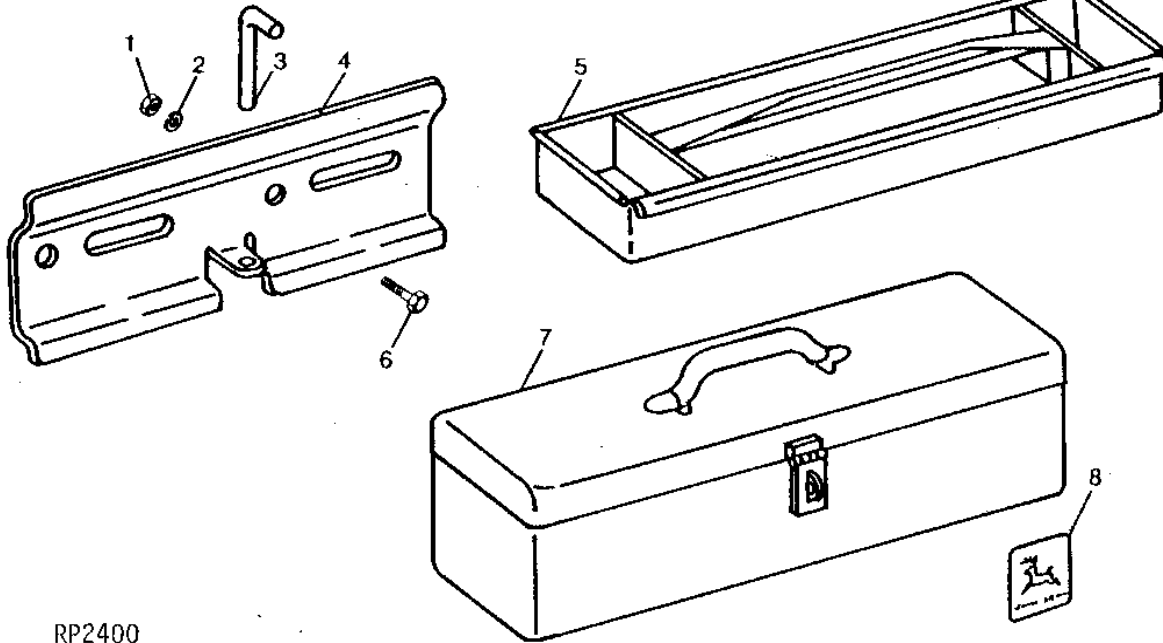
KEY	PART NO.	PART NAME	QTY	TRACTOR SERIAL NO.	REMARKS
1	03H1558	BOLT	2	3/8" X 1-1/2"	
2	12H304	LOCK WASHER	2	3/8"	
3	14H1076	NUT	2	3/8"	
4	28H1919	BUSHING	2	1/2" X 15/16"	
5	AR34684	TOOLBOX	1		

3110

OPERATOR'S STATION

RP2400 -UN-01JAN94

TOOLBOX AND SUPPORTS



RP2400

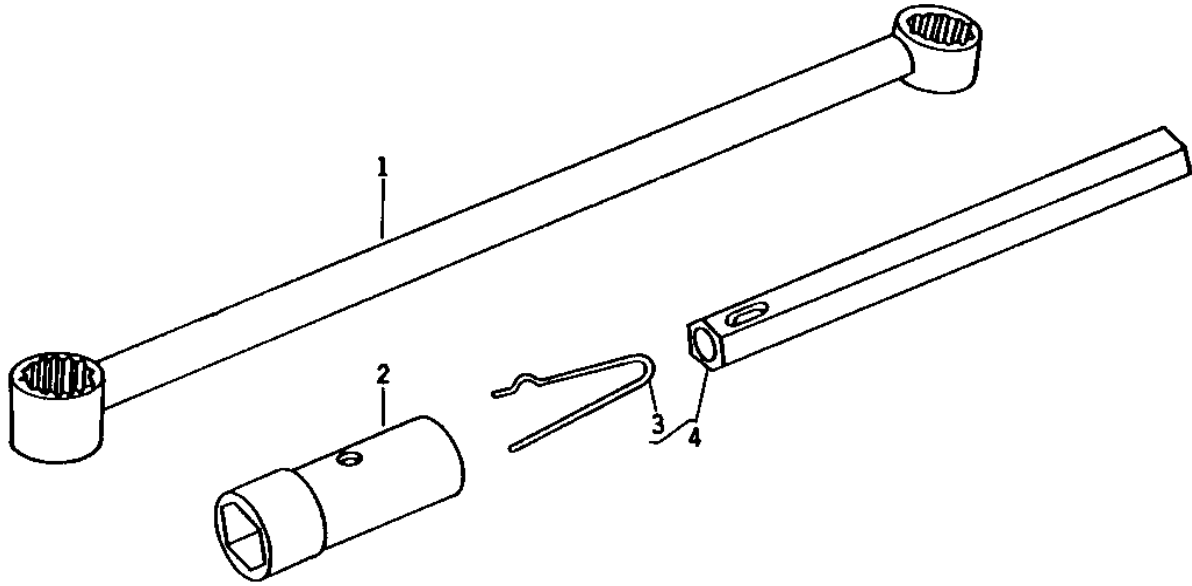
KEY	PART NO.	PART NAME	QTY	TRACTOR SERIAL NO.	REMARKS
1	14H1039	NUT	2	5/8"	
2	12H294	LOCK WASHER	2	5/8"	
3	T23027	PIN	1		
4	T23033	BRACKET	1		
5	AT22073	HOLDER	1		
6	19H2461	CAP SCREW	2	3/8" X 1-1/4"	
7	AT22071	TOOLBOX	1		(ORDER AT22070)
8	JD5272	LABEL	1	-XXXXXX	
	JD5602	LABEL	1	XXXXXX-	
..	AT22070	TOOLBOX	1		(INCLUDES AT22073, T23027 AND JD5602)

3111

OPERATOR'S STATION

R32260 -UN-12OCT94

TOOLS



R32260F

KEY	PART NO.	PART NAME	QTY	TRACTOR SERIAL NO.	REMARKS
1	R34827	WRENCH	1		
2	AR39683	WRENCH	1		BOX
3	R39739	SPRING LOCKING PIN	1		EXTENTION
4	AR39682	EXTENSION	1		

3112

OPERATOR'S STATION

R32259 -UN-01JAN94

LOCTITE SEALANT



R32259F

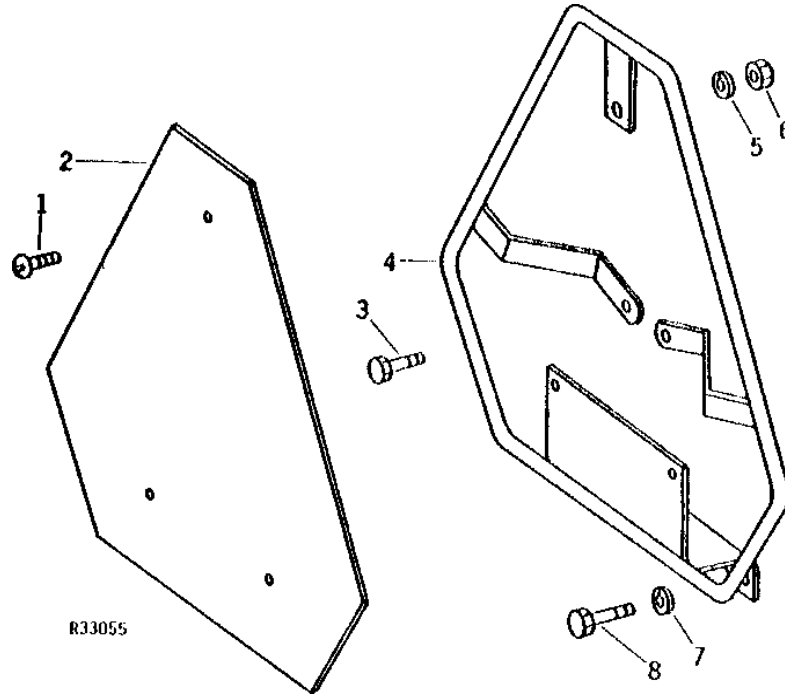
KEY	PART NO.	PART NAME	QTY	TRACTOR SERIAL NO.	REMARKS
1	TY9371	ADHESIVE	1		6CC (.20 OZ) (SUB FOR AT14927 OR AT24538)

3113

OPERATOR'S STATION

R33055 -UN-01JAN94

SLOW MOVING VEHICLE EMBLEM



KEY	PART NO.	PART NAME	QTY	TRACTOR SERIAL NO.	REMARKS
1	21H1301	SCREW	3	(A) 0.190" X 1/2"	
2	JD5403	SMV EMBLEM	1		
3	19H1900	CAP SCREW	2	(A) 5/16" X 3/4"	
4	AR46282	SUPPORT	1		
5	12H246	LOCK WASHER	3	(A) 0.190"	
6	14H778	NUT	3	(A) 0.190"	
7	12H303	LOCK WASHER	2	5/16"	
8	19H2117	CAP SCREW	2	(A) 5/16" X 1-1/8"	

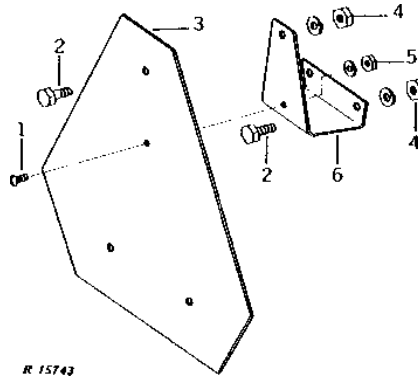
(A) INCLUDED IN AR46282

3114

OPERATOR'S STATION

SLOW MOVING VEHICLE EMBLEM (WITH CAB)

R15743 -UN-01JAN94



KEY	PART NO.	PART NAME	QTY	TRACTOR SERIAL NO.	REMARKS
1	21H1301	SCREW	1	(A) 0.190" X 1/2"	
2	19H2644	CAP SCREW	3	(A) 1/2" X 2-1/2"	
3	JD5403	SMV EMBLEM	1		
4	14H785	NUT	3	(A) 5/16"	
	12H303	LOCK WASHER	3	(A) 5/16"	
5	14H778	NUT	1	(A) 0.190"	
	12H246	LOCK WASHER	1	(A) 0.190"	
6	AR47859	BRACKET	1		

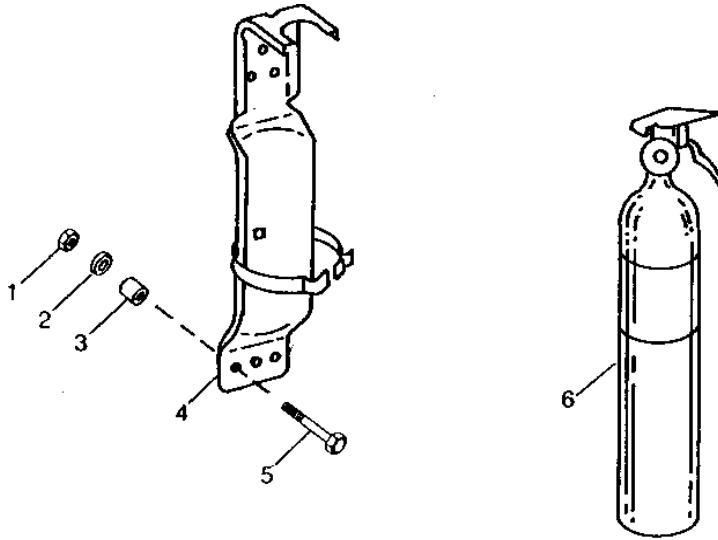
(A) INCLUDED IN AR47859

3115

OPERATOR'S STATION

RWP2787 -UN-01JAN94

FIRE EXTINGUISHER



RWP2787

KEY	PART NO.	PART NAME	QTY	SG BODY SERIAL NO.	REMARKS
1	14H786	NUT	2	1/4"	
2	24H1287	WASHER	2	9/32" X 5/8" X 0.065"	
3	28H1914	BUSHING	2		
4	AT75387	BRACKET	1	(SUB FOR AT62019)	
5	21H1035	SCREW	2	1/4" X 1-1/2"	
6	AT168165	FIRE EXTINGUISHER	1	(SUB FOR AT62018, AT81764 OR AT141924)	

3116

OPERATOR'S STATION

**WEATHERSHIELD
(NOT ILLUSTRATED)**

KEY	PART NO.	PART NAME	QTY	TRACTOR SERIAL NO.	REMARKS
..	R20123	WINDSHIELD	1		
..	R20124	FRAME	1	(NLA)	
..	AR20143	WINDOWPANE	1	(NLA)	
..	AR30516	WINDOW	1	(NLA)	

MEMORANDA

1K8

TRACTOR - 4620

NUMERICAL INDEX

PART NO.	GRID	KEY	PAGE	PART NO.	GRID	KEY	PAGE	PART NO.	GRID	KEY	PAGE
AA14850	3E1	20	70 - 67	AR101549	1C13	5	20 - 25	AR26375	2B23	18	50 - 17
AA15042	3E18	19	70 - 86	AR101549	1C13	6	20 - 25	AR26375	2D11	23	50 - 53
AA15043	3E18	17	70 - 86	AR101549	1C13	7	20 - 25	AR26402	2F8	5	60 - 7
AA32178	1G16	..	40 - 55	AR101624	2D22	15	50 - 63	AR26403	3H3	6	90 - 16
AA3495R	1G11	9	40 - 50	AR101632	3B25	6	70 - 21B	AR26407	3E1	26	70 - 67
AA3495R	1G12	9	40 - 51	AR102454	1G25	..	40 - 64	AR26444	1B8	3	20 - 5
AA34967	1G16	3	40 - 55	AR102454	1H1	12	40 - 65	AR26448	2F8	2	60 - 7
AA34968	1G16	23	40 - 55	AR103808	3F5	7	70 - 98	AR26469	3G2	3	80 - 17
AA5692R	1G15	18	40 - 54	AR103811	1B7	3	20 - 4	AR26516	1B7	4	20 - 4
AA5692R	1H18	12	40 - 83	AR104119	1E17	..	40 - 5	AR26529	3H4	8	90 - 17
AA6217R	1G15	19	40 - 54	AR104119	1E19	1	40 - 7	AR26530	3H4	16	90 - 17
AA6218R	1G15	14	40 - 54	AR104119	1G14	2	40 - 53	AR26556	3D8	11	70 - 53
AD2062R	1E14	6	40 - 2	AR11001	1F21	15	40 - 33	AR26556	3D9	10	70 - 54
AD2062R	1E15	6	40 - 3	AR11001	1G2	14	40 - 39	AR26568	3I4	12	90 - 41
AD2062R	1G11	2	40 - 50	AR11051	1F22	7	40 - 34	AR26571	1H18	1	40 - 83
AD2062R	1G11	7	40 - 50	AR11051	1G3	4	40 - 40	AR26586	3G5	2	80 - 20
AD2062R	1G11	19	40 - 50	AR111058	1H23	20	40 - 89	AR26625	2F4	5	60 - 3
AD2062R	1G12	2	40 - 51	AR111163	2D15	9	50 - 57	AR26632	3H3	20	90 - 16
AD2062R	1G12	7	40 - 51	AR111163	2D17	21	50 - 59	AR26646	3B11	21	70 - 9
AD2062R	1G12	15	40 - 51	AR111163	2D22	15	50 - 63	AR26649	1D23	6	30 - 22
AD2062R	1G14	16	40 - 53	AR111124	1F21	17	40 - 33	AR26674	1D23	27	30 - 22
AD2062R	1G16	2	40 - 55	AR11126	1F19	21	40 - 31	AR26674	1D24	4	30 - 23
AD2062R	1G17	2	40 - 56	AR11127	1F19	2	40 - 31	AR26674	1D25	2	30 - 24
AE24616	3C1	9	70 - 21D	AR11128	1F19	14	40 - 31	AR26701	2D13	26	50 - 55
AF2907R	2C2	19	50 - 21	AR11132	1F19	28	40 - 31	AR26707	2B15	5	50 - 9
AH103067	1F10	12	40 - 23	AR11140	1F21	24	40 - 33	AR26707	2C15	2	50 - 34
AH103068	1F10	13	40 - 23	AR20143	3I16	..	90 - 53	AR26707	2D13	24	50 - 55
AH62341	1E24	6	40 - 12	AR21024	1H2	1	40 - 67	AR26721	1G24	7	40 - 63
AH78125	1D12	2	30 - 10	AR21024	1H2	3	40 - 67	AR26724	3C3	12	70 - 23
AH80057	3H15	18	90 - 27	AR21059	1G11	11	40 - 50	AR26724	3C5	15	70 - 25
AH85483	3I7	2	90 - 44	AR21059	1G11	18	40 - 50	AR26724	3C5	26A	70 - 25
AH93625	1G16	12	40 - 55	AR21059	1G12	17	40 - 51	AR26725	2F4	21	60 - 3
AH93852	2D24	3	50 - 65	AR21059	1G12	20	40 - 51	AR26725	2F7	1	60 - 6
AH93852	2E2	1	50 - 67	AR21737	1G11	2	40 - 50	AR26725	2F14	7	60 - 13
AH98337	1E25	2	40 - 13	AR21737	1G12	2	40 - 51	AR26745	1D14	14	30 - 13
AL14896	1G25	6	40 - 64	AR21739	1G11	7	40 - 50	AR26746	2B13	10	50 - 7
AL23523	2F24	15	60 - 23	AR21739	1G12	7	40 - 51	AR26746	2D19	11	50 - 60
AL26972	3E13	22	70 - 81	AR21739	1G18	4	40 - 57	AR26746	2D20	12	50 - 61
AL26973	3E13	21	70 - 81	AR21823	1G25	2	40 - 64	AR26746	2F22	21	60 - 21
AL2976T	1I2	20	40 - 93	AR21823	1H1	10	40 - 65	AR26746	3C2	6	70 - 22
AL67715	1F6	14	40 - 19	AR21836	1C17	20	20 - 29	AR26758	3B7	12	70 - 5
AN140262	3E17	15	70 - 85	AR21837	3C7	5	70 - 27	AR26761	3C22	12	70 - 43
AN140274	3E1	29	70 - 67	AR21837	3C15	8	70 - 36	AR26763	2C24	1	50 - 43
AN140274	3E17	8	70 - 85	AR21837	3G19	4	90 - 6	AR26763	2E4	9	50 - 69
AN140274	3E18	8	70 - 86	AR21837	3G22	20	90 - 9	AR26763	3C12	28	70 - 33
AN163885	3E10	35	70 - 77	AR21837	3H1	6	90 - 14	AR26763	3C14	34	70 - 35
AN163885	3E25	26	70 - 93	AR21839	1C11	5	20 - 23	AR26763	3C15	2	70 - 36
AN163885	3F2	16	70 - 95	AR21839	1C14	1	20 - 26	AR26763	3E1	1	70 - 67
AN212996	3D13	6	70 - 58	AR21839	1D4	4	30 - 2	AR26763	3E17	9	70 - 85
AN250096	3C1	5	70 - 21D	AR21839	1D10	14	30 - 8	AR26763	3E18	10	70 - 86
AR100161	1G10	1	40 - 48	AR21839	1D11	14	30 - 9	AR26771	2D19	23	50 - 60
AR100384	1B9	4	20 - 6	AR21839	3C9	3	70 - 29	AR26771	2D20	4	50 - 61
AR100385	1B9	4	20 - 6	AR21839	3C10	1	70 - 30	AR26771	2F7	6	60 - 6
AR101236	3B7	3	70 - 5	AR21839	3C11	2	70 - 31	AR26771	2F12	12	60 - 11
AR101236	3B13	23	70 - 11	AR21839	3C14	39	70 - 35	AR26771	2F13	6	60 - 12
AR101236	3B17	3	70 - 15	AR21840	1D10	17	30 - 8	AR26828	2E7	9	50 - 72
AR101236	3B23	28	70 - 21	AR21840	1D11	17	30 - 9	AR27093	3D12	39	70 - 57
AR101237	3B9	3	70 - 7	AR21840	1D23	4	30 - 22	AR27139	1H2	3	40 - 67
AR101237	3B13	23	70 - 11	AR21841	1D5	3	30 - 3	AR27738	3E17	5	70 - 85
AR101237	3B19	3	70 - 17	AR21841	1D14	3	30 - 13	AR27738	3E18	5	70 - 86
AR101237	3B23	28	70 - 21	AR21842	1D5	5	30 - 3	AR27806	3F12	1	80 - 2
AR101245	1H6	4	40 - 71	AR21842	1D14	1	30 - 13	AR27806	3F13	1	80 - 2B
AR101549	1C12	7	20 - 24	AR21858	1G15	9	40 - 54	AR27814	1D20	1	30 - 19
AR101549	1C12	8	20 - 24	AR21969	1B4	..	20 - 1	AR27940	1D20	6	30 - 19
AR101549	1C12	9	20 - 24	AR21999	1C17	26	20 - 29	AR27940	1D22	4	30 - 21
AR101549	1C12	10	20 - 24	AR21999	1C17	27	20 - 29	AR27977	1B12	26	20 - 9
AR101549	1C13	4	20 - 25	AR26338	2C1	5	50 - 20	AR28047	3G7	15	80 - 22

1K9

TRACTOR - 4620

NUMERICAL INDEX - CONTINUED

PART NO.	GRID	KEY	PAGE	PART NO.	GRID	KEY	PAGE	PART NO.	GRID	KEY	PAGE
AR28048	3G7	12	80 - 22	AR35403	2B19	16	50 - 13	AR40687	2B10	3	50 - 5
AR28049	3G7	12	80 - 22	AR35526	3D20	25	70 - 63	AR40688	3E3	26	70 - 69
AR28167	1E14	12	40 - 2	AR35527	3D20	24	70 - 63	AR40694	2C4	1	50 - 23
AR28167	1G11	17	40 - 50	AR35712	3C5	24	70 - 25	AR40702	1E6	11	30 - 30
AR28251	3C7	2	70 - 27	AR35725	2F5	15	60 - 4	AR40703	1E6	17	30 - 30
AR28271	2B24	11	50 - 18	AR35725	2F13	7	60 - 12	AR40710	1G15	17	40 - 54
AR28271	2D11	11	50 - 53	AR35763	3D6	1	70 - 51	AR40710	1H18	13	40 - 83
AR28403	1E24	9	40 - 12	AR35773	3D6	12	70 - 51	AR40744	3E3	8A	70 - 69
AR28403	1H18	10	40 - 83	AR35782	1E15	12	40 - 3	AR40753	3D2	12	70 - 47
AR28403	1H21	19	40 - 87	AR35782	1G12	19	40 - 51	AR40754	3D2	7	70 - 47
AR28403	3G18	10	90 - 5	AR35802	3D6	15	70 - 51	AR40785	3C19	7	70 - 40
AR28403	3G25	3	90 - 13	AR35803	3D6	15	70 - 51	AR40788	2D10	3	50 - 52
AR28482	1C17	2	20 - 29	AR35807	3D16	31	70 - 61	AR40790	2D10	22	50 - 52
AR28488	2F19	2	60 - 18	AR35807	3D20	6	70 - 63	AR40792	2D10	9	50 - 52
AR28588	1G24	7	40 - 63	AR35851	3D12	4	70 - 57	AR40793	2D2	6	50 - 46
AR28589	1G24	7	40 - 63	AR35857	3D6	21	70 - 51	AR40794	2C2	20	50 - 21
AR28754	3F4	3	70 - 97	AR35861	3D16	24	70 - 61	AR40794	2C13	1	50 - 32
AR28755	3F4	3	70 - 97	AR35862	3D16	22	70 - 61	AR40795	2C14	31	50 - 33
AR30110	2E7	1	50 - 72	AR35912	3D16	10	70 - 61	AR40802	1G24	1	40 - 63
AR30210	3E10	7A	70 - 77	AR35912	3D20	10	70 - 63	AR40806	3I6	3	90 - 43
AR30210	3E10	7B	70 - 77	AR35952	2D13	20	50 - 55	AR40812	3I6	16	90 - 43
AR30210	3E17	36	70 - 85	AR36047	3H3	19	90 - 16	AR40827	3E4	4	70 - 70
AR30210	3F3	7	70 - 96	AR36048	3H4	14	90 - 17	AR40827	3E10	27	70 - 77
AR30297	2F4	33	60 - 3	AR36158	3E21	4	70 - 89	AR40865	3D23	1	70 - 64
AR30297	2F4	37	60 - 3	AR36158	3E21	6	70 - 89	AR40929	2C13	8	50 - 32
AR30298	2F4	33	60 - 3	AR36303	3E21	5	70 - 89	AR40939	3E3	6A	70 - 69
AR30472	1E6	3	30 - 30	AR36303	3E21	6	70 - 89	AR40947	1H8	4	40 - 73
AR30516	3I16	..	90 - 53	AR36668	1C12	9	20 - 24	AR40947	1H8	5	40 - 73
AR30589	2F6	8	60 - 5	AR36668	1C13	6	20 - 25	AR40988	3C24	14	70 - 45
AR30590	2F6	8	60 - 5	AR36874	2F22	27	60 - 21	AR40989	3E8	11	70 - 75
AR30685	3E11	12	70 - 79	AR37017	3C15	11	70 - 36	AR40990	3E8	13	70 - 75
AR30762	2B13	1	50 - 7	AR37017	3E1	3	70 - 67	AR40991	3E8	20	70 - 75
AR30762	2F5	15	60 - 4	AR38456	1E17	22	40 - 5	AR41006	1B8	22	20 - 5
AR30762	2F13	7	60 - 12	AR38456	1G14	16	40 - 53	AR41056	1C6	4	20 - 18
AR30784	3E21	1	70 - 89	AR38456	1G17	3	40 - 56	AR41130	2F13	9	60 - 12
AR31016	2F17	32	60 - 16	AR38459	1F7	23	40 - 20	AR41131	2F13	5	60 - 12
AR31611	3E1	25	70 - 67	AR38459	1F8	23	40 - 21	AR41287	1F2	6	40 - 15
AR31703	3C22	35	70 - 43	AR38714	3B11	31	70 - 9	AR41574	1C12	19	20 - 24
AR31790	3H18	..	90 - 30	AR389R	2B20	18	50 - 14	AR41584	3I4	5	90 - 41
AR31904	2B20	19	50 - 14	AR389R	2B21	15	50 - 15	AR41602	3I6	18	90 - 43
AR31904	2B21	16	50 - 15	AR39585	2F5	..	60 - 4	AR41691	1C12	7	20 - 24
AR31945	3F1	15	70 - 94	AR39585	2F6	..	60 - 5	AR41691	1C13	4	20 - 25
AR31946	2F18	14	60 - 17	AR39585	2F7	..	60 - 6	AR41694	1E13	5	40 - 1
AR31977	3H4	25	90 - 17	AR39585	2F8	..	60 - 7	AR41702	1E14	8	40 - 2
AR32016	1E20	7	40 - 8	AR39585	2F10	34	60 - 9	AR41702	1E15	8	40 - 3
AR32128	2C13	2	50 - 32	AR39682	3I11	4	90 - 48	AR41754	1H9	8	40 - 74
AR32154	2D9	7	50 - 51	AR39683	3I11	2	90 - 48	AR41756	1H6	2	40 - 71
AR32155	2D9	10	50 - 51	AR39783	3D23	2	70 - 64	AR41756	1H8	2	40 - 73
AR32240	2F22	22	60 - 21	AR40171	1G2	5	40 - 39	AR41756	1H9	1	40 - 74
AR32243	2F19	7	60 - 18	AR40174	1G10	1	40 - 48	AR41758	1H4	..	40 - 69
AR33249	3B11	6	70 - 9	AR40387	3C17	11	70 - 38	AR41758	1H6	1	40 - 71
AR33821	3B7	4	70 - 5	AR40387	3C17	12	70 - 38	AR41758	1H8	1	40 - 73
AR33877	3E10	29	70 - 77	AR40420	1F7	7	40 - 20	AR41758	1H9	10	40 - 74
AR34059	3E10	38	70 - 77	AR40420	1F9	..	40 - 22	AR41760	1H8	3	40 - 73
AR34172	2F4	9	60 - 3	AR40465	3E1	15	70 - 67	AR41761	3H8	16	90 - 21
AR34293	1B8	16	20 - 5	AR40475	3E1	16	70 - 67	AR41785	1B4	..	20 - 1
AR34294	1B8	12	20 - 5	AR40505	3D4	4	70 - 49	AR41870	1B4	..	20 - 1
AR34569	2D20	20	50 - 61	AR40584	3I2	11	90 - 39	AR41885	2D11	32	50 - 53
AR34684	3I9	5	90 - 46	AR40585	3I2	1	90 - 39	AR41937	3H2	12	90 - 15
AR34990	1E14	7	40 - 2	AR40670	2B23	8	50 - 17	AR41947	2F24	7	60 - 23
AR34990	1E15	7	40 - 3	AR40671	2C4	12	50 - 23	AR41950	1H6	8	40 - 71
AR34990	1G11	8	40 - 50	AR40673	3G1	12	80 - 16	AR41950	1H8	7	40 - 73
AR35223	2F22	21	60 - 21	AR40675	3D2	9	70 - 47	AR41950	1H9	3	40 - 74
AR35261	3E21	5	70 - 89	AR40676	3D2	6	70 - 47	AR41951	1H6	7	40 - 71
AR35261	3E21	6	70 - 89	AR40680	1B8	17	20 - 5	AR41951	1H8	6	40 - 73
AR35270	3G5	1	80 - 20	AR40683	3D2	48	70 - 47	AR41951	1H9	2	40 - 74
AR35271	3G5	1	80 - 20	AR40684	3E4	18	70 - 70	AR41969	3E4	15	70 - 70

1K10

TRACTOR - 4620

NUMERICAL INDEX - CONTINUED

PART NO.	GRID	KEY	PAGE	PART NO.	GRID	KEY	PAGE	PART NO.	GRID	KEY	PAGE
AR41970	3E4	15	70 - 70	AR43065	2B8	33	50 - 3	AR43243	2D15	7	50 - 57
AR41976	3C22	14	70 - 43	AR43065	2C5	16	50 - 24	AR43243	2D17	9	50 - 59
AR42009	2F4	17	60 - 3	AR43069	2B7	17	50 - 2	AR43252	1D23	21	30 - 22
AR42009	2F5	3	60 - 4	AR43070	3I1	4	90 - 38	AR43254	3G7	13	80 - 22
AR42009	2F5	10	60 - 4	AR43074	2C10	22	50 - 29	AR43256	3G7	3	80 - 22
AR42119	1E17	1	40 - 5	AR43075	3D14	10	70 - 59	AR43261	1C10	1	20 - 22
AR42119	1E17	23	40 - 5	AR43077	3D6	14	70 - 51	AR43261	1C10	18	20 - 22
AR42119	1E17	26	40 - 5	AR43083	3C16	1	70 - 37	AR43261	1C10	20	20 - 22
AR42119	1E19	1	40 - 7	AR43083	3D3	1	70 - 48	AR43265	2E24	1	50 - 90
AR42119	1E20	1	40 - 8	AR43084	2B8	35	50 - 3	AR43265	2E25	7	50 - 91
AR42119	1G14	2	40 - 53	AR43085	2B7	30	50 - 2	AR43268	3F11	7	80 - 1
AR42119	1G14	6	40 - 53	AR43086	2D17	10	50 - 59	AR43268	2E25	6	50 - 91
AR42287	3C24	35	70 - 45	AR43087	3H12	1	90 - 23	AR43290	3G6	2	80 - 21
AR42400	2F17	28	60 - 16	AR43088	3H12	1	90 - 23	AR43301	1D23	7	30 - 22
AR42508	3H8	3	90 - 21	AR43089	3G8	6	80 - 24	AR43316	3D6	11	70 - 51
AR42591	1G14	2	40 - 53	AR43090	3G8	6	80 - 24	AR43420	2F11	3	60 - 10
AR42598	3H2	9	90 - 15	AR43091	3G9	6	80 - 25	AR43421	2F11	1	60 - 10
AR42990	2B19	11	50 - 13	AR43092	3G9	6	80 - 25	AR43523	3G3	5	80 - 18
AR43001	2C9	14	50 - 28	AR43097	2B21	10	50 - 15	AR43525	3C9	10	70 - 29
AR43005	2C17	15	50 - 36	AR43098	3H11	1	90 - 22	AR43525	3C10	3	70 - 30
AR43006	2B18	1	50 - 12	AR43099	3G5	9	80 - 20	AR43540	2F15	10	60 - 14
AR43006	2D15	12	50 - 57	AR43100	3G5	9	80 - 20	AR43541	2F15	18	60 - 14
AR43006	2D17	25	50 - 59	AR43101	2C24	3	50 - 43	AR43542	2F15	9	60 - 14
AR43007	2C25	1	50 - 44	AR43102	2D2	16	50 - 46	AR43544	1D4	2	30 - 2
AR43007	2D15	13	50 - 57	AR43103	3D5	4	70 - 50	AR43545	1D7	14	30 - 5
AR43007	2D17	26	50 - 59	AR43103	3D10	3	70 - 55	AR43547	3C18	7	70 - 39
AR43008	3G6	24	80 - 21	AR43112	1C10	17	20 - 22	AR43549	2F11	22	60 - 10
AR43009	3G6	21	80 - 21	AR43113	2C18	4	50 - 37	AR43549	2F14	2	60 - 13
AR43010	3I1	3	90 - 38	AR43114	2D15	9	50 - 57	AR43561	2B11	23	50 - 5B
AR43013	1B22	5	20 - 12	AR43114	2D17	21	50 - 59	AR43562	2B25	3	50 - 19
AR43017	2C7	10	50 - 26	AR43117	2B7	26	50 - 2	AR43569	2D1	4	50 - 45
AR43018	2C3	17	50 - 22	AR43119	1B20	3	20 - 10	AR43577	1D19	1	30 - 18
AR43022	1D23	14	30 - 22	AR43119	3H12	6	90 - 23	AR43579	1D19	3	30 - 18
AR43025	2B18	5	50 - 12	AR43120	3H12	2	90 - 23	AR43580	2F14	4	60 - 13
AR43026	2B21	3	50 - 15	AR43122	2B13	5	50 - 7	AR43592	2D1	7	50 - 45
AR43027	2B21	5	50 - 15	AR43123	3I6	7	90 - 43	AR43609	1E13	8	40 - 1
AR43028	2B7	20	50 - 2	AR43125	2D12	5	50 - 54	AR43615	3C19	16	70 - 40
AR43031	2B25	15	50 - 19	AR43126	2D12	4	50 - 54	AR43616	3G5	4	80 - 20
AR43031	2D14	22	50 - 56	AR43133	3H11	7	90 - 22	AR43627	1D15	13	30 - 14
AR43032	2E25	18	50 - 91	AR43133	3H12	14	90 - 23	AR43634	1C10	1	20 - 22
AR43034	2C5	11	50 - 24	AR43133	3I1	6	90 - 38	AR43634	1C10	18	20 - 22
AR43035	2C5	18	50 - 24	AR43134	2D20	22	50 - 61	AR43634	1C10	20	20 - 22
AR43038	2E20	11	50 - 86	AR43138	3G3	6	80 - 18	AR43634	1E8	3	30 - 32
AR43038	3F11	13	80 - 1	AR43140	3D8	12	70 - 53	AR43652	1B10	8	20 - 7
AR43039	2E20	5	50 - 86	AR43140	3D9	9	70 - 54	AR43656	3H22	6	90 - 34
AR43039	3F11	5	80 - 1	AR43141	3G1	4	80 - 16	AR43657	3H22	4	90 - 34
AR43040	2E24	12	50 - 90	AR43150	3C5	11	70 - 25	AR43658	3H22	1	90 - 34
AR43040	2E25	27	50 - 91	AR43150	3C15	18	70 - 36	AR43659	3H22	9	90 - 34
AR43045	2C3	2	50 - 22	AR43151	3C5	30	70 - 25	AR43660	3H22	20	90 - 34
AR43045	2C7	23	50 - 26	AR43153	2F12	1	60 - 11	AR43661	3H22	11	90 - 34
AR43045	2C9	2	50 - 28	AR43154	2D12	1	50 - 54	AR43662	3H22	7	90 - 34
AR43045	2C11	5	50 - 30	AR43155	3C5	30	70 - 25	AR43676	1D23	12	30 - 22
AR43045	2C12	5	50 - 31	AR43161	1E7	12	30 - 31	AR43704	1D19	10	30 - 18
AR43046	2F19	4	60 - 18	AR43162	1B22	5	20 - 12	AR43716	1D7	22	30 - 5
AR43047	2F16	26	60 - 15	AR43163	2F22	14	60 - 21	AR43716	1D19	5	30 - 18
AR43048	2F16	27	60 - 15	AR43164	2F22	13	60 - 21	AR43733	3C5	12	70 - 25
AR43050	2D24	12	50 - 65	AR43165	2F22	20	60 - 21	AR43734	3C5	2	70 - 25
AR43052	2B7	32	50 - 2	AR43166	2F22	22	60 - 21	AR43744	2B20	7	50 - 14
AR43052	2B25	5	50 - 19	AR43167	2F17	21	60 - 16	AR43747	1C12	4	20 - 24
AR43057	2C9	12	50 - 28	AR43167	2F22	15	60 - 21	AR43759	3H22	15	90 - 34
AR43057	2C10	11	50 - 29	AR43176	2E25	23	50 - 91	AR43770	1D14	13	30 - 13
AR43057	2C17	25	50 - 36	AR43208	1D23	15	30 - 22	AR43792	2F15	17	60 - 14
AR43058	2B23	17	50 - 17	AR43209	1D23	17	30 - 22	AR43795	3E1	13	70 - 67
AR43059	3D9	12	70 - 54	AR43216	3G6	17	80 - 21	AR43802	2E25	18	50 - 91
AR43060	3G6	11	80 - 21	AR43217	3G6	17	80 - 21	AR43809	2F6	10	60 - 5
AR43063	2B8	18	50 - 3	AR43219	1F7	11	40 - 20	AR43809	2F7	10	60 - 6
AR43064	2B8	22	50 - 3	AR43220	3C16	5	70 - 37	AR43839	2F11	23	60 - 10

1K11

TRACTOR - 4620

NUMERICAL INDEX - CONTINUED

PART NO.	GRID	KEY	PAGE	PART NO.	GRID	KEY	PAGE	PART NO.	GRID	KEY	PAGE
AR43841	2F11	24	60 - 10	AR45312	1F5	1	40 - 18	AR46399	1C5	6	20 - 17
AR43842	2F11	25	60 - 10	AR45312	1F6	1	40 - 19	AR46400	1C5	6	20 - 17
AR43843	1C17	22	20 - 29	AR45314	2D9	7	50 - 51	AR46401	1C5	6	20 - 17
AR43939	3G2	18	80 - 17	AR45315	2D9	10	50 - 51	AR46402	1C5	6	20 - 17
AR43940	1D5	1	30 - 3	AR45316	1F5	15	40 - 18	AR46403	1C5	1	20 - 17
AR43945	1C17	6	20 - 29	AR45341	2E3	6	50 - 68	AR46404	1C5	1	20 - 17
AR43947	1C17	6	20 - 29	AR45341	2E4	18	50 - 69	AR46405	1C5	1	20 - 17
AR43948	3H11	1	90 - 22	AR45342	2B22	14	50 - 16	AR46406	1C5	1	20 - 17
AR43949	3H11	1	90 - 22	AR45369	3I4	8	90 - 41	AR46407	1C5	1	20 - 17
AR43954	1B22	15	20 - 12	AR45369	3I4	10	90 - 41	AR46727	3C7	4	70 - 27
AR43955	1F8	11	40 - 21	AR45370	3I4	1	90 - 41	AR46730	1G25	3	40 - 64
AR43958	2F11	15	60 - 10	AR45370	3I4	3	90 - 41	AR46828	3D23	3	70 - 64
AR43959	2F11	16	60 - 10	AR45381	2C2	20	50 - 21	AR46979	1G21	21	40 - 60
AR43960	2F11	14	60 - 10	AR45381	2C13	1	50 - 32	AR46983	1H8	21	40 - 73
AR43967	3G4	6	80 - 19	AR45390	1F5	19	40 - 18	AR46984	1H6	21	40 - 71
AR43968	3G4	6	80 - 19	AR45390	1F6	5	40 - 19	AR46984	1H8	20	40 - 73
AR43969	3G4	9	80 - 19	AR45414	2E21	4	50 - 87	AR46985	1H8	18	40 - 73
AR43970	3G4	9	80 - 19	AR45414	2E22	6	50 - 88	AR46986	1H4	13	40 - 69
AR43973	1D17	19	30 - 16	AR45428	3C12	..	70 - 33	AR46986	1H4	15	40 - 69
AR43974	1D17	15	30 - 16	AR45436	1G21	22	40 - 60	AR46986	1H6	4	40 - 71
AR43975	1D17	15	30 - 16	AR45439	1G21	11	40 - 60	AR46986	1H6	5	40 - 71
AR43976	1D17	3	30 - 16	AR45439	1G21	17	40 - 60	AR46986	1H8	3	40 - 73
AR43982	2C1	10	50 - 20	AR45440	1G21	1	40 - 60	AR46986	1H8	4	40 - 73
AR43983	2E21	1	50 - 87	AR45446	1G21	2	40 - 60	AR47086	1E22	3	40 - 10
AR43984	2E21	1	50 - 87	AR45446	1G21	5	40 - 60	AR47086	1E23	3	40 - 11
AR43986	1E13	3	40 - 1	AR45450	1E21	..	40 - 9	AR47087	1E22	3	40 - 10
AR43987	1E13	3	40 - 1	AR45530	1B7	3	20 - 4	AR47087	1E23	3	40 - 11
AR43998	1D7	1	30 - 5	AR45534	3F2	26	70 - 95	AR47091	3G11	16	80 - 27
AR43998	1D9	6	30 - 7	AR45542	3C6	9	70 - 26	AR47132	2C21	20	50 - 40
AR44254	3I7	2	90 - 44	AR45544	3E23	39	70 - 91	AR47137	2E22	11	50 - 88
AR44255	3I7	1	90 - 44	AR45544	3E25	37	70 - 93	AR47147	2C21	15	50 - 40
AR44376	2E22	24	50 - 88	AR45647	3E3	16	70 - 69	AR47148	2C21	19	50 - 40
AR44384	2E4	13	50 - 69	AR45687	1D19	1	30 - 18	AR47180	2E10	16	50 - 75
AR44384	3C14	36	70 - 35	AR45723	1C2	9	20 - 14A	AR47289	2F4	16	60 - 3
AR44394	1B9	4	20 - 6	AR45723	1C3	9	20 - 15	AR47293	2F5	4	60 - 4
AR44402	1B5	1	20 - 2	AR45723	1C6	11	20 - 18	AR47331	3E17	29	70 - 85
AR44418	1D19	6	30 - 18	AR45734	1F5	20	40 - 18	AR47331	3F3	20	70 - 96
AR44423	2C23	6	50 - 42	AR45734	1F6	6	40 - 19	AR47374	1G25	1	40 - 64
AR44444	1C8	8	20 - 20	AR45781	2E23	9	50 - 89	AR47458	1G22	12	40 - 61
AR44444	1C9	4	20 - 21	AR45782	2E23	13	50 - 89	AR47459	1G22	12	40 - 61
AR44553	2D1	3	50 - 45	AR45839	1H11	27	40 - 76	AR47486	3E1	6	70 - 67
AR44554	2D1	14	50 - 45	AR45843	1H11	3	40 - 76	AR47490	3D24	1	70 - 65
AR44613	3H8	3	90 - 21	AR45844	1H11	12	40 - 76	AR47514	2F14	3	60 - 13
AR44624	1C5	1	20 - 17	AR45867	3G17	4	90 - 4	AR47524	1C8	12	20 - 20
AR44625	1C5	6	20 - 17	AR45868	3G18	1	90 - 5	AR47524	1C9	8	20 - 21
AR44635	3C3	1	70 - 23	AR45923	1E22	2	40 - 10	AR47547	1E13	6	40 - 1
AR44698	1F19	32	40 - 31	AR45924	1E22	5	40 - 10	AR47548	1E13	6	40 - 1
AR44699	1F21	2	40 - 33	AR45925	1E22	7	40 - 10	AR47567	3D23	12	70 - 64
AR44700	1F19	12	40 - 31	AR45926	1E23	2	40 - 11	AR47580	3B7	16	70 - 5
AR44763	3H2	8	90 - 15	AR45927	1E23	5	40 - 11	AR47643	3E10	7A	70 - 77
AR44820	3D20	15	70 - 63	AR45975	1E23	6	40 - 11	AR47643	3E10	7B	70 - 77
AR44999	1F2	13	40 - 15	AR46042	2B22	3	50 - 16	AR47643	3E17	36	70 - 85
AR44999	1F3	7	40 - 16	AR46095	2F22	27	60 - 21	AR47643	3F3	7	70 - 96
AR45034	2E22	1	50 - 88	AR46095	2F24	29	60 - 23	AR47752	3I6	16	90 - 43
AR45034	2E23	14	50 - 89	AR46113	2B10	18	50 - 5	AR47785	1D19	1	30 - 18
AR45035	1D3	..	30 - 1	AR46246	3B5	1	70 - 3	AR47802	3B5	1	70 - 3
AR45099	1E17	20	40 - 5	AR46246	3B9	..	70 - 7	AR47802	3B7	..	70 - 5
AR45099	1G14	22	40 - 53	AR46256	3D23	13	70 - 64	AR47803	3C5	28	70 - 25
AR45157	2F24	30	60 - 23	AR46282	3I13	4	90 - 50	AR47803	3C14	14	70 - 35
AR45198	3C14	15	70 - 35	AR46282	3I13	..	90 - 50	AR47805	2F17	6	60 - 16
AR45234	3C14	12	70 - 35	AR46334	1E24	4	40 - 12	AR47825	3E21	11	70 - 89
AR45240	2B22	10	50 - 16	AR46395	1C6	11	20 - 18	AR47825	3E21	13	70 - 89
AR45250	3C2	2	70 - 22	AR46396	1B24	2	20 - 12B	AR47825	3E23	41	70 - 91
AR45252	2F16	20	60 - 15	AR46396	1B25	9	20 - 13	AR47825	3E25	1	70 - 93
AR45252	2F22	21	60 - 21	AR46396	1C6	11	20 - 18	AR47859	3I14	6	90 - 51
AR45252	2F22	25	60 - 21	AR46397	1C6	11	20 - 18	AR47859	3I14	..	90 - 51
AR45255	2D9	22	50 - 51	AR46398	1C6	11	20 - 18	AR47916	1G21	6	40 - 60

1K12

TRACTOR - 4620

NUMERICAL INDEX - CONTINUED

PART NO.	GRID	KEY	PAGE	PART NO.	GRID	KEY	PAGE	PART NO.	GRID	KEY	PAGE
AR47939	3G2	12	80 - 17	AR48936	1E13	5	40 - 1	AR49457	2B22	26	50 - 16
AR48005	3C22	14	70 - 43	AR48937	1E13	2	40 - 1	AR49479	1F6	4	40 - 19
AR48006	3D4	4	70 - 49	AR48937	1E14	9	40 - 2	AR49485	3G15	17	90 - 2
AR48007	3C17	11	70 - 38	AR48937	1E15	9	40 - 3	AR49503	1B9	9	20 - 6
AR48007	3C17	12	70 - 38	AR48939	1E14	4	40 - 2	AR49535	2F6	8	60 - 5
AR48007	3C17	13	70 - 38	AR48939	1E15	4	40 - 3	AR49536	2F6	8	60 - 5
AR48007	3C17	14	70 - 38	AR48940	1C5	1	20 - 17	AR49539	1C7	14	20 - 19
AR48015	1G24	4	40 - 63	AR48956	3G14	1	90 - 1	AR49542	1E3	5	30 - 27
AR48016	1G24	3	40 - 63	AR48957	3G14	5	90 - 1	AR49565	3D6	7	70 - 51
AR48032	1G21	2	40 - 60	AR48963	2B10	17	50 - 5	AR49566	3D6	3	70 - 51
AR48033	1G21	17	40 - 60	AR49025	1C7	9	20 - 19	AR49578	3D25	1	70 - 66
AR48034	1G21	19	40 - 60	AR49032	1G25	..	40 - 64	AR49602	1E17	17	40 - 5
AR48035	1G21	15	40 - 60	AR49036	1G25	6	40 - 64	AR49602	1F4	1	40 - 17
AR48040	1G14	21	40 - 53	AR49038	1G25	4	40 - 64	AR49613	1E1	12	30 - 25
AR48041	1G14	19	40 - 53	AR49044	1C8	..	20 - 20	AR49616	2C15	11	50 - 34
AR48041	1G16	22	40 - 55	AR49062	3G5	4	80 - 20	AR49622	3D25	8	70 - 66
AR48096	2C17	9	50 - 36	AR49063	3G5	4	80 - 20	AR49631	3I3	9	90 - 40
AR48096	2C18	12	50 - 37	AR49081	3C15	12	70 - 36	AR49632	3I3	9	90 - 40
AR48096	2C19	9	50 - 38	AR49082	1F5	23	40 - 18	AR49649	1C12	..	20 - 24
AR48096	2C20	4	50 - 39	AR49083	3C15	7	70 - 36	AR49650	1C7	4	20 - 19
AR48110	3D12	34	70 - 57	AR49108	3F21	6	80 - 10	AR49652	2B20	3	50 - 14
AR48110	3D23	1	70 - 64	AR49116	3C5	26B	70 - 25	AR49654	2C9	18	50 - 28
AR48111	3D23	2	70 - 64	AR49116	3C14	24	70 - 35	AR49654	2C10	2	50 - 29
AR48112	3D12	33	70 - 57	AR49118	3C15	15	70 - 36	AR49655	1C12	..	20 - 24
AR48219	1E3	7	30 - 27	AR49119	3C15	15	70 - 36	AR49656	3C7	3	70 - 27
AR48236	1D12	8	30 - 10	AR49129	3C14	33	70 - 35	AR49657	2F12	8	60 - 11
AR48236	1E1	11	30 - 25	AR49130	3C14	42	70 - 35	AR49657	2F13	5	60 - 12
AR48236	2E19	2	50 - 85	AR49131	3C14	5	70 - 35	AR49658	3C7	3	70 - 27
AR48487	1C8	3	20 - 20	AR49132	2E4	6	50 - 69	AR49660	3C5	19	70 - 25
AR48487	1C9	2	20 - 21	AR49132	3C14	38	70 - 35	AR49732	2B15	8	50 - 9
AR48527	2E13	16	50 - 78	AR49132	3C15	14	70 - 36	AR49751	3C9	7	70 - 29
AR48589	2D3	8	50 - 47	AR49138	3F14	2	80 - 3	AR49760	1D7	5A	30 - 5
AR48594	1E13	5	40 - 1	AR49146	2B15	11	50 - 9	AR49771	1D23	24	30 - 22
AR48594	1G22	9	40 - 61	AR49177	2D20	6	50 - 61	AR49771	1D25	4	30 - 24
AR48640	1G21	20	40 - 60	AR49178	2D20	3	50 - 61	AR49785	1D25	7	30 - 24
AR48643	1G23	5	40 - 62	AR49179	2D20	16	50 - 61	AR49786	1D25	9	30 - 24
AR48646	2C7	17	50 - 26	AR49186	3H12	11	90 - 23	AR49786	1E1	23	30 - 25
AR48675	1C14	9	20 - 26	AR49209	2E9	2	50 - 74	AR49786	2F13	17	60 - 12
AR48689	2C6	16	50 - 25	AR49216	3C14	21	70 - 35	AR49789	3C3	14	70 - 23
AR48689	2C13	8	50 - 32	AR49217	3C14	20	70 - 35	AR49792	3G5	4	80 - 20
AR48690	2C13	5	50 - 32	AR49218	3C14	41	70 - 35	AR49793	3G5	4	80 - 20
AR48717	1H8	5	40 - 73	AR49231	2E3	3	50 - 68	AR49797	1H13	1	40 - 78
AR48721	1E14	2	40 - 2	AR49232	1C5	1	20 - 17	AR49797	1H13	1	40 - 78
AR48721	1E15	2	40 - 3	AR49233	1C5	1	20 - 17	AR49799	3G15	2	90 - 2
AR48721	1G11	10	40 - 50	AR49234	1C5	1	20 - 17	AR49802	3G15	2	90 - 2
AR48721	1G12	16	40 - 51	AR49235	1C5	1	20 - 17	AR49803	3G16	2	90 - 3
AR48722	1E14	1	40 - 2	AR49236	1C5	1	20 - 17	AR49804	3G16	8	90 - 3
AR48722	1E15	1	40 - 3	AR49248	2F11	30	60 - 10	AR49805	3G16	5	90 - 3
AR48722	1G11	10	40 - 50	AR49250	2E20	7	50 - 86	AR49806	3G16	17	90 - 3
AR48722	1G12	16	40 - 51	AR49250	3F11	7	80 - 1	AR49808	3G15	20	90 - 2
AR48723	1G11	11	40 - 50	AR49310	3C12	31	70 - 33	AR49880	2B6	6	50 - 1
AR48723	1G12	17	40 - 51	AR49311	3C14	8	70 - 35	AR49923	3H23	..	90 - 35
AR48723	1G14	28	40 - 53	AR49342	1F5	27	40 - 18	AR49952	3G25	7	90 - 13
AR48724	1G22	13	40 - 61	AR49352	1E24	10	40 - 12	AR49961	3G20	13	90 - 7
AR48725	1G20	1	40 - 59	AR49352	1H21	17	40 - 87	AR49962	3G18	18	90 - 5
AR48726	1E24	11	40 - 12	AR49395	2C7	..	50 - 26	AR49963	3G18	17	90 - 5
AR48734	3E4	18	70 - 70	AR49395	2C9	..	50 - 28	AR49964	3G22	16	90 - 9
AR48770	3B9	18	70 - 7	AR49395	2C12	15	50 - 31	AR49965	3H1	22	90 - 14
AR48871	1C12	17	20 - 24	AR49396	2C7	..	50 - 26	AR49966	3G20	15	90 - 7
AR48897	2C7	17	50 - 26	AR49396	2C9	..	50 - 28	AR49967	3G17	12	90 - 4
AR48901	2E3	8	50 - 68	AR49396	2C11	15	50 - 30	AR49968	3G22	23	90 - 9
AR48901	2E10	19	50 - 75	AR49420	2E3	6	50 - 68	AR49969	1H11	29	40 - 76
AR48902	2E10	6	50 - 75	AR49420	2E4	18	50 - 69	AR49969	3G20	21	90 - 7
AR48903	2E10	14	50 - 75	AR49426	2C22	1	50 - 41	AR49969	3G22	14	90 - 9
AR48904	2E6	13	50 - 71	AR49427	3B4	4	70 - 1	AR49969	3H1	26	90 - 14
AR48912	1E22	5	40 - 10	AR49432	1F5	12	40 - 18	AR49970	3G25	8	90 - 13
AR48933	3E3	2A	70 - 69	AR49433	1F5	5	40 - 18	AR49986	3G23	3	90 - 11

1K13

TRACTOR - 4620

NUMERICAL INDEX - CONTINUED

PART NO.	GRID	KEY	PAGE	PART NO.	GRID	KEY	PAGE	PART NO.	GRID	KEY	PAGE
AR49987	3H1	24	90 - 14	AR50855	3H25	18	90 - 37	AR51973	1H6	4	40 - 71
AR49998	1D10	3	30 - 8	AR50856	3H25	2	90 - 37	AR51985	1E2	13	30 - 26
AR49998	1D11	3	30 - 9	AR50868	3H25	22	90 - 37	AR51986	1E2	9	30 - 26
AR50000	1B6	12	20 - 3	AR50869	3H25	28	90 - 37	AR51987	1D15	24	30 - 14
AR50009	3G23	4	90 - 11	AR50870	3H25	29	90 - 37	AR51988	1D15	18	30 - 14
AR50010	3G23	4	90 - 11	AR50874	1E3	5	30 - 27	AR51988	1D16	12	30 - 15
AR50039	3D3	5	70 - 48	AR50874	1E5	25	30 - 29	AR52041	1D5	1	30 - 3
AR50040	1D24	2	30 - 23	AR50914	1E13	7	40 - 1	AR52061	1B12	23	20 - 9
AR50041	1D24	5	30 - 23	AR50921	3G2	5	80 - 17	AR52077	1F8	7	40 - 21
AR50041	1E8	2	30 - 32	AR50926	1H17	14	40 - 82	AR52077	1F10	..	40 - 23
AR50118	2D10	9	50 - 52	AR50927	1H13	20	40 - 78	AR52079	1F10	2	40 - 23
AR50119	2D10	9	50 - 52	AR50927	1H17	20	40 - 82	AR52085	1E7	16	30 - 31
AR50119	2D10	22	50 - 52	AR50928	1H13	18	40 - 78	AR52171	2F22	22	60 - 21
AR50136	1B22	11	20 - 12	AR50929	1H17	19	40 - 82	AR52172	2F22	21	60 - 21
AR50148	1D23	22	30 - 22	AR50930	1H17	15	40 - 82	AR52174	3C2	2	70 - 22
AR50148	1D25	1	30 - 24	AR50931	1H17	23	40 - 82	AR52180	1F6	12	40 - 19
AR50150	1D14	18	30 - 13	AR50940	1C6	8	20 - 18	AR52180	2D9	22	50 - 51
AR50152	1D10	9	30 - 8	AR50975	3F21	2	80 - 10	AR52211	1E7	18	30 - 31
AR50166	2D12	10	50 - 54	AR51052	1E1	9	30 - 25	AR52222	1C11	15	20 - 23
AR50180	2D5	21	50 - 49	AR51053	1E1	8	30 - 25	AR52224	3B7	7	70 - 5
AR50225	1F10	12	40 - 23	AR51054	1E1	7	30 - 25	AR52224	3B9	11	70 - 7
AR50226	1F10	14	40 - 23	AR51055	1E1	6	30 - 25	AR52224	3B17	7	70 - 15
AR50227	1F10	25	40 - 23	AR51056	1E1	5	30 - 25	AR52224	3B19	7	70 - 17
AR50229	1F10	16	40 - 23	AR51057	1E1	3	30 - 25	AR52230	2C21	15	50 - 40
AR50260	1G18	6	40 - 57	AR51059	1C12	19	20 - 24	AR52251	2D3	8	50 - 47
AR50337	3G7	13	80 - 22	AR51071	3I2	2	90 - 39	AR52254	3B11	37	70 - 9
AR50374	3D12	10	70 - 57	AR51092	2F24	30	60 - 23	AR52254	3B21	32	70 - 19
AR50377	3D12	23	70 - 57	AR51160	1G21	9	40 - 60	AR52289	3H18	6	90 - 30
AR50387	2F24	27	60 - 23	AR51209	3H21	6	90 - 33	AR52290	3H15	6	90 - 27
AR50399	1C19	4	20 - 31	AR51210	3H21	4	90 - 33	AR52291	3H18	16	90 - 30
AR50402	1G24	2	40 - 63	AR51335	1E17	4	40 - 5	AR52292	3H18	17	90 - 30
AR50403	1G24	2	40 - 63	AR51335	1G14	27	40 - 53	AR52293	3H18	1	90 - 30
AR50406	1G24	2	40 - 63	AR51346	3H25	27	90 - 37	AR52294	1H11	18	40 - 76
AR50407	1G24	2	40 - 63	AR51347	3H25	7	90 - 37	AR52295	3H15	35	90 - 27
AR50411	1C19	5	20 - 31	AR51372	1F6	14	40 - 19	AR52296	3G23	1	90 - 11
AR50439	1G21	16	40 - 60	AR51373	1F6	13	40 - 19	AR52297	3G23	6	90 - 11
AR50439	1G21	18	40 - 60	AR51394	1E22	2	40 - 10	AR52298	3G23	14	90 - 11
AR50440	1G21	7	40 - 60	AR51395	1E22	7	40 - 10	AR52299	3G23	15	90 - 11
AR50462	3D5	12	70 - 50	AR51419	1B16	1	20 - 9D	AR52300	3G23	11	90 - 11
AR50489	1D5	8	30 - 3	AR51431	1D5	2	30 - 3	AR52301	3G25	15	90 - 13
AR50489	1D12	6	30 - 10	AR51431	1E8	5	30 - 32	AR52304	3H18	19	90 - 30
AR50501	1D20	..	30 - 19	AR51432	1D5	7	30 - 3	AR52305	3H15	34	90 - 27
AR50508	1G21	8	40 - 60	AR51440	3H1	3	90 - 14	AR52308	3H15	13	90 - 27
AR50514	2F13	14	60 - 12	AR51452	3H6	9	90 - 19	AR52309	3H15	2	90 - 27
AR50518	1C19	8	20 - 31	AR51463	2C18	4	50 - 37	AR52311	3H19	8	90 - 31
AR50534	3H10	8	90 - 21B	AR51481	1G22	7	40 - 61	AR52312	3H19	8	90 - 31
AR50539	3H8	7	90 - 21	AR51483	1H6	22	40 - 71	AR52313	3G25	11	90 - 13
AR50540	3H8	7	90 - 21	AR51484	1H6	19	40 - 71	AR52314	3G25	11	90 - 13
AR50580	1E14	6	40 - 2	AR51519	1C11	12	20 - 23	AR52315	3G18	22	90 - 5
AR50580	1E15	6	40 - 3	AR51589	3H21	1	90 - 33	AR52316	3G18	15	90 - 5
AR50580	1G11	19	40 - 50	AR51602	2E25	18	50 - 91	AR52318	3G17	6	90 - 4
AR50580	1G12	15	40 - 51	AR51603	2E25	18	50 - 91	AR52319	3G17	1	90 - 4
AR50593	3C9	2	70 - 29	AR51604	2E25	18	50 - 91	AR52320	3H19	6	90 - 31
AR50598	3H1	5	90 - 14	AR51605	2E25	18	50 - 91	AR52321	3G20	6	90 - 7
AR50624	1C6	8	20 - 18	AR51652	2B23	11	50 - 17	AR52322	3G20	5	90 - 7
AR50732	1E1	2	30 - 25	AR51718	1E5	6	30 - 29	AR52323	3G22	13	90 - 9
AR50779	1H13	2	40 - 78	AR51728	1D5	10	30 - 3	AR52324	3G20	20	90 - 7
AR50780	1H13	2	40 - 78	AR51741	1C6	7	20 - 18	AR52325	3G20	1	90 - 7
AR50820	3H21	11	90 - 33	AR51745	3B11	9	70 - 9	AR52326	3G25	11	90 - 13
AR50821	3H21	18	90 - 33	AR51798	1B18	1	20 - 9F	AR52327	3G25	11	90 - 13
AR50829	1E13	1	40 - 1	AR51798	1C6	8	20 - 18	AR52335	2D3	12	50 - 47
AR50833	1E13	9	40 - 1	AR51804	3G6	2	80 - 21	AR52375	1E2	9	30 - 26
AR50834	1E14	3	40 - 2	AR51810	3H25	8	90 - 37	AR52376	1E2	13	30 - 26
AR50834	1E15	3	40 - 3	AR51913	2C7	6	50 - 26	AR52392	1H17	4	40 - 82
AR50834	1H21	8	40 - 87	AR51965	1B14	1	20 - 9B	AR52393	3G11	10	80 - 27
AR50838	1E13	4	40 - 1	AR51965	1B16	1	20 - 9D	AR52393	3G11	16	80 - 27
AR50838	1G24	5	40 - 63	AR51968	1E19	9	40 - 7	AR52394	3E3	2A	70 - 69

1K14

TRACTOR - 4620

NUMERICAL INDEX - CONTINUED

PART NO.	GRID	KEY	PAGE	PART NO.	GRID	KEY	PAGE	PART NO.	GRID	KEY	PAGE
AR52394	3E3	6A	70 - 69	AR53564	2E7	10	50 - 72	AR55074	3D14	10	70 - 59
AR52394	3E6	12	70 - 73	AR53792	3I6	13	90 - 43	AR55074	3D16	..	70 - 61
AR52440	1C8	3	20 - 20	AR53840	2D9	10	50 - 51	AR55074	3D18	13	70 - 61B
AR52440	1C9	2	20 - 21	AR53841	2D9	7	50 - 51	AR55074	3D20	..	70 - 63
AR52467	1E13	9	40 - 1	AR53843	2D9	7	50 - 51	AR55074	3D22	14	70 - 63B
AR52478	1H6	29	40 - 71	AR53844	2D9	10	50 - 51	AR55150	3D6	15	70 - 51
AR52478	1H8	28	40 - 73	AR53877	3D16	10	70 - 61	AR55151	3D6	15	70 - 51
AR52494	3B15	9	70 - 13	AR53877	3D20	11	70 - 63	AR55154	3H18	17	90 - 30
AR52497	2F17	6	60 - 16	AR53938	1F5	1	40 - 18	AR55155	1H11	3	40 - 76
AR52554	3I8	5	90 - 45	AR53938	1F6	1	40 - 19	AR55173	1F8	8	40 - 21
AR52555	3I8	4	90 - 45	AR53995	3H18	17	90 - 30	AR55173	1F10	33	40 - 23
AR52556	1D25	4	30 - 24	AR53997	1B12	25	20 - 9	AR55182	1D23	14	30 - 22
AR52571	1C8	..	20 - 20	AR53998	1B12	25	20 - 9	AR55186	3B7	4	70 - 5
AR52604	1E20	9	40 - 8	AR54328	3C17	11	70 - 38	AR55210	3C16	..	70 - 37
AR52606	3D5	2	70 - 50	AR54328	3C17	12	70 - 38	AR55210	3C17	16	70 - 38
AR52607	3C7	4	70 - 27	AR54328	3C17	13	70 - 38	AR55210	3D2	..	70 - 47
AR52623	3E10	38	70 - 77	AR54328	3C17	14	70 - 38	AR55210	3D5	12	70 - 50
AR52629	3E3	16	70 - 69	AR54328	3C22	14	70 - 43	AR55283	1E13	7	40 - 1
AR52630	3C6	9	70 - 26	AR54328	3C22	17	70 - 43	AR55330	3B9	4	70 - 7
AR52671	1B9	11	20 - 6	AR54328	3C22	18	70 - 43	AR55421	3E8	20	70 - 75
AR52671	1E1	15	30 - 25	AR54328	3C22	19	70 - 43	AR55421	3I6	11	90 - 43
AR52709	3H22	20	90 - 34	AR54329	3C22	14	70 - 43	AR55624	1C13	10	20 - 25
AR52719	2F15	12	60 - 14	AR54331	3E4	15	70 - 70	AR55638	1F15	6	40 - 28
AR52719	2F15	13	60 - 14	AR54332	3E4	15	70 - 70	AR55638	1F19	..	40 - 31
AR52785	3B7	21	70 - 5	AR54445	1G22	3	40 - 61	AR55638	1F21	..	40 - 33
AR52785	3B9	25	70 - 7	AR54473	3C11	6	70 - 31	AR55638	1F22	..	40 - 34
AR52796	3C17	4	70 - 38	AR54484	1E24	4	40 - 12	AR55638	1F24	..	40 - 37
AR52796	3D2	19	70 - 47	AR54484	3G18	9	90 - 5	AR55638	1G2	..	40 - 39
AR52797	3C17	2	70 - 38	AR54592	1F11	10	40 - 24	AR55638	1G10	..	40 - 48
AR52797	3D2	17	70 - 47	AR54679	2B18	5	50 - 12	AR55639	1F15	..	40 - 28
AR52803	3H18	14	90 - 30	AR54694	2E4	6	50 - 69	AR55649	1E24	11	40 - 12
AR52927	1F7	23	40 - 20	AR54694	2E7	3	50 - 72	AR55663	2B7	26	50 - 2
AR52927	1F8	23	40 - 21	AR54694	3C14	38	70 - 35	AR55694	1G21	2	40 - 60
AR53039	2C20	1	50 - 39	AR54694	3C15	14	70 - 36	AR55694	1G21	3	40 - 60
AR53039	2C21	22	50 - 40	AR54733	2C4	1	50 - 23	AR55694	1G21	14	40 - 60
AR53046	2E3	8	50 - 68	AR54738	2D24	12	50 - 65	AR55694	1G21	15	40 - 60
AR53046	2E10	19	50 - 75	AR54749	1B5	4	20 - 2	AR55694	1G21	17	40 - 60
AR53047	2E10	16	50 - 75	AR54755	1H8	4	40 - 73	AR55694	1G21	19	40 - 60
AR53091	1E1	27	30 - 25	AR54790	2F22	22	60 - 21	AR55694	1H13	24	40 - 78
AR53091	1E2	13	30 - 26	AR54793	1F12	..	40 - 25	AR55711	2F24	34	60 - 23
AR53094	1C21	36	20 - 33	AR54796	1F11	1	40 - 24	AR55750	1D9	18	30 - 7
AR53095	1C21	35	20 - 33	AR54796	1F12	..	40 - 25	AR55751	1D7	14	30 - 5
AR53137	3H25	18	90 - 37	AR54796	1F14	29	40 - 27	AR55752	1D7	14	30 - 5
AR53138	3H25	2	90 - 37	AR54820	3D4	4	70 - 49	AR55753	1D7	5B	30 - 5
AR53139	3H25	18	90 - 37	AR54904	1B8	16	20 - 5	AR55753	1D9	9	30 - 7
AR53140	3H25	2	90 - 37	AR54905	1B8	12	20 - 5	AR55827	1F12	3	40 - 25
AR53141	3H25	18	90 - 37	AR54930	1D15	24	30 - 14	AR55827	1F14	6	40 - 27
AR53141	3H25	..	90 - 37	AR54934	1D15	4	30 - 14	AR55828	1F12	9	40 - 25
AR53144	3H21	11	90 - 33	AR54934	1D16	3	30 - 15	AR55829	1F12	8	40 - 25
AR53149	1E2	13	30 - 26	AR54944	3D4	4	70 - 49	AR55830	1F12	28	40 - 25
AR53154	3G22	16	90 - 9	AR54975	1E17	22	40 - 5	AR55831	1F12	24	40 - 25
AR53155	3G22	16	90 - 9	AR54975	1G14	13	40 - 53	AR55831	1F14	13	40 - 27
AR53156	3G22	23	90 - 9	AR54975	1G14	14	40 - 53	AR55832	1F12	26	40 - 25
AR53157	1E17	15	40 - 5	AR54975	1G14	15	40 - 53	AR55832	1F14	12	40 - 27
AR53301	3B7	12	70 - 5	AR54975	1G14	16	40 - 53	AR55833	1F12	4	40 - 25
AR53301	3B9	16	70 - 7	AR54976	1E17	..	40 - 5	AR55834	1F12	1	40 - 25
AR53301	3B17	10	70 - 15	AR54976	1G14	16	40 - 53	AR55834	1F14	4	40 - 27
AR53301	3B19	10	70 - 17	AR54983	2B15	8	50 - 9	AR55835	1F12	22	40 - 25
AR53381	1B22	5	20 - 12	AR54990	1G5	4	40 - 42	AR55835	1F14	17	40 - 27
AR53446	3G16	12	90 - 3	AR54991	1G8	15	40 - 46	AR55836	1F12	12	40 - 25
AR53447	3C14	15	70 - 35	AR54992	1G5	7	40 - 42	AR55836	1F14	22	40 - 27
AR53449	2B23	11	50 - 17	AR54993	1G5	9	40 - 42	AR55837	1F12	8	40 - 25
AR53452	1G22	12	40 - 61	AR54993	1G5	15	40 - 42	AR55837	1F14	19	40 - 27
AR53471	2D13	20	50 - 55	AR54994	1G5	20	40 - 42	AR55864	2B8	18	50 - 3
AR53562	2E4	13	50 - 69	AR54996	1G6	1	40 - 43	AR55864	2B8	19	50 - 3
AR53562	2E7	5	50 - 72	AR54997	1G7	4	40 - 44	AR55865	2B8	22	50 - 3
AR53562	3C14	36	70 - 35	AR55061	1F2	5	40 - 15	AR55888	1E14	7	40 - 2

1K15

TRACTOR - 4620

NUMERICAL INDEX - CONTINUED

PART NO.	GRID	KEY	PAGE	PART NO.	GRID	KEY	PAGE	PART NO.	GRID	KEY	PAGE
AR55888	1G11	8	40 - 50	AR61988	1E8	4	30 - 32	AR63930	2E15	9	50 - 81
AR55888	1G12	8	40 - 51	AR62149	3D6	2	70 - 51	AR63947	2B15	8	50 - 9
AR55947	1G5	15	40 - 42	AR62149	3D6	14	70 - 51	AR63947	2B15	..	50 - 9
AR55947	1G5	18	40 - 42	AR62149	3D8	23	70 - 53	AR63947	2B15	..	50 - 9
AR55948	1G8	4	40 - 46	AR62149	3D9	2	70 - 54	AR63947	2B18	..	50 - 12
AR55949	1G8	13	40 - 46	AR62150	3D6	16	70 - 51	AR63947	2B18	..	50 - 12
AR55949	1G9	15	40 - 47	AR62151	3D6	2	70 - 51	AR63947	3D5	..	70 - 50
AR56010	1F11	21	40 - 24	AR62152	3D8	11	70 - 53	AR63947	3D5	..	70 - 50
AR56010	1F11	22	40 - 24	AR62152	3D9	10	70 - 54	AR63979	1B4	1	20 - 1
AR56010	1F11	23	40 - 24	AR62267	1F15	6	40 - 28	AR64087	3G20	10	90 - 7
AR56075	1B22	5	20 - 12	AR62267	1F15	..	40 - 28	AR64088	3G20	4	90 - 7
AR56161	3B5	1	70 - 3	AR62267	1F16	..	40 - 29	AR64281	3H21	18	90 - 33
AR56161	3B7	..	70 - 5	AR62267	1F19	..	40 - 31	AR64634	3C14	8	70 - 35
AR56184	3C12	..	70 - 33	AR62267	1F21	..	40 - 33	AR64640	2B15	8	50 - 9
AR56611	2E19	26	50 - 85	AR62267	1F22	..	40 - 34	AR64704	1D19	10	30 - 18
AR56638	1C12	19	20 - 24	AR62267	1F24	..	40 - 37	AR64922	2D1	4	50 - 45
AR56639	1C8	12	20 - 20	AR62267	1G2	..	40 - 39	AR64992	1H11	26	40 - 76
AR56639	1C9	8	20 - 21	AR62267	1G10	..	40 - 48	AR65005	1I8	1	40 - 99
AR56728	1F14	29	40 - 27	AR62293	1H12	8	40 - 77	AR65006	1I8	2	40 - 99
AR56769	2B15	21	50 - 9	AR62293	1H12	17	40 - 77	AR65235	1C5	1	20 - 17
AR56769	3D5	9	70 - 50	AR62294	1H12	1	40 - 77	AR65236	1C5	1	20 - 17
AR56785	1D19	1	30 - 18	AR62294	1H12	17	40 - 77	AR65237	1C5	1	20 - 17
AR56787	1D19	1	30 - 18	AR62295	1H12	2	40 - 77	AR65238	1C5	1	20 - 17
AR57156	1H6	4	40 - 71	AR62296	1H12	3	40 - 77	AR65239	1C5	1	20 - 17
AR57157	1H8	4	40 - 73	AR62307	3D5	12	70 - 50	AR65240	1C5	1	20 - 17
AR57157	1H8	5	40 - 73	AR62322	1D3	..	30 - 1	AR65507	1C6	10	20 - 18
AR57248	3H18	..	90 - 30	AR62359	1H16	1	40 - 81	AR66027	3G22	23	90 - 9
AR57266	1F11	10	40 - 24	AR62360	1H14	1	40 - 79	AR66028	3G22	4	90 - 9
AR57268	2C3	17	50 - 22	AR62377	1D3	..	30 - 1	AR66034	3G22	4	90 - 9
AR58126	1G22	12	40 - 61	AR62497	3G22	5	90 - 9	AR66544	3F16	14	80 - 5
AR58184	2E19	20	50 - 85	AR62561	3G22	23	90 - 9	AR66761	1G21	9	40 - 60
AR58236	3D2	55	70 - 47	AR62598	3I6	12	90 - 43	AR66778	1G5	20	40 - 42
AR58357	3F22	12	80 - 11	AR62934	1C12	9	20 - 24	AR66778	1G7	1	40 - 44
AR58357	3F25	7	80 - 15	AR62934	1C13	6	20 - 25	AR66778	1G7	2	40 - 44
AR58363	3F23	3	80 - 12	AR62963	1F19	36	40 - 31	AR66778	1G7	3	40 - 44
AR58474	3D2	59	70 - 47	AR62964	1F19	34	40 - 31	AR67346	1E17	15	40 - 5
AR58572	2B10	18	50 - 5	AR62964	1F24	25	40 - 37	AR67718	3B13	25	70 - 11
AR59435	1D7	22	30 - 5	AR63095	1C7	4	20 - 19	AR67720	3B13	25	70 - 11
AR59435	1D19	5	30 - 18	AR63181	3H21	11	90 - 33	AR67778	2F24	30	60 - 23
AR59446	2B22	11	50 - 16	AR63218	1B4	1	20 - 1	AR67778	2G2	28	60 - 25
AR59663	1H10	2	40 - 75	AR63219	1B4	1	20 - 1	AR67783	2F4	17	60 - 3
AR59679	3H2	10	90 - 15	AR63222	1B4	1	20 - 1	AR67783	2F5	3	60 - 4
AR59680	3H2	9	90 - 15	AR63254	3G16	7	90 - 3	AR67783	2F5	10	60 - 4
AR59681	3H2	8	90 - 15	AR63255	3G16	13	90 - 3	AR67783	2F10	6	60 - 9
AR60009	1B22	5	20 - 12	AR63280	1B9	4	20 - 6	AR67783	2F10	28	60 - 9
AR60029	3H4	14	90 - 17	AR63307	2C7	6	50 - 26	AR67783	2F10	29	60 - 9
AR60083	1H4	13	40 - 69	AR63311	2B15	8	50 - 9	AR67827	1G5	9	40 - 42
AR60084	1H4	12	40 - 69	AR63373	2C25	1	50 - 44	AR67827	1G5	15	40 - 42
AR60089	1H4	14	40 - 69	AR63373	2D15	13	50 - 57	AR67855	1H19	9	40 - 84
AR60109	3D6	7	70 - 51	AR63373	2D17	26	50 - 59	AR67855	1H21	2	40 - 87
AR60110	3D6	3	70 - 51	AR63606	2B7	5	50 - 2	AR67855	1H25	14	40 - 91
AR60295	3D6	14	70 - 51	AR63606	2B12	15	50 - 6	AR68107	3H19	8	90 - 31
AR60331	3C24	21	70 - 45	AR63609	2B7	5	50 - 2	AR68108	3H19	8	90 - 31
AR60372	3D23	6	70 - 64	AR63609	2B12	7	50 - 6	AR68138	1D17	..	30 - 16
AR60372	3D23	7	70 - 64	AR63698	1D15	24	30 - 14	AR68142	1D17	..	30 - 16
AR60519	2D5	8	50 - 49	AR63778	1D17	19	30 - 16	AR68145	3E25	24	70 - 93
AR60937	1G23	1	40 - 62	AR63780	1D16	14	30 - 15	AR68145	3F2	14	70 - 95
AR60948	3G15	2	90 - 2	AR63781	1D15	13	30 - 14	AR68180	1C8	3	20 - 20
AR61156	3H17	2	90 - 29	AR63781	1D16	10	30 - 15	AR68180	1C9	2	20 - 21
AR61156	3H17	7	90 - 29	AR63792	3D20	..	70 - 63	AR68199	1G21	9	40 - 60
AR61156	3H17	8	90 - 29	AR63792	3D20	..	70 - 63	AR68306	3H8	3	90 - 21
AR61609	2C13	5	50 - 32	AR63793	3D16	..	70 - 61	AR68314	1C8	3	20 - 20
AR61656	3D20	15	70 - 63	AR63793	3D16	..	70 - 61	AR68314	1C9	2	20 - 21
AR61857	2E17	21	50 - 83	AR63906	3C3	10	70 - 23	AR68345	2C17	9	50 - 36
AR61857	2E22	35	50 - 88	AR63928	3G23	14	90 - 11	AR68345	2C18	12	50 - 37
AR61903	3G23	3	90 - 11	AR63929	2E17	21	50 - 83	AR68345	2C19	9	50 - 38
AR61988	1D5	7	30 - 3	AR63929	3C14	..	70 - 35	AR68345	2C20	4	50 - 39

1K16

TRACTOR - 4620

NUMERICAL INDEX - CONTINUED

PART NO.	GRID	KEY	PAGE	PART NO.	GRID	KEY	PAGE	PART NO.	GRID	KEY	PAGE
AR68352	2C9	12	50-28	AR71189	3E4	15	70-70	AR74816	1C3	3	20-15
AR68352	2C10	11	50-29	AR71256	1G8	4	40-46	AR74816	1C5	6	20-17
AR68352	2C17	25	50-36	AR71285	3G16	17	90-3	AR74817	1C5	6	20-17
AR68353	2C9	14	50-28	AR71286	3G16	13	90-3	AR74818	1C5	6	20-17
AR68361	1H6	4	40-71	AR71287	3G16	8	90-3	AR75601	2B24	11	50-18
AR68362	1H8	4	40-73	AR71288	3G16	5	90-3	AR75601	2D11	11	50-53
AR68362	1H8	5	40-73	AR71289	3G16	7	90-3	AR75603	1E8	1	30-32
AR68363	1H4	13	40-69	AR71289	3G16	..	90-3	AR75603	2B24	11	50-18
AR68421	2B7	15	50-2	AR71290	3G16	8	90-3	AR75603	2D11	11	50-53
AR68430	1G5	9	40-42	AR71290	3G16	12	90-3	AR75694	1H19	10	40-84
AR68430	1G5	15	40-42	AR71404	3D20	25	70-63	AR75694	1H21	21	40-87
AR68721	2D24	3	50-65	AR71405	3D20	24	70-63	AR75695	1H19	2	40-84
AR68721	2E2	1	50-67	AR71631	2E25	23	50-91	AR75696	1H19	8	40-84
AR68728	3H3	19	90-16	AR71709	1B9	4	20-6	AR75896	1C8	..	20-20
AR68733	1D12	13	30-10	AR71976	3H4	8	90-17	AR75905	1G2	23	40-39
AR68734	1D12	12	30-10	AR72132	3F25	10	80-15	AR75908	1G2	16	40-39
AR68801	3F25	15	80-15	AR72257	1G17	3	40-56	AR75958	3E10	30	70-77
AR68802	3G15	2	90-2	AR72292	3D2	12	70-47	AR76161	3D12	33	70-57
AR68961	1E1	2	30-25	AR72292	3D2	13	70-47	AR76277	3C22	14	70-43
AR68973	3G22	23	90-9	AR72293	3D2	55	70-47	AR76278	3D4	4	70-49
AR68974	3G22	11	90-9	AR72293	3D2	57	70-47	AR76279	3D4	4	70-49
AR69011	3G22	9	90-9	AR72294	3D2	55	70-47	AR76340	3C22	14	70-43
AR69012	3G22	2	90-9	AR72318	1B6	4	20-3	AR76425	1D14	13	30-13
AR69155	2B19	11	50-13	AR72318	1B12	3	20-9	AR76762	3B7	4	70-5
AR69269	1F12	4	40-25	AR72319	1B6	10	20-3	AR76762	3B17	4	70-15
AR69270	1B9	4	20-6	AR72319	1B12	11	20-9	AR76841	1F19	12	40-31
AR69271	3H4	16	90-17	AR72337	1D7	1	30-5	AR76841	1F24	10	40-37
AR69370	1H11	29	40-76	AR72337	1D9	6	30-7	AR77224	2E22	11	50-88
AR69370	3G20	21	90-7	AR72998	1C5	3	20-17	AR77254	1F15	6	40-28
AR69370	3G22	14	90-9	AR73106	3B5	1	70-3	AR77254	1F15	..	40-28
AR69370	3H1	26	90-14	AR73106	3B9	..	70-7	AR77254	1G4	..	40-41
AR69444	3F7	1	70-100	AR73158	2B20	3	50-14	AR77254	1G5	..	40-42
AR69445	3F7	1	70-100	AR73212	2E22	1	50-88	AR77254	1G6	..	40-43
AR69987	3D16	6	70-61	AR73212	2E23	9	50-89	AR77254	1G7	..	40-44
AR69987	3D16	31	70-61	AR73212	2E23	14	50-89	AR77254	1G8	..	40-46
AR69987	3D18	5	70-61B	AR73214	2E23	10	50-89	AR77255	1F24	30	40-37
AR69987	3D20	6	70-63	AR73271	1C5	3	20-17	AR77255	1G3	1	40-40
AR69987	3D22	5	70-63B	AR73272	1C5	3	20-17	AR77255	1G3	..	40-40
AR69988	3D16	31	70-61	AR73273	1C5	3	20-17	AR77256	1F24	31	40-37
AR69988	3D20	6	70-63	AR73274	1C5	3	20-17	AR77257	1F24	27	40-37
AR69988	3D23	17	70-64	AR73275	1C5	2	20-17	AR77258	1G2	1	40-39
AR70025	3D6	12	70-51	AR73276	1C5	2	20-17	AR77259	1F24	7	40-37
AR70026	3D6	1	70-51	AR73311	1H10	1	40-75	AR77260	1F24	22	40-37
AR70027	3D8	12	70-53	AR73500	3F6	1	70-99	AR77261	1F24	13	40-37
AR70027	3D9	9	70-54	AR73542	2C3	17	50-22	AR77324	1G11	2	40-50
AR70038	3C12	..	70-33	AR73579	1G25	6	40-64	AR77324	1G12	2	40-51
AR70406	2B7	34	50-2	AR73580	1G25	4	40-64	AR77325	1G11	2	40-50
AR70406	2C7	15	50-26	AR73714	1C8	8	20-20	AR77325	1G11	8	40-50
AR70645	1C6	8	20-18	AR73714	1C9	4	20-21	AR77325	1G12	2	40-51
AR70722	3B5	1	70-3	AR73885	3F16	11	80-5	AR77325	1G12	8	40-51
AR70722	3B9	..	70-7	AR74019	3G22	23	90-9	AR77326	1E14	7	40-2
AR70723	3B9	18	70-7	AR74020	3G22	11	90-9	AR77326	1E15	7	40-3
AR70912	1C6	4	20-18	AR74081	2B21	10	50-15	AR77326	1G11	2	40-50
AR70920	2E3	8	50-68	AR74144	1B9	4	20-6	AR77326	1G11	7	40-50
AR70920	2E10	19	50-75	AR74411	1E24	6	40-12	AR77326	1G11	8	40-50
AR70921	2E10	6	50-75	AR74411	1F1	3	40-14	AR77326	1G12	2	40-51
AR70922	2E10	16	50-75	AR74411	1H21	11	40-87	AR77326	1G12	7	40-51
AR70987	1D15	24	30-14	AR74624	1B22	11	20-12	AR77326	1G12	8	40-51
AR71026	3D16	..	70-61	AR74673	3D12	34	70-57	AR77342	3G15	17	90-2
AR71118	1B14	1	20-9B	AR74673	3D23	1	70-64	AR77343	3G15	2	90-2
AR71118	1C8	..	20-20	AR74673	3D23	2	70-64	AR77344	3G14	9	90-1
AR71118	1C9	9	20-21	AR74814	1B24	5	20-12B	AR77345	3G14	6	90-1
AR71123	1C8	8	20-20	AR74814	1B25	3	20-13	AR77462	2B21	10	50-15
AR71123	1C9	4	20-21	AR74814	1C5	6	20-17	AR77463	2B15	8	50-9
AR71124	1C8	3	20-20	AR74815	1C5	6	20-17	AR77700	3C19	7	70-40
AR71124	1C9	2	20-21	AR74816	1C1	3	20-14	AR77725	2B21	10	50-15
AR71188	3E4	15	70-70	AR74816	1C2	3	20-14A	AR77747	1B24	6	20-12B

1K17

TRACTOR - 4620

NUMERICAL INDEX - CONTINUED

PART NO.	GRID	KEY	PAGE	PART NO.	GRID	KEY	PAGE	PART NO.	GRID	KEY	PAGE
AR77747	1B25	4	20-13	AR79711	3C2	2	70-22	AR86329	3F16	14	80-5
AR77747	1C5	1	20-17	AR79712	3C2	2	70-22	AR86336	3F16	3	80-5
AR77747	1C5	2	20-17	AR80294	1B12	1	20-9	AR86336	3F16	5	80-5
AR77747	1C5	3	20-17	AR80297	2E2	9	50-67	AR86336	3F16	14	80-5
AR77747	1C5	4	20-17	AR80591	2E19	8	50-85	AR86337	3F16	3	80-5
AR77748	1B24	7	20-12B	AR80595	2E19	33	50-85	AR86337	3F16	5	80-5
AR77748	1B25	5	20-13	AR81175	2E3	8	50-68	AR86337	3F16	14	80-5
AR77748	1C5	1	20-17	AR81175	2E10	19	50-75	AR86370	3F16	14	80-5
AR77748	1C5	3	20-17	AR81176	2E10	6	50-75	AR86377	3F16	14	80-5
AR77748	1C5	5	20-17	AR81176	2E10	10	50-75	AR86378	3F16	3	80-5
AR77749	1C5	1	20-17	AR81178	1H1	12	40-65	AR86378	3F16	5	80-5
AR77749	1C5	3	20-17	AR81571	2D1	14	50-45	AR86535	3E3	16	70-69
AR77749	1C5	5	20-17	AR81650	3G5	4	80-20	AR86538	2E21	4	50-87
AR77750	1C1	5	20-14	AR81651	3G5	4	80-20	AR86538	2E22	6	50-88
AR77750	1C2	5	20-14A	AR81783	3D2	7	70-47	AR86600	1D19	1	30-18
AR77750	1C3	5	20-15	AR81935	2E19	23	50-85	AR86603	1D19	1	30-18
AR77750	1C5	1	20-17	AR81936	2E3	6	50-68	AR86775	3D2	27	70-47
AR77750	1C5	3	20-17	AR81936	2E4	18	50-69	AR86775	3D2	29	70-47
AR77750	1C5	5	20-17	AR81968	2E19	12	50-85	AR86775	3D2	59	70-47
AR77751	1C5	1	20-17	AR82263	3D12	4	70-57	AR86969	1G11	7	40-50
AR77751	1C5	3	20-17	AR82265	3C14	8	70-35	AR86969	1G12	7	40-51
AR77751	1C5	5	20-17	AR82570	3E11	12	70-79	AR86969	1G18	4	40-57
AR77752	1C5	1	20-17	AR82571	3E5	16	70-71	AR86975	2E19	23	50-85
AR77752	1C5	3	20-17	AR82572	3E4	4	70-70	AR86980	1C6	4	20-18
AR77752	1C5	5	20-17	AR82572	3E10	27	70-77	AR87115	2D5	8	50-49
AR77753	1C1	4	20-14	AR82576	3E10	29	70-77	AR87115	2D7	19	50-49B
AR77753	1C2	4	20-14A	AR82909	1H21	16	40-87	AR87199	2D24	16	50-65
AR77753	1C3	4	20-15	AR82910	1H21	4	40-87	AR87484	2C9	12	50-28
AR77753	1C5	1	20-17	AR82911	1H21	7	40-87	AR87484	2C10	11	50-29
AR77753	1C5	2	20-17	AR82912	1H21	6	40-87	AR87484	2C17	25	50-36
AR77753	1C5	3	20-17	AR83354	3F15	7	80-4	AR88040	2C2	20	50-21
AR77753	1C5	4	20-17	AR83354	3F16	5	80-5	AR88040	2C13	1	50-32
AR77851	1F12	28	40-25	AR83356	3F16	5	80-5	AR88242	2D15	7	50-57
AR77851	1F14	2	40-27	AR83396	3D8	11	70-53	AR88242	2D17	9	50-59
AR78052	1H21	21	40-87	AR83396	3D9	10	70-54	AR88539	2B16	3	50-10
AR78093	1F12	9	40-25	AR83425	1G22	14	40-61	AR88550	2D17	10	50-59
AR78093	1F14	20	40-27	AR83425	1I8	8	40-99	AR88775	2D22	3	50-63
AR78289	3D12	34	70-57	AR84306	1F11	1	40-24	AR88880	1F19	12	40-31
AR78298	1F7	23	40-20	AR84306	1F14	5	40-27	AR88880	1F24	10	40-37
AR78303	2E22	30	50-88	AR84306	1F14	12	40-27	AR89133	3D10	6	70-55
AR78303	2E22	34	50-88	AR84306	1F14	29	40-27	AR89137	3I7	1	90-44
AR78303	2E22	35	50-88	AR84793	3D5	4	70-50	AR89137	3I7	2	90-44
AR78339	3D5	4	70-50	AR84793	3D5	6	70-50	AR89140	3F16	11	80-5
AR78339	3D5	6	70-50	AR84904	3D12	4	70-57	AR89141	3F16	11	80-5
AR78382	1E25	7	40-13	AR85153	1G19	6	40-58	AR89302	3D6	12	70-51
AR78384	1E25	3	40-13	AR85311	2D24	16	50-65	AR89691	1G19	6	40-58
AR78384	1F1	1	40-14	AR85323	1F6	10	40-19	AR90058	1F14	7	40-27
AR78386	1E25	6	40-13	AR85323	2B20	13	50-14	AR90070	1G8	15	40-46
AR78396	3E3	16	70-69	AR85323	2D5	10	50-49	AR90070	1G9	10	40-47
AR78483	3C22	35	70-43	AR85407	1G10	1	40-48	AR90071	1G8	4	40-46
AR78501	3G15	24	90-2	AR85460	2B15	21	50-9	AR90071	1G9	9	40-47
AR78522	1B12	2	20-9	AR85460	3D5	9	70-50	AR90201	3F4	2	70-97
AR78526	3D9	12	70-54	AR85463	2E19	22	50-85	AR90340	1E3	7	30-27
AR78538	1F15	6	40-28	AR85464	2E19	21	50-85	AR90378	3B11	30	70-9
AR78538	1F15	..	40-28	AR85574	2E19	29	50-85	AR90454	2C7	10	50-26
AR78538	1F16	..	40-29	AR85578	1H1	8	40-65	AR90515	2C7	..	50-26
AR78538	1F24	..	40-37	AR85628	3E3	26	70-69	AR90515	2C9	..	50-28
AR78538	1G2	..	40-39	AR85792	3H18	..	90-30	AR90515	2C10	..	50-29
AR78538	1G3	..	40-40	AR85940	1F12	8	40-25	AR90515	2C12	15	50-31
AR78755	1F14	22	40-27	AR85941	1F14	8	40-27	AR90516	2C7	..	50-26
AR78825	1E17	20	40-5	AR86311	3F16	14	80-5	AR90516	2C9	..	50-28
AR78825	1G14	21	40-53	AR86312	3F16	14	80-5	AR90516	2C10	..	50-29
AR78825	1G14	22	40-53	AR86328	3F16	3	80-5	AR90516	2C11	15	50-30
AR78914	1B22	5	20-12	AR86328	3F16	5	80-5	AR90528	2C8	1	50-27
AR79505	3D2	12	70-47	AR86328	3F16	14	80-5	AR90530	2C8	1	50-27
AR79505	3D2	13	70-47	AR86329	3F16	3	80-5	AR90577	3D13	5	70-58
AR79610	1B9	4	20-6	AR86329	3F16	5	80-5	AR90577	3D13	..	70-58

1K18

TRACTOR - 4620

NUMERICAL INDEX - CONTINUED

PART NO.	GRID	KEY	PAGE	PART NO.	GRID	KEY	PAGE	PART NO.	GRID	KEY	PAGE
AR90578	3D13	5	70 - 58	AR94661	3B19	..	70 - 17	AT27128	1F9	2	40 - 22
AR90578	3D13	..	70 - 58	AR94760	1E13	..	40 - 1	AT27128	1F10	5	40 - 23
AR90579	3D13	6	70 - 58	AR94973	3G19	13	90 - 6	AT27324	3C2	5	70 - 22
AR90581	3D13	6	70 - 58	AR94974	3G19	2	90 - 6	AT29855	1H11	26	40 - 76
AR90583	3D13	6	70 - 58	AR94975	3G19	3	90 - 6	AT29926	1F10	2	40 - 23
AR90601	1E3	2	30 - 27	AR94976	2D24	..	50 - 65	AT30373	2E7	7	50 - 72
AR90601	1E5	24	30 - 29	AR95470	3B9	32	70 - 7	AT30373	2E8	1	50 - 73
AR91055	2D22	15	50 - 63	AR95903	2D5	8	50 - 49	AT30373	2E8	9	50 - 73
AR91166	1E24	4	40 - 12	AR95903	2D7	19	50 - 49B	AT32332	2C24	1	50 - 43
AR91166	1E25	7	40 - 13	AR95904	1F6	12	40 - 19	AT32332	2E4	9	50 - 69
AR91166	1F1	5	40 - 14	AR95904	2D9	22	50 - 51	AT32332	2E19	27	50 - 85
AR91167	1F1	1	40 - 14	AR96189	1B22	11	20 - 12	AT32332	3C12	28	70 - 33
AR91793	116	42	40 - 97	AR96189	1B23	5	20 - 12A	AT32332	3C14	34	70 - 35
AR92109	3G15	2	90 - 2	AR96321	3B23	29	70 - 21	AT32332	3C15	2	70 - 36
AR92425	3F23	3	80 - 12	AR96323	3B23	29	70 - 21	AT32332	3E1	1	70 - 67
AR93259	2F24	27	60 - 23	AR96408	3B9	7	70 - 7	AT32332	3E17	9	70 - 85
AR93259	2G2	24	60 - 25	AR96408	3B19	4	70 - 17	AT32332	3E18	10	70 - 86
AR93445	1F11	1	40 - 24	AR96613	3B7	21	70 - 5	AT32333	2D19	23	50 - 60
AR93446	1F11	1	40 - 24	AR96613	3B9	25	70 - 7	AT32333	2D20	4	50 - 61
AR93446	1F14	5	40 - 27	AR96613	3B17	19	70 - 15	AT32333	2F7	6	60 - 6
AR93446	1F14	12	40 - 27	AR96613	3B19	19	70 - 17	AT32333	2F12	12	60 - 11
AR93446	1F14	29	40 - 27	AR96625	3B21	6	70 - 19	AT32333	2F13	6	60 - 12
AR937R	3D16	31	70 - 61	AR98146	2C13	5	50 - 32	AT32335	2B13	10	50 - 7
AR937R	3D20	6	70 - 63	AR98201	3F4	2	70 - 97	AT32335	2D19	11	50 - 60
AR937R	3D23	17	70 - 64	AR98202	3F4	1	70 - 97	AT32335	2D20	12	50 - 61
AR93819	3E10	2	70 - 77	AR98568	1C13	10	20 - 25	AT32335	2F22	21	60 - 21
AR93819	3E10	5	70 - 77	AR98649	2D24	16	50 - 65	AT32335	3C2	6	70 - 22
AR93819	3E10	7A	70 - 77	AR98649	2E2	5	50 - 67	AT32337	3C15	11	70 - 36
AR93819	3E10	7B	70 - 77	AR99100	3E10	29	70 - 77	AT32337	3E1	3	70 - 67
AR93819	3E17	31	70 - 85	AR99336	3D23	3	70 - 64	AT32338	2E7	9	50 - 72
AR93819	3E17	34	70 - 85	AR99647	2F19	4	60 - 18	AT344T	2D13	17	50 - 55
AR93819	3E17	36	70 - 85	AR99839	3B5	1	70 - 3	AT35120	3C15	11	70 - 36
AR93819	3F3	2	70 - 96	AR99839	3B9	..	70 - 7	AT35120	3E1	3	70 - 67
AR93819	3F3	5	70 - 96	AR99909	1E24	6	40 - 12	AT35121	2F4	21	60 - 3
AR93819	3F3	7	70 - 96	AT11524	1E3	7	30 - 27	AT35121	2F7	1	60 - 6
AR93820	3E10	2	70 - 77	AT12889	2C10	25	50 - 29	AT35121	2F14	7	60 - 13
AR93820	3E10	5	70 - 77	AT12889	2C24	12	50 - 43	AT35121	3C1	4	70 - 21D
AR93820	3E10	7A	70 - 77	AT13740	1B12	4	20 - 9	AT38518	3H8	16	90 - 21
AR93820	3E10	7B	70 - 77	AT13740	1C17	24	20 - 29	AT39043	1H1	9	40 - 65
AR93820	3E17	31	70 - 85	AT13740	1D23	20	30 - 22	AT44165	1G21	2	40 - 60
AR93820	3E17	34	70 - 85	AT141924	3115	6	90 - 52	AT44165	1G21	15	40 - 60
AR93820	3E17	36	70 - 85	AT14927	3112	1	90 - 49	AT44165	1G21	17	40 - 60
AR93820	3F3	2	70 - 96	AT151388	2C24	28	50 - 43	AT44165	1G21	19	40 - 60
AR93820	3F3	5	70 - 96	AT16288	1E14	7	40 - 2	AT44165	1H13	23	40 - 78
AR93820	3F3	7	70 - 96	AT16288	1E15	7	40 - 3	AT48506	3C7	2	70 - 27
AR93820	3F4	8	70 - 97	AT16288	1G11	7	40 - 50	AT48673	1G21	10	40 - 60
AR93945	1F12	1	40 - 25	AT16288	1G11	8	40 - 50	AT48673	1G21	19	40 - 60
AR93945	1F14	4	40 - 27	AT16288	1G12	7	40 - 51	AT48673	1H13	26	40 - 78
AR94130	1G23	2	40 - 62	AT16288	1G12	8	40 - 51	AT48674	1G21	12	40 - 60
AR94165	3C22	14	70 - 43	AT168165	3115	6	90 - 52	AT48674	1G21	15	40 - 60
AR94165	3C22	24	70 - 43	AT18904	3C9	9	70 - 29	AT55441	1E13	..	40 - 1
AR94166	3D4	4	70 - 49	AT20911	1D23	1	30 - 22	AT55441	1G16	25	40 - 55
AR94515	2C17	9	50 - 36	AT22070	3110	7	90 - 47	AT56592	1F8	23	40 - 21
AR94515	2C18	12	50 - 37	AT22070	3110	..	90 - 47	AT56592	1F10	2	40 - 23
AR94515	2C19	9	50 - 38	AT22071	3110	7	90 - 47	AT58209	1H11	13	40 - 76
AR94515	2C20	4	50 - 39	AT22073	3110	5	90 - 47	AT58895	2F22	27	60 - 21
AR94522	3E13	21	70 - 81	AT22073	3110	..	90 - 47	AT58895	2F24	29	60 - 23
AR94522	3F4	10	70 - 97	AT23188	1F10	24	40 - 23	AT62018	3115	6	90 - 52
AR94560	1B20	3	20 - 10	AT23188	1F10	28	40 - 23	AT62019	3115	4	90 - 52
AR94560	1B21	8	20 - 11	AT23188	1F12	13	40 - 25	AT66481	1H11	26	40 - 76
AR94660	3B5	1	70 - 3	AT23188	1F14	23	40 - 27	AT66482	1H11	26	40 - 76
AR94660	3B7	16	70 - 5	AT23189	1F9	19	40 - 22	AT66632	3F6	1	70 - 99
AR94660	3B7	..	70 - 5	AT24538	3112	1	90 - 49	AT66632	3G20	..	90 - 7
AR94660	3B17	..	70 - 15	AT25266	1D20	15	30 - 19	AT68973	1F3	7	40 - 16
AR94661	3B5	1	70 - 3	AT25266	1D21	1	30 - 20	AT71976	3C12	31	70 - 33
AR94661	3B9	18	70 - 7	AT25266	1D22	14	30 - 21	AT75387	3115	4	90 - 52
AR94661	3B9	..	70 - 7	AT27127	1F10	23	40 - 23	AT80421	2E8	5	50 - 73

1K19

TRACTOR - 4620

NUMERICAL INDEX - CONTINUED

PART NO.	GRID	KEY	PAGE	PART NO.	GRID	KEY	PAGE	PART NO.	GRID	KEY	PAGE
AT80421	2E8	7	50 - 73	A4388R	3F15	15	80 - 4	A776R	2B15	16	50 - 9
AT80421	2E8	8	50 - 73	A4546R	2D14	21	50 - 56	A776R	2C15	10	50 - 34
AT81764	3I15	6	90 - 52	A4624R	1E22	6	40 - 10	A776R	3D12	3	70 - 57
AT85153	1F6	10	40 - 19	A4624R	2B16	2	50 - 10	B161R	3G6	14	80 - 21
AT85153	2B20	13	50 - 14	A4624R	2C16	3	50 - 35	B1664R	2D2	11	50 - 46
AT85153	2D5	10	50 - 49	A4624R	3I2	12	90 - 39	B1664R	3C22	5	70 - 43
AT85174	1B12	26	20 - 9	A4635R	1D25	4	30 - 24	B169R	2F4	6	60 - 3
AU42026	1H11	12	40 - 76	A4655R	1G22	4	40 - 61	B177R	2F16	25	60 - 15
AU43852	1H11	13	40 - 76	A4723R	3E23	5	70 - 91	B178R	2B8	11	50 - 3
AU43854	1H11	22	40 - 76	A4723R	3E25	6	70 - 93	B178R	2C5	4	50 - 24
AU43857	1H11	21	40 - 76	A4723R	3F1	9	70 - 94	B1828R	2F11	31	60 - 10
AU43954	1H11	19	40 - 76	A4723R	3F2	6	70 - 95	B1828R	2F22	6	60 - 21
A120R	2C15	5	50 - 34	A4728R	2F19	10	60 - 18	B1828R	2F22	9	60 - 21
A147R	3G2	8	80 - 17	A4728R	2F20	7	60 - 19	B190R	2D13	15	50 - 55
A147R	3H17	3	90 - 29	A4728R	2F24	14	60 - 23	B1986R	1D20	14	30 - 19
A15532	3E1	19	70 - 67	A4728R	2F24	15	60 - 23	B1986R	1E15	9	40 - 3
A1555R	3F12	12	80 - 2	A4728R	2F24	34	60 - 23	B2498R	2F15	5	60 - 14
A1556R	3F12	11	80 - 2	A4728R	2F24	35	60 - 23	B2641R	2E14	6	50 - 79
A15898	3E18	20	70 - 86	A4728R	2G2	25	60 - 25	B2762R	1H4	6	40 - 69
A15899	3E18	18	70 - 86	A4728R	3C12	14	70 - 33	B2762R	2C14	2	50 - 33
A2899R	1G11	6	40 - 50	A4728R	3C12	15	70 - 33	B2762R	2C15	13	50 - 34
A2899R	1G12	6	40 - 51	A4728R	3C12	17	70 - 33	B2762R	2D1	11	50 - 45
A3182R	2C4	8	50 - 23	A4730R	1B12	24	20 - 9	B2762R	2D12	7	50 - 54
A3184R	3E10	35	70 - 77	A4730R	1C13	5	20 - 25	B2762R	2F6	15	60 - 5
A350R	3D16	3A	70 - 61	A4730R	1C13	8	20 - 25	B2762R	2F10	17	60 - 9
A350R	3D20	3A	70 - 63	A4730R	1C21	23	20 - 33	B2762R	2F12	5	60 - 11
A350R	3D23	19A	70 - 64	A4730R	2C1	23	50 - 20	B2762R	3C6	3	70 - 26
A3581R	3E21	12	70 - 89	A4730R	3C16	1	70 - 37	B2762R	3E3	4	70 - 69
A3581R	3E23	40	70 - 91	A4730R	3D3	1	70 - 48	B2762R	3E5	3	70 - 71
A3581R	3E25	2	70 - 93	A4730R	3E11	9	70 - 79	B2762R	3E6	4	70 - 73
A3606R	2D11	27	50 - 53	A4736R	3E23	9	70 - 91	B3169R	2C7	21	50 - 26
A3606R	2F4	19	60 - 3	A4737R	3E23	11	70 - 91	B3169R	2C11	6	50 - 30
A3606R	2F5	1	60 - 4	A4739R	3E23	8	70 - 91	B3169R	2C12	6	50 - 31
A3606R	2F10	8	60 - 9	A4742R	2B19	15	50 - 13	B3285R	1G24	10	40 - 63
A3606R	2F10	26	60 - 9	A4744R	3H3	4	90 - 16	B3310R	2C24	29	50 - 43
A3606R	2F16	10	60 - 15	A4745R	3E23	21	70 - 91	B3595R	2C2	18	50 - 21
A3606R	2F18	1	60 - 17	A4745R	3F1	4	70 - 94	B3627R	3D14	8	70 - 59
A364R	2C7	18	50 - 26	A4746R	3E23	22	70 - 91	B3675R	3H11	5	90 - 22
A364R	2C11	9	50 - 30	A4747R	3E23	20	70 - 91	B3675R	3H12	8	90 - 23
A364R	2C12	9	50 - 31	A4748R	3E23	19	70 - 91	B3686R	3C20	4	70 - 41
A364R	2C24	19	50 - 43	A4806R	2B23	20	50 - 17	B3690R	2F4	2	60 - 3
A364R	2D13	7	50 - 55	A4806R	2D11	21	50 - 53	B423R	3D2	53	70 - 47
A369R	2B8	16	50 - 3	A4808R	2B23	19	50 - 17	B423R	3D14	4	70 - 59
A369R	2C2	1	50 - 21	A4808R	2D11	22	50 - 53	B474R	2E19	7	50 - 85
A369R	3D12	8	70 - 57	A4816R	2E19	10	50 - 85	B634R	3F15	15	80 - 4
A369R	3D12	36B	70 - 57	A4816R	2F4	36	60 - 3	C1067R	2B11	17	50 - 5B
A369R	3D20	16	70 - 63	A4816R	2F17	29	60 - 16	C1067R	2B22	19	50 - 16
A369R	3H3	2	90 - 16	A4827R	1B20	8	20 - 10	C1067R	2C2	12	50 - 21
A3910R	2C1	14	50 - 20	A4827R	2B20	16	50 - 14	C1067R	2C6	7	50 - 25
A3910R	2D5	27	50 - 49	A4827R	2B21	13	50 - 15	C1067R	2D10	15	50 - 52
A3917R	1E5	42	30 - 29	A48331	1G16	3	40 - 55	C1104R	2B8	7	50 - 3
A3917R	1F24	21	40 - 37	A48332	1G16	23	40 - 55	C1220R	2B6	10	50 - 1
A3917R	2B10	5	50 - 5	A4847R	3I1	13	90 - 38	C1220R	2C1	15	50 - 20
A3917R	2B23	16	50 - 17	A4883R	2D2	10	50 - 46	C16054	1D7	2	30 - 5
A3917R	3E3	13	70 - 69	A5273R	1G15	20	40 - 54	C16054	1D9	5	30 - 7
A39716	1G16	1	40 - 55	A5275R	1G15	13	40 - 54	C284R	2B22	20	50 - 16
A4064R	3F15	16	80 - 4	A5276R	1G15	2	40 - 54	C284R	2C2	11	50 - 21
A4365R	1F24	19	40 - 37	A5277R	1G15	3	40 - 54	DA5883A	3D8	23	70 - 53
A4365R	2F6	21	60 - 5	A5278R	1G15	5	40 - 54	DA5883A	3D9	2	70 - 54
A4365R	2F10	19	60 - 9	A5279R	1G15	6	40 - 54	DS0251	1B4	..	20 - 1
A4365R	3B11	3	70 - 9	A5301R	3E23	35	70 - 91	DS0557	1B4	..	20 - 1
A4365R	3B13	3	70 - 11	A5302R	3E23	38	70 - 91	DT2127W	3F12	5	80 - 2
A4365R	3B21	3	70 - 19	A5304R	3E23	28	70 - 91	DT2127W	3F12	16	80 - 2
A4365R	3B23	2	70 - 21	A5598R	3C16	18	70 - 37	D1761R	2F19	3	60 - 18
A4365R	3C20	7	70 - 41	A5598R	3C18	4	70 - 39	D1761R	2F19	6	60 - 18
A4379R	3F15	3	80 - 4	A5748R	3E17	12	70 - 85	D2361	2D7	17	50 - 49B
A4380R	3F15	8	80 - 4	A5748R	3E18	13	70 - 86	D2361R	2D5	5	50 - 49

1K20

TRACTOR - 4620

NUMERICAL INDEX - CONTINUED

PART NO.	GRID	KEY	PAGE	PART NO.	GRID	KEY	PAGE	PART NO.	GRID	KEY	PAGE
D2361R	3E10	4	70 - 77	F2935R	1E14	2	40 - 2	H78354	3I7	2	90 - 44
D2361R	3E10	18	70 - 77	F2935R	1E15	1	40 - 3	H819R	2B24	5	50 - 18
D2361R	3E17	20	70 - 85	F2935R	1E15	2	40 - 3	H819R	2D11	5	50 - 53
D2361R	3E17	32	70 - 85	F2935R	1E17	8	40 - 5	H826R	1C8	6	20 - 20
D2361R	3F3	4	70 - 96	F2935R	1G14	25	40 - 53	H851R	2B15	7	50 - 9
D2361R	3F3	16	70 - 96	F304R	3D16	3B	70 - 61	H851R	2C15	4	50 - 34
D2865R	1H12	6	40 - 77	F304R	3D16	5A	70 - 61	H851R	3E1	18	70 - 67
D2913R	3E25	25	70 - 93	F304R	3D18	3	70 - 61B	H858R	2D18	5	50 - 59B
D2913R	3F2	15	70 - 95	F304R	3D20	3B	70 - 63	H871	3E13	11	70 - 81
D488R	2B15	10	50 - 9	F304R	3D20	5A	70 - 63	H871R	2C21	5	50 - 40
D488R	2C15	8	50 - 34	F304R	3D22	3	70 - 63B	H871R	2D14	11	50 - 56
D488R	3C16	9	70 - 37	F304R	3D23	18A	70 - 64	H871R	2E13	10	50 - 78
D488R	3D3	9	70 - 48	F304R	3D23	19B	70 - 64	H871R	2F4	35	60 - 3
E12379	2B8	38	50 - 3	F3171R	2B15	8	50 - 9	H987R	1H13	19	40 - 78
E16050	1H13	16	40 - 78	F3171R	2C14	9	50 - 33	IPSKIT1	1B4	..	20 - 1
E17421	2B20	6	50 - 14	F3171R	2D12	3	50 - 54	JD10003	2D24	6	50 - 65
E17421	2B21	4	50 - 15	F3171R	2E4	11	50 - 69	JD10003	2D24	18	50 - 65
E55662	1C7	17	20 - 19	F3171R	2E6	11	50 - 71	JD10005	2B17	2	50 - 11
E55662	1C10	2	20 - 22	F3171R	2E12	7	50 - 77	JD10190	3F12	7	80 - 2
E55662	1D14	4	30 - 13	F3171R	2E17	2	50 - 83	JD10190	3F13	6	80 - 2B
E55662	1D18	14	30 - 17	F3171R	2E17	8	50 - 83	JD126	1G15	23	40 - 54
E55662	1F11	19	40 - 24	F3171R	2E17	15	50 - 83	JD126	1G16	10	40 - 55
E55662	1F15	3	40 - 28	F3171R	2F12	3	60 - 11	JD126	1H13	10	40 - 78
F1334R	2D14	19	50 - 56	F3171R	3B5	1	70 - 3	JD16	3F12	9	80 - 2
F1427R	3E23	4	70 - 91	F3171R	3B7	14	70 - 5	JD17	3F14	3	80 - 3
F1427R	3E25	7	70 - 93	F3171R	3B7	16	70 - 5	JD3207	3F12	8	80 - 2
F1427R	3F1	10	70 - 94	F3171R	3B7	..	70 - 5	JD3213	3F12	8	80 - 2
F1427R	3F2	7	70 - 95	F3171R	3B9	19	70 - 7	JD3216	3F12	8	80 - 2
F1430R	3E23	16	70 - 91	F3171R	3B15	6	70 - 13	JD3221	3F12	8	80 - 2
F1430R	3E25	9	70 - 93	F3171R	3B17	12	70 - 15	JD3230	3F16	11	80 - 5
F1430R	3F1	12	70 - 94	F3171R	3B19	13	70 - 17	JD3231	3F16	11	80 - 5
F1430R	3F2	5	70 - 95	F3171R	3B21	35	70 - 19	JD3232	3F12	8	80 - 2
F1462R	2D13	23	50 - 55	F3171R	3B25	8	70 - 21B	JD5234	3G11	5	80 - 27
F1463R	2D13	22	50 - 55	F3171R	3C5	1	70 - 25	JD5272	3I10	8	90 - 47
F1463R	3C19	3	70 - 40	F3171R	3C5	27	70 - 25	JD5403	3I13	2	90 - 50
F1743R	1B6	11	20 - 3	F3171R	3C5	31	70 - 25	JD5403	3I14	3	90 - 51
F1743R	1B12	10	20 - 9	F3171R	3C6	7	70 - 26	JD5602	3I10	8	90 - 47
F1791R	3C9	14	70 - 29	F3171R	3C7	1	70 - 27	JD5602	3I10	..	90 - 47
F2081R	1E15	4	40 - 3	F3171R	3C14	13	70 - 35	JD7155	2C24	21	50 - 43
F2197R	2C10	23	50 - 29	F3171R	3C22	26	70 - 43	JD7232	2B19	3	50 - 13
F2206R	3D12	24	70 - 57	F3171R	3D4	12	70 - 49	JD7266	3F12	6	80 - 2
F2208R	3D12	28	70 - 57	F3171R	3D25	4	70 - 66	JD7266	3F13	5	80 - 2B
F2367R	2C24	26	50 - 43	F3171R	3E1	28	70 - 67	JD7359	2B18	16	50 - 12
F2380	2D24	22	50 - 65	F3173R	3C18	12	70 - 39	JD7383	2B17	3	50 - 11
F2411R	1C17	14	20 - 29	F3195R	3G8	1	80 - 24	JD7403	2E22	14	50 - 88
F2622R	2C10	14	50 - 29	F3195R	3G9	1	80 - 25	JD7425	2C24	8	50 - 43
F2622R	2D14	5	50 - 56	F3220R	3D25	5	70 - 66	JD7439	3F12	4	80 - 2
F2664R	2C24	30	50 - 43	F3221R	2D9	17	50 - 51	JD7439	3F13	4	80 - 2B
F2741R	3C16	17	70 - 37	F3353R	2D19	2	50 - 60	JD7446	2C25	9	50 - 44
F2741R	3C20	10	70 - 41	F3392R	2C4	11	50 - 23	JD7561	2C24	27	50 - 43
F2741R	3E4	12	70 - 70	F3396R	2C4	2	50 - 23	JD7595	2D13	8	50 - 55
F2741R	3E5	6	70 - 71	F3463R	2E19	4	50 - 85	JD7759	2E20	12	50 - 86
F2741R	3E17	2	70 - 85	F3607R	2E25	33	50 - 91	JD7759	2E22	7	50 - 88
F2741R	3E18	2	70 - 86	F3646R	1B12	6	20 - 9	JD7759	2E25	19	50 - 91
F2783R	2B22	2	50 - 16	F3646R	1C10	21	20 - 22	JD7759	2F15	16	60 - 14
F2783R	3F21	19	80 - 10	H104855	1I4	9	40 - 95	JD7759	3D5	19	70 - 50
F2846R	2C14	7	50 - 33	H113924	3I4	11	90 - 41	JD7759	3D9	16	70 - 54
F2846R	3C6	20	70 - 26	H26232	3G3	2	80 - 18	JD7759	3D20	14	70 - 63
F2847R	2C14	8	50 - 33	H31207	3H1	23	90 - 14	JD7759	3F11	4	80 - 1
F2847R	3C6	21	70 - 26	H343R	2C18	11	50 - 37	JD7781	2D24	8	50 - 65
F2861R	2D10	10	50 - 52	H394R	3D5	3	70 - 50	JD7781	2E20	4	50 - 86
F2863R	3C19	14	70 - 40	H394R	3D5	6	70 - 50	JD7781	2E22	4	50 - 88
F2863R	3C24	26	70 - 45	H394R	3D10	4	70 - 55	JD7781	2E24	19	50 - 90
F2863R	3H4	1	90 - 17	H61993	3H15	12	90 - 27	JD7781	2E25	1	50 - 91
F2912R	2B11	13	50 - 5B	H61993	3H18	4	90 - 30	JD7797	2B8	39	50 - 3
F2912R	2C6	2	50 - 25	H61993	3H18	5	90 - 30	JD7797	3D8	14	70 - 53
F2935R	1E14	1	40 - 2	H63952	3H15	33	90 - 27	JD7951	2C24	28	50 - 43

1K21

TRACTOR - 4620

NUMERICAL INDEX - CONTINUED

PART NO.	GRID	KEY	PAGE	PART NO.	GRID	KEY	PAGE	PART NO.	GRID	KEY	PAGE
JD7997	2B25	2	50 - 19	JD9320	2C10	15	50 - 29	PT18180	1G16	5	40 - 55
JD8113	2B17	2	50 - 11	JD9320	2D14	3	50 - 56	PT9318	1G16	7	40 - 55
JD8131	3F12	3	80 - 2	JD9345	2D13	16	50 - 55	PT9319	1G16	5	40 - 55
JD8131	3F13	3	80 - 2B	JD9449	1F10	24	40 - 23	PT9320	1G16	17	40 - 55
JD8192	3B7	23	70 - 5	JD9449	1F10	28	40 - 23	PT9321	1G16	25	40 - 55
JD8192	3B9	27	70 - 7	JD9449	1F12	13	40 - 25	PT9390	1G16	6	40 - 55
JD8192	3B17	21	70 - 15	JD9449	1F14	23	40 - 27	P41858	3H1	25	90 - 14
JD8192	3B19	21	70 - 17	JD9449	2B7	27	50 - 2	P44982	3C24	13	70 - 45
JD8195	2C25	10	50 - 44	JD9449	2C3	18	50 - 22	P44982	3C24	27	70 - 45
JD8214	2D15	3	50 - 57	JD9812	2D1	9	50 - 45	P44982	3H3	18	90 - 16
JD8214	2D17	3	50 - 59	JD9847	3D8	17	70 - 53	P46051	2E12	2	50 - 77
JD8223	3B7	22	70 - 5	JD9853	3D8	16	70 - 53	P46051	2E17	1	50 - 83
JD8223	3B9	26	70 - 7	JD9886	2C10	18	50 - 29	P46051	3E3	34	70 - 69
JD8223	3B17	20	70 - 15	JD9886	2D14	2	50 - 56	P46051	3E5	8	70 - 71
JD8223	3B19	20	70 - 17	JD9894	2C10	17	50 - 29	P46051	3E6	11	70 - 73
JD8235	2B18	17	50 - 12	JD9894	2D14	1	50 - 56	P47908	2E4	2	50 - 69
JD8240	2B19	21	50 - 13	K40003	1E6	21	30 - 30	P47908	2E4	20	50 - 69
JD8248	2D24	7	50 - 65	L29014	2F24	15	60 - 23	P47908	2E6	1	50 - 71
JD8248	2D24	17	50 - 65	L29015	2F24	13	60 - 23	P47908	2E19	14	50 - 85
JD8262	2B17	2	50 - 11	L29015	2F24	15	60 - 23	P47908	3B13	22	70 - 11
JD8266	2B18	3	50 - 12	L29015	2F24	34	60 - 23	P47908	3B23	26	70 - 21
JD8266	2C25	3	50 - 44	L29015	2G2	13	60 - 25	P48347	2E15	6	50 - 81
JD8280	2B18	3	50 - 12	L29015	3C12	14	70 - 33	P48347	2E22	33	50 - 88
JD8287	2C24	17	50 - 43	L29015	3C12	16	70 - 33	P48347	2F7	22	60 - 6
JD8288	2B17	9	50 - 11	L300T	2C5	2	50 - 24	P48347	2F10	22	60 - 9
JD8291	2B19	2	50 - 13	L324T	2B11	20	50 - 5B	P51212	3E13	12	70 - 81
JD8292	2E22	16	50 - 88	L324T	2C6	9	50 - 25	P51212	3E15	5	70 - 83
JD8293	2E12	19	50 - 77	L324T	2D10	14	50 - 52	RE10712	3B11	43	70 - 9
JD8298	2D15	9	50 - 57	L35843	3C9	4	70 - 29	RE10712	3B11	44	70 - 9
JD8298	2D15	..	50 - 57	L35843	3C9	17	70 - 29	RE10712	3B21	39	70 - 19
JD8298	2D17	21	50 - 59	L35843	3E1	15	70 - 67	RE10834	1C10	3	20 - 22
JD8298	2D17	..	50 - 59	L65000	1H23	10	40 - 89	RE10924	3E5	16	70 - 71
JD8298	2D22	15	50 - 63	M115827	3D6	2	70 - 51	RE11156	1I6	36	40 - 97
JD8298	2D22	19	50 - 63	M1895T	1E17	19	40 - 5	RE11157	1I6	37	40 - 97
JD8514	2C7	19	50 - 26	M2396T	1E7	1	30 - 31	RE11410	1B8	22	20 - 5
JD8514	2C11	8	50 - 30	M2396T	3C24	1	70 - 45	RE11447	3F4	9	70 - 97
JD8514	2C12	8	50 - 31	M2396T	3D2	10	70 - 47	RE11456	3F4	2	70 - 97
JD8535	1F9	23	40 - 22	M2396T	3D2	56	70 - 47	RE11457	3F4	1	70 - 97
JD8722	2D13	9	50 - 55	M2396T	3E8	1	70 - 75	RE11458	3F4	2	70 - 97
JD8731	2D13	9	50 - 55	M2396T	3E10	25	70 - 77	RE11463	3F4	2	70 - 97
JD8856	2D1	10	50 - 45	M3636T	1F15	1	40 - 28	RE11777	3B17	24	70 - 15
JD8907	2B19	22	50 - 13	M3636T	1F19	6	40 - 31	RE11777	3B19	24	70 - 17
JD8941	2C24	16	50 - 43	M42229	3G25	..	90 - 13	RE11804	3B17	14	70 - 15
JD8962	2D15	9	50 - 57	M43835	1I4	2	40 - 95	RE11810	3B19	12	70 - 17
JD8962	2D15	..	50 - 57	M63431	1E3	1	30 - 27	RE11814	3B9	5	70 - 7
JD8962	2D17	21	50 - 59	M63431	1E5	23	30 - 29	RE11814	3B9	9	70 - 7
JD8962	2D17	..	50 - 59	M63440	3B4	1	70 - 1	RE11814	3B9	28	70 - 7
JD8962	2D22	15	50 - 63	M63440	3H3	23	90 - 16	RE11814	3B9	29A	70 - 7
JD8962	2D22	18	50 - 63	M63440	3H4	13	90 - 17	RE11814	3B9	30A	70 - 7
JD8962	2D24	6	50 - 65	M72490	1B14	1	20 - 9B	RE11814	3B9	32	70 - 7
JD8962	2D24	18	50 - 65	M72490	1C8	4	20 - 20	RE11956	2F24	30	60 - 23
JD8977	2B18	2	50 - 12	M72490	1C8	..	20 - 20	RE11956	2G2	28	60 - 25
JD8977	2C25	2	50 - 44	M886T	3C22	10	70 - 43	RE11958	3C12	..	70 - 33
JD8981	3F12	7	80 - 2	N101346	2E24	8	50 - 90	RE12038	3B9	28	70 - 7
JD9002	2C24	9	50 - 43	N101346	2E25	14	50 - 91	RE12038	3B9	29A	70 - 7
JD9015	2B17	8	50 - 11	N102039	2C1	14	50 - 20	RE12038	3B9	30A	70 - 7
JD9019	2D15	4	50 - 57	N102039	2D5	27	50 - 49	RE12038	3B9	32	70 - 7
JD9019	2D17	4	50 - 59	N107859	2E23	4	50 - 89	RE12038	3B9	..	70 - 7
JD9019	2D22	1	50 - 63	N115096	1I4	11	40 - 95	RE12121	3E13	20	70 - 81
JD9028	2E22	15	50 - 88	N140340	3E17	13	70 - 85	RE12162	2D1	14	50 - 45
JD9029	2E22	13	50 - 88	N31772	2E6	9	50 - 71	RE12330	3B25	..	70 - 21B
JD9030	2E12	20	50 - 77	N31772	2E10	8	50 - 75	RE12434	1B24	10	20 - 12B
JD9066	2B18	2	50 - 12	PM797NA	1I9	1	40 - 100	RE12434	1B25	10	20 - 13
JD9257	1C12	11	20 - 24	PT1293	1G16	3	40 - 55	RE12434	1B25	12	20 - 13
JD9257	1C13	9	20 - 25	PT1294	1G16	7	40 - 55	RE12470	3B21	27	70 - 19
JD9281	2B7	27	50 - 2	PT1296	1G16	14	40 - 55	RE13271	3B21	15	70 - 19
JD9281	2C3	18	50 - 22	PT1624	1G16	5	40 - 55	RE13478	2E2	9	50 - 67

1K22

TRACTOR - 4620

NUMERICAL INDEX - CONTINUED

PART NO.	GRID	KEY	PAGE	PART NO.	GRID	KEY	PAGE	PART NO.	GRID	KEY	PAGE
RE13479	2D24	11	50 - 65	RE19993	2C13	2	50 - 32	RE28023	2C9	12	50 - 28
RE13479	2E2	3	50 - 67	RE20024	1C12	22	20 - 24	RE28023	2C10	11	50 - 29
RE13552	1B16	1	20 - 9D	RE20024	1C12	..	20 - 24	RE28023	2C17	25	50 - 36
RE13561	3E19	2	70 - 87	RE20133	2C9	12	50 - 28	RE28790	3B7	7	70 - 5
RE13562	3E19	2	70 - 87	RE20133	2C10	11	50 - 29	RE28790	3B9	11	70 - 7
RE13611	3B11	31	70 - 9	RE20133	2C17	25	50 - 36	RE28790	3B13	19	70 - 11
RE13722	1F15	6	40 - 28	RE20735	2B25	15	50 - 19	RE28790	3B17	7	70 - 15
RE13722	1G5	..	40 - 42	RE20735	2D14	22	50 - 56	RE28790	3B19	7	70 - 17
RE13722	1G6	..	40 - 43	RE20832	2D5	8	50 - 49	RE28790	3B23	23	70 - 21
RE13722	1G7	..	40 - 44	RE20832	2D7	19	50 - 49B	RE29103	3B13	25	70 - 11
RE13731	1G6	1	40 - 43	RE21073	1H23	17	40 - 89	RE29103	3B13	..	70 - 11
RE13732	1G8	15	40 - 46	RE21096	1H23	11	40 - 89	RE29104	3B13	25	70 - 11
RE13732	1G9	10	40 - 47	RE21112	1H25	3	40 - 91	RE29104	3B13	..	70 - 11
RE13733	1G8	4	40 - 46	RE21113	1H25	10	40 - 91	RE29107	3B23	29	70 - 21
RE13733	1G9	9	40 - 47	RE21304	2D9	10	50 - 51	RE29107	3B23	..	70 - 21
RE13797	1F11	1	40 - 24	RE21304	2D9	13	50 - 51	RE29109	3B23	29	70 - 21
RE13797	1F14	5	40 - 27	RE21304	2D9	19	50 - 51	RE29109	3B23	..	70 - 21
RE13797	1F14	12	40 - 27	RE21305	1F6	12	40 - 19	RE29408	1C19	4	20 - 31
RE13797	1F14	29	40 - 27	RE21305	2D9	22	50 - 51	RE29408	1C19	7	20 - 31
RE13798	1F12	24	40 - 25	RE21305	2D9	22	50 - 51	RE29408	1C19	7	20 - 31
RE13798	1F14	13	40 - 27	RE21328	2C7	10	50 - 26	RE29429	2D17	10	50 - 59
RE13799	1F14	12	40 - 27	RE21510	1H23	20	40 - 89	RE29603	2C3	17	50 - 22
RE13800	1F14	19	40 - 27	RE21725	3B15	19	70 - 13	RE29612	2B7	20	50 - 2
RE13801	1F14	20	40 - 27	RE21730	1I8	5	40 - 99	RE29776	2B7	26	50 - 2
RE13813	3E13	14	70 - 81	RE21731	1I8	5	40 - 99	RE30174	1D20	1	30 - 19
RE13814	3E13	6	70 - 81	RE21732	1I8	6	40 - 99	RE31694	1F11	1	40 - 24
RE13815	3E15	10	70 - 83	RE21738	1H25	15	40 - 91	RE31694	1F11	12	40 - 24
RE14069	1G19	5	40 - 58	RE21790	1D20	15	30 - 19	RE31694	1F12	19	40 - 25
RE14868	3B15	20	70 - 13	RE21790	1D21	1	30 - 20	RE31694	1F14	29	40 - 27
RE14953	1C7	..	20 - 19	RE21790	1D22	14	30 - 21	RE31694	1F14	31	40 - 27
RE15058	1G8	13	40 - 46	RE22320	2D9	7	50 - 51	RE31702	2D24	3	50 - 65
RE15058	1G9	15	40 - 47	RE22320	2D9	14	50 - 51	RE31702	2E2	1	50 - 67
RE15361	3E1	25	70 - 67	RE22320	2D9	18	50 - 51	RE32529	3B15	19	70 - 13
RE15361	3E17	18	70 - 85	RE22321	2D9	7	50 - 51	RE32529	3B25	20	70 - 21B
RE15361	3E17	25	70 - 85	RE22321	2D9	14	50 - 51	RE32529	3C1	13	70 - 21D
RE15361	3E17	29	70 - 85	RE22321	2D9	18	50 - 51	RE32681	2F20	4	60 - 19
RE15361	3F3	11	70 - 96	RE22589	1H25	2	40 - 91	RE33622	1C1	8	20 - 14
RE15361	3F3	18	70 - 96	RE22764	1C7	4	20 - 19	RE33928	3F16	11	80 - 5
RE15361	3F3	20	70 - 96	RE22764	1C7	..	20 - 19	RE35992	1B5	3	20 - 2
RE15427	1C17	4	20 - 29	RE23182	1B5	2	20 - 2	RE36416	1C1	8	20 - 14
RE16151	1D21	3	30 - 20	RE23382	3B7	21	70 - 5	RE36416	1C3	10	20 - 15
RE16151	1D21	4	30 - 20	RE23382	3B9	25	70 - 7	RE36416	1C3	12	20 - 15
RE16151	1D22	11	30 - 21	RE23382	3B17	19	70 - 15	RE36647	2F20	2	60 - 19
RE16182	1D20	..	30 - 19	RE23382	3B19	19	70 - 17	RE36903	1D23	24	30 - 22
RE16182	1D22	17	30 - 21	RE24561	1D20	1	30 - 19	RE36903	1D25	4	30 - 24
RE16371	2D1	4	50 - 45	RE24647	3B25	21	70 - 21B	RE37089	1E3	7	30 - 27
RE17282	1H19	10	40 - 84	RE25125	1G11	11	40 - 50	RE37089	1E5	..	30 - 29
RE17352	1C7	..	20 - 19	RE25125	1G12	17	40 - 51	RE37091	1E3	2	30 - 27
RE17379	1F11	1	40 - 24	RE25125	1G14	28	40 - 53	RE37091	1E3	7	30 - 27
RE19075	1E17	1	40 - 5	RE25126	1E14	2	40 - 2	RE37091	1E5	24	30 - 29
RE19075	1E17	23	40 - 5	RE25126	1E15	2	40 - 3	RE37091	1E5	..	30 - 29
RE19075	1E17	26	40 - 5	RE25126	1E17	4	40 - 5	RE37120	2B19	11	50 - 13
RE19075	1E17	..	40 - 5	RE25126	1G11	10	40 - 50	RE37996	1G19	4	40 - 58
RE19075	1E19	1	40 - 7	RE25126	1G12	16	40 - 51	RE38390	1F6	10	40 - 19
RE19075	1E20	1	40 - 8	RE25127	1E14	2	40 - 2	RE38390	1G19	6	40 - 58
RE19075	1G14	2	40 - 53	RE25127	1E15	2	40 - 3	RE38390	2B20	13	50 - 14
RE19075	1G14	6	40 - 53	RE25127	1E17	4	40 - 5	RE38390	2D5	10	50 - 49
RE19080	1E14	1	40 - 2	RE25127	1G11	10	40 - 50	RE38390	2D7	19	50 - 49B
RE19080	1E15	1	40 - 3	RE25127	1G12	16	40 - 51	RE38391	1F2	13	40 - 15
RE19080	1G11	10	40 - 50	RE25404	2C21	4	50 - 40	RE38391	1F3	7	40 - 16
RE19080	1G12	16	40 - 51	RE25621	1H16	1	40 - 81	RE38707	1H23	11	40 - 89
RE19313	3B5	1	70 - 3	RE26739	3D13	6	70 - 58	RE39061	1F17	9	40 - 29A
RE19313	3B7	16	70 - 5	RE26740	3D13	6	70 - 58	RE39063	1F16	5	40 - 29
RE19313	3B7	..	70 - 5	RE27099	1E14	12	40 - 2	RE39063	1G4	10	40 - 41
RE19375	3D16	10	70 - 61	RE27099	1G11	17	40 - 50	RE39064	1G4	13	40 - 41
RE19377	3D16	10	70 - 61	RE27109	1F11	1	40 - 24	RE39064	1G8	15	40 - 46
RE19377	3D20	11	70 - 63	RE27109	1F14	29	40 - 27	RE39064	1G9	10	40 - 47
				RE27109	1F14	31	40 - 27	RE40463	3B15	20	70 - 13

1K23

TRACTOR - 4620

NUMERICAL INDEX - CONTINUED

PART NO.	GRID	KEY	PAGE	PART NO.	GRID	KEY	PAGE	PART NO.	GRID	KEY	PAGE
RE40463	3B25	21	70 - 21B	RE53205	1B25	12	20 - 13	R109489	2D15	..	50 - 57
RE40463	3C1	15	70 - 21D	RE53422	1B22	11	20 - 12	R109489	2D17	19	50 - 59
RE41242	2E2	9	50 - 67	RE53422	1B23	5	20 - 12A	R109489	2D17	..	50 - 59
RE41287	1F3	7	40 - 16	RE53422	1B23	8	20 - 12A	R109489	2D22	5	50 - 63
RE41785	1F15	6	40 - 28	RE53423	1B23	7	20 - 12A	R11000	1F21	9	40 - 33
RE41875	1F15	6	40 - 28	RE53424	1B24	1	20 - 12B	R11003	1F21	1	40 - 33
RE41875	1F15	..	40 - 28	RE53424	1B24	10	20 - 12B	R11003	1G2	2	40 - 39
RE41875	1G4	..	40 - 41	RE53424	1B25	10	20 - 13	R11011	1G2	8	40 - 39
RE41875	1G5	11	40 - 42	RE53424	1B25	12	20 - 13	R11016	1F19	20	40 - 31
RE41875	1G5	..	40 - 42	RE53425	1C1	8	20 - 14	R11026	1F19	22	40 - 31
RE41875	1G6	17	40 - 43	RE53425	1C2	10	20 - 14A	R11026	1F24	14	40 - 37
RE41875	1G6	..	40 - 43	RE53425	1C3	10	20 - 15	R11026	1F24	37	40 - 37
RE41875	1G7	..	40 - 44	RE53425	1C3	12	20 - 15	R11026	3H15	10	90 - 27
RE41875	1G8	..	40 - 46	RE53476	1B12	23	20 - 9	R11039	1F22	20	40 - 34
RE42671	1B22	11	20 - 12	RE53476	1B14	1	20 - 9B	R11039	1G3	17	40 - 40
RE42671	1B23	5	20 - 12A	RE53476	1B16	1	20 - 9D	R110464	2F19	2	60 - 18
RE42672	1C2	10	20 - 14A	RE54187	1D7	20	30 - 5	R11049	1F11	9	40 - 24
RE42672	1C3	10	20 - 15	RE54187	1D19	3	30 - 18	R11049	1F12	16	40 - 25
RE42672	1C3	12	20 - 15	RE54816	3F13	7	80 - 2B	R11049	1F14	28	40 - 27
RE42673	1B25	10	20 - 13	RE57318	3G20	10	90 - 7	R11058	1F21	3	40 - 33
RE42673	1B25	12	20 - 13	RE58483	3G20	4	90 - 7	R11059	1F21	4	40 - 33
RE42675	1B23	4	20 - 12A	RE62234	3H4	8	90 - 17	R11066	1F22	8	40 - 34
RE42675	1B23	6	20 - 12A	RE62240	1E3	7	30 - 27	R11066	1G3	5	40 - 40
RE42678	1C2	2	20 - 14A	RE62897	2C17	9	50 - 36	R11087	1F21	6	40 - 33
RE42678	1C2	10	20 - 14A	RE62897	2C18	12	50 - 37	R11095	1F19	13	40 - 31
RE42678	1C3	2	20 - 15	RE62897	2C19	9	50 - 38	R11095	1F24	12	40 - 37
RE42678	1C3	10	20 - 15	RE62897	2C20	4	50 - 39	R11096	1F19	31	40 - 31
RE42679	1B24	1	20 - 12B	RG21340	1B18	1	20 - 9F	R11096	1F24	28	40 - 37
RE42679	1B25	2	20 - 13	RG22790	1B19	1	20 - 9H	R11109	1F12	12	40 - 25
RE42679	1B25	10	20 - 13	RG23427	1B19	1	20 - 9H	R11109	1F14	22	40 - 27
RE43025	1H23	17	40 - 89	RG23435	1B18	1	20 - 9F	R11117	1F19	8	40 - 31
RE43272	1D25	4	30 - 24	RW26466	1H23	20	40 - 89	R11117	1F24	8	40 - 37
RE44415	2F20	2	60 - 19	R100308	2D5	3	50 - 49	R11118	1F19	11	40 - 31
RE44555	3D9	12	70 - 54	R100380	1F17	4	40 - 29A	R11120	1F24	24	40 - 37
RE44657	1H17	28	40 - 82	R100380	1G4	3	40 - 41	R11121	1F24	18	40 - 37
RE46317	1H23	11	40 - 89	R100797	2F19	4	60 - 18	R11126	1F19	25	40 - 31
RE46328	2D24	..	50 - 65	R100797	2F19	5	60 - 18	R11126	1F24	34	40 - 37
RE46328	2E2	8	50 - 67	R100797	2F19	7	60 - 18	R11127	1F19	26	40 - 31
RE46328	2F19	4	60 - 18	R100797	2F20	3	60 - 19	R11127	1F24	33	40 - 37
RE46328	2F19	5	60 - 18	R10093	2E17	10	50 - 83	R11128	1F19	24	40 - 31
RE46328	2F19	7	60 - 18	R10093	3C14	16	70 - 35	R11128	1F24	35	40 - 37
RE46328	2F20	4	60 - 19	R10093	3E13	5	70 - 81	R11129	1F19	23	40 - 31
RE46334	2D24	..	50 - 65	R10093	3E15	2	70 - 83	R11129	1F24	36	40 - 37
RE46334	2E2	8	50 - 67	R104592	1B12	14	20 - 9	R11133	1F24	17	40 - 37
RE46334	2F19	4	60 - 18	R104592	1D24	12	30 - 23	R11146	1G2	4	40 - 39
RE46334	2F19	5	60 - 18	R105346	1D14	21	30 - 13	R11197	1F22	2	40 - 34
RE46334	2F19	7	60 - 18	R105478	3D16	11	70 - 61	R11197	1G3	2	40 - 40
RE46334	2F20	2	60 - 19	R105478	3D18	7	70 - 61B	R11198	1F22	3	40 - 34
RE46414	1H23	12	40 - 89	R105478	3D20	10	70 - 63	R11201	1F19	20	40 - 31
RE46459	2D5	8	50 - 49	R105478	3D20	11	70 - 63	R11209	1F21	19	40 - 33
RE46459	2D7	19	50 - 49B	R105478	3D22	7	70 - 63B	R11209	1G2	18	40 - 39
RE50017	3C1	14	70 - 21D	R105488	1B23	4	20 - 12A	R11212	1F19	35	40 - 31
RE50139	1D20	11	30 - 19	R105488	1B25	2	20 - 13	R11212	1F24	23	40 - 37
RE50139	1D20	13	30 - 19	R105488	1C2	1	20 - 14A	R11215	1F19	16	40 - 31
RE50139	1D21	4	30 - 20	R105488	1C2	2	20 - 14A	R112169	2D17	17	50 - 59
RE50911	3F16	11	80 - 5	R105488	1C3	2	20 - 15	R112169	2D17	..	50 - 59
RE51671	3F12	8	80 - 2	R105583	3B7	13	70 - 5	R112169	2D22	14	50 - 63
RE51962	3F16	11	80 - 5	R105583	3B9	17	70 - 7	R11221	1F19	27	40 - 31
RE52576	1B23	5	20 - 12A	R105583	3B17	11	70 - 15	R11221	1F24	32	40 - 37
RE53203	1B23	4	20 - 12A	R105583	3B19	11	70 - 17	R11222	1F19	15	40 - 31
RE53203	1B23	7	20 - 12A	R105813	3C24	35	70 - 45	R11223	1F19	17	40 - 31
RE53203	1B23	8	20 - 12A	R105814	1E6	14	30 - 30	R11233	1F21	16	40 - 33
RE53204	1C3	2	20 - 15	R105942	1H23	10	40 - 89	R11250	1G2	13	40 - 39
RE53204	1C3	11	20 - 15	R106859	1B12	6	20 - 9	R11253	1F21	5	40 - 33
RE53204	1C3	12	20 - 15	R106859	1C10	21	20 - 22	R11278	1H1	1	40 - 65
RE53205	1B25	2	20 - 13	R107178	2F20	2	60 - 19	R11290	1F21	20	40 - 33
RE53205	1B25	11	20 - 13	R109489	2D15	15	50 - 57	R11290	1G2	19	40 - 39

1K24

TRACTOR - 4620

NUMERICAL INDEX - CONTINUED

PART NO.	GRID	KEY	PAGE	PART NO.	GRID	KEY	PAGE	PART NO.	GRID	KEY	PAGE
R11291	1F19	33	40 - 31	R15027	1F9	27	40 - 22	R26113	3H4	26	90 - 17
R11291	1F24	26	40 - 37	R15027	1F10	32	40 - 23	R26115	1B12	20	20 - 9
R11292	1F19	29	40 - 31	R15029	1F9	22	40 - 22	R26125	1B8	21	20 - 5
R11292	1F22	1	40 - 34	R15029	1F10	27	40 - 23	R26137	3B7	6	70 - 5
R11292	1F22	..	40 - 34	R15030	1F9	11	40 - 22	R26137	3B9	10	70 - 7
R11293	1F22	4	40 - 34	R15033	1F9	24	40 - 22	R26137	3B17	6	70 - 15
R11293	1G3	3	40 - 40	R15033	1F10	29	40 - 23	R26137	3B19	6	70 - 17
R11294	1F22	11	40 - 34	R15035	1F9	7	40 - 22	R26149	1D20	3	30 - 19
R11295	1F22	5	40 - 34	R15036	1F9	6	40 - 22	R26149	1D22	3	30 - 21
R11296	1F21	11	40 - 33	R15036	1F10	11	40 - 23	R26149	3C22	4	70 - 43
R11298	1F21	30	40 - 33	R15036	1F10	18	40 - 23	R26149	3D4	3	70 - 49
R113732	2D15	9	50 - 57	R15045	1F9	3	40 - 22	R26149	3E3	22	70 - 69
R113732	2D15	15	50 - 57	R1612R	1B12	12	20 - 9	R26149	3E6	8	70 - 73
R113732	2D15	..	50 - 57	R1612R	2C1	4	50 - 20	R26151	2F6	19	60 - 5
R113732	2D17	17	50 - 59	R1612R	2E13	15	50 - 78	R26169	2C23	4	50 - 42
R113732	2D17	19	50 - 59	R1612R	3D5	10	70 - 50	R26172	1B10	4	20 - 7
R113732	2D17	21	50 - 59	R1742R	2C14	17	50 - 33	R26182	2B22	9	50 - 16
R113732	2D17	..	50 - 59	R1742R	3C6	17	70 - 26	R26187	2B22	13	50 - 16
R113732	2D22	15	50 - 63	R1800R	2D2	4	50 - 46	R26202	2B20	14	50 - 14
R113732	2D24	31	50 - 65	R1836R	2E24	21	50 - 90	R26202	2B21	11	50 - 15
R113733	2D15	9	50 - 57	R1836R	3H4	2	90 - 17	R26203	2B21	12	50 - 15
R113733	2D15	15	50 - 57	R1870R	2B7	13	50 - 2	R26206	2B21	1	50 - 15
R113733	2D15	..	50 - 57	R1870R	3E23	36	70 - 91	R26207	2B21	2	50 - 15
R113733	2D17	17	50 - 59	R1929R	3H17	3	90 - 29	R26277	3D6	10	70 - 51
R113733	2D17	19	50 - 59	R20123	3I16	..	90 - 53	R26277	3D16	23	70 - 61
R113733	2D17	21	50 - 59	R20124	3I16	..	90 - 53	R26286	2B13	2	50 - 7
R113733	2D17	..	50 - 59	R20152	2C3	12	50 - 22	R26286	2C1	16	50 - 20
R113733	2D22	15	50 - 63	R20423	1B6	16	20 - 3	R26286	2C2	16	50 - 21
R113733	2D24	31	50 - 65	R20522	3G2	2	80 - 17	R26286	2C14	24	50 - 33
R113733	2E2	7	50 - 67	R20758	1E14	1	40 - 2	R26286	2C15	15	50 - 34
R113733	2F20	..	60 - 19	R20758	1E15	1	40 - 3	R26286	2D5	8	50 - 49
R113741	2D24	..	50 - 65	R20759	3G4	7	80 - 19	R26286	2D5	11	50 - 49
R113741	2E2	8	50 - 67	R20759	3G5	3	80 - 20	R26286	2D19	14	50 - 60
R113741	2F19	4	60 - 18	R20770	1D23	19	30 - 22	R26286	2D19	24	50 - 60
R113741	2F19	5	60 - 18	R20878	1H2	2	40 - 67	R26286	2D20	1	50 - 61
R113741	2F19	7	60 - 18	R20878	1H2	3	40 - 67	R26286	2E19	15	50 - 85
R113741	2F20	3	60 - 19	R21230	3G20	9	90 - 7	R26286	2F5	14	60 - 4
R115437	3C19	12	70 - 40	R21244	3G17	5	90 - 4	R26286	2F7	5	60 - 6
R116253	1C6	9	20 - 18	R21551	1E13	7	40 - 1	R26286	2F7	7	60 - 6
R116311	1B23	7	20 - 12A	R21551	1E14	4	40 - 2	R26286	2F10	11	60 - 9
R116311	1B25	11	20 - 13	R21551	1E15	4	40 - 3	R26286	2F10	12	60 - 9
R116311	1C3	11	20 - 15	R21551	1E17	25	40 - 5	R26286	2F10	33	60 - 9
R117129	1E7	8	30 - 31	R21551	1E20	8	40 - 8	R26286	2F12	6	60 - 11
R1190R	3C24	25	70 - 45	R21551	3C2	4	70 - 22	R26286	2F13	1	60 - 12
R119275	3D12	30	70 - 57	R21630	1B12	14	20 - 9	R26286	2F17	7	60 - 16
R119276	3D12	31	70 - 57	R21722	3F4	1	70 - 97	R26286	2F18	8	60 - 17
R120106	1H23	10	40 - 89	R21722	3F4	2	70 - 97	R26286	2F22	3	60 - 21
R120107	1H23	10	40 - 89	R21736	1D9	15	30 - 7	R26286	2F22	28	60 - 21
R120108	1H23	10	40 - 89	R21736	3G6	23	80 - 21	R26286	2F24	2	60 - 23
R120109	2G2	28	60 - 25	R21737	3C5	32	70 - 25	R26286	2F24	25	60 - 23
R120109	2G2	34	60 - 25	R227R	2E19	17	50 - 85	R26286	2F24	28	60 - 23
R120110	2G2	28	60 - 25	R227R	2F17	19	60 - 16	R26286	3C3	13	70 - 23
R120110	2G2	34	60 - 25	R2579R	1E17	3	40 - 5	R26286	3C5	9	70 - 25
R120111	3G11	17	80 - 27	R2579R	1E19	3	40 - 7	R26286	3C6	6	70 - 26
R120752	1B22	9	20 - 12	R2579R	1G15	16	40 - 54	R26286	3C12	2	70 - 33
R120752	1B23	3	20 - 12A	R26006	2B25	8	50 - 19	R26286	3C16	7	70 - 37
R120752	1B24	4	20 - 12B	R26006	2D14	8	50 - 56	R26286	3D3	7	70 - 48
R120752	1B25	1	20 - 13	R26011	2D24	29	50 - 65	R26286	3E1	17	70 - 67
R120752	1C1	1	20 - 14	R26012	2D24	30	50 - 65	R26287	1D24	11	30 - 23
R120752	1C2	1	20 - 14A	R26049	1B22	10	20 - 12	R26287	1F6	12	40 - 19
R120752	1C3	1	20 - 15	R26049	1B23	4	20 - 12A	R26287	2B6	5	50 - 1
R120841	2C10	4	50 - 29	R26049	1B24	3	20 - 12B	R26287	2B10	16	50 - 5
R120841	2C17	19	50 - 36	R26049	1C1	2	20 - 14	R26287	2B13	11	50 - 7
R125450	3D6	12	70 - 51	R26058	1C7	3	20 - 19	R26287	2D9	22	50 - 51
R15023	1F9	8	40 - 22	R26058	1C21	12	20 - 33	R26287	2D19	5	50 - 60
R15024	1F9	10	40 - 22	R26079	1B8	9	20 - 5	R26287	2D19	10	50 - 60
R15026	1F9	2	40 - 22	R26081	1B8	6	20 - 5	R26287	2D20	11	50 - 61

1K25

TRACTOR - 4620

NUMERICAL INDEX - CONTINUED

PART NO.	GRID	KEY	PAGE	PART NO.	GRID	KEY	PAGE	PART NO.	GRID	KEY	PAGE
R26287	2E12	10	50 - 77	R26375	3C14	35	70 - 35	R26448	3B25	3	70 - 21B
R26287	2E12	31	50 - 77	R26375	3C14	38	70 - 35	R26448	3C1	3	70 - 21D
R26287	2E12	34	50 - 77	R26375	3C15	1	70 - 36	R26448	3C1	7	70 - 21D
R26287	2E12	38A	50 - 77	R26375	3C15	14	70 - 36	R26448	3C14	7	70 - 35
R26287	2E15	3	50 - 81	R26375	3C22	9	70 - 43	R26448	3C14	18	70 - 35
R26287	2E17	3	50 - 83	R26375	3D25	6	70 - 66	R26448	3C15	10	70 - 36
R26287	2E17	17	50 - 83	R26375	3E1	2	70 - 67	R26448	3C22	2	70 - 43
R26287	2E22	23	50 - 88	R26375	3E1	21	70 - 67	R26448	3E1	4	70 - 67
R26287	2F4	32	60 - 3	R26375	3E4	2	70 - 70	R26457	3C20	5	70 - 41
R26287	2F7	9	60 - 6	R26375	3E4	21	70 - 70	R26458	3C20	2	70 - 41
R26287	2F13	12	60 - 12	R26375	3E5	4	70 - 71	R26477	3D25	12	70 - 66
R26287	2F16	19	60 - 15	R26375	3E17	4	70 - 85	R26480	3E10	28	70 - 77
R26287	2F17	14	60 - 16	R26375	3E17	10	70 - 85	R26480	3E11	10	70 - 79
R26287	2F17	17	60 - 16	R26375	3E18	4	70 - 86	R26482	3E10	17	70 - 77
R26287	2F18	11	60 - 17	R26375	3E18	11	70 - 86	R26482	3E11	6	70 - 79
R26287	2F22	18	60 - 21	R26375	3E21	2	70 - 89	R26483	3E10	21	70 - 77
R26287	2F24	37	60 - 23	R26375	3F4	4	70 - 97	R26483	3E11	7	70 - 79
R26287	3B11	23	70 - 9	R26376	2F17	18	60 - 16	R26484	3E3	12	70 - 69
R26287	3B13	4	70 - 11	R26384	2F16	17	60 - 15	R26484	3E5	12	70 - 71
R26287	3B13	16	70 - 11	R26385	2D18	11	50 - 59B	R26484	3E10	13	70 - 77
R26287	3B23	8	70 - 21	R26385	2F16	24	60 - 15	R26484	3E11	3	70 - 79
R26287	3B23	22	70 - 21	R26386	2D18	10	50 - 59B	R26485	2F10	31	60 - 9
R26287	3C1	7	70 - 21D	R26386	2F16	22	60 - 15	R26485	3E10	10	70 - 77
R26287	3C2	7	70 - 22	R26405	1B7	2	20 - 4	R26485	3E11	1	70 - 79
R26287	3C3	3	70 - 23	R26409	3G20	20	90 - 7	R26485	3E17	24	70 - 85
R26297	1C21	7	20 - 33	R26413	1C15	5	20 - 27	R26485	3F3	12	70 - 96
R26297	1D10	12	30 - 8	R26413	1C17	18	20 - 29	R26531	1D23	5	30 - 22
R26297	1D11	12	30 - 9	R26417	1C17	15	20 - 29	R26546	2F6	16	60 - 5
R26325	1C6	1	20 - 18	R26421	2E12	29	50 - 77	R26546	2F10	16	60 - 9
R26333	1B22	17	20 - 12	R26425	2F7	11	60 - 6	R26546	3E3	3	70 - 69
R26369	2F17	5	60 - 16	R26431	3H3	14	90 - 16	R26546	3E5	2	70 - 71
R26372	2F17	25	60 - 16	R26432	3H3	7	90 - 16	R26546	3E6	3	70 - 73
R26373	2B10	23	50 - 5	R26433	3H3	9	90 - 16	R26547	2F10	25	60 - 9
R26373	2B12	13	50 - 6	R26434	3H3	16	90 - 16	R26551	2B25	17	50 - 19
R26373	2D19	9	50 - 60	R26436	3H3	22	90 - 16	R26551	2F10	20	60 - 9
R26373	2F24	11	60 - 23	R26441	2F4	18	60 - 3	R26552	2D7	6	50 - 49B
R26375	2B10	6	50 - 5	R26441	2F5	2	60 - 4	R26552	2E19	11	50 - 85
R26375	2C13	22	50 - 32	R26441	2F10	7	60 - 9	R26552	2E22	32	50 - 88
R26375	2C13	25	50 - 32	R26441	2F10	27	60 - 9	R26552	2F7	13	60 - 6
R26375	2C14	20	50 - 33	R26448	1F6	12	40 - 19	R26553	2F8	7	60 - 7
R26375	2C24	2	50 - 43	R26448	1G19	2	40 - 58	R26554	2F8	1	60 - 7
R26375	2E4	6	50 - 69	R26448	2C2	21	50 - 21	R26559	1B8	14	20 - 5
R26375	2E4	8	50 - 69	R26448	2D5	25	50 - 49	R26565	2F6	5	60 - 5
R26375	2E7	2	50 - 72	R26448	2D7	11	50 - 49B	R26565	3C22	39	70 - 43
R26375	2E12	12	50 - 77	R26448	2D9	22	50 - 51	R26566	3C22	6	70 - 43
R26375	2E12	26	50 - 77	R26448	2D19	16	50 - 60	R26574	2B11	19	50 - 5B
R26375	2E13	17	50 - 78	R26448	2D20	14	50 - 61	R26574	2C6	5	50 - 25
R26375	2E15	7	50 - 81	R26448	2E17	9	50 - 83	R26593	1D23	16	30 - 22
R26375	2E17	4	50 - 83	R26448	2E17	11	50 - 83	R26594	1D23	18	30 - 22
R26375	2E17	18	50 - 83	R26448	2E17	16	50 - 83	R26608	3D6	13	70 - 51
R26375	2E19	28	50 - 85	R26448	2E19	9	50 - 85	R26616	2B15	9	50 - 9
R26375	2F7	18	60 - 6	R26448	2E19	19	50 - 85	R26616	2C15	7	50 - 34
R26375	2F10	24	60 - 9	R26448	2E21	12	50 - 87	R26622	1B12	6	20 - 9
R26375	2F17	20	60 - 16	R26448	2F4	22	60 - 3	R26622	1C10	21	20 - 22
R26375	2F18	13	60 - 17	R26448	2F7	2	60 - 6	R26625	3C20	8	70 - 41
R26375	2F22	16	60 - 21	R26448	2F7	23	60 - 6	R26626	3C18	11	70 - 39
R26375	3B11	27	70 - 9	R26448	2F10	5	60 - 9	R26628	3C19	5	70 - 40
R26375	3B15	16	70 - 13	R26448	2F14	6	60 - 13	R26637	2C3	8	50 - 22
R26375	3B21	23	70 - 19	R26448	3B11	2	70 - 9	R26641	2B6	26	50 - 1
R26375	3B23	3	70 - 21	R26448	3B11	8	70 - 9	R26642	2B6	27	50 - 1
R26375	3B23	10	70 - 21	R26448	3B13	1	70 - 11	R26650	2D13	18	50 - 55
R26375	3B25	7	70 - 21B	R26448	3B15	1	70 - 13	R26652	2B8	12	50 - 3
R26375	3B25	17	70 - 21B	R26448	3B21	2	70 - 19	R26656	2B7	28	50 - 2
R26375	3C1	12	70 - 21D	R26448	3B21	8	70 - 19	R26659	2B7	19	50 - 2
R26375	3C6	9	70 - 26	R26448	3B21	25	70 - 19	R26663	2B6	25	50 - 1
R26375	3C6	13	70 - 26	R26448	3B23	1	70 - 21	R26663	2B25	9	50 - 19
R26375	3C12	27	70 - 33	R26448	3B23	8	70 - 21	R26686	2C13	28	50 - 32

1L1

TRACTOR - 4620

NUMERICAL INDEX - CONTINUED

PART NO.	GRID	KEY	PAGE	PART NO.	GRID	KEY	PAGE	PART NO.	GRID	KEY	PAGE
R26686	2D11	18	50 - 53	R27085	3G1	7	80 - 16	R27175	3D4	13	70 - 49
R26686	3C6	12	70 - 26	R27087	2F4	15	60 - 3	R27180	1D22	13	30 - 21
R26694	3G6	19	80 - 21	R27089	2F5	9	60 - 4	R27180	1E15	4	40 - 3
R26702	3G6	16	80 - 21	R27091	2F5	6	60 - 4	R27180	1E17	6	40 - 5
R26703	3G6	16	80 - 21	R27094	2B15	8	50 - 9	R27180	3G20	12	90 - 7
R26727	1B20	9	20 - 10	R27094	2C1	17	50 - 20	R27181	1D23	13	30 - 22
R26728	1E1	26	30 - 25	R27094	2C2	15	50 - 21	R27209	1C17	1	20 - 29
R26748	1B8	15	20 - 5	R27094	2C14	25	50 - 33	R27212	3C1	6	70 - 21D
R26755	2F5	5	60 - 4	R27094	2C15	16	50 - 34	R27216	1F6	12	40 - 19
R26760	2F24	8	60 - 23	R27094	2D5	8	50 - 49	R27216	2B6	4	50 - 1
R26760	3C12	8	70 - 33	R27094	2D5	12	50 - 49	R27216	2B10	15	50 - 5
R26762	2F8	4	60 - 7	R27094	2D7	12	50 - 49B	R27216	2D9	22	50 - 51
R26789	1E1	26	30 - 25	R27094	2D19	13	50 - 60	R27216	2D19	5	50 - 60
R26790	1E1	26	30 - 25	R27094	2F24	1	60 - 23	R27216	2E12	9	50 - 77
R26828	3H3	5	90 - 16	R27094	2G2	1	60 - 25	R27216	2E12	32	50 - 77
R26829	3H3	17	90 - 16	R27094	3C12	1	70 - 33	R27216	2E12	33	50 - 77
R26830	3H3	15	90 - 16	R27094	3C16	8	70 - 37	R27216	2E12	38A	50 - 77
R26832	3H4	3	90 - 17	R27094	3D3	8	70 - 48	R27216	2E22	22	50 - 88
R26871	3C24	13	70 - 45	R27095	2F11	17	60 - 10	R27216	2F17	16	60 - 16
R26871	3C24	27	70 - 45	R27116	2C4	10	50 - 23	R27216	3B11	24	70 - 9
R26871	3D2	45	70 - 47	R27121	3H4	18	90 - 17	R27218	1F6	12	40 - 19
R26871	3H3	18	90 - 16	R27137	2F17	8	60 - 16	R27218	2B15	18	50 - 9
R26872	3H3	21	90 - 16	R27137	2F18	9	60 - 17	R27218	2C2	22	50 - 21
R26873	3H3	21	90 - 16	R27145	3B7	27	70 - 5	R27218	2C15	18	50 - 34
R26874	3H3	1	90 - 16	R27149	2F17	9	60 - 16	R27218	2D5	24	50 - 49
R26875	3H4	4	90 - 17	R27149	2F18	10	60 - 17	R27218	2D7	13	50 - 49B
R26876	3H4	7	90 - 17	R27149	3B7	11	70 - 5	R27218	2D9	22	50 - 51
R26877	3H4	6	90 - 17	R27149	3B9	15	70 - 7	R27218	2E21	13	50 - 87
R26878	3H4	15	90 - 17	R27149	3B13	20	70 - 11	R27218	3B11	7	70 - 9
R26879	3H4	9	90 - 17	R27149	3B17	9	70 - 15	R27218	3B21	7	70 - 19
R26880	3H4	21	90 - 17	R27149	3B19	9	70 - 17	R27233	3E4	5	70 - 70
R26890	3G7	11	80 - 22	R27149	3B23	24	70 - 21	R27251	3C5	24	70 - 25
R26906	2B15	22	50 - 9	R27150	3B7	5	70 - 5	R27266	3C5	31	70 - 25
R26906	2C15	23	50 - 34	R27150	3B17	5	70 - 15	R27266	3C15	17	70 - 36
R26906	2D5	13	50 - 49	R27159	3B11	18	70 - 9	R27267	2C14	10	50 - 33
R26906	2D7	9	50 - 49B	R27166	3B11	14	70 - 9	R27267	2D12	2	50 - 54
R26906	2D12	8	50 - 54	R27166	3B11	43	70 - 9	R27267	2E4	10	50 - 69
R26906	2E7	6	50 - 72	R27166	3B11	44	70 - 9	R27267	2F12	2	60 - 11
R26906	2E19	24	50 - 85	R27166	3B13	6	70 - 11	R27267	3C5	10	70 - 25
R26906	3B11	10	70 - 9	R27166	3B13	25	70 - 11	R27267	3C5	31	70 - 25
R26906	3B13	2	70 - 11	R27166	3B15	5	70 - 13	R27267	3C6	8	70 - 26
R26906	3B13	15	70 - 11	R27166	3B21	41	70 - 19	R27267	3C7	2	70 - 27
R26906	3B15	2	70 - 13	R27166	3B23	14	70 - 21	R27267	3C14	19	70 - 35
R26906	3B21	16	70 - 19	R27166	3B25	10	70 - 21B	R27270	2D5	14	50 - 49
R26906	3B23	6	70 - 21	R27166	3C17	11	70 - 38	R27270	2D12	9	50 - 54
R26906	3B23	26	70 - 21	R27166	3C22	17	70 - 43	R27270	3C3	15	70 - 23
R26906	3B25	1	70 - 21B	R27166	3C22	21	70 - 43	R27270	3C5	13	70 - 25
R26906	3C1	1	70 - 21D	R27166	3D4	10	70 - 49	R27272	2D20	2	50 - 61
R26906	3C3	11	70 - 23	R27166	3E3	19	70 - 69	R27272	2F12	7	60 - 11
R26906	3C5	1	70 - 25	R27166	3E3	26	70 - 69	R27272	2F13	2	60 - 12
R26906	3C20	3	70 - 41	R27166	3E4	4	70 - 70	R27272	2F22	5	60 - 21
R26906	3C20	11	70 - 41	R27166	3E5	14	70 - 71	R27272	2F24	29	60 - 23
R26906	3C22	11	70 - 43	R27166	3E10	27	70 - 77	R27272	3C6	5	70 - 26
R26906	3D3	15	70 - 48	R27167	3B11	16	70 - 9	R27285	1D23	26	30 - 22
R26906	3D25	16	70 - 66	R27168	3H22	17	90 - 34	R27296	2F7	4	60 - 6
R26919	2B8	20	50 - 3	R27168	311	12	90 - 38	R27296	2F22	2	60 - 21
R26919	2B12	12	50 - 6	R27170	3B11	19	70 - 9	R27296	3G22	15	90 - 9
R26919	2C1	24	50 - 20	R27171	3B11	5	70 - 9	R27299	2F4	10	60 - 3
R26933	2F4	8	60 - 3	R27172	3B11	11	70 - 9	R27305	2B8	5	50 - 3
R26934	1B12	13	20 - 9	R27173	3B11	17	70 - 9	R27319	2F4	26	60 - 3
R26936	1E14	8	40 - 2	R27174	3B11	15	70 - 9	R27320	2F4	13	60 - 3
R26936	1E15	8	40 - 3	R27174	3B13	7	70 - 11	R27323	2F11	10	60 - 10
R26958	1E6	12	30 - 30	R27175	3B7	15	70 - 5	R27329	2B15	4	50 - 9
R27011	3D8	10	70 - 53	R27175	3B9	20	70 - 7	R27329	2C15	1	50 - 34
R27072	1E6	3	30 - 30	R27175	3B17	13	70 - 15	R27329	2D13	25	50 - 55
R27075	1E6	1	30 - 30	R27175	3B19	14	70 - 17	R27346	1D24	3	30 - 23
R27084	3G1	6	80 - 16	R27175	3C22	25	70 - 43	R27346	1D25	8	30 - 24

1L2

TRACTOR - 4620

NUMERICAL INDEX - CONTINUED

PART NO.	GRID	KEY	PAGE	PART NO.	GRID	KEY	PAGE	PART NO.	GRID	KEY	PAGE
R27430	3E10	5	70 - 77	R27564	3B23	15	70 - 21	R28124	2F6	7	60 - 5
R27430	3E17	31	70 - 85	R27564	3B25	11	70 - 21B	R28204	3E10	1	70 - 77
R27430	3F3	5	70 - 96	R27564	3C17	14	70 - 38	R28204	3E17	17	70 - 85
R27434	2C4	15	50 - 23	R27564	3C22	17	70 - 43	R28204	3E17	35	70 - 85
R27439	3H3	13	90 - 16	R27564	3D4	6	70 - 49	R28204	3F3	1	70 - 96
R27440	3H4	10	90 - 17	R27564	3E23	13	70 - 91	R28204	3F3	19	70 - 96
R27441	3C9	12	70 - 29	R27564	3E25	12	70 - 93	R28359	2C1	6	50 - 20
R27441	3G5	7	80 - 20	R27564	3F1	7	70 - 94	R28359	2C13	5	50 - 32
R27441	3H3	24	90 - 16	R27583	1H6	20	40 - 71	R28361	2C1	7	50 - 20
R27441	3H4	12	90 - 17	R27583	1H8	19	40 - 73	R28401	2C13	4	50 - 32
R27441	3H4	23	90 - 17	R27590	2F11	12	60 - 10	R28401	2C13	6	50 - 32
R27442	3H4	5	90 - 17	R27612	2C15	14	50 - 34	R28471	2E25	21	50 - 91
R27443	1B8	10	20 - 5	R27612	2D2	18	50 - 46	R28473	1G22	6	40 - 61
R27453	2F4	11	60 - 3	R27640	2B6	21	50 - 1	R28473	3G4	6	80 - 19
R27460	1E19	4	40 - 7	R27643	3F21	12	80 - 10	R28473	3G4	9	80 - 19
R27460	1E20	2	40 - 8	R27645	3F21	16	80 - 10	R28538	3C14	3	70 - 35
R27460	1G11	13	40 - 50	R27649	2F24	15	60 - 23	R28538	3C15	5	70 - 36
R27460	1G12	10	40 - 51	R27649	2F24	16	60 - 23	R28539	3C14	4	70 - 35
R27460	1G14	8	40 - 53	R27649	2F24	34	60 - 23	R28539	3C15	6	70 - 36
R27471	3B11	44	70 - 9	R27649	2G2	27	60 - 25	R28556	3D12	35A	70 - 57
R27472	3B11	43	70 - 9	R27649	3C12	14	70 - 33	R28574	3F12	2	80 - 2
R27474	2B15	23	50 - 9	R27649	3C12	19	70 - 33	R28574	3F13	2	80 - 2B
R27474	2C15	24	50 - 34	R27693	1B20	6	20 - 10	R28575	3F12	18	80 - 2
R27474	2D7	10	50 - 49B	R27720	2F11	32	60 - 10	R28583	1D20	17	30 - 19
R27474	2E7	8	50 - 72	R27730	2B19	14	50 - 13	R28583	1D22	16	30 - 21
R27474	3C20	11	70 - 41	R27730	2E22	31	50 - 88	R28594	2B24	9	50 - 18
R27474	3D3	15	70 - 48	R27730	3C22	33	70 - 43	R28594	2D11	9	50 - 53
R27474	3D25	15	70 - 66	R27747	1D7	12	30 - 5	R28671	2C17	17	50 - 36
R27475	3B11	1	70 - 9	R27747	1D9	13	30 - 7	R28671	2E12	14	50 - 77
R27475	3B21	1	70 - 19	R27785	3H2	7	90 - 15	R28671	2E13	14	50 - 78
R27476	3B11	13	70 - 9	R27906	2F22	1	60 - 21	R28744	3E4	8A	70 - 70
R27478	3B7	29	70 - 5	R27926	3C10	7	70 - 30	R28744	3E4	16	70 - 70
R27478	3B9	35	70 - 7	R27927	3C10	4	70 - 30	R28774	2F17	22	60 - 16
R27478	3B15	12	70 - 13	R27928	3B13	22	70 - 11	R28776	2E12	25	50 - 77
R27478	3B17	28	70 - 15	R27928	3B23	26	70 - 21	R28776	2E17	19	50 - 83
R27478	3B19	28	70 - 17	R27928	3C10	5	70 - 30	R28776	2F17	24	60 - 16
R27478	3B25	15	70 - 21B	R27928	3C11	8	70 - 31	R28776	2F18	12	60 - 17
R27479	3B7	29	70 - 5	R27928	3C17	5	70 - 38	R28781	3B11	39	70 - 9
R27479	3B9	35	70 - 7	R27928	3D2	20	70 - 47	R28781	3B21	34	70 - 19
R27479	3B15	13	70 - 13	R27948	1C11	2	20 - 23	R28782	3B11	38	70 - 9
R27479	3B17	28	70 - 15	R27948	1C21	31	20 - 33	R28782	3B13	9	70 - 11
R27479	3B19	28	70 - 17	R27976	1F21	27	40 - 33	R28782	3B21	33	70 - 19
R27479	3B25	16	70 - 21B	R27998	3D12	37	70 - 57	R28782	3B23	11	70 - 21
R27483	2B15	6	50 - 9	R27999	3D12	38	70 - 57	R28783	3G6	8	80 - 21
R27483	2C15	3	50 - 34	R28006	3E10	6	70 - 77	R28811	1B22	4	20 - 12
R27490	2E15	1	50 - 81	R28006	3E17	30	70 - 85	R28914	2C14	19	50 - 33
R27490	2E22	8	50 - 88	R28006	3F3	6	70 - 96	R28914	3C6	22	70 - 26
R27491	2F11	6	60 - 10	R28007	1E6	9	30 - 30	R29354	2E15	4	50 - 81
R27506	3G6	9	80 - 21	R28009	1E6	6	30 - 30	R29354	2E15	5	50 - 81
R27507	3C19	9	70 - 40	R28015	1C15	1	20 - 27	R29354	2E19	35	50 - 85
R27507	3D2	36	70 - 47	R28015	1C17	3	20 - 29	R29354	2E22	26	50 - 88
R27507	3D12	16	70 - 57	R28084	3C12	25	70 - 33	R29354	2F15	11	60 - 14
R27507	3E10	32	70 - 77	R28084	3E10	3	70 - 77	R29463	3E23	31	70 - 91
R27507	3E10	34	70 - 77	R28084	3E10	19	70 - 77	R29463	3E25	21	70 - 93
R27507	3G6	6	80 - 21	R28084	3E17	19	70 - 85	R29463	3F1	3	70 - 94
R27507	3G23	10	90 - 11	R28084	3E17	33	70 - 85	R29463	3F2	11	70 - 95
R27527	2F7	8	60 - 6	R28084	3F3	3	70 - 96	R29936	3B13	21	70 - 11
R27527	3C3	2	70 - 23	R28084	3F3	17	70 - 96	R29936	3B23	21	70 - 21
R27529	1B8	2	20 - 5	R28085	3E10	2	70 - 77	R29936	3B23	25	70 - 21
R27533	1E17	11	40 - 5	R28085	3E17	18	70 - 85	R30165	2C21	1	50 - 40
R27534	3C5	22	70 - 25	R28085	3E17	34	70 - 85	R30181	1G11	9	40 - 50
R27546	3C5	23	70 - 25	R28085	3F3	2	70 - 96	R30181	1G12	9	40 - 51
R27562	2D13	27	50 - 55	R28085	3F3	18	70 - 96	R30181	1G14	7	40 - 53
R27564	3B11	12	70 - 9	R28110	2D11	24	50 - 53	R30182	1G11	1	40 - 50
R27564	3B13	5	70 - 11	R28123	1C17	17	20 - 29	R30182	1G11	12	40 - 50
R27564	3B15	4	70 - 13	R28123	1D9	16	30 - 7	R30182	1G12	1	40 - 51
R27564	3B21	42	70 - 19	R28123	3G17	3	90 - 4	R30182	1G12	18	40 - 51

1L3

TRACTOR - 4620

NUMERICAL INDEX - CONTINUED

PART NO.	GRID	KEY	PAGE	PART NO.	GRID	KEY	PAGE	PART NO.	GRID	KEY	PAGE
R30200	1C19	6	20 - 31	R31374	2B6	11	50 - 1	R32018	1F4	2	40 - 17
R30323	2F7	21	60 - 6	R31378	1C19	2	20 - 31	R32018	1G18	..	40 - 57
R30323	2F10	23	60 - 9	R31378	2D14	25	50 - 56	R32018	1H21	9	40 - 87
R30378	1G21	2	40 - 60	R31454	2F17	16	60 - 16	R32018	1H21	15	40 - 87
R30378	1G21	4	40 - 60	R31454	2F17	17	60 - 16	R32018	1I2	12	40 - 93
R30378	1G21	15	40 - 60	R31454	2F17	28	60 - 16	R32018	3G18	11	90 - 5
R30378	1G21	17	40 - 60	R31455	2F16	14	60 - 15	R32019	1F4	3	40 - 17
R30378	1G21	19	40 - 60	R31455	2F18	2	60 - 17	R32019	1I2	13	40 - 93
R30378	1H13	25	40 - 78	R31457	2F16	9	60 - 15	R32021	1H21	14	40 - 87
R30378	1I6	43	40 - 97	R31458	2F16	7	60 - 15	R32021	1I2	14	40 - 93
R30379	1G21	3	40 - 60	R31459	2F16	4	60 - 15	R32022	1F1	1	40 - 14
R30379	1G21	14	40 - 60	R31464	2F17	37	60 - 16	R32022	1F4	3	40 - 17
R30398	2E25	20	50 - 91	R31465	2F17	35	60 - 16	R32022	1I2	15	40 - 93
R30587	2C9	13	50 - 28	R31467	2F17	36	60 - 16	R32022	3G18	11	90 - 5
R30596	3C9	1	70 - 29	R31468	2F17	33	60 - 16	R32023	1I2	16	40 - 93
R30597	1C15	2	20 - 27	R31468	2F18	6	60 - 17	R32024	1E14	5	40 - 2
R30597	1C17	7	20 - 29	R31469	2F17	34	60 - 16	R32024	1E14	10	40 - 2
R30694	3G11	13	80 - 27	R31469	2F18	5	60 - 17	R32024	1E15	5	40 - 3
R30805	3G1	3	80 - 16	R31488	2F10	13	60 - 9	R32024	1E15	10	40 - 3
R30805	3G3	12	80 - 18	R31489	2F10	30	60 - 9	R32024	1H21	9	40 - 87
R30815	3F4	5	70 - 97	R31493	2B6	8	50 - 1	R32024	1I8	3	40 - 99
R30816	3F4	7	70 - 97	R31493	2C1	12	50 - 20	R32025	1E14	5	40 - 2
R30817	3F4	6	70 - 97	R31494	2B6	9	50 - 1	R32025	1E15	5	40 - 3
R30828	1E6	4	30 - 30	R31494	2C1	11	50 - 20	R32025	1E17	2	40 - 5
R30877	1C15	6	20 - 27	R31505	3F21	1	80 - 10	R32025	1E19	2	40 - 7
R30877	2B6	23	50 - 1	R31505	3H4	20	90 - 17	R32025	1G18	..	40 - 57
R30903	2D20	24	50 - 61	R31602	2F16	30	60 - 15	R32025	1H21	14	40 - 87
R30903	2F16	5	60 - 15	R31618	3G5	5	80 - 20	R32025	1I8	4	40 - 99
R30903	2F17	31	60 - 16	R31618	3I4	9	90 - 41	R32026	1I2	17	40 - 93
R30903	2F18	7	60 - 17	R31631	2B6	4	50 - 1	R32026	1I6	48	40 - 97
R30936	1C15	3	20 - 27	R31631	2B10	15	50 - 5	R32027	1E14	5	40 - 2
R30936	1C17	11	20 - 29	R31631	2E12	9	50 - 77	R32027	1E14	10	40 - 2
R30936	3G6	1	80 - 21	R31631	2E22	22	50 - 88	R32027	1E15	5	40 - 3
R30937	1C17	16	20 - 29	R31631	2F17	16	60 - 16	R32027	1E15	10	40 - 3
R30937	3F21	9	80 - 10	R31632	2B10	7	50 - 5	R32027	1E17	2	40 - 5
R30937	3G7	8	80 - 22	R31632	2F24	22	60 - 23	R32027	1E19	2	40 - 7
R30937	3G7	9	80 - 22	R31632	2G2	19	60 - 25	R32027	1G18	..	40 - 57
R30937	3G17	2	90 - 4	R31654	2B13	3	50 - 7	R32027	1H21	5	40 - 87
R30937	3G17	11	90 - 4	R31654	2D20	10	50 - 61	R32027	1H21	9	40 - 87
R30937	3G25	1	90 - 13	R31655	2B13	4	50 - 7	R32027	1H21	14	40 - 87
R30937	3H21	2	90 - 33	R31655	2D20	9	50 - 61	R32027	1I2	18	40 - 93
R30937	3H22	13	90 - 34	R31665	2E19	25	50 - 85	R32027	3G18	2	90 - 5
R30937	3I2	11	90 - 39	R31698	2D19	17	50 - 60	R32028	1E14	11	40 - 2
R30959	2B15	12	50 - 9	R31711	2C3	10	50 - 22	R32028	1E15	11	40 - 3
R30964	1E22	1	40 - 10	R31713	2C3	14	50 - 22	R32028	1F1	1	40 - 14
R30964	1E23	1	40 - 11	R31725	2C13	28	50 - 32	R32028	1I2	19	40 - 93
R31024	3C22	35	70 - 43	R31736	3E17	7	70 - 85	R32029	1I2	20	40 - 93
R31136	3C20	6	70 - 41	R31736	3E18	7	70 - 86	R32042	1B12	7	20 - 9
R31136	3E13	4	70 - 81	R31781	3B11	41	70 - 9	R32042	1C10	21	20 - 22
R31136	3E15	1	70 - 83	R31781	3B21	37	70 - 19	R32042	2C15	9	50 - 34
R31147	1E1	1	30 - 25	R31877	2C23	7	50 - 42	R32042	2C16	7	50 - 35
R31188	2B22	11	50 - 16	R31890	3E10	24	70 - 77	R32087	3C7	6	70 - 27
R31198	2B8	21	50 - 3	R32011	1I2	1	40 - 93	R32090	2F17	4	60 - 16
R31201	2F4	34	60 - 3	R32016	1E14	10	40 - 2	R32091	2F17	3	60 - 16
R31202	2F4	31	60 - 3	R32016	1E14	11	40 - 2	R32092	2F17	1	60 - 16
R31217	2F8	4	60 - 7	R32016	1E15	10	40 - 3	R32092	2F18	3	60 - 17
R31250	1G11	1	40 - 50	R32016	1E15	11	40 - 3	R32101	2B6	19	50 - 1
R31250	1G11	12	40 - 50	R32016	1E17	24	40 - 5	R32101	2C1	25	50 - 20
R31250	1G12	1	40 - 51	R32016	1G11	3	40 - 50	R32101	2D13	3	50 - 55
R31250	1G12	18	40 - 51	R32016	1G12	3	40 - 51	R32136	1E1	22	30 - 25
R31251	2E25	24	50 - 91	R32016	1G14	3	40 - 53	R32183	3E1	26	70 - 67
R31260	3H3	9	90 - 16	R32016	1I2	10	40 - 93	R32186	2F4	14	60 - 3
R31271	1E6	19	30 - 30	R32017	1I2	11	40 - 93	R32192	1B22	3	20 - 12
R31271	2F16	6	60 - 15	R32018	1E17	2	40 - 5	R32192	2C3	16	50 - 22
R31273	2F16	23	60 - 15	R32018	1E17	18	40 - 5	R32234	3G25	..	90 - 13
R31278	2F7	19	60 - 6	R32018	1E19	2	40 - 7	R32239	3G4	6	80 - 19
R31287	3G11	7	80 - 27	R32018	1F3	4	40 - 16	R32239	3G4	9	80 - 19

1L4

TRACTOR - 4620

NUMERICAL INDEX - CONTINUED

PART NO.	GRID	KEY	PAGE	PART NO.	GRID	KEY	PAGE	PART NO.	GRID	KEY	PAGE
R32276	1H13	..	40 - 78	R33165	2C2	9	50 - 21	R33963	2C5	7	50 - 24
R32276	1H17	11	40 - 82	R33173	2C13	17	50 - 32	R34121	2F5	11	60 - 4
R32289	3I3	8	90 - 40	R33173	2C14	28	50 - 33	R34122	2F6	20	60 - 5
R32306	1D20	4	30 - 19	R33174	2C13	18	50 - 32	R34123	2F6	17	60 - 5
R32306	1D22	2	30 - 21	R33175	2C13	19	50 - 32	R34125	2F4	28	60 - 3
R32320	1E15	9	40 - 3	R33177	2C13	14	50 - 32	R34129	2F6	22	60 - 5
R32344	3B11	42	70 - 9	R33178	2C13	12	50 - 32	R34129	2F10	18	60 - 9
R32353	3E17	21	70 - 85	R33219	2C25	11	50 - 44	R34131	2F6	9	60 - 5
R32353	3F3	15	70 - 96	R33227	2C23	12	50 - 42	R34131	3E25	16	70 - 93
R32354	3E17	25	70 - 85	R33228	2C23	11	50 - 42	R34131	3F2	1	70 - 95
R32354	3F3	11	70 - 96	R33240	2C23	17	50 - 42	R34147	3C9	8	70 - 29
R32355	3E17	26	70 - 85	R33248	2C24	6	50 - 43	R34175	2D3	4	50 - 47
R32355	3F3	10	70 - 96	R33259	1E5	30	30 - 29	R34206	1G24	8	40 - 63
R32356	3E10	9	70 - 77	R33259	2B10	14	50 - 5	R34267	3H2	10	90 - 15
R32356	3E17	27	70 - 85	R33259	2B10	18	50 - 5	R34272	3H2	5	90 - 15
R32356	3F3	9	70 - 96	R33259	2C13	29	50 - 32	R34328	2D13	13	50 - 55
R32376	2F16	29	60 - 15	R33259	2C14	15	50 - 33	R34348	3B7	26	70 - 5
R32419	3E1	23	70 - 67	R33259	2C14	26	50 - 33	R34349	3B7	24	70 - 5
R32419	3E17	28	70 - 85	R33259	2C23	13	50 - 42	R34360	3B4	5	70 - 1
R32419	3F3	8	70 - 96	R33259	2D11	17	50 - 53	R34362	3B4	2	70 - 1
R32426	1B10	2	20 - 7	R33259	3C6	9	70 - 26	R34388	1D20	12	30 - 19
R32461	3C15	9	70 - 36	R33259	3C6	11	70 - 26	R34394	1D20	7	30 - 19
R32507	2B24	10	50 - 18	R33259	3C6	15	70 - 26	R34394	1D21	..	30 - 20
R32507	2D11	10	50 - 53	R33259	3C6	23	70 - 26	R34394	1D22	6	30 - 21
R32511	1E1	18	30 - 25	R33259	3C6	25	70 - 26	R34395	1D20	8	30 - 19
R32588	2B8	25	50 - 3	R33259	3D8	5	70 - 53	R34395	1D22	7	30 - 21
R32588	2B12	9	50 - 6	R33268	2D9	22	50 - 51	R34397	3E10	15	70 - 77
R32588	2F6	3	60 - 5	R33271	2D9	19	50 - 51	R34398	3E10	22	70 - 77
R32588	2F10	15	60 - 9	R33272	2D9	18	50 - 51	R34399	3E10	8	70 - 77
R32588	3E25	15	70 - 93	R33275	2D7	8	50 - 49B	R34400	3E10	20	70 - 77
R32588	3F1	5	70 - 94	R33275	2D9	11	50 - 51	R34404	2E15	6	50 - 81
R32588	3F2	2	70 - 95	R33276	2D3	3	50 - 47	R34404	2E22	33	50 - 88
R32593	1B7	5	20 - 4	R33277	2D5	6	50 - 49	R34404	2F7	22	60 - 6
R32593	1C21	2	20 - 33	R33277	2D5	8	50 - 49	R34404	2F10	22	60 - 9
R32630	2B20	19	50 - 14	R33277	2D7	4	50 - 49B	R34447	1D24	11	30 - 23
R32630	2B21	16	50 - 15	R33282	2D3	11	50 - 47	R34483	2B8	1	50 - 3
R32639	1C17	21	20 - 29	R33282	2D11	20	50 - 53	R34483	3G11	8	80 - 27
R32639	1E1	10	30 - 25	R33282	2E22	29	50 - 88	R34537	3C24	19	70 - 45
R32731	2F10	2	60 - 9	R33282	2F24	17	60 - 23	R34557	3E1	11	70 - 67
R32736	3H2	8	90 - 15	R33287	2D9	13	50 - 51	R34582	2D14	14	50 - 56
R33028	2B25	11	50 - 19	R33287	2D9	14	50 - 51	R34589	3E10	36	70 - 77
R33028	2D14	16	50 - 56	R33290	2D9	4	50 - 51	R34603	3C7	6	70 - 27
R33029	2D24	20	50 - 65	R33291	2D9	1	50 - 51	R34608	3G11	10	80 - 27
R33054	2C17	8	50 - 36	R33292	2D9	3	50 - 51	R34609	3H2	8	90 - 15
R33054	2C19	7	50 - 38	R33304	2D5	2	50 - 49	R34618	3H2	8	90 - 15
R33054	2C20	6	50 - 39	R33307	2D3	2	50 - 47	R34619	3H2	10	90 - 15
R33058	2D19	7	50 - 60	R33325	2D13	12	50 - 55	R34620	3H2	9	90 - 15
R33077	2D3	12	50 - 47	R33345	2B25	6	50 - 19	R34733	2B24	4	50 - 18
R33135	2C3	6	50 - 22	R33363	2D11	31	50 - 53	R34733	2D11	4	50 - 53
R33136	2C13	21	50 - 32	R33364	2D11	30	50 - 53	R34733	2F6	1	60 - 5
R33137	2C13	15	50 - 32	R33414	2C25	8	50 - 44	R34733	2F8	6	60 - 7
R33138	2C13	23	50 - 32	R33415	2C25	8	50 - 44	R34733	2F10	10	60 - 9
R33138	2C14	21	50 - 33	R33521	2C13	16	50 - 32	R34801	3F15	16	80 - 4
R33138	3C6	14	70 - 26	R33521	2C14	23	50 - 33	R34801	3F17	3	80 - 6
R33145	2C13	3	50 - 32	R33527	2C5	14	50 - 24	R34802	3B21	12	70 - 19
R33145	2C13	7	50 - 32	R33550	2B7	5	50 - 2	R34812	1E5	19	30 - 29
R33156	2C2	17	50 - 21	R33587	2D9	12	50 - 51	R34812	3E3	27	70 - 69
R33157	2C2	7	50 - 21	R33610	2C14	1	50 - 33	R34812	3E6	9	70 - 73
R33162	2C13	29	50 - 32	R33610	2D12	6	50 - 54	R34827	3I11	1	90 - 48
R33162	2C14	15	50 - 33	R33610	2F12	4	60 - 11	R34863	2D17	8	50 - 59
R33162	2D11	17	50 - 53	R33678	3C15	9	70 - 36	R34958	3G1	6	80 - 16
R33162	3C6	23	70 - 26	R33703	2C18	6	50 - 37	R35002	2D24	4	50 - 65
R33162	3C6	25	70 - 26	R33731	2B20	11	50 - 14	R35002	2E2	2	50 - 67
R33163	2C14	18	50 - 33	R33837	2C1	9	50 - 20	R35006	2D24	28	50 - 65
R33163	3C6	18	70 - 26	R33837	2C2	5	50 - 21	R35075	2B7	16	50 - 2
R33164	2C13	13	50 - 32	R33911	2D11	25	50 - 53	R35075	2C5	17	50 - 24
R33164	2C14	13	50 - 33	R33962	2C5	8	50 - 24	R35119	2D24	5	50 - 65

1L5

TRACTOR - 4620

NUMERICAL INDEX - CONTINUED

PART NO.	GRID	KEY	PAGE	PART NO.	GRID	KEY	PAGE	PART NO.	GRID	KEY	PAGE
R35155	2D3	7	50 - 47	R35473	3E25	22	70 - 93	R36295	2C9	3	50 - 28
R35155	2D3	8	50 - 47	R35473	3F1	2	70 - 94	R36295	2C11	3	50 - 30
R35164	2B19	1	50 - 13	R35473	3F2	12	70 - 95	R36295	2C12	3	50 - 31
R35165	2B19	1	50 - 13	R35474	3E23	23	70 - 91	R36311	2B8	37	50 - 3
R35166	2B19	1	50 - 13	R35474	3E25	19	70 - 93	R36358	3B21	11	70 - 19
R35167	2B19	1	50 - 13	R35474	3F1	14	70 - 94	R36364	2D9	15	50 - 51
R35192	3F21	3	80 - 10	R35474	3F2	9	70 - 95	R36378	3C16	19	70 - 37
R35274	2B15	2	50 - 9	R35476	3D20	28	70 - 63	R36379	3C16	19	70 - 37
R35274	2C15	26	50 - 34	R35479	3D14	9	70 - 59	R36402	3C18	2	70 - 39
R35302	3F15	4	80 - 4	R35479	3D18	12	70 - 61B	R36402	3D13	2	70 - 58
R35302	3F16	3	80 - 5	R35479	3D22	13	70 - 63B	R36415	3H21	14	90 - 33
R35303	3F15	7	80 - 4	R35479	3D23	11	70 - 64	R36423	3C16	20	70 - 37
R35303	3F16	5	80 - 5	R35482	3D16	21	70 - 61	R36424	3C16	18	70 - 37
R35332	3F15	12	80 - 4	R35482	3D20	23	70 - 63	R36425	3C16	10	70 - 37
R35332	3F16	10	80 - 5	R35483	3D20	20	70 - 63	R36425	3D3	10	70 - 48
R35333	3F15	5	80 - 4	R35489	2B18	21	50 - 12	R36435	3D16	30	70 - 61
R35333	3F16	7	80 - 5	R35491	2B18	7	50 - 12	R36436	3D16	30	70 - 61
R35335	3F15	6	80 - 4	R35498	2D15	16	50 - 57	R36441	3D12	26	70 - 57
R35335	3F16	4	80 - 5	R35500	2D15	17	50 - 57	R36444	3D12	20	70 - 57
R35339	1C17	5	20 - 29	R35501	2D15	5	50 - 57	R36448	3D12	4	70 - 57
R35339	1C17	31	20 - 29	R35501	2D17	5	50 - 59	R36469	3D6	20	70 - 51
R35339	1D7	9	30 - 5	R35502	2D15	5	50 - 57	R36469	3D6	21	70 - 51
R35339	1D7	10	30 - 5	R35502	2D17	5	50 - 59	R36470	3D6	17	70 - 51
R35340	3F21	4	80 - 10	R35503	2D15	5	50 - 57	R36470	3D6	21	70 - 51
R35340	3G7	10	80 - 22	R35503	2D17	5	50 - 59	R36471	3D6	16	70 - 51
R35340	3H23	14	90 - 35	R35620	2D13	20	50 - 55	R36507	3D16	24	70 - 61
R35352	1E1	13	30 - 25	R35621	2B15	3	50 - 9	R36508	3D16	22	70 - 61
R35365	2B18	4	50 - 12	R35621	2C15	25	50 - 34	R36509	3D16	18	70 - 61
R35365	2C25	4	50 - 44	R35621	2D13	19	50 - 55	R36535	1E5	18	30 - 29
R35366	2B18	4	50 - 12	R35634	2D24	3	50 - 65	R36540	1E5	28	30 - 29
R35366	2C25	4	50 - 44	R35642	2B7	34	50 - 2	R36590	3G23	7	90 - 11
R35367	2B18	4	50 - 12	R35642	2C7	15	50 - 26	R36590	3G25	..	90 - 13
R35367	2C25	4	50 - 44	R35643	2B25	1	50 - 19	R36590	3I2	7	90 - 39
R35369	2B17	4	50 - 11	R35644	2B8	36	50 - 3	R36608	3D16	14	70 - 61
R35371	2B18	22	50 - 12	R35680	2F24	33	60 - 23	R36608	3D20	32	70 - 63
R35372	2B18	6	50 - 12	R35680	3C12	13	70 - 33	R36609	3D16	5A	70 - 61
R35373	2B18	12	50 - 12	R35684	2F24	5	60 - 23	R36609	3D20	5A	70 - 63
R35377	2B17	1	50 - 11	R35684	2F24	7	60 - 23	R36609	3D23	18A	70 - 64
R35381	2B19	20	50 - 13	R35684	2G2	5	60 - 25	R36615	1F7	16	40 - 20
R35382	2B19	20	50 - 13	R35684	3C12	5	70 - 33	R36615	1F8	16	40 - 21
R35383	2B19	20	50 - 13	R35684	3C12	21	70 - 33	R36658	3F4	3	70 - 97
R35384	2B19	20	50 - 13	R35726	2E7	12	50 - 72	R36659	3F4	3	70 - 97
R35385	2B19	6	50 - 13	R35726	3C5	6	70 - 25	R36666	2C18	2	50 - 37
R35386	2B19	8	50 - 13	R35735	2D24	16	50 - 65	R36666	2C20	13	50 - 39
R35389	2E20	6	50 - 86	R35738	3E23	33	70 - 91	R36666	2E22	9	50 - 88
R35389	3F11	6	80 - 1	R35738	3E25	32	70 - 93	R36678	2B19	10	50 - 13
R35396	3G8	4	80 - 24	R35738	3F1	1	70 - 94	R36689	3G11	4	80 - 27
R35396	3G9	4	80 - 25	R35738	3F2	21	70 - 95	R36704	3H4	11	90 - 17
R35422	1D23	10	30 - 22	R35769	3G6	10	80 - 21	R36704	3H4	22	90 - 17
R35426	2B18	11	50 - 12	R35780	3F19	3	80 - 8	R36715	1C10	15	20 - 22
R35447	3E23	18	70 - 91	R35827	3B13	22	70 - 11	R36728	2E20	3	50 - 86
R35447	3E25	13	70 - 93	R35827	3C9	16	70 - 29	R36728	3F11	3	80 - 1
R35448	3E23	34	70 - 91	R35835	3D20	26	70 - 63	R36732	1H17	24	40 - 82
R35452	3E23	3	70 - 91	R35838	3D20	17	70 - 63	R36742	2F13	13	60 - 12
R35452	3E25	5	70 - 93	R35839	3D20	18	70 - 63	R36742	2F17	15	60 - 16
R35457	2B19	26	50 - 13	R35871	3D25	18	70 - 66	R36742	2F22	19	60 - 21
R35461	2B19	13	50 - 13	R36097	3F15	13	80 - 4	R36742	2F24	36	60 - 23
R35467	3D20	25	70 - 63	R36190	3F15	9	80 - 4	R36756	3G11	9	80 - 27
R35468	3D20	24	70 - 63	R36190	3F15	14	80 - 4	R36757	1D3	..	30 - 1
R35472	3E23	15	70 - 91	R36190	3F15	15	80 - 4	R36764	2B18	19	50 - 12
R35472	3E25	10	70 - 93	R36190	3F15	16	80 - 4	R36765	2B18	18	50 - 12
R35472	3F1	8	70 - 94	R36235	1H13	22	40 - 78	R36766	2B18	18	50 - 12
R35472	3F2	4	70 - 95	R36265	1F6	10	40 - 19	R36767	2B18	18	50 - 12
R35473	2E15	5	50 - 81	R36265	2B20	13	50 - 14	R36795	3E21	3	70 - 89
R35473	2E19	36	50 - 85	R36265	2D5	10	50 - 49	R36881	2D17	24	50 - 59
R35473	2E22	27	50 - 88	R36272	3D16	19	70 - 61	R36881	2D22	2	50 - 63
R35473	3E23	32	70 - 91	R36273	3D16	17	70 - 61	R36882	2B10	10	50 - 5

1L6

TRACTOR - 4620

NUMERICAL INDEX - CONTINUED

PART NO.	GRID	KEY	PAGE	PART NO.	GRID	KEY	PAGE	PART NO.	GRID	KEY	PAGE
R36929	2E19	23	50 - 85	R39726	2D2	16	50 - 46	R40541	3C22	17	70 - 43
R36943	3C6	26	70 - 26	R39727	2D2	16	50 - 46	R40541	3C22	18	70 - 43
R36945	3E1	27	70 - 67	R39729	3B7	9	70 - 5	R40541	3C22	19	70 - 43
R36946	3E1	24	70 - 67	R39729	3B9	13	70 - 7	R40541	3D4	4	70 - 49
R36946	3E17	16	70 - 85	R39729	3B13	17	70 - 11	R40541	3D4	9	70 - 49
R36946	3F3	21	70 - 96	R39739	3111	3	90 - 48	R40541	3D4	10	70 - 49
R36951	3E25	20	70 - 93	R39741	3B7	15	70 - 5	R40541	3D4	11	70 - 49
R36951	3F2	10	70 - 95	R39741	3B9	20	70 - 7	R40545	1F19	38	40 - 31
R36952	3E25	34	70 - 93	R39741	3B17	13	70 - 15	R40546	1F22	6	40 - 34
R36952	3F2	23	70 - 95	R39741	3D4	14	70 - 49	R40548	1F22	10	40 - 34
R37426	2F4	20	60 - 3	R39794	2D11	3	50 - 53	R40548	1G3	7	40 - 40
R375R	3D25	11	70 - 66	R39795	2B24	1	50 - 18	R40562	3C3	9	70 - 23
R375R	3E10	16	70 - 77	R39795	2D11	1	50 - 53	R40567	2F4	30	60 - 3
R375R	3E11	5	70 - 79	R39796	2B24	3	50 - 18	R40567	2F10	9	60 - 9
R38143	1E7	8	30 - 31	R39796	2D11	13	50 - 53	R40595	2F7	12	60 - 6
R38181	2B20	17	50 - 14	R39797	2D11	12	50 - 53	R40596	2F7	15	60 - 6
R38181	2B21	14	50 - 15	R39800	1F9	14	40 - 22	R40597	2F7	16	60 - 6
R38185	2C3	7	50 - 22	R39801	1F9	20	40 - 22	R40617	2D20	5	50 - 61
R38361	3G1	..	80 - 16	R39802	1F9	9	40 - 22	R40638	2E12	6	50 - 77
R38361	3G2	..	80 - 17	R39803	1F9	18	40 - 22	R40664	3C6	9	70 - 26
R38371	1G14	15	40 - 53	R39803	1F10	17	40 - 23	R40664	3C6	11	70 - 26
R38374	1F9	12	40 - 22	R39804	1F10	18	40 - 23	R40664	3C6	15	70 - 26
R38376	1E6	7	30 - 30	R39808	2C14	16	50 - 33	R40676	3G11	15	80 - 27
R38377	1E6	5	30 - 30	R39808	3C6	16	70 - 26	R40676	3I3	4	90 - 40
R38543	3D25	20	70 - 66	R39876	2C7	16	50 - 26	R40711	2B19	20	50 - 13
R38614	1B14	1	20 - 9B	R39892	2C3	11	50 - 22	R40712	2B19	20	50 - 13
R38614	1C8	3	20 - 20	R39893	2C3	4	50 - 22	R40713	2B19	1	50 - 13
R38614	1C8	..	20 - 20	R39895	1D23	3	30 - 22	R40714	2B19	1	50 - 13
R38614	1C9	2	20 - 21	R39980	2F16	8	60 - 15	R40715	2B19	1	50 - 13
R39012	3E23	7	70 - 91	R39981	2F16	3	60 - 15	R40740	1B22	11	20 - 12
R39074	3B7	17	70 - 5	R39981	3D25	2	70 - 66	R40740	1B23	4	20 - 12A
R39074	3B9	21	70 - 7	R39982	2F16	2	60 - 15	R40740	1B23	6	20 - 12A
R39112	2E4	6	50 - 69	R39984	1D7	4	30 - 5	R40757	2F7	14	60 - 6
R39112	2E12	11	50 - 77	R39985	1E6	14	30 - 30	R40791	1E17	14	40 - 5
R39112	2E13	18	50 - 78	R40028	3D16	18	70 - 61	R40791	3G20	10	90 - 7
R39112	2F7	17	60 - 6	R40028	3D18	11	70 - 61B	R40809	2B8	32	50 - 3
R39112	3C6	9	70 - 26	R40072	3C3	7	70 - 23	R40811	2B10	9	50 - 5
R39112	3C14	38	70 - 35	R40121	3D16	1A	70 - 61	R40812	2B10	1	50 - 5
R39112	3C15	14	70 - 36	R40121	3D20	1A	70 - 63	R40813	2B10	4	50 - 5
R39112	3C22	8	70 - 43	R40121	3D23	21A	70 - 64	R40815	2B25	19	50 - 19
R39112	3E4	1	70 - 70	R40147	2B23	20	50 - 17	R40824	2B23	10	50 - 17
R39112	3E18	9	70 - 86	R40147	2D11	21	50 - 53	R40828	2B23	13	50 - 17
R39174	3B7	19	70 - 5	R40149	2F5	7	60 - 4	R40831	2B23	15	50 - 17
R39215	3C9	15	70 - 29	R40194	3F12	5	80 - 2	R40833	2B23	12	50 - 17
R39228	3B7	18	70 - 5	R40198	2E20	15	50 - 86	R40835	2B17	12	50 - 11
R39228	3B9	22	70 - 7	R40198	3F11	9	80 - 1	R40835	2B18	13	50 - 12
R39228	3B17	16	70 - 15	R40219	3E23	26	70 - 91	R40835	2B19	17	50 - 13
R39228	3B19	16	70 - 17	R40337	1F19	4	40 - 31	R40835	2B25	14	50 - 19
R39249	3C14	6	70 - 35	R40337	1F21	26	40 - 33	R40835	3I2	14	90 - 39
R394R	2B24	2	50 - 18	R40337	1F24	3	40 - 37	R40845	2C4	12	50 - 23
R394R	2B24	7	50 - 18	R40338	2F7	3	60 - 6	R40876	3G1	9	80 - 16
R394R	2B25	18	50 - 19	R40423	3G1	2	80 - 16	R40876	3G1	13	80 - 16
R394R	2D11	2	50 - 53	R40423	3G3	7	80 - 18	R40876	3G2	10	80 - 17
R394R	2D11	7	50 - 53	R40445	1E14	4	40 - 2	R40876	3G2	11	80 - 17
R394R	2F10	21	60 - 9	R40445	1H21	3	40 - 87	R40876	3G2	17	80 - 17
R394R	3C17	6	70 - 38	R40499	3E3	26	70 - 69	R40881	3C22	1	70 - 43
R394R	3D2	16	70 - 47	R40499	3E3	33	70 - 69	R40885	3D2	8	70 - 47
R394R	3D2	21	70 - 47	R40499	3E4	4	70 - 70	R40886	3D2	27	70 - 47
R394R	3D2	33	70 - 47	R40499	3E10	27	70 - 77	R40888	3C17	10	70 - 38
R39534	1D20	2	30 - 19	R40504	3G11	14	80 - 27	R40888	3C19	11	70 - 40
R39586	2D11	15	50 - 53	R40504	3I3	4	90 - 40	R40889	3C19	17	70 - 40
R39587	2C14	6	50 - 33	R40505	3G11	11	80 - 27	R40891	3C19	18	70 - 40
R39587	3C6	19	70 - 26	R40505	3I3	4	90 - 40	R40892	3D2	37	70 - 47
R39597	2D20	23	50 - 61	R40509	3G11	12	80 - 27	R40893	3C22	29	70 - 43
R39613	3G7	16	80 - 22	R40516	3D23	6	70 - 64	R40894	3C22	34	70 - 43
R39615	1D23	2	30 - 22	R40531	2F5	8	60 - 4	R40895	3C22	32	70 - 43
R39725	2D2	16	50 - 46	R40541	3C22	14	70 - 43	R40896	3C17	15	70 - 38

1L7

TRACTOR - 4620

NUMERICAL INDEX - CONTINUED

PART NO.	GRID	KEY	PAGE	PART NO.	GRID	KEY	PAGE	PART NO.	GRID	KEY	PAGE
R40896	3C22	23	70 - 43	R41057	3C17	12	70 - 38	R41385	3C24	23	70 - 45
R40896	3D4	17	70 - 49	R41057	3C22	18	70 - 43	R41386	3C24	31	70 - 45
R40898	3E4	8A	70 - 70	R41057	3C22	20	70 - 43	R41387	3E8	12	70 - 75
R40899	3E3	26	70 - 69	R41057	3D4	9	70 - 49	R41405	2C14	11	50 - 33
R40903	3E3	10	70 - 69	R41057	3E3	20	70 - 69	R41406	1C7	2	20 - 19
R40906	1B8	18	20 - 5	R41057	3E3	26	70 - 69	R41421	2B6	3	50 - 1
R40915	3D2	42	70 - 47	R41057	3E4	4	70 - 70	R41422	2B6	2	50 - 1
R40922	3C16	14	70 - 37	R41057	3E5	15	70 - 71	R41423	1C6	4	20 - 18
R40922	3C17	1	70 - 38	R41057	3E10	27	70 - 77	R41425	1C6	6	20 - 18
R40922	3E4	11	70 - 70	R41070	1B12	16	20 - 9	R41426	1C6	5	20 - 18
R40922	3E5	5	70 - 71	R41076	3C24	11	70 - 45	R41435	3I2	8	90 - 39
R40922	3E17	6	70 - 85	R41076	3D2	47	70 - 47	R41436	3I2	9	90 - 39
R40922	3E18	6	70 - 86	R41076	3E8	14	70 - 75	R41438	3I2	4	90 - 39
R40923	3E8	15	70 - 75	R41077	3D2	13	70 - 47	R41439	1E22	4	40 - 10
R40925	3I3	3	90 - 40	R41079	3D2	11	70 - 47	R41439	1E23	4	40 - 11
R40937	3E3	35	70 - 69	R41108	3D2	3	70 - 47	R41439	1H17	13	40 - 82
R40937	3E5	9	70 - 71	R41115	3D2	15	70 - 47	R41439	3E1	9	70 - 67
R40937	3E6	10	70 - 73	R41117	3D2	35	70 - 47	R41440	1G24	6	40 - 63
R40944	3D2	29	70 - 47	R41118	3D2	25	70 - 47	R41440	2F11	29	60 - 10
R40945	3C22	19	70 - 43	R41119	3D2	28	70 - 47	R41441	2F11	2	60 - 10
R40945	3C22	22	70 - 43	R41121	3C19	7	70 - 40	R41442	3I2	3	90 - 39
R40945	3D4	11	70 - 49	R41122	3C24	10	70 - 45	R41444	3C22	3	70 - 43
R40948	2B11	12	50 - 5B	R41122	3E8	19	70 - 75	R41444	3D4	2	70 - 49
R40948	2C6	3	50 - 25	R41123	3C24	3	70 - 45	R41445	3E4	15	70 - 70
R40948	3D2	49	70 - 47	R41128	2D10	22	50 - 52	R41446	3C16	15	70 - 37
R40949	3D2	1	70 - 47	R41131	2D1	13	50 - 45	R41448	3E4	15	70 - 70
R40970	2C4	5	50 - 23	R41132	2D2	2	50 - 46	R41463	3C6	10	70 - 26
R40971	2C4	7	50 - 23	R41133	2D10	13	50 - 52	R41499	2C6	18	50 - 25
R40972	2C4	9	50 - 23	R41134	2D10	12	50 - 52	R41503	2C13	29	50 - 32
R40982	1E6	16	30 - 30	R41142	2D2	6	50 - 46	R41511	2B8	23	50 - 3
R40983	1E6	14	30 - 30	R41147	3C24	39	70 - 45	R41511	2B12	11	50 - 6
R40984	1E6	18	30 - 30	R41148	2C14	29	50 - 33	R41548	3G3	4	80 - 18
R40985	1E7	2	30 - 31	R41149	3E3	33	70 - 69	R41549	3E3	32	70 - 69
R40986	1E7	3	30 - 31	R41151	2C2	20	50 - 21	R41564	1E6	21	30 - 30
R40988	1E7	9	30 - 31	R41151	2C13	1	50 - 32	R41604	3I3	1	90 - 40
R40989	1E7	15	30 - 31	R41152	2C2	20	50 - 21	R41613	3E3	11	70 - 69
R40991	1E7	7	30 - 31	R41152	2C13	1	50 - 32	R41613	3E3	14	70 - 69
R40999	3C3	6	70 - 23	R41153	2C2	20	50 - 21	R41623	2C23	16	50 - 42
R40999	3C5	14	70 - 25	R41153	2C13	1	50 - 32	R41661	3D2	26	70 - 47
R41001	3C3	10	70 - 23	R41154	3E3	31	70 - 69	R41706	1G24	11	40 - 63
R41006	2B23	3	50 - 17	R41155	3E4	22	70 - 70	R41724	2F6	2	60 - 5
R41006	2B23	9	50 - 17	R41156	3E3	18	70 - 69	R41760	3I6	15	90 - 43
R41007	2B23	22	50 - 17	R41164	2C13	1	50 - 32	R41776	3C22	30	70 - 43
R41012	3F15	13	80 - 4	R41168	2C17	11	50 - 36	R41777	3C22	31	70 - 43
R41020	3F15	9	80 - 4	R41194	3I6	14	90 - 43	R41778	3H8	12	90 - 21
R41020	3F15	14	80 - 4	R41256	3F18	1	80 - 7	R41781	3H8	6	90 - 21
R41020	3F15	15	80 - 4	R41280	3C16	5	70 - 37	R41781	3H10	4	90 - 21B
R41020	3F15	16	80 - 4	R41285	1D14	16	30 - 13	R41850	2C14	22	50 - 33
R41030	3F18	2	80 - 7	R41290	3D3	5	70 - 48	R41877	2F24	7	60 - 23
R41035	2C7	3	50 - 26	R41325	1G15	10	40 - 54	R41877	2F24	12	60 - 23
R41035	2C11	12	50 - 30	R41326	1G15	11	40 - 54	R41877	2G2	12	60 - 25
R41035	2C12	12	50 - 31	R41327	1G15	7	40 - 54	R41877	3C12	12	70 - 33
R41041	2C7	12	50 - 26	R41328	1G15	8	40 - 54	R41878	2F24	27	60 - 23
R41049	1B22	1	20 - 12	R41334	1F7	12	40 - 20	R41879	1H8	5	40 - 73
R41049	2D15	1	50 - 57	R41334	1F8	12	40 - 21	R41880	1H6	13	40 - 71
R41049	2D17	1	50 - 59	R41334	1F11	13	40 - 24	R41880	1H8	12	40 - 73
R41050	2D15	11	50 - 57	R41338	3E3	24	70 - 69	R41880	1H9	4	40 - 74
R41050	2D17	23	50 - 59	R41339	3E3	36	70 - 69	R41891	2F24	31	60 - 23
R41055	3E3	5	70 - 69	R41339	3E5	10	70 - 71	R41892	2C5	1	50 - 24
R41055	3E6	5	70 - 73	R41358	3H6	1	90 - 19	R41920	1B14	1	20 - 9B
R41057	3B11	43	70 - 9	R41358	3H15	1	90 - 27	R41920	1C8	5	20 - 20
R41057	3B11	44	70 - 9	R41358	3H19	1	90 - 31	R41920	1C8	..	20 - 20
R41057	3B13	25	70 - 11	R41370	2B11	11	50 - 5B	R41931	3E4	6	70 - 70
R41057	3B15	7	70 - 13	R41370	2C6	4	50 - 25	R41932	3E4	17	70 - 70
R41057	3B21	40	70 - 19	R41383	3C24	22	70 - 45	R41933	3G11	2	80 - 27
R41057	3B23	13	70 - 21	R41384	3C24	23	70 - 45	R41933	3I1	3	90 - 38
R41057	3B25	9	70 - 21B	R41385	3C24	15	70 - 45	R41934	1B22	7	20 - 12

1L8

TRACTOR - 4620

NUMERICAL INDEX - CONTINUED

PART NO.	GRID	KEY	PAGE	PART NO.	GRID	KEY	PAGE	PART NO.	GRID	KEY	PAGE
R41934	1B23	1	20 - 12A	R42424	1C21	33	20 - 33	R42828	2C25	6	50 - 44
R41934	1B24	9	20 - 12B	R42451	3I4	11	90 - 41	R42849	2C7	4	50 - 26
R41934	1B25	7	20 - 13	R42467	3B7	25	70 - 5	R42849	2C11	11	50 - 30
R41934	1C1	7	20 - 14	R42468	2E12	13	50 - 77	R42849	2C12	11	50 - 31
R41934	1C2	7	20 - 14A	R42485	2D1	6	50 - 45	R42849	2D5	28	50 - 49
R41934	1C3	7	20 - 15	R42492	2C23	19	50 - 42	R42849	2D7	16	50 - 49B
R41938	3H2	12	90 - 15	R42495	3D6	5	70 - 51	R42849	2E19	16	50 - 85
R41958	2E22	19	50 - 88	R42495	3D9	13	70 - 54	R42849	2F7	20	60 - 6
R41958	3F14	1	80 - 3	R42509	2B11	7	50 - 5B	R42849	2F17	26	60 - 16
R41966	3C24	38	70 - 45	R42511	2B11	8	50 - 5B	R42849	2F22	4	60 - 21
R41968	3C24	35	70 - 45	R42512	2B11	5	50 - 5B	R42852	1C10	9	20 - 22
R41983	3G6	3	80 - 21	R42516	2E13	3	50 - 78	R42877	2E15	2	50 - 81
R42007	2F17	28	60 - 16	R42518	2E13	13	50 - 78	R42877	2E19	34	50 - 85
R42008	2F17	27	60 - 16	R42519	2E14	8	50 - 79	R42877	2E22	21	50 - 88
R42008	2F22	17	60 - 21	R42529	2D24	19	50 - 65	R42878	2E12	15	50 - 77
R42045	3H1	19	90 - 14	R42574	1F21	21	40 - 33	R42878	2E17	5	50 - 83
R42045	3H25	18	90 - 37	R42574	1G2	20	40 - 39	R42879	2E12	23	50 - 77
R42045	3H25	..	90 - 37	R42629	2F4	7	60 - 3	R42879	2E17	6	50 - 83
R42057	2C14	27	50 - 33	R42639	3C24	32	70 - 45	R42880	2E12	21	50 - 77
R42057	3C6	24	70 - 26	R42640	3C24	17	70 - 45	R42880	2E17	7	50 - 83
R42093	3E8	9	70 - 75	R42640	3C24	21	70 - 45	R42881	2E22	5	50 - 88
R42094	3E8	8	70 - 75	R42641	3C24	18	70 - 45	R42882	2E12	16	50 - 77
R42110	2C3	5	50 - 22	R42646	3H8	5	90 - 21	R42883	2E13	12	50 - 78
R42126	2B22	15	50 - 16	R42646	3H10	3	90 - 21B	R42884	2E14	4	50 - 79
R42127	2B22	8	50 - 16	R42660	3D20	19	70 - 63	R42885	2E21	3	50 - 87
R42128	2B22	6	50 - 16	R42661	2F6	18	60 - 5	R42886	2E21	11	50 - 87
R42129	2B22	16	50 - 16	R42662	3G7	12	80 - 22	R42887	2E21	7	50 - 87
R42171	3D8	20	70 - 53	R42663	3B11	31	70 - 9	R42924	2E12	38A	50 - 77
R42171	3D9	4	70 - 54	R42666	1G14	16	40 - 53	R42925	2E12	27	50 - 77
R42172	3D8	22	70 - 53	R42666	1G17	1	40 - 56	R42926	2E6	5	50 - 71
R42172	3D9	6	70 - 54	R42667	1G14	16	40 - 53	R42926	2E10	1	50 - 75
R42173	1C6	3	20 - 18	R42667	1G17	1	40 - 56	R42926	2E12	24	50 - 77
R42174	1C6	6	20 - 18	R42684	2F17	23	60 - 16	R42926	2E17	20	50 - 83
R42175	1C6	6	20 - 18	R42689	1G14	1	40 - 53	R42927	2E19	37	50 - 85
R42260	3B11	40	70 - 9	R42693	1C14	16	20 - 26	R42927	2E22	28	50 - 88
R42260	3B21	36	70 - 19	R42693	1C21	3	20 - 33	R42929	2E14	3	50 - 79
R42275	3I2	13	90 - 39	R42697	2D5	7	50 - 49	R42930	2E14	5	50 - 79
R42281	3C11	1	70 - 31	R42697	2D5	8	50 - 49	R42931	2E13	9	50 - 78
R42282	3C24	6	70 - 45	R42697	2D7	5	50 - 49B	R42932	2E13	11	50 - 78
R42282	3D2	41	70 - 47	R42726	1D3	..	30 - 1	R42968	2E14	11	50 - 79
R42282	3E8	4	70 - 75	R42729	1C8	4	20 - 20	R42969	2E22	25	50 - 88
R42290	2B13	8	50 - 7	R42729	1D19	8	30 - 18	R42973	2E21	6	50 - 87
R42332	2E21	4	50 - 87	R42729	2E13	5	50 - 78	R42974	2E21	10	50 - 87
R42332	2E22	6	50 - 88	R42729	2E14	12	50 - 79	R42975	2E17	13	50 - 83
R42333	2E13	8	50 - 78	R42729	2E22	18	50 - 88	R42975	2E21	8	50 - 87
R42340	1B12	9	20 - 9	R42732	3H8	16	90 - 21	R42984	1F5	10	40 - 18
R42352	1B9	4	20 - 6	R42734	2E14	1	50 - 79	R42985	1F5	9	40 - 18
R42356	1B9	6	20 - 6	R42735	2E22	12	50 - 88	R42986	1F5	11	40 - 18
R42357	2D20	18	50 - 61	R42762	2E13	2	50 - 78	R42987	1F5	14	40 - 18
R42357	2F12	10	60 - 11	R42763	2E15	4	50 - 81	R42988	1F5	18	40 - 18
R42357	2F13	3	60 - 12	R42763	2E19	35	50 - 85	R43001	2D24	27	50 - 65
R42357	2F22	7	60 - 21	R42763	2E22	25	50 - 88	R43002	2D15	9	50 - 57
R42364	1B6	5	20 - 3	R42764	2E14	10	50 - 79	R43002	2D17	21	50 - 59
R42375	1D18	13	30 - 17	R42764	2E15	8	50 - 81	R43003	2D15	9	50 - 57
R42379	2C23	1	50 - 42	R42764	2E17	12	50 - 83	R43003	2D17	21	50 - 59
R42390	1C8	7	20 - 20	R42764	2E19	38	50 - 85	R43009	2C20	12	50 - 39
R42390	1C9	3	20 - 21	R42765	2E22	20	50 - 88	R43011	2C19	1	50 - 38
R42392	1C8	8	20 - 20	R42766	2E22	20	50 - 88	R43013	2C17	3	50 - 36
R42392	1C9	4	20 - 21	R42799	1H4	..	40 - 69	R43014	2D24	25	50 - 65
R42404	1C21	17	20 - 33	R42799	1H6	3	40 - 71	R43015	2D24	23	50 - 65
R42406	1C12	1	20 - 24	R42799	1H9	9	40 - 74	R43016	2D24	31	50 - 65
R42406	1C13	1	20 - 25	R42817	2E22	2	50 - 88	R43017	2B17	5	50 - 11
R42406	1C21	13	20 - 33	R42818	2E12	22	50 - 77	R43018	2B18	10	50 - 12
R42407	2D15	6	50 - 57	R42819	2E12	17	50 - 77	R43019	2B18	20	50 - 12
R42407	2D17	6	50 - 59	R42820	2E12	18	50 - 77	R43020	2B19	23	50 - 13
R42407	3C19	13	70 - 40	R42821	2E21	5	50 - 87	R43021	2B19	9	50 - 13
R42424	1B20	4	20 - 10	R42822	3G15	1	90 - 2	R43023	2B18	1	50 - 12

1L9

TRACTOR - 4620

NUMERICAL INDEX - CONTINUED

PART NO.	GRID	KEY	PAGE	PART NO.	GRID	KEY	PAGE	PART NO.	GRID	KEY	PAGE
R43023	2C25	1	50 - 44	R43128	2B17	7	50 - 11	R43228	2D24	2	50 - 65
R43023	2D15	13	50 - 57	R43129	2B17	11	50 - 11	R43230	2B6	22	50 - 1
R43023	2D17	25	50 - 59	R43131	2B18	5	50 - 12	R43233	2B7	31	50 - 2
R43023	2D17	26	50 - 59	R43133	2B19	18	50 - 13	R43233	2B25	4	50 - 19
R43024	2B18	1	50 - 12	R43134	2B18	23	50 - 12	R43234	2B6	18	50 - 1
R43024	2D15	12	50 - 57	R43135	2B21	3	50 - 15	R43234	2C1	26	50 - 20
R43024	2D17	25	50 - 59	R43136	2B21	5	50 - 15	R43234	2D13	5	50 - 55
R43025	2C9	4	50 - 28	R43137	2B20	7	50 - 14	R43235	2B7	33	50 - 2
R43027	2C9	10	50 - 28	R43139	2C19	12	50 - 38	R43236	2B6	17	50 - 1
R43029	2C9	15	50 - 28	R43140	2C17	23	50 - 36	R43236	2C1	27	50 - 20
R43031	2C25	1	50 - 44	R43141	2C24	22	50 - 43	R43244	2D24	26	50 - 65
R43031	2D15	13	50 - 57	R43143	2C24	10	50 - 43	R43245	2D24	24	50 - 65
R43031	2D17	26	50 - 59	R43144	2C23	18	50 - 42	R43246	3F21	8	80 - 10
R43032	2C21	17	50 - 40	R43145	2C15	12	50 - 34	R43248	2C24	14	50 - 43
R43032	2D15	12	50 - 57	R43150	2D14	10	50 - 56	R43249	2D11	28	50 - 53
R43033	2C20	2	50 - 39	R43151	2C10	12	50 - 29	R43250	2B23	7	50 - 17
R43034	2C19	11	50 - 38	R43157	2E25	6	50 - 91	R43251	2B19	24	50 - 13
R43035	2C18	14	50 - 37	R43158	3F11	7	80 - 1	R43251	2B23	11	50 - 17
R43036	2C17	26	50 - 36	R43161	2E25	11	50 - 91	R43252	2B23	6	50 - 17
R43038	2C24	11	50 - 43	R43162	2E24	9	50 - 90	R43253	2B23	14	50 - 17
R43046	2C21	12	50 - 40	R43162	2E25	15	50 - 91	R43254	2B23	1	50 - 17
R43047	2C21	8	50 - 40	R43164	2C5	11	50 - 24	R43256	2B23	21	50 - 17
R43048	2C21	13	50 - 40	R43165	2C5	18	50 - 24	R43257	2B23	4	50 - 17
R43049	2C21	11	50 - 40	R43166	1D18	9	30 - 17	R43258	3D8	1	70 - 53
R43050	2C17	16	50 - 36	R43167	1D18	5	30 - 17	R43259	1D18	8	70 - 54
R43051	2C17	15	50 - 36	R43172	1D18	12	30 - 17	R43260	2B16	4	50 - 10
R43052	2C17	14	50 - 36	R43179	2C16	5	50 - 35	R43261	3D8	3	70 - 53
R43053	2C17	12	50 - 36	R43182	2C21	21	50 - 40	R43262	3D8	6	70 - 53
R43054	2B25	7	50 - 19	R43183	2C21	4	50 - 40	R43264	1E14	9	40 - 2
R43055	2B25	12	50 - 19	R43184	2D15	7	50 - 57	R43264	1E15	9	40 - 3
R43055	2D14	17	50 - 56	R43184	2D17	9	50 - 59	R43273	2C10	19	50 - 29
R43056	2B18	15	50 - 12	R43186	2D15	2	50 - 57	R43274	2C24	7	50 - 43
R43056	2B25	10	50 - 19	R43186	2D17	2	50 - 59	R43275	2C24	7	50 - 43
R43057	2D13	4	50 - 55	R43189	2B19	24	50 - 13	R43276	2C24	7	50 - 43
R43058	2D14	7	50 - 56	R43190	2B16	3	50 - 10	R43277	2B8	19	50 - 3
R43059	2D13	4	50 - 55	R43191	2B18	8	50 - 12	R43286	2F15	13	60 - 14
R43071	3I1	5	90 - 38	R43195	2E25	32	50 - 91	R43288	2F15	15	60 - 14
R43075	3B4	6	70 - 1	R43196	2E25	32	50 - 91	R43291	3I1	7	90 - 38
R43076	3D8	9	70 - 53	R43199	2E20	9	50 - 86	R43294	3I1	5	90 - 38
R43077	3D8	15	70 - 53	R43199	2E25	3	50 - 91	R43298	3D5	18	70 - 50
R43078	3D8	19	70 - 53	R43199	3F11	8	80 - 1	R43299	3D5	13	70 - 50
R43079	3D9	15	70 - 54	R43203	2E25	2	50 - 91	R43304	2C9	7	50 - 28
R43080	3D8	4	70 - 53	R43204	2E24	18	50 - 90	R43304	2C10	5	50 - 29
R43081	3D6	11	70 - 51	R43204	2E25	30	50 - 91	R43304	2C17	20	50 - 36
R43084	2D10	18	50 - 52	R43206	2E24	16	50 - 90	R43305	2C10	21	50 - 29
R43085	2D10	20	50 - 52	R43206	2E25	29	50 - 91	R43306	2C25	7	50 - 44
R43086	3C20	11	70 - 41	R43207	3E21	9	70 - 89	R43307	2C24	25	50 - 43
R43086	3D3	15	70 - 48	R43208	3E21	9	70 - 89	R43311	3C18	9	70 - 39
R43091	3D3	15	70 - 48	R43214	2C3	1	50 - 22	R43312	3C18	13	70 - 39
R43093	1B22	8	20 - 12	R43214	2C7	22	50 - 26	R43313	3C18	6	70 - 39
R43094	2B7	29	50 - 2	R43214	2C9	1	50 - 28	R43314	3C18	3	70 - 39
R43097	2D13	11	50 - 55	R43214	2C11	4	50 - 30	R43315	2B15	21	50 - 9
R43098	2C7	10	50 - 26	R43214	2C12	4	50 - 31	R43315	2C15	22	50 - 34
R43099	2C7	9	50 - 26	R43215	2C21	10	50 - 40	R43315	3D5	5	70 - 50
R43100	1B22	5	20 - 12	R43216	2C21	7	50 - 40	R43316	3D5	11	70 - 50
R43102	2C18	4	50 - 37	R43217	2C21	6	50 - 40	R43318	3D5	1	70 - 50
R43109	2C10	24	50 - 29	R43217	2C21	18	50 - 40	R43319	3D14	1	70 - 59
R43110	1B22	5	20 - 12	R43218	2C21	16	50 - 40	R43320	3D14	5	70 - 59
R43112	2C24	24	50 - 43	R43219	2C18	9	50 - 37	R43322	3D8	18	70 - 53
R43113	2D1	8	50 - 45	R43219	2C20	8	50 - 39	R43323	3D8	24	70 - 53
R43117	1C12	5	20 - 24	R43220	2C17	6	50 - 36	R43323	3D9	1	70 - 54
R43117	1C12	..	20 - 24	R43220	2C19	5	50 - 38	R43324	3C18	10	70 - 39
R43117	1C13	2	20 - 25	R43223	2F19	5	60 - 18	R43325	3C16	2	70 - 37
R43117	1C21	30	20 - 33	R43224	2F19	4	60 - 18	R43325	3D3	2	70 - 48
R43121	3H4	27	90 - 17	R43225	2F16	26	60 - 15	R43326	3D5	15	70 - 50
R43122	3H4	29	90 - 17	R43226	2F16	27	60 - 15	R43332	2B8	34	50 - 3
R43127	1D23	20	30 - 22	R43227	2D24	15	50 - 65	R43333	2B8	27	50 - 3

1L10

TRACTOR - 4620

NUMERICAL INDEX - CONTINUED

PART NO.	GRID	KEY	PAGE	PART NO.	GRID	KEY	PAGE	PART NO.	GRID	KEY	PAGE
R43334	2B7	18	50 - 2	R43393	2B20	10	50 - 14	R43503	3G2	15	80 - 17
R43335	2B8	14	50 - 3	R43394	2B20	22	50 - 14	R43525	1E7	5	30 - 31
R43337	2D17	13	50 - 59	R43396	3G4	2	80 - 19	R43529	2D24	2	50 - 65
R43339	2D17	14	50 - 59	R43398	3G5	10	80 - 20	R43530	3F15	9	80 - 4
R43340	2D17	10	50 - 59	R43400	2D24	2	50 - 65	R43530	3F15	14	80 - 4
R43340	2D17	12	50 - 59	R43401	2C25	5	50 - 44	R43530	3F15	15	80 - 4
R43343	2D17	10	50 - 59	R43403	3C20	9	70 - 41	R43530	3F15	16	80 - 4
R43343	2D17	11	50 - 59	R43403	3D3	16	70 - 48	R43533	2C11	13	50 - 30
R43344	2D15	10	50 - 57	R43404	3C18	5	70 - 39	R43533	2C12	13	50 - 31
R43344	2D17	22	50 - 59	R43406	3C19	12	70 - 40	R43535	2C5	9	50 - 24
R43345	2D17	27	50 - 59	R43408	3C16	6	70 - 37	R43536	2C1	1	50 - 20
R43346	2B17	10	50 - 11	R43408	3D3	6	70 - 48	R43537	2C6	12	50 - 25
R43347	2B17	10	50 - 11	R43409	2B15	20	50 - 9	R43538	2C6	13	50 - 25
R43348	2B17	10	50 - 11	R43409	2C15	21	50 - 34	R43548	1C10	5	20 - 22
R43349	2B18	9	50 - 12	R43410	1C11	14	20 - 23	R43553	1C11	1	20 - 23
R43350	2B19	19	50 - 13	R43410	1C12	15	20 - 24	R43558	1C11	19	20 - 23
R43351	2B19	19	50 - 13	R43413	1C21	9	20 - 33	R43558	1C21	20	20 - 33
R43352	2B19	19	50 - 13	R43413	1D14	9	30 - 13	R43560	1C11	13	20 - 23
R43356	3G8	9	80 - 24	R43416	1C21	8	20 - 33	R43563	1C11	22	20 - 23
R43356	3G9	9	80 - 25	R43416	1D14	21	30 - 13	R43563	1C21	21	20 - 33
R43360	2B6	14	50 - 1	R43418	2B7	3	50 - 2	R43568	2E24	15	50 - 90
R43361	2D14	12	50 - 56	R43420	2C21	9	50 - 40	R43568	2E25	28	50 - 91
R43362	2D14	6	50 - 56	R43423	1C10	10	20 - 22	R43569	2E24	13	50 - 90
R43363	2D14	15	50 - 56	R43424	1C10	4	20 - 22	R43569	2E25	25	50 - 91
R43364	2D14	18	50 - 56	R43424	1C10	12	20 - 22	R43570	2E25	17	50 - 91
R43365	2D14	13	50 - 56	R43425	1C10	3	20 - 22	R43571	2E25	13	50 - 91
R43366	2D14	24	50 - 56	R43425	1C10	13	20 - 22	R43572	2E24	4	50 - 90
R43367	2C9	17	50 - 28	R43426	1C10	16	20 - 22	R43572	2E25	10	50 - 91
R43367	2C10	1	50 - 29	R43427	1C10	13	20 - 22	R43575	3G8	7	80 - 24
R43368	2D15	8	50 - 57	R43427	1C10	14	20 - 22	R43575	3G9	7	80 - 25
R43368	2D17	20	50 - 59	R43428	1C10	7	20 - 22	R43580	1C17	10	20 - 29
R43369	2D15	6	50 - 57	R43429	1C10	18	20 - 22	R43583	1C17	19	20 - 29
R43369	2D17	6	50 - 59	R43441	1B12	29	20 - 9	R43593	2B21	9	50 - 15
R43369	3C19	13	70 - 40	R43444	3D12	22	70 - 57	R43594	1B6	2	20 - 3
R43370	2D20	19	50 - 61	R43445	2B7	9	50 - 2	R43595	1B6	3	20 - 3
R43372	2C21	3	50 - 40	R43446	2B7	6	50 - 2	R43595	1C21	18	20 - 33
R43374	2C10	20	50 - 29	R43448	3C16	11	70 - 37	R43599	3F21	10	80 - 10
R43376	2C16	6	50 - 35	R43448	3D3	11	70 - 48	R43601	3C18	14	70 - 39
R43377	2C18	7	50 - 37	R43449	3D5	3	70 - 50	R43603	1F7	3	40 - 20
R43377	2C20	10	50 - 39	R43450	3D5	16	70 - 50	R43603	1F11	7	40 - 24
R43378	2C17	5	50 - 36	R43452	3H12	7	90 - 23	R43604	1D10	18	30 - 8
R43378	2C18	8	50 - 37	R43456	3H12	4	90 - 23	R43604	1D11	18	30 - 9
R43378	2C19	4	50 - 38	R43459	2D17	1	50 - 59	R43610	1D4	10	30 - 2
R43378	2C20	9	50 - 39	R43460	2B20	9	50 - 14	R43621	1B12	15	20 - 9
R43379	2C17	4	50 - 36	R43460	2B21	6	50 - 15	R43624	2C5	15	50 - 24
R43379	2C19	3	50 - 38	R43461	2B20	8	50 - 14	R43625	2B7	8	50 - 2
R43380	2C9	6	50 - 28	R43462	2B22	22	50 - 16	R43630	3G7	4	80 - 22
R43380	2C10	4	50 - 29	R43462	2B22	25	50 - 16	R43631	3G7	1	80 - 22
R43380	2C17	19	50 - 36	R43463	2B18	14	50 - 12	R43632	3G7	5	80 - 22
R43381	2C9	5	50 - 28	R43463	2B25	13	50 - 19	R43634	1B12	22	20 - 9
R43381	2C10	3	50 - 29	R43467	2C2	3	50 - 21	R43639	3E8	18	70 - 75
R43381	2C17	18	50 - 36	R43471	2C6	14	50 - 25	R43642	3C10	6	70 - 30
R43382	2C9	8	50 - 28	R43475	3C7	7	70 - 27	R43643	3C10	2	70 - 30
R43382	2C9	16	50 - 28	R43477	2D14	9	50 - 56	R43647	3C24	4	70 - 45
R43382	2C10	6	50 - 29	R43479	3C5	29	70 - 25	R43648	2F11	11	60 - 10
R43382	2C17	21	50 - 36	R43479	3C15	16	70 - 36	R43659	2C24	13	50 - 43
R43383	2C9	9	50 - 28	R43484	3G6	25	80 - 21	R43660	1C10	20	20 - 22
R43383	2C10	7	50 - 29	R43488	1C21	32	20 - 33	R43661	3G7	2	80 - 22
R43383	2C17	22	50 - 36	R43491	1C14	12	20 - 26	R43662	1E19	5	40 - 7
R43385	2B7	22	50 - 2	R43494	3G3	11	80 - 18	R43662	1E20	3	40 - 8
R43386	2B7	21	50 - 2	R43495	3G3	16	80 - 18	R43662	1G11	15	40 - 50
R43387	2B7	15	50 - 2	R43496	3G3	19	80 - 18	R43662	1G12	11	40 - 51
R43388	2B7	10	50 - 2	R43498	1E22	5	40 - 10	R43662	1G14	9	40 - 53
R43389	2B7	14	50 - 2	R43498	3G3	13	80 - 18	R43663	1C12	2	20 - 24
R43390	3G4	1	80 - 19	R43502	3G1	14	80 - 16	R43666	3G5	10	80 - 20
R43391	2B21	10	50 - 15	R43502	3G2	10	80 - 17	R43676	2F15	17	60 - 14
R43392	2B21	19	50 - 15	R43503	3G1	10	80 - 16	R43677	1B9	4	20 - 6

1L11

TRACTOR - 4620

NUMERICAL INDEX - CONTINUED

PART NO.	GRID	KEY	PAGE	PART NO.	GRID	KEY	PAGE	PART NO.	GRID	KEY	PAGE
R43679	1B8	20	20 - 5	R43817	1D15	2	30 - 14	R44254	2F24	20	60 - 23
R43681	1B6	13	20 - 3	R43817	1D16	1	30 - 15	R44254	2F24	39	60 - 23
R43683	1B6	13	20 - 3	R43819	1D15	14	30 - 14	R44254	2G2	17	60 - 25
R43684	2C2	4	50 - 21	R43821	1D15	16	30 - 14	R44255	2F6	25	60 - 5
R43685	2F15	4	60 - 14	R43828	1F7	8	40 - 20	R44255	2F17	10	60 - 16
R43686	2F15	2	60 - 14	R43828	1F9	28	40 - 22	R44255	2F24	41	60 - 23
R43687	2F15	12	60 - 14	R43851	1B10	8	20 - 7	R44256	2F6	24	60 - 5
R43689	2F15	7	60 - 14	R43852	3H22	12	90 - 34	R44256	2F17	11	60 - 16
R43696	2E24	14	50 - 90	R43866	2B7	12	50 - 2	R44256	2F24	19	60 - 23
R43696	2E25	26	50 - 91	R43877	3H13	..	90 - 25	R44256	2F24	40	60 - 23
R43698	1D4	8	30 - 2	R43886	2B22	25	50 - 16	R44256	2G2	16	60 - 25
R43702	1D4	5	30 - 2	R43887	3H8	20	90 - 21	R44286	3E25	23	70 - 93
R43703	1D4	7	30 - 2	R43904	1C12	6	20 - 24	R44286	3F2	13	70 - 95
R43706	3D9	14	70 - 54	R43904	1C13	3	20 - 25	R44287	3E25	33	70 - 93
R43707	2F14	5	60 - 13	R43905	2C10	16	50 - 29	R44287	3F2	22	70 - 95
R43708	2F14	3	60 - 13	R43905	2D14	4	50 - 56	R44297	3E23	14	70 - 91
R43724	1D18	11	30 - 17	R43906	2B20	4	50 - 14	R44297	3E25	11	70 - 93
R43725	2C23	10	50 - 42	R43907	2B20	5	50 - 14	R44298	3C22	36	70 - 43
R43726	3D6	6	70 - 51	R43913	1B6	13	20 - 3	R44299	3C22	37	70 - 43
R43726	3I1	14	90 - 38	R43914	1B8	19	20 - 5	R44300	3D2	4	70 - 47
R43735	3C11	3	70 - 31	R43915	3H22	14	90 - 34	R44302	1D12	..	30 - 10
R43737	3C11	7	70 - 31	R43916	3H22	14	90 - 34	R44302	1D21	2	30 - 20
R43738	2C7	20	50 - 26	R43917	3H22	16	90 - 34	R44302	1D22	12	30 - 21
R43738	2C11	7	50 - 30	R43921	3C19	10	70 - 40	R44302	1E13	7	40 - 1
R43738	2C12	7	50 - 31	R43922	3C19	19	70 - 40	R44302	1E14	4	40 - 2
R43740	1F2	5	40 - 15	R43926	3D2	39	70 - 47	R44302	1E22	..	40 - 10
R43743	3F15	13	80 - 4	R43927	3E8	17	70 - 75	R44302	1E23	..	40 - 11
R43744	3F15	13	80 - 4	R43928	1D14	10	30 - 13	R44302	1F6	..	40 - 19
R43746	2C24	5	50 - 43	R43931	2B15	21	50 - 9	R44302	1F16	2	40 - 29
R43749	1D4	6	30 - 2	R43931	2C15	22	50 - 34	R44302	1F17	6	40 - 29A
R43750	2F15	8	60 - 14	R43931	3D5	5	70 - 50	R44302	1G4	7	40 - 41
R43751	1C21	16	20 - 33	R43932	2B15	21	50 - 9	R44302	1G16	24	40 - 55
R43751	1D14	22	30 - 13	R43932	2C15	22	50 - 34	R44302	1G19	1	40 - 58
R43752	2C7	2	50 - 26	R43932	3D5	5	70 - 50	R44302	1H17	12	40 - 82
R43752	2C11	10	50 - 30	R43944	2B7	25	50 - 2	R44302	1H18	6	40 - 83
R43752	2C12	10	50 - 31	R43946	2C24	11	50 - 43	R44302	1H21	20	40 - 87
R43755	3C7	3	70 - 27	R43947	2C24	15	50 - 43	R44302	1H25	1	40 - 91
R43761	2F11	26	60 - 10	R43956	2E25	11	50 - 91	R44302	3G22	..	90 - 9
R43763	2B7	2	50 - 2	R43962	2F6	10	60 - 5	R44302	3H1	..	90 - 14
R43764	3D5	14	70 - 50	R43962	2F7	10	60 - 6	R44310	3E3	17	70 - 69
R43766	2C24	4	50 - 43	R43986	1D15	23	30 - 14	R44313	3C24	40	70 - 45
R43769	3C19	15	70 - 40	R44006	3C6	9	70 - 26	R44314	3C24	41	70 - 45
R43774	1C10	8	20 - 22	R44006	3C6	11	70 - 26	R44315	3G11	2	80 - 27
R43774	1C21	19	20 - 33	R44006	3C6	15	70 - 26	R44315	3I1	5	90 - 38
R43780	1C21	26	20 - 33	R44008	1F7	22	40 - 20	R44342	1G22	8	40 - 61
R43780	1D14	17	30 - 13	R44013	2E14	9	50 - 79	R44350	3F22	11	80 - 11
R43781	1C21	27	20 - 33	R44016	1F5	22	40 - 18	R44373	1C21	6	20 - 33
R43782	3F21	7	80 - 10	R44017	1F5	24	40 - 18	R44373	1D18	17	30 - 17
R43783	3C2	3	70 - 22	R44025	1F5	6	40 - 18	R44374	1C21	4	20 - 33
R43787	1B8	20	20 - 5	R44030	2D9	22	50 - 51	R44374	1D18	16	30 - 17
R43788	1B8	20	20 - 5	R44094	1F5	4	40 - 18	R44378	1C2	9	20 - 14A
R43789	1B8	20	20 - 5	R44094	1F6	15	40 - 19	R44378	1C3	9	20 - 15
R43801	1D15	9	30 - 14	R44096	1F5	2	40 - 18	R44378	1C6	11	20 - 18
R43801	1D16	5	30 - 15	R44096	1F6	2	40 - 19	R44406	2E23	2	50 - 89
R43803	1D15	21	30 - 14	R44097	1F5	3	40 - 18	R44407	2E23	12	50 - 89
R43803	1D16	8	30 - 15	R44097	1F6	3	40 - 19	R44408	2E23	11	50 - 89
R43804	1D15	20	30 - 14	R44104	2B8	28	50 - 3	R44409	2E23	6	50 - 89
R43804	1D16	11	30 - 15	R44110	2C20	14	50 - 39	R44411	2E23	10	50 - 89
R43805	1D15	12	30 - 14	R44164	2C2	20	50 - 21	R44412	2E23	8	50 - 89
R43805	1D16	9	30 - 15	R44165	1H11	28	40 - 76	R44414	2E23	5	50 - 89
R43806	1D15	8	30 - 14	R44198	1G21	23	40 - 60	R44415	2E23	1	50 - 89
R43806	1D16	4	30 - 15	R44204	2B10	8	50 - 5	R44416	2E23	7	50 - 89
R43808	1D15	10	30 - 14	R44221	3H25	24	90 - 37	R44417	2E23	3	50 - 89
R43808	1D16	6	30 - 15	R44252	2F24	10	60 - 23	R44418	1D5	1	30 - 3
R43815	1D15	15	30 - 14	R44253	3C12	14	70 - 33	R44438	3H20	8	90 - 32
R43816	1D15	11	30 - 14	R44254	2F6	23	60 - 5	R44444	3H15	27	90 - 27
R43816	1D16	7	30 - 15	R44254	2F17	12	60 - 16	R44444	3H18	10	90 - 30

1L12

TRACTOR - 4620

NUMERICAL INDEX - CONTINUED

PART NO.	GRID	KEY	PAGE	PART NO.	GRID	KEY	PAGE	PART NO.	GRID	KEY	PAGE
R44447	3G18	20	90 - 5	R45186	2E6	6	50 - 71	R45638	2E10	4	50 - 75
R44447	3H22	2	90 - 34	R45186	2E10	2	50 - 75	R45638	2E19	5	50 - 85
R44447	3H22	5	90 - 34	R45187	2E6	7	50 - 71	R45651	2D10	11	50 - 52
R44582	3H8	9	90 - 21	R45187	2E10	3	50 - 75	R45669	3E1	5	70 - 67
R44582	3H10	7	90 - 21B	R45189	3D25	17	70 - 66	R45670	3E1	7	70 - 67
R44605	1E22	6	40 - 10	R45192	1B6	7	20 - 3	R45692	1B6	14	20 - 3
R44619	3H8	8	90 - 21	R45193	1B6	8	20 - 3	R45692	1D4	8	30 - 2
R44619	3H10	6	90 - 21B	R45194	1B6	8	20 - 3	R45692	1D4	10	30 - 2
R44621	3H8	8	90 - 21	R45195	1B6	6	20 - 3	R45692	1D4	15	30 - 2
R44621	3H10	6	90 - 21B	R45204	2C7	6	50 - 26	R45693	1B6	17	20 - 3
R44695	3E8	12	70 - 75	R45205	2C7	5	50 - 26	R45792	2F4	1	60 - 3
R44710	3G11	9	80 - 27	R45211	1E13	7	40 - 1	R45811	2F6	10	60 - 5
R44720	3H22	2	90 - 34	R45211	1G21	24	40 - 60	R45811	2F7	10	60 - 6
R44720	3H22	4	90 - 34	R45212	2C21	15	50 - 40	R45822	3B4	4	70 - 1
R44743	3B9	33	70 - 7	R45213	2C21	14	50 - 40	R45832	2D10	8	50 - 52
R44744	3B9	30A	70 - 7	R45215	3D25	19	70 - 66	R45844	2D13	6	50 - 55
R44745	3B9	1	70 - 7	R45225	2B19	12	50 - 13	R45847	3H1	15	90 - 14
R44778	2E17	11	50 - 83	R45227	3B7	14	70 - 5	R45847	3H1	16	90 - 14
R44778	3C14	17	70 - 35	R45227	3B7	15	70 - 5	R45847	3H1	28	90 - 14
R44801	3B9	18	70 - 7	R45227	3B7	16	70 - 5	R45874	3B7	28	70 - 5
R44801	3B9	19	70 - 7	R45228	3B7	14	70 - 5	R45893	3G2	13	80 - 17
R44801	3B9	20	70 - 7	R45228	3B7	15	70 - 5	R45895	3G2	6	80 - 17
R44802	3B11	31	70 - 9	R45228	3B7	16	70 - 5	R45896	3G2	7	80 - 17
R44820	3C20	11	70 - 41	R45250	2E10	10	50 - 75	R459R	2C17	2	50 - 36
R44823	3B7	10	70 - 5	R45251	2E10	11	50 - 75	R459R	2C18	5	50 - 37
R44823	3B9	14	70 - 7	R45269	2C18	3	50 - 37	R459R	2C19	2	50 - 38
R44824	3B9	5	70 - 7	R45271	2C21	23	50 - 40	R459R	2F6	4	60 - 5
R44840	3D25	10	70 - 66	R45297	2F4	16	60 - 3	R459R	2F10	14	60 - 9
R44845	2F5	4	60 - 4	R45298	2F5	16	60 - 4	R459R	2F17	2	60 - 16
R44847	3D23	5	70 - 64	R45356	2E12	3	50 - 77	R459R	2F18	4	60 - 17
R44848	3D23	4	70 - 64	R45357	2E12	1	50 - 77	R459R	3E25	14	70 - 93
R44853	1B10	1	20 - 7	R45358	2E12	4	50 - 77	R459R	3F1	6	70 - 94
R44853	1C21	15	20 - 33	R45359	2E12	5	50 - 77	R459R	3F2	3	70 - 95
R44890	3F22	9	80 - 11	R45377	1F7	16	40 - 20	R45924	3C22	19	70 - 43
R44918	3D6	18	70 - 51	R45377	1F8	16	40 - 21	R45924	3D4	8	70 - 49
R44925	1C6	11	20 - 18	R45395	3H21	8	90 - 33	R45925	3C17	13	70 - 38
R44926	1B24	2	20 - 12B	R45395	3I2	..	90 - 39	R45925	3C22	18	70 - 43
R44926	1B25	9	20 - 13	R45396	3H21	8	90 - 33	R45925	3D4	7	70 - 49
R44926	1C6	11	20 - 18	R45396	3I2	..	90 - 39	R45926	2F16	15	60 - 15
R44927	1C6	11	20 - 18	R45397	3H21	7	90 - 33	R45929	2F16	11	60 - 15
R44928	1C6	11	20 - 18	R45397	3I2	..	90 - 39	R45936	1G14	18	40 - 53
R44951	3G11	3	80 - 27	R45405	3I3	10	90 - 40	R45937	1G14	20	40 - 53
R44951	3I3	10	90 - 40	R45422	3B9	34	70 - 7	R45957	3G11	1	80 - 27
R44952	3G11	3	80 - 27	R45422	3B17	26	70 - 15	R45968	1B12	30	20 - 9
R44952	3I3	10	90 - 40	R45422	3B19	26	70 - 17	R45968	1C21	14	20 - 33
R44961	2D24	14	50 - 65	R45423	3B9	28	70 - 7	R45975	3C22	14	70 - 43
R44961	2F19	1	60 - 18	R45424	3B9	29A	70 - 7	R45975	3C22	17	70 - 43
R44961	2F20	1	60 - 19	R45425	3B9	31	70 - 7	R45975	3C22	18	70 - 43
R44979	2E17	14	50 - 83	R45425	3B17	22A	70 - 15	R45975	3C22	19	70 - 43
R44979	2E21	9	50 - 87	R45425	3B19	22A	70 - 17	R45975	3D4	4	70 - 49
R45015	3H22	3	90 - 34	R45438	3B7	1	70 - 5	R45975	3D4	6	70 - 49
R45015	3H22	8	90 - 34	R45438	3B17	1	70 - 15	R45975	3D4	7	70 - 49
R45015	3H22	10	90 - 34	R45439	3I4	10	90 - 41	R45975	3D4	8	70 - 49
R45016	3E3	10	70 - 69	R45440	3G20	..	90 - 7	R45975	3D4	9	70 - 49
R45106	3E1	22	70 - 67	R45447	3D24	3	70 - 65	R45975	3D4	10	70 - 49
R45133	1C8	1	20 - 20	R45540	3I4	1	90 - 41	R45981	3G15	12	90 - 2
R45133	1C9	1	20 - 21	R45569	2E22	10	50 - 88	R46004	2D17	15	50 - 59
R45136	1H6	17	40 - 71	R45582	2B10	21	50 - 5	R46038	3H23	6	90 - 35
R45136	1H8	16	40 - 73	R45582	2B12	3	50 - 6	R46042	2D5	3	50 - 49
R45176	2E4	5	50 - 69	R45618	3E10	32	70 - 77	R46042	2D5	8	50 - 49
R45177	2E4	16	50 - 69	R45620	3E23	17	70 - 91	R46066	2F11	19	60 - 10
R45178	2E4	21	50 - 69	R45620	3E25	8	70 - 93	R46067	2F11	18	60 - 10
R45179	2E4	1	50 - 69	R45620	3F1	11	70 - 94	R46092	1G22	3	40 - 61
R45181	2E4	17	50 - 69	R45630	3E10	5	70 - 77	R46098	3G15	7	90 - 2
R45182	2E4	15	50 - 69	R45630	3E17	31	70 - 85	R46099	3G15	3	90 - 2
R45183	2E4	4	50 - 69	R45630	3F3	5	70 - 96	R46205	2B21	7	50 - 15
R45184	2E4	14	50 - 69	R45638	2E6	8	50 - 71	R46206	1B8	19	20 - 5

1L13

TRACTOR - 4620

NUMERICAL INDEX - CONTINUED

PART NO.	GRID	KEY	PAGE	PART NO.	GRID	KEY	PAGE	PART NO.	GRID	KEY	PAGE
R46207	1B8	19	20 - 5	R46679	1D17	18	30 - 16	R46895	3D12	5	70 - 57
R46208	1B8	19	20 - 5	R46680	2B15	8	50 - 9	R46898	2E9	4	50 - 74
R46209	1B6	13	20 - 3	R46680	2B15	21	50 - 9	R46899	2E9	1	50 - 74
R46313	2B11	6	50 - 5B	R46680	2B18	2	50 - 12	R46901	2D19	4	50 - 60
R46337	1C8	3	20 - 20	R46680	2B18	3	50 - 12	R46902	2D18	9	50 - 59B
R46337	1C8	8	20 - 20	R46680	2D13	13	50 - 55	R46903	1B9	1	20 - 6
R46337	1C9	2	20 - 21	R46680	3D5	3	70 - 50	R46903	1B12	21	20 - 9
R46337	1C9	4	20 - 21	R46680	3D5	4	70 - 50	R46904	3H21	10	90 - 33
R46338	1C8	10	20 - 20	R46680	3D5	5	70 - 50	R46904	3H21	15	90 - 33
R46338	1C9	6	20 - 21	R46681	1D17	14	30 - 16	R46917	3C14	29	70 - 35
R46345	3B4	3	70 - 1	R46682	1D17	11	30 - 16	R46918	3C14	29	70 - 35
R46414	1D12	2	30 - 10	R46683	1D17	12	30 - 16	R46919	3C14	27	70 - 35
R46414	1F17	8	40 - 29A	R46684	1D17	13	30 - 16	R46952	1D5	4	30 - 3
R46414	1G4	12	40 - 41	R46685	1D17	8	30 - 16	R46952	1D14	2	30 - 13
R46414	3H1	2	90 - 14	R46686	1D17	6	30 - 16	R46960	2C15	11	50 - 34
R46416	2C17	10	50 - 36	R46687	1D17	7	30 - 16	R46960	2D13	13	50 - 55
R46416	2C18	13	50 - 37	R46688	1D17	10	30 - 16	R46960	3D5	3	70 - 50
R46416	2C19	10	50 - 38	R46689	1D17	9	30 - 16	R46960	3D5	4	70 - 50
R46416	2C20	3	50 - 39	R46690	1D17	16	30 - 16	R46960	3D5	5	70 - 50
R46417	2C17	7	50 - 36	R46691	1D17	4	30 - 16	R46962	3C14	11	70 - 35
R46417	2C18	10	50 - 37	R46692	1D17	17	30 - 16	R46963	2E24	11	50 - 90
R46417	2C19	6	50 - 38	R46693	1D17	2	30 - 16	R46971	1D5	12	30 - 3
R46417	2C20	7	50 - 39	R46699	2B8	9	50 - 3	R46984	1C7	5	20 - 19
R46418	2C9	11	50 - 28	R46700	2B8	4	50 - 3	R46984	1C21	29	20 - 33
R46418	2C9	12	50 - 28	R46701	2E10	5	50 - 75	R46986	3C12	7	70 - 33
R46418	2C10	9	50 - 29	R46702	2E6	10	50 - 71	R46987	2F24	7	60 - 23
R46418	2C10	11	50 - 29	R46702	2E10	9	50 - 75	R46987	2G2	3	60 - 25
R46418	2C17	24	50 - 36	R46708	2E14	2	50 - 79	R46987	2G2	7	60 - 25
R46419	2C10	10	50 - 29	R46709	2E14	7	50 - 79	R46988	3C12	4	70 - 33
R46424	1C10	17	20 - 22	R46722	3E3	1	70 - 69	R46999	1B9	9	20 - 6
R46426	2C14	30	50 - 33	R46722	3E5	1	70 - 71	R47011	1B9	11	20 - 6
R46429	3B4	9	70 - 1	R46722	3E6	1	70 - 73	R47012	1B9	10	20 - 6
R46431	2F24	36	60 - 23	R46731	1F8	3	40 - 21	R47013	1B9	11	20 - 6
R46443	3C19	2	70 - 40	R46732	2B10	17	50 - 5	R47013	1E1	15	30 - 25
R46449	2C7	17	50 - 26	R46742	2E24	17	50 - 90	R47016	3D25	3	70 - 66
R46449	2C8	1	50 - 27	R46743	2E24	17	50 - 90	R47018	3D25	7	70 - 66
R46450	2C7	13	50 - 26	R46744	2E24	7	50 - 90	R47020	1B12	23	20 - 9
R46451	2C7	14	50 - 26	R46780	3F21	5	80 - 10	R47020	1B16	1	20 - 9D
R46453	1C17	25	20 - 29	R46781	3G6	25	80 - 21	R47044	3D16	4	70 - 61
R46478	1C14	10	20 - 26	R46782	2E20	7	50 - 86	R47044	3D20	4	70 - 63
R46479	1C14	8	20 - 26	R46782	3F11	7	80 - 1	R47044	3D23	22	70 - 64
R46479	1C21	5	20 - 33	R46802	2B15	21	50 - 9	R47047	1C7	13	20 - 19
R46480	1C14	14	20 - 26	R46802	2C15	22	50 - 34	R47047	1C21	28	20 - 33
R46505	1H8	5	40 - 73	R46802	3D5	5	70 - 50	R47065	1D4	1	30 - 2
R46521	1C17	30	20 - 29	R46806	2D24	28	50 - 65	R47065	1D5	9	30 - 3
R46522	1C17	28	20 - 29	R46808	2C3	13	50 - 22	R47067	3D6	4	70 - 51
R46528	3E8	1	70 - 75	R46809	2C1	8	50 - 20	R47073	2D5	3	50 - 49
R46529	3E8	2	70 - 75	R46815	2C13	14	50 - 32	R47074	1C7	1	20 - 19
R46532	1C11	11	20 - 23	R46815	2C14	14	50 - 33	R47077	1E3	3	30 - 27
R46538	3G2	6	80 - 17	R46816	2C13	12	50 - 32	R47085	2F24	7	60 - 23
R46561	1C12	22	20 - 24	R46816	2C14	12	50 - 33	R47085	2F24	10	60 - 23
R46561	1C12	..	20 - 24	R46817	2D5	1	50 - 49	R47085	2G2	10	60 - 25
R46562	1C12	12	20 - 24	R46818	2D5	3	50 - 49	R47085	3C12	10	70 - 33
R46567	1C8	11	20 - 20	R46821	2D19	5	50 - 60	R47086	2F24	7	60 - 23
R46567	1C9	7	20 - 21	R46827	3C12	30	70 - 33	R47086	2F24	11	60 - 23
R46575	1D18	6	30 - 17	R46848	2E24	5	50 - 90	R47086	2G2	11	60 - 25
R46576	1D18	7	30 - 17	R46855	2D19	18	50 - 60	R47086	3C12	11	70 - 33
R46632	3H23	15	90 - 35	R46856	2D19	15	50 - 60	R47087	2F24	7	60 - 23
R46636	2D15	7	50 - 57	R46856	2D20	15	50 - 61	R47087	2F24	9	60 - 23
R46662	3H23	..	90 - 35	R46860	2B8	17	50 - 3	R47087	2G2	9	60 - 25
R46663	3H23	..	90 - 35	R46862	2D19	3	50 - 60	R47087	3C12	9	70 - 33
R46673	2F19	9	60 - 18	R46863	2D19	1	50 - 60	R47091	1C11	6	20 - 23
R46673	2F20	6	60 - 19	R46865	2D18	8	50 - 59B	R47092	1B12	1	20 - 9
R46674	2F19	8	60 - 18	R46866	2D18	14	50 - 59B	R47095	3D25	14	70 - 66
R46674	2F20	5	60 - 19	R46868	2D18	7	50 - 59B	R47102	1C11	10	20 - 23
R46677	1D17	5	30 - 16	R46873	2D18	2	50 - 59B	R47102	1C14	4	20 - 26
R46678	1D17	1	30 - 16	R46877	2D19	20	50 - 60	R47102	1C21	25	20 - 33

1L14

TRACTOR - 4620

NUMERICAL INDEX - CONTINUED

PART NO.	GRID	KEY	PAGE	PART NO.	GRID	KEY	PAGE	PART NO.	GRID	KEY	PAGE
R47102	1D10	8	30-8	R47321	2D5	20	50-49	R47721	3H8	11	90-21
R47102	1D11	8	30-9	R47358	1D24	6	30-23	R47721	3H10	1	90-21B
R47104	1C7	10	20-19	R47393	2D3	9	50-47	R47722	3H8	10	90-21
R47105	1C7	6	20-19	R47394	1C21	34	20-33	R47722	3H10	5	90-21B
R47106	2B8	1	50-3	R47394	1D10	7	30-8	R47739	3G4	..	80-19
R47107	2B8	2	50-3	R47394	1D11	7	30-9	R47739	3G11	18	80-27
R47108	2B7	23	50-2	R47395	1D10	4	30-8	R47740	2C1	10	50-20
R47109	2B7	24	50-2	R47395	1D11	4	30-9	R47750	2B6	6	50-1
R47110	1B12	23	20-9	R47409	2D10	9	50-52	R47810	2C1	10	50-20
R47111	2B6	24	50-1	R47409	2D10	13	50-52	R47816	2D5	4	50-49
R47113	1D20	10	30-19	R47410	2D10	22	50-52	R47820	2B6	6	50-1
R47114	1C12	23	20-24	R47419	1B22	11	20-12	R47831	1E14	6	40-2
R47116	1D5	12	30-3	R47419	1B23	4	20-12A	R47831	1E15	6	40-3
R47117	2B19	7	50-13	R47428	1D10	16	30-8	R47831	1G17	4	40-56
R47118	2B19	5	50-13	R47428	1D11	16	30-9	R47833	1F6	9	40-19
R47119	2B19	4	50-13	R47429	1C14	3	20-26	R47859	1H17	1	40-82
R47121	2B20	3	50-14	R47430	1C11	9	20-23	R47860	1H13	9	40-78
R47124	2C9	18	50-28	R47430	1C14	2	20-26	R47861	1H13	9	40-78
R47124	2C10	2	50-29	R47430	1D10	15	30-8	R47886	1G18	5	40-57
R47125	2C10	8	50-29	R47430	1D11	15	30-9	R47899	3H21	13	90-33
R47126	1C12	12	20-24	R47433	1D24	1	30-23	R47912	3C12	22	70-33
R47127	1B22	16	20-12	R47443	2C1	3	50-20	R47913	3C12	26	70-33
R47133	3C7	11	70-27	R47444	2D3	5	50-47	R47914	1C11	21	20-23
R47141	2E13	4	50-78	R47445	2D5	19	50-49	R47941	3H21	3	90-33
R47142	2E13	1	50-78	R47448	2D5	26	50-49	R47941	3H25	1	90-37
R47153	1C13	8	20-25	R47449	2D5	17	50-49	R47941	3H25	17	90-37
R47153	1C14	13	20-26	R47450	2D5	18	50-49	R47983	3H25	9	90-37
R47153	1C21	23	20-33	R47460	1F10	7	40-23	R47998	2F4	1	60-3
R47160	1D20	16	30-19	R47461	1F10	22	40-23	R48013	2D3	10	50-47
R47160	1D22	15	30-21	R47468	3H1	21	90-14	R48013	2D11	19	50-53
R47169	2D24	11	50-65	R47470	3G18	19	90-5	R48013	2F24	18	60-23
R47193	1D7	11	30-5	R47474	1H6	18	40-71	R48026	1H13	..	40-78
R47194	1D7	25	30-5	R47474	1H8	17	40-73	R48027	1H13	..	40-78
R47194	1D9	1	30-7	R47509	2C13	26	50-32	R48028	1H13	28	40-78
R47195	1D7	3	30-5	R47544	3D5	12	70-50	R48032	1C11	23	20-23
R47195	1D9	7	30-7	R47578	3D12	21	70-57	R48048	1H13	17	40-78
R47197	3H6	2	90-19	R47581	3D12	25	70-57	R48049	1H13	27	40-78
R47203	2B22	13	50-16	R47585	3D12	8	70-57	R48071	1D24	10	30-23
R47222	3H12	3	90-23	R47585	3D12	29A	70-57	R48084	3C9	6	70-29
R47224	3G16	3	90-3	R47586	3D12	8	70-57	R48101	2B11	9	50-5B
R47226	3G16	6	90-3	R47586	3D12	29A	70-57	R48102	2B11	15	50-5B
R47227	3G16	16	90-3	R47590	3D12	32	70-57	R48150	3H23	2	90-35
R47228	3G16	7	90-3	R47605	2F24	24	60-23	R48151	3H23	5	90-35
R47229	3G16	18	90-3	R47605	2G2	21	60-25	R48163	3D12	14	70-57
R47230	3G16	9	90-3	R47606	2F24	23	60-23	R48164	3D12	13	70-57
R47231	3G16	10	90-3	R47606	2G2	20	60-25	R48251	2D15	15	50-57
R47232	3G16	11	90-3	R47607	2F24	26	60-23	R48251	2D17	19	50-59
R47233	3G15	16	90-2	R47607	2G2	23	60-25	R48252	2D17	17	50-59
R47234	3G15	15	90-2	R47641	2D13	14	50-55	R48253	2D15	16	50-57
R47235	3G15	21	90-2	R47642	2D13	14	50-55	R48253	2D17	18	50-59
R47292	3H8	4	90-21	R47646	1E7	19	30-31	R48279	3H23	8	90-35
R47300	3C24	23	70-45	R47666	2B6	24	50-1	R48280	3H23	20	90-35
R47301	3C24	23	70-45	R47678	3D12	31	70-57	R48291	1B6	15	20-3
R47301	3C24	29	70-45	R47679	3D12	30	70-57	R48291	1C21	1	20-33
R47301	3D2	31	70-47	R47680	3H13	..	90-25	R48293	1G14	1	40-53
R47307	3E17	3	70-85	R47684	2C7	7	50-26	R48293	1G14	29	40-53
R47309	3E8	2	70-75	R47684	2C11	13	50-30	R48307	3H23	4	90-35
R47309	3E17	..	70-85	R47684	2C12	13	50-31	R48309	3H23	10	90-35
R47309	3E18	20	70-86	R47685	2C7	1	50-26	R48319	3H23	9	90-35
R47311	1D10	10	30-8	R47687	2F13	8	60-12	R48320	3H23	19	90-35
R47312	1D10	3	30-8	R47687	2F13	18	60-12	R48321	3H23	16	90-35
R47312	1D11	3	30-9	R47692	1C19	1	20-31	R48322	3H23	12	90-35
R47314	1D10	5	30-8	R47693	1C19	3	20-31	R48323	3H23	18	90-35
R47314	1D11	5	30-9	R47694	2F5	12	60-4	R48324	3H23	11	90-35
R47316	2C15	6	50-34	R47694	2F10	31	60-9	R48325	3H23	13	90-35
R47319	2D5	16	50-49	R47713	3H8	1	90-21	R48326	3H23	17	90-35
R47320	1B6	12	20-3	R47715	3H8	1	90-21	R48358	1E1	25	30-25

1L15

TRACTOR - 4620

NUMERICAL INDEX - CONTINUED

PART NO.	GRID	KEY	PAGE	PART NO.	GRID	KEY	PAGE	PART NO.	GRID	KEY	PAGE
R48359	1E1	25	30-25	R48706	1E2	8	30-26	R48902	3G22	19	90-9
R48360	1E1	25	30-25	R48708	1D15	3	30-14	R48903	3G25	13	90-13
R48361	3G11	1	80-27	R48709	1D15	5	30-14	R48904	3H15	21	90-27
R48362	1D10	13	30-8	R48710	1D15	6	30-14	R48908	3G25	10	90-13
R48362	1D11	13	30-9	R48711	1D15	1	30-14	R48911	3G25	10	90-13
R48370	2D9	3	50-51	R48712	1D15	17	30-14	R48912	3H19	13	90-31
R48378	3H21	5	90-33	R48728	1F10	8	40-23	R48913	3G22	21	90-9
R48378	3I2	12	90-39	R48737	3H21	9	90-33	R48952	2F24	33	60-23
R48384	3H1	9	90-14	R48738	3B7	19	70-5	R48952	2F24	34	60-23
R48385	3H1	4	90-14	R48738	3B9	23	70-7	R48952	2F24	35	60-23
R48395	1B22	16	20-12	R48738	3B17	17	70-15	R48956	3F17	3	80-6
R48396	1B22	14	20-12	R48738	3B19	17	70-17	R48957	2F24	4	60-23
R48399	1C21	22	20-33	R48755	1B12	13	20-9	R48957	2F24	7	60-23
R48399	1C21	36	20-33	R48755	1D23	25	30-22	R48957	2G2	4	60-25
R48399	1D25	5	30-24	R48755	1D25	6	30-24	R48957	3C12	4	70-33
R48401	2C18	4	50-37	R48765	2D5	26	50-49	R48976	1F19	9	40-31
R48418	3C19	16	70-40	R48769	2D3	8	50-47	R48976	1F24	9	40-37
R48426	1F8	8	40-21	R48774	1C11	7	20-23	R48978	3E3	8B	70-69
R48426	1F10	33	40-23	R48777	1F7	21	40-20	R48979	3E3	2B	70-69
R48427	1C17	25	20-29	R48778	1F8	21	40-21	R48980	3E3	6B	70-69
R48450	3H4	26	90-17	R48789	2C21	14	50-40	R48980	3E6	6	70-73
R48451	2B19	24	50-13	R48791	1C11	15	20-23	R48981	3E3	7	70-69
R48451	2B23	11	50-17	R48794	1C11	4	20-23	R49015	1C8	3	20-20
R48465	2C23	10	50-42	R48811	2E22	20	50-88	R49015	1C8	8	20-20
R48471	2E25	32	50-91	R48815	3D16	30	70-61	R49015	1C9	2	20-21
R48472	2E25	32	50-91	R48816	3D16	30	70-61	R49015	1C9	4	20-21
R48510	1E1	21	30-25	R48824	1C17	10	20-29	R49018	2F5	15	60-4
R48510	1E5	41	30-29	R48825	1E24	..	40-12	R49018	2F13	7	60-12
R48511	1E1	20	30-25	R48825	1F4	..	40-17	R49025	1G21	9	40-60
R48511	1E5	40	30-29	R48864	2F19	5	60-18	R49042	3H23	3	90-35
R48512	1E1	19	30-25	R48865	3H20	7	90-32	R49043	3H23	1	90-35
R48512	1E5	39	30-29	R48867	3H20	2	90-32	R49043	3H23	6	90-35
R48567	1D5	6	30-3	R48868	3H20	6	90-32	R49044	2B7	25	50-2
R48568	1D5	11	30-3	R48869	3H20	9	90-32	R49056	1H6	23	40-71
R48594	2C1	2	50-20	R48870	3H20	4	90-32	R49056	1H8	22	40-73
R48633	1C21	10	20-33	R48871	3H20	12	90-32	R49071	3B11	25	70-9
R48633	1E1	4	30-25	R48872	3H15	28	90-27	R49071	3B11	27	70-9
R48633	1E2	12	30-26	R48872	3H18	11	90-30	R49071	3B11	28	70-9
R48647	2D3	6	50-47	R48874	3G25	9	90-13	R49071	3B11	29	70-9
R48648	2C7	6	50-26	R48875	1H11	23	40-76	R49071	3B11	30	70-9
R48663	1E14	2	40-2	R48876	3H19	10	90-31	R49071	3B11	31	70-9
R48663	1E15	2	40-3	R48877	3H15	3	90-27	R49071	3B15	9	70-13
R48663	1E17	5	40-5	R48878	3G23	9	90-11	R49072	3B11	26	70-9
R48663	1G14	26	40-53	R48879	3G23	8	90-11	R49072	3B15	14	70-13
R48664	1G11	19	40-50	R48880	3G23	5	90-11	R49187	3E6	12	70-73
R48664	1G12	15	40-51	R48881	1E8	..	30-32	R49190	3I1	5	90-38
R48665	1G11	19	40-50	R48881	3G23	13	90-11	R49191	3E10	32	70-77
R48665	1G12	15	40-51	R48882	3G25	14	90-13	R49193	3E10	35	70-77
R48685	2C15	5	50-34	R48883	1E17	27	40-5	R49193	3E25	26	70-93
R48689	1E2	3	30-26	R48884	3G20	14	90-7	R49193	3F2	16	70-95
R48691	1E2	4	30-26	R48884	3G22	13	90-9	R49197	3C6	11	70-26
R48692	1E2	5	30-26	R48884	3G23	6	90-11	R49197	3C6	15	70-26
R48693	1C21	11	20-33	R48885	3G22	12	90-9	R49198	2C14	26	50-33
R48693	1E2	7	30-26	R48887	1E17	15	40-5	R49198	3C6	11	70-26
R48694	1E2	6	30-26	R48887	1I4	17	40-95	R49198	3C6	15	70-26
R48695	1E2	2	30-26	R48888	1E17	15	40-5	R49199	3C6	9	70-26
R48696	1E2	1	30-26	R48889	3H15	9	90-27	R49199	3C6	11	70-26
R48697	1E2	11	30-26	R48890	3H15	21	90-27	R49199	3C6	15	70-26
R48698	1E2	8	30-26	R48891	3H15	21	90-27	R49200	3C6	9	70-26
R48698	3E13	3	70-81	R48892	3H15	20	90-27	R49200	3C6	11	70-26
R48699	1E2	8	30-26	R48893	1C7	7	20-19	R49200	3C6	15	70-26
R48700	1E2	8	30-26	R48894	3H15	21	90-27	R49221	3E4	10	70-70
R48701	1E2	8	30-26	R48895	3H15	20	90-27	R49240	1D5	..	30-3
R48702	1E2	8	30-26	R48896	3G25	10	90-13	R49243	3H22	12	90-34
R48703	1E2	8	30-26	R48899	3G18	26	90-5	R49270	1D10	16	30-8
R48704	1E2	8	30-26	R48900	3G18	24	90-5	R49270	1D11	16	30-9
R48705	1E2	8	30-26	R48901	3G18	25	90-5	R49275	1B9	7	20-6

1L16

TRACTOR - 4620

NUMERICAL INDEX - CONTINUED

PART NO.	GRID	KEY	PAGE	PART NO.	GRID	KEY	PAGE	PART NO.	GRID	KEY	PAGE
R49293	3G22	22	90 - 9	R49819	2D9	18	50 - 51	R50785	1D16	8	30 - 15
R49296	1G11	19	40 - 50	R49819	2D9	19	50 - 51	R50879	2F16	29	60 - 15
R49296	1G12	15	40 - 51	R49840	2B15	8	50 - 9	R50891	1G5	2	40 - 42
R49297	3B7	17	70 - 5	R49840	2B15	20	50 - 9	R50891	1G5	4	40 - 42
R49297	3B9	21	70 - 7	R49840	2B15	21	50 - 9	R50891	1G7	13	40 - 44
R49297	3B17	15	70 - 15	R49840	2B15	..	50 - 9	R50892	1G5	3	40 - 42
R49297	3B19	15	70 - 17	R49840	2B18	2	50 - 12	R50893	1G5	13	40 - 42
R49298	3B7	20	70 - 5	R49840	2B18	3	50 - 12	R50894	1G8	12	40 - 46
R49298	3B9	24	70 - 7	R49840	2B18	..	50 - 12	R50894	1G9	11	40 - 47
R49298	3B17	18	70 - 15	R49840	2D13	13	50 - 55	R50897	1G5	10	40 - 42
R49298	3B19	18	70 - 17	R49840	3C19	16	70 - 40	R50899	1G6	11	40 - 43
R49332	3C17	8	70 - 38	R49840	3D5	7	70 - 50	R50899	1G8	17	40 - 46
R49332	3D2	24	70 - 47	R49840	3D5	8	70 - 50	R50899	1G9	17	40 - 47
R49333	3C17	3	70 - 38	R49840	3D5	9	70 - 50	R50900	1G5	1	40 - 42
R49333	3D2	18	70 - 47	R49840	3D5	..	70 - 50	R50901	1G5	21	40 - 42
R49336	3C17	10	70 - 38	R49856	3G15	..	90 - 2	R50902	1G5	5	40 - 42
R49336	3C19	11	70 - 40	R49857	3H20	1	90 - 32	R50903	1G5	6	40 - 42
R49345	2F24	34	60 - 23	R49857	3H20	3	90 - 32	R50904	1G5	9	40 - 42
R49345	2F24	35	60 - 23	R49857	3H20	5	90 - 32	R50905	1G5	24	40 - 42
R49352	3E23	6	70 - 91	R49857	3H20	8	90 - 32	R50906	1G5	19	40 - 42
R49353	1C18	2	20 - 30	R49857	3H20	10	90 - 32	R50907	1G6	5	40 - 43
R49355	1C18	4	20 - 30	R49857	3H20	11	90 - 32	R50909	1G6	12	40 - 43
R49403	1D5	..	30 - 3	R49858	3G22	13	90 - 9	R50910	1G8	18	40 - 46
R49404	3B4	9	70 - 1	R49860	3F15	9	80 - 4	R50910	1G9	16	40 - 47
R49411	3C24	14	70 - 45	R49860	3F15	14	80 - 4	R50912	1G7	8	40 - 44
R49411	3C24	38	70 - 45	R49860	3F15	15	80 - 4	R50913	1G6	2	40 - 43
R495R	1B7	1	20 - 4	R49860	3F15	16	80 - 4	R50914	1G6	7	40 - 43
R495R	1C21	24	20 - 33	R49866	1B7	5	20 - 4	R50915	1G6	8	40 - 43
R495R	2F5	13	60 - 4	R49866	1C21	2	20 - 33	R50916	1G6	3	40 - 43
R495R	2F10	32	60 - 9	R49878	3D20	26	70 - 63	R50917	1G6	10	40 - 43
R495R	3D25	13	70 - 66	R49878	3D22	11	70 - 63B	R50918	1G6	14	40 - 43
R495R	3E17	23	70 - 85	R49879	3D20	17	70 - 63	R50919	1G6	15	40 - 43
R495R	3F3	13	70 - 96	R49879	3D22	12	70 - 63B	R50920	1G6	9	40 - 43
R49526	1D7	3	30 - 5	R49921	1E22	6	40 - 10	R50921	1G6	18	40 - 43
R49526	1D9	7	30 - 7	R50034	2F16	30	60 - 15	R50922	1G6	16	40 - 43
R49527	2C3	3	50 - 22	R50065	3C22	3	70 - 43	R50923	1G7	1	40 - 44
R49531	1B22	5	20 - 12	R50065	3D4	2	70 - 49	R50924	1G7	2	40 - 44
R49549	1E2	8	30 - 26	R50066	3E4	15	70 - 70	R50925	1G7	3	40 - 44
R49551	1E2	8	30 - 26	R50067	3E4	15	70 - 70	R50927	1G7	14	40 - 44
R49552	1E2	8	30 - 26	R50119	3H22	14	90 - 34	R50928	1G7	17	40 - 44
R49553	1E2	8	30 - 26	R50171	2D5	8	50 - 49	R50929	1G7	15	40 - 44
R49554	1E2	8	30 - 26	R50226	1E6	14	30 - 30	R50930	1G7	12	40 - 44
R49555	1E2	8	30 - 26	R50240	2D24	12	50 - 65	R50931	1G6	20	40 - 43
R49556	1E2	8	30 - 26	R50402	1C11	9	20 - 23	R50931	1G7	9	40 - 44
R49557	1E2	8	30 - 26	R50402	1D10	15	30 - 8	R50973	2C1	1	50 - 20
R49558	1E2	8	30 - 26	R50402	1D11	15	30 - 9	R50984	3D16	14	70 - 61
R49581	2D19	20	50 - 60	R50420	1C13	5	20 - 25	R50984	3D16	..	70 - 61
R49587	2B19	24	50 - 13	R50420	1C13	8	20 - 25	R50984	3D20	32	70 - 63
R49588	2B19	24	50 - 13	R50420	1C14	13	20 - 26	R51025	3D2	11	70 - 47
R49588	2B23	11	50 - 17	R50420	1C21	23	20 - 33	R51114	1E6	2	30 - 30
R49639	2D13	20	50 - 55	R50502	1D17	20	30 - 16	R51154	3D5	6	70 - 50
R49667	3E18	16	70 - 86	R50561	2B18	5	50 - 12	R51154	3D10	5	70 - 55
R49668	3E18	14	70 - 86	R50564	2B19	18	50 - 13	R51155	3D5	6	70 - 50
R49708	3E3	26	70 - 69	R50566	2D5	2	50 - 49	R51155	3D10	5	70 - 55
R49758	3C6	10	70 - 26	R50567	2D5	1	50 - 49	R51156	3D5	6	70 - 50
R49784	1F5	18	40 - 18	R50568	2D5	3	50 - 49	R51156	3D10	5	70 - 55
R49785	1F5	14	40 - 18	R50575	2D1	6	50 - 45	R51196	2C25	8	50 - 44
R49816	2D9	10	50 - 51	R50659	1F11	12	40 - 24	R51197	2C25	8	50 - 44
R49816	2D9	13	50 - 51	R50659	1F12	19	40 - 25	R51198	2C25	8	50 - 44
R49816	2D9	19	50 - 51	R50659	1F14	31	40 - 27	R51199	2C25	8	50 - 44
R49817	2D9	7	50 - 51	R50661	1F11	11	40 - 24	R51200	2C25	11	50 - 44
R49817	2D9	14	50 - 51	R50661	1F12	18	40 - 25	R51203	1C21	27	20 - 33
R49817	2D9	18	50 - 51	R50662	1F11	11	40 - 24	R51203	1D14	15	30 - 13
R49819	2D9	7	50 - 51	R50662	1F12	18	40 - 25	R51285	3E10	30	70 - 77
R49819	2D9	10	50 - 51	R50784	1D15	21	30 - 14	R51302	3E8	20	70 - 75
R49819	2D9	13	50 - 51	R50784	1D16	8	30 - 15	R51302	3I6	11	90 - 43
R49819	2D9	14	50 - 51	R50785	1D15	21	30 - 14	R51342	3C22	7	70 - 43

1L17

TRACTOR - 4620

NUMERICAL INDEX - CONTINUED

PART NO.	GRID	KEY	PAGE	PART NO.	GRID	KEY	PAGE	PART NO.	GRID	KEY	PAGE
R51380	1D7	18	30 - 5	R51821	3G11	18	80 - 27	R52824	3D2	51	70 - 47
R51380	1D9	17	30 - 7	R51827	3B9	5	70 - 7	R52828	3D2	58	70 - 47
R51409	3E3	10	70 - 69	R51842	2B19	9	50 - 13	R52882	2B22	6	50 - 16
R51409	3E3	11	70 - 69	R51851	2G2	31	60 - 25	R52914	3F23	1	80 - 12
R51409	3E3	14	70 - 69	R51860	1B22	5	20 - 12	R52924	3F23	2	80 - 12
R51410	3E3	10	70 - 69	R51865	2B8	28	50 - 3	R52924	3F23	3	80 - 12
R51411	3E3	9	70 - 69	R51865	2B8	29	50 - 3	R52938	1F3	8	40 - 16
R51411	3E3	10	70 - 69	R51865	2B12	4	50 - 6	R52971	2D5	19	50 - 49
R51412	3E4	8A	70 - 70	R51870	1B22	5	20 - 12	R52978	3I4	..	90 - 41
R51412	3E4	8B	70 - 70	R51907	2B23	5	50 - 17	R53013	1B20	3	20 - 10
R51413	3E4	7	70 - 70	R51907	2B23	12	50 - 17	R53013	1B21	8	20 - 11
R51413	3E4	8A	70 - 70	R51907	2B23	13	50 - 17	R53033	3D2	4	70 - 47
R51414	3E4	6	70 - 70	R51908	3G11	6	80 - 27	R53108	1F15	7	40 - 28
R51414	3E4	8A	70 - 70	R51944	1B20	9	20 - 10	R53108	1F19	3	40 - 31
R51415	3E4	8A	70 - 70	R51993	2C21	3	50 - 40	R53169	2B23	18	50 - 17
R51415	3E4	17	70 - 70	R52006	3F16	12	80 - 5	R53169	2D11	23	50 - 53
R51479	1D7	14	30 - 5	R52049	1C8	10	20 - 20	R53198	2B15	21	50 - 9
R51494	2B15	19	50 - 9	R52049	1C9	6	20 - 21	R53198	3D5	8	70 - 50
R51494	2C15	19	50 - 34	R52057	2B10	20	50 - 5	R53205	3H23	19	90 - 35
R51494	2D20	21	50 - 61	R52057	2B12	2	50 - 6	R53206	3H23	9	90 - 35
R51526	1D7	4	30 - 5	R52154	2D15	10	50 - 57	R53207	3H23	17	90 - 35
R51526	1D9	8	30 - 7	R52154	2D17	22	50 - 59	R53237	2B10	19	50 - 5
R51528	1F12	15	40 - 25	R52155	2D15	14	50 - 57	R53237	2B12	1	50 - 6
R51528	1F14	25	40 - 27	R52155	2D15	15	50 - 57	R53247	2B22	13	50 - 16
R51529	1F12	2	40 - 25	R52155	2D17	19	50 - 59	R53282	1B20	4	20 - 10
R51530	1F12	7	40 - 25	R52156	2D17	17	50 - 59	R53282	1B21	1	20 - 11
R51530	1F14	10	40 - 27	R52157	2D15	14	50 - 57	R53282	1C21	33	20 - 33
R51531	1F12	6	40 - 25	R52157	2D17	16	50 - 59	R53290	1C6	1	20 - 18
R51532	1F12	10	40 - 25	R52161	1F14	30	40 - 27	R53292	1C6	2	20 - 18
R51533	1F12	20	40 - 25	R52168	2F16	7	60 - 15	R53293	3G11	3	80 - 27
R51533	1F14	26	40 - 27	R52169	2F16	9	60 - 15	R53293	3I3	10	90 - 40
R51534	1F12	14	40 - 25	R52184	2B15	21	50 - 9	R53294	3G11	3	80 - 27
R51534	1F14	24	40 - 27	R52184	3D5	7	70 - 50	R53294	3I3	10	90 - 40
R51535	1F12	27	40 - 25	R52188	2E25	21	50 - 91	R53296	3D6	18	70 - 51
R51535	1F14	1	40 - 27	R52195	3H6	10	90 - 19	R53296	3D6	21	70 - 51
R51559	2B8	19	50 - 3	R52250	1D4	8	30 - 2	R53303	2C25	5	50 - 44
R51573	2C13	12	50 - 32	R52250	1D4	10	30 - 2	R53409	1H10	1	40 - 75
R51573	2C14	12	50 - 33	R52250	1D4	14	30 - 2	R53410	1H10	3	40 - 75
R51583	3C11	5	70 - 31	R52355	2B8	27	50 - 3	R53423	1C14	10	20 - 26
R51603	1E2	10	30 - 26	R52355	2B12	8	50 - 6	R53440	2B25	3	50 - 19
R51648	3H4	11	90 - 17	R52385	1G8	1	40 - 46	R53475	3C24	17	70 - 45
R51648	3H4	22	90 - 17	R52386	1G6	13	40 - 43	R53476	3C24	16	70 - 45
R51659	1G7	7	40 - 44	R52387	1G5	12	40 - 42	R53512	1H4	1	40 - 69
R51660	1G7	5	40 - 44	R52390	3D20	17	70 - 63	R53512	1H4	11	40 - 69
R51661	1G5	23	40 - 42	R52408	1H6	6	40 - 71	R53515	1H4	2	40 - 69
R51663	1G6	20	40 - 43	R52548	3E3	33	70 - 69	R53516	1H4	3	40 - 69
R51664	1G6	19	40 - 43	R52549	3E3	31	70 - 69	R53517	1H4	10	40 - 69
R51665	1G5	15	40 - 42	R52549	3E3	33	70 - 69	R53518	1H4	4	40 - 69
R51665	1G5	17	40 - 42	R52568	2C7	1	50 - 26	R53519	1H4	5	40 - 69
R51666	1G5	15	40 - 42	R52578	1E6	8	30 - 30	R53520	1H4	7	40 - 69
R51666	1G5	16	40 - 42	R52589	2C14	18	50 - 33	R53521	1H4	8	40 - 69
R51667	1G5	8	40 - 42	R52589	3C6	18	70 - 26	R53522	1H4	9	40 - 69
R51668	1G8	2	40 - 46	R52634	1B22	1	20 - 12	R53562	3D23	6	70 - 64
R51669	1G8	9	40 - 46	R52634	2D15	1	50 - 57	R53604	2D5	3	50 - 49
R51669	1G9	14	40 - 47	R52634	2D17	1	50 - 59	R53604	2D5	8	50 - 49
R51670	1G8	14	40 - 46	R52736	2B8	31	50 - 3	R53635	2D24	5	50 - 65
R51671	1G8	6	40 - 46	R52736	2B12	6	50 - 6	R53651	2D24	2	50 - 65
R51671	1G9	5	40 - 47	R52737	2B8	30	50 - 3	R53652	2D24	2	50 - 65
R51672	1G8	3	40 - 46	R52737	2B12	5	50 - 6	R53653	2D24	2	50 - 65
R51679	3F23	3	80 - 12	R52773	1B8	18	20 - 5	R53659	2D24	1	50 - 65
R51680	3F23	4	80 - 12	R52773	1B9	2	20 - 6	R53745	3H23	..	90 - 35
R51680	3F25	16	80 - 15	R52811	1C11	10	20 - 23	R53791	3H17	2	90 - 29
R51681	3F23	8	80 - 12	R52811	1C14	4	20 - 26	R53792	3H17	7	90 - 29
R51681	3F25	12	80 - 15	R52811	1C21	25	20 - 33	R54059	2F16	3	60 - 15
R51748	2F8	7	60 - 7	R52811	1D10	8	30 - 8	R54059	3D25	2	70 - 66
R51751	3C19	16	70 - 40	R52811	1D11	8	30 - 9	R54063	2F10	4	60 - 9
R51821	3G4	..	80 - 19	R52823	3D2	54	70 - 47	R54064	3D16	5A	70 - 61

1L18

TRACTOR - 4620

NUMERICAL INDEX - CONTINUED

PART NO.	GRID	KEY	PAGE	PART NO.	GRID	KEY	PAGE	PART NO.	GRID	KEY	PAGE
R54064	3D16	5B	70 - 61	R55183	2F5	16	60 - 4	R56751	3B23	25	70 - 21
R54064	3D18	4	70 - 61B	R55184	2B7	2	50 - 2	R56751	3B23	27	70 - 21
R54064	3D20	5A	70 - 63	R55245	1F7	12	40 - 20	R56751	3B25	2	70 - 21B
R54064	3D20	5B	70 - 63	R55245	1F8	12	40 - 21	R56753	3B7	8	70 - 5
R54064	3D22	4	70 - 63B	R55396	1F15	1	40 - 28	R56753	3B9	12	70 - 7
R54064	3D23	18A	70 - 64	R55397	3E3	2B	70 - 69	R56753	3B13	18	70 - 11
R54065	3D16	1B	70 - 61	R55397	3E6	2	70 - 73	R56753	3E10	23	70 - 77
R54065	3D20	1B	70 - 63	R55398	3E3	2B	70 - 69	R56754	3B11	35	70 - 9
R54065	3D23	21B	70 - 64	R55398	3E3	7	70 - 69	R56755	3B11	32	70 - 9
R54141	3D20	18	70 - 63	R55398	3E6	2	70 - 73	R56755	3B13	10	70 - 11
R54160	3F16	6	80 - 5	R55398	3E6	7	70 - 73	R56755	3B15	10	70 - 13
R54165	3C18	9	70 - 39	R55458	2E19	18	50 - 85	R56755	3B21	28	70 - 19
R54171	2E22	34	50 - 88	R55480	2B15	8	50 - 9	R56755	3B23	9	70 - 21
R54172	2E22	30	50 - 88	R55480	2B15	21	50 - 9	R56755	3B25	13	70 - 21B
R54173	2E12	38A	50 - 77	R55480	2D13	13	50 - 55	R56756	3B11	33	70 - 9
R54173	2E12	38B	50 - 77	R55480	3D5	7	70 - 50	R56756	3B13	12	70 - 11
R54174	2E12	36	50 - 77	R55480	3D5	8	70 - 50	R56756	3B15	3	70 - 13
R54174	2E12	38A	50 - 77	R55480	3D5	9	70 - 50	R56757	3B11	34	70 - 9
R54181	1D18	12	30 - 17	R55489	2D13	13	50 - 55	R56757	3B13	11	70 - 11
R54197	3D5	12	70 - 50	R55596	1C5	1	20 - 17	R56757	3B15	11	70 - 13
R54213	2B15	20	50 - 9	R55597	1C5	1	20 - 17	R56757	3B21	30	70 - 19
R54242	3E13	1	70 - 81	R55618	1H18	5	40 - 83	R56757	3B23	18	70 - 21
R54263	1C6	6	20 - 18	R55737	1C5	1	20 - 17	R56757	3B25	14	70 - 21B
R54264	1C6	6	20 - 18	R55738	1C5	1	20 - 17	R56792	1G8	14	40 - 46
R54312	3E17	3	70 - 85	R55739	1C5	1	20 - 17	R56792	1G9	2	40 - 47
R54312	3E18	3	70 - 86	R55740	1C5	1	20 - 17	R56793	1G8	3	40 - 46
R54440	1D22	8	30 - 21	R55741	1C5	1	20 - 17	R56793	1G9	3	40 - 47
R54442	1H12	13	40 - 77	R55742	1C5	1	20 - 17	R56802	1G6	13	40 - 43
R54443	1H12	9	40 - 77	R55743	1C5	1	20 - 17	R56821	3D2	51	70 - 47
R54445	1H12	10	40 - 77	R55744	1C5	1	20 - 17	R56916	3C22	12	70 - 43
R54446	1H12	5	40 - 77	R55745	1C5	1	20 - 17	R56934	1B23	6	20 - 12A
R54447	1H12	4	40 - 77	R55746	1C5	1	20 - 17	R56972	1C8	3	20 - 20
R54467	1H13	15	40 - 78	R56012	1F7	12	40 - 20	R56972	1C8	8	20 - 20
R54500	1D14	6	30 - 13	R56012	1F8	12	40 - 21	R56972	1C9	2	20 - 21
R54500	1D14	7	30 - 13	R56012	1F11	13	40 - 24	R56972	1C9	4	20 - 21
R54500	1D18	10	30 - 17	R56101	3G22	3	90 - 9	R56979	1B22	11	20 - 12
R54533	3I6	12	90 - 43	R56246	3G16	1	90 - 3	R56979	1B23	4	20 - 12A
R54564	1B8	7	20 - 5	R56320	1G21	9	40 - 60	R56979	1B23	6	20 - 12A
R54565	1B8	3	20 - 5	R56397	1F11	4	40 - 24	R57003	3G20	..	90 - 7
R54565	1B8	5	20 - 5	R56397	3G15	4	90 - 2	R57034	2F8	7	60 - 7
R54565	1B8	7	20 - 5	R56462	2B23	2	50 - 17	R57103	2F24	15	60 - 23
R54567	2B19	23	50 - 13	R56463	3B7	2	70 - 5	R57103	2F24	34	60 - 23
R54750	2B24	1	50 - 18	R56463	3B13	24	70 - 11	R57103	2G2	26	60 - 25
R54750	2D11	1	50 - 53	R56463	3B17	2	70 - 15	R57103	3C12	14	70 - 33
R54751	2D11	12	50 - 53	R56463	3B23	27	70 - 21	R57103	3C12	18	70 - 33
R54766	3G16	4	90 - 3	R56464	2B8	24	50 - 3	R57133	2B7	15	50 - 2
R54791	2C7	6	50 - 26	R56464	2B12	10	50 - 6	R57158	1B12	19	20 - 9
R54839	3G25	13	90 - 13	R56481	1F15	1	40 - 28	R57159	1B12	19	20 - 9
R54840	3G25	13	90 - 13	R56504	3D2	50	70 - 47	R57258	1D24	6	30 - 23
R54962	2D11	15	50 - 53	R56608	1C8	3	20 - 20	R57268	2D24	3	50 - 65
R55008	3B4	9	70 - 1	R56608	1C8	8	20 - 20	R57268	2D24	4	50 - 65
R55010	3B9	18	70 - 7	R56608	1C9	2	20 - 21	R57268	2E2	2	50 - 67
R55024	1D15	19	30 - 14	R56608	1C9	4	20 - 21	R57274	3H2	12	90 - 15
R55024	1D16	13	30 - 15	R56629	1D17	16	30 - 16	R57286	1D12	7	30 - 10
R55025	1D15	1	30 - 14	R56749	3B7	3	70 - 5	R57289	1B9	4	20 - 6
R55025	1D15	3	30 - 14	R56751	3B9	2	70 - 7	R57382	2D5	3	50 - 49
R55025	1D16	2	30 - 15	R56751	3B11	20	70 - 9	R57382	2D5	8	50 - 49
R55026	1D15	1	30 - 14	R56751	3B13	8	70 - 11	R57549	2F13	8	60 - 12
R55026	1D15	3	30 - 14	R56751	3B13	15	70 - 11	R57549	2F13	18	60 - 12
R55078	1D14	6	30 - 13	R56751	3B13	21	70 - 11	R57559	2C13	29	50 - 32
R55078	1D18	10	30 - 17	R56751	3B13	24	70 - 11	R57559	2C14	15	50 - 33
R55078	1D18	15	30 - 17	R56751	3B19	2	70 - 17	R57559	2D11	17	50 - 53
R55080	3C16	11	70 - 37	R56751	3B21	19	70 - 19	R57559	3C6	23	70 - 26
R55080	3D3	11	70 - 48	R56751	3B23	7	70 - 21	R57559	3C6	25	70 - 26
R55081	2B10	10	50 - 5	R56751	3B23	12	70 - 21	R57560	2C14	26	50 - 33
R55081	2D22	12	50 - 63	R56751	3B23	20	70 - 21	R57560	3C6	11	70 - 26
R55170	3H15	4	90 - 27	R56751	3B23	21	70 - 21	R57560	3C6	15	70 - 26

1L19

TRACTOR - 4620

NUMERICAL INDEX - CONTINUED

PART NO.	GRID	KEY	PAGE	PART NO.	GRID	KEY	PAGE	PART NO.	GRID	KEY	PAGE
R57561	3C6	9	70 - 26	R59034	1C9	4	20 - 21	R60754	1C8	10	20 - 20
R57561	3C6	11	70 - 26	R59074	2D24	4	50 - 65	R60754	1C9	6	20 - 21
R57561	3C6	15	70 - 26	R59074	2E2	2	50 - 67	R60794	1C8	8	20 - 20
R57572	3H3	19	90 - 16	R59080	3C22	3	70 - 43	R61108	2B21	10	50 - 15
R57584	1B24	5	20 - 12B	R59080	3D4	2	70 - 49	R61289	1B25	3	20 - 13
R57584	1B25	3	20 - 13	R59082	3C22	3	70 - 43	R61289	1C5	6	20 - 17
R57584	1C5	6	20 - 17	R59082	3D4	2	70 - 49	R61292	1B22	6	20 - 12
R57606	3G22	6	90 - 9	R59082	3E4	15	70 - 70	R61292	1B24	8	20 - 12B
R57606	3G22	10	90 - 9	R59083	3C22	37	70 - 43	R61349	3C22	29	70 - 43
R57614	2D24	11	50 - 65	R59154	3E18	16	70 - 86	R61350	3C22	29	70 - 43
R57614	2D24	25	50 - 65	R59197	3D20	25	70 - 63	R61420	1B22	5	20 - 12
R57614	2D24	31	50 - 65	R59198	3D20	24	70 - 63	R61461	2D24	21	50 - 65
R57615	2D24	25	50 - 65	R59343	3E10	11	70 - 77	R61462	2E17	9	50 - 83
R57615	2E2	6	50 - 67	R59343	3E11	2	70 - 79	R61462	3C14	16	70 - 35
R57616	2D24	11	50 - 65	R59420	1B9	3	20 - 6	R61462	3C14	17	70 - 35
R57616	2E2	3	50 - 67	R59420	1B9	4	20 - 6	R61463	2E17	10	50 - 83
R57623	3H4	18	90 - 17	R59439	2D24	21	50 - 65	R61463	3C14	16	70 - 35
R57696	2B7	13	50 - 2	R59440	2D24	21	50 - 65	R61463	3C14	17	70 - 35
R57696	2D22	10	50 - 63	R59450	3G22	7	90 - 9	R61514	2E21	6	50 - 87
R57696	3E23	10	70 - 91	R59450	3G22	11	90 - 9	R61608	1C5	6	20 - 17
R57696	3E23	36	70 - 91	R59629	3E3	21	70 - 69	R61609	1C5	6	20 - 17
R57725	2B17	12	50 - 11	R59629	3E3	26	70 - 69	R61610	1C5	6	20 - 17
R57725	2B18	13	50 - 12	R59629	3E3	29	70 - 69	R61611	1C5	6	20 - 17
R57725	2B19	17	50 - 13	R59629	3E4	4	70 - 70	R61678	2D24	11	50 - 65
R57725	2B25	14	50 - 19	R59629	3E10	27	70 - 77	R61678	2E2	3	50 - 67
R57725	3C16	13	70 - 37	R59633	3E10	1	70 - 77	R61711	2D24	11	50 - 65
R57725	3D3	12	70 - 48	R59633	3E17	17	70 - 85	R61711	2D24	25	50 - 65
R57725	3I2	14	90 - 39	R59633	3E17	35	70 - 85	R61711	2E2	7	50 - 67
R57756	2C24	5	50 - 43	R59633	3F3	1	70 - 96	R61711	2F19	..	60 - 18
R57778	1C5	2	20 - 17	R59633	3F3	19	70 - 96	R61711	2F20	..	60 - 19
R57779	1C5	3	20 - 17	R59684	3C20	5	70 - 41	R61712	2E2	8	50 - 67
R57780	1C5	3	20 - 17	R59766	3C22	33	70 - 43	R61712	2F19	5	60 - 18
R57977	2B19	19	50 - 13	R59827	2B19	9	50 - 13	R61762	3C16	13	70 - 37
R57978	2B19	19	50 - 13	R59860	2B19	14	50 - 13	R61762	3D3	12	70 - 48
R57979	2B19	19	50 - 13	R59860	2E22	31	50 - 88	R61771	2D24	28	50 - 65
R58109	1D18	6	30 - 17	R59899	3F16	5	80 - 5	R61775	1H19	7	40 - 84
R58109	1D18	7	30 - 17	R60032	2D24	29	50 - 65	R61776	1H19	3	40 - 84
R58109	1D18	8	30 - 17	R60038	2F24	7	60 - 23	R61909	1C1	3	20 - 14
R58203	3D12	25	70 - 57	R60038	2F24	8	60 - 23	R61909	1C2	3	20 - 14A
R58204	3C24	23	70 - 45	R60038	2G2	8	60 - 25	R61909	1C3	3	20 - 15
R58261	3D23	6	70 - 64	R60038	3C12	8	70 - 33	R61932	1F21	23	40 - 33
R58264	3D8	24	70 - 53	R60165	3H15	33	90 - 27	R61932	1G2	22	40 - 39
R58264	3D9	1	70 - 54	R60171	3G19	9	90 - 6	R61933	1G2	15	40 - 39
R58294	2D24	12	50 - 65	R60172	3G19	1	90 - 6	R61934	1G2	25	40 - 39
R58295	2D24	15	50 - 65	R60339	2B20	3	50 - 14	R61955	3C11	3	70 - 31
R58424	2D15	10	50 - 57	R60428	2E23	10	50 - 89	R62410	1B10	1	20 - 7
R58424	2D17	22	50 - 59	R60458	2D10	10	50 - 52	R62418	1B6	5	20 - 3
R58499	3B11	44	70 - 9	R60472	1C5	6	20 - 17	R62418	1B6	7	20 - 3
R58544	3C16	11	70 - 37	R60473	1C1	3	20 - 14	R62419	1B6	5	20 - 3
R58544	3D3	11	70 - 48	R60473	1C2	3	20 - 14A	R62419	1B6	8	20 - 3
R58617	3D12	20	70 - 57	R60473	1C3	3	20 - 15	R62420	1B6	5	20 - 3
R58773	3B9	18	70 - 7	R60473	1C5	6	20 - 17	R62420	1B6	8	20 - 3
R58773	3B9	19	70 - 7	R60473	1C5	6	20 - 17	R62421	1B6	5	20 - 3
R58773	3B9	20	70 - 7	R60475	1C5	6	20 - 17	R62421	1B6	6	20 - 3
R58864	3F16	3	80 - 5	R60476	1C5	3	20 - 17	R62500	3C18	13	70 - 39
R58882	1C6	4	20 - 18	R60477	1C5	3	20 - 17	R62512	2E12	1	50 - 77
R58884	2E10	6	50 - 75	R60478	1C5	3	20 - 17	R62513	2E12	1	50 - 77
R58884	2E10	10	50 - 75	R60479	1C5	3	20 - 17	R62513	2E17	1	50 - 83
R58900	2B15	3	50 - 9	R60480	1C5	3	20 - 17	R62652	3E3	24	70 - 69
R58900	2C15	25	50 - 34	R60481	1C5	3	20 - 17	R62667	1G3	6	40 - 40
R58900	2D13	19	50 - 55	R60482	1C5	3	20 - 17	R62668	1G3	8	40 - 40
R58914	2C24	5	50 - 43	R60483	1C5	3	20 - 17	R62669	1G2	11	40 - 39
R58934	3D8	20	70 - 53	R60484	1C5	2	20 - 17	R62670	1F24	20	40 - 37
R58934	3D9	4	70 - 54	R60494	3B7	16	70 - 5	R62671	1F24	38	40 - 37
R59034	1C8	3	20 - 20	R60650	1B8	7	20 - 5	R62672	1G2	3	40 - 39
R59034	1C8	8	20 - 20	R60730	3D2	4	70 - 47	R62673	1F24	11	40 - 37
R59034	1C9	2	20 - 21	R60732	3B7	25	70 - 5	R62674	1F24	2	40 - 37

1L20

TRACTOR - 4620

NUMERICAL INDEX - CONTINUED

PART NO.	GRID	KEY	PAGE	PART NO.	GRID	KEY	PAGE	PART NO.	GRID	KEY	PAGE
R62760	3D14	5	70 - 59	R64700	1H1	7	40 - 65	R65598	1I2	24	40 - 93
R62803	2B21	10	50 - 15	R64829	3C24	3	70 - 45	R65599	1F3	4	40 - 16
R62810	2B15	8	50 - 9	R64840	1C21	10	20 - 33	R65599	1I2	25	40 - 93
R62906	1C5	4	20 - 17	R64840	1E1	4	30 - 25	R65600	1I2	26	40 - 93
R62931	3C19	7	70 - 40	R64840	1E2	12	30 - 26	R65601	1I2	27	40 - 93
R62972	2B21	10	50 - 15	R64843	3D2	7	70 - 47	R65602	1I2	28	40 - 93
R62986	1B24	6	20 - 12B	R64845	3D2	7	70 - 47	R65602	1I6	49	40 - 97
R62986	1B25	4	20 - 13	R65053	2C21	6	50 - 40	R65603	1I2	29	40 - 93
R62986	1C1	4	20 - 14	R65082	3D12	29B	70 - 57	R65604	1I2	30	40 - 93
R62986	1C2	4	20 - 14A	R65085	3D12	8	70 - 57	R65604	3G18	2	90 - 5
R62986	1C3	4	20 - 15	R65085	3D12	29B	70 - 57	R65605	1I2	31	40 - 93
R62986	1C5	4	20 - 17	R65085	3D12	33	70 - 57	R65606	1I2	32	40 - 93
R62987	1B24	7	20 - 12B	R65085	3D12	34	70 - 57	R65607	1I2	33	40 - 93
R62987	1B25	5	20 - 13	R65086	3D12	8	70 - 57	R65607	1I6	46	40 - 97
R62987	1C5	5	20 - 17	R65086	3D12	29B	70 - 57	R65608	1I2	5	40 - 93
R62988	1B25	5	20 - 13	R65086	3D12	33	70 - 57	R65609	1I2	8	40 - 93
R62988	1C5	5	20 - 17	R65086	3D12	34	70 - 57	R65610	1I2	9	40 - 93
R63002	1C5	5	20 - 17	R65192	3B11	44	70 - 9	R65652	2C14	29	50 - 33
R63003	1C1	5	20 - 14	R65194	3B11	43	70 - 9	R65817	3D12	4	70 - 57
R63003	1C2	5	20 - 14A	R65203	3D12	4	70 - 57	R65892	2B24	8	50 - 18
R63003	1C3	5	20 - 15	R65207	2E19	40	50 - 85	R65892	2D11	8	50 - 53
R63003	1C5	5	20 - 17	R65242	3D12	32	70 - 57	R66067	2E19	1	50 - 85
R63004	1C5	5	20 - 17	R65243	3D12	25	70 - 57	R66069	1H1	3	40 - 65
R63005	1C5	5	20 - 17	R65284	3E3	26	70 - 69	R66117	1F16	4	40 - 29
R63006	1C5	5	20 - 17	R65284	3E3	33	70 - 69	R66117	1G4	9	40 - 41
R63007	1C1	5	20 - 14	R65284	3E4	4	70 - 70	R66143	2C21	10	50 - 40
R63007	1C2	5	20 - 14A	R65284	3E10	27	70 - 77	R66145	2C21	16	50 - 40
R63007	1C3	5	20 - 15	R65285	3E10	28	70 - 77	R66196	2C21	9	50 - 40
R63007	1C5	5	20 - 17	R65285	3E11	11	70 - 79	R66197	2C21	7	50 - 40
R63008	1C5	5	20 - 17	R65286	3E3	13	70 - 69	R662R	3C24	7	70 - 45
R63009	1C5	5	20 - 17	R65286	3E5	13	70 - 71	R662R	3D2	43	70 - 47
R63010	1C1	4	20 - 14	R65286	3E10	14	70 - 77	R662R	3E8	5	70 - 75
R63010	1C2	4	20 - 14A	R65286	3E11	4	70 - 79	R66301	1F14	5	40 - 27
R63010	1C3	4	20 - 15	R65287	3E4	20	70 - 70	R66302	1F14	11	40 - 27
R63010	1C5	4	20 - 17	R65287	3E5	7	70 - 71	R66317	2D17	17	50 - 59
R63106	2D24	5	50 - 65	R65289	3E3	33	70 - 69	R66317	2D22	14	50 - 63
R63180	1G15	20	40 - 54	R65289	3E4	4	70 - 70	R66319	1E14	5	40 - 2
R63300	2B8	21	50 - 3	R65289	3E10	27	70 - 77	R66319	1E14	10	40 - 2
R63326	1B23	2	20 - 12A	R653R	2D2	3	50 - 46	R66319	1E14	11	40 - 2
R63326	1B25	8	20 - 13	R653R	2D10	21	50 - 52	R66319	1E15	5	40 - 3
R63326	1C2	8	20 - 14A	R65308	2D24	15	50 - 65	R66319	1E15	10	40 - 3
R63326	1C3	8	20 - 15	R65308	2E2	4	50 - 67	R66319	1E15	11	40 - 3
R63451	1B22	11	20 - 12	R65501	3E3	17	70 - 69	R66319	1E17	2	40 - 5
R63451	1B23	4	20 - 12A	R65501	3E3	26	70 - 69	R66319	1E17	18	40 - 5
R63451	1B23	5	20 - 12A	R65501	3E4	4	70 - 70	R66319	1E17	24	40 - 5
R63451	1B23	6	20 - 12A	R65501	3E10	27	70 - 77	R66319	1E19	2	40 - 7
R63555	3F12	5	80 - 2	R65502	3E3	17	70 - 69	R66319	1E20	7	40 - 8
R63556	3F12	5	80 - 2	R65502	3E3	26	70 - 69	R66319	1F4	2	40 - 17
R63556	3F12	9	80 - 2	R65502	3E4	4	70 - 70	R66319	1F4	3	40 - 17
R63571	3G15	23	90 - 2	R65502	3E10	27	70 - 77	R66319	1G11	3	40 - 50
R63737	3D8	22	70 - 53	R65563	2B11	17	50 - 5B	R66319	1G12	3	40 - 51
R63737	3D9	6	70 - 54	R65563	2B22	19	50 - 16	R66319	1G14	3	40 - 53
R64086	1B9	4	20 - 6	R65563	2C2	12	50 - 21	R66319	1G18	..	40 - 57
R64129	2B19	26	50 - 13	R65563	2C6	7	50 - 25	R66319	1H21	1	40 - 87
R64170	3C2	1	70 - 22	R65563	2D10	15	50 - 52	R66319	1H21	9	40 - 87
R64257	2D15	14	50 - 57	R65588	2C18	9	50 - 37	R66319	1H21	14	40 - 87
R64257	2D15	15	50 - 57	R65588	2C20	8	50 - 39	R66319	1H21	15	40 - 87
R64257	2D17	19	50 - 59	R65589	2C17	6	50 - 36	R66319	1I2	3	40 - 93
R64295	3C19	6	70 - 40	R65589	2C19	5	50 - 38	R66319	3G18	11	90 - 5
R64296	3D2	1	70 - 47	R65593	1F3	4	40 - 16	R66320	1I2	7	40 - 93
R64391	3G11	17	80 - 27	R65593	1I2	4	40 - 93	R66320	1I4	24	40 - 95
R64491	2E19	6	50 - 85	R65594	1I2	2	40 - 93	R66321	1H18	7	40 - 83
R64523	2B7	12	50 - 2	R65595	1I2	21	40 - 93	R66321	1H18	11	40 - 83
R64697	2E10	11	50 - 75	R65595	1I4	11	40 - 95	R66321	1I2	6	40 - 93
R64697	2E10	12	50 - 75	R65596	1I2	22	40 - 93	R66321	1I4	24	40 - 95
R64698	2E10	11	50 - 75	R65597	1I2	23	40 - 93	R66416	3E3	18	70 - 69
R64699	1H1	3	40 - 65	R65597	3G18	2	90 - 5	R66434	3D6	20	70 - 51

1L21

TRACTOR - 4620

NUMERICAL INDEX - CONTINUED

PART NO.	GRID	KEY	PAGE	PART NO.	GRID	KEY	PAGE	PART NO.	GRID	KEY	PAGE
R66435	3D6	17	70 - 51	R69297	3G16	15	90 - 3	R71529	1B9	3	20 - 6
R66452	1B18	1	20 - 9F	R69303	2C7	10	50 - 26	R71529	1B9	4	20 - 6
R66452	1C6	1	20 - 18	R69305	2C7	1	50 - 26	R71529	1B9	8	20 - 6
R66593	1E3	5	30 - 27	R69306	2C7	7	50 - 26	R71531	1B9	3	20 - 6
R66650	2E21	4	50 - 87	R69306	2C11	13	50 - 30	R71531	1B9	4	20 - 6
R66650	2E22	6	50 - 88	R69306	2C12	13	50 - 31	R71531	1B9	8	20 - 6
R66692	1D7	20	30 - 5	R69408	3D13	3	70 - 58	R71586	3B17	12	70 - 15
R66692	1D19	3	30 - 18	R69409	3D13	3	70 - 58	R71586	3B17	13	70 - 15
R66788	2D15	14	50 - 57	R69562	3G15	7	90 - 2	R71586	3B17	14	70 - 15
R66788	2D17	16	50 - 59	R69642	3C18	11	70 - 39	R71587	3B19	12	70 - 17
R66821	1D24	6	30 - 23	R69644	1F12	15	40 - 25	R71598	3B17	25A	70 - 15
R66894	3D2	3	70 - 47	R69644	1F14	25	40 - 27	R71599	3B19	25A	70 - 17
R66895	3C22	24	70 - 43	R69645	1F12	15	40 - 25	R71603	3G15	7	90 - 2
R66901	3D12	15B	70 - 57	R69645	1F14	26	40 - 27	R71851	1E5	17	30 - 29
R66916	3E3	26	70 - 69	R70027	2C9	8	50 - 28	R71909	1B21	8	20 - 11
R66916	3E3	29	70 - 69	R70027	2C9	16	50 - 28	R71918	1B20	4	20 - 10
R66916	3E4	4	70 - 70	R70027	2C10	6	50 - 29	R71918	1B21	1	20 - 11
R66916	3E10	27	70 - 77	R70027	2C17	21	50 - 36	R71918	1C21	33	20 - 33
R66922	1C6	4	20 - 18	R70210	1I6	41	40 - 97	R72226	3G19	8	90 - 6
R66985	3D12	8	70 - 57	R70211	1I6	40	40 - 97	R72227	3G19	7	90 - 6
R66986	3D12	8	70 - 57	R70212	1I6	41	40 - 97	R72228	3G19	6	90 - 6
R66987	3D12	8	70 - 57	R70213	1I6	40	40 - 97	R72229	3G19	5	90 - 6
R66987	3D12	35B	70 - 57	R70214	1I6	41	40 - 97	R72232	2D24	..	50 - 65
R67037	2D5	3	50 - 49	R70215	1I6	40	40 - 97	R72266	3F20	1	80 - 9
R67037	2D5	8	50 - 49	R70216	1I6	41	40 - 97	R72328	1C21	26	20 - 33
R67225	3G15	17	90 - 2	R70217	1I6	40	40 - 97	R72328	1D14	17	30 - 13
R67235	3F17	3	80 - 6	R70218	1I6	41	40 - 97	R72341	2E19	44	50 - 85
R67366	2E19	44	50 - 85	R70219	1I6	40	40 - 97	R72371	2E24	13	50 - 90
R67410	3G4	2	80 - 19	R70220	1I6	50	40 - 97	R72371	2E25	25	50 - 91
R67782	2D22	9	50 - 63	R70221	1I6	39	40 - 97	R72408	2D5	3	50 - 49
R67784	2D22	6	50 - 63	R70222	1I6	38	40 - 97	R72408	2D5	8	50 - 49
R67982	1E24	6	40 - 12	R70236	2D15	11	50 - 57	R72411	2D9	1	50 - 51
R67982	1F1	2	40 - 14	R70236	2D17	23	50 - 59	R72415	2D7	15	50 - 49B
R67989	2B6	9	50 - 1	R70250	2C7	7	50 - 26	R72429	3B9	29A	70 - 7
R67989	2C1	11	50 - 20	R70250	2C11	13	50 - 30	R72433	3D16	1B	70 - 61
R68154	2C21	3	50 - 40	R70250	2C12	13	50 - 31	R72433	3D18	1	70 - 61B
R68155	2C21	4	50 - 40	R70351	3B11	13	70 - 9	R72433	3D20	1B	70 - 63
R68165	2D22	3	50 - 63	R70417	3F23	3	80 - 12	R72433	3D20	5A	70 - 63
R68166	2D22	8	50 - 63	R70513	1E5	1	30 - 29	R72433	3D22	1	70 - 63B
R68167	2D22	7	50 - 63	R70558	2B20	8	50 - 14	R72433	3D23	21B	70 - 64
R68222	1G9	8	40 - 47	R70559	3B11	43	70 - 9	R72506	3B17	27	70 - 15
R68224	1G9	1	40 - 47	R70588	3G4	2	80 - 19	R72507	3B9	29B	70 - 7
R68252	3B17	24	70 - 15	R70617	3B21	9	70 - 19	R72507	3B9	..	70 - 7
R68252	3B19	24	70 - 17	R70617	3C1	2	70 - 21D	R72507	3B17	23	70 - 15
R68429	3D10	1	70 - 55	R70648	3B9	6	70 - 7	R72507	3B19	23	70 - 17
R68430	3D10	2	70 - 55	R70648	3B19	1	70 - 17	R72509	3B9	30B	70 - 7
R68648	2D19	1	50 - 60	R708R	2F19	3	60 - 18	R72509	3B19	27	70 - 17
R68672	3D8	11	70 - 53	R70826	1B8	3	20 - 5	R72586	2D15	14	50 - 57
R68672	3D9	10	70 - 54	R70826	1B8	7	20 - 5	R72586	2D15	15	50 - 57
R68817	2D5	1	50 - 49	R70867	3B21	21	70 - 19	R72586	2D15	..	50 - 57
R68818	2D5	3	50 - 49	R70868	3B21	22	70 - 19	R72586	2D17	16	50 - 59
R68819	2D5	3	50 - 49	R70870	1F11	18	40 - 24	R72586	2D17	17	50 - 59
R68820	2D5	19	50 - 49	R70870	1F11	23	40 - 24	R72586	2D17	19	50 - 59
R68821	2D3	3	50 - 47	R70976	3B9	8	70 - 7	R72586	2D17	..	50 - 59
R69109	1H17	1	40 - 82	R70976	3B19	5	70 - 17	R72586	2D22	4	50 - 63
R69262	3B11	44	70 - 9	R71208	1B8	1	20 - 5	R726R	2C15	6	50 - 34
R69270	3G4	..	80 - 19	R71208	1B8	8	20 - 5	R72653	1E7	1	30 - 31
R69270	3G11	18	80 - 27	R71250	1F11	7	40 - 24	R72653	3C24	1	70 - 45
R69279	3B11	35	70 - 9	R71309	2D22	11	50 - 63	R72653	3D2	10	70 - 47
R69279	3B13	13	70 - 11	R71321	3B11	42	70 - 9	R72653	3D2	56	70 - 47
R69279	3B15	15	70 - 13	R71321	3B21	38	70 - 19	R72653	3E8	1	70 - 75
R69279	3B21	29	70 - 19	R71387	3E13	9	70 - 81	R72653	3E10	25	70 - 77
R69279	3B23	17	70 - 21	R71387	3E15	3	70 - 83	R72654	3C19	9	70 - 40
R69279	3B25	12	70 - 21B	R71387	3F4	2	70 - 97	R72654	3D2	36	70 - 47
R69297	3G16	9	90 - 3	R71399	1F12	15	40 - 25	R72654	3D12	16	70 - 57
R69297	3G16	10	90 - 3	R71399	1F14	25	40 - 27	R72654	3E10	34	70 - 77
R69297	3G16	11	90 - 3	R71400	1F14	5	40 - 27	R72654	3G6	6	80 - 21

1L22

TRACTOR - 4620

NUMERICAL INDEX - CONTINUED

PART NO.	GRID	KEY	PAGE	PART NO.	GRID	KEY	PAGE	PART NO.	GRID	KEY	PAGE
R72654	3G23	10	90 - 11	R76126	1B6	5	20 - 3	R77500	114	24	40 - 95
R72655	3G3	10	80 - 18	R76312	2C18	4	50 - 37	R77501	114	24	40 - 95
R72655	3H15	10	90 - 27	R76312	2C21	23	50 - 40	R77502	116	56	40 - 97
R72660	3C24	7	70 - 45	R76341	3G4	..	80 - 19	R77503	116	56	40 - 97
R72660	3D2	43	70 - 47	R76341	3G11	18	80 - 27	R776R	2C5	10	50 - 24
R72660	3E8	5	70 - 75	R76459	3F5	5	70 - 98	R77611	3B17	24	70 - 15
R72858	2F10	1	60 - 9	R76477	1F16	3	40 - 29	R77611	3B19	24	70 - 17
R72858	2F10	3	60 - 9	R76477	1F17	5	40 - 29A	R77611	3B23	19	70 - 21
R72866	3B19	18	70 - 17	R76477	1G4	6	40 - 41	R77673	2G2	2	60 - 25
R72886	3B7	20	70 - 5	R76477	1G4	8	40 - 41	R77673	2G2	22	60 - 25
R72886	3B9	24	70 - 7	R76477	3F5	6	70 - 98	R77712	3B25	6	70 - 21B
R72886	3B17	18	70 - 15	R76477	3G20	..	90 - 7	R77714	3B21	27	70 - 19
R73101	2E19	36	50 - 85	R76494	2C14	1	50 - 33	R77866	3C12	7	70 - 33
R73102	2E17	14	50 - 83	R76494	2D12	6	50 - 54	R77867	2G2	3	60 - 25
R73102	2E21	9	50 - 87	R76494	2F12	4	60 - 11	R77867	2G2	7	60 - 25
R73274	2D15	9	50 - 57	R76494	3C6	4	70 - 26	R77903	3B9	31	70 - 7
R73274	2D17	21	50 - 59	R76504	2D1	6	50 - 45	R77903	3B17	22A	70 - 15
R73274	2D17	..	50 - 59	R77003	1C10	7	20 - 22	R77903	3B19	22A	70 - 17
R73274	2D22	15	50 - 63	R77175	3E19	1	70 - 87	R77904	3B9	34	70 - 7
R73274	2D22	20	50 - 63	R77456	114	27	40 - 95	R78019	3F20	2	80 - 9
R73380	2B8	16	50 - 3	R77457	114	29	40 - 95	R78101	2G2	3	60 - 25
R73380	2C2	1	50 - 21	R77458	114	28	40 - 95	R78101	2G2	7	60 - 25
R73380	3D12	36B	70 - 57	R77459	114	28	40 - 95	R78101	3C12	7	70 - 33
R73380	3D20	16	70 - 63	R77460	114	28	40 - 95	R78102	1B24	1	20 - 12B
R73380	3H3	2	90 - 16	R77461	114	28	40 - 95	R78102	1B24	10	20 - 12B
R73380	3H3	19	90 - 16	R77462	114	25	40 - 95	R78124	1C7	1	20 - 19
R73445	1B21	4	20 - 11	R77463	114	30	40 - 95	R78124	1C7	2	20 - 19
R73736	3B21	24	70 - 19	R77464	114	26	40 - 95	R78214	3D16	10	70 - 61
R73737	2F4	20	60 - 3	R77465	114	31	40 - 95	R78214	3D20	10	70 - 63
R73741	3B17	12	70 - 15	R77466	114	33	40 - 95	R78257	3H3	6	90 - 16
R73741	3B17	13	70 - 15	R77467	114	34	40 - 95	R78293	3B7	10	70 - 5
R73741	3B17	14	70 - 15	R77468	114	32	40 - 95	R78293	3B9	14	70 - 7
R74022	2G2	14	60 - 25	R77469	116	35	40 - 97	R78293	3B17	8	70 - 15
R74210	3E13	10	70 - 81	R77470	116	45	40 - 97	R78293	3B19	8	70 - 17
R74210	3E15	4	70 - 83	R77471	1H18	7	40 - 83	R78436	3E10	14	70 - 77
R74210	3G15	21	90 - 2	R77471	116	45	40 - 97	R78662	2C17	16	50 - 36
R74242	3F5	1	70 - 98	R77472	116	45	40 - 97	R78742	2D5	3	50 - 49
R74243	3F5	2	70 - 98	R77473	116	45	40 - 97	R78742	2D5	8	50 - 49
R74244	3F5	3	70 - 98	R77474	116	44	40 - 97	R78755	1F12	12	40 - 25
R74246	3F5	4	70 - 98	R77475	114	13	40 - 95	R78765	3E13	8	70 - 81
R74417	2D19	18	50 - 60	R77476	114	3	40 - 95	R78766	3E13	13	70 - 81
R74418	2D19	17	50 - 60	R77477	114	4	40 - 95	R78766	3E15	6	70 - 83
R74418	2D19	18	50 - 60	R77478	114	15	40 - 95	R78767	3E13	2	70 - 81
R74530	3E10	28	70 - 77	R77479	114	5	40 - 95	R78768	3E13	19	70 - 81
R74530	3E11	11	70 - 79	R77480	114	6	40 - 95	R78769	3E13	17	70 - 81
R74530	3E13	16	70 - 81	R77481	114	7	40 - 95	R79133	2D19	5	50 - 60
R74530	3E15	8	70 - 83	R77482	114	8	40 - 95	R79134	2D19	18	50 - 60
R74695	3E3	21	70 - 69	R77483	114	16	40 - 95	R79135	2D18	9	50 - 59B
R74695	3E3	26	70 - 69	R77484	114	19	40 - 95	R79151	3B9	33	70 - 7
R74695	3E4	4	70 - 70	R77485	114	21	40 - 95	R79151	3B17	22B	70 - 15
R74695	3E5	11	70 - 71	R77486	114	22	40 - 95	R79151	3B17	25A	70 - 15
R74695	3E10	27	70 - 77	R77487	114	23	40 - 95	R79151	3B19	22B	70 - 17
R74851	3F15	13	80 - 4	R77488	116	51	40 - 97	R79151	3B19	25A	70 - 17
R74852	2C17	8	50 - 36	R77489	1H25	13	40 - 91	R79152	3B17	22B	70 - 15
R74852	2C19	7	50 - 38	R77489	116	51	40 - 97	R79152	3B17	25A	70 - 15
R74852	2C20	6	50 - 39	R77490	116	51	40 - 97	R79152	3B17	25B	70 - 15
R74993	1F3	3	40 - 16	R77491	116	54	40 - 97	R79154	3B19	22B	70 - 17
R75376	3B21	26	70 - 19	R77492	116	54	40 - 97	R79154	3B19	25A	70 - 17
R75376	3B25	4	70 - 21B	R77493	1H18	7	40 - 83	R79154	3B19	25B	70 - 17
R75564	3B21	18	70 - 19	R77493	1H18	11	40 - 83	R79156	3B9	33	70 - 7
R75642	3B9	1	70 - 7	R77493	116	51	40 - 97	R79266	3B21	10	70 - 19
R75642	3B21	17	70 - 19	R77494	116	55	40 - 97	R79267	3B21	14	70 - 19
R75833	1H1	3	40 - 65	R77495	116	52	40 - 97	R79268	3B21	13	70 - 19
R75866	2G2	15	60 - 25	R77496	116	52	40 - 97	R79311	3E10	28	70 - 77
R75879	3B21	5	70 - 19	R77497	116	53	40 - 97	R79311	3E11	11	70 - 79
R75938	3B21	43	70 - 19	R77498	114	24	40 - 95	R79311	3E13	16	70 - 81
R75938	3B23	16	70 - 21	R77499	114	24	40 - 95	R79311	3E15	8	70 - 83

1L23

TRACTOR - 4620

NUMERICAL INDEX - CONTINUED

PART NO.	GRID	KEY	PAGE	PART NO.	GRID	KEY	PAGE	PART NO.	GRID	KEY	PAGE
R79850	1B9	3	20 - 6	R86162	2D19	1	50 - 60	R98928	2C21	3	50 - 40
R79852	2D5	20	50 - 49	R86192	2F24	6	60 - 23	R98929	2D5	19	50 - 49
R79916	3D8	12	70 - 53	R86192	3C12	6	70 - 33	R98929	2D7	14	50 - 49B
R79916	3D9	9	70 - 54	R86192	3C12	20	70 - 33	R99291	2B6	24	50 - 1
R79985	2D1	6	50 - 45	R86770	2D19	5	50 - 60	R99394	2D24	15	50 - 65
R80306	3F15	13	80 - 4	R87527	3H8	6	90 - 21	R99394	2E2	4	50 - 67
R80326	3F25	10	80 - 15	R87527	3H10	4	90 - 21B	R99466	2D22	4	50 - 63
R80447	3D16	10	70 - 61	R87529	3G11	18	80 - 27	R99556	2B20	11	50 - 14
R80447	3D18	6	70 - 61B	R87764	1F11	12	40 - 24	TY1430	1F7	7	40 - 20
R80447	3D20	11	70 - 63	R87764	1F12	19	40 - 25	TY1430	1F9	..	40 - 22
R80447	3D22	6	70 - 63B	R87764	1F14	31	40 - 27	TY15155	1H6	4	40 - 71
R80558	3B9	30B	70 - 7	R88042	1B6	6	20 - 3	TY15263	1G16	26	40 - 55
R80558	3B9	..	70 - 7	R88042	1B6	..	20 - 3	TY15276	1H6	4	40 - 71
R80558	3B17	27	70 - 15	R88043	1B6	7	20 - 3	TY15709	3G20	..	90 - 7
R80558	3B19	27	70 - 17	R88043	1B6	..	20 - 3	TY15939	3F6	1	70 - 99
R80752	2G2	34	60 - 25	R88044	1B6	8	20 - 3	TY15939	3G20	..	90 - 7
R80753	2G2	34	60 - 25	R88044	1B6	..	20 - 3	TY1597	1F15	6	40 - 28
R80754	2G2	28	60 - 25	R88045	1B6	8	20 - 3	TY16004	1B5	2	20 - 2
R80754	2G2	34	60 - 25	R88045	1B6	..	20 - 3	TY16005	1B5	3	20 - 2
R81R	2C24	18	50 - 43	R88397	1C14	16	20 - 26	TY16005	1B5	..	20 - 2
R81245	3D20	13	70 - 63	R88397	1C19	3	20 - 31	TY16055	1G16	26	40 - 55
R81272	3F17	3	80 - 6	R88397	1C21	3	20 - 33	TY21737	1E21	..	40 - 9
R81424	3H8	16	90 - 21	R89837	2D22	11	50 - 63	TY22007	1B4	2	20 - 1
R81507	1F14	30	40 - 27	R90086	2F19	2	60 - 18	TY22008	1B4	2	20 - 1
R81922	2C17	24	50 - 36	R90869	2D17	17	50 - 59	TY22009	1B4	1	20 - 1
R82024	2D7	7	50 - 49B	R91558	1C15	6	20 - 27	TY22010	1B4	2	20 - 1
R82024	2D9	1	50 - 51	R91558	2B6	23	50 - 1	TY22011	1B4	2	20 - 1
R82133	2D19	17	50 - 60	R91826	2E2	8	50 - 67	TY22043	3F7	2	70 - 100
R82133	2D19	18	50 - 60	R91826	2F19	5	60 - 18	TY22044	3F7	2	70 - 100
R82134	2D19	17	50 - 60	R92474	2D3	3	50 - 47	TY22063	3F7	2	70 - 100
R82134	2D19	18	50 - 60	R92474	2D7	3	50 - 49B	TY22327	3C15	9	70 - 36
R82175	2D24	29	50 - 65	R93019	2D22	13	50 - 63	TY22328	3H1	15	90 - 14
R82236	1H23	16	40 - 89	R93219	1I8	7	40 - 99	TY22328	3H1	16	90 - 14
R82237	1H23	14	40 - 89	R93220	1I8	7	40 - 99	TY22328	3H1	28	90 - 14
R82238	1H23	15	40 - 89	R93221	1I8	7	40 - 99	TY22329	3C9	8	70 - 29
R82239	1H23	13	40 - 89	R93222	1I8	7	40 - 99	TY22329	3C11	4	70 - 31
R82243	1H23	18	40 - 89	R93238	1B9	3	20 - 6	TY22329	3C14	40	70 - 35
R82331	1F6	12	40 - 19	R94321	2D5	1	50 - 49	TY22462	1D12	8	30 - 10
R82331	2D9	22	50 - 51	R94321	2D7	1	50 - 49B	TY22462	1E1	11	30 - 25
R82337	2G2	28	60 - 25	R94322	2D5	3	50 - 49	TY22462	2E19	2	50 - 85
R82337	2G2	34	60 - 25	R94322	2D7	2	50 - 49B	TY22465	3C7	5	70 - 27
R82355	1H23	4	40 - 89	R94323	2C7	1	50 - 26	TY22465	3C15	8	70 - 36
R82362	2C7	10	50 - 26	R94326	2C7	7	50 - 26	TY22465	3G19	4	90 - 6
R82423	1H25	8	40 - 91	R94326	2C11	13	50 - 30	TY22465	3G22	20	90 - 9
R82425	3G4	..	80 - 19	R94326	2C12	13	50 - 31	TY22465	3H1	6	90 - 14
R82425	3G11	18	80 - 27	R94331	2C13	14	50 - 32	TY22467	1C11	5	20 - 23
R82766	3C24	6	70 - 45	R94331	2C14	14	50 - 33	TY22467	1C14	1	20 - 26
R82766	3D2	41	70 - 47	R94631	2D15	9	50 - 57	TY22467	1D4	4	30 - 2
R82766	3E8	4	70 - 75	R94631	2D15	..	50 - 57	TY22467	1D10	14	30 - 8
R83020	1C21	6	20 - 33	R94631	2D17	21	50 - 59	TY22467	1D11	14	30 - 9
R83020	1D18	17	30 - 17	R94631	2D17	..	50 - 59	TY22467	3C9	3	70 - 29
R83021	1C21	4	20 - 33	R94631	2D22	15	50 - 63	TY22467	3C10	1	70 - 30
R83021	1D18	16	30 - 17	R94631	2D22	17	50 - 63	TY22467	3C11	2	70 - 31
R83055	1H25	9	40 - 91	R96460	1C1	8	20 - 14	TY22467	3C14	39	70 - 35
R83096	2D24	24	50 - 65	R97316	2B20	5	50 - 14	TY22470	1D10	17	30 - 8
R83103	3G11	17	80 - 27	R97346	1D10	4	30 - 8	TY22470	1D11	17	30 - 9
R83109	1H25	11	40 - 91	R97346	1D11	4	30 - 9	TY22470	1D23	4	30 - 22
R83111	3D20	28	70 - 63	R97348	1C21	9	20 - 33	TY22474	1D5	5	30 - 3
R83112	3D20	20	70 - 63	R97348	1D14	9	30 - 13	TY22474	1D14	1	30 - 13
R83170	3D16	10	70 - 61	R97349	1C21	8	20 - 33	TY22475	1D7	1	30 - 5
R83508	3B7	20	70 - 5	R97349	1D14	21	30 - 13	TY22475	1D7	2	30 - 5
R83508	3B9	24	70 - 7	R97350	1D23	26	30 - 22	TY22475	1D9	5	30 - 7
R83508	3B17	18	70 - 15	R97350	1D25	4	30 - 24	TY22475	1D9	6	30 - 7
R83508	3B19	18	70 - 17	R97801	2E2	8	50 - 67	TY22475	3C7	6	70 - 27
R84158	1H25	13	40 - 91	R97993	2F20	2	60 - 19	TY3018	3F4	3	70 - 97
R84270	2D11	25	50 - 53	R98926	2C13	12	50 - 32	TY6118	1E21	..	40 - 9
R85027	1B8	17	20 - 5	R98926	2C14	12	50 - 33	TY6280	1B4	1	20 - 1

1L24

TRACTOR - 4620

NUMERICAL INDEX - CONTINUED

PART NO.	GRID	KEY	PAGE	PART NO.	GRID	KEY	PAGE	PART NO.	GRID	KEY	PAGE
TY6297	1B4	1	20 - 1	TY9305	1G16	26	40 - 55	T146102	1G4	5	40 - 41
TY6298	1B4	1	20 - 1	TY9371	3I12	1	90 - 49	T146102	3G11	16	80 - 27
TY6300	1B4	1	20 - 1	T104373	3G1	2	80 - 16	T146102	3G11	19	80 - 27
TY6301	1B4	1	20 - 1	T104373	3G3	7	80 - 18	T146104	1F16	6	40 - 29
TY6311	1B4	1	20 - 1	T10745	1F11	8	40 - 24	T146104	1F17	10	40 - 29A
TY6312	1B4	1	20 - 1	T10745	1F12	17	40 - 25	T146104	1G4	1	40 - 41
TY6313	1B4	1	20 - 1	T10745	1F14	27	40 - 27	T146104	3G11	19	80 - 27
TY6359	1B4	1	20 - 1	T11220	3E23	24	70 - 91	T146106	1F16	6	40 - 29
TY6360	1B4	1	20 - 1	T11220	3E25	18	70 - 93	T146106	1F17	10	40 - 29A
TY6361	1B4	1	20 - 1	T11220	3F1	13	70 - 94	T146106	1G4	1	40 - 41
TY6364	1B4	1	20 - 1	T11220	3F2	8	70 - 95	T146106	3G11	19	80 - 27
TY6384	3G15	..	90 - 2	T11234	3B4	1	70 - 1	T146515	1F16	6	40 - 29
TY6389	1B4	2	20 - 1	T11234	3H3	23	90 - 16	T146515	1F17	10	40 - 29A
TY6390	1B4	2	20 - 1	T11234	3H4	13	90 - 17	T146515	1G4	1	40 - 41
TY6391	1B4	2	20 - 1	T11290	1E5	31	30 - 29	T146515	3G11	19	80 - 27
TY6392	1B4	2	20 - 1	T11708	3G25	..	90 - 13	T146516	1F16	6	40 - 29
TY6393	1B4	2	20 - 1	T11708	3I3	8	90 - 40	T146516	1F17	10	40 - 29A
TY6394	1B4	2	20 - 1	T11739	1F21	23	40 - 33	T146516	1G4	1	40 - 41
TY6600	1F11	1	40 - 24	T11743	1F19	1	40 - 31	T146516	3G11	19	80 - 27
TY6603	1F8	7	40 - 21	T11743	1F24	1	40 - 37	T146517	1F16	6	40 - 29
TY6603	1F10	..	40 - 23	T11882	1E5	34	30 - 29	T146517	1F17	10	40 - 29A
TY6617	1F15	6	40 - 28	T11883	1E5	35	30 - 29	T146517	1G4	1	40 - 41
TY6617	1G4	..	40 - 41	T11884	1E5	33	30 - 29	T146517	3G11	19	80 - 27
TY6617	1G5	..	40 - 42	T11917	1E5	4	30 - 29	T15005	3I4	11	90 - 41
TY6617	1G6	..	40 - 43	T11918	1E5	26	30 - 29	T15329	2D2	5	50 - 46
TY6617	1G7	..	40 - 44	T11921	1E5	21	30 - 29	T15539	1B12	18	20 - 9
TY6617	1G8	..	40 - 46	T11921	1E5	43	30 - 29	T15539	1C5	7	20 - 17
TY6618	1F15	6	40 - 28	T11934	1E5	30	30 - 29	T15712	1E5	36	30 - 29
TY6618	1F16	..	40 - 29	T11934	3D8	5	70 - 53	T15715	1E5	15	30 - 29
TY6618	1F24	..	40 - 37	T11937	1E3	6	30 - 27	T15721	1E5	16	30 - 29
TY6618	1G2	..	40 - 39	T11941	1E5	44	30 - 29	T15737	3G14	2	90 - 1
TY6618	1G3	..	40 - 40	T12808	3G3	10	80 - 18	T16573	2E24	20	50 - 90
TY6625	1F14	29	40 - 27	T12808	3H15	10	90 - 27	T16573	2E25	31	50 - 91
TY6665	3G15	2	90 - 2	T12860	2F7	22	60 - 6	T16738	1G21	9	40 - 60
TY6667	1F15	6	40 - 28	T13073	3E25	29	70 - 93	T16911	1F6	11	40 - 19
TY6667	1F16	..	40 - 29	T13073	3F2	17	70 - 95	T16911	1G19	3	40 - 58
TY6667	1F19	..	40 - 31	T134452	1F16	6	40 - 29	T16911	2B20	12	50 - 14
TY6667	1F21	..	40 - 33	T134452	1F17	10	40 - 29A	T16911	2D5	9	50 - 49
TY6686	1F11	1	40 - 24	T134452	1G4	1	40 - 41	T16911	2D20	21	50 - 61
TY6686	1F14	29	40 - 27	T134452	3G11	19	80 - 27	T17148	2F4	4	60 - 3
TY6701	1F15	6	40 - 28	T134453	1F16	6	40 - 29	T17947	1E5	20	30 - 29
TY6701	1F15	..	40 - 28	T134453	1F17	10	40 - 29A	T17948	1F10	20	40 - 23
TY6701	1F16	..	40 - 29	T134453	1G4	1	40 - 41	T17949	1E5	3	30 - 29
TY6701	1F24	..	40 - 37	T134453	3G11	19	80 - 27	T17950	1E5	2	30 - 29
TY6701	1G2	6	40 - 39	T134454	1F16	6	40 - 29	T17953	1E5	22	30 - 29
TY6701	1G2	..	40 - 39	T134454	1F17	10	40 - 29A	T18098	1F21	14	40 - 33
TY6701	1G3	..	40 - 40	T134454	1G4	1	40 - 41	T18098	1G2	13	40 - 39
TY6710	1F15	6	40 - 28	T134454	3G11	19	80 - 27	T18105	1F22	9	40 - 34
TY6710	1F15	..	40 - 28	T134455	1F16	6	40 - 29	T18105	1G3	6	40 - 40
TY6710	1F16	..	40 - 29	T134455	1F17	10	40 - 29A	T18106	1F22	16	40 - 34
TY6710	1F19	..	40 - 31	T134455	1G4	1	40 - 41	T18106	1G3	13	40 - 40
TY6710	1F21	7	40 - 33	T134455	3G11	19	80 - 27	T18107	1F22	12	40 - 34
TY6710	1F21	..	40 - 33	T134456	1F16	6	40 - 29	T18107	1G3	9	40 - 40
TY6713	1F15	6	40 - 28	T134456	1F17	10	40 - 29A	T18110	1F22	2	40 - 34
TY6713	1F15	..	40 - 28	T134456	1G4	1	40 - 41	T18110	1G3	2	40 - 40
TY6713	1G4	..	40 - 41	T134456	3G11	19	80 - 27	T19607	1F22	22	40 - 34
TY6713	1G5	11	40 - 42	T134459	1F16	1	40 - 29	T19854	1E5	32	30 - 29
TY6713	1G5	..	40 - 42	T134459	1F17	1	40 - 29A	T19855	1E5	27	30 - 29
TY6713	1G6	17	40 - 43	T134459	1G4	5	40 - 41	T19860	1E5	13	30 - 29
TY6713	1G6	..	40 - 43	T134459	3G11	19	80 - 27	T19861	1E5	14	30 - 29
TY6713	1G7	..	40 - 44	T13744	1F5	21	40 - 18	T19909	1F19	30	40 - 31
TY6713	1G8	..	40 - 46	T13911	3G25	..	90 - 13	T19909	1F24	29	40 - 37
TY6772	1F11	1	40 - 24	T14264	1H17	8	40 - 82	T19977	1F5	8	40 - 18
TY6772	1F12	..	40 - 25	T14587	2E4	3	50 - 69	T20077	1B8	23	20 - 5
TY6790	1F11	1	40 - 24	T14587	2E6	2	50 - 71	T20129	1B8	24	20 - 5
TY6790	1F12	..	40 - 25	T146102	1F16	1	40 - 29	T20166	1B6	1	20 - 3
TY6790	1F14	29	40 - 27	T146102	1F17	1	40 - 29A	T20173	1B12	6	20 - 9

1L25

TRACTOR - 4620

NUMERICAL INDEX - CONTINUED

PART NO.	GRID	KEY	PAGE	PART NO.	GRID	KEY	PAGE	PART NO.	GRID	KEY	PAGE
T20303	1C10	11	20-22	T40308	3C1	11	70-21D	U13639	3B23	21	70-21
T21397	2B6	12	50-1	T43535	3C1	8	70-21D	U13639	3C17	7	70-38
T21397	2B15	14	50-9	T43535	3C1	9	70-21D	U13639	3D2	14	70-47
T21397	2C1	18	50-20	T519T	3C24	23	70-45	U13639	3D2	22	70-47
T21397	2C1	21	50-20	T519T	3C24	30	70-45	U13639	3D4	15	70-49
T21689	3F17	4	80-6	T519T	3D2	32	70-47	U15242	2E8	4	50-73
T22228	3D2	2	70-47	T54033	3C24	6	70-45	U17409	2E4	7	50-69
T22534	1D22	5	30-21	T54033	3D2	41	70-47	U17409	2E4	12	50-69
T22958	3C9	4	70-29	T54033	3E8	4	70-75	U17409	2E6	12	50-71
T22958	3C9	17	70-29	T55501	1G25	1	40-64	U17409	2E7	4	50-72
T22958	3E1	14	70-67	T55501	1H1	11	40-65	U17409	2E19	3	50-85
T23027	3I10	3	90-47	T56005	3D16	6	70-61	U17409	3C14	37	70-35
T23027	3I10	..	90-47	T56005	3D20	6	70-63	U17409	3C15	13	70-36
T23033	3I10	4	90-47	T57374	3B11	29	70-9	U40727	2E4	19	50-69
T23610	1F9	25	40-22	T57374	3B15	18	70-13	U40727	2E6	3	50-71
T23610	1F10	30	40-23	T57374	3B23	5	70-21	U40727	2E19	13	50-85
T23856	2B20	15	50-14	T57374	3B25	19	70-21B	U40750	1C10	6	20-22
T23891	1B22	2	20-12	T57374	3C1	10	70-21D	U46370	1I2	36	40-93
T23891	2E20	2	50-86	T738T	1F21	18	40-33	U46370	1I4	20	40-95
T23925	1H2	3	40-67	T738T	1G2	17	40-39	U46506	1H11	17	40-76
T24959	3C12	33	70-33	T75972	2E8	3	50-73	U46507	1H11	11	40-76
T25317	2B15	17	50-9	T77072	2E8	2	50-73	U46508	1H11	20	40-76
T25317	2C15	20	50-34	T84409	1F16	1	40-29	U46509	1H11	8	40-76
T25317	2D24	13	50-65	T84409	1F17	1	40-29A	U46510	1H11	7	40-76
T25343	1F9	26	40-22	T84409	1G4	5	40-41	U46511	1H11	6	40-76
T25343	1F10	31	40-23	T84409	3G11	19	80-27	U46512	1H11	5	40-76
T25353	1F10	10	40-23	T84410	1F16	6	40-29	U46513	1H11	4	40-76
T25357	1F10	6	40-23	T84410	1F17	10	40-29A	U46514	1H11	1	40-76
T25879	3D13	4	70-58	T84410	1G4	1	40-41	U46662	1H18	7	40-83
T26256	1E5	42	30-29	T84410	3G11	19	80-27	U46662	1H25	12	40-91
T26565	2B6	10	50-1	T84411	1F16	6	40-29	U46662	1I2	37	40-93
T26565	2C1	15	50-20	T84411	1F17	10	40-29A	U46662	1I4	10	40-95
T27155	3H8	4	90-21	T84411	1G4	1	40-41	U46663	1I2	38	40-93
T27261	1C12	8	20-24	T84411	3G11	19	80-27	U46664	1I2	39	40-93
T27261	1C13	5	20-25	T84412	1F16	6	40-29	U46664	1I6	47	40-97
T27860	1C7	1	20-19	T84412	1F17	10	40-29A	W19903	2E8	6	50-73
T27860	1C7	2	20-19	T84412	1G4	1	40-41	Z36276	3C1	8	70-21D
T28583	1E17	7	40-5	T84412	3G11	19	80-27	Z36276	3C1	9	70-21D
T28583	1I2	34	40-93	T84413	1F16	6	40-29	1873796	1F19	10	40-31
T28583	1I4	1	40-95	T84413	1F17	10	40-29A	31415	2D13	10	50-55
T28585	1E14	..	40-2	T84413	1G4	1	40-41	31415A	2C24	20	50-43
T28585	1E15	..	40-3	T84413	3G11	19	80-27	32240	2E6	4	50-71
T28585	1E17	7	40-5	T84578	1F16	6	40-29	32240	3G15	22	90-2
T28585	1H18	7	40-83	T84578	1F17	10	40-29A	400R	2B10	22	50-5
T28585	1I2	35	40-93	T84578	1G4	1	40-41	400R	2B12	14	50-6
T28585	1I4	12	40-95	T84578	3G11	19	80-27	400R	2C17	13	50-36
T28586	1I4	14	40-95	U10136	2F24	3	60-23	400R	2D19	8	50-60
T29100	1F10	3	40-23	U10136	2F24	7	60-23	400R	2E12	28	50-77
T29102	1F10	20	40-23	U10136	2G2	3	60-25	400R	2E12	37	50-77
T29105	1F10	9	40-23	U10136	3C12	3	70-33	400R	2E12	38A	50-77
T31308	1F8	22	40-21	U10136	3C12	23	70-33	400R	2F4	12	60-3
T31308	1F10	1	40-23	U10289	2F15	6	60-14	400R	2F6	6	60-5
T31483	1D12	9	30-10	U11017	2F15	3	60-14	400R	2F17	13	60-16
T31783	2C7	12	50-26	U11647	2E17	13	50-83	400R	2F17	30	60-16
T31784	2C7	11	50-26	U11647	2E21	8	50-87	400R	2F24	21	60-23
T32148	3F25	15	80-15	U11647	3F4	1	70-97	400R	2F24	38	60-23
T32231	1E14	9	40-2	U12198	2D11	16	50-53	400R	2G2	18	60-25
T32231	1F6	7	40-19	U12331	2F24	7	60-23	400R	3C6	9	70-26
T32231	1H18	5	40-83	U12331	2G2	6	60-25	400R	3C22	38	70-43
T32231	3G14	2	90-1	U12331	3C12	6	70-33	400R	3E10	12	70-77
T32255	1H11	16	40-76	U12331	3C12	20	70-33	400R	3E17	22	70-85
T33483	2D2	14	50-46	U12547	2E3	7	50-68	400R	3F3	14	70-96
T34067	1I4	18	40-95	U12547	2E10	13	50-75	811912	1G2	9	40-39
T40308	3B11	28	70-9	U13639	3B7	14	70-5				
T40308	3B15	17	70-13	U13639	3B9	19	70-7				
T40308	3B23	4	70-21	U13639	3B13	14	70-11				
T40308	3B25	18	70-21B	U13639	3B17	12	70-15				