

1A2

7020 TRACTOR

RWP4339 -UN-01JAN94



JOHN DEERE 7020 TRACTOR

(SPECIFICATIONS AND DESIGN SUBJECT TO CHANGE WITHOUT NOTICE)

COPYRIGHT (C) 1995. DEERE & COMPANY. MOLINE, ILLINOIS. ALL RIGHTS RESERVED.

1A3

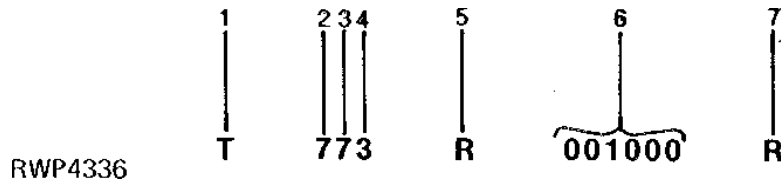
7020 TRACTOR

SERIAL NUMBERS

EACH 7020 TRACTOR HAS THE FOLLOWING SERIAL NUMBER PLATES: BASIC TRACTOR, ENGINE AND HYDRAULIC PUMP.

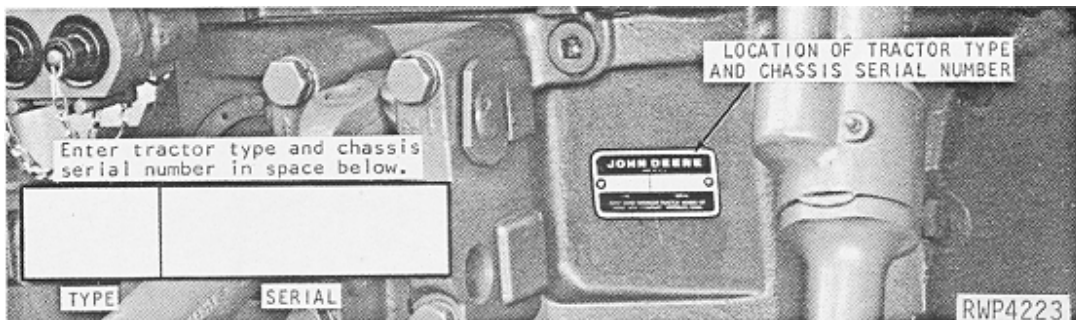
BASIC TRACTOR SERIAL NUMBER

RWP4336 -UN-01JAN94



- | | |
|-------------------------------------|------------------------------|
| 1. DESIGNATES UNIT TYPE | T - TRACTOR |
| 2. DESIGNATES MODEL SERIES | 7 - 7020 |
| 3. DESIGNATES CHASSIS DESIGN | 7 - |
| 4. DESIGNATES ENGINE TYPE | 3 - DIESEL |
| 5. DESIGNATES TRANSMISSION TYPE | R - SYNCRO-RANGE |
| 6. DESIGNATES TRACTOR SERIAL NUMBER | |
| 7. DESIGNATES TRACTOR MANUFACTURER | R - JOHN DEERE TRACTOR WORKS |

RWP4223 -UN-01JAN94



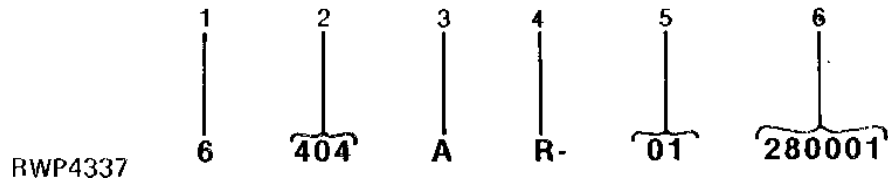
THE BASIC TRACTOR SERIAL NUMBER PLATE IS LOCATED AT THE REAR OF THE TRANSMISSION CASE.

1A4

7020 TRACTOR

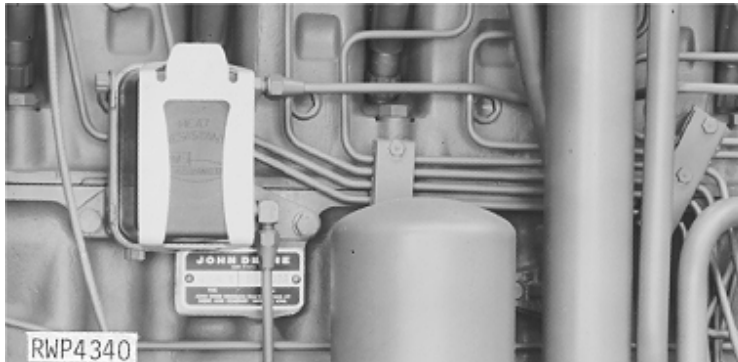
ENGINE SERIAL NUMBER

RWP4337 -UN-01JAN94



- | | |
|---|----------------------------------|
| 1. DESIGNATES NUMBER OF CYLINDERS | 6 - SIX CYLINDERS |
| 2. DESIGNATES CUBIC INCH DISPLACEMENT | 404 |
| 3. DESIGNATES TYPE OF AIR INTAKE SYSTEM | A - TURBOCHARGED AND INTERCOOLED |
| 4. DESIGNATES USER FACTORY | R - JOHN DEERE TRACTOR WORKS |
| 5. DESIGNATES THE VERSION | 01- FIRST |
| 6. DESIGNATES ENGINE SERIAL NUMBER | |

RWP4340 -UN-01JAN94



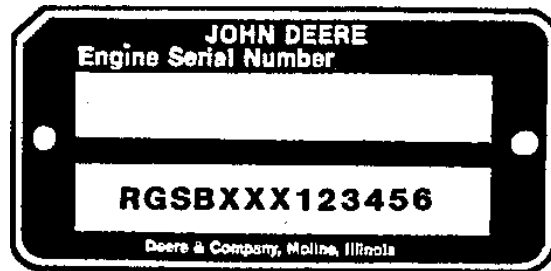
THE ENGINE SERIAL NUMBER PLATE IS LOCATED ON THE RIGHT-HAND SIDE OF THE ENGINE.

1A5

7020 TRACTOR

SHORT BLOCK SERIAL NUMBER PLATE (SHORT BLOCK SERIAL NO. -XXXXXX)

RGP2856 -UN-01JAN94



RGP2856

A SHORT BLOCK SERIAL NUMBER PLATE PLUS 2-37H44 DRIVE SCREWS ARE USED TO ATTACH TO REPLACEMENT SHORT BLOCK ASSEMBLIES. THIS NUMBER WILL BE REFERRED TO WHEN NEW PARTS AFFECT THE SHORT BLOCK ASSEMBLY. THE PREVIOUS ENGINE SERIAL NUMBER SHOULD BE STAMPED INTO THE BLANK SPACE PROVIDED, AS A REFERENCE FOR YOUR DEALER.

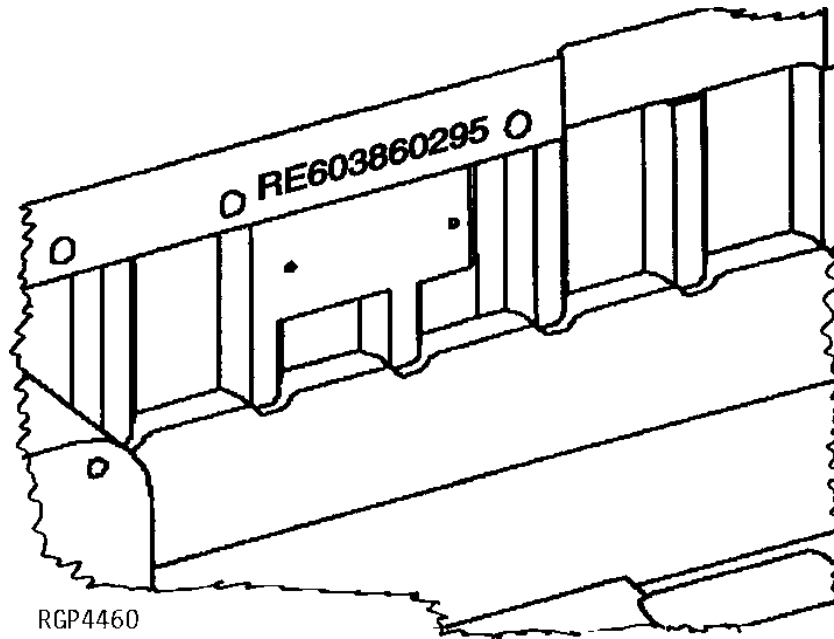
- | | |
|---------------------------------------|----------------------------|
| 1. DESIGNATES ENGINE MANUFACTURER | RG - WATERLOO ENGINE WORKS |
| 2. DESIGNATES REPLACEMENT SHORT BLOCK | SB |
| 3. DESIGNATES CUBIC INCH | XXX- 404 OR 362 |
| 4. DESIGNATES PRODUCTION DATE | 6688 |
| 5. DESIGNATES COMPONENT SEQUENCE | 05 |

1A6

7020 TRACTOR

SHORT BLOCK SERIAL NUMBER IDENTIFICATION (RE603860295-)

RGP4460 -UN-04MAR95



SERIAL NUMBER STAMPED INTO CASTING OF BLOCK NEAR PREVIOUS SERIAL NUMBER PLATE.

EXAMPLE: RE603860295

- | | |
|-----------------------------------|---------|
| 1. DESIGNATES SERVICE PART NUMBER | RE60386 |
| 2. DESIGNATES MONTH ASSEMBLED | 02 |
| 3. DESIGNATES YEAR ASSEMBLED | 95 |

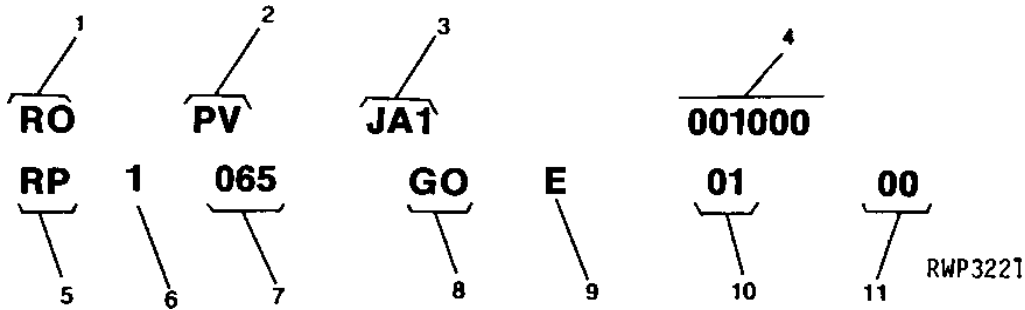
MEMORANDA

1A7

7020 TRACTOR

HYDRAULIC PUMP SERIAL NUMBER

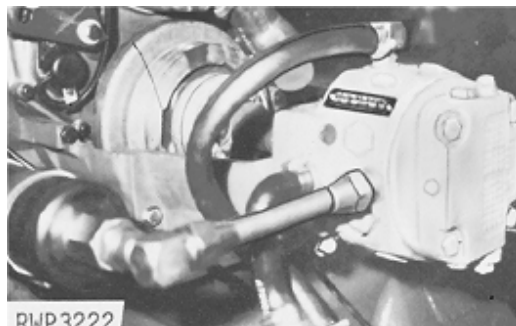
RWP3221 -UN-23SEP94



1. DESIGNATES MANUFACTURING FACTORY
2. DESIGNATES COMPONENT
3. DESIGNATES MODEL NUMBER
4. DESIGNATES COMPONENT NUMERIC NUMBER
5. DESIGNATES TYPE COMPONENT
6. DESIGNATES FAMILY
7. DESIGNATES SIZE
8. DESIGNATES PORT ARRANGEMENT
9. DESIGNATES ROTATION
10. DESIGNATES STROKE CONTROL VALVE TYPE
11. NO SIGNIFICANCE

- RO - JOHN DEERE COMPONENT WORKS
PV - PUMP VARIABLE
JA1- 66 CM3 (4 IN3)
RP - RADIAL PISTON PUMP
1 - FRAME SIZE
65 - 66 CM3 (1RW)
GO - PRIMARY HOUSING
E - EITHER
R - RIGHT
L - LEFT
01 - STROKE CONTROL VALVE CODE
00 - NO SIGNIFICANCE

RWP3222 -UN-01JAN94



THE HYDRAULIC PUMP SERIAL NUMBER PLATE IS LOCATED ON THE TOP RIGHT-HAND SIDE OF THE PUMP.

1A8

7020 TRACTOR

SERIAL NUMBER LISTING INFORMATION

SERIAL NUMBER INFORMATION IS LISTED TO SHOW ON WHICH MACHINES EACH PART CAN BE USED; FOR EXAMPLE:

- THE PART CAN BE USED ON ALL MACHINES.
- 000000- THE PART CAN BE USED ON ALL MACHINES BEGINNING WITH THE SERIAL NUMBER LISTED.
- 000000 THE PART CAN BE USED ON ALL MACHINES UP TO AND INCLUDING THE SERIAL NUMBER LISTED.
- 000000-000000 THE PART CAN BE USED ON ALL MACHINES BETWEEN AND INCLUDING THE SERIAL NUMBERS LISTED.

- 15BV1- WHEN A MODEL NUMBER BEGINS WITH 15BV, 14HA, 15PP, 25SC, 2RC, 4RC, 15RS, 3CY, 2SP, OR 31SV, IT REFERS TO THE MODEL NUMBER OF THE BRAKE VALVE, HYDRAULIC ACCUMULATOR, HYDRAULIC PUMP, REMOTE CYLINDER SELECTIVE CONTROL VALVE FOR NO ROCKSHAFT, REMOTE CYLINDER SELECTIVE CONTROL VALVES, REMOTE CYLINDERS, REMOTE CYLINDERS WITH MECHANICAL STOPS, ROCKSHAFT CONTROL VALVE, STEERING CYLINDER, STEERING METERING PUMP, OR STEERING VALVE.

WHEN XXXXXX'S ARE LISTED IN PLACE OF A SERIAL NUMBER, A SERIAL NUMBER CHANGE WAS MADE BUT THE EXACT SERIAL NUMBER WAS NOT AVAILABLE WHEN THE CATALOG WAS PRODUCED.

MODEL NUMBERS

THE FOLLOWING COMPONENTS HAVE MODEL NUMBERS:

BRAKE VALVE	15BV1
HYDRAULIC ACCUMULATOR	14HA2
HYDRAULIC PUMP (100 CM3 (6 IN3))	1
REMOTE CYLINDER SELECTIVE CONTROL VALVE FOR NO ROCKSHAFT - TRIPLE OR QUAD	39SC1
REMOTE CYLINDER SELECTIVE CONTROL VALVE FOR ROCKSHAFT - TRIPLE OR QUAD	41SC1
REMOTE CYLINDER (89 X 203 MM (3-1/2" X 8"))	2RC4
REMOTE CYLINDER WITH MECHANICAL STOP (89 X 203 MM (3-1/2" X 8"))	4RC3
ROCKSHAFT CONTROL VALVE	1
STEERING CYLINDER	3CY1
STEERING METERING PUMP	2SP1
STEERING VALVE	31SV1

EACH OF THE ABOVE COMPONENTS HAS A MODEL NUMBER. WHEN THE DESIGN OF ONE OF THESE COMPONENTS IS CHANGED, THE MODEL NUMBER FOR THE NEWLY DESIGNED COMPONENT IS CHANGED.

1A9

7020 TRACTOR

DIRECTION ARROW

ARROWS ARE USED WITH ILLUSTRATIONS TO INDICATE THE FRONT OF THE UNIT. "RIGHT-HAND" AND "LEFT-HAND" SIDES ARE DETERMINED BY FACING IN THE DIRECTION OF MACHINE FORWARD TRAVEL.

BOX-ENCLOSED ILLUSTRATIONS

A KEY NUMBER, SHOWN IN THE PARTS LIST, IS ASSIGNED TO A BOX ENCLOSING ALL PARTS SOLD AS A SERVICE ASSEMBLY.

BOLT AND CAP SCREW STRENGTH IDENTIFICATION

U.S. CUSTOMARY DIMENSIONED PRODUCT: BOLTS AND CAP SCREWS REQUIRED TO HAVE HIGH-STRENGTH QUALITIES EQUIVALENT TO SAE GRADE 8 ARE IDENTIFIED THROUGHOUT THIS CATALOG BY THE DESCRIPTION HS SAE 8. ALL STANDARD BOLTS AND CAP SCREWS ARE SAE GRADE 5 OR LOWER.

METRIC DIMENSIONED PRODUCT: BOLTS AND CAP SCREWS REQUIRED TO HAVE HIGH-STRENGTH QUALITIES EQUIVALENT TO PROPERTY CLASS 10.9 ARE IDENTIFIED THROUGHOUT THIS CATALOG BY THE DESCRIPTION HS 10.9. ALL STANDARD BOLTS AND CAP SCREWS ARE PROPERTY CLASS 8.8 OR LOWER.

JDM REMANUFACTURED COMPONENTS

THE SERVICE PARTS LISTED IN THIS CATALOG ARE INTENDED FOR THE REPAIR OF ORIGINAL EQUIPMENT COMPONENTS. ALTHOUGH MOST SERVICE PARTS MAY BE USED TO REPAIR REMANUFACTURED COMPONENTS, THE REMANUFACTURING PROCESS MAY CHANGE PARTS SUFFICIENTLY SO THAT SERVICE PARTS ARE INADEQUATE OR NOT USABLE.

TRADEMARKS

THROUGHOUT THIS PARTS CATALOG, YOU WILL FIND THE FOLLOWING TRADEMARKS:

HYDRACUSHIONED™
INTELLITRAK®
PERSONAL-POSTURE™
QUAD-RANGE™
PERFORMANCE TRAK™ II

ROLL-GARD®
SOUND-GARD®
TORQ-GARD PLUS 50®
HY-GARD®
QUIK-TATCH®
LOCTITE®

CHANGE INDICATOR LINE (MICROFICHE CATALOGS ONLY)

CHANGES AFFECTING THE ORDERING OF PARTS ARE IDENTIFIED BY VERTICAL LINES MARKED IN THE LEFT-HAND MARGIN OF REVISED PARTS LISTING IMAGES. A LINE IS ALSO AT THE LEFT-HAND EDGE OF THE SAME PART NUMBER IN THE NUMERICAL INDEX TO SHOW THE LOCATION OF REVISED INFORMATION.

1A10

7020 TRACTOR

QUANTITY COLUMN OR REMARKS COLUMN

GENERALLY THE QUANTITY SHOWN IS FOR THE ENTIRE TRACTOR AT ANY GIVEN LOCATION. THERE ARE EXCEPTIONS AS IN WHEEL HARDWARE WHERE ONLY ENOUGH IS SHOWN FOR ONE WHEEL.

THE FOLLOWING ABBREVIATIONS ARE USED IN THE REMARKS COLUMN:

NLR - NO LONGER REQUIRED

^NA - NOT APPLICABLE

NLA - NO LONGER AVAILABLE

FI - FIELD INSTALLED

^CA - COMPLETE GOODS ATTACHMENT

CA AND FI ARE OPTIONS THAT MUST BE ORDERED DIRECT FROM THE PRODUCING FACTORY.

1A11

7020 TRACTOR

SECTION INDEX

GENERAL INFORMATION	10
ENGINE	20
FUEL AND AIR	30
ELECTRICAL	40
POWER TRAIN	50
STEERING AND BRAKES	60
HYDRAULICS	70
WHEELS, FRONT AXLES, SHEET METAL	80
OPERATOR'S STATION	90
NUMERICAL INDEX	95

1A12

7020 TRACTOR

ALPHABETICAL INDEX

GRID	A	PAGE	GRID	B	PAGE
3B22	ABSORBER, SHOCK, SEAT SUPPORT.....	90-21	3B20	BACK, SEAT.....	90-19
2E16	ACCUMULATOR PISTON.....	60-28	1G12	BATTERY.....	40-5
2E15	ACCUMULATOR, BRAKE.....	60-27	1G13	BATTERY CABLES.....	40-6
2E16	ACCUMULATOR, BRAKE.....	60-28	1G14	BATTERY CLAMPS.....	40-7
2H1	ADAPTER IMPLEMENT QUICK COUPLER.....	70-56	1C11	BEARING KIT, UNDERSIZED MAIN BEARING CRANKSHAFT (LATE DESIGN) (6404).....	20-27D
1E18	ADAPTER, COLD WEATHER STARTING AID.....	30-32	1C9	BEARING KIT, UNDERSIZED MAIN BEARING CRANKSHAFT (6404) (EARLY DESIGN).....	20-27B
1G22	ADJUSTING STRAP, ALTERNATOR.....	40-15	1C12	BEARINGS, MAIN.....	20-28
1E10	AFTERCOOLER (EARLY DESIGN).....	30-23	1C12	BEARINGS, MAIN THRUST.....	20-28
1E11	AFTERCOOLER (LATE DESIGN).....	30-24	2B14	BELLCRANK, HI-LO SHIFTER.....	50-12
1D17	AIR CLEANER.....	30-3	3B3	BELT, COMPRESSOR.....	90-1
1D18	AIR CLEANER.....	30-4	1D3	BELTS, FAN.....	20-44
2J11	AIR CLEANER ACCESS COVER.....	80-8	1D4	BELTS, FAN.....	20-45
1D18	AIR CLEANER FILTER.....	30-4	1G20	BELTS, FAN.....	40-12
1I15	AIR CLEANER RESTRICTION INDICATOR LAMP.....	40-51	1G22	BELTS, FAN.....	40-15
3B4	AIR CONDITIONING CLUTCH.....	90-2	2C16	BEVEL GEAR, DIFFERENTIAL.....	50-39
3B4	AIR CONDITIONING COIL.....	90-2	2C16	BEVEL PINION ASSEMBLY.....	50-39
3B4	AIR CONDITIONING COMPRESSOR.....	90-2	2C16	BEVEL PINION, DIFFERENTIAL.....	50-39
3B3	AIR CONDITIONING COMPRESSOR BRACKETS.....	90-1	1B15	BLOCK, CYLINDER.....	20-14
2I25	AIR CONDITIONING O-RING KIT.....	70-102	1B17	BLOCK, CYLINDER.....	20-16
3B4	AIR CONDITIONING PULLEY.....	90-2	1B19	BLOCK, ENGINE SHORT (WITH OIL PUMP).....	20-18
1D1	AIR DEFLECTOR.....	20-42	1B21	BLOCK, ENGINE SHORT (6404) (REPLACEMENT) (WITHOUT OIL PUMP).....	20-19A
1D21	AIR INTAKE.....	30-7	1B15	BLOCK, SHORT.....	20-14
1D22	AIR INTAKE, CAB ROOF MOUNTED.....	30-8	2C14	BLOCKERS, TRANSMISSION.....	50-37
1D20	AIR STACK.....	30-6	3B13	BLOWER AND CONDENSATE TRAY, CAB.....	90-12
1G20	ALTERNATOR.....	40-12	3B13	BLOWER SWITCH.....	90-12
1G22	ALTERNATOR.....	40-15	3B13	BLOWER, CAB.....	90-12
1G23	ALTERNATOR (55 AMP) (MOTOROLA).....	40-16	1G22	BRACKET, ALTERNATOR.....	40-15
1H1	ALTERNATOR (55 AND 72 AMP) (DELCO-REMY).....	40-18	1G20	BRACKET, ALTERNATOR MOUNTING.....	40-12
1H3	ALTERNATOR (72 AMP) (DELCO-REMY).....	40-20	2I16	BRACKET, BREAKAWAY COUPLER.....	70-93
1G24	ALTERNATOR (72 AMP) (MOTOROLA).....	40-17	3B3	BRACKET, COMPRESSOR MOUNTING.....	90-1
1G22	ALTERNATOR ADJUSTING STRAP.....	40-15	1J7	BRACKET, ELECTRICAL REMOTE CONTROL.....	40-68
1G22	ALTERNATOR BRACKET.....	40-15	3C24	BRACKET, FIRE EXTINGUISHER.....	90-48
1I15	ALTERNATOR INDICATOR LAMP.....	40-51	2E4	BRACKET, STEERING CYLINDER.....	60-16
1G20	ALTERNATOR MOUNTING BRACKET.....	40-12	1I18	BRACKET, RADAR SENSOR.....	40-54
1G8	ALTERNATOR WIRING HARNESS.....	40-1	2E16	BRAKE ACCUMULATOR.....	60-28
1J1	AM FENDER MOUNT RADIO.....	40-62	2E10	BRAKE FACING.....	60-22
1J1	AM-FM STEREO FENDER MOUNT RADIO.....	40-62	2E11	BRAKE FACING.....	60-22A
1I20	ANALOG TACHOMETER.....	40-56	2E13	BRAKE OIL LINES, FRONT.....	60-24
1F20	ANEROID CONTROLS.....	30-60	2E14	BRAKE OIL LINES, REAR.....	60-25
1F21	ANEROID CONTROLS.....	30-61	2E6	BRAKE PEDAL.....	60-18
1J1	ANTENNA, FENDER MOUNT RADIO.....	40-62	2E11	BRAKE PLATE.....	60-22A
2D2	ANTI-FRICTION DIFFERENTIAL KIT.....	50-50	2E10	BRAKE PLATES.....	60-22
1F24	ARM, FOOT SPEED CONTROL.....	30-64	2E12	BRAKE PRESSURE OIL LINES.....	60-23
1F25	ARM, FOOT SPEED CONTROL.....	30-65	2E7	BRAKE VALVE.....	60-19
2C21	ARM, GEAR SELECTOR.....	50-44	2E8	BRAKE VALVE OVERHAUL KIT.....	60-20
2B14	ARM, HI-LO LEVER DETENT.....	50-12	2E9	BRAKE VALVE PLUNGER REPLACEMENT KIT.....	60-21
2G12	ARM, LIFT.....	70-42	2E15	BRAKE, ACCUMULATOR.....	60-27
2C19	ARM, PARK RELEASE.....	50-42	2I9	BREAKAWAY COUPLER.....	70-85B
2B13	ARM, PTO SHIFTER.....	50-11	2I11	BREAKAWAY COUPLER (ISO CONVERSION KIT).....	70-88
2C21	ARM, RANGE SELECTOR.....	50-44	2I10	BREAKAWAY COUPLER (ISO).....	70-87
2B9	ARM, SHIFTER, PTO.....	50-6	2I6	BREAKAWAY COUPLER (LESS ROCKSHAFT).....	70-84
2C23	ARM, SPEED CHANGE LEVER.....	50-46	2I5	BREAKAWAY COUPLER (ROCKSHAFT).....	70-83
2C19	ARM, SPEED CHANGE SHIFTER.....	50-42	2I16	BREAKAWAY COUPLER BRACKET.....	70-93
2C23	ARM, SPEED RANGE LEVER.....	50-46	2I4	BREAKAWAY COUPLER FLEXIBLE OIL LINE.....	70-81
2C17	ARM, SPEED RANGE SHIFTER.....	50-40	2I8	BREAKAWAY COUPLER OVERHAUL KIT.....	70-85A
1H13	ARMATURE, STARTER (DELCO-REMY).....	40-26	1G17	BREAKER, CIRCUIT.....	40-10
1H19	ARMATURE, STARTER (JOHN DEERE).....	40-30	1G19	BREAKER, CIRCUIT.....	40-11B
1B11	ARMS, ROCKER.....	20-9	1J12	BREAKER, ELECTRICAL OUTLET CIRCUIT.....	40-75
3B23	ASH TRAY.....	90-22	2G22	BUSHING KIT, LOAD CONTROL SHAFT.....	70-53
2J7	AXLE STOP.....	80-4	1H6	BYPASS STARTER LABEL.....	40-22A
2D6	AXLE, FRONT.....	50-55	1C18	BYPASS VALVE, OIL COOLER.....	20-35
2D7	AXLE, REAR.....	50-56			

1A13

7020 TRACTOR

ALPHABETICAL INDEX - CONTINUED

GRID		PAGE	GRID		PAGE
1H18	BYPASS, STARTER LABEL	40-29	2B4	CLUTCH INSPECTION COVER	50-1
C					
3B23	CAB BODY (HINSON)	90-22	2B5	CLUTCH LINK KIT	50-2
3B25	CAB DOOR (HINSON)	90-24	2B6	CLUTCH LINKAGE	50-3
3C3	CAB FLOOR MAT	90-27	2B6	CLUTCH OPERATING COLLAR	50-3
3C4	CAB FLOOR MAT	90-28	2B6	CLUTCH PEDAL	50-3
3C2	CAB GLASS (HINSON)	90-26	2B6	CLUTCH PEDAL LABEL	50-3
1I1	CAB LAMPS	40-36	2B5	CLUTCH SHAFT	50-2
1I3	CAB LAMPS	40-39	3B4	CLUTCH, AIR CONDITIONING	90-2
3C2	CAB MOULDING (HINSON)	90-26	1H20	COIL STARTER (JOHN DEERE)	40-31
1I22	CAB RADIO	40-58	3B4	COIL, AIR CONDITIONING	90-2
3C3	CAB UPHOLSTERY	90-27	1E18	COLD WEATHER STARTING AID	30-32
3C4	CAB UPHOLSTERY	90-28	2B6	COLLAR, CLUTCH	50-3
3B25	CAB WINDOW, RIGHT-HAND FRONT (HINSON)	90-24	2B6	COLLAR, CLUTCH OPERATING	50-3
1G9	CAB WIRING AND LAMPS	40-2	2C14	COLLAR, SYNCHRONIZE DRIVE	50-37
1G11	CAB WIRING AND LAMPS	40-4	1H21	COMMUTATOR END FRAME, STARTER (JOHN DEERE)	40-32
3C1	CAB, ROOF	90-25	3B6	COMPRESSOR	90-4
1G13	CABLE, BATTERY	40-6	3B3	COMPRESSOR BELT	90-1
1F20	CABLE, FUEL SHUT-OFF	30-60	3B6	COMPRESSOR CLUTCH	90-4
1F21	CABLE, FUEL SHUT-OFF	30-61	3B6	COMPRESSOR COIL	90-4
2B13	CABLE, PTO SHIFTER	50-11	3B3	COMPRESSOR MOUNTING BRACKET	90-1
2B13	CABLE, PUSH-PULL, PTO	50-11	3B6	COMPRESSOR PULLEY	90-4
2C21	CABLE, PUSH-PULL, SPEED RANGE	50-44	3B4	COMPRESSOR, AIR CONDITIONING	90-2
2G19	CABLE, ROCKSHAFT CONTROL	70-49	3B10	COMPRESSOR, VALVE KIT	90-9
1I17	CABLE, SPEED-HOUR METER	40-53	3B8	CONDENSER	90-6
2B14	CABLE, TORQUE DIVIDER	50-12	3B7	CONDENSER CORE	90-5
2B16	CABLE, TORQUE DIVIDER	50-14	3C1	CONDENSOR COVER, CAB	90-25
2C21	CABLE, TRANSMISSION SHIFTER	50-44	1B5	CONDITIONER, COOLANT	20-2
2G12	CAM, ROCKSHAFT	70-42	1C4	CONNECTING RODS	20-24
1B12	CAMSHAFT	20-10	1F15	CONNECTORS, FUEL INJECTION PUMP HOUSING	30-54
1B13	CAMSHAFT	20-11	1J15	CONNECTORS, ELECTRICAL	40-78
1B12	CAMSHAFT GEARS	20-10	1J17	CONNECTORS, ELECTRICAL	40-80
1B13	CAMSHAFT, GEAR	20-11	1J19	CONNECTORS, ELECTRICAL	40-82
1D22	CAP, AIR INTAKE	30-8	3B11	CONSOLE COVER, FRONT, CAB	90-10
1E24	CAP, FUEL FILLER	30-38	3B15	CONSOLE COVER, REAR	90-14
1F2	CAP, FUEL FILLER	30-41	2B14	CONSOLE SUPPORT	50-12
1C15	CAP, OIL FILLER	20-32	3C15	CONSOLE, SELECTIVE CONTROL	90-39
1C23	CAP, RADIATOR	20-40	1J15	CONTAINER, ELECTRICAL PARTS	40-78
2D6	CARRIER, PLANET PINION	50-55	3C8	CONTROL SUPPORT	90-32
2D7	CARRIER, PLANET PINION	50-56	3C8	CONTROL SUPPORT COVER	90-32
2D4	CASE, DIFFERENTIAL, FRONT	50-53	2G17	CONTROL VALVE, ROCKSHAFT	70-48
2C11	CASE, TRANSMISSION	50-34	2G13	CONTROL, LOAD	70-43
2J5	CAST DISK WHEELS	80-2	2C23	CONTROL, TRANSMISSION SHIFTER	50-46
1E5	CENTER HOUSING, TURBOCHARGER	30-17	1I14	CONTROLLER, TURN SIGNAL	40-50
1E8	CENTER HOUSING, TURBOCHARGER	30-20	2I24	CONVERSION KIT, REMOTE CYLINDER	70-101
1E9	CENTER HOUSING, TURBOCHARGER	30-21	1B5	COOLANT CONDITIONER	20-2
2G23	CENTER LINK	70-54	1D6	COOLANT HEATER, ENGINE	20-47
2H3	CHAIN, IMPLEMENT SAFETY	70-58	1C21	COOLER, ENGINE OIL	20-38
1F7	CHECK VALVE, FUEL	30-46	1C22	COOLER, ENGINE OIL	20-39
2F18	CHECK VALVE, HYDRAULIC	70-22	2F24	COOLER, HYDRAULIC OIL	70-28
2F19	CHECK VALVE, HYDRAULIC	70-23	3B9	CORE, EVAPORATOR	90-7
3C9	CIGAR LIGHTER	90-33	3B16	CORE, HEATER	90-15
1G17	CIRCUIT BREAKER	40-10	2C15	COUNTERSHAFT, TRANSMISSION	50-38
1G19	CIRCUIT BREAKER	40-11B	2I16	COUPLER BRACKET, BREAKAWAY	70-93
1G18	CIRCUIT BREAKER LEADS	40-11	2I13	COUPLER OVERHAUL KIT (ISO)	70-90
1J12	CIRCUIT BREAKER, ELECTRICAL OUTLET	40-75	2I9	COUPLER, BREAKAWAY	70-85B
1G14	CLAMP, BATTERY	40-7	2I11	COUPLER, BREAKAWAY (ISO CONVERSION KIT)	70-88
1D17	CLEANER, AIR	30-3	2I10	COUPLER, BREAKAWAY (ISO)	70-87
1D18	CLEANER, AIR	30-4	2I6	COUPLER, BREAKAWAY (LESS ROCKSHAFT)	70-84
2B6	CLUTCH COLLAR	50-3	2I5	COUPLER, BREAKAWAY (ROCKSHAFT)	70-83
2B6	CLUTCH CONTROL, TRANSMISSION	50-3	2I15	COUPLER, FLEXIBLE OIL LINE	70-92
2B5	CLUTCH DISK	50-2	2B20	COUPLER, FRONT AXLE DRIVE SHAFT	50-18
2B6	CLUTCH FORK	50-3	2H1	COUPLER, IMPLEMENT QUICK	70-56
2B4	CLUTCH HOUSING	50-1	2I11	COUPLER, ISO CONVERSION KIT	70-88
			2E22	COUPLER, MAIN PUMP DRIVE	70-2
			2J2	COUPLINGS, REUSABLE	70-104
			2J11	COVER, AIR CLEANER ACCESS	80-8

1A15

7020 TRACTOR

ALPHABETICAL INDEX - CONTINUED

GRID		PAGE	GRID		PAGE
1J9	ELECTRICAL REMOTE CONTROL WIRING	40-71	1D1	FAN SHROUD	20-42
1J10	ELECTRICAL REMOTE CONTROL WIRING KIT.....	40-72	2J13	FENDERS	80-10
1J15	ELECTRICAL TERMINALS	40-78	1F6	FILLER NECK EXTENSION KIT	30-45
1J17	ELECTRICAL TERMINALS	40-80	1D18	FILTER, AIR CLEANER	30-4
1J19	ELECTRICAL TERMINALS	40-82	3B11	FILTER, CAB AIR	90-10
1J24	ELECTRICAL TOOLS.....	40-86	1C19	FILTER, ENGINE OIL.....	20-36
1J15	ELECTRICAL WIRING	40-78	1C20	FILTER, ENGINE OIL.....	20-37
1J17	ELECTRICAL WIRING	40-80	1F3	FILTER, FUEL	30-42
1J19	ELECTRICAL WIRING	40-82	1F4	FILTER, FUEL	30-43
1E22	ELECTRICALLY OPERATED STARTING AID	30-36	2C25	FILTER, TRANSMISSION HYDRAULIC OIL.....	50-48
2C25	ELEMENT, OIL FILTER, TRANSMISSION	50-48	1G2	FILTERS	30-68
3C20	EMBLEM, SLOW MOVING VEHICLE	90-44	2D9	FINAL DRIVE KIT, HIGH PRESSURE ANGLE.....	50-58
2D14	EMBLEM, STEERING WHEEL	60-1	2D6	FINAL DRIVE SHAFT AND SUN PINION.....	50-55
1H21	END FRAME, STARTER COMMUTATOR (JOHN DEERE)	40-32	2D7	FINAL DRIVE SHAFT AND SUN PINION.....	50-56
1D6	ENGINE COOLANT HEATER	20-47	3C24	FIRE EXTINGUISHER	90-48
1D9	ENGINE GASKET SET	20-50	1116	FLASHER, WARNING LAMP	40-52
1D11	ENGINE GASKET SET	20-52	114	FLASHING WARNING LAMP (IMPLEMENT)	40-40
1C21	ENGINE OIL COOLER.....	20-38	115	FLASHING WARNING LAMP KIT	40-41
1C22	ENGINE OIL COOLER.....	20-39	2115	FLEXIBLE OIL LINE COUPLER	70-92
1B15	ENGINE OIL DIPSTICK	20-14	2J2	FLEXIBLE OIL LINE, BULK	70-104
1B17	ENGINE OIL DIPSTICK	20-16	2F20	FLEXIBLE OIL LINES, HINGE.....	70-24
1C19	ENGINE OIL FILTER	20-36	118	FLOOD LAMP KIT (REAR CENTER)	40-44
1C20	ENGINE OIL FILTER	20-37	116	FLOOD LAMP KIT (UPPER FRONT)	40-42
1115	ENGINE OIL PRESSURE INDICATOR LAMP	40-51	3C3	FLOOR MAT, CAB	90-27
1B17	ENGINE OIL PRESSURE SENDER	20-16	3C4	FLOOR MAT, CAB	90-28
1C17	ENGINE OIL PUMP	20-34	3C6	FLOOR PANELS, CAB.....	90-30
1C18	ENGINE OIL PUMP	20-35	2D21	FLOW CONTROL VALVE	60-8
1B23	ENGINE OVERHAUL KIT (6404).....	20-19C	2H22	FLOW CONTROL VALVE, SCV	70-74
1B19	ENGINE SHORT BLOCK (WITH OIL PUMP)	20-18	1E18	FLUID, STARTING	30-32
1B21	ENGINE SHORT BLOCK (6404) (REPLACEMENT (WITHOUT OIL PUMP)	20-19A	1C5	FLYWHEEL	20-25
1A5	ENGINE SHORT BLOCK SERIAL NUMBER PLATE	10-4	1F24	FOOT SPEED CONTROL LINKAGE	30-64
1B25	ENGINE UNDERHAUL KIT (6404AR).....	20-19E	1F25	FOOT SPEED CONTROL LINKAGE	30-65
1B5	ENGINE VALVE STGEM LUBRICANT	20-2	2B6	FORK, CLUTCH	50-3
1G8	ENGINE WIRING HARNESS	40-1	2J8	FRAME, SIDE	80-5
1E19	ETHER STARTING AID KIT	30-33	2D6	FRONT AXLE HOUSING	50-55
3B9	EVAPORATOR	90-7	2J17	FRONT AXLE SUPPORT.....	80-14
1E13	EXHAUST ELBOW.....	30-26	3B11	FRONT CONSOLE COVER, CAB	90-10
1E15	EXHAUST ELBOW.....	30-28	2D5	FRONT DIFFERENTIAL	50-54
1E15	EXHAUST MANIFOLD GASKETS.....	30-28	2D4	FRONT DIFFERENTIAL CASE	50-53
1E13	EXHAUST MANIFOLDS.....	30-26	2B21	FRONT DIFFERENTIAL DRIVE.....	50-20
1E15	EXHAUST MANIFOLDS.....	30-28	116	FRONT FLOOD LAMP KIT	40-42
1E17	EXHAUST MUFFLER COVER.....	30-31	2J8	FRONT FRAME PAN	80-5
1B6	EXHAUST VALVES	20-4	111	FRONT LAMPS, CAB.....	40-36
1F6	EXTENSION KIT, FUEL FILLER	30-45	113	FRONT LAMPS, CAB.....	40-39
1D1	EXTENSION, FAN SHROUD	20-42	2J10	FRONT PLATE	80-7
1E13	EXTENSION, MUFFLER	30-26	1F7	FUEL CHECK VALVE	30-46
1E16	EXTENSION, MUFFLER	30-29	1F6	FUEL FILLER EXTENSION KIT	30-45
3C12	EXTENSION, PLATFORM	90-36	1F3	FUEL FILTER	30-42
3C10	EXTENSIONS, PLATFORM	90-34	1F4	FUEL FILTER	30-43
3C24	EXTINGUISHER, FIRE.....	90-48	1F5	FUEL FILTER KIT	30-44
			1115	FUEL GAUGE	40-51
			1E24	FUEL GAUGE SENDER	30-38
			1E25	FUEL GAUGE SENDER	30-39
			1F8	FUEL INJECTION NOZZLE	30-47
			1F13	FUEL INJECTION NOZZLE	30-52
			1F23	FUEL INJECTION NOZZLE	30-63
			1F8	FUEL INJECTION PIPES.....	30-47
			1F13	FUEL INJECTION PIPES.....	30-52
			1F8	FUEL INJECTION PUMP	30-47
			1F13	FUEL INJECTION PUMP	30-52
			1F12	FUEL INJECTION PUMP ELECTRIC SHUT-OFF	30-51
			1F9	FUEL INJECTION PUMP FITTINGS AND LINKAGE	30-48
			1F17	FUEL INJECTION PUMP GOVERNOR LEVERS AND CONTROLS	30-56
			1F15	FUEL INJECTION PUMP HOUSING CONNECTORS	30-54
			1F4	FUEL PIPES	30-43

F

2E10	FACING, BRAKE	60-22
2E11	FACING, BRAKE	60-22A
1D3	FAN	20-44
1D4	FAN	20-45
1D3	FAN BELTS	20-44
1D4	FAN BELTS	20-45
1G20	FAN BELTS	40-12
1G22	FAN BELTS	40-15
3B13	FAN MOTOR, CAB.....	90-12
1D3	FAN PULLEY	20-44

1A16

7020 TRACTOR

ALPHABETICAL INDEX - CONTINUED

GRID		PAGE	GRID		PAGE
1F11	FUEL PIPES	30-50	2C3	HI-LO SHIFTER KIT	50-26
1F11	FUEL PUMP	30-50	2B14	HI-LO SPEED SELECTOR SHIFTER LEVER	50-12
1F20	FUEL SHUT-OFF	30-60	2B16	HI-LO SPEED SELECTOR SHIFTER LEVER	50-14
1F21	FUEL SHUT-OFF	30-61	2D9	HIGH PRESSURE ANGLE FINAL DRIVE KIT	50-58
1F6	FUEL STRAINER	30-45	2F20	HINGE FLEXIBLE OIL LINES	70-24
1E24	FUEL TANK (L.H.) (EARLY DESIGN)	30-38	2B12	HINGE PIN KIT	50-9
1E25	FUEL TANK (L.H.) (LATE DESIGN)	30-39	2B10	HINGE, FRONT AND REAR	50-7
1F1	FUEL TANK (R.H.) (EARLY DESIGN)	30-40	2B11	HINGE, UPPER PIVOT PIN	50-8
1F2	FUEL TANK (R.H.) (LATE DESIGN)	30-41	2H1	HITCH, 3-POINT, QUICK COUPLER, IMPLEMENT	70-56
1F19	FUEL TRANSFER PUMP	30-59	2J11	HOOD (EARLY DESIGN)	80-8
			2J12	HOOD (LATE DESIGN)	80-9
	G		2J11	HOOD ORNAMENT	80-8
			2J12	HOOD ORNAMENT	80-9
1D9	GASKET SET, CYLINDER HEAD	20-50	2J9	HOOK, TOWING	80-6
1D11	GASKET SET, CYLINDER HEAD	20-52	1I10	HORN	40-46
1D9	GASKET SET, ENGINE	20-50	1I11	HORN ASSEMBLY, DUAL	40-47
1D11	GASKET SET, ENGINE	20-52	1I11	HORN SWITCH	40-47
1B6	GASKET, CYLINDER HEAD	20-4	1G8	HORN SWITCH WIRING HARNESS	40-1
1E15	GASKETS, EXHAUST MANIFOLD	30-28	1I11	HORN, ELECTRIC (12 VOLT) (HIGH NOTE)	40-47
1E10	GASKETS, INTAKE MANIFOLD	30-23	1I11	HORN, ELECTRIC (12 VOLT) (LOW NOTE)	40-47
1E11	GASKETS, INTAKE MANIFOLD (LATE DESIGN)	30-24	2I7	HOSE IDENTIFICATION KIT, REMOTE CYLINDER	70-94
1I15	GAUGE, FUEL	40-51	1C23	HOSE, RADIATOR	20-40
1I15	GAUGE, OIL TEMPERATURE	40-51	2J2	HOSE, REMOTE CYLINDER	70-104
1I15	GAUGE, WATER TEMPERATURE	40-51	2I8	HOSES, REMOTE CYLINDER	70-95
2C16	GEAR, BEVEL, DIFFERENTIAL	50-39	2B4	HOUSING, CLUTCH	50-1
1B13	GEAR, CAMSHAFT	20-11	1C15	HOUSING, CRANKSHAFT OIL SEAL	20-32
2C15	GEAR, COUNTERSHAFT	50-38	1C16	HOUSING, CRANKSHAFT OIL SEAL	20-33
2B8	GEAR, PTO DRIVE (1000 RPM)	50-5	1C14	HOUSING, CRANKSHAFT REAR OIL SEAL	20-31
2C23	GEAR, SHIFT LEVER	50-46	2D1	HOUSING, DIFFERENTIAL, REAR	50-49
2C19	GEAR, SHIFTER	50-42	2D6	HOUSING, FRONT AXLE	50-55
1C5	GEAR, STARTER	20-25	2G5	HOUSING, OIL FILTER RELIEF VALVE	70-35
2C7	GEAR, TORQUE DIVIDER INPUT IDLER	50-30	2F16	HOUSING, PRESSURE CONTROL VALVE	70-20
1B12	GEARS, CAMSHAFT	20-10	2F17	HOUSING, PRESSURE CONTROL VALVE	70-21
2C9	GEARS, PTO IDLER	50-32	2G7	HOUSING, ROCKSHAFT	70-37
2C16	GEARS, TRANSMISSION	50-39	2H17	HOUSING, SELECTIVE CONTROL VALVE	70-68
2C23	GEARSHIFT LEVER	50-46	1H19	HOUSING, STARTER DRIVE (JOHN DEERE)	40-30
3C2	GLASS, CAB (HINSON)	90-26	2C1	HOUSING, TORQUE DIVIDER	50-24
1F17	GOVERNOR LEVERS AND CONTROLS, FUEL INJECTION PUMP	30-56	1E5	HOUSING, TURBOCHARGER CENTER	30-17
2J10	GRILLE	80-7	1E8	HOUSING, TURBOCHARGER CENTER	30-20
1G13	GROUND CABLE, BATTERY	40-6	1E9	HOUSING, TURBOCHARGER CENTER	30-21
2B8	GUARD, REAR PTO (1000 RPM)	50-5	2E21	HYDRAULIC AND TRANSMISSION OIL	70-1
2B22	GUARD, UNIVERSAL JOINT	50-21	2F24	HYDRAULIC OIL COOLER	70-28
			2F21	HYDRAULIC OIL LINES	70-25
	H		2J1	HYDRAULIC OIL LINES, IMPLEMENT	70-103
1G1	HAND SPEED CONTROL LINKAGE	30-67	2F22	HYDRAULIC OIL RESERVOIR PIPES	70-26
2J14	HANDLE AND STEP (R.H.)	80-11	2F23	HYDRAULIC OIL RESERVOIR SUPPORT	70-27
1G9	HARNES, CAB WIRING	40-2	2G2	HYDRAULIC OIL RETURN LINE	70-31
1I10	HARNES, HORN SWITCH WIRING	40-46	2G3	HYDRAULIC OIL RETURN LINE	70-32
1I9	HARNES, WIRING TURN SIGNAL LAMPS	40-45	2E24	HYDRAULIC PUMP	70-4
1G11	HARNES, WIRING, CAB LAMP	40-4	2E23	HYDRAULIC PUMP ASSEMBLY, REPLACEMENT	70-3
1G8	HARNES, WIRING, ENGINE	40-1	2E22	HYDRAULIC PUMP DRIVE	70-2
1G8	HARNES, WIRING, HORN SWITCH	40-1	2F3	HYDRAULIC PUMP ELECTRIC DESTROKE KIT	70-8
1G8	HARNES, WIRING, INSTRUMENT PANEL	40-1	2F11	HYDRAULIC PUMP ELECTRIC DESTROKE KIT	70-15A
1G8	HARNES, WIRING, NEUTRAL START SWITCH	40-1	2F5	HYDRAULIC PUMP OVERHAUL KIT	70-10
1I9	HARNES, WIRING, TURN SIGNAL CONTROLLER	40-45	2F13	HYDRAULIC PUMP OVERHAUL KIT	70-16
1I14	HARNES, WIRING, TURN SIGNAL LIGHT	40-50	2F7	HYDRAULIC PUMP REPLACEMENT	70-12
1I14	HARNES, WIRING, TURN SIGNAL SWITCH	40-50	2F1	HYDRAULIC PUMP STROKE CONTROL VALVE	70-6
1B6	HEAD, CYLINDER	20-4	2F9	HYDRAULIC PUMP STROKE CONTROL VALVE	70-14
1J4	HEADPHONES, RADIO	40-65	2F18	HYDRAULIC RELIEF VALVE AND CHECK VALVE	70-22
3B16	HEATER SHUT-OFF VALVE	90-15	2F19	HYDRAULIC RELIEF VALVE AND CHECK VALVE	70-23
3B16	HEATER, CAB	90-15	2F25	HYDRAULIC RETURN OIL LINE	70-29
1D6	HEATER, ENGINE COOLANT	20-47	2G1	HYDRAULIC RETURN OIL LINE	70-30
			2G4	HYDRAULIC SYSTEM OIL LINE	70-33

1A17

7020 TRACTOR

ALPHABETICAL INDEX - CONTINUED

GRID		PAGE	GRID		PAGE
I					
2C9	IDLER GEARS, PTO	50-32	1J3	KIT, RADIO MOUNTING	40-64
1116	IGNITION SWITCH.....	40-52	118	KIT, REAR CENTER FLOOD LAMP	40-44
2J1	IMPLEMENT HYDRAULIC OIL LINES	70-103	2I24	KIT, REMOTE CYLINDER CONVERSION	70-101
2H1	IMPLEMENT QUICK COUPLER	70-56	2I23	KIT, REMOTE CYLINDER OVERHAUL	70-100
2H3	IMPLEMENT SAFETY CHAIN	70-58	2H23	KIT, SELECTIVE CONTROL VALVE CAP	70-75
1115	INDICATOR LAMPS.....	40-51	2H24	KIT, SELECTIVE CONTROL VALVE DETENT.....	70-76
2C5	INPUT GEAR LUBRICATION OIL PIPE	50-28	2H20	KIT, SELECTIVE CONTROL VALVE OVERHAUL	70-72
1B6	INSERTS, VALVES	20-4	1H6	KIT, STARTER SOLENOID COVER (DELCO-REMY)	40-22A
1115	INSTRUMENT PANEL	40-51	1H7	KIT, STARTER SOLENOID KIT (DELCO-REMY).....	40-22B
3C9	INSTRUMENT PANEL	90-33	1F22	KIT, STARTING FUEL CONTROL.....	30-62
1115	INSTRUMENT PANEL AND INSTRUMENTS	40-51	1H24	KIT, STARTING MOTOR SEALING	40-35
1G8	INSTRUMENT PANEL WIRING HARNESS	40-1	2F1	KIT, STROKE CONTROL VALVE SHUT-OFF	70-6
1E10	INTAKE MANIFOLD	30-23	2F9	KIT, STROKE CONTROL VALVE SHUT-OFF	70-14
1E11	INTAKE MANIFOLD (LATE DESIGN)	30-24	1J14	KIT, SUPPLEMENTARY WIRING (7-TERMINAL).....	40-77
1E10	INTAKE MANIFOLD GASKETS.....	30-23	1I9	KIT, TURN SIGNAL LAMPS	40-45
1E11	INTAKE MANIFOLD GASKETS (LATE DESIGN)	30-24	1B25	KIT, UNDERHAUL ENGINE (6404AR)	20-19E
1B6	INTAKE VALVES	20-4	1I6	KIT, UPPER FRONT FLOOD LAMP	40-42
1D21	INTAKE, AIR.....	30-7	1J24	KIT,ELECTRICAL CONNECTOR AND TERMINAL.....	40-86
1D20	INTAKE, VERTICAL AIR	30-6	1G1	KNOB, HAND SPEED CONTROL LEVER	30-67
2I11	ISO COUPLER CONVERSION KIT.....	70-88	L		
2I13	ISO COUPLER OVERHAUL KIT	70-90	1D18	LABEL, AIR CLEANER.....	30-4
2I11	ISO COUPLER RECEPTACLE	70-88	1H6	LABEL, BYPASS STARTER	40-22A
2I11	ISO TO JOHN DEERE COUPLER CONVERSION	70-88	1H18	LABEL, BYPASS STARTER	40-29
J					
2B18	JOINT, UNIVERSAL (CLUTCH TO DIVIDER)	50-16	2B6	LABEL, CLUTCH PEDAL.....	50-3
2B19	JOINT,UNIVERSAL TELESCOPING (FRONT AXLE).....	50-17	1D17	LABEL, DRY AIR CLEANER	30-3
K					
1116	KEY SWITCH	40-52	2B14	LABEL, HI-LO SHIFT LEVER	50-12
2I25	KIT, AIR CONDITIONING O-RING	70-102	2J12	LABEL, HOOD	80-9
2E8	KIT, BRAKE VALVE OVERHAUL	60-20	1115	LABELS, INSTRUMENT PANEL	40-51
2E9	KIT, BRAKE VALVE PLUNGER REPLACEMENT	60-21	2J15	LABELS, REFINISHING	80-12
2I8	KIT, BREAKAWAY COUPLER OVERHAUL	70-85A	1G9	LAMP WIRING, CAB	40-2
2B5	KIT, CLUTCH LINK	50-2	1G11	LAMP WIRING, CAB	40-4
3B6	KIT, COMPRESSOR SHAFT SEAL.....	90-4	1I17	LAMP, DASH	40-53
2I17	KIT, CYLINDER HOSE IDENTIFICATION.....	70-94	1115	LAMP, INDICATOR ENGINE OIL PRESSURE.....	40-51
2E1	KIT, CYLINDER REPAIR (L.H.).....	60-13	1115	LAMP, INDICATOR, AIR RESTRICTION	40-51
2E3	KIT, CYLINDER REPAIR (R.H.)	60-15	1115	LAMP, INDICATOR, ALTERNATOR	40-51
2H7	KIT, DRAWBAR SUPPORT (REGULAR DRAWBAR)	70-61A	1I4	LAMP, INDICATOR, HIGH BEAM	40-51
2H11	KIT, DRAWBAR SUPPORT (WIDE SWING DRAWBAR)	70-63A	1G9	LAMP, WARNING (IMPLEMENT)	40-40
1J13	KIT, ELECTRICAL OUTLET SOCKET	40-76	1I1	LAMPS, CAB	40-2
1J8	KIT, ELECTRICAL REMOTE CONTROL	40-69	1I3	LAMPS, CAB	40-36
1J10	KIT, ELECTRICAL REMOTE CONTROL WIRING	40-72	1I9	LAMPS, CAB	40-39
1B23	KIT, ENGINE OVERHAUL (6404)	20-19C	1I9	LAMPS, TURN SIGNAL	40-45
1E19	KIT, ETHER STARTING AID.....	30-33	1G8	LEAD WIRING, FUEL SENDER TO GAUGE	40-1
1E23	KIT, ETHER STARTING TUBE	30-37	2B5	LEVER, CLUTCH OPERATING	50-2
1I5	KIT, FLASHING WARNING LAMP	40-41	2C23	LEVER, GEARSHIFT	50-46
1F5	KIT, FUEL FILTER	30-44	2B14	LEVER, HI-LO SPEED SELECTOR SHIFTER	50-12
2C3	KIT, HI-LO SHIFTER	50-26	2B16	LEVER, HI-LO SPEED SELECTOR SHIFTER	50-14
2D9	KIT, HIGH PRESSURE ANGLE FINAL DRIVE.....	50-58	2G14	LEVER, LOAD CONTROL	70-45
2B12	KIT, HINGE PIN	50-9	2G15	LEVER, LOAD CONTROL	70-46
2I25	KIT, HYDRAULIC O-RING	70-102	2B7	LEVER, PTO.....	50-4
2F3	KIT, HYDRAULIC PUMP ELECTRIC DESTROKE	70-8	2G19	LEVER, PTO.....	50-4
2F11	KIT, HYDRAULIC PUMP ELECTRIC DESTROKE	70-15A	2G19	LEVER, ROCKSHAFT	70-49
2F5	KIT, HYDRAULIC PUMP OVERHAUL.....	70-10	2D18	LEVER, STEERING VALVE OPERATING	60-5
2F13	KIT, HYDRAULIC PUMP OVERHAUL.....	70-16	2B14	LEVER, TORQUE DIVIDER.....	50-12
2C11	KIT, LOAD CONTROL ARM SUPPORT	50-34	2B16	LEVER, TORQUE DIVIDER.....	50-14
2G22	KIT, LOAD CONTROL SHAFT BUSHING.....	70-53	2H13	LEVERS, SELECTIVE CONTROL	70-64
			2H14	LEVERS, SELECTIVE CONTROL	70-65
			2G24	LIFT LINK	70-55
			1B10	LIFT STRAPS.....	20-8
			1I16	LIGHT SWITCH	40-52
			1I13	LIGHT, DOME, CAB.....	40-49
			2I4	LINE, BREAKAWAY COUPLER	70-81
			3B9	LINE, EVAPORATOR.....	90-7
			2F25	LINE, HYDRAULIC OIL	70-29
			2G2	LINE, HYDRAULIC OIL RETURN	70-31
			2G3	LINE, HYDRAULIC OIL RETURN	70-32

1A18

7020 TRACTOR

ALPHABETICAL INDEX - CONTINUED

<i>GRID</i>		<i>PAGE</i>	<i>GRID</i>		<i>PAGE</i>
2F15	LINE, HYDRAULIC PUMP SEAL DRAIN	70-19	1E13	MUFFLER EXTENSION	30-26
2G1	LINE, OIL, HYDRAULIC RETURN.....	70-30	1E16	MUFFLER EXTENSION	30-29
2G4	LINE, OIL, HYDRAULIC SYSTEM.....	70-33	1E17	MUFFLER, COVER	30-31
2I1	LINE, OIL, SELECTIVE CONTROL.....	70-78			
2H25	LINE, OIL, SELECTIVE CONTROL VALVE	70-77		N	
2I2	LINE, SELECTIVE CONTROL VALVE, REAR	70-79	1F6	NECK, FUEL FILLER EXTENSION	30-45
2I3	LINE, SELECTIVE CONTROL VALVE, REAR	70-80	2C17	NEUTRAL START SWITCH.....	50-40
1C4	LINERS, CYLINDER.....	20-24	1G8	NEUTRAL START SWITCH WIRING HARNESS	40-1
2E12	LINES, OIL, BRAKE PRESSURE	60-23	1F13	NOZZLE, FUEL INJECTION	30-52
2E13	LINES, OIL, BRAKE, FRONT	60-24	1F23	NOZZLE, FUEL INJECTION	30-63
2E14	LINES, OIL, BRAKE, REAR.....	60-25	1F8	NOZZLES, FUEL INJECTION	30-47
2F20	LINES, OIL, HINGE FLEXIBLE	70-24			
2J1	LINES, OIL, IMPLEMENT HYDRAULIC	70-103		O	
2D22	LINES, OIL, STEERING	60-9	1C18	OIL COOLER BYPASS VALVE	20-35
2D23	LINES, OIL, STEERING	60-10	1C21	OIL COOLER, ENGINE	20-38
2G23	LINK, CENTER	70-54	1C22	OIL COOLER, ENGINE	20-39
2G23	LINK, DRAFT	70-54	2F24	OIL COOLER, HYDRAULIC.....	70-28
2G24	LINK, LIFT.....	70-55	2C25	OIL FILTER COVER.....	50-48
2B6	LINKAGE, CLUTCH	50-3	2C25	OIL FILTER ELEMENT, TRANSMISSION.....	50-48
2B7	LINKAGE, PTO SHIFTER LEVER.....	50-4	2G5	OIL FILTER RELIEF VALVE	70-35
2G19	LINKAGE, ROCKSHAFT	70-49	1C19	OIL FILTER, ENGINE.....	20-36
2G14	LINKAGE, ROCKSHAFT CONTROL	70-45	1C20	OIL FILTER, ENGINE.....	20-37
2G15	LINKAGE, ROCKSHAFT CONTROL	70-46	2F25	OIL LINE, HYDRAULIC	70-29
2H14	LINKAGE, SELECTIVE CONTROL	70-65	2G1	OIL LINE, HYDRAULIC RETURN	70-30
1F24	LINKAGE, SPEED CONTROL	30-64	2G4	OIL LINE, HYDRAULIC SYSTEM	70-33
1F25	LINKAGE, SPEED CONTROL	30-65	2I1	OIL LINE, SELECTIVE CONTROL	70-78
1G1	LINKAGE, SPEED CONTROL	30-67	2H25	OIL LINE, SELECTIVE CONTROL VALVE	70-77
2G13	LOAD CONTROL	70-43	2E12	OIL LINES, BRAKE PRESSURE	60-23
2C11	LOAD CONTROL ARM SUPPORT KIT.....	50-34	2E13	OIL LINES, BRAKE, FRONT	60-24
2G14	LOAD CONTROL LEVER.....	70-45	2E14	OIL LINES, BRAKE, REAR	60-25
2G15	LOAD CONTROL LEVER.....	70-46	2F20	OIL LINES, HINGE FLEXIBLE.....	70-24
2G22	LOAD CONTROL SHAFT BUSHING KIT	70-53	2J1	OIL LINES, HYDRAULIC, IMPLEMENT	70-103
2H16	LOCK, SCV LEVER	70-67	2F21	OIL LINES, MAIN HYDRAULIC	70-25
3C25	LOCTITE SEALANT	90-49	2D22	OIL LINES, STEERING	60-9
2C8	LOWER INPUT SHAFT, TORQUE DIVIDER	50-31	2D23	OIL LINES, STEERING	60-10
1B5	LUBRICANT, CYLINDER LINER PACKING	20-2	1C1	OIL PAN	20-20
1B5	LUBRICANT, ENGINE VALVE STEM	20-2	1C2	OIL PAN	20-21
			1C3	OIL PAN KIT.....	20-23
	M		2C5	OIL PIPE, INPUT GEAR LUBRICATION.....	50-28
1C12	MAIN BEARINGS	20-28	2F22	OIL PIPES, HYDRAULIC RESERVOIR.....	70-26
1H20	MAIN FRAME, STARTER (JOHN DEERE).....	40-31	1D24	OIL PIPES, TURBOCHARGER	30-10
1C12	MAIN THRUST BEARINGS	20-28	1E1	OIL PIPES, TURBOCHARGER	30-12
1E10	MANIFOLD, INTAKE (EARLY DESIGN)	30-23	1I15	OIL PRESSURE, ENGINE, INDICATOR LAMP	40-51
1E11	MANIFOLD, INTAKE (LATE DESIGN)	30-24	1C17	OIL PUMP, ENGINE.....	20-34
1D8	MANIFOLD, WATER.....	20-49	1C18	OIL PUMP, ENGINE.....	20-35
1D7	MANIFOLD, WATER OUTLET.....	20-48	2C24	OIL PUMP, TRANSMISSION.....	50-47
1E13	MANIFOLDS, EXHAUST	30-26	2F24	OIL RESERVOIR	70-28
1E15	MANIFOLDS, EXHAUST	30-28	2G2	OIL RETURN LINE, HYDRAULIC	70-31
1I17	METER, SPEED-HOUR	40-53	2G3	OIL RETURN LINE, HYDRAULIC	70-32
3C18	MIRROR, REAR VIEW.....	90-42	1C16	OIL SEAL, CRANKSHAFT	20-33
3C19	MIRROR, REAR VIEW.....	90-43	2E21	OIL, HYDRAULIC AND TRANSMISSION	70-1
3B13	MOTOR, CAB FAN.....	90-12	2J11	ORNAMENT, HOOD.....	80-8
3B8	MOTOR, CONDENSER	90-6	2J12	ORNAMENT, HOOD.....	80-9
1H5	MOTOR, STARTING.....	40-22	2I8	OVERHAUL KIT, BREAKAWAY COUPLER	70-85A
1H8	MOTOR, STARTING (DELCO-REMY).....	40-24	1B23	OVERHAUL KIT, ENGINE (6404)	20-19C
1G20	MOUNTING BRACKET, ALTERNATOR	40-12	2F5	OVERHAUL KIT, HYDRAULIC PUMP.....	70-10
3B3	MOUNTING BRACKET, COMPRESSOR	90-1	2F13	OVERHAUL KIT, HYDRAULIC PUMP.....	70-16
2J14	MOUNTING HANDLE AND STEP (R.H.)	80-11	2I3	OVERHAUL KIT, ISO COUPLER	70-90
1I24	MOUNTING KIT, RADIO (BENDIX).....	40-60	2I23	OVERHAUL KIT, REMOTE CYLINDER	70-100
1I25	MOUNTING KIT, RADIO (MOTOROLA)	40-61	2D19	OVERHAUL KIT, STEERING VALVE CYLINDER	60-6
1J3	MOUNTING, RADIO, KIT	40-64			
2E4	MOUNTING, STEERING CYLINDER.....	60-16			
1E13	MUFFLER	30-26			
1E16	MUFFLER	30-29			
1E16	MUFFLER COVER	30-29			

1A19

7020 TRACTOR

ALPHABETICAL INDEX - CONTINUED

GRID		PAGE	GRID		PAGE
	P				
1B5	PACKING, LUBRICANT, CYLINDER LINER.....	20-2	1D3	PULLEY, FAN.....	20-44
2J8	PAN, FRONT FRAME.....	80-5	2E23	PUMP ASSEMBLY, HYDRAULIC, REPLACEMENT.....	70-3
1C1	PAN, OIL.....	20-20	1F15	PUMP HOUSING CONNECTORS, FUEL INJECTION.....	30-54
1C2	PAN, OIL.....	20-21	2E22	PUMP, DRIVE COUPLER.....	70-2
1C3	PAN, OIL.....	20-23	1C17	PUMP, ENGINE OIL.....	20-34
3B15	PANEL, CAB CONTROL.....	90-14	1C18	PUMP, ENGINE OIL.....	20-35
3C10	PANEL, COWL.....	90-34	1F11	PUMP, FUEL.....	30-50
3C12	PANEL, COWL.....	90-36	1F8	PUMP, FUEL INJECTION.....	30-47
1115	PANEL, INSTRUMENT.....	40-51	1F13	PUMP, FUEL INJECTION.....	30-52
2J10	PANEL, SIDE.....	80-7	1F19	PUMP, FUEL TRANSFER.....	30-59
3C6	PANELS, FLOOR, CAB.....	90-30	2E24	PUMP, HYDRAULIC.....	70-4
2E6	PEDAL, BRAKE.....	60-18	2F7	PUMP, HYDRAULIC REPLACEMENT.....	70-12
2B6	PEDAL, CLUTCH.....	50-3	2C24	PUMP, TRANSMISSION OIL.....	50-47
1F24	PEDAL, FOOT SPEED.....	30-64	1D3	PUMP, WATER.....	20-44
1F25	PEDAL, FOOT SPEED.....	30-65	1D4	PUMP, WATER.....	20-45
1120	PERFORMANCE TRAK II MINI-MONITOR.....	40-56	1B11	PUSH RODS.....	20-9
2B11	PIN, HINGE UPPER PIVOT.....	50-8		Q	
2C16	PINION, BEVEL, DIFFERENTIAL.....	50-39	3C9	QUADRANT, SHIFT.....	90-33
2C14	PINION, HIGH RANGE.....	50-37	2H1	QUICK COUPLER, IMPLEMENT.....	70-56
2C14	PINION, LOW RANGE.....	50-37	2B5	QUILL, TRANSMISSION CLUTCH.....	50-2
2D6	PINION, PLANET.....	50-55		R	
2D7	PINION, PLANET.....	50-56	1118	RADAR SENSOR.....	40-54
2C5	PIPE, OIL, INPUT GEAR LUBRICATION.....	50-28	1118	RADAR SENSOR BRACKET.....	40-54
1D7	PIPE, WATER BYPASS.....	20-48	1118	RADAR SENSOR WIRING HARNESS.....	40-54
1F4	PIPES, FUEL.....	30-43	1C23	RADIATOR.....	20-40
1F11	PIPES, FUEL.....	30-50	1C23	RADIATOR CAP.....	20-40
1F8	PIPES, FUEL INJECTION.....	30-47	1124	RADIO (BENDIX).....	40-60
1F13	PIPES, FUEL INJECTION.....	30-52	1125	RADIO (MOTOROLA).....	40-61
2F22	PIPES, HYDRAULIC OIL RESERVOIR.....	70-26	1J4	RADIO HEADPHONES.....	40-65
2F21	PIPES, OIL, MAIN HYDRAULIC.....	70-25	1J3	RADIO MOUNTING KIT.....	40-64
1E1	PIPES, TURBOCHARGER.....	30-12	1124	RADIO MOUNTING KIT (BENDIX).....	40-60
1D24	PIPES, TURBOCHARGER OIL.....	30-10	1125	RADIO MOUNTING KIT (MOTOROLA).....	40-61
1C4	PISTON RINGS.....	20-24	1J1	RADIO, AM FENDER MOUNT.....	40-62
2E15	PISTON, ACCUMULATOR.....	60-27	1J1	RADIO, AM-FM STEREO FENDER MOUNT.....	40-62
2E16	PISTON, ACCUMULATOR.....	60-28	1122	RADIO, CAB.....	40-58
2G12	PISTON, ROCKSHAFT.....	70-42	2D7	REAR AXLE.....	50-56
2D14	PISTON, STEERING VALVE.....	60-1	2D7	REAR AXLE HOUSING.....	50-56
1C4	PISTONS, ENGINE.....	20-24	2D7	REAR AXLE SHAFT.....	50-56
2B10	PIVOT PIN, HINGE.....	50-7	118	REAR CENTER FLOOD LAMP KIT.....	40-44
2B11	PIVOT PIN, UPPER HINGE.....	50-8	3B15	REAR CONSOLE COVER.....	90-14
2D6	PLANET PINION CARRIER.....	50-55	2D1	REAR DIFFERENTIAL.....	50-49
2D7	PLANET PINION CARRIER.....	50-56	2C16	REAR DIFFERENTIAL DRIVE.....	50-39
2E11	PLATE, BRAKE.....	60-22A	111	REAR LAMPS, CAB.....	40-36
2E10	PLATE, BRAKE FACING.....	60-22	113	REAR LAMPS, CAB.....	40-39
2E10	PLATE, BRAKE PRESSURE.....	60-22	3C18	REAR VIEW MIRROR.....	90-42
1A5	PLATE, ENGINE SHORT BLOCK SERIAL NUMBER.....	10-4	3C19	REAR VIEW MIRROR.....	90-43
2J10	PLATE, FRONT.....	80-7	2J4	REAR WHEEL.....	80-1
2C14	PLATE, SYNCHRONIZER.....	50-37	2J5	REAR WHEELS.....	80-2
3C12	PLATFORM EXTENSION.....	90-36	3B23	REAR WINDOW, CAB.....	90-22
3C10	PLATFORM EXTENSIONS.....	90-34	3B7	RECEIVER DRYER.....	90-5
1D16	PRE-CLEANER.....	30-2	2H5	REGULAR DRAWBAR.....	70-60
1D21	PRE-CLEANER.....	30-7	1G24	REGULATOR, ALTERNATOR.....	40-17
2F16	PRESSURE CONTROL VALVE.....	70-20	1G20	REGULATOR, VOLTAGE.....	40-12
2F17	PRESSURE CONTROL VALVE.....	70-21	1G16	RELAY KIT, WIRING ACCESSORY.....	40-9
2B13	PTO CABLE.....	50-11	1G15	RELAY WIRING KIT, ACCESSORY.....	40-8
2B8	PTO DRIVE GEAR (1000 RPM).....	50-5	1G17	RELAY, CAB WIRING.....	40-10
2B8	PTO DRIVE SHAFTS (1000 RPM).....	50-5	1G19	RELAY, STARTING CIRCUIT.....	40-11B
2B8	PTO GUARD (1000 RPM).....	50-5	2D11	RELIEF VALVE (PFWD).....	50-60
2C9	PTO IDLER GEARS AND SHAFTS.....	50-32	2F18	RELIEF VALVE, HYDRAULIC.....	70-22
2B7	PTO LEVER LINKAGE.....	50-4	2F19	RELIEF VALVE, HYDRAULIC.....	70-23
2B13	PTO SHIFTER ARM.....	50-11	2G5	RELIEF VALVE, OIL FILTER.....	70-35
2B9	PTO SHIFTER YOKE.....	50-6			
3B4	PULLEY, AIR CONDITIONING.....	90-2			
3B6	PULLEY, COMPRESSOR.....	90-4			
1C5	PULLEY, CRANKSHAFT.....	20-25			

1A20

7020 TRACTOR

ALPHABETICAL INDEX - CONTINUED

GRID		PAGE	GRID		PAGE
2G10	RELIEF VALVE, ROCKSHAFT PISTON	70-40	2H14	SELECTIVE CONTROL LEVERS	70-65
1J8	REMOTE CONTROL KIT, ELECTRICAL	40-69	3C16	SELECTIVE CONTROL LINKAGE COVERS	90-40
1J10	REMOTE CONTROL WIRING KIT, ELECTRICAL	40-72	3C17	SELECTIVE CONTROL LINKAGE COVERS	90-41
1J9	REMOTE CONTROL WIRING, ELECTRICAL	40-71	2H13	SELECTIVE CONTROL VALVE	70-64
1J7	REMOTE CONTROL, ELECTRICAL	40-68	2H19	SELECTIVE CONTROL VALVE	70-71
2I19	REMOTE CYLINDER (HYDRAULIC STOP)	70-96	2H23	SELECTIVE CONTROL VALVE CAP KIT	70-75
2I21	REMOTE CYLINDER (MECHANICAL STOP)	70-98	2H15	SELECTIVE CONTROL VALVE COVER	70-66
2I18	REMOTE CYLINDER (3-1/2" X 8")	70-95	2H17	SELECTIVE CONTROL VALVE COVER	70-68
2I17	REMOTE CYLINDER HOSE IDENTIFICATION KIT	70-94	2H24	SELECTIVE CONTROL VALVE DETENT KIT	70-76
2I18	REMOTE CYLINDER HOSES	70-95	2H25	SELECTIVE CONTROL VALVE LINE	70-77
2I23	REMOTE CYLINDER OVERHAUL KIT	70-100	2I1	SELECTIVE CONTROL VALVE LINE	70-78
1D23	REMOTE MOUNTED VACUUM SWITCH	30-9	2I3	SELECTIVE CONTROL VALVE LINE, REAR	70-80
2E1	REPAIR KIT, CYLINDER (L.H.)	60-13	2I2	SELECTIVE CONTROL VALVE LINES, REAR	70-79
2E3	REPAIR KIT, CYLINDER (R.H.)	60-15	2H20	SELECTIVE CONTROL VALVE OVERHAUL KIT	70-72
1D5	REPAIR KIT, WATER PUMP	20-46	2H22	SELECTIVE CONTROL VALVE POPPET	70-74
2E23	REPLACEMENT HYDRAULIC PUMP ASSEMBLY	70-3	1B17	SENDER, ENGINE OIL PRESSURE	20-16
2F7	REPLACEMENT PUMP, HYDRAULIC	70-12	1E24	SENDER, FUEL GAUGE	30-38
2F24	RESERVOIR, OIL	70-28	1E25	SENDER, FUEL GAUGE	30-39
2B23	RETAINER, DRIVE SHAFT	50-22	1I18	SENSOR, RADAR	40-54
2J4	RIM, DEMOUNTABLE	80-1	2B5	SHAFT, CLUTCH	50-2
2J5	RIM, DEMOUNTABLE	80-2	2B6	SHAFT, CLUTCH FORK	50-3
1C4	RINGS, PISTON	20-24	2B20	SHAFT, FRONT AXLE COUPLER DRIVE	50-18
1B8	ROCKER ARM COVER	20-6	2D6	SHAFT, PLANET PINION	50-55
1B11	ROCKER ARM SHAFT	20-9	2D7	SHAFT, PLANET PINION	50-56
1B11	ROCKER ARMS	20-9	2B8	SHAFT, PTO DRIVE (1000 RPM)	50-5
2H17	ROCKER, SELECTIVE CONTROL VALVE	70-68	2D6	SHAFT, REAR AXLE	50-55
2G7	ROCKSHAFT	70-37	2D7	SHAFT, REAR AXLE	50-56
2G8	ROCKSHAFT	70-38	1B11	SHAFT, ROCKER ARM	20-9
2G12	ROCKSHAFT	70-42	2B9	SHAFT, SHIFTER, PTO	50-6
3C15	ROCKSHAFT CONSOLE	90-39	2D14	SHAFT, STEERING	60-1
2G14	ROCKSHAFT CONTROL LINKAGE	70-45	2C8	SHAFT, TORQUE DIVIDER INPUT, LOWER	50-31
2G15	ROCKSHAFT CONTROL LINKAGE	70-46	2C6	SHAFT, TORQUE DIVIDER INPUT, UPPER	50-29
2G19	ROCKSHAFT CONTROL LINKAGE	70-49	2C10	SHAFT, TORQUE DIVIDER OUTPUT	50-33
2G17	ROCKSHAFT CONTROL VALVE HOUSING	70-48	2C14	SHAFT, TRANSMISSION DRIVE	50-37
2G19	ROCKSHAFT CONTROL VALVE LEVER	70-49	2C9	SHAFTS, PTO IDLER	50-32
2G7	ROCKSHAFT HOUSING	70-37	2C17	SHAFTS, SHIFTER	50-40
2G8	ROCKSHAFT HOUSING	70-38	2C19	SHAFTS, SHIFTER	50-42
2G10	ROCKSHAFT PISTON RELIEF VALVE	70-40	2B8	SHIELD, PTO MASTER (1000 RPM)	50-5
2G11	ROCKSHAFT THROTTLE VALVE	70-41	2E5	SHIELD, STEERING LINES, WITH SUPPORT	60-17
1C4	RODS, CONNECTING	20-24	2B13	SHIFTER ARM, PTO	50-11
1B11	RODS, PUSH	20-9	2C3	SHIFTER KIT, HI-LO	50-12
3B18	ROLL-GARD	90-17	2B14	SHIFTER LEVER, HI-LO SPEED SELECTOR	50-26
3B17	ROLL-GARD (HINSON)	90-16	2C17	SHIFTER SHAFTS	50-40
3B19	ROLL-GARD (HINSON)	90-18	2C19	SHIFTER SHAFTS	50-42
3C1	ROOF CAB	90-25	2B9	SHIFTER YOKE, PTO	50-6
1D22	ROOF MOUNTED AIR INTAKE, CAB	30-8	2B24	SHIFTER YOKE, TORQUE DIVIDER	50-23
1E5	ROTATING PARTS, TURBOCHARGER	30-17	3B22	SHOCK ABSORBER	90-21
1E8	ROTATING PARTS, TURBOCHARGER	30-20	1B15	SHORT BLOCK	20-14
1E9	ROTATING PARTS, TURBOCHARGER	30-21	1B19	SHORT BLOCK, ENGINE (WITH OIL PUMP)	20-18
			1B21	SHORT BLOCK, ENGINE (6404) (REPLACEMENT) (WITHOUT OIL PUMP)	20-19A
			1D1	SHROUD, FAN	20-42
			1F12	SHUT-OFF, FUEL INJECTION PUMP ELECTRIC	30-51
			2J8	SIDE FRAME	80-5
			2J10	SIDE PANEL	80-7
			3C20	SLOW MOVING VEHICLE EMBLEM	90-44
			1J12	SOCKET, ELECTRICAL OUTLET	40-75
			1H8	SOLENOID SWITCH (DELCO-REMY)	40-24
			1H12	SOLENOID SWITCH (DELCO-REMY)	40-25
			1H17	SOLENOID SWITCH (DELCO-REMY)	40-28
			1H22	SOLENOID SWITCH, STARTER (JOHN DEERE)	40-33
			1H23	SOLENOID SWITCH, STARTER (JOHN DEERE)	40-34
			2C19	SPEED CHANGE ARM	50-42
			1F24	SPEED CONTROL LINKAGE	30-64
			1F25	SPEED CONTROL LINKAGE	30-65
			1G1	SPEED CONTROL LINKAGE	30-67

S

2H3	SAFETY CHAIN, IMPLEMENT	70-58
2H16	SCV LEVER LOCK	70-67
2H22	SCV POPPET, METERING AND FLOW CONTROL	70-74
1C15	SEAL AND WEAR SLEEVE, CRANKSHAFT	20-32
1C16	SEAL, CRANKSHAFT OIL	20-33
3C25	SEALANT, LOCTITE	90-49
1H24	SEALING KIT, STARTING MOTOR	40-35
3B20	SEAT BACK	90-19
3B20	SEAT BACK CUSHION	90-19
3B20	SEAT CUSHION	90-19
3B21	SEAT SUPPORT, DELUXE	90-20
3B22	SEAT SUSPENSION	90-21
3C15	SELECTIVE CONTROL CONSOLE	90-39
2H22	SELECTIVE CONTROL FLOW CONTROL VALVE	70-74

1A21

7020 TRACTOR

ALPHABETICAL INDEX - CONTINUED

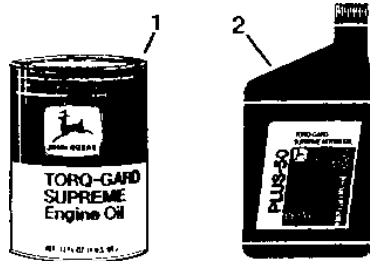
GRID	PAGE	GRID	PAGE
2C17	SPEED RANGE ARM.....	50-40	
1I17	SPEED-HOUR METER.....	40-53	
2C17	START-SAFETY SWITCH	50-40	
1H5	STARTER	40-22	
1I16	STARTER	40-52	
1H8	STARTER (DELCO-REMY)	40-24	
1H10	STARTER (DELCO-REMY)	40-24B	
1H19	STARTER ARMATURE (JOHN DEERE).....	40-30	
1H21	STARTER COMMUTATOR END FRAME (JOHN DEERE)	40-32	
1H13	STARTER DRIVE HOUSING (DELCO-REMY)	40-26	
1H19	STARTER DRIVE HOUSING (JOHN DEERE)	40-30	
1C5	STARTER GEAR	20-25	
1H13	STARTER GEAR (DELCO-REMY)	40-26	
1H15	STARTER MAIN FRAME (DELCO-REMY)	40-27A	
1H20	STARTER MAIN FRAME (JOHN DEERE)	40-31	
1H18	STARTER SOLENOID COVER (JOHN DEERE)	40-29	
1H6	STARTER SOLENOID COVER KIT (DELCO-REMY).....	40-22A	
1H7	STARTER SOLENOID COVER KIT (DELCO-REMY).....	40-22B	
1H17	STARTER SOLENOID SWITCH (DELCO-REMY)	40-28	
1H22	STARTER SOLENOID SWITCH (JOHN DEERE).....	40-33	
1H23	STARTER SOLENOID SWITCH (JOHN DEERE).....	40-34	
1H20	STARTER, COIL (JOHN DEERE)	40-31	
1E19	STARTING AID KIT, ETHER	30-33	
1E23	STARTING AID TUBE KIT.....	30-37	
1E20	STARTING AID, ELECTRIC.....	30-34	
1E22	STARTING AID, ELECTRICALLY OPERATED.....	30-36	
1G19	STARTING CIRCUIT RELAY	40-11B	
1G8	STARTING CIRCUIT RELAY WIRING HARNESS	40-1	
1E18	STARTING FLUID.....	30-32	
1E23	STARTING FLUID TUBE KIT	30-37	
1F22	STARTING FUEL CONTROL KIT	30-62	
1H5	STARTING MOTOR	40-22	
1H8	STARTING MOTOR (DELCO-REMY)	40-24	
1H24	STARTING MOTOR SEALING KIT	40-35	
2E2	STEERING CYLINDER (R.H.)	60-14	
2D15	STEERING CYLINDER COVER	60-2	
2E4	STEERING CYLINDER MOUNTING	60-16	
2D25	STEERING CYLINDER, (L.H.).....	60-12	
2E4	STEERING FLEXIBLE LINES	60-16	
2D21	STEERING FLOW CONTROL VALVE	60-8	
2E5	STEERING LINE SHIELD WITH SUPPORT.....	60-17	
2D22	STEERING OIL LINES	60-9	
2D23	STEERING OIL LINES.....	60-10	
2D16	STEERING VALVE ASSEMBLY	60-3	
2D19	STEERING VALVE CYLINDER OVERHAUL KIT	60-6	
2D18	STEERING VALVE OPERATING LEVER	60-5	
2D14	STEERING VALVE PISTON	60-1	
2D14	STEERING WHEEL	60-1	
2D14	STEERING WHEEL EMBLEM.....	60-1	
2D17	STEERING, VALVE ASSEMBLY	60-4	
2J14	STEP, RIGHT-HAND	80-11	
2J7	STOP, AXLE	80-4	
1F6	STRAINER, FUEL.....	30-45	
1G22	STRAP, ALTERNATOR ADJUSTING	40-15	
1B10	STRAPS, LIFT	20-8	
2F1	STROKE CONTROL VALVE SHUT-OFF KIT	70-6	
2F9	STROKE CONTROL VALVE SHUT-OFF KIT	70-14	
2F1	STROKE CONTROL VALVE, HYDRAULIC PUMP.....	70-6	
2F9	STROKE CONTROL VALVE, HYDRAULIC PUMP.....	70-14	
1J21	SUPPLEMENTARY TERMINALS AND CONNECTORS.....	40-84	
1J14	SUPPLEMENTARY WIRING KIT (7-TERMINAL)	40-77	
1D17	SUPPORT, AIR CLEANER	30-3	
1D18	SUPPORT, AIR CLEANER	30-4	
2B14	SUPPORT, CONSOLE	50-12	
3C8	SUPPORT, CONTROL	90-32	
3C9	SUPPORT, DASH.....	90-33	
3B21	SUPPORT, DELUXE SEAT	90-20	
2G20	SUPPORT, DRAFT LINK	70-50	
2G21	SUPPORT, DRAFT LINK	70-51	
2H4	SUPPORT, DRAWBAR FRONT.....	70-59	
2J17	SUPPORT, FRONT AXLE	80-14	
2B21	SUPPORT, FRONT DIFFERENTIAL DRIVE.....	50-20	
2B16	SUPPORT, HI-LO SHIFTER COVER	50-14	
2B16	SUPPORT, HI-LO SHIFTER LEVER	50-14	
2F23	SUPPORT, HYDRAULIC OIL RESERVOIR	70-27	
2E22	SUPPORT, HYDRAULIC PUMP	70-2	
2G6	SUPPORT, TIE ROD (ROCKSHAFT)	70-36	
3B22	SUSPENSION, SEAT	90-21	
3B13	SWITCH, BLOWER	90-12	
1I12	SWITCH, DIMMER	40-48	
1J7	SWITCH, ELECTRICAL REMOTE CONTROL	40-68	
1I10	SWITCH, HORN	40-46	
1I11	SWITCH, HORN	40-47	
1I16	SWITCH, IGNITION KEY	40-52	
1I16	SWITCH, LIGHT	40-52	
2C17	SWITCH, NEUTRAL START	50-40	
1D23	SWITCH, REMOTE MOUNTED VACUUM	30-9	
1H8	SWITCH, SOLENOID (DELCO-REMY)	40-24	
1H12	SWITCH, SOLENOID (DELCO-REMY)	40-25	
1H17	SWITCH, SOLENOID (DELCO-REMY)	40-28	
1H22	SWITCH, STARTER SOLENOID (JOHN DEERE)	40-33	
1H23	SWITCH, STARTER SOLENOID (JOHN DEERE)	40-34	
3B9	SWITCH, THERMOSTAT, EVAPORATOR	90-7	
1D17	SWITCH, VACUUM INDICATOR (AIR CLEANER).....	30-3	
1D18	SWITCH, VACUUM INDICATOR (AIR CLEANER).....	30-4	
1J5	SWITCH, WIPER	40-66	
2C14	SYNCHRONIZER DRUM	50-37	
T			
1B14	TACHOMETER DRIVE.....	20-13	
1I1	TAIL LAMPS	40-36	
1I3	TAIL LAMPS, CAB	40-39	
1E24	TANK, FUEL (L.H.) (EARLY DESIGN)	30-38	
1E25	TANK, FUEL (L.H.) (LATE DESIGN).....	30-39	
1F1	TANK, FUEL (R.H.) (EARLY DESIGN)	30-40	
1F2	TANK, FUEL (R.H.) (LATE DESIGN)	30-41	
1J21	TERMINALS AND CONNECTORS,SUPPLEMENTARY	40-84	
1J15	TERMINALS,ELECTRICAL.....	40-78	
1J17	TERMINALS,ELECTRICAL.....	40-80	
1J19	TERMINALS,ELECTRICAL.....	40-82	
3B9	THERMOSTAT SWITCH, EVAPORATOR.....	90-7	
3B8	THERMOSTAT, CONDENSER	90-6	
1D7	THERMOSTATS	20-48	
1D8	THERMOSTATS	20-49	
2G6	TIE ROD SUPPORT (ROCKSHAFT).....	70-36	
1C14	TIMING GEAR COVER	20-31	
1C15	TIMING GEAR COVER	20-32	
2B4	TIMING HOLE COVER.....	50-1	
3C23	TOOLBOX	90-47	
3C22	TOOLBOX (HINSON)	90-46	
3C21	TOOLS	90-45	
2C1	TORQUE DIVIDER HOUSING.....	50-24	
2C8	TORQUE DIVIDER INPUT SHAFT, LOWER	50-31	
2C10	TORQUE DIVIDER OUTPUT SHAFT	50-33	
2B14	TORQUE DIVIDER SHIFTER LEVER	50-12	
2B16	TORQUE DIVIDER SHIFTER LEVER	50-14	
2B24	TORQUE DIVIDER SHIFTER YOKE	50-23	
2C7	TORQUE DIVIDER, INPUT IDLER GEAR	50-30	
2C6	TORQUE DIVIDER, INPUT SHAFT, UPPER	50-29	
2J9	TOWING HOOK	80-6	
1F19	TRANSFER PUMP, FUEL	30-59	

1B4

ENGINE

RGP3291 -UN-01JAN94

TORQ-GARD SUPREME AND PLUS-50 ENGINE OIL



RGP 3291

TORQ-GARD SUPREME ENGINE					
KEY	PART NO.	PART NAME	QTY	SERIAL NO.	REMARKS
1	TY6359	OIL	1		(SAE 5W/30), 0.9 L (1 QUART) CAN
	TY6360	OIL	1		(SAE 5W/30), 19 L (5 GALLON) CAN
	TY6361	OIL	1		(SAE 5W/30), 208 L (55 GALLON) DRUM
	TY6364	OIL	1		(SAE 10W/30), 0.9 L (1 QUART) (BREAKIN)
	TY6297	OIL	1		(SAE 15W/40), 0.9 L (1 QUART) CAN
	TY6298	OIL	1		(SAE 15W/40), 19 L (5 GALLON) CAN
	TY6300	OIL	1		(SAE 15W/40), 114 L (30 GALLON) DRUM
	TY6301	OIL	1		(SAE 15W/40), 208 L (55 GALLON) DRUM
	TY6311	OIL	1		(SAE 10W), 0.9 L (1 QUART) CAN
	TY22009	OIL	1		(SAE 10W), 3.8 L (1 GALLON)
	TY6312	OIL	1		(SAE 10W), 19 L (5 GALLON) CAN
	TY6313	OIL	1		(SAE 10W), 208 L (55 GALLON) DRUM
	AR63979	OIL	1		(SAE 30W), 0.2 L (1 HALF PINT) CAN
	AR63218	OIL	1		(SAE 30W), 0.9 L (1 QUART) CAN
	AR63219	OIL	1		(SAE 30W), 19 L (5 GALLON) CAN
	TY6280	OIL	1		(SAE 30W), 114 L (30 GALLON) DRUM
AR63222	OIL	1		(SAE 30W), 208 L (55 GALLON) DRUM	

TORQ-GARD PLUS-50 ENGINE					
KEY	PART NO.	PART NAME	QTY	SERIAL NO.	REMARKS
2	TY6389	OIL	1		(SAE 15W/40), 0.9 L (1 QUART)
	TY22008	OIL	1		(SAE 15W/40), 3.8 L (1 GALLON)
	TY6390	OIL	1		(SAE 15W/40), 19 L (5 GALLON)
	TY22010	OIL	1		(SAE 15W/40), 113.6 L (30 GALLON)
	TY6391	OIL	1		(SAE 15W/40), 208 L (55 GALLON)
	TY6392	OIL	1		(SAE 30W), 0.9 L (1 QUART)
	TY22007	OIL	1		(SAE 30W), 3.8 L (1 GALLON)
	TY6393	OIL	1		(SAE 30W), 19 L (5 GALLON)
	TY22011	OIL	1		(SAE 30W), 113.6 L (30 GALLON)
	TY6394	OIL	1		(SAE 30W), 208 L (55 GALLON)
	..	TY22041	OIL	1	
..	TY22042	OIL	1		(SAE 10W/30), 208 L (55 GALLON) (FACTORY SPEC. BREAKIN)

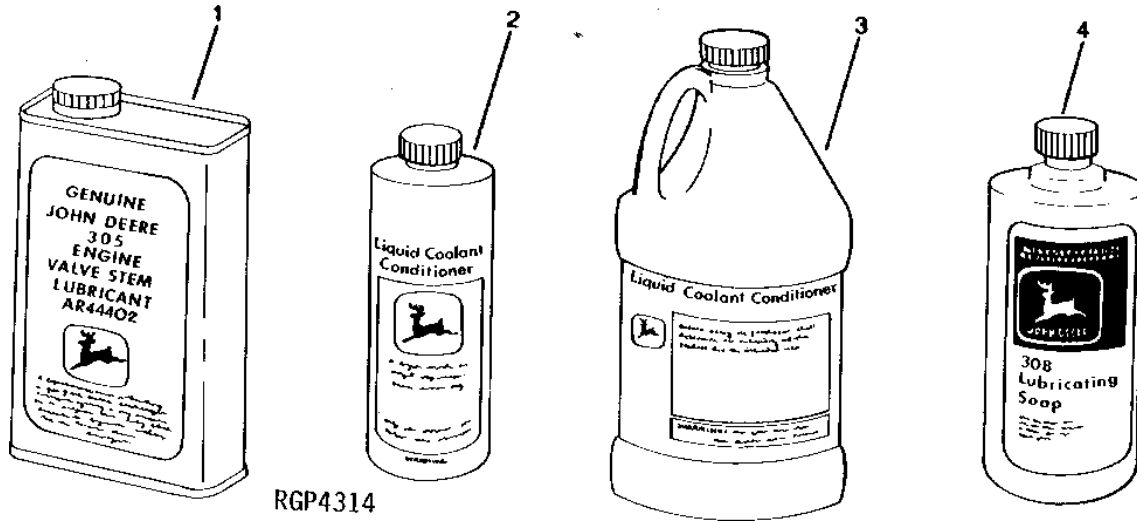
KITS (NOT ILLUSTRATED) ENGINE					
KEY	PART NO.	PART NAME	QTY	SERIAL NO.	REMARKS
..	AR41785	KIT	1		CONTAINS 0.9 L (1 QT.) CAN OF INTERNAL CORROSION INHIBITOR, 1 ROLL OF TAPE, AND 6 PLASTIC BAGS (OFF-SEASON STORAGE)
..	AR41870	RUST INHIBITOR	1		0.9 L (1 QT.) CAN, (SUB AR41785)
..	AR21969	KIT	1		(DUST CAP/COVER KIT)

1B5

ENGINE

RGP4314 -UN-01JAN94

COOLANT CONDITIONER AND ENGINE PART LUBRICANTS



VALVE STEM LUBRICANT

KEY	PART NO.	PART NAME	QTY	SERIAL NO.	REMARKS
1	AR44402	OIL	1		0.9 L (1 QT.)

COOLANT CONDITIONER

KEY	PART NO.	PART NAME	QTY	SERIAL NO.	REMARKS
2	RE23182	ENGINE COOLANT CONDITIONER	1		0.473 L (16 OZ.) (PHOSPHATE - FREE) (SUB FOR T19566 OR RE12842) (SUB TY16004)
	TY16004	ENGINE COOLANT CONDITIONER	1		0.472 L (16 OZ.)
3	RE35992	ENGINE COOLANT CONDITIONER	1		3.8 L (1 GAL.) (PHOSPHATE - FREE) (SUB TY16005)
..	TY16005	ENGINE COOLANT CONDITIONER	1		1.9 L (1/2 GAL.)

CYLINDER LINER PACKING LUBRICANT

KEY	PART NO.	PART NAME	QTY	SERIAL NO.	REMARKS
4	AR54749	LUBRICANT	1		0.9 L (1 QT.)

MEMORANDA

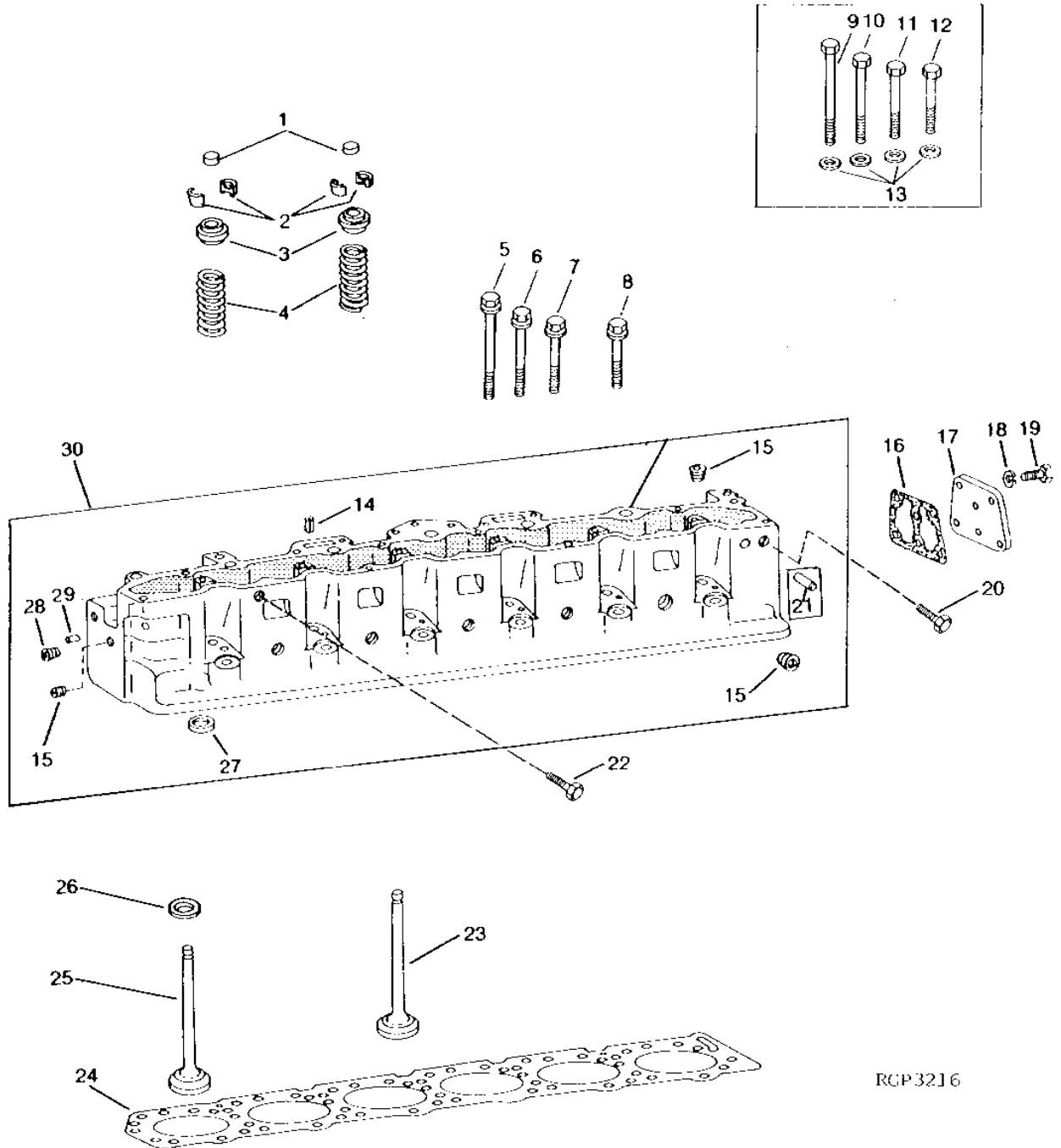
1B6

ENGINE

RGP3216

-UN-01JAN94

CYLINDER HEAD AND VALVES



RGP 3216

1B7

ENGINE

CYLINDER HEAD AND VALVES - CONTINUED

KEY	PART NO.	PART NAME	QTY	ENGINE SERIAL NO.	REMARKS
1	T20129	CAP	12		
2	T20077	RETAINER	24		
3	RE11410	ROTATOR	12		(SUB FOR AR41006)
4	R26125	SPRING	12		
5	R88045	SCREW	7		(SUB FOR R62420)
6	R88044	SCREW	8		(SUB FOR R62419)
7	R88043	SCREW	5		(USE WITH R47110, R49650, R47020, R59850 OR R72128) (SUB FOR R62418)
8	R88042	SCREW	6		(USE WITH R49650, R59850, R72128, R47020 OR R47110) (SUB FOR R62421)
9	R62420	SCREW	7		(SUB R88045)
10	R62419	SCREW	8		(SUB R88044)
11	R62418	SCREW	5		(SUB R88043)
12	R62421	SCREW	6		(SUB R88042)
13	R76126	WASHER	26		(SUB FOR R42364) (USE WITH R62418, R62419, R62420 OR R62421 ONLY, APPL)
14	34H387	SPRING PIN	1		3/16" X 3/4"
15	15H665	PIPE PLUG	13		3/4", (SUB FOR AR72318)
	15H665	PIPE PLUG	7		3/4", (USE WITH R86700)
16	R43595	GASKET	1		
17	R43594	COVER	1	-335845	
	R51347	COVER	1	335846-	
18	12H324	WASHER	6	-335845	3/8"
	12H303	LOCK WASHER	6	335846-	5/16"
19	T20166	SCREW	6	-335845	
	19H2127	CAP SCREW	6	335846-	5/16" X 7/8"
20	R45693	CAP SCREW	2		
21	DOWEL PIN	1		(R20423 NO LONGER REQUIRED)
22	19H2367	CAP SCREW	1		5/8" X 3/4", (SUB FOR R45692, APPL)
23	R43679	EXHAUST VALVE	6	-335845	STD
	R43787	EXHAUST VALVE	6	-335845	0.08 MM (.003") OS
	R43788	EXHAUST VALVE	6	-335845	0.38 MM (.015") OS
	R43789	EXHAUST VALVE	6	-335845	0.76 MM (.030") OS
	R50357	EXHAUST VALVE	6	335846-	STD
	R55056	EXHAUST VALVE	6	335846-	0.08 MM (.003") OS
	R55058	EXHAUST VALVE	6	335846-	0.38 MM (.015") OS
	R55060	EXHAUST VALVE	6	335846-	0.76 MM (.030") OS
24	R48291	GASKET	1		(MARKED R48291) (THIN)
25	R43914	INTAKE VALVE	6	-335845	STD
	R46206	INTAKE VALVE	6	-335845	0.08 MM (.003") OS
	R46207	INTAKE VALVE	6	-335845	0.38 MM (.015") OS
	R46208	INTAKE VALVE	6	-335845	0.76 MM (.030") OS
	R50358	INTAKE VALVE	6	335846-	STD
	R55055	INTAKE VALVE	6	335846-	0.08 MM (.003") OS
	R55057	INTAKE VALVE	6	335846-	0.38 MM (.015") OS
	R55059	INTAKE VALVE	6	335846-	0.76 MM (.030") OS
26	R46209	VALVE SEAT INSERT	6	-335845	0.25 MM (.010") OS (INTAKE)
	R43683	VALVE SEAT INSERT	6	-335845	0.25 MM (0.10") OS (EXHAUST)
	R82508	VALVE SEAT INSERT	12	335846-	0.25 MM (.010") OS, (SUB FOR R55061, APPL)
27	R43913	VALVE SEAT INSERT	6	-335845	STD (INTAKE)
	R43681	VALVE SEAT INSERT	6	-335845	STD (EXHAUST)
	R78702	VALVE SEAT INSERT	12	335846-	STD (SUB FOR R50356, APPL)
28	15H624	PIPE PLUG	1		1/2", (SUB FOR AR72319)
	15H624	PIPE PLUG	4		1/2", (USE WITH AR86700)
29	F1743R	DOWEL PIN	1		
30	AR50000	CYLINDER HEAD	1	-335845	(MARKED R43720)
	AR54554	CYLINDER HEAD	1	335846-	(MARKED R50360 OR R86700)

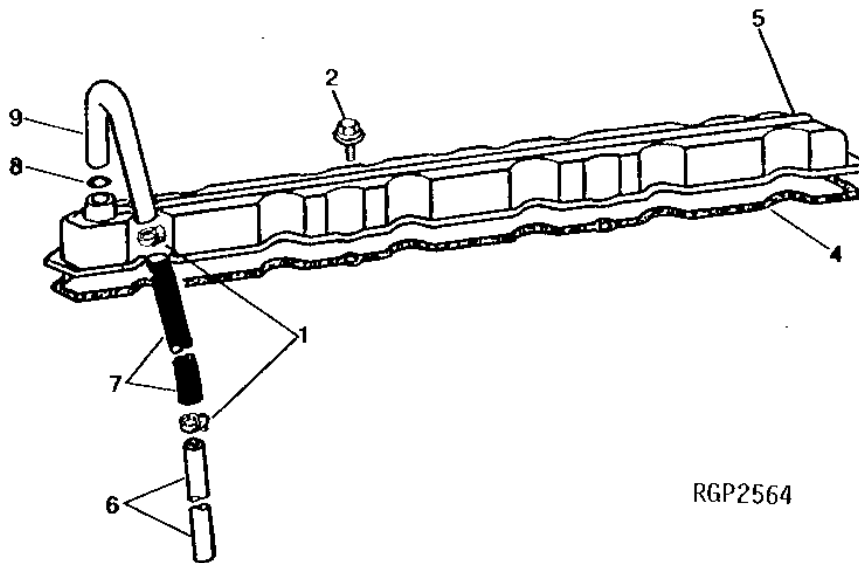
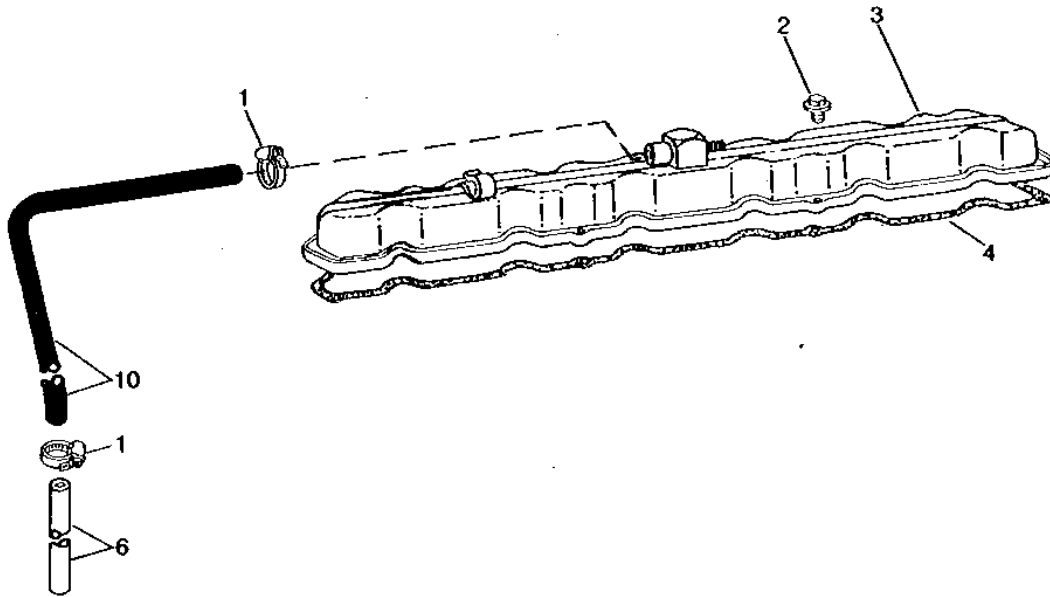
1B8

ENGINE

RGP2564

-UN-01JAN94

ROCKER ARM COVER AND VENTILATOR TUBE



RGP2564

1B9

ENGINE

ROCKER ARM COVER AND VENTILATOR TUBE - CONTINUED

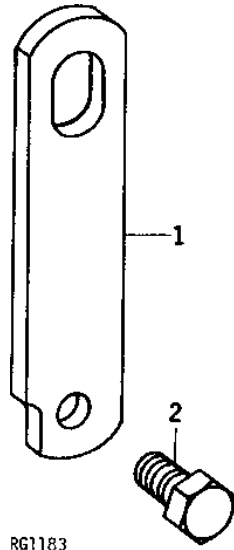
KEY	PART NO.	PART NAME	QTY	ENGINE SERIAL NO.	REMARKS
1	TY22470	CLAMP	2		(SUB FOR AR21839)
2	AR103811	SCREW, WITH WASHER	8		(SUB FOR AR45530)
3	AR93172	COVER	1	432480-	(SUB FOR AR73677) (SUB RE37448)
4	R49866	GASKET	1		(SUB FOR R32593)
5	AR26516	COVER	1	-432479	
6	R50388	TUBE	1		
7	R50389	HOSE	1	335846-432479	
8	R495R	O-RING	1	-432479	
9	R26405	LINE	1	-335845	
	R50387	LINE	1	335846-432479	
10	R99793	HOSE	1	432480-	(SUB FOR R60753) (MAKE FROM TY22450)

1B10

ENGINE

RG1183 -UN-01JAN94

LIFT STRAPS



KEY	PART NO.	PART NAME	QTY	ENGINE SERIAL NO.	REMARKS
1	R61497	STRAP	2		
2	R45693	CAP SCREW	2		

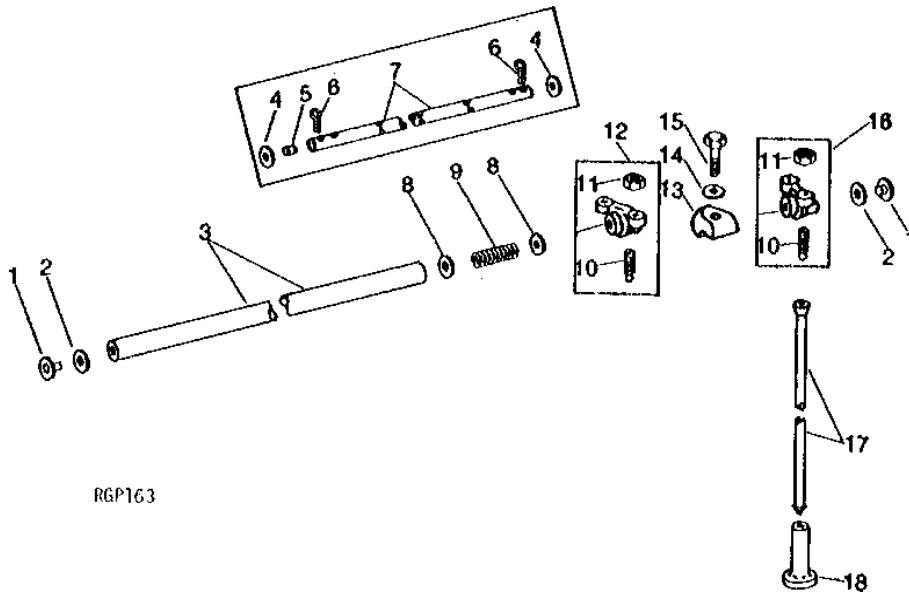
1B11

ENGINE

RGP163

-UN-01JAN94

ROCKER ARMS, SHAFT AND PUSH RODS



RGP163

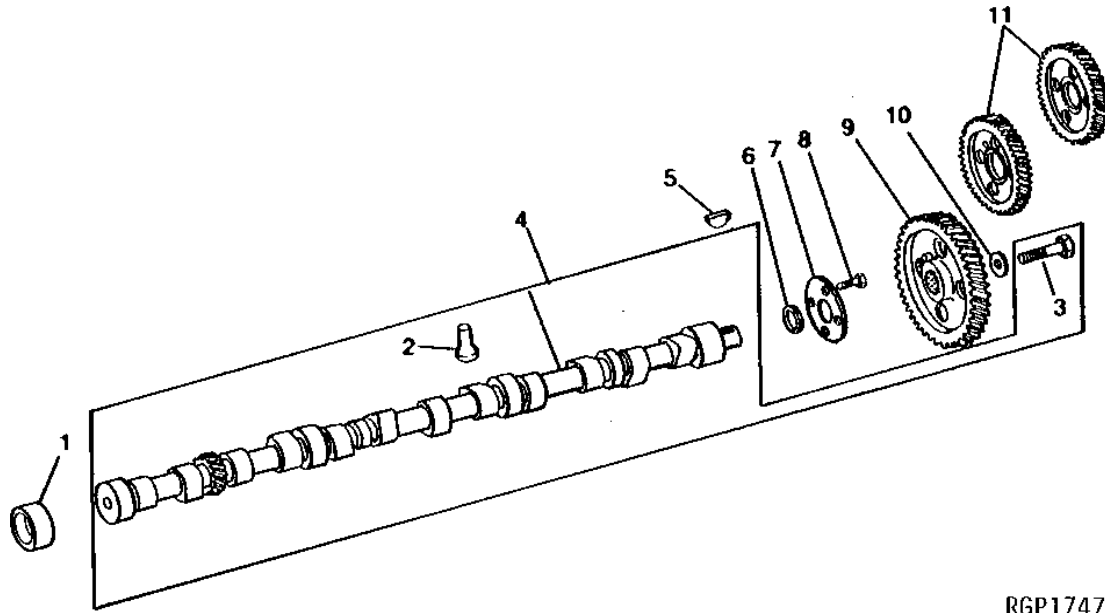
KEY	PART NO.	PART NAME	QTY	ENGINE SERIAL NO.	REMARKS
1	R54565	PLUG	2	349717-	
2	R26081	WASHER	2		
3	R70826	ROCKER ARM SHAFT	1	349717-	(SUB FOR R54564 OR R60650)
4	R71208	WASHER	2	-349716	0.768" X 1.024" X 0.036"
5	R27529	PLUG	2	-349716	
6	11M7082	COTTER PIN	2	-349716	2.500 X 25 MM
7	AR26444	ROCKER ARM SHAFT	1	-349716	(SUB R70826 AND (2) R54565)
8	R71208	WASHER	10	349717-	0.768" X 1.024" X 0.036"
9	R26079	SPRING	5		
10	R27443	SET SCREW	12		
11	14H1080	NUT	12		3/8"
12	AR54905	ROCKER ARM	6		
13	R26748	CLAMP	6		
14	R26559	WASHER	6		
15	19H1740	CAP SCREW	6		7/16" X 1-3/4"
16	AR54904	ROCKER ARM	6		
17	R85027	PUSH ROD	12		(SUB FOR AR40680)
18	R52773	CAM FOLLOWER	12		

1B12

ENGINE

CAMSHAFT AND GEARS (ENGINE SERIAL NO. -335845)

RGP1747 -UN-01JAN94



RGP1747

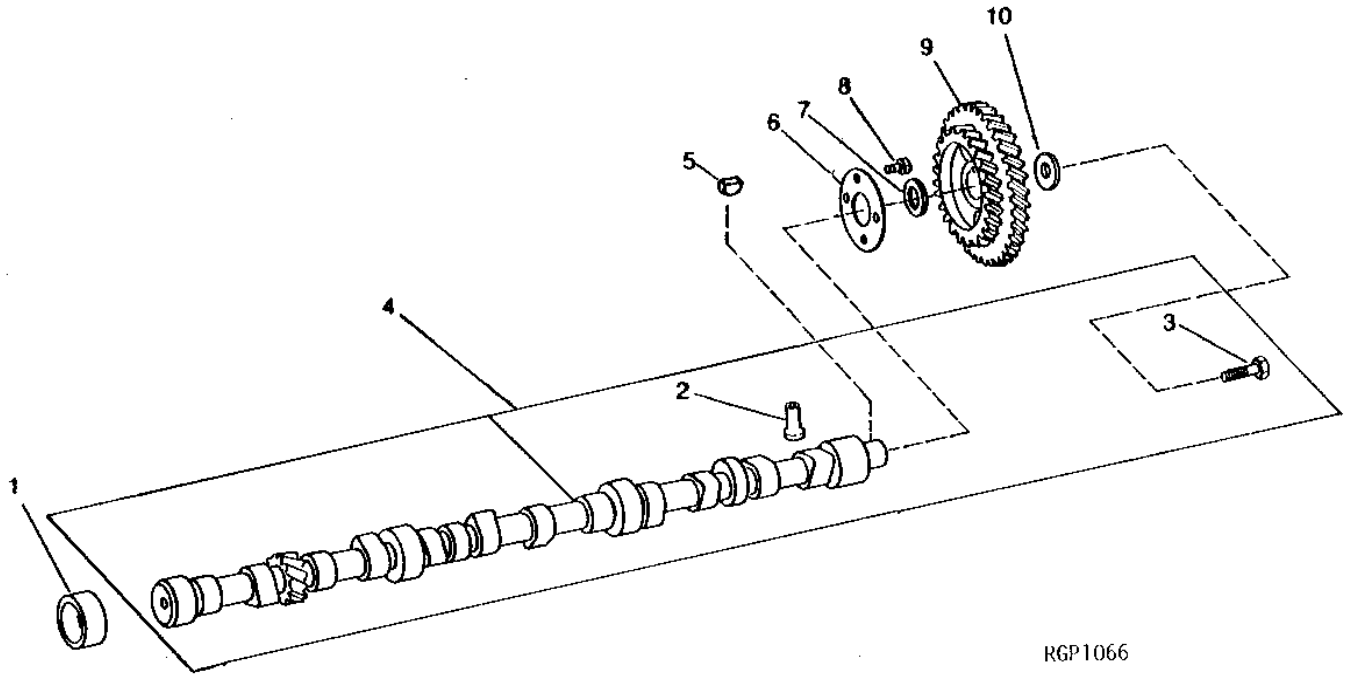
KEY	PART NO.	PART NAME	QTY	ENGINE SERIAL NO.	REMARKS
1	R46903	BUSHING	4		
2	R52773	CAM FOLLOWER	12		
3	19H3182	CAP SCREW	1	1/2" X 1-7/8"	
	R93238	CAP SCREW	1	1/2" X 2", (USE WITH R71531 OR R71529) (SUB FOR R79850, THIS APPLICATION)	
4	AR100385	CAMSHAFT	1	(MARKED R42352, R43677, R59420, R61150, R64086, R71531 OR R71529) (SUB FOR AR44394, AR63280, AR69270, AR71709, AR74144, AR79610 OR AR100384)	
5	26H72	SHAFT KEY	1	1/8" X 5/8"	
6	R42356	WASHER	1		
7	R42355	THRUST WASHER	1	-286002	
	R49275	WASHER	1	286003-	
8	19H1813	CAP SCREW	4	5/16" X 5/8"	
9	AR49503	GEAR	1	(MARKED R46999)	
	34H170	SPRING PIN	1		
10	R47012	WASHER	1		
11	AR52671	GEAR	1	(MARKED R47011 AND R47013) (MATCHED SET)	

1B13

ENGINE

CAMSHAFT AND GEARS (ENGINE SERIAL NO. 335846-)

RGP1066 -UN-01JAN94



RGP1066

KEY	PART NO.	PART NAME	QTY	ENGINE SERIAL NO.	REMARKS
1	R46903	BUSHING	4		
2	R52773	CAM FOLLOWER	12		
3	19H1721	CAP SCREW	1	1/2" X 1-1/2"	
	R93238	CAP SCREW	1	1/2" X 2", (USE WITH R71529) (SUB FOR R79850, THIS APPLICATION)	
4	AR100385	CAMSHAFT	1	(MARKED R64086 OR R71529) (SUB FOR AR79610)	
5	26H72	SHAFT KEY	1	1/8" X 5/8"	
6	R49275	WASHER	1		
7	R42356	WASHER	1		
8	19H1813	CAP SCREW	4	5/16" X 5/8"	
9	AR87700	GEAR	1	(SUB FOR AR55487, AR78345 OR AR88905)	
10	R35256	WASHER	1		

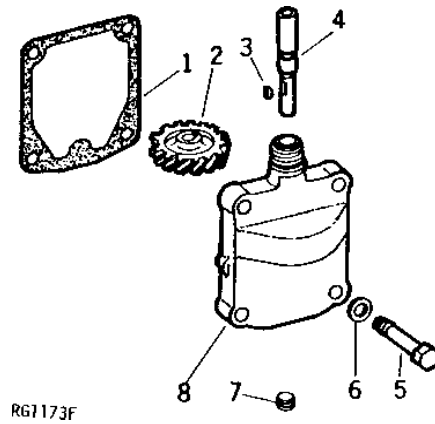
MEMORANDA

1B14

ENGINE

RG1173 -UN-01JAN94

TACHOMETER DRIVE



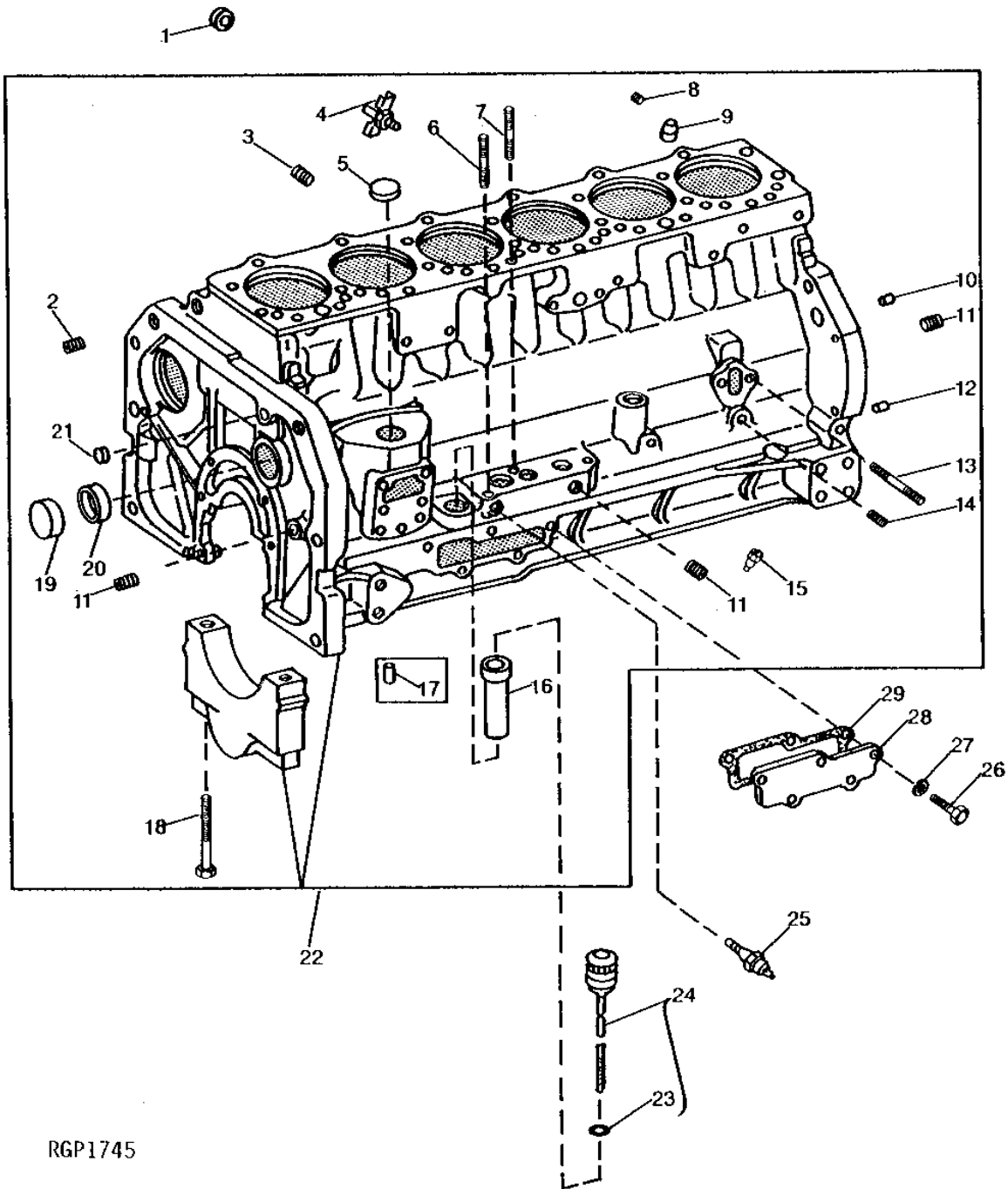
KEY	PART NO.	PART NAME	QTY	ENGINE SERIAL NO.	REMARKS
1	R62410	GASKET	1		(SUB FOR R44853)
2	R32426	GEAR	1		
3	26H3	SHAFT KEY	1		3/32" X 3/8"
4	R26172	SHAFT	1		
5	19H1732	CAP SCREW	4		3/8" X 1-1/4"
6	24M7096	WASHER	4		10.500 X 18 X 1.600 MM
7	15H559	PIPE PLUG	1		1/4"
8	R43851	HOUSING	1		(SUB FOR AR43652)

1B15

ENGINE

CYLINDER BLOCK FITTINGS AND MAIN BEARING CAPS (ENGINE SERIAL NO. -335845)

RGP1745 -UN-01JAN94



RGP1745

1B16

ENGINE

**CYLINDER BLOCK - CONTINUED
FITTINGS AND MAIN BEARING CAPS
(ENGINE SERIAL NO. -335845)**

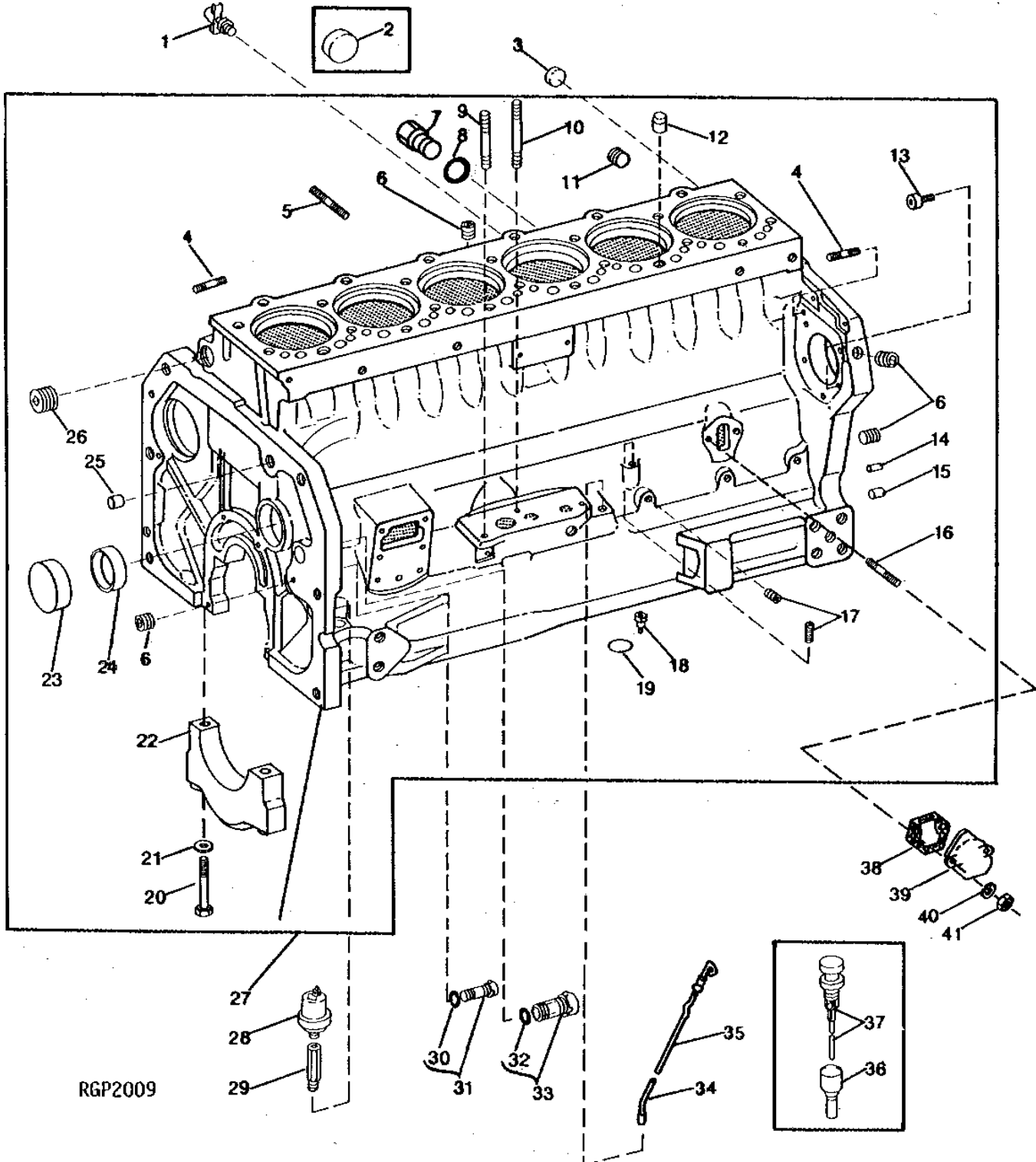
KEY	PART NO.	PART NAME	QTY	ENGINE SERIAL NO.	REMARKS
1	AR80294	PLUG	1		(SUB FOR R47092)
2	15H562	PIPE PLUG	1		1", (SUB FOR AR78522)
3	15H690	PIPE PLUG	3		3/4", (SUB FOR AR72318)
4	AT13740	DRAIN VALVE	1		
5	30H25	PLUG	1		2"
6	R106859	STUD	1		(SUB FOR T20173, F3646R OR R26622, THIS APPLICATION)
7	R32042	STUD	1		
8	PIPE PLUG	1		
9	R42340	BUSHING	2		
10	F1743R	DOWEL PIN	2		
11	15H624	PIPE PLUG	3		1/2", (SUB FOR AR72319)
12	R1612R	DOWEL PIN	2		
13	R48755	STUD	2		
14	R104592	PIPE PLUG	5		(SUB FOR R21630, THIS APPLICATION)
15	R43621	ORIFICE	6		
16	R41070	TUBE	1		
17	DOWEL PIN	1		(NO LONGER REQUIRED)
18	T15539	BOLT	14		
19	R26115	CAP	1		
20	R46903	BUSHING	4		
21	R43634	DOWEL PIN	1		
22	AR52061	CYLINDER BLOCK	1		(MARKED R47020 OR R47110) (SUB RE53476)
23	A4730R	O-RING	2		
24	AR53998	DIPSTICK	1		(SUB FOR AR40750 OR AR53997, THIS APPLICATION)
25	AT85174	SWITCH	1		(SUB FOR AR27977)
26	19H2284	CAP SCREW	5		3/8" X 7/8"
27	12H304	LOCK WASHER	5		3/8"
28	R43441	COVER	1		(NLA)
29	R45968	GASKET	1		

1B17

ENGINE

CYLINDER BLOCK FITTINGS AND MAIN BEARING CAPS (ENGINE SERIAL NO. 335846-)

RGP2009 -UN-01JAN94



RGP2009

THIS PARTS LISTING IS CONTINUED

1B18

ENGINE

**CYLINDER BLOCK - CONTINUED
FITTINGS AND MAIN BEARING CAPS
(ENGINE SERIAL NO. 335846-)**

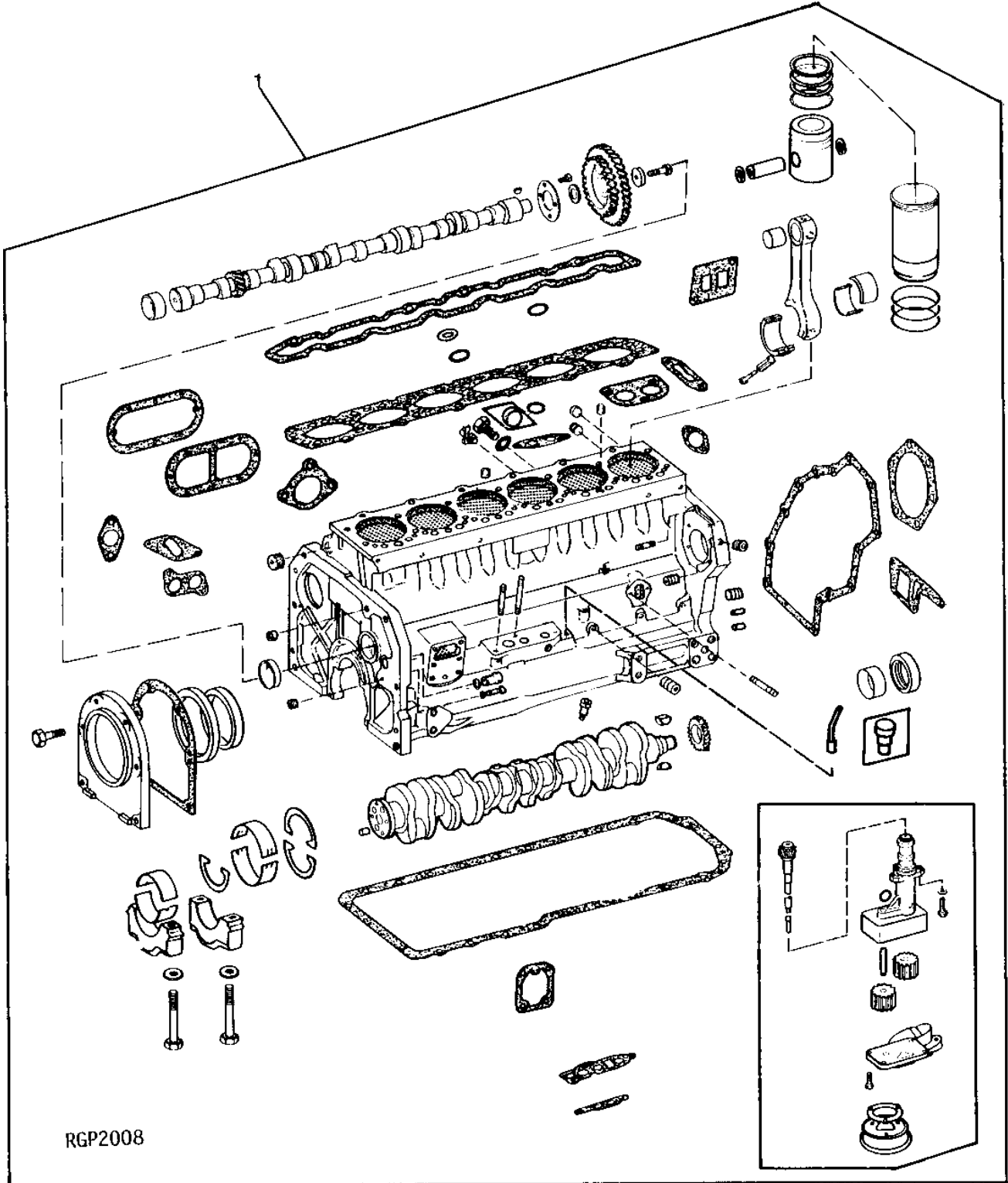
KEY	PART NO.	PART NAME	QTY	ENGINE SERIAL NO.	REMARKS
1	AT13740	DRAIN VALVE	1		
2	AR80294	PLUG	1		LESS COOLANT HEATER, (SUB FOR R47092)
3	R27036	CAP	1		LESS HEATER
4	R55396	STUD	5		3/8" X 1-11/16"
5	R51284	STUD	2		
6	15H624	PIPE PLUG	4		1/2", (SUB FOR AR72319)
7	R39741	DRAIN PLUG	1		
8	U13639	O-RING	1		
9	R106859	STUD	1		3/8" X 3", (SUB FOR T20173, F3646R OR R26622, THIS APPLICATION)
10	R55395	STUD	1		3/8" X 3-5/8"
11	15H690	PIPE PLUG	1		3/4", (SUB FOR AR72318)
12	R42340	BUSHING	2		
13	22H776	SET SCREW	3		(SUB FOR R56545)
14	F1743R	DOWEL PIN	2		
15	R1612R	DOWEL PIN	2		
16	R48755	STUD	2		5/16" X 1-1/2"
17	R104592	PIPE PLUG	6		1/8", (SUB FOR R21630, THIS APPLICATION)
18	R43621	ORIFICE	6		
19	R71732	O-RING	1		(SUB FOR R50378)
20	R42365	BOLT	14		
21	R70268	WASHER	14		(SUB FOR R42363)
22	R57158	BEARING CAP	6		MAIN
	R57159	BEARING CAP	1		MAIN THRUST
23	R26115	CAP	1		
24	R46903	BUSHING	4		
25	R43634	DOWEL PIN	1		
26	15H562	PIPE PLUG	1		1", (SUB FOR AR78522)
27	AR94840	CYLINDER BLOCK	1		(MARKED R49650, R59850 OR R72128) (SUB FOR AR63271) (SUB RE28308, AR71850, AR100478, R54123, U13639 AND (6) R88043) (MARKED R87558) (SUB FOR AR94840) ENGINE OIL PRESSURE, (SUB FOR AR27977)
	RE28308	CYLINDER BLOCK	1		
28	AT85174	SWITCH	1		
29	R53014	FITTING	1		
30	A4365R	O-RING	1		
31	AR61589	PLUG	1		
32	R27149	O-RING	1		
33	AR61533	PLUG	1		
34	AR71850	DIPSTICK TUBE	1		(USE WITH R72128)
35	AR100478	DIPSTICK	1		(USE WITH R72128)
36	AR54557	TUBE	1		(USE WITH R49650 OR R59850) (SUB AR71850 AND AR100478)
37	AR58986	DIPSTICK	1		(USE WITH R49650 OR R59850) (SUB AR71850 AND AR100478)
38	R97350	GASKET	1		(SUB FOR R27285)
39	R27286	COVER	1		
40	12H303	LOCK WASHER	2		5/16"
41	14H785	NUT	2		5/16"

1B19

ENGINE

ENGINE SHORT BLOCK (WITH OIL PUMP)

RGP2008 -UN-01JAN94



1B20

ENGINE

**ENGINE SHORT BLOCK - CONTINUED
(WITH OIL PUMP)**

KEY	PART NO.	PART NAME	QTY	ENGINE SERIAL NO.	REMARKS
1	AR51965	SHORT BLOCK ASSEMBLY	1	-335845	(SUB RE53476, AR71118, (2) R38614 AND (2) M72490)
	AR94820	SHORT BLOCK ASSEMBLY	1	335846-	(MARKED R49650, R59850 OR R72128) (SUB FOR AR71120) (SUB RE53485, R54123, U13639, AR77489, AR100478 AND (6) R88043)

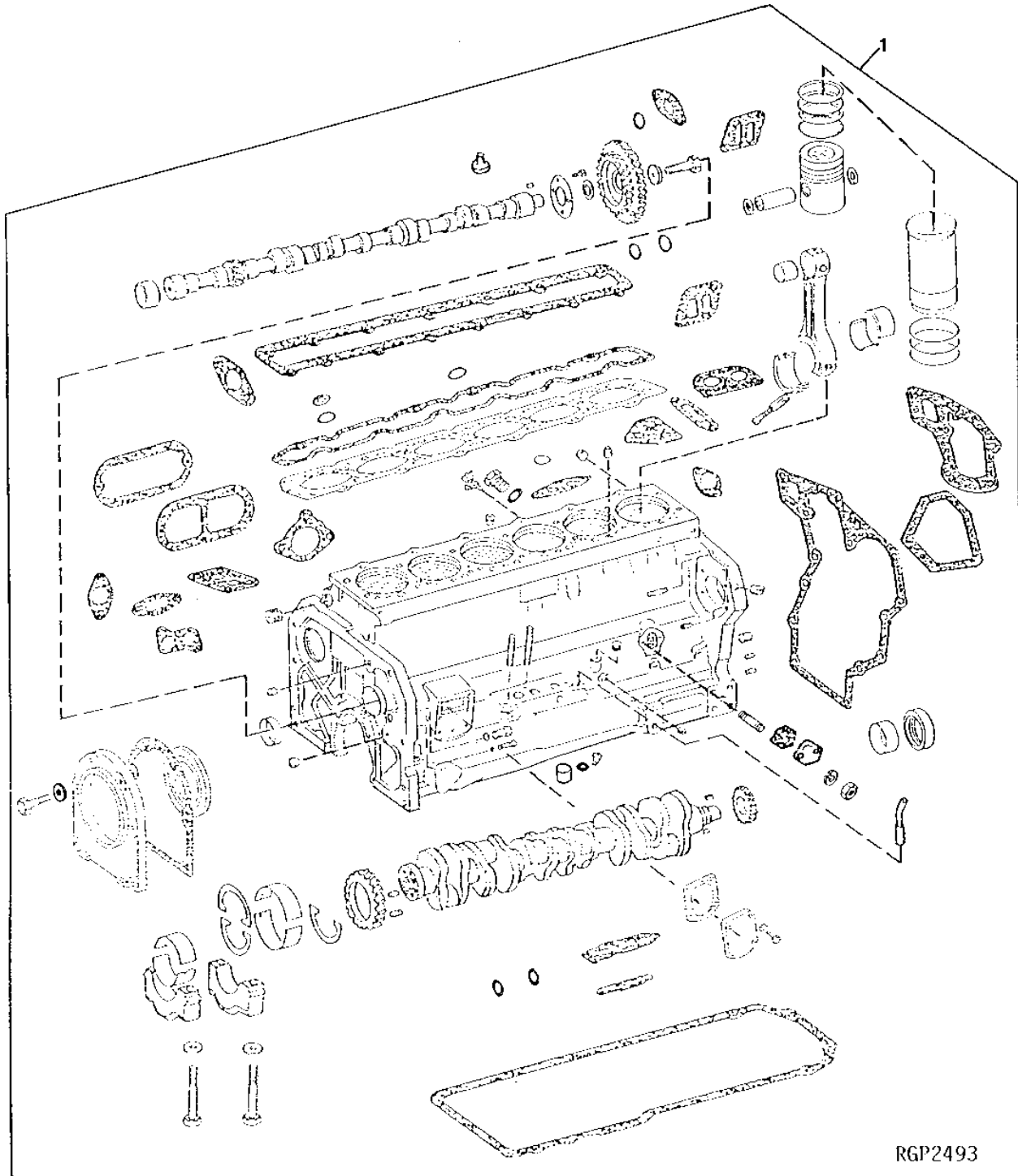
1B21

ENGINE

ENGINE SHORT BLOCK (REPLACEMENT) (WITHOUT OIL PUMP)

RGP2493

-UN-01JAN94



RGP2493

1B22

ENGINE

**ENGINE SHORT BLOCK (REPLACEMENT) - CONTINUED
(WITHOUT OIL PUMP)**

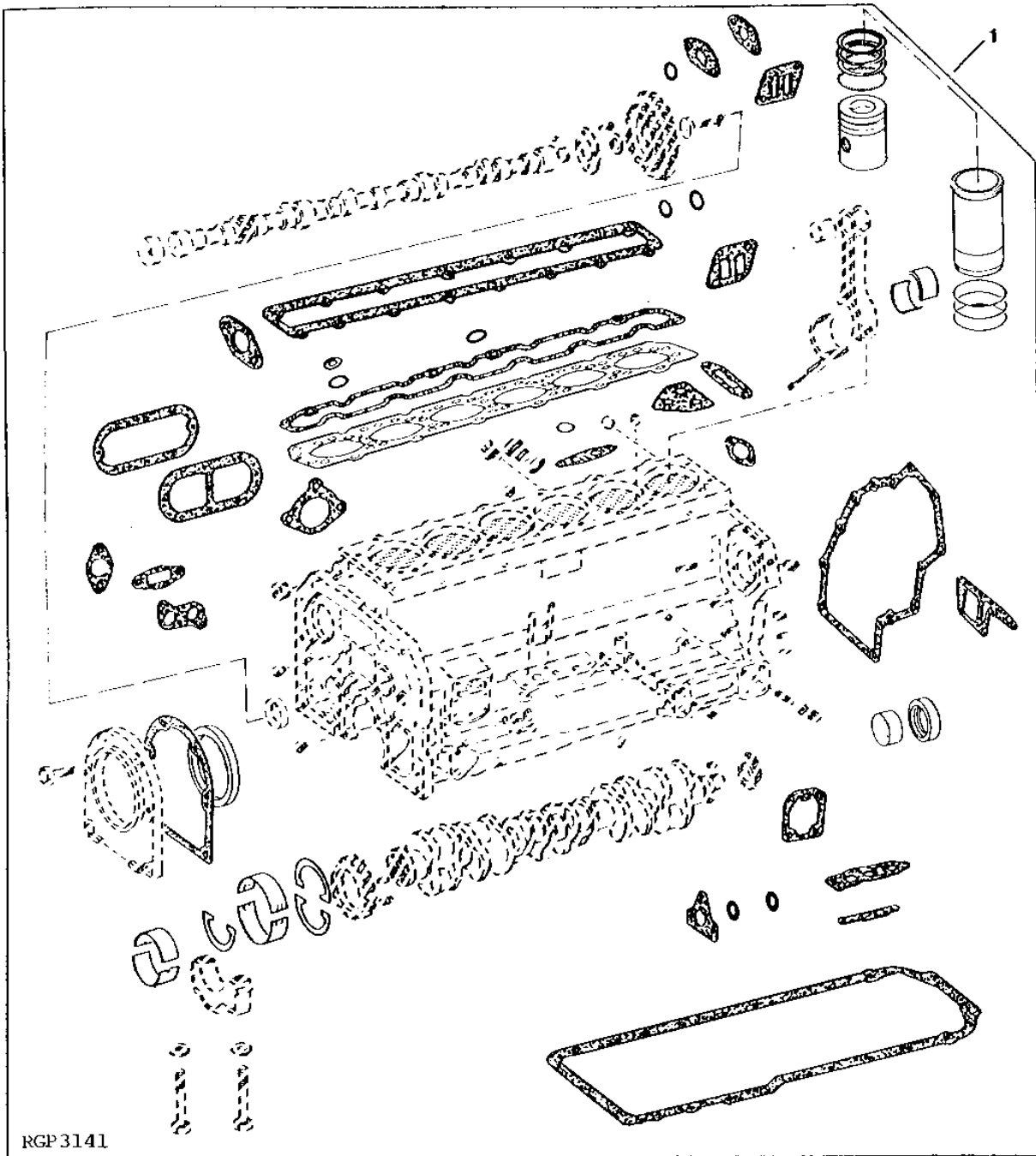
KEY	PART NO.	PART NAME	QTY	ENGINE SERIAL NO.	REMARKS
1	RE53476	SHORT BLOCK ASSEMBLY	1	-335845	(MARKED R47020) (SUB FOR AR52061, AR51965 OR RE13552)
	RE53485	SHORT BLOCK ASSEMBLY	1	335846-	(MARKED R87558) (SUB FOR AR71120, AR94820 OR RE13553)

1B23

ENGINE

ENGINE OVERHAUL KIT (6404)

RGP3141 -UN-01JAN94



1B24

ENGINE

ENGINE OVERHAUL KIT - CONTINUED
(6404)

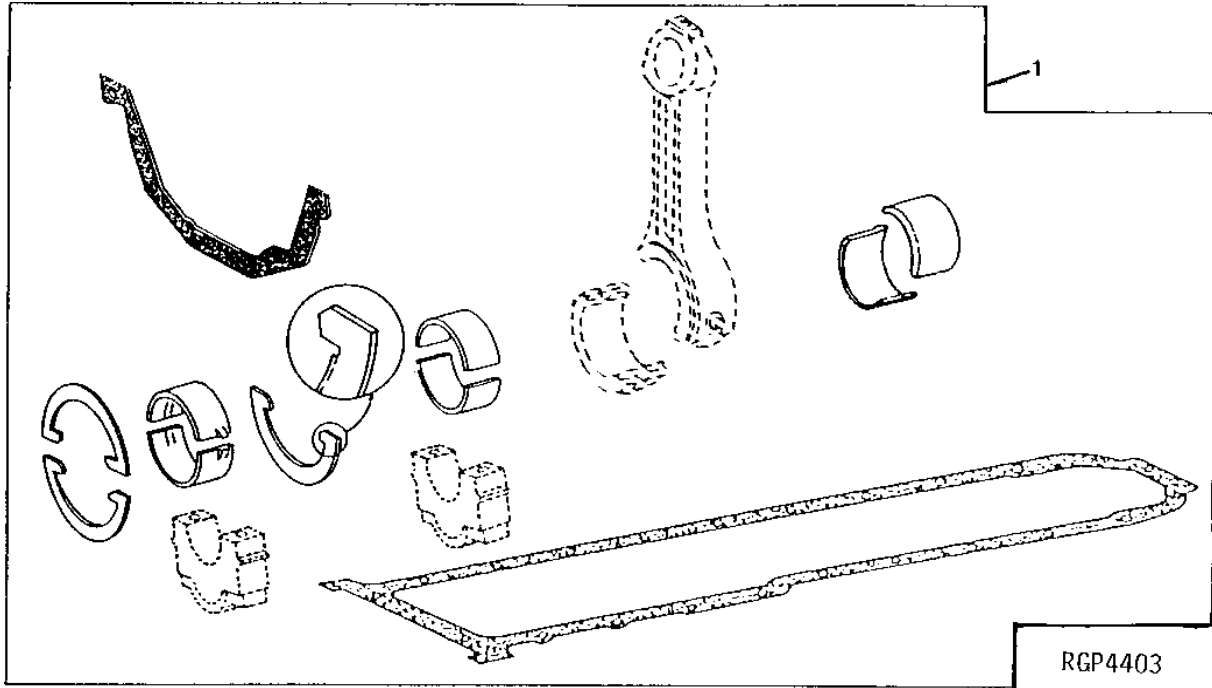
KEY	PART NO.	PART NAME	QTY	ENGINE SERIAL NO.	REMARKS
1	RG23435	ENGINE OVERHAUL KIT	1	-335845	(CONTAINS (6) AR51798 PISTON LINERS, GASKET KIT, STD BEARINGS AND SNAP RINGS) (SUB FOR RG21340)
	RG23428	ENGINE OVERHAUL KIT	1	335846-	(CONTAINS (6) AR63272 PISTON LINERS, GASKET KIT, STD BEARINGS AND SNAP RINGS) (SUB FOR RG17892)
	RG23436	ENGINE OVERHAUL KIT	1	335846-	(U.S.BRGS) CONTAINS (6) AR63272 PISTON LINERS, GASKET KIT, .010 U.S. BEARINGS AND SNAP RINGS) (SUB FOR RG22859)

1B25

ENGINE

ENGINE UNDERHAUL KIT (6404AR)

RGP4403 -UN-14DEC94



KEY	PART NO.	PART NAME	QTY	ENGINE SERIAL NO.	REMARKS
1	RG23427	KIT	1	(A) (SUB FOR RG22790)	

(A) USE WITH BLOCK MARKED R40620, R40930, R40940, R45950, R47020, R47110, R47170, R48440, R49550, R49650, R59850, R72128 OR R87558.

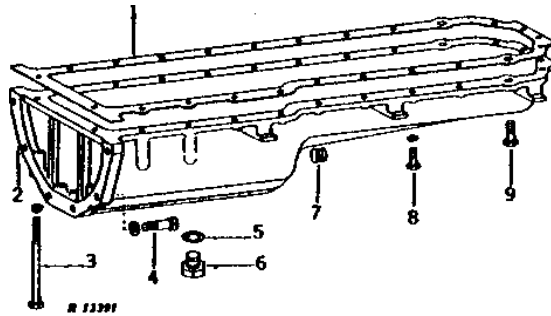
MEMORANDA

1C1

ENGINE

OIL PAN
(ENGINE SERIAL NO. -335845)

R13391 -UN-01JAN94



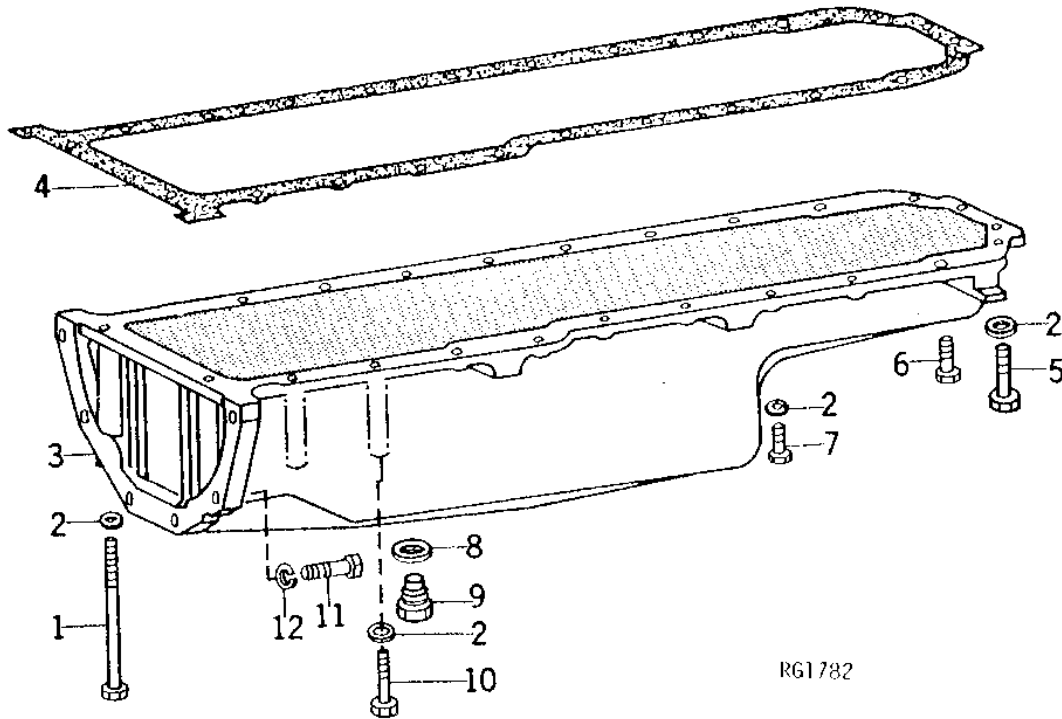
KEY	PART NO.	PART NAME	QTY	ENGINE SERIAL NO.	REMARKS
1	R71918	GASKET	1		(SUB FOR R42424 OR R53282)
2	R53013	OIL PAN	1		(SUB AR94560) (SUB FOR R47815)
3	19H2205	CAP SCREW	2		3/8" X 6"
4	12H304	LOCK WASHER	2		3/8"
	19H2473	CAP SCREW	6		1/2" X 1-3/4"
	12H301	LOCK WASHER	6		1/2"
5	A4827R	WASHER	1		
6	R26727	DRAIN PLUG	1		(SUB FOR R51944)
7	15H564	PIPE PLUG	1		3/4", (USE WITH R47815)
8	19H2552	CAP SCREW	16		3/8" X 1-1/8"
	19H1765	CAP SCREW	2		3/8" X 1-3/4"
	19H2104	CAP SCREW	18		3/8" X 5"
9	12H304	LOCK WASHER	20		3/8"
	R27693	SCREW	2		

1C2

ENGINE

OIL PAN (ENGINE SERIAL NO. 335846-)

RG1782 -UN-01JAN94



RG1782

KEY	PART NO.	PART NAME	QTY	ENGINE SERIAL NO.	REMARKS
1	19H2205	CAP SCREW	2	3/8" X 6"	
2	12H304	LOCK WASHER	22	3/8"	
3	R53013	OIL PAN	1	(SUB AR94560)	
4	R71918	GASKET	1	(SUB FOR R53282)	
5	19H1765	CAP SCREW	2	3/8" X 1-3/4"	
6	R27693	SCREW	2		
7	19H2552	CAP SCREW	16	3/8" X 1-1/8"	
8	A4827R	WASHER	2		
9	R26727	DRAIN PLUG	1	(SUB FOR R51944)	
10	19H2104	CAP SCREW	2	3/8" X 5"	
11	19H2473	CAP SCREW	6	1/2" X 1-3/4"	
12	12H301	LOCK WASHER	6	1/2"	

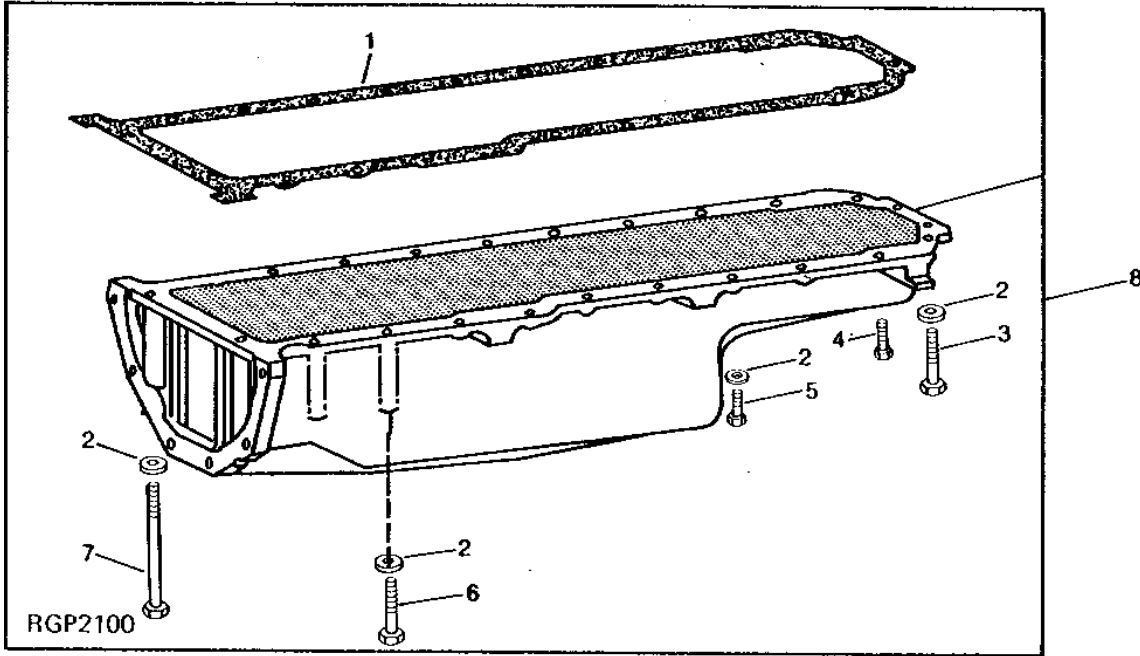
MEMORANDA

1C3

ENGINE

RGP2100 -UN-01JAN94

OIL PAN KIT



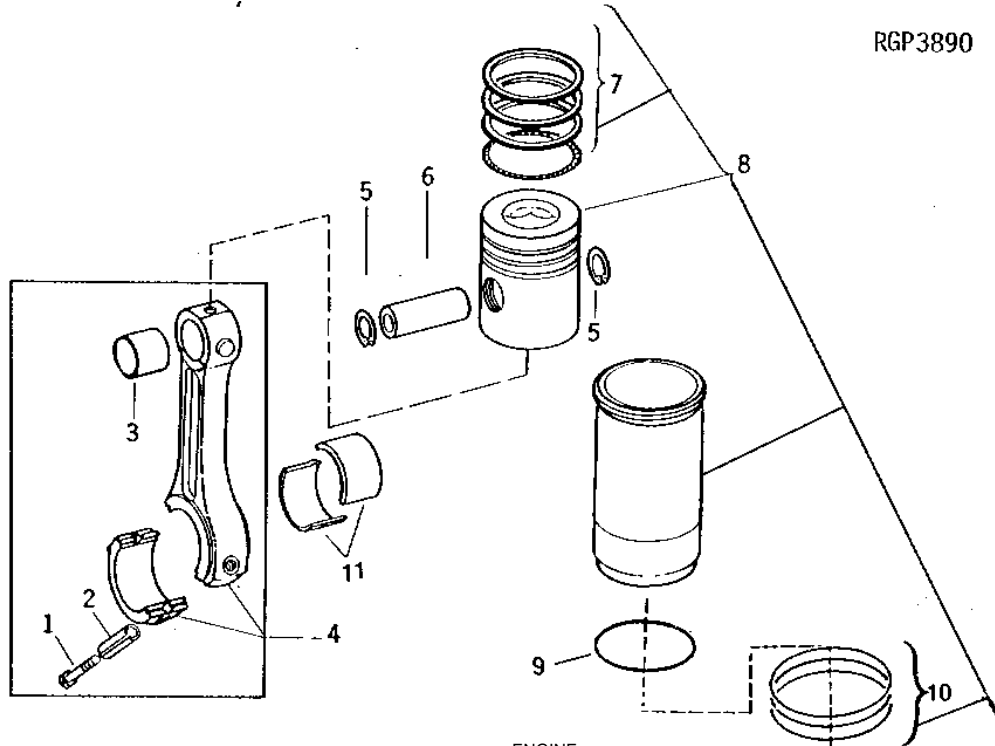
KEY	PART NO.	PART NAME	QTY	ENGINE SERIAL NO.	REMARKS
1	R71918	GASKET	1		(SUB FOR R53282)
2	12H304	LOCK WASHER	22		3/8"
3	19H3485	CAP SCREW	2		3/8" X 2"
4	R73445	SCREW	2		
5	19H3267	CAP SCREW	16		3/8" X 1-5/8"
6	19H3504	CAP SCREW	2		3/8" X 5-3/8"
7	19H3562	CAP SCREW	2		3/8" X 6-1/8"
8	AR94560	KIT	1		(MARKED R71909) (SUB FOR AR53013)

1C4

ENGINE

RGP3890 -UN-01JAN94

PISTON, RINGS, LINERS AND CONNECTING RODS



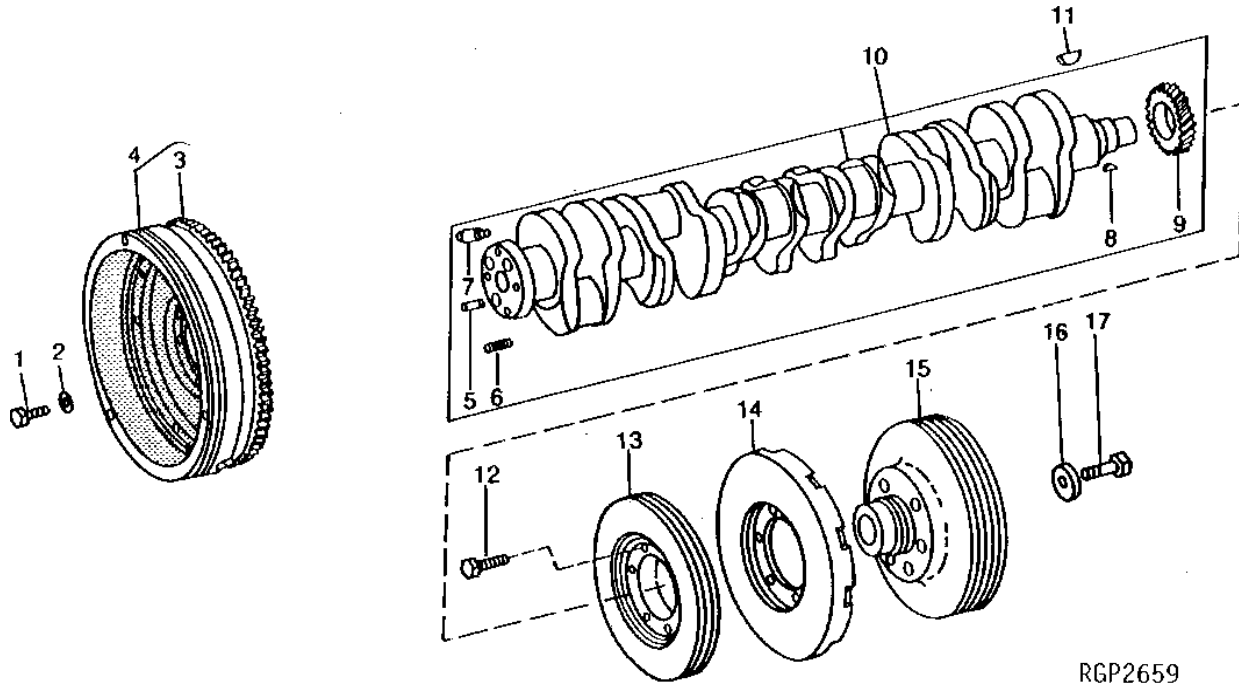
KEY	PART NO.	PART NAME	QTY	ENGINE SERIAL NO.	REMARKS
1	R66452	CAP SCREW	12		(SUB FOR R26325 OR R53290)
2	R53292	SLEEVE	12		(USE WITH R53288, R58882 OR R66922)
3	R42173	BUSHING	6		
4	AR86980	CONNECTING ROD	6		(MARKED R41423, R53288, R58882 OR R66922) (SUB FOR AR41056, AR59422 OR AR70912)
5	R41426	SNAP RING	12	-335845	(USE WITH AR50624)
	R54114	SNAP RING	12	335846-	
6	R41425	PISTON PIN	6		STD
	R54263	PISTON PIN	AR		0.08 MM (.003") (MARKED YELLOW)
	R54264	PISTON PIN	AR		0.13 MM (.005") (MARKED RED)
7	AR51741	PISTON RING	6		
8	AR51798	PISTON-LINER KIT	6	-335845	(MARKED AR50624 OR AR50940)
	AR63272	PISTON-LINER KIT	6	335846-	(MARKED AR54552)
9	R116253	SHIM	AR		0.50 MM (.002")
10	AR65507	O-RING KIT	6		(SUB FOR AR53443)
11	AR45723	BEARING	AR		STD (PKG. OF (2) R44378)
	AR46395	BEARING	AR		0.05 MM (.002") US (PKG. OF (2) R44925)
	AR46396	BEARING	AR		0.25 MM (.010") US (PKG. OF (2) R44926)
	AR46397	BEARING	AR		0.51 MM (.020") US (PKG. OF (2) R44927)
	AR46398	BEARING	AR		0.76 MM (.030") US (PKG. OF (2) R44928)

1C5

ENGINE

RGP2659 -UN-01JAN94

CRANKSHAFT AND FLYWHEEL



RGP2659

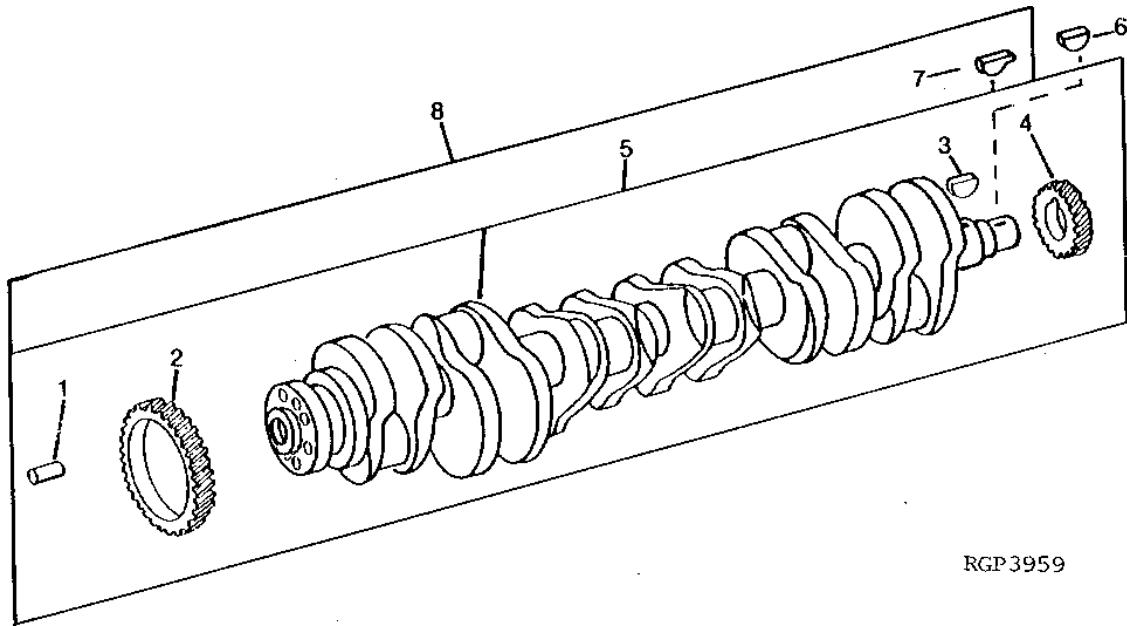
KEY	PART NO.	PART NAME	QTY	ENGINE SERIAL NO.	REMARKS
1	R41049	CAP SCREW	6		(SUB R52634)
2	T23891	WASHER	6		
3	R28811	GEAR	1		
4	AR56075	FLYWHEEL	1		(MARKED R51870) (SUB FOR AR43013)
5	R43093	PIN	1		
6	R41934	DOWEL PIN	1		
7	22H821	SET SCREW	2		1/2" X 1/2", (SUB FOR R61292)
8	R120752	KEY	1		1/8" X 0.625", (MARKED AR61897)
9	R26049	GEAR	1		
10	AR74624	CRANKSHAFT	1		(MARKED R40740, R47419, R56979 OR R63451) (SUB FOR AR50136) (SUB RE53422)
11	26H85	SHAFT KEY	1		1/4" X 1"
12	19H3221	CAP SCREW	6		3/8" X 1-1/4"
	19H3181	CAP SCREW	6		3/8" X 2"
13	R48396	PULLEY	1		(AIR CONDITIONING)
14	AR43954	ABSORBER	1		
15	R48395	PULLEY	1	-335845	
	R50414	PULLEY	1	335846-	
	R47127	PULLEY	1		(AIR CONDITIONING)
16	R26333	WASHER	1		
17	19H1734	CAP SCREW	1		5/8" X 2"

1C6

ENGINE

RGP3959 -UN-01JAN94

CRANKSHAFT



RGP3959

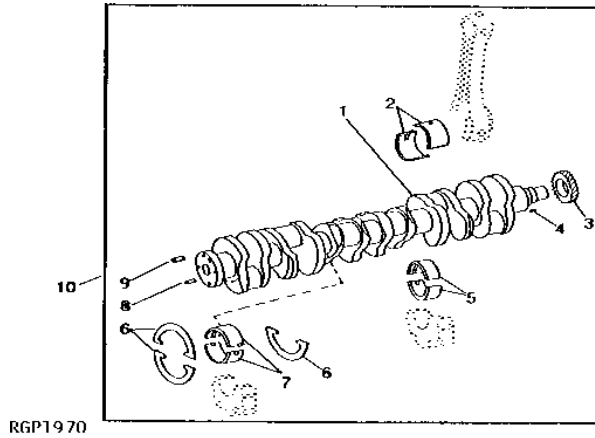
KEY	PART NO.	PART NAME	QTY	ENGINE SERIAL NO.	REMARKS
1	R41934	DOWEL PIN	1		
2	R63326	GEAR	NA		(NOT USED THIS APPLICATION)
3	R120752	KEY	1		
4	R26049	GEAR	1		(USE WITH R40740, R47419, R56979 OR R63451)
	R105488	GEAR	1		(USE WITH RE42675 OR RE53203)
5	AR96189	CRANKSHAFT	1		(MARKED R63451) (SUB RE53422)
	RE42671	CRANKSHAFT	1		
6	26H85	SHAFT KEY	1		1/4" X 1", (USE WITH R63451, RE42675, R40740, R56979 OR R56934)
7	R116311	KEY	1		(USE WITH RE53203 OR RE53423)
8	RE53422	CRANKSHAFT	1		(MARKED RE53203)

1C7

ENGINE

UNDERSIZE CONNECTING ROD JOURNAL CRANKSHAFT AND BEARING KIT (EARLY DESIGN) (6409)

RGP1970 -UN-01JAN94



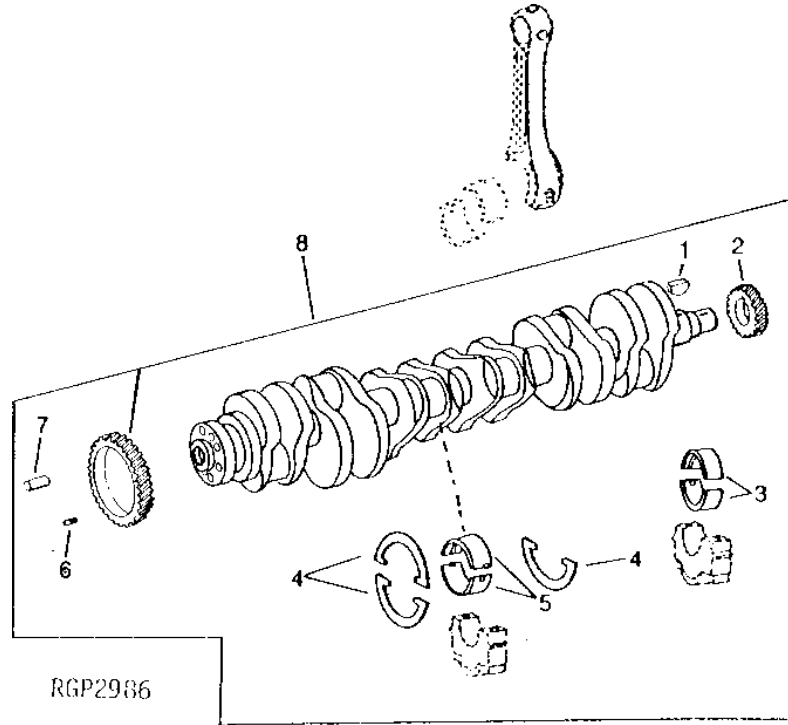
KEY	PART NO.	PART NAME	QTY	ENGINE SERIAL NO.	REMARKS
1	CRANKSHAFT	1		0.25MM (.010") US, (MARKED R78102 OR RE42679) (SUB RE53424)
2	AR46396	BEARING	6		0.25MM (.010") US, (PKG. OF (2) R44926)
3	R26049	GEAR	1		
4	R120752	KEY	1		
5	AR74814	BEARING	6		STD, (PKG. OF R57584 AND R61289)
6	AR77747	THRUST WASHER	1		STD, (PKG. OF (3) R62986)
7	AR77748	THRUST BEARING	1		STD, (PKG. OF R62987 AND R62988)
8	22H821	SET SCREW	2		(SUB FOR R61292)
9	R41934	DOWEL PIN	1		
10	RE12434	CRANKSHAFT	1		

1C8

ENGINE

UNDERSIZE MAIN BEARING CRANKSHAFT AND BEARING KIT (EARLIEST DESIGN) (6404)

RGP2986 -UN-01JAN94



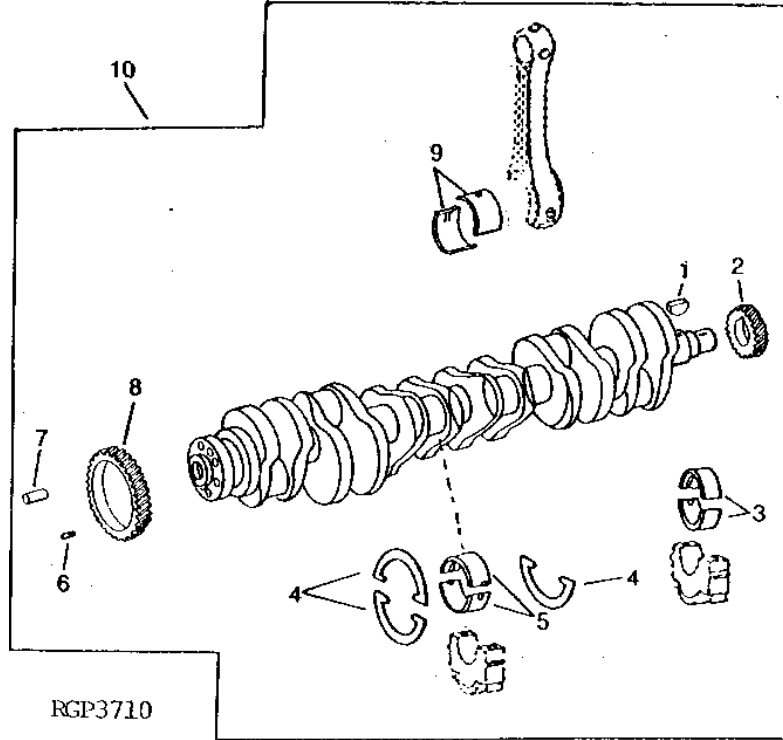
KEY	PART NO.	PART NAME	QTY	ENGINE SERIAL NO.	REMARKS
1	R120752	KEY	1		
2	R26049	GEAR	1		(USE WITH R96460, APPL
3	AR74816	BEARING	6		0.25MM (.010") US (PKG R61909 AND R60473)
4	AR77753	THRUST WASHER	1		0.18MM (*.007") OS FLANGE (PKG (2) R63010 AND R62986)
5	AR77750	THRUST BEARING	1		0.25MM (.010") US (PKG R63003 AND R63007)
6	22H821	SET SCREW	2		1/2" X 1/2"
7	R41934	DOWEL PIN	1		
8	RE36416	CRANKSHAFT	1		0.25MM (.010") US, (MARKED R96460) (SUB FOR RE33622) (SUB RE53425)

1C9

ENGINE

UNDERSIZE MAIN BEARING CRANKSHAFT AND BEARING KIT (EARLY DESIGN) (6404)

RGP3710 -UN-01JAN94



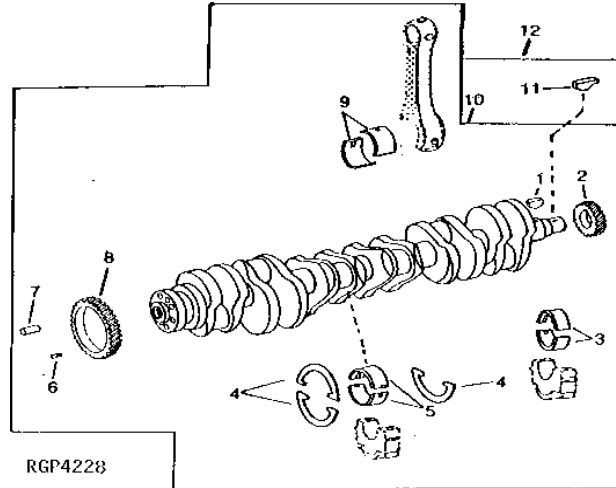
KEY	PART NO.	PART NAME	QTY	ENGINE SERIAL NO.	REMARKS
1	R120752	KEY	1		1/8" X 0.625", (USE WITH R105488)
2	R105488	GEAR	1		(USE WITH RE42678, APPL)
3	AR74816	BEARING	6		0.25MM (.010") US. (PKG R61909 AND R60473)
4	AR77753	THRUST WASHER	1		0.18MM (.007") OS FLANGE (PKG (2) R63010 AND R62986)
5	AR77750	THRUST BEARING	1		0.25MM (.010") US. (PKG R63003 AND R63007)
6	22H821	SET SCREW	2		1/2" X 1/2"
7	R41934	DOWEL PIN	1		
8	R63326	GEAR	1		
9	AR45723	BEARING	6		STD (PKG (2) R44378)
10	RE42672	CRANKSHAFT	1		0.25MM (.010") US. (MARKED RE42678) (SUB RE53425)

1C10

ENGINE

UNDERSIZE CONNECTING ROD JOURNAL CRANKSHAFT AND BEARING KIT (LATE DESIGN) (6404)

RGP4228 -UN-01JAN94



KEY	PART NO.	PART NAME	QTY	ENGINE SERIAL NO.	REMARKS
1	R120752	KEY	1		
2	R105488	GEAR	1		(USE WITH RE42679 OR RE53205, APPL)
3	AR74814	BEARING	6		STD (PKG R57584 AND R61289)
4	AR77747	THRUST WASHER	1		STD (PKG (3) R62986)
5	AR77748	THRUST BEARING	1		STD (PKG R62987 AND R62988)
6	22H821	SET SCREW	2		1/2" X 1/2"
7	R41934	DOWEL PIN	1		
8	R63326	GEAR	1		
9	AR46396	BEARING	6		0.25MM (.010") US (PKG (2) R44926)
10	RE42673	CRANKSHAFT	1		0.25MM (.010") US, (MARKED RE42679) (SUB FOR RE12434) (SUB RE53424)
11	R116311	KEY	1		(USE WITH RE53205, APPL)
12	RE53424	CRANKSHAFT	1		(A) 0.25MM (.010") US, (MARKED RE53205) (SUB FOR RE12434 OR RE42673)

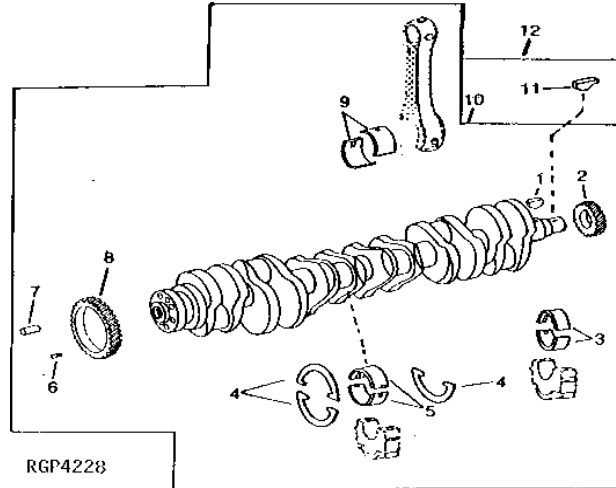
(A) RE53425 MAY BE USED IF RE53424 IS NOT AVAILABLE

1C11

ENGINE

UNDERSIZE MAIN BEARING CRANKSHAFT AND BEARING KIT (LATE DESIGN) (6404)

RGP4228 -UN-01JAN94



KEY	PART NO.	PART NAME	QTY	ENGINE SERIAL NO.	REMARKS
1	R120752	KEY	1		
2	R105488	GEAR	1		(USE WITH RE42678 OR RE53204, APPL)
3	AR74816	BEARING	6		0.25MM (.010") US. (PKG R61909 AND R60473)
4	AR77753	THRUST WASHER	1		0.18MM (.007") OS FLANGE (PKG (2) R63010 AND R62986)
5	AR77750	THRUST BEARING	1		0.25MM (.010") US. (PKG R63003 AND R63007)
6	22H821	SET SCREW	2		1/2" X 1/2"
7	R41934	DOWEL PIN	1		
8	R63326	GEAR	1		
9	AR45723	BEARING	6		STD (PKG (2) R44378)
10	RE42672	CRANKSHAFT	1		0.25MM (.010") US. (MARKED RE42678) (SUB FOR RE36416) (SUB RE53425)
11	R116311	KEY	1		(USE WITH RE53204, APPL)
12	RE53425	CRANKSHAFT	1		(A) (MARKED RE53204) (SUB FOR RE36416 OR RE42672)

(A) RE53424 MAY BE USED IF RE53425 IS NOT AVAILABLE

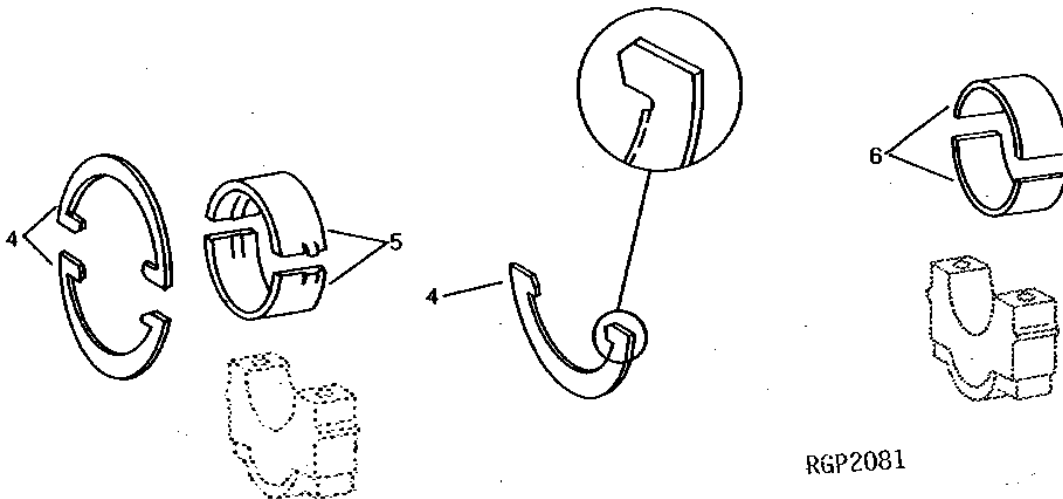
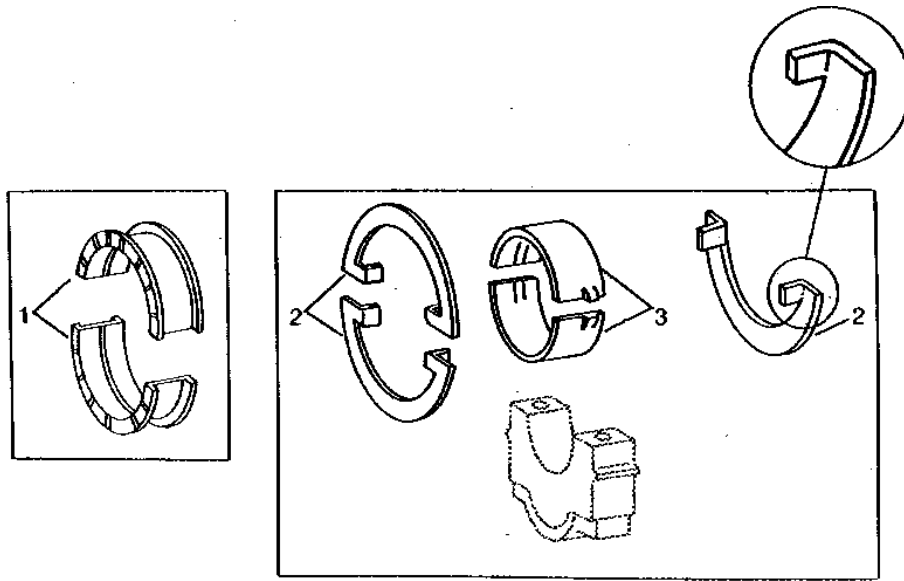
1C12

ENGINE

RGP2081

-UN-01JAN94

MAIN AND MAIN THRUST BEARINGS



RGP2081

1C13

ENGINE

MAIN AND MAIN THRUST BEARINGS - CONTINUED

KEY	PART NO.	PART NAME	QTY	ENGINE SERIAL NO.	REMARKS
1	AR65235	THRUST BEARING	1	-XXXXXX	STD (PKG. OF R55596 AND R55597) (SUB AR77748 AND AR77747 OR AR77753) (SUB FOR AR44624 OR AR48940)
	AR65236	THRUST BEARING	1	-XXXXXX	0.05 MM (.002") US (PKG. OF R55737 AND R55738) (SUB AR77749 AND AR77747 OR AR77753) (SUB FOR AR46403 OR AR49232)
	AR65237	THRUST BEARING	1	-XXXXXX	0.25 MM (.010") US (PKG. OF R55739 AND R55740) (SUB AR77750 AND AR77747 OR AR77753) (SUB FOR AR46404 OR AR49233)
	AR65238	THRUST BEARING	1	-XXXXXX	0.51 MM (.020") US (PKG. OF R55741 AND R55742) (SUB AR77751 AND AR77747 OR AR77753) (SUB FOR AR46405 OR AR49234)
	AR65239	THRUST BEARING	1	-XXXXXX	0.76 MM (.030") US (PKG. OF R55743 AND R55744) (SUB AR77752 AND AR77747 OR AR77753) (SUB FOR AR46406 OR AR49235)
	AR65240	THRUST BEARING	1	-XXXXXX	0.25 MM (.010") US WITH 0.18 MM (.007") OS FLANGE (PKG. OF R55745 AND R55746) (SUB AR77750 AND AR77753) (SUB FOR AR46407 OR AR49236)
2	AR73275	THRUST WASHER	1	XXXXXX-444687	STD (PKG. OF (3) R57778) (SUB AR77747)
	AR73276	THRUST WASHER	1	XXXXXX-444687	0.18 MM (.007") OS FLANGE (PKG. OF (3) R60484) (SUB AR77753)
3	AR72998	THRUST BEARING	1	XXXXXX-444687	STD (PKG. OF R57779 AND R57780) (SUB AR77748 AND AR77747 OR AR77753)
	AR73271	THRUST BEARING	1	XXXXXX-444687	0.05 MM (.002") US (PKG. OF R60476 AND R60477) (SUB AR77749 AND AR77747 OR AR77753)
	AR73272	THRUST BEARING	1	XXXXXX-444687	0.25 MM (.010") US (PKG. OF R60478 AND R60479) (SUB AR77750 AND AR77747 OR AR77753)
	AR73273	THRUST BEARING	1	XXXXXX-444687	0.51 MM (.020") US (PKG. OF R60480 AND R60481) (SUB AR77751 AND AR77747 OR AR77753)
	AR73274	THRUST BEARING	1	XXXXXX-444687	0.76 MM (.030") US (PKG. OF R60482 AND R60483) (SUB AR77752 AND AR77747 OR AR77753)
4	AR77747	THRUST WASHER	1	444688-	STD (PKG. OF (3) R62986)
	AR77753	THRUST WASHER	1	444688-	0.18 MM (.007") OS FLANGE (PKG. OF (2) R63010 AND R62986)
5	AR77748	THRUST BEARING	1	444688-	STD (PKG. OF R62987 AND R62988)
	AR77749	THRUST BEARING	1	444688-	0.05 MM (.002") US (PKG. OF R63002 AND R63006)
	AR77750	THRUST BEARING	1	444688-	0.25 MM (.010") US (PKG. OF R63003 AND R63007)
	AR77751	THRUST BEARING	1	444688-	0.51 MM (.020") US (PKG. OF R63004 AND R63008)
	AR77752	THRUST BEARING	1	444688-	0.76 MM (.030") US (PKG. OF R63005 AND R63009)
6	AR74814	BEARING	AR		STD (PKG. OF R61289 AND R57584) (SUB FOR AR44625)
	AR74815	BEARING	AR		0.05 MM (.002") US (PKG. OF R61608 AND R60472) (SUB FOR AR46399)
	AR74816	BEARING	AR		0.25 MM (.010") US (PKG. OF R61609 AND R60473) (SUB FOR AR46400)
	AR74817	BEARING	AR		0.51 MM (.020") US (PKG. OF R61610 AND R60474) (SUB FOR AR46401)
	AR74818	BEARING	AR		0.76 MM (.030") US (PKG. OF R61611 AND R60475) (SUB FOR AR46402)

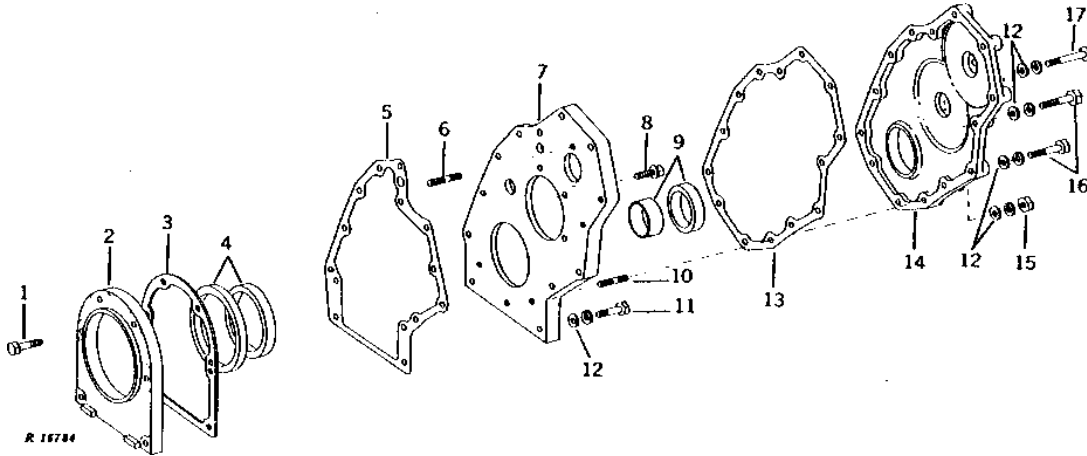
MEMORANDA

1C14

ENGINE

CRANKSHAFT REAR OIL SEAL HOUSING AND TIMING GEAR COVER (ENGINE SERIAL NO. -335845)

R16784 -UN-01JAN94



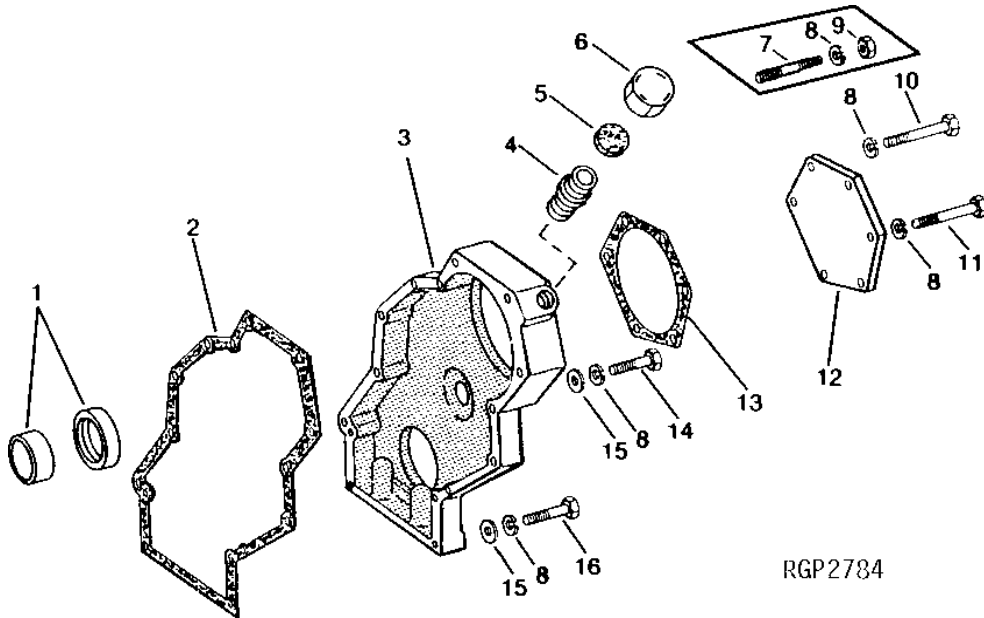
KEY	PART NO.	PART NAME	QTY	ENGINE SERIAL NO.	REMARKS
1	R47074	CAP SCREW	6		
2	R78124	HOUSING	1		(SUB FOR R41406) (SUB R125027 AND (6) T27860)
3	R26058	GASKET	1		
4	AR63095	SEAL	1		(SUB FOR AR49650) (SUB RE22764)
5	R46984	GASKET	1		
6	R47105	STUD	3		
7	R48893	HOUSING	1		
8	19H2915	CAP SCREW	3	5/16" X 1-1/4"	
	24H1136	WASHER	3	11/32" X 11/16" X 0.065"	
9	AR49025	SEAL	1		
10	R47104	STUD	3		
11	19H2661	CAP SCREW	2	5/16" X 1-3/8"	
	12H303	LOCK WASHER	2	5/16"	
12	24H1136	WASHER	16	11/32" X 11/16" X 0.065"	
13	R47047	GASKET	1		
14	AR49539	COVER	1		
15	14H785	NUT	3	5/16"	
	12H303	LOCK WASHER	3	5/16"	
16	19H1901	CAP SCREW	10	5/16" X 2"	
	12H303	LOCK WASHER	10	5/16"	
17	19H1949	CAP SCREW	1	5/16" X 2-1/2"	
	12H303	LOCK WASHER	1	5/16"	

1C15

ENGINE

**OIL SEAL WITH WEAR SLEEVES AND TIMING GEAR COVER
(ENGINE SERIAL NO. 335846-)**

RGP2784 -UN-14SEP94



RGP2784

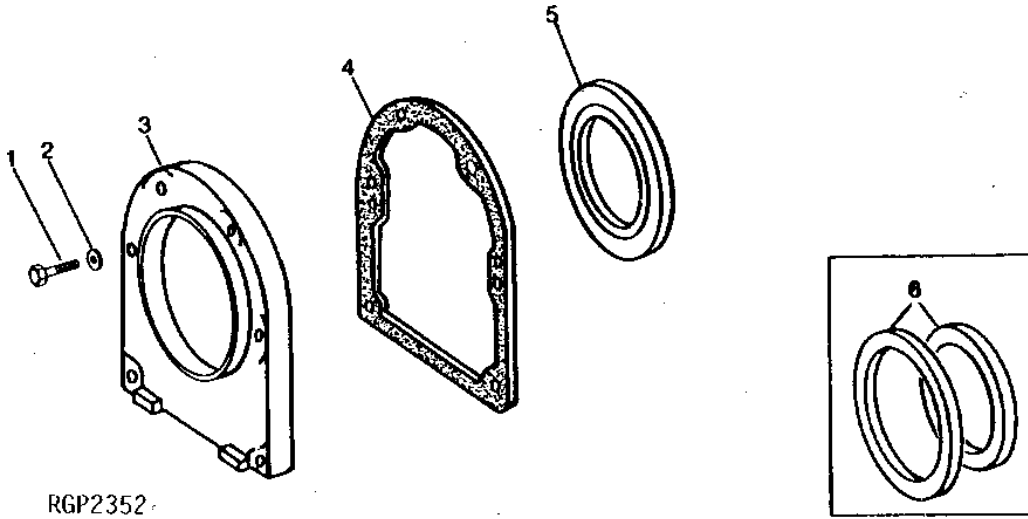
KEY	PART NO.	PART NAME	QTY	ENGINE SERIAL NO.	REMARKS
1	AR49025	SEAL	1		
2	R50353	GASKET	1		
3	R50352	COVER	1		
4	R50354	THREADED NIPPLE	1		
5	T20328	GASKET	1		
6	T20294	CAP	1		
7	R50355	STUD	1	(SUB 19H1905 AND 12H303, THIS APPLICATION)	
8	12H303	LOCK WASHER	14	5/16"	
9	14H785	NUT	1	5/16"	
10	19H1905	CAP SCREW	1	5/16" X 1"	
11	19H1907	CAP SCREW	5	5/16" X 2-3/4"	
12	R50393	COVER	1		
13	R50390	GASKET	1		
14	19H2713	CAP SCREW	6	5/16" X 1-7/8"	
15	24H1136	WASHER	8	11/32" X 11/16" X 0.065"	
16	19H3552	CAP SCREW	2	5/16" X 1-1/2" HS, SAE 8	

1C16

ENGINE

CRANKSHAFT OIL SEAL AND HOUSING
(ENGINE SERIAL NO. 335846-)

RGP2352 -UN-01JAN94



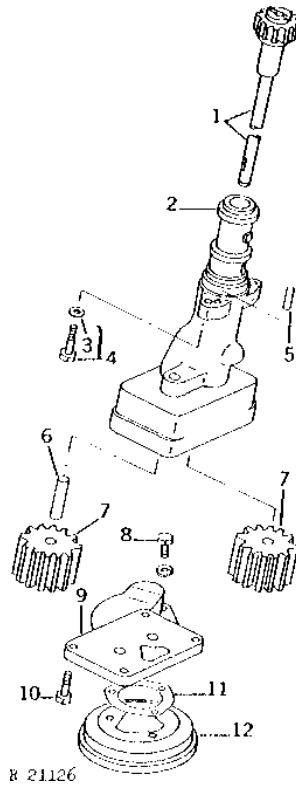
KEY	PART NO.	PART NAME	QTY	ENGINE SERIAL NO.	REMARKS
1	R47074	CAP SCREW	6		
2	24H1136	WASHER	6		11/32" X 11/16" X 0.065"
3	R78124	HOUSING	1		(SUB FOR R41406) (ALSO ORDER (6) 24H1136)
4	R26058	GASKET	1		
5	RE22764	SEAL	1		
6	RE17352	SEAL	1		(SUB RE22764) (SUB FOR RE14953 OR AR63095)

1C17

ENGINE

**ENGINE OIL PUMP
(ENGINE SERIAL NO. -335845)**

R21126 -UN-01JAN94



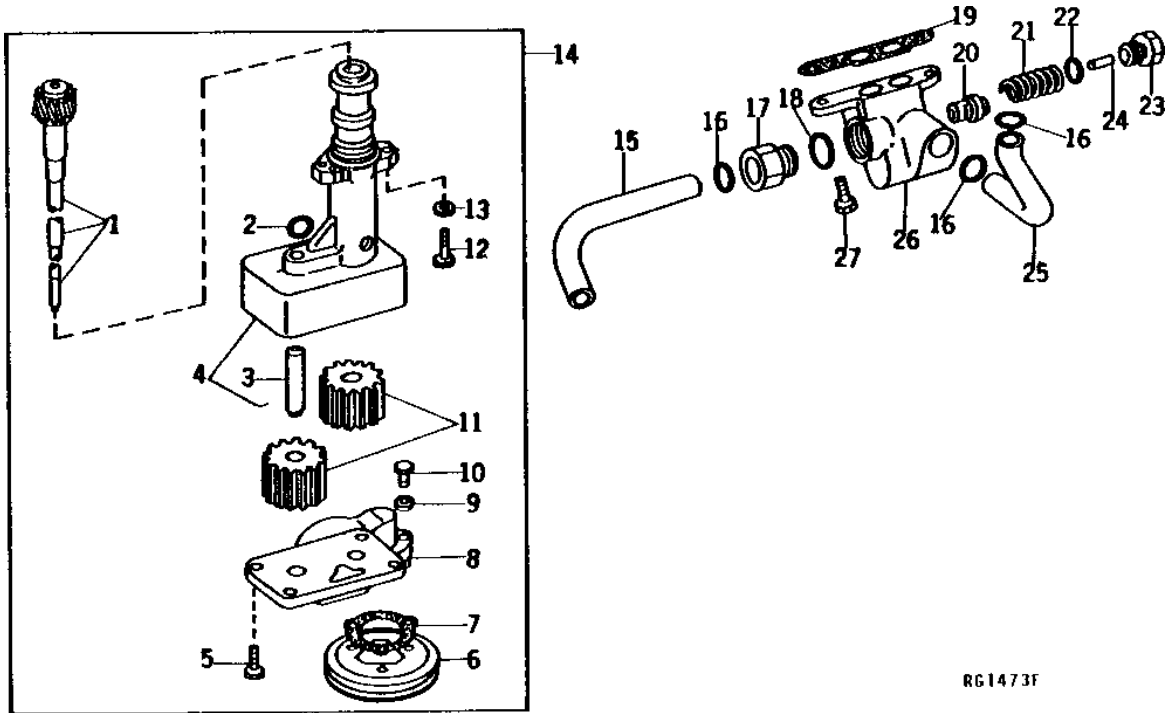
KEY	PART NO.	PART NAME	QTY	ENGINE SERIAL NO.	REMARKS
1	R45133	GEAR	1		
2	AR68180	HOUSING	1	-295341	(MARKED R46337 OR R56972) (SUB FOR AR48487) (ALSO ORDER (2) R38614)
	AR71124	KIT	1	295342-	(MARKED R49015, R56608 AND R59034) (SUB FOR AR52440 AND AR68314) (SUB AR71126, R41920 AND R42729)
3	M72490	WASHER	2		(SUB FOR R42729)
4	AR63865	KIT	1		(PKG. OF (2) R41920 AND (2) M72490, (SUB FOR R40808)
	R38614	CAP SCREW	2		(SUB FOR R56609)
5	DOWEL PIN	1		(H826R NO LONGER REQUIRED)
6	R42390	SHAFT	1		
7	AR44444	GEAR	1	-295341	(SUB AR73714 AND R42392)
	AR73714	GEAR	1	-295341	(USE WITH R42392)
	R42392	GEAR	1	-295341	(USE WITH AR73714)
	AR71123	GEAR	1	295342-	(SUB FOR AR52570)
8	19H2127	CAP SCREW	3		5/16" X 7/8"
	12H303	LOCK WASHER	3		5/16"
9	R60754	COVER	1		(SUB FOR R46338 OR R52048)
10	R46567	CAP SCREW	4		
11	R52049	GASKET	1	328242-	
12	AR56639	OIL PUMP INTAKE	1		(SUB FOR AR47524)
..	AR75896	OIL PUMP	1		(SUB FOR AR49044 OR AR52571) (SUB AR71118, (2) R38614, (2) R41920 AND (2) M72490)

1C18

ENGINE

ENGINE OIL PUMP AND OIL COOLER BYPASS VALVE (ENGINE SERIAL NO. 335846-)

RG1473 -UN-18OCT94



RG1473F

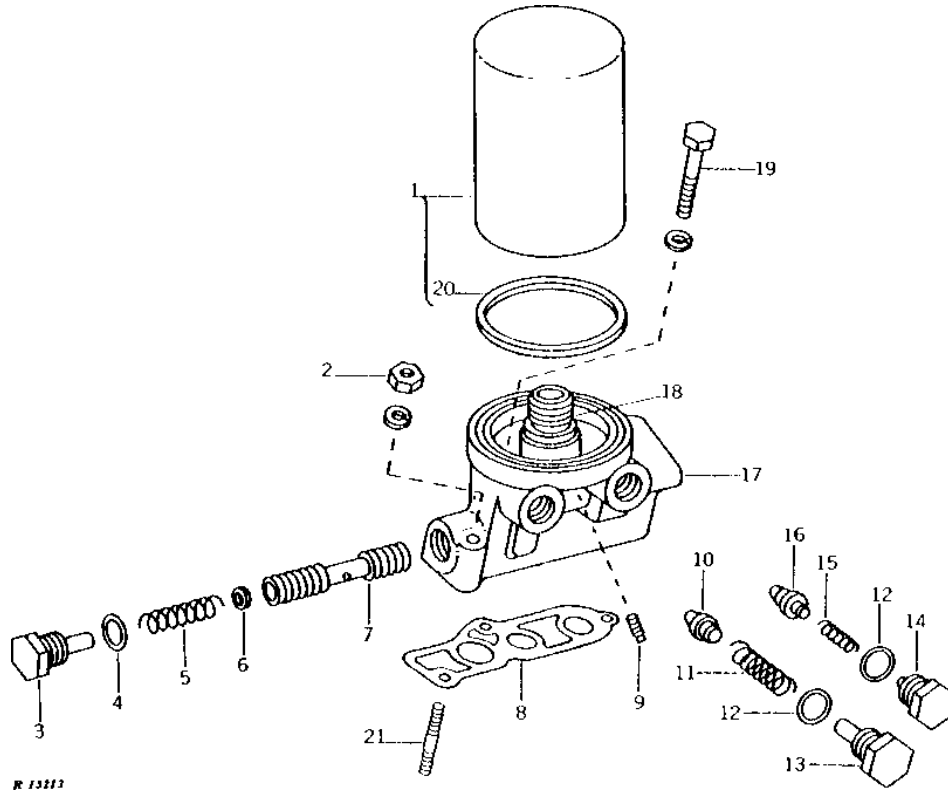
KEY	PART NO.	PART NAME	QTY	ENGINE SERIAL NO.	REMARKS
1	R64568	GEAR	1		(SUB FOR R45133 OR R48398)
2	R71732	O-RING	1		(SUB FOR R50378)
3	R42390	SHAFT	1		
4	AR77494	KIT	1		(MARKED R50377, R56607, R57556 OR R59033) (SUB FOR AR54559, AR68313 OR AR71122) (SUB AR69108)
5	R46567	CAP SCREW	4		
6	AR56639	OIL PUMP INTAKE	1		
7	R52049	GASKET	1		
8	R60754	COVER	1		(SUB FOR R52048)
9	12H303	LOCK WASHER	3		5/16"
10	19H1905	CAP SCREW	3		5/16" X 1"
11	AR71123	GEAR	1		(SUB FOR AR52570)
12	AR63865	KIT	1	-384331	(PKG. OF (2) R41920 AND (2) M72490)
	R38614	CAP SCREW	2	384332-	(SUB FOR R56609)
13	M72490	WASHER	2		(SUB FOR R42729)
14	AR77489	OIL PUMP	1		(SUB FOR AR54558, AR71115 OR AR75893)
15	R50381	OIL TUBE	1		
16	R71732	O-RING	3		(SUB FOR R50378)
17	R65683	FITTING	1		(SUB FOR R50379)
18	U13639	O-RING	1		
19	R65055	GASKET	1		
20	R49464	VALVE	1		
21	R26151	SPRING	1		
22	U17409	O-RING	1		
23	R49465	DRAIN PLUG	1		
24	34H313	SPRING PIN	1		1/4" X 1-1/8"
25	R50386	OIL TUBE	1		
26	R50384	HOUSING	1		
27	R40236	CAP SCREW	2		

1C19

ENGINE

ENGINE OIL FILTER (ENGINE SERIAL NO. -335845)

R13213 -UN-01JAN94



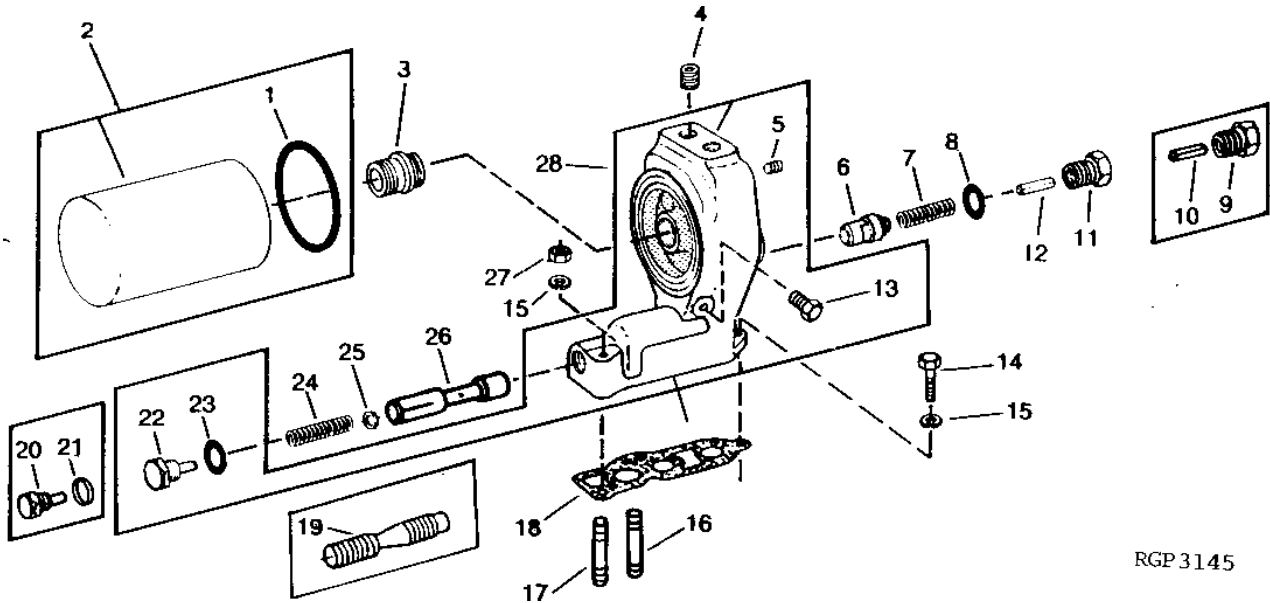
KEY	PART NO.	PART NAME	QTY	ENGINE SERIAL NO.	REMARKS
1	AR43634	OIL FILTER	1		(MARKED AR43261 OR AR43634)
2	E55662	FLANGE NUT	2		
	12H304	LOCK WASHER	2	3/8"	
3	RE10834	DRAIN PLUG	1		(SUB FOR R43425)
4	R43424	WASHER	1		
5	R43548	SPRING	1		
6	R43549	WASHER	AR		
7	R77003	VALVE	1		(SUB FOR R43428)
8	R43774	GASKET	1		
9	R42852	PIPE PLUG	1		
10	R43423	VALVE	1		
11	T20303	SPRING	1		
12	R43424	WASHER	2		
13	R43425	DRAIN PLUG	1		(SUB R43427, THIS APPLICATION)
14	R43427	DRAIN PLUG	1		
15	R36715	SPRING	1		
16	R43426	VALVE	1		
17	AR43112	HOUSING	1		(MARKED R46424)
18	R43429	FITTING	1		(USE WITH AR43261 OR AR43634)
19	19H1726	CAP SCREW	1		3/8" X 2-1/4"
	12H304	LOCK WASHER	2	3/8"	
20	R43660	PACKING	1		(USE WITH AR43261, AR98329 OR RE57594)
21	T20173	STUD	1		
	R32042	STUD	1		

1C20

ENGINE

ENGINE OIL FILTER (ENGINE SERIAL NO. 335846-)

RGP3145 -UN-01JAN94



RGP3145

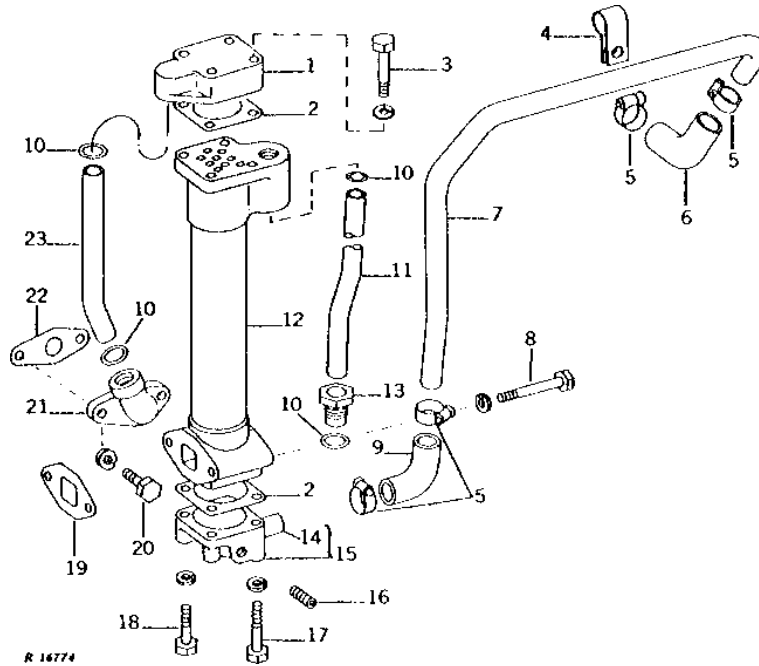
KEY	PART NO.	PART NAME	QTY	ENGINE SERIAL NO.	REMARKS
1	R43660	PACKING	1		
2	AR43634	OIL FILTER	1		(MARKED AR43261 OR AR42634)
3	R43429	FITTING	1		(USE WITH AR43261)
4	15H690	PIPE PLUG	2		3/4"
5	R104592	PIPE PLUG	1		
6	R49464	VALVE	1		
7	R26151	SPRING	1		
8	U17409	O-RING	1		
9	R71483	DRAIN PLUG	1		(SUB R49465) (ALSO ORDER 34H313)
10	34H393	PIN	1		7/16" X 1-1/8", (USE WITH R71483)
11	R49465	DRAIN PLUG	1		(USE WITH 34H313)
12	34H313	SPRING PIN	1		1/4" X 1-1/8", (USE WITH R49465)
13	R55233	PIPE PLUG	1		
14	19H1732	CAP SCREW	1		3/8" X 1-1/4"
15	12H304	LOCK WASHER	3		3/8"
16	R106859	STUD	1		
17	R55395	STUD	1		
18	R43774	GASKET	1		
19	R77003	VALVE	1		(SUB FOR R43428) (USE WITH R62110, R67409 OR R71484)
20	RE10834	DRAIN PLUG	1		(USE WITH R62110 OR R67409) (SUB FOR R43425)
21	R43424	WASHER	1		(USE WITH R62110 OR R67409)
22	AR105510	DRAIN PLUG	1		(USE WITH R71484)
23	U17409	O-RING	1		(USE WITH R71484)
24	R43548	SPRING	1		
25	U40750	WASHER	AR		
26	R84947	VALVE	1		(USE WITH R84946)
27	E55662	FLANGE NUT	2		
28	AR76582	HOUSING	1		(MARKED R62110 OR R67409) (SUB RE24706 AND R84947)
	AR89499	HOUSING	1		(MARKED R67409) (SUB RE24706 AND R84947)
	AR94084	HOUSING	1		(MARKED R71484) (SUB RE24706 AND R84947)
	RE24706	HOUSING	1		(MARKED R84946)

1C21

ENGINE

ENGINE OIL COOLER
(ENGINE SERIAL NO. -335845)

R16774 -UN-01JAN94



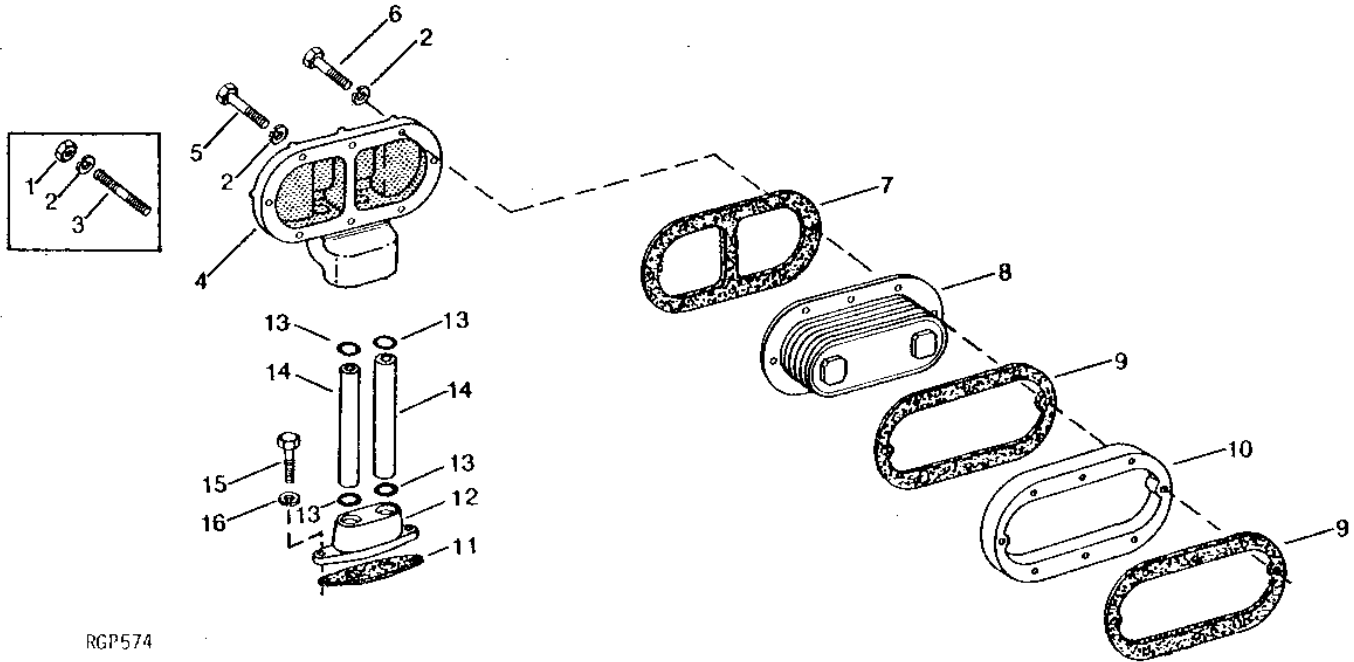
KEY	PART NO.	PART NAME	QTY	ENGINE SERIAL NO.	REMARKS
1	R43553	CAP	1		
2	R27948	GASKET	2		
3	19H1913	CAP SCREW	4	5/16" X 2-1/4"	
	12H303	LOCK WASHER	4	5/16"	
4	R48794	CLAMP	1		
5	AR21839	CLAMP	4		(SUB TY22467)
6	R47091	HOSE	1		
7	R48774	LINE	1		
8	19H2636	CAP SCREW	2	3/8" X 3-5/8"	
	12H304	LOCK WASHER	2	3/8"	
9	R50402	HOSE	1		(SUB FOR R47430)
10	R52811	O-RING	4		(SUB FOR R47102)
11	R46532	OIL TUBE	1		
12	AR51519	OIL COOLER	1		
13	R43560	NUT	1		
14	R43410	TUBE	1		
15	AR52222	CAP	1		(MARKED R48791)
16	15H559	PIPE PLUG	1		1/4"
17	19H1875	CAP SCREW	2	5/16" X 1-3/4"	
	12H303	LOCK WASHER	2	5/16"	
18	19H1849	CAP SCREW	2	5/16" X 1-1/4"	
	12H303	LOCK WASHER	2	5/16"	
19	R43558	GASKET	1		
20	19H1731	CAP SCREW	2	3/8" X 1"	
	12H304	LOCK WASHER	2	3/8"	
21	R47914	ELBOW FITTING	1		
22	R43563	GASKET	1		
23	R48032	LINE	1		

1C22

ENGINE

ENGINE OIL COOLER (ENGINE SERIAL NO. 335846-)

RGP574 -UN-01JAN94



RGP574

KEY	PART NO.	PART NAME	QTY	ENGINE SERIAL NO.	REMARKS
1	14H785	NUT	2		
2	12H303	LOCK WASHER	8	5/16", (USE WITH R50375)	
3	R50375	STUD	2	5/16"	(SUB (2) 19H1907)
4	R50421	COVER	1		
5	19H1921	CAP SCREW	1	5/16" X 3-1/4"	
6	19H1907	CAP SCREW	5	5/16" X 2-3/4", (USE WITH R50375)	
	19H1907	CAP SCREW	7	5/16" X 2-3/4"	
7	R50419	GASKET	1		
8	AT25038	OIL COOLER	1		
9	AR58952	GASKET	2		
10	R50418	SPACER	1		
11	R50424	GASKET	1		
12	R50423	ADAPTER	1		
13	R47153	O-RING	4		(SUB FOR R50420, THIS APPLICATION)
14	R50422	OIL TUBE	2		
15	19H1732	CAP SCREW	2	3/8" X 1-1/4"	
16	12H304	LOCK WASHER	2	3/8"	

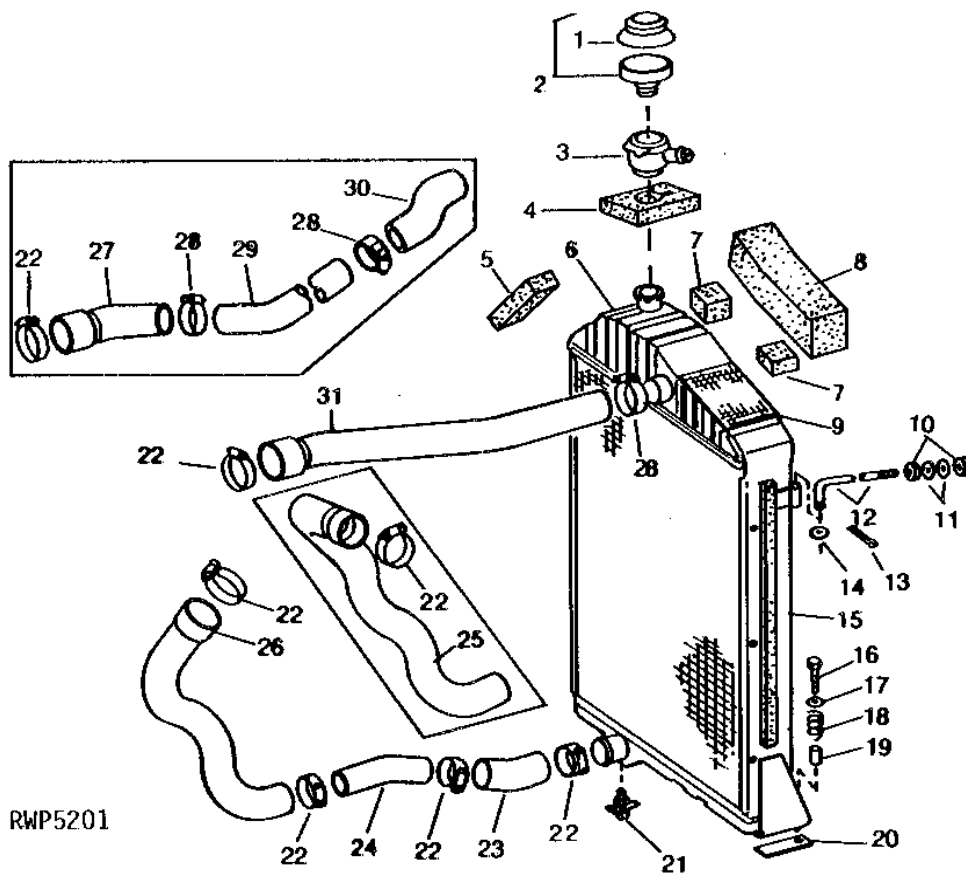
1C23

ENGINE

RWP5201

-UN-01JAN94

RADIATOR



1C24

ENGINE

RADIATOR - CONTINUED

KEY	PART NO.	PART NAME	QTY	TRACTOR SERIAL NO.	REMARKS
1	R27209	COVER	1		
2	AR28482	CAP	1		
3	RE15427	FILLER NECK	1		
4	R28015	FOAM PAD	1		
5	FOAM PAD	1		38 X 51 X 140MM (1-1/2" X 2" X 5-1/2") (MAKE FROM R35339)
6	AR50806	RADIATOR	1		(MARKED AR50808) (NLA)
7	FOAM PAD	2		38 X 51 X 89MM (1-1/2" X 2" X 3-1/2") (MAKE FROM R35339)
8	R48598	ISOLATOR	1		
9	CUSHION	1		3 X 102 X 140MM (1/8" X 4" X 5-1/2") (MAKE FROM R30597)
10	14H1076	NUT	4		3/8"
11	24H1305	WASHER	4		13/32" X 13/16" X 0.065"
12	R56062	HOOK BOLT	2		(SUB FOR R48158) (NLA)
13	11M7059	COTTER PIN	2		3.200 X 20 MM
14	24M7096	WASHER	2		10.500 X 18 X 1.600 MM
15	FOAM PAD	1		13 X 25 X 635MM (1/2" X 1" X 25") (MAKE FROM R30936)
16	19H2549	CAP SCREW	2		3/8" X 1-7/8"
17	24H1309	WASHER	1		13/32" X 1-1/16" X 0.120"
18	F2411R	SPRING	2		
19	R26417	SPACER	2		
20	R26413	STRAP	2		
21	AT13740	DRAIN VALVE	1		
22	AR21999	CLAMP	5		
23	R48104	HOSE	1		
24	R48105	PIPE	1		(NLA)
25	R48106	HOSE	1	-002699	
26	R54103	HOSE	1	002700-	
27	R48246	HOSE	1	-002699	(SUB TY22431)
28	AR21840	CLAMP	3	-002699	(SUB TY22470)
29	AR52634	PIPE	1	-002699	(ALSO ORDER R49204) (SUB FOR R48245)
30	R49204	HOSE	1	-002699	(ALSO ORDER AR52634) (SUB FOR R48244)
31	R54104	HOSE	1	002700-	

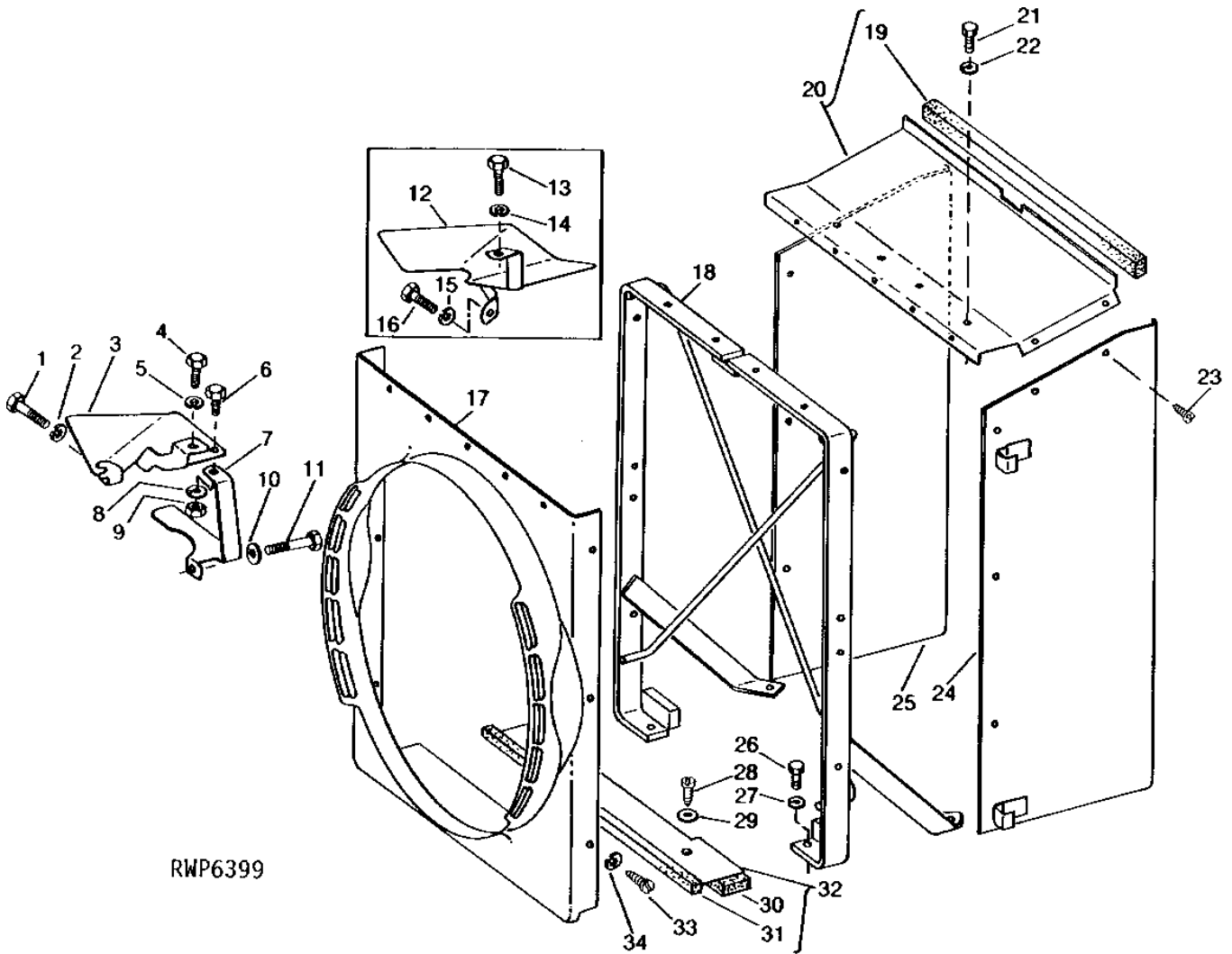
1D1

ENGINE

RWP6399

-UN-01JAN94

FAN SHROUD, EXTENSIONS AND AIR DEFLECTOR



RWP6399

1D2

ENGINE

FAN SHROUD, EXTENSIONS AND AIR DEFLECTOR - CONTINUED

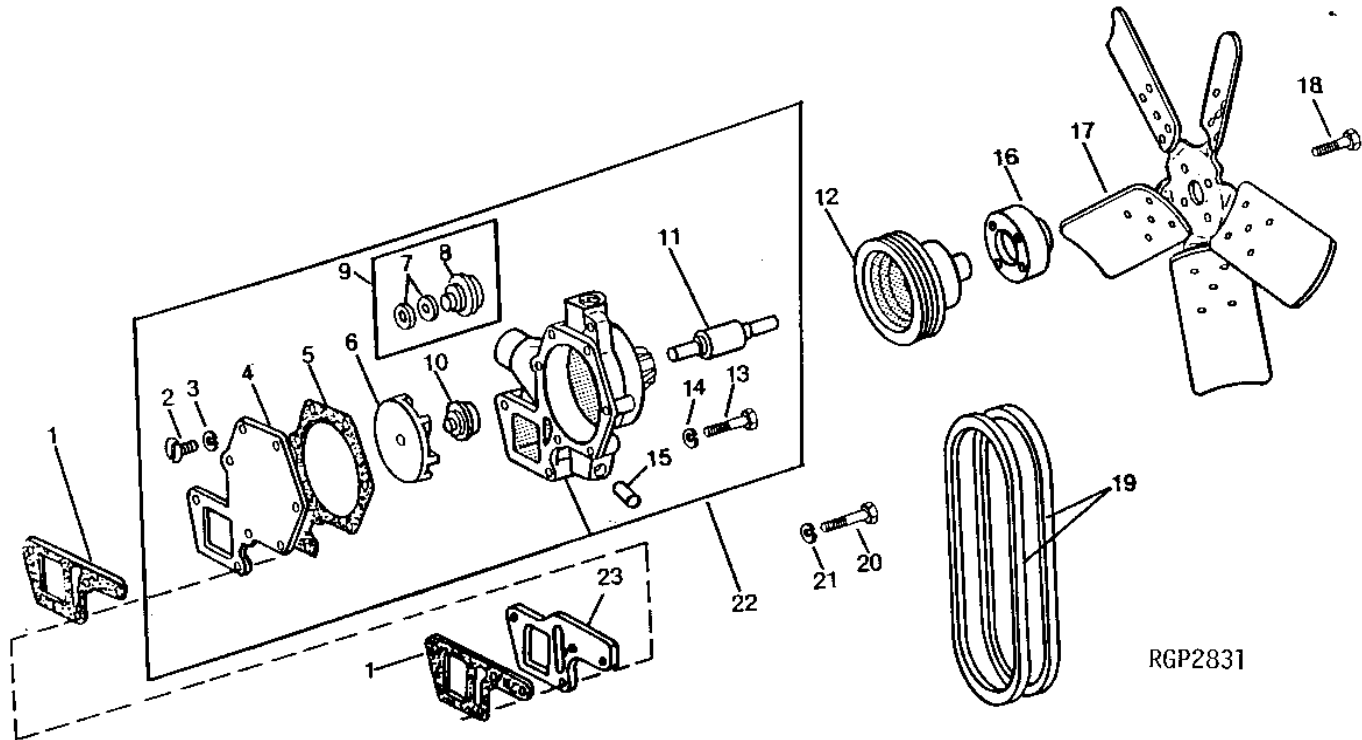
KEY	PART NO.	PART NAME	QTY	TRACTOR SERIAL NO.	REMARKS
1	19H2023	CAP SCREW	1	002700-	3/8" X 3-1/4"
2	12H304	LOCK WASHER	1	002700-	3/8"
3	R53552	DEFLECTOR	1	002700-	
4	19H2367	CAP SCREW	1	002700-	5/8" X 3/4"
5	12H294	LOCK WASHER	1	002700-	5/8"
6	19H1936	CAP SCREW	1	002700-	3/8" X 3/4"
7	R57554	DEFLECTOR	1	002700-	(SUB FOR R53575)
	R57555	DEFLECTOR	1	002700-	(SUB FOR R53553) (AIR CONDITIONING)
8	12H304	LOCK WASHER	1	002700-	3/8"
9	14H1076	NUT	1	002700-	3/8"
10	12H304	LOCK WASHER	1	002700-	3/8"
11	19H1944	CAP SCREW	1	002700-	3/8" X 2-3/4"
12	AR52288	DEFLECTOR	1	-002699	(NLA)
13	19H1833	CAP SCREW	1	-002699	5/8" X 1-1/4"
14	12H294	LOCK WASHER	1	-002699	5/8"
15	12H304	LOCK WASHER	1	-002699	3/8"
16	19H3181	CAP SCREW	1	-002699	3/8" X 2"
17	R48166	SHROUD	1		(SUB FOR AR50822) (NLA)
18	AR51176	SUPPORT	1		(NLA)
19	FOAM PAD	1		25 X 25 X 572MM (1" X 1" X 22-1/2") (MAKE FROM R30937)
20	AR51177	EXTENSION	1		(NLA)
21	19H1227	CAP SCREW	2		1/4" X 1/2"
	19H2038	CAP SCREW	2		3/8" X 1/2"
22	12H302	LOCK WASHER	2		1/4"
	12H304	LOCK WASHER	2		3/8"
23	37H49	SCREW	4		NO. 10 X 1/2"
24	AR51938	EXTENSION	1		CLIPS (NLA)
25	AR51939	EXTENSION	1		CLIPS (NLA)
26	19H1134	CAP SCREW	4		3/8" X 3/4"
27	12H304	LOCK WASHER	4		3/8"
28	37H79	SCREW	4		1/4" X 5/8"
29	24M7207	WASHER	2		8.400 X 24 X 2 MM
30	R50633	ISOLATOR	1		(NLA)
31	ISOLATOR	1		13 X 13 X 559MM (1/2" X 1/2" X 22") (MAKE FROM R91558) (SUB FOR R30877)
32	AR54772	ISOLATOR	1		(NLA)
33	21H1302	SCREW	6		1/4" X 5/8"
34	12H302	LOCK WASHER	6		1/4"

1D3

ENGINE

WATER PUMP AND FAN (ENGINE SERIAL NO. -335845)

RGP2831 -UN-01JAN94



KEY	PART NO.	PART NAME	QTY	ENGINE SERIAL NO.	REMARKS
1	R42406	GASKET	2		
2	R43663	SCREW	4		
3	12H323	LOCK WASHER	4	5/16"	
4	AR43747	COVER	1		
5	R43117	GASKET	1		
6	R43904	IMPELLER	1		
7	AR41691	INSERT	1	(SUB AR101549)	
8	T27261	SEAL	1	(SUB AR101549)	
9	AR62934	SEAL	1	(SUB AR101549) (SUB FOR AR36668)	
10	AR101549	SEAL KIT	1		
11	JD9257	BALL BEARING	1		
12	R46562	PULLEY	1		
	R47126	SHEAVE	1	(A)	
13	19H2128	CAP SCREW	2	3/8" X 3"	
14	12H304	LOCK WASHER	2	3/8"	
15	R43410	TUBE	1		
16	R48016	HUB	1		
17	AR48871	FAN	1		
18	19H2549	CAP SCREW	4	3/8" X 1-7/8"	
19	AR51059	BELT SET	1		
	AR56638	BELT SET	1	(A) (SUB FOR AR41574)	
20	19H2128	CAP SCREW	2	3/8" X 3"	
21	12H304	LOCK WASHER	2	3/8"	
22	RE20024	WATER PUMP	1	(MARKED R46561)	
23	R47114	SPACER	1		
..	AR49649	WATER PUMP	1	(MARKED R46561) (SUB RE20024, R43117, R46562, (2) 12H304 AND (2) 19H2128)	
..	AR49655	WATER PUMP	1	(A) (MARKED R46561) (SUB RE20024, R43117, R47126, (2) 12H304 AND (2) 19H2128)	

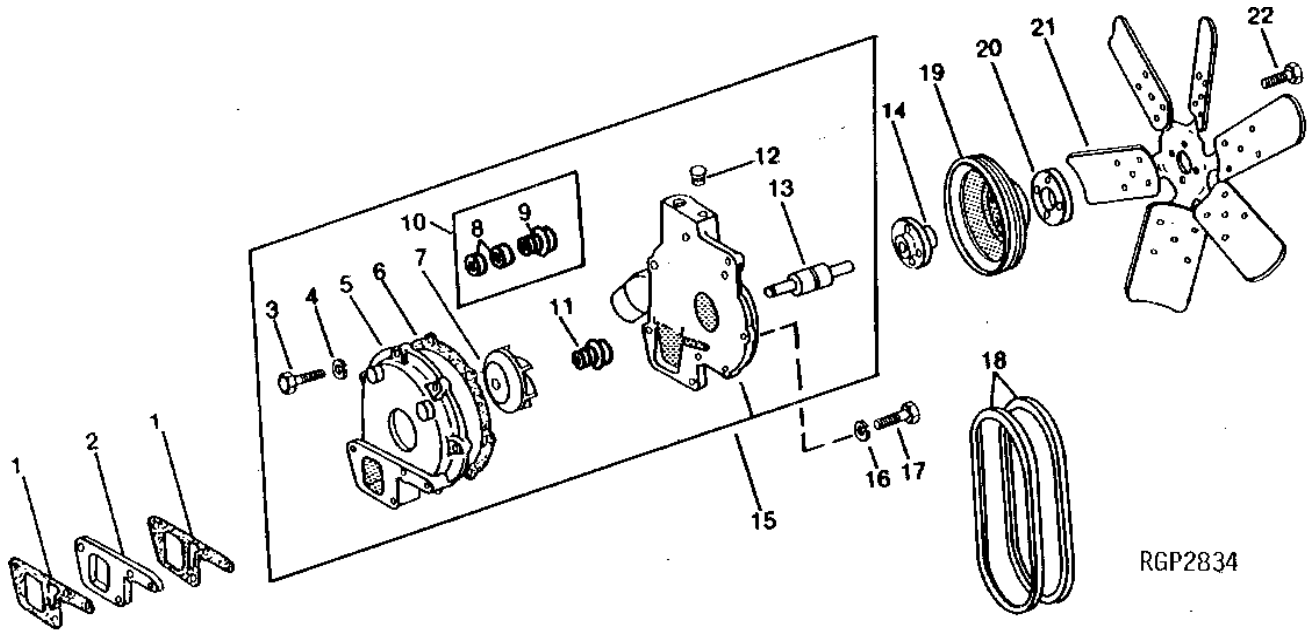
(A) AIR CONDITIONING

1D4

ENGINE

FAN AND WATER PUMP (ENGINE SERIAL NO. 335846-)

RGP2834 -UN-01JAN94



RGP2834

KEY	PART NO.	PART NAME	QTY	ENGINE SERIAL NO.	REMARKS
1	R42406	GASKET	2		
2	R50413	SPACER	1		
3	19H1875	CAP SCREW	4	5/16" X 1-3/4"	
4	12H303	LOCK WASHER	4	5/16"	
5	R50409	HOUSING	1		
6	R50410	GASKET	1		
7	R50411	IMPELLER	1		
8	AR41691	INSERT	1	(SUB AR101549)	
9	T27261	SEAL	1	(SUB AR101549)	
10	AR62934	SEAL	1	(SUB AR101549) (SUB FOR AR36668)	
11	AR101549	SEAL KIT	1		
12	15H666	PIPE PLUG	1	3/8"	
13	JD9257	BALL BEARING	1		
14	R51684	HUB	1		
15	RE20023	WATER PUMP	1	(MARKED R50408) (SUB FOR AR98547)	
	TY6742	WATER PUMP	1	(REMANUFACTURED)	
16	12H304	LOCK WASHER	4	3/8"	
17	19H2636	CAP SCREW	4	3/8" X 3-5/8"	
18	AR57266	BELT SET	1	(SUB FOR AR54592, THIS APPLICATION)	
19	R52592	SHEAVE	1	(A)	
	R52593	PULLEY	1		
20	R54145	SPACER	1		
21	AR48871	FAN	1		
22	19H1800	CAP SCREW	4	3/8" X 1-1/2"	
..	AR98547	WATER PUMP	1	(MARKED R50408) (SUB RE20023) (ALSO ORDER R50410 AND R51684 AS REQUIRED)	

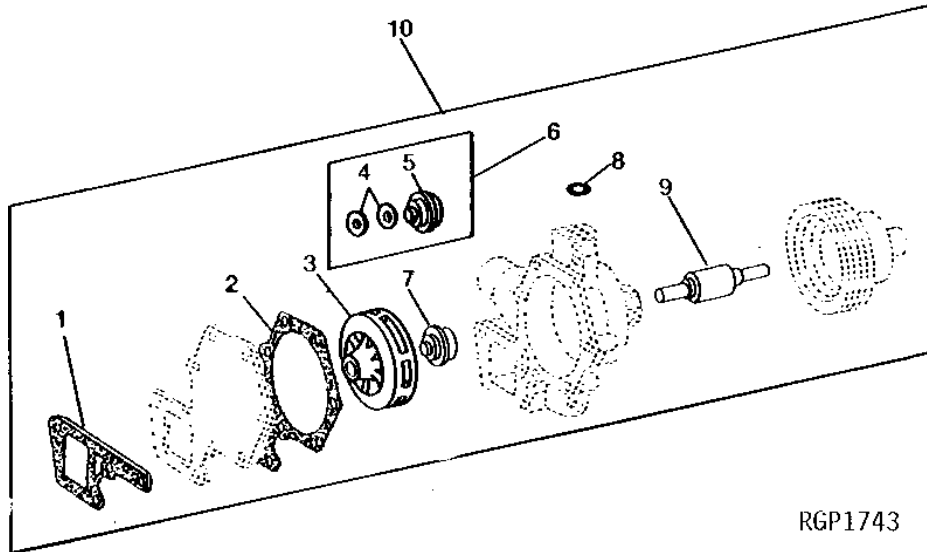
(A) AIR CONDITIONING

1D5

ENGINE

**WATER PUMP REPAIR KIT
(ENGINE SERIAL NO. -335845)**

RGP1743 -UN-01JAN94



RGP1743

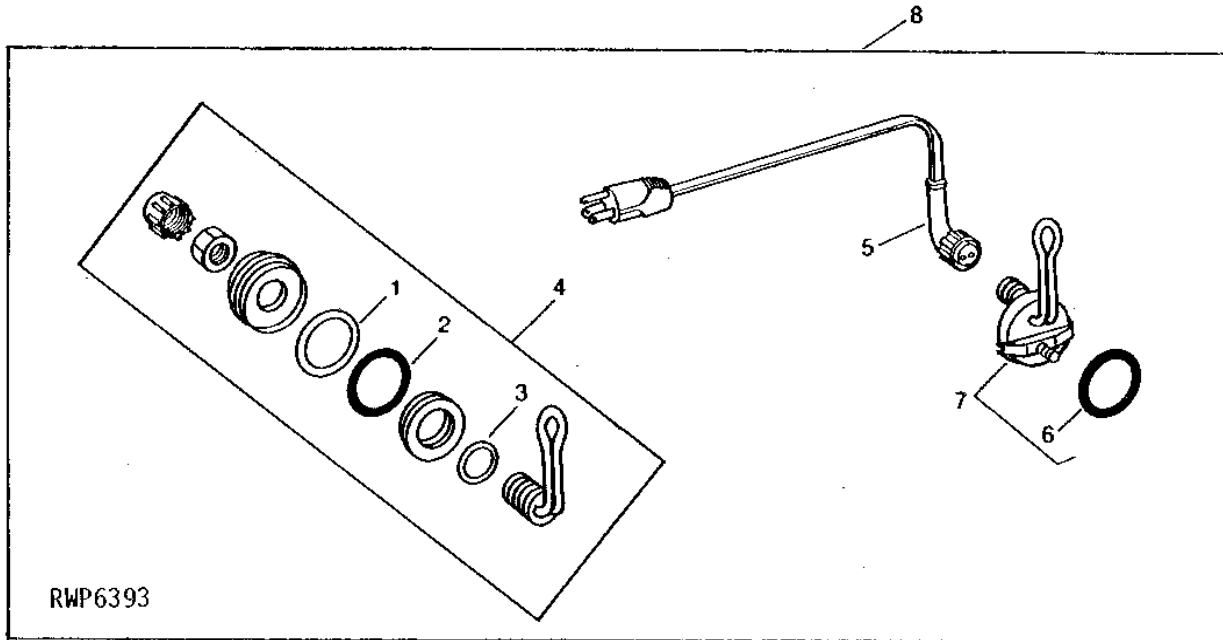
KEY	PART NO.	PART NAME	QTY	ENGINE SERIAL NO.	REMARKS
1	R42406	GASKET	2		
2	R43117	GASKET	1		
3	R43904	IMPELLER	1		
4	AR41691	INSERT	1	(SUB AR101549)	
5	T27261	SEAL	1	(SUB AR101549)	
6	AR62934	SEAL	1	(SUB AR101549)	(SUB FOR AR36668)
7	AR101549	SEAL KIT	1		
8	R47153	O-RING	2		
9	JD9257	BALL BEARING	1		
10	AR98568	KIT	1	(SUB FOR AR55624)	

1D6

ENGINE

RWP6393 -UN-01JAN94

ENGINE COOLANT HEATER



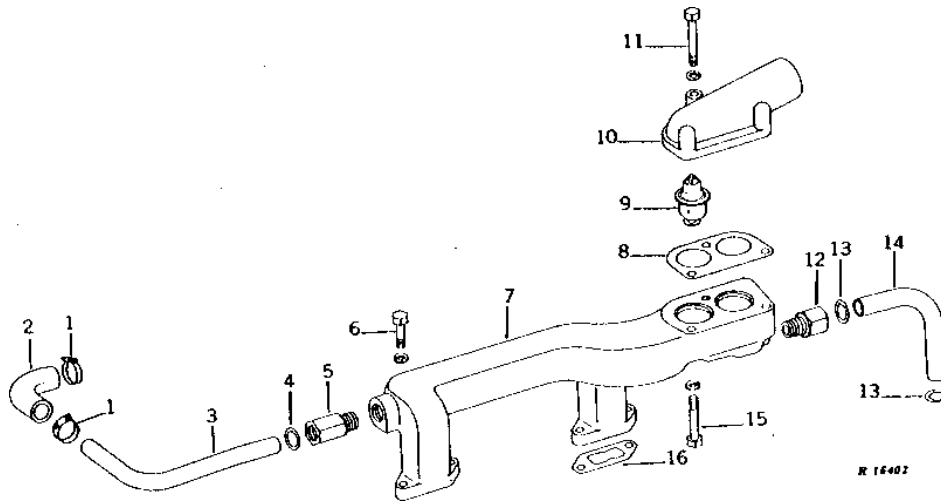
KEY	PART NO.	PART NAME	QTY	ENGINE SERIAL NO.	REMARKS
1	R47692	RING	1		
2	R31378	O-RING	1		
3	R47693	GASKET	1		
4	AR50399	HEATER	1	(SUB RE29408)	
5	AR50411	WIRING LEAD	1		
6	R30200	O-RING	1		
7	RE29408	COOLANT HEATER	1		
8	AR50518	COOLANT HEATER	1		

1D7

ENGINE

**WATER MANIFOLD AND THERMOSTAT
(ENGINE SERIAL NO. -335845)**

R16402 -UN-01JAN94



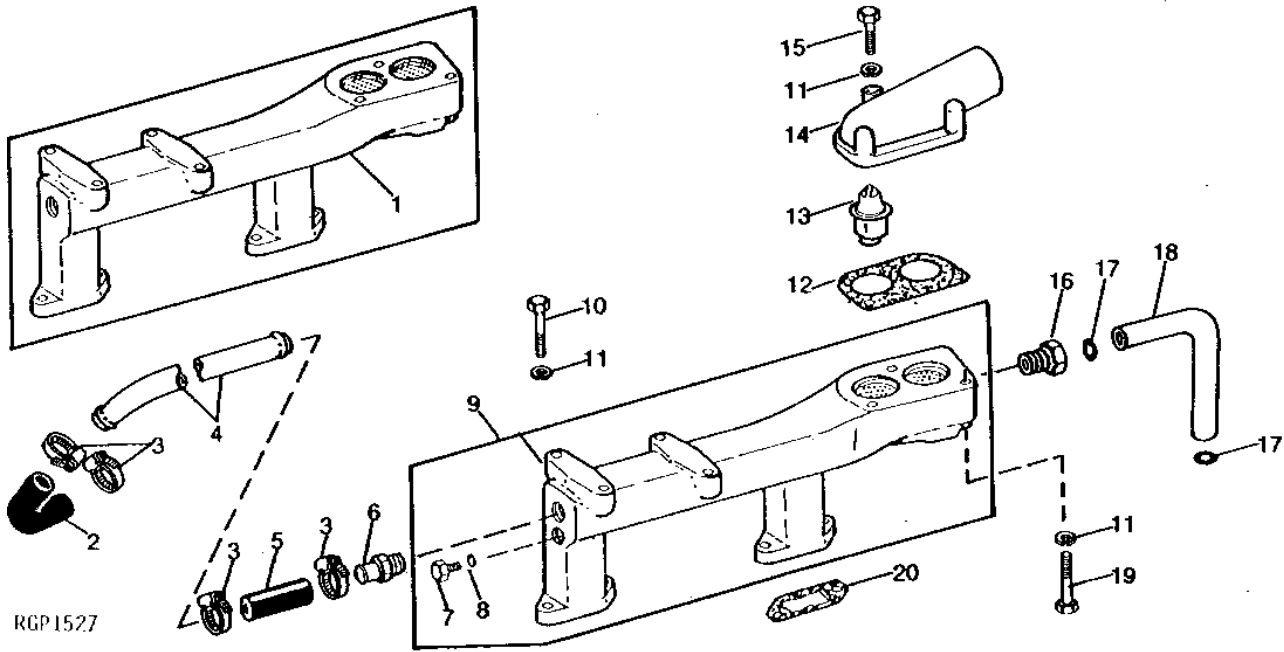
KEY	PART NO.	PART NAME	QTY	ENGINE SERIAL NO.	REMARKS
1	AR21839	CLAMP	2	(SUB TY22467)	
2	R50402	HOSE	1	(SUB FOR R47430)	
3	R47429	LINE	1		
4	R52811	O-RING	1	(SUB FOR R47102)	
5	R47426	FITTING	1	(NO LONGER AVAILABLE)	
6	19H1800	CAP SCREW	4	3/8" X 1-1/2"	
	12H304	LOCK WASHER	4	3/8"	
7	R46477	MANIFOLD	1	(NO LONGER AVAILABLE)	
8	R46479	GASKET	1		
9	AR48675	THERMOSTAT	2	82°C (180°)	
10	R53423	COVER	1	(SUB FOR R46478)	
11	19H2553	CAP SCREW	1	3/8" X 2-5/8"	
	12H304	LOCK WASHER	1	3/8"	
12	R43491	FITTING	1		
13	R47153	O-RING	1		
14	R46480	TUBE	1		
15	19H1726	CAP SCREW	2	3/8" X 2-1/4"	
	12H304	LOCK WASHER	2	3/8"	
16	R88397	GASKET	2	(SUB FOR R42693)	

1D8

ENGINE

WATER MANIFOLD AND THERMOSTAT (ENGINE SERIAL NO. 335846-)

RGP1527 -UN-01JAN94



KEY	PART NO.	PART NAME	QTY	ENGINE SERIAL NO.	REMARKS
1	R50415	MANIFOLD	1	(SUB R26286, R27094, R78123, R82719, (2) 12H304 AND (2) 19H2128)	
2	R50402	HOSE	1	(SUB FOR R47430)	
3	AR21839	CLAMP	4	(SUB TY22467)	
4	R61128	LINE	1		
5	A5203R	HOSE	1		
6	R48362	ADAPTER	1		
7	R82719	FITTING PLUG	1	(SUB FOR R27094, THIS APPLICATION)	
8	R77673	O-RING	1		
9	RE12848	MANIFOLD	1	(MARKED R78123) (SUB R26286, R27094, R78123, R82719, (2) 12H304 AND (2) 19H2128)	
10	19H3219	CAP SCREW	4	3/8" X 1-3/8"	
11	12H304	LOCK WASHER	7	3/8"	
12	R46479	GASKET	1		
13	AR48675	THERMOSTAT	2	(82°C)	
14	R53423	COVER	1		
15	19H1733	CAP SCREW	1	3/8" X 2-1/2"	
16	R43491	FITTING	1		
17	R47153	O-RING	2		
18	R50416	LINE	1		
19	19H1726	CAP SCREW	2	3/8" X 2-1/4", (USE WITH R50415)	
	19H2128	CAP SCREW	1	3/8" X 3", (USE WITH R78123)	
20	R88397	GASKET	2	(SUB FOR R42693)	

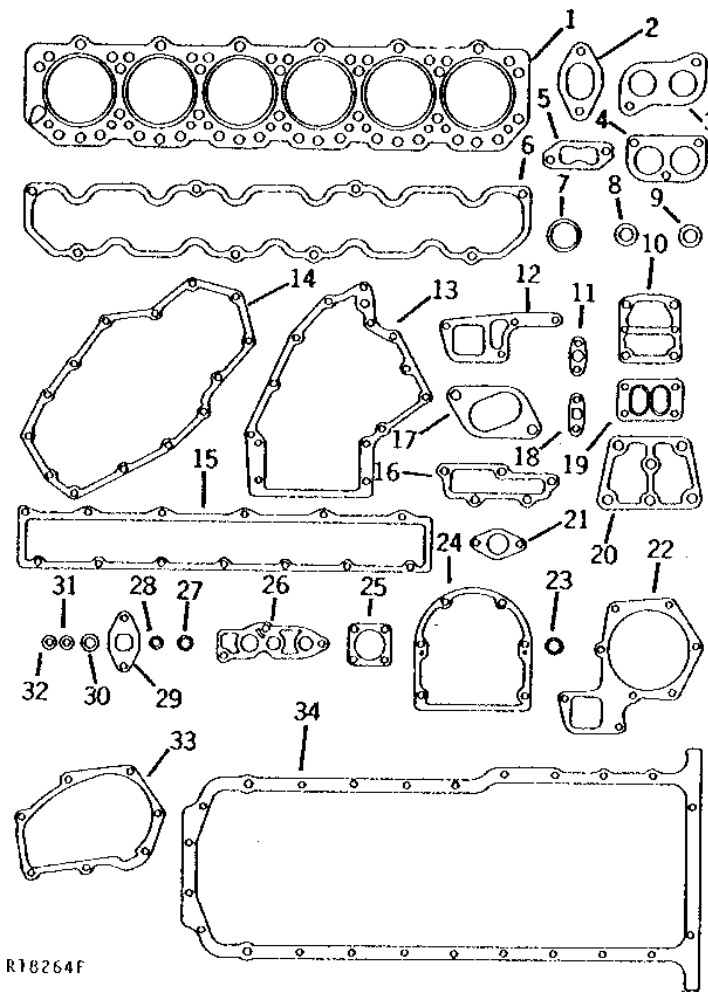
1D9

ENGINE

ENGINE GASKET SET
(ENGINE SERIAL NO. -335845)

R18264

-UN-01JAN94



R18264F

1D10

ENGINE

ENGINE GASKET SET - CONTINUED
(ENGINE SERIAL NO. -335845)

KEY	PART NO.	PART NAME	QTY	ENGINE SERIAL NO.	REMARKS
1	R48291	GASKET	1	(A) (THIN)	
2	R83021	GASKET	2	(A) (SUB FOR R44374)	
3	R83020	GASKET	2	(A) (SUB FOR R44373)	
4	R46479	GASKET	1	(A)	
5	R88397	GASKET	2	(A) (SUB FOR R42693)	
6	R49866	GASKET	1	(A) (SUB FOR R32593)	
7	R48399	WASHER	1		
8	R47153	O-RING	2	(SUB FOR A4730R OR R50420, THIS APPLICATION)	
9	R48511	WASHER	12		
10	R62410	GASKET	1	(SUB R44853)	
11	R97348	GASKET	1	(A) (SUB FOR R43413)	
12	R42406	GASKET	1		
13	R46984	GASKET	1		
14	R47047	GASKET	1		
15	R47394	GASKET	2		
16	R45968	GASKET	1		
17	R26297	GASKET	3	(A)	
18	R97349	GASKET	1	(A) (SUB FOR R43416)	
19	R43751	GASKET	1		
20	R43595	GASKET	1		
21	R97346	GASKET	2	(SUB FOR R47395)	
22	R43117	GASKET	1		
23	R495R	O-RING	1		
24	R26058	GASKET	1		
25	R27948	GASKET	2		
26	R43774	GASKET	1		
27	R72328	O-RING	1	(SUB FOR R43780)	
28	R51203	O-RING	1	(SUB FOR R43781)	
29	R43558	GASKET	1		
30	R52811	O-RING	7		
31	R64840	WASHER	6	(A) (SUB FOR R48633)	
32	R48693	WASHER	12	(A)	
33	R42404	GASKET	1		
34	R71918	GASKET	1	(SUB FOR R42424 OR R53282)	
..	AR53094	GASKET KIT	1	ENGINE REBUILD	
..	AR53095	GASKET KIT	1	CYLINDER HEAD REBUILD	

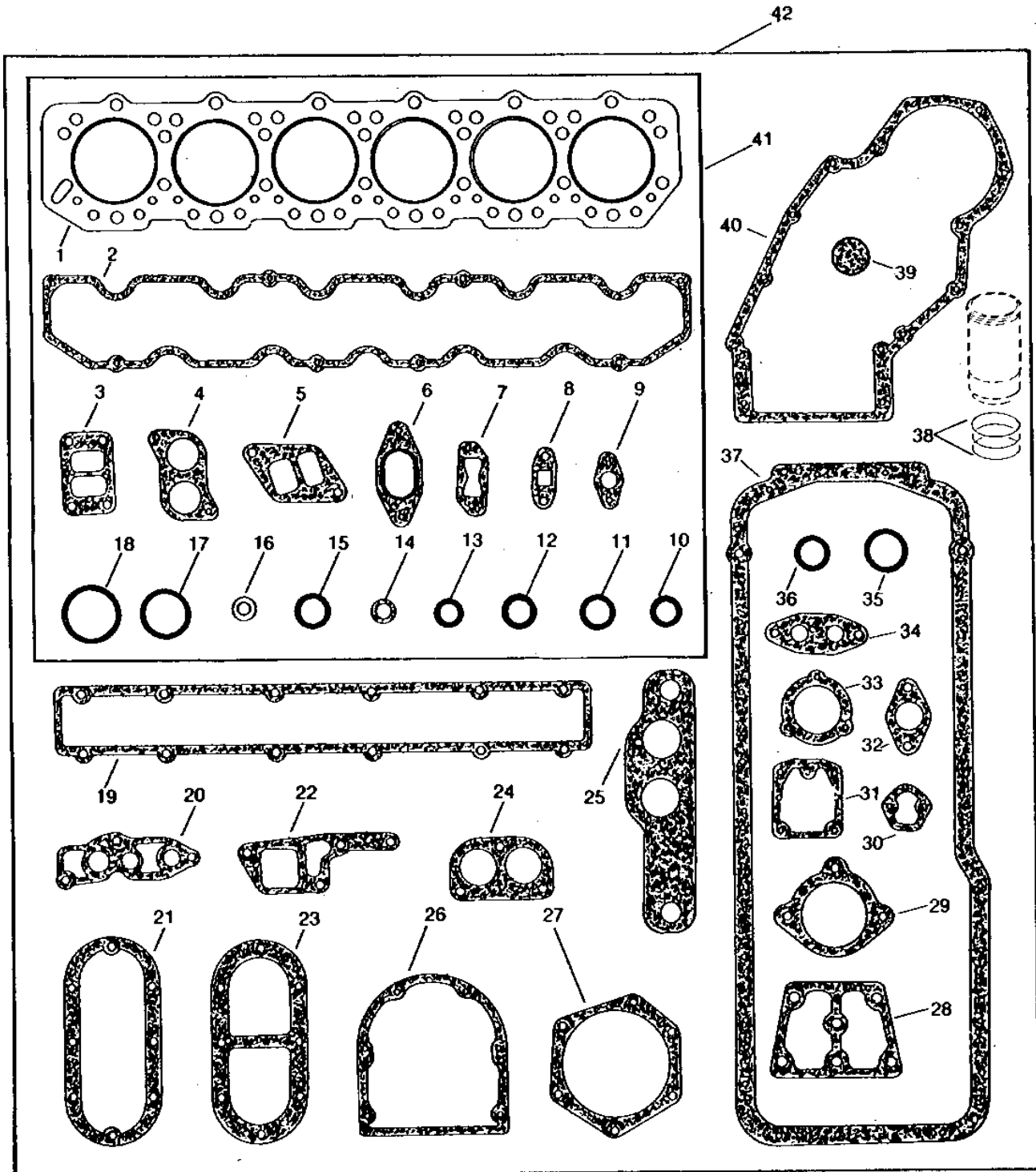
(A) CONTAINED IN AR53095

1D11

ENGINE

RGP2937 -UN-01JAN94

ENGINE GASKET SET
(ENGINE SERIAL NO. 335846-)



RGP2937

1D12

ENGINE

ENGINE GASKET SET - CONTINUED
(ENGINE SERIAL NO. 335846-)

KEY	PART NO.	PART NAME	QTY	ENGINE SERIAL NO.	REMARKS
1	R48291	GASKET	1		
2	R49866	GASKET	1		(SUB FOR R32593)
3	R43751	GASKET	1		
4	R83020	GASKET	2		(SUB FOR R44373)
5	R50397	GASKET	3		
6	R83021	GASKET	2		(SUB FOR R44374)
7	R88397	GASKET	2		(SUB FOR R42693)
8	R97349	GASKET	1		(SUB FOR R43416)
9	R97348	GASKET	1		(SUB FOR R43413)
10	R52811	O-RING	2		
11	R72328	O-RING	1		(SUB FOR R43780)
12	R495R	O-RING	1		
13	R51603	O-RING	6		
14	R48693	WASHER	12		
15	R47153	O-RING	2		(SUB FOR R50420, THIS APPLICATION)
16	R64840	WASHER	6		(SUB FOR R48633)
17	R50406	O-RING	1		
18	R97347	GASKET	1		(SUB FOR R50405)
19	R50399	GASKET	2		(SUB R97347)
20	R43774	GASKET	1		
21	AR58952	GASKET	2		(CONSISTS OF (2) R50417)
22	R42406	GASKET	2		
23	R50419	GASKET	1		
24	R46479	GASKET	1		
25	R65055	GASKET	1		
26	R26058	GASKET	1		
27	R50390	GASKET	1		
28	R43595	GASKET	1		
29	R53108	GASKET	1		
30	R97350	GASKET	1		(SUB FOR R27285)
31	R62410	GASKET	1		(SUB FOR R44853, THIS APPLICATION)
32	R97346	GASKET	1		(SUB FOR R47395)
33	R52049	GASKET	1		
34	R50424	GASKET	1		
35	R71732	O-RING	4		(SUB FOR R50378)
36	R47153	O-RING	4		(SUB FOR R50420, THIS APPLICATION)
37	R71918	GASKET	1		(SUB FOR R52382)
38	AR65507	O-RING KIT	1		(NO LONGER INCLUDED)
39	R50353	GASKET	1		
40	T20328	GASKET	1		
41	AR63270	GASKET KIT	1		CYLINDER HEAD
42	AR63269	GASKET KIT	1		ENGINE REBUILD

MEMORANDA

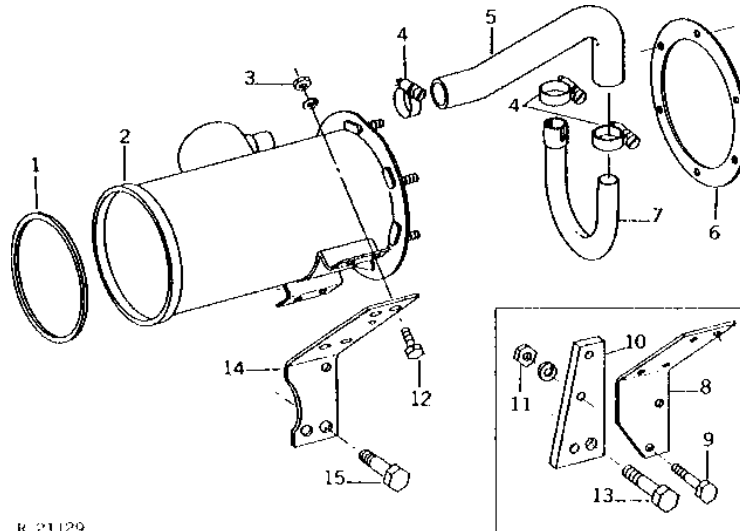
MEMORANDA

1D16

FUEL AND AIR

PRE-CLEANER
(TRACTOR SERIAL NO. -002699)

R21129 -UN-01JAN94



R 21129

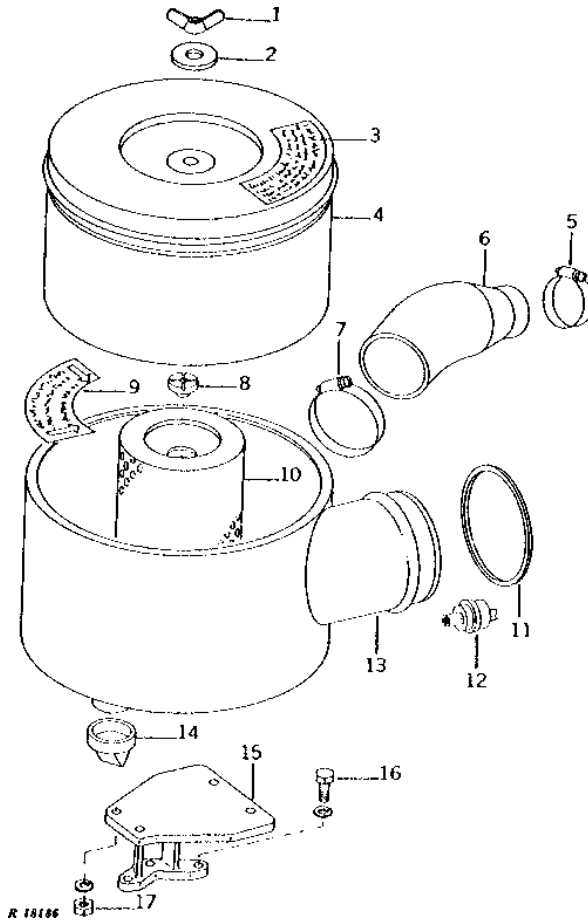
KEY	PART NO.	PART NAME	QTY	TRACTOR SERIAL NO.	REMARKS
1	R47065	SEAL	1		
2	AR43544	PRESCREENER	1		
3	14H785	NUT	3	5/16"	
	12H303	LOCK WASHER	3	5/16"	
4	AR21839	CLAMP	3	(SUB TY22467)	
5	R43702	HOSE	1		
6	R43749	SPACER	1		
7	R43703	LINE	1		
8	R43698	SUPPORT	1	(SUB R52250 AND R45692)	
9	19H1732	CAP SCREW	2	3/8" X 1-1/4"	
10	R43610	SUPPORT	1	(SUB R52250 AND R45692)	
11	14H1076	NUT	2	3/8"	
	12H304	LOCK WASHER	2	3/8"	
12	19H1900	CAP SCREW	3	5/16" X 3/4"	
13	19H1756	CAP SCREW	1	5/8" X 1-1/2"	
14	R52250	SUPPORT	1		
15	R45692	CAP SCREW	1		

1D17

FUEL AND AIR

AIR CLEANER AND SUPPORT (TRACTOR SERIAL NO. -002699)

R18186 -UN-01JAN94



KEY	PART NO.	PART NAME	QTY	TRACTOR SERIAL NO.	REMARKS
1	R44418	WING NUT	1		
2	AR43940	WASHER	1		
3	R49240	LABEL	1		
4	AR51431	FILTER ELEMENT	1		COVER AND SEAL
5	AR21841	CLAMP	1		
6	R46952	HOSE	1		
7	AR21842	CLAMP	1		(SUB TY22474)
8	R48567	NUT	1		
9	R49403	LABEL	1		(HOUSING)
10	AR61988	FILTER ELEMENT	1		(SUB FOR AR51432)
11	R47065	SEAL	1		
12	AR50489	SWITCH	1		
13	AR51728	AIR CLEANER	1		
14	R48568	VALVE	1		
15	R47116	SUPPORT	1		(SUB FOR R46971)
16	19H1731	CAP SCREW	3		3/8" X 1"
	12H304	LOCK WASHER	3		3/8"
17	14H1076	NUT	4		3/8"
	12H304	LOCK WASHER	4		3/8"

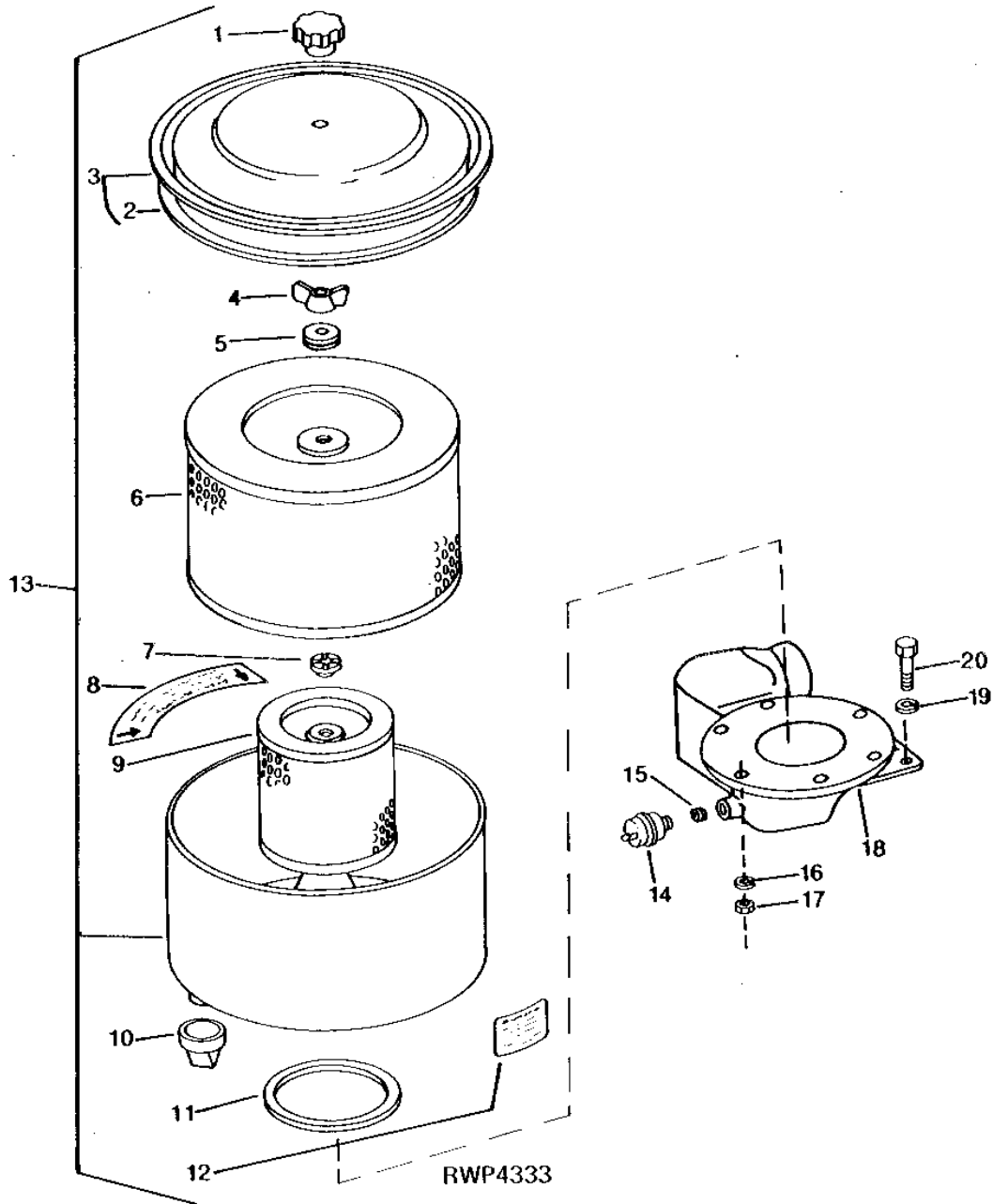
1D18

FUEL AND AIR

RWP4333

-UN-01JAN94

AIR CLEANER
(TRACTOR SERIAL NO. 002700-)



1D19

FUEL AND AIR

AIR CLEANER - CONTINUED
(TRACTOR SERIAL NO. 002700-)

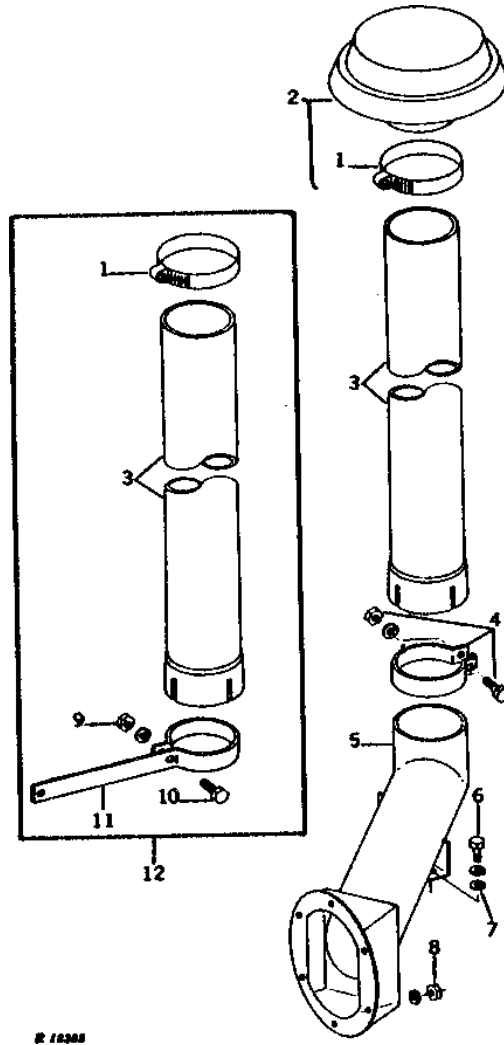
KEY	PART NO.	PART NAME	QTY	TRACTOR SERIAL NO.	REMARKS
1	AR58781	KNOB	1		
2	R53139	WASHER	1		
3	AR58780	COVER	1		(NLA)
4	R44418	WING NUT	1		
5	AR43940	WASHER	1		
6	AR54404	FILTER ELEMENT	1		
7	R48567	NUT	1		
8	R49403	LABEL	1		(INTERIOR)
9	AR61988	FILTER ELEMENT	1		(SUB FOR AR51432)
10	R48568	VALVE	1		
11	AR66919	GASKET	1		(SUB R56420)
12	R48632	LABEL	1	-003154	(SUB R56902)
	R56902	LABEL	1	003155-	(NO LONGER REQUIRED)
13	AR64624	AIR CLEANER	1		(SUB FOR AR53502)
14	AR43595	SWITCH	1	-XXXXXX	
	RE17515	SENSOR	1	XXXXXX-	(ALSO ORDER 15H509) (SUB FOR AL24194 OR AL32975)
15	F1737R	FILTER	1		
16	12H304	LOCK WASHER	6		3/8"
17	14H1076	NUT	6		3/8"
18	R54109	SUPPORT	1		
19	12H304	LOCK WASHER	3		3/8"
20	19H2552	CAP SCREW	3		3/8" X 1-1/8"

1D20

FUEL AND AIR

R18383 -UN-01JAN94

VERTICAL AIR INTAKE (TRACTOR SERIAL NO. -002699)



R 18383

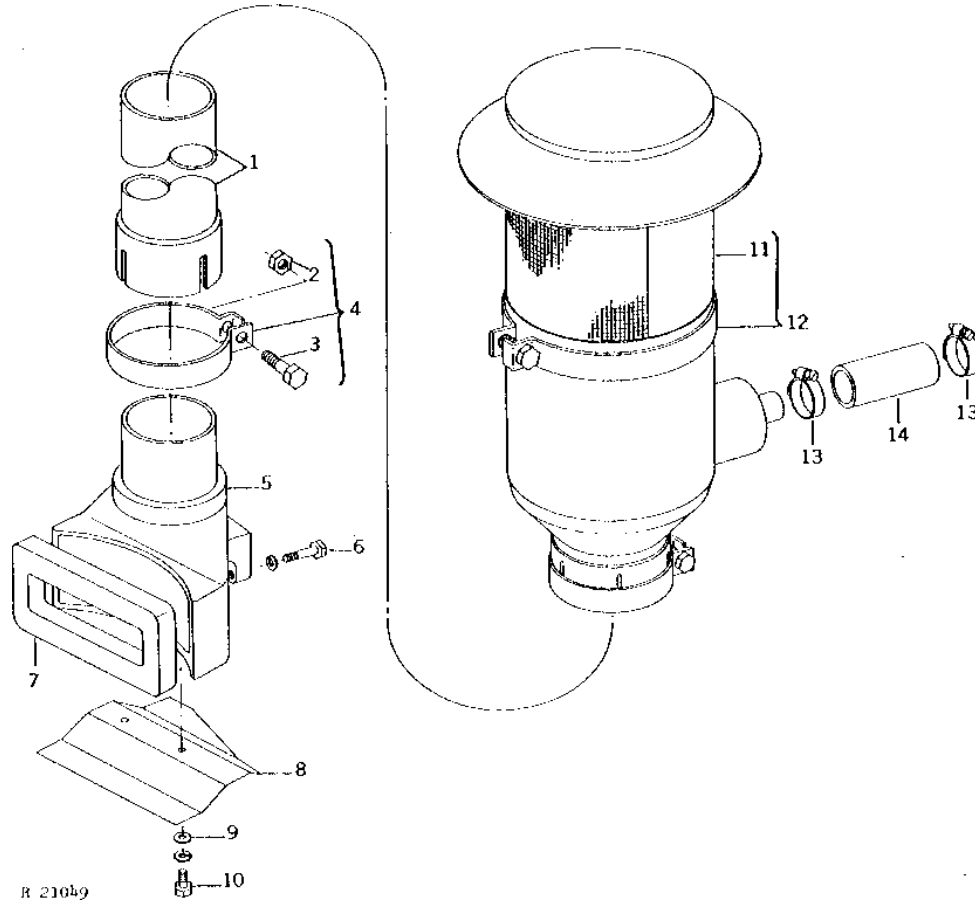
KEY	PART NO.	PART NAME	QTY	TRACTOR SERIAL NO.	REMARKS
1	C16054	CLAMP	1		(SUB TY22475)
2	AR72337	CAP	1		(SUB FOR AR43998)
3	R49526	AIR INTAKE STACK	1		
4	AR51762	CLAMP	1		
5	AR50967	ADAPTER	1		
6	19H2284	CAP SCREW	2		3/8" X 7/8"
	12H304	LOCK WASHER	2		3/8"
7	24H1305	WASHER	2		13/32" X 13/16" X 0.065"
8	14H785	NUT	6		5/16"
	12H303	LOCK WASHER	6		5/16"
9	14H1076	NUT	1		3/8"
	12H304	LOCK WASHER	1		3/8"
10	19H1732	CAP SCREW	1		3/8" X 1-1/4"
11	R49203	CLAMP	1		
12	AR52633	AIR DUCT	1		

1D21

FUEL AND AIR

AIR INTAKE AND PRE-CLEANER (TRACTOR SERIAL NO. 002700-)

R21049 -UN-01JAN94



R 21049

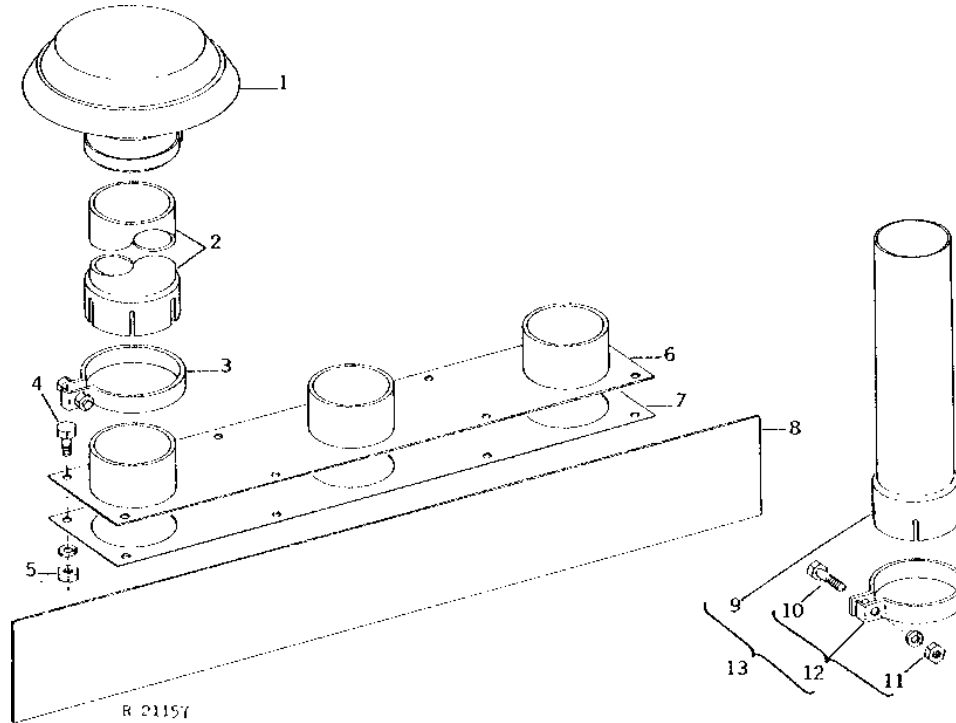
KEY	PART NO.	PART NAME	QTY	TRACTOR SERIAL NO.	REMARKS
1	R51514	PIPE	1		
2	14H1076	NUT	1	3/8"	
3	19H1732	CAP SCREW	1	3/8" X 1-1/4"	
4	AR55869	CLAMP	1		
5	AR61587	INTAKE MANIFOLD	1		
6	19H1732	CAP SCREW	4	3/8" X 1-1/4"	
	12H304	LOCK WASHER	4	3/8"	
7	R52364	SEAL	1		
8	R54107	ISOLATOR	1		
9	24M7207	WASHER	2	8.400 X 24 X 2 MM	
10	19H1900	CAP SCREW	2	5/16" X 3/4"	
	12H303	LOCK WASHER	2	5/16"	
11	AR58782	HOOD	1		
12	AR61588	PRESCREENER	1		
13	AR21839	CLAMP	2	(SUB TY22467)	
14	R51515	HOSE	1		

1D22

FUEL AND AIR

ROOF MOUNTED AIR INTAKE (HINSON)

R21157 -UN-01JAN94



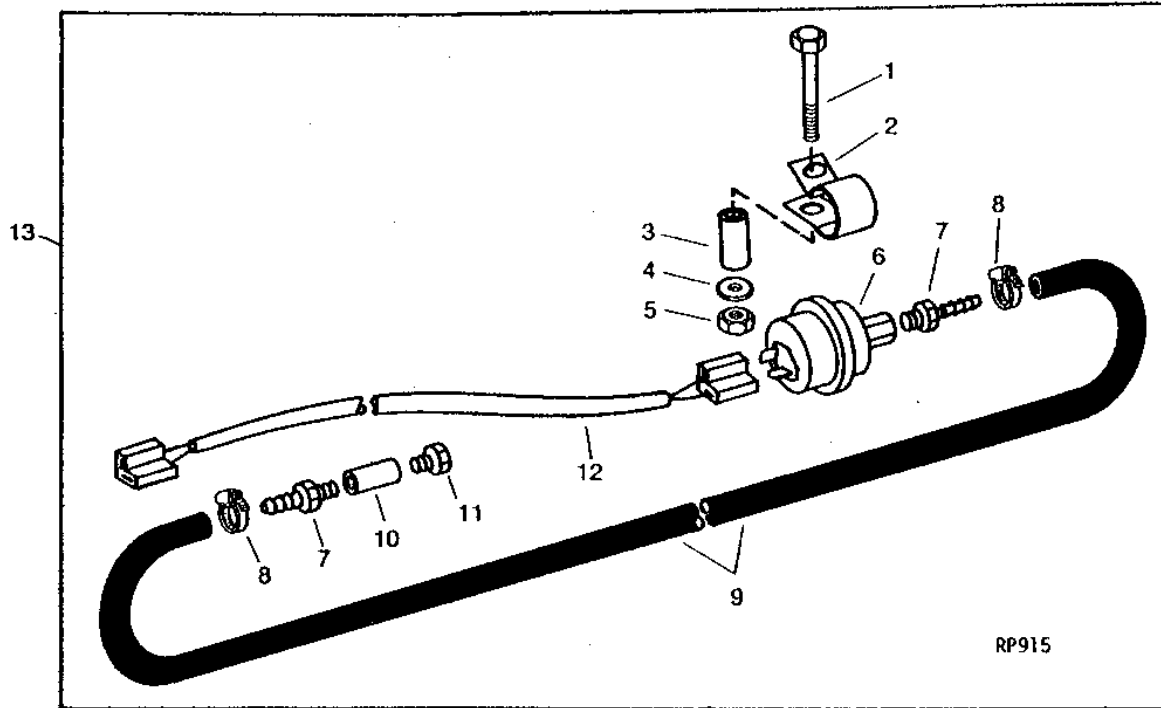
KEY	PART NO.	PART NAME	QTY	TRACTOR SERIAL NO.	REMARKS
1	AR72337	CAP	3		(ALSO ORDER TY22475) (SUB FOR AR43998)
2	R55370	AIR INTAKE STACK	3		
3	AR51762	CLAMP	3		
4	19H1731	CAP SCREW	8		3/8" X 1"
5	14H1076	NUT	8		3/8"
	12H304	LOCK WASHER	8		3/8"
6	AR64362	BASE	1		
7	R55369	GASKET	1		
8	R55366	COVER	1		
9	R55372	EXHAUST PIPE	1	-002699	(SUB AR59435)
	R55371	EXHAUST PIPE	1	002700-	(SUB AR64363)
10	19H2552	CAP SCREW	1	-002699	3/8" X 1-1/8"
	19H2791	CAP SCREW	1	002700-	3/8" X 1-3/4"
	14H1076	NUT	1		3/8"
	12H304	LOCK WASHER	1		3/8"
12	R66692	CLAMP	1	-002699	(ALSO ORDER 19H1732 AND 14H1076)
	R49104	CLAMP	1	002700-	(SUB RE54187)
13	AR59435	EXHAUST PIPE	1	-002699	
	AR64363	EXHAUST PIPE	1	002700-	
..	AR64357	INTAKE MANIFOLD	1	-002699	
..	AR64356	INTAKE MANIFOLD	1	002700-	(NO LONGER AVAILABLE)

1D23

FUEL AND AIR

RP915 -UN-01JAN94

REMOTE MOUNTED VACUUM SWITCH



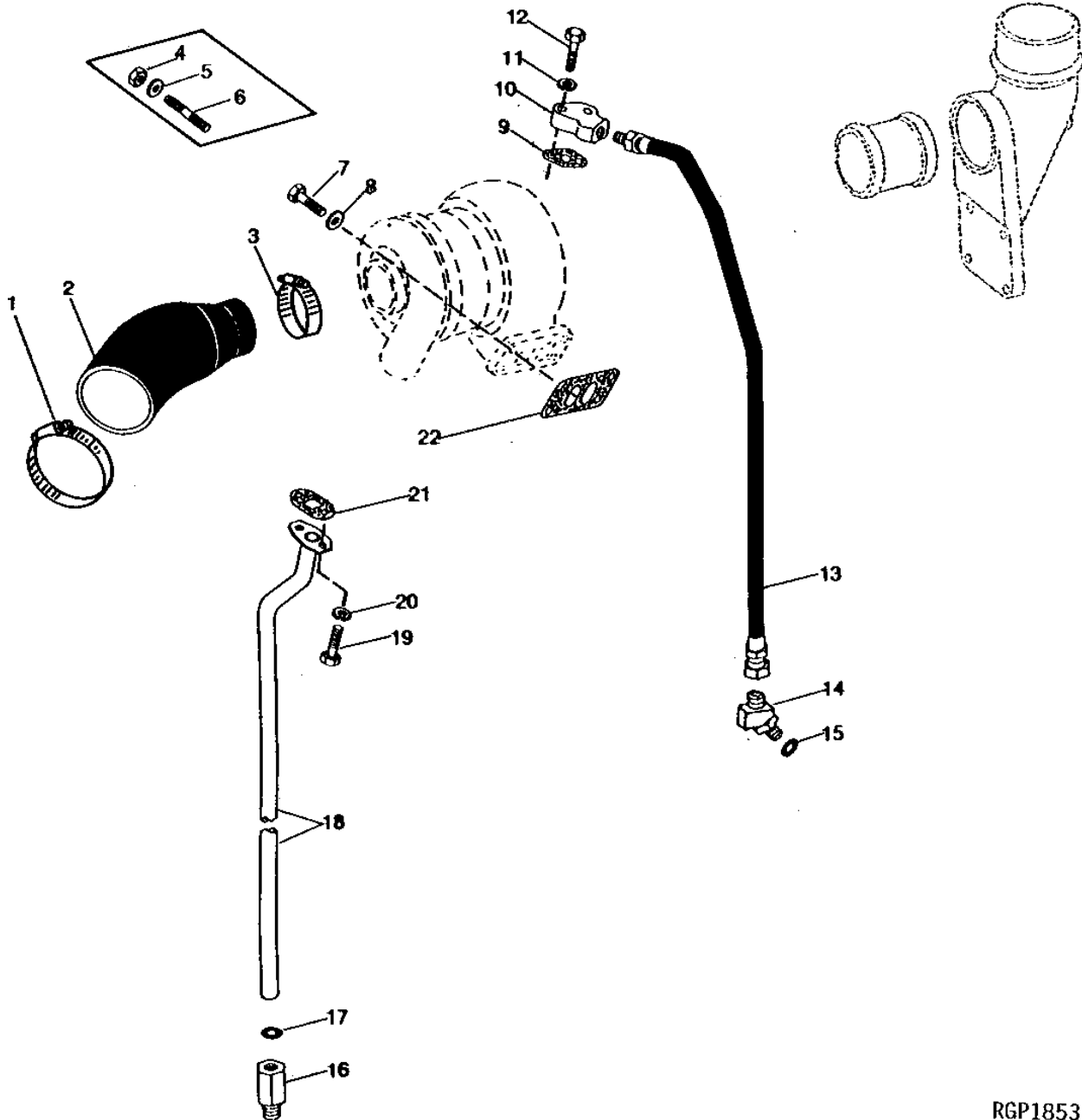
KEY	PART NO.	PART NAME	QTY	TRACTOR SERIAL NO.	REMARKS
1	19H1913	CAP SCREW	1	5/16" X 2-1/4"	
	19H2791	CAP SCREW	1	3/8" X 1-3/4"	
2	R46414	CLAMP	1		
3	28H1495	SPACER	1	3/8" X 1"	
4	12H304	LOCK WASHER	1	3/8"	
5	14H1076	NUT	1	3/8"	
6	AR50489	SWITCH	1		
7	R57286	FITTING	2		
8	AR48236	CLAMP	2	(SUB TY22462)	
9	T31483	HOSE	1		
10	15H73	COUPLING	1	1/8"	
11	15H639	PIPE BUSHING	1	1/4" X 1/8"	
12	AR68734	WIRING HARNESS	1		
13	AR68733	KIT	1		
..	R44302	TIE BAND	AR		

1D24

FUEL AND AIR

TURBOCHARGER OIL LINES
(ENGINE SERIAL NO. -335845)

RGP1853 -UN-01JAN94



RGP1853

1D25

FUEL AND AIR

TURBOCHARGER OIL LINES - CONTINUED
(ENGINE SERIAL NO. -335845)

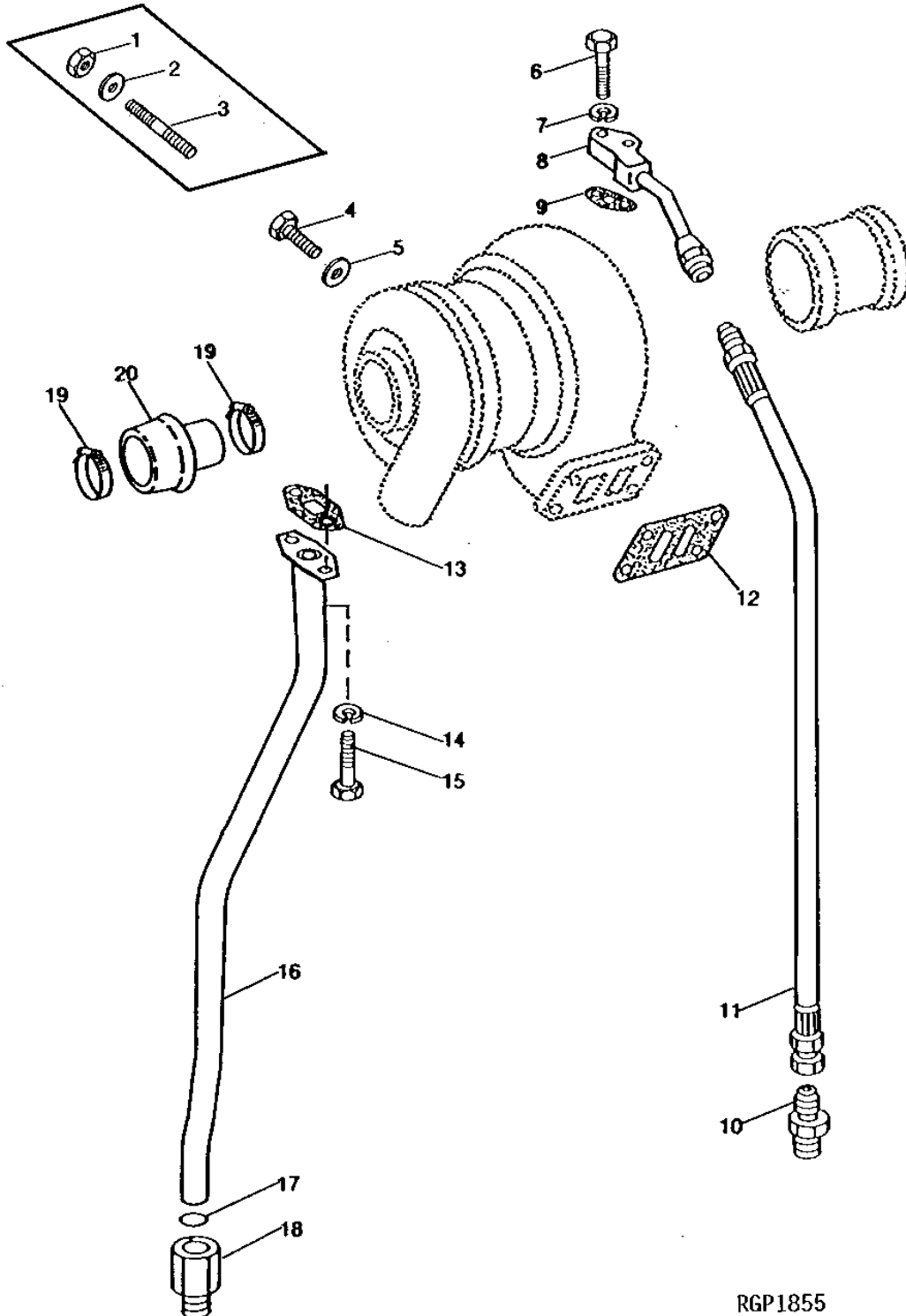
KEY	PART NO.	PART NAME	QTY	ENGINE SERIAL NO.	REMARKS
1	AR21842	CLAMP	1		(SUB TY22474)
2	R46952	HOSE	1		
3	AR21841	CLAMP	1		
4	E55662	FLANGE NUT	4		
5	24M7096	WASHER	4		10.500 X 18 X 1.600 MM
6	R55078	STUD	4		(SUB R54500 AND 24H1305, THIS APPLICATION)
7	R54500	SCREW	4		
8	24H1305	WASHER	4		13/32" X 13/16" X 0.065"
9	R97348	GASKET	1		(SUB FOR R43413)
10	R43928	ADAPTER	1		
11	12H303	LOCK WASHER	2		5/16"
12	19H3552	CAP SCREW	2		5/16" X 1-1/2", HS SAE 8
13	AR76425	HOSE	1		(SUB FOR AR43770)
14	AR26745	ELBOW FITTING	1		
15	R51203	O-RING	1		
16	R41285	ADAPTER	1		
17	R72328	O-RING	1		(SUB FOR R43780)
18	AR50150	OIL LINE	1		
19	19H2284	CAP SCREW	2		3/8" X 7/8"
20	12H304	LOCK WASHER	2		3/8"
21	R97349	GASKET	1		(SUB FOR R43416)
22	R43751	GASKET	1		

1E1

FUEL AND AIR

TURBOCHARGER OIL LINES (ENGINE SERIAL NO. 335846-)

RGP1855 -UN-01JAN94



RGP1855

1E2

FUEL AND AIR

TURBOCHARGER OIL LINES - CONTINUED
(ENGINE SERIAL NO. 335846-)

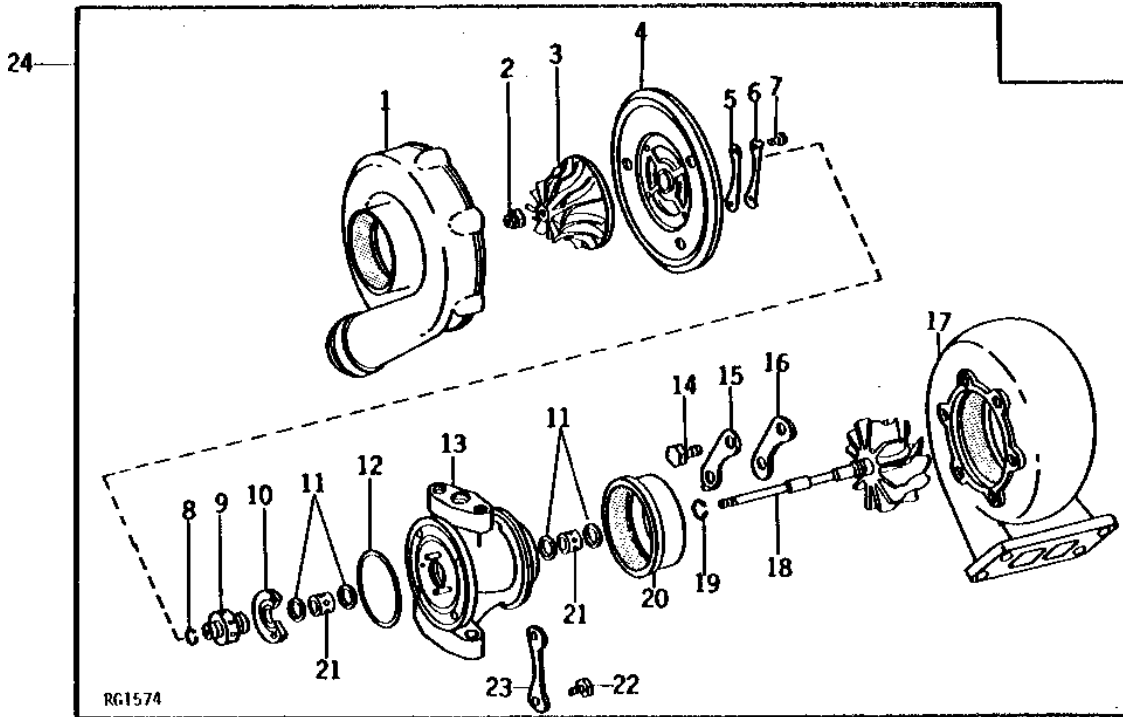
KEY	PART NO.	PART NAME	QTY	ENGINE SERIAL NO.	REMARKS
1	E55662	FLANGE NUT	4		
2	24M7096	WASHER	8		10.500 X 18 X 1.600 MM
3	R55078	STUD	4		(SUB R54500 AND 24H1305, THIS APPLICATION)
4	R54500	SCREW	4		
5	24H1305	WASHER	4		13/32" X 13/16" X 0.065"
6	19H3552	CAP SCREW	2		5/16" X 1-1/2", HS SAE 8
7	12H303	LOCK WASHER	2		5/16"
8	AR61590	OIL LINE	1		
9	R97348	GASKET	1		(SUB FOR R43413)
10	R52775	FITTING	1	-XXXXXX	
	R62239	FITTING	1	XXXXXX-	
11	AR54576	OIL LINE	1	-XXXXXX	(SUB AR76424 AND R62239)
	AR76424	OIL LINE	1	XXXXXX-	
12	R43751	GASKET	1		
13	R97349	GASKET	1		(SUB FOR R43416)
14	12H304	LOCK WASHER	3		3/8"
15	19H2284	CAP SCREW	2		3/8" X 7/8"
16	AR54577	OIL LINE	1		
17	R72328	O-RING	1		(SUB FOR R43780)
18	R41285	ADAPTER	1		
19	C16054	CLAMP	2		(SUB TY22475)
20	R54106	HOSE	1		

1E3

FUEL AND AIR

**TURBOCHARGER
(AIRESEARCH)
(ENGINE SERIAL NO. -335845)**

RG1574 -UN-01JAN94



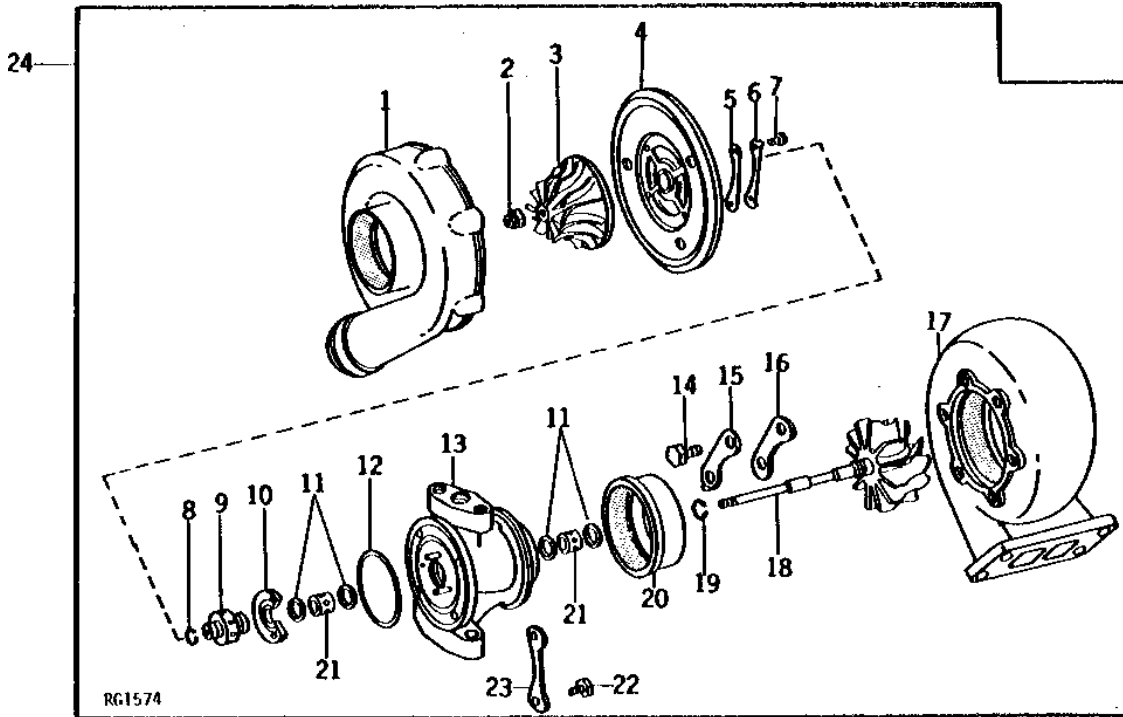
KEY	PART NO.	PART NAME	QTY	ENGINE SERIAL NO.	REMARKS
1	R48711	HOUSING	1		(SUB R55026 AND R55025)
2	R43817	LOCK NUT	1		
3	R48708	IMPELLER	1		(SUB R55025 AND R55026)
4	AR54934	COVER	1		
5	R48709	CLAMP	3		
6	R48710	LOCK PLATE	3		
7	19H2020	CAP SCREW	6		5/16" X 1/2"
8	R43806	PISTON RING	1		
9	R43801	THRUST BEARING	1		
10	R43808	BEARING	1		
11	R43816	SNAP RING	4		
12	R43805	O-RING	1		
13	AR63781	HOUSING	1		(SUB FOR AR43627)
14	R43819	CAP SCREW	6		
15	R43815	LOCK PLATE	3		
16	R43821	CLAMP	3		
17	R48712	HOUSING	1		
18	AR51988	TURBINE	1		
19	R55024	PISTON RING	1		
20	R43804	SHROUD	1		
21	R43803	BEARING	2		STD
	R50784	BEARING	2		0.13 MM (.005") US
	R50785	BEARING	2		0.25 MM (.010") US
22	19H1919	CAP SCREW	4		1/4" X 5/8"
23	R43986	LOCK PLATE	2		
24	AR70987	TURBOCHARGER	1		REMANUFACTURED, (SUB FOR AR63698)

1E4

FUEL AND AIR

**TURBOCHARGER
(AIRESEARCH)
(ENGINE SERIAL NO. 335846-)**

RG1574 -UN-01JAN94



KEY	PART NO.	PART NAME	QTY	ENGINE SERIAL NO.	REMARKS
1	R55027	HOUSING	1		
2	R43817	LOCK NUT	1		
3	R55025	IMPELLER	1		
4	AR54934	COVER	1		
5	R48709	CLAMP	3		
6	R48710	LOCK PLATE	3		
7	19H2020	CAP SCREW	6	5/16" X 1/2"	
8	R43806	PISTON RING	1		
9	R43801	THRUST BEARING	1		
10	R43808	BEARING	1		
11	R43816	SNAP RING	4		
12	R43805	O-RING	1		
13	AR63781	HOUSING	1		
14	R43819	CAP SCREW	6		
15	R43815	LOCK PLATE	3		
16	R43821	CLAMP	3		
17	R55028	HOUSING	1		
18	AR51988	TURBINE	1		
19	R55024	PISTON RING	1		
20	R43804	SHROUD	1		
21	R43803	BEARING	2	STD	
	R50784	BEARING	2	0.13 MM (.005") US (NLA)	
	R50785	BEARING	2	0.25 MM (.010") US	
22	19H1919	CAP SCREW	4	1/4" X 5/8"	
23	R43986	LOCK PLATE	2		
24	AR63699	TURBOCHARGER	1		REMANUFACTURED

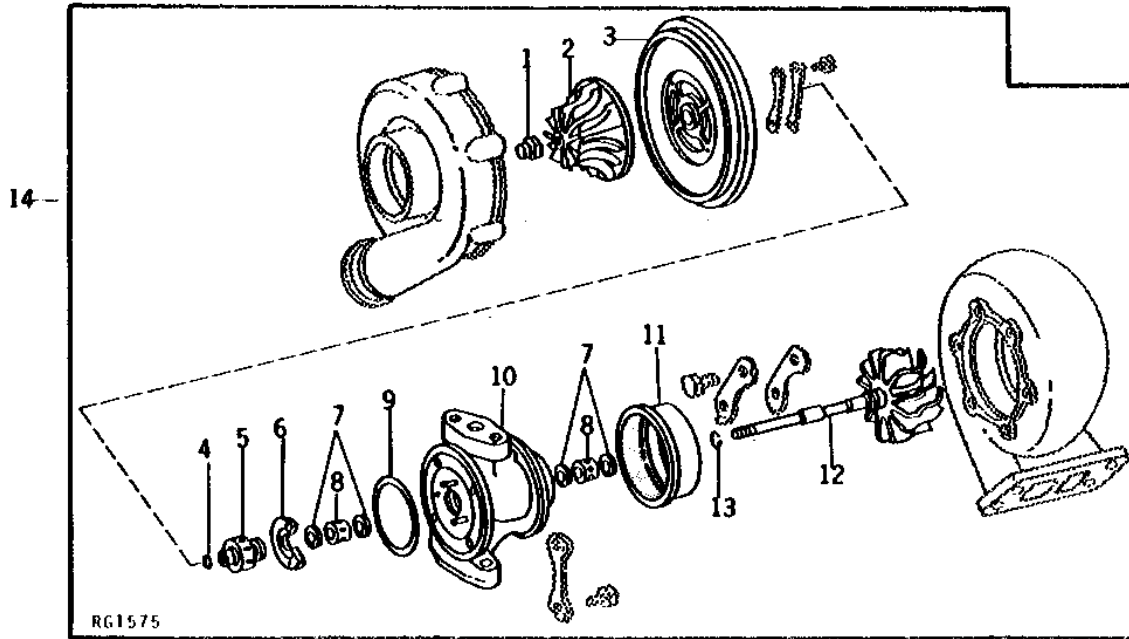
MEMORANDA

1E5

FUEL AND AIR

TURBOCHARGER CENTER HOUSING WITH ROTATING PARTS (AIRESEARCH)

RG1575 -UN-01JAN94



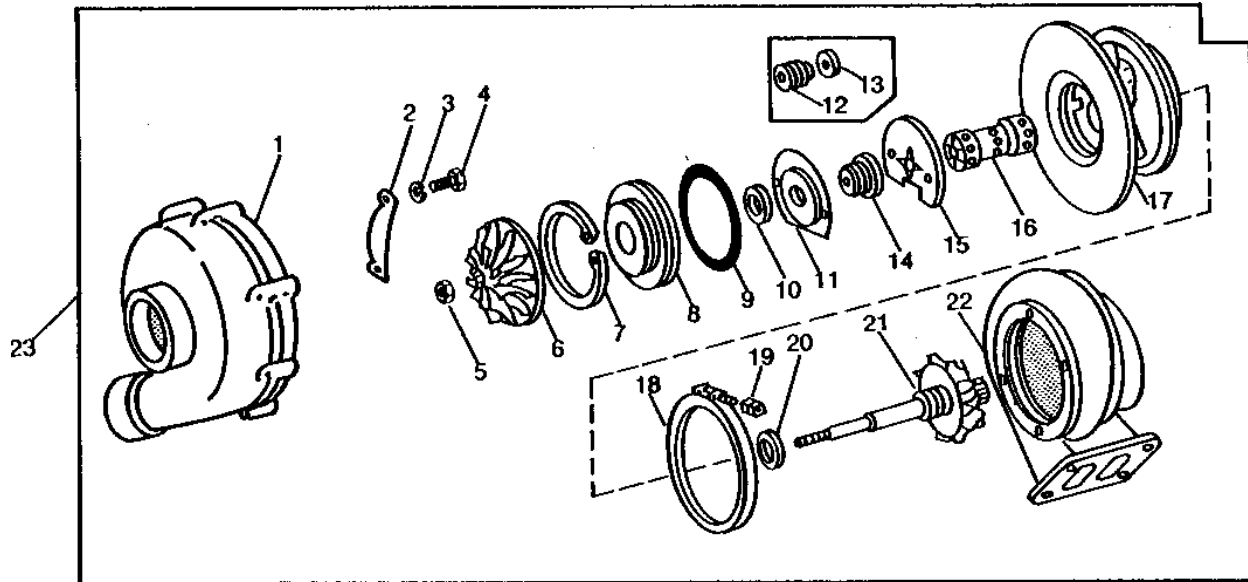
KEY	PART NO.	PART NAME	QTY	ENGINE SERIAL NO.	REMARKS
1	R43817	LOCK NUT	1		
2	R55025	IMPELLER	1		
3	AR54934	COVER	1		
4	R43806	PISTON RING	1		
5	R43801	THRUST BEARING	1		
6	R43808	BEARING	1		
7	R43816	SNAP RING	4		
8	R43803	BEARING	2	STD	
	R50784	BEARING	2	0.13 MM (.005") US (NLA)	
	R50785	BEARING	2	0.25 MM (.010") US	
9	R43805	O-RING	1		
10	AR63781	HOUSING	1	(SUB FOR AR43627)	
11	R43804	SHROUD	1		
12	AR51988	TURBINE	1		
13	R55024	PISTON RING	1		
14	AR63780	HOUSING	1	(SUB FOR AR51987)	

1E6

FUEL AND AIR

**TURBOCHARGER
(SCHWITZER)
(ENGINE SERIAL NO. -335845)**

RGP1424 -UN-01JAN94



RGP1424

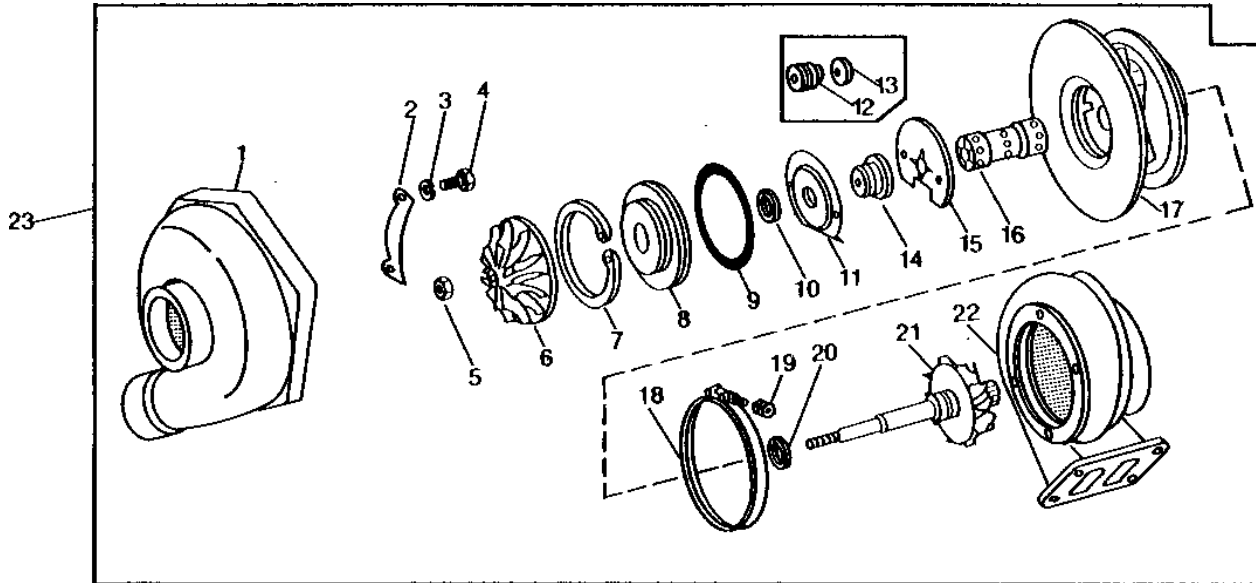
KEY	PART NO.	PART NAME	QTY	VENDOR SERIAL NO.	REMARKS
1	R46678	COVER	1		(NLA)
2	R46693	CLAMP	4	-XXXXX	
3	R46693	CLAMP	3	L18721-	
4	R56631	LOCK WASHER	6		(NLA)
5	AR78019	SCREW	6		(SUB FOR R56630)
6	R46691	LOCK NUT	1		
7	R46677	WHEEL	1		(NLA)
8	R46686	SNAP RING	1		
9	R46687	INSERT	1	-XXXXX	
10	R56626	INSERT	1	L04721-	
11	T19832	O-RING	1		(SUB FOR R46685)
12	R46688	PISTON RING	1	-XXXXX	
13	R56628	PISTON RING	1	L04721-	
14	R46682	DEFLECTOR	1		
15	R46689	SLEEVE	1	-XXXXX	
16	R46683	RING	1	-XXXXX	
17	R56627	SLEEVE	1	L04721-	
18	R46684	PLATE	1		
19	R46681	BEARING	1		
20	AR67551	HOUSING	1		(NLA)
21	R56629	CLAMP	1		
22	R46692	LOCK NUT	1		
23	R46679	PISTON RING	1		
24	AR63778	WHEEL	1		(SUB FOR AR43973) (NLA)
25	R55031	HOUSING	1		
26	AR68138	TURBOCHARGER	1		REMANUFACTURED

1E7

FUEL AND AIR

**TURBOCHARGER
(SCHWITZER)
(ENGINE SERIAL NO. 335846-)**

RGP1256 -UN-01JAN94



RGP1256

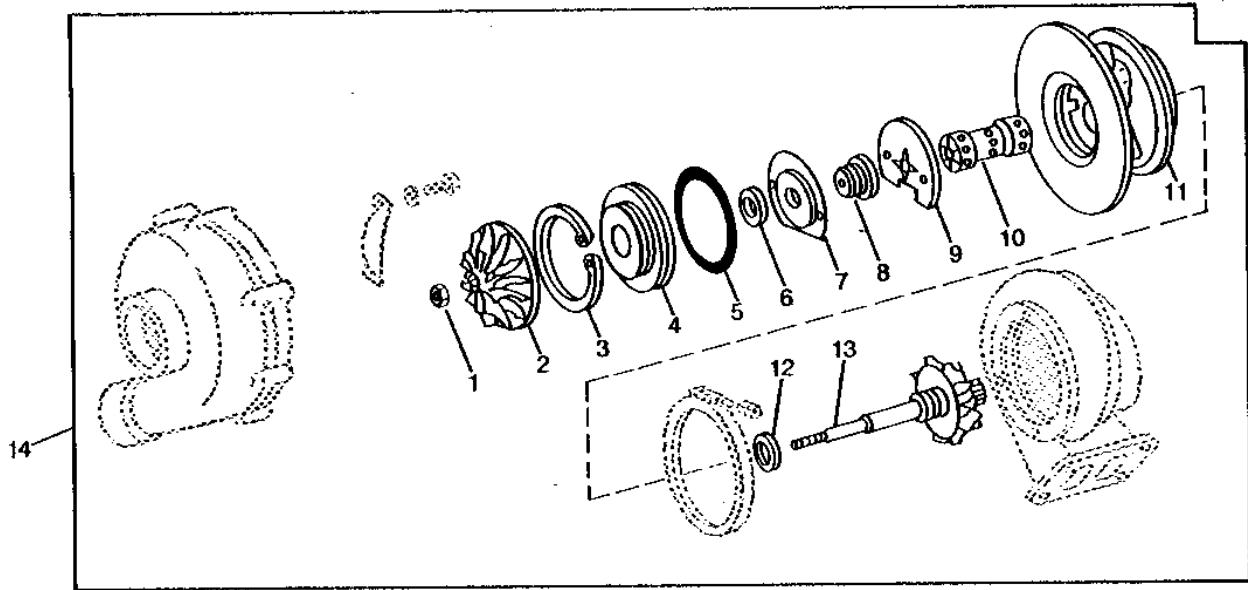
KEY	PART NO.	PART NAME	QTY	VENDOR SERIAL NO.	REMARKS
1	R55030	COVER	1		
2	R46693	CLAMP	4	-XXXXX	
3	R46693	CLAMP	3	L18721-	
3	R56631	LOCK WASHER	6		(NLA)
4	AR78019	SCREW	6		(SUB FOR R56630)
5	R46691	LOCK NUT	1		
6	R55029	WHEEL	1		(NLA)
7	R46686	SNAP RING	1		
8	R46687	INSERT	1	-XXXXX	
	R56626	INSERT	1	L04721-	
9	T19832	O-RING	1		(SUB FOR R46685)
10	R46688	PISTON RING	1	-XXXXX	
	R56628	PISTON RING	1	L04721-	
11	R46682	DEFLECTOR	1		
12	R46689	SLEEVE	1	-XXXXX	
13	R46683	RING	1	-XXXXX	
14	R56627	SLEEVE	1	L04721-	
15	R46684	PLATE	1		
16	R46681	BEARING	1		
17	AR67551	HOUSING	1		(NLA)
18	R56629	CLAMP	1		
19	R46692	LOCK NUT	1		
20	R46679	PISTON RING	1		
21	AR63778	WHEEL	1		(NLA)
22	R55031	HOUSING	1		
23	AR68140	TURBOCHARGER	1		REMANUFACTURED

1E8

FUEL AND AIR

TURBOCHARGER CENTER HOUSING WITH ROTATING PARTS
(SCHWITZER)
(ENGINE SERIAL NO. -335845)

RGP1425 -UN-01JAN94



RGP1425

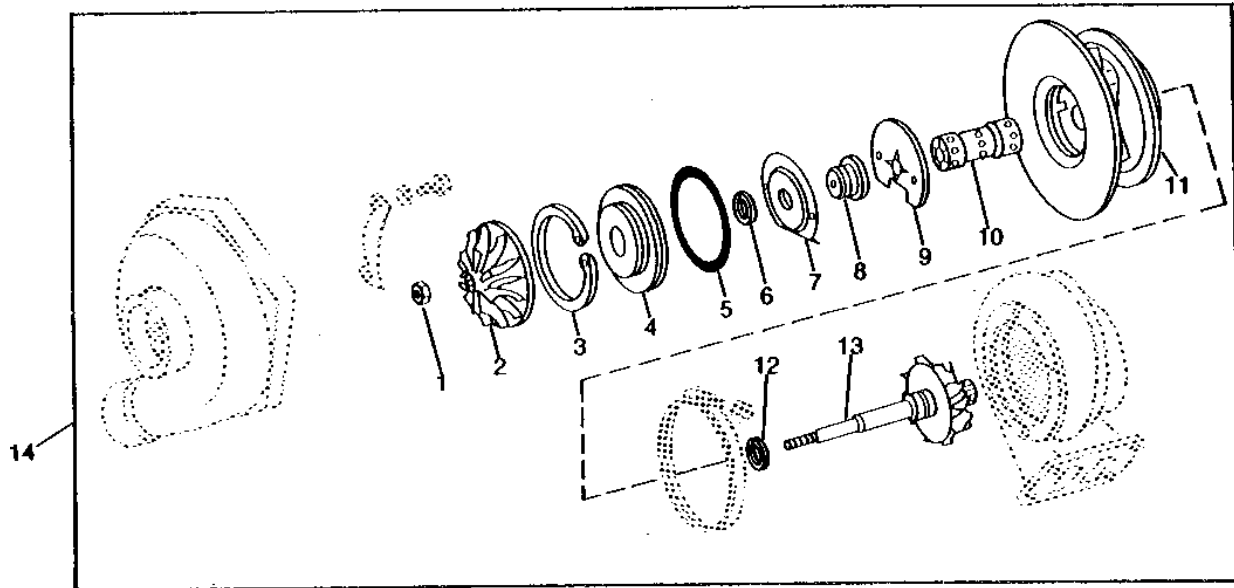
KEY	PART NO.	PART NAME	QTY	ENGINE SERIAL NO.	REMARKS
1	R46691	LOCK NUT	1		
2	R46677	WHEEL	1		
3	R46686	SNAP RING	1		
4	R46687	INSERT	1		
5	T19832	O-RING	1		(SUB FOR R46685)
6	R46688	PISTON RING	1		
7	R46682	DEFLECTOR	1		
8	R46689	SLEEVE	1		
	R46683	RING	1		
9	R46684	PLATE	1		
10	R46681	BEARING	1		
11	AR67551	HOUSING	1		
12	R46679	PISTON RING	1		
13	AR63778	WHEEL	1		(SUB FOR AR43973)
14	AR43975	HOUSING	1		

1E9

FUEL AND AIR

**TURBOCHARGER CENTER HOUSING WITH ROTATING PARTS
(SCHWITZER)
(ENGINE SERIAL NO. 335846-)**

RGP1257 -UN-01JAN94



RGP1257

KEY	PART NO.	PART NAME	QTY	ENGINE SERIAL NO.	REMARKS
1	R46691	LOCK NUT	1		
2	R55029	WHEEL	1	(NLA)	
3	R46686	SNAP RING	1		
4	R56626	INSERT	1		
5	T19832	O-RING	1	(SUB FOR R46685)	
6	R56628	PISTON RING	1		
7	R46682	DEFLECTOR	1		
8	R56627	SLEEVE	1		
9	R46684	PLATE	1		
10	R46681	BEARING	1		
11	AR67551	HOUSING	1	(NLA)	
12	R46679	PISTON RING	1		
13	AR63778	WHEEL	1	(NLA)	
14	AR63783	HOUSING	1		

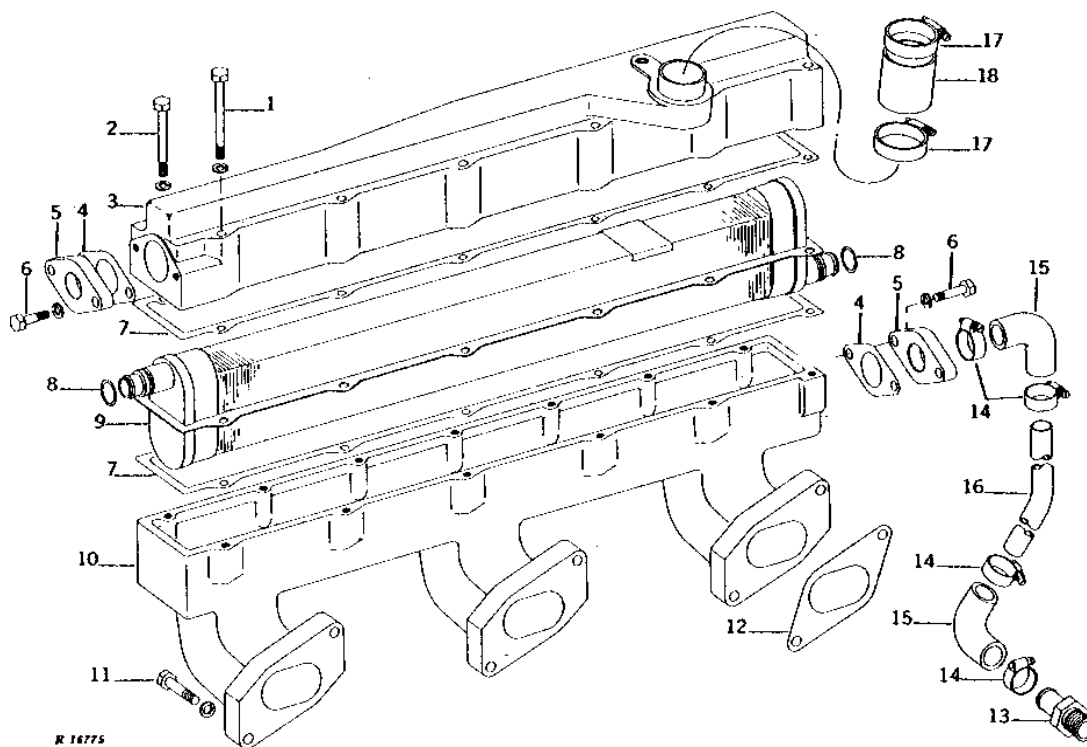
MEMORANDA

1E10

FUEL AND AIR

AFTERCOOLER AND INTAKE MANIFOLD (ENGINE SERIAL NO. -335845)

R16775 -UN-01JAN94



R 16775

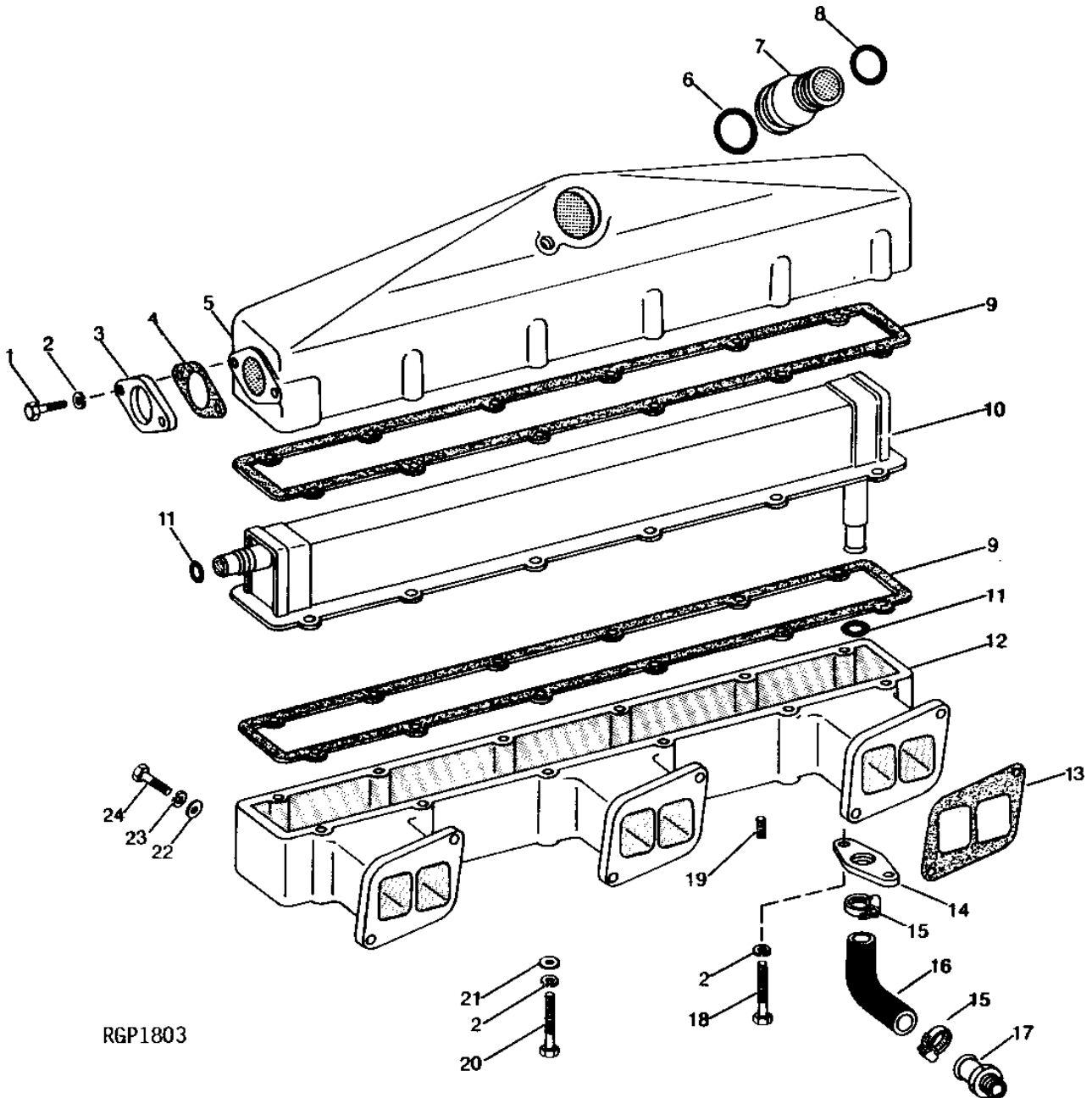
KEY	PART NO.	PART NAME	QTY	ENGINE SERIAL NO.	REMARKS
1	19H1921	CAP SCREW	10		5/16" X 3-1/4"
	12H303	LOCK WASHER	10		5/16"
2	19H1907	CAP SCREW	3		5/16" X 2-3/4"
	12H303	LOCK WASHER	3		5/16"
3	AR49998	COVER	1		(MARKED R47312) (NLA)
	15H666	PIPE PLUG	1	-335845	3/8"
4	R97346	GASKET	2		
5	R47314	ADAPTER	2		
6	19H1849	CAP SCREW	4		5/16" X 1-1/4"
	12H303	LOCK WASHER	4		5/16"
7	R47394	GASKET	2		
8	R52811	O-RING	2		(SUB FOR R47102)
9	AR50152	AFTERCOOLER	1		
10	R47311	INTAKE MANIFOLD	1		(NO LONGER AVAILABLE)
11	19H1765	CAP SCREW	6		3/8" X 1-3/4"
	12H304	LOCK WASHER	6		3/8"
12	R26297	GASKET	3		
13	R48362	ADAPTER	1		
14	AR21839	CLAMP	4		(SUB TY22470)
15	R50402	HOSE	2		(SUB FOR R47430)
16	R49270	TUBE	1		(SUB FOR R47428)
17	AR21840	CLAMP	2		(SUB TY22470)
18	R43604	HOSE	1		

1E11

FUEL AND AIR

AFTERCOOLER AND INTAKE MANIFOLD (ENGINE SERIAL NO. 335846-)

RGP1803 -UN-01JAN94



RGP1803

1E12

FUEL AND AIR

AFTERCOOLER AND INTAKE MANIFOLD - CONTINUED (ENGINE SERIAL NO. 335846-)

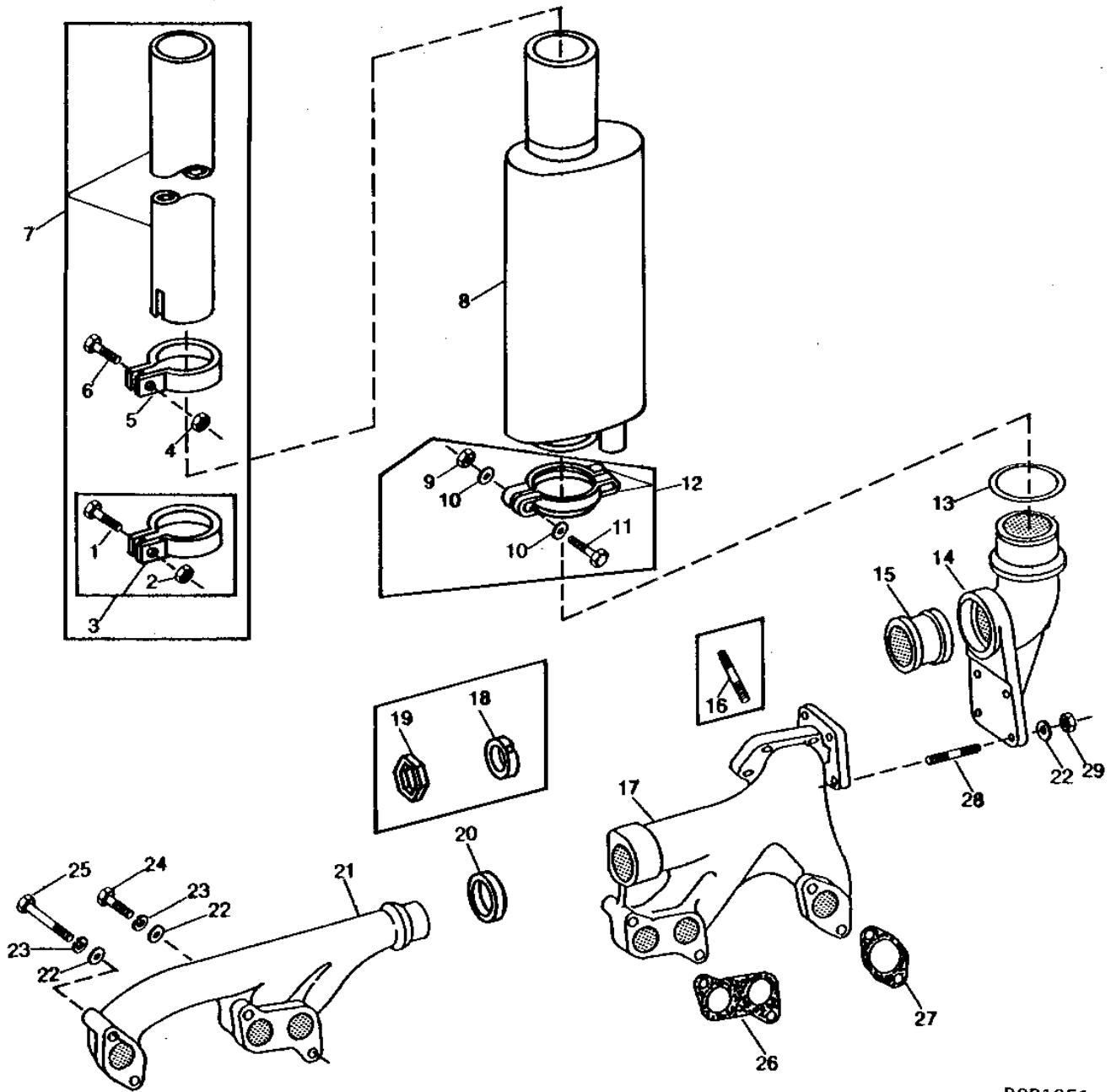
KEY	PART NO.	PART NAME	QTY	ENGINE SERIAL NO.	REMARKS
1	19H1849	CAP SCREW	2		5/16" X 1-1/4", (USE WITH AR54556)
	19H2661	CAP SCREW	2		5/16" X 1-3/8", (USE WITH AR70437 OR RE40280)
2	12H303	LOCK WASHER	12		5/16"
	24H1136	WASHER	2		11/32" X 11/16" X 0.065"
3	R47314	ADAPTER	1		
4	R97346	GASKET	1		(SUB FOR R47395)
5	R50398	COVER	1		
6	R50405	O-RING	1		
7	R83000	COUPLING	1		(SUB FOR R50404)
8	R50406	O-RING	1		
9	R50399	GASKET	2		(SUB R97347)
10	RE40280	AFTERCOOLER	1		(SUB FOR AR54556 OR AR70437)
11	R52811	O-RING	2		
12	R59747	INTAKE MANIFOLD	1		(SUB FOR R50396)
13	R50397	GASKET	3		
14	R50400	ADAPTER	1		
15	AR21839	CLAMP	2		(SUB TY22470)
16	R50402	HOSE	1		
17	R48362	ADAPTER	1		
18	19H2729	CAP SCREW	2		5/16" X 4-1/4"
19	15H666	PIPE PLUG	1		3/8", (USE WITH AR54556)
	R104592	PIPE PLUG	1		(USE WITH AR70437 OR RE40280)
20	19H2852	CAP SCREW	10		5/16" X 4"
21	24H1136	WASHER	10		11/32" X 11/16" X 0.065"
22	24M7096	WASHER	6		10.500 X 18 X 1.600 MM
23	12H304	LOCK WASHER	6		3/8"
24	19H1732	CAP SCREW	6		3/8" X 1-1/4", (USE WITH AR54556)
	19H1800	CAP SCREW	6		3/8" X 1-1/2", (USE WITH AR70437 OR RE40280)

1E13

FUEL AND AIR

EXHAUST MANIFOLDS, ELBOW AND MUFFLER (ENGINE SERIAL NO. -335845)

RGP1851 -UN-01JAN94



RGP1851

1E14

FUEL AND AIR

EXHAUST MANIFOLDS, ELBOW AND MUFFLER - CONTINUED
(ENGINE SERIAL NO. -335845)

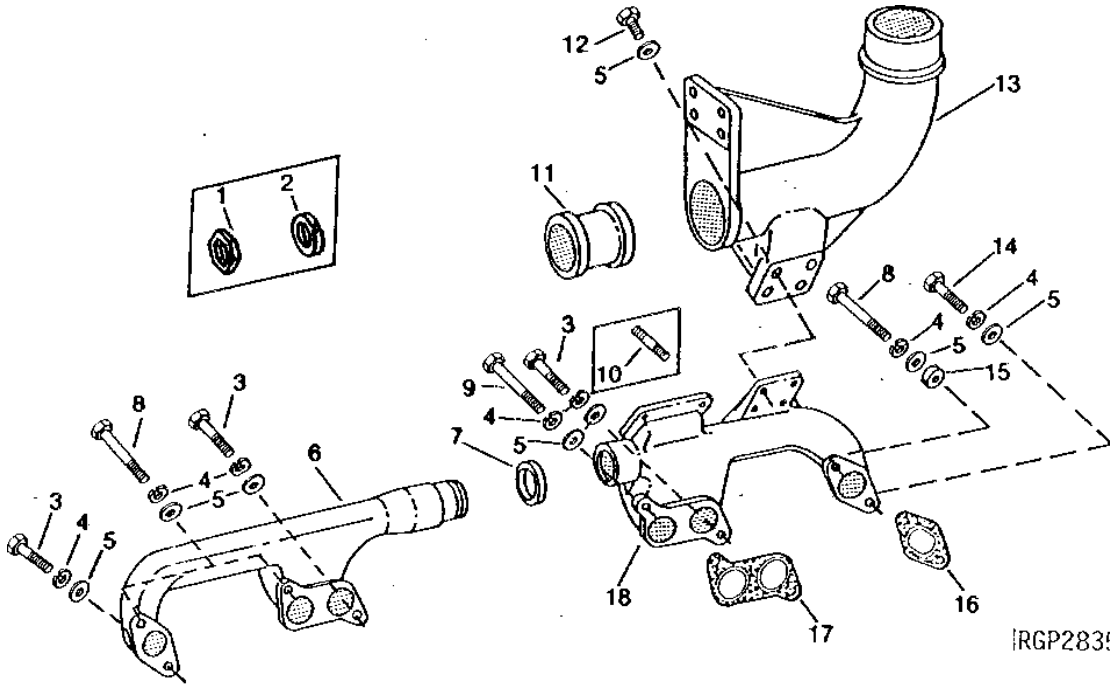
KEY	PART NO.	PART NAME	QTY	ENGINE SERIAL NO.	REMARKS
1	19H2552	CAP SCREW	1	-XXXXXX	3/8" X 1-1/8"
2	E55662	FLANGE NUT	1	-XXXXXX	
3	AR43579	CLAMP	1	-XXXXXX	(SUB RE54187)
4	E55662	FLANGE NUT	1		
5	R66692	CLAMP	1		(SUB RE54187)
6	19H1732	CAP SCREW	1		3/8" X 1-1/4"
7	AR59435	EXHAUST PIPE	1		(SUB FOR AR43716)
8	AR44418	MUFFLER	1		
9	E55662	FLANGE NUT	2		
10	M72490	WASHER	4		
11	19H2128	CAP SCREW	2		3/8" X 3"
12	AR43704	CLAMP	1		
13	R42375	WASHER	1		
14	R54181	ELBOW FITTING	1		(SUB FOR R43172, THIS APPLICATION)
15	R43724	ADAPTER	1		(SUB FOR R83034, THIS APPLICATION)
16	R55078	STUD	4		(SUB R54500 AND 24H1305, THIS APPLICATION)
17	R43166	EXHAUST MANIFOLD	1		
18	R46576	RING	1		(SUB R58109)
19	R46575	RING	1		(SUB R58109)
20	R58109	RING	1		
21	R43167	EXHAUST MANIFOLD	1		
22	24M7096	WASHER	12		10.500 X 18 X 1.600 MM
23	12H304	LOCK WASHER	8		3/8"
24	19H1765	CAP SCREW	4		3/8" X 1-3/4"
25	19H2128	CAP SCREW	4		3/8" X 3"
26	R83020	GASKET	2		(SUB FOR R44373)
27	R83021	GASKET	2		(SUB FOR R44374)
28	R55078	STUD	4		
29	E55662	FLANGE NUT	4		

1E15

FUEL AND AIR

EXHAUST MANIFOLDS AND ELBOW (ENGINE SERIAL NO. 335846-)

RGP2835 -UN-01JAN94



RGP2835

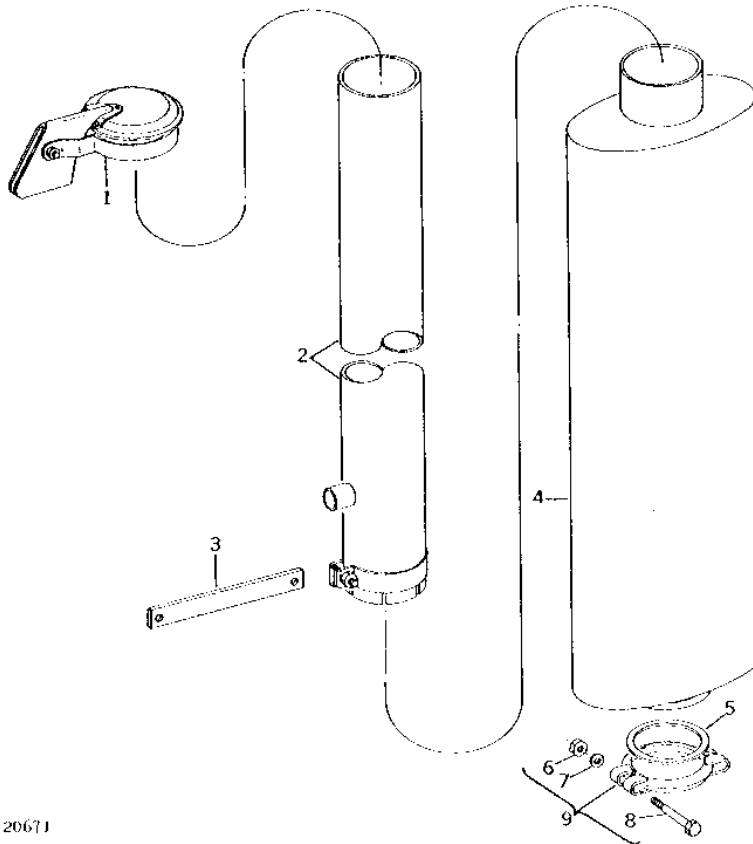
KEY	PART NO.	PART NAME	QTY	ENGINE SERIAL NO.	REMARKS
1	R46576	RING	1	-404358	(SUB R58109)
2	R46575	RING	1	-404358	(SUB R58109)
3	19H1765	CAP SCREW	3		3/8" X 1-3/4"
4	12H304	LOCK WASHER	8		3/8"
5	24M7096	WASHER	12		10.500 X 18 X 1.600 MM
6	R46472	EXHAUST MANIFOLD	1		
7	R58109	RING	1	404359-	
8	19H2128	CAP SCREW	3		3/8" X 3"
9	19H2639	CAP SCREW	1		3/8" X 3-3/8"
10	R55078	STUD	4		(SUB FOR R54500 AND 24H1305, THIS APPLICATION) (SUB FOR R43170)
11	R43724	ADAPTER	1		(SUB FOR R83034, THIS APPLICATION)
12	R54500	SCREW	4		
13	R53514	ELBOW FITTING	1		
14	19H2549	CAP SCREW	1		3/8" X 1-7/8"
15	28H1518	WASHER	1		0.493" X 0.675" X 5/16"
16	R83021	GASKET	2		(SUB FOR R44374)
17	R83020	GASKET	2		(SUB FOR R44373)
18	R56995	EXHAUST MANIFOLD	1		(SUB FOR AR54563 OR R50391)

1E16

FUEL AND AIR

MUFFLER, EXTENSION AND COVER (ENGINE SERIAL NO. 335846-)

R20671 -UN-01JAN94



R 20671

KEY	PART NO.	PART NAME	QTY	TRACTOR SERIAL NO.	REMARKS
1	AR60857	EXHAUST CAP	1		(SUB FOR AR56788)
2	AR55853	MUFFLER EXTENSION	1		
3	R53466	STRAP	1		
4	AR53749	MUFFLER	1		
5	R42375	WASHER	1		
6	14H1076	NUT	2	3/8"	
7	24H1305	WASHER	2	13/32" X 13/16" X 0.065"	
8	19H2023	CAP SCREW	2	3/8" X 3-1/4"	
9	AR43704	CLAMP	1		

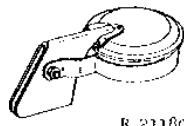
MEMORANDA

1E17

FUEL AND AIR

R21180 -UN-01JAN94

EXHAUST MUFFLER COVER



R 21180

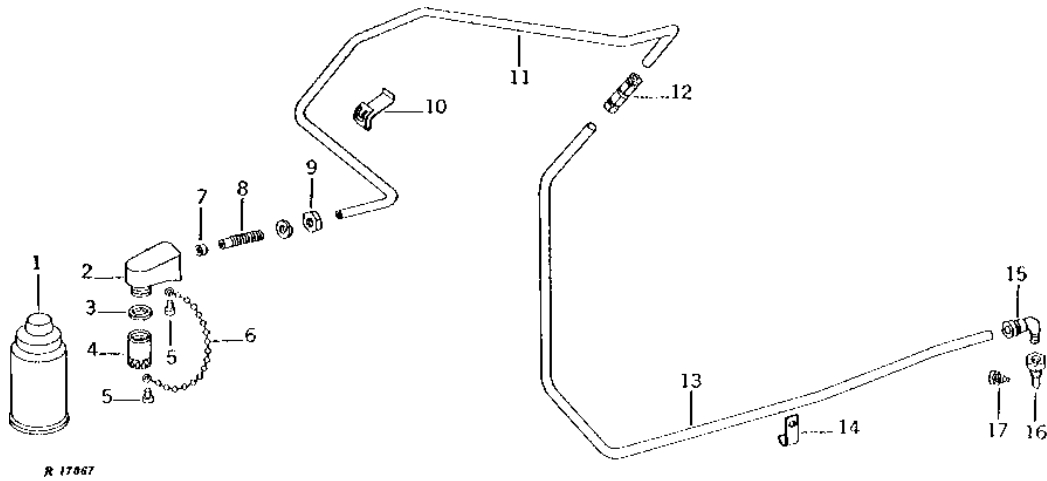
KEY	PART NO.	PART NAME	QTY	TRACTOR SERIAL NO.	REMARKS
..	AR86603	CAP	1	-335845	(SUB FOR AR56787)
..	AR60857	EXHAUST CAP	1	335846-	

1E18

FUEL AND AIR

R17067 -UN-01JAN94

COLD WEATHER STARTING AID



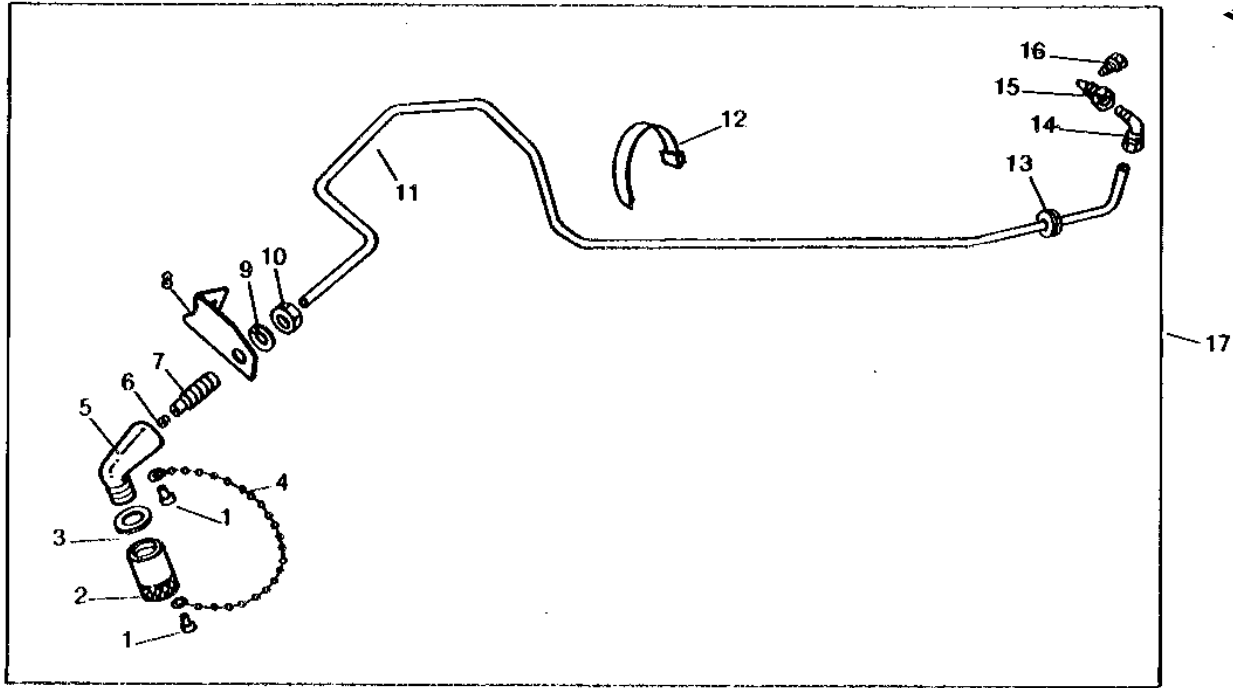
KEY	PART NO.	PART NAME	QTY	TRACTOR SERIAL NO.	REMARKS
1	RE33636	STARTING FLUID	1		(SUB FOR AR27814, RE24561 OR RE30174)
2	R39534	ADAPTER	1		
3	R26149	PACKING	1		
4	R32306	CAP	1		
5	37H44	SCREW	2	0.151" X 3/8"	
6	AR27940	LINK CHAIN	1		
7	R34394	WASHER	1		
8	R34395	ADAPTER	1		
9	14H1040	NUT	1	1/2"	
	12H301	LOCK WASHER	1	1/2"	
10	R47113	CLIP	1		
11	TUBE	1		(ORDER RE50139)
12	R34388	UNION FITTING	1		
13	TUBE	1	-335846	(ORDER RE50139)
	TUBE	1	335845-	(ORDER RE50139)
14	B1986R	CLIP	2		
15	RE21790	ELBOW FITTING	1		(SUB FOR AT25266)
16	R47160	NOZZLE HOLDER	1		
17	R28583	NOZZLE	1		

1E19

FUEL AND AIR

RWP5158 -UN-01JAN94

ETHER STARTING AID KIT



RWP5158

KEY	PART NO.	PART NAME	QTY	TRACTOR SERIAL NO.	REMARKS
1	37H44	SCREW	2	0.151" X 3/8"	
2	R32306	CAP	1		
3	R26149	PACKING	1		
4	AR27940	LINK CHAIN	1		
5	T22534	ADAPTER	1		
6	R34394	WASHER	1		
7	R34395	ADAPTER	1		
8	R54440	BRACKET	1		
9	12H301	LOCK WASHER	1	1/2"	
10	14H1040	NUT	1	1/2"	
11	TUBE	1	(ORDER RE50139)	
12	R44302	TIE BAND	4		
13	R27180	GROMMET	1		
14	RE21790	ELBOW FITTING	1	(SUB FOR AT25266)	
15	R47160	NOZZLE HOLDER	1		
16	R28583	NOZZLE	1		
17	RE16182	KIT	1		

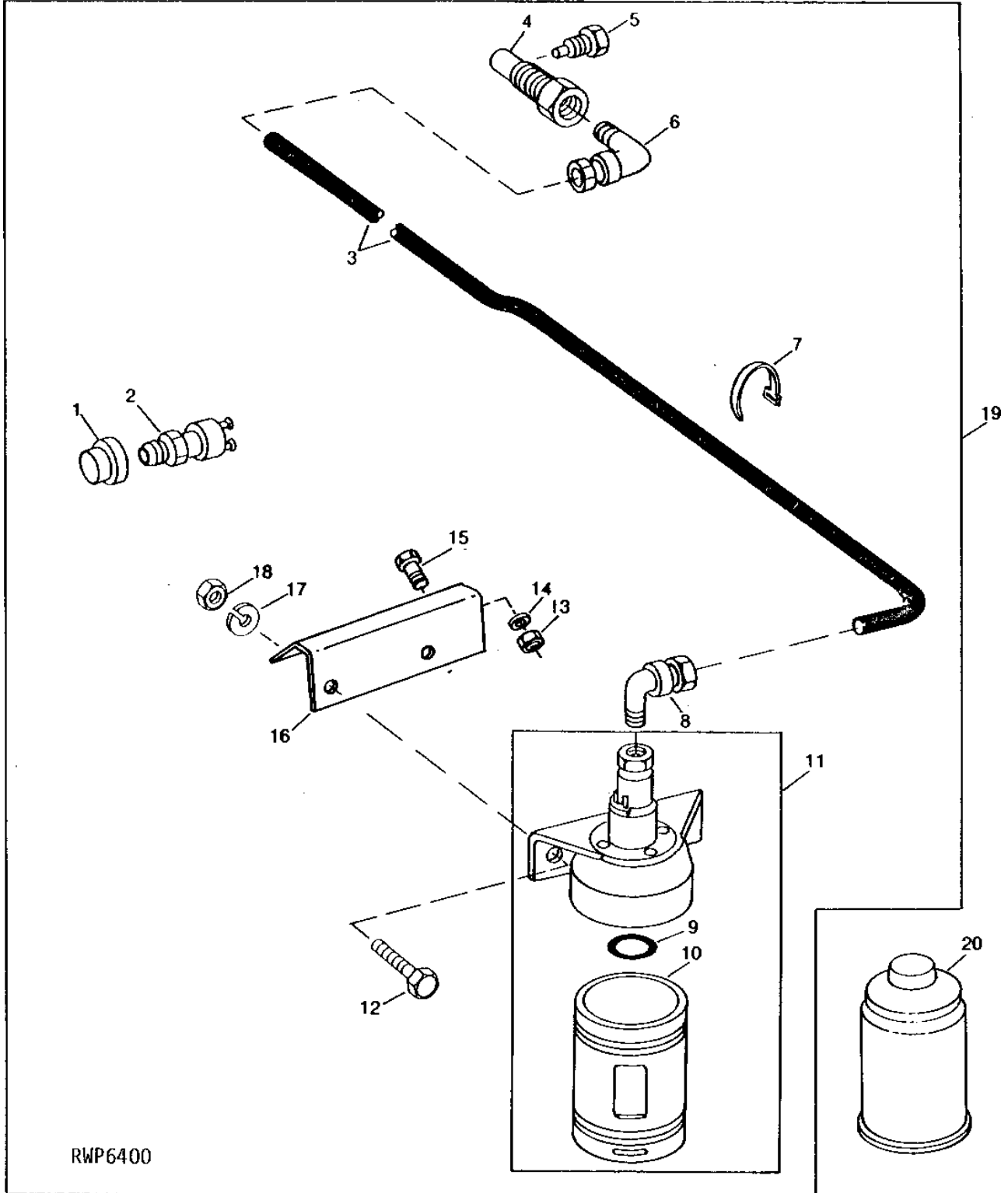
1E20

FUEL AND AIR

RWP6400

-UN-01JAN94

ELECTRICALLY OPERATED STARTING AID



RWP6400

1E21

FUEL AND AIR

ELECTRICALLY OPERATED STARTING AID - CONTINUED

KEY	PART NO.	PART NAME	QTY	TRACTOR SERIAL NO.	REMARKS
1	T55585	CAP	1		(SUB FOR AR67950)
2	R39554	SWITCH	1		
3	TUBE	1		(ORDER RE50139)
4	R47160	NOZZLE HOLDER	1		
5	R28583	NOZZLE	1		
6	RE21790	ELBOW FITTING	1		(SUB FOR AT25266)
7	R44302	TIE BAND	AR		
8	RE21790	ELBOW FITTING	1		(SUB FOR AT25266)
9	T13119	O-RING	1		
10	R73498	CONTAINER	1		
11	AR97514	STARTING AID SOLENOID	1		
12	19H2127	CAP SCREW	2		5/16" X 7/8"
13	14H1076	NUT	2		3/8"
14	12H301	LOCK WASHER	2		1/2"
15	19H1936	CAP SCREW	2		3/8" X 3/4"
16	R56878	BRACKET	1		
17	12H303	LOCK WASHER	2		5/16" (NO LONGER REQUIRED)
18	14H785	NUT	2		5/16"
19	AR68498	STARTING AID	1		(SUB RE42401) (ALSO ORDER AR68018, AT68973, AR68020, AR68014 AND AR68021) (PRIOR TO SERIAL NO. 003159-)
20	RE33636	STARTING FLUID	1		(SUB FOR AR27814, RE24561 OR RE30174)

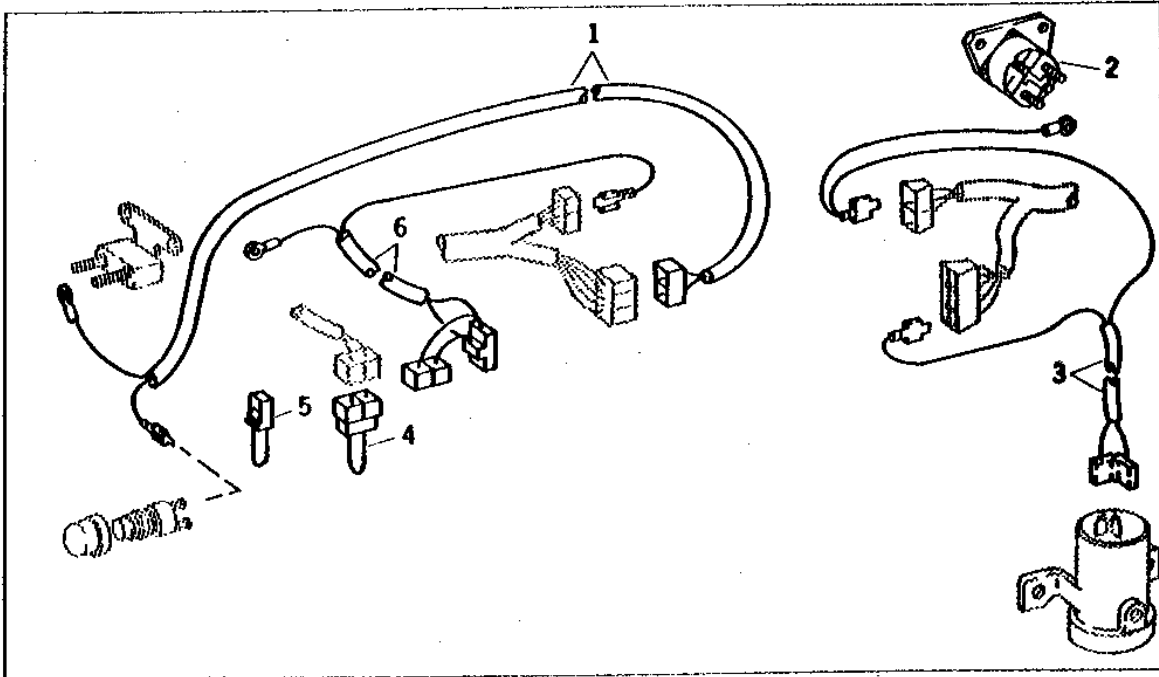
1E22

FUEL AND AIR

R32483

-UN-01JAN94

ELECTRICALLY OPERATED STARTING AID WIRING KIT



R32483

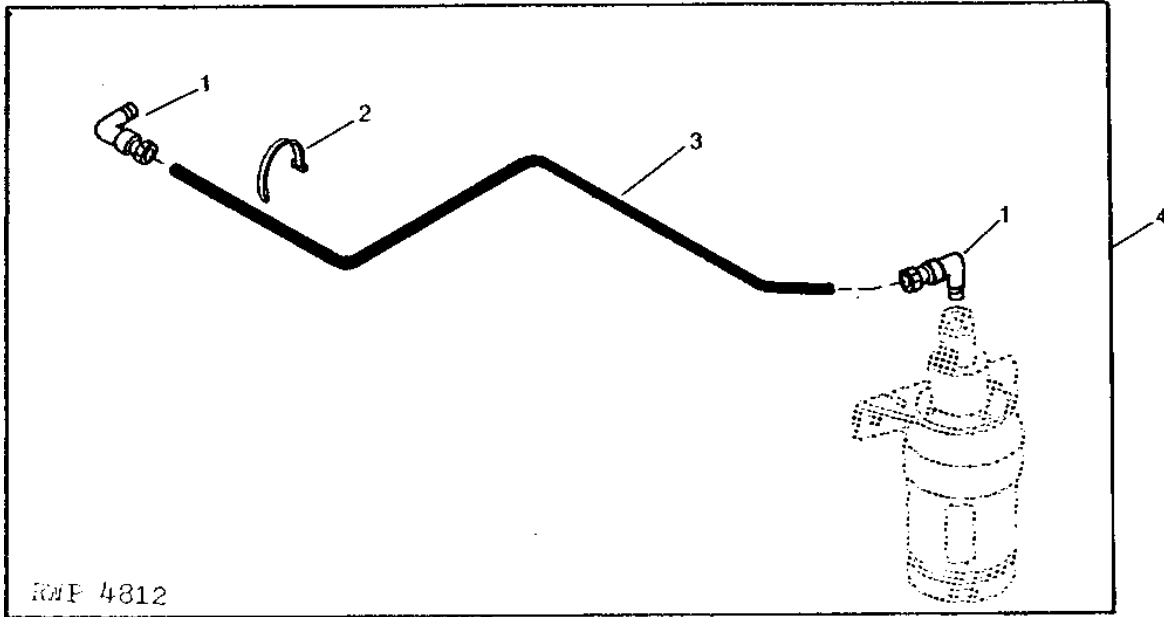
KEY	PART NO.	PART NAME	QTY	TRACTOR SERIAL NO.	REMARKS
1	AR68018	WIRING HARNESS	1	(SUB RE42401)	
2	AT68973	RELAY	1	(SUB FOR AT40955) (SUB RE38391)	
3	AR68020	WIRING HARNESS	1	(SUB RE42401)	
4	AR68014	WIRING LEAD	1	BYPASS, (SUB RE42401)	
5	WIRING HARNESS	1	BYPASS (NOT REQUIRED)	
6	AR68021	WIRING HARNESS	1	(SUB RE42401)	
7	AR68500	KIT	1	(NO LONGER AVAILABLE)	
..	R44302	TIE BAND	1		

1E23

FUEL AND AIR

RWP4812 -UN-01JAN94

STARTING FLUID TUBE KIT



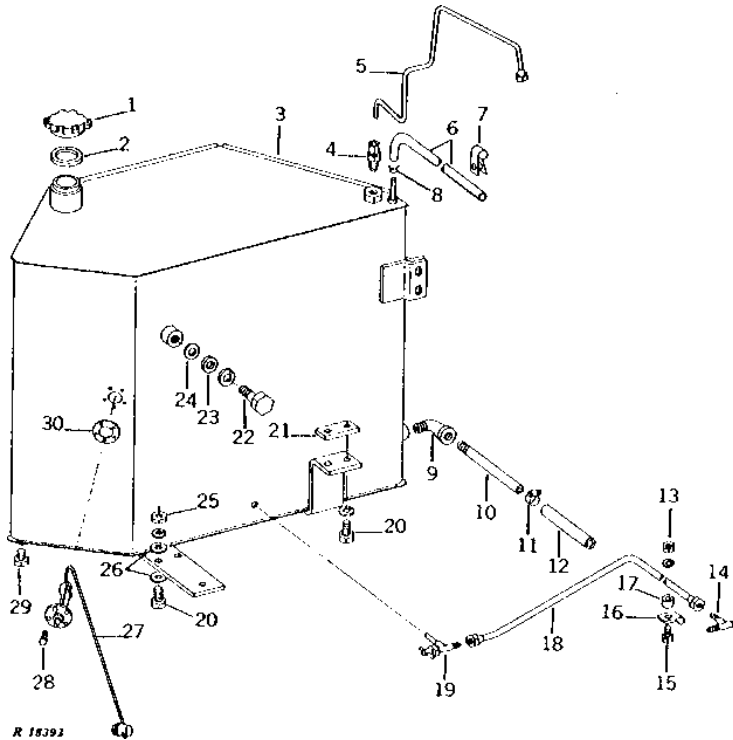
KEY	PART NO.	PART NAME	QTY	TRACTOR SERIAL NO.	REMARKS
1	RE21790	ELBOW FITTING	2		(SUB FOR AT25266)
2	R44302	TIE BAND	5		
3	TUBE	1		(ORDER RE50139)
4	RE16151	KIT	1		

1E24

FUEL AND AIR

LEFT-HAND FUEL TANK AND LINE (TRACTOR SERIAL NO. -002699)

R18393 -UN-01JAN94



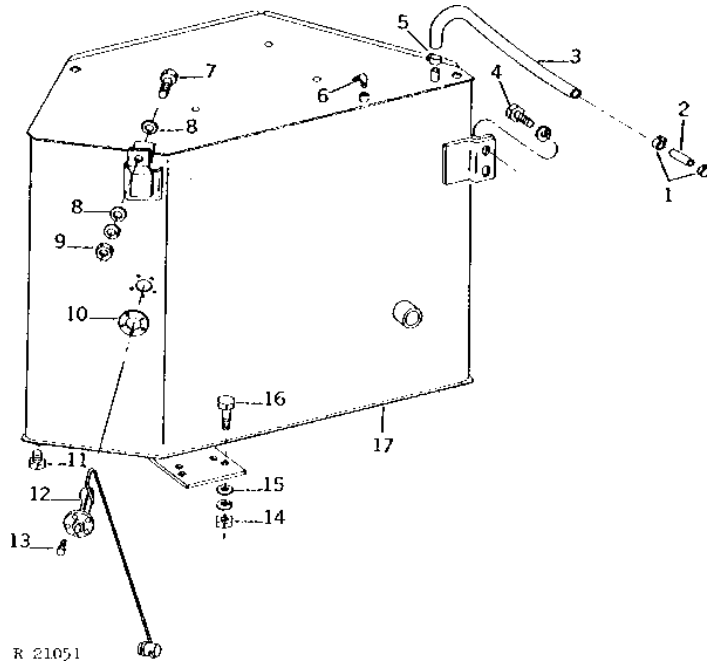
KEY	PART NO.	PART NAME	QTY	TRACTOR SERIAL NO.	REMARKS
1	T25552	CAP	1		
2	T25551	WASHER	1		
3	AR50391	FUEL TANK	1		
	R31101	DECAL	1		(NO LONGER AVAILABLE)
4	AR26649	FITTING	1		
5	AR51087	FUEL LINE	1		
6	HOSE	1		748MM (29-1/2") (MAKE FROM R33733)
7	R34557	CLAMP	1		
8	AR21836	CLAMP	2		
9	15H202	ELBOW FITTING	1	90°	
10	R47795	THREADED NIPPLE	1		
11	AR21839	CLAMP	1		(SUB TY22467)
12	R47796	HOSE	1		
13	14H1076	NUT	2	3/8"	
	12H304	LOCK WASHER	2	3/8"	
14	T27323	TEE FITTING	1		(SUB FOR R47794)
15	19H988	CAP SCREW	2	3/8" X 1-1/4"	
16	T14050	CLIP	1		
17	28H1878	SPACER	2	3/8" X 7/16"	
18	AR50605	FUEL LINE	1		
19	R34656	SHUT-OFF VALVE	1		
20	19H1721	CAP SCREW	5	1/2" X 1-1/2"	
	12H301	LOCK WASHER	5	1/2"	
21	R48597	PLATE	1		
22	19H2706	CAP SCREW	1	5/8" X 2", HS, SAE 8	
	12H294	LOCK WASHER	1	5/8"	
23	24H1367	WASHER	1	21/32" X 1-1/4" X 1/4"	
24	24H1139	WASHER	1	11/16" X 1-1/4" X 0.105"	
25	14H1039	NUT	3	5/8"	
26	24H1625	WASHER	6	17/32" X 1" X 0.120"	
27	AR43676	SENDER	1		
28	21H981	SCREW	5	0.190" X 1/2"	
29	A4242R	PIPE PLUG	1		(SUB RE55233)
30	R27181	GASKET	1		

1E25

FUEL AND AIR

R21051 -UN-01JAN94

LEFT-HAND FUEL TANK AND LINE (TRACTOR SERIAL NO. 002700-)



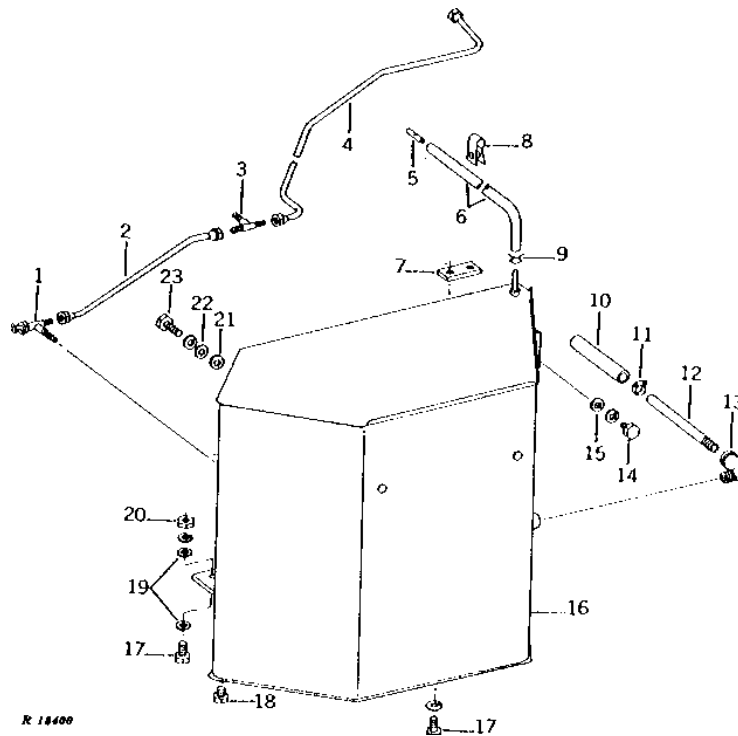
KEY	PART NO.	PART NAME	QTY	TRACTOR SERIAL NO.	REMARKS
1	AR21837	CLAMP	2	(SUB TY22465)	
2	R52308	TUBE	1		
3	HOSE	1	762MM (30") (MAKE FROM R45847)	
4	19H1732	CAP SCREW	1	3/8" X 1-1/4"	
	12H304	LOCK WASHER	1	3/8"	
5	AR21837	CLAMP	1	(SUB TY22465)	
6	T30738	ELBOW FITTING	1	90°	
7	19H2644	CAP SCREW	1	1/2" X 2-1/2"	
8	24H1625	WASHER	2	17/32" X 1" X 0.120"	
9	14H1040	NUT	2	1/2"	
	12H301	LOCK WASHER	2	1/2"	
10	R27181	GASKET	1		
11	R55233	PIPE PLUG	1	(SUB FOR A4242R)	
12	AR43676	SENDER	1		
13	21H981	SCREW	5	0.190" X 1/2"	
14	14H1040	NUT	2	1/2"	
	12H301	LOCK WASHER	2	1/2"	
15	24H1625	WASHER	4	17/32" X 1" X 0.120"	
16	19H1831	CAP SCREW	1	1/2" X 2"	
17	AR54378	FUEL TANK	1		

1F1

FUEL AND AIR

R18400 -UN-01JAN94

RIGHT-HAND FUEL TANK AND LINE (TRACTOR SERIAL NO. -002699)



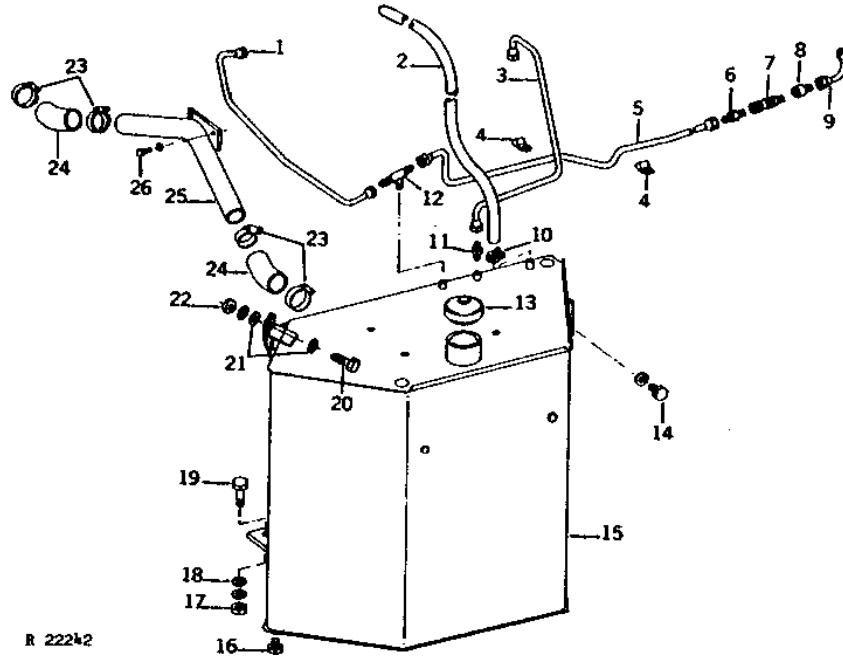
KEY	PART NO.	PART NAME	QTY	TRACTOR SERIAL NO.	REMARKS
1	R34656	SHUT-OFF VALVE	1		
2	AR50604	FUEL LINE	1		
3	T27323	TEE FITTING	1		(SUB FOR R47794)
4	AR51086	FUEL LINE	1		
5	R48752	TUBE	1		
6	HOSE	1		748MM (29-1/2") (MAKE FROM R33733)
7	R48597	PLATE	1		
8	R34557	CLAMP	1		
9	AR21836	CLAMP	2		
10	R47796	HOSE	1		
11	AR21839	CLAMP	1		(SUB TY22467)
12	R47795	THREADED NIPPLE	1		
13	15H202	ELBOW FITTING	1		90°
14	19H1732	CAP SCREW	2		3/8" X 1-1/4"
	12H304	LOCK WASHER	2		3/8"
15	24H1309	WASHER	2		13/32" X 1-1/16" X 0.120"
16	AR50390	FUEL TANK	1		
17	19H1721	CAP SCREW	5		1/2" X 1-1/2"
	12H301	LOCK WASHER	5		1/2"
18	R55233	PIPE PLUG	1		(SUB FOR A4242R)
19	24H1625	WASHER	6		17/32" X 1" X 0.120"
20	14H1039	NUT	3		5/8"
21	24H1139	WASHER	1		11/16" X 1-1/4" X 0.105"
22	24H1367	WASHER	1		21/32" X 1-1/4" X 1/4"
23	19H2706	CAP SCREW	1		5/8" X 2", HS, SAE 8
	12H294	LOCK WASHER	1		5/8"

1F2

FUEL AND AIR

R22242 -UN-01JAN94

RIGHT-HAND FUEL TANK AND LINES (TRACTOR SERIAL NO. 002700-)



R 22242

KEY	PART NO.	PART NAME	QTY	TRACTOR SERIAL NO.	REMARKS
1	AR60810	FUEL LINE	1		(TANK TO TEE)
2	HOSE	1		762MM (30") (MAKE FROM R45847)
3	AR60808	FUEL LINE	1		
4	T14264	CLAMP	2		
5	AR60809	FUEL LINE	1	-003037	(TANK TO TRANSFER PUMP) (SUB AR66533)
	AR66536	LINE	1	003038-	(A)
	AR88404	TUBE	1	003038-	REPAIR KIT
6	R32136	FITTING	1	003038-	(A)
7	AR66540	CHECK VALVE	1	003038-	(A)
8	R56243	FITTING	1	003038-	(A)
9	AR66537	FUEL LINE	1	003038-	(A)
10	AR21837	CLAMP	1		(SUB TY22465)
11	R35352	FITTING	1		
12	R52391	TEE FITTING	1		
13	AR36752	CAP	1		
14	19H1732	CAP SCREW	1		3/8" X 1-1/4"
	12H304	LOCK WASHER	1		3/8"
15	AR54377	FUEL TANK	1		
16	R55233	PIPE PLUG	1		(SUB FOR A4242R)
17	14H1040	NUT	2		1/2"
	12H301	LOCK WASHER	4		1/2"
18	24H1625	WASHER	2		17/32" X 1" X 0.120"
19	19H1831	CAP SCREW	2		1/2" X 2"
20	19H2644	CAP SCREW	1		1/2" X 2-1/2"
21	24H1625	WASHER	2		17/32" X 1" X 0.120"
22	14H1040	NUT	1		1/2"
	12H301	LOCK WASHER	1		1/2"
23	AR21840	CLAMP	4		(SUB TY22470)
24	R48104	HOSE	2		(SUB FOR R53739)
25	AR60807	PIPE	1		
26	19H1905	CAP SCREW	2		5/16" X 1"
	12H303	LOCK WASHER	2		5/16"

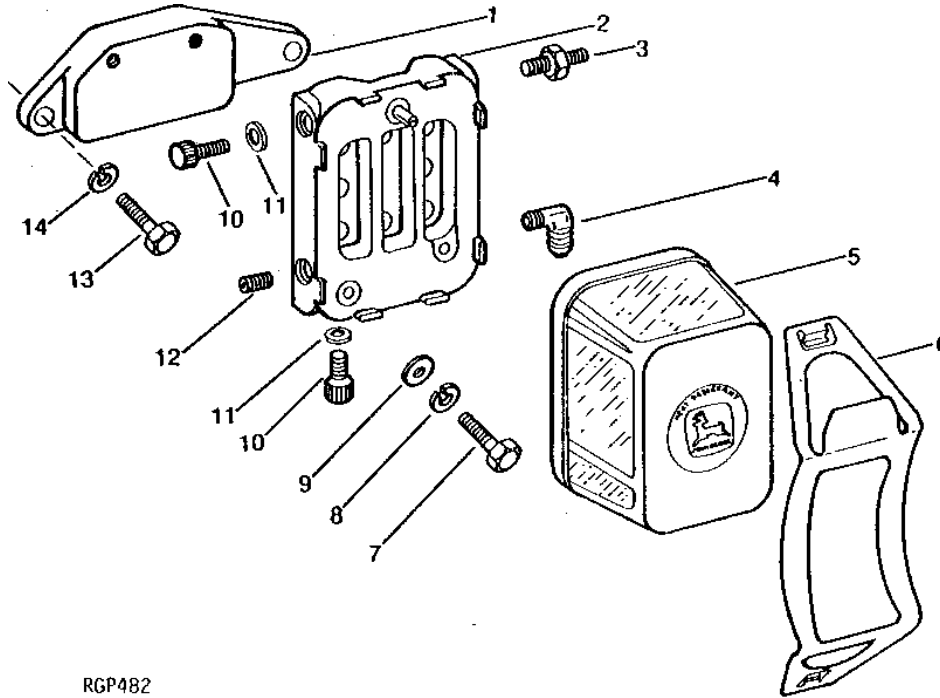
(A) INCLUDED IN AR66533

1F3

FUEL AND AIR

RGP482 -UN-01JAN94

FUEL FILTER
(ENGINE SERIAL NO. -335845)



RGP482

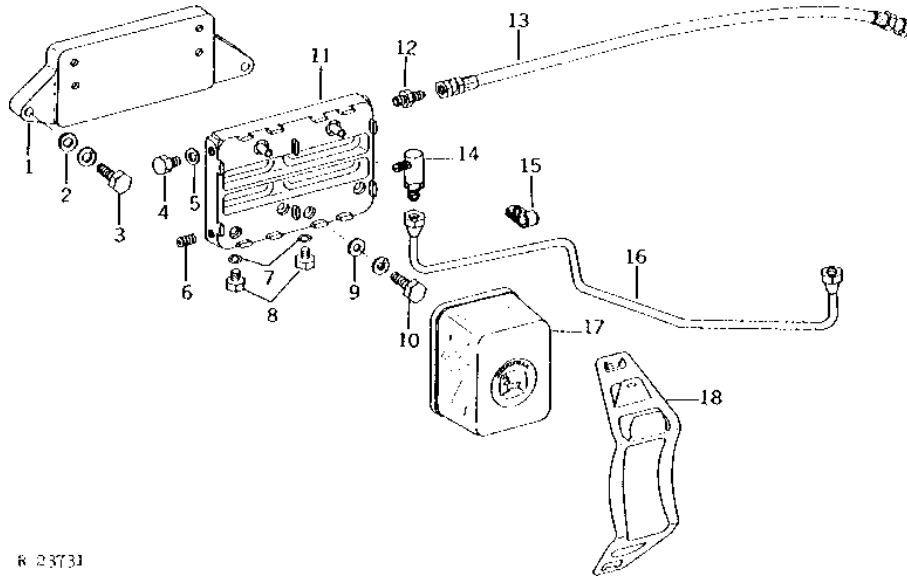
KEY	PART NO.	PART NAME	QTY	ENGINE SERIAL NO.	REMARKS
1	R47433	SUPPORT	1		
2	AR50040	HOUSING	1		
3	R27346	FITTING	1		
4	AR26674	ELBOW FITTING	1		
5	AR50041	FUEL FILTER	1		
6	R66821	CLAMP	1		(SUB FOR R47358 OR R57258)
7	19H1905	CAP SCREW	2		5/16" X 1"
8	12H303	LOCK WASHER	2		5/16"
9	24H1289	WASHER	2		21/64" X 5/8" X 0.049"
10	R48071	DRAIN PLUG	2		
11	R26287	O-RING	2		(SUB FOR R34447)
12	R104592	PIPE PLUG	1		
13	19H1822	CAP SCREW	2		7/16" X 1"
14	12H293	LOCK WASHER	2		7/16"

1F4

FUEL AND AIR

FUEL FILTERS (ENGINE SERIAL NO. 335846-)

R23731 -UN-01JAN94



R 23731

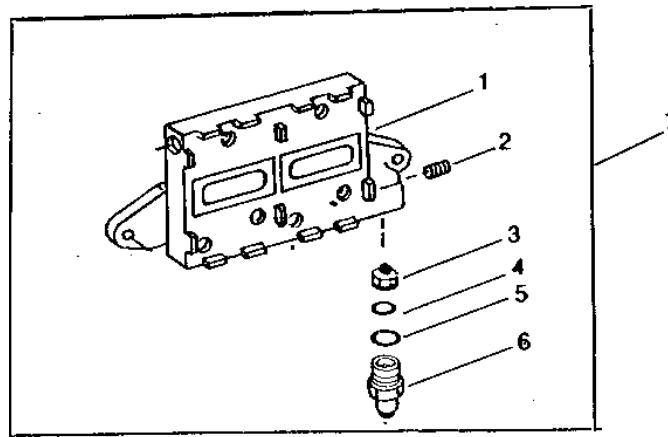
KEY	PART NO.	PART NAME	QTY	ENGINE SERIAL NO.	REMARKS
1	R50427	SUPPORT	1		(SUB RE24359) (ALSO ORDER (2) 12H293)
2	24M7044	WASHER	2		13 X 20 X 2 MM
3	19H2731	CAP SCREW	2		7/16" X 1-3/8"
4	R50425	BLEED SCREW	1		
5	R50426	WASHER	1		
6	15H559	PIPE PLUG	1		1/4"
7	R26287	O-RING	2		(SUB FOR R34447)
8	R48071	DRAIN PLUG	2		
9	24H1136	WASHER	4		11/32" X 11/16" X 0.065"
10	19H1905	CAP SCREW	4		5/16" X 1"
	12H303	LOCK WASHER	4		5/16"
11	AR54590	HOUSING	1		
12	R32136	FITTING	1		
13	AR68454	HOSE	1		
14	U45538	ELBOW FITTING	1		-XXXXXX (SUB FOR AR54591)
	CHECK VALVE	1	XXXXXX-	(SUB AR73888)
15	T13814	CLAMP	1	XXXXXX-	
16	AR61515	FUEL LINE	1		-XXXXXX
	AR73822	FUEL LINE	1	XXXXXX-	
17	AR50041	FUEL FILTER	2		
18	R66821	CLAMP	2		(SUB FOR R47358 OR R57258)

1F5

FUEL AND AIR

FUEL FILTER BASE KIT
(ENGINE SERIAL NO. 335846-)

RGP3482 -UN-01JAN94



RGP 3482

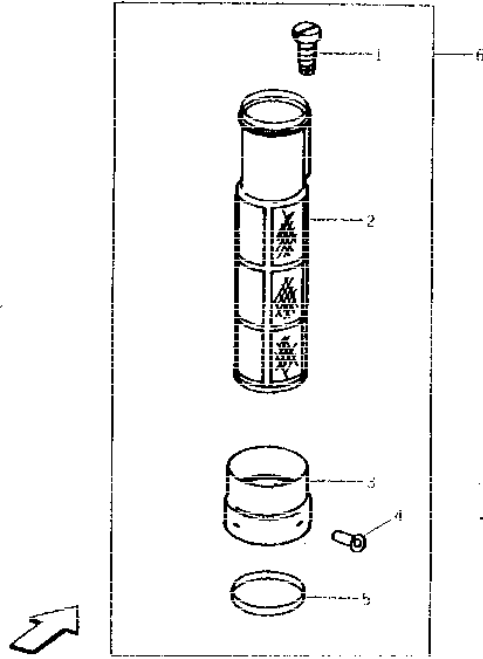
KEY	PART NO.	PART NAME	QTY	ENGINE SERIAL NO.	REMARKS
1	R81459	BASE	1		
2	R104592	PIPE PLUG	1		(SUB FOR R50427)
3	AR73824	CHECK VALVE	1		
4	P46051	O-RING	1		
5	R375R	O-RING	1		
6	R81460	FITTING	1		
	R81461	FITTING	NA		
7	RE24359	BASE	1		

1F6

FUEL AND AIR

R31488 -UN-01JAN94

FUEL FILLER EXTENSION KIT (TRACTOR SERIAL NO. 003038-)



R31488F

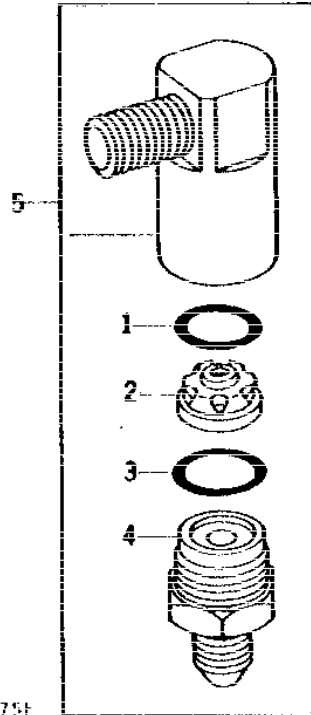
KEY	PART NO.	PART NAME	QTY	TRACTOR SERIAL NO.	REMARKS
1	37H80	SCREW	3		
2	AT36652	STRAINER	1		
3	AR87592	EXTENSION	1		0.190" X 1/2"
4	R54477	RIVET	4		
5	R67292	WASHER	1		
6	AR87591	FILLER NECK	1	-006003	

1F7

FUEL AND AIR

RG1175 -UN-01JAN94

FUEL CHECK VALVE
(ENGINE SERIAL NO. 335846-)



#611754

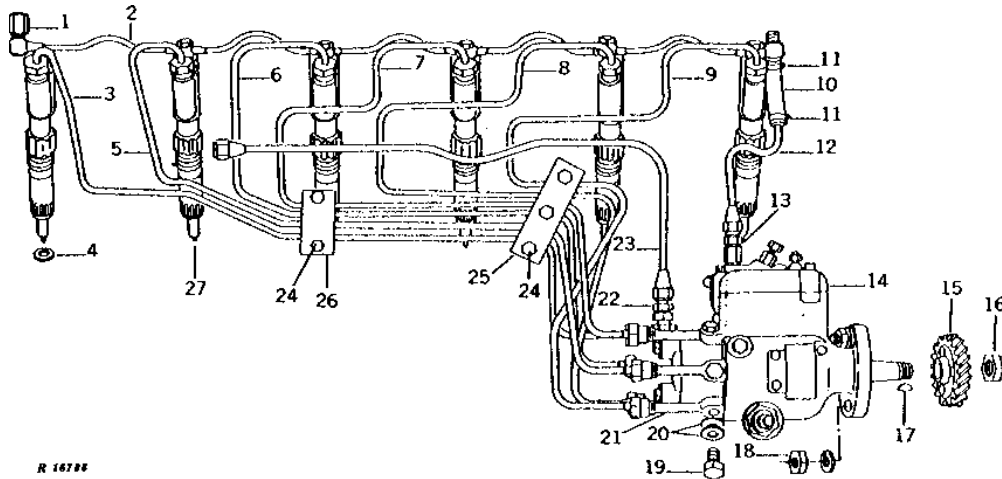
KEY	PART NO.	PART NAME	QTY	ENGINE SERIAL NO.	REMARKS
1	R27166	O-RING	1		
2	AR73824	CHECK VALVE	1		
3	R375R	O-RING	1		
4	R60863	FITTING	1		
5	AR73888	CHECK VALVE	1	(USE WITH AR54590)	

1F8

FUEL AND AIR

FUEL INJECTION PUMP, NOZZLES, AND FUEL LINES (ENGINE SERIAL NO. -335845)

R16788 -UN-01JAN94



KEY	PART NO.	PART NAME	QTY	ENGINE SERIAL NO.	REMARKS
1	R31147	FITTING	1		
2	AR50732	FUEL LINE	1		
3	AR51057	FUEL LINE	1	NO. 6	
4	R64840	WASHER	6	(SUB FOR R48633)	
5	AR51056	FUEL LINE	1	NO. 5	
6	AR51055	FUEL LINE	1	NO. 4	
7	AR51054	FUEL LINE	1	NO. 3	
8	AR51053	FUEL LINE	1	NO. 2	
9	AR51052	FUEL LINE	1	NO. 1	
10	R32639	HOSE	1	6MM X 914MM (1/4" X 36") 30R2	
11	AR48236	CLAMP	1	(SUB TY22462)	
12	AR49613	FUEL LINE	1		
13	R35352	FITTING	1		
14	FUEL INJECTION PUMP	1	(A) (ROOSA-MASTER NO. JDC625JT2399) (NO LONGER AVAILABLE)	
15	AR52671	GEAR	1	(MATCHED SET) (SUB FOR R47013)	
16	14H888	NUT	1	9/16"	
17	26H10	SHAFT KEY	1	5/32" X 5/8"	
18	E55662	FLANGE NUT	3		
	12H304	LOCK WASHER	3	3/8", (NOT REQUIRED W/E55662)	
	24M7096	WASHER	3	10.500 X 18 X 1.600 MM	
19	R48512	SCREW	6		
20	R48511	WASHER	12		
21	R48510	FITTING	6		
22	R32136	FITTING	1		
23	AR49786	FUEL LINE	1		
24	19H1914	CAP SCREW	2	1/4" X 1"	
25	R48358	STRAP	1		
	R48360	STRAP	1		
	R48359	CUSHION	1		
26	R26728	STRAP	2		
	R26789	STRAP	2		
	R26790	CUSHION	2		
27	INJECTION NOZZLE	1	-285855	(SUB AR53091) (SUB FOR AR51985)
	INJECTION NOZZLE	1	285856-	(ORDER AR53091)

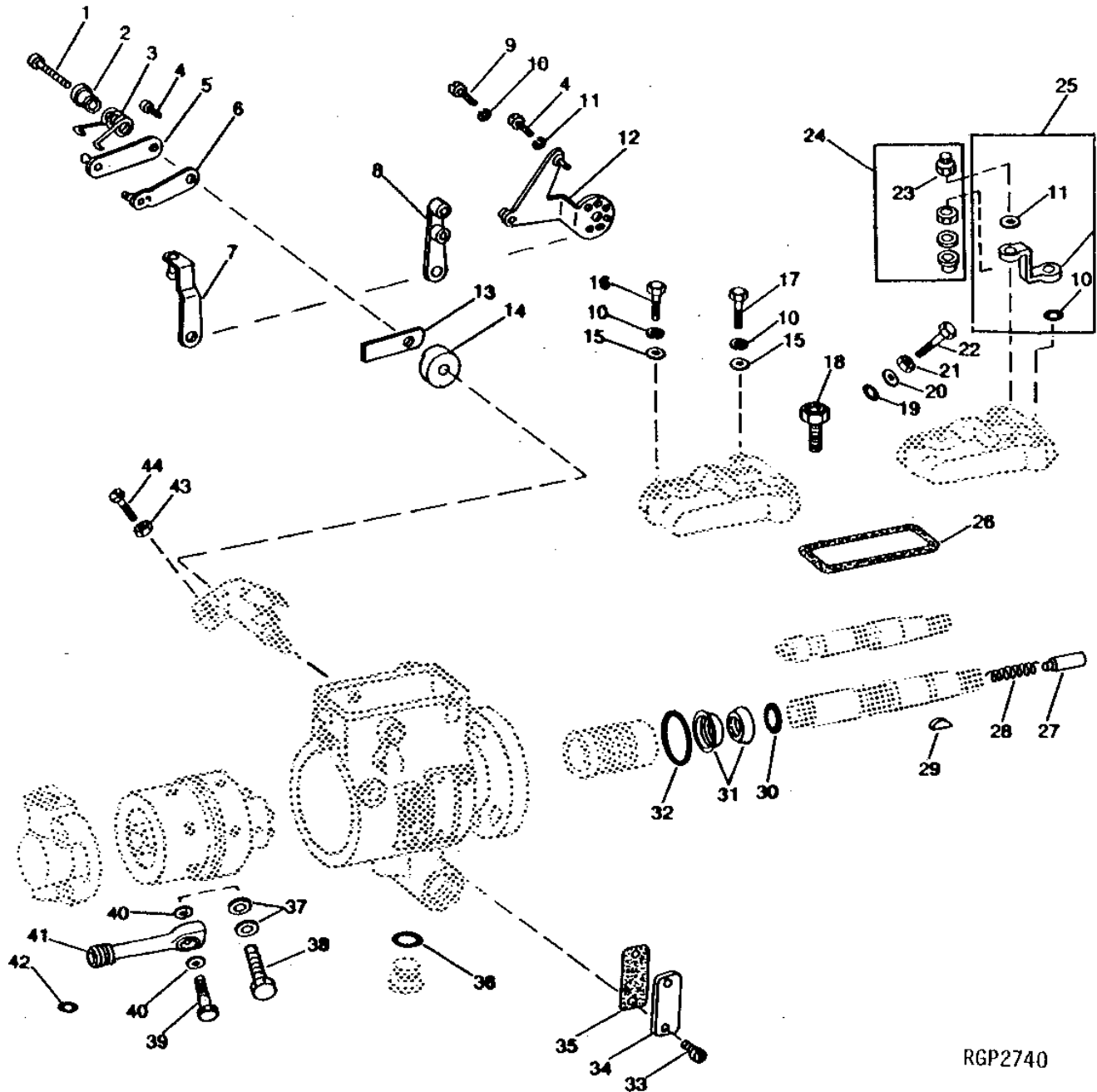
(A) SEE YOUR AUTHORIZED PUMP REPAIR STATION FOR PARTS NOT LISTED.

1F9

FUEL AND AIR

FUEL INJECTION PUMP FITTINGS AND LINKAGE (ENGINE SERIAL NO. -335845)

RGP2740 -UN-01JAN94



RGP2740

1F10

FUEL AND AIR

FUEL INJECTION PUMP FITTINGS AND LINKAGE - CONTINUED
(ENGINE SERIAL NO. -335845)

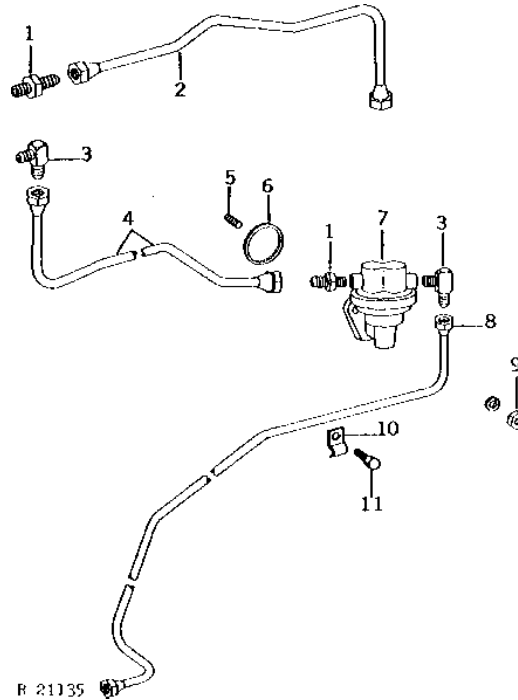
KEY	PART NO.	PART NAME	QTY	ENGINE SERIAL NO.	REMARKS
1	R70513	SCREW	1		
	SCREW	NA		
2	T17950	RETAINER	1		
3	T17949	SPRING	1		
4	T11917	SCREW	1		
5	LEVER	NA		
6	AR51718	LEVER	1		
7	LEVER	NA		
8	LEVER	NA		
9	SCREW	NA		
10	12M7060	WASHER	3	0.209"	
11	R47077	LOCK WASHER	1		
12	LEVER	NA		
13	T19860	STRAP	1		
14	T19861	SPACER	1		
15	T15715	WASHER	3		
16	T15721	SCREW	1		
17	R71851	SCREW	2		
18	R36535	CHECK VALVE	1		
19	R34812	O-RING	1		
20	T17947	WASHER	1		
21	T11921	NUT	1		
22	T17953	CAP SCREW	1		
23	M63431	LOCK NUT	2		
24	AR90601	KIT	1		
25	AR50874	KIT	1		
26	T11918	GASKET	1		
27	T19855	PIN	1		
	PUSH BUTTON	NA		
28	R36540	SPRING	1		
29	26H10	SHAFT KEY	1		
30	O-RING	NA		
	R33259	O-RING	1		(SUB FOR T11934)
31	T11290	SEAL	2		
32	T19854	O-RING	1		
33	T11884	SCREW	4		
34	T11882	COVER	2		
35	T11883	GASKET	2		
36	T15712	O-RING	1		
37	WASHER	NA		
38	SCREW	NA		
39	R48512	SCREW	6		
40	R48511	WASHER	12		
41	R48510	FITTING	6		
42	A3917R	O-RING	1		(SUB FOR T26256)
43	T11921	NUT	1		
44	T11941	SCREW	1		
..	KIT	1		(SUB RE37091 AND RE62240)

1F11

FUEL AND AIR

FUEL PUMP AND LINES (ENGINE SERIAL NO. -335845)

R21135 -UN-01JAN94



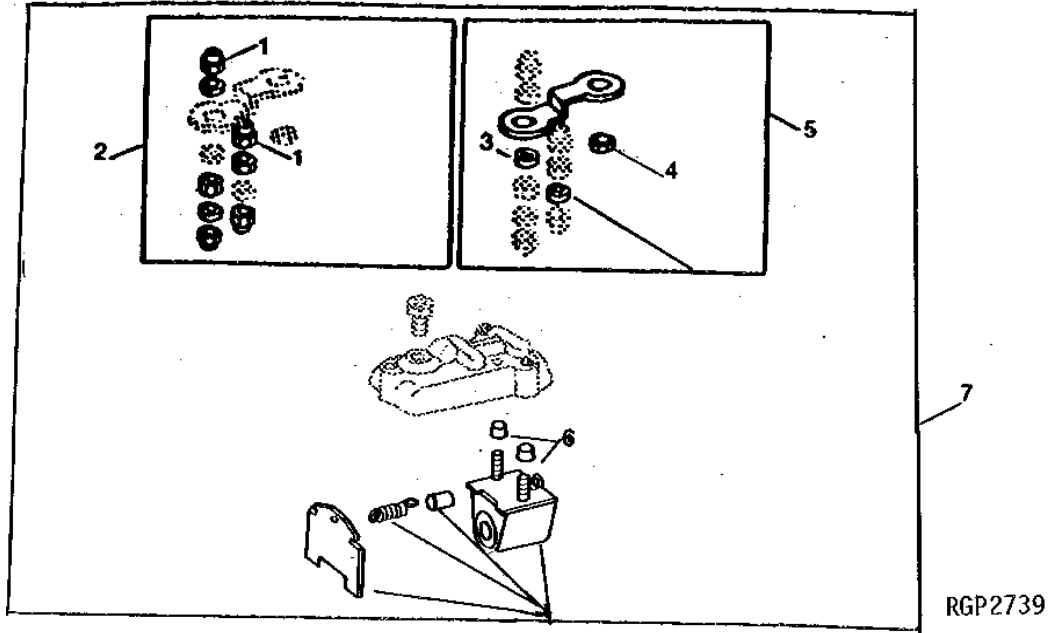
KEY	PART NO.	PART NAME	QTY	ENGINE SERIAL NO.	REMARKS
1	R27346	FITTING	2		
2	AR49786	FUEL LINE	1		
3	AR26674	ELBOW FITTING	2		
4	AR49785	FUEL LINE	1		
5	R48755	STUD	2		
6	R48399	WASHER	1		(USE WITH AR49771)
7	AR49771	FUEL PUMP	1		(SUB RE43272 AND R97350)
	RE43272	FUEL PUMP	1		(SUB FOR RE36903)
	AR52556	LEVER	1		
	A4365R	O-RING	1		(SUB FOR R49139)
	R97350	GASKET	1		(USE WITH RE36903 OR RE43272)
8	AR51086	FUEL LINE	1		
9	14H785	NUT	2	5/16"	
	12H303	LOCK WASHER	2	5/16"	
10	R27720	CLAMP	2		
11	19H1731	CAP SCREW	2	3/8" X 1"	

1F12

FUEL AND AIR

FUEL INJECTION PUMP ELECTRIC SHUT-OFF KIT (ENGINE SERIAL NO. -335845)

RGP2739 -UN-01JAN94



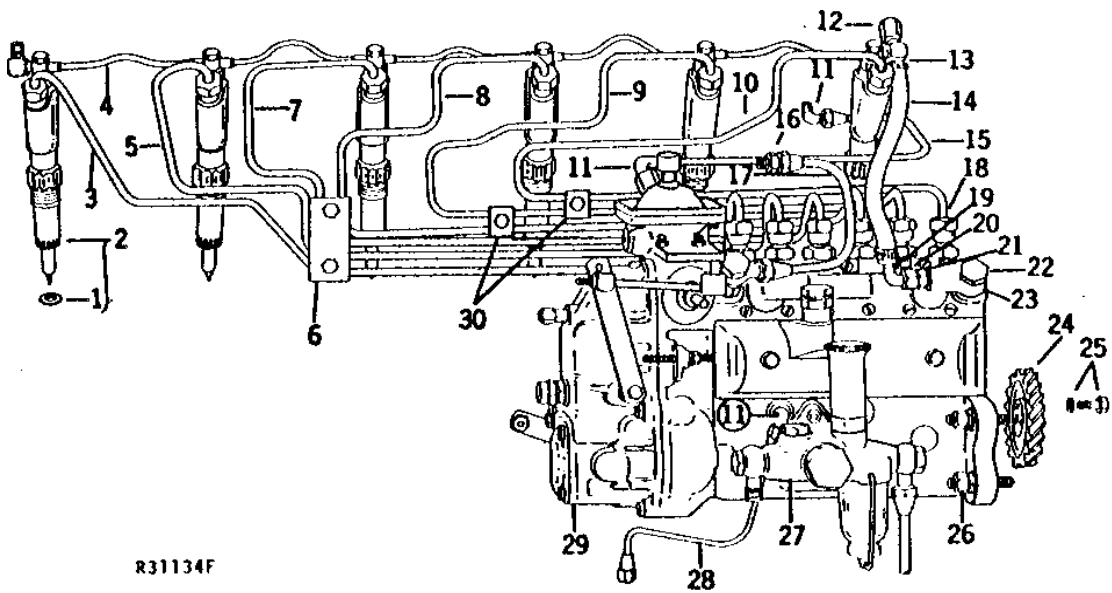
KEY	PART NO.	PART NAME	QTY	ENGINE SERIAL NO.	REMARKS
1	M63431	LOCK NUT	2		
2	AR90601	KIT	1		
3	R47077	LOCK WASHER	1		
4	AR50874	KIT	1	(SUB FOR AR49542 OR R66593)	
5	12M7060	WASHER	1	0.209"	
6	T11937	INSULATOR	2		
7	AR90340	KIT	1	(SUB FOR AR48219 OR AT11524) (SUB RE37091 AND RE62240)	

1F13

FUEL AND AIR

FUEL INJECTION PUMP, NOZZLES AND FUEL LINES
(ENGINE SERIAL NO. 335846-)

R31134 -UN-01JAN94



R31134F

1F14

FUEL AND AIR

FUEL INJECTION PUMP, NOZZLES AND FUEL LINES - CONTINUED
(ENGINE SERIAL NO. 335846-)

KEY	PART NO.	PART NAME	QTY	ENGINE SERIAL NO.	REMARKS
1	R64840	WASHER	6		(SUB FOR R48633)
2	INJECTION NOZZLE	6		(SUB AR62986)
3	AR61521	FUEL LINE	1		NO. 6
4	AR50732	FUEL LINE	1		
5	AR61520	FUEL LINE	1		NO. 5
6	R26728	STRAP	1		
	R26789	STRAP	1		
	R26790	CUSHION	1		
	R48358	STRAP	1		
	R48360	STRAP	1		
	R48359	CUSHION	1		
	19H1914	CAP SCREW	5		1/4" X 1"
7	AR61519	FUEL LINE	1		NO. 4
8	AR61518	FUEL LINE	1		NO. 3
9	AR61517	FUEL LINE	1		NO. 2
10	AR61516	FUEL LINE	1		NO. 1
11	R57641	ELBOW FITTING	3		(SUB FOR R49415)
12	R31147	FITTING	1		
13	AR48236	CLAMP	2		(SUB TY22462)
14	HOSE	1		229 MM (9") (MAKE FROM R32639)
15	AR61513	FUEL LINE	1		
	R55662	HALF CLAMP	1		
	R55663	STRAP	1		
	12H294	LOCK WASHER	1		5/8"
	24H1139	WASHER	1		11/16" X 1-1/4" X 0.105"
16	U42417	COUPLING	1		
17	AR62062	FUEL LINE	1		
18	R469R	FITTING	12		
	R468R	SLEEVE	12		
19	R54088	FUEL LINE	1	-396687	
	AR68332	FUEL LINE	1	396688-	
20	R51937	TUBE NUT	1	-396687	
	R51936	PACKING	1	-396687	
21	VALVE	1		(NO LONGER REQUIRED)
22	R53903	FITTING	1		
23	R53162	FITTING	1	-396687	
	R58608	FITTING	1	396688-	
24	R68274	GEAR	1		(SUB FOR AR55487, AR78345 OR AR88905, THIS APPLICATION)
25	AR59115	SELF-LOCKING SCREW	3		(SUB 19H3336 AND R63845)
26	R114130	STUD	4		(SUB FOR R55396)
	E55662	FLANGE NUT	4		
	12H304	LOCK WASHER	4		3/8"
	24H1305	WASHER	4		13/32" X 13/16" X 0.065"
27	FUEL PUMP	1		(SUB AR63831)
28	AR61514	LINE	1		
29	RE29894	KIT	1		(A) (PES6A100D410RS3020) (SUB FOR AR61996 OR AR70344)
30	AR53461	CLAMP	2	-XXXXXX	
	R49629	CLAMP	2	-XXXXXX	
	14H786	NUT	2	-XXXXXX	1/4"
	12H302	LOCK WASHER	2	-XXXXXX	1/4"
	R58186	CLAMP	4	XXXXXX-	
	R59305	STRAP	2	XXXXXX-	
	R61144	STRAP	2	XXXXXX-	
	AR76704	SCREW	2	XXXXXX-	

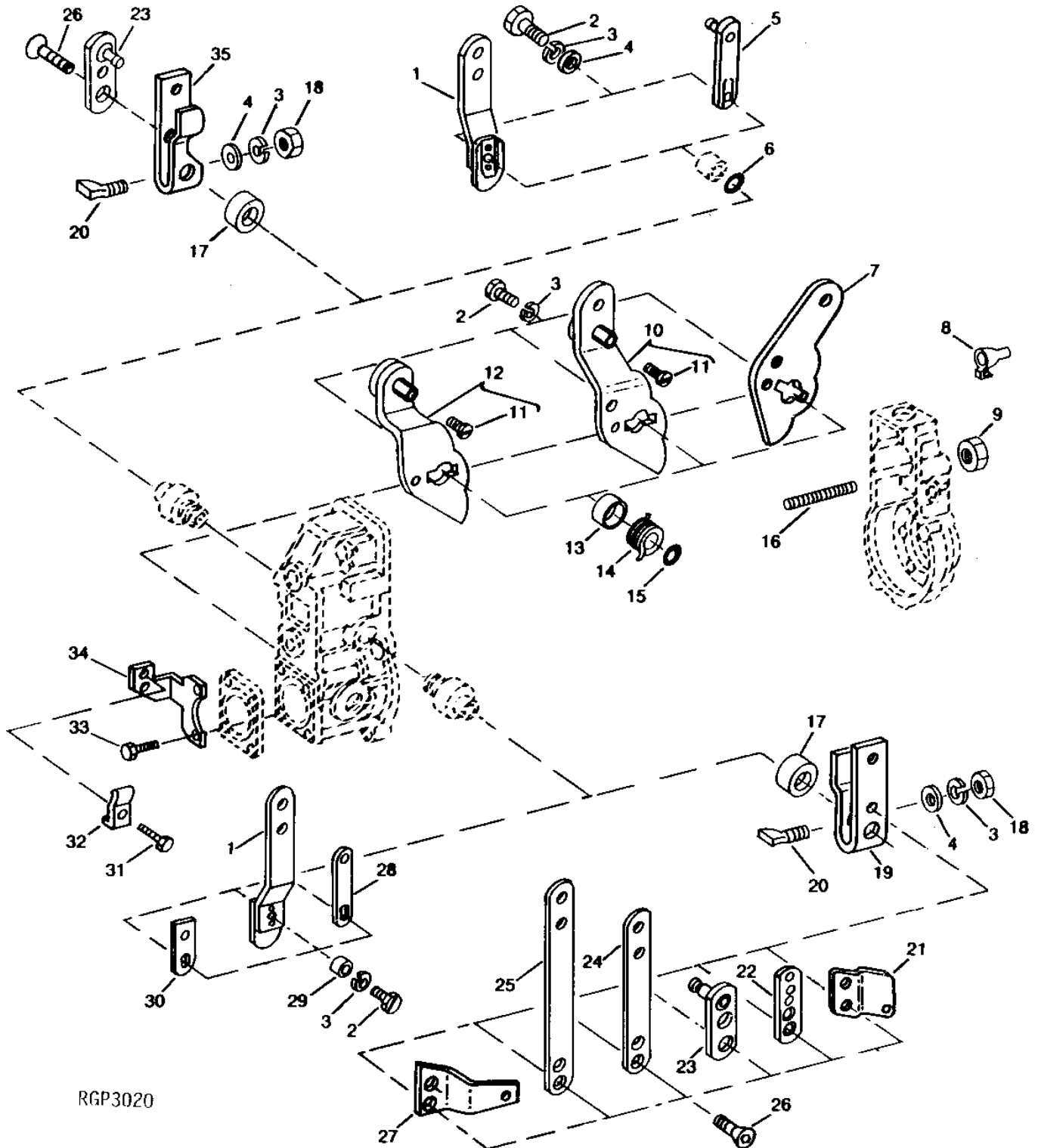
(A) SEE YOUR AUTHORIZED PUMP REPAIR STATION FOR PARTS NOT LISTED.

1F15

FUEL AND AIR

FUEL INJECTION PUMP HOUSING CONNECTORS (ENGINE SERIAL NO. 335846-)

RGP3020 -UN-19SEP94



RGP3020

THIS PARTS LISTING IS CONTINUED

1F16

FUEL AND AIR

FUEL INJECTION PUMP HOUSING CONNECTORS - CONTINUED
(ENGINE SERIAL NO. 335846-)

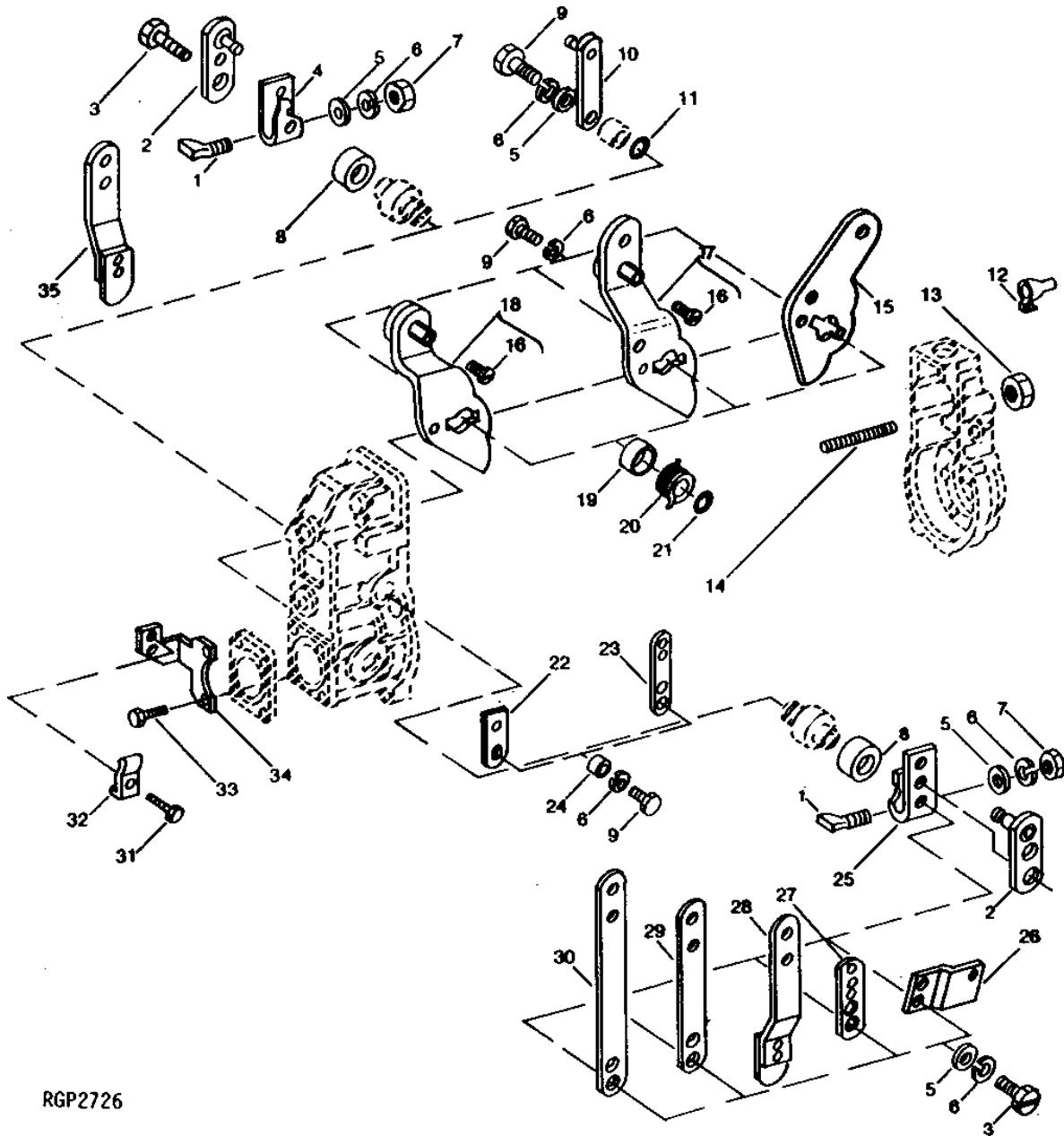
KEY	PART NO.	PART NAME	QTY	ENG. SER. NO. OR PUMP DATE	REMARKS
1	R53903	FITTING	1		
2	R53901	WASHER	4		
	WASHER	NA		
3	R53902	FITTING	1		
4	FITTING	NA		
5	R53899	WASHER	1		
6	VALVE	NA		
7	ADAPTER	NA		
8	VALVE	NA		
	R53903	FITTING	1		
9	FITTING	NA		
	R53162	FITTING	1	-396687	
	R58608	FITTING	1	396688-	
10	R54859	SCREW	3		
11	R54857	JAW	3		
12	R54858	JAW	3		
13	CONNECTOR	NA		
	R54855	HOLDER	6		
14	R54856	O-RING	6		
15	R54881	INSERT	6		
16	R54854	SPRING	6		
17	R54853	SHIM	6		
18	R54892	VALVE	6		
	VALVE	NA		
	VALVE	NA		
19	AR69158	CAP	1	383899-	
20	R54928	NUT	1	-383898	
21	R54873	O-RING	1		
22	WASHER	NA		
23	R68435	GASKET	1		(SUB FOR R54875)
24	T24224	WASHER	2	-822	
	R67877	O-RING	2	823-	
25	R54004	WASHER	1		
26	T31556	NUT	3		
27	T24229	LOCK WASHER	3		
28	R67879	GASKET	1		
29	FITTING	NA		
30	FITTING	NA		
31	ADAPTER	NA		
	R63012	ADAPTER	1		(SUB FOR R53900, THIS APPLICATION)
32	FITTING	NA		
33	FITTING	NA		
34	O-RING	NA		
35	FITTING	NA		

1F17

FUEL AND AIR

FUEL INJECTION PUMP LEVERS AND CONTROLS (ENGINE SERIAL NO. 335846-)

RGP2726 -UN-01JAN94



RGP2726

1F18

FUEL AND AIR

FUEL INJECTION PUMP LEVERS AND CONTROLS - CONTINUED
(ENGINE SERIAL NO. 335846-)

KEY	PART NO.	PART NAME	QTY	ENGINE SERIAL NO.	REMARKS
1	PIN	NA		
2	LEVER	NA		
3	SCREW	NA		
4	LEVER	NA		
5	24M7088	WASHER	2		6.600 X 12 X 1.600 MM
6	T24229	LOCK WASHER	2		
7	NUT	NA		
8	SEAL	NA		
9	R53976	SCREW	3		
	CAP SCREW	NA		
10	AR63564	LEVER	1		
11	R53937	O-RING	1		
12	R53918	PACKING	1		
13	T31556	NUT	1		
14	R60914	SET SCREW	1		(SUB FOR R53917)
15	LEVER	NA		
16	R60921	SCREW	1		
17	AR63565	LEVER	1		
18	LEVER	NA		
19	R68438	RETAINER	1		(SUB FOR R53956)
20	R54922	SPRING	1		
	SPRING	NA		
21	R53955	O-RING	1		
22	LEVER	NA		
23	R55065	LEVER	1		
	LEVER	NA		
24	SPACER	NA		
25	LEVER	NA		
26	LEVER	NA		
27	LEVER	NA		
28	LEVER	NA		
29	LEVER	NA		
30	LEVER	NA		
31	SCREW	NA		
32	CLIP	NA		
33	CAP SCREW	NA		
34	BRACKET	NA		
35	LEVER	NA		

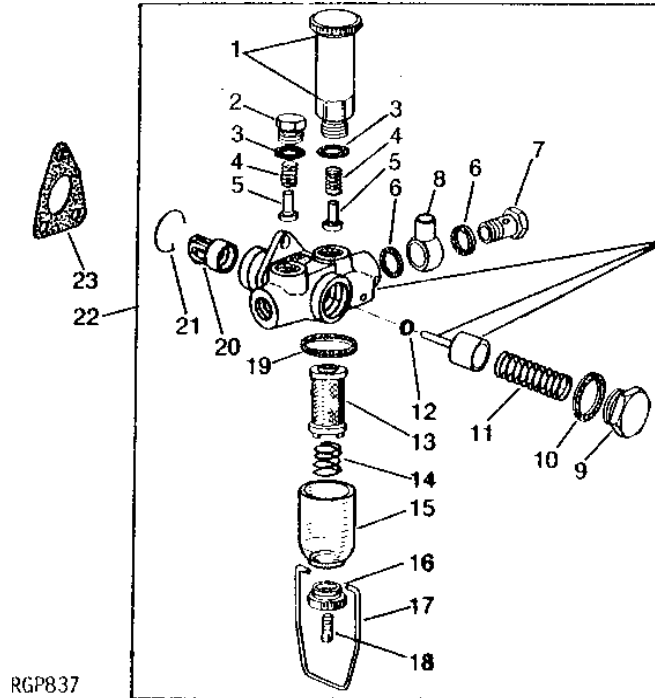
MEMORANDA

1F19

FUEL AND AIR

FUEL TRANSFER PUMP (ENGINE SERIAL NO. 335846-)

RGP837 -UN-01JAN94



RGP837

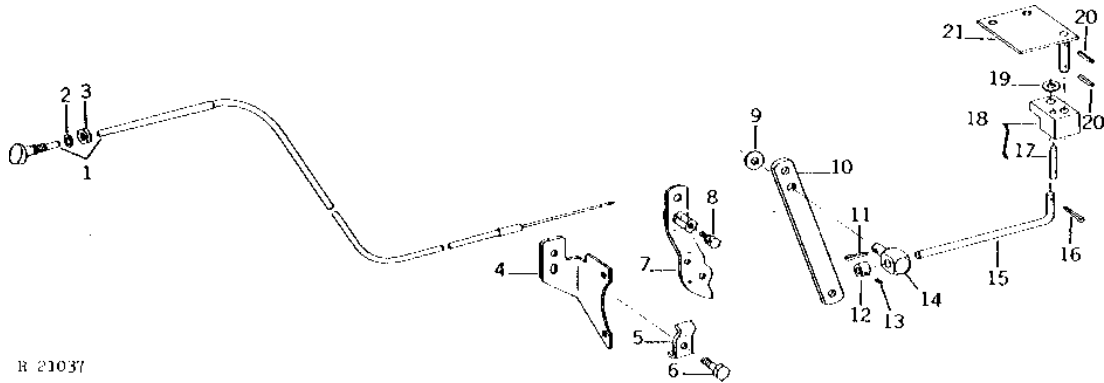
KEY	PART NO.	PART NAME	QTY	ENGINE SERIAL NO.	REMARKS
1	R70135	HAND PRIMER	1		(SUB FOR R54033) (SUB RE48048)
2	R54024	PLUG	1		
3	R54025	WASHER	2		
4	R54023	SPRING	2		
5	R54022	VALVE	2		
6	R53901	WASHER	4		
7	R53903	FITTING	2		
8	R53902	FITTING	2		
9	R54015	DRAIN PLUG	1		(SUB FOR R55069)
10	R54016	WASHER	1		(SUB R64861)
11	R54011	SPRING	1		
12	R54013	O-RING	1		
13	R54026	FILTER	1		
14	R54029	SPRING	1		
15	R54027	HOUSING	1		
16	R54031	NUT	1		
17	R54030	CLIP	1		
18	R54032	STUD	1		
19	R67074	GASKET	1		(SUB FOR R54028)
20	AR73857	TAPPET	1		
21	R54021	SNAP RING	1		
22	AR63831	FUEL PUMP	1		
23	R67879	GASKET	1		(SUB FOR R53161)

1F20

FUEL AND AIR

ANEROID CONTROLS AND FUEL SHUT-OFF (ENGINE SERIAL NO. 335846-383898)

R21037 -UN-01JAN94



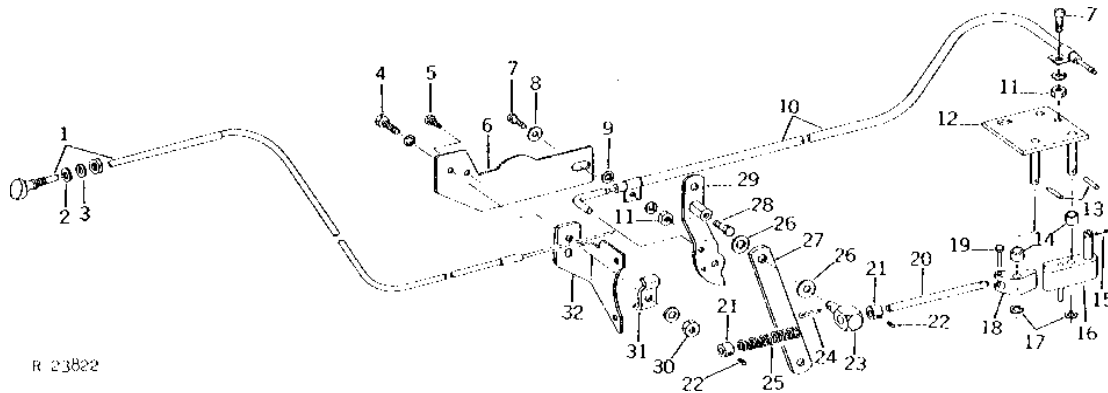
KEY	PART NO.	PART NAME	QTY	TRACTOR SERIAL NO.	REMARKS
1	AR61615	PUSH PULL CABLE	1		
2	12H310	LOCK WASHER	1	3/8"	
3	14H774	NUT	1	3/8"	
4	R55066	BRACKET	1		
5	R53300	CLIP	1		
6	37H133	SCREW	1	0.164" X 5/8"	
7	AR63565	LEVER	1		
8	R53941	CAP SCREW	1		
9	24H1286	WASHER	1	9/32" X 1/2" X 1/16"	
10	R55065	LEVER	1		
11	11M7079	COTTER PIN	1	0.098" X 0.472"	
12	R54294	SHIFT COLLAR	1		
13	R30725	SCREW	1		
14	R42912	SWIVEL	1		
15	R54392	CONTROL LEVER	1		
16	11M7086	COTTER PIN	1	0.098" X 1.969"	
17	34H266	SPRING PIN	1	5/32" X 1"	
18	AR62240	LEVER	1		
19	24H1283	WASHER	1	7/32" X 1/2" X 0.049"	
20	34H228	SPRING PIN	2	3/32" X 9/16"	
21	AR69539	BRACKET	1	(ALSO ORDER R57885) (SUB FOR AR62239)	
	R57885	SPRING	1		

1F21

FUEL AND AIR

ANEROID CONTROL AND FUEL SHUT-OFF (ENGINE SERIAL NO. 383899-)

R23822 -UN-01JAN94



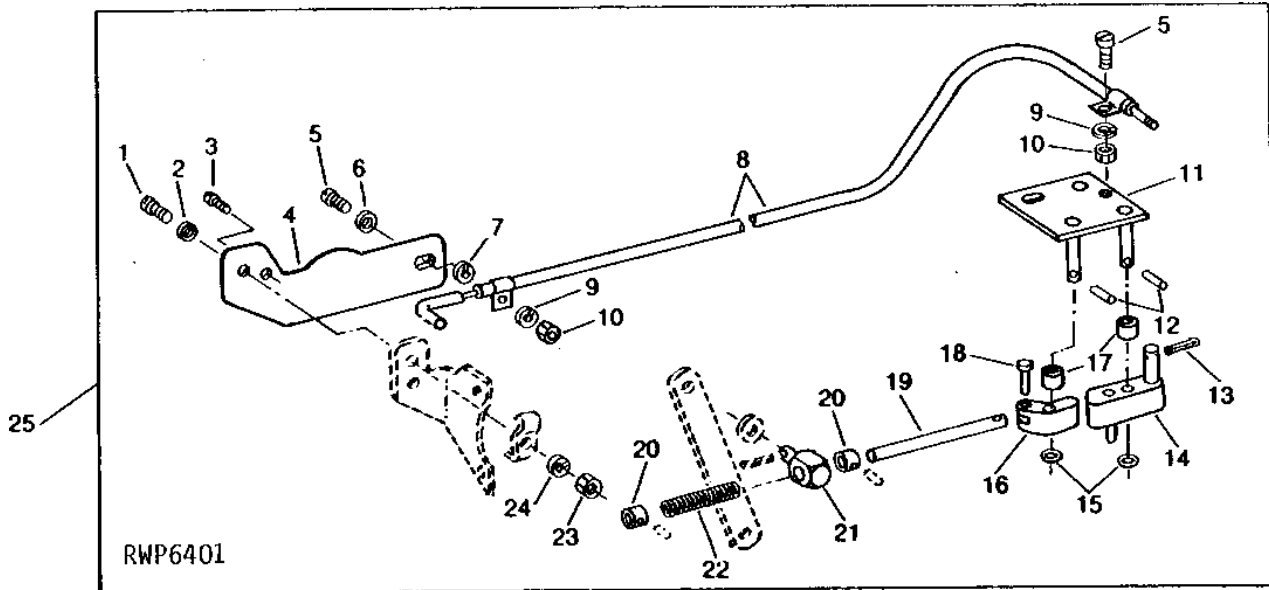
KEY	PART NO.	PART NAME	QTY	TRACTOR SERIAL NO.	REMARKS
1	AR65796	PUSH PULL CABLE	1	(SUB AR77678, R62899, R62900, R55202, 14H649, 12H304, 24M7096)	
2	24M7096	WASHER	1	10.500 X 18 X 1.600 MM	
	24H1299	WASHER	2	3/8" X 1-1/4" X 0.065"	
3	14H774	NUT	1	3/8"	
	12H304	LOCK WASHER	1	3/8"	
4	21H1319	SCREW	1	0.164" X 7/8"	
	12M7084	LOCK WASHER	1	0.169"	
5	37H44	SCREW	1	0.151" X 3/8"	
6	R57841	GUIDE	1	(NLA)	
7	21H1295	SCREW	2	0.190" X 5/8"	
8	24H1283	WASHER	1	7/32" X 1/2" X 0.049"	
9	12M7060	WASHER	1	0.209"	
10	AR69541	CABLE	1		
11	14H631	NUT	2	0.190"	
	12H246	LOCK WASHER	2	0.190"	
12	AR69539	BRACKET	1		
13	34H228	SPRING PIN	2	3/32" X 9/16"	
14	28H3082	WASHER	2	0.269" X 0.405" X 9/32"	
15	11M7077	COTTER PIN	1	0.063" X 0.984"	
16	AR73544	BELLCRANK	1		
17	B1664R	SHIM	2		
18	R60649	LATCH	1		
19	R61758	PIN	1		
20	R61458	SHEAR PIN	1		
21	R54294	SHIFT COLLAR	2		
22	R30725	SCREW	2		
23	R42912	SWIVEL	1		
24	11M7079	COTTER PIN	1	0.098" X 0.472"	
25	R26372	SPRING	1		
26	24H1286	WASHER	2	9/32" X 1/2" X 1/16"	
27	R55065	LEVER	1		
28	R60921	SCREW	1		
29	AR63565	LEVER	1		
30	14H605	NUT	1	0.164"	
	12H315	LOCK WASHER	1	0.164"	
31	R53300	CLIP	1		
32	R55066	BRACKET	1		

1F22

FUEL AND AIR

STARTING FUEL CONTROL KIT (ENGINE SERIAL NO. 383899-)

RWP6401 -UN-01JAN94



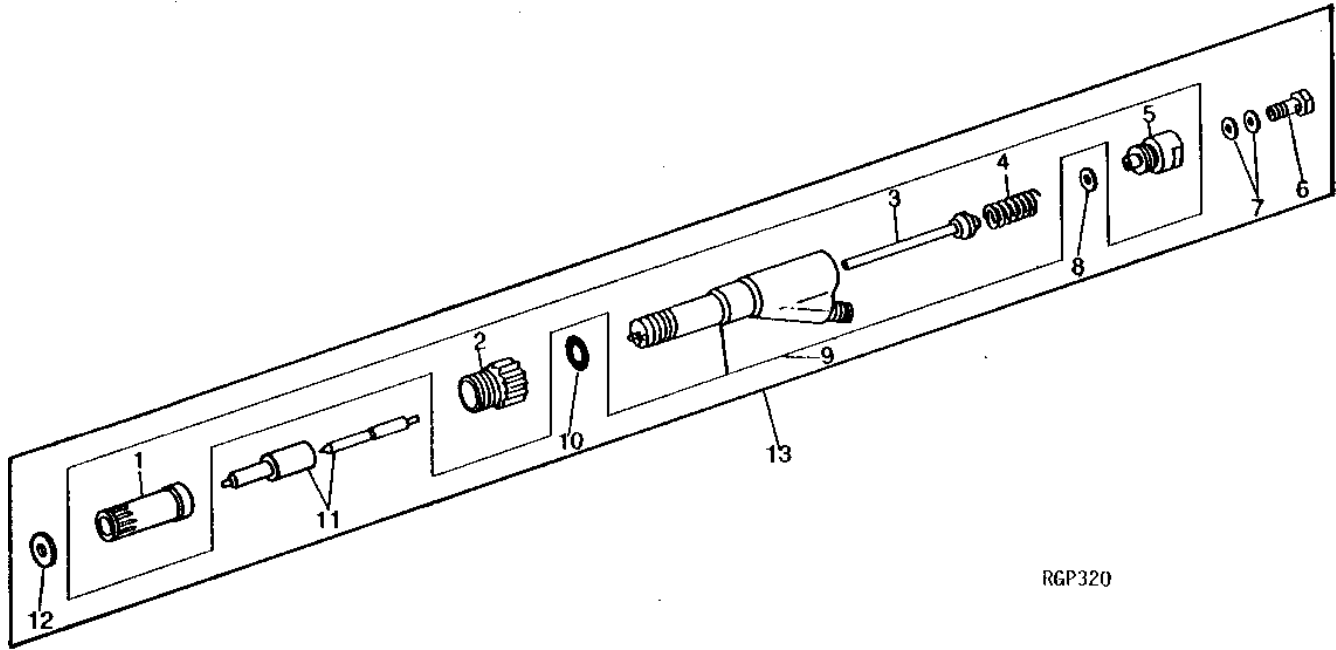
KEY	PART NO.	PART NAME	QTY	ENGINE SERIAL NO.	REMARKS
1	21H1319	SCREW	1		0.164" X 7/8"
2	12M7084	LOCK WASHER	1		0.169"
3	37H44	SCREW	1		0.151" X 3/8"
4	R57841	GUIDE	1		(NLA)
5	21H1295	SCREW	2		0.190" X 5/8"
6	24H1283	WASHER	1		7/32" X 1/2" X 0.049"
7	12M7060	WASHER	1		0.209"
8	AR69541	CABLE	1		
9	12H246	LOCK WASHER	2		0.190"
10	14H631	NUT	2		0.190"
11	AR69539	BRACKET	1		
12	34H228	SPRING PIN	2		3/32" X 9/16"
13	11M7077	COTTER PIN	1		0.063" X 0.984"
14	AR73544	BELLCRANK	1		
15	B1664R	SHIM	2		
16	R60649	LATCH	1		
17	28H3082	WASHER	2		0.269" X 0.405" X 9/32"
18	R61758	PIN	1		
19	R61458	SHEAR PIN	1		
20	R54294	SHIFT COLLAR	2		
21	R42912	SWIVEL	1		
22	R26372	SPRING	1		
23	14H605	NUT	1		0.164"
24	12H315	LOCK WASHER	1		0.164"
25	AR74611	KIT	1	-427054	(NLA)

1F23

FUEL AND AIR

FUEL INJECTION NOZZLE

RGP320 -UN-01JAN94



RGP320

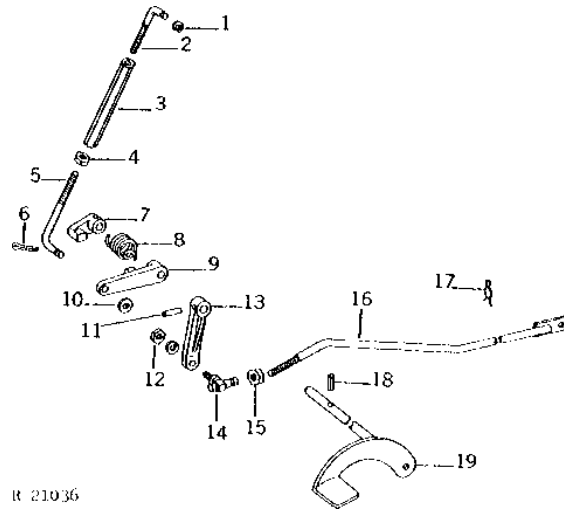
KEY	PART NO.	PART NAME	QTY	ENGINE SERIAL NO.	REMARKS
1	R48696	NUT	1		
2	R48695	NUT	1		
3	R48689	SPINDLE	1		
4	R48691	SPRING	1		
5	R48692	PLUG	1		
6	R48694	SCREW	1		
7	R48693	WASHER	2		
8	R48698	WASHER	1	1.09 MM (.043")	
	R48699	WASHER	1	1.14 MM (.045")	
	R48700	WASHER	1	1.19 MM (.047")	
	R48701	WASHER	1	1.24 MM (.049")	
	R48702	WASHER	1	1.30 MM (.051")	
	R48703	WASHER	1	1.35 MM (.053")	
	R48704	WASHER	1	1.40 MM (.055")	
	R48705	WASHER	1	1.45 MM (.057")	
	R48706	WASHER	1	1.50 MM (.059")	
	R49549	WASHER	1	1.55 MM (.061")	
	R49551	WASHER	1	1.60 MM (.063")	
	R49552	WASHER	1	1.65 MM (.065")	
	R49553	WASHER	1	1.70 MM (.067")	
	R49554	WASHER	1	1.75 MM (.069")	
	R49555	WASHER	1	1.80 MM (.071")	
	R49556	WASHER	1	1.85 MM (.073")	
	R49557	WASHER	1	1.91 MM (.075")	
	R49558	WASHER	1	1.96 MM (.077")	
9	AR52375	HOUSING	1		
10	R51603	O-RING	1		
11	R48697	NOZZLE	1	-335845	KDL 4 X 0.33
	R55083	NOZZLE	1	335846-	KDL 3 X 0.40
12	R64840	WASHER	1		(SUB FOR R48633)
13	AR51985	NOZZLE HOLDER	6	-285855	(SUB AR53091)
	AR53091	INJECTION NOZZLE	6	285856-335845	(USE WITH R48697)
	AR62986	INJECTION NOZZLE	6	335846-	(USE WITH R55083)

1F24

FUEL AND AIR

FOOT SPEED CONTROL PEDAL AND LINKAGE (TRACTOR SERIAL NO. -002699)

R21036 -UN-01JAN94



R 21036

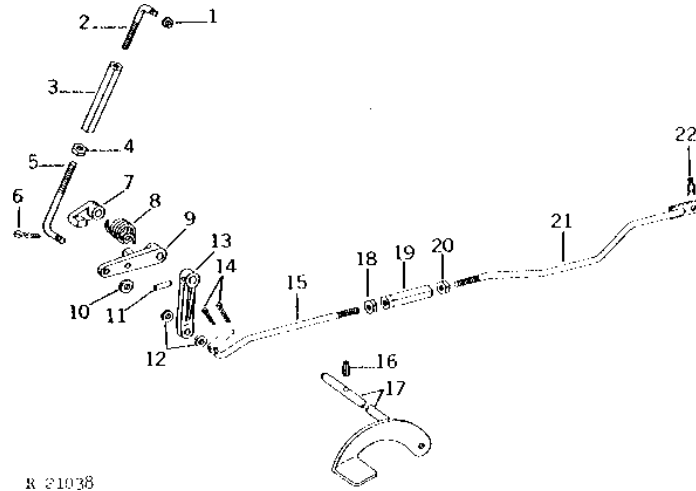
KEY	PART NO.	PART NAME	QTY	TRACTOR SERIAL NO.	REMARKS
1	R72653	SNAP RING	1		(SUB FOR M2396T)
2	R40985	BOLT	1		
3	R40986	TURNBUCKLE	1		
4	14H611	NUT	1	5/16"	
5	R43525	ROD	1		
6	11M7079	COTTER PIN	1	0.098" X 0.472"	
7	R40991	ARM	1		
8	R38143	SPRING	1	(SUB R117129)	
9	R40988	ARM	1		
10	24H1136	WASHER	1	11/32" X 11/16" X 0.065"	
11	34H282	SPRING PIN	1	3/16" X 1"	
12	14H649	NUT	1	1/4"	
	12H302	LOCK WASHER	1	1/4"	
13	R40989	LEVER	1		
14	AR52085	BALL JOINT	1		
15	14H649	NUT	1	1/4"	
16	AR52211	SHIFTER ROD	1	(SUB FOR AR50458)	
17	R47646	SPRING LOCKING PIN	1		
18	34H282	SPRING PIN	1	3/16" X 1"	
19	AR43161	PEDAL	1		

1F25

FUEL AND AIR

FOOT SPEED CONTROL PEDAL AND LINKAGE (TRACTOR SERIAL NO. 002700-)

R21038 -UN-01JAN94



KEY	PART NO.	PART NAME	QTY	TRACTOR SERIAL NO.	REMARKS
1	R72653	SNAP RING	1		(SUB FOR M2396T)
2	R40985	BOLT	1		
3	R40986	TURNBUCKLE	1		
4	14H611	NUT	1	5/16"	
5	R43525	ROD	1		
6	11M7079	COTTER PIN	1	0.098" X 0.472"	
7	R40991	ARM	1		
8	R38143	SPRING	1		(SUB R117129)
9	R40988	ARM	1		
10	24H1136	WASHER	1	11/32" X 11/16" X 0.065"	
11	34H282	SPRING PIN	1	3/16" X 1"	
12	24H1287	WASHER	2	9/32" X 5/8" X 0.065"	
13	R40989	LEVER	1		
14	11M7081	COTTER PIN	2	0.098" X 0.787"	
15	R54286	STUD	1		
16	34H282	SPRING PIN	1	3/16" X 1"	
17	AR43161	PEDAL	1		
18	14H1025	NUT	1	1/4"	
19	R52422	TURNBUCKLE	1		
20	14H649	NUT	1	1/4"	
21	AR62040	ROD	1		
22	R47646	SPRING LOCKING PIN	1		

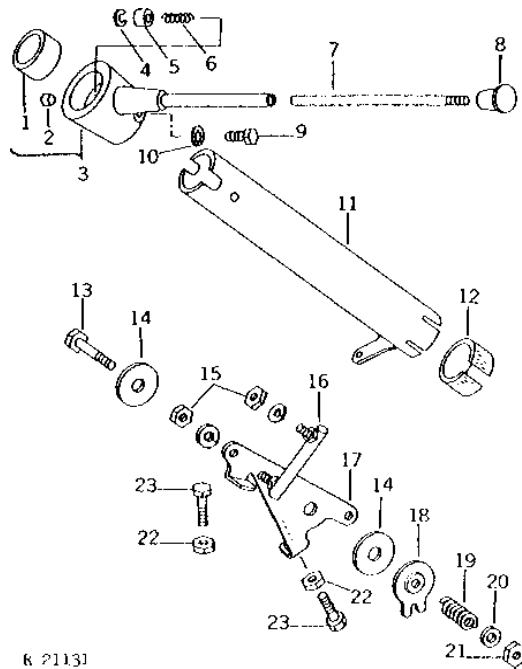
MEMORANDA

1G1

FUEL AND AIR

R21131 -UN-01JAN94

HAND SPEED CONTROL LEVER AND LINKAGE



K 21131

KEY	PART NO.	PART NAME	QTY	TRACTOR SERIAL NO.	REMARKS
1	R27075	BUSHING	1		
2	R51114	DOWEL PIN	1		
3	AR30472	HUB	1		(MARKED R27072)
4	R30828	SNAP RING	1		
5	R38377	WASHER	1		
6	R28009	SPRING	1		
7	R38376	LEVER	1		
8	R26670	KNOB	1	-002699	
	R52578	KNOB	1	002700-	
9	R28007	BOLT	1		
10	12H310	LOCK WASHER	1		3/8"
11	AR51963	TUBE	1		
12	R26958	ISOLATOR	1		(INCLUDED IN AR51963)
13	19H1726	CAP SCREW	1		3/8" X 2-1/4"
14	R39985	WASHER	2		(SUB FOR R40983) (SUB FOR R50226, THIS APPLICATION) (SUB R105814, THIS APPLICATION)
15	14H649	NUT	2		1/4"
	12H302	LOCK WASHER	2		1/4"
16	R40982	BALL JOINT	1		
17	AR40703	LEVER	1		
18	R40984	PLATE	1		
19	R31271	SPRING	1		
20	24H1305	WASHER	1		13/32" X 13/16" X 0.065"
21	K40003	LOCK NUT	1		(SUB FOR R41564)
22	14H611	NUT	2		5/16"
23	19H2831	CAP SCREW	2		5/16" X 1-1/2"

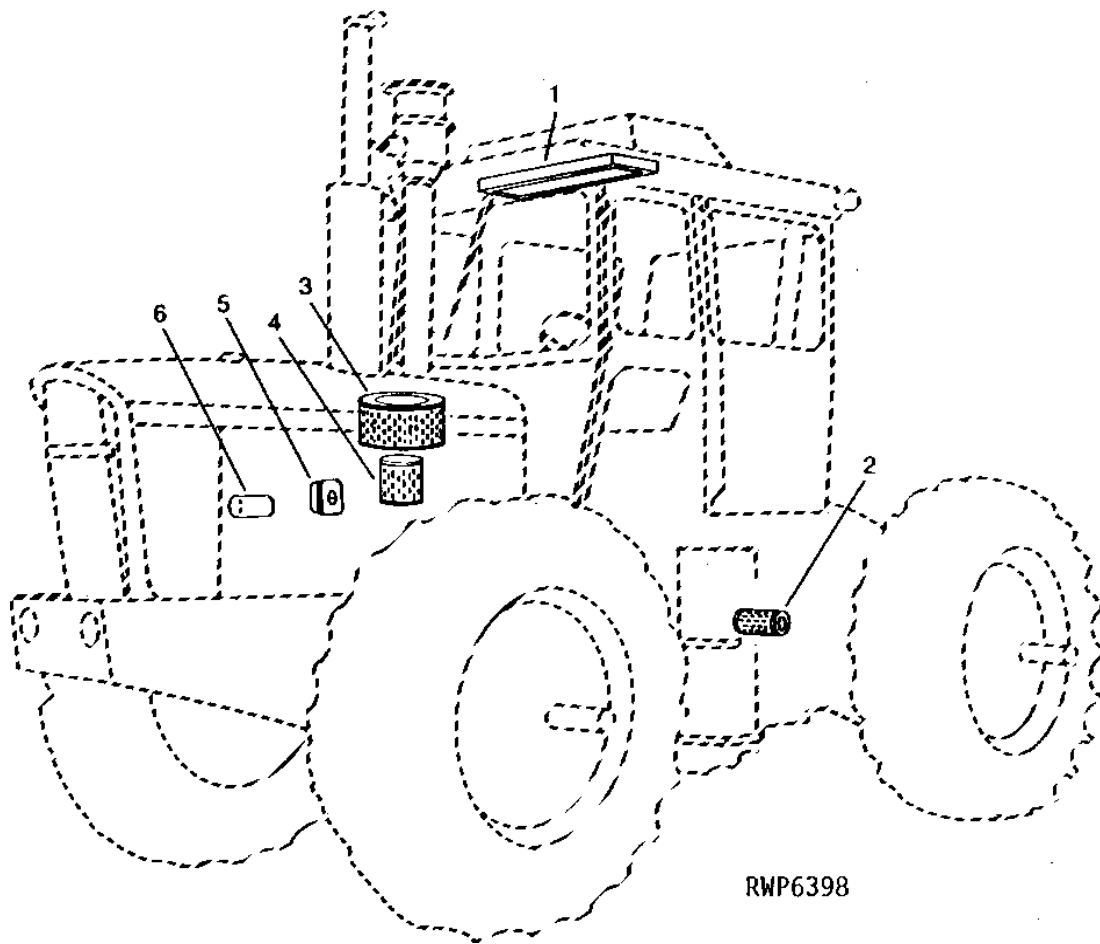
1G2

FUEL AND AIR

RWP6398

-UN-01JAN94

FILTERS



RWP6398

1G3

FUEL AND AIR

FILTERS - CONTINUED

KEY	PART NO.	PART NAME	QTY	TRACTOR SERIAL NO.	REMARKS
1	AR61903	AIR FILTER	1		
2	AR75603	FILTER ELEMENT	1		TRANSMISSION
3	AR54404	FILTER ELEMENT	1		
4	AR61988	FILTER ELEMENT	1		
5	AR50041	FUEL FILTER	2		FUEL
6	AR43634	OIL FILTER	1		ENGINE

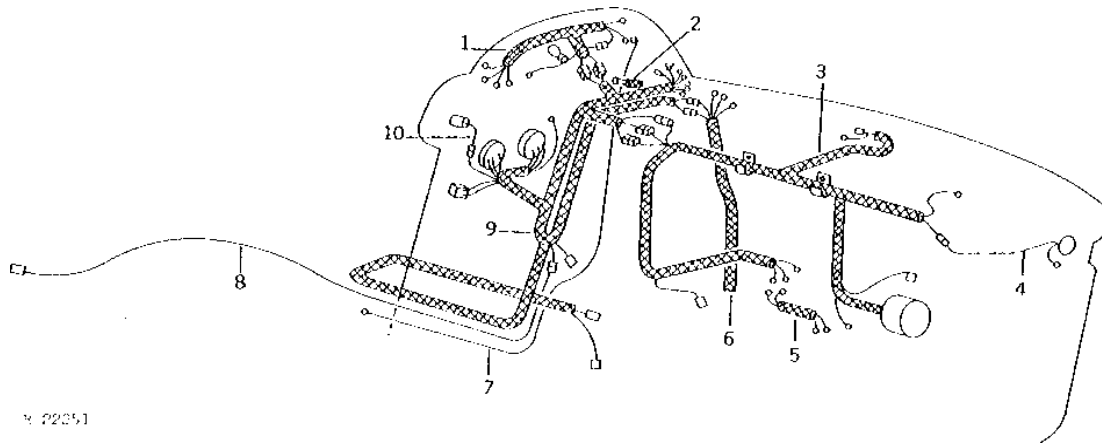
MEMORANDA

1G8

ELECTRICAL

R22251 -UN-01JAN94

WIRING HARNESS



R 22251

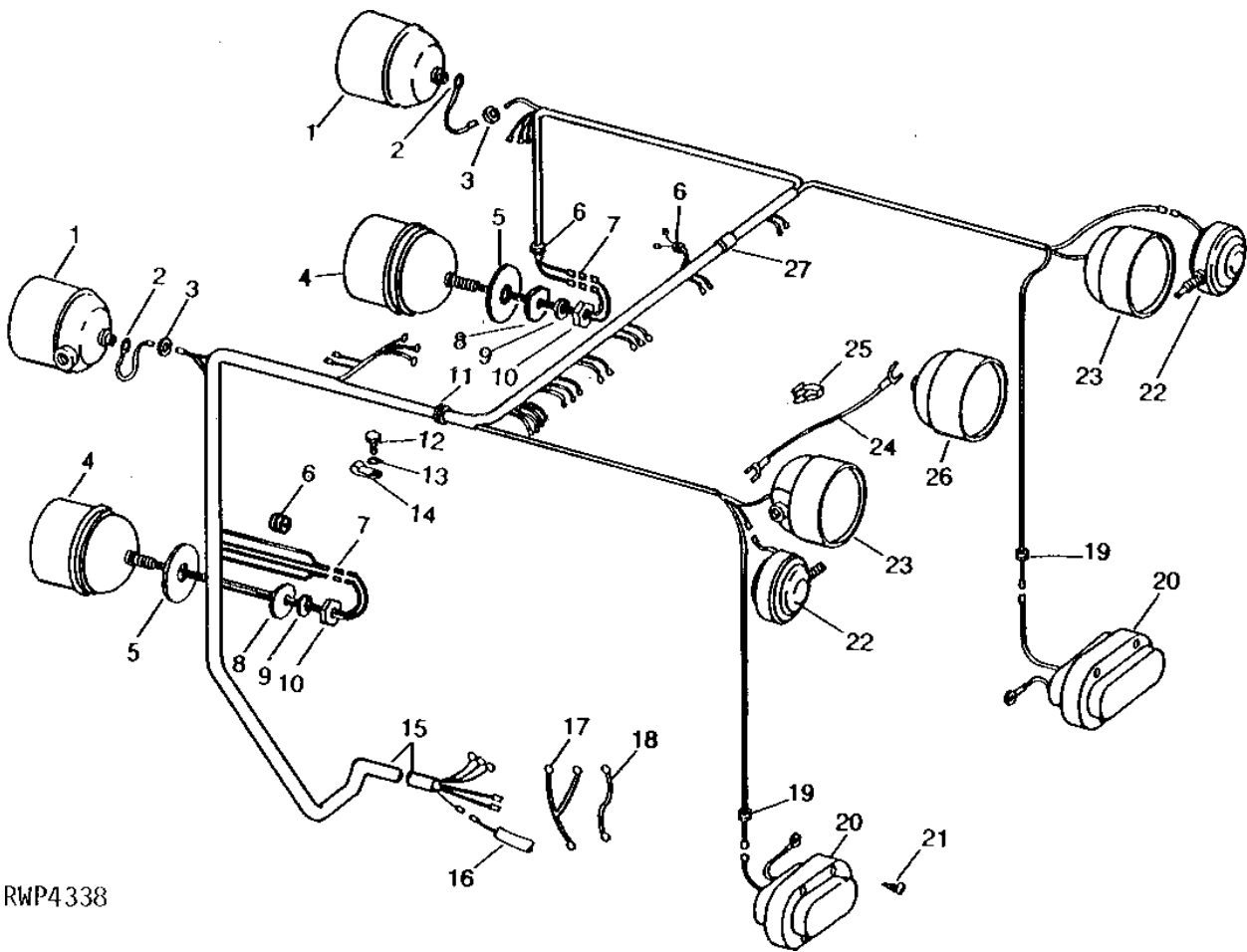
KEY	PART NO.	PART NAME	QTY	TRACTOR SERIAL NO.	REMARKS
1	AR43986	WIRING HARNESS	1		INSTRUMENT PANEL
2	AR46730	WIRING HARNESS	1		HORN SWITCH
3	AR50914	WIRING HARNESS	1	-003158	(AIR CONDITIONING) (SUB FOR AR43985)
	AR68029	WIRING HARNESS	1	003159-	(AIR CONDITIONING) (NLA)
	R45211	CLAMP	4		
4	AR73580	WIRING HARNESS	1		HORN
5	AR43609	WIRING HARNESS	1		(STARTING CIRCUIT RELAY TO STARTER SOLENOID)
6	AR67346	WIRING HARNESS	1		(SUB FOR AR52303 OR AR53157) (NLA)
7	AR50970	WIRING LEAD	1		(FUEL SENDER TO GAUGE) (NLA)
8	AR50724	WIRING HARNESS	1		(NEUTRAL START SWITCH TO MAIN HARNESS) (NLA)
9	AR48936	WIRING HARNESS	1	-003158	
	AR68028	WIRING HARNESS	1	003159-	(SUB RE42411)
10	WIRING LEAD	1		229MM (9") (ALSO ORDER R32025) (MAKE FROM R66319, R32018 AND R32027)
..	R44302	TIE BAND	AR		
..	R48825	LABEL	1		WIRING
..	AR55283	WIRING HARNESS	1		(DELCO-REMY)
..	AR47547	WIRING LEAD	1		
..	AR47548	FUSE	1		

1G9

ELECTRICAL

CAB LAMP WIRING
(HINSON)
(TRACTOR SERIAL NO. -002699)

RWP4338 -UN-01JAN94



RWP4338

1G10

ELECTRICAL

**CAB LAMP WIRING - CONTINUED
(HINSON)
(TRACTOR SERIAL NO. -002699)**

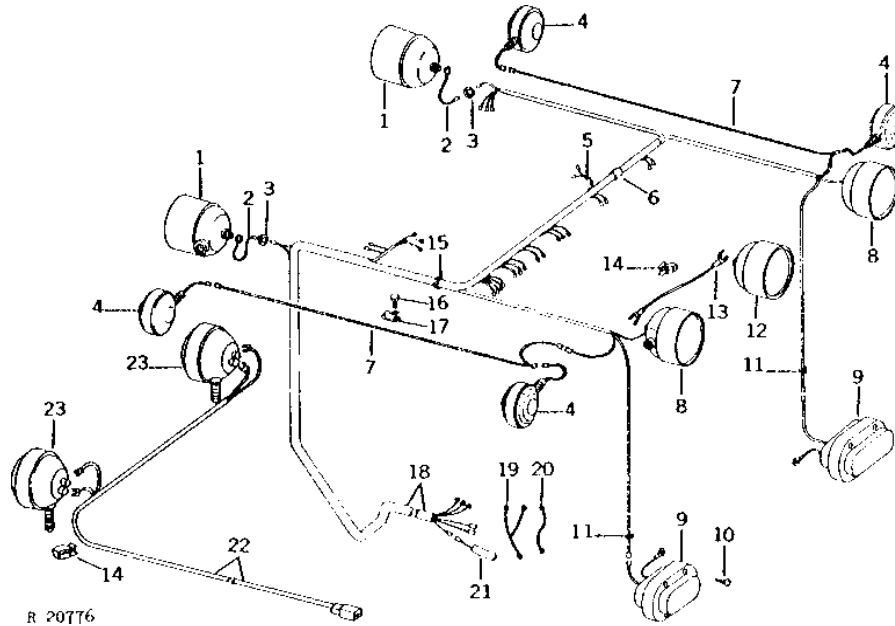
KEY	PART NO.	PART NAME	QTY	TRACTOR SERIAL NO.	REMARKS
1	AR42119	LAMP	2		(SUB RE19075, THIS APPLICATION)
	AR104119	HEADLIGHT	2		(HALOGEN) (USE WITH RE19075) (H7606)
2	WIRING LEAD	2		191MM (7-1/2") (ALSO ORDER R32025) (MAKE FROM R66319, R32018 AND R32027)
3	R2579R	GROMMET	2		
4	AR51335	LAMP	2	-001816	(SUB RE25126 - RH OR RE25127 - LH, (NLA))
	AR54891	LAMP	2	001817-	
5	R48663	WASHER	2	-001816	
6	R27180	GROMMET	3		
7	T28585	TERMINAL	4		
	T28583	RECEPTACLE	4		
8	F2935R	WASHER	2	-001816	
9	12H301	LOCK WASHER	2	-001816	1/2"
10	14H809	NUT	2	-001816	1/2", (NLA)
11	R27533	GROMMET	2		
12	19H1227	CAP SCREW	1		1/4" X 1/2"
13	12H302	LOCK WASHER	1		1/4"
14	R40791	CLAMP	1		
15	AR67346	WIRING HARNESS	1		(SUB FOR AR52303 OR AR53157)
	R48887	RECEPTACLE	1		
	R48888	FITTING	1		
16	WIRING LEAD	1		(NOT REQUIRED)
17	AR49602	WIRING HARNESS	2		
18	WIRING LEAD	1		330MM (13") STARTING CIRCUIT RELAY TO STARTING MOTOR GROUND, (MAKE FROM R66319 AND (2) R32022)
19	M1895T	GROMMET	4		
20	AR78825	TAIL LAMP	2		NUT AND WASHER, (SUB FOR AR45099)
21	37H2	SCREW	8		0.164" X 5/8"
22	AR38456	LAMP	2	-001816	
	AR54975	LAMP	4	001817-	
23	AR42119	LAMP	2		(SUB RE19075, THIS APPLICATION)
	AR104119	HEADLIGHT	2		(HALOGEN) (USE WITH RE19075)
24	WIRING LEAD	1		686MM (27") (MAKE FROM R66319 AND (2) R32016)
25	R21551	CLIP	2		
26	AR42119	LAMP	1		(SUB RE19075, THIS APPLICATION)
	AR104119	HEADLIGHT	1		(HALOGEN) (USE WITH RE19075) (H7606)
27	R48883	CLAMP	2		
..	AR54976	WIRING HARNESS	2	001817-	

1G11

ELECTRICAL

CAB LAMP WIRING (HINSON) (TRACTOR SERIAL NO. 002700-)

R20776 -UN-01JAN94



R 20776

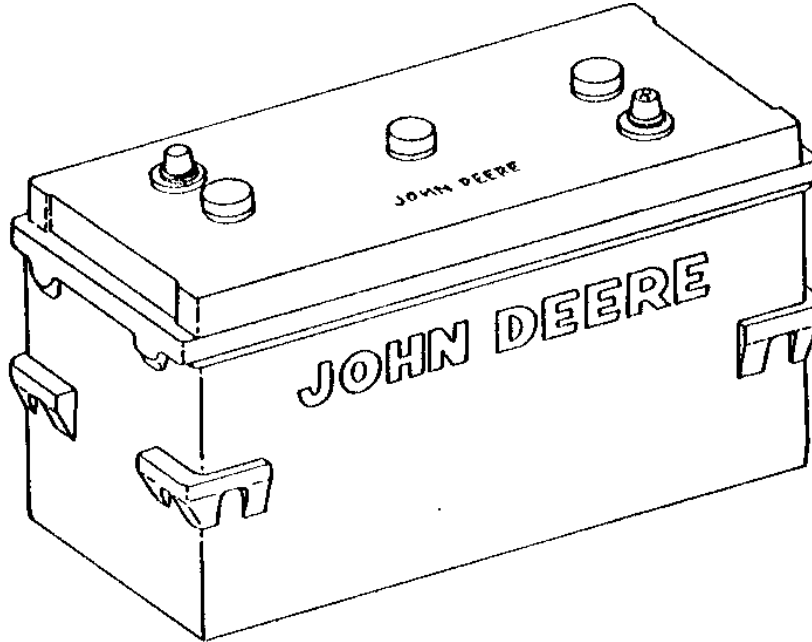
KEY	PART NO.	PART NAME	QTY	TRACTOR SERIAL NO.	REMARKS
1	AR42119	LAMP	2		(SUB RE19075, THIS APPLICATION)
2	WIRING LEAD	2		190MM (7-1/2") (MAKE FROM R66319, T28583, R32018 AND R32027)
3	R2579R	GROMMET	2		
4	AR54975	LAMP	4		
5	R27180	GROMMET	1		
6	R48883	CLAMP	2		
7	AR54976	WIRING HARNESS	2		
8	AR42119	LAMP	2		(SUB RE19075, THIS APPLICATION)
9	AR78825	TAIL LAMP	2		(SUB FOR AR45099)
10	37H2	SCREW	8		0.164" X 5/8"
11	M1895T	GROMMET	4		
12	AR42119	LAMP	1		(SUB RE19075, THIS APPLICATION)
13	WIRING LEAD	1		686MM (27") (MAKE FROM R66319 AND (2) R32016)
14	R21551	CLIP	6		
15	R27533	GROMMET	2		
16	19H1227	CAP SCREW	1		1/4" X 1/2"
17	12H302	LOCK WASHER	1		1/4"
18	R40791	CLAMP	1		
19	AR67346	WIRING HARNESS	1		(SUB FOR AR53157)
20	R48887	RECEPTACLE	1		
21	R45211	CLAMP	1		
22	19H1900	CAP SCREW	1		5/16" X 3/4"
23	14H785	NUT	1		5/16"
24	H1136	WASHER	1		11/32" X 11/16" X 0.065"
19	AR49602	WIRING HARNESS	2		
20	WIRING LEAD	1		330MM (13") (STARTING CIRCUIT RELAY TO STARTING MOTOR GROUND) (MAKE FROM R66319 AND (2) R32022)
21	WIRING LEAD	1		(NO LONGER REQUIRED)
22	AR54892	WIRING HARNESS	1		
23	AR54891	LAMP	2		(NLA)
..	AR104119	HEADLIGHT	AR		(HALOGEN) (USE WITH RE19075) (H7606)

1G12

ELECTRICAL

R33050 -UN-01JAN94

STORAGE BATTERY



R33050

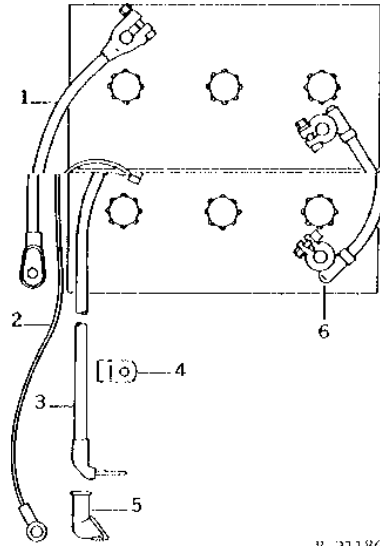
KEY	PART NO.	PART NAME	QTY	TRACTOR SERIAL NO.	REMARKS
..	TY21735	BATTERY	2		(6-VOLT) 850 COLD CRANKING AMPS AT -18°C (0°F) 280 MINUTE RESERVE CAPACITY AT 25 AMPS, (SUB FOR AR47455)

1G13

ELECTRICAL

R21186 -UN-01JAN94

BATTERY CABLES



21186

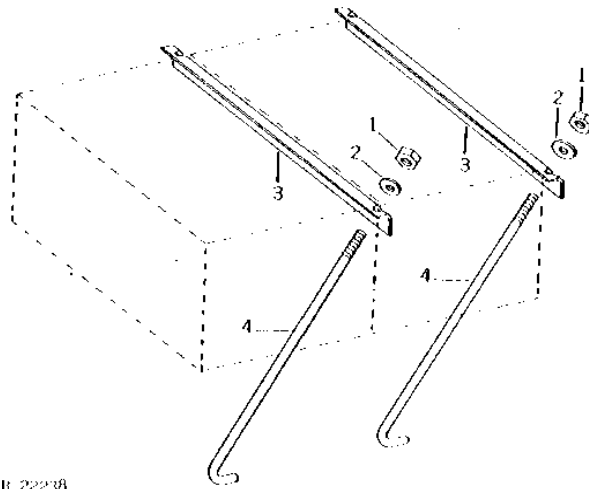
KEY	PART NO.	PART NAME	QTY	TRACTOR SERIAL NO.	REMARKS
1	AR45975	CABLE	1		
2	AR55315	WIRING LEAD	1		
	R27583	GROMMET	1		
3	AR45923	CABLE	1		
	R43475	CLAMP	4		
	R45211	CLAMP	1		
	R38454	GROMMET	1		
4	R49921	CLAMP	1		
5	R30964	COVER	1		
6	RE21742	CABLE	1		(SUB FOR AR46231)
..	R44302	TIE BAND	AR		

1G14

ELECTRICAL

R22238 -UN-01JAN94

BATTERY CLAMPS



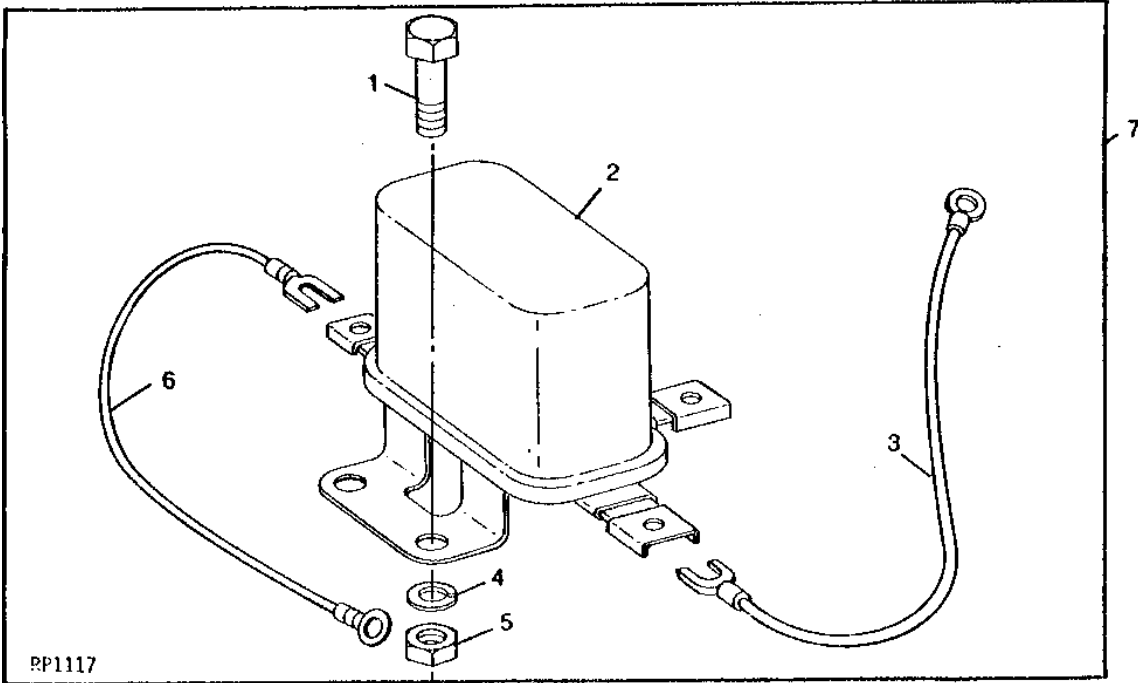
KEY	PART NO.	PART NAME	QTY	TRACTOR SERIAL NO.	REMARKS
1	14H786	NUT	4	1/4"	
2	24H1287	WASHER	4	9/32" X 5/8" X 0.065"	
3	R47909	CLAMP	2		
4	R35666	BOLT	4		

1G15

ELECTRICAL

RP1117 -UN-01JAN94

ACCESSORY RELAY WIRING KIT



KEY	PART NO.	PART NAME	QTY	TRACTOR SERIAL NO.	REMARKS
1	19H1916	CAP SCREW	2	5/8" X 1"	
2	AE23861	RELAY	1	(SUB AH98337)	
3	AR78384	WIRING LEAD	1		
4	12H302	LOCK WASHER	2	1/4"	
5	14H786	NUT	2	1/4"	
6	AR78386	WIRING LEAD	1		
7	AR78382	KIT	1	(SUB AR91166)	

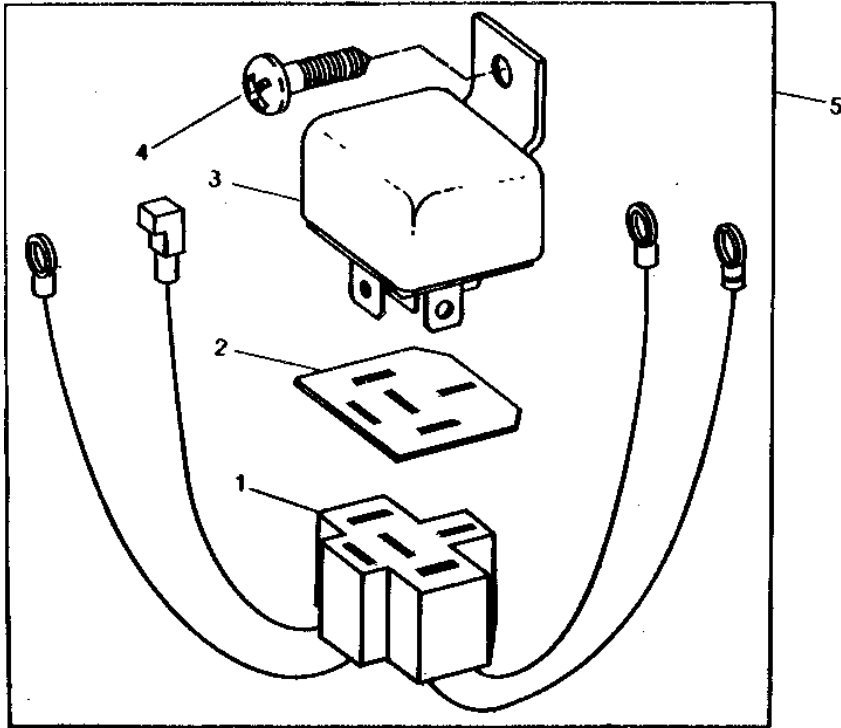
1G16

ELECTRICAL

RWP2586

-UN-01JAN94

WIRING ACCESSORY RELAY KIT



RWP2586

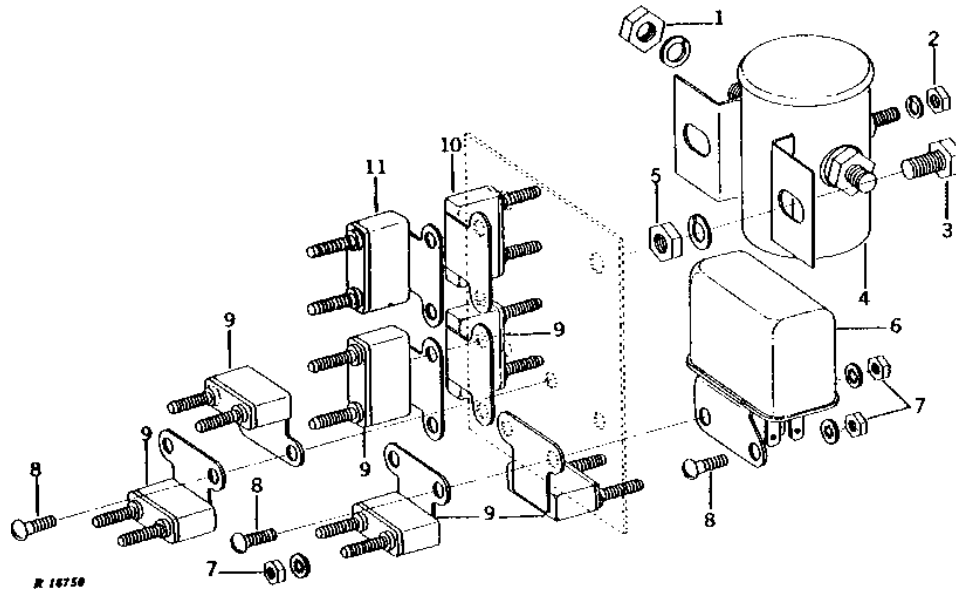
KEY	PART NO.	PART NAME	QTY	TRACTOR SERIAL NO.	REMARKS
1	AR91167	WIRING HARNESS	1		
	AR78384	WIRING LEAD	3		
	R32022	TERMINAL	2		
	R32028	TERMINAL	3		
2	R67982	COVER	1		
3	AR74411	RELAY	1		
4	37H52	SCREW	1	1/4" X 3/8"	
	19H1919	CAP SCREW	1	1/4" X 5/8"	
	12H302	LOCK WASHER	1	1/4"	
	14H786	NUT	1	1/4"	
5	AR91166	KIT	1		

1G17

ELECTRICAL

R16750 -UN-01JAN94

CIRCUIT BREAKERS



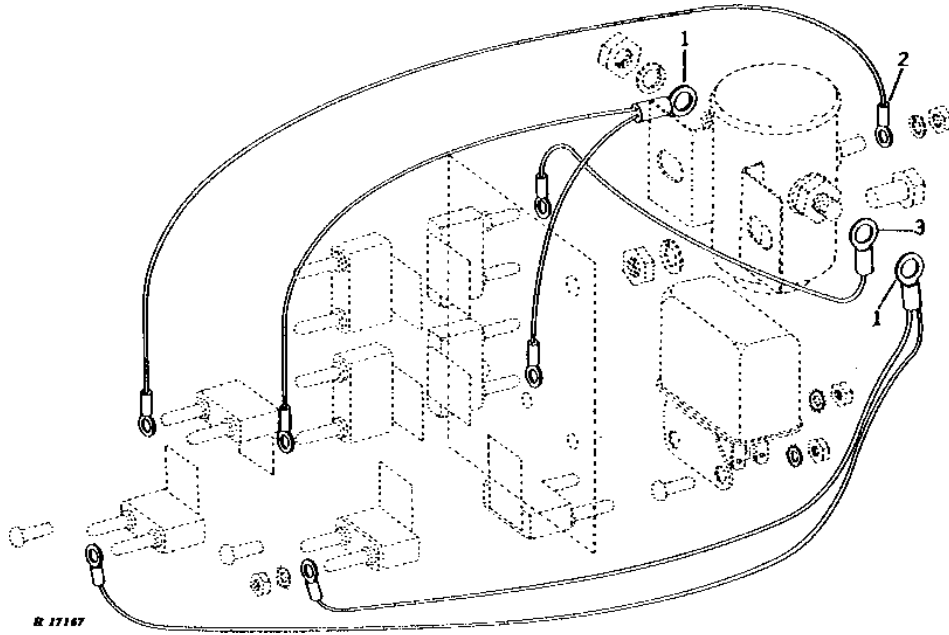
KEY	PART NO.	PART NAME	QTY	TRACTOR SERIAL NO.	REMARKS
1	14H650	NUT	2	5/16"	
	12H303	LOCK WASHER	2	5/16"	
2	14H605	NUT	1	0.164"	
	12H315	LOCK WASHER	1	0.164"	
3	19H1227	CAP SCREW	2	1/4" X 1/2"	
4	AR54484	RELAY	1	(SUB AR91166, THIS APPLICATION)	
5	14H786	NUT	2	1/4"	
	12H302	LOCK WASHER	2	1/4"	
6	AR91532	KIT	1	RELAY, (SUB AR74411, AR99907 AND R67982)	
7	14H631	NUT	17	0.190"	
	12M7060	WASHER	17	0.209"	
8	21H1295	SCREW	5	0.190" X 5/8"	
9	AR28403	CIRCUIT BREAKER	AR	(20 AMP) (4 USED, WITH CAB) (5 USED WITH AIR CONDITIONING) (ONE MORE USED WITH OUTLET SOCKET)	
10	AR49352	CIRCUIT BREAKER	1	(30 AMP)	
11	AR55649	CIRCUIT BREAKER	1	(10 AMP) (SUB FOR AR48726)	
..	R48825	LABEL	1	WIRING	

1G18

ELECTRICAL

R17167 -UN-01JAN94

CIRCUIT BREAKER LEADS (CAB AND AIR CONDITIONING)



KEY	PART NO.	PART NAME	QTY	TRACTOR SERIAL NO.	REMARKS
1	AR49602	WIRING HARNESS	2		
2	WIRING LEAD	1		152MM (6") CIRCUIT BREAKER TO CAB RELAY, (MAKE FROM R66319 AND (2) R32018)
3	WIRING LEAD	1		152MM (6") CIRCUIT BREAKER TO CAB RELAY (AIR CONDITIONING) (MAKE FROM R66319, R32019 AND R32022)
..	R48825	LABEL	1		WIRING

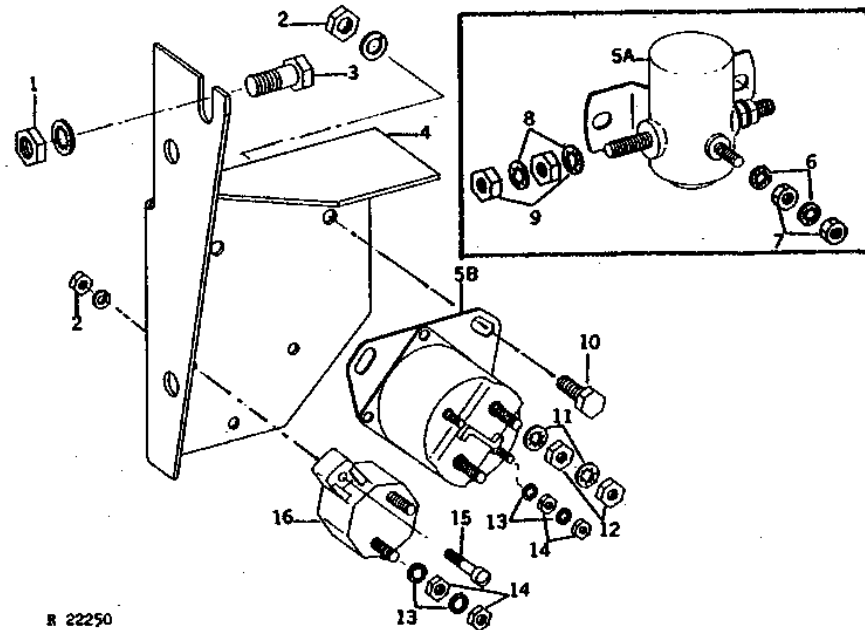
MEMORANDA

1G19

ELECTRICAL

R22250 -UN-01JAN94

STARTING CIRCUIT RELAY AND MAIN CIRCUIT BREAKER



KEY	PART NO.	PART NAME	QTY	TRACTOR SERIAL NO.	REMARKS
1	14H1076	NUT	1	3/8"	
	12H310	LOCK WASHER	1	3/8"	
2	14H786	NUT	2	1/4"	
	12H302	LOCK WASHER	2	1/4"	
3	19H1936	CAP SCREW	1	-002199	3/8" X 3/4"
	19H3181	CAP SCREW	1	-002199	3/8" X 2"
	19H2284	CAP SCREW	1	002200-	3/8" X 7/8"
	19H1948	CAP SCREW	1	002200-	1/4" X 3/4"
4	AR55061	SUPPORT	1		(SUB FOR R43740)
5A	AR44999	RELAY	1	-003158	(A) (SUB FOR AR55060) (ALSO ORDER 12H303, 14H785, 12H246 AND 14H631)
5B	AT40955	RELAY	1	003159-	(SUB RE38391)
6	12M7084	LOCK WASHER	2	-003158	0.169"
7	14H605	NUT	2	-003158	0.164"
8	12H334	LOCK WASHER	4	-003158	5/16"
9	14H650	NUT	4	-003158	5/16"
10	19H1227	CAP SCREW	2		1/4" X 1/2"
11	12H334	LOCK WASHER	4	003159-	5/16"
12	14H611	NUT	4	003159-	5/16"
13	12M7060	WASHER	8	003159-	0.209"
14	14H631	NUT	8	003159-	0.190"
15	21H1282	SCREW	2		0.190" X 7/8"
16	AR41287	CIRCUIT BREAKER	1		

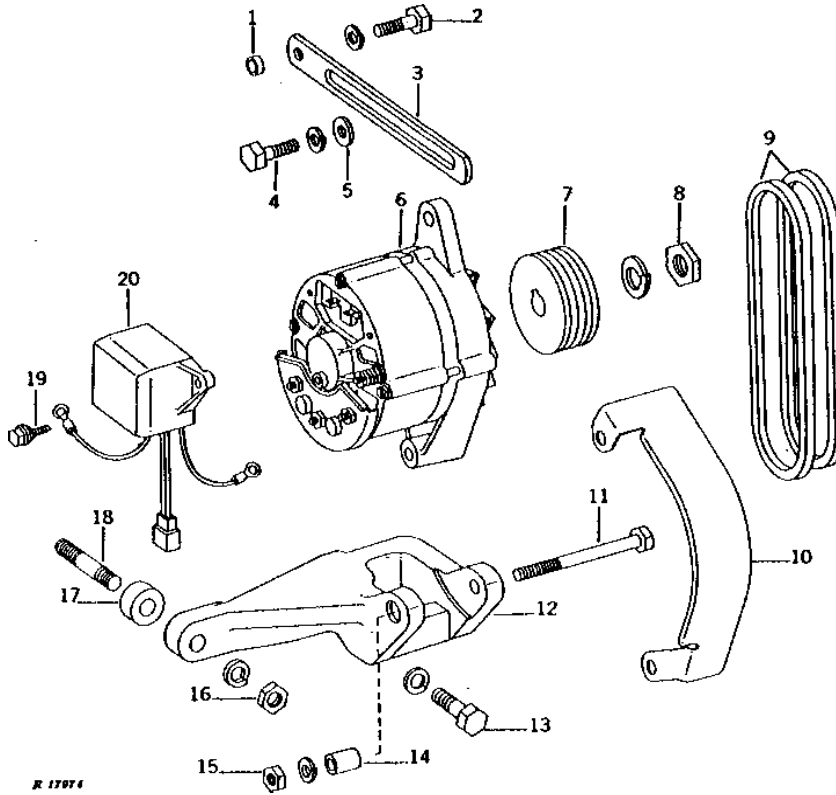
(A) USE AT68973 IF EQUIPPED WITH AR68500.

1G20

ELECTRICAL

ALTERNATOR, REGULATOR AND MOUNTING BRACKET
(MOTOROLA) (PRESOLITE)
(55 AMP SERIAL NO. -002189)
(72 AMP SERIAL NO. -002263)

R17074 -UN-01JAN94



1G21

ELECTRICAL

ALTERNATOR, REGULATOR AND MOUNTING BRACKET - CONTINUED
(MOTOROLA) (PRESOLITE)
(55 AMP SERIAL NO. -002189)
(72 AMP SERIAL NO. -002263)

KEY	PART NO.	PART NAME	QTY	ENGINE SERIAL NO.	REMARKS
1	28H1518	WASHER	1		0.493" X 0.675" X 5/16"
2	19H2284	CAP SCREW	1		3/8" X 7/8"
	19H2552	CAP SCREW	1		3/8" X 1-1/8"
	12H304	LOCK WASHER	1		3/8"
3	R43603	STRAP	1		
	R46731	STRAP	1		
4	19H1900	CAP SCREW	1		5/16" X 3/4"
	12H303	LOCK WASHER	1		5/16"
5	24H1292	WASHER	1		11/32" X 3/4" X 0.120"
6	AR40420	ALTERNATOR	1		55 AMP (MOTOROLA NO. 70D44110C01)
	TY1430	ALTERNATOR	1		55 AMP (REMANUFACTURED)
	TY6603	ALTERNATOR	1		72 AMP (REMANUFACTURED) (SUB FOR AR52077)
7	R43828	PULLEY	1		
	AR55173	PULLEY	1		(A) (SUB FOR R48426)
8	14H866	NUT	1		5/8"
	12H294	LOCK WASHER	1		5/8"
9	AR51059	BELT SET	1		
	AR56638	BELT SET	1		(A) (SUB FOR AR41574)
10	R56012	SHIELD	1		(SUB FOR R41334)
11	19H1854	CAP SCREW	1		3/8" X 3-3/4"
12	R48778	BRACKET	1		
	AR55174	BRACKET	1		(A) (SUB FOR R48817 OR R50721)
13	19H2055	CAP SCREW	1	-XXXXXX	7/16" X 2-1/4"
	12H293	LOCK WASHER	1	-XXXXXX	7/16"
	19H1740	CAP SCREW	1	XXXXXX-	7/16" X 1-3/4"
	19H2500	CAP SCREW	1	XXXXXX-	7/16" X 1-3/8"
	12H325	LOCK WASHER	1	XXXXXX-	7/16"
14	R45377	SPACER	1		
15	E55662	FLANGE NUT	1		
	12H304	LOCK WASHER	2		3/8", (NOT REQUIRED W/E55662)
16	14H849	NUT	1	-XXXXXX	7/16"
	12H293	LOCK WASHER	1	-XXXXXX	7/16"
17	R34370	BUSHING	2	-XXXXXX	(12-VOLT MOTOROLA) (USE WITH MOTOROLA AH.)
18	A5689R	STUD	1	-XXXXXX	
19	R44008	SCREW	3		
	T31308	SCREW	2		(A)
20	AR78298	VOLTAGE REGULATOR	1		(12-VOLT PRESOLITE) (USE WITH PRESOLITE ALT.) (SUB FOR AR52927)
	AT56592	REGULATOR	1		(A) (12-VOLT MOTOROLA) (SUB FOR AR52079)
	AH117788	VOLTAGE REGULATOR	1		(12-VOLT MOTOROLA) (USE WITH MOTOROLA ALT.)
..	R30964	COVER	1		

(A) AIR CONDITIONING

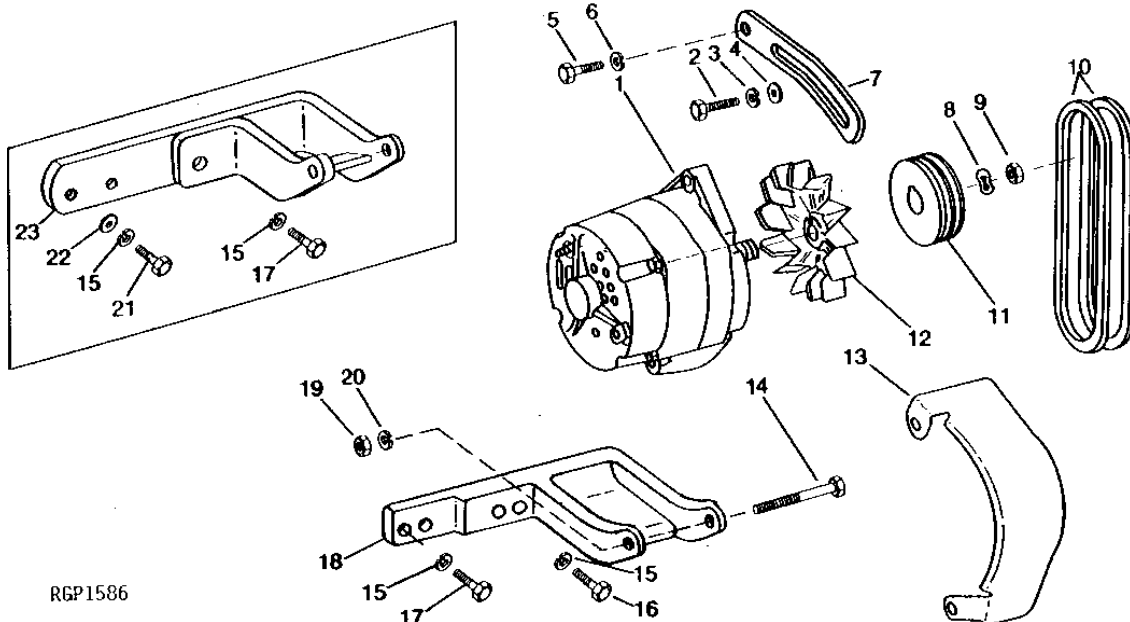
MEMORANDA

1G22

ELECTRICAL

**ALTERNATOR AND MOUNTING BRACKET
(DELCO-REMY)
(72 AMP SERIAL NO. 002190-)
(78 AMP, 90 AMP SERIAL NO. 002264-)**

RGP1586 -UN-01JAN94



RGP1586

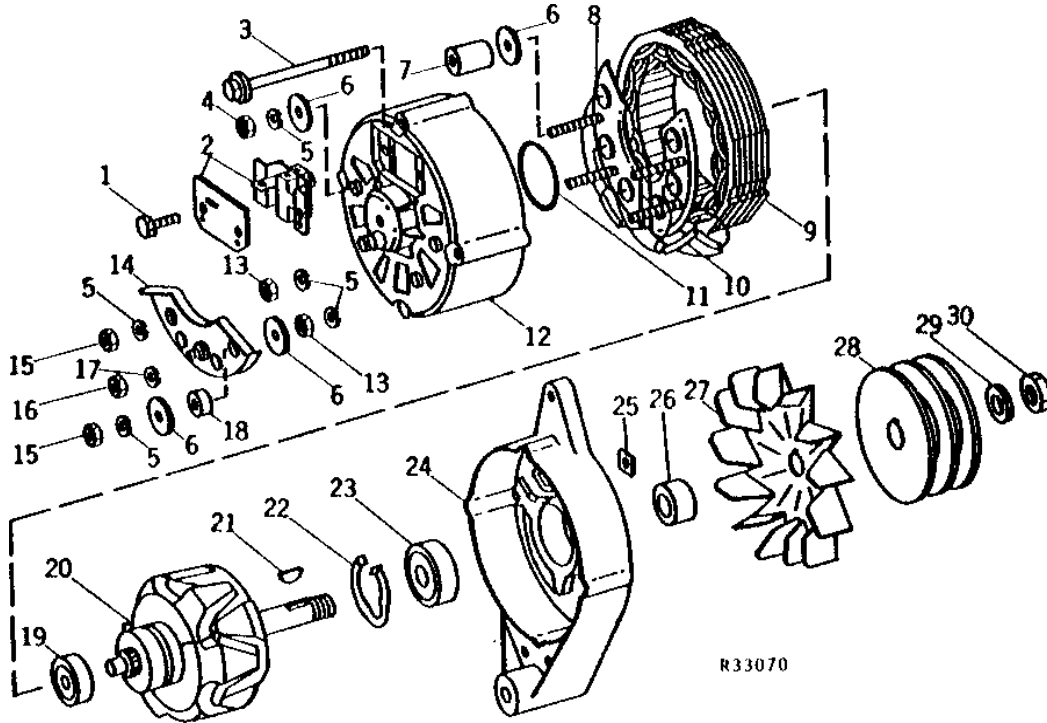
KEY	PART NO.	PART NAME	QTY	SERIAL NO.	REMARKS
1	TY6772	ALTERNATOR	1		72 AMP (REMANUFACTURED) (DELCO-REMY) (SUB FOR TY6600)
	RE31694	ALTERNATOR	1		(78 AMP) (SUB FOR AR84306, AR93446, RE13797 OR RE27109) (SUB TY6686) (ALSO ORDER R71248, 12M7006, 19M7163 AND 19M7065)
	TY6686	ALTERNATOR	1		(78 AMP) (REMANUFACTURED) (DELCO-REMY)
	TY6790	ALTERNATOR	1		(90 AMP) (REMANUFACTURED) (SUB FOR TY6625)
2	19H2661	CAP SCREW	1	-8H29	5/16" X 1-3/8"
	19M7298	CAP SCREW	1	8H30-	M8 X 35
3	12H303	LOCK WASHER	1	-8H29	5/16"
	12M7065	LOCK WASHER	1	8H30-	8.100 MM
4	R56397	WASHER	1		
5	19H2284	CAP SCREW	1		3/8" X 7/8"
6	12H304	LOCK WASHER	1		3/8"
7	R71250	STRAP	1		(SUB FOR R43603, THIS APPLICATION)
8	T10745	WASHER	1		
9	R11049	NUT	1		
10	AR57266	BELT SET	1		(SUB FOR AR54592, THIS APPLICATION)
11	R50662	PULLEY	1	-002699	
	R50661	PULLEY	1	-002699	(AIR CONDITIONING)
	R81507	PULLEY	1	002700-	(SUB FOR R52161)
12	R50659	FAN	1		
	R87764	FAN	1		(USE WITH RE27109, RE31694 OR TY6686)
13	R56012	SHIELD	1		(SUB FOR R41334)
14	19H2023	CAP SCREW	1	-8H29	3/8" X 3-1/4"
	19M7408	CAP SCREW	1	8H30-	M10 X 90
15	12H293	LOCK WASHER	2		7/16"
16	19H1978	CAP SCREW	1		7/16" X 1-1/2"
17	19H2500	CAP SCREW	1		7/16" X 1-3/8"
18	R70870	BRACKET	1		
19	E55662	FLANGE NUT	1	-8H29	
	14M7274	NUT	1	8H30-	M10
20	12H304	LOCK WASHER	1	-8H29	3/8", (NOT REQUIRED W/E55662)
	12M7066	LOCK WASHER	1	8H30-	10.200 MM
21	19H2964	CAP SCREW	1		7/16" X 1-1/8", (USE WITH AR56010)
22	24M7044	WASHER	1		13 X 20 X 2 MM, (USE WITH AR56010)
23	AR56010	BRACKET	1		(SUB R70870 AND 19H1978)

1G23

ELECTRICAL

ALTERNATOR PARTS
(12-VOLT) (55 AMP) (MOTOROLA)
(TRACTOR SERIAL NO. -002189)

R33070 -UN-01JAN94



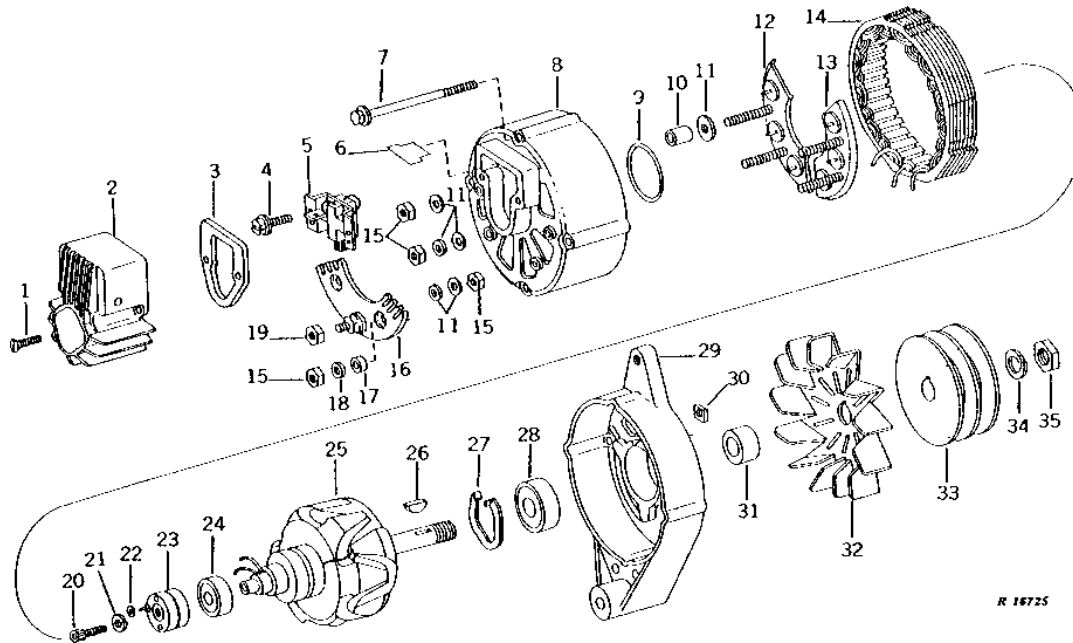
KEY	PART NO.	PART NAME	QTY	TRACTOR SERIAL NO.	REMARKS
1	37H10	SCREW	2		0.164" X 3/8"
2	AT27128	HOLDER	1		(SUB FOR R15026)
3	R15045	BOLT	4		
4	14H778	NUT	2		0.190"
5	12M7060	WASHER	6		0.209"
6	R15036	WASHER	6		
7	R15035	SLEEVE	2		
8	R15023	DIODE	1		(POSITIVE)
9	R39802	STATOR	1		
10	R15024	DIODE	1		(NEGATIVE)
11	R15030	O-RING	1		
12	R38374	HOUSING	1		
13	14H778	NUT	2		0.190"
14	R39800	DIODE	1		
15	14H778	NUT	2		0.190"
	12M7060	WASHER	2		0.209"
16	14H786	NUT	1		1/4"
17	12H297	LOCK WASHER	2		1/4"
18	R39803	WASHER	1		
19	AT23189	BALL BEARING	1		
20	R39801	ROTOR	1		
21	26H72	SHAFT KEY	1		1/8" X 5/8"
22	R15029	RETAINER	1		
23	JD9449	BALL BEARING	1		(SUB FOR JD8535 OR AT23188)
24	R15033	HOUSING	1		
25	T23610	NUT	4		
26	T25343	BUSHING	1		
27	R15027	FAN	1		
28	R43828	PULLEY	1		
29	12H294	LOCK WASHER	1		5/8"
30	14H866	NUT	1		5/8"
..	AR40420	ALTERNATOR	1		COMPLETE, LESS PULLEY (MOTOROLA NO. 70D44110C01)
..	TY1430	ALTERNATOR	1		(REMANUFACTURED)

1G24

ELECTRICAL

**ALTERNATOR PARTS
(12-VOLT) (72 AMP) (MOTOROLA)
(AIR CONDITIONING)
(TRACTOR SERIAL NO. -002263)**

R16725 -UN-01JAN94



R 16725

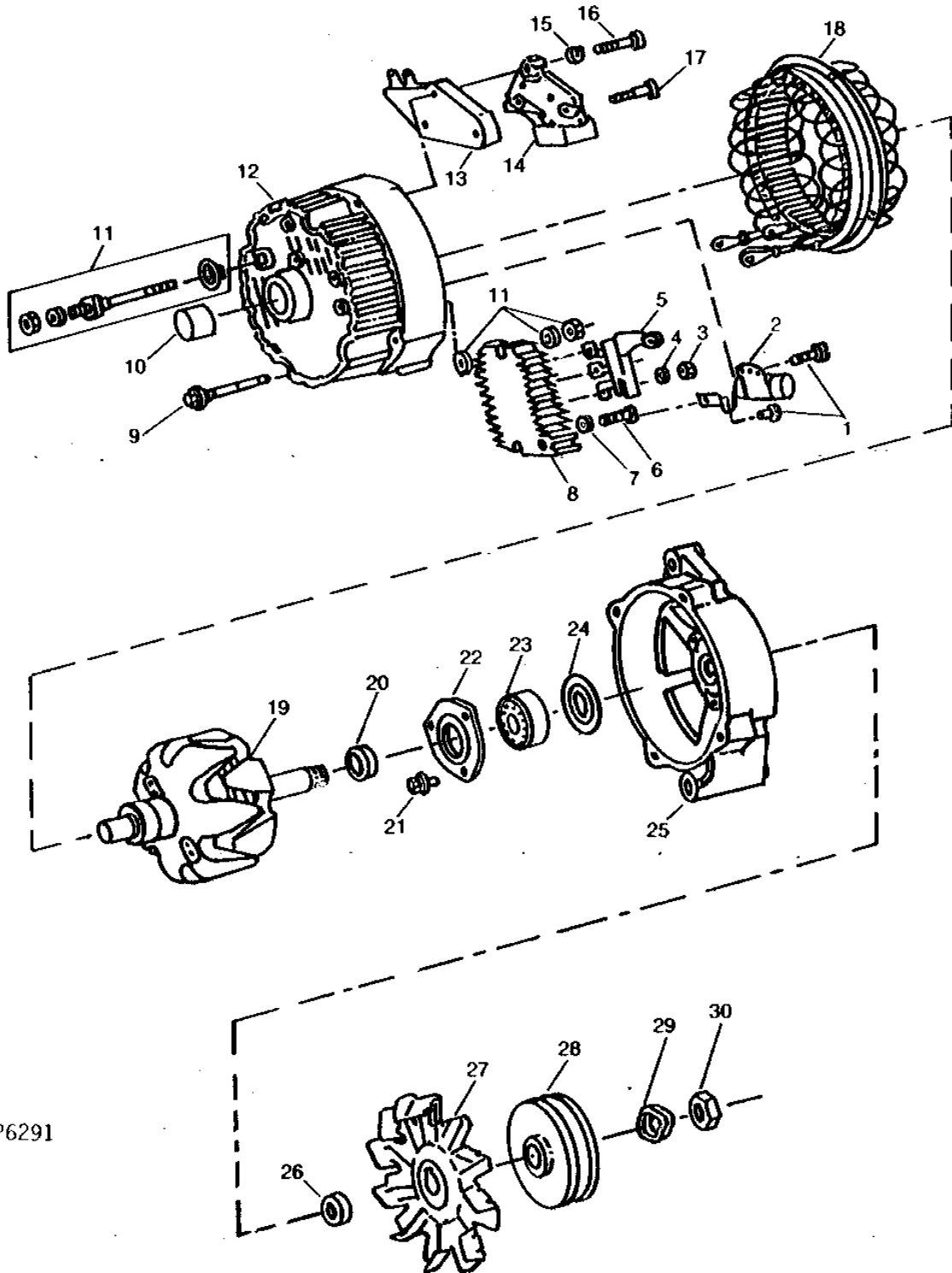
KEY	PART NO.	PART NAME	QTY	TRACTOR SERIAL NO.	REMARKS
1	T31308	SCREW	2		
2	AT56592	REGULATOR	1		(MARKED AT29926) (SUB FOR AR52079)
3	T29100	GASKET	1		
4	37H10	SCREW	2		0.164" X 3/8"
5	AT27128	HOLDER	1		
6	T25357	INSULATOR	1		
7	R47460	BOLT	4		
8	R48728	HOUSING	1		
9	T29105	RETAINER	1		
10	T25353	BUSHING	2		
11	R15036	WASHER	7		
12	AH103067	PLATE	1		(POSITIVE)
13	AH103068	PLATE	1		(NEGATIVE)
14	AR50226	STATOR	1		
15	14H778	NUT	6		0.190"
	12H246	LOCK WASHER	4		0.190"
16	AR50229	DIODE	1		
17	R39803	WASHER	1		
18	R15036	WASHER	1		
19	14H786	NUT	1		1/4"
	12H297	LOCK WASHER	1		1/4"
20	T29102	SCREW	1		(SUB T17948)
21	12H246	LOCK WASHER	1		0.190"
22	R47461	INSULATOR	1		
23	AT27127	RING	1		(NLA)
24	JD9449	BALL BEARING	1		(SUB FOR AT23188)
25	AR50227	ROTOR	1		
26	26H72	SHAFT KEY	1		1/8" X 5/8"
27	R15029	RETAINER	1		
28	JD9449	BALL BEARING	1		(SUB FOR AT23188)
29	R15033	HOUSING	1		
30	T23610	NUT	4		
31	T25343	BUSHING	1		
32	R15027	FAN	1		
33	AR55173	PULLEY	1		(SUB FOR R48426)
34	12H294	LOCK WASHER	1		5/8"
35	14H866	NUT	1		5/8"
..	AR52077	ALTERNATOR	1		(LESS PULLY) (SUB TY1430)

1H1

ELECTRICAL

ALTERNATOR
(12-VOLT) (DELCO-REMY)
(72 AMP) (TRACTOR SERIAL NO. 002190-)
(90 AMP) (TRACTOR SERIAL NO. 002264-)

RWP6291 -UN-01JAN94



RWP6291

1H2

ELECTRICAL

ALTERNATOR - CONTINUED
(12-VOLT) (DELCO-REMY)
(72 AMP) (TRACTOR SERIAL NO. 002190-)
(90 AMP) (TRACTOR SERIAL NO. 002264-)

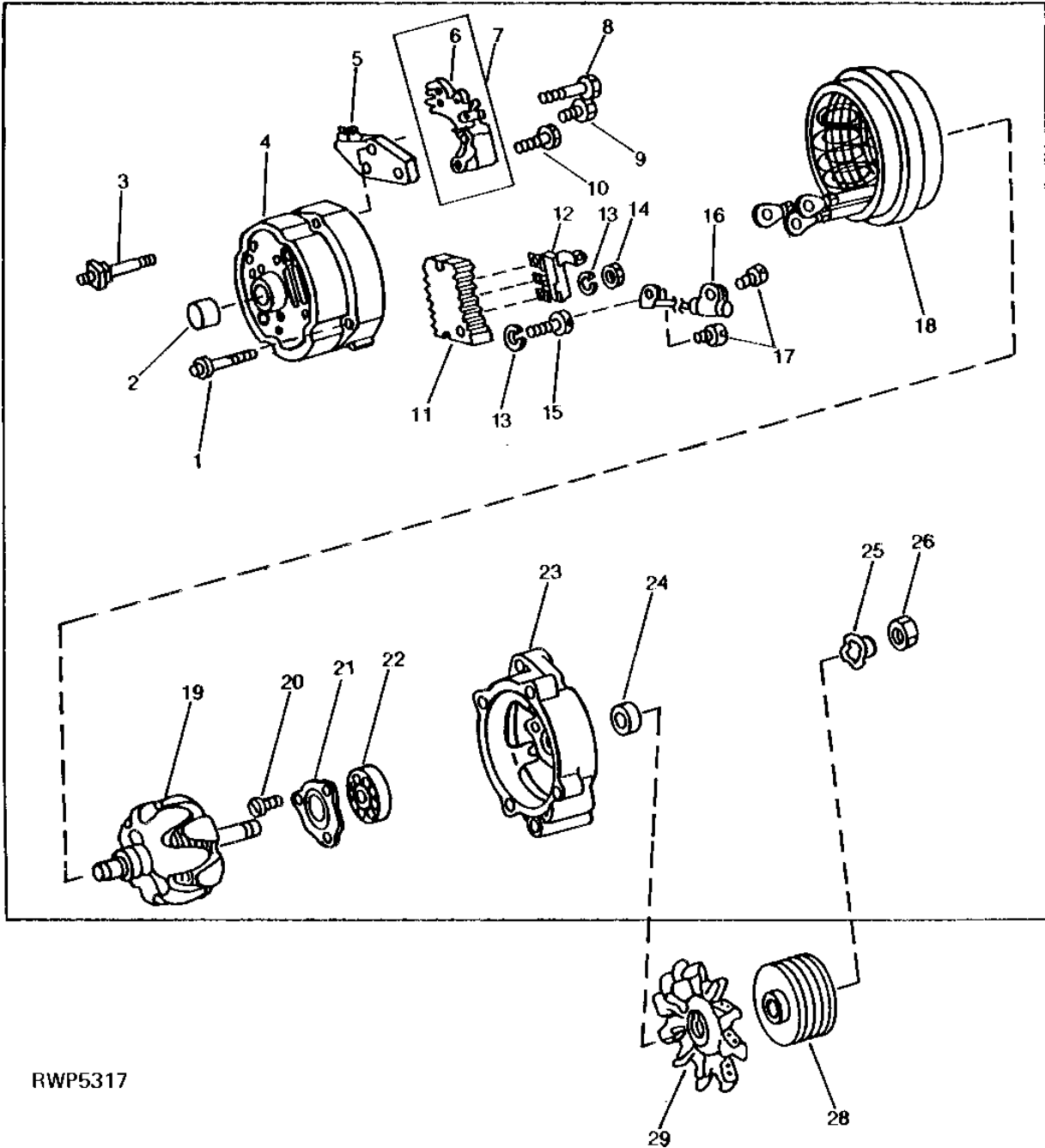
KEY	PART NO.	PART NAME	QTY	TRACTOR SERIAL NO.	REMARKS
1	37H2	SCREW	2		0.164" X 5/8"
2	AR55835	CAPACITOR	1		
3	14H605	NUT	3		0.164"
4	12M7084	LOCK WASHER	1		0.169"
5	RE13798	DIODE	1		(USE WITH AR84306 OR AR93446) (SUB FOR AR55831)
6	21H1319	SCREW	1		0.164" X 7/8"
7	12M7084	LOCK WASHER	1		0.169"
8	AR55832	RECTIFIER	1		(USE WITH AR84306 OR AR93446)
9	R51535	BOLT	4		
10	AR77851	ROLLER BEARING	1		(SUB FOR AR55830)
11	AR55834	TERMINAL	1		(SUB AR93945 AND 14M7165)
12	R51529	HOUSING	1		
	R71400	HOUSING	1		(SUB FOR R66301)
13	AR55827	VOLTAGE REGULATOR	1		
14	AR69269	BRUSH	1		(SUB FOR AR55833)
	AR85941	CARBON BRUSH HOLDER	1		(72 AMP)
15	12M7084	LOCK WASHER	3		0.169"
16	R51531	SCREW	1		NO. 8 X 1-1/8"
	21H1376	SCREW	1		0.164" X 1-1/4"
17	R51530	SCREW	2		
18	AR55837	STATOR	1		(USE WITH AR84306 OR AR93446)
19	RE13801	ROTOR	1		(USE WITH AR84306 OR AR93446) (SUB FOR AR55828 OR AR78093)
20	R51532	ECCENTRIC LOCKING COLLAR	1		
21	21H1301	SCREW	3		0.190" X 1/2"
22	R11109	PLATE	1		(USE WITH AR84306 OR AR93446) (SUB FOR AR55836)
23	JD9449	BALL BEARING	1		(SUB FOR AT23188)
24	R51534	SHIM	1		
25	R71399	HOUSING	1		(ALSO ORDER R69645) (SUB FOR R51528 OR R69644)
26	R51533	ECCENTRIC LOCKING COLLAR	1		
27	R50659	FAN	1		
28	R50661	PULLEY	1	-002699	
	R50662	PULLEY	1	-002699	
	R81507	PULLEY	1	002700-	(SUB FOR R52161)
29	T10745	WASHER	1		
30	R11049	NUT	1		
..	AR93446	ALTERNATOR	1		(72 AMP) (SUB FOR AR54793, AR54796 OR AR84306) (SUB RE31694, 14M7165, 12M7006, 12M7065 AND 19M7163)
..	TY6772	ALTERNATOR	1		(72 AMP) (REMANUFACTURED)
..	TY6790	ALTERNATOR	1		(90 AMP) (REMANUFACTURED)

1H3

ELECTRICAL

ALTERNATOR
(12-VOLT) (DELCO-REMY)
(72 AMP) (TRACTOR SERIAL NO. 002190-)
(78 AMP) (90 AMP) (TRACTOR SERIAL NO. 002264-)

RWP5317 -UN-01JAN94



RWP5317

1H4

ELECTRICAL

ALTERNATOR - CONTINUED
 (12-VOLT) (DELCO-REMY)
 (72 AMP) (TRACTOR SERIAL NO. 002190-)
 (78 AMP) (90 AMP) (TRACTOR SERIAL NO. 002264-)

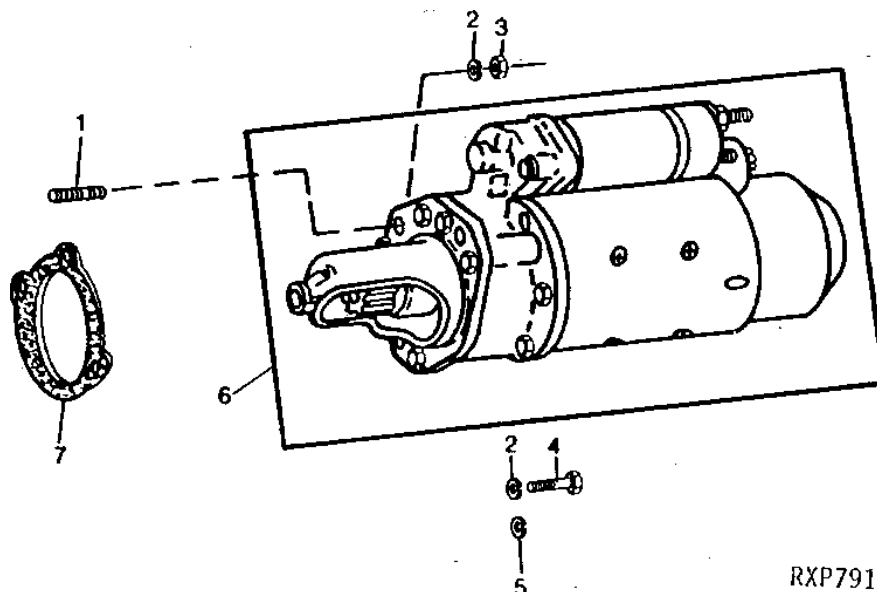
KEY	PART NO.	PART NAME	QTY	TRACTOR SERIAL NO.	REMARKS
1	R51535	BOLT	4		
2	AR77851	ROLLER BEARING	1		
3	AR93945	TERMINAL	1		
4	R71400	HOUSING	1		
5	AR55827	VOLTAGE REGULATOR	1		
6	AR90058	BRUSH	2		
7	AR85941	CARBON BRUSH HOLDER	1		
8	R76186	SCREW	1		
9	R51530	SCREW	1		
10	R66302	SCREW	1		
11	RE13799	RECTIFIER	1		
12	RE13798	DIODE	1		
13	12M7084	LOCK WASHER	4	0.169"	
14	14H605	NUT	3	0.164"	
15	21H1319	SCREW	1	0.164" X 7/8"	
16	AR55835	CAPACITOR	1		
17	37H2	SCREW	2	0.164" X 5/8"	
18	RE13800	STATOR	1	(SUB AR55837)	
19	RE13801	ROTOR	1		
20	21H1301	SCREW	3	0.190" X 1/2"	
21	R11109	PLATE	1		
22	JD9449	BALL BEARING	1		
23	R71399	HOUSING	1		
24	R69645	WASHER	1		
25	T10745	WASHER	1		
26	R11049	NUT	1		
27	RE13797	ALTERNATOR	1	(72 AMP) (SUB FOR AR93446) (ALSO ORDER 14M7165, 12M7006, 12M7065 AND 19M7163) (SUB RE31694)	
	RE31694	ALTERNATOR	1	(78 AMP) (SUB FOR RE27109) (SUB TY6686)	
	TY6686	ALTERNATOR	1	(78 AMP) (REMANUFACTURED)	
	TY6790	ALTERNATOR	1	(90 AMP) (REMANUFACTURED) (SUB FOR TY6625)	
28	R81507	PULLEY	1	(SUB FOR R52161)	
29	R50659	FAN	1		

1H5

ELECTRICAL

RXP7911 -UN-01JAN94

STARTING MOTORS



RXP7911

KEY	PART NO.	PART NAME	QTY	TRACTOR SERIAL NO.	REMARKS
1	R56481	STUD	1	(A) (SUB FOR M3636T)	
	R55396	STUD	1	(B) 3/8" X 1-11/16"	
2	12H304	LOCK WASHER	3	(C) 3/8", (NOT REQUIRED WITH E55662)	
3	E55662	FLANGE NUT	1	(C) 3/8"	
4	19H3219	CAP SCREW	2	(F) 3/8" X 1-3/8"	
	19H1721	CAP SCREW	3	(D) 1/2" X 1-1/2"	
	19H2552	CAP SCREW	2	(E) 3/8" X 1-1/8"	
5	12H301	LOCK WASHER	3	(D) 1/2"	
6	AR55638	STARTER	1	(DELCO-REMY NO. 1113672) (SUB TY6710)	
	AR62267	STARTER	1	(DELCO-REMY NO. 1113402) (SUB TY6710)	
	AR78538	STARTER	1	(DELO-REMY NO. 111391) (SUB RE41875 OR TY6701)	
	AR77254	STARTER	1	(NIPPONDENSONO. 028000-3290 OR 028000-3291) (SUB RE41875 OR TY6713)	
	RE13722	STARTER	1	(NIPPONDENSONO NO. 028000-3292) (SUB RE41875 OR TY6713)	
	RE41875	STARTER	1	(NIPPONDENSONO NO. 02800-3292) (SUB FOR AR77254, AR78538 OR RE13722)	
	TY6701	STARTER	1	(DELCO-REMY) (REMANUFACTURED) (SUB FOR TY1597 OR TY6618)	
	TY6710	STARTER	1	(DELCO-REMY) (REMANUFACTURED) (SUB FOR TY6667)	
	TY6713	STARTER	1	(NIPPONDENSONO) (REMANUFACTURED) (SUB FOR TY6617)	
7	R53108	GASKET	1		

(A) USE WITH AR55639, AR62267, RE13722, RE41875, TY6710 AND TY6713

(B) USE WITH AR77254, TY6701 AND TY6713

(C) USE WITH AR55639, AR62267, AR77254, RE13722, RE41875, TY6701, TY6710 AND TY6713

(D) USE WITH AR78538 AND TY6701

(E) USE WITH RE13722, RE41875 AND TY6713

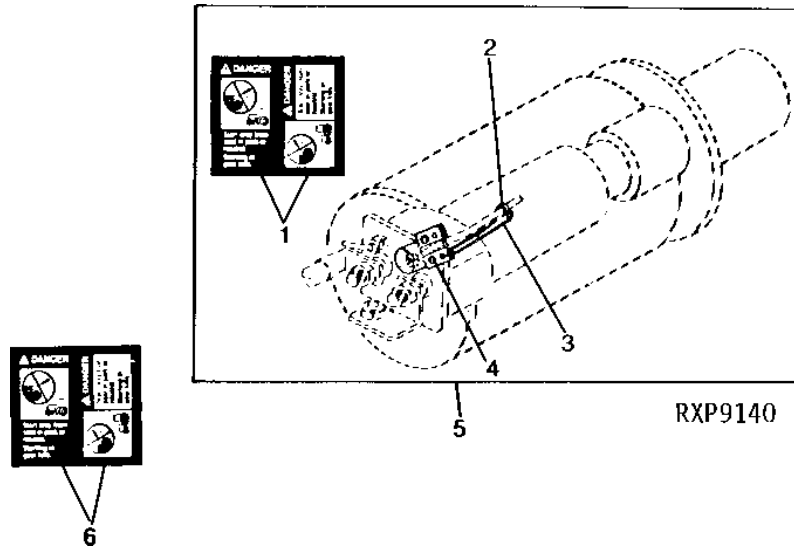
(F) USE WITH AR55639, AR62267, AR77254, TY6710, TY6701 AND TY6713

1H6

ELECTRICAL

RXP9140 -UN-11NOV94

STARTER SOLENOID COVER KIT (DELCO-REMY)



KEY	PART NO.	PART NAME	QTY	TRACTOR SERIAL NO.	REMARKS
1	T146102	WARNING LABEL	1		(SUB FOR T84409 OR T134459) (ENGLISH)
2	R44302	TIE BAND	1		
3	R76477	TIE BAND	1		
4	R66117	SCREW	2		
5	RE39063	SHIELD	1	(A)	
6	T146106	WARNING LABEL	1		(SUB FOR T84410 OR T134452) (ESPANOL)
	T146104	WARNING LABEL	1		(SUB FOR T84411 OR T134453) (FRANCAIS)
	T146515	WARNING LABEL	1		(SUB FOR T84412 OR T134454) (DEUTSCH)
	T146516	WARNING LABEL	1		(SUB FOR T84413 OR T134455) (ITALIANO)
	T146517	WARNING LABEL	1		(SUB FOR T84578 OR T134456) (ENGLISH/FRANCAIS)

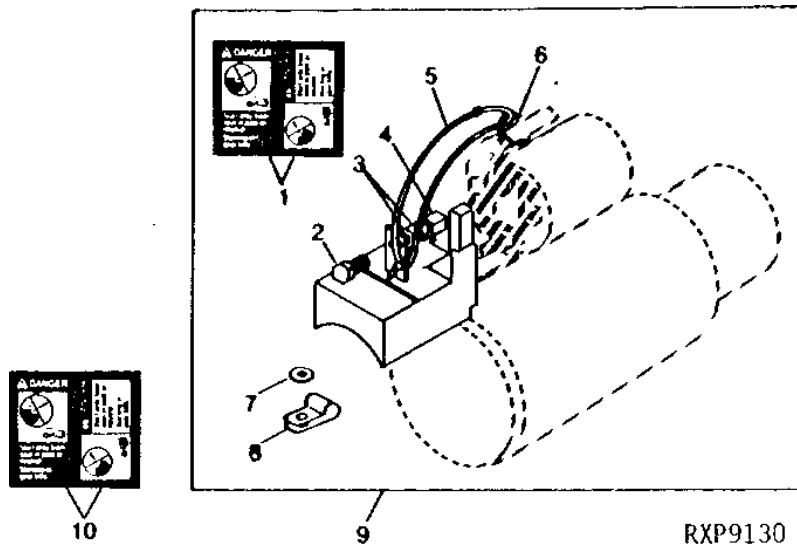
(A) USE WITH AR62267, AR78538, TY6667, TY6618, TY6701 OR TY6710

1H7

ELECTRICAL

STARTER SOLENOID COVER KIT (DELCO-REMY)

RXP9130 -UN-01JAN94



KEY	PART NO.	PART NAME	QTY	TRACTOR SERIAL NO.	REMARKS
1	T146102	WARNING LABEL	1		(ENGLISH) (SUB FOR T84409 OR T134459)
2	19H2038	CAP SCREW	1		3/8" X 1/2"
3	24H1305	WASHER	2		13/32" X 13/16" X 0.065"
4	R100380	NUT	1		
5	R76477	TIE BAND	1		
6	R44302	TIE BAND	1		
7	24H1289	WASHER	1		21/64" X 5/8" X 0.049"
8	R46414	CLAMP	1		
9	RE39061	SHIELD	1		(A)
10	T146106	WARNING LABEL	1		(ESPANOL) (SUB FOR T84410 OR T134452)
	T146104	WARNING LABEL	1		(FRENCH) (SUB FOR T84411 OR T134453)
	T146515	WARNING LABEL	1		(DEUTSCH) (SUB FOR T84412 OR T134454)
	T146516	WARNING LABEL	1		(ITALIANO) (SUB FOR T84413 OR T134455)
	T146517	WARNING LABEL	1		(ENGLISH/FRANCAIS) (SUB FOR T84578 OR T134456)

(A) USE WITH RE55638 OR TY1597

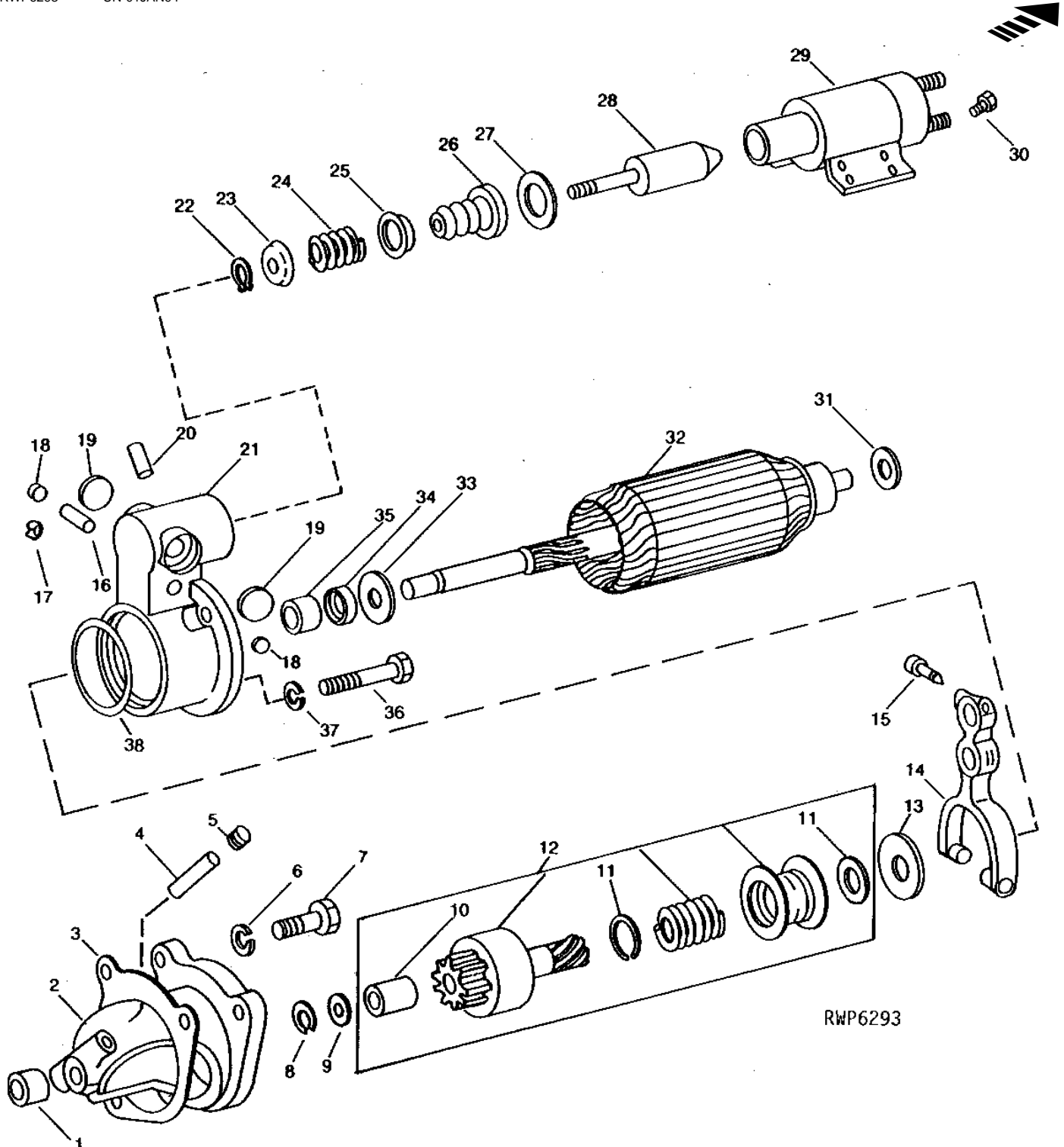
MEMORANDA

1H8

ELECTRICAL

STARTER DRIVE HOUSING, SOLENOID SWITCH AND ARMATURE (12-VOLT) (DELCO-REMY NO. 1113672 OR 1113402) (AR62267)

RWP6293 -UN-01JAN94



RWP6293

1H9

ELECTRICAL

STARTER DRIVE HOUSING, SOLENOID SWITCH AND ARMATURE - CONTINUED
(12-VOLT) (DELCO-REMY NO. 1113672 OR 1113402)
(AR62267)

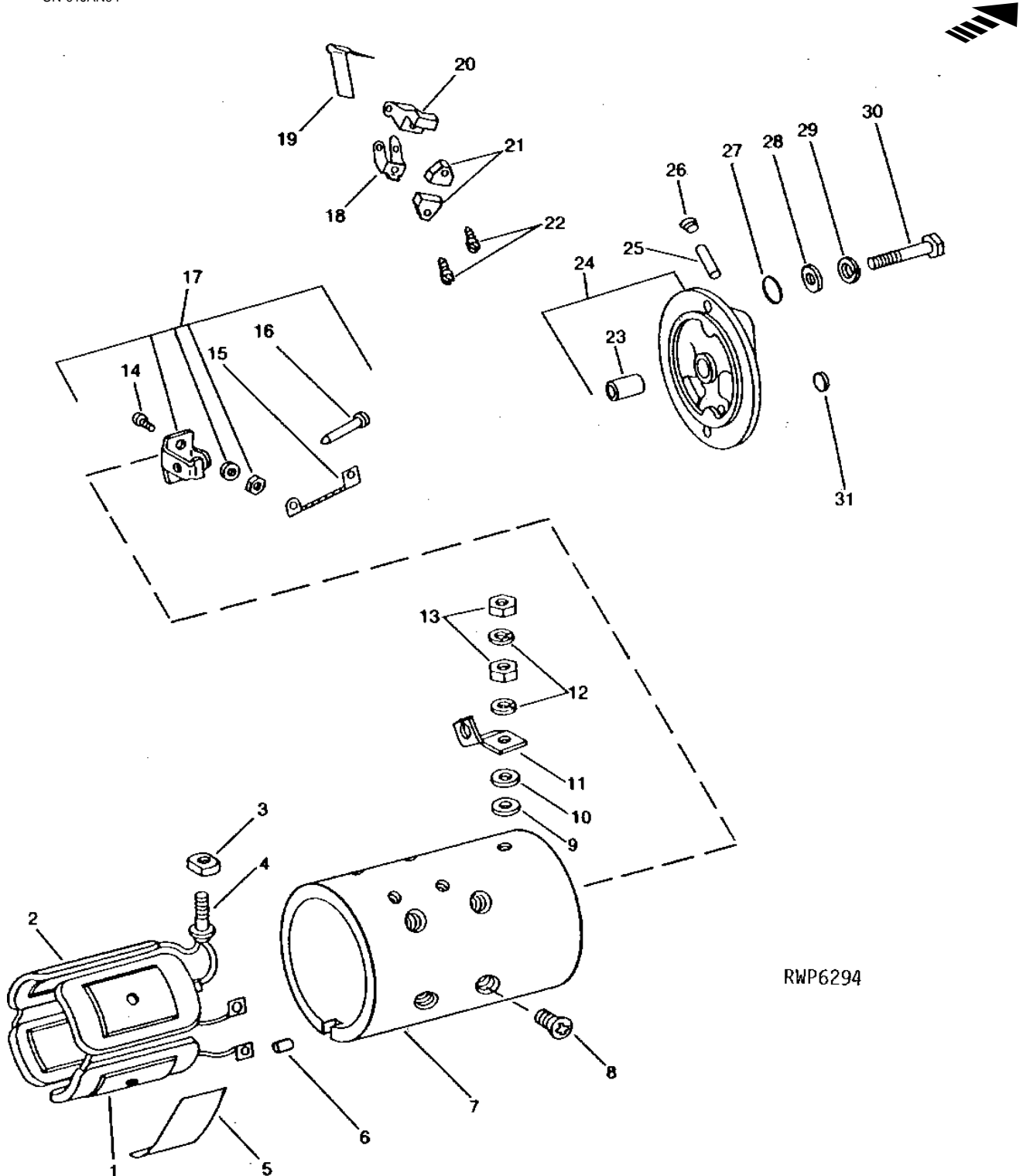
KEY	PART NO.	PART NAME	QTY	MODEL NO.	REMARKS
1	T11743	BUSHING	1		
2	AR11127	HOUSING	1		
3	R53108	GASKET	1		
4	R40337	WICK	1		
5	15H566	PIPE PLUG	1	1/8"	
6	12H304	LOCK WASHER	3	3/8"	
	M3636T	STUD	1		
	14H1076	NUT	2	3/8"	
7	19H3219	CAP SCREW	2	3/8" X 1-3/8"	
8	R11117	SNAP RING	1		
9	R48976	STOP	1		
10	1873796	BUSHING	1		
11	R11118	WIRE	2		
12	AR88880	BENDIX DRIVE	1		(SUB FOR AR44700 OR AR76841)
13	R11095	WASHER	1		
14	AR11128	LEVER	1		
15	R11222	PIN	1		
16	R11215	DOWEL PIN	2		
17	R11223	RETAINER	1		
18	30H7	PLUG	2	5/8"	
19	30H16	PLUG	2	1-3/16"	
20	R11201	WICK	1		
	R11016	PIPE PLUG	1		
21	AR11126	HOUSING	1		
22	R11026	SNAP RING	1		
23	R11129	CAP	1		
24	R11128	SPRING	1		
25	R11126	RETAINER	1		
26	R11127	BOOT	1		
27	R11221	WASHER	1		
28	AR11132	PLUNGER	1		
29	R11292	SWITCH	1		(DELCO-REMY NO. 1115510 OR 1115540)
30	T19909	BOLT	4		
31	R11096	WASHER	1		
32	AR44698	ARMATURE	1		
33	R11291	WASHER	1		
34	AR62964	SEAL	1		
35	R11212	BUSHING	1		
36	AR62963	SCREW	4		
37	12H303	LOCK WASHER	4	5/16"	
38	R40545	GASKET	1		
..	AR62267	STARTER	1		(SUB FOR AR55638) (SUB TY6710)
..	TY6710	STARTER	1		(REMANUFACTURED) (DELCO-REMY) (SUB FOR TY6667)

1H10

ELECTRICAL

STARTER MAIN FRAME, COIL, AND COMMUTATOR END FRAME
(12-VOLT) (DELCO-REMY NO. 1113672 OR 1113402)
(AR62267)

RWP6294 -UN-01JAN94



RWP6294

1H11

ELECTRICAL

STARTER MAIN FRAME, COIL, AND COMMUTATOR END FRAME - CONTINUED
 (12-VOLT) (DELCO-REMY NO. 1113672 OR 1113402)
 (AR62267)

KEY	PART NO.	PART NAME	QTY	ENGINE SERIAL NO.	REMARKS
1	R11003	SHOE	4		
2	AR44699	ELECTRICAL COIL	1		
3	R11058	BUSHING	2		
4	R11059	STUD	1		
5	R11253	INSULATOR	2		
6	R11087	DOWEL PIN	1		
7	FRAME	1		(ORDER TY6710)
8	21H1280	SCREW	4		3/8" X 3/4"
9	R11000	WASHER	2		
10	24M7096	WASHER	1		10.500 X 18 X 1.600 MM
11	R11296	CONNECTOR	1		
12	12H304	LOCK WASHER	2		3/8"
13	14H732	NUT	2		3/8"
14	T18098	SCREW	2		
15	AR11001	WIRING LEAD	1		
16	R11233	PIN	2		
17	AR11124	SUPPORT	2		
18	T738T	HOLDER	2		
19	R11209	SPRING	2		
20	R11290	CARBON BRUSH HOLDER	2		
21	R42574	BRUSH	4		
22	37H78	SCREW	4		0.164" X 3/4"
23	R61932	BUSHING	1		(SUB FOR T11739)
24	AR11140	FRAME	1		
25	15H566	PIPE PLUG	1		1/8"
26	R40337	WICK	1		
27	R27976	O-RING	2		
28	24H1136	WASHER	2		11/32" X 11/16" X 0.065"
29	12H303	LOCK WASHER	2		5/16"
30	R11298	BOLT	2		
31	30H9	PLUG	1		3/4"
..	AR62267	STARTER	1		(SUB FOR AR55638) (SUB TY6710)
..	TY6710	STARTER	1		(REMANUFACTURED) (DELCO-REMY) (SUB FOR TY6667)

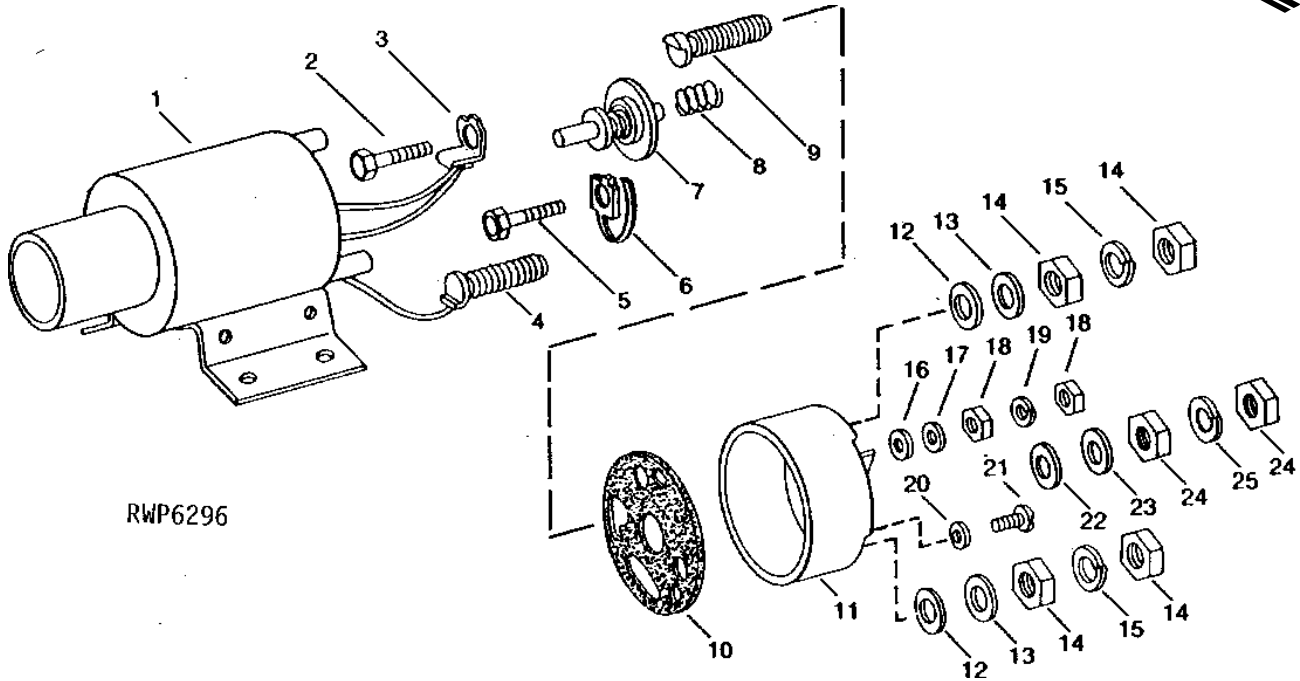
MEMORANDA

1H12

ELECTRICAL

RWP6296 -UN-01JAN94

SOLENOID SWITCH (12-VOLT) (DELCO-REMY NO. 1113672 OR 1113402)



RWP6296

KEY	PART NO.	PART NAME	QTY	ENGINE SERIAL NO.	REMARKS
1	CASE	1		(ORDER R11292)
2	R11197	STUD	1		(SUB FOR T18110)
3	R11198	CLIP	1		(NLA)
4	R11293	STUD	1		
5	R11295	STUD	1		
6	R40546	CLIP	1		
7	AR11051	CONTACT	1		
8	R11066	SPRING	1		
9	T18105	STUD	1		
10	R40548	GASKET	1		
11	R11294	COVER	1		
12	T18107	WASHER	2		
13	24M7096	WASHER	1	10.500 X 18 X 1.600 MM	
14	14H732	NUT	4	3/8"	
15	12H304	LOCK WASHER	2	3/8"	
16	T18106	WASHER	1		
17	24H1283	WASHER	1	7/32" X 1/2" X 0.049"	
18	14H631	NUT	2	0.190"	
19	12H246	LOCK WASHER	2	0.190"	
20	R11039	WASHER	2		
21	21H1298	SCREW	2	0.190" X 3/8"	
22	T19607	WASHER	1		
23	24H1281	WASHER	1	5/32" X 3/8" X 0.049"	
24	14H605	NUT	2	0.164"	
25	12M7084	LOCK WASHER	2	0.169"	
..	R11292	SWITCH	1		(A) (DELCO-REMY NO. 1115510 OR 1115540)

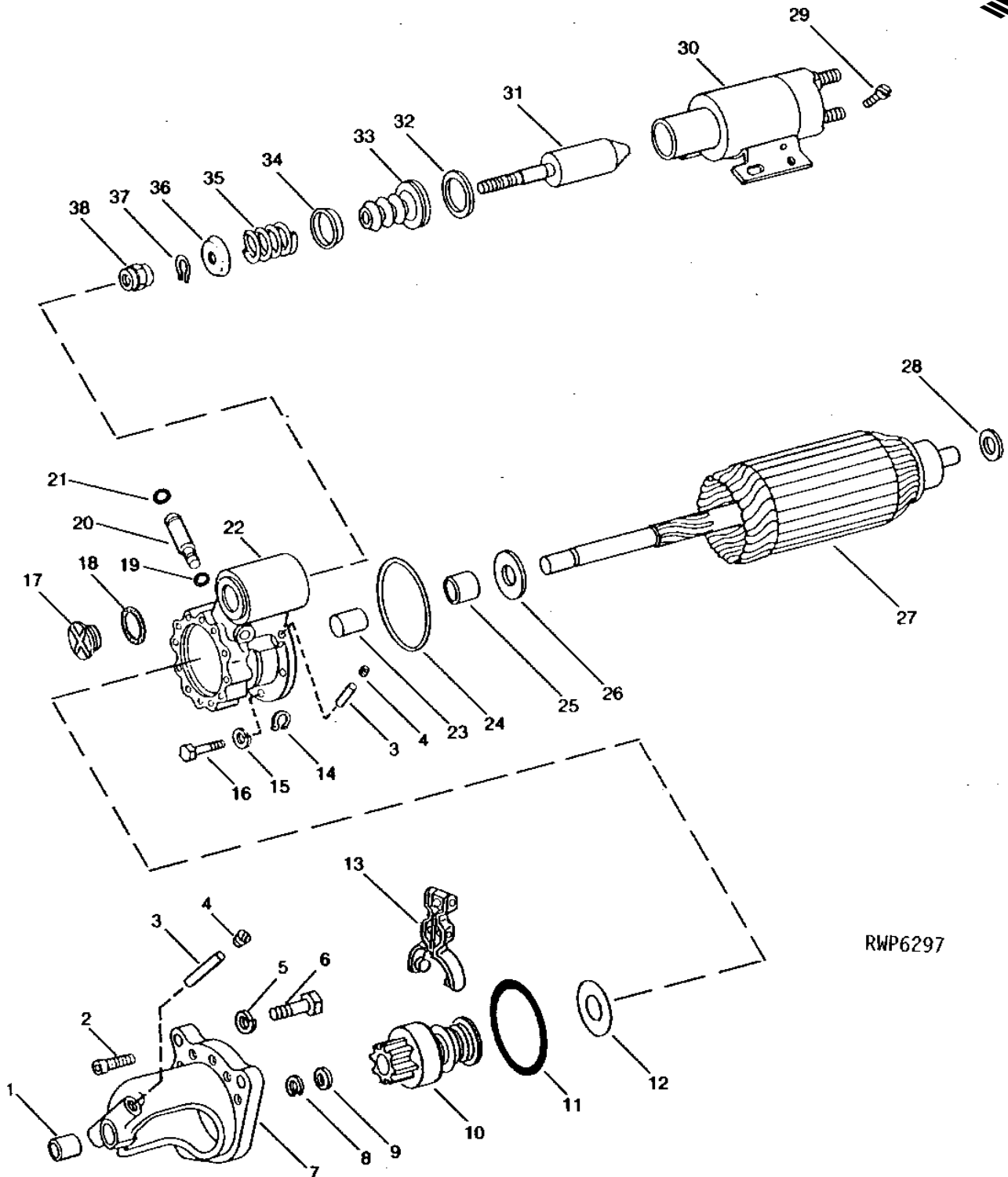
(A) USE WITH AR62267

1H13

ELECTRICAL

STARTER ARMATURE, DRIVE END HOUSING AND DRIVE (12-VOLT) (DELCO-REMY NO. 1113391) (AR78538)

RWP6297 -UN-01JAN94



RWP6297

1H14

ELECTRICAL

STARTER ARMATURE, DRIVE END HOUSING AND DRIVE - CONTINUED
(12-VOLT) (DELCO-REMY NO. 1113391)
(AR78538)

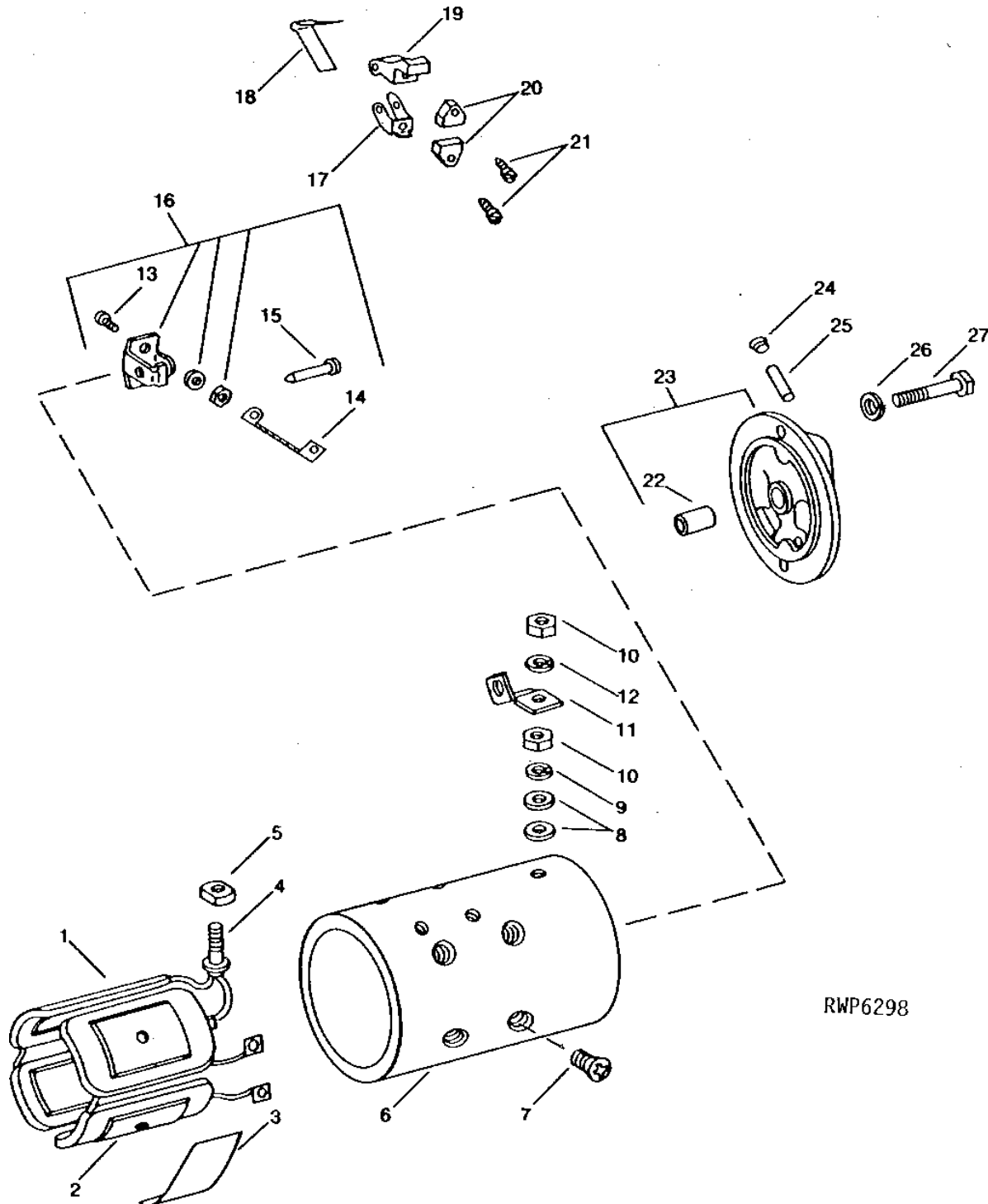
KEY	PART NO.	PART NAME	QTY	ENGINE SERIAL NO.	REMARKS
1	T11743	BUSHING	1		
2	R62674	SCREW	2		
3	R40337	WICK	2		
4	15H566	PIPE PLUG	2	1/8"	
5	12H301	LOCK WASHER	3	1/2"	
6	19H1721	CAP SCREW	3	1/2" X 1-1/2"	
7	AR77259	HOUSING	1		
8	R11117	SNAP RING	1		
9	R48976	STOP	1		
10	AR88880	BENDIX DRIVE	1		(SUB FOR AR76841)
11	R62673	O-RING	1		
12	R11095	WASHER	1		
13	AR77261	LEVER	1		
14	R11026	SNAP RING	1		
15	12H302	LOCK WASHER	5	1/4"	
16	19H3005	CAP SCREW	5	1/4" X 1"	
17	R11133	PLUG	1		
18	R11121	GASKET	1		
19	A4365R	O-RING	1		
20	R62670	SHAFT	1		
21	A3917R	O-RING	1		
22	AR77260	HOUSING	1		
23	R11212	BUSHING	1		
24	R11120	O-RING	1		
25	AR62964	SEAL	1		
26	R11291	WASHER	2		
27	AR77257	ARMATURE	1		
28	R11096	WASHER	1		
29	T19909	BOLT	4		
30	AR77255	SWITCH	1		
31	AR77256	PLUNGER	1		
32	R11221	WASHER	1		
33	R11127	BOOT	1		
34	R11126	RETAINER	1		
35	R11128	SPRING	1		
36	R11129	CAP	1		
37	R11026	SNAP RING	1		
38	R62671	LOCK NUT	1		
..	AR78538	STARTER	1		(SUB FOR AR55638 OR AR62267) (SUB RE41875 OR TY6701)
..	TY6701	STARTER	1		(REMANUFACTURED) (DELCO-REMY) (SUB FOR TY6618)

1H15

ELECTRICAL

STARTER MAIN FRAME, COIL, AND COMMUTATOR END FRAME
(12-VOLT) (DELCO-REMY NO. 1113391)
(AR78538)

RWP6298 -UN-01JAN94



RWP6298

1H16

ELECTRICAL

STARTER MAIN FRAME, COIL, AND COMMUTATOR END FRAME - CONTINUED
 (12-VOLT) (DELCO-REMY NO. 1113391)
 (AR78538)

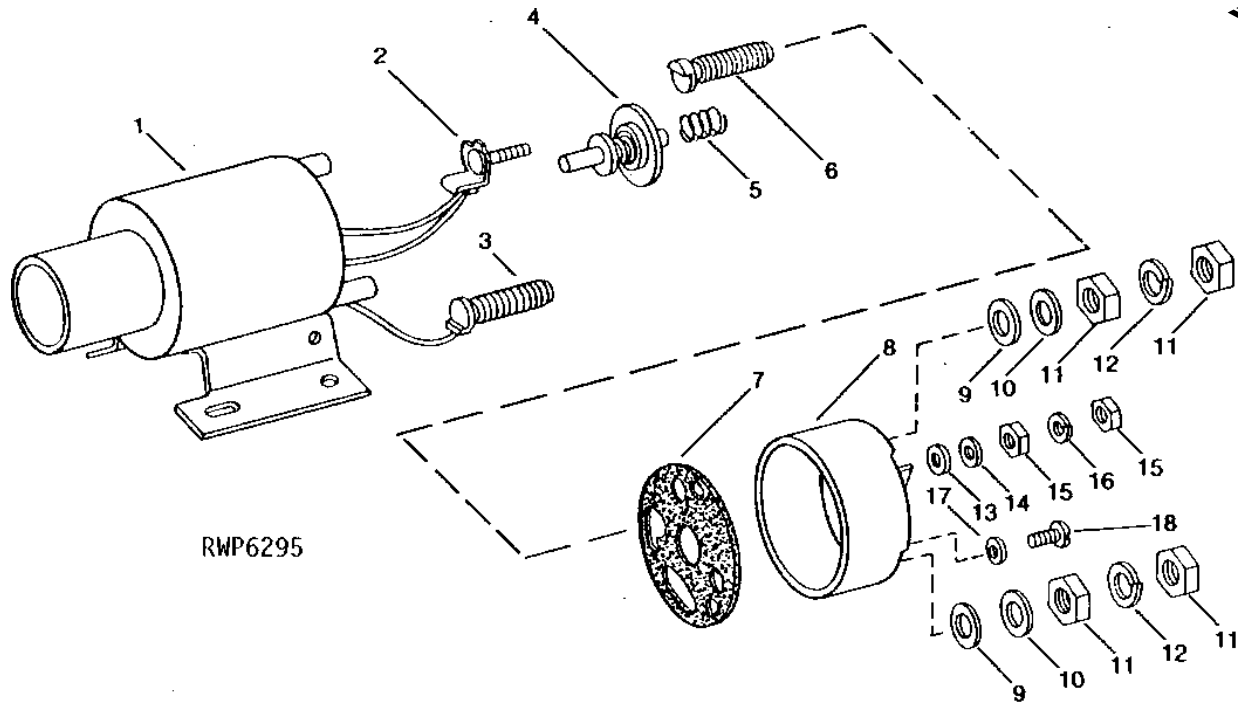
KEY	PART NO.	PART NAME	QTY	ENGINE SERIAL NO.	REMARKS
1	AR77258	FIELD WINDING COIL	1		
2	R11003	SHOE	4		
3	R62672	ISOLATOR	2		
4	R11146	SCREW	1		
5	AR40171	GROMMET	1		
6	FRAME	1		(ORDER RE41875 OR TY6701)
7	21H1280	SCREW	4		3/8" X 3/4"
8	R11011	WASHER	2		
9	R68625	WASHER	2		(SUB FOR 811912)
10	14H971	NUT	2		1/2"
11	R62669	CONNECTOR	1		
12	12H301	LOCK WASHER	1		1/2"
13	T18098	SCREW	2		
	R11250	RIVET	2		
14	AR11001	WIRING LEAD	1		
15	R61933	PIN	2		
16	AR75908	KIT	2		
17	T738T	HOLDER	2		
18	R11209	SPRING	2		
19	R11290	CARBON BRUSH HOLDER	2		
20	R42574	BRUSH	4		
21	37H78	SCREW	4		0.164" X 3/4"
22	R61932	BUSHING	1		
23	AR75905	FRAME	1		
24	15H566	PIPE PLUG	1		1/8"
25	R61934	WICK	1		
26	12H302	LOCK WASHER	4		1/4"
27	19H3005	CAP SCREW	4		1/4" X 1"
..	AR78538	STARTER	1		(SUB FOR AR55638 OR AR62267) (SUB RE41875 OR TY6701)
..	TY6701	STARTER	1		(REMANUFACTURED) (DELCO-REMY) (SUB FOR TY6618)

1H17

ELECTRICAL

RWP6295 -UN-01JAN94

SOLENOID SWITCH (12-VOLT) (DELCO-REMY NO. 1113391)



RWP6295

KEY	PART NO.	PART NAME	QTY	ENGINE SERIAL NO.	REMARKS
1	CASE	1		(ORDER AR77255)
2	R11197	STUD	2		(SUB FOR T18110)
3	R11293	STUD	1		
4	AR11051	CONTACT	1		
5	R11066	SPRING	1		
6	T18105	STUD	1		(SUB FOR R62667)
7	R40548	GASKET	1		
8	R62668	COVER	1		
9	T18107	WASHER	2		
10	24M7096	WASHER	2		10.500 X 18 X 1.600 MM
11	14H732	NUT	4		3/8"
12	12H304	LOCK WASHER	2		3/8"
13	T18106	WASHER	2		
14	24H1283	WASHER	2		7/32" X 1/2" X 0.049"
15	14H631	NUT	4		0.190"
16	12H246	LOCK WASHER	2		0.190"
17	R11039	WASHER	2		
18	21H1298	SCREW	2		0.190" X 3/8"
..	AR77255	SWITCH	1		(A) (DELCO-REMY NO. 1115530)

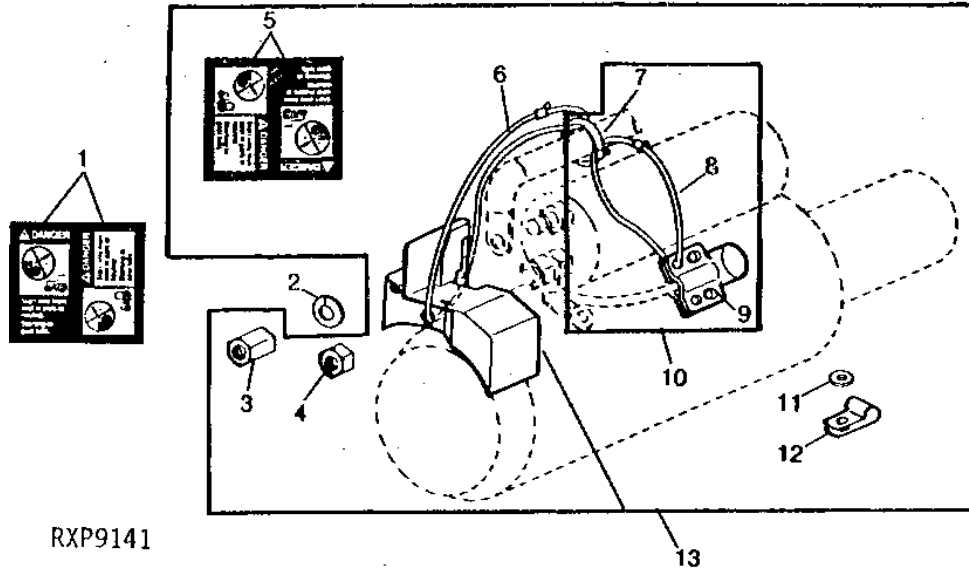
(A) USE WITH AR78538

1H18

ELECTRICAL

RXP9141 -UN-01JAN94

STARTER SOLENOID COVER KIT (JOHN DEERE)



KEY	PART NO.	PART NAME	QTY	TRACTOR SERIAL NO.	REMARKS
1	T146106	WARNING LABEL	1		(SUB FOR T84410 OR T134452) (ESPANOL)
	T146104	WARNING LABEL	1		(SUB FOR T84411 OR T134453) (FRANCAIS)
	T146515	WARNING LABEL	1		(SUB FOR T84412 OR T134454) (DEUTSCH)
	T146516	WARNING LABEL	1		(SUB FOR T84413 OR T134455) (ITALIANO)
	T146517	WARNING LABEL	1		(SUB FOR T84578 OR T134456) (ENGLISH/FRANCAIS)
2	12H246	LOCK WASHER	1		0.190"
3	R100380	NUT	1		
4	14H732	NUT	1		3/8"
5	T146102	WARNING LABEL	1		(SUB FOR T84409 OR T134459) (ENGLISH)
6	R76477	TIE BAND	1		
7	R44302	TIE BAND	1		
8	R76477	TIE BAND	1		
9	R66117	SCREW	2		
10	RE39063	SHIELD	1		(A)
11	24H1289	WASHER	1		
12	R46414	CLAMP	1		
13	RE39064	SHIELD	1		(A)

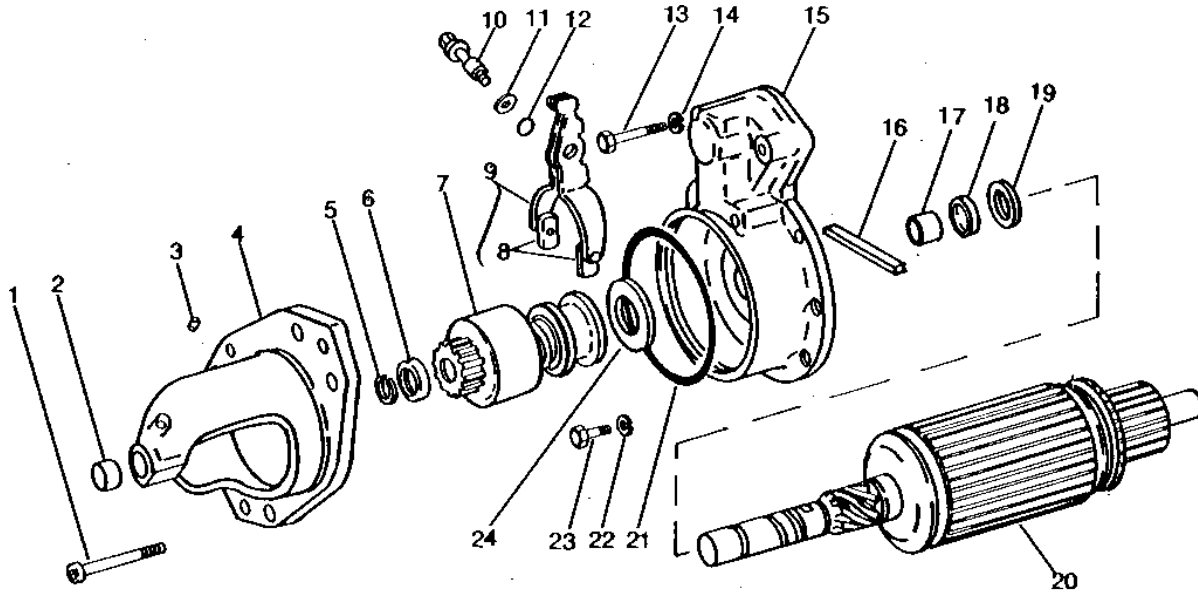
(A) USE WITH AR77254, RE13722, RE41875, TY6617 OR TY6713

1H19

ELECTRICAL

STARTER DRIVE HOUSING AND ARMATURE (12 VOLT) (JOHN DEERE) (RE41875)

RGP1947 -UN-01JAN94



RGP1947

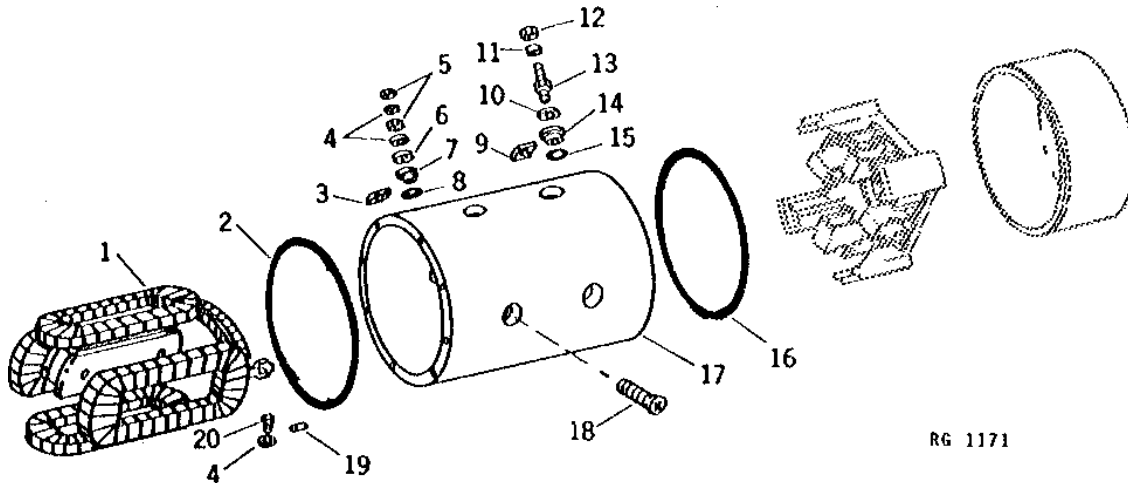
KEY	PART NO.	PART NAME	QTY	ENGINE SERIAL NO.	REMARKS
1	R50900	SCREW	6		
2	R50891	BUSHING	1		
3	R50892	PLUG	1		
4	AR54990	HOUSING	1		
5	R50902	SNAP RING	1		
6	R50903	STOP	1		
7	AR54992	DRIVE	1		
8	R51667	WEAR PLATE	2		
9	R50904	LEVER	1		(STARTER SERIAL NO. 11L0233 AND BELOW)
	AR67827	ARM	1		(STARTER SERIAL NO. 11L0234 AND ABOVE)
10	R50897	SHAFT	1		
11	24H1289	WASHER	1		(USE WITH RE13722, RE41875 OR TY6713)
12	R52387	O-RING	1		
13	R50893	SCREW	2		
14	12H302	LOCK WASHER	2		1/4"
15	AR54993	HOUSING	1		(STARTER SERIAL NO. 11L0233 AND BELOW)
	AR68430	HOUSING	1		(STARTER SERIAL NO. 11L0234 AND ABOVE)
16	R51666	WICK	1		
17	R51665	BUSHING	1		
18	AR55947	SEAL	1		
19	R50906	THRUST WASHER	1		
20	AR66778	ARMATURE	1		
21	R50901	WASHER	1		
22	12H317	LOCK WASHER	2		9/16"
23	R51661	SCREW	2		
24	R50905	WEAR RING	1		
..	RE41875	STARTER	1		(SUB FOR AR77254, AR78538 OR RE13722) (NIPPONDENSO NO.028000-3293)
..	TY6713	STARTER	1		(SUB FOR TY6618) (REMANUFACTURED)

1H20

ELECTRICAL

STARTER MAIN FRAME AND COIL (12 VOLT) (JOHN DEERE) (RE41875)

RG1171 -UN-01JAN94



RG 1171

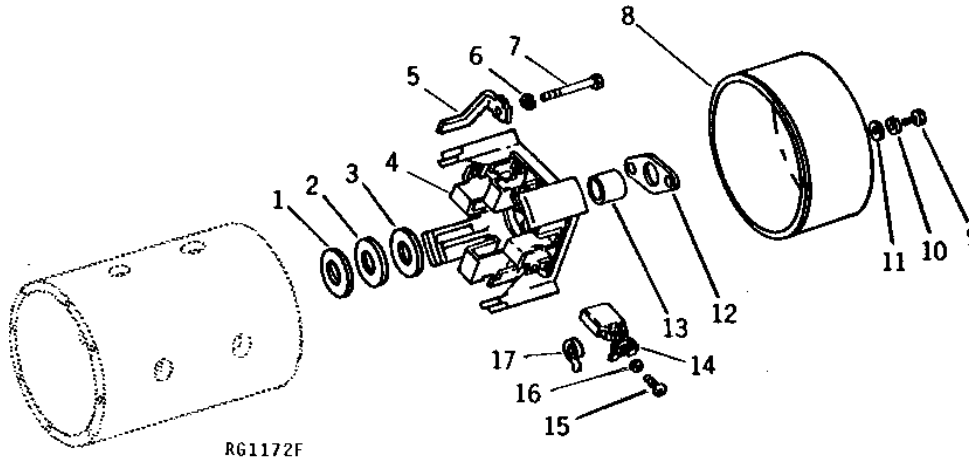
KEY	PART NO.	PART NAME	QTY	STARTER SERIAL NO.	REMARKS
1	AR54996	FIELD WINDING COIL	1	-8U0001	
	RE13731	FIELD WINDING COIL	1	9U0001-	
2	R50913	O-RING	1		
3	R50916	WASHER	1		
4	12H246	LOCK WASHER	3	0.190"	
5	R50907	NUT	2		
6	24H1283	WASHER	1	7/32" X 1/2" X 0.049"	
7	R50914	WASHER	1		
8	R50915	O-RING	1		
9	R50920	BUSHING	1		
10	R50917	WASHER	1		
11	R50899	LOCK WASHER	1		
12	R50909	NUT	1		
13	R56802	STUD	1	(SUB FOR R52386)	
14	R50918	WASHER	1		
15	R50919	O-RING	1		
16	R50922	O-RING	1		
17	FRAME	1	(ORDER RE41785 OR TY6713)	
18	R50921	SCREW	8		
19	R51664	DOWEL PIN	1	(SUB FOR R51663)	
20	R50931	SCREW	1	(SUB FOR AR77254, AR78538 OR RE13722)	
..	RE41875	STARTER	1	(NIPPONDENSO NO. 02800-3293)	
..	TY6713	STARTER	1	(SUB FOR TY6617) (REMANUFACTURED)	

1H21

ELECTRICAL

STARTER COMMUTATOR END FRAME (12-VOLT) (JOHN DEERE) (RE41875)

RG1172 -UN-01JAN94



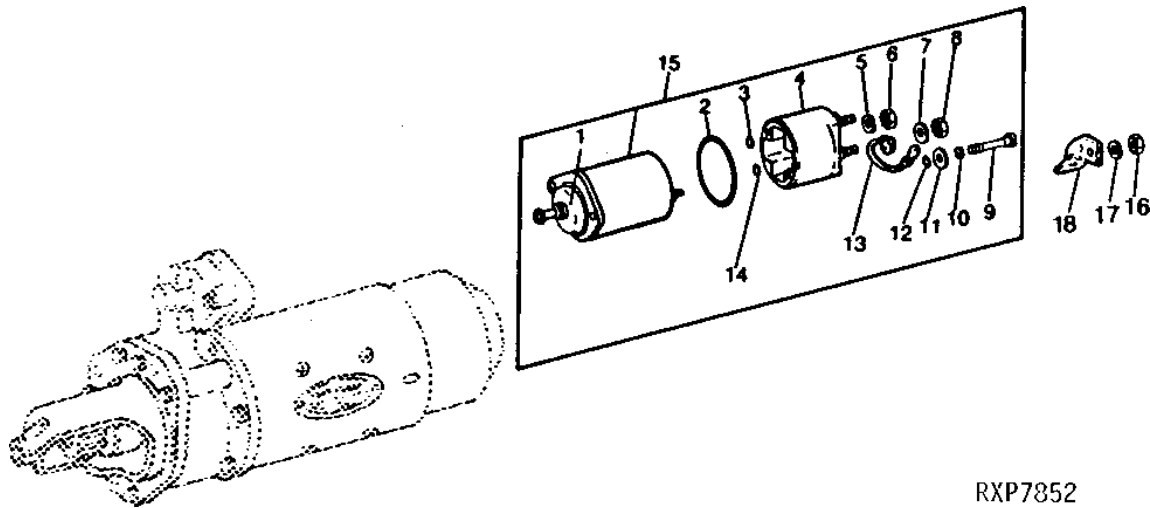
KEY	PART NO.	PART NAME	QTY	ENGINE SERIAL NO.	REMARKS
1	R50923	SHIM	AR		0.18 MM (.007") (USE WITH AR66778) (TYPE 1)
2	R50924	SHIM	AR		0.48 MM (.009") (USE WITH AR66778) (TYPE 1)
3	R50925	THRUST WASHER	1		
4	AR54997	FRAME	1		
5	R51660	BRACKET	2		
6	12H317	LOCK WASHER	2	9/16"	
7	R51659	SCREW	2		
8	R50912	COVER	1		
9	R50931	SCREW	2		
10	12H246	LOCK WASHER	6	0.190"	
11	24H1283	WASHER	2	7/32" X 1/2" X 0.049"	
12	R50930	GASKET	1		
13	R50891	BUSHING	1		
14	R50927	CARBON BRUSH CONDUCTOR	4		
15	R50929	SCREW	4		
16	12H246	LOCK WASHER	4	0.190"	
17	R50928	SPRING	4		
..	RE41875	STARTER	1		(SUB AR77254, AR78538 OR RE13722) (NIPPONDENSO NO. 028000-3293)
..	TY6713	STARTER	1		(SUB FOR TY6617) (REMANUFACTURED)

1H22

ELECTRICAL

STARTER SOLENOID SWITCH
(12-VOLT) (JOHN DEERE)
(STARTING MOTOR DATE CODE -8S2760)

RXP7852 -UN-18OCT94



RXP7852

KEY	PART NO.	PART NAME	QTY	ENGINE SERIAL NO.	REMARKS
1	R52385	BOOT	1		
2	R51668	WASHER	1		
3	R56793	SHIM	1		
4	RE13733	SWITCH	1		(SUB FOR AR55948, AR71256 OR AR90071)
5	12H303	LOCK WASHER	1		5/16"
6	R51671	NUT	1		
7	12H246	LOCK WASHER	2		0.190"
8	14H631	NUT	2		0.190"
9	R51669	SCREW	2		
10	12H302	LOCK WASHER	2		1/4"
11	24H1305	WASHER	2		13/32" X 13/16" X 0.065"
12	R50894	O-RING	1		
13	AR55949	WIRING LEAD	1		(SUB RE15058)
14	R56792	WASHER	1		
15	RE13732	SOLENOID	1		(A) (SUB FOR AR54991 OR AR90070) (ALSO ORDER RE39064)
16	14H732	NUT	3		3/8"
17	R50899	LOCK WASHER	3		
18	R50910	CONNECTOR	1		

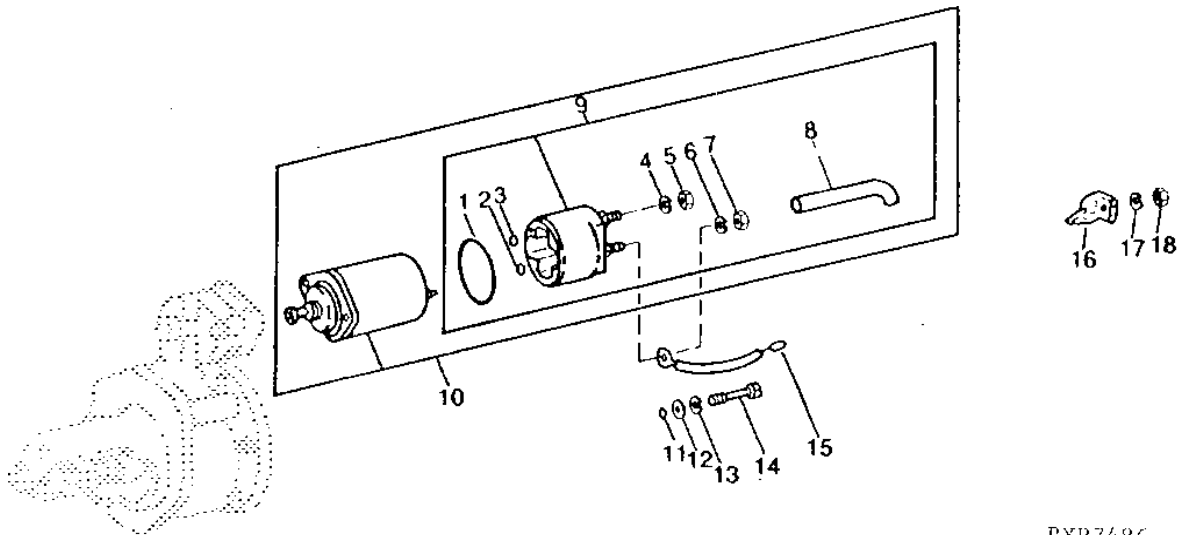
(C) USE WITH AR77254,RE13722 OR RE41875

1H23

ELECTRICAL

**STARTER SOLENOID SWITCH
(12-VOLT) (JOHN DEERE)
(STARTING MOTOR DATE CODE 8S2761-)**

RXP7486 -UN-01JAN94



RXP7486

KEY	PART NO.	PART NAME	QTY	ENGINE SERIAL NO.	REMARKS
1	R68224	GASKET	1		
2	R56792	WASHER	1		
3	R56793	SHIM	1		
4	12H303	LOCK WASHER	1	5/16"	
5	R51671	NUT	1		
6	12H246	LOCK WASHER	1	0.190"	
7	14H631	NUT	2	0.190"	
8	R68222	HOSE	1		
9	RE13733	SWITCH	1		(NIPPONDENSO NO. 028099-3600) (SUB FOR AR90071)
10	RE13732	SOLENOID	1		(A) (SUB FOR AR90070) (ALSO ORDER RE39064) (NIPPONDENSO NO.028099-3610)
11	R50894	O-RING	2		
12	24H1305	WASHER	2	13/32" X 13/16" X 0.065"	
13	12H302	LOCK WASHER	2	1/4"	
14	R51669	SCREW	2		
15	RE15058	WIRE	1		(SUB FOR AR55949)
16	R50910	CONNECTOR	1		
17	R50899	LOCK WASHER	2		
18	14H732	NUT	2	3/8"	

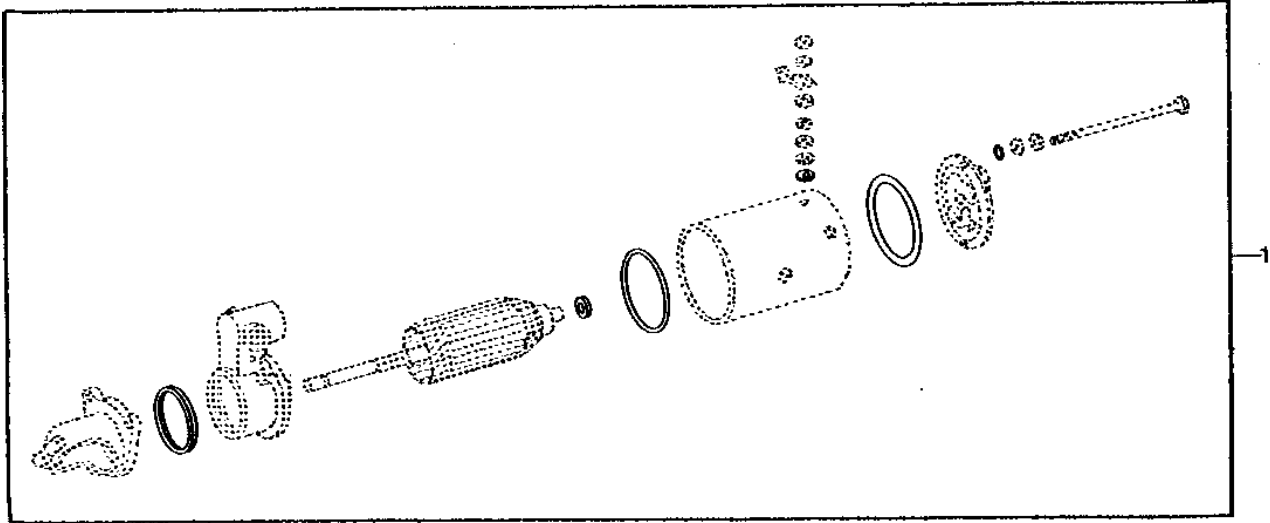
(A) USE WITH AR77254,RE13722 OR RE41875

1H24

ELECTRICAL

STARTING MOTOR SEALING KIT (12-VOLT AND 24-VOLT)

RP1234 -UN-01JAN94

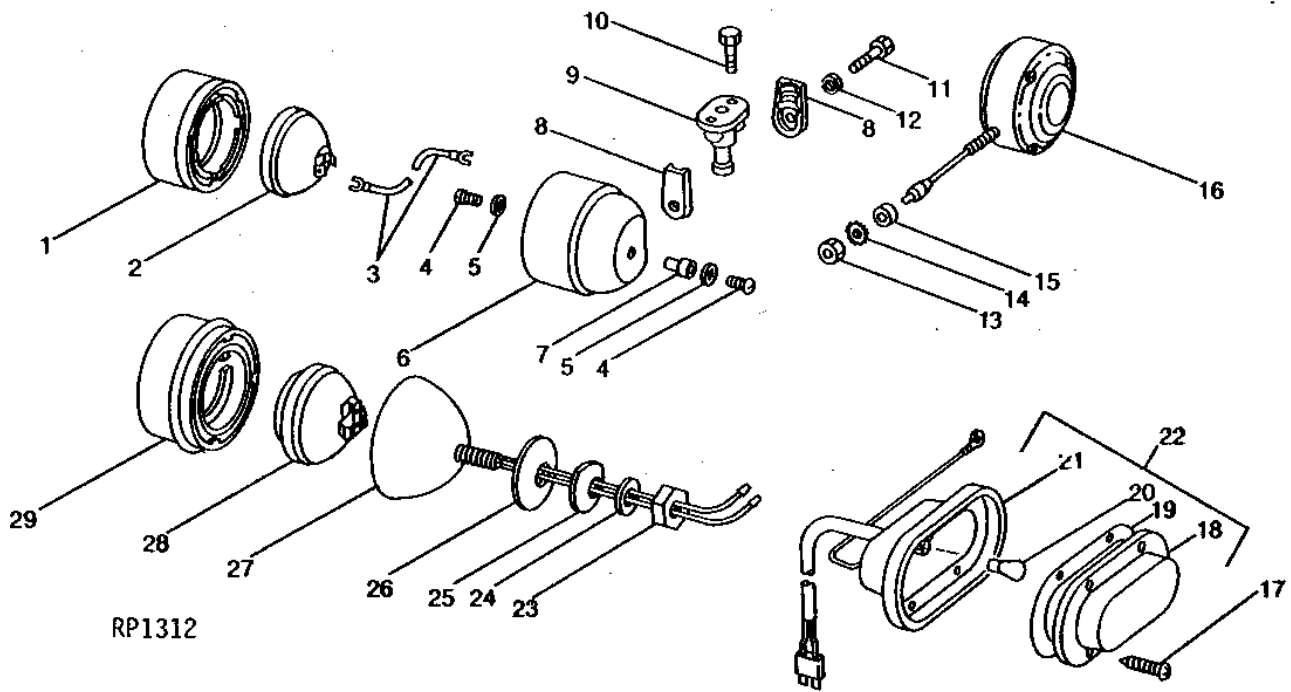


RP1234

KEY	PART NO.	PART NAME	QTY	ENGINE SERIAL NO.	REMARKS
1	AR100161	SEAL KIT	1		(SUB FOR AR40174 OR AR85407)

CAB FRONT AND REAR LAMPS, TAIL LAMP AND WARNING LAMPS
(HINSON)
(TRACTOR SERIAL NO. -002699)

RP1312 -UN-01JAN94



112

ELECTRICAL

CAB FRONT AND REAR LAMPS, TAIL LAMP AND WARNING LAMPS - CONTINUED
(HINSON)
(TRACTOR SERIAL NO. -002699)

KEY	PART NO.	PART NAME	QTY	TRACTOR SERIAL NO.	REMARKS
1	R42689	BEZEL	1		(HOBBS)
2	AR42591	HEADLIGHT	1		(12-VOLT) (FRONT AND REAR UPPER) (USE WITH AR42119) (4422)
	AR104119	HEADLIGHT	1		(12-VOLT) (FRONT AND REAR UPPER) (HALOGEN) (USE WITH RE19075) (H7606)
3	WIRING LEAD	1		165MM (6-1/2") (MAKE FROM R66319 AND (2) R32016)
4	21H1293	SCREW	2		0.164" X 5/16"
5	12M7084	LOCK WASHER	2		0.169"
6	AR42119	LAMP	1		(12-VOLT) (SUB RE19075, THIS APPLICATION)
7	R30181	PLATE	1		(HOBBS)
8	R27460	CLAMP	2		
9	R43662	BRACKET	1		
10	37H106	SCREW	2		3/8" X 5/8"
11	19H2644	CAP SCREW	1		1/2" X 2-1/2"
12	12H301	LOCK WASHER	1		1/2"
13	14H856	NUT	1		1/2"
14	12H292	LOCK WASHER	1		1/2"
15	R38371	WASHER	1		
16	AR38456	LAMP	1	-001816	
	AR54975	LAMP	1	001817-	
	AD2062R	BULB	1		32 C.P. (12-16 VOLT)
	R42666	LENS	1		(AMBER)
	R42667	LENS	1		(RED)
17	37H2	SCREW	4		0.164" X 5/8"
18	R45936	LENS	1		
19	R45937	GASKET	1		
20	AR48041	BULB	1		
21	TAIL LAMP	1		(ORDER AR78825)
22	AR78825	TAIL LAMP	1		NUT AND WASHER, (SUB FOR AR45099)
23	14H1040	NUT	1		1/2"
24	12H301	LOCK WASHER	1		1/2"
25	F2935R	WASHER	1		
26	R48663	WASHER	1		
27	AR51335	LAMP	1	-001816	(NLA)
	AR54891	LAMP	1	001817-	
	AR54892	WIRING HARNESS	1	001817-	
	R21551	CLIP	3	001817-	
28	RE25125	DUAL BEAM LAMP	1		(12-VOLT) (HALOGEN) (SUB FOR AR48723)
29	R48293	BEZEL	1	-001816	
	R31250	BEZEL	1	001817-	

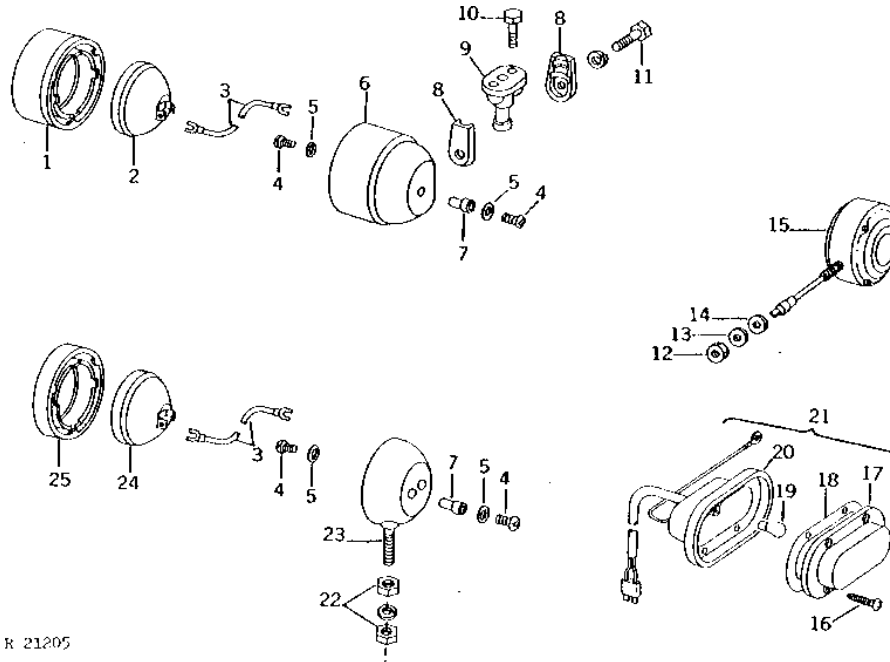
MEMORANDA

113

ELECTRICAL

**CAB FRONT AND REAR LAMPS, TAIL LAMP AND WARNING LAMPS
(HINSON)
(TRACTOR SERIAL NO. 002700-)**

R21205 -UN-01JAN94



R 21205

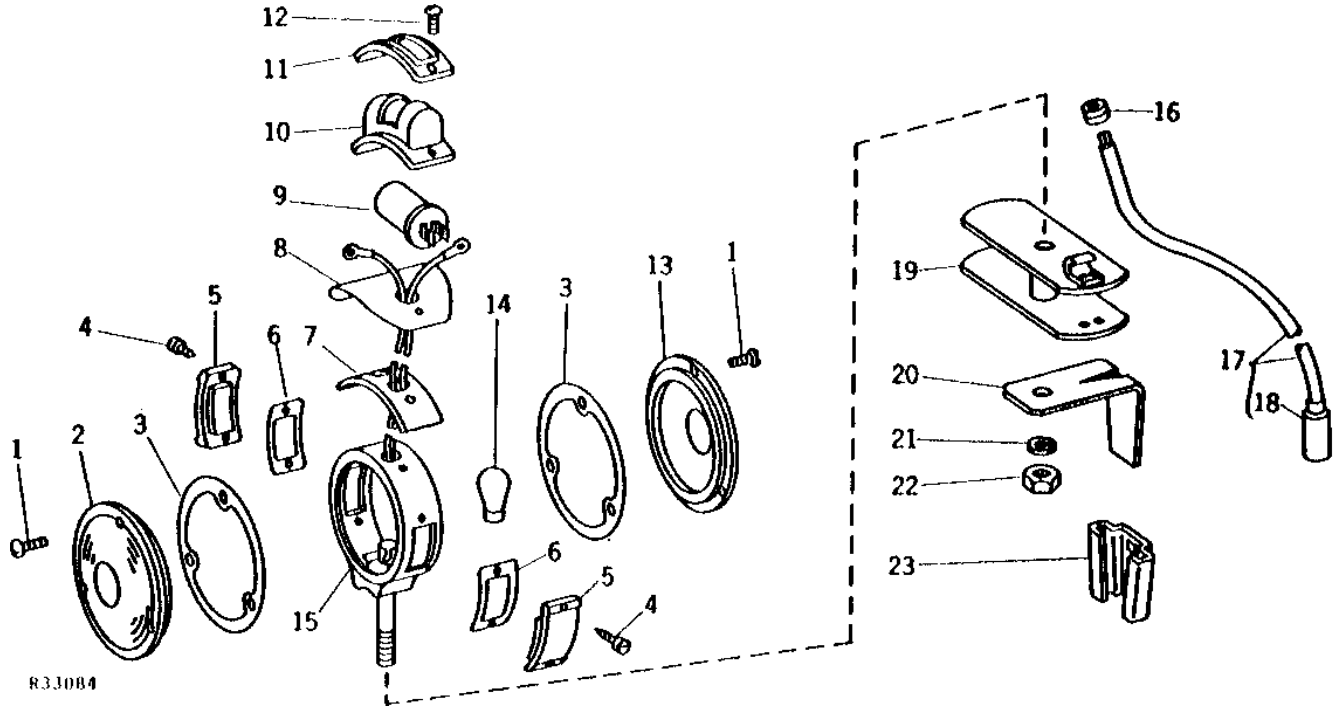
KEY	PART NO.	PART NAME	QTY	TRACTOR SERIAL NO.	REMARKS
1	R42689	BEZEL	1	(HOBBS)	
2	AR42591	HEADLIGHT	1	(12-VOLT) (FRONT AND REAR UPPER) (USE WITH AR42119)	
	AR104119	HEADLIGHT	1	(12-VOLT) (FRONT AND REAR UPPER) (HALOGEN) (USE WITH RE19075)	
3	WIRING LEAD	1	165MM (6-1/2") (MAKE FROM R66319 AND (2) R32016)	
4	21H1293	SCREW	2	0.164" X 5/16"	
5	12M7084	LOCK WASHER	2	0.169"	
6	AR42119	LAMP	1	(12-VOLT) (FRONT AND REAR) (SUB RE19075, THIS APPLICATION) (HOBBS)	
7	R30181	PLATE	1		
8	R27460	CLAMP	2		
9	R43662	BRACKET	1		
10	37H106	SCREW	2	3/8" X 5/8"	
11	19H2644	CAP SCREW	1	1/2" X 2-1/2"	
	12H301	LOCK WASHER	1	1/2"	
12	14H856	NUT	1	1/2"	
13	12H292	LOCK WASHER	1	1/2"	
14	R38371	WASHER	1		
15	AR54975	LAMP	1		
	AD2062R	BULB	1	32 C.P. (12-16 VOLT)	
	R42666	LENS	1	(AMBER)	
	R42667	LENS	1	(RED)	
16	37H2	SCREW	4	0.164" X 5/8"	
17	R45936	LENS	1		
18	R45937	GASKET	1		
19	AR48041	BULB	1		
20	TAIL LAMP	1	(ORDER AR78825)	
21	AR78825	TAIL LAMP	1	WITH NUT AND WASHER, (SUB FOR AR45099)	
22	14H1040	NUT	2	1/2"	
	12H301	LOCK WASHER	2	1/2"	
23	AR54891	LAMP	1	(NLA)	
24	RE25125	DUAL BEAM LAMP	1	(12-VOLT) (HALOGEN) (SUB FOR AR48723)	
25	R31250	BEZEL	1		

114

ELECTRICAL

R33084 -UN-01JAN94

FLASHING WARNING LAMP FOR IMPLEMENT



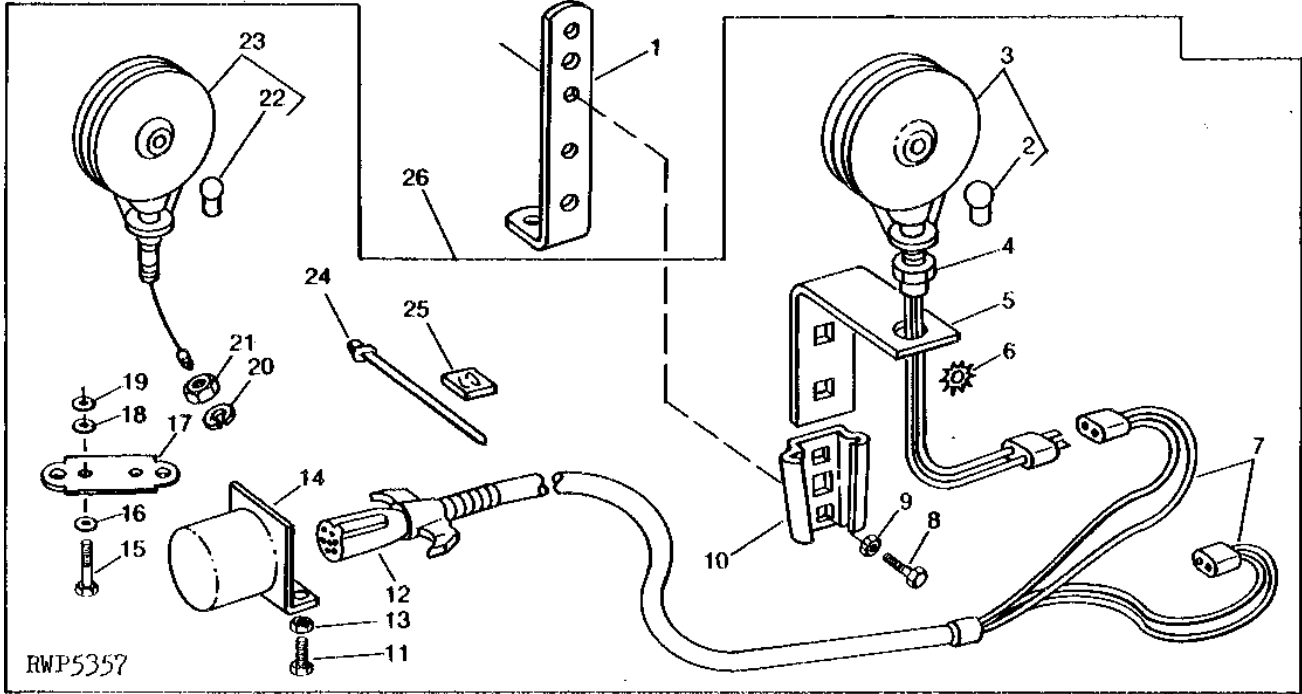
KEY	PART NO.	PART NAME	QTY	TRACTOR SERIAL NO.	REMARKS
1	21H1290	SCREW	6		0.138" X 1/2"
2	A5275R	LENS	1		(AMBER)
	A5276R	LENS	1		(RED)
3	GASKET	2		(NO LONGER AVAILABLE)
4	37H46	SCREW	4		NO. 6 X 3/8"
5	A5278R	LENS	2		
6	A5279R	GASKET	2		
7	R41327	GASKET	1		
8	R41328	HOOD	1		(NO LONGER AVAILABLE)
9	AR21858	FLASHER	1		(12-VOLT)
10	R41325	COVER	1		
11	R41326	BEZEL	1		(NO LONGER AVAILABLE)
12	37H95	SCREW	2		NO. 8 X 1/2"
13	A5275R	LENS	1		(AMBER)
14	AA6218R	BULB	1		21 C.P. (12-14 VOLT)
15	LAMP	1		(NO LONGER AVAILABLE)
16	R2579R	GROMMET	1		
17	AR40710	PLUG	1		(FI)
18	AA5692R	ELECTRICAL PLUG	1		(NLA)
19	AA6217R	REEL	1		
20	R63180	BRACKET	1		(SUB FOR A5273R)
21	12H293	LOCK WASHER	1		7/16"
22	14H1047	NUT	1		7/16"
23	JD126	SOCKET	1		

115

ELECTRICAL

RWP5357 -UN-01JAN94

FLASHING WARNING LAMP KIT



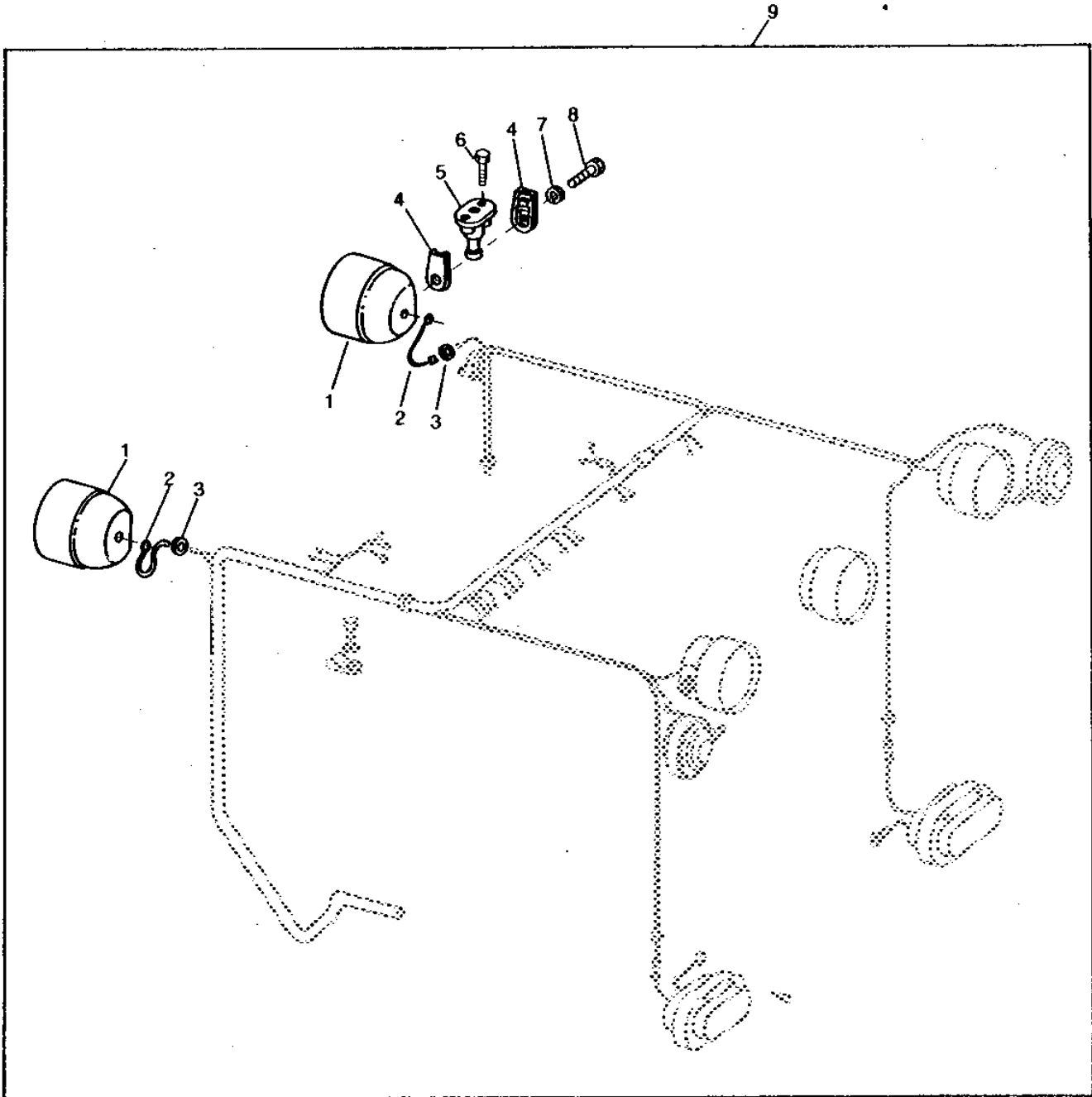
KEY	PART NO.	PART NAME	QTY	TRACTOR SERIAL NO.	REMARKS
1	A39716	BRACKET	2		
2	AD2062R	BULB	2		
3	AA34967	LAMP	2		
	A48331	LENS	2		
4	12H301	LOCK WASHER	2	1/2"	
	14H856	NUT	2	1/2"	
5	PT18180	BRACKET	2		(SUB FOR PT1624 OR PT9319)
6	PT9390	WASHER	1		
7	PT9318	WIRING HARNESS	1		(SUB FOR PT1294)
8	37H57	SCREW	5	5/16" X 3/4"	
9	14H785	NUT	5	5/16"	
10	JD126	SOCKET	2		
11	37H3	SCREW	2	1/4" X 5/8"	
12	AH93625	PLUG	1		
13	14H786	NUT	2	1/4"	
14	PT1296	BRACKET	1		
15	37H57	SCREW	5	5/16" X 3/4"	
16	24H1822	WASHER	1	11/32" X 7/8" X 1/16"	
17	PT9320	BRACKET	1		
18	24H1822	WASHER	1	11/32" X 7/8" X 1/16"	
19	14H788	NUT	5	3/8"	
20	12H301	LOCK WASHER	1	1/2"	
21	14H856	NUT	1	1/2"	
22	AR48041	BULB	1		
23	AA34968	TAIL LAMP	1		
	A48332	LENS	1		
24	R44302	TIE BAND	AR		
25	AT55441	BASE	AR		(SUB FOR PT1297 OR PT9321)
26	TY16055	WARNING LIGHT KIT	1		(SUB FOR TY9305 OR TY15263) (FI)
..	AA32178	WIRING LEAD	1		ACCESSORY

116

ELECTRICAL

RWP4369 -UN-01JAN94

FLOOD LAMP KIT (UPPER FRONT)



RWP4369

117

ELECTRICAL

FLOOD LAMP KIT - CONTINUED
(UPPER FRONT)

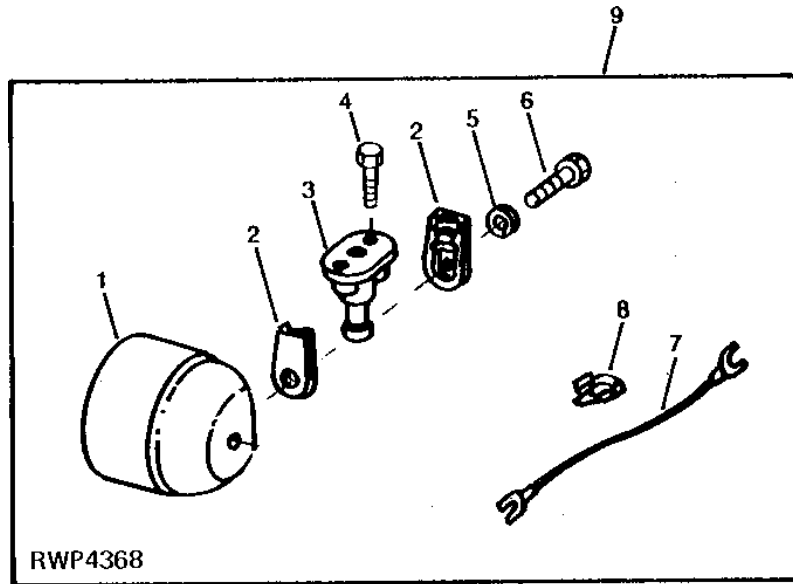
KEY	PART NO.	PART NAME	QTY	TRACTOR SERIAL NO.	REMARKS
1	RE19075	LAMP	2		
	AR104119	HEADLIGHT	2		(HALOGEN)
2	WIRING LEAD	2		191MM (7-1/2") (MAKE FROM R32018, R66319, R32027 AND R32025)
3	R2579R	GROMMET	2		
4	R27460	CLAMP	4		
5	R43662	BRACKET	2		
6	37H106	SCREW	4		
7	12H301	LOCK WASHER	2		1/2"
8	19H2644	CAP SCREW	2		1/2" X 2-1/2"
9	AR51968	KIT	1		

118

ELECTRICAL

RWP4368 -UN-01JAN94

FLOOD LAMP KIT (REAR CENTER)



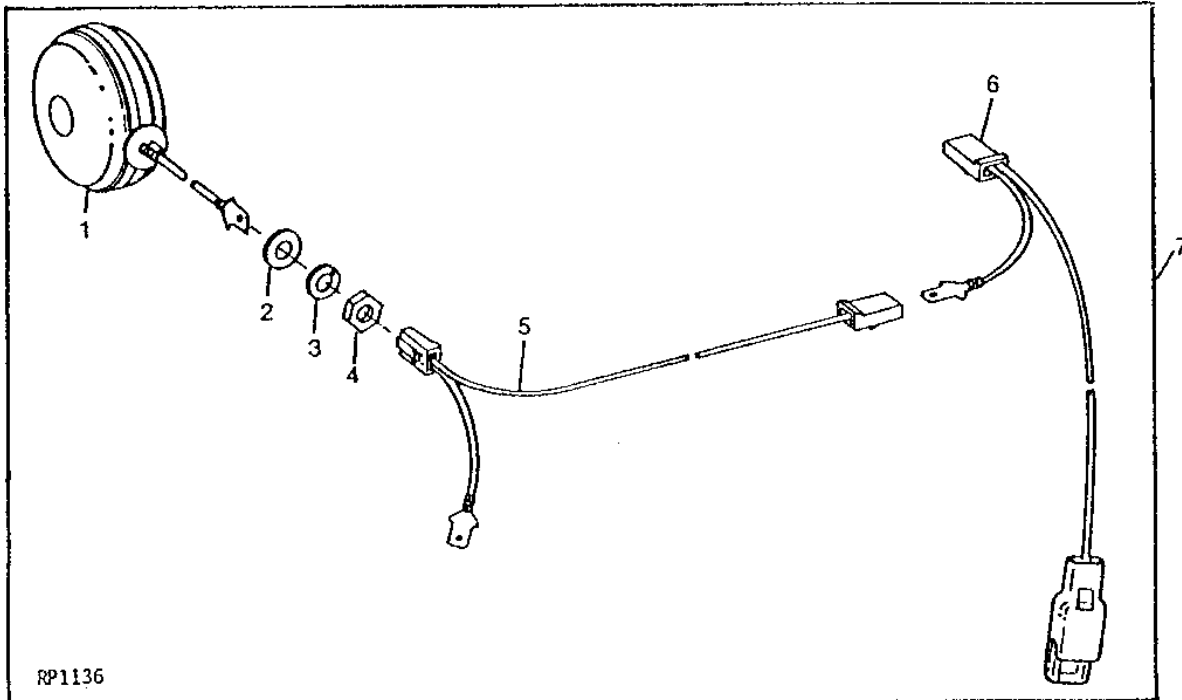
KEY	PART NO.	PART NAME	QTY	TRACTOR SERIAL NO.	REMARKS
1	RE19075	LAMP	1		(12-VOLT)
	AR104119	HEADLIGHT	1		(HALOGEN)
2	R27460	CLAMP	2		
3	R43662	BRACKET	1		
4	37H106	SCREW	2		
5	12H301	LOCK WASHER	1		1/2"
6	19H2644	CAP SCREW	2		1/2" X 2-1/2"
7	WIRING LEAD	1		689MM (27") (MAKE FROM (2) AR32016 AND R66319)
8	R21551	CLIP	2		
9	AR52604	KIT	1		

119

ELECTRICAL

TURN SIGNAL LAMPS
(TRACTOR SERIAL NO. -001816)

RP1136 -UN-01JAN94



RP1136

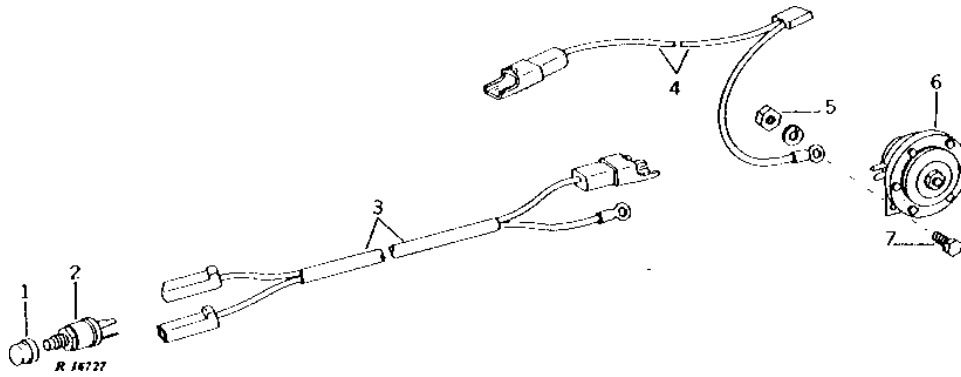
KEY	PART NO.	PART NAME	QTY	TRACTOR SERIAL NO.	REMARKS
1	AR54975	LAMP	2		
2	R38371	WASHER	2		
3	12H292	LOCK WASHER	2	1/2"	
4	14H856	NUT	2	1/2"	
5	AR54976	WIRING HARNESS	2		
6	AR67628	WIRING HARNESS	1		
7	AR68277	KIT	1		(ORDER COMPONENT PARTS) (NLA)

1110

ELECTRICAL

R16727 -UN-01JAN94

HORN



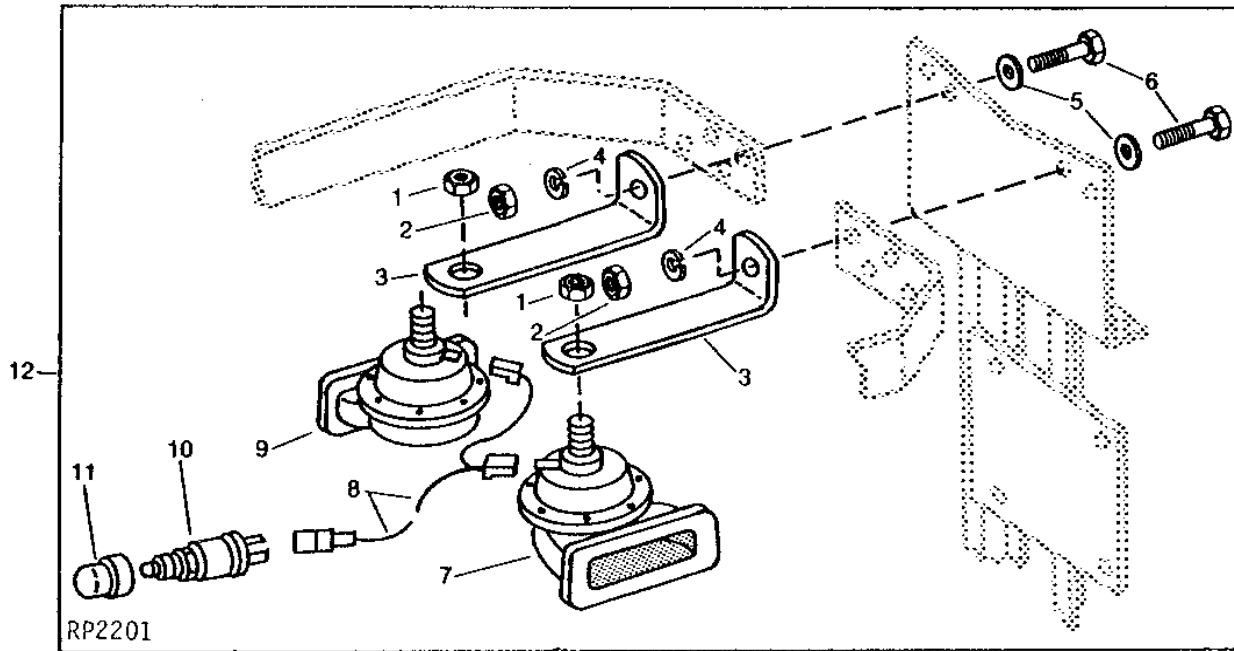
KEY	PART NO.	PART NAME	QTY	TRACTOR SERIAL NO.	REMARKS
1	T55501	CAP	1		(SUB FOR AR47374, THIS APPLICATION)
2	AR21823	SWITCH	1		
3	AR46730	WIRING HARNESS	1		
4	AR77702	WIRING HARNESS	1		(SUB FOR AR49038) (SUB FOR AR73580, THIS APPLICATION)
5	14H785	NUT	1		5/16"
	12H303	LOCK WASHER	1		5/16"
6	AL14896	HORN	1		(12-VOLT) (SUB FOR AR49036 OR AR73579)
7	19H1813	CAP SCREW	1		5/16" X 5/8"
..	AR49032	HORN	1		(SUB AR102454)

1111

ELECTRICAL

RP2201 -UN-01JAN94

DUAL HORN ASSEMBLY



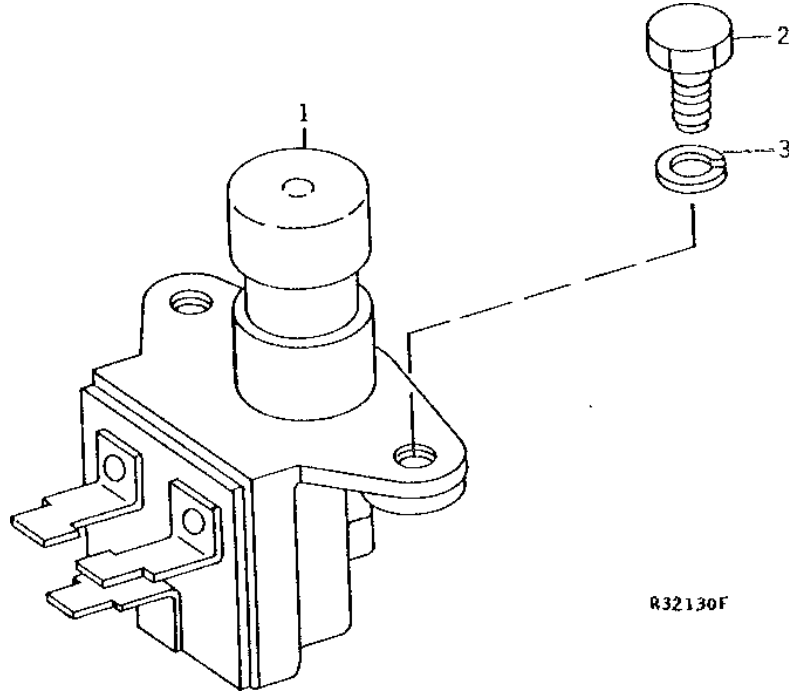
KEY	PART NO.	PART NAME	QTY	TRACTOR SERIAL NO.	REMARKS
1	R11278	NUT	2		
2	14H785	NUT	2	5/16"	
3	R64699	BRACKET	2	(ILLUSTRATED)	
	R66069	BRACKET	2		
4	12H303	LOCK WASHER	2	5/16"	
5	24H1136	WASHER	2	11/32" X 11/16" X 0.065"	
6	19H1849	CAP SCREW	2	5/16" X 1-1/4"	
7	R64700	LOW NOTE HORN	1	(12-VOLT) (LOW NOTE)	
8	AR85578	WIRING HARNESS	1		
9	AT39043	HIGH NOTE HORN	1	(12-VOLT) (HIGH NOTE)	
10	AR21823	SWITCH	1		
11	T55501	CAP	1		
12	AR102454	HORN	1	(ORDER INDIVIDUAL SERVICE PARTS) (NLA)	

1112

ELECTRICAL

R32130 -UN-01JAN94

DIMMER SWITCH



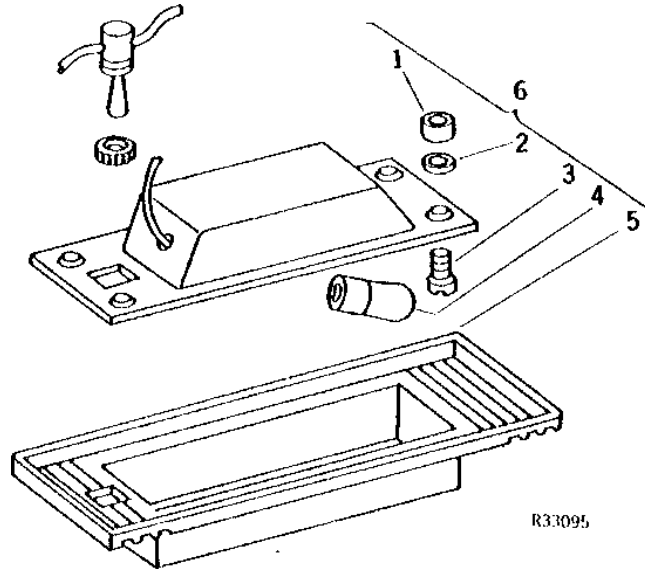
KEY	PART NO.	PART NAME	QTY	TRACTOR SERIAL NO.	REMARKS
1	AR48725	DIMMER SWITCH	1		
2	19H1919	CAP SCREW	2	1/4" X 5/8"	
3	12H302	LOCK WASHER	2	1/4"	

1113

ELECTRICAL

DOMELIGHT (HINSON CAB)

R33095 -UN-01JAN94



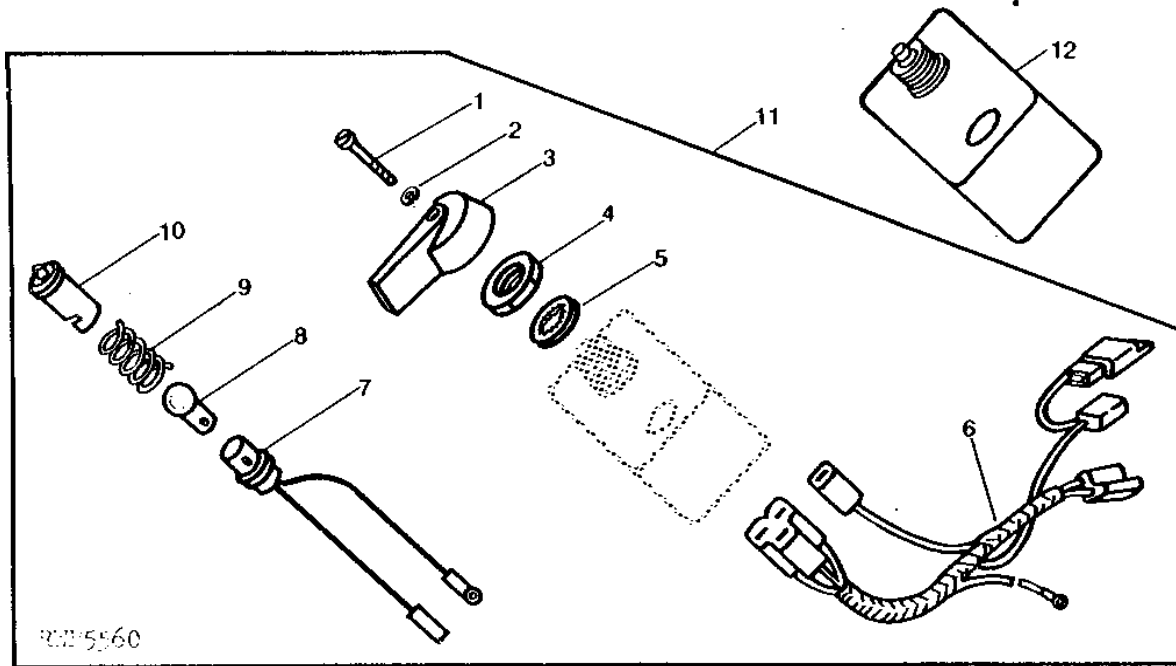
KEY	PART NO.	PART NAME	QTY	TRACTOR SERIAL NO.	REMARKS
1	14H1026	NUT	4	0.138"	
2	12H314	LOCK WASHER	4	0.138"	
3	21H1353	SCREW	4	0.138" X 3/4"	
4	AR86969	BULB	1	15 C.P.	
5	R47886	LENS	1		
6	AR50260	LAMP	1		
..	WIRING LEAD	1		203MM (8") DOME LIGHT GROUND, (ALSO ORDER R32025) (MAKE FROM R66319 AND R32018)
..	WIRING LEAD	1		165MM (6-1/2") DOME LIGHT POWER, (MAKE FROM R32027 AND T28583)

1114

ELECTRICAL

TURN SIGNAL CONTROL AND INDICATORS (TRACTOR SERIAL NO. 003159-)

RWP5560 -UN-01JAN94



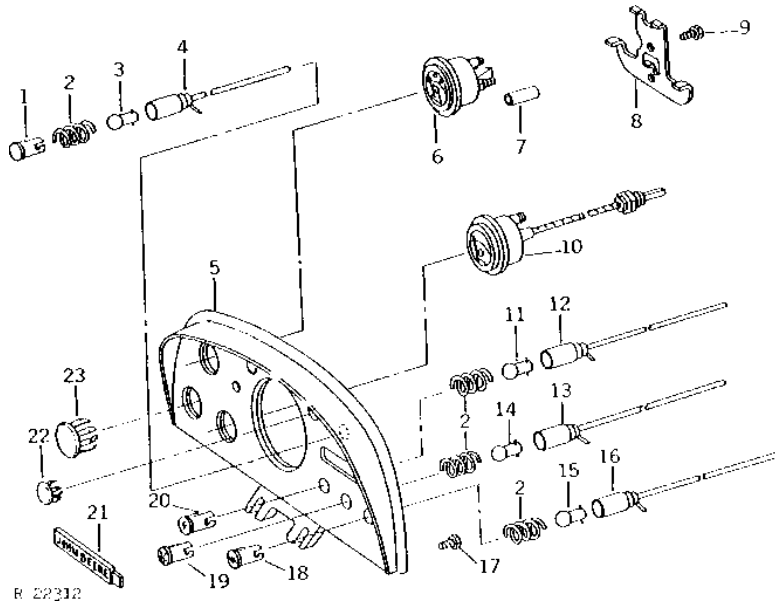
KEY	PART NO.	PART NAME	QTY	TRACTOR SERIAL NO.	REMARKS
1	21H1372	SCREW	1		1/8" X 3/8"
2	12H233	LOCK WASHER	1		1/8"
3	R56026	KNOB	1		
4	R56410	NUT	1		
5	12H327	LOCK WASHER	1		3/4"
6	AR67628	WIRING HARNESS	1	001817-003158	(FRONT L.H. WARNING LAMP)
7	AR74340	WIRING HARNESS	1		(TURN SIGNAL SWITCH) (SUB FOR AR67344)
8	R56409	BULB	2		2 C.P. (GREEN)
9	R30378	SPRING	2		
10	AR67690	LENS	2		
11	AR68276	HANDLE	1		
12	AR64422	TURN SIGNAL CONTROLLER	1		(SUB FOR AR67398)

1115

ELECTRICAL

R22312 -UN-01JAN94

INSTRUMENT PANEL, INSTRUMENTS, AND INDICATOR LAMPS



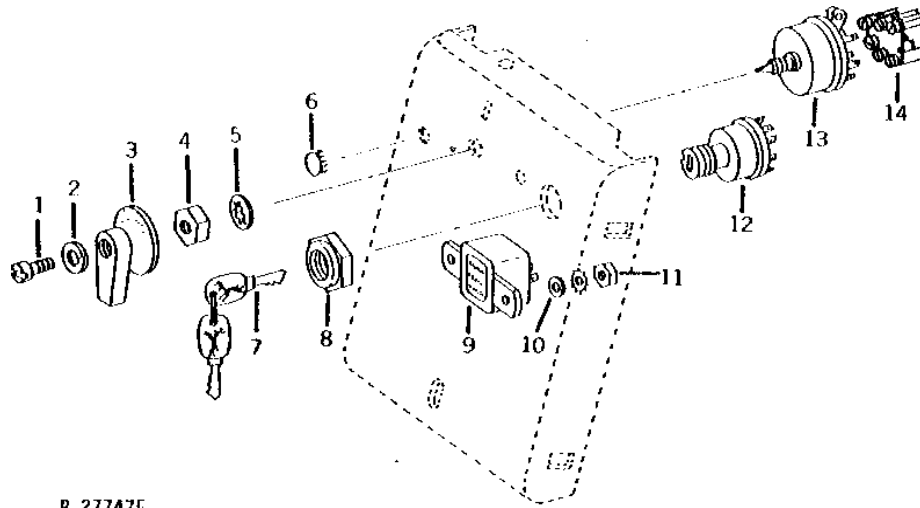
KEY	PART NO.	PART NAME	QTY	TRACTOR SERIAL NO.	REMARKS
1	AR47916	LENS	1		
2	R30378	SPRING	4		
3	AR50440	LAMP	1		
4	AR50508	INDICATOR LIGHT	1		HIGH-BEAM
5	AR51160	INSTRUMENT PANEL	1		
6	AR45436	GAUGE	1		
7	R46160	BUSHING	1		
8	R44198	CLAMP	1		
9	37H98	SCREW	2		NO. 10 X 7/8"
10	AR48640	TEMPERATURE GAUGE	1		
11	AR50439	LAMP	1		
12	AR48034	INDICATOR LIGHT	1		ALTERNATOR, (SUB AT48673, AR55694, AT44165 AND R30378)
13	AR48033	INDICATOR LIGHT	1		AIR CLEANER FILTER, (SUB AR45439, AR55694, AT44165 AND R30378)
14	AR50439	LAMP	1		(SUB FOR R30379)
15	AR55694	BULB	1		ENGINE OIL PRESSURE, (SUB AT48674, AT44165, AR55694 AND R30378)
16	AR48035	INDICATOR LIGHT	1		(SUB FOR AR45437)
17	37M7245	SCREW	2		NO. 10 X 3/8"
18	AT48674	LENS	1		(SUB FOR AR45437)
19	AR45439	LENS	1		
20	AT48673	LENS	1		(SUB FOR AR45438)
21	AR45440	IDENTIFICATION PLATE	1		
22	T16738	PLUG	2		
23	R34337	PLUG	1		(SUB M61266)
..	R49025	LABEL	1		INSTRUMENT PANEL

1116

ELECTRICAL

R27747 -UN-01JAN94

LIGHT AND START SWITCHES



R 27747F

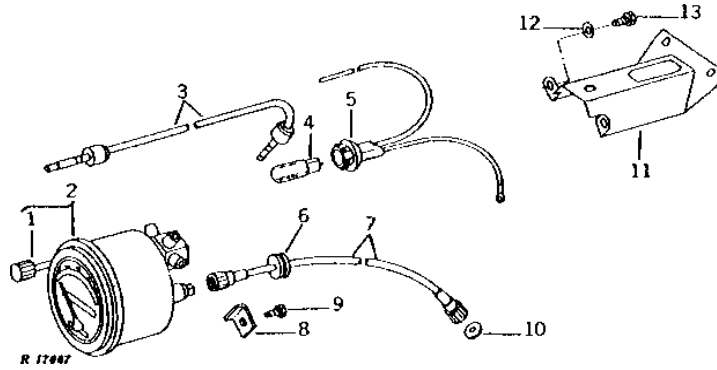
KEY	PART NO.	PART NAME	QTY	TRACTOR SERIAL NO.	REMARKS
1	21H1299	SCREW	1		0.164" X 3/8"
2	12H315	LOCK WASHER	1		0.164"
3	AR54445	KNOB	1		(SUB FOR R46092)
4	A4655R	NUT	1		
5	12H292	LOCK WASHER	1		1/2"
6	R28473	PLUG	1		
7	AR51481	KEY	1		
8	R44342	NUT	1		
9	AR48594	FLASHER	1	-003158	
10	24H1283	WASHER	2	-003158	7/32" X 1/2" X 0.049"
11	14H631	NUT	2	-003158	0.190"
	12M7060	WASHER	2	-003158	0.209"
12	AR58126	KEY SWITCH	1		START, (SUB FOR AR47458 OR AR53452)
	AR47459	CYLINDER	1		(USE WITH AR47458 OR AR53452)
13	AR48724	LIGHT SWITCH	1		LIGHT
14	AR83425	RECEPTACLE CONNECTOR BODY	1		

1117

ELECTRICAL

R17087 -UN-01JAN94

SPEED-HOUR METER



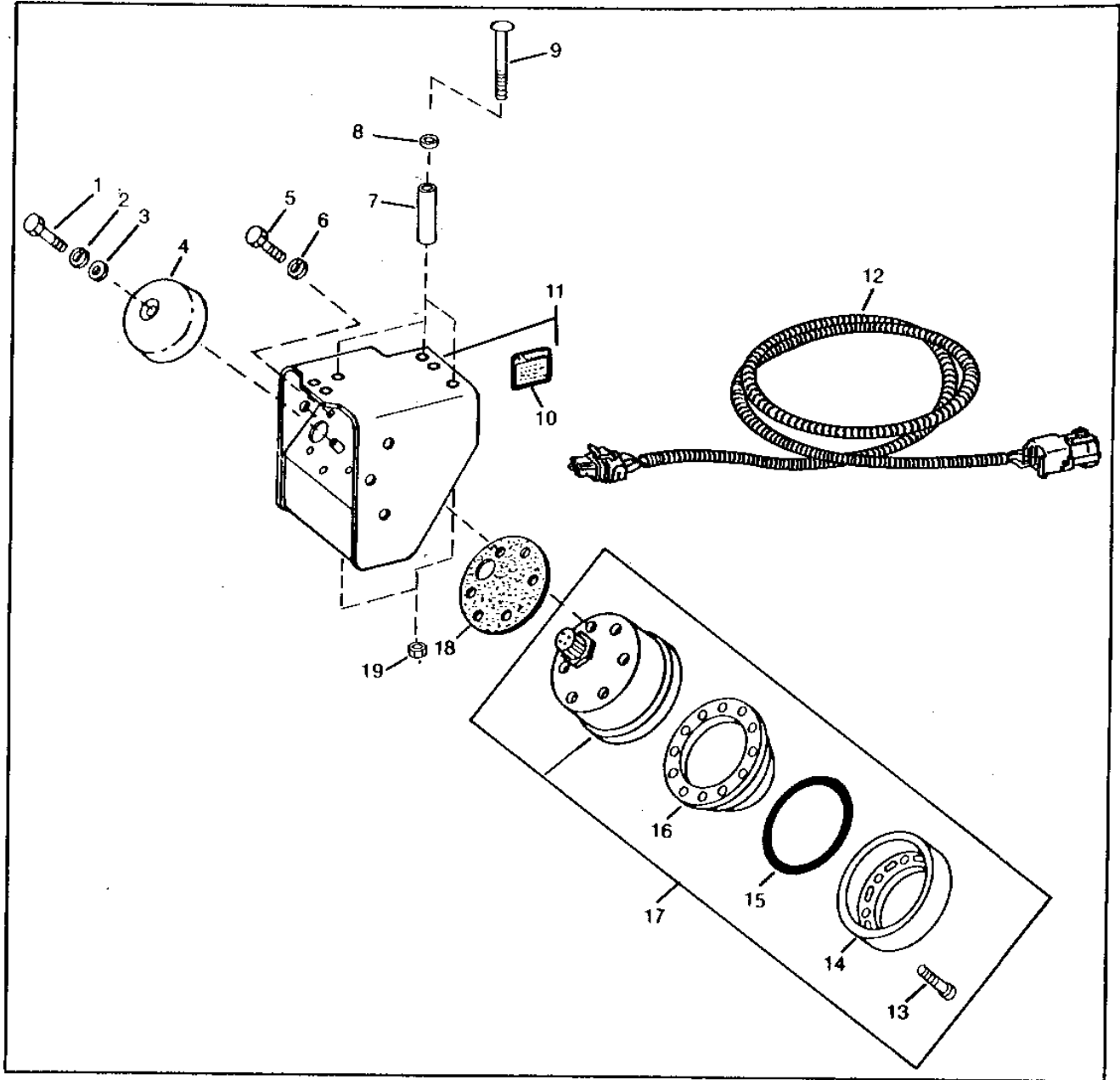
KEY	PART NO.	PART NAME	QTY	TRACTOR SERIAL NO.	REMARKS
1	AR40802	KNOB	1		
2	AR51765	TACHOMETER	1		
3	AR48016	WIRING LEAD	2		
4	AR48015	BULB	1		
5	AR50838	WIRING HARNESS	1		
6	R41440	GROMMET	1		
7	AR60876	CABLE	1	(SUB FOR AR26721)	
	AR28589	CABLE	1	(STEWART WARNER)	
	AR28588	CABLE	1	(SUB AR60876) (AC)	
8	R34206	CLAMP	2		
9	37M7245	SCREW	2	NO. 10 X 3/8"	
10	B3285R	WASHER	1		
11	R41706	SUPPORT	1		
12	24H1283	WASHER	2	7/32" X 1/2" X 0.049"	
13	37H121	SCREW	2	NO. 10 X 5/8"	

1118

ELECTRICAL

RXP9306 -UN-01JAN94

RADAR SENSOR



RXP9306

20

1119

ELECTRICAL

RADAR SENSOR - CONTINUED

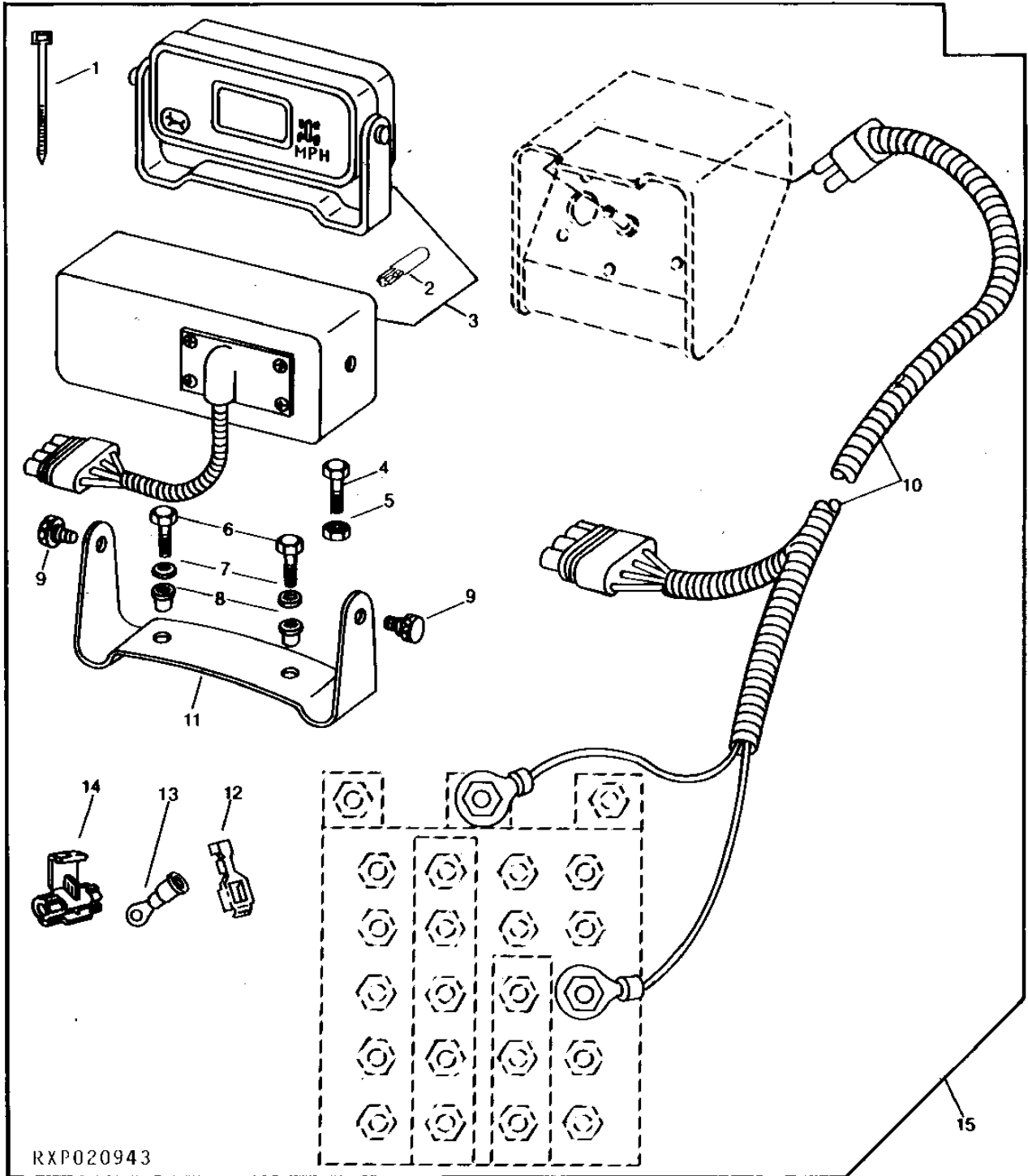
KEY	PART NO.	PART NAME	QTY	TRACTOR SERIAL NO.	REMARKS
1	19H1813	CAP SCREW	1	5/16" X 5/8"	
2	12H303	LOCK WASHER	1	5/16"	
3	24H1136	WASHER	1	11/32" X 11/16" X 0.065"	
4	R82355	SHIELD	1		
5	19H1813	CAP SCREW	6	5/16" X 5/8"	
6	12H303	LOCK WASHER	6	5/16"	
7	28H3343	BUSHING	3	0.546" X 0.840" X 5-3/8"	
8	24H1625	WASHER	2	17/32" X 1" X 0.120"	
9	03H2052	BOLT	3	1/2" X 6-1/2"	
10	R120107	LABEL	1	(ENGLISH)	
	R120106	LABEL	1	(FRENCH)	
	R105942	LABEL	1	(GERMAN)	
	R120108	LABEL	1	(SPANISH)	
	L65000	LABEL	1		
11	RE46317	BRACKET	1	(SUB FOR RE21096 OR RE38707)	
12	RE46414	WIRING HARNESS	1		
13	R82239	SCREW	12		
14	R82237	SNAP RING	1		
15	R82238	O-RING	1		
16	R82236	COVER	1		
17	RE43025	RADAR SENSOR	1	(SUB FOR RE21073)	
18	R82243	GASKET	1		
19	14H1040	NUT	3	1/2"	
20	AR111058	SENSOR	1	(SUB FOR RE21510 OR RW26466) (FI)	

1120

ELECTRICAL

PERFORMANCE TRAK II MINI-MONITOR (ANALOG TACHOMETER)

RXP020943 -UN-12OCT94



RXP020943

1121

ELECTRICAL

PERFORMANCE TRAK II MINI-MONITOR - CONTINUED
(ANALOG TACHOMETER)

KEY	PART NO.	PART NAME	QTY	TRACTOR SERIAL NO.	REMARKS
1	R44302	TIE BAND	AR		
2	RE22589	LAMP	1		
3	RE21112	MONITOR CONSOLE	1		
4	19H1978	CAP SCREW	3	7/16" X 1-1/2"	
	12H293	LOCK WASHER	3	7/16"	
5	14H1047	NUT	3	7/16"	
	14H786	NUT	2	1/4"	
6	19H1914	CAP SCREW	2	1/4" X 1"	
7	24H1287	WASHER	4	9/32" X 5/8" X 0.065"	
8	R82423	NUT	2	RUBBER	
9	R83055	WING SCREW	2		
10	RE21113	WIRING HARNESS	1	3500MM (138")	
11	R83109	BRACKET	1		
12	U46662	TERMINAL	1		
13	R77489	TERMINAL	1		
	R84158	TERMINAL	1		
14	AR67855	CONNECTOR	3		
15	RE21738	MONITOR CONSOLE	1	(FI)	

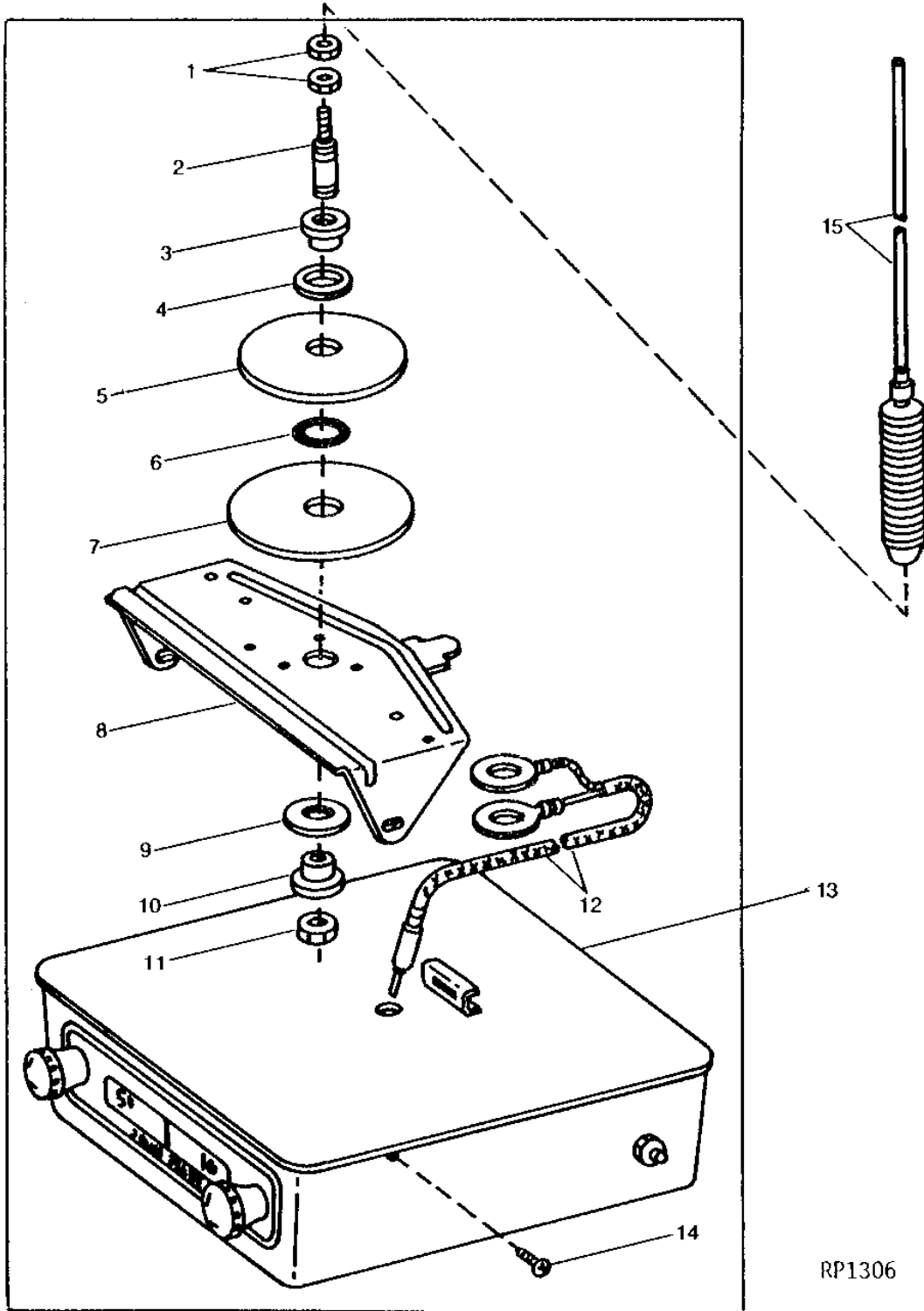
1122

ELECTRICAL

RP1306

-UN-01JAN94

CAB RADIO



RP1306

1123

ELECTRICAL

CAB RADIO - CONTINUED

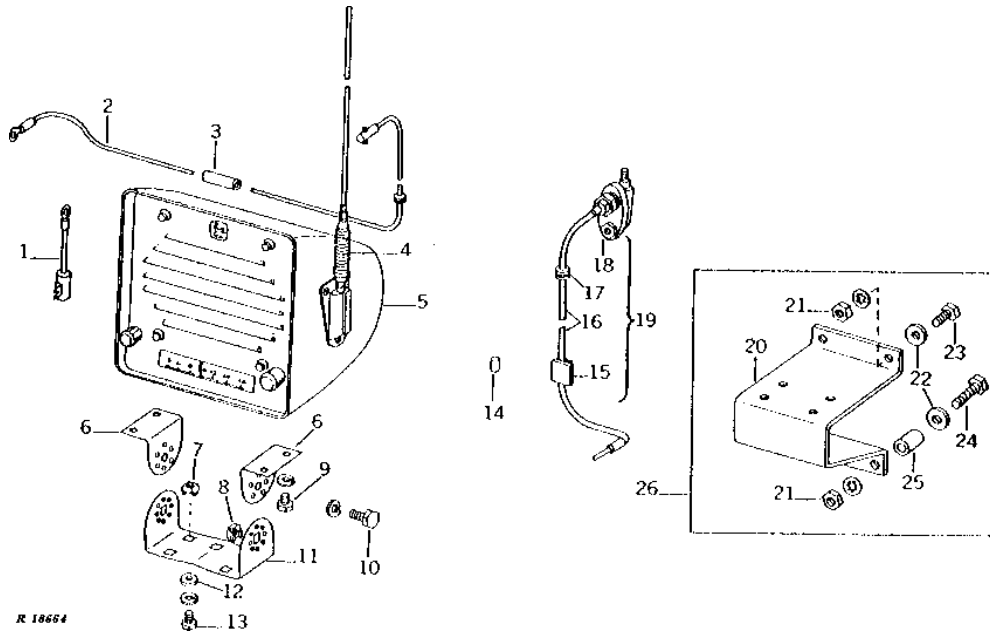
KEY	PART NO.	PART NAME	QTY	TRACTOR SERIAL NO.	REMARKS
1	R53512	WELD NUT	2		
2	R53515	BUSHING	1	(NLA)	
3	R53516	WASHER	1	(LONG) (NLA)	
4	R53518	WASHER	1	(NLA)	
5	R53519	WASHER	1	(NLA)	
6	B2762R	O-RING	1	(NLA)	
7	R53520	WASHER	1	(NLA)	
8	R53521	BRACKET	1	(NLA)	
9	R53522	WASHER	1		
10	R53517	BUSHING	1	(SHORT) (NLA)	
11	R53512	WELD NUT	3	(NLA)	
12	AR60084	WIRING LEAD	1	(NLA)	
13	AR68363	RADIO	1		(SUB FOR AR60083) (ALSO ORDER AR46986) (NO LONGER AVAILABLE)
14	AR60089	SCREW	2	(NLA)	
15	AR46986	ANTENNA	1		
..	AR41758	CAPACITOR	1		
..	R42799	RESISTOR	1		

1124

ELECTRICAL

RADIO (BENDIX)

R18664 -UN-01JAN94



KEY	PART NO.	PART NAME	QTY	TRACTOR SERIAL NO.	REMARKS
1	AR41758	CAPACITOR	1		
2	AR41756	WIRING LEAD	1		
3	R42799	RESISTOR	1		
4	AR41760	ANTENNA	1		
5	AR46986	ANTENNA	1		(THREADED)
	TY15276	RADIO	1		(A) (ALSO ORDER AR46986) (SUB FOR AR40947, AR48717, AR54755, AR57157, AR68362, AR68361, AR101245 OR TY15155) (NLA)
6	R41879	BRACKET	2		(USE WITH AR40947) (NLA)
	R46505	BRACKET	2		(USE WITH AR48717, AR54755 OR AR57157)
7	AR41951	NUT	4		
8	AR41950	NUT	2		
9	19H1227	CAP SCREW	4	1/4" X 1/2"	
	12H302	LOCK WASHER	4	1/4"	
10	19H1936	CAP SCREW	2	3/8" X 3/4"	
	12H310	LOCK WASHER	2	3/8"	
11	R41880	BRACKET	1		
12	24H1294	WASHER	4	11/32" X 1-1/8" X 1/16"	
13	19H1813	CAP SCREW	4	5/16" X 5/8"	
	12M7032	LOCK WASHER	4	0.331"	
14	R45136	PLUG	1		
15	R47474	CLIP	1		(SUB FOR R45137)
16	AR46985	WIRING LEAD	1		
17	R27583	GROMMET	1		
18	AR46984	BASE	1		
19	AR46983	BASE	1		(WITH CAB) (NLA)
20	R49057	BRACKET	1		
21	14H785	NUT	4	5/16"	
	12M7032	LOCK WASHER	4	0.331"	
22	24H1294	WASHER	4	11/32" X 1-1/8" X 1/16"	
23	19H1813	CAP SCREW	2	5/16" X 5/8"	
24	19H1875	CAP SCREW	2	5/16" X 1-3/4"	
25	28H1495	SPACER	2	3/8" X 1"	
26	AR52479	KIT	1		RADIO MOUNTING (NLA)

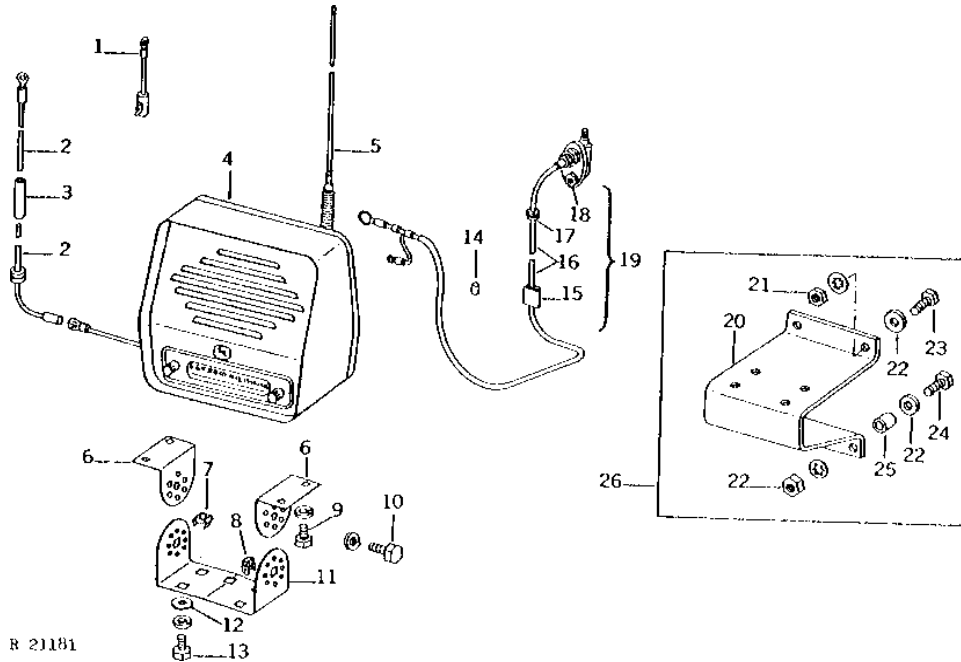
(A) CHECK AUDIOVOX DIRECT - SHIP PROGRAM GUIDE

1125

ELECTRICAL

RADIO (MOTOROLA)

R21181 -UN-01JAN94



R 21181

KEY	PART NO.	PART NAME	QTY	TRACTOR SERIAL NO.	REMARKS
1	AR41758	CAPACITOR	1		
2	AR41756	WIRING LEAD	1		
3	R42799	RESISTOR	1		
4	TY15155	RADIO	1		(A) (ALSO ORDER AR46986) (SUB FOR AR51973, AR57156, AR68361 OR AR101245) (SUB TY15276) (NLA)
5	AR46986	ANTENNA	1		
6	R52408	BRACKET	2		
7	AR41951	NUT	3		
8	AR41950	NUT	2		
9	19H1227	CAP SCREW	4	1/4" X 1/2"	
	12H297	LOCK WASHER	4	1/4"	
10	19H1936	CAP SCREW	2	3/8" X 3/4"	
	12H310	LOCK WASHER	2	3/8"	
11	R41880	BRACKET	1		
12	24H1294	WASHER	3	11/32" X 1-1/8" X 1/16"	
13	19H1813	CAP SCREW	3	5/16" X 5/8"	
	12M7032	LOCK WASHER	3	0.331"	
14	R45136	PLUG	1		
15	R47474	CLIP	4		(SUB FOR R45137)
16	AR51484	WIRING LEAD	1		
17	R27583	GROMMET	1		
18	AR46984	BASE	1		
19	AR51483	BASE	1		(WITH CAB)
20	R49057	BRACKET	1		
21	14H785	NUT	4	5/16"	
	12M7032	LOCK WASHER	4	0.331"	
22	24H1294	WASHER	4	11/32" X 1-1/8" X 1/16"	
23	19H1813	CAP SCREW	2	5/16" X 5/8"	
24	19H1875	CAP SCREW	2	5/16" X 1-3/4"	
25	28H1495	SPACER	2	3/8" X 1"	
26	AR52479	KIT	1		RADIO MOUNTING (NLA)

(A) CHECK AUDIOVOX DIRECT - SHIP PROGRAM GUIDE

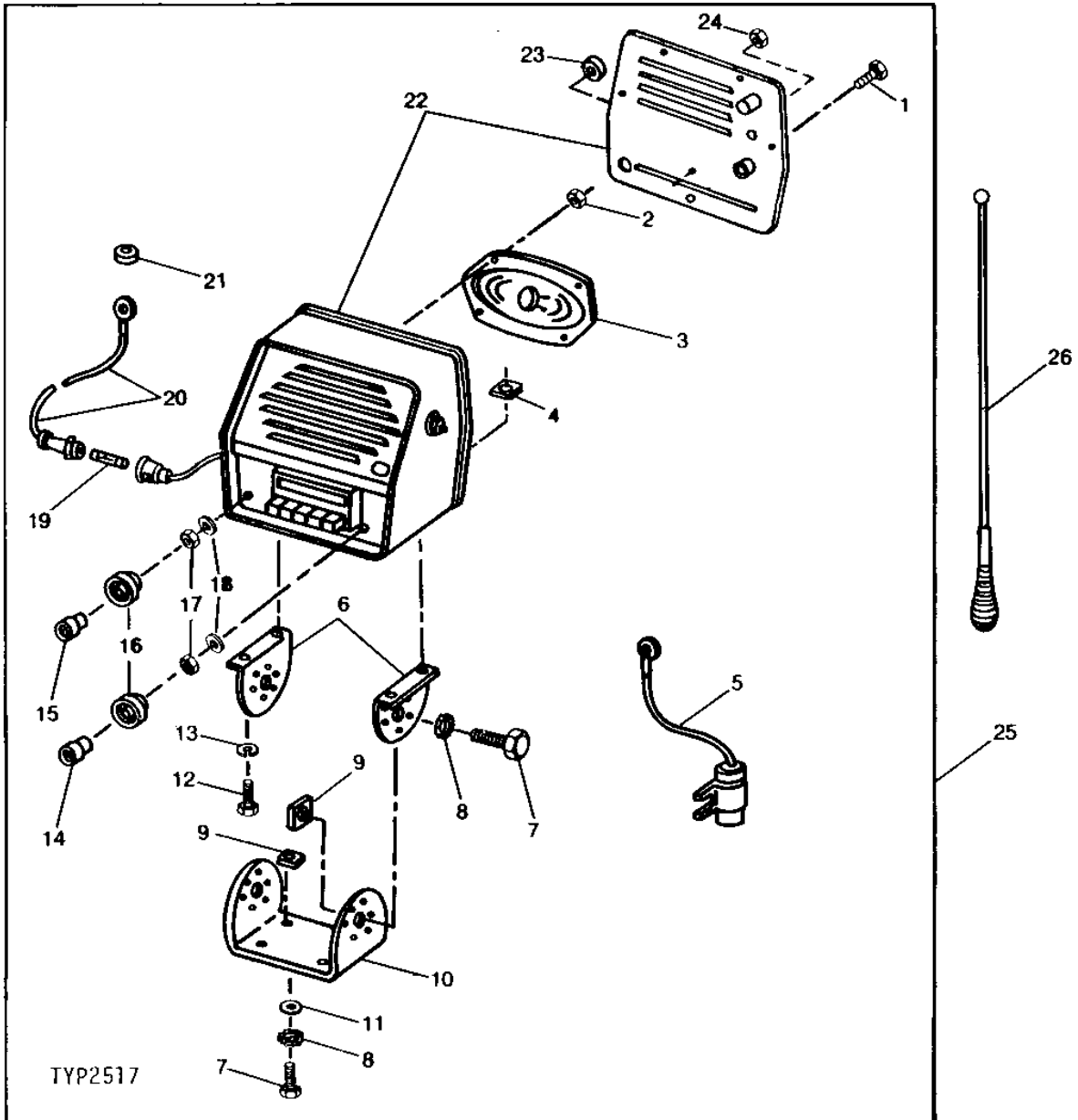
1J1

ELECTRICAL

TYP2517

-UN-18OCT94

AUDIOVOX FENDER MOUNT RADIO AND ANTENNA



1J2

ELECTRICAL

AUDIOVOX FENDER MOUNT RADIO AND ANTENNA - CONTINUED

KEY	PART NO.	PART NAME	QTY	TRACTOR SERIAL NO.	REMARKS
1	21H1311	SCREW	5		5/16" X 1/2"
2	M63431	LOCK NUT	4		(NLA)
3	PT10342	SPEAKER	1		(USE WITH TY15276) (NLA)
	PT10343	SPEAKER	2		(USE WITH TY15277) (NLA)
4	PT10344	NUT	4		1/4 - 20
5	AR41758	CAPACITOR	1		
6	R52408	BRACKET	2		
7	19H1813	CAP SCREW	6		5/16" X 5/8"
8	12M7032	LOCK WASHER	6		0.331"
9	AR41951	NUT	6		
10	PT10341	BRACKET	1		
11	24H1294	WASHER	4		11/32" X 1-1/8" X 1/16"
12	19H1227	CAP SCREW	4		1/4" X 1/2"
13	12H297	LOCK WASHER	4		1/4"
14	PT9852	KNOB	1		VOLUME
15	PT9851	KNOB	1		TUNING
16	PT9853	KNOB	2		TONE AND BALANCE
17	R53386	NUT	2		1/2", (SUB PT11382)
	PT11382	NUT	2		
18	24H1227	WASHER	2		17/32" X 13/16" X 0.060", (SUB PT11383)
	PT11383	WASHER	2		
19	FUSE	1		
20	AR41756	WIRING LEAD	1		
21	M1895T	GROMMET	1		
22	RADIO	1		(INCLUDED IN TY15276 AND TY15277) (NLA)
23	PT10345	GROMMET	1		
24	M40333	LOCK NUT	1		M6
25	TY15276	RADIO	1		(A) AM RADIO (NLA)
	TY15277	RADIO	1		(A) AM-FM STEREO RADIO (NLA)
26	AR46986	ANTENNA	1		

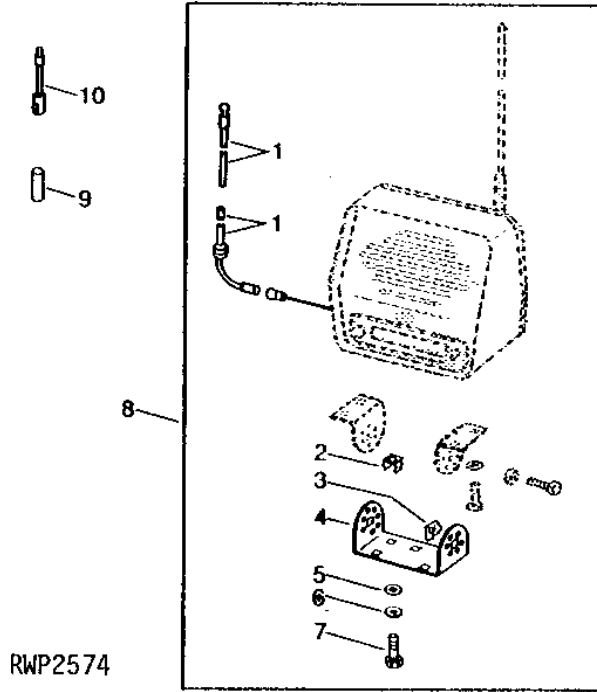
(A) CHECK AUDIOVOX DIRECT - SHIP PROGRAM GUIDE

1J3

ELECTRICAL

RWP2574 -UN-01JAN94

RADIO MOUNTING KIT



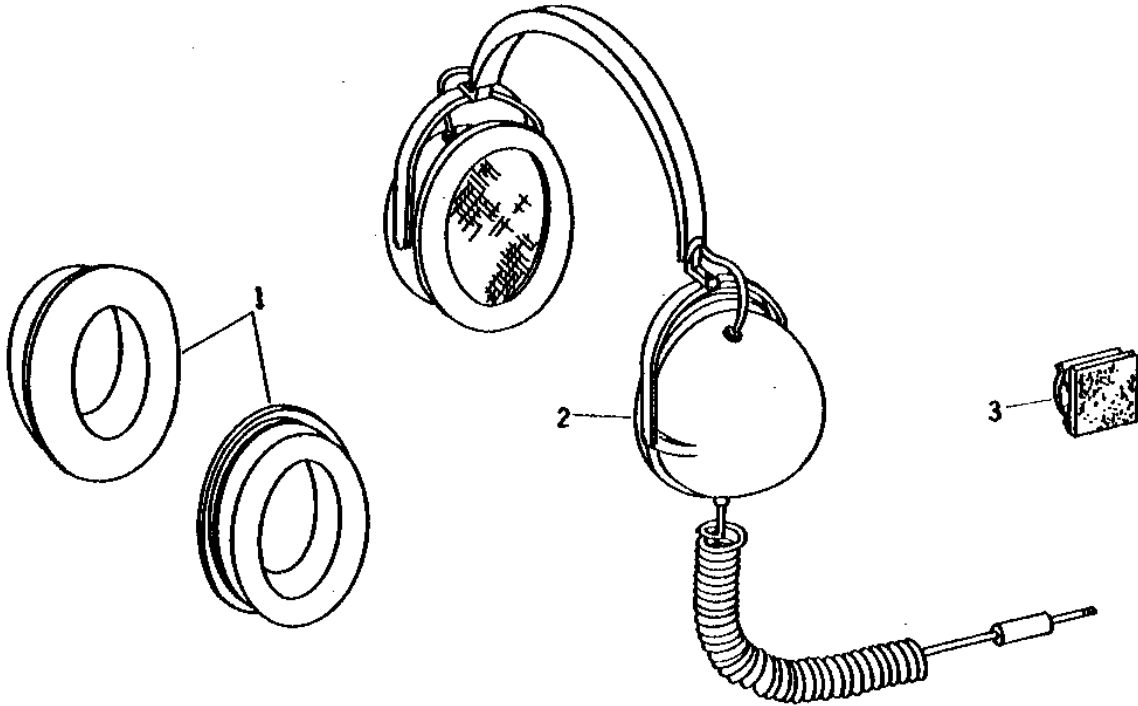
KEY	PART NO.	PART NAME	QTY	TRACTOR SERIAL NO.	REMARKS
1	AR41756	WIRING LEAD	1		
2	AR41951	NUT	3	5/16"	
3	AR41950	NUT	2	3/8"	
4	R41880	BRACKET	1		
5	24H1294	WASHER	3	11/32" X 1-1/8" X 1/16"	
6	12M7032	LOCK WASHER	3	0.331"	
7	19H1813	CAP SCREW	3	5/16" X 5/8"	
8	AR41754	KIT	1		MOUNTING FOR 2ND VEHICLE
9	R42799	RESISTOR	1		
10	AR41758	CAPACITOR	1		NOISE SUPPRESSOR

1J4

ELECTRICAL

R33062 -UN-01JAN94

RADIO HEADPHONES



R33062

KEY	PART NO.	PART NAME	QTY	TRACTOR SERIAL NO.	REMARKS
1	AR73311	FOAM PAD	1		(PKG. OF 2)
2	AR59663	HEADPHONES	1		(A) (NLA)
3	R53410	CLIP	1		

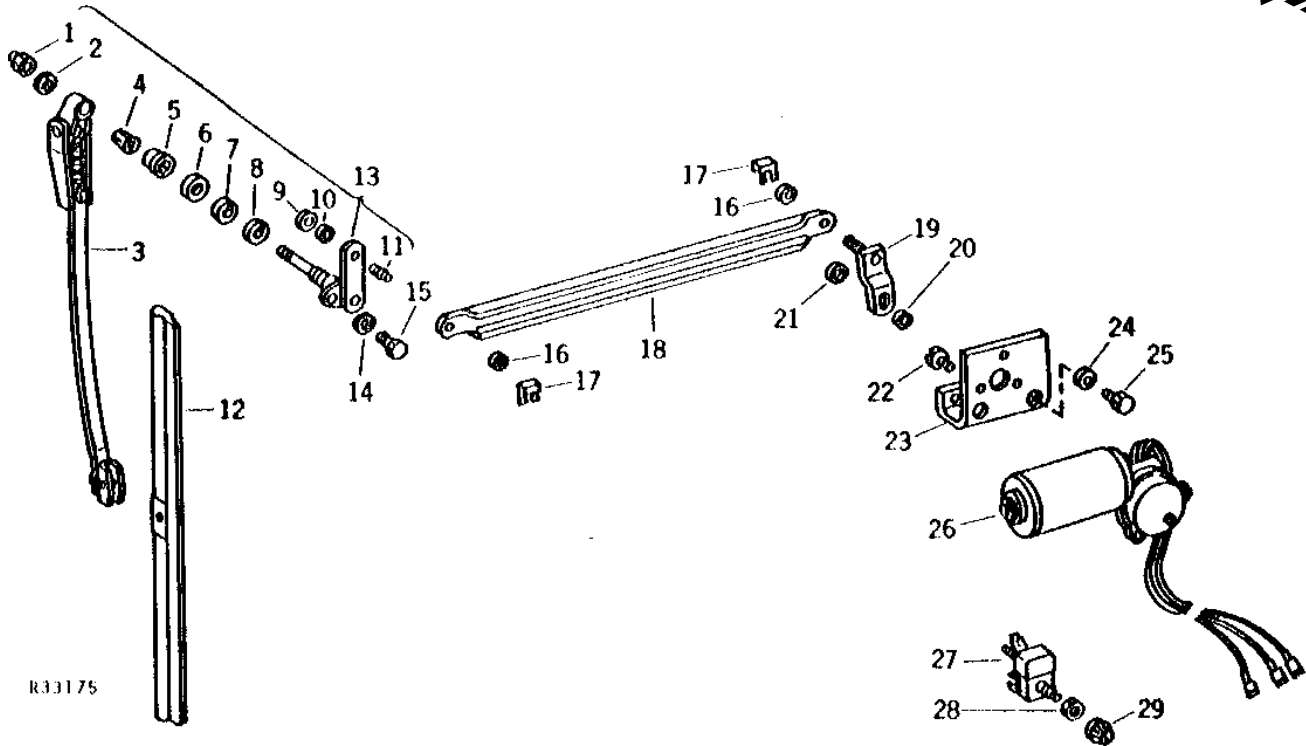
(A) CHECK AUDIOVOX DIRECT - SHIP PROGRAM GUIDE

1J5

ELECTRICAL

R33175 -UN-01JAN94

WINDSHIELD WIPER (HINSON)



R33175

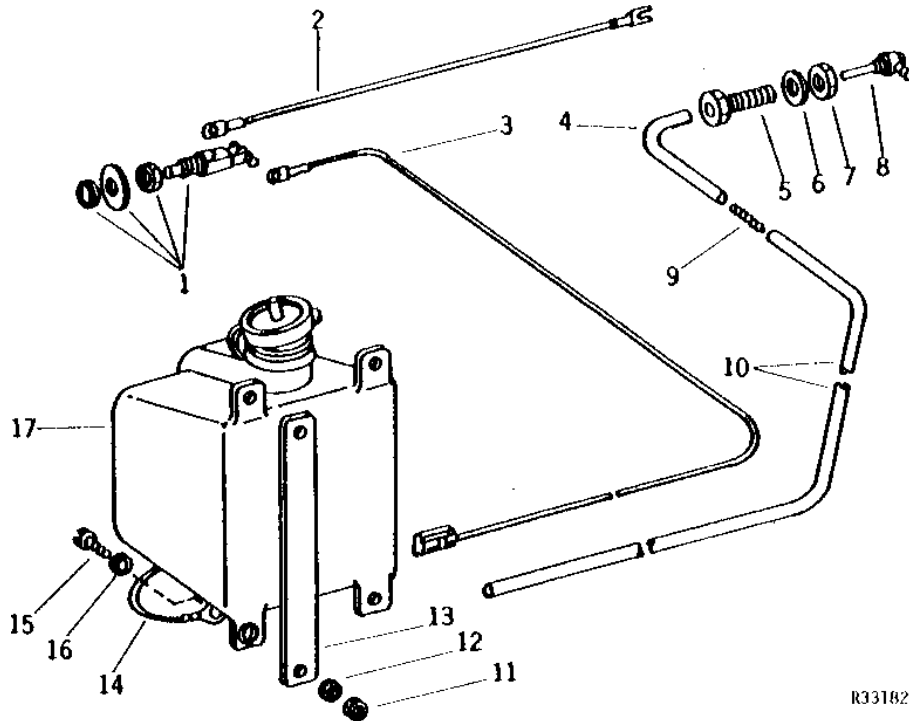
KEY	PART NO.	PART NAME	QTY	TRACTOR SERIAL NO.	REMARKS
1	U46514	NUT	1		
2	12H303	LOCK WASHER	1		5/16"
3	AR45843	ARM	1	-001816	
	AR55155	ARM	1	001817-	
4	U46513	NUT	1		
5	U46512	CAP	1		
6	U46511	NUT	1		
7	U46510	WASHER	1		
8	U46509	WASHER	1		
9	14H649	NUT	1		1/4"
10	12H297	LOCK WASHER	1		1/4"
11	U46507	PIN	1		
12	AR45844	WINDSHIELD WIPER	1	-001816	
	AU42026	WIPER BLADE	1	001817-	
13	AU43852	SHAFT	1		(SUB AT58209)
14	12H246	LOCK WASHER	2		0.190"
15	21H1317	SCREW	2		0.190" X 5/8"
16	T32255	SHIM	2		
17	U46506	CLIP	2		
18	AR52294	LINK	1		
19	AU43954	ARM	1		
20	U46508	WASHER	1		
21	AU43857	LOCK NUT	1		
22	AU43854	SCREW	3		
23	R48875	BRACKET	1		
24	12H302	LOCK WASHER	2		1/4"
25	19H1227	CAP SCREW	2		1/4" X 1/2"
26	AR59444	MOTOR	1		(ALSO ORDER AR64992) (SUB FOR AT29855) (SUB AT66481 AND AT66482)
27	AR45839	SWITCH	1		
28	R44165	LOCK NUT	1		
29	AR69370	KNOB	1		(SUB FOR AR49969)

1J6

ELECTRICAL

R33182 -UN-01JAN94

WINDSHIELD WASHER



R33182

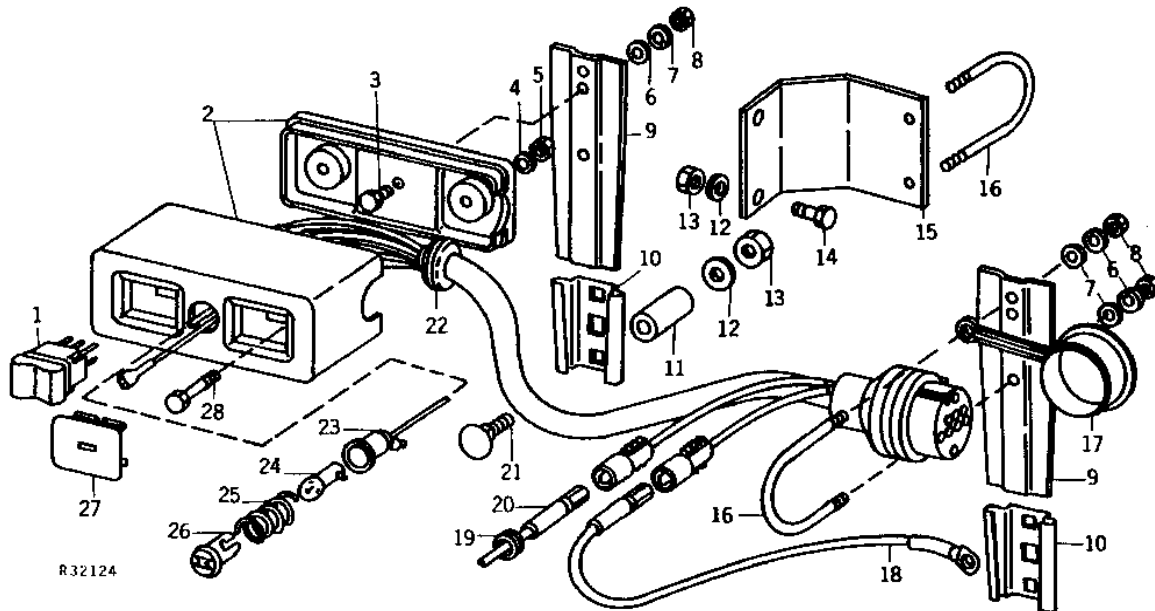
KEY	PART NO.	PART NAME	QTY	TRACTOR SERIAL NO.	REMARKS
1	AR62294	WIPER/WASHER SWITCH	1		
2	AR62295	WIRING LEAD	1		(CIRCUIT BREAKER TO SWITCH) (NLA)
3	AR62296	WIRING LEAD	1		(SWITCH TO MOTOR)
4	HOSE	1		152MM (6") (MAKE FROM R54447) COUPLER TO NOZZLE
5	R54446	BOLT	1		
6	D2865R	WASHER	1		(SUB 24H1111)
7	14H1040	NUT	1		1/2"
8	NOZZLE	1		(ORDER AR62293)
9	R54443	HOSE FITTING	1		
10	R54445	HOSE	1		2540MM (100") ROLL (CUT TO LENGTH)
11	14H786	NUT	4		1/4"
12	12H302	LOCK WASHER	4		1/4"
13	R54442	BRACKET	2		(NLA)
14	WIRING LEAD	1		
15	21H1303	SCREW	4		1/4" X 3/4"
16	24H1286	WASHER	4		9/32" X 1/2" X 1/16"
17	AR62293	KIT	1		(INCLUDES AR62294) (NLA)

1J7

ELECTRICAL

R32124 -UN-01JAN94

ELECTRICAL REMOTE CONTROL



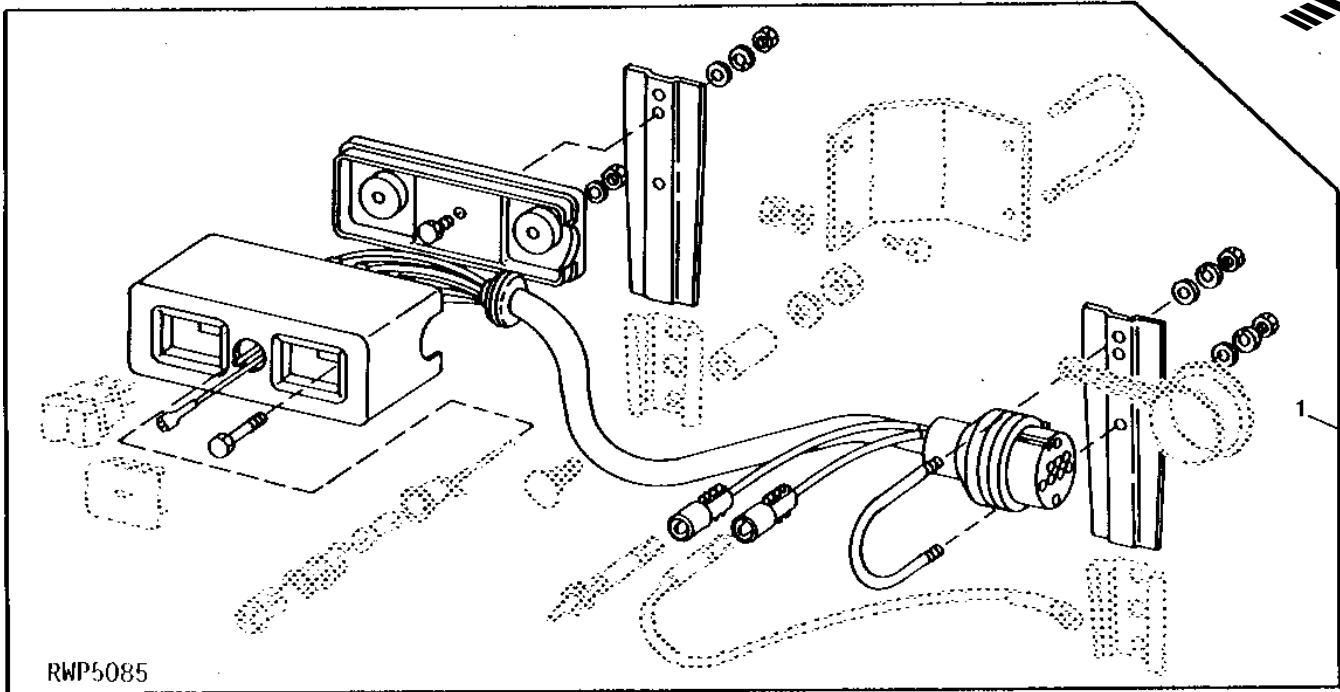
KEY	PART NO.	PART NAME	QTY	TRACTOR SERIAL NO.	REMARKS
1	AR49797	TOGGLE SWITCH	1		MOMENTARY ROCKER (FI)
	AR49798	ROCKER SWITCH	1		DETENT ROCKER (FI)
2	AR50779	WIRING HARNESS	1		TWO SWITCH CONTROL
	AR50780	WIRING HARNESS	1		FOUR SWITCH CONTROL
3	19H1914	CAP SCREW	1		1/4" X 1"
4	12H315	LOCK WASHER	2		0.164"
5	14H605	NUT	2		0.164"
6	24H1821	WASHER	3		9/32" X 47/64" X 1/16"
7	12H302	LOCK WASHER	3		1/4"
8	14H786	NUT	3		1/4"
9	R47861	BRACKET	AR		(2 USED, TWO SWITCH) (1 USED, FOUR SWITCH)
	R47860	BRACKET	1		(FOUR SWITCH)
10	JD126	SOCKET	2		
11	28H1495	SPACER	2		3/8" X 1"
12	24M7207	WASHER	4		8.400 X 24 X 2 MM
13	14H785	NUT	4		5/16"
14	21H1304	SCREW	2		5/16" X 3/4"
15	R54467	BRACKET	1		
16	E16050	U-BOLT	1		
17	R48048	CAP	1		
18	AR50928	WIRING LEAD	1		SWITCH BOX GROUND
19	H987R	GROMMET	4		
20	AR50927	WIRING LEAD	1		RELAY TO SWITCH BOX
21	03H1515	BOLT	2		5/16" X 2"
22	R36235	GROMMET	1		
23	AT44165	WIRING LEAD	1		INDICATOR
24	AR55694	BULB	1		
25	R30378	SPRING	1		
26	AT48673	LENS	1		
27	R48049	PLUG	1		
28	R48028	SCREW	2		
..	R48026	DECAL	1		WARNING
..	R48027	GROMMET	1		(CAB OPENING)
..	R32276	PLUG	1		(CAB OPENING)

1J8

ELECTRICAL

RWP5085 -UN-01JAN94

ELECTRICAL REMOTE CONTROL KIT



KEY	PART NO.	PART NAME	QTY	TRACTOR SERIAL NO.	REMARKS
1	AR62360	KIT	1	(TWO SWITCHES) (FI)	

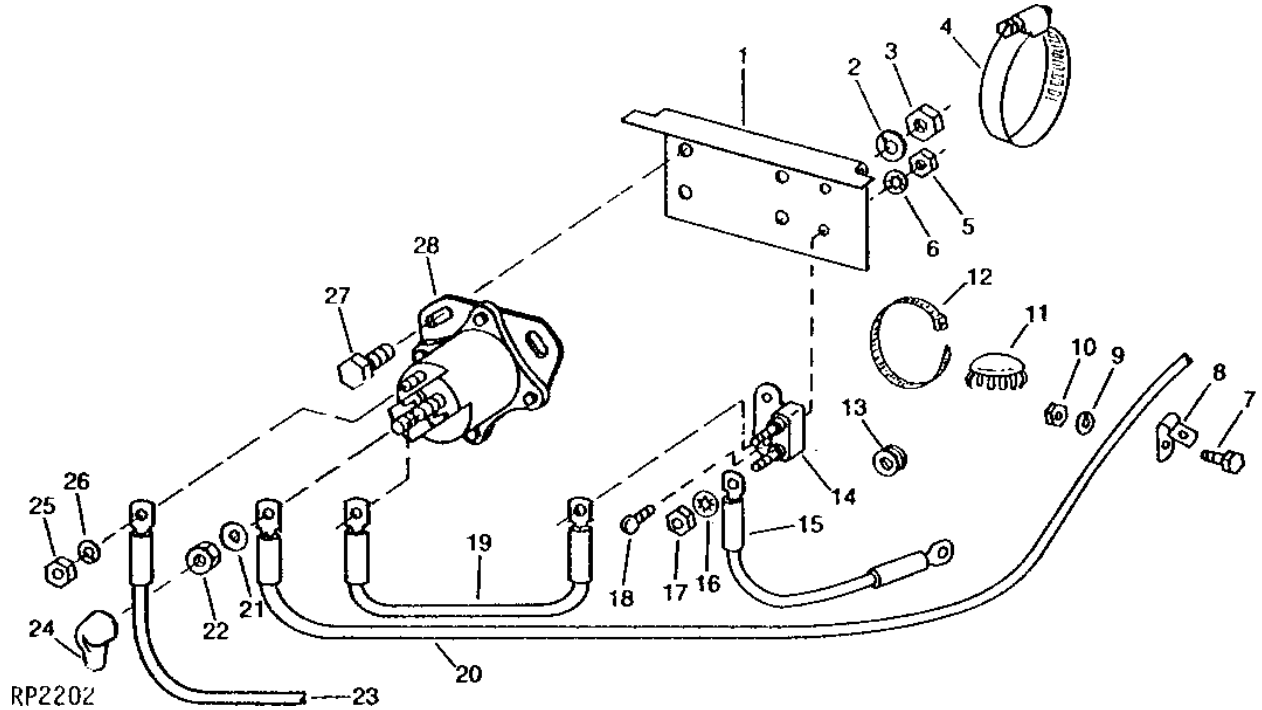
MEMORANDA

1J9

ELECTRICAL

RP2202 -UN-01JAN94

ELECTRIC REMOTE CONTROL WIRING



KEY	PART NO.	PART NAME	QTY	TRACTOR SERIAL NO.	REMARKS
1	R69109	BRACKET	1	(SUB FOR R47859)	
2	12H297	LOCK WASHER	2	1/4"	
3	14H786	NUT	2	1/4"	
4	AR52392	CLAMP	2		
5	14H631	NUT	2	0.190"	
6	12M7060	WASHER	2	0.209"	
7	19H1731	CAP SCREW	2	3/8" X 1"	
8	T14264	CLAMP	2		
9	12H304	LOCK WASHER	2	3/8"	
10	14H732	NUT	2	3/8"	
11	R32276	PLUG	1	(CAB OPENING)	
12	R44302	TIE BAND	AR		
13	R41439	GROMMET	1	(USED FOR BANDING)	
14	AR50926	CIRCUIT BREAKER	1		
15	AR50930	WIRING LEAD	1	(CIRCUIT BREAKER TO STARTER)	
16	12M7060	WASHER	2	0.209"	
17	14H631	NUT	2	0.190"	
18	21H1295	SCREW	2	0.190" X 5/8"	
19	AR50929	WIRING LEAD	1	(CIRCUIT BREAKER TO RELAY)	
20	AR50927	WIRING LEAD	1	(RELAY TO SWITCH BOX)	
21	12H303	LOCK WASHER	2	5/16"	
22	14H785	NUT	2	5/16"	
23	AR50931	WIRING LEAD	1	(RELAY TO IGNITION SWITCH)	
24	R36732	BOOT	2		
25	14H631	NUT	1	0.190"	
26	12H246	LOCK WASHER	1	0.190"	
27	19H1919	CAP SCREW	2	1/4" X 5/8"	
28	RE44657	RELAY	1	(FI)	

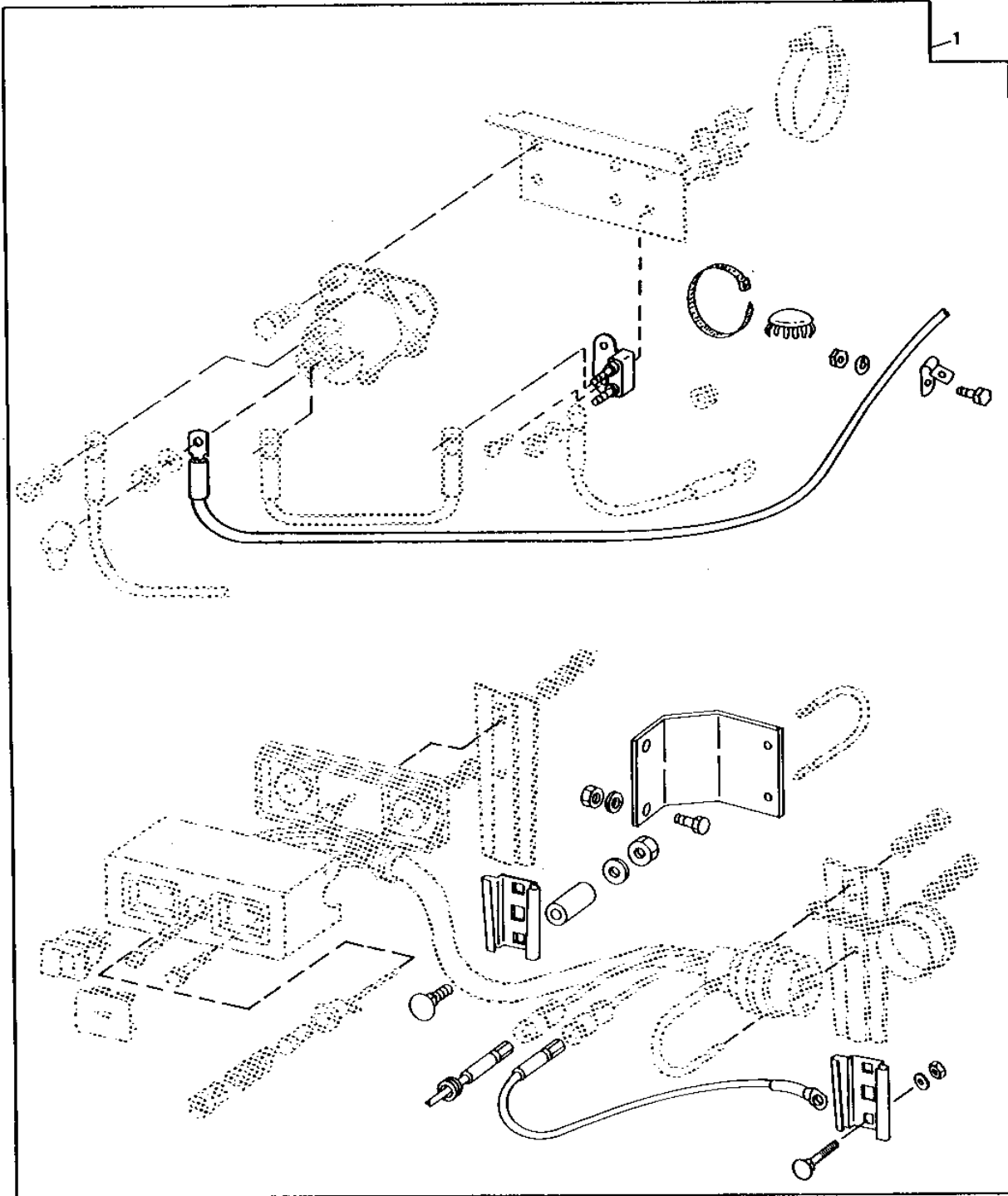
1J10

ELECTRICAL

RWP5666

-UN-01JAN94

ELECTRICAL REMOTE CONTROL WIRING KIT



RWP5666

1J11

ELECTRICAL

ELECTRICAL REMOTE CONTROL WIRING KIT - CONTINUED

KEY	PART NO.	PART NAME	QTY	TRACTOR SERIAL NO.	REMARKS
1	RE25621	KIT	1	(SUB FOR AR62359)	

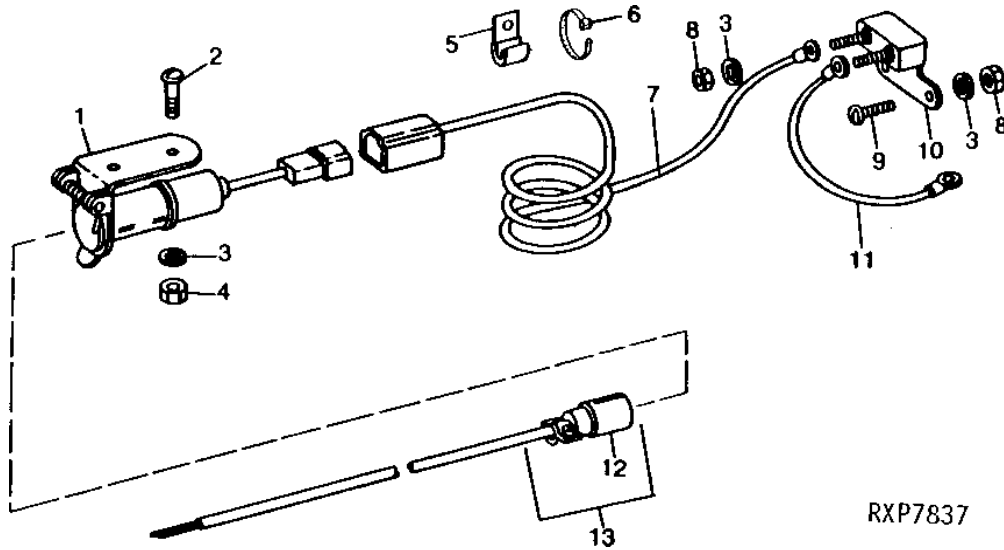
MEMORANDA

1J12

ELECTRICAL

RXP7837 -UN-23SEP94

ELECTRICAL OUTLET SOCKET



RXP7837

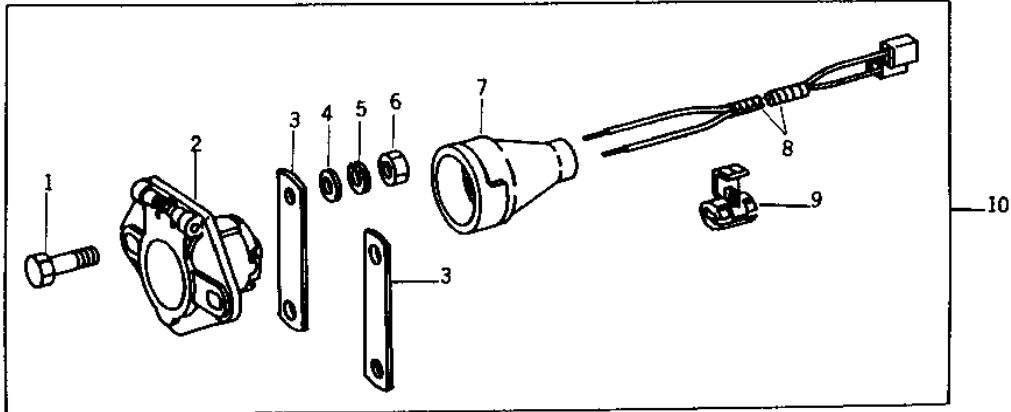
KEY	PART NO.	PART NAME	QTY	TRACTOR SERIAL NO.	REMARKS
1	AR26571	SOCKET	1		
2	21H1301	SCREW	2	0.190" X 1/2"	
3	12H295	LOCK WASHER	6	0.190"	
4	14H778	NUT	2	0.190"	
5	T32231	CLAMP	2	(SUB FOR R55618)	
6	R44302	TIE BAND	5		
7	WIRING LEAD	1	4153MM (163-1/2") (MAKE FROM R66321, T28585, U46662, R77493 AND R77471)	
8	14H631	NUT	4	0.190"	
9	21H1295	SCREW	2	0.190" X 5/8"	
10	AR28403	CIRCUIT BREAKER	1		
11	WIRING LEAD	1	152MM (6") (MAKE FROM R66321 AND (2) R77493)	
12	AA5692R	ELECTRICAL PLUG	1		
13	AR40710	PLUG	1		

1J13

ELECTRICAL

R32128 -UN-01JAN94

7-TERMINAL ELECTRICAL OUTLET SOCKET



R32128

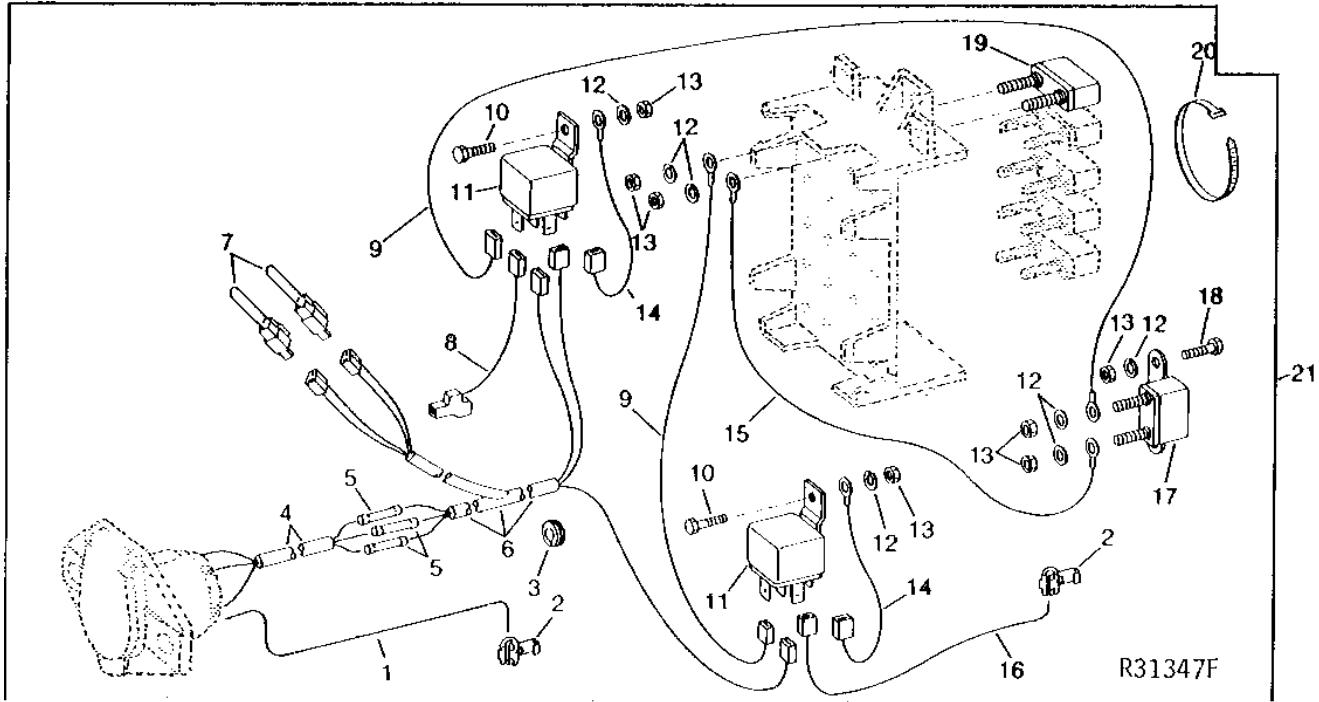
KEY	PART NO.	PART NAME	QTY	TRACTOR SERIAL NO.	REMARKS
1	19H1905	CAP SCREW	4	5/16" X 1"	
2	AR75695	SOCKET OUTLET	1		
3	R61776	STRAP	2		
4	24H1136	WASHER	4	11/32" X 11/16" X 0.065"	
5	12H303	LOCK WASHER	4	5/16"	
6	14H785	NUT	4	5/16"	
7	R61775	BOOT	1		
8	AR75696	WIRING HARNESS	1	EXTENSION	
	WIRING LEAD	1	3963MM (156") TAIL LAMP, (MAKE FROM R77500)	
	WIRING LEAD	1	400MM (16") GROUND, (MAKE FROM R77500 AND R77488)	
9	AR67855	CONNECTOR	3		
10	RE17282	KIT	1	(SUB FOR AR75694) (FI)	

1J14

ELECTRICAL

R31347 -UN-01JAN94

7-TERMINAL SOCKET SUPPLEMENTARY WIRING KIT



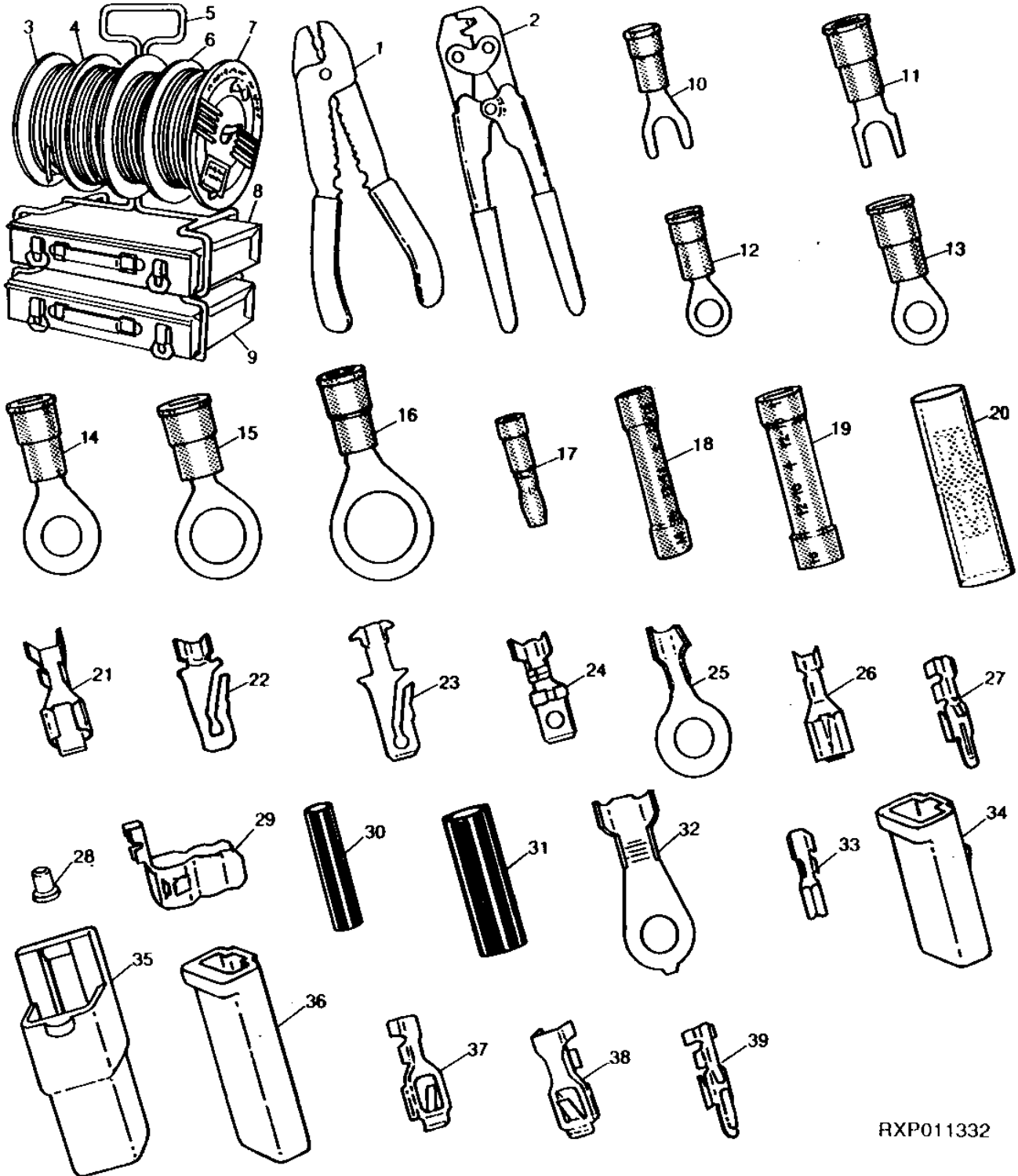
KEY	PART NO.	PART NAME	QTY	TRACTOR SERIAL NO.	REMARKS
1	WIRING LEAD	1		3962MM (156") (MAKE FROM R66319)
2	AR67855	CONNECTOR	2		
3	R40445	GROMMET	1		
4	AR82910	WIRING HARNESS	1		
5	R32027	CONNECTOR	4		
6	AR82912	WIRING HARNESS	1		
7	AR82911	WIRING LEAD	2		
8	AR50834	WIRING LEAD	1		
9	WIRING LEAD	3		311MM (12-1/4") (MAKE FROM R66319, R32018, R32027 AND R32024)
10	21H1282	SCREW	2		0.190" X 7/8"
11	AR74411	RELAY	2		
12	12M7060	WASHER	8		0.209"
13	14H631	NUT	8		0.190"
14	WIRING LEAD	1		152MM (6") (MAKE FROM R66319, R32021, R32027 AND R32025)
15	WIRING LEAD	1		152MM (6") (MAKE FROM R66319 AND (2) R32018)
16	AR82909	WIRING LEAD	1		
17	AR49352	CIRCUIT BREAKER	1		(30 AMP)
18	21H1295	SCREW	2		0.190" X 5/8"
19	AR28403	CIRCUIT BREAKER	1		(20 AMP)
20	R44302	TIE BAND	10		
21	AR78052	KIT	1		(USE WITH AR75694)

1J15

ELECTRICAL

RXP011332 -UN-27SEP94

ELECTRICAL TERMINALS,CONNECTORS AND WIRING



RXP011332

1J16

ELECTRICAL

ELECTRICAL TERMINALS,CONNECTORS AND WIRING - CONTINUED

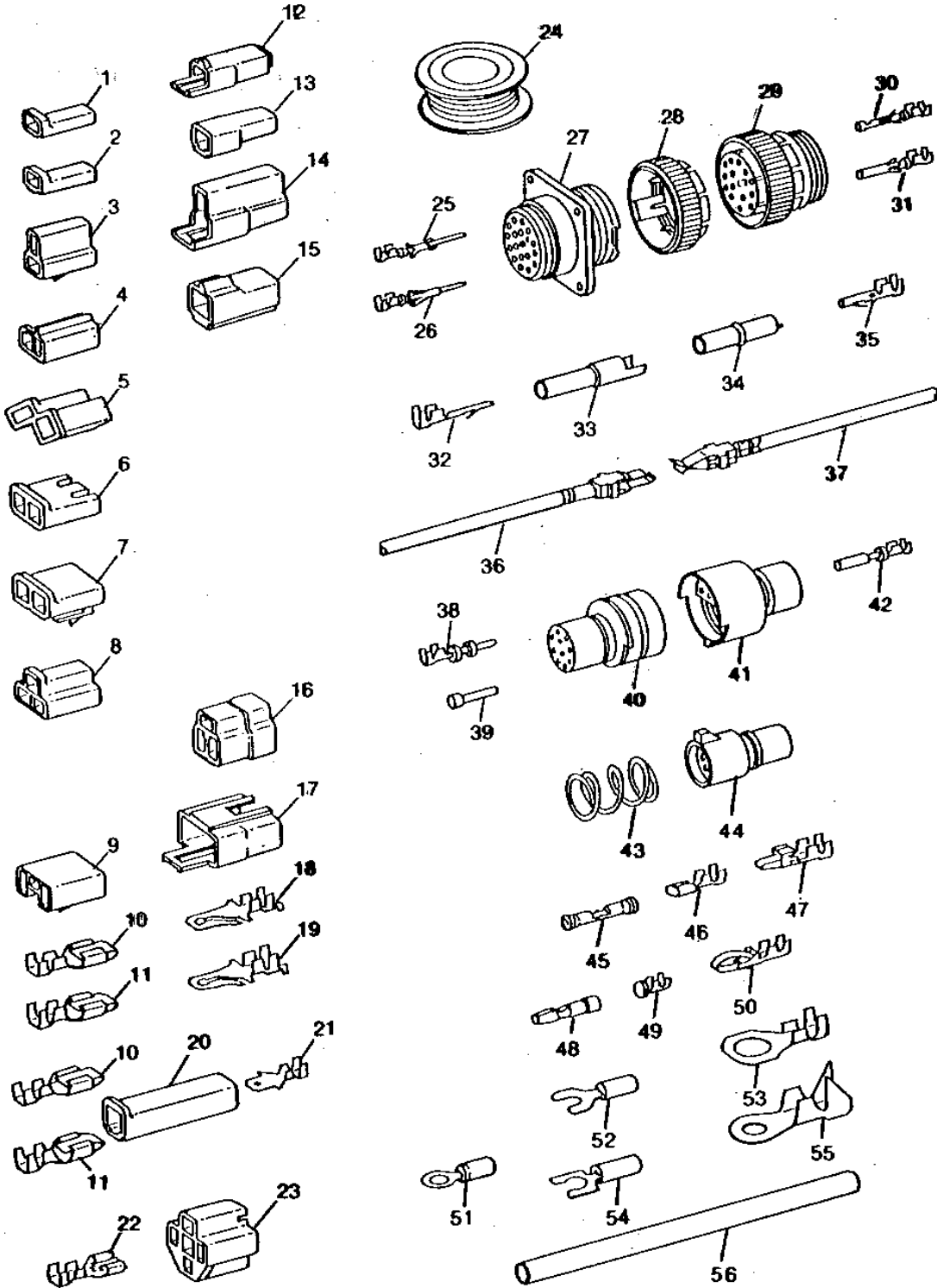
KEY	PART NO.	PART NAME	QTY	TRACTOR SERIAL NO.	REMARKS
1	R32011	TOOL	1	(NLA)	
2	R65594	TOOL	1		
3	R66319	WIRING LEAD	1	14 GA., 30.5 M (100 FT.) (1 SPOOL)	
4	R65593	WIRING LEAD	1	16 GA., 30.5 M (100 FT.) (1 SPOOL)	
5	R65608	RACK	1		
6	R66321	WIRING LEAD	1	10 GA., 15 M (50 FT.) (1 SPOOL)	
7	R66320	WIRING LEAD	1	12 GA., 30.5 M (100 FT.) (1 SPOOL)	
8	R65609	CONTAINER	1	(NLA)	
9	R65610	CONTAINER	1		
10	R32016	TERMINAL	1	14-16 GA., NO. 10 SPADE	
11	R32017	TERMINAL	1	10-12 GA., NO. 10 SPADE	
12	R32018	TERMINAL	1	14-16 GA., NO. 10 EYELET	
13	R32019	TERMINAL	1	10-12 GA., NO. 10 EYELET	
14	R32021	TERMINAL	1	10-12 GA., 1/4" EYELET	
15	R32022	TERMINAL	1	10-12 GA., 3/8" EYELET	
16	R32023	TERMINAL	1	10-12 GA., 1/2" EYELET	
17	R32026	TERMINAL	1	MALE BULLETT	
18	R32027	CONNECTOR	1	SPLICE, 14-16 GA.	
19	R32028	TERMINAL	1	SPLICE, 10-12 GA.	
20	AL2976T	CONNECTOR	1	(SUB FOR R32029) 2-WIRE BULLETT CONNECTOR	
21	R65595	TERMINAL	1	FEMALE, 10 GA.	
22	R65596	TERMINAL	1	MALE, 10 GA. OR TWO 14 GA. CABLES	
23	R65597	TERMINAL	1	MALE, 14-16 GA.	
24	R65598	TERMINAL	1	MALE, SHORT, 14-16 GA.	
25	R65599	TERMINAL	1	14-16 GA., 1/4" EYELET	
26	R65600	TERMINAL	1	FEMALE, 14-16 GA.	
27	R65601	TERMINAL	1	TWIN-LOCK, TWO 16 GA. CABLES	
28	R65602	SOCKET CONTACT	1	BULB SOCKET, 16-18 GA.	
29	R65603	TERMINAL NIPPLE	1	FUSE	
30	R65604	INSULATING SLEEVE	1	14-18 GA.	
31	R65605	INSULATING SLEEVE	1	8-12 GA.	
32	R65606	TERMINAL	1	6-8 GA., 1/4" EYELET	
33	R65607	TERMINAL	1	18-20 GA.	
34	T28583	RECEPTACLE	1	ONE CONTACT LOCK-TYPE, MALE	
35	T28585	TERMINAL	1	ONE CONTACT LOCK-TYPE, FEMALE	
36	U46370	CONNECTOR	1	CONNECTOR, ONE CONTACT SINGLE BODY, MALE	
37	U46662	TERMINAL	1	FEMALE	
38	U46663	TERMINAL	1	FEMALE	
39	U46664	TERMINAL	1	FEMALE	

1J17

ELECTRICAL

RXP010581 -UN-01JAN94

ELECTRICAL CONNECTORS, TERMINALS AND WIRING



RXP010581

1J18

ELECTRICAL

ELECTRICAL CONNECTORS, TERMINALS AND WIRING - CONTINUED

KEY	PART NO.	PART NAME	QTY	TRACTOR SERIAL NO.	REMARKS
1	T28583	RECEPTACLE	1	(B)	
2	M43835	FLAT CONNECTOR	1	(B)	
3	R77476	CONNECTOR	1	(A)	
4	R77477	CONNECTOR	1	(A)	
5	R77479	CONNECTOR	1	(A)	
6	R77480	CONNECTOR	1	(A)	
7	R77481	CONNECTOR	1	(A)	
8	R77482	CONNECTOR	1		
9	H104855	CONNECTOR	1		
10	U46662	TERMINAL	1	(E) (F)	
11	N115096	TERMINAL	1	(G) (SUB R65595) (PKG. OF 15)	
12	T28585	TERMINAL	1	(B)	
13	R77475	CONNECTOR	1	(B)	
14	T28586	CONNECTOR	1	(A)	
15	R77478	CONNECTOR	1	(A)	
16	R77483	CONNECTOR	1		
17	R48887	RECEPTACLE	1		
18	T34067	TERMINAL	1	(E) (F)	
19	R77484	TERMINAL	1	(G) (PKG. OF 15)	
20	U46370	CONNECTOR	1	(B)	
21	R77485	TAB	1	(C) (F)	
22	R77486	TERMINAL	1	(E) (F)	
23	R77487	CONNECTOR	1	(B)	
24	R66321	WIRING LEAD	1	15M (50 FT.) 10 GA.	
	R66320	WIRING LEAD	1	30.5M (100 FT.) 12 GA.	
	R77501	WIRE	1	30.5M (100 FT.) 14 GA.	
	R77500	WIRE	1	30.5M (100 FT.) 16 GA.	
	R77499	WIRE	1	30.5M (100 FT.) 18 GA.	
	R77498	WIRE	1	30.5M (100 FT.) 20 GA.	
25	R77462	PIN CONTACT	1	(PKG. OF 40) (20-22 OR 24 GA. WIRE)	
26	R77464	PIN CONTACT	1	(H) (PKG. OF 50)	
27	R77456	RECEPTACLE	1	(37 WAY)	
28	R77458	CONNECTOR	1	(A) (SIZE 23)	
	R77459	CONNECTOR	1	(A) (SIZE 17)	
	R77460	CONNECTOR	1	(A) (SIZE 13)	
	R77461	CONNECTOR	1	(A) (SIZE 11)	
29	R77457	ELECTRICAL PLUG	1	(37 WAY)	
30	R77463	SOCKET CONTACT	1	(PKG. OF 40) (20-22 OR 24 GA. WIRE)	
31	R77465	SOCKET CONTACT	1	(H) (PKG. OF 50)	
32	R77468	TERMINAL	1	(PKG. OF 5)	
33	R77466	CONNECTOR	1	(A)	
34	R77467	CONNECTOR	1	(A)	

(A) PKG. OF 2

(B) PKG. OF 3

(C) PKG. OF 10

(D) PKG. OF 20

(E) PKG. OF 25

(F) 14 OR 16 GA. WIRE

(G) 10 OR 12 GA. WIRE

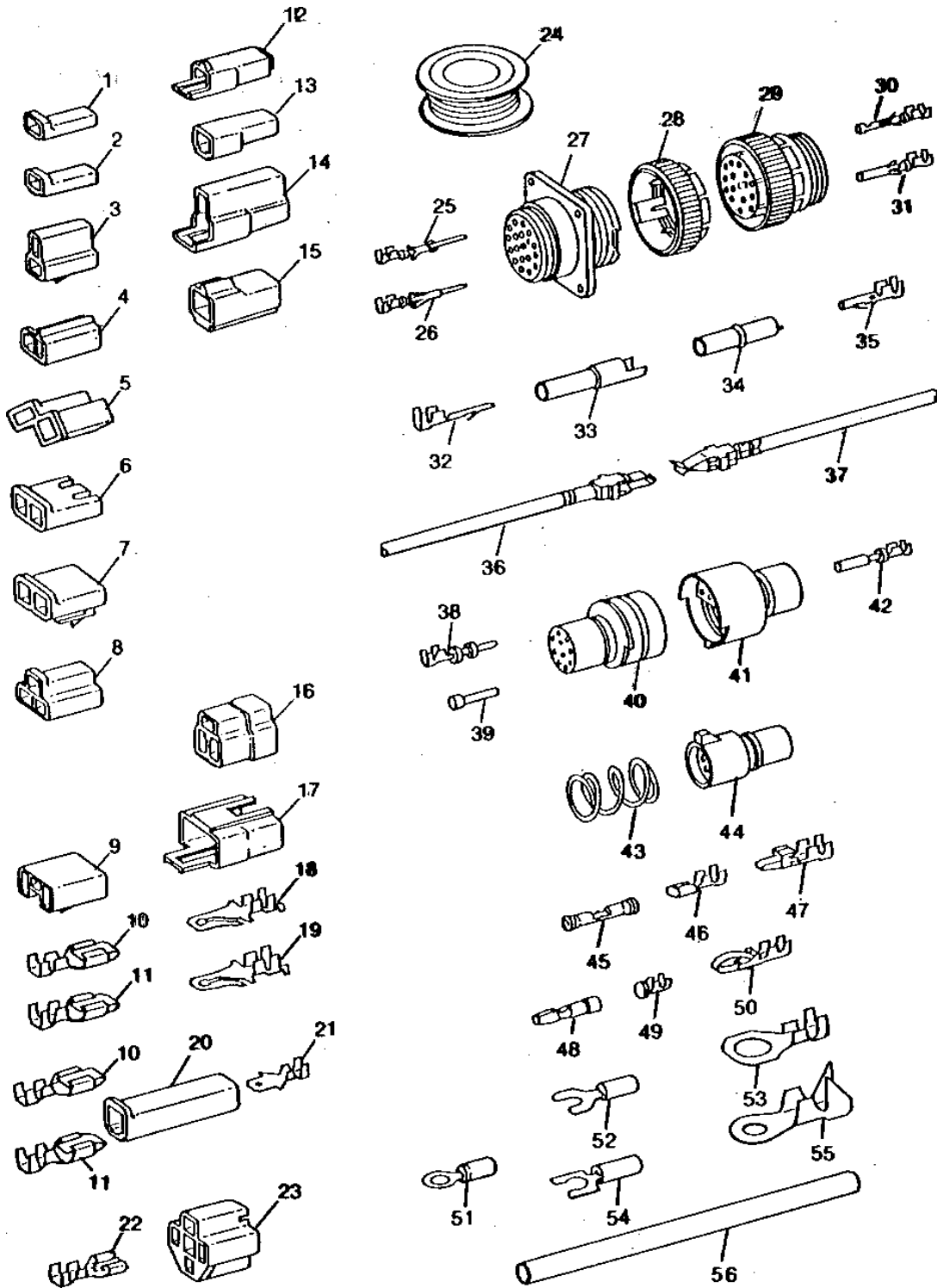
(H) 14-16 OR 18 GA. WIRE

1J19

ELECTRICAL

RXP010581 -UN-01JAN94

ELECTRICAL CONNECTORS, TERMINALS AND WIRING - CONTINUED



RXP010581

1J20

ELECTRICAL

ELECTRICAL CONNECTORS, TERMINALS AND WIRING - CONTINUED

KEY	PART NO.	PART NAME	QTY	TRACTOR SERIAL NO.	REMARKS
35	R77469	TERMINAL	1		(PKG. OF 5)
36	RE11156	TERMINAL	1		(B) (MALE)
37	RE11157	TERMINAL	1		(B) (FEMALE)
38	R70222	PIN CONTACT	1		(D) (H)
39	R70221	ELECTRICAL PLUG	1		(E)
40	R70219	PLUG	1		(A) (10 WAY)
	R70217	PLUG	1		(A) (7 WAY)
	R70215	PLUG	1		(A) (4 WAY)
	R70213	PLUG	1		(A) (3 WAY)
41	R70211	CONNECTOR	1		(A) (2 WAY)
	R70218	RECEPTACLE	1		(A) (10 WAY)
	R70216	RECEPTACLE	1		(A) (7 WAY)
	R70214	RECEPTACLE	1		(A) (4 WAY)
	R70212	RECEPTACLE	1		(A) (3 WAY)
	R70210	RECEPTACLE	1		(A) (2 WAY)
42	AR91793	SOCKET CONTACT	1		(D)
43	R30378	SPRING	1		(C)
44	R77474	CONNECTOR	1		(A) (6 WAY)
45	R77470	TERMINAL	1		SPLICE (PKG. OF 15) (16-18-20 OR 22 GA. WIRE)
	R77471	TERMINAL	1		(C) (G) SPLICE
	R77472	TERMINAL	1		(A) SPLICE (8 GA. WIRE)
	R77473	TERMINAL	1		(A) SPLICE (6 GA. WIRE)
46	R65607	TERMINAL	1		(C) (18 OR 20 GA. WIRE)
47	U46664	TERMINAL	1		(C) (F)
48	R32026	TERMINAL	1		(D) (F)
49	R65602	SOCKET CONTACT	1		(C) (16 OR 18 GA. WIRE)
50	R70220	TERMINAL	1		(C) (18 OR 20 GA. WIRE)
51	R77489	TERMINAL	1		(D) (14-16-18 OR 20 GA. WIRE) (NO. 10 EYELET)
	R77493	TERMINAL	1		(D) (G) (NO. 10 EYELET)
	R77488	TERMINAL	1		(D) (14-16-18 OR 20 GA. WIRE) (3/8" EYELET)
	R77490	TERMINAL	1		(D) (G) (1/2" EYELET)
52	R77496	TERMINAL	1		(D) (F) (NO. 8 SPADE)
	R77495	TERMINAL	1		(D) (18 GA. WIRE) (NO. 10 SPADE)
53	R77497	TERMINAL	1		(D) (F) (NO. 6 SPADE)
54	R77491	TERMINAL	1		(D) (G) (3/8" EYELET)
	R77492	TERMINAL	1		(D) (G) (1/4" EYELET)
55	R77494	TERMINAL	1		(D) (6 OR 8 GA. WIRE) (1/4" EYELET)
56	R77502	TUBE	1		(PKG. OF 8) 3/8" (HEAT SHRINK)
	R77503	TUBE	1		(PKG. OF 8) 3/16" (HEAT SHRINK)

(A) PKG. OF 2

(B) PKG. OF 3

(C) PKG. OF 10

(D) PKG. OF 20

(E) PKG. OF 25

(F) 14 OR 16 GA. WIRE

(G) 10 OR 12 GA. WIRE

(H) 14-16 OR 18 GA. WIRE

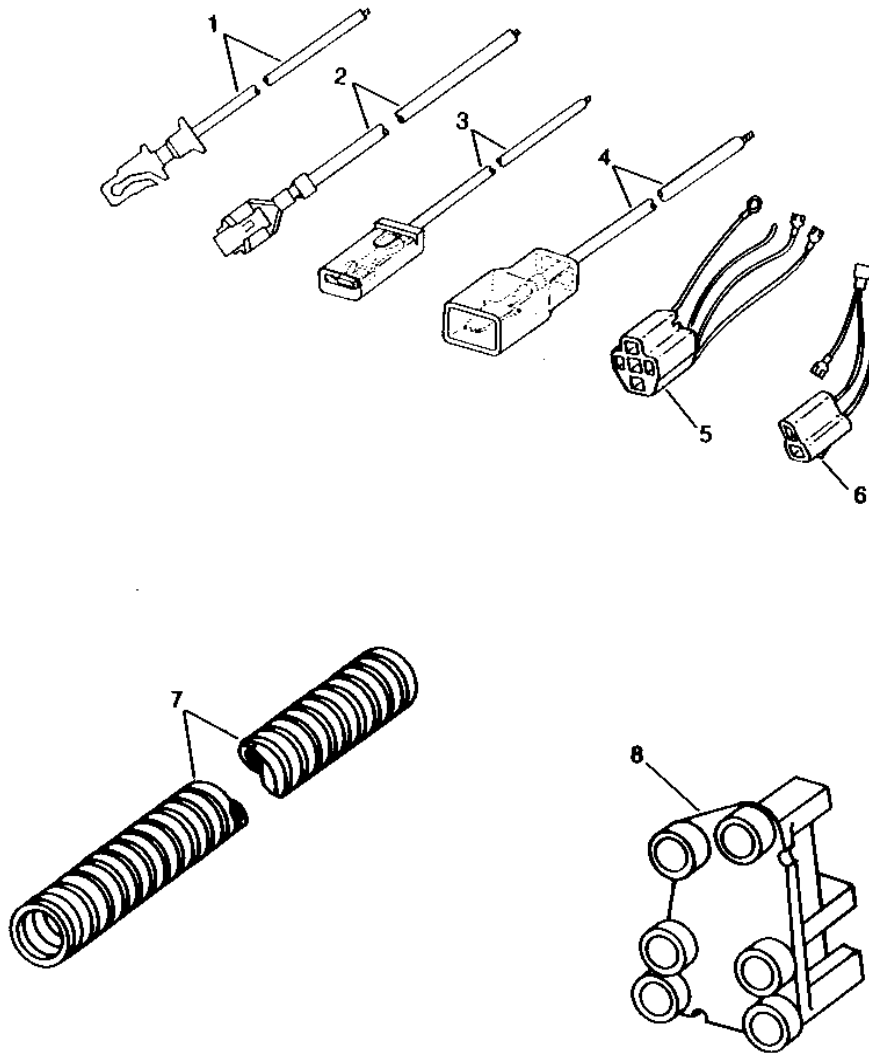
1J21

ELECTRICAL

RXP8619

-UN-28NOV94

SUPPLEMENTARY TERMINALS AND CONNECTORS



1J22

ELECTRICAL

SUPPLEMENTARY TERMINALS AND CONNECTORS - CONTINUED

KEY	PART NO.	PART NAME	QTY	TRACTOR SERIAL NO.	REMARKS
1	AR65005	TERMINAL	1		
2	AR65006	TERMINAL	1		
3	R32024	WIRING LEAD	1		
4	R32025	WIRING LEAD	1		
5	RE21730	TERMINAL	1		
	RE21731	TERMINAL	1		
6	RE21732	TERMINAL	1		
7	R93219	CONDUIT	1		6.3 X 3048 MM (1/4" X 120")
	R93220	CONDUIT	1		10.4 X 3048 MM (13/32" X 120")
	R93221	CONDUIT	1		15.9 X 3048 MM (5/8" X 120")
	R93222	CONDUIT	1		25.4 X 3048 MM (1" X 120")
8	AR83425	RECEPTACLE CONNECTOR BODY	1		(LIGHT SWITCH)

MEMORANDA

1J23

ELECTRICAL

SUPPLEMENTARY TERMINALS, CONNECTORS AND REPAIR CONDUIT - CONTINUED

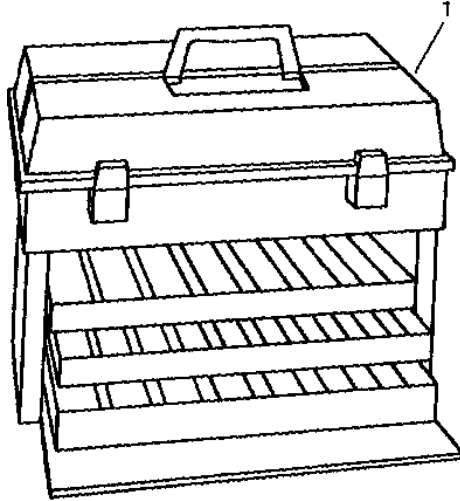
KEY	PART NO.	PART NAME	QTY	TRACTOR SERIAL NO.	REMARKS
1	AR65005	TERMINAL	1		
2	AR65006	TERMINAL	1		
3	R32024	WIRING LEAD	1		
4	R32025	WIRING LEAD	1		
5	RE21730	TERMINAL	1		
	RE21731	TERMINAL	1		
6	RE21732	TERMINAL	1		
7	R93219	CONDUIT	1		6.3 X 3048MM (1/4" X 120")
	R93220	CONDUIT	1		10.4 X 3048MM (13/32" X 120")
	R93221	CONDUIT	1		15.9 X 3048MM (5/8" X 120")
	R93222	CONDUIT	1		25.4 X 3048MM (1" X 120")
8	AR83425	RECEPTACLE CONNECTOR BODY	1		(LIGHT SWITCH)

1J24

ELECTRICAL

RXP010001 -UN-01JAN94

ELECTRICAL CONNECTOR AND TERMINAL KIT



RXP010001

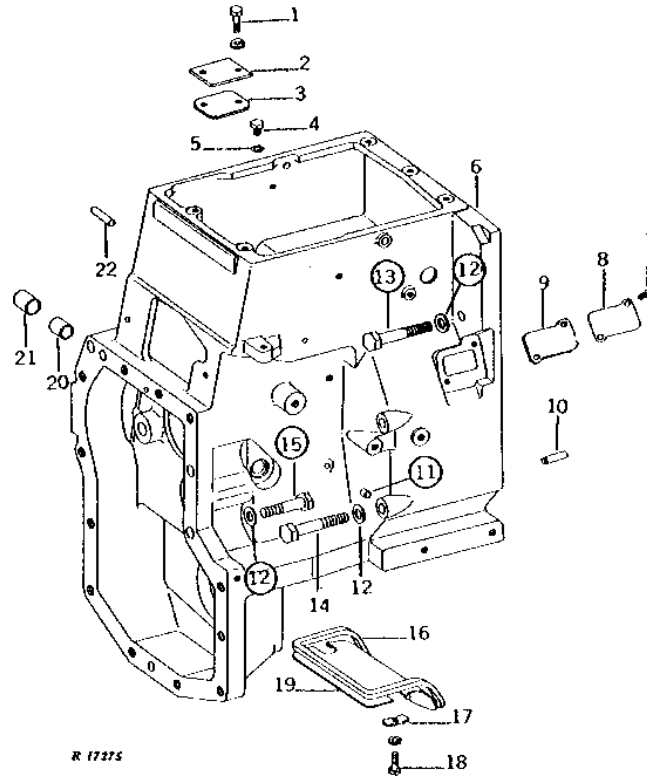
KEY	PART NO.	PART NAME	QTY	TRACTOR SERIAL NO.	REMARKS
1	PM797NA	KIT	1	(A)	
(A) KIT INCLUDES CONNECTORS,TERMINALS AND TOOLS					

2B4

POWER TRAIN

R17275 -UN-01JAN94

CLUTCH HOUSING



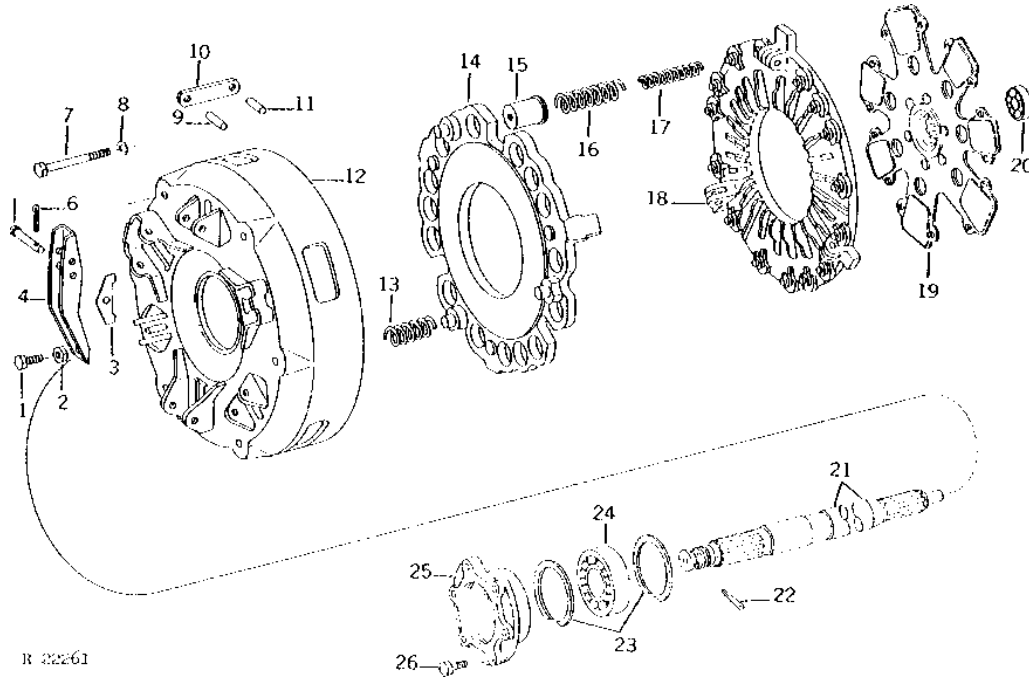
KEY	PART NO.	PART NAME	QTY	TRACTOR SERIAL NO.	REMARKS
1	19H2284	CAP SCREW	2		3/8" X 7/8", (LESS PTO)
	12H304	LOCK WASHER	2		3/8", (LESS PTO)
2	R41422	STRAP	1		(LESS PTO)
3	R41421	GASKET	1		(LESS PTO)
4	R27216	DRAIN PLUG	2		
5	R26287	O-RING	2		
6	AR52317	HOUSING	1		(MARKED R47850) (NLA)
	15H558	PIPE PLUG	1		1/8"
7	21H1318	SCREW	2		0.216" X 1/2"
8	R31493	COVER	1		
9	R31494	GASKET	1		(SUB R67989)
10	T26565	DOWEL PIN	2		(SUB FOR C1220R)
11	R31374	DOWEL PIN	1		
12	T21397	WASHER	6		
13	19H1425	CAP SCREW	2		3/4" X 2-3/4"
14	R43360	CAP SCREW	4		(NLA)
15	19H1374	CAP SCREW	1		3/4" X 2"
	19H2113	CAP SCREW	1		3/4" X 3-1/4"
	19H2725	CAP SCREW	1		3/4" X 3-3/4"
16	R91558	FOAM PAD	1		13 X 13 X 889MM (1/2" X 1/2" X 35") (SUB FOR R30877)
17	R27640	CLAMP	2		
18	19H1731	CAP SCREW	2		3/8" X 1"
	12H304	LOCK WASHER	2		3/8"
19	R43230	COVER	1		
20	R26641	BUSHING	1		
21	R26642	BUSHING	1		
22	34H371	SPRING PIN	1		1/2" X 2"

2B5

POWER TRAIN

R22261 -UN-01JAN94

TRANSMISSION CLUTCH



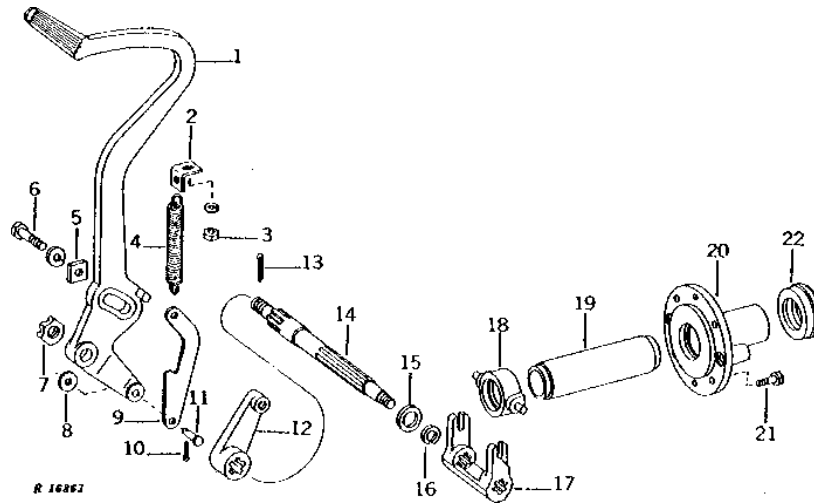
KEY	PART NO.	PART NAME	QTY	TRACTOR SERIAL NO.	REMARKS
1	R43446	BOLT	3		
2	14H774	NUT	3	3/8"	
3	R43625	PLATE	6		
4	R43445	LEVER	3		
5	R43388	PIN	3		
6	11M7021	COTTER PIN	3	0.157" X 0.984"	
7	R64523	BOLT	6	(SUB FOR R43866)	
8	R1870R	WASHER	6	(SUB R57696)	
9	R43389	DOWEL PIN	3		
10	R43387	STRAP	3		
	AR68421	LINK	1		KIT, CLUTCH, (USE WITH AR55663) (SUB (3) R57133) (IF FLYWHEEL HAS BEEN MACHINED)
11	R35075	QUICK LOCK PIN	3		
12	AR43069	COVER	1		
13	R26659	SPRING	3		
14	R43386	PLATE	1		
15	R43385	RETAINER	15		
16	R47108	SPRING	15		
17	R47109	SPRING	15		
18	R49044	CLUTCH PLATE	1	(SUB FOR R43944)	
19	AR55663	CLUTCH DISK	1	(SUB FOR AR50871)	
20	JD9449	BALL BEARING	1	(SUB FOR JD9281)	
21	R47370	SHAFT	1		
22	11M7032	COTTER PIN	1	0.197" X 1.969"	
23	F169R	SNAP RING	2		
24	JD9268	BEARING	1		
25	R48459	QUILL	1		
26	19H1731	CAP SCREW	6	-003310	3/8" X 1"
	19H1731	CAP SCREW	4	003311-	3/8" X 1"
	19H3217	CAP SCREW	2	003311-	3/8" X 1-3/4"

2B6

POWER TRAIN

R16863 -UN-01JAN94

TRANSMISSION CLUTCH PEDAL AND LINKAGE



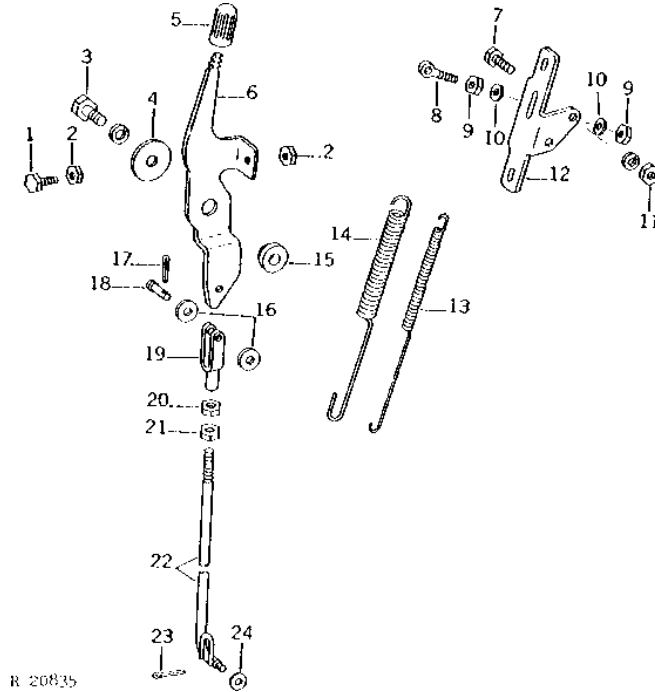
KEY	PART NO.	PART NAME	QTY	TRACTOR SERIAL NO.	REMARKS
1	R47106	PEDAL	1		
	R34483	LABEL	1		
2	R47107	ANGLE	1		
3	14H1076	NUT	1	3/8"	
	12H304	LOCK WASHER	1	3/8"	
4	R46700	SPRING	1		
5	R27305	STRAP	1		
6	19H1721	CAP SCREW	1	1/2" X 1-1/2"	
	12H301	LOCK WASHER	1	1/2"	
7	C1104R	NUT	1		
8	24H1325	WASHER	1	15/32" X 59/64" X 0.065"	
9	R46699	LEVER	1		
10	11M7059	COTTER PIN	1	3.200 X 20 MM	
11	B178R	PIN	1		
12	R26652	LEVER	1		
13	11M7083	COTTER PIN	1	0.126" X 1.969"	
14	R43335	SHAFT	1	(NLA)	
15	24H1396	WASHER	1	25/32" X 1-1/2" X 0.105"	
16	R73380	SNAP RING	1	(SUB FOR A369R)	
17	R46860	FORK	1		
18	AR43063	SHIFT COLLAR	1	-002383	(SUB AR55864 AND R51559)
	AR55864	SHIFT COLLAR	1	002383-	
19	R43277	TUBE	1	-002383	(SUB AR55864 AND R51559)
	R51559	TUBE	1	002383-	
20	AR55865	SUPPORT	1		(SUB FOR AR43064)
21	R46567	CAP SCREW	4		(SUB FOR R31198)
22	AR43065	THRUST BEARING	1		

2B7

POWER TRAIN

R20835 -UN-01JAN94

PTO SHIFTER LEVER AND LINKAGE



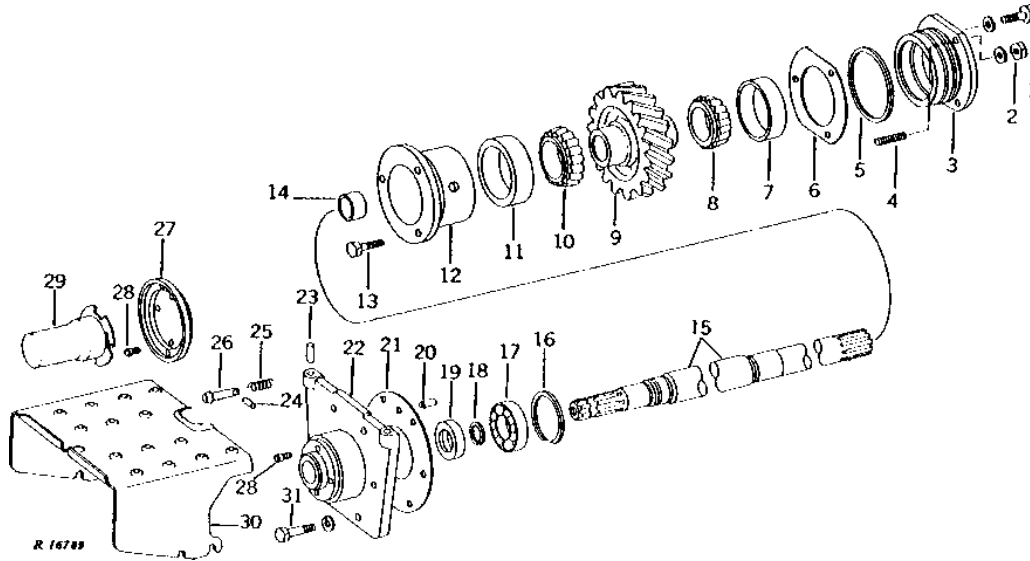
KEY	PART NO.	PART NAME	QTY	TRACTOR SERIAL NO.	REMARKS
1	19H2791	CAP SCREW	1		3/8" X 1-3/4"
2	14H1076	NUT	2		3/8"
3	19H2354	CAP SCREW	1		9/16" X 1-1/4"
4	12H317	LOCK WASHER	1		9/16"
5	F2912R	WASHER	1		
5	R40948	KNOB	1	-002699	
	R52577	GRIP	1	002700-	
6	R41370	LEVER	1		
7	19H2284	CAP SCREW	2		3/8" X 7/8"
8	R42512	EYEBOLT	1		
9	14H1076	NUT	2		3/8"
10	24H1305	WASHER	2		13/32" X 13/16" X 0.065"
11	14H1076	NUT	2		3/8"
	12H304	LOCK WASHER	2		3/8"
12	R46313	BRACKET	1		
13	R42509	SPRING	1		
14	R42511	SPRING	1		
15	R26574	WASHER	1		
16	24H1309	WASHER	2		13/32" X 1-1/16" X 0.120"
17	11M7081	COTTER PIN	1		0.098" X 0.787"
18	R65563	PIN	1		(SUB FOR C1067R)
19	L324T	YOKE	1		
20	14H774	NUT	1		3/8"
21	14H1080	NUT	1		3/8"
22	AR44616	ROD	1		
23	11M7059	COTTER PIN	1		3.200 X 20 MM
24	24H1290	WASHER	2		21/64" X 3/4" X 0.035"

2B8

POWER TRAIN

R16789 -UN-01JAN94

1000 RPM PTO SHAFT



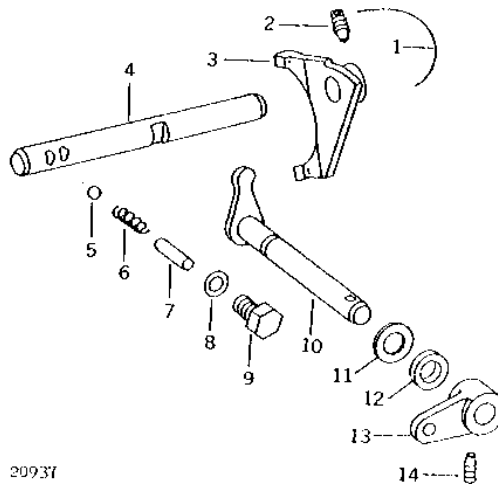
KEY	PART NO.	PART NAME	QTY	TRACTOR SERIAL NO.	REMARKS
1	19H2552	CAP SCREW	1		
2	14H1076	NUT	2		3/8" X 1-1/8"
	12H304	LOCK WASHER	3		3/8"
3	R47336	QUILL	1		(NLA)
4	R32101	STUD	2		
5	R47559	WASHER	1		
6	R47556	SHIM	AR		0.08MM (.003")
	R47557	SHIM	AR		0.13MM (.005")
	R47558	SHIM	AR		0.25MM (.010")
7	JD7425	BEARING CUP	1		
8	JD8161	BEARING CONE	1		
9	R47373	GEAR	1		
10	JD7378	BEARING CONE	1		
11	JD7292	BEARING CUP	1		
12	R47337	QUILL	1		
13	R57725	SCREW	3		(SUB FOR R40835)
14	R34328	BUSHING	1		(USE WITH R49840 OR R46680)
	R55489	BUSHING	1		(USE WITH R55480)
15	R47481	SHAFT	1		(NLA)
16	B190R	SNAP RING	1		
17	JD9345	BALL BEARING	1		
18	A364R	SNAP RING	1		
19	AT344T	SEAL	1		
20	R26650	DOWEL PIN	2		
21	R58900	GASKET	1		(SUB FOR R35621)
22	AR53471	HOUSING	1		(MARKED R35620 OR R49639) (SUB FOR AR35952)
23	34H348	SPRING PIN	2		3/8" X 1"
24	34H286	SPRING PIN	1		3/16" X 1-1/2"
25	F1463R	SPRING	1		
26	F1462R	PIN	1		
27	AR26707	RETAINER	1		
28	R27329	SCREW	4		
29	AR26701	GUARD	1		
30	R27562	SHIELD	1		
31	19H2473	CAP SCREW	6		1/2" X 1-3/4"
	12H301	LOCK WASHER	6		1/2"

2B9

POWER TRAIN

R20937 -UN-01JAN94

PTO SHIFTER YOKE



R 20937

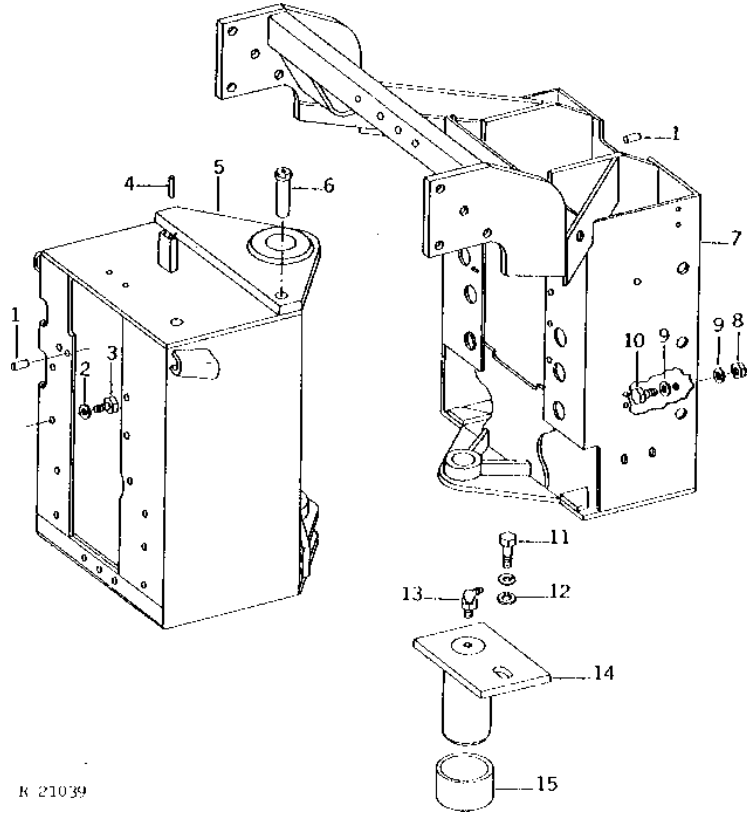
KEY	PART NO.	PART NAME	QTY	TRACTOR SERIAL NO.	REMARKS
1	WIRE	1		16 GAUGE X 6"
2	B1914R	SET SCREW	1		
3	AR50639	YOKE	1		
4	R47741	SHAFT	1		
5	R26552	BALL	1		8MM (5/16")
6	T17118	SPRING	1		
7	R47742	DOWEL PIN	1		
8	R26287	O-RING	1		
9	R27216	DRAIN PLUG	1		(SUB FOR R31631)
10	AR50579	ARM	1		
11	24H1181	WASHER	3		13/16" X 1-1/8" X 0.060"
12	R27166	O-RING	1	-002704	
	AT12820	SEAL	1	002705-	(SUB FOR AR62328)
13	R47868	ARM	1		
14	T25614	SET SCREW	1		

2B10

POWER TRAIN

R21039 -UN-01JAN94

FRONT AND REAR HINGES



R 21039

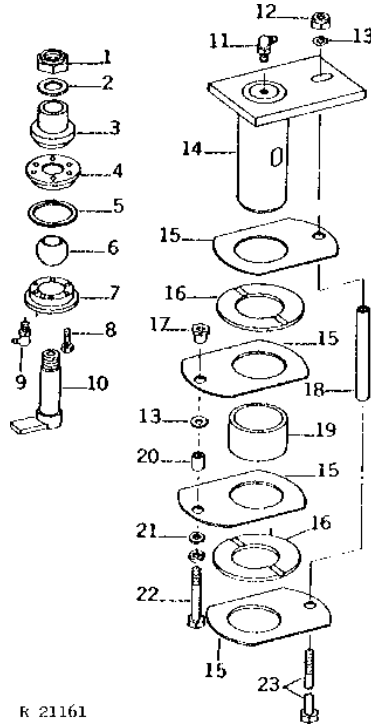
KEY	PART NO.	PART NAME	QTY	TRACTOR SERIAL NO.	REMARKS
1	R26277	DOWEL PIN	4		
2	T21397	WASHER	13		
3	19H1798	CAP SCREW	10		3/4" X 1-3/4"
	19H2951	CAP SCREW	3		3/4" X 8-1/4"
4	34H254	SPRING PIN	1		1/8" X 1-1/2"
5	AR53456	HINGE	1	-001816	(SUB FOR AR50335) (SUB AR55902, AR55901 AND AR55613)
	AR55902	HINGE	1	001817-	(HINGE LOCK) (SUB R62760)
6	R43320	PIN	1		
7	AR54345	HINGE	1	-001816	(SUB FOR AR51385) (SUB AR55901, AR55902 AND AR55613)
	AR55903	HINGE	1	001817-002699	(SUB AR55901)
	AR64416	HINGE	1	002700-	
8	14H794	NUT	3		3/4"
9	T21397	WASHER	15		
10	19H1798	CAP SCREW	12		3/4" X 1-3/4"
	19H1425	CAP SCREW	2		3/4" X 2-3/4"
	19H1471	CAP SCREW	12		3/4" X 3-1/2"
11	19H1800	CAP SCREW	1		3/8" X 1-1/2"
	12H304	LOCK WASHER	1		3/8"
12	A4231R	WASHER	1		
13	JD7781	LUBRICATION FITTING	1		
14	AR57226	PIN	1		
15	R57400	BUSHING	1		(SUB FOR R52932)

2B11

POWER TRAIN

R21161 -UN-01JAN94

HINGE UPPER PIVOT PIN



K 21161

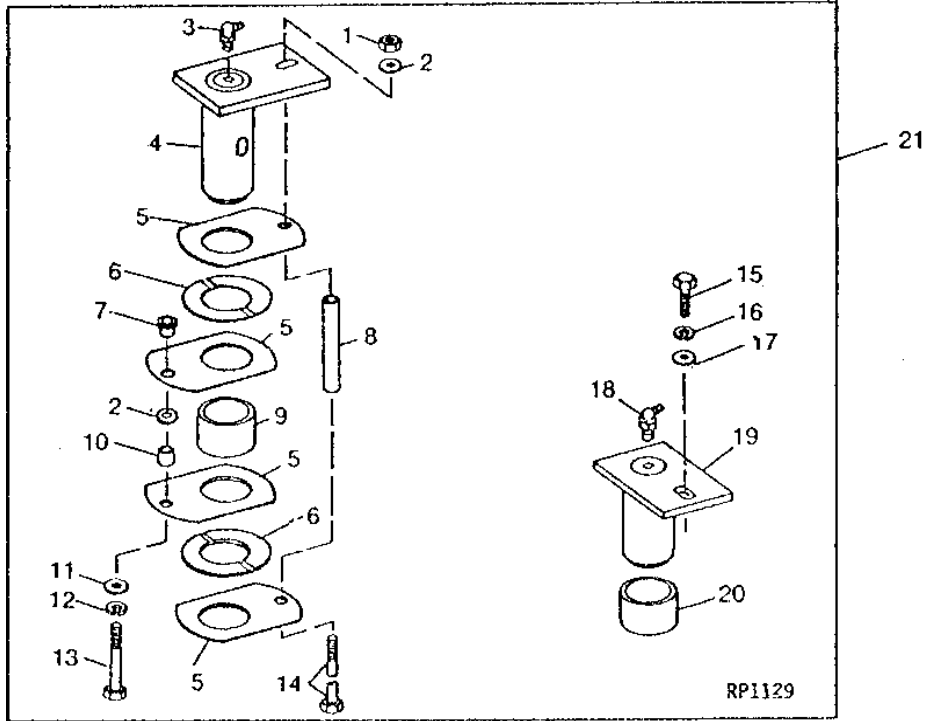
KEY	PART NO.	PART NAME	QTY	TRACTOR SERIAL NO.	REMARKS
1	U13572	LOCK NUT	1	-001816	
2	R49615	WASHER	1	-001816	
3	R49617	BUSHING	1	-001816	
4	T37503	BALL JOINT SOCKET	1	-001816	(ALSO ORDER T37502 AND (6) R51803)
5	T20515	SHIM	AR	-001816	0.25MM (.010")
6	R49616	BALL	1	-001816	
7	T37502	BALL JOINT SOCKET	1	-001816	(ALSO ORDER T37503 AND (6) R51803)
8	R51803	BOLT	6	-001816	
9	JD7781	LUBRICATION FITTING	1	-001816	
10	AR53458	PIN	1	-001816	(NO LONGER AVAILABLE)
11	JD7781	LUBRICATION FITTING	1	001817-	
12	T11234	LOCK NUT	1	001817-	
13	A4231R	WASHER	2	001817-	
14	AR57226	PIN	1	001817-	(SUB FOR AR55164)
15	R51084	PLATE	4	001817-	
16	R51085	THRUST WASHER	2	001817-	
17	R53593	LOCK NUT	1	001817-	(ALSO ORDER R57696) (SUB FOR R51086)
18	R51087	BUSHING	1	001817-	
19	R57400	BUSHING	1	001817-	(SUB FOR R51081 OR R52932)
20	R51088	BUSHING	1	001817-	
21	24H1305	WASHER	1	001817-	13/32" X 13/16" X 0.065"
22	19H2733	CAP SCREW	1	001817-	3/8" X 2-3/8"
	12H304	LOCK WASHER	1	001817-	3/8"
23	19H3330	CAP SCREW	1	001817-	3/8" X 6-1/4", HS, SAE 8

2B12

POWER TRAIN

RP1129 -UN-01JAN94

HINGE PIN KIT



KEY	PART NO.	PART NAME	QTY	TRACTOR SERIAL NO.	REMARKS
1	T11234	LOCK NUT	1		
2	A4231R	WASHER	2		
3	JD7781	LUBRICATION FITTING	1		
4	AR57226	PIN	1		(SUB FOR AR55164)
5	R51084	PLATE	4		
6	R51085	THRUST WASHER	2		
7	R53593	LOCK NUT	1		(ALSO ORDER R57696) (SUB FOR R51086)
8	R51087	BUSHING	1		
9	R57400	BUSHING	1		(SUB FOR R51081 OR R52932)
10	R51088	BUSHING	1		
11	24H1305	WASHER	1		13/32" X 13/16" X 0.065"
12	12H304	LOCK WASHER	1		3/8"
13	19H2733	CAP SCREW	1		3/8" X 2-3/8"
14	19H3180	CAP SCREW	1		3/8" X 6-1/4"
15	19H1800	CAP SCREW	1		3/8" X 1-1/2"
16	12H304	LOCK WASHER	1		3/8"
17	A4231R	WASHER	1		
18	JD7781	LUBRICATION FITTING	1		
19	AR57226	PIN	1		
20	R57400	BUSHING	1		(SUB FOR R52932)
21	AR55613	KIT	1		

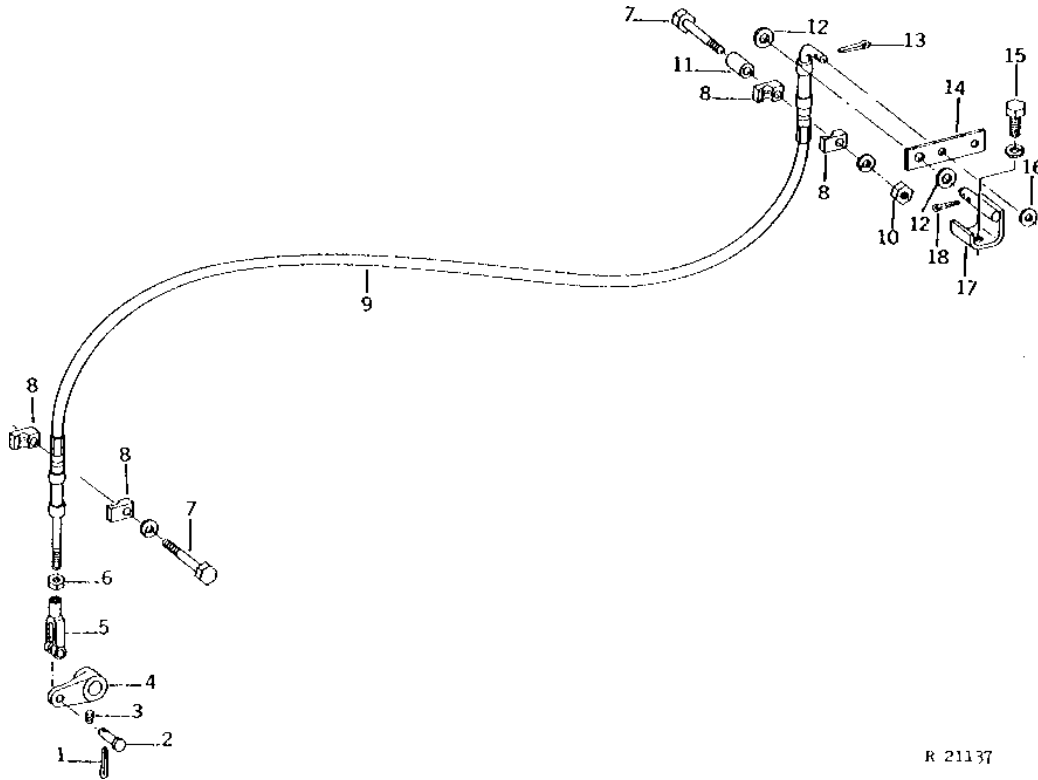
MEMORANDA

2B13

POWER TRAIN

R21137 -UN-01JAN94

PTO REAR LINKAGE CABLE



R 21137

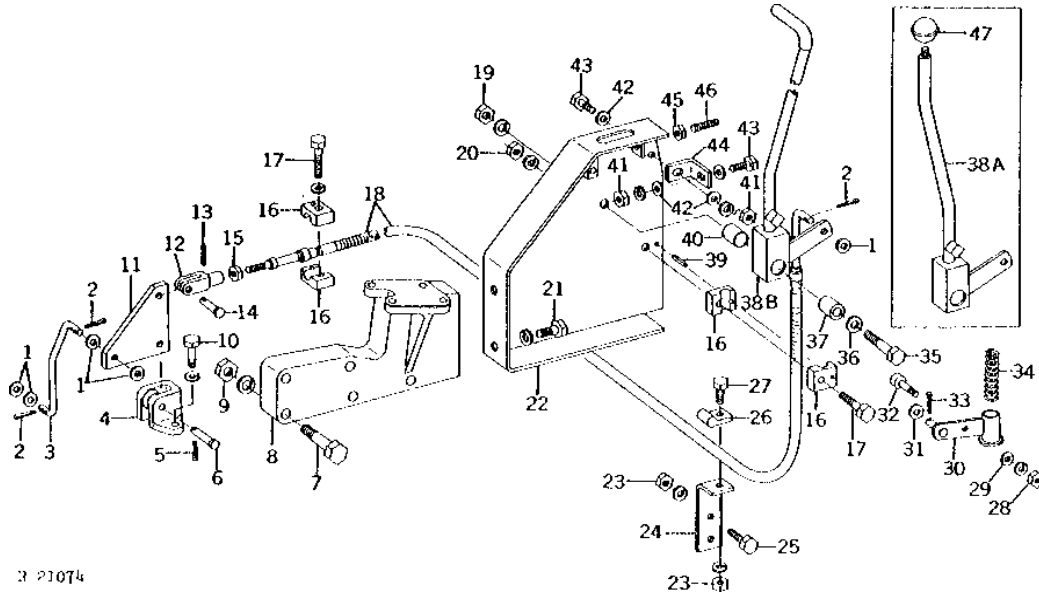
KEY	PART NO.	PART NAME	QTY	TRACTOR SERIAL NO.	REMARKS
1	11M7079	COTTER PIN	1		
2	R72660	PIN	1		0.098" X 0.472" (SUB FOR R662R)
3	T25614	SET SCREW	1		
4	R47868	ARM	1		
5	M3742T	YOKE	1		
6	14H649	NUT	1		1/4"
7	19H2128	CAP SCREW	2		3/8" X 3"
	12H304	LOCK WASHER	2		3/8"
8	T33483	CLAMP	4		
9	AR50934	PUSH PULL CABLE	1		
	R39725	SEAL	2		
	R39726	SEAL	1		BOTTOM
	R39727	SEAL	1		TOP
10	14H1076	NUT	1		3/8"
	12H304	LOCK WASHER	1		3/8"
11	28H1495	SPACER	1		3/8" X 1"
12	24H1227	WASHER	2		17/32" X 13/16" X 0.060"
13	11M7079	COTTER PIN	1		0.098" X 0.472"
14	R48050	STRAP	1		
15	19H1731	CAP SCREW	1		3/8" X 1"
	12H304	LOCK WASHER	1		3/8"
16	24H1286	WASHER	1		9/32" X 1/2" X 1/16"
17	AR66915	BRACKET	1		(ALSO ORDER 19H1731 AND 12H304) (SUB FOR AR50935)
18	11M7015	COTTER PIN	2		3.200 X 25 MM

2B14

POWER TRAIN

HI-LO SPEED SELECTOR SHIFTER LEVER, SUPPORT AND CABLE (TRACTOR SERIAL NO. -002386)

R21074 -UN-01JAN94



3 21074

KEY	PART NO.	PART NAME	QTY	TRACTOR SERIAL NO.	REMARKS
1	24M7096	WASHER	5	10.500 X 18 X 1.600 MM	
2	11M7081	COTTER PIN	5	0.098" X 0.787"	
3	R47970	ROD	1		
4	R47968	BRACKET	1		
5	11M7059	COTTER PIN	1	3.200 X 20 MM	
6	F2353R	PIN	1		
7	19H2615	CAP SCREW	3	5/8" X 3-3/4"	
8	R47775	SUPPORT	1		
9	14H1039	NUT	3	5/8"	
10	12H294	LOCK WASHER	3	5/8"	
	19H1732	CAP SCREW	2	3/8" X 1-1/4"	
	12H304	LOCK WASHER	2	3/8"	
11	R56415	LEVER	1	(SUB FOR R47969) (NLA)	
12	T13606	YOKE	1		
13	11M7081	COTTER PIN	1	0.098" X 0.787"	
14	R65563	PIN	1	(SUB FOR C1067R)	
15	14H774	NUT	1	3/8"	
16	R47806	CLAMP	4		
17	19H2979	CAP SCREW	2		
	12H304	LOCK WASHER	2	3/8"	
18	AR50862	PUSH PULL CABLE	1		
	R48718	SEAL	1	(CONDUIT TO TERMINAL SLEEVE)	
	R48719	SEAL	1	(TERMINAL SLEEVE TO INNER MEMBER INPUT END)	
				(SUB R48720)	
	R48720	SEAL	1	(TERMINAL SLEEVE TO INNER MEMBER OUTPUT END)	
19	14H1040	NUT	1	1/2"	
	12H301	LOCK WASHER	1	1/2"	
20	14H1076	NUT	1	3/8"	
	12H304	LOCK WASHER	1	3/8"	
21	19H444	CAP SCREW	2	1/2" X 1"	
	12H301	LOCK WASHER	2	1/2"	
22	AR50860	SUPPORT	1		
	R48813	LABEL	1		

2B15

POWER TRAIN

HI-LO SPEED SELECTOR SHIFTER LEVER, SUPPORT AND CABLE - CONTINUED
(TRACTOR SERIAL NO. -002386)

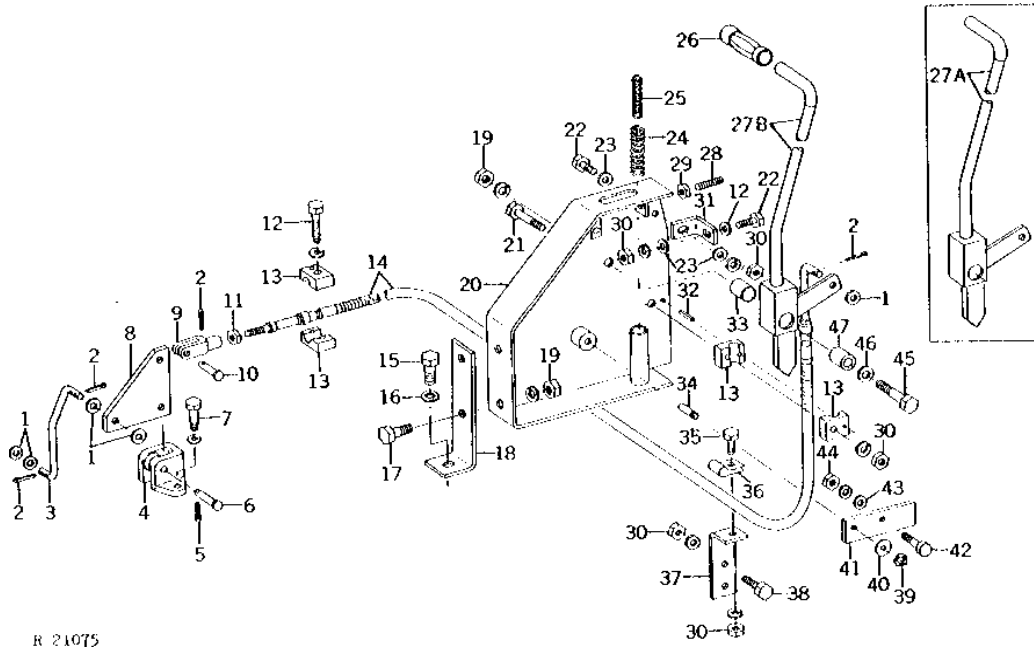
KEY	PART NO.	PART NAME	QTY	TRACTOR SERIAL NO.	REMARKS
23	14H1076	NUT	3		3/8"
	12H304	LOCK WASHER	3		3/8"
24	R47967	ANGLE	1		
25	19H988	CAP SCREW	2		3/8" X 1-1/4"
26	H75541	CLAMP	1		(SUB FOR R46415)
27	19H2284	CAP SCREW	1		3/8" X 7/8"
28	14H1080	NUT	1		3/8"
	12H304	LOCK WASHER	1		3/8"
29	24H1652	WASHER	1		13/32" X 11/16" X 7/64"
30	AR52087	ARM	1		
31	24H1321	SHIM	1		0.018"
32	AR52086	BEARING	1		
33	11M7059	COTTER PIN	1		3.200 X 20 MM
34	R38185	SPRING	1		
35	19H2644	CAP SCREW	1		1/2" X 2-1/2"
36	24H1211	WASHER	1		9/16" X 1-3/8" X 0.105"
37	R47966	BUSHING	1		
38A	AR50861	SHIFTER	1	-001816	(SUB AR54435)
38B	AR54435	LEVER	1	001817-	
39	34H254	SPRING PIN	1		1/8" X 1-1/2"
40	R26182	BUSHING	1		
41	14H1076	NUT	2		3/8"
	12H304	LOCK WASHER	2		3/8"
42	24H1305	WASHER	4		13/32" X 13/16" X 0.065"
43	19H1731	CAP SCREW	2		3/8" X 1"
44	R49202	ANGLE	1		
45	14H732	NUT	1		3/8"
46	R42948	SET SCREW	1		
47	F2861R	KNOB	1	-001816	(SUB R60458)

2B16

POWER TRAIN

HI-LO SPEED SELECTOR SHIFTER LEVER, SUPPORT AND CABLE (TRACTOR SERIAL NO. 002387-)

R21075 -UN-01JAN94



R 21075

KEY	PART NO.	PART NAME	QTY	TRACTOR SERIAL NO.	REMARKS
1	24M7096	WASHER	5		10.500 X 18 X 1.600 MM
2	11M7081	COTTER PIN	5		0.098" X 0.787"
3	R47970	ROD	1		
4	R47968	BRACKET	1		
5	11M7059	COTTER PIN	1		3.200 X 20 MM
6	F2353R	PIN	1		
7	19H1732	CAP SCREW	2		3/8" X 1-1/4"
	12H304	LOCK WASHER	2		3/8"
8	R47969	LEVER	1		(SUB R56415) (NLA)
9	T13606	YOKE	1		
10	R65563	PIN	1		(SUB FOR C1067R)
11	14H774	NUT	1		3/8"
12	19H2979	CAP SCREW	1		
	12H304	LOCK WASHER	1		3/8"
13	R47806	CLAMP	4		
14	AR50862	PUSH PULL CABLE	1		
	R48718	SEAL	1		(CONDUIT TO TERMINAL SLEEVE)
	R48719	SEAL	1		(TERMINAL SLEEVE TO INNER MEMBER INPUT END)
					(SUB R48720)
	R48720	SEAL	1		(TERMINAL SLEEVE TO INNER MEMBER OUTPUT END)
15	19H1815	CAP SCREW	1		1/2" X 1-1/4"
16	24H1341	WASHER	1		17/32" X 15/16" X 0.060"
17	19H1792	CAP SCREW	2		1/2" X 1"
18	R52673	SUPPORT	1		
19	14H1040	NUT	3		1/2"
	12H301	LOCK WASHER	3		1/2"
20	AR56942	SUPPORT	1		
	R49477	LABEL	1		
21	19H3181	CAP SCREW	1		3/8" X 2"
22	19H1731	CAP SCREW	2		3/8" X 1"
23	24H1305	WASHER	4		13/32" X 13/16" X 0.065"
24	R47109	SPRING	1		
25	R41549	SPRING	1		

2B17

POWER TRAIN

HI-LO SPEED SELECTOR SHIFTER LEVER, SUPPORT AND CABLE - CONTINUED
(TRACTOR SERIAL NO. 002387-)

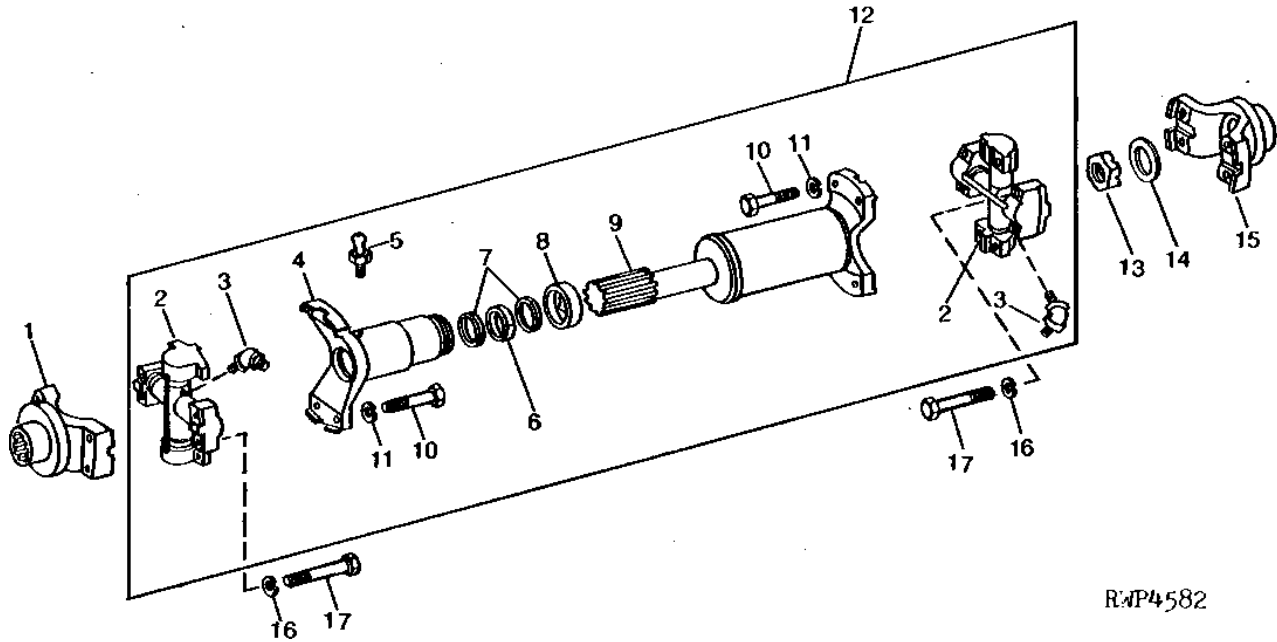
KEY	PART NO.	PART NAME	QTY	TRACTOR SERIAL NO.	REMARKS
26	R52582	GRIP	1		
27A	AR58229	SHIFTER	1	-002699	(SUB AR72070)
27B	AR72070	LEVER	1	002700-	(SUB FOR AR59871 AND AR65818)
28	R42948	SET SCREW	1		
29	14H732	NUT	1		3/8"
30	14H1076	NUT	5		3/8"
	12H304	LOCK WASHER	5		3/8"
31	R49202	ANGLE	1		
32	34H254	SPRING PIN	1		1/8" X 1-1/2"
33	R26182	BUSHING	1		
34	F3392R	PIN	1		
35	19H2284	CAP SCREW	1		3/8" X 7/8"
36	H75541	CLAMP	1		(SUB FOR R46415)
37	R47967	ANGLE	1		
38	19H988	CAP SCREW	2		3/8" X 1-1/4"
39	F3396R	SNAP RING	1		
40	24H1309	WASHER	1		13/32" X 1-1/16" X 0.120"
41	R52361	ARM	1		
42	AR52086	BEARING	1		
43	24H1652	WASHER	1		13/32" X 11/16" X 7/64"
44	14H1080	NUT	1		3/8"
	12H304	LOCK WASHER	1		3/8"
45	19H2644	CAP SCREW	1		1/2" X 2-1/2"
46	24H1211	WASHER	1		9/16" X 1-3/8" X 0.105"
47	R47966	BUSHING	1		

2B18

POWER TRAIN

UNIVERSAL TELESCOPING JOINT (CLUTCH TO TORQUE DIVIDER)

RWP4582 -UN-01JAN94



RWP4582

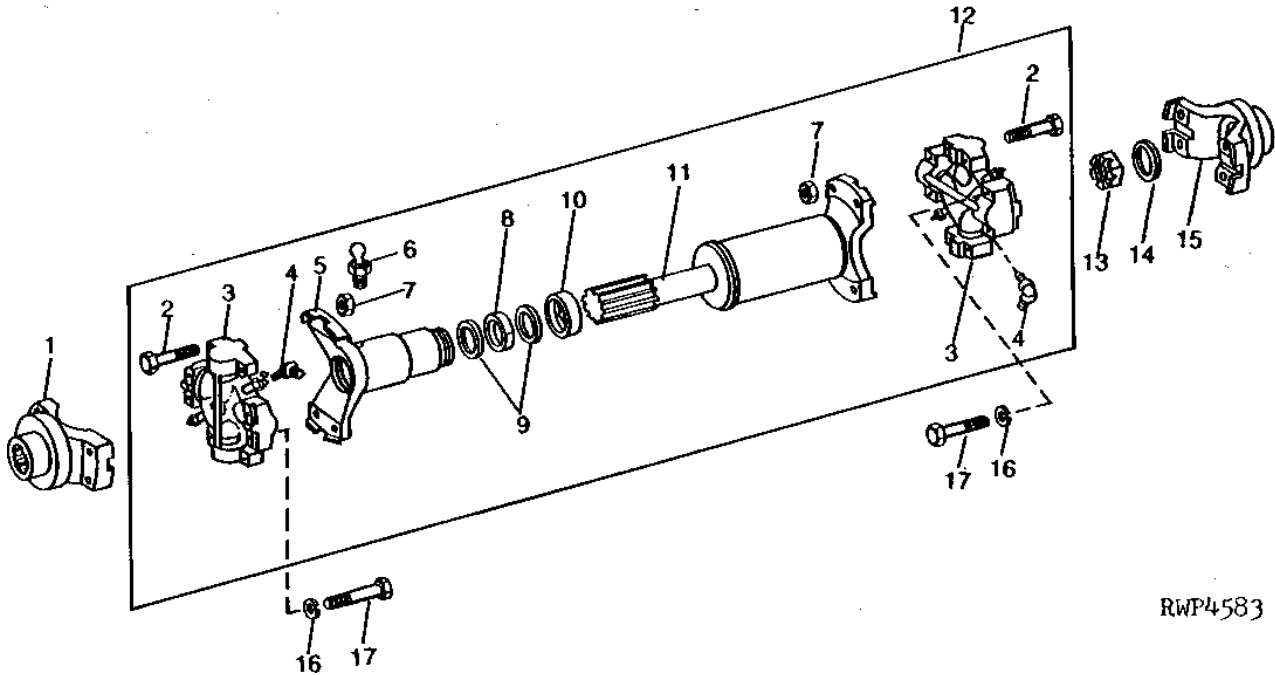
KEY	PART NO.	PART NAME	QTY	TRACTOR SERIAL NO.	REMARKS
1	R47655	UNIVERSAL JOINT YOKE	1		
2	AT59126	KIT	2		REPAIR CENTER PARTS, (SUB FOR AT23096) (SUB AT74268 AND (4) T76091)
3	JD7788	LUBRICATION FITTING	2		
4	AT32383	UNIVERSAL JOINT YOKE	1		(SUB AR50468)
5	JD7759	LUBRICATION FITTING	1		
6	T25245	WASHER	1		(SUB T61641)
7	T25244	WASHER	2		(SUB T61641)
8	T25243	CAP	1		(SUB T61641)
9	AR50924	YOKE	1		(SUB AR50468)
10	T82430	CAP SCREW	8		(SUB FOR T25247 OR T66881)
11	T77706	WASHER	8		(SUB FOR R37419)
12	AR50468	UNIVERSAL JOINT	1		
13	R48776	NUT	1		
14	R48733	WASHER	AR		6.35MM (.250")
	R48734	WASHER	AR		6.29MM (.248")
	R48735	WASHER	AR		6.23MM (.245")
15	R47655	UNIVERSAL JOINT YOKE	1		(SUB FOR R47653)
16	T77706	WASHER	8		(SUB FOR R37419)
17	T66730	CAP SCREW	8		(SUB FOR R37418)
..	R52596	LABEL	1		

2B19

POWER TRAIN

UNIVERSAL TELESCOPING JOINT (FRONT AXLE DRIVE, REAR)

RWP4583 -UN-01JAN94



RWP4583

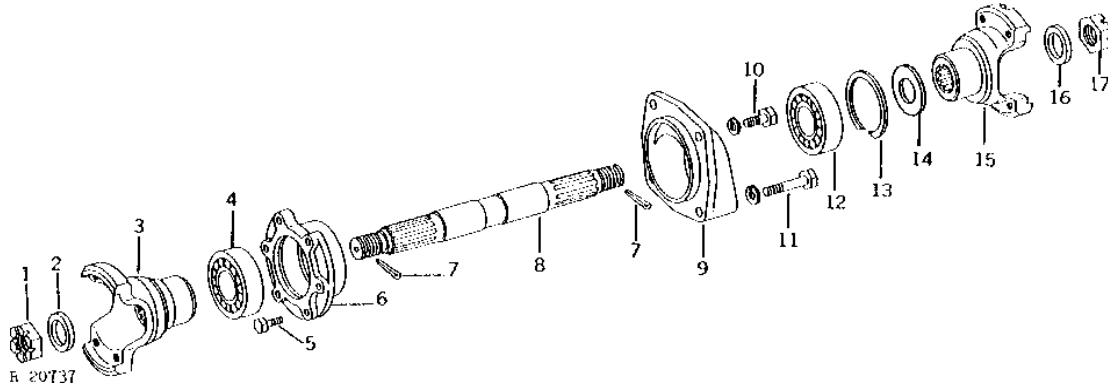
KEY	PART NO.	PART NAME	QTY	TRACTOR SERIAL NO.	REMARKS
1	R67064	UNIVERSAL JOINT YOKE	1		(ALSO ORDER A4540R) (SUB FOR R48015 OR R58536) (SUB R72672)
2	19H3012	CAP SCREW	8		1/2" X 2-3/8"
3	AR95974	UNIVERSAL JOINT CROSS	2		(SUB FOR AT27353, THIS APPLICATION) (SUB FOR AR90543) (SUB RE40111)
4	JD7760	LUBRICATION FITTING	2		
5	AT27355	UNIVERSAL JOINT YOKE	1		(SUB AR50469)
6	JD7759	LUBRICATION FITTING	1		
7	14H856	NUT	8		1/2"
8	T29335	BUSHING	1		(SUB R66563)
9	T29336	WASHER	1		(SUB R66563)
10	T29334	CAP	1		(SUB R66563)
11	AR50925	YOKE	1		(SUB AR50469)
12	AR50469	UNIVERSAL JOINT	1		
13	R48776	NUT	1		
14	R48733	WASHER	AR		6.35MM (.250")
	R48734	WASHER	AR		6.29MM (.248")
	R48735	WASHER	AR		6.23MM (.245")
15	R67064	UNIVERSAL JOINT YOKE	1		(ALSO ORDER A4540R) (SUB FOR R48015 OR R58536) (SUB R72672)
16	12H301	LOCK WASHER	8		1/2"
17	19H3011	CAP SCREW	8		1/2" X 2-1/8"
..	R52596	LABEL	1		

2B20

POWER TRAIN

R20737 -UN-01JAN94

FRONT AXLE COUPLER DRIVE SHAFT



KEY	PART NO.	PART NAME	QTY	TRACTOR SERIAL NO.	REMARKS
1	R48776	NUT	1		
2	R48733	WASHER	AR	6.35MM (.250")	
	R48734	WASHER	AR	6.30MM (.248")	
	R48735	WASHER	AR	6.22MM (.245")	
3	R67064	UNIVERSAL JOINT YOKE	1		(SUB FOR R48015 OR R58536) (ALSO ORDER A4540R) (SUB R72672)
4	JD9268	BEARING	1		
5	19H1731	CAP SCREW	2	-003310	3/8" X 1"
	19H3217	CAP SCREW	2	003311-	3/8" X 1-3/4"
6	R48459	QUILL	1		
7	11M7032	COTTER PIN	2		0.197" X 1.969"
8	R47371	SHAFT	1		
9	R47363	QUILL	1		
10	19H1815	CAP SCREW	2		1/2" X 1-1/4"
	12H301	LOCK WASHER	2		1/2"
11	19H1974	CAP SCREW	2		1/2" X 2-3/4"
	12H301	LOCK WASHER	2		1/2"
12	JD9268	BEARING	1		
13	F169R	SNAP RING	1		
14	A261R	WASHER	1		
15	R47655	UNIVERSAL JOINT YOKE	1		(SUB FOR R47653)
16	R48733	WASHER	AR	6.35MM (.250")	
	R48734	WASHER	AR	6.30MM (.248")	
	R48735	WASHER	AR	6.22MM (.245")	
17	R48776	NUT	1		
..	R52596	LABEL	1		

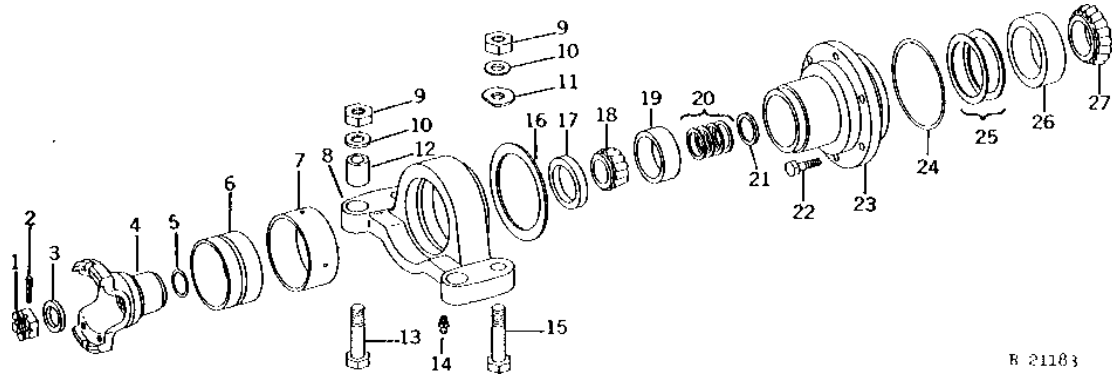
MEMORANDA

2B21

POWER TRAIN

R21183 -UN-01JAN94

FRONT DIFFERENTIAL DRIVE AND SUPPORT ASSEMBLY



R 21183

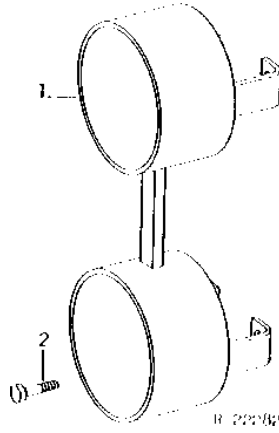
KEY	PART NO.	PART NAME	QTY	TRACTOR SERIAL NO.	REMARKS
1	R48776	NUT	1		
2	11M7032	COTTER PIN	1	0.197" X 1.969"	
3	R48733	WASHER	AR	6.35MM (.250")	
	R48734	WASHER	AR	6.30MM (.248")	
	R48735	WASHER	AR	6.22MM (.245")	
4	R47655	UNIVERSAL JOINT YOKE	1	(SUB FOR R47653)	
5	U10289	O-RING	1		
6	R37436	BUSHING	1		
7	R37438	BUSHING	1	(SUB R78266)	
8	AR55007	SUPPORT	1	(MARKED R44281 OR R50949) (SUB FOR AR45525)	
9	14H836	NUT	4	7/8"	
10	T19572	WASHER	4		
11	T30009	WASHER	2		
12	T30008	BUSHING	2		
13	19H2090	CAP SCREW	2	7/8" X 3-1/2"	
14	JD7759	LUBRICATION FITTING	1		
15	19H2090	CAP SCREW	2	7/8" X 3-1/2"	
16	R37439	WASHER	1		
17	AR94262	SEAL	1	(SUB FOR R37410)	
18	JD8974	BEARING CONE	1		
19	JD8240	BEARING CUP	1		
20	R45197	SHIM	1	0.18MM (.007")	
	R45198	SHIM	1	0.25MM (.010")	
	R45199	SHIM	1	0.30MM (.012")	
	R45200	SHIM	1	0.38MM (.015")	
21	R45201	WASHER	1		
22	R46162	SCREW	6		
23	R50951	QUILL	1	(SUB FOR R48722) (SUB R77053)	
24	R27796	O-RING	1		
25	R35365	SHIM	AR	0.08MM (.003")	
	R35366	SHIM	AR	0.13MM (.005")	
	R35367	SHIM	AR	0.25MM (.010")	
26	JD8280	BEARING CUP	1		
27	JD9056	BEARING CONE	1		

2B22

POWER TRAIN

R22282 -UN-01JAN94

UNIVERSAL JOINT GUARD



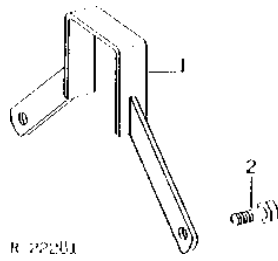
KEY	PART NO.	PART NAME	QTY	TRACTOR SERIAL NO.	REMARKS
1	AR68255	GUARD	1		
2	19H3217	CAP SCREW	4	3/8" X 1-3/4"	

2B23

POWER TRAIN

R22281 -UN-01JAN94

DRIVE SHAFT RETAINER



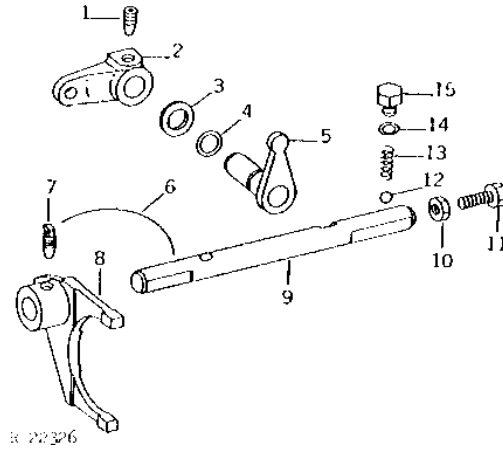
KEY	PART NO.	PART NAME	QTY	TRACTOR SERIAL NO.	REMARKS
1	AR68256	RETAINER	1		
2	19H1756	CAP SCREW	2	5/8" X 1-1/2"	

2B24

POWER TRAIN

R22326 -UN-01JAN94

TORQUE DIVIDER SHIFTER YOKE



KEY	PART NO.	PART NAME	QTY	TRACTOR SERIAL NO.	REMARKS
1	T25614	SET SCREW	1		
2	R47745	ARM	1		
3	24H1181	WASHER	3		13/16" X 1-1/8" X 0.060"
4	R27166	O-RING	1	-002704	
	AT12820	SEAL	1	002705-	(SUB FOR AR62328)
5	AR50640	ARM	1		
6	WIRE	1		16 GAUGE X 16"
7	B1914R	SET SCREW	1		
8	AR50639	YOKE	1	-003037	
	AR63922	YOKE	1	003038-	(NLA)
	AR71988	CLEVIS	1		(ORDER IF AR71986 HAS BEEN INSTALLED)
9	R47819	SHAFT	1	-003112	
	R56220	SHAFT	1	003113-	
10	14H1076	NUT	2	003113-	3/8"
11	R55819	BOLT	2	003113-	
12	R26552	BALL	1	-003037	8MM (5/16")
13	T17118	SPRING	1	-003037	
14	R26287	O-RING	1		
15	R27216	DRAIN PLUG	1		(SUB FOR R31631)

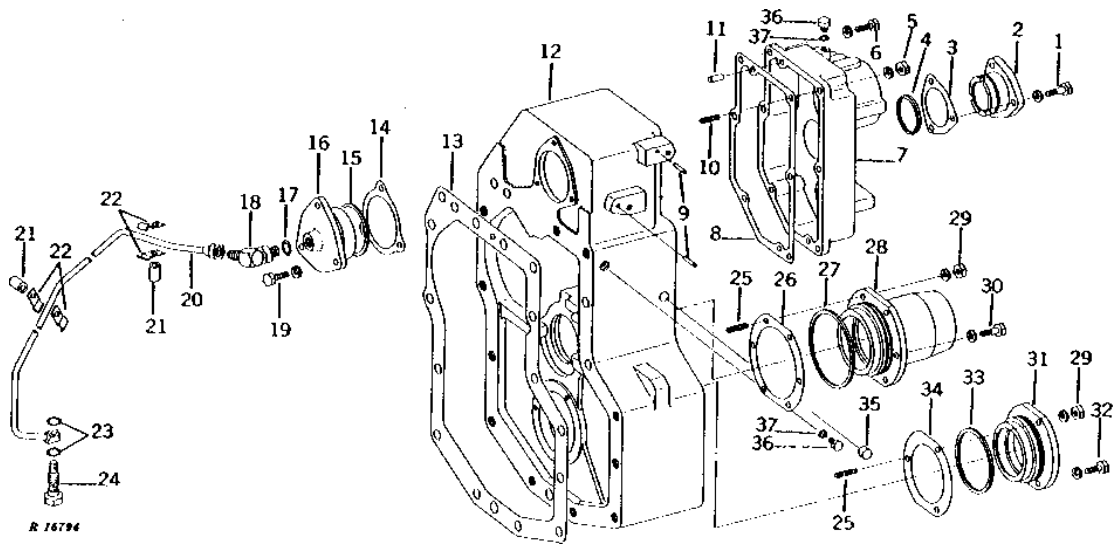
2C1

POWER TRAIN

R16794

-UN-01JAN94

TORQUE DIVIDER HOUSING WITH QUILLS



2C2

POWER TRAIN

TORQUE DIVIDER HOUSING WITH QUILLS - CONTINUED

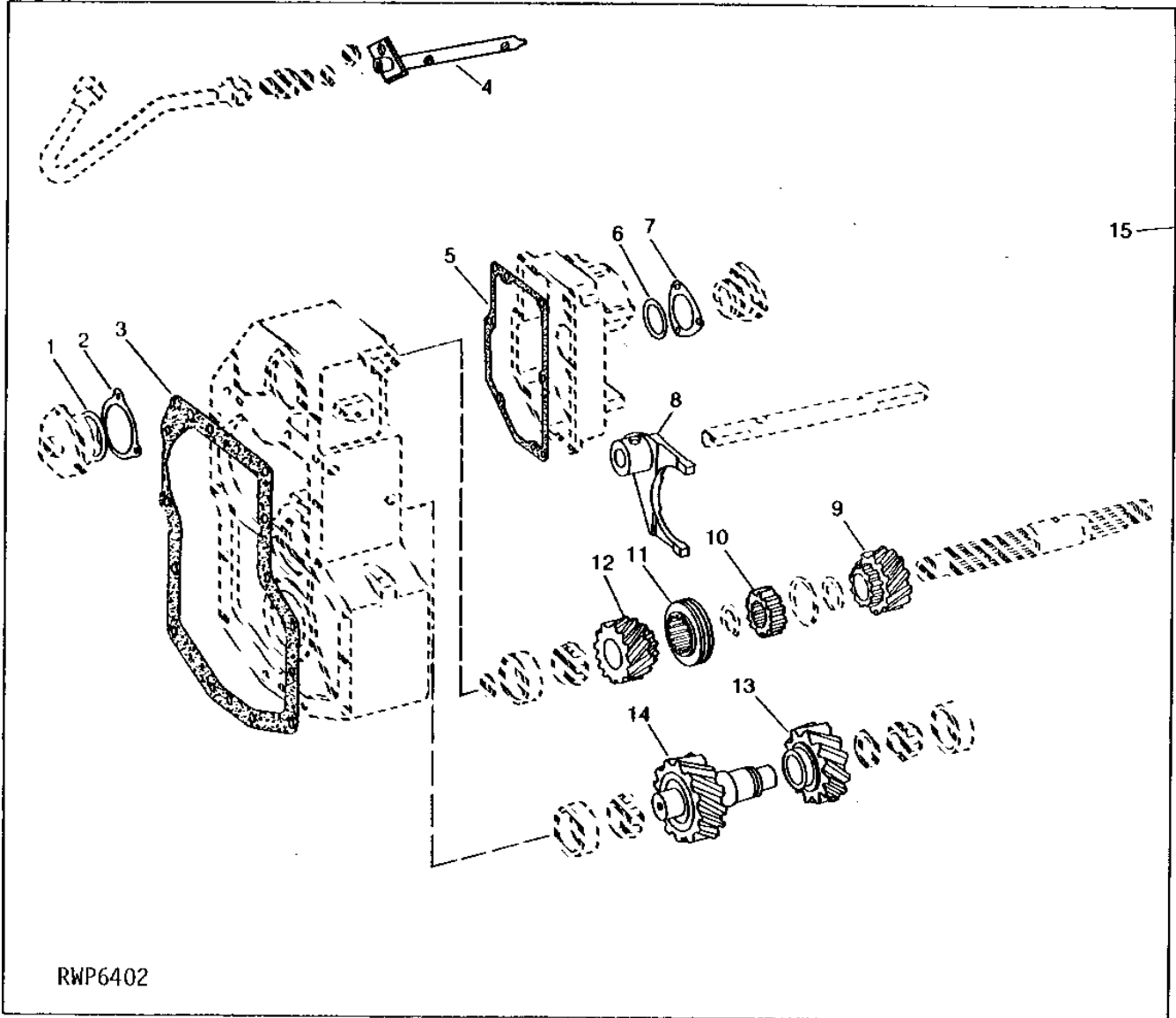
KEY	PART NO.	PART NAME	QTY	TRACTOR SERIAL NO.	REMARKS
1	19H1732	CAP SCREW	4		3/8" X 1-1/4"
	19H2023	CAP SCREW	4		3/8" X 3-1/4"
	12H304	LOCK WASHER	5		3/8"
2	R47361	RETAINER	1		
3	R47549	SHIM	AR		0.08MM (.003")
	R47550	SHIM	AR		0.13MM (.005")
	R47551	SHIM	AR		0.25MM (.010")
4	R47552	WASHER	1		
5	14H1076	NUT	1		3/8"
6	12H304	LOCK WASHER	1		3/8"
	19H1732	CAP SCREW	3		3/8" X 1-1/4"
	12H304	LOCK WASHER	3		3/8"
7	R56221	HOUSING	1		(ALSO ORDER R55819 AND 14H1076) (SUB FOR R47459)
8	R98932	GASKET	1		(SUB FOR R47560 OR R49504)
9	34H254	SPRING PIN	2		1/8" X 1-1/2"
10	R55396	STUD	1		(SUB FOR C2175R)
11	R28671	DOWEL PIN	2		
12	AR66457	HOUSING	1		(MARKED R47380 OR R56219) (ALSO ORDER R55819 AND 14H1076) (SUB FOR AR51327)
13	R99291	GASKET	1		(SUB FOR R47666)
14	R47561	SHIM	AR		0.08MM (.003")
	R47562	SHIM	AR		0.13MM (.005")
	R47563	SHIM	AR		0.25MM (.010")
15	R47564	WASHER	1		
16	R47342	QUILL	1		
17	R26286	O-RING	1		
18	AR51515	FITTING	1		
19	19H2552	CAP SCREW	3		3/8" X 1-1/8"
	12H304	LOCK WASHER	3		3/8"
	AR50976	HYDRAULIC LINE	1		(NLA)
21	28H1518	WASHER	2		0.493" X 0.675" X 5/16"
22	R27720	CLAMP	4		
23	U15980	O-RING	2		
24	R48088	SCREW	1		
25	M3636T	STUD	5		
26	R47553	SHIM	AR		0.08MM (.003")
	R47554	SHIM	AR		0.13MM (.005")
	R47555	SHIM	AR		0.25MM (.010")
27	R47565	RING	1		
28	R47431	QUILL	1		
29	14H1076	NUT	5		3/8"
30	12H304	LOCK WASHER	5		3/8"
	19H2552	CAP SCREW	3		3/8" X 1-1/8"
	12H304	LOCK WASHER	3		3/8"
31	R47336	QUILL	1		(NLA)
32	19H1731	CAP SCREW	1		3/8" X 1"
	12H304	LOCK WASHER	1		3/8"
33	R47559	WASHER	1		
34	R47556	SHIM	AR		0.08MM (.003")
	R47557	SHIM	AR		0.13MM (.005")
	R47558	SHIM	AR		0.25MM (.010")
35	T12083	CAP	1		(LESS PTO)
36	R27216	DRAIN PLUG	2		(SUB FOR R31631)
37	R26287	O-RING	2		

2C3

POWER TRAIN

RWP6402 -UN-01JAN94

HI-LO SHIFTER KIT



2C4

POWER TRAIN

HI-LO SHIFTER KIT - CONTINUED

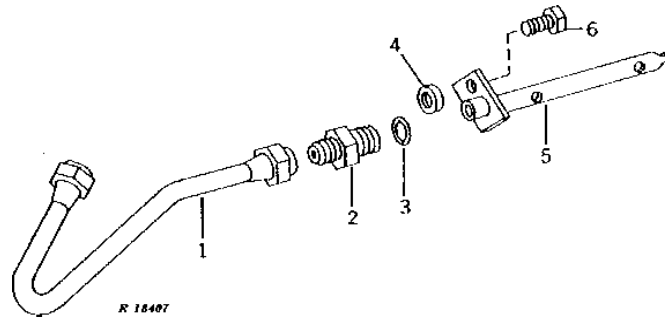
KEY	PART NO.	PART NAME	QTY	TRACTOR SERIAL NO.	REMARKS
1	R47564	WASHER	1		
2	R47561	SHIM	1		
	R47562	SHIM	1		
	R47563	SHIM	1		
3	R99291	GASKET	1		(SUB FOR R47666)
4	AR71987	TUBE	1		
5	R98932	GASKET	1		(SUB FOR R49504)
6	R47552	WASHER	1		
7	R47549	SHIM	1		
	R47550	SHIM	1		
	R47551	SHIM	1		
8	AR71988	CLEVIS	1		
9	R59625	GEAR	1		
10	R59624	SHIFT COLLAR	1		
11	R54984	SHIFT COLLAR	1		
12	R59626	GEAR	1		
13	R59622	GEAR	1		
14	R59623	STEERING GEAR	1		
15	AR71986	KIT	1		

2C5

POWER TRAIN

R18407 -UN-01JAN94

INPUT GEAR LUBRICATION PIPES



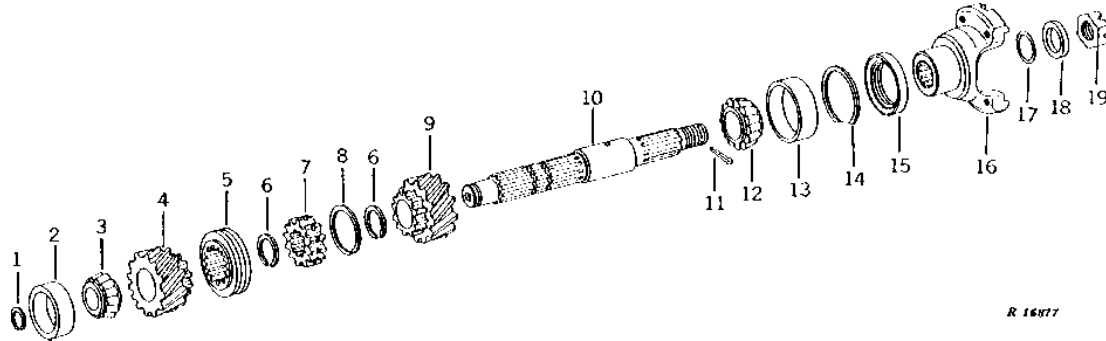
KEY	PART NO.	PART NAME	QTY	TRACTOR SERIAL NO.	REMARKS
1	AR52486	HYDRAULIC LINE	1		
2	R49093	FITTING	1		
3	R26375	O-RING	1		
4	A147R	LOCK WASHER	1		
5	AR52487	TUBE	1		
	AR71987	TUBE	1		(ORDER IF AR71986 HAS BEEN INSTALLED)
6	R43569	CAP SCREW	1		(SUB R72371)

2C6

POWER TRAIN

R16877 -UN-01JAN94

UPPER INPUT SHAFT, BEARINGS, AND COLLARS



KEY	PART NO.	PART NAME	QTY	TRACTOR SERIAL NO.	REMARKS
1	R47545	SNAP RING	AR	2.74MM (.108")	
	R47546	SNAP RING	AR	2.87MM (.113")	
	R47547	SNAP RING	AR	3.00MM (.118")	
	R47548	SNAP RING	AR	3.12MM (.123")	
2	JD7270	BEARING CUP	1		
3	JD7246	BEARING CONE	1		
4	R47341	GEAR	1		
	R59626	GEAR	1	(A)	
5	R47768	SHIFT COLLAR	1		
	R54984	SHIFT COLLAR	1	(A)	
6	F2197R	SNAP RING	2		
	R48592	SHIFT COLLAR	1	(16 SPEED)	
7	R59624	SHIFT COLLAR	1	(A) (16 SPEED)	
	R47767	SHIFT COLLAR	1	(8 SPEED)	
8	B1876R	SNAP RING	1	(8 SPEED)	
	R47343	GEAR	1	(16 SPEED)	
9	R59625	GEAR	1	(A) (16 SPEED)	
	R47482	SHAFT	1		
10	R47482	SHAFT	1		
11	11M7032	COTTER PIN	1	0.197" X 1.969"	
12	JD8901	BEARING CONE	1		
13	JD8236	BEARING CUP	1		
14	R47771	SNAP RING	1	(NLA)	
15	AR94262	SEAL	1	(SUB FOR R37410)	
16	R47655	UNIVERSAL JOINT YOKE	1		
17	U10289	O-RING	1		
18	R48733	WASHER	AR	6.35MM (.250")	
	R48734	WASHER	AR	6.30MM (.248")	
19	R48735	WASHER	AR	6.22MM (.245")	
	R48776	NUT	1		

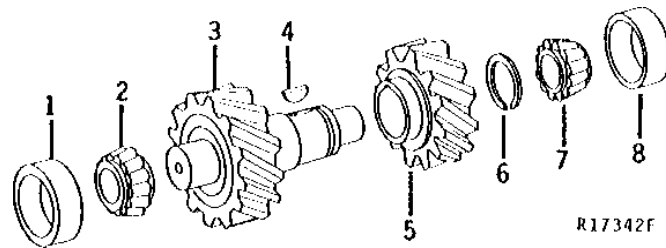
(A) ORDER IF AR71986 HAS BEEN INSTALLED

2C7

POWER TRAIN

R17342 -UN-01JAN94

INPUT IDLER GEARS AND SHAFT



R17342F

KEY	PART NO.	PART NAME	QTY	TRACTOR SERIAL NO.	REMARKS
1	JD8223	BEARING CUP	1		
2	JD8182	BEARING CONE	1		
3	R48340	STEERING GEAR	1	(NLA)	
	R59623	STEERING GEAR	1	(A)	
4	26H93	SHAFT KEY	1	1/4" X 1-1/4", (16 SPEED)	
5	R48339	GEAR	1	(16 SPEED) (NLA)	
	R59622	GEAR	1	(A)	
6	R29001	RING	1	(16 SPEED)	
7	JD7397	BEARING CONE	1		
8	JD7421	BEARING CUP	1		

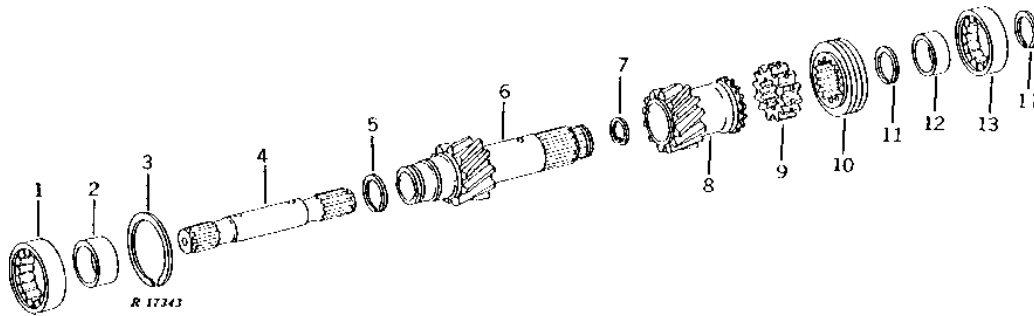
(A) ORDER IF AR71986 HAS BEEN INSTALLED

2C8

POWER TRAIN

R17343 -UN-01JAN94

LOWER INPUT SHAFT



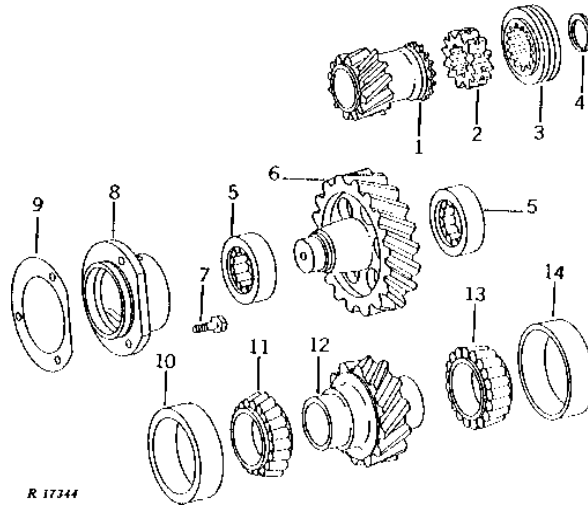
KEY	PART NO.	PART NAME	QTY	TRACTOR SERIAL NO.	REMARKS
1	AR63790	ROLLER BEARING	1		(SUB FOR JD9412)
2	JD7599	BEARING RACE	1		
3	R48905	SNAP RING	1		
4	R47480	SHAFT	1		
5	R28640	SNAP RING	1		
6	R47432	SHAFT	1		
7	R41707	SNAP RING	1		
8	R47369	GEAR	1		(PTO)
9	R48592	SHIFT COLLAR	1		(PTO)
10	R47768	SHIFT COLLAR	1		(PTO)
11	R48745	SNAP RING	2		(SUB FOR R48623)
12	JD9500	BEARING RACE	1		
13	JD8737	ROLLER BEARING	1		

2C9

POWER TRAIN

R17344 -UN-01JAN94

PTO IDLER GEARS AND SHAFTS



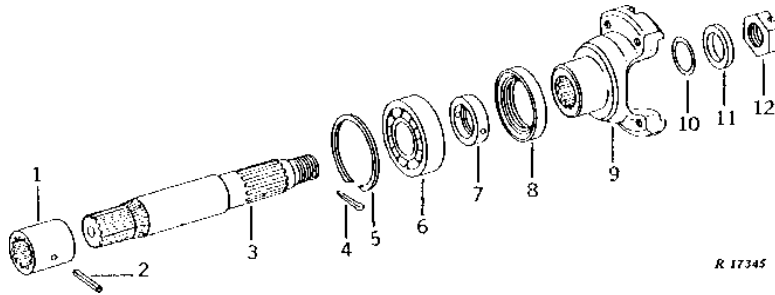
KEY	PART NO.	PART NAME	QTY	TRACTOR SERIAL NO.	REMARKS
1	R47369	GEAR	1		
2	R48592	SHIFT COLLAR	1		
3	R47768	SHIFT COLLAR	1		
4	R48745	SNAP RING	1		(SUB FOR R48623)
5	JD7502	ROLLER BEARING	2		
6	R47367	GEAR	1		
7	R57725	SCREW	3		(SUB FOR R40835)
8	R47338	RETAINER	1		
9	R43346	SHIM	AR		0.15MM (.006")
	R43347	SHIM	AR		0.25MM (.010")
	R43348	SHIM	AR		0.46MM (.018")
10	JD7417	BEARING CUP	1		
11	JD8158	BEARING CONE	1		
12	R47372	GEAR	1		
13	JD7378	BEARING CONE	1		
14	JD7292	BEARING CUP	1		

2C10

POWER TRAIN

R17345 -UN-01JAN94

TRANSMISSION FRONT OUTPUT SHAFT



R 17345

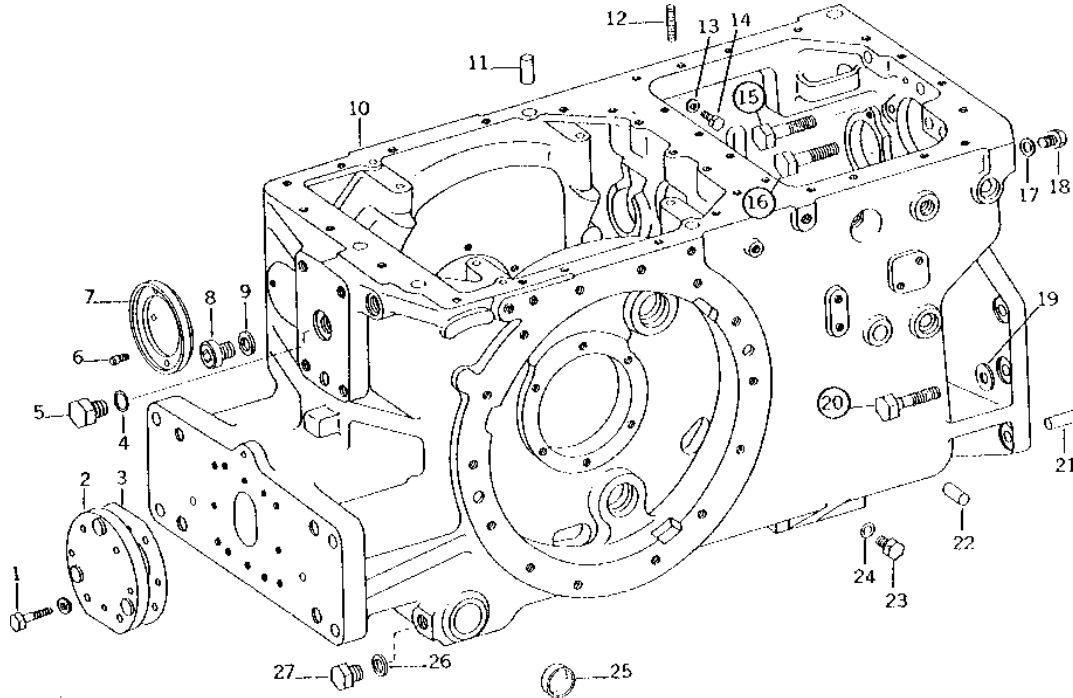
KEY	PART NO.	PART NAME	QTY	TRACTOR SERIAL NO.	REMARKS
1	R47362	COUPLING	1		
2	34H291	SPRING PIN	1	3/16" X 2-1/8"	
3	R47479	SHAFT	1	(NLA)	
4	11M7032	COTTER PIN	1	0.197" X 1.969"	
5	F169R	SNAP RING	1		
6	JD8520	BALL BEARING	1		
7	R47657	SPACER	1		
8	AR94262	SEAL	1	(SUB FOR R37410)	
9	R67064	UNIVERSAL JOINT YOKE	1	(SUB FOR R48015 OR R58536) (ALSO ORDER A4540R) (SUB R72672)	
10	U10289	O-RING	1		
11	R48733	WASHER	AR	6.35MM (.250")	
	R48734	WASHER	AR	6.27MM (.248")	
	R48735	WASHER	AR	6.22MM (.245")	
12	R48776	NUT	1		

2C11

POWER TRAIN

R20809 -UN-01JAN94

TRANSMISSION CASE



R 20809

KEY	PART NO.	PART NAME	QTY	TRACTOR SERIAL NO.	REMARKS
1	19H2473	CAP SCREW	6		1/2" X 1-3/4"
	12H301	LOCK WASHER	6		1/2"
2	R35274	COVER	1		(LESS PTO)
3	R58900	GASKET	1		(SUB FOR R35621)
4	F3171R	O-RING	1	002700-	(A)
5	AR54983	FITTING PLUG	1	002700-	(A)
6	R27329	SCREW	2		
7	AR26707	RETAINER	1		
8	R27483	PLUG	1		
9	H851R	WASHER	1		
10	AR77463	TRANSMISSION CASE	1	002700-	(MARKED R46680, R49840, R55480 OR R62810) (ALSO ORDER AR63947) (SUB FOR AR49732, AR63311 OR AR64640)
11	R26616	DOWEL PIN	3		
12	D488R	STUD	1		
13	A3098R	WASHER	1		
14	19H2021	CAP SCREW	1		3/8" X 5/8"
15	19H1707	CAP SCREW	1		3/4" X 2-3/4"
16	19H2026	CAP SCREW	1		3/4" X 4"
17	R26287	O-RING	1	002700-	
18	R27216	DRAIN PLUG	1	-002699	(SUB FOR R31631)
	R27094	DRAIN PLUG	1	002700-	(A)
19	T21397	WASHER	11		
20	19H1707	CAP SCREW	9		3/4" X 2-3/4"
21	A776R	PIN	2		
22	T25317	DOWEL PIN	4		
23	R27218	FITTING PLUG	1		
24	R51494	WASHER	1		
25	R43409	CAP	2	-002699	(LESS ROCKSHAFT)
	R54213	CAP	2	002700-	(A) (LESS ROCKSHAFT)
26	R26906	O-RING	1		
27	R27474	DRAIN PLUG	1		
..	AR63947	SUPPORT	1		(USE WITH AR63311)

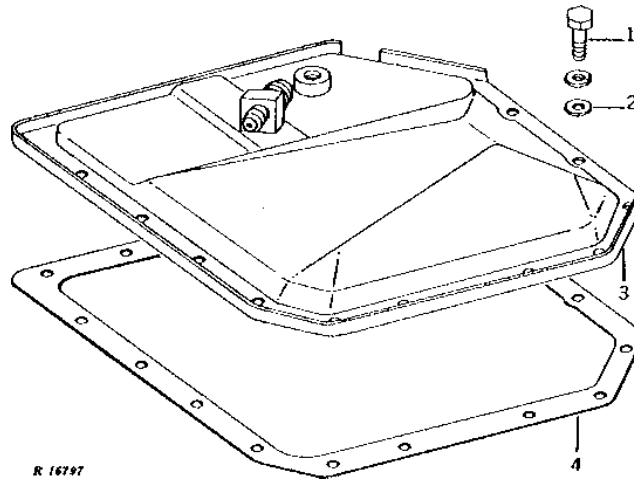
(A) INCLUDED IN AR63947

2C12

POWER TRAIN

R16797 -UN-01JAN94

TRANSMISSION CASE FRONT COVER



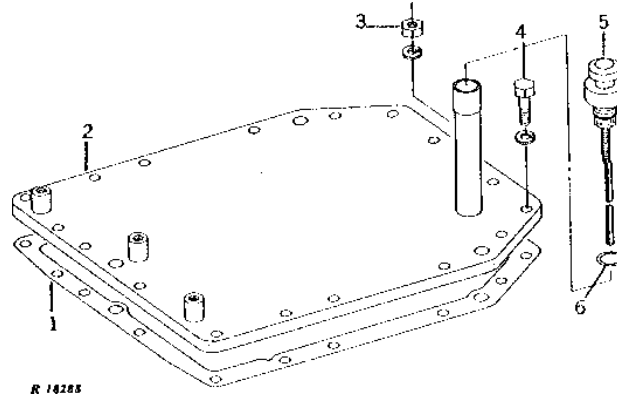
KEY	PART NO.	PART NAME	QTY	TRACTOR SERIAL NO.	REMARKS
1	19H1731	CAP SCREW	12	3/8" X 1"	
	19H2665	CAP SCREW	2	3/8" X 1-5/8"	
	19H1801	CAP SCREW	2	3/8" X 2"	
	12H304	LOCK WASHER	16	3/8"	
2	A4624R	WASHER	12		
	AR50872	COVER	1		
4	R43260	GASKET	1		

2C13

POWER TRAIN

TRANSMISSION CASE REAR COVER (LESS ROCKSHAFT)

R18288 -UN-01JAN94



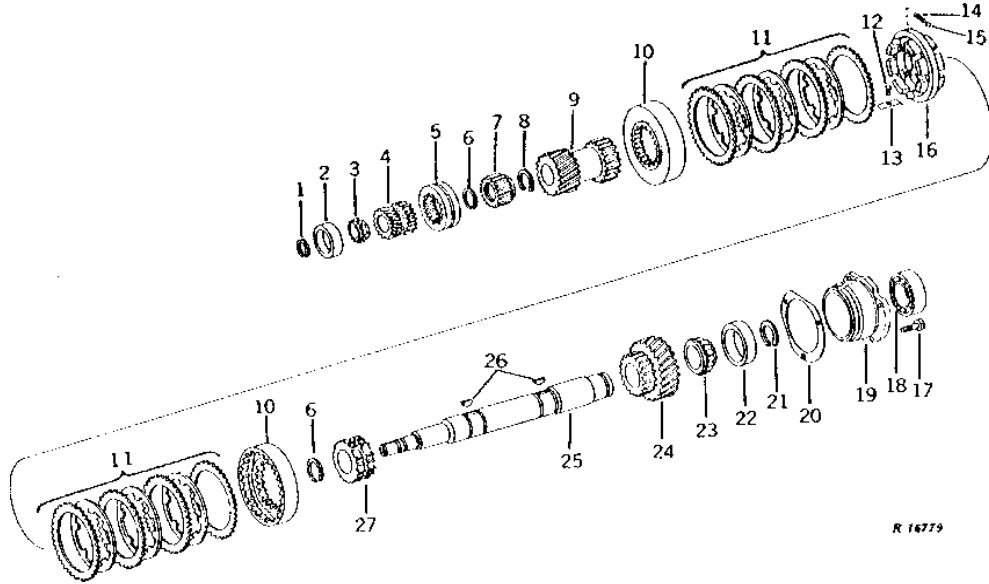
KEY	PART NO.	PART NAME	QTY	TRACTOR SERIAL NO.	REMARKS
1	R43408	GASKET	1		
2	AR54397	COVER	1		(SUB FOR AR50232)
3	14H1040	NUT	1	1/2"	
4	12H301	LOCK WASHER	1	1/2"	
	19H1721	CAP SCREW	17	1/2" X 1-1/2"	
	12H301	LOCK WASHER	17	1/2"	
5	AR50470	DIPSTICK	1		
6	A4730R	O-RING	3		

2C14

POWER TRAIN

TRANSMISSION DRIVE SHAFT ASSEMBLY (SYNCHRO-RANGE WITH COLLAR SHIFT REVERSE)

R16779 -UN-01JAN94



R 16779

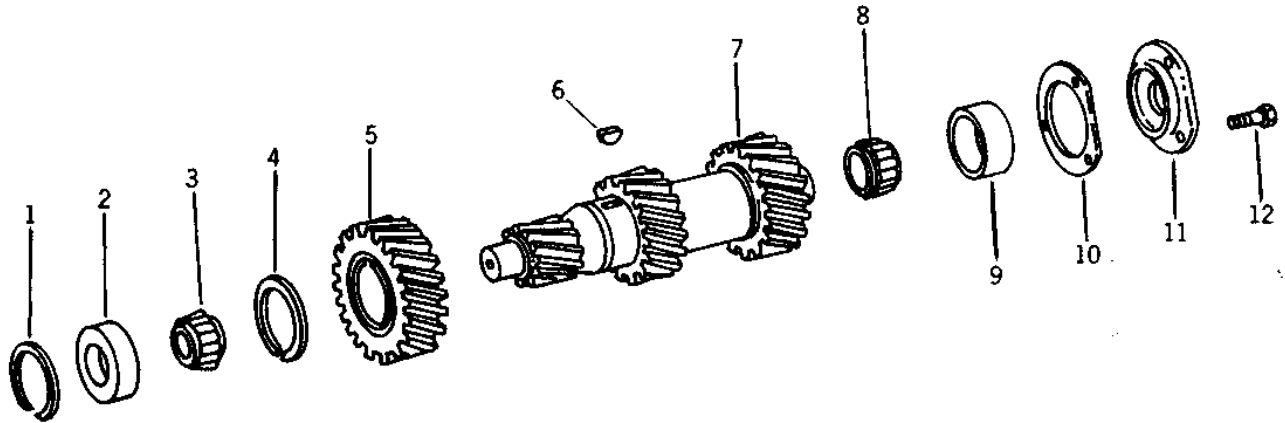
KEY	PART NO.	PART NAME	QTY	TRACTOR SERIAL NO.	REMARKS
1	R35164	SNAP RING	1		1.93MM (.076")
	R35165	SNAP RING	1		2.01MM (.079")
	R35166	SNAP RING	1		2.08MM (.082")
	R35167	SNAP RING	1		2.16MM (.085")
	R40713	SNAP RING	1		2.24MM (.088")
	R40714	SNAP RING	1		2.31MM (.091")
	R40715	SNAP RING	1		2.39MM (.094")
2	JD8291	BEARING CUP	1		
3	JD7232	BEARING CONE	1		
4	R47119	PINION	1		
5	R47118	SHIFT COLLAR	1		
6	R35385	SNAP RING	2		
7	R47117	SHIFT COLLAR	1		
8	R35386	SNAP RING	1		
9	R59827	PINION	1		(SUB FOR R43021 AND R51842)
10	R36678	DRUM	2		
11	AR69155	SYNCHRONIZER	1		(SUB FOR AR52434) (2 SETS USED)
12	R45225	STUD	2		
13	R35461	CLAMP	2		
14	R59860	SPRING	4		(SUB FOR R27730)
15	A4742R	BALL	4		4MM (5/16")
16	AR35403	SYNCHRONIZER	1		
17	R57725	SCREW	2		(SUB FOR R40835)
	R47658	SELF-LOCKING SCREW	1		
18	AR63790	ROLLER BEARING	1		(SUB FOR JD8337 OR JD9412)
19	R47339	QUILL	1		
20	R53749	SHIM	AR		0.15MM (.006") (SUB FOR R47659)
	R53750	SHIM	AR		0.25MM (.010") (SUB FOR R47660)
	R53751	SHIM	AR		0.46MM (.018") (SUB FOR R47661)
21	R48745	SNAP RING	1		1.93MM (.076")
	R48746	SNAP RING	1		2.01MM (.079")
	R48747	SNAP RING	1		2.08MM (.082")
	R48748	SNAP RING	1		2.16MM (.085")
	R48749	SNAP RING	1		2.24MM (.088")
	R48750	SNAP RING	1		2.31MM (.091")
22	JD7275	BEARING CUP	1		
23	JD9057	BEARING CONE	1		
24	R54567	PINION	1		(SUB FOR R43020)
25	R48744	DRIVE SHAFT	1	-002601	
	R53271	DRIVE SHAFT	1	002602-	
26	26H82	SHAFT KEY	2		1/4" X 7/8"
27	R35457	SHIFT COLLAR	1		(SUB FOR R64129)

2C15

POWER TRAIN

R32224 -UN-01JAN94

COUNTERSHAFT



R32224F

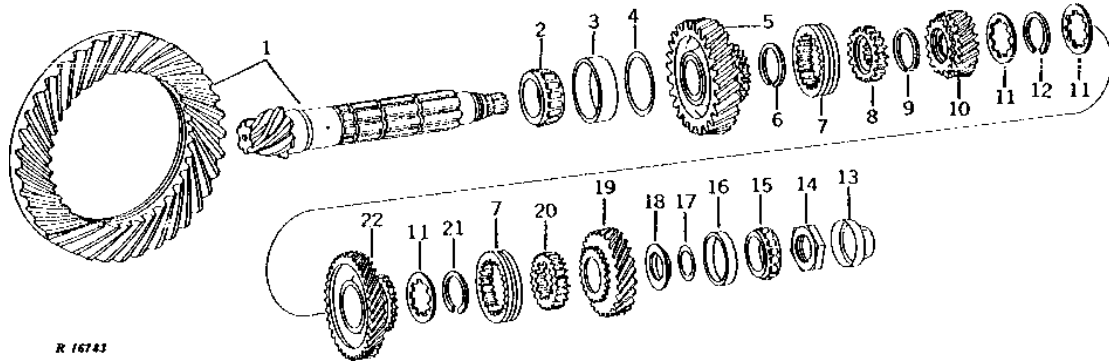
KEY	PART NO.	PART NAME	QTY	TRACTOR SERIAL NO.	REMARKS
1	R35377	SNAP RING	1		
2	JD8262	BEARING CUP	1		(SUB JD10005 AND JD8113)
3	JD7383	BEARING CONE	1		
4	R35369	SNAP RING	1	-002699	
	R52705	SNAP RING	1	002700-	
5	R43017	GEAR	1	-002699	
	R67643	STEERING GEAR	1	002700-	(SUB FOR R52704)
6	26H93	SHAFT KEY	1	-002699	1/4" X 1-1/4"
	26H101	SHAFT KEY	1	002700-	3/8" X 1-1/2"
7	R43128	COUNTERSHAFT	1	-002699	
	R50562	COUNTERSHAFT	1	002700-	
8	JD9015	BEARING CONE	1		
9	JD8288	BEARING CUP	1		
10	R43346	SHIM	AR		0.15MM (.006")
	R43347	SHIM	AR		0.25MM (.010")
	R43348	SHIM	AR		0.46MM (.018")
11	R47338	RETAINER	1		(PTO)
	R43129	RETAINER	1		(LESS PTO)
12	R57725	SCREW	3		(SUB FOR R40835)

2C16

POWER TRAIN

R16783 -UN-01JAN94

REAR DIFFERENTIAL DRIVE AND BEVEL PINION ASSEMBLY



KEY	PART NO.	PART NAME	QTY	TRACTOR SERIAL NO.	REMARKS
1	AR50184	BEVEL GEAR DRIVE	1		(MARKED R43023 AND R47360) (MATCHED SET)
2	JD8977	BEARING CONE	1	-002699	
	JD9066	BEARING CONE	1	002700-	(A)
3	JD8266	BEARING CUP	1	-002699	
	JD8280	BEARING CUP	1	002700-	(A)
4	R33410	SHIM	AR		0.08MM (.003")
	R33411	SHIM	AR		0.13MM (.005")
	R33412	SHIM	AR		0.25MM (.010")
5	AR54679	GEAR	1		(FIRST AND THIRD SPEED) (MARKED R50561 OR R43131) (SUB FOR AR43025)
6	R35372	SNAP RING	1		
7	R35491	SHIFT COLLAR	2		
8	R43191	GEAR	1		
9	R43349	SNAP RING	1		
10	R43018	GEAR	1		(SIXTH AND EIGHTH SPEED)
11	R35426	THRUST WASHER	3		
12	R35373	SNAP RING	1		
13	R48387	RETAINER	1		
14	R48386	NUT	1		
15	JD7359	BEARING CONE	1		
16	JD8235	BEARING CUP	1		
17	R36765	SHIM	AR		0.08MM (.003")
	R36766	SHIM	AR		0.13MM (.005")
	R36767	SHIM	AR		0.25MM (.010")
18	R36764	BUSHING	1		
19	R43019	GEAR	1		(FOURTH AND SEVENTH SPEED)
20	R35489	GEAR	1		
21	R35371	SNAP RING	1		
22	R43134	GEAR	1		(SECOND AND FIFTH SPEED)
..	AR63947	SUPPORT	1		(USE WITH AR63311)

(A) INCLUDED IN AR63947

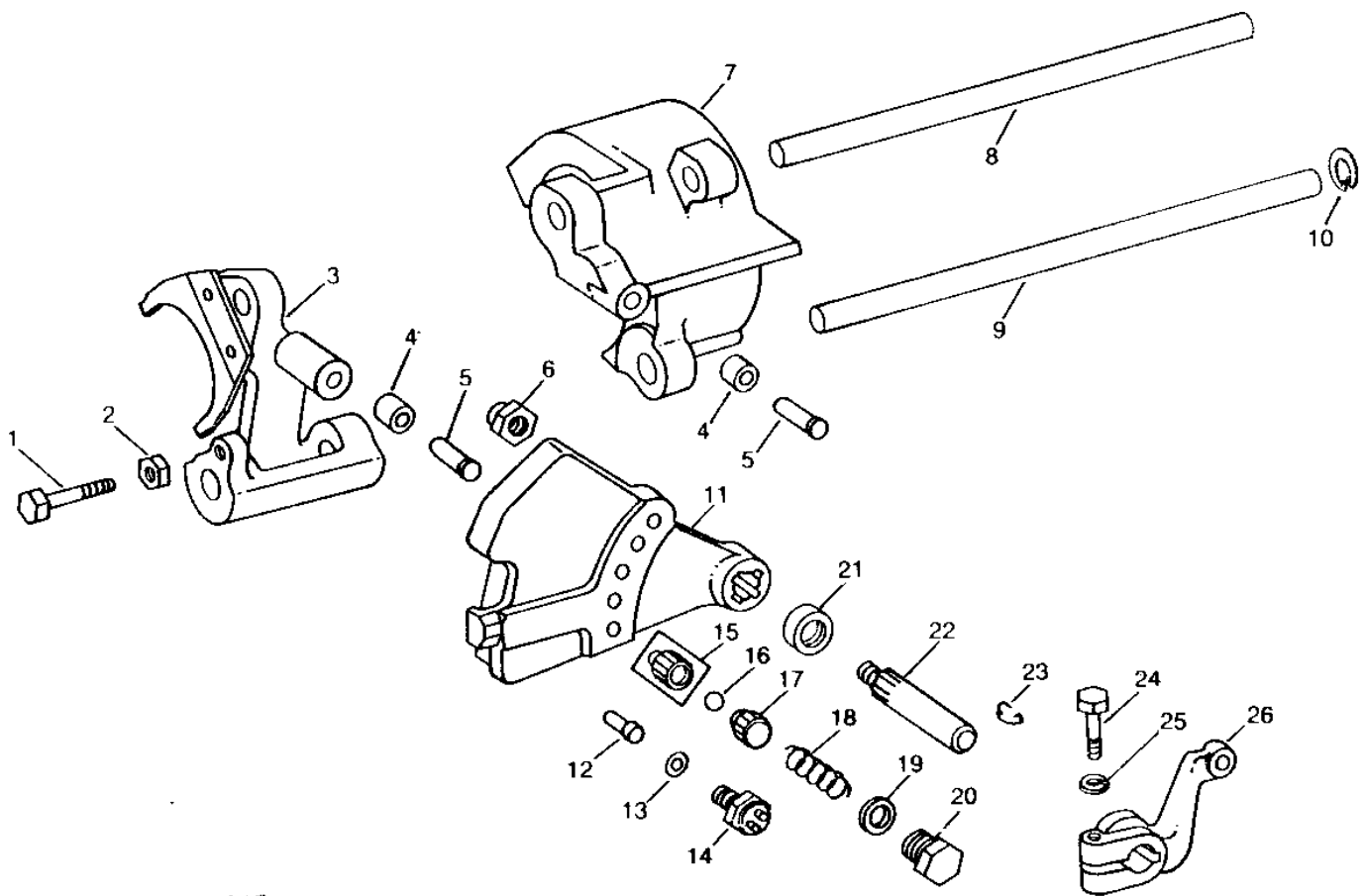
2C17

POWER TRAIN

RWP5987

-UN-02JAN94

RANGE SHIFTERS AND SHIFTER SHAFTS



RWP5987

2C18

POWER TRAIN

RANGE SHIFTERS AND SHIFTER SHAFTS - CONTINUED

KEY	PART NO.	PART NAME	QTY	TRACTOR SERIAL NO.	REMARKS
1	19H1944	CAP SCREW	1		3/8" X 2-3/4"
2	14H1076	NUT	1		3/8"
3	AR73158	SHIFTER	1		(MARKED R47121 OR R60339) (SUB FOR AR49652)
4	R43906	SPACER	2		
5	R97316	PIN	2		
6	E17421	LOCK NUT	1		
7	AR43744	SHIFTER	1		(MARKED R43137)
8	R70558	SHAFT	1		(SUB FOR R43461)
9	R43460	SHAFT	1		
10	R46205	RING	1		
11	R43393	CAM	1		
12	R99556	PIN	1		(SUB FOR R33731)
13	T16911	SHIM	AR		
14	AR89691	SWITCH	1		(SUB FOR R36265 OR AR85323)
15	R26202	PAWL	1	-XXXXXX	
16	M886T	BALL	1	XXXXXX-	16MM (5/8")
17	T19079	RETAINER	1	XXXXXX-	
18	T23856	SPRING	1	-XXXXXX	
	R51865	SPRING	1	XXXXXX-	
19	A4827R	WASHER	1		
20	R38181	FITTING	1		
21	AR389R	SEAL	1		
22	AR31904	SHAFT	1		
23	26H17	SHAFT KEY	1		3/16" X 7/8"
24	19H1800	CAP SCREW	1		3/8" X 1-1/2"
25	12H304	LOCK WASHER	1		3/8"
26	R47703	ARM	1		

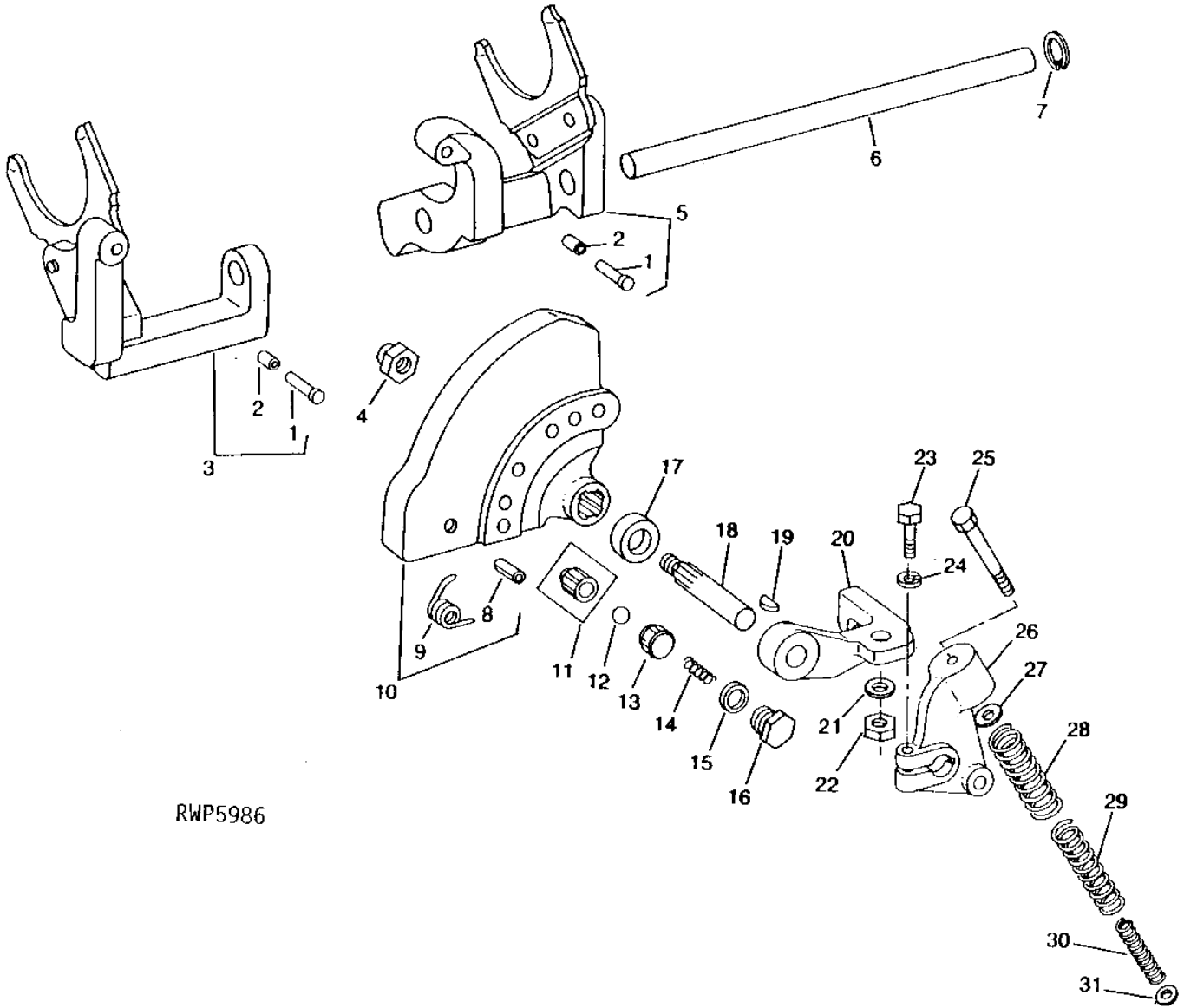
2C19

POWER TRAIN

RWP5986

-UN-01JAN94

GEAR SHIFTERS AND SHIFTER SHAFTS



RWP5986

2C20

POWER TRAIN

GEAR SHIFTERS AND SHIFTER SHAFTS - CONTINUED

KEY	PART NO.	PART NAME	QTY	TRACTOR SERIAL NO.	REMARKS
1	R26206	PIN	2		
2	R26207	ROLLER	2		
3	AR43026	LEVER	1		(FIRST AND THIRD, SIXTH AND EIGHTH SPEED) (MARKED R43135)
4	E17421	LOCK NUT	1		
5	AR43027	LEVER	1		(SECOND AND FIFTH, FOURTH AND SEVENTH SPEED) (MARKED R43136)
6	R43460	SHAFT	1		
7	R46205	RING	1		(SUB FOR F315R)
8	34H365	SPRING PIN	1		1/2" X 7/8"
9	R43593	SPRING	1		
10	AR77725	CAM	1		(MARKED R43391, R61108, R62803 OR R62972) (SUB FOR AR43097, AR74081 OR AR77462)
11	R26202	PAWL	1	-XXXXXX	
12	M886T	BALL	1	XXXXXX-	16MM (5/8")
13	T19079	RETAINER	1	XXXXXX-	
14	R26203	SPRING	1	-XXXXXX	
	R59378	SPRING	1	XXXXXX-	
15	A4827R	WASHER	1		
16	R38181	FITTING	1		
17	AR389R	SEAL	1		
18	R47662	SHAFT	1		(NLA)
19	26H17	SHAFT KEY	1		3/16" X 7/8"
20	R47701	ARM	1		
21	R1870R	WASHER	1		(SUB R57696)
22	T11234	LOCK NUT	1		
23	19H1800	CAP SCREW	1		3/8" X 1-1/2"
24	12H304	LOCK WASHER	1		3/8"
25	19H2228	CAP SCREW	1		3/8" X 4"
26	R47702	ARM	1		
27	R1870R	WASHER	1		(SUB R57696)
28	R26637	SPRING	1		
29	R26638	SPRING	1		
30	R26369	SPRING	1		
31	24H1219	WASHER	1		7/16" X 1" X 0.083"

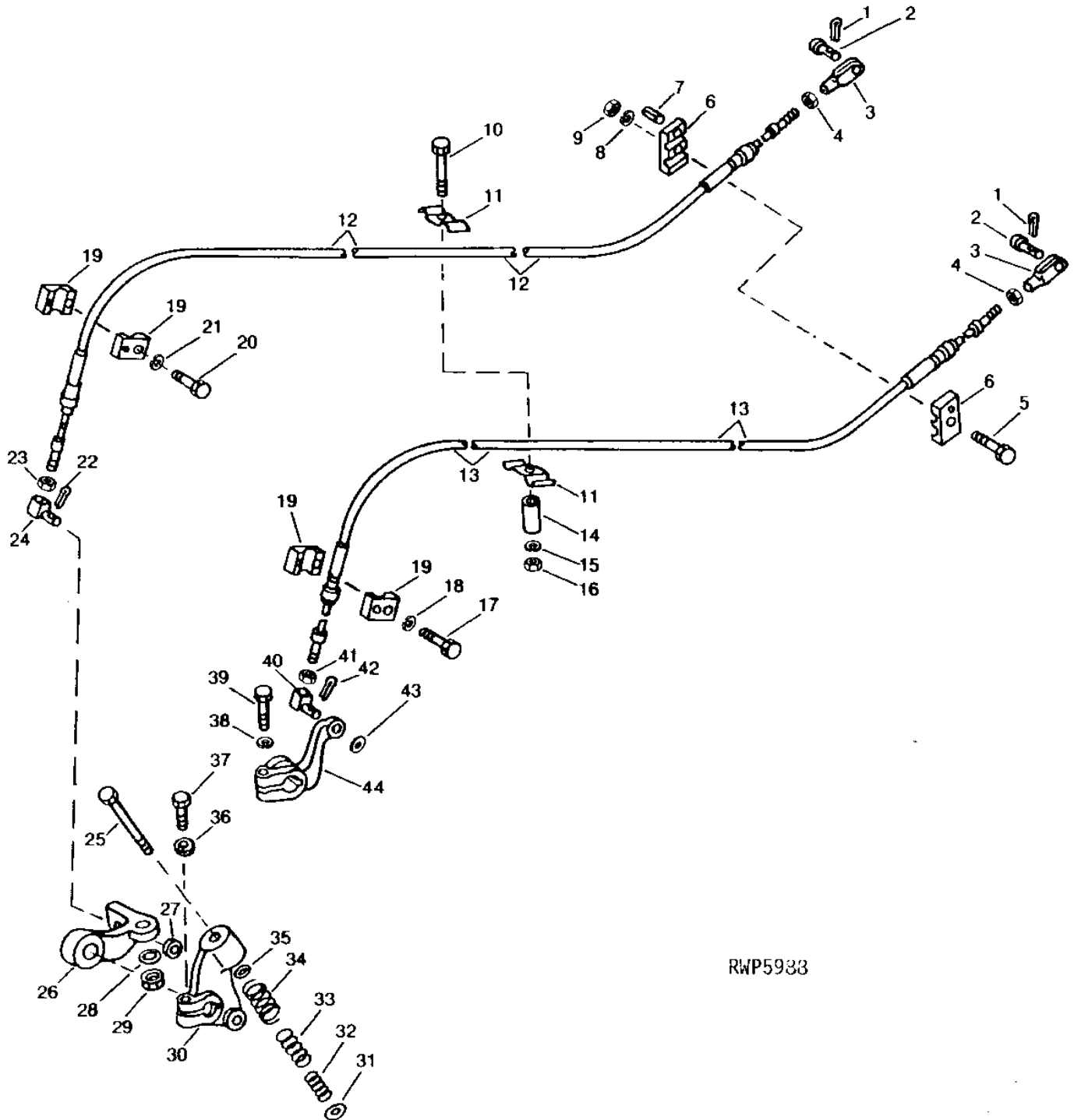
2C21

POWER TRAIN

RWP5988

-UN-01JAN94

TRANSMISSION CONTROL CABLES



RWP5988

2C22

POWER TRAIN

TRANSMISSION CONTROL CABLES - CONTINUED

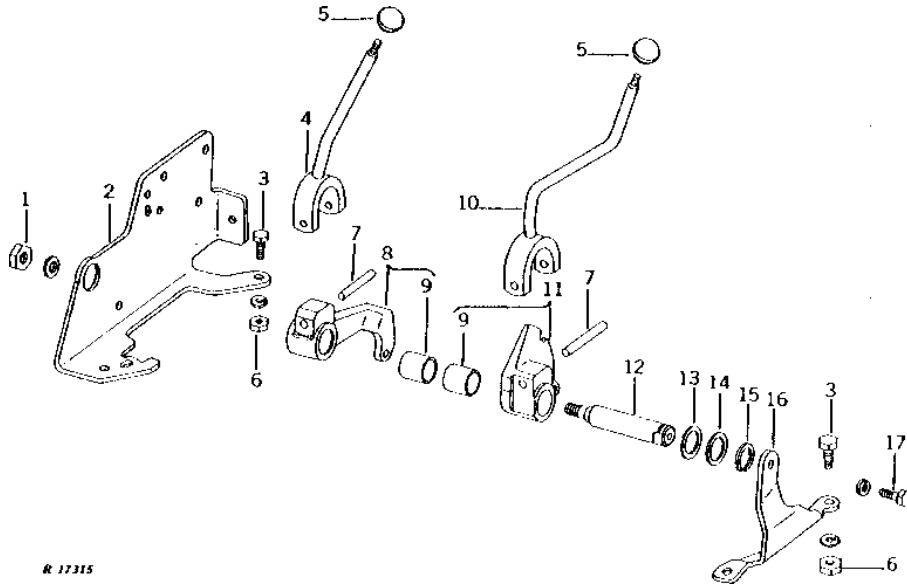
KEY	PART NO.	PART NAME	QTY	TRACTOR SERIAL NO.	REMARKS
1	11M7081	COTTER PIN	2		0.098" X 0.787"
2	R65563	PIN	2		(SUB FOR C1067R)
3	T13606	YOKE	2		
4	14H774	NUT	2		3/8"
5	19H1819	CAP SCREW	1		3/8" X 2-1/8"
6	R47807	CLAMP	2		
7	34H254	SPRING PIN	1		1/8" X 1-1/2"
8	12H304	LOCK WASHER	1		3/8"
9	14H1076	NUT	1		3/8"
10	19H1912	CAP SCREW	1		3/8" X 3-1/2"
11	R34064	CLAMP	2		
12	AR50523	PUSH PULL CABLE	1		(SPEED CHANGE)
	R48718	SEAL	1		(CONDUIT TO TERMINAL SLEEVE)
	R48719	SEAL	1		(TERMINAL SLEEVE TO INNER MEMBER INPUT END) (SUB R48720)
	R48720	SEAL	1		(TERMINAL SLEEVE TO INNER MEMBER OUTPUT END)
13	AR50522	PUSH PULL CABLE	1		(SPEED RANGE)
	R48718	SEAL	1		(CONDUIT TO TERMINAL SLEEVE)
	R48719	SEAL	1		(TERMINAL SLEEVE TO INNER MEMBER INPUT END) (SUB R48720)
	R48720	SEAL	1		(TERMINAL SLEEVE TO INNER MEMBER OUTPUT END)
	R49921	CLAMP	1		
	19H2021	CAP SCREW	1		3/8" X 5/8"
	12H304	LOCK WASHER	1		3/8"
14	28H1635	SPACER	1		3/8" X 2-1/8"
15	12H304	LOCK WASHER	1		3/8"
16	14H1076	NUT	1		3/8"
17	19H2549	CAP SCREW	1		3/8" X 1-7/8"
18	12H304	LOCK WASHER	1		3/8"
19	R47806	CLAMP	4		
20	19H2128	CAP SCREW	1		3/8" X 3"
21	12H304	LOCK WASHER	1		3/8"
22	11M7081	COTTER PIN	1		0.098" X 0.787"
23	14H774	NUT	1		3/8"
24	AR51386	SWIVEL	1		
25	19H1854	CAP SCREW	1		3/8" X 3-3/4"
26	R47701	ARM	1		
27	24H1302	WASHER	1		13/32" X 11/16" X 0.035"
28	R1870R	WASHER	1		(SUB R57696)
29	T11234	LOCK NUT	1		
30	R47702	ARM	1		
31	24H1272	WASHER	1		9/16" X 1-1/4" X 1/4"
32	R26369	SPRING	1		
33	R26638	SPRING	1		
34	R26637	SPRING	1		
35	R1870R	WASHER	1		(SUB R57696)
36	12H304	LOCK WASHER	1		3/8"
37	19H1800	CAP SCREW	1		3/8" X 1-1/2"
38	12H304	LOCK WASHER	1		3/8"
39	19H1800	CAP SCREW	1		3/8" X 1-1/2"
40	AR51386	SWIVEL	1		
41	14H774	NUT	1		3/8"
42	11M7081	COTTER PIN	1		0.098" X 0.787"
43	24H1302	WASHER	1		13/32" X 11/16" X 0.035"
44	R47703	ARM	1		

2C23

POWER TRAIN

R17315 -UN-01JAN94

TRANSMISSION SHIFTER CONTROL LEVERS AND ARMS



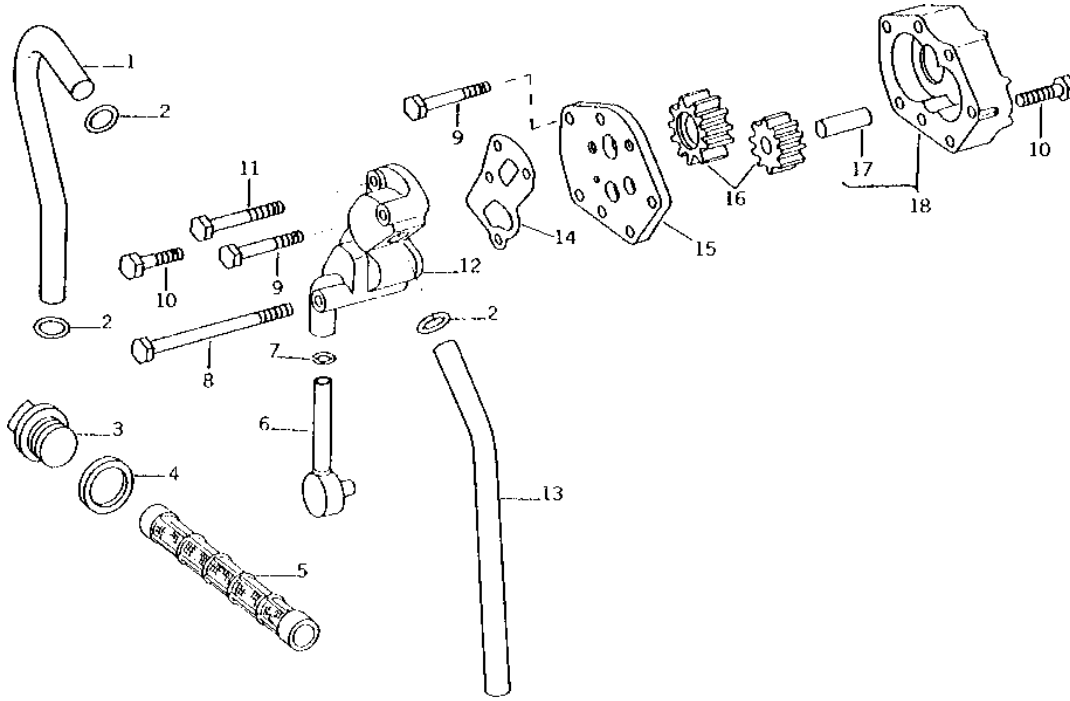
KEY	PART NO.	PART NAME	QTY	TRACTOR SERIAL NO.	REMARKS
1	14H914	NUT	1		5/8"
	12H294	LOCK WASHER	1		5/8"
2	R44678	SUPPORT	1		
3	19H2284	CAP SCREW	4		3/8" X 7/8"
4	AR52204	LEVER	1		
5	F2861R	KNOB	2	-002699	(SUB R60458)
	R50864	KNOB	2	002700-	
6	14H1076	NUT	4		3/8"
	12H304	LOCK WASHER	4		3/8"
7	34H364	SPRING PIN	2		7/16" X 3"
8	AR51755	ARM	1		
9	R26186	BUSHING	2		
10	AR51757	LEVER	1		
11	AR51758	ARM	1		(NLA)
12	R48541	SHAFT	1		
13	T27317	WASHER	2		
14	T27314	SHIM	1		
15	T14658	SNAP RING	1		
16	R42129	SUPPORT	1		
17	19H2284	CAP SCREW	1		3/8" X 7/8"
	12H304	LOCK WASHER	1		3/8"

2C24

POWER TRAIN

R19048 -UN-01JAN94

TRANSMISSION OIL PUMP



R 19048

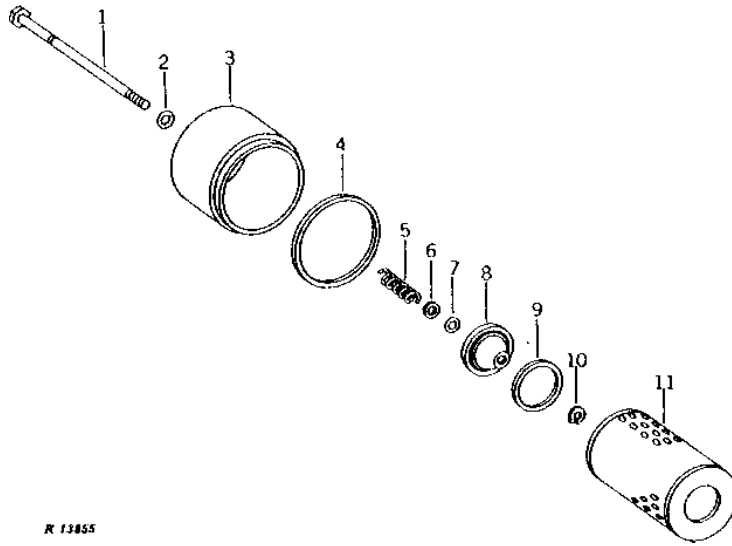
KEY	PART NO.	PART NAME	QTY	TRACTOR SERIAL NO.	REMARKS
1	R43254	OIL TUBE	1		
2	R56462	O-RING	3		
3	R40147	FITTING	1		(SUB FOR A4806R)
4	A4808R	WASHER	1		
5	R53169	SCREEN	1		(NYLON)
	AR26375	SCREEN	1		(STEEL)
6	AR43058	HYDRAULIC LINE	1		
7	A3917R	O-RING	1		
8	R43256	CAP SCREW	1		
9	R41007	CAP SCREW	1		
	R43252	CAP SCREW	2		
10	R41006	CAP SCREW	3		
11	R43257	CAP SCREW	1		
12	R51907	MANIFOLD	1		(SUB FOR R40828 AND R40833)
13	R40831	HYDRAULIC LINE	1		
14	R43253	GASKET	1		
15	R43250	COVER	1		
16	AR40670	GEAR	1		
17	R40824	DOWEL PIN	1		
18	AR51652	HOUSING	1	-002601	(MARKED R48451 OR R43251)
	AR53449	HOUSING	1	002602-	(MARKED R49588)

2C25

POWER TRAIN

R13855 -UN-01JAN94

TRANSMISSION OIL FILTER



R 13855

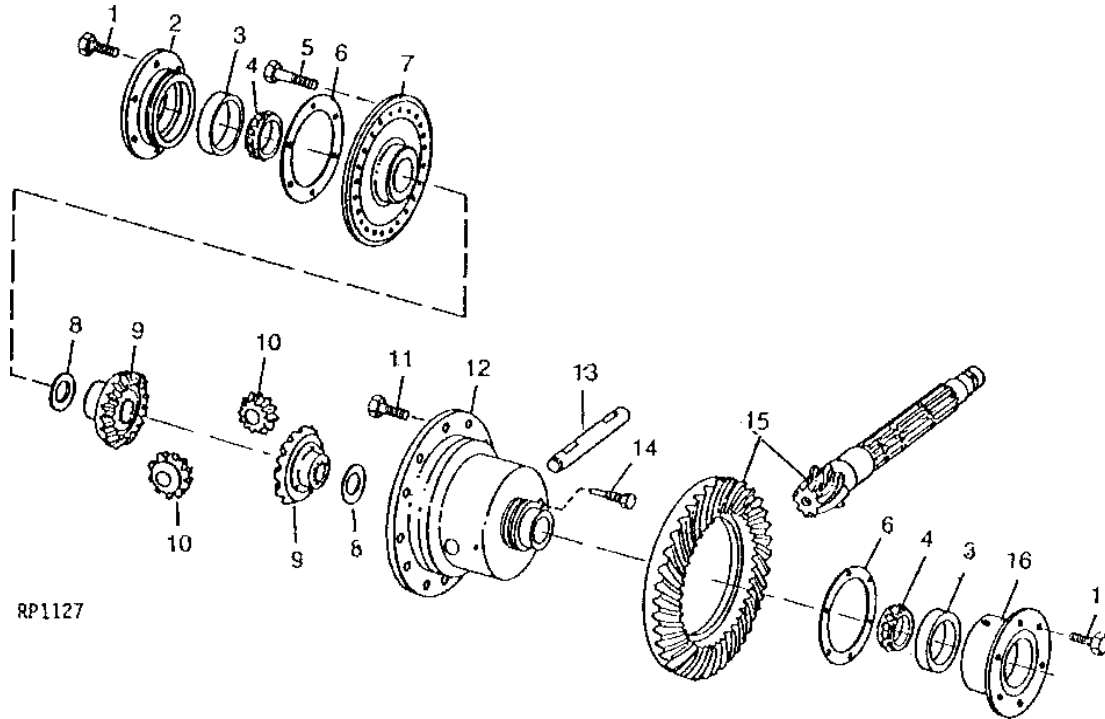
KEY	PART NO.	PART NAME	QTY	TRACTOR SERIAL NO.	REMARKS
1	R54750	CAP SCREW	1		(SUB FOR R39795)
2	R394R	O-RING	1		
3	R39796	COVER	1		
4	R34733	WASHER	1		
5	H819R	SPRING	1		
6	24H1227	WASHER	1		17/32" X 13/16" X 0.060"
7	R394R	O-RING	1		
8	R65892	RETAINER	1		
9	R28594	WASHER	1		
10	R32507	SNAP RING	1		
11	AR75603	FILTER ELEMENT	1		(SUB FOR AR28271 OR AR75601)

2D1

POWER TRAIN

RP1127 -UN-01JAN94

REAR DIFFERENTIAL



RP1127

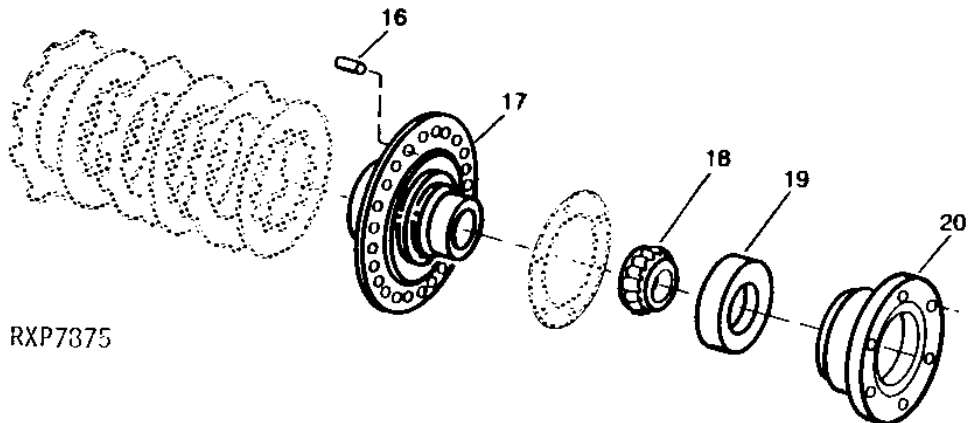
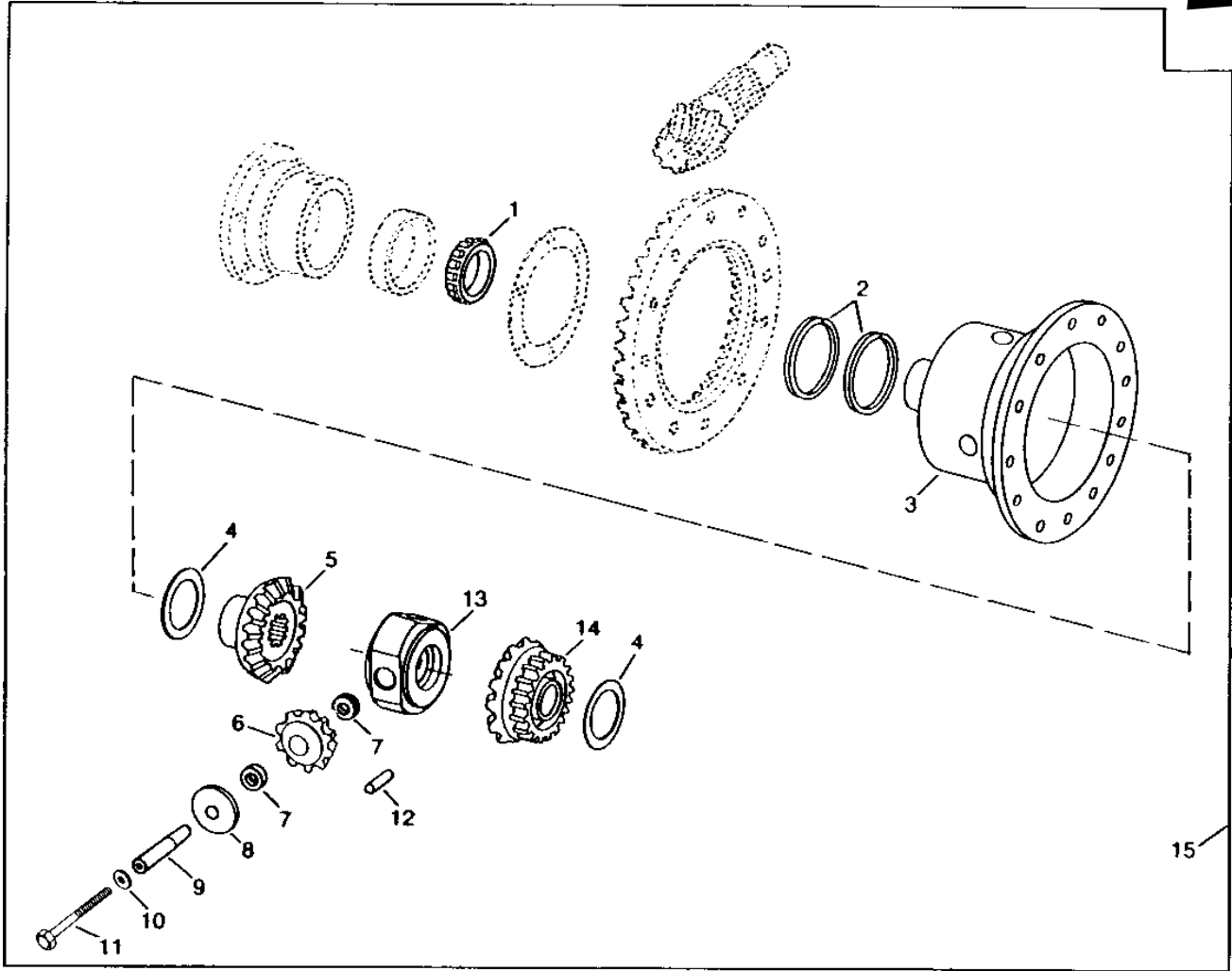
KEY	PART NO.	PART NAME	QTY	TRACTOR SERIAL NO.	REMARKS
1	R41049	CAP SCREW	12	(SUB R52634)	
2	R43186	QUILL	1	(SUB JD8298, JD8962, R73274, R94631 AND (3) 34H311)	
3	JD8214	BEARING CUP	1	R.H.	
	JD8214	BEARING CUP	1	L.H. (SUB JD8298, JD8962, R73274, R94631 AND (3) 34H311)	
4	JD9019	BEARING CONE	1	R.H.	
	JD9019	BEARING CONE	1	L.H. (SUB JD8298, JD8962, R73274, R94631 AND (3) 34H311)	
5	R43369	SELF-LOCKING SCREW	12	(SUB FOR R42407)	
6	R35501	SHIM	AR	0.08MM (.003")	
	R35502	SHIM	AR	0.13MM (.005")	
	R35503	SHIM	AR	0.25MM (.010")	
7	AR88242	COVER	1	(MARKED R43184 OR R46636) (SUB FOR AR43243) (SUB JD8298, JD8962, R73274, R94631 AND (3) 34H311)	
	34H311	SPRING PIN	3	1/4" X 7/8"	
8	R72586	THRUST WASHER	2	(SUB FOR R52157 OR R66788)	
9	R64257	BEVEL GEAR	2	(SUB FOR R52155) SUB R109489 AND R113732 (13 TEETH) OR R113733 (14 TEETH)	
10	R48253	PINION	2		
11	R43368	CAP SCREW	12		
12	AR43114	HOUSING	1	(MARKED R43002 OR R43003) (SUB AR101624, JD8298, JD8962, R73274, R94631 AND (3) 34H311)	
13	R58424	PINION SHAFT	1	(SUB FOR R43344 OR R52154)	
14	R70236	CAP SCREW	1	(SUB FOR R41050)	
15	AR50184	BEVEL GEAR DRIVE	1	(MATCHED SET) (MARKED R43023 AND R47360)	
16	R35500	QUILL	1		

2D2

POWER TRAIN

ANTI-FRICTION DIFFERENTIAL KIT REAR DIFFERENTIAL

RXP7875 -UN-16NOV94



RXP7875

2D3

POWER TRAIN

ANTI-FRICTION DIFFERENTIAL KIT - CONTINUED REAR DIFFERENTIAL

KEY	PART NO.	PART NAME	QTY	TRACTOR SERIAL NO.	REMARKS
1	JD9019	BEARING CONE	1		
2	R36881	RING	2		
3	AR88775	HOUSING	1		(MARKED R68165)
4	R72586	THRUST WASHER	2		
5	R109489	BEVEL GEAR	1		
6	R67784	PINION	3		
7	R68167	WASHER	6		
8	R68166	THRUST WASHER	3		
9	R67782	SHAFT	3		
10	R57696	WASHER	3		
11	R89837	CAP SCREW	3		3/8" X 4-1/2", HS, SAE 8, (SUB FOR R71309)
12	R55081	NEEDLE ROLLER	54		
13	R93019	HUB	1		
14	R112169	BEVEL GEAR	1		
15	AR101624	KIT	1		SUB AR111163, JD8298, JD8962, R73274, R94631, (3) 34H311 AND R113732 (13 TEETH) OR R113733 (14 TEETH)
16	34H311	SPRING PIN	3		
17	R94631	COVER	1		
18	JD8962	BEARING CONE	1		
19	JD8298	BEARING CUP	1		
20	R73274	QUILL	1		

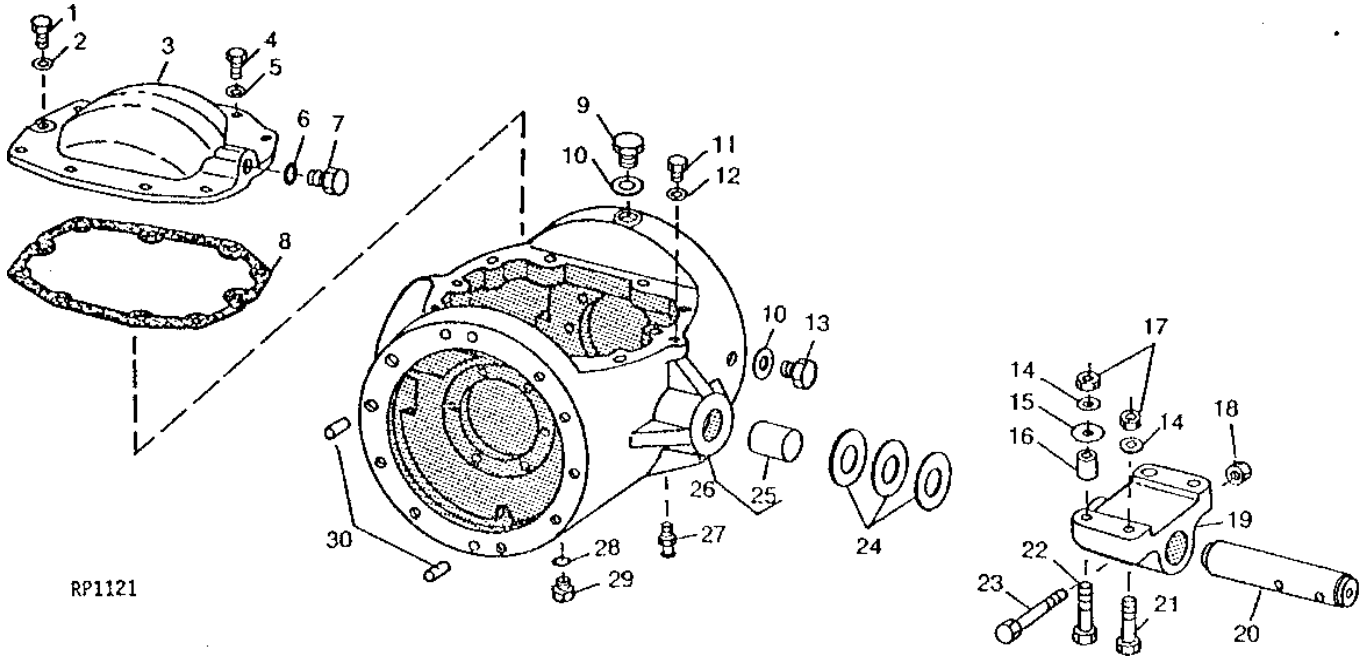
MEMORANDA

2D4

POWER TRAIN

RP1121 -UN-01JAN94

FRONT DIFFERENTIAL CASE



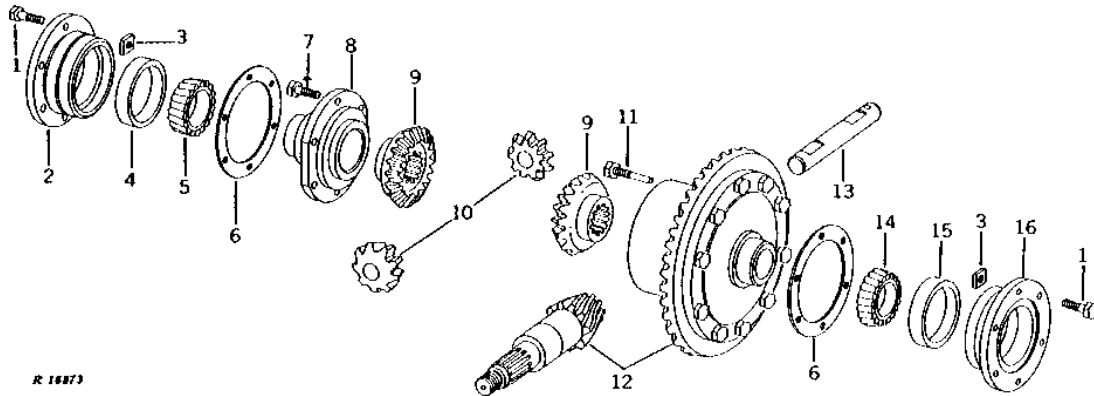
KEY	PART NO.	PART NAME	QTY	TRACTOR SERIAL NO.	REMARKS
1	A2482R	SCREW	2		
2	12H317	LOCK WASHER	2	9/16"	
3	R37408	COVER	1		
4	19H2500	CAP SCREW	8	7/16" X 1-3/8"	
5	12H293	LOCK WASHER	8	7/16"	
6	R26906	O-RING	1		
7	R27474	DRAIN PLUG	1		
8	R37409	GASKET	1		
9	R47654	PLUG	1		
10	A4827R	WASHER	2		
11	R27216	DRAIN PLUG	1	(SUB FOR R31631)	
12	R26287	O-RING	1		
13	R26727	DRAIN PLUG	1		
14	T19572	WASHER	4		
15	T30009	WASHER	2		
16	T30008	BUSHING	2		
17	14H836	NUT	4	7/8"	
18	K40014	LOCK NUT	1	(SUB FOR T27645)	
19	T30007	SUPPORT	1		
20	R37440	PIN	1		
21	19H2696	CAP SCREW	2	7/8" X 3-1/4"	
22	19H2090	CAP SCREW	2	7/8" X 3-1/2"	
23	T27644	SCREW	1		
24	R43362	THRUST WASHER	AR		
25	R35389	BUSHING	1		
26	AR37043	CASE	1	(MARKED R37400) (SUB R77285)	
27	JD7759	LUBRICATION FITTING	1		
28	R26375	O-RING	1		
29	R33138	FITTING	1		
30	T26565	DOWEL PIN	4	(SUB FOR C1220R)	

2D5

POWER TRAIN

R16873 -UN-01JAN94

FRONT DIFFERENTIAL



KEY	PART NO.	PART NAME	QTY	TRACTOR SERIAL NO.	REMARKS
1	R46162	SCREW	12		
2	R33492	QUILL	1		
3	14H823	NUT	2	1/2"	
4	JD8210	BEARING CUP	1		
5	JD8159	BEARING CONE	1		
6	R46323	SHIM	AR	0.08MM (.003") (SUB FOR R26042)	
	R46324	SHIM	AR	0.13MM (.005") (SUB FOR R26043)	
7	R41049	CAP SCREW	5	(SUB R52634)	
8	R33491	COVER	1		
9	R60007	GEAR	2	(ALSO ORDER R53202) (SUB FOR R42445) (SUB R74868 AND R65741)	
10	R42443	PINION	2		
11	R70236	CAP SCREW	1	(SUB FOR R41050)	
12	AR48553	HOUSING	1	(A) (MARKED R41973 AND R45203) (MATCHED SET)	
13	R68347	SHAFT	1	(SUB FOR R41902)	
14	JD8954	BEARING CONE	1		
15	JD8259	BEARING CUP	1		
16	R33493	QUILL	1		

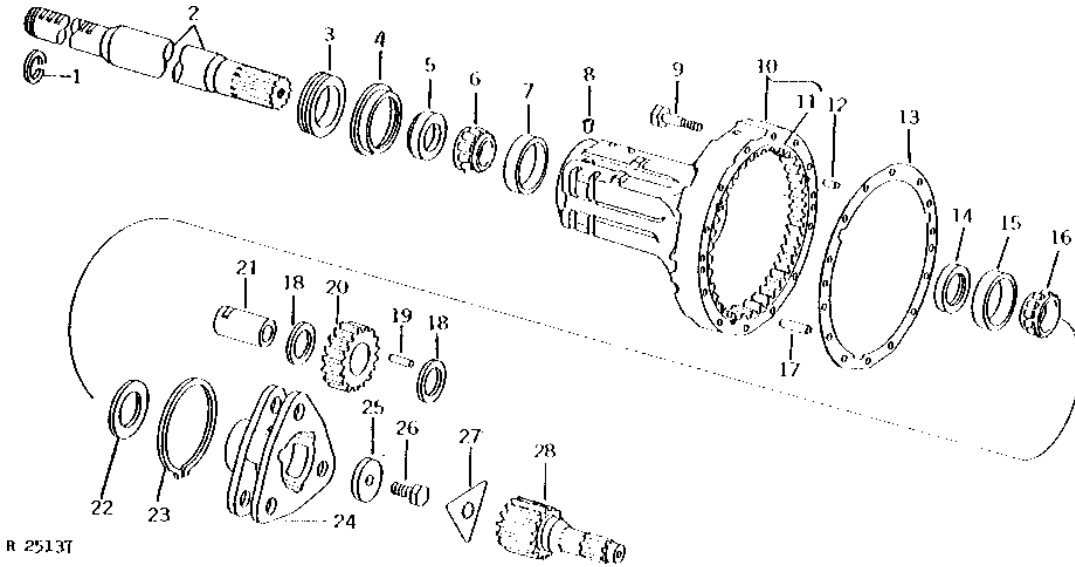
(A) ORDER R44007, RE16445, (2) R26227, (4) R26228, R26229, R45197, R45198, R45199, R45200, (8) R46323, (8) R46324, (4) R46325, (10) R47172, R48733, R48734, R48735, (10) 19H3029, JD8974, R45201, R48776, AND 11H222

2D6

POWER TRAIN

R25137 -UN-01JAN94

PLANETARY AND FRONT AXLE



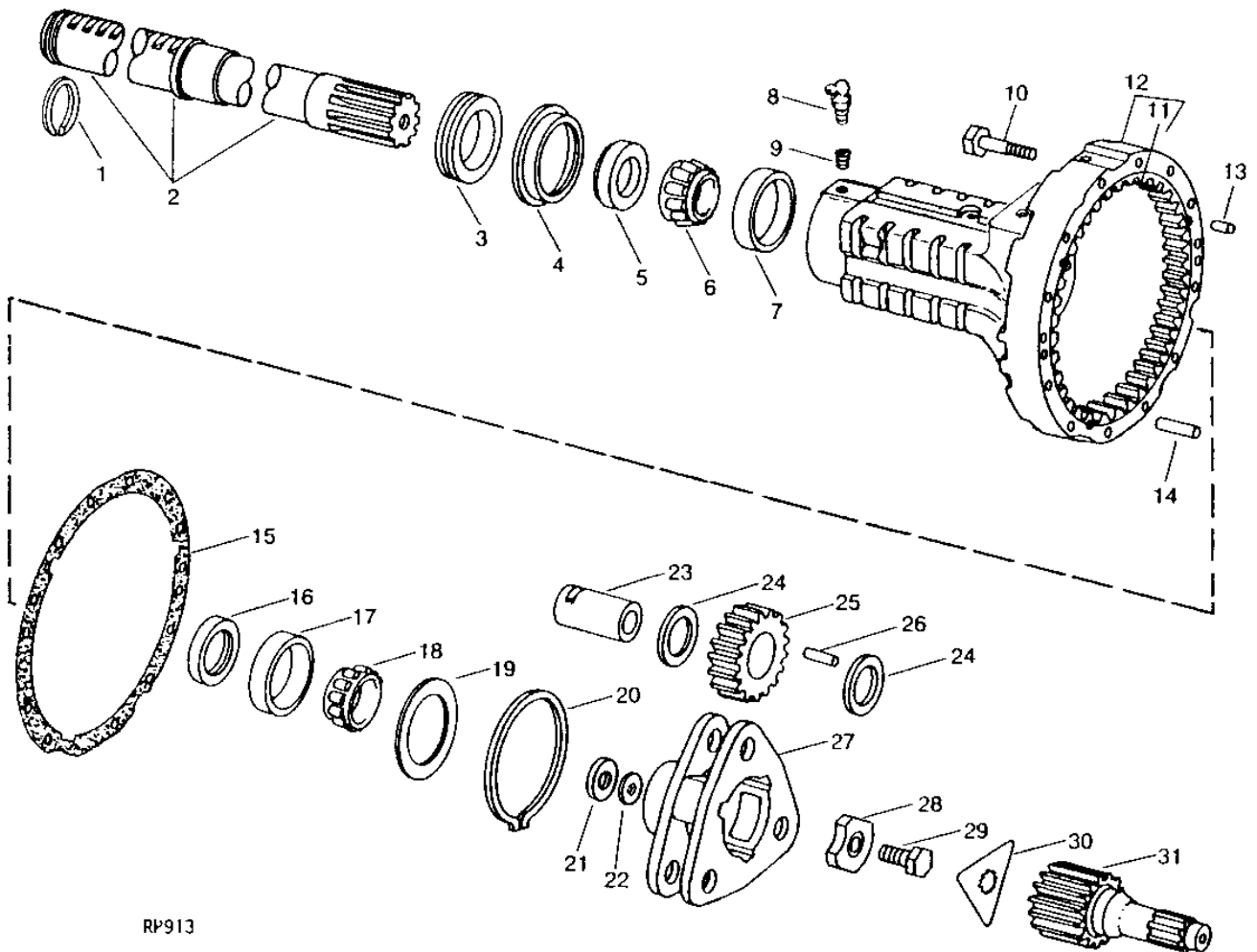
KEY	PART NO.	PART NAME	QTY	TRACTOR SERIAL NO.	REMARKS
1	R53658	SNAP RING	1		
2	R53645	SHAFT	1	941MM (37.36") (SUB FOR R47415)	
	R53646	SHAFT	1	1176MM (46.38") (SUB FOR R47417) (NLA)	
3	R33026	SEAL	1		
4	R57269	OIL CUP	1	(SUB FOR R28128)	
5	R65648	SPACER	1	(SUB FOR R33020 OR R63105)	
6	JD8191	BEARING CONE	1		
	JD10002	BEARING CONE	1	(UNDERSIZE)	
7	JD8214	BEARING CUP	1		
8	15H558	PIPE PLUG	1	1/8"	
9	19H1746	CAP SCREW	12	9/16" X 3"	
10	AR64212	HOUSING	1	(MARKED R47400 OR R55280) (SUB FOR AR50133)	
					(SUB AR101711 AND (12) R76126)
11	GEAR	1		(SUB AR101711 AND (12) R76126)
12	T26565	DOWEL PIN	2		(SUB FOR C1220R)
13	R34184	GASKET	1		
14	AR42005	SEAL	1		
15	JD8213	BEARING CUP	1		
16	JD8165	BEARING CONE	1		
17	R65499	DOWEL PIN	3		(SUB FOR R37401)
18	R38064	THRUST WASHER	6		
19	R33028	NEEDLE ROLLER	93		
20	R38500	PINION	3		
21	R38499	PINION SHAFT	3		
22	F2253R	SHIM	1		
23	R38066	SNAP RING	1		
24	R38498	PLANET PINION CARRIER	1		
25	R33877	WASHER	1	-003613	
	R48449	WASHER	1	003614-	
26	R82944	CAP SCREW	1		(SUB FOR R26025 OR R60033)
27	R26026	PLATE	1		
28	R48259	SHAFT	1		
..	R72232	BALL	1		AXLE SHIMMING LEAD, (SUB FOR AR94976)

2D7

POWER TRAIN

RP913 -UN-16NOV94

PLANETARY AND REAR AXLE



RP913

2D8

POWER TRAIN

PLANETARY AND REAR AXLE - CONTINUED

KEY	PART NO.	PART NAME	QTY	TRACTOR SERIAL NO.	REMARKS
1	R53659	SNAP RING	1		
2	R53654	SHAFT	1		(SUB FOR R47416) (LENGTH 35.59" (903MM))
	R53655	SHAFT	1		(SUB FOR R47418) (LENGTH 44.84" (1139MM))
3	AH93852	SEAL	1		(SUB FOR AR68721)
4	R57268	BOWL	1	-XXXXXX	(SUB FOR R35002) (SUB R59074)
	R59074	OIL CUP	1	XXXXXX-	(A)
5	R63106	SPACER	1		(SUB FOR R35119 OR R53635)
6	JD8962	BEARING CONE	1		
	JD10003	BEARING CONE	1		(UNDERSIZE)
7	JD8248	BEARING CUP	1		
8	JD7781	LUBRICATION FITTING	1		
9	15H559	PIPE PLUG	1		1/4"
10	19H3168	CAP SCREW	14		5/8" X 3-3/4"
11	R47169	GEAR	1		
	R57616	GEAR	1	XXXXXX-	(A) (SUB FOR R61678 OR RE13479)
12	AR54738	HOUSING	1		(MARKED R41300, R50630, R50240 OR R58294) (SUB FOR AR43050)
13	R54380	DOWEL PIN	2		(SUB FOR T25317)
14	R44961	DOWEL PIN	3		
15	R99394	GASKET	1		(SUB FOR R43227, R58295 OR R65308)
16	AR85311	SEAL	1		(SUB FOR R35735)
17	JD8248	BEARING CUP	1		
18	JD8962	BEARING CONE	1		
19	R42529	SHIM	1		
20	R33029	SNAP RING	1		
21	R59439	SHIM	1		0.13MM (.005")
	R59440	SHIM	1		0.51MM (.020")
	R61461	SHIM	1		0.08MM (.003")
22	F2380R	WASHER	1		
23	R43015	SHAFT	3		
24	R43245	THRUST WASHER	6		(NLA)
25	R43014	PINION	3	-XXXXXX	(20 TEETH)
	R57615	PLANET PINION	3	XXXXXX-	(22 TEETH)
26	R43244	NEEDLE ROLLER	126		
27	R43001	PLANET PINION CARRIER	1		
28	R61771	RETAINER	1		(SUB FOR R46806)
29	R82175	SCREW	1		HS, SAE 8, (SUB FOR R26011 OR R60032)
30	R26012	LOCK PLATE	1		
31	R43016	SHAFT	1	-XXXXXX	(13 TEETH) (SUB R113732)
	R57614	SHAFT	1	XXXXXX-	(14 TEETH) (SUB (3) RE46328, RE46334, R113741 AND R113733)
	R113733	SHAFT	1	XXXXXX-	(14 TEETH) (SUB R113733)
..	RE13478	KIT	1		HIGH PRESSURE ANGLE FINAL DRIVE, (SUB FOR AR80294)

(A) USE WHEN R61711 OR R113733 HAS BEEN INSTALLED

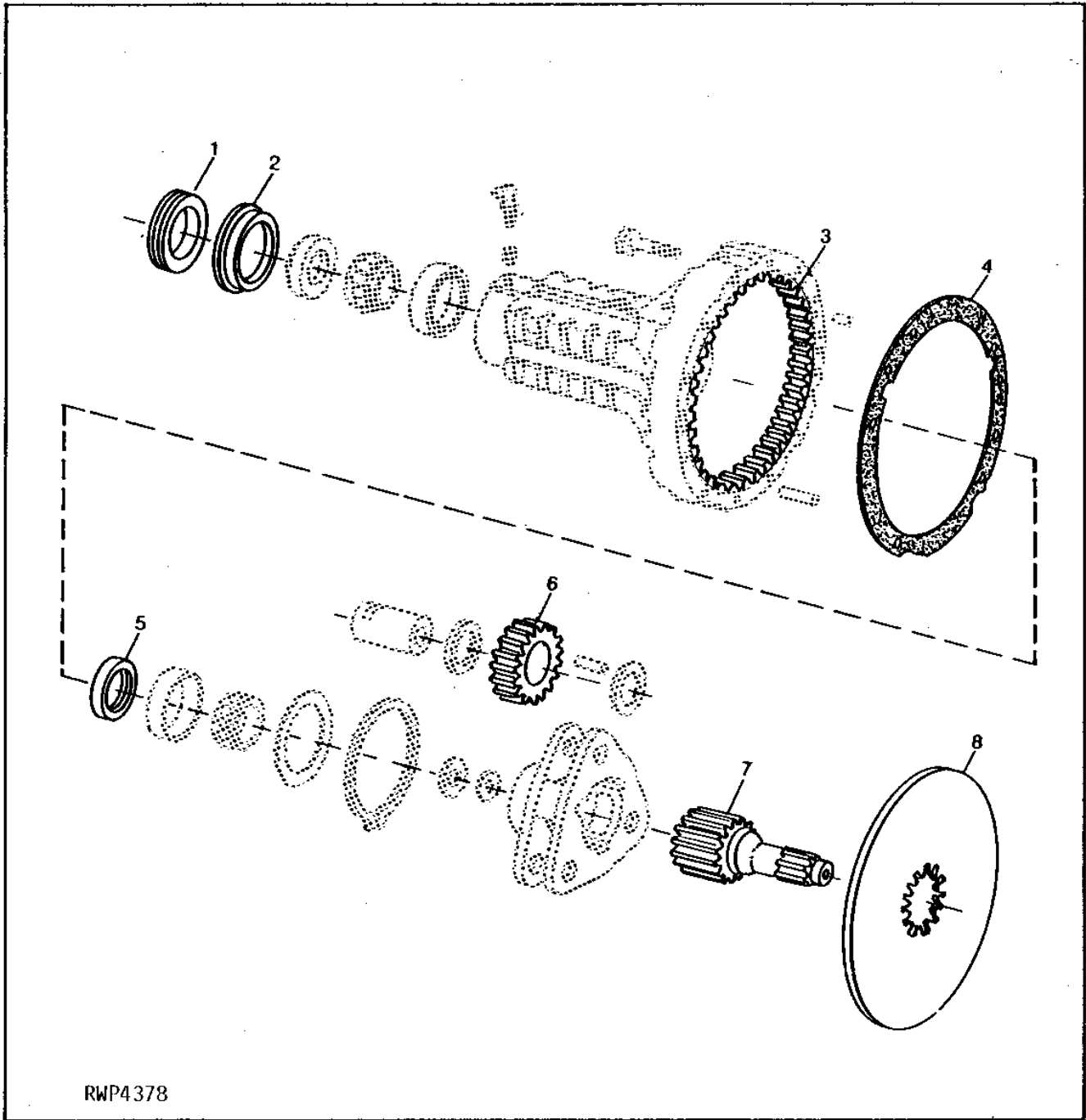
2D9

POWER TRAIN

RWP4378

-UN-01JAN94

HIGH PRESSURE ANGLE FINAL DRIVE KIT



9

2D10

POWER TRAIN

HIGH PRESSURE ANGLE FINAL DRIVE KIT - CONTINUED

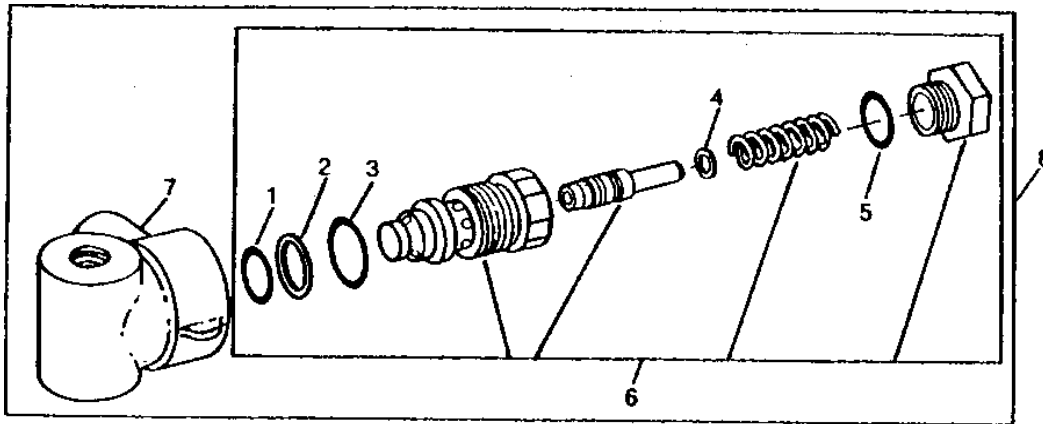
KEY	PART NO.	PART NAME	QTY	TRACTOR SERIAL NO.	REMARKS
1	RE31702	SEAL	2		(SUB FOR AH93852)
2	R59074	OIL CUP	2		
3	R57616	GEAR	2		(SUB FOR RE13479)
4	R99394	GASKET	2		(SUB FOR R65308)
5	AR98649	SEAL	2		
6	R57615	PLANET PINION	6		
7	R113733	SHAFT	2		(SUB FOR R61711)
8	R113741	BRAKE DISK	2		(ALSO ORDER RE46334 AND (3) RE46328)
9	RE41242	KIT	1		(SUB FOR AR80297 OR RE13478)

2D11

POWER TRAIN

RELIEF VALVE (POWER FRONT WHEEL DRIVE)

RXP8624 -UN-01JAN94



RXP8624

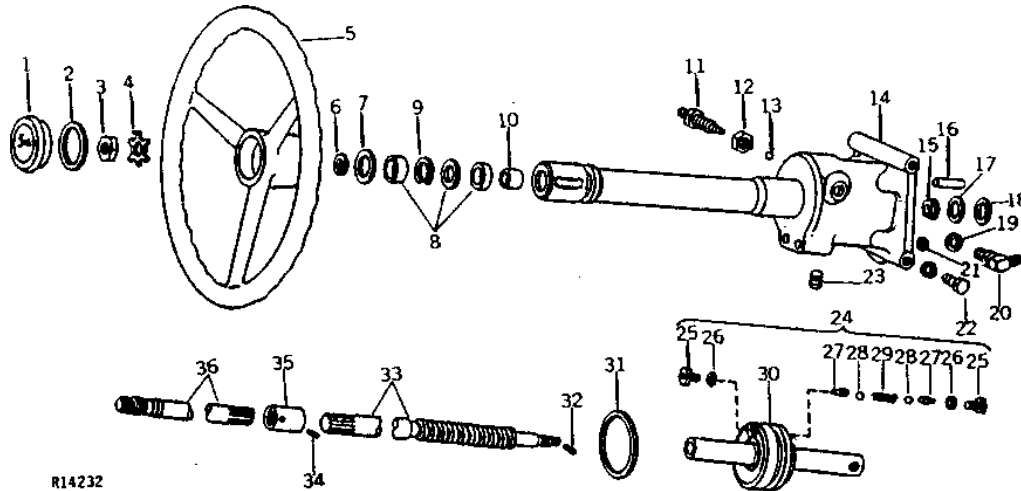
KEY	PART NO.	PART NAME	QTY	TRACTOR SERIAL NO.	REMARKS
1	T44948	O-RING	1		(SUB FOR U40424)
2	T75972	BACK-UP RING	1		
3	U15242	O-RING	1		
4	W19898	SHIM	AR	0.25 MM (.010")	
	W19897	SHIM	AR	0.51 MM (.020")	
	W20088	WASHER	AR	1.02 MM (.040")	
5	W19903	O-RING	1		
6	AR103059	RELIEF VALVE	1		(SUB FOR T37189 OR AR69793) (SUB RE36615)
7	T37190	HOUSING	1		
8	AT30373	RELIEF VALVE	1		

2D14

STEERING AND BRAKES

R14232 -UN-01JAN94

STEERING VALVE CYLINDER, SHAFT, AND PISTON



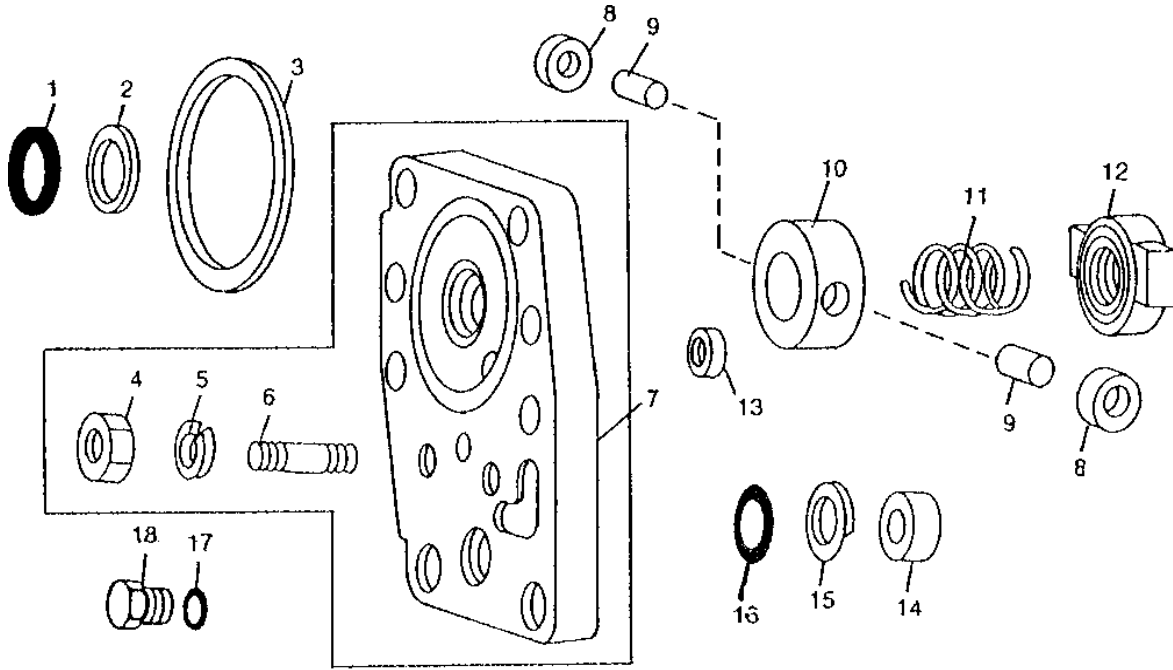
KEY	PART NO.	PART NAME	QTY	TRACTOR SERIAL NO.	REMARKS
1	R47998	CAP	1		(SUB FOR R45792)
2	B3690R	O-RING	1		
3	14H904	NUT	1		3/4"
4	T17148	LOCK WASHER	1		
5	AR26625	STEERING WHEEL	1		
6	B169R	SNAP RING	1		
7	R42629	WASHER	1		
8	AR34172	SEAL KIT	1		
9	R26933	SNAP RING	1		
10	R27320	BUSHING	1		
11	R27299	SCREW	1		
12	R27453	NUT	1		
13	400R	BALL	1		6MM (1/4")
14	AR55874	CYLINDER	1		(MARKED R51579) (ALSO ORDER AT38033, AR55877, AR63265 AND R26448) (SUB FOR AR51877)
15	R27087	WASHER	1		
16	R32186	DOWEL PIN	2		
17	R26441	BACK-UP RING	1		
18	A3606R	O-RING	1		
19	R26375	O-RING	1		
20	AT32332	ELBOW FITTING	1		(SUB FOR AR26763)
21	AR67783	O-RING KIT	1		(SUB FOR AR42009)
22	19H1732	CAP SCREW	1		3/8" X 1-1/4"
	19H2284	CAP SCREW	3		3/8" X 7/8"
	12H304	LOCK WASHER	4		3/8"
	24H1305	WASHER	1		13/32" X 13/16" X 0.065"
23	15H558	PIPE PLUG	1	-XXXXXX	1/8"
24	AR30297	PISTON	1		
25	R31202	VALVE	2		
26	R26287	O-RING	2		
27	R31201	SHAFT	2		
28	H871R	BALL	1		5MM (3/16")
29	A4816R	SPRING	1		
30	AR30298	PISTON	1		(SUB AR30297)
31	R40567	WASHER	1		
32	11M7081	COTTER PIN	1		0.098" X 0.787"
33	R34125	SHAFT	1		
34	34H282	SPRING PIN	1		3/16" X 1"
35	R27319	SPLINED COUPLING	1		
36	R37426	SHAFT	1		(SUB R73737)

2D15

STEERING AND BRAKES

RP1131 -UN-01JAN94

STEERING VALVE CYLINDER COVER



RP1131

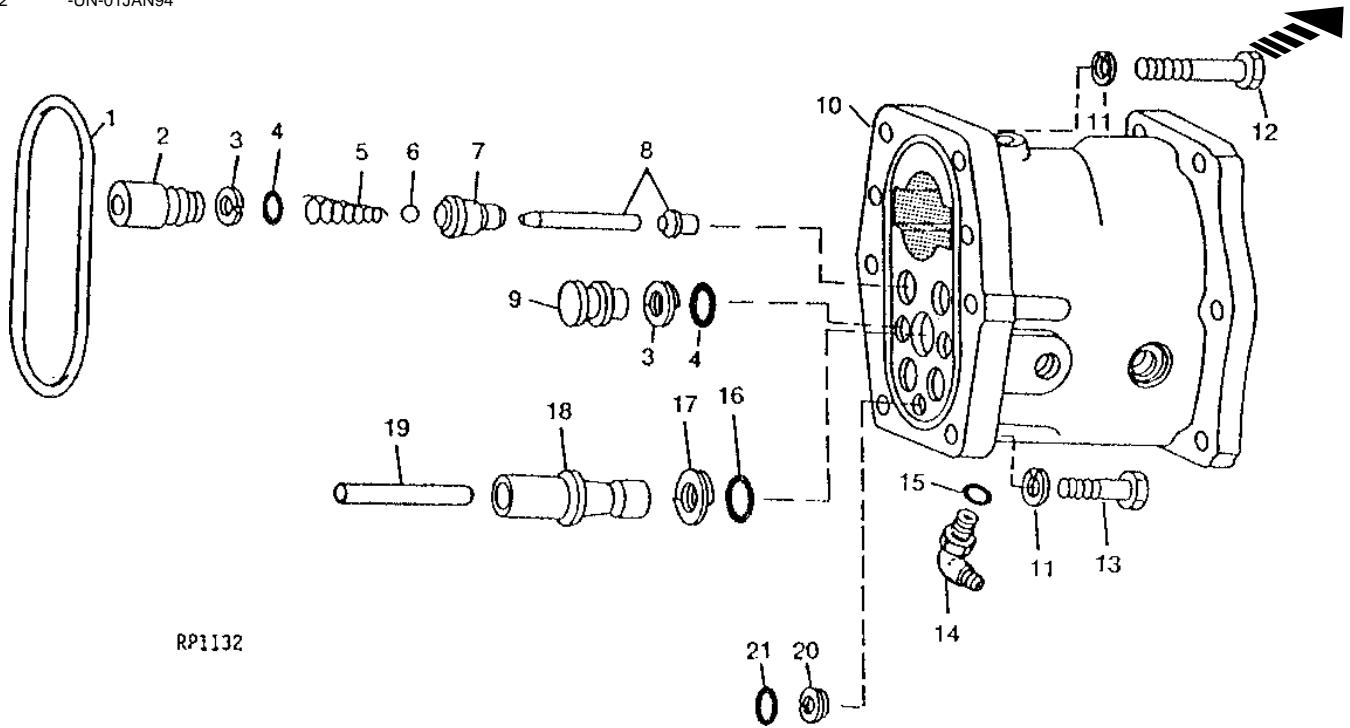
KEY	PART NO.	PART NAME	QTY	MODEL NO.	REMARKS
1	A3606R	O-RING	1		
2	R26441	BACK-UP RING	1		
3	AR67783	O-RING KIT	1		(SUB FOR AR42009)
4	14H1047	NUT	2		7/16"
5	12H293	LOCK WASHER	2		7/16"
6	R55183	STUD	2		
7	AR47293	COVER	1		(MARKED R44845)
8	R26755	WASHER	2		
9	R27091	PIN	2		
10	R40149	LOCKING COLLAR	1		
11	R40531	SPRING	1		
12	R27089	NUT	1		
13	AR67783	O-RING KIT	1		(SUB FOR AR42009)
14	R34121	PISTON	1		
15	R47694	BACK-UP RING	1		
16	R495R	O-RING	1		
17	R26286	O-RING	1		
18	R27094	DRAIN PLUG	1		

2D16

STEERING AND BRAKES

RP1132 -UN-01JAN94

STEERING VALVE



RP1132

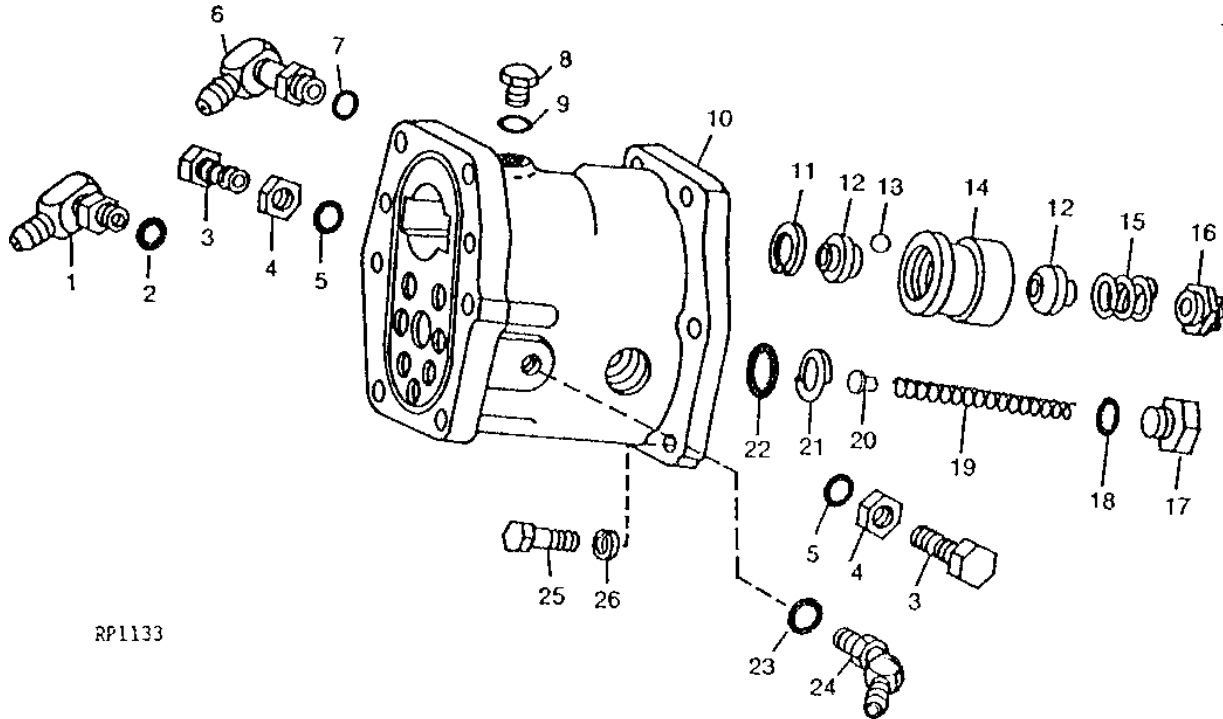
KEY	PART NO.	PART NAME	QTY	MODEL NO.	REMARKS
1	R34733	WASHER	1		
2	R41724	PLUG	4		
3	R32588	BACK-UP RING	6		
4	R459R	O-RING	6		
5	R26565	SPRING	4		
6	400R	BALL	4	6MM (1/4")	
7	R28124	VALVE	4		
8	AR49535	SHAFT	2		
	AR49536	SHAFT	2		
9	R34131	PLUG	2		
10	R42115	HOUSING	1		
11	12H301	LOCK WASHER	6	1/2"	
12	19H1990	CAP SCREW	4	1/2" X 2-1/4", (SUB FOR R48784)	
13	R48783	CAP SCREW	1		
	R48785	CAP SCREW	1		
14	AT32332	ELBOW FITTING	1	(SUB FOR AR26763)	
15	R26375	O-RING	1		
16	B2762R	O-RING	1		
17	R26546	BACK-UP RING	1		
18	R37428	VALVE SEAT	1		
19	R37467	DOWEL PIN	1		
20	R34129	BACK-UP RING	1		
21	A4365R	O-RING	1		

2D17

STEERING AND BRAKES

RP1133 -UN-01JAN94

STEERING VALVE



RP1133

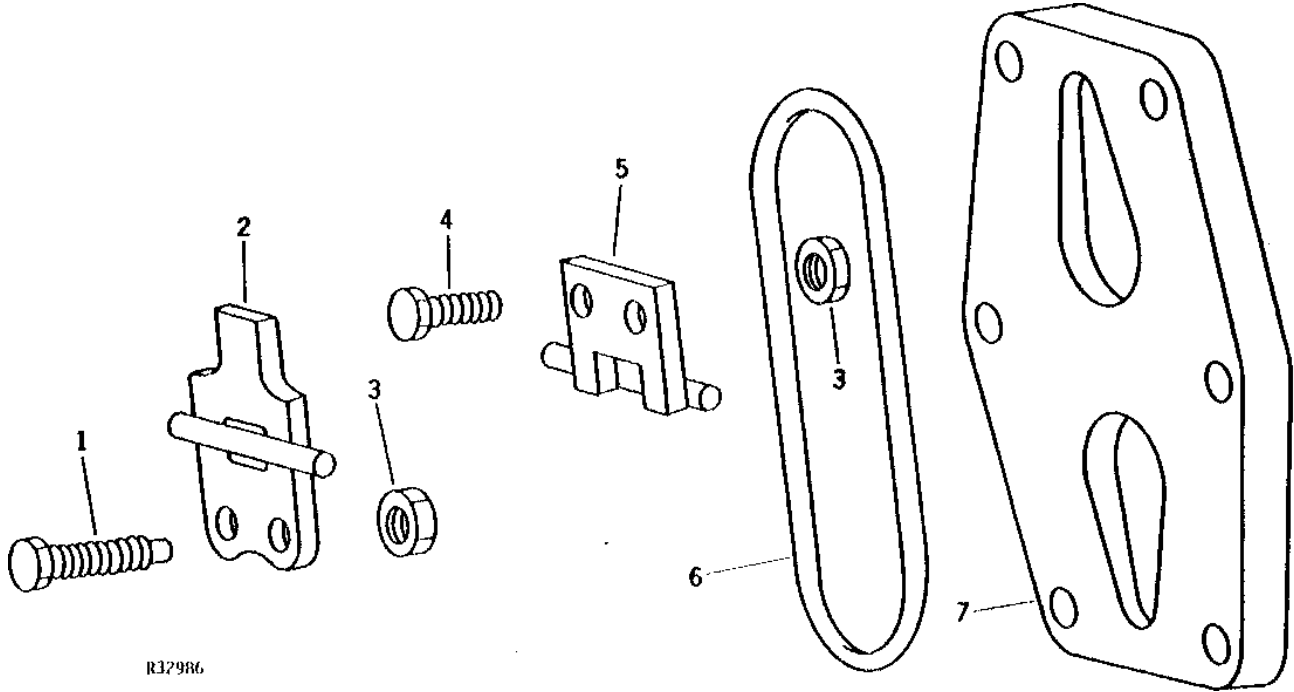
KEY	PART NO.	PART NAME	QTY	TRACTOR SERIAL NO.	REMARKS
1	AT32332	ELBOW FITTING	1		90°, (SUB FOR AR26763)
2	R26375	O-RING	1		
3	R40338	DRAIN PLUG	2		
4	R27296	NUT	2		
5	R26286	O-RING	2		
6	AT32332	ELBOW FITTING	1		90°, (SUB FOR AR26763)
7	R26375	O-RING	1		
8	R27527	ADAPTER	1	-002699	
	R27216	DRAIN PLUG	1	002700-	(SUB FOR R31631)
9	R26287	O-RING	1		
10	R42115	HOUSING	1		
11	R26425	SNAP RING	1		
12	R40595	BEARING RACE	2		
13	R26552	BALL	13		8MM (5/16")
14	R40757	BUSHING	1		
15	R40596	SPRING	1		
16	R40597	LOCK NUT	1		
17	R39112	FITTING	1		
18	R26375	O-RING	1		
19	R28783	SPRING	1		
20	R37476	VALVE	1		
21	R30323	BACK-UP RING	1		
22	T12860	O-RING	1		
23	R26448	O-RING	1		
24	AT35121	ELBOW FITTING	1	-002433	90°, (SUB FOR AR26725)
	AT38033	ELBOW FITTING	1	002434-	45°, (SUB FOR AR26722)
25	19H2552	CAP SCREW	5		3/8" X 1-1/8"
	19H2549	CAP SCREW	1		3/8" X 1-7/8"
26	12H304	LOCK WASHER	6		3/8"

2D18

STEERING AND BRAKES

R32986 -UN-01JAN94

STEERING VALVE COVER AND VALVE OPERATING LEVERS



KEY	PART NO.	PART NAME	QTY	TRACTOR SERIAL NO.	REMARKS
1	R26554	SET SCREW	2		
2	AR26448	LEVER	1		
3	14H649	NUT	4	1/4"	
4	R31217	SCREW	2		(SUB FOR R26762, THIS APPLICATION)
5	AR26402	LEVER	1		
6	R34733	WASHER	1		
7	R51748	COVER	1	-003208	(SUB R57034) (SUB FOR R26553)
	R57034	COVER	1	003209-	

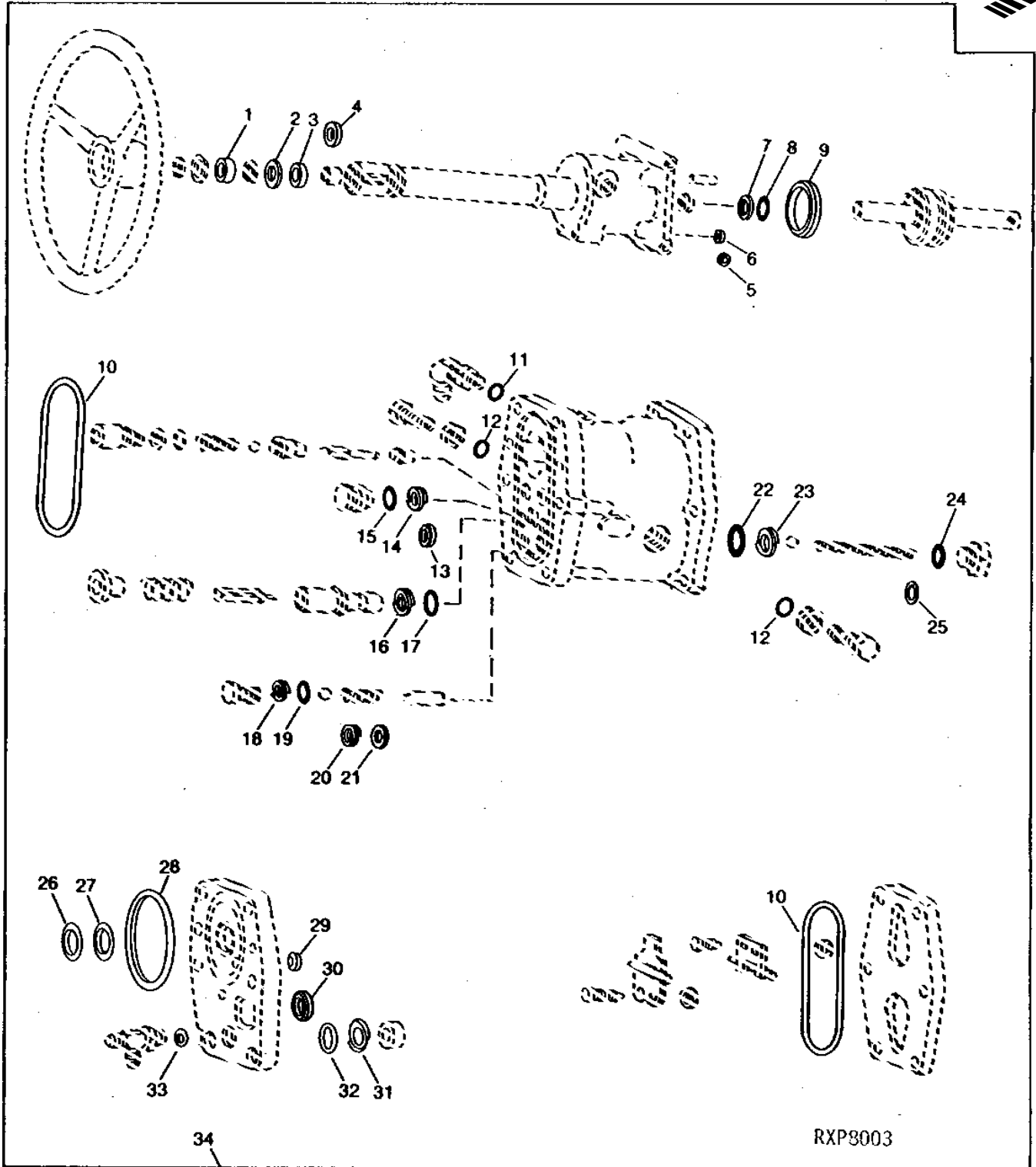
2D19

STEERING AND BRAKES

RXP8003

-UN-01JAN94

STEERING VALVE CYLINDER OVERHAUL KIT



RXP8003

2D20

STEERING AND BRAKES

STEERING VALVE CYLINDER OVERHAUL KIT - CONTINUED

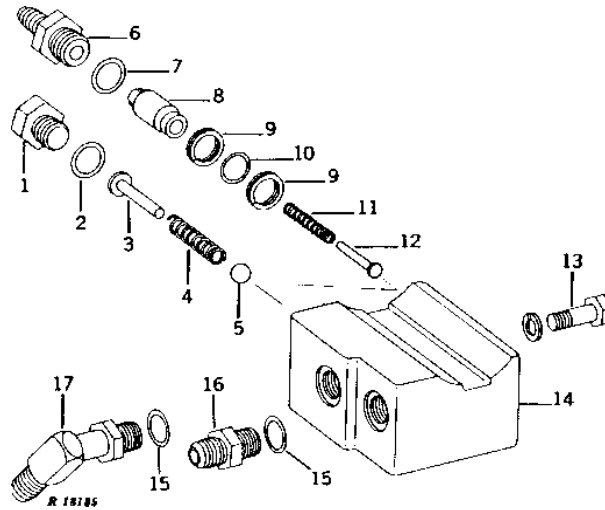
KEY	PART NO.	PART NAME	QTY	TRACTOR SERIAL NO.	REMARKS
1	AR39585	KIT	1		

2D21

STEERING AND BRAKES

R18185 -UN-25SEP95

STEERING FLOW CONTROL VALVE



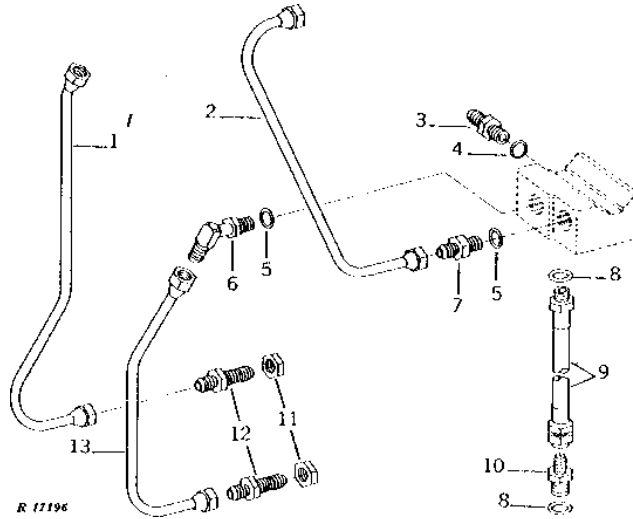
KEY	PART NO.	PART NAME	QTY	TRACTOR SERIAL NO.	REMARKS
1	R39112	FITTING	1		
2	R26375	O-RING	1		
3	T32481	GUIDE	1		
4	T561T	SPRING	1		
5	U11498	BALL	1	14MM (9/16")	
6	R28450	FITTING	1		
7	R26906	O-RING	1		
8	T23659	CONTROL VALVE	1		
9	R26546	BACK-UP RING	2		
10	B2762R	O-RING	1		
11	R33173	SPRING	1		
12	R39179	NEEDLE ROLLER	1		
13	19H1822	CAP SCREW	1	7/16" X 1"	
	12H293	LOCK WASHER	1	7/16"	
14	T39823	HOUSING	1	(SUB FOR T33485)	
15	R26375	O-RING	3		
16	R27237	FITTING	1		
17	AR27699	ELBOW FITTING	1	90°	

2D22

STEERING AND BRAKES

LOWER STEERING VALVE LINES

R17196 -UN-01JAN94



KEY	PART NO.	PART NAME	QTY	TRACTOR SERIAL NO.	REMARKS
1	AR50609	OIL LINE	1		
2	AR51746	HYDRAULIC LINE	1		
3	R28450	FITTING	1		
4	R26906	O-RING	1		
5	R26375	O-RING	2		
6	AR27699	ELBOW FITTING	1	90°	
7	R27237	FITTING	1		
8	R26375	O-RING	1		
9	AR50606	HYDRAULIC HOSE	1		
10	R27237	FITTING	1		
11	R27448	NUT	2		
12	R52831	FITTING	2	-002699	(ALSO ORDER 24H1393) (SUB FOR R35701)
	R52831	FITTING	2	002700-	
13	AR50612	LINE	1		

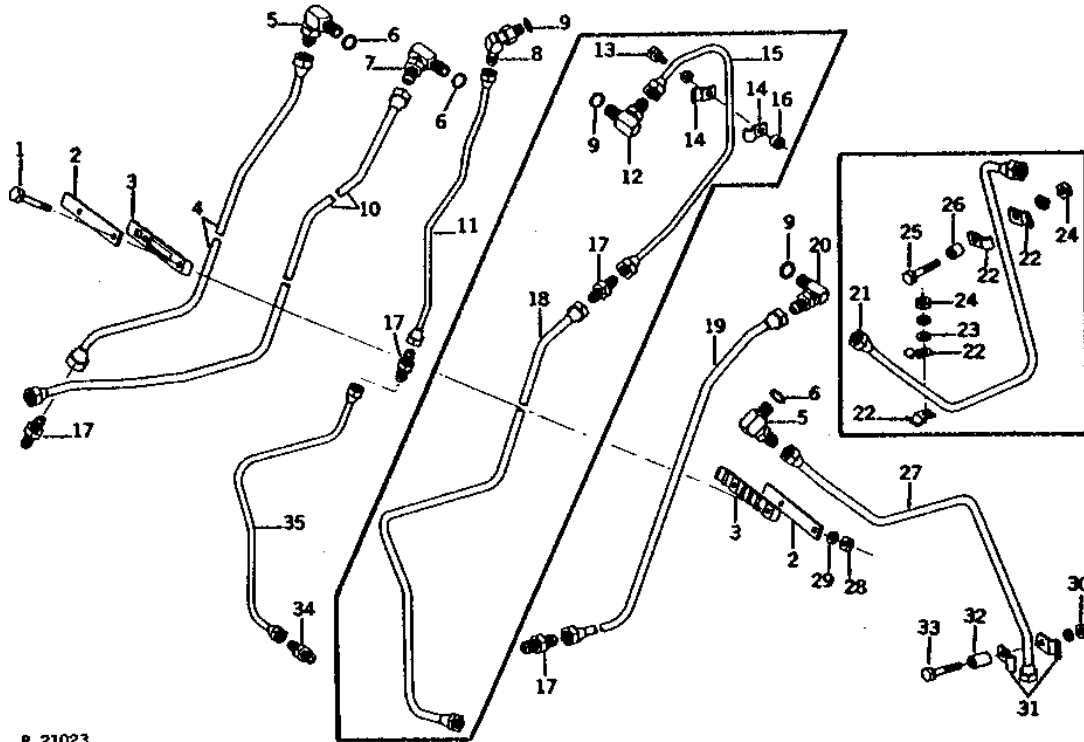
2D23

STEERING AND BRAKES

R21023

-UN-01JAN94

UPPER STEERING VALVE LINES



R 21023

2D24

STEERING AND BRAKES

UPPER STEERING VALVE LINES - CONTINUED

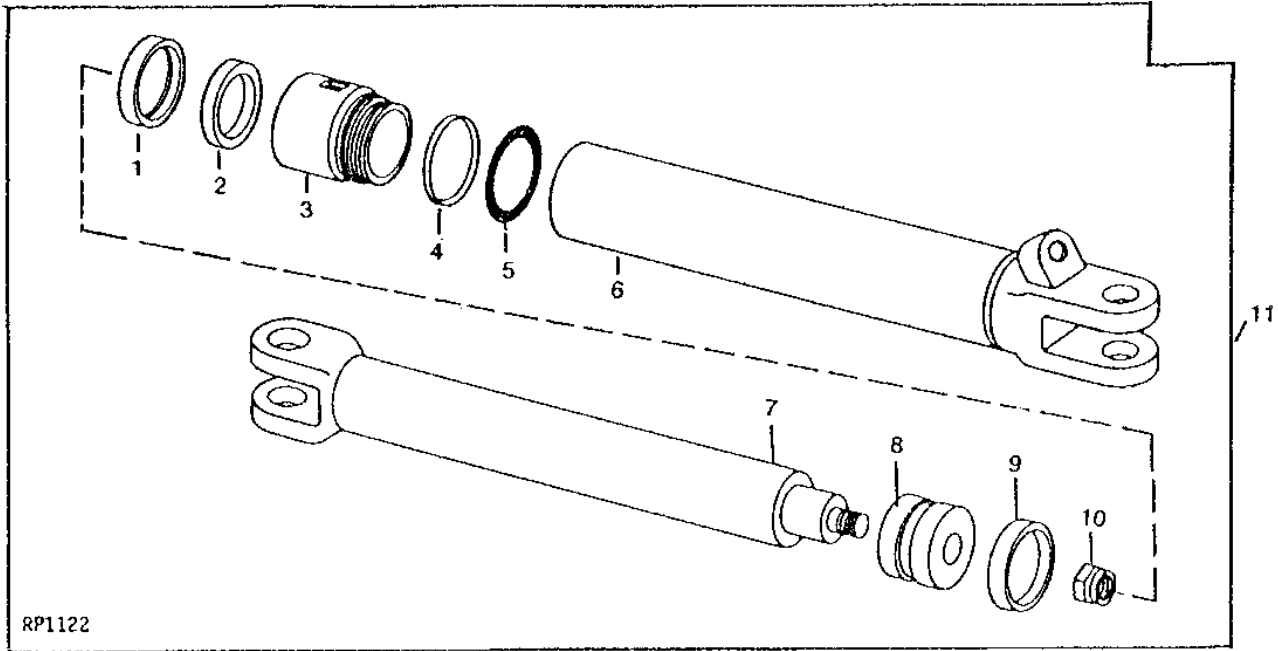
KEY	PART NO.	PART NAME	QTY	TRACTOR SERIAL NO.	REMARKS
1	19H1875	CAP SCREW	2		5/16" X 1-3/4"
2	R49097	STRAP	2		
3	R47683	CLAMP	2		
4	AR50608	HYDRAULIC LINE	1		
5	AT32332	ELBOW FITTING	2		90°, (SUB FOR AR26763)
6	R26375	O-RING	3		
7	AT32332	ELBOW FITTING	1		90°, (SUB FOR AR26763)
8	AT38033	ELBOW FITTING	1	002434-	45°, (SUB FOR AR26722)
9	R26448	O-RING	1		
10	AR51129	HYDRAULIC LINE	1		
11	AR63265	HYDRAULIC LINE	1	002434-	(SUB FOR AR55876)
12	AT32332	ELBOW FITTING	1	-002433	90°, (SUB FOR AR26763)
13	19H988	CAP SCREW	1	-002433	3/8" X 1-1/4"
	12H304	LOCK WASHER	1	-002433	3/8"
14	R27720	CLAMP	2	-002433	
15	AR50611	HYDRAULIC LINE	1	-002433	
16	28H1519	WASHER	1	-002433	0.493" X 0.675" X 3/8"
17	R27095	FITTING	2		
18	AR50978	HYDRAULIC LINE	1	-002433	
19	AR50610	OIL LINE	1		
20	AT35121	ELBOW FITTING	1		90°, (SUB FOR AR26725)
21	AR50798	HYDRAULIC LINE	1	-002699	
22	R27539	CLAMP	4	-002699	
23	24H1652	WASHER	1	-002699	13/32" X 11/16" X 7/64"
24	14H1076	NUT	2	-002699	3/8"
	12H302	LOCK WASHER	2	-002699	1/4"
25	19H2549	CAP SCREW	1	-002699	3/8" X 1-7/8"
26	28H1524	SPACER	1	-002699	3/8" X 7/8"
27	AR61670	HYDRAULIC LINE	1	002700-	
28	14H785	NUT	2		5/16"
29	24H1136	WASHER	2		11/32" X 11/16" X 0.065"
30	14H1076	NUT	1	002700-	3/8"
	12H302	LOCK WASHER	1	002700-	1/4"
31	R27539	CLAMP	2	002700-	
32	28H1495	SPACER	1	002700-	3/8" X 1"
33	19H1765	CAP SCREW	1	002700-	3/8" X 1-3/4"
34	R28450	FITTING	1		
35	AR55877	HYDRAULIC LINE	1	002434-	
..	AR21969	KIT	1		CAP PLUG ASSORTMENT

2D25

STEERING AND BRAKES

LEFT-HAND STEERING CYLINDER ASSEMBLY

RP1122 -UN-01JAN94



RP1122

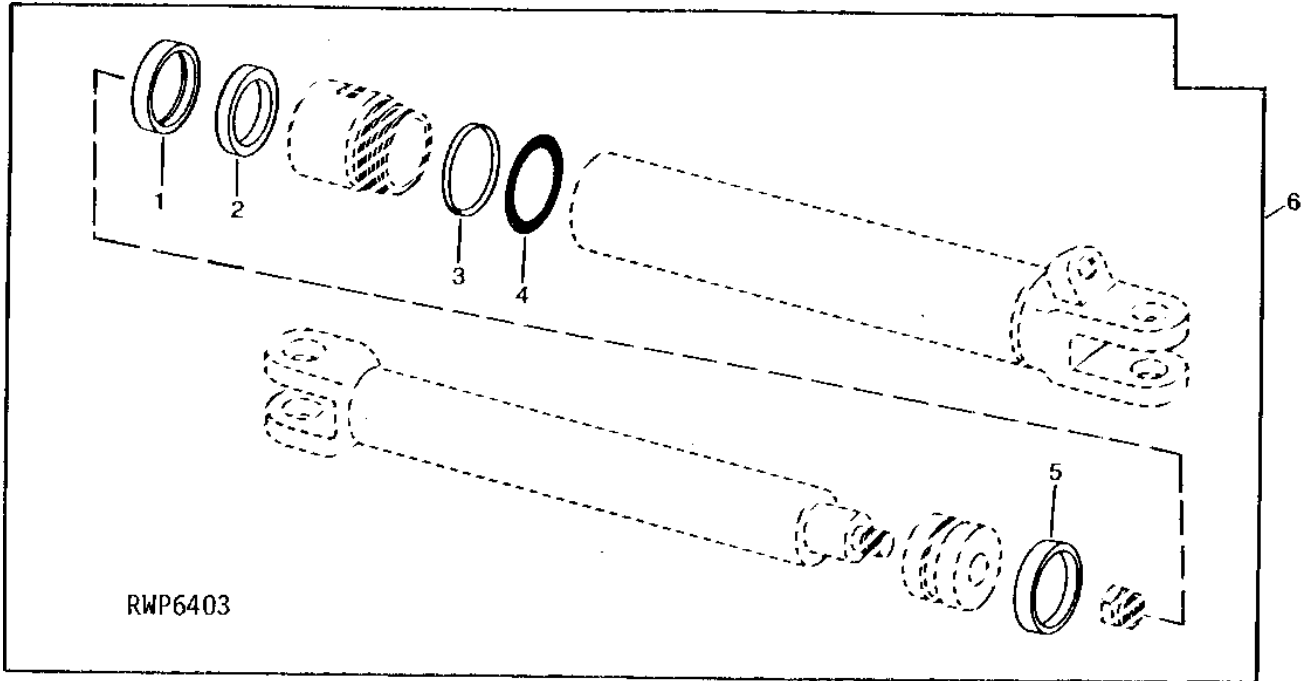
KEY	PART NO.	PART NAME	QTY	TRACTOR SERIAL NO.	REMARKS
1	T19833	SEAL	1		
2	T39285	SEAL	1		
3	T34464	GUIDE	1		
4	T39537	BACK-UP RING	1		
5	M4237T	O-RING	1		
6	AT20681	HYDRAULIC CYLINDER BARREL	1		
7	AT20677	ROD	1		
8	T19838	PISTON	1		
9	T40416	WEAR RING	1		
10	T42704	LOCK NUT	1	(SUB FOR R41198)	
11	AT20103	CYLINDER	1	(NLA)	

2E1

STEERING AND BRAKES

CYLINDER REPAIR KIT (LEFT-HAND)

RWP6403 -UN-01JAN94



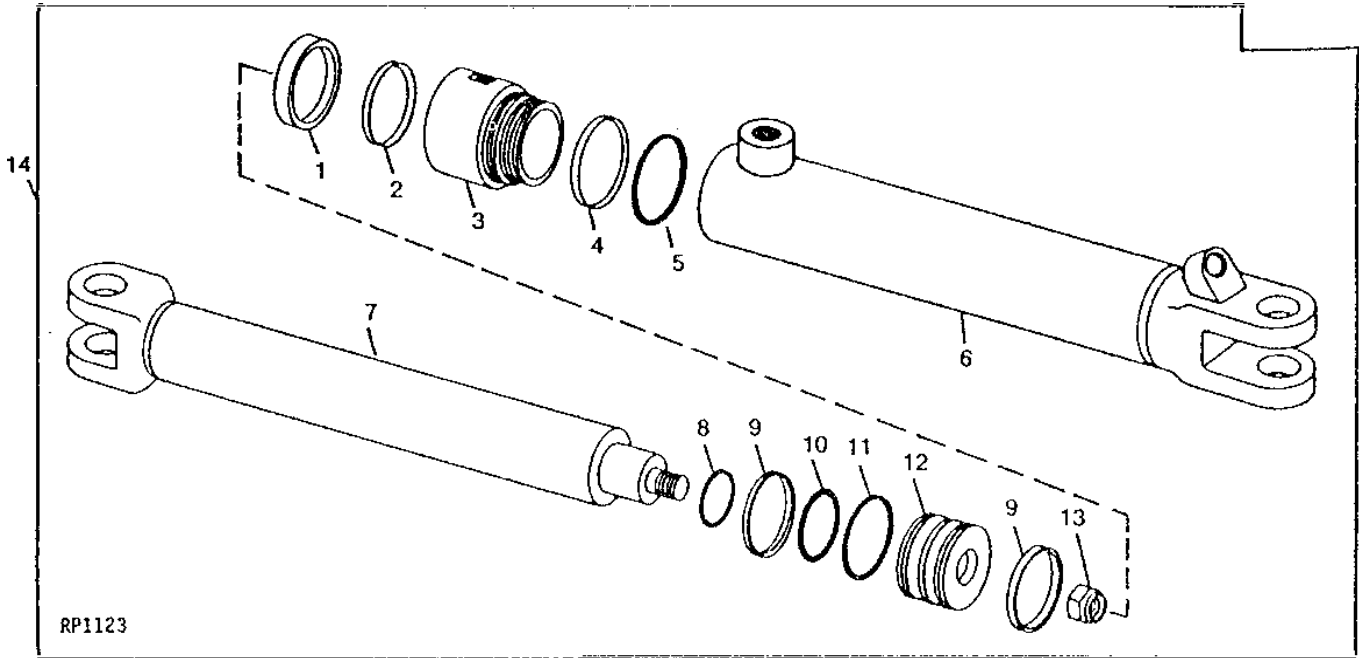
KEY	PART NO.	PART NAME	QTY	TRACTOR SERIAL NO.	REMARKS
1	T19833	SEAL	1		
2	T39285	SEAL	1		
3	T39537	BACK-UP RING	1		
4	M4237T	O-RING	1		
5	T40416	WEAR RING	1		
6	AT39022	KIT	1		

2E2

STEERING AND BRAKES

RP1123 -UN-01JAN94

RIGHT-HAND STEERING CYLINDER ASSEMBLY



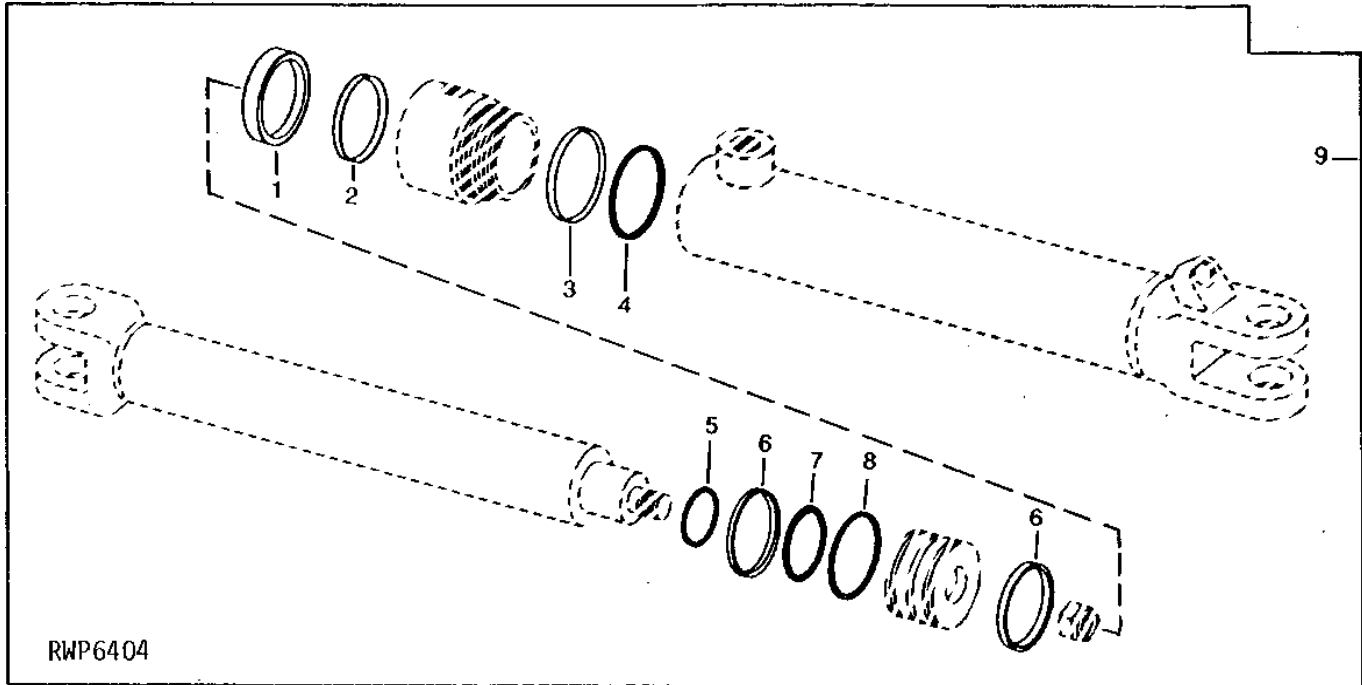
KEY	PART NO.	PART NAME	QTY	TRACTOR SERIAL NO.	REMARKS
1	T19833	SEAL	1		
2	T39285	SEAL	1		
3	T34464	GUIDE	1		
4	T39537	BACK-UP RING	1		
5	M4237T	O-RING	1		
6	AT33999	HYDRAULIC CYLINDER BARREL	1		
7	AT20677	ROD	1		
8	U46335	O-RING	1		
9	T36524	WEAR RING	2		
10	T19832	O-RING	1		
11	T19830	WASHER	1		
12	T19827	PISTON	1		
13	T42704	LOCK NUT	1		(SUB FOR R41198)
14	AT33998	CYLINDER	1		

2E3

STEERING AND BRAKES

CYLINDER REPAIR KIT (RIGHT-HAND)

RWP6404 -UN-01JAN94



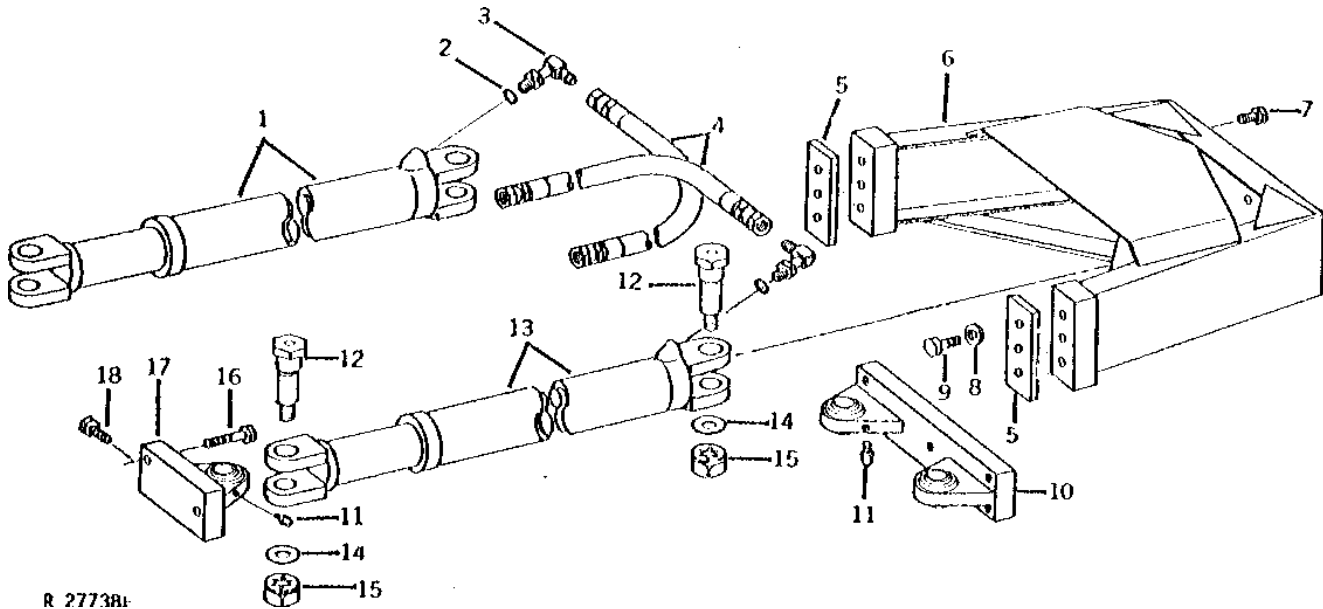
KEY	PART NO.	PART NAME	QTY	TRACTOR SERIAL NO.	REMARKS
1	T19833	SEAL	1		
2	T39285	SEAL	1		
3	T39537	BACK-UP RING	1		
4	M4237T	O-RING	1		
5	U46335	O-RING	1		
6	T36524	WEAR RING	2		
7	T19832	O-RING	1		
8	T19830	WASHER	1		
9	AT38068	KIT	1		

2E4

STEERING AND BRAKES

R27738 -UN-01JAN94

STEERING CYLINDER MOUNTING



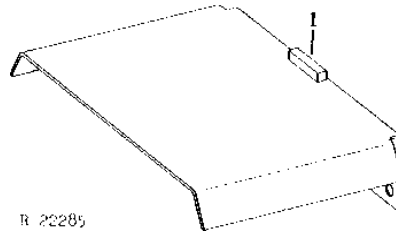
KEY	PART NO.	PART NAME	QTY	TRACTOR SERIAL NO.	REMARKS
1	AT20103	CYLINDER	1		
2	R26375	O-RING	2		
3	AR27699	ELBOW FITTING	2		
4	AR50607	HYDRAULIC HOSE	2		
5	R65159	STRAP	2	XXXXXX-	
6	AR62196	BRACKET	1	-002699	(ALSO ORDER (6) 19H2717 AND (6) T21397) (SUB FOR AR50519) (SUB AR82037, (2) R65159, (6) 19H2431 AND (6) T21397)
	AR68254	BRACKET	1	002700-XXXXXX	(SUB AR82038, (2) R65159, (6) 19H2431 AND (6) T21397)
	AR82037	BRACKET	1	XXXXXX-	
	AR82038	BRACKET	1	XXXXXX-	
7	19H1916	CAP SCREW	5	-002699	5/8" X 1"
	19H1916	CAP SCREW	3	002700-	5/8" X 1"
	19H1756	CAP SCREW	5	002700-	5/8" X 1-1/2"
8	T21397	WASHER	6	002700-	
9	19H1833	CAP SCREW	6	-002699	5/8" X 1-1/4", (USE WITH AR50519)
	19H2717	CAP SCREW	6	002700-XXXXXX	3/4" X 1-3/4", (USE WITH AR62196 OR AR68254)
	19H2431	CAP SCREW	6	XXXXXX-	3/4" X 2-1/4", (USE WITH AR82037 OR AR82038)
10	AR50509	SUPPORT	1		
11	JD7759	LUBRICATION FITTING	2		
	JD7781	LUBRICATION FITTING	2		90°
12	T26027	PIN	4		
13	AT33998	CYLINDER	1		
14	T19572	WASHER	4		
15	R45620	LOCK NUT	4		(SUB FOR R41198)
16	19H1990	CAP SCREW	4		1/2" X 2-1/4"
	F2742R	WASHER	2		
17	AR50510	SUPPORT	2		
18	19H1833	CAP SCREW	2		5/8" X 1-1/4"

2E5

STEERING AND BRAKES

**STEERING LINES SHIELD WITH SUPPORT
(TRACTOR SERIAL NO. 001000-002699)**

R22285 -UN-01JAN94



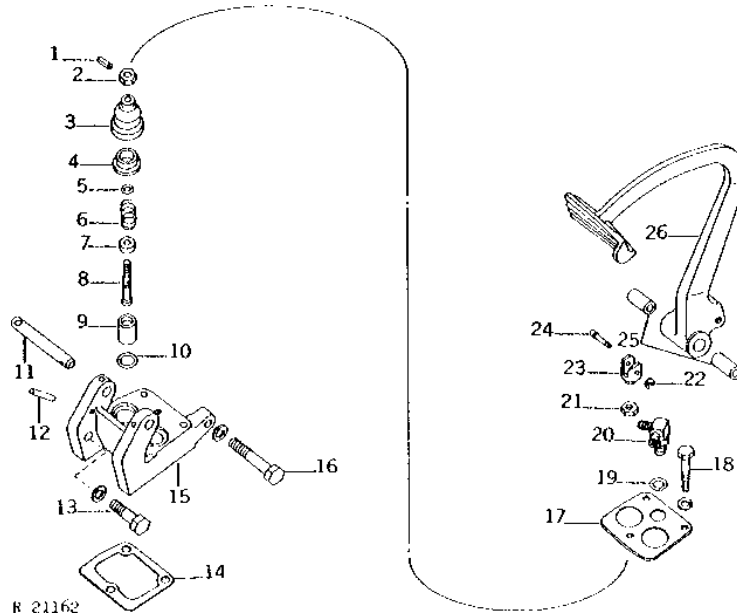
KEY	PART NO.	PART NAME	QTY	TRACTOR SERIAL NO.	REMARKS
1	AR68508	SHIELD	1		

2E6

STEERING AND BRAKES

R21162 -UN-01JAN94

BRAKE PEDAL AND BRACKET



R 21162

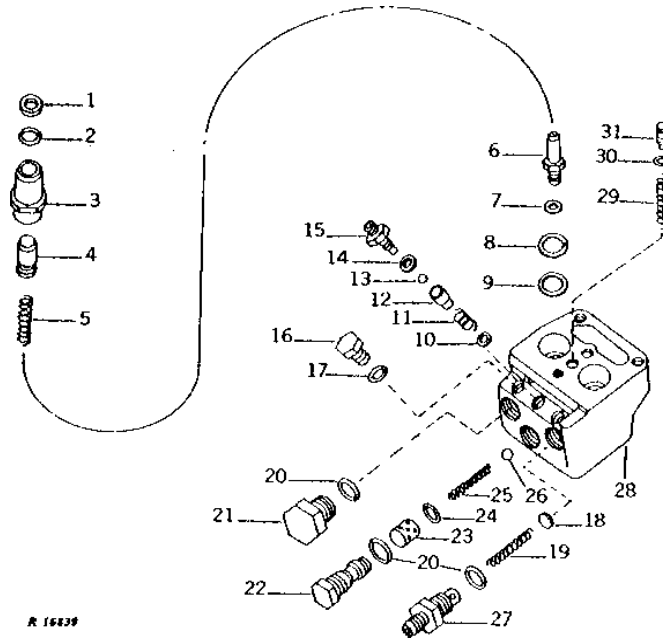
KEY	PART NO.	PART NAME	QTY	TRACTOR SERIAL NO.	REMARKS
1	34H245	SPRING PIN	2		1/8" X 5/8"
2	R39982	NUT	2		
3	R54059	BOOT	2		(SUB FOR R39981)
4	R31459	RETAINER	2		
5	R30903	O-RING	2		
6	R31271	SPRING	2		
7	R52168	STOP	2		(SUB FOR R31458)
8	R39980	BOLT	2		
9	R52169	GUIDE	2		(SUB FOR R31457)
10	A3606R	O-RING	2		
11	R45929	GROOVE PIN	1		
12	34H286	SPRING PIN	1		3/16" X 1-1/2"
13	19H2550	CAP SCREW	1		1/2" X 1-5/8"
	12H301	LOCK WASHER	1		1/2"
14	R31455	GASKET	1		
15	R45926	BRACKET	1		
16	19H1721	CAP SCREW	1		1/2" X 1-1/2"
	12H301	LOCK WASHER	1		1/2"
17	R26384	RETAINER	1		
18	19H1733	CAP SCREW	3		3/8" X 2-1/2"
	12H304	LOCK WASHER	3		3/8"
19	R26287	O-RING	1		
20	AT32336	ELBOW FITTING	1	-002699	90°, (SUB FOR AR36105)
	AR36411	TEE FITTING	1	002700-	90°
21	14H732	NUT	2		3/8"
22	R26386	SNAP RING	2		
23	R31273	YOKE	2		
24	R26385	PIN	2		
25	B177R	BUSHING	2		
26	AR62759	PEDAL	1		(MARKED R54118) (SUB FOR AR50577)

2E7

STEERING AND BRAKES

R16839 -UN-01JAN94

BRAKE VALVE



KEY	PART NO.	PART NAME	QTY	TRACTOR SERIAL NO.	REMARKS
1	R26370	WASHER	2	-002332	
2	R32092	WASHER	2	002333-	
	F3353R	O-RING	2	-002332	
3	R459R	O-RING	2	002333-	
	R31461	PISTON	2	-002332	
4	R32091	PISTON	2	002333-	
	R41201	PLUNGER	2	-002332	
5	R32090	PLUNGER	2	002333-	
	R26369	SPRING	2		
6	AR52497	VALVE	2		(SUB FOR AR47805)
7	R26286	O-RING	2		
8	R27137	BACK-UP RING	2		
9	R27149	O-RING	2		
10	R44255	WASHER	1		
11	R44256	SPRING	1		
12	R44254	GUIDE	1		
13	400R	BALL	1	6MM (1/4")	
14	R26287	O-RING	1		
15	R36742	COUPLING	1		
16	R27216	DRAIN PLUG	2		(SUB FOR R31631) (USE ON R31454)
17	R26287	O-RING	2		(USE ON R31454)
18	R26376	DISK	1		
19	R227R	SPRING	1		
20	R26375	O-RING	3		
21	R39112	FITTING	1		
22	R28774	FITTING	1		
23	R42684	STRAINER	1		
24	R28776	O-RING	1		
25	R26372	SPRING	1		
26	R42849	BALL	1	10MM (3/8")	
27	R47738	FITTING	1		
28	AR42400	HOUSING	1		(MARKED R31454 OR R42007)
29	R26421	SPRING	2		
30	R30903	O-RING	2		
31	R47791	PLUG	2		

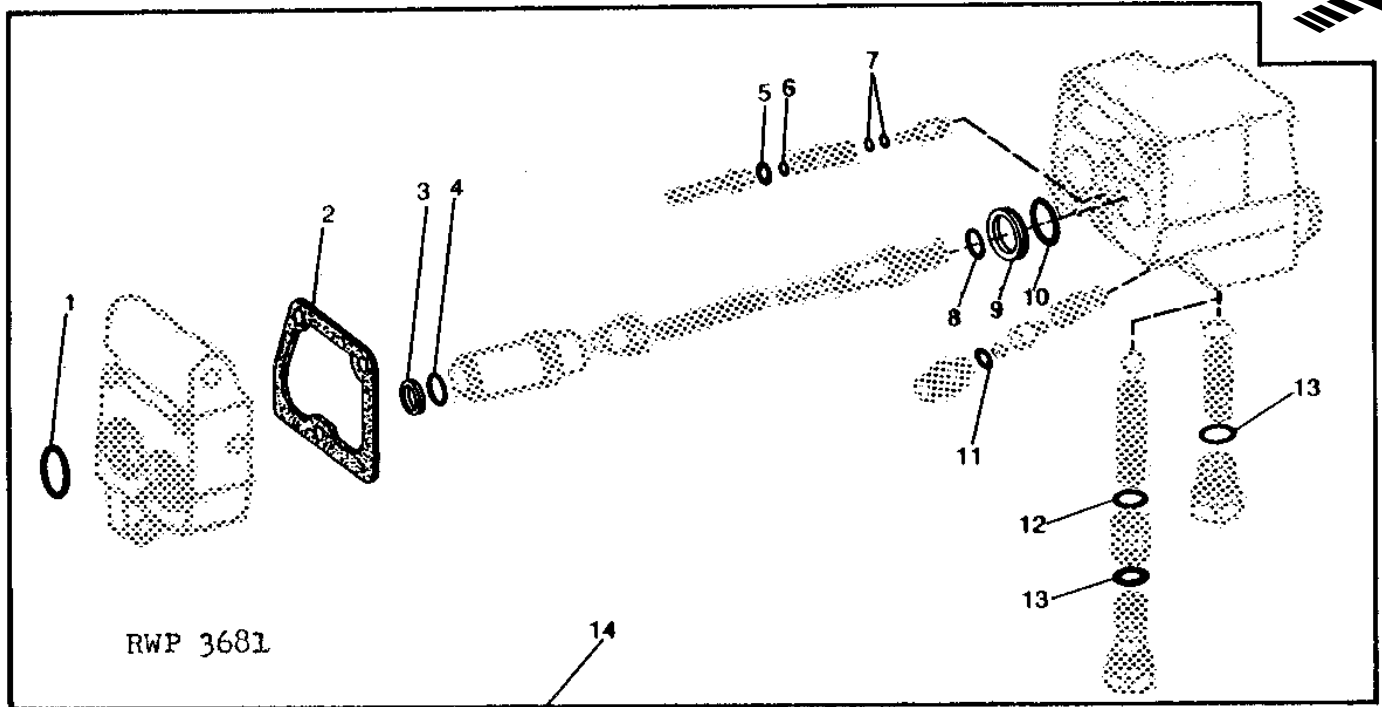
2E8

STEERING AND BRAKES

RWP3681

-UN-01JAN94

BRAKE VALVE OVERHAUL KIT



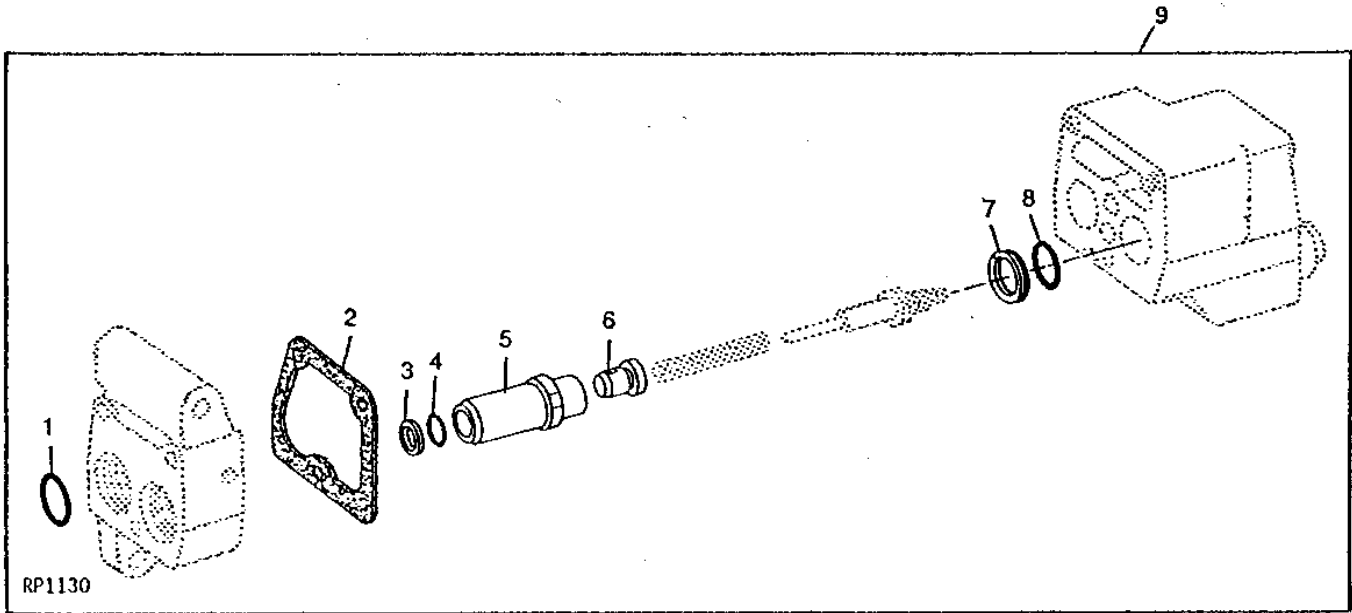
KEY	PART NO.	PART NAME	QTY	MODEL NO.	REMARKS
1	A3606R	O-RING	2		
2	R31455	GASKET	1		
3	R32092	WASHER	2		
4	R459R	O-RING	2		
5	R31469	SHIM	2		
6	R31468	O-RING	2		
7	R30903	O-RING	4		
8	R26286	O-RING	2		
9	R27137	BACK-UP RING	2		
10	R27149	O-RING	2		
11	R26287	O-RING	1		
12	R28776	O-RING	1		
13	R26375	O-RING	3		
14	AR31946	KIT	1		

2E9

STEERING AND BRAKES

RP1130 -UN-01JAN94

BRAKE VALVE PLUNGER REPLACEMENT KIT



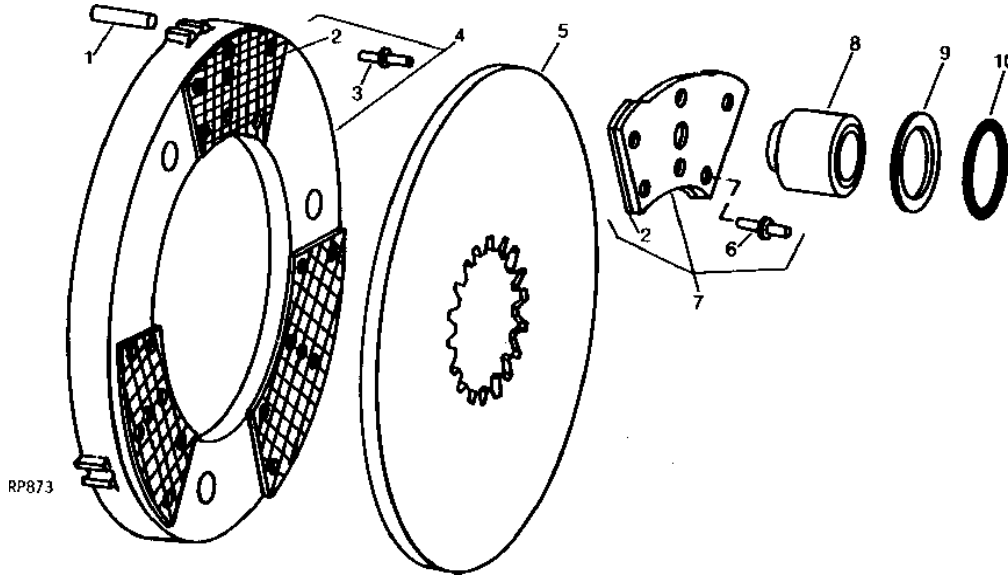
KEY	PART NO.	PART NAME	QTY	TRACTOR SERIAL NO.	REMARKS
1	A3606R	O-RING	2		
2	R31455	GASKET	1		
3	R32092	WASHER	2		
4	R459R	O-RING	2		
5	R32091	PISTON	2		
6	R32090	PLUNGER	2		
7	R27137	BACK-UP RING	2		
8	R27149	O-RING	2		
9	AR58165	KIT	1		

2E10

STEERING AND BRAKES

RP873 -UN-06OCT94

BRAKE PLATES AND FACINGS



KEY	PART NO.	PART NAME	QTY	TRACTOR SERIAL NO.	REMARKS
1	R44961	DOWEL PIN	6		
2	R26765	BRAKE SHOE	12		(SUB FOR AR28488) (SUB R110464)
3	R708R	RIVET	18		1-11/64"
	D1761R	RIVET	18		31/64"
4	AR99647	PLATE	2		(MARKED R43224, R48775, R63917 OR R74350) (SUB FOR AR43046, AR52213 OR AR79129) (SUB RE46334, (3) RE46328 AND R100797)
	AR99647	PLATE	2		(A) (MARKED R43224) (SUB FOR RE43046, AR52213 OR AR79129) (SUB RE46334, (3) RE46328 AND R113741)
5	R48864	BRAKE DISK	2	-XXXXXX	(13 TEETH) (SUB FOR R43223)
	R57617	BRAKE DISK	2	XXXXXX-	(14 TEETH) (SUB R91826)
	R91826	BRAKE DISK	2	XXXXXX-	(A) (14 TEETH) (SUB FOR R61712)
6	D1761R	RIVET	36		31/64"
7	AR32243	PLATE	4		(SET OF 3) (SUB FOR AR48864) (SUB RE46334, (3) RE46328 AND R100797)
	AR32243	PLATE	4		(A) (SET OF 3) (SUB FOR AR48864) (SUB RE46334, (3) RE46328 AND R113741)
8	R46674	PISTON	6		
9	R46673	WASHER	6		
10	A4728R	O-RING	6		

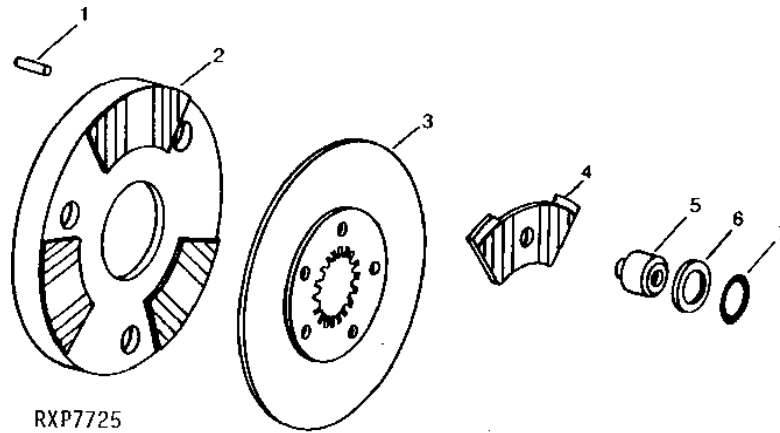
(A) USE WHEN R61711 OR R113733 HAS BEEN INSTALLED

2E11

STEERING AND BRAKES

RXP7725 -UN-06OCT94

BRAKE PLATES AND FACINGS



KEY	PART NO.	PART NAME	QTY	TRACTOR SERIAL NO.	REMARKS
1	R44961	DOWEL PIN	6		
2	RE44415	PLATE	2		(MARKED R97993 OR R107178) (SUB FOR RE36647) (SUB RE46334)
3	R100797	BRAKE DISK	2		(13 TEETH)
	R97801	BRAKE DISK	2		(A) (14 TEETH) (SUB R113741)
4	RE32681	PLATE	6		(SUB RE46328)
5	R46674	PISTON	6		
6	R46673	WASHER	6		
7	A4728R	O-RING	6		

(A) USE WHEN R61711 OR R113733 HAS BEEN INSTALLED

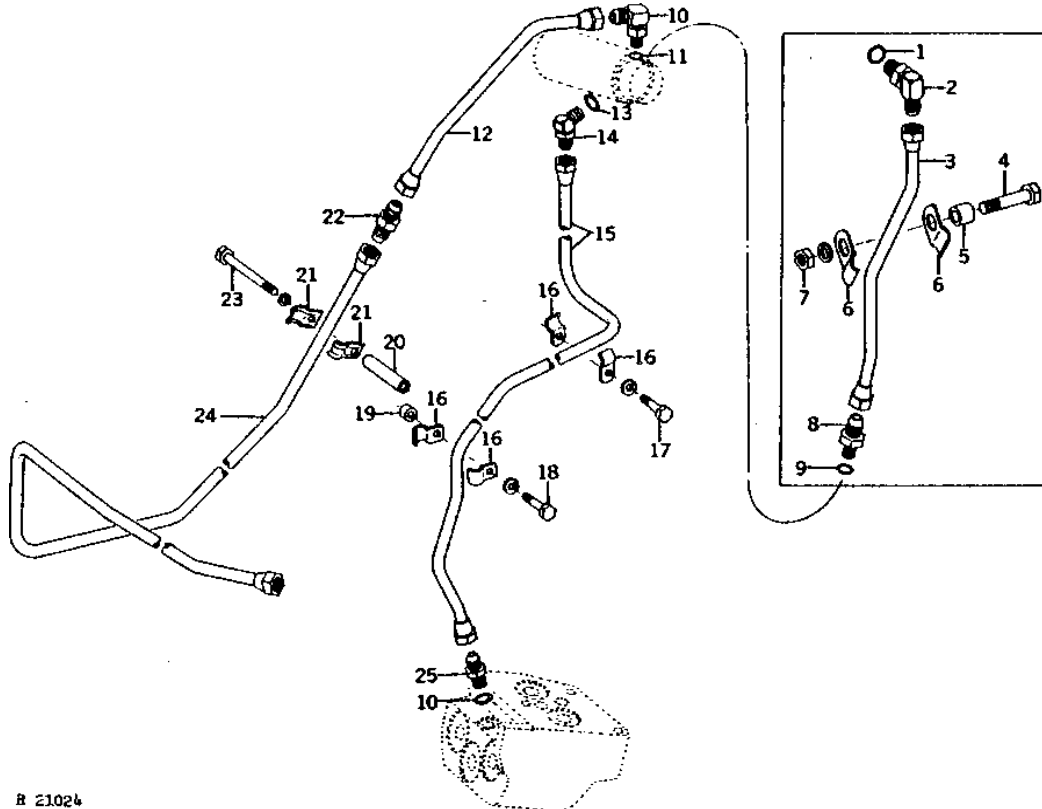
MEMORANDA

2E12

STEERING AND BRAKES

R21024 -UN-01JAN94

BRAKE PRESSURE LINES



R 21024

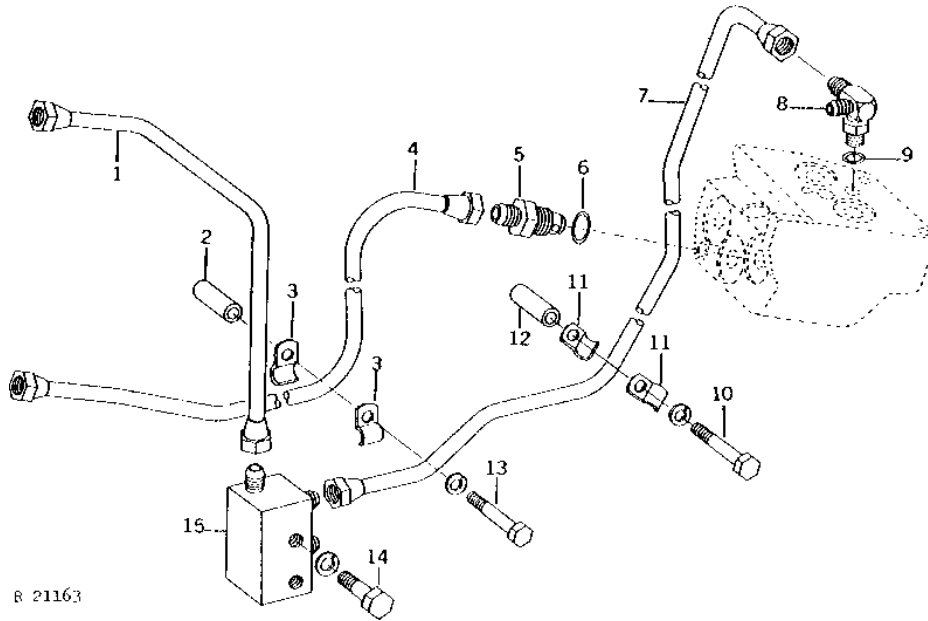
KEY	PART NO.	PART NAME	QTY	TRACTOR SERIAL NO.	REMARKS
1	R26286	O-RING	1	-002699	
2	AT32333	ELBOW FITTING	1	-002699	(SUB FOR AR26771)
3	AR50514	HYDRAULIC LINE	1	-002699	
4	19H1800	CAP SCREW	1	-002699	3/8" X 1-1/2"
5	28H1862	WASHER	1	-002699	0.493" X 0.675" X 7/32"
6	R42357	CLAMP	2	-002699	
7	14H1076	NUT	1	-002699	3/8"
	12H304	LOCK WASHER	1	-002699	3/8"
8	R36742	COUPLING	1	-002699	
9	R26287	O-RING	1	-002699	
10	AT32336	ELBOW FITTING	1	002700-	(SUB FOR AR36105)
11	R26287	O-RING	2		
12	AR61674	LINE	1	002700-	
13	R26286	O-RING	1		
14	AR46095	ELBOW FITTING	1		(SUB AT58895)
15	AR43165	HYDRAULIC LINE	1		
16	R42357	CLAMP	4		
17	19H1936	CAP SCREW	1		3/8" X 3/4"
	12H304	LOCK WASHER	1		3/8"
18	19H1732	CAP SCREW	1		3/8" X 1-1/4"
	12H304	LOCK WASHER	1		3/8"
19	28H1878	SPACER	1		3/8" X 7/16"
20	28H1532	SPACER	1	002700-	3/8" X 2"
21	R57549	CLAMP	2	002700-	
22	R50201	FITTING	1	002700-	(SUB FOR U42417)
23	19H1944	CAP SCREW	1	002700-	3/8" X 2-3/4"
	12H304	LOCK WASHER	1	002700-	3/8"
24	AR61671	HYDRAULIC LINE	1	002700-	
25	R36742	COUPLING	1		

2E13

STEERING AND BRAKES

R21163 -UN-01JAN94

FRONT BRAKE LINES



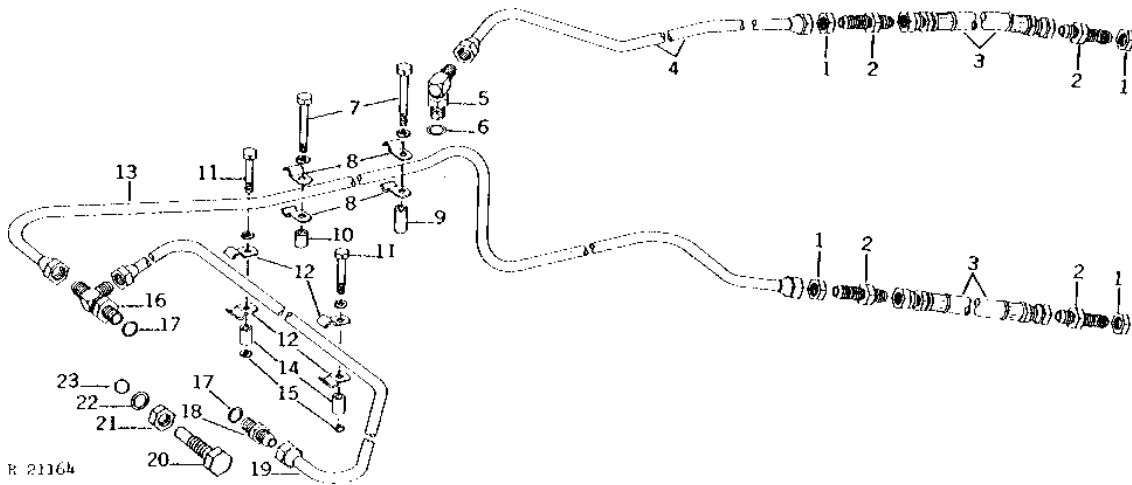
KEY	PART NO.	PART NAME	QTY	TRACTOR SERIAL NO.	REMARKS
1	AR51173	LINE	1		
2	28H1521	SPACER	1		3/8" X 9/16"
3	R27720	CLAMP	2		
4	AR50876	HYDRAULIC LINE	1		
5	R47738	FITTING	1		
6	R26375	O-RING	1		
7	AR51172	HYDRAULIC LINE	1		
8	AT32336	ELBOW FITTING	1	-002699	(SUB FOR AR36105)
	AR36411	TEE FITTING	1	002700-	
9	R26287	O-RING	1		
10	19H1801	CAP SCREW	1		3/8" X 2"
	12H304	LOCK WASHER	1		3/8"
11	R42357	CLAMP	2		
12	28H1526	BUSHING	1		3/8" X 1-5/16"
13	19H1732	CAP SCREW	1		3/8" X 1-1/4"
	12H304	LOCK WASHER	1		3/8"
14	19H2552	CAP SCREW	2		3/8" X 1-1/8"
	12H304	LOCK WASHER	2		3/8"
15	AR51174	MANIFOLD	1		

2E14

STEERING AND BRAKES

REAR BRAKE LINES

R21164 -UN-01JAN94



KEY	PART NO.	PART NAME	QTY	TRACTOR SERIAL NO.	REMARKS
1	R26572	NUT	4		
2	R27238	FITTING	4		
3	AR50603	HYDRAULIC HOSE	2		
4	AR50878	LINE	1		
5	AT35121	ELBOW FITTING	1		(SUB FOR AR26725)
6	R26448	O-RING	1		
7	19H1801	CAP SCREW	2	3/8" X 2"	
	12H304	LOCK WASHER	2	3/8"	
8	R27720	CLAMP	4		
9	28H1524	SPACER	1	3/8" X 7/8"	
10	28H1519	WASHER	1	0.493" X 0.675" X 3/8"	
11	19H2665	CAP SCREW	4	3/8" X 1-5/8"	
	12H304	LOCK WASHER	4	3/8"	
12	R42357	CLAMP	4		
13	AR50877	HYDRAULIC LINE	1		
14	B1828R	BUSHING	2		
15	A4624R	WASHER	4		
16	AR50796	TEE FITTING	1		
17	R26286	O-RING	2		
18	R27272	FITTING	1		
19	AR50875	HYDRAULIC LINE	1		
20	R27906	SCREW	2		
21	R27296	NUT	2		
22	R26286	O-RING	2		
23	R42849	BALL	2	10MM (3/8")	
..	AR21969	KIT	1		CAP PLUG ASSORTMENT

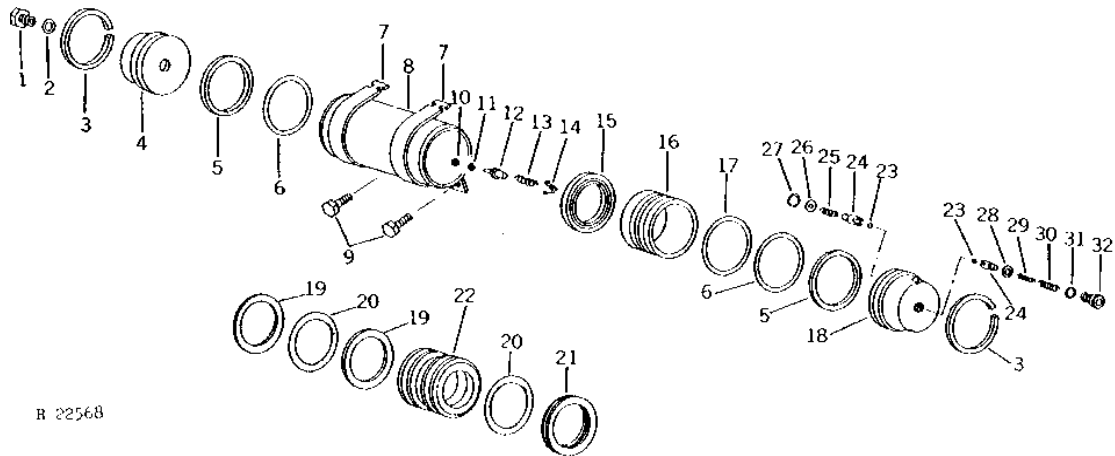
MEMORANDA

2E15

STEERING AND BRAKES

R22568 -UN-01JAN94

BRAKE ACCUMULATOR



R 22568

KEY	PART NO.	PART NAME	QTY	MODEL NO.	REMARKS
1	R27094	DRAIN PLUG	1		
2	R26286	O-RING	1		
3	U10136	SNAP RING	2		
4	R48957	END	1		
5	R35684	BACK-UP RING	2		
6	U12331	O-RING	2		
7	R41891	STRAP	2		
8	R46987	HYDRAULIC CYLINDER BARREL	1		
9	19H2021	CAP SCREW	2		3/8" X 5/8"
10	R47087	WASHER	1		
11	R60038	PACKING	1		(SUB FOR R26760)
12	R47085	VALVE	1		
13	R47086	SPRING	1		
14	R41877	GUIDE	1		
15	R35680	SEAL	1	-11HA1	(USE WITH R48952)
	A4728R	O-RING	1	XXXXXX-11HA1	(USE WITH R49345)
16	AR55711	PISTON	1	-11HA1	(SUB FOR R48952 OR R49345) (SUB R57103, (2) A4728R, R27649 AND (2) L29015)
17	A4728R	O-RING	1	-11HA1	(USE WITH R48952 OR R49345)
18	AR67781	CAP	1		(SUB FOR AR50387 OR AR65886) (SUB AR93259)
19	L29015	BACK-UP RING	2	11HA2-	
20	A4728R	O-RING	1	11HA2-	(2 USED WITH L29014)
21	R27649	BACK-UP RING	1	11HA2-	
22	R57103	PISTON	1	11HA2-	(MARKED L29014) (ALSO ORDER (2) A4728R, R27649 AND (2) L29015) (SUB FOR AL23523)
23	400R	BALL	2	11HA2-	(A) 6MM (1/4")
24	R44254	GUIDE	2	11HA2-	(A)
25	R44256	SPRING	1	11HA2-	(A)
26	R48013	WASHER	1	11HA2-	(A)
27	R33282	SNAP RING	1	11HA2-	(A)
28	R31632	SHIM	2	11HA2-	(A)
29	R47606	SPRING	1	11HA2-	(A) INNER
30	R47605	SPRING	1	11HA2-	(A) OUTER
31	R26286	O-RING	1	11HA2-	(A)
32	R47607	PIPE PLUG	1	11HA2-	(A)
..	AR67778	ACCUMULATOR	1	10HA2-	(SUB FOR AR51092) (SUB RE11956)

(A) INCLUDED IN AR67781

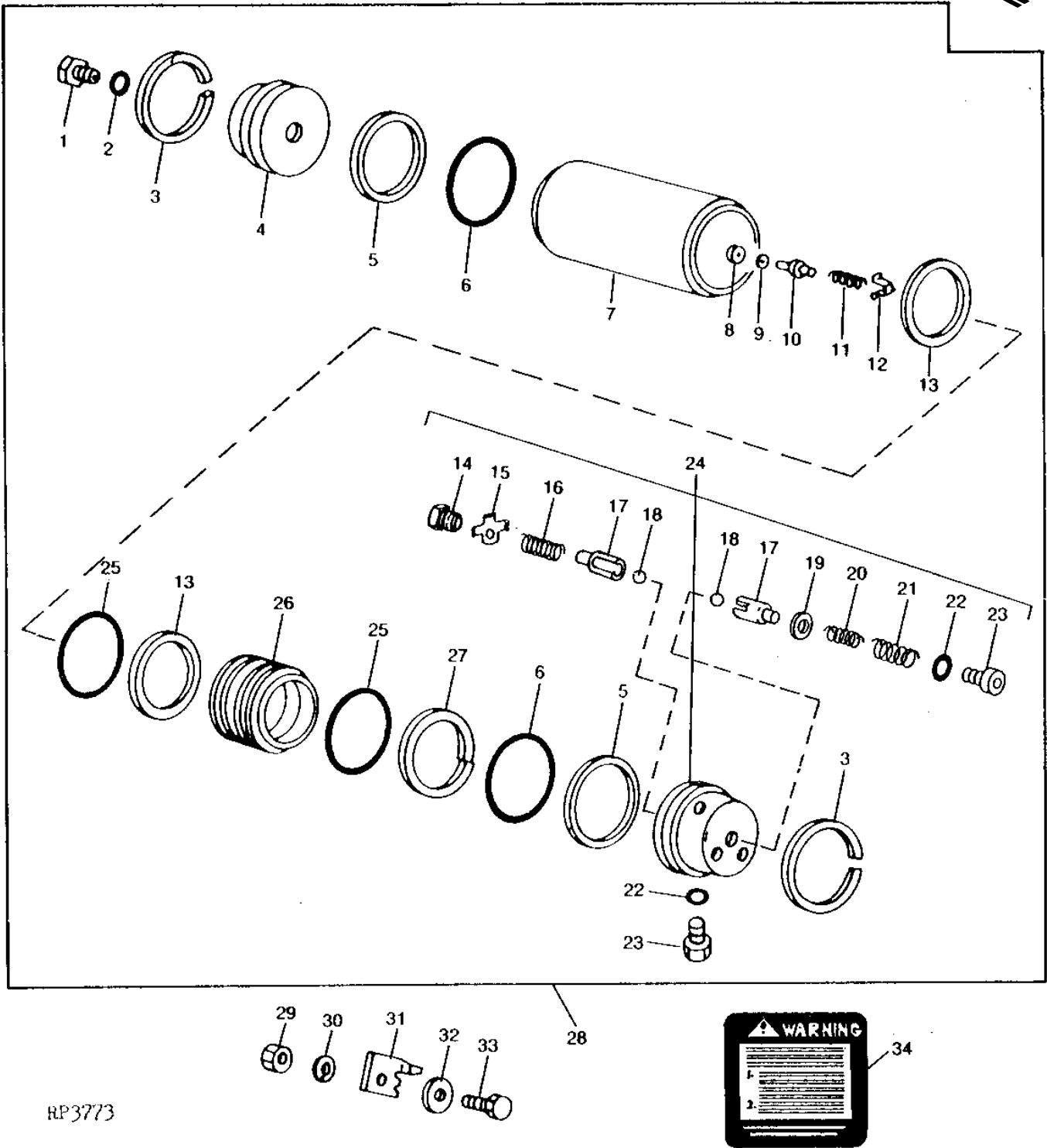
2E16

STEERING AND BRAKES

RP3773

-UN-01JAN94

ACCUMULATOR



RP3773

THIS PARTS LISTING IS CONTINUED

2E17

STEERING AND BRAKES

ACCUMULATOR - CONTINUED

KEY	PART NO.	PART NAME	QTY	TRACTOR SERIAL NO.	REMARKS
1	R27094	DRAIN PLUG	1		
2	R26286	O-RING	1		
3	U10136	SNAP RING	2		(USE WITH R46987)
	R78101	SNAP RING	2		(USE WITH R77867)
4	R48957	END	1		
5	R35684	BACK-UP RING	2		
6	R86192	O-RING	2		
7	R46987	HYDRAULIC CYLINDER BARREL	1		(SUB R77867 AND (2) R78101)
8	R60038	PACKING	1		
9	R47087	WASHER	1		
10	R47085	VALVE	1		
11	R47086	SPRING	1		
12	R41877	GUIDE	1		
13	L29015	BACK-UP RING	2		
14	R74022	RETAINER	1		
15	R75866	LOCK PLATE	1		
16	R44256	SPRING	1		
17	R44254	GUIDE	2		
18	400R	BALL	2		6MM (1/4")
19	R31632	SHIM	AR		
20	R47606	SPRING	1		
21	R47605	SPRING	1		
22	R26286	O-RING	2		
23	R47607	PIPE PLUG	2		
24	AR93259	CAP	1		
25	A4728R	O-RING	2		
26	R57103	PISTON	1		
27	R27649	BACK-UP RING	1		
28	RE11956	ACCUMULATOR	1		(ALSO ORDER R120109, R120110, R80754 OR R82337)
29	14H785	NUT	1		5/16"
30	12H303	LOCK WASHER	1		5/16"
31	R51851	CLIP	1		
32	24H1299	WASHER	1		3/8" X 1-1/4" X 0.065"
33	19H1905	CAP SCREW	1		5/16" X 1"
34	R80752	LABEL	1		WARNING (ENGLISH) (SUB R120109)
	R80753	LABEL	1		WARNING (SPANISH) (SUB R120110)
	R80754	LABEL	1		WARNING (FRENCH)
	R82337	LABEL	1		WARNING (GERMAN)

MEMORANDA

2E21

HYDRAULICS

R32261 -UN-01JAN94

TRANSMISSION AND HYDRAULIC OIL



R32261F

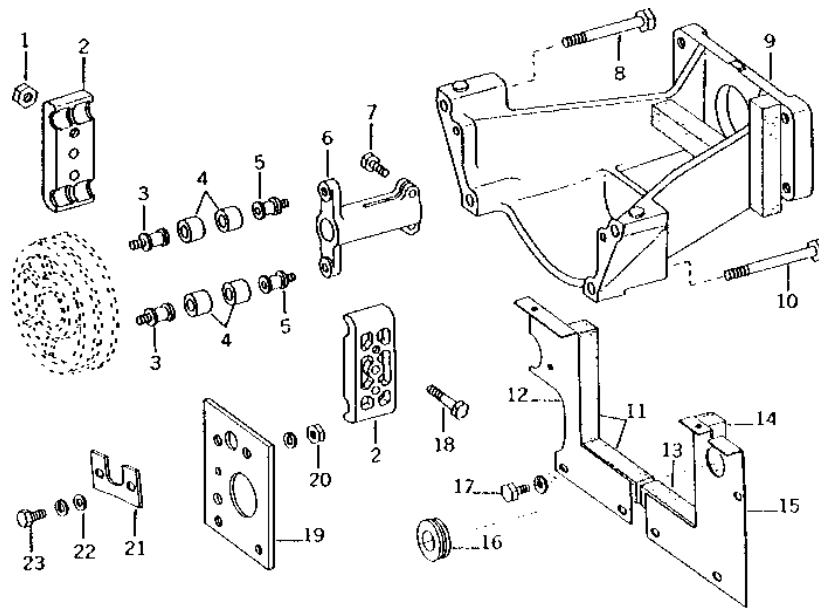
KEY	PART NO.	PART NAME	QTY	TRACTOR SERIAL NO.	REMARKS
..	AR69444	HY-GARD	1	(19 L)	
..	AR69445	HY-GARD	1	(208 L) (EMPTY DRUMS NOT RETURNABLE)	

2E22

HYDRAULICS

R21151 -UN-01JAN94

HYDRAULIC PUMP DRIVE AND SUPPORT



R 21151

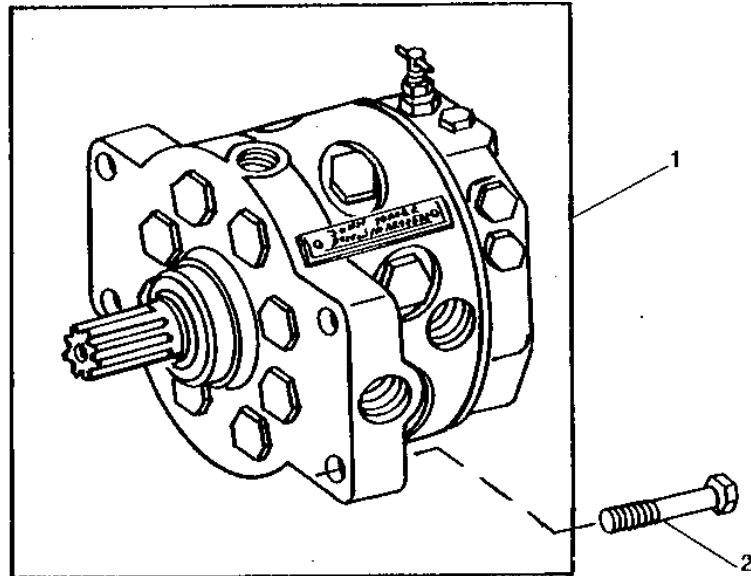
KEY	PART NO.	PART NAME	QTY	TRACTOR SERIAL NO.	REMARKS
1	M63440	LOCK NUT	2		(SUB E50102)
2	R34362	EXTERNAL HALF COUPLER	2		
3	R46345	SCREW	2		
4	AR49427	BUSHING	1		(PKG OF 4) (SUB R45822)
5	R34360	SCREW	2		
6	R43075	SHAFT	1		
7	19H1732	CAP SCREW	2		3/8" X 1-1/4"
8	19H1781	CAP SCREW	2		1/2" X 3-1/2"
9	R55008	SUPPORT	1		(SUB FOR R46429 OR R49404)
10	19H3597	CAP SCREW	2		1/2" X 4-3/4"
11	FOAM PAD	2		25 X 25 X 133MM (1" X 1" X 5-1/4") (MAKE FROM R28123)
12	AR56241	ISOLATOR	1		(SUB FOR AR51863)
13	FOAM PAD	1	-002074	25 X 25 X 57MM (1" X 1" X 2-1/4") (MAKE FROM R30937)
.....	FOAM PAD	2	002075-	25 X 25 X 133MM (1" X 1" X 5-1/4") (MAKE FROM R30937)
14	FOAM PAD	2	-001816	25 X 25 X 133MM (1" X 1" X 5-1/4") (MAKE FROM R30937)
.....	FOAM PAD	1	001817-002074	25 X 25 X 57MM (1" X 1" X 2-1/4") (MAKE FROM R30937)
15	AR56240	ISOLATOR	1		(SUB FOR AR51862)
16	R50636	GROMMET	1	001817-	
17	19H2020	CAP SCREW	4		5/16" X 1/2"
	12H303	LOCK WASHER	4		5/16"
18	19H2116	CAP SCREW	2		3/8" X 2-1/2"
19	R50634	ISOLATOR	1	001817-	
20	14H785	NUT	2	001817-	5/16"
	12H303	LOCK WASHER	2	001817-	5/16"
21	R50635	STRAP	1	001817-	
22	24M7207	WASHER	4	001817-	8.400 X 24 X 2 MM
23	19H1905	CAP SCREW	4	001817-	5/16" X 1"
	12H303	LOCK WASHER	4	001817-	5/16"

2E23

HYDRAULICS

RP3196 -UN-01JAN94

REPLACEMENT HYDRAULIC PUMP ASSEMBLY



RP3196

KEY	PART NO.	PART NAME	QTY	TRACTOR SERIAL NO.	REMARKS
1	AR94660	HYDRAULIC PUMP	1		(A) 50 CM3 (3 IN.3) (MODEL GA1) (ALSO ORDER RE19313, P47908 AND F3171R) (SUB FOR AR47802 OR AR56161)
	AR101807	HYDRAULIC PUMP	1		(B) 50 CM3 (3 IN.3) (MODEL GH1) (ALSO ORDER RE19313, P47908 AND F3171R)
2	19H1990	CAP SCREW	4		1/2" X 2-1/4"

(A) REPLACEMENT PUMP LESS ELECTRIC DESTROKE SOLENOID PORT
 (B) REPLACEMENT PUMP WITH ELECTRIC DESTROKE SOLENOID PORT

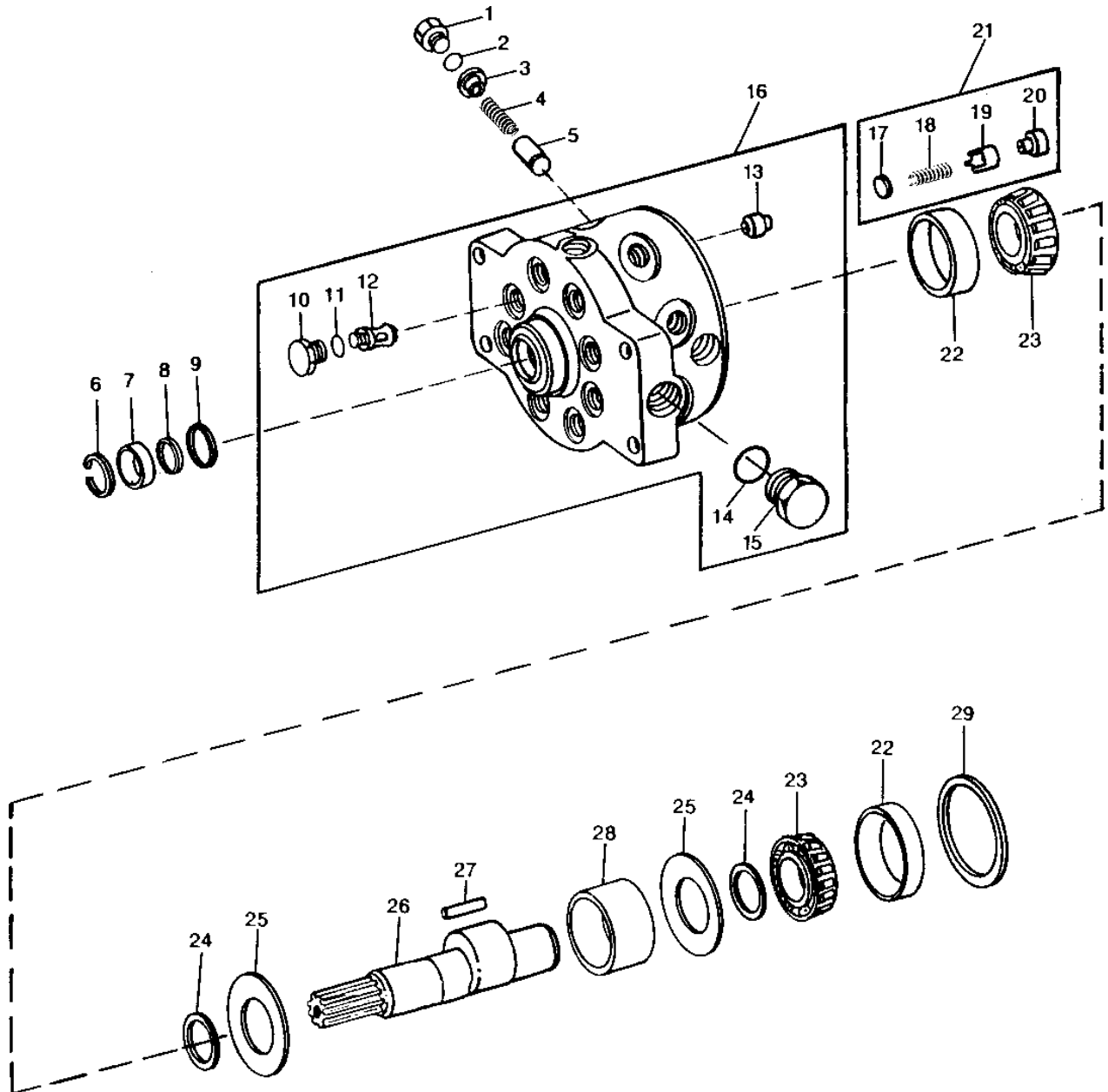
2E24

HYDRAULICS

RP3261

-UN-01JAN94

HYDRAULIC PUMP
49 CM3 (3 IN.3)
(PUMP LESS SERIAL PLATE)



2E25

HYDRAULICS

HYDRAULIC PUMP - CONTINUED
49 CM3 (3 IN.3)
(PUMP LESS SERIAL PLATE)

KEY	PART NO.	PART NAME	QTY	TRACTOR SERIAL NO.	REMARKS
1	R45438	FITTING	8		
2	R495R	O-RING	8	-XXXXXX	(SUB R56463 AND AR101236)
	R56463	O-RING	8	XXXXXX-	
3	AR101236	SHIELD	1	XXXXXX-	(SET OF 8) (SUB FOR R56749)
4	AR76762	SPRING	1		(SET OF 8) (SUB FOR AR33821 OR AR55186)
5	R27150	PISTON	8		
6	R26137	SNAP RING	1		
7	RE28790	SEAL	1		(SUB FOR AR52224)
8	R56753	SHIM	1		
9	R39729	O-RING	1		
10	R78293	FITTING	8		(SUB FOR R44823)
11	R27149	O-RING	8		
12	AR53301	VALVE	8		(INLET) (SUB FOR AR26758)
13	R105583	SEAT	8		
14	U13639	O-RING	1		(USE WITH R45228)
	F3171R	O-RING	1		(USE WITH R45227)
15	R39741	DRAIN PLUG	1		(USE WITH R45228)
	R27175	DRAIN PLUG	1		(USE WITH R45227)
16	AR47580	HOUSING	1		(A) (MARKED R45227, R45228 OR R60494) (SUB AR94660 OR AR101807) (ALSO ORDER RE19313, P47908 AND F3171R)
17	R49297	DISK	8		(SUB FOR R39074)
18	R39228	SPRING	8		
19	R48738	GUIDE	8		(SUB FOR R39174)
20	R83508	STOP	8		(SUB FOR R39175, R49298 OR R72886)
21	RE23382	VALVE	8		(OUTLET) (SUB FOR AR52785 OR AR96613)
22	JD8223	BEARING CUP	2		
23	JD8192	BEARING CONE	2		
24	R34349	WASHER	2		
25	R60732	WASHER	2		(SUB FOR R42467)
26	R34348	SHAFT	1		
27	R27145	NEEDLE ROLLER	36		
28	R45874	BEARING RACE	1		
29	R27478	SHIM	AR		0.15MM (.006")
	R27479	SHIM	AR		0.25MM (.010")
..	AR47802	HYDRAULIC PUMP	1		(A) (SUB AR94660 OR AR101807) (ALSO ORDER RE19313, P47908 AND F3171R)
..	AR56161	HYDRAULIC PUMP	1		(A) (SUB AR94660 OR AR101807) (ALSO ORDER RE19313, P47908 AND F3171R) (SUB FOR AR47802)

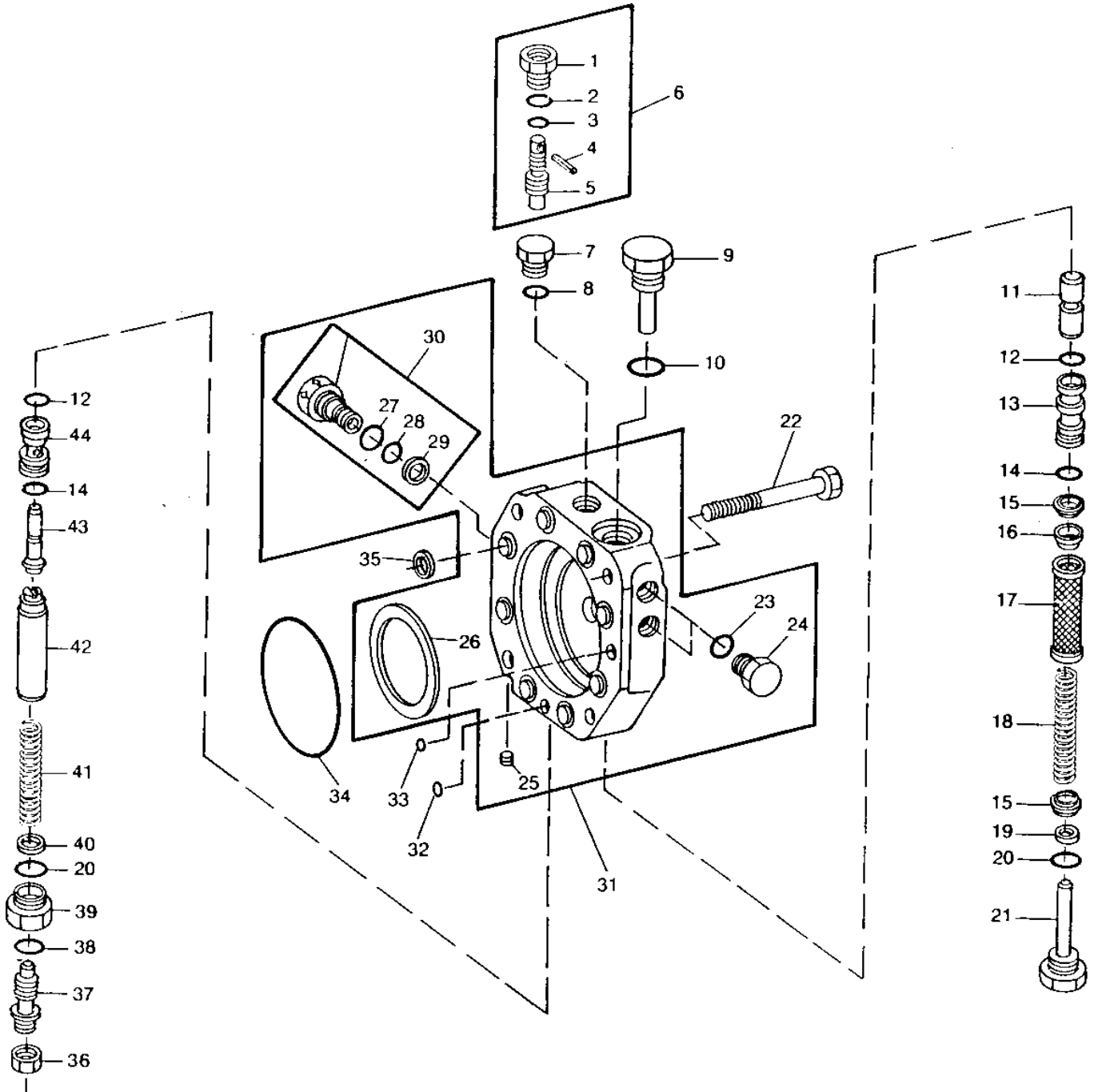
(A) AR94660 - REPLACEMENT PUMP LESS ELECTRIC DESTROKE SOLENOID PORT
AR101807 - REPLACEMENT PUMP WITH ELECTRIC DESTROKE SOLENOID PORT

2F1

HYDRAULICS

HYDRAULIC PUMP STROKE CONTROL VALVE 49 CM3 (3 IN.3) (PUMP LESS SERIAL PLATE)

RP3510 -UN-01JAN94



RP 3510

2F2

HYDRAULICS

HYDRAULIC PUMP STROKE CONTROL VALVE - CONTINUED
49 CM3 (3 IN.3)
(PUMP LESS SERIAL PLATE)

KEY	PART NO.	PART NAME	QTY	TRACTOR SERIAL NO.	REMARKS
1	R27475	FITTING	1		
2	R26448	O-RING	1		
3	A4365R	O-RING	1		
4	34H254	SPRING PIN	1		1/8" X 1-1/2"
5	R27171	SCREW	1		
6	AR33249	SCREW	1		(MANUAL DESTROKE)
7	R27218	FITTING PLUG	1		(LESS MANUAL DESTROKE)
8	R26448	O-RING	1		(LESS MANUAL DESTROKE)
9	AR51745	DRAIN PLUG	1		
10	R26906	O-RING	1		
11	R27172	VALVE	1		
12	R27564	O-RING	2		
13	R70351	SLEEVE	1		(SUB FOR R27476)
14	R27166	O-RING	2		
15	R27174	PACKING	2		
16	R27167	GUIDE	1		
17	R27173	FILTER ELEMENT	1		
18	R27159	SPRING	1		
19	R27170	SHIM	AR		0.010"
	24H1298	WASHER	AR		0.030"
20	F3171R	O-RING	2		
21	AR26646	DRAIN PLUG	1		
22	19H3520	CAP SCREW	4		1/2" X 3-1/4"
23	R26287	O-RING	2		
24	R27216	DRAIN PLUG	2		
25	15H560	PIPE PLUG	1		1/16", (USE WITH R49071)
26	R49072	WASHER	1		(NOT USED IN ALL APPLICATIONS)
27	R26375	O-RING	1		(USE WITH R49071)
28	T40308	O-RING	1		(USE WITH R49071)
29	T57374	BACK-UP RING	1		(USE WITH R49071)
30	AR90378	PLUG	1		(USE WITH R49071)
31	AR38714	HOUSING	1		(MARKED R42663, R44802 OR R49071)
32	R56755	WASHER	1		(SUB FOR A4847R)
33	R56756	O-RING	1		(SUB FOR A3917R)
34	R56757	O-RING	1		(SUB FOR R26621)
35	R69279	WASHER	8		(SUB FOR R26149 OR R56754)
36	14H1021	NUT	1		7/16"
37	AR52254	SET SCREW	1		
38	R28782	O-RING	1		
39	R28781	FITTING	1		
40	R42260	WASHER	1		
41	R31781	SPRING	1		
42	R71321	GUIDE	1		(SUB FOR R32344)
43	R70559	CONTROL VALVE	1		(SUB RE10712, R27166 AND R41057) (SUB FOR R27472 OR R65194)
44	R69262	SLEEVE	1		(SUB RE10712, R27166 AND R41057) (SUB FOR R27471, R58499 OR R65192)

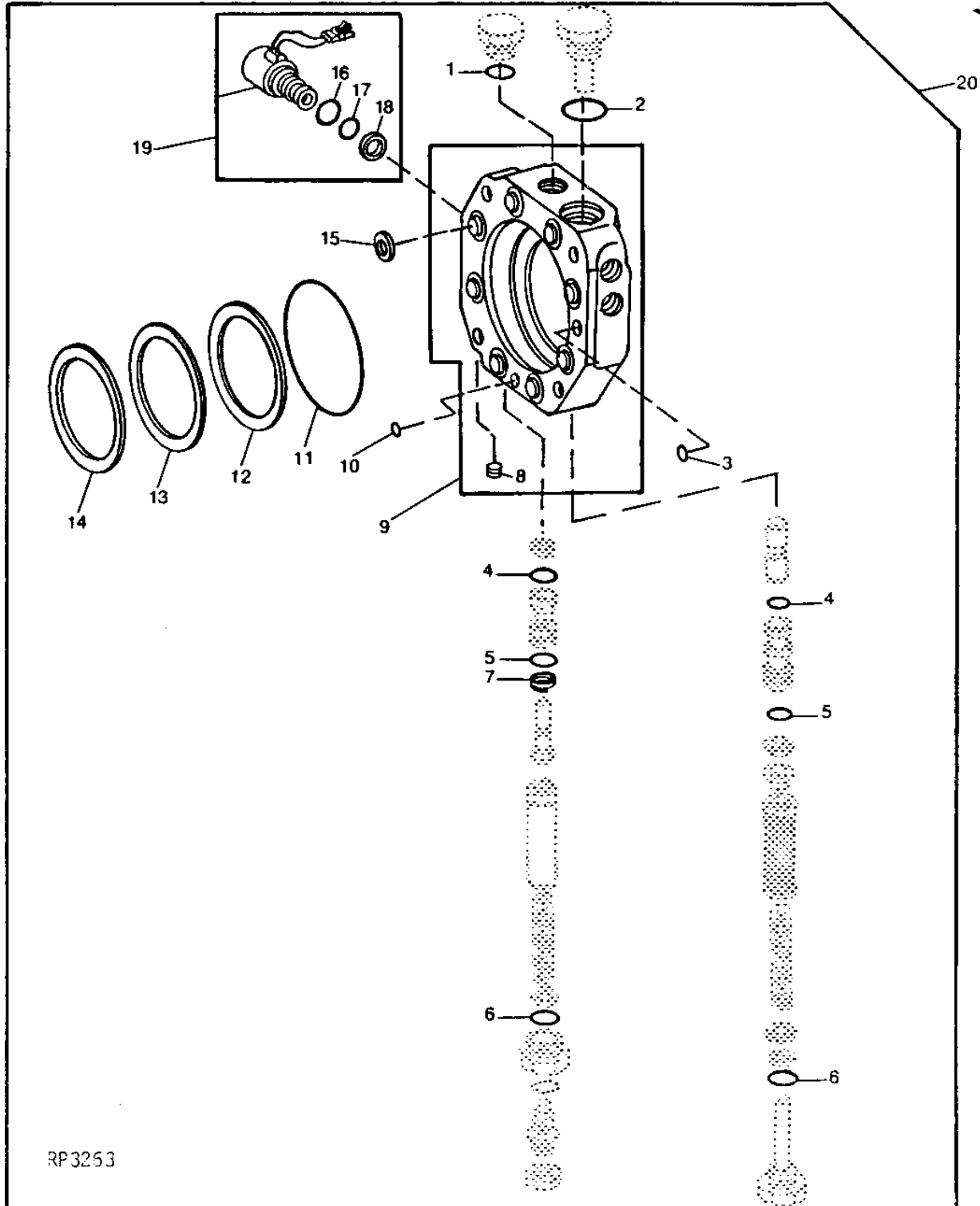
2F3

HYDRAULICS

HYDRAULIC PUMP ELECTRIC DESTROKE KIT 49 CM3 (3 IN.3) (PUMP LESS SERIAL PLATE)

RP3263

-UN-01JAN94



2F4

HYDRAULICS

HYDRAULIC PUMP ELECTRIC DESTROKE KIT - CONTINUED
49 CM3 (3 IN.3)
(PUMP LESS SERIAL PLATE)

KEY	PART NO.	PART NAME	QTY	TRACTOR SERIAL NO.	REMARKS
1	R26448	O-RING	1		
2	R26906	O-RING	1		
3	R56756	O-RING	1		
4	R27564	O-RING	2		
5	R27166	O-RING	2		
6	F3171R	O-RING	2		
7	R41057	BACK-UP RING	1		
8	15H560	PIPE PLUG	1		1/16"
9	AR52494	HOUSING	1		(MARKED R49071)
10	R56755	WASHER	1		
11	R56757	O-RING	1		
12	R27478	SHIM	2		0.15MM (.006")
13	R27479	SHIM	2		0.25MM (.010")
14	R49072	WASHER	1		(NOT USED IN ALL APPLICATIONS)
15	R69279	WASHER	8		
16	R26375	O-RING	1		
17	T40308	O-RING	1		
18	T57374	BACK-UP RING	1		
19	RE32529	SOLENOID VALVE	1		(SUB FOR RE21725)
20	RE14868	KIT	1		(A) (SUB RE40463)

(A) INCLUDES RE12330 WIRE CONNECTORS

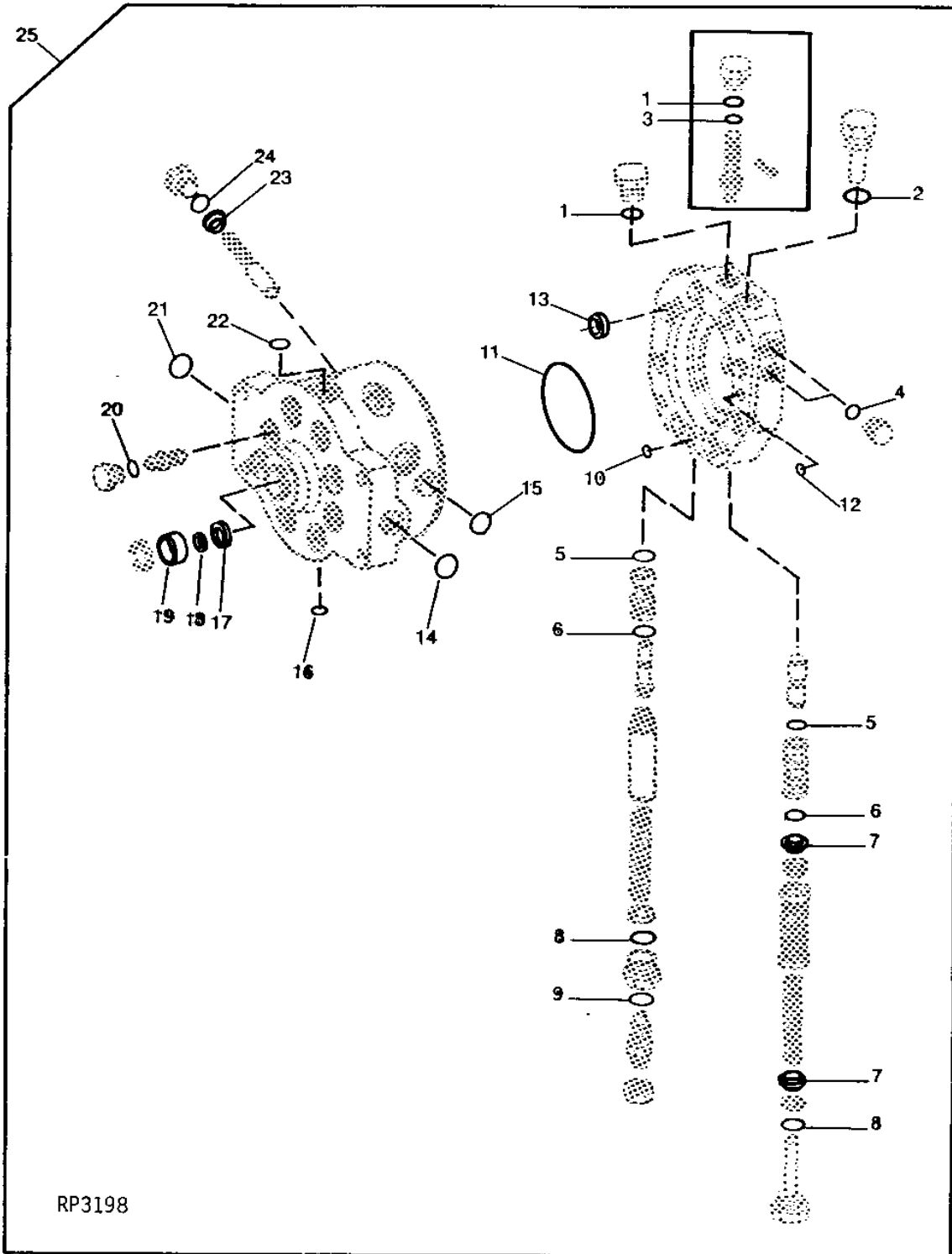
2F5

HYDRAULICS

HYDRAULIC PUMP AND STROKE CONTROL VALVE OVERHAUL KIT 49 CM3 (3 IN.3) (PUMP LESS SERIAL PLATE)

RP3198

-UN-01JAN94



RP3198

2F6

HYDRAULICS

HYDRAULIC PUMP AND STROKE CONTROL VALVE OVERHAUL KIT - CONTINUED
49 CM3 (3 IN.3)
(PUMP LESS SERIAL PLATE)

KEY	PART NO.	PART NAME	QTY	TRACTOR SERIAL NO.	REMARKS
1	R26448	O-RING	2		
2	R26906	O-RING	1		
3	A4365R	O-RING	1		
4	R26287	O-RING	2		
5	R27564	O-RING	2		
6	R27166	O-RING	2		
7	R27174	PACKING	2		
8	R56751	O-RING	2		
9	R28782	O-RING	1		
10	R56755	WASHER	1		
11	R56757	O-RING	1		
12	R56756	O-RING	1	(A)	
	A4365R	O-RING	1	(A)	
13	R69279	WASHER	8		
14	U13639	O-RING	1		
15	R26906	O-RING	1		
16	R26287	O-RING	1		
17	R39729	O-RING	1		
18	R56753	SHIM	1		
19	RE28790	SEAL	1		
20	R27149	O-RING	8		
21	R56751	O-RING	1		
22	R27928	O-RING	2	(A) TOP	
	P47908	O-RING	1	(A) BOTTOM	
	R35827	WASHER	1	(A)	
23	AR101236	SHIELD	1	(SET OF 8)	
24	R56463	O-RING	8		
25	RE29103	KIT	1	(B) (SUB FOR AR67718)	

(A) UNIVERSAL KIT - APPLICATIONS WILL VARY

(B) ALSO ORDER (2 R27166 AND (2) R41057 IF STROKE CONTROL VALVE HAS BEEN REPLACED

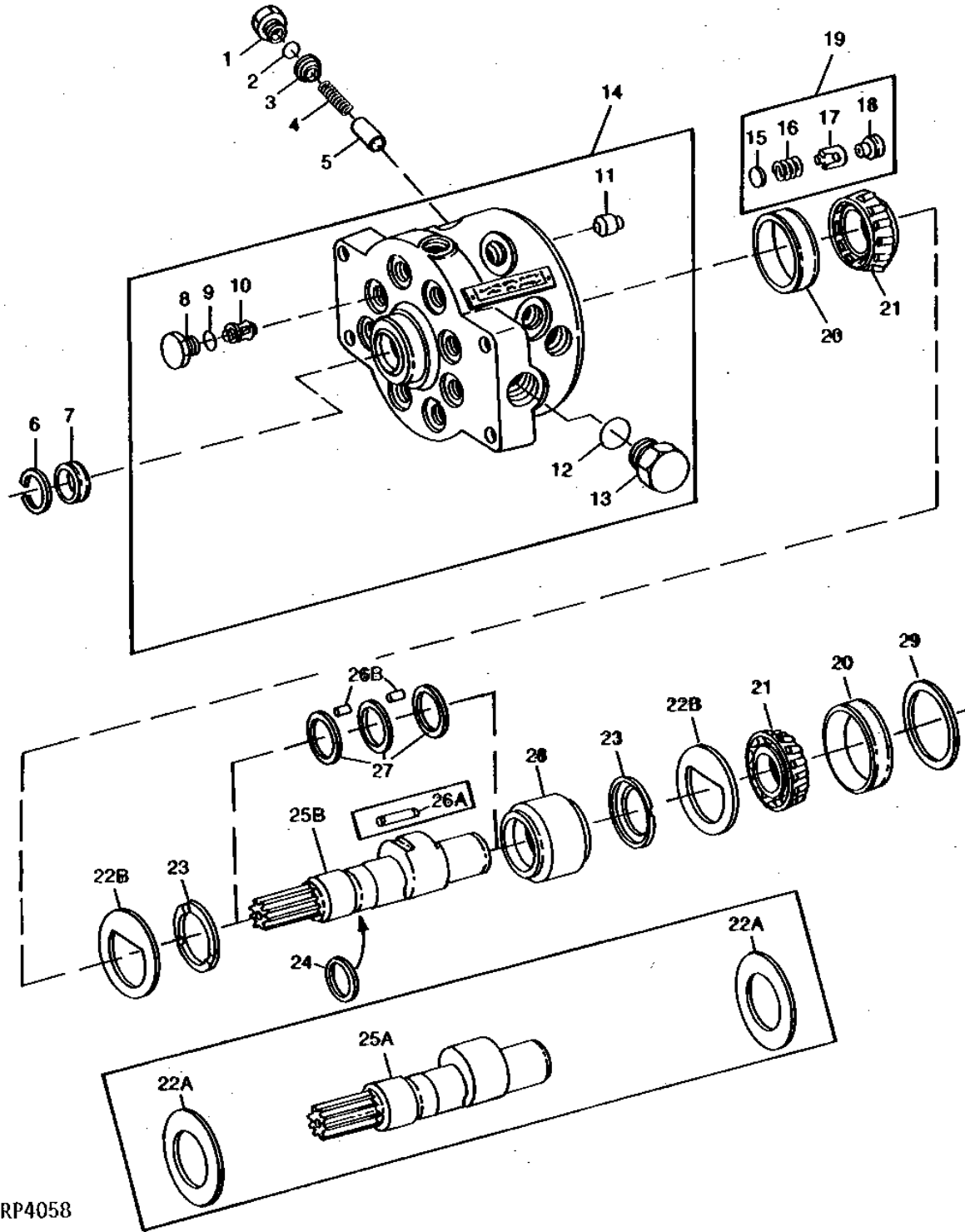
2F7

HYDRAULICS

HYDRAULIC PUMP - MODEL GA1-GH1
50 CM3 (3 IN.3)
(REPLACEMENT PUMP WITH SERIAL PLATE)

RP4058

-UN-01JAN94



RP4058

2F8

HYDRAULICS

HYDRAULIC PUMP - MODEL GA1-GH1 - CONTINUED
50 CM3 (3 IN.3)
(REPLACEMENT PUMP WITH SERIAL PLATE)

KEY	PART NO.	PART NAME	QTY	PUMP SERIAL NO.	REMARKS
1	R45438	FITTING	8		
2	R56463	O-RING	8		
3	AR101236	SHIELD	1		(SET OF 8)
4	AR76762	SPRING	1		(SET OF 8)
5	R27150	PISTON	8		
6	R26137	SNAP RING	1		
7	RE28790	SEAL	1		(SUB FOR AR52224)
8	R78293	FITTING	8		
9	R27149	O-RING	8		
10	AR53301	VALVE	8		(INLET)
11	R105583	SEAT	8		
12	F3171R	O-RING	1		(USE WITH R71586)
	U13639	O-RING	1		(USE WITH R73741)
13	R27175	DRAIN PLUG	1		1-1/16", (USE WITH R71586)
	R39741	DRAIN PLUG	1		1-5/8", (USE WITH R73741)
14	RE11804	HOUSING	1		(MODEL PJ1) (MARKED R71586 OR R73741)
15	R49297	DISK	1		
16	R39228	SPRING	1		
17	R48738	GUIDE	1		
18	R83508	STOP	1		(SUB FOR R72886)
19	RE23382	VALVE	1		(OUTLET) (SUB FOR AR96613)
20	JD8223	BEARING CUP	2		
21	JD8192	BEARING CONE	2		
22A	R77903	WASHER	2	-023628	(A)
	R77903	WASHER	2	-004674	(B)
22B	R79151	LOCK WASHER	2	023629-	(A) (USE WITH R79152)
	R79151	LOCK WASHER	2	004675-	(B) (USE WITH R79152)
23	R72507	THRUST WASHER	2		
24	R77611	RING	1		(SEALING) (SUB FOR RE11777)
25A	R71598	SHAFT	1	-023628	(A) (SUB R79152) (ALSO ORDER (2) R79151)
	R71598	SHAFT	1	-004674	(B) (SUB R79152) (ALSO ORDER (2) R79151)
25B	R79152	SHAFT	1	023629-	(A)
	R79152	SHAFT	1	004675-	(B)
26A	R45422	NEEDLE ROLLER	25		(A)
	R45422	NEEDLE ROLLER	25	-009896	(B) (SUB (50) R85558 AND (3) R85557)
26B	R85558	NEEDLE ROLLER	50	009897-	(B)
27	R85557	WASHER	3	009897-	(B)
28	R80558	BEARING RACE	1		
29	R27478	SHIM	AR		0.15MM (.006")
	R27479	SHIM	AR		0.25MM (.010")
..	AR94660	HYDRAULIC PUMP	1		(A)
..	AR101807	HYDRAULIC PUMP	1		(B)

(A) MODEL GA1 - REPLACEMENT PUMP LESS ELECTRIC DESTROKE SOLENOID PORT

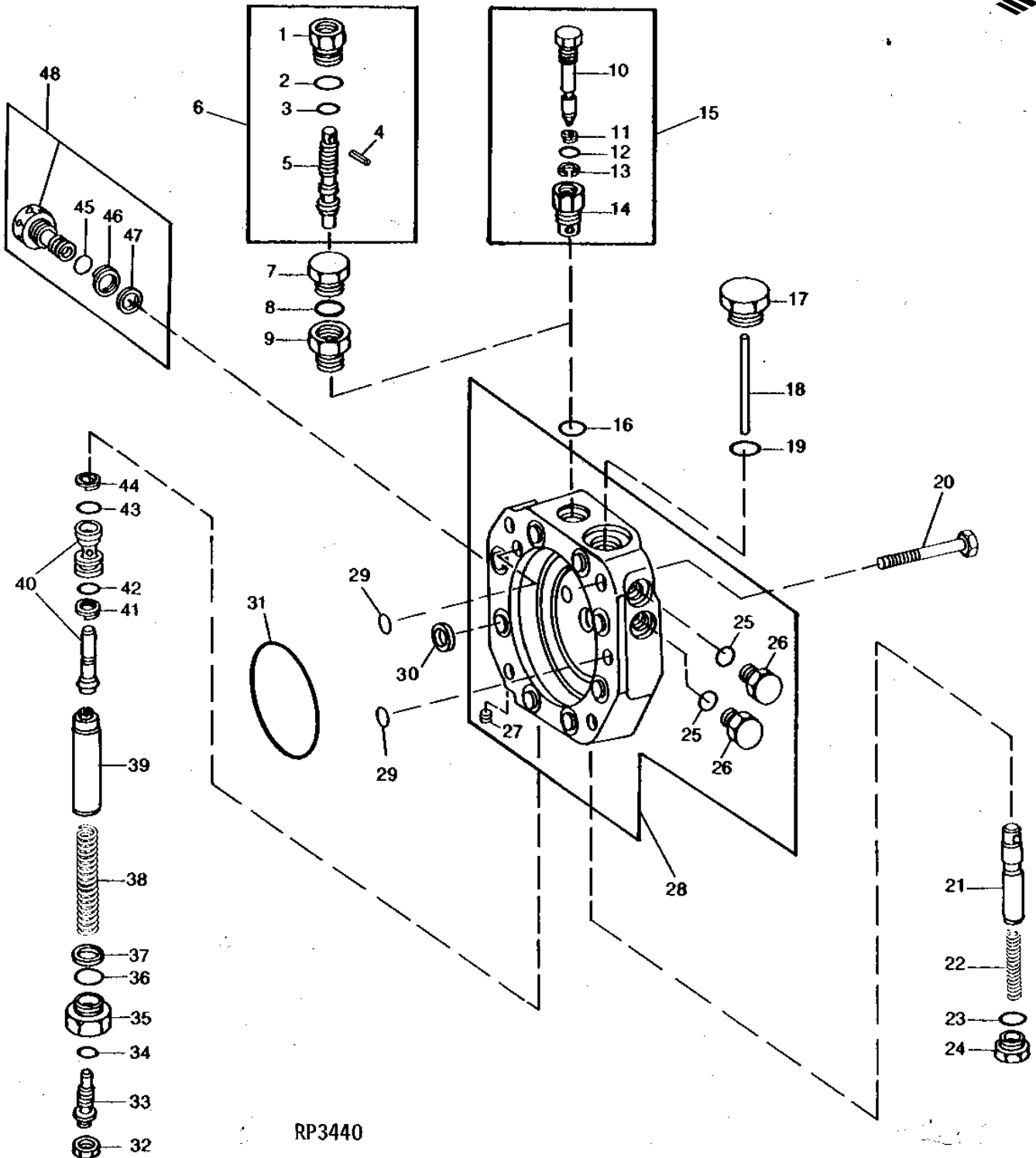
(B) MODEL GH1 - REPLACEMENT PUMP WITH ELECTRIC DESTROKE SOLENOID PORT

2F9

HYDRAULICS

HYDRAULIC PUMP STROKE CONTROL VALVE 50 CM³ (3 IN.³) (REPLACEMENT PUMP WITH SERIAL PLATE)

RP3440 -UN-01JAN94



2F10

HYDRAULICS

HYDRAULIC PUMP STROKE CONTROL VALVE - CONTINUED
50 CM3 (3 IN.3)
(REPLACEMENT PUMP WITH SERIAL PLATE)

KEY	PART NO.	PART NAME	QTY	PUMP SERIAL NO.	REMARKS
1	R27475	FITTING	1		
2	R26448	O-RING	1		
3	A4365R	O-RING	1		
4	34H254	SPRING PIN	1	1/8" X 1-1/2"	
5	R75879	SCREW	1		
6	AR96625	SCREW	1	(A) (MANUAL DESTROKE)	
7	R27218	FITTING PLUG	1	(LESS MANUAL DESTROKE)	
8	R26448	O-RING	1	(LESS MANUAL DESTROKE)	
9	R70617	PIPE PLUG	1		
10	R79266	SCREW	1		
11	R36358	BACK-UP RING	1		
12	R34802	O-RING	1		
13	R79268	SNAP RING	1		
14	R79267	PLUG	1		
15	RE13271	SCREW	1	(A) (MANUAL DESTROKE)	
16	R26906	O-RING	1		
17	R75642	DRAIN PLUG	1		
18	R75564	PIN	1		
19	R56751	O-RING	1		
20	19H3520	CAP SCREW	4	1/2" X 3-1/4"	
21	R70867	VALVE	1		
22	R70868	SPRING	1		
23	R26375	O-RING	1		
24	R73736	PLUG	1		
25	R26448	O-RING	2		
26	R75376	DRAIN PLUG	2		
27	15H560	PIPE PLUG	1	1/16", (USE WITH R77712)	
28	AR101632	HOUSING	1	(MARKED R77712) (MODEL GH1) (INCLUDES (2) R26448, (2) R75376 AND 15H560)	
	RE12470	HOUSING	1	(MARKED R77714) (MODEL GA1) (INCLUDES (2) R26448 AND (2) R75376) (LESS ELECTRIC DESTROKE PORT)	
29	R56755	WASHER	2		
30	R69279	WASHER	8		
31	R56757	O-RING	1		
32	14H1021	NUT	1	7/16"	
33	AR52254	SET SCREW	1		
34	R28782	O-RING	1		
35	R28781	FITTING	1		
36	F3171R	O-RING	1		
37	R42260	WASHER	1		
38	R31781	SPRING	1		
39	R71321	GUIDE	1		
40	RE10712	CONTROL VALVE	1		
41	R41057	BACK-UP RING	1		
42	R27166	O-RING	1		
43	R27564	O-RING	1		
44	R75938	WASHER	1		
45	R26375	O-RING	1	(USE WITH R77712)	
46	T40308	O-RING	1	(USE WITH R77712)	
47	T57374	BACK-UP RING	1	(USE WITH R77712)	
48	AR90378	PLUG	1	(USE WITH R77712)	

(A) DESIGNS INTERCHANGEABLE

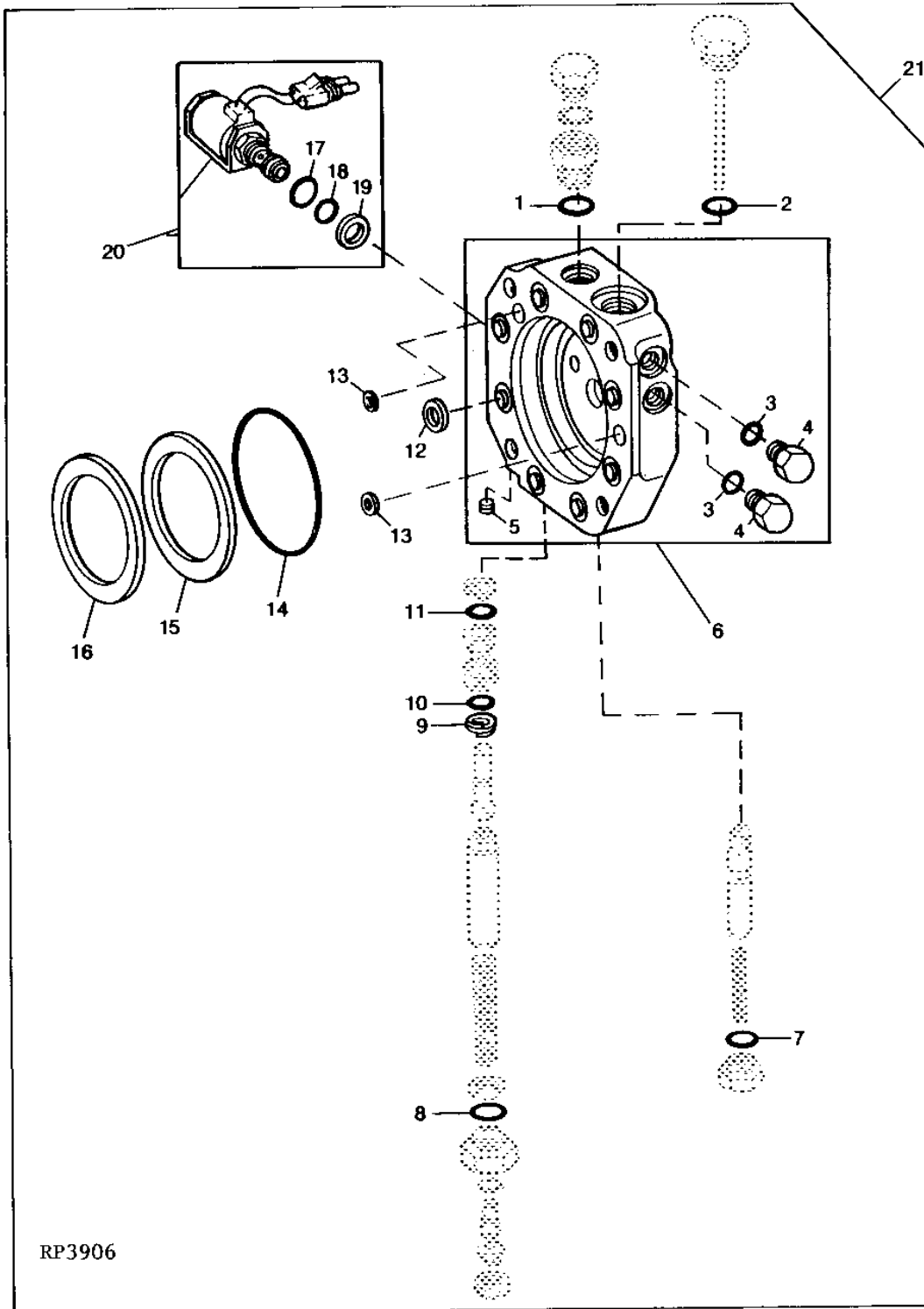
2F11

HYDRAULICS

HYDRAULIC PUMP ELECTRIC DESTROKE KIT FOR MODEL GA1 50 CM3 (3 IN.3) (REPLACEMENT PUMP WITH SERIAL PLATE)

RP3906

-UN-12OCT94



2F12

HYDRAULICS

HYDRAULIC PUMP ELECTRIC DESTROKE KIT FOR MODEL GA1 - CONTINUED
50 CM3 (3 IN.3)
(REPLACEMENT PUMP WITH SERIAL PLATE)

KEY	PART NO.	PART NAME	QTY	PUMP SERIAL NO.	REMARKS
1	R26906	O-RING	1		
2	R56751	O-RING	1		
3	R26448	O-RING	2		
4	R75376	DRAIN PLUG	2		
5	15H560	PIPE PLUG	1	1/16"	
6	AR101632	HOUSING	1	(MARKED R77712)	
7	R26375	O-RING	1		
8	F3171R	O-RING	1		
9	R41057	BACK-UP RING	1		
10	R27166	O-RING	1		
11	R27564	O-RING	1		
12	R69279	WASHER	8		
13	R56755	WASHER	2		
14	R56757	O-RING	1		
15	R27478	SHIM	2	0.15MM (.006")	
16	R27479	SHIM	2	0.25MM (.010")	
17	R26375	O-RING	1		
18	T40308	O-RING	1		
19	T57374	BACK-UP RING	1		
20	RE32529	SOLENOID VALVE	1	(SUB FOR RE21725)	
21	RE24647	KIT	1	(A) (SUB RE40463)	

(A) INCLUDES RE12330 WIRE CONNECTORS

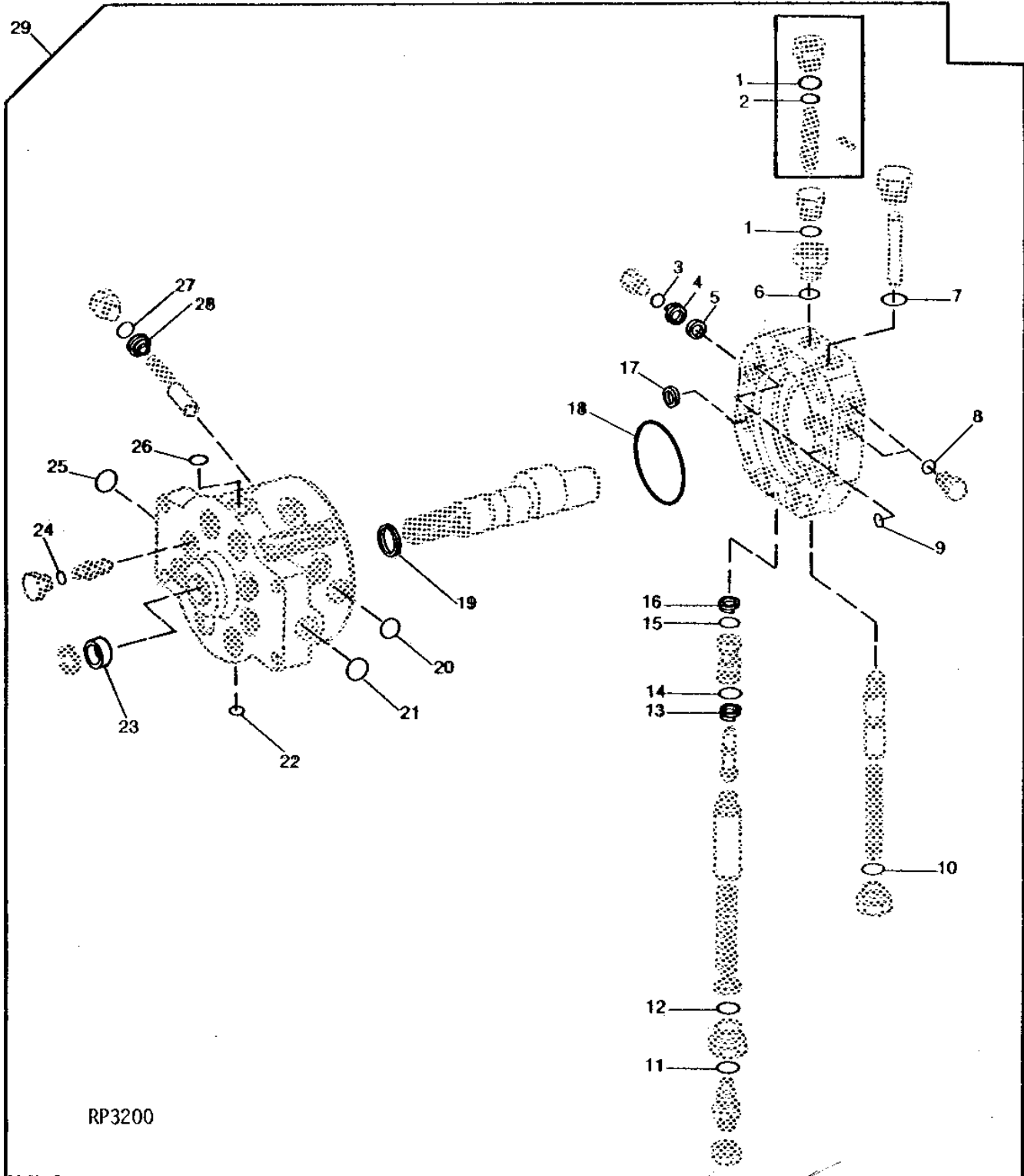
2F13

HYDRAULICS

HYDRAULIC PUMP AND STROKE CONTROL VALVE OVERHAUL KIT 50 CM³ (3 IN.³) (REPLACEMENT PUMP WITH SERIAL PLATE)

RP3200

-UN-01JAN94



2F14

HYDRAULICS

HYDRAULIC PUMP AND STROKE CONTROL VALVE OVERHAUL KIT - CONTINUED
 50 CM3 (3 IN.3)
 (REPLACEMENT PUMP WITH SERIAL PLATE)

KEY	PART NO.	PART NAME	QTY	PUMP SERIAL NO.	REMARKS
1	R26448	O-RING	1		
2	A4365R	O-RING	1		
3	R26375	O-RING	1	(A)	
4	T40308	O-RING	1	(A)	
5	T57374	BACK-UP RING	1	(A)	
6	R26906	O-RING	1		
7	R56751	O-RING	1		
8	R26448	O-RING	2		
9	R56755	WASHER	2		
10	R26375	O-RING	1		
11	R28782	O-RING	1		
12	R56751	O-RING	1		
13	R41057	BACK-UP RING	1		
14	R27166	O-RING	1		
15	R27564	O-RING	1		
16	R75938	WASHER	1		
17	R69279	WASHER	8		
18	R56757	O-RING	1		
19	R77611	RING	1	(SEALING)	
20	R56751	O-RING	1		
21	U13639	O-RING	1	(A)	
	R56751	O-RING	1	(A)	
	R29936	O-RING	1	(A)	
22	R26287	O-RING	1		
23	RE28790	SEAL	1		
24	R27149	O-RING	8		
25	R56751	O-RING	1	(A)	
	R29936	O-RING	1	(A)	
26	R27928	O-RING	1	(A) TOP	
	P47908	O-RING	1	(A) BOTTOM	
	R26906	O-RING	1	(A)	
27	R56463	O-RING	8		
28	AR101236	SHIELD	1	(SET OF 8)	
29	RE29107	KIT	1	(SUB FOR AR96321)	

(A) UNIVERSAL KIT - APPLICATIONS WILL VARY

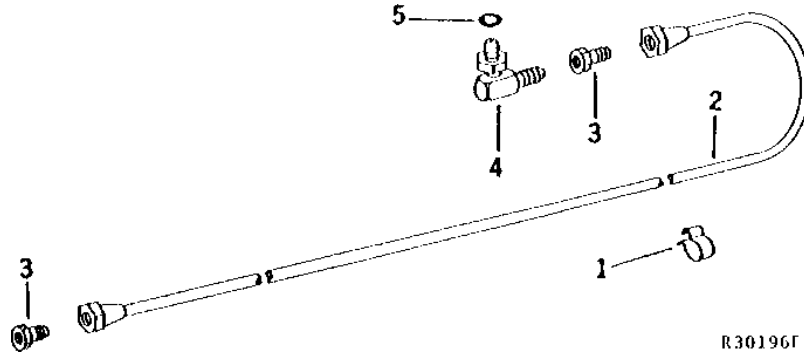
MEMORANDA

2F15

HYDRAULICS

R30196 -UN-01JAN94

HYDRAULIC PUMP SEAL DRAIN LINES



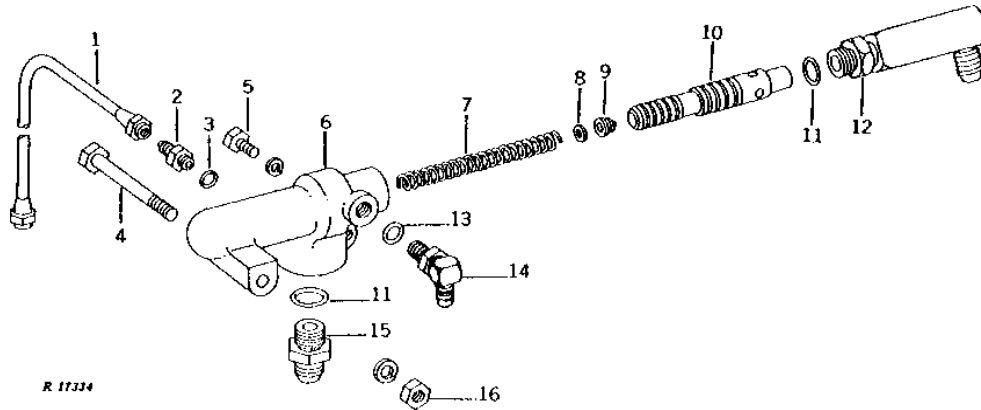
KEY	PART NO.	PART NAME	QTY	TRACTOR SERIAL NO.	REMARKS
1	R21551	CLIP	4		
2	AR79710	HYDRAULIC LINE	1		(ALSO ORDER (2) R64170) (SUB FOR AR42284) (NYLON)
3	R64170	ADAPTER	2		
4	AT32335	ELBOW FITTING	1		(SUB FOR AR26746)
5	R26287	O-RING	1		

2F16

HYDRAULICS

R17334 -UN-01JAN94

PRESSURE CONTROL VALVE
(TRACTOR SERIAL NO. -002699)



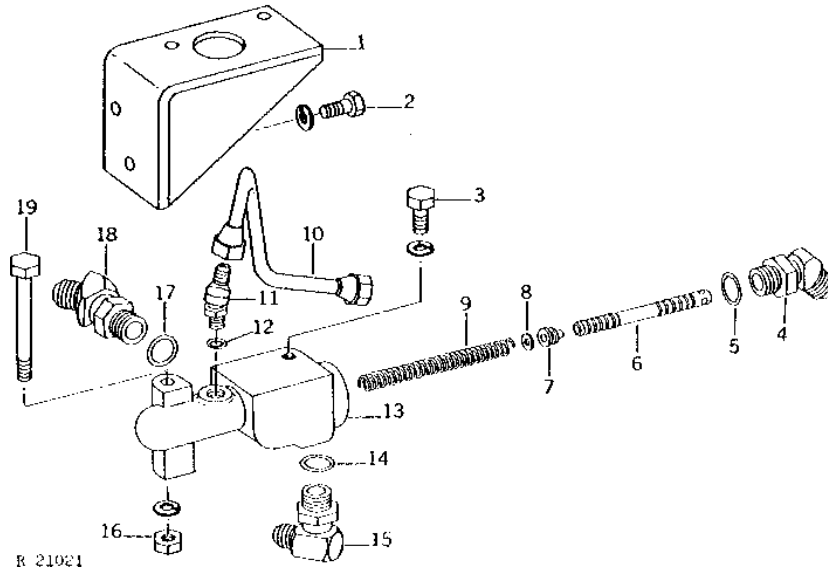
KEY	PART NO.	PART NAME	QTY	TRACTOR SERIAL NO.	REMARKS
1	AR44635	HYDRAULIC LINE	1		
2	R27527	ADAPTER	1		
3	R26287	O-RING	1		
4	19H3175	CAP SCREW	1	3/8" X 3-5/8", HS, SAE 8	
5	19H1731	CAP SCREW	1	3/8" X 1"	
	12H304	LOCK WASHER	1	3/8"	
6	R40999	HOUSING	1		
7	R40072	SPRING	1		
8	24H1283	WASHER	AR	7/32" X 1/2" X 0.049"	
9	ORIFICE	1	(SUB AR63906)	
10	AR63906	VALVE	1	(SUB FOR R41001)	
11	R26906	O-RING	2		
12	AR50979	TEE FITTING	1	90°	
13	R26286	O-RING	1		
14	AT32333	ELBOW FITTING	1	90°, (SUB FOR AR26771)	
15	R27270	FITTING	1		
16	14H1076	NUT	1	3/8"	
	12H304	LOCK WASHER	1	3/8"	

2F17

HYDRAULICS

R21021 -UN-01JAN94

**PRESSURE CONTROL VALVE
(TRACTOR SERIAL NO. 002700-)**



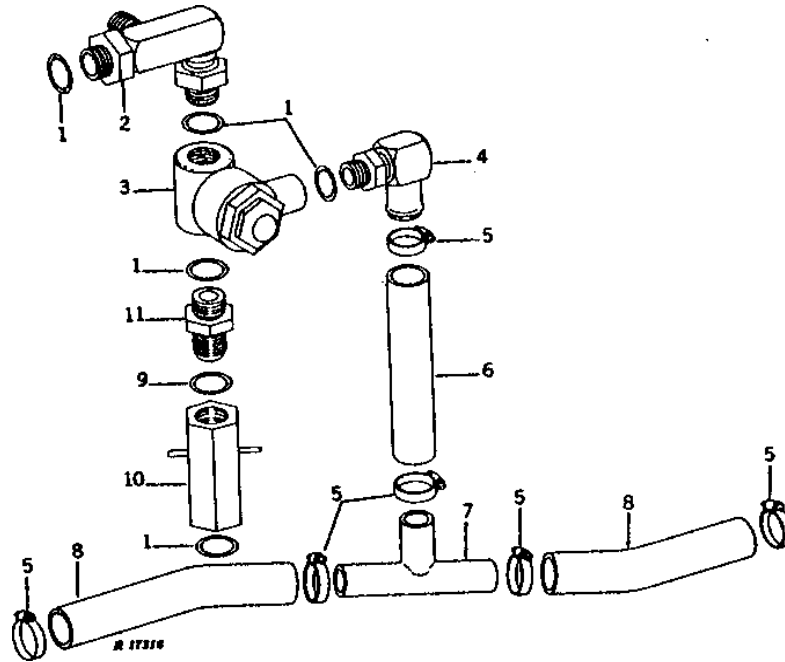
KEY	PART NO.	PART NAME	QTY	TRACTOR SERIAL NO.	REMARKS
1	AR61675	BRACKET	1		
2	19H1731	CAP SCREW	2	3/8" X 1"	
	12H304	LOCK WASHER	2	3/8"	
3	19H1731	CAP SCREW	3	3/8" X 1"	
	12H304	LOCK WASHER	3	3/8"	
4	AT32338	FITTING	1	45°, (SUB FOR AR26828)	
5	R26906	O-RING	2		
6	AR63906	VALVE	1	(SUB FOR R41001)	
7	ORIFICE	1	(SUB AR63906)	
8	R33521	SHIM	AR	0.08MM (.003")	
9	R40072	SPRING	1		
10	AR61673	HYDRAULIC LINE	1		
11	AR35223	ELBOW FITTING	1	45°	
12	R26287	O-RING	1		
13	R40999	HOUSING	1		
14	R26286	O-RING	1		
15	AT32333	ELBOW FITTING	1	(SUB FOR AR26771)	
16	14H1076	NUT	1	3/8"	
	12H304	LOCK WASHER	1	3/8"	
17	R26286	O-RING	1		
18	AT32338	FITTING	1	45°, (SUB FOR AR26828)	
19	19H3175	CAP SCREW	1	3/8" X 3-5/8", HS, SAE 8	

2F18

HYDRAULICS

HYDRAULIC RELIEF VALVE AND CHECK VALVE (TRACTOR SERIAL NO. -002699)

R17318 -UN-01JAN94



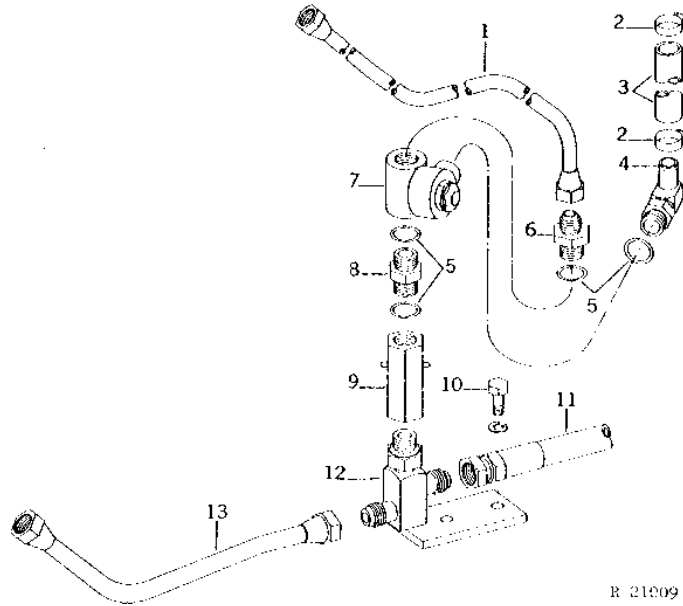
KEY	PART NO.	PART NAME	QTY	TRACTOR SERIAL NO.	REMARKS
1	R26906	O-RING	4		
2	AR50979	TEE FITTING	1		
3	AT30373	RELIEF VALVE	1		
4	AR52206	ELBOW FITTING	1		
5	AR21839	CLAMP	6		(SUB TY22467)
6	HOSE	1		19 X 129MM (3/4" X 5-3/32") (MAKE FROM TY22329) (SUB FOR R32087)
7	R61955	TEE FITTING	1		(SUB FOR R43735)
8	R48766	HOSE	2		
9	R26906	O-RING	2		
10	AT34811	VALVE	1		(SUB FOR AT30375)
11	T31269	ADAPTER	1		

2F19

HYDRAULICS

HYDRAULIC RELIEF VALVE AND CHECK VALVE (TRACTOR SERIAL NO. 002700-)

R21009 -UN-01JAN94



R 21009

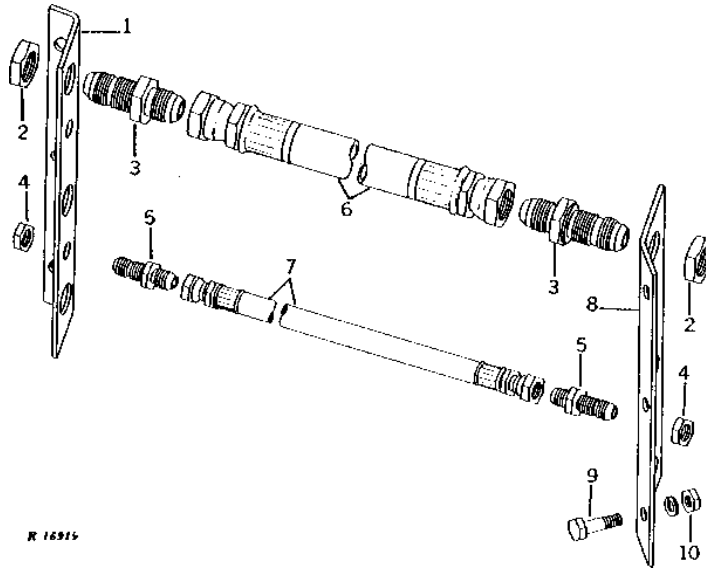
KEY	PART NO.	PART NAME	QTY	TRACTOR SERIAL NO.	REMARKS
1	AR61670	HYDRAULIC LINE	1		
2	AT18904	CLAMP	2		
3	HOSE	1		19 X 394MM (3/4" X 15-1/2") (MAKE FROM TY22329) (SUB FOR R54146)
4	AR52206	ELBOW FITTING	1		
5	R26906	O-RING	4		
6	R31665	FITTING	1		
7	AT30373	RELIEF VALVE	1		
8	T31269	ADAPTER	1		
9	AT34811	VALVE	1		
10	19H1134	CAP SCREW	2		3/8" X 3/4"
	12H304	LOCK WASHER	2		3/8"
11	AR61672	HYDRAULIC HOSE	1		
12	AR55941	MANIFOLD	1		
13	AR61668	HYDRAULIC LINE	1		

2F20

HYDRAULICS

R16919 -UN-01JAN94

HINGE FLEXIBLE OIL LINES



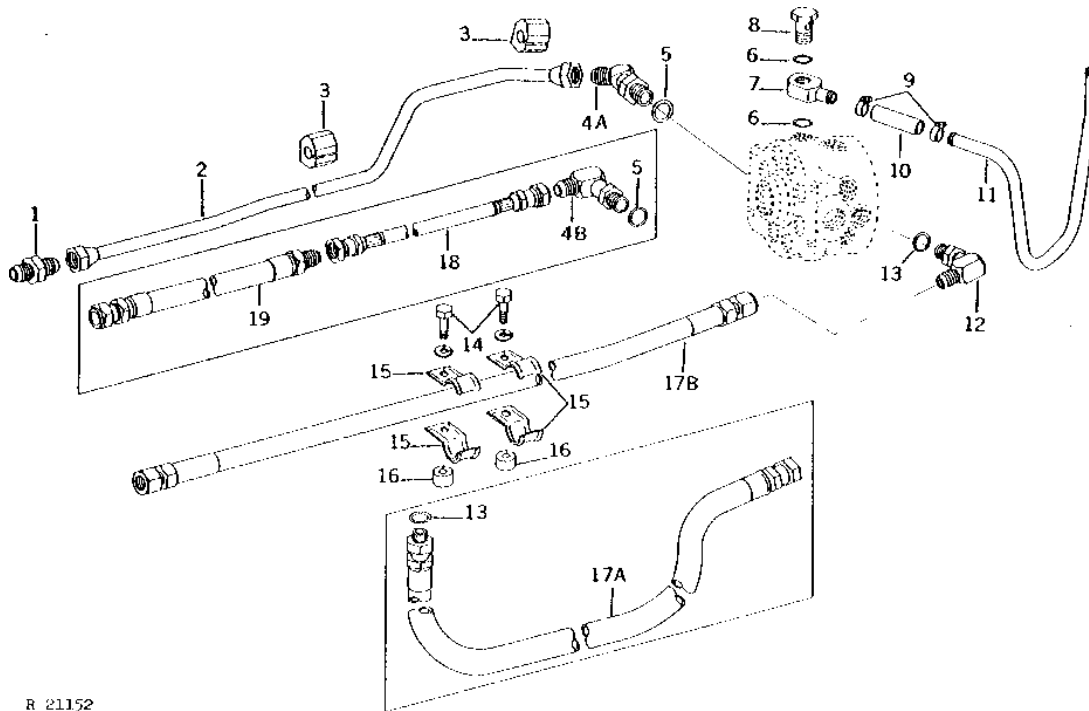
KEY	PART NO.	PART NAME	QTY	TRACTOR SERIAL NO.	REMARKS
1	R47997	BRACKET	1		(NO LONGER AVAILABLE)
2	R27390	NUT	6		
3	R47876	FITTING	6		
4	R26572	NUT	4		
5	R27238	FITTING	4		
6	AR50725	HYDRAULIC HOSE	3		
7	AR50603	HYDRAULIC HOSE	2		
8	R47996	BRACKET	1		
9	19H2552	CAP SCREW	6	3/8" X 1-1/8"	
10	14H1076	NUT	6	3/8"	
	12H304	LOCK WASHER	6	3/8"	

2F21

HYDRAULICS

R21152 -UN-01JAN94

HYDRAULIC PUMP PRESSURE AND RETURN PIPES



R 21152

KEY	PART NO.	PART NAME	QTY	TRACTOR SERIAL NO.	REMARKS
1	R27266	FITTING	1		
2	AR43151	HYDRAULIC LINE	1	(B)	
3	R43479	SPACER	2		
4A	AR47803	ELBOW FITTING	1	60°	
4B	AR27888	ELBOW FITTING	1	(A) 90°, (USE WITH AR45230)	
5	F3171R	O-RING	1		
6	R27928	O-RING	2		
	R27928	O-RING	1	(C) (TOP)	
	P47908	O-RING	1	(C) (BOTTOM)	
7	R27926	FITTING	1		
8	R27927	HOLLOW SCREW	1		
9	AT18904	CLAMP	2		
10	HOSE	1	(MAKE FROM TY22329)	
11	R48135	TUBE	1		
12	AR40516	ELBOW FITTING	1		
	RE19313	FITTING	1	(C)	
13	R26906	O-RING	2		
	F3171R	O-RING	1	(C)	
14	19H2733	CAP SCREW	2	3/8" X 2-3/8"	
	12H304	LOCK WASHER	2	3/8"	
15	R36180	CLAMP	4		
16	28H1497	BUSHING	2	3/8" X 1-1/2"	
17A	AR53224	HOSE	1	-002699 (ALSO ORDER R27270) (SUB FOR AR52242)	
17B	AR61672	HYDRAULIC HOSE	1	002700-	
18	AR45230	HYDRAULIC HOSE	1	(A)	
19	R37143	HYDRAULIC HOSE	1	(A)	

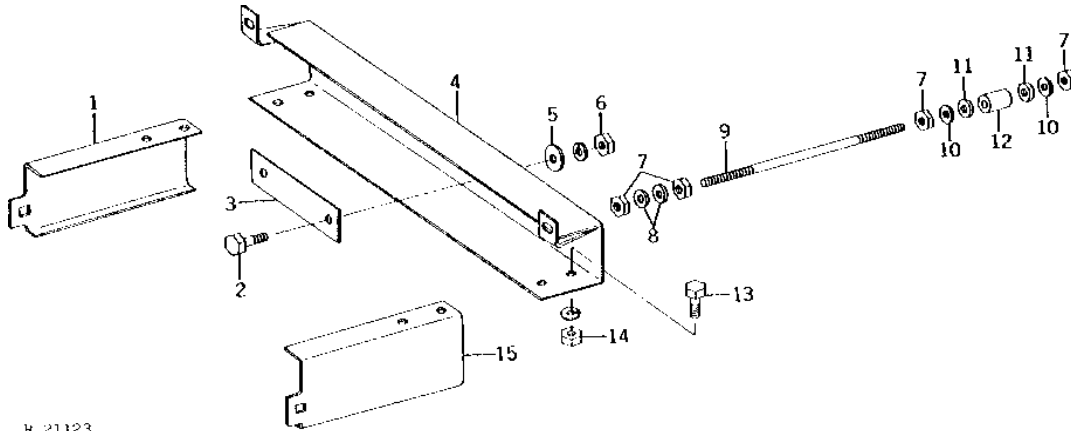
- (A) USE IF TRACTOR IS NOT DISASSEMBLED
- (B) USE IF TRACTOR IS DISASSEMBLED
- (C) REPLACEMENT PUMP WITH SERIAL PLATE

2F22

HYDRAULICS

R21123 -UN-01JAN94

HYDRAULIC OIL RESERVOIR UPPER SUPPORT (TRACTOR SERIAL NO. -002985)



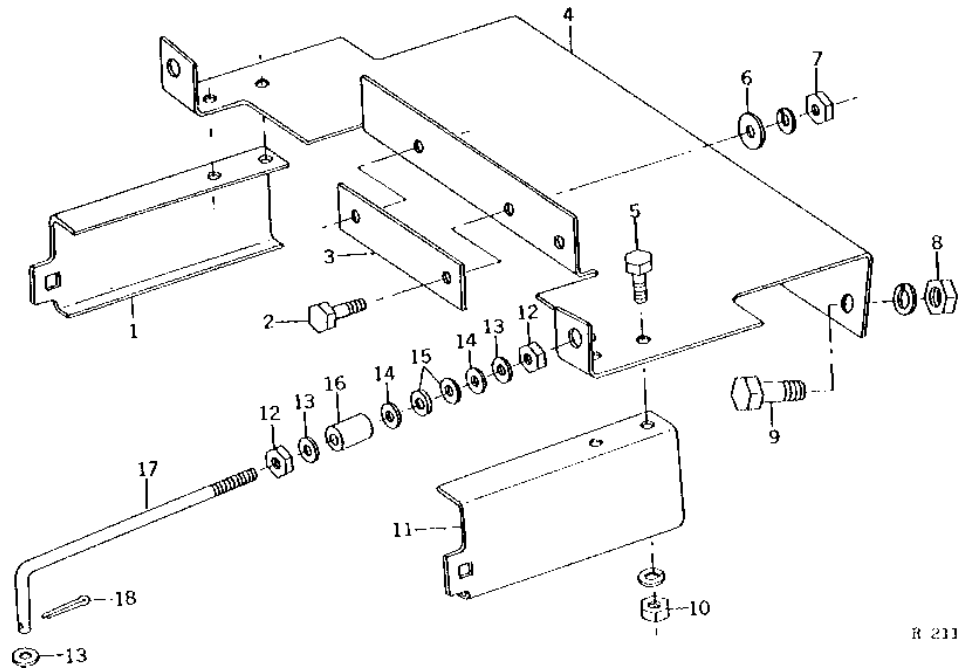
KEY	PART NO.	PART NAME	QTY	TRACTOR SERIAL NO.	REMARKS
1	R47878	SUPPORT	1		
2	19H218	CAP SCREW	1	3/8" X 1"	
3	R47879	STRAP	1		
4	R56061	SUPPORT	1		(ALSO ORDER (2) R56062, (2) 19H1833, (2) 12H294 AND (2) 14H760) (SUB FOR AR50800)
5	24H1309	WASHER	2	13/32" X 1-1/16" X 0.120"	
6	14H1076	NUT	2	3/8"	
	12H304	LOCK WASHER	2	3/8"	
7	14H1076	NUT	8	3/8"	
8	24H1658	WASHER	4	21/32" X 1" X 0.060"	
9	R56062	TIE ROD	2		(ALSO ORDER R56061, (2) 19H1833, (2) 12H294 AND (2) 14H760) (SUB FOR R47880)
10	R27441	WASHER	4		
11	A4666R	WASHER	4		
12	R45377	SPACER	2		
13	19H1134	CAP SCREW	4	3/8" X 3/4"	
14	14H1076	NUT	4	3/8"	
	12H304	LOCK WASHER	4	3/8"	
15	R47877	SUPPORT	1		

2F23

HYDRAULICS

HYDRAULIC OIL RESERVOIR UPPER SUPPORT (TRACTOR SERIAL NO. 002986-)

R21124 -UN-01JAN94



R 21124

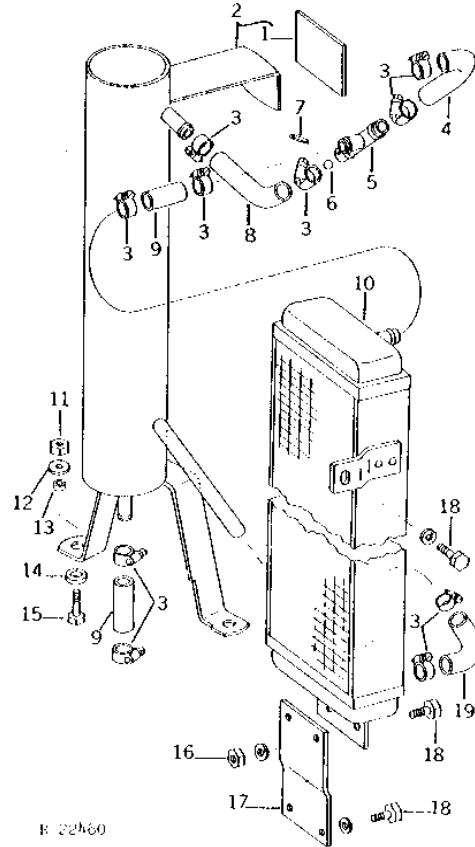
KEY	PART NO.	PART NAME	QTY	TRACTOR SERIAL NO.	REMARKS
1	R47878	SUPPORT	1		
2	19H218	CAP SCREW	1	3/8" X 1"	
3	R47879	STRAP	1		
4	R56061	SUPPORT	1		
5	19H1134	CAP SCREW	4	3/8" X 3/4"	
6	24H1309	WASHER	2	13/32" X 1-1/16" X 0.120"	
7	14H1076	NUT	2	3/8"	
	12H304	LOCK WASHER	2	3/8"	
8	14H1039	NUT	2	5/8"	
	12H294	LOCK WASHER	2	5/8"	
9	19H1833	CAP SCREW	2	5/8" X 1-1/4"	
10	14H1076	NUT	4	3/8"	
	12H304	LOCK WASHER	4	3/8"	
11	R47877	SUPPORT	1		
12	14H1076	NUT	8	3/8"	
13	24H1658	WASHER	6	21/32" X 1" X 0.060"	
14	A4666R	WASHER	4		
15	R27441	WASHER	4		
16	R45377	SPACER	2		
17	R56062	HOOK BOLT	2		
18	11M7059	COTTER PIN	2	3.200 X 20 MM	

2F24

HYDRAULICS

R22460 -UN-01JAN94

COOLER AND RESERVOIR



R 22460

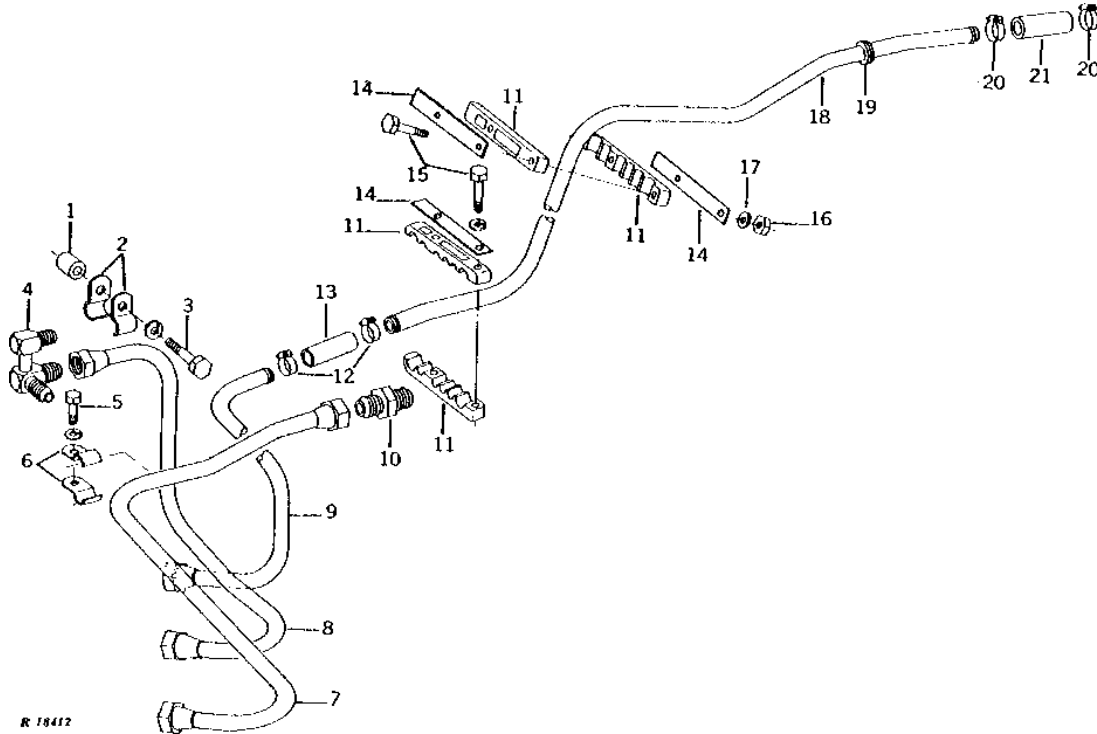
KEY	PART NO.	PART NAME	QTY	TRACTOR SERIAL NO.	REMARKS
1	CUSHION	1		
2	AR50593	RESERVOIR	1		51 X 102MM (2" X 4") (MAKE FROM R30596)
3	AR21839	CLAMP	10		(SUB TY22467)
4	R50859	HOSE	1		(MAKE FROM TY22423)
5	AR49751	CHECK VALVE	1		
6	R48084	BALL	1		
7	34H231	SPRING PIN	1		3/32" X 3/4"
8	T22958	HOSE	1		(SUB L35843)
9	HOSE	2		19 X 86MM (3/4" X 3-11/32") (MAKE FROM TY22329) (SUB FOR R34147)
10	AR43525	OIL COOLER	1		
11	14H1076	NUT	2		3/8"
12	24H1309	WASHER	1		13/32" X 1-1/16" X 0.120"
13	28H1878	SPACER	2		3/8" X 7/16"
14	F1791R	WASHER	2		
15	19H1731	CAP SCREW	2		3/8" X 1"
16	14H1076	NUT	2		3/8"
	12H304	LOCK WASHER	2		3/8"
17	R47999	SUPPORT	1		
18	19H1134	CAP SCREW	5		3/8" X 3/4"
	12H304	LOCK WASHER	5		3/8"
19	T22958	HOSE	1		(SUB L35843)

2F25

HYDRAULICS

HYDRAULIC OIL RETURN LINES (FRONT HINGE)

R18412 -UN-01JAN94



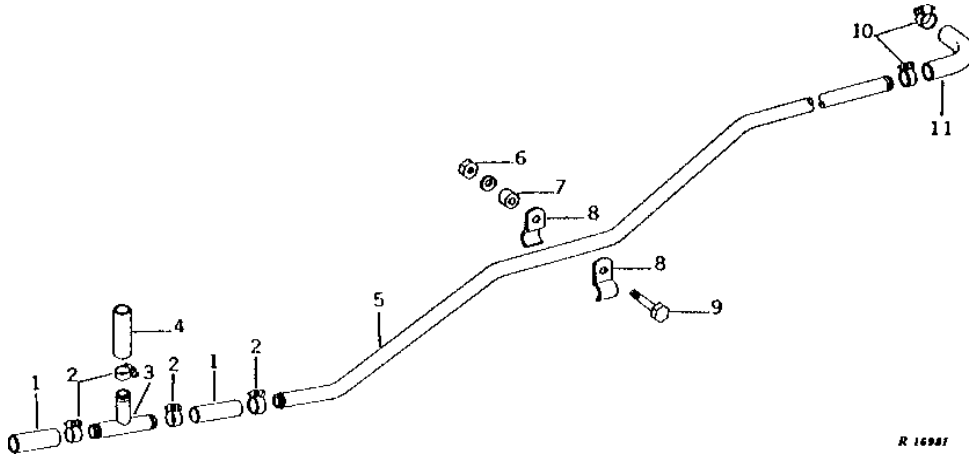
KEY	PART NO.	PART NAME	QTY	TRACTOR SERIAL NO.	REMARKS
1	28H1495	SPACER	1		3/8" X 1"
2	R27531	CLAMP	2		
3	19H246	CAP SCREW	1		3/8" X 1-3/4"
	12H304	LOCK WASHER	1		3/8"
4	AR51128	TEE FITTING	1		
5	19H1936	CAP SCREW	1		3/8" X 3/4"
	12H304	LOCK WASHER	1		3/8"
6	R27531	CLAMP	2		
7	AR50969	HYDRAULIC LINE	1		
8	AR51130	HYDRAULIC LINE	1		
9	AR51082	LINE	1		
10	R27266	FITTING	1		
11	R47683	CLAMP	4		
12	AR21839	CLAMP	2		(SUB TY22467)
13	HOSE	1		19 X 64MM (3/4" X 2-1/2") (MAKE FROM TY22329)
14	R49097	STRAP	3		
15	19H1901	CAP SCREW	4		5/16" X 2"
16	14H785	NUT	2		5/16"
17	12H303	LOCK WASHER	4		5/16"
18	R48118	TUBE	1		
19	R43755	GROMMET	1		(NO LONGER AVAILABLE)
20	AR21839	CLAMP	2		(SUB TY22467)
21	R48766	HOSE	1		

2G1

HYDRAULICS

HYDRAULIC OIL RETURN LINE
(TRACTOR SERIAL NO. -002699)

R16981 -UN-01JAN94



R 16981

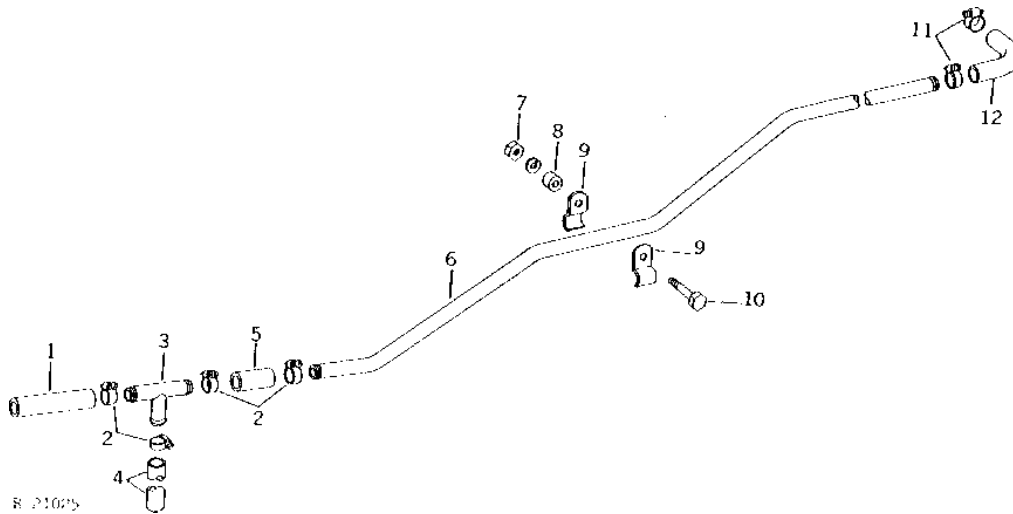
KEY	PART NO.	PART NAME	QTY	TRACTOR SERIAL NO.	REMARKS
1	R48766	HOSE	1		
2	AR21839	CLAMP	4	(SUB TY22467)	
3	R61955	TEE FITTING	1	(SUB FOR R43735)	
4	HOSE	1	19 X 129MM (3/4" X 5-3/32") (MAKE FROM TY22329) (SUB FOR R32087)	
5	R48134	TUBE	1		
6	14H785	NUT	1	5/16"	
	12H303	LOCK WASHER	1	5/16"	
7	28H1521	SPACER	1	3/8" X 9/16"	
8	R27531	CLAMP	2		
9	19H3552	CAP SCREW	1	5/16" X 1-1/2"	
10	AR21839	CLAMP	2	(SUB TY22467)	
11	R47756	HOSE	1		

2G2

HYDRAULICS

HYDRAULIC OIL RETURN LINE (TRACTOR SERIAL NO. 002700-)

R21025 -UN-01JAN94



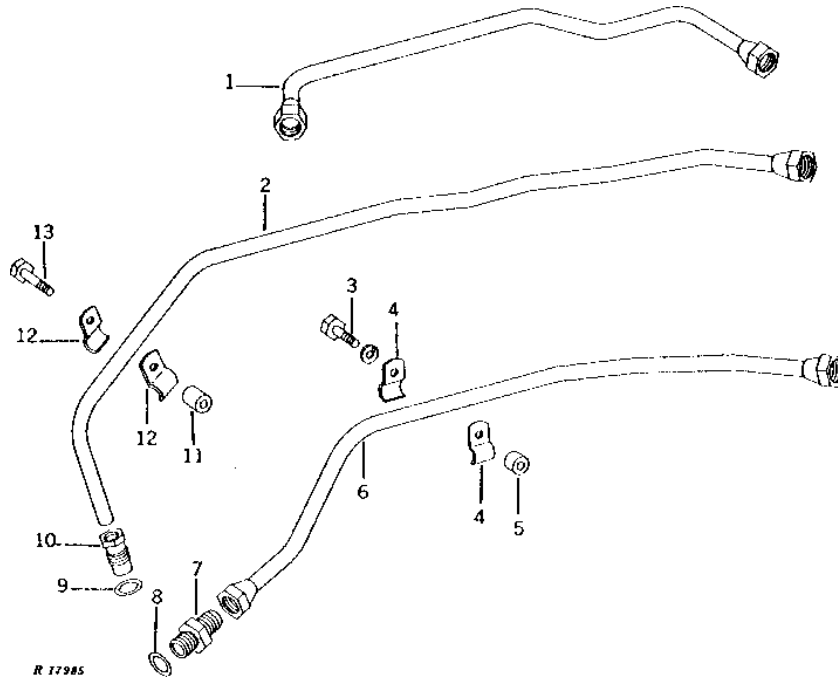
KEY	PART NO.	PART NAME	QTY	TRACTOR SERIAL NO.	REMARKS
1	HOSE	1		19 X 129MM (3/4" X 5-3/32") (MAKE FROM TY22329) (SUB FOR R34603 OR R32087)
2	AR21839	CLAMP	4		(SUB TY22467)
3	R61955	TEE FITTING	1		(SUB FOR R43735)
4	HOSE	1		19 X 394MM (3/4" X 15-1/2") (MAKE FROM TY22329) (SUB FOR R54146)
5	HOSE	1		19 X 64MM (3/4" X 2-1/2") (MAKE FROM TY22329)
6	R48134	TUBE	1		
7	14H785	NUT	1		5/16"
	12H303	LOCK WASHER	1		5/16"
	28H1521	SPACER	1		3/8" X 9/16"
	R27531	CLAMP	2		
10	19H3552	CAP SCREW	1		5/16" X 1-1/2"
11	AR21839	CLAMP	2		(SUB TY22467)
12	R47756	HOSE	1		

2G3

HYDRAULICS

REAR HYDRAULIC RETURN LINES (LESS ROCKSHAFT)

R17985 -UN-01JAN94



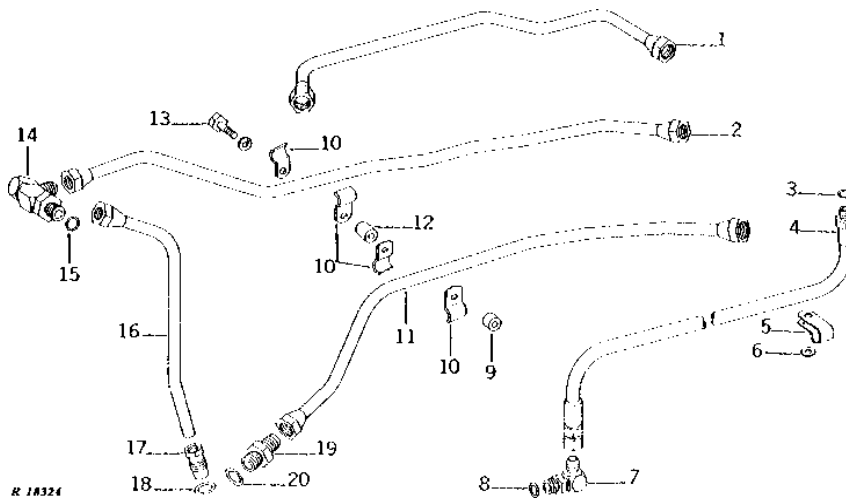
KEY	PART NO.	PART NAME	QTY	TRACTOR SERIAL NO.	REMARKS
1	AR50879	LINE	1		
2	AR50799	HYDRAULIC LINE	1		RETURN
3	19H1800	CAP SCREW	1		3/8" X 1-1/2"
	12H304	LOCK WASHER	1		3/8"
4	R38323	CLAMP	2		
5	28H1521	SPACER	1		3/8" X 1"
6	AR50880	HYDRAULIC LINE	1		INLET
7	R27267	FITTING	1		
8	F3171R	O-RING	1		
9	B2762R	O-RING	1		
10	R76494	FITTING	1		(SUB FOR R33610)
11	28H1495	SPACER	1		3/8" X 1"
12	R38323	CLAMP	2		
13	R39305	CAP SCREW	1		

2G4

HYDRAULICS

REAR HYDRAULIC PRESSURE AND RETURN LINES (ROCKSHAFT)

R18324 -UN-01JAN94



KEY	PART NO.	PART NAME	QTY	TRACTOR SERIAL NO.	REMARKS
1	AR50879	LINE	1		
2	AR53374	HYDRAULIC LINE	1		
3	R26375	O-RING	1		
4	AR54423	HYDRAULIC HOSE	1		
5	A4772R	CLIP	1		
6	24H1305	WASHER	1		13/32" X 13/16" X 0.065"
7	AR26724	ELBOW FITTING	1		
8	R26906	O-RING	1		
9	28H1521	SPACER	1		
10	R38323	CLAMP	4		
11	AR50880	HYDRAULIC LINE	1		
12	28H1495	SPACER	1		3/8" X 1"
13	R39305	CAP SCREW	1		
14	AR53376	TEE FITTING	1		
15	F3171R	O-RING	1		
16	AR53375	HYDRAULIC LINE	1		
17	R76494	FITTING	1		(SUB FOR R33610)
18	B2762R	O-RING	1		
19	R27267	FITTING	1		
20	F3171R	O-RING	1		

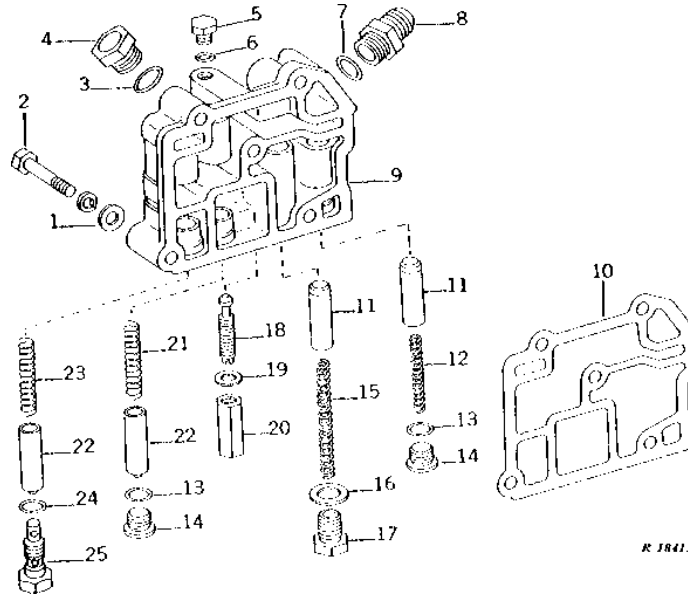
MEMORANDA

2G5

HYDRAULICS

R18413 -UN-01JAN94

OIL FILTER RELIEF VALVE HOUSING



R 18413

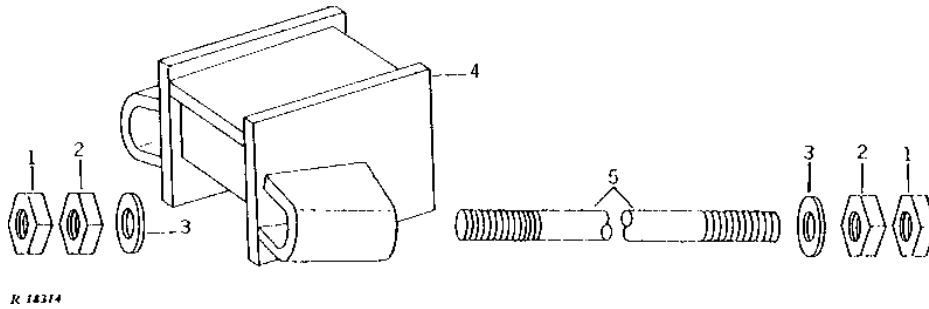
KEY	PART NO.	PART NAME	QTY	TRACTOR SERIAL NO.	REMARKS
1	24H1325	WASHER	5	15/32" X 59/64" X 0.065"	
2	19H2500	CAP SCREW	1	7/16" X 1-3/8"	
	19H1828	CAP SCREW	1	7/16" X 4"	
	19H2055	CAP SCREW	2	7/16" X 2-1/4"	
	19H2227	CAP SCREW	1	7/16" X 2-1/2"	
	12H293	LOCK WASHER	5	7/16"	
3	B2762R	O-RING	1		
4	R76494	FITTING	1	(SUB FOR R33610)	
5	R27094	DRAIN PLUG	1		
6	R26286	O-RING	1		
7	F3171R	O-RING	1		
8	R27267	FITTING	1		
9	AR52630	HOUSING	1	(MARKED R44006, R49199 OR R49200)	
	R39112	FITTING	1		
	R26375	O-RING	1		
	400R	BALL	1	6MM (1/4")	
10	R49758	GASKET	1	(SUB FOR R41463)	
11	R57561	VALVE	2	(ALSO ORDER R33259) (SUB FOR R49197)	
12	R26686	SPRING	1		
13	R26375	O-RING	2		
14	R33138	FITTING	2		
15	R39808	SPRING	1		
16	R1742R	WASHER	1		
17	R52589	FITTING PLUG	1	(SUB FOR R33163)	
18	R39587	SET SCREW	1		
19	F2846R	WASHER	1		
20	F2847R	NUT	1		
21	R28914	SPRING	1		
22	R57559	VALVE	2	(ALSO ORDER R33259) (SUB FOR R33162)	
23	R42057	SPRING	1		
24	U15980	O-RING	1		
25	R48088	SCREW	1		

2G6

HYDRAULICS

TIE ROD SUPPORT (ROCKSHAFT)

R18314 -UN-01JAN94



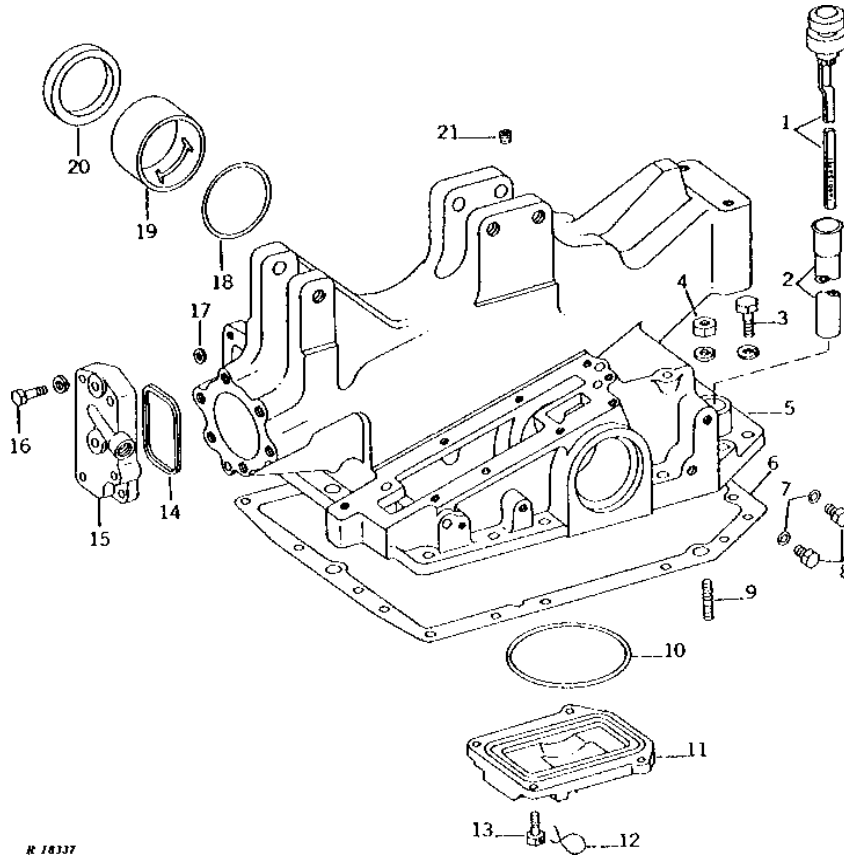
KEY	PART NO.	PART NAME	QTY	TRACTOR SERIAL NO.	REMARKS
1	14H488	NUT	4	1"	
2	14H410	NUT	4	1"	
3	R28575	WASHER	4		
4	AR53457	SUPPORT	1	-002699	
	AR56793	SUPPORT	1	002700-	
5	R49611	STUD	2		

2G7

HYDRAULICS

ROCKSHAFT HOUSING WITH BUSHINGS AND OIL SEAL (TRACTOR SERIAL NO. -002699)

R18337 -UN-01JAN94



R 18337

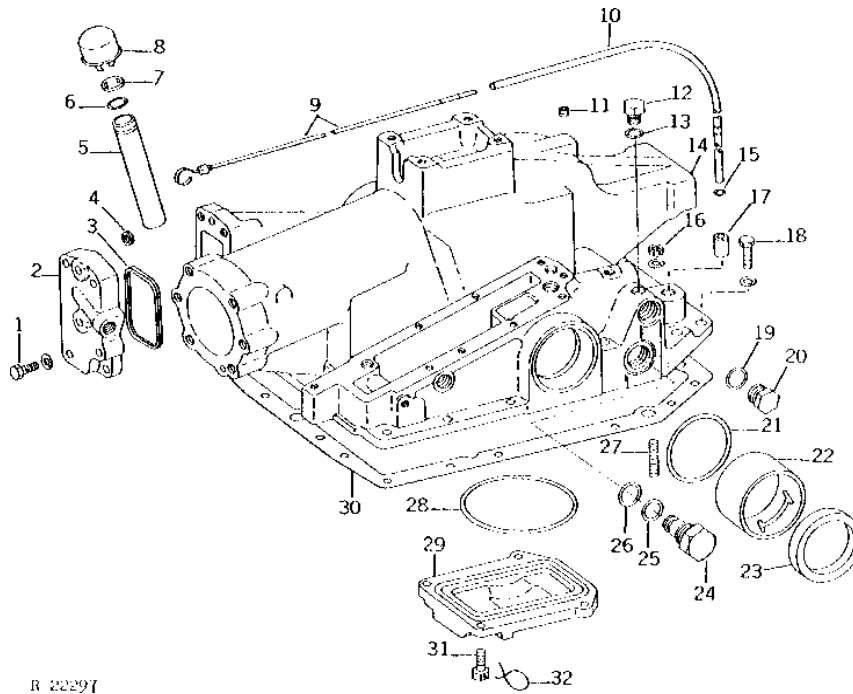
KEY	PART NO.	PART NAME	QTY	TRACTOR SERIAL NO.	REMARKS
1	AR43083	DIPSTICK	1		
	A4730R	O-RING	1		
2	R43325	HOOK BOLT	1		
3	19H1721	CAP SCREW	13	1/2" X 1-1/2"	
	19H1990	CAP SCREW	4	1/2" X 2-1/4"	
	12H301	LOCK WASHER	17	1/2"	
4	14H1040	NUT	1	1/2"	
	12H301	LOCK WASHER	1	1/2"	
5	AR43220	HOUSING	1	(MARKED R41280)	
6	R43408	GASKET	1		
7	R26286	O-RING	2		
8	R27094	DRAIN PLUG	2		
9	D488R	STUD	1		
10	R36425	WASHER	1		
11	R58544	COVER	1	(SUB FOR R43448, R51551 OR R58544)	
12	WIRE	1	-XXXXXX 16 GA. X 14"	
13	R57725	SCREW	4	(SUB FOR R61762)	
14	R40922	PACKING	1		
15	AR54325	KIT	1	(SUB R49995, (2) R26375 AND (2) R39112)	
16	19H2500	CAP SCREW	1	7/16" X 1-3/8"	
	19H1899	CAP SCREW	2	7/16" X 2"	
	12H293	LOCK WASHER	1	7/16"	
17	F2741R	PACKING	1		
18	R36424	O-RING	1	L.H.	
	A5598R	O-RING	1	R.H.	
19	R36378	BUSHING	1	L.H.	
	R36379	BUSHING	1	R.H.	
20	R36423	SEAL	2		
21	15H559	PIPE PLUG	1	1/4"	

2G8

HYDRAULICS

R22297 -UN-01JAN94

ROCKSHAFT HOUSING WITH BUSHINGS AND OIL SEAL
(TRACTOR SERIAL NO. 002700-)



R 22297

2G9

HYDRAULICS

ROCKSHAFT HOUSING WITH BUSHINGS AND OIL SEAL - CONTINUED
(TRACTOR SERIAL NO. 002700-)

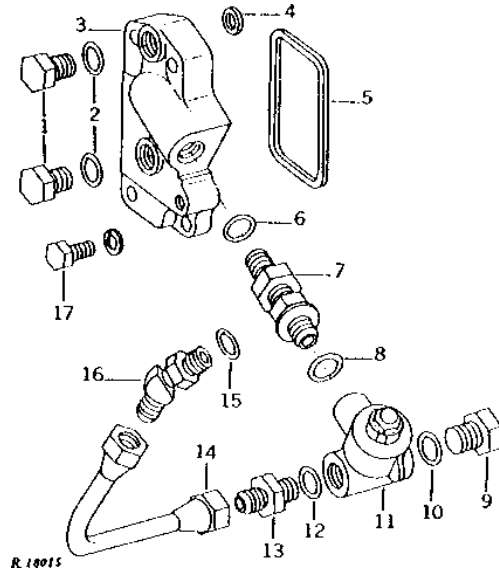
KEY	PART NO.	PART NAME	QTY	TRACTOR SERIAL NO.	REMARKS
1	19H1899	CAP SCREW	3		7/16" X 2"
	19H2500	CAP SCREW	3		7/16" X 1-3/8"
	12H293	LOCK WASHER	4		7/16"
2	AR54325	KIT	1		(SUB R49995, (2) R26375 AND (2) R39112)
3	R40922	PACKING	1		
4	F2741R	PACKING	1		
5	R51190	TUBE	1		
6	R1225R	O-RING	1		
7	R57550	ISOLATOR	1		
8	AR55304	CAP	1		(ALSO ORDER R57550)
9	AR89228	DIPSTICK	1		(SUB FOR AR54616)
10	AR56083	LINE	1		
11	15H559	PIPE PLUG	2		1/4"
12	R39112	FITTING	1		
13	R26375	O-RING	1		
14	AR54726	HOUSING	1		(MARKED R50250)
15	A3917R	O-RING	1		
16	14H1040	NUT	1		1/2"
	12H301	LOCK WASHER	1		1/2"
17	R55214	BUSHING	1		(ALSO ORDER A3917R) (SUB FOR R49955)
18	19H1721	CAP SCREW	13		1/2" X 1-1/2"
	19H1990	CAP SCREW	2		1/2" X 2-1/4"
	19H1781	CAP SCREW	2		1/2" X 3-1/2"
	12H301	LOCK WASHER	17		1/2"
19	R26906	O-RING	2		
20	R27474	DRAIN PLUG	2		
21	A5598R	O-RING	1		R.H.
	R36424	O-RING	1		L.H.
22	R36379	BUSHING	1		R.H.
	R36378	BUSHING	1		L.H.
23	R36423	SEAL	2		
24	R56910	FITTING	1		(ALSO ORDER R21722 AND R26546) (SUB FOR R52294)
25	R27928	O-RING	1	-003228	
	R21722	O-RING	1	003229-	
	R26546	BACK-UP RING	1	003229-	
26	R29936	O-RING	1		
27	D488R	STUD	1		
28	R36425	WASHER	1		
29	R58544	COVER	1		(SUB FOR R51551 OR R58544)
30	R43408	GASKET	1		
31	R57725	SCREW	4		(SUB FOR R61762)
32	WIRE	2	-XXXXXX	16 GA. X 14", (356MM) LONG

2G10

HYDRAULICS

R18015 -UN-01JAN94

ROCKSHAFT PISTON RELIEF VALVE



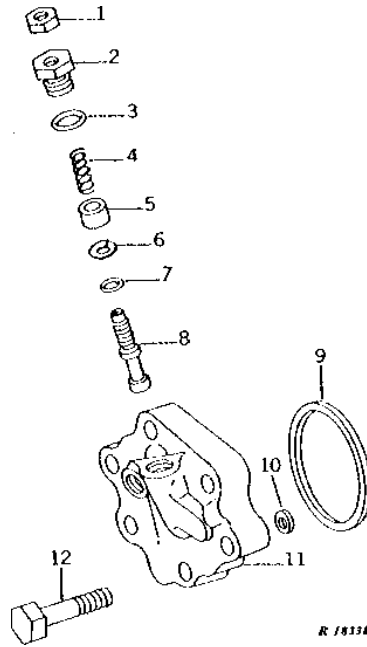
KEY	PART NO.	PART NAME	QTY	TRACTOR SERIAL NO.	REMARKS
1	R39112	FITTING	2		
2	R26375	O-RING	2		
3	AR54325	KIT	1		(MARKED R49994 OR R49995) (SUB R49995, (2) R26375 AND (2) R39112)
4	F2741R	PACKING	1		
5	R40922	PACKING	1		
6	R26906	O-RING	1		
7	AR54399	FITTING	1		
8	R26906	O-RING	1		
9	R27474	DRAIN PLUG	1		
10	R26906	O-RING	1		
11	AT30373	RELIEF VALVE	1		
12	R26906	O-RING	1		
13	R31665	FITTING	1		
14	AR54398	LINE	1	-002699	
	AR56794	LINE	1	002700-	
15	R26375	O-RING	1		
16	AR26745	ELBOW FITTING	1		45°
17	19H2500	CAP SCREW	1		7/16" X 1-3/8"
	19H1899	CAP SCREW	2		7/16" X 2"
	12H293	LOCK WASHER	1		7/16"

2G11

HYDRAULICS

R18338 -UN-01JAN94

ROCKSHAFT THROTTLE VALVE



R 18338

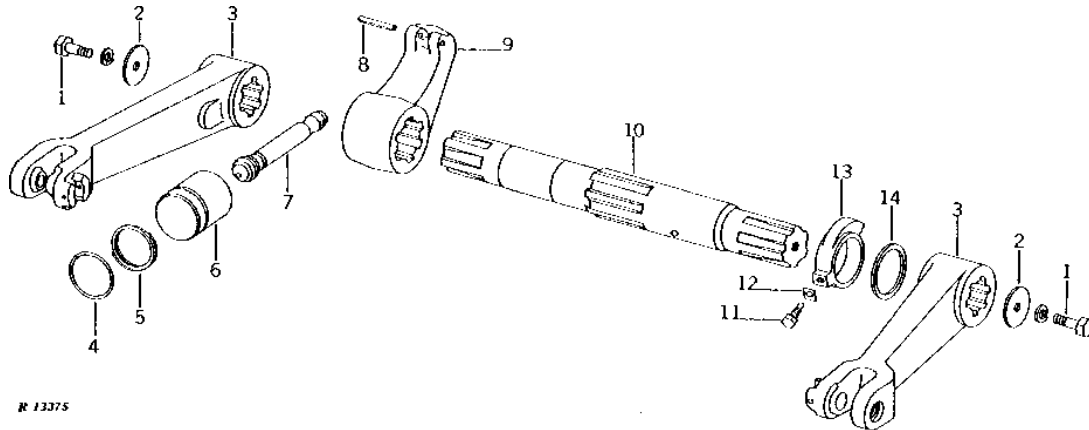
KEY	PART NO.	PART NAME	QTY	TRACTOR SERIAL NO.	REMARKS
1	14H774	NUT	1	3/8"	
2	R26458	FITTING	1		
3	R26906	O-RING	1		
4	B3686R	SPRING	1		
5	R26457	VALVE	1		
6	R31136	BACK-UP RING	1		
7	A4365R	O-RING	1		
8	R26625	SHAFT	1		
9	R43403	WASHER	1	-002699	
	R49888	PACKING	1	002700-	(SUB R65503)
10	F2741R	PACKING	1		
11	R49996	COVER	1	-002699	
	R52290	COVER	1	002700-	
12	19H3244	CAP SCREW	6	5/8" X 2-1/4"	

2G12

HYDRAULICS

R13375 -UN-01JAN94

ROCKSHAFT, ROCKSHAFT PISTON, AND LIFT ARMS



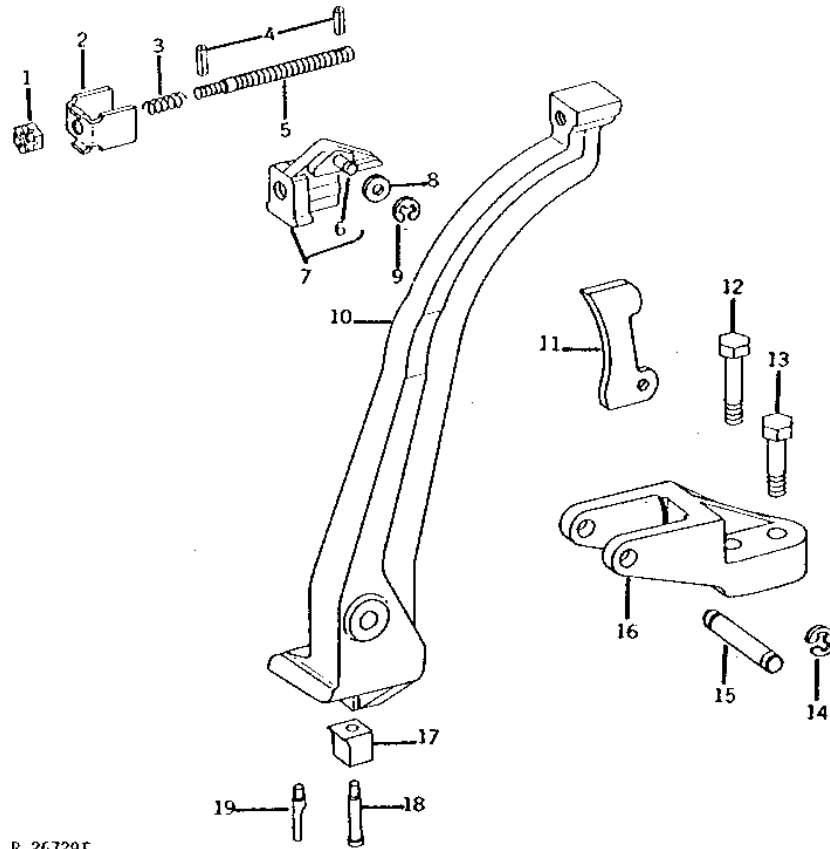
KEY	PART NO.	PART NAME	QTY	TRACTOR SERIAL NO.	REMARKS
1	19H2589	CAP SCREW	2		3/4" X 1-7/8"
	12H236	LOCK WASHER	2		3/4"
2	R36402	WASHER	2		
3	R43314	LIFT ARM	2		
4	A5598R	O-RING	1	-002699	
	R59968	WASHER	1	002700-	(ALSO ORDER R59969) (SUB FOR F2576R, THIS APPLICATION)
5	R43404	BACK-UP RING	1	-002699	
	R59969	WASHER	1	002700-	(ALSO ORDER R59968) (SUB FOR R49886, THIS APPLICATION)
6	R43313	PISTON	1	-002699	
	R49885	PISTON	1	002700-	(SUB R64233)
7	AR43547	ROD	1		
8	34H323	SPRING PIN	1		1/4" X 3"
9	R54165	ARM	1		(SUB FOR R43311)
10	R43324	ROCKSHAFT	1		
11	R69642	CAP SCREW	1		(SUB FOR R26626)
12	F3173R	LOCK PLATE	1		
13	R62500	CAM	1		(SUB FOR R43312)
14	R43601	WASHER	2		

2G13

HYDRAULICS

R26729 -UN-01JAN94

LOAD CONTROL



R 26729F

KEY	PART NO.	PART NAME	QTY	TRACTOR SERIAL NO.	REMARKS
1	14H936	NUT	1	3/8"	
2	R46443	LOCK PLATE	1		
3	F1463R	SPRING	1		
4	34H243	SPRING PIN	2	1/8" X 1/2"	
5	R26628	STUD	1		
6	R64295	SPRING PIN	1		
7	AR77700	EXTENSION	1		(MARKED R41121 OR R62931) (SUB FOR AR40785)
8	24H1287	WASHER	1	9/32" X 5/8" X 0.065"	
9	R27507	SNAP RING	1		
10	R43921	ARM	1		
11	R49336	CAM FOLLOWER	1		
12	R43369	SELF-LOCKING SCREW	2	(SUB FOR R42407)	
13	R43369	SELF-LOCKING SCREW	1	(SUB FOR R42407)	
14	F2863R	SNAP RING	2		
15	R43769	PIN	1		
16	R51751	SUPPORT	1	(A) (SUB FOR R48418) (NLA)	
17	R40889	FOLLOWER	1		
18	R40891	PIN	1		
19	R43922	PIN	1		
..	AR63947	SUPPORT	1	(USE WITH AR63311)	

(A) INCLUDED IN AR63947

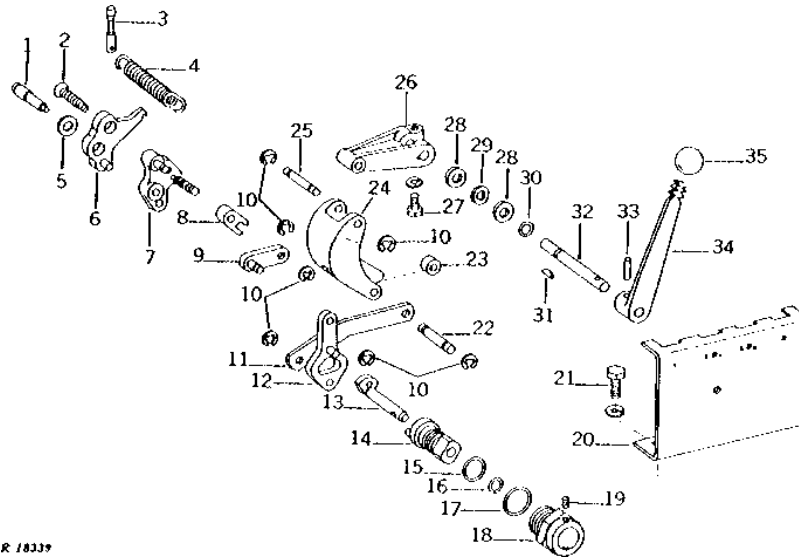
MEMORANDA

2G14

HYDRAULICS

ROCKSHAFT CONTROL LINKAGE AND LOAD SELECTOR CONTROL (TRACTOR SERIAL NO. -002699)

R18339 -UN-01JAN94



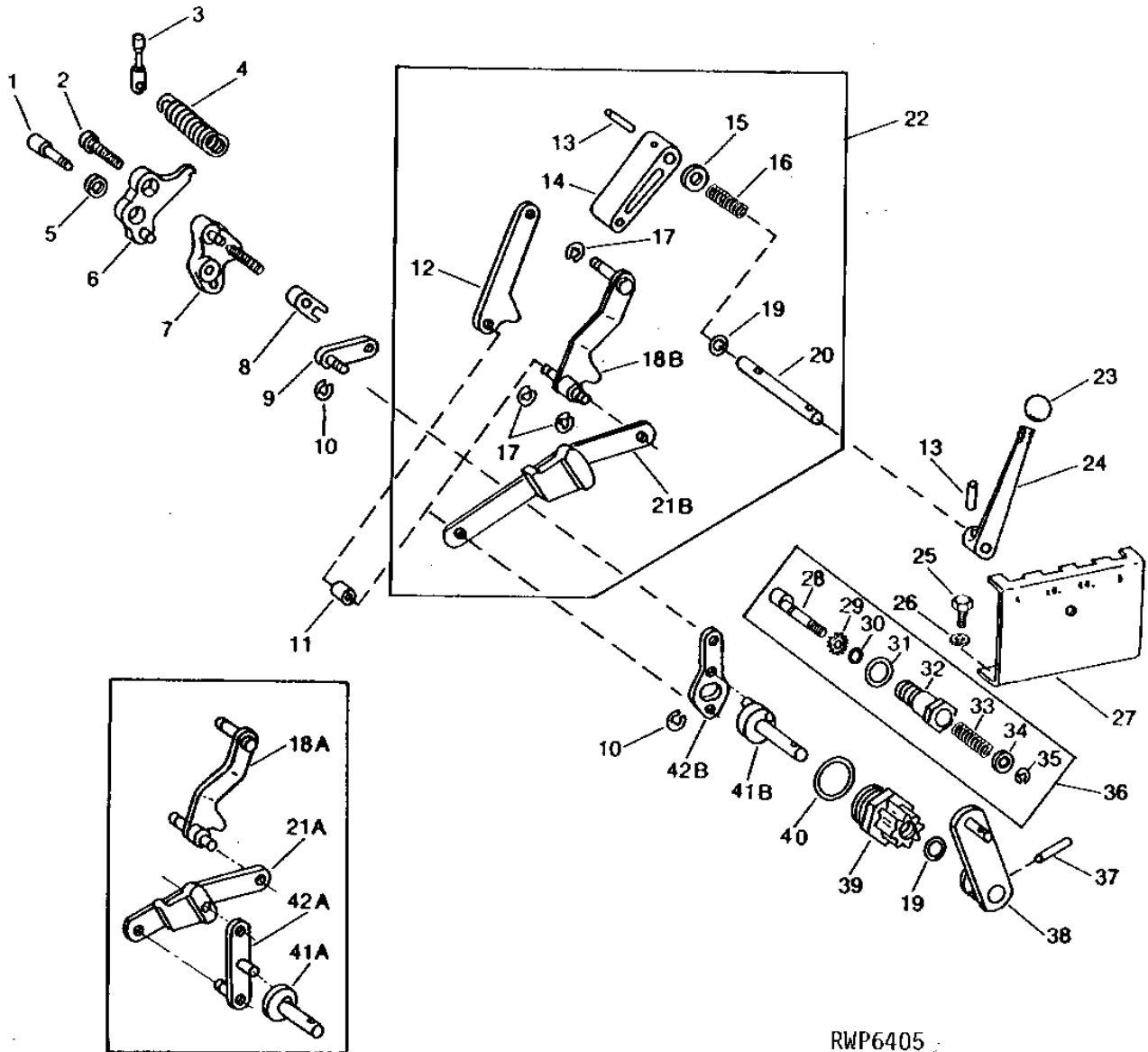
KEY	PART NO.	PART NAME	QTY	TRACTOR SERIAL NO.	REMARKS
1	R64296	SHAFT	1		(SUB FOR R40949)
2	T22228	SCREW	1		
3	R41108	PIN	1	-XXXXXX	
	R66894	PIN	1	XXXXXX-	
4	R60730	SPRING	1		(SUB FOR R44300 OR R53033)
5	24H1321	SHIM	1		0.018"
6	AR40676	LEVER	1		
7	AR40754	LINK	1		(SUB AR81783, R64845, T519T AND R64843)
8	R40885	NUT	1		
9	AR40675	LEVER	1		
10	R72653	SNAP RING	7		(SUB FOR M2396T)
11	R51025	LINK	1		(SUB FOR R41079)
12	AR52797	LINK	1		
13	R49333	SHAFT	1		
14	AR52796	BUSHING	1		
15	R27928	O-RING	1		
16	R394R	O-RING	1		
17	U13639	O-RING	1		
18	R49332	QUILL	1		
19	22H1033	SET SCREW	1		5/16" X 3/8"
20	R49584	QUADRANT	1		
21	19H1732	CAP SCREW	2		3/8" X 1-1/4"
	12H304	LOCK WASHER	2		3/8"
22	R41118	PIN	1		
23	R41661	BUSHING	1		
24	R40886	LINK	1		(SUB AR86775)
25	R41119	PIN	1		
26	R40944	ARM	1		(SUB AR86775)
27	19H1905	CAP SCREW	1		5/16" X 1"
	12H303	LOCK WASHER	1		5/16"
28	R47301	WASHER	2		
29	T519T	WASHER	2		
30	R394R	O-RING	1		
31	26H67	SHAFT KEY	1		1/8" X 3/8"
32	R41117	SHAFT	1		
33	R56504	SPRING PIN	2		
34	AR53442	LEVER	1		
35	R40948	KNOB	1		
..	R51202	DECAL	1		

2G15

HYDRAULICS

ROCKSHAFT CONTROL LINKAGE AND LOAD SELECTOR CONTROL (TRACTOR SERIAL NO. 002700-)

RWP6405 -UN-01JAN94



2G16

HYDRAULICS

ROCKSHAFT CONTROL LINKAGE AND LOAD SELECTOR CONTROL - CONTINUED
(TRACTOR SERIAL NO. 002700-)

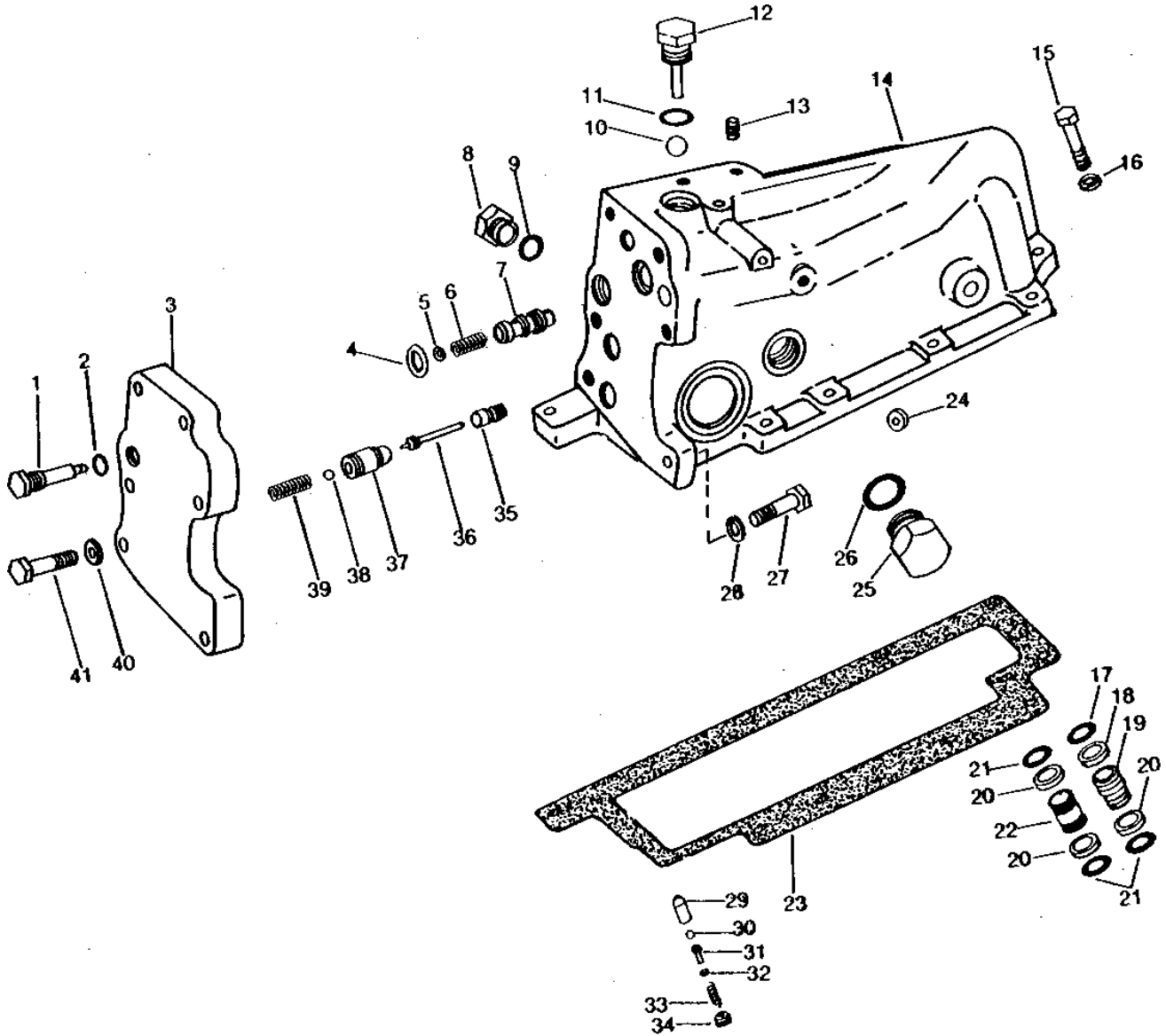
KEY	PART NO.	PART NAME	QTY	TRACTOR SERIAL NO.	REMARKS
1	R64296	SHAFT	1		(SUB FOR R40949)
2	T22228	SCREW	1		
3	R41108	PIN	1	-XXXXXX	
	R66894	PIN	1	XXXXXX-	
4	R60730	SPRING	1		(SUB FOR R53033)
5	24H1321	SHIM	1		0.018"
6	AR40676	LEVER	1		
7	AR40754	LINK	1		(SUB AR89123, R64845, T519T AND R64843)
8	R40885	NUT	1		
9	AR40675	LEVER	1		
10	R72653	SNAP RING	2		(SUB FOR M2396T)
11	R41661	BUSHING	1		
12	R52828	LINK	1		
13	R56504	SPRING PIN	3		
14	R56821	ARM	1		(SUB FOR R52824)
15	24H1341	WASHER	1		17/32" X 15/16" X 0.060"
16	B423R	SPRING	1		
17	R72653	SNAP RING	3		(SUB FOR M2396T)
18A	AR58236	LINK	1	-XXXXXX	(SUB AR72293 AND AR72294)
18B	AR72294	LINK	1	XXXXXX-	
19	R394R	O-RING	2		
20	R52823	SHAFT	1		
21A	AR55084	LINK	1	-XXXXXX	(SUB AR72293 AND AR72294)
21B	AR72293	LINK	1	XXXXXX-	
22	AR86775	KIT	1		LOAD SELECTOR CONTROL LINKAGE
23	R52576	KNOB	1		
24	AR53442	LEVER	1		
25	19H1732	CAP SCREW	2		3/8" X 1-1/4"
26	12H304	LOCK WASHER	2		3/8"
27	R49584	QUADRANT	1		
28	R55373	ECCENTRIC	1		(ALSO ORDER R55374) (SUB FOR R51028)
29	12H310	LOCK WASHER	1	-002752	3/8"
30	A4365R	O-RING	1		
31	R26906	O-RING	1		
32	R55374	BUSHING	1		(ALSO ORDER R55373) (SUB FOR R51027)
33	R50559	SPRING	1		
34	24M7096	WASHER	1		10.500 X 18 X 1.600 MM
35	R72653	SNAP RING	1		(SUB FOR M2396T)
36	AR59026	BUSHING	1		
37	34H284	SPRING PIN	1		3/16" X 1-1/4"
38	AR60613	ARM	1		(NLA)
39	R52174	QUILL	1		
40	U13639	O-RING	1		
41A	R54128	SHAFT	1	-XXXXXX	(SUB AR72292 AND AR79505)
41B	AR72291	SHAFT	1	XXXXXX-	(SUB AR79505)
42A	AR40753	LINK	1	-XXXXXX	(SUB AR72292 AND AR79505)
42B	AR72292	LINK	1	XXXXXX-	

2G17

HYDRAULICS

RWP2752 -UN-01JAN94

ROCKSHAFT CONTROL VALVE HOUSING



RWP2752

2G18

HYDRAULICS

ROCKSHAFT CONTROL VALVE HOUSING - CONTINUED

KEY	PART NO.	PART NAME	QTY	MODEL NO.	REMARKS
1	R40881	FITTING	1		
2	R26448	O-RING	1		
3	R50065	VALVE COVER	1		(SUB R59080 AND (2) R59082)
4	R26149	PACKING	5		
5	B1664R	SHIM	AR		
6	R26566	SPRING	1		
7	R43791	CONTROL VALVE	1		
8	R39112	FITTING	1		
9	R26375	O-RING	1		
10	M886T	BALL	1		16MM (5/8")
11	R26906	O-RING	1		
12	R56916	PLUG	1		(SUB FOR AR26761)
13	15H558	PIPE PLUG	4		1/8"
14	AR76340	HOUSING	1		(MARKED AR54328, AR76277 OR AR94165) (SUB FOR AR48005 OR AR54329)
15	19H1732	CAP SCREW	9		3/8" X 1-1/4"
16	12H304	LOCK WASHER	9		3/8"
17	R27564	O-RING	1		
18	R45925	BACK-UP RING	1		
19	R45924	BUSHING	1		
20	R41057	BACK-UP RING	3		
21	R27166	O-RING	3		
22	R40945	VALVE	1		
23	R40896	GASKET	1		
24	R66895	ORIFICE	1		(USE WITH AR94165)
25	R27175	DRAIN PLUG	1		(SUB FOR R55150)
26	F3171R	O-RING	1		
27	19H2500	CAP SCREW	1		7/16" X 1-3/8"
28	12H293	LOCK WASHER	1		7/16"
29	R40893	VALVE SEAT INSERT	1		(SUB R61349 AND R61350)
30	R41776	BALL	1		2.38MM (.094")
31	R41777	PIN	1		
32	R40895	SHIM	AR		0.51MM (.020")
33	R59860	SPRING	1		(SUB FOR R27730)
34	R40894	PLUG	1		
35	AR31703	GUIDE	2		(SUB AR78483)
36	R44298	SHAFT	2	-003687	
	R59111	SHAFT	2	003688-	(SUB R62336)
37	R59083	VALVE	2		(SUB FOR R44299)
38	400R	BALL	2		6MM (1/4")
39	R26565	SPRING	2		
40	12H293	LOCK WASHER	5		7/16"
41	19H1978	CAP SCREW	5		7/16" X 1-1/2"

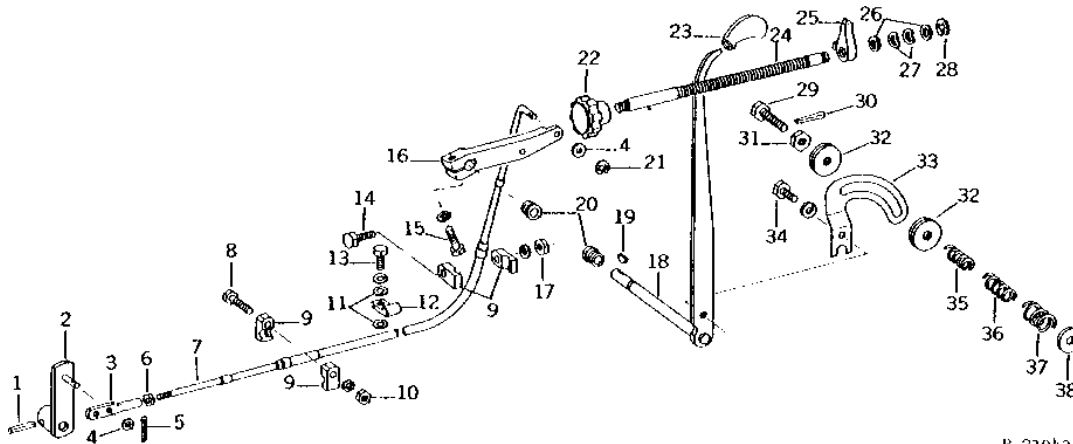
MEMORANDA

2G19

HYDRAULICS

R21043 -UN-01JAN94

ROCKSHAFT CONTROL VALVE LEVER AND LINKAGE



R 21043

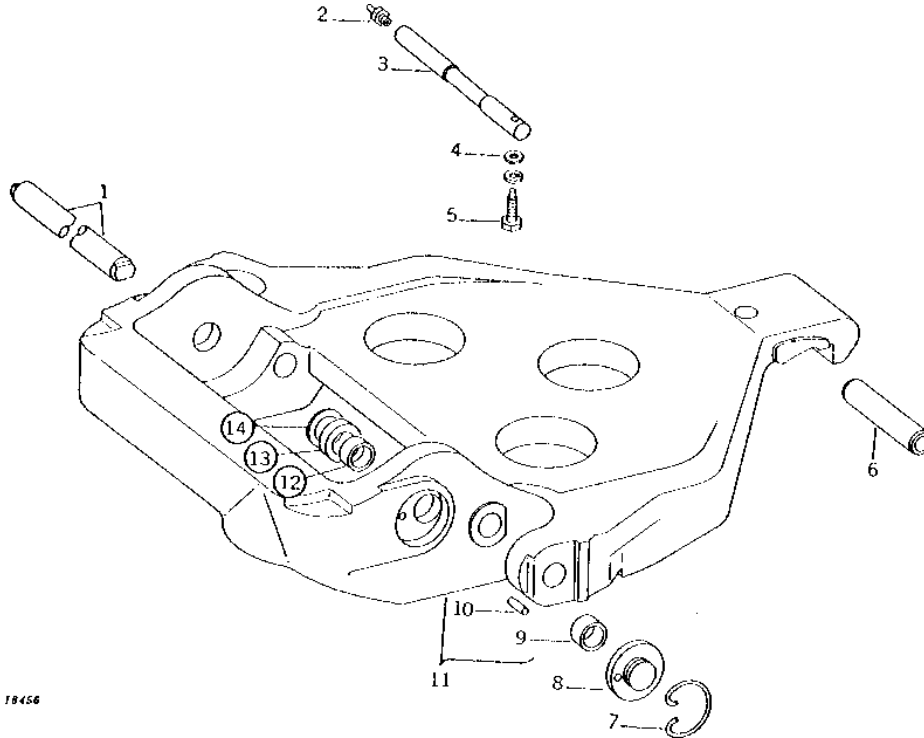
KEY	PART NO.	PART NAME	QTY	TRACTOR SERIAL NO.	REMARKS
1	34H284	SPRING PIN	1		3/16" X 1-1/4"
2	AR53441	ARM	1	-002699	
	AR60613	ARM	1	002700-	(NLA)
3	R31422	END	1		
4	24H1287	WASHER	2		9/32" X 5/8" X 0.065"
5	11M7079	COTTER PIN	1		0.098" X 0.472"
6	14H850	NUT	1		1/4"
7	AR54422	PUSH PULL CABLE	1		
8	19H2665	CAP SCREW	1		3/8" X 1-5/8"
9	T33483	CLAMP	4		
10	14H1076	NUT	1		3/8"
	12H304	LOCK WASHER	1		3/8"
11	A147R	LOCK WASHER	2		
12	T13814	CLAMP	1		
13	19H1732	CAP SCREW	1		3/8" X 1-1/4"
	12H304	LOCK WASHER	1		3/8"
14	14H1076	NUT	1		3/8"
15	19H988	CAP SCREW	1		3/8" X 1-1/4"
	12H304	LOCK WASHER	1		3/8"
16	R42094	ARM	1		
17	19H1765	CAP SCREW	1		3/8" X 1-3/4"
	12H304	LOCK WASHER	1		3/8"
18	AR54406	LEVER	1	-002699	
	AR57245	LEVER	1	002700-	
19	26H15	SHAFT KEY	1		1/4" X 3/4"
20	R42093	GROMMET	2		
21	R27507	SNAP RING	1		
22	R41385	KNOB	1		
23	R41383	KNOB	1	-002699	
	R51161	KNOB	1	002700-	
24	R47300	SCREW	1		
25	R41386	STOP	1		
26	R47301	WASHER	2		
27	T519T	WASHER	2		
28	R26871	SNAP RING	1		
29	R42639	CAP SCREW	1		
30	11M7059	COTTER PIN	1		3.200 X 20 MM
31	14H732	NUT	1		3/8"
32	AR42287	WASHER	2		(SUB R105813 AND R41968)
33	R49411	PLATE	1		
34	19H2485	CAP SCREW	1		5/16" X 7/16"
	12H303	LOCK WASHER	1		5/16"
35	R41147	SPRING	1		
36	R44313	SPRING	1		
37	R44314	SPRING	1		
38	24H1299	WASHER	1		3/8" X 1-1/4" X 0.065"
..	R44302	TIE BAND	3		

2G20

HYDRAULICS

R18456 -UN-01JAN94

DRAFT LINK SUPPORT
(TRACTOR SERIAL NO. -002699)



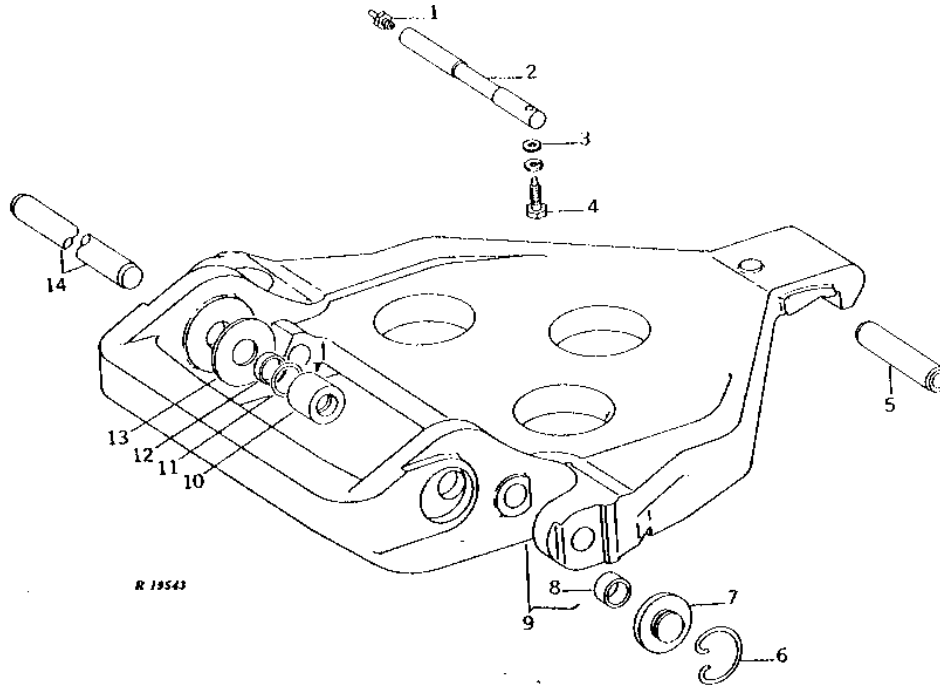
KEY	PART NO.	PART NAME	QTY	TRACTOR SERIAL NO.	REMARKS
1	R43318	PIN	1		
2	JD7759	LUBRICATION FITTING	1		
3	R43298	PIN	1		
4	A147R	LOCK WASHER	1		
5	R43450	SET SCREW	1		
6	R43326	BUSHING	1		
7	R43764	SNAP RING	2		
8	R43299	RETAINER	2		
9	R43316	BUSHING	2		
10	R1612R	DOWEL PIN	2		
11	AR62307	SUPPORT	1		(MARKED R51118 OR R54197) (SUB FOR AR55203)
12	R43315	BUSHING	2		
13	AR84793	SEAL	2		(SUB FOR AR43103 OR AR78339)
14	H394R	WASHER	2		
	R51154	WASHER	AR		1.27MM (.050")
	R51155	WASHER	AR		1.52MM (.060")
	R51156	WASHER	AR		1.83MM (.072")

2G21

HYDRAULICS

R19543 -UN-01JAN94

DRAFT LINK SUPPORT (TRACTOR SERIAL NO. 002700-)



KEY	PART NO.	PART NAME	QTY	TRACTOR SERIAL NO.	REMARKS
1	JD7759	LUBRICATION FITTING	1		
2	R43298	PIN	1		
3	A147R	LOCK WASHER	1		
4	R43450	SET SCREW	1		
5	R43326	BUSHING	1		
6	R43764	SNAP RING	2		
7	R53189	RETAINER	2		
8	R43316	BUSHING	2		
9	AR58920	SUPPORT	1	(MARKED R53389)	
10	AR85460	KIT	2	(A) (SUB FOR AR56769) (INCLUDES (2) R53198 AND (2) R52184) (SUB AR56769)	
11	R53198	O-RING	2		
12	R52184	WASHER	2		
13	R51154	WASHER	AR	1.27MM (.050")	
	R51155	WASHER	AR	1.52MM (.060")	
	R51156	WASHER	AR	1.83MM (.072")	
14	R52185	PIN	1		
..	AR63947	SUPPORT	1	(USE WITH AR63311)	

(A) INCLUDED IN AR63947

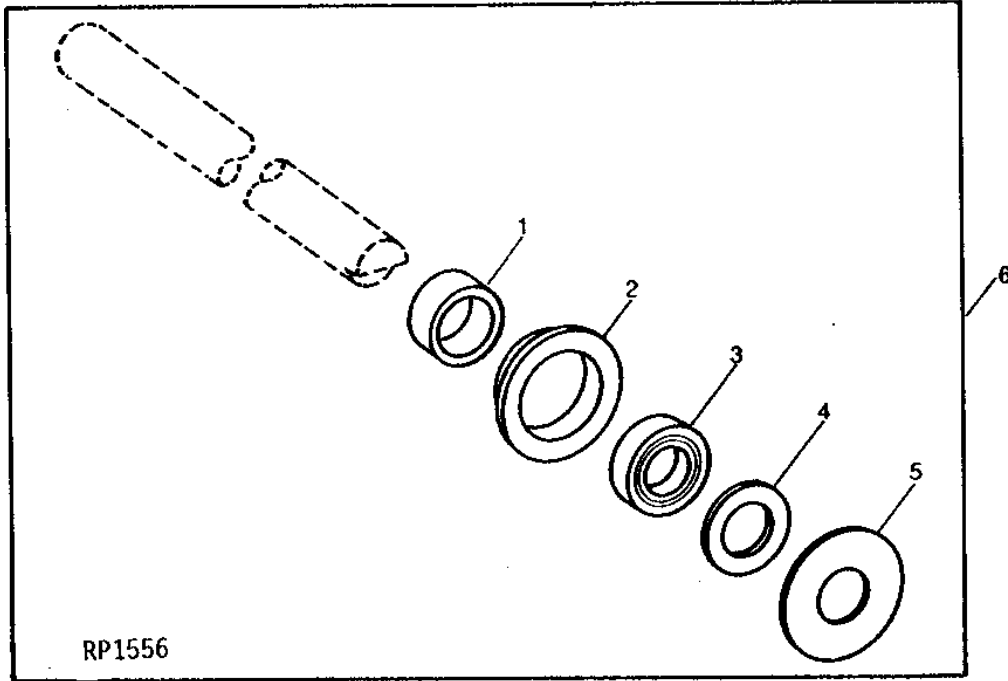
MEMORANDA

2G22

HYDRAULICS

LOAD CONTROL SHAFT BUSHING KIT
(TRACTOR SERIAL NO. -002699)

RP1556 -UN-01JAN94



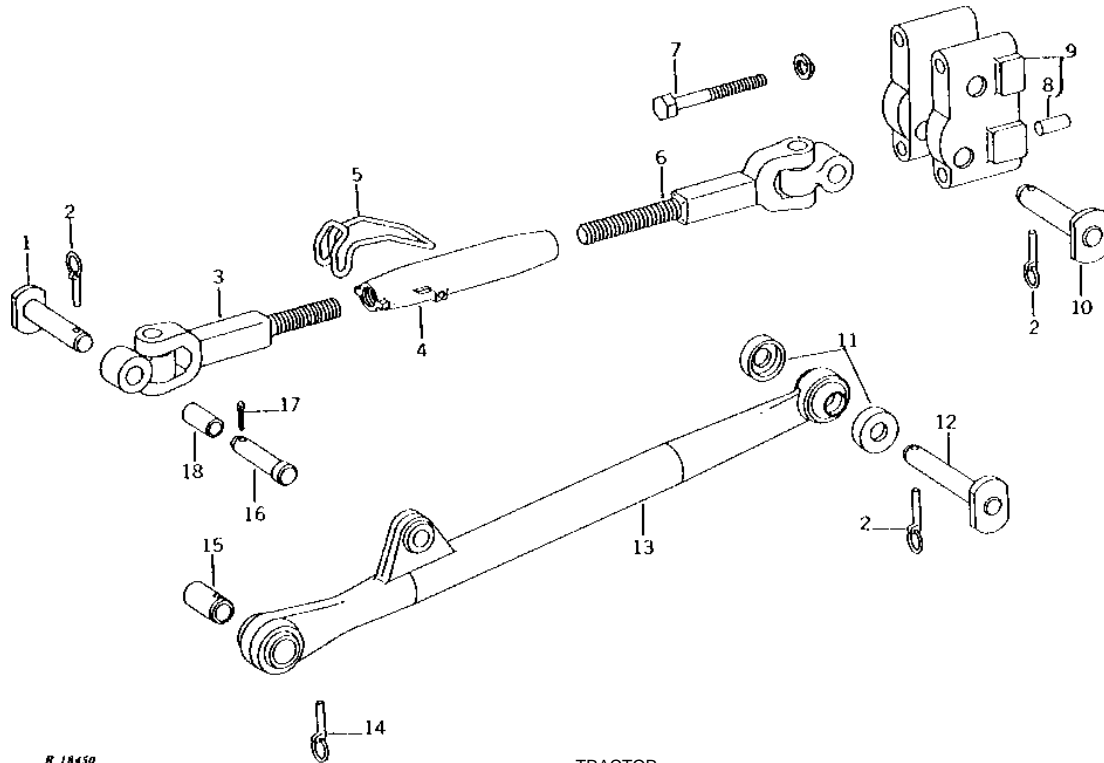
KEY	PART NO.	PART NAME	QTY	TRACTOR SERIAL NO.	REMARKS
1	R68429	BUSHING	2		
2	R68430	BUSHING	2		0.76MM (.030") (OVERSIZE)
3	AR43103	SEAL	2		
4	H394R	WASHER	2		
5	R51154	WASHER	AR		1.27MM (.050")
	R51155	WASHER	AR		1.52MM (.060")
	R51156	WASHER	AR		1.83MM (.072")
6	AR89133	KIT	1		LOAD CONTROL REPAIR

2G23

HYDRAULICS

R18450 -UN-01JAN94

DRAFT LINKS AND CENTER LINK



KEY	PART NO.	PART NAME	QTY	TRACTOR SERIAL NO.	REMARKS
1	AR70026	PIN	1		(SUB FOR AR35763)
2	AR62151	QUICK LOCK PIN	4		(1/4" DIA.) (SUB FOR B11182) (SUB M115827)
	AR62149	QUICK LOCK PIN	4		(7/16" DIA.) (SUB FOR DA5883A)
3	AR60110	CENTER LINK END	1		(SUB FOR AR54667)
4	R47067	LINK BODY	1		
5	R42495	HANDLE	1		
6	AR60109	CENTER LINK END	1		(SUB FOR AR54666)
7	19H2001	CAP SCREW	4		3/4" X 5-1/2"
	12H236	LOCK WASHER	4		3/4"
8	R26277	DOWEL PIN	1		
9	AR43316	BRACKET	1		(MARKED R43081)
10	AR89302	PIN	1		(SUB FOR AR35773 OR AR70025)
11	R26608	WASHER	4		
12	AR60295	PIN	2		(ALSO ORDER AR62149) (SUB FOR AR43077)
13	AR55150	DRAFT LINK	1		R.H.
	AR55151	DRAFT LINK	1		L.H.
14	AR62150	QUICK LOCK PIN	2		(SUB FOR R36471)
15	R66435	BUSHING	2		(A) (SUB FOR R36470)
16	R53296	PIN	1		(A) (SUB FOR R44918)
17	11M7040	COTTER PIN	1		0.248" X 1.969"
18	R66434	BUSHING	1		(A) (SUB FOR R36469)
..	AR35857	BUSHING	1		(A) (CONSISTS OF R36469, (2) R36470, R53296 AND 11M7040)

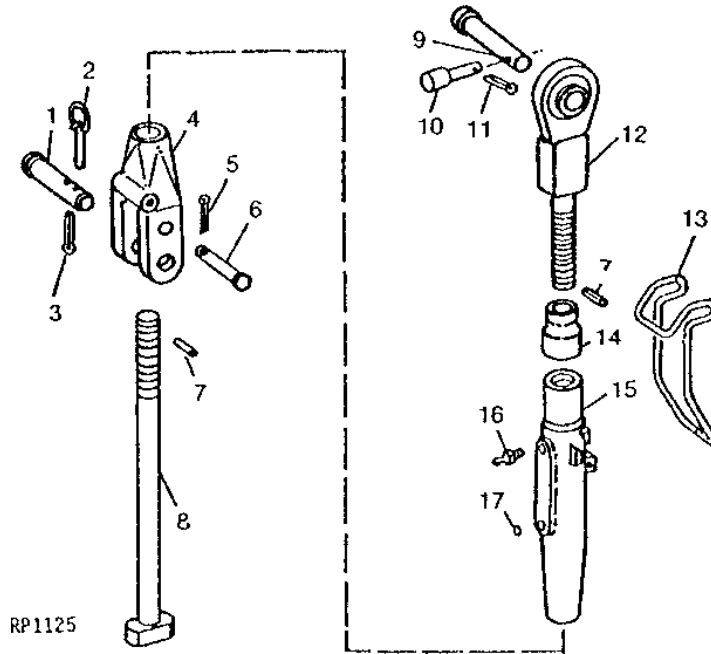
(A) CATEGORY II

2G24

HYDRAULICS

RP1125 -UN-01JAN94

LIFT LINK



KEY	PART NO.	PART NAME	QTY	TRACTOR SERIAL NO.	REMARKS
1	R58264	PIN	1		(SUB FOR R43323)
2	AR62149	QUICK LOCK PIN	1		(SUB FOR DA5883A)
3	11M7030	COTTER PIN	1		0.197" X 1.575"
4	R58934	YOKE	1		(SUB FOR R42171)
5	11M7021	COTTER PIN	1		0.157" X 0.984"
6	R63737	PIN	1		(SUB FOR R42172)
7	34H284	SPRING PIN	2		3/16" X 1-1/4"
8	R43259	LIFT LINK	1		
9	R79916	DOWEL PIN	1		(SUB FOR AR43140 OR AR70027)
10	R68672	PIN	1		(ALSO ORDER 11M7059) (SUB FOR AR26556, AR62152 OR AR83396, THIS APPLICATION)
11	11M7059	COTTER PIN	1		3.200 X 20 MM
12	AR78526	DRAFT LINK END	1		(SUB FOR AR43059) (SUB RE44555)
13	R42495	HANDLE	1		
14	R43706	SLEEVE	1		
15	R43079	LINK BODY	1		
16	JD7759	LUBRICATION FITTING	1		
17	30H6	PLUG	3		9/16"

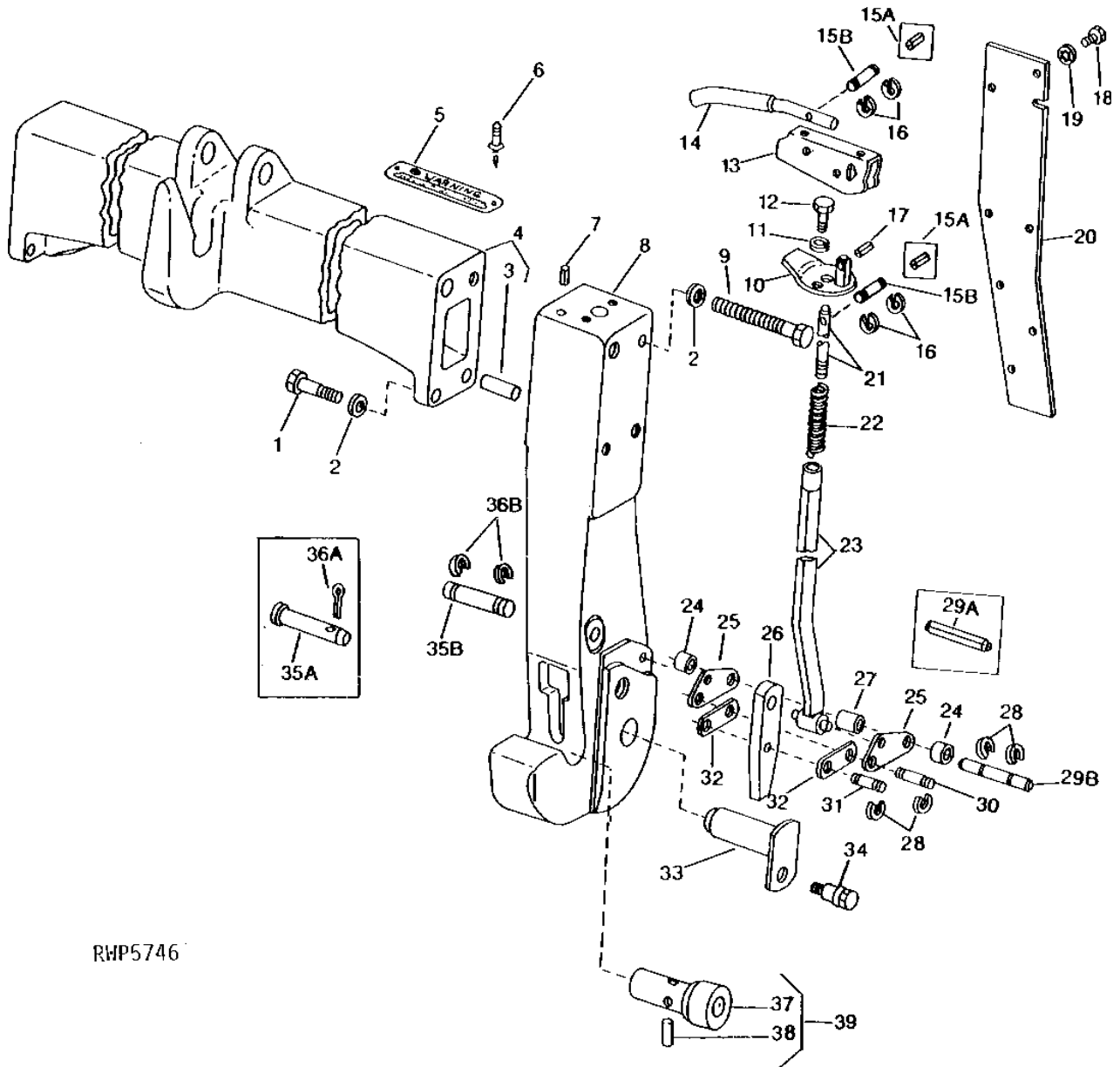
2H1

HYDRAULICS

RWP5746

-UN-01JAN94

IMPLEMENT QUICK COUPLER



RWP5746

2H2

HYDRAULICS

IMPLEMENT QUICK COUPLER - CONTINUED

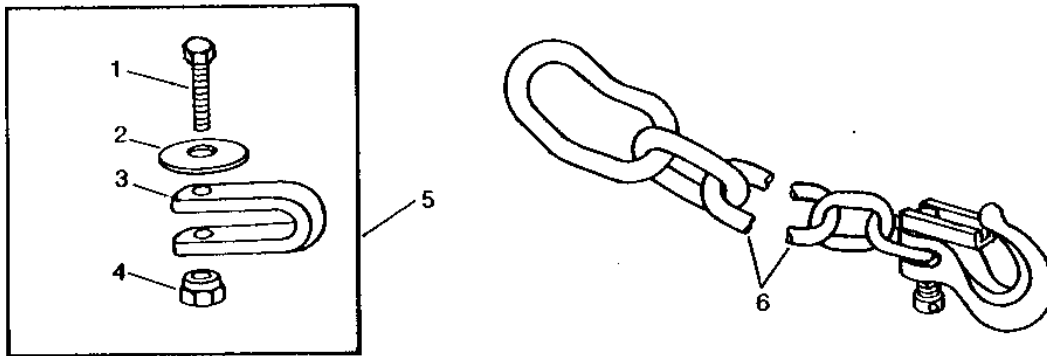
KEY	PART NO.	PART NAME	QTY	TRACTOR SERIAL NO.	REMARKS
1	19H1708	CAP SCREW	2		5/8" X 1-3/4"
2	12H294	LOCK WASHER	4		5/8"
3	A776R	PIN	4		
4	AR84904	SUPPORT	1		(MARKED R36448, R65817 OR R65203) (SUB FOR AR35851 OR AR82263)
5	R46895	INSTRUCTION PLATE	1		
6	37H44	SCREW	2		0.151" X 3/8"
7	34H311	SPRING PIN	2		1/4" X 7/8"
8	R66985	QUICK COUPLER	1		(ALSO ORDER R66987 AND (2) R73380) (SUB FOR R47585 OR R65085)
	R66986	QUICK COUPLER	1		(ALSO ORDER R66987 AND (2) R73380) (SUB FOR R47586 OR R65086)
9	19H1708	CAP SCREW	2		5/8" X 1-3/4"
10	AR50374	BRACKET	1		
11	12H304	LOCK WASHER	4		3/8"
12	19H1731	CAP SCREW	4		3/8" X 1"
13	R48164	LEVER	1		
14	R48163	HANDLE	1		
15A	34H311	SPRING PIN	4	-XXXXXX	1/4" X 7/8"
15B	R66901	SPRING PIN	4	XXXXXX-	
16	R27507	SNAP RING	8	XXXXXX-	
17	34H311	SPRING PIN	2		1/4" X 7/8"
18	19H1227	CAP SCREW	14		1/4" X 1/2"
19	12H302	LOCK WASHER	14		1/4"
20	R58617	SHIELD	2		(SUB FOR R36444)
21	R47578	STUD	2		
22	R43444	SPRING	2		
23	AR50377	BAR	2		
24	F2206R	WASHER	4		
25	R65243	LINK	4		(SUB FOR R47581 OR R58203)
26	R36441	LATCH	2		
27	28H1919	BUSHING	2		1/2" X 15/16"
28	F2208R	SNAP RING	12		
29A	34H375	SPRING PIN	2	-XXXXXX	1/2" X 3", (USE WITH R47585 AND R47586)
29B	R65082	PIN	2	XXXXXX-	(USE WITH R65085 AND R65086)
30	R119275	PIN	2		(SUB FOR R47679)
31	R119276	PIN	2		(SUB FOR R47678)
32	R65242	STRAP	4		(SUB FOR R47590)
33	AR48112	PIN	2		
	AR76161	PIN	1		(USE WITH R65085 AND R65086)
34	AR74673	CAP SCREW	2		(SUB FOR AR48110)
	AR78289	CAP SCREW	1		(USE WITH R65085 AND R65086)
35A	R28556	PIN	2	-XXXXXX	
35B	R66987	PIN	2	XXXXXX-	
36A	11M7087	COTTER PIN	2	-XXXXXX	0.157" X 1.575"
36B	R73380	SNAP RING	4	XXXXXX-	(SUB FOR A369R)
37	R27998	HALF SLEEVE	2		
38	R27999	SPRING PIN	2		
39	AR27093	ADAPTER	1		

2H3

HYDRAULICS

RWP5796 -UN-01JAN94

IMPLEMENT SAFETY CHAIN



RWP5796

KEY	PART NO.	PART NAME	QTY	TRACTOR SERIAL NO.	REMARKS
1	19H1768	CAP SCREW	1	(A) (B)	
	19H2084	CAP SCREW	1	(A)	
	19H2174	CAP SCREW	1	(B)	
2	R36402	WASHER	1	(A) (B)	
3	R69408	CLEVIS	1	(A)	
	R69409	CLEVIS	1	(B)	
4	T25879	NUT	2	(A) (B)	
5	AR90577	SAFETY CHAIN ADAPTER KIT	1		CATEGORY IV DRAWBARS
	AR90578	CHAIN KIT	1		CATEGORY II AND III DRAWBARS
6	RE26739	LINK CHAIN	1		61 LINKS 6.4MM (1/4") DIA CHAIN (6,000 LB)
	AR90581	LINK CHAIN	1		61 LINKS 6.4MM (1/4") DIA CHAIN (10,000 LB)
	AR90579	LINK CHAIN	1		42 LINKS 9.5MM (3/8") DIA CHAIN
	AR90583	LINK CHAIN	1		43 LINKS 11.1MM (7/16") DIA CHAIN
	RE26740	LINK CHAIN	1		42 LINKS 12.7MM (1/2") DIA CHAIN, (SUB AN212996)

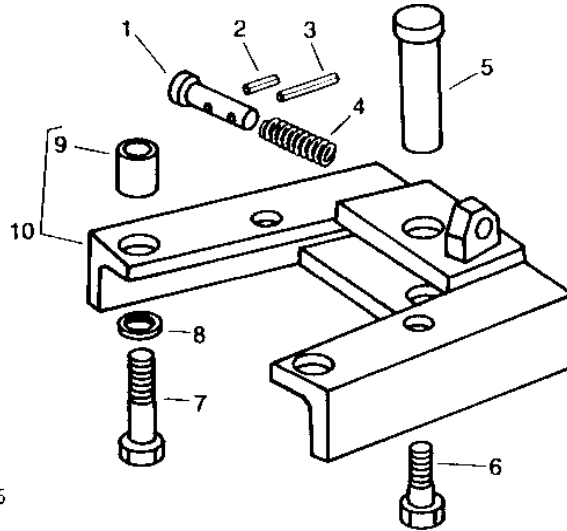
(A) INCLUDED IN AR90577
 (B) INCLUDED IN AR90578

2H4

HYDRAULICS

RP955 -UN-16NOV94

DRAWBAR FRONT SUPPORT



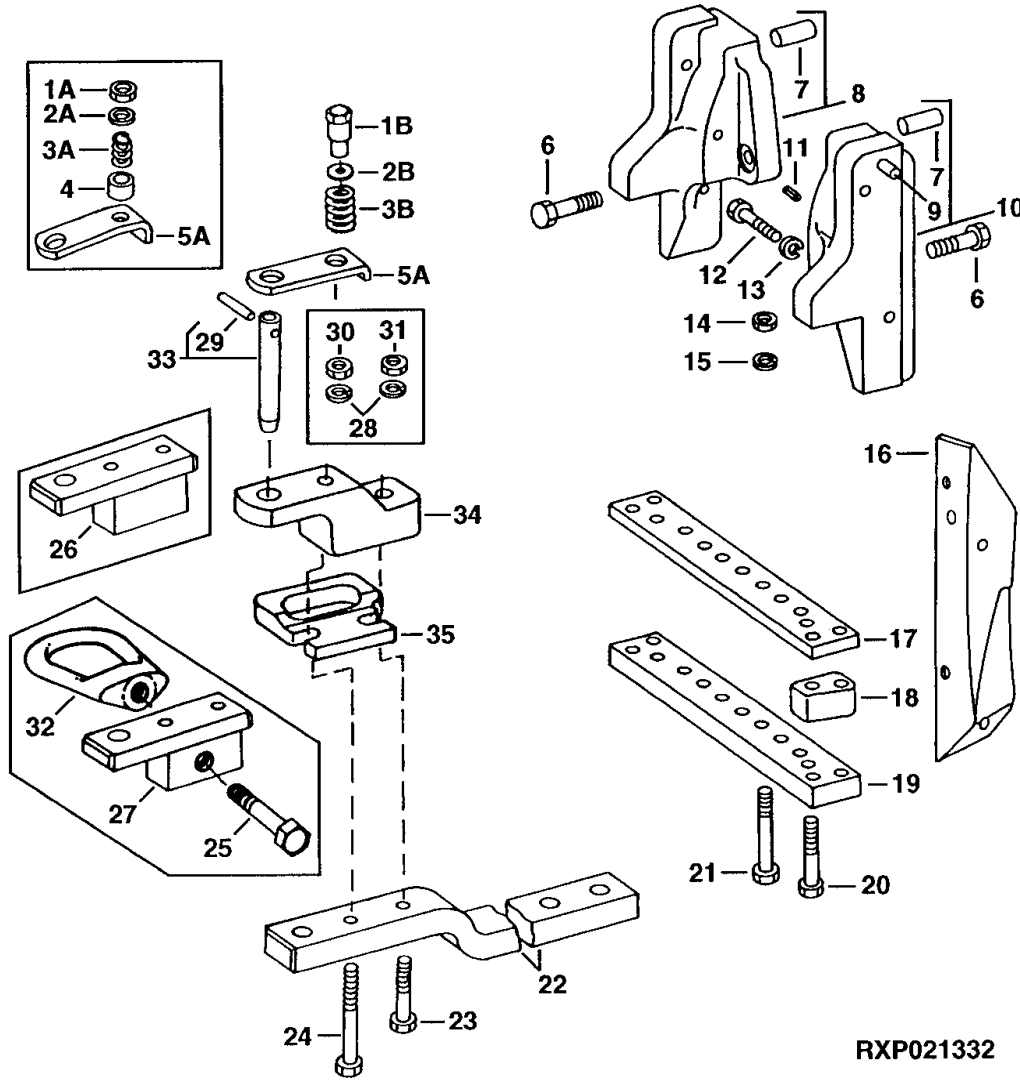
KEY	PART NO.	PART NAME	QTY	TRACTOR SERIAL NO.	REMARKS
1	R43319	PIN	1		
2	34H279	SPRING PIN	1	3/16" X 13/16"	
3	34H391	SPRING PIN	1	5/16" X 15/16"	
4	B423R	SPRING	1		
5	R43320	PIN	1	(SUB R62760)	
6	19H2009	CAP SCREW	2	3/4" X 1-5/8"	
7	19H1425	CAP SCREW	2	3/4" X 2-3/4"	
8	B3627R	WASHER	2		
9	R35479	BUSHING	2		
10	AR43075	SUPPORT	1	-002699	
	AR55074	SUPPORT	1	002700-	

2H5

HYDRAULICS

RXP021332 -UN-31OCT95

REGULAR DRAWBAR



2H6

HYDRAULICS

REGULAR DRAWBAR - CONTINUED

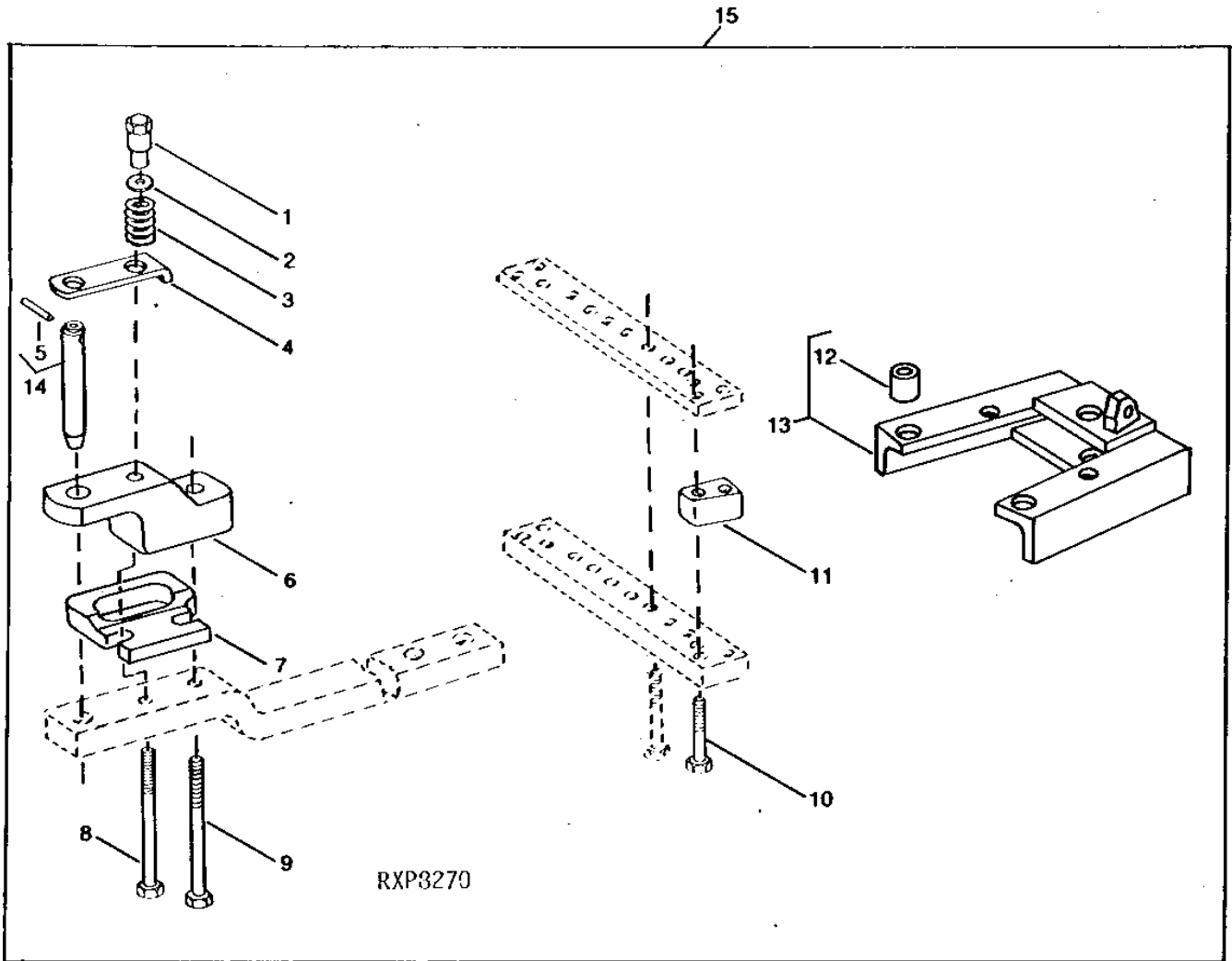
KEY	PART NO.	PART NAME	QTY	TRACTOR SERIAL NO.	REMARKS
1A	R40121	LOCK NUT	1	-002699	
1B	R54065	NUT	1	002700-	(SUB R72433)
2A	24H1395	WASHER	1	-002699	25/32" X 1-7/16" X 0.060"
2B	24H1513	WASHER	1	002700-	1-13/32" X 2" X 0.060"
3A	A350R	SPRING	1	-002699	
3B	F304R	SPRING	1	002700-	
4	R47044	BUSHING	1	-002699	
5A	R36609	RETAINER	1		(SUB R54064, R72433, F304R, 19H1988 AND 24H1513)
5B	R54064	RETAINER	1	002700-	
6	19H3333	CAP SCREW	6		7/8" X 2-3/4"
7	R35482	DOWEL PIN	4		
8	AR35862	BRACKET	1		(MARKED R36508)
9	R26277	DOWEL PIN	2		
10	AR35861	BRACKET	1		(MARKED R36507)
11	34H348	SPRING PIN	2		3/8" X 1"
12	19H1863	CAP SCREW	4		5/8" X 3"
13	12H294	LOCK WASHER	4		5/8"
14	14H794	NUT	2		3/4"
15	12H236	LOCK WASHER	2		3/4"
16	R48815	SWAY BLOCK	1		R.H.
	R48816	SWAY BLOCK	1		L.H.
17	R36272	STRAP	1		
18	R36509	SPACER	2	-002699	
	R40028	SPACER	2	002700-	
19	R36273	SUPPORT	1		
20	19H2000	CAP SCREW	4	-002699	3/4" X 5"
	19H3210	CAP SCREW	4	002700-	3/4" X 5-1/4"
21	19H2827	CAP SCREW	2		3/4" X 4-3/4"
22	R36608	DRAWBAR	1	-002699	
	R50984	DRAWBAR	1	002700-	
23	19H1988	CAP SCREW	1	-002699	3/4" X 6"
	19H3225	CAP SCREW	1	002700-	3/4" X 6-1/2"
24	19H2951	CAP SCREW	1	-002699	3/4" X 8-1/4"
	19H3225	CAP SCREW	1	002700-	3/4" X 6-1/2"
25	19H2728	CAP SCREW	1	XXXXXX-	3/4" X 3"
26	AR35912	STRAP	1	-XXXXXX	(SUB R78214, R83170, 19H3196 AND 19H3612)
27	RE19375	STRAP	1	XXXXXX-	(SUB R78214, R83170, 19H3196 AND 19H3612)
28	12H236	LOCK WASHER	2		3/4"
29	25H1191	GROOVE PIN	1		1/2" X 4", (USE WITH AR69987) (SUB FOR T56005)
30	14H794	NUT	1	-002699	3/4"
31	14H794	NUT	1		3/4"
32	R81245	SUPPORT	1	XXXXXX-	
33	AR69988	PIN	1	-002699	(1-3/8" DIA.) (SUB FOR AR937R)
	AR69987	PIN	1	002700-	(1-1/4" DIA.) (SUB FOR AR35807)
34	R78214	STRAP	1		
35	R83170	RETAINER	1		

2H7

HYDRAULICS

DRAWBAR SUPPORT KIT (REGULAR DRAWBAR) (HEAVY-DUTY)

RXP8270 -UN-01JAN94



2H8

HYDRAULICS

**DRAWBAR SUPPORT KIT - CONTINUED
(REGULAR DRAWBAR)
(HEAVY-DUTY)**

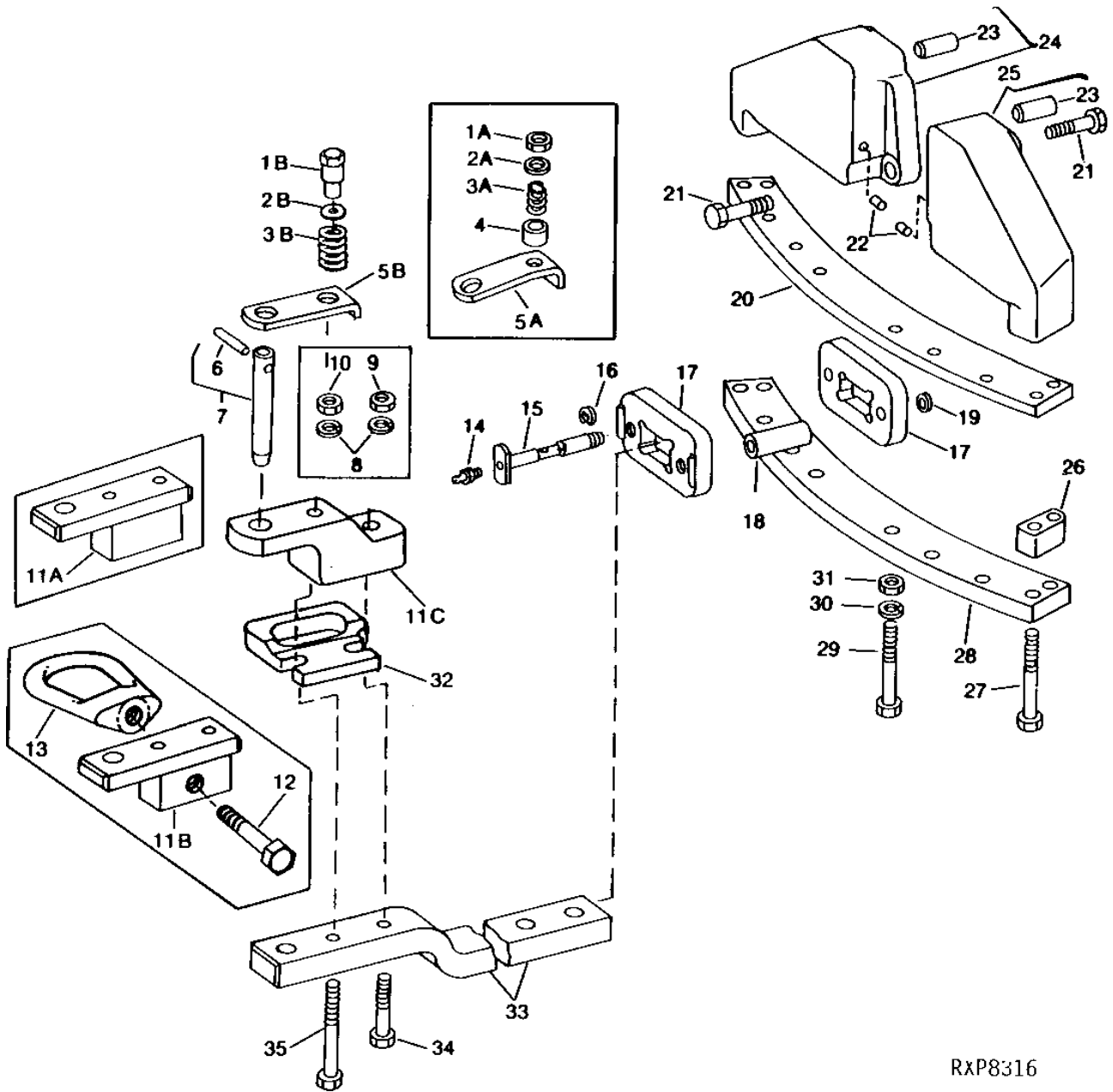
KEY	PART NO.	PART NAME	QTY	TRACTOR SERIAL NO.	REMARKS
1	R72433	NUT	1		
2	24H1513	WASHER	1		
3	F304R	SPRING	1		1-13/32" X 2" X 0.060"
4	R54064	RETAINER	1		
5	25H1191	GROOVE PIN	1		1/2" X 4", (SUB FOR T56005)
6	R80447	STRAP	1		
7	R105478	RETAINER	1		
8	19H3225	CAP SCREW	1		3/4" X 6-1/2"
9	19H2825	CAP SCREW	1		3/4" X 4-1/4"
10	19H3219	CAP SCREW	4		3/8" X 1-3/8"
11	R40028	SPACER	2		
12	R35479	BUSHING	2		
13	AR55074	SUPPORT	1		
14	AR69987	PIN	1		
15	AR71026	SUPPORT	1		

2H9

HYDRAULICS

RXP8316 -UN-01JAN94

WIDE SWING DRAWBAR



RXP8316

2H10

HYDRAULICS

WIDE SWING DRAWBAR - CONTINUED

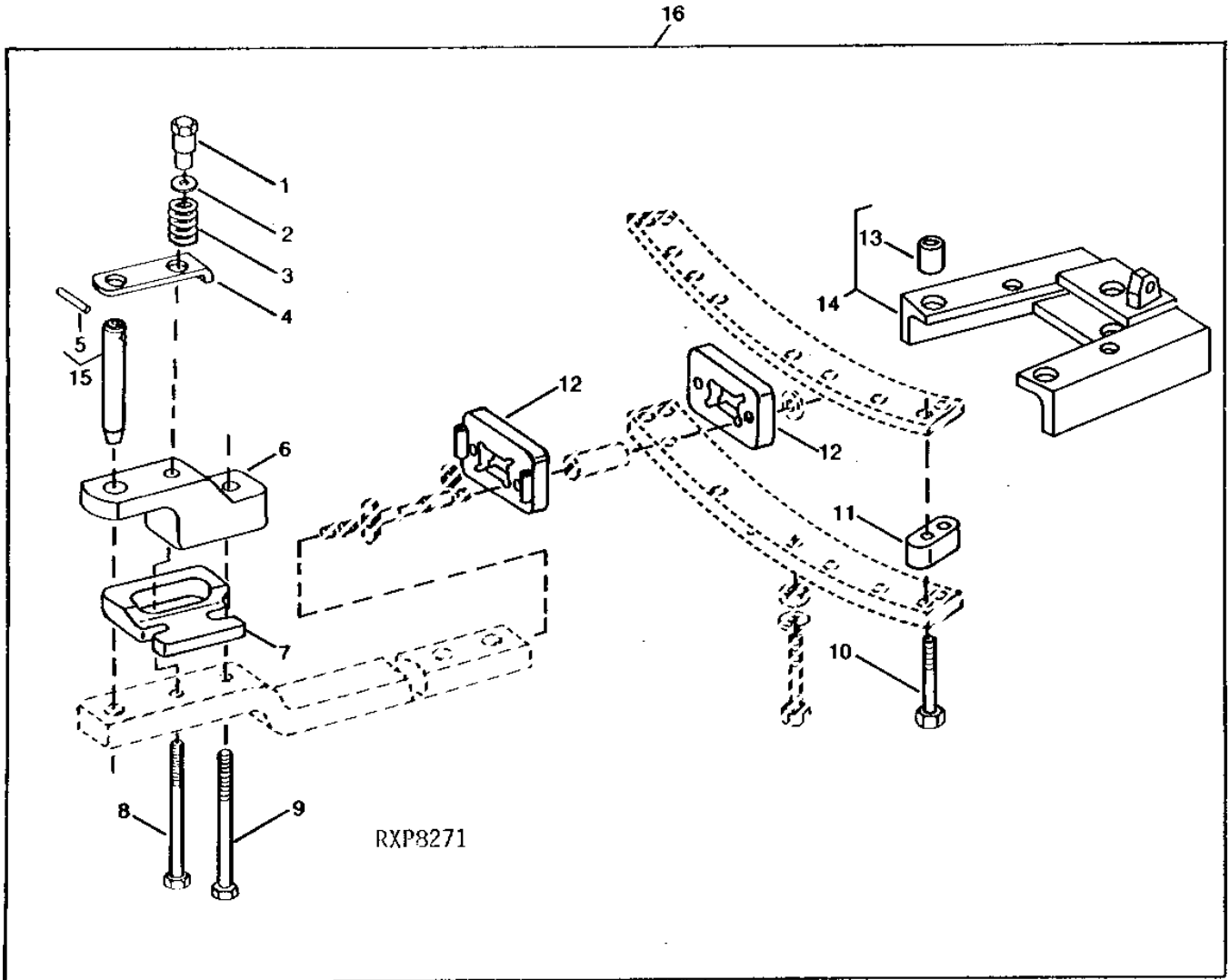
KEY	PART NO.	PART NAME	QTY	TRACTOR SERIAL NO.	REMARKS
1A	R40121	LOCK NUT	1	-002699	
1B	R54065	NUT	1	002700-	(SUB R72433)
2A	24H1395	WASHER	1	-002699	25/32" X 1-7/16" X 0.060"
2B	24H1513	WASHER	1	002700-	1-13/32" X 2" X 0.060"
3A	A350R	SPRING	1	-002699	
3B	F304R	SPRING	1	002700-	
4	R47044	BUSHING	1	-002699	
5A	R36609	RETAINER	1	-002699	(SUB R54064, R72433, F304R, 19H1988 AND 24H513)
5B	R54064	RETAINER	1	002700-	
6	25H1191	GROOVE PIN	1		1/2" X 4", (USE WITH AR69987) (SUB FOR T56005)
7	AR937R	PIN	1	-002699	(SUB AR69988)
	AR69987	PIN	1	002700-	(SUB FOR AR35807)
8	12H312	LOCK WASHER	2	-002699	3/4"
9	14H794	NUT	1	-002699	3/4"
10	14H794	NUT	1	-002699	3/4"
11A	AR35912	STRAP	1	-002699	(SUB R78214, R105478, 19H3196 AND 19H3612)
11B	AR53877	STRAP	1	002700-XXXXXX	(SUB R80447, R105478, 19H2825 AND 19H3225)
11C	R80447	STRAP	1	XXXXXX-	
12	19H2728	CAP SCREW	1	XXXXXX-XXXXXX	3/4" X 3"
13	R81245	SUPPORT	1	XXXXXX-XXXXXX	
14	JD7759	LUBRICATION FITTING	2		
15	AR61656	PIN	2		(SUB FOR AR44820)
16	R73380	SNAP RING	2		(SUB FOR A369R)
17	R52390	HANGER	2	-002699	(SUB FOR R35838)
	R49879	HANGER	2	002700-	
18	R54141	BUSHING	2		(SUB FOR R35839)
19	R42660	WASHER	2		
20	R35483	SUPPORT	1		(SUB R83112)
21	19H2089	CAP SCREW	6		7/8" X 2-3/4"
22	34H348	SPRING PIN	2		3/8" X 1"
23	R35482	DOWEL PIN	4		
24	AR71405	BRACKET	1		(MARKED R35468) (SUB FOR AR35527)
25	AR71404	BRACKET	1		(MARKED R35467) (SUB FOR AR35526)
26	R35835	SPACER	2	-002699	
	R49878	SPACER	2	002700-	
27	19H2000	CAP SCREW	4	-002699	3/4" X 5"
	19H3210	CAP SCREW	4	002700-	3/4" X 5-1/4"
28	R35476	SUPPORT	1		(SUB R83111)
29	19H2827	CAP SCREW	2		3/4" X 4-3/4"
30	12H236	LOCK WASHER	2		3/4"
31	14H794	NUT	2		3/4"
32	R83170	RETAINER	1		
33	R36608	DRAWBAR	1	-002699	
	R50984	DRAWBAR	1	002700-	
34	19H1988	CAP SCREW	1	-002699	3/4" X 6"
	19H3225	CAP SCREW	1	002700-	3/4" X 6-1/2"
35	19H2951	CAP SCREW	1	-002699	3/4" X 8-1/4"
	19H3225	CAP SCREW	1	002700-	3/4" X 6-1/2"

2H11

HYDRAULICS

DRAWBAR SUPPORT KIT
(WIDE SWING DRAWBAR)
(HEAVY-DUTY)

RXP8271 -UN-01JAN94



2H12

HYDRAULICS

**DRAWBAR SUPPORT KIT - CONTINUED
(WIDE SWING DRAWBAR)
(HEAVY-DUTY)**

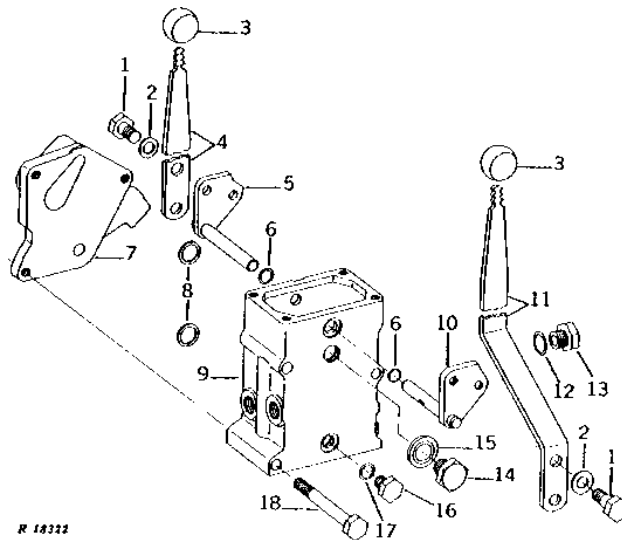
KEY	PART NO.	PART NAME	QTY	TRACTOR SERIAL NO.	REMARKS
1	R72433	NUT	1		
2	24H1513	WASHER	1		
3	F304R	SPRING	1		1-13/32" X 2" X 0.060"
4	R54064	RETAINER	1		
5	25H1191	GROOVE PIN	1		1/2" X 4", (SUB FOR T56005)
6	R80447	STRAP	1		
7	R105478	RETAINER	1		
8	19H3225	CAP SCREW	1		3/4" X 6-1/2"
9	19H2825	CAP SCREW	1		3/4" X 4-1/4"
10	19H3219	CAP SCREW	4		3/8" X 1-3/8"
11	R49878	SPACER	2		
12	R49879	HANGER	2		
13	R35479	BUSHING	2		
14	AR55074	SUPPORT	1		
15	AR69987	PIN	1		
16	AR71025	SUPPORT	1		

2H13

HYDRAULICS

SELECTIVE CONTROL VALVE LEVERS AND ARMS
(TRACTOR SERIAL NO. -001816)

R18322 -UN-01JAN94



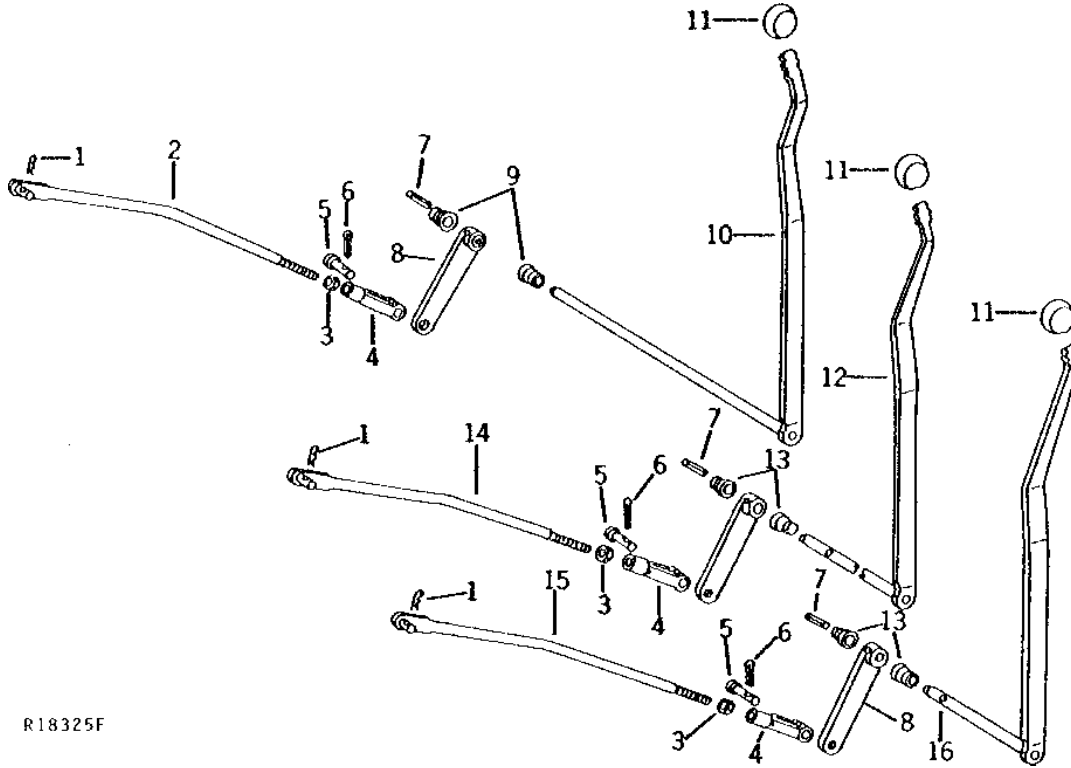
KEY	PART NO.	PART NAME	QTY	TRACTOR SERIAL NO.	REMARKS
1	19H1895	CAP SCREW	2	1/2" X 3/4"	
2	24H1625	WASHER	1	17/32" X 1" X 0.120"	
3	T22883	GRIP	2		
4	T25692	LEVER	1		
5	AR39158	ARM	1		
6	R394R	O-RING	2		(SUB R65287, THIS APPLICATION)
7	R39289	COVER	1		
8	R26149	PACKING	4		
9	AR40828	HOUSING	1	-XXXXXX	(MARKED R40599) (SUB AR83549, AR85628 AND R65289)
	AR83549	HOUSING	1	XXXXXX-	(MARKED R65504)
10	AR39157	ARM	1		
11	T23069	LEVER	1		
12	R26375	O-RING	2		
13	R39112	FITTING	2		
14	R41155	PLUG	1		
15	AR26697	SEALING WASHER	1		
16	R27218	FITTING PLUG	1		
17	R26448	O-RING	1		
18	19H3328	CAP SCREW	3	3/8" X 6-1/2"	
..	AR93948	STRAP	1		SELECTIVE CONTROL VALVE ADJUSTABLE

2H14

HYDRAULICS

R18325 -UN-01JAN94

SELECTIVE CONTROL LEVERS AND LINKAGES (TRACTOR SERIAL NO. 001817-)



R18325F

KEY	PART NO.	PART NAME	QTY	TRACTOR SERIAL NO.	REMARKS
1	R46528	SPRING LOCKING PIN	1		
2	AR54412	ROD	1	(A)	
3	14H650	NUT	1	5/16"	
4	R42282	YOKE	1	(SUB R82766 AND T54033)	
5	R72660	PIN	1	(SUB FOR R662R)	
6	11M7079	COTTER PIN	1	0.098" X 0.472"	
7	34H312	SPRING PIN	1	1/4" X 1"	
8	AR57239	ARM	1	(SUB FOR AR54409)	
9	R42093	GROMMET	2		
10	AR54407	LEVER	1	-002699 (A)	
	AR57242	LEVER	1	002700- (A)	
11	R44695	KNOB	1	-002699 (A) (C)	
	R41387	KNOB	1	-002699 (B)	
	R52690	GRIP	1	002700- (A)	
	R52691	GRIP	1	002700- (B)	
	R52692	GRIP	1	002700- (C)	
12	AR54408	LEVER	1	-002699 (B)	
	AR57243	LEVER	1	002700- (B)	
13	R42093	GROMMET	1		
14	AR54413	ROD	1	(B)	
15	AR54414	ROD	1	(C)	
16	AR54415	LEVER	1	-002699 (C)	
	AR57244	LEVER	1	002700- (C)	
..	AR53792	STRAP	1		KIT, SELECTIVE CONTROL LEVER STOP
..	AR55421	SPRING	1		(SUB R51302)

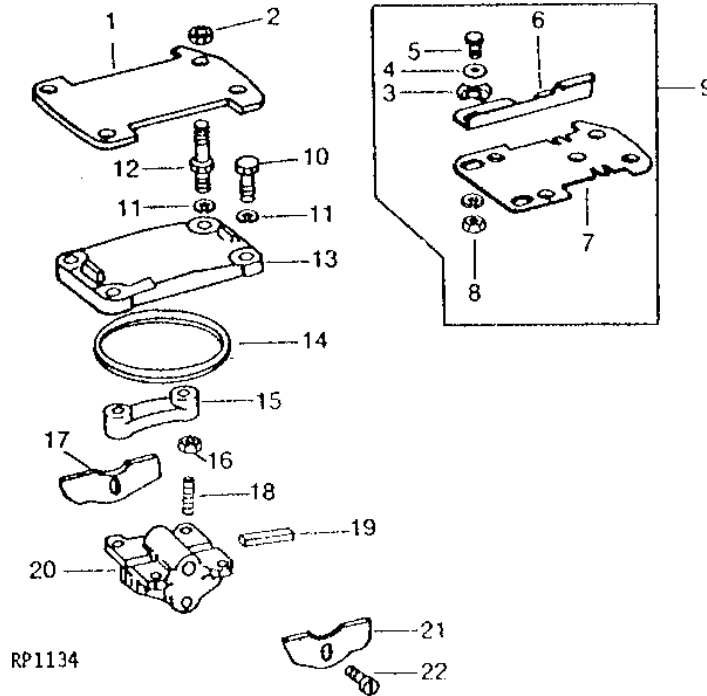
(A) SINGLE
(B) DUAL
(C) TRIPLE

2H15

HYDRAULICS

SELECTIVE CONTROL VALVE COVER AND ROCKER (MODEL NO. 19SCI AND 20SCI)

RP1134 -UN-01JAN94



RP1134

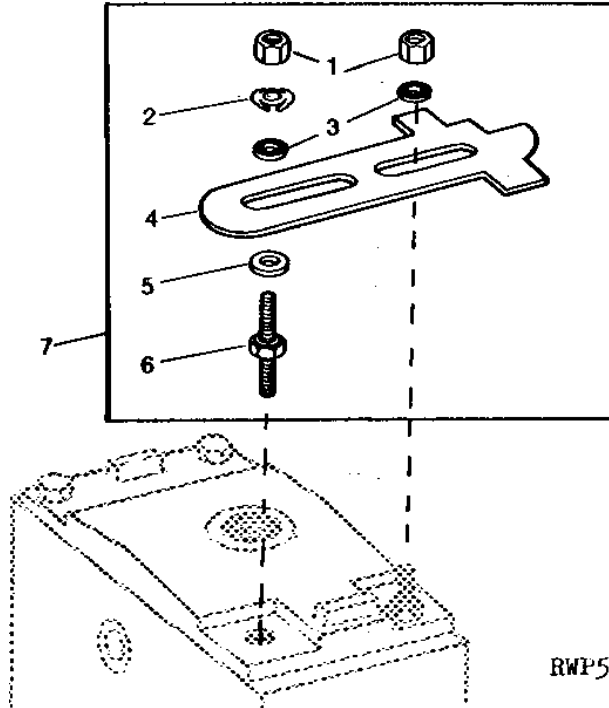
KEY	PART NO.	PART NAME	QTY	TRACTOR SERIAL NO.	REMARKS
1	T22996	ADJUSTING STRAP	1	-001816	
2	14H732	NUT	2	-001816	3/8"
3	T25804	LOCK WASHER	1	-001816	
4	24H1320	WASHER	1	-001816	29/64" X 3/4" X 0.035"
5	T25803	CAP SCREW	1	-001816	
6	T29519	LOCK PLATE	1	-001816	
7	T29518	PLATE	1	-001816	
8	14H785	NUT	1	-001816	5/16"
	12H303	LOCK WASHER	1	-001816	5/16"
9	AT29222	LOCK	1	-001816	(SUB RE19419)
10	19H1731	CAP SCREW	4		3/8" X 1"
11	12H304	LOCK WASHER	4		3/8"
12	R39225	STUD	2	-001816	
13	R27593	COVER	1		(SUB R49186 AND R49187)
14	R26544	WASHER	1		(USE WITH R27593)
	R49187	WASHER	1		(USE WITH R49186)
15	R49221	RETAINER	2	XXXXXX-	
16	14H850	NUT	4	-XXXXXX	1/4"
17	R51414	CAM	1		(SUB FOR R41931)
18	22H1012	SET SCREW	4	-XXXXXX	1/4" X 3/4", (SUB (4) 22H1025 AND (2) R49221)
	22H1025	SET SCREW	4	XXXXXX-	1/4" X 7/8"
19	34H297	SPRING PIN	1		7/32" X 1"
20	R40898	ROCKER	1		(SUB R51412, R51413, (2) R28744, R51414 AND R51415)
21	R51415	CAM	1		(SUB FOR R41932)
22	R27233	SCREW	2		

2H16

HYDRAULICS

RWP5608 -UN-01JAN94

SELECTIVE CONTROL VALVE LEVER LOCK



RWP5608

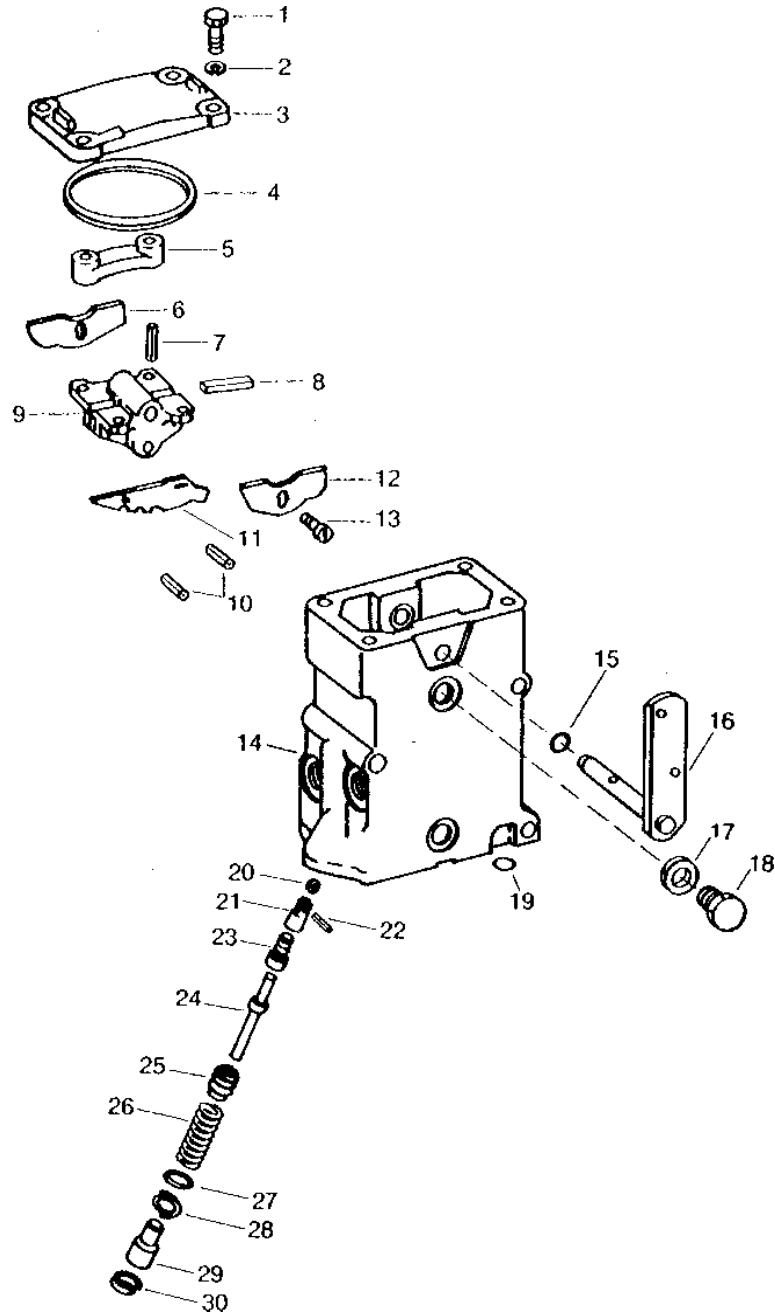
KEY	PART NO.	PART NAME	QTY	TRACTOR SERIAL NO.	REMARKS
1	K40003	LOCK NUT	2		(SUB FOR R41564, THIS APPLICATION)
2	T25804	LOCK WASHER	1		
3	R52921	WASHER	2		
4	R81293	LOCK PLATE	1		
5	24H1305	WASHER	1		13/32" X 13/16" X 0.065"
6	R39225	STUD	1		
7	RE19419	LOCK	1		

2H17

HYDRAULICS

RP1142 -UN-01JAN94

SELECTIVE CONTROL VALVE HOUSING AND PARTS



RP1142

2H18

HYDRAULICS

SELECTIVE CONTROL VALVE HOUSING AND PARTS - CONTINUED

KEY	PART NO.	PART NAME	QTY	TRACTOR SERIAL NO.	REMARKS
1	19H1731	CAP SCREW	4		3/8" X 1"
2	12H304	LOCK WASHER	4		3/8"
3	R49186	COVER	1		
4	R49187	WASHER	1		
5	R49221	RETAINER	2		
6	22H1025	SET SCREW	4		1/4" X 7/8"
7	R51414	CAM	1		
8	R56504	SPRING PIN	1		
9	R51412	ROCKER	1		
10	R28744	PIN	2		
11	R51413	CAM	1		
12	R51415	CAM	1		
13	R27233	SCREW	2		
14	AR40828	HOUSING	1	-XXXXXX	(MARKED R40599) (SUB AR83549, AR85628 AND R65289)
	AR83549	HOUSING	1	XXXXXX-	(MARKED R65504)
15	R394R	O-RING	1		(SUB R65287, THIS APPLICATION)
16	AR54411	ARM	1		(SINGLE)
	AR54410	ARM	1		(DUAL AND TRIPLE)
17	AR26697	SEALING WASHER	1		
18	R41155	PLUG	1		
19	R26149	PACKING	AR		(5 USED DUAL) (7 USED TRIPLE)
20	R51409	SPACER	1		(SUB FOR R41613)
21	R45016	FOLLOWER	1		(SUB R51410, R51409 AND R51411)
22	R51411	PIN	1		
23	R48978	GUIDE	1		
24	R55398	PIN	1		(SUB FOR R48981)
25	R48980	PISTON	1		
26	R41055	SPRING	1		
27	B2762R	O-RING	1		
28	R26546	BACK-UP RING	1		
29	R55397	GUIDE	1		(ALSO ORDER R55398) (SUB FOR R48979)
30	R46722	SNAP RING	1		
..	T20229	WASHER	4	-002316	

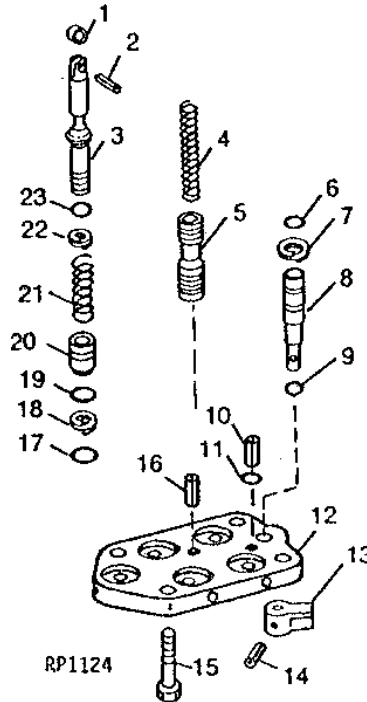
MEMORANDA

2H19

HYDRAULICS

SELECTIVE CONTROL VALVE POPPET, METERING AND FLOW CONTROL VALVE (EARLY DESIGN)

RP1124 -UN-01JAN94



KEY	PART NO.	PART NAME	QTY	TRACTOR SERIAL NO.	REMARKS
1	R51409	SPACER	4	(SUB FOR R41613)	
2	34H242	SPRING PIN	4	1/8" X 7/16"	
3	AR86535	VALVE	4	(SUB FOR AR45647, AR52629, AR56120 OR AR78396)	
4	R41549	SPRING	1		
5	R52549	SHUT-OFF VALVE	1	(SUB FOR R41154)	
6	P46051	O-RING	1		
7	R40937	BACK-UP RING	1		
8	R41333	VALVE	1	(SUB R52547 AND R52549)	
9	R41339	SHIM	1		
10	34H275	SPRING PIN	1	3/16" X 1/2"	
11	R34812	O-RING	1		
12	AR40688	COVER	1		
13	R41338	ARM	1	(SUB R62652)	
14	34H231	SPRING PIN	1	3/32" X 3/4"	
15	19H246	CAP SCREW	3	-001816 3/8" X 1-3/4"	
	19H1731	CAP SCREW	5	-001816 3/8" X 1"	
	19H1731	CAP SCREW	AR	001817- 3/8" X 1", (8 USED DUAL) (12 USED TRIPLE)	
	12H304	LOCK WASHER	5	-001816 3/8"	
	12H304	LOCK WASHER	AR	001817- 3/8", (8 USED DUAL) (12 USED TRIPLE)	
16	34H284	SPRING PIN	1	3/16" X 1-1/4"	
17	R26149	PACKING	6		
18	R41057	BACK-UP RING	4		
19	R27166	O-RING	4		
20	R66416	BUSHING	4	(SUB FOR R41156, THIS APPLICATION)	
21	R65501	SPRING	2	(SUB FOR R41055, THIS APPLICATION)	
	R65502	SPRING	2	(SUB FOR R44310)	
22	R26484	BACK-UP RING	AR	(4 USED PRESSURE VALVE) (2 USED RETURN VALVE)	
23	R65286	O-RING	AR	(4 USED PRESSURE VALVE) (2 USED RETURN VALVE) (SUB FOR A3917R, THIS APPLICATION)	

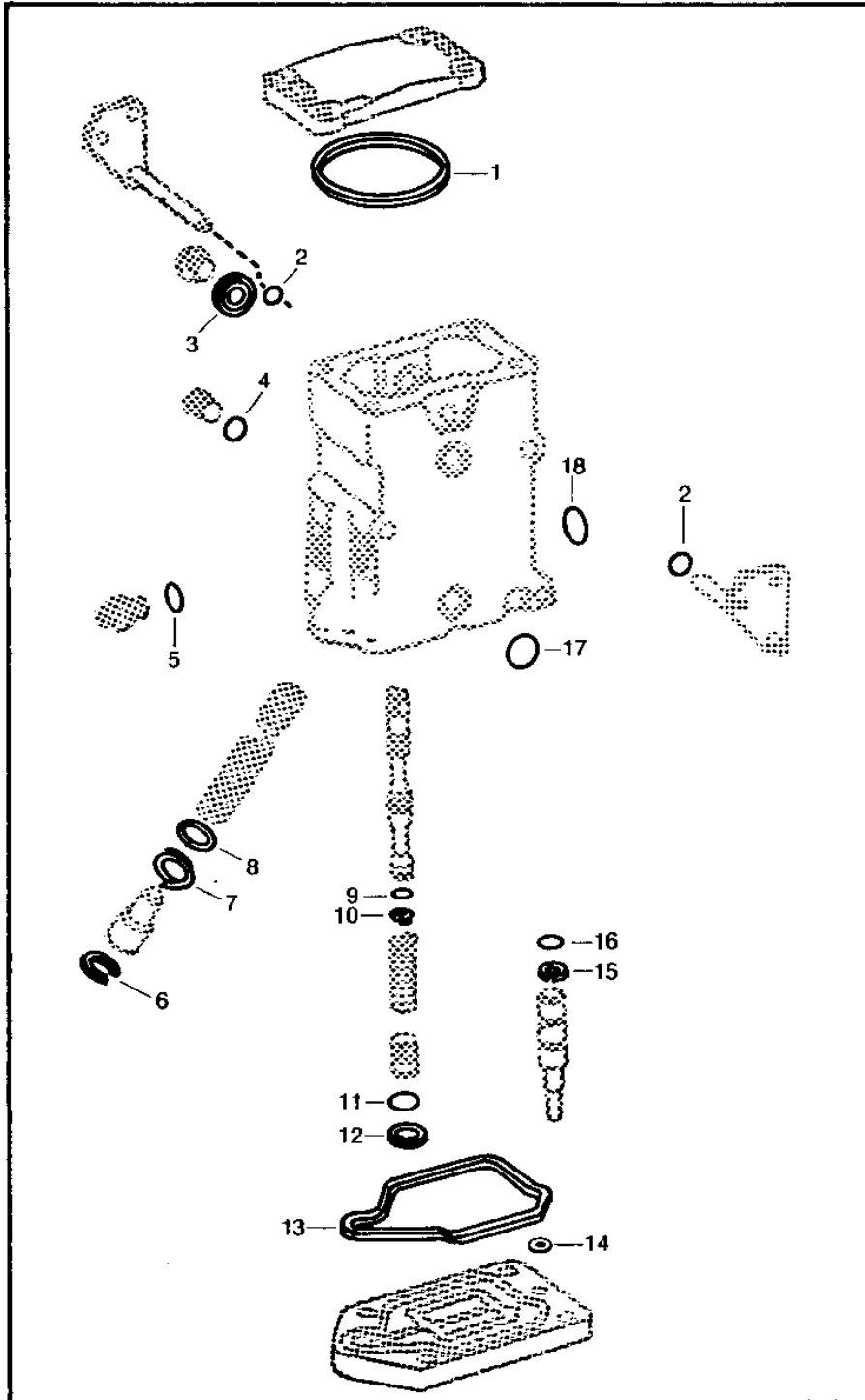
2H20

HYDRAULICS

RP578

-UN-01JAN94

SELECTIVE CONTROL VALVE OVERHAUL KIT



2H21

HYDRAULICS

SELECTIVE CONTROL VALVE OVERHAUL KIT - CONTINUED

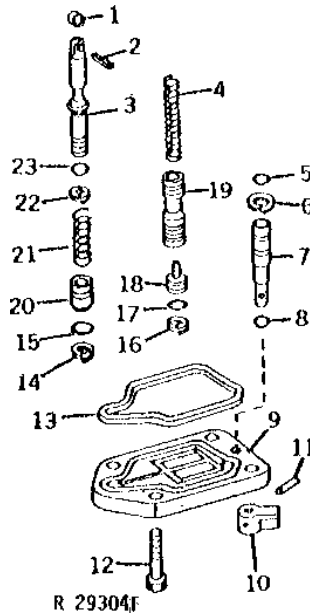
KEY	PART NO.	PART NAME	QTY	TRACTOR SERIAL NO.	REMARKS
1	R49187	WASHER	1		
2	R65287	O-RING	2		
3	AR26697	SEALING WASHER	1		
4	R26448	O-RING	1		
5	R26375	O-RING	2		
6	R46722	SNAP RING	1		
7	R26546	BACK-UP RING	1		
8	B2762R	O-RING	1		
9	R65286	O-RING	AR		(4 USED PRESSURE) (2 USED RETURN)
10	R26484	BACK-UP RING	AR		(4 USED PRESSURE) (2 USED RETURN)
11	R27166	O-RING	4		
12	R41057	BACK-UP RING	4		
13	R74695	WASHER	1		
14	R41339	SHIM	1		
15	R40937	BACK-UP RING	1		
16	P46051	O-RING	1		
17	R26448	O-RING	1		
18	R26149	PACKING	1		
19	RE10924	KIT	1		(INCLUDES R26544) (SUB FOR AR82571)

2H22

HYDRAULICS

SELECTIVE CONTROL VALVE POPPET, METERING AND FLOW CONTROL VALVE (LATE DESIGN)

R29304 -UN-01JAN94



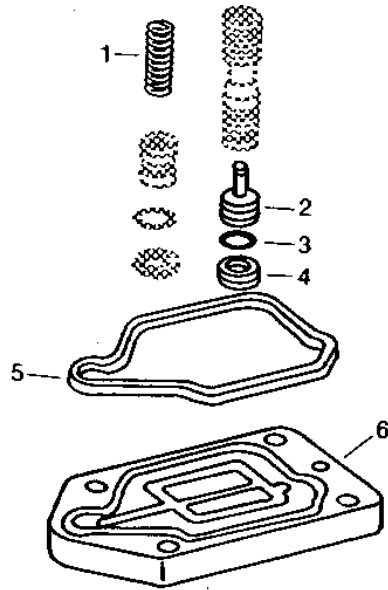
KEY	PART NO.	PART NAME	QTY	TRACTOR SERIAL NO.	REMARKS
1	R51409	SPACER	4		
2	34H242	SPRING PIN	4	1/8" X 7/16"	
3	AR78396	VALVE	4		
4	R41549	SPRING	1		
5	P46051	O-RING	1		
6	R40937	BACK-UP RING	1		
7	R65289	VALVE	1		
8	R41339	SHIM	1		
9	R59629	CAP	1		
10	R41338	ARM	1	(SUB R62652)	
11	34H231	SPRING PIN	1	3/32" X 3/4"	
12	19H1731	CAP SCREW	AR	3/8" X 1", (8 USED DUAL) (12 USED TRIPLE)	
13	12H304	LOCK WASHER	AR	3/8", (8 USED DUAL) (12 USED TRIPLE)	
14	R74695	WASHER	1		
15	R41057	BACK-UP RING	4		
16	R27166	O-RING	4		
17	R41057	BACK-UP RING	1		
18	R27166	O-RING	1		
19	R66916	STOP	1	(SUB FOR R65354)	
20	R52549	SHUT-OFF VALVE	1		
21	R66416	BUSHING	4		
22	R65501	SPRING	2		
23	R65502	SPRING	2		
..	R26484	BACK-UP RING	AR	(4 USED PRESSURE) (2 USED RETURN)	
..	R65286	O-RING	AR	(4 USED PRESSURE) (2 USED RETURN)	
..	AR85628	COVER	1	CAP WITH PACKINGS	

2H23

HYDRAULICS

RXP8037 -UN-01JAN94

SELECTIVE CONTROL VALVE CAP WITH PACKING



RXP8037

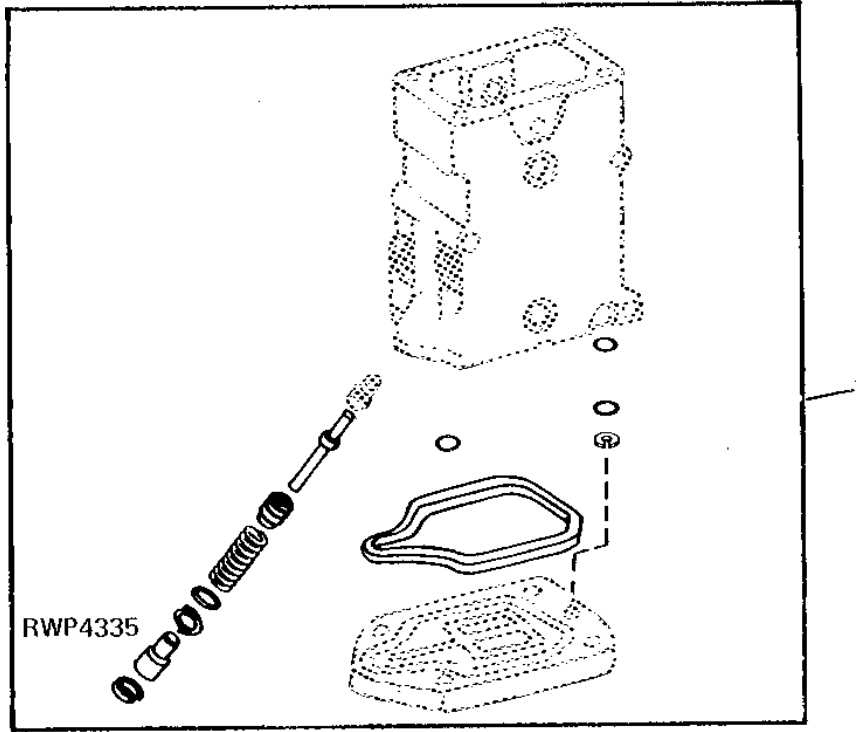
KEY	PART NO.	PART NAME	QTY	TRACTOR SERIAL NO.	REMARKS
1	R65501	SPRING	2		
	R65502	SPRING	2		RETURN PRESSURE
2	R66916	STOP	1		
3	R27166	O-RING	1		
4	R41057	BACK-UP RING	1		
5	R74695	WASHER	1		
6	R59629	CAP	1		

2H24

HYDRAULICS

RWP4335 -UN-01JAN94

SELECTIVE CONTROL VALVE DETENT KIT



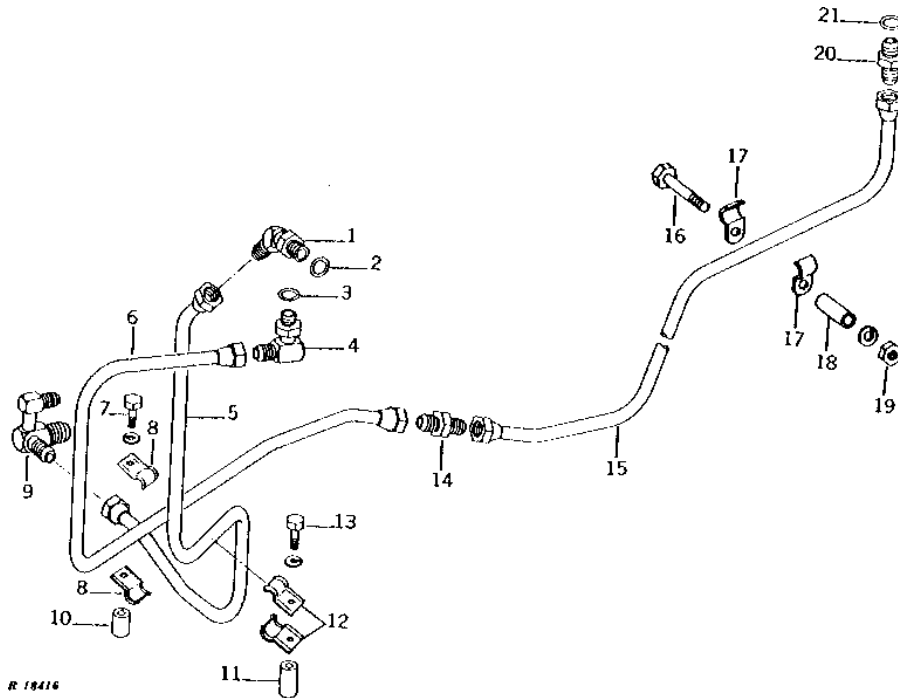
KEY	PART NO.	PART NAME	QTY	TRACTOR SERIAL NO.	REMARKS
1	AR52394	KIT	1	-002316	

2H25

HYDRAULICS

R18416 -UN-01JAN94

SELECTIVE CONTROL VALVE LINES
(TRACTOR SERIAL NO. -001816)



R 18416

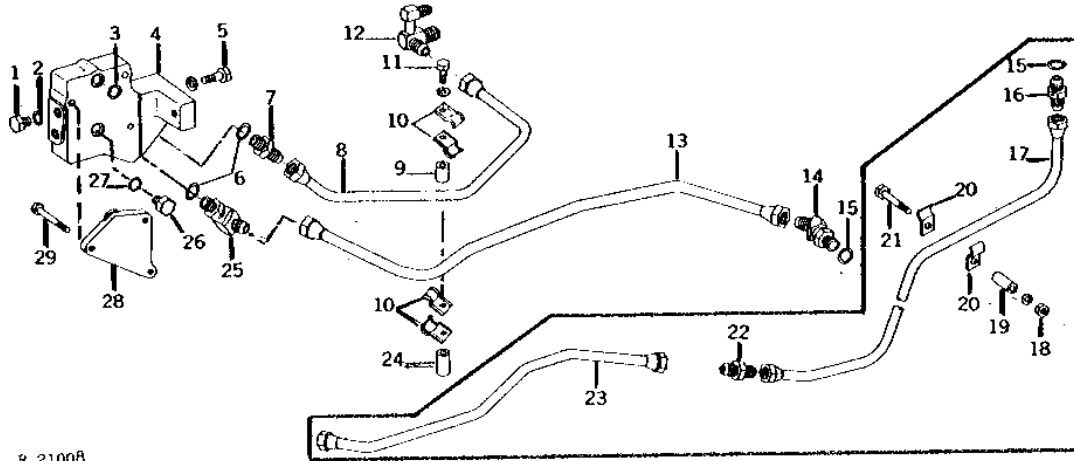
KEY	PART NO.	PART NAME	QTY	TRACTOR SERIAL NO.	REMARKS
1	AT32338	FITTING	1		45°, (SUB FOR AR26828)
2	R26906	O-RING	1		
3	R26375	O-RING	1		
4	AR30110	ELBOW FITTING	1		90°
5	AR51081	HYDRAULIC LINE	1		
6	AR51080	HYDRAULIC LINE	1		
7	19H268	CAP SCREW	1		3/8" X 2-1/2"
	12H304	LOCK WASHER	1		3/8"
8	R47576	CLAMP	2		
9	AR51128	TEE FITTING	1		
10	28H1497	BUSHING	1		3/8" X 1-1/2"
11	28H1524	SPACER	1		3/8" X 7/8"
12	R47576	CLAMP	2		
13	19H246	CAP SCREW	1		3/8" X 1-3/4"
	12H304	LOCK WASHER	1		3/8"
14	R35717	FITTING	1		
15	AR50968	HYDRAULIC LINE	1		
16	19H1944	CAP SCREW	1		3/8" X 2-3/4"
17	R35726	CLAMP	2		
18	28H1685	SPACER	1		3/8" X 1-11/16"
19	14H1076	NUT	1		3/8"
	12H304	LOCK WASHER	1		3/8"
20	R27270	FITTING	1		
21	R26906	O-RING	1		

211

HYDRAULICS

R21008 -UN-01JAN94

SELECTIVE CONTROL VALVE LINES (TRACTOR SERIAL NO. 001817-)



R 21008

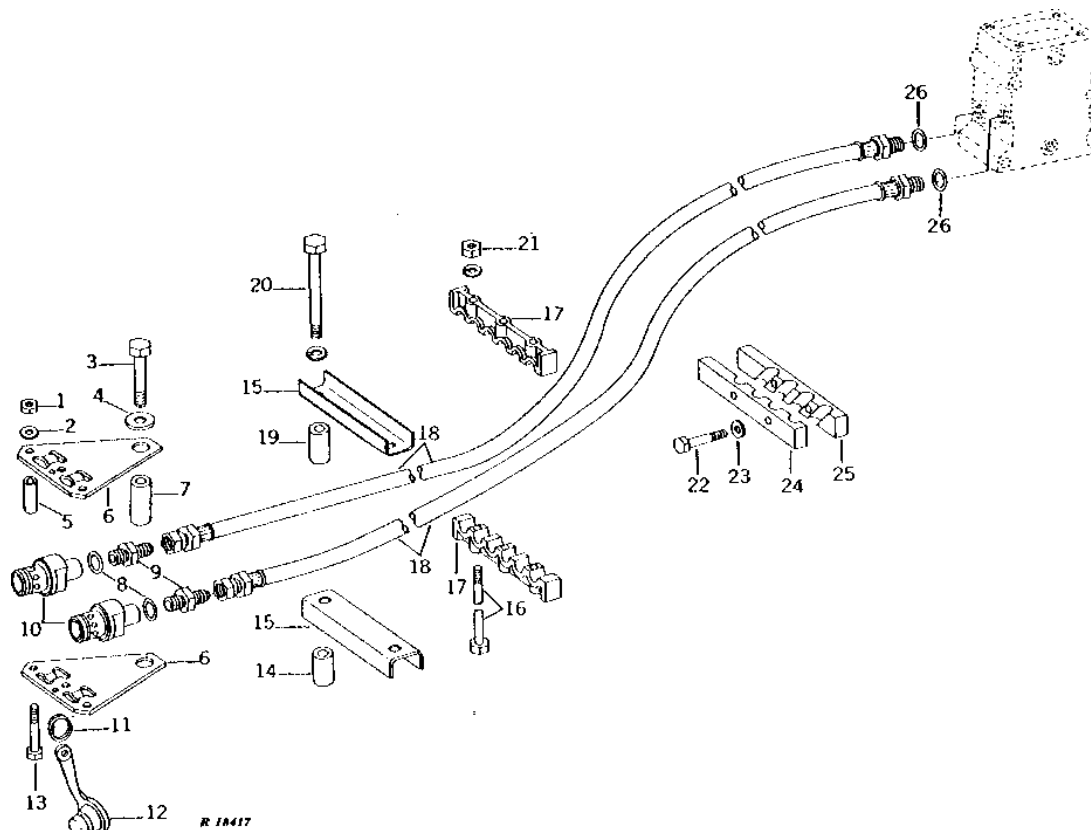
KEY	PART NO.	PART NAME	QTY	TRACTOR SERIAL NO.	REMARKS
1	R27218	FITTING PLUG	1		(2 USED LESS ROCKSHAFT)
2	R26448	O-RING	1		(2 USED LESS ROCKSHAFT)
3	R26149	PACKING	1		
4	R49513	MANIFOLD	1		
5	19H1820	CAP SCREW	2		1/2" X 3"
	12H301	LOCK WASHER	2		1/2"
6	R26906	O-RING	2		
7	R27270	FITTING	1		
8	AR54497	HYDRAULIC LINE	1		
9	28H1521	SPACER	1		3/8" X 9/16"
10	R47576	CLAMP	4		
11	19H1944	CAP SCREW	1		3/8" X 2-3/4"
	12H304	LOCK WASHER	1		3/8"
12	AR51128	TEE FITTING	1		
13	AR61669	HYDRAULIC LINE	1	002700-	
14	AT32338	FITTING	1	002700-	45°, (SUB FOR AR26828)
15	R26906	O-RING	1		
16	R27270	FITTING	1		
17	AR50968	HYDRAULIC LINE	1	-002699	
18	14H1076	NUT	1	-002699	3/8"
	12H304	LOCK WASHER	1	-002699	3/8"
19	28H1685	SPACER	1	-002699	3/8" X 1-11/16"
20	R35726	CLAMP	2	-002699	
21	19H1944	CAP SCREW	1	-002699	3/8" X 2-3/4"
22	R35717	FITTING	1	-002699	
23	AR54498	LINE	1	-002699	
24	28H1697	SPACER	1		3/8" X 3/4"
25	AT32338	FITTING	1		45°, (SUB FOR AR26828)
26	R27218	FITTING PLUG	1		
27	R26448	O-RING	1		
28	R37479	COVER	1		
29	08H4148	CAP SCREW	3		3/8" X 8-1/2", (DUAL)
	08H4496	CAP SCREW	3		3/8" X 11", (TRIPLE)

212

HYDRAULICS

SELECTIVE CONTROL VALVE REAR LINES (TRACTOR SERIAL NO. -001816)

R18417 -UN-01JAN94



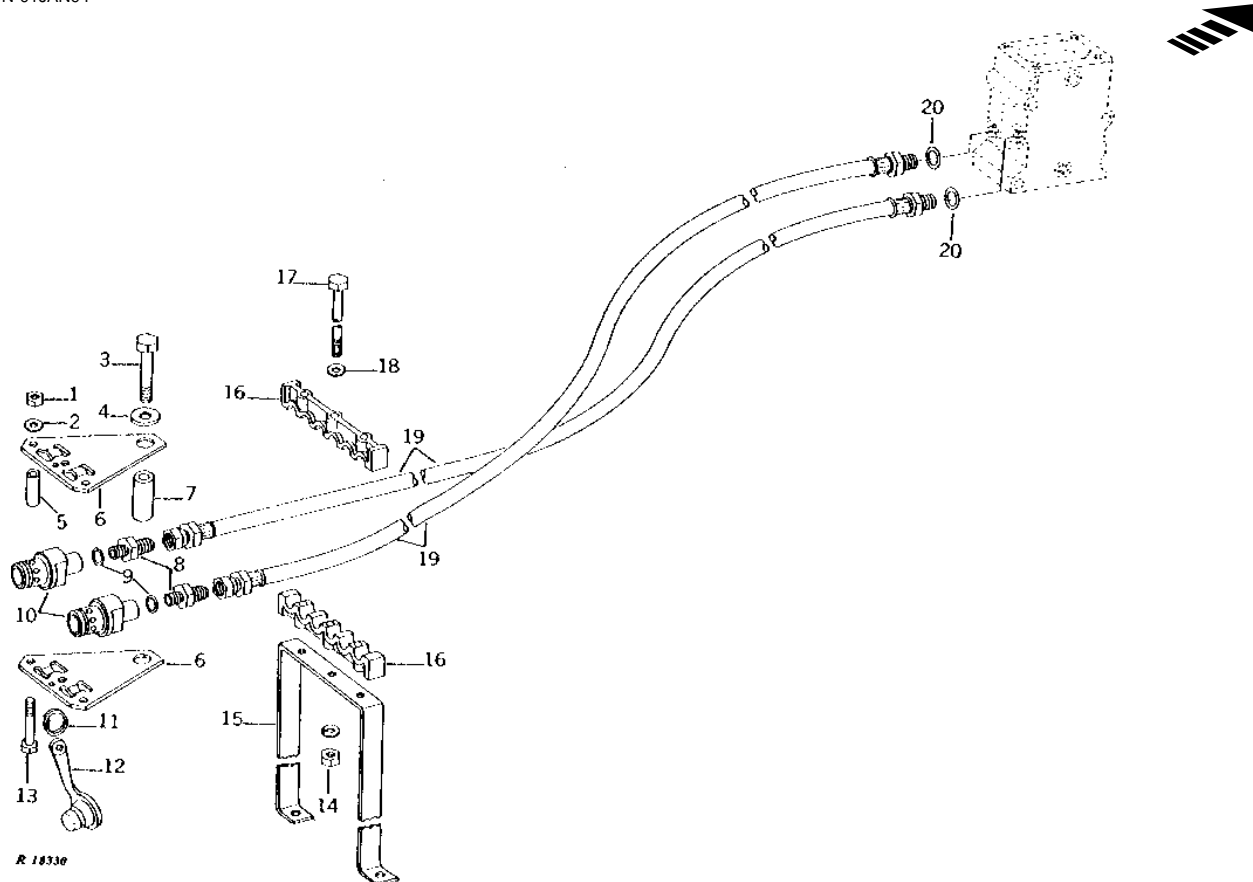
KEY	PART NO.	PART NAME	QTY	TRACTOR SERIAL NO.	REMARKS
1	14H786	NUT	6	1/4"	
2	24H1287	WASHER	6	9/32" X 5/8" X 0.065"	
3	19H1974	CAP SCREW	2	1/2" X 2-3/4"	
4	24H1211	WASHER	2	9/16" X 1-3/8" X 0.105"	
5	28H1955	BUSHING	6	1/8" X 1-15/32"	
6	R47601	PLATE	4		
7	28H1730	BUSHING	2	1/2" X 1-15/16"	
8	R26375	O-RING	4		
9	R36426	FITTING	4		
10	RECEPTACLE	1		
11	R36946	SPRING	2		
12	R32419	COVER	4		
13	19H2333	CAP SCREW	6	1/4" X 2-1/4"	
14	28H2552	SPACER	2		
15	R48577	CHANNEL	2		
16	19H1949	CAP SCREW	3	5/16" X 2-1/2"	
17	R47599	CLAMP	2		
18	AA14869	HYDRAULIC HOSE	4		
19	28H1553	SPACER	2	1/2" X 1-7/16"	
20	19H3586	CAP SCREW	2	1/2" X 4-1/4", HS, SAE 8	
	12H301	LOCK WASHER	2	1/2"	
21	14H785	NUT	3	5/16"	
	12H303	LOCK WASHER	3	5/16"	
22	19H1949	CAP SCREW	2	5/16" X 2-1/2"	
23	24H1136	WASHER	2	11/32" X 11/16" X 0.065"	
24	R48089	CLAMP	1		
25	R48090	CLAMP	1		
26	R26375	O-RING	4		
	B3685R	O-RING	4		(TO HOLD FLEXIBLE LINES IN BUNDLE)

213

HYDRAULICS

SELECTIVE CONTROL VALVE REAR LINES (LESS ROCKSHAFT) (TRACTOR SERIAL NO. 001817-)

R18330 -UN-01JAN94



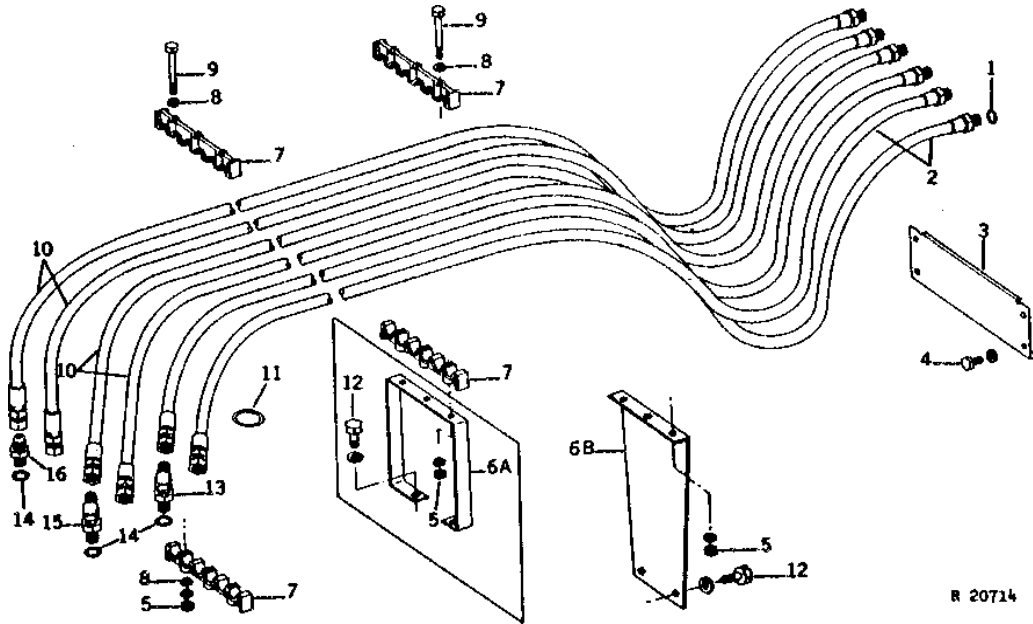
KEY	PART NO.	PART NAME	QTY	TRACTOR SERIAL NO.	REMARKS
1	14H786	NUT	6	1/4"	
2	24H1287	WASHER	6	9/32" X 5/8" X 0.065"	
3	19H1974	CAP SCREW	2	1/2" X 2-3/4"	
4	24H1211	WASHER	2	9/16" X 1-3/8" X 0.105"	
5	28H1955	BUSHING	6	1/8" X 1-15/32"	
6	R47601	PLATE	4		
7	28H1730	BUSHING	2	1/2" X 1-15/16"	
8	R27237	FITTING	4		
9	R26375	O-RING	4		
10	RECEPTACLE	1		
11	R36946	SPRING	2		
12	R32419	COVER	4		
13	19H2333	CAP SCREW	6	1/4" X 2-1/4"	
14	14H785	NUT	3	5/16"	
	12H303	LOCK WASHER	3	5/16"	
15	R50115	SUPPORT	1		
16	R47599	CLAMP	2		
17	19H1904	CAP SCREW	3	5/16" X 3"	
18	24H1136	WASHER	3	11/32" X 11/16" X 0.065"	
19	AR54424	HYDRAULIC HOSE	4		
20	R26375	O-RING	4		
	B3685R	O-RING	4		(TO HOLD FLEXIBLE LINES IN BUNDLE)

214

HYDRAULICS

**BREAKAWAY COUPLER FLEXIBLE OIL LINES
(ROCKSHAFT)
(TRACTOR SERIAL NO. 001817-)**

R20714 -UN-01JAN94



R 20714

KEY	PART NO.	PART NAME	QTY	TRACTOR SERIAL NO.	REMARKS
1	R26375	O-RING	AR		(4 USED DUAL) (6 USED TRIPLE)
2	AR54424	HYDRAULIC HOSE	2		(B)
3	R50177	PLATE	1		(B)
	R50176	PLATE	1		(A)
4	19H2020	CAP SCREW	AR		5/16" X 1/2", (5 USED DUAL) (4 USED TRIPLE)
	12H303	LOCK WASHER	AR		5/16", (5 USED DUAL) (4 USED TRIPLE)
5	14H785	NUT	6		5/16"
	12H303	LOCK WASHER	6		5/16"
6A	R50116	SUPPORT	1	-002699	
6B	R52295	SUPPORT	1	002700-	
7	R47599	CLAMP	4		
8	24H1136	WASHER	9		11/32" X 11/16" X 0.065"
9	19H1904	CAP SCREW	6		5/16" X 3"
10	AR54425	HOSE	4		
11	B3685R	O-RING	1		
12	19H444	CAP SCREW	2		1/2" X 1"
	12H301	LOCK WASHER	2		1/2"
13	AR26745	ELBOW FITTING	2		(B) 45°
14	R26375	O-RING	AR		(4 USED DUAL) (6 USED TRIPLE)
15	R27237	FITTING	2		(A)
	AR26745	ELBOW FITTING	2		(B) 45°
16	R27237	FITTING	2		

(A) DUAL
(B) TRIPLE

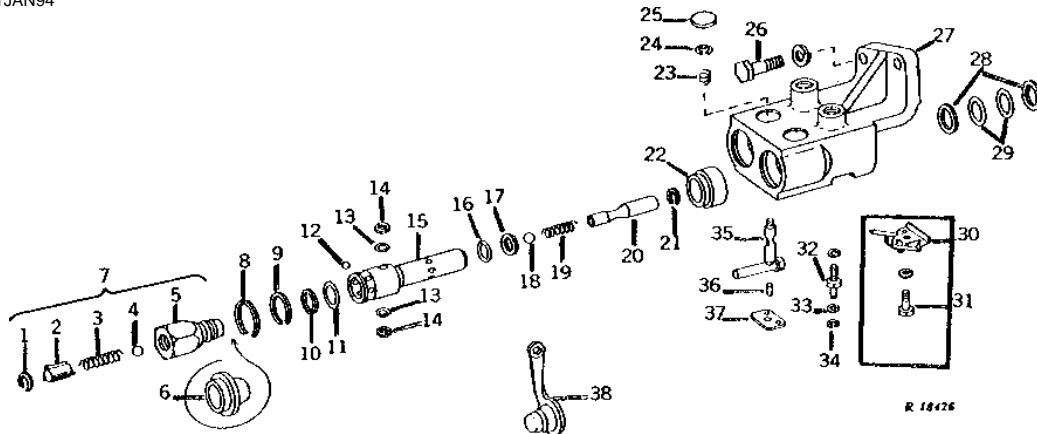
MEMORANDA

215

HYDRAULICS

R18426 -UN-01JAN94

BREAKAWAY COUPLER (ROCKSHAFT)



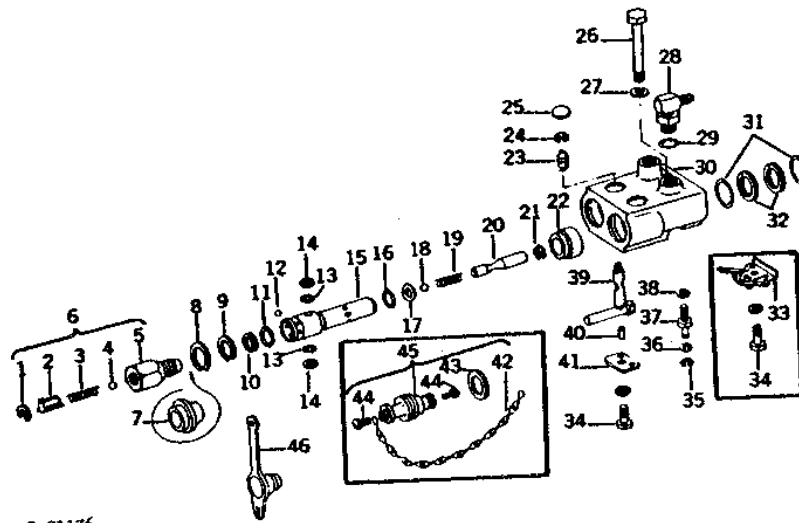
KEY	PART NO.	PART NAME	QTY	TRACTOR SERIAL NO.	REMARKS
1	R59633	WEAR RING	2		(SUB FOR R28204)
2	R28085	GUIDE	2		(SUB AR93819 OR AR93820, THIS APPLICATION)
3	R28084	SPRING	2		
4	D2361R	BALL	2		13MM (1/2")
5	R27430	HYD. QUICK-CONNECT COUPLER	2		PRESS, (SUB AR93819)
	R45630	HYD. QUICK-CONNECT COUPLER	1		RETURN, (SUB AR93820)
6	R28006	CAP	2		
7	AR93819	HYD. QUICK-CONNECT COUPLER	1		(SUB FOR AR30210)
8	R34399	SNAP RING	2		
9	R32356	SNAP RING	2		
10	R26485	BACK-UP RING	2		
11	R59343	RING	2		
12	400R	BALL	12		6MM (1/4")
13	R65286	O-RING	4		(SUB FOR A3917R, THIS APPLICATION)
14	R26484	BACK-UP RING	4		
15	R34397	SOCKET OUTLET	2		
16	R375R	O-RING	2		
17	R26482	RING	2		
18	D2361R	BALL	2		13MM (1/2")
19	R28084	SPRING	2		
20	R34400	PLUG	2		
21	R26483	SNAP RING	2		
22	R34398	SLEEVE	2		
23	R31890	SPRING	2		
24	R72653	SNAP RING	2		(SUB FOR M2396T)
25	30H15	PLUG	2		1-1/8"
26	19H2106	CAP SCREW	1		7/16" X 2-3/4", (L.H. COUPLER)
	12H293	LOCK WASHER	1		7/16"
	19H456	CAP SCREW	1		1/2" X 1-3/8", (L.H. COUPLER)
	12H301	LOCK WASHER	1		1/2"
	19H456	CAP SCREW	2		1/2" X 1-3/8", (4 USED TRIPLE)
	12H301	LOCK WASHER	2		1/2", (DUAL)
27	AR52620	HOUSING	1		(SUB FOR R34396 OR AR48295)
28	R26480	BACK-UP RING	4		(SUB R79311, THIS APPLICATION)
29	A4730R	O-RING	4		(SUB R79311, THIS APPLICATION)
30	R45618	CLIP	1	-XXXXXX	(SUB R27507, R49191, 12H303 AND 24H1283) (SUB FOR R30818)
31	19H1900	CAP SCREW	2	-XXXXXX	5/16" X 3/4"
	12H303	LOCK WASHER	2	-XXXXXX	5/16"
32	R49191	SCREW	1		
	12H301	LOCK WASHER	1		1/2"
33	24H1286	WASHER	1		9/32" X 1/2" X 1/16"
34	R27507	SNAP RING	1		
35	AR82576	LEVER	1		(SUB FOR AR41139, AR41140, AR48756 OR AR33877) (SUB AR99100)
36	34H244	SPRING PIN	2	-XXXXXX	1/8" X 9/16"
37	R51285	PLATE	1	-XXXXXX	(SUB FOR R41494) (SUB AR75958)
	AR75958	CAM	1	XXXXXX-	KIT, LATCH
38	R32419	COVER	2		
..	AR40587	BREAKAWAY COUPLER	1		

216

HYDRAULICS

R21176 -UN-01JAN94

DELUXE BREAKAWAY COUPLER (LESS ROCKSHAFT)



R 21176

**DELUXE BREAKAWAY COUPLER - CONTINUED
(LESS ROCKSHAFT)**

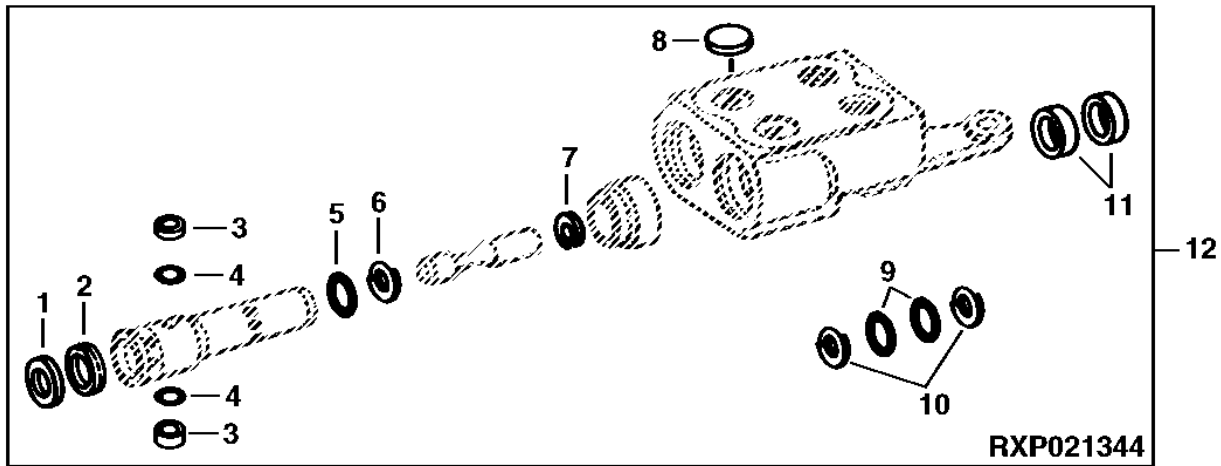
KEY	PART NO.	PART NAME	QTY	TRACTOR SERIAL NO.	REMARKS
1	R59633	WEAR RING	2		(SUB FOR R28204)
2	R28085	GUIDE	2		(SUB AR93819 OR AR93820)
3	R28084	SPRING	2		
4	D2361R	BALL	2		13MM (1/2")
5	R27430	HYD. QUICK-CONNECT COUPLER	1		(PRESSURE) (SUB AR93819)
	R45630	HYD. QUICK-CONNECT COUPLER	1		(RETURN)
6	AR93819	HYD. QUICK-CONNECT COUPLER	1		(PRESSURE) (INCLUDES R28006)
	AR93820	FITTING	1		(RETURN) (SUB FOR AR47643) (INCLUDES R28006)
7	R28006	CAP	2		
8	R34399	SNAP RING	2		
9	R32356	SNAP RING	2		
10	R26485	BACK-UP RING	2		
11	R59343	RING	2		
12	400R	BALL	12		6MM (1/4")
13	R65286	O-RING	4		(SUB FOR A3917R, THIS APPLICATION)
14	R26484	BACK-UP RING	4		
15	R34397	SOCKET OUTLET	2		
16	R375R	O-RING	2		
17	R26482	RING	2		
18	D2361R	BALL	2		13MM (1/2")
19	R28084	SPRING	2		
20	R34400	PLUG	2		
21	R26483	SNAP RING	2		
22	R34398	SLEEVE	2		
23	R31890	SPRING	2		
24	R72653	SNAP RING	2		(SUB FOR M2396T)
25	30H15	PLUG	2		1-1/8"
26	19H1781	CAP SCREW	2		1/2" X 3-1/2"
27	24H1341	WASHER	2		17/32" X 15/16" X 0.060"
28	AR31674	FITTING	2	-001816	90°
	AT32332	ELBOW FITTING	2	001817-	90°, (SUB FOR AR26763)
29	R26375	O-RING	2		
30	R47699	HOUSING	1		
31	R26480	BACK-UP RING	4		(SUB R79311, THIS APPLICATION)
32	A4730R	O-RING	4		(SUB R79311, THIS APPLICATION)
33	R45618	CLIP	1	-XXXXXX	(SUB FOR R30818) (SUB R49191, 12H303, 24H1283 AND R27507)
34	19H1900	CAP SCREW	2		5/16" X 3/4"
	12H303	LOCK WASHER	2		5/16"
35	R27507	SNAP RING	1		
36	24H1286	WASHER	1		9/32" X 1/2" X 1/16"
37	R49191	SCREW	1		
38	12H303	LOCK WASHER	1		5/16"
39	AR82576	LEVER	2		(SUB FOR AR33877) (SUB AR99100)
40	34H244	SPRING PIN	2	-XXXXXX	1/8" X 9/16"
41	R51285	PLATE	1	-XXXXXX	(SUB FOR R34402 OR R41494) (SUB AR75958, THIS APPLICATION)
	AR75958	CAM	1	XXXXXX-	KIT, LATCH
42	R49193	LINK CHAIN	2	-001816	(SUB FOR A3184R) (SUB AN163885)
43	R34589	WASHER	2	-001816	
44	37H97	SCREW	4	-001816	0.242" X 3/4"
45	AR52623	PLUG	2	-001816	(SUB FOR AR34059)
46	R32419	COVER	2	001817-	

218

HYDRAULICS

RXP021344 -UN-11OCT95

BREAKAWAY COUPLER OVERHAUL KIT



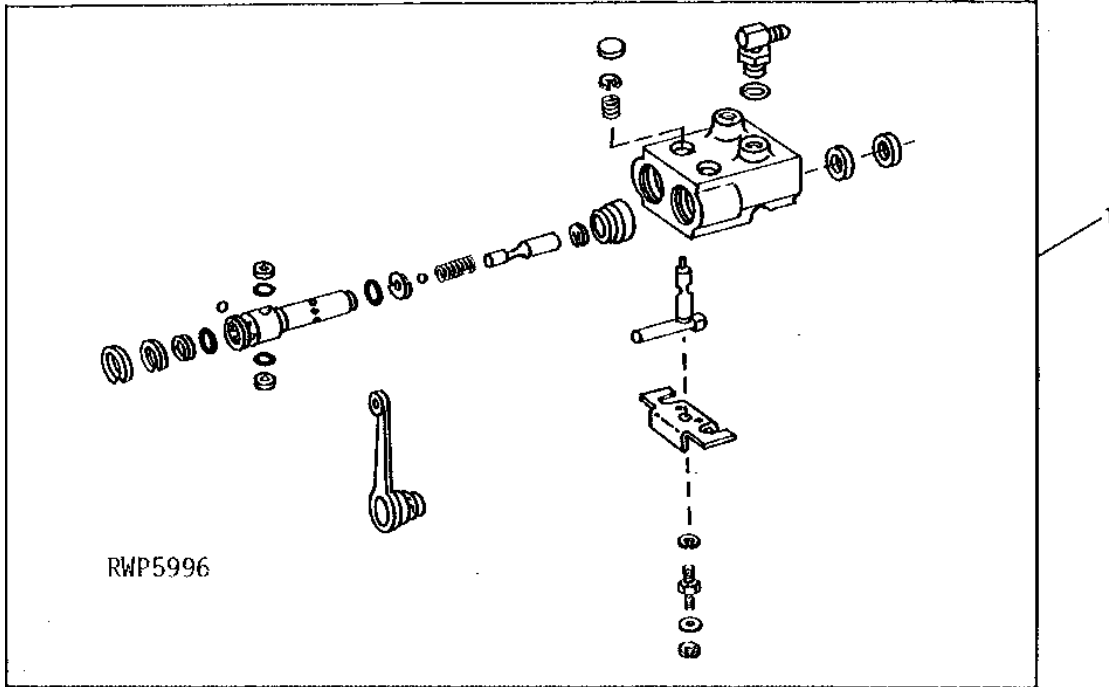
KEY	PART NO.	PART NAME	QTY	TRACTOR SERIAL NO.	REMARKS
1	R26485	BACK-UP RING	2		
2	R59343	RING	2		
3	R26484	BACK-UP RING	4		
4	R65286	O-RING	4		
5	R375R	O-RING	2		
6	R26482	RING	2		
7	R26483	SNAP RING	2		
8	30H15	PLUG	2	1-1/8"	
9	A4730R	O-RING	4		(EARLY DESIGN)
10	R26480	BACK-UP RING	4		(EARLY DESIGN)
11	R79311	SEAL	4		(LATE DESIGN) (SUB FOR R65285 OR R74530)
12	AR82570	KIT	1		

219

HYDRAULICS

BREAKAWAY COUPLER (LESS ROCKSHAFT)

RWP5996 -UN-01JAN94



KEY	PART NO.	PART NAME	QTY	TRACTOR SERIAL NO.	REMARKS
1	AR68221	BREAKAWAY COUPLER	1		

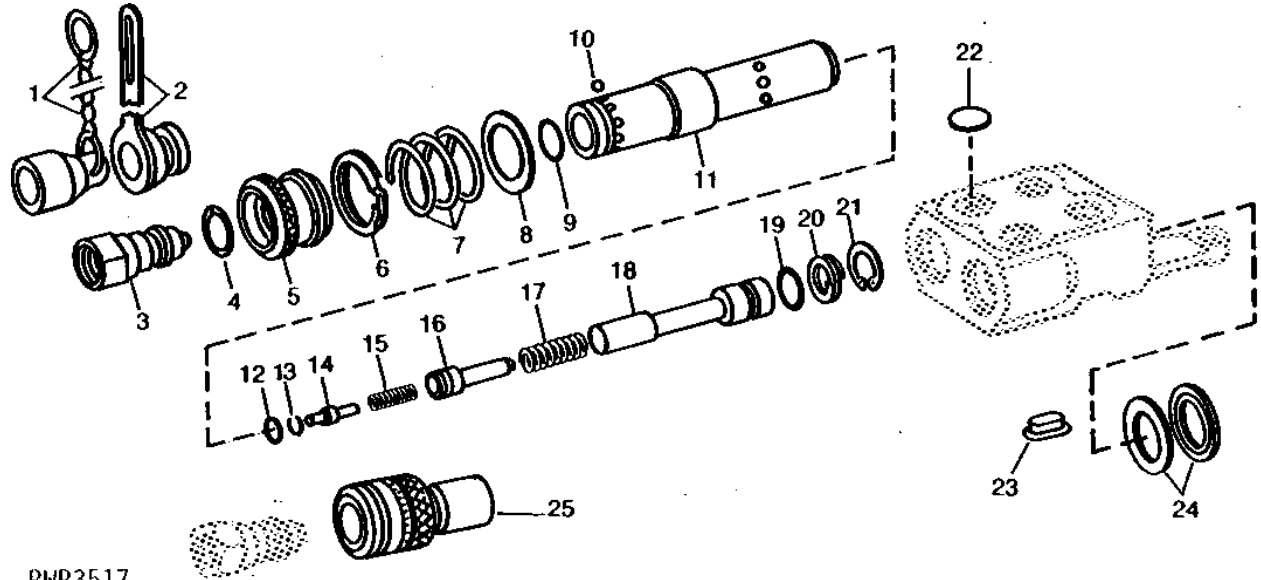
MEMORANDA

2110

HYDRAULICS

RWP3517 -UN-01JAN94

ISO BREAKAWAY COUPLER (SERVICE PARTS FOR AR80911)



RWP3517

KEY	PART NO.	PART NAME	QTY	TRACTOR SERIAL NO.	REMARKS
1	A15898	CAP	1		
2	A15899	CAP	1		
3	AR94522	INTERNAL HALF COUPLER	1		(SUB FOR AL26973)
4	R64617	SNAP RING	1		
5	R64618	SLEEVE	1		
6	R64615	SNAP RING	1		
7	R64609	SPRING	1		
8	R64608	WASHER	1		
9	R21722	O-RING	1		
10	H871R	BALL	8		5MM (3/16")
11	R64605	EXTERNAL HALF COUPLER	1		
12	R64613	O-RING	1		
13	R64614	SNAP RING	1		
14	R64612	PIN	1		
15	R64611	SPRING	1		
16	R64610	POPPET	1		
17	R64607	SPRING	1		
18	R64606	GUIDE	1		
19	R375R	O-RING	1		
20	R26482	RING	1		
21	U15969	SNAP RING	1		
22	30H15	PLUG	1		1-1/8"
23	R64561	PLUG	1		
24	R74530	SEAL	2		(SUB R79311)
25	AL26972	EXTERNAL HALF COUPLER	1		

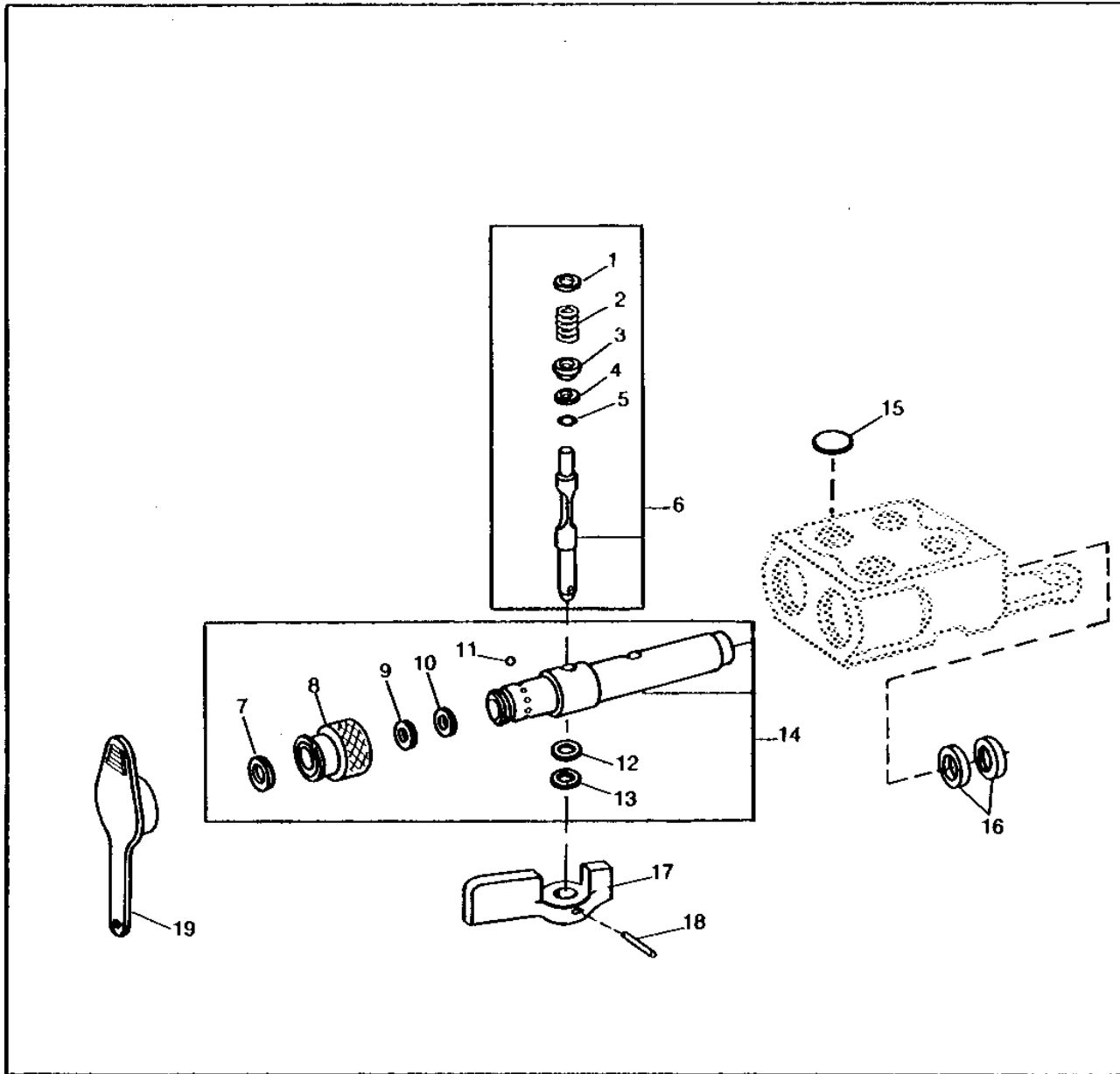
2111

HYDRAULICS

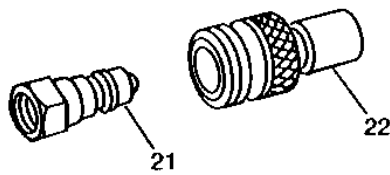
RWP3518

-UN-01JAN94

JOHN DEERE TO ISO COUPLER CONVERSION KIT



RWP3518



2112

HYDRAULICS

JOHN DEERE TO ISO COUPLER CONVERSION KIT - CONTINUED

KEY	PART NO.	PART NAME	QTY	TRACTOR SERIAL NO.	REMARKS
1	R54242	SNAP RING	2		
2	R78767	SPRING	2		
3	R48698	WASHER	2		
4	R31136	BACK-UP RING	2		
5	R10093	O-RING	2		
6	RE13814	SHAFT	2		
7	40M4378	SNAP RING	2		
8	R78765	SLEEVE	2		
9	R71387	WASHER	2		
10	R74210	O-RING	2		
11	H871R	BALL	16		
12	P51212	O-RING	2		
13	R78766	BACK-UP RING	2		
14	RE13813	RECEPTACLE	2		
15	30H15	PLUG	2		1-1/8"
16	R74530	SEAL	2		(SUB R79311)
17	R78769	HANDLE	2		
18	34H247	SPRING PIN	2		1/8" X 3/4"
19	R78768	COVER	2		
20	RE12121	RECEIVER	1		
21	AR94522	INTERNAL HALF COUPLER	AR		(SUB FOR AL26973)
22	AL26972	EXTERNAL HALF COUPLER	AR		

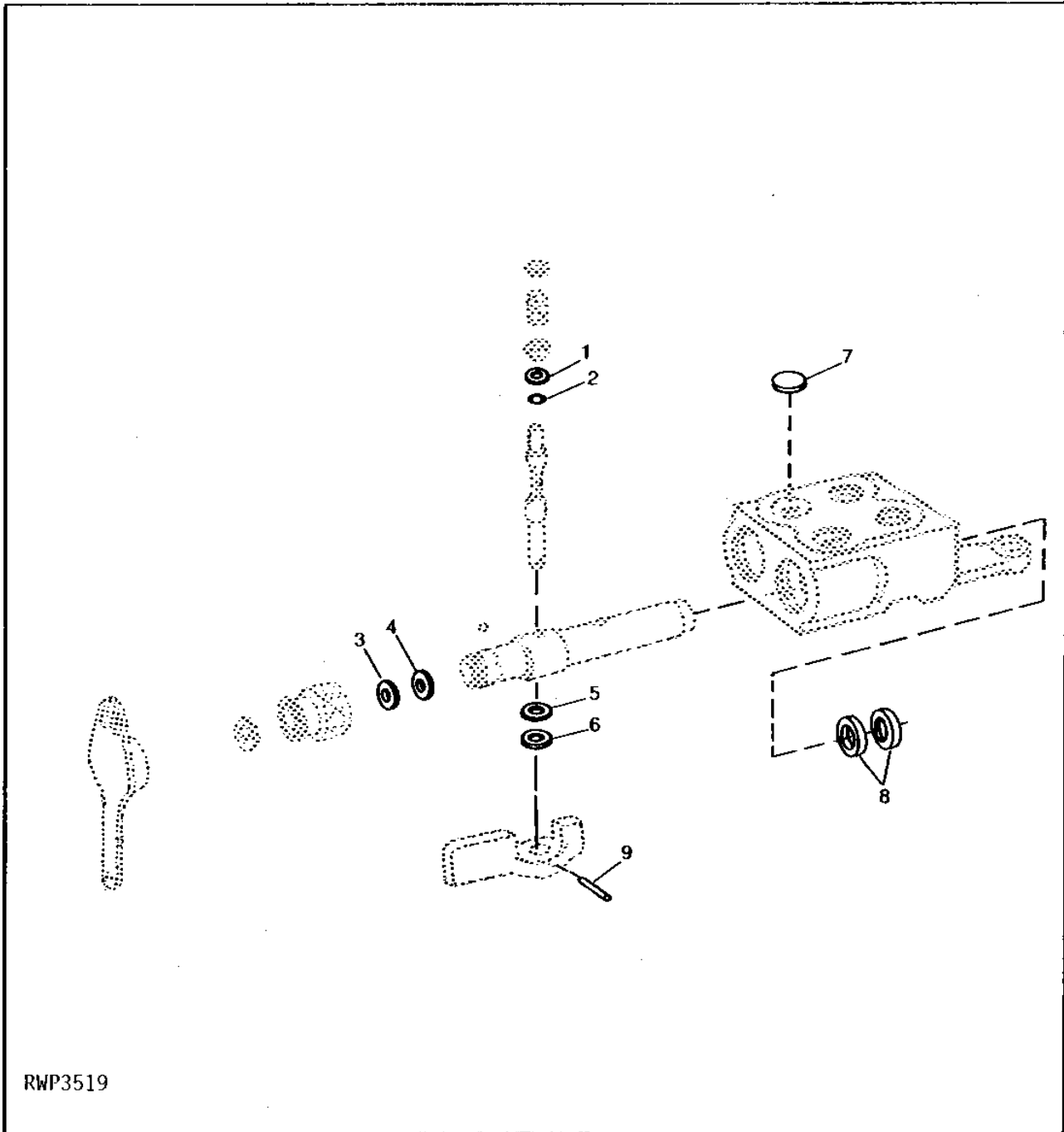
2113

HYDRAULICS

RWP3519

-UN-01JAN94

ISO COUPLER OVERHAUL KIT



RWP3519

2114

HYDRAULICS

ISO COUPLER OVERHAUL KIT - CONTINUED

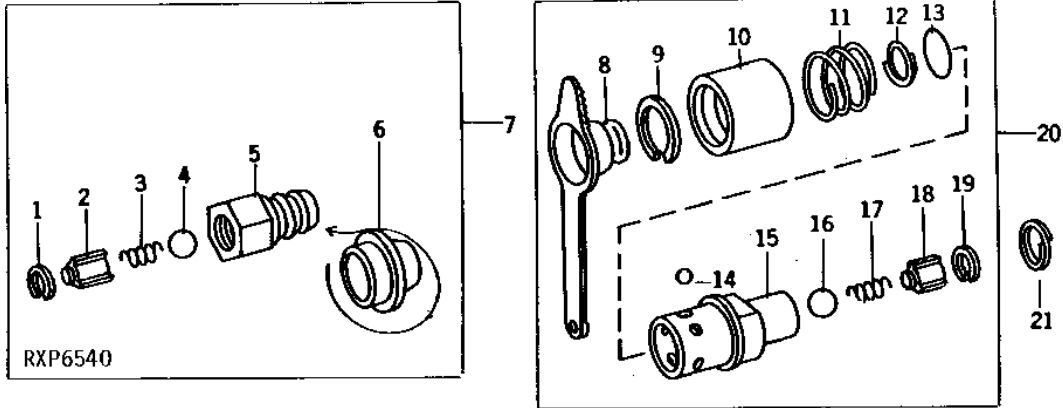
KEY	PART NO.	PART NAME	QTY	TRACTOR SERIAL NO.	REMARKS
1	R31136	BACK-UP RING	2		
2	R10093	O-RING	2		
3	R71387	WASHER	2		
4	R74210	O-RING	2		
5	P51212	O-RING	2		
6	R78766	BACK-UP RING	2		
7	30H15	PLUG	2	1-1/8"	
8	R74530	SEAL	4	(SUB R79311)	
9	34H247	SPRING PIN	2	1/8" X 3/4"	
10	RE13815	KIT	1		

2115

HYDRAULICS

RXP6540 -UN-06OCT94

FLEXIBLE OIL LINE COUPLER



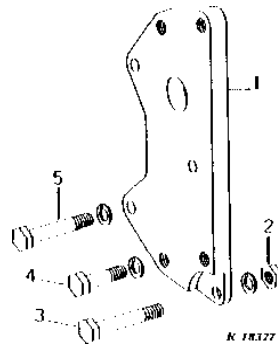
KEY	PART NO.	PART NAME	QTY	TRACTOR SERIAL NO.	REMARKS
1	R59633	WEAR RING	1		(SUB FOR R28204)
2	R28085	GUIDE	1		(SUB AR93819 OR AR93820, THIS APPLICATION)
3	R28084	SPRING	1		
4	D2361R	BALL	1	13MM (1/2")	
5	R27430	HYD. QUICK-CONNECT COUPLER	1		(PRESSURE) (SUB AR93819)
	R45630	HYD. QUICK-CONNECT COUPLER	1		(RETURN) (SUB AR93820)
6	R28006	CAP	1		
7	AR93819	HYD. QUICK-CONNECT COUPLER	1		(PRESSURE) (SUB FOR AR30210)
	AR93820	FITTING	1		(RETURN) (SUB FOR AR47643)
8	R32419	COVER	1		
9	R32356	SNAP RING	1		
10	R32355	SLEEVE	1		
11	R32354	SPRING	1		(SUB RE15361)
12	R26485	BACK-UP RING	1		
13	R495R	O-RING	1		
14	400R	BALL	6	6MM (1/4")	
15	R32353	SOCKET OUTLET	1		
16	D2361R	BALL	1	13MM (1/2")	
17	R28084	SPRING	1		
18	R28085	GUIDE	1		(SUB RE15361)
19	R59633	WEAR RING	1		(SUB FOR R28204)
20	AR47331	SOCKET OUTLET	1		(SUB RE15361)
21	R36946	SPRING	1		

2116

HYDRAULICS

R18327 -UN-01JAN94

BREAKAWAY COUPLER BRACKET (TRACTOR SERIAL NO. XXXXXX-)



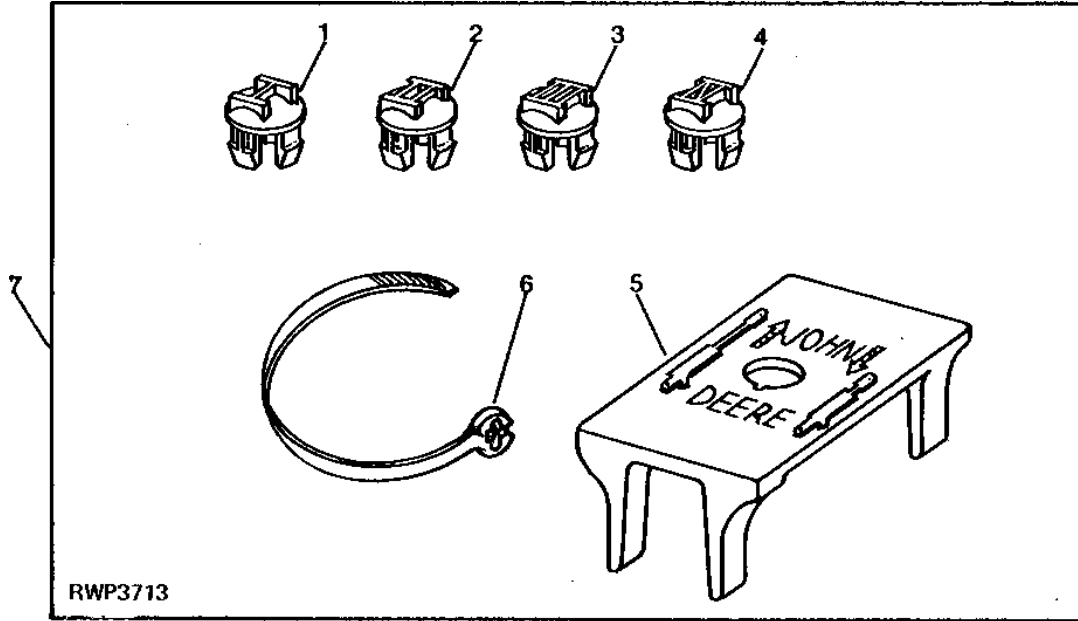
KEY	PART NO.	PART NAME	QTY	TRACTOR SERIAL NO.	REMARKS
1	R50118	BRACKET	1		
2	14H849	NUT	1	7/16"	
	12H293	LOCK WASHER	1	7/16"	
3	19H3229	CAP SCREW	1	7/16" X 2-3/8"	
4	19H456	CAP SCREW	AR	1/2" X 1-3/8", (2 USED DUAL) (4 USED TRIPLE)	
	12H301	LOCK WASHER	AR	1/2", (2 USED DUAL) (4 USED TRIPLE)	
5	19H2055	CAP SCREW	3	7/16" X 2-1/4"	
	12H293	LOCK WASHER	3	7/16"	

2117

HYDRAULICS

RWP3713 -UN-01JAN94

REMOTE CYLINDER HOSE IDENTIFICATION KIT



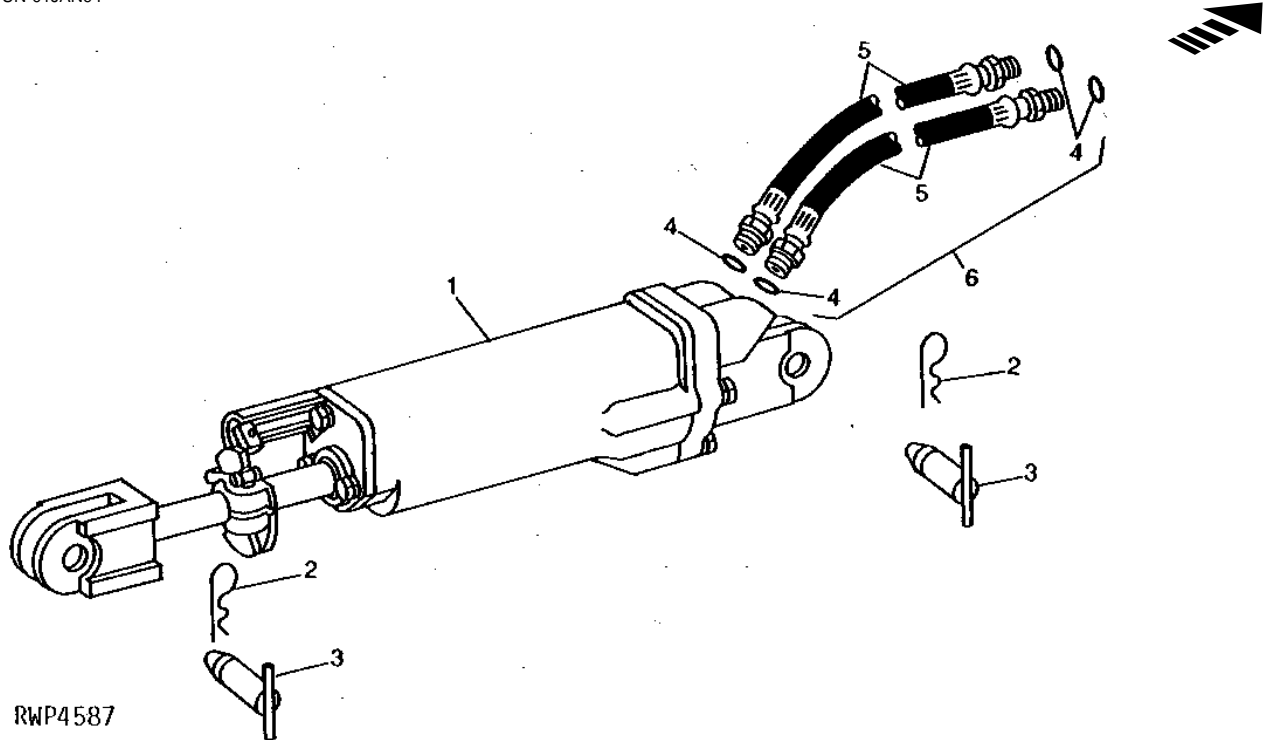
KEY	PART NO.	PART NAME	QTY	TRACTOR SERIAL NO.	REMARKS
1	R74242	PLUG	1		
2	R74243	PLUG	1		
3	R74244	PLUG	1		
4	R74246	PLUG	1		
5	R76459	TAG	1		
6	R76477	TIE BAND	2		
7	AR103808	KIT	1		

2118

HYDRAULICS

REMOTE CYLINDER AND HOSES (3-1/2" X 8")

RWP4587 -UN-01JAN94



RWP4587

KEY	PART NO.	PART NAME	QTY	MODEL NO.	REMARKS
1	AR35261	CYLINDER	1	(A)	
	AR36303	CYLINDER	1	(B)	
2	A3581R	SPRING LOCKING PIN	2		
3	AR47825	PIN	2		
4	R26375	O-RING	4		
5	R36795	HYDRAULIC HOSE	2		
6	AR36158	OIL LINE	1		

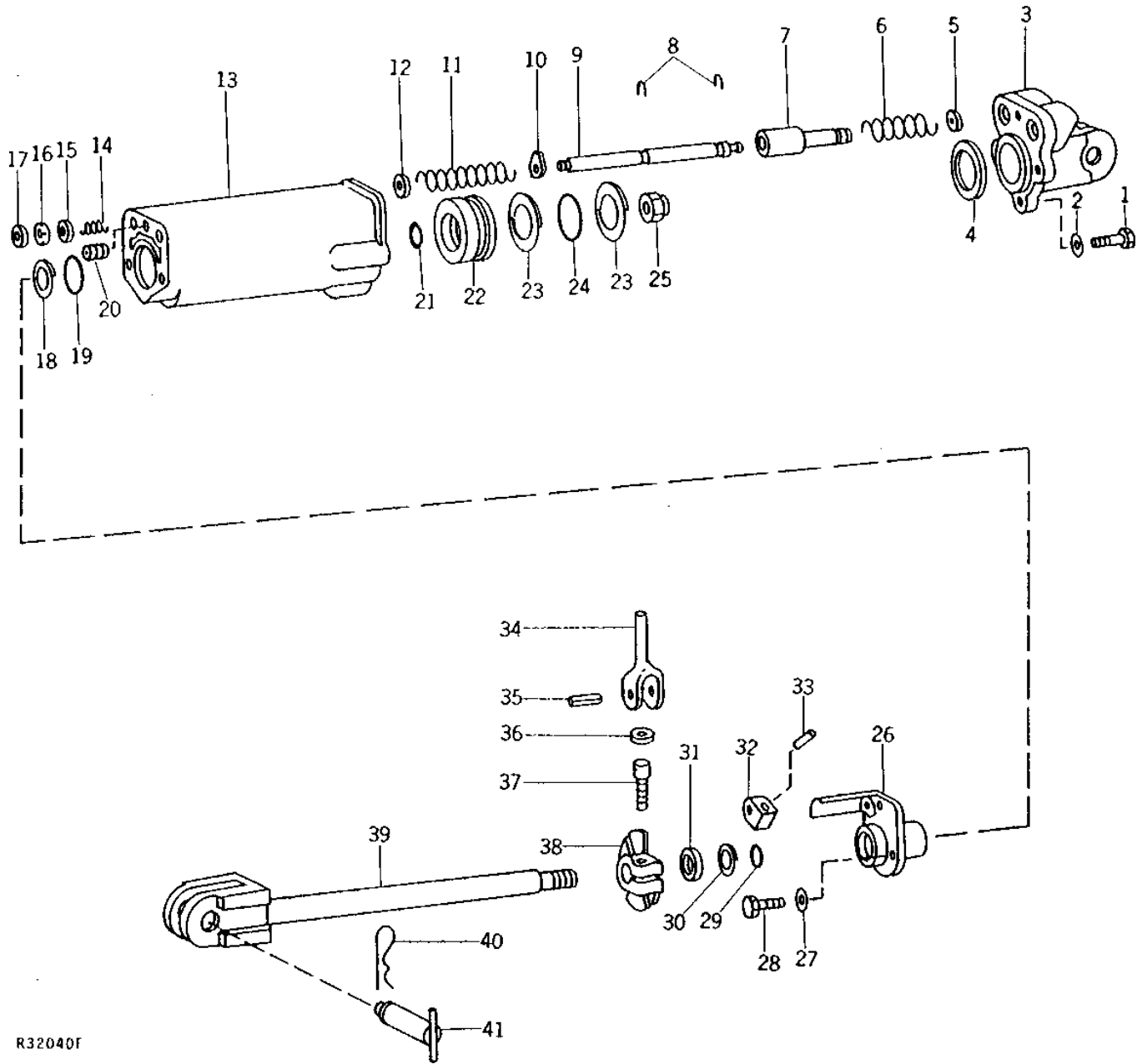
(A) HYDRAULIC STOP
(B) MECHANICAL STOP

2119

HYDRAULICS

3-1/2" X 8" REMOTE CYLINDER PARTS (HYDRAULIC STOP)

R32040 -UN-01JAN94



R32040F

2120

HYDRAULICS

3-1/2" X 8" REMOTE CYLINDER PARTS - CONTINUED (HYDRAULIC STOP)

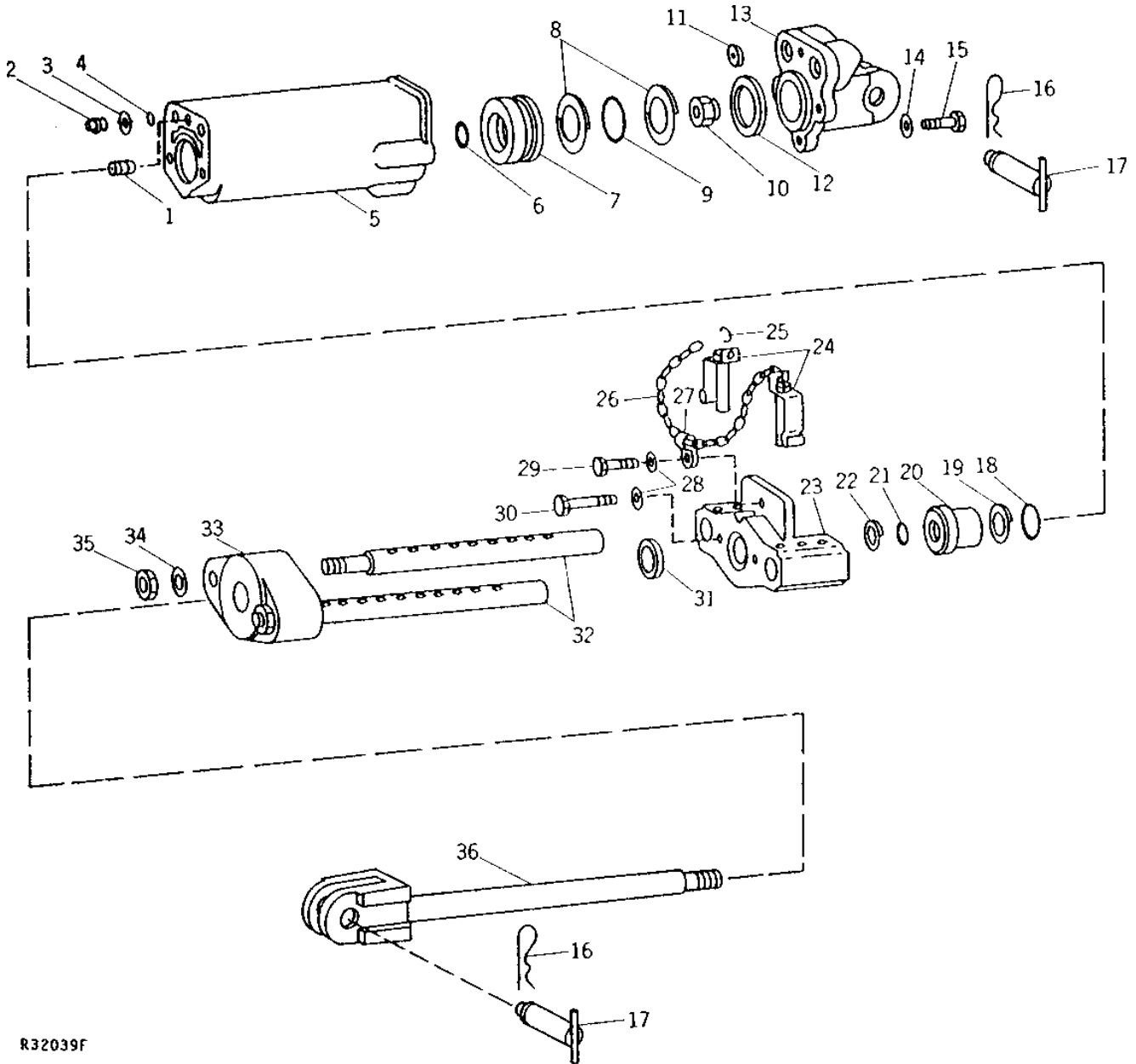
KEY	PART NO.	PART NAME	QTY	TRACTOR SERIAL NO.	REMARKS
1	19H2357	CAP SCREW	4		9/16" X 2"
2	12H317	LOCK WASHER	4		9/16"
3	R35452	CYLINDER HEAD	1		
4	F1427R	WASHER	1		
5	A4723R	WASHER	2		
6	R49352	SPRING	1		
	A4744R	SPRING	1		(OPTIONAL)
	A4741R	SPRING	1		(OPTIONAL)
7	R39012	VALVE	1		
8	A4739R	RING	2		
9	A4736R	ROD	1		
10	R57696	WASHER	1		(SUB FOR A4738R)
11	A4737R	SPRING	1		
12	24H1301	WASHER	1		13/32" X 9/16" X 0.065"
13	R35447	CYLINDER	1		
14	A4748R	SPRING ASSEMBLY	1		
15	A4747R	WASHER	1		
16	A4745R	PACKING	3		
17	A4746R	ADAPTER	1		
18	R35474	BACK-UP RING	1		
19	T11220	O-RING	1		
20	15H624	PIPE PLUG	1		1/2"
21	R27564	O-RING	1		
22	R44297	PISTON	1		
23	R35472	BACK-UP RING	2		
24	F1430R	O-RING	1		
25	R45620	LOCK NUT	1		
26	R40219	GUIDE	1		
27	12H304	LOCK WASHER	3		3/8"
28	19H1731	CAP SCREW	3		3/8" X 1"
29	R29463	O-RING	1		
30	R35473	BACK-UP RING	1		
31	R35738	SEAL	1		
32	A5304R	ARM	1		
33	25H760	GROOVE PIN	1		7/32" X 1-1/4"
34	A5302R	YOKE	1		
35	34H264	SPRING PIN	1		5/32" X 7/8"
36	R1870R	WASHER	1		(SUB R57696)
37	A5301R	SCREW	1		
38	R35448	STOP	1		
39	AR45544	ROD	1		
40	A3581R	SPRING LOCKING PIN	2		
41	AR47825	PIN	2		

2121

HYDRAULICS

3-1/2" X 8" REMOTE CYLINDER PARTS (MECHANICAL STOP)

R32039 -UN-01JAN94



R32039F

2122

HYDRAULICS

3-1/2" X 8" REMOTE CYLINDER PARTS - CONTINUED (MECHANICAL STOP)

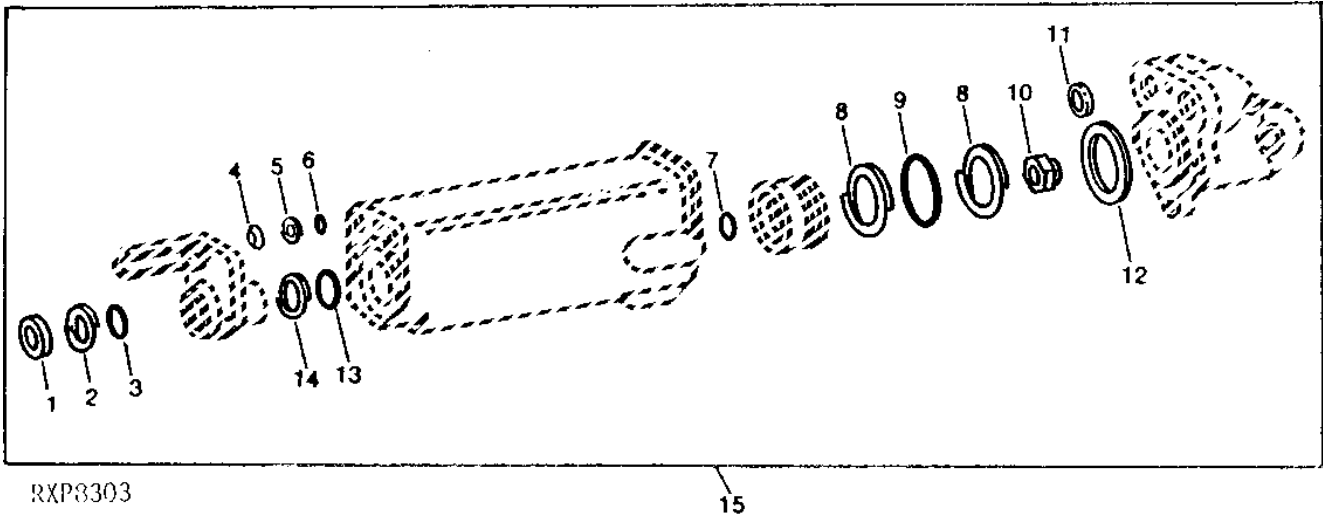
KEY	PART NO.	PART NAME	QTY	TRACTOR SERIAL NO.	REMARKS
1	15H624	PIPE PLUG	1		
2	R34131	PLUG	1		1/2"
3	R32588	BACK-UP RING	1		
4	R459R	O-RING	1		
5	R35447	CYLINDER	1		
6	R27564	O-RING	1		
7	R44297	PISTON	1		
8	R35472	BACK-UP RING	2		
9	F1430R	O-RING	1		
10	R45620	LOCK NUT	1		
11	A4723R	WASHER	2		
12	F1427R	WASHER	1		
13	R35452	CYLINDER HEAD	1		
14	12H317	LOCK WASHER	4		9/16"
15	19H2357	CAP SCREW	4		9/16" X 2"
16	A3581R	SPRING LOCKING PIN	2		
17	AR47825	PIN	2		
18	T11220	O-RING	1		
19	R35474	BACK-UP RING	1		
20	R36951	GUIDE	1		
21	R29463	O-RING	1		
22	R35473	BACK-UP RING	1		
23	R44286	GUIDE	1		
24	AR68145	QUICK LOCK PIN	2		(SUB FOR AR45536)
25	D2913R	LINK	2		
26	R49193	LINK CHAIN	1		(SUB FOR A3184R) (SUB AN163885)
27	T13073	CLIP	1		
28	12H304	LOCK WASHER	3		3/8"
29	19H2552	CAP SCREW	1		3/8" X 1-1/8"
30	19H1726	CAP SCREW	2		3/8" X 2-1/4"
31	R35738	SEAL	1		
32	R44287	ROD	2		
33	R36952	STOP	1		
34	12H236	LOCK WASHER	2		3/4"
35	14H905	NUT	2		3/4"
36	AR45544	ROD	1		

2123

HYDRAULICS

RXP8303 -UN-01JAN94

REMOTE CYLINDER OVERHAUL KIT
(3-1/2" X 8" HYDRAULIC OR MECHANICAL STOP)



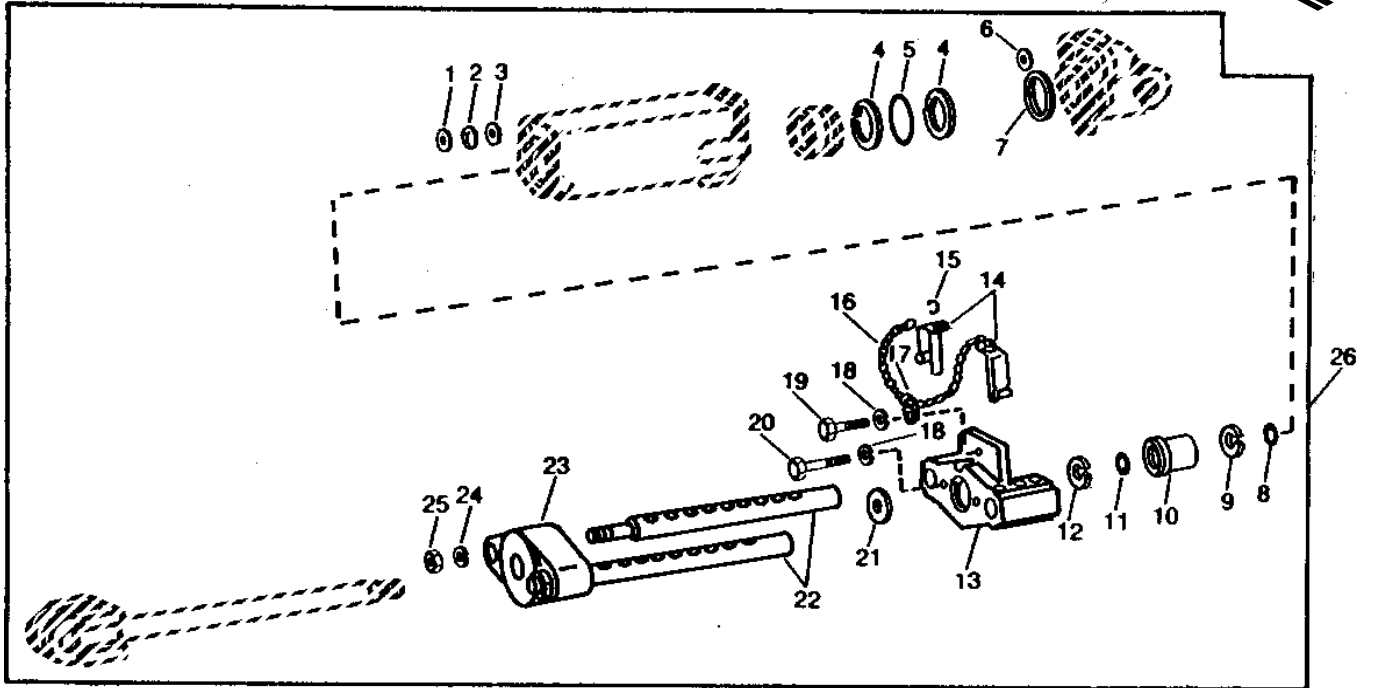
KEY	PART NO.	PART NAME	QTY	TRACTOR SERIAL NO.	REMARKS
1	AR31945	KIT	1		

2124

HYDRAULICS

RXP8304 -UN-01JAN94

REMOTE CYLINDER CONVERSION KIT (3-1/2" X 8" HYDRAULIC STOP TO MECHANICAL STOP)



RXP8304

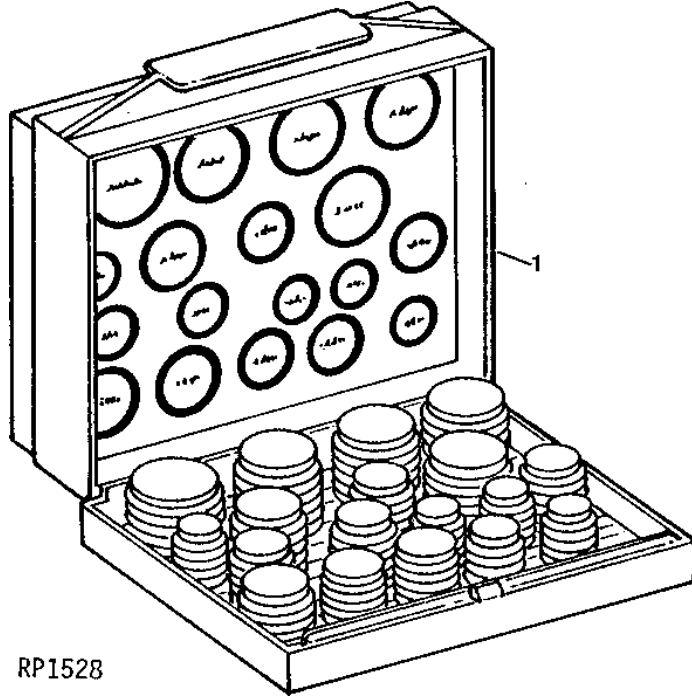
KEY	PART NO.	PART NAME	QTY	TRACTOR SERIAL NO.	REMARKS
1	AR45534	KIT	1		

2125

HYDRAULICS

RP1528 -UN-01JAN94

O-RING KIT



RP1528

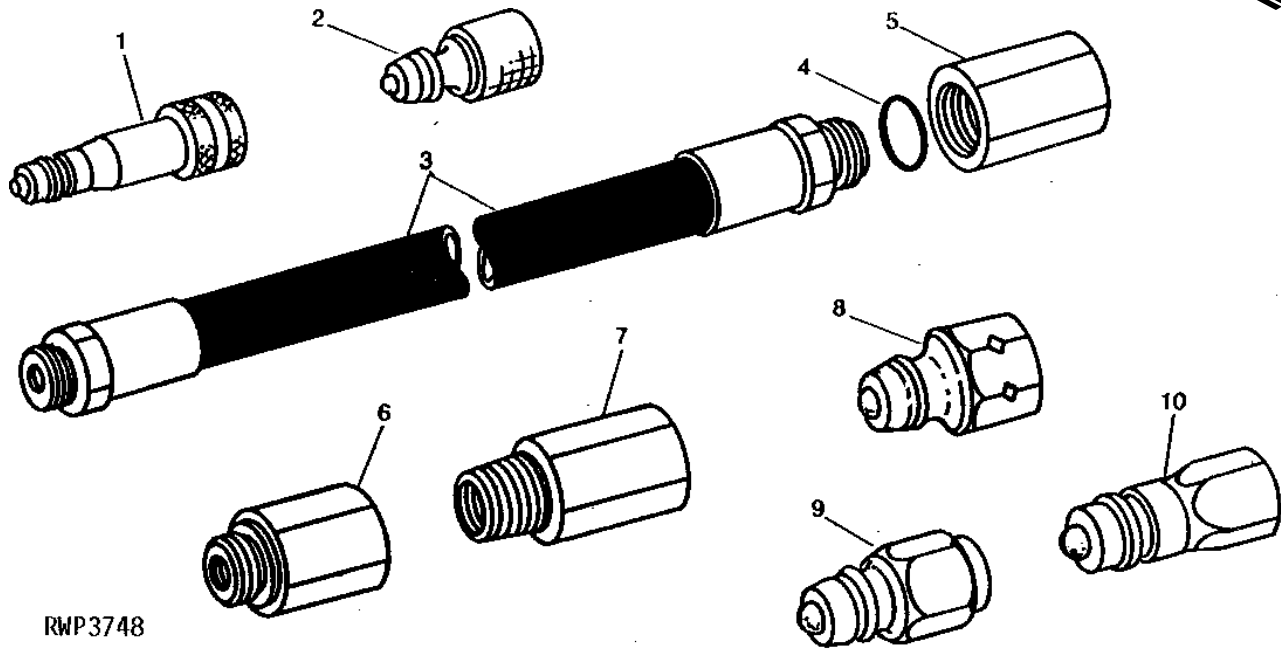
KEY	PART NO.	PART NAME	QTY	TRACTOR SERIAL NO.	REMARKS
1	AR73500 AT66632	KIT KIT	1 1		HYDRAULIC AIR CONDITIONING

2J1

HYDRAULICS

RWP3748 -UN-01JAN94

IMPLEMENT HYDRAULIC OIL LINES AND FITTINGS



RWP3748

KEY	PART NO.	PART NAME	QTY	TRACTOR SERIAL NO.	REMARKS
1	AR98202	HYD. QUICK-CONNECT COUPLER	1	JOHN DEERE TO ISO	
	R21722	O-RING	1	(INCLUDED IN AR98202)	
	RE11457	ADAPTER	1	IHC TO ISO	
2	U11647	O-RING	1	(INCLUDED IN RE11457)	
	AR98201	HYD. QUICK-CONNECT COUPLER	1	ISO TO JOHN DEERE (FI)	
	RE11456	ADAPTER	1	IHC TO JOHN DEERE	
	RE11458	ADAPTER	1	JOHN DEERE TO IHC	
	RE11463	ADAPTER	1	ISO TO IHC	
	R21722	O-RING	1	(INCLUDED IN AR98201, RE11463, AND RE11458)	
3	R71387	WASHER	1	(INCLUDED IN AR98201) (FI)	
	AR28754	HYDRAULIC HOSE	1	10 X 610MM (3/8" X 24") (SUB TY3018)	
	AR28755	HYDRAULIC HOSE	1	10 X 914MM (3/8" X 36")	
	R36658	HYDRAULIC HOSE	1	13 X 610MM (1/2" X 24")	
	R36659	HYDRAULIC HOSE	1	13 X 914MM (1/2" X 36")	
4	R26375	O-RING	1		
5	R30815	FITTING	1	3/4" THREAD	
6	R30817	ADAPTER	1	3/4"-16UNF MALE X 1/2"-14NPT FEMALE	
7	R30816	ADAPTER	1	1/2"-14NPT MALE X 3/4"-16UNF FEMALE	
8	AR93820	FITTING	1	JOHN DEERE, 3/4"-16 UNF	
9	RE11447	FITTING	1	JOHN DEERE, 1/2"-14NPT	
10	AR94522	INTERNAL HALF COUPLER	1	ISO, 3/4"-16UNF	

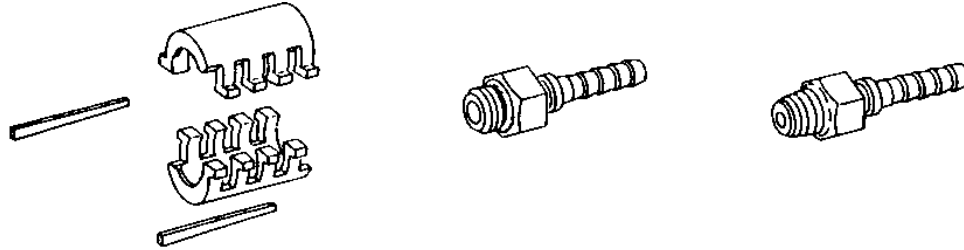
2J2

HYDRAULICS

RXP7733

-UN-23SEP94

BULK FLEXIBLE OIL LINE AND REUSABLE LOK-PIN COUPLINGS



Oil Line (Length) Approx. 50 ft.)		Set of Ferrules with Pins*	Stem-Straight Thread with O-ring	Stem-Pipe Thread
R 34790	3/8" I.D. — 1 Wire	AR 39635* *	R 39687
R 34791	1/2" I.D. — 1 Wire	AR 39636* *	R 39688
R 34792	3/4" I.D. — 1 Wire	AR 39637#	R 39689
R 34793	3/8" I.D. — 2 Wire	AR 39632	AR 39635* *	R 39687
R 34794	1/2" I.D. — 2 Wire	AR 39636* *	R 39688
R 34795	3/4" I.D. — 2 Wire	AR 39637#	R 39689

* Each set of ferrules includes two R39681 pins - extra pins may be ordered, packed 20 in a package.
 **Includes R26375 O-ring.
 # Includes F3171R O-ring.

REUSABLE COUPLINGS (Use With Braid Flexible Oil Line)



1 WR Single Wire		2 WR Double Wire		I.D.	Thread
Coupling No.		Coupling No.			
AF 3585	R	AR 21629		3/8"	3/8" — 18 NPTF
AF 3586	R	AR 21630		1/2"	1/2" — 14 NPTF
AF 3587	R		5/8"	3/4" — 14 NPTF
AF 3588	R	AR 21632		3/4"	3/4" — 14 NPTF
R 34644		AR 21634		1"	1" — 11-1/2" NPTF
R 34646			3/8"	3/4" — 16 O-ring type thread
		R 34647		1/2"	3/4" — 16 O-ring type thread

BULK SINGLE WIRE BRAID FLEXIBLE OIL LINE (Use With Reusable Coupling for Single Wire Braid Flexible Oil Line)

Part No.	I.D.	O.D.	Length
A 5776 R	1/2"	29/32"	Approx. 50 ft.
A 5777 R	5/8"	1-1/32"	Approx. 50 ft.

BULK DOUBLE WIRE BRAID FLEXIBLE OIL LINE (Use with Reusable Coupling for Double Wire Braid Flexible Oil Line)

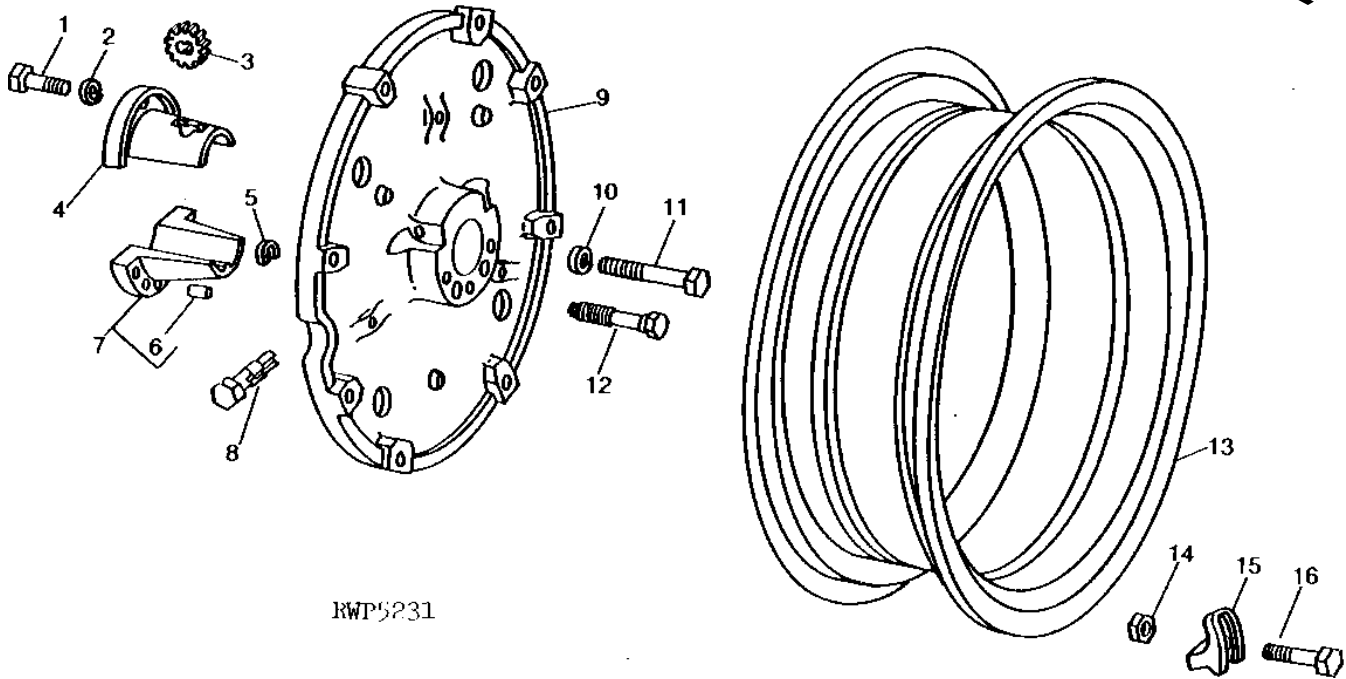
Part No.	I.D.	O.D.	Length
R 21531	3/8"	29/32"	Approx. 50 ft.
R 21532 RXP7733	1/2"	31/32"	Approx. 50 ft.

2J4

WHEELS AND SHEET METAL

RWP5231 -UN-01JAN94

WHEELS



RWP5231

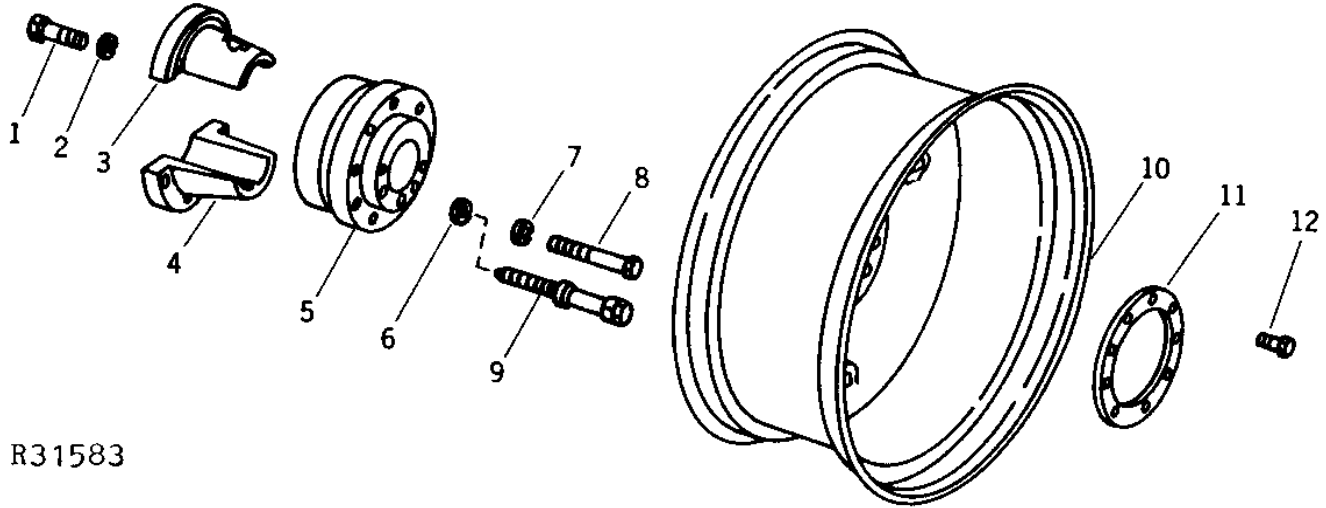
KEY	PART NO.	PART NAME	QTY	TRACTOR SERIAL NO.	REMARKS
1	19H2600	CAP SCREW	3	3/4" X 2-5/8"	
2	12H236	LOCK WASHER	3	3/4"	
3	A4379R	PINION	1	(USE WITH R34680 OR R52160)	
	B3014R	PINION	1	(USE WITH R36190)	
4	R33531	HALF SLEEVE	1	(USE WITH R34680 OR R52160) (SUB R93955)	
	R52031	HALF SLEEVE	1	(USE WITH R36190)	
	R33533	HALF SLEEVE	1	(USE WITH R21480)	
5	A4883R	RING	2	(USE WITH R34680 OR R52160)	
	R35333	SNAP RING	2	(USE WITH R36190)	
6	R35335	DOWEL PIN	2	(USE WITH R36190)	
7	R33532	HALF SLEEVE	1	(USE WITH R34680 OR R52160)	
	AR83355	SLEEVE	1	(ILLUSTRATED) (USE WITH R36190) (SUB FOR R52032)	
	R33534	SLEEVE	1	(USE WITH R21480)	
8	A4380R	PINION SHAFT	1		
9	R34680	WHEEL	1	(23.1-30 TIRE)	
	R36190	WHEEL	1	(24.5-32 TIRE)	
	R52160	WHEEL	1	(18.4-34 TIRE)	
	R21480	WHEEL	1	(18.4-34 TIRE)	
10	12H245	LOCK WASHER	3	7/8"	
11	08H4419	CAP SCREW	3	7/8" X 6-1/2", (USE WITH R34680 OR R52160)	
	08H4486	CAP SCREW	3	7/8" X 7-1/2", (USE WITH R36190)	
12	R33706	SCREW	2	(USE WITH R34680 OR R52160) (SUB R58303)	
	R35332	SCREW	2	(USE WITH R36190)	
13	R31943	RIM	1	(18.4-34 TIRE 6 PR)	
	R48146	RIM	1	(20.8 X 34 TIRE 6 PR OR 8 PR)	
	R34659	RIM	1	(23.1-30 TIRE 10 PR)	
	R36097	RIM	1	(24.5-32 TIRE 10 PR)	
14	14H800	NUT	AR	5/8", (8 USED WITH R34680) (12 USED WITH R36190 OR R52160)	
15	B634R	CLAMP	AR	(8 USED WITH R34680) (12 USED WITH R36190)	
	A4388R	CLAMP	12	(WITH R52160)	
16	A4064R	BOLT	AR	(8 USED WITH R34580) (12 USED WITH R36190)	
				(SUB R34801)	
..	08H4694	BOLT	12	5/8" X 4" HS, SAE 8, (USE WITH R52160)	
	R55151	PLUG	AR	(SECOND VALVE STEM HOLE)	

2J5

WHEELS AND SHEET METAL

R31583 -UN-01JAN94

DUAL WHEELS



R31583

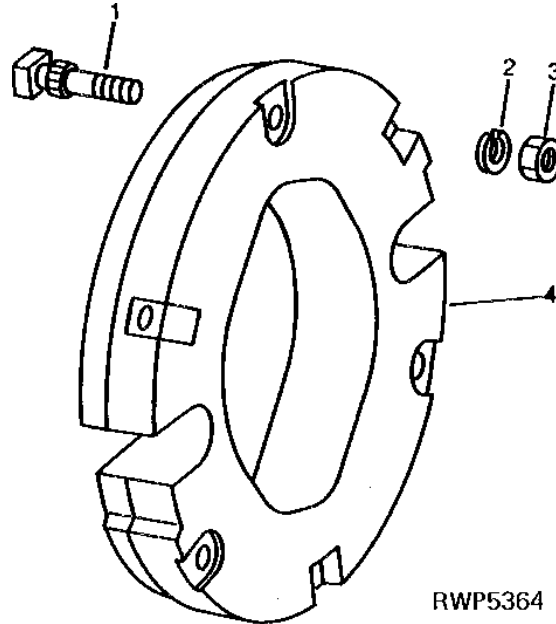
KEY	PART NO.	PART NAME	QTY	TRACTOR SERIAL NO.	REMARKS
1	19H2600	CAP SCREW	3		3/4" X 2-5/8"
2	12H236	LOCK WASHER	3		3/4"
3	R33533	HALF SLEEVE	1		
4	R33534	SLEEVE	1		
5	R28490	HUB	1		
6	A4883R	RING	2		
7	12H245	LOCK WASHER	3		7/8"
8	R34828	CAP SCREW	3		
9	R39758	SCREW	2		
10	JD3224	WHEEL	1		(W16L-34)
	JD3226	WHEEL	1		(20.8-34)
11	R54983	WHEEL RING	1		
12	19H2672	CAP SCREW	9		5/8" X 2", HS, SAE 8

2J6

WHEELS AND SHEET METAL

RWP5364 -UN-01JAN94

WHEEL WEIGHTS (30" AND 34" CAST DISK WHEELS)



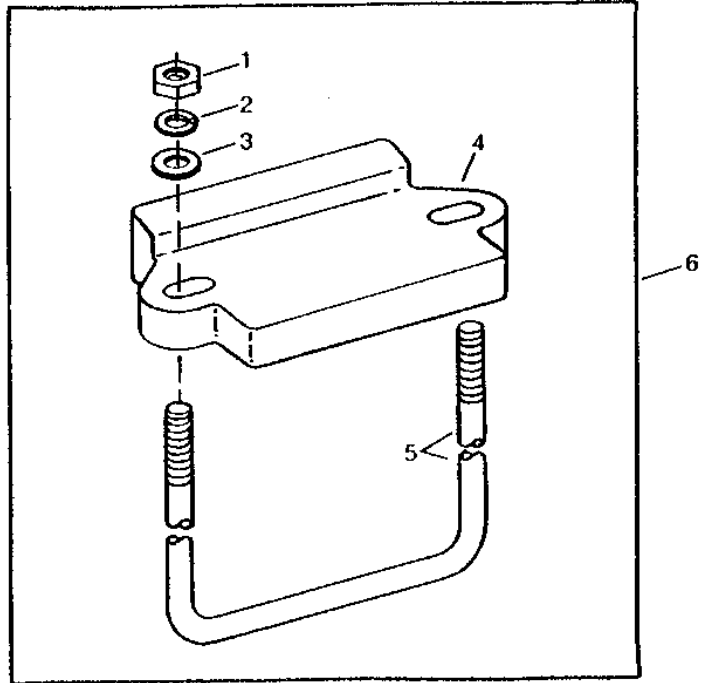
KEY	PART NO.	PART NAME	QTY	TRACTOR SERIAL NO.	REMARKS
1	R34801	BOLT	3		
2	12H294	LOCK WASHER	3	5/8"	
3	14H1039	NUT	3	5/8"	
4	R61524	WEIGHT	1		64KG (140 LBS) (FIRST AND ADDITIONAL WEIGHTS TO WHEEL) (34" WHEEL) (NLA)
	R61727	WEIGHT	1		51KG (112 LBS) (FIRST WEIGHT TO WHEEL) (30" WHEEL)

2J7

WHEELS AND SHEET METAL

RP1139 -UN-01JAN94

AXLE STOP



RP1139

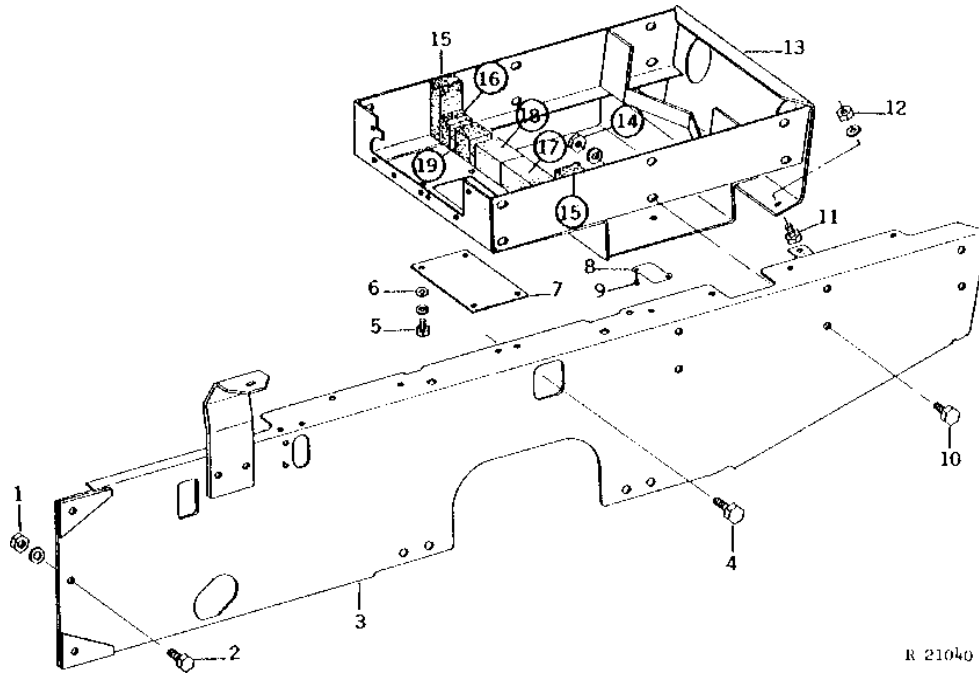
KEY	PART NO.	PART NAME	QTY	TRACTOR SERIAL NO.	REMARKS
1	14H1039	NUT	4	5/8"	
2	12H294	LOCK WASHER	4	5/8"	
3	24H1139	WASHER	4	11/16" X 1-1/4" X 0.105"	
	24H1367	WASHER	4	21/32" X 1-1/4" X 1/4"	
4	R54338	STOP	2		
5	R43390	U-BOLT	2	(WIDE)	
6	AR61655	STOP	1		

2J8

WHEELS AND SHEET METAL

R21040 -UN-01JAN94

SIDE AND FRONT FRAME



R 21040

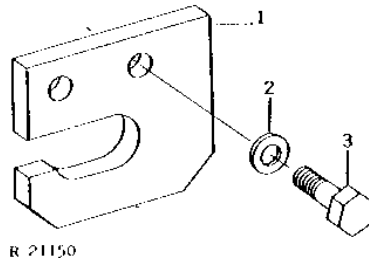
KEY	PART NO.	PART NAME	QTY	TRACTOR SERIAL NO.	REMARKS
1	14H794	NUT	6	3/4"	
	B3627R	WASHER	6		
2	R35192	WHEEL BOLT	6		
3	AR61597	FRAME	1	R.H. (SUB FOR AR50857)	
	AR61598	FRAME	1	L.H. (SUB FOR AR50858) (NLA)	
4	R47953	BOLT	12		
5	19H1900	CAP SCREW	4	5/16" X 3/4"	
	12H303	LOCK WASHER	4	5/16"	
6	24H1136	WASHER	4	11/32" X 11/16" X 0.065"	
7	R35282	COVER	1		
8	R31493	COVER	1		
9	37H71	SCREW	2	NO. 12 X 5/8"	
10	19H1756	CAP SCREW	12	5/8" X 1-1/2"	
	24H1139	WASHER	12	11/16" X 1-1/4" X 0.105"	
11	19H1731	CAP SCREW	2	3/8" X 1"	
12	14H1076	NUT	2	3/8"	
	12H304	LOCK WASHER	2	3/8"	
13	AR56238	PAN	1	(ALSO ORDER AR56240, AR56241, R50634, R50635, R50636) (SUB FOR AR50960)	
14	14H1039	NUT	12	5/8"	
	12H294	LOCK WASHER	12	5/8"	
15	FOAM PAD	2	38 X 64 X 152MM (1-1/2" X 2-1/2" X 6")	
16	FOAM PAD	3	RADIATOR, SIDE, (MAKE FROM R48069)	
17	R48069	ISOLATOR	2	64 X 64 X 38MM (2-1/2" X 2-1/2" X 1-1/2")	
18	FOAM PAD	1	RADIATOR, LOWER OUTER, (MAKE FROM R48069)	
19	FOAM PAD	1	64 X 162MM (2-1/2" X 6-3/8") RADIATOR, LOWER CENTER, (MAKE FROM R48069)	
				51 X 64 X 64MM (2" X 2-1/2" X 2-1/2")	
				RADIATOR, LOWER INNER, L.H. (MAKE FROM R48069)	

2J9

WHEELS AND SHEET METAL

R21150 -UN-01JAN94

TOWING HOOK



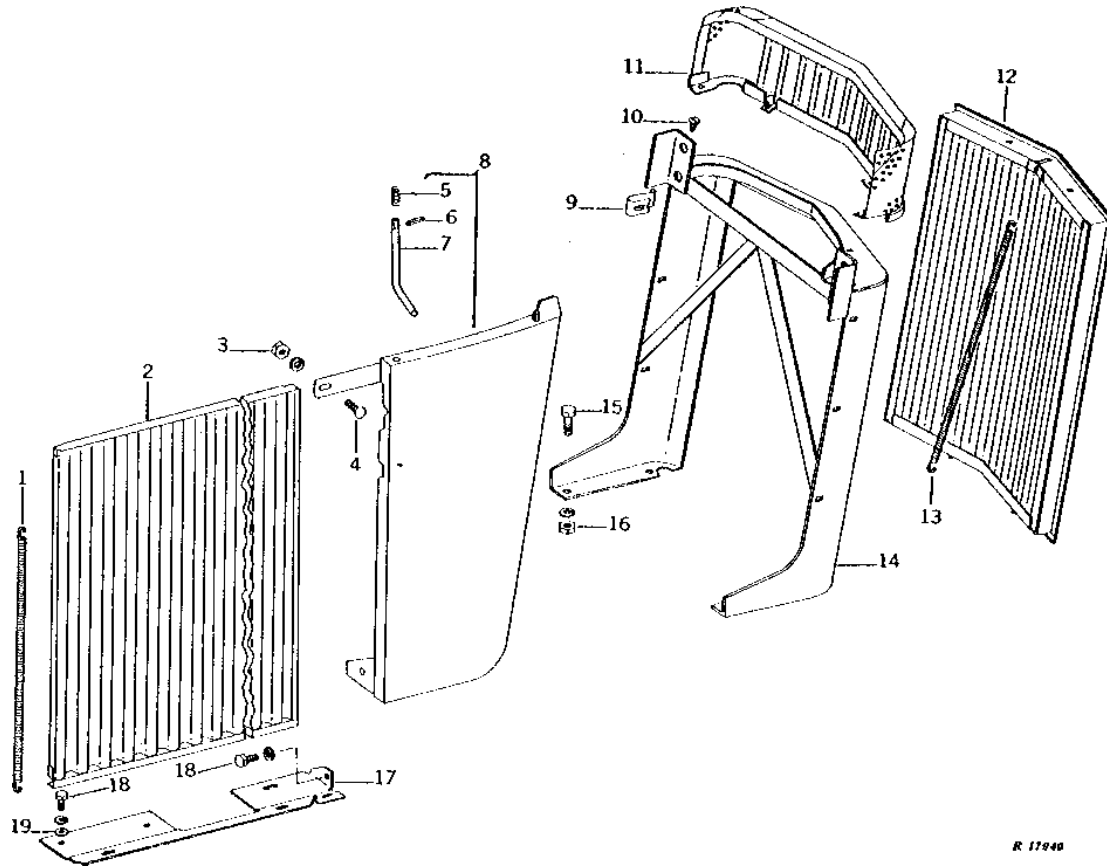
KEY	PART NO.	PART NAME	QTY	TRACTOR SERIAL NO.	REMARKS
1	R52584	HOOK	2		
2	T21397	WASHER	4		
3	19H2663	CAP SCREW	4	3/4" X 2-1/8"	

2J10

WHEELS AND SHEET METAL

R17040 -UN-01JAN94

GRILLE, SIDE PANELS AND FRONT PLATE



R 17040

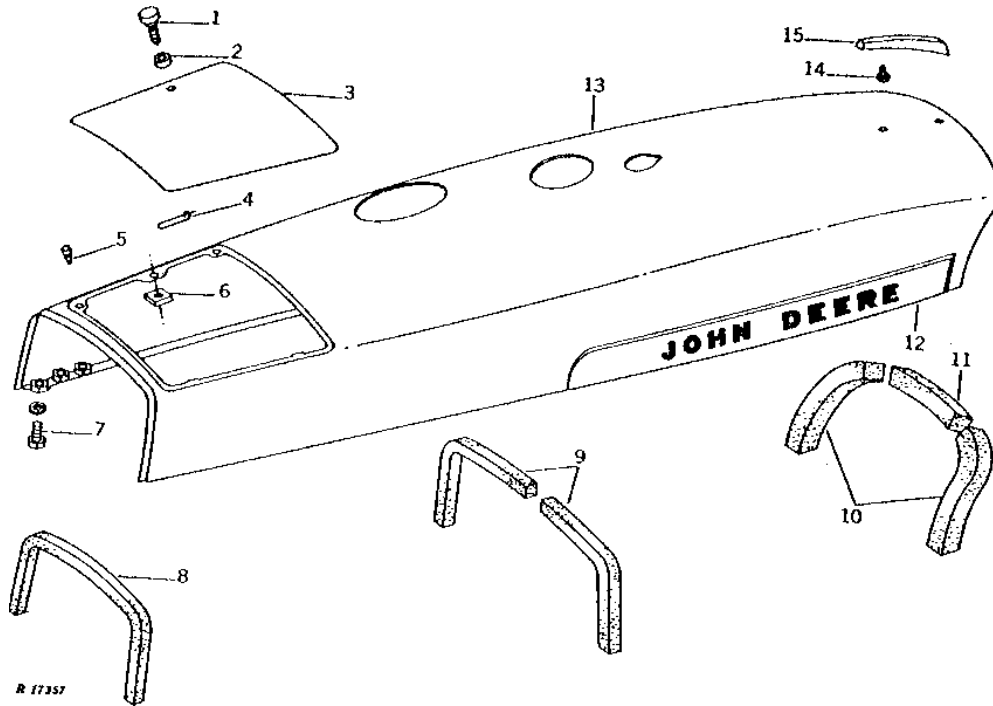
KEY	PART NO.	PART NAME	QTY	TRACTOR SERIAL NO.	REMARKS
1	R26858	SPRING	2		
2	AR51101	GRILLE	2		
3	14H1076	NUT	2	3/8"	
	12H304	LOCK WASHER	2	3/8"	
4	03H1765	BOLT	2	3/8" X 3/4"	
5	B161R	SPRING	2		
6	34H387	SPRING PIN	2	3/16" X 3/4"	
7	R26702	ROD	1	R.H.	
	R26703	ROD	1	L.H.	
8	AR43216	PANEL	1	R.H.	
	AR43217	PANEL	1	L.H.	
9	R26694	CLIP	6		
10	37H84	SCREW	5	1/4" X 3/4"	
11	AR43009	GRILLE	1		
12	AR50922	GRILLE	1		
13	R35769	SPRING	1		
14	AR50859	FRAME	1		
15	19H1815	CAP SCREW	4	1/2" X 1-1/4" HS, SAE 8	
16	14H1040	NUT	4	1/2"	
	12H301	LOCK WASHER	4	1/2"	
17	R48136	SUPPORT	1	R.H.	
	R48137	SUPPORT	1	L.H.	
18	19H1936	CAP SCREW	6	3/8" X 3/4"	
	12H304	LOCK WASHER	6	3/8"	
19	24H1305	WASHER	4	13/32" X 13/16" X 0.065"	

2J11

WHEELS AND SHEET METAL

HOOD AND AIR CLEANER ACCESS COVER (TRACTOR SERIAL NO. -002699)

R17357 -UN-01JAN94



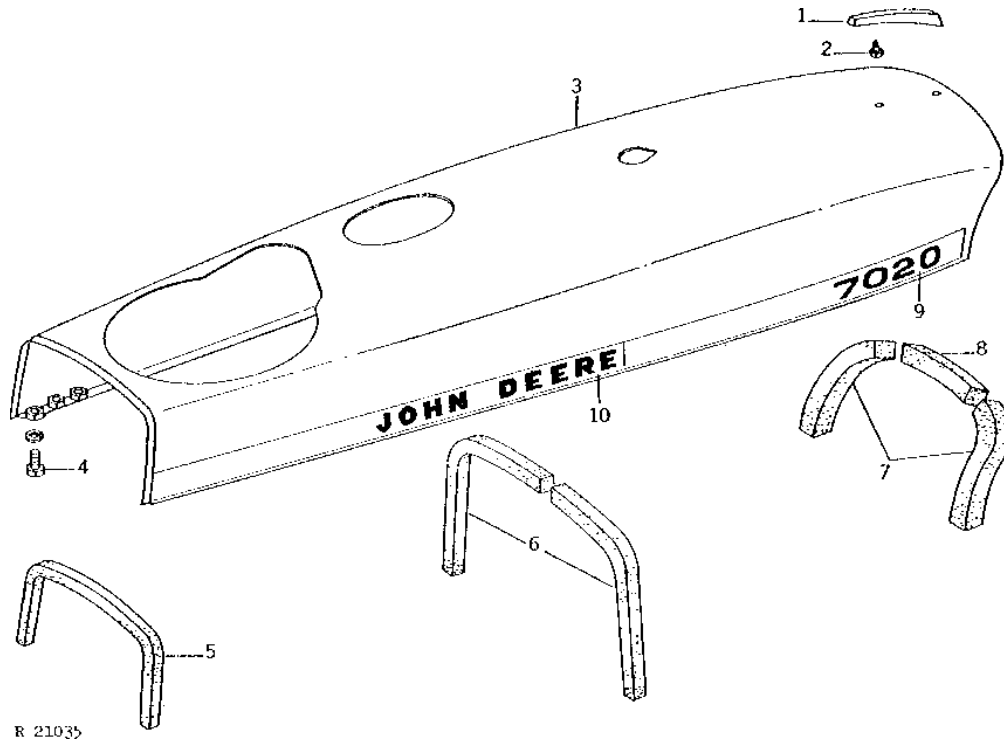
KEY	PART NO.	PART NAME	QTY	TRACTOR SERIAL NO.	REMARKS
1	R43631	KNOB	1		
2	R43661	RETAINER	1		
3	AR43256	COVER	1		
4	R43630	SPRING LOCKING PIN	2		
5	R43632	BUMPER	2		
6	14H1030	NUT	1	5/16"	
7	19H1936	CAP SCREW	2	3/8" X 3/4"	
	12H304	LOCK WASHER	2	3/8"	
8	FOAM PAD	1		25 X 25 X 813MM (1" X 1" X 32") HOOD, REAR, (MAKE FROM R30937)
9	FOAM PAD	2		25 X 25 X 292MM (1" X 1" X 11-1/2") RADIATOR, (MAKE FROM R30937)
10	R35340	FOAM PAD	2		
11	R26890	FOAM PAD	2		
12	AR28048	MOLDING	1	-002477	R.H.
	AR28049	MOLDING	1	-002477	L.H.
	R42662	NUT	10	-002477	
13	AR50918	HOOD	1		BAFFLES
14	37M7245	SCREW	2		NO. 10 X 3/8"
15	AR28047	MEDALLION	1		

2J12

WHEELS AND SHEET METAL

R21035 -UN-01JAN94

HOOD (TRACTOR SERIAL NO. 002700-)



R 21035

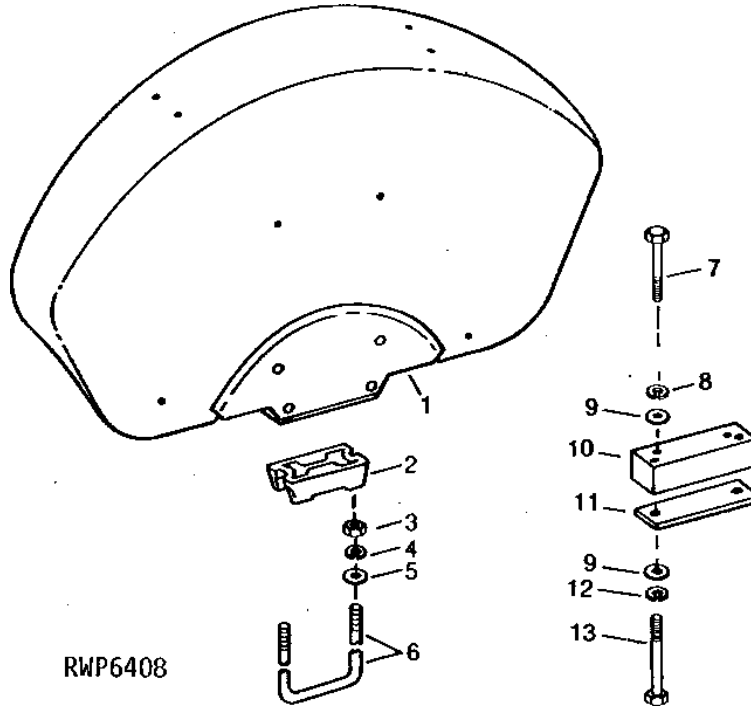
KEY	PART NO.	PART NAME	QTY	TRACTOR SERIAL NO.	REMARKS
1	AR28047	MEDALLION	1		
2	37M7245	SCREW	2	NO. 10 X 3/8"	
3	AR61595	HOOD	1		
4	19H1936	CAP SCREW	2	3/8" X 3/4"	
	12H304	LOCK WASHER	2	3/8"	
5	FOAM PAD	1		25 X 25 X 813MM (1" X 1" X 32") HOOD, REAR, (MAKE FROM R30937)
6	FOAM PAD	2		25 X 25 X 279MM (1" X 1" X 11") RADIATOR, (MAKE FROM R30937)
7	R35340	FOAM PAD	2		
8	R26890	FOAM PAD	2		
9	R62781	LABEL	1		R.H. (SUB FOR R54268)
	R62782	LABEL	1		L.H. (SUB FOR R54269)
10	R62775	LABEL	1		R.H. (SUB FOR R53425)
	R62776	LABEL	1		L.H. (SUB FOR R53426)

2J13

WHEELS AND SHEET METAL

RWP6408 -UN-01JAN94

FRONT AND REAR FENDERS



RWP6408

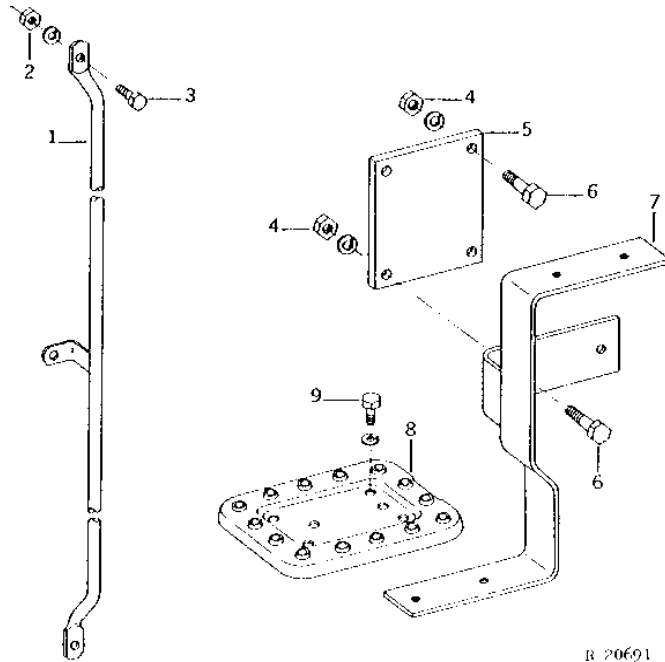
KEY	PART NO.	PART NAME	QTY	TRACTOR SERIAL NO.	REMARKS
1	AR40496	FENDER	1		
2	R39766	SPACER	AR		(1 USED REAR) (2 USED FRONT) (NLA)
3	14H1039	NUT	2		5/8"
4	12H294	LOCK WASHER	2		5/8"
5	24H1139	WASHER	2		11/16" X 1-1/4" X 0.105"
6	R34666	U-BOLT	1		FRONT
7	19H2706	CAP SCREW	2		5/8" X 2", HS, SAE 8
8	12H294	LOCK WASHER	2		5/8"
9	24H1139	WASHER	4		11/16" X 1-1/4" X 0.105"
10	R51957	SPACER	1		REAR
11	R51956	PLATE	1		REAR
12	12H294	LOCK WASHER	4		5/8"
13	08H4738	BOLT	2		5/8" X 9", REAR
	T15539	BOLT	2		5/8" X 4", REAR

2J14

WHEELS AND SHEET METAL

R20691 -UN-01JAN94

RIGHT-HAND MOUNTING HANDLE AND STEP



R 20691

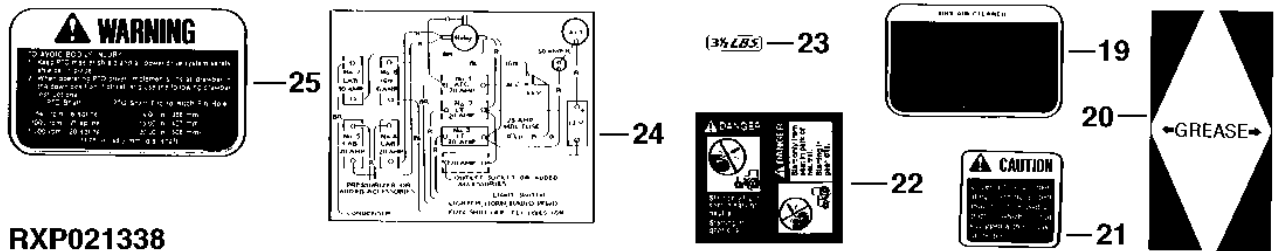
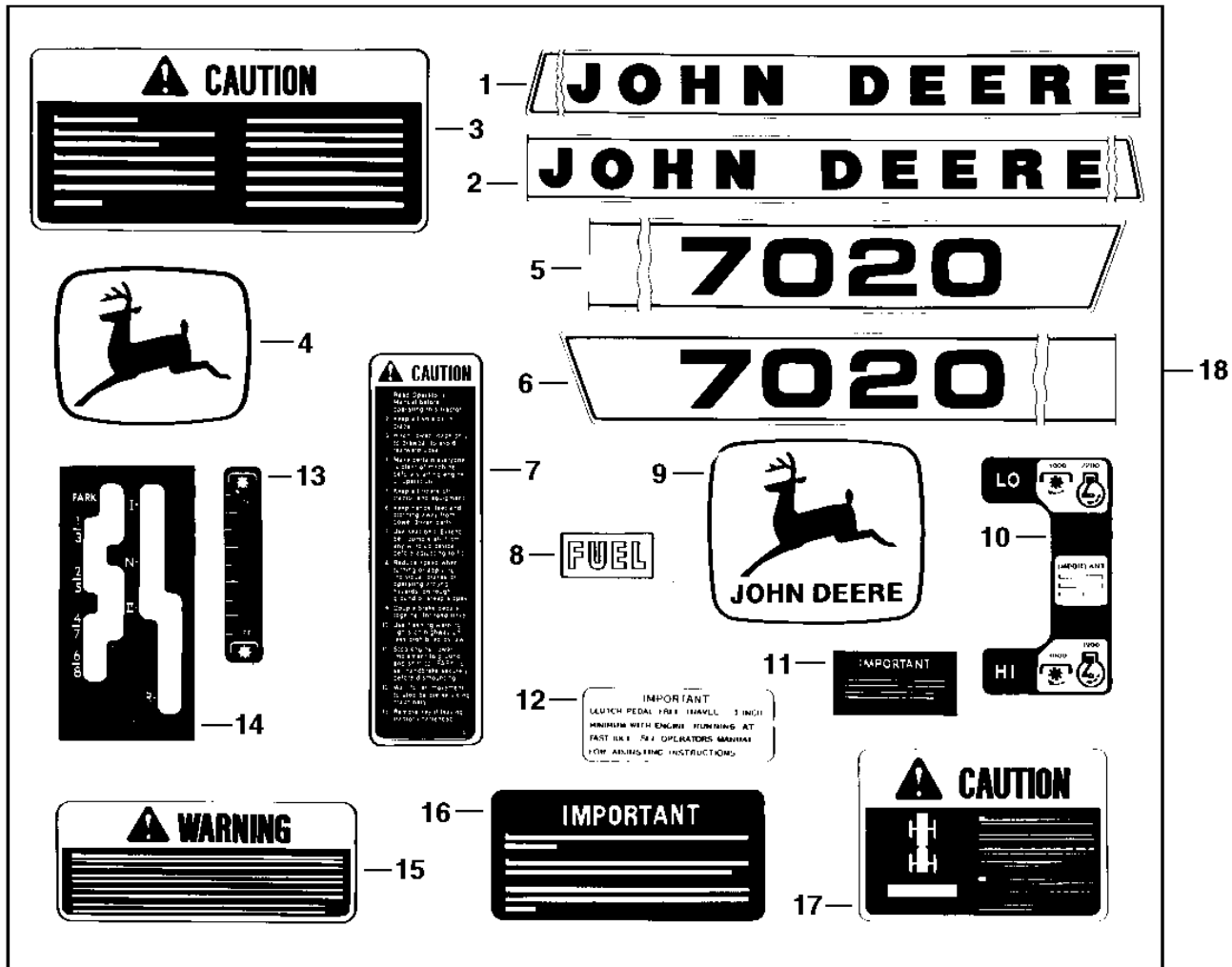
KEY	PART NO.	PART NAME	QTY	TRACTOR SERIAL NO.	REMARKS
1	AR52773	HANDLE	1		
2	14H1076	NUT	3	3/8"	
	12H304	LOCK WASHER	3	3/8"	
3	19H1731	CAP SCREW	3	3/8" X 1"	
4	14H1040	NUT	4	1/2"	
	12H301	LOCK WASHER	4	1/2"	
5	R54265	PLATE	1		
6	19H1831	CAP SCREW	4	1/2" X 2"	
7	AR43089	SUPPORT	1		
8	R43356	STEP	2		
9	19H2284	CAP SCREW	4	3/8" X 7/8"	
	12H304	LOCK WASHER	4	3/8"	

2J15

WHEELS AND SHEET METAL

RXP021338 -UN-11OCT95

DECAL SET



RXP021338

2J16

WHEELS AND SHEET METAL

DECAL SET - CONTINUED

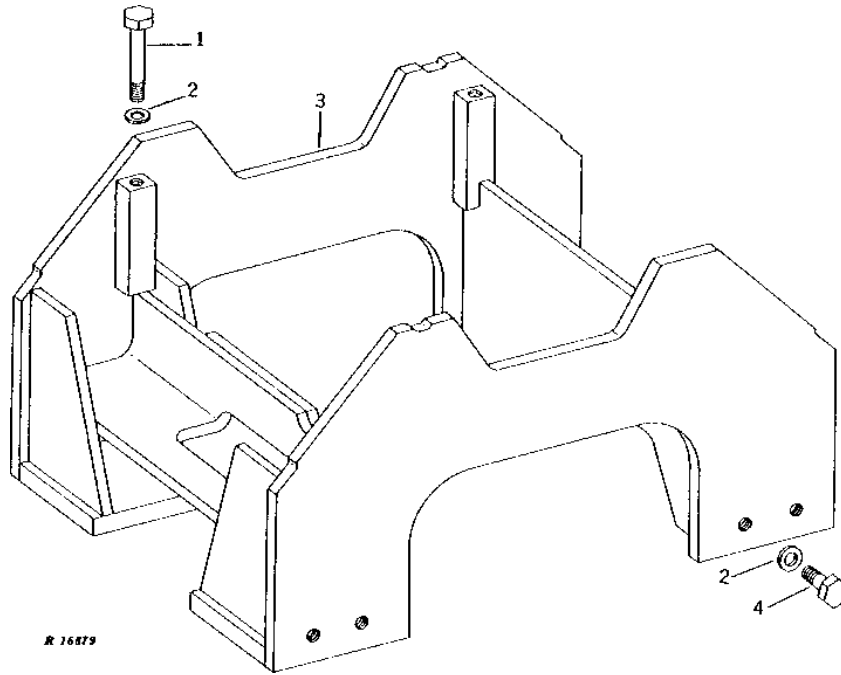
KEY	PART NO.	PART NAME	QTY	TRACTOR SERIAL NO.	REMARKS
1	R62775	LABEL	1		R.H. (SUB FOR R53425)
2	R62776	LABEL	1		L.H. (SUB FOR R53426)
3	R51909	DECAL	1		SAFETY
4	JD5234	DECAL	1		
5	R62781	LABEL	1		R.H. (SUB FOR R54268)
6	R62782	LABEL	1		L.H. (SUB FOR R54269)
7	R87527	LABEL	1		CAUTION
8	R31287	DECAL	1		
9	R53431	DECAL	2		
10	R48813	LABEL	1		
11	R48241	LABEL	1		PTO SHIFTING
12	R34483	LABEL	1		CLUTCH PEDAL
13	R53294	LABEL	1		PTO LEVER, (SUB FOR R44952)
14	R48812	LABEL	1		
15	R51202	DECAL	1		SAFETY
16	R51908	LABEL	1		ENGINE STARTING
17	R51309	DECAL	1		SAFETY
18	AR62013	DECAL KIT	1		SET (FOR REFINISHIG TRACTORS) (NLA)
19	R56902	LABEL	1		DRY AIR CLEANER, (SUB FOR R48632)
20	R52596	LABEL	1		LUBRICATION
21	R81424	LABEL	1		CAUTION, SEAT BELT
22	T146102	WARNING LABEL	1		(ENGLISH) (SUB FOR T84409 OR T134459)
	T146104	WARNING LABEL	1		(FRANCAIS) (SUB FOR T84411 OR T134453)
	T146106	WARNING LABEL	1		(ESPANOL) (SUB FOR T84410 OR T134452)
	T146515	WARNING LABEL	1		(DEUTSCH) (SUB FOR T84412 OR T134454)
	T146516	WARNING LABEL	1		(ITALIANO) (SUB FOR T84413 OR T134455)
	T146517	WARNING LABEL	1		(ENGLISH/FRANCAIS) (SUB FOR T84578 OR T134456)
23	R46733	LABEL	1		COMPRESSOR CHARGE
24	R48825	LABEL	1		WIRING
25	R83103	LABEL	1		PTO SAFETY, (SUB R120111)
..	R49025	LABEL	1		INSTRUMENT PANEL

2J17

WHEELS AND SHEET METAL

R16879 -UN-01JAN94

FRONT AXLE SUPPORT



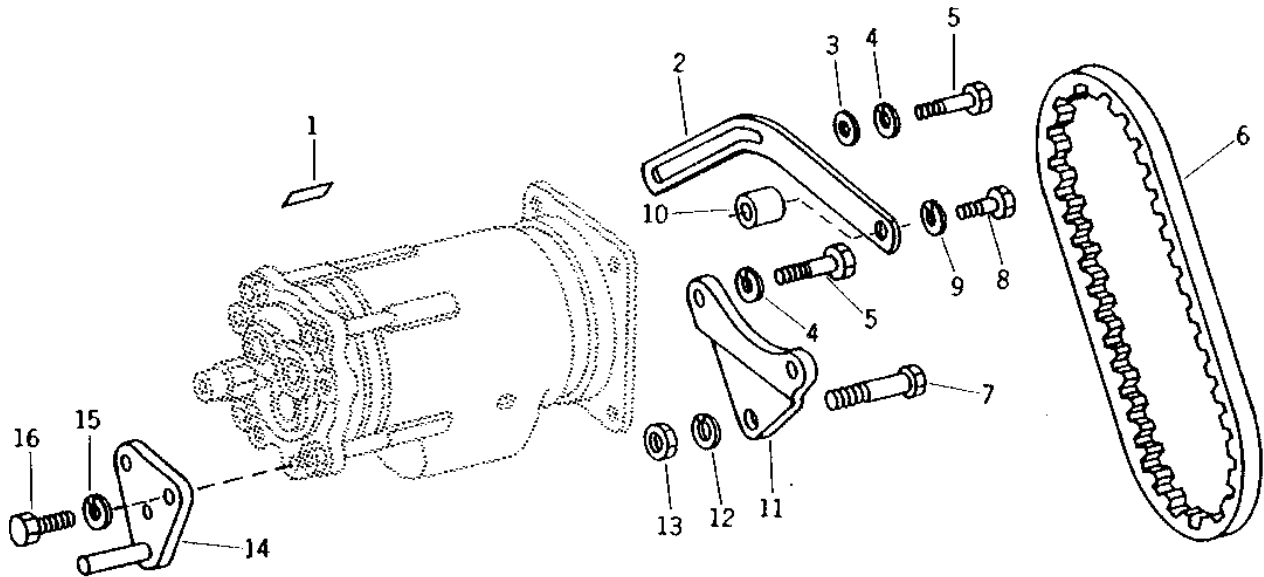
KEY	PART NO.	PART NAME	QTY	TRACTOR SERIAL NO.	REMARKS
1	19H2026	CAP SCREW	4		3/4" X 4"
2	T21397	WASHER	12		
3	AR50601	SUPPORT	1		
4	19H2009	CAP SCREW	8	-XXXXX	3/4" X 1-5/8"
	19H2009	CAP SCREW	4	XXXXX-	3/4" X 1-5/8"

3B3

OPERATOR'S STATION

R32046 -UN-01JAN94

COMPRESSOR BELT AND MOUNTING BRACKETS



R32046F

KEY	PART NO.	PART NAME	QTY	TRACTOR SERIAL NO.	REMARKS
1	R42822	LABEL	1		COMPRESSOR CHARGE
2	R46099	STRAP	1		
3	24H1292	WASHER	1		11/32" X 3/4" X 0.120"
4	12H303	LOCK WASHER	3	-XXXXXX	5/16"
	12M7065	LOCK WASHER	3	XXXXXX-	M8
5	19H2529	CAP SCREW	3	-XXXXXX	5/16" X 1"
	19M7163	CAP SCREW	3	XXXXXX-	M8 X 25
6	R71603	BELT	1		(SUB FOR R46098 OR R69562, THIS APPLICATION)
7	19H1831	CAP SCREW	1		1/2" X 2"
8	19H1800	CAP SCREW	1		3/8" X 1-1/2"
9	12H304	LOCK WASHER	1		3/8"
10	28H3381	SPACER	1		
11	R45981	BRACKET	1		
12	12H301	LOCK WASHER	1		1/2"
13	14H1040	NUT	1		1/2"
14	AR49485	BRACKET	1	-XXXXXX	
	AR77342	SUPPORT	1	XXXXXX-	
15	12H304	LOCK WASHER	2	-XXXXXX	3/8"
	12M7066	LOCK WASHER	2	XXXXXX-	M10
16	19H1731	CAP SCREW	2	-XXXXXX	3/8" X 1"
	19M7662	CAP SCREW	2	XXXXXX-	M10 X 30

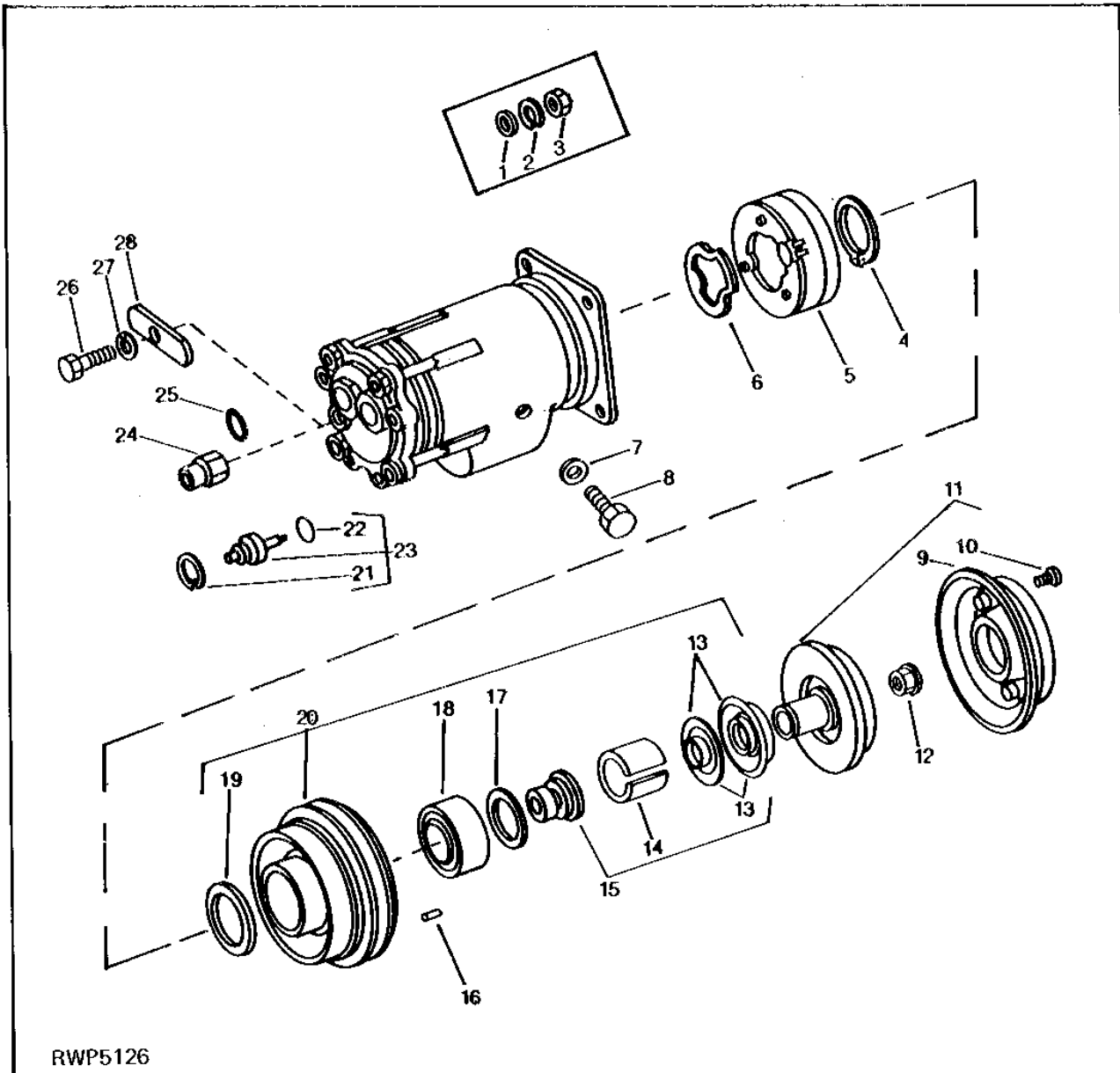
3B4

OPERATOR'S STATION

RWP5126

-UN-01JAN94

COMPRESSOR, COIL, CLUTCH AND PULLEY



3B5

OPERATOR'S STATION

COMPRESSOR, COIL, CLUTCH AND PULLEY - CONTINUED

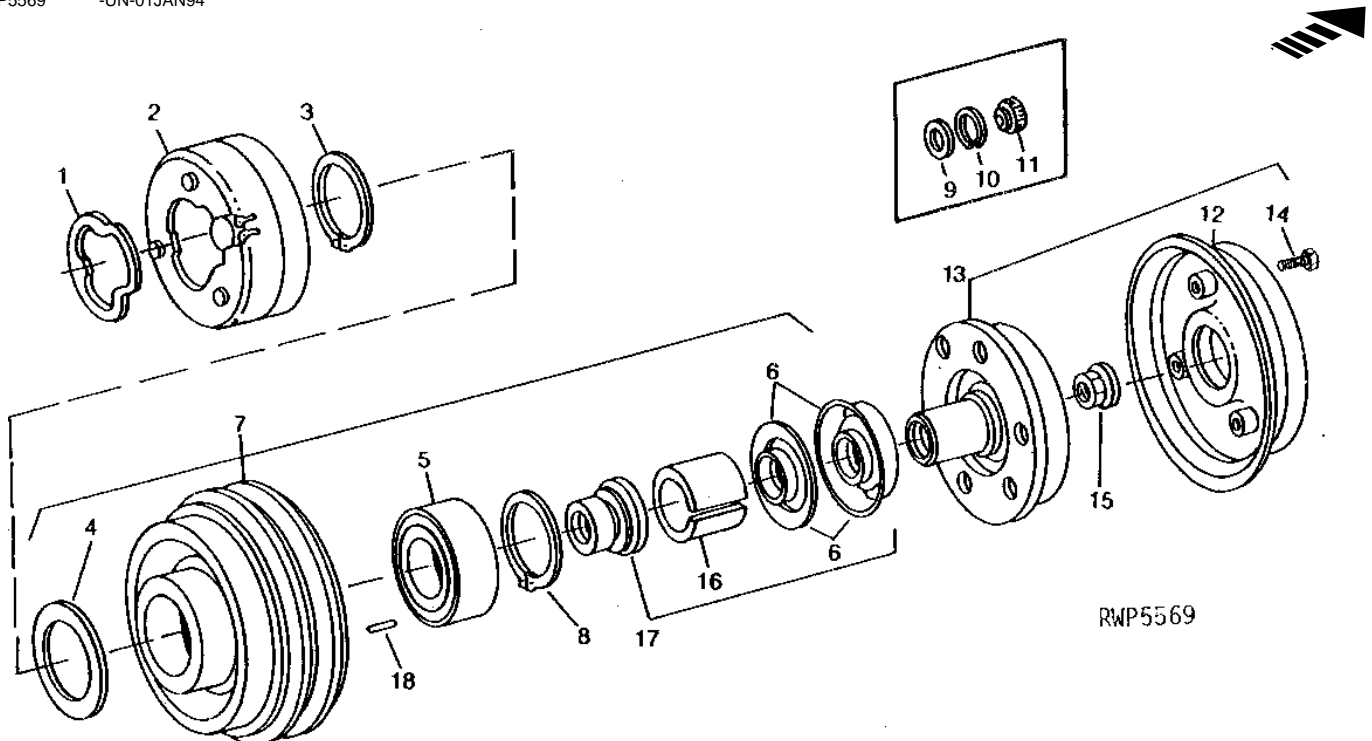
KEY	PART NO.	PART NAME	QTY	TRACTOR SERIAL NO.	REMARKS
1	R47230	WASHER	1	-XXXXXX	(SUB R69297, THIS APPLICATION)
2	R47231	SNAP RING	1	-XXXXXX	(SUB R69297)
3	R47232	NUT	1	-XXXXXX	(SUB R69297)
4	R47224	SNAP RING	1		
5	AR49803	ELECTRICAL COIL	1		
6	R56246	GASKET	1		
7	R47234	WASHER	1		
8	R47233	PLUG	1		
9	AR71290	COVER	1		
10	37H32	SCREW	3		0.190" X 3/8"
11	AR71286	CLUTCH	1		
12	R69297	FLANGE NUT	1	XXXXXX-	
13	AR71289	SHIELD	1		
14	R47227	SEAL	1		
15	AR71285	KIT	1		COMPRESSOR SHAFT SEAL
16	R47229	SHAFT KEY	1		
17	R47226	SNAP RING	1		(NOT INCLUDED IN KIT)
18	AR71288	BALL BEARING	1		
19	R54766	WASHER	1		
20	AR71287	PULLEY	1		
21	R63571	SNAP RING	1		
22	32240	O-RING	1		
23	AR78501	KIT	1		SUPERHEAT SWITCH
24	AR49808	VALVE	1		
25	R47235	O-RING	2		
26	19H2959	CAP SCREW	1	-XXXXXX	3/8" X 2"
	19M7170	CAP SCREW	1	XXXXXX-	
27	12M7066	LOCK WASHER	1		M10
28	R60171	STRAP	1		
29	AR77343	COMPRESSOR	1	-XXXXXX	(SUB TY6665, 19M7170, (3) 19M7163, (2) 19M7662, (3) 12M7065 AND (3) 12M7066)
..	AR92109	COMPRESSOR	1	XXXXXX-	(SUB TY6665)
..	TY6665	COMPRESSOR	1		(REMANUFACTURED)
..	R49856	OIL	1		0.91L (1 QT)

3B6

OPERATOR'S STATION

RWP5569 -UN-01JAN94

COMPRESSOR COIL, CLUTCH AND PULLEY



RWP5569

KEY	PART NO.	PART NAME	QTY	SG BODY SERIAL NO.	REMARKS
1	R56246	GASKET	1	(A)	
2	AR49803	ELECTRICAL COIL	1	(A)	
3	R47224	SNAP RING	1	(A)	
4	R54766	WASHER	1	(A)	
5	AR71288	BALL BEARING	1	(SUB FOR AR49805)	
6	AR71289	SHIELD	1	(SUB FOR R47228 AND AR63254)	
7	AR71287	PULLEY	1	(SUB FOR AR49804)	
8	R47226	SNAP RING	1	(A)	
9	R47230	WASHER	1	-XXXXXX	(SUB R69297, THIS APPLICATION)
10	R47231	SNAP RING	1	-XXXXXX	(SUB R69297)
11	R47232	NUT	1	-XXXXXX	(SUB R69297)
12	AR71290	COVER	1	(SUB FOR AR53446)	
13	AR71286	CLUTCH	1	(SUB FOR AR63255)	
14	37H32	SCREW	3	0.190" X 3/8"	
15	R69297	FLANGE NUT	1	XXXXXX-	
16	R47227	SEAL	1	(A)	
17	AR71285	KIT	1	(SUB FOR AR49806)	
18	R47229	SHAFT KEY	1		

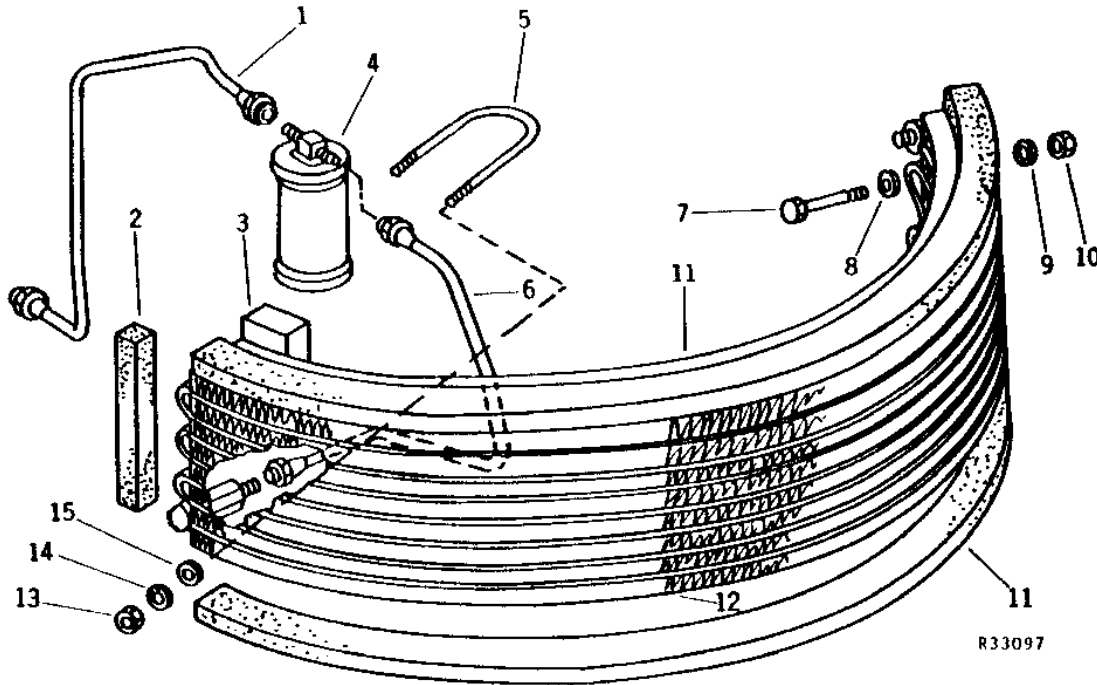
(A) ALSO ORDER AR71289

3B7

OPERATOR'S STATION

CONDENSER AND RECEIVER DRYER (HINSON)

R33097 -UN-01JAN94



R33097

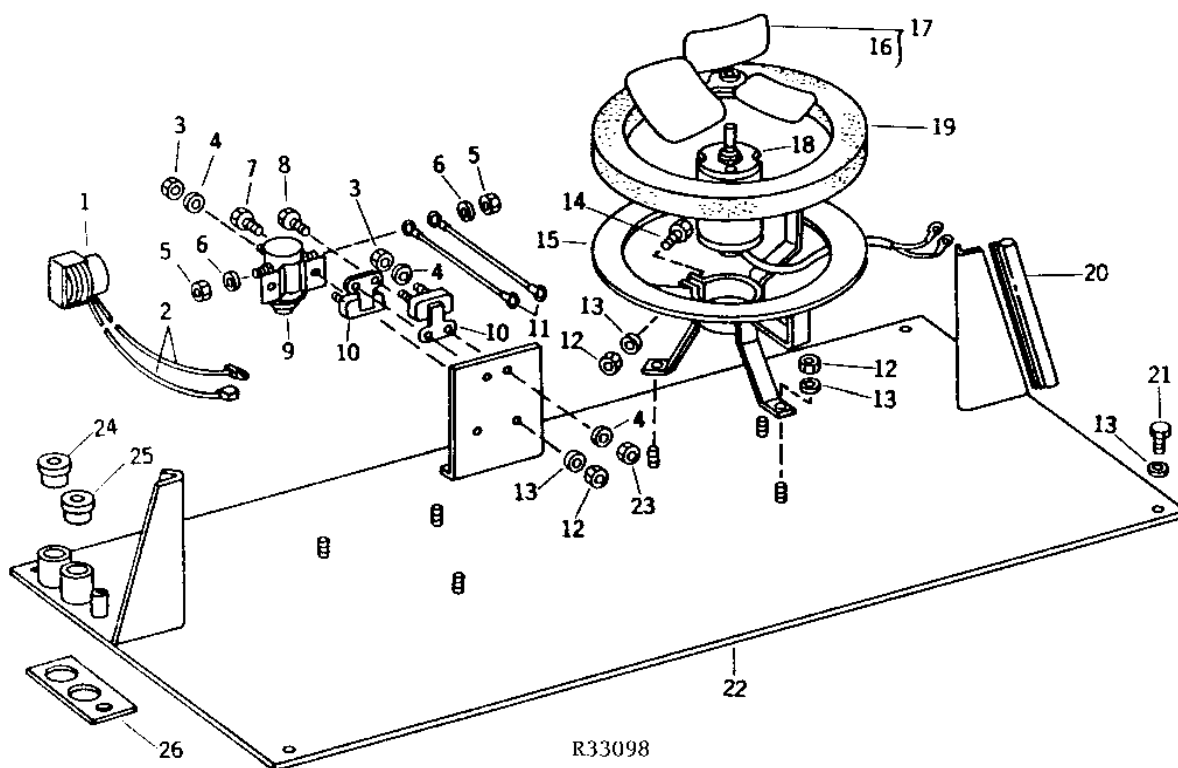
KEY	PART NO.	PART NAME	QTY	TRACTOR SERIAL NO.	REMARKS
1	AR52319	LINE	1		
2	FOAM PAD	1		25 X 25 X 202MM (1" X 1" X 8") (MAKE FROM R30937)
3	FOAM PAD	1		25 X 51 X 152MM (1" X 2" X 6") (MAKE FROM R28123)
4	AR45867	RECEIVER	1		
5	R21244	U-BOLT	1		(NO LONGER AVAILABLE)
6	AR52318	LINE	1		
7	19H1949	CAP SCREW	2		5/16" X 2-1/2"
8	24H1291	WASHER	2		21/64" X 1-15/32" X 7/64"
9	12H303	LOCK WASHER	2		5/16"
10	14H785	NUT	2		5/16"
11	FOAM PAD	2		25 X 25 X 381MM (1" X 1" X 50") (MAKE FROM R30937)
12	AR49967	CORE	1		
13	14H786	NUT	2		1/4"
14	12H302	LOCK WASHER	2		1/4"
15	24H1291	WASHER	2		21/64" X 1-15/32" X 7/64"

3B8

OPERATOR'S STATION

CONDENSER FAN MOTOR AND CIRCUIT BREAKER (HINSON)

R33098 -UN-01JAN94



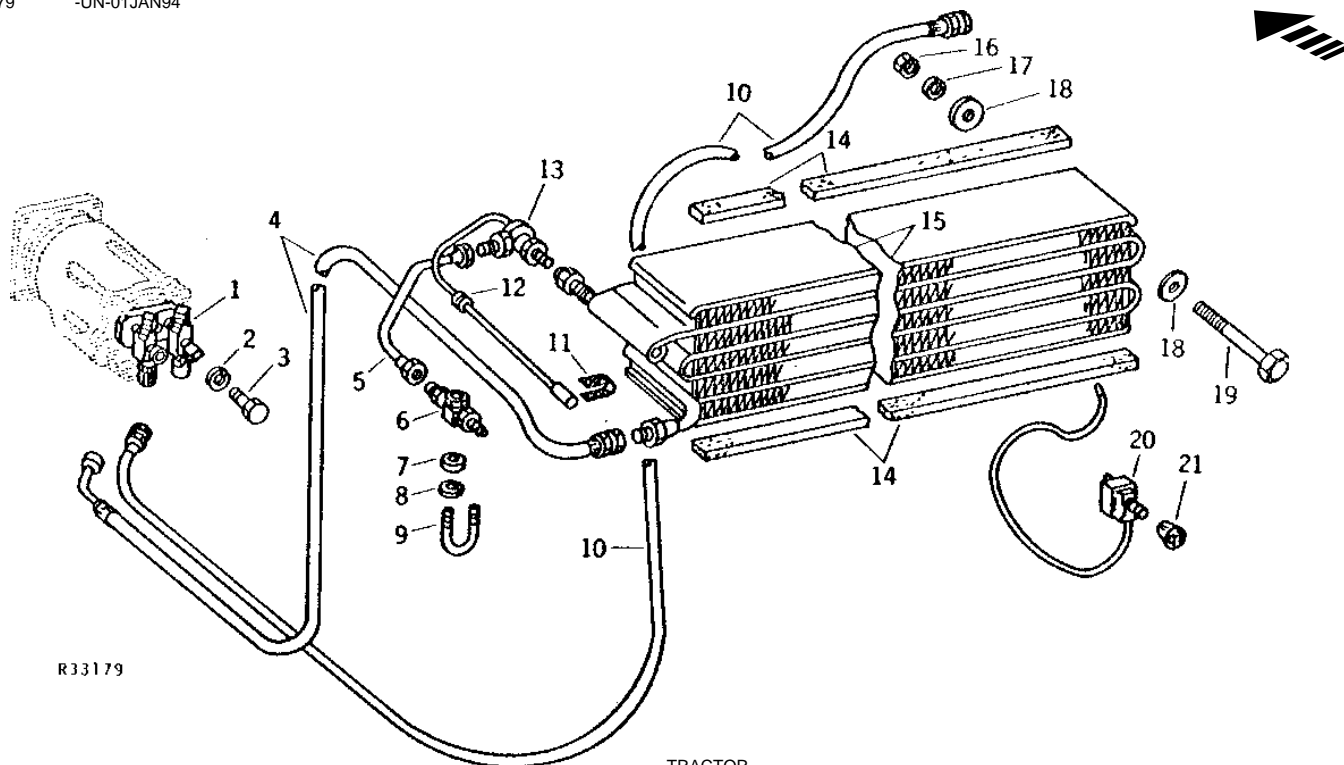
KEY	PART NO.	PART NAME	QTY	TRACTOR SERIAL NO.	REMARKS
1	AR45868	THERMOSTAT	1		
2	WIRING LEAD	2		(MAKE FROM R32027 AND R32025)
3	14H631	NUT	6		0.190"
4	12H246	LOCK WASHER	8		0.190"
5	14H650	NUT	2		5/16"
6	12H303	LOCK WASHER	2		5/16"
7	19H1919	CAP SCREW	2		1/4" X 5/8"
8	21H1317	SCREW	2		0.190" X 5/8"
9	AR54484	RELAY	1		(SUB FOR AR46334)
10	AR28403	CIRCUIT BREAKER	2		
11	WIRING LEAD	2		203MM (8") (MAKE FROM R66319, R32018 AND R32022)
12	14H786	NUT	8		1/4"
13	12H302	LOCK WASHER	14		1/4"
14	19H1948	CAP SCREW	2		1/4" X 3/4"
15	AR52316	SUPPORT	2		
16	22H922	SET SCREW	2		0.190" X 1/4"
17	AR49963	FAN	2		
18	AR49962	MOTOR	2		
19	R47470	ISOLATOR	2		
20	MOLDING	2		254MM (10") (MAKE FROM R44447)
21	19H1227	CAP SCREW	6		1/4" X 1/2"
22	AR52315	PLATE	1		
23	14H774	NUT	2		3/8"
24	R48900	GROMMET	1		
25	R48901	GROMMET	1		
26	R48899	GASKET	1		

3B9

OPERATOR'S STATION

R33179 -UN-01JAN94

EVAPORATOR (HINSON)



R33179

KEY	PART NO.	PART NAME	QTY	TRACTOR SERIAL NO.	REMARKS
1	AR94973	FITTING	1		
2	12H304	LOCK WASHER	1	-XXXXXX	3/8", (SUB FOR AR52325)
	12M7066	LOCK WASHER	1	XXXXXX-	M10
3	19H1938	CAP SCREW	1	-XXXXXX	3/8" X 13/16"
	19M7170	CAP SCREW	1	XXXXXX-	M10 X 50
4	AR64088	HOSE	1		(SUB FOR AR52329) (SUB RE58483)
	R27533	GROMMET	1		
5	AR52322	LINE	1		
	N31425	GROMMET	1		
6	AR52321	SIGHT PLUG	1		
7	14H786	NUT	4		1/4"
8	12H302	LOCK WASHER	4		1/4"
9	R21230	U-BOLT	2		
10	AR64087	HOSE	1		(SUB FOR AR52328) (SUB RE57318)
	R40791	CLAMP	1		
	A4772R	CLIP	1		
11	CLAMP	1		(NOT FURNISHED)
12	R27180	GROMMET	1		
13	AR49961	VALVE	1		
14	ISOLATOR	2		762MM (30") (MAKE FROM R48884)
15	AR49966	CORE	1		
16	14H785	NUT	3		5/16"
17	12H303	LOCK WASHER	3		5/16"
18	24H1291	WASHER	6		21/64" X 1-15/32" X 7/64"
19	19H2342	CAP SCREW	3		5/16" X 4-1/2"
20	AR52324	SWITCH	1		
	R26409	GROMMET	2		
21	AR69370	KNOB	1		(SUB FOR AR49969)
..	R76477	TIE BAND	1		(SUB FOR R45440)
..	R57003	TAPE	1		9.14M (360") (SUB TY15709)

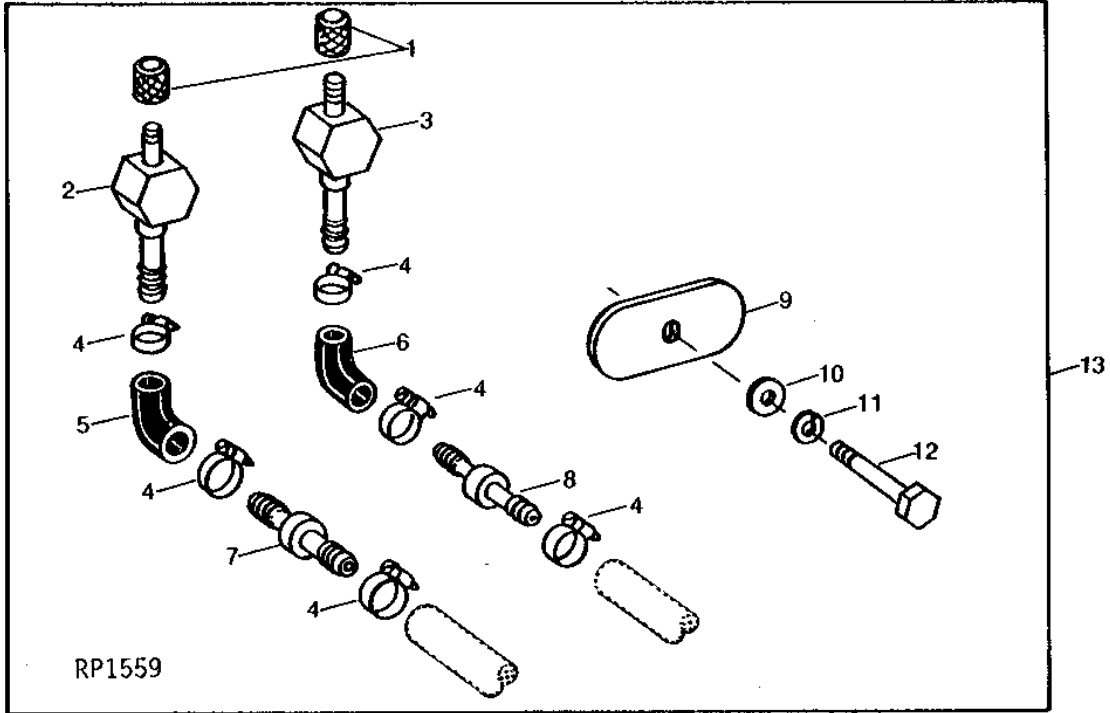
MEMORANDA

3B10

OPERATOR'S STATION

RP1559 -UN-01JAN94

COMPRESSOR VALVE KIT



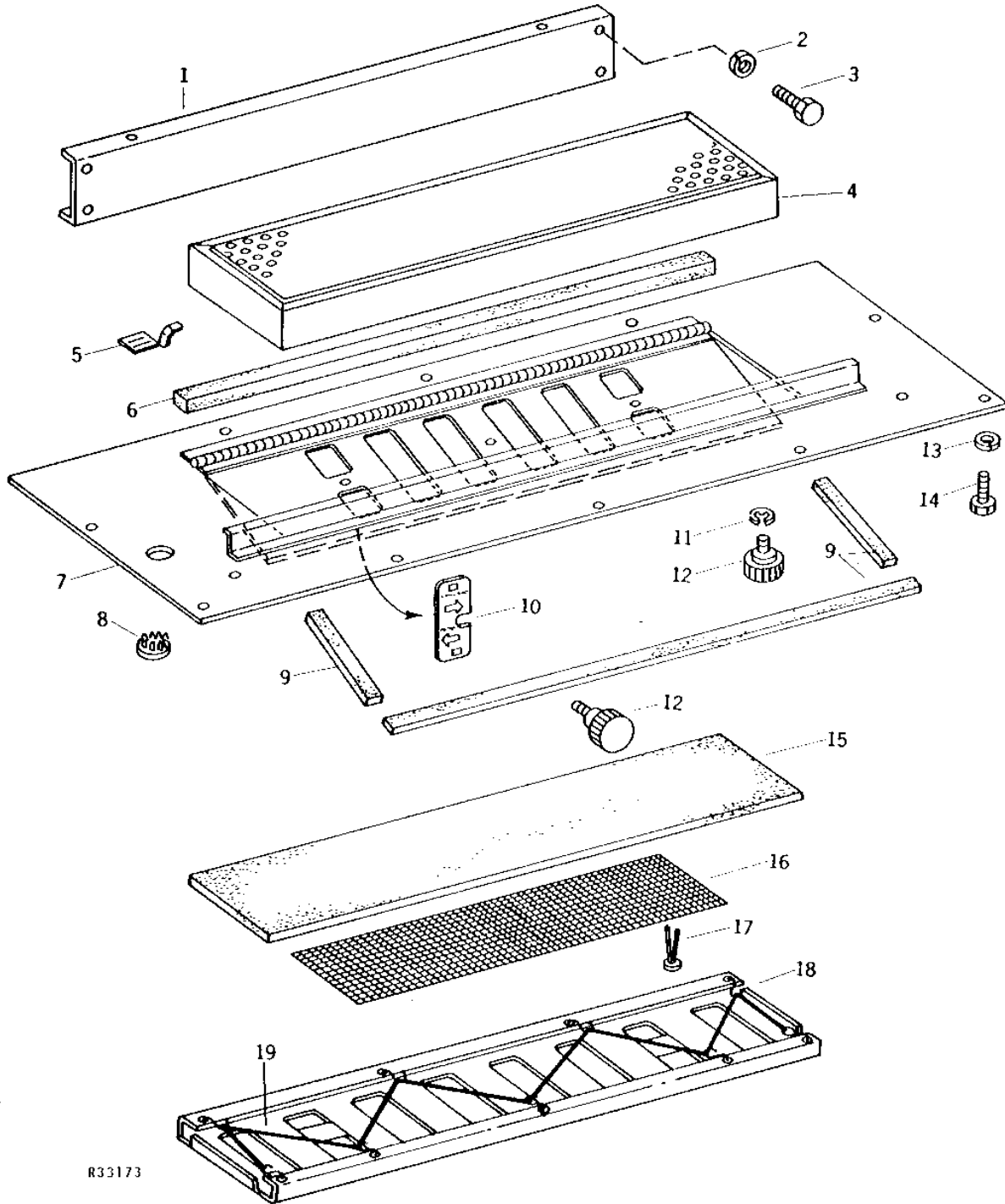
KEY	PART NO.	PART NAME	QTY	CAB SERIAL NO.	REMARKS
1	R60172	NUT	2		
2	AR94974	ADAPTER	1		
3	AR94975	ADAPTER	1		
4	AR21837	CLAMP	6		(SUB TY22465)
5	R72229	HOSE	1		
6	R72228	HOSE	1		
7	R72227	COUPLING	1		
8	R72226	COUPLING	1		
9	R60171	STRAP	1		
10	24H1884	WASHER	1		13/32" X 13/16" X 0.120"
11	12H304	LOCK WASHER	1		3/8"
12	19H2959	CAP SCREW	1		3/8" X 2"
13	AR94973	FITTING	1		

3B11

OPERATOR'S STATION

R33173 -UN-01JAN94

CONSOLE COVER FRONT AND FILTER (HINSON)



R33173

3B12

OPERATOR'S STATION

CONSOLE COVER FRONT AND FILTER - CONTINUED (HINSON)

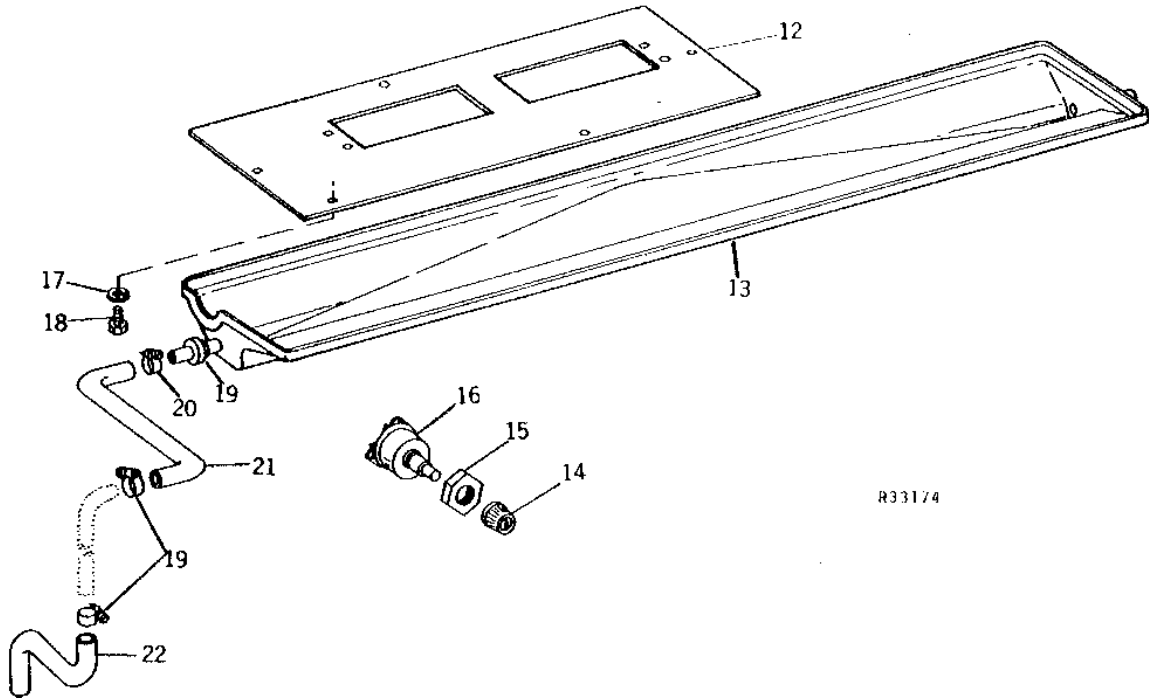
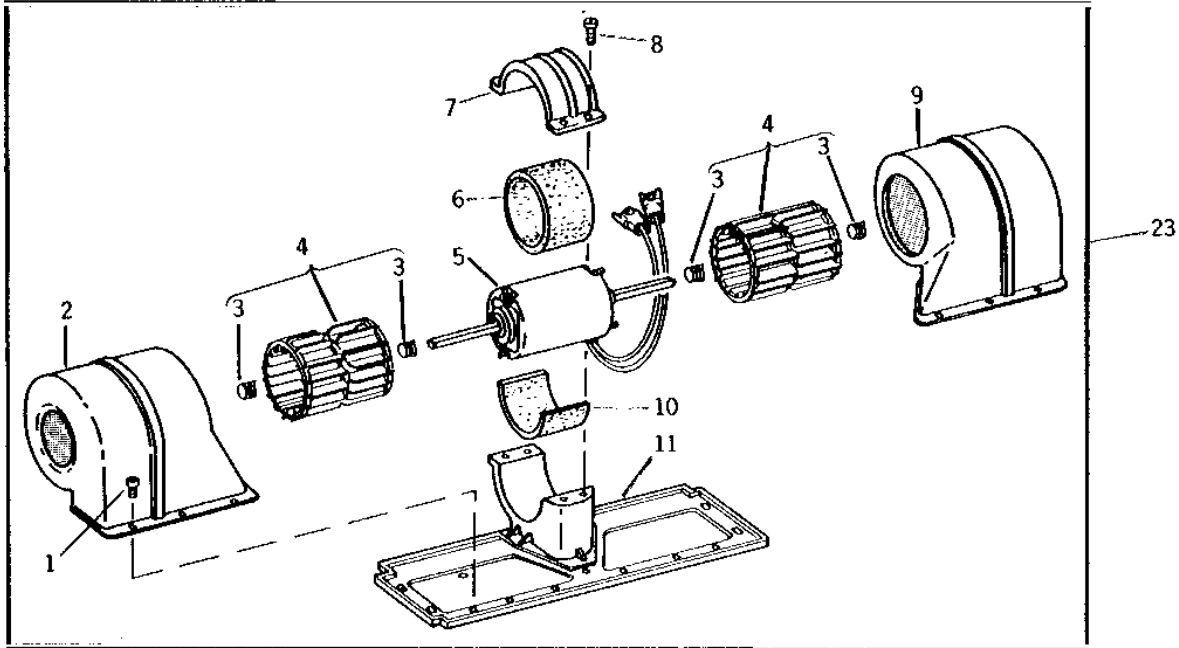
KEY	PART NO.	PART NAME	QTY	TRACTOR SERIAL NO.	REMARKS
1	AR52296	PANEL	1		
2	12H302	LOCK WASHER	7		1/4"
3	19H1227	CAP SCREW	7		1/4" X 1/2"
4	AR61903	AIR FILTER	1		(SUB FOR AR49986)
5	AR50009	CLIP	4		(SUB AR50010)
6	R48880	WEATHERSTRIP	1		
7	AR52297	COVER	1	-003398	
	AR70450	COVER	1	003399-	
	R48884	WEATHERSTRIP	1		
8	R36590	PLUG	1		
9	R48879	WEATHERSTRIP	1		1270MM (50")
10	R48878	LABEL	1		
11	R27507	SNAP RING	2		
12	AR52300	KNOB	4	-003398	
	AR52300	KNOB	2	003399-	
13	12H302	LOCK WASHER	14		1/4"
14	19H1227	CAP SCREW	14		1/4" X 1/2"
15	R48881	FILTER ELEMENT	1		
16	R58619	FILTER	1	003399-	
17	R58620	RETAINER	3	003399-	
18	AR63928	DOOR	1		(SUB FOR AR52298)
19	AR52299	CABLE	1		

3B13

OPERATOR'S STATION

R33174 -UN-01JAN94

BLOWER AND CONDENSATE TRAY (HINSON)



R33174

3B14

OPERATOR'S STATION

BLOWER AND CONDENSATE TRAY - CONTINUED (HINSON)

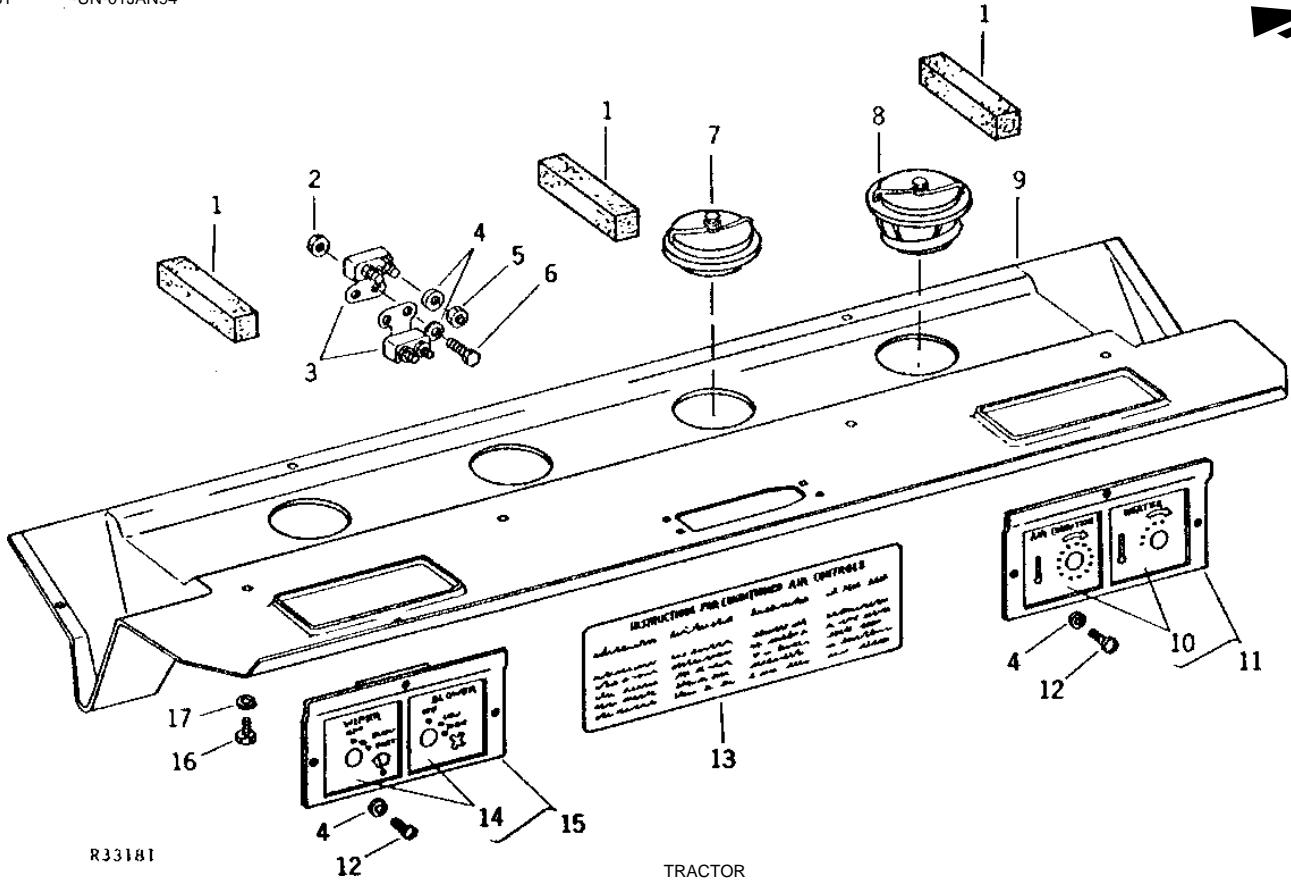
KEY	PART NO.	PART NAME	QTY	TRACTOR SERIAL NO.	REMARKS
1	14H605	NUT	8	-XXXXXX	0.164"
	12H315	LOCK WASHER	8	-XXXXXX	0.164"
	21H1158	SCREW	8	-XXXXXX	0.164" X 1/2"
	37H32	SCREW	8	XXXXXX-	0.190" X 3/8"
2	AR69012	HOUSING	2		
3	R56101	CLIP	4		
4	AR66028	IMPELLER	2		
5	AR62497	MOTOR	2		
6	R57606	CUSHION	1		
7	R59450	RETAINER	1		
8	37H80	SCREW	4		0.190" X 1/2"
9	AR69011	HOUSING	2		
10	CUSHION	1		(MAKE FROM R57606)
11	AR74020	BASE	2		(SUB FOR AR68974)
12	R48885	PANEL	2		
13	AR52323	CONTAINER	1		
	FOAM PAD	1		6 X 13 X 1016MM (1/4" X 1/2" X 40") (MAKE FROM R48884)
	FOAM PAD	1		6 X 13 X 965MM (1/4" X 1/2" X 38") (MAKE FROM R48884)
	FOAM PAD	2		6 X 13 X 51MM (1/4" X 1/2" X 2") (MAKE FROM R48884)
	R49858	ISOLATOR	1		
14	AR69370	KNOB	1		(SUB FOR AR49969)
15	R27296	NUT	1		
16	AR53155	SWITCH	1		(SUB FOR AR49964)
17	12H302	LOCK WASHER	4		1/4"
18	19H1227	CAP SCREW	4		1/4" X 1/2"
19	R48902	GROMMET	2		
20	AR21837	CLAMP	6		(SUB TY22465)
21	R48913	HOSE	2		
22	R49293	HOSE	2		
23	AR74019	BLOWER	2		(ALSO ORDER R36229) (SUB FOR AR49968, AR53156, AR62561, AR66027 OR AR68973)
..	R44302	TIE BAND	1		

3B15

OPERATOR'S STATION

REAR CONSOLE COVER AND CONTROL PANEL (HINSON)

R33181 -UN-01JAN94



KEY	PART NO.	PART NAME	QTY	TRACTOR SERIAL NO.	REMARKS
1	FOAM PAD	3	25 X 25 X 127MM (1" X 1" X 5") (MAKE FROM R30937)	
2	14H778	NUT	2	0.190"	
3	AR28403	CIRCUIT BREAKER	2		
4	12H246	LOCK WASHER	10	0.190"	
5	14H631	NUT	4	0.190"	
6	21H1317	SCREW	2	0.190" X 5/8"	
7	AR49952	DEFLECTOR	3		
8	AR49970	DEFLECTOR	1		
9	R48874	COVER	1		
10	R48896	LABEL	1		
	R48908	LABEL	1		
	R48911	LABEL	1	(NLA)	
11	AR52313	PANEL	1		
	AR52314	PANEL	1	(HEATER)	
	AR52326	PANEL	1	(AIR CONDITIONING)	
	AR52327	PANEL	1	(AIR CONDITIONING AND HEATER)	
12	21H1317	SCREW	4	0.190" X 5/8"	
13	R54839	LABEL	1	(SUB FOR R48903) (AIR CONDITIONING)	
	R54840	LABEL	1	(PRESSURIZER)	
14	R48882	LABEL	1		
15	AR52301	PANEL	1	(NO LONGER AVAILABLE)	
16	19H1227	CAP SCREW	11	1/4" X 1/2"	
17	12H302	LOCK WASHER	11	1/4"	
..	R36590	PLUG	1	(A) (EVAPORATOR CORE INLET HOLE)	
..	R36590	PLUG	1	(A) (SUCTION LINE HOLE IN PLATE)	
..	R36590	PLUG	1	(B)	
..	M42229	PLUG	1	(A) (EXPANSION VALVE SENSING BULB HOLE)	
..	T13911	PLUG	1	(A) (CONTROL SWITCH CAPILLARY HOLE)	

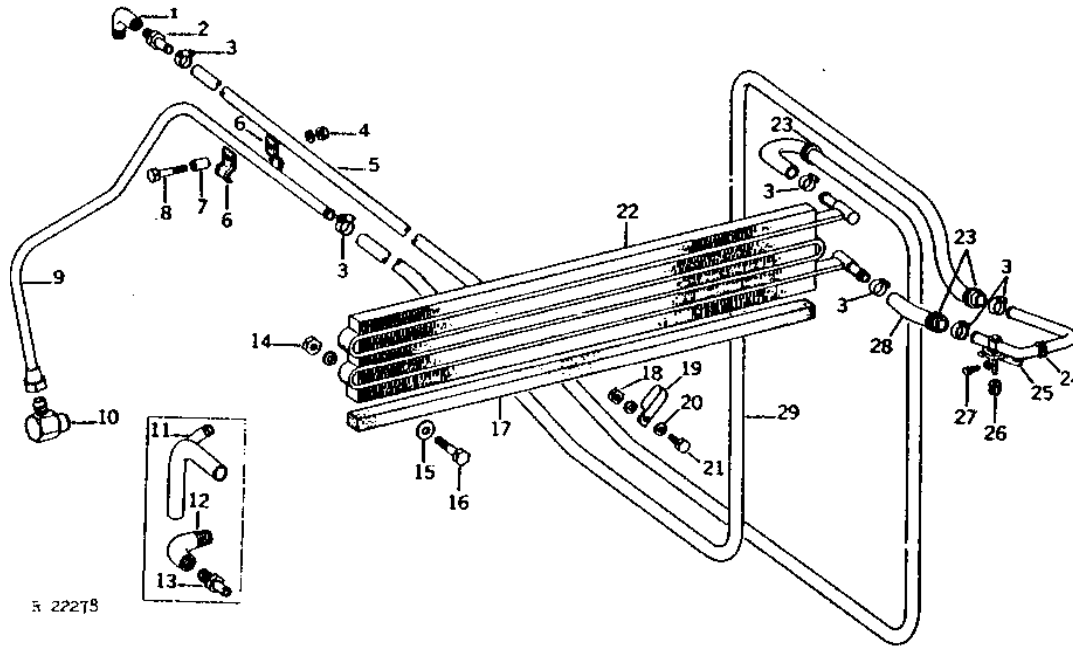
(A) LESS AIR CONDITIONING
(B) LESS HEATER

3B16

OPERATOR'S STATION

CAB HEATER (HINSON)

R22278 -UN-01JAN94



3 22278

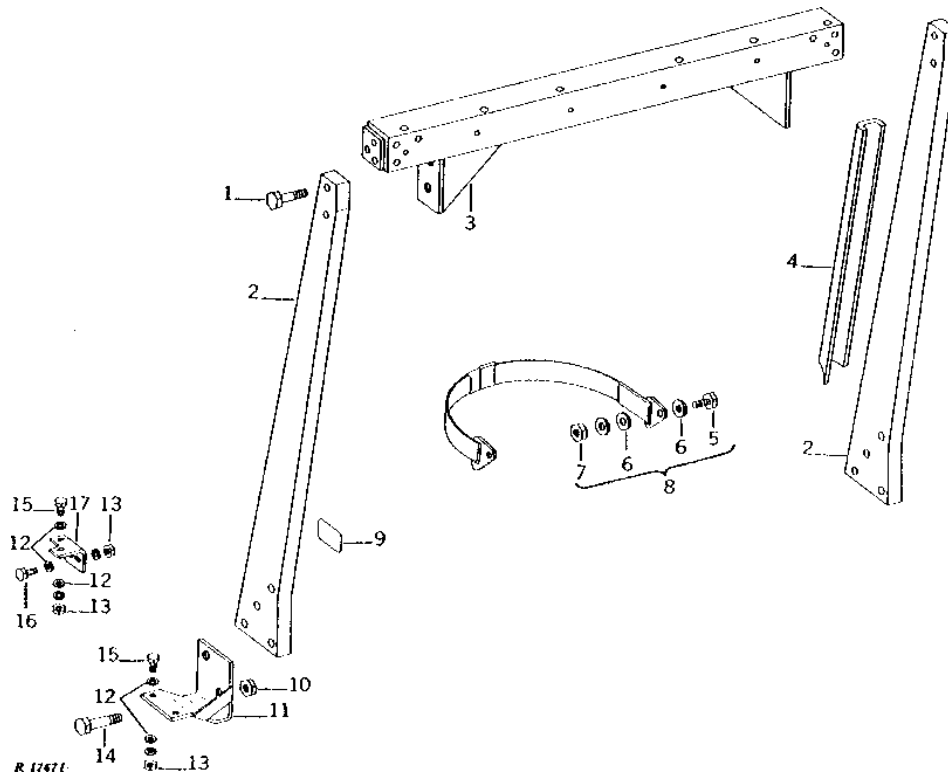
KEY	PART NO.	PART NAME	QTY	TRACTOR SERIAL NO.	REMARKS
1	15H622	ELBOW FITTING	1	002700-	90°
2	R42312	HOSE FITTING	1	002700-	
3	AR21837	CLAMP	6		(SUB TY22465)
4	14H1076 12H304	NUT LOCK WASHER	1 1	002700- 002700-	3/8" 3/8"
5	HOSE	1		(MAKE FROM R45847) (CUT TO LENGTH)
6	R47576	CLAMP	2	002700-	
7	28H1524	SPACER	1	002700-	3/8" X 7/8"
8	19H1123	CAP SCREW	1	002700-	3/8" X 1-7/8"
9	AR64452	LINE	1	002700-	
10	AR64090	FITTING	1	002700-	
11	AR50598	TUBE	1	-002699	
12	15H621	ELBOW FITTING	1	-002699	90°
13	R41071	FITTING	1	-002699	
14	14H785	NUT	3		5/16"
	12H303	LOCK WASHER	3		5/16"
15	24H1291	WASHER	3		21/64" X 1-15/32" X 7/64"
16	19H3552	CAP SCREW	3		5/16" X 1-1/2"
17	R47468	ISOLATOR	1		
18	14H1076 12H304	NUT LOCK WASHER	1 1		3/8" 3/8"
19	R47897	CLAMP	1		
20	24H1301	WASHER	1		13/32" X 9/16" X 0.065"
21	19H1936	CAP SCREW	1		3/8" X 3/4"
22	AR49965	CORE	1		
23	H31207	GROMMET	3		
24	P41858	GROMMET	1		
25	AR49987	VALVE	1		
26	AR69370	KNOB	1		(SUB FOR AR49969)
27	19H1227	CAP SCREW	2		1/4" X 1/2"
	12H302	LOCK WASHER	2		1/4"
28	HOSE	1		203MM (8") (MAKE FROM R45847)
29	HOSE	1		(MAKE FROM R45847) (CUT TO LENGTH)
..	R51723	LABEL	1		

3B17

OPERATOR'S STATION

ROLL-GARD
(HINSON)
(TRACTOR SERIAL NO. -002699)

R17671 -UN-01JAN94



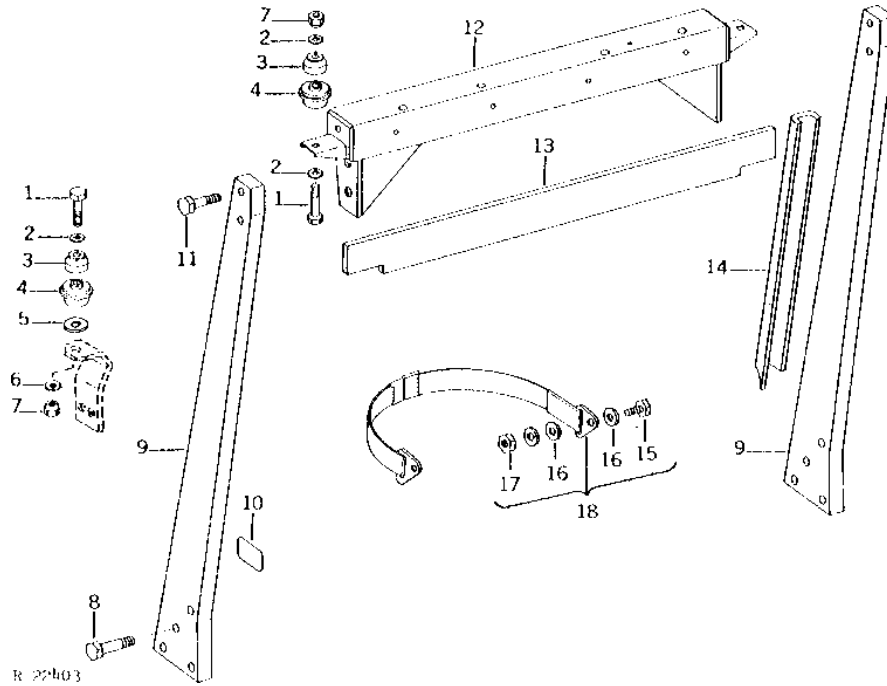
KEY	PART NO.	PART NAME	QTY	TRACTOR SERIAL NO.	REMARKS
1	19H2728	CAP SCREW	4	3/4" X 3"	
2	R47773	FRAME	2		
3	AR44613	FRAME	1		(NO LONGER AVAILABLE)
4	R42646	FOAM PAD	2		
5	R41778	BOLT	2		
6	24H1226	WASHER	4	1/2" X 1-1/4" X 0.083"	
7	14H863	NUT	2	3/4"	
	12H293	LOCK WASHER	2	7/16"	
8	AR41761	SEAT BELT	1	51MM (2") WIDTH	
	AT38518	SEAT BELT	1	76MM (3") WIDTH	
9	R41781	DECAL	1	(SUB R87527)	
10	14H1048	NUT	8	1"	
11	AR52076	SUPPORT	1	L.H.	
	AR52075	SUPPORT	1	R.H.	
12	24H1325	WASHER	20	15/32" X 59/64" X 0.065"	
13	14H849	NUT	8	7/16"	
	12H293	LOCK WASHER	8	7/16"	
14	19H2421	CAP SCREW	8	1" X 3-3/4"	
15	19H1822	CAP SCREW	8	7/16" X 1"	
16	19H2500	CAP SCREW	4	7/16" X 1-3/8"	
17	R48727	SUPPORT	1	L.H.	
	R48726	SUPPORT	1	R.H.	

3B18

OPERATOR'S STATION

R22403 -UN-01JAN94

ROLL-GARD
(TRACTOR SERIAL NO. 002700-003025)



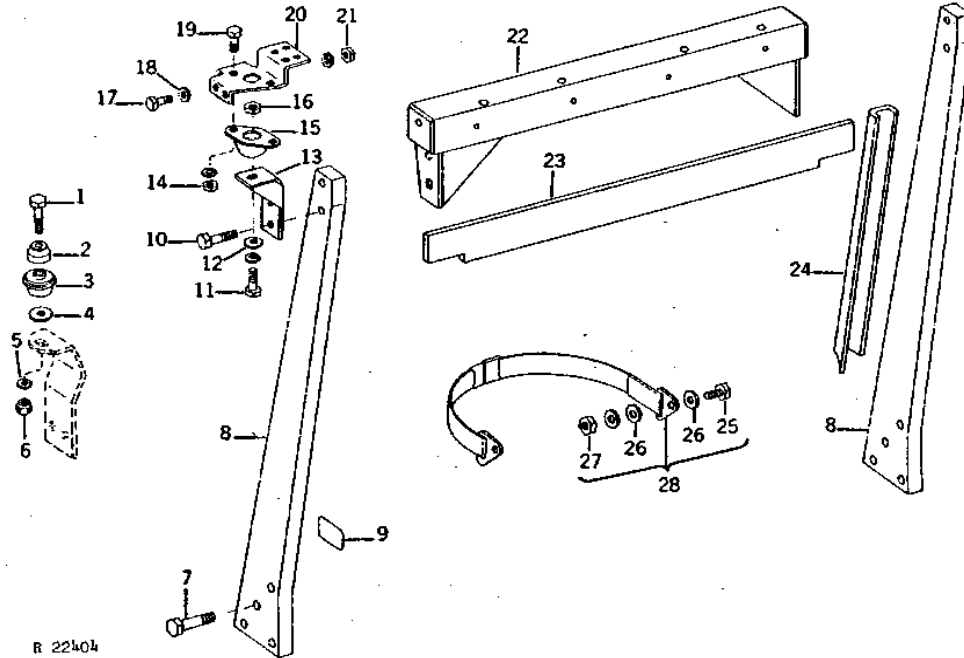
KEY	PART NO.	PART NAME	QTY	TRACTOR SERIAL NO.	REMARKS
1	19H3550	CAP SCREW	4	1/2" X 4"	
2	24H1341	WASHER	6	17/32" X 15/16" X 0.060"	
3	AR58429	SUPPORT	4		
4	AR58428	SUPPORT	4		
5	R20135	WASHER	2		
6	R42408	WASHER	2		
7	K40014	LOCK NUT	4	(SUB FOR F2855R)	
8	19H2421	CAP SCREW	1	1" X 3-3/4"	
9	R47773	FRAME	2		
10	R41781	DECAL	1	(SUB R87527)	
11	19H2728	CAP SCREW	4	3/4" X 3"	
12	AR57225	FRAME	1		
13	R55238	ISOLATOR	1		
14	R42646	FOAM PAD	2		
15	R41778	BOLT	2		
16	24H1226	WASHER	2	1/2" X 1-1/4" X 0.083"	
17	14H864	NUT	2	7/16"	
	12H293	LOCK WASHER	2	7/16"	
18	AR41761	SEAT BELT	1	51MM (2") WIDTH	
	AT38518	SEAT BELT	1	76MM (3") WIDTH	
	R81424	LABEL	1		

3B19

OPERATOR'S STATION

R22404 -UN-01JAN94

ROLL-GARD
(HINSON)
(TRACTOR SERIAL NO. 003026-)



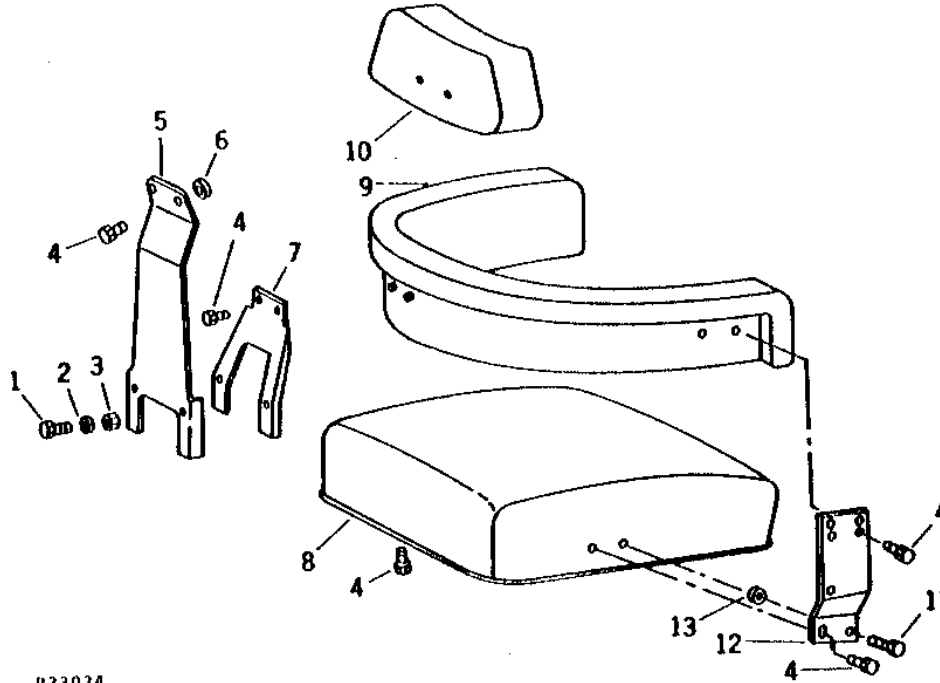
KEY	PART NO.	PART NAME	QTY	TRACTOR SERIAL NO.	REMARKS
1	19H1992	CAP SCREW	2	1/2" X 4"	
2	AR58429	SUPPORT	2		
3	AR58428	SUPPORT	2		
4	R20135	WASHER	2		
5	R42408	WASHER	2		
6	K40014	LOCK NUT	2	(SUB FOR F2855R)	
7	19H2421	CAP SCREW	6	1" X 3-3/4"	
8	R47773	FRAME	2		
9	R41781	DECAL	1	(SUB R87527)	
10	19H3027	CAP SCREW	4	3/4" X 3-1/2"	
11	19H1831	CAP SCREW	2	1/2" X 2"	
	12H301	LOCK WASHER	2	1/2" X 1"	
12	24H1625	WASHER	2	17/32" X 1" X 0.120"	
13	AR68105	SUPPORT	2		
14	14H1040	NUT	4	1/2"	
	12H301	LOCK WASHER	4	1/2"	
15	AR68104	ISOLATOR	2		
16	14H1040	NUT	2	1/2"	
17	19H2284	CAP SCREW	16	3/8" X 7/8"	
18	24H1309	WASHER	16	13/32" X 1-1/16" X 0.120"	
19	19H1792	CAP SCREW	4	1/2" X 1"	
20	R56945	BRACKET	1	L.H.	
	R56944	BRACKET	1	R.H.	
21	14H1076	NUT	16	3/8"	
	12H304	LOCK WASHER	16	3/8"	
22	AR66283	FRAME	1		
23	R55238	ISOLATOR	1		
24	R42646	FOAM PAD	2		
25	R41778	BOLT	2		
26	24H1226	WASHER	2	1/2" X 1-1/4" X 0.083"	
27	14H864	NUT	2	7/16"	
	12H293	LOCK WASHER	2	7/16"	
28	AR41761	SEAT BELT	1	51MM (2") WIDTH	
	AT38518	SEAT BELT	1	76MM (3") WIDTH	
	R81424	LABEL	1		

3B20

OPERATOR'S STATION

R33034 -UN-01JAN94

DELUXE SEAT



003348

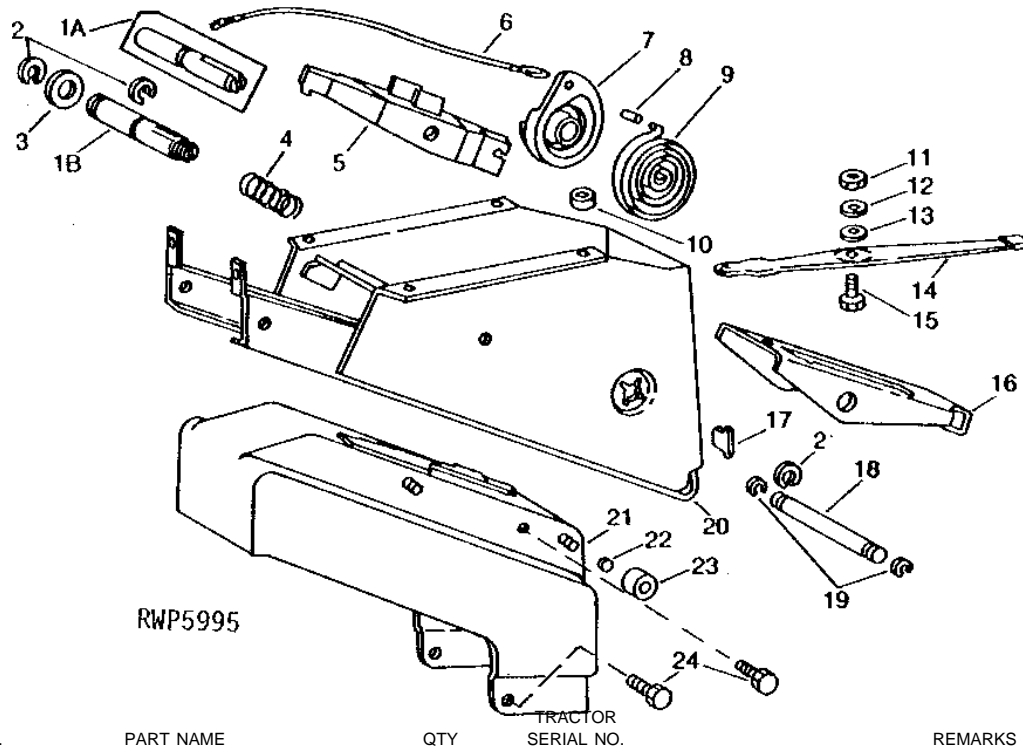
KEY	PART NO.	PART NAME	QTY	TRACTOR SERIAL NO.	REMARKS
1	19H1905	CAP SCREW	2		5/16" X 1"
2	12H303	LOCK WASHER	2		5/16"
3	14H785	NUT	2		5/16"
4	19H1813	CAP SCREW	16		5/16" X 5/8"
5	R34272	SUPPORT	1		
6	24H448	WASHER	2		25/32" X 1-1/8" X 0.090"
7	R27785	SUPPORT	1		
8	AR59681	CUSHION	1		(SUB AR44763)
	R32736	COVER	1		(NATURAL CANVAS)
	R34618	CUSHION COVER	1		(YELLOW VINYL)
	R34609	COVER	1		(WHITE CANVAS)
9	AR59680	ARMREST	1		(SUB FOR AR42598)
	R34620	CUSHION COVER	1		
10	R34267	SEAT BACK	1		(SUB FOR AR59679)
	R34619	CUSHION COVER	1		
11	19H2127	CAP SCREW	2		5/16" X 7/8"
12	R41938	SUPPORT	1	-003348	L.H.
	R57274	SUPPORT	1		R.H. (SUB FOR R41937)
	R57275	SUPPORT	1	003349-	L.H.
13	28H1517	WASHER	2		0.493" X 0.675" X 1/4"

3B21

OPERATOR'S STATION

RWP5995 -UN-01JAN94

SEAT SUPPORT



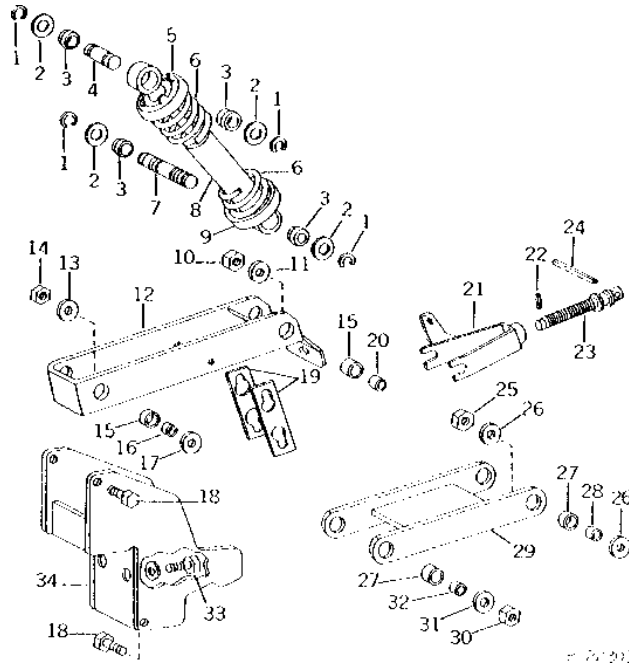
KEY	PART NO.	PART NAME	QTY	TRACTOR SERIAL NO.	REMARKS
1A	R26874	SHAFT	1	-003157	
1B	R57572	PIN	1	003158-	(ALSO ORDER R73380 AND (2) 24H1384) (SUB FOR R56064)
2	A369R	SNAP RING	2	-003157	(SUB R73380)
3	24H1395	SNAP RING	3	003158-	(SUB R73380)
	24H1384	WASHER	1	-003157	25/32" X 1-7/16" X 0.060"
4	A4744R	WASHER	1	003158-	49/64" X 1-1/16" X 0.036"
5	R26828	SPRING	1		
6	AR26403	LATCH	1		
7	R26432	CABLE	1		(SUB R78257)
8	34H282	REEL	1		
9	R31260	SPRING PIN	1		3/16" X 1"
10	28H1517	SPRING	1		
11	14H786	WASHER	2		0.493" X 0.675" X 1/4"
12	12H302	NUT	1		1/4"
13	24H1287	LOCK WASHER	1		1/4"
14	R27439	WASHER	1		9/32" X 5/8" X 0.065"
15	R26431	LEVER	1		
16	R26830	SCREW	1		
17	R26434	HANDLE	1		
18	R26829	LATCH	1		
19	R26871	PIN	1		(SUB FOR P44982)
20	AR68728	SNAP RING	2		(ALSO ORDER R57572, R73380 AND (2) 24H1384)
		SUPPORT	1		(SUB FOR AR36047) (ALSO ORDER (2) 28H1517)
					(SUB FOR AR65883)
21	AR35366	FRAME	1		
22	R26872	SHIM	AR		0.25MM (.010")
	R26873	SHIM	AR		0.51MM (.020")
23	R26436	ROLLER	4		
24	19H1732	CAP SCREW	4		3/8" X 1-1/4"

3B22

OPERATOR'S STATION

R22303 -UN-01JAN94

SEAT SUSPENSION



KEY	PART NO.	PART NAME	QTY	TRACTOR SERIAL NO.	REMARKS
1	F2863R	SNAP RING	4		
2	R1836R	WASHER	4		
3	R26832	BUSHING	4		
4	R26875	PIN	1		
5	R27442	CAP	1		
6	R26877	SPRING	1		
7	R26876	SHAFT	1		
8	AR71976	ABSORBER	1	(SUB FOR AR26529 OR AR69854)	(SUB AR62234)
9	R26879	CAP	1		
10	M63440	LOCK NUT	2	(SUB E50102)	
11	R27441	WASHER	2		
12	AR60029	ARM	1	(SUB FOR AR36048)	(ALSO ORDER (4) R51649 THIS APPLICATION)
13	R27441	WASHER	2		
14	M63440	LOCK NUT	2	(SUB E50102)	
15	R36704	WASHER	4	(SUB R51648)	
16	R27440	BUSHING	2		
17	24H1309	WASHER	2	13/32" X 1-1/16" X 0.120"	
18	19H1800	CAP SCREW	2	3/8" X 1-1/2"	
	19H2552	CAP SCREW	2	3/8" X 1-1/8"	
19	R26878	LINK	2		
20	R27440	BUSHING	2		
21	AR69271	YOKE	1	(SUB FOR AR26530)	
22	34H247	SPRING PIN	1	1/8" X 3/4"	
23	R57623	SCREW	1	(ALSO ORDER 11H113)	(SUB FOR R27121)
24	34H323	SPRING PIN	1	1/4" X 3"	
25	M63440	LOCK NUT	2	(SUB E50102)	
26	R27441	WASHER	4		
27	R36704	WASHER	4	(SUB R51648)	
28	R27440	BUSHING	2		
29	AR35858	LINK	1		
30	M63440	LOCK NUT	2	(SUB E50102)	
31	R27441	WASHER	2		
32	R27440	BUSHING	2		
33	19H1833	CAP SCREW	2	5/8" X 1-1/4"	
	12H294	LOCK WASHER	2	5/8"	
34	AR35367	SUPPORT	1		

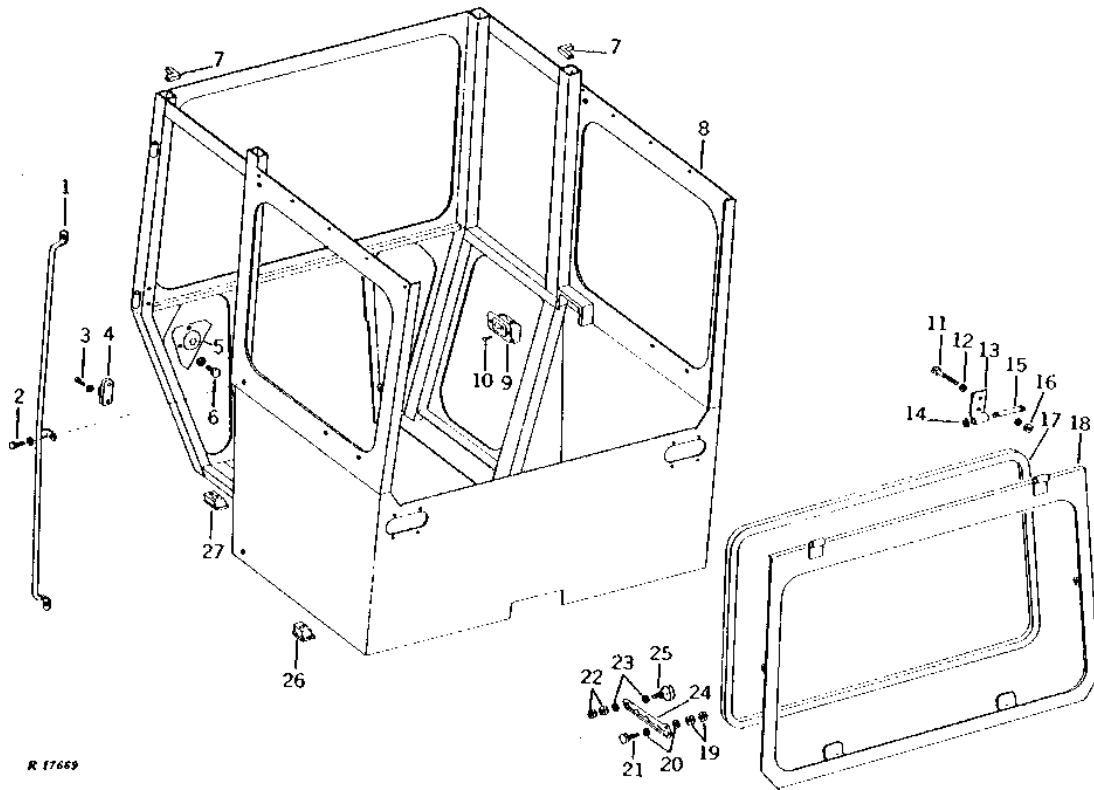
3B23

OPERATOR'S STATION

R17669

-UN-01JAN94

CAB BODY
(HINSON)



3B24

OPERATOR'S STATION

CAB BODY - CONTINUED (HINSON)

KEY	PART NO.	PART NAME	QTY	TRACTOR SERIAL NO.	REMARKS
1	AR52773	HANDLE	1		
2	19H1731	CAP SCREW	3		3/8" X 1"
	12H304	LOCK WASHER	3		3/8"
3	21H1021	SCREW	2		1/4" X 1/2"
	12H322	LOCK WASHER	2		1/4"
4	H63952	PLATE	1		
	R60165	NUT	2		
5	AR52295	COVER	2	-001816	
6	19H1227	CAP SCREW	2	-001816	1/4" X 1/2"
	12H302	LOCK WASHER	2	-001816	1/4"
7	MOLDING	4		76MM (3") (MAKE FROM R41358)
8	AR52769	FRAME	1	-001816	(A)
	AR54434	FRAME	1	001817-002699	
	AR64086	FRAME	1	002700-	(NO LONGER AVAILABLE)
9	AH80057	ASHTRAY	1		
10	37H95	SCREW	2		NO. 8 X 1/2"
11	19H2345	CAP SCREW	4	-002699	3/8" X 5-1/2"
	19H1731	CAP SCREW	4	002700-	3/8" X 1"
12	24H1305	WASHER	4		13/32" X 13/16" X 0.065"
13	R48877	HINGE	2		
14	T12808	SNAP RING	2		(ALSO ORDER R55170) (IF NOT PREVIOUSLY INSTALLED)
15	R55170	PIN	2		(ALSO ORDER T12808) (SUB FOR R48873)
16	14H1076	NUT	4		3/8"
	12H304	LOCK WASHER	4		3/8"
17	WEATHERSTRIP	1		4216MM (166") (MAKE FROM H61993)
18	AR52290	PANEL	1		
19	14H732	NUT	4		3/8"
20	24H1287	WASHER	4		9/32" X 5/8" X 0.065"
21	19H1948	CAP SCREW	2		1/4" X 3/4"
22	14H611	NUT	4		5/16"
23	24H1136	WASHER	4		11/32" X 11/16" X 0.065"
24	R44444	ARM	2		
25	R48872	KNOB	2		
26	R48892	PLUG	1		(C)
	R48895	GROMMET	1		(B)
	R48892	PLUG	1		(E)
	R48895	GROMMET	1		(D)
27	R48890	GROMMET	1		(C)
	R48904	GROMMET	1		(B)
	R48891	PLUG	1		(E)
	R48894	GROMMET	1		(D) (NLA)
..	R51309	DECAL	1		

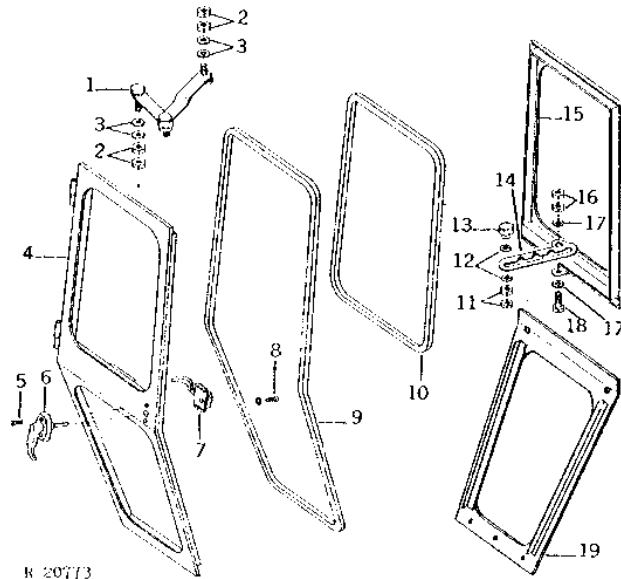
- (A) IF ROCKSHAFT FIELD KIT HAS BEEN INSTALLED, ORDER AR54434.
- (B) AIR CONDITIONING
- (C) LESS AIR CONDITIONING
- (D) HEATER
- (E) LESS HEATER

3B25

OPERATOR'S STATION

CAB DOOR AND RIGHT-HAND FRONT WINDOW (HINSON)

R20773 -UN-01JAN94



R 20773

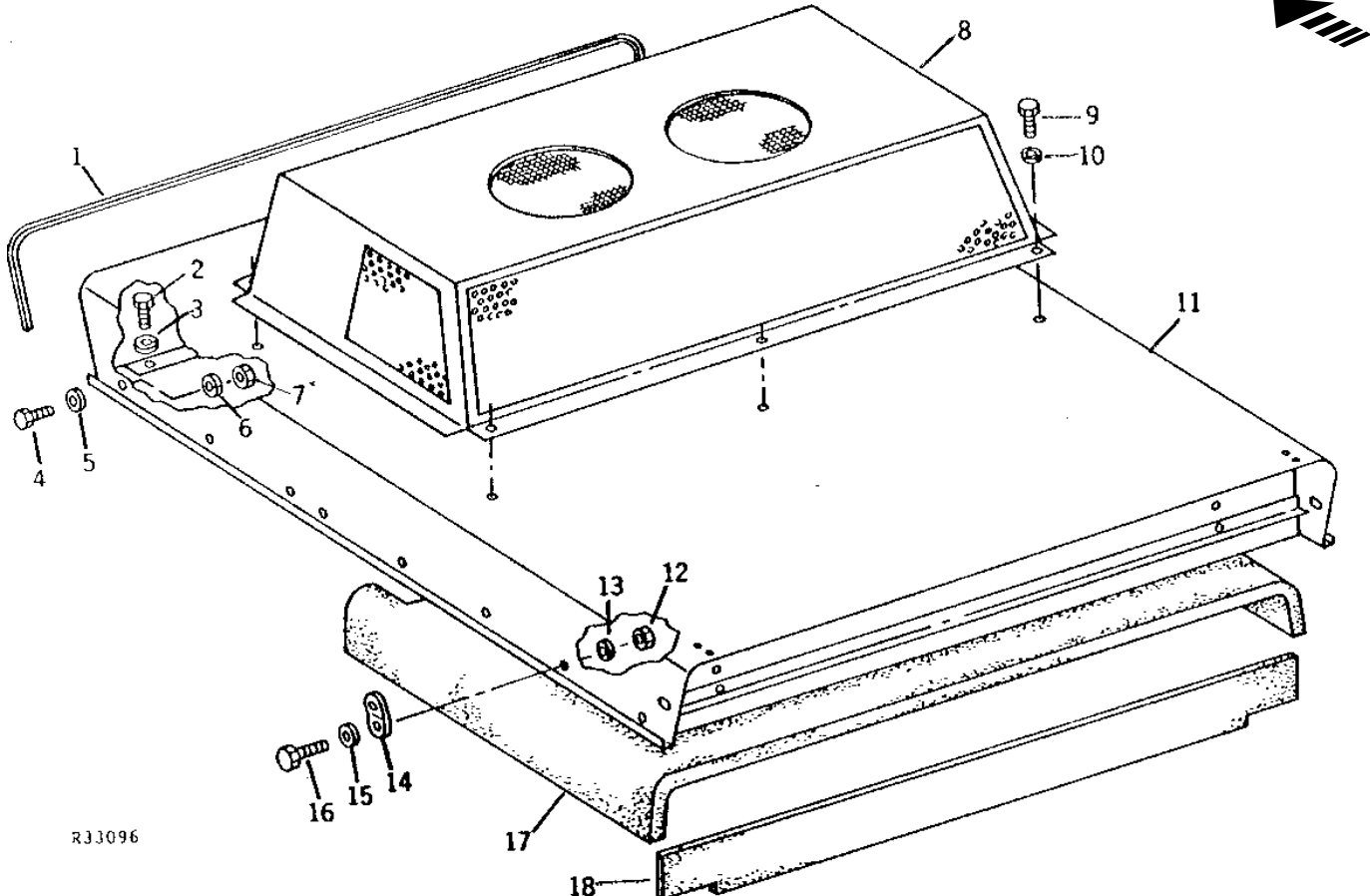
KEY	PART NO.	PART NAME	QTY	TRACTOR SERIAL NO.	REMARKS
1	AR52772	REGULATOR	1		
2	14H611	NUT	4	5/16"	
3	24H1136	WASHER	4	11/32" X 11/16" X 0.065"	
4	AR52770	DOOR	1	(NLA)	
5	21H1073	SCREW	2	0.190" X 1/2"	
6	AR55154	HANDLE	1	(SUB FOR AR52292)	
7	AR51481	KEY	1		
7	AR52771	LATCH	1		
8	21H1301	SCREW	4	0.190" X 1/2"	
	12H246	LOCK WASHER	4	0.190"	
9	WEATHERSTRIP	1	3810MM (150") (MAKE FROM H61993)	
10	WEATHERSTRIP	1	2616MM (103") (MAKE FROM H61993)	
11	14H611	NUT	2	5/16"	
12	24H1136	WASHER	2	11/32" X 11/16" X 0.065"	
13	R48872	KNOB	1		
14	R44444	ARM	1		
15	AR52289	PANEL	1		
16	14H732	NUT	2	3/8"	
17	24H1287	WASHER	2	9/32" X 5/8" X 0.065"	
18	19H1948	CAP SCREW	1	1/4" X 3/4"	
19	AR52803	PANEL	1		
..	R51309	DECAL	1		
..	AR57248	KIT	1	(INCLUDES WEATHERSEAL AND ADHESIVE)	
..	AR85792	ADHESIVE	1	142GM (5 OZ.) (SUB AR31790)	

3C1

OPERATOR'S STATION

CAB ROOF AND CONDENSER COVER (HINSON)

R33096 -UN-01JAN94



R33096

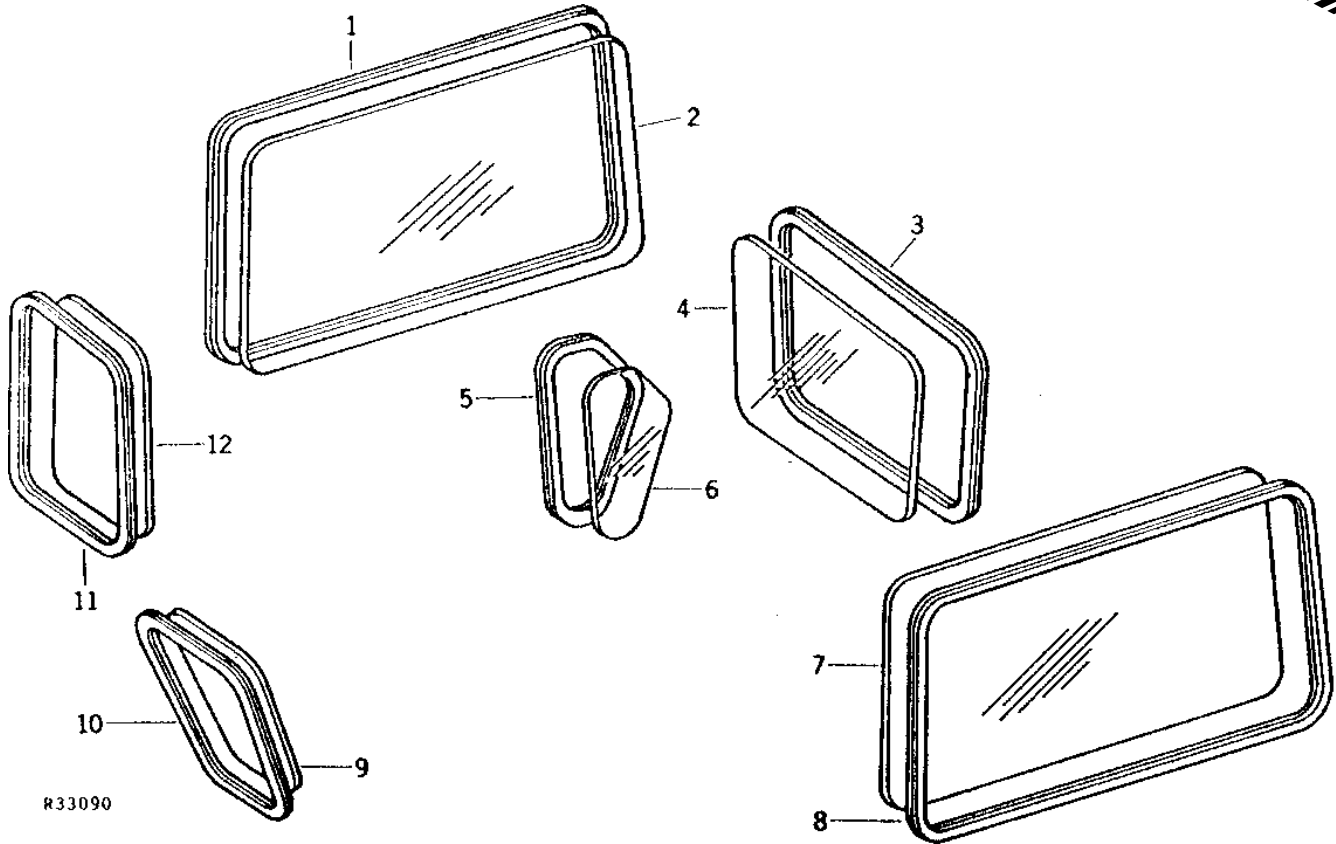
KEY	PART NO.	PART NAME	QTY	TRACTOR SERIAL NO.	REMARKS
1	MOLDING	1		1524MM (60") (MAKE FROM (2) R41358)
2	19H1227	CAP SCREW	5		1/4" X 1/2"
3	12H302	LOCK WASHER	5		1/4"
4	19H3552	CAP SCREW	14		5/16" X 1-1/2"
5	24H1136	WASHER	14		11/32" X 11/16" X 0.065"
6	12H303	LOCK WASHER	14		5/16"
7	14H785	NUT	14		5/16"
8	AR52320	COVER	1		
9	19H1227	CAP SCREW	6		1/4" X 1/2"
10	12H302	LOCK WASHER	6		1/4"
11	AR52311	ROOF	1	-002699	(PRESSURIZED CAB) (NLA)
	AR52312	ROOF	1	-002699	(AIR CONDITIONED CAB) (NLA)
	AR68107	ROOF	1	002700-	(PRESSURIZED CAB) (SUB FOR AR64084) (NLA)
	AR68108	ROOF	1	002700-	(AIR CONDITIONED CAB) (SUB FOR AR64085) (NLA)
12	14H785	NUT	4		5/16"
13	12H303	LOCK WASHER	4		5/16"
14	R48876	HOOK	4		
15	24H1136	WASHER	4		11/32" X 11/16" X 0.065"
16	19H1900	CAP SCREW	4		5/16" X 3/4"
17	R48912	HEADLINER	1		
18	R55238	ISOLATOR	1	002700-	

3C2

OPERATOR'S STATION

R33090 -UN-01JAN94

CAB GLASS
(HINSON)



R33090

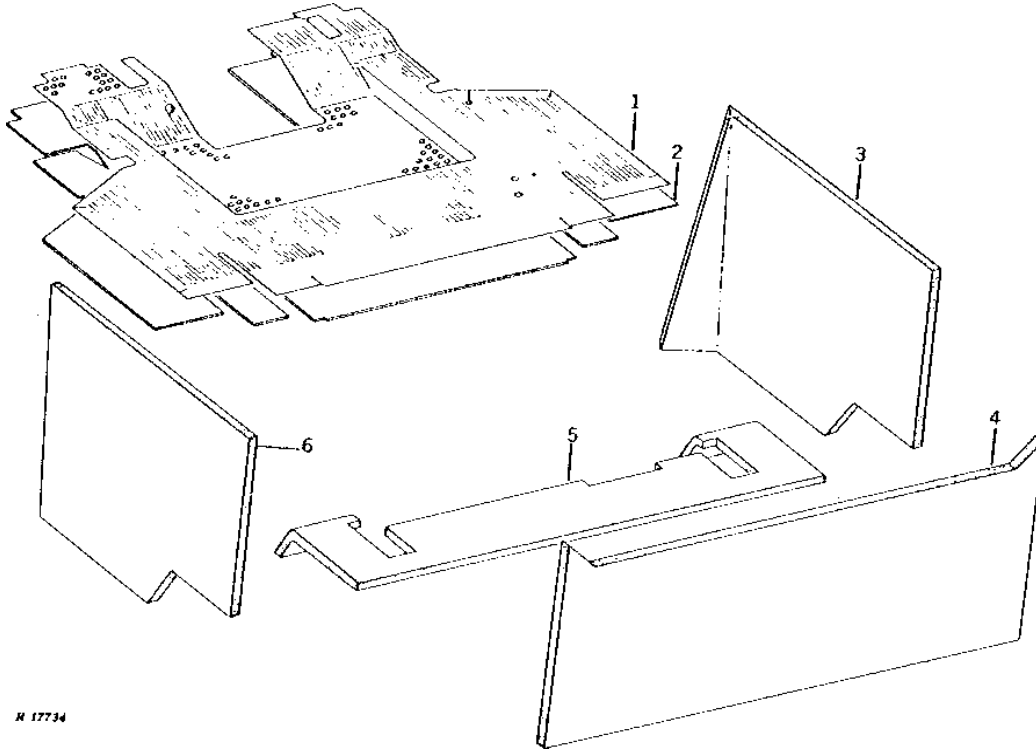
KEY	PART NO.	PART NAME	QTY	TRACTOR SERIAL NO.	REMARKS
1	MOLDING	1	3683MM (145")	(MAKE FROM R49857 AND R44438)
2	R48867	WINDOWPANE	1		
3	MOLDING	2	2743MM (108")	(MAKE FROM R49857 AND R44438)
4	R48870	WINDOWPANE	2		SIDE, REAR
5	MOLDING	2	1397MM (55")	(MAKE FROM R49857 AND R44438)
6	R48868	WINDOWPANE	2		FRONT, LOWER
7	R48865	WINDOWPANE	1		REAR
8	R49857	MOLDING	1	4267MM (168")	
	R44438	ISOLATOR	1	4267MM (168")	
9	R48869	WINDOWPANE	2		LOWER DOOR
10	MOLDING	2	1880MM (74")	(MAKE FROM R49857 AND R44438)
11	MOLDING	2	1994MM (78-1/2")	(MAKE FROM R49857 AND R44438)
12	R48871	WINDOWPANE	2		UPPER DOOR

3C3

OPERATOR'S STATION

R17734 -UN-01JAN94

UPHOLSTERY AND FLOOR MAT
(TRACTOR SERIAL NO. -001816)



R 17734

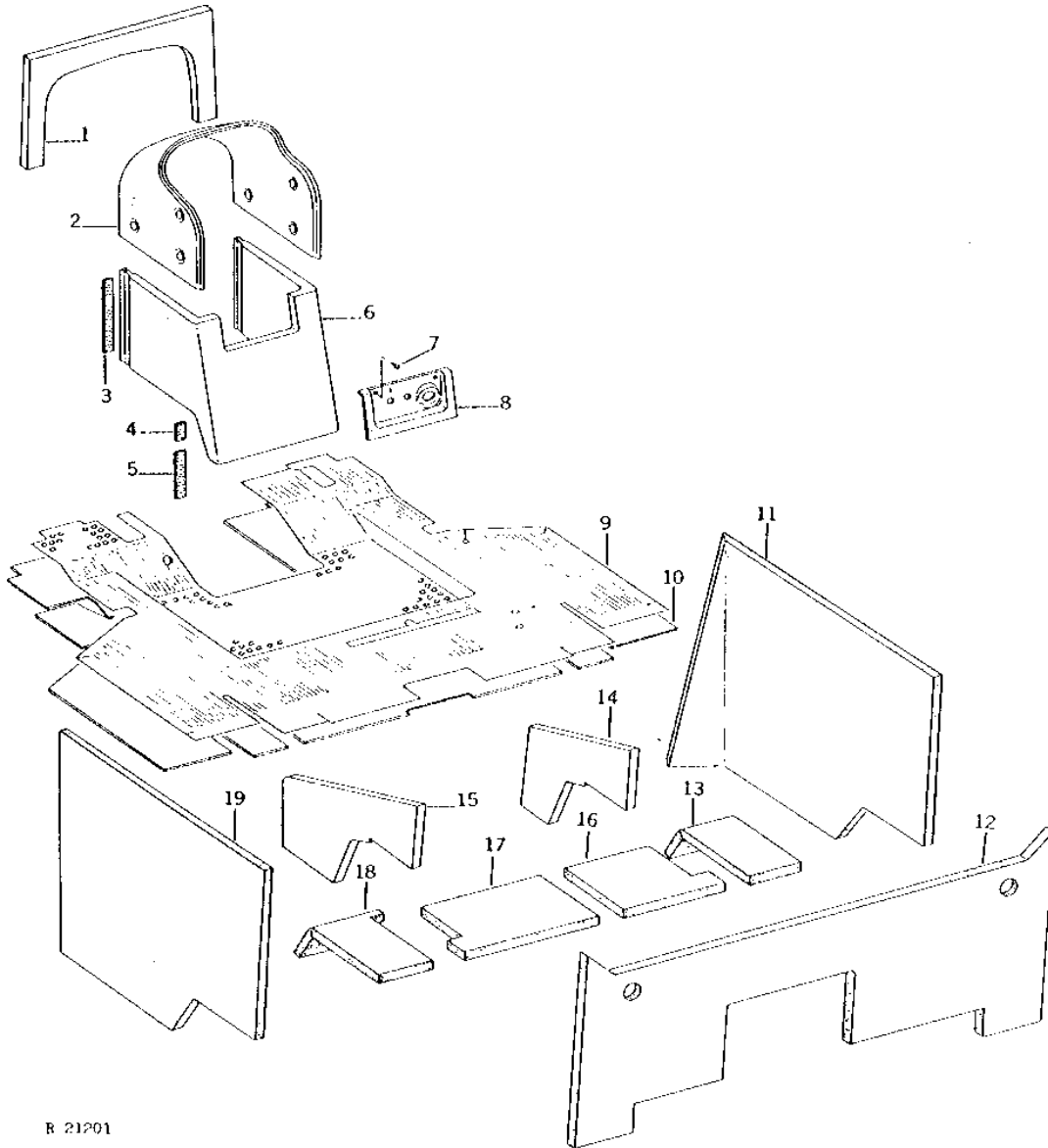
KEY	PART NO.	PART NAME	QTY	TRACTOR SERIAL NO.	REMARKS
1	R53062	MAT	1		(SUB FOR R48739)
2	R53063	PAD	1		(SUB FOR R48740)
3	R49290	FOAM PAD	1		
4	R49292	FOAM PAD	1		
5	R48725	FOAM PAD	1		
6	R49291	FOAM PAD	1		
..	AR49923	ADHESIVE	1		552G (19.5 OZ)

3C4

OPERATOR'S STATION

R21201 -UN-01JAN94

UPHOLSTERY AND FLOOR MAT
(TRACTOR SERIAL NO. 001817-)



R 21201

3C5

OPERATOR'S STATION

UPHOLSTERY AND FLOOR MAT - CONTINUED
(TRACTOR SERIAL NO. 001817-)

KEY	PART NO.	PART NAME	QTY	TRACTOR SERIAL NO.	REMARKS
1	R53084	FOAM PAD	1	002700-	
2	AR58481	FOAM PAD	1	002700-	
3	R57132	DUAL LOCK FASTENER	2	002700-	(SUB FOR R53173)
4	DUAL LOCK FASTENER	2	002700-	25 X 51MM (1" X 2") (MAKE FROM R57132)
5	R57132	DUAL LOCK FASTENER	2	002700-	(SUB FOR R53190)
6	AR58480	FOAM PAD	1	002700-	
7	37H130	SCREW	2		0.138" X 5/16"
8	R52991	RETAINER	1		
9	R53062	MAT	1		(SUB FOR R50192)
10	R53063	PAD	1		(SUB FOR R50193)
11	R49290	FOAM PAD	1		
12	R50181	COVER	1		(SUB FOR R54797)
13	R53384	FOAM PAD	1		
14	R52986	FOAM PAD	1	002700-	
15	R52987	FOAM PAD	1	002700-	
16	R50182	FOAM PAD	1		
17	R50183	FOAM PAD	1		
18	R50179	FOAM PAD	1		
19	R49291	FOAM PAD	1		
..	AR49923	ADHESIVE	1		552G (19.5 OZ)

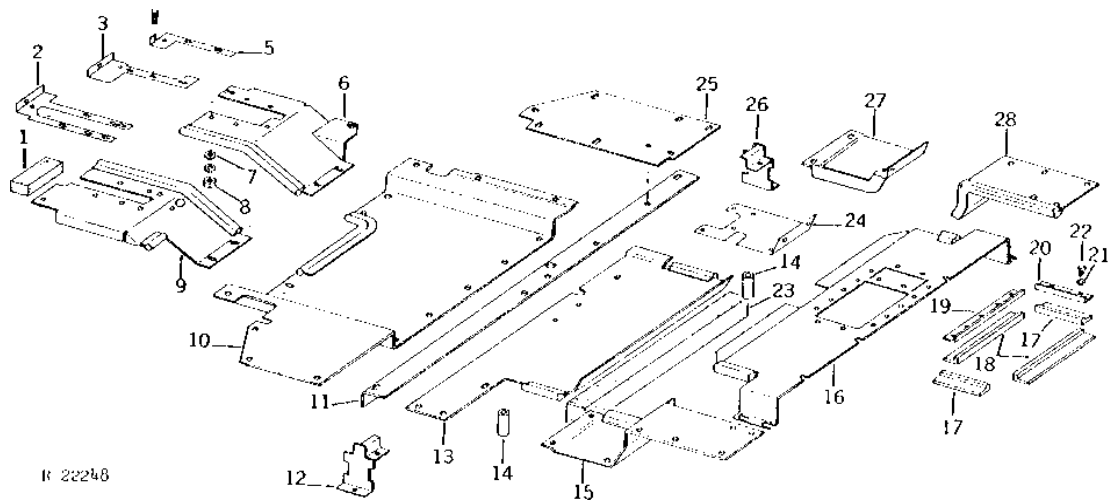
3C6

OPERATOR'S STATION

R22248

-UN-01JAN94

FLOOR PANELS



3C7

OPERATOR'S STATION

FLOOR PANELS - CONTINUED

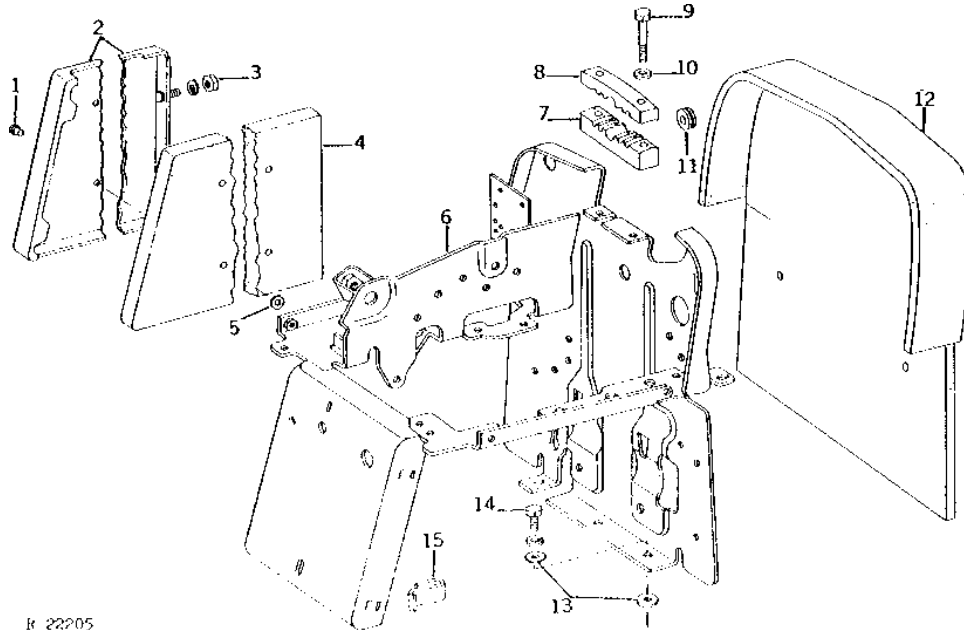
KEY	PART NO.	PART NAME	QTY	TRACTOR SERIAL NO.	REMARKS
1	R44588	ISOLATOR	1	002911-	
2	R55946	RETAINER	1	002911-	
3	R55947	RETAINER	1	002911-	
4	21H1148	SCREW	14	002911-003401	0.190" X 3/4"
	21H1148	SCREW	2	003402-	0.190" X 3/4"
	37H84	SCREW	12	003106-	1/4" X 3/4"
5	R55948	RETAINER	1	002911-	
6	AR63181	EXTENSION	1		(ALSO ORDER 19H1900, 12H303 AND 24H1136) (SUB FOR AR50820 OR AR53144)
7	24H1283	WASHER	14	002911-003401	7/32" X 1/2" X 0.049"
	24H1283	WASHER	2	003402-	7/32" X 1/2" X 0.049"
	24H753	WASHER	12	003106-	9/32" X 5/8" X 0.049"
8	14H778	NUT	14	002911-003401	0.190"
	14H778	NUT	2	003402-	0.190"
	12H246	LOCK WASHER	14	002911-003401	0.190"
	12H246	LOCK WASHER	2	003402-	0.190"
9	AR64281	EXTENSION	1		(SUB FOR AR53145)
10	AR65026	PLATE	1		(SUB FOR AR52073)
11	AR52072	PANEL	1	-002699	
	R52675	SUPPORT	1	002700-	
12	AR63174	RETAINER	1	002700-	
13	R50185	PLATE	1	-002699	(SUB FOR AR52074)
	AR63183	PLATE	1	002700-	
14	28H1635	SPACER	2	-002699	3/8" X 2-1/8"
15	AR65032	PANEL	1		(SUB FOR AR52070)
16	AR52071	PANEL	1	-001816	
	AR59622	PANEL	1	001817-	(SUB FOR R50184)
17	R56277	ISOLATOR	2	003106-	
18	R56276	ISOLATOR	2	003106-	
19	R56274	RETAINER	2	003106-	
20	R56275	RETAINER	2	003106-	
21	24H753	WASHER	14	003106-	9/32" X 5/8" X 0.049"
22	37H84	SCREW	14	003106-	1/4" X 3/4"
23	R53235	ISOLATOR	1	002700-	
24	R48243	SUPPORT	1	-002699	
25	R53383	PLATE	1		(SUB FOR AR52067)
26	AR63173	RETAINER	1	002700-	
27	AR65030	PANEL	1		(SUB FOR AR52068)
28	AR65031	PANEL	1		(SUB FOR AR52069)
..	R44447	MOLDING	1		3658MM (144")
..	R44585	SEAL	1		1016MM (40")
..	R45015	FOAM PAD	1		25 X 610 X 610MM (1" X 24" X 24")
..	R43753	ISOLATOR	1		38 X 38 X 1524MM (1-1/2" X 1-1/2" X 60")
..	R56083	BARRIER	AR		4272MM (180")
..	R56084	RETAINER	AR		1524MM (24")

3C8

OPERATOR'S STATION

R22205 -UN-01JAN94

CONTROL SUPPORT AND COVERS



R 22205

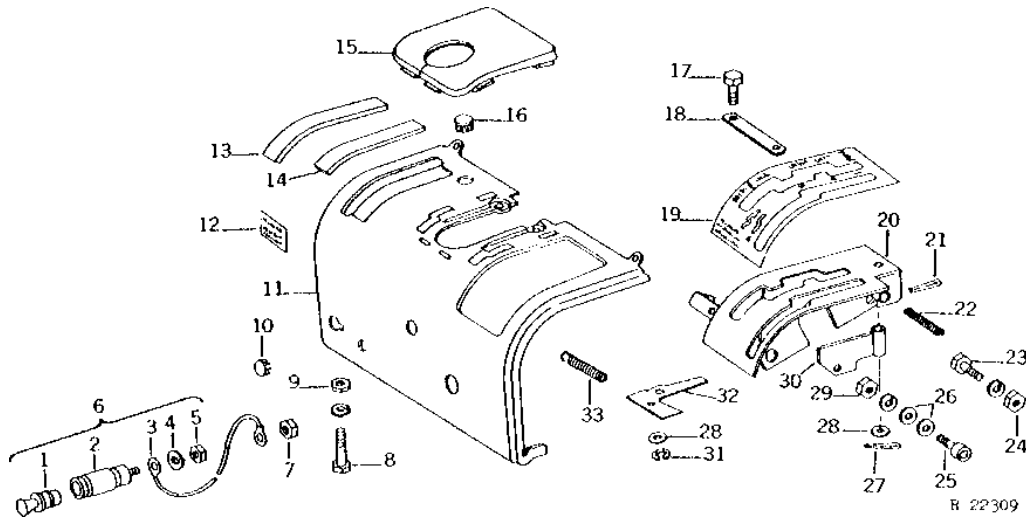
KEY	PART NO.	PART NAME	QTY	TRACTOR SERIAL NO.	REMARKS
1	R52990	RIVET	8		
2	AR40585	COVER	1	L.H.	
	AR40584	COVER	1	R.H.	
3	14H785	NUT	2	5/16"	
	12H303	LOCK WASHER	2	5/16"	
4	R52981	FOAM PAD	2		
5	24H1821	WASHER	8	9/32" X 47/64" X 1/16"	
6	AR51071	SUPPORT	1	(NLA)	
7	R41442	CLAMP	1		
8	R41438	CLAMP	1		
9	19H2334	CAP SCREW	2	1/4" X 2-1/2"	
10	24H1287	WASHER	2	9/32" X 5/8" X 0.065"	
11	R38454	GROMMET	1		
12	AR65967	ISOLATOR	1		
13	R48378	WASHER	10		
14	19H2284	CAP SCREW	10	3/8" X 7/8"	
	12H304	LOCK WASHER	5	3/8"	
15	R42275	CLIP	4		

3C9

OPERATOR'S STATION

R22309 -UN-01JAN94

DASH, COVER, AND SHIFT LEVER GUIDE



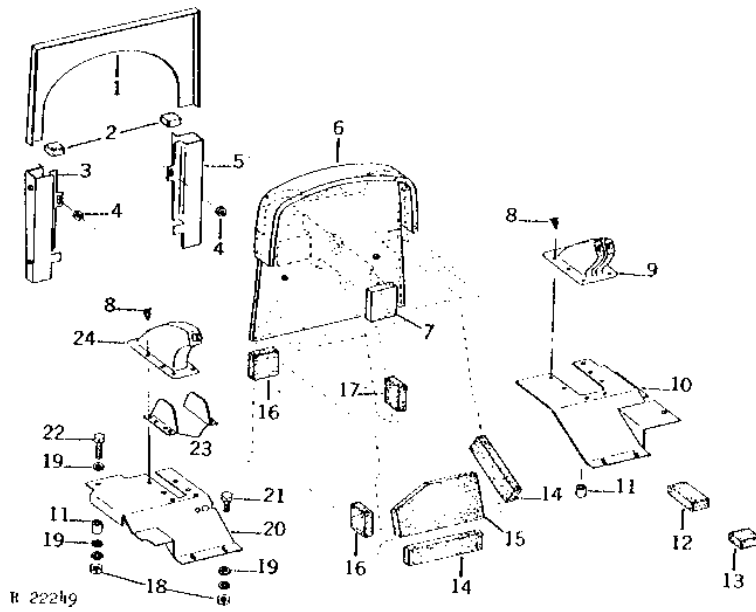
KEY	PART NO.	PART NAME	QTY	TRACTOR SERIAL NO.	REMARKS
1	AA5787R	LIGHTER	1	-003157	(SUB AR60937)
	AR60937	LIGHTER	1	003158-	
2	AR30394	CIRCUIT BREAKER	1		
3	AR94130	WIRING LEAD	1		
4	12M7084	LOCK WASHER	1		0.169"
5	14H605	NUT	1		0.164"
6	AR48643	LIGHTER	1		(12-VOLT)
7	14H631	NUT	1		0.190"
8	19H2284	CAP SCREW	2		3/8" X 7/8"
	12H304	LOCK WASHER	2		3/8"
9	14H1076	NUT	2		3/8"
10	M42229	PLUG	1		(SUB FOR R32234) (LESS COLD WEATHER STARTING AID)
11	AR67125	INSTRUMENT PANEL	1		(SUB FOR AR51760)
12	R48241	LABEL	1		
	R44720	PLUG	1		
13	R45405	ISOLATOR	1		(LESS PTO)
14	R53294	LABEL	1		(SUB FOR R44952)
15	R41604	COVER	1		
16	R44720	PLUG	2		
17	19H1900	CAP SCREW	2		5/16" X 3/4"
18	R40925	PLATE	1		
19	R48812	LABEL	1		
20	AR52205	QUADRANT	1		
21	11M7082	COTTER PIN	1		2.500 X 25 MM
22	R42057	SPRING	1		
23	19H2284	CAP SCREW	1		3/8" X 7/8"
24	14H1076	NUT	1		3/8"
	12H304	LOCK WASHER	1		3/8"
25	19H3053	SCREW	1		5/16" X 1"
26	24H1289	WASHER	2		21/64" X 5/8" X 0.049"
27	11M7081	COTTER PIN	1		0.098" X 0.787"
28	R1870R	WASHER	2		(SUB R57696)
29	14H611	NUT	1		5/16"
	12H303	LOCK WASHER	1		5/16"
30	AR51761	PLATE	1		
31	T12808	SNAP RING	1		
32	R48549	LATCH	1		
33	R31877	SPRING	1		

3C10

OPERATOR'S STATION

R22249 -UN-01JAN94

SEALING BAFFLES, COWL PANEL, AND EXTENSION
(TRACTOR SERIAL NO. -003025)



3C11

OPERATOR'S STATION

SEALING BAFFLES, COWL PANEL AND EXTENSION - CONTINUED
(TRACTOR SERIAL NO. -003025)

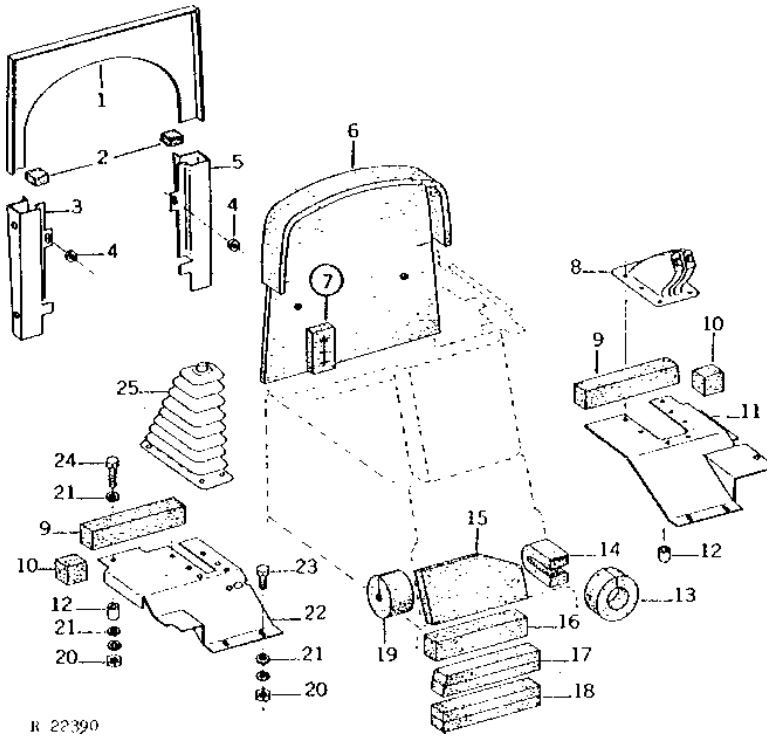
KEY	PART NO.	PART NAME	QTY	TRACTOR SERIAL NO.	REMARKS
1	AR51589	PANEL	1		
2	FOAM PAD	2		25 X 25 X 60MM (1" X 1" X 2-3/8") (MAKE FROM R30937)
3	AR51210	PANEL	1		
	FOAM PAD	1		38 X 38 X 262MM (1-1/2" X 1-1/2" X 10-5/16") (MAKE FROM R47941)
4	R48378	WASHER	2		
5	AR51209	PANEL	1		
	FOAM PAD	1		38 X 38 X 262MM (1-1/2" X 1-1/2" X 10-5/16") (MAKE FROM R47941)
6	AR65967	ISOLATOR	1		
7	R48737	FOAM PAD	1		
8	R49043	CLIP	13	-002910	
9	R48151	BOOT	1		
10	AR63181	EXTENSION	1		(ALSO ORDER 19H1900, 24H1136 AND 12H303) (SUB FOR AR50820 AND AR53144)
11	28H1495	SPACER	2		3/8" X 1"
12	R48237	ISOLATOR	1	-001816	(INLET LINE HOLE)
13	R48238	ISOLATOR	1	-001816	(RETURN LINE HOLE)
14	FOAM PAD	2		25 X 51 X 229MM (1" X 2" X 9-1/16") (MAKE FROM R28123) R.H. CLUTCH HOUSING SIDE HOLE
15	R36415	ISOLATOR	1	-002699	
16	FOAM PAD	1	002700-	38 X 51 X 140MM (1-1/2" X 2" X 5-1/2") (MAKE FROM R35339) FRONT OF CLUTCH PEDAL
17	R46904	ISOLATOR	2	-002699	
18	14H1076	NUT	6		3/8"
	12H304	LOCK WASHER	6		3/8"
19	24H1305	WASHER	6		13/32" X 13/16" X 0.065"
20	AR64281	EXTENSION	1		(SUB FOR AR53145)
21	03H1519	BOLT	6		3/8" X 1"
22	19H1726	CAP SCREW	2		3/8" X 2-1/4"
23	R49042	SUPPORT	2		
24	R48150	BOOT	1		
..	R53745	TAPE	1		54.9M (180 FT) (SUB FOR R46662)
..	R46663	SEALING TRIM	1		18.3M (60 FT)
..	AR85792	ADHESIVE	2		(5 OZ.)
..	R44791	ISOLATOR	3		51 X 51 X 838MM (2" X 2" X 33")
..	R28123	FOAM PAD	3		25 X 51 X 838MM (1" X 2" X 77")
..	AR72135	MOLDING	1		

3C12

OPERATOR'S STATION

R22390 -UN-01JAN94

SEALING BAFFLES, COWL PANEL, AND EXTENSION
(TRACTOR SERIAL NO. 003026-)



R 22390

3C13

OPERATOR'S STATION

SEALING BAFFLES, COWL PANEL AND EXTENSION - CONTINUED
(TRACTOR SERIAL NO. 003026-)

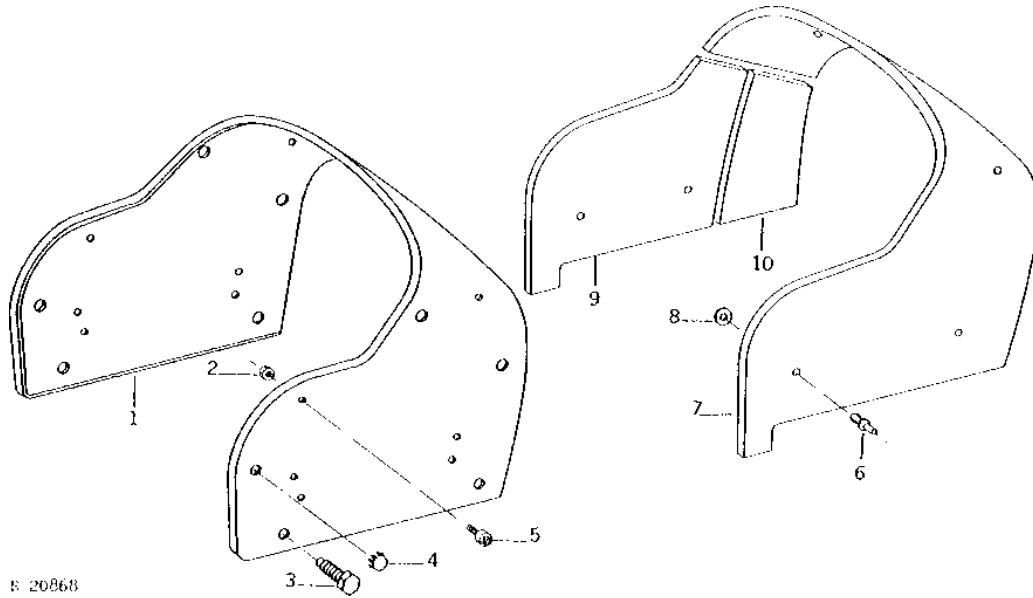
KEY	PART NO.	PART NAME	QTY	TRACTOR SERIAL NO.	REMARKS
1	AR51589	PANEL	1		
	SEAL	1	(MAKE FROM R44585)	
2	FOAM PAD	2	25 X 25 X 60MM (1" X 1" X 2-3/8") (MAKE FROM R30937)	
3	AR51210	PANEL	1		
	FOAM PAD	1	38 X 38 X 262MM (1-1/2" X 1-1/2" X 10-5/16") (MAKE FROM R47941)	
4	R48378	WASHER	2		
5	AR51209	PANEL	1		
	FOAM PAD	1	38 X 38 X 262MM (1-1/2" X 1-1/2" X 10-5/16") (MAKE FROM R47941)	
6	AR65967	ISOLATOR	1		
7	R48237	ISOLATOR	1		
8	R48151	BOOT	1		
9	FOAM PAD	2	51 X 51 X 305MM (2" X 2" X 12") (MAKE FROM R44791)	
10	FOAM PAD	2	51 X 51 X 13MM (2" X 2" X 1/2") (MAKE FROM R44791)	
11	AR63181	EXTENSION	1	(ALSO ORDER 19H1900, 24H1136 AND 12H303) (SUB FOR AR50820 OR AR53144)	
12	28H1495	SPACER	2	3/8" X 1"	
13	R28123	FOAM PAD	1		
14	R28123	FOAM PAD	1	(R.H. CLUTCH HOUSING SIDE HOLE)	
15	R46632	ISOLATOR	1	(CLUTCH HOUSING REAR)	
16	R35340	FOAM PAD	1	(CLUTCH HOUSING REAR CAST HOLE)	
17	R28123	FOAM PAD	2	(REAR CAST HOLE OVER OIL LINES)	
18	FOAM PAD	2	25 X 51 X 229MM (1" X 2" X 9") (MAKE FROM R28123) CLUTCH HOUSING REAR CAST HOLE	
19	FOAM PAD	1	38 X 51 X 229MM (1-1/2" X 2" X 9") (MAKE FROM R35339) L.H. CLUTCH HOUSING HOLE	
20	14H1076	NUT	6	3/8"	
	12H304	LOCK WASHER	6	3/8"	
21	24H1305	WASHER	6	13/32" X 13/16" X 0.065"	
22	AR64281	EXTENSION	1	(SUB FOR AR53145)	
23	03H1519	BOLT	6	3/8" X 1"	
24	19H1726	CAP SCREW	2	3/8" X 2-1/4"	
25	R49042	SUPPORT	2	-003401	
	R48150	BOOT	1	-003401	
	R57257	BOOT	1	003402-	(ILLUSTRATED)
..	R53745	TAPE	1	54.9M (180 FT.) (SUB FOR R46662)	
..	R46663	SEALING TRIM	1	18.3M (60 FT.)	
..	AR85792	ADHESIVE	2		

3C14

OPERATOR'S STATION

R20868 -UN-01JAN94

COWL



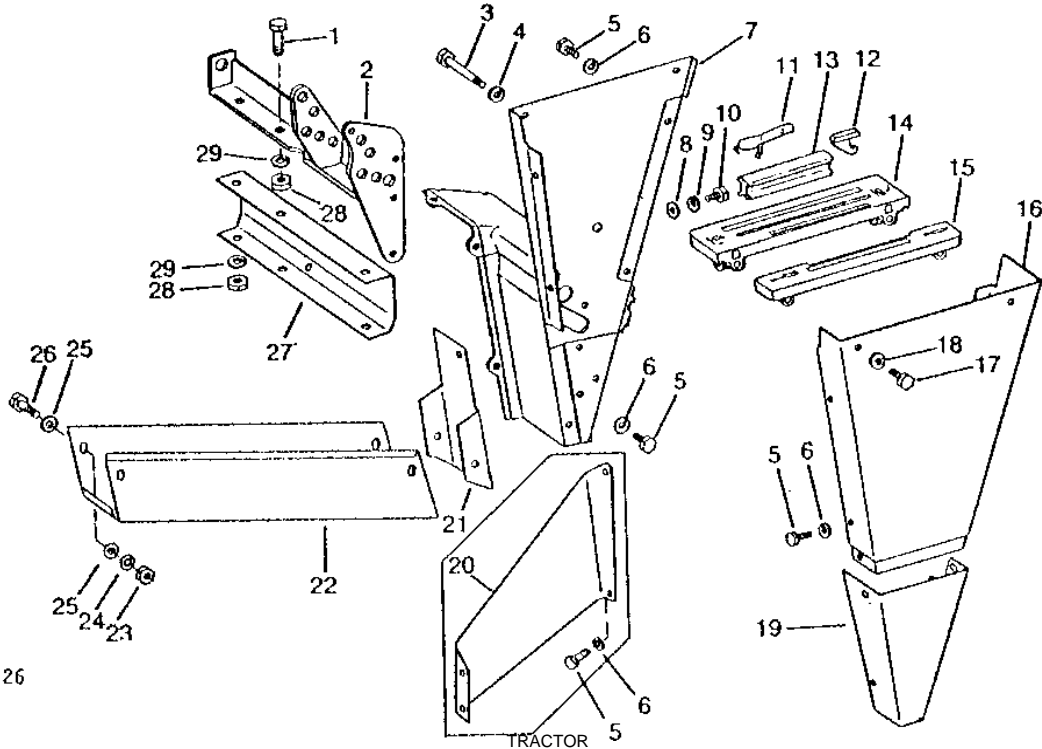
KEY	PART NO.	PART NAME	QTY	TRACTOR SERIAL NO.	REMARKS
1	R52959	COWL	1		
2	14H605	NUT	6	0.164"	
3	AR26568	SCREW	4		
4	R42451	PLUG	6		
5	R53115	STUD	6		
6	R52990	RIVET	6		
7	PAD	1		(MAKE FROM R52978)
8	24H1821	WASHER	6		9/32" X 47/64" X 1/16"
9	PAD	1		(MAKE FROM R52978)
10	PAD	1		(MAKE FROM R52978)

3C15

OPERATOR'S STATION

ROCKSHAFT AND SELECTIVE CONTROL CONSOLE (TRACTOR SERIAL NO. 001817-)

RP1126 -UN-01JAN94



RP1126

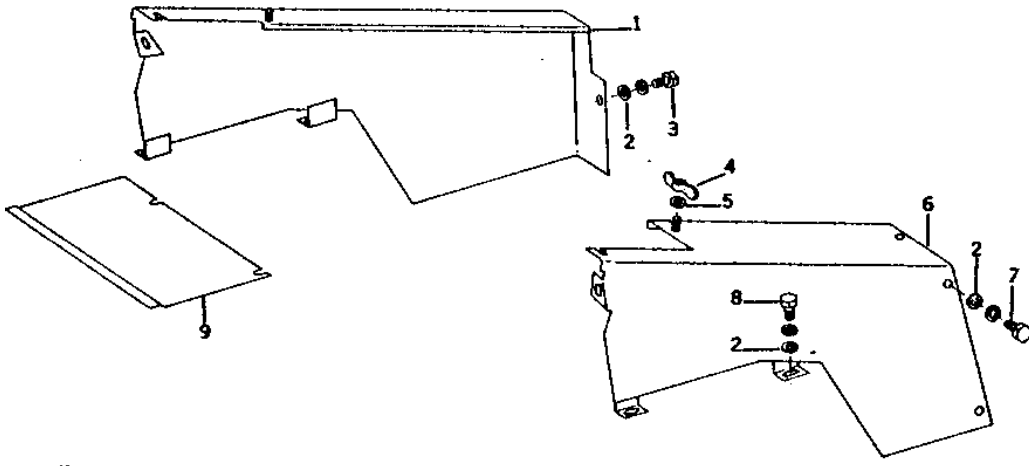
KEY	PART NO.	PART NAME	QTY	TRACTOR SERIAL NO.	REMARKS
1	19H1815	CAP SCREW	6		1/2" X 1-1/4"
2	AR54426	BRACKET	1		
3	19H1921	CAP SCREW	2		5/16" X 3-1/4"
4	12H303	LOCK WASHER	2		5/16"
5	19H1900	CAP SCREW	12		5/16" X 3/4"
6	12H303	LOCK WASHER	12		5/16"
7	AR54429	COVER	1		
8	24M7096	WASHER	2		10.500 X 18 X 1.600 MM
9	12H304	LOCK WASHER	2		3/8"
10	19H1936	CAP SCREW	1		3/8" X 3/4"
	19H2038	CAP SCREW	1		3/8" X 1/2"
11	AR55421	SPRING	1		(SUB R51302)
12	AR53792	STRAP	1		
13	AR62598	STRAP	1		(SUB R54533)
14	R41194	GUIDE	1		
15	R41760	GUIDE	1		
16	AR40812	COVER	1		(NLA)
17	19H2020	CAP SCREW	2		5/16" X 1/2"
18	12H303	LOCK WASHER	2		5/16"
19	AR54430	COVER	1		
20	R50175	BRACE	1	-002699	
21	R52671	SUPPORT	1	002700-	
22	R52672	BRACE	1	002700-	
23	14H785	NUT	4	002700-	5/16"
24	12H303	LOCK WASHER	4	002700-	5/16"
25	24H1822	WASHER	8	002700-	11/32" X 7/8" X 1/16"
26	19H1900	CAP SCREW	4	002700-	5/16" X 3/4"
27	R50174	SUPPORT	1		
28	14H1040	NUT	6		1/2"
29	12H301	LOCK WASHER	6		1/2"

3C16

OPERATOR'S STATION

R18332 -UN-01JAN94

**SELECTIVE CONTROL LINKAGE COVERS
(TRACTOR SERIAL NO. 001817-002699)**



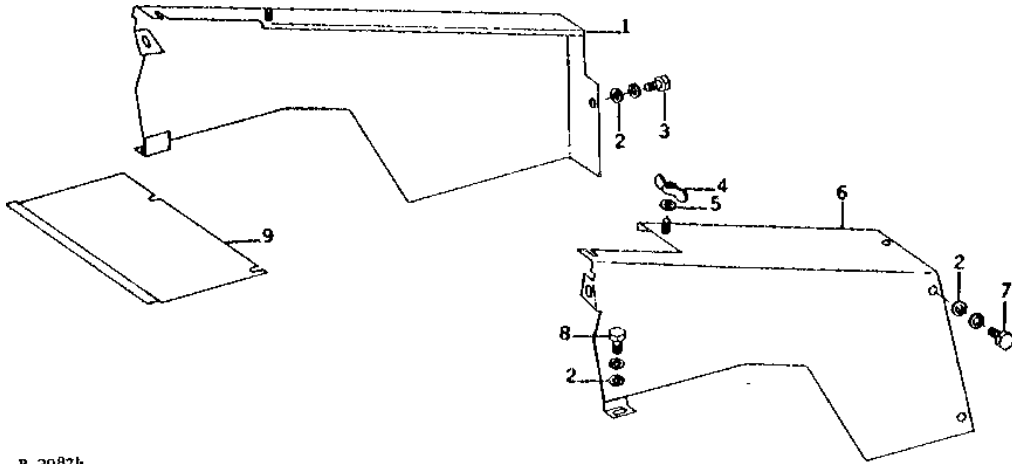
KEY	PART NO.	PART NAME	QTY	TRACTOR SERIAL NO.	REMARKS
1	AR58640	COVER	1	(SUB FOR AR54428)	
2	24H1136	WASHER	8	11/32" X 11/16" X 0.065"	
3	19H1813	CAP SCREW	3	5/16" X 5/8"	
	12H303	LOCK WASHER	3	5/16"	
4	14H819	WING NUT	2	5/16", (SUB FOR R1069R)	
5	24H1292	WASHER	2	11/32" X 3/4" X 0.120"	
6	AR58639	COVER	1	(SUB FOR AR54427)	
7	19H2020	CAP SCREW	3	5/16" X 1/2"	
	12H303	LOCK WASHER	3	5/16"	
8	19H1813	CAP SCREW	2	5/16" X 5/8"	
	12H303	LOCK WASHER	2	5/16"	
9	R50173	DOOR	1		
	R47941	ISOLATOR	AR	(2 USED DUAL) (3 USED TRIPLE)	

3C17

OPERATOR'S STATION

R20874 -UN-01JAN94

SELECTIVE CONTROL LINKAGE COVERS
(TRACTOR SERIAL NO. 002700-)



R 20874

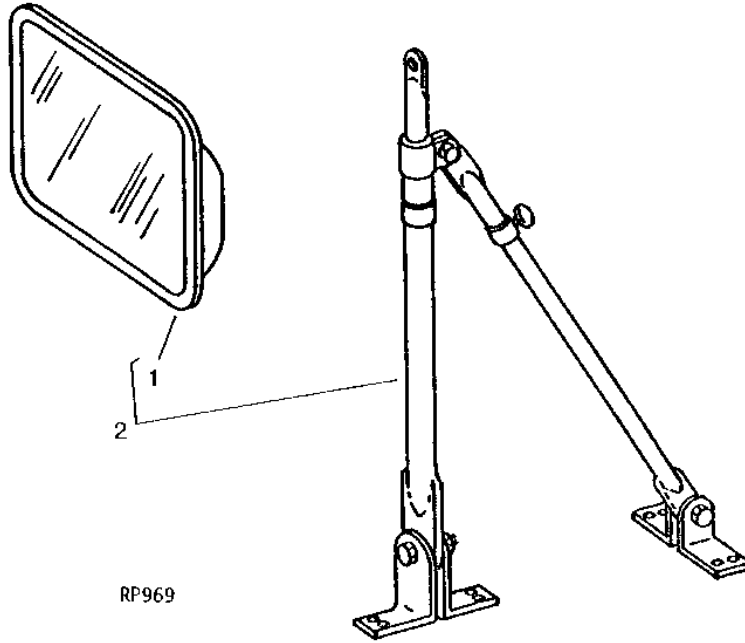
KEY	PART NO.	PART NAME	QTY	TRACTOR SERIAL NO.	REMARKS
1	AR58640	COVER	1		
2	24H1136	WASHER	8	11/32" X 11/16" X 0.065"	
3	19H1813	CAP SCREW	3	5/16" X 5/8"	
	12H303	LOCK WASHER	3	5/16"	
4	14H819	WING NUT	2	5/16", (SUB FOR R1069R)	
5	24H1292	WASHER	2	11/32" X 3/4" X 0.120"	
6	AR58639	COVER	1		
7	19H2020	CAP SCREW	3	5/16" X 1/2"	
	12H303	LOCK WASHER	3	5/16"	
8	19H1813	CAP SCREW	2	5/16" X 5/8"	
	12H303	LOCK WASHER	2	5/16"	
9	R50173	DOOR	1		
	R47941	ISOLATOR	3		

3C18

OPERATOR'S STATION

RP969 -UN-01JAN94

REAR VIEW MIRROR



RP969

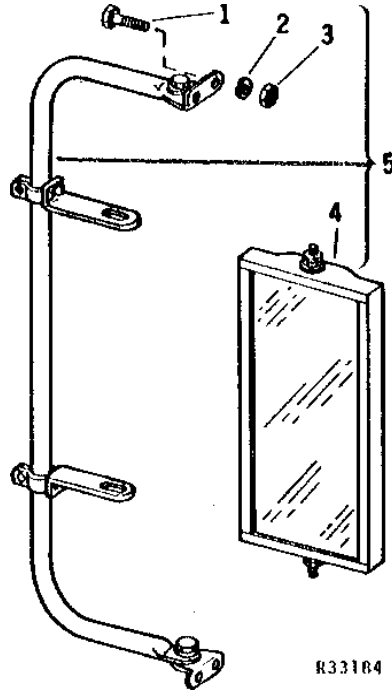
KEY	PART NO.	PART NAME	QTY	TRACTOR SERIAL NO.	REMARKS
1	AR89137	REAR VIEW MIRROR	1		(SUB FOR AR44255 OR AH16186)
2	AR44254	REAR VIEW MIRROR	1		(SUB AR89137, (3) AH85483 AND (6) H78354)

3C19

OPERATOR'S STATION

R33184 -UN-01JAN94

OUTSIDE MIRROR



R33184

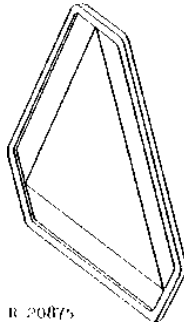
KEY	PART NO.	PART NAME	QTY	TRACTOR SERIAL NO.	REMARKS
1	19H1948	CAP SCREW	4	1/4" X 3/4"	
2	12H302	LOCK WASHER	4	1/4"	
3	14H786	NUT	4	1/4"	
4	AR52555	REAR VIEW MIRROR	1		
5	AR52554	REAR VIEW MIRROR	1		

3C20

OPERATOR'S STATION

R20875 -UN-01JAN94

SLOW MOVING VEHICLE EMBLEM



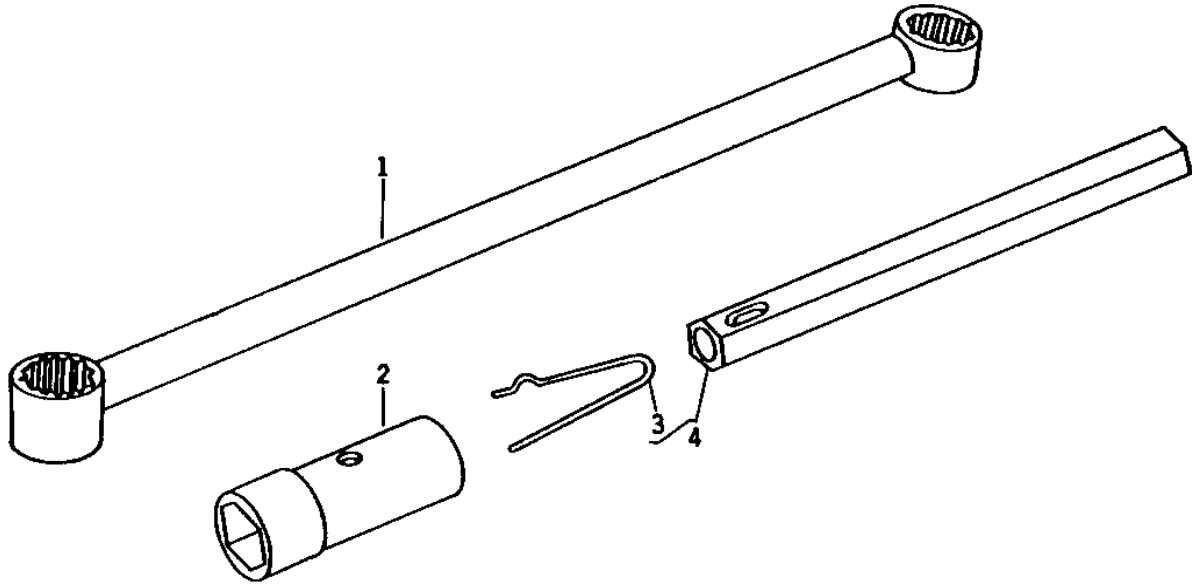
KEY	PART NO.	PART NAME	QTY	TRACTOR SERIAL NO.	REMARKS
..	JD5400	SIGN	1		

3C21

OPERATOR'S STATION

R32260 -UN-12OCT94

TOOLS



R32260F

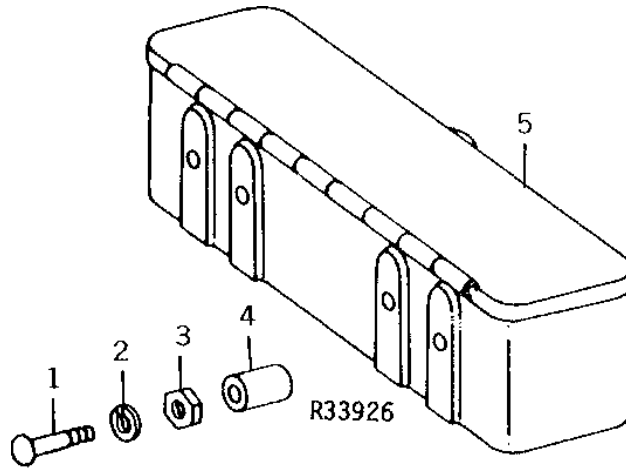
KEY	PART NO.	PART NAME	QTY	TRACTOR SERIAL NO.	REMARKS
1	R34827	WRENCH	1		
2	AR39683	WRENCH	1		
3	R39739	SPRING LOCKING PIN	1		
4	AR39682	EXTENSION	1		

3C22

OPERATOR'S STATION

R33926 -UN-01JAN94

TOOLBOX
(HINSON)



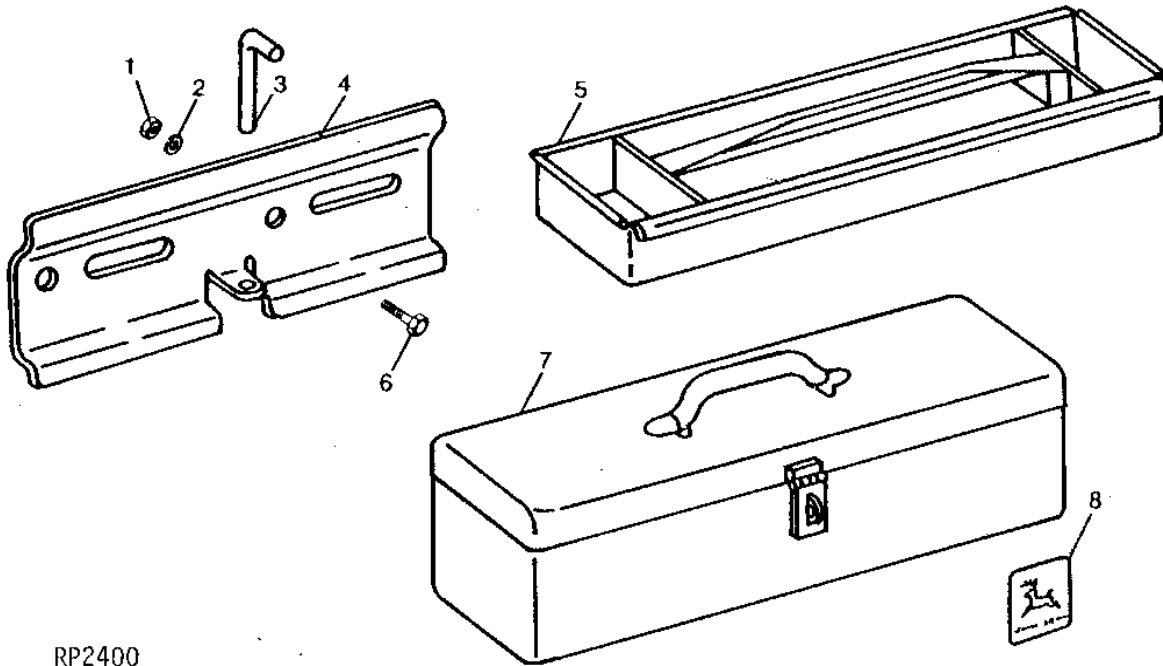
KEY	PART NO.	PART NAME	QTY	TRACTOR SERIAL NO.	REMARKS
1	03H1558	BOLT	2	3/8" X 1-1/2"	
2	12H304	LOCK WASHER	2	3/8"	
3	14H1076	NUT	2	3/8"	
4	28H1919	BUSHING	2	0.622" X 0.840" X 15/16"	
5	AR34684	TOOLBOX	1		

3C23

OPERATOR'S STATION

RP2400 -UN-01JAN94

TOOLBOX AND SUPPORTS



RP2400

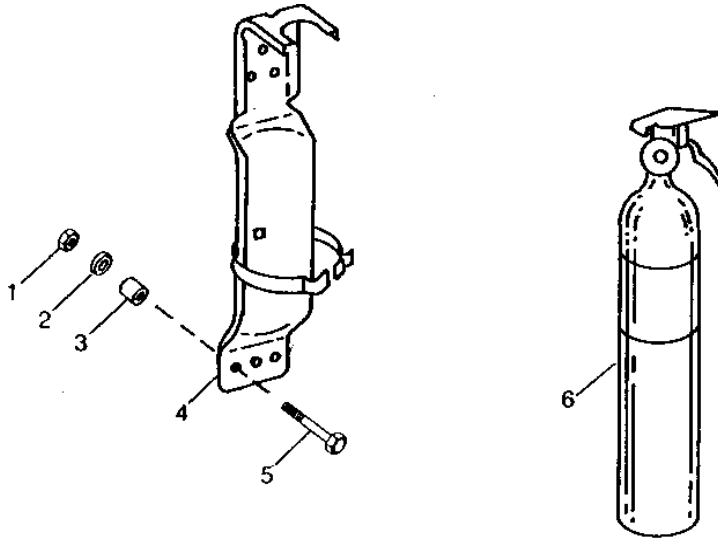
KEY	PART NO.	PART NAME	QTY	TRACTOR SERIAL NO.	REMARKS
1	14H1039	NUT	2	5/8"	
2	12H294	LOCK WASHER	2	5/8"	
3	T23027	PIN	1		
4	T23033	BRACKET	1		
5	AT22073	HOLDER	1		
6	19H2461	CAP SCREW	2	3/8" X 1-1/4"	
7	AT22070	TOOLBOX	1		
8	JD5272	LABEL	1	-XXXXXX	
	JD5602	LABEL	1	XXXXXX-	

3C24

OPERATOR'S STATION

RWP2787 -UN-01JAN94

FIRE EXTINGUISHER



RWP2787

KEY	PART NO.	PART NAME	QTY	SG BODY SERIAL NO.	REMARKS
1	14H786	NUT	2	1/4"	
2	24H1287	WASHER	2	9/32" X 5/8" X 0.065"	
3	28H1914	BUSHING	2		
4	AT62019	BRACKET	1		
5	21H1035	SCREW	2	1/4" X 1-1/2"	
6	AT81764	FIRE EXTINGUISHER	1	(SUB FOR AT62018) (SUB AT141924)	

3C25

OPERATOR'S STATION

R32259 -UN-01JAN94

LOCTITE SEALANT



R32259F

KEY	PART NO.	PART NAME	QTY	TRACTOR SERIAL NO.	REMARKS
1	TY9371	ADHESIVE	1		(6 CC) (SUB FOR AT14927 OR AT24538)

MEMORANDA

1K10

7020 TRACTOR

NUMERICAL INDEX

PART NO.	GRID	KEY	PAGE	PART NO.	GRID	KEY	PAGE	PART NO.	GRID	KEY	PAGE
AA14869	2I2	18	70 - 79	AR101711	2D6	10	50 - 55	AR21842	1D25	1	30 - 11
AA32178	1I5	..	40 - 41	AR101711	2D6	11	50 - 55	AR21858	1I4	9	40 - 40
AA34967	1I5	3	40 - 41	AR101807	2E23	1	70 - 3	AR21969	1B4	..	20 - 1
AA34968	1I5	23	40 - 41	AR101807	2E25	16	70 - 5	AR21969	2D24	..	60 - 11
AA5692R	1I4	18	40 - 40	AR101807	2E25	..	70 - 5	AR21969	2E14	..	60 - 25
AA5692R	1J12	12	40 - 75	AR101807	2E25	..	70 - 5	AR21999	1C24	22	20 - 41
AA5787R	3C9	1	90 - 33	AR101807	2F8	..	70 - 13	AR26375	2C24	5	50 - 47
AA6217R	1I4	19	40 - 40	AR102454	1I10	..	40 - 46	AR26402	2D18	5	60 - 5
AA6218R	1I4	14	40 - 40	AR102454	1I11	12	40 - 47	AR26403	3B21	6	90 - 20
AD2062R	1I2	16	40 - 37	AR103059	2D11	6	50 - 60	AR26444	1B11	7	20 - 9
AD2062R	1I3	15	40 - 39	AR103808	2I17	7	70 - 94	AR26448	2D18	2	60 - 5
AD2062R	1I5	2	40 - 41	AR103811	1B9	2	20 - 7	AR26516	1B9	5	20 - 7
AE23861	1G15	2	40 - 8	AR104119	1G10	1	40 - 3	AR26529	3B22	8	90 - 21
AH103067	1G24	12	40 - 17	AR104119	1G10	23	40 - 3	AR26530	3B22	21	90 - 21
AH103068	1G24	13	40 - 17	AR104119	1G10	26	40 - 3	AR26556	2G24	10	70 - 55
AH117788	1G21	20	40 - 13	AR104119	1G11	..	40 - 4	AR26568	3C14	3	90 - 38
AH16186	3C18	1	90 - 42	AR104119	1I2	2	40 - 37	AR26571	1J12	1	40 - 75
AH80057	3B24	9	90 - 23	AR104119	1I3	2	40 - 39	AR26625	2D14	5	60 - 1
AH85483	3C18	2	90 - 42	AR104119	1I7	1	40 - 43	AR26646	2F2	21	70 - 7
AH93625	1I5	12	40 - 41	AR104119	1I8	1	40 - 44	AR26649	1E24	4	30 - 38
AH93852	2D8	3	50 - 57	AR105510	1C20	22	20 - 37	AR26674	1F3	4	30 - 42
AH93852	2D10	1	50 - 59	AR11001	1H11	15	40 - 24C	AR26674	1F11	3	30 - 50
AH98337	1G15	2	40 - 8	AR11001	1H16	14	40 - 27B	AR26697	2H13	15	70 - 64
AL14896	1I10	6	40 - 46	AR11051	1H12	7	40 - 25	AR26697	2H18	17	70 - 69
AL23523	2E15	22	60 - 27	AR11051	1H17	4	40 - 28	AR26697	2H21	3	70 - 73
AL24194	1D19	14	30 - 5	AR111058	1I19	20	40 - 55	AR26701	2B8	29	50 - 5
AL26972	2I10	25	70 - 87	AR111163 #JD	2D3	15	50 - 51	AR26707	2B8	27	50 - 5
AL26972	2I12	22	70 - 89	AR11124	1H11	17	40 - 24C	AR26707	2C11	7	50 - 34
AL26973	2I10	3	70 - 87	AR11126	1H9	21	40 - 24A	AR26721	1I17	7	40 - 53
AL26973	2I12	21	70 - 89	AR11127	1H9	2	40 - 24A	AR26722	2D17	24	60 - 4
AL2976T	1J16	20	40 - 79	AR11128	1H9	14	40 - 24A	AR26722	2D24	8	60 - 11
AL32975	1D19	14	30 - 5	AR11132	1H9	28	40 - 24A	AR26724	2G4	7	70 - 33
AN163885	2I7	42	70 - 85	AR11140	1H11	24	40 - 24C	AR26725	2D17	24	60 - 4
AN163885	2I22	26	70 - 99	AR21823	1I10	2	40 - 46	AR26725	2D24	20	60 - 11
AN212996	2H3	6	70 - 58	AR21823	1I11	10	40 - 47	AR26725	2E14	5	60 - 25
AR100161	1H24	1	40 - 35	AR21836	1E24	8	30 - 38	AR26745	1D25	14	30 - 11
AR100384	1B12	4	20 - 10	AR21836	1F1	9	30 - 40	AR26745	2G10	16	70 - 40
AR100385	1B12	4	20 - 10	AR21837	1E25	1	30 - 39	AR26745	2I4	13	70 - 81
AR100385	1B13	4	20 - 11	AR21837	1E25	5	30 - 39	AR26745	2I4	15	70 - 81
AR100478	1B18	27	20 - 17	AR21837	1F2	10	30 - 41	AR26746	2F15	4	70 - 19
AR100478	1B18	35	20 - 17	AR21837	3B10	4	90 - 9	AR26758	2E25	12	70 - 5
AR100478	1B18	36	20 - 17	AR21837	3B14	20	90 - 13	AR26761	2G18	12	70 - 48A
AR100478	1B18	37	20 - 17	AR21837	3B16	3	90 - 15	AR26763	2D14	20	60 - 1
AR100478	1B20	1	20 - 19	AR21839	1B9	1	20 - 7	AR26763	2D16	14	60 - 3
AR101236	2E25	2	70 - 5	AR21839	1C21	5	20 - 38	AR26763	2D17	1	60 - 4
AR101236	2E25	3	70 - 5	AR21839	1D7	1	20 - 48	AR26763	2D17	6	60 - 4
AR101236	2F6	23	70 - 11	AR21839	1D8	3	20 - 49	AR26763	2D24	5	60 - 11
AR101236	2F8	3	70 - 13	AR21839	1D16	4	30 - 2	AR26763	2D24	7	60 - 11
AR101236	2F14	28	70 - 17	AR21839	1D21	13	30 - 7	AR26763	2D24	12	60 - 11
AR101245	1I24	5	40 - 60	AR21839	1E10	14	30 - 23	AR26763	2I7	28	70 - 85
AR101245	1I25	4	40 - 61	AR21839	1E12	15	30 - 25	AR26771	2E12	2	60 - 23
AR101549	1D3	7	20 - 44	AR21839	1E24	11	30 - 38	AR26771	2F16	14	70 - 20
AR101549	1D3	8	20 - 44	AR21839	1F1	11	30 - 40	AR26771	2F17	15	70 - 21
AR101549	1D3	9	20 - 44	AR21839	2F18	5	70 - 22	AR26828	2F17	4	70 - 21
AR101549	1D3	10	20 - 44	AR21839	2F24	3	70 - 28	AR26828	2F17	18	70 - 21
AR101549	1D4	8	20 - 45	AR21839	2F25	12	70 - 29	AR26828	2H25	1	70 - 77
AR101549	1D4	9	20 - 45	AR21839	2F25	20	70 - 29	AR26828	2I1	14	70 - 78
AR101549	1D4	10	20 - 45	AR21839	2G1	2	70 - 30	AR26828	2I1	25	70 - 78
AR101549	1D4	11	20 - 45	AR21839	2G1	10	70 - 30	AR27093	2H2	39	70 - 57
AR101549	1D5	4	20 - 46	AR21839	2G2	2	70 - 31	AR27699	2D21	17	60 - 8
AR101549	1D5	5	20 - 46	AR21839	2G2	11	70 - 31	AR27699	2D22	6	60 - 9
AR101549	1D5	6	20 - 46	AR21840	1C24	28	20 - 41	AR27699	2E4	3	60 - 16
AR101549	1D5	7	20 - 46	AR21840	1E10	17	30 - 23	AR27814	1E18	1	30 - 32
AR101624	2D1	12	50 - 49	AR21840	1F2	23	30 - 41	AR27814	1E21	20	30 - 35
AR101624	2D3	15	50 - 51	AR21841	1D17	5	30 - 3	AR27888	2F21	4B	70 - 25
AR101632	2F10	28	70 - 15	AR21841	1D25	3	30 - 11	AR27940	1E18	6	30 - 32
AR101632	2F12	6	70 - 15B	AR21842	1D17	7	30 - 3	AR27940	1E19	4	30 - 33

1K11

7020 TRACTOR

NUMERICAL INDEX - CONTINUED

PART NO.	GRID	KEY	PAGE	PART NO.	GRID	KEY	PAGE	PART NO.	GRID	KEY	PAGE
AR27977	1B16	25	20 - 15	AR36411	2E6	20	60 - 18	AR41760	1I24	4	40 - 60
AR27977	1B18	28	20 - 17	AR36411	2E13	8	60 - 24	AR41761	3B17	8	90 - 16
AR28047	2J11	15	80 - 8	AR36668	1D3	9	20 - 44	AR41761	3B18	18	90 - 17
AR28047	2J12	1	80 - 9	AR36668	1D4	10	20 - 45	AR41761	3B19	28	90 - 18
AR28048	2J11	12	80 - 8	AR36668	1D5	6	20 - 46	AR41785	1B4	..	20 - 1
AR28049	2J11	12	80 - 8	AR36752	1F2	13	30 - 41	AR41870	1B4	..	20 - 1
AR28271	2C25	11	50 - 48	AR37043	2D4	26	50 - 53	AR41950	1I24	8	40 - 60
AR28403	1G17	9	40 - 10	AR38456	1G10	22	40 - 3	AR41950	1I25	8	40 - 61
AR28403	1J12	10	40 - 75	AR38456	1I2	16	40 - 37	AR41950	1J3	3	40 - 64
AR28403	1J14	19	40 - 77	AR38714	2F2	31	70 - 7	AR41951	1I24	7	40 - 60
AR28403	3B8	10	90 - 6	AR389R	2C18	21	50 - 41	AR41951	1I25	7	40 - 61
AR28403	3B15	3	90 - 14	AR389R	2C20	17	50 - 43	AR41951	1J2	9	40 - 63
AR28482	1C24	2	20 - 41	AR39157	2H13	10	70 - 64	AR41951	1J3	2	40 - 64
AR28488	2E10	2	60 - 22	AR39158	2H13	5	70 - 64	AR42005	2D6	14	50 - 55
AR28588	1I17	7	40 - 53	AR39585	2D20	1	60 - 7	AR42009	2D14	21	60 - 1
AR28589	1I17	7	40 - 53	AR39682	3C21	4	90 - 45	AR42009	2D15	3	60 - 2
AR28754	2J1	3	70 - 103	AR39683	3C21	2	90 - 45	AR42009	2D15	13	60 - 2
AR28755	2J1	3	70 - 103	AR40171	1H16	5	40 - 27B	AR42119	1G10	1	40 - 3
AR30110	2H25	4	70 - 77	AR40174	1H24	1	40 - 35	AR42119	1G10	23	40 - 3
AR30210	2I5	7	70 - 83	AR40420	1G21	6	40 - 13	AR42119	1G10	26	40 - 3
AR30210	2I15	7	70 - 92	AR40420	1G23	..	40 - 16	AR42119	1G11	1	40 - 4
AR30297	2D14	24	60 - 1	AR40496	2J13	1	80 - 10	AR42119	1G11	8	40 - 4
AR30297	2D14	30	60 - 1	AR40516	2F21	12	70 - 25	AR42119	1G11	12	40 - 4
AR30298	2D14	30	60 - 1	AR40584	3C8	2	90 - 32	AR42119	1I2	2	40 - 37
AR30394	3C9	2	90 - 33	AR40585	3C8	2	90 - 32	AR42119	1I2	6	40 - 37
AR30472	1G1	3	30 - 67	AR40587	2I5	..	70 - 83	AR42119	1I3	2	40 - 39
AR31674	2I7	28	70 - 85	AR40670	2C24	16	50 - 47	AR42119	1I3	6	40 - 39
AR31703	2G18	35	70 - 48A	AR40675	2G14	9	70 - 45	AR42284	2F15	2	70 - 19
AR31790	3B25	..	90 - 24	AR40675	2G16	9	70 - 47	AR42287	2G19	32	70 - 49
AR31904	2C18	22	50 - 41	AR40676	2G14	6	70 - 45	AR42400	2E7	28	60 - 19
AR31945	2I23	1	70 - 100	AR40676	2G16	6	70 - 47	AR42591	1I2	2	40 - 37
AR31946	2E8	14	60 - 20	AR40680	1B11	17	20 - 9	AR42591	1I3	2	40 - 39
AR32016	1I8	7	40 - 44	AR40688	2H19	12	70 - 71	AR42598	3B20	9	90 - 19
AR32243	2E10	7	60 - 22	AR40703	1G1	17	30 - 67	AR42634	1C20	2	20 - 37
AR33249	2F2	6	70 - 7	AR40710	1I4	17	40 - 40	AR43009	2J10	11	80 - 7
AR33821	2E25	4	70 - 5	AR40710	1J12	13	40 - 75	AR43013	1C5	4	20 - 25
AR33877	2I5	35	70 - 83	AR40750	1B16	24	20 - 15	AR43025	2C16	5	50 - 39
AR33877	2I7	39	70 - 85	AR40753	2G16	42A	70 - 47	AR43026	2C20	3	50 - 43
AR34059	2I7	45	70 - 85	AR40754	2G14	7	70 - 45	AR43027	2C20	5	50 - 43
AR34172	2D14	8	60 - 1	AR40754	2G16	7	70 - 47	AR43046	2E10	4	60 - 22
AR34684	3C22	5	90 - 46	AR40785	2G13	7	70 - 43	AR43050	2D8	12	50 - 57
AR35223	2F17	11	70 - 21	AR40802	1I17	1	40 - 53	AR43058	2C24	6	50 - 47
AR35261	2I18	1	70 - 95	AR40812	3C15	16	90 - 39	AR43059	2G24	12	70 - 55
AR35366	3B21	21	90 - 20	AR40828	2H13	9	70 - 64	AR43063	2B6	18	50 - 3
AR35367	3B22	34	90 - 21	AR40828	2H18	14	70 - 69	AR43064	2B6	20	50 - 3
AR35403	2C14	16	50 - 37	AR40947	1I24	5	40 - 60	AR43065	2B6	22	50 - 3
AR35526	2H10	25	70 - 63	AR40947	1I24	6	40 - 60	AR43069	2B5	12	50 - 2
AR35527	2H10	24	70 - 63	AR41006	1B7	3	20 - 5	AR43075	2H4	10	70 - 59
AR35763	2G23	1	70 - 54	AR41056	1C4	4	20 - 24	AR43077	2G23	12	70 - 54
AR35773	2G23	10	70 - 54	AR41139	2I5	35	70 - 83	AR43083	2G7	1	70 - 37
AR35807	2H6	33	70 - 61	AR41140	2I5	35	70 - 83	AR43089	2J14	7	80 - 11
AR35807	2H10	7	70 - 63	AR41287	1G19	16	40 - 11B	AR43097	2C20	10	50 - 43
AR35851	2H2	4	70 - 57	AR41574	1D3	19	20 - 44	AR43103	2G20	13	70 - 50
AR35857	2G23	..	70 - 54	AR41574	1G21	9	40 - 13	AR43103	2G22	3	70 - 53
AR35858	3B22	29	90 - 21	AR41691	1D3	7	20 - 44	AR43112	1C19	17	20 - 36
AR35861	2H6	10	70 - 61	AR41691	1D4	8	20 - 45	AR43114	2D1	12	50 - 49
AR35862	2H6	8	70 - 61	AR41691	1D5	4	20 - 46	AR43140	2G24	9	70 - 55
AR35912	2H6	26	70 - 61	AR41754	1J3	8	40 - 64	AR43151	2F21	2	70 - 25
AR35912	2H10	11A	70 - 63	AR41756	1I24	2	40 - 60	AR43161	1F24	19	30 - 64
AR35952	2B8	22	50 - 5	AR41756	1I25	2	40 - 61	AR43161	1F25	17	30 - 65
AR36047	3B21	20	90 - 20	AR41756	1J2	20	40 - 63	AR43165	2E12	15	60 - 23
AR36048	3B22	12	90 - 21	AR41756	1J3	1	40 - 64	AR43216	2J10	8	80 - 7
AR36105	2E6	20	60 - 18	AR41758	1I23	..	40 - 59	AR43217	2J10	8	80 - 7
AR36105	2E12	10	60 - 23	AR41758	1I24	1	40 - 60	AR43220	2G7	5	70 - 37
AR36105	2E13	8	60 - 24	AR41758	1I25	1	40 - 61	AR43243	2D1	7	50 - 49
AR36158	2I18	6	70 - 95	AR41758	1J2	5	40 - 63	AR43256	2J11	3	80 - 8
AR36303	2I18	1	70 - 95	AR41758	1J3	10	40 - 64	AR43261	1C19	1	20 - 36

1K12

7020 TRACTOR

NUMERICAL INDEX - CONTINUED

PART NO.	GRID	KEY	PAGE	PART NO.	GRID	KEY	PAGE	PART NO.	GRID	KEY	PAGE
AR43261	1C19	18	20 - 36	AR45534	2I24	1	70 - 101	AR48015	1I17	4	40 - 53
AR43261	1C19	20	20 - 36	AR45536	2I22	24	70 - 99	AR48016	1I17	3	40 - 53
AR43261	1C20	2	20 - 37	AR45544	2I20	39	70 - 97	AR48033	1I15	13	40 - 51
AR43261	1C20	3	20 - 37	AR45544	2I22	36	70 - 99	AR48034	1I15	12	40 - 51
AR43316	2G23	9	70 - 54	AR45647	2H19	3	70 - 71	AR48035	1I15	16	40 - 51
AR43525	2F24	10	70 - 28	AR45723	1C4	11	20 - 24	AR48041	1I2	20	40 - 37
AR43544	1D16	2	30 - 2	AR45723	1C9	9	20 - 27B	AR48041	1I3	19	40 - 39
AR43547	2G12	7	70 - 42	AR45723	1C11	9	20 - 27D	AR48041	1I5	22	40 - 41
AR43579	1E14	3	30 - 27	AR45839	1J5	27	40 - 66	AR48110	2H2	34	70 - 57
AR43595	1D19	14	30 - 5	AR45843	1J5	3	40 - 66	AR48112	2H2	33	70 - 57
AR43609	1G8	5	40 - 1	AR45844	1J5	12	40 - 66	AR48219	1F12	7	30 - 51
AR43627	1E3	13	30 - 14	AR45867	3B7	4	90 - 5	AR48236	1D23	8	30 - 9
AR43627	1E5	10	30 - 17	AR45868	3B8	1	90 - 6	AR48236	1F8	11	30 - 47
AR43634	1C19	1	20 - 36	AR45923	1G13	3	40 - 6	AR48236	1F14	13	30 - 53
AR43634	1C19	18	20 - 36	AR45975	1G13	1	40 - 6	AR48295	2I5	27	70 - 83
AR43634	1C20	2	20 - 37	AR46095	2E12	14	60 - 23	AR48487	1C17	2	20 - 34
AR43634	1G3	6	30 - 69	AR46231	1G13	6	40 - 6	AR48553	2D5	12	50 - 54
AR43652	1B14	8	20 - 13	AR46334	3B8	9	90 - 6	AR48594	1I16	9	40 - 52
AR43676	1E24	27	30 - 38	AR46395	1C4	11	20 - 24	AR48640	1I15	10	40 - 51
AR43676	1E25	12	30 - 39	AR46396	1C4	11	20 - 24	AR48643	3C9	6	90 - 33
AR43704	1E14	12	30 - 27	AR46396	1C7	2	20 - 27	AR48675	1D7	9	20 - 48
AR43704	1E16	9	30 - 29	AR46396	1C10	9	20 - 27C	AR48675	1D8	13	20 - 49
AR43716	1E14	7	30 - 27	AR46397	1C4	11	20 - 24	AR48717	1I24	5	40 - 60
AR43744	2C18	7	50 - 41	AR46398	1C4	11	20 - 24	AR48717	1I24	6	40 - 60
AR43747	1D3	4	20 - 44	AR46399	1C13	6	20 - 29	AR48723	1I2	28	40 - 37
AR43770	1D25	13	30 - 11	AR46400	1C13	6	20 - 29	AR48723	1I3	24	40 - 39
AR43940	1D17	2	30 - 3	AR46401	1C13	6	20 - 29	AR48724	1I16	13	40 - 52
AR43940	1D19	5	30 - 5	AR46402	1C13	6	20 - 29	AR48725	1I12	1	40 - 48
AR43954	1C5	14	20 - 25	AR46403	1C13	1	20 - 29	AR48726	1G17	11	40 - 10
AR43973	1E6	21	30 - 18	AR46404	1C13	1	20 - 29	AR48756	2I5	35	70 - 83
AR43973	1E8	13	30 - 20	AR46405	1C13	1	20 - 29	AR48864	2E10	7	60 - 22
AR43975	1E8	14	30 - 20	AR46406	1C13	1	20 - 29	AR48871	1D3	17	20 - 44
AR43985	1G8	3	40 - 1	AR46407	1C13	1	20 - 29	AR48871	1D4	21	20 - 45
AR43986	1G8	1	40 - 1	AR46730	1G8	2	40 - 1	AR48936	1G8	9	40 - 1
AR43998	1D20	2	30 - 6	AR46730	1I10	3	40 - 46	AR48940	1C13	1	20 - 29
AR43998	1D22	1	30 - 8	AR46983	1I24	19	40 - 60	AR49025	1C14	9	20 - 31
AR44254	3C18	2	90 - 42	AR46984	1I24	18	40 - 60	AR49025	1C15	1	20 - 32
AR44255	3C18	1	90 - 42	AR46984	1I25	18	40 - 61	AR49032	1I10	..	40 - 46
AR44394	1B12	4	20 - 10	AR46985	1I24	16	40 - 60	AR49036	1I10	6	40 - 46
AR44402	1B5	1	20 - 2	AR46986	1I23	13	40 - 59	AR49038	1I10	4	40 - 46
AR44418	1E14	8	30 - 27	AR46986	1I23	15	40 - 59	AR49044	1C17	..	20 - 34
AR44444	1C17	7	20 - 34	AR46986	1I24	4	40 - 60	AR49232	1C13	1	20 - 29
AR44613	3B17	3	90 - 16	AR46986	1I24	5	40 - 60	AR49233	1C13	1	20 - 29
AR44616	2B7	22	50 - 4	AR46986	1I25	4	40 - 61	AR49234	1C13	1	20 - 29
AR44624	1C13	1	20 - 29	AR46986	1I25	5	40 - 61	AR49235	1C13	1	20 - 29
AR44625	1C13	6	20 - 29	AR46986	1J2	26	40 - 63	AR49236	1C13	1	20 - 29
AR44635	2F16	1	70 - 20	AR47293	2D15	7	60 - 2	AR49352	1G17	10	40 - 10
AR44698	1H9	32	40 - 24A	AR47331	2I15	20	70 - 92	AR49352	1J14	17	40 - 77
AR44699	1H11	2	40 - 24C	AR47374	1I10	1	40 - 46	AR49427	2E22	4	70 - 2
AR44700	1H9	12	40 - 24A	AR47455	1G12	..	40 - 5	AR49485	3B3	14	90 - 1
AR44763	3B20	8	90 - 19	AR47458	1I16	12	40 - 52	AR49503	1B12	9	20 - 10
AR44820	2H10	15	70 - 63	AR47459	1I16	12	40 - 52	AR49535	2D16	8	60 - 3
AR44999	1G19	5A	40 - 11B	AR47524	1C17	12	20 - 34	AR49536	2D16	8	60 - 3
AR45099	1G10	20	40 - 3	AR47547	1G8	..	40 - 1	AR49539	1C14	14	20 - 31
AR45099	1G11	9	40 - 4	AR47548	1G8	..	40 - 1	AR49542	1F12	4	30 - 51
AR45099	1I2	22	40 - 37	AR47580	2E25	16	70 - 5	AR49602	1G10	17	40 - 3
AR45099	1I3	21	40 - 39	AR47643	2I7	6	70 - 85	AR49602	1G11	19	40 - 4
AR45230	2F21	4B	70 - 25	AR47643	2I15	7	70 - 92	AR49602	1G18	1	40 - 11
AR45230	2F21	18	70 - 25	AR47802	2E23	1	70 - 3	AR49613	1F8	12	30 - 47
AR45436	1I15	6	40 - 51	AR47802	2E25	..	70 - 5	AR49649	1D3	..	20 - 44
AR45437	1I15	18	40 - 51	AR47803	2F21	4A	70 - 25	AR49650	1C14	4	20 - 31
AR45438	1I15	20	40 - 51	AR47805	2E7	6	60 - 19	AR49652	2C18	3	50 - 41
AR45439	1I15	13	40 - 51	AR47825	2I18	3	70 - 95	AR49655	1D3	..	20 - 44
AR45439	1I15	19	40 - 51	AR47825	2I20	41	70 - 97	AR49732	2C11	10	50 - 34
AR45440	1I15	21	40 - 51	AR47825	2I22	17	70 - 99	AR49751	2F24	5	70 - 28
AR45525	2B21	8	50 - 20	AR47916	1I15	1	40 - 51	AR49771	1F11	6	30 - 50
AR45530	1B9	2	20 - 7	AR48005	2G18	14	70 - 48A	AR49771	1F11	7	30 - 50

1K13

7020 TRACTOR

NUMERICAL INDEX - CONTINUED

PART NO.	GRID	KEY	PAGE	PART NO.	GRID	KEY	PAGE	PART NO.	GRID	KEY	PAGE
AR49785	1F11	4	30 - 50	AR50489	1D17	12	30 - 3	AR50880	2G3	6	70 - 32
AR49786	1F8	23	30 - 47	AR50489	1D23	6	30 - 9	AR50880	2G4	11	70 - 33
AR49786	1F11	2	30 - 50	AR50508	1115	4	40 - 51	AR50914	1G8	3	40 - 1
AR49797	1J7	1	40 - 68	AR50509	2E4	10	60 - 16	AR50918	2J11	13	80 - 8
AR49798	1J7	1	40 - 68	AR50510	2E4	17	60 - 16	AR50922	2J10	12	80 - 7
AR49803	3B5	5	90 - 3	AR50514	2E12	3	60 - 23	AR50924	2B18	9	50 - 16
AR49803	3B6	2	90 - 4	AR50518	1D6	8	20 - 47	AR50925	2B19	11	50 - 17
AR49804	3B6	7	90 - 4	AR50519	2E4	6	60 - 16	AR50926	1J9	14	40 - 71
AR49805	3B6	5	90 - 4	AR50519	2E4	9	60 - 16	AR50927	1J7	20	40 - 68
AR49806	3B6	17	90 - 4	AR50522	2C22	13	50 - 45	AR50927	1J9	20	40 - 71
AR49808	3B5	24	90 - 3	AR50523	2C22	12	50 - 45	AR50928	1J7	18	40 - 68
AR49923	3C3	..	90 - 27	AR50577	2E6	26	60 - 18	AR50929	1J9	19	40 - 71
AR49923	3C5	..	90 - 29	AR50579	2B9	10	50 - 6	AR50930	1J9	15	40 - 71
AR49952	3B15	7	90 - 14	AR50593	2F24	2	70 - 28	AR50931	1J9	23	40 - 71
AR49961	3B9	13	90 - 7	AR50598	3B16	11	90 - 15	AR50934	2B13	9	50 - 11
AR49962	3B8	18	90 - 6	AR50601	2J17	3	80 - 14	AR50935	2B13	17	50 - 11
AR49963	3B8	17	90 - 6	AR50603	2E14	3	60 - 25	AR50940	1C4	8	20 - 24
AR49964	3B14	16	90 - 13	AR50603	2F20	7	70 - 24	AR50960	2J8	13	80 - 5
AR49965	3B16	22	90 - 15	AR50604	1F1	2	30 - 40	AR50967	1D20	5	30 - 6
AR49966	3B9	15	90 - 7	AR50605	1E24	18	30 - 38	AR50968	2H25	15	70 - 77
AR49967	3B7	12	90 - 5	AR50606	2D22	9	60 - 9	AR50968	2I1	17	70 - 78
AR49968	3B14	23	90 - 13	AR50607	2E4	4	60 - 16	AR50969	2F25	7	70 - 29
AR49969	1J5	29	40 - 66	AR50608	2D24	4	60 - 11	AR50970	1G8	7	40 - 1
AR49969	3B9	21	90 - 7	AR50609	2D22	1	60 - 9	AR50976	2C2	20	50 - 25
AR49969	3B14	14	90 - 13	AR50610	2D24	19	60 - 11	AR50978	2D24	18	60 - 11
AR49969	3B16	26	90 - 15	AR50611	2D24	15	60 - 11	AR50979	2F16	12	70 - 20
AR49970	3B15	8	90 - 14	AR50612	2D22	13	60 - 9	AR50979	2F18	2	70 - 22
AR49986	3B12	4	90 - 11	AR50624	1C4	5	20 - 24	AR51052	1F8	9	30 - 47
AR49987	3B16	25	90 - 15	AR50624	1C4	8	20 - 24	AR51053	1F8	8	30 - 47
AR49998	1E10	3	30 - 23	AR50639	2B9	3	50 - 6	AR51054	1F8	7	30 - 47
AR50000	1B7	30	20 - 5	AR50639	2B24	8	50 - 23	AR51055	1F8	6	30 - 47
AR50009	3B12	5	90 - 11	AR50640	2B24	5	50 - 23	AR51056	1F8	5	30 - 47
AR50010	3B12	5	90 - 11	AR50724	1G8	8	40 - 1	AR51057	1F8	3	30 - 47
AR50040	1F3	2	30 - 42	AR50725	2F20	6	70 - 24	AR51059	1D3	19	20 - 44
AR50041	1F3	5	30 - 42	AR50732	1F8	2	30 - 47	AR51059	1G21	9	40 - 13
AR50041	1F4	17	30 - 43	AR50732	1F14	4	30 - 53	AR51071	3C8	6	90 - 32
AR50041	1G3	5	30 - 69	AR50779	1J7	2	40 - 68	AR51080	2H25	6	70 - 77
AR50133	2D6	10	50 - 55	AR50780	1J7	2	40 - 68	AR51081	2H25	5	70 - 77
AR50136	1C5	10	20 - 25	AR50796	2E14	16	60 - 25	AR51082	2F25	9	70 - 29
AR50150	1D25	18	30 - 11	AR50798	2D24	21	60 - 11	AR51086	1F1	4	30 - 40
AR50152	1E10	9	30 - 23	AR50799	2G3	2	70 - 32	AR51086	1F11	8	30 - 50
AR50184	2C16	1	50 - 39	AR50800	2F22	4	70 - 26	AR51087	1E24	5	30 - 38
AR50184	2D1	15	50 - 49	AR50806	1C24	6	20 - 41	AR51092	2E15	..	60 - 27
AR50226	1G24	14	40 - 17	AR50808	1C24	6	20 - 41	AR51101	2J10	2	80 - 7
AR50227	1G24	25	40 - 17	AR50820	3C7	6	90 - 31	AR51128	2F25	4	70 - 29
AR50229	1G24	16	40 - 17	AR50820	3C11	10	90 - 35	AR51128	2H25	9	70 - 77
AR50232	2C13	2	50 - 36	AR50820	3C13	11	90 - 37	AR51128	2I1	12	70 - 78
AR50260	1113	6	40 - 49	AR50822	1D2	17	20 - 43	AR51129	2D24	10	60 - 11
AR50335	2B10	5	50 - 7	AR50834	1J14	8	40 - 77	AR51130	2F25	8	70 - 29
AR50374	2H2	10	70 - 57	AR50838	1117	5	40 - 53	AR51160	1115	5	40 - 51
AR50377	2H2	23	70 - 57	AR50857	2J8	3	80 - 5	AR51172	2E13	7	60 - 24
AR50387	2E15	18	60 - 27	AR50858	2J8	3	80 - 5	AR51173	2E13	1	60 - 24
AR50390	1F1	16	30 - 40	AR50859	2J10	14	80 - 7	AR51174	2E13	15	60 - 24
AR50391	1E24	3	30 - 38	AR50860	2B14	22	50 - 12	AR51176	1D2	18	20 - 43
AR50399	1D6	4	20 - 47	AR50861	2B15	38A	50 - 13	AR51177	1D2	20	20 - 43
AR50411	1D6	5	20 - 47	AR50862	2B14	18	50 - 12	AR51209	3C11	5	90 - 35
AR50439	1115	11	40 - 51	AR50862	2B16	14	50 - 14	AR51209	3C13	5	90 - 37
AR50439	1115	14	40 - 51	AR50871	2B5	19	50 - 2	AR51210	3C11	3	90 - 35
AR50440	1115	3	40 - 51	AR50872	2C12	3	50 - 35	AR51210	3C13	3	90 - 37
AR50458	1F24	16	30 - 64	AR50874	1F10	25	30 - 49	AR51327	2C2	12	50 - 25
AR50468	2B18	4	50 - 16	AR50874	1F12	4	30 - 51	AR51335	1G10	4	40 - 3
AR50468	2B18	9	50 - 16	AR50875	2E14	19	60 - 25	AR51335	112	27	40 - 37
AR50468	2B18	12	50 - 16	AR50876	2E13	4	60 - 24	AR51385	2B10	7	50 - 7
AR50469	2B19	5	50 - 17	AR50877	2E14	13	60 - 25	AR51386	2C22	24	50 - 45
AR50469	2B19	11	50 - 17	AR50878	2E14	4	60 - 25	AR51386	2C22	40	50 - 45
AR50469	2B19	12	50 - 17	AR50879	2G3	1	70 - 32	AR51431	1D17	4	30 - 3
AR50470	2C13	5	50 - 36	AR50879	2G4	1	70 - 33	AR51432	1D17	10	30 - 3

1K14

7020 TRACTOR

NUMERICAL INDEX - CONTINUED

PART NO.	GRID	KEY	PAGE	PART NO.	GRID	KEY	PAGE	PART NO.	GRID	KEY	PAGE
AR51432	1D19	9	30 - 5	AR52213	2E10	4	60 - 22	AR52769	3B24	8	90 - 23
AR51481	1116	7	40 - 52	AR52222	1C21	15	20 - 38	AR52770	3B25	4	90 - 24
AR51481	3B25	6	90 - 24	AR52224	2E25	7	70 - 5	AR52771	3B25	7	90 - 24
AR51483	1125	19	40 - 61	AR52224	2F8	7	70 - 13	AR52772	3B25	1	90 - 24
AR51484	1125	16	40 - 61	AR52242	2F21	17A	70 - 25	AR52773	2J14	1	80 - 11
AR51515	2C2	18	50 - 25	AR52254	2F2	37	70 - 7	AR52773	3B24	1	90 - 23
AR51519	1C21	12	20 - 38	AR52254	2F10	33	70 - 15	AR52785	2E25	21	70 - 5
AR51589	3C11	1	90 - 35	AR52288	1D2	12	20 - 43	AR52796	2G14	14	70 - 45
AR51589	3C13	1	90 - 37	AR52289	3B25	15	90 - 24	AR52797	2G14	12	70 - 45
AR51652	2C24	18	50 - 47	AR52290	3B24	18	90 - 23	AR52803	3B25	19	90 - 24
AR51718	1F10	6	30 - 49	AR52292	3B25	6	90 - 24	AR52927	1G21	20	40 - 13
AR51728	1D17	13	30 - 3	AR52294	1J5	18	40 - 66	AR53013	1C3	8	20 - 23
AR51741	1C4	7	20 - 24	AR52295	3B24	5	90 - 23	AR53091	1F8	27	30 - 47
AR51745	2F2	9	70 - 7	AR52296	3B12	1	90 - 11	AR53091	1F23	13	30 - 63
AR51746	2D22	2	60 - 9	AR52297	3B12	7	90 - 11	AR53094	1D10	..	20 - 51
AR51755	2C23	8	50 - 46	AR52298	3B12	18	90 - 11	AR53095	1D10	..	20 - 51
AR51757	2C23	10	50 - 46	AR52299	3B12	19	90 - 11	AR53144	3C7	6	90 - 31
AR51758	2C23	11	50 - 46	AR52300	3B12	12	90 - 11	AR53144	3C11	10	90 - 35
AR51760	3C9	11	90 - 33	AR52301	3B15	15	90 - 14	AR53144	3C13	11	90 - 37
AR51761	3C9	30	90 - 33	AR52303	1G8	6	40 - 1	AR53145	3C7	9	90 - 31
AR51762	1D20	4	30 - 6	AR52303	1G10	15	40 - 3	AR53145	3C11	20	90 - 35
AR51762	1D22	3	30 - 8	AR52311	3C1	11	90 - 25	AR53145	3C13	22	90 - 37
AR51765	1117	2	40 - 53	AR52312	3C1	11	90 - 25	AR53155	3B14	16	90 - 13
AR51798	1B24	1	20 - 19D	AR52313	3B15	11	90 - 14	AR53156	3B14	23	90 - 13
AR51798	1C4	8	20 - 24	AR52314	3B15	11	90 - 14	AR53157	1G8	6	40 - 1
AR51862	2E22	15	70 - 2	AR52315	3B8	22	90 - 6	AR53157	1G10	15	40 - 3
AR51863	2E22	12	70 - 2	AR52316	3B8	15	90 - 6	AR53157	1G11	18	40 - 4
AR51877	2D14	14	60 - 1	AR52317	2B4	6	50 - 1	AR53224	2F21	17A	70 - 25
AR51938	1D2	24	20 - 43	AR52318	3B7	6	90 - 5	AR53301	2E25	12	70 - 5
AR51939	1D2	25	20 - 43	AR52319	3B7	1	90 - 5	AR53301	2F8	10	70 - 13
AR51963	1G1	11	30 - 67	AR52320	3C1	8	90 - 25	AR53374	2G4	2	70 - 33
AR51963	1G1	12	30 - 67	AR52321	3B9	6	90 - 7	AR53375	2G4	16	70 - 33
AR51965	1B20	1	20 - 19	AR52322	3B9	5	90 - 7	AR53376	2G4	14	70 - 33
AR51965	1B22	1	20 - 19B	AR52323	3B14	13	90 - 13	AR53441	2G19	2	70 - 49
AR51968	117	9	40 - 43	AR52324	3B9	20	90 - 7	AR53442	2G14	34	70 - 45
AR51973	1125	4	40 - 61	AR52325	3B9	2	90 - 7	AR53442	2G16	24	70 - 47
AR51985	1F8	27	30 - 47	AR52326	3B15	11	90 - 14	AR53443	1C4	10	20 - 24
AR51985	1F23	13	30 - 63	AR52327	3B15	11	90 - 14	AR53446	3B6	12	90 - 4
AR51987	1E5	14	30 - 17	AR52328	3B9	10	90 - 7	AR53449	2C24	18	50 - 47
AR51988	1E3	18	30 - 14	AR52329	3B9	4	90 - 7	AR53452	1116	12	40 - 52
AR51988	1E4	18	30 - 15	AR52375	1F23	9	30 - 63	AR53456	2B10	5	50 - 7
AR51988	1E5	12	30 - 17	AR52392	1J9	4	40 - 71	AR53457	2G6	4	70 - 36
AR52061	1B16	22	20 - 15	AR52394	2H24	1	70 - 76	AR53458	2B11	10	50 - 8
AR52061	1B22	1	20 - 19B	AR52434	2C14	11	50 - 37	AR53461	1F14	30	30 - 53
AR52067	3C7	25	90 - 31	AR52440	1C17	2	20 - 34	AR53471	2B8	22	50 - 5
AR52068	3C7	27	90 - 31	AR52479	1124	26	40 - 60	AR53502	1D19	13	30 - 5
AR52069	3C7	28	90 - 31	AR52479	1125	26	40 - 61	AR53749	1E16	4	30 - 29
AR52070	3C7	15	90 - 31	AR52486	2C5	1	50 - 28	AR53792	2H14	..	70 - 65
AR52071	3C7	16	90 - 31	AR52487	2C5	5	50 - 28	AR53792	3C15	12	90 - 39
AR52072	3C7	11	90 - 31	AR52494	2F4	9	70 - 9	AR53877	2H10	11B	70 - 63
AR52073	3C7	10	90 - 31	AR52497	2E7	6	60 - 19	AR53997	1B16	24	20 - 15
AR52074	3C7	13	90 - 31	AR52554	3C19	5	90 - 43	AR53998	1B16	24	20 - 15
AR52075	3B17	11	90 - 16	AR52555	3C19	4	90 - 43	AR54325	2G7	15	70 - 37
AR52076	3B17	11	90 - 16	AR52556	1F11	7	30 - 50	AR54325	2G9	2	70 - 39
AR52077	1G21	6	40 - 13	AR52570	1C17	7	20 - 34	AR54325	2G10	3	70 - 40
AR52077	1G24	..	40 - 17	AR52570	1C18	11	20 - 35	AR54328	2G18	14	70 - 48A
AR52079	1G21	20	40 - 13	AR52571	1C17	..	20 - 34	AR54329	2G18	14	70 - 48A
AR52079	1G24	2	40 - 17	AR52604	118	9	40 - 44	AR54345	2B10	7	50 - 7
AR52085	1F24	14	30 - 64	AR52620	215	27	70 - 83	AR54377	1F2	15	30 - 41
AR52086	2B15	32	50 - 13	AR52623	217	45	70 - 85	AR54378	1E25	17	30 - 39
AR52086	2B17	42	50 - 15	AR52629	2H19	3	70 - 71	AR54397	2C13	2	50 - 36
AR52087	2B15	30	50 - 13	AR52630	2G5	9	70 - 35	AR54398	2G10	14	70 - 40
AR52204	2C23	4	50 - 46	AR52633	1D20	12	30 - 6	AR54399	2G10	7	70 - 40
AR52205	3C9	20	90 - 33	AR52634	1C24	29	20 - 41	AR54404	1D19	6	30 - 5
AR52206	2F18	4	70 - 22	AR52634	1C24	30	20 - 41	AR54404	1G3	3	30 - 69
AR52206	2F19	4	70 - 23	AR52671	1B12	11	20 - 10	AR54406	2G19	18	70 - 49
AR52211	1F24	16	30 - 64	AR52671	1F8	15	30 - 47	AR54407	2H14	10	70 - 65

1K15

7020 TRACTOR

NUMERICAL INDEX - CONTINUED

PART NO.	GRID	KEY	PAGE	PART NO.	GRID	KEY	PAGE	PART NO.	GRID	KEY	PAGE
AR54408	2H14	12	70 - 65	AR54975	1G11	4	40 - 4	AR55835	1H4	16	40 - 21
AR54409	2H14	8	70 - 65	AR54975	1I2	16	40 - 37	AR55836	1H2	22	40 - 19
AR54410	2H18	16	70 - 69	AR54975	1I3	15	40 - 39	AR55837	1H2	18	40 - 19
AR54411	2H18	16	70 - 69	AR54975	1I9	1	40 - 45	AR55837	1H4	18	40 - 21
AR54412	2H14	2	70 - 65	AR54976	1G10	..	40 - 3	AR55853	1E16	2	30 - 29
AR54413	2H14	14	70 - 65	AR54976	1G11	7	40 - 4	AR55864	2B6	18	50 - 3
AR54414	2H14	15	70 - 65	AR54976	1I9	5	40 - 45	AR55864	2B6	19	50 - 3
AR54415	2H14	16	70 - 65	AR54983	2C11	5	50 - 34	AR55865	2B6	20	50 - 3
AR54422	2G19	7	70 - 49	AR54990	1H19	4	40 - 30	AR55869	1D21	4	30 - 7
AR54423	2G4	4	70 - 33	AR54991	1H22	15	40 - 33	AR55874	2D14	14	60 - 1
AR54424	2I3	19	70 - 80	AR54992	1H19	7	40 - 30	AR55876	2D24	11	60 - 11
AR54424	2I4	2	70 - 81	AR54993	1H19	15	40 - 30	AR55877	2D14	14	60 - 1
AR54425	2I4	10	70 - 81	AR54996	1H20	1	40 - 31	AR55877	2D24	35	60 - 11
AR54426	3C15	2	90 - 39	AR54997	1H21	4	40 - 32	AR55901	2B10	5	50 - 7
AR54427	3C16	6	90 - 40	AR55007	2B21	8	50 - 20	AR55901	2B10	7	50 - 7
AR54428	3C16	1	90 - 40	AR55060	1G19	5A	40 - 11B	AR55902	2B10	5	50 - 7
AR54429	3C15	7	90 - 39	AR55061	1G19	4	40 - 11B	AR55902	2B10	7	50 - 7
AR54430	3C15	19	90 - 39	AR55074	2H4	10	70 - 59	AR55903	2B10	7	50 - 7
AR54434	3B24	8	90 - 23	AR55074	2H8	13	70 - 61B	AR55941	2F19	12	70 - 23
AR54435	2B15	38A	50 - 13	AR55074	2H12	14	70 - 63B	AR55947	1H19	18	40 - 30
AR54435	2B15	38B	50 - 13	AR55084	2G16	21A	70 - 47	AR55948	1H22	4	40 - 33
AR54445	1I16	3	40 - 52	AR55150	2G23	13	70 - 54	AR55949	1H22	13	40 - 33
AR54484	1G17	4	40 - 10	AR55151	2G23	13	70 - 54	AR55949	1H23	15	40 - 34
AR54484	3B8	9	90 - 6	AR55154	3B25	6	90 - 24	AR56010	1G22	21	40 - 15
AR54497	2I1	8	70 - 78	AR55155	1J5	3	40 - 66	AR56010	1G22	22	40 - 15
AR54498	2I1	23	70 - 78	AR55164	2B11	14	50 - 8	AR56010	1G22	23	40 - 15
AR54552	1C4	8	20 - 24	AR55164	2B12	4	50 - 9	AR56075	1C5	4	20 - 25
AR54554	1B7	30	20 - 5	AR55173	1G21	7	40 - 13	AR56083	2G9	10	70 - 39
AR54556	1E12	1	30 - 25	AR55173	1G24	33	40 - 17	AR56120	2H19	3	70 - 71
AR54556	1E12	10	30 - 25	AR55174	1G21	12	40 - 13	AR56161	2E23	1	70 - 3
AR54556	1E12	19	30 - 25	AR55186	2E25	4	70 - 5	AR56161	2E25	..	70 - 5
AR54556	1E12	24	30 - 25	AR55203	2G20	11	70 - 50	AR56238	2J8	13	80 - 5
AR54557	1B18	36	20 - 17	AR55283	1G8	..	40 - 1	AR56240	2E22	15	70 - 2
AR54558	1C18	14	20 - 35	AR55304	2G9	8	70 - 39	AR56240	2J8	13	80 - 5
AR54559	1C18	4	20 - 35	AR55315	1G13	2	40 - 6	AR56241	2E22	12	70 - 2
AR54563	1E15	18	30 - 28	AR55421	2H14	..	70 - 65	AR56241	2J8	13	80 - 5
AR54576	1E2	11	30 - 13	AR55421	3C15	11	90 - 39	AR56638	1D3	19	20 - 44
AR54577	1E2	16	30 - 13	AR55487	1B13	9	20 - 11	AR56638	1G21	9	40 - 13
AR54590	1F4	11	30 - 43	AR55487	1F14	24	30 - 53	AR56639	1C17	12	20 - 34
AR54590	1F7	5	30 - 46	AR55613	2B10	5	50 - 7	AR56639	1C18	6	20 - 35
AR54591	1F4	14	30 - 43	AR55613	2B10	7	50 - 7	AR56769	2G21	10	70 - 51
AR54592	1D4	18	20 - 45	AR55613	2B12	21	50 - 9	AR56787	1E17	..	30 - 31
AR54592	1G22	10	40 - 15	AR55624	1D5	10	20 - 46	AR56788	1E16	1	30 - 29
AR54616	2G9	9	70 - 39	AR55638	1H5	6	40 - 22	AR56793	2G6	4	70 - 36
AR54666	2G23	6	70 - 54	AR55638	1H9	..	40 - 24A	AR56794	2G10	14	70 - 40
AR54667	2G23	3	70 - 54	AR55638	1H11	..	40 - 24C	AR56942	2B16	20	50 - 14
AR54679	2C16	5	50 - 39	AR55638	1H14	..	40 - 27	AR57156	1I25	4	40 - 61
AR54726	2G9	14	70 - 39	AR55638	1H16	..	40 - 27B	AR57157	1I24	5	40 - 60
AR54738	2D8	12	50 - 57	AR55639	1H5	..	40 - 22	AR57157	1I24	6	40 - 60
AR54749	1B5	4	20 - 2	AR55649	1G17	11	40 - 10	AR57225	3B18	12	90 - 17
AR54755	1I24	5	40 - 60	AR55663	2B5	10	50 - 2	AR57226	2B10	14	50 - 7
AR54755	1I24	6	40 - 60	AR55663	2B5	19	50 - 2	AR57226	2B11	14	50 - 8
AR54772	1D2	32	20 - 43	AR55694	1I15	12	40 - 51	AR57226	2B12	4	50 - 9
AR54793	1H2	..	40 - 19	AR55694	1I15	13	40 - 51	AR57226	2B12	19	50 - 9
AR54796	1H2	..	40 - 19	AR55694	1I15	15	40 - 51	AR57239	2H14	8	70 - 65
AR54891	1G10	4	40 - 3	AR55694	1I15	16	40 - 51	AR57242	2H14	10	70 - 65
AR54891	1G11	23	40 - 4	AR55694	1J7	24	40 - 68	AR57243	2H14	12	70 - 65
AR54891	1I2	27	40 - 37	AR55711	2E15	16	60 - 27	AR57244	2H14	16	70 - 65
AR54891	1I3	23	40 - 39	AR55827	1H2	13	40 - 19	AR57245	2G19	18	70 - 49
AR54892	1G11	22	40 - 4	AR55827	1H4	5	40 - 21	AR57248	3B25	..	90 - 24
AR54892	1I2	27	40 - 37	AR55828	1H2	19	40 - 19	AR57266	1D4	18	20 - 45
AR54904	1B11	16	20 - 9	AR55830	1H2	10	40 - 19	AR57266	1G22	10	40 - 15
AR54905	1B11	12	20 - 9	AR55831	1H2	5	40 - 19	AR58126	1I16	12	40 - 52
AR54934	1E3	4	30 - 14	AR55832	1H2	8	40 - 19	AR58165	2E9	9	60 - 21
AR54934	1E4	4	30 - 15	AR55833	1H2	14	40 - 19	AR58229	2B17	27A	50 - 15
AR54934	1E5	3	30 - 17	AR55834	1H2	11	40 - 19	AR58236	2G16	18A	70 - 47
AR54975	1G10	22	40 - 3	AR55835	1H2	2	40 - 19	AR58428	3B18	4	90 - 17

1K16

7020 TRACTOR

NUMERICAL INDEX - CONTINUED

PART NO.	GRID	KEY	PAGE	PART NO.	GRID	KEY	PAGE	PART NO.	GRID	KEY	PAGE
AR58428	3B19	3	90 - 18	AR61669	2I1	13	70 - 78	AR63183	3C7	13	90 - 31
AR58429	3B18	3	90 - 17	AR61670	2D24	27	60 - 11	AR63218	1B4	1	20 - 1
AR58429	3B19	2	90 - 18	AR61670	2F19	1	70 - 23	AR63219	1B4	1	20 - 1
AR58480	3C5	6	90 - 29	AR61671	2E12	24	60 - 23	AR63222	1B4	1	20 - 1
AR58481	3C5	2	90 - 29	AR61672	2F19	11	70 - 23	AR63254	3B6	6	90 - 4
AR58639	3C16	6	90 - 40	AR61672	2F21	17B	70 - 25	AR63255	3B6	13	90 - 4
AR58639	3C17	6	90 - 41	AR61673	2F17	10	70 - 21	AR63265	2D14	14	60 - 1
AR58640	3C16	1	90 - 40	AR61674	2E12	12	60 - 23	AR63265	2D24	11	60 - 11
AR58640	3C17	1	90 - 41	AR61675	2F17	1	70 - 21	AR63269	1D12	42	20 - 53
AR58780	1D19	3	30 - 5	AR61897	1C5	8	20 - 25	AR63270	1D12	41	20 - 53
AR58781	1D19	1	30 - 5	AR61903	1G3	1	30 - 69	AR63271	1B18	27	20 - 17
AR58782	1D21	11	30 - 7	AR61903	3B12	4	90 - 11	AR63272	1B24	1	20 - 19D
AR58920	2G21	9	70 - 51	AR61988	1D17	10	30 - 3	AR63272	1C4	8	20 - 24
AR58952	1C22	9	20 - 39	AR61988	1D19	9	30 - 5	AR63280	1B12	4	20 - 10
AR58952	1D12	21	20 - 53	AR61988	1G3	4	30 - 69	AR63311	2C11	10	50 - 34
AR58986	1B18	37	20 - 17	AR61996	1F14	29	30 - 53	AR63311	2C11	..	50 - 34
AR59026	2G16	36	70 - 47	AR62013	2J16	18	80 - 13	AR63311	2C16	..	50 - 39
AR59115	1F14	25	30 - 53	AR62040	1F25	21	30 - 65	AR63311	2G13	..	70 - 43
AR59422	1C4	4	20 - 24	AR62062	1F14	17	30 - 53	AR63311	2G21	..	70 - 51
AR59435	1D22	9	30 - 8	AR62149	2G23	2	70 - 54	AR63564	1F18	10	30 - 57
AR59435	1D22	13	30 - 8	AR62149	2G23	12	70 - 54	AR63565	1F18	17	30 - 57
AR59435	1E14	7	30 - 27	AR62149	2G24	2	70 - 55	AR63565	1F20	7	30 - 60
AR59444	1J5	26	40 - 66	AR62150	2G23	14	70 - 54	AR63565	1F21	29	30 - 61
AR59622	3C7	16	90 - 31	AR62151	2G23	2	70 - 54	AR63698	1E3	24	30 - 14
AR59663	1J4	2	40 - 65	AR62152	2G24	10	70 - 55	AR63699	1E4	24	30 - 15
AR59679	3B20	10	90 - 19	AR62196	2E4	6	60 - 16	AR63778	1E6	21	30 - 18
AR59680	3B20	9	90 - 19	AR62196	2E4	9	60 - 16	AR63778	1E7	21	30 - 19
AR59681	3B20	8	90 - 19	AR62234	3B22	8	90 - 21	AR63778	1E8	13	30 - 20
AR59871	2B17	27B	50 - 15	AR62239	1F20	21	30 - 60	AR63778	1E9	13	30 - 21
AR60029	3B22	12	90 - 21	AR62240	1F20	18	30 - 60	AR63780	1E5	14	30 - 17
AR60083	1I23	13	40 - 59	AR62267	1H5	6	40 - 22	AR63781	1E3	13	30 - 14
AR60084	1I23	12	40 - 59	AR62267	1H5	..	40 - 22	AR63781	1E4	13	30 - 15
AR60089	1I23	14	40 - 59	AR62267	1H6	..	40 - 22A	AR63781	1E5	10	30 - 17
AR60109	2G23	6	70 - 54	AR62267	1H9	..	40 - 24A	AR63783	1E9	14	30 - 21
AR60110	2G23	3	70 - 54	AR62267	1H11	..	40 - 24C	AR63790	2C8	1	50 - 31
AR60295	2G23	12	70 - 54	AR62267	1H14	..	40 - 27	AR63790	2C14	18	50 - 37
AR60613	2G16	38	70 - 47	AR62267	1H16	..	40 - 27B	AR63831	1F14	27	30 - 53
AR60613	2G19	2	70 - 49	AR62293	1J6	8	40 - 67	AR63831	1F19	22	30 - 59
AR60807	1F2	25	30 - 41	AR62293	1J6	17	40 - 67	AR63865	1C17	4	20 - 34
AR60808	1F2	3	30 - 41	AR62294	1J6	1	40 - 67	AR63865	1C18	12	20 - 35
AR60809	1F2	5	30 - 41	AR62294	1J6	17	40 - 67	AR63906	2F16	9	70 - 20
AR60810	1F2	1	30 - 41	AR62295	1J6	2	40 - 67	AR63906	2F16	10	70 - 20
AR60857	1E16	1	30 - 29	AR62296	1J6	3	40 - 67	AR63906	2F17	6	70 - 21
AR60857	1E17	..	30 - 31	AR62307	2G20	11	70 - 50	AR63906	2F17	7	70 - 21
AR60876	1I17	7	40 - 53	AR62328	2B9	12	50 - 6	AR63922	2B24	8	50 - 23
AR60937	3C9	1	90 - 33	AR62328	2B24	4	50 - 23	AR63928	3B12	18	90 - 11
AR61513	1F14	15	30 - 53	AR62359	1J11	1	40 - 73	AR63947	2C11	10	50 - 34
AR61514	1F14	28	30 - 53	AR62360	1J8	1	40 - 69	AR63947	2C11	..	50 - 34
AR61515	1F4	16	30 - 43	AR62497	3B14	5	90 - 13	AR63947	2C11	..	50 - 34
AR61516	1F14	10	30 - 53	AR62561	3B14	23	90 - 13	AR63947	2C16	..	50 - 39
AR61517	1F14	9	30 - 53	AR62598	3C15	13	90 - 39	AR63947	2C16	..	50 - 39
AR61518	1F14	8	30 - 53	AR62759	2E6	26	60 - 18	AR63947	2G13	..	70 - 43
AR61519	1F14	7	30 - 53	AR62934	1D3	9	20 - 44	AR63947	2G21	..	70 - 51
AR61520	1F14	5	30 - 53	AR62934	1D4	10	20 - 45	AR63979	1B4	1	20 - 1
AR61521	1F14	3	30 - 53	AR62934	1D5	6	20 - 46	AR64084	3C1	11	90 - 25
AR61533	1B18	33	20 - 17	AR62963	1H9	36	40 - 24A	AR64085	3C1	11	90 - 25
AR61587	1D21	5	30 - 7	AR62964	1H9	34	40 - 24A	AR64086	3B24	8	90 - 23
AR61588	1D21	12	30 - 7	AR62964	1H14	25	40 - 27	AR64087	3B9	10	90 - 7
AR61589	1B18	31	20 - 17	AR62986	1F14	2	30 - 53	AR64088	3B9	4	90 - 7
AR61590	1E2	8	30 - 13	AR62986	1F23	13	30 - 63	AR64090	3B16	10	90 - 15
AR61595	2J12	3	80 - 9	AR63095	1C14	4	20 - 31	AR64212	2D6	10	50 - 55
AR61597	2J8	3	80 - 5	AR63095	1C16	6	20 - 33	AR64281	3C7	9	90 - 31
AR61598	2J8	3	80 - 5	AR63173	3C7	26	90 - 31	AR64281	3C11	20	90 - 35
AR61615	1F20	1	30 - 60	AR63174	3C7	12	90 - 31	AR64281	3C13	22	90 - 37
AR61655	2J7	6	80 - 4	AR63181	3C7	6	90 - 31	AR64356	1D22	..	30 - 8
AR61656	2H10	15	70 - 63	AR63181	3C11	10	90 - 35	AR64357	1D22	..	30 - 8
AR61668	2F19	13	70 - 23	AR63181	3C13	11	90 - 37	AR64362	1D22	6	30 - 8

1K17

7020 TRACTOR

NUMERICAL INDEX - CONTINUED

PART NO.	GRID	KEY	PAGE	PART NO.	GRID	KEY	PAGE	PART NO.	GRID	KEY	PAGE
AR64363	1D22	9	30 - 8	AR67855	1I21	14	40 - 57	AR69541	1F22	8	30 - 62
AR64363	1D22	13	30 - 8	AR67855	1J13	9	40 - 76	AR69793	2D11	6	50 - 60
AR64416	2B10	7	50 - 7	AR67855	1J14	2	40 - 77	AR69854	3B22	8	90 - 21
AR64422	1I14	12	40 - 50	AR67950	1E21	1	30 - 35	AR69987	2H6	29	70 - 61
AR64452	3B16	9	90 - 15	AR68014	1E21	19	30 - 35	AR69987	2H6	33	70 - 61
AR64624	1D19	13	30 - 5	AR68014	1E22	4	30 - 36	AR69987	2H8	14	70 - 61B
AR64640	2C11	10	50 - 34	AR68018	1E21	19	30 - 35	AR69987	2H10	6	70 - 63
AR64992	1J5	26	40 - 66	AR68018	1E22	1	30 - 36	AR69987	2H10	7	70 - 63
AR65005	1J22	1	40 - 84A	AR68020	1E21	19	30 - 35	AR69987	2H12	15	70 - 63B
AR65005	1J23	1	40 - 85	AR68020	1E22	3	30 - 36	AR69988	2H6	33	70 - 61
AR65006	1J22	2	40 - 84A	AR68021	1E21	19	30 - 35	AR69988	2H10	7	70 - 63
AR65006	1J23	2	40 - 85	AR68021	1E22	6	30 - 36	AR69988	2G23	10	70 - 54
AR65026	3C7	10	90 - 31	AR68028	1G8	9	40 - 1	AR70026	2G23	1	70 - 54
AR65030	3C7	27	90 - 31	AR68029	1G8	3	40 - 1	AR70027	2G24	9	70 - 55
AR65031	3C7	28	90 - 31	AR68104	3B19	15	90 - 18	AR70344	1F14	29	30 - 53
AR65032	3C7	15	90 - 31	AR68105	3B19	13	90 - 18	AR70437	1E12	1	30 - 25
AR65235	1C13	1	20 - 29	AR68107	3C1	11	90 - 25	AR70437	1E12	10	30 - 25
AR65236	1C13	1	20 - 29	AR68108	3C1	11	90 - 25	AR70437	1E12	19	30 - 25
AR65237	1C13	1	20 - 29	AR68138	1E6	23	30 - 18	AR70437	1E12	24	30 - 25
AR65238	1C13	1	20 - 29	AR68140	1E7	23	30 - 19	AR70450	3B12	7	90 - 11
AR65239	1C13	1	20 - 29	AR68145	2I22	24	70 - 99	AR70912	1C4	4	20 - 24
AR65240	1C13	1	20 - 29	AR68180	1C17	2	20 - 34	AR70987	1E3	24	30 - 14
AR65507	1C4	10	20 - 24	AR68221	2I9	1	70 - 85B	AR71025	2H12	16	70 - 63B
AR65507	1D12	38	20 - 53	AR68254	2E4	6	60 - 16	AR71026	2H8	15	70 - 61B
AR65796	1F21	1	30 - 61	AR68254	2E4	9	60 - 16	AR71115	1C18	14	20 - 35
AR65818	2B17	27B	50 - 15	AR68255	2B22	1	50 - 21	AR71118	1B20	1	20 - 19
AR65883	3B21	20	90 - 20	AR68256	2B23	1	50 - 22	AR71118	1C17	..	20 - 34
AR65886	2E15	18	60 - 27	AR68276	1I14	11	40 - 50	AR71120	1B20	1	20 - 19
AR65967	3C8	12	90 - 32	AR68277	1I9	7	40 - 45	AR71120	1B22	1	20 - 19B
AR65967	3C11	6	90 - 35	AR68313	1C18	4	20 - 35	AR71122	1C18	4	20 - 35
AR65967	3C13	6	90 - 37	AR68314	1C17	2	20 - 34	AR71123	1C17	7	20 - 34
AR66027	3B14	23	90 - 13	AR68332	1F14	19	30 - 53	AR71123	1C18	11	20 - 35
AR66028	3B14	4	90 - 13	AR68361	1I24	5	40 - 60	AR71124	1C17	2	20 - 34
AR66283	3B19	22	90 - 18	AR68361	1I25	4	40 - 61	AR71126	1C17	2	20 - 34
AR66457	2C2	12	50 - 25	AR68362	1I24	5	40 - 60	AR71256	1H22	4	40 - 33
AR66533	1F2	5	30 - 41	AR68363	1I23	13	40 - 59	AR71285	3B5	15	90 - 3
AR66533	1F2	..	30 - 41	AR68421	2B5	10	50 - 2	AR71285	3B6	17	90 - 4
AR66536	1F2	5	30 - 41	AR68430	1H19	15	40 - 30	AR71286	3B5	11	90 - 3
AR66537	1F2	9	30 - 41	AR68454	1F4	13	30 - 43	AR71286	3B6	13	90 - 4
AR66540	1F2	7	30 - 41	AR68498	1E21	19	30 - 35	AR71287	3B5	20	90 - 3
AR66778	1H19	20	40 - 30	AR68500	1E22	7	30 - 36	AR71287	3B6	7	90 - 4
AR66778	1H21	1	40 - 32	AR68500	1G19	..	40 - 11B	AR71288	3B5	18	90 - 3
AR66778	1H21	2	40 - 32	AR68508	2E5	1	60 - 17	AR71288	3B6	5	90 - 4
AR66915	2B13	17	50 - 11	AR68721	2D8	3	50 - 57	AR71289	3B5	13	90 - 3
AR66919	1D19	11	30 - 5	AR68728	3B21	20	90 - 20	AR71289	3B6	6	90 - 4
AR67125	3C9	11	90 - 33	AR68733	1D23	13	30 - 9	AR71289	3B6	..	90 - 4
AR67340	1I14	7	40 - 50	AR68734	1D23	12	30 - 9	AR71290	3B5	9	90 - 3
AR67344	1I14	6	40 - 50	AR68973	3B14	23	90 - 13	AR71290	3B6	12	90 - 4
AR67346	1G8	6	40 - 1	AR68974	3B14	11	90 - 13	AR71404	2H10	25	70 - 63
AR67346	1G10	15	40 - 3	AR69011	3B14	9	90 - 13	AR71405	2H10	24	70 - 63
AR67346	1G11	18	40 - 4	AR69012	3B14	2	90 - 13	AR71709	1B12	4	20 - 10
AR67398	1I14	12	40 - 50	AR69108	1C18	4	20 - 35	AR71850	1B18	27	20 - 17
AR67551	1E6	17	30 - 18	AR69155	2C14	11	50 - 37	AR71850	1B18	34	20 - 17
AR67551	1E7	17	30 - 19	AR69158	1F16	19	30 - 55	AR71850	1B18	36	20 - 17
AR67551	1E8	11	30 - 20	AR69269	1H2	14	40 - 19	AR71850	1B18	37	20 - 17
AR67551	1E9	11	30 - 21	AR69270	1B12	4	20 - 10	AR71976	3B22	8	90 - 21
AR67628	1I9	6	40 - 45	AR69271	3B22	21	90 - 21	AR71986	2B24	8	50 - 23
AR67628	1I14	6	40 - 50	AR69370	1J5	29	40 - 66	AR71986	2C4	15	50 - 27
AR67690	1I14	10	40 - 50	AR69370	3B9	21	90 - 7	AR71986	2C5	5	50 - 28
AR67718	2F6	25	70 - 11	AR69370	3B14	14	90 - 13	AR71986	2C6	..	50 - 29
AR67778	2E15	..	60 - 27	AR69370	3B16	26	90 - 15	AR71986	2C7	..	50 - 30
AR67781	2E15	18	60 - 27	AR69444	2E21	..	70 - 1	AR71987	2C4	4	50 - 27
AR67781	2E15	..	60 - 27	AR69445	2E21	..	70 - 1	AR71987	2C5	5	50 - 28
AR67783	2D14	21	60 - 1	AR69539	1F20	21	30 - 60	AR71988	2B24	8	50 - 23
AR67783	2D15	3	60 - 2	AR69539	1F21	12	30 - 61	AR71988	2C4	8	50 - 27
AR67783	2D15	13	60 - 2	AR69539	1F22	11	30 - 62	AR72070	2B17	27A	50 - 15
AR67827	1H19	9	40 - 30	AR69541	1F21	10	30 - 61	AR72070	2B17	27B	50 - 15

1K18

7020 TRACTOR

NUMERICAL INDEX - CONTINUED

PART NO.	GRID	KEY	PAGE	PART NO.	GRID	KEY	PAGE	PART NO.	GRID	KEY	PAGE
AR72135	3C11	..	90 - 35	AR75694	1J14	21	40 - 77	AR77751	1C13	3	20 - 29
AR72291	2G16	41B	70 - 47	AR75695	1J13	2	40 - 76	AR77751	1C13	5	20 - 29
AR72292	2G16	41A	70 - 47	AR75696	1J13	8	40 - 76	AR77752	1C13	1	20 - 29
AR72292	2G16	42A	70 - 47	AR75893	1C18	14	20 - 35	AR77752	1C13	3	20 - 29
AR72292	2G16	42B	70 - 47	AR75896	1C17	..	20 - 34	AR77752	1C13	5	20 - 29
AR72293	2G16	18A	70 - 47	AR75905	1H16	23	40 - 27B	AR77753	1C8	4	20 - 27A
AR72293	2G16	21A	70 - 47	AR75908	1H16	16	40 - 27B	AR77753	1C9	4	20 - 27B
AR72293	2G16	21B	70 - 47	AR75958	2I5	37	70 - 83	AR77753	1C11	4	20 - 27D
AR72294	2G16	18A	70 - 47	AR75958	2I7	41	70 - 85	AR77753	1C13	1	20 - 29
AR72294	2G16	18B	70 - 47	AR76161	2H2	33	70 - 57	AR77753	1C13	2	20 - 29
AR72294	2G16	21A	70 - 47	AR76277	2G18	14	70 - 48A	AR77753	1C13	3	20 - 29
AR72318	1B7	15	20 - 5	AR76340	2G18	14	70 - 48A	AR77753	1C13	4	20 - 29
AR72318	1B16	3	20 - 15	AR76424	1E2	11	30 - 13	AR77851	1H2	10	40 - 19
AR72318	1B18	11	20 - 17	AR76425	1D25	13	30 - 11	AR77851	1H4	2	40 - 21
AR72319	1B7	28	20 - 5	AR76582	1C20	28	20 - 37	AR78019	1E6	4	30 - 18
AR72319	1B16	11	20 - 15	AR76704	1F14	30	30 - 53	AR78019	1E7	4	30 - 19
AR72319	1B18	6	20 - 17	AR76762	2E25	4	70 - 5	AR78052	1J14	21	40 - 77
AR72337	1D20	2	30 - 6	AR76762	2F8	4	70 - 13	AR78093	1H2	19	40 - 19
AR72337	1D22	1	30 - 8	AR76841	1H9	12	40 - 24A	AR78289	2H2	34	70 - 57
AR72998	1C13	3	20 - 29	AR76841	1H14	10	40 - 27	AR78298	1G21	20	40 - 13
AR73158	2C18	3	50 - 41	AR77254	1H5	6	40 - 22	AR78339	2G20	13	70 - 50
AR73271	1C13	3	20 - 29	AR77254	1H5	..	40 - 22	AR78345	1B13	9	20 - 11
AR73272	1C13	3	20 - 29	AR77254	1H18	..	40 - 29	AR78345	1F14	24	30 - 53
AR73273	1C13	3	20 - 29	AR77254	1H19	..	40 - 30	AR78382	1G15	7	40 - 8
AR73274	1C13	3	20 - 29	AR77254	1H20	..	40 - 31	AR78384	1G15	3	40 - 8
AR73275	1C13	2	20 - 29	AR77254	1H21	..	40 - 32	AR78384	1G16	1	40 - 9
AR73276	1C13	2	20 - 29	AR77255	1H14	30	40 - 27	AR78386	1G15	6	40 - 8
AR73311	1J4	1	40 - 65	AR77255	1H17	1	40 - 28	AR78396	2H19	3	70 - 71
AR73500	2I25	1	70 - 102	AR77255	1H17	..	40 - 28	AR78396	2H22	3	70 - 74
AR73544	1F21	16	30 - 61	AR77256	1H14	31	40 - 27	AR78483	2G18	35	70 - 48A
AR73544	1F22	14	30 - 62	AR77257	1H14	27	40 - 27	AR78501	3B5	23	90 - 3
AR73579	1I10	6	40 - 46	AR77258	1H16	1	40 - 27B	AR78522	1B16	2	20 - 15
AR73580	1G8	4	40 - 1	AR77259	1H14	7	40 - 27	AR78522	1B18	26	20 - 17
AR73580	1I10	4	40 - 46	AR77260	1H14	22	40 - 27	AR78526	2G24	12	70 - 55
AR73677	1B9	3	20 - 7	AR77261	1H14	13	40 - 27	AR78538	1H5	6	40 - 22
AR73714	1C17	7	20 - 34	AR77342	3B3	14	90 - 1	AR78538	1H5	..	40 - 22
AR73822	1F4	16	30 - 43	AR77343	3B5	29	90 - 3	AR78538	1H6	..	40 - 22A
AR73824	1F5	3	30 - 44	AR77462	2C20	10	50 - 43	AR78538	1H14	..	40 - 27
AR73824	1F7	2	30 - 46	AR77463	2C11	10	50 - 34	AR78538	1H16	..	40 - 27B
AR73857	1F19	20	30 - 59	AR77489	1B20	1	20 - 19	AR78538	1H19	..	40 - 30
AR73888	1F4	14	30 - 43	AR77489	1C18	14	20 - 35	AR78538	1H20	..	40 - 31
AR73888	1F7	5	30 - 46	AR77494	1C18	4	20 - 35	AR78538	1H21	..	40 - 32
AR74019	3B14	23	90 - 13	AR77678	1F21	1	30 - 61	AR78825	1G10	20	40 - 3
AR74020	3B14	11	90 - 13	AR77700	2G13	7	70 - 43	AR78825	1G11	9	40 - 4
AR74081	2C20	10	50 - 43	AR77702	1I10	4	40 - 46	AR78825	1I2	21	40 - 37
AR74144	1B12	4	20 - 10	AR77725	2C20	10	50 - 43	AR78825	1I2	22	40 - 37
AR74340	1I14	6	40 - 50	AR77747	1C7	6	20 - 27	AR78825	1I3	20	40 - 39
AR74411	1G16	3	40 - 9	AR77747	1C10	4	20 - 27C	AR78825	1I3	21	40 - 39
AR74411	1G17	6	40 - 10	AR77747	1C13	1	20 - 29	AR79129	2E10	4	60 - 22
AR74411	1J14	11	40 - 77	AR77747	1C13	2	20 - 29	AR79505	2G16	41A	70 - 47
AR74611	1F22	25	30 - 62	AR77747	1C13	3	20 - 29	AR79505	2G16	41B	70 - 47
AR74624	1C5	10	20 - 25	AR77747	1C13	4	20 - 29	AR79505	2G16	42A	70 - 47
AR74673	2H2	34	70 - 57	AR77748	1C7	7	20 - 27	AR79610	1B12	4	20 - 10
AR74814	1C7	5	20 - 27	AR77748	1C10	5	20 - 27C	AR79610	1B13	4	20 - 11
AR74814	1C10	3	20 - 27C	AR77748	1C13	1	20 - 29	AR79710	2F15	2	70 - 19
AR74814	1C13	6	20 - 29	AR77748	1C13	3	20 - 29	AR80294	1B16	1	20 - 15
AR74815	1C13	6	20 - 29	AR77748	1C13	5	20 - 29	AR80294	1B18	2	20 - 17
AR74816	1C8	3	20 - 27A	AR77749	1C13	1	20 - 29	AR80294	2D8	..	50 - 57
AR74816	1C9	3	20 - 27B	AR77749	1C13	3	20 - 29	AR80297	2D10	9	50 - 59
AR74816	1C11	3	20 - 27D	AR77749	1C13	5	20 - 29	AR81783	2G14	7	70 - 45
AR74816	1C13	6	20 - 29	AR77750	1C8	5	20 - 27A	AR82037	2E4	6	60 - 16
AR74817	1C13	6	20 - 29	AR77750	1C9	5	20 - 27B	AR82037	2E4	9	60 - 16
AR74818	1C13	6	20 - 29	AR77750	1C11	5	20 - 27D	AR82038	2E4	6	60 - 16
AR75601	2C25	11	50 - 48	AR77750	1C13	1	20 - 29	AR82038	2E4	9	60 - 16
AR75603	1G3	2	30 - 69	AR77750	1C13	3	20 - 29	AR82263	2H2	4	70 - 57
AR75603	2C25	11	50 - 48	AR77750	1C13	5	20 - 29	AR82570	2I8	12	70 - 85A
AR75694	1J13	10	40 - 76	AR77751	1C13	1	20 - 29	AR82571	2H21	19	70 - 73

1K19

7020 TRACTOR

NUMERICAL INDEX - CONTINUED

PART NO.	GRID	KEY	PAGE	PART NO.	GRID	KEY	PAGE	PART NO.	GRID	KEY	PAGE
AR82576	2I5	35	70 - 83	AR90378	2F2	30	70 - 7	AR94660	2E25	..	70 - 5
AR82576	2I7	39	70 - 85	AR90378	2F10	48	70 - 15	AR94660	2E25	..	70 - 5
AR82909	1J14	16	40 - 77	AR90543	2B19	3	50 - 17	AR94660	2F8	..	70 - 13
AR82910	1J14	4	40 - 77	AR90577	2H3	5	70 - 58	AR94820	1B20	1	20 - 19
AR82911	1J14	7	40 - 77	AR90577	2H3	..	70 - 58	AR94820	1B22	1	20 - 19B
AR82912	1J14	6	40 - 77	AR90578	2H3	5	70 - 58	AR94840	1B18	27	20 - 17
AR83355	2J4	7	80 - 1	AR90578	2H3	..	70 - 58	AR94973	3B9	1	90 - 7
AR83396	2G24	10	70 - 55	AR90579	2H3	6	70 - 58	AR94973	3B10	13	90 - 9
AR83425	1I16	14	40 - 52	AR90581	2H3	6	70 - 58	AR94974	3B10	2	90 - 9
AR83425	1J22	8	40 - 84A	AR90583	2H3	6	70 - 58	AR94975	3B10	3	90 - 9
AR83425	1J23	8	40 - 85	AR90601	1F10	24	30 - 49	AR94976	2D6	..	50 - 55
AR83549	2H13	9	70 - 64	AR90601	1F12	2	30 - 51	AR95974	2B19	3	50 - 17
AR83549	2H18	14	70 - 69	AR91166	1G15	7	40 - 8	AR96189	1C6	5	20 - 26
AR84306	1G22	1	40 - 15	AR91166	1G16	5	40 - 9	AR96321	2F14	29	70 - 17
AR84306	1H2	5	40 - 19	AR91166	1G17	4	40 - 10	AR96613	2E25	21	70 - 5
AR84306	1H2	8	40 - 19	AR91167	1G16	1	40 - 9	AR96613	2F8	19	70 - 13
AR84306	1H2	18	40 - 19	AR91532	1G17	6	40 - 10	AR96625	2F10	6	70 - 15
AR84306	1H2	19	40 - 19	AR91793	1J20	42	40 - 83	AR97514	1E21	11	30 - 35
AR84306	1H2	22	40 - 19	AR92109	3B5	29	90 - 3	AR98201	2J1	2	70 - 103
AR84306	1H2	..	40 - 19	AR93172	1B9	3	20 - 7	AR98202	2J1	1	70 - 103
AR84793	2G20	13	70 - 50	AR93259	2E15	18	60 - 27	AR98329	1C19	20	20 - 36
AR84904	2H2	4	70 - 57	AR93259	2E17	24	60 - 29	AR98547	1D4	15	20 - 45
AR85311	2D8	16	50 - 57	AR93446	1G22	1	40 - 15	AR98547	1D4	..	20 - 45
AR85323	2C18	14	50 - 41	AR93446	1H2	5	40 - 19	AR98568	1D5	10	20 - 46
AR85407	1H24	1	40 - 35	AR93446	1H2	8	40 - 19	AR98649	2D10	5	50 - 59
AR85460	2G21	10	70 - 51	AR93446	1H2	18	40 - 19	AR99100	2I5	35	70 - 83
AR85578	1I11	8	40 - 47	AR93446	1H2	19	40 - 19	AR99100	2I7	39	70 - 85
AR85628	2H13	9	70 - 64	AR93446	1H2	22	40 - 19	AR99647	2E10	4	60 - 22
AR85628	2H18	14	70 - 69	AR93446	1H2	..	40 - 19	AR99907	1G17	6	40 - 10
AR85628	2H22	..	70 - 74	AR93446	1H4	27	40 - 21	AT11524	1F12	7	30 - 51
AR85792	3B25	..	90 - 24	AR937R	2H6	33	70 - 61	AT12820	2B9	12	50 - 6
AR85792	3C11	..	90 - 35	AR937R	2H10	7	70 - 63	AT12820	2B24	4	50 - 23
AR85792	3C13	..	90 - 37	AR93819	2I5	2	70 - 83	AT13740	1B16	4	20 - 15
AR85941	1H2	14	40 - 19	AR93819	2I5	5	70 - 83	AT13740	1B18	1	20 - 17
AR85941	1H4	7	40 - 21	AR93819	2I5	7	70 - 83	AT13740	1C24	21	20 - 41
AR86535	2H19	3	70 - 71	AR93819	2I7	2	70 - 85	AT141924	3C24	6	90 - 48
AR86603	1E17	..	30 - 31	AR93819	2I7	5	70 - 85	AT14927	3C25	1	90 - 49
AR86700	1B7	28	20 - 5	AR93819	2I7	6	70 - 85	AT18904	2F19	2	70 - 23
AR86775	2G14	24	70 - 45	AR93819	2I15	2	70 - 92	AT18904	2F21	9	70 - 25
AR86775	2G14	26	70 - 45	AR93819	2I15	5	70 - 92	AT20103	2D25	11	60 - 12
AR86775	2G16	22	70 - 47	AR93819	2I15	7	70 - 92	AT20103	2E4	1	60 - 16
AR86969	1I13	4	40 - 49	AR93820	2I5	2	70 - 83	AT20677	2D25	7	60 - 12
AR86980	1C4	4	20 - 24	AR93820	2I5	5	70 - 83	AT20677	2E2	7	60 - 14
AR87591	1F6	6	30 - 45	AR93820	2I7	2	70 - 85	AT20681	2D25	6	60 - 12
AR87592	1F6	3	30 - 45	AR93820	2I7	6	70 - 85	AT22070	3C23	7	90 - 47
AR87700	1B13	9	20 - 11	AR93820	2I15	2	70 - 92	AT22073	3C23	5	90 - 47
AR88242	2D1	7	50 - 49	AR93820	2I15	5	70 - 92	AT23096	2B18	2	50 - 16
AR88404	1F2	5	30 - 41	AR93820	2I15	7	70 - 92	AT23188	1G23	23	40 - 16
AR88775	2D3	3	50 - 51	AR93820	2J1	8	70 - 103	AT23188	1G24	24	40 - 17
AR88880	1H9	12	40 - 24A	AR93945	1H2	11	40 - 19	AT23188	1G24	28	40 - 17
AR88880	1H14	10	40 - 27	AR93945	1H4	3	40 - 21	AT23188	1H2	23	40 - 19
AR88905	1B13	9	20 - 11	AR93948	2H13	..	70 - 64	AT23189	1G23	19	40 - 16
AR88905	1F14	24	30 - 53	AR94084	1C20	28	20 - 37	AT24538	3C25	1	90 - 49
AR89123	2G16	7	70 - 47	AR94130	3C9	3	90 - 33	AT25038	1C22	8	20 - 39
AR89133	2G22	6	70 - 53	AR94165	2G18	14	70 - 48A	AT25266	1E18	15	30 - 32
AR89137	3C18	1	90 - 42	AR94165	2G18	24	70 - 48A	AT25266	1E19	14	30 - 33
AR89137	3C18	2	90 - 42	AR94262	2B21	17	50 - 20	AT25266	1E21	6	30 - 35
AR89228	2G9	9	70 - 39	AR94262	2C6	15	50 - 29	AT25266	1E21	8	30 - 35
AR89302	2G23	10	70 - 54	AR94262	2C10	8	50 - 33	AT25266	1E23	1	30 - 37
AR89499	1C20	28	20 - 37	AR94522	2I10	3	70 - 87	AT27127	1G24	23	40 - 17
AR89691	2C18	14	50 - 41	AR94522	2I12	21	70 - 89	AT27128	1G23	2	40 - 16
AR90058	1H4	6	40 - 21	AR94522	2J1	10	70 - 103	AT27128	1G24	5	40 - 17
AR90070	1H22	15	40 - 33	AR94560	1C1	2	20 - 20	AT27353	2B19	3	50 - 17
AR90070	1H23	10	40 - 34	AR94560	1C2	3	20 - 21	AT27355	2B19	5	50 - 17
AR90071	1H22	4	40 - 33	AR94560	1C3	8	20 - 23	AT29222	2H15	9	70 - 66
AR90071	1H23	9	40 - 34	AR94660	2E23	1	70 - 3	AT29855	1J5	26	40 - 66
AR90340	1F12	7	30 - 51	AR94660	2E25	16	70 - 5	AT29926	1G24	2	40 - 17

1K20

7020 TRACTOR

NUMERICAL INDEX - CONTINUED

PART NO.	GRID	KEY	PAGE	PART NO.	GRID	KEY	PAGE	PART NO.	GRID	KEY	PAGE
AT30373	2D11	8	50 - 60	AT68973	1E21	19	30 - 35	A4365R	2G16	30	70 - 47
AT30373	2F18	3	70 - 22	AT68973	1E22	2	30 - 36	A4379R	2J4	3	80 - 1
AT30373	2F19	7	70 - 23	AT68973	1G19	..	40 - 11B	A4380R	2J4	8	80 - 1
AT30373	2G10	11	70 - 40	AT74268	2B18	2	50 - 16	A4388R	2J4	15	80 - 1
AT30375	2F18	10	70 - 22	AT81764	3C24	6	90 - 48	A4540R	2B19	1	50 - 17
AT32332	2D14	20	60 - 1	AT85174	1B16	25	20 - 15	A4540R	2B19	15	50 - 17
AT32332	2D16	14	60 - 3	AT85174	1B18	28	20 - 17	A4540R	2B20	3	50 - 18
AT32332	2D17	1	60 - 4	AU42026	1J5	12	40 - 66	A4540R	2C10	9	50 - 33
AT32332	2D17	6	60 - 4	AU43852	1J5	13	40 - 66	A4624R	2C12	2	50 - 35
AT32332	2D24	5	60 - 11	AU43854	1J5	22	40 - 66	A4624R	2E14	15	60 - 25
AT32332	2D24	7	60 - 11	AU43857	1J5	21	40 - 66	A4655R	1116	4	40 - 52
AT32332	2D24	12	60 - 11	AU43954	1J5	19	40 - 66	A4666R	2F22	11	70 - 26
AT32332	2I7	28	70 - 85	A147R	2C5	4	50 - 28	A4666R	2F23	14	70 - 27
AT32333	2E12	2	60 - 23	A147R	2G19	11	70 - 49	A4723R	2I20	5	70 - 97
AT32333	2F16	14	70 - 20	A147R	2G20	4	70 - 50	A4723R	2I22	11	70 - 99
AT32333	2F17	15	70 - 21	A147R	2G21	3	70 - 51	A4728R	2E10	10	60 - 22
AT32335	2F15	4	70 - 19	A15898	2I10	1	70 - 87	A4728R	2E11	7	60 - 22A
AT32336	2E6	20	60 - 18	A15899	2I10	2	70 - 87	A4728R	2E15	15	60 - 27
AT32336	2E12	10	60 - 23	A2482R	2D4	1	50 - 53	A4728R	2E15	16	60 - 27
AT32336	2E13	8	60 - 24	A261R	2B20	14	50 - 18	A4728R	2E15	17	60 - 27
AT32338	2F17	4	70 - 21	A3098R	2C11	13	50 - 34	A4728R	2E15	20	60 - 27
AT32338	2F17	18	70 - 21	A3184R	2I7	42	70 - 85	A4728R	2E15	22	60 - 27
AT32338	2H25	1	70 - 77	A3184R	2I22	26	70 - 99	A4728R	2E17	25	60 - 29
AT32338	2I1	14	70 - 78	A350R	2H6	3A	70 - 61	A4730R	1B16	23	20 - 15
AT32338	2I1	25	70 - 78	A350R	2H10	3A	70 - 63	A4730R	1D10	8	20 - 51
AT32383	2B18	4	50 - 16	A3581R	2I18	2	70 - 95	A4730R	2C13	6	50 - 36
AT33998	2E2	14	60 - 14	A3581R	2I20	40	70 - 97	A4730R	2G7	1	70 - 37
AT33998	2E4	13	60 - 16	A3581R	2I22	16	70 - 99	A4730R	2I5	29	70 - 83
AT33999	2E2	6	60 - 14	A3606R	2D14	18	60 - 1	A4730R	2I7	32	70 - 85
AT344T	2B8	19	50 - 5	A3606R	2D15	1	60 - 2	A4730R	2I8	9	70 - 85A
AT34811	2F18	10	70 - 22	A3606R	2E6	10	60 - 18	A4736R	2I20	9	70 - 97
AT34811	2F19	9	70 - 23	A3606R	2E8	1	60 - 20	A4737R	2I20	11	70 - 97
AT35121	2D17	24	60 - 4	A3606R	2E9	1	60 - 21	A4738R	2I20	10	70 - 97
AT35121	2D24	20	60 - 11	A364R	2B8	18	50 - 5	A4739R	2I20	8	70 - 97
AT35121	2E14	5	60 - 25	A369R	2B6	16	50 - 3	A4741R	2I20	6	70 - 97
AT36652	1F6	2	30 - 45	A369R	2H2	36B	70 - 57	A4742R	2C14	15	50 - 37
AT38033	2D14	14	60 - 1	A369R	2H10	16	70 - 63	A4744R	2I20	6	70 - 97
AT38033	2D17	24	60 - 4	A369R	3B21	2	90 - 20	A4744R	3B21	4	90 - 20
AT38033	2D24	8	60 - 11	A3917R	1F10	42	30 - 49	A4745R	2I20	16	70 - 97
AT38068	2E3	9	60 - 15	A3917R	1H14	21	40 - 27	A4746R	2I20	17	70 - 97
AT38518	3B17	8	90 - 16	A3917R	2C24	7	50 - 47	A4747R	2I20	15	70 - 97
AT38518	3B18	18	90 - 17	A3917R	2F2	33	70 - 7	A4748R	2I20	14	70 - 97
AT38518	3B19	28	90 - 18	A3917R	2G9	15	70 - 39	A4772R	2G4	5	70 - 33
AT39022	2E1	6	60 - 13	A3917R	2G9	17	70 - 39	A4772R	3B9	10	90 - 7
AT39043	1I11	9	40 - 47	A3917R	2H19	23	70 - 71	A4806R	2C24	3	50 - 47
AT40955	1E22	2	30 - 36	A3917R	2I5	13	70 - 83	A4808R	2C24	4	50 - 47
AT40955	1G19	5B	40 - 11B	A3917R	2I7	13	70 - 85	A4816R	2D14	29	60 - 1
AT44165	1I15	12	40 - 51	A39716	1I5	1	40 - 41	A4827R	1C1	5	20 - 20
AT44165	1I15	13	40 - 51	A4064R	2J4	16	80 - 1	A4827R	1C2	8	20 - 21
AT44165	1I15	16	40 - 51	A4231R	2B10	12	50 - 7	A4827R	2C18	19	50 - 41
AT44165	1J7	23	40 - 68	A4231R	2B11	13	50 - 8	A4827R	2C20	15	50 - 43
AT48673	1I15	12	40 - 51	A4231R	2B12	2	50 - 9	A4827R	2D4	10	50 - 53
AT48673	1I15	20	40 - 51	A4231R	2B12	17	50 - 9	A48331	1I5	3	40 - 41
AT48673	1J7	26	40 - 68	A4242R	1E24	29	30 - 38	A48332	1I5	23	40 - 41
AT48674	1I15	16	40 - 51	A4242R	1E25	11	30 - 39	A4847R	2F2	32	70 - 7
AT48674	1I15	18	40 - 51	A4242R	1F1	18	30 - 40	A4883R	2J4	5	80 - 1
AT55441	1I5	25	40 - 41	A4242R	1F2	16	30 - 41	A4883R	2J5	6	80 - 2
AT56592	1G21	20	40 - 13	A4365R	1B18	30	20 - 17	A5203R	1D8	5	20 - 49
AT56592	1G24	2	40 - 17	A4365R	1F11	7	30 - 50	A5273R	1I4	20	40 - 40
AT58209	1J5	13	40 - 66	A4365R	1H14	19	40 - 27	A5275R	1I4	2	40 - 40
AT58895	2E12	14	60 - 23	A4365R	2D16	21	60 - 3	A5275R	1I4	13	40 - 40
AT59126	2B18	2	50 - 16	A4365R	2F2	3	70 - 7	A5276R	1I4	2	40 - 40
AT62018	3C24	6	90 - 48	A4365R	2F6	3	70 - 11	A5278R	1I4	5	40 - 40
AT62019	3C24	4	90 - 48	A4365R	2F6	12	70 - 11	A5279R	1I4	6	40 - 40
AT66481	1J5	26	40 - 66	A4365R	2F10	3	70 - 15	A5301R	2I20	37	70 - 97
AT66482	1J5	26	40 - 66	A4365R	2F14	2	70 - 17	A5302R	2I20	34	70 - 97
AT66632	2I25	1	70 - 102	A4365R	2G11	7	70 - 41	A5304R	2I20	32	70 - 97

1K21

7020 TRACTOR

NUMERICAL INDEX - CONTINUED

PART NO.	GRID	KEY	PAGE	PART NO.	GRID	KEY	PAGE	PART NO.	GRID	KEY	PAGE
A5598R	2G7	18	70 - 37	E17421	2C18	6	50 - 41	F3171R	2C11	4	50 - 34
A5598R	2G9	21	70 - 39	E17421	2C20	4	50 - 43	F3171R	2E23	1	70 - 3
A5598R	2G12	4	70 - 42	E50102	2E22	1	70 - 2	F3171R	2E25	14	70 - 5
A5689R	1G21	18	40 - 13	E50102	3B22	10	90 - 21	F3171R	2E25	16	70 - 5
A776R	2C11	21	50 - 34	E50102	3B22	14	90 - 21	F3171R	2E25	..	70 - 5
A776R	2H2	3	70 - 57	E50102	3B22	25	90 - 21	F3171R	2F2	20	70 - 7
B11182	2G23	2	70 - 54	E50102	3B22	30	90 - 21	F3171R	2F4	6	70 - 9
B161R	2J10	5	80 - 7	E55662	1C19	2	20 - 36	F3171R	2F8	12	70 - 13
B1664R	1F21	17	30 - 61	E55662	1C20	27	20 - 37	F3171R	2F10	36	70 - 15
B1664R	1F22	15	30 - 62	E55662	1D25	4	30 - 11	F3171R	2F12	8	70 - 15B
B1664R	2G18	5	70 - 48A	E55662	1E2	1	30 - 13	F3171R	2F21	5	70 - 25
B169R	2D14	6	60 - 1	E55662	1E14	2	30 - 27	F3171R	2F21	13	70 - 25
B177R	2E6	25	60 - 18	E55662	1E14	4	30 - 27	F3171R	2G3	8	70 - 32
B178R	2B6	11	50 - 3	E55662	1E14	9	30 - 27	F3171R	2G4	15	70 - 33
B1828R	2E14	14	60 - 25	E55662	1E14	29	30 - 27	F3171R	2G4	20	70 - 33
B1876R	2C6	8	50 - 29	E55662	1F8	18	30 - 47	F3171R	2G5	7	70 - 35
B190R	2B8	16	50 - 5	E55662	1F14	26	30 - 53	F3171R	2G18	26	70 - 48A
B1914R	2B9	2	50 - 6	E55662	1G21	15	40 - 13	F3173R	2G12	12	70 - 42
B1914R	2B24	7	50 - 23	E55662	1G22	19	40 - 15	F3353R	2E7	2	60 - 19
B1986R	1E18	14	30 - 32	E55662	1H5	3	40 - 22	F3392R	2B17	34	50 - 15
B2762R	1I23	6	40 - 59	F1427R	2I20	4	70 - 97	F3396R	2B17	39	50 - 15
B2762R	2D16	16	60 - 3	F1427R	2I22	12	70 - 99	F3646R	1B16	6	20 - 15
B2762R	2D21	10	60 - 8	F1430R	2I20	24	70 - 97	F3646R	1B18	9	20 - 17
B2762R	2G3	9	70 - 32	F1430R	2I22	9	70 - 99	H104855	1J18	9	40 - 81
B2762R	2G4	18	70 - 33	F1462R	2B8	26	50 - 5	H31207	3B16	23	90 - 15
B2762R	2G5	3	70 - 35	F1463R	2B8	25	50 - 5	H394R	2G20	14	70 - 50
B2762R	2H18	27	70 - 69	F1463R	2G13	3	70 - 43	H394R	2G22	4	70 - 53
B2762R	2H21	8	70 - 73	F169R	2B5	23	50 - 2	H61993	3B24	17	90 - 23
B3014R	2J4	3	80 - 1	F169R	2B20	13	50 - 18	H61993	3B25	9	90 - 24
B3285R	1I17	10	40 - 53	F169R	2C10	5	50 - 33	H61993	3B25	10	90 - 24
B3627R	2H4	8	70 - 59	F1737R	1D19	15	30 - 5	H63952	3B24	4	90 - 23
B3627R	2J8	1	80 - 5	F1743R	1B7	29	20 - 5	H75541	2B15	26	50 - 13
B3685R	2I2	26	70 - 79	F1743R	1B16	10	20 - 15	H75541	2B17	36	50 - 15
B3685R	2I3	20	70 - 80	F1743R	1B18	14	20 - 17	H78354	3C18	2	90 - 42
B3685R	2I4	11	70 - 81	F1791R	2F24	14	70 - 28	H819R	2C25	5	50 - 48
B3686R	2G11	4	70 - 41	F2197R	2C6	6	50 - 29	H826R	1C17	5	20 - 34
B3690R	2D14	2	60 - 1	F2206R	2H2	24	70 - 57	H851R	2C11	9	50 - 34
B423R	2G16	16	70 - 47	F2208R	2H2	28	70 - 57	H871R	2D14	28	60 - 1
B423R	2H4	4	70 - 59	F2253R	2D6	22	50 - 55	H871R	2I10	10	70 - 87
B634R	2J4	15	80 - 1	F2353R	2B14	6	50 - 12	H871R	2I12	11	70 - 89
C1067R	2B7	18	50 - 4	F2353R	2B16	6	50 - 14	H987R	1J7	19	40 - 68
C1067R	2B14	14	50 - 12	F2380R	2D8	22	50 - 57	JD10002	2D6	6	50 - 55
C1067R	2B16	10	50 - 14	F2411R	1C24	18	20 - 41	JD10003	2D8	6	50 - 57
C1067R	2C22	2	50 - 45	F2576R	2G12	4	70 - 42	JD10005	2C15	2	50 - 38
C1104R	2B6	7	50 - 3	F2741R	2G7	17	70 - 37	JD126	1I4	23	40 - 40
C1220R	2B4	10	50 - 1	F2741R	2G9	4	70 - 39	JD126	1I5	10	40 - 41
C1220R	2D4	30	50 - 53	F2741R	2G10	4	70 - 40	JD126	1J7	10	40 - 68
C1220R	2D6	12	50 - 55	F2741R	2G11	10	70 - 41	JD3224	2J5	10	80 - 2
C16054	1D20	1	30 - 6	F2742R	2E4	16	60 - 16	JD3226	2J5	10	80 - 2
C16054	1E2	19	30 - 13	F2846R	2G5	19	70 - 35	JD5234	2J16	4	80 - 13
C2175R	2C2	10	50 - 25	F2847R	2G5	20	70 - 35	JD5272	3C23	8	90 - 47
DA5883A	2G23	2	70 - 54	F2855R	3B18	7	90 - 17	JD5400	3C20	..	90 - 44
DA5883A	2G24	2	70 - 55	F2855R	3B19	6	90 - 18	JD5602	3C23	8	90 - 47
D1761R	2E10	3	60 - 22	F2861R	2B15	47	50 - 13	JD7232	2C14	3	50 - 37
D1761R	2E10	6	60 - 22	F2861R	2C23	5	50 - 46	JD7246	2C6	3	50 - 29
D2361R	2I5	4	70 - 83	F2863R	2G13	14	70 - 43	JD7270	2C6	2	50 - 29
D2361R	2I5	18	70 - 83	F2863R	3B22	1	90 - 21	JD7275	2C14	22	50 - 37
D2361R	2I7	4	70 - 85	F2912R	2B7	4	50 - 4	JD7292	2B8	11	50 - 5
D2361R	2I7	18	70 - 85	F2935R	1G10	8	40 - 3	JD7292	2C9	14	50 - 32
D2361R	2I15	4	70 - 92	F2935R	1I2	25	40 - 37	JD7359	2C16	15	50 - 39
D2361R	2I15	16	70 - 92	F304R	2H6	3B	70 - 61	JD7378	2B8	10	50 - 5
D2865R	1J6	6	40 - 67	F304R	2H6	5A	70 - 61	JD7378	2C9	13	50 - 32
D2913R	2I22	25	70 - 99	F304R	2H8	3	70 - 61B	JD7383	2C15	3	50 - 38
D488R	2C11	12	50 - 34	F304R	2H10	3B	70 - 63	JD7397	2C7	7	50 - 30
D488R	2G7	9	70 - 37	F304R	2H10	5A	70 - 63	JD7417	2C9	10	50 - 32
D488R	2G9	27	70 - 39	F304R	2H12	3	70 - 63B	JD7421	2C7	8	50 - 30
E16050	1J7	16	40 - 68	F315R	2C20	7	50 - 43	JD7425	2B8	7	50 - 5

1K22

7020 TRACTOR

NUMERICAL INDEX - CONTINUED

PART NO.	GRID	KEY	PAGE	PART NO.	GRID	KEY	PAGE	PART NO.	GRID	KEY	PAGE
JD7502	2C9	5	50 - 32	JD8962	2D8	18	50 - 57	M63431	1F10	23	30 - 49
JD7599	2C8	2	50 - 31	JD8974	2B21	18	50 - 20	M63431	1F12	1	30 - 51
JD7759	2B18	5	50 - 16	JD8974	2D5	..	50 - 54	M63431	1J2	2	40 - 63
JD7759	2B19	6	50 - 17	JD8977	2C16	2	50 - 39	M63440	2E22	1	70 - 2
JD7759	2B21	14	50 - 20	JD9015	2C15	8	50 - 38	M63440	3B22	10	90 - 21
JD7759	2D4	27	50 - 53	JD9019	2D1	4	50 - 49	M63440	3B22	14	90 - 21
JD7759	2E4	11	60 - 16	JD9019	2D3	1	50 - 51	M63440	3B22	25	90 - 21
JD7759	2G20	2	70 - 50	JD9056	2B21	27	50 - 20	M63440	3B22	30	90 - 21
JD7759	2G21	1	70 - 51	JD9057	2C14	23	50 - 37	M72490	1B20	1	20 - 19
JD7759	2G24	16	70 - 55	JD9066	2C16	2	50 - 39	M72490	1C17	3	20 - 34
JD7759	2H10	14	70 - 63	JD9257	1D3	11	20 - 44	M72490	1C17	4	20 - 34
JD7760	2B19	4	50 - 17	JD9257	1D4	13	20 - 45	M72490	1C17	..	20 - 34
JD7781	2B10	13	50 - 7	JD9257	1D5	9	20 - 46	M72490	1C18	12	20 - 35
JD7781	2B11	9	50 - 8	JD9268	2B5	24	50 - 2	M72490	1C18	13	20 - 35
JD7781	2B11	11	50 - 8	JD9268	2B20	4	50 - 18	M72490	1E14	10	30 - 27
JD7781	2B12	3	50 - 9	JD9268	2B20	12	50 - 18	M886T	2C18	16	50 - 41
JD7781	2B12	18	50 - 9	JD9281	2B5	20	50 - 2	M886T	2C20	12	50 - 43
JD7781	2D8	8	50 - 57	JD9345	2B8	17	50 - 5	M886T	2G18	10	70 - 48A
JD7781	2E4	11	60 - 16	JD9412	2C8	1	50 - 31	N115096	1J18	11	40 - 81
JD7788	2B18	3	50 - 16	JD9412	2C14	18	50 - 37	N31425	3B9	5	90 - 7
JD8113	2C15	2	50 - 38	JD9449	1G23	23	40 - 16	PM797NA	1J24	1	40 - 86
JD8158	2C9	11	50 - 32	JD9449	1G24	24	40 - 17	PT10341	1J2	10	40 - 63
JD8159	2D5	5	50 - 54	JD9449	1G24	28	40 - 17	PT10342	1J2	3	40 - 63
JD8161	2B8	8	50 - 5	JD9449	1H2	23	40 - 19	PT10343	1J2	3	40 - 63
JD8165	2D6	16	50 - 55	JD9449	1H4	22	40 - 21	PT10344	1J2	4	40 - 63
JD8182	2C7	2	50 - 30	JD9449	2B5	20	50 - 2	PT10345	1J2	23	40 - 63
JD8191	2D6	6	50 - 55	JD9500	2C8	12	50 - 31	PT11382	1J2	17	40 - 63
JD8192	2E25	23	70 - 5	K40003	1G1	21	30 - 67	PT11383	1J2	18	40 - 63
JD8192	2F8	21	70 - 13	K40003	2H16	1	70 - 67	PT1294	115	7	40 - 41
JD8210	2D5	4	50 - 54	K40014	2D4	18	50 - 53	PT1296	115	14	40 - 41
JD8213	2D6	15	50 - 55	K40014	3B18	7	90 - 17	PT1297	115	25	40 - 41
JD8214	2D1	3	50 - 49	K40014	3B19	6	90 - 18	PT1624	115	5	40 - 41
JD8214	2D6	7	50 - 55	L29014	2E15	20	60 - 27	PT18180	115	5	40 - 41
JD8223	2C7	1	50 - 30	L29014	2E15	22	60 - 27	PT9318	115	7	40 - 41
JD8223	2E25	22	70 - 5	L29015	2E15	16	60 - 27	PT9319	115	5	40 - 41
JD8223	2F8	20	70 - 13	L29015	2E15	19	60 - 27	PT9320	115	17	40 - 41
JD8235	2C16	16	50 - 39	L29015	2E15	22	60 - 27	PT9321	115	25	40 - 41
JD8236	2C6	13	50 - 29	L29015	2E17	13	60 - 29	PT9390	115	6	40 - 41
JD8240	2B21	19	50 - 20	L324T	2B7	19	50 - 4	PT9851	1J2	15	40 - 63
JD8248	2D8	7	50 - 57	L35843	2F24	8	70 - 28	PT9852	1J2	14	40 - 63
JD8248	2D8	17	50 - 57	L35843	2F24	19	70 - 28	PT9853	1J2	16	40 - 63
JD8259	2D5	15	50 - 54	L65000	1119	10	40 - 55	P41858	3B16	24	90 - 15
JD8262	2C15	2	50 - 38	M115827	2G23	2	70 - 54	P44982	3B21	19	90 - 20
JD8266	2C16	3	50 - 39	M1895T	1G10	19	40 - 3	P46051	1F5	4	30 - 44
JD8280	2B21	26	50 - 20	M1895T	1G11	11	40 - 4	P46051	2H19	6	70 - 71
JD8280	2C16	3	50 - 39	M1895T	1J2	21	40 - 63	P46051	2H21	16	70 - 73
JD8288	2C15	9	50 - 38	M2396T	1F24	1	30 - 64	P46051	2H22	5	70 - 74
JD8291	2C14	2	50 - 37	M2396T	1F25	1	30 - 65	P47908	2E23	1	70 - 3
JD8298	2D1	2	50 - 49	M2396T	2G14	10	70 - 45	P47908	2E25	16	70 - 5
JD8298	2D1	3	50 - 49	M2396T	2G16	10	70 - 47	P47908	2E25	..	70 - 5
JD8298	2D1	4	50 - 49	M2396T	2G16	17	70 - 47	P47908	2F6	22	70 - 11
JD8298	2D1	7	50 - 49	M2396T	2G16	35	70 - 47	P47908	2F14	26	70 - 17
JD8298	2D1	12	50 - 49	M2396T	2I5	24	70 - 83	P47908	2F21	6	70 - 25
JD8298	2D3	19	50 - 51	M2396T	2I7	24	70 - 85	P51212	2I12	12	70 - 89
JD8337	2C14	18	50 - 37	M3636T	1H5	1	40 - 22	P51212	2I14	5	70 - 91
JD8520	2C10	6	50 - 33	M3636T	1H9	6	40 - 24A	RE10712	2F2	43	70 - 7
JD8535	1G23	23	40 - 16	M3636T	2C2	25	50 - 25	RE10712	2F2	44	70 - 7
JD8737	2C8	13	50 - 31	M3742T	2B13	5	50 - 11	RE10712	2F10	40	70 - 15
JD8901	2C6	12	50 - 29	M40333	1J2	24	40 - 63	RE10834	1C19	3	20 - 36
JD8954	2D5	14	50 - 54	M42229	3B15	..	90 - 14	RE10834	1C20	20	20 - 37
JD8962	2D1	2	50 - 49	M42229	3C9	10	90 - 33	RE10924	2H21	19	70 - 73
JD8962	2D1	3	50 - 49	M4237T	2D25	5	60 - 12	RE11156	1J20	36	40 - 83
JD8962	2D1	4	50 - 49	M4237T	2E1	4	60 - 13	RE11157	1J20	37	40 - 83
JD8962	2D1	7	50 - 49	M4237T	2E2	5	60 - 14	RE11410	1B7	3	20 - 5
JD8962	2D1	12	50 - 49	M4237T	2E3	4	60 - 15	RE11447	2J1	9	70 - 103
JD8962	2D3	18	50 - 51	M43835	1J18	2	40 - 81	RE11456	2J1	2	70 - 103
JD8962	2D8	6	50 - 57	M61266	1115	23	40 - 51	RE11457	2J1	1	70 - 103

1K23

7020 TRACTOR

NUMERICAL INDEX - CONTINUED

PART NO.	GRID	KEY	PAGE	PART NO.	GRID	KEY	PAGE	PART NO.	GRID	KEY	PAGE
RE11458	2J1	2	70 - 103	RE19075	1I2	6	40 - 37	RE29408	1D6	7	20 - 47
RE11463	2J1	2	70 - 103	RE19075	1I3	2	40 - 39	RE29894	1F14	29	30 - 53
RE11777	2F8	24	70 - 13	RE19075	1I3	6	40 - 39	RE30174	1E18	1	30 - 32
RE11804	2F8	14	70 - 13	RE19075	1I7	1	40 - 43	RE30174	1E21	20	30 - 35
RE11956	2E15	..	60 - 27	RE19075	1I8	1	40 - 44	RE31694	1G22	1	40 - 15
RE11956	2E17	28	60 - 29	RE19313	2E23	1	70 - 3	RE31694	1G22	12	40 - 15
RE12121	2I12	20	70 - 89	RE19313	2E25	16	70 - 5	RE31694	1H2	..	40 - 19
RE12330	2F4	..	70 - 9	RE19313	2E25	..	70 - 5	RE31694	1H4	27	40 - 21
RE12330	2F12	..	70 - 15B	RE19313	2F21	12	70 - 25	RE31702	2D10	1	50 - 59
RE12434	1C7	10	20 - 27	RE19375	2H6	27	70 - 61	RE32529	2F4	19	70 - 9
RE12434	1C10	10	20 - 27C	RE19419	2H15	9	70 - 66	RE32529	2F12	20	70 - 15B
RE12434	1C10	12	20 - 27C	RE19419	2H16	7	70 - 67	RE32681	2E11	4	60 - 22A
RE12470	2F10	28	70 - 15	RE20023	1D4	15	20 - 45	RE33622	1C8	8	20 - 27A
RE12842	1B5	2	20 - 2	RE20023	1D4	..	20 - 45	RE33636	1E18	1	30 - 32
RE12848	1D8	9	20 - 49	RE20024	1D3	22	20 - 44	RE33636	1E21	20	30 - 35
RE13271	2F10	15	70 - 15	RE20024	1D3	..	20 - 44	RE35992	1B5	3	20 - 2
RE13478	2D8	..	50 - 57	RE21073	1I19	17	40 - 55	RE36416	1C8	8	20 - 27A
RE13478	2D10	9	50 - 59	RE21096	1I19	11	40 - 55	RE36416	1C11	10	20 - 27D
RE13479	2D8	11	50 - 57	RE21112	1I21	3	40 - 57	RE36416	1C11	12	20 - 27D
RE13479	2D10	3	50 - 59	RE21113	1I21	10	40 - 57	RE36615	2D11	6	50 - 60
RE13552	1B22	1	20 - 19B	RE21510	1I19	20	40 - 55	RE36647	2E11	2	60 - 22A
RE13553	1B22	1	20 - 19B	RE21725	2F4	19	70 - 9	RE36903	1F11	7	30 - 50
RE13722	1H5	6	40 - 22	RE21725	2F12	20	70 - 15B	RE37091	1F10	..	30 - 49
RE13722	1H5	..	40 - 22	RE21730	1J22	5	40 - 84A	RE37091	1F12	7	30 - 51
RE13722	1H18	..	40 - 29	RE21730	1J23	5	40 - 85	RE37448	1B9	3	20 - 7
RE13722	1H19	11	40 - 30	RE21731	1J22	5	40 - 84A	RE38391	1E22	2	30 - 36
RE13722	1H19	..	40 - 30	RE21731	1J23	5	40 - 85	RE38391	1G19	5B	40 - 11B
RE13722	1H20	..	40 - 31	RE21732	1J22	6	40 - 84A	RE38707	1I19	11	40 - 55
RE13722	1H21	..	40 - 32	RE21732	1J23	6	40 - 85	RE39061	1H7	9	40 - 22B
RE13731	1H20	1	40 - 31	RE21738	1I21	15	40 - 57	RE39063	1H6	5	40 - 22A
RE13732	1H22	15	40 - 33	RE21742	1G13	6	40 - 6	RE39063	1H18	10	40 - 29
RE13732	1H23	10	40 - 34	RE21790	1E18	15	30 - 32	RE39064	1H18	13	40 - 29
RE13733	1H22	4	40 - 33	RE21790	1E19	14	30 - 33	RE39064	1H22	15	40 - 33
RE13733	1H23	9	40 - 34	RE21790	1E21	6	30 - 35	RE39064	1H23	10	40 - 34
RE13797	1G22	1	40 - 15	RE21790	1E21	8	30 - 35	RE40111	2B19	3	50 - 17
RE13797	1H4	27	40 - 21	RE21790	1E23	1	30 - 37	RE40280	1E12	1	30 - 25
RE13798	1H2	5	40 - 19	RE22589	1I21	2	40 - 57	RE40280	1E12	10	30 - 25
RE13798	1H4	12	40 - 21	RE22764	1C14	4	20 - 31	RE40280	1E12	19	30 - 25
RE13799	1H4	11	40 - 21	RE22764	1C16	5	20 - 33	RE40280	1E12	24	30 - 25
RE13800	1H4	18	40 - 21	RE22764	1C16	6	20 - 33	RE40463	2F4	20	70 - 9
RE13801	1H2	19	40 - 19	RE23182	1B5	2	20 - 2	RE40463	2F12	21	70 - 15B
RE13801	1H4	19	40 - 21	RE23382	2E25	21	70 - 5	RE41242	2D10	9	50 - 59
RE13813	2I12	14	70 - 89	RE23382	2F8	19	70 - 13	RE41785	1H5	6	40 - 22
RE13814	2I12	6	70 - 89	RE24359	1F4	1	30 - 43	RE41785	1H20	17	40 - 31
RE13815	2I14	10	70 - 91	RE24359	1F5	7	30 - 44	RE41875	1H5	6	40 - 22
RE14868	2F4	20	70 - 9	RE24561	1E18	1	30 - 32	RE41875	1H5	..	40 - 22
RE14953	1C16	6	20 - 33	RE24561	1E21	20	30 - 35	RE41875	1H14	..	40 - 27
RE15058	1H22	13	40 - 33	RE24647	2F12	21	70 - 15B	RE41875	1H16	6	40 - 27B
RE15058	1H23	15	40 - 34	RE24706	1C20	28	20 - 37	RE41875	1H16	..	40 - 27B
RE15361	2I15	11	70 - 92	RE25125	1I2	28	40 - 37	RE41875	1H18	..	40 - 29
RE15361	2I15	18	70 - 92	RE25125	1I3	24	40 - 39	RE41875	1H19	11	40 - 30
RE15361	2I15	20	70 - 92	RE25126	1G10	4	40 - 3	RE41875	1H19	..	40 - 30
RE15427	1C24	3	20 - 41	RE25127	1G10	4	40 - 3	RE41875	1H20	..	40 - 31
RE16151	1E23	4	30 - 37	RE25621	1J11	1	40 - 73	RE41875	1H21	..	40 - 32
RE16182	1E19	17	30 - 33	RE26739	2H3	6	70 - 58	RE42401	1E21	19	30 - 35
RE16445	2D5	..	50 - 54	RE26740	2H3	6	70 - 58	RE42401	1E22	1	30 - 36
RE17282	1J13	10	40 - 76	RE27109	1G22	1	40 - 15	RE42401	1E22	3	30 - 36
RE17352	1C16	6	20 - 33	RE27109	1G22	12	40 - 15	RE42401	1E22	4	30 - 36
RE17515	1D19	14	30 - 5	RE27109	1H4	27	40 - 21	RE42401	1E22	6	30 - 36
RE19075	1G10	1	40 - 3	RE28308	1B18	27	20 - 17	RE42411	1G8	9	40 - 1
RE19075	1G10	23	40 - 3	RE28790	2E25	7	70 - 5	RE42671	1C6	5	20 - 26
RE19075	1G10	26	40 - 3	RE28790	2F6	19	70 - 11	RE42672	1C9	10	20 - 27B
RE19075	1G11	1	40 - 4	RE28790	2F8	7	70 - 13	RE42672	1C11	10	20 - 27D
RE19075	1G11	8	40 - 4	RE28790	2F14	23	70 - 17	RE42672	1C11	12	20 - 27D
RE19075	1G11	12	40 - 4	RE29103	2F6	25	70 - 11	RE42673	1C10	10	20 - 27C
RE19075	1G11	..	40 - 4	RE29107	2F14	29	70 - 17	RE42673	1C10	12	20 - 27C
RE19075	1I2	2	40 - 37	RE29408	1D6	4	20 - 47	RE42675	1C6	4	20 - 26

1K24

7020 TRACTOR

NUMERICAL INDEX - CONTINUED

PART NO.	GRID	KEY	PAGE	PART NO.	GRID	KEY	PAGE	PART NO.	GRID	KEY	PAGE
RE42675	1C6	6	20 - 26	RG21340	1B24	1	20 - 19D	R11117	1H9	8	40 - 24A
RE42678	1C9	2	20 - 27B	RG22790	1B25	1	20 - 19E	R11117	1H14	8	40 - 27
RE42678	1C9	10	20 - 27B	RG23427	1B25	1	20 - 19E	R11118	1H9	11	40 - 24A
RE42678	1C11	2	20 - 27D	RG23428	1B24	1	20 - 19D	R11120	1H14	24	40 - 27
RE42678	1C11	10	20 - 27D	RG23435	1B24	1	20 - 19D	R11121	1H14	18	40 - 27
RE42679	1C7	1	20 - 27	RG23436	1B24	1	20 - 19D	R11126	1H9	25	40 - 24A
RE42679	1C10	2	20 - 27C	RW26466	1119	20	40 - 55	R11126	1H14	34	40 - 27
RE42679	1C10	10	20 - 27C	R100380	1H7	4	40 - 22B	R11127	1H9	26	40 - 24A
RE43025	1119	17	40 - 55	R100380	1H18	3	40 - 29	R11127	1H14	33	40 - 27
RE43046	2E10	4	60 - 22	R100797	2E10	4	60 - 22	R11128	1H9	24	40 - 24A
RE43272	1F11	7	30 - 50	R100797	2E10	7	60 - 22	R11128	1H14	35	40 - 27
RE44415	2E11	2	60 - 22A	R100797	2E11	3	60 - 22A	R11129	1H9	23	40 - 24A
RE44555	2G24	12	70 - 55	R10093	2112	5	70 - 89	R11129	1H14	36	40 - 27
RE44657	1J9	28	40 - 71	R10093	2114	2	70 - 91	R11133	1H14	17	40 - 27
RE46317	1119	11	40 - 55	R104592	1B16	14	20 - 15	R11146	1H16	4	40 - 27B
RE46328	2D8	31	50 - 57	R104592	1B18	17	20 - 17	R11197	1H12	2	40 - 25
RE46328	2D10	8	50 - 59	R104592	1C20	5	20 - 37	R11197	1H17	2	40 - 28
RE46328	2E10	4	60 - 22	R104592	1E12	19	30 - 25	R11198	1H12	3	40 - 25
RE46328	2E10	7	60 - 22	R104592	1F3	12	30 - 42	R11201	1H9	20	40 - 24A
RE46328	2E11	4	60 - 22A	R104592	1F5	2	30 - 44	R11209	1H11	19	40 - 24C
RE46334	2D8	31	50 - 57	R105478	2H8	7	70 - 61B	R11209	1H16	18	40 - 27B
RE46334	2D10	8	50 - 59	R105478	2H10	11A	70 - 63	R11212	1H9	35	40 - 24A
RE46334	2E10	4	60 - 22	R105478	2H10	11B	70 - 63	R11212	1H14	23	40 - 27
RE46334	2E10	7	60 - 22	R105478	2H12	7	70 - 63B	R11215	1H9	16	40 - 24A
RE46334	2E11	2	60 - 22A	R105488	1C6	4	20 - 26	R112169	2D3	14	50 - 51
RE46414	1119	12	40 - 55	R105488	1C9	1	20 - 27B	R11221	1H9	27	40 - 24A
RE48048	1F19	1	30 - 59	R105488	1C9	2	20 - 27B	R11221	1H14	32	40 - 27
RE50139	1E18	11	30 - 32	R105488	1C10	2	20 - 27C	R11222	1H9	15	40 - 24A
RE50139	1E18	13	30 - 32	R105488	1C11	2	20 - 27D	R11223	1H9	17	40 - 24A
RE50139	1E19	11	30 - 33	R105583	2E25	13	70 - 5	R11233	1H11	16	40 - 24C
RE50139	1E21	3	30 - 35	R105583	2F8	11	70 - 13	R11250	1H16	13	40 - 27B
RE50139	1E23	3	30 - 37	R105813	2G19	32	70 - 49	R11253	1H11	5	40 - 24C
RE53203	1C6	4	20 - 26	R105814	1G1	14	30 - 67	R11278	1111	1	40 - 47
RE53203	1C6	7	20 - 26	R105942	1119	10	40 - 55	R11290	1H11	20	40 - 24C
RE53203	1C6	8	20 - 26	R106859	1B16	6	20 - 15	R11290	1H16	19	40 - 27B
RE53204	1C11	2	20 - 27D	R106859	1B18	9	20 - 17	R11291	1H9	33	40 - 24A
RE53204	1C11	11	20 - 27D	R106859	1C20	16	20 - 37	R11291	1H14	26	40 - 27
RE53204	1C11	12	20 - 27D	R1069R	3C16	4	90 - 40	R11292	1H9	29	40 - 24A
RE53205	1C10	2	20 - 27C	R1069R	3C17	4	90 - 41	R11292	1H12	1	40 - 25
RE53205	1C10	11	20 - 27C	R107178	2E11	2	60 - 22A	R11292	1H12	..	40 - 25
RE53205	1C10	12	20 - 27C	R109489	2D1	9	50 - 49	R11293	1H12	4	40 - 25
RE53422	1C5	10	20 - 25	R109489	2D3	5	50 - 51	R11293	1H17	3	40 - 28
RE53422	1C6	5	20 - 26	R11000	1H11	9	40 - 24C	R11294	1H12	11	40 - 25
RE53422	1C6	8	20 - 26	R11003	1H11	1	40 - 24C	R11295	1H12	5	40 - 25
RE53423	1C6	7	20 - 26	R11003	1H16	2	40 - 27B	R11296	1H11	11	40 - 24C
RE53424	1C7	1	20 - 27	R11011	1H16	8	40 - 27B	R11298	1H11	30	40 - 24C
RE53424	1C10	10	20 - 27C	R11016	1H9	20	40 - 24A	R113732	2D8	31	50 - 57
RE53424	1C10	12	20 - 27C	R11026	1H9	22	40 - 24A	R113733	2D1	9	50 - 49
RE53425	1C8	8	20 - 27A	R11026	1H14	14	40 - 27	R113733	2D8	31	50 - 57
RE53425	1C9	10	20 - 27B	R11026	1H14	37	40 - 27	R113733	2D8	..	50 - 57
RE53425	1C11	10	20 - 27D	R11039	1H12	20	40 - 25	R113733	2D10	7	50 - 59
RE53425	1C11	12	20 - 27D	R11039	1H17	17	40 - 28	R113733	2E10	..	60 - 22
RE53476	1B16	22	20 - 15	R110464	2E10	2	60 - 22	R113733	2E11	..	60 - 22A
RE53476	1B20	1	20 - 19	R11049	1G22	9	40 - 15	R113741	2D8	31	50 - 57
RE53476	1B22	1	20 - 19B	R11049	1H2	30	40 - 19	R113741	2D10	8	50 - 59
RE53485	1B20	1	20 - 19	R11049	1H4	26	40 - 21	R113741	2E10	4	60 - 22
RE53485	1B22	1	20 - 19B	R11058	1H11	3	40 - 24C	R113741	2E10	7	60 - 22
RE54187	1D22	12	30 - 8	R11059	1H11	4	40 - 24C	R113741	2E11	3	60 - 22A
RE54187	1E14	3	30 - 27	R11066	1H12	8	40 - 25	R114130	1F14	26	30 - 53
RE54187	1E14	5	30 - 27	R11066	1H17	5	40 - 28	R116253	1C4	9	20 - 24
RE55233	1E24	29	30 - 38	R11087	1H11	6	40 - 24C	R116311	1C6	7	20 - 26
RE57318	3B9	10	90 - 7	R11095	1H9	13	40 - 24A	R116311	1C10	11	20 - 27C
RE57594	1C19	20	20 - 36	R11095	1H14	12	40 - 27	R116311	1C11	11	20 - 27D
RE58483	3B9	4	90 - 7	R11096	1H9	31	40 - 24A	R117129	1F24	8	30 - 64
RE62240	1F10	..	30 - 49	R11096	1H14	28	40 - 27	R117129	1F25	8	30 - 65
RE62240	1F12	7	30 - 51	R11109	1H2	22	40 - 19	R119275	2H2	30	70 - 57
RG17892	1B24	1	20 - 19D	R11109	1H4	21	40 - 21	R119276	2H2	31	70 - 57

1K25

7020 TRACTOR

NUMERICAL INDEX - CONTINUED

PART NO.	GRID	KEY	PAGE	PART NO.	GRID	KEY	PAGE	PART NO.	GRID	KEY	PAGE
R120106	1119	10	40-55	R2579R	114	16	40-40	R26286	2G5	6	70-35
R120107	1119	10	40-55	R2579R	117	3	40-43	R26286	2G7	7	70-37
R120108	1119	10	40-55	R26011	2D8	29	50-57	R26287	1F3	11	30-42
R120109	2E17	28	60-29	R26012	2D8	30	50-57	R26287	1F4	7	30-43
R120109	2E17	34	60-29	R26025	2D6	26	50-55	R26287	2B4	5	50-1
R120110	2E17	28	60-29	R26026	2D6	27	50-55	R26287	2B9	8	50-6
R120110	2E17	34	60-29	R26042	2D5	6	50-54	R26287	2B24	14	50-23
R120111	2J16	25	80-13	R26043	2D5	6	50-54	R26287	2C2	37	50-25
R120752	1C5	8	20-25	R26049	1C5	9	20-25	R26287	2C11	17	50-34
R120752	1C6	3	20-26	R26049	1C6	4	20-26	R26287	2D4	12	50-53
R120752	1C7	4	20-27	R26049	1C7	3	20-27	R26287	2D14	26	60-1
R120752	1C8	1	20-27A	R26049	1C8	2	20-27A	R26287	2D17	9	60-4
R120752	1C9	1	20-27B	R26058	1C14	3	20-31	R26287	2E6	19	60-18
R120752	1C10	1	20-27C	R26058	1C16	4	20-33	R26287	2E7	14	60-19
R120752	1C11	1	20-27D	R26058	1D10	24	20-51	R26287	2E7	17	60-19
R1225R	2G9	6	70-39	R26058	1D12	26	20-53	R26287	2E8	11	60-20
R125027	1C14	2	20-31	R26079	1B11	9	20-9	R26287	2E12	9	60-23
R15023	1G23	8	40-16	R26081	1B11	2	20-9	R26287	2E12	11	60-23
R15024	1G23	10	40-16	R26115	1B16	19	20-15	R26287	2E13	9	60-24
R15026	1G23	2	40-16	R26115	1B18	23	20-17	R26287	2F2	23	70-7
R15027	1G23	27	40-16	R26125	1B7	4	20-5	R26287	2F6	4	70-11
R15027	1G24	32	40-17	R26137	2E25	6	70-5	R26287	2F6	16	70-11
R15029	1G23	22	40-16	R26137	2F8	6	70-13	R26287	2F14	22	70-17
R15029	1G24	27	40-17	R26149	1E18	3	30-32	R26287	2F15	5	70-19
R15030	1G23	11	40-16	R26149	1E19	3	30-33	R26287	2F16	3	70-20
R15033	1G23	24	40-16	R26149	2F2	35	70-7	R26287	2F17	12	70-21
R15033	1G24	29	40-17	R26149	2G18	4	70-48A	R26297	1D10	17	20-51
R15035	1G23	7	40-16	R26149	2H13	8	70-64	R26297	1E10	12	30-23
R15036	1G23	6	40-16	R26149	2H18	19	70-69	R26325	1C4	1	20-24
R15036	1G24	11	40-17	R26149	2H19	17	70-71	R26333	1C5	16	20-25
R15036	1G24	18	40-17	R26149	2H21	18	70-73	R26369	2C20	30	50-43
R15045	1G23	3	40-16	R26149	2I1	3	70-78	R26369	2C22	32	50-45
R1612R	1B16	12	20-15	R26151	1C18	21	20-35	R26369	2E7	5	60-19
R1612R	1B18	15	20-17	R26151	1C20	7	20-37	R26370	2E7	1	60-19
R1612R	2G20	10	70-50	R26172	1B14	4	20-13	R26372	1F21	25	30-61
R1742R	2G5	16	70-35	R26182	2B15	40	50-13	R26372	1F22	22	30-62
R1836R	3B22	2	90-21	R26182	2B17	33	50-15	R26372	2E7	25	60-19
R1870R	2B5	8	50-2	R26186	2C23	9	50-46	R26375	2C5	3	50-28
R1870R	2C20	21	50-43	R26202	2C18	15	50-41	R26375	2D4	28	50-53
R1870R	2C20	27	50-43	R26202	2C20	11	50-43	R26375	2D14	19	60-1
R1870R	2C22	28	50-45	R26203	2C20	14	50-43	R26375	2D16	15	60-3
R1870R	2C22	35	50-45	R26206	2C20	1	50-43	R26375	2D17	2	60-4
R1870R	2I20	36	70-97	R26207	2C20	2	50-43	R26375	2D17	7	60-4
R1870R	3C9	28	90-33	R26227	2D5	..	50-54	R26375	2D17	18	60-4
R20135	3B18	5	90-17	R26228	2D5	..	50-54	R26375	2D21	2	60-8
R20135	3B19	4	90-18	R26229	2D5	..	50-54	R26375	2D21	15	60-8
R20423	1B7	21	20-5	R26277	2B10	1	50-7	R26375	2D22	5	60-9
R21230	3B9	9	90-7	R26277	2G23	8	70-54	R26375	2D22	8	60-9
R21244	3B7	5	90-5	R26277	2H6	9	70-61	R26375	2D24	6	60-11
R21480	2J4	4	80-1	R26286	1D8	1	20-49	R26375	2E4	2	60-16
R21480	2J4	7	80-1	R26286	1D8	9	20-49	R26375	2E7	20	60-19
R21480	2J4	9	80-1	R26286	2C2	17	50-25	R26375	2E8	13	60-20
R21551	1G10	25	40-3	R26286	2D15	17	60-2	R26375	2E13	6	60-24
R21551	1G11	14	40-4	R26286	2D17	5	60-4	R26375	2F2	27	70-7
R21551	1I2	27	40-37	R26286	2E7	7	60-19	R26375	2F4	16	70-9
R21551	1I8	8	40-44	R26286	2E8	8	60-20	R26375	2F10	23	70-15
R21551	2F15	1	70-19	R26286	2E12	1	60-23	R26375	2F10	45	70-15
R21630	1B16	14	20-15	R26286	2E12	13	60-23	R26375	2F12	7	70-15B
R21630	1B18	17	20-17	R26286	2E14	17	60-25	R26375	2F12	17	70-15B
R21722	2G9	24	70-39	R26286	2E14	22	60-25	R26375	2F14	3	70-17
R21722	2G9	25	70-39	R26286	2E15	2	60-27	R26375	2F14	10	70-17
R21722	2I10	9	70-87	R26286	2E15	31	60-27	R26375	2G4	3	70-33
R21722	2J1	1	70-103	R26286	2E17	2	60-29	R26375	2G5	9	70-35
R21722	2J1	2	70-103	R26286	2E17	22	60-29	R26375	2G5	13	70-35
R227R	2E7	19	60-19	R26286	2F16	13	70-20	R26375	2G7	15	70-37
R2579R	1G10	3	40-3	R26286	2F17	14	70-21	R26375	2G9	2	70-39
R2579R	1G11	3	40-4	R26286	2F17	17	70-21	R26375	2G9	13	70-39

1L1

7020 TRACTOR

NUMERICAL INDEX - CONTINUED

PART NO.	GRID	KEY	PAGE	PART NO.	GRID	KEY	PAGE	PART NO.	GRID	KEY	PAGE
R26375	2G10	2	70 - 40	R26484	2H22	22	70 - 74	R26832	3B22	3	90 - 21
R26375	2G10	3	70 - 40	R26484	2I5	14	70 - 83	R26858	2J10	1	80 - 7
R26375	2G10	15	70 - 40	R26484	2I7	14	70 - 85	R26871	2G19	28	70 - 49
R26375	2G18	9	70 - 48A	R26484	2I8	3	70 - 85A	R26871	3B21	19	90 - 20
R26375	2H13	12	70 - 64	R26485	2I5	10	70 - 83	R26872	3B21	22	90 - 20
R26375	2H21	5	70 - 73	R26485	2I7	10	70 - 85	R26873	3B21	22	90 - 20
R26375	2H25	3	70 - 77	R26485	2I8	1	70 - 85A	R26874	3B21	1A	90 - 20
R26375	2I2	8	70 - 79	R26485	2I15	12	70 - 92	R26875	3B22	4	90 - 21
R26375	2I2	26	70 - 79	R26544	2H15	14	70 - 66	R26876	3B22	7	90 - 21
R26375	2I3	9	70 - 80	R26544	2H21	19	70 - 73	R26877	3B22	6	90 - 21
R26375	2I3	20	70 - 80	R26546	2D16	17	60 - 3	R26878	3B22	19	90 - 21
R26375	2I4	1	70 - 81	R26546	2D21	9	60 - 8	R26879	3B22	9	90 - 21
R26375	2I4	14	70 - 81	R26546	2G9	24	70 - 39	R26890	2J11	11	80 - 8
R26375	2I7	29	70 - 85	R26546	2G9	25	70 - 39	R26890	2J12	8	80 - 9
R26375	2I18	4	70 - 95	R26546	2H18	28	70 - 69	R26906	2C11	26	50 - 34
R26375	2J1	4	70 - 103	R26546	2H21	7	70 - 73	R26906	2D4	6	50 - 53
R26376	2E7	18	60 - 19	R26552	2B9	5	50 - 6	R26906	2D21	7	60 - 8
R26384	2E6	17	60 - 18	R26552	2B24	12	50 - 23	R26906	2D22	4	60 - 9
R26385	2E6	24	60 - 18	R26552	2D17	13	60 - 4	R26906	2F2	10	70 - 7
R26386	2E6	22	60 - 18	R26553	2D18	7	60 - 5	R26906	2F4	2	70 - 9
R26405	1B9	9	20 - 7	R26554	2D18	1	60 - 5	R26906	2F6	2	70 - 11
R26409	3B9	20	90 - 7	R26559	1B11	14	20 - 9	R26906	2F6	15	70 - 11
R26413	1C24	20	20 - 41	R26565	2D16	5	60 - 3	R26906	2F10	16	70 - 15
R26417	1C24	19	20 - 41	R26565	2G18	39	70 - 48A	R26906	2F12	1	70 - 15B
R26421	2E7	29	60 - 19	R26566	2G18	6	70 - 48A	R26906	2F14	6	70 - 17
R26425	2D17	11	60 - 4	R26572	2E14	1	60 - 25	R26906	2F14	26	70 - 17
R26431	3B21	15	90 - 20	R26572	2F20	4	70 - 24	R26906	2F16	11	70 - 20
R26432	3B21	7	90 - 20	R26574	2B7	15	50 - 4	R26906	2F17	5	70 - 21
R26434	3B21	17	90 - 20	R26608	2G23	11	70 - 54	R26906	2F18	1	70 - 22
R26436	3B21	23	90 - 20	R26616	2C11	11	50 - 34	R26906	2F18	9	70 - 22
R26441	2D14	17	60 - 1	R26621	2F2	34	70 - 7	R26906	2F19	5	70 - 23
R26441	2D15	2	60 - 2	R26622	1B16	6	20 - 15	R26906	2F21	13	70 - 25
R26448	2D14	14	60 - 1	R26622	1B18	9	20 - 17	R26906	2G4	8	70 - 33
R26448	2D17	23	60 - 4	R26625	2G11	8	70 - 41	R26906	2G9	19	70 - 39
R26448	2D24	9	60 - 11	R26626	2G12	11	70 - 42	R26906	2G10	6	70 - 40
R26448	2E14	6	60 - 25	R26628	2G13	5	70 - 43	R26906	2G10	8	70 - 40
R26448	2F2	2	70 - 7	R26637	2C20	28	50 - 43	R26906	2G10	10	70 - 40
R26448	2F2	8	70 - 7	R26637	2C22	34	50 - 45	R26906	2G10	12	70 - 40
R26448	2F4	1	70 - 9	R26638	2C20	29	50 - 43	R26906	2G11	3	70 - 41
R26448	2F6	1	70 - 11	R26638	2C22	33	50 - 45	R26906	2G16	31	70 - 47
R26448	2F10	2	70 - 15	R26641	2B4	20	50 - 1	R26906	2G16	31	70 - 47
R26448	2F10	8	70 - 15	R26642	2B4	21	50 - 1	R26906	2G18	11	70 - 48A
R26448	2F10	25	70 - 15	R26650	2B8	20	50 - 5	R26906	2H25	2	70 - 77
R26448	2F10	28	70 - 15	R26652	2B6	12	50 - 3	R26906	2H25	21	70 - 77
R26448	2F12	3	70 - 15B	R26659	2B5	13	50 - 2	R26906	2I1	6	70 - 78
R26448	2F14	1	70 - 17	R26670	1G1	8	30 - 67	R26906	2I1	15	70 - 78
R26448	2F14	8	70 - 17	R26686	2G5	12	70 - 35	R26933	2D14	9	60 - 1
R26448	2G18	2	70 - 48A	R26694	2J10	9	80 - 7	R26958	1G1	12	30 - 67
R26448	2H13	17	70 - 64	R26702	2J10	7	80 - 7	R27036	1B18	3	20 - 17
R26448	2H21	4	70 - 73	R26703	2J10	7	80 - 7	R27072	1G1	3	30 - 67
R26448	2H21	17	70 - 73	R26727	1C1	6	20 - 20	R27075	1G1	1	30 - 67
R26448	2I1	2	70 - 78	R26727	1C2	9	20 - 21	R27087	2D14	15	60 - 1
R26448	2I1	27	70 - 78	R26727	2D4	13	50 - 53	R27089	2D15	12	60 - 2
R26457	2G11	5	70 - 41	R26728	1F8	26	30 - 47	R27091	2D15	9	60 - 2
R26458	2G11	2	70 - 41	R26728	1F14	6	30 - 53	R27094	1D8	1	20 - 49
R26480	2I5	28	70 - 83	R26748	1B11	13	20 - 9	R27094	1D8	7	20 - 49
R26480	2I7	31	70 - 85	R26755	2D15	8	60 - 2	R27094	1D8	9	20 - 49
R26480	2I8	10	70 - 85A	R26760	2E15	11	60 - 27	R27094	2C11	18	50 - 34
R26482	2I5	17	70 - 83	R26762	2D18	4	60 - 5	R27094	2D15	18	60 - 2
R26482	2I7	17	70 - 85	R26765	2E10	2	60 - 22	R27094	2E15	1	60 - 27
R26482	2I8	6	70 - 85A	R26789	1F8	26	30 - 47	R27094	2E17	1	60 - 29
R26482	2I10	20	70 - 87	R26789	1F14	6	30 - 53	R27094	2G5	5	70 - 35
R26483	2I5	21	70 - 83	R26790	1F8	26	30 - 47	R27094	2G7	8	70 - 37
R26483	2I7	21	70 - 85	R26790	1F14	6	30 - 53	R27095	2D24	17	60 - 11
R26483	2I8	7	70 - 85A	R26828	3B21	5	90 - 20	R27121	3B22	23	90 - 21
R26484	2H19	22	70 - 71	R26829	3B21	18	90 - 20	R27137	2E7	8	60 - 19
R26484	2H21	10	70 - 73	R26830	3B21	16	90 - 20	R27137	2E8	9	60 - 20
								R27137	2E9	7	60 - 21

1L2

7020 TRACTOR

NUMERICAL INDEX - CONTINUED

PART NO.	GRID	KEY	PAGE	PART NO.	GRID	KEY	PAGE	PART NO.	GRID	KEY	PAGE
R27145	2E25	27	70 - 5	R27237	2I4	15	70 - 81	R27479	2F8	29	70 - 13
R27149	1B18	32	20 - 17	R27237	2I4	16	70 - 81	R27479	2F12	16	70 - 15B
R27149	2E7	9	60 - 19	R27238	2E14	2	60 - 25	R27483	2C11	8	50 - 34
R27149	2E8	10	60 - 20	R27238	2F20	5	70 - 24	R27507	2G13	9	70 - 43
R27149	2E9	8	60 - 21	R27266	2F21	1	70 - 25	R27507	2G19	21	70 - 49
R27149	2E25	11	70 - 5	R27266	2F25	10	70 - 29	R27507	2H2	16	70 - 57
R27149	2F6	20	70 - 11	R27267	2G3	7	70 - 32	R27507	2I5	30	70 - 83
R27149	2F8	9	70 - 13	R27267	2G4	19	70 - 33	R27507	2I5	34	70 - 83
R27149	2F14	24	70 - 17	R27267	2G5	8	70 - 35	R27507	2I7	33	70 - 85
R27150	2E25	5	70 - 5	R27270	2F16	15	70 - 20	R27507	2I7	35	70 - 85
R27150	2F8	5	70 - 13	R27270	2F21	17A	70 - 25	R27507	3B12	11	90 - 11
R27159	2F2	18	70 - 7	R27270	2H25	20	70 - 77	R27527	2D17	8	60 - 4
R27166	1F7	1	30 - 46	R27270	2I1	7	70 - 78	R27527	2F16	2	70 - 20
R27166	2B9	12	50 - 6	R27270	2I1	16	70 - 78	R27529	1B11	5	20 - 9
R27166	2B24	4	50 - 23	R27272	2E14	18	60 - 25	R27531	2F25	2	70 - 29
R27166	2F2	14	70 - 7	R27285	1B18	38	20 - 17	R27531	2F25	6	70 - 29
R27166	2F2	43	70 - 7	R27285	1D12	30	20 - 53	R27531	2G1	8	70 - 30
R27166	2F2	44	70 - 7	R27286	1B18	39	20 - 17	R27531	2G2	9	70 - 31
R27166	2F4	5	70 - 9	R27296	2D17	4	60 - 4	R27533	1G10	11	40 - 3
R27166	2F6	6	70 - 11	R27296	2E14	21	60 - 25	R27533	1G11	15	40 - 4
R27166	2F10	42	70 - 15	R27296	3B14	15	90 - 13	R27533	3B9	4	90 - 7
R27166	2F12	10	70 - 15B	R27299	2D14	11	60 - 1	R27539	2D24	22	60 - 11
R27166	2F14	14	70 - 17	R27305	2B6	5	50 - 3	R27539	2D24	31	60 - 11
R27166	2G18	21	70 - 48A	R27319	2D14	35	60 - 1	R27562	2B8	30	50 - 5
R27166	2H19	19	70 - 71	R27320	2D14	10	60 - 1	R27564	2F2	12	70 - 7
R27166	2H21	11	70 - 73	R27329	2B8	28	50 - 5	R27564	2F4	4	70 - 9
R27166	2H22	15	70 - 74	R27329	2C11	6	50 - 34	R27564	2F6	5	70 - 11
R27166	2H22	17	70 - 74	R27346	1F3	3	30 - 42	R27564	2F10	43	70 - 15
R27166	2H23	3	70 - 75	R27346	1F11	1	30 - 50	R27564	2F12	11	70 - 15B
R27167	2F2	16	70 - 7	R27390	2F20	2	70 - 24	R27564	2F14	15	70 - 17
R27170	2F2	19	70 - 7	R27430	2I5	5	70 - 83	R27564	2G18	17	70 - 48A
R27171	2F2	5	70 - 7	R27430	2I7	5	70 - 85	R27564	2I20	21	70 - 97
R27172	2F2	11	70 - 7	R27430	2I15	5	70 - 92	R27564	2I22	6	70 - 99
R27173	2F2	17	70 - 7	R27439	3B21	14	90 - 20	R27583	1G13	2	40 - 6
R27174	2F2	15	70 - 7	R27440	3B22	16	90 - 21	R27583	1I24	17	40 - 60
R27174	2F6	7	70 - 11	R27440	3B22	20	90 - 21	R27583	1I25	17	40 - 61
R27175	2E25	15	70 - 5	R27440	3B22	28	90 - 21	R27593	2H15	13	70 - 66
R27175	2F8	13	70 - 13	R27440	3B22	32	90 - 21	R27593	2H15	14	70 - 66
R27175	2G18	25	70 - 48A	R27441	2F22	10	70 - 26	R27640	2B4	17	50 - 1
R27180	1E19	13	30 - 33	R27441	2F23	15	70 - 27	R27649	2E15	16	60 - 27
R27180	1G10	6	40 - 3	R27441	3B22	11	90 - 21	R27649	2E15	21	60 - 27
R27180	1G11	5	40 - 4	R27441	3B22	13	90 - 21	R27649	2E15	22	60 - 27
R27180	3B9	12	90 - 7	R27441	3B22	26	90 - 21	R27649	2E17	27	60 - 29
R27181	1E24	30	30 - 38	R27441	3B22	31	90 - 21	R27693	1C1	9	20 - 20
R27181	1E25	10	30 - 39	R27442	3B22	5	90 - 21	R27693	1C2	6	20 - 21
R27209	1C24	1	20 - 41	R27443	1B11	10	20 - 9	R27720	1F11	10	30 - 50
R27216	2B4	4	50 - 1	R27448	2D22	11	60 - 9	R27720	2C2	22	50 - 25
R27216	2B9	9	50 - 6	R27453	2D14	12	60 - 1	R27720	2D24	14	60 - 11
R27216	2B24	15	50 - 23	R27460	1I2	8	40 - 37	R27720	2E13	3	60 - 24
R27216	2C2	36	50 - 25	R27460	1I3	8	40 - 39	R27720	2E14	8	60 - 25
R27216	2C11	18	50 - 34	R27460	1I7	4	40 - 43	R27730	2C14	14	50 - 37
R27216	2D4	11	50 - 53	R27460	1I8	2	40 - 44	R27730	2G18	33	70 - 48A
R27216	2D17	8	60 - 4	R27471	2F2	44	70 - 7	R27785	3B20	7	90 - 19
R27216	2E7	16	60 - 19	R27472	2F2	43	70 - 7	R27796	2B21	24	50 - 20
R27216	2F2	24	70 - 7	R27474	2C11	27	50 - 34	R27906	2E14	20	60 - 25
R27218	2C11	23	50 - 34	R27474	2D4	7	50 - 53	R27926	2F21	7	70 - 25
R27218	2F2	7	70 - 7	R27474	2G9	20	70 - 39	R27927	2F21	8	70 - 25
R27218	2F10	7	70 - 15	R27474	2G10	9	70 - 40	R27928	2F6	22	70 - 11
R27218	2H13	16	70 - 64	R27475	2F2	1	70 - 7	R27928	2F14	26	70 - 17
R27218	2I1	1	70 - 78	R27475	2F10	1	70 - 15	R27928	2F21	6	70 - 25
R27218	2I1	26	70 - 78	R27476	2F2	13	70 - 7	R27928	2G9	25	70 - 39
R27233	2H15	22	70 - 66	R27478	2E25	29	70 - 5	R27928	2G14	15	70 - 45
R27233	2H18	13	70 - 69	R27478	2F4	12	70 - 9	R27948	1C21	2	20 - 38
R27237	2D21	16	60 - 8	R27478	2F8	29	70 - 13	R27948	1D10	25	20 - 51
R27237	2D22	7	60 - 9	R27478	2F12	15	70 - 15B	R27976	1H11	27	40 - 24C
R27237	2D22	10	60 - 9	R27479	2E25	29	70 - 5	R27998	2H2	37	70 - 57
R27237	2I3	8	70 - 80	R27479	2F4	13	70 - 9	R27999	2H2	38	70 - 57

1L3

7020 TRACTOR

NUMERICAL INDEX - CONTINUED

PART NO.	GRID	KEY	PAGE	PART NO.	GRID	KEY	PAGE	PART NO.	GRID	KEY	PAGE
R28006	2I5	6	70 - 83	R30323	2D17	21	60 - 4	R31459	2E6	4	60 - 18
R28006	2I7	6	70 - 85	R30378	1114	9	40 - 50	R31461	2E7	3	60 - 19
R28006	2I7	7	70 - 85	R30378	1115	2	40 - 51	R31468	2E8	6	60 - 20
R28006	2I15	6	70 - 92	R30378	1115	12	40 - 51	R31469	2E8	5	60 - 20
R28007	1G1	9	30 - 67	R30378	1115	13	40 - 51	R31493	2B4	8	50 - 1
R28009	1G1	6	30 - 67	R30378	1115	16	40 - 51	R31493	2J8	8	80 - 5
R28015	1C24	4	20 - 41	R30378	1J7	25	40 - 68	R31494	2B4	9	50 - 1
R28084	2I5	3	70 - 83	R30378	1J20	43	40 - 83	R31631	2B9	9	50 - 6
R28084	2I5	19	70 - 83	R30379	1115	15	40 - 51	R31631	2B24	15	50 - 23
R28084	2I7	3	70 - 85	R30596	2F24	1	70 - 28	R31631	2C2	36	50 - 25
R28084	2I7	19	70 - 85	R30597	1C24	9	20 - 41	R31631	2C11	18	50 - 34
R28084	2I15	3	70 - 92	R30725	1F20	13	30 - 60	R31631	2D4	11	50 - 53
R28084	2I15	17	70 - 92	R30725	1F21	22	30 - 61	R31631	2D17	8	60 - 4
R28085	2I5	2	70 - 83	R30815	2J1	5	70 - 103	R31631	2E7	16	60 - 19
R28085	2I7	2	70 - 85	R30816	2J1	7	70 - 103	R31632	2E15	28	60 - 27
R28085	2I15	2	70 - 92	R30817	2J1	6	70 - 103	R31632	2E17	19	60 - 29
R28085	2I15	18	70 - 92	R30818	2I5	30	70 - 83	R31665	2F19	6	70 - 23
R28123	2E22	11	70 - 2	R30818	2I7	33	70 - 85	R31665	2G10	13	70 - 40
R28123	3B7	3	90 - 5	R30828	1G1	4	30 - 67	R31781	2F2	41	70 - 7
R28123	3C11	14	90 - 35	R30877	1D2	31	20 - 43	R31781	2F10	38	70 - 15
R28123	3C11	..	90 - 35	R30877	2B4	16	50 - 1	R31877	3C9	33	90 - 33
R28123	3C13	13	90 - 37	R30903	2E6	5	60 - 18	R31890	2I5	23	70 - 83
R28123	3C13	14	90 - 37	R30903	2E7	30	60 - 19	R31890	2I7	23	70 - 85
R28123	3C13	17	90 - 37	R30903	2E8	7	60 - 20	R31943	2J4	13	80 - 1
R28123	3C13	18	90 - 37	R30936	1C24	15	20 - 41	R32011	1J16	1	40 - 79
R28124	2D16	7	60 - 3	R30937	1D2	19	20 - 43	R32016	1G10	24	40 - 3
R28128	2D6	4	50 - 55	R30937	2E22	13	70 - 2	R32016	1G11	13	40 - 4
R28204	2I5	1	70 - 83	R30937	2E22	14	70 - 2	R32016	1I2	3	40 - 37
R28204	2I7	1	70 - 85	R30937	2J11	8	80 - 8	R32016	1I3	3	40 - 39
R28204	2I15	1	70 - 92	R30937	2J11	9	80 - 8	R32016	1J16	10	40 - 79
R28204	2I15	19	70 - 92	R30937	2J12	5	80 - 9	R32017	1J16	11	40 - 79
R28450	2D21	6	60 - 8	R30937	2J12	6	80 - 9	R32018	1G8	10	40 - 1
R28450	2D22	3	60 - 9	R30937	3B7	2	90 - 5	R32018	1G10	2	40 - 3
R28450	2D24	34	60 - 11	R30937	3B7	11	90 - 5	R32018	1G11	2	40 - 4
R28473	1I16	6	40 - 52	R30937	3B15	1	90 - 14	R32018	1G18	2	40 - 11
R28490	2J5	5	80 - 2	R30937	3C11	2	90 - 35	R32018	1I7	2	40 - 43
R28556	2H2	35A	70 - 57	R30937	3C13	2	90 - 37	R32018	1I13	..	40 - 49
R28575	2G6	3	70 - 36	R30964	1G13	5	40 - 6	R32018	1J14	9	40 - 77
R28583	1E18	17	30 - 32	R30964	1G21	..	40 - 13	R32018	1J14	15	40 - 77
R28583	1E19	16	30 - 33	R31101	1E24	3	30 - 38	R32018	1J16	12	40 - 79
R28583	1E21	5	30 - 35	R31136	2G11	6	70 - 41	R32018	3B8	11	90 - 6
R28594	2C25	9	50 - 48	R31136	2I12	4	70 - 89	R32019	1G18	3	40 - 11
R28640	2C8	5	50 - 31	R31136	2I14	1	70 - 91	R32019	1J16	13	40 - 79
R28671	2C2	11	50 - 25	R31147	1F8	1	30 - 47	R32021	1J14	14	40 - 77
R28744	2H15	20	70 - 66	R31147	1F14	12	30 - 53	R32021	1J16	14	40 - 79
R28744	2H18	10	70 - 69	R31198	2B6	21	50 - 3	R32022	1G10	18	40 - 3
R28774	2E7	22	60 - 19	R31201	2D14	27	60 - 1	R32022	1G11	20	40 - 4
R28776	2E7	24	60 - 19	R31202	2D14	25	60 - 1	R32022	1G16	1	40 - 9
R28776	2E8	12	60 - 20	R31217	2D18	4	60 - 5	R32022	1G18	3	40 - 11
R28781	2F2	39	70 - 7	R31250	1I2	29	40 - 37	R32022	1J16	15	40 - 79
R28781	2F10	35	70 - 15	R31250	1I3	25	40 - 39	R32022	3B8	11	90 - 6
R28782	2F2	38	70 - 7	R31260	3B21	9	90 - 20	R32023	1J16	16	40 - 79
R28782	2F6	9	70 - 11	R31271	1G1	19	30 - 67	R32024	1J14	9	40 - 77
R28782	2F10	34	70 - 15	R31271	2E6	6	60 - 18	R32024	1J22	3	40 - 84A
R28782	2F14	11	70 - 17	R31273	2E6	23	60 - 18	R32024	1J23	3	40 - 85
R28783	2D17	19	60 - 4	R31287	2J16	8	80 - 13	R32025	1G8	10	40 - 1
R28811	1C5	3	20 - 25	R31374	2B4	11	50 - 1	R32025	1G10	2	40 - 3
R28914	2G5	21	70 - 35	R31378	1D6	2	20 - 47	R32025	1I7	2	40 - 43
R29001	2C7	6	50 - 30	R31422	2G19	3	70 - 49	R32025	1I13	..	40 - 49
R29463	2I20	29	70 - 97	R31454	2E7	16	60 - 19	R32025	1J14	14	40 - 77
R29463	2I22	21	70 - 99	R31454	2E7	17	60 - 19	R32025	1J22	4	40 - 84A
R29936	2F14	21	70 - 17	R31454	2E7	28	60 - 19	R32025	1J23	4	40 - 85
R29936	2F14	25	70 - 17	R31455	2E6	14	60 - 18	R32025	3B8	2	90 - 6
R29936	2G9	26	70 - 39	R31455	2E8	2	60 - 20	R32026	1J16	17	40 - 79
R30181	1I2	7	40 - 37	R31455	2E9	2	60 - 21	R32026	1J20	48	40 - 83
R30181	1I3	7	40 - 39	R31457	2E6	9	60 - 18	R32027	1G8	10	40 - 1
R30200	1D6	6	20 - 47	R31458	2E6	7	60 - 18	R32027	1G10	2	40 - 3

1L4

7020 TRACTOR

NUMERICAL INDEX - CONTINUED

PART NO.	GRID	KEY	PAGE	PART NO.	GRID	KEY	PAGE	PART NO.	GRID	KEY	PAGE
R32027	1G11	2	40 - 4	R33282	2E15	27	60 - 27	R34620	3B20	9	90 - 19
R32027	1I7	2	40 - 43	R33410	2C16	4	50 - 39	R34656	1E24	19	30 - 38
R32027	1I13	..	40 - 49	R33411	2C16	4	50 - 39	R34656	1F1	1	30 - 40
R32027	1J14	5	40 - 77	R33412	2C16	4	50 - 39	R34659	2J4	13	80 - 1
R32027	1J14	9	40 - 77	R33491	2D5	8	50 - 54	R34666	2J13	6	80 - 10
R32027	1J14	14	40 - 77	R33492	2D5	2	50 - 54	R34680	2J4	3	80 - 1
R32027	1J16	18	40 - 79	R33493	2D5	16	50 - 54	R34680	2J4	4	80 - 1
R32027	3B8	2	90 - 6	R33521	2F17	8	70 - 21	R34680	2J4	5	80 - 1
R32028	1G16	1	40 - 9	R33531	2J4	4	80 - 1	R34680	2J4	7	80 - 1
R32028	1J16	19	40 - 79	R33532	2J4	7	80 - 1	R34680	2J4	9	80 - 1
R32029	1J16	20	40 - 79	R33533	2J4	4	80 - 1	R34680	2J4	11	80 - 1
R32042	1B16	7	20 - 15	R33533	2J5	3	80 - 2	R34680	2J4	12	80 - 1
R32042	1C19	21	20 - 36	R33534	2J4	7	80 - 1	R34680	2J4	14	80 - 1
R32087	2F18	6	70 - 22	R33534	2J5	4	80 - 2	R34680	2J4	15	80 - 1
R32087	2G1	4	70 - 30	R33610	2G3	10	70 - 32	R34733	2C25	4	50 - 48
R32087	2G2	1	70 - 31	R33610	2G4	17	70 - 33	R34733	2D16	1	60 - 3
R32090	2E7	4	60 - 19	R33610	2G5	4	70 - 35	R34733	2D18	6	60 - 5
R32090	2E9	6	60 - 21	R33706	2J4	12	80 - 1	R34801	2J4	16	80 - 1
R32091	2E7	3	60 - 19	R33731	2C18	12	50 - 41	R34801	2J6	1	80 - 3
R32091	2E9	5	60 - 21	R33733	1E24	6	30 - 38	R34802	2F10	12	70 - 15
R32092	2E7	1	60 - 19	R33733	1F1	6	30 - 40	R34812	1F10	19	30 - 49
R32092	2E8	3	60 - 20	R33877	2D6	25	50 - 55	R34812	2H19	11	70 - 71
R32092	2E9	3	60 - 21	R34064	2C22	11	50 - 45	R34827	3C21	1	90 - 45
R32101	2B8	4	50 - 5	R34121	2D15	14	60 - 2	R34828	2J5	8	80 - 2
R32136	1F2	6	30 - 41	R34125	2D14	33	60 - 1	R35002	2D8	4	50 - 57
R32136	1F4	12	30 - 43	R34129	2D16	20	60 - 3	R35075	2B5	11	50 - 2
R32136	1F8	22	30 - 47	R34131	2D16	9	60 - 3	R35119	2D8	5	50 - 57
R32186	2D14	16	60 - 1	R34131	2I22	2	70 - 99	R35164	2C14	1	50 - 37
R32234	3C9	10	90 - 33	R34147	2F24	9	70 - 28	R35165	2C14	1	50 - 37
R32276	1J7	..	40 - 68	R34184	2D6	13	50 - 55	R35166	2C14	1	50 - 37
R32276	1J9	11	40 - 71	R34206	1I17	8	40 - 53	R35167	2C14	1	50 - 37
R32306	1E18	4	30 - 32	R34267	3B20	10	90 - 19	R35192	2J8	2	80 - 5
R32306	1E19	2	30 - 33	R34272	3B20	5	90 - 19	R35256	1B13	10	20 - 11
R32344	2F2	42	70 - 7	R34328	2B8	14	50 - 5	R35274	2C11	2	50 - 34
R32353	2I15	15	70 - 92	R34337	1I15	23	40 - 51	R35282	2J8	7	80 - 5
R32354	2I15	11	70 - 92	R34348	2E25	26	70 - 5	R35332	2J4	12	80 - 1
R32355	2I15	10	70 - 92	R34349	2E25	24	70 - 5	R35333	2J4	5	80 - 1
R32356	2I5	9	70 - 83	R34360	2E22	5	70 - 2	R35335	2J4	6	80 - 1
R32356	2I7	9	70 - 85	R34362	2E22	2	70 - 2	R35339	1C24	5	20 - 41
R32356	2I15	9	70 - 92	R34370	1G21	17	40 - 13	R35339	1C24	7	20 - 41
R32419	2I2	12	70 - 79	R34388	1E18	12	30 - 32	R35339	3C11	16	90 - 35
R32419	2I3	12	70 - 80	R34394	1E18	7	30 - 32	R35339	3C13	19	90 - 37
R32419	2I5	38	70 - 83	R34394	1E19	6	30 - 33	R35340	2J11	10	80 - 8
R32419	2I7	46	70 - 85	R34395	1E18	8	30 - 32	R35340	2J12	7	80 - 9
R32419	2I15	8	70 - 92	R34395	1E19	7	30 - 33	R35340	3C13	16	90 - 37
R32426	1B14	2	20 - 13	R34396	2I5	27	70 - 83	R35352	1F2	11	30 - 41
R32507	2C25	10	50 - 48	R34397	2I5	15	70 - 83	R35352	1F8	13	30 - 47
R32588	2D16	3	60 - 3	R34397	2I7	15	70 - 85	R35365	2B21	25	50 - 20
R32588	2I22	3	70 - 99	R34398	2I5	22	70 - 83	R35366	2B21	25	50 - 20
R32593	1B9	4	20 - 7	R34398	2I7	22	70 - 85	R35367	2B21	25	50 - 20
R32593	1D10	6	20 - 51	R34399	2I5	8	70 - 83	R35369	2C15	4	50 - 38
R32593	1D12	2	20 - 53	R34399	2I7	8	70 - 85	R35371	2C16	21	50 - 39
R32639	1F8	10	30 - 47	R34400	2I5	20	70 - 83	R35372	2C16	6	50 - 39
R32639	1F14	14	30 - 53	R34400	2I7	20	70 - 85	R35373	2C16	12	50 - 39
R32736	3B20	8	90 - 19	R34402	2I7	41	70 - 85	R35377	2C15	1	50 - 38
R33020	2D6	5	50 - 55	R34447	1F3	11	30 - 42	R35385	2C14	6	50 - 37
R33026	2D6	3	50 - 55	R34447	1F4	7	30 - 43	R35386	2C14	8	50 - 37
R33028	2D6	19	50 - 55	R34483	2B6	1	50 - 3	R35389	2D4	25	50 - 53
R33029	2D8	20	50 - 57	R34483	2J16	12	80 - 13	R35426	2C16	11	50 - 39
R33138	2D4	29	50 - 53	R34557	1E24	7	30 - 38	R35447	2I20	13	70 - 97
R33138	2G5	14	70 - 35	R34557	1F1	8	30 - 40	R35447	2I22	5	70 - 99
R33162	2G5	22	70 - 35	R34580	2J4	16	80 - 1	R35448	2I20	38	70 - 97
R33163	2G5	17	70 - 35	R34589	2I7	43	70 - 85	R35452	2I20	3	70 - 97
R33173	2D21	11	60 - 8	R34603	2G2	1	70 - 31	R35452	2I22	13	70 - 99
R33259	1F10	30	30 - 49	R34609	3B20	8	90 - 19	R35457	2C14	27	50 - 37
R33259	2G5	11	70 - 35	R34618	3B20	8	90 - 19	R35461	2C14	13	50 - 37
R33259	2G5	22	70 - 35	R34619	3B20	10	90 - 19	R35467	2H10	25	70 - 63

1L5

7020 TRACTOR

NUMERICAL INDEX - CONTINUED

PART NO.	GRID	KEY	PAGE	PART NO.	GRID	KEY	PAGE	PART NO.	GRID	KEY	PAGE
R35468	2H10	24	70 - 63	R36423	2G9	23	70 - 39	R375R	1F7	3	30 - 46
R35472	2I20	23	70 - 97	R36424	2G7	18	70 - 37	R375R	2I5	16	70 - 83
R35472	2I22	8	70 - 99	R36424	2G9	21	70 - 39	R375R	2I7	16	70 - 85
R35473	2I20	30	70 - 97	R36425	2G7	10	70 - 37	R375R	2I8	5	70 - 85A
R35473	2I22	22	70 - 99	R36425	2G9	28	70 - 39	R375R	2I10	19	70 - 87
R35474	2I20	18	70 - 97	R36426	2I2	9	70 - 79	R38064	2D6	18	50 - 55
R35474	2I22	19	70 - 99	R36441	2H2	26	70 - 57	R38066	2D6	23	50 - 55
R35476	2H10	28	70 - 63	R36444	2H2	20	70 - 57	R38143	1F24	8	30 - 64
R35479	2H4	9	70 - 59	R36448	2H2	4	70 - 57	R38143	1F25	8	30 - 65
R35479	2H8	12	70 - 61B	R36469	2G23	18	70 - 54	R38181	2C18	20	50 - 41
R35479	2H12	13	70 - 63B	R36469	2G23	..	70 - 54	R38181	2C20	16	50 - 43
R35482	2H6	7	70 - 61	R36470	2G23	15	70 - 54	R38185	2B15	34	50 - 13
R35482	2H10	23	70 - 63	R36470	2G23	..	70 - 54	R38323	2G3	4	70 - 32
R35483	2H10	20	70 - 63	R36471	2G23	14	70 - 54	R38323	2G3	12	70 - 32
R35489	2C16	20	50 - 39	R36507	2H6	10	70 - 61	R38323	2G4	10	70 - 33
R35491	2C16	7	50 - 39	R36508	2H6	8	70 - 61	R38371	1I2	15	40 - 37
R35500	2D1	16	50 - 49	R36509	2H6	18	70 - 61	R38371	1I3	14	40 - 39
R35501	2D1	6	50 - 49	R36535	1F10	18	30 - 49	R38371	1I9	2	40 - 45
R35502	2D1	6	50 - 49	R36540	1F10	28	30 - 49	R38374	1G23	12	40 - 16
R35503	2D1	6	50 - 49	R36590	3B12	8	90 - 11	R38376	1G1	7	30 - 67
R35620	2B8	22	50 - 5	R36590	3B15	..	90 - 14	R38377	1G1	5	30 - 67
R35621	2B8	21	50 - 5	R36608	2H6	22	70 - 61	R38454	1G13	3	40 - 6
R35621	2C11	3	50 - 34	R36608	2H10	33	70 - 63	R38454	3C8	11	90 - 32
R35666	1G14	4	40 - 7	R36609	2H6	5A	70 - 61	R38498	2D6	24	50 - 55
R35680	2E15	15	60 - 27	R36609	2H10	5A	70 - 63	R38499	2D6	21	50 - 55
R35684	2E15	5	60 - 27	R36658	2J1	3	70 - 103	R38500	2D6	20	50 - 55
R35684	2E17	5	60 - 29	R36659	2J1	3	70 - 103	R38614	1B20	1	20 - 19
R35701	2D22	12	60 - 9	R36678	2C14	10	50 - 37	R38614	1C17	2	20 - 34
R35717	2H25	14	70 - 77	R36704	3B22	15	90 - 21	R38614	1C17	4	20 - 34
R35717	2I1	22	70 - 78	R36704	3B22	27	90 - 21	R38614	1C17	..	20 - 34
R35726	2H25	17	70 - 77	R36715	1C19	15	20 - 36	R38614	1C18	12	20 - 35
R35726	2I1	20	70 - 78	R36732	1J9	24	40 - 71	R39012	2I20	7	70 - 97
R35735	2D8	16	50 - 57	R36742	2E7	15	60 - 19	R39074	2E25	17	70 - 5
R35738	2I20	31	70 - 97	R36742	2E12	8	60 - 23	R39112	2D17	17	60 - 4
R35738	2I22	31	70 - 99	R36742	2E12	25	60 - 23	R39112	2D21	1	60 - 8
R35769	2J10	13	80 - 7	R36764	2C16	18	50 - 39	R39112	2E7	21	60 - 19
R35827	2F6	22	70 - 11	R36765	2C16	17	50 - 39	R39112	2G5	9	70 - 35
R35835	2H10	26	70 - 63	R36766	2C16	17	50 - 39	R39112	2G7	15	70 - 37
R35838	2H10	17	70 - 63	R36767	2C16	17	50 - 39	R39112	2G9	2	70 - 39
R35839	2H10	18	70 - 63	R36795	2I18	5	70 - 95	R39112	2G9	12	70 - 39
R36097	2J4	13	80 - 1	R36881	2D3	2	50 - 51	R39112	2G10	1	70 - 40
R36180	2F21	15	70 - 25	R36946	2I2	11	70 - 79	R39112	2G10	3	70 - 40
R36190	2J4	3	80 - 1	R36946	2I3	11	70 - 80	R39112	2G18	8	70 - 48A
R36190	2J4	4	80 - 1	R36946	2I15	21	70 - 92	R39112	2H13	13	70 - 64
R36190	2J4	5	80 - 1	R36951	2I22	20	70 - 99	R39174	2E25	19	70 - 5
R36190	2J4	6	80 - 1	R36952	2I22	33	70 - 99	R39175	2E25	20	70 - 5
R36190	2J4	7	80 - 1	R37143	2F21	19	70 - 25	R39179	2D21	12	60 - 8
R36190	2J4	9	80 - 1	R37400	2D4	26	50 - 53	R39225	2H15	12	70 - 66
R36190	2J4	11	80 - 1	R37401	2D6	17	50 - 55	R39225	2H16	6	70 - 67
R36190	2J4	12	80 - 1	R37408	2D4	3	50 - 53	R39228	2E25	18	70 - 5
R36190	2J4	14	80 - 1	R37409	2D4	8	50 - 53	R39228	2F8	16	70 - 13
R36190	2J4	15	80 - 1	R37410	2B21	17	50 - 20	R39289	2H13	7	70 - 64
R36190	2J4	16	80 - 1	R37410	2C6	15	50 - 29	R39305	2G3	13	70 - 32
R36229	3B14	23	90 - 13	R37410	2C10	8	50 - 33	R39305	2G4	13	70 - 33
R36235	1J7	22	40 - 68	R37418	2B18	17	50 - 16	R394R	2C25	2	50 - 48
R36265	2C18	14	50 - 41	R37419	2B18	11	50 - 16	R394R	2C25	7	50 - 48
R36272	2H6	17	70 - 61	R37419	2B18	16	50 - 16	R394R	2G14	16	70 - 45
R36273	2H6	19	70 - 61	R37426	2D14	36	60 - 1	R394R	2G14	30	70 - 45
R36358	2F10	11	70 - 15	R37428	2D16	18	60 - 3	R394R	2G16	19	70 - 47
R36378	2G7	19	70 - 37	R37436	2B21	6	50 - 20	R394R	2H13	6	70 - 64
R36378	2G9	22	70 - 39	R37438	2B21	7	50 - 20	R394R	2H18	15	70 - 69
R36379	2G7	19	70 - 37	R37439	2B21	16	50 - 20	R39534	1E18	2	30 - 32
R36379	2G9	22	70 - 39	R37440	2D4	20	50 - 53	R39554	1E21	2	30 - 35
R36402	2G12	2	70 - 42	R37467	2D16	19	60 - 3	R39587	2G5	18	70 - 35
R36402	2H3	2	70 - 58	R37476	2D17	20	60 - 4	R39725	2B13	9	50 - 11
R36415	3C11	15	90 - 35	R37479	2I1	28	70 - 78	R39726	2B13	9	50 - 11
R36423	2G7	20	70 - 37	R375R	1F5	5	30 - 44	R39727	2B13	9	50 - 11

1L6

7020 TRACTOR

NUMERICAL INDEX - CONTINUED

PART NO.	GRID	KEY	PAGE	PART NO.	GRID	KEY	PAGE	PART NO.	GRID	KEY	PAGE
R39729	2E25	9	70 - 5	R40885	2G16	8	70 - 47	R41119	2G14	25	70 - 45
R39729	2F6	17	70 - 11	R40886	2G14	24	70 - 45	R41121	2G13	7	70 - 43
R39739	3C21	3	90 - 45	R40889	2G13	17	70 - 43	R41147	2G19	35	70 - 49
R39741	1B18	7	20 - 17	R40891	2G13	18	70 - 43	R41154	2H19	5	70 - 71
R39741	2E25	15	70 - 5	R40893	2G18	29	70 - 48A	R41155	2H13	14	70 - 64
R39741	2F8	13	70 - 13	R40894	2G18	34	70 - 48A	R41155	2H18	18	70 - 69
R39758	2J5	9	80 - 2	R40895	2G18	32	70 - 48A	R41156	2H19	20	70 - 71
R39766	2J13	2	80 - 10	R40896	2G18	23	70 - 48A	R41194	3C15	14	90 - 39
R39795	2C25	1	50 - 48	R40898	2H15	20	70 - 66	R41198	2D25	10	60 - 12
R39796	2C25	3	50 - 48	R40922	2G7	14	70 - 37	R41198	2E2	13	60 - 14
R39800	1G23	14	40 - 16	R40922	2G9	3	70 - 39	R41198	2E4	15	60 - 16
R39801	1G23	20	40 - 16	R40922	2G10	5	70 - 40	R41201	2E7	4	60 - 19
R39802	1G23	9	40 - 16	R40925	3C9	18	90 - 33	R41280	2G7	5	70 - 37
R39803	1G23	18	40 - 16	R40937	2H19	7	70 - 71	R41285	1D25	16	30 - 11
R39803	1G24	17	40 - 17	R40937	2H21	15	70 - 73	R41285	1E2	18	30 - 13
R39808	2G5	15	70 - 35	R40937	2H22	6	70 - 74	R41300	2D8	12	50 - 57
R39980	2E6	8	60 - 18	R40944	2G14	26	70 - 45	R41325	1I4	10	40 - 40
R39981	2E6	3	60 - 18	R40945	2G18	22	70 - 48A	R41326	1I4	11	40 - 40
R39982	2E6	2	60 - 18	R40948	2B7	5	50 - 4	R41327	1I4	7	40 - 40
R39985	1G1	14	30 - 67	R40948	2G14	35	70 - 45	R41328	1I4	8	40 - 40
R40028	2H6	18	70 - 61	R40949	2G14	1	70 - 45	R41333	2H19	8	70 - 71
R40028	2H8	11	70 - 61B	R40949	2G16	1	70 - 47	R41334	1G21	10	40 - 13
R40072	2F16	7	70 - 20	R40982	1G1	16	30 - 67	R41334	1G22	13	40 - 15
R40072	2F17	9	70 - 21	R40983	1G1	14	30 - 67	R41338	2H19	13	70 - 71
R40121	2H6	1A	70 - 61	R40984	1G1	18	30 - 67	R41338	2H22	10	70 - 74
R40121	2H10	1A	70 - 63	R40985	1F24	2	30 - 64	R41339	2H19	9	70 - 71
R40147	2C24	3	50 - 47	R40985	1F25	2	30 - 65	R41339	2H21	14	70 - 73
R40149	2D15	10	60 - 2	R40986	1F24	3	30 - 64	R41339	2H22	8	70 - 74
R40219	2I20	26	70 - 97	R40986	1F25	3	30 - 65	R41358	3B24	7	90 - 23
R40236	1C18	27	20 - 35	R40988	1F24	9	30 - 64	R41358	3C1	1	90 - 25
R40337	1H9	4	40 - 24A	R40988	1F25	9	30 - 65	R41370	2B7	6	50 - 4
R40337	1H11	26	40 - 24C	R40989	1F24	13	30 - 64	R41383	2G19	23	70 - 49
R40337	1H14	3	40 - 27	R40989	1F25	13	30 - 65	R41385	2G19	22	70 - 49
R40338	2D17	3	60 - 4	R40991	1F24	7	30 - 64	R41386	2G19	25	70 - 49
R40445	1J14	3	40 - 77	R40991	1F25	7	30 - 65	R41387	2H14	11	70 - 65
R40531	2D15	11	60 - 2	R40999	2F16	6	70 - 20	R41406	1C14	2	20 - 31
R40545	1H9	38	40 - 24A	R40999	2F17	13	70 - 21	R41406	1C16	3	20 - 33
R40546	1H12	6	40 - 25	R41001	2F16	10	70 - 20	R41421	2B4	3	50 - 1
R40548	1H12	10	40 - 25	R41001	2F17	6	70 - 21	R41422	2B4	2	50 - 1
R40548	1H17	7	40 - 28	R41006	2C24	10	50 - 47	R41423	1C4	4	20 - 24
R40567	2D14	31	60 - 1	R41007	2C24	9	50 - 47	R41425	1C4	6	20 - 24
R40595	2D17	12	60 - 4	R41049	1C5	1	20 - 25	R41426	1C4	5	20 - 24
R40596	2D17	15	60 - 4	R41049	2D1	1	50 - 49	R41438	3C8	8	90 - 32
R40597	2D17	16	60 - 4	R41049	2D5	7	50 - 54	R41439	1J9	13	40 - 71
R40599	2H13	9	70 - 64	R41050	2D1	14	50 - 49	R41440	1I17	6	40 - 53
R40599	2H18	14	70 - 69	R41050	2D5	11	50 - 54	R41442	3C8	7	90 - 32
R40713	2C14	1	50 - 37	R41055	2H18	26	70 - 69	R41463	2G5	10	70 - 35
R40714	2C14	1	50 - 37	R41055	2H19	21	70 - 71	R41494	2I5	37	70 - 83
R40715	2C14	1	50 - 37	R41057	2F2	43	70 - 7	R41494	2I7	41	70 - 85
R40740	1C5	10	20 - 25	R41057	2F2	44	70 - 7	R41549	2B16	25	50 - 14
R40740	1C6	4	20 - 26	R41057	2F4	7	70 - 9	R41549	2H19	4	70 - 71
R40740	1C6	6	20 - 26	R41057	2F10	41	70 - 15	R41549	2H22	4	70 - 74
R40757	2D17	14	60 - 4	R41057	2F12	9	70 - 15B	R41564	1G1	21	30 - 67
R40791	1G10	14	40 - 3	R41057	2F14	13	70 - 17	R41564	2H16	1	70 - 67
R40791	1G11	17	40 - 4	R41057	2G18	20	70 - 48A	R41604	3C9	15	90 - 33
R40791	3B9	10	90 - 7	R41057	2H19	18	70 - 71	R41613	2H18	20	70 - 69
R40808	1C17	4	20 - 34	R41057	2H21	12	70 - 73	R41613	2H19	1	70 - 71
R40824	2C24	17	50 - 47	R41057	2H22	14	70 - 74	R41661	2G14	23	70 - 45
R40828	2C24	12	50 - 47	R41057	2H22	16	70 - 74	R41661	2G16	11	70 - 47
R40831	2C24	13	50 - 47	R41057	2H23	4	70 - 75	R41706	1I17	11	40 - 53
R40833	2C24	12	50 - 47	R41070	1B16	16	20 - 15	R41707	2C8	7	50 - 31
R40835	2B8	13	50 - 5	R41071	3B16	13	90 - 15	R41724	2D16	2	60 - 3
R40835	2C9	7	50 - 32	R41079	2G14	11	70 - 45	R41760	3C15	15	90 - 39
R40835	2C14	17	50 - 37	R41108	2G14	3	70 - 45	R41776	2G18	30	70 - 48A
R40835	2C15	12	50 - 38	R41108	2G16	3	70 - 47	R41777	2G18	31	70 - 48A
R40881	2G18	1	70 - 48A	R41117	2G14	32	70 - 45	R41778	3B17	5	90 - 16
R40885	2G14	8	70 - 45	R41118	2G14	22	70 - 45	R41778	3B18	15	90 - 17

1L7

7020 TRACTOR

NUMERICAL INDEX - CONTINUED

PART NO.	GRID	KEY	PAGE	PART NO.	GRID	KEY	PAGE	PART NO.	GRID	KEY	PAGE
R41778	3B19	25	90 - 18	R42406	1D4	1	20 - 45	R43020	2C14	24	50 - 37
R41781	3B17	9	90 - 16	R42406	1D5	1	20 - 46	R43021	2C14	9	50 - 37
R41781	3B18	10	90 - 17	R42406	1D10	12	20 - 51	R43023	2C16	1	50 - 39
R41781	3B19	9	90 - 18	R42406	1D12	22	20 - 53	R43023	2D1	15	50 - 49
R41877	2E15	14	60 - 27	R42407	2D1	5	50 - 49	R43075	2E22	6	70 - 2
R41877	2E17	12	60 - 29	R42407	2G13	12	70 - 43	R43079	2G24	15	70 - 55
R41879	1I24	6	40 - 60	R42407	2G13	13	70 - 43	R43081	2G23	9	70 - 54
R41880	1I24	11	40 - 60	R42408	3B18	6	90 - 17	R43093	1C5	5	20 - 25
R41880	1I25	11	40 - 61	R42408	3B19	5	90 - 18	R43117	1D3	5	20 - 44
R41880	1J3	4	40 - 64	R42424	1C1	1	20 - 20	R43117	1D3	..	20 - 44
R41891	2E15	7	60 - 27	R42424	1D10	34	20 - 51	R43117	1D5	2	20 - 46
R41902	2D5	13	50 - 54	R42443	2D5	10	50 - 54	R43117	1D10	22	20 - 51
R41920	1C17	2	20 - 34	R42445	2D5	9	50 - 54	R43128	2C15	7	50 - 38
R41920	1C17	4	20 - 34	R42451	3C14	4	90 - 38	R43129	2C15	11	50 - 38
R41920	1C17	..	20 - 34	R42467	2E25	25	70 - 5	R43131	2C16	5	50 - 39
R41920	1C18	12	20 - 35	R42495	2G23	5	70 - 54	R43134	2C16	22	50 - 39
R41931	2H15	17	70 - 66	R42495	2G24	13	70 - 55	R43135	2C20	3	50 - 43
R41932	2H15	21	70 - 66	R42509	2B7	13	50 - 4	R43136	2C20	5	50 - 43
R41934	1C5	6	20 - 25	R42511	2B7	14	50 - 4	R43137	2C18	7	50 - 41
R41934	1C6	1	20 - 26	R42512	2B7	8	50 - 4	R43166	1E14	17	30 - 27
R41934	1C7	9	20 - 27	R42529	2D8	19	50 - 57	R43167	1E14	21	30 - 27
R41934	1C8	7	20 - 27A	R42574	1H11	21	40 - 24C	R43170	1E15	10	30 - 28
R41934	1C9	7	20 - 27B	R42574	1H16	20	40 - 27B	R43172	1E14	14	30 - 27
R41934	1C10	7	20 - 27C	R42629	2D14	7	60 - 1	R43184	2D1	7	50 - 49
R41934	1C11	7	20 - 27D	R42639	2G19	29	70 - 49	R43186	2D1	2	50 - 49
R41937	3B20	12	90 - 19	R42646	3B17	4	90 - 16	R43191	2C16	8	50 - 39
R41938	3B20	12	90 - 19	R42646	3B18	14	90 - 17	R43223	2E10	5	60 - 22
R41968	2G19	32	70 - 49	R42646	3B19	24	90 - 18	R43224	2E10	4	60 - 22
R41973	2D5	12	50 - 54	R42660	2H10	19	70 - 63	R43227	2D8	15	50 - 57
R42007	2E7	28	60 - 19	R42662	2J11	12	80 - 8	R43230	2B4	19	50 - 1
R42057	2G5	23	70 - 35	R42663	2F2	31	70 - 7	R43244	2D8	26	50 - 57
R42057	3C9	22	90 - 33	R42666	1I2	16	40 - 37	R43245	2D8	24	50 - 57
R42093	2G19	20	70 - 49	R42666	1I3	15	40 - 39	R43250	2C24	15	50 - 47
R42093	2H14	9	70 - 65	R42667	1I2	16	40 - 37	R43251	2C24	18	50 - 47
R42093	2H14	13	70 - 65	R42667	1I3	15	40 - 39	R43252	2C24	9	50 - 47
R42094	2G19	16	70 - 49	R42684	2E7	23	60 - 19	R43253	2C24	14	50 - 47
R42115	2D16	10	60 - 3	R42689	1I2	1	40 - 37	R43254	2C24	1	50 - 47
R42115	2D17	10	60 - 4	R42689	1I3	1	40 - 39	R43256	2C24	8	50 - 47
R42129	2C23	16	50 - 46	R42693	1D7	16	20 - 48	R43257	2C24	11	50 - 47
R42171	2G24	4	70 - 55	R42693	1D8	20	20 - 49	R43259	2G24	8	70 - 55
R42172	2G24	6	70 - 55	R42693	1D10	5	20 - 51	R43260	2C12	4	50 - 35
R42173	1C4	3	20 - 24	R42693	1D12	7	20 - 53	R43277	2B6	19	50 - 3
R42260	2F2	40	70 - 7	R42729	1C17	2	20 - 34	R43298	2G20	3	70 - 50
R42260	2F10	37	70 - 15	R42729	1C17	3	20 - 34	R43298	2G21	2	70 - 51
R42275	3C8	15	90 - 32	R42729	1C18	13	20 - 35	R43299	2G20	8	70 - 50
R42282	2H14	4	70 - 65	R42799	1I23	..	40 - 59	R43311	2G12	9	70 - 42
R42312	3B16	2	90 - 15	R42799	1I24	3	40 - 60	R43312	2G12	13	70 - 42
R42340	1B16	9	20 - 15	R42799	1I25	3	40 - 61	R43313	2G12	6	70 - 42
R42340	1B18	12	20 - 17	R42799	1J3	9	40 - 64	R43314	2G12	3	70 - 42
R42352	1B12	4	20 - 10	R42822	3B3	1	90 - 1	R43315	2G20	12	70 - 50
R42355	1B12	7	20 - 10	R42849	2E7	26	60 - 19	R43316	2G20	9	70 - 50
R42356	1B12	6	20 - 10	R42849	2E14	23	60 - 25	R43316	2G21	8	70 - 51
R42356	1B13	7	20 - 11	R42852	1C19	9	20 - 36	R43318	2G20	1	70 - 50
R42357	2E12	6	60 - 23	R42912	1F20	14	30 - 60	R43319	2H4	1	70 - 59
R42357	2E12	16	60 - 23	R42912	1F21	23	30 - 61	R43320	2B10	6	50 - 7
R42357	2E13	11	60 - 24	R42912	1F22	21	30 - 62	R43320	2H4	5	70 - 59
R42357	2E14	12	60 - 25	R42948	2B15	46	50 - 13	R43323	2G24	1	70 - 55
R42363	1B18	21	20 - 17	R42948	2B17	28	50 - 15	R43324	2G12	10	70 - 42
R42364	1B7	13	20 - 5	R43001	2D8	27	50 - 57	R43325	2G7	2	70 - 37
R42365	1B18	20	20 - 17	R43002	2D1	12	50 - 49	R43326	2G20	6	70 - 50
R42375	1E14	13	30 - 27	R43003	2D1	12	50 - 49	R43326	2G21	5	70 - 51
R42375	1E16	5	30 - 29	R43014	2D8	25	50 - 57	R43335	2B6	14	50 - 3
R42390	1C17	6	20 - 34	R43015	2D8	23	50 - 57	R43344	2D1	13	50 - 49
R42390	1C18	3	20 - 35	R43016	2D8	31	50 - 57	R43346	2C9	9	50 - 32
R42392	1C17	7	20 - 34	R43017	2C15	5	50 - 38	R43346	2C15	10	50 - 38
R42404	1D10	33	20 - 51	R43018	2C16	10	50 - 39	R43347	2C9	9	50 - 32
R42406	1D3	1	20 - 44	R43019	2C16	19	50 - 39	R43347	2C15	10	50 - 38

1L8

7020 TRACTOR

NUMERICAL INDEX - CONTINUED

PART NO.	GRID	KEY	PAGE	PART NO.	GRID	KEY	PAGE	PART NO.	GRID	KEY	PAGE
R43348	2C9	9	50 - 32	R43553	1C21	1	20 - 38	R43788	1B7	23	20 - 5
R43348	2C15	10	50 - 38	R43558	1C21	19	20 - 38	R43789	1B7	23	20 - 5
R43349	2C16	9	50 - 39	R43558	1D10	29	20 - 51	R43791	2G18	7	70 - 48A
R43356	2J14	8	80 - 11	R43560	1C21	13	20 - 38	R43801	1E3	9	30 - 14
R43360	2B4	14	50 - 1	R43563	1C21	22	20 - 38	R43801	1E4	9	30 - 15
R43362	2D4	24	50 - 53	R43569	2C5	6	50 - 28	R43801	1E5	5	30 - 17
R43368	2D1	11	50 - 49	R43593	2C20	9	50 - 43	R43803	1E3	21	30 - 14
R43369	2D1	5	50 - 49	R43594	1B7	17	20 - 5	R43803	1E4	21	30 - 15
R43369	2G13	12	70 - 43	R43595	1B7	16	20 - 5	R43803	1E5	8	30 - 17
R43369	2G13	13	70 - 43	R43595	1D10	20	20 - 51	R43804	1E3	20	30 - 14
R43385	2B5	15	50 - 2	R43595	1D12	28	20 - 53	R43804	1E4	20	30 - 15
R43386	2B5	14	50 - 2	R43601	2G12	14	70 - 42	R43804	1E5	11	30 - 17
R43387	2B5	10	50 - 2	R43603	1G21	3	40 - 13	R43805	1E3	12	30 - 14
R43388	2B5	5	50 - 2	R43603	1G22	7	40 - 15	R43805	1E4	12	30 - 15
R43389	2B5	9	50 - 2	R43604	1E10	18	30 - 23	R43805	1E5	9	30 - 17
R43390	2J7	5	80 - 4	R43610	1D16	10	30 - 2	R43806	1E3	8	30 - 14
R43391	2C20	10	50 - 43	R43621	1B16	15	20 - 15	R43806	1E4	8	30 - 15
R43393	2C18	11	50 - 41	R43621	1B18	18	20 - 17	R43806	1E5	4	30 - 17
R43403	2G11	9	70 - 41	R43625	2B5	3	50 - 2	R43808	1E3	10	30 - 14
R43404	2G12	5	70 - 42	R43630	2J11	4	80 - 8	R43808	1E4	10	30 - 15
R43408	2C13	1	50 - 36	R43631	2J11	1	80 - 8	R43808	1E5	6	30 - 17
R43408	2G7	6	70 - 37	R43632	2J11	5	80 - 8	R43815	1E3	15	30 - 14
R43408	2G9	30	70 - 39	R43634	1B16	21	20 - 15	R43815	1E4	15	30 - 15
R43409	2C11	25	50 - 34	R43634	1B18	25	20 - 17	R43816	1E3	11	30 - 14
R43410	1C21	14	20 - 38	R43660	1C19	20	20 - 36	R43816	1E4	11	30 - 15
R43410	1D3	15	20 - 44	R43660	1C20	1	20 - 37	R43816	1E5	7	30 - 17
R43413	1D10	11	20 - 51	R43661	2J11	2	80 - 8	R43817	1E3	2	30 - 14
R43413	1D12	9	20 - 53	R43662	1I2	9	40 - 37	R43817	1E4	2	30 - 15
R43413	1D25	9	30 - 11	R43662	1I3	9	40 - 39	R43817	1E5	1	30 - 17
R43413	1E2	9	30 - 13	R43662	1I7	5	40 - 43	R43819	1E3	14	30 - 14
R43416	1D10	18	20 - 51	R43662	1I8	3	40 - 44	R43819	1E4	14	30 - 15
R43416	1D12	8	20 - 53	R43663	1D3	2	20 - 44	R43821	1E3	16	30 - 14
R43416	1D25	21	30 - 11	R43677	1B12	4	20 - 10	R43821	1E4	16	30 - 15
R43416	1E2	13	30 - 13	R43679	1B7	23	20 - 5	R43828	1G21	7	40 - 13
R43423	1C19	10	20 - 36	R43681	1B7	27	20 - 5	R43828	1G23	28	40 - 16
R43424	1C19	4	20 - 36	R43683	1B7	26	20 - 5	R43851	1B14	8	20 - 13
R43424	1C19	12	20 - 36	R43698	1D16	8	30 - 2	R43866	2B5	7	50 - 2
R43424	1C20	21	20 - 37	R43702	1D16	5	30 - 2	R43904	1D3	6	20 - 44
R43425	1C19	3	20 - 36	R43703	1D16	7	30 - 2	R43904	1D5	3	20 - 46
R43425	1C19	13	20 - 36	R43706	2G24	14	70 - 55	R43906	2C18	4	50 - 41
R43425	1C20	20	20 - 37	R43720	1B7	30	20 - 5	R43913	1B7	27	20 - 5
R43426	1C19	16	20 - 36	R43724	1E14	15	30 - 27	R43914	1B7	25	20 - 5
R43427	1C19	13	20 - 36	R43724	1E15	11	30 - 28	R43921	2G13	10	70 - 43
R43427	1C19	14	20 - 36	R43735	2F18	7	70 - 22	R43922	2G13	19	70 - 43
R43428	1C19	7	20 - 36	R43735	2G1	3	70 - 30	R43928	1D25	10	30 - 11
R43428	1C20	19	20 - 37	R43735	2G2	3	70 - 31	R43944	2B5	18	50 - 2
R43429	1C19	18	20 - 36	R43740	1G19	4	40 - 11B	R43986	1E3	23	30 - 14
R43429	1C20	3	20 - 37	R43749	1D16	6	30 - 2	R43986	1E4	23	30 - 15
R43441	1B16	28	20 - 15	R43751	1D10	19	20 - 51	R44006	2G5	9	70 - 35
R43444	2H2	22	70 - 57	R43751	1D12	3	20 - 53	R44007	2D5	..	50 - 54
R43445	2B5	4	50 - 2	R43751	1D25	22	30 - 11	R44008	1G21	19	40 - 13
R43446	2B5	1	50 - 2	R43751	1E2	12	30 - 13	R44165	1J5	28	40 - 66
R43448	2G7	11	70 - 37	R43753	3C7	..	90 - 31	R44198	1I15	8	40 - 51
R43450	2G20	5	70 - 50	R43755	2F25	19	70 - 29	R44254	2E7	12	60 - 19
R43450	2G21	4	70 - 51	R43764	2G20	7	70 - 50	R44254	2E15	24	60 - 27
R43460	2C18	9	50 - 41	R43764	2G21	6	70 - 51	R44254	2E17	17	60 - 29
R43460	2C20	6	50 - 43	R43769	2G13	15	70 - 43	R44255	2E7	10	60 - 19
R43461	2C18	8	50 - 41	R43774	1C19	8	20 - 36	R44256	2E7	11	60 - 19
R43475	1G13	3	40 - 6	R43774	1C20	18	20 - 37	R44256	2E15	25	60 - 27
R43479	2F21	3	70 - 25	R43774	1D10	26	20 - 51	R44256	2E17	16	60 - 29
R43491	1D7	12	20 - 48	R43774	1D12	20	20 - 53	R44281	2B21	8	50 - 20
R43491	1D8	16	20 - 49	R43780	1D10	27	20 - 51	R44286	2I22	23	70 - 99
R43525	1F24	5	30 - 64	R43780	1D12	11	20 - 53	R44287	2I22	32	70 - 99
R43525	1F25	5	30 - 65	R43780	1D25	17	30 - 11	R44297	2I20	22	70 - 97
R43548	1C19	5	20 - 36	R43780	1E2	17	30 - 13	R44297	2I22	7	70 - 99
R43548	1C20	24	20 - 37	R43781	1D10	28	20 - 51	R44298	2G18	36	70 - 48A
R43549	1C19	6	20 - 36	R43787	1B7	23	20 - 5	R44299	2G18	37	70 - 48A

1L9

7020 TRACTOR

NUMERICAL INDEX - CONTINUED

PART NO.	GRID	KEY	PAGE	PART NO.	GRID	KEY	PAGE	PART NO.	GRID	KEY	PAGE
R44300	2G14	4	70 - 45	R44952	3C9	14	90 - 33	R459R	2I22	4	70 - 99
R44302	1D23	..	30 - 9	R44961	2D8	14	50 - 57	R45924	2G18	19	70 - 48A
R44302	1E19	12	30 - 33	R44961	2E10	1	60 - 22	R45925	2G18	18	70 - 48A
R44302	1E21	7	30 - 35	R44961	2E11	1	60 - 22A	R45926	2E6	15	60 - 18
R44302	1E22	..	30 - 36	R45015	3C7	..	90 - 31	R45929	2E6	11	60 - 18
R44302	1E23	2	30 - 37	R45016	2H18	21	70 - 69	R45936	1I2	18	40 - 37
R44302	1G8	..	40 - 1	R45133	1C17	1	20 - 34	R45936	1I3	17	40 - 39
R44302	1G13	..	40 - 6	R45133	1C18	1	20 - 35	R45937	1I2	19	40 - 37
R44302	1H6	2	40 - 22A	R45136	1I24	14	40 - 60	R45937	1I3	18	40 - 39
R44302	1H7	6	40 - 22B	R45136	1I25	14	40 - 61	R45968	1B16	29	20 - 15
R44302	1H18	7	40 - 29	R45137	1I24	15	40 - 60	R45968	1D10	16	20 - 51
R44302	1I5	24	40 - 41	R45137	1I25	15	40 - 61	R45981	3B3	11	90 - 1
R44302	1I21	1	40 - 57	R45197	2B21	20	50 - 20	R46092	1I16	3	40 - 52
R44302	1J9	12	40 - 71	R45197	2D5	..	50 - 54	R46098	3B3	6	90 - 1
R44302	1J12	6	40 - 75	R45198	2B21	20	50 - 20	R46099	3B3	2	90 - 1
R44302	1J14	20	40 - 77	R45198	2D5	..	50 - 54	R46160	1I15	7	40 - 51
R44302	2G19	..	70 - 49	R45199	2B21	20	50 - 20	R46162	2B21	22	50 - 20
R44302	3B14	..	90 - 13	R45199	2D5	..	50 - 54	R46162	2D5	1	50 - 54
R44310	2H19	21	70 - 71	R45200	2B21	20	50 - 20	R46205	2C18	10	50 - 41
R44313	2G19	36	70 - 49	R45200	2D5	..	50 - 54	R46205	2C20	7	50 - 43
R44314	2G19	37	70 - 49	R45201	2B21	21	50 - 20	R46206	1B7	25	20 - 5
R44342	1I16	8	40 - 52	R45201	2D5	..	50 - 54	R46207	1B7	25	20 - 5
R44373	1D10	3	20 - 51	R45201	2D5	..	50 - 54	R46208	1B7	25	20 - 5
R44373	1D12	4	20 - 53	R45203	2D5	12	50 - 54	R46208	1B7	25	20 - 5
R44373	1E14	26	30 - 27	R45211	1G8	3	40 - 1	R46209	1B7	26	20 - 5
R44373	1E15	17	30 - 28	R45211	1G11	18	40 - 4	R46313	2B7	12	50 - 4
R44374	1D10	2	20 - 51	R45211	1G13	3	40 - 6	R46323	2D5	6	50 - 54
R44374	1D12	6	20 - 53	R45225	2C14	12	50 - 37	R46323	2D5	..	50 - 54
R44374	1E14	27	30 - 27	R45227	2E25	14	70 - 5	R46324	2D5	6	50 - 54
R44374	1E15	16	30 - 28	R45227	2E25	15	70 - 5	R46324	2D5	..	50 - 54
R44378	1C4	11	20 - 24	R45227	2E25	16	70 - 5	R46325	2D5	..	50 - 54
R44378	1C9	9	20 - 27B	R45228	2E25	14	70 - 5	R46337	1C17	2	20 - 34
R44378	1C11	9	20 - 27D	R45228	2E25	15	70 - 5	R46338	1C17	9	20 - 34
R44418	1D17	1	30 - 3	R45228	2E25	16	70 - 5	R46345	2E22	3	70 - 2
R44418	1D19	4	30 - 5	R45228	1G21	14	40 - 13	R46414	1D23	2	30 - 9
R44438	3C2	1	90 - 26	R45377	2F22	12	70 - 26	R46414	1H7	8	40 - 22B
R44438	3C2	3	90 - 26	R45377	2F23	16	70 - 27	R46414	1H18	12	40 - 29
R44438	3C2	5	90 - 26	R45405	3C9	13	90 - 33	R46415	2B15	26	50 - 13
R44438	3C2	8	90 - 26	R45422	2F8	26A	70 - 13	R46415	2B17	36	50 - 15
R44438	3C2	10	90 - 26	R45438	2E25	1	70 - 5	R46424	1C19	17	20 - 36
R44438	3C2	11	90 - 26	R45438	2F8	1	70 - 13	R46429	2E22	9	70 - 2
R44444	3B24	24	90 - 23	R45440	3B9	..	90 - 7	R46443	2G13	2	70 - 43
R44444	3B25	14	90 - 24	R45618	2I5	30	70 - 83	R46472	1E15	6	30 - 28
R44447	3B8	20	90 - 6	R45618	2I7	33	70 - 85	R46477	1D7	7	20 - 48
R44447	3C7	..	90 - 31	R45620	2E4	15	60 - 16	R46478	1D7	10	20 - 48
R44585	3C7	..	90 - 31	R45620	2I20	25	70 - 97	R46479	1D7	8	20 - 48
R44585	3C13	1	90 - 37	R45620	2I22	10	70 - 99	R46479	1D8	12	20 - 49
R44588	3C7	1	90 - 31	R45630	2I5	5	70 - 83	R46479	1D10	4	20 - 51
R44678	2C23	2	50 - 46	R45630	2I7	5	70 - 85	R46479	1D12	24	20 - 53
R44695	2H14	11	70 - 65	R45630	2I15	5	70 - 92	R46480	1D7	14	20 - 48
R44720	3C9	12	90 - 33	R45692	1B7	22	20 - 5	R46505	1I24	6	40 - 60
R44720	3C9	16	90 - 33	R45692	1D16	8	30 - 2	R46528	2H14	1	70 - 65
R44791	3C11	..	90 - 35	R45692	1D16	10	30 - 2	R46532	1C21	11	20 - 38
R44791	3C13	9	90 - 37	R45692	1D16	15	30 - 2	R46561	1D3	22	20 - 44
R44791	3C13	10	90 - 37	R45693	1B7	20	20 - 5	R46561	1D3	..	20 - 44
R44802	2F2	31	70 - 7	R45693	1B10	2	20 - 8	R46562	1D3	12	20 - 44
R44823	2E25	10	70 - 5	R45792	2D14	1	60 - 1	R46562	1D3	..	20 - 44
R44845	2D15	7	60 - 2	R45822	2E22	4	70 - 2	R46567	1C17	10	20 - 34
R44853	1B14	1	20 - 13	R45847	1E25	3	30 - 39	R46567	1C18	5	20 - 35
R44853	1D10	10	20 - 51	R45847	1F2	2	30 - 41	R46567	2B6	21	50 - 3
R44853	1D12	31	20 - 53	R45847	3B16	5	90 - 15	R46575	1E14	19	30 - 27
R44918	2G23	16	70 - 54	R45847	3B16	28	90 - 15	R46575	1E15	2	30 - 28
R44925	1C4	11	20 - 24	R45847	3B16	29	90 - 15	R46576	1E14	18	30 - 27
R44926	1C4	11	20 - 24	R45874	2E25	28	70 - 5	R46576	1E15	1	30 - 28
R44926	1C7	2	20 - 27	R459R	2D16	4	60 - 3	R46632	3C13	15	90 - 37
R44926	1C10	9	20 - 27C	R459R	2E7	2	60 - 19	R46636	2D1	7	50 - 49
R44952	2J16	13	80 - 13	R459R	2E8	4	60 - 20	R46662	3C11	..	90 - 35
				R459R	2E9	4	60 - 21	R46662	3C13	..	90 - 37

1L10

7020 TRACTOR

NUMERICAL INDEX - CONTINUED

PART NO.	GRID	KEY	PAGE	PART NO.	GRID	KEY	PAGE	PART NO.	GRID	KEY	PAGE
R46663	3C11	..	90 - 35	R46903	1B13	1	20 - 11	R47153	1D8	17	20 - 49
R46663	3C13	..	90 - 37	R46903	1B16	20	20 - 15	R47153	1D10	8	20 - 51
R46673	2E10	9	60 - 22	R46903	1B18	24	20 - 17	R47153	1D12	15	20 - 53
R46673	2E11	6	60 - 22A	R46904	3C11	17	90 - 35	R47153	1D12	36	20 - 53
R46674	2E10	8	60 - 22	R46952	1D17	6	30 - 3	R47160	1E18	16	30 - 32
R46674	2E11	5	60 - 22A	R46952	1D25	2	30 - 11	R47160	1E19	15	30 - 33
R46677	1E6	6	30 - 18	R46971	1D17	15	30 - 3	R47160	1E21	4	30 - 35
R46677	1E8	2	30 - 20	R46984	1C14	5	20 - 31	R47169	2D8	11	50 - 57
R46678	1E6	1	30 - 18	R46984	1D10	13	20 - 51	R47172	2D5	..	50 - 54
R46679	1E6	20	30 - 18	R46987	2E15	8	60 - 27	R47224	3B5	4	90 - 3
R46679	1E7	20	30 - 19	R46987	2E17	3	60 - 29	R47224	3B6	3	90 - 4
R46679	1E8	12	30 - 20	R46987	2E17	7	60 - 29	R47226	3B5	17	90 - 3
R46679	1E9	12	30 - 21	R46999	1B12	9	20 - 10	R47226	3B6	8	90 - 4
R46680	2B8	14	50 - 5	R47011	1B12	11	20 - 10	R47227	3B5	14	90 - 3
R46680	2C11	10	50 - 34	R47012	1B12	10	20 - 10	R47227	3B6	16	90 - 4
R46681	1E6	16	30 - 18	R47013	1B12	11	20 - 10	R47228	3B6	6	90 - 4
R46681	1E7	16	30 - 19	R47013	1F8	15	30 - 47	R47229	3B5	16	90 - 3
R46681	1E8	10	30 - 20	R47020	1B7	7	20 - 5	R47229	3B6	18	90 - 4
R46681	1E9	10	30 - 21	R47020	1B7	8	20 - 5	R47230	3B5	1	90 - 3
R46682	1E6	11	30 - 18	R47020	1B16	22	20 - 15	R47230	3B6	9	90 - 4
R46682	1E7	11	30 - 19	R47020	1B22	1	20 - 19B	R47231	3B5	2	90 - 3
R46682	1E8	7	30 - 20	R47044	2H6	4	70 - 61	R47231	3B6	10	90 - 4
R46682	1E9	7	30 - 21	R47044	2H10	4	70 - 63	R47232	3B5	3	90 - 3
R46683	1E6	13	30 - 18	R47047	1C14	13	20 - 31	R47232	3B6	11	90 - 4
R46683	1E7	13	30 - 19	R47047	1D10	14	20 - 51	R47233	3B5	8	90 - 3
R46683	1E8	8	30 - 20	R47065	1D16	1	30 - 2	R47234	3B5	7	90 - 3
R46684	1E6	15	30 - 18	R47065	1D17	11	30 - 3	R47235	3B5	25	90 - 3
R46684	1E7	15	30 - 19	R47067	2G23	4	70 - 54	R47300	2G19	24	70 - 49
R46684	1E8	9	30 - 20	R47074	1C14	1	20 - 31	R47301	2G14	28	70 - 45
R46684	1E9	9	30 - 21	R47074	1C16	1	20 - 33	R47301	2G19	26	70 - 49
R46685	1E6	9	30 - 18	R47077	1F10	11	30 - 49	R47311	1E10	10	30 - 23
R46685	1E7	9	30 - 19	R47077	1F12	3	30 - 51	R47312	1E10	3	30 - 23
R46685	1E8	5	30 - 20	R47085	2E15	12	60 - 27	R47314	1E10	5	30 - 23
R46685	1E9	5	30 - 21	R47085	2E17	10	60 - 29	R47314	1E12	3	30 - 25
R46686	1E6	7	30 - 18	R47086	2E15	13	60 - 27	R47336	2B8	3	50 - 5
R46686	1E7	7	30 - 19	R47086	2E17	11	60 - 29	R47336	2C2	31	50 - 25
R46686	1E8	3	30 - 20	R47087	2E15	10	60 - 27	R47337	2B8	12	50 - 5
R46686	1E9	3	30 - 21	R47087	2E17	9	60 - 29	R47338	2C9	8	50 - 32
R46687	1E6	8	30 - 18	R47091	1C21	6	20 - 38	R47338	2C15	11	50 - 38
R46687	1E7	8	30 - 19	R47092	1B16	1	20 - 15	R47339	2C14	19	50 - 37
R46687	1E8	4	30 - 20	R47092	1B18	2	20 - 17	R47341	2C6	4	50 - 29
R46688	1E6	10	30 - 18	R47102	1C21	10	20 - 38	R47342	2C2	16	50 - 25
R46688	1E7	10	30 - 19	R47102	1D7	4	20 - 48	R47343	2C6	9	50 - 29
R46688	1E8	6	30 - 20	R47102	1E10	8	30 - 23	R47358	1F3	6	30 - 42
R46689	1E6	12	30 - 18	R47104	1C14	10	20 - 31	R47358	1F4	18	30 - 43
R46689	1E7	12	30 - 19	R47105	1C14	6	20 - 31	R47360	2C16	1	50 - 39
R46689	1E8	8	30 - 20	R47106	2B6	1	50 - 3	R47360	2D1	15	50 - 49
R46691	1E6	5	30 - 18	R47107	2B6	2	50 - 3	R47361	2C2	2	50 - 25
R46691	1E7	5	30 - 19	R47108	2B5	16	50 - 2	R47362	2C10	1	50 - 33
R46691	1E8	1	30 - 20	R47109	2B5	17	50 - 2	R47363	2B20	9	50 - 18
R46691	1E9	1	30 - 21	R47109	2B16	24	50 - 14	R47367	2C9	6	50 - 32
R46692	1E6	19	30 - 18	R47110	1B7	7	20 - 5	R47369	2C8	8	50 - 31
R46692	1E7	19	30 - 19	R47110	1B7	8	20 - 5	R47369	2C9	1	50 - 32
R46693	1E6	2	30 - 18	R47110	1B16	22	20 - 15	R47370	2B5	21	50 - 2
R46693	1E7	2	30 - 19	R47113	1E18	10	30 - 32	R47371	2B20	8	50 - 18
R46699	2B6	9	50 - 3	R47114	1D3	23	20 - 44	R47372	2C9	12	50 - 32
R46700	2B6	4	50 - 3	R47116	1D17	15	30 - 3	R47373	2B8	9	50 - 5
R46722	2H18	30	70 - 69	R47117	2C14	7	50 - 37	R47380	2C2	12	50 - 25
R46722	2H21	6	70 - 73	R47118	2C14	5	50 - 37	R47394	1D10	15	20 - 51
R46731	1G21	3	40 - 13	R47119	2C14	4	50 - 37	R47394	1E10	7	30 - 23
R46733	2J16	23	80 - 13	R47121	2C18	3	50 - 41	R47395	1D10	21	20 - 51
R468R	1F14	18	30 - 53	R47126	1D3	12	20 - 44	R47395	1D12	32	20 - 53
R46806	2D8	28	50 - 57	R47126	1D3	..	20 - 44	R47395	1E12	4	30 - 25
R46860	2B6	17	50 - 3	R47127	1C5	15	20 - 25	R47400	2D6	10	50 - 55
R46895	2H2	5	70 - 57	R47153	1C22	13	20 - 39	R47415	2D6	2	50 - 55
R469R	1F14	18	30 - 53	R47153	1D5	8	20 - 46	R47416	2D8	2	50 - 57
R46903	1B12	1	20 - 10	R47153	1D7	13	20 - 48	R47417	2D6	2	50 - 55

1L11

7020 TRACTOR

NUMERICAL INDEX - CONTINUED

PART NO.	GRID	KEY	PAGE	PART NO.	GRID	KEY	PAGE	PART NO.	GRID	KEY	PAGE
R47418	2D8	2	50 - 57	R47590	2H2	32	70 - 57	R47796	1F1	10	30 - 40
R47419	1C5	10	20 - 25	R47599	2I2	17	70 - 79	R47806	2B14	16	50 - 12
R47419	1C6	4	20 - 26	R47599	2I3	16	70 - 80	R47806	2B16	13	50 - 14
R47426	1D7	5	20 - 48	R47599	2I4	7	70 - 81	R47806	2C22	19	50 - 45
R47428	1E10	16	30 - 23	R47601	2I2	6	70 - 79	R47807	2C22	6	50 - 45
R47429	1D7	3	20 - 48	R47601	2I3	6	70 - 80	R47815	1C1	2	20 - 20
R47430	1C21	9	20 - 38	R47605	2E15	30	60 - 27	R47815	1C1	7	20 - 20
R47430	1D7	2	20 - 48	R47605	2E17	21	60 - 29	R47819	2B24	9	50 - 23
R47430	1D8	2	20 - 49	R47606	2E15	29	60 - 27	R47850	2B4	6	50 - 1
R47430	1E10	15	30 - 23	R47606	2E17	20	60 - 29	R47859	1J9	1	40 - 71
R47431	2C2	28	50 - 25	R47607	2E15	32	60 - 27	R47860	1J7	9	40 - 68
R47432	2C8	6	50 - 31	R47607	2E17	23	60 - 29	R47861	1J7	9	40 - 68
R47433	1F3	1	30 - 42	R47646	1F24	17	30 - 64	R47868	2B9	13	50 - 6
R47459	2C2	7	50 - 25	R47646	1F25	22	30 - 65	R47868	2B13	4	50 - 11
R47460	1G24	7	40 - 17	R47653	2B18	15	50 - 16	R47876	2F20	3	70 - 24
R47461	1G24	22	40 - 17	R47653	2B20	15	50 - 18	R47877	2F22	15	70 - 26
R47468	3B16	17	90 - 15	R47653	2B21	4	50 - 20	R47877	2F23	11	70 - 27
R47470	3B8	19	90 - 6	R47654	2D4	9	50 - 53	R47878	2F22	1	70 - 26
R47474	1I24	15	40 - 60	R47655	2B18	1	50 - 16	R47878	2F23	1	70 - 27
R47474	1I25	15	40 - 61	R47655	2B18	15	50 - 16	R47879	2F22	3	70 - 26
R47479	2C10	3	50 - 33	R47655	2B20	15	50 - 18	R47879	2F23	3	70 - 27
R47480	2C8	4	50 - 31	R47655	2B21	4	50 - 20	R47880	2F22	9	70 - 26
R47481	2B8	15	50 - 5	R47655	2C6	16	50 - 29	R47886	1I13	5	40 - 49
R47482	2C6	10	50 - 29	R47657	2C10	7	50 - 33	R47897	3B16	19	90 - 15
R47545	2C6	1	50 - 29	R47658	2C14	17	50 - 37	R47909	1G14	3	40 - 7
R47546	2C6	1	50 - 29	R47659	2C14	20	50 - 37	R47914	1C21	21	20 - 38
R47547	2C6	1	50 - 29	R47660	2C14	20	50 - 37	R47941	3C11	3	90 - 35
R47548	2C6	1	50 - 29	R47661	2C14	20	50 - 37	R47941	3C11	5	90 - 35
R47549	2C2	3	50 - 25	R47662	2C20	18	50 - 43	R47941	3C13	3	90 - 37
R47549	2C4	7	50 - 27	R47666	2C2	13	50 - 25	R47941	3C13	5	90 - 37
R47550	2C2	3	50 - 25	R47666	2C4	3	50 - 27	R47941	3C16	9	90 - 40
R47550	2C4	7	50 - 27	R47678	2H2	31	70 - 57	R47941	3C17	9	90 - 41
R47551	2C2	3	50 - 25	R47679	2H2	30	70 - 57	R47953	2J8	4	80 - 5
R47551	2C4	7	50 - 27	R47683	2D24	3	60 - 11	R47966	2B15	37	50 - 13
R47552	2C2	4	50 - 25	R47683	2F25	11	70 - 29	R47966	2B17	47	50 - 15
R47552	2C4	6	50 - 27	R47692	1D6	1	20 - 47	R47967	2B15	24	50 - 13
R47553	2C2	26	50 - 25	R47693	1D6	3	20 - 47	R47967	2B17	37	50 - 15
R47554	2C2	26	50 - 25	R47694	2D15	15	60 - 2	R47968	2B14	4	50 - 12
R47555	2C2	26	50 - 25	R47699	2I7	30	70 - 85	R47968	2B16	4	50 - 14
R47556	2B8	6	50 - 5	R47701	2C20	20	50 - 43	R47969	2B14	11	50 - 12
R47556	2C2	34	50 - 25	R47701	2C22	26	50 - 45	R47969	2B16	8	50 - 14
R47557	2B8	6	50 - 5	R47702	2C20	26	50 - 43	R47970	2B14	3	50 - 12
R47557	2C2	34	50 - 25	R47702	2C22	30	50 - 45	R47970	2B16	3	50 - 14
R47558	2B8	6	50 - 5	R47703	2C18	26	50 - 41	R47996	2F20	8	70 - 24
R47558	2C2	34	50 - 25	R47703	2C22	44	50 - 45	R47997	2F20	1	70 - 24
R47559	2B8	5	50 - 5	R47738	2E7	27	60 - 19	R47998	2D14	1	60 - 1
R47559	2C2	33	50 - 25	R47738	2E13	5	60 - 24	R47999	2F24	17	70 - 28
R47560	2C2	8	50 - 25	R47741	2B9	4	50 - 6	R48013	2E15	26	60 - 27
R47561	2C2	14	50 - 25	R47742	2B9	7	50 - 6	R48015	2B19	1	50 - 17
R47561	2C4	2	50 - 27	R47745	2B24	2	50 - 23	R48015	2B19	15	50 - 17
R47562	2C2	14	50 - 25	R47756	2G1	11	70 - 30	R48015	2B20	3	50 - 18
R47562	2C4	2	50 - 27	R47756	2G2	12	70 - 31	R48015	2C10	9	50 - 33
R47563	2C2	14	50 - 25	R47767	2C6	7	50 - 29	R48016	1D3	16	20 - 44
R47563	2C4	2	50 - 27	R47768	2C6	5	50 - 29	R48026	1J7	..	40 - 68
R47564	2C2	15	50 - 25	R47768	2C8	10	50 - 31	R48027	1J7	..	40 - 68
R47564	2C4	1	50 - 27	R47768	2C9	3	50 - 32	R48028	1J7	28	40 - 68
R47565	2C2	27	50 - 25	R47771	2C6	14	50 - 29	R48032	1C21	23	20 - 38
R47576	2H25	8	70 - 77	R47773	3B17	2	90 - 16	R48048	1J7	17	40 - 68
R47576	2H25	12	70 - 77	R47773	3B18	9	90 - 17	R48049	1J7	27	40 - 68
R47576	2I1	10	70 - 78	R47773	3B19	8	90 - 18	R48050	2B13	14	50 - 11
R47576	3B16	6	90 - 15	R47775	2B14	8	50 - 12	R48069	2J8	15	80 - 5
R47578	2H2	21	70 - 57	R47791	2E7	31	60 - 19	R48069	2J8	16	80 - 5
R47581	2H2	25	70 - 57	R47794	1E24	14	30 - 38	R48069	2J8	17	80 - 5
R47585	2H2	8	70 - 57	R47794	1F1	3	30 - 40	R48069	2J8	18	80 - 5
R47585	2H2	29A	70 - 57	R47795	1E24	10	30 - 38	R48069	2J8	19	80 - 5
R47586	2H2	8	70 - 57	R47795	1F1	12	30 - 40	R48071	1F3	10	30 - 42
R47586	2H2	29A	70 - 57	R47796	1E24	12	30 - 38	R48071	1F4	8	30 - 43

1L12

7020 TRACTOR

NUMERICAL INDEX - CONTINUED

PART NO.	GRID	KEY	PAGE	PART NO.	GRID	KEY	PAGE	PART NO.	GRID	KEY	PAGE
R48084	2F24	6	70-28	R48510	1F8	21	30-47	R48720	2B14	18	50-12
R48088	2C2	24	50-25	R48510	1F10	41	30-49	R48720	2B16	14	50-14
R48088	2G5	25	70-35	R48511	1D10	9	20-51	R48720	2C22	12	50-45
R48089	2I2	24	70-79	R48511	1F8	20	30-47	R48720	2C22	13	50-45
R48090	2I2	25	70-79	R48511	1F10	40	30-49	R48722	2B21	23	50-20
R48104	1C24	23	20-41	R48512	1F8	19	30-47	R48725	3C3	5	90-27
R48104	1F2	24	30-41	R48512	1F10	39	30-49	R48726	3B17	17	90-16
R48105	1C24	24	20-41	R48541	2C23	12	50-46	R48727	3B17	17	90-16
R48106	1C24	25	20-41	R48549	3C9	32	90-33	R48728	1G24	8	40-17
R48118	2F25	18	70-29	R48567	1D17	8	30-3	R48733	2B18	14	50-16
R48134	2G1	5	70-30	R48567	1D19	7	30-5	R48733	2B19	14	50-17
R48134	2G2	6	70-31	R48568	1D17	14	30-3	R48733	2B20	2	50-18
R48135	2F21	11	70-25	R48568	1D19	10	30-5	R48733	2B20	16	50-18
R48136	2J10	17	80-7	R48577	2I2	15	70-79	R48733	2B21	3	50-20
R48137	2J10	17	80-7	R48592	2C6	7	50-29	R48733	2C6	18	50-29
R48146	2J4	13	80-1	R48592	2C8	9	50-31	R48733	2C10	11	50-33
R48150	3C11	24	90-35	R48592	2C9	2	50-32	R48733	2D5	..	50-54
R48150	3C13	25	90-37	R48597	1E24	21	30-38	R48734	2B18	14	50-16
R48151	3C11	9	90-35	R48597	1F1	7	30-40	R48734	2B19	14	50-17
R48151	3C13	8	90-37	R48598	1C24	8	20-41	R48734	2B20	2	50-18
R48158	1C24	12	20-41	R48623	2C8	11	50-31	R48734	2B20	16	50-18
R48163	2H2	14	70-57	R48623	2C9	4	50-32	R48734	2B21	3	50-20
R48164	2H2	13	70-57	R48632	1D19	12	30-5	R48734	2C6	18	50-29
R48166	1D2	17	20-43	R48632	2J16	19	80-13	R48734	2C10	11	50-33
R48237	3C11	12	90-35	R48633	1D10	31	20-51	R48734	2D5	..	50-54
R48237	3C13	7	90-37	R48633	1D12	16	20-53	R48735	2B18	14	50-16
R48238	3C11	13	90-35	R48633	1F8	4	30-47	R48735	2B19	14	50-17
R48241	2J16	11	80-13	R48633	1F14	1	30-53	R48735	2B20	2	50-18
R48241	3C9	12	90-33	R48633	1F23	12	30-63	R48735	2B20	16	50-18
R48243	3C7	24	90-31	R48663	1G10	5	40-3	R48735	2B21	3	50-20
R48244	1C24	30	20-41	R48663	1I2	26	40-37	R48735	2C6	18	50-29
R48245	1C24	29	20-41	R48689	1F23	3	30-63	R48735	2C10	11	50-33
R48246	1C24	27	20-41	R48691	1F23	4	30-63	R48735	2D5	..	50-54
R48253	2D1	10	50-49	R48692	1F23	5	30-63	R48737	3C11	7	90-35
R48259	2D6	28	50-55	R48693	1D10	32	20-51	R48738	2E25	19	70-5
R48291	1B7	24	20-5	R48693	1D12	14	20-53	R48738	2F8	17	70-13
R48291	1D10	1	20-51	R48693	1F23	7	30-63	R48739	3C3	1	90-27
R48291	1D12	1	20-53	R48694	1F23	6	30-63	R48740	3C3	2	90-27
R48293	1I2	29	40-37	R48695	1F23	2	30-63	R48744	2C14	25	50-37
R48339	2C7	5	50-30	R48696	1F23	1	30-63	R48745	2C8	11	50-31
R48340	2C7	3	50-30	R48697	1F23	11	30-63	R48745	2C9	4	50-32
R48358	1F8	25	30-47	R48697	1F23	13	30-63	R48745	2C14	21	50-37
R48358	1F14	6	30-53	R48698	1F23	8	30-63	R48746	2C14	21	50-37
R48359	1F8	25	30-47	R48698	2I12	3	70-89	R48747	2C14	21	50-37
R48359	1F14	6	30-53	R48699	1F23	8	30-63	R48748	2C14	21	50-37
R48360	1F8	25	30-47	R48700	1F23	8	30-63	R48749	2C14	21	50-37
R48360	1F14	6	30-53	R48701	1F23	8	30-63	R48750	2C14	21	50-37
R48362	1D8	6	20-49	R48702	1F23	8	30-63	R48752	1F1	5	30-40
R48362	1E10	13	30-23	R48703	1F23	8	30-63	R48755	1B16	13	20-15
R48362	1E12	17	30-25	R48704	1F23	8	30-63	R48755	1B18	16	20-17
R48378	3C8	13	90-32	R48705	1F23	8	30-63	R48755	1F11	5	30-50
R48378	3C11	4	90-35	R48706	1F23	8	30-63	R48766	2F18	8	70-22
R48378	3C13	4	90-37	R48708	1E3	3	30-14	R48766	2F25	21	70-29
R48386	2C16	14	50-39	R48709	1E3	5	30-14	R48766	2G1	1	70-30
R48387	2C16	13	50-39	R48709	1E4	5	30-15	R48774	1C21	7	20-38
R48395	1C5	15	20-25	R48710	1E3	6	30-14	R48775	2E10	4	60-22
R48396	1C5	13	20-25	R48710	1E4	6	30-15	R48776	2B18	13	50-16
R48398	1C18	1	20-35	R48711	1E3	1	30-14	R48776	2B19	13	50-17
R48399	1D10	7	20-51	R48712	1E3	17	30-14	R48776	2B20	1	50-18
R48399	1F11	6	30-50	R48718	2B14	18	50-12	R48776	2B20	17	50-18
R48418	2G13	16	70-43	R48718	2B16	14	50-14	R48776	2B21	1	50-20
R48426	1G21	7	40-13	R48718	2C22	12	50-45	R48776	2C6	19	50-29
R48426	1G24	33	40-17	R48718	2C22	13	50-45	R48776	2C10	12	50-33
R48449	2D6	25	50-55	R48719	2B14	18	50-12	R48776	2D5	..	50-54
R48451	2C24	18	50-47	R48719	2B16	14	50-14	R48778	1G21	12	40-13
R48459	2B5	25	50-2	R48719	2C22	12	50-45	R48783	2D16	13	60-3
R48459	2B20	6	50-18	R48719	2C22	13	50-45	R48784	2D16	12	60-3

1L13

7020 TRACTOR

NUMERICAL INDEX - CONTINUED

PART NO.	GRID	KEY	PAGE	PART NO.	GRID	KEY	PAGE	PART NO.	GRID	KEY	PAGE
R48785	2D16	13	60 - 3	R48976	1H14	9	40 - 27	R49336	2G13	11	70 - 43
R48791	1C21	15	20 - 38	R48978	2H18	23	70 - 69	R49345	2E15	15	60 - 27
R48794	1C21	4	20 - 38	R48979	2H18	29	70 - 69	R49345	2E15	16	60 - 27
R48812	2J16	14	80 - 13	R48980	2H18	25	70 - 69	R49345	2E15	17	60 - 27
R48812	3C9	19	90 - 33	R48981	2H18	24	70 - 69	R49352	2I20	6	70 - 97
R48813	2B14	22	50 - 12	R49015	1C17	2	20 - 34	R49403	1D17	9	30 - 3
R48813	2J16	10	80 - 13	R49025	1I15	..	40 - 51	R49403	1D19	8	30 - 5
R48815	2H6	16	70 - 61	R49025	2J16	..	80 - 13	R49404	2E22	9	70 - 2
R48816	2H6	16	70 - 61	R49042	3C11	23	90 - 35	R49411	2G19	33	70 - 49
R48817	1G21	12	40 - 13	R49042	3C13	25	90 - 37	R49415	1F14	11	30 - 53
R48825	1G8	..	40 - 1	R49043	3C11	8	90 - 35	R49464	1C18	20	20 - 35
R48825	1G17	..	40 - 10	R49044	2B5	18	50 - 2	R49464	1C20	6	20 - 37
R48825	1G18	..	40 - 11	R49057	1I24	20	40 - 60	R49465	1C18	23	20 - 35
R48825	2J16	24	80 - 13	R49057	1I25	20	40 - 61	R49465	1C20	9	20 - 37
R48864	2E10	5	60 - 22	R49071	2F2	25	70 - 7	R49465	1C20	11	20 - 37
R48865	3C2	7	90 - 26	R49071	2F2	27	70 - 7	R49465	1C20	12	20 - 37
R48867	3C2	2	90 - 26	R49071	2F2	28	70 - 7	R49477	2B16	20	50 - 14
R48868	3C2	6	90 - 26	R49071	2F2	29	70 - 7	R495R	1B9	8	20 - 7
R48869	3C2	9	90 - 26	R49071	2F2	30	70 - 7	R495R	1D10	23	20 - 51
R48870	3C2	4	90 - 26	R49071	2F2	31	70 - 7	R495R	1D12	12	20 - 53
R48871	3C2	12	90 - 26	R49071	2F4	9	70 - 9	R495R	2D15	16	60 - 2
R48872	3B24	25	90 - 23	R49072	2F2	26	70 - 7	R495R	2E25	2	70 - 5
R48872	3B25	13	90 - 24	R49072	2F4	14	70 - 9	R495R	2I15	13	70 - 92
R48873	3B24	15	90 - 23	R49093	2C5	2	50 - 28	R49504	2C2	8	50 - 25
R48874	3B15	9	90 - 14	R49097	2D24	2	60 - 11	R49504	2C4	5	50 - 27
R48875	1J5	23	40 - 66	R49097	2F25	14	70 - 29	R49513	2I1	4	70 - 78
R48876	3C1	14	90 - 25	R49104	1D22	12	30 - 8	R49526	1D20	3	30 - 6
R48877	3B24	13	90 - 23	R49139	1F11	7	30 - 50	R49549	1F23	8	30 - 63
R48878	3B12	10	90 - 11	R49186	2H15	13	70 - 66	R49551	1F23	8	30 - 63
R48879	3B12	9	90 - 11	R49186	2H15	14	70 - 66	R49552	1F23	8	30 - 63
R48880	3B12	6	90 - 11	R49186	2H18	3	70 - 69	R49553	1F23	8	30 - 63
R48881	3B12	15	90 - 11	R49187	2H15	13	70 - 66	R49554	1F23	8	30 - 63
R48882	3B15	14	90 - 14	R49187	2H15	14	70 - 66	R49555	1F23	8	30 - 63
R48883	1G10	27	40 - 3	R49187	2H18	4	70 - 69	R49556	1F23	8	30 - 63
R48883	1G11	6	40 - 4	R49187	2H21	1	70 - 73	R49557	1F23	8	30 - 63
R48884	3B9	14	90 - 7	R49191	2I5	30	70 - 83	R49558	1F23	8	30 - 63
R48884	3B12	7	90 - 11	R49191	2I5	32	70 - 83	R49584	2G14	20	70 - 45
R48884	3B14	13	90 - 13	R49191	2I7	33	70 - 85	R49584	2G16	27	70 - 47
R48885	3B14	12	90 - 13	R49191	2I7	37	70 - 85	R49588	2C24	18	50 - 47
R48887	1G10	15	40 - 3	R49193	2I7	42	70 - 85	R49611	2G6	5	70 - 36
R48887	1G11	18	40 - 4	R49193	2I22	26	70 - 99	R49615	2B11	2	50 - 8
R48887	1J18	17	40 - 81	R49197	2G5	11	70 - 35	R49616	2B11	6	50 - 8
R48888	1G10	15	40 - 3	R49199	2G5	9	70 - 35	R49617	2B11	3	50 - 8
R48890	3B24	27	90 - 23	R49200	2G5	9	70 - 35	R49629	1F14	30	30 - 53
R48891	3B24	27	90 - 23	R49202	2B15	44	50 - 13	R49639	2B8	22	50 - 5
R48892	3B24	26	90 - 23	R49202	2B17	31	50 - 15	R49650	1B7	7	20 - 5
R48893	1C14	7	20 - 31	R49203	1D20	11	30 - 6	R49650	1B7	8	20 - 5
R48894	3B24	27	90 - 23	R49204	1C24	29	20 - 41	R49650	1B18	27	20 - 17
R48895	3B24	26	90 - 23	R49204	1C24	30	20 - 41	R49650	1B18	36	20 - 17
R48896	3B15	10	90 - 14	R49221	2H15	15	70 - 66	R49650	1B18	37	20 - 17
R48899	3B8	26	90 - 6	R49221	2H15	18	70 - 66	R49650	1B20	1	20 - 19
R48900	3B8	24	90 - 6	R49221	2H18	5	70 - 69	R49758	2G5	10	70 - 35
R48901	3B8	25	90 - 6	R49240	1D17	3	30 - 3	R49840	2B8	14	50 - 5
R48902	3B14	19	90 - 13	R49270	1E10	16	30 - 23	R49840	2C11	10	50 - 34
R48903	3B15	13	90 - 14	R49275	1B12	7	20 - 10	R49856	3B5	..	90 - 3
R48904	3B24	27	90 - 23	R49275	1B13	6	20 - 11	R49857	3C2	1	90 - 26
R48905	2C8	3	50 - 31	R49290	3C3	3	90 - 27	R49857	3C2	3	90 - 26
R48908	3B15	10	90 - 14	R49290	3C5	11	90 - 29	R49857	3C2	5	90 - 26
R48911	3B15	10	90 - 14	R49291	3C3	6	90 - 27	R49857	3C2	8	90 - 26
R48912	3C1	17	90 - 25	R49291	3C5	19	90 - 29	R49857	3C2	10	90 - 26
R48913	3B14	21	90 - 13	R49292	3C3	4	90 - 27	R49857	3C2	11	90 - 26
R48952	2E15	15	60 - 27	R49293	3B14	22	90 - 13	R49858	3B14	13	90 - 13
R48952	2E15	16	60 - 27	R49297	2E25	17	70 - 5	R49866	1B9	4	20 - 7
R48952	2E15	17	60 - 27	R49297	2F8	15	70 - 13	R49866	1D10	6	20 - 51
R48957	2E15	4	60 - 27	R49298	2E25	20	70 - 5	R49866	1D12	2	20 - 53
R48957	2E17	4	60 - 29	R49332	2G14	18	70 - 45	R49878	2H10	26	70 - 63
R48976	1H9	9	40 - 24A	R49333	2G14	13	70 - 45	R49878	2H12	11	70 - 63B

1L15

7020 TRACTOR

NUMERICAL INDEX - CONTINUED

PART NO.	GRID	KEY	PAGE	PART NO.	GRID	KEY	PAGE	PART NO.	GRID	KEY	PAGE
R51155	2G22	5	70 - 53	R51668	1H22	2	40 - 33	R52408	1I25	6	40 - 61
R51156	2G20	14	70 - 50	R51669	1H22	9	40 - 33	R52408	1J2	6	40 - 63
R51156	2G21	13	70 - 51	R51669	1H23	14	40 - 34	R52422	1F25	19	30 - 65
R51156	2G22	5	70 - 53	R51671	1H22	6	40 - 33	R52547	2H19	8	70 - 71
R51161	2G19	23	70 - 49	R51671	1H23	5	40 - 34	R52549	2H19	5	70 - 71
R51190	2G9	5	70 - 39	R51684	1D4	14	20 - 45	R52549	2H19	8	70 - 71
R51202	2G14	..	70 - 45	R51723	3B16	..	90 - 15	R52549	2H22	19	70 - 74
R51202	2J16	15	80 - 13	R51748	2D18	7	60 - 5	R52576	2G16	23	70 - 47
R51203	1D10	28	20 - 51	R51751	2G13	16	70 - 43	R52577	2B7	5	50 - 4
R51203	1D25	15	30 - 11	R51803	2B11	4	50 - 8	R52578	1G1	8	30 - 67
R51284	1B18	5	20 - 17	R51803	2B11	7	50 - 8	R52582	2B17	26	50 - 15
R51285	2I5	37	70 - 83	R51803	2B11	8	50 - 8	R52584	2J9	1	80 - 6
R51285	2I7	41	70 - 85	R51842	2C14	9	50 - 37	R52589	2G5	17	70 - 35
R51302	2H14	..	70 - 65	R51851	2E17	31	60 - 29	R52592	1D4	19	20 - 45
R51302	3C15	11	90 - 39	R51865	2C18	18	50 - 41	R52593	1D4	19	20 - 45
R51309	2J16	17	80 - 13	R51870	1C5	4	20 - 25	R52596	2B18	..	50 - 16
R51309	3B24	..	90 - 23	R51907	2C24	12	50 - 47	R52596	2B19	..	50 - 17
R51309	3B25	..	90 - 24	R51908	2J16	16	80 - 13	R52596	2B20	..	50 - 18
R51347	1B7	17	20 - 5	R51909	2J16	3	80 - 13	R52596	2J16	20	80 - 13
R51409	2H18	20	70 - 69	R51936	1F14	20	30 - 53	R52634	1C5	1	20 - 25
R51409	2H18	21	70 - 69	R51937	1F14	20	30 - 53	R52634	2D1	1	50 - 49
R51409	2H19	1	70 - 71	R51944	1C1	6	20 - 20	R52634	2D5	7	50 - 54
R51409	2H22	1	70 - 74	R51944	1C2	9	20 - 21	R52671	3C15	21	90 - 39
R51410	2H18	21	70 - 69	R51956	2J13	11	80 - 10	R52672	3C15	22	90 - 39
R51411	2H18	21	70 - 69	R51957	2J13	10	80 - 10	R52673	2B16	18	50 - 14
R51411	2H18	22	70 - 69	R52031	2J4	4	80 - 1	R52675	3C7	11	90 - 31
R51412	2H15	20	70 - 66	R52032	2J4	7	80 - 1	R52690	2H14	11	70 - 65
R51412	2H18	9	70 - 69	R52048	1C17	9	20 - 34	R52691	2H14	11	70 - 65
R51413	2H15	20	70 - 66	R52048	1C18	8	20 - 35	R52692	2H14	11	70 - 65
R51413	2H18	11	70 - 69	R52049	1C17	11	20 - 34	R52704	2C15	5	50 - 38
R51414	2H15	17	70 - 66	R52049	1C18	7	20 - 35	R52705	2C15	4	50 - 38
R51414	2H15	20	70 - 66	R52049	1D12	33	20 - 53	R52773	1B11	18	20 - 9
R51414	2H18	7	70 - 69	R52154	2D1	13	50 - 49	R52773	1B12	2	20 - 10
R51415	2H15	20	70 - 66	R52155	2D1	9	50 - 49	R52773	1B13	2	20 - 11
R51415	2H15	21	70 - 66	R52157	2D1	8	50 - 49	R52775	1E2	10	30 - 13
R51415	2H18	12	70 - 69	R52160	2J4	3	80 - 1	R52811	1C21	10	20 - 38
R51494	2C11	24	50 - 34	R52160	2J4	4	80 - 1	R52811	1D7	4	20 - 48
R51514	1D21	1	30 - 7	R52160	2J4	5	80 - 1	R52811	1D10	30	20 - 51
R51515	1D21	14	30 - 7	R52160	2J4	7	80 - 1	R52811	1D12	10	20 - 53
R51528	1H2	25	40 - 19	R52160	2J4	9	80 - 1	R52811	1E10	8	30 - 23
R51529	1H2	12	40 - 19	R52160	2J4	11	80 - 1	R52811	1E12	11	30 - 25
R51530	1H2	17	40 - 19	R52160	2J4	12	80 - 1	R52823	2G16	20	70 - 47
R51530	1H4	9	40 - 21	R52160	2J4	15	80 - 1	R52824	2G16	14	70 - 47
R51531	1H2	16	40 - 19	R52160	2J4	16	80 - 1	R52828	2G16	12	70 - 47
R51532	1H2	20	40 - 19	R52161	1G22	11	40 - 15	R52831	2D22	12	60 - 9
R51533	1H2	26	40 - 19	R52161	1H2	28	40 - 19	R52921	2H16	3	70 - 67
R51534	1H2	24	40 - 19	R52161	1H4	28	40 - 21	R52932	2B10	15	50 - 7
R51535	1H2	9	40 - 19	R52168	2E6	7	60 - 18	R52932	2B11	19	50 - 8
R51535	1H4	1	40 - 21	R52169	2E6	9	60 - 18	R52932	2B12	9	50 - 9
R51551	2G7	11	70 - 37	R52174	2G16	39	70 - 47	R52932	2B12	20	50 - 9
R51551	2G9	29	70 - 39	R52184	2G21	10	70 - 51	R52959	3C14	1	90 - 38
R51559	2B6	18	50 - 3	R52184	2G21	12	70 - 51	R52978	3C14	7	90 - 38
R51559	2B6	19	50 - 3	R52185	2G21	14	70 - 51	R52978	3C14	9	90 - 38
R51579	2D14	14	60 - 1	R52250	1D16	8	30 - 2	R52978	3C14	10	90 - 38
R51603	1D12	13	20 - 53	R52250	1D16	10	30 - 2	R52981	3C8	4	90 - 32
R51603	1F23	10	30 - 63	R52250	1D16	14	30 - 2	R52986	3C5	14	90 - 29
R51648	3B22	15	90 - 21	R52290	2G11	11	70 - 41	R52987	3C5	15	90 - 29
R51648	3B22	27	90 - 21	R52294	2G9	24	70 - 39	R52990	3C8	1	90 - 32
R51649	3B22	12	90 - 21	R52295	2I4	6B	70 - 81	R52990	3C14	6	90 - 38
R51659	1H21	7	40 - 32	R52308	1E25	2	30 - 39	R52991	3C5	8	90 - 29
R51660	1H21	5	40 - 32	R52361	2B17	41	50 - 15	R53013	1C1	2	20 - 20
R51661	1H19	23	40 - 30	R52364	1D21	7	30 - 7	R53013	1C2	3	20 - 21
R51663	1H20	20	40 - 31	R52385	1H22	1	40 - 33	R53014	1B18	29	20 - 17
R51664	1H20	19	40 - 31	R52386	1H20	13	40 - 31	R53033	2G14	4	70 - 45
R51665	1H19	17	40 - 30	R52387	1H19	12	40 - 30	R53033	2G16	4	70 - 47
R51666	1H19	16	40 - 30	R52390	2H10	17	70 - 63	R53062	3C3	1	90 - 27
R51667	1H19	8	40 - 30	R52391	1F2	12	30 - 41	R53062	3C5	9	90 - 29

1L17

7020 TRACTOR

NUMERICAL INDEX - CONTINUED

PART NO.	GRID	KEY	PAGE	PART NO.	GRID	KEY	PAGE	PART NO.	GRID	KEY	PAGE
R55025	1E3	3	30 - 14	R55480	2C11	10	50 - 34	R56626	1E6	8	30 - 18
R55025	1E4	3	30 - 15	R55489	2B8	14	50 - 5	R56626	1E7	8	30 - 19
R55025	1E5	2	30 - 17	R55596	1C13	1	20 - 29	R56626	1E9	4	30 - 21
R55026	1E3	1	30 - 14	R55597	1C13	1	20 - 29	R56627	1E6	14	30 - 18
R55026	1E3	3	30 - 14	R55618	1J12	5	40 - 75	R56627	1E7	14	30 - 19
R55027	1E4	1	30 - 15	R55662	1F14	15	30 - 53	R56627	1E9	8	30 - 21
R55028	1E4	17	30 - 15	R55663	1F14	15	30 - 53	R56628	1E6	10	30 - 18
R55029	1E7	6	30 - 19	R55737	1C13	1	20 - 29	R56628	1E7	10	30 - 19
R55029	1E9	2	30 - 21	R55738	1C13	1	20 - 29	R56628	1E9	6	30 - 21
R55030	1E7	1	30 - 19	R55739	1C13	1	20 - 29	R56629	1E6	18	30 - 18
R55031	1E6	22	30 - 18	R55740	1C13	1	20 - 29	R56629	1E7	18	30 - 19
R55031	1E7	22	30 - 19	R55741	1C13	1	20 - 29	R56630	1E6	4	30 - 18
R55055	1B7	25	20 - 5	R55742	1C13	1	20 - 29	R56630	1E7	4	30 - 19
R55056	1B7	23	20 - 5	R55743	1C13	1	20 - 29	R56631	1E6	3	30 - 18
R55057	1B7	25	20 - 5	R55744	1C13	1	20 - 29	R56631	1E7	3	30 - 19
R55058	1B7	23	20 - 5	R55745	1C13	1	20 - 29	R56749	2E25	3	70 - 5
R55059	1B7	25	20 - 5	R55746	1C13	1	20 - 29	R56751	2F6	8	70 - 11
R55060	1B7	23	20 - 5	R55819	2B24	11	50 - 23	R56751	2F6	21	70 - 11
R55061	1B7	26	20 - 5	R55819	2C2	7	50 - 25	R56751	2F10	19	70 - 15
R55065	1F18	23	30 - 57	R55819	2C2	12	50 - 25	R56751	2F12	2	70 - 15B
R55065	1F20	10	30 - 60	R55946	3C7	2	90 - 31	R56751	2F14	7	70 - 17
R55065	1F21	27	30 - 61	R55947	3C7	3	90 - 31	R56751	2F14	12	70 - 17
R55066	1F20	4	30 - 60	R55948	3C7	5	90 - 31	R56751	2F14	20	70 - 17
R55066	1F21	32	30 - 61	R56012	1G21	10	40 - 13	R56751	2F14	21	70 - 17
R55069	1F19	9	30 - 59	R56012	1G22	13	40 - 15	R56751	2F14	25	70 - 17
R55078	1D25	6	30 - 11	R56026	1114	3	40 - 50	R56753	2E25	8	70 - 5
R55078	1E2	3	30 - 13	R56061	2F22	4	70 - 26	R56753	2F6	18	70 - 11
R55078	1E14	16	30 - 27	R56061	2F22	9	70 - 26	R56754	2F2	35	70 - 7
R55078	1E14	28	30 - 27	R56061	2F23	4	70 - 27	R56755	2F2	32	70 - 7
R55078	1E15	10	30 - 28	R56062	1C24	12	20 - 41	R56755	2F4	10	70 - 9
R55081	2D3	12	50 - 51	R56062	2F22	4	70 - 26	R56755	2F6	10	70 - 11
R55083	1F23	11	30 - 63	R56062	2F22	9	70 - 26	R56755	2F10	29	70 - 15
R55083	1F23	13	30 - 63	R56062	2F23	17	70 - 27	R56755	2F12	13	70 - 15B
R55150	2G18	25	70 - 48A	R56064	3B21	1B	90 - 20	R56755	2F14	9	70 - 17
R55151	2J4	..	80 - 1	R56083	3C7	..	90 - 31	R56756	2F2	33	70 - 7
R55170	3B24	14	90 - 23	R56084	3C7	..	90 - 31	R56756	2F4	3	70 - 9
R55170	3B24	15	90 - 23	R56101	3B14	3	90 - 13	R56756	2F6	12	70 - 11
R55183	2D15	6	60 - 2	R56219	2C2	12	50 - 25	R56757	2F2	34	70 - 7
R55202	1F21	1	30 - 61	R56220	2B24	9	50 - 23	R56757	2F4	11	70 - 9
R55214	2G9	17	70 - 39	R56221	2C2	7	50 - 25	R56757	2F6	11	70 - 11
R55233	1C20	13	20 - 37	R56243	1F2	8	30 - 41	R56757	2F10	31	70 - 15
R55233	1E25	11	30 - 39	R56246	3B5	6	90 - 3	R56757	2F12	14	70 - 15B
R55233	1F1	18	30 - 40	R56246	3B6	1	90 - 4	R56757	2F14	18	70 - 17
R55233	1F2	16	30 - 41	R56274	3C7	19	90 - 31	R56792	1H22	14	40 - 33
R55238	3B18	13	90 - 17	R56275	3C7	20	90 - 31	R56792	1H23	2	40 - 34
R55238	3B19	23	90 - 18	R56276	3C7	18	90 - 31	R56793	1H22	3	40 - 33
R55238	3C1	18	90 - 25	R56277	3C7	17	90 - 31	R56793	1H23	3	40 - 34
R55280	2D6	10	50 - 55	R56397	1G22	4	40 - 15	R56802	1H20	13	40 - 31
R55366	1D22	8	30 - 8	R56409	1114	8	40 - 50	R56821	2G16	14	70 - 47
R55369	1D22	7	30 - 8	R56410	1114	4	40 - 50	R56878	1E21	16	30 - 35
R55370	1D22	2	30 - 8	R56415	2B14	11	50 - 12	R56902	1D19	12	30 - 5
R55371	1D22	9	30 - 8	R56415	2B16	8	50 - 14	R56902	2J16	19	80 - 13
R55372	1D22	9	30 - 8	R56420	1D19	11	30 - 5	R56910	2G9	24	70 - 39
R55373	2G16	28	70 - 47	R56462	2C24	2	50 - 47	R56916	2G18	12	70 - 48A
R55373	2G16	32	70 - 47	R56463	2E25	2	70 - 5	R56934	1C6	6	20 - 26
R55374	2G16	28	70 - 47	R56463	2F6	24	70 - 11	R56944	3B19	20	90 - 18
R55374	2G16	32	70 - 47	R56463	2F8	2	70 - 13	R56945	3B19	20	90 - 18
R55395	1B18	10	20 - 17	R56463	2F14	27	70 - 17	R56972	1C17	2	20 - 34
R55395	1C20	17	20 - 37	R56481	1H5	1	40 - 22	R56979	1C5	10	20 - 25
R55396	1B18	4	20 - 17	R56504	2G14	33	70 - 45	R56979	1C6	4	20 - 26
R55396	1F14	26	30 - 53	R56504	2G16	13	70 - 47	R56979	1C6	6	20 - 26
R55396	1H5	1	40 - 22	R56504	2H18	8	70 - 69	R56995	1E15	18	30 - 28
R55396	2C2	10	50 - 25	R56545	1B18	13	20 - 17	R57003	3B9	..	90 - 7
R55397	2H18	29	70 - 69	R56607	1C18	4	20 - 35	R57034	2D18	7	60 - 5
R55398	2H18	24	70 - 69	R56608	1C17	2	20 - 34	R57103	2E15	16	60 - 27
R55398	2H18	29	70 - 69	R56609	1C17	4	20 - 34	R57103	2E15	22	60 - 27
R55480	2B8	14	50 - 5	R56609	1C18	12	20 - 35	R57103	2E17	26	60 - 29

1L18

7020 TRACTOR

NUMERICAL INDEX - CONTINUED

PART NO.	GRID	KEY	PAGE	PART NO.	GRID	KEY	PAGE	PART NO.	GRID	KEY	PAGE
R57132	3C5	3	90 - 29	R58109	1E15	2	30 - 28	R59860	2C14	14	50 - 37
R57132	3C5	4	90 - 29	R58109	1E15	7	30 - 28	R59860	2G18	33	70 - 48A
R57132	3C5	5	90 - 29	R58186	1F14	30	30 - 53	R59968	2G12	4	70 - 42
R57133	2B5	10	50 - 2	R58203	2H2	25	70 - 57	R59968	2G12	5	70 - 42
R57158	1B18	22	20 - 17	R58264	2G24	1	70 - 55	R59969	2G12	4	70 - 42
R57159	1B18	22	20 - 17	R58294	2D8	12	50 - 57	R59969	2G12	5	70 - 42
R57257	3C13	25	90 - 37	R58295	2D8	15	50 - 57	R60007	2D5	9	50 - 54
R57258	1F3	6	30 - 42	R58303	2J4	12	80 - 1	R60032	2D8	29	50 - 57
R57258	1F4	18	30 - 43	R58424	2D1	13	50 - 49	R60033	2D6	26	50 - 55
R57268	2D8	4	50 - 57	R58499	2F2	44	70 - 7	R60038	2E15	11	60 - 27
R57269	2D6	4	50 - 55	R58536	2B19	1	50 - 17	R60038	2E17	8	60 - 29
R57274	3B20	12	90 - 19	R58536	2B19	15	50 - 17	R60165	3B24	4	90 - 23
R57275	3B20	12	90 - 19	R58536	2B20	3	50 - 18	R60171	3B5	28	90 - 3
R57286	1D23	7	30 - 9	R58536	2C10	9	50 - 33	R60171	3B10	9	90 - 9
R57400	2B10	15	50 - 7	R58544	2G7	11	70 - 37	R60172	3B10	1	90 - 9
R57400	2B11	19	50 - 8	R58544	2G9	29	70 - 39	R60339	2C18	3	50 - 41
R57400	2B12	9	50 - 9	R58608	1F14	23	30 - 53	R60458	2B15	47	50 - 13
R57400	2B12	20	50 - 9	R58608	1F16	9	30 - 55	R60458	2C23	5	50 - 46
R57549	2E12	21	60 - 23	R58617	2H2	20	70 - 57	R60472	1C13	6	20 - 29
R57550	2G9	7	70 - 39	R58619	3B12	16	90 - 11	R60473	1C8	3	20 - 27A
R57550	2G9	8	70 - 39	R58620	3B12	17	90 - 11	R60473	1C9	3	20 - 27B
R57554	1D2	7	20 - 43	R58882	1C4	2	20 - 24	R60473	1C11	3	20 - 27D
R57555	1D2	7	20 - 43	R58882	1C4	4	20 - 24	R60473	1C13	6	20 - 29
R57556	1C18	4	20 - 35	R58900	2B8	21	50 - 5	R60473	1C13	6	20 - 29
R57559	2G5	22	70 - 35	R58900	2C11	3	50 - 34	R60474	1C13	6	20 - 29
R57561	2G5	11	70 - 35	R58934	2G24	4	70 - 55	R60475	1C13	6	20 - 29
R57572	3B21	1B	90 - 20	R59033	1C18	4	20 - 35	R60476	1C13	3	20 - 29
R57572	3B21	20	90 - 20	R59034	1C17	2	20 - 34	R60477	1C13	3	20 - 29
R57584	1C7	5	20 - 27	R59074	2D8	4	50 - 57	R60478	1C13	3	20 - 29
R57584	1C10	3	20 - 27C	R59074	2D10	2	50 - 59	R60479	1C13	3	20 - 29
R57606	3B14	6	90 - 13	R59080	2G18	3	70 - 48A	R60480	1C13	3	20 - 29
R57606	3B14	10	90 - 13	R59082	2G18	3	70 - 48A	R60481	1C13	3	20 - 29
R57614	2D8	31	50 - 57	R59083	2G18	37	70 - 48A	R60482	1C13	3	20 - 29
R57615	2D8	25	50 - 57	R59111	2G18	36	70 - 48A	R60483	1C13	3	20 - 29
R57615	2D10	6	50 - 59	R59305	1F14	30	30 - 53	R60484	1C13	2	20 - 29
R57616	2D8	11	50 - 57	R59343	2I5	11	70 - 83	R60494	2E25	16	70 - 5
R57616	2D10	3	50 - 59	R59343	2I7	11	70 - 85	R60649	1F21	18	30 - 61
R57617	2E10	5	60 - 22	R59343	2I8	2	70 - 85A	R60649	1F22	16	30 - 62
R57623	3B22	23	90 - 21	R59378	2C20	14	50 - 43	R60650	1B11	3	20 - 9
R57641	1F14	11	30 - 53	R59420	1B12	4	20 - 10	R60730	2G14	4	70 - 45
R57696	2B5	8	50 - 2	R59439	2D8	21	50 - 57	R60730	2G16	4	70 - 47
R57696	2B11	17	50 - 8	R59440	2D8	21	50 - 57	R60732	2E25	25	70 - 5
R57696	2B12	7	50 - 9	R59450	3B14	7	90 - 13	R60753	1B9	10	20 - 7
R57696	2C20	21	50 - 43	R59622	2C4	13	50 - 27	R60754	1C17	9	20 - 34
R57696	2C20	27	50 - 43	R59622	2C7	5	50 - 30	R60754	1C18	8	20 - 35
R57696	2C22	28	50 - 45	R59623	2C4	14	50 - 27	R60863	1F7	4	30 - 46
R57696	2C22	35	50 - 45	R59623	2C7	3	50 - 30	R60914	1F18	14	30 - 57
R57696	2D3	10	50 - 51	R59624	2C4	10	50 - 27	R60921	1F18	16	30 - 57
R57696	2I20	10	70 - 97	R59624	2C6	7	50 - 29	R60921	1F21	28	30 - 61
R57696	2I20	36	70 - 97	R59625	2C4	9	50 - 27	R61108	2C20	10	50 - 43
R57696	3C9	28	90 - 33	R59625	2C6	9	50 - 29	R61128	1D8	4	20 - 49
R57725	2B8	13	50 - 5	R59626	2C4	12	50 - 27	R61144	1F14	30	30 - 53
R57725	2C9	7	50 - 32	R59626	2C6	4	50 - 29	R61150	1B12	4	20 - 10
R57725	2C14	17	50 - 37	R59629	2H22	9	70 - 74	R61289	1C10	3	20 - 27C
R57725	2C15	12	50 - 38	R59629	2H23	6	70 - 75	R61289	1C13	6	20 - 29
R57725	2G7	13	70 - 37	R59633	2I5	1	70 - 83	R61292	1C5	7	20 - 25
R57725	2G9	31	70 - 39	R59633	2I7	1	70 - 85	R61292	1C7	8	20 - 27
R57778	1C13	2	20 - 29	R59633	2I15	1	70 - 92	R61349	2G18	29	70 - 48A
R57779	1C13	3	20 - 29	R59633	2I15	19	70 - 92	R61350	2G18	29	70 - 48A
R57780	1C13	3	20 - 29	R59747	1E12	12	30 - 25	R61458	1F21	20	30 - 61
R57841	1F21	6	30 - 61	R59827	2C14	9	50 - 37	R61458	1F22	19	30 - 62
R57841	1F22	4	30 - 62	R59850	1B7	7	20 - 5	R61461	2D8	21	50 - 57
R57885	1F20	21	30 - 60	R59850	1B7	8	20 - 5	R61497	1B10	1	20 - 8
R58109	1E14	18	30 - 27	R59850	1B18	27	20 - 17	R61524	2J6	4	80 - 3
R58109	1E14	19	30 - 27	R59850	1B18	36	20 - 17	R61608	1C13	6	20 - 29
R58109	1E14	20	30 - 27	R59850	1B18	37	20 - 17	R61609	1C13	6	20 - 29
R58109	1E15	1	30 - 28	R59850	1B20	1	20 - 19	R61610	1C13	6	20 - 29
				R59850	1B20	1	20 - 19	R61611	1C13	6	20 - 29

1L19

7020 TRACTOR

NUMERICAL INDEX - CONTINUED

PART NO.	GRID	KEY	PAGE	PART NO.	GRID	KEY	PAGE	PART NO.	GRID	KEY	PAGE
R61678	2D8	11	50 - 57	R62803	2C20	10	50 - 43	R64608	2I10	8	70 - 87
R61711	2D8	..	50 - 57	R62810	2C11	10	50 - 34	R64609	2I10	7	70 - 87
R61711	2D10	7	50 - 59	R62899	1F21	1	30 - 61	R64610	2I10	16	70 - 87
R61711	2E10	..	60 - 22	R62900	1F21	1	30 - 61	R64611	2I10	15	70 - 87
R61711	2E11	..	60 - 22A	R62931	2G13	7	70 - 43	R64612	2I10	14	70 - 87
R61712	2E10	5	60 - 22	R62972	2C20	10	50 - 43	R64613	2I10	12	70 - 87
R61727	2J6	4	80 - 3	R62986	1C7	6	20 - 27	R64614	2I10	13	70 - 87
R61758	1F21	19	30 - 61	R62986	1C8	4	20 - 27A	R64615	2I10	6	70 - 87
R61758	1F22	18	30 - 62	R62986	1C9	4	20 - 27B	R64617	2I10	4	70 - 87
R61762	2G7	13	70 - 37	R62986	1C10	4	20 - 27C	R64618	2I10	5	70 - 87
R61762	2G9	31	70 - 39	R62986	1C11	4	20 - 27D	R64699	1I11	3	40 - 47
R61771	2D8	28	50 - 57	R62986	1C13	4	20 - 29	R64700	1I11	7	40 - 47
R61775	1J13	7	40 - 76	R62987	1C7	7	20 - 27	R64840	1D10	31	20 - 51
R61776	1J13	3	40 - 76	R62987	1C10	5	20 - 27C	R64840	1D12	16	20 - 53
R61909	1C8	3	20 - 27A	R62987	1C13	5	20 - 29	R64840	1F8	4	30 - 47
R61909	1C9	3	20 - 27B	R62988	1C10	5	20 - 27C	R64840	1F14	1	30 - 53
R61909	1C11	3	20 - 27D	R62988	1C13	5	20 - 29	R64840	1F23	12	30 - 63
R61932	1H11	23	40 - 24C	R63002	1C13	5	20 - 29	R64843	2G14	7	70 - 45
R61932	1H16	22	40 - 27B	R63003	1C8	5	20 - 27A	R64843	2G16	7	70 - 47
R61933	1H16	15	40 - 27B	R63003	1C9	5	20 - 27B	R64845	2G14	7	70 - 45
R61934	1H16	25	40 - 27B	R63003	1C11	5	20 - 27D	R64845	2G16	7	70 - 47
R61955	2F18	7	70 - 22	R63003	1C13	5	20 - 29	R64861	1F19	10	30 - 59
R61955	2G1	3	70 - 30	R63004	1C13	5	20 - 29	R65055	1C18	19	20 - 35
R61955	2G2	3	70 - 31	R63005	1C13	5	20 - 29	R65055	1D12	25	20 - 53
R62110	1C20	19	20 - 37	R63006	1C13	5	20 - 29	R65082	2H2	29B	70 - 57
R62110	1C20	20	20 - 37	R63007	1C8	5	20 - 27A	R65085	2H2	8	70 - 57
R62110	1C20	21	20 - 37	R63007	1C9	5	20 - 27B	R65085	2H2	29B	70 - 57
R62110	1C20	28	20 - 37	R63007	1C11	5	20 - 27D	R65085	2H2	33	70 - 57
R62239	1E2	10	30 - 13	R63007	1C13	5	20 - 29	R65085	2H2	34	70 - 57
R62239	1E2	11	30 - 13	R63008	1C13	5	20 - 29	R65086	2H2	8	70 - 57
R62336	2G18	36	70 - 48A	R63009	1C13	5	20 - 29	R65086	2H2	29B	70 - 57
R62410	1B14	1	20 - 13	R63010	1C8	4	20 - 27A	R65086	2H2	33	70 - 57
R62410	1D10	10	20 - 51	R63010	1C9	4	20 - 27B	R65086	2H2	34	70 - 57
R62410	1D12	31	20 - 53	R63010	1C11	4	20 - 27D	R65159	2E4	5	60 - 16
R62418	1B7	7	20 - 5	R63010	1C13	4	20 - 29	R65159	2E4	6	60 - 16
R62418	1B7	11	20 - 5	R63012	1F16	31	30 - 55	R65192	2F2	44	70 - 7
R62418	1B7	13	20 - 5	R63105	2D6	5	50 - 55	R65194	2F2	43	70 - 7
R62419	1B7	6	20 - 5	R63106	2D8	5	50 - 57	R65203	2H2	4	70 - 57
R62419	1B7	10	20 - 5	R63180	1I4	20	40 - 40	R65242	2H2	32	70 - 57
R62419	1B7	13	20 - 5	R63326	1C6	2	20 - 26	R65243	2H2	25	70 - 57
R62420	1B7	5	20 - 5	R63326	1C9	8	20 - 27B	R65285	2I8	11	70 - 85A
R62420	1B7	9	20 - 5	R63326	1C10	8	20 - 27C	R65286	2H19	23	70 - 71
R62420	1B7	13	20 - 5	R63326	1C11	8	20 - 27D	R65286	2H21	9	70 - 73
R62421	1B7	8	20 - 5	R63451	1C5	10	20 - 25	R65286	2H22	23	70 - 74
R62421	1B7	12	20 - 5	R63451	1C6	4	20 - 26	R65286	2I5	13	70 - 83
R62421	1B7	13	20 - 5	R63451	1C6	5	20 - 26	R65286	2I7	13	70 - 85
R62500	2G12	13	70 - 42	R63451	1C6	6	20 - 26	R65286	2I8	4	70 - 85A
R62652	2H19	13	70 - 71	R63571	3B5	21	90 - 3	R65287	2H13	6	70 - 64
R62652	2H22	10	70 - 74	R63737	2G24	6	70 - 55	R65287	2H18	15	70 - 69
R62667	1H17	6	40 - 28	R63845	1F14	25	30 - 53	R65287	2H21	2	70 - 73
R62668	1H17	8	40 - 28	R63917	2E10	4	60 - 22	R65289	2H13	9	70 - 64
R62669	1H16	11	40 - 27B	R64086	1B12	4	20 - 10	R65289	2H18	14	70 - 69
R62670	1H14	20	40 - 27	R64086	1B13	4	20 - 11	R65289	2H22	7	70 - 74
R62671	1H14	38	40 - 27	R64129	2C14	27	50 - 37	R65308	2D8	15	50 - 57
R62672	1H16	3	40 - 27B	R64170	2F15	2	70 - 19	R65308	2D10	4	50 - 59
R62673	1H14	11	40 - 27	R64170	2F15	3	70 - 19	R65354	2H22	18	70 - 74
R62674	1H14	2	40 - 27	R64233	2G12	6	70 - 42	R65499	2D6	17	50 - 55
R62760	2B10	6	50 - 7	R64257	2D1	9	50 - 49	R65501	2H19	21	70 - 71
R62760	2H4	5	70 - 59	R64295	2G13	6	70 - 43	R65501	2H22	21	70 - 74
R62775	2J12	10	80 - 9	R64296	2G14	1	70 - 45	R65501	2H23	1	70 - 75
R62775	2J16	1	80 - 13	R64296	2G16	1	70 - 47	R65502	2H19	21	70 - 71
R62776	2J12	10	80 - 9	R64523	2B5	7	50 - 2	R65502	2H22	21	70 - 74
R62776	2J16	2	80 - 13	R64561	2I10	23	70 - 87	R65502	2H23	1	70 - 75
R62781	2J12	9	80 - 9	R64568	1C18	1	20 - 35	R65503	2G11	9	70 - 41
R62781	2J16	5	80 - 13	R64605	2I10	11	70 - 87	R65504	2H13	9	70 - 64
R62782	2J12	9	80 - 9	R64606	2I10	18	70 - 87	R65504	2H18	14	70 - 69
R62782	2J16	6	80 - 13	R64607	2I10	17	70 - 87	R65563	2B7	18	50 - 4

1L20

7020 TRACTOR

NUMERICAL INDEX - CONTINUED

PART NO.	GRID	KEY	PAGE	PART NO.	GRID	KEY	PAGE	PART NO.	GRID	KEY	PAGE
R65563	2B14	14	50 - 12	R66563	2B19	8	50 - 17	R69297	3B6	11	90 - 4
R65563	2B16	10	50 - 14	R66563	2B19	9	50 - 17	R69297	3B6	15	90 - 4
R65563	2C22	2	50 - 45	R66563	2B19	10	50 - 17	R69408	2H3	3	70 - 58
R65593	1J16	4	40 - 79	R66593	1F12	4	30 - 51	R69409	2H3	3	70 - 58
R65594	1J16	2	40 - 79	R66692	1D22	12	30 - 8	R69562	3B3	6	90 - 1
R65595	1J16	21	40 - 79	R66692	1E14	5	30 - 27	R69642	2G12	11	70 - 42
R65595	1J18	11	40 - 81	R66788	2D1	8	50 - 49	R69644	1H2	25	40 - 19
R65596	1J16	22	40 - 79	R66821	1F3	6	30 - 42	R69645	1H2	25	40 - 19
R65597	1J16	23	40 - 79	R66821	1F4	18	30 - 43	R69645	1H4	24	40 - 21
R65598	1J16	24	40 - 79	R66894	2G14	3	70 - 45	R70135	1F19	1	30 - 59
R65599	1J16	25	40 - 79	R66894	2G16	3	70 - 47	R70210	1J20	41	40 - 83
R65600	1J16	26	40 - 79	R66895	2G18	24	70 - 48A	R70211	1J20	40	40 - 83
R65601	1J16	27	40 - 79	R66901	2H2	15B	70 - 57	R70212	1J20	41	40 - 83
R65602	1J16	28	40 - 79	R66916	2H22	18	70 - 74	R70213	1J20	40	40 - 83
R65602	1J20	49	40 - 83	R66916	2H23	2	70 - 75	R70214	1J20	41	40 - 83
R65603	1J16	29	40 - 79	R66922	1C4	2	20 - 24	R70215	1J20	40	40 - 83
R65604	1J16	30	40 - 79	R66922	1C4	4	20 - 24	R70216	1J20	41	40 - 83
R65605	1J16	31	40 - 79	R66985	2H2	8	70 - 57	R70217	1J20	40	40 - 83
R65606	1J16	32	40 - 79	R66986	2H2	8	70 - 57	R70218	1J20	41	40 - 83
R65607	1J16	33	40 - 79	R66987	2H2	8	70 - 57	R70219	1J20	40	40 - 83
R65607	1J20	46	40 - 83	R66987	2H2	35B	70 - 57	R70220	1J20	50	40 - 83
R65608	1J16	5	40 - 79	R67064	2B19	1	50 - 17	R70221	1J20	39	40 - 83
R65609	1J16	8	40 - 79	R67064	2B19	15	50 - 17	R70222	1J20	38	40 - 83
R65610	1J16	9	40 - 79	R67064	2B20	3	50 - 18	R70236	2D1	14	50 - 49
R65648	2D6	5	50 - 55	R67064	2C10	9	50 - 33	R70236	2D5	11	50 - 54
R65683	1C18	17	20 - 35	R67074	1F19	19	30 - 59	R70268	1B18	21	20 - 17
R65741	2D5	9	50 - 54	R67292	1F6	5	30 - 45	R70351	2F2	13	70 - 7
R65817	2H2	4	70 - 57	R67409	1C20	19	20 - 37	R70513	1F10	1	30 - 49
R65892	2C25	8	50 - 48	R67409	1C20	20	20 - 37	R70558	2C18	8	50 - 41
R66069	1I11	3	40 - 47	R67409	1C20	21	20 - 37	R70559	2F2	43	70 - 7
R66117	1H6	4	40 - 22A	R67409	1C20	28	20 - 37	R70617	2F10	9	70 - 15
R66117	1H18	9	40 - 29	R67643	2C15	5	50 - 38	R708R	2E10	3	60 - 22
R662R	2B13	2	50 - 11	R67782	2D3	9	50 - 51	R70826	1B11	3	20 - 9
R662R	2H14	5	70 - 65	R67784	2D3	6	50 - 51	R70826	1B11	7	20 - 9
R66301	1H2	12	40 - 19	R67877	1F16	24	30 - 55	R70867	2F10	21	70 - 15
R66302	1H4	10	40 - 21	R67879	1F16	28	30 - 55	R70868	2F10	22	70 - 15
R66319	1G8	10	40 - 1	R67879	1F19	23	30 - 59	R70870	1G22	18	40 - 15
R66319	1G10	2	40 - 3	R67982	1G16	2	40 - 9	R70870	1G22	23	40 - 15
R66319	1G10	18	40 - 3	R67982	1G17	6	40 - 10	R71208	1B11	4	20 - 9
R66319	1G10	24	40 - 3	R67989	2B4	9	50 - 1	R71208	1B11	8	20 - 9
R66319	1G11	2	40 - 4	R68165	2D3	3	50 - 51	R71248	1G22	1	40 - 15
R66319	1G11	13	40 - 4	R68166	2D3	8	50 - 51	R71250	1G22	7	40 - 15
R66319	1G11	20	40 - 4	R68167	2D3	7	50 - 51	R71309	2D3	11	50 - 51
R66319	1G18	2	40 - 11	R68222	1H23	8	40 - 34	R71321	2F2	42	70 - 7
R66319	1G18	3	40 - 11	R68224	1H23	1	40 - 34	R71321	2F10	39	70 - 15
R66319	1I2	3	40 - 37	R68274	1F14	24	30 - 53	R71387	2I12	9	70 - 89
R66319	1I3	3	40 - 39	R68347	2D5	13	50 - 54	R71387	2I14	3	70 - 91
R66319	1I7	2	40 - 43	R68429	2G22	1	70 - 53	R71387	2J1	2	70 - 103
R66319	1I8	7	40 - 44	R68430	2G22	2	70 - 53	R71399	1H2	25	40 - 19
R66319	1I13	..	40 - 49	R68435	1F16	23	30 - 55	R71399	1H4	23	40 - 21
R66319	1J14	1	40 - 77	R68438	1F18	19	30 - 57	R71400	1H2	12	40 - 19
R66319	1J14	9	40 - 77	R68625	1H16	9	40 - 27B	R71400	1H4	4	40 - 21
R66319	1J14	14	40 - 77	R68672	2G24	10	70 - 55	R71483	1C20	9	20 - 37
R66319	1J14	15	40 - 77	R69109	1J9	1	40 - 71	R71483	1C20	10	20 - 37
R66319	1J16	3	40 - 79	R69262	2F2	44	70 - 7	R71484	1C20	19	20 - 37
R66319	3B8	11	90 - 6	R69279	2F2	35	70 - 7	R71484	1C20	22	20 - 37
R66320	1J16	7	40 - 79	R69279	2F4	15	70 - 9	R71484	1C20	23	20 - 37
R66320	1J18	24	40 - 81	R69279	2F6	13	70 - 11	R71484	1C20	28	20 - 37
R66321	1J12	7	40 - 75	R69279	2F10	30	70 - 15	R71529	1B12	3	20 - 10
R66321	1J12	11	40 - 75	R69279	2F12	12	70 - 15B	R71529	1B12	4	20 - 10
R66321	1J16	6	40 - 79	R69279	2F14	17	70 - 17	R71529	1B13	3	20 - 11
R66321	1J18	24	40 - 81	R69297	3B5	1	90 - 3	R71529	1B13	4	20 - 11
R66416	2H19	20	70 - 71	R69297	3B5	2	90 - 3	R71531	1B12	3	20 - 10
R66416	2H22	20	70 - 74	R69297	3B5	3	90 - 3	R71531	1B12	4	20 - 10
R66434	2G23	18	70 - 54	R69297	3B5	12	90 - 3	R71586	2F8	12	70 - 13
R66435	2G23	15	70 - 54	R69297	3B6	9	90 - 4	R71586	2F8	13	70 - 13
R66452	1C4	1	20 - 24	R69297	3B6	10	90 - 4	R71586	2F8	14	70 - 13

1L21

7020 TRACTOR

NUMERICAL INDEX - CONTINUED

PART NO.	GRID	KEY	PAGE	PART NO.	GRID	KEY	PAGE	PART NO.	GRID	KEY	PAGE
R71598	2F8	25A	70 - 13	R73445	1C3	4	20 - 23	R77472	1J20	45	40 - 83
R71603	3B3	6	90 - 1	R73498	1E21	10	30 - 35	R77473	1J20	45	40 - 83
R71732	1B18	19	20 - 17	R73736	2F10	24	70 - 15	R77474	1J20	44	40 - 83
R71732	1C18	2	20 - 35	R73737	2D14	36	60 - 1	R77475	1J18	13	40 - 81
R71732	1C18	16	20 - 35	R73741	2F8	12	70 - 13	R77476	1J18	3	40 - 81
R71732	1D12	35	20 - 53	R73741	2F8	13	70 - 13	R77477	1J18	4	40 - 81
R71851	1F10	17	30 - 49	R73741	2F8	14	70 - 13	R77478	1J18	15	40 - 81
R71909	1C3	8	20 - 23	R74022	2E17	14	60 - 29	R77479	1J18	5	40 - 81
R71918	1C1	1	20 - 20	R74210	2I12	10	70 - 89	R77480	1J18	6	40 - 81
R71918	1C2	4	20 - 21	R74210	2I14	4	70 - 91	R77481	1J18	7	40 - 81
R71918	1C3	1	20 - 23	R74210	2I17	1	70 - 94	R77482	1J18	8	40 - 81
R71918	1D10	34	20 - 51	R74243	2I17	2	70 - 94	R77483	1J18	16	40 - 81
R71918	1D12	37	20 - 53	R74244	2I17	3	70 - 94	R77484	1J18	19	40 - 81
R72128	1B7	7	20 - 5	R74246	2I17	4	70 - 94	R77485	1J18	21	40 - 81
R72128	1B7	8	20 - 5	R74350	2E10	4	60 - 22	R77486	1J18	22	40 - 81
R72128	1B18	27	20 - 17	R74530	2I8	11	70 - 85A	R77487	1J18	23	40 - 81
R72128	1B18	34	20 - 17	R74530	2I10	24	70 - 87	R77488	1J13	8	40 - 76
R72128	1B18	35	20 - 17	R74530	2I12	16	70 - 89	R77488	1J20	51	40 - 83
R72128	1B20	1	20 - 19	R74530	2I14	8	70 - 91	R77489	1I21	13	40 - 57
R72226	3B10	8	90 - 9	R74695	2H21	13	70 - 73	R77489	1J20	51	40 - 83
R72227	3B10	7	90 - 9	R74695	2H22	13	70 - 74	R77490	1J20	51	40 - 83
R72228	3B10	6	90 - 9	R74695	2H23	5	70 - 75	R77491	1J20	54	40 - 83
R72229	3B10	5	90 - 9	R74868	2D5	9	50 - 54	R77492	1J20	54	40 - 83
R72232	2D6	..	50 - 55	R75376	2F10	26	70 - 15	R77493	1J12	7	40 - 75
R72328	1D10	27	20 - 51	R75376	2F10	28	70 - 15	R77493	1J12	11	40 - 75
R72328	1D12	11	20 - 53	R75376	2F12	4	70 - 15B	R77493	1J20	51	40 - 83
R72328	1D25	17	30 - 11	R75564	2F10	18	70 - 15	R77494	1J20	55	40 - 83
R72328	1E2	17	30 - 13	R75642	2F10	17	70 - 15	R77495	1J20	52	40 - 83
R72371	2C5	6	50 - 28	R75866	2E17	15	60 - 29	R77496	1J20	52	40 - 83
R72433	2H6	1B	70 - 61	R75879	2F10	5	70 - 15	R77497	1J20	53	40 - 83
R72433	2H6	5A	70 - 61	R75938	2F10	44	70 - 15	R77498	1J18	24	40 - 81
R72433	2H8	1	70 - 61B	R75938	2F14	16	70 - 17	R77499	1J18	24	40 - 81
R72433	2H10	1B	70 - 63	R76126	1B7	13	20 - 5	R77500	1J13	8	40 - 76
R72433	2H10	5A	70 - 63	R76126	2D6	10	50 - 55	R77500	1J18	24	40 - 81
R72433	2H12	1	70 - 63B	R76126	2D6	11	50 - 55	R77501	1J18	24	40 - 81
R72507	2F8	23	70 - 13	R76186	1H4	8	40 - 21	R77502	1J20	56	40 - 83
R72586	2D1	8	50 - 49	R76459	2I17	5	70 - 94	R77503	1J20	56	40 - 83
R72586	2D3	4	50 - 51	R76477	1H6	3	40 - 22A	R77611	2F8	24	70 - 13
R72653	1F24	1	30 - 64	R76477	1H7	5	40 - 22B	R77611	2F14	19	70 - 17
R72653	1F25	1	30 - 65	R76477	1H18	6	40 - 29	R77673	1D8	8	20 - 49
R72653	2G14	10	70 - 45	R76477	1H18	8	40 - 29	R77712	2F10	27	70 - 15
R72653	2G16	10	70 - 47	R76477	2I17	6	70 - 94	R77712	2F10	28	70 - 15
R72653	2G16	17	70 - 47	R76477	3B9	..	90 - 7	R77712	2F10	45	70 - 15
R72653	2G16	35	70 - 47	R76494	2G3	10	70 - 32	R77712	2F10	46	70 - 15
R72653	2I5	24	70 - 83	R76494	2G4	17	70 - 33	R77712	2F10	47	70 - 15
R72653	2I7	24	70 - 85	R76494	2G5	4	70 - 35	R77712	2F10	48	70 - 15
R72660	2B13	2	50 - 11	R77003	1C19	7	20 - 36	R77712	2F12	6	70 - 15B
R72660	2H14	5	70 - 65	R77003	1C20	19	20 - 37	R77714	2F10	28	70 - 15
R72672	2B19	1	50 - 17	R77053	2B21	23	50 - 20	R77867	2E17	3	60 - 29
R72672	2B19	15	50 - 17	R77285	2D4	26	50 - 53	R77867	2E17	7	60 - 29
R72672	2B20	3	50 - 18	R77456	1J18	27	40 - 81	R77903	2F8	22A	70 - 13
R72672	2C10	9	50 - 33	R77457	1J18	29	40 - 81	R78101	2E17	3	60 - 29
R72886	2E25	20	70 - 5	R77458	1J18	28	40 - 81	R78101	2E17	7	60 - 29
R72886	2F8	18	70 - 13	R77459	1J18	28	40 - 81	R78102	1C7	1	20 - 27
R73274	2D1	2	50 - 49	R77460	1J18	28	40 - 81	R78123	1D8	1	20 - 49
R73274	2D1	3	50 - 49	R77461	1J18	28	40 - 81	R78123	1D8	9	20 - 49
R73274	2D1	4	50 - 49	R77462	1J18	25	40 - 81	R78123	1D8	19	20 - 49
R73274	2D1	7	50 - 49	R77463	1J18	30	40 - 81	R78124	1C14	2	20 - 31
R73274	2D1	12	50 - 49	R77464	1J18	26	40 - 81	R78124	1C16	3	20 - 33
R73274	2D3	20	50 - 51	R77465	1J18	31	40 - 81	R78214	2H6	26	70 - 61
R73380	2B6	16	50 - 3	R77466	1J18	33	40 - 81	R78214	2H6	27	70 - 61
R73380	2H2	8	70 - 57	R77467	1J18	34	40 - 81	R78214	2H6	34	70 - 61
R73380	2H2	36B	70 - 57	R77468	1J18	32	40 - 81	R78214	2H10	11A	70 - 63
R73380	2H10	16	70 - 63	R77469	1J20	35	40 - 83	R78257	3B21	6	90 - 20
R73380	3B21	1B	90 - 20	R77470	1J20	45	40 - 83	R78266	2B21	7	50 - 20
R73380	3B21	2	90 - 20	R77471	1J12	7	40 - 75	R78293	2E25	10	70 - 5
R73380	3B21	20	90 - 20	R77471	1J20	45	40 - 83	R78293	2F8	8	70 - 13

1L22

7020 TRACTOR

NUMERICAL INDEX - CONTINUED

PART NO.	GRID	KEY	PAGE	PART NO.	GRID	KEY	PAGE	PART NO.	GRID	KEY	PAGE
R78702	1B7	27	20 - 5	R83020	1E15	17	30 - 28	R93955	2J4	4	80 - 1
R78765	2I12	8	70 - 89	R83021	1D10	2	20 - 51	R94631	2D1	2	50 - 49
R78766	2I12	13	70 - 89	R83021	1D12	6	20 - 53	R94631	2D1	3	50 - 49
R78766	2I14	6	70 - 91	R83021	1E14	27	30 - 27	R94631	2D1	4	50 - 49
R78767	2I12	2	70 - 89	R83021	1E15	16	30 - 28	R94631	2D1	7	50 - 49
R78768	2I12	19	70 - 89	R83034	1E14	15	30 - 27	R94631	2D1	12	50 - 49
R78769	2I12	17	70 - 89	R83034	1E15	11	30 - 28	R94631	2D3	17	50 - 51
R79151	2F8	22B	70 - 13	R83055	1I21	9	40 - 57	R96460	1C8	2	20 - 27A
R79151	2F8	25A	70 - 13	R83103	2J16	25	80 - 13	R96460	1C8	8	20 - 27A
R79152	2F8	22B	70 - 13	R83109	1I21	11	40 - 57	R97316	2C18	5	50 - 41
R79152	2F8	25A	70 - 13	R83111	2H10	28	70 - 63	R97346	1D10	21	20 - 51
R79152	2F8	25B	70 - 13	R83112	2H10	20	70 - 63	R97346	1D12	32	20 - 53
R79266	2F10	10	70 - 15	R83170	2H6	26	70 - 61	R97346	1E10	4	30 - 23
R79267	2F10	14	70 - 15	R83170	2H6	27	70 - 61	R97346	1E12	4	30 - 25
R79268	2F10	13	70 - 15	R83170	2H6	35	70 - 61	R97347	1D12	18	20 - 53
R79311	2I5	28	70 - 83	R83170	2H10	32	70 - 63	R97347	1D12	19	20 - 53
R79311	2I5	29	70 - 83	R83508	2E25	20	70 - 5	R97347	1E12	9	30 - 25
R79311	2I7	31	70 - 85	R83508	2F8	18	70 - 13	R97348	1D10	11	20 - 51
R79311	2I7	32	70 - 85	R84158	1I21	13	40 - 57	R97348	1D12	9	20 - 53
R79311	2I8	11	70 - 85A	R84946	1C20	26	20 - 37	R97348	1D25	9	30 - 11
R79311	2I10	24	70 - 87	R84946	1C20	28	20 - 37	R97348	1E2	9	30 - 13
R79311	2I12	16	70 - 89	R84947	1C20	26	20 - 37	R97349	1D10	18	20 - 51
R79311	2I14	8	70 - 91	R84947	1C20	28	20 - 37	R97349	1D12	8	20 - 53
R79850	1B12	3	20 - 10	R85027	1B11	17	20 - 9	R97349	1D25	21	30 - 11
R79850	1B13	3	20 - 11	R85557	2F8	26A	70 - 13	R97349	1E2	13	30 - 13
R79916	2G24	9	70 - 55	R85557	2F8	27	70 - 13	R97350	1B18	38	20 - 17
R80447	2H8	6	70 - 61B	R85558	2F8	26A	70 - 13	R97350	1D12	30	20 - 53
R80447	2H10	11B	70 - 63	R85558	2F8	26B	70 - 13	R97350	1F11	7	30 - 50
R80447	2H10	11C	70 - 63	R86192	2E17	6	60 - 29	R97801	2E11	3	60 - 22A
R80447	2H12	6	70 - 63B	R86700	1B7	15	20 - 5	R97993	2E11	2	60 - 22A
R80558	2F8	28	70 - 13	R86700	1B7	30	20 - 5	R98932	2C2	8	50 - 25
R80752	2E17	34	60 - 29	R87527	2J16	7	80 - 13	R98932	2C4	5	50 - 27
R80753	2E17	34	60 - 29	R87527	3B17	9	90 - 16	R99291	2C2	13	50 - 25
R80754	2E17	28	60 - 29	R87527	3B18	10	90 - 17	R99291	2C4	3	50 - 27
R80754	2E17	34	60 - 29	R87527	3B19	9	90 - 18	R99394	2D8	15	50 - 57
R81245	2H6	32	70 - 61	R87558	1B18	27	20 - 17	R99394	2D10	4	50 - 59
R81245	2H10	13	70 - 63	R87558	1B22	1	20 - 19B	R99556	2C18	12	50 - 41
R81293	2H16	4	70 - 67	R87764	1G22	12	40 - 15	R99793	1B9	10	20 - 7
R81424	2J16	21	80 - 13	R88042	1B7	8	20 - 5	TY1430	1G21	6	40 - 13
R81424	3B18	18	90 - 17	R88042	1B7	12	20 - 5	TY1430	1G23	..	40 - 16
R81424	3B19	28	90 - 18	R88043	1B7	7	20 - 5	TY1430	1G24	..	40 - 17
R81459	1F5	1	30 - 44	R88043	1B7	11	20 - 5	TY15155	1I24	5	40 - 60
R81460	1F5	6	30 - 44	R88043	1B18	27	20 - 17	TY15155	1I25	4	40 - 61
R81461	1F5	6	30 - 44	R88043	1B20	1	20 - 19	TY15263	1I5	26	40 - 41
R81507	1G22	11	40 - 15	R88044	1B7	6	20 - 5	TY15276	1I24	5	40 - 60
R81507	1H2	28	40 - 19	R88044	1B7	10	20 - 5	TY15276	1I25	4	40 - 61
R81507	1H4	28	40 - 21	R88045	1B7	5	20 - 5	TY15276	1J2	3	40 - 63
R82175	2D8	29	50 - 57	R88045	1B7	9	20 - 5	TY15276	1J2	22	40 - 63
R82236	1I19	16	40 - 55	R88397	1D7	16	20 - 48	TY15276	1J2	25	40 - 63
R82237	1I19	14	40 - 55	R88397	1D8	20	20 - 49	TY15277	1J2	3	40 - 63
R82238	1I19	15	40 - 55	R88397	1D10	5	20 - 51	TY15277	1J2	22	40 - 63
R82239	1I19	13	40 - 55	R88397	1D12	7	20 - 53	TY15277	1J2	25	40 - 63
R82243	1I19	18	40 - 55	R98937	2D3	11	50 - 51	TY15709	3B9	..	90 - 7
R82337	2E17	28	60 - 29	R91558	1D2	31	20 - 43	TY1597	1H5	6	40 - 22
R82337	2E17	34	60 - 29	R91558	2B4	16	50 - 1	TY16004	1B5	2	20 - 2
R82355	1I19	4	40 - 55	R91826	2E10	5	60 - 22	TY16005	1B5	3	20 - 2
R82423	1I21	8	40 - 57	R93019	2D3	13	50 - 51	TY16005	1B5	..	20 - 2
R82508	1B7	26	20 - 5	R93219	1J22	7	40 - 84A	TY16055	1I5	26	40 - 41
R82719	1D8	1	20 - 49	R93219	1J23	7	40 - 85	TY21735	1G12	..	40 - 5
R82719	1D8	7	20 - 49	R93220	1J22	7	40 - 84A	TY22007	1B4	2	20 - 1
R82719	1D8	9	20 - 49	R93220	1J23	7	40 - 85	TY22008	1B4	2	20 - 1
R82766	2H14	4	70 - 65	R93221	1J22	7	40 - 84A	TY22009	1B4	1	20 - 1
R82944	2D6	26	50 - 55	R93221	1J23	7	40 - 85	TY22010	1B4	2	20 - 1
R83000	1E12	7	30 - 25	R93222	1J22	7	40 - 84A	TY22011	1B4	2	20 - 1
R83020	1D10	3	20 - 51	R93222	1J23	7	40 - 85	TY22041	1B4	..	20 - 1
R83020	1D12	4	20 - 53	R93238	1B12	3	20 - 10	TY22042	1B4	..	20 - 1
R83020	1E14	26	30 - 27	R93238	1B13	3	20 - 11	TY22329	2F18	6	70 - 22

1L23

7020 TRACTOR

NUMERICAL INDEX - CONTINUED

PART NO.	GRID	KEY	PAGE	PART NO.	GRID	KEY	PAGE	PART NO.	GRID	KEY	PAGE
TY22329	2F19	3	70 - 23	TY6617	1H5	6	40 - 22	T11921	1F10	43	30 - 49
TY22329	2F21	10	70 - 25	TY6617	1H18	..	40 - 29	T11934	1F10	30	30 - 49
TY22329	2F24	9	70 - 28	TY6617	1H20	..	40 - 31	T11937	1F12	6	30 - 51
TY22329	2F25	13	70 - 29	TY6617	1H21	..	40 - 32	T11941	1F10	44	30 - 49
TY22329	2G1	4	70 - 30	TY6618	1H5	6	40 - 22	T12083	2C2	35	50 - 25
TY22329	2G2	1	70 - 31	TY6618	1H6	..	40 - 22A	T12808	3B24	14	90 - 23
TY22329	2G2	4	70 - 31	TY6618	1H14	..	40 - 27	T12808	3B24	15	90 - 23
TY22329	2G2	5	70 - 31	TY6618	1H16	..	40 - 27B	T12808	3C9	31	90 - 33
TY22423	2F24	4	70 - 28	TY6618	1H19	..	40 - 30	T12860	2D17	22	60 - 4
TY22431	1C24	27	20 - 41	TY6625	1G22	1	40 - 15	T13073	2I22	27	70 - 99
TY22450	1B9	10	20 - 7	TY6625	1H4	27	40 - 21	T13119	1E21	9	30 - 35
TY22462	1D23	8	30 - 9	TY6665	3B5	29	90 - 3	T134452	1H6	6	40 - 22A
TY22462	1F8	11	30 - 47	TY6665	3B5	..	90 - 3	T134452	1H7	10	40 - 22B
TY22462	1F14	13	30 - 53	TY6667	1H5	6	40 - 22	T134452	1H18	1	40 - 29
TY22465	1E25	1	30 - 39	TY6667	1H6	..	40 - 22A	T134452	2J16	22	80 - 13
TY22465	1E25	5	30 - 39	TY6667	1H9	..	40 - 24A	T134453	1H6	6	40 - 22A
TY22465	1F2	10	30 - 41	TY6667	1H11	..	40 - 24C	T134453	1H7	10	40 - 22B
TY22465	3B10	4	90 - 9	TY6686	1G22	1	40 - 15	T134453	1H18	1	40 - 29
TY22465	3B14	20	90 - 13	TY6686	1G22	12	40 - 15	T134453	2J16	22	80 - 13
TY22465	3B16	3	90 - 15	TY6686	1H4	27	40 - 21	T134454	1H6	6	40 - 22A
TY22467	1C21	5	20 - 38	TY6701	1H5	6	40 - 22	T134454	1H7	10	40 - 22B
TY22467	1D7	1	20 - 48	TY6701	1H5	..	40 - 22	T134454	1H18	1	40 - 29
TY22467	1D8	3	20 - 49	TY6701	1H6	..	40 - 22A	T134454	2J16	22	80 - 13
TY22467	1D16	4	30 - 2	TY6701	1H14	..	40 - 27	T134455	1H6	6	40 - 22A
TY22467	1D21	13	30 - 7	TY6701	1H16	6	40 - 27B	T134455	1H7	10	40 - 22B
TY22467	1E24	11	30 - 38	TY6701	1H16	..	40 - 27B	T134455	1H18	1	40 - 29
TY22467	1F1	11	30 - 40	TY6710	1H5	6	40 - 22	T134455	2J16	22	80 - 13
TY22467	2F18	5	70 - 22	TY6710	1H5	..	40 - 22	T134456	1H6	6	40 - 22A
TY22467	2F24	3	70 - 28	TY6710	1H6	..	40 - 22A	T134456	1H7	10	40 - 22B
TY22467	2F25	12	70 - 29	TY6710	1H9	..	40 - 24A	T134456	1H18	1	40 - 29
TY22467	2F25	20	70 - 29	TY6710	1H11	7	40 - 24C	T134456	2J16	22	80 - 13
TY22467	2G1	2	70 - 30	TY6710	1H11	..	40 - 24C	T134459	1H6	1	40 - 22A
TY22467	2G1	10	70 - 30	TY6713	1H5	6	40 - 22	T134459	1H7	1	40 - 22B
TY22467	2G2	2	70 - 31	TY6713	1H5	..	40 - 22	T134459	1H18	5	40 - 29
TY22467	2G2	11	70 - 31	TY6713	1H18	..	40 - 29	T134459	2J16	22	80 - 13
TY22470	1B9	1	20 - 7	TY6713	1H19	11	40 - 30	T13606	2B14	12	50 - 12
TY22470	1C24	28	20 - 41	TY6713	1H19	..	40 - 30	T13606	2B16	9	50 - 14
TY22470	1E10	14	30 - 23	TY6713	1H20	17	40 - 31	T13606	2C22	3	50 - 45
TY22470	1E10	17	30 - 23	TY6713	1H20	..	40 - 31	T13814	1F4	15	30 - 43
TY22470	1E12	15	30 - 25	TY6713	1H21	..	40 - 32	T13814	2G19	12	70 - 49
TY22470	1F2	23	30 - 41	TY6742	1D4	15	20 - 45	T13911	3B15	..	90 - 14
TY22474	1D17	7	30 - 3	TY6772	1G22	1	40 - 15	T14050	1E24	16	30 - 38
TY22474	1D25	1	30 - 11	TY6772	1H2	..	40 - 19	T14264	1F2	4	30 - 41
TY22475	1D20	1	30 - 6	TY6790	1G22	1	40 - 15	T14264	1J9	8	40 - 71
TY22475	1D22	1	30 - 8	TY6790	1H2	..	40 - 19	T146102	1H6	1	40 - 22A
TY22475	1E2	19	30 - 13	TY6790	1H4	27	40 - 21	T146102	1H7	1	40 - 22B
TY3018	2J1	3	70 - 103	TY9305	1I5	26	40 - 41	T146102	1H18	5	40 - 29
TY6280	1B4	1	20 - 1	TY9371	3C25	1	90 - 49	T146102	2J16	22	80 - 13
TY6297	1B4	1	20 - 1	T10745	1G22	8	40 - 15	T146104	1H6	6	40 - 22A
TY6298	1B4	1	20 - 1	T10745	1H2	29	40 - 19	T146104	1H7	10	40 - 22B
TY6300	1B4	1	20 - 1	T10745	1H4	25	40 - 21	T146104	1H18	1	40 - 29
TY6301	1B4	1	20 - 1	T11220	2I20	19	70 - 97	T146104	2J16	22	80 - 13
TY6311	1B4	1	20 - 1	T11220	2I22	18	70 - 99	T146106	1H6	6	40 - 22A
TY6312	1B4	1	20 - 1	T11234	2B11	12	50 - 8	T146106	1H7	10	40 - 22B
TY6313	1B4	1	20 - 1	T11234	2B12	1	50 - 9	T146106	1H18	1	40 - 29
TY6359	1B4	1	20 - 1	T11234	2C20	22	50 - 43	T146106	2J16	22	80 - 13
TY6360	1B4	1	20 - 1	T11234	2C22	29	50 - 45	T146515	1H6	6	40 - 22A
TY6361	1B4	1	20 - 1	T11290	1F10	31	30 - 49	T146515	1H7	10	40 - 22B
TY6364	1B4	1	20 - 1	T11739	1H11	23	40 - 24C	T146515	1H18	1	40 - 29
TY6389	1B4	2	20 - 1	T11743	1H9	1	40 - 24A	T146515	2J16	22	80 - 13
TY6390	1B4	2	20 - 1	T11743	1H14	1	40 - 27	T146516	1H6	6	40 - 22A
TY6391	1B4	2	20 - 1	T11882	1F10	34	30 - 49	T146516	1H7	10	40 - 22B
TY6392	1B4	2	20 - 1	T11883	1F10	35	30 - 49	T146516	1H18	1	40 - 29
TY6393	1B4	2	20 - 1	T11884	1F10	33	30 - 49	T146516	2J16	22	80 - 13
TY6394	1B4	2	20 - 1	T11917	1F10	4	30 - 49	T146517	1H6	6	40 - 22A
TY6600	1G22	1	40 - 15	T11918	1F10	26	30 - 49	T146517	1H7	10	40 - 22B
TY6603	1G21	6	40 - 13	T11921	1F10	21	30 - 49	T146517	1H18	1	40 - 29

1L24

7020 TRACTOR

NUMERICAL INDEX - CONTINUED

PART NO.	GRID	KEY	PAGE	PART NO.	GRID	KEY	PAGE	PART NO.	GRID	KEY	PAGE
T146517	2J16	22	80 - 13	T21397	2B10	2	50 - 7	T28585	1J16	35	40 - 79
T14658	2C23	15	50 - 46	T21397	2B10	9	50 - 7	T28585	1J18	12	40 - 81
T15539	1B16	18	20 - 15	T21397	2C11	19	50 - 34	T28586	1J18	14	40 - 81
T15539	2J13	13	80 - 10	T21397	2E4	6	60 - 16	T29100	1G24	3	40 - 17
T15712	1F10	36	30 - 49	T21397	2E4	8	60 - 16	T29102	1G24	20	40 - 17
T15715	1F10	15	30 - 49	T21397	2J9	2	80 - 6	T29105	1G24	9	40 - 17
T15721	1F10	16	30 - 49	T21397	2J17	2	80 - 14	T29334	2B19	10	50 - 17
T16738	1115	22	40 - 51	T22228	2G14	2	70 - 45	T29335	2B19	8	50 - 17
T16911	2C18	13	50 - 41	T22228	2G16	2	70 - 47	T29336	2B19	9	50 - 17
T17118	2B9	6	50 - 6	T22534	1E19	5	30 - 33	T29518	2H15	7	70 - 66
T17118	2B24	13	50 - 23	T22883	2H13	3	70 - 64	T29519	2H15	6	70 - 66
T17148	2D14	4	60 - 1	T22958	2F24	8	70 - 28	T30007	2D4	19	50 - 53
T17947	1F10	20	30 - 49	T22958	2F24	19	70 - 28	T30008	2B21	12	50 - 20
T17948	1G24	20	40 - 17	T22996	2H15	1	70 - 66	T30008	2D4	16	50 - 53
T17949	1F10	3	30 - 49	T23027	3C23	3	90 - 47	T30009	2B21	11	50 - 20
T17950	1F10	2	30 - 49	T23033	3C23	4	90 - 47	T30009	2D4	15	50 - 53
T17953	1F10	22	30 - 49	T23069	2H13	11	70 - 64	T30738	1E25	6	30 - 39
T18098	1H11	14	40 - 24C	T23610	1G23	25	40 - 16	T31269	2F18	11	70 - 22
T18098	1H16	13	40 - 27B	T23610	1G24	30	40 - 17	T31269	2F19	8	70 - 23
T18105	1H12	9	40 - 25	T23659	2D21	8	60 - 8	T31308	1G21	19	40 - 13
T18105	1H17	6	40 - 28	T23856	2C18	18	50 - 41	T31308	1G24	1	40 - 17
T18106	1H12	16	40 - 25	T23891	1C5	2	20 - 25	T31483	1D23	9	30 - 9
T18106	1H17	13	40 - 28	T24224	1F16	24	30 - 55	T31556	1F16	26	30 - 55
T18107	1H12	12	40 - 25	T24229	1F16	27	30 - 55	T31556	1F18	13	30 - 57
T18107	1H17	9	40 - 28	T24229	1F18	6	30 - 57	T32231	1J12	5	40 - 75
T18110	1H12	2	40 - 25	T25243	2B18	8	50 - 16	T32255	1J5	16	40 - 66
T18110	1H17	2	40 - 28	T25244	2B18	7	50 - 16	T32481	2D21	3	60 - 8
T19079	2C18	17	50 - 41	T25245	2B18	6	50 - 16	T33483	2B13	8	50 - 11
T19079	2C20	13	50 - 43	T25247	2B18	10	50 - 16	T33483	2G19	9	70 - 49
T19566	1B5	2	20 - 2	T25317	2C11	22	50 - 34	T33485	2D21	14	60 - 8
T19572	2B21	10	50 - 20	T25317	2D8	13	50 - 57	T34067	1J18	18	40 - 81
T19572	2D4	14	50 - 53	T25343	1G23	26	40 - 16	T34464	2D25	3	60 - 12
T19572	2E4	14	60 - 16	T25343	1G24	31	40 - 17	T34464	2E2	3	60 - 14
T19607	1H12	22	40 - 25	T25353	1G24	10	40 - 17	T36524	2E2	9	60 - 14
T19827	2E2	12	60 - 14	T25357	1G24	6	40 - 17	T36524	2E3	6	60 - 15
T19830	2E2	11	60 - 14	T25551	1E24	2	30 - 38	T37189	2D11	6	50 - 60
T19830	2E3	8	60 - 15	T25552	1E24	1	30 - 38	T37190	2D11	7	50 - 60
T19832	1E6	9	30 - 18	T25614	2B9	14	50 - 6	T37502	2B11	4	50 - 8
T19832	1E7	9	30 - 19	T25614	2B13	3	50 - 11	T37502	2B11	7	50 - 8
T19832	1E8	5	30 - 20	T25614	2B24	1	50 - 23	T37503	2B11	4	50 - 8
T19832	1E9	5	30 - 21	T25692	2H13	4	70 - 64	T37503	2B11	7	50 - 8
T19832	2E2	10	60 - 14	T25803	2H15	5	70 - 66	T39285	2D25	2	60 - 12
T19832	2E3	7	60 - 15	T25804	2H15	3	70 - 66	T39285	2E1	2	60 - 13
T19833	2D25	1	60 - 12	T25804	2H16	2	70 - 67	T39285	2E2	2	60 - 14
T19833	2E1	1	60 - 13	T25879	2H3	4	70 - 58	T39285	2E3	2	60 - 15
T19833	2E2	1	60 - 14	T26027	2E4	12	60 - 16	T39537	2D25	4	60 - 12
T19833	2E3	1	60 - 15	T26256	1F10	42	30 - 49	T39537	2E1	3	60 - 13
T19838	2D25	8	60 - 12	T26565	2B4	10	50 - 1	T39537	2E2	4	60 - 14
T19854	1F10	32	30 - 49	T26565	2D4	30	50 - 53	T39537	2E3	3	60 - 15
T19855	1F10	27	30 - 49	T26565	2D6	12	50 - 55	T39823	2D21	14	60 - 8
T19860	1F10	13	30 - 49	T27261	1D3	8	20 - 44	T40308	2F2	28	70 - 7
T19861	1F10	14	30 - 49	T27261	1D4	9	20 - 45	T40308	2F4	17	70 - 9
T19909	1H9	30	40 - 24A	T27261	1D5	5	20 - 46	T40308	2F10	46	70 - 15
T19909	1H14	29	40 - 27	T27314	2C23	14	50 - 46	T40308	2F12	18	70 - 15B
T20077	1B7	2	20 - 5	T27317	2C23	13	50 - 46	T40308	2F14	4	70 - 17
T20129	1B7	1	20 - 5	T27323	1E24	14	30 - 38	T40416	2D25	9	60 - 12
T20166	1B7	19	20 - 5	T27323	1F1	3	30 - 40	T40416	2E1	5	60 - 13
T20173	1B16	6	20 - 15	T27644	2D4	23	50 - 53	T42704	2D25	10	60 - 12
T20173	1B18	9	20 - 17	T27645	2D4	18	50 - 53	T42704	2E2	13	60 - 14
T20173	1C19	21	20 - 36	T27860	1C14	2	20 - 31	T44948	2D11	1	50 - 60
T20229	2H18	..	70 - 69	T28583	1G10	7	40 - 3	T519T	2G14	7	70 - 45
T20294	1C15	6	20 - 32	T28583	1G11	2	40 - 4	T519T	2G14	29	70 - 45
T20303	1C19	11	20 - 36	T28583	1113	..	40 - 49	T519T	2G16	7	70 - 47
T20328	1C15	5	20 - 32	T28583	1J16	34	40 - 79	T519T	2G19	27	70 - 49
T20328	1D12	40	20 - 53	T28583	1J18	1	40 - 81	T54033	2H14	4	70 - 65
T20515	2B11	5	50 - 8	T28585	1G10	7	40 - 3	T55501	1110	1	40 - 46
T21397	2B4	12	50 - 1	T28585	1J12	7	40 - 75	T55501	1111	11	40 - 47

1L25

7020 TRACTOR

NUMERICAL INDEX - CONTINUED

PART NO.	GRID	KEY	PAGE	PART NO.	GRID	KEY	PAGE	PART NO.	GRID	KEY	PAGE
T55585	1E21	1	30 - 35	U15969	2I10	21	70 - 87				
T56005	2H6	29	70 - 61	U15980	2C2	23	50 - 25				
T56005	2H8	5	70 - 61B	U15980	2G5	24	70 - 35				
T56005	2H10	6	70 - 63	U17409	1C18	22	20 - 35				
T56005	2H12	5	70 - 63B	U17409	1C20	8	20 - 37				
T561T	2D21	4	60 - 8	U17409	1C20	23	20 - 37				
T57374	2F2	29	70 - 7	U40424	2D11	1	50 - 60				
T57374	2F4	18	70 - 9	U40750	1C20	25	20 - 37				
T57374	2F10	47	70 - 15	U42417	1F14	16	30 - 53				
T57374	2F12	19	70 - 15B	U42417	2E12	22	60 - 23				
T57374	2F14	5	70 - 17	U45538	1F4	14	30 - 43				
T61641	2B18	6	50 - 16	U46335	2E2	8	60 - 14				
T61641	2B18	7	50 - 16	U46335	2E3	5	60 - 15				
T61641	2B18	8	50 - 16	U46370	1J16	36	40 - 79				
T66730	2B18	17	50 - 16	U46370	1J18	20	40 - 81				
T66881	2B18	10	50 - 16	U46506	1J5	17	40 - 66				
T738T	1H11	18	40 - 24C	U46507	1J5	11	40 - 66				
T738T	1H16	17	40 - 27B	U46508	1J5	20	40 - 66				
T75972	2D11	2	50 - 60	U46509	1J5	8	40 - 66				
T76091	2B18	2	50 - 16	U46510	1J5	7	40 - 66				
T77706	2B18	11	50 - 16	U46511	1J5	6	40 - 66				
T77706	2B18	16	50 - 16	U46512	1J5	5	40 - 66				
T82430	2B18	10	50 - 16	U46513	1J5	4	40 - 66				
T84409	1H6	1	40 - 22A	U46514	1J5	1	40 - 66				
T84409	1H7	1	40 - 22B	U46662	1I21	12	40 - 57				
T84409	1H18	5	40 - 29	U46662	1J12	7	40 - 75				
T84409	2J16	22	80 - 13	U46662	1J16	37	40 - 79				
T84410	1H6	6	40 - 22A	U46662	1J18	10	40 - 81				
T84410	1H7	10	40 - 22B	U46663	1J16	38	40 - 79				
T84410	1H18	1	40 - 29	U46664	1J16	39	40 - 79				
T84410	2J16	22	80 - 13	U46664	1J20	47	40 - 83				
T84411	1H6	6	40 - 22A	W19897	2D11	4	50 - 60				
T84411	1H7	10	40 - 22B	W19898	2D11	4	50 - 60				
T84411	1H18	1	40 - 29	W19903	2D11	5	50 - 60				
T84411	2J16	22	80 - 13	W20088	2D11	4	50 - 60				
T84412	1H6	6	40 - 22A	1873796	1H9	10	40 - 24A				
T84412	1H7	10	40 - 22B	32240	3B5	22	90 - 3				
T84412	1H18	1	40 - 29	400R	2D14	13	60 - 1				
T84412	2J16	22	80 - 13	400R	2D16	6	60 - 3				
T84413	1H6	6	40 - 22A	400R	2E7	13	60 - 19				
T84413	1H7	10	40 - 22B	400R	2E15	23	60 - 27				
T84413	1H18	1	40 - 29	400R	2E17	18	60 - 29				
T84413	2J16	22	80 - 13	400R	2G5	9	70 - 35				
T84578	1H6	6	40 - 22A	400R	2G18	38	70 - 48A				
T84578	1H7	10	40 - 22B	400R	2I5	12	70 - 83				
T84578	1H18	1	40 - 29	400R	2I7	12	70 - 85				
T84578	2J16	22	80 - 13	400R	2I15	14	70 - 92				
U10136	2E15	3	60 - 27	811912	1H16	9	40 - 27B				
U10136	2E17	3	60 - 29								
U10289	2B21	5	50 - 20								
U10289	2C6	17	50 - 29								
U10289	2C10	10	50 - 33								
U11498	2D21	5	60 - 8								
U11647	2J1	1	70 - 103								
U12331	2E15	6	60 - 27								
U13572	2B11	1	50 - 8								
U13639	1B18	8	20 - 17								
U13639	1B18	27	20 - 17								
U13639	1B20	1	20 - 19								
U13639	1C18	18	20 - 35								
U13639	2E25	14	70 - 5								
U13639	2F6	14	70 - 11								
U13639	2F8	12	70 - 13								
U13639	2F14	21	70 - 17								
U13639	2G14	17	70 - 45								
U13639	2G16	40	70 - 47								
U15242	2D11	3	50 - 60								