

1A2

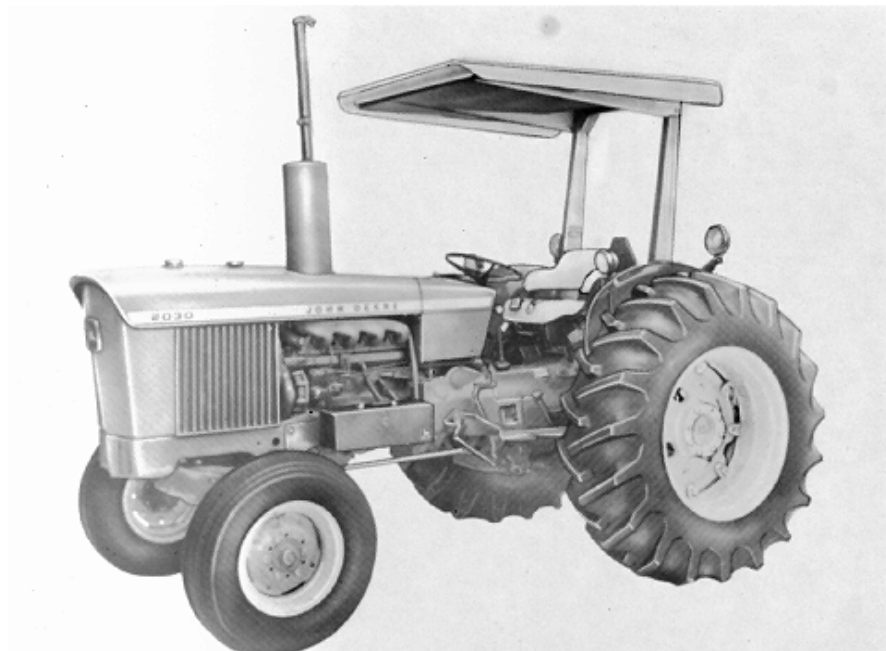
2030 TRACTOR

R18368 -UN-01JAN94



*JOHN DEERE 2030 TRACTOR
(SERIAL NO. -187300)*

R21377 -UN-01JAN94



*JOHN DEERE 2030 TRACTOR EQUIPPED WITH ROLL-GARD AND CANOPY
(SERIAL NO. 187301-)*

(SPECIFICATIONS AND DESIGN SUBJECT TO CHANGE WITHOUT NOTICE)

COPYRIGHT (C) 1995. DEERE & COMPANY, MOLINE, ILLINOIS. ALL RIGHTS RESERVED.

1A3

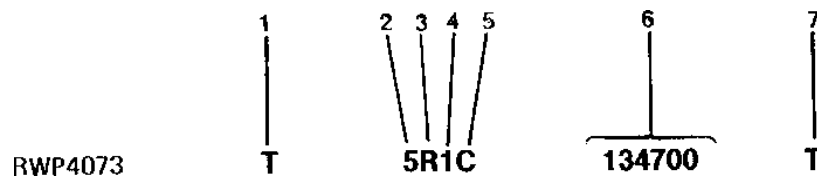
2030 TRACTOR

SERIAL NUMBERS

EACH 2030 TRACTOR HAS THE FOLLOWING SERIAL NUMBER PLATES: BASIC TRACTOR AND ENGINE.

TRACTOR SERIAL NUMBER PRIOR TO SERIAL NO. 187300

RWP4073 -UN-01JAN94



1. DESIGNATES TRACTOR
2. DESIGNATES THE SERIES
3. DESIGNATES THE TRACTOR STYLE

4. DESIGNATES THE FUEL TYPE

5. DESIGNATES TRANSMISSION TYPE

6. TRACTOR SERIAL NUMBER

7. DESIGNATES TRACTOR MANUFACTURER

T - TRACTOR

5 - 2030

R - (RU) ROW-CROP UTILITY

H - (HU) HI-CROP UTILITY

L - (LU) LOW PROFILE

1 - GASOLINE

3 - DIESEL

C - COLLAR SHIFT

D - COLLAR SHIFT WITH REVERSER

H - HI-LO SHIFT

T - JOHN DEERE DUBUQUE TRACTOR WORKS

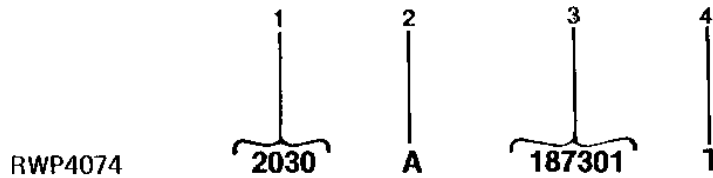
THE TRACTOR CHASSIS SERIAL NUMBER PLATE (SERIAL NO. -187300) IS LOCATED ON THE RIGHT SIDE OF TRANSMISSION CASE ABOVE FOOTREST. SERIAL NUMBER PLATE (SERIAL NO. 187301-) IS LOCATED ON THE RIGHT SIDE OF FRONT SUPPORT ABOVE FRONT AXLE.

1A4

2030 TRACTOR

TRACTOR SERIAL NUMBER BEGINNING WITH SERIAL NO. 187301-T AND SERIAL NO. 14000-L

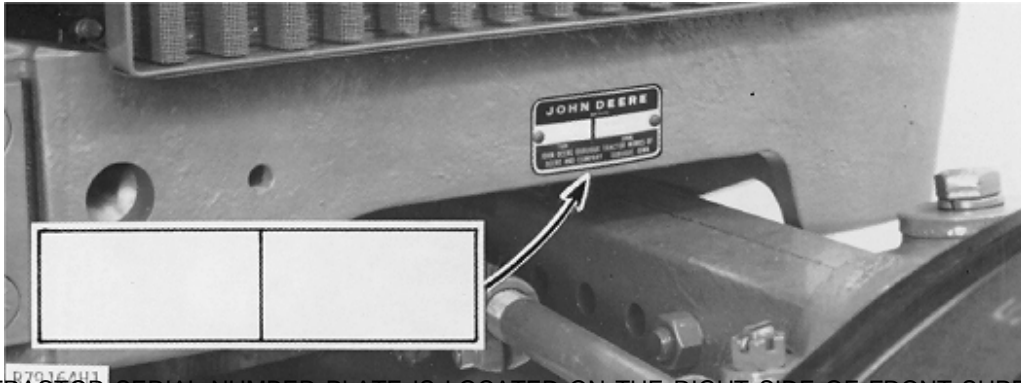
RWP4074 -UN-01JAN94



1. DESIGNATES TRACTOR SERIES
2. DESIGNATES THE TYPE OF TRANSMISSION
3. DESIGNATES TRACTOR SERIAL NUMBER
4. DESIGNATES TRACTOR MANUFACTURER

2030
A - COLLAR SHIFT
B - COLLAR SHIFT WITH HI-LO
F - COLLAR SHIFT WITH REVERSER
L - JOHN DEERE WERKE MANNHEIM
T - JOHN DEERE DUBUQUE TRACTOR WORKS

R79164H1 -UN-01JAN94



THE BASIC TRACTOR SERIAL NUMBER PLATE IS LOCATED ON THE RIGHT SIDE OF FRONT SUPPORT ABOVE FRONT AXLE.

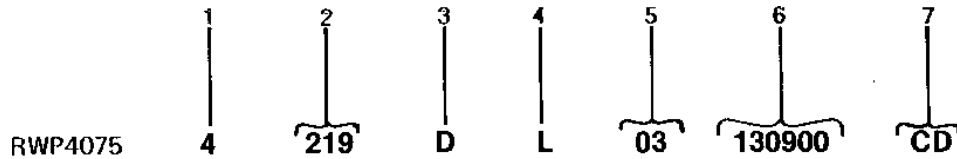
WHERE A SERIAL NUMBER BREAK OCCURS, THE LATEST PART APPLIES TO TRACTORS WITH AN "L" AS THE LAST DIGIT OF THE CHASSIS SERIAL NUMBER, UNLESS OTHERWISE SPECIFIED.

1A5

2030 TRACTOR

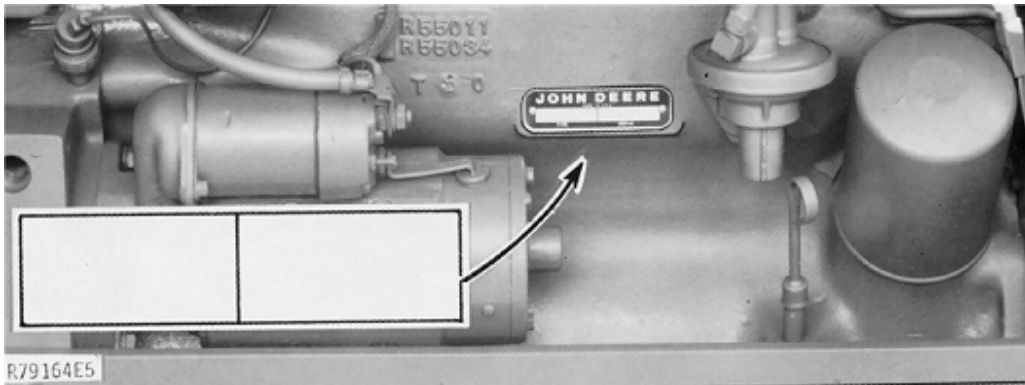
ENGINE SERIAL NUMBER

RWP4075 -UN-01JAN94



- | | |
|---------------------------------------|---|
| 1. DESIGNATES NUMBER OF CYLINDERS | 4 |
| 2. DESIGNATES CUBIC INCH DISPLACEMENT | 219- 219 CUBIC INCH |
| 3. DESIGNATES FUEL TYPE | D - NATURALLY ASPIRATED DIESEL
G - GASOLINE |
| 4. DESIGNATES USER FACTORY | L - JOHN DEERE WERKE MANNHEIM
R - JOHN DEERE TRACTOR WORKS |
| 5. DESIGNATES GENERAL ENGINE TYPE | 03 |
| 6. DESIGNATES ENGINE SERIAL NUMBER | |
| 7. DESIGNATES ENGINE MANUFACTURER | CD - JOHN DEERE SARAN
T - JOHN DEERE DUBUQUE WORKS |

R79164E5 -UN-01JAN94



THE ENGINE SERIAL NUMBER PLATE IS LOCATED BELOW AND TO THE REAR OF THE FUEL PUMP MOUNTING BOSS ON THE LOWER RIGHT SIDE OF THE CYLINDER BLOCK.

1A6

2030 TRACTOR

SERIAL NUMBER LISTING INFORMATION

SERIAL NUMBER INFORMATION IS LISTED TO SHOW ON WHICH MACHINES EACH PART CAN BE USED; FOR EXAMPLE:

- THE PART CAN BE USED ON ALL MACHINES.
- 000000- THE PART CAN BE USED ON ALL MACHINES BEGINNING WITH THE SERIAL NUMBER LISTED.
- 000000 THE PART CAN BE USED ON ALL MACHINES UP TO AND INCLUDING THE SERIAL NUMBER LISTED.
- 000000-000000 THE PART CAN BE USED ON ALL MACHINES BETWEEN AND INCLUDING THE SERIAL NUMBERS LISTED.

- 15BV1- WHEN A MODEL NUMBER BEGINS WITH 15BV, 14HA, 15PP, 25SC, 2RC, 4RC, 15RS, 3CY, 2SP, OR 31SV, IT REFERS TO THE MODEL NUMBER OF THE BRAKE VALVE, HYDRAULIC ACCUMULATOR, HYDRAULIC PUMP, REMOTE CYLINDER SELECTIVE CONTROL VALVE FOR NO ROCKSHAFT, REMOTE CYLINDER SELECTIVE CONTROL VALVES, REMOTE CYLINDERS, REMOTE CYLINDERS WITH MECHANICAL STOPS, ROCKSHAFT CONTROL VALVE, STEERING CYLINDER, STEERING METERING PUMP, OR STEERING VALVE.

WHEN XXXXXX'S ARE LISTED IN PLACE OF A SERIAL NUMBER, A SERIAL NUMBER CHANGE WAS MADE BUT THE EXACT SERIAL NUMBER WAS NOT AVAILABLE WHEN THE CATALOG WAS PRODUCED.

MODEL NUMBERS

THE FOLLOWING COMPONENTS HAVE MODEL NUMBERS:

BRAKE VALVE	15BV1
HYDRAULIC ACCUMULATOR	14HA2
HYDRAULIC PUMP (39.3CM3 (2.4 IN3))	15PP1
REMOTE CYLINDER SELECTIVE CONTROL VALVE FOR NO ROCKSHAFT - SINGLE, DUAL OR TRIPLE	25SC1
REMOTE CYLINDER SELECTIVE CONTROL VALVE FOR ROCKSHAFT - SINGLE, DUAL OR TRIPLE	23SC2
REMOTE CYLINDER (76 X 203 MM (3" X 8"))	2RC4
REMOTE CYLINDER WITH MECHANICAL STOP (76 X 203 MM (3" X 8"))	4RC3
ROCKSHAFT CONTROL VALVE	15RS1
STEERING CYLINDER	3CY1
STEERING METERING PUMP	2SP1
STEERING VALVE	31SV1

EACH OF THE ABOVE COMPONENTS HAS A MODEL NUMBER. WHEN THE DESIGN OF ONE OF THESE COMPONENTS IS CHANGED, THE MODEL NUMBER FOR THE NEWLY DESIGNED COMPONENT IS CHANGED.

DIRECTION ARROW

ARROWS ARE USED WITH ILLUSTRATIONS TO INDICATE THE FRONT OF THE UNIT. "RIGHT-HAND" AND "LEFT-HAND" SIDES ARE DETERMINED BY FACING IN THE DIRECTION OF MACHINE FORWARD TRAVEL.

BOX-ENCLOSED ILLUSTRATIONS

A KEY NUMBER, SHOWN IN THE PARTS LIST, IS ASSIGNED TO A BOX ENCLOSING ALL PARTS SOLD AS A SERVICE ASSEMBLY.

BOLT AND CAP SCREW STRENGTH IDENTIFICATION

U.S. CUSTOMARY DIMENSIONED PRODUCT: BOLTS AND CAP SCREWS REQUIRED TO HAVE HIGH-STRENGTH QUALITIES EQUIVALENT TO SAE GRADE 8 ARE IDENTIFIED THROUGHOUT THIS CATALOG BY THE DESCRIPTION HS SAE 8. ALL STANDARD BOLTS AND CAP SCREWS ARE SAE GRADE 5 OR LOWER.

METRIC DIMENSIONED PRODUCT: BOLTS AND CAP SCREWS REQUIRED TO HAVE HIGH-STRENGTH QUALITIES EQUIVALENT TO PROPERTY CLASS 10.9 ARE IDENTIFIED THROUGHOUT THIS CATALOG BY THE DESCRIPTION HS 10.9. ALL STANDARD BOLTS AND CAP SCREWS ARE PROPERTY CLASS 8.8 OR LOWER.

JDM REMANUFACTURED COMPONENTS

THE SERVICE PARTS LISTED IN THIS CATALOG ARE INTENDED FOR THE REPAIR OF ORIGINAL EQUIPMENT COMPONENTS. ALTHOUGH MOST SERVICE PARTS MAY BE USED TO REPAIR REMANUFACTURED COMPONENTS, THE REMANUFACTURING PROCESS MAY CHANGE PARTS SUFFICIENTLY SO THAT SERVICE PARTS ARE INADEQUATE OR NOT USABLE.

TRADEMARKS

THROUGHOUT THIS PARTS CATALOG, YOU WILL FIND THE FOLLOWING TRADEMARKS:

HYDRACUSHIONED™
PERSONAL-POSTURE™
QUAD-RANGE™
PERFORMANCE TRAK™ II

ROLL-GARD®
SOUND-GARD®
TORQ-GARD PLUS 50®
HY-GARD®
QUIK-TATCH®
LOCTITE®

CHANGE INDICATOR LINE (MICROFICHE CATALOGS ONLY)

CHANGES AFFECTING THE ORDERING OF PARTS ARE IDENTIFIED BY VERTICAL LINES MARKED IN THE LEFT-HAND MARGIN OF REVISED PARTS LISTING IMAGES. A LINE IS ALSO AT THE LEFT-HAND EDGE OF THE SAME PART NUMBER IN THE NUMERICAL INDEX TO SHOW THE LOCATION OF REVISED INFORMATION.

1A8

2030 TRACTOR

QUANTITY COLUMN OR REMARKS COLUMN

GENERALLY THE QUANTITY SHOWN IS FOR THE ENTIRE TRACTOR AT ANY GIVEN LOCATION. THERE ARE EXCEPTIONS AS IN WHEEL HARDWARE WHERE ONLY ENOUGH IS SHOWN FOR ONE WHEEL.

THE FOLLOWING ABBREVIATIONS ARE USED IN THE REMARKS COLUMN:

NLR - NO LONGER REQUIRED

NA - NOT APPLICABLE

NLA - NO LONGER AVAILABLE

FI - FIELD INSTALLED

CA - COMPLETE GOODS ATTACHMENT

CA AND FI ARE OPTIONS THAT MUST BE ORDERED DIRECT FROM THE PRODUCING FACTORY.

1A9

2030 TRACTOR

SECTION INDEX

GENERAL INFORMATION	10
ENGINE	20
FUEL AND AIR	30
ELECTRICAL	40
POWER TRAIN	50
STEERING AND BRAKES	60
HYDRAULICS	70
WHEELS, FRONT AXLES, SHEET METAL	80
OPERATOR'S STATION	90
NUMERICAL INDEX	95

1A10

2030 TRACTOR

ALPHABETICAL INDEX

GRID		PAGE	GRID	PAGE			
A							
1D23	AID, COLD WEATHER STARTING (DIESEL)	30-17	1B8	BLOCK, SHORT, ASSEMBLY (DIESEL).....	20-6		
1D11	AIR CLEANER	30-4	1B10	BLOCK, SHORT, ASSEMBLY (DIESEL).....	20-8		
1G25	AIR CLEANER	30-91	3D22	BLOCKS, SWAY	70-60		
1D8	AIR CLEANER CLEANING GUN.....	30-1	1E9	BOWL ASSEMBLY, CARBURETOR	30-26		
1G25	AIR CLEANER ELEMENT	30-91	2B13	BRACKET, ALTERNATOR.....	40-11		
1D11	AIR CLEANER RESTRICTION INDICATOR	30-4	2D20	BRACKET, ELECTRICAL REMOTE CONTROL.....	40-64		
2D16	AIR CLEANER RESTRICTION INDICATOR.....	40-60	3J10	BRACKET, FIRE EXTINGUISHER.....	90-30		
1D9	AIR CLEANER, DRY TYPE	30-2	2D5	BRACKET, REAR LAMP	40-48		
1D13	AIR INTAKE	30-6	2E3	BRACKET,RADAR SENSOR	40-72		
1D14	AIR INTAKE	30-7	2F20	BRAKE CARRIER, REVERSER	50-26		
1D12	AIR STACK.....	30-5	2I17	BRAKE DISK	60-12		
2B13	ALTERNATOR	40-11	2F19	BRAKE DISKS, REVERSER	50-25		
2B14	ALTERNATOR	40-12	2F20	BRAKE HOUSING, REVERSER	50-26		
2B18	ALTERNATOR	40-16	2I14	BRAKE PEDAL	60-9		
2B19	ALTERNATOR	40-17	2F20	BRAKE PISTON, REVERSER	50-26		
2B20	ALTERNATOR (55 AMP)	40-18	2I17	BRAKE PLATE	60-12		
2B22	ALTERNATOR (55A)	40-19A	2F19	BRAKE PLATES, REVERSER.....	50-25		
2B16	ALTERNATOR PARTS	40-14	2I15	BRAKE VALVE AND CYLINDER.....	60-10		
2B16	ALTERNATOR PULLEY.....	40-14	2I16	BRAKE VALVE OVERHAUL KIT	60-11		
2E1	ANALOG TACHOMETER.....	40-70	2F17	BRAKE, PTO (EARLY DESIGN)	50-23		
2G10	ARM, CLUTCH CONTROL VALVE	50-42	2F18	BRAKE, PTO (LATE DESIGN)	50-24		
3D3	ARM, LOAD CONTROL	70-41	3E17	BREAKAWAY COUPLER	70-79		
1B14	ARM, ROCKER.....	20-12	3E19	BREAKAWAY COUPLER	70-82		
3F22	ARM, STEERING	80-6	3F9	BREAKAWAY COUPLER (ISO).....	70-98		
3G1	ARM, STEERING (HEAVY-DUTY).....	80-11	3E18	BREAKAWAY COUPLER OVERHAUL KIT.....	70-81		
2C1	ARMATURE, STARTING MOTOR.....	40-22	2B4	BREAKER, CIRCUIT	40-1		
3C17	ARMS, ROCKSHAFT LIFT.....	70-34	2D22	BREAKER, CIRCUIT, REMOTE CONTROL	40-66		
3H8	ATTACHING BRACKET, IMPLEMENT	80-38	3F14	BULK FLEXIBLE OIL LINES	70-104		
1F8	AUTOMATIC ADVANCE, FUEL INJECTION PUMP.....	30-46	C				
1G1	AUTOMATIC ADVANCE, FUEL INJECTION PUMP.....	30-65	1G24	CABLE, CHOKE (GASOLINE).....	30-90		
1G6	AUTOMATIC ADVANCE, FUEL INJECTION PUMP.....	30-70	2B10	CABLE, IGNITION	40-8		
1F1	AUTOMATIC ADVANCE, INJECTION PUMP	30-39	2B10	CABLE, SPARK PLUG.....	40-8		
2E6	AUXILIARY ELECTRICAL OUTLET, 7-TERMINAL.....	40-75	2D19	CABLE, TACHOMETER	40-63		
3G10	AXLE EXTENSION, FLANGED	80-17	1B14	CAMSHAFT.....	20-12		
3G2	AXLE TIE ROD (COMPLETE).....	80-12	3I2	CANOPY, ROLL-GARD	90-1		
3G3	AXLE TIE ROD (FIXED TREAD).....	80-13	3I5	CANOPY, ROLL-GARD	90-2		
3F22	AXLE, FRONT	80-6	1D24	CAP, FUEL	30-18		
3F24	AXLE, FRONT (HEAVY-DUTY)	80-9	1C4	CAP, MAIN BEARING	20-27		
3F25	AXLE, FRONT, TIE ROD ASSEMBLY	80-10	1D15	CAP, MUFFLER (GASOLINE)	30-9		
2I3	AXLE, REAR.....	50-86	3C16	CAP, OIL FILLER	70-33		
3F18	AXLE, STRAIGHT ADJUSTABLE FRONT	80-2	1C7	CAP, OIL FILLER INLET	20-31		
3F20	AXLE, STRAIGHT ADJUSTABLE FRONT	80-4	1C20	CAP, RADIATOR	20-42		
3F19	AXLE, SWEEPED BACK ADJUSTABLE FRONT	80-3	3E16	CAP, SELECTIVE CONTROL VALVE	70-78		
B					1D16	CAP, WEATHER (DIESEL)	30-10
1C6	BALANCER SHAFT, ENGINE	20-29	2H20	CAPACITY, THRUST, IMPROVEMENT KIT	50-78		
3D4	BASE, SEAT SUPPORT	70-42	1E11	CARBURETOR	30-28		
2B8	BATTERIES	40-6	1E13	CARBURETOR	30-29A		
2B8	BATTERY CABLES	40-6	1E9	CARBURETOR BOWL ASSEMBLY	30-26		
2B8	BATTERY CABLES AND STARTING MOTOR.....	40-6	1E15	CARBURETOR REPAIR KIT	30-30		
3H9	BATTERY CLAMP	80-39	1E17	CARBURETOR REPAIR KIT	30-31A		
1C4	BEARING CAP, MAIN	20-27	1E19	CARBURETOR REPAIR KIT	30-32		
1B22	BEARING, CONNECTING ROD	20-20	1E9	CARBURETOR SOLENOID ASSEMBLY	30-26		
1B24	BEARING, CONNECTING ROD (DIESEL)	20-22	1E10	CARBURETOR THROTTLE BODY	30-27		
1C4	BEARING, MAIN.....	20-27	1E17	CARBURETOR, REPLACEMENT	30-31A		
3F18	BELLCRANK, STEERING	80-2	2G4	CARRIER, PLANET PINION (HI-LO SHIFT).....	50-36		
3F19	BELLCRANK, STEERING	80-3	2F20	CARRIER, REVERSER	50-26		
2I1	BELT PULLEY	50-84	2F21	CARRIER, REVERSER BRAKE	50-27		
3I3	BELT, SEAT	90-1A	2G20	CASE, TRANSMISSION.....	50-52		
3I13	BELT, SEAT	90-12	3G14	CAST REAR WHEEL (FLANGED AXLE)	80-21		
2C12	BENDEX DRIVE, STARTING MOTOR	40-31C	3G15	CAST REAR WHEEL (FLANGED AXLE)	80-22		
1B6	BLOCK, CYLINDER (DIESEL).....	20-4	3G16	CAST REAR WHEEL (PINION ADJUSTED AXLE)	80-24		
1B6	BLOCK, CYLINDER (GASOLINE)	20-4	3G18	CAST REAR WHEEL, HEAVY (PINION ADJUSTED AXLE)	80-24B		
			3D5	CENTER LINK HOOK	70-43		

1A11

2030 TRACTOR

ALPHABETICAL INDEX - CONTINUED

<i>GRID</i>		<i>PAGE</i>	<i>GRID</i>		<i>PAGE</i>
3D11	CENTER LINK, 3-POINT HITCH	70-50	1B5	COOLANT CONDITIONER.....	20-2
3E2	CHAIN, IMPLEMENT SAFETY	70-65	1C12	COOLANT HEATER, ENGINE.....	20-36
3E3	CHAIN, SAFETY	70-65A	1C20	COOLER, OIL, TRANSMISSION	20-42
1G23	CHOKE CABLE	30-89	2H4	COUNTERSHAFT BEARING SUPPORT	50-61
1G24	CHOKE CABLE (GASOLINE)	30-90	2H5	COUNTERSHAFT BEARING SUPPORT	50-62
2D15	CIGAR LIGHTER	40-59	2F14	COUNTERSHAFT, REAR.....	50-20
2B4	CIRCUIT BREAKER	40-1	2H4	COUNTERSHAFT, TRANSMISSION.....	50-61
1D11	CLEANER, AIR.....	30-4	2H5	COUNTERSHAFT, TRANSMISSION.....	50-62
1D9	CLEANER, DRY AIR	30-2	3F7	COUPLER CONVERSION KIT (ISO).....	70-96
2G5	CLUTCH ASSEMBLY, HI (HI-LO SHIFT)	50-37	3E22	COUPLER OIL LINES	70-85
2G2	CLUTCH ASSEMBLY, LO (HI-LO SHIFT).....	50-34	3F10	COUPLER OVERHAUL KIT (ISO).....	70-100
2G4	CLUTCH ASSEMBLY, LO (HI-LO SHIFT).....	50-36	3E17	COUPLER, BREAKAWAY	70-79
2G6	CLUTCH ASSEMBLY, LO (HI-LO SHIFT).....	50-38	3E19	COUPLER, BREAKAWAY	70-82
2G14	CLUTCH CONTROL VALVE	50-46	3F9	COUPLER, BREAKAWAY (ISO)	70-98
2G12	CLUTCH CONTROL VALVE (LESS HI-LO)	50-44	3E21	COUPLER, DUAL SELECTIVE CONTROL VALVE	70-84
2G10	CLUTCH CONTROL VALVE COVER AND ARM	50-42	3F5	COUPLER, FLEXIBLE OIL LINE	70-94
2G11	CLUTCH CONTROL VALVE HOUSING	50-43	3D14	COUPLER, IMPLEMENT QUICK.....	70-54
2F1	CLUTCH DISCONNECT (REVERSER).....	50-8	3D16	COUPLER, QUICK, THREE-POINT HITCH	70-55A
2G8	CLUTCH DISK ASSEMBLY	50-40	3F4	COUPLER, ROCKSHAFT CYLINDER OUTLET	70-93
2F8	CLUTCH DISKS (CONTINUOUS PTO).....	50-14	3E21	COUPLER, SINGLE SELECTIVE CONTROL VALVE	70-84
2F3	CLUTCH DISKS (INDEPENDENT PTO)	50-10	3F14	COUPLING, REUSEABLE	70-104
2F7	CLUTCH DISKS (INDEPENDENT PTO)	50-13	2G10	COVER, CLUTCH CONTROL VALVE.....	50-42
2F2	CLUTCH DISKS (LESS REVERSER)	50-9	2F23	COVER, CLUTCH CONTROL VALVE (REVERSER).....	50-29
2F1	CLUTCH DISKS (REVERSER)	50-8	3F5	COVER, DUST, BREAKAWAY COUPLER	70-94
2F16	CLUTCH DRUM AND DISKS (INDEPENDENT PTO)	50-22	1G10	COVER, FUEL INJECTION PUMP	30-74
2F15	CLUTCH DRUM AND DISKS (REVERSER).....	50-21	1G2	COVER, FUEL INJECTION PUMP CONTROL	30-66
2E20	CLUTCH HOUSING	50-2	1E21	COVER, INJECTION PUMP GOVERNOR	30-34
2E22	CLUTCH HOUSING (REVERSER)	50-4	2H23	COVER, POWER SHAFT OPENING (LESS PTO).....	50-81
2E24	CLUTCH LINKAGE (LESS REVERSER).....	50-6	1B12	COVER, ROCKER ARM	20-10
2E25	CLUTCH LINKAGE (REVERSER)	50-7	3E5	COVER, SELECTIVE CONTROL VALVE	70-66
2G1	CLUTCH OIL MANIFOLD.....	50-32	3E8	COVER, SELECTIVE CONTROL VALVE	70-69
2G16	CLUTCH OIL MANIFOLD (HI-LO SHIFT)	50-48	2C11	COVER, STARTING MOTOR SOLENOID	40-31A
2G17	CLUTCH OIL MANIFOLD (HI-LO SHIFT).....	50-49	2C12	COVER, STARTING MOTOR SOLENOID	40-31C
2G15	CLUTCH OIL MANIFOLD (LESS HI-LO SHIFT).....	50-47	1C9	COVER, TIMING GEAR (DIESEL)	20-33
2E24	CLUTCH PEDAL (LESS REVERSER)	50-6	1C8	COVER, TIMING GEAR (GAS)	20-32
2E25	CLUTCH PEDAL (REVERSER).....	50-7	1B20	COVER, TIMING HOLE	20-18
2F13	CLUTCH PILOT BEARING	50-19	2G21	COVER, TRANSMISSION SUMP	50-53
2F11	CLUTCH PILOT BEARING (CONTINUOUS PTO)	50-17	2G25	COVER, TRANSMISSION TOP.....	50-57
2F13	CLUTCH SHAFT.....	50-19	3I23	COWL	90-16
2F11	CLUTCH SHAFT (CONTINUOUS PTO)	50-17	3I24	COWL	90-18
2F12	CLUTCH SHAFT (LESS PTO).....	50-18	1B18	CRANKSHAFT	20-16
2F3	CLUTCH, ENGINE (INDEPENDENT PTO)	50-10	1B18	CRANKSHAFT PULLEY.....	20-16
2F7	CLUTCH, ENGINE (INDEPENDENT PTO)	50-13	1B6	CYLINDER BLOCK (DIESEL)	20-4
2F2	CLUTCH, ENGINE (LESS REVERSER)	50-9	1B6	CYLINDER BLOCK (GASOLINE)	20-4
2F1	CLUTCH, ENGINE (REVERSER)	50-8	1B12	CYLINDER HEAD.....	20-10
2F8	CLUTCH, PTO (CONTINUOUS PTO).....	50-14	3F6	CYLINDER HOSE IDENTIFICATION KIT	70-95
2F7	CLUTCH, PTO (INDEPENDENT PTO)	50-13	3C19	CYLINDER HOUSING, ROCKSHAFT	70-35A
2C3	COIL, STARTING MOTOR.....	40-24	3C21	CYLINDER HOUSING, ROCKSHAFT	70-35C
1D23	COLD WEATHER STARTING AID (DIESEL)	30-17	1C3	CYLINDER LINER	20-26
1B5	CONDITIONER, COOLANT	20-2	1C1	CYLINDER LINER (DIESEL)	20-24
2E14	CONDUIT	40-84	1C2	CYLINDER LINER (DIESEL)	20-25
1B22	CONNECTING RODS	20-20	1B23	CYLINDER LINER (GASOLINE)	20-21
1B24	CONNECTING RODS (DIESEL)	20-22	1B5	CYLINDER LINER PACKING LUBRICANT.....	20-2
2E14	CONNECTORS, ELECTRICAL, SUPPLEMENTARY	40-84	1C3	CYLINDER LINER SEAL KIT.....	20-26
3C9	CONNECTORS, HYDRAULIC PUMP		1C1	CYLINDER LINER SEAL KIT (DIESEL)	20-24
	23 CM3 (1.4 IN.3)	70-26A	1C2	CYLINDER LINER SEAL KIT (DIESEL)	20-25
3C8	CONNECTORS, HYDRAULIC PUMP		3F1	CYLINDER, REMOTE	70-90
	40 CM3 (2.4 IN.3)	70-26	3F2	CYLINDER, REMOTE	70-91
2E8	CONNECTORS,ELECTRICAL	40-78	3C18	CYLINDER, ROCKSHAFT	70-35
2E10	CONNECTORS,ELECTRICAL	40-80			
2E12	CONNECTORS,ELECTRICAL	40-82			
2E8	CONTAINER,ELECTRICAL PARTS.....	40-78			
2G9	CONTROL LEVER, HI-LO SHIFT	50-41			
2F22	CONTROL LINKAGE, REVERSER	50-28			
3D3	CONTROL, LOAD.....	70-41			
2D10	CONTROL, TURN SIGNAL	40-54			
3F7	CONVERSION KIT, JOHN DEERE TO ISO	70-96			

D

3I23	DASH	90-16
3I24	DASH	90-18
2D9	DASH LIGHT	40-53
3J8	DEFLECTOR, FAN BLAST	90-28

1A12

2030 TRACTOR

ALPHABETICAL INDEX - CONTINUED

<i>GRID</i>		<i>PAGE</i>	<i>GRID</i>		<i>PAGE</i>
3I8	DELUXE SEAT	90-6	2E5	ELECTRICAL OUTLET SOCKET	40-74
3I14	DELUXE SEAT	90-13	2B6	ELECTRICAL OUTLET SOCKET (ORCHARD).....	40-3
3I15	DELUXE SEAT	90-14	2E6	ELECTRICAL OUTLET SOCKET, 7-TERMINAL.....	40-75
3I19	DELUXE SEAT	90-15C	2E8	ELECTRICAL PARTS CONTAINER	40-78
3I21	DELUXE SEAT	90-15E	2D20	ELECTRICAL REMOTE CONTROL	40-64
3I17	DELUXE SEAT ASSEMBLY.....	90-15A	2D20	ELECTRICAL REMOTE CONTROL BRACKET	40-64
3I9	DELUXE SEAT SUPPORT	90-8	2D21	ELECTRICAL REMOTE CONTROL KIT	40-65
3E5	DETENT PISTON, SELECTIVE CONTROL VALVE.....	70-66	2D20	ELECTRICAL REMOTE CONTROL SWITCH.....	40-64
2H8	DIFFERENTIAL.....	50-65	2D22	ELECTRICAL REMOTE CONTROL WIRING	40-66
2H10	DIFFERENTIAL.....	50-68	2D23	ELECTRICAL REMOTE CONTROL WIRING KIT.....	40-68
2H7	DIFFERENTIAL DRIVE SHAFT	50-64	2D22	ELECTRICAL REMOTE CONTROL WIRING RELAY.....	40-66
2H9	DIFFERENTIAL LOCK MECHANISM	50-67	2E8	ELECTRICAL TERMINALS	40-78
2H8	DIFFERENTIAL RING GEAR AND PINION	50-65	2E10	ELECTRICAL TERMINALS	40-80
1B17	DIPSTICK, ENGINE OIL	20-15	2E12	ELECTRICAL TERMINALS	40-82
2F2	DISCONNECT, CLUTCH (LESS REVERSER)	50-9	2E14	ELECTRICAL TERMINALS, SUPPLEMENTARY	40-84
2I17	DISK, BRAKE	60-12	2E16	ELECTRICAL TOOLS.....	40-86
2F8	DISK, CLUTCH (CONTINUOUS PTO)	50-14	2E8	ELECTRICAL WIRING	40-78
2F3	DISK, CLUTCH (INDEPENDENT PTO).....	50-10	2E10	ELECTRICAL WIRING	40-80
2F7	DISK, CLUTCH (INDEPENDENT PTO).....	50-13	2E12	ELECTRICAL WIRING	40-82
2F2	DISK, CLUTCH (LESS REVERSER).....	50-9	2B4	ELECTRICAL WIRING SYSTEM	40-1
2G8	DISK, CLUTCH, ASSEMBLY	50-40	1D11	ELEMENT, AIR CLEANER.....	30-4
2F19	DISKS, REVERSER BRAKE	50-25	1G25	ELEMENT, AIR CLEANER.....	30-91
2B10	DISTRIBUTOR	40-8	1D8	ELEMENT, CLEANING GUN	30-1
2B11	DISTRIBUTOR	40-9	1G25	ELEMENT, ENGINE OIL FILTER	30-91
3D9	DRAFT LINK, TELESCOPING	70-48	1G25	ELEMENT, FUEL FILTER	30-91
3D11	DRAFT LINK, TELESCOPING	70-50	1E1	ELEMENT, FUEL FILTER (DIESEL)	30-20
3D13	DRAFT LINKS.....	70-53	1E2	ELEMENT, FUEL FILTER (DIESEL)	30-21
2I13	DRAG LINK, STEERING	60-8	1E3	ELEMENT, FUEL FILTER (DIESEL)	30-22
3D25	DRAWBAR HAMMER STRAP	70-63	1G25	ELEMENT, TRANSMISSION OIL FILTER.....	30-91
3E1	DRAWBAR HAMMER STRAP	70-64	3J4	EMBLEM, SLOW MOVING VEHICLE	90-23
3D18	DRAWBAR, SWINGING	70-56	3J5	EMBLEM, SLOW MOVING VEHICLE	90-24
3D20	DRAWBAR, SWINGING	70-58	3J3	EMBLEM, SLOW MOVING VEHICLE (REGULAR OR DELUXE SEAT)	90-22
3D23	DRAWBAR, 3-POINT HITCH	70-61	2I6	EMBLEM, STEERING WHEEL	60-1
2H7	DRIVE SHAFT, DIFFERENTIAL	50-64	1C6	ENGINE BALANCER SHAFT.....	20-29
1F10	DRIVE SHAFT, FUEL INJECTION PUMP.....	30-48	2F8	ENGINE CLUTCH (CONTINUOUS PTO)	50-14
1F12	DRIVE SHAFT, FUEL INJECTION PUMP.....	30-50	2F3	ENGINE CLUTCH (INDEPENDENT PTO)	50-10
2H3	DRIVE SHAFT, TRANSMISSION	50-60	2F7	ENGINE CLUTCH (INDEPENDENT PTO)	50-13
3B5	DRIVE, HYDRAULIC PUMP.....	70-2	1C12	ENGINE COOLANT HEATER	20-36
2F17	DRUM, BRAKE (EARLY DESIGN)	50-23	1C5	ENGINE FRONT PLATE	20-28
2F18	DRUM, BRAKE (LATE DESIGN)	50-24	1B4	ENGINE OIL	20-1
2F15	DRUM, CLUTCH (REVERSER).....	50-21	1G25	ENGINE OIL FILTER	30-91
2F16	DRUM, PTO CLUTCH (INDEPENDENT PTO)	50-22	1C10	ENGINE OIL PUMP	20-34
1D9	DRY AIR CLEANER	30-2	1C11	ENGINE OIL PUMP KIT.....	20-35
1D11	DRY AIR CLEANER	30-4	1D1	ENGINE OVERHAUL GASKET KIT (DIESEL)	20-48
3E24	DUAL RETURN OIL CONVERSION KIT (SINGLE SELECTIVE CONTROL VALVE).....	70-88	1C24	ENGINE OVERHAUL GASKET SET (GASOLINE).....	20-46
3E21	DUAL SELECTIVE CONTROL VALVE COUPLER.....	70-84	1G23	ENGINE STOP CABLE	30-89
3G13	DUAL STEEL DISK REAR WHEEL.....	80-20	1D4	ENGINE TUNE-UP GASKET KIT (DIESEL)	20-51
3F5	DUST COVER, BREAKAWAY COUPLER.....	70-94	1D3	ENGINE TUNE-UP GASKET KIT (GASOLINE)	20-50
E			1B5	ENGINE VALVE STEM LUBICANT	20-2
3C5	ELECTRIC DESTROKE SOLENOID	70-23C	1D19	EXHAUST MANIFOLD, REAR (GASOLINE).....	30-13
1F11	ELECTRIC SHUT-OFF KIT, FUEL INJECTION (6531)	30-49	1B14	EXHAUST VALVE	20-12
1F2	ELECTRIC SHUT-OFF, FUEL INJECTION PUMP	30-40	3G10	EXTENSION, FLANGED AXLE	80-17
1F9	ELECTRIC SHUT-OFF, FUEL INJECTION PUMP	30-47	2D8	EXTENSION, LAMP	40-51
2E16	ELECTRICAL CONNECTOR AND TERMINAL KIT	40-86	1D18	EXTENSION, MUFFLER	30-12
2E8	ELECTRICAL CONNECTORS	40-78	1D21	EXTENSION, MUFFLER (DIESEL)	30-15
2E10	ELECTRICAL CONNECTORS	40-80	1D20	EXTENSION, MUFFLER (GASOLINE)	30-14
2E12	ELECTRICAL CONNECTORS	40-82	3J6	EXTENSIONS, FENDER	90-26
2E14	ELECTRICAL CONNECTORS, SUPPLEMENTARY	40-84	3J7	EXTENSIONS, FENDER (EARLY DESIGN)	90-27
2E8	ELECTRICAL CRIMPING TOOL	40-78	3J10	EXTINGUISHER, FIRE.....	90-30
2E5	ELECTRICAL OUTLET PLUG	40-74	F		
2B5	ELECTRICAL OUTLET SOCKET	40-2	1C14	FAN	20-38
2B7	ELECTRICAL OUTLET SOCKET	40-5	1C14	FAN BELT.....	20-38
			3J8	FAN BLAST DEFLECTOR	90-28

1A13

2030 TRACTOR

ALPHABETICAL INDEX - CONTINUED

<i>GRID</i>		<i>PAGE</i>	<i>GRID</i>		<i>PAGE</i>
1C14	FAN PULLEY	20-38	1E4	FUEL FILTER	30-22A
1C20	FAN SHROUD	20-42	1G25	FUEL FILTER	30-91
1B12	FDTUBE, VENTILATOR OUTLET	20-10	1E2	FUEL FILTER (DIESEL)	30-21
3H17	FENDER	80-48	1E3	FUEL FILTER (DIESEL)	30-22
3J6	FENDER EXTENSIONS	90-26	1E1	FUEL FILTER, SINGLE (DIESEL)	30-20
3J7	FENDER EXTENSIONS (EARLY DESIGN)	90-27	2D18	FUEL GAUGE	40-62
3H19	FENDER, REAR	80-50	1D24	FUEL GAUGE SENDER	30-18
3H16	FENDERS (LOW PROFILE)	80-47	1G14	FUEL INJECTION NOZZLE	30-78
3E23	FILTER RETURN, SCV OIL, KIT	70-86	1G15	FUEL INJECTION NOZZLE	30-80
1B17	FILTER, ENGINE OIL	20-15	1G17	FUEL INJECTION NOZZLE	30-82
1G25	FILTER, ENGINE OIL	30-91	1E20	FUEL INJECTION PUMP	30-33
1E4	FILTER, FUEL	30-22A	1F18	FUEL INJECTION PUMP	30-56
1G25	FILTER, FUEL	30-91	1F21	FUEL INJECTION PUMP	30-60
1E2	FILTER, FUEL (DIESEL)	30-21	1G4	FUEL INJECTION PUMP	30-68
1E3	FILTER, FUEL (DIESEL)	30-22	1F8	FUEL INJECTION PUMP AUTOMATIC ADVANCE	30-46
1E1	FILTER, FUEL, SINGLE (DIESEL)	30-20	1G1	FUEL INJECTION PUMP AUTOMATIC ADVANCE	30-65
1G25	FILTER, TRANSMISSION OIL	30-91	1G6	FUEL INJECTION PUMP AUTOMATIC ADVANCE	30-70
2G23	FILTER, TRANSMISSION OIL	50-55	1G2	FUEL INJECTION PUMP CONTROL COVER	30-66
2I3	FINAL DRIVE	50-86	1G10	FUEL INJECTION PUMP COVER	30-74
3J10	FIRE EXTINGUISHER	90-30	1F10	FUEL INJECTION PUMP DRIVE SHAFT	30-48
3C9	FITTINGS, HYDRAULIC PUMP 23 CM3 (1.4 IN.3)	70-26A	1F25	FUEL INJECTION PUMP DRIVE SHAFT	30-64
3C8	FITTINGS, HYDRAULIC PUMP 40 CM3 (2.4 IN.3)	70-26	1G7	FUEL INJECTION PUMP DRIVE SHAFT	30-71
3F17	FIXED TREAD FRONT AXLE	80-1	1F2	FUEL INJECTION PUMP ELECTRIC SHUT-OFF	30-40
3G10	FLANGED AXLE EXTENSION	80-17	1F9	FUEL INJECTION PUMP ELECTRIC SHUT-OFF	30-47
2B5	FLASHER, WARNING LIGHT	40-2	1F11	FUEL INJECTION PUMP ELECTRIC SHUT-OFF KIT (6531)	30-49
2B7	FLASHER, WARNING LIGHT	40-5	1F19	FUEL INJECTION PUMP GASKET KIT	30-58
2B6	FLASHER, WARNING LIGHT (ORCHARD)	40-3	1G12	FUEL INJECTION PUMP GASKET KIT	30-76
3F5	FLEXIBLE OIL LINE COUPLER	70-94	1E24	FUEL INJECTION PUMP GOVERNOR	30-37
3E12	FLOW CONTROL VALVE, SELECTIVE CONTROL (LATE DESIGN)	70-74	1F6	FUEL INJECTION PUMP GOVERNOR	30-44
2F8	FLYWHEEL (CONTINUOUS PTO)	50-14	1F16	FUEL INJECTION PUMP GOVERNOR	30-54
2F3	FLYWHEEL (INDEPENDENT PTO)	50-10	1F14	FUEL INJECTION PUMP HEAD	30-52
2F7	FLYWHEEL (INDEPENDENT PTO)	50-13	1F4	FUEL INJECTION PUMP HEAD AND ROTOR	30-42
2F2	FLYWHEEL (LESS REVERSER)	50-9	1F25	FUEL INJECTION PUMP HEAD AND ROTOR	30-64
2F1	FLYWHEEL (REVERSER)	50-8	1G7	FUEL INJECTION PUMP HEAD AND ROTOR	30-71
1B20	FLYWHEEL HOUSING	20-18	1F3	FUEL INJECTION PUMP HOUSING	30-41
3H19	FOOTREST	80-50	1F12	FUEL INJECTION PUMP HOUSING	30-50
3J6	FOOTREST	90-26	1F7	FUEL INJECTION PUMP LINKAGE	30-45
3J7	FOOTREST (EARLY DESIGN)	90-27	1G2	FUEL INJECTION PUMP LINKAGE	30-66
3H16	FOOTRESTS (LOW PROFILE)	80-47	1G18	FUEL INJECTION PUMP SHUT-OFF	30-84
3H4	FRAME WEIGHT	80-34	1G19	FUEL INJECTION PUMP SHUT-OFF	30-85
3H7	FRAME, SIDE	80-37	1F17	FUEL INJECTION PUMP SHUT-OFF LINKAGE	30-55
2B5	FRONT AND REAR LIGHT WIRING SYSTEM	40-2	1F15	FUEL INJECTION PUMP TRANSFER	30-53
2B7	FRONT AND REAR LIGHT WIRING SYSTEM	40-5	1E23	FUEL INJECTION PUMP TRANSFER PUMP	30-36
2B6	FRONT AND REAR LIGHT WIRING SYSTEM (ORCHARD)	40-3	1F5	FUEL INJECTION PUMP TRANSFER PUMP	30-43
3F20	FRONT AXLE ASSEMBLY	80-4	1F23	FUEL INJECTION PUMP TRANSFER PUMP	30-62
3F22	FRONT AXLE KNEE	80-6	1G8	FUEL INJECTION PUMP TRANSFER PUMP	30-72
3F24	FRONT AXLE KNEE (HEAVY-DUTY)	80-9	1E3	FUEL LINE (DIESEL)	30-22
3F22	FRONT AXLE KNUCKLE	80-6	1E20	FUEL LINES (DIESEL)	30-33
3F24	FRONT AXLE KNUCKLE (HEAVY-DUTY)	80-9	1E8	FUEL LINES (GASOLINE)	30-25
3G2	FRONT AXLE TIE ROD (COMPLETE)	80-12	1E6	FUEL PUMP (DIESEL)	30-24
3F25	FRONT AXLE TIE ROD ASSEMBLY	80-10	1G23	FUEL SHUT-OFF	30-89
3F17	FRONT AXLE, FIXED TREAD	80-1	1D24	FUEL TANK	30-18
2D4	FRONT LAMP (ROW-CROP FENDER)	40-47	1E5	FUEL TRANSFER PUMP	30-23
2D3	FRONT LIGHT	40-46	1E7	FUEL TRANSFER PUMP	30-24A
1C5	FRONT PLATE, ENGINE	20-28	G		
3H6	FRONT SUPPORT	80-36	3H20	GARD, LIGHT	80-51
3H5	FRONT WEIGHTS, QUIK-TATCH	80-35	1D1	GASKET KIT, ENGINE OVERHAUL (DIESEL)	20-48
3G4	FRONT WHEEL	80-14	1D3	GASKET KIT, ENGINE TUNE-UP (GASOLINE)	20-50
3G5	FRONT WHEEL	80-15	1F19	GASKET KIT, FUEL INJECTION PUMP	30-58
3G6	FRONT WHEEL (HEAVY-DUTY AXLE)	80-16	1G12	GASKET KIT, FUEL INJECTION PUMP	30-76
3G8	FRONT WHEEL BEARING KIT	80-16C	1C24	GASKET SET, ENGINE OVERHAUL (GASOLINE)	20-46
1D24	FUEL CAP	30-18	1D4	GASKET, ENGINE TUNE-UP (DIESEL)	20-51
3H21	FUEL CAP SHIELD	80-52	1D3	GASKET, ENGINE TUNE-UP (GASOLINE)	20-50

1A14

2030 TRACTOR

ALPHABETICAL INDEX - CONTINUED

GRID		PAGE	GRID		PAGE
1E8	GASOLINE FUEL SYSTEM	30-25	1F12	HOUSING, FUEL INJECTION PUMP	30-50
2D18	GAUGE, FUEL	40-62	1G1	HOUSING, FUEL INJECTION PUMP	30-65
2D18	GAUGE, TEMPERATURE	40-62	1G6	HOUSING, FUEL INJECTION PUMP	30-70
2D17	GAUGE, TRANSMISSION OIL TEMPERATURE	40-61	1E21	HOUSING, INJECTION PUMP	30-34
2H2	GEAR SHIFTERS, TRANSMISSION	50-59	3C15	HOUSING, ROCKSHAFT	70-32
2F14	GEAR, COUNTERSHAFT	50-20	3C19	HOUSING, ROCKSHAFT CYLINDER	70-35A
1F21	GEAR, FUEL INJECTION PUMP	30-60	3C21	HOUSING, ROCKSHAFT CYLINDER	70-35C
1G4	GEAR, FUEL INJECTION PUMP	30-68	3C18	HOUSING, ROCKSHAFT CYLINDER AND VALVE	70-35
2F16	GEAR, PTO CLUTCH (INDEPENDENT PTO)	50-22	3E9	HOUSING, SELECTIVE CONTROL VALVE	70-70
2H12	GEARS AND SHAFTS (PTO)	50-70	2C3	HOUSING, STARTING MOTOR	40-24
2H13	GEARS AND SHAFTS (PTO)	50-71	1C23	HOUSING, THERMOSTAT.....	20-45
2H14	GEARS AND SHAFTS (PTO)	50-72	3G4	HUB, FRONT WHEEL	80-14
2H15	GEARS AND SHAFTS (PTO)	50-73	3G5	HUB, FRONT WHEEL	80-15
2H16	GEARS AND SHAFTS (PTO)	50-74	3G6	HUB, FRONT WHEEL (HEAVY-DUTY AXLE)	80-16
2H17	GEARS AND SHAFTS (PTO)	50-75	3C12	HYDRAULIC OIL INLET LINES (23 CM3 (1.38 IN3))	70-29
2H18	GEARS AND SHAFTS, PTO (WITH MID PTO)	50-76	3C13	HYDRAULIC OIL LINES.....	70-30
1B18	GEARS, CRANKSHAFT.....	20-16	3C11	HYDRAULIC OIL LINES (23 CM3 (1.38 IN3))	70-28
1D22	GOVERNOR (GASOLINE).....	30-16	3C10	HYDRAULIC OIL LINES (39 CM3 (2.4 IN3))	70-27
1E24	GOVERNOR, FUEL INJECTION PUMP	30-37	3F12	HYDRAULIC OIL LINES, IMPLEMENT	70-102
1F6	GOVERNOR, FUEL INJECTION PUMP	30-44	3C13	HYDRAULIC OIL RESERVOIR	70-30
1F16	GOVERNOR, FUEL INJECTION PUMP	30-54	3B7	HYDRAULIC PUMP (1.38 IN3)	70-4
3H11	GRILLE	80-42	3B15	HYDRAULIC PUMP (2.4 IN3)	70-12
3H10	GRILLE (LOW PROFILE).....	80-40	3B6	HYDRAULIC PUMP ASSEMBLY, REPLACEMENT	70-3
3H22	GRILLE GUARD	80-53	3C8	HYDRAULIC PUMP CONNECTORS 40 CM3 (2.4 IN.3)	70-26
3H22	GUARD, GRILLE	80-53	3B5	HYDRAULIC PUMP DRIVE	70-2
2H24	GUARD, POWERSHAFT	50-82	3B19	HYDRAULIC PUMP ELECTRIC DESTROKE KIT (2.4 IN3)	70-16
2H25	GUARD, PTO	50-83	3C3	HYDRAULIC PUMP ELECTRIC DESTROKE KIT (2.4 IN3)	70-23A
1D8	GUN, ELEMENT CLEANING	30-1	3C5	HYDRAULIC PUMP ELECTRIC-DESTROKE KIT.....	70-23C
			3C9	HYDRAULIC PUMP FITTINGS 23 CM3 (1.4 IN.3)	70-26A
H					
3D24	HAMMER STRAP ASSEMBLY	70-62	3B13	HYDRAULIC PUMP OVERHAUL KIT (1.38 IN3)	70-10
3D25	HAMMER STRAP, DRAWBAR	70-63	3B21	HYDRAULIC PUMP OVERHAUL KIT (2.4 IN3)	70-18
3E1	HAMMER STRAP, DRAWBAR	70-64	3C6	HYDRAULIC PUMP OVERHAUL KIT (2.4 IN3)	70-24
2I18	HAND BRAKE.....	60-14	3B9	HYDRAULIC PUMP REPLACEMENT (1.38 IN3)	70-6
2I18	HAND BRAKE SWITCH.....	60-14	3B23	HYDRAULIC PUMP REPLACEMENT (2.4 IN3)	70-20
2B4	HARNES, ELECTRICAL WIRING	40-1	3B11	HYDRAULIC PUMP SHAFT OVERHAUL KIT (1.38 IN3)	70-8
1F4	HEAD AND ROTOR, FUEL INJECTION PUMP	30-42	3B17	HYDRAULIC PUMP STROKE CONTROL VALVE	70-14
1F25	HEAD AND ROTOR, FUEL INJECTION PUMP	30-64	3C1	HYDRAULIC PUMP STROKE CONTROL VALVE	70-22
1G7	HEAD AND ROTOR, FUEL INJECTION PUMP	30-71	I		
1E22	HEAD AND ROTOR, INJECTION PUMP	30-35	2D13	IGNITION SWITCH.....	40-57
1B12	HEAD, CYLINDER	20-10	2D12	IGNITION SWITCH (EARLY DESIGN)	40-56
1F14	HEAD, FUEL INJECTION PUMP.....	30-52	2D14	IGNITION SWITCH (LATE DESIGN).....	40-58
1C12	HEATER, ENGINE COOLANT.....	20-36	3H8	IMPLEMENT ATTACHING BRACKET.....	80-38
2G2	HI CLUTCH ASSEMBLY (HI-LO SHIFT).....	50-34	3F12	IMPLEMENT HYDRAULIC OIL LINES	70-102
2G5	HI CLUTCH ASSEMBLY (HI-LO SHIFT).....	50-37	3D14	IMPLEMENT QUICK COUPLER	70-54
2G6	HI CLUTCH ASSEMBLY (HI-LO SHIFT).....	50-38	3E2	IMPLEMENT SAFETY CHAIN	70-65
2G9	HI-LO SHIFT CONTROL LEVER	50-41	2D2	IMPLEMENT WARNING LAMP KIT	40-45
3D8	HITCH, CENTER LINK, THREE-POINT	70-47	1D11	INDICATOR, AIR CLEANER RESTRICTION	30-4
3D23	HITCH, DRAWBAR (3-POINT HITCH)	70-61	1G15	INJECTION NOZZLE	30-80
3H11	HOOD	80-42	1G14	INJECTION NOZZLE, FUEL	30-78
3H10	HOOD (LOW PROFILE).....	80-40	1F1	INJECTION PUMP AUTOMATIC ADVANCE	30-39
3D5	HOOK, CENTER LINK	70-43	1E21	INJECTION PUMP DRIVE SHAFT	30-34
2D11	HORN	40-55	1F12	INJECTION PUMP DRIVE SHAFT, FUEL.....	30-50
3F6	HOSE IDENTIFICATION KIT, REMOTE CYLINDER	70-95	1E21	INJECTION PUMP GOVERNOR COVER.....	30-34
3F1	HOSES, REMOTE CYLINDER	70-90	1E22	INJECTION PUMP HEAD AND ROTOR.....	30-35
2I14	HOUSING, BRAKE VALVE	60-9	1E25	INJECTION PUMP LINKAGE.....	30-38
2I15	HOUSING, BRAKE VALVE	60-10	1E20	INJECTION SYSTEM, FUEL	30-33
2E20	HOUSING, CLUTCH.....	50-2	1F18	INJECTION SYSTEM, FUEL	30-56
2E22	HOUSING, CLUTCH (REVERSER).....	50-4	1D14	INLET, AIR	30-7
2G11	HOUSING, CLUTCH CONTROL VALVE.....	50-43			
2G14	HOUSING, CLUTCH CONTROL VALVE.....	50-46			
2F23	HOUSING, CLUTCH VALVE (REVERSER)	50-29			
2F24	HOUSING, CLUTCH VALVE (REVERSER)	50-30			
1B20	HOUSING, FLYWHEEL	20-18			
1F3	HOUSING, FUEL INJECTION PUMP	30-41			

1A15

2030 TRACTOR

ALPHABETICAL INDEX - CONTINUED

GRID	PAGE	GRID	PAGE
1C7	INLET, OIL FILLER	20-31	
3I23	INSTRUMENT PANEL	90-16	
1B14	INTAKE VALVE	20-12	
1D13	INTAKE, AIR	30-6	
3F7	ISO COUPLER CONVERSION KIT	70-96	
3F10	ISO COUPLER OVERHAUL KIT	70-100	
K			
2D13	KEY, IGNITION	40-57	
2D12	KEY, IGNITION (EARLY DESIGN)	40-56	
2D14	KEY, IGNITION (LATE DESIGN)	40-58	
2E6	KIT, AUXILIARY ELECTRICAL OUTLET SOCKET	40-75	
3E18	KIT, BREAKAWAY COUPLER OVERHAUL	70-81	
1E15	KIT, CARBURETOR REPAIR	30-30	
1E17	KIT, CARBURETOR REPAIR	30-31A	
1E19	KIT, CARBURETOR REPAIR	30-32	
3F7	KIT, CONVERSION TO ISO COUPLER	70-96	
3F6	KIT, CYLINDER HOSE IDENTIFICATION	70-95	
1C3	KIT, CYLINDER LINER SEAL	20-26	
1C1	KIT, CYLINDER LINER SEAL (DIESEL)	20-24	
1C2	KIT, CYLINDER LINER SEAL (DIESEL)	20-25	
2D21	KIT, ELECTRICAL REMOTE CONTROL	40-65	
2D23	KIT, ELECTRICAL REMOTE CONTROL WIRING	40-68	
1C11	KIT, ENGINE OIL PUMP	20-35	
1D1	KIT, ENGINE OVERHAUL GASKET (DIESEL)	20-48	
1D4	KIT, ENGINE TUNE-UP GASKET (DIESEL)	20-51	
3G8	KIT, FRONT WHEEL DRIVE	80-16C	
1F11	KIT, FUEL INJECTION PUMP ELECTRIC SHUT-OFF (6531)	30-49	
1G12	KIT, FUEL INJECTION PUMP GASKET	30-76	
3C5	KIT, HYDRAULIC PUMP ELECTRIC DESTROKE	70-23C	
3B19	KIT, HYDRAULIC PUMP ELECTRIC DESTROKE (2.4 IN3)	70-16	
3C3	KIT, HYDRAULIC PUMP ELECTRIC DESTROKE (2.4 IN3)	70-23A	
3B13	KIT, HYDRAULIC PUMP OVERHAUL (1.38 IN3)	70-10	
3B21	KIT, HYDRAULIC PUMP OVERHAUL (2.4 IN3)	70-18	
3C6	KIT, HYDRAULIC PUMP OVERHAUL (2.4 IN3)	70-24	
3B11	KIT, HYDRAULIC PUMP SHAFT OVERHAUL (1.38 IN3)	70-8	
2D2	KIT, IMPLEMENT WARNING LAMP	40-45	
3F10	KIT, ISO OVERHAUL	70-100	
3H23	KIT, LABEL REFINISHING	80-54	
2B12	KIT, NEUTRAL-START SWITCH	40-10	
3F13	KIT, O-RING	70-103	
2I9	KIT, OVERHAUL, POWER STEERING	60-4	
2H1	KIT, PARK LOCK ASSURANCE	50-58	
1C3	KIT, PISTON LINER	20-26	
1C1	KIT, PISTON LINER (DIESEL)	20-24	
1C2	KIT, PISTON LINER (DIESEL)	20-25	
1B23	KIT, PISTON LINER (GASOLINE)	20-21	
1C22	KIT, RADIATOR OVERFLOW	20-44	
3F3	KIT, REMOTE CYLINDER OVERHAUL	70-92	
1C16	KIT, REPLACEMENT WATER PUMP	20-40	
3C23	KIT, ROCKSHAFT SEAL	70-36	
3E24	KIT, SCV CONVERSION	70-88	
3E24	KIT, SCV DUAL RETURN OIL	70-88	
3E23	KIT, SCV OIL FILTER RETURN	70-86	
3E14	KIT, SELECTIVE CONTROL VALVE OVERHAUL	70-76	
2C15	KIT, SOLENOID COVER (ROBERT BOSCH)	40-33	
2B25	KIT, STARTER SOLENOID KIT	40-21	
2C12	KIT, STARTING MOTOR BRUSH	40-31C	
3B17	KIT, STROKE CONTROL VALVE SHUT-OFF	70-14	
3C1	KIT, STROKE CONTROL VALVE SHUT-OFF	70-22	
2E7	KIT, SUPPLEMENTARY WIRING	40-76	
2H20	KIT, THRUST CAPACITY IMPROVEMENT	50-78	
1C17	KIT, WATER PUMP	20-40A	
1C19	KIT, WATER PUMP OVERHAUL	20-41	
1C18	KIT, WATER PUMP REPAIR	20-40B	
1C16	KIT, WATER PUMP REPLACEMENT	20-40	
2E16	KIT, ELECTRICAL CONNECTOR AND TERMINAL	40-86	
2F5	KIT, SINGLE-STAGE CLUTCH REPAIR	50-12	
2C20	KIT, STARTER SOLENOID COVER	40-38	
3F22	KNEE, FRONT AXLE	80-6	
3F24	KNEE, FRONT AXLE (HEAVY-DUTY)	80-9	
3F22	KNUCKLE, FRONT AXLE	80-6	
3F24	KNUCKLE, FRONT AXLE (HEAVY-DUTY)	80-9	
L			
3H23	LABEL REFINISHING KIT	80-54	
2C12	LABEL, BYPASS START	40-31C	
2C11	LABEL, BYPASS START	40-31A	
2C20	LABEL, STARTER SOLENOID START	40-38	
3H25	LABELS	80-56	
2C25	LAMP SUPPORT, WARNING	40-43	
2D4	LAMP, FRONT (ROW-CROP FENDER)	40-47	
2D5	LAMP, REAR	40-48	
2D1	LAMP, WARNING (FLASHING)	40-44	
2H10	LEVER, DIFFERENTIAL	50-68	
2H9	LEVER, DIFFERENTIAL LOCK	50-67	
2H10	LEVER, DIFFERENTIAL LOCK	50-68	
2I18	LEVER, HAND BRAKE	60-14	
2G9	LEVER, HI-LO SHIFT CONTROL	50-41	
2H22	LEVER, MID-PTO SHIFTER	50-80	
2H21	LEVER, REAR PTO SHIFTER	50-79	
2F22	LEVER, REVERSE CONTROL	50-28	
3C25	LEVER, ROCKSHAFT CONTROL	70-38	
3D1	LEVER, ROCKSHAFT CONTROL (LOW PROFILE)	70-39	
3E9	LEVER, SELECTIVE CONTROL VALVE	70-70	
1G20	LEVER, SPEED CONTROL	30-86	
2G25	LEVER, TRANSMISSION SHIFT	50-57	
3C17	LIFT ARMS, ROCKSHAFT	70-34	
3D6	LIFT LINKS, 3-POINT HITCH	70-44	
3H20	LIGHT GARD	80-51	
2D7	LIGHT SUPPORT, REAR	40-50	
2C23	LIGHT SWITCH	40-41	
2B5	LIGHT WIRING SYSTEM	40-2	
2B7	LIGHT WIRING SYSTEM	40-5	
2B6	LIGHT WIRING SYSTEM (ORCHARD)	40-3	
2D9	LIGHT, DASH	40-53	
2D3	LIGHT, FRONT	40-46	
2D18	LIGHT, INDICATOR	40-62	
2D8	LIGHT, REAR	40-51	
2C24	LIGHT, WARNING	40-42	
2D15	LIGHTER, CIGAR	40-59	
2D6	LIGHTS, TURN SIGNAL (WEATHER ENCLOSURE)	40-49	
1E3	LINE, FUEL (DIESEL)	30-22	
2I15	LINE, OIL, BRAKE VALVE	60-10	
1B23	LINER KIT, PISTON (GASOLINE)	20-21	
1C3	LINER, CYLINDER	20-26	
1C1	LINER, CYLINDER (DIESEL)	20-24	
1C2	LINER, CYLINDER (DIESEL)	20-25	
1B23	LINER, CYLINDER (GASOLINE)	20-21	
1F21	LINES, FUEL INJECTION PUMP	30-60	
1G4	LINES, FUEL INJECTION PUMP	30-68	
2G15	LINES, OIL, CLUTCH OIL MANIFOLD	50-47	
2G16	LINES, OIL, CLUTCH OIL MANIFOLD	50-48	
2G17	LINES, OIL, CLUTCH OIL MANIFOLD	50-49	
3F12	LINES, OIL, IMPLEMENT HYDRAULIC	70-102	
3D11	LINK, CENTER, 3-POINT HITCH	70-50	

1A16

2030 TRACTOR

ALPHABETICAL INDEX - CONTINUED

GRID		PAGE	GRID		PAGE
3D9	LINK, DRAFT, TELESCOPING	70-48	2G23	OIL FILTER, TRANSMISSION	50-55
3D11	LINK, DRAFT, TELESCOPING	70-50	3C12	OIL INLET LINES, HYDRAULIC (23 CM3 (1.38 IN3))	70-29
3D8	LINK, THREE-POINT HITCH CENTER	70-47	3F14	OIL LINE, BULK FLEXIBLE	70-104
2E25	LINKAGE, CLUTCH PEDAL (REVERSER)	50-7	2G22	OIL LINE, TRANSMISSION	50-54
1F7	LINKAGE, FUEL INJECTION PUMP	30-45	2G18	OIL LINES, TRANSMISSION	50-50
1G2	LINKAGE, FUEL INJECTION PUMP	30-66	2I15	OIL LINES, BRAKE VALVE	60-10
2G9	LINKAGE, HI-LO SHIFT CONTROL LEVER	50-41	2G15	OIL LINES, CLUTCH OIL MANIFOLD	50-47
1E25	LINKAGE, INJECTION PUMP	30-38	2G16	OIL LINES, CLUTCH OIL MANIFOLD	50-48
2H21	LINKAGE, REAR PTO SHIFTER	50-79	2G17	OIL LINES, CLUTCH OIL MANIFOLD	50-49
2F22	LINKAGE, REVERSER CONTROL	50-28	3E22	OIL LINES, COUPLER	70-85
3D2	LINKAGE, ROCKSHAFT VALVE HOUSING	70-40	3C13	OIL LINES, HYDRAULIC	70-30
1G22	LINKAGE, THROTTLE	30-88	3C11	OIL LINES, HYDRAULIC (23 CM3 (1.38 IN3))	70-28
3D13	LINKS, DRAFT	70-53	3C10	OIL LINES, HYDRAULIC (39 CM3 (2.4 IN3))	70-27
3D6	LINKS, LIFT, 3-POINT HITCH	70-44	3F12	OIL LINES, HYDRAULIC, IMPLEMENT	70-102
2G2	LO CLUTCH ASSEMBLY (HI-LO SHIFT)	50-34	2G19	OIL LINES, TRANSMISSION	50-51
2G4	LO CLUTCH ASSEMBLY (HI-LO SHIFT)	50-36	1C10	OIL LUBRICATING PUMP	20-34
2G6	LO CLUTCH ASSEMBLY (HI-LO SHIFT)	50-38	2G1	OIL MANIFOLD, CLUTCH	50-32
3D3	LOAD CONTROL	70-41	1B16	OIL PAN	20-14
3E7	LOCK, SCV LEVER	70-68	1C9	OIL PRESSURE RELIEF VALVE (DIESEL)	20-33
3J9	LOCTITE SEALANT	90-29	1C8	OIL PRESSURE RELIEF VALVE (GAS)	20-32
1B5	LUBRICANT, CYLINDER LINER PACKING	20-2	1C11	OIL PUMP KIT, ENGINE	20-35
1B5	LUBRICANT, ENGINE VALVE STEM	20-2	2G1	OIL PUMP, TRANSMISSION	50-32
1C10	LUBRICATING OIL PUMP	20-34	2G18	OIL PUMP, TRANSMISSION	50-50
			2G19	OIL PUMP, TRANSMISSION	50-51
	M		3E24	OIL RETURN KIT, SCV	70-88
1C4	MAIN BEARING	20-27	2D17	OIL TEMPERATURE GAUGE, TRANSMISSION	40-61
1C4	MAIN BEARING CAP	20-27	1B4	OIL, ENGINE	20-1
2G1	MANIFOLD, CLUTCH OIL	50-32	3B4	OIL, TRANSMISSION	70-1
2G16	MANIFOLD, CLUTCH OIL (HI-LO SHIFT)	50-48	1C22	OVERFLOW KIT, RADIATOR	20-44
2G17	MANIFOLD, CLUTCH OIL (HI-LO SHIFT)	50-49	1C24	OVERHAUL GASKET SET, ENGINE (GASOLINE)	20-46
2G15	MANIFOLD, CLUTCH OIL (LESS HI-LO SHIFT)	50-47	3E18	OVERHAUL KIT, BREAKAWAY COUPLER	70-81
1D21	MANIFOLD, EXHAUST (DIESEL)	30-15	3B13	OVERHAUL KIT, HYDRAULIC PUMP (1.38 IN3)	70-10
1D19	MANIFOLD, REAR EXHAUST (GASOLINE)	30-13	3B21	OVERHAUL KIT, HYDRAULIC PUMP (2.4 IN3)	70-18
1D16	MANIFOLD, VERTICAL MUFFLER (DIESEL)	30-10	3C6	OVERHAUL KIT, HYDRAULIC PUMP (2.4 IN3)	70-24
1D15	MANIFOLD, VERTICAL MUFFLER (GASOLINE)	30-9	3B11	OVERHAUL KIT, HYDRAULIC PUMP SHAFT (1.38 IN3)	70-8
3E12	METERING VALVE, SELECTIVE CONTROL (LATE DESIGN)	70-74	3F10	OVERHAUL KIT, ISO COUPLER	70-100
2H22	MID-PTO SHIFTER LEVER	50-80	1C19	OVERHAUL KIT, WATER PUMP	20-41
2B24	MOTOR, STARTING	40-20			
2C7	MOTOR, STARTING	40-28		P	
2D3	MOUNTING BRACKET, FRONT LIGHT	40-46	1B5	PACKING, LUBRICANT, CYLINDER LINER	20-2
1D15	MUFFLER CAP (GASOLINE)	30-9	1B16	PAN, OIL	20-14
1D18	MUFFLER EXTENSION	30-12	2H1	PARK LOCK ASSURANCE KIT	50-58
1D21	MUFFLER, REAR EXHAUST (DIESEL)	30-15	2I14	PEDAL, BRAKE	60-9
1D20	MUFFLER, REAR EXHAUST (GASOLINE)	30-14	2E24	PEDAL, CLUTCH (LESS REVERSER)	50-6
1D16	MUFFLER, VERTICAL (DIESEL)	30-10	2E25	PEDAL, CLUTCH (REVERSER)	50-7
1D15	MUFFLER, VERTICAL (GASOLINE)	30-9	2H9	PEDAL, DIFFERENTIAL LOCK	50-67
			2H10	PEDAL, DIFFERENTIAL LOCK	50-68
	N		2E1	PERFORMANCE TRAK II MINI-MONITOR	40-70
3D4	NEUTRAL START SWITCH	70-42	2F13	PILOT BEARING, CLUTCH	50-19
2B12	NEUTRAL-START SWITCH KIT	40-10	2F11	PILOT BEARING, CLUTCH (CONTINUOUS PTO)	50-17
1G14	NOZZLE, FUEL INJECTION	30-78	2F12	PILOT BEARING, CLUTCH (LESS PTO)	50-18
1G15	NOZZLE, FUEL INJECTION	30-80	2H8	PINION, DIFFERENTIAL BEVEL	50-65
1G17	NOZZLE, FUEL INJECTION	30-82	2H10	PINION, DIFFERENTIAL BEVEL	50-68
			1B23	PISTON (GASOLINE)	20-21
	O		1C3	PISTON LINER KIT	20-26
3F13	O-RING PACKING KIT	70-103	1C1	PISTON LINER KIT (DIESEL)	20-24
1C20	OIL COOLER, TRANSMISSION	20-42	1C2	PISTON LINER KIT (DIESEL)	20-25
3C16	OIL FILLER CAP	70-33	1B23	PISTON LINER KIT (GASOLINE)	20-21
1C7	OIL FILLER INLET	20-31	1B24	PISTON RINGS (DIESEL)	20-22
1B17	OIL FILTER, ENGINE	20-15	2F24	PISTON, ACCUMULATOR (REVERSER)	50-30
			3E5	PISTON, DETENT, SELECTIVE CONTROL VALVE	70-66
			1B22	PISTON, ENGINE	20-20
			2F20	PISTON, REVERSER BRAKE	50-26

1A17

2030 TRACTOR

ALPHABETICAL INDEX - CONTINUED

<i>GRID</i>		<i>PAGE</i>	<i>GRID</i>		<i>PAGE</i>
1B22	PISTON, RINGS	20-20	1F5	PUMP, FUEL INJECTION PUMP TRANSFER	30-43
3C17	PISTON, ROCKSHAFT.....	70-34	1F23	PUMP, FUEL INJECTION PUMP TRANSFER	30-62
1B24	PISTONS, ENGINE (DIESEL)	20-22	1G8	PUMP, FUEL INJECTION PUMP TRANSFER	30-72
2G4	PLANET PINION CARRIER (HI-LO SHIFT)	50-36	1E5	PUMP, FUEL TRANSFER	30-23
2F21	PLANET PINION CARRIER (REVERSER)	50-27	1E7	PUMP, FUEL TRANSFER	30-24A
2I3	PLANETARY AND REAR AXLE	50-86	3B7	PUMP, HYDRAULIC (1.38 IN3).....	70-4
2I17	PLATE, BRAKE	60-12	3B15	PUMP, HYDRAULIC (2.4 IN3).....	70-12
2I18	PLATE, BRAKE LATCH	60-14	3B9	PUMP, HYDRAULIC REPLACEMENT (1.38 IN3)	70-6
2F8	PLATE, CLUTCH PRESSURE (CONTINUOUS PTO)	50-14	1C10	PUMP, OIL LUBRICATING	20-34
2F7	PLATE, CLUTCH PRESSURE (INDEPENDENT PTO).....	50-13	2G1	PUMP, OIL, TRANSMISSION	50-32
2F2	PLATE, CLUTCH PRESSURE (LESS REVERSER).....	50-9	2G18	PUMP, TRANSMISSION OIL	50-50
1C5	PLATE, ENGINE FRONT	20-28	2G19	PUMP, TRANSMISSION OIL	50-51
2F9	PLATE, PRESSURE (DIESEL)	50-15	1C14	PUMP, WATER.....	20-38
2F10	PLATE, PRESSURE (LESS REVERSER).....	50-16	1C13	PUMP, WATER (COMPLETE).....	20-37
2F19	PLATES, REVERSER BRAKE.....	50-25	1B14	PUSH ROD.....	20-12
2B10	PLUG, SPARK	40-8			
3E10	POPPET VALVE, SELECTIVE CONTROL (EARLY DESIGN).....	70-72		Q	
3E12	POPPET VALVE, SELECTIVE CONTROL (LATE DESIGN).....	70-74	3C25	QUADRANT, ROCKSHAFT CONTROL LEVER	70-38
3G20	POWER ADJUSTED REAR WHEEL	80-25	3D1	QUADRANT, ROCKSHAFT CONTROL LEVER (LOW PROFILE)	70-39
3G21	POWER ADJUSTED REAR WHEEL (STEEL DISK)	80-26	3D14	QUICK COUPLER, IMPLEMENT	70-54
2H23	POWER SHAFT COVER (LESS PTO)	50-81	3D16	QUICK COUPLER, THREE-POINT HITCH	70-55A
2H24	POWER SHAFT GUARD	50-82	2H18	QUILL, REAR PTO SHAFT (WITH MID PTO)	50-76
2H24	POWER SHAFT SHIELD	50-82			
2I7	POWER STEERING ARM	60-2		R	
2I11	POWER STEERING GEAR	60-6	2E3	RADAR SENSOR	40-72
2I12	POWER STEERING GEAR	60-7	2E3	RADAR SENSOR BRACKET.....	40-72
2I9	POWER STEERING OVERHAUL KIT.....	60-4	2E3	RADAR SENSOR WIRING HARNESS	40-72
2I12	POWER STEERING VALVE	60-7	1C20	RADIATOR	20-42
2H18	POWERSHAFT, REAR (WITH MID PTO).....	50-76	1C20	RADIATOR CAP	20-42
1D12	PRE-CLEANER.....	30-5	3H21	RADIATOR CAP SHIELD.....	80-52
1D12	PRESCREENER.....	30-5	1C22	RADIATOR OVERFLOW KIT.....	20-44
3C14	PRESSURE CONTROL VALVE.....	70-31	2I3	REAR AXLE	50-86
2F9	PRESSURE PLATE (DIESEL).....	50-15	2F14	REAR COUNTERSHAFT	50-20
2F10	PRESSURE PLATE (LESS REVERSER)	50-16	1D19	REAR EXHAUST MANIFOLD (GASOLINE)	30-13
2F8	PRESSURE PLATE, CLUTCH (CONTINUOUS PTO)	50-14	1D21	REAR EXHAUST MUFFLER (DIESEL)	30-15
2F7	PRESSURE PLATE, CLUTCH (INDEPENDENT PTO).....	50-13	1D20	REAR EXHAUST MUFFLER (GASOLINE)	30-14
2F2	PRESSURE PLATE, CLUTCH (LESS REVERSER).....	50-9	2D5	REAR LAMP	40-48
2F1	PRESSURE PLATE, CLUTCH (REVERSER)	50-8	2D8	REAR LIGHT	40-51
2F17	PTO BRAKE (EARLY DESIGN).....	50-23	2H21	REAR PTO SHIFTER.....	50-79
2F18	PTO BRAKE (LATE DESIGN)	50-24	3G25	REAR WHEEL WEIGHT	80-30
2F8	PTO CLUTCH (CONTINUOUS PTO)	50-14	3G23	REAR WHEEL WEIGHT (24" DEMOUNTABLE).....	80-28
2F7	PTO CLUTCH (INDEPENDENT PTO).....	50-13	3G24	REAR WHEEL WEIGHT (28" WHEEL)	80-29
2H12	PTO GEARS AND SHAFTS.....	50-70	3I11	REGULAR SEAT	90-10
2H13	PTO GEARS AND SHAFTS.....	50-71	2B13	REGULATOR	40-11
2H14	PTO GEARS AND SHAFTS.....	50-72	2B18	REGULATOR, VOLTAGE.....	40-16
2H15	PTO GEARS AND SHAFTS.....	50-73	2D22	RELAY, WIRING, ELECTRICAL REMOTE CONTROL.....	40-66
2H16	PTO GEARS AND SHAFTS.....	50-74	2G20	RELIEF VALVE, TRANSMISSION.....	50-52
2H17	PTO GEARS AND SHAFTS.....	50-75	2G24	RELIEF VALVE, TRANSMISSION	50-56
2H25	PTO GUARD.....	50-83	2D22	REMOTE CONTROL CIRCUIT BREAKER	40-66
2H21	PTO SHIFTER, REAR	50-79	2D21	REMOTE CONTROL KIT, ELECTRICAL	40-65
2B16	PULLEY, ALTERNATOR	40-14	2D23	REMOTE CONTROL WIRING KIT, ELECTRICAL	40-68
2I1	PULLEY, BELT	50-84	2D22	REMOTE CONTROL WIRING, ELECTRICAL.....	40-66
1B18	PULLEY, CRANKSHAFT	20-16	2D20	REMOTE CONTROL, ELECTRICAL	40-64
1C14	PULLEY, FAN.....	20-38	3F1	REMOTE CYLINDER	70-90
1C16	PULLEY, WATER PUMP	20-40	3F6	REMOTE CYLINDER HOSE IDENTIFICATION KIT	70-95
3B6	PUMP ASSEMBLY, HYDRAULIC, REPLACEMENT.....	70-3	3F1	REMOTE CYLINDER HOSES	70-90
1G10	PUMP COVER, FUEL INJECTION	30-74	3F3	REMOTE CYLINDER OVERHAUL KIT	70-92
1C17	PUMP KIT, WATER	20-40A	3F2	REMOTE CYLINDER PARTS	70-91
3B23	PUMP REPLACEMENT, HYDRAULIC (2.4 IN3).....	70-20	2F6	REPAIR KIT FOR SINGLE CLUTCH	50-12A
1E6	PUMP, FUEL (DIESEL)	30-24	1E15	REPAIR KIT, CARBURETOR	30-30
1E20	PUMP, FUEL INJECTION	30-33	1E19	REPAIR KIT, CARBURETOR	30-32
1F18	PUMP, FUEL INJECTION	30-56	2F5	REPAIR KIT, SINGLE-STAGE CLUTCH.....	50-12
1F21	PUMP, FUEL INJECTION	30-60			
1G4	PUMP, FUEL INJECTION	30-68			
1E23	PUMP, FUEL INJECTION PUMP TRANSFER	30-36			

1A18

2030 TRACTOR

ALPHABETICAL INDEX - CONTINUED

GRID		PAGE	GRID		PAGE
1E17	REPLACEMENT CARBURETOR	30-31A	3I8	SEAT, DELUXE	90-6
3B23	REPLACEMENT HYDRAULIC PUMP (2.4 IN3)	70-20	3I14	SEAT, DELUXE	90-13
3B6	REPLACEMENT HYDRAULIC PUMP ASSEMBLY.....	70-3	3I15	SEAT, DELUXE	90-14
3B9	REPLACEMENT PUMP, HYDRAULIC (1.38 IN3).....	70-6	3I19	SEAT, DELUXE	90-15C
1C16	REPLACEMENT, WATER PUMP KIT	20-40	3I21	SEAT, DELUXE	90-15E
3C13	RESERVOIR, HYDRAULIC OIL	70-30	3I11	SEAT, REGULAR	90-10
3F14	REUSEABLE COUPLINGS	70-104	3I7	SEAT, STEEL	90-5
2F25	REVERSE OIL TUBES.....	50-31	3E16	SELECTIVE CONTROL VALVE CAP	70-78
2F21	REVERSER BRAKE CARRIER	50-27	3E17	SELECTIVE CONTROL VALVE COUPLER	70-79
2F19	REVERSER BRAKE DISKS.....	50-25	3E19	SELECTIVE CONTROL VALVE COUPLER	70-82
2F20	REVERSER BRAKE HOUSING	50-26	3E5	SELECTIVE CONTROL VALVE COVER	70-66
2F20	REVERSER BRAKE PISTON	50-26	3E8	SELECTIVE CONTROL VALVE COVER	70-69
2F19	REVERSER BRAKE PLATES	50-25	3E5	SELECTIVE CONTROL VALVE DETENT PISTON	70-66
2F24	REVERSER CLUTCH VALVE PISTON.....	50-30	3E9	SELECTIVE CONTROL VALVE LEVER	70-70
2F23	REVERSER CLUTCH VALVE SHAFT	50-29	3E14	SELECTIVE CONTROL VALVE OVERHAUL KIT.....	70-76
2F22	REVERSER CONTROL LEVER	50-28	2D17	SENDER, TEMPERATURE, TRANSMISSION	40-61
2F1	RING BEAR, FLYWHEEL (REVERSER).....	50-8	2E3	SENSOR, RADAR	40-72
2F8	RING GEAR, FLYWHEEL (CONTINUOUS PTO)	50-14	2G5	SHAFT, CLUTCH (HI-LO SHIFT)	50-37
2F3	RING GEAR, FLYWHEEL (INDEPENDENT PTO)	50-10	2F12	SHAFT, CLUTCH (LESS PTO)	50-18
2F7	RING GEAR, FLYWHEEL (INDEPENDENT PTO)	50-13	2F21	SHAFT, CLUTCH (REVERSER)	50-27
2F2	RING GEAR, FLYWHEEL (LESS REVERSER)	50-9	2F23	SHAFT, CLUTCH CONTROL VALVE (REVERSER)	50-29
1B22	RINGS, PISTON	20-20	2F15	SHAFT, CLUTCH DRIVE (REVERSER)	50-21
1B24	RINGS, PISTON (DIESEL).....	20-22	2H7	SHAFT, DIFFERENTIAL DRIVE	50-64
1B14	ROCKER ARM	20-12	1C6	SHAFT, ENGINE BALANCER	20-29
1B12	ROCKER ARM COVER	20-10	2I3	SHAFT, FINAL DRIVE	50-86
1B14	ROCKER ARM SHAFT.....	20-12	1F10	SHAFT, FUEL INJECTION PUMP DRIVE.....	30-48
3C17	ROCKSHAFT	70-34	1F12	SHAFT, FUEL INJECTION PUMP DRIVE.....	30-50
3C25	ROCKSHAFT CONTROL LEVER	70-38	1F25	SHAFT, FUEL INJECTION PUMP DRIVE.....	30-64
3D1	ROCKSHAFT CONTROL LEVER (LOW PROFILE)	70-39	1G7	SHAFT, FUEL INJECTION PUMP DRIVE.....	30-71
3C18	ROCKSHAFT CYLINDER.....	70-35	3B5	SHAFT, HYDRAULIC PUMP DRIVE	70-2
3C19	ROCKSHAFT CYLINDER HOUSING.....	70-35A	1E21	SHAFT, INJECTION PUMP DRIVE	30-34
3C21	ROCKSHAFT CYLINDER HOUSING.....	70-35C	3D3	SHAFT, LOAD CONTROL	70-41
3F4	ROCKSHAFT CYLINDER OUTLET COUPLER	70-93	2G5	SHAFT, POWER SHAFT CLUTCH (HI-LO SHIFT)	50-37
3C15	ROCKSHAFT HOUSING	70-32	2F13	SHAFT, POWERSHAFT CLUTCH.....	50-19
3C17	ROCKSHAFT LIFT ARMS	70-34	2H18	SHAFT, PTO DRIVE (WITH MID PTO).....	50-76
3C17	ROCKSHAFT PISTON	70-34	2H12	SHAFT, REAR PTO	50-70
3C25	ROCKSHAFT QUADRANT.....	70-38	2F22	SHAFT, REVERSER CONTROL	50-28
3D1	ROCKSHAFT QUADRANT (LOW PROFILE)	70-39	1B14	SHAFT, ROCKER ARM	20-12
3C23	ROCKSHAFT SEAL KIT.....	70-36	2I7	SHAFT, STEERING	60-2
3C18	ROCKSHAFT VALVE HOUSING	70-35	2I3	SHAFT, STEERING	60-8
3D2	ROCKSHAFT VALVE HOUSING LINKAGE	70-40	1B14	SHAFT, TACHOMETER DRIVE.....	20-12
2I18	ROD, BRAKE LATCH.....	60-14	2H3	SHAFT, TRANSMISSION DRIVE	50-60
1B24	ROD, CONNECTING (DIESEL)	20-22	2H2	SHAFTS, TRANSMISSION SHIFTER	50-59
1B14	ROD, PUSH	20-12	3J8	SHIELD, FAN BLAST	90-28
3F25	ROD, TIE	80-10	3H21	SHIELD, FUEL AND RADIATION CAP	80-52
3G1	ROD, TIE (HEAVY-DUTY)	80-11	2H24	SHIELD, POWERSHAFT	50-82
2G21	ROD, TRANSMISSION OIL LEVEL.....	50-53	2H25	SHIELD, PTO	50-83
1B22	RODS, CONNECTING	20-20	3H13	SHIELD, TRANSMISSION CASE	80-44
3I2	ROLL-GARD	90-1	3H14	SHIELD, TRANSMISSION CASE (INDEPENDENT PTO)	80-45
3I3	ROLL-GARD	90-1A	2G25	SHIFT LEVER, TRANSMISSION	50-57
3I5	ROLL-GARD CANOPY.....	90-2	2H2	SHIFTER, TRANSMISSION	50-59
1E20	ROOSA-MASTER FUEL INJECTION SYSTEM	30-33	1B8	SHORT BLOCK ASSEMBLY (DIESEL).....	20-6
			1B10	SHORT BLOCK ASSEMBLY (DIESEL).....	20-8
			1C20	SHROUD, FAN	20-42
			1F17	SHUT-OFF LINKAGE, FUEL INJECTION PUMP	30-55
			1G23	SHUT-OFF, FUEL.....	30-89
			1G18	SHUT-OFF, FUEL INJECTION PUMP	30-84
			1G19	SHUT-OFF, FUEL INJECTION PUMP	30-85
			3H7	SIDE FRAMES	80-37
			2F6	SINGLE CLUTCH/REPAIR KIT	50-12A
			3E21	SINGLE SELECTIVE CONTROL VALVE COUPLER	70-84
			2F5	SINGLE-STAGE CLUTCH REPAIR KIT	50-12
			3J4	SLOW MOVING VEHICLE EMBLEM.....	90-23
			3J5	SLOW MOVING VEHICLE EMBLEM.....	90-24
			3J3	SLOW MOVING VEHICLE EMBLEM (REGULAR OR DELUXE SEAT)	90-22

S

3E3	SAFETY CHAIN	70-65A
3E3	SAFETY CHAIN ATTACHMENT KIT.....	70-65A
3E2	SAFETY CHAIN, IMPLEMENT	70-65
2G20	SCREEN, TRANSMISSION CASE.....	50-52
3E24	SCV CONVERSION KIT	70-88
3E7	SCV LEVER LOCK.....	70-68
3J9	SEALANT, LOCTITE.....	90-29
3I17	SEAT ASSEMBLY, DELUXE	90-15A
3I3	SEAT BELT.....	90-1A
3I13	SEAT BELT.....	90-12
3D4	SEAT SUPPORT BASE	70-42

1A20

2030 TRACTOR

ALPHABETICAL INDEX - CONTINUED

GRID		PAGE	GRID		PAGE
2G22	TRANSMISSION OIL LINES	50-54	1D16	WEATHER CAP (DIESEL)	30-10
2G18	TRANSMISSION OIL PUMP	50-50	3H4	WEIGHT, FRAME	80-34
2G19	TRANSMISSION OIL PUMP	50-51	3G25	WEIGHT, REAR WHEEL	80-30
2G24	TRANSMISSION RELIEF VALVE	50-56	3G23	WEIGHT, REAR WHEEL (24" DEMOUNTABLE)	80-28
2G25	TRANSMISSION SHIFT LEVER	50-57	3G22	WEIGHT, REAR WHEEL (28" OR 36" WHEEL).....	80-27
2G21	TRANSMISSION SUMP COVER	50-53	3G24	WEIGHT, REAR WHEEL (28" WHEEL)	80-29
2D17	TRANSMISSION TEMPERATURE SENDER	40-61	3H2	WEIGHT, REAR WHEEL (30" CAST AND HEAVY CAST)	80-32
2F25	TUBES, REVERSE OIL	50-31	3H3	WEIGHT, REAR WHEEL (36" OR 38" CAST)	80-33
2D10	TURN SIGNAL CONTROL.....	40-54	3H1	WEIGHT,REAR WHEEL(28" OR 30" CAST WHEEL).....	80-31
2D6	TURN SIGNAL LIGHTS (WEATHER ENCLOSURE)	40-49	3H5	WEIGHTS, QUIK-TATCH	80-35
V					
2I7	VALVE HOUSING, POWER STEERING	60-2	3G25	WHEEL WEIGHT, REAR	80-30
3C18	VALVE HOUSING, ROCKSHAFT	70-35	3G23	WHEEL WEIGHT, REAR (24" DEMOUNTABLE)	80-28
1B5	VALVE STEM LUBRICANT, ENGINE	20-2	3G22	WHEEL WEIGHT, REAR (28" OR 36" WHEEL).....	80-27
2I15	VALVE, BRAKE	60-10	3H2	WHEEL WEIGHT, REAR (30" CAST AND HEAVY CAST)	80-32
2I16	VALVE, BRAKE, OVERHAUL KIT	60-11	3H3	WHEEL WEIGHT, REAR (36" OR 38" CAST)	80-33
2G11	VALVE, CLUTCH CONTROL	50-43	3H1	WHEEL WEIGHT,REAR(28" OR 30" CAST WHEEL).....	80-31
2G12	VALVE, CLUTCH CONTROL (LESS HI-LO)	50-44	3G14	WHEEL, CAST REAR (FLANGED AXLE)	80-21
2F24	VALVE, CLUTCH CONTROL (REVERSER)	50-30	3G15	WHEEL, CAST REAR (FLANGED AXLE)	80-22
2F24	VALVE, CLUTCH PRESSURE (REVERSER)	50-30	3G16	WHEEL, CAST REAR (PINION ADJUSTED AXLE)	80-24
2G14	VALVE, CONTROL, CLUTCH	50-46	3G12	WHEEL, DEMOUNTABLE STEEL DISK REAR	80-19
1B14	VALVE, EXHAUST	20-12	3G13	WHEEL, DUAL STEEL DISK REAR	80-20
3E10	VALVE, FLOW CONTROL (SCV) (EARLY DESIGN)	70-72	3G4	WHEEL, FRONT	80-14
3E12	VALVE, FLOW CONTROL (SCV) (LATE DESIGN)	70-74	3G5	WHEEL, FRONT	80-15
1B14	VALVE, INTAKE	20-12	3G6	WHEEL, FRONT (HEAVY-DUTY AXLE)	80-16
1C9	VALVE, OIL PRESSURE RELIEF (DIESEL).....	20-33	3G18	WHEEL, HEAVY CAST REAR (PINION ADJUSTED AXLE)	80-24B
1C8	VALVE, OIL PRESSURE RELIEF (GAS)	20-32	3G20	WHEEL, POWER ADJUSTED REAR	80-25
3E10	VALVE, POPPET, SELECTIVE CONTROL (EARLY DESIGN).....	70-72	3G21	WHEEL, POWER ADJUSTED REAR (STEEL DISK).....	80-26
2I7	VALVE, POWER STEERING	60-2	3G11	WHEEL, STEEL DISK REAR (FLANGED AXLE)	80-18
2I11	VALVE, POWER STEERING	60-6	2I6	WHEEL, STEERING	60-1
2I12	VALVE, POWER STEERING	60-7	2E3	WIRING HARNESS,RADAR SENSOR	40-72
3C14	VALVE, PRESSURE CONTROL	70-31	2D23	WIRING KIT, ELECTRICAL REMOTE CONTROL	40-68
3E9	VALVE, SELECTIVE CONTROL	70-70	2B5	WIRING SYSTEM, LIGHT	40-2
3E12	VALVE, SELECTIVE CONTROL METERING (LATE DESIGN).....	70-74	2B7	WIRING SYSTEM, LIGHT	40-5
3E12	VALVE, SELECTIVE CONTROL POPPET (LATE DESIGN).....	70-74	2B6	WIRING SYSTEM, LIGHT (ORCHARD)	40-3
2G20	VALVE, TRANSMISSION RELIEF	50-52	2E6	WIRING, ELECTRICAL OUTLET, 7-TERMINAL	40-75
2G24	VALVE, TRANSMISSION RELIEF	50-56	2D22	WIRING, ELECTRICAL REMOTE CONTROL.....	40-66
3E10	VALVE,METERING, SELECTIVE CONTROL (EARLY DESIGN).....	70-72			
1B12	VENTILATOR OUTLET TUBE	20-10			
1D16	VERTICAL MUFFLER (DIESEL)	30-10			
1D15	VERTICAL MUFFLER (GASOLINE)	30-9			
2B18	VOLTAGE REGULATOR	40-16			
W					
2D1	WARNING LAMP (FLASHING)	40-44			
2D2	WARNING LAMP KIT, IMPLEMENT	40-45			
2C25	WARNING LAMP SUPPORT	40-43			
2C24	WARNING LIGHT	40-42			
2B5	WARNING LIGHT FLASHER	40-2			
2B7	WARNING LIGHT FLASHER	40-5			
2B6	WARNING LIGHT FLASHER (ORCHARD).....	40-3			
1C14	WATER PUMP	20-38			
1C13	WATER PUMP (COMPLETE)	20-37			
1C17	WATER PUMP KIT.....	20-40A			
1C19	WATER PUMP OVERHAUL KIT	20-41			
1C16	WATER PUMP PULLEY	20-40			
1C18	WATER PUMP REPAIR KIT	20-40B			
1C16	WATER PUMP REPLACEMENT KIT	20-40			

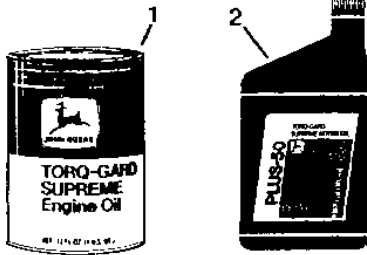
MEMORANDA

1B4

ENGINE

RGP3291 -UN-01JAN94

TORQ-GARD SUPREME AND PLUS-50 ENGINE OIL



RGP 3291

KEY	PART NO.	PART NAME	QTY	ENGINE SERIAL NO.	REMARKS
1	TY6359	OIL	1	(SAE 5W/30), 0.9 L (1 QUART) CAN	
	TY6360	OIL	1	(SAE 5W/30), 19 L (5 GALLON) CAN	
	TY6361	OIL	1	(SAE 5W/30), 208 L (55 GALLON) DRUM	
	TY6297	OIL	1	(SAE 15W/40), 0.9 L (1 QUART) CAN	
	TY6298	OIL	1	(SAE 15W/40), 19 L (5 GALLON) CAN	
	TY6300	OIL	1	(SAE 15W/40), 114 L (30 GALLON) DRUM	
	TY6301	OIL	1	(SAE 15W/40), 208 L (55 GALLON) DRUM	
	TY6311	OIL	1	(SAE 10W), 0.9 L (1 QUART) CAN	
	TY22009	OIL	1	(SAE 10), 3.8 L (1 GALLON)	
	TY6312	OIL	1	(SAE 10W), 19 L (5 GALLON) CAN	
2	TY6313	OIL	1	(SAE 10W), 208 L (55 GALLON) DRUM	
	AR63979	OIL	1	(SAE 30), 0.2 L (1 HALF PINT) CAN	
	AR63218	OIL	1	(SAE 30), 0.9 L (1 QUART) CAN	
	AR63219	OIL	1	(SAE 30), 19 L (5 GALLON) CAN	
	TY6280	OIL	1	(SAE 30), 114 L (30 GALLON) DRUM	
	AR63222	OIL	1	(SAE 30), 208 L (55 GALLON) DRUM	
	TY6389	OIL	1	(SAE 15W/40), 0.9 L (1 QUART)	
	TY22008	OIL	1	(SAE 15W/40), 3.8 L (1 GALLON)	
	TY6390	OIL	1	(SAE 15W/40), 19 L (5 GALLON)	
	TY22010	OIL	1	(SAE 15W/40), 113.6 L (30 GALLON)	
	TY6391	OIL	1	(SAE 15W/40), 208 L (55 GALLON)	
	TY6392	OIL	1	(SAE 30), 0.9 L (1 QUART)	
TY22007	OIL	1	(SAE 30), 3.8 L (1 GALLON)		
TY6393	OIL	1	(SAE 30), 19 L (5 GALLON)		
TY22011	OIL	1	(SAE 30), 113.6 L (30 GALLON)		
TY6394	OIL	1	(SAE 30), 208 L (55 GALLON)		

KITS (NOT ILLUSTRATED) ENGINE

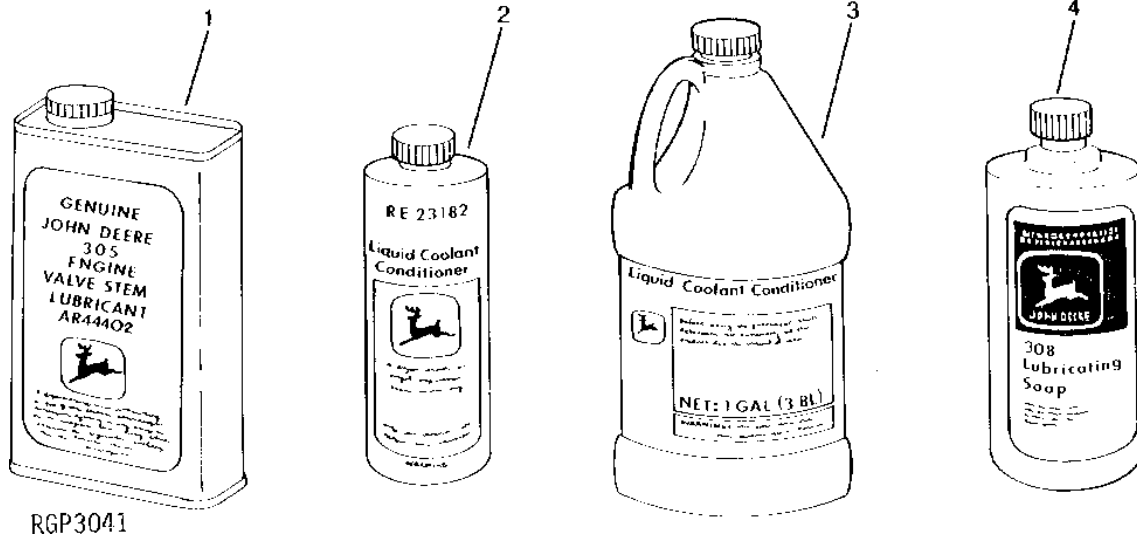
KEY	PART NO.	PART NAME	QTY	ENGINE SERIAL NO.	REMARKS
..	AR41785	KIT	1		CONTAINS 0.9 L (1 QT.) CAN OF INTERNAL CORROSION INHIBITOR, 1 ROLL OF TAPE, AND 6 PLASTIC BAGS (OFF-SEASON STORAGE)
..	AR41870	RUST INHIBITOR	1		0.9 L (1 QT.) CAN, (SUB AR41785)
..	AR21969	KIT	1		(DUST CAP/COVER KIT)

1B5

ENGINE

RGP3041 -UN-01JAN94

COOLANT CONDITIONER AND ENGINE PART LUBRICANTS



VALVE STEM LUBRICANT

KEY	PART NO.	PART NAME	QTY	SERIAL NO.	REMARKS
1	AR44402	OIL	1		0.9 L (1 QT.)

COOLANT CONDITIONER

KEY	PART NO.	PART NAME	QTY	SERIAL NO.	REMARKS
2	RE23182	ENGINE COOLANT CONDITIONER	1		0.473 L (16 OZ.) (SUB FOR T19566 OR RE12842)
3	RE35992	ENGINE COOLANT CONDITIONER	1		3.8 L (1 GAL.) (SUB TY16005)

CYLINDER LINER PACKING LUBRICANT

KEY	PART NO.	PART NAME	QTY	ENGINE SERIAL NO.	REMARKS
4	AR54749	LUBRICANT	1		.9 L (1 QT.)

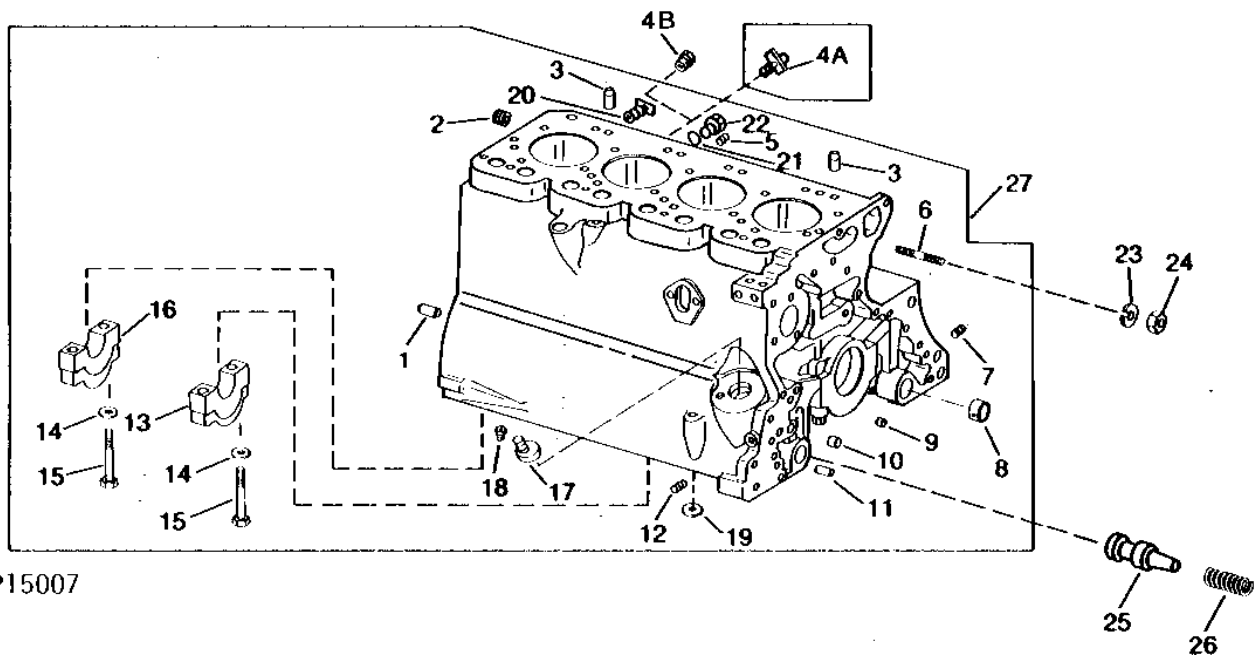
MEMORANDA

1B6

ENGINE

TP15007 -UN-01JAN94

CYLINDER BLOCK
(DIESEL AND GASOLINE)



TP15007

1B7

ENGINE

CYLINDER BLOCK - CONTINUED (DIESEL AND GASOLINE)

KEY	PART NO.	PART NAME	QTY	ENGINE SERIAL NO.	REMARKS
1	R48685	DOWEL PIN	2		(SUB FOR A120R)
2	15H690	PIPE PLUG	1		3/4"
3	R26241	DOWEL PIN	2		
	R48685	DOWEL PIN	2		(C) (SUB FOR A120R)
4A	AT13740	DRAIN VALVE	1		(LESS ENGINE COOLANT HEATER)
4B	T29388	UNION FITTING	1		(WITH ENGINE COOLANT HEATER) (SUB FOR T29381)
					(ALSO ORDER 15H613 ELBOW)
5	15H275	PIPE PLUG	1		1/4", (LESS ENGINE COOLANT HEATER)
	T29388	UNION FITTING	1		(WITH ENGINE COOLANT HEATER) (SUB FOR T29381)
					(ALSO ORDER 15H613 ELBOW)
6	T33279	STUD	2		
	T25701	STUD	1		
7	15H558	PIPE PLUG	5		(D) 1/8"
8	R57160	BUSHING	6		(STANDARD SIZE)
	R91708	BUSHING	6		(OVER SIZE)
9	T18891	CAP	2		-XXXXXX
	T18891	CAP	1	XXXXXX-	
10	R26493	BUSHING	1		
11	R26650	DOWEL PIN	2		
12	15H666	PIPE PLUG	1		3/8"
13	R65215	BEARING CAP	4		(SUB FOR AR82294)
14	T20168	WASHER	10		
15	T23474	CAP SCREW	10		
16	R79089	CAP	1		(SUB FOR AR82295 OR R65214)
17	T23435	THREADED NIPPLE	1		
18	R54802	ORIFICE	4		PISTON COOLING
	22H932	SET SCREW	4		5/16" X 3/8"
19	R75892	O-RING	1		OIL PUMP TUBE CONNECTOR
20	15H624	PIPE PLUG	1		(C) 1/2"
21	U13639	O-RING	1		(C) (LESS ENGINE COOLANT HEATER)
22	R39741	DRAIN PLUG	1		(C) (LESS ENGINE COOLANT HEATER)
23	12H304	LOCK WASHER	3		3/8"
24	14H1076	NUT	3		3/8"
25	R73139	VALVE	1	XXXXXX-	
26	R46625	SPRING	1	XXXXXX-	
27	AR59058	CYLINDER BLOCK	1	-248000	(A) (MARKED R53250 OR T32342) (SUB FOR AT31593) (ALSO ORDER (18) R53223) (SUB RE19853, (4) T32343, R46625, R73139 AND R73140)
	AR97088	CYLINDER BLOCK	1	248001-	(A) (MARKED R55011 OR R72972) (SUB RE19853, (4) T32343, R46625, R73139 AND R73140)
	RE19853	CYLINDER BLOCK	1	XXXXXX-	(A) (MARKED R80407 OR R97976) (SUB FOR AR59058, AR64727 OR AR97088) (ALSO ORDER (4) T32343, R46625, R73139 AND R73140)
	AR97094	CYLINDER BLOCK	1	-XXXXXX	(B) (MARKED T32348 OR R72976) (ALSO ORDER R46625, R73139 AND R90648) (SUB RE19864)
	RE19864	SHORT BLOCK ASSEMBLY	1	-XXXXXX	(B) (MARKED R72976) (SUB FOR AR52871 OR AR97094) (NLA)

- (A) DIESEL
- (B) GASOLINE
- (C) USE ON RE19853
- (D) USE ON AR97088 OR RE19853

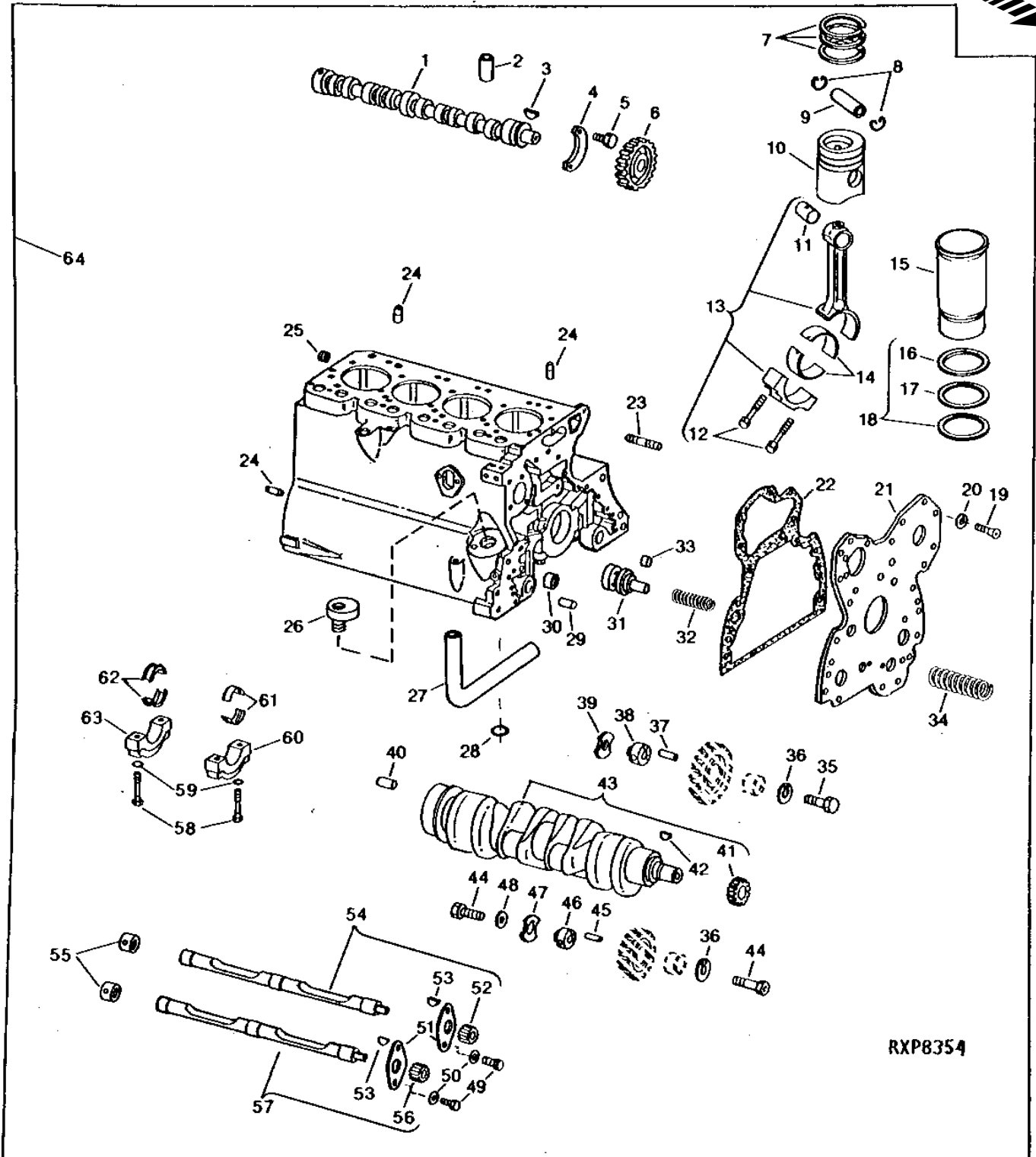
1B8

ENGINE

RXP8354

-UN-01JAN94

SHORT BLOCK ASSEMBLY



1B9

ENGINE

SHORT BLOCK ASSEMBLY - CONTINUED

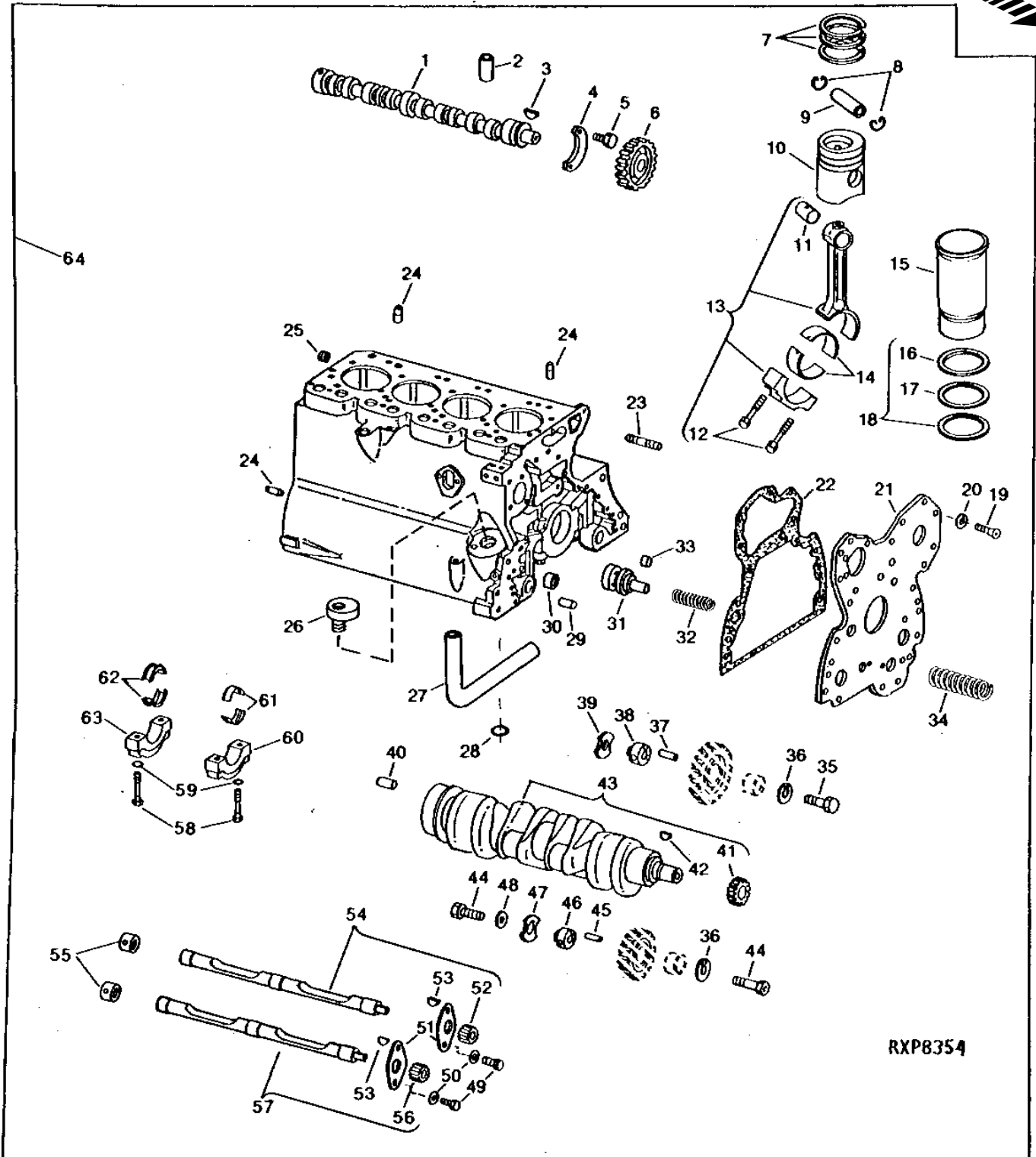
KEY	PART NO.	PART NAME	QTY	ENGINE SERIAL NO.	REMARKS
1	R82820	CAMSHAFT	1		
2	T20073	TAPPET	8		
3	T28041	SHAFT KEY	1		
4	T20072	PLATE	1		
5	19H218	CAP SCREW	2		3/8" X 1"
6	T20070	GEAR	1		
7	AR55760	PISTON RING KIT	1		
8	M41029	SNAP RING	8		
9	R51731	PISTON PIN	4		(SUB R125754)
10	AR77762	PISTON	1		
11	R55647	BUSHING	1		
12	R80033	SCREW	2		
13	RE21076	CONNECTING ROD	1		
14	AT21138	BEARING	8		
15	T32343	CYLINDER LINER	4		
16	R48768	WASHER	4		
17	T32344	O-RING	4		
18	AR71618	KIT	4		
19	T20166	SCREW	5		
20	12H324	WASHER	5		3/8"
21	RE16149	PLATE	1		
22	R90648	GASKET	1		
23	T33279	STUD	1		TIMING GEAR PUMP
	T25701	STUD	1		WATER PUMP
24	R48685	DOWEL PIN	3		
25	15H562	PIPE PLUG	1		1"
26	T23435	THREADED NIPPLE	1		
27	T20050	OIL TUBE	1		
28	R75892	O-RING	1		
29	R26650	DOWEL PIN	2		
30	R26493	BUSHING	1		
31	R73139	VALVE	1		
32	R46625	SPRING	1		
33	T18891	CAP	1		
34	T27658	SPRING	1		
35	T26327	SCREW	1		
36	T26326	THRUST WASHER	2		
37	34H283	SPRING PIN	1		3/16" X 1-1/8"
38	T26323	SHAFT	1		
39	T26324	THRUST WASHER	1		
40	R48685	DOWEL PIN	1		

1B10

ENGINE

RXP8354 -UN-01JAN94

SHORT BLOCK ASSEMBLY



1B11

ENGINE

SHORT BLOCK ASSEMBLY - CONTINUED

KEY	PART NO.	PART NAME	QTY	ENGINE SERIAL NO.	REMARKS
41	T20094	GEAR	1		
42	26H72	SHAFT KEY	1		
43	AT18030	CRANKSHAFT	1		(SUB RE33197)
44	T26325	SCREW	2		
45	34H286	SPRING PIN	1		3/16" X 1-1/2"
46	T26323	SHAFT	1		
47	T26324	THRUST WASHER	1		
48	R76126	WASHER	1		
49	19H2021	CAP SCREW	4		3/8" X 5/8"
50	12H304	LOCK WASHER	4		3/8"
51	R58007	STOP	2		(SUB FOR T20193)
52	T20133	GEAR	1		
53	T28041	SHAFT KEY	2		
54	AR61352	BALANCER SHAFT	1		L.H.
55	R57160	BUSHING	2		
56	T20130	GEAR	1		
57	AR61351	BALANCER SHAFT	1		R.H.
58	T23474	CAP SCREW	2		
59	T20168	WASHER	2		
60	R65215	BEARING CAP	4		
61	AT21140	BEARING	8		
62	AT21139	BEARING	2		
63	R79089	CAP	1		
64	AR97100	SHORT BLOCK ASSEMBLY	1	-248000	(A) (MARKED R80407) (SUB RE19855, R81513, R113752 AND RE55343) (ALSO ORDER (18) R85363) (IF ORDER FOR CD ENGINE ALSO ORDER (8) AT21191, (2) AT22919 AND RE16149)
	RE19855	SHORT BLOCK ASSEMBLY	1	248000-	(A) (MARKED R80407 OR R97976) (ALSO ORDER RE55343, R113752, (18) R85363 AND R81514) (SUB FOR AT31563, AR59070, AR97103 AND AR97100)
	AR97114	SHORT BLOCK ASSEMBLY	1	-XXXXXX	(B) (SUB FOR AR53835 OR AR68979) (NLA)
	RE19867	SHORT BLOCK ASSEMBLY	1	-XXXXXX	(B) (MARKED R72967) (SUB FOR AR53835, AR68979 OR AR97114) (NLA)

(A) DIESEL
(B) GASOLINE

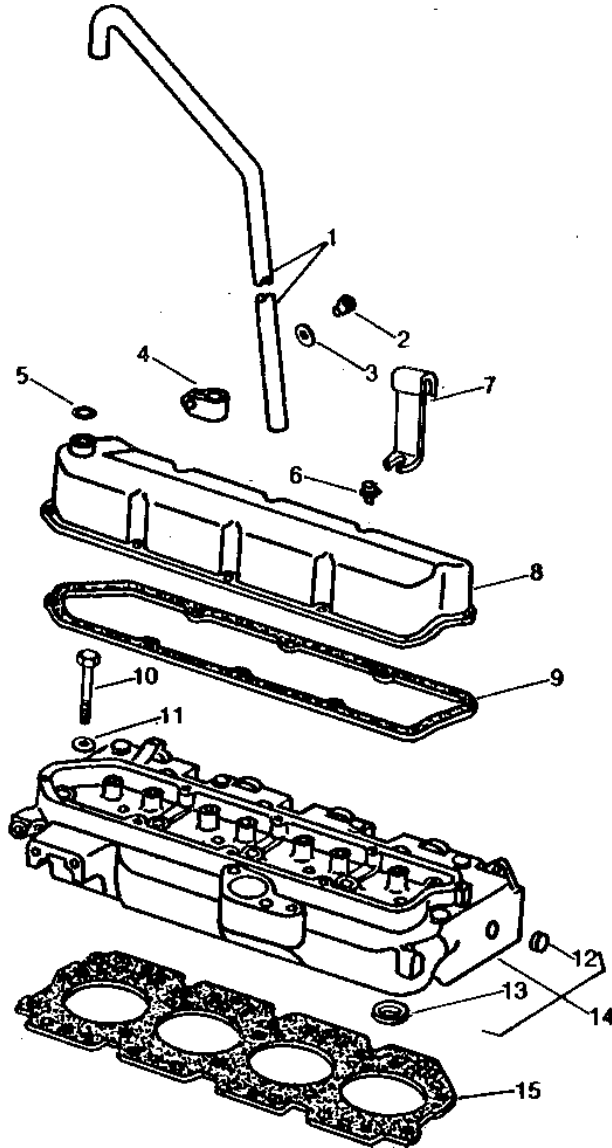
1B12

ENGINE

RWP3887

-UN-01JAN94

CYLINDER HEAD AND ROCKER ARM COVER



RWP3887

1B13

ENGINE

CYLINDER HEAD AND ROCKER ARM COVER - CONTINUED

KEY	PART NO.	PART NAME	QTY	ENGINE SERIAL NO.	REMARKS
1	T20074	TUBE	1		
2	24H1685	WASHER	1		11/32" X 47/64" X 0.083"
3	19H1813	CAP SCREW	1		5/16" X 5/8"
4	R40791	CLAMP	1		
5	R56463	O-RING	1		
6	AR103811	SCREW, WITH WASHER	8		(SUB FOR AR45530) (USE WITH T20075)
	AR100124	SCREW, WITH WASHER	8		(USE WITH AR100596)
7	T24151	CLAMP	1		
8	AT18015	VALVE COVER	1		
9	AR100596	GASKET	1		(ALSO ORDER (8) AR100124) (SUB FOR T20075)
10	T20183	CAP SCREW	18	-234988	(A)
	R85363	CAP SCREW	14		(B) (SUB FOR T20182)
	T20184	BOLT	4		(B)
	R53223	CAP SCREW	18	234989-	(USE WITH R53250, R55011 OR T32342)
11	T20168	WASHER	18		
12	A3910R	CAP	2		(SUB N102039)
13	R51734	VALVE SEAT INSERT	4		(C)
14	AT21334	CYLINDER HEAD	1		(B) (MARKED T19973)
	AR62452	CYLINDER HEAD	1		(A) (MARKED R54560, R54052 OR R56790) (SUB FOR AR63657 OR AT21801) (SUB RE56308)
	RE35279	CYLINDER HEAD	1		(A) (SUB FOR AR62452) (SUB RE56308)
15	R80242	GASKET	1		(SUB FOR R64152 OR R59448)

(A) DIESEL

(B) GASOLINE

(C) USE ON TRACTORS HAVING AN "L" AS THE LAST DIGIT OF THE CHASSIS SERIAL NUMBER

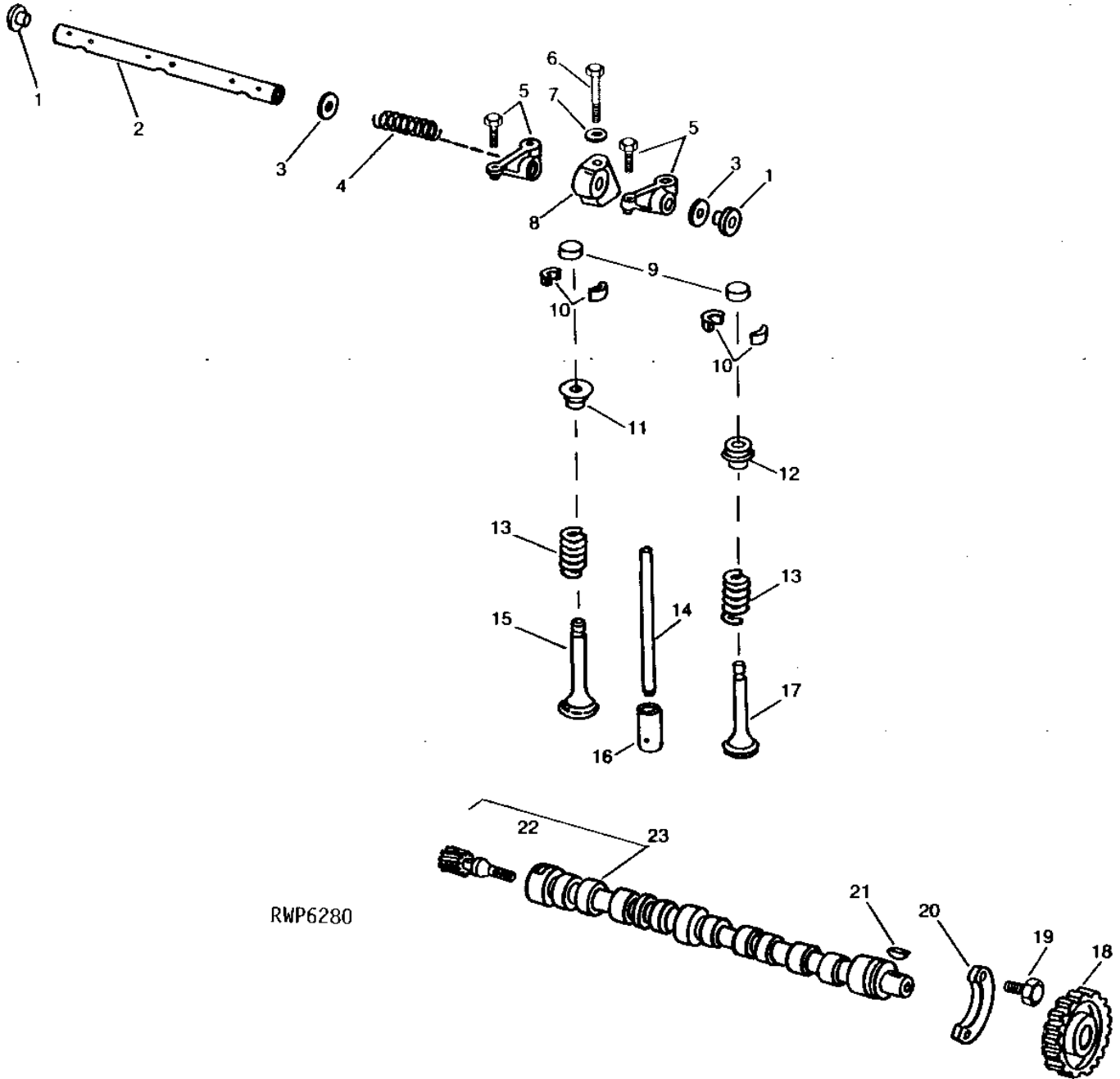
1B14

ENGINE

RWP6280

-UN-01JAN94

CAMSHAFT, ROCKER ARMS AND VALVES



1B15

ENGINE

CAMSHAFT, ROCKER ARMS AND VALVES - CONTINUED

KEY	PART NO.	PART NAME	QTY	ENGINE SERIAL NO.	REMARKS
1	T23469	PLUG	2	-XXXXXX	(USE WITH T23470)
	R54565	PLUG	2	XXXXXX-	
2	R54987	SHAFT	1		(ALSO ORDER (2) R54565) (SUB FOR T23470) (SUB DD12120)
3	T20316	WASHER	2		
4	T20314	SPRING	3		
5	RE31973	ROCKER ARM	8	150603-	(SUB FOR AT31250, AR103769 OR RE19031)
6	19H1733	CAP SCREW	4		3/8" X 2-1/2"
7	R42729	WASHER	4		(SUB FOR T23594)
8	T20315	SUPPORT	4		
9	T20129	CAP	8		
10	T20077	RETAINER	16		
11	T20176	RETAINER	4		(SUB R41412)
12	T20176	RETAINER	4		(D) (EXHAUST) (SUB R41412)
	T20287	ROTATOR	4	-XXXXXX	(C) (EXHAUST)
13	R26125	SPRING	8		
14	T22893	PIN	8		(C)
	T20310	PIN	8		(D) (SUB R82896)
15	T20174	INTAKE VALVE	4	-215761	(D) (SUB R79623)
	R52251	INTAKE VALVE	4	215762-	(D) (SUB R79623)
	R57332	INTAKE VALVE	4		(B) (D) 0.08 MM (.003") (SUB FOR T23546) (SUB R79628)
	R57334	INTAKE VALVE	4		(B) (D) 0.38 MM (.015") (SUB FOR T23547) (SUB R79629)
	R57336	INTAKE VALVE	4		(B) (D) 0.76 MM (.030") (SUB FOR T23548) (SUB R79630) (NLA)
	T25466	INTAKE VALVE	4	-XXXXXX	(C)
	T26175	INTAKE VALVE	4	-XXXXXX	(B) (C) 0.08 MM (.003")
	T26176	INTAKE VALVE	4	-XXXXXX	(B) (C) 0.38 MM (.015")
	T26177	INTAKE VALVE	4	-XXXXXX	(B) (C) 0.76 MM (.030")
16	T20073	TAPPET	8		
17	T20175	EXHAUST VALVE	4	-215199	(D) STANDARD, (SUB R79624)
	R79624	EXHAUST VALVE	4	215200-	(D) STANDARD, (SUB FOR R52252)
	R57333	EXHAUST VALVE	4		(B) (D) 0.08 MM (.003") (SUB FOR T23549) (SUB R79625)
	R57335	EXHAUST VALVE	4		(B) (D) 0.38 MM (.015") (SUB FOR T23550) (SUB R79626)
	R57337	EXHAUST VALVE	4		(B) (D) 0.76 MM (.030") (SUB FOR T23551) (SUB R79627)
	T25467	EXHAUST VALVE	4	-XXXXXX	(C) STANDARD, (SUB FOR T20286)
	T26178	EXHAUST VALVE	4	-XXXXXX	(B) (C) 0.08 MM (.003") (SUB FOR T23543)
	T26179	EXHAUST VALVE	4	-XXXXXX	(B) (C) 0.38 MM (.015") (SUB FOR T23544)
	T26180	EXHAUST VALVE	4	-XXXXXX	(B) (C) 0.76 MM (.030") (SUB FOR T23545)
18	T20070	GEAR	1		
	R55474	GEAR	1		(A) (SUB R82820, T20070 AND T28041)
19	19H1731	CAP SCREW	2		3/8" X 1"
20	T20072	PLATE	1		
21	T28041	SHAFT KEY	1		
22	T20071	DRIVE SHAFT	1		(TACHOMETER DRIVE) (USE WITH T20013)
23	AT18049	CAMSHAFT	1		(MARKED T20013) (INCLUDES T20071) (SUB R82820 AND R81513)
..	AR44402	OIL	1		0.9L (1 QT.)

(A) USE ON TRACTORS HAVING AN "L" AS THE LAST DIGIT OF THE CHASSIS SERIAL NUMBER

(B) OVERSIZE

(C) GASOLINE

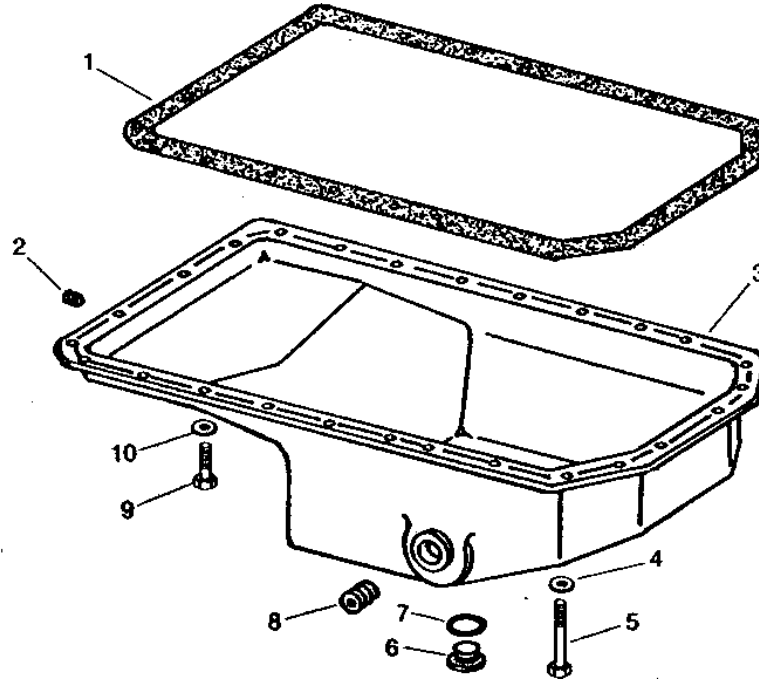
(D) DIESEL

1B16

ENGINE

RP203 -UN-01JAN94

OIL PAN



RP203

KEY	PART NO.	PART NAME	QTY	ENGINE SERIAL NO.	REMARKS
1	T24535	GASKET	1	(A)	
	R49515	GASKET	1	(B)	
2	15H624	PIPE PLUG	1	1/2"	
3	AR66726	OIL PAN	1		(A) (ALSO ORDER 15H690, 15H624, T20098 AND T13213) (SUB FOR AT18179) (ALSO ORDER T24515, (5) 19H2284, 19H3219 AND (22) 19H1936) (WHEN CONVERTING FROM A CAST IRON PAN TO STEEL PAN)
4	12H304	LOCK WASHER	6		
5	19H2284	CAP SCREW	5	(A) 3/8" X 7/8"	
	19H1800	CAP SCREW	5	(B) 3/8" X 1-1/2"	
	19H3219	CAP SCREW	1	(A) 3/8" X 1-3/8", (FRONT RIGHT SIDE HOLE)	
	19H1801	CAP SCREW	1	(B) 3/8" X 2", (FRONT RIGHT SIDE HOLE)	
6	T20098	DRAIN PLUG	1	(FINE THREAD)	
	M1746T	DRAIN PLUG	1	(COURSE THREAD)	
7	T13213	WASHER	1		
8	15H690	PIPE PLUG	1	3/4"	
9	19H1936	CAP SCREW	22	(A) 3/8" X 3/4", (LESS ENGINE COOLANT HEATER)	
	19H3221	CAP SCREW	17	(B) 3/8" X 1-1/4"	
	19H3219	CAP SCREW	1	(B) 3/8" X 1-3/8", (RIGHT REAR SIDE HOLE)	
	19H1733	CAP SCREW	2	(B) 3/8" X 2-1/2", (REAR OUTSIDE CORNERS)	
	19H2228	CAP SCREW	1	(B) 3/8" X 4", (REAR FLANGE CENTER HOLE)	
	19H2328	CAP SCREW	2	(B) 5/8" X 4", (REAR FLANGE TO FLYWHEEL HOUSING)	
	19H1732	CAP SCREW	2	3/8" X 1-1/4", (WITH ENGINE COOLANT HEATER)	
10	12H304	LOCK WASHER	AR	3/8", (18 USED STEEL PAN) (21 USED CAST IRON PAN)	

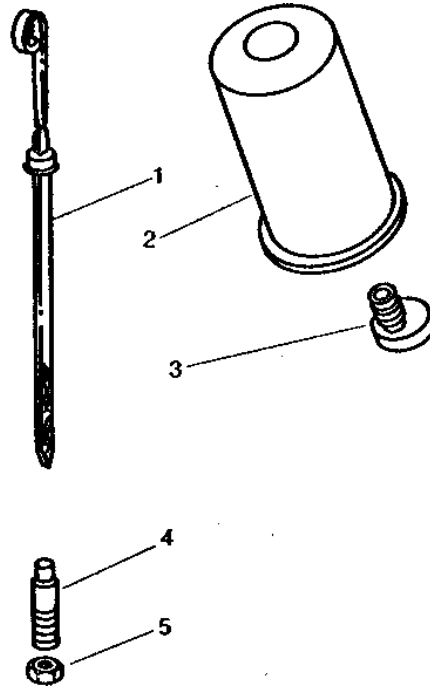
(A) STEEL OIL PAN
(B) CAST IRON OIL PAN

1B17

ENGINE

RP205 -UN-01JAN94

ENGINE OIL FILTER AND DIPSTICK



RP205

KEY	PART NO.	PART NAME	QTY	ENGINE SERIAL NO.	REMARKS
1	AT21534	DIPSTICK	1		
2	T19044	OIL FILTER	1		
3	T23435	THREADED NIPPLE	1		
4	R55299	THREADED NIPPLE	1		(ALSO ORDER R10093)
5	14H826	NUT	1		1/2"

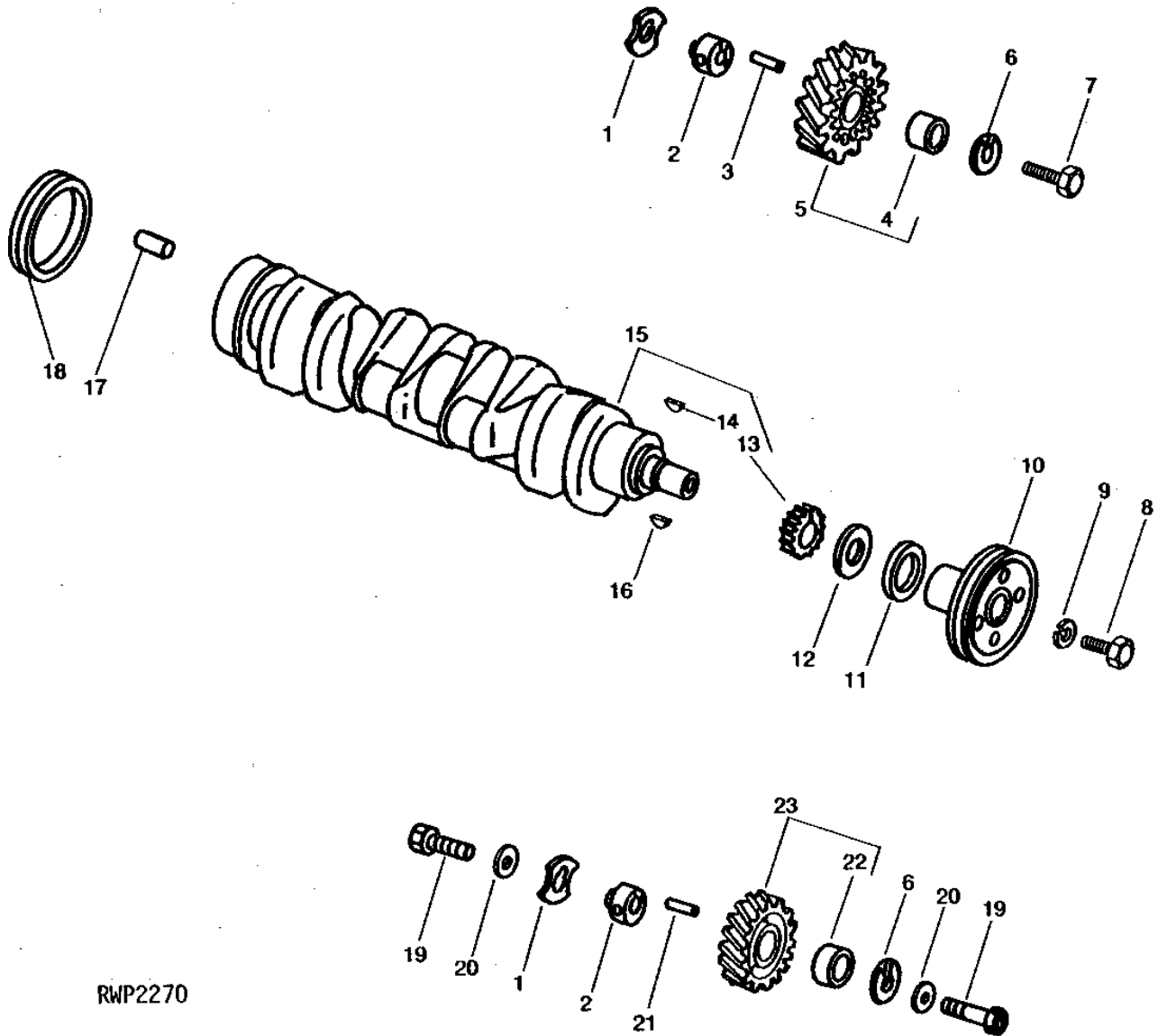
1B18

ENGINE

RWP2270

-UN-01JAN94

CRANKSHAFT AND IDLER GEARS



RWP2270

1B19

ENGINE

CRANKSHAFT AND IDLER GEARS - CONTINUED

KEY	PART NO.	PART NAME	QTY	ENGINE SERIAL NO.	REMARKS
1	T26324	THRUST WASHER	2		
2	T26323	SHAFT	2		(SUB FOR T20036) (SUB R89824, UPPER IDLER GEAR) (SUB R89824, R100105, 19H3011 AND 14H865, LOWER IDLER GEAR)
3	34H283	SPRING PIN	1		3/16" X 1-1/8"
4	T20034	BUSHING	1		
5	AR91660	GEAR	1		(MARKED T20029 OR R70182) (SUB FOR AT18009)
6	T26326	THRUST WASHER	2		
7	19H1990	CAP SCREW	1		1/2" X 2-1/4", (USE WITH T20036)
	T26327	SCREW	1		(USE WITH T26323)
8	19H1721	CAP SCREW	1		1/2" X 1-1/2"
9	T20217	WASHER	1		
10	R59312	PULLEY	1		
11	AR67942	SEAL	1		(SUB FOR AT21608)
12	T20046	OIL SLINGER	1		
13	T20094	GEAR	1		
14	26H72	SHAFT KEY	1		1/8" X 5/8"
15	AT26698	CRANKSHAFT	1		(A) (MARKED T28743) (NLA)
	AT18030	CRANKSHAFT	1		(B) (MARKED T23517) (SUB RE33197)
	RE57664	CRANKSHAFT	1		(B) (SUB FOR AT18030) (SUB RE33197)
	T20445	PLUG	1	-XXXXXX	THRUST (LESS REVERSER)
	T20445	PLUG	1		(C) THRUST (LESS REVERSER)
16	T23604	SHAFT KEY	1		
17	T26565	DOWEL PIN	1		
18	AR92893	SEAL	1		(SUB FOR AT22965) (SUB RE44574, THIS APPLICATION)
19	19H2644	CAP SCREW	2		1/2" X 2-1/2", (USE WITH T20036)
	T26325	SCREW	2		(USE WITH T26323)
20	R42364	WASHER	2		(SUB R76126)
21	34H286	SPRING PIN	1		3/16" X 1-1/2"
22	T26321	BUSHING	1		
23	AT24252	GEAR	1		(MARKED T26322)

(A) GASOLINE

(B) DIESEL

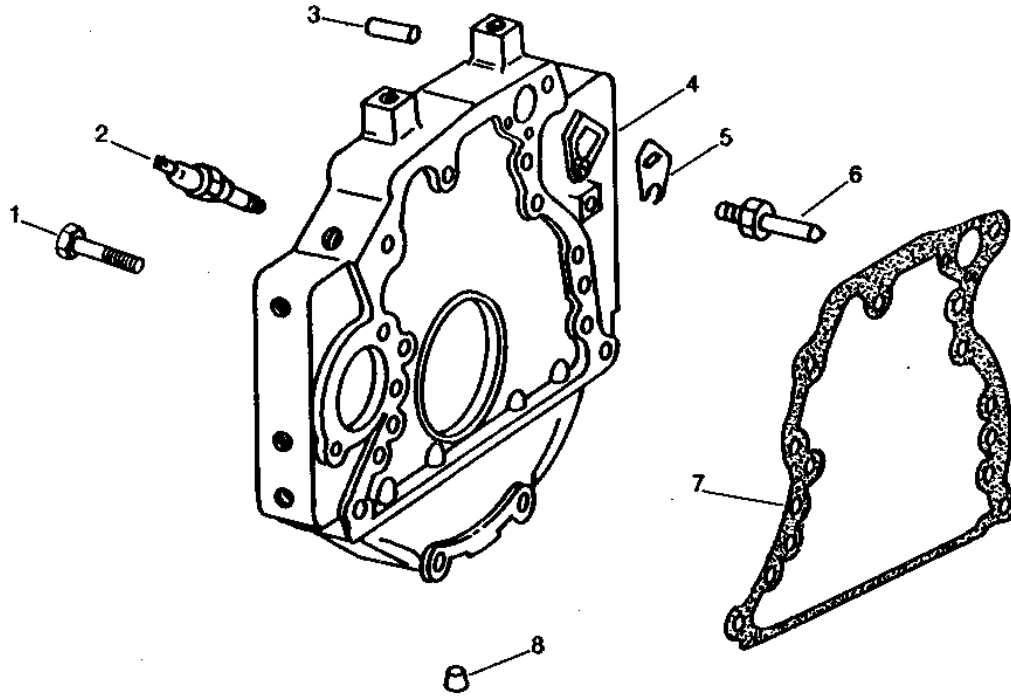
(C) USE ON TRACTORS HAVING AN "L" AS THE LAST DIGIT OF THE CHASSIS SERIAL NUMBER

1B20

ENGINE

RWP1694 -UN-01JAN94

FLYWHEEL HOUSING



RWP1694

KEY	PART NO.	PART NAME	QTY	ENGINE SERIAL NO.	REMARKS
1	19H3219	CAP SCREW	8	3/8" X 1-3/8"	
2	AR27977	TOUCH SWITCH	1		
3	T26565	DOWEL PIN	2		
4	R63434	HOUSING	1	(SUB FOR T25117)	
5	T20089	COVER	1	(USE WITH T25117)	
	R83554	PLUG	1	(A) (USE WITH T28433) (SUB FOR T28435)	
6	T20090	SCREW	1		
	19H2351	CAP SCREW	1	(A) 1/2" X 1/2"	
7	R97351	GASKET	1	(SUB FOR T23596 OR R70483)	
8	T23590	PLUG	1		

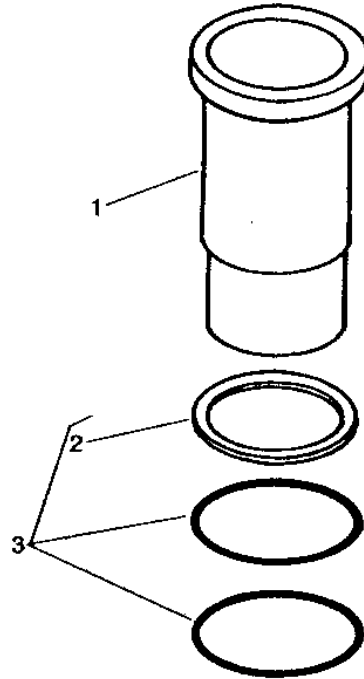
(A) USE ON TRACTORS HAVING AN "L" AS THE LAST DIGIT OF THE CHASSIS SERIAL NUMBER

1B21

ENGINE

RP204 -UN-01JAN94

CYLINDER LINER (GASOLINE)



RP204

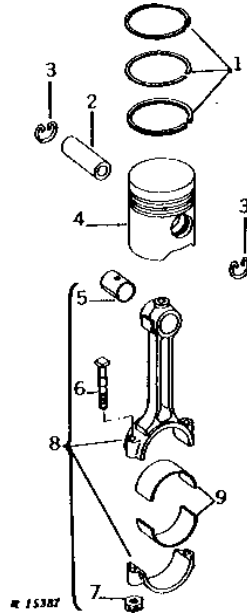
KEY	PART NO.	PART NAME	QTY	ENGINE SERIAL NO.	REMARKS
1	T32343	CYLINDER LINER	4		(SUB FOR R57582)
2	R48768	WASHER	4		(SUB FOR T26151 OR T32262)
3	AR71618	KIT	4		
..	AR54749	LUBRICANT	1		0.9L (1 QT.)

1B22

ENGINE

PISTON, RINGS AND CONNECTING ROD (GASOLINE)

R15387 -UN-01JAN94



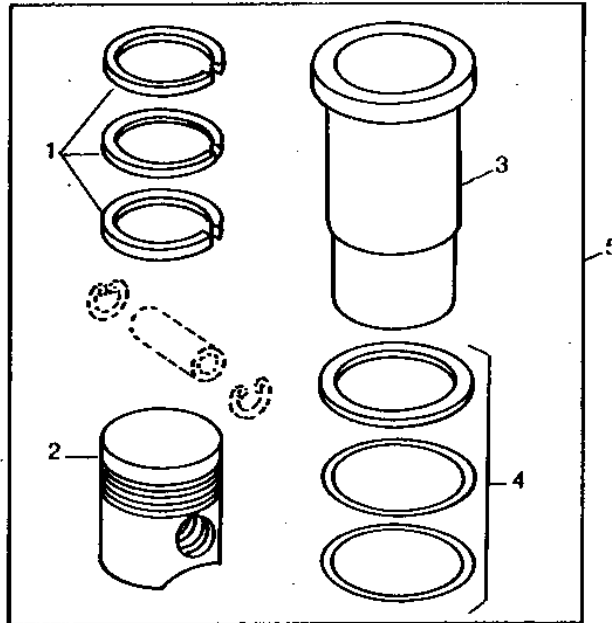
KEY	PART NO.	PART NAME	QTY	ENGINE SERIAL NO.	REMARKS
1	AR55760	PISTON RING KIT	4		(SUB FOR AT24967) (SET OF 3)
2	T18838	PISTON PIN	4		
3	R51112	SNAP RING	8		(SUB FOR M67T)
4	T30014	PISTON	4		
	T32017	PISTON	4		HIGH ALTITUDE, (SUB T30014)
5	T526T	BUSHING	4		
6	T28745	BOLT	8		
7	T15634	NUT	8		
8	AT26702	CONNECTING ROD	4		
9	AT10123	BEARING	4		(PKG. OF 2 HALVES)
	AT21116	BEARING	4		0.05MM (.002") UNDERSIZE (PKG. OF 2 HALVES)
	AT21117	BEARING	4		0.25MM (.010") UNDERSIZE (PKG. OF 2 HALVES)
	AT21119	BEARING	4		0.51MM (.020") UNDERSIZE (PKG. OF 2 HALVES)
	AT10519	BEARING	4		0.76MM (.030") UNDERSIZE (PKG. OF 2 HALVES)

1B23

ENGINE

PISTON LINER KIT (GASOLINE)

RWP4696 -UN-01JAN94



RWP4696

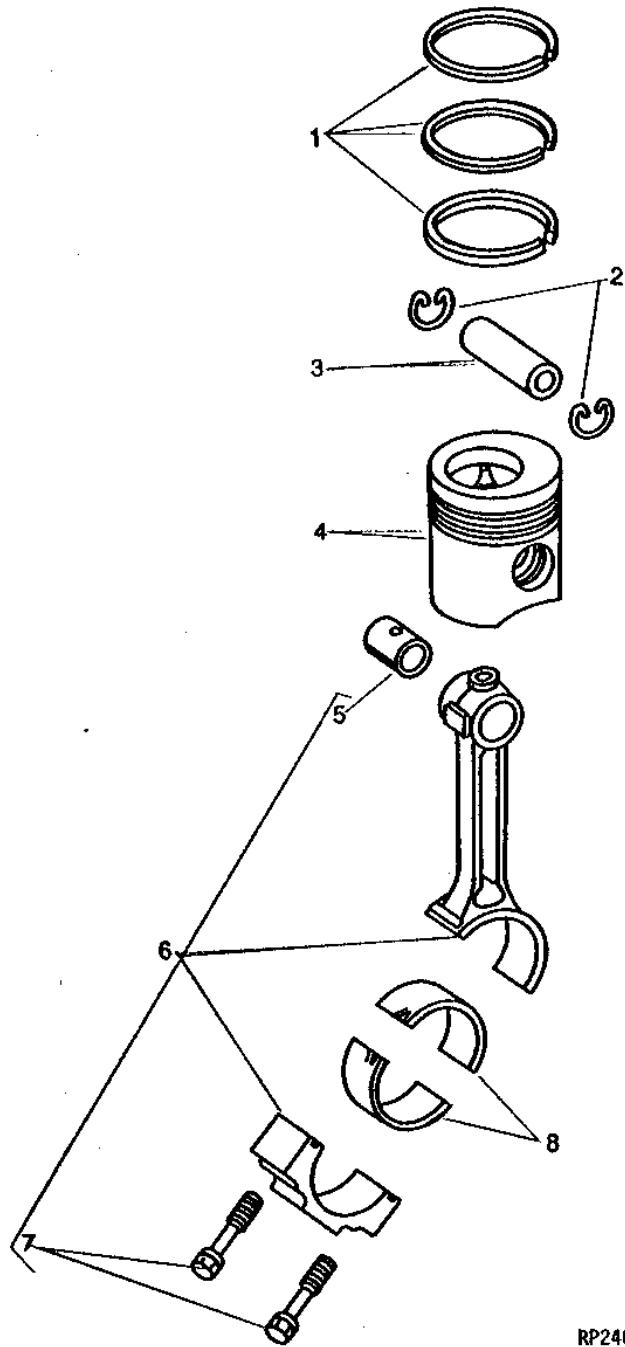
KEY	PART NO.	PART NAME	QTY	ENGINE SERIAL NO.	REMARKS
1	AR55760	PISTON RING KIT	1		
2	T30014	PISTON	1		
3	T32343	CYLINDER LINER	1		
4	AR71618	KIT	1		
5	AR71594	PISTON-LINER KIT	4		

1B24

ENGINE

RP240 -UN-01JAN94

PISTONS AND CONNECTING RODS (DIESEL)



RP240

1B25

ENGINE

PISTONS AND CONNECTING RODS - CONTINUED (DIESEL)

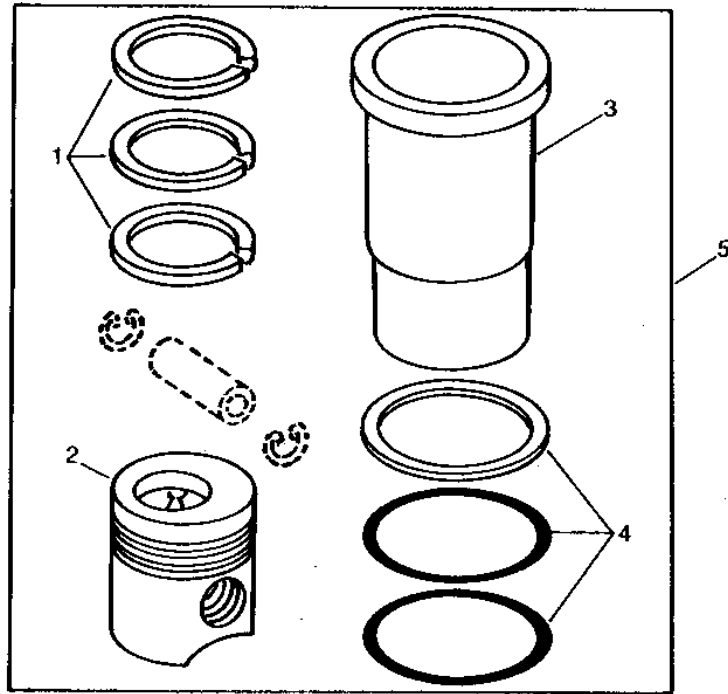
KEY	PART NO.	PART NAME	QTY	ENGINE SERIAL NO.	REMARKS
1	AT29213	PISTON RING	4	-215575	(SUB AR55759) (SET OF 3)
	AR55759	PISTON RING KIT	4		(SET OF 3)
2	M67T	SNAP RING	8	-123425	(SUB R51112)
	R51112	SNAP RING	8	-275484	
	U16538	SNAP RING	1	275485-	(SUB FOR M41029)
3	T26149	PISTON PIN	4	-275484	1-3/16" DIA
	R51731	PISTON PIN	4	275485-	1-3/8" DIA, (SUB R125754)
4	AR55984	PISTON	4	-211699	(SUB AR77762)
	AR78310	PISTON	4	211700-275484	
	AR55984	PISTON	4	275485-XXXXXX	(SUB AR77762)
	AR77762	PISTON	4	XXXXXX-	
5	T23471	BUSHING	4	-275484	
	R55647	BUSHING	1	275485-	
6	AT18005	CONNECTING ROD	4	-275484	
	RE21076	CONNECTING ROD	1	275485-	(SUB FOR AR55978)
7	T20009	CAP SCREW	8		(SUB R74194)
	R80033	SCREW	8		(USE WITH RE21076)
8	AT21138	BEARING	4		(2 HALVES) STANDARD
	AT21122	BEARING	4		0.05 MM (.002") UNDERSIZE (2 HALVES)
	AT21124	BEARING	4		0.25 MM (.010") UNDERSIZE (2 HALVES)
	AT21126	BEARING	4		0.64 MM (.020") UNDERSIZE (2 HALVES)
	AT21128	BEARING	4		0.76 MM (.030") UNDERSIZE (2 HALVES)

1C1

ENGINE

PISTON LINER KIT (DIESEL)

RWP2613 -UN-01JAN94



RWP2613

KEY	PART NO.	PART NAME	QTY	ENGINE SERIAL NO.	REMARKS
1	AR55759	PISTON RING KIT	1		
2	T30015	PISTON	1		(SUB AR78310)
3	T32343	CYLINDER LINER	1		
4	AR71618	KIT	1		
5	AR82286	PISTON-LINER KIT	4	101360-211699	(SUB AR71593)

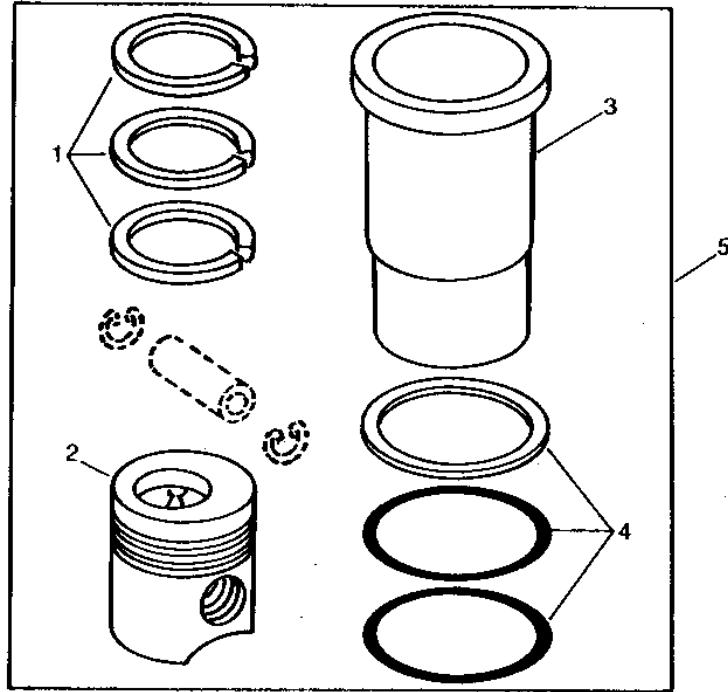
NOTE: ENGINE SERIAL NO. 183525T WAS BUILT WITH 2020 PARTS AND IS A 98 MM BORE INSTEAD OF A 102 MM BORE. PARTS NEEDED T23481 (PISTON) 3.8275 O.D. AND T32340 (LINER) 3.85 I.D. AND 4.48 O.D.

1C2

ENGINE

RWP2613 -UN-01JAN94

PISTON LINER KIT (DIESEL)



RWP2613

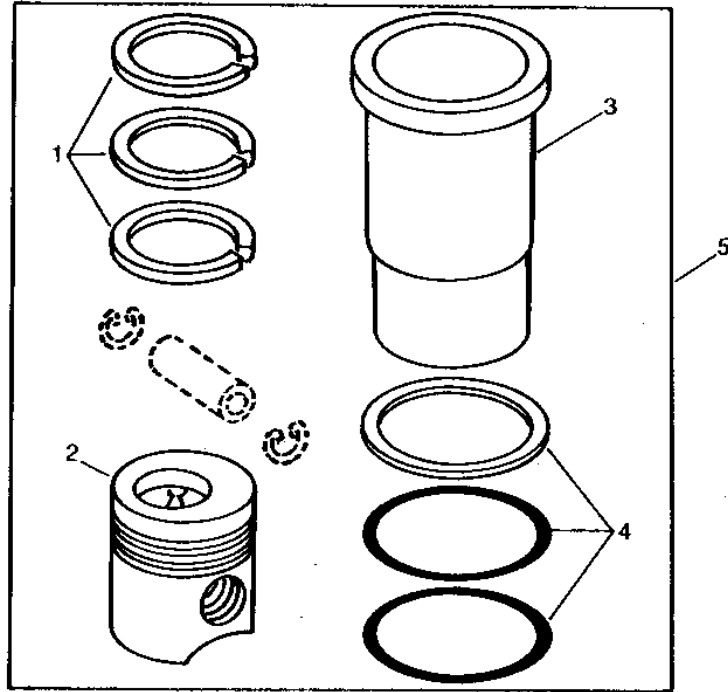
KEY	PART NO.	PART NAME	QTY	ENGINE SERIAL NO.	REMARKS
1	AR55759	PISTON RING KIT	1		
2	AR78310	PISTON	1		(WITH INSERT) (SUB FOR T30015)
3	T32343	CYLINDER LINER	1		
4	AR71618	KIT	1		
5	AR71593	PISTON-LINER KIT	4	211700-275484	(SUB FOR AR82286)

1C3

ENGINE

RWP2613 -UN-01JAN94

PISTON LINER KIT (DIESEL)



RWP2613

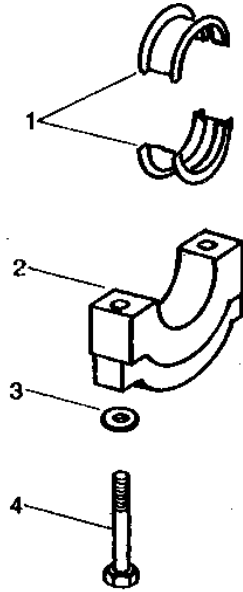
KEY	PART NO.	PART NAME	QTY	ENGINE SERIAL NO.	REMARKS
1	AR55759	PISTON RING KIT	1		
2	AR55984	PISTON	1	275485-XXXXXX	(WITH INSERT) (SUB AR77762)
	AR77762	PISTON	1	XXXXXX-	(WITH INSERT) (MARKED B)
3	T32343	CYLINDER LINER	1		
4	AR71618	KIT	1		
5	AR71592	PISTON-LINER KIT	4	275485-XXXXXX	(INCLUDES AR55984) (SUB AR78041)
	AR78041	PISTON-LINER KIT	4	XXXXXX-	(INCLUDES AR77762)

1C4

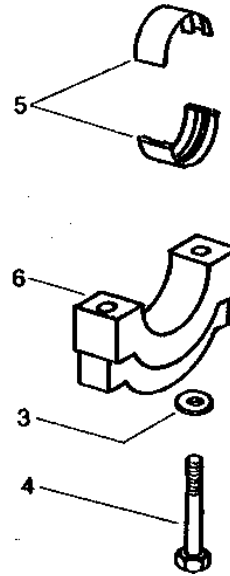
ENGINE

RP210 -UN-01JAN94

CRANKSHAFT BEARINGS AND CAPS



RP210



KEY	PART NO.	PART NAME	QTY	ENGINE SERIAL NO.	REMARKS
1	AT21139	BEARING	1		
	AT21130	BEARING	1		0.05MM (.002") UNDERSIZE, REAR, (NLA)
	AT21132	BEARING	1		0.25MM (.010") UNDERSIZE, REAR
	AT21134	BEARING	1		0.51MM (.020") UNDERSIZE, REAR
2	AT21136	BEARING	1		0.76MM (.030") UNDERSIZE, REAR
	AR82295	BEARING CAP	1		(SUB FOR AT21227) (SUB R79089)
3	T20168	WASHER	AR		(6 USED GASOLINE) (10 USED DIESEL)
4	T23474	CAP SCREW	AR		(6 USED GASOLINE) (10 USED DIESEL)
5	AT21140	BEARING	AR		(A)
	AT21108	BEARING	AR		(A) 0.05MM (.002") UNDERSIZE, PLAIN
	AT21110	BEARING	AR		(A) 0.25MM (.010") UNDERSIZE, PLAIN
	AT21112	BEARING	AR		(A) 0.51MM (.020") UNDERSIZE, PLAIN
6	AT21114	BEARING	AR		(A) 0.76MM (.030") UNDERSIZE, PLAIN
	AR82294	BEARING CAP	AR		(2 USED GASOLINE) (4 USED DIESEL) (SUB FOR AT21226) (SUB R65215)

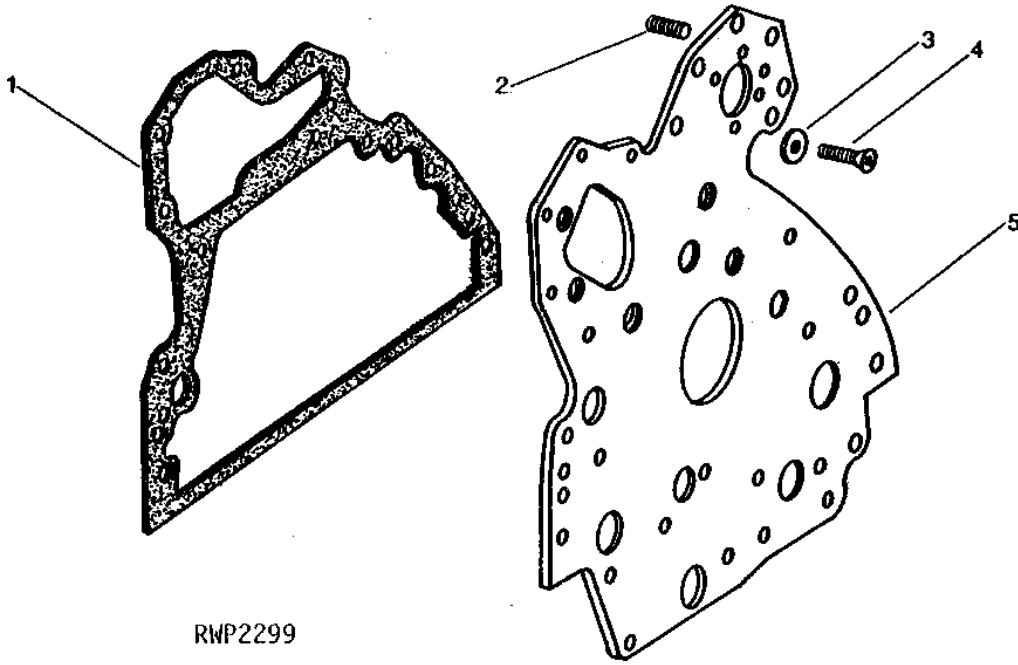
(A) 2 PKG. USED GASOLINE, 4 PKG. USED DIESEL

1C5

ENGINE

RWP2299 -UN-01JAN94

ENGINE FRONT PLATE



RWP2299

KEY	PART NO.	PART NAME	QTY	ENGINE SERIAL NO.	REMARKS
1	R90648	GASKET	1		(SUB FOR T24965 OR R73140)
2	AT21191	SET SCREW	2		(A) 5/16"
	AT22919	SET SCREW	2		(A) 3/8"
3	12H324	WASHER	5		3/8"
4	T20166	SCREW	5		
5	RE16149	PLATE	1		(A) (ALSO ORDER (8) AT21191 AND (2) AT22919) (SUB FOR T20295, R56736 OR RE22561) (FURNISHED WITH R79854)
	AT29928	PLATE	1		(A) (USE WITH CD ENGINE APPLICATION ONLY) (SUB (8) AT21191, (2) AT22919 AND RE16149)
	R56737	PLATE	1		(B) (SUB FOR T20024)

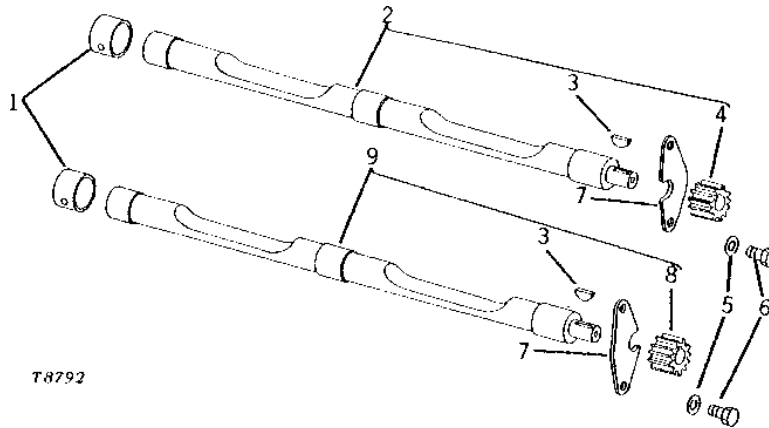
(A) DIESEL
(B) GASOLINE

1C6

ENGINE

T8792 -UN-01JAN94

ENGINE BALANCER SHAFT



KEY	PART NO.	PART NAME	QTY	ENGINE SERIAL NO.	REMARKS
1	R57160	BUSHING	6		(SUB FOR T20283)
2	AT18155	BALANCER SHAFT	1		L.H. (MARKED T20133 AND T25431)
	AR61352	BALANCER SHAFT	1		L.H. (MARKED R54054 AND T20133)
3	T28041	SHAFT KEY	2		(SUB 26H72, THIS APPLICATION)
4	T20133	GEAR	1		L.H.
5	12H304	LOCK WASHER	4		3/8"
6	19H2021	CAP SCREW	4		3/8" X 5/8"
7	T20193	STOP	2		(SUB R58007, THIS APPLICATION)
8	T20130	GEAR	1		R.H.
9	AT18156	BALANCER SHAFT	1		R.H. (MARKED T20130 AND T25431)
	AR61351	BALANCER SHAFT	1		R.H. (MARKED R54054 AND T20130)

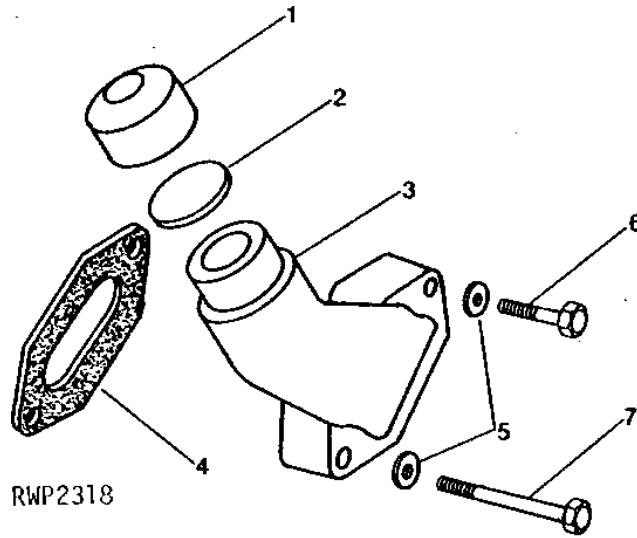
MEMORANDA

1C7

ENGINE

RWP2318 -UN-01JAN94

OIL FILLER INLET



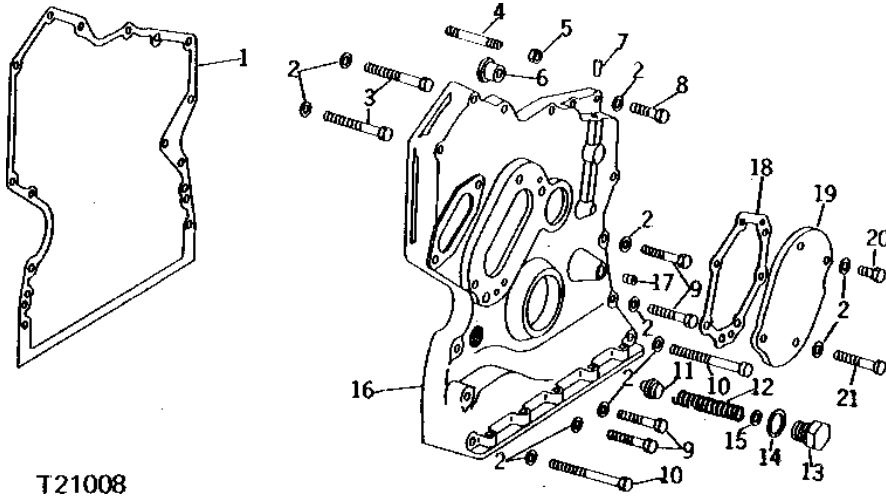
KEY	PART NO.	PART NAME	QTY	ENGINE SERIAL NO.	REMARKS
1	T20294	CAP	1		
2	T20328	GASKET	1		
3	T23614	FILLER NECK	2		
4	T20336	GASKET	1		
5	24M7106	WASHER	1		10 X 18 X 2.500 MM
6	19H2665	CAP SCREW	1		3/8" X 1-5/8"
7	19H2128	CAP SCREW	1		3/8" X 3"

1C8

ENGINE

T21008 -UN-01JAN94

TIMING GEAR COVER (GASOLINE)



T21008

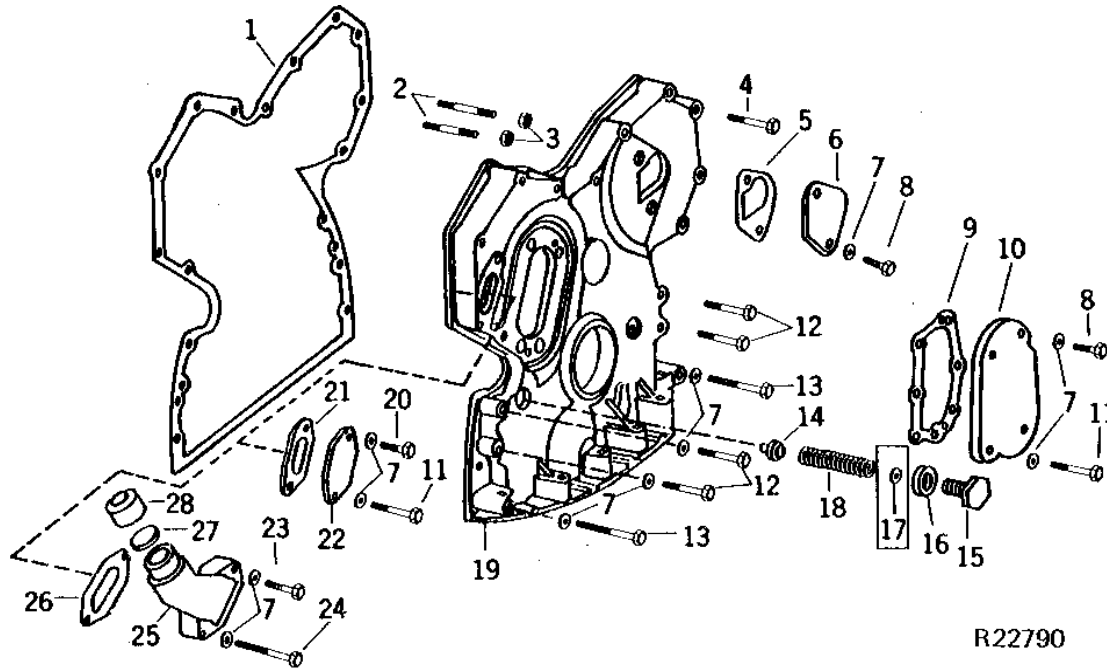
KEY	PART NO.	PART NAME	QTY	ENGINE SERIAL NO.	REMARKS
1	T20154	GASKET	1		
2	24M7106	WASHER	16	10 X 18 X 2.500 MM	
3	19H2128	CAP SCREW	2	3/8" X 3"	
4	T33279	STUD	2		
5	14H812	NUT	2	3/8"	
6	T20146	BUSHING	1		
7	T16468	DOWEL PIN	1		
8	19H2665	CAP SCREW	1	3/8" X 1-5/8"	
9	19H1801	CAP SCREW	5	3/8" X 2"	
10	19H1733	CAP SCREW	2	3/8" X 2-1/2"	
11	R83169	VALVE	1		PRESSURE RELIEF, (SUB FOR T20067 OR R51516)
12	T27658	SPRING	1		
13	T27657	FITTING PLUG	1		
14	A4827R	WASHER	1		
15	24H1290	WASHER	1	21/64" X 3/4" X 0.035"	
16	AT19508	COVER	1		(MARKED T20152) (ALSO ORDER T20272, T20273, (3) 19H2284, 19H1726, (4) 24M7106 AND 15H275)
17	15H275	PIPE PLUG	1	1/4"	
18	T20273	GASKET	1		
19	T20272	COVER	1		
20	19H2284	CAP SCREW	3	3/8" X 7/8"	
21	19H1801	CAP SCREW	1	3/8" X 2"	

1C9

ENGINE

R22790 -UN-01JAN94

TIMING GEAR COVER (DIESEL)



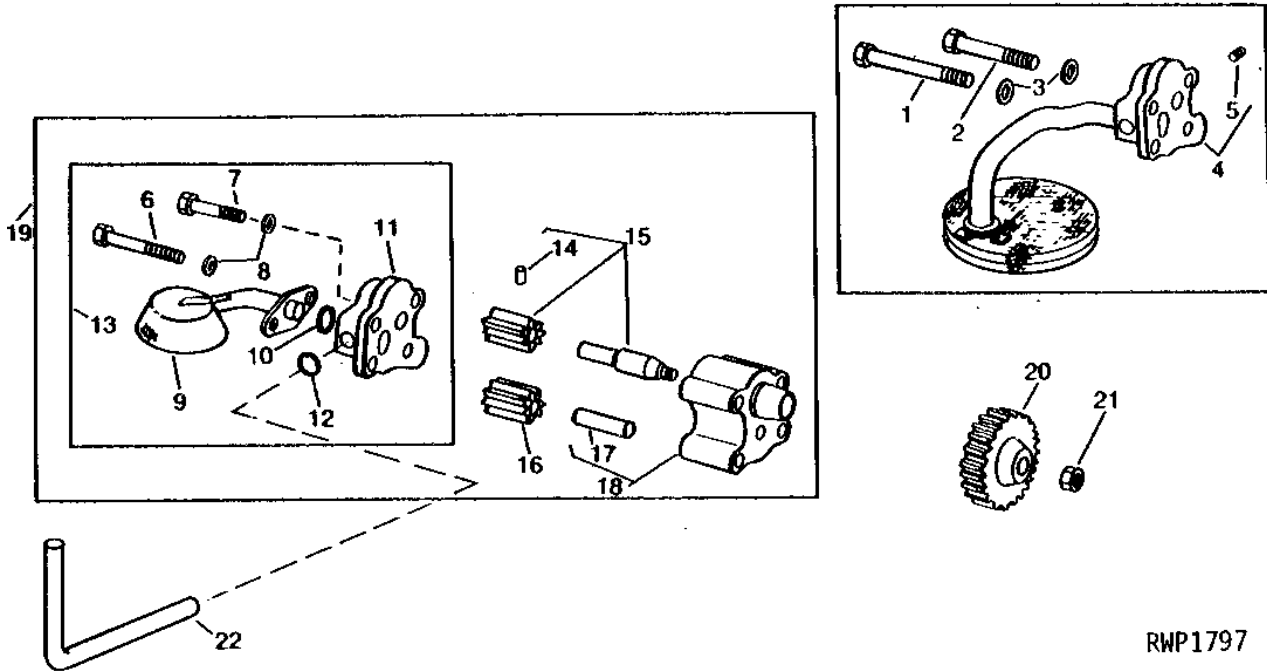
KEY	PART NO.	PART NAME	QTY	ENGINE SERIAL NO.	REMARKS
1	R119269	GASKET	1		(SUB T20155) (SUB FOR R97454)
2	T33279	STUD	2		
3	14H812	NUT	2	3/8"	
4	19H1801	CAP SCREW	5	3/8" X 2"	
5	R97773	GASKET	1		(SUB FOR T20364, R69260 OR R78366) (SUB R125066)
6	T20362	COVER	1		
7	24M7106	WASHER	20	10 X 18 X 2.500 MM	
8	19H2284	CAP SCREW	5	3/8" X 7/8"	
9	T20273	GASKET	1		
10	T20272	COVER	1		
11	19H1726	CAP SCREW	4	3/8" X 2-1/4"	
12	19H1801	CAP SCREW	4	3/8" X 2"	
13	19H1733	CAP SCREW	2	3/8" X 2-1/2"	
14	T20067	VALVE	1	-214506	(PRESSURE RELIEF) (SUB R83169)
	R83169	VALVE	1	214507-	(SUB FOR R51516) (PRESSURE RELIEF)
15	T27657	FITTING PLUG	1		
16	A4827R	WASHER	1		
17	24H1290	WASHER	AR	-214506	21/64" X 3/4" X 0.035"
18	T27658	SPRING	1		
19	AR58196	COVER	1		(MARKED R52879) (ALSO ORDER T20272, T20273, (3) 19H2284, 19H1726, (3) 24M7106 AND 15H275)
20	19H2284	CAP SCREW	1	3/8" X 7/8"	
21	T20336	GASKET	1		
22	T23260	COVER	1		
23	19H2665	CAP SCREW	1	3/8" X 1-5/8"	
24	19H2128	CAP SCREW	1	3/8" X 3"	
25	T23614	FILLER NECK	1		
26	T20336	GASKET	1		
27	T20328	GASKET	1		
28	T20294	CAP	1		

1C10

ENGINE

RWP1797 -UN-01JAN94

LUBRICATING OIL PUMP



RWP1797

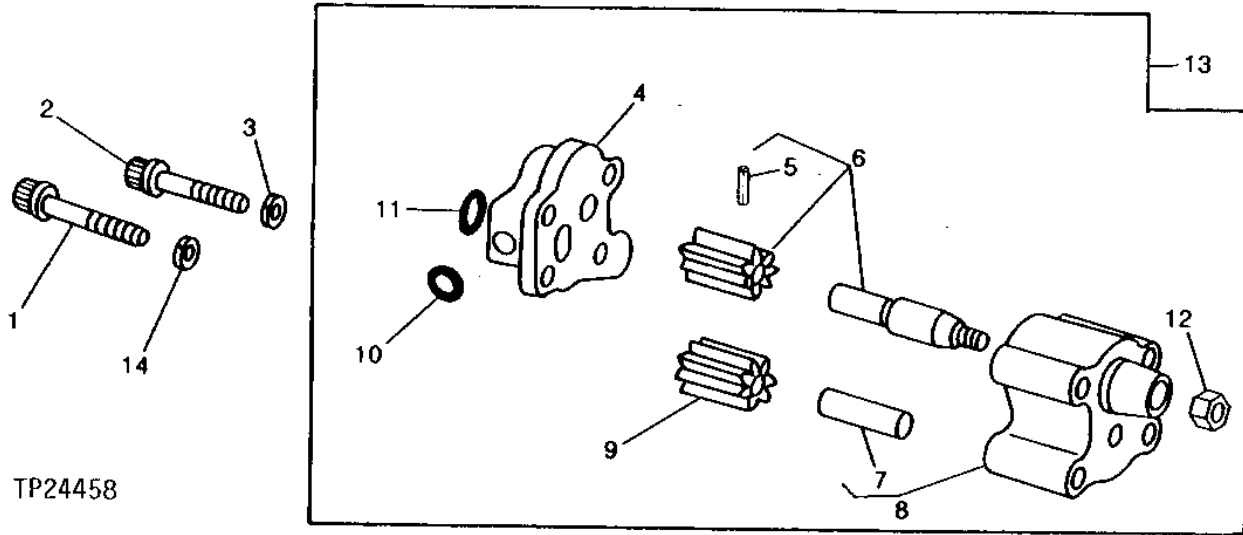
KEY	PART NO.	PART NAME	QTY	ENGINE SERIAL NO.	REMARKS
1	19H1854	CAP SCREW	1	3/8" X 3-3/4"	
2	19H1944	CAP SCREW	3	3/8" X 2-3/4"	
3	12H304	LOCK WASHER	4	3/8"	
4	AT24254	COVER	1	(SUB AR67670)	
5	15H560	PIPE PLUG	1	1/16"	
6	R74552	CAP SCREW	2	(SUB FOR R59409) (ALSO ORDER R74553)	
7	R57059	CAP SCREW	2		
8	R74553	WASHER	4		
9	AR60701	FILLER NECK	1	INTAKE, (SUB RE36425)	
10	R61871	O-RING	1		
11	R53382	COVER	1	(SUB RE36425)	
12	R74354	O-RING	1	(SUB FOR R27166)	
13	AR67670	KIT	1	INTAKE	
14	M3853T	GROOVE PIN	1		
15	AT18126	DRIVE SHAFT	1	(USE WITH T20078)	
	AR62978	PINION	1	(USE WITH R54615)	
16	T20097	GEAR	1	(7 TEETH) (1.4" LONG) (USE WITH T20078)	
	R54614	GEAR	1	(7 TEETH) (1.6" LONG) (USE WITH T54615)	
17	T20091	DOWEL PIN	1		
18	AR62979	HOUSING	1	(MARKED R54615) (ALSO ORDER AR62978 AND R54614) (SUB FOR AT32606) (SUB RE55343 AND R113752)	
19	AR67074	OIL PUMP	1	INTAKE, (SUB RE36425, RE55343 AND R113752)	
20	T20298	GEAR	1	(33 TEETH)	
21	14H826	NUT	1	1/2"	
22	T20050	OIL TUBE	1		

1C11

ENGINE

TP24458 -UN-01JAN94

ENGINE OIL PUMP KIT



TP24458

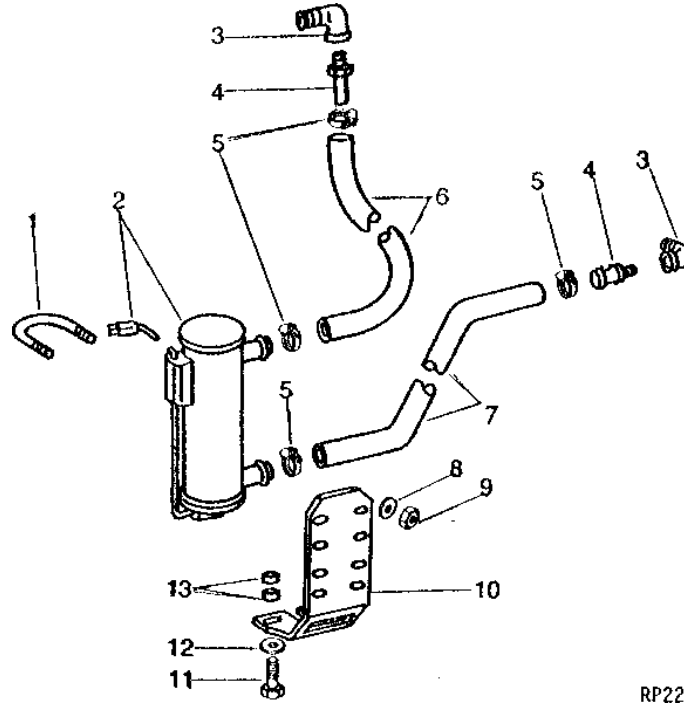
KEY	PART NO.	PART NAME	QTY	ENGINE SERIAL NO.	REMARKS
1	R74552	CAP SCREW	2		
2	R57059	CAP SCREW	2		
3	12H304	LOCK WASHER	2	3/8"	
4	COVER	1	(MARKED R53382)	(SUB RE55343 AND R113752)
5	M3853T	GROOVE PIN	1		
6	AR62978	PINION	1		
7	T20091	DOWEL PIN	1		
8	AR62979	HOUSING	1	(MARKED R54615)	
9	R54614	GEAR	2		
10	R74354	O-RING	1		
11	R61871	O-RING	1		
12	14H826	NUT	1	1/2"	
13	RE35685	OIL PUMP	1	(SUB FOR RE15381)	(SUB RE55343 AND R113752)
14	12H304	LOCK WASHER	2	3/8"	
	R74553	WASHER	2		

1C12

ENGINE

RP226 -UN-01JAN94

ENGINE COOLANT HEATER



RP226

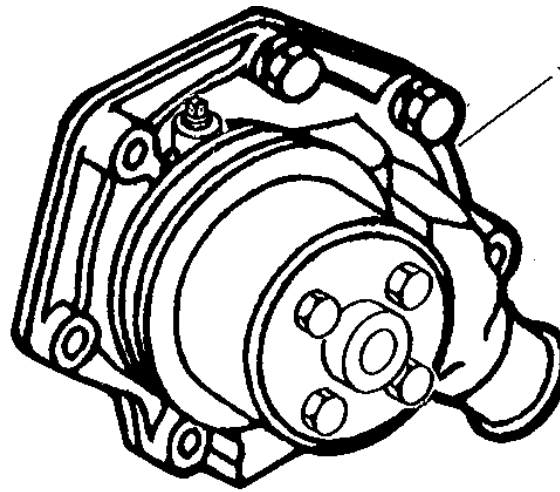
KEY	PART NO.	PART NAME	QTY	TRACTOR SERIAL NO.	REMARKS
1	T29380 R60124	U-BOLT	2	-XXXXXX	
2	AR72957	COOLANT HEATER	1	XXXXXX-	(ALSO ORDER R60123 AND R60124) (SUB FOR AT27413)
3	15H613	ELBOW FITTING	2		1/4" (90°)
4	T29388	UNION FITTING	2		(SUB TY22465)
5	AR21837	CLAMP	4		406 MM (16") LONG
6	T29384	HOSE	1		356 MM (14") LONG
7	T29385	HOSE	1		
8	24H1287	WASHER	4		9/32" X 5/8" X 0.065"
9	14H786	NUT	4		1/4"
10	R60123	BRACKET	1		(SUB FOR R29377)
11	19H1732	CAP SCREW	2		3/8" X 1-1/4"
12	12H304	LOCK WASHER	2		3/8"
13	24M7106	WASHER	4		10 X 18 X 2.500 MM
..	AT72330	COOLANT HEATER	1		KIT, (SUB FOR AT27406)

1C13

ENGINE

RWP1578 -UN-01JAN94

WATER PUMP
(COMPLETE)



RWP1578

KEY	PART NO.	PART NAME	QTY	ENGINE SERIAL NO.	REMARKS
1	AR55094	WATER PUMP	1	(A) (SUB RE19944, T20270, T23628, R97455, T30720, 19H2127 AND 19H3219) (SUB FOR AT27108 OR AT29619)	
	RE25043	WATER PUMP	1	(B) (SUB FOR RE19717 OR AT29620) (ALSO ORDER R55760 AND (3) 19H3219)	
	TY6739	WATER PUMP	1	(A) (REMANUFACTURED) (MARKED R48997)	
	TY6732	WATER PUMP	1	(B) (REMANUFACTURED) (MARKED R55164)	

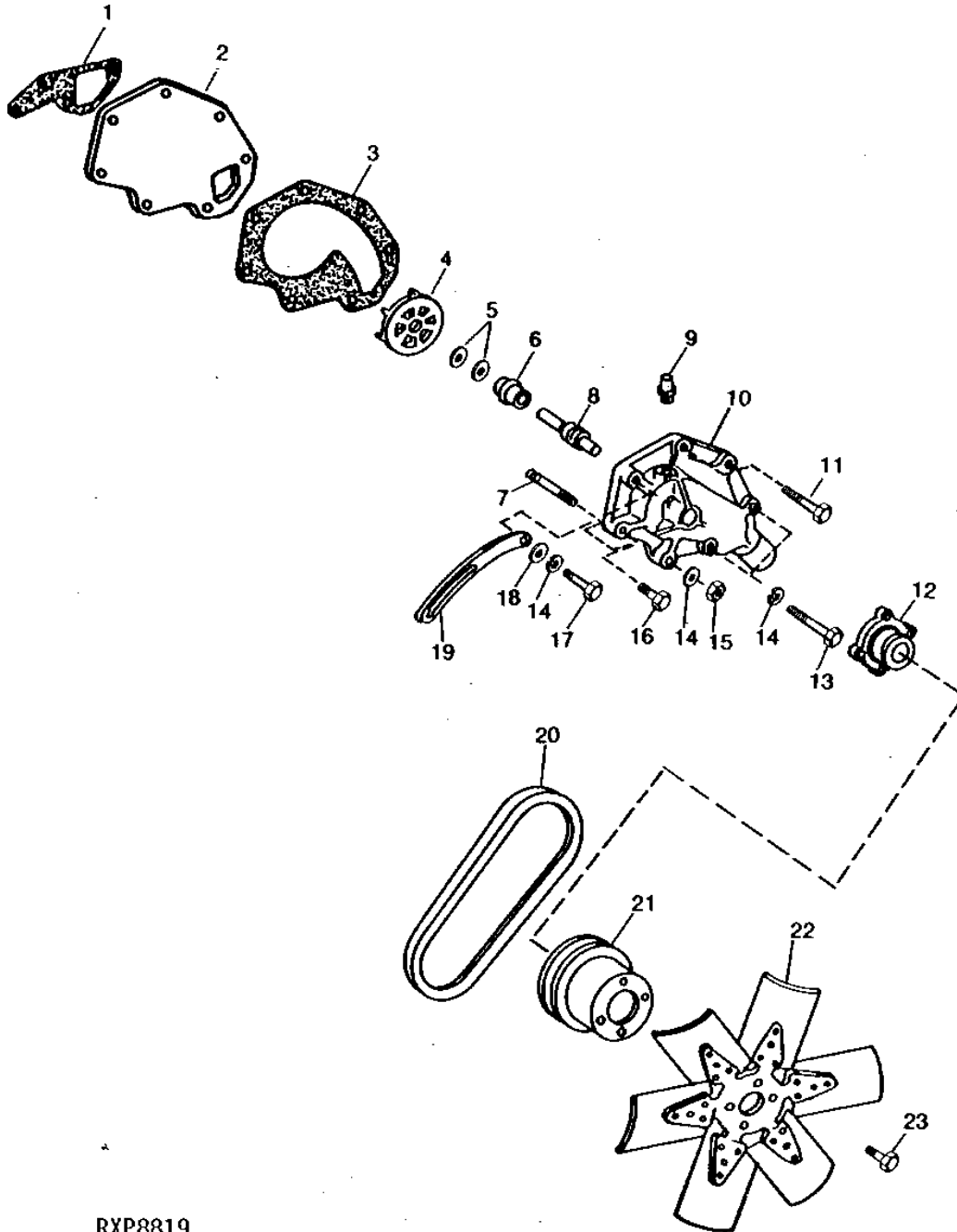
(A) DIESEL
(B) GASOLINE

1C14

ENGINE

RXP8819 -UN-01JAN94

WATER PUMP ASSEMBLY



RXP8819

1C15

ENGINE

WATER PUMP ASSEMBLY - CONTINUED

KEY	PART NO.	PART NAME	QTY	ENGINE SERIAL NO.	REMARKS
1	T20243	GASKET	1	(A)	
	T20239	GASKET	1	(B)	
2	T20270	COVER	1	(A)	
	T20267	COVER	1	(B)	
3	R97455	GASKET	1	(A) (SUB FOR T20271)	
	T20242	GASKET	1	(B) (SUB FOR T20268)	
4	R94419	IMPELLER	1	(SUB FOR T30897)	
5	AR41691	INSERT	1	(SUB AR101549)	
6	T27261	SEAL	1	(SUB AR101549)	
7	T25701	STUD	1		
8	JD9257	BALL BEARING	1		
9	T19651	HOSE FITTING	1		
10	R48997	HOUSING	1	(A) (SUB AT27018)	
	T23631	HOUSING	1	(B)	
	TY6733	WATER PUMP	1	(REMANUFACTURED)	
11	19H3219	CAP SCREW	2	3/8" X 1-3/8"	
12	T30720	HUB	1		
13	19H1912	CAP SCREW	2	3/8" X 3-1/2"	
14	12H304	LOCK WASHER	5	3/8"	
15	14H1076	NUT	1	3/8"	
16	19H3219	CAP SCREW	2	3/8" X 1-3/8"	
17	19H1726	CAP SCREW	1	3/8" X 2-1/4"	
18	24M7106	WASHER	1	10 X 18 X 2.500 MM	
19	T20204	STRAP	1		
20	R97758	BELT	1	(A) (SUB FOR T20334)	
	T24473	BELT	1	(B)	
21	T30721	PULLEY	1	(SUB T23628)	
22	AT26373	FAN	1	(A) (6 BLADE)	
	AR34450	FAN	1	(B) (5 BLADE)	
23	19H1905	CAP SCREW	4	5/16" X 7/8"	

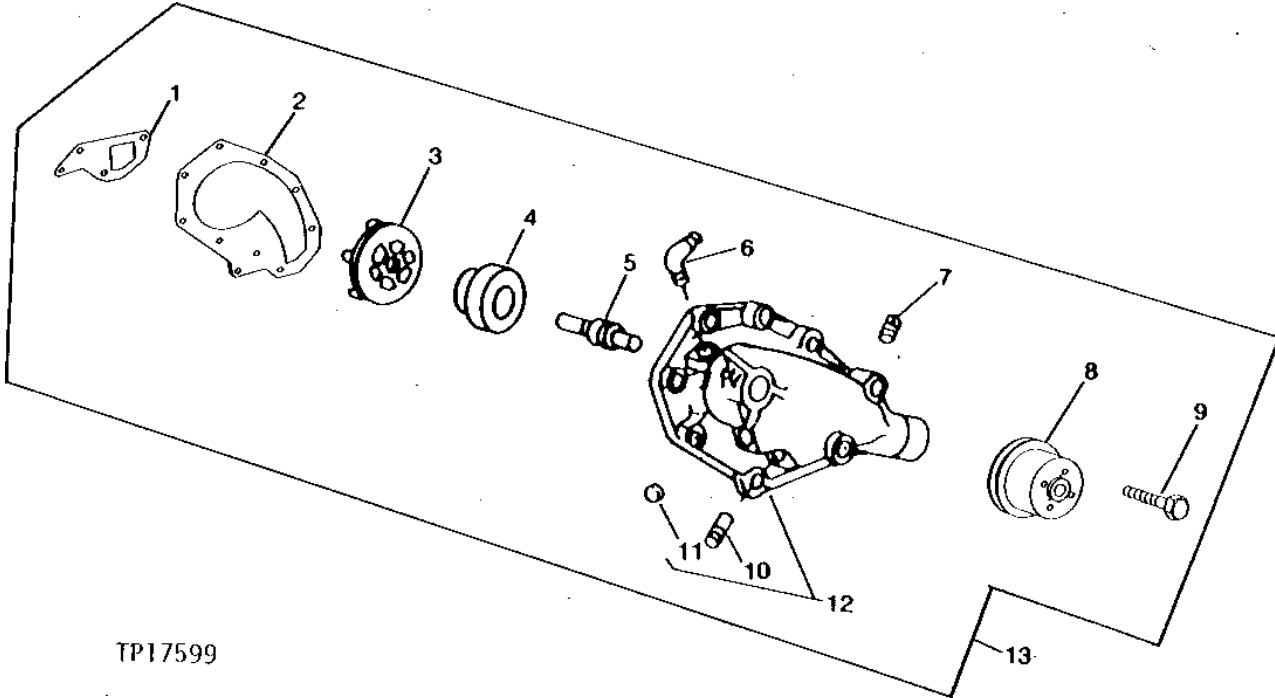
(A) DIESEL
(B) GASOLINE

1C16

ENGINE

REPLACEMENT WATER PUMP KIT (GASOLINE)

TP17599 -UN-01JAN94



TP17599

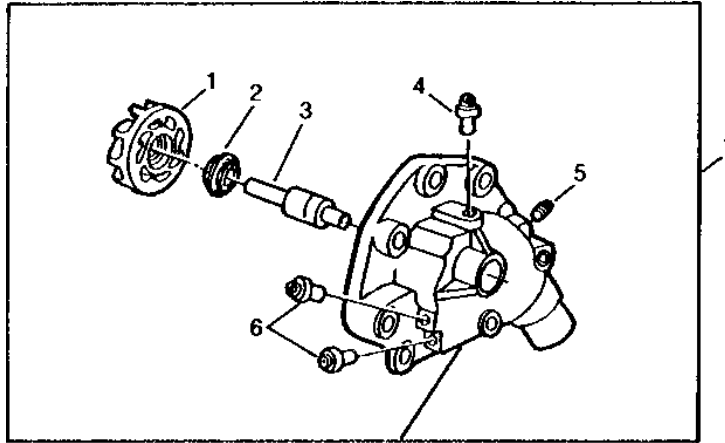
KEY	PART NO.	PART NAME	QTY	TRACTOR SERIAL NO.	REMARKS
1	T20243	GASKET	1		
2	R55405	GASKET	1		
3	R94419	IMPELLER	1		(SUB FOR T30897)
4	AR101549	SEAL KIT	1		
5	JD9257	BALL BEARING	1		
6	T19653	ELBOW FITTING	1		
7	15H584	PIPE PLUG	1	1/2"	
8	T23628	PULLEY	1		
9	19H2127	CAP SCREW	4	5/16" X 7/8"	
10	R48993	TUBE	2		
11	M1098T	CAP	2		(USE AS REQUIRED)
12	RE19719	HOUSING	1		(MARKED R55164) (SUB FOR T29521)
13	RE25043	WATER PUMP	1		(SUB FOR AT29620 OR RE19717) (ALSO ORDER R55760 AND (3) 19H3219)

1C17

ENGINE

REPLACEMENT WATER PUMP KIT (DIESEL)

RWP6240 -UN-01JAN94



RWP6240

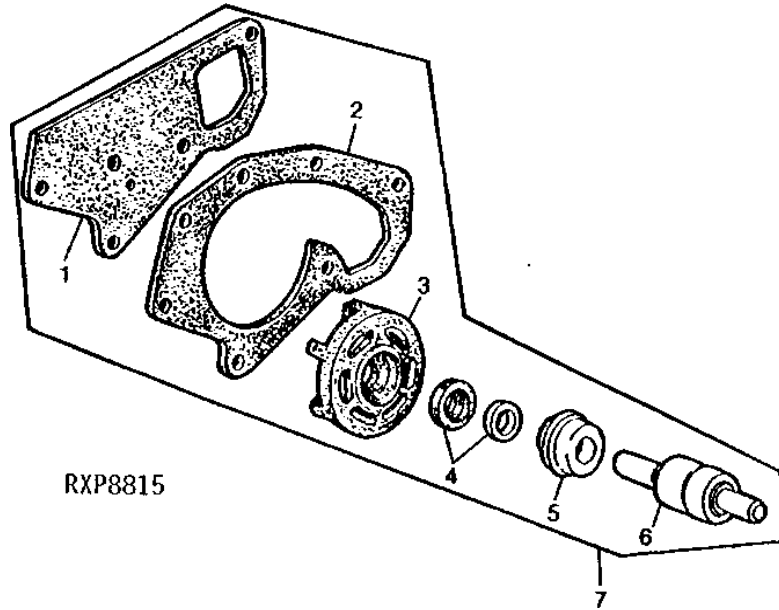
KEY	PART NO.	PART NAME	QTY	ENGINE SERIAL NO.	REMARKS
1	R94419	IMPELLER	1		
2	AR101549	SEAL KIT	1		(SUB FOR T30897)
3	JD9257	BALL BEARING	1		
4	T19651	HOSE FITTING	1		
5	15H584	PIPE PLUG	1	1/2"	
6	R48993	TUBE	2		(OIL COOLER)
	M1098T	CAP	2		(LESS OIL COOLER)
7	RE19944	KIT	1		(MARKED R55758)

1C18

ENGINE

WATER PUMP REPAIR KIT (DIESEL)

RXP8815 -UN-01JAN94



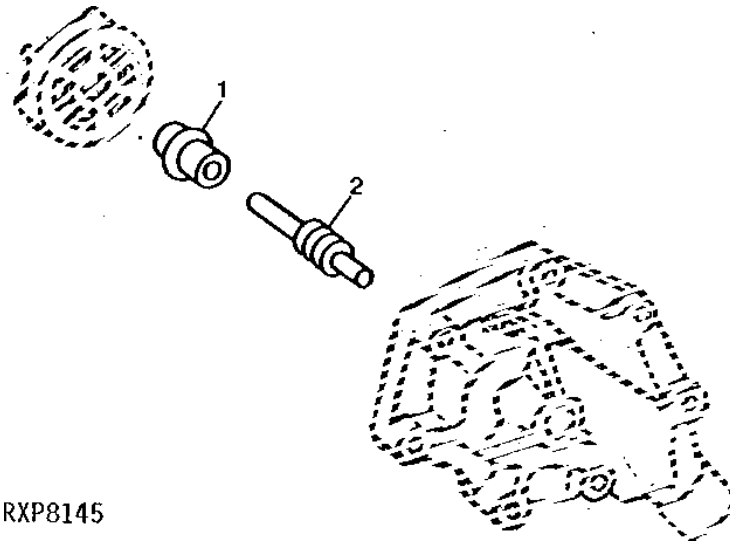
KEY	PART NO.	PART NAME	QTY	ENGINE SERIAL NO.	REMARKS
1	T20243	GASKET	1		
2	R97455	GASKET	1		
3	R94419	IMPELLER	1		
4	AR41691	INSERT	1		
5	AR101549	SEAL KIT	1		
6	JD9257	BALL BEARING	1		
7	RE37483	KIT	1	(SUB FOR RE11345 OR RE19507) (SUB RE62658)	

1C19

ENGINE

RXP8145 -UN-01JAN94

WATER PUMP OVERHAUL KIT



RXP8145

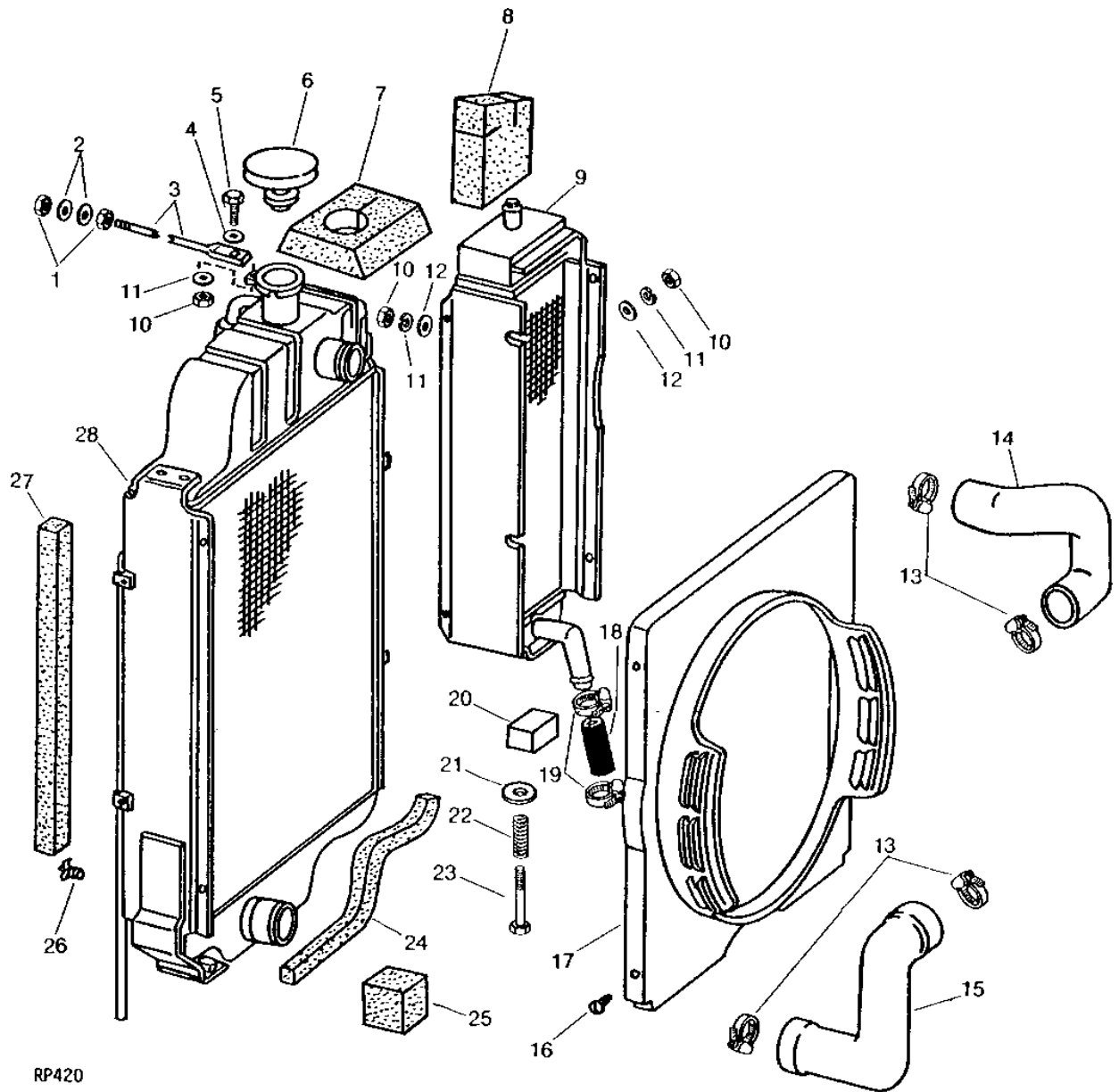
KEY	PART NO.	PART NAME	QTY	ENGINE SERIAL NO.	REMARKS
1	AR101549	SEAL KIT	1		(SUB FOR AT32489 OR RE19505)
2	JD9257	BALL BEARING	1		

1C20

ENGINE

RP420 -UN-01JAN94

RADIATOR AND TRANSMISSION OIL COOLER



RP420

1C21

ENGINE

RADIATOR AND TRANSMISSION OIL COOLER - CONTINUED

KEY	PART NO.	PART NAME	QTY	TRACTOR SERIAL NO.	REMARKS
1	T11234	LOCK NUT	2		
2	24H1305	WASHER	2		13/32" X 13/16" X 0.065"
3	R61460	ROD	1		(SUB FOR T22495)
4	24H1122	WASHER	1		3/8" X 7/8" X 0.083"
5	19H1900	CAP SCREW	1		5/16" X 3/4"
6	AT27585	CAP	1		
7	R69635	SLAT	1		
8	T22900	DEFLECTOR	1		
9	AR69398	OIL COOLER	1		(SUB FOR AT20848) (SUB AT169229)
	AT77459	OIL COOLER	1		(SUB FOR AR69398) (SUB AT169229)
	AT165535	OIL COOLER	1		(SUB FOR AR77459) (SUB AT169229)
10	14H785	NUT	5		5/16"
11	12H303	LOCK WASHER	5		5/16"
12	24H1685	WASHER	4		11/32" X 47/64" X 0.083"
13	AR21840	CLAMP	4		(SUB TY22470)
14	T23533	HOSE	1		(A)
	T22496	HOSE	1		(B)
	L29263	HOSE	1		(A) (C)
15	T22500	HOSE	1		(A)
	T22497	HOSE	1		(B)
16	37H24	SCREW	4		1/4" X 3/4"
17	AR55591	SHROUD	1		(SUB AT54940)
	T21690	SHROUD	1		(A)
18	L35845	HOSE	1		
19	AR21839	CLAMP	2		(SUB TY22467)
20	FOAM PAD	1		38 X 64 X 89 MM (1-1/2" X 2-1/2" X 3-1/2") (MAKE FROM R35339)
21	T22381	WASHER	2		
22	R62372	SPRING	2		(SUB FOR R34352)
23	19H2128	CAP SCREW	2		3/8" X 3"
24	FOAM PAD	1		13 X 13 X 264 MM (1/2" X 1/2" X 10-3/8") (MAKE FROM R38449)
25	FOAM PAD	1		25 X 38 X 102 MM (1" X 1-1/2" X 4") (MAKE FROM R35340)
26	AT13740	DRAIN VALVE	1		
27	FOAM PAD	2		19 X 25 X 422 MM (3/4" X 1" X 16-5/8") (MAKE FROM R30937)
28	AR65715	RADIATOR	1		

(A) DIESEL

(B) GASOLINE

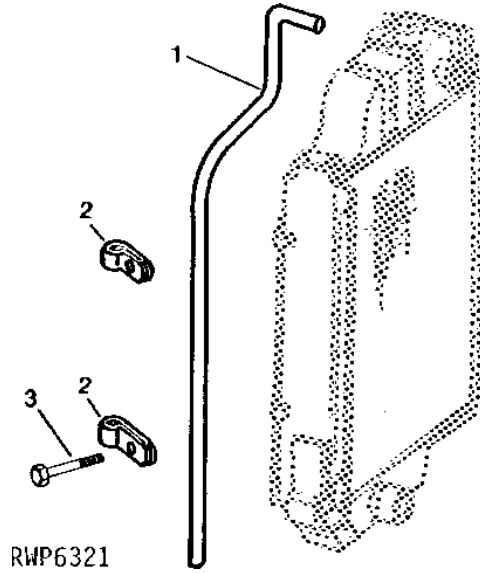
(C) USE ON TRACTORS HAVING AN "L" AS THE LAST DIGIT OF THE CHASSIS SERIAL NUMBER

1C22

ENGINE

RWP6321 -UN-01JAN94

RADIATOR OVERFLOW KIT



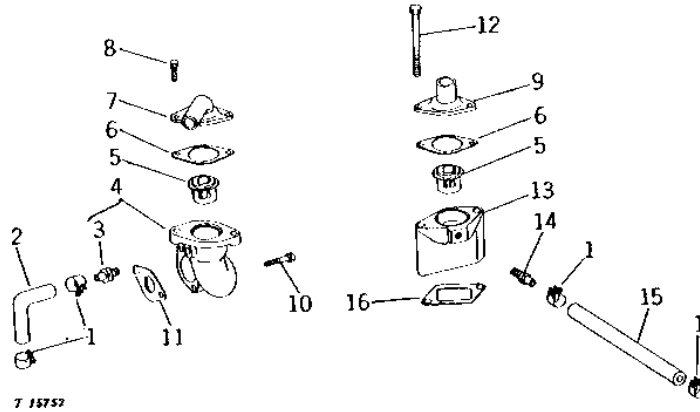
KEY	PART NO.	PART NAME	QTY	TRACTOR SERIAL NO.	REMARKS
1	R67035	HOSE	1		
2	T12250	CLIP	2		
3	19H1900	CAP SCREW	2	5/16" X 3/4"	

1C23

ENGINE

T15752 -UN-01JAN94

THERMOSTAT HOUSING ASSEMBLY



KEY	PART NO.	PART NAME	QTY	ENGINE SERIAL NO.	REMARKS
1	AR21837	CLAMP	2	(SUB TY22465)	
2	T20277	HOSE	1	(A)	
3	T19651	HOSE FITTING	1	(A)	
4	AT18074	HOUSING	1	(A) (MARKED T20218)	
5	AT22962	THERMOSTAT	1	(B) (71°C) (160°F)	
	AT22961	THERMOSTAT	1	(82°C) (180°F)	
	AT22963	THERMOSTAT	1	(89°C) 192°F)	
	AT24013	THERMOSTAT	1	(A) (96°C) (205°F)	
6	T20215	GASKET	1		
7	T23620	COVER	1	(A)	
8	19H1732	CAP SCREW	2	(A) 3/8" X 1-1/4"	
9	T20317	COVER	1	(B)	
10	19H1726	CAP SCREW	2	(A) 3/8" X 2-1/4"	
11	T20219	GASKET	1	(A)	
12	19H1925	CAP SCREW	2	(B) 3/8" X 4-1/4"	
13	T28748	HOUSING	1	(B)	
14	T19651	HOSE FITTING	1	(B)	
15	T27549	HOSE	1	(B)	
16	T20212	GASKET	1	(B)	

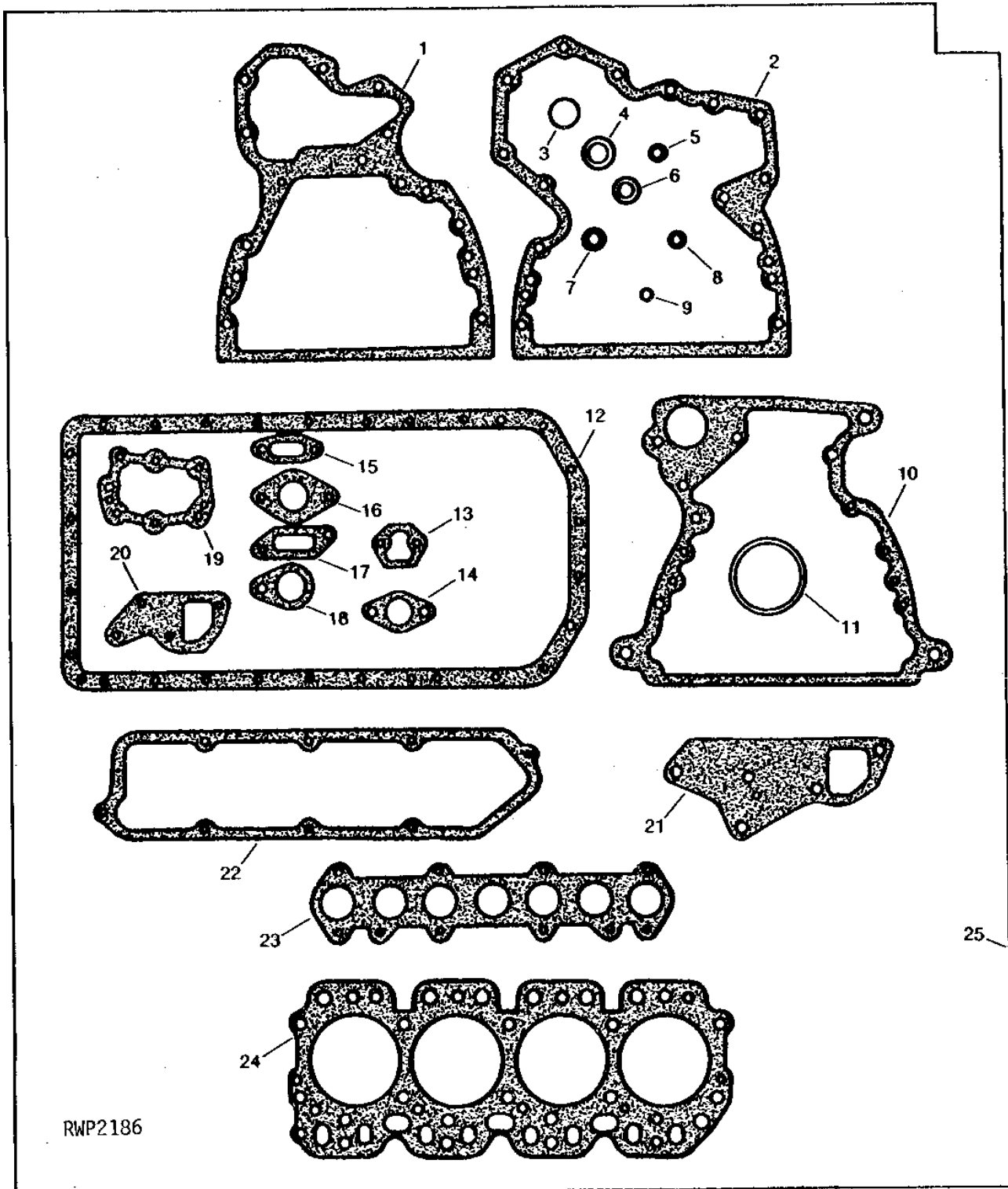
(A) DIESEL
(B) GASOLINE

1C24

ENGINE

ENGINE OVERHAUL GASKET SET (GASOLINE)

RWP2186 -UN-01JAN94



1C25

ENGINE

ENGINE OVERHAUL GASKET SET - CONTINUED (GASOLINE)

KEY	PART NO.	PART NAME	QTY	ENGINE SERIAL NO.	REMARKS
1	R90648	GASKET	1		CYLINDER BLOCK PLATE, (SUB FOR T24965 OR R73140)
2	T20154	GASKET	1		TIMING GEAR COVER
3	T20328	GASKET	1		OIL FILLER CAP
4	T20112	GASKET	1		DISTRIBUTOR
5	T20304	WASHER	1		TACHOMETER DRIVE SHAFT
6	T13213	WASHER	1		(ALUMINUM) OIL DRAIN PLUG
7	R56463	O-RING	1		VENT TUBE, (SUB FOR R495R, THIS APPLICATION)
8	R74354	O-RING	1		OIL PUMP OUTLET TUBE, (SUB FOR R27166, THIS APPLICATION)
9	R87627	O-RING	4		INTAKE VALVES
10	R97351	GASKET	1		FLYWHEEL HOUSING, (SUB FOR T23596, R49516 OR R70483)
11	T20232	WASHER	1		GOVERNOR HOUSING
12	R97342	GASKET	1		OIL PAN, (SUB FOR T22720 OR R49515, THIS APPLICATION)
	T24535	GASKET	1		OIL PAN
13	R97350	GASKET	1		FUEL PUMP, (SUB FOR R27285)
14	R98821	GASKET	1		CARBURETOR, (SUB FOR T10079)
15	R97352	GASKET	1		OIL FILLER INLET, (SUB FOR T20336)
16	T20215	GASKET	1		THERMOSTAT COVER
17	T20212	GASKET	1		THERMOSTAT HOUSING
18	R98837	GASKET	1		EXHAUST MANIFOLD, (SUB FOR T20208)
19	T20273	GASKET	1		TIMING GEAR COVER OPENING COVER
20	T20239	GASKET	1		WATER PUMP COVER
21	T20243	GASKET	1		WATER PUMP COVER
22	R73521	GASKET	1		(SUB FOR T20075 OR AR100596) (ALSO ORDER (8) AR100124)
23	R98836	GASKET	1		MANIFOLD, (SUB FOR T20207)
24	R92425	GASKET	1		CYLINDER HEAD, (SUB FOR R59448 OR R80242) (SUB R125863)
25	RE38597	GASKET KIT	1		(ALSO ORDER (4) AR71618 AND (8) AR100124) (SUB FOR AR52874, AR68980, AR100420, AR71997 OR RE16918)

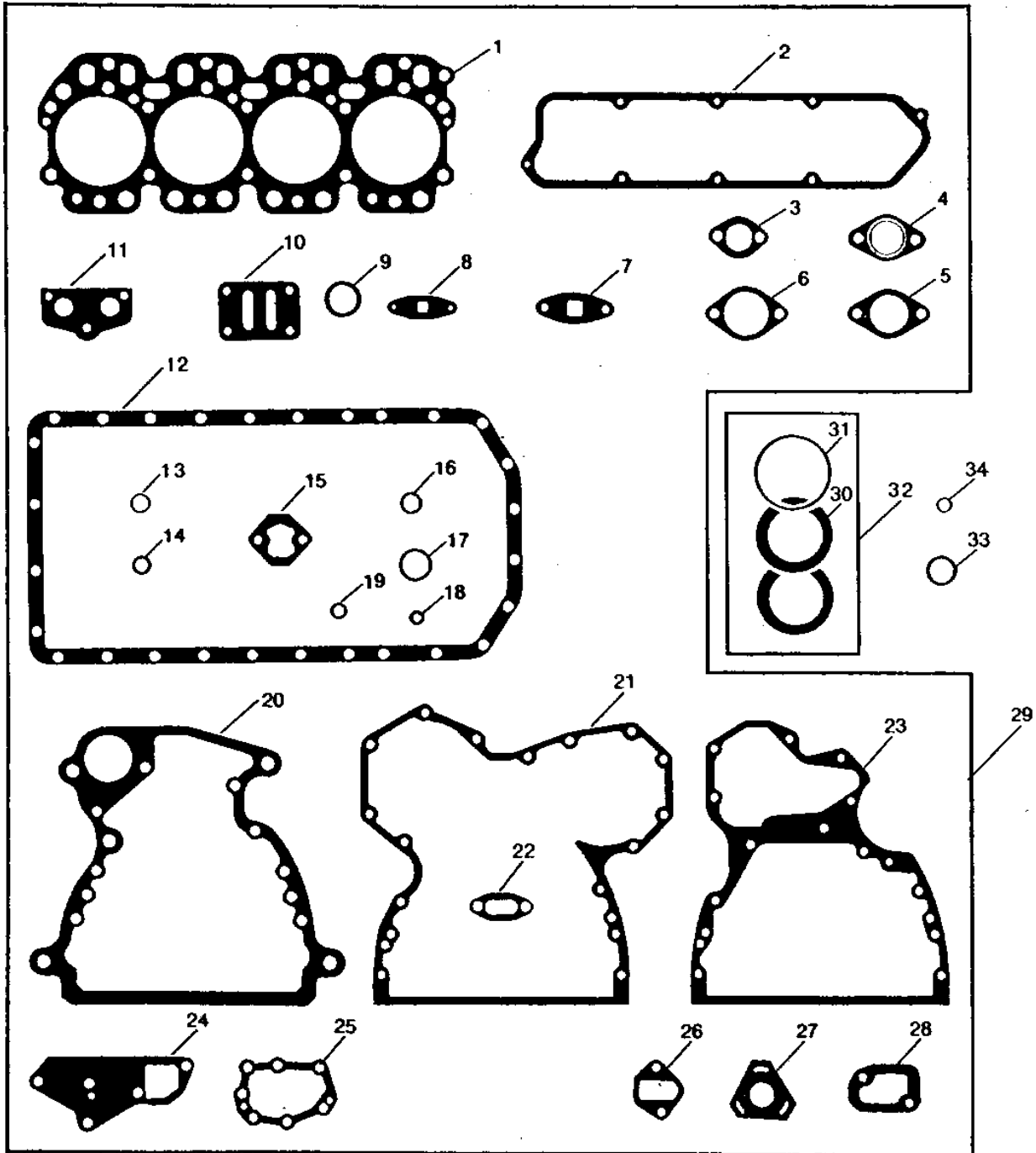
1D1

ENGINE

ENGINE OVERHAUL GASKET KIT (DIESEL)

RXP8121

-UN-01JAN94



RXP8121

1D2

ENGINE

ENGINE OVERHAUL GASKET KIT - CONTINUED (DIESEL)

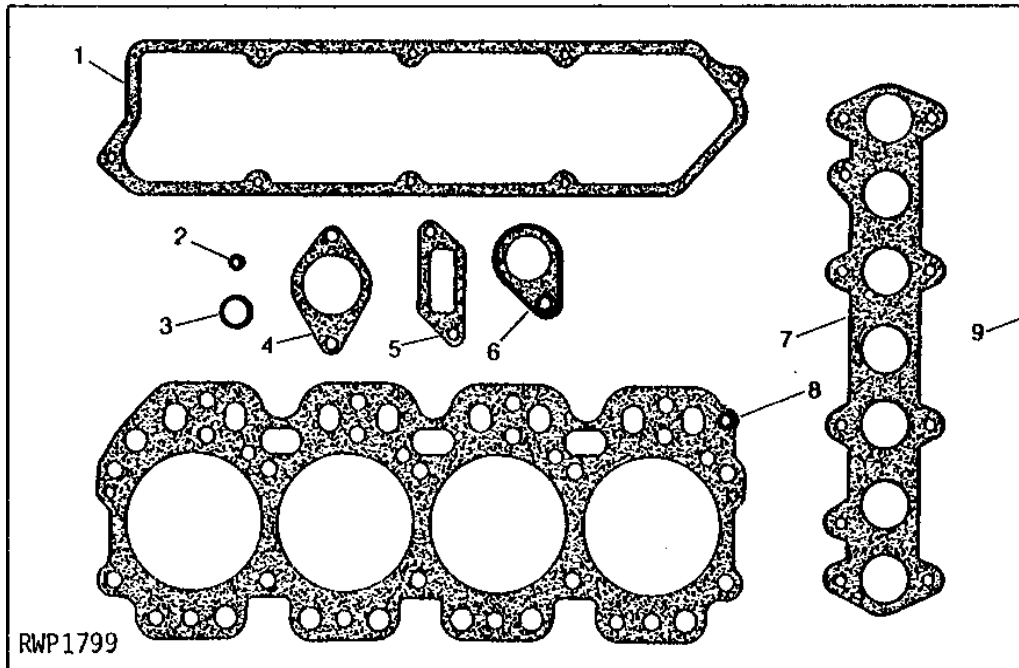
KEY	PART NO.	PART NAME	QTY	ENGINE SERIAL NO.	REMARKS
1	R92425	GASKET	1		(CYLINDER HEAD) (STANDARD) (SUB R125863)
2	R73521	GASKET	1		(ROCKER ARM COVER) (ALSO ORDER (8) AR100124) (SUB FOR T20075)
3	R90658	GASKET	4		(SUB FOR T20006) (EXHAUST MANIFOLD)
4	R81275	GASKET	1		(AIR INLET) (SUB FOR T20159)
5	T20219	GASKET	1		(THERMOSTAT)
6	T20215	GASKET	1		(THERMOSTAT COVER)
7	R97348	GASKET	1		(SUB FOR R43413) (TURBO CHARGER OIL INLET)
8	R97349	GASKET	1		(SUB FOR R43416) (TURBO CHARGER OIL OUTLET)
9	R87627	O-RING	8		(VALVE STEM)
10	R89879	GASKET	1		(SUB FOR R55509) (TURBO CHARGER)
11	R54638	GASKET	1		(DUAL THERMOSTAT)
12	T24535	GASKET	1		(OIL PAN)
	R97342	GASKET	1		(SUB FOR R49515) (OIL PAN)
13	T20304	WASHER	1		(TACHOMETER DRIVE SHAFT)
14	T13213	WASHER	1		(OIL DRAIN PLUG) (ALUMINUM)
15	R97350	GASKET	1		(FUEL PUMP)
16	T20328	GASKET	1		(OIL FILLER CAP)
17	R70956	WASHER	1		(OIL COOLER)
18	R56463	O-RING	1		(VENT OUTLET TUBE) (SUB FOR R495R, THIS APPLICATION)
19	R74354	O-RING	1		(OIL PUMP OUTLET TUBE) (SUB FOR R27166, THIS APPLICATION)
20	R97351	GASKET	1		(FLYWHEEL HOUSING) (SUB FOR T23596, R49516 OR R70483)
21	R119269	GASKET	1		(TIMING GEAR COVER) (SUB FOR T20155 OR R97454)
22	R97352	GASKET	1		(SUB FOR T20336) (OIL FILTER INLET)
23	R90648	GASKET	1		(CYLINDER BLOCK PLATE) (SUB FOR T24965)
24	T20243	GASKET	1		(WATER PUMP COVER)
25	T20273	GASKET	1		(TIMING GEAR COVER OPENING COVER)
26	R97773	GASKET	1		(INJECTION PUMP GEAR COVER) (SUB FOR T20364, R69260 OR R78366) (SUB R125066)
27	R97354	GASKET	1		(SUB FOR R77126) (INJECTION PUMP TO CYLINER BLOCK PLATE)
28	R54641	GASKET	1		(DUAL THERMOSTAT)
29	RE38857	GASKET KIT	1		(ALSO ORDER (8) AR100124, (4) AR71618 OR (4) AR65507) (SUB FOR AT24968, AR53371, AR71998, AR79923, AR97191, AR100424 OR RE16922)
30	T32344	O-RING	4		(CENTER) (USE WITH AR71618)
	R26121	O-RING	4		(CENTER) (USE WITH AR65507)
31	R48768	WASHER	4		(UPPER) (USE WITH AR71618)
	R48767	PACKING	4		(UPPER) (USE WITH AR65507)
32	AR71618	KIT	4		(O-RING) (FOR 4.02" BORE)
	AR65507	O-RING KIT	4		(O-RING) (FOR 4.19" BORE)
33	R48000	WASHER	4		(INJECTION NOZZLE - LOWER) (SUB FOR R34767)
34	R34764	WASHER	4		(INJECTION NOZZLE - UPPER)

1D3

ENGINE

ENGINE TUNE-UP GASKET KIT (GASOLINE)

RWP1799 -UN-01JAN94



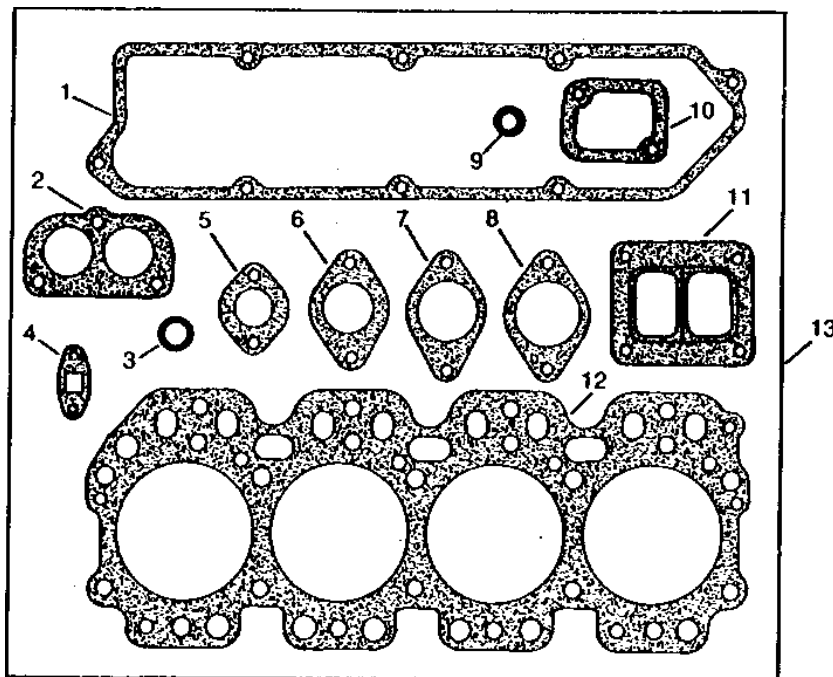
KEY	PART NO.	PART NAME	QTY	ENGINE SERIAL NO.	REMARKS
1	R73521	GASKET	1		(ALSO ORDER (8) AR100124) (SUB FOR T20075 OR AR100596)
2	R87627	O-RING	8		(SUB FOR R27976, THIS APPLICATION)
3	R56463	O-RING	1		
4	T20215	GASKET	1		
5	T20212	GASKET	1		
6	R98837	GASKET	1		(SUB FOR T20208)
7	R98836	GASKET	1		(SUB FOR T20207)
8	R92425	GASKET	1		(SUB FOR T20040, R52790, R59448 OR R80242)
9	RE38566	GASKET KIT	1		(SUB R125863) (SUB FOR AT21625, AR71991, AR100422 OR RE16919) (ALSO ORDER (8) AR100124)

1D4

ENGINE

ENGINE TUNE-UP GASKET KIT (DIESEL)

RXP8822 -UN-01JAN94



RXP8822

KEY	PART NO.	PART NAME	QTY	ENGINE SERIAL NO.	REMARKS
1	R73521	GASKET	1		ROCKER ARM COVER, (ALSO ORDER (8) AR100124) (SUB FOR T20075 OR AR100596)
2	R54638	GASKET	1		(DUAL THERMOSTAT)
3	R56463	O-RING	1		VENT TUBE
4	R105346	GASKET	1		(TURBO OIL OUTLET) (SUB FOR R97349 OR R43416)
5	T20219	GASKET	1		THERMOSTAT HOUSING
6	R90658	GASKET	4		(A) EXHAUST MANIFOLD, (SUB FOR T20006)
7	T20215	GASKET	1		THERMOSTAT COVER
8	R81275	GASKET	1		AIR INLET
9	R87627	O-RING	8		VALVE STEM (INTAKE AND EXHAUST)
10	R54641	GASKET	1		THERMOSTAT HOUSING
11	R89879	GASKET	1		TURBO CHARGER
12	R92425	GASKET	1		CYLINDER HEAD (STANDARD) (SUB FOR T20040, R64152, R59448 OR R80242) (SUB R125863)
13	RE38851	GASKET KIT	1		(ALSO ORDER (8) AR100124) (SUB FOR AT21627, AR79922, AR71992, AR100426 OR RE16920)

(A) DO NOT MIX T20006 WITH R90658

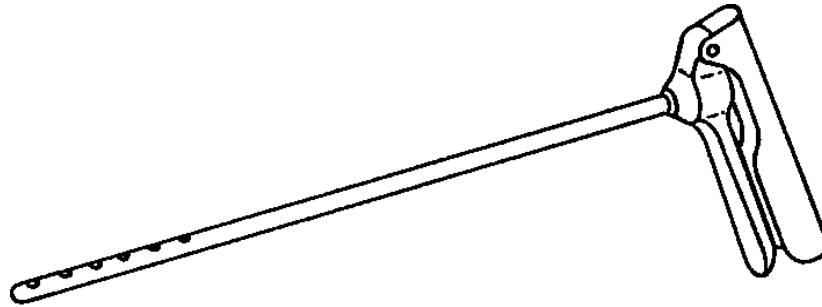
MEMORANDA

1D8

FUEL AND AIR

RP474 -UN-01JAN94

DRY AIR CLEANER ELEMENT CLEANING GUN



RP474

KEY	PART NO.	PART NAME	QTY	TRACTOR SERIAL NO.	REMARKS
..	AR62377	GREASE GUN	1		(MARKED R42726) (SUB FOR AR62322) (NLA)
..	R36757	AIR CLEANER	1		(NLA)

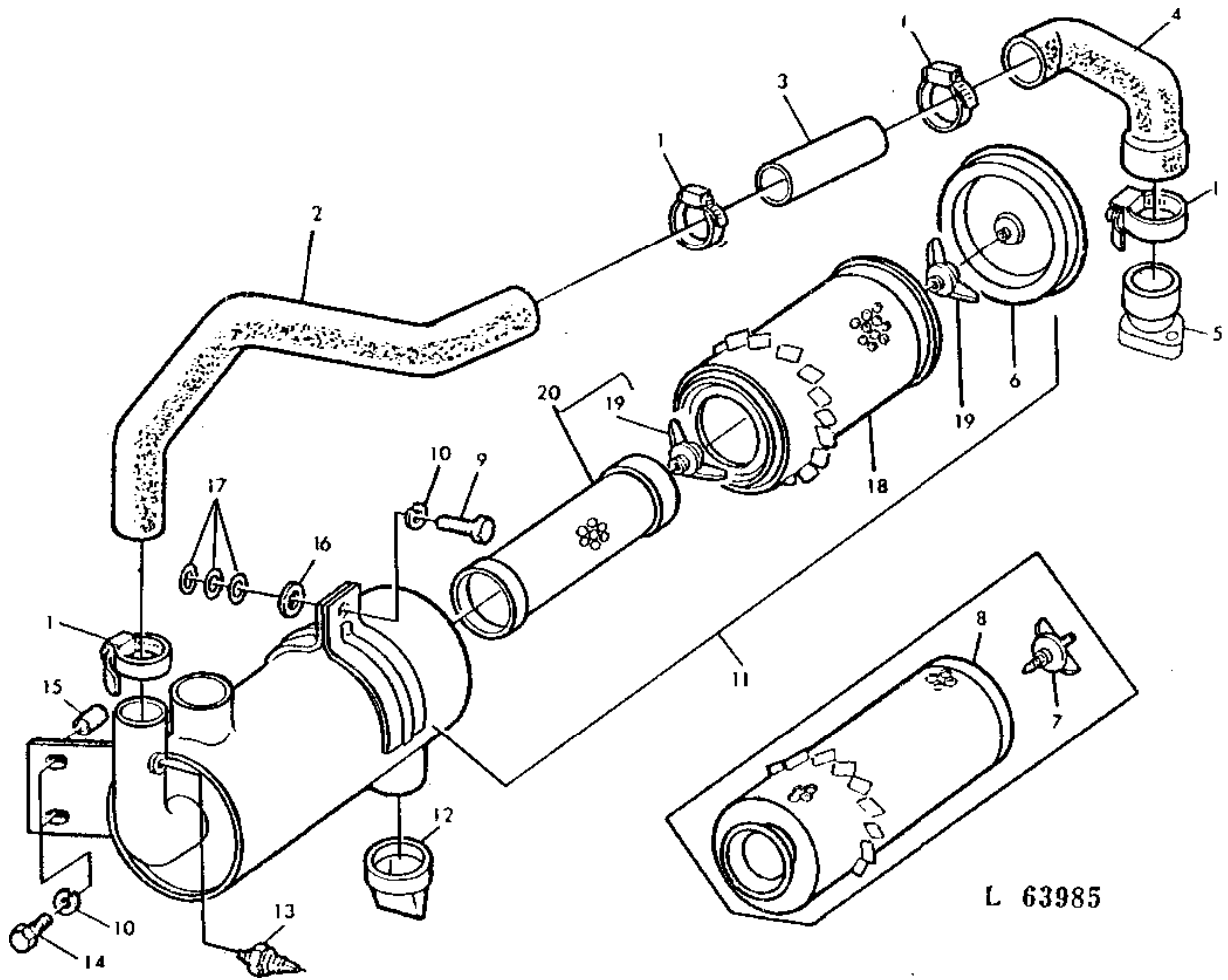
1D9

FUEL AND AIR

L63985

-UN-01JAN94

DRY AIR CLEANER



L 63985

1D10

FUEL AND AIR

DRY AIR CLEANER - CONTINUED

KEY	PART NO.	PART NAME	QTY	TRACTOR SERIAL NO.	REMARKS
1	AR21999	CLAMP	1		
2	L29819	HOSE	1		
3	L29372	TUBE	1		
4	L29373	HOSE	1		
5	R56455	FILLER NECK	1		
6	AT81398	COVER	1		(SUB FOR AT24438)
7	AT24437	WING SCREW	1	-190319	
8	AT20728	FILTER ELEMENT	1	-190319	
9	19H2284	CAP SCREW	1		3/8" X 7/8"
10	12H304	LOCK WASHER	1		3/8"
11	AT20727	AIR CLEANER	1	-190319	
	AL27156	AIR CLEANER	1	190320-	
12	T23263	VALVE	1		
13	AL24194	SWITCH	1		VACUUM
14	19H2021	CAP SCREW	1		3/8" X 5/8"
15	M1335T	WASHER	1		
16	24H1308	WASHER	1		13/32" X 1" X 0.134"
17	24H1307	WASHER	1		13/32" X 1" X 1/16"
18	AR84228	FILTER ELEMENT	1	190320-	PRIMARY
19	AH20849	WING NUT	1	190320-	
20	AE31724	FILTER ELEMENT	1		(SUB FOR AL27159)

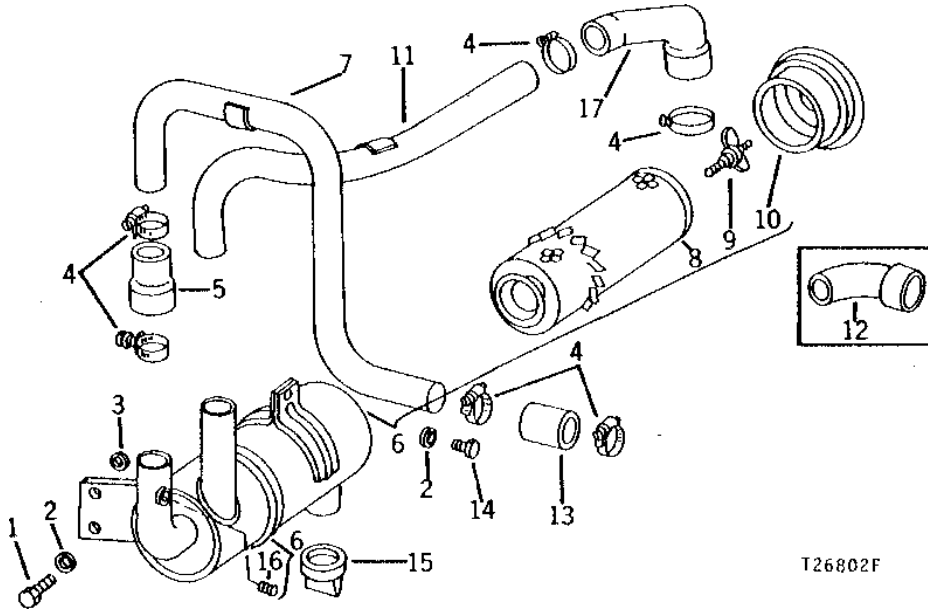
USE ON TRACTORS HAVING AN "L" AS THE LAST DIGIT OF THE CHASSIS SERIAL NUMBER

1D11

FUEL AND AIR

T26802 -UN-01JAN94

DRY AIR CLEANER



T26802F

KEY	PART NO.	PART NAME	QTY	TRACTOR SERIAL NO.	REMARKS
1	19H2021	CAP SCREW	2	3/8" X 5/8"	
2	12H304	LOCK WASHER	3	3/8"	
3	M1335T	WASHER	1	(LESS HYDRAULIC PUMP)	
4	AR21999	CLAMP	4	(B)	
	AR21999	CLAMP	2	(A)	
5	T23084	HOSE	1		
6	AT20727	AIR CLEANER	1		
7	AR54778	PIPE	1	(A) (SUB R50653 AND T22385)	
8	AT20728	FILTER ELEMENT	1		
9	AT24437	WING SCREW	1		
10	AT81398	COVER	1	(SUB FOR AT24438)	
11	AT20841	PIPE	1	(B) (SUB T22830 AND T22385)	
12	T21699	HOSE	1	-XXXXXX (B)	
13	R56551	HOSE	1	(A) (SUB FOR T21703)	
14	19H2284	CAP SCREW	1	3/8" X 7/8"	
15	T23263	VALVE	1		
16	15H638	PIPE PLUG	1	1/8"	
17	R53443	HOSE	1	XXXXXX- (B)	
..	R72816	LABEL	1	(SUB FOR T23258)	
..	AT23508	AIR RESTRICTION INDICATOR	1	(B)	

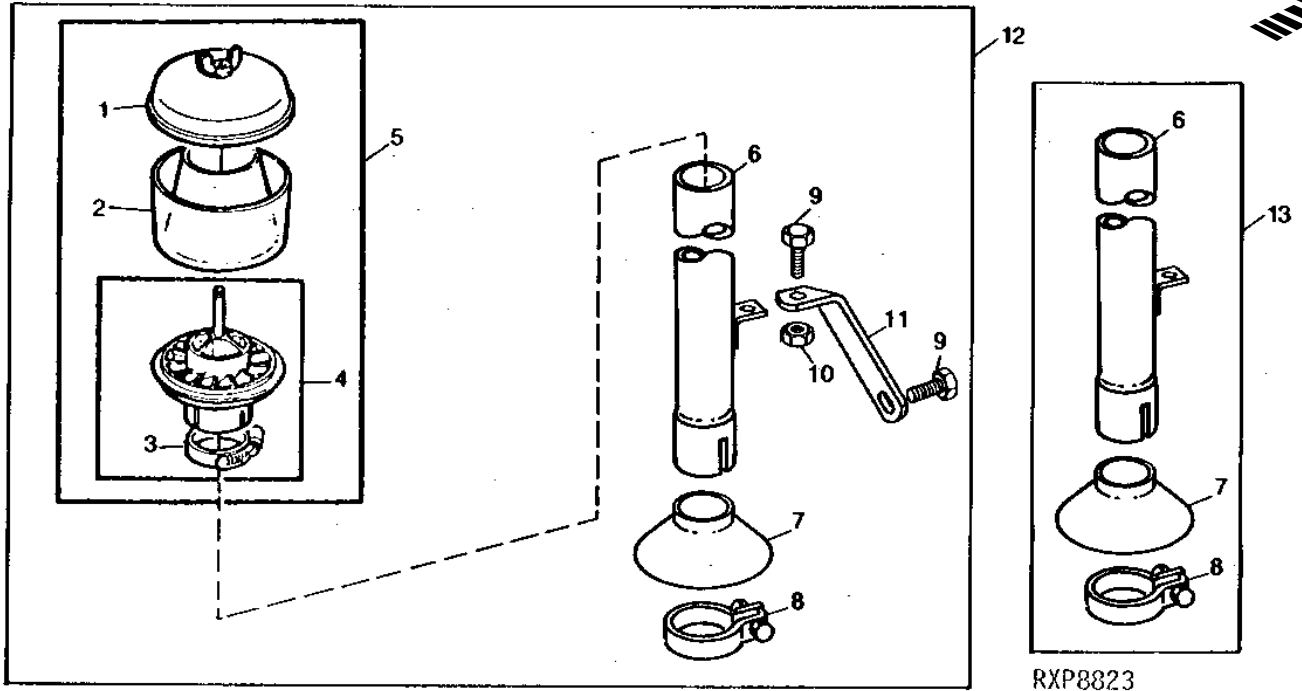
(A) GASOLINE
(B) DIESEL

1D12

FUEL AND AIR

RXP8823 -UN-01JAN94

PRE-CLEANER WITH AIR STACK



RXP8823

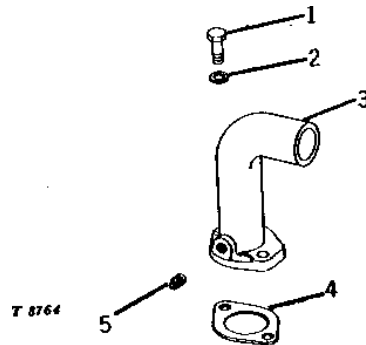
KEY	PART NO.	PART NAME	QTY	TRACTOR SERIAL NO.	REMARKS
1	AL37364	COVER	1		(SUB FOR AF3583R) (ALSO ORDER AL63309)
2	L60631	BOWL	1		(SUB FOR R28794)
3	AL38379	CLAMP	1		
4	AL63298	BASE	1		(SUB FOR L41855)
	AL37365	BASE	1		(SUB FOR AF3584R)
5	AL39934	PRESCREENER	1		(SUB FOR AF3580R OR AL37357)
6	AR78485	AIR INTAKE STACK	1		
7	R57119	SEAL	1		
8	AR26930	CLAMP	1		
9	19H1936	CAP SCREW	2		3/8" X 3/4"
10	14H1076	NUT	1		3/8"
11	R70150	BRACE	1		
12	AR91594	AIR DUCT	1		
13	AR40386	AIR DUCT	1		(SUB AR40386, AR78485 AND R57119)

1D13

FUEL AND AIR

AIR INTAKE
(ENGINE SERIAL NO. -XXXXXX)

T8764 -UN-01JAN94



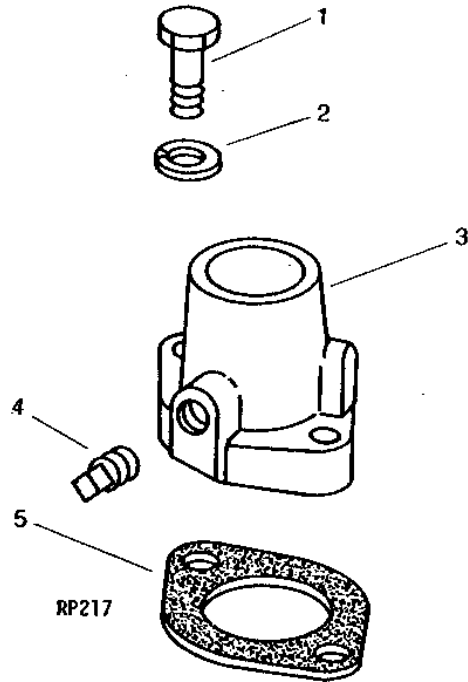
KEY	PART NO.	PART NAME	QTY	ENGINE SERIAL NO.	REMARKS
1	19H1732	CAP SCREW	2		
2	12H304	LOCK WASHER	2		
3	T23611	AIR INTAKE	1		
4	R81275	GASKET	1		(SUB FOR T20159)
5	15H255	PIPE PLUG	1		3/8"

1D14

FUEL AND AIR

RP217 -UN-01JAN94

AIR INTAKE
(ENGINE SERIAL NO. XXXXXX-)



KEY	PART NO.	PART NAME	QTY	ENGINE SERIAL NO.	REMARKS
1	19H1732	CAP SCREW	2	3/8" X 1-1/4"	
2	12H304	LOCK WASHER	2	3/8"	
3	T31386	AIR INTAKE	1		
4	15H255	PIPE PLUG	1	3/8"	
5	R81275	GASKET	1		

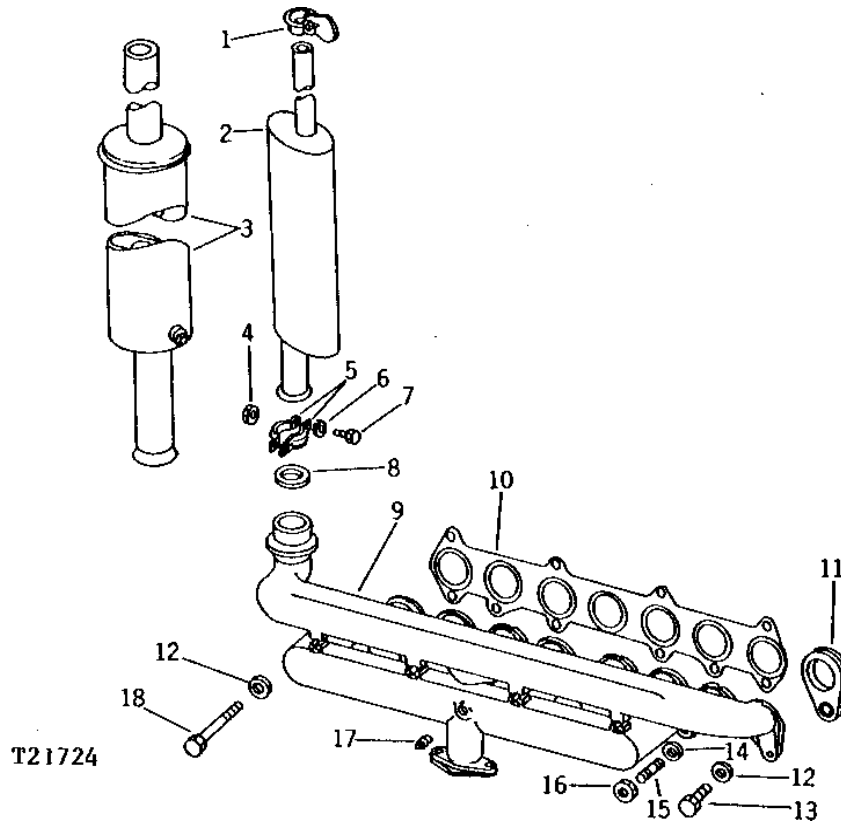
MEMORANDA

1D15

FUEL AND AIR

VERTICAL MUFLER AND MANIFOLD (GASOLINE)

T21724 -UN-01JAN94



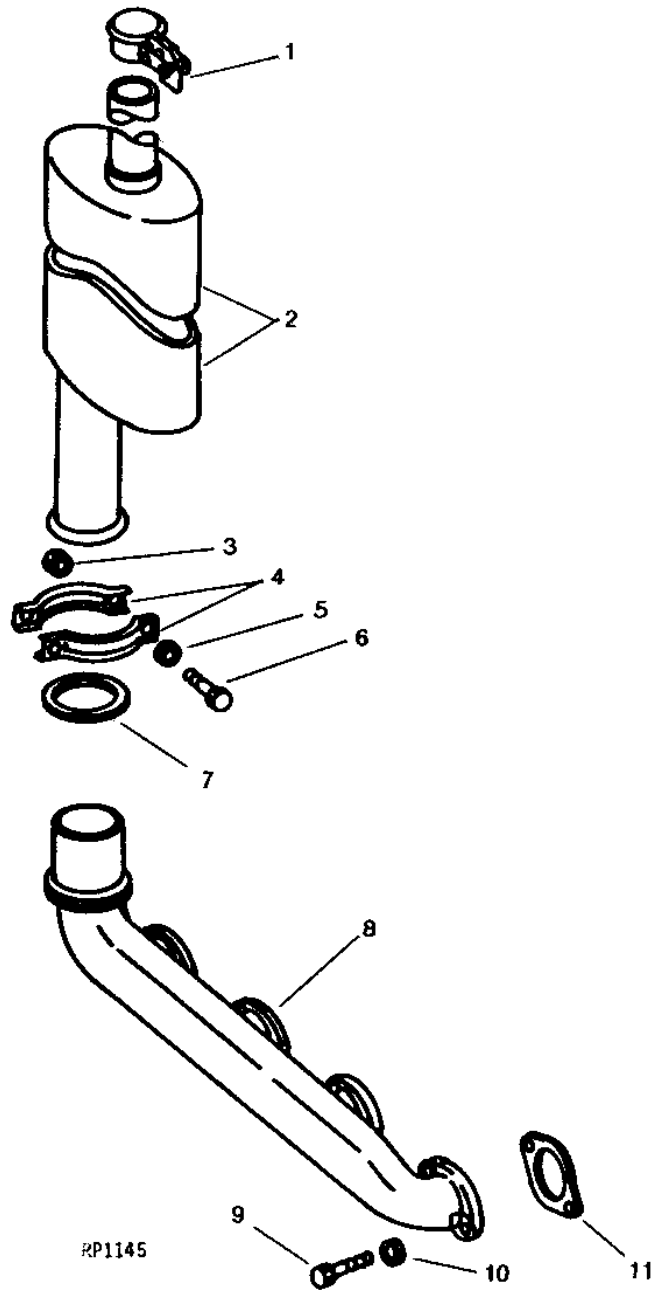
KEY	PART NO.	PART NAME	QTY	TRACTOR SERIAL NO.	REMARKS
1	AR56782	EXHAUST CAP	1	(SUB FOR AT10611)	
2	AT21689	MUFFLER	1		
3	AT35081	SPARK ARRESTING MUFFLER	1	SPARK ARRESTING, (SUB FOR AT28414) (SUB AR86598 AND AT77424)	
4	14H785	NUT	2	5/16"	
5	T19978	HALF CLAMP	2	(SUB AT63813)	
6	12H303	LOCK WASHER	2	5/16"	
7	19H1906	CAP SCREW	2	5/16" X 1-1/2"	
8	R98844	GASKET	1	(SUB FOR T20141)	
9	T20247	MANIFOLD	1		
10	R98836	GASKET	1	(SUB FOR T20207)	
11	R98837	GASKET	1	(SUB FOR T20208)	
12	24H1682	WASHER	1	13/32" X 7/8" X 0.120"	
13	19H988	CAP SCREW	5	3/8" X 1-1/4"	
14	24M7106	WASHER	10	10 X 18 X 2.500 MM	
15	M1112T	STUD	2		
16	14H812	NUT	2	3/8"	
17	15H558	PIPE PLUG	1	1/8"	
18	19H2007	CAP SCREW	5	3/8" X 4-1/2"	

1D16

FUEL AND AIR

RP1145 -UN-01JAN94

VERTICAL MUFFLER AND MANIFOLD (DIESEL)



1D17

FUEL AND AIR

VERTICAL MUFFLER AND MANIFOLD (DIESEL)

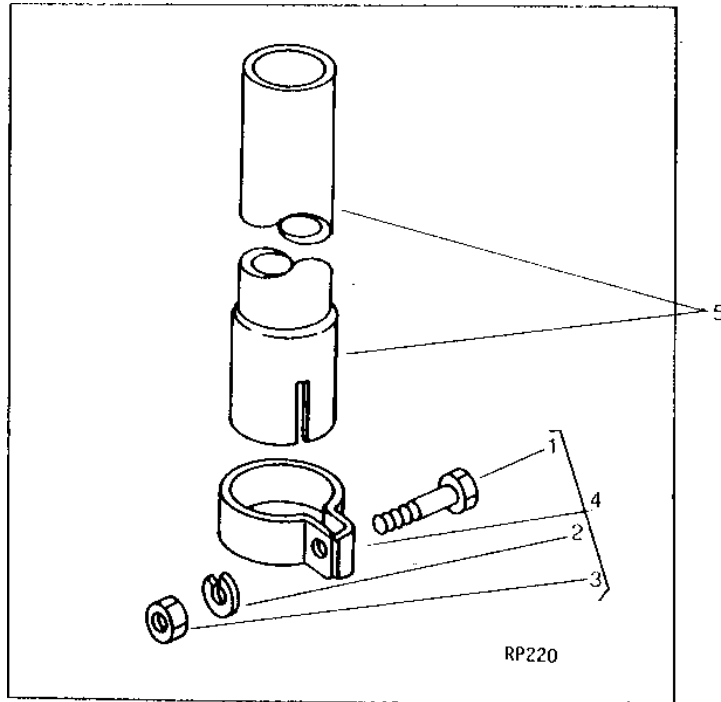
KEY	PART NO.	PART NAME	QTY	ENGINE SERIAL NO.	REMARKS
1	AR56782	EXHAUST CAP	1		(SUB FOR AT10611)
2	AT21689	MUFFLER	1		(SUB FOR AR64102)
	AT35081	SPARK ARRESTING MUFFLER	1		SPARK ARRESTING, (SUB FOR AT28414) (SUB AR86598 AND AT77424)
3	14H785	NUT	2		5/16"
4	T19978	HALF CLAMP	2		(SUB AT63813)
5	12H303	LOCK WASHER	2		5/16"
6	19H1906	CAP SCREW	2		5/16" X 1-1/2"
7	R98844	GASKET	1		(SUB FOR T20141)
8	T20249	EXHAUST MANIFOLD	1		
9	19H1732	CAP SCREW	8		3/8" X 1-1/4"
10	24M7106	WASHER	8		13/32" X 23/32" X 0.120"
11	R90658	GASKET	4		(SUB FOR T20006)

1D18

FUEL AND AIR

RP220 -UN-01JAN94

MUFFLER EXTENSION (WITH CANOPY)



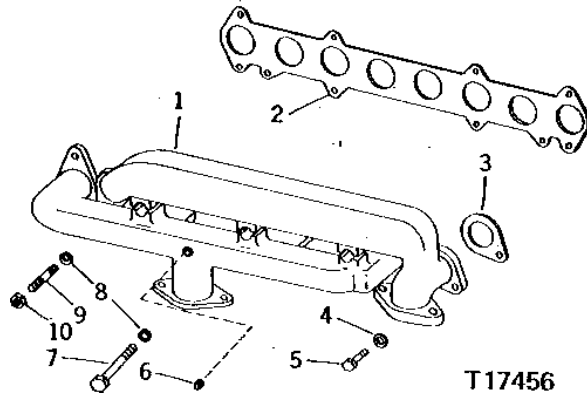
KEY	PART NO.	PART NAME	QTY	TRACTOR SERIAL NO.	REMARKS
1	19H1849	CAP SCREW	1	5/16" X 1-1/4"	
2	12H303	LOCK WASHER	1	5/16"	
3	14H785	NUT	1	5/16"	
4	AR38398	CLAMP	1		
5	AR38397	MUFFLER EXTENSION	1		

1D19

FUEL AND AIR

REAR EXHAUST MANIFOLD (GASOLINE)

T17456 -UN-01JAN94



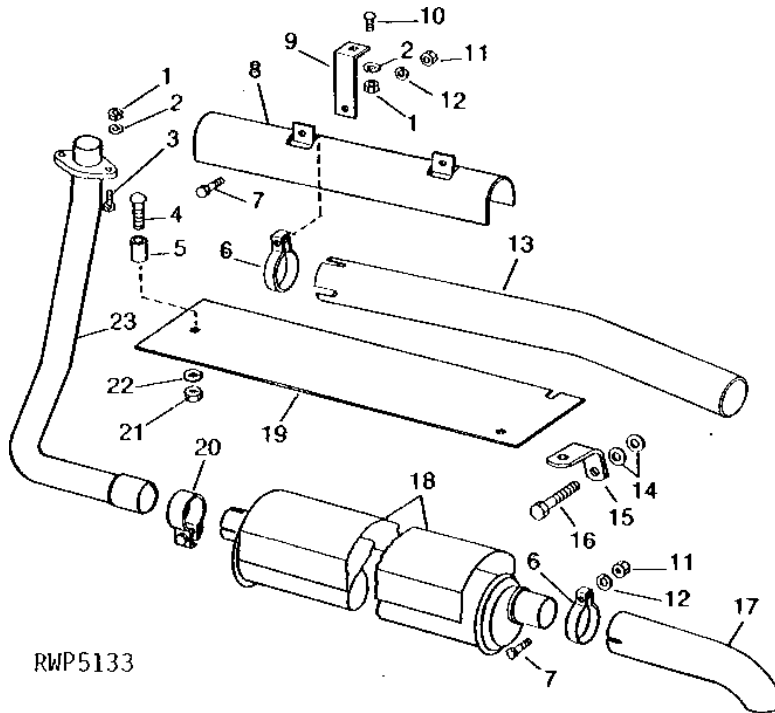
KEY	PART NO.	PART NAME	QTY	ENGINE SERIAL NO.	REMARKS
1	T20254	MANIFOLD	1		
2	R98836	GASKET	1		(SUB FOR T20207)
3	R98837	GASKET	1		(SUB FOR T20208)
4	24H1682	WASHER	1		13/32" X 7/8" X 0.120"
5	19H988	CAP SCREW	6		3/8" X 1-1/4"
6	15H558	PIPE PLUG	1		1/8"
7	19H2007	CAP SCREW	4		3/8" X 4-1/2"
8	24M7106	WASHER	10		10 X 18 X 2.500 MM
9	M1112T	STUD	2		
10	14H812	NUT	2		3/8"

1D20

FUEL AND AIR

RWP5133 -UN-01JAN94

REAR EXHAUST SYSTEM (GASOLINE)



KEY	PART NO.	PART NAME	QTY	TRACTOR SERIAL NO.	REMARKS
1	14H812	NUT	4	3/8"	
2	12H304	LOCK WASHER	4	3/8"	
3	19H3065	CAP SCREW	2	3/8" X 2"	
4	03H1495	BOLT	3	3/8" X 1-1/2"	
5	28H2522	SPACER	3	3/8" X 13/16"	
6	M3119T	CLAMP	1		
	M3119T	CLAMP	2	(A)	
7	19H1849	CAP SCREW	1	5/16" X 1-1/4"	
	19H1849	CAP SCREW	2	(A) 5/16" X 1-1/4"	
8	T24846	GUARD	1	(A) (NLA)	
9	T24844	ANGLE	2	(A)	
10	03H1765	BOLT	2	3/8" X 3/4"	
11	14H785	NUT	1	5/16"	
	14H785	NUT	2	(A) 5/16"	
12	12H303	LOCK WASHER	1	5/16"	
	12H303	LOCK WASHER	2	(A) 5/16"	
13	T24845	EXHAUST PIPE	1	(A)	
14	24H1350	WASHER	1	9/16" X 1-1/4" X 0.194"	
15	T29752	BRACKET	1		
16	19H1974	CAP SCREW	1	1/2" X 2-3/4"	
17	T29751	DEFLECTOR	1		
18	AT21795	MUFFLER	1		
	AT21914	MUFFLER	1	(A)	
19	R55916	SHIELD	1	(SUB FOR T29750)	
20	AR26928	CLAMP	1		
21	14H812	NUT	3	3/8"	
22	12H304	LOCK WASHER	3	3/8"	
23	AT28962	EXHAUST PIPE	1		
	AT30172	EXHAUST PIPE	1	(A) (NLA)	

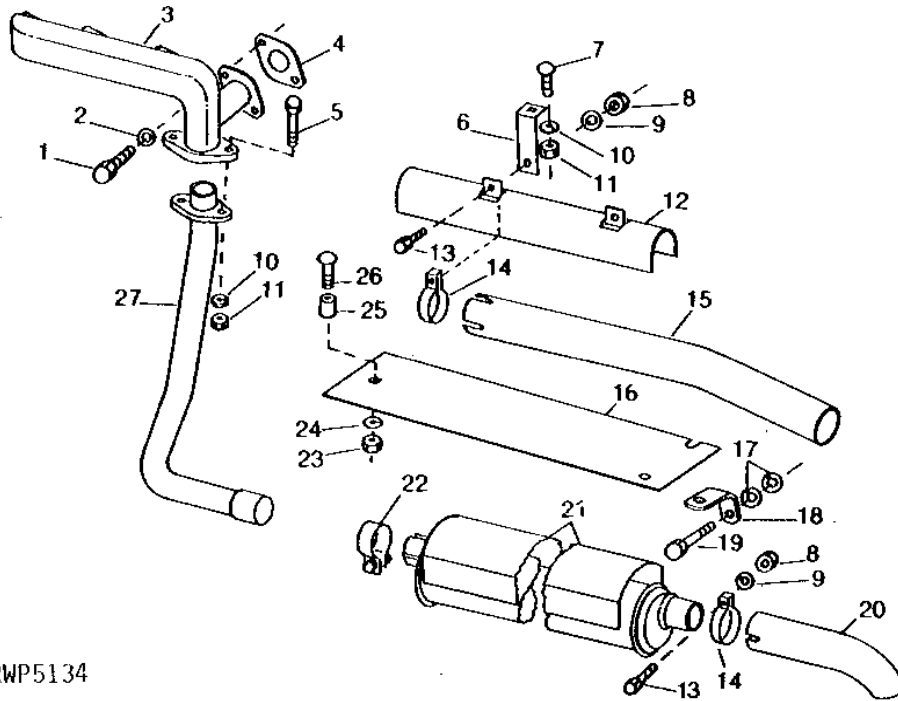
(A) 24" TIRE AND SMALLER

1D21

FUEL AND AIR

RWP5134 -UN-01JAN94

REAR EXHAUST SYSTEM (DIESEL)



RWP5134

KEY	PART NO.	PART NAME	QTY	TRACTOR SERIAL NO.	REMARKS
1	19H988	CAP SCREW	8		3/8" X 1-1/4"
2	24M7106	WASHER	8		10 X 18 X 2.500 MM
3	R56474	EXHAUST MANIFOLD	1		(SUB FOR T20255)
4	R90658	GASKET	4		(SUB FOR T20006)
5	19H3065	CAP SCREW	2		3/8" X 2"
6	T24844	ANGLE	2	-XXXXXX	(A)
7	03H1765	BOLT	2		3/8" X 3/4"
8	14H785	NUT	1		5/16"
	14H785	NUT	2	-XXXXXX	(A) 5/16"
9	12H303	LOCK WASHER	1		5/16"
	12H303	LOCK WASHER	2	-XXXXXX	(A) 5/16"
10	12H304	LOCK WASHER	4		3/8"
11	14H812	NUT	4		3/8"
12	T24846	GUARD	1	-XXXXXX	(A) (NLA)
13	19H1849	CAP SCREW	1		5/16" X 1-1/4"
	19H1849	CAP SCREW	2	-XXXXXX	(A) 5/16" X 1-1/4"
14	M3119T	CLAMP	1		
	M3119T	CLAMP	2	-XXXXXX	(A)
15	T24845	EXHAUST PIPE	1	-XXXXXX	(A)
16	R55916	SHIELD	1		(SUB FOR T29750)
17	24H1350	WASHER	2		9/16" X 1-1/4" X 0.194"
18	T29752	BRACKET	1		
19	19H1974	CAP SCREW	1		1/2" X 2-3/4"
20	T29751	DEFLECTOR	1		
21	AT21795	MUFFLER	1		
	AT21914	MUFFLER	1	-XXXXXX	(A)
22	AR26928	CLAMP	1		
23	14H812	NUT	3		3/8"
24	12H304	LOCK WASHER	3		3/8"
25	28H2522	SPACER	3		3/8" X 13/16"
26	03H1495	BOLT	3		3/8" X 1-1/2"
27	AT27960	EXHAUST PIPE	1		
	AT21913	EXHAUST PIPE	1	-XXXXXX	(A)

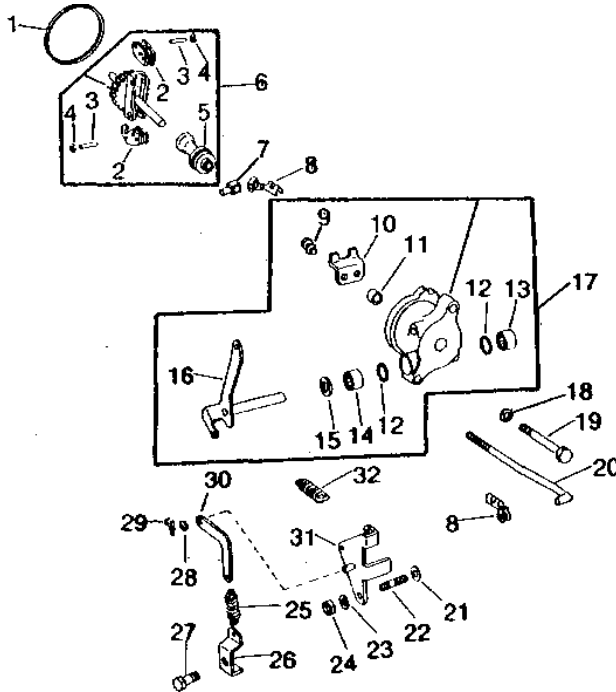
(A) 24" TIRE OR SMALLER

1D22

FUEL AND AIR

GOVERNOR ASSEMBLY (GASOLINE)

RXP6449 -UN-01JAN94



RXP6449

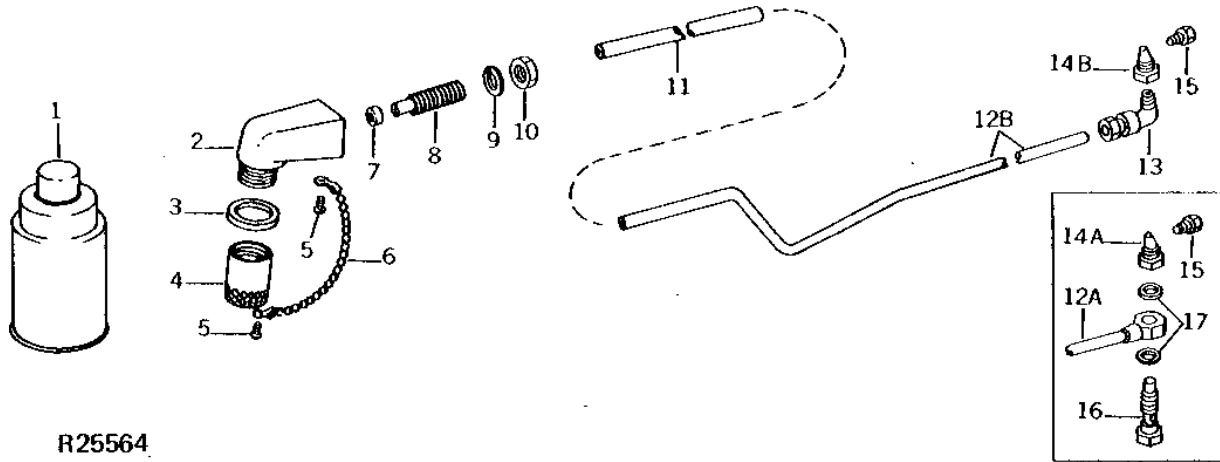
KEY	PART NO.	PART NAME	QTY	ENGINE SERIAL NO.	REMARKS
1	T20232	WASHER	1		
2	AT15604	WEIGHT	2		
3	P47892	PIN	2		
4	P47893	SNAP RING	2		
5	AT15601	BEARING	1		
6	AT18073	SHAFT	1		
7	R26500	SWIVEL	1		
8	R26501	CLIP	2		
9	T20231	SCREW	2		NO. 10 X 7/16" WITH WASHER
10	T19996	YOKE	1		
11	T11107	BUSHING	1		
12	T20229	WASHER	2		
13	JD9810	NEEDLE BEARING	1		
14	JD8833	NEEDLE BEARING	1		
15	T20223	SEAL	1		
16	LEVEL	1		(SUB AT21373)
17	AT21373	HOUSING	1		(MARKED T19995)
18	24M7106	WASHER	2		10 X 18 X 2.500 MM
19	19H2228	CAP SCREW	2		3/8" X 4"
20	T25030	ROD	1		(SUB FOR T20167)
21	24H1305	WASHER	1		13/32" X 13/16" X 0.065"
22	M3636T	STUD	1		(SUB FOR R26117)
23	24M7096	WASHER	1		10.500 X 18 X 1.600 MM
24	T11234	LOCK NUT	1		
25	T23226	SPRING	1		
26	R62568	BRACKET	1		(SUB FOR T24879)
27	19H1792	CAP SCREW	1		1/2" X 1"
28	24H1286	WASHER	1		9/32" X 1/2" X 1/16"
29	11M7077	COTTER PIN	1		1.600 X 25 MM
30	T24878	ARM	1		
	T24878	ARM	1		
31	AT21225	LEVER	1		
32	T17609	SPRING	1		

1D23

FUEL AND AIR

R25564 -UN-01JAN94

COLD WEATHER STARTING AID (DIESEL)



R25564

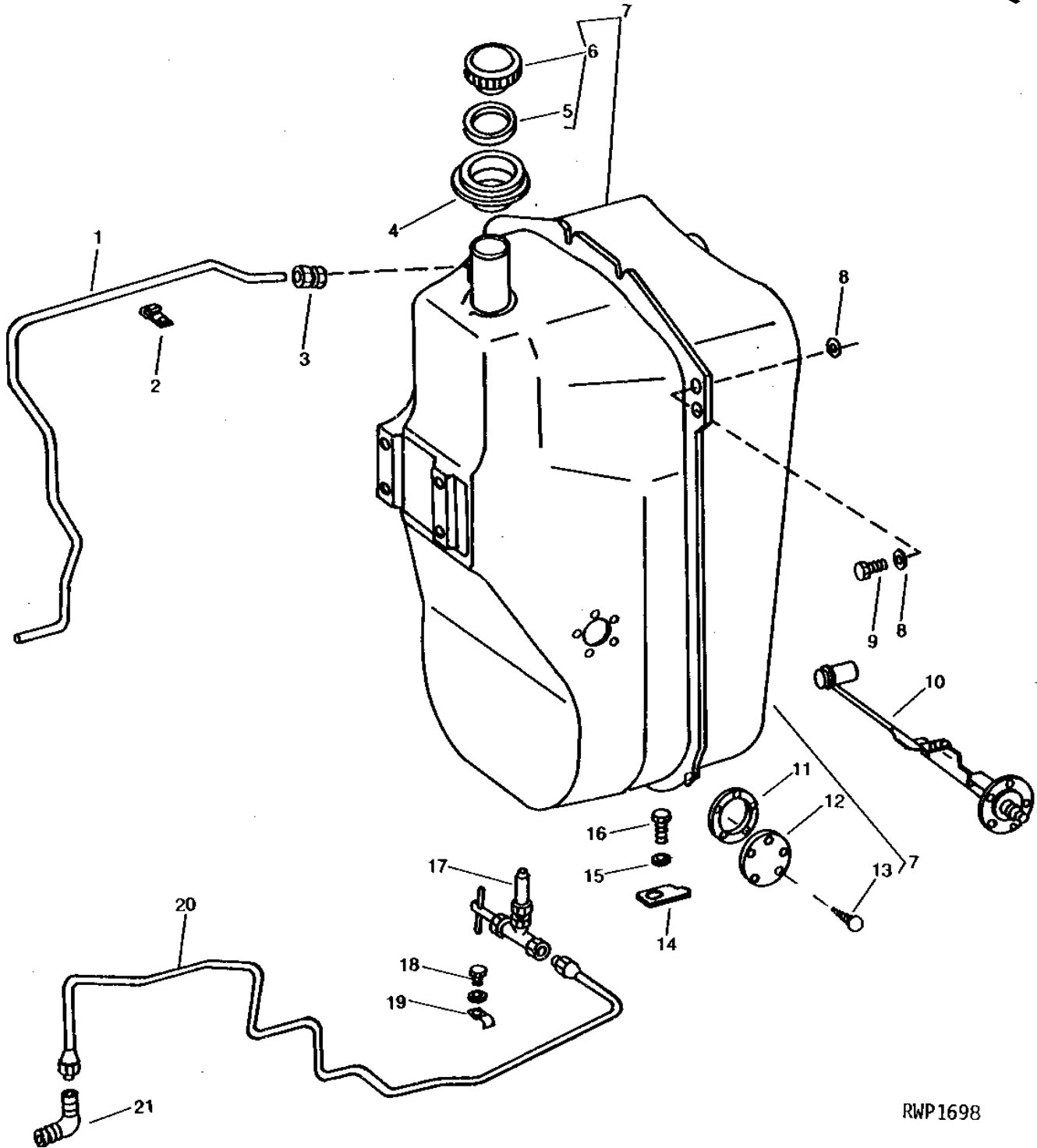
KEY	PART NO.	PART NAME	QTY	TRACTOR SERIAL NO.	REMARKS
1	RE33636	STARTING FLUID	1		(SUB FOR AR27814, RE24561 OR RE30174)
2	T22534	ADAPTER	1		
3	R26149	PACKING	1		
4	R32306	CAP	1		
5	37H44	SCREW	2	0.151" X 3/8"	
6	AR27940	LINK CHAIN	1		
7	R31227	COUPLING	1		
8	R34394	WASHER	1		
9	R34395	ADAPTER	1		
10	12H301	LOCK WASHER	1	1/2"	
11	14H1040	NUT	1	1/2"	
11	T64421	HOSE	1		635MM (25") (MAKE FROM T79479) (SUB FOR T23245 OR T32029)
12A	AT20746	LINE	1	-XXXXXX	
12B	R59055	TUBE	1	XXXXXX-	
13	RE21790	ELBOW FITTING	1	XXXXXX-	(SUB FOR AT25266)
14A	R28584	FITTING	1	-XXXXXX	
14B	R47160	NOZZLE HOLDER	1	XXXXXX-	
15	R28583	NOZZLE	1		
16	R26726	FITTING	1	-XXXXXX	
17	T11292	WASHER	2	-XXXXXX	

1D24

FUEL AND AIR

RWP1698 -UN-01JAN94

FUEL TANK ASSEMBLY



RWP1698

1D25

FUEL AND AIR

FUEL TANK ASSEMBLY - CONTINUED

KEY	PART NO.	PART NAME	QTY	TRACTOR SERIAL NO.	REMARKS
1	T27474	TUBE	1	(DIESEL)	
	L29820	FUEL LINE	1	(A) (DIESEL)	
	HOSE	2	(A) 44MM (1-3/4") (DIESEL) (MAKE FROM AT32064)	
2	T32231	CLAMP	1	(DIESEL) (SUB FOR R55618)	
3	AT22089	FITTING	1	(DIESEL)	
	15H638	PIPE PLUG	1	1/8", (GASOLINE)	
4	R39613	GROMMET	1		
5	R39615	WASHER	1		
6	AT20911	FILLER CAP	1		
7	AR72996	FUEL TANK	1	(SUB FOR AT21997)	
8	24H1305	WASHER	8	13/32" X 13/16" X 0.065"	
9	19H1731	CAP SCREW	4	3/8" X 1"	
10	AT20912	SENDER	1		
	AT31619	FLOAT	1	(A)	
	L29265	GASKET	1	(A)	
11	R27181	GASKET	1		
12	F2506R	COVER	1		
13	37H95	SCREW	5	NO. 8 X 1/2"	
14	T33232	STOP	2		
15	24H1341	WASHER	2	17/32" X 15/16" X 0.060"	
16	19H1815	CAP SCREW	2	1/2" X 1-1/4"	
17	R34656	SHUT-OFF VALVE	1		
18	19H2038	CAP SCREW	1	3/8" X 1/2"	
	12H304	LOCK WASHER	1	3/8"	
19	A4881R	CLIP	1		
20	AT48214	FUEL LINE	1	(SUB FOR AT19983)	
21	T30738	ELBOW FITTING	1		

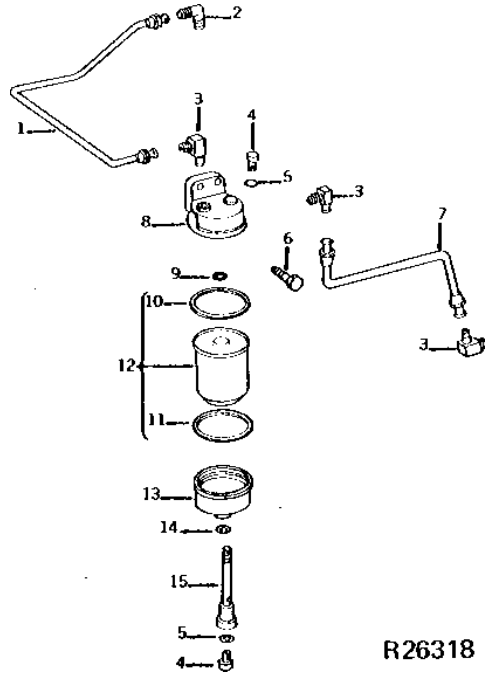
(A) USE ON TRACTORS HAVING AN "L" AS THE LAST DIGIT OF THE CHASSIS SERIAL NUMBER

1E1

FUEL AND AIR

R26318 -UN-01JAN94

SINGLE STAGE FUEL FILTER (DIESEL)



R26318

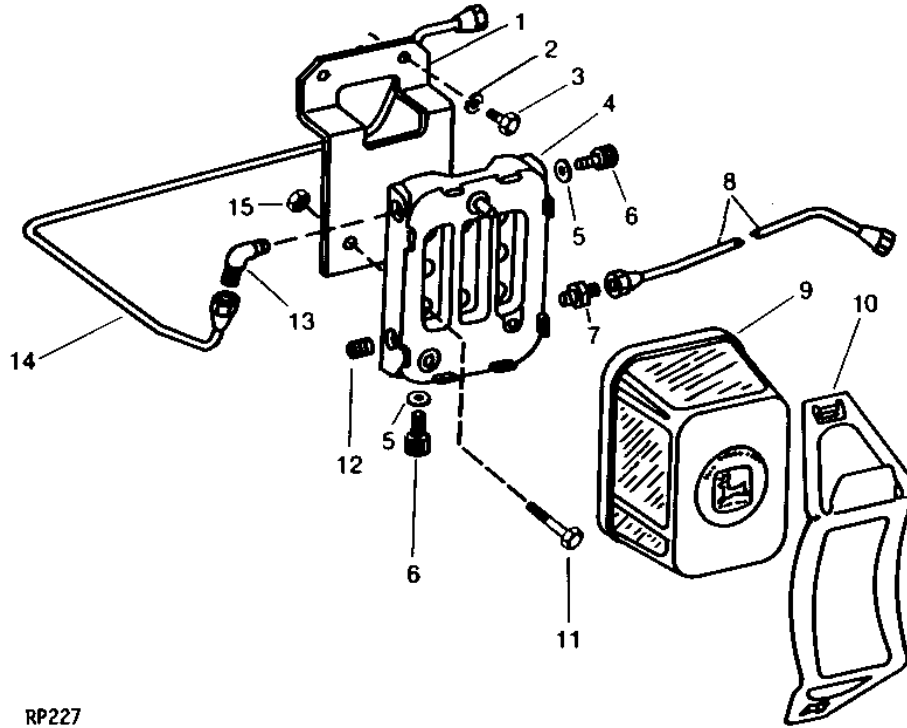
KEY	PART NO.	PART NAME	QTY	ENGINE SERIAL NO.	REMARKS
1	AR50897	FUEL LINE	1		
2	R48008	ELBOW FITTING	1		
3	AR26674	ELBOW FITTING	3		
4	R34446	DRAIN PLUG	2		
5	R26287	O-RING	2		
6	19H988	CAP SCREW	2	3/8" X 1-1/4"	
7	AT20266	FUEL LINE	1		
8	T19123	CAP	1		
9	R459R	O-RING	1		(SUB FOR T19118)
10	R64374	WASHER	1		
11	R64374	WASHER	1		
12	AT17387	FILTER ELEMENT	1		
13	T19119	SEDIMENT BOWL	1		
14	T19117	WASHER	1		
15	T32365	HOLLOW SCREW	1		

1E2

FUEL AND AIR

RP227 -UN-01JAN94

FUEL FILTER (ROOSA-MASTER) (DIESEL)



RP227

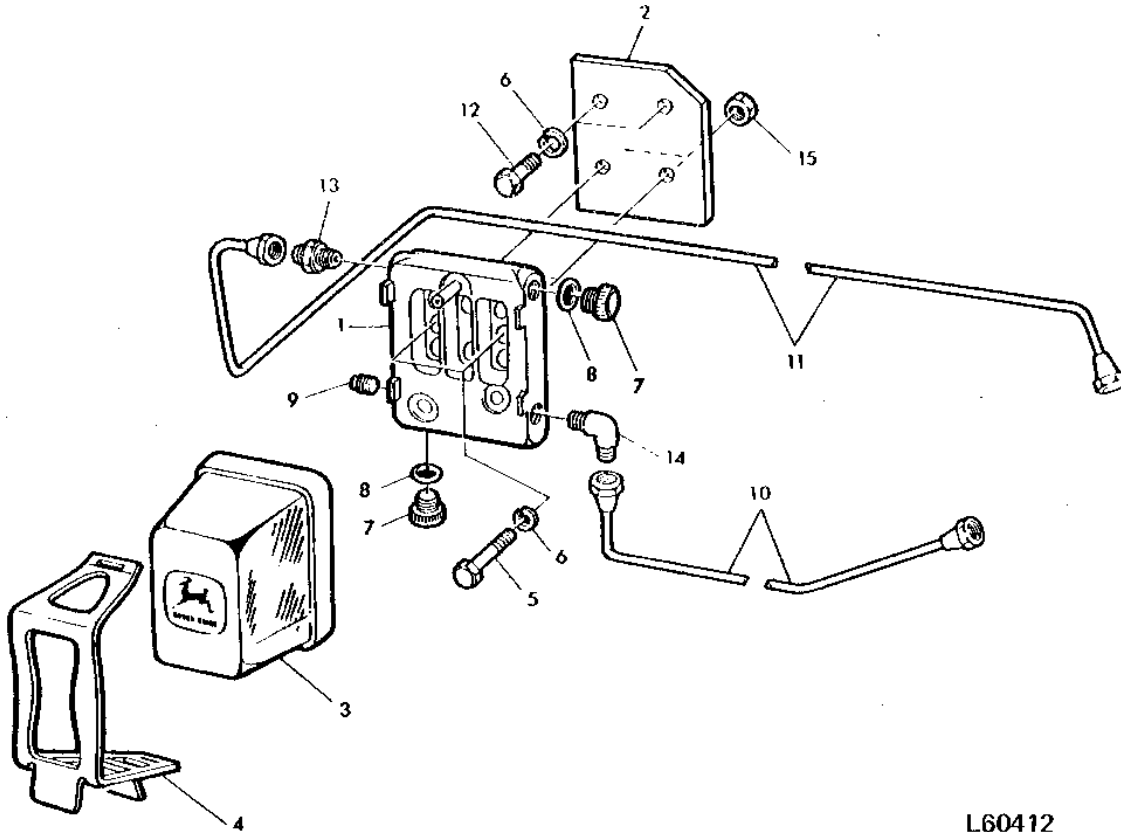
KEY	PART NO.	PART NAME	QTY	ENGINE SERIAL NO.	REMARKS
1	R53214	BRACKET	1		
2	12H304	LOCK WASHER	2	3/8"	
3	19H1936	CAP SCREW	2	3/8" X 3/4"	
4	AR50040	HOUSING	1		
5	R34447	WASHER	2		
6	R48071	DRAIN PLUG	2		
7	R27346	FITTING	1		
8	AR63654	FUEL LINE	1		(FUEL PUMP TO FUEL FILTER)
9	AR50041	FUEL FILTER	1		
10	R66821	CLAMP	1		(SUB FOR R47358 OR R57258)
11	19H2284	CAP SCREW	2	3/8" X 7/8"	
12	15H558	PIPE PLUG	1	1/8"	
13	T30738	ELBOW FITTING	1		
14	AR63656	FUEL LINE	1		(FUEL FILTER TO INJECTION PUMP)
15	14H812	NUT	2	3/8"	

1E3

FUEL AND AIR

FUEL FILTER AND FUEL LINES (ROTO-DIESEL) (DIESEL)

L60412 -UN-01JAN94



L60412

KEY	PART NO.	PART NAME	QTY	ENGINE SERIAL NO.	REMARKS
1	AR50040	HOUSING	1		
2	R54998	BRACKET	1		
3	AR50041	FUEL FILTER	1		
4	R66821	CLAMP	1		(SUB FOR R47358 OR R57258)
5	19H1731	CAP SCREW	2		3/8" X 1"
6	12H304	LOCK WASHER	4		3/8"
7	R48071	DRAIN PLUG	2		
8	R34447	WASHER	2		
9	15H558	PIPE PLUG	1		1/8"
10	AR84733	FUEL LINE	1		(SUB FOR AR68720) (SUB RE26214 AND R82131)
11	AR69743	FUEL LINE	1		(SUB RE26981 AND R82131)
12	19H2284	CAP SCREW	2		3/8" X 7/8"
13	R27346	FITTING	1		(USE ON AR84733)
14	T30738	ELBOW FITTING	1		
15	14H812	NUT	2		3/8"

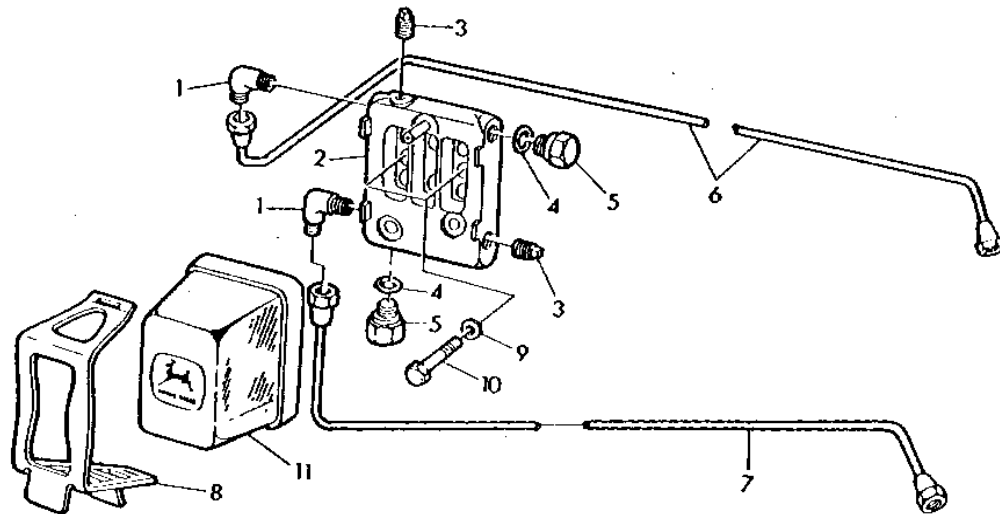
USE ON TRACTORS HAVING AN "L" AS THE LAST DIGIT OF THE CHASSIS SERIAL NUMBER

1E4

FUEL AND AIR

RXP8824 -UN-01JAN94

FUEL FILTER (ROTO-DIESEL) (DIESEL)



RXP8824

KEY	PART NO.	PART NAME	QTY	ENGINE SERIAL NO.	REMARKS
1	R82131	ELBOW FITTING	2		
2	R54998	BRACKET	1		
3	15H558	PIPE PLUG	1	1/8"	
4	R26287	O-RING	2		
5	R48071	DRAIN PLUG	2		
6	RE26981	FUEL LINE	1		(SUB FOR AR69743)
7	RE26214	FUEL LINE	1		(SUB FOR AR84733)
8	R66821	CLAMP	1		
9	12H304	LOCK WASHER	2	3/8"	
10	19H1731	CAP SCREW	2	3/8" X 1"	
11	AR50041	FUEL FILTER	1		

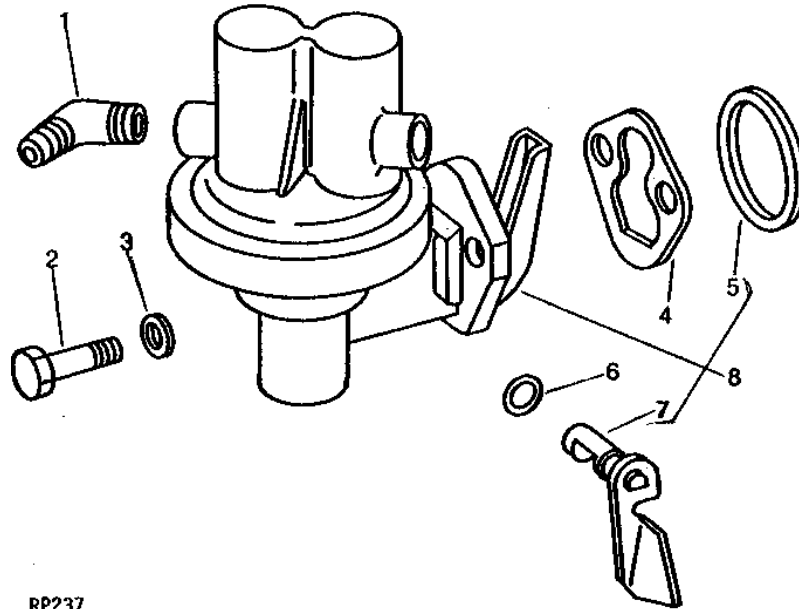
MEMORANDA

1E5

FUEL AND AIR

RP237 -UN-01JAN94

FUEL TRANSFER PUMP



RP237

KEY	PART NO.	PART NAME	QTY	ENGINE SERIAL NO.	REMARKS
1	T30738	ELBOW FITTING	1		
2	19H1849	CAP SCREW	2	5/16" X 1-1/4"	
3	R20498	WASHER	2		
4	R97350	GASKET	1	(SUB FOR R27285)	
5	R48399	WASHER	1		
6	A4365R	O-RING	1		
7	AR52556	LEVER	1		
8	AR52159	FUEL PUMP	1	(A) (SUB RE37482 AND R97350, THIS APPLICATION) (B) (SUB FOR AR64120 OR RE36905) (ALSO ORDER R97350)	
	RE43274	FUEL PUMP	1		

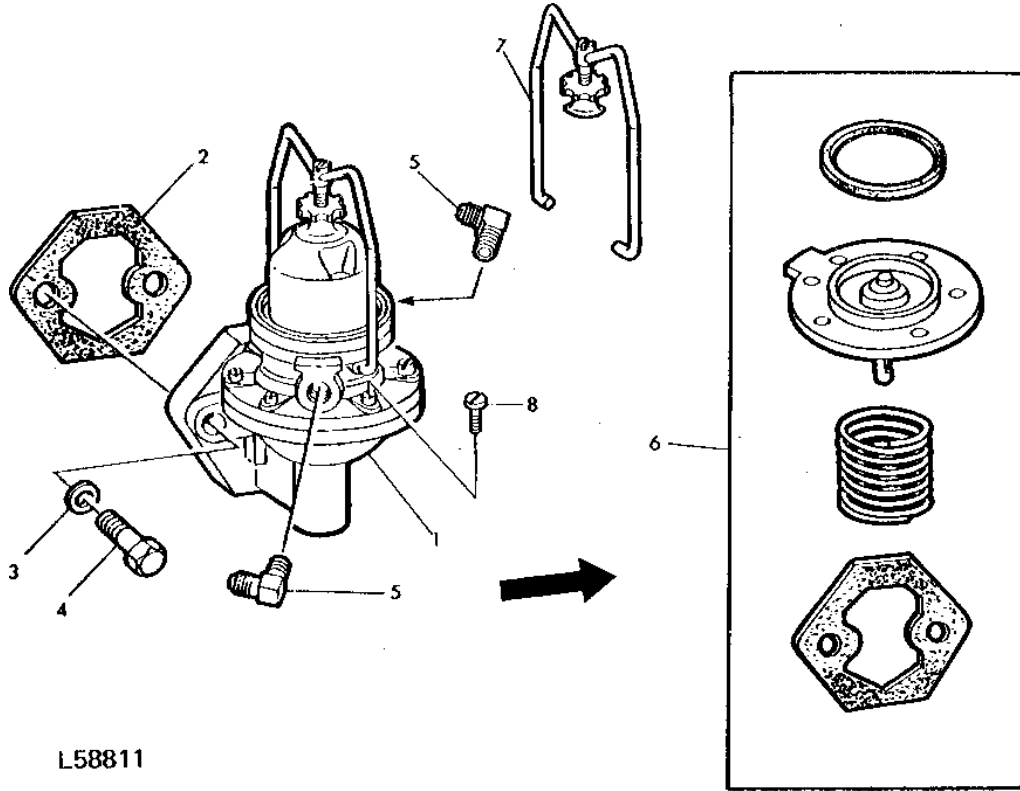
- (A) DIESEL
- (B) GASOLINE

1E6

FUEL AND AIR

L58811 -UN-01JAN94

FUEL PUMP (DIESEL)



L58811

KEY	PART NO.	PART NAME	QTY	ENGINE SERIAL NO.	REMARKS
1	PUMP	1	(SUB RE37482)	
2	R97350	GASKET	1	(SUB FOR R27285)	
3	R20498	WASHER	2		
4	19H1849	CAP SCREW	2	5/16" X 1-1/4"	
5	T30738	ELBOW FITTING	2		
6	AR60559	KIT	1	OVERHAUL, (SUB RE37482)	
7	AT10638	BAIL	1		
8	T30908	SCREW	6	(NO LONGER AVAILABLE)	

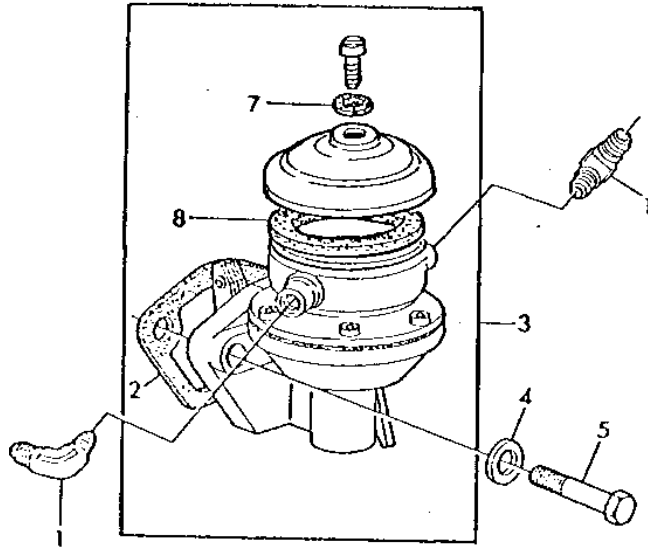
USE ON TRACTORS HAVING AN "L" AS THE LAST DIGIT OF THE CHASSIS SERIAL NUMBER

1E7

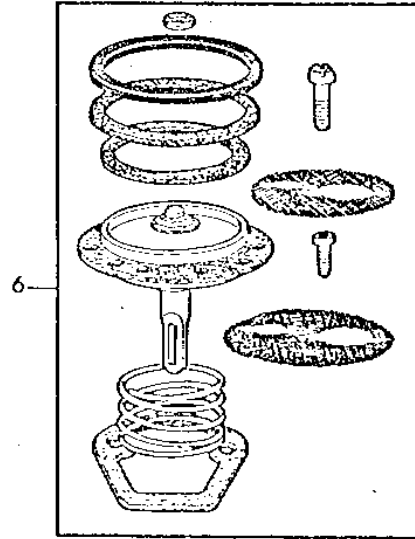
FUEL AND AIR

CD35015 -UN-01JAN94

FUEL TRANSFER PUMP "SOFABEX"



CD35015



KEY	PART NO.	PART NAME	QTY	SERIAL NO.	REMARKS
1	R82131	ELBOW FITTING	2		
2	R97350	GASKET	1		(SUB FOR R27285)
3	RE37482	FUEL PUMP	1		(SUB FOR DD14292, RE27667 OR AR52159)
4	T27860	WASHER	2		
5	19H1849	CAP SCREW	2		5/16" X 1-1/4"
6	RE37463	KIT	1		(SUB FOR RE13517)
7	R75832	GASKET	1		
8	R64506	GASKET	1		

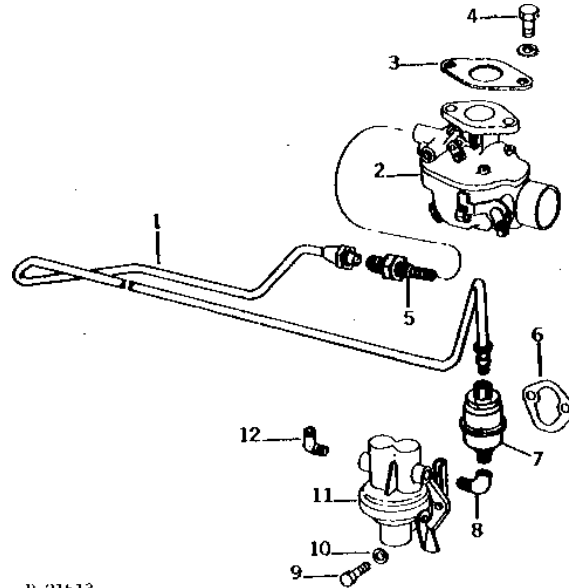
MEMORANDA

1E8

FUEL AND AIR

R21513 -UN-01JAN94

GASOLINE FUEL SYSTEM



R 21513

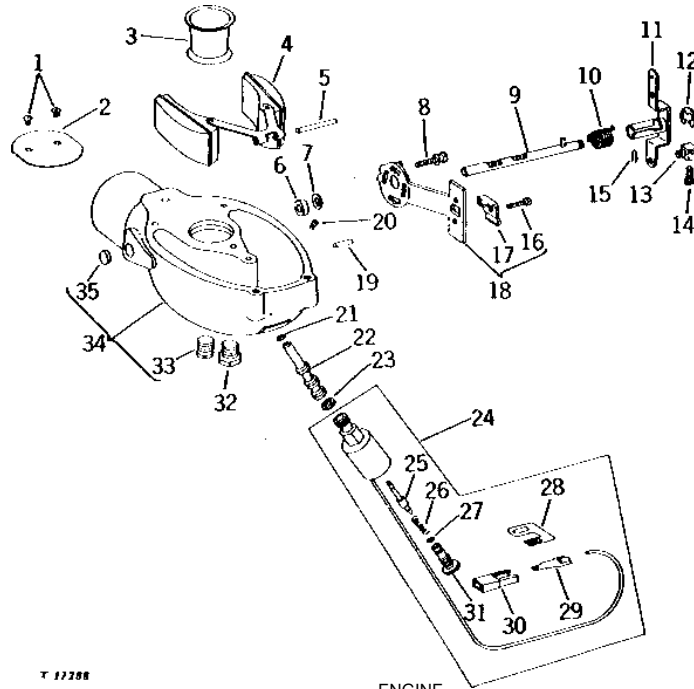
KEY	PART NO.	PART NAME	QTY	ENGINE SERIAL NO.	REMARKS
1	AR51241	FUEL LINE	1		(ALSO ORDER T12938 AND T19743) (SUB FOR AT29674 OR AR51240)
2	AT29295	CARBURETOR	1		(MARVEL-SCHEBLER NO. TSX-945SL) (SUB RE39188)
3	T10079	GASKET	1		
4	19H1731	CAP SCREW	2	3/8" X 1"	
	12H304	LOCK WASHER	2	3/8"	
5	T33170	FITTING	1		
6	R97350	GASKET	1		(SUB FOR R27285)
7	T19743	FUEL FILTER	1		
8	T12938	ELBOW FITTING	1		(OUTLET)
9	19H1849	CAP SCREW	2	5/16" X 1-1/4"	
10	R20498	WASHER	2		
11	RE43274	FUEL PUMP	1		(SUB FOR AR64120 OR RE36905) (ALSO ORDER R97350)
12	T30738	ELBOW FITTING	1		(INLET)

1E9

FUEL AND AIR

T17288 -UN-01JAN94

CARBURETOR BOWL ASSEMBLY



T 17288

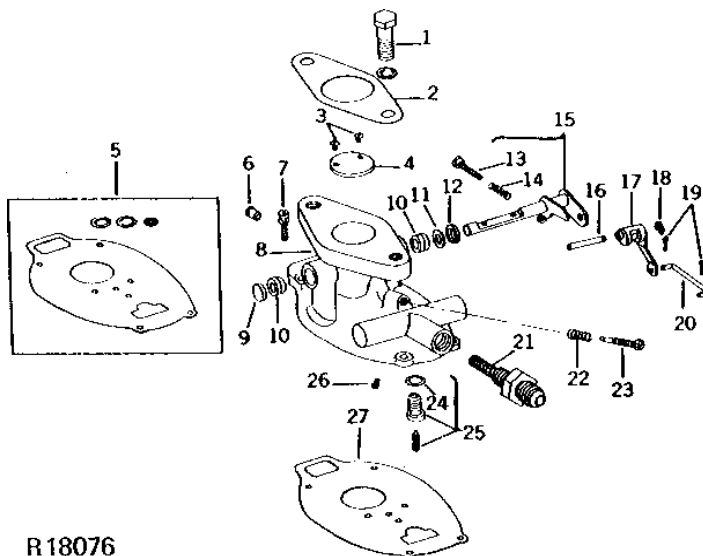
KEY	PART NO.	PART NAME	QTY	ENGINE SERIAL NO.	REMARKS
1	15-483	SCREW	2		
2	T23524	CHOKE	1		
3	T32499	VENTURI	1		(SUB FOR T12654)
4	30-739	FLOAT	1		
5	R10211	SHAFT	1		
6	E49906	SEAL	1		(SUB FOR R10186)
7	R10187	SHIM	1		
8	T23522	SCREW	2		
9	AT22990	SHAFT	1		
10	T23523	SPRING	1		
11	AT22989	LEVER	1		
12	T23529	SNAP RING	1		
13	R10184	SWIVEL	1		
14	21H971	SCREW	1	0.164" X 5/16"	
15	R10185	SPRING PIN	1		
16	15-A295	SCREW	1		
17	R10188	CLIP	1		
18	AT22993	BRACKET	1		
19	34H242	SPRING PIN	1	1/8" X 7/16"	
20	T30519	CARBON BRUSH HOLDER	1		
21	16-456	GASKET	1		(SUB GW16-456)
22	T719T	NOZZLE	1		
23	16-47	GASKET	1		
24	AR67706	SOLENOID	1		(SUB FOR AT31877) (SUB AR67706)
25	AT31878	NEEDLE	1		
26	T25152	SPRING	1		
27	R34812	O-RING	1		(SUB FOR T25154)
28	T25153	CLIP	1		(NLA)
29	T25155	CONNECTOR	1		
30	T25156	TERMINAL	1		
31	T32554	SCREW	1		
32	R10160	PIPE PLUG	1		
33	994	PIPE PLUG	1		(SUB FOR 99-4) (NO LONGER AVAILABLE)
34	AT30224	HOUSING	1		(SUB AR102793 AND AR67706)
35	R10150	CAP	1		
..	AT29295	CARBURETOR	1		(MARVEL-SCHEBLER NO. TSX-945SL) (SUB RE39188)
..	AT23000	CARBURETOR	1		KIT, (SUB RE19402 AND RE19408)

1E10

FUEL AND AIR

R18076 -UN-01JAN94

CARBURETOR THROTTLE BODY ASSEMBLY



R18076

KEY	PART NO.	PART NAME	QTY	ENGINE SERIAL NO.	REMARKS
1	19H1731	CAP SCREW	2	3/8" X 1"	
	12H304	LOCK WASHER	2	3/8"	
2	T10079	GASKET	1	(SUB RE39188 AND AR67706)	
3	AT25821	SCREW	2		
4	R56747	ACCELERATOR	1		
5	AR56086	GASKET KIT	1	(SUB FOR 16-654)	
6	B17682	PLUG	1		
7	15-A85	SCREW	1		
8	AT32439	HOUSING	1	(SUB RE39188 AND AR67706)	
9	R10300	CAP	1		
10	T23531	NEEDLE BEARING	2	(SUB JD8867)	
11	R10194	PACKING	1		
12	R10182	RETAINER	1		
13	T27410	SCREW	1		
14	R10104	SPRING	1		
15	AT25819	SHAFT	1		
16	T25147	PIN	1		
17	T25158	LEVER	1		
18	R31935	SNAP RING	1		
19	11M7075	COTTER PIN	2		
20	T25149	PIN	1		
21	T33170	FITTING	1		
22	24-340	SPRING	1		
23	43-33	NEEDLE	1		
24	R10170	GASKET	1		
25	AT25491	VALVE	1	(ALSO ORDER T23532 AND T23536)	
26	49-101L	NOZZLE	1		
27	16-A41	GASKET	1		
..	AT29295	CARBURETOR	1	(MARVEL-SCHEBLER NO. TSX-945SL) (SUB RE39188)	
..	AT23000	CARBURETOR	1	KIT, (SUB RE19402 AND RE19408)	

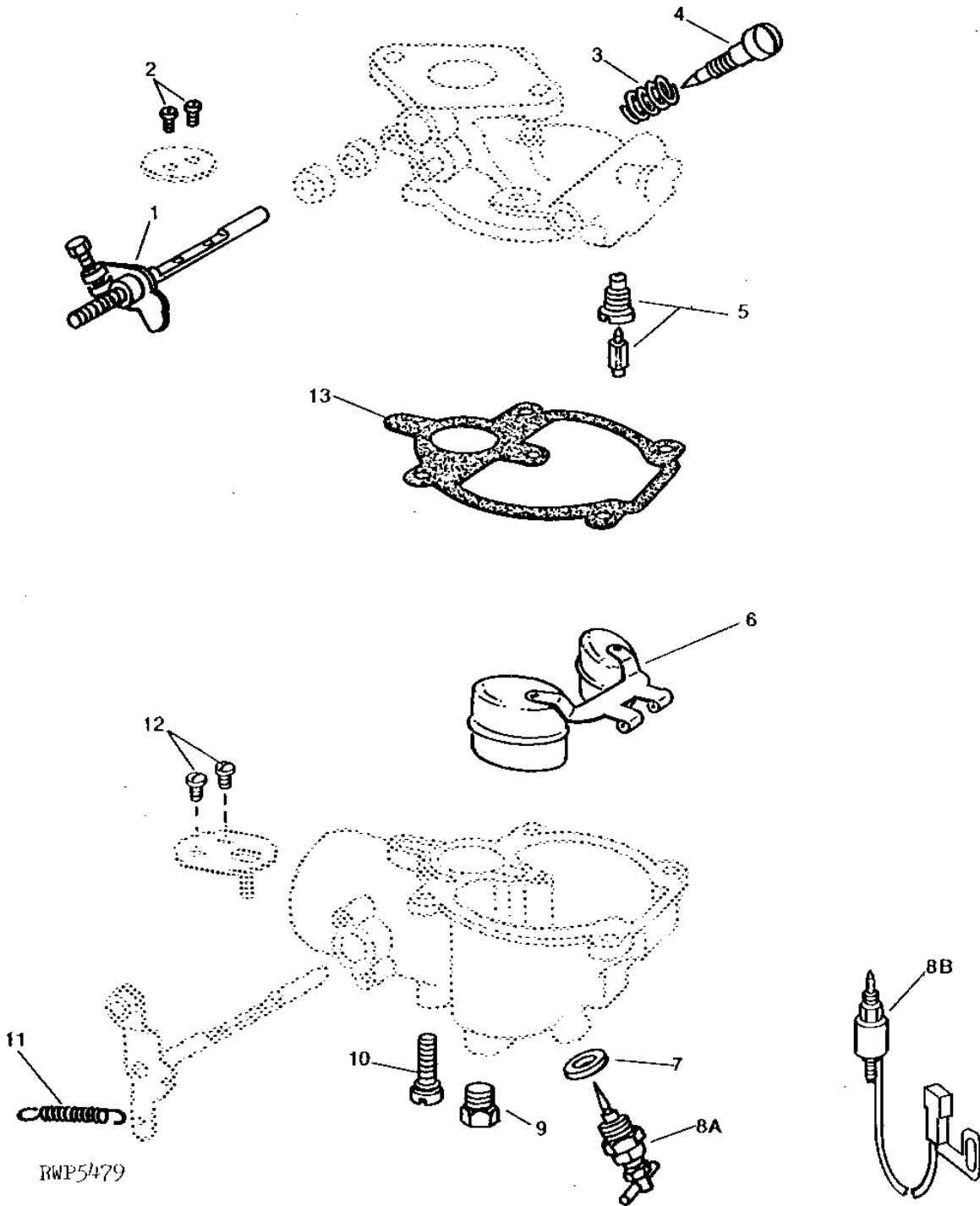
1E11

FUEL AND AIR

RWP5479

-UN-01JAN94

CARBURETOR



1E12

FUEL AND AIR

CARBURETOR - CONTINUED

KEY	PART NO.	PART NAME	QTY	ENGINE SERIAL NO.	REMARKS
1	RE19405	SHAFT	1		
2	E49903	SCREW	2		(SUB FOR E34355)
3	H20993	SPRING	1		
4	H81551	SCREW	1		
5	AH80032	VALVE	1		
6	RE19403	FLOAT	1		
7	H20925	WASHER	1		
8A	RE19406	SCREW	1		
8B	RE19408	SOLENOID	1		
9	R47038	PIPE PLUG	1		
10	RE19407	SCREW, WITH WASHER	1		
11	R52627	SPRING	1		
12	E49903	SCREW	2		(SUB FOR E34355)
13	GASKET	1		
..	RE19402	CARBURETOR	1		(ZENITH)
..	RE19404	KIT	1		CARBURETOR REPAIR

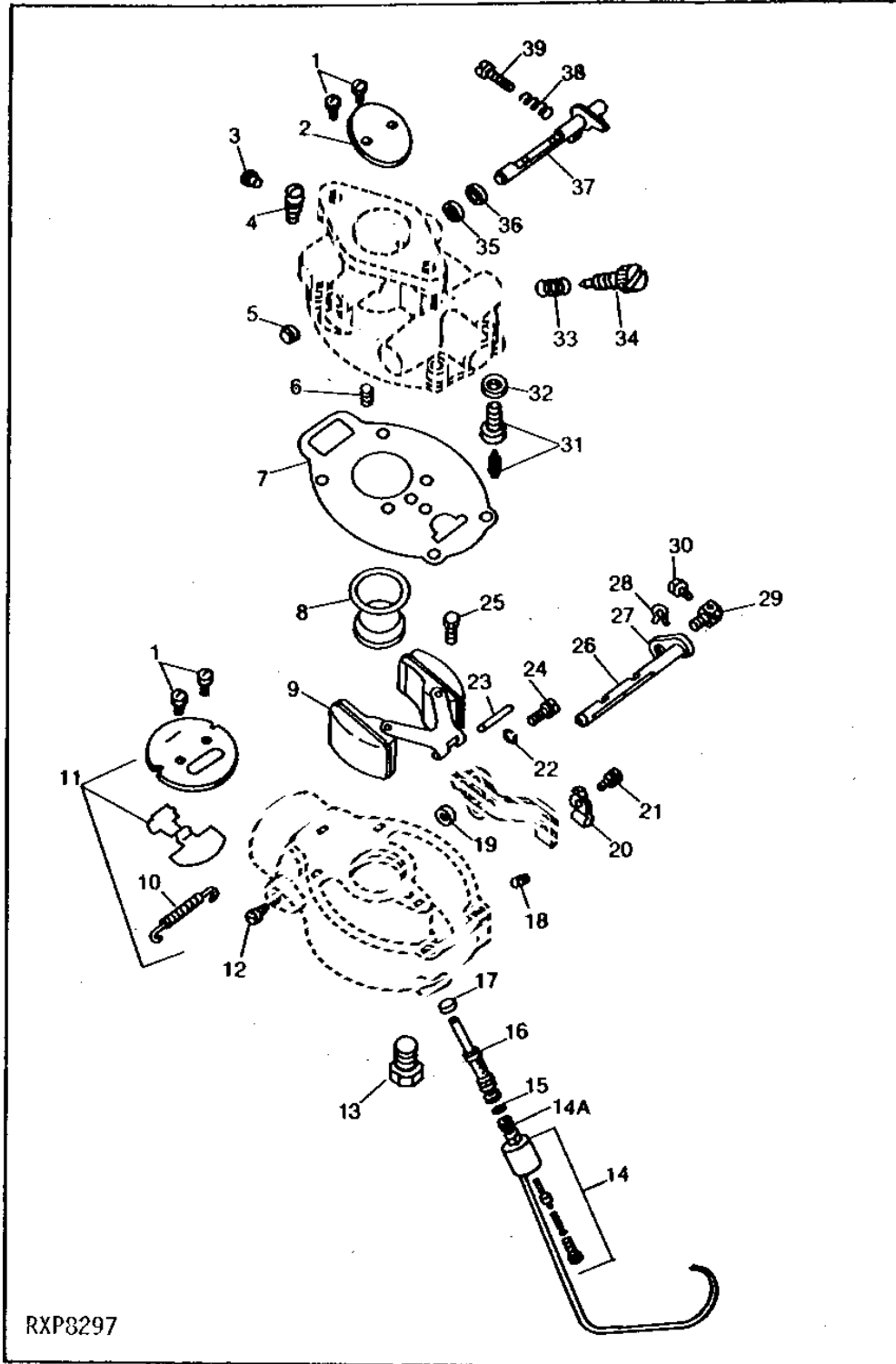
1E13

FUEL AND AIR

CARBURETOR
(FACET NO. 0-14997)
(AR102793)

RXP8297

-UN-01JAN94



1E14

FUEL AND AIR

CARBURETOR - CONTINUED
(FACET NO. 0-14997)
(AR102793)

KEY	PART NO.	PART NAME	QTY	ENGINE SERIAL NO.	REMARKS
1	15-483	SCREW	4		
2	R75970	ACCELERATOR	NA		
3	B17682	PLUG	1		
4	15-A85	SCREW	4		
5	R10198	CAP	1		
6	49-101L	NOZZLE	1		
7	16-A41	GASKET	1		
8	R75973	VENTURI	NA		
9	30-739	FLOAT	1		
10	H22551	SPRING	1		
11	AR102785	CHOKE	1		
12	T16106	SET SCREW	NA		
13	R10160	PIPE PLUG	3		
14	AT31442	VALVE	1		
	AR67706	SOLENOID	1		
15	16-47	GASKET	1		
16	R75969	NOZZLE	NA		
17	16-456	GASKET	1		
18	R75972	INJECTION NOZZLE	NA		
19	44-38	PACKING	1		
20	R10188	CLIP	1		
21	21H1299	SCREW	1		0.164" X 3/8"
22	12M7084	LOCK WASHER	1		0.169"
23	R10211	SHAFT	1		
24	15-A295	SCREW	2		
25	37H99	SCREW	2		0.099" X 1/4"
26	R75967	SHAFT	1		
27	AR66031	LEVER	1		
28	R10185	SPRING PIN	1		
29	SWIVEL	NA		
30	21H971	SCREW	1		0.164" X 5/16"
31	AT14476	SEAT	1		
32	R10170	GASKET	1		
33	24-340	SPRING	1		
34	43-33	NEEDLE	1		IDLE ADJUSTING
35	44-68	PACKING	2		
36	55-261	RETAINER	2		
37	AR102792	SHAFT	NA		
38	R10104	SPRING	1		
39	21H977	SCREW	1		0.164" X 3/4"
40	AR102793	CARBURETOR	NA		COMPLETE, (SUB RE39188)
..	AR102783	KIT	1		ADAPTER, (INCLUDED IN AR102793)
..	AR102794	KIT	NA		REPAIR, (INCLUDED IN AR102793)
..	AR56086	GASKET KIT	1		GASKETS

SEE YOUR AUTHORIZED PUMP REPAIR STATION FOR PARTS NOT AVAILABLE (NA)

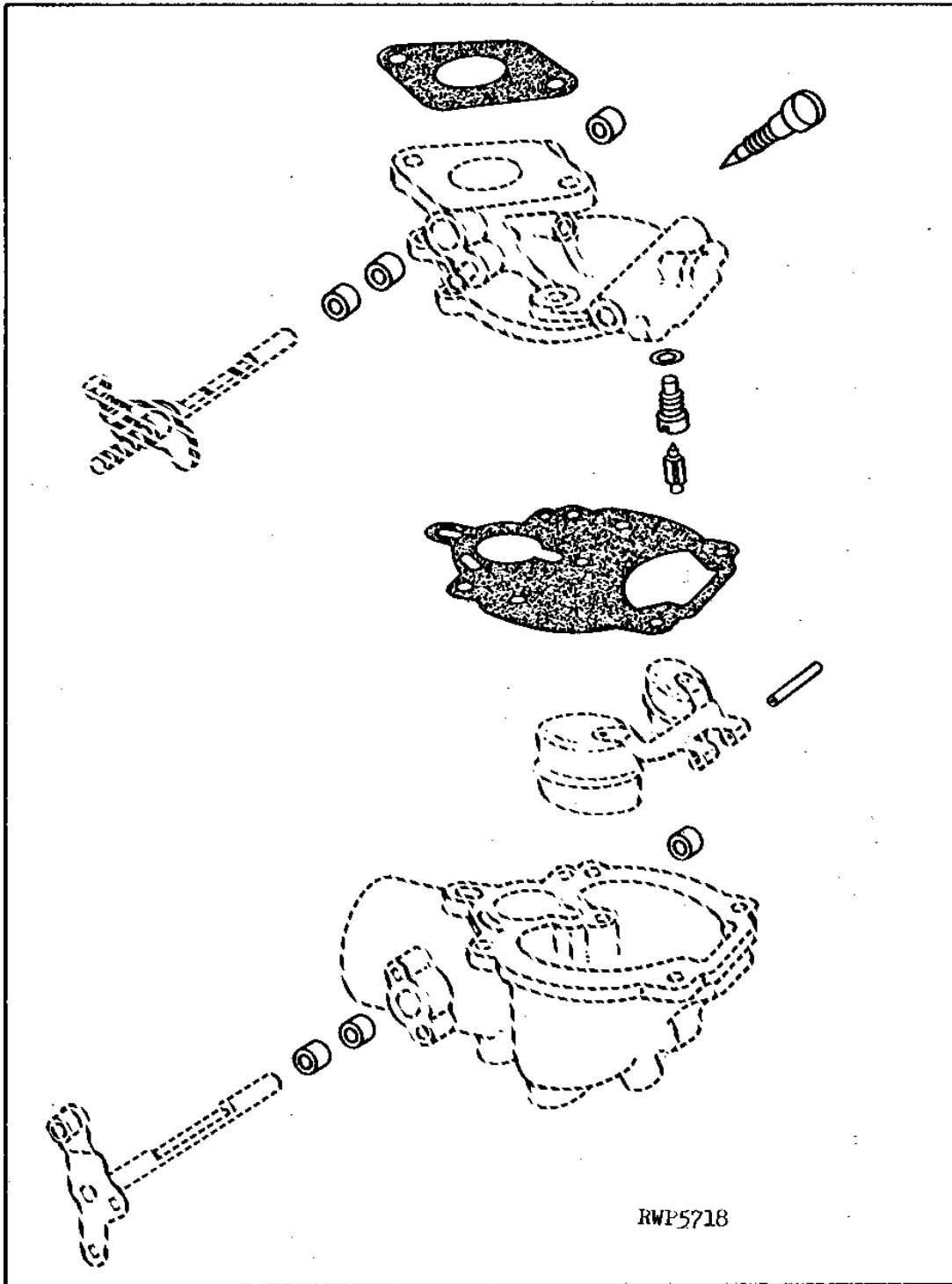
1E15

FUEL AND AIR

RWP5718

-UN-01JAN94

CARBURETOR REPAIR KIT



1E16

FUEL AND AIR

CARBURETOR REPAIR KIT - CONTINUED

KEY	PART NO.	PART NAME	QTY	TRACTOR SERIAL NO.	REMARKS
1	RE19404	KIT	1		(USE WITH RE19402)

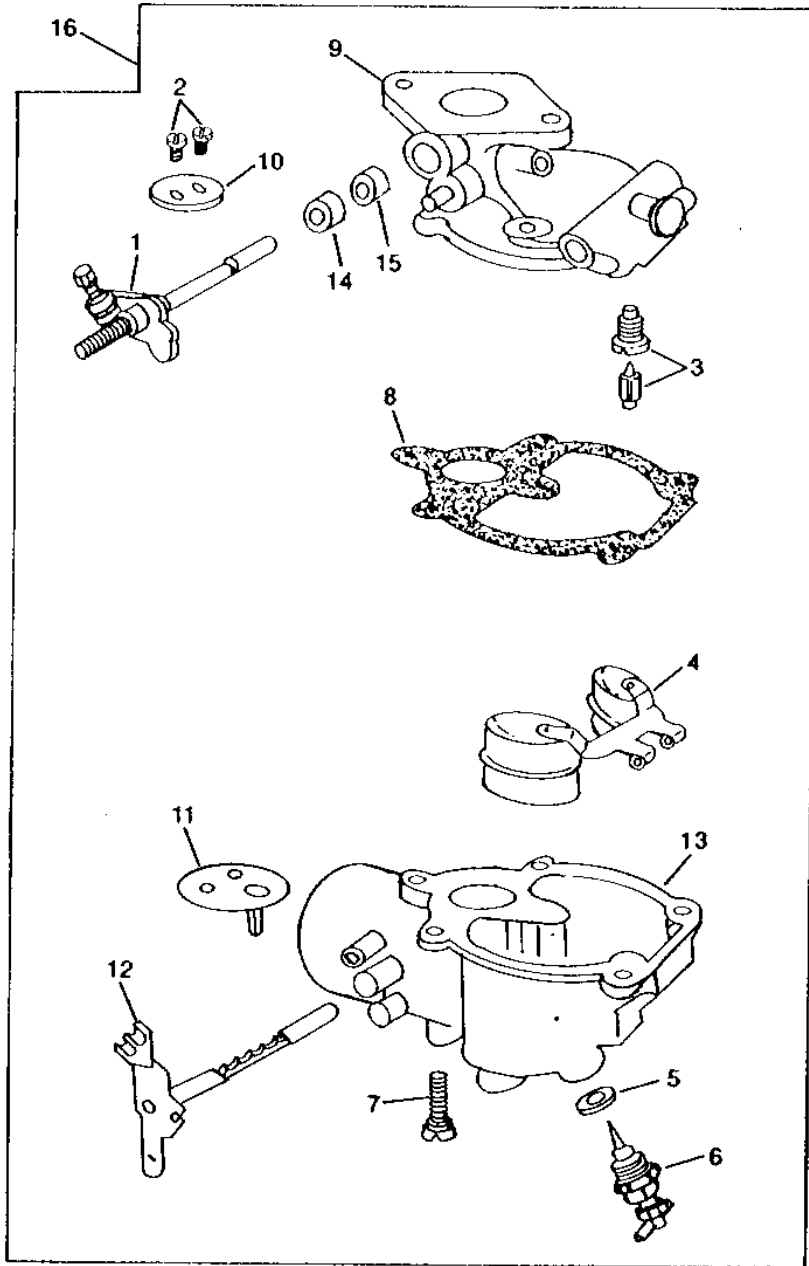
1E17

FUEL AND AIR

TP26485

-UN-01JAN94

REPLACEMENT CARBURETOR



TP26485

1E18

FUEL AND AIR

REPLACEMENT CARBURETOR

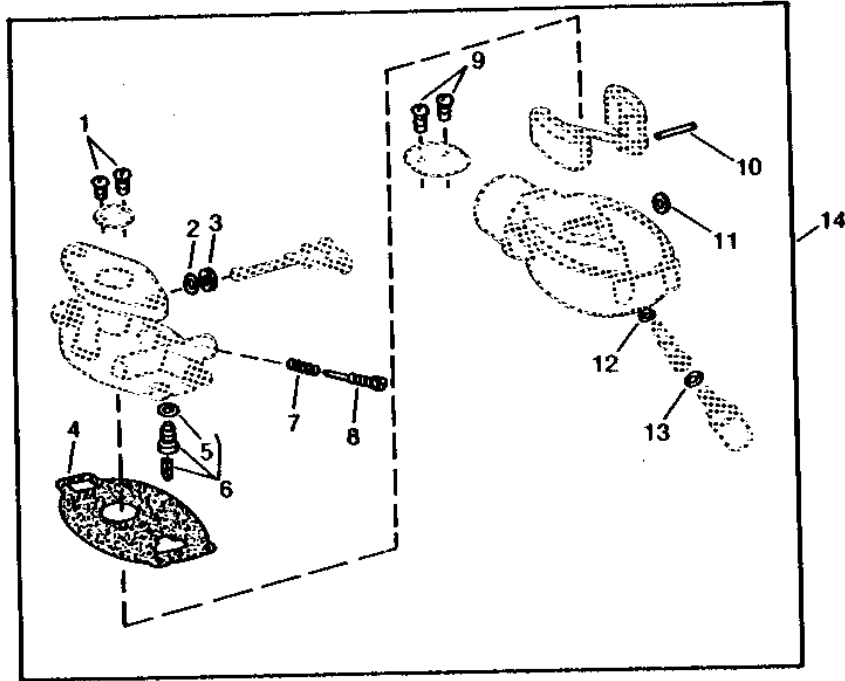
KEY	PART NO.	PART NAME	QTY	SERIAL NO.	REMARKS
1	RE19405	SHAFT	1		
2	E49903	SCREW	4		(SUB FOR E34355)
3	AH80032	VALVE	1		
4	RE19403	FLOAT	1		
5	H20925	WASHER	1		
6	RE39190	JET	1		
7	RE19407	SCREW, WITH WASHER	1		
8	WASHER	1		(SUB RE39188)
9	HOUSING	1		(SUB RE39188)
10	COVER	1		(SUB RE39188)
11	COVER	1		(SUB RE39188)
12	SHAFT	1		(SUB RE39188)
13	BOWL	1		(SUB RE39188)
14	BUSHING	1		(SUB RE39188)
15	BUSHING	1		(SUB RE39188)
16	RE39188	CARBURETOR	1		CARBURETOR, (SUB FOR AR102793 OR AT29295)
	RE39189	CARBURETOR	1		CARBURETOR REPAIR KIT

1E19

FUEL AND AIR

RWP2192 -UN-01JAN94

CARBURETOR REPAIR KIT



RWP2192

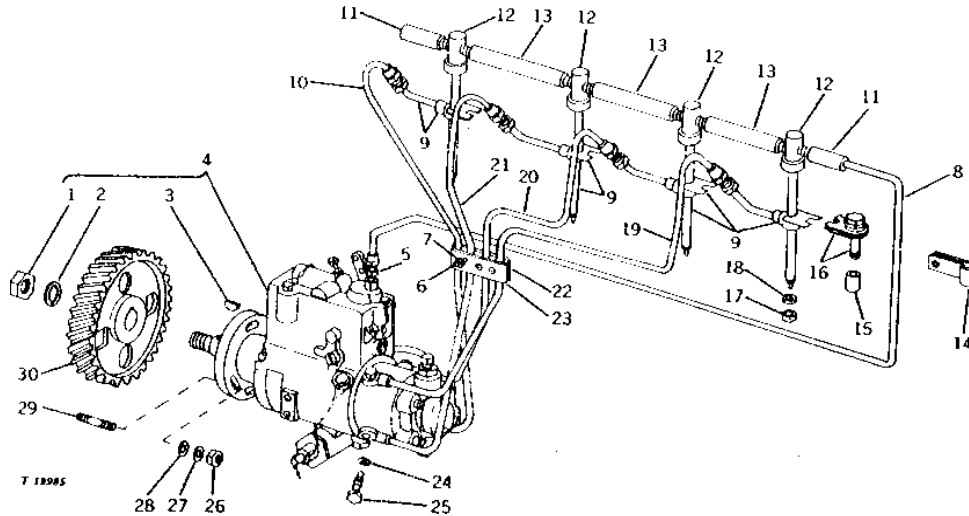
KEY	PART NO.	PART NAME	QTY	ENGINE SERIAL NO.	REMARKS
1	AT25821	SCREW	2		
2	R10194	PACKING	1		
3	R10182	RETAINER	1		
4	16-A41	GASKET	1		
5	R10170	GASKET	1		
6	AT25491	VALVE	1		
7	24-340	SPRING	1		
8	43-33	NEEDLE	1		
9	15-483	SCREW	1		(SUB FOR B17696)
10	R10211	SHAFT	1		FLOAT
11	E49906	SEAL	1		CHOKE SHAFT, (SUB FOR R10186)
12	16-456	GASKET	1		NOZZLE
13	16-47	GASKET	1		SOLENOID
14	AR52589	KIT	1		(USE WITH AT22994) (SUB FOR AT22995)

1E20

FUEL AND AIR

T19985 -UN-01JAN94

FUEL INJECTION SYSTEM



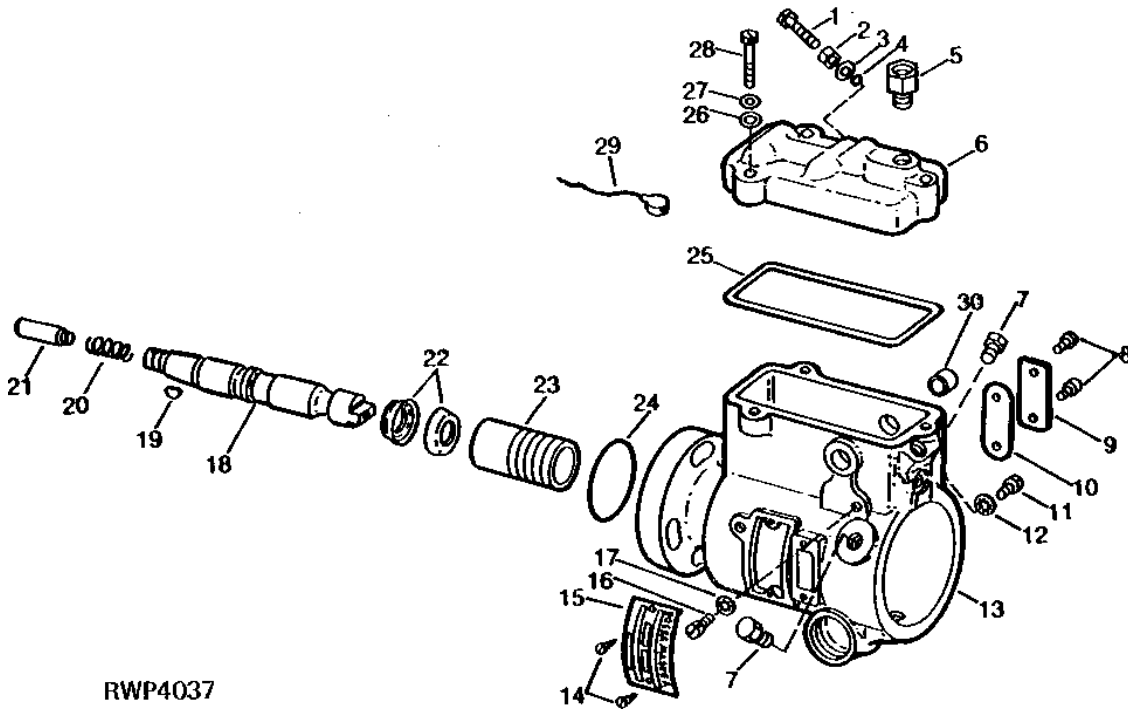
KEY	PART NO.	PART NAME	QTY	ENGINE SERIAL NO.	REMARKS
1	R48599	NUT	1		
2	R48600	LOCK WASHER	1		
3	26H10	SHAFT KEY	1	5/32" X 5/8"	
4	AR49900	FUEL PUMP	1	-XXXXXX	(SUB AR51747) (ROOSA-MASTER NO. JDB421AL-2409)
	AR67380	FUEL INJECTION PUMP	NA	XXXXXX-	(ROOSA-MASTER NO. JDB435AJ2680)
5	R35352	FITTING	1	-XXXXXX	
	AR63166	FITTING	1	XXXXXX-	(ALSO ORDER AR68653)
6	21H1317	SCREW	3		0.190" X 5/8"
7	12H246	LOCK WASHER	3		0.190"
8	AT27620	FUEL LINE	1	-XXXXXX	
	AR68653	FUEL LINE	1	XXXXXX-	(ALSO ORDER AR63166)
9	AR49877	INJECTION NOZZLE	4	-211699	(ROOSA-MASTER NO. 18742)
	AR88239	INJECTION NOZZLE	4	211700-	(SUB FOR AR56290 OR AR73673) (SUB AR89564) (ROOSA-MASTER NO. 19762)
10	AT18173	FUEL LINE	1		NO. 1
11	HOSE	2		38MM (1-1/2") (MAKE FROM R68281)
12	AT27622	CAP	4		
13	HOSE	3		114MM (4-1/2") (MAKE FROM R68281)
14	T29969	CLAMP	1		(SUB FOR R47281)
15	R34761	SPACER	4		
16	R34760	CLAMP	4		
17	R48000	WASHER	4		
18	R34764	WASHER	4		
19	AT18176	FUEL LINE	1		NO. 4
20	AT18175	FUEL LINE	1		NO. 3
21	AT18174	FUEL LINE	1		NO. 2
22	T23463	STRAP	1		(SUB (2) R59299, R59300, R61146 AND (3) AR76704)
23	T23462	CLAMP	1		(SUB (2) R59299, R59300, R61146 AND (3) AR76704)
24	T20055	WASHER	8		
25	R26726	FITTING	4		
26	14H812	NUT	2	3/8"	
27	12H304	LOCK WASHER	2	3/8"	
28	24M7096	WASHER	2	10.500 X 18 X 1.600 MM	
29	T20052	STUD	2		
30	T20165	GEAR	1		

1E21

FUEL AND AIR

RWP4037 -UN-01JAN94

FUEL INJECTION PUMP HOUSING AND DRIVE (ROOSA-MASTER NO. JDB431AL2409)



RWP4037

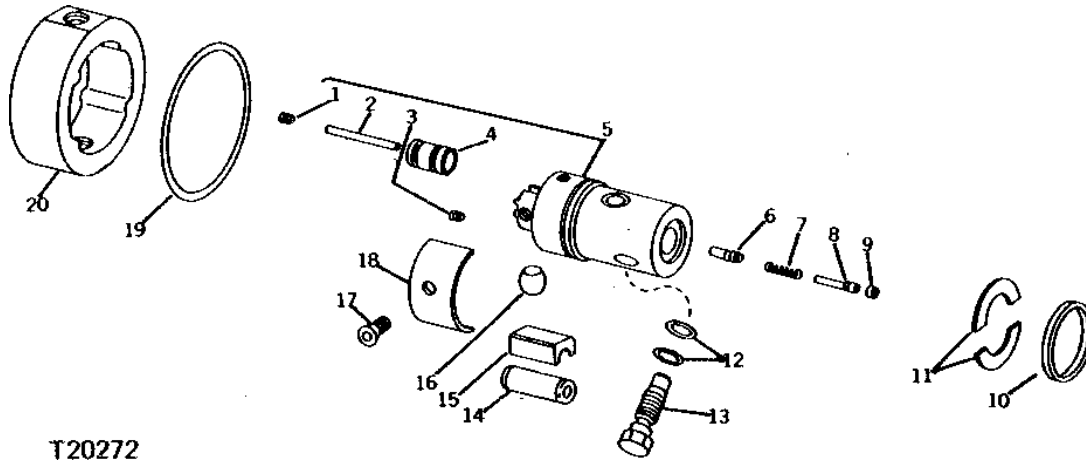
KEY	PART NO.	PART NAME	QTY	ENGINE SERIAL NO.	REMARKS
1	T17953	CAP SCREW	1		LOW IDLE
2	T11921	NUT	1		
3	T17947	WASHER	1		
4	R34812	O-RING	1		(SUB FOR T17951)
5	R36535	CHECK VALVE	1		
6	R37139	COVER	1		
7	R30714	BOLT	2		
8	T11884	SCREW	4		
9	T11882	COVER	2		
10	T11883	GASKET	2		
11	T11930	SCREW	1		
12	T11878	WASHER	1		
13	AR52690	HOUSING	1		
14	T11876	SCREW	2		
15	T11875	IDENTIFICATION PLATE	1		
16	T11930	SCREW	1		
17	T11878	WASHER	1		
18	R36538	DRIVE SHAFT	1		
19	26H10	SHAFT KEY	1		5/32" X 5/8"
20	R36540	SPRING	1		
21	T19855	PIN	1		
22	T11290	SEAL	2		
23	T19865	BUSHING	1		
24	T19854	O-RING	1		
25	T11918	GASKET	1		
26	T15715	WASHER	3		
27	12M7060	WASHER	3		0.209"
28	T15721	SCREW	3		
29	T11877	WIRE	4		
30	R48493	BUSHING	1		
..	AR49900	FUEL PUMP	1		(SUB AR51747)

1E22

FUEL AND AIR

T20272 -UN-01JAN94

FUEL INJECTION PUMP HEAD AND ROTOR (ROOSA-MASTER NO. JDB431AL2409)



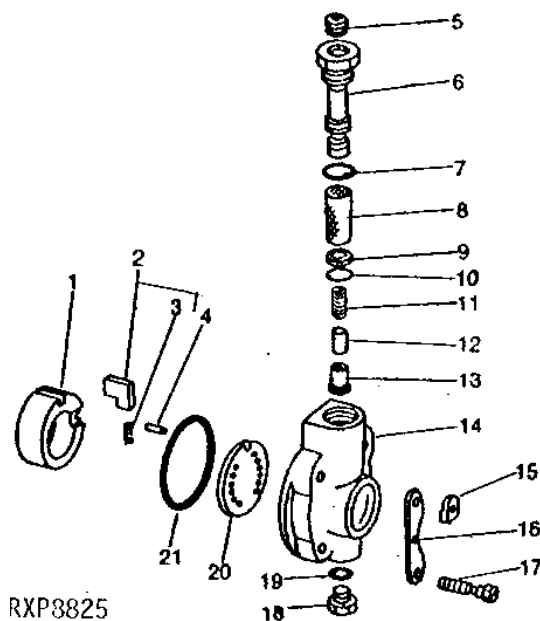
KEY	PART NO.	PART NAME	QTY	ENGINE SERIAL NO.	REMARKS
1	R30725	SCREW	2		
2	R30727	RETAINER	1		
3	T11926	SET SCREW	1		
4	R48495	WIRE	1		
5	AR51706	HYDRAULIC HEAD, AND ROTOR	1		
6	T19856	VALVE	1		
7	T19857	VALVE	1		(OVERSIZE)
8	R30735	SPRING	1		
9	T26223	STOP	1		
10	R30737	SCREW	1		
11	T11889	SNAP RING	1		
12	T11890	RETAINER	2		
13	T20055	WASHER	8		
14	R26726	FITTING	4		
15	T11886	NEEDLE ROLLER	2		
16	R56483	SHOE	2		(SUB FOR T11885)
17	R30728	PLUNGER	2		(ROTOR A)
18	R30729	PLUNGER	2		(ROTOR B)
19	R30730	PLUNGER	2		(ROTOR C)
20	R30731	PLUNGER	2		(ROTOR D)
..	T11887	SCREW	1		
..	R34639	LEAF SPRING	1		
..	T11891	O-RING	1		
..	R48501	RING	1		
..	AR49900	FUEL PUMP	1		(SUB AR51747)

1E23

FUEL AND AIR

RXP8825 -UN-01JAN94

FUEL INJECTION TRANSFER PUMP (ROOSA-MASTER NO. JDB431AL2409)



RXP8825

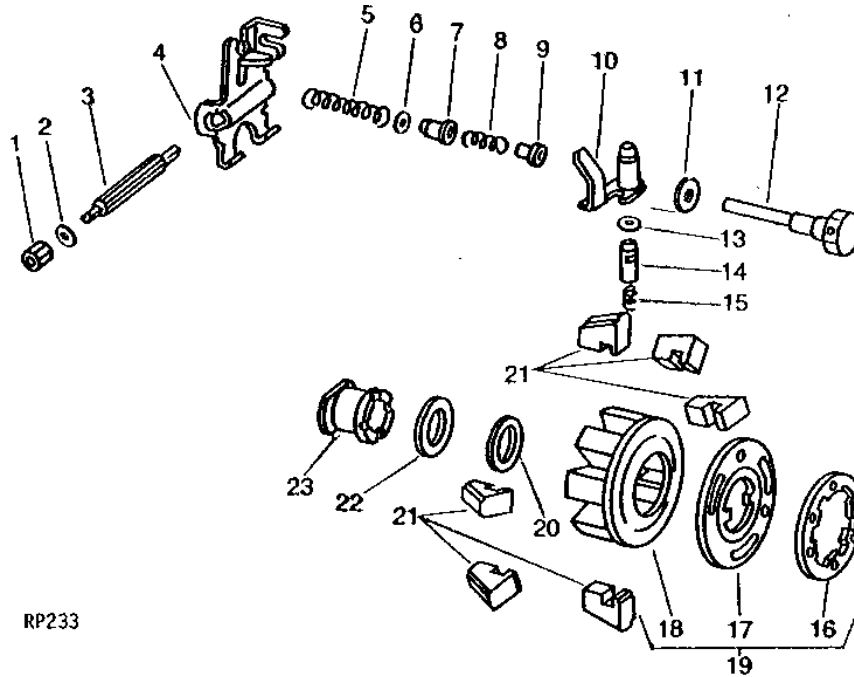
KEY	PART NO.	PART NAME	QTY	ENGINE SERIAL NO.	REMARKS
1	T26238	SLEEVE	1		
2	AR73828	KIT	1		BLADE, (SUB FOR R45045)
	AR73829	KIT	1		BLADE (OVERSIZE)
3	R34630	SPRING	2		
4	34H240	SPRING PIN	1		1/8" X 1/4", (SUB FOR R34638)
5	R34623	PLUG	1		
6	AT25959	SLEEVE	1		
7	R33259	O-RING	1		(SUB FOR T11934) (SUB R33259)
8	R34625	STRAINER	1		
9	R34632	WASHER	1		
10	T11899	O-RING	1		
11	R49209	SPRING	NA		(BLACK) (SUB FOR R34627)
12	T11900	DOWEL PIN	1		
13	R82439	BUSHING	1		(SUB FOR T25142)
14	R34624	PLATE	1		
15	R48496	CLIP	4		
16	R48497	STRAP	2		
17	R48498	BOLT	4		
18	T30607	DRAIN PLUG	1		
19	T26256	O-RING	1		
20	R34631	PLATE	1		
21	T11894	O-RING	1		
..	AR49900	FUEL PUMP	1		(SUB AR51747)

1E24

FUEL AND AIR

RP233 -UN-01JAN94

FUEL INJECTION PUMP GOVERNOR (ROOSA-MASTER NO. JDB431AL2409)



RP233

KEY	PART NO.	PART NAME	QTY	ENGINE SERIAL NO.	REMARKS
1	T11932	NUT	2		
2	R34812	O-RING	2		(SUB FOR T11906)
3	T11925	SHAFT	1		
4	T16602	ARM	1		
5	R48526	SPRING	1		(BLACK)
6	T17952	WASHER	1		
7	T11924	RETAINER	1		
8	T11913	SPRING	1		
9	T11914	GUIDE	1		
10	R74312	ARM	NA		(SUB FOR AR30736)
11	T11943	WASHER	1		
12	T11923	STUD	1		
13	R30732	SHIM	1		
14	R48500	VALVE	1		(SUB AR91548)
15	R58422	SPRING	1		(SUB FOR T11907)
16	R42483	RING	1		
17	AR63213	HUB	1		(SUB FOR AR51818)
18	AR63212	RETAINER	1		(SUB FOR AR51961)
19	AR51958	RETAINER	1		
20	T11931	RING	1		
21	T11910	WEIGHT	6		
22	T11909	WASHER	1		
23	T16601	SLEEVE	1		(SUB R74472)
..	AR49900	FUEL PUMP	1		(SUB AR51747)

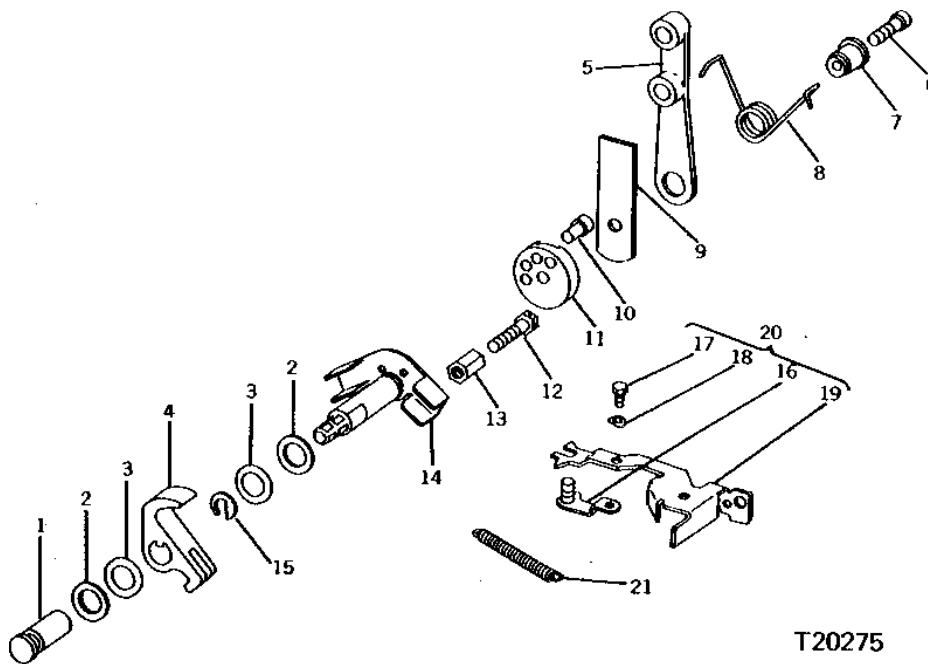
SEE YOUR AUTHORIZED PUMP REPAIR STATION FOR PARTS NOT AVAILABLE (NA)

1E25

FUEL AND AIR

T20275 -UN-01JAN94

FUEL INJECTION PUMP LINKAGE (ROOSA MASTER NO. JDB431AL2409)



T20275

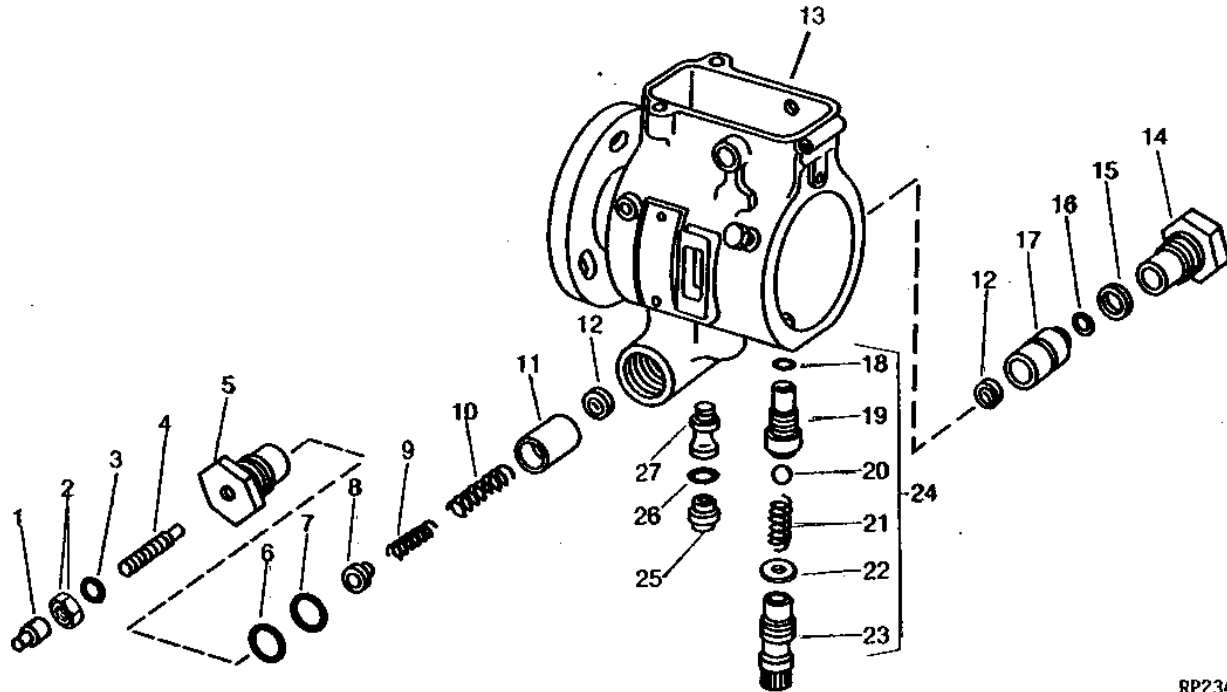
KEY	PART NO.	PART NAME	QTY	ENGINE SERIAL NO.	REMARKS
1	T17946	SHAFT	1		
2	T15720	WASHER	2		
3	T11915	O-RING	2		
4	T11927	LEVER	1		
5	T19858	LEVER	1		
6	T19859	SCREW	1		
7	T17950	RETAINER	1		
8	T17949	SPRING	1		
9	T19860	STRAP	1		
10	T11917	SCREW	1		
11	T19861	SPACER	1		
12	T11920	SCREW	1		
13	T19862	NUT	1		
14	R36542	SHAFT	1		
15	T11929	CLIP	1		
16	AR28602	LINK	1		
17	R30718	SCREW	1		
18	R30719	LOCK WASHER	1		
19	T15699	HOOK	1		
20	AT11520	HOOK	1		
21	T11911	SPRING	1		
..	AR49900	FUEL PUMP	1	(SUB AR51747)	

1F1

FUEL AND AIR

RP234 -UN-01JAN94

FUEL INJECTION PUMP AUTOMATIC ADVANCE (ROOSA MASTER NO. JDB431AL2409)



RP234

KEY	PART NO.	PART NAME	QTY	ENGINE SERIAL NO.	REMARKS
1	T17117	CAP	1		
2	T17122	NUT	1		
3	T11915	O-RING	1		
4	T17123	SET SCREW	1		
5	T17126	PLUG	1		
6	T15710	O-RING	2		
7	T15710	O-RING	2		
8	T17125	GUIDE	1		
9	R48606	SPRING	1	(RED AND YELLOW)	
10	R48607	SPRING	1	(BLACK AND GREEN)	
11	T18529	PISTON	1	(SUB R70315)	
12	T15705	WASHER	2		
13	AR52690	HOUSING	1		
14	R74310	PLUG	1	(SUB FOR T15707 OR R49212)	
15	R49211	WASHER	1	(SUB FOR R36651)	
16	R34635	WASHER	1		
17	R34824	PISTON	1		
18	T11899	O-RING	2		
19	R48604	PLUG	1		
20	T17137	BALL	1	5MM (3/16")	
21	R48601	SPRING	1		
22	R48603	WASHER	1	(SUB AR51712)	
23	R48602	SCREW	1		
24	AR51712	SCREW	1		
25	R40707	PLUG	NA	(SUB FOR T15711)	
26	T15712	O-RING	1		
27	R36646	SCREW	1		
..	AR49900	FUEL PUMP	1	(SUB AR51747)	

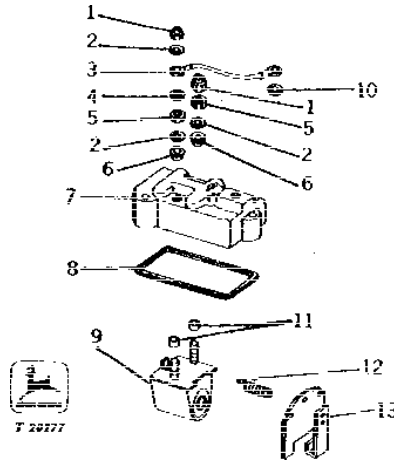
SEE YOUR AUTHORIZED PUMP REPAIR STATION FOR PARTS NOT AVAILABLE (NA)

1F2

FUEL AND AIR

FUEL INJECTION PUMP ELECTRIC SHUT-OFF (ROOSA-MASTER NO. JDB431AL2409)

T20277 -UN-01JAN94



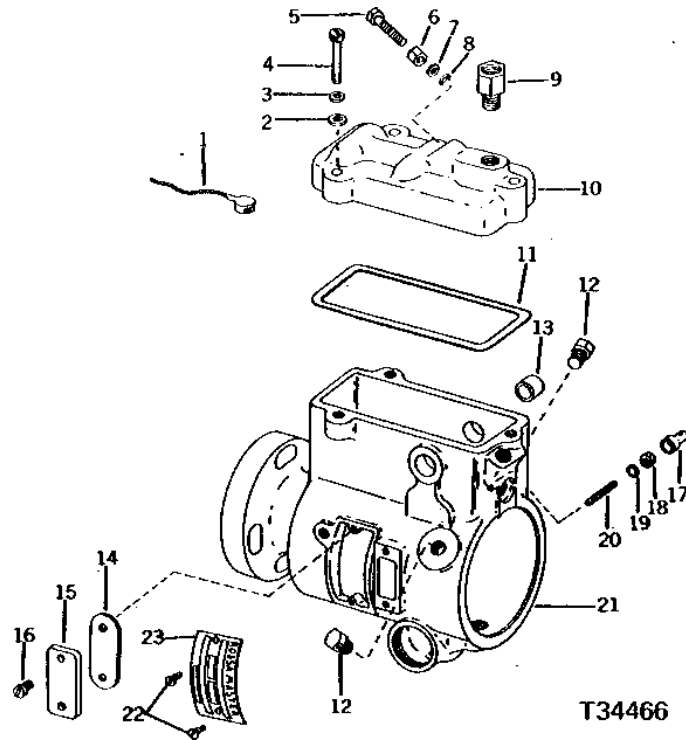
KEY	PART NO.	PART NAME	QTY	ENGINE SERIAL NO.	REMARKS
1	T19977	LOCK NUT	2		
2	R47049	WASHER	3	(SUB RE37091)	
3	R66593	STRAP	1	(SUB FOR AR49542) (SUB AR50874)	
4	R47077	LOCK WASHER	1		
5	T11938	NUT	2		
6	T11936	WASHER	2	(SUB RE37091)	
7	R37139	COVER	1		
8	T11918	GASKET	1		
9	AR90340	KIT	1	(SUB FOR AR48219) (SUB RE37089 AND RE37091)	
10	12M7060	WASHER	1	0.209"	
11	T11937	INSULATOR	1		
12	T11935	SPRING	1		
13	AR87068	KIT	1	(SUB FOR AT11524) (SUB RE37089 AND RE37091)	
..	AR49900	FUEL PUMP	1	(SUB AR51747)	

1F3

FUEL AND AIR

T34466 -UN-01JAN94

FUEL INJECTION PUMP HOUSING (ROOSA-MASTER NO. JDB435AL2442)



T34466

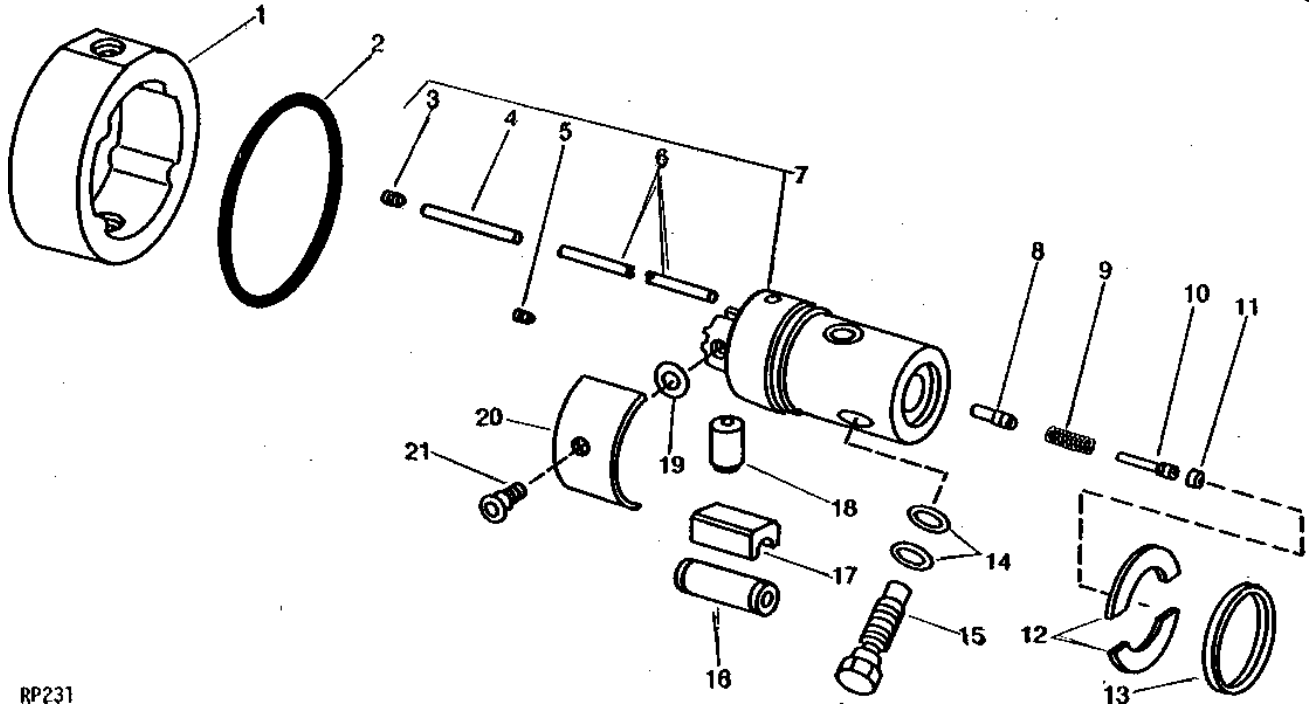
KEY	PART NO.	PART NAME	QTY	ENGINE SERIAL NO.	REMARKS
1	T11877	WIRE	4		
2	T15715	WASHER	3		
3	12M7060	WASHER	3	0.209"	
4	T15721	SCREW	3		
5	T17953	CAP SCREW	1		
6	T11921	NUT	1		
7	T17947	WASHER	1		
8	R34812	O-RING	1	(SUB FOR T17951)	
9	R36535	CHECK VALVE	1		
10	R37139	COVER	1		
11	T11918	GASKET	1		
12	R30714	BOLT	2		
13	R48493	BUSHING	2		
14	T11883	GASKET	1		
15	T11882	COVER	1		
16	T11884	SCREW	2		
17	T17117	CAP	1		
18	T17122	NUT	1		
19	T11915	O-RING	1		
20	T17124	SET SCREW	1		
21	AR67675	HOUSING	1		
22	T11876	SCREW	2		
23	T11875	IDENTIFICATION PLATE	1		
..	AR51747	FUEL INJECTION PUMP	1	(SUB FOR AR49900)	

1F4

FUEL AND AIR

RP231 -UN-01JAN94

FUEL INJECTION PUMP HEAD AND ROTOR (ROOSA-MASTER NO. JDB435AL2442)



RP231

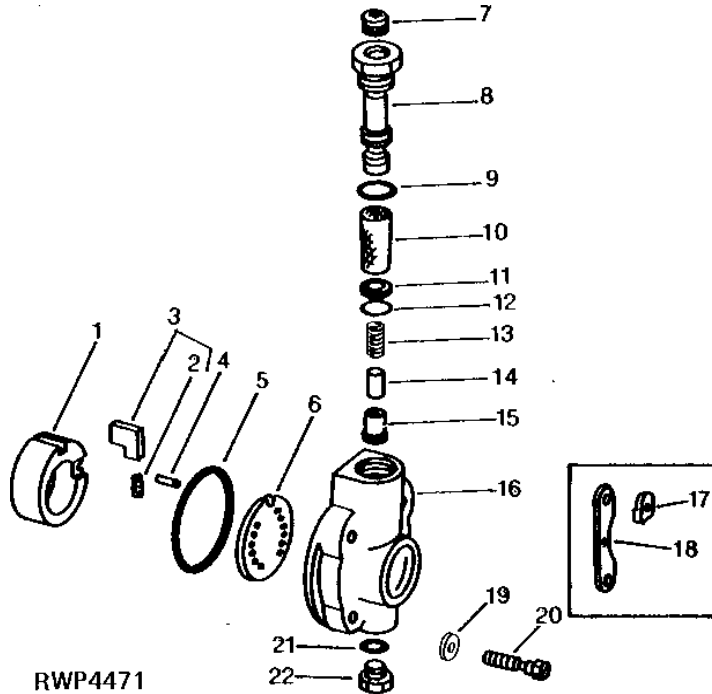
KEY	PART NO.	PART NAME	QTY	ENGINE SERIAL NO.	REMARKS
1	R48501	RING	1		
2	T11891	O-RING	1		
3	R30725	SCREW	2		
4	R48495	WIRE	1		
5	T11926	SET SCREW	1		
6	R30727	RETAINER	1		
7	AR52229	HYDRAULIC HEAD, AND ROTOR	1		
8	T19856	VALVE	1		
	T19857	VALVE	1		(OVERSIZE)
9	R30735	SPRING	1		
10	T26223	STOP	1		
11	R30737	SCREW	1		
12	T11890	RETAINER	2		
13	T11889	SNAP RING	1		
14	T20055	WASHER	8		
15	R26726	FITTING	4		
16	T11886	NEEDLE ROLLER	2		
17	R56483	SHOE	2		(SUB FOR T11885)
	T11891	O-RING	1		
18	T32238	PLUNGER	2		(ROTOR A)
	T32239	PLUNGER	2		(ROTOR B)
	T32240	PLUNGER	2		(ROTOR C)
	T32241	PLUNGER	2		(ROTOR D)
19	T31124	SHIM	AR		0.13 MM (.005") (SUB AT140057)
	T31125	SHIM	AR		0.15 MM (.006") (SUB AT140057)
	T31126	SHIM	AR		0.18 MM (.007") (SUB AT140057)
	T31127	SHIM	AR		0.20 MM (.008") (SUB AT140057)
	T31128	SHIM	AR		0.23 MM (.009") (SUB AT140057)
20	T11888	LEAF SPRING	1		
21	T11887	SCREW	1		
..	AR51747	FUEL INJECTION PUMP	1		

1F5

FUEL AND AIR

FUEL INJECTION PUMP TRANSFER (ROOSA-MASTER NO. JDB435AL2442)

RWP4471 -UN-01JAN94



RWP4471

KEY	PART NO.	PART NAME	QTY	ENGINE SERIAL NO.	REMARKS
1	T26238	SLEEVE	1		
2	R34630	SPRING	2		
3	AR73828	KIT	1		BLADE, (SUB FOR R45045)
4	AR73829	KIT	1		BLADE (OVERSIZE)
4	34H240	SPRING PIN	1		1/8" X 1/4", (SUB FOR R34638)
5	T11894	O-RING	1		
6	R34631	PLATE	1		
7	R34623	PLUG	1		
8	RE21439	SLEEVE	1		(SUB FOR R34622)
9	T11934	O-RING	1		(SUB R33259)
10	R34625	STRAINER	1		
11	R34632	WASHER	1		
12	T11899	O-RING	1		
13	R49209	SPRING	NA		(BLACK)
14	T11900	DOWEL PIN	1		
15	R82439	BUSHING	1		(SUB FOR T25142)
16	R34624	PLATE	1		
17	R48496	CLIP	4	-XXXXXX	
18	R48497	STRAP	2	-XXXXXX	
19	T15715	WASHER	4	XXXXXX-	
19	12M7060	WASHER	4	XXXXXX-	0.209"
20	R48498	BOLT	4		
21	T26256	O-RING	1		
22	T30607	DRAIN PLUG	1		
..	AR67647	FUEL INJECTION PUMP	NA		

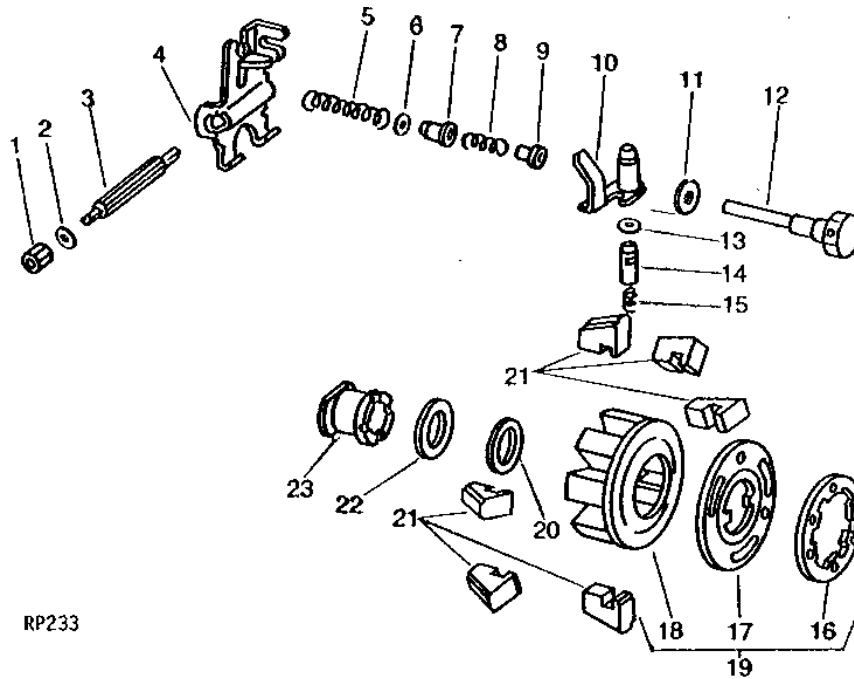
SEE YOUR AUTHORIZED PUMP REPAIR STATION FOR PARTS NOT AVAILABLE (NA)

1F6

FUEL AND AIR

RP233 -UN-01JAN94

FUEL INJECTION PUMP GOVERNOR (ROOSA-MASTER NO. JDB435AL2442)



RP233

KEY	PART NO.	PART NAME	QTY	ENGINE SERIAL NO.	REMARKS
1	T11932	NUT	2		
2	R34812	O-RING	2		(SUB FOR T11906)
3	T11925	SHAFT	1		
4	T16602	ARM	1		
5	T11953	SPRING	1		(RED AND GREEN)
6	T17952	WASHER	1		
7	T11924	RETAINER	1		
8	T11913	SPRING	1		
9	T11914	GUIDE	1		
10	R74312	ARM	NA		(SUB FOR AR30736)
11	T11943	WASHER	1		
12	T11923	STUD	1		
13	R30732	SHIM	1		
14	R48500	VALVE	1		(SUB AR91548)
15	R58422	SPRING	1		
16	R42483	RING	1		
17	AR63213	HUB	1		
18	AR63212	RETAINER	1		
19	AR44542	RETAINER	1		
20	T11931	RING	1		
21	T11910	WEIGHT	6		
22	T11909	WASHER	1		
23	T16601	SLEEVE	1		(SUB R74472)
..	AR51747	FUEL INJECTION PUMP	1		

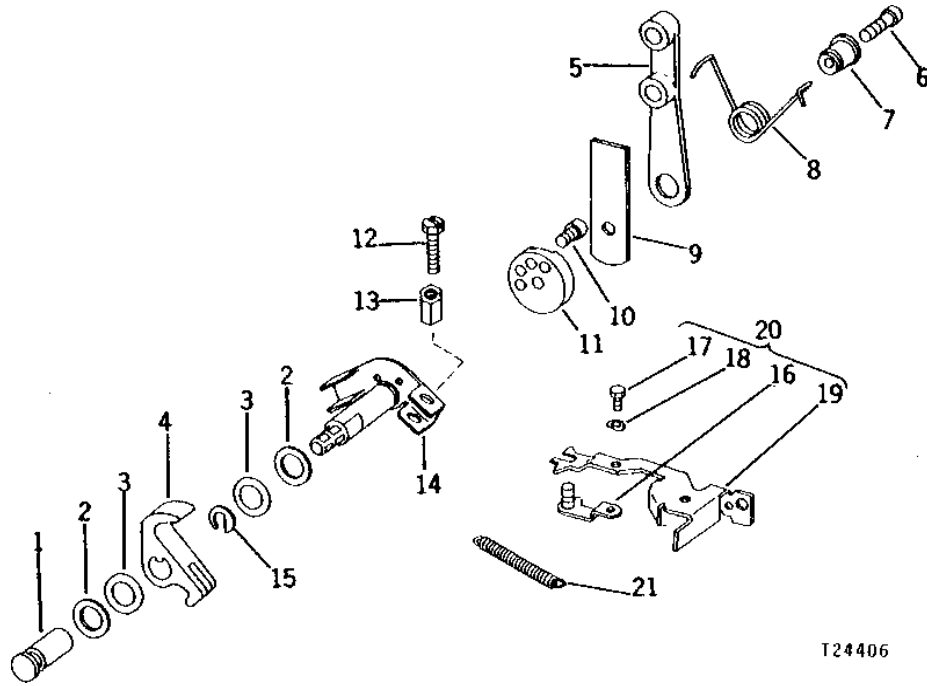
SEE YOUR AUTHORIZED PUMP REPAIR STATION FOR PARTS NOT AVAILABLE (NA)

1F7

FUEL AND AIR

T24406 -UN-01JAN94

FUEL INJECTION PUMP LINKAGE (ROOSA-MASTER NO. JDB435AL2442)



T24406

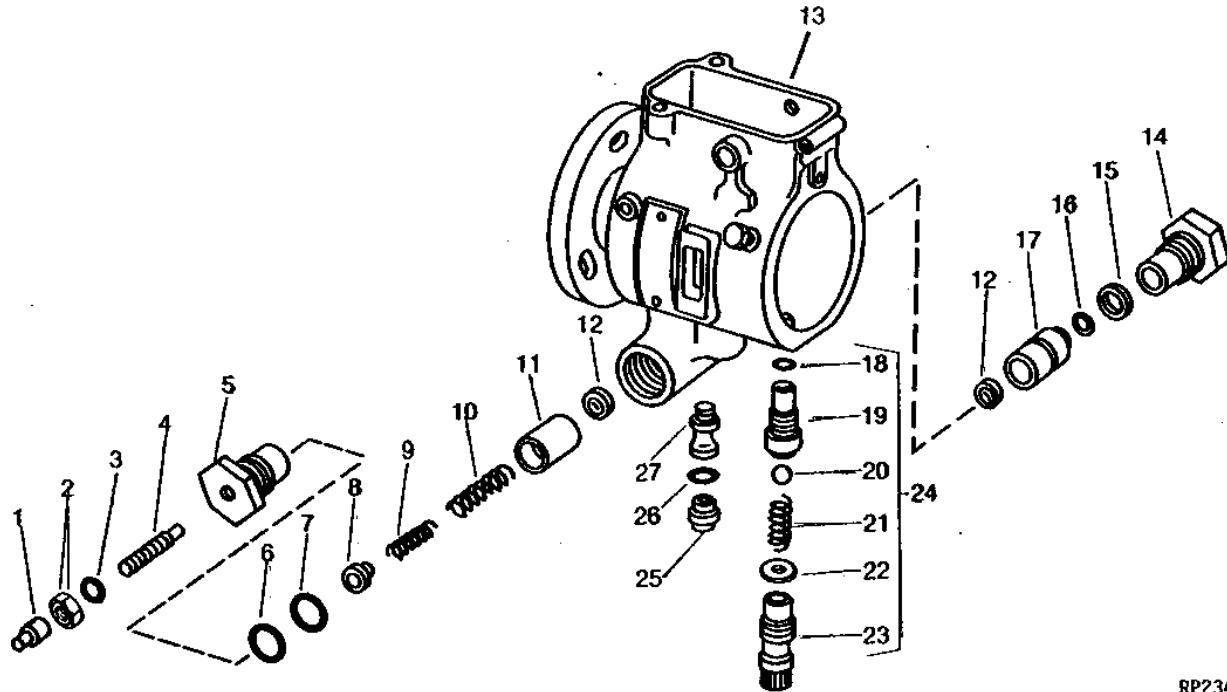
KEY	PART NO.	PART NAME	QTY	ENGINE SERIAL NO.	REMARKS
1	T17946	SHAFT	1		
2	T15720	WASHER	2		
3	T11915	O-RING	2		
4	T11927	LEVER	1		
5	T19858	LEVER	1		
6	T19859	SCREW	1		
7	T17950	RETAINER	1		
8	T17949	SPRING	1		
9	T19860	STRAP	1		
10	T11917	SCREW	1		
11	T19861	SPACER	1		
12	T11920	SCREW	1		
13	T19862	NUT	1		
14	R36542	SHAFT	1		
15	T11929	CLIP	1		
16	AR28602	LINK	1		
17	R30718	SCREW	1		
18	R30719	LOCK WASHER	1		
19	T15699	HOOK	1		
20	AT11520	HOOK	1		
21	T11911	SPRING	1		
..	AR51747	FUEL INJECTION PUMP	1		

1F8

FUEL AND AIR

RP234 -UN-01JAN94

FUEL INJECTION PUMP AUTOMATIC ADVANCE (ROOSA-MASTER NO. JDB435AL2442)



RP234

KEY	PART NO.	PART NAME	QTY	ENGINE SERIAL NO.	REMARKS
1	T17117	CAP	1		
2	T17122	NUT	1		
3	T11915	O-RING	1		
4	T17123	SET SCREW	1		
5	T17126	PLUG	1		
6	R56396	O-RING	2		
7	T15710	O-RING	2		
8	T17125	GUIDE	1		
9	R48607	SPRING	1	(BLACK AND GREEN)	
10	R48606	SPRING	1	(RED AND YELLOW)	
11	R48605	PISTON	NA		
12	T15705	WASHER	2		
13	AR67675	HOUSING	1		
14	R74310	PLUG	1	(SUB FOR R49212)	
15	R49211	WASHER	1		
16	R34635	WASHER	1		
17	T19863	PISTON	1		
18	T11899	O-RING	2		
19	R48604	PLUG	1		
20	T17137	BALL	1		
21	R48601	SPRING	1		
22	R48603	WASHER	1	(SUB FOR AR51712)	
23	R48602	SCREW	1		
24	AR51712	SCREW	1		
25	R40707	PLUG	NA	(SUB FOR T15711)	
26	T15712	O-RING	1		
27	R36646	SCREW	1		
..	AR51747	FUEL INJECTION PUMP	1		

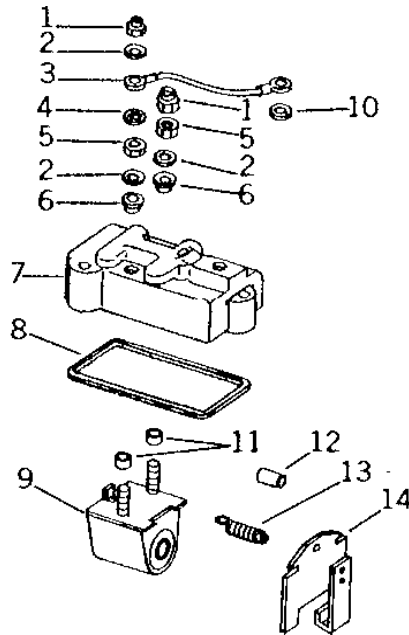
SEE YOUR AUTHORIZED PUMP REPAIR STATION FOR PARTS NOT AVAILABLE (NA)

1F9

FUEL AND AIR

FUEL INJECTION PUMP ELECTRIC SHUT-OFF (ROOSA-MASTER NO. JDB435AL2442)

T20527 -UN-01JAN94



T 20 527

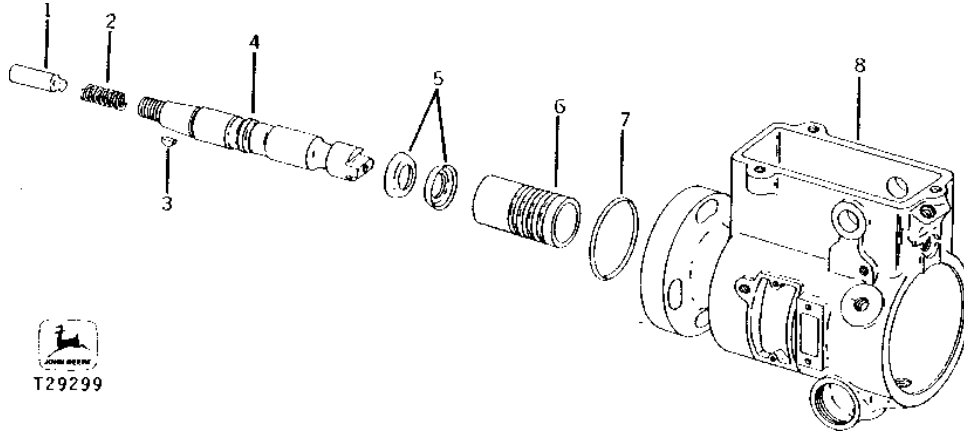
KEY	PART NO.	PART NAME	QTY	ENGINE SERIAL NO.	REMARKS
1	T19977	LOCK NUT	2		
2	R47049	WASHER	3	(SUB RE37091)	
3	R66593	STRAP	1	(SUB FOR AR49542) (SUB AR50874)	
4	R47077	LOCK WASHER	1		
5	T11938	NUT	2		
6	T11936	WASHER	2	(SUB RE37091)	
7	R37139	COVER	1		
8	T11918	GASKET	1		
9	AR90340	KIT	1	(SUB FOR AR48219) (SUB RE37089 AND RE37091)	
10	12M7060	WASHER	1	0.209"	
11	T11937	INSULATOR	1		
12	R48795	SLEEVE	1		
13	T11935	SPRING	1		
14	AR87068	KIT	1	(SUB FOR AT11524) (SUB RE37089 AND RE37091)	
..	AR51747	FUEL INJECTION PUMP	1		

1F10

FUEL AND AIR

FUEL INJECTION PUMP DRIVE SHAFT (ROOSA-MASTER NO. JDB435AL2442)

T29299 -UN-01JAN94



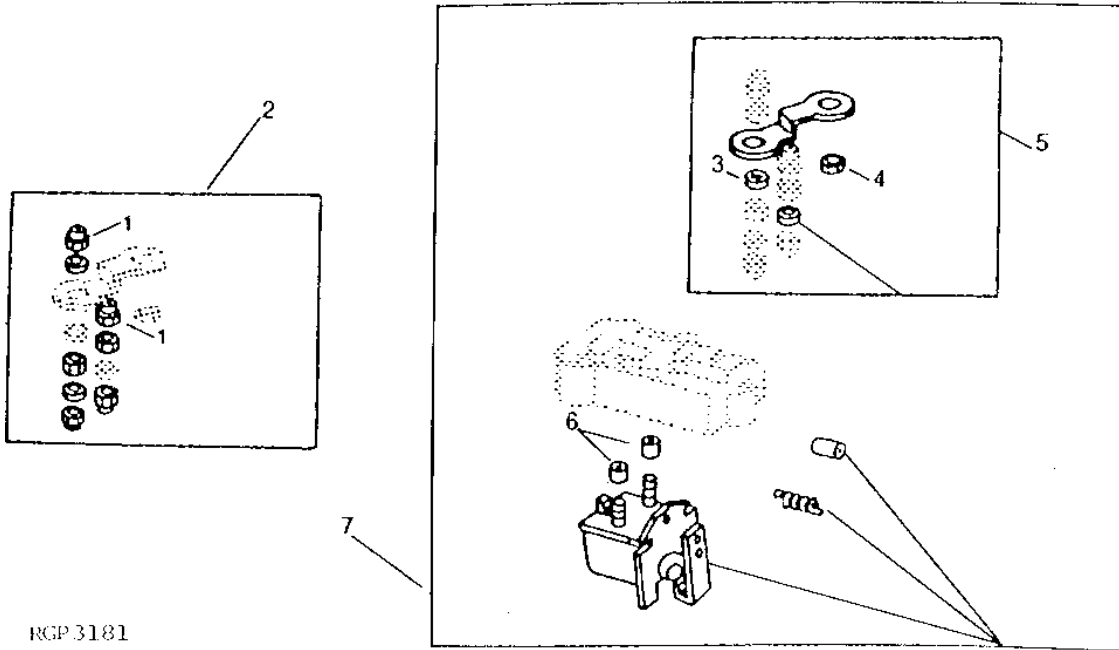
KEY	PART NO.	PART NAME	QTY	ENGINE SERIAL NO.	REMARKS
1	T19855	PIN	1		
2	R36540	SPRING	1		
3	26H10	SHAFT KEY	1	5/32" X 5/8"	
4	R36538	DRIVE SHAFT	1		
5	T11290	SEAL	2		
6	T19865	BUSHING	1		
7	T19854	O-RING	1		
8	AR67675	HOUSING	1		
..	AR51747	FUEL INJECTION PUMP	1		

1F11

FUEL AND AIR

FUEL INJECTION PUMP ELECTRIC SHUT-OFF KIT
(ROOSA MASTER NO. JDB431AL2403 AND JDB435AL2442)

RGP3181 -UN-01JAN94



RGP 3181

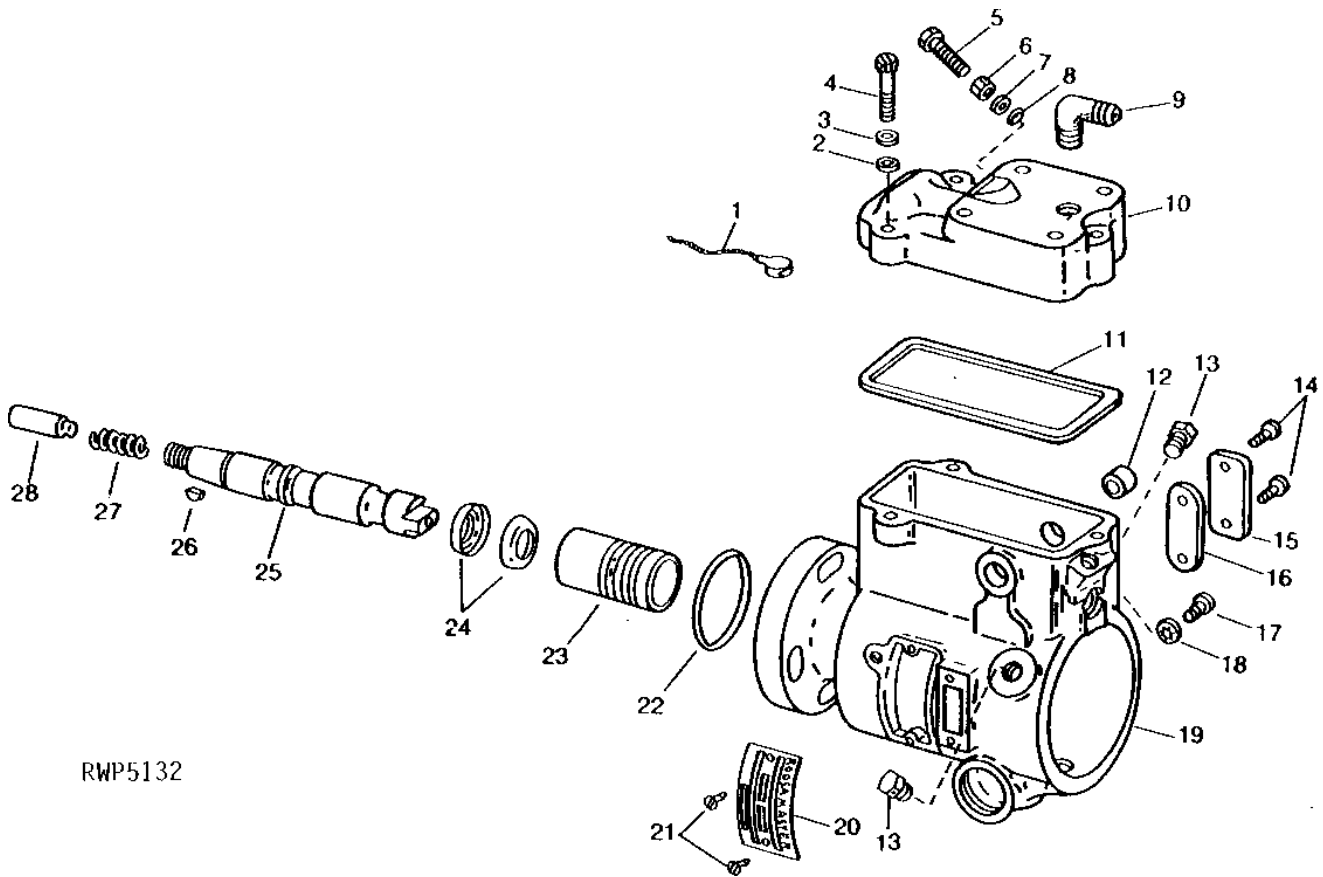
KEY	PART NO.	PART NAME	QTY	SERIAL NO.	REMARKS
1	M63431	LOCK NUT	2		(SUB FOR T19977, THIS APPLICATION)
2	RE37091	KIT	1		NUT AND WASHER, (SUB FOR AR90601)
3	R47077	LOCK WASHER	1		
4	12M7060	WASHER	1		0.209"
5	AR50874	KIT	1		GROUNDING STRAP
6	T11937	TUBE	2		
7	RE37089	SOLENOID	1		12 VOLT SHUT-OFF, (ALSO ORDER RE37091) (SUB FOR AR90340, AR51796, AR48219, AT11524, AR87068)

1F12

FUEL AND AIR

RWP5132 -UN-01JAN94

FUEL INJECTION PUMP HOUSING AND DRIVE
(ROOSA-MASTER NO. JDB435AJ2680)



RWP5132

1F13

FUEL AND AIR

FUEL INJECTION PUMP HOUSING AND DRIVE - CONTINUED
(ROOSA-MASTER NO. JDB435AJ2680)

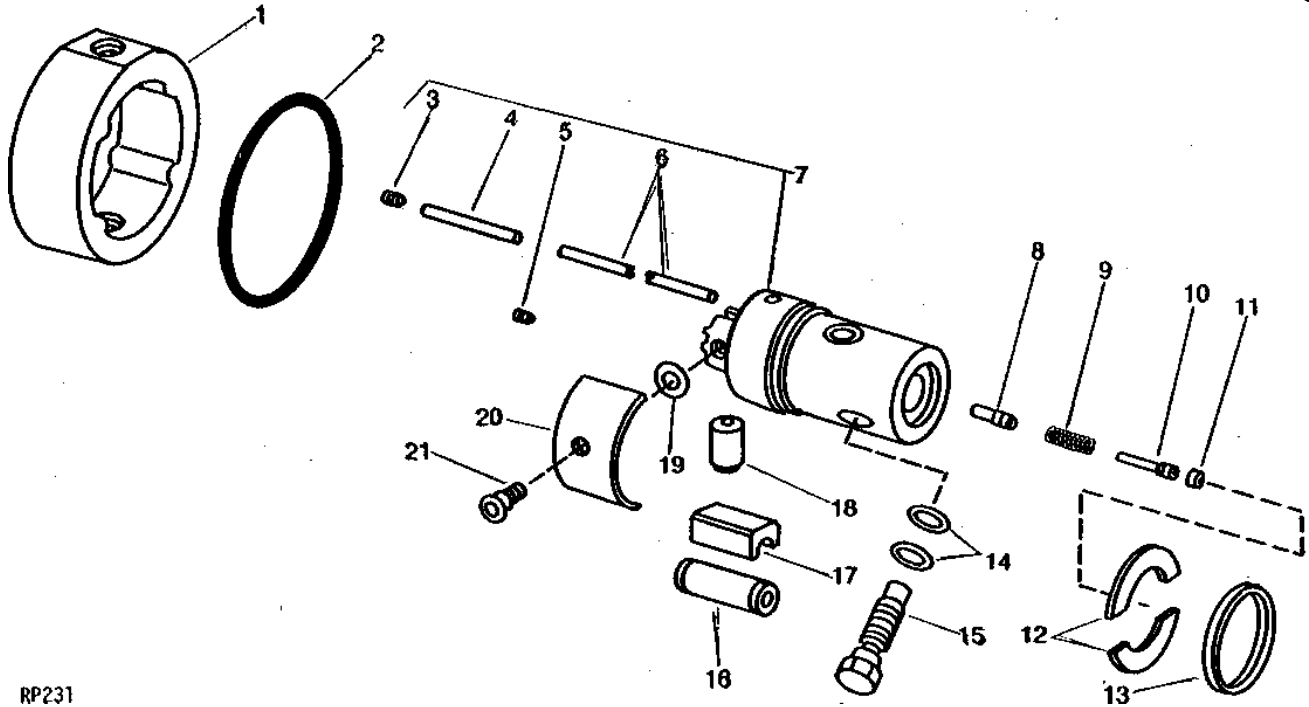
KEY	PART NO.	PART NAME	QTY	ENGINE SERIAL NO.	REMARKS
1	T11877	WIRE	4		
2	T15715	WASHER	3		
3	12M7060	WASHER	3		0.209"
4	T15721	SCREW	3		
5	T17953	CAP SCREW	1		
6	T11921	NUT	1		
7	T17947	WASHER	1		
8	R34812	O-RING	1		(SUB FOR T17951)
9	AR63166	FITTING	1		
10	T17945	COVER	1		
11	T11918	GASKET	1		
12	R48493	BUSHING	2		
13	R30714	BOLT	2		
14	T11884	SCREW	4		
15	T11882	COVER	2		
16	T11883	GASKET	2		
17	T11930	SCREW	1		
18	T11878	WASHER	1		
19	AR67675	HOUSING	1		
20	T11875	IDENTIFICATION PLATE	1		
21	T11876	SCREW	2		
22	R460R	O-RING	1		
23	T19865	BUSHING	1		
24	T11290	SEAL	2		
25	R36538	DRIVE SHAFT	1		
26	26H10	SHAFT KEY	1		5/32" X 5/8"
27	R36540	SPRING	1		
28	T19855	PIN	1		
..	AR67380	FUEL INJECTION PUMP	NA		

1F14

FUEL AND AIR

RP231 -UN-01JAN94

FUEL INJECTION PUMP HEAD AND ROTOR (ROOSA-MASTER NO. JDB435AJ2680)



RP231

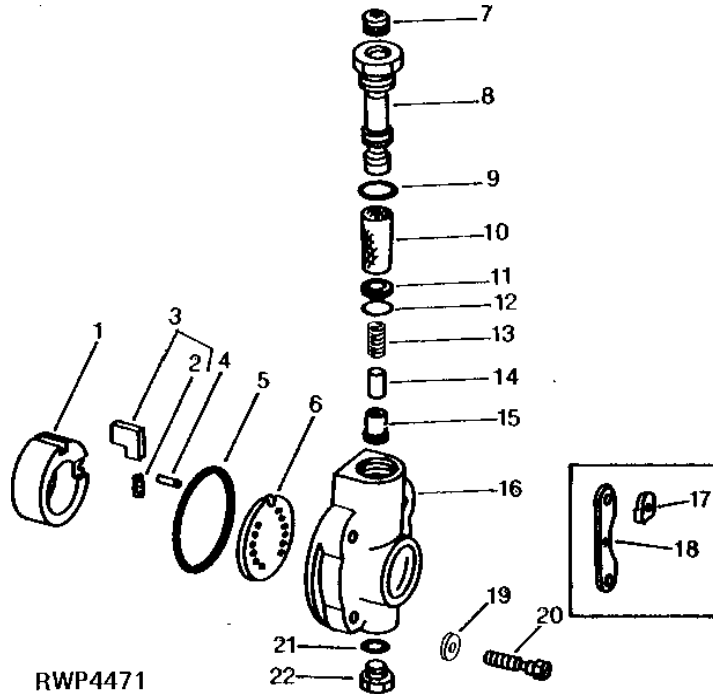
KEY	PART NO.	PART NAME	QTY	ENGINE SERIAL NO.	REMARKS
1	R48501	RING	1		
2	T11891	O-RING	1		
3	R30725	SCREW	2		
4	R49346	DOWEL PIN	1		
5	T11926	SET SCREW	1		
6	R30727	RETAINER	1		
7	AR52229	HYDRAULIC HEAD, AND ROTOR	1		
8	T19856	VALVE	1		
	T19857	VALVE	1		(OVERSIZE)
9	R30735	SPRING	1		
10	T26223	STOP	1		
11	R30737	SCREW	1		
12	T11890	RETAINER	2		
13	T11889	SNAP RING	1		
14	T20055	WASHER	8		
15	R26726	FITTING	4		
16	T11886	NEEDLE ROLLER	2		
17	R56483	SHOE	2		
18	T32238	PLUNGER	1		(ROTOR A)
	T32239	PLUNGER	1		(ROTOR B)
	T32240	PLUNGER	1		(ROTOR C)
	T32241	PLUNGER	1		(ROTOR D)
19	T31124	SHIM	AR		.13 MM (.005") (SUB AT140057)
	T31125	SHIM	AR		.15 MM (.006") (SUB AT140057)
	T31126	SHIM	AR		.18 MM (.007") (SUB AT140057)
	T31127	SHIM	AR		.20 MM (.008") (SUB AT140057)
	T31128	SHIM	AR		.23 MM (.009") (SUB AT140057)
20	T11888	LEAF SPRING	1		
21	T11887	SCREW	1		
..	AR67380	FUEL INJECTION PUMP	NA		

1F15

FUEL AND AIR

FUEL INJECTION PUMP TRANSFER (ROOSA-MASTER NO. JDB435AJ2680)

RWP4471 -UN-01JAN94



KEY	PART NO.	PART NAME	QTY	ENGINE SERIAL NO.	REMARKS
1	T26238	SLEEVE	1		
2	R34630	SPRING	2		
3	AR73828	KIT	1		BLADE
4	AR73829	KIT	1		BLADE (OVERSIZE)
5	34H240	SPRING PIN	1		1/8" X 1/4"
6	T11894	O-RING	1		
7	R34631	PLATE	1		
8	R34623	PLUG	1		
9	RE21439	SLEEVE	1		(SUB FOR R34622)
10	T11934	O-RING	1		(SUB R33259)
11	R34625	STRAINER	1		
12	R34632	WASHER	1		
13	T11899	O-RING	1		
14	R49209	SPRING	NA		(BLACK)
15	T11900	DOWEL PIN	1		
16	R82439	BUSHING	1		(SUB FOR T25142)
17	R34624	PLATE	1		
18	R48496	CLIP	4	-XXXXXX	
19	R48497	STRAP	2	-XXXXXX	
20	T15715	WASHER	4	XXXXXX-	
21	12M7060	WASHER	4	XXXXXX-	0.209"
22	R48498	BOLT	4		
..	T26256	O-RING	1		
..	T30607	DRAIN PLUG	1		
..	AR67647	FUEL INJECTION PUMP	NA		

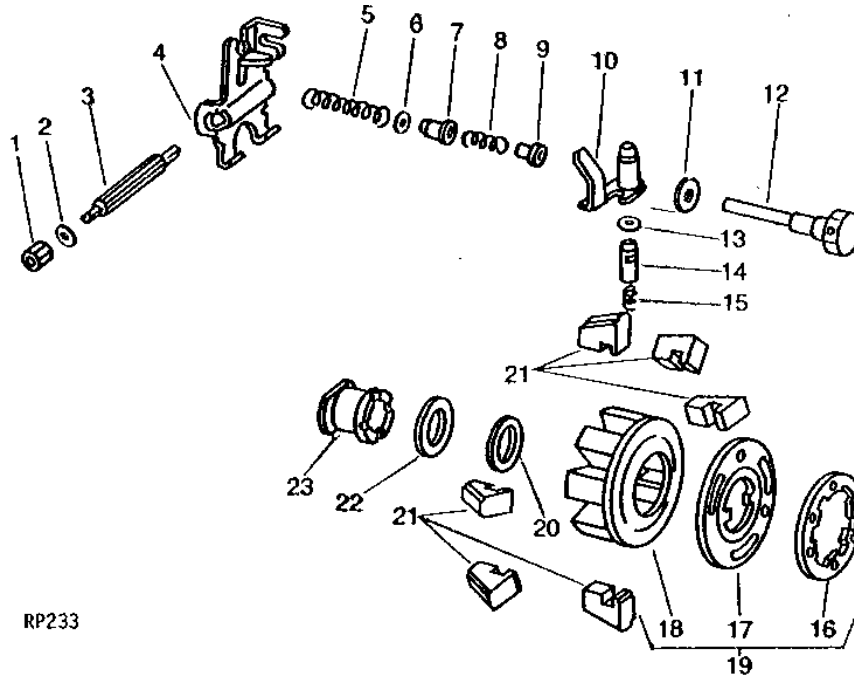
SEE YOUR AUTHORIZED PUMP REPAIR STATION FOR PARTS NOT AVAILABLE (NA)

1F16

FUEL AND AIR

RP233 -UN-01JAN94

FUEL INJECTION PUMP GOVERNOR (ROOSA-MASTER NO. JDB435AJ2680)



RP233

KEY	PART NO.	PART NAME	QTY	ENGINE SERIAL NO.	REMARKS
1	T11932	NUT	2		
2	R34812	O-RING	2		(SUB FOR T11906)
3	T11925	SHAFT	1		
4	T16602	ARM	1		
5	T11953	SPRING	1		(RED AND GREEN)
6	T17952	WASHER	1		
7	T11924	RETAINER	1		
8	T11913	SPRING	1		
9	T11914	GUIDE	1		
10	R74312	ARM	NA		(SUB FOR AR30736)
11	T11943	WASHER	1		
12	T11923	STUD	1		
13	R30732	SHIM	1		
14	R48500	VALVE	1		(SUB AR91548)
15	R58422	SPRING	1		(SUB FOR T11907)
16	R42483	RING	1		
17	AR63213	HUB	1		
18	AR63212	RETAINER	1		
19	AR44542	RETAINER	1		
20	T11931	RING	1		
21	T11910	WEIGHT	6		(SUB FOR R48499)
22	T11909	WASHER	1		
23	T16601	SLEEVE	1		(SUB R74472)
..	AR67380	FUEL INJECTION PUMP	NA		

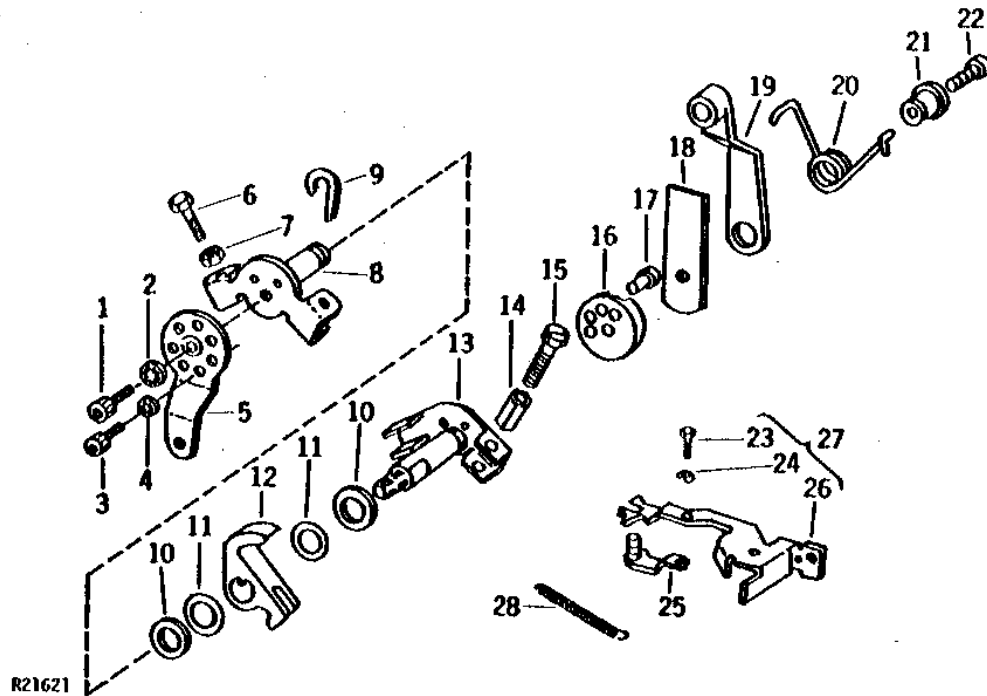
SEE YOUR AUTHORIZED PUMP REPAIR STATION FOR PARTS NOT AVAILABLE (NA)

1F17

FUEL AND AIR

FUEL INJECTION PUMP SHUT-OFF LINKAGE (ROOSA-MASTER NO. JDB435AJ2680)

R21621 -UN-01JAN94



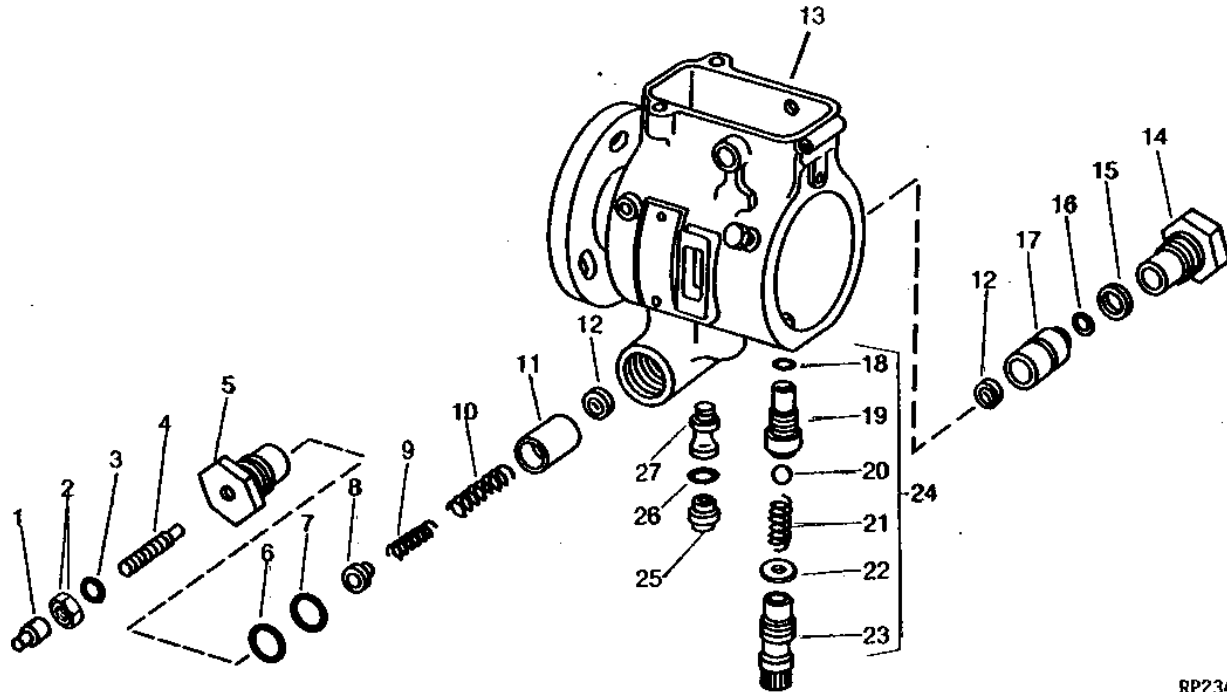
KEY	PART NO.	PART NAME	QTY	ENGINE SERIAL NO.	REMARKS
1	T11940	SCREW	1		
2	12M7060	WASHER	1	0.209"	
3	T11917	SCREW	1		
4	R47077	LOCK WASHER	1		
5	R57098	LEVER	NA		
6	T15702	SCREW	2		
7	T11921	NUT	2		
8	AR63168	SHAFT	1		
9	R30721	CAM	1		
10	T15720	WASHER	2		
11	T11915	O-RING	2		
12	T11927	LEVER	1		
13	R36542	SHAFT	1		
14	T11921	NUT	1		
15	R30722	BOLT	1		
16	T19861	SPACER	1		
17	T11917	SCREW	1		
18	T19860	STRAP	1		
19	R57097	LEVER	1		
20	T17949	SPRING	1		
21	T17950	RETAINER	1		
22	T19859	SCREW	1		
23	R30718	SCREW	1		
24	R30719	LOCK WASHER	1		
25	AR28602	LINK	1		
26	T15699	HOOK	1		
27	AT11520	HOOK	1		
28	T11911	SPRING	1		
..	AR67380	FUEL INJECTION PUMP	NA		

1F18

FUEL AND AIR

RP234 -UN-01JAN94

FUEL INJECTION PUMP AUTOMATIC ADVANCE
(ROOSA-MASTER NO. JDB435AJ2680)



RP234

KEY	PART NO.	PART NAME	QTY	ENGINE SERIAL NO.	REMARKS
1	T17117	CAP	1		
2	T17122	NUT	1		
3	T11915	O-RING	1		
4	T17123	SET SCREW	1		
5	T17126	PLUG	1		
6	R56396	O-RING	1		
7	T15710	O-RING	1		
8	T17125	GUIDE	1		
9	R48607	SPRING	1	(BLACK AND GREEN)	
10	R48606	SPRING	1	(RED AND YELLOW)	
11	R48605	PISTON	NA		
12	T15705	WASHER	2		
13	AR67675	HOUSING	1		
14	R74310	PLUG	1	(SUB FOR R49212)	
15	R49211	WASHER	1		
16	R34635	WASHER	1		
17	T19863	PISTON	1		
18	T11899	O-RING	2		
19	R48604	PLUG	1		
20	T17137	BALL	1		
21	R48601	SPRING	1		
22	R48603	WASHER	1	(SUB AR51712)	
23	R48602	SCREW	1		
24	AR51712	SCREW	1		
25	R40707	PLUG	NA	(SUB FOR T15711)	
26	T15712	O-RING	1		
27	R36646	SCREW	1		
..	AR67380	FUEL INJECTION PUMP	NA		

SEE YOUR AUTHORIZED PUMP REPAIR STATION FOR PARTS NOT AVAILABLE (NA)

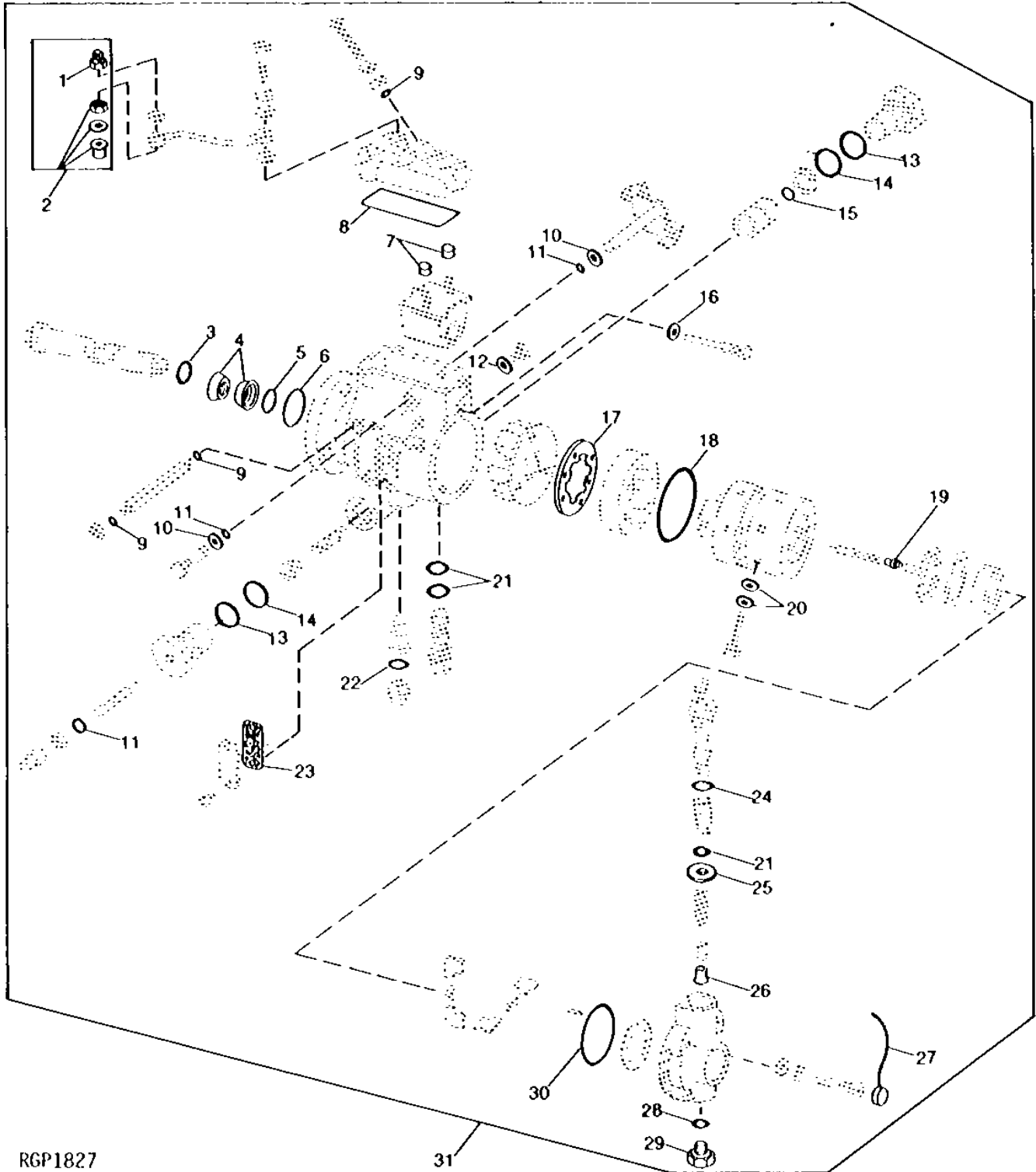
MEMORANDA

1F19

FUEL AND AIR

FUEL INJECTION PUMP GASKET KIT (ROOSA-MASTER)

RGP1827 -UN-01JAN94



RGP1827

31

1F20

FUEL AND AIR

FUEL INJECTION PUMP GASKET KIT - CONTINUED (ROOSA-MASTER)

KEY	PART NO.	PART NAME	QTY	ENGINE SERIAL NO.	REMARKS
1	T19977	LOCK NUT	1		
2	AR90601	KIT	1		(SUB RE37091)
3	O-RING	1		
4	T11290	SEAL	2		
5	P48347	O-RING	1		(SUB FOR R34404)
6	R460R	O-RING	1		
7	T11937	INSULATOR	2		
8	T11918	GASKET	1		
9	R34812	O-RING	3		(SUB FOR T11906)
10	T15720	WASHER	NA		
11	R76578	O-RING	3		(SUB FOR T11915, THIS APPLICATION)
12	T11878	WASHER	1		
13	R56396	O-RING	2		
14	T15710	O-RING	2		
15	R34635	WASHER	NA		
16	T11943	WASHER	1		
17	R42483	RING	NA		
18	T11891	O-RING	NA		
19	T26223	STOP	1		
20	T20055	WASHER	8		
21	T11899	O-RING	3		
22	T15712	O-RING	1		
23	T11883	GASKET	1		
24	T11934	O-RING	1		(SUB R33259)
25	R34632	WASHER	NA		
26	T25142	SEAL	NA		(SUB R82439)
27	T11877	WIRE	NA		
28	T26256	O-RING	1		
29	T30607	DRAIN PLUG	NA		
30	T11894	O-RING	NA		
31	AR34612	GASKET KIT	NA		

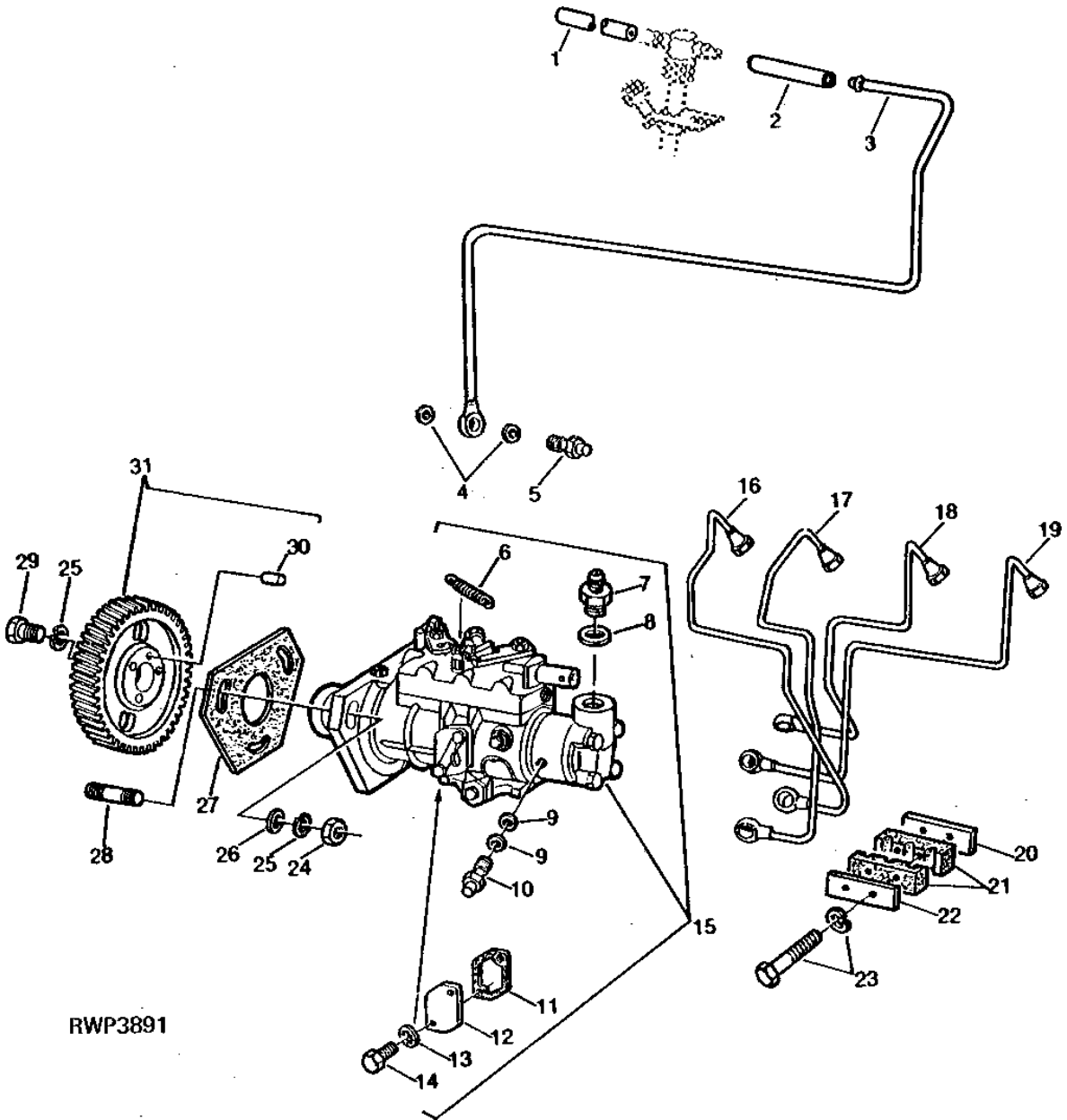
SEE YOUR AUTHORIZED PUMP REPAIR STATION FOR PARTS NOT AVAILABLE (NA)

1F21

FUEL AND AIR

FUEL INJECTION PUMP AND FUEL LINES
(ROTO-DIESEL)
(ENGINE SERIAL NO. -189967)

RWP3891 -UN-01JAN94



RWP3891

1F22

FUEL AND AIR

FUEL INJECTION PUMP AND FUEL LINES - CONTINUED
(ROTO-DIESEL)
(ENGINE SERIAL NO. -189967)

KEY	PART NO.	PART NAME	QTY	ENGINE SERIAL NO.	REMARKS
1	HOSE	1		44 MM (1-3/4") (MAKE FROM R68281)
2	HOSE	1		44 MM (1-3/4") (MAKE FROM R68281)
3	AT30126	FUEL LINE	1		
4	T27765	WASHER	2		
5	T27764	HOLLOW SCREW	1		
6	T26058	SPRING	1		
7	T24607	ADAPTER	1		(SUB R79015)
8	T24608	WASHER	1		
9	T20055	WASHER	6		
10	AT29464	VALVE	4		
11	R105529	GASKET	1		(SUB FOR T24543) (ALSO ORDER R105530)
12	R105530	COVER	1		(SUB FOR T24542) (ALSO ORDER R105529)
13	12M7060	WASHER	2		0.209"
14	T24544	SCREW	2		
15	AR72869	FUEL INJECTION PUMP	1		(ALSO ORDER AR72879) (SUB FOR AR61354) (SUB AR91774)
16	AR67733	FUEL LINE	1		NO. 1
17	AR67734	FUEL LINE	1		NO. 2
18	AR67735	FUEL LINE	1		NO. 3
19	AR67736	FUEL LINE	1		NO. 4
20	R61146	STRAP	1		
21	R59299	CLAMP	2		
22	R59300	STRAP	1		
23	AR76704	SCREW	1		
24	14H785	NUT	3		5/16"
25	12H303	LOCK WASHER	3		5/16"
26	24H1243	WASHER	6		11/32" X 5/8" X 1/16"
27	T24460	GASKET	1		(SUB R97354)
28	T23442	STUD	3		
29	19H2551	CAP SCREW	3		5/16" X 3/4"
30	T28030	DOWEL PIN	1		
31	AR85710	GEAR	1		(SUB FOR AT27917)
..	R68281	BULK HOSE	1		1524 MM (60") KIT
..	T24642	SEALANT	NA		

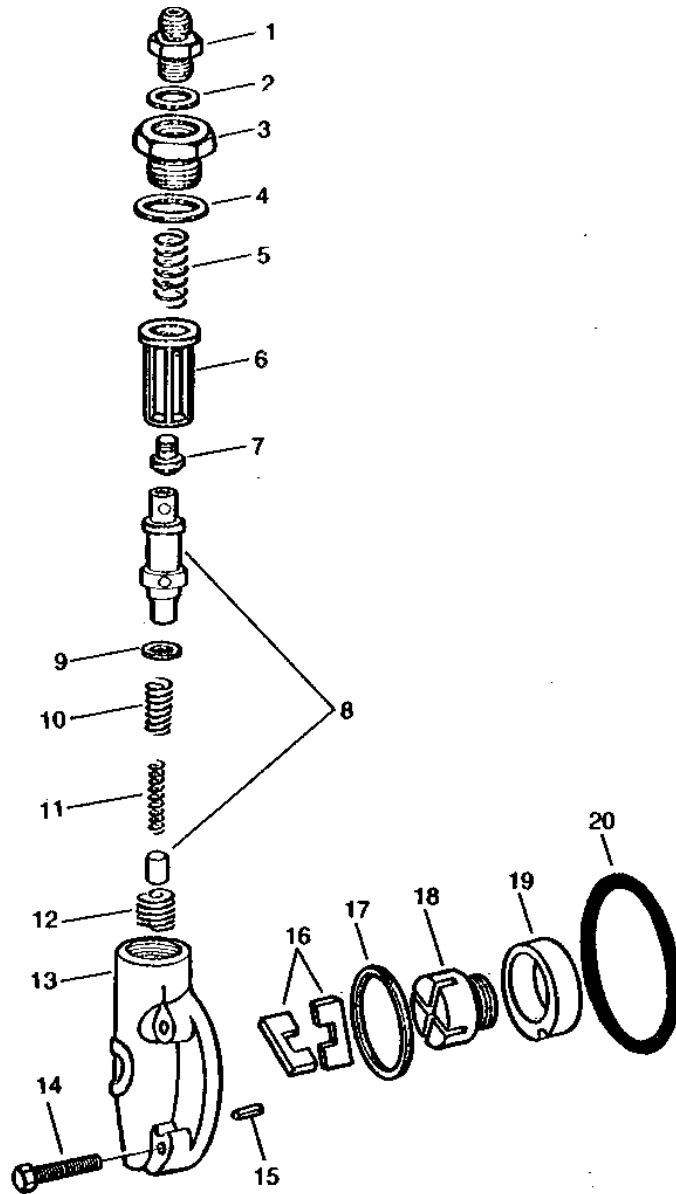
USE ON TRACTORS HAVING AN "L" AS THE LAST DIGIT OF THE CHASSIS SERIAL NUMBER
SEE YOUR AUTHORIZED PUMP REPAIR STATION FOR PARTS NOT AVAILABLE (NA)

1F23

FUEL AND AIR

FUEL INJECTION PUMP TRANSFER PUMP
(ROTO-DIESEL)
(ENGINE SERIAL NO. -189967)

RWP2107 -UN-01JAN94



RWP2107

1F24

FUEL AND AIR

FUEL INJECTION PUMP TRANSFER PUMP - CONTINUED
(ROTO-DIESEL)
(ENGINE SERIAL NO. -189967)

KEY	PART NO.	PART NAME	QTY	ENGINE SERIAL NO.	REMARKS
1	T24607	ADAPTER	1		(SUB R79015)
2	T24608	WASHER	1	-XXXXXX	
3	T24620	FITTING	1		(SUB R79015)
4	T24619	WASHER	1		
5	T24617	SPRING	1		
6	T24618	FUEL FILTER	1		
7	T30666	PLUG	AR		
	R59820	PLUG	AR		
	R59821	PLUG	AR		
8	AR93637	SLEEVE	1		
9	T24622	SHIM	1		
10	T24613	SPRING	1		
11	T24657	SPRING	NA		(NOT USED THIS APPLICATION)
12	T24658	SPRING	1		
13	T30665	PLATE	1		(SUB AR78632)
14	T24621	SCREW	4		
15	34H240	SPRING PIN	1		1/8" X 1/4"
16	T24611	BLADE	2		
17	T24549	WASHER	1		
18	T24610	ROTOR	1		
19	T24609	CONTAINER	1		
20	T24548	O-RING	1		

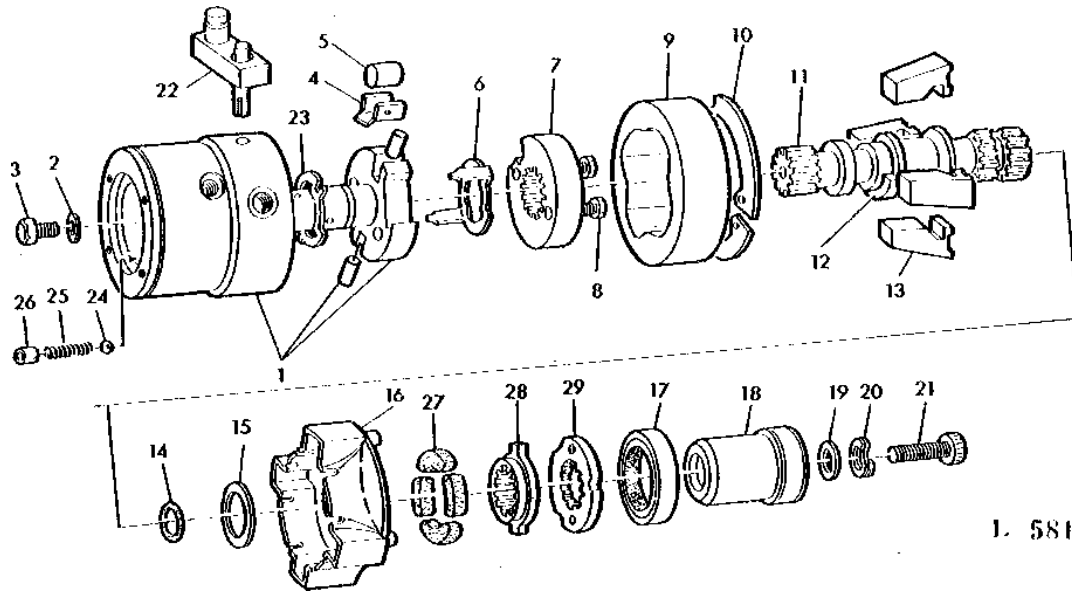
USE ON TRACTORS HAVING AN "L" AS THE LAST DIGIT OF THE CHASSIS SERIAL NUMBER

1F25

FUEL AND AIR

FUEL INJECTION PUMP HEAD, ROTOR AND DRIVE HUB (ROTO-DIESEL) (ENGINE SERIAL NO. -189967)

L58173 -UN-01JAN94



L 58173

KEY	PART NO.	PART NAME	QTY	ENGINE SERIAL NO.	REMARKS
1	RE11257	ROTOR	1		(ALSO ORDER T24652, T30668 AND T30669 (NA)) (SUB AR72879, AR77796, RE11602, R83427, T20055 AND 51M5894)
2	T27761	WASHER	1		
3	T24546	SCREW	1		
4	T24556	SHOE	2		(SUB AR96773)
5	T27759	ROLLER	2		(SUB AR96773)
6	AR93638	PLATE	NA		(SUB FOR T24557)
7	T24558	PLATE	1		
8	T24559	BOLT	2		
9	R55874	RING	1		
10	R51799	SNAP RING	NA		
11	T24565	SHAFT	1		(SUB R60373 AND R65831)
12	T24563	SLEEVE	NA		
13	T24562	WEIGHT	4		
14	T24566	O-RING	1		
15	T24564	WASHER	1		
16	AR73634	RETAINER	1		
17	AT21738	GASKET	NA		
18	R48715	HUB	1		
19	T30654	WASHER	1		
20	T24568	WASHER	1		
21	R47381	SCREW	1		
22	AR76100	VALVE	1		(SUB FOR AT28092)
23	AR93638	PLATE	1		(OVERSIZE) (SUB FOR AR69853) (SUB FOR T24656)
24	T24652	BALL	1		
25	T30668	SPRING	1		
26	T30669	PLUG	1		
27	T24561	INSERT	4		(SUB FOR R47384)
28	T24571	HUB	NA		
29	T24572	PLATE	1		

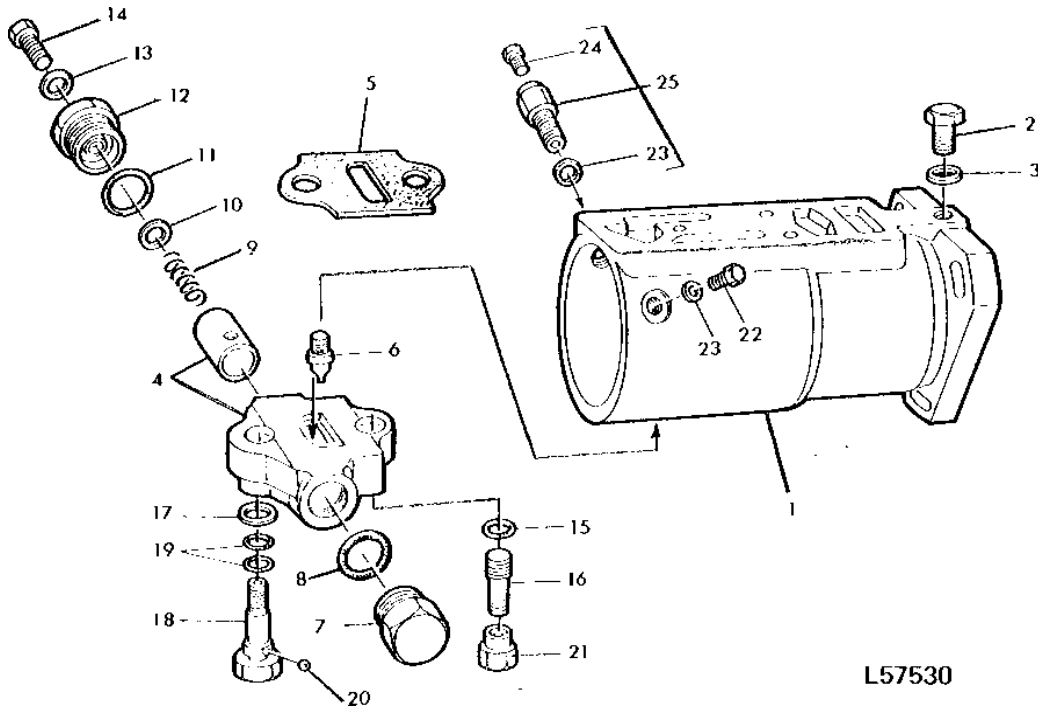
USE ON TRACTORS HAVING AN "L" AS THE LAST DIGIT OF THE CHASSIS SERIAL NUMBER
SEE YOUR AUTHORIZED PUMP REPAIR STATION FOR PARTS NOT AVAILABLE (NA)

1G1

FUEL AND AIR

FUEL INJECTION PUMP HOUSING AND AUTOMATIC ADVANCE (ROTO-DIESEL) (ENGINE SERIAL NO. -189967)

L57530 -UN-01JAN94



L57530

KEY	PART NO.	PART NAME	QTY	ENGINE SERIAL NO.	REMARKS
1	T24541	HOUSING	1		
2	T24638	PLUG	1		
3	T24545	WASHER	1		(SUB T20055)
4	AR50623	REGULATOR	1		
5	T24637	GASKET	1		
6	T24623	SCREW	1		
7	T30680	FITTING	1		
8	T24650	O-RING	1		
9	J53372	SPRING	1		
10	T24628	SHIM	AR		0.1 MM (.004")
	T24629	SHIM	AR		0.2 MM (.008")
	T24630	WASHER	AR		0.5 MM (.020")
	T24631	WASHER	AR		1.0 MM (.040")
11	T24650	O-RING	1		
12	T30682	CAP	1		(SUB RE14920)
13	T24627	WASHER	1		
14	T24649	SCREW	1		
15	T24634	WASHER	1		
16	T24632	STUD	1		
17	T24635	WASHER	1		
18	T24636	FITTING	1		
19	T24651	O-RING	2		
20	T24652	BALL	1		
21	T24633	FITTING	1		
22	T24550	SCREW	1		
23	T24553	WASHER	2		
24	T24552	KNURLED THUMB SCREW	NA		
25	AT29458	SCREW	1		

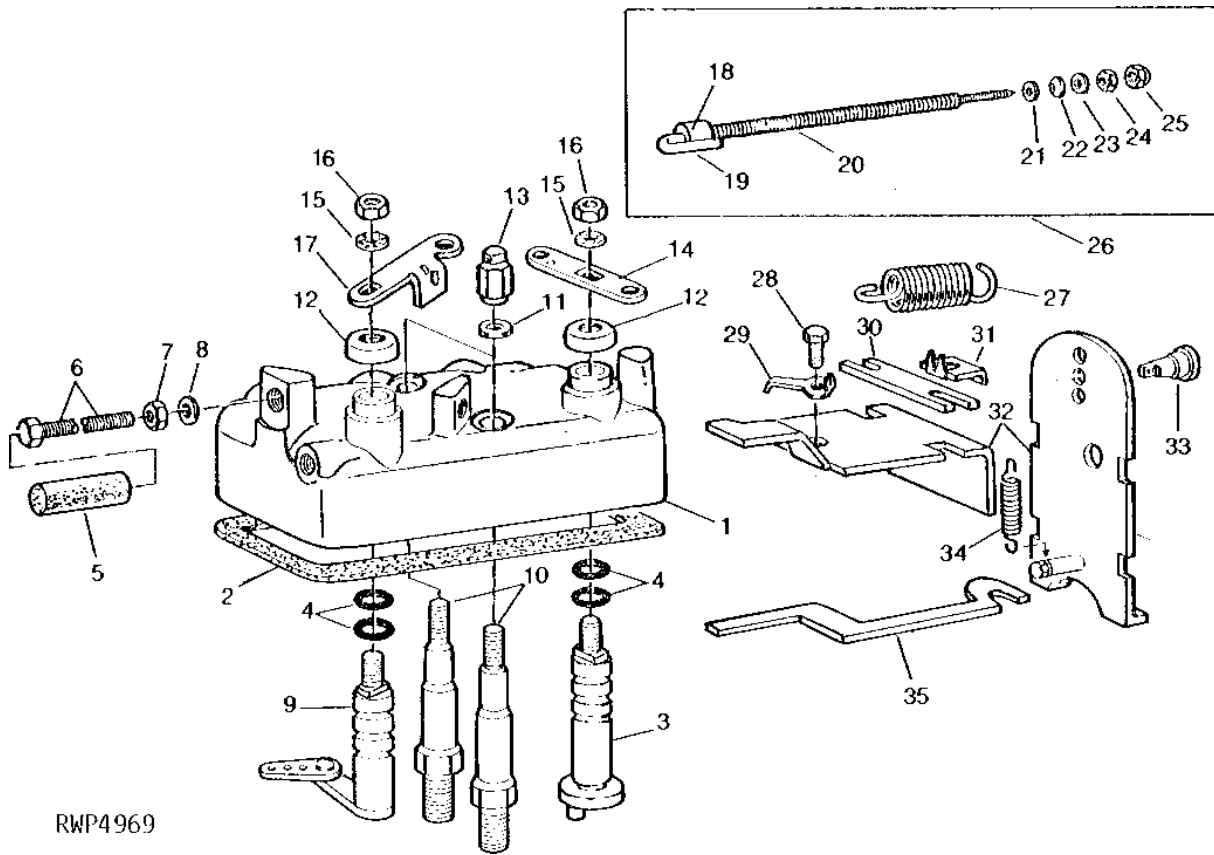
USE ON TRACTORS HAVING AN "L" AS THE LAST DIGIT OF THE CHASSIS SERIAL NUMBER

1G2

FUEL AND AIR

FUEL INJECTION PUMP LINKAGE AND COVER (ROTO-DIESEL) (ENGINE SERIAL NO. -189967)

RWP4969 -UN-01JAN94



RWP4969

1G3

FUEL AND AIR

FUEL INJECTION PUMP LINKAGE AND COVER - CONTINUED
(ROTO-DIESEL)
(ENGINE SERIAL NO. -189967)

KEY	PART NO.	PART NAME	QTY	ENGINE SERIAL NO.	REMARKS
1	T27762	COVER	1		
2	T24600	GASKET	1		
3	T24602	SHAFT	1		
4	T24647	O-RING	4		
5	T24606	COVER	1		
6	T24605	CAP SCREW	2		
7	T24589	NUT	2		
8	T24604	WASHER	2		
9	AT21742	SHAFT	1		
10	T24597	STUD	2		
11	T24599	WASHER	2		
12	T24590	CAP	2		
13	T24598	NUT	1		
14	T30664	LEVER	1		
15	12M7060	WASHER	2	0.209"	
16	T24589	NUT	2		
17	T24588	LEVER	1		
18	RETAINER	1	(SUB AT29461)	
19	HOOK	1	(SUB AT29461)	
20	SPRING	1	(SUB AT29461)	
21	WASHER	1	(SUB AT29461)	
22	WASHER	1	(SUB AT29461)	
23	WASHER	1	(SUB AT29461)	
24	NUT	1	(SUB AT29461)	
25	LOCK NUT	1	(SUB AT29461)	
26	AT29461	LINKAGE	1		
27	R51832	SPRING	1		
28	T24574	CAP SCREW	1		
29	T24575	WASHER	1		
30	T24595	PLATE	1		
31	T24596	WASHER	2		
32	AR91907	KIT	1	(SUB FOR AT21741 OR AT29460)	
33	T24586	GUIDE	1		
34	T24576	SPRING	1		
35	T24594	BAR	1		

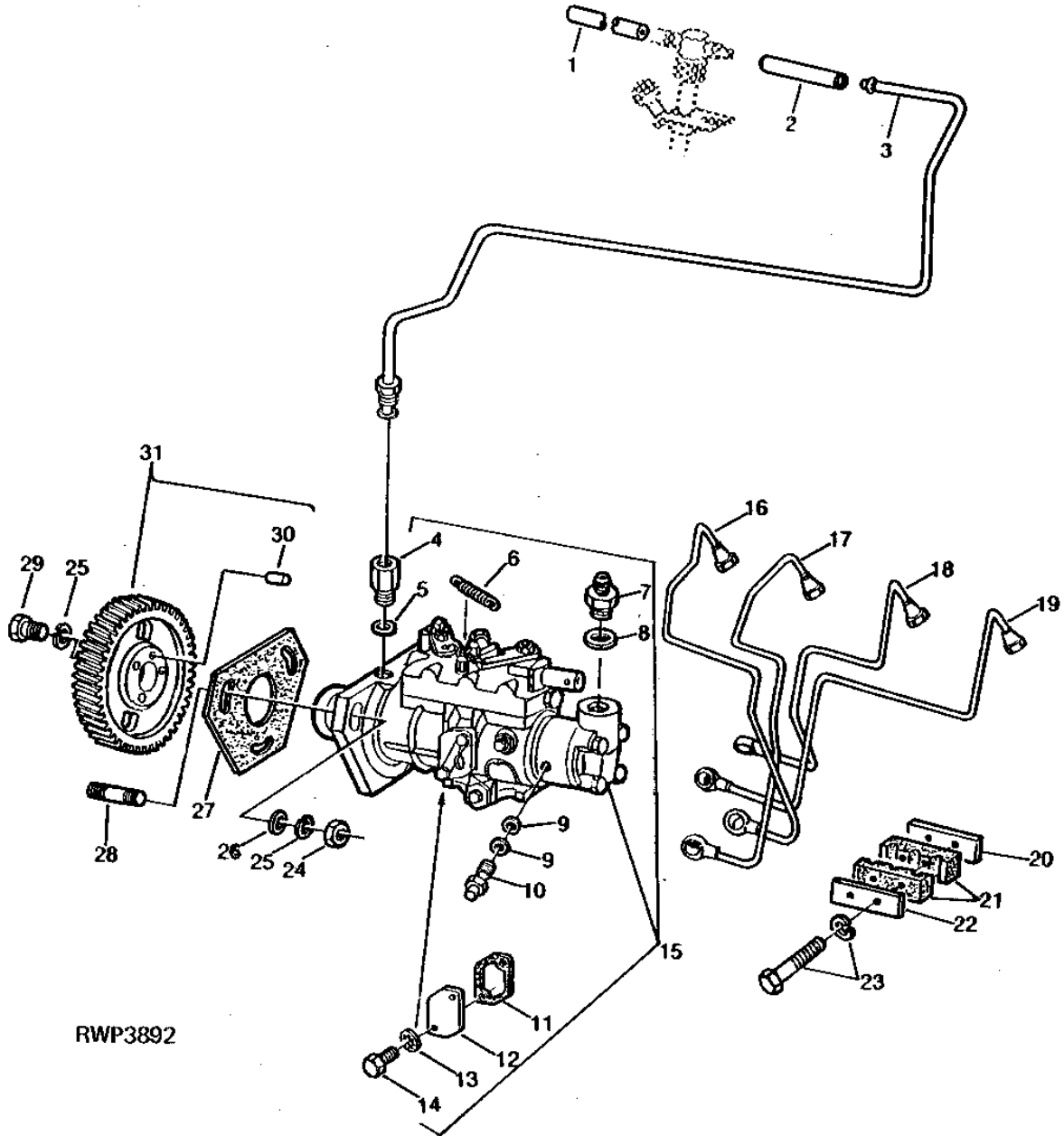
USE ON TRACTORS HAVING AN "L" AS THE LAST DIGIT OF THE CHASSIS SERIAL NUMBER

1G4

FUEL AND AIR

FUEL INJECTION PUMP AND FUEL LINES (ROTO-DIESEL) (ENGINE SERIAL NO. 189968-)

RWP3892 -UN-01JAN94



RWP3892

1G5

FUEL AND AIR

FUEL INJECTION PUMP AND FUEL LINES - CONTINUED
(ROTO-DIESEL)
(ENGINE SERIAL NO. 189968-)

KEY	PART NO.	PART NAME	QTY	ENGINE SERIAL NO.	REMARKS
1	HOSE	1		44 MM (1-3/4") (MAKE FROM R68281)
2	HOSE	1		44 MM (1-3/4") (MAKE FROM R68281)
3	AR72879	FUEL LINE	1		
4	AR76102	CHECK VALVE	1		(SUB RE11602)
5	T20055	WASHER	1		
6	T26058	SPRING	1		
7	T24607	ADAPTER	1		(SUB R79015)
8	T24608	WASHER	1		
9	T20055	WASHER	6		
10	AT29464	VALVE	4		
11	R105529	GASKET	1		(SUB FOR T24543) (ALSO ORDER R105530)
12	R105530	COVER	1		(SUB FOR T24542) (ALSO ORDER R105529)
13	12M7060	WASHER	2		0.209"
14	T24544	SCREW	2		
15	AR72869	FUEL INJECTION PUMP	1		(SUB AR91774)
16	AR67733	FUEL LINE	1		NO. 1
17	AR67734	FUEL LINE	1		NO. 2
18	AR67735	FUEL LINE	1		NO. 3
19	AR67736	FUEL LINE	1		NO. 4
20	R61146	STRAP	1		
21	R59299	CLAMP	1		
22	R59300	STRAP	1		
23	AR76704	SCREW	1		
24	14H785	NUT	3		5/16"
25	12H303	LOCK WASHER	3		5/16"
26	24H1243	WASHER	6		11/32" X 5/8" X 1/16"
27	T24460	GASKET	1		(SUB R97354)
28	T23442	STUD	3		
29	19H2551	CAP SCREW	3		5/16" X 3/4"
30	T28030	DOWEL PIN	1		
31	AR85710	GEAR	1		(SUB FOR AT27917)
..	R68281	BULK HOSE	1		1524 MM (60")
..	T24642	SEALANT	NA		

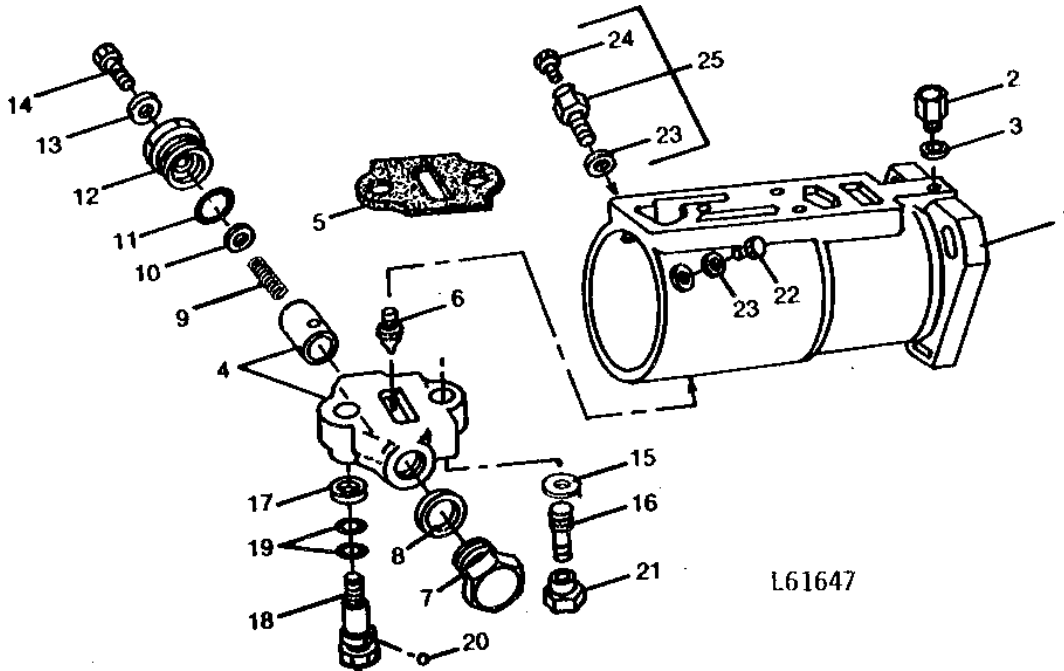
USE ON TRACTORS HAVING AN "L" AS THE LAST DIGIT OF THE CHASSIS SERIAL NUMBER
SEE YOUR AUTHORIZED PUMP REPAIR STATION FOR PARTS NOT AVAILABLE (NA)

1G6

FUEL AND AIR

FUEL INJECTION PUMP HOUSING AND AUTOMATIC ADVANCE (ENGINE SERIAL NO. 189968-)

L61647 -UN-01JAN94



L61647

KEY	PART NO.	PART NAME	QTY	ENGINE SERIAL NO.	REMARKS
1	T24541	HOUSING	1		
2	AR76102	CHECK VALVE	1		(SUB RE11602)
3	T20055	WASHER	1		
4	AR73175	HOUSING	1		
5	T24637	GASKET	1		
6	T24623	SCREW	1		
7	T24625	PLUG	1		
8	T24650	O-RING	1		
9	R63035	SPRING	1		
10	T24628	SHIM	AR		0.1 MM (.007")
	T24629	SHIM	AR		0.2 MM (.008")
	T24630	WASHER	AR		0.5 MM (.020")
	T24631	WASHER	AR		1.0 MM (.040")
11	T24650	O-RING	1		
12	T24626	CAP	1		
13	T24627	WASHER	1		
14	T24649	SCREW	1		
15	T24634	WASHER	1		
16	T24632	STUD	1		
17	T24635	WASHER	1		
18	T24636	FITTING	1		
19	T24651	O-RING	2		
20	T24652	BALL	1		
21	T24633	FITTING	1		
22	T24550	SCREW	1		
23	T24553	WASHER	2		
24	T24552	KNURLED THUMB SCREW	NA		
25	AT29458	SCREW	1		

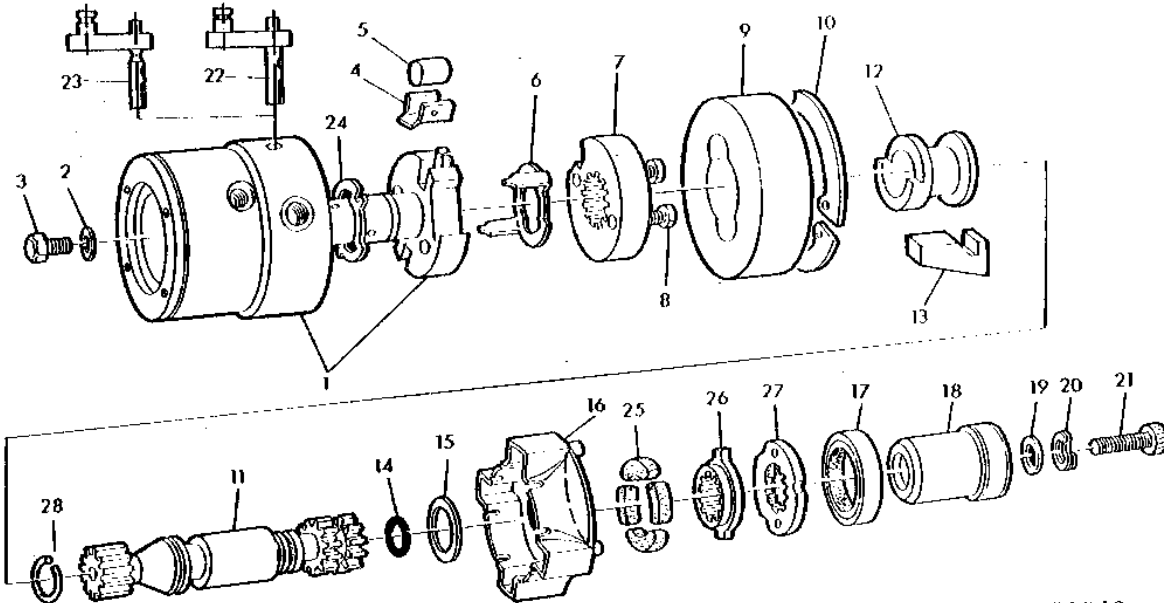
USE ON TRACTORS HAVING AN "L" AS THE LAST DIGIT OF THE CHASSIS SERIAL NUMBER

1G7

FUEL AND AIR

FUEL INJECTION PUMP HEAD, ROTOR AND DRIVE HUB (ENGINE SERIAL NO. 189968-)

L61646 -UN-01JAN94



L 61646

KEY	PART NO.	PART NAME	QTY	ENGINE SERIAL NO.	REMARKS
1	AR77796	HYDRAULIC HEAD, AND ROTOR	1		
2	T27761	WASHER	1		
3	T24546	SCREW	1		
4	T24556	SHOE	2	(SUB AR96773)	
5	T27759	ROLLER	2	(SUB AR96773)	
6	T24557	PLATE	NA	(SUB FOR T24558)	
7	AR93638	PLATE	NA		
8	T24558	PLATE	NA		
9	T24559	BOLT	2		
10	R55874	RING	1		
11	R51799	SNAP RING	NA		
12	R60384	SHAFT	1		
13	R60373	SLEEVE	1		
14	T24562	WEIGHT	4		
15	T24566	O-RING	1		
16	T24564	WASHER	1		
17	AR73634	RETAINER	1		
18	AT21738	GASKET	NA		
19	R48715	HUB	1		
20	T30654	WASHER	1		
21	T24568	WASHER	1		
22	R47381	SCREW	1		
23	AR76100	VALVE	1		
24	AR76103	VALVE	1	(OVERSIZE)	
25	T24656	PLATE	1		
26	R24561	BUSHING	4		
27	T24571	HUB	NA		
28	T24572	PLATE	1		
29	R60371	SNAP RING	1		

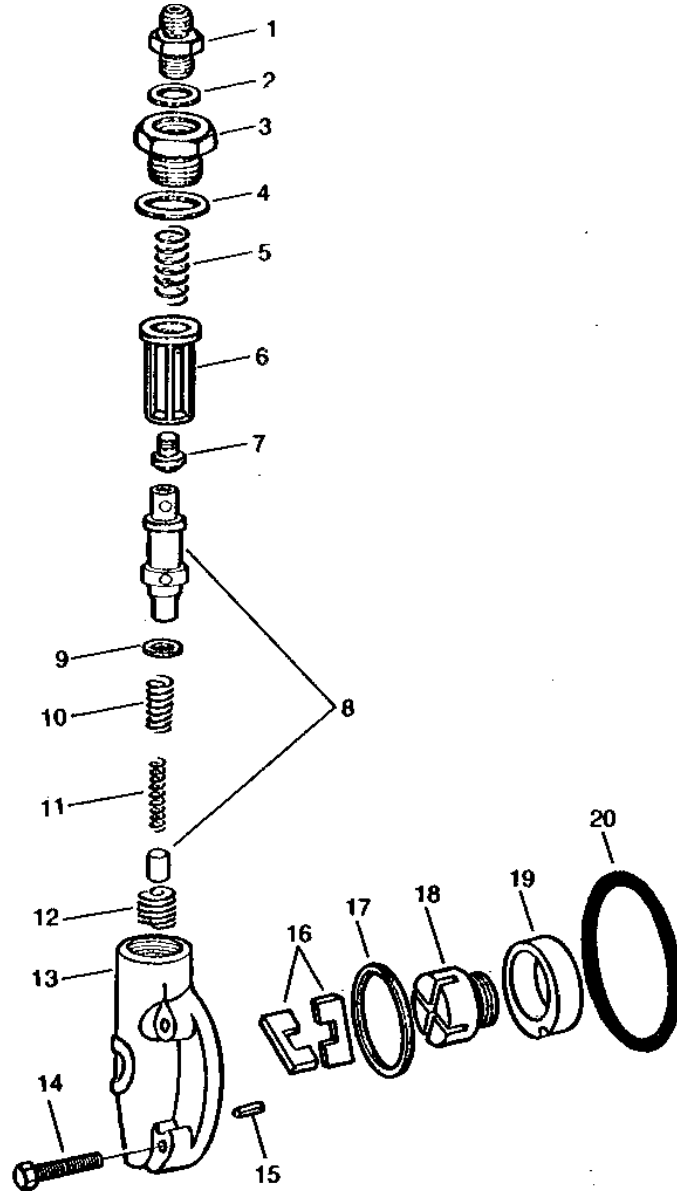
USE ON TRACTORS HAVING AN "L" AS THE LAST DIGIT OF THE CHASSIS SERIAL NUMBER
SEE YOUR AUTHORIZED PUMP REPAIR STATION FOR PARTS NOT AVAILABLE (NA)

1G8

FUEL AND AIR

RWP2107 -UN-01JAN94

FUEL INJECTION PUMP TRANSFER PUMP
(ENGINE SERIAL NO. 189968-)



RWP2107

1G9

FUEL AND AIR

FUEL INJECTION PUMP TRANSFER PUMP - CONTINUED
(ENGINE SERIAL NO. 189968-)

KEY	PART NO.	PART NAME	QTY	ENGINE SERIAL NO.	REMARKS
1	T24607	ADAPTER	1		(SUB R79015)
2	T24608	WASHER	1	-XXXXXX	
3	T24620	FITTING	1		(SUB R79015)
4	T24619	WASHER	1		
5	T24617	SPRING	1		
6	T24618	FUEL FILTER	1		
7	T30666	PLUG	1		
8	AR93637	SLEEVE	1		(SLEEVE AND PISTON)
9	T24662	SPRING	1		
10	T24622	SHIM	1		
11	T24657	SPRING	NA		
12	T24658	SPRING	1		
13	T30665	PLATE	1		(SUB AR78632)
14	T24621	SCREW	4		
15	34H240	SPRING PIN	1		
16	R62054	BLADE	NA		
17	T24549	WASHER	1		
18	T24610	ROTOR	1		
19	R62052	CAM	1		
20	T24548	O-RING	1		

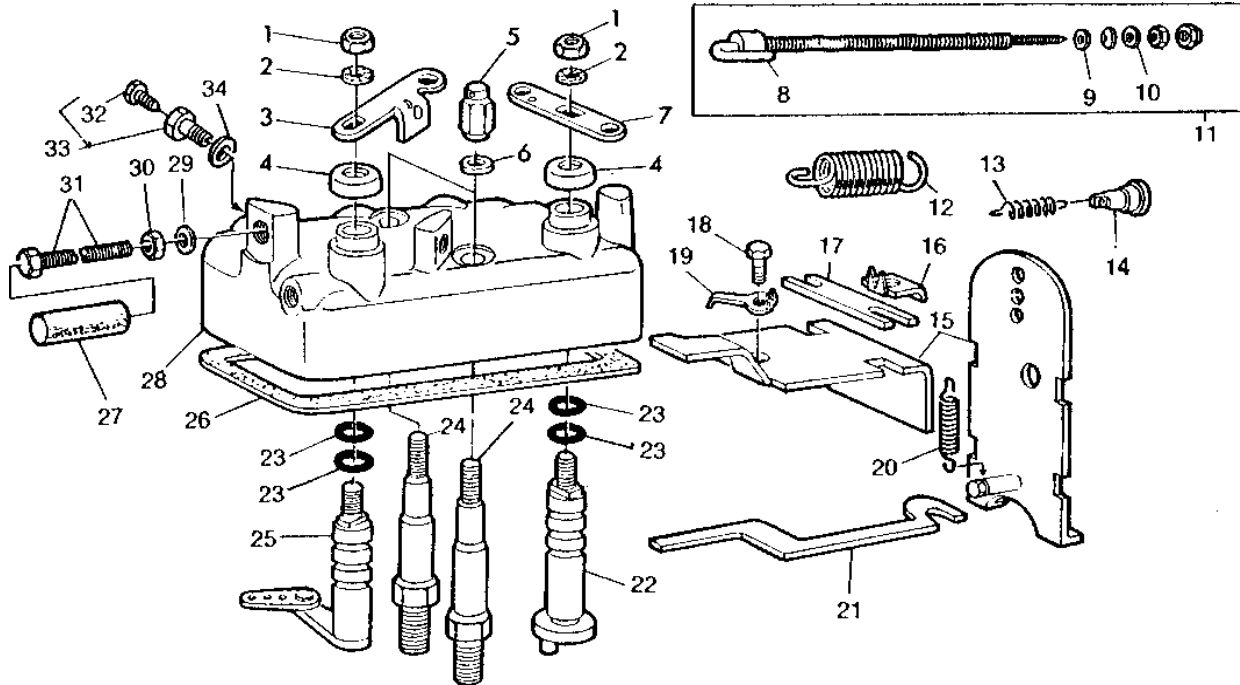
USE ON TRACTORS HAVING AN "L" AS THE LAST DIGIT OF THE CHASSIS SERIAL NUMBER

1G10

FUEL AND AIR

R33986 -UN-01JAN94

FUEL INJECTION PUMP LINKAGE AND COVER
(ENGINE SERIAL NO. 189968-)



R33986

1G11

FUEL AND AIR

FUEL INJECTION PUMP LINKAGE AND COVER
(ENGINE SERIAL NO. 189968-)

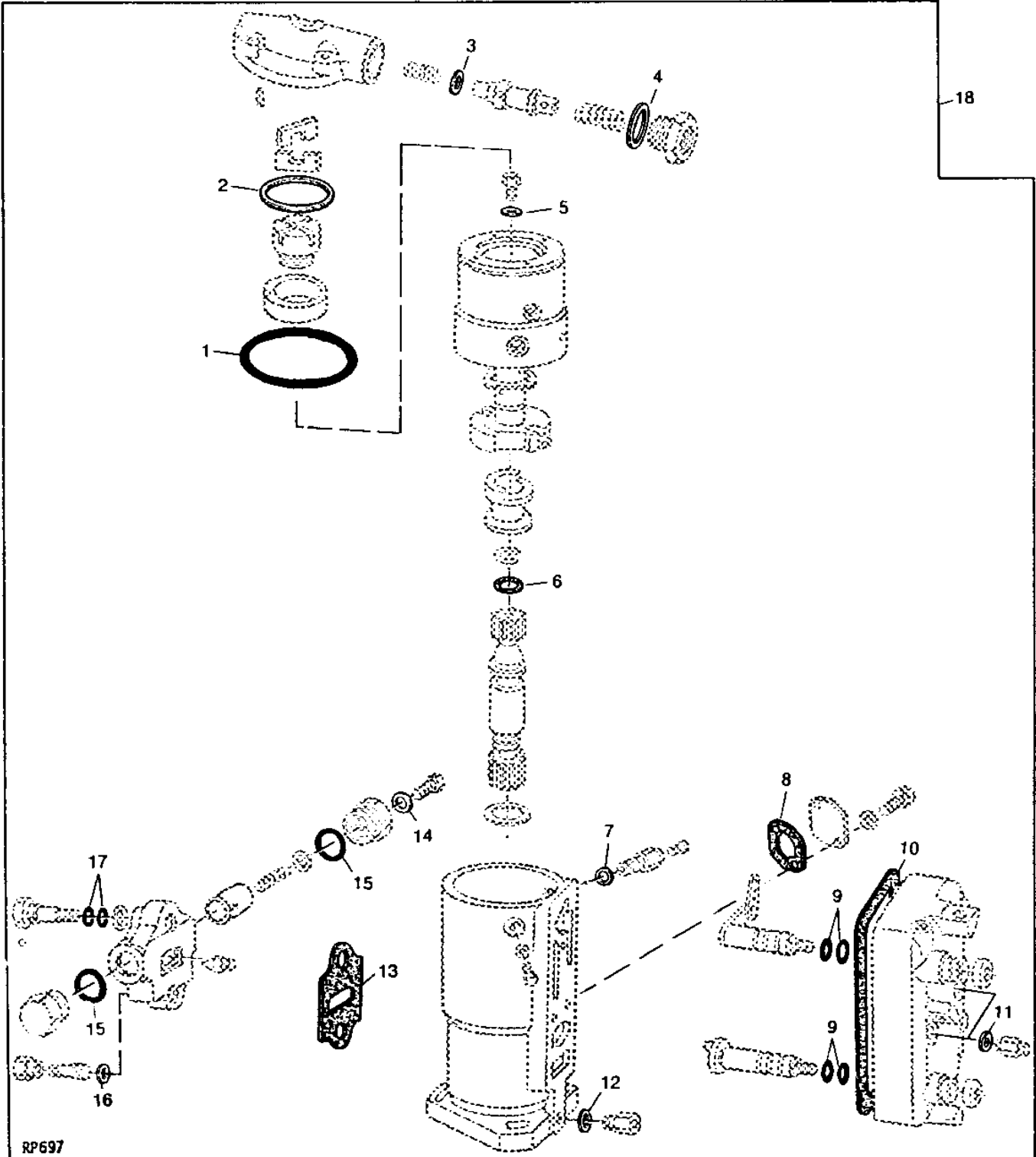
KEY	PART NO.	PART NAME	QTY	ENGINE SERIAL NO.	REMARKS
1	T24589	NUT	2		
2	12M7060	WASHER	2	0.209"	
3	T24588	LEVER	1		
4	T24590	CAP	2		
5	T24598	NUT	2		
6	T24599	WASHER	2		
7	T30664	LEVER	1		
8	BOLT	1	(SUB AT29461)	
9	WASHER	1	(SUB AT29461)	
10	WASHER	1	(SUB AT29461)	
11	AT29461	LINKAGE	1		
12	R57057	SPRING	1		
13	R54279	SPRING	1		
14	T24586	GUIDE	1		
15	AR94657	KIT	NA		THROTTLE LEVER, BRACKET AND SPRING
16	T24596	WASHER	2		
17	T24595	PLATE	1		
18	R62077	CAP SCREW	1		
19	R62078	WASHER	1		
20	T24576	SPRING	1		
21	T24594	BAR	1		
22	T24602	SHAFT	1		
23	T24647	O-RING	4		
24	T24597	STUD	2		
25	AT21742	SHAFT	1		
26	T24600	GASKET	1		
27	T24606	COVER	1		
28	R62050	COVER	1		
29	T24604	WASHER	2		
30	T24589	NUT	2		
31	T24605	CAP SCREW	2		
32	T24552	KNURLED THUMB SCREW	NA		
33	AR76101	SCREW	1		
34	R62051	WASHER	1		

1G12

FUEL AND AIR

FUEL INJECTION PUMP GASKET KIT (ROTO-DIESEL)

RP697 -UN-01JAN94



RP697

1G13

FUEL AND AIR

FUEL INJECTION PUMP GASKET KIT - CONTINUED (ROTO-DIESEL)

KEY	PART NO.	PART NAME	QTY	ENGINE SERIAL NO.	REMARKS
1	T24548	O-RING	1		
2	T24549	WASHER	1		
3	T24622	SHIM	1		
4	T24619	WASHER	1		
5	T27761	WASHER	1		
6	T30653	O-RING	1		
7	T24553	WASHER	2		
8	R105529	GASKET	1		(SUB FOR T24543) (ALSO ORDER R105530)
9	T24647	O-RING	4		
10	T24600	GASKET	1		
11	T24599	WASHER	2		
12	T20055	WASHER	6		
13	T24637	GASKET	1		
14	T24627	WASHER	1		
15	T24650	O-RING	1		
16	T24634	WASHER	1		
17	T24651	O-RING	2		
18	AR69852	GASKET KIT	NA		

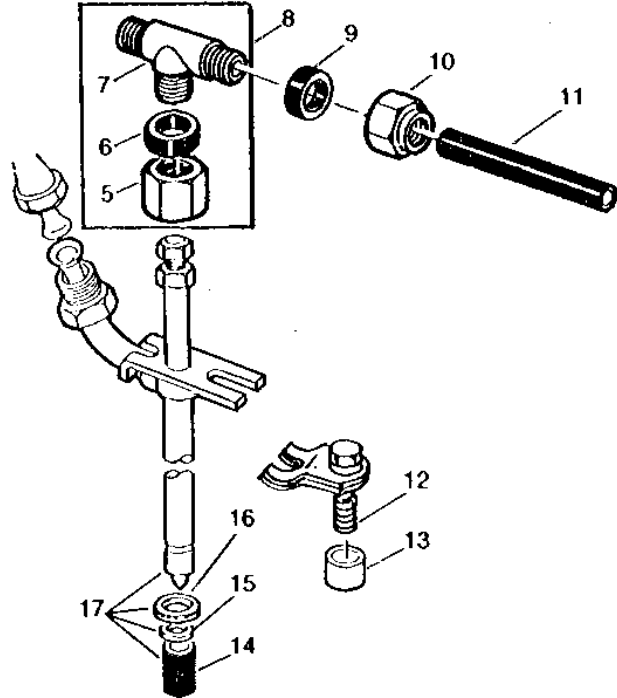
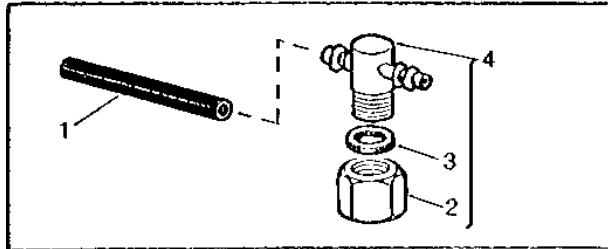
SEE YOUR AUTHORIZED PUMP REPAIR STATION FOR PARTS NOT AVAILABLE (NA)

1G14

FUEL AND AIR

RWP5923 -UN-01JAN94

FUEL INJECTION NOZZLE (ROOSA-MASTER)



RWP5923

KEY	PART NO.	PART NAME	QTY	TRACTOR SERIAL NO.	REMARKS
1	HOSE	1		36 MM (1.40") (MAKE FROM R68281)
2	T29540	FITTING	1	-XXXXXX	(SUB R79604)
3	T29539	WASHER	1	-XXXXXX	(SUB R79605)
4	AT27622	CAP	1	-XXXXXX	
5	R79604	TUBE NUT	1	XXXXXX-	
6	R79605	WASHER	1	XXXXXX-	
7	R79606	TEE FITTING	1	XXXXXX-	
8	AR85618	CAP	1	XXXXXX-	(USE WITH AR89564) (SUB R79604, R79605 AND R79606)
9	R51936	PACKING	1	XXXXXX-	
10	R51937	TUBE NUT	1	XXXXXX-	
11	R66090	TUBE	1	XXXXXX-	
12	R34760	CLAMP	1		
13	R34761	SPACER	1		
14	T24472	PLUG	1		
15	R48000	WASHER	1		
16	R34764	WASHER	1		
17	R60746	WASHER	1	XXXXXX-	(USE WITH AR73673 OR AR88239)
17	AR88239	INJECTION NOZZLE	1		(SUB FOR AR56290 OR AR73673) (SUB AR89564)
18	R67779	CLAMP	1		(SUB FOR T26870)
19	T31174	PLUG	1		(USE FOR SERVICING FUEL INJECTION NOZZLE) (NLA)

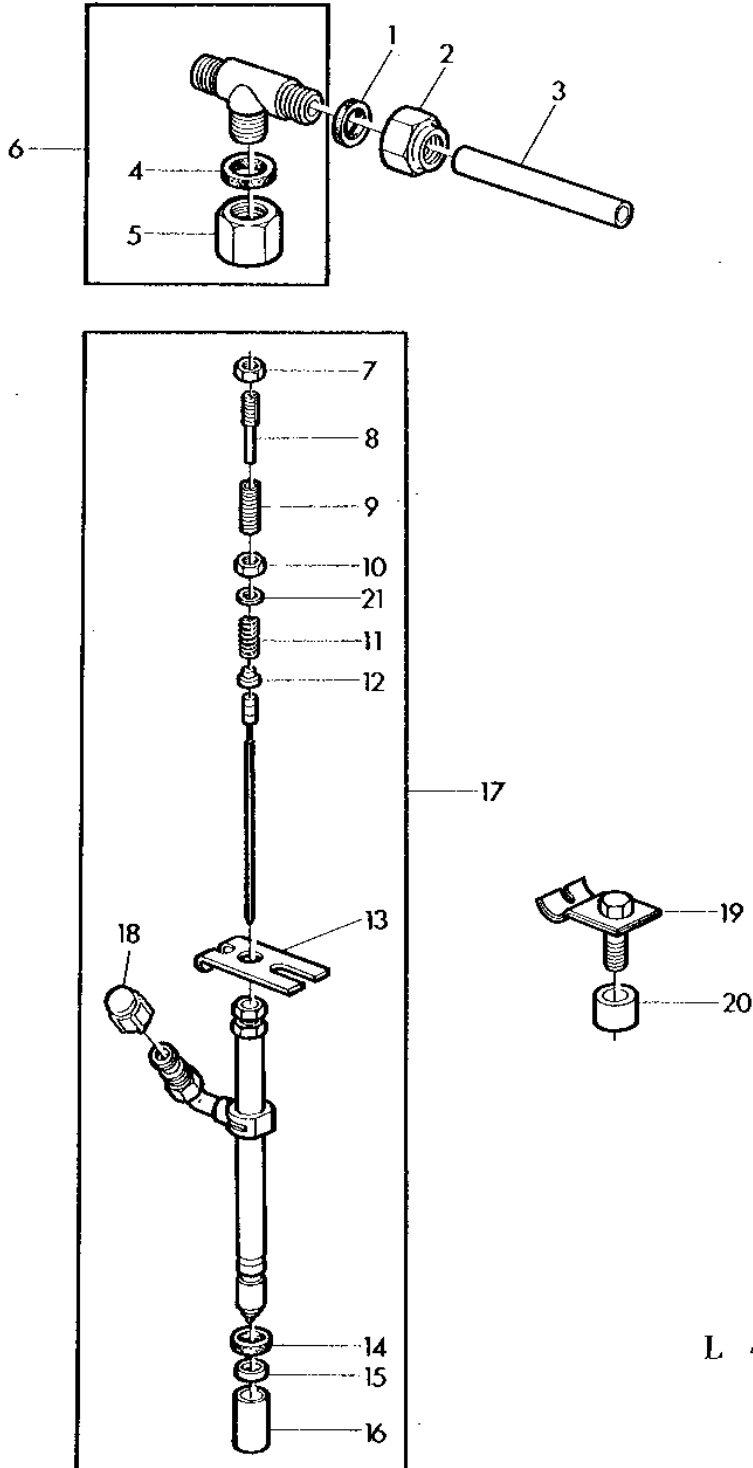
MEMORANDA

1G15

FUEL AND AIR

L40721 -UN-01JAN94

FUEL INJECTION NOZZLE (REPLACEMENT)



L 40721

1G16

FUEL AND AIR

FUEL INJECTION NOZZLE - CONTINUED (REPLACEMENT)

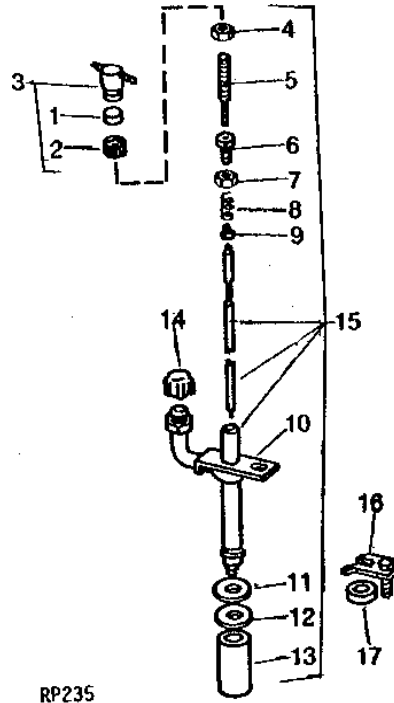
KEY	PART NO.	PART NAME	QTY	ENGINE SERIAL NO.	REMARKS
1	R51936	PACKING	1		
2	R51937	TUBE NUT	1		
3	R66090	TUBE	1		
	HOSE	1		(MAKE FROM R68261)
4	T29539	WASHER	1		(SUB R79605)
5	T29540	FITTING	1		(SUB R79604)
6	AR85618	CAP	1		(SUB R79604, R79605 AND R79606)
7	R47733	LOCK NUT	1		
8	R69443	SCREW	1		
9	R62984	SCREW	1		
10	R46675	NUT	1		
11	R69442	SPRING	1		
12	R62982	GUIDE	1		
13	R67779	CLAMP	1		
14	R34764	WASHER	1		
15	R48000	WASHER	1		
16	T24472	PLUG	1		
17	AR89564	INJECTION NOZZLE	1		
18	T31174	PLUG	1		(NLA)
19	R34760	CLAMP	1		
20	R60745	SPACER	1		
21	R62981	WASHER	1		

1G17

FUEL AND AIR

RP235 -UN-01JAN94

FUEL INJECTION NOZZLE ASSEMBLY (ENGINE SERIAL NO. 180579-)



KEY	PART NO.	PART NAME	QTY	ENGINE SERIAL NO.	REMARKS
1	T29539	WASHER	1		(SUB R79605)
2	T29540	FITTING	1		(SUB R79604)
3	AT27622	CAP	1		
4	R47733	LOCK NUT	1		
5	R47732	SCREW	1		
6	R47734	SCREW	1		
7	R46675	NUT	1		
8	R47731	SPRING	1		
9	R39886	GUIDE	1		
10	R67779	CLAMP	1		(SUB FOR T26870)
11	R34764	WASHER	1		
	R60746	WASHER	1		(USE WITH AR73673 OR AR88239)
	T32252	WASHER	1	-211699	
12	R48000	WASHER	1		(SUB FOR R34767)
13	T24472	PLUG	1		
14	T31174	PLUG	1		(NLA)
15	AR49877	INJECTION NOZZLE	1	-211699	(ROOSA-MASTER NO. 18742)
	AR88239	INJECTION NOZZLE	1	211700-	(ROOSA-MASTER NO. 19762) (SUB FOR AR56290 OR AR73673) (SUB AR89564)
16	R34760	CLAMP	1		
17	R34761	SPACER	1		
	24H1685	WASHER	1	-211699	11/32" X 47/64" X 0.083"

MEMORANDA

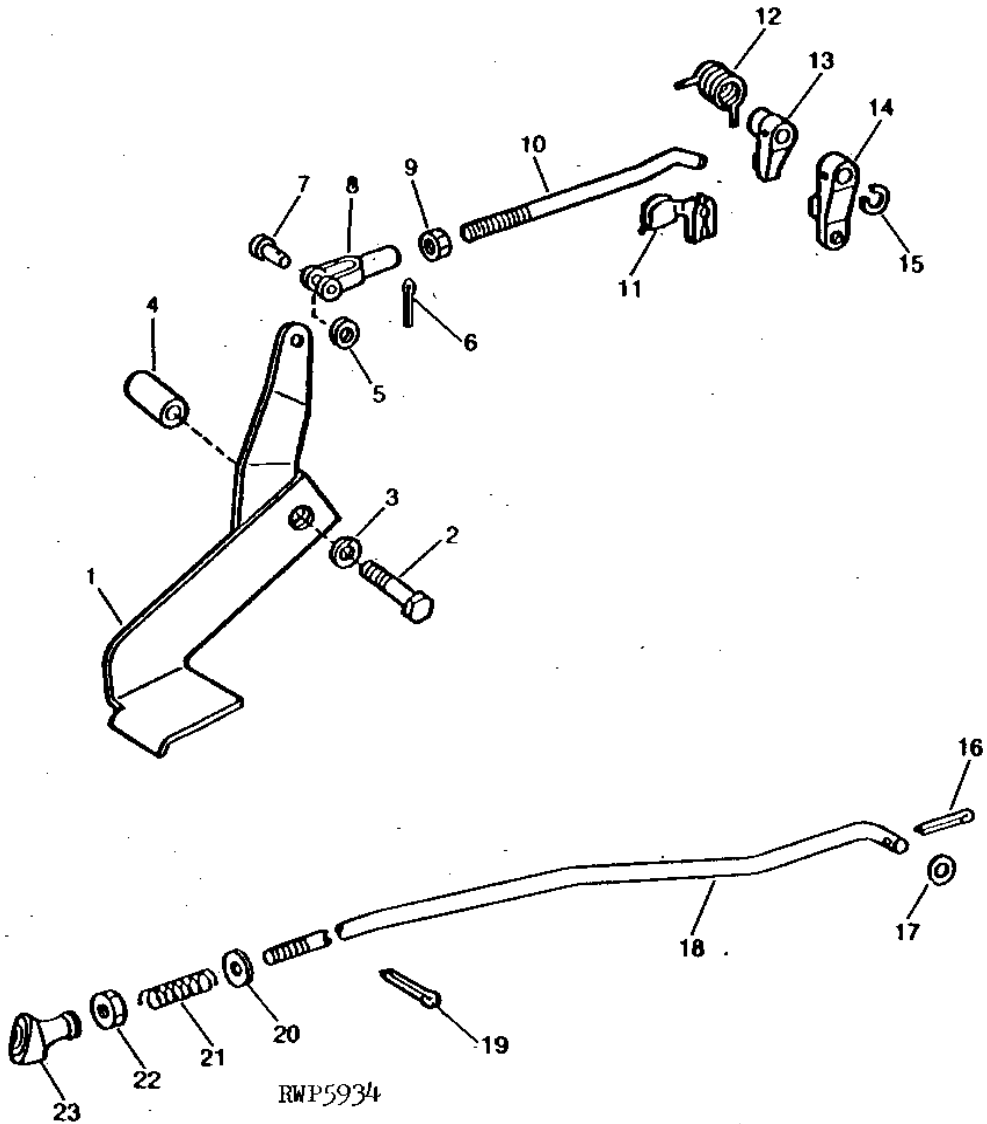
1G18

FUEL AND AIR

RWP5934

-UN-01JAN94

FOOT THROTTLE LINKAGE



1G19

FUEL AND AIR

FOOT THROTTLE LINKAGE - CONTINUED

KEY	PART NO.	PART NAME	QTY	ENGINE SERIAL NO.	REMARKS
1	AT20044	PEDAL	1		(SUB AR94952)
2	19H1765	CAP SCREW	1		3/8" X 1-3/4"
3	24H1305	WASHER	1		13/32" X 13/16" X 0.065"
4	M1339T	SPACER	1		
5	24H1286	WASHER	2		9/32" X 1/2" X 1/16"
6	11M7077	COTTER PIN	1		1.600 X 25 MM
7	R72660	PIN	1		(SUB FOR R662R, 11M7081 OR L4667T)
8	M3742T	YOKE	1		
9	14H649	NUT	1		1/4"
10	T22149	ROD	1		
11	T26937	CAP	1		
	R26501	CLIP	1		(SUB FOR T26937) (USA APPLICATION)
12	T77165	SPRING	1		(SUB FOR T22151 OR T50467)
13	T22150	ARM	1		
14	T22240	ARM	1		
15	F3396R	SNAP RING	1		
16	11M7077	COTTER PIN	1		1.600 X 25 MM
17	24H1286	WASHER	1		9/32" X 1/2" X 1/16"
18	R55201	ROD	1		
19	11M7077	COTTER PIN	1		1.600 X 25 MM
20	24H1287	WASHER	1		9/32" X 5/8" X 0.065"
21	R57107	SPRING	1		
22	14H860	NUT	1		1/4"
23	R55202	KNOB	1		

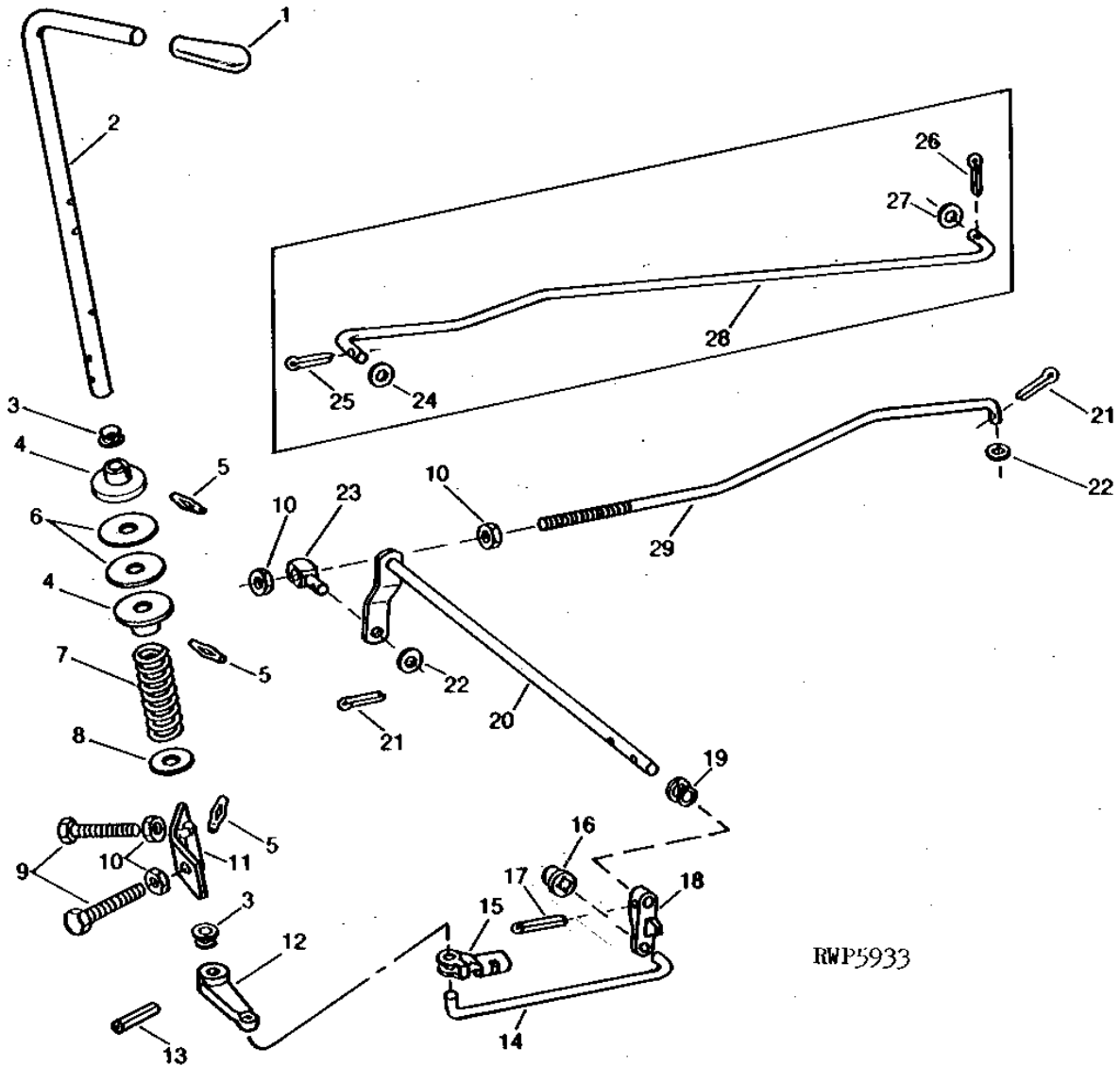
1G20

FUEL AND AIR

RWP5933

-UN-01JAN94

HAND THROTTLE LINKAGE



RWP5933

1G21

FUEL AND AIR

HAND THROTTLE LINKAGE - CONTINUED

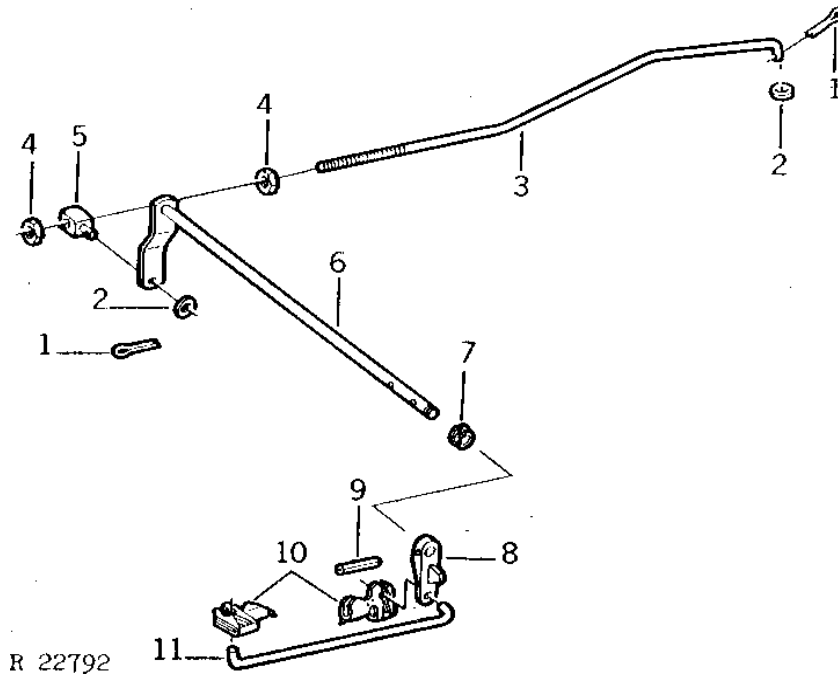
KEY	PART NO.	PART NAME	QTY	TRACTOR SERIAL NO.	REMARKS
1	R54271	KNOB	1		
2	T35675	PIN	1		(SUB FOR T35674)
3	R34811	GROMMET	2		
4	T22698	DISK	2		
5	25H747	GROOVE PIN	3		3/16" X 3/4"
6	R39985	WASHER	2		(SUB FOR R40983) (SUB FOR R50226, THIS APPLICATION) (SUB R105814)
7	R26637	SPRING	1		
8	24H1211	WASHER	1		9/16" X 1-3/8" X 0.105"
9	19H1738	CAP SCREW	2		1/4" X 2", (SUB FOR F2269R)
10	14H850	NUT	2		1/4"
11	AT24885	STOP	1		(SUB FOR R60462)
12	T22239	LEVER	1		
13	34H284	SPRING PIN	1		3/16" X 1-1/4"
14	T22134	ROD	1		
15	R26524	CLIP	1		
16	T26937	CAP	1		(SUB R26501)
17	34H264	SPRING PIN	1		5/32" X 7/8"
18	T22240	ARM	1		
19	T22241	GROMMET	2		
20	AT20042	SHAFT	1		
21	11M7077	COTTER PIN	2		1.600 X 25 MM
22	24H1286	WASHER	2		9/32" X 1/2" X 1/16"
23	T48835	SWIVEL	1		
24	24H1286	WASHER	2		9/32" X 1/2" X 1/16"
25	11M7077	COTTER PIN	1		1.600 X 25 MM
26	11M7077	COTTER PIN	1		1.600 X 25 MM
27	24H1286	WASHER	1		9/32" X 1/2" X 1/16"
28	R55200	ROD	1		(SUB R68406, T48835 AND (2) 14H850)
	T26833	ROD	1	-XXXXXX	(GASOLINE)
29	R68406	ROD	1		

1G22

FUEL AND AIR

R22792 -UN-01JAN94

THROTTLE LINKAGE (ROTO-DIESEL)



KEY	PART NO.	PART NAME	QTY	TRACTOR SERIAL NO.	REMARKS
1	11M7077	COTTER PIN	2	1.600 X 25 MM	
2	24H1286	WASHER	2	9/32" X 1/2" X 1/16"	
3	T27350	ROD	1		
4	14H850	NUT	2	1/4"	
5	T48835	SWIVEL	1	(SUB FOR T22242)	
6	AT20930	ROD	1		
7	T22241	GROMMET	2		
8	T22240	ARM	1		
9	34H264	SPRING PIN	1	5/32" X 7/8"	
10	R26524	CLIP	2	(SUB FOR T29741)	
11	T22134	ROD	1		

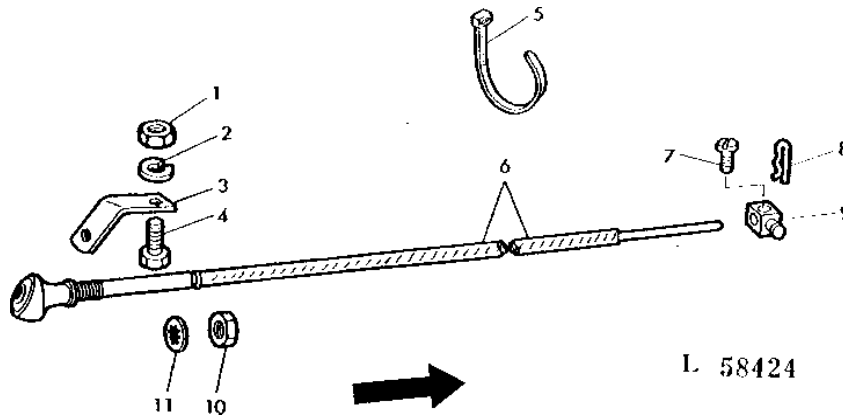
USE ON TRACTORS HAVING AN "L" AS THE LAST DIGIT OF THE CHASSIS SERIAL NUMBER

1G23

FUEL AND AIR

L58424 -UN-01JAN94

FUEL SHUT-OFF



KEY	PART NO.	PART NAME	QTY	TRACTOR SERIAL NO.	REMARKS
1	14H812	NUT	1	3/8"	
2	12H304	LOCK WASHER	1	3/8"	
3	T30525	BRACKET	1		
4	19H1936	CAP SCREW	1	3/8" X 3/4"	
5	R44302	TIE BAND	1		
6	RE10596	CABLE	1		WITH SPRING, (SUB FOR AL24155)
	R59082	SPRING	1		
7	21H1293	SCREW	1	0.164" X 5/16"	
8	R10185	SPRING PIN	1		
9	R10184	SWIVEL	1		
10	14H934	NUT	1	7/16"	
11	12H325	LOCK WASHER	1	7/16"	

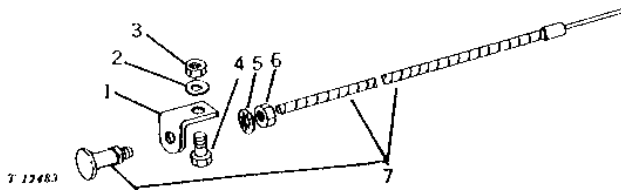
USE ON TRACTORS HAVING AN "L" AS THE LAST DIGIT OF THE CHASSIS SERIAL NUMBER

1G24

FUEL AND AIR

T12483 -UN-01JAN94

CHOKE CABLE (GASOLINE)



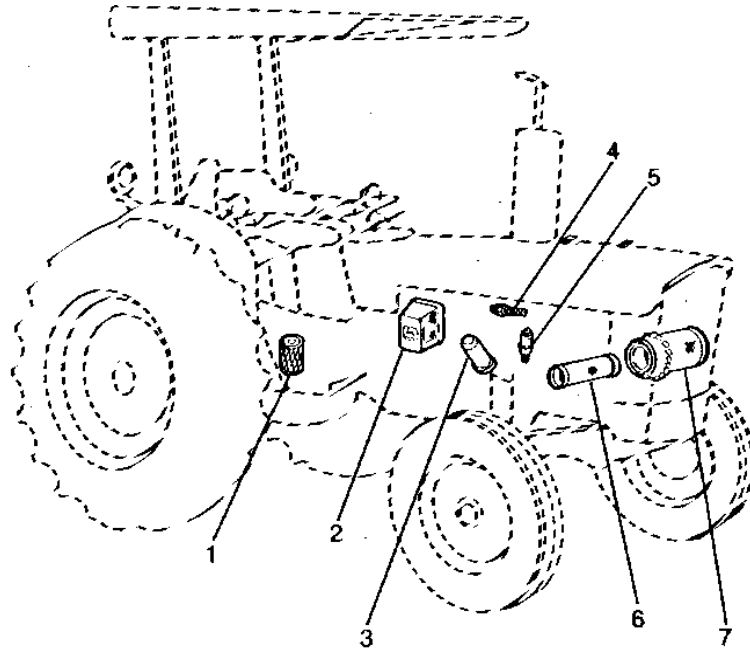
KEY	PART NO.	PART NAME	QTY	ENGINE SERIAL NO.	REMARKS
1	T22144	BRACKET	1	(NLA)	
2	12H304	LOCK WASHER	1	3/8"	
3	14H812	NUT	1	3/8"	
4	19H1134	CAP SCREW	1	3/8" X 3/4"	
5	12H310	LOCK WASHER	1	3/8"	
6	14H774	NUT	1	3/8"	
7	AT20781	PUSH PULL CABLE	1		

1G25

FUEL AND AIR

RWP6177 -UN-01JAN94

FILTERS



RWP6177

KEY	PART NO.	PART NAME	QTY	SERIAL NO.	REMARKS
1	AR75603	FILTER ELEMENT	1		TRANSMISSION
2	AR50041	FUEL FILTER	1		FUEL (ROOSA-MASTER OR ROTO-DIESEL)
	AT17387	FILTER ELEMENT	1		FUEL (SINGLE STAGE) (DIESEL)
3	T19044	OIL FILTER	1		ENGINE
4	T33170	FITTING	1		FUEL (GASOLINE)
5	T19743	FUEL FILTER	1		FUEL (GASOLINE)
6	AE31724	FILTER ELEMENT	1		AIR
7	AT20728	FILTER ELEMENT	1	-190319	AIR
	AR84228	FILTER ELEMENT	1	190320-	AIR

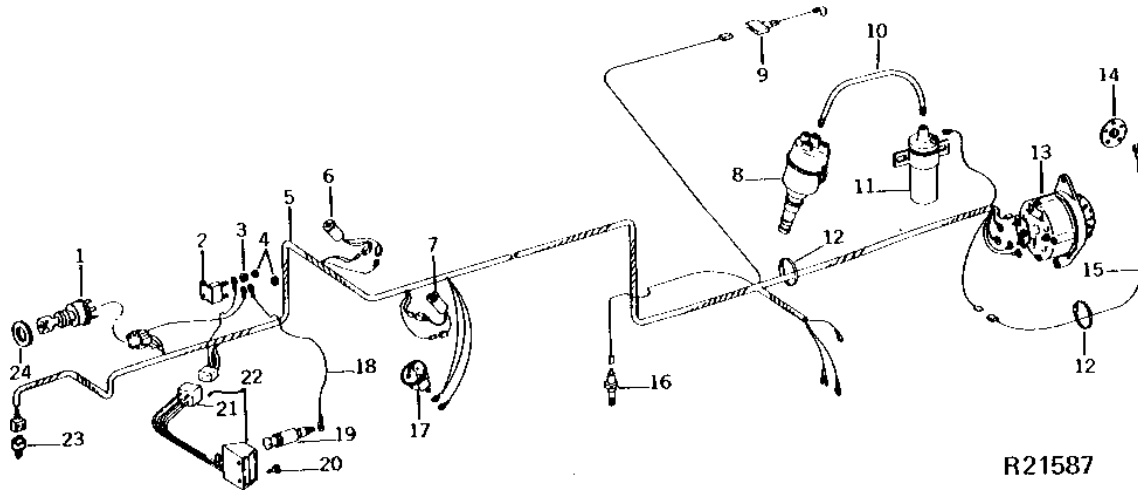
MEMORANDA

2B4

ELECTRICAL

R21587 -UN-01JAN94

ELECTRICAL WIRING SYSTEM



R21587

KEY	PART NO.	PART NAME	QTY	TRACTOR SERIAL NO.	REMARKS
1	AR58126	KEY SWITCH	1		WITH KEYS, (SUB FOR AR53452)
2	AR28403	CIRCUIT BREAKER	1		
3	12M7060	WASHER	1		0.209"
4	14H631	NUT	4		0.190"
5	AR51338	WIRING HARNESS	1		(A)
	AL24189	WIRING HARNESS	1		
6	AR65446	LAMP	1		ALTERNATOR INDICATOR, (SUB FOR AT22037) (SUB AT44165, AT48673, AR55694 AND R30378)
	AT24692	INDICATOR LIGHT	1		(A) ALTERNATOR INDICATOR
7	AR65447	INDICATOR LIGHT	1		ENGINE OIL PRESSURE, (SUB FOR AT22038) (SUB AT44165, AT48674, AR55694 AND R30378)
	AT24693	HEADLIGHT	1		(A) ENGINE OIL PRESSURE
8	AT21351	IGNITION DISTRIBUTOR	1		(PRESTOLITE, NOS. 1BT-41015 AND 1BT-41014) (GASOLINE)
9	T26041	TERMINAL	1	-XXXXXX	(DIESEL) (SUB FOR R48128)
10	WIRING LEAD	1		229MM (9") (MAKE FROM R32006, (2) R32013 AND (2) A3539R)
11	AT14385	ELECTRICAL COIL	1		(PRESTOLITE NO.200627) (GASOLINE)
12	R44302	TIE BAND	AR		
13	AT21619	ALTERNATOR	1		(MOTOROLA) (SUB TY1428)
	AR38458	ALTERNATOR	1		(MOTOROLA) (SUB TY1427)
	AL81436	ALTERNATOR	1		(A) (R. BOSCH) (SUB FOR AL35998, AL67175 OR AL78689)
	AR62401	ALTERNATOR	1		(A) (R.BOSCH) (SUB AL36391)
14	AT20912	SENDER	1		FUEL
	AT31619	FLOAT	1		(A) FUEL
15	WIRING LEAD	1		
16	AR27977	TOUCH SWITCH	1		ENGINE OIL PRESSURE
17	AR65444	GAUGE	1		FUEL, (SUB FOR AT20175)
	AL24187	GAUGE	1		(B) FUEL
18	WIRING LEAD	1		305MM (12") (MAKE FROM R66319, R32018, R32025 AND R32027)
19	AR48643	LIGHTER	1		
20	37H94	SCREW	3		0.216" X 1/2"
21	T24166	CONNECTOR	1		
22	AR77485	VOLTAGE REGULATOR	1		(MOTOROLA NO. R2J3) (SUB FOR AT21815)
	AT31413	VOLTAGE REGULATOR	1		(A)
23	RE38390	SWITCH	1		NEUTRAL START, (SUB FOR R36265, AR85323 OR AT85153)
24	24H1462	WASHER	1		1-1/16" X 1-1/2" X 0.060"

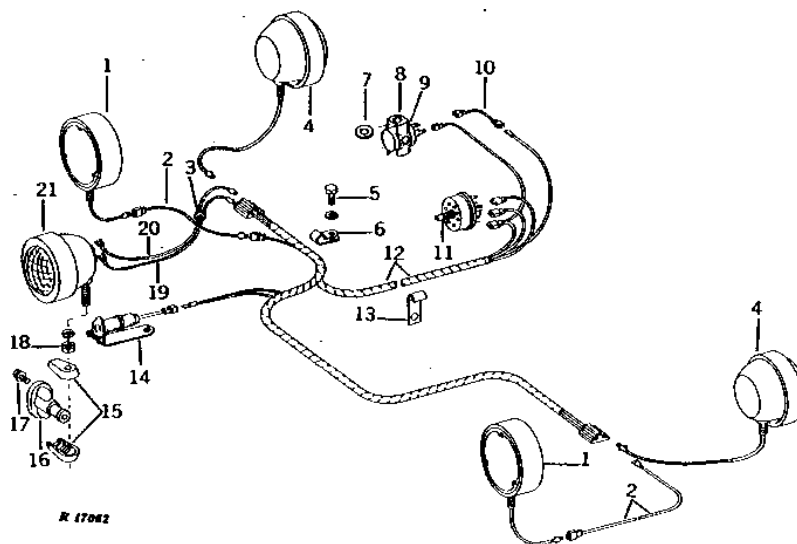
(A) USE ON TRACTORS HAVING AN "L" AS THE LAST DIGIT OF THE CHASSIS SERIAL NUMBER

2B5

ELECTRICAL

R17062 -UN-01JAN94

FRONT AND REAR LIGHT WIRING SYSTEM



KEY	PART NO.	PART NAME	QTY	TRACTOR SERIAL NO.	REMARKS
1	AR50580	LAMP	2		(4 USED WITH TURN SIGNALS)
2	AR51403	WIRING LEAD	2		
	AL25509	WIRING HARNESS	1		(B) L.H. (NLA)
	AL25510	WIRING HARNESS	1		(B) R.H. (NLA)
3	R26409	GROMMET	1		
	R41439	GROMMET	3		(A)
4	AT20106	LAMP	2		
	AR68458	LAMP	2		(A) (SUB FOR AT13381)
	AR51403	WIRING LEAD	2		(A)
5	19H2021	CAP SCREW	2		3/8" X 5/8"
	12H304	LOCK WASHER	2		3/8"
6	T32231	CLAMP	2		(SUB FOR R55618)
	R45211	CLAMP	2		(A)
	R21551	CLIP	2		
7	24H1283	WASHER	1		7/32" X 1/2" X 0.049"
8	T29417	BRACKET	1		
9	AU41465	FLASHER	1		(12-VOLT)
10	WIRING LEAD	1	-187300	(MAKE FROM PM797NA)
11	AR66478	SWITCH	1		(SUB FOR AR28401)
12	AR64106	WIRING HARNESS	1		(SUB FOR AR51406)
	AL25347	WIRING HARNESS	1		(B)
13	T13744	CLAMP	4		
14	AT20709	SOCKET OUTLET	1		
15	R27460	CLAMP	2		
16	T19178	BRACKET	1		
	R43662	BRACKET	1		(ROW-CROP)
17	T19179	CAP SCREW	2		
18	14H1040	NUT	1		1/2"
	12H301	LOCK WASHER	1		1/2"
19	AR51404	WIRING LEAD	1		
	AR62447	WIRING HARNESS	1		(A)
	AL25509	WIRING HARNESS	1		(B) L.H. (NLA)
20	AR51405	WIRING LEAD	1		
21	AR77326	FLOODLAMP	1		(SUB FOR AT16288 OR AR34990)

(A) ROW-CROP FENDERS

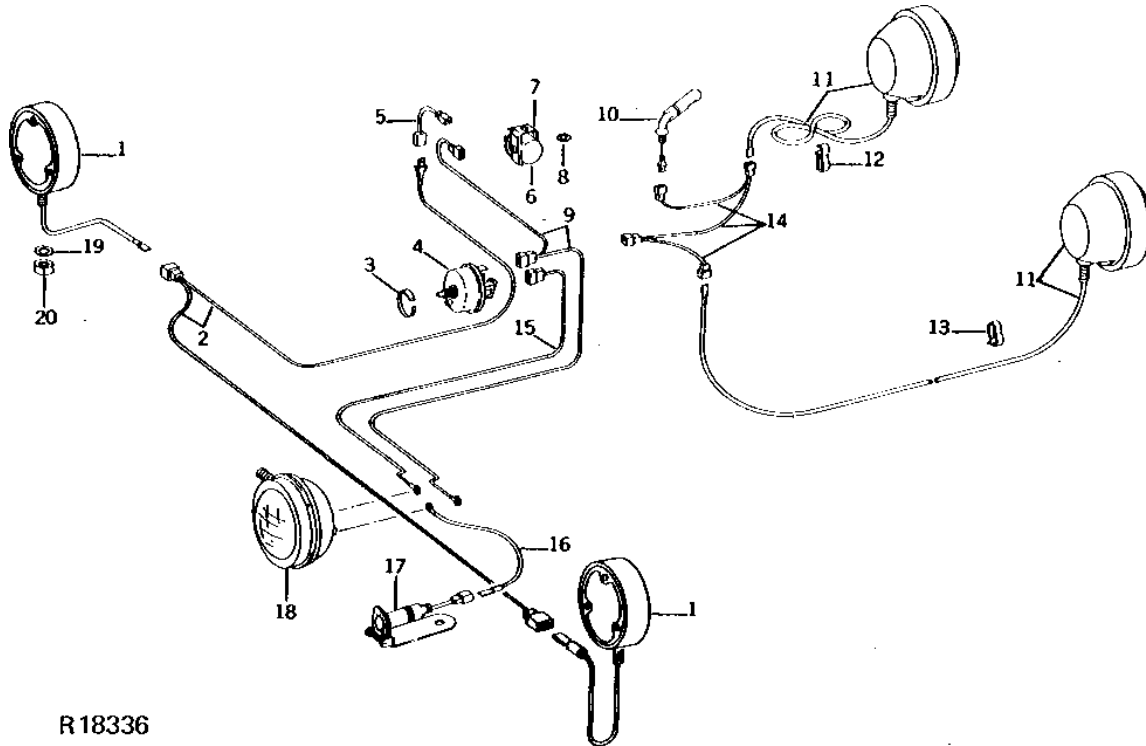
(B) USE ON TRACTORS HAVING AN "L" AS THE LAST DIGIT OF THE CHASSIS SERIAL NUMBER

2B6

ELECTRICAL

FRONT AND REAR LIGHT WIRING SYSTEM (ORCHARD) (TRACTOR SERIAL NO. -187300)

R18336 -UN-01JAN94



R18336

KEY	PART NO.	PART NAME	QTY	TRACTOR SERIAL NO.	REMARKS
1	AR50580	LAMP	2		
2	AR51398	WIRING LEAD	1	(NLA)	
	AR51399	WIRING LEAD	1	(LOW PROFILE) (NLA)	
3	R44302	TIE BAND	1		
4	AR28401	SWITCH	1		
5	WIRING LEAD	1	178MM (7") (MAKE FROM R66319, (2) R65600, (2) T28585 AND R32027)	
6	AU41465	FLASHER	1	(12-VOLT)	
7	T29417	BRACKET	1		
8	24H1283	WASHER	1	7/32" X 1/2" X 0.049"	
9	AT22959	WIRING LEAD	1	(NLA)	
10	AT20739	LAMP	1		
11	AT20106	LAMP	2		
12	T41072	CLIP	4		
13	R21551	CLIP	2		
14	AT20740	WIRING HARNESS	1		
15	AT22960	WIRING LEAD	1	(NLA)	
16	AT18773	WIRING LEAD	1	(NLA)	
17	AT20709	SOCKET OUTLET	1		
18	AR77326	FLOODLAMP	1	(SUB FOR AT16288 OR AR34990)	
19	R47831	WASHER	2		
20	14H865	NUT	2	1/2"	

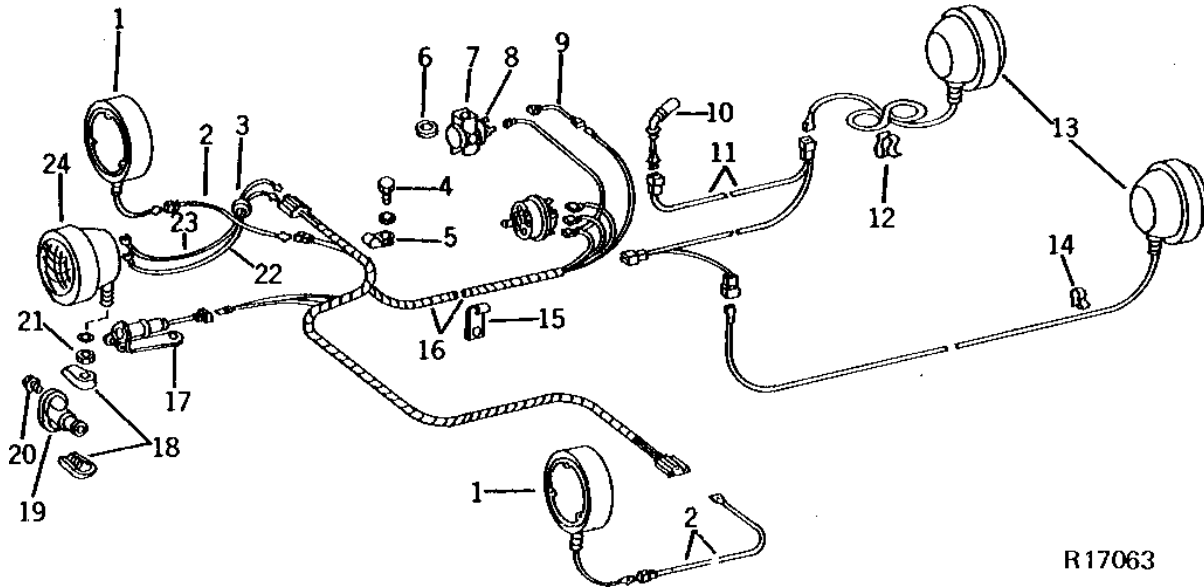
MEMORANDA

2B7

ELECTRICAL

FRONT AND REAR MID MOUNTED LIGHT WIRING SYSTEM (TRACTOR SERIAL NO. -187300)

R17063 -UN-01JAN94



R17063

KEY	PART NO.	PART NAME	QTY	TRACTOR SERIAL NO.	REMARKS
1	AR50580	LAMP	2		
2	AR51403	WIRING LEAD	2		
3	R26409	GROMMET	1		
4	19H2021 12H304	CAP SCREW LOCK WASHER	2 2	3/8" X 5/8" 3/8"	
5	T32231	CLAMP	2		(SUB FOR R55618)
6	24H1283	WASHER	1		7/32" X 1/2" X 0.049"
7	T29417	BRACKET	1		
8	AU41465	FLASHER	1		(12-VOLT)
9	WIRING LEAD	1		178MM (7") (MAKE FROM R66319, (2) R65600, (2) T28585 AND R32027)
10	AT20739	LAMP	1		
11	AT20740	WIRING HARNESS	1		
12	T41072	CLIP	2		
13	AT20106	LAMP	2		
14	R21551	CLIP	2		
15	T13744	CLAMP	4		
16	AR51406	WIRING HARNESS	1		
17	AT20709	SOCKET OUTLET	1		
18	R27460	CLAMP	2		
19	T19178	BRACKET	2		
20	T19179	CAP SCREW	2		
21	14H1040 12H301	NUT LOCK WASHER	1 1	1/2" 1/2"	
22	AR51404	WIRING LEAD	1		
23	AR51405	WIRING LEAD	1		
24	AR77326	FLOODLAMP	1		(SUB FOR AT16288 OR AR34990)
25	AR28401	SWITCH	1		

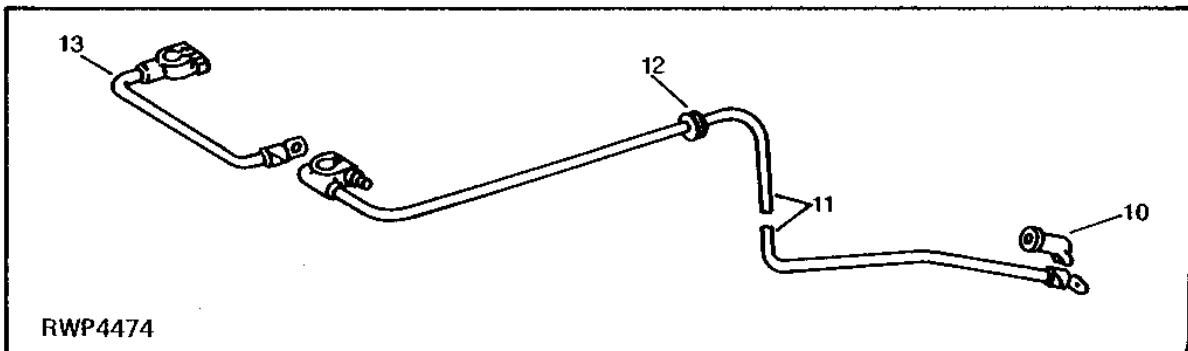
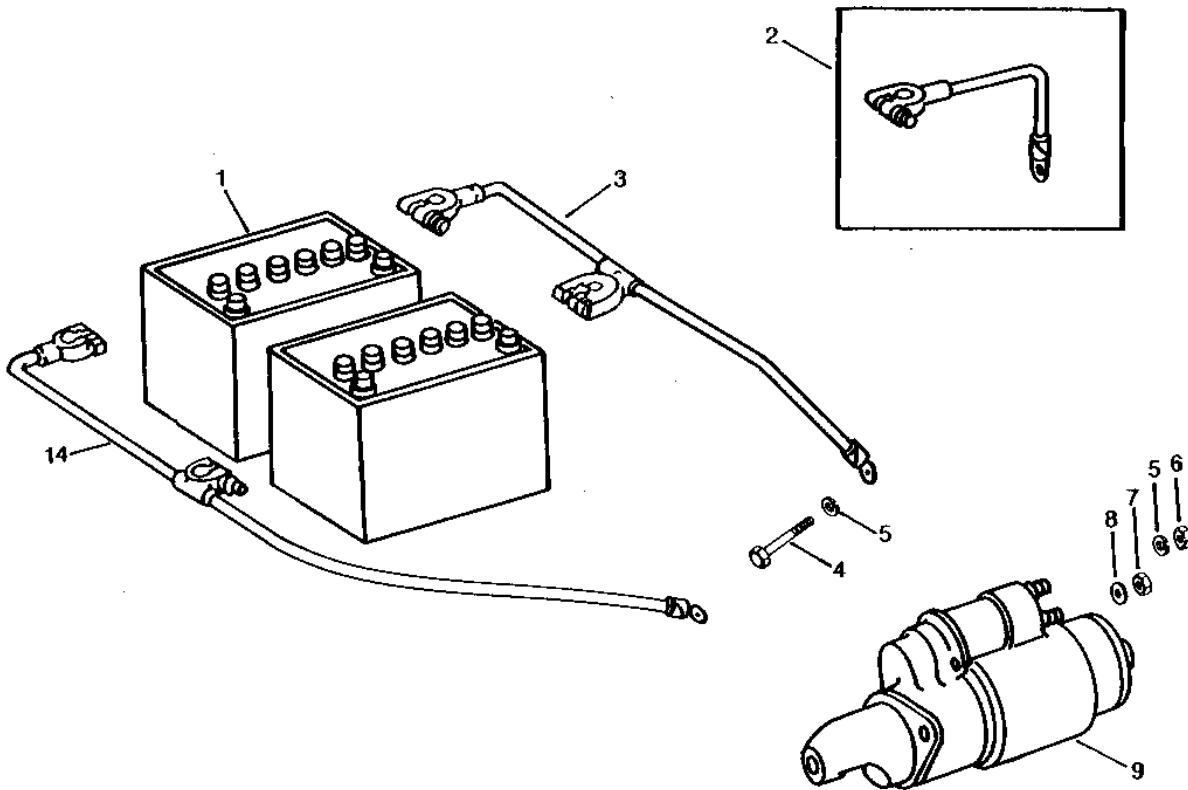
2B8

ELECTRICAL

RWP4474

-UN-01JAN94

BATTERY AND BATTERY CABLES



2B9

ELECTRICAL

BATTERY CABLES AND STARTING MOTOR - CONTINUED

KEY	PART NO.	PART NAME	QTY	TRACTOR SERIAL NO.	REMARKS
1	AT29157	BATTERY	1	-187300	(GASOLINE) (12-VOLT) 250 COLD CRANKING AMPS AT -18°C (0°F) 59 MINUTE RESERVE CAPACITY AT 25 AMPS, (SUB TY21730)
	TY21730	BATTERY	AR		(1 USED GASOLINE OR DIESEL) (2 USED DIESEL) (12-VOLT) 420 COLD CRANKING AMPS AT -18°C (0°F) 70 MINUTE RESERVE CAPACITY AT 25 AMPS, (SUB FOR AT29157 OR AR67338)
2	AR67453	CABLE	1	-XXXXXX	(B) (D) (SUB RE14515 OR RE14513, THIS APPLICATION) (SUB FOR AT20751) (2 BATTERIES, DIESEL)
	AT18702	GROUND CABLE	1		(A) (B) (D) (SUB RE14515 OR RE14513, THIS APPLICATION) (SUB FOR AT20749)
3	RE14513	CABLE	1	XXXXXX-	(B) (D) (SUB FOR AR67453, THIS APPLICATION)
	RE14515	CABLE	1	XXXXXX-	(A) (D) (SUB FOR AR67453, THIS APPLICATION) (SUB AT14764)
4	19H2021	CAP SCREW	AR		3/8" X 5/8"
5	12H304	LOCK WASHER	3		3/8"
6	14H732	NUT	1		3/8"
7	14H605	NUT	1		0.164"
8	T19603	LOCK WASHER	1		
9	RE62916	STARTER	1		(DIESEL) (DELCO-REMY) (SUB FOR AT18150, AT25619, RE19187, RE42730 OR RE50095)
	TY6702	STARTER	1		(DIESEL) (DELCO-REMY) (REMANUFACTURED)
	AT23401	STARTER	1		(DIESEL) (R. BOSCH) (SUB TY6720)
	AR70436	STARTER	1		(DIESEL) (R. BOSCH) (SUB TY6720, THIS APPLICATION)
	TY6720	STARTER	1		(DIESEL) (R. BOSCH) (REMANUFACTURED) (SUB FOR AT23401 OR AR70436)
	AR91813	STARTER	1		(GASOLINE) (DELCO-REMY NO. 1109421 OR 1109576) (SUB FOR AT18025) (SUB TY6706)
	TY6706	STARTER	1		(GASOLINE) (REMANUFACTURED) (SUB FOR TY6639, AT18150 OR AT91813)
10	R30964	COVER	1	-187300	
11	AR103525	CABLE	1	-XXXXXX	(B) (C) (SUB RE14512, THIS APPLICATION) (SUB FOR AR70711, T21887 OR T21888)
	AR103525	CABLE	1		(A) (C)
12	R40445	GROMMET	1	-XXXXXX	(B) (C) (DIESEL)
13	T21889	CABLE	1		(B) (C) (SUB FOR AR103525, THIS APPLICATION)
14	RE14512	CABLE	1	XXXXXX-	(SUB FOR AR70711)
..	R60035	ADAPTER	6		(WITH ROLL-GARD) (SUB FOR AR72847)

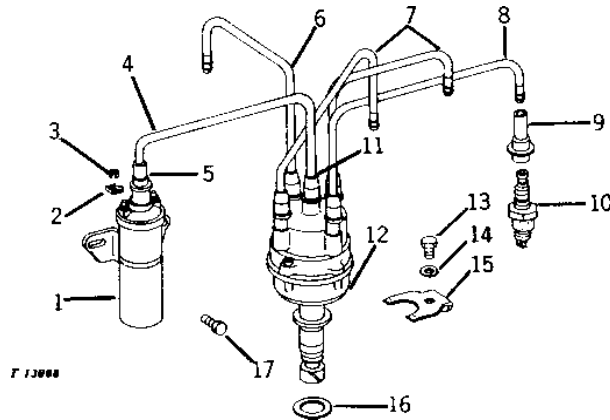
- (A) SINGLE BATTERY
- (B) DUAL BATTERY
- (C) POSITIVE
- (D) NEGATIVE

2B10

ELECTRICAL

T13088 -UN-04JAN95

DISTRIBUTOR, COIL, SPARK PLUGS AND CABLES



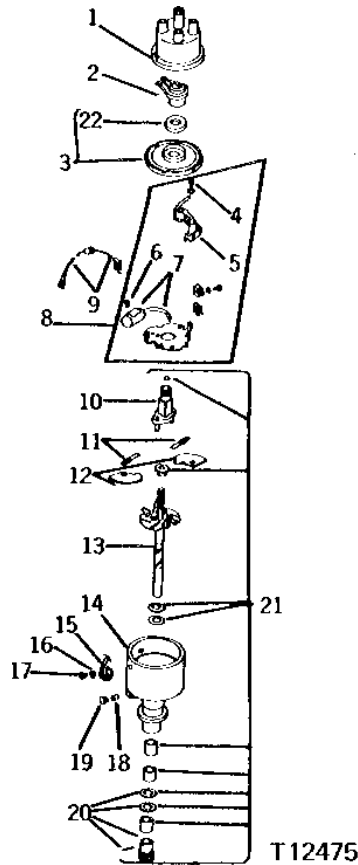
KEY	PART NO.	PART NAME	QTY	ENGINE SERIAL NO.	REMARKS
1	AT14385	ELECTRICAL COIL	1		(PRESTOLITE NO.2000627)
2	12H246	LOCK WASHER	2		0.190"
3	14H631	NUT	2		0.190"
4	WIRING LEAD	1		229MM (9") (MAKE FROM R32006, (2) R32013 AND (2) A3539R)
5	A4159R	BOOT	1		
6	WIRING LEAD	1		203.2MM (8") (MAKE FROM R32006, (2) R32013, (2) A3539R) (CYLINDER NO. 3)
7	WIRING LEAD	1		292MM (11-1/2") (MAKE FROM R32006, (2) R32013 AND (2) A3539R) (CYLINDER NO. 2 AND 4)
8	WIRING LEAD	1		330MM (13") (MAKE FROM R32006, (2) R32013 AND (2) A3539R) (CYLINDER NO. 1)
9	T20115	BOOT	4		
10	AT21177	SPARK PLUG	4		(CHAMPION NO.N-6) (HEAVY-DUTY SERVICE)
	AT21343	SPARK PLUG	4		(CHAMPION NO.N-11Y) (MEDIUM-DUTY SERVICE)
	AT21658	SPARK PLUG	4		(PRESTOLITE NO. 1463) (HEAVY-DUTY SERVICE)
	TY21717	SPARK PLUG	4		(SUB TY12717) (PRESOLITE 1463) (HEAVY-DUTY) (SUB FOR AT21658 OR TY6606)
11	A3539R	TERMINAL NIPPLE	1		
12	AT21351	IGNITION DISTRIBUTOR	1		(PRESTOLITE NO. 1BT-4101U) (ALSO ORDER AT21941)
13	19H1905	CAP SCREW	1		5/16" X 1"
14	12H303	LOCK WASHER	1		5/16"
15	T20113	CLAMP	1		
16	T20112	GASKET	1		
17	19H1813	CAP SCREW	2		5/16" X 5/8"

2B11

ELECTRICAL

DISTRIBUTOR (PRESTOLITE NO. 1BT-4101U)

T12475 -UN-01JAN94



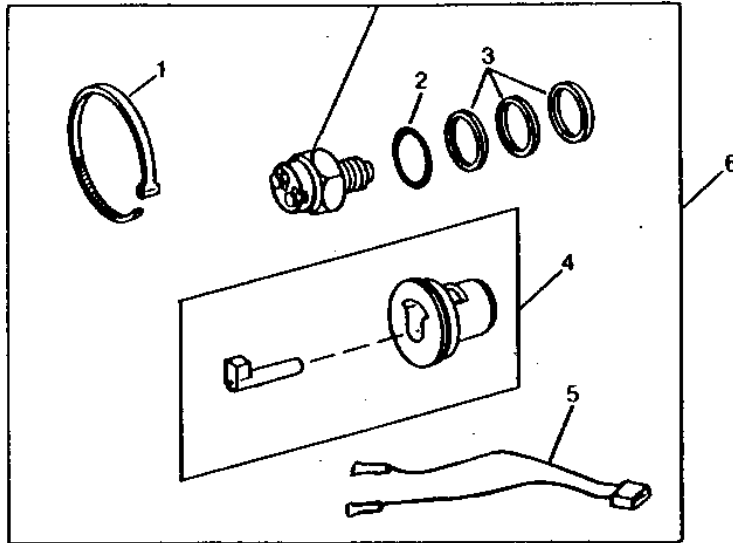
KEY	PART NO.	PART NAME	QTY	ENGINE SERIAL NO.	REMARKS
1	AT14692	CAP	1		
2	AT14680	ROTOR	1		
3	AT14682	COVER	1		
4	21H968	SCREW	1	0.164" X 3/16"	
5	AT21062	CONTACT	1		
6	21H1132	SCREW	1	0.138" X 5/32", (NLA)	
7	AT14684	VAPOR CONDENSER	1		
8	AT21719	PLATE	1		(ORDER COMPONENT PARTS)
9	T24526	WIRING LEAD	1		
10	AT14693	PLATE	1		(SUB RE16946)
11	AT21720	SPRING	1		(NLA)
12	T16580	WEIGHT	2		
13	AT21995	SHAFT	1		
14	HOUSING	1		(ORDER AT21351)
15	AT14679	CLAMP	2		
16	12H315	LOCK WASHER	2	0.164"	
17	21H1293	SCREW	2	0.164" X 5/16"	
18	T24525	WICK	1		(SUB AT25575)
19	T24524	PLUG	1		(SUB AT25575)
20	AT21722	KIT	1		GEAR REPLACEMENT
21	AT21721	KIT	1		SHAFT BEARINGS, WASHERS AND SPACERS
22	SEAL	1		(SUB AT14682) (ALSO ORDER AT21941)
..	AT21351	IGNITION DISTRIBUTOR	1		

2B12

ELECTRICAL

RXP8097 -UN-01JAN94

NEUTRAL-START SWITCH KIT



RXP8097

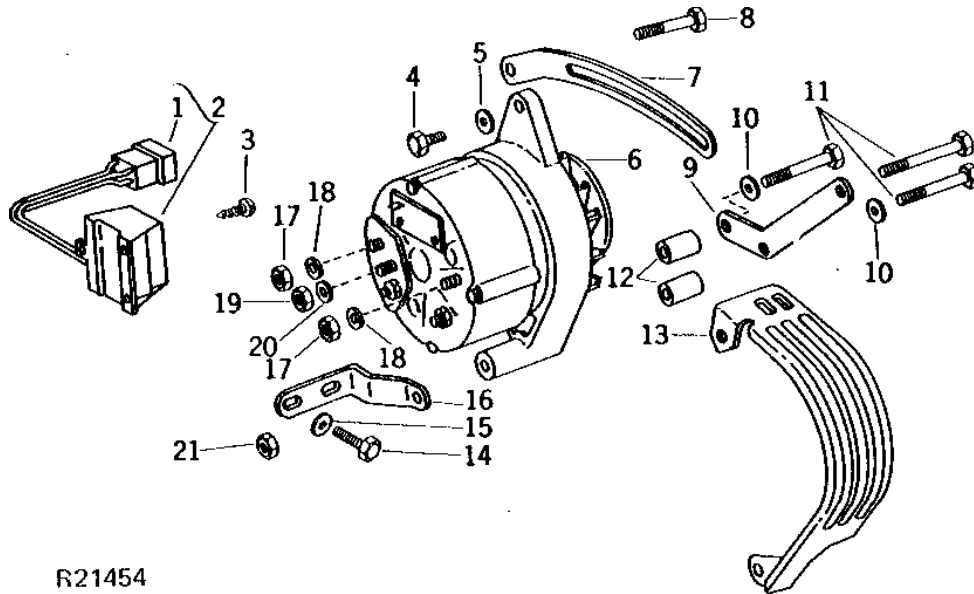
KEY	PART NO.	PART NAME	QTY	TRACTOR SERIAL NO.	REMARKS
1	R44302	TIE BAND	2		
2	R26448	O-RING	1		
3	T16911	SHIM	3		
4	RE37996	GAUGE	1		(NEUTRAL-START SWITCH ADJ.)
5	RE14069	WIRING HARNESS	1		
6	RE38390	SWITCH	1		(SUB FOR AR89691 OR AT85153) (ALSO ORDER R98941)

2B13

ELECTRICAL

R21454 -UN-01JAN94

ALTERNATOR, REGULATOR AND ATTACHING PARTS



R21454

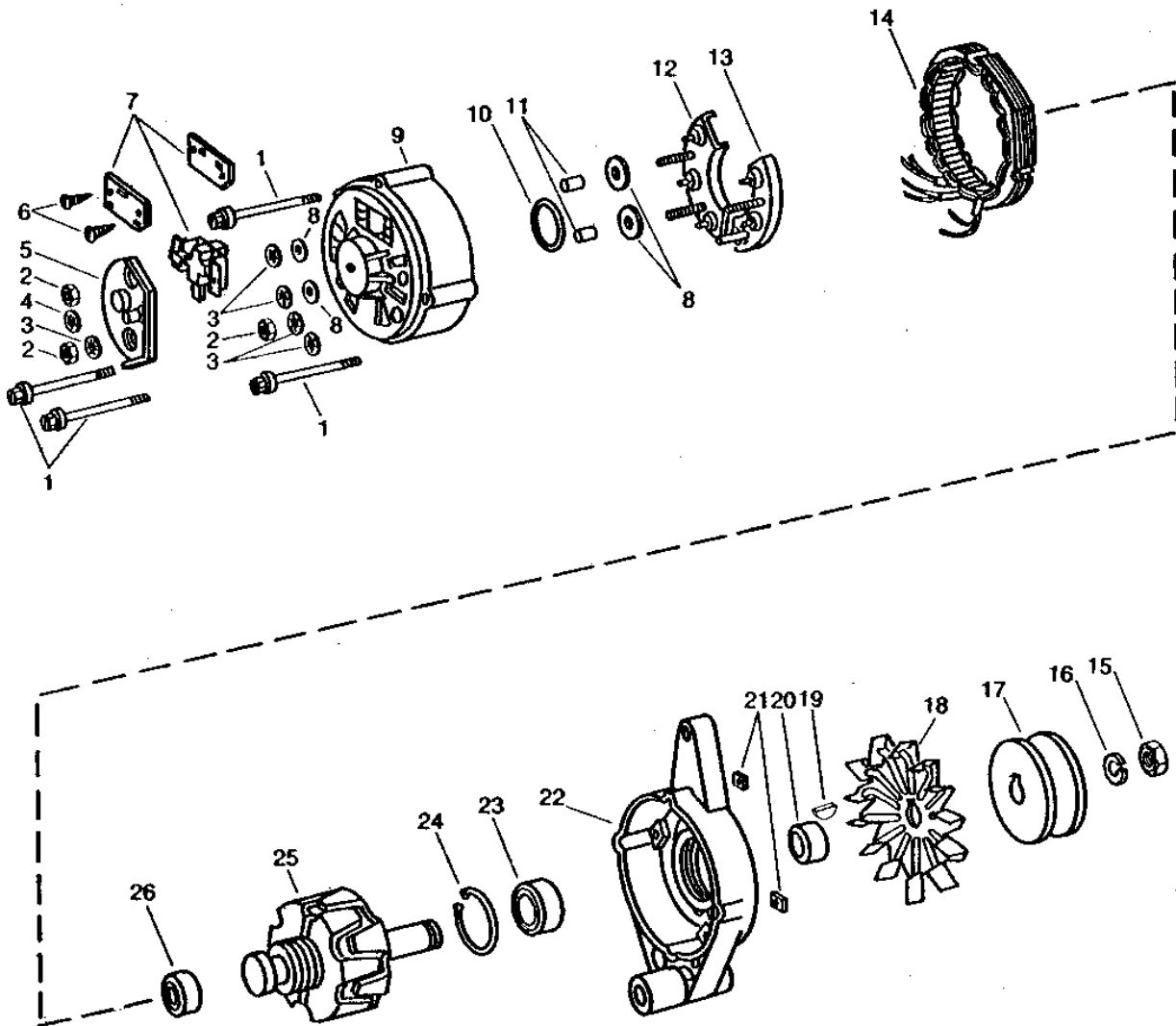
KEY	PART NO.	PART NAME	QTY	ENGINE SERIAL NO.	REMARKS
1	T24166	CONNECTOR	1		
2	AR77485	VOLTAGE REGULATOR	1		(MOTOROLA NO. R2J3) (SUB FOR AT21815)
3	37H94	SCREW	3		0.216" X 1/2"
4	19H1900	CAP SCREW	1		5/16" X 3/4"
5	24H1136	WASHER	1		11/32" X 11/16" X 0.065"
6	AT21619	ALTERNATOR	1		(MOTOROLA NO. A12NJD454) (SUB TY1428)
	TY1428	ALTERNATOR	1		(REMANUFACTURED) (SUB FOR AT21619)
	AR38458	ALTERNATOR	1		(MOTOROLA NO. RA12NJD453-S) (SUB TY1427)
	TY1427	ALTERNATOR	1		(REMANUFACTURED) (SUB FOR AR38458)
7	T20204	STRAP	1		(SUB R107734)
8	19H1801	CAP SCREW	1		3/8" X 2"
9	T20202	BRACKET	1		
10	24M7106	WASHER	2		10 X 18 X 2.500 MM
11	19H2128	CAP SCREW	3		3/8" X 3"
12	28H2547	SPACER	2		3/8" X 1"
13	R56012	SHIELD	1		
14	19H2284	CAP SCREW	2		3/8" X 7/8"
15	24H1305	WASHER	2		13/32" X 13/16" X 0.065"
16	R38372	BRACKET	1		(SUB FOR T21098)
17	14H778	NUT	2		0.190"
18	12M7060	WASHER	2		0.209"
19	14H786	NUT	1		1/4"
20	12H297	LOCK WASHER	1		1/4"
21	14H1076	NUT	1		3/8"

2B14

ELECTRICAL

ALTERNATOR
(MOTOROLA NO. A12NJD454) (12-VOLT) (35 AMP)
(AT21619)

RP185 -UN-01JAN94



RP185

2B15

ELECTRICAL

ALTERNATOR - CONTINUED
(MOTOROLA NO. A12NJD454) (12-VOLT) (35 AMP)
(AT21619)

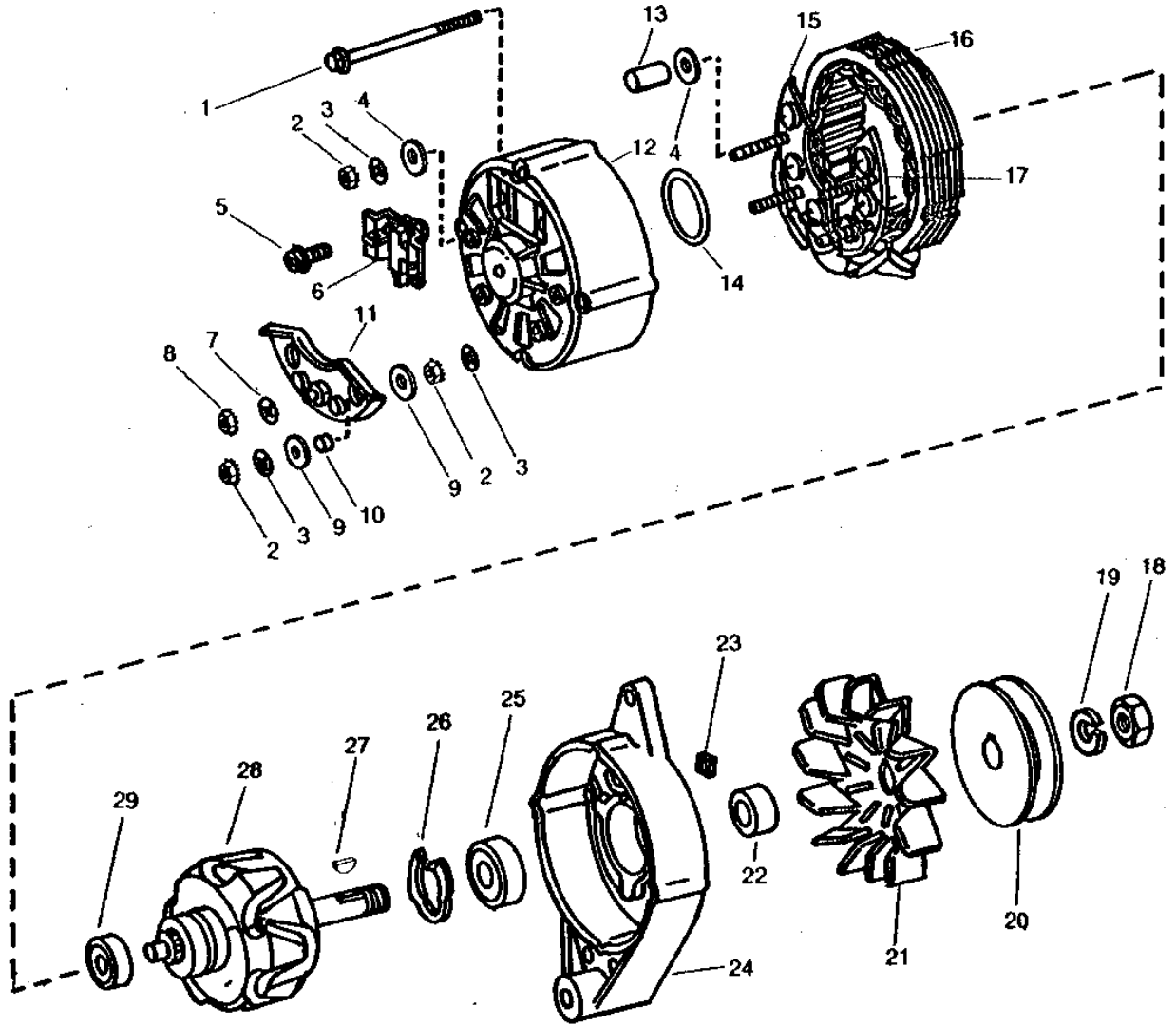
KEY	PART NO.	PART NAME	QTY	ENGINE SERIAL NO.	REMARKS
1	T23598	SCREW	4		
2	14H778	NUT	8	0.190"	
3	12M7060	WASHER	8	0.209"	
4	14H786	NUT	1	1/4"	
5	R15025	DIODE	1		(SUB FOR T23601)
6	37H10	SCREW	3	0.164" X 3/8"	
7	AT27128	HOLDER	1		(SUB FOR R15026)
8	R15036	WASHER	5		
9	R38374	HOUSING	1		(SUB FOR R15034)
10	R15030	O-RING	1		
11	R15035	SLEEVE	2		
12	R15023	DIODE	1		(POSITIVE)
13	R15024	DIODE	1		(NEGATIVE)
14	AT21161	STATOR	1		
15	14H866	NUT	1	5/8"	
16	12H294	LOCK WASHER	1	5/8"	
17	T24474	PULLEY	1		
18	R15027	FAN	1		
19	26H72	SHAFT KEY	1	1/8" X 5/8"	
20	T25343	BUSHING	1		(SUB FOR R15038)
21	T23610	NUT	4		
22	R15033	HOUSING	1		
23	JD9449	BALL BEARING	1		(SUB FOR AT23188)
24	R15029	RETAINER	1		
25	AT21160	ROTOR	1		
26	AT23189	BALL BEARING	1		
..	AT21619	ALTERNATOR	1		(MOTOROLA NO. A12NJD454) (SUB TY1428)
..	TY1428	ALTERNATOR	1		(REMANUFACTURED) (SUB FOR AT21619)

2B16

ELECTRICAL

ALTERNATOR PARTS
(MOTOROLA NO. RA12NJD453-S) (12-VOLT) (35 AMP)
(AR38458)

RP186 -UN-01JAN94



RP186

2B17

ELECTRICAL

ALTERNATOR PARTS - CONTINUED
(MOTOROLA NO. RA12NJD453-S) (12-VOLT) (35 AMP)
(AR38458)

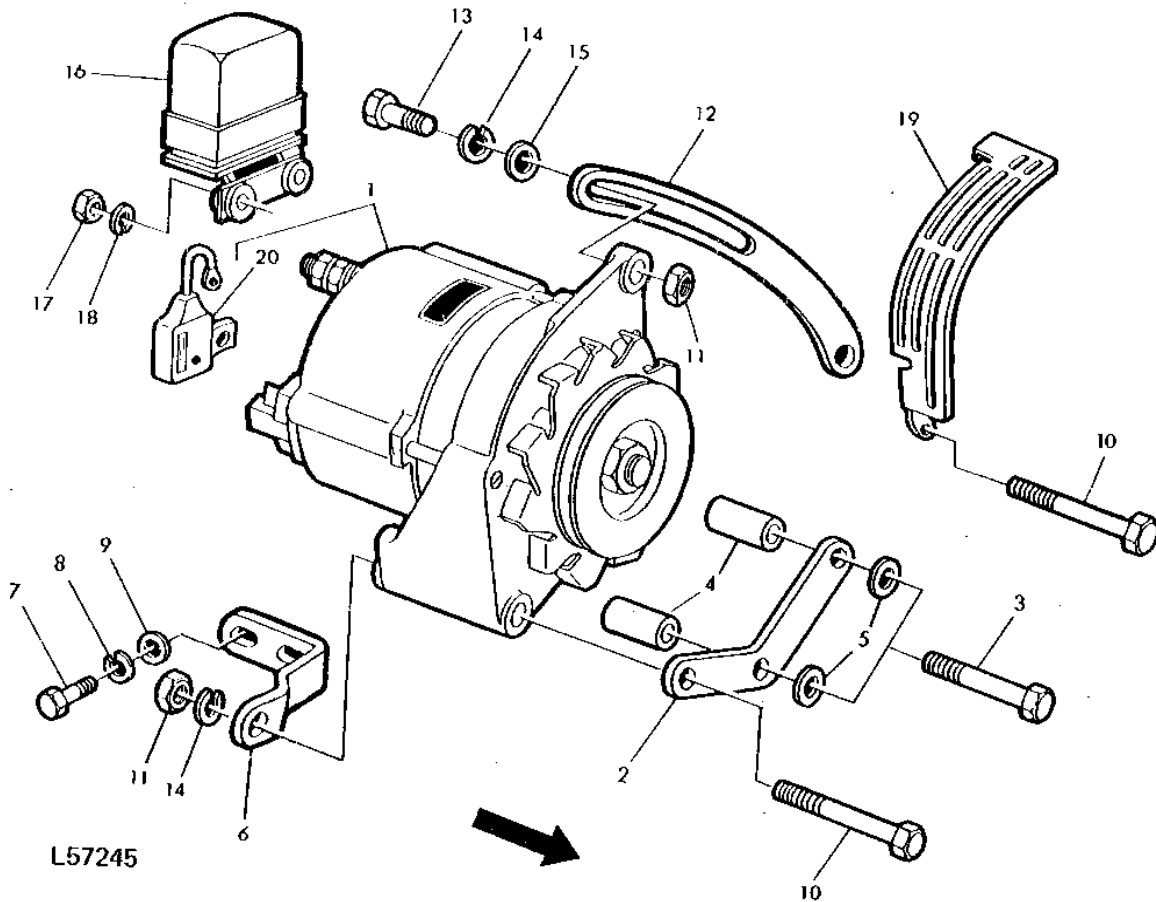
KEY	PART NO.	PART NAME	QTY	ENGINE SERIAL NO.	REMARKS
1	T23598	SCREW	4		
2	14H778	NUT	6	0.190"	
3	12M7060	WASHER	6	0.209"	
4	R15036	WASHER	4		
5	37H95	SCREW	2	NO. 8 X 1/2"	
6	AT27128	HOLDER	1	(SUB FOR R15026)	
7	12H297	LOCK WASHER	1	1/4"	
8	14H786	NUT	1	1/4"	
9	R15036	WASHER	2		
10	R39803	WASHER	1		
11	R39800	DIODE	1	(SUB FOR AR38461)	
12	R38374	HOUSING	1		
13	R15035	SLEEVE	2		
14	R15030	O-RING	1		
15	R15023	DIODE	1		
16	AT21161	STATOR	1		
17	R15024	DIODE	1		
18	14H866	NUT	1	5/8"	
19	12H294	LOCK WASHER	1	5/8"	
20	T24474	PULLEY	1		
21	R15027	FAN	1		
22	T25343	BUSHING	1		
23	T23610	NUT	4		
24	R15033	HOUSING	1		
25	JD9449	BALL BEARING	1	(SUB FOR AT23188)	
26	R15029	RETAINER	1		
27	26H72	SHAFT KEY	1	1/8" X 5/8"	
28	AT21160	ROTOR	1		
29	AT23189	BALL BEARING	1		
..	AR38458	ALTERNATOR	1	(MOTOROLA NO. RA12NJD453-S) (SUB TY1427)	
..	TY1427	ALTERNATOR	1	(REMANUFACTURED) (SUB FOR AR38458)	

2B18

ELECTRICAL

ALTERNATOR VOLTAGE REGULATOR AND ATTACHING PARTS (ROBERT BOSCH NO. 0120300535) (12-VOLT) (28 AMP) (AR62401)

L57245 -UN-01JAN94



L57245

KEY	PART NO.	PART NAME	QTY	ENGINE SERIAL NO.	REMARKS
1	AR62401	ALTERNATOR	1	(28 AMP) (SUB AL36391)	
	TY6651	ALTERNATOR	1	(33 AMP) (REMANUFACTURED) (SUB FOR TY6605)	
	T20202	BRACKET	1		
3	19H2128	CAP SCREW	2	3/8" X 3"	
4	28H2547	SPACER	2	3/8" X 1"	
5	24M7106	WASHER	12	10 X 18 X 2.500 MM	
6	R38372	BRACKET	1		
7	19H2284	CAP SCREW	2	3/8" X 7/8"	
8	12H304	LOCK WASHER	1	3/8"	
9	24H1305	WASHER	2	13/32" X 13/16" X 0.065"	
10	19H1921	CAP SCREW	1	5/16" X 3-1/4"	
11	14H785	NUT	2	5/16"	
12	T20204	STRAP	1		
13	19H2661	CAP SCREW	1	5/16" X 1-3/8"	
14	12H303	LOCK WASHER	2	5/16"	
15	24H1136	WASHER	1	11/32" X 11/16" X 0.065"	
16	AT31413	VOLTAGE REGULATOR	1		
17	14H631	NUT	2	0.190"	
18	12H246	LOCK WASHER	2	0.190"	
19	R56012	SHIELD	1		
20	AL23434	CAPACITOR	1		

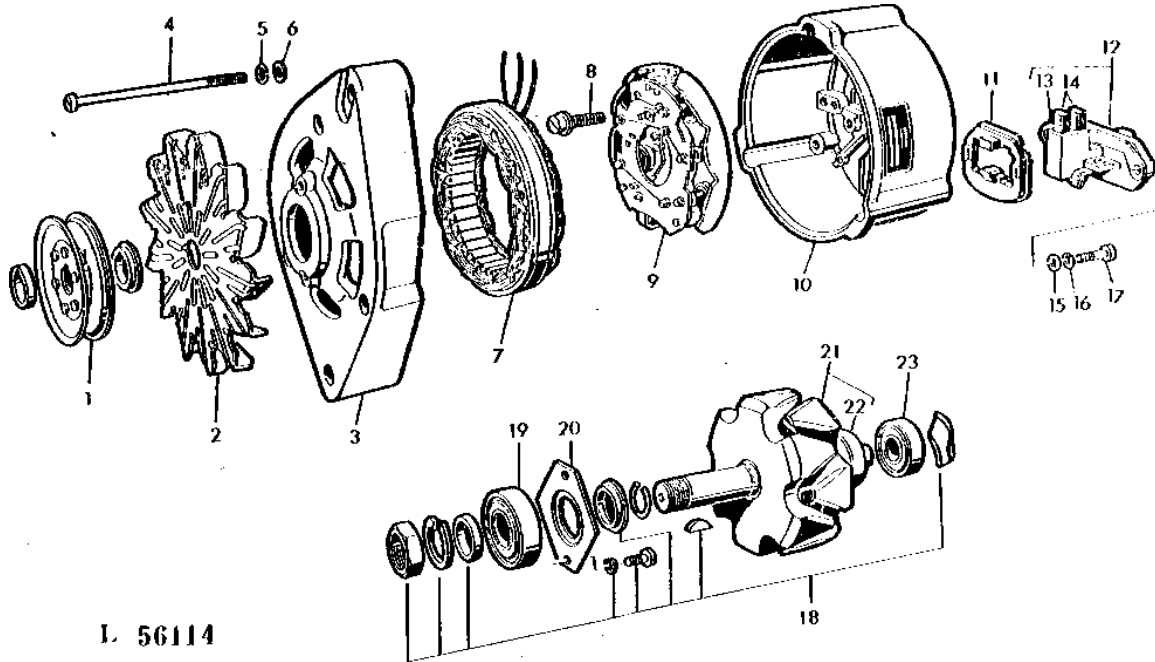
USE ON TRACTORS HAVING AN "L" AS THE LAST DIGIT OF THE CHASSIS SERIAL NUMBER

2B19

ELECTRICAL

ALTERNATOR
(ROBERT BOSCH NO. 0120300535) (12-VOLT) (28 AMP)
(AR62401)

L56114 -UN-01JAN94



L 56114

KEY	PART NO.	PART NAME	QTY	ENGINE SERIAL NO.	REMARKS
1	AL32863	PULLEY	1		(SUB FOR AL23856)
2	L29167	FAN	1		
3	L29159	CASE	1		
4	L29166	SCREW	3		
5	12M7064	LOCK WASHER	3	M5	
6	24M7027	WASHER	3	5.300 X 10 X 1 MM	
7	AL27371	STATOR	1		(SUB FOR AL23849)
8	Z42049	SCREW	3		(SUB FOR L29163)
9	AL23855	ALTERNATOR	1		(SUB AL27374)
10	L29164	HOUSING	1		
11	L29165	GASKET	1		
12	AL27372	CARBON BRUSH HOLDER	1		(SUB FOR AL23853)
13	L27339	SPRING	2		
14	AL27373	CARBON BRUSH CONDUCTOR	1		BRUSH, (SUB FOR AL23854)
15	L29162	WASHER	2		(NLA)
16	12H315	LOCK WASHER	2		0.164"
17	AL19208	SCREW	2		
18	AL23857	KIT	1		ROTOR BEARING AND HARDWARE
19	AL23852	BEARING	1		
20	L29161	PLATE	1		
21	AL23850	ROTOR	1		
22	L29160	RING	1		
23	AL23851	BEARING	1		
..	AR62401	ALTERNATOR	1		(28 AMP) (R. BOSCH NO. 0120300535) (SUB AL36391)
..	TY6651	ALTERNATOR	1		(33 AMP) (REMANUFACTURED) (SUB FOR TY6605)

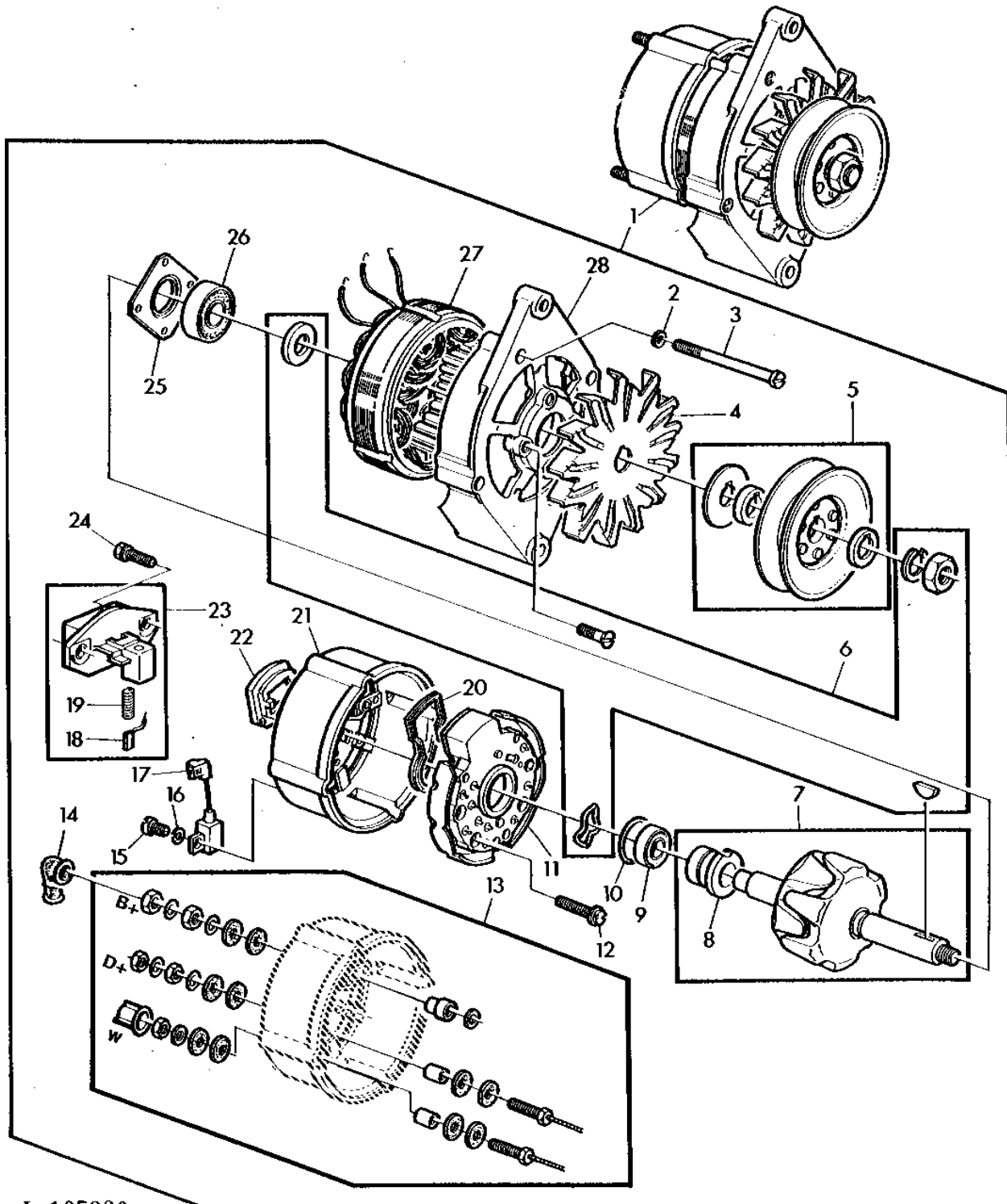
USE ON TRACTORS HAVING AN "L" AS THE LAST DIGIT OF THE CHASSIS SERIAL NUMBER

2B20

ELECTRICAL

ALTERNATOR
(ROBERT BOSCH)
(AL36391 AND AL35998)

L105220 -UN-01JAN94



L 105220

2B21

ELECTRICAL

ALTERNATOR - CONTINUED
(ROBERT BOSCH)
(AL36391 AND AL35998)

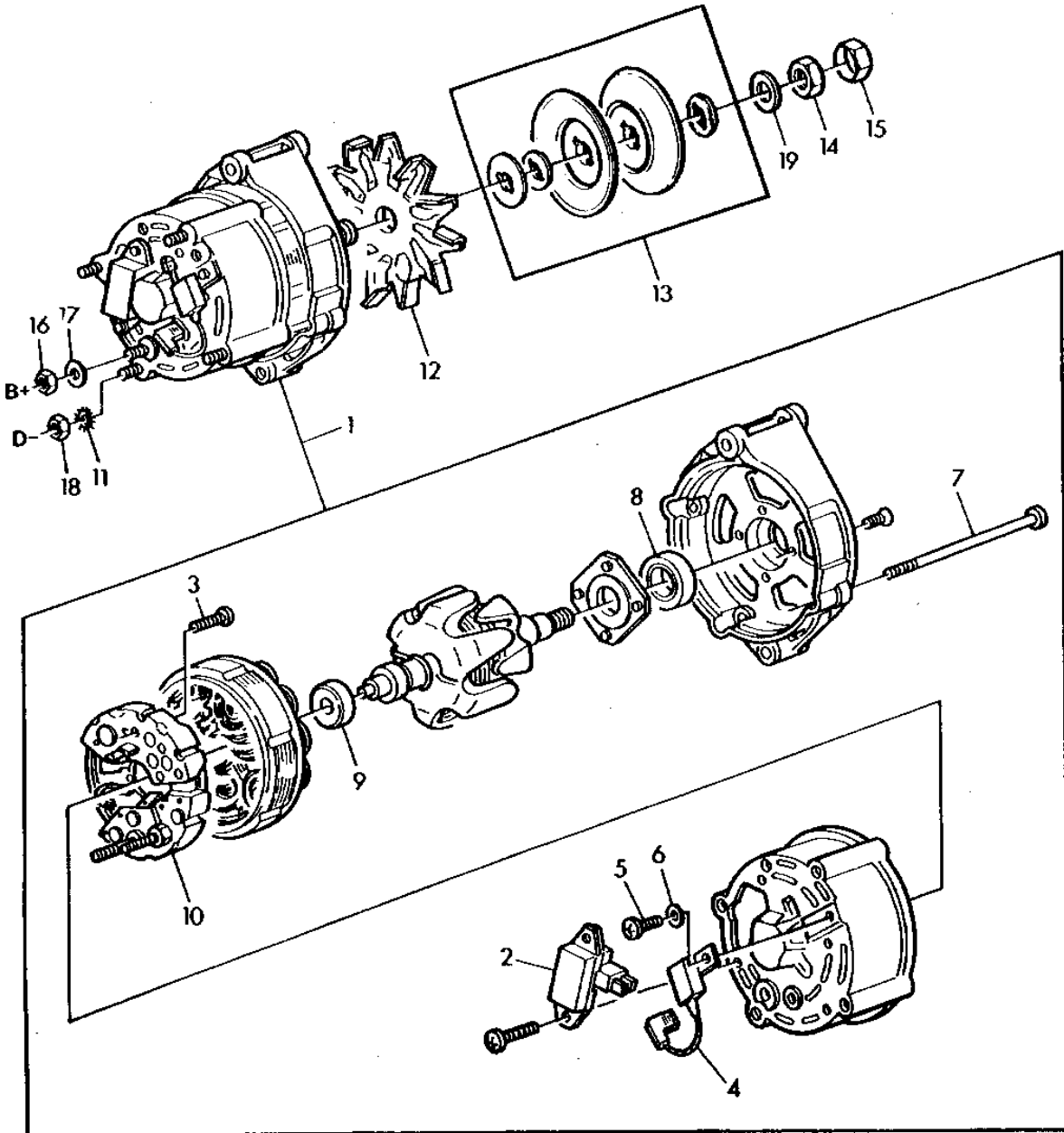
KEY	PART NO.	PART NAME	QTY	ENGINE SERIAL NO.	REMARKS
1	AL36391	ALTERNATOR	1		(INCLUDES AL36390 AND AL35998) (SUB FOR AR62401)
	AL35998	ALTERNATOR	1		(SUB AL81436)
	TY6652	ALTERNATOR	1		(REMANUFACTURED) (SUB TY6791)
2	24M7027	WASHER	4		5.300 X 10 X 1 MM
3	L41575	SCREW	4		
4	L33993	FAN	1		
5	AL32863	PULLEY	1		
6	AL30424	KIT	1		(SUB AL23857)
7	AL30416	ROTOR	1		
8	L33986	RING	1		
9	AL30417	BEARING	1		
10	L33987	O-RING	1		
11	AL30419	DIODE HOLDER	1		(ALSO ORDER AL30425)
12	Z42049	SCREW	3		
13	AL23857	KIT	1		(SUB FOR AL30424)
14	L33994	TERMINAL NIPPLE	2		
15	21M7198	SCREW	1		M5 X 8
16	12M7075	WASHER	1		5.300 X 11 X 0.500 MM
17	AL30423	CAPACITOR	1		
18	AL30421	CARBON BRUSH CONDUCTOR	1		KIT, (SUB AL65077)
19	Z42048	SPRING	2		
20	L41296	GASKET	1		
21	AL30418	HOUSING	1		
22	L33992	INSULATOR	1		(NLA)
23	AL35999	REGULATOR	1		(SUB AL65077)
24	Z42047	SCREW	2		
25	L33985	FLANGE	1		
26	JD10036	BALL BEARING	1		
27	AL30422	STATOR	1		
28	AL30414	CASE	1		

2B22

ELECTRICAL

LX003705 -UN-01JAN94

ALTERNATOR (55 AMP)
(ROBERT BOSCH)



LX003705

2B23

ELECTRICAL

ALTERNATOR (55 AMP) (ROBERT BOSCH)

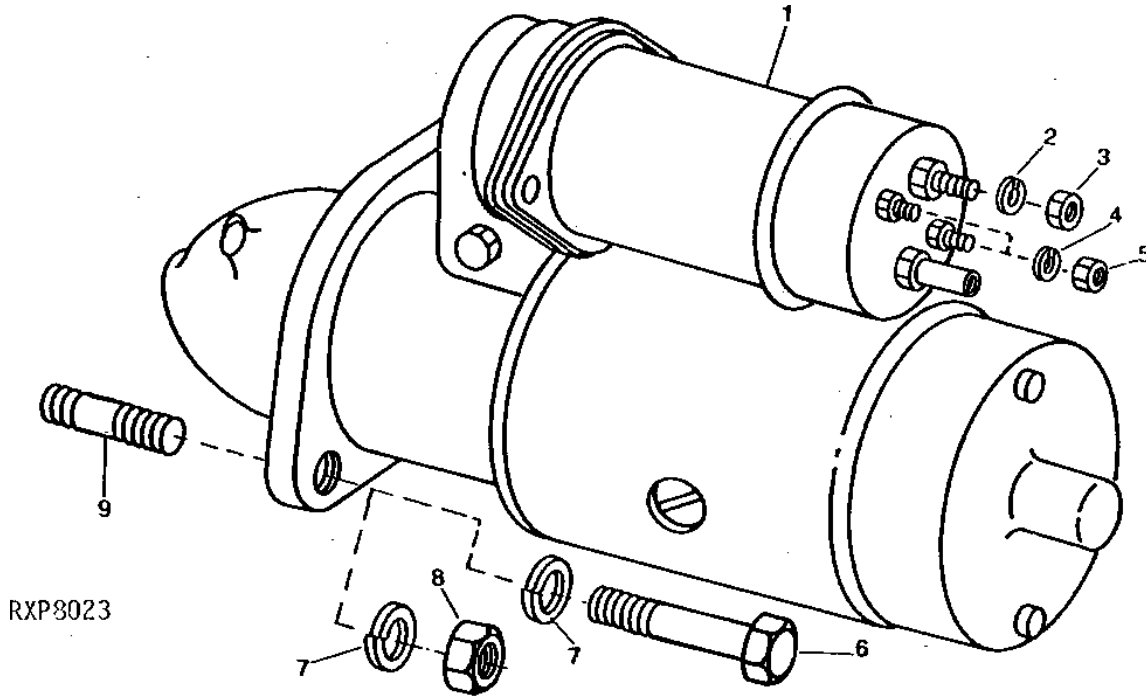
KEY	PART NO.	PART NAME	QTY	SERIAL NO.	REMARKS
1	AL81436	ALTERNATOR	1		(R. BOSCH 14V, 55A, 0120488267) (SUB FOR AL35998, AL67175 OR AL78689)
2	AL65077	REGULATOR	1		
3	Z42047	SCREW	2		
4	AL30423	CAPACITOR	1		
5	21M7198	SCREW	1		M5 X 8
6	12M7075	WASHER	1		
7	L41575	SCREW	4		
8	JD30001	BALL BEARING	1		
9	JD10036	BALL BEARING	1		
10	AL81450	RECTIFIER	1		(SUB FOR AL68887)
11	12M7060	WASHER	1		
12	L77042	FAN	1		
13	AL68891	PULLEY	1		
14	L65174	NUT	1		M16
15	L30960	NUT	1		(SUB FOR L65058)
16	14M7273	NUT	1		M8
17	24M7036	WASHER	1		
18	14M7028	NUT	1		M5
19	12M7131	WASHER	1		

2B24

ELECTRICAL

RXP8023 -UN-01JAN94

STARTING MOTOR



KEY	PART NO.	PART NAME	QTY	ENGINE SERIAL NO.	REMARKS
1	AT25619	STARTER	1	(DIESEL) (DELCO-REMY NO. 1107871) (SUB FOR AT18150) (SUB RE62916 OR TY6702)	
	RE19187	STARTER	1	(DIESEL) (DELCO-REMY NO. 1107871 OR 1998367) (SUB FOR AT25619) (SUB RE62916 OR TY6702)	
	RE42730	STARTER	1	(DIESEL) (DELCO-REMY NO. 1107871 OR 1998367) (SUB FOR AT25619, RE19187 OR AT23401) (SUB RE62916)	
	RE50095	KIT	1	(DIESEL) (SUB RE62916)	
	RE62916	STARTER	1	(DIESEL) (DELCO-REMY NO. 10479628) (SUB FOR AT25619, RE19187, RE42730 OR RE50095)	
	TY6702	STARTER	1	(DIESEL) (REMANUFACTURED) (DELCO-REMY) (SUB FOR TY6620)	
	AT23401	STARTER	1	(DIESEL) (ROBERT BOSCH) (SUB TY6720)	
	AR70436	STARTER	1	(DIESEL) (ROBERT BOSCH) (SUB TY6720, THIS APPLICATION)	
	TY6720	STARTER	1	(DIESEL) (ROBERT BOSCH) (SUB FOR TY6615, AT23401 OR AR70436)	
	AT18025	STARTER	1	(GASOLINE) (DELCO-REMY NO. 1107339) (SUB TY6706)	
	AR91813	STARTER	1	(GASOLINE) (DELCO-REMY NO. 1109576) (SUB FOR AT18025) (SUB TY6706)	
	TY6706	STARTER	1	(GASOLINE) (REMANUFACTURED) (DELCO-REMY) (SUB FOR AT18025, AR91813 OR TY6639)	
	2	12M7013	1	(A) 10.200 MM	
		12H304	1	(B) 3/8"	
	3	14M7274	1	(A) M10	
		14H812	1	(B) 3/8"	
	4	12M7064	2	(A) 5.100 MM	
	5	14M7297	2	(A) M5	
	6	19H1731	1	3/8" X 1"	
	7	12H304	2	3/8"	
	8	14H1076	1	3/8"	
	9	R56481	1		

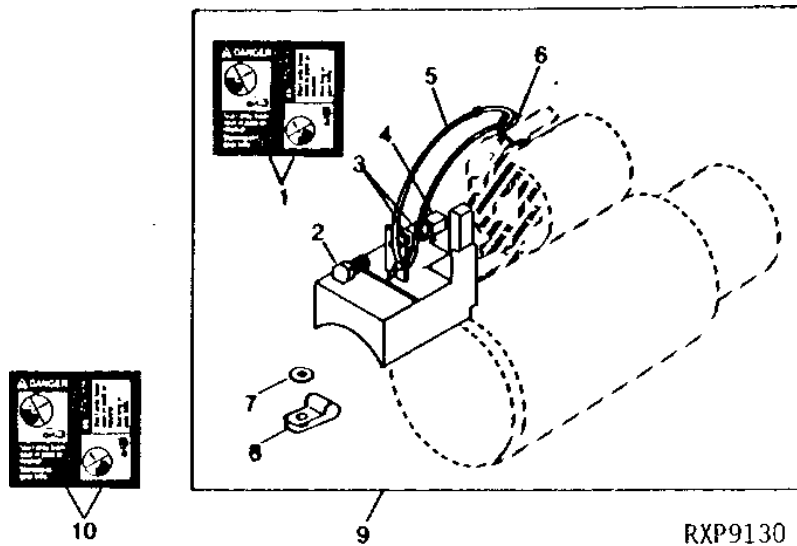
(A) USE WITH RE19187, RE42730, RE50095, RE62916, TY6620 OR TY6702
 (B) USE WITH AT18025, AR91813, TY6639 OR TY6706

2B25

ELECTRICAL

STARTER SOLENOID COVER KIT (DELCO-REMY)

RXP9130 -UN-01JAN94



KEY	PART NO.	PART NAME	QTY	ENGINE SERIAL NO.	REMARKS
1	T146102	WARNING LABEL	1		(ENGLISH) (SUB FOR T84409 OR T134459)
2	19H2038	CAP SCREW	1		3/8" X 1/2"
3	24H1305	WASHER	2		13/32" X 13/16" X 0.065"
4	R100380	NUT	1		
5	R76477	TIE BAND	1		
6	R44302	TIE BAND	1		
7	24H1289	WASHER	1		
8	R46414	CLAMP	1		
9	RE39061	SHIELD	1		(A)
10	T146106	WARNING LABEL	1		(ESPANOL) (SUB FOR T84410 OR T134452)
	T146104	WARNING LABEL	1		(FRANCAIS) (SUB FOR T84411 OR T134453)
	T146515	WARNING LABEL	1		(DEUTSCH) (SUB FOR T84412 OR T134454)
	T146516	WARNING LABEL	1		(ITALIANO) (SUB FOR T84413 OR T134455)
	T146517	WARNING LABEL	1		(ENGLISH/FRANCAIS) (SUB FOR T84578)

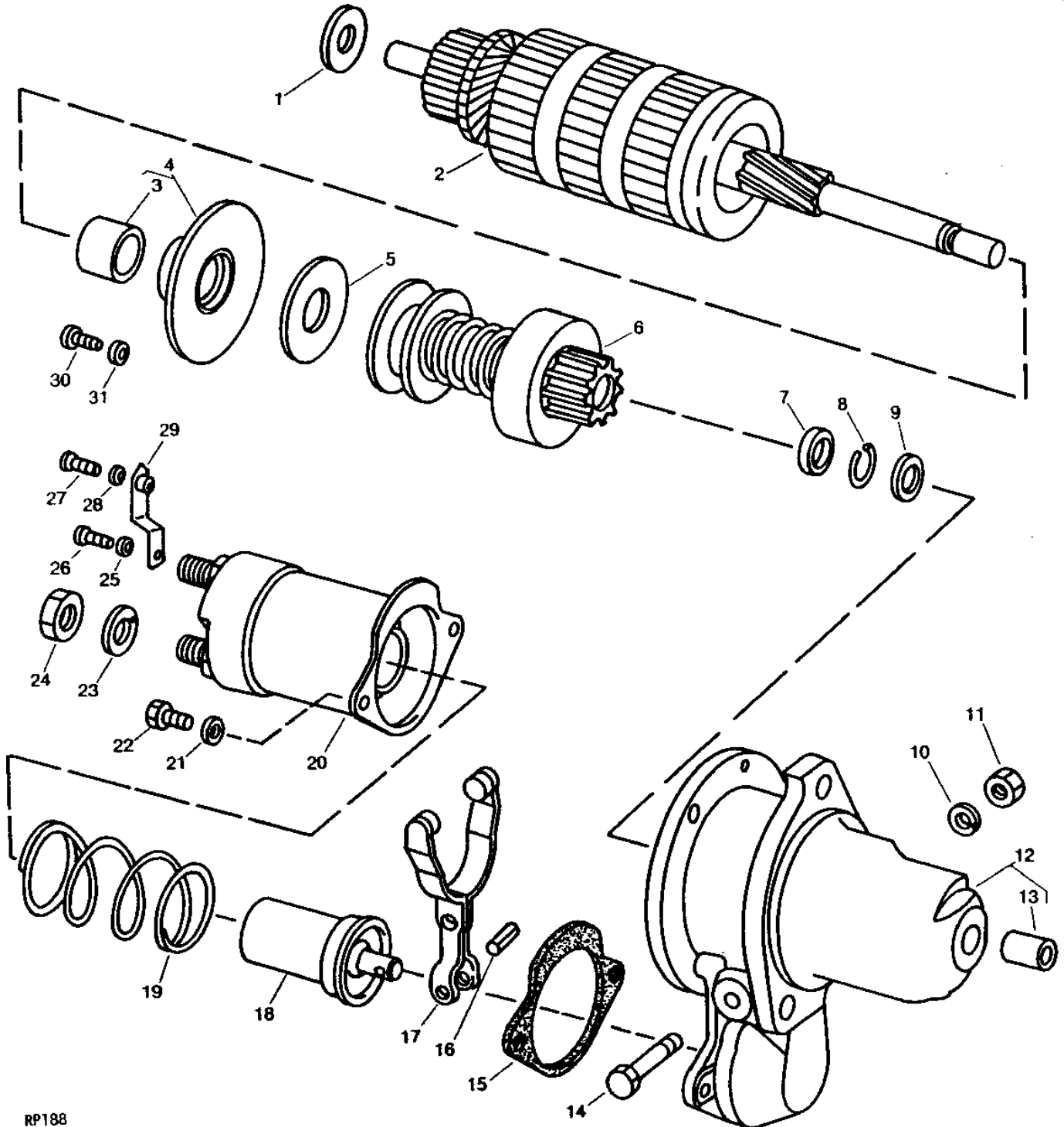
(A) USE ON AT18150, AT25619, RE19187, RE42730, TY6620 AND TY6702

2C1

ELECTRICAL

STARTING MOTOR DRIVE MOTOR AND ARMATURE ASSEMBLY (DELCO-REMY NO. 1107871) (DIESEL) (AT25619)

RP188 -UN-01JAN94



RP188

2C2

ELECTRICAL

STARTING MOTOR DRIVE MOTOR AND ARMATURE ASSEMBLY - CONTINUED
 (DELCO-REMY NO. 1107871)
 (DIESEL)
 (AT25619)

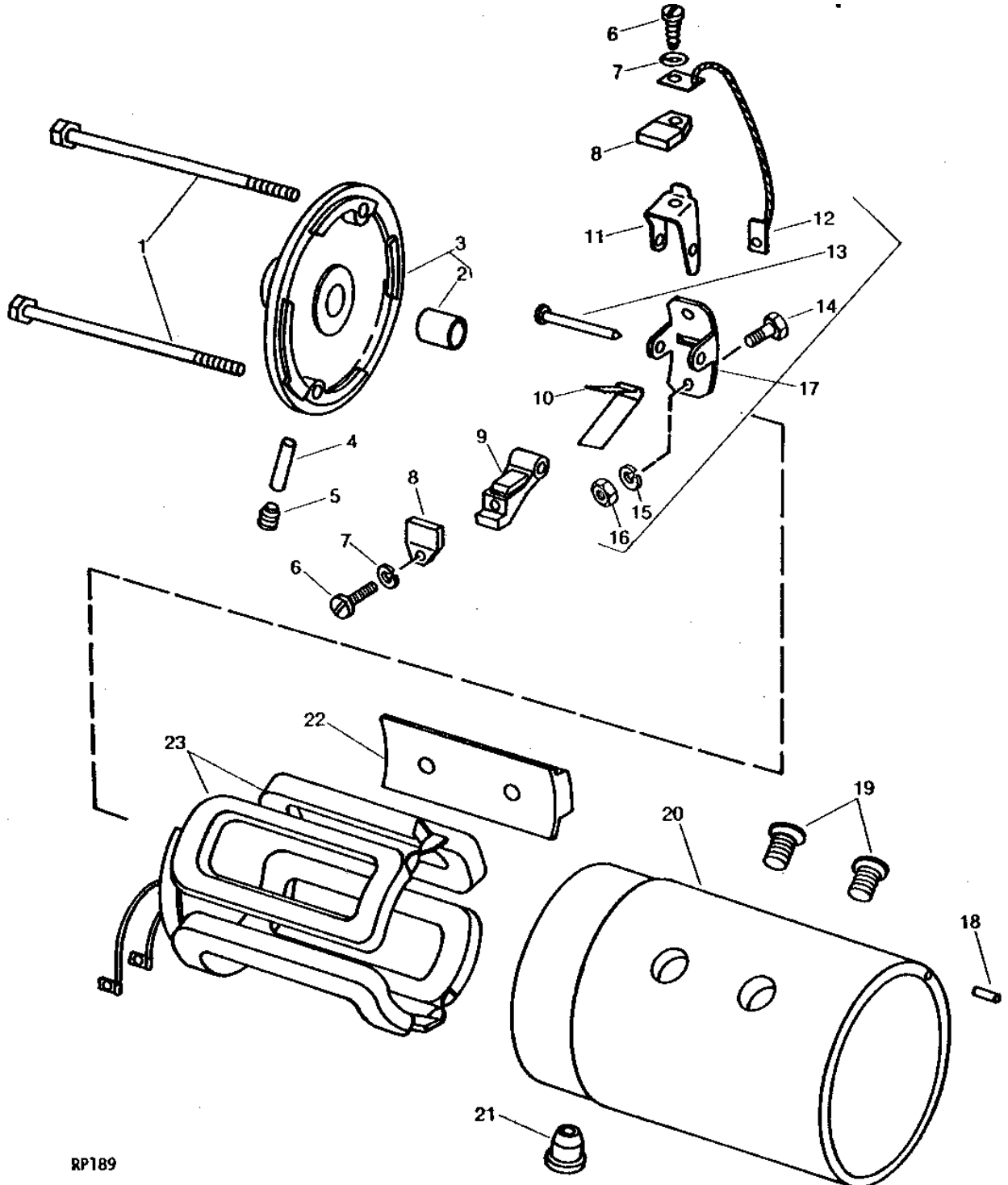
KEY	PART NO.	PART NAME	QTY	ENGINE SERIAL NO.	REMARKS
1	R11096	WASHER	1		
2	AT16291	ARMATURE	1		
3	820148	BUSHING	1		
4	820149	BEARING	1		
5	R11095	WASHER	1		
6	AR54923	BENDIX DRIVE	1		
7	R11116	SPACER	1		
8	R11117	SNAP RING	1		
9	T24539	WASHER	1		
10	12H303	LOCK WASHER	1	5/16"	
11	14H611	NUT	1	5/16"	
12	RE19193	HOUSING	1		(SUB FOR AT20662 OR AR70082)
	R40337	WICK	1		(SUB FOR R11108)
	15H558	PIPE PLUG	1	1/8"	
13	T17987	BUSHING	1		
14	T11672	CAP SCREW	1		
15	T17058	GASKET	1		
16	34H279	SPRING PIN	1	3/16" X 13/16"	
17	T18113	SHIFTER	1		
18	AT15147	PLUNGER	1		
19	T11675	SPRING	1		
20	AR68304	SOLENOID	1		SOLENOID, (SUB FOR R11240)
	TY6690	SOLENOID	1		(REMANUFACTURED)
21	12H302	LOCK WASHER	2	1/4"	
22	21H1142	SCREW	2	1/4" X 1/2"	
23	12H304	LOCK WASHER	1	3/8"	
24	14H732	NUT	1	3/8"	
25	12M7060	WASHER	1	0.209"	
26	T15564	SCREW	1		
27	21H1127	SCREW	1	0.190" X 7/16"	
28	12H246	LOCK WASHER	1	0.190"	
29	R11235	FITTING	1		
30	T19589	SCREW	2		
31	T19569	LOCK WASHER	2		
..	AT25619	STARTER	1		(SUB RE62916 OR TY6702)

2C3

ELECTRICAL

STARTING MOTOR HOUSING AND COIL ASSEMBLY (DELCO-REMY NO. 1107871) (DIESEL) (AT25619)

RP189 -UN-01JAN94



RP189

2C4

ELECTRICAL

STARTING MOTOR HOUSING AND COIL ASSEMBLY - CONTINUED
 (DELCO-REMY NO. 1107871)
 (DIESEL)
 (AT25619)

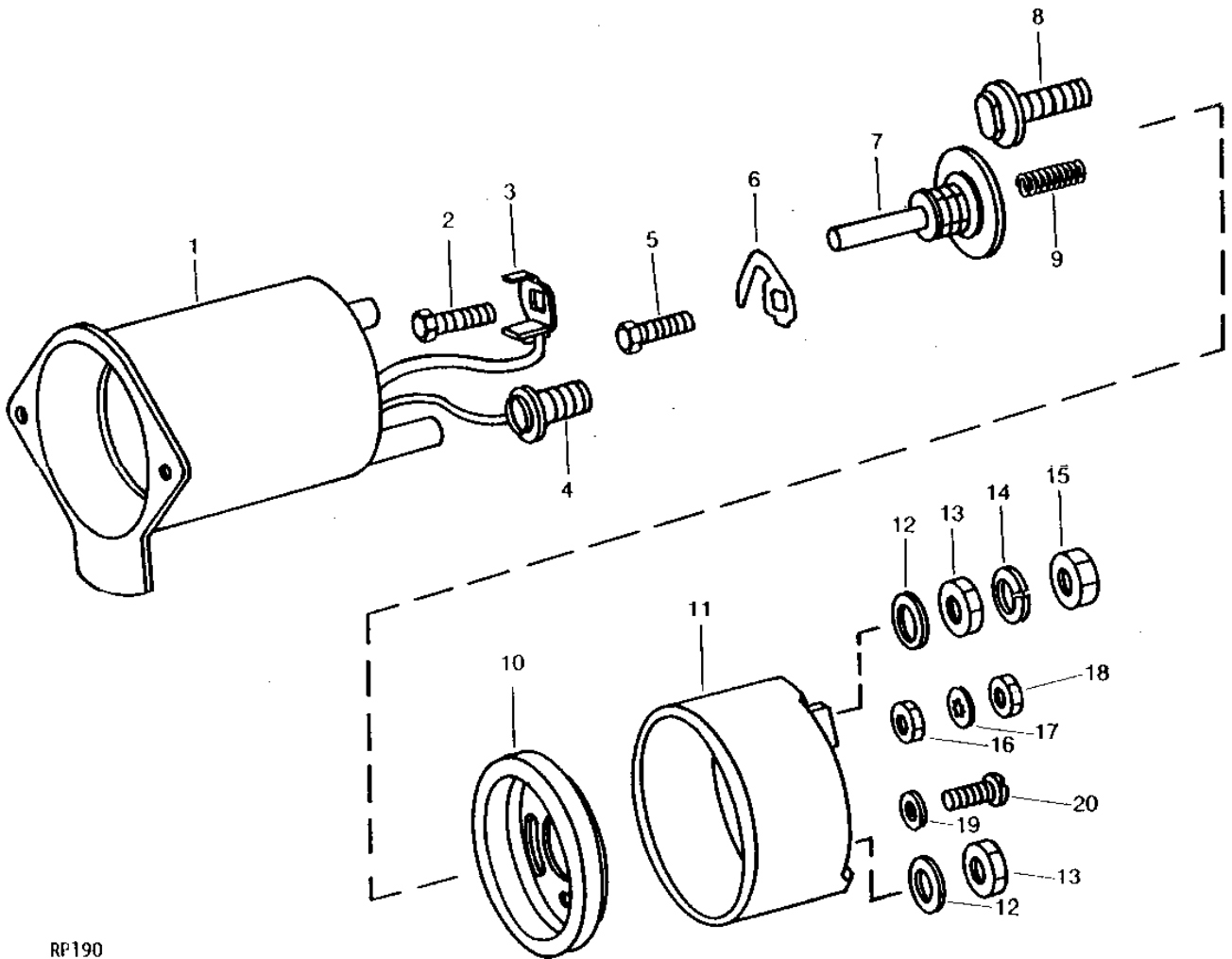
KEY	PART NO.	PART NAME	QTY	ENGINE SERIAL NO.	REMARKS
1	R11243	CAP SCREW	2		
2	R61932	BUSHING	1		(SUB FOR T11739)
3	R11238	END PLATE	1		
	30H9	PLUG	1		3/4"
4	H23193	FELT	1		
5	15H558	PIPE PLUG	1		1/8"
6	37H78	SCREW	4		0.164" X 3/4"
7	12M7084	LOCK WASHER	4		0.169"
8	R11239	BRUSH	4		
9	T739T	HOLDER	2		
10	T740T	SPRING	4		
11	T738T	HOLDER	2		
12	AT514T	WIRING LEAD	2		
13	T736T	PIN	2		
14	21H1301	SCREW	4		0.190" X 1/2"
15	12H246	LOCK WASHER	4		0.190"
16	14H778	NUT	4		0.190"
17	AT516T	KIT	2		
18	R11087	DOWEL PIN	1		
19	21H1280	SCREW	8		3/8" X 3/4"
20	FRAME	1		(ORDER RE62916 OR TY6702)
21	R11236	GROMMET	1		
22	T11680	SHOE	4		
23	AT16290	FIELD WINDING COIL	1		
..	AT25619	STARTER	1		(SUB RE62916 OR TY6702)

2C5

ELECTRICAL

RP190 -UN-01JAN94

SOLENOID SWITCH
(DELCO-REMY NO. 1114458)



RP190

2C6

ELECTRICAL

**SOLENOID SWITCH - CONTINUED
(DELCO-REMY NO. 1114458)**

KEY	PART NO.	PART NAME	QTY	ENGINE SERIAL NO.	REMARKS
1	HOUSING	1		(ORDER AR68304 OR TY6690)
2	T19606	STUD	1		
3	R11198	CLIP	1		(NLA)
4	T18354	SCREW	1		
5	T19606	STUD	1		
6	T19604	CONTACT	1		
7	AT15146	CONTACT	1		
8	T18105	STUD	1		
9	R11066	SPRING	1		
10	R61133	GASKET	1		(SUB FOR T18109 OR R49394)
11	R61134	COVER	1		(SUB FOR T19609 OR R57452) (ORDER AR68304 OR TY6690)
12	R11194	WASHER	2		
13	14H732	NUT	2		3/8"
14	12H304	LOCK WASHER	1		3/8"
15	14H812	NUT	1		3/8"
16	AR11131	NUT	2		(NLA)
17	12M7084	LOCK WASHER	2		0.169"
18	14H605	NUT	2		0.164"
19	R11039	WASHER	2		
20	21H1298	SCREW	2		0.190" X 3/8"
..	AR68304	SOLENOID	1		(A) (12-VOLT) (DELCO-REMY NO. 1114458) (SUB FOR R11240)
..	TY6690	SOLENOID	1		(A) (REMANUFACTURED)

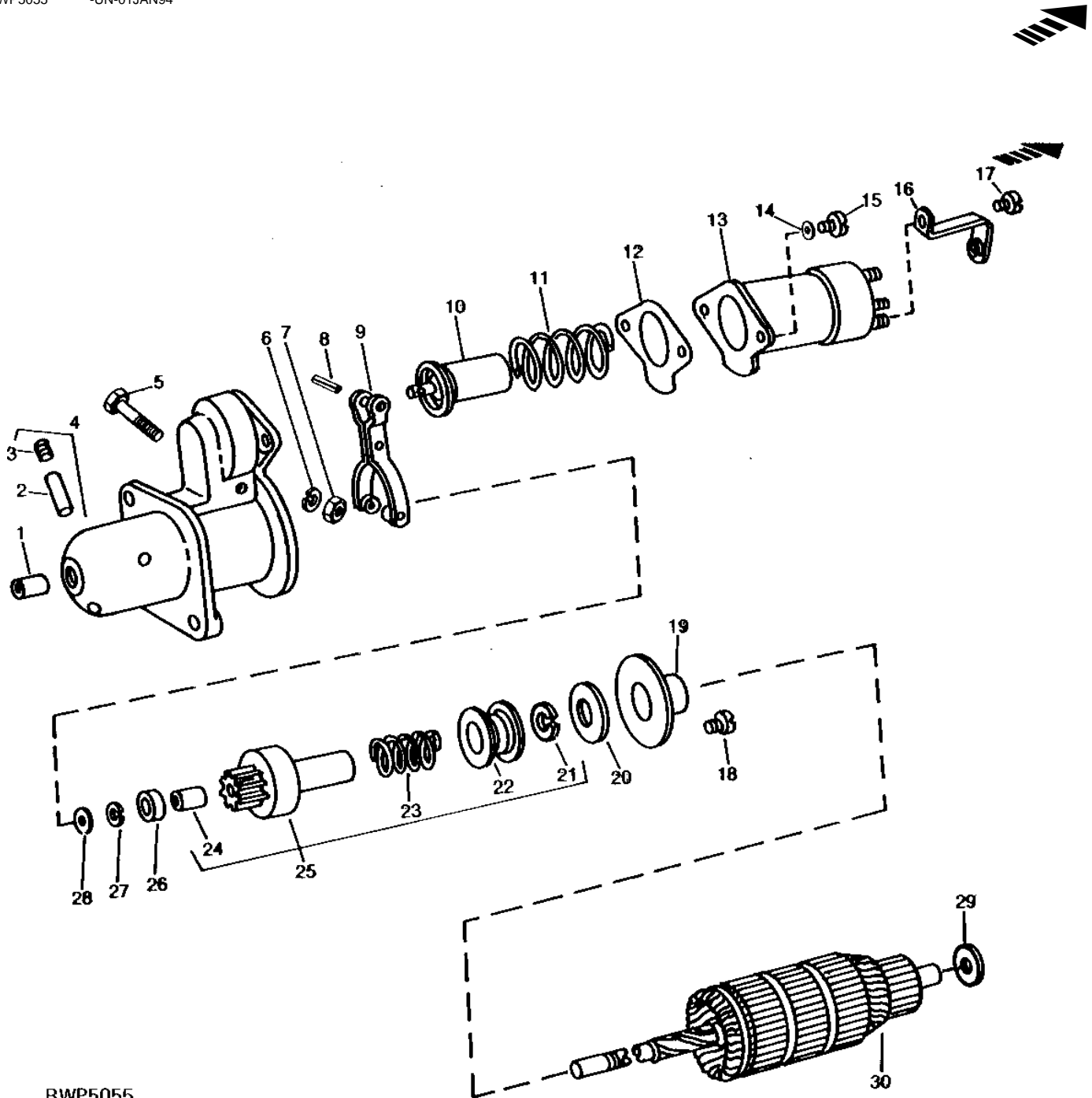
(A) USE WITH AT25619, AT18025 OR AR91813

2C7

ELECTRICAL

STARTING MOTOR DRIVE MOTOR AND SWITCH ASSEMBLY
(DELCO-REMY NO. 1998367)
(DIESEL)
(RE19187 AND RE42730)

RWP5055 -UN-01JAN94



RWP5055

2C8

ELECTRICAL

STARTING MOTOR DRIVE MOTOR AND SWITCH ASSEMBLY - CONTINUED
 (DELCO-REMY NO. 1998367)
 (DIESEL)
 (RE19187 AND RE42730)

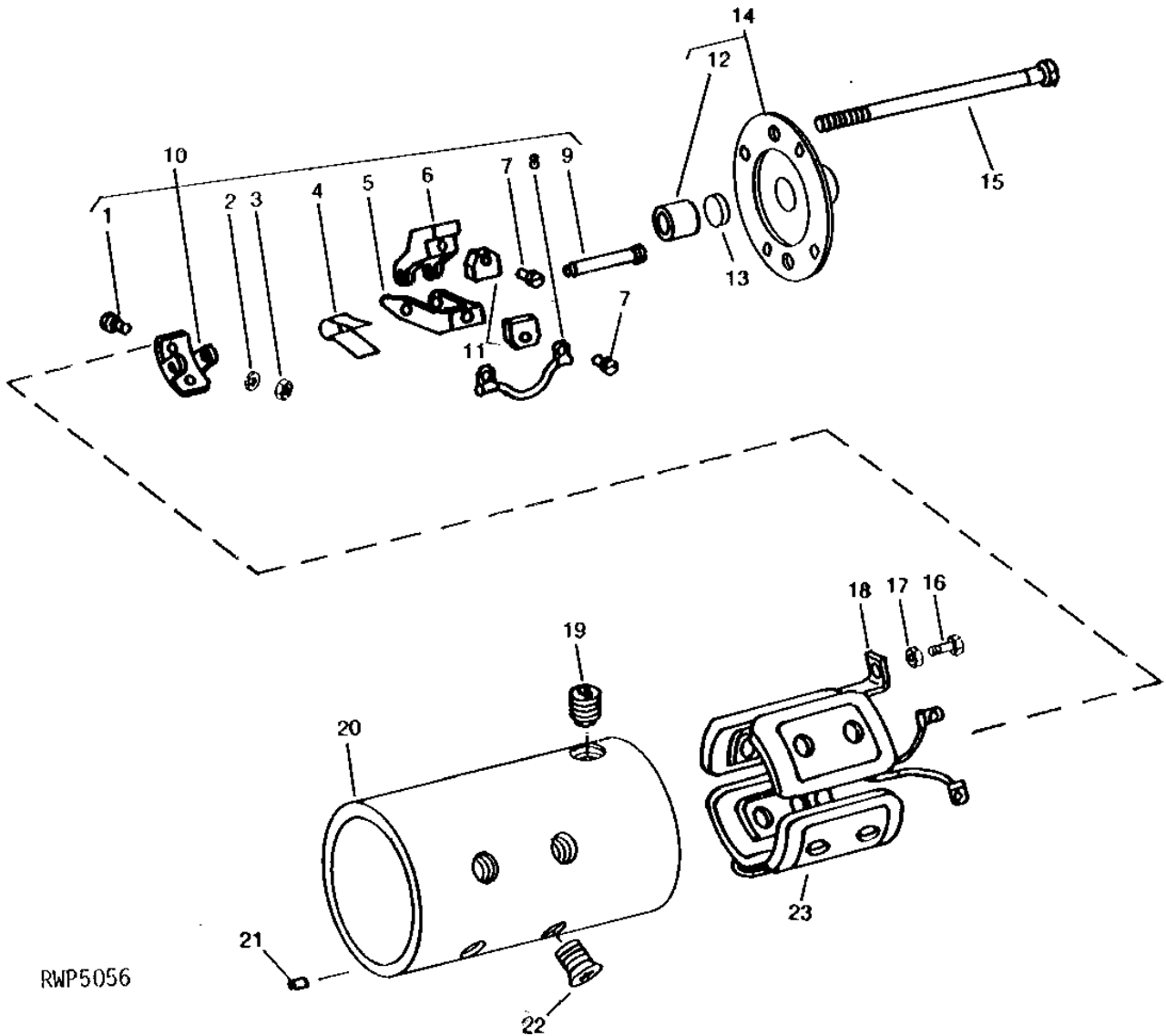
KEY	PART NO.	PART NAME	QTY	ENGINE SERIAL NO.	REMARKS
1	R57029	BUSHING	1		
2	R81175	WICK	1		
3	R81174	PLUG	1		
4	RE19193	HOUSING	1		
5	T11672	CAP SCREW	1		
6	12H303	LOCK WASHER	1	5/16"	
7	14H611	NUT	1	5/16"	
8	34H279	SPRING PIN	1	3/16" X 13/16"	
9	T18113	SHIFTER	1		
10	RE19197	PLUNGER	1		(SUB FOR AM39970)
11	R81176	COMPRESSION SPRING	1		
12	T17058	GASKET	1		
13	AM39968	SOLENOID	1		(DELCO-REMY NO. 1114524)
14	12H302	LOCK WASHER	2	1/4"	
15	21H1142	SCREW	2	1/4" X 1/2"	
16	R57025	FITTING	1		
17	T15564	SCREW	1		
18	RE19191	SCREW, WITH WASHER	2		
19	RE19192	PLATE	1		
20	R81172	WASHER	1		
21	R11118	WIRE	1		
22	SHIFT COLLAR	1		(SUB AR54923)
23	T26601	SPRING	1		
24	1873796	BUSHING	2		
25	AR54923	BENDIX DRIVE	1		
26	R11116	SPACER	1		
27	R11117	SNAP RING	1		
28	T24539	WASHER	1		
29	R81198	THRUST WASHER	1		
30	AR68299	ARMATURE	1		(SUB RE62916 OR TY6702)
..	RE19187	STARTER	1		(SUB RE62916 OR TY6702)
..	RE42730	STARTER	1		(SUB RE62916 OR TY6702)

2C9

ELECTRICAL

STARTING MOTOR COIL ASSEMBLY, HOUSING AND BRUSHES
(DELCO-REMY NO. 1998367)
(DIESEL)
(RE19187 OR RE42730)

RWP5056 -UN-01JAN94



RWP5056

2C10

ELECTRICAL

STARTING MOTOR COIL ASSEMBLY, HOUSING AND BRUSHES - CONTINUED
 (DELCO-REMY NO. 1998367)
 (DIESEL)
 (RE19187 AND RE42730)

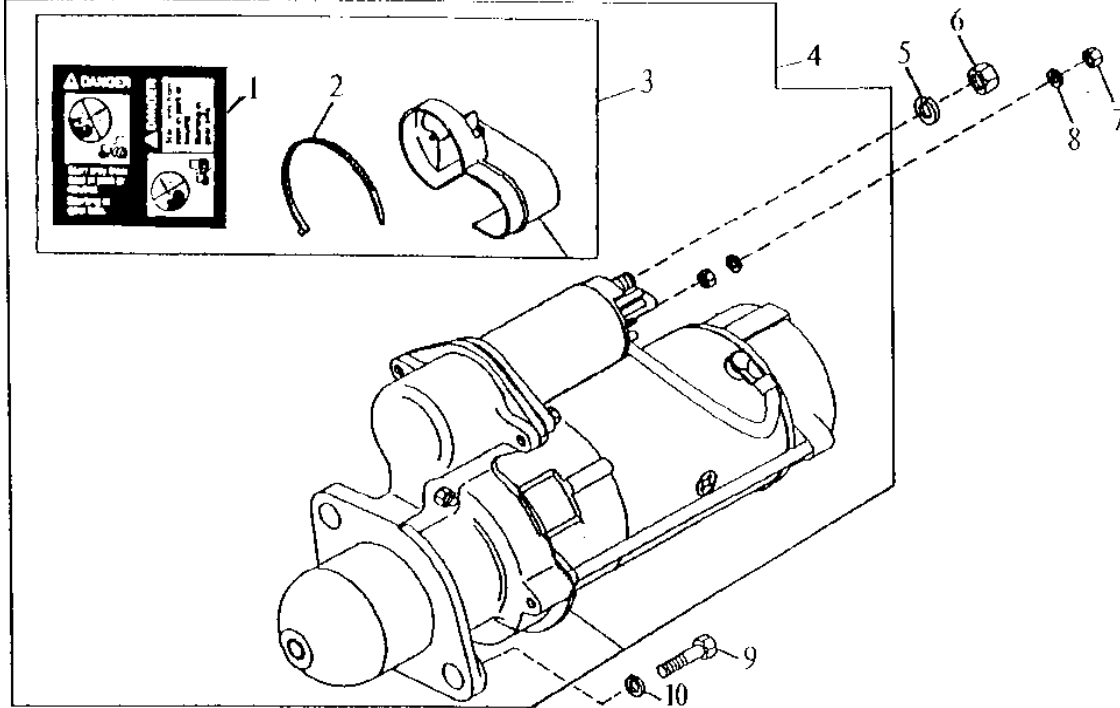
KEY	PART NO.	PART NAME	QTY	ENGINE SERIAL NO.	REMARKS
1	21H1301	SCREW	4	0.190" X 1/2"	
2	12H246	LOCK WASHER	4	0.190"	
3	14H778	NUT	4	0.190"	
4	R81170	SPRING	2		
5	R57027	HOLDER	2		
6	R81169	CARBON BRUSH HOLDER	2		
7	37H78	SCREW	4	0.164" X 3/4"	
8	R57028	WIRING LEAD	2		
9	T736T	PIN	2		
10	AR68302	KIT	2		
11	R81168	BRUSH	4		
12	R61932	BUSHING	1		
13	R61934	WICK	1		
14	R81167	END PLATE	1		
15	R81171	BOLT	2		
16	37H91	SCREW	1	0.190" X 1/2"	
17	12H246	LOCK WASHER	1	0.190"	
18	RE19188	FIELD WINDING COIL	1		
19	R11236	GROMMET	1		
20	HOUSING	1		(ORDER RE62916 OR TY6702)
21	R81173	DOWEL PIN	1		
22	21H1280	SCREW	8	3/8" X 3/4"	
23	T11680	SHOE	4		
..	RE19187	STARTER	1		(SUB RE62916 OR TY6702)
..	RE42730	STARTER	1		(SUB RE62916 OR TY6702)

2C11

ELECTRICAL

STARTING MOTOR WITH ATTACHING HARDWARE (RE62916)

RXP021236 -UN-23AUG95



RXP021236

KEY	PART NO.	PART NAME	QTY	ENGINE SERIAL NO.	REMARKS
1	T146102	WARNING LABEL	1	(ENGLISH)	
	T146106	WARNING LABEL	1	(ESPAÑOL)	
	T146104	WARNING LABEL	1	(FRANCAIS)	
	T146515	WARNING LABEL	1	(DEUTSCH)	
	T146516	WARNING LABEL	1	(ITALIANO)	
	T146517	WARNING LABEL	1	(ENGLISH/FRANCAIS)	
2	H113196	TIE BAND	1		
	R44302	TIE BAND	2		
3	RE50096	KIT	1		
4	RE62916	STARTER	1		(SUB FOR AT25619, RE19187, RE42730 OR RE50095)
5	12M7013	LOCK WASHER	1	10.200 MM	
6	14M7274	NUT	1	M10	
7	14M7297	NUT	1	M5	
8	12M7064	LOCK WASHER	1	5.100 MM	
9	19H3239	CAP SCREW	2	3/8" X 1-1/4"	
10	12H304	LOCK WASHER	2	3/8"	

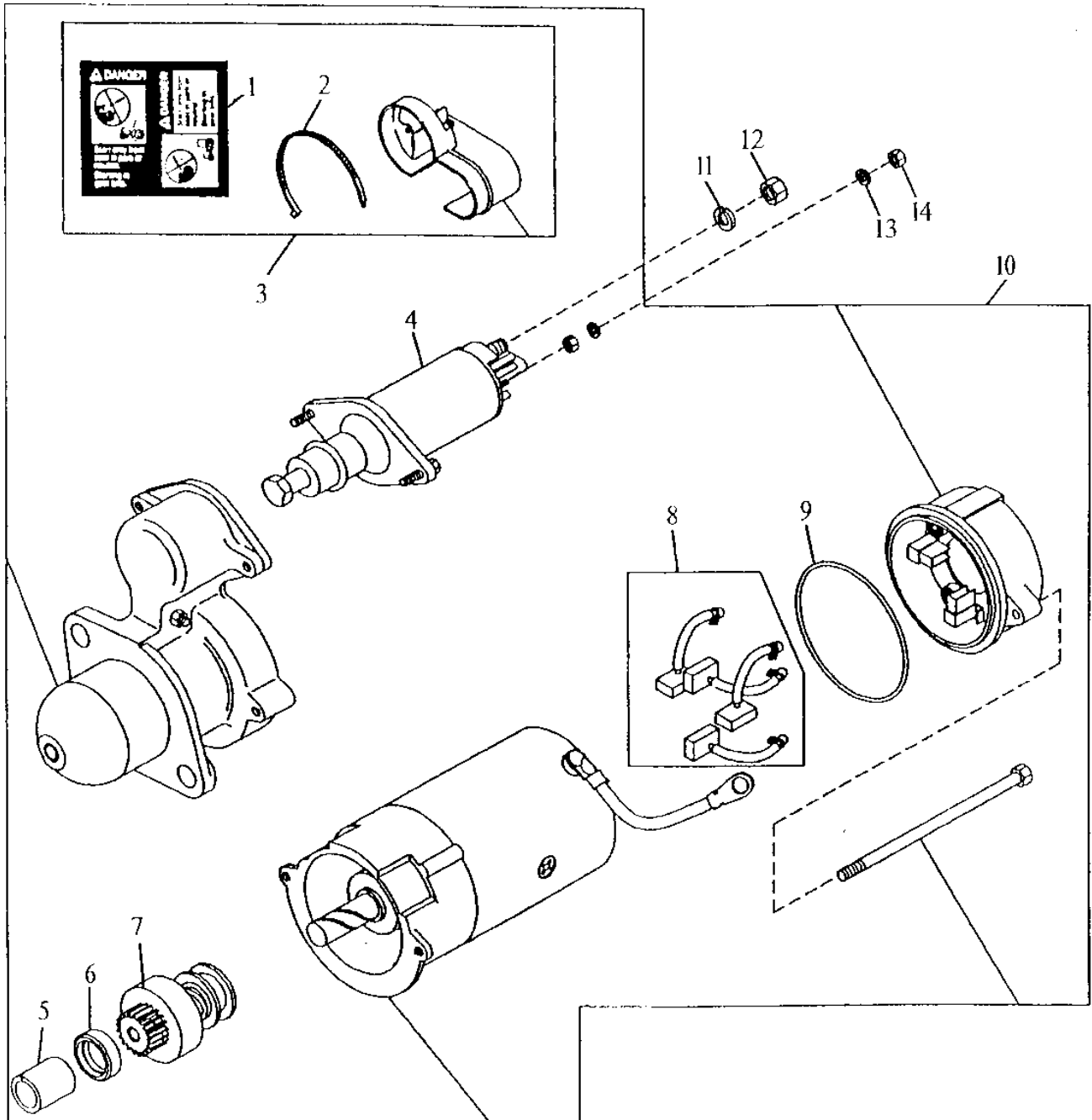
MEMORANDA

2C12

ELECTRICAL

STARTING MOTOR (RE62916)

RXP021237 -UN-18AUG95



RXP021237

2C13

ELECTRICAL

STARTING MOTOR - CONTINUED (RE62916)

KEY	PART NO.	PART NAME	QTY	ENGINE SERIAL NO.	REMARKS
1	T146102	WARNING LABEL	1	(ENGLISH)	
	T146106	WARNING LABEL	1	(ESPANOL)	
	T146104	WARNING LABEL	1	(FRANCAIS)	
	T146515	WARNING LABEL	1	(DEUTSCH)	
	T146516	WARNING LABEL	1	(ITALIANO)	
	T146517	WARNING LABEL	1	(ENGLISH/FRANCAIS)	
2	H113196	TIE BAND	1		
	R44302	TIE BAND	2		
3	RE50096	KIT	1		
4	RE49984	SWITCH	1		
5	R112923	BUSHING	1		
6	R112922	STOP	1		
7	RE49985	BENDIX DRIVE	1		
8	RE49986	KIT	1		
9	R112926	O-RING	1		
10	RE62916	STARTER	1		(SUB FOR AT25619, RE19187, RE42730 OR RE50095)
11	12M7013	LOCK WASHER	1		10.200 MM
12	14M7274	NUT	1		M10
13	12M7064	LOCK WASHER	1		5.100 MM
14	14M7297	NUT	1		M5

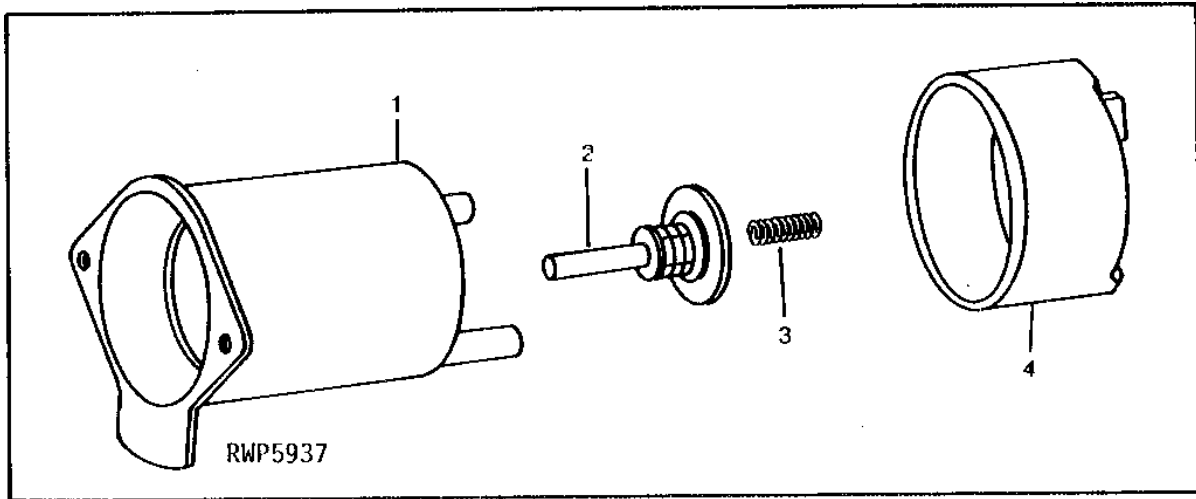
THIS PARTS LISTING IS CONTINUED

2C14

ELECTRICAL

RWP5937 -UN-01JAN94

SOLENOID SWITCH
(DELCO-REMY NO. 1114524)



KEY	PART NO.	PART NAME	QTY	ENGINE SERIAL NO.	REMARKS
1	SOLENOID	1	(SUB AM39968)	
2	AM39969	CONTACT	1		
3	R11066	SPRING	1		
4	RE24175	COVER	1		
5	AM39968	SOLENOID	1	(A) (12-VOLT)	

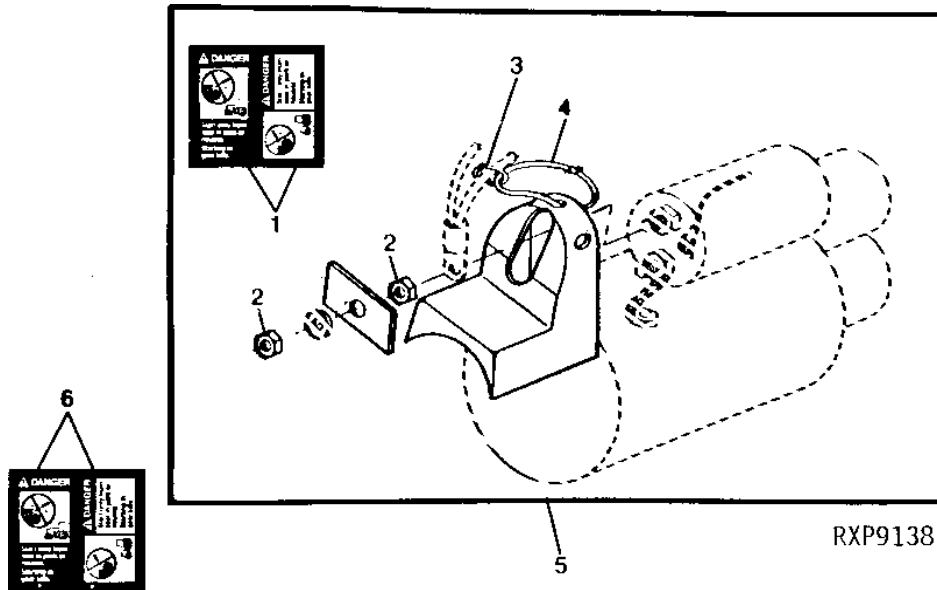
(A) USE WITH RE19187 OR RE42730

2C15

ELECTRICAL

SOLENOID COVER KIT (ROBERT BOSCH)

RXP9138 -UN-18AUG95



RXP9138

KEY	PART NO.	PART NAME	QTY	ENGINE SERIAL NO.	REMARKS
1	T146102	WARNING LABEL	1	(ENGLISH) (SUB FOR T84409 OR T134459)	
2	14M7152	NUT	2	M10	
3	R44302	TIE BAND	1		
4	R76477	TIE BAND	1		
5	RE39065	SHIELD	1	(A)	
6	T146106	WARNING LABEL	1	(ESPAÑOL) (SUB FOR T84410 OR T134452)	
	T146104	WARNING LABEL	1	(FRANCAIS) (SUB FOR T84411 OR T134453)	
	T146515	WARNING LABEL	1	(DEUTSCH) (SUB FOR T84412 OR T134454)	
	T146516	WARNING LABEL	1	(ITALIANO) (SUB FOR T84413 OR T134455)	
	T146517	WARNING LABEL	1	(ENGLISH/FRANCAIS) (SUB FOR T84578)	

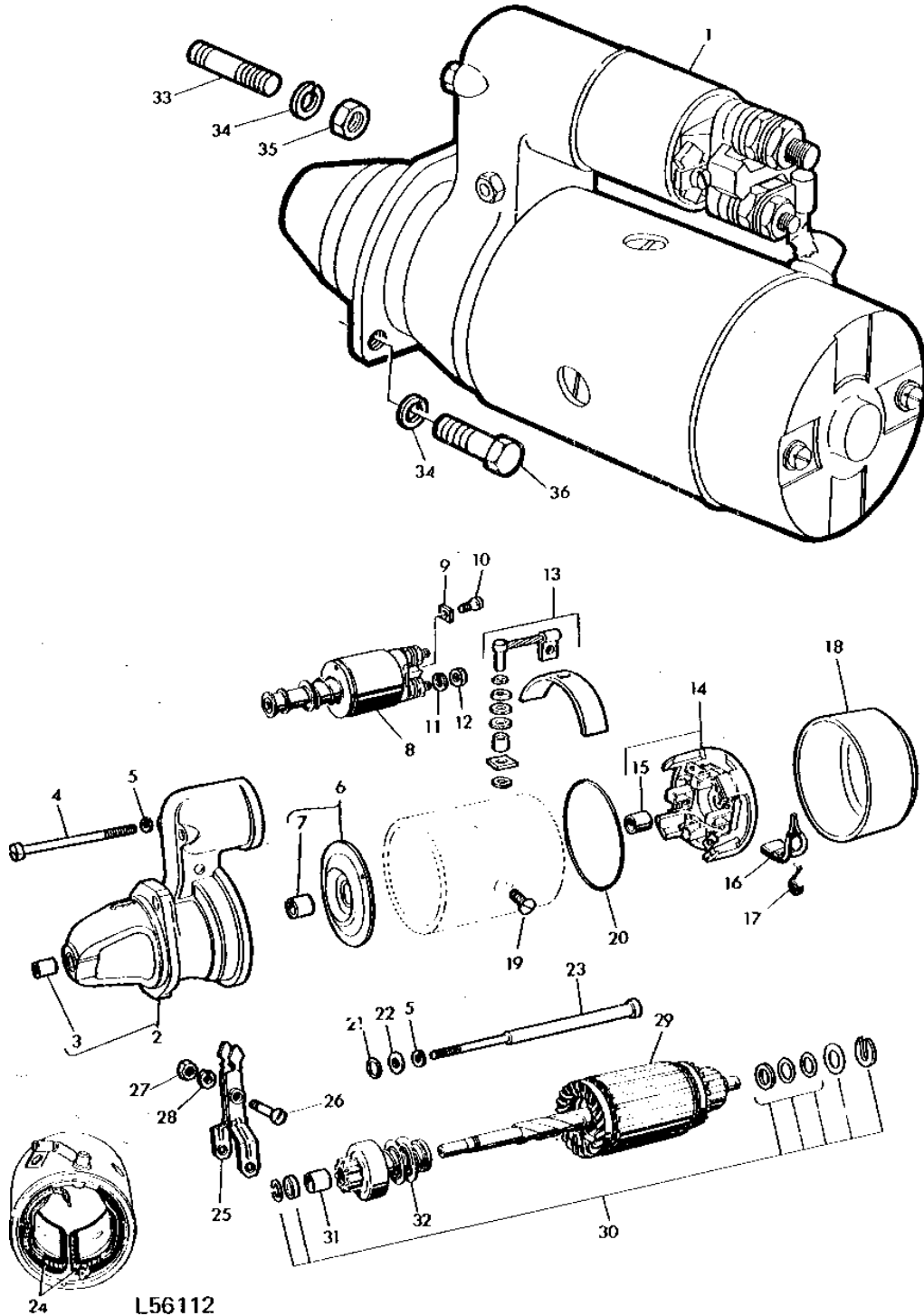
(A) USE ON AT23401, AR70436, TY6615 OR TY6727

2C16

ELECTRICAL

STARTING MOTOR
(ROBERT BOSCH NO. 001359016) (DIESEL)
(ENGINE SERIAL NO. -XXXXXX)
(AT23401)

L56112 -UN-01JAN94



L56112

2C17

ELECTRICAL

STARTING MOTOR - CONTINUED
 (ROBERT BOSCH NO. 001359016) (DIESEL)
 (ENGINE SERIAL NO. -XXXXXX)
 (AT23401)

KEY	PART NO.	PART NAME	QTY	ENGINE SERIAL NO.	REMARKS
1	AT23401 TY6720	STARTER STARTER	1 1	(SUB TY6720) (REMANUFACTURED) (SUB FOR AT23401, AR70436 OR TY6615)	
2	AL23844	CASE	1	(2 BOLT SOLENOID MOUNT)	
3	L19651 AL70854	BUSHING KIT	1 1	(SUB AL70854) BEARING BUSHING	
4	21M6041	SCREW	2	M6 X 50, (NLA)	
5	L29153	LOCK WASHER	4	(NLA)	
6	Z24798	BEARING	1	(SUB AL25267)	
7	L19654 L30862	BUSHING BUSHING	1 1	(USE WITH AL25267)	
8	AL19192	SOLENOID	1		
9	L29156	CLAMP	1		
10	21M1211	SCREW	1	M4 X 6	
11	12M7013	LOCK WASHER	2	10.200 MM	
12	14M7152	NUT	4	M10	
13	AL23847	TERMINAL	1		
14	AL23846	COMMUTATOR HOUSING	1		
15	Z24799	BUSHING	1		
16	AZ14507	CARBON BRUSH CONDUCTOR	1		
17	Z24810	COMPRESSION SPRING	4	(SUB L41579)	
18	L29158	COVER	1		
19	L29157	SCREW	1		
20	T27670	RING	1	(SUB FOR Z24801)	
21	L29155	O-RING	1		
22	L29154	WASHER	1		
23	L29152	SCREW	1		
24	AZ14504	FIELD WINDING COIL	1		
25	AT25914	LEVER	1		
26	T27671	SCREW	1		
27	14M7151	NUT	1	M8	
28	12H304	LOCK WASHER	1	3/8"	
29	AZ14506	ARMATURE	1	(SUB AL25274 AND AL25275)	
30	AL23848	ARMATURE	1	KIT, HARDWARE	
31	Z24800	BUSHING	1		
32	AT25910	DRIVE	1		
33	M3636T	STUD	1		
34	12H304	LOCK WASHER	2	3/8"	
35	14H1076	NUT	1	3/8"	
36	19H1731	CAP SCREW	1	3/8" X 1"	

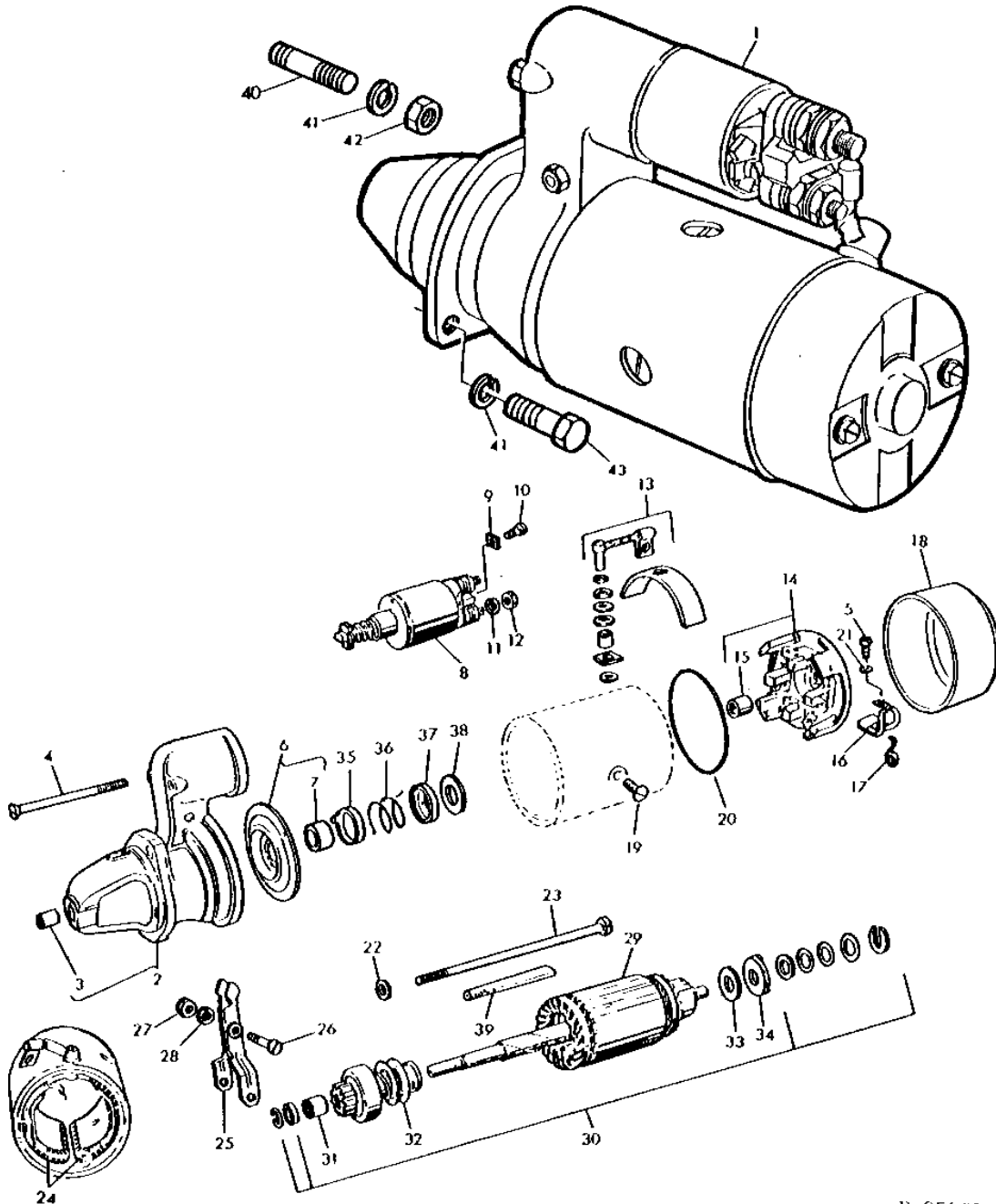
USE ON TRACTORS HAVING AN "L" AS THE LAST DIGIT OF THE CHASSIS SERIAL NUMBER

2C18

ELECTRICAL

STARTING MOTOR
(ROBERT BOSCH NO. 001359090) (DIESEL)
(ENGINE SERIAL NO. XXXXXX-)
(AR70436)

R25535 -UN-01JAN94



R 255 35

2C19

ELECTRICAL

STARTING MOTOR - CONTINUED
 (ROBERT BOSCH NO. 001359090) (DIESEL)
 (ENGINE SERIAL NO. XXXXXX-)
 (AR70436)

KEY	PART NO.	PART NAME	QTY	ENGINE SERIAL NO.	REMARKS
1	AR70436	STARTER	1		(SUB TY6720, THIS APPLICATION) (KEYS 2 THRU 39)
	TY6720	STARTER	1		(REMANUFACTURED) (SUB FOR TY6615, AT23401 OR AR70436)
2	AL25266	HOUSING	1		(3 BOLT SOLENOID MOUNT)
3	L19651	BUSHING	1		(SUB AL70854)
	AL70854	KIT	1		BEARING BUSHING
4	L30860	SCREW	3		
5	21M7198	SCREW	4		M5 X 8, (SUB FOR T24225)
6	AL25267	QUILL	1		
7	L30862	BUSHING	1		
8	AL55046	SOLENOID	1		(SUB FOR AL25268)
9	L29156	CLAMP	1		
10	21M1211	SCREW	1		M4 X 6
11	12M7013	LOCK WASHER	2		10.200 MM
12	14M7152	NUT	4		M10
13	AL25269	KIT	1		
14	AL25270	COMMUTATOR HOUSING	1		
15	Z24799	BUSHING	1		
16	AL25271	CARBON BRUSH CONDUCTOR	1		
17	Z24810	COMPRESSION SPRING	4		(SUB L41579)
18	L29158	COVER	1		
19	L29157	SCREW	1		
20	T27670	RING	1		
21	12M7064	LOCK WASHER	4		M5, (SUB FOR T24226)
22	24M7088	WASHER	2		6.600 X 12 X 1.600 MM
23	L29152	SCREW	2		
24	AL25272	FIELD WINDING COIL	1		
25	AL25273	LEVER	1		
26	T27671	SCREW	1		
27	14M7151	NUT	1		M8
28	12H303	LOCK WASHER	1		
29	AL25274	ARMATURE	1		
30	AL23848	ARMATURE	1		KIT, HARDWARE
31	L29151	BUSHING	1		
32	AL25275	DRIVE	1		
33	L30869	DISK	1		(NO LONGER AVAILABLE)
34	L30868	THRUST WASHER	1		
35	L30864	GUIDE	1		
36	L30865	SPRING	1		(SUB L41579)
37	L30866	GUIDE	1		(SUB L41579)
38	L30867	BRAKE DISK	1		(SUB L41579)
39	L30861	PIPE	2		(NO LONGER AVAILABLE)
40	M3636T	STUD	1		
41	12H304	LOCK WASHER	2		3/8"
42	14H1076	NUT	1		3/8"
43	19H1731	CAP SCREW	1		3/8" X 1"

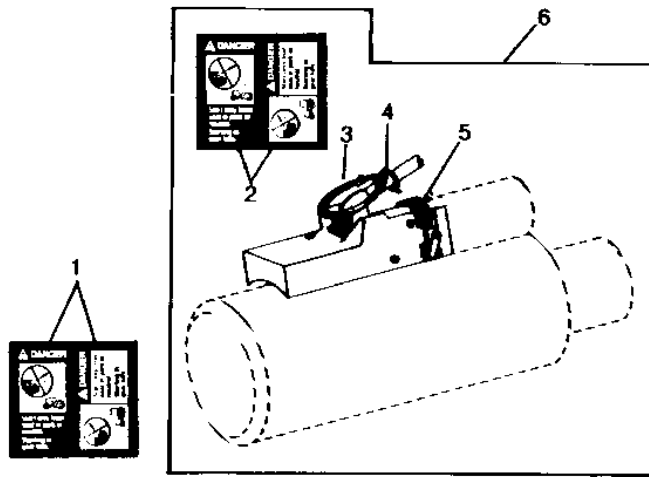
USE ON TRACTORS HAVING AN "L" AS THE LAST DIGIT OF THE CHASSIS SERIAL NUMBER

2C20

ELECTRICAL

STARTER SOLENOID COVER KIT (DELCO-REMY)

RXP9139 -UN-12OCT94



RXP9139

KEY	PART NO.	PART NAME	QTY	ENGINE SERIAL NO.	REMARKS
1	T146106	WARNING LABEL	1		(SUB FOR T84410 OR T134452) (ESPAÑOL)
	T146104	WARNING LABEL	1		(SUB FOR T84411 OR T134453) (FRANCAIS)
	T146515	WARNING LABEL	1		(SUB FOR T84412 OR T134454) (DEUTSCH)
	T146516	WARNING LABEL	1		(SUB FOR T84413 OR T134455) (ITALIANO)
	T146517	WARNING LABEL	1		(SUB FOR T84578 OR T134456) (ENGLISH/FRANCAIS)
2	T146102	WARNING LABEL	1		(SUB FOR T84409 OR T134459) (ENGLISH)
3	R76477	TIE BAND	1		
4	R44302	TIE BAND	1		
5	AR40418	CLAMP	1		
6	RE39838	SHIELD	1		(A)

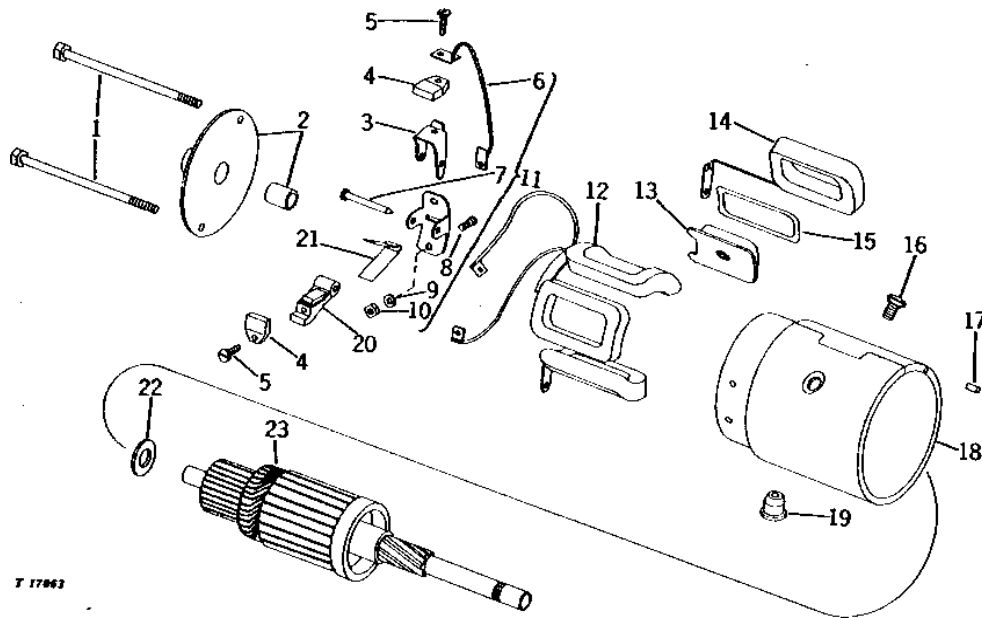
(A) USE WITH AT18025, AR91813, TY1465, TY6639 OR TY6706

2C21

ELECTRICAL

STARTING MOTOR COIL ASSEMBLY, HOUSING AND ARMATURE
(DELCO-REMY NO. 1109576)
(GASOLINE)
(AR91813)

T17063 -UN-01JAN94



T 17063

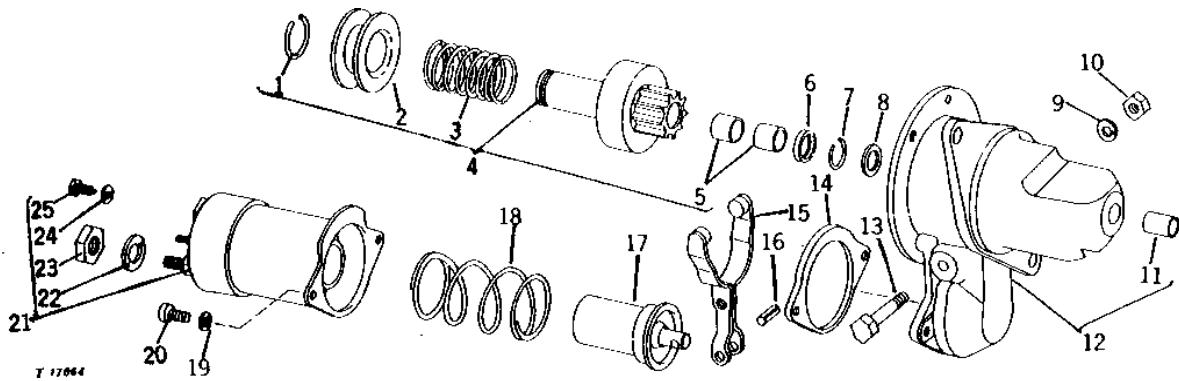
KEY	PART NO.	PART NAME	QTY	ENGINE SERIAL NO.	REMARKS
1	T741T	BOLT	2		
2	AT517T	FRAME	1		
3	T738T	HOLDER	2		
4	T735T	BRUSH	4		
5	37H2	SCREW	4	0.164" X 5/8"	
6	AT514T	WIRING LEAD	2		
7	T736T	PIN	2		
8	21H1020	SCREW	4	0.190" X 1/2"	
9	12H246	LOCK WASHER	4	0.190"	
10	14H778	NUT	4	0.190"	
11	AT516T	KIT	2		
12	AR11105	FIELD WINDING COIL	1	-XXXXXX	(SUB AR90826) (USE WITH AT18025)
	AR91815	FIELD WINDING COIL	1	XXXXXX-	(USE WITH AR91813)
13	R39857	SHOE	4	-XXXXXX	(USE WITH AT18025)
	810601	SHOE	4	XXXXXX-	(USE WITH AR91813) (NO LONGER AVAILABLE)
14	AR11106	FIELD WINDING COIL	1		(SUB AR90826) (USE WITH AT18025)
15	T743T	INSULATOR	4		
16	21H1280	SCREW	4	3/8" X 3/4"	
17	R11087	DOWEL PIN	1		
18	FRAME	1		(ORDER TY6706)
19	R11191	GROMMET	1		
20	T739T	HOLDER	2		
21	T740T	SPRING	2		
22	R46191	WASHER	1		(SUB FOR 818265)
23	AT20663	ARMATURE	1	-XXXXXX	(USE WITH AT18025)
	AR91814	ARMATURE	1	XXXXXX-	(USE WITH AR91813)
..	AR91813	STARTER	1		COMPLETE (DELCO-REMY NO. 119576) (SUB FOR AT18025) (SUB TY6706)
..	TY6706	STARTER	1		(REMANUFACTURED) (SUB FOR AT18025, AR91813 OR TY6639)

2C22

ELECTRICAL

STARTING MOTOR DRIVE MOTOR AND SWITCH ASSEMBLY
 (DELCO-REMY NO. 1109576)
 (GASOLINE)
 (AR91813)

T17064 -UN-01JAN94



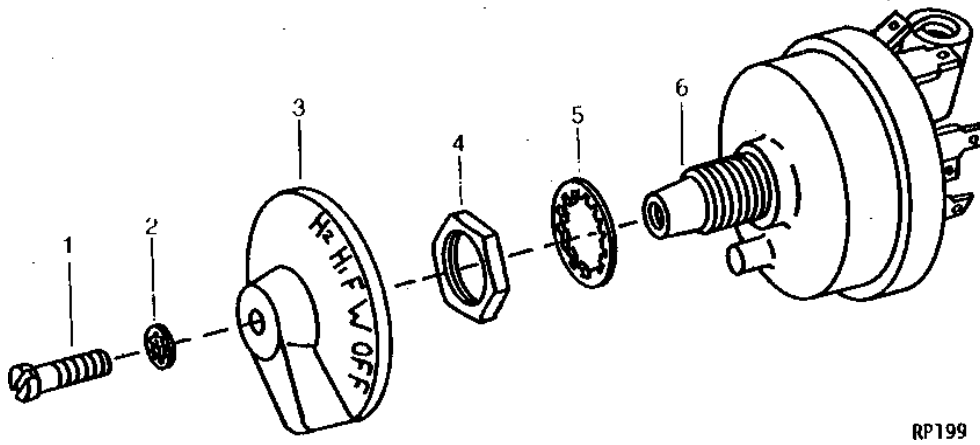
KEY	PART NO.	PART NAME	QTY	ENGINE SERIAL NO.	REMARKS
1	R11118	WIRE	1		(SUB FOR T26602) (USE WITH AT25651)
2	R11225	LOCKING COLLAR	1		(SUB AR54923)
3	T26601	SPRING	1		(USE WITH AT25651)
4	AR54923	BENDIX DRIVE	1		DRIVE, (SUB FOR AT25651)
5	1873796	BUSHING	1		(USE WITH AT25651)
6	R11116	SPACER	1		
7	R11117	SNAP RING	1		
8	T24539	WASHER	1		
9	12H303	LOCK WASHER	1	5/16"	
10	14H611	NUT	1	5/16"	
11	R40801	BUSHING	1		(SUB FOR 1839345)
12	AT20664	HOUSING	1		
13	T11672	CAP SCREW	1		
14	T17058	GASKET	1		
15	T18113	SHIFTER	1		
16	34H279	SPRING PIN	1	3/16" X 13/16"	
17	AT15147	PLUNGER	1		
18	T11675	SPRING	1		
19	12H302	LOCK WASHER	2	1/4"	
20	21H1142	SCREW	2	1/4" X 1/2"	
21	AR68304	SOLENOID	1		(SUB FOR R11240)
	TY6690	SOLENOID	1		(REMANUFACTURED)
22	12H304	LOCK WASHER	1	3/8"	
23	14H732	NUT	1	3/8"	
24	12M7060	WASHER	1	0.209"	
25	T15564	SCREW	1		
..	AR91813	STARTER	1		(DELCO-REMY NO. 1109421 OR 1109576) (SUB FOR AT18025) (SUB TY6706)
..	TY6706	STARTER	1		(REMANUFACTURED) (SUB FOR AT18025, AR91813 OR TY6639)

2C23

ELECTRICAL

RP199 -UN-01JAN94

LIGHT SWITCH



RP199

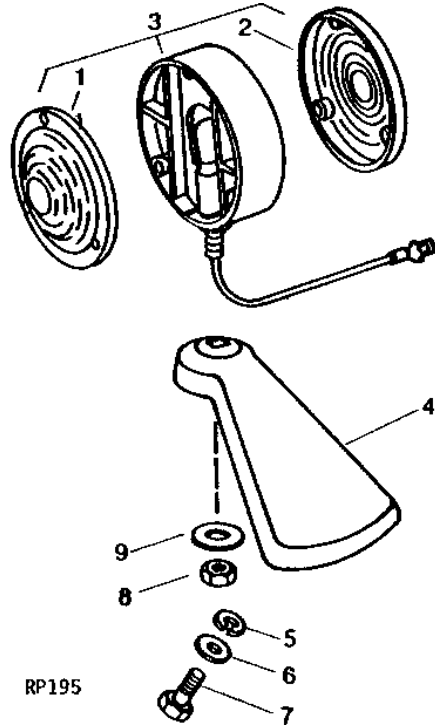
KEY	PART NO.	PART NAME	QTY	TRACTOR SERIAL NO.	REMARKS
1	21H973	SCREW	1		0.164" X 3/8"
2	12H315	LOCK WASHER	1		0.164"
3	AR66799	KNOB	1		
4	A4655R	NUT	1		
5	12H292	LOCK WASHER	1		1/2"
6	AR66478	SWITCH	1		(SUB FOR AR28401)

2C24

ELECTRICAL

RP195 -UN-01JAN94

WARNING LIGHT



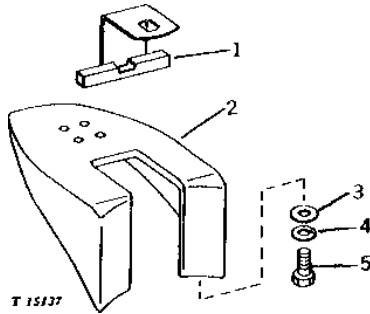
KEY	PART NO.	PART NAME	QTY	TRACTOR SERIAL NO.	REMARKS
1	R48664	LENS	1		(AMBER AND RED)
2	R48665	LENS	1		(AMBER)
3	AR50580	LAMP	2		
	AD2062R	BULB	1		
	R49296	SCREW	3		
4	R48352	SUPPORT	1		
5	12H304	LOCK WASHER	2		3/8"
6	24H1307	WASHER	2		13/32" X 1" X 1/16"
7	19H2021	CAP SCREW	2		3/8" X 5/8"
8	14H865	NUT	2		1/2"
	12H292	LOCK WASHER	2		1/2"
9	R47831	WASHER	2		

2C25

ELECTRICAL

WARNING LIGHT SUPPORT
 (11.2 X 24", 12.4 X 24" AND 18.4 X 16" TIRES)
 (TRACTOR SERIAL NO. -187300)

T15137 -UN-01JAN94



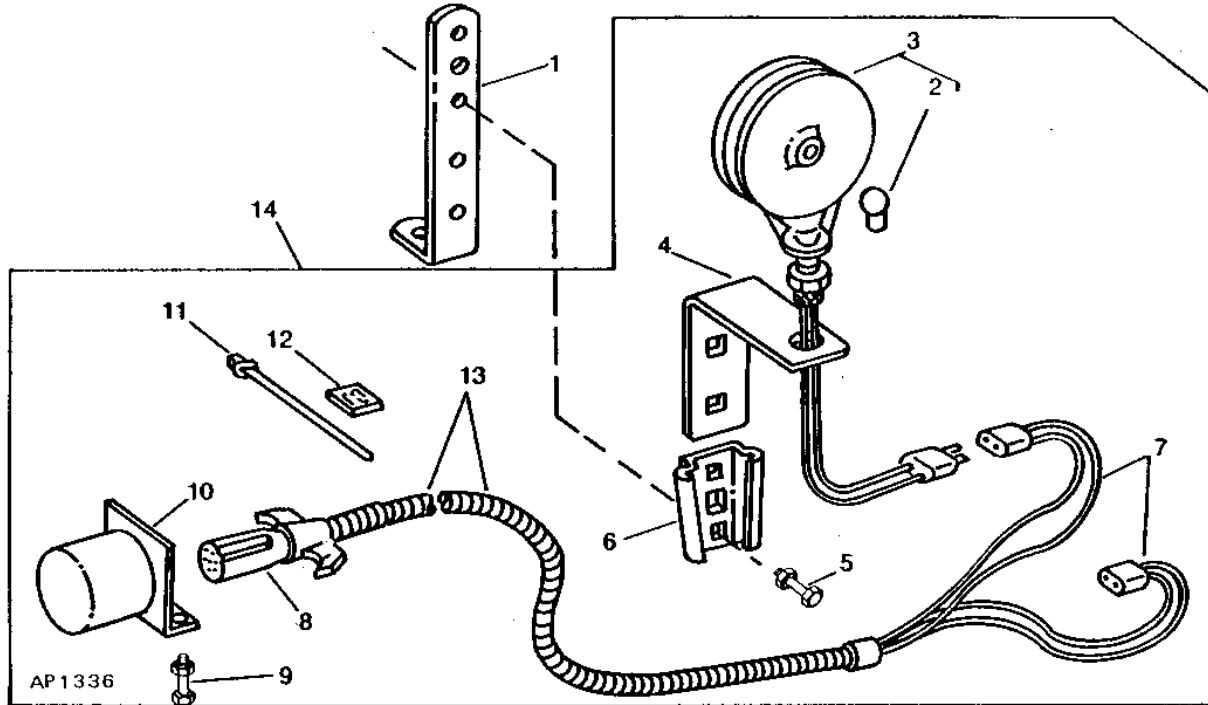
KEY	PART NO.	PART NAME	QTY	TRACTOR SERIAL NO.	REMARKS
1	AT27425	BRACKET	1	(NLA)	
2	AT27907	SUPPORT	1	(NLA)	
3	24H1307	WASHER	3	13/32" X 1" X 1/16"	
4	12H304	LOCK WASHER	3	3/8"	
5	19H2021	CAP SCREW	3	3/8" X 5/8"	

2D1

ELECTRICAL

AP1336 -UN-01JAN94

WARNING LAMP (FLASHING)



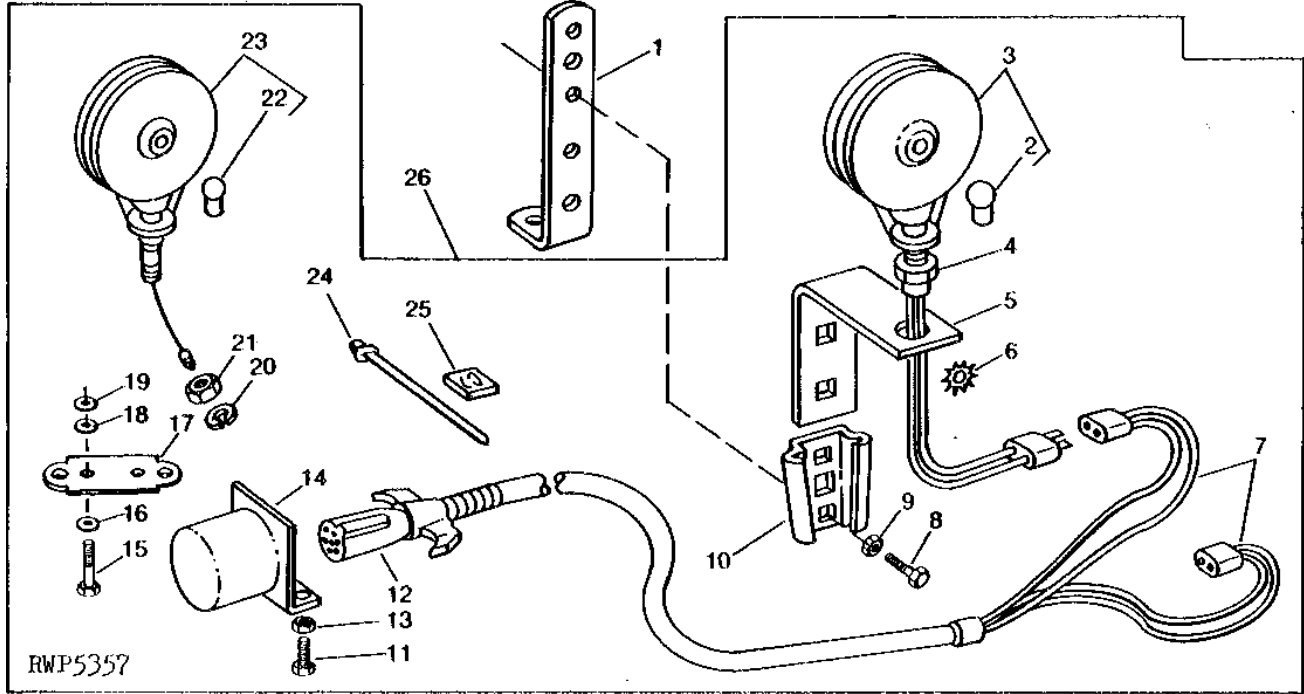
KEY	PART NO.	PART NAME	QTY	TRACTOR SERIAL NO.	REMARKS
1	A39716	BRACKET	2		
2	AD2062R	BULB	2		
3	AA34967	LAMP	2		(SUB FOR PT1293)
4	PT18180	BRACKET	2		(SUB FOR PT1624 OR PT9319)
5	37H57	SCREW	4		5/16" X 3/4"
	14H785	NUT	4		5/16"
6	JD126	SOCKET	2		
7	PT9318	WIRING HARNESS	2		(2-CONDUCTOR) (SUB FOR PT1294)
8	AH93625	PLUG	1		(7-PIN)
9	37H24	SCREW	4		1/4" X 3/4"
	14H786	NUT	4		1/4"
10	PT1296	BRACKET	1		(STORING, 7-PIN PLUG)
11	R44302	TIE BAND	AR		
12	AT55441	BASE	AR		(ADHESIVE) (SUB FOR PT1297 OR PT9321)
13	PT1295	CONDUIT	1		(PROTECTIVE WIRING) (NO LONGER AVAILABLE)
14	TY15263	WARNING LIGHT KIT	1		(WITH DIRECTION) (SUB FOR TY9305) (SUB TY16055)

2D2

ELECTRICAL

RWP5357 -UN-01JAN94

IMPLEMENT WARNING LAMP KIT



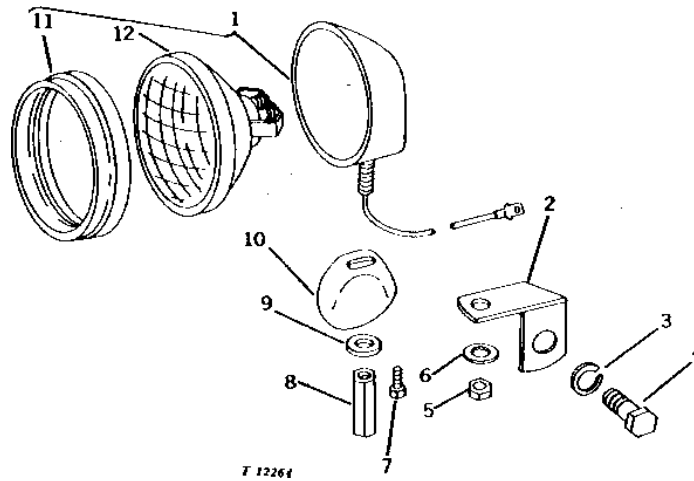
KEY	PART NO.	PART NAME	QTY	TRACTOR SERIAL NO.	REMARKS
1	A39716	BRACKET	2		
2	AD2062R	BULB	2		
3	AA34967	LAMP	2		
	A48331	LENS	2		
4	12H301	LOCK WASHER	2	1/2"	
	14H856	NUT	2	1/2"	
5	PT18180	BRACKET	2	(SUB FOR PT9319)	
6	PT9390	WASHER	1		
7	PT9318	WIRING HARNESS	1	(SUB FOR PT1294)	
8	37H57	SCREW	5	5/16" X 3/4"	
9	14H785	NUT	5	5/16"	
10	JD126	SOCKET	2		
11	37H3	SCREW	2	1/4" X 5/8"	
12	AH93625	PLUG	1		
13	14H786	NUT	2	1/4"	
14	PT1296	BRACKET	1		
15	37H57	SCREW	5	5/16" X 3/4"	
16	24H1822	WASHER	1	11/32" X 7/8" X 1/16"	
17	PT9320	BRACKET	1		
18	24H1822	WASHER	1	11/32" X 7/8" X 1/16"	
19	14H788	NUT	5	3/8"	
20	12H301	LOCK WASHER	1	1/2"	
21	14H856	NUT	1	1/2"	
22	AR48041	BULB	1		
23	AA34968	TAIL LAMP	1		
	A48332	LENS	1		
24	R44302	TIE BAND	AR		
25	AT55441	BASE	AR	(SUB FOR PT9321)	
26	TY16055	KIT	1	(SUB FOR TY9305 OR TY15263)	
..	AA32178	WIRING LEAD	1	ACCESSORY	

2D3

ELECTRICAL

T12264 -UN-01JAN94

FRONT LIGHT AND MOUNTING BRACKETS



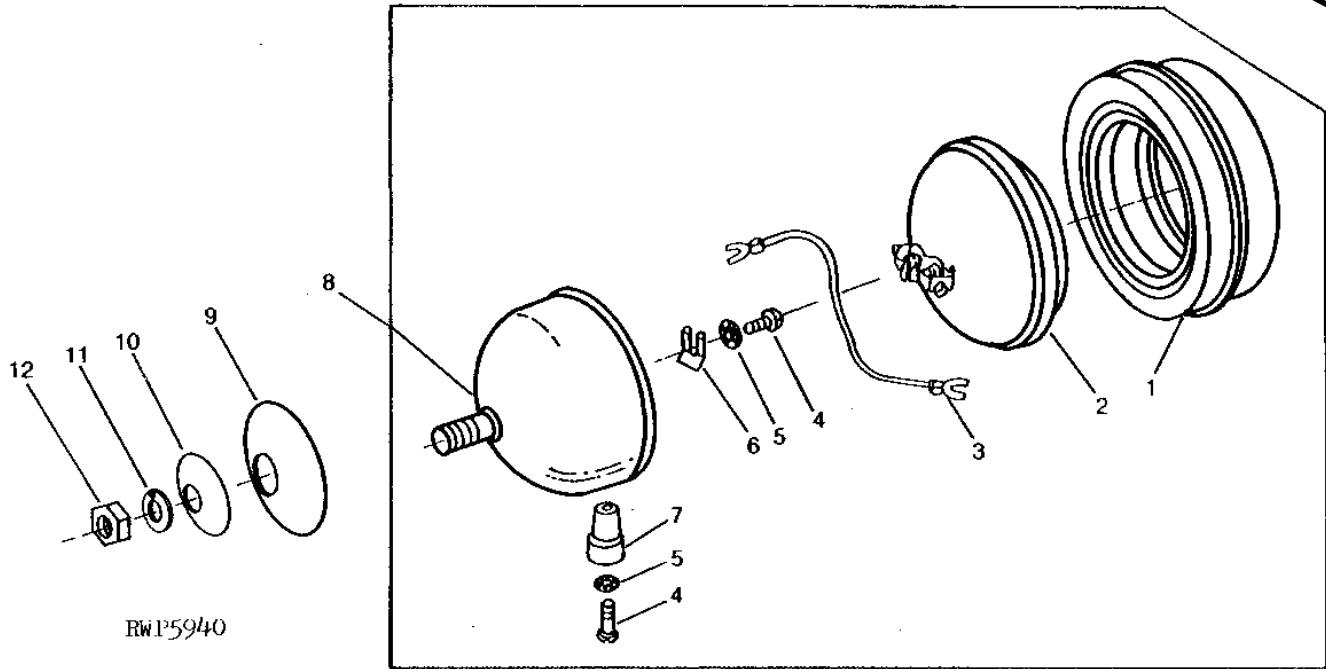
KEY	PART NO.	PART NAME	QTY	TRACTOR SERIAL NO.	REMARKS
1	AT20106	LAMP	2		
2	T22707	BRACKET	1	-187300	
	T22708	BRACKET	1	-187300	
3	12H236	LOCK WASHER	2	-187300	3/4"
4	19H1835	CAP SCREW	2	-187300	3/4" X 1-1/2"
5	14H1040	NUT	2	-187300	1/2"
6	24H1272	WASHER	2	-187300	9/16" X 1-1/4" X 1/4"
7	T19179	CAP SCREW	4		
8	T22522	NUT	2		
9	24H1355	WASHER	2		37/64" X 1-1/8" X 0.120", (SUB FOR R31892)
10	T21761	SUPPORT	2		
11	R31250	BEZEL	2		(GUIDE)
	R30182	BEZEL	2		(HOBBS)
12	AF3892R	HEADLIGHT	2		(12-VOLT) (4411)

2D4

ELECTRICAL

RWP5940 -UN-01JAN94

FRONT LAMP (ROW-CROP FENDER)



RWP5940

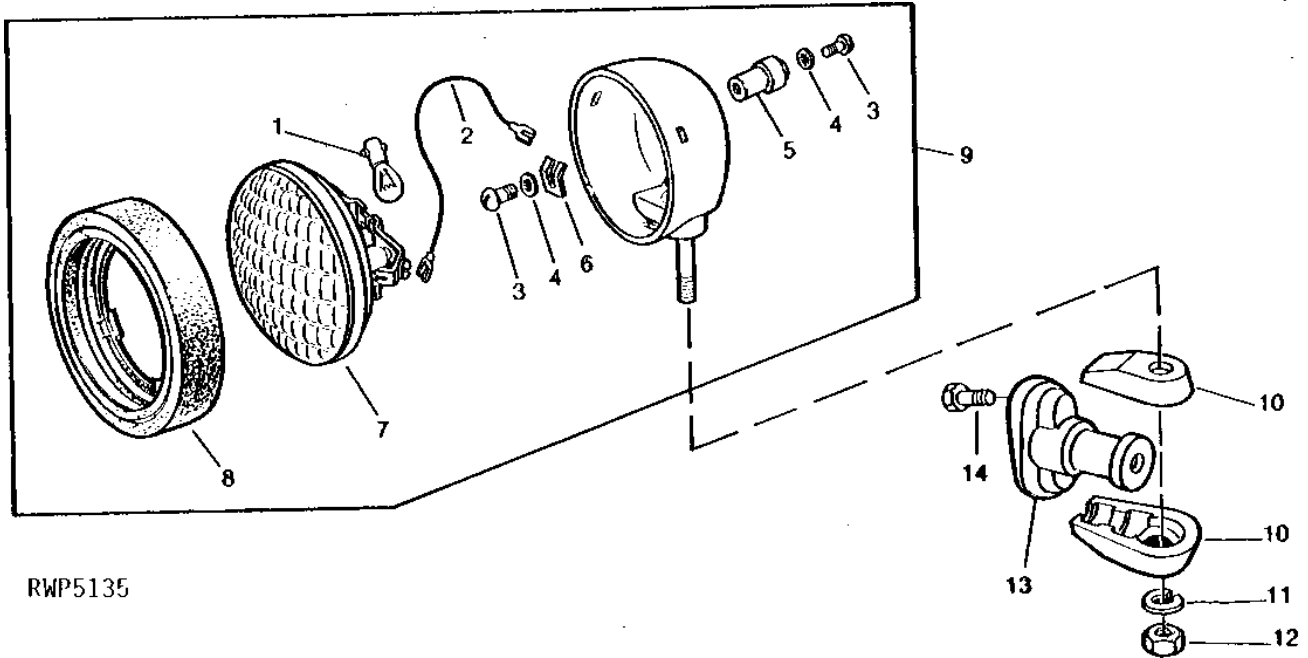
KEY	PART NO.	PART NAME	QTY	TRACTOR SERIAL NO.	REMARKS
1	R30182	BEZEL	1	(HOBBS)	
	R31250	BEZEL	1	(GUIDE)	
2	AF3892R	HEADLIGHT	1	(12-VOLT) (4411)	
3	WIRING LEAD	1	165 MM (6-1/2") (MAKE FROM R66319 AND (2) R32016)	
4	21H1293	SCREW	2	0.164" X 5/16"	
5	12M7084	LOCK WASHER	2	0.169"	
6	A2899R	ASSEMBLY LINE PARTS	1		
7	R30181	PLATE	1	(HOBBS)	
	AA3495R	SUPPORT	1	(GUIDE)	
8	AR68458	LAMP	1		
9	R48663	WASHER	1		
10	F2935R	WASHER	1		
11	12H301	LOCK WASHER	1	1/2"	
12	14H1040	NUT	1	1/2"	

2D5

ELECTRICAL

RWP5135 -UN-01JAN94

REAR LAMP AND BRACKET



RWP5135

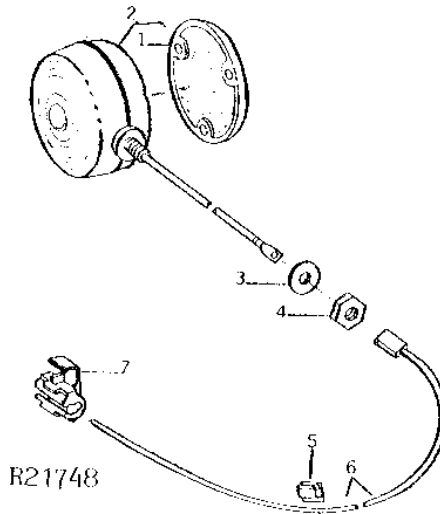
KEY	PART NO.	PART NAME	QTY	TRACTOR SERIAL NO.	REMARKS
1	AR86969	BULB	1		(USE WITH AT16288) (SUB FOR AR21739) (105)
	AD2062R	BULB	1		(USE WITH AR77326) (1156)
2	WIRING LEAD	1		165 MM (6-1/2") (MAKE FROM R66319, (2) R32016)
3	21H972	SCREW	4		0.164" X 5/16"
4	12M7084	LOCK WASHER	4		0.169"
5	AA3495R	SUPPORT	2		(GUIDE)
	R30181	PLATE	2		(HOBBS)
6	A2899R	ASSEMBLY LINE PARTS	2		
7	AR21737	LAMP	1	-XXXXXX	(SUB AR77324, AD2062R AND AR77325)
	AR77324	LAMP	1		(USE WITH AR77326) (4409X)
	AR55888	SOCKET	1		
	AR77325	SOCKET	1		(USE WITH AR77326)
8	R30182	BEZEL	1		(HOBBS LAMP)
	R31250	BEZEL	1		(GUIDE LAMP)
9	AR77326	FLOODLAMP	1		(SUB FOR AT16288)
10	R27460	CLAMP	2		
11	12H292	LOCK WASHER	1		1/2"
12	14H1040	NUT	1		1/2"
13	T19178	BRACKET	1		
14	T19179	CAP SCREW	2		

2D6

ELECTRICAL

R21748 -UN-01JAN94

TURN SIGNAL LIGHTS (WEATHER ENCLOSURE)



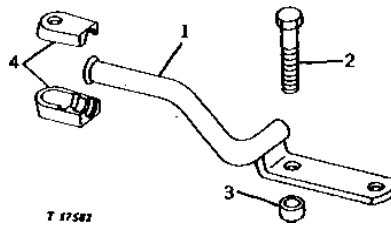
KEY	PART NO.	PART NAME	QTY	TRACTOR SERIAL NO.	REMARKS
1	R42666	LENS	2		
2	AR54975	LAMP	2		
3	R38371	WASHER	2		
4	14H865	NUT	2	1/2"	
5	R47474	CLIP	16		
6	AR68119	WIRING LEAD	2	(NLA)	
7	AR67855	CONNECTOR	2		

2D7

ELECTRICAL

REAR LIGHT SUPPORT
 (11.2 X 24", 12.4 X 24" AND 18.4 X 16" TIRES)
 (TRACTOR SERIAL NO. -187300)

T17582 -UN-01JAN94



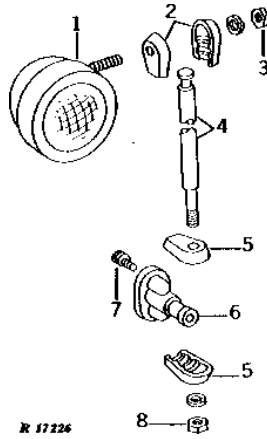
KEY	PART NO.	PART NAME	QTY	TRACTOR SERIAL NO.	REMARKS
1	AT27908	SUPPORT	1	(NLA)	
2	19H2644	CAP SCREW	1	1/2" X 2-1/2"	
3	P50738	BUSHING	1		
4	R27460	CLAMP	2		

2D8

ELECTRICAL

R17226 -UN-01JAN94

REAR COMBINATION LAMP EXTENSION



KEY	PART NO.	PART NAME	QTY	TRACTOR SERIAL NO.	REMARKS
1	AR77326	FLOODLAMP	1		(SUB FOR AT16288)
2	R27460	CLAMP	2		
3	14H1040	NUT	1	1/2"	
	12H301	LOCK WASHER	1	1/2"	
4	R48473	EXTENSION	1		
5	R27460	CLAMP	2		
6	T19178	BRACKET	1		
7	37H106	SCREW	1	3/8" X 5/8"	
8	14H1040	NUT	1	1/2"	
	12H301	LOCK WASHER	1	1/2"	

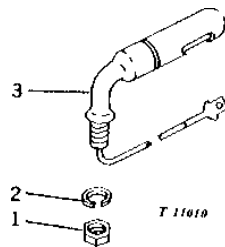
MEMORANDA

2D9

ELECTRICAL

DASH LIGHT
(WITH ORCHARD LIGHTS)
(TRACTOR SERIAL NO. -187300)

T11010 -UN-01JAN94



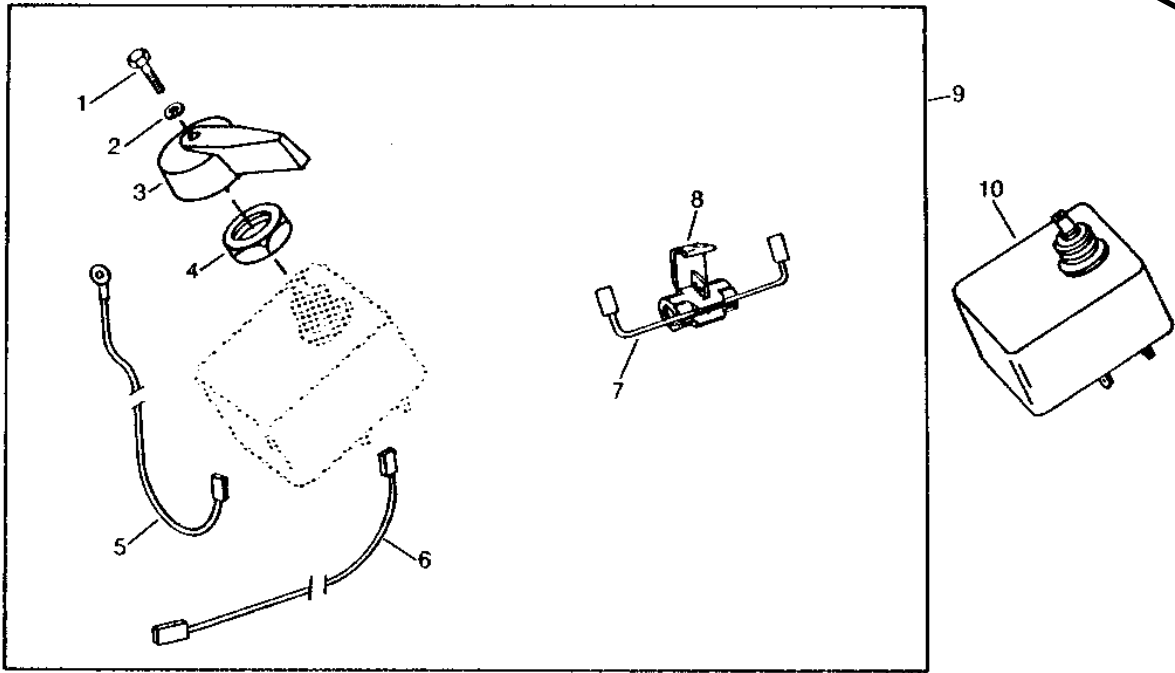
KEY	PART NO.	PART NAME	QTY	TRACTOR SERIAL NO.	REMARKS
1	14H812	NUT	1	3/8"	
2	12H304	LOCK WASHER	1	3/8"	
3	AT20739	LAMP	1		
	AR56675	BULB	1		(SUB FOR AT22970)

2D10

ELECTRICAL

RP1529 -UN-01JAN94

TURN SIGNAL CONTROL



RP1529

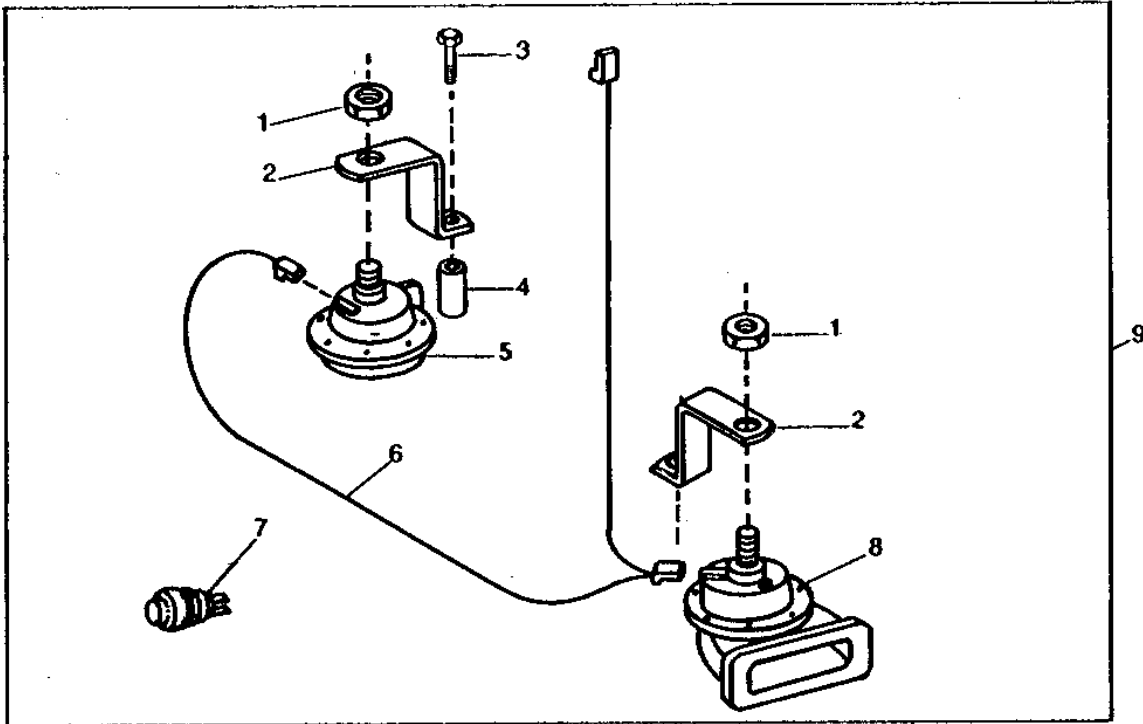
KEY	PART NO.	PART NAME	QTY	TRACTOR SERIAL NO.	REMARKS
1	21H1372	SCREW	1	1/8" X 3/8"	
2	12H233	LOCK WASHER	1	1/8"	
3	R56026	KNOB	1		
4	R56410	NUT	1		
5	WIRING LEAD	1	310 MM (12-1/4") (MAKE FROM R66319, R32018 AND R32027)	
6	AR72233	WIRING LEAD	1		
7	AR40507	WIRING LEAD	1		
8	AR67855	CONNECTOR	1		
9	AR98023	KIT	1	KIT	
10	AR64422	TURN SIGNAL CONTROLLER	1	(SUB FOR AR67398)	

2D11

ELECTRICAL

RWP4155 -UN-01JAN94

HORN



RWP4155

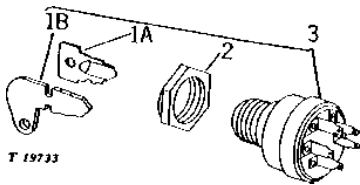
KEY	PART NO.	PART NAME	QTY	TRACTOR SERIAL NO.	REMARKS
1	R11278	NUT	2		
2	R75833	BRACKET	2		(SUB FOR R66069)
3	19H1726	CAP SCREW	2		3/8" X 2-1/4"
4	28H3381	SPACER	1		
5	AT39043	HIGH NOTE HORN	1		
6	AR85578	WIRING HARNESS	1		
7	AL17684	PUSH BUTTON	1		
8	R64700	LOW NOTE HORN	1		
9	RE12715	HORN	1		(FI)

2D12

ELECTRICAL

T19733 -UN-01JAN94

IGNITION SWITCH
(TRACTOR SERIAL NO. -117499)



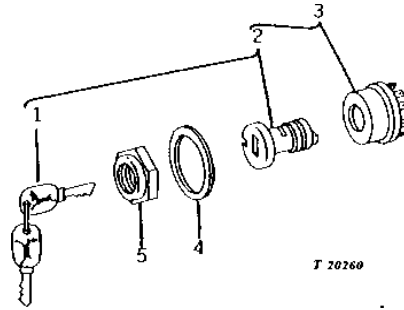
KEY	PART NO.	PART NAME	QTY	TRACTOR SERIAL NO.	REMARKS
1A	T23877	KEY	1	-096530	
1B	B17575	KEY	1	096531-	
2	T23878	NUT	1	-096530	
3	T33183	NUT	1	096531-	
	AT21880	SWITCH	1		(SUB FOR AT18721)

2D13

ELECTRICAL

T20260 -UN-01JAN94

IGNITION SWITCH
(TRACTOR SERIAL NO. 117500-149980)



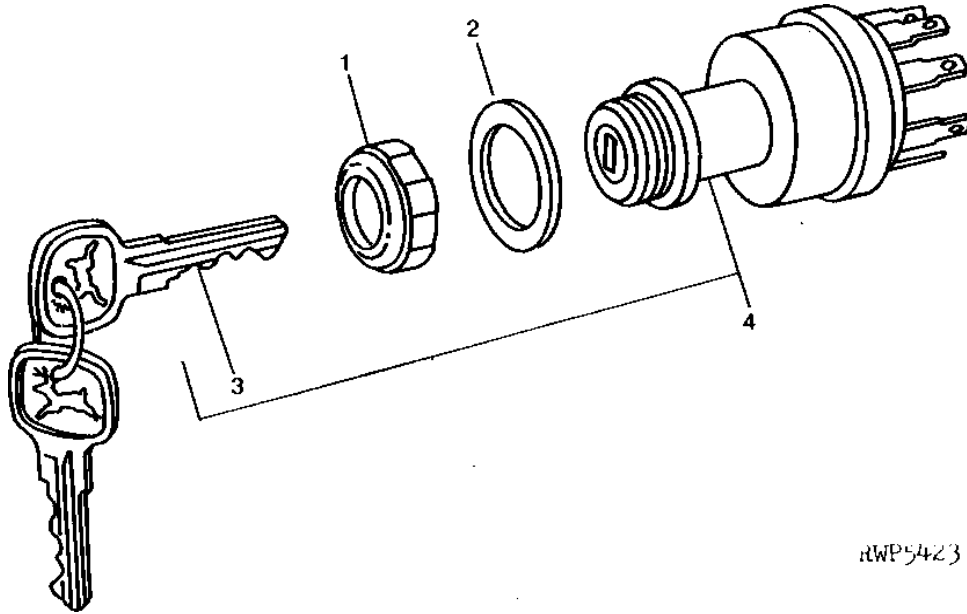
KEY	PART NO.	PART NAME	QTY	TRACTOR SERIAL NO.	REMARKS
1	AR51481	KEY	1		(SUB FOR R45361) (SET OF 2)
2	AR47459	CYLINDER	1		
3	AR53452	SWITCH	1		(SUB FOR AR47458) (SUB AR58126)
4	24H1462	WASHER	1		1-1/16" X 1-1/2" X 0.060"
5	R44342	NUT	1		

2D14

ELECTRICAL

RWP5423 -UN-01JAN94

IGNITION SWITCH
(TRACTOR SERIAL NO. 149981-)



RWP5423

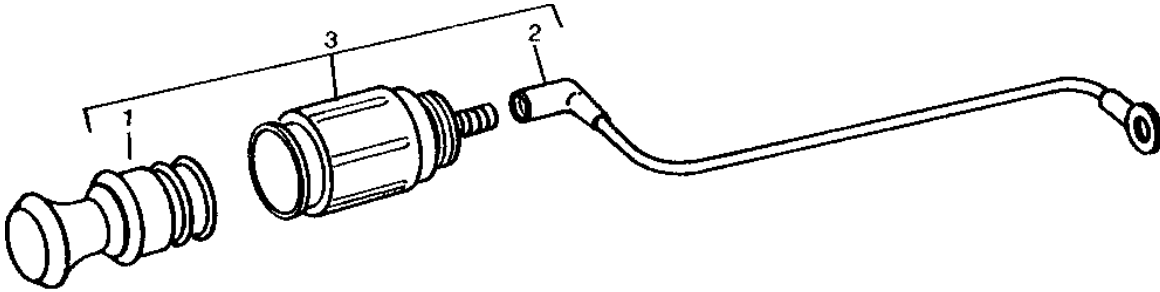
KEY	PART NO.	PART NAME	QTY	TRACTOR SERIAL NO.	REMARKS
1	R44342	NUT	1		
2	24H1462	WASHER	1	1-1/16" X 1-1/2" X 0.060"	
3	AR51481	KEY	1		
4	AR58126	KEY SWITCH	1	(SUB FOR AR47458 OR AR53452)	

2D15

ELECTRICAL

RP1318 -UN-01JAN94

CIGAR LIGHTER



RP1318

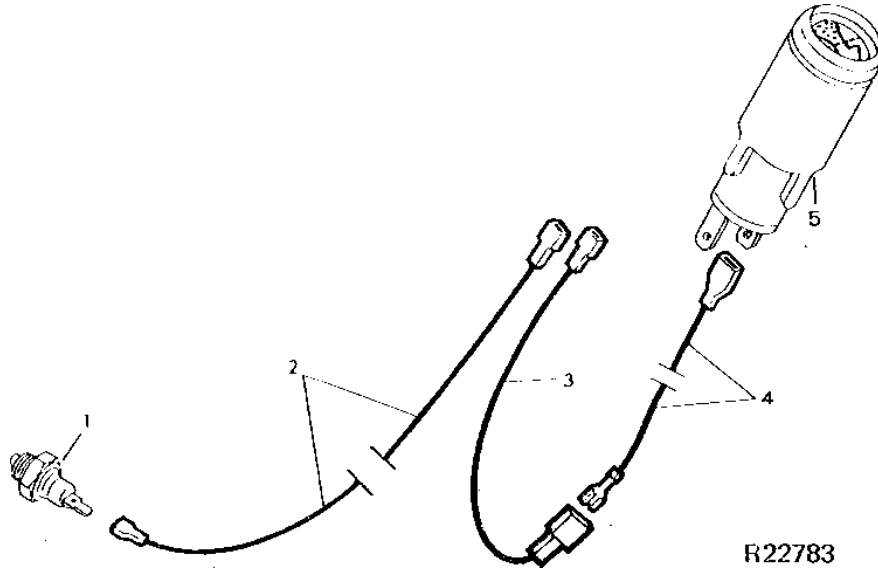
KEY	PART NO.	PART NAME	QTY	TRACTOR SERIAL NO.	REMARKS
1	AR60937	LIGHTER	1		
2	AR99082	WIRING LEAD	1		
3	AR99081	LIGHTER	1	(SUB RE15660)	

2D16

ELECTRICAL

R22783 -UN-01JAN94

AIR CLEANER RESTRICTION INDICATOR



R22783

KEY	PART NO.	PART NAME	QTY	TRACTOR SERIAL NO.	REMARKS
1	RE17515	SENSOR	1		(SUB FOR AL24194 OR AL32975)
2	AL19905	WIRING LEAD	1		
3	AL18604	WIRING LEAD	1		
4	AL19906	WIRING LEAD	1		
5	AL19907 57M6394	INDICATOR LIGHT BULB	1		(4 WATT)

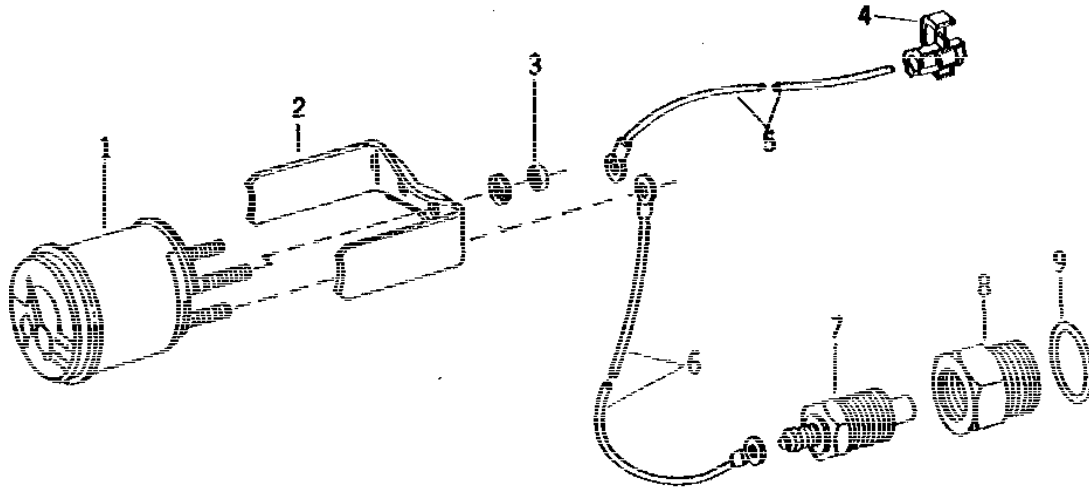
USE ON TRACTORS HAVING AN "L" AS THE LAST DIGIT OF THE CHASSIS SERIAL NUMBER

2D17

ELECTRICAL

R23787 -UN-01JAN94

TRANSMISSION OIL TEMPERATURE GAUGE



R23787

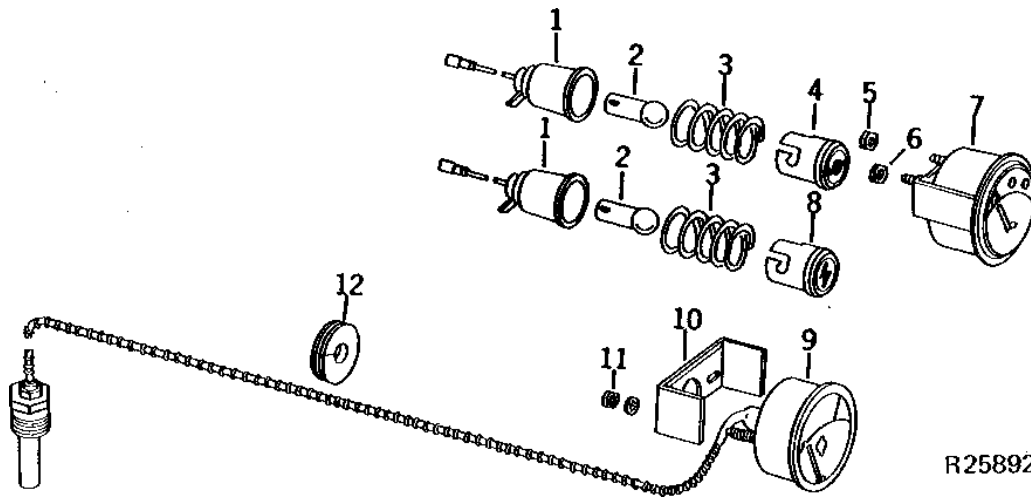
KEY	PART NO.	PART NAME	QTY	TRACTOR SERIAL NO.	REMARKS
1	AT38821	TEMPERATURE GAUGE	1		
2	T39395	BRACKET	1		
3	14H631	NUT	2	0.190"	
	12M7060	WASHER	2	0.209"	
4	AR67855	CONNECTOR	1		
5	AR73622	WIRING LEAD	1		
6	AR73621	WIRING LEAD	1		
7	AT37368	SENDER	1		
8	R60722	ADAPTER	1		
9	F3171R	O-RING	1		
..	AR73620	GAUGE	1	COMPLETE (NLA)	

2D18

ELECTRICAL

R25892 -UN-01JAN94

GAUGES AND INDICATOR LIGHTS



R25892

KEY	PART NO.	PART NAME	QTY	TRACTOR SERIAL NO.	REMARKS
1	AT44165	WIRING LEAD	2		
	AT24693	HEADLIGHT	1	(A)	
2	AR55694	BULB	2		
	57M6277	BULB	1	(A)	
3	R30378	SPRING	2		
4	AT48674	LENS	1		ENGINE OIL PRESSURE, (ALSO ORDER AT44165, AR55694 AND R30378) (SUB FOR AT22038, AR65447 OR AR45437)
5	14H631	NUT	1		0.190"
6	14H605	NUT	1		0.164"
7	AR65444	GAUGE	1		FUEL, (SUB FOR AT20175)
	AL24187	GAUGE	1	(A)	
8	AT48673	LENS	1		ALTERNATOR INDICATOR, (ALSO ORDER AT44165, AR55694 AND R30378) (SUB FOR AT22037, AR65446 OR AR45438)
	AT24692	INDICATOR LIGHT	1	(A)	ALTERNATOR INDICATOR
9	AT67693	TEMPERATURE GAUGE	1		(SUB FOR AT21239 OR AR65443)
10	T366T	BRACKET	1		
11	14H631	NUT	2		0.190"
	12M7060	WASHER	2		0.209"
12	R26936	GROMMET	1		

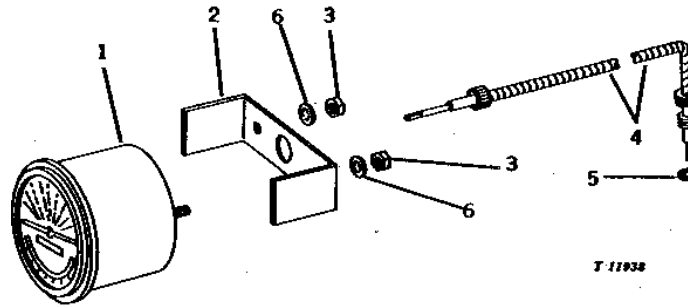
(A) USE ON TRACTORS HAVING AN "L" AS THE LAST DIGIT OF THE CHASSIS SERIAL NUMBER

2D19

ELECTRICAL

T11938 -UN-01JAN94

TACHOMETER



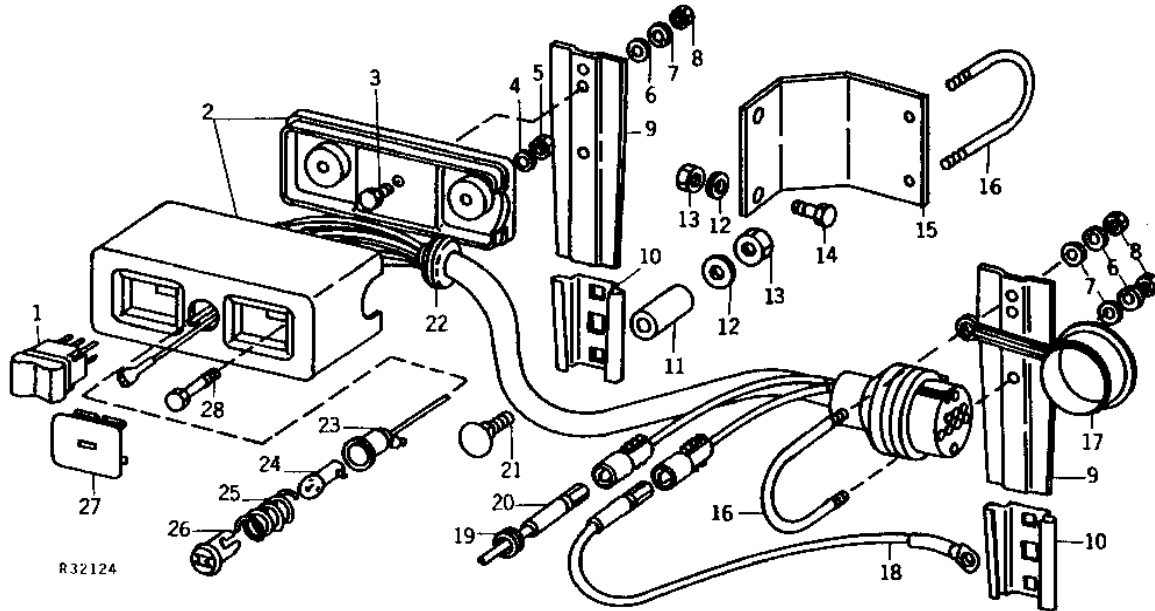
KEY	PART NO.	PART NAME	QTY	TRACTOR SERIAL NO.	REMARKS
1	AR65445	TACHOMETER	1		(SUB FOR AT20641) (SUB AT159296) (ALSO ORDER T21828, (2) 12M7060, AND (2) 14H631 ON TRACTORS WITH AN "L" AS THE LAST DIGIT OF THE CHASSIS SERIAL NUMBER)
2	T21828	CHANNEL	1		
3	14H631	NUT	2	0.190"	
4	AT19904	CABLE	1		
5	T31437	BUSHING	1		
6	12M7060	WASHER	2	0.209"	

2D20

ELECTRICAL

R32124 -UN-01JAN94

ELECTRICAL REMOTE CONTROL



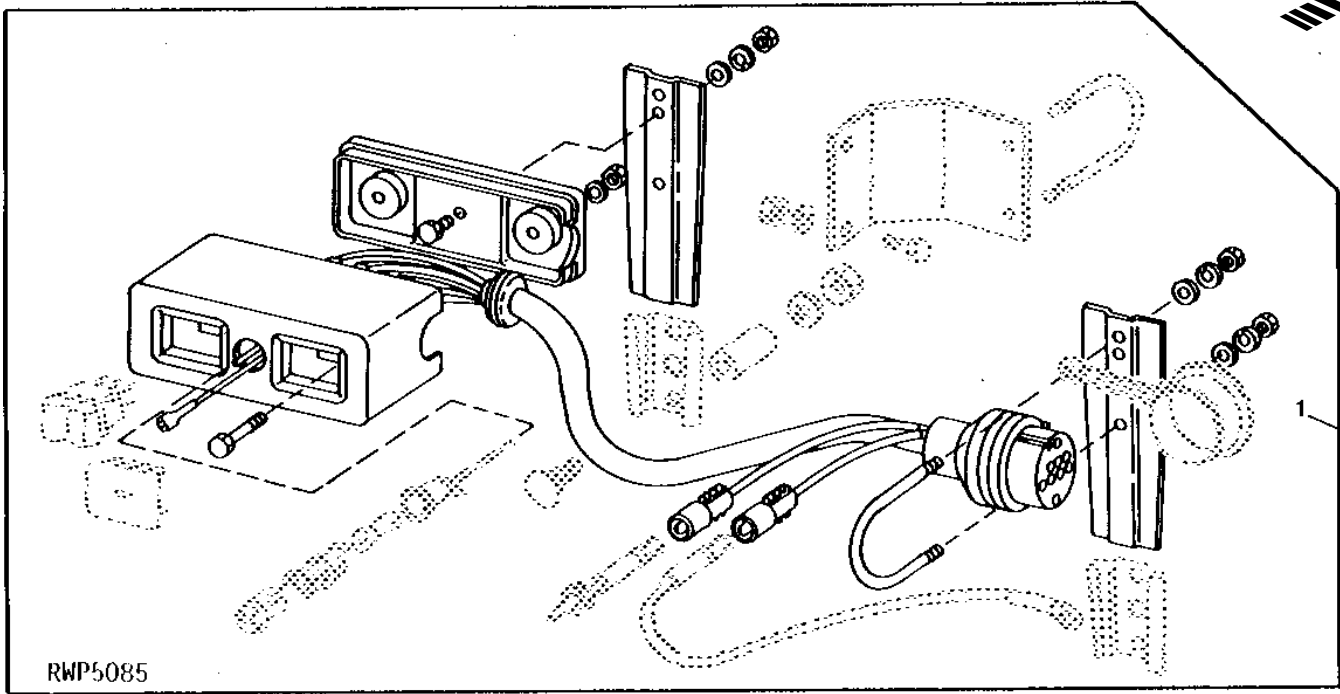
KEY	PART NO.	PART NAME	QTY	TRACTOR SERIAL NO.	REMARKS
1	AR49797	TOGGLE SWITCH	1		MOMENTARY ROCKER (FI)
	AR49798	ROCKER SWITCH	1		DETEND ROCKER (FI)
2	AR50779	WIRING HARNESS	1		(TWO SWITCH)
	AR50780	WIRING HARNESS	1		(FOUR SWITCH)
3	19H1914	CAP SCREW	1		1/4" X 1"
4	12H315	LOCK WASHER	2		0.164"
5	14H605	NUT	2		0.164"
6	24H1821	WASHER	3		9/32" X 47/64" X 1/16"
7	12H302	LOCK WASHER	3		1/4"
8	14H786	NUT	3		1/4"
9	R47861	BRACKET	AR		(2 USED, TWO SWITCH) (1 USED, FOUR SWITCH)
	R47860	BRACKET	1		(FOUR SWITCH)
10	JD126	SOCKET	2		
11	28H1495	SPACER	2		3/8" X 1"
12	24M7207	WASHER	4		8.400 X 24 X 2 MM
13	14H785	NUT	4		5/16"
14	21H1304	SCREW	2		5/16" X 3/4"
15	R54467	BRACKET	1		
16	E16050	U-BOLT	1		
17	R48048	CAP	1		
18	AR50928	WIRING LEAD	1		
19	H987R	GROMMET	4		
20	AR50927	WIRING LEAD	1		
21	03H1515	BOLT	2		5/16" X 2"
22	R36235	GROMMET	1		
23	AT44165	WIRING LEAD	1		
24	AR55694	BULB	1		
25	R30378	SPRING	1		
26	AT48673	LENS	1		
27	R48049	PLUG	1		
28	R48028	SCREW	2		
..	R48026	DECAL	1		

2D21

ELECTRICAL

RWP5085 -UN-01JAN94

ELECTRICAL REMOTE CONTROL KIT



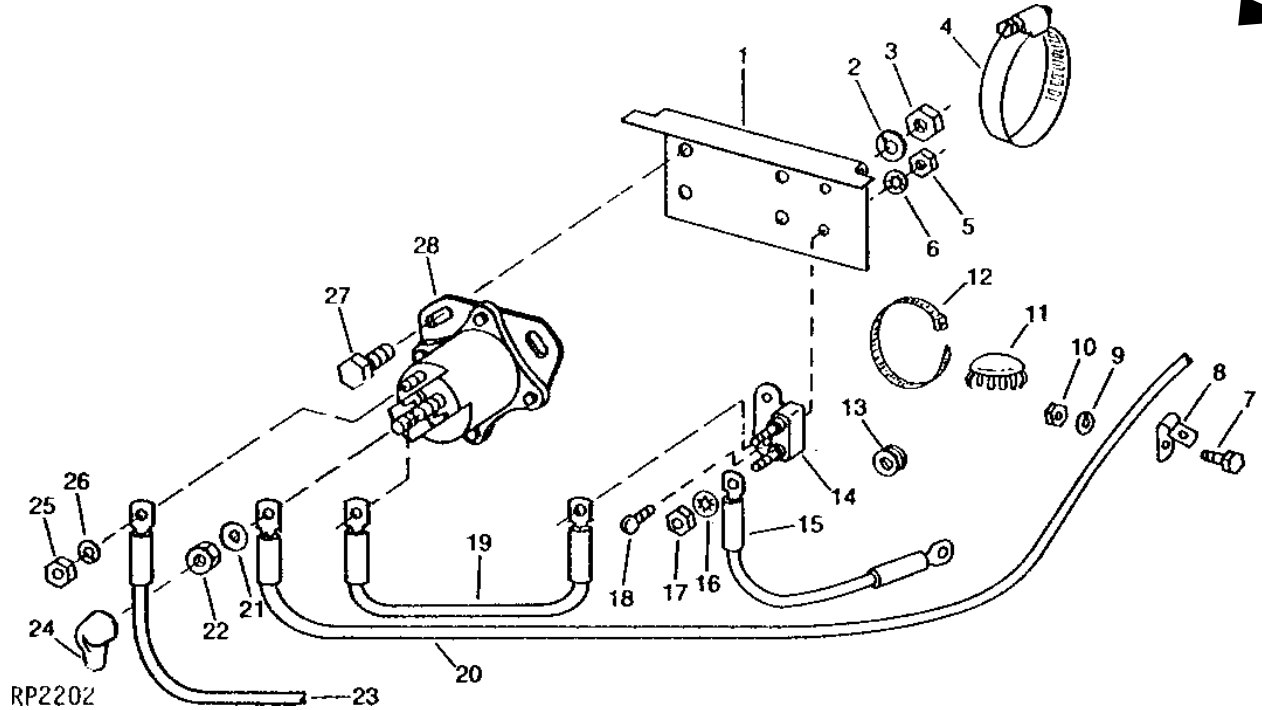
KEY	PART NO.	PART NAME	QTY	TRACTOR SERIAL NO.	REMARKS
1	AR62360	KIT	1		(TWO SWITCHES) (FI)

2D22

ELECTRICAL

RP2202 -UN-01JAN94

ELECTRICAL REMOTE CONTROL WIRING



KEY	PART NO.	PART NAME	QTY	TRACTOR SERIAL NO.	REMARKS
1	R69109	BRACKET	1	(SUB FOR R47859)	
2	12H297	LOCK WASHER	2	1/4"	
3	14H786	NUT	2	1/4"	
4	AR52392	CLAMP	2		
5	14H631	NUT	2	0.190"	
6	12M7060	WASHER	2	0.209"	
7	19H1731	CAP SCREW	2	3/8" X 1"	
8	T14264	CLAMP	2		
9	12H304	LOCK WASHER	2	3/8"	
10	14H732	NUT	2	3/8"	
11	R32276	PLUG	1	(CAB OPENING)	
12	R44302	TIE BAND	AR		
13	R41439	GROMMET	1		
14	AR50926	CIRCUIT BREAKER	1		
15	AR50930	WIRING LEAD	1		
16	12M7060	WASHER	2	0.209"	
17	14H631	NUT	2	0.190"	
18	21H1295	SCREW	2	0.190" X 5/8"	
19	AR50929	WIRING LEAD	1		
20	AR50927	WIRING LEAD	1		
21	12H303	LOCK WASHER	2	5/16"	
22	14H785	NUT	2	5/16"	
23	AR50931	WIRING LEAD	1		
24	R36732	BOOT	2		
25	14H631	NUT	1	0.190"	
26	12H246	LOCK WASHER	1	0.190"	
27	19H1919	CAP SCREW	2	1/4" X 5/8"	
28	RE44657	RELAY	1	(FI)	

MEMORANDA

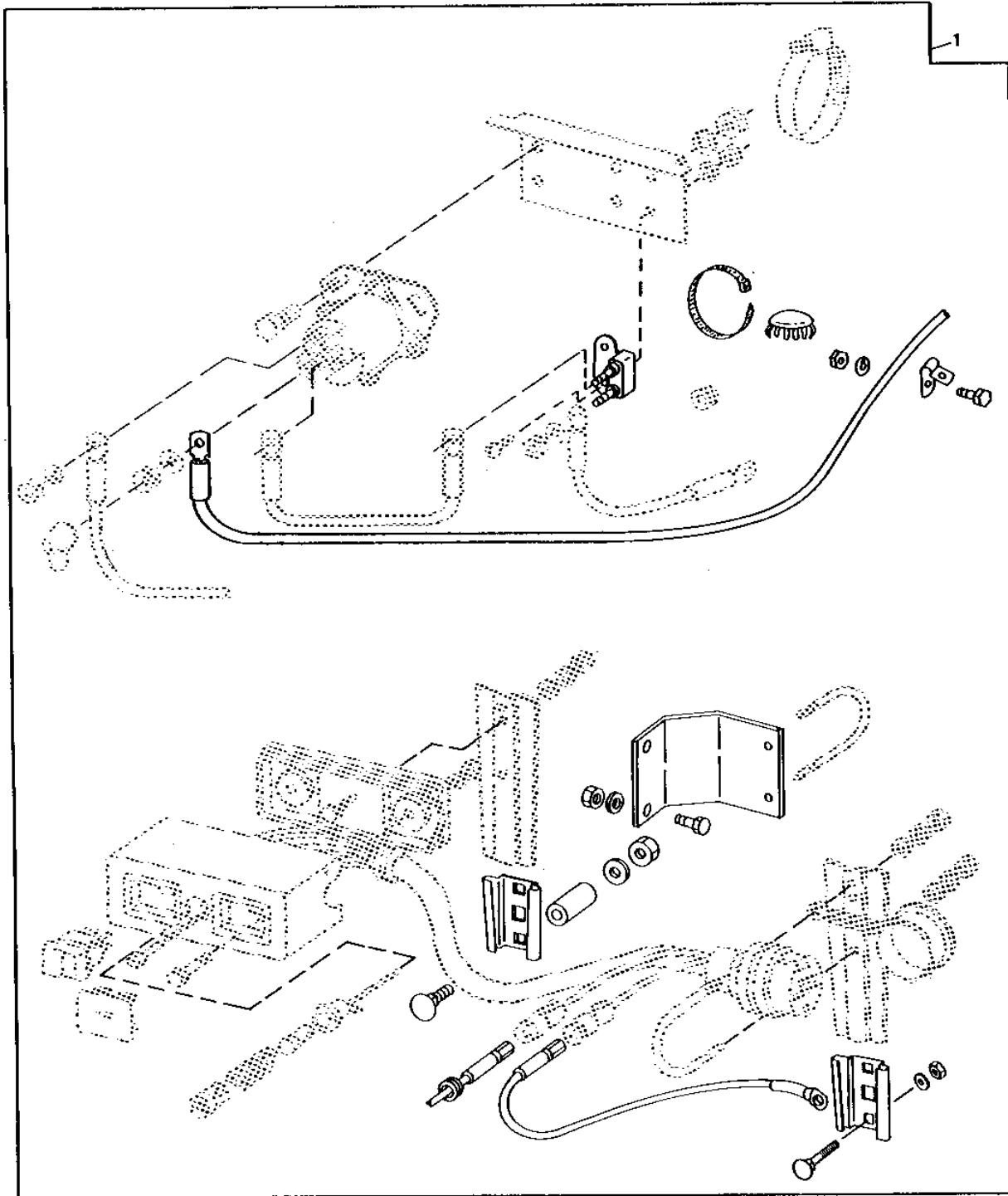
2D23

ELECTRICAL

RWP5666

-UN-01JAN94

ELECTRICAL REMOTE CONTROL WIRING KIT



RWP5666

2D24

ELECTRICAL

ELECTRICAL REMOTE CONTROL WIRING KIT - CONTINUED

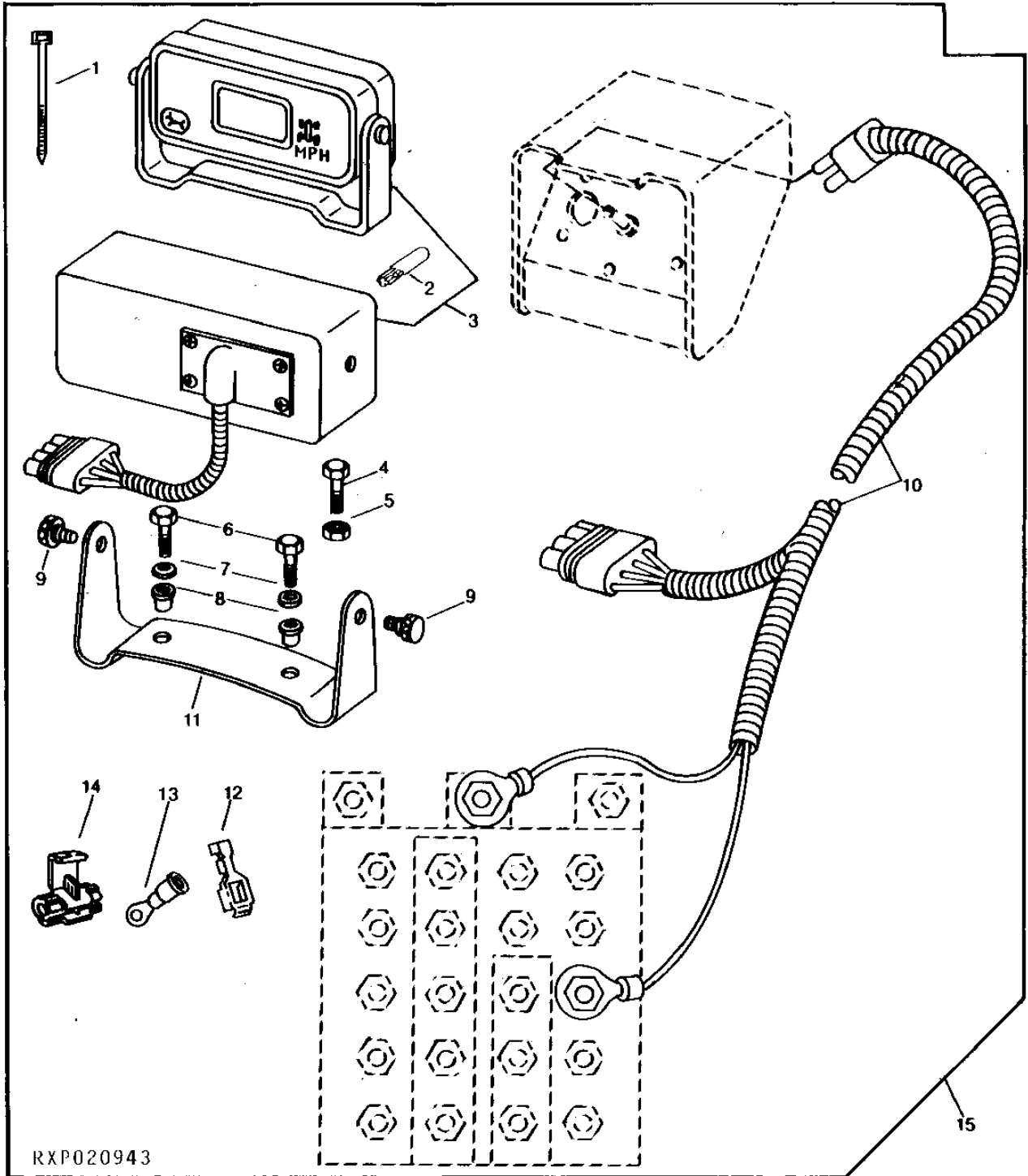
KEY	PART NO.	PART NAME	QTY	TRACTOR SERIAL NO.	REMARKS
1	RE25621	KIT	1	(SUB FOR AR62359)	

2E1

ELECTRICAL

PERFORMANCE TRAK II MINI-MONITOR (ANALOG TACHOMETER)

RXP020943 -UN-12OCT94



RXP020943

2E2

ELECTRICAL

PERFORMANCE TRAK II MINI-MONITOR - CONTINUED
(ANALOG TACHOMETER)

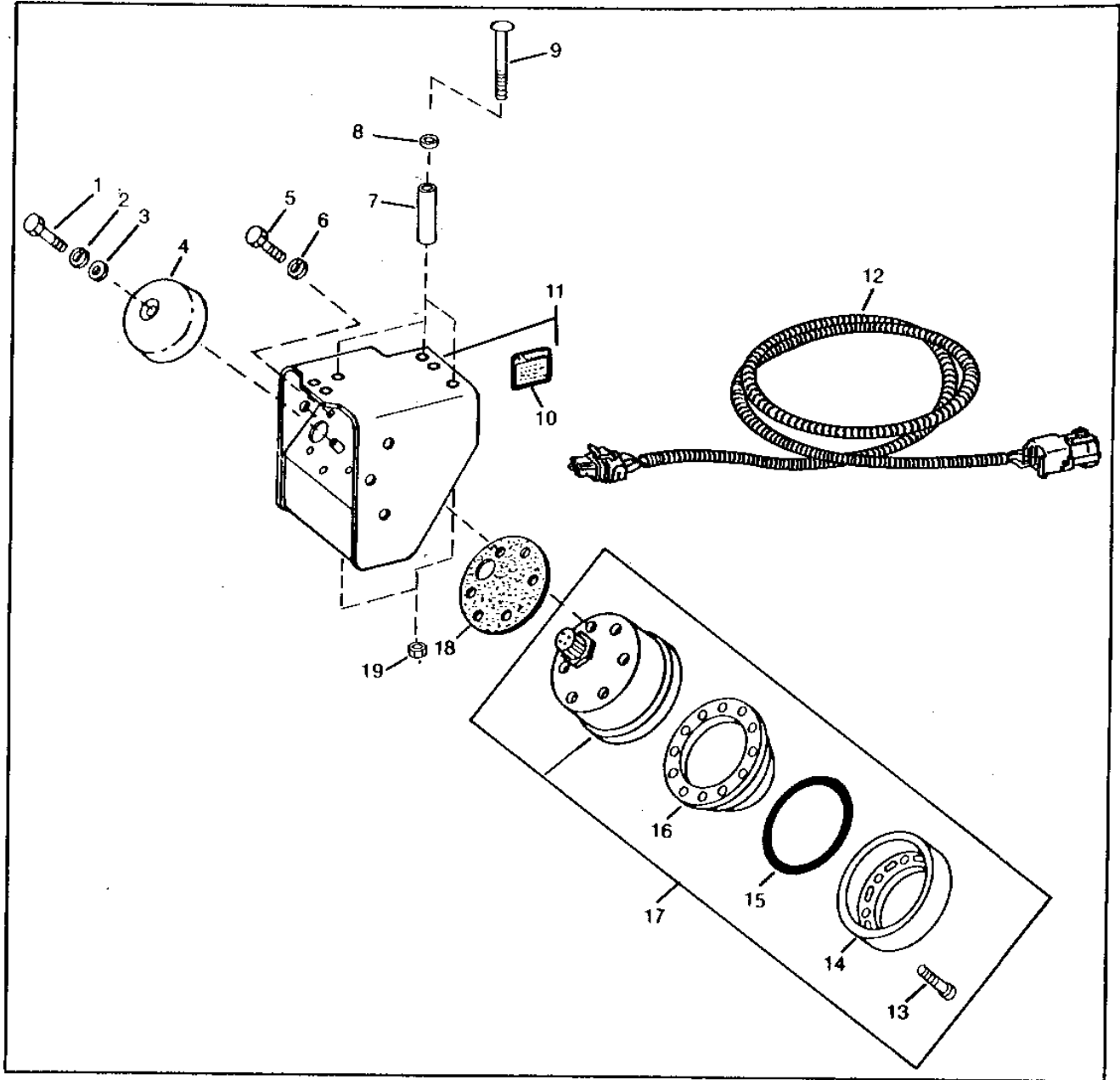
KEY	PART NO.	PART NAME	QTY	TRACTOR SERIAL NO.	REMARKS
1	R44302	TIE BAND	AR		
2	RE22589	LAMP	1		
3	RE21112	MONITOR CONSOLE	1		
4	19H1978	CAP SCREW	3	7/16" X 1-1/2"	
	12H293	LOCK WASHER	3	7/16"	
5	14H1047	NUT	3	7/16"	
	14H786	NUT	2	1/4"	
6	19H1914	CAP SCREW	2	1/4" X 1"	
7	24H1287	WASHER	4	9/32" X 5/8" X 0.065"	
8	R82423	NUT	2	RUBBER	
9	R83055	WING SCREW	2		
10	RE21113	WIRING HARNESS	1	3500MM (138")	
11	R83109	BRACKET	1		
12	U46662	TERMINAL	1		
13	R77489	TERMINAL	1		
	R84158	TERMINAL	1		
14	AR67855	CONNECTOR	3		
15	RE21738	MONITOR CONSOLE	1	(FI)	

2E3

ELECTRICAL

RXP9306 -UN-01JAN94

RADAR SENSOR



RXP9306

20

2E4

ELECTRICAL

RADAR SENSOR - CONTINUED

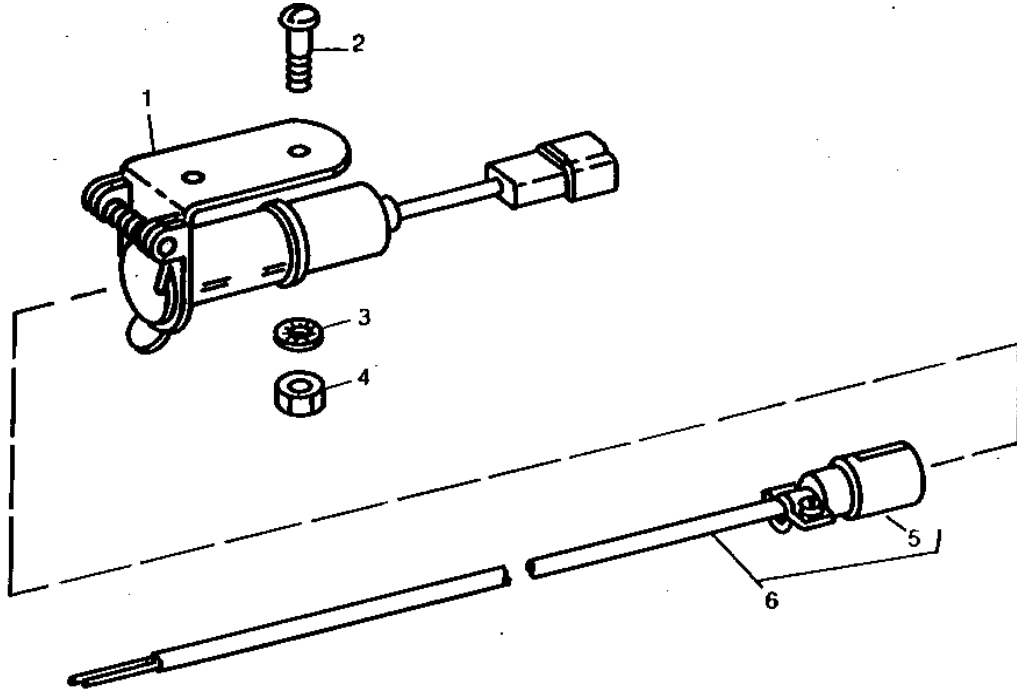
KEY	PART NO.	PART NAME	QTY	TRACTOR SERIAL NO.	REMARKS
1	19H1813	CAP SCREW	1	5/16" X 5/8"	
2	12H303	LOCK WASHER	1	5/16"	
3	24H1136	WASHER	1	11/32" X 11/16" X 0.065"	
4	R82355	SHIELD	1		
5	19H1813	CAP SCREW	6	5/16" X 5/8"	
6	12H303	LOCK WASHER	6	5/16"	
7	28H3343	BUSHING	3	0.546" X 0.840" X 5-3/8"	
8	24H1625	WASHER	2	17/32" X 1" X 0.120"	
9	03H2052	BOLT	3	1/2" X 6-1/2"	
10	R120107	LABEL	1	(ENGLISH)	
	R120106	LABEL	1	(FRENCH)	
	R105942	LABEL	1	(GERMAN)	
	R120108	LABEL	1	(SPANISH)	
	L65000	LABEL	1		
11	RE46317	BRACKET	1	(SUB FOR RE21096 OR RE38707)	
12	RE46414	WIRING HARNESS	1		
13	R82239	SCREW	12		
14	R82237	SNAP RING	1		
15	R82238	O-RING	1		
16	R82236	COVER	1		
17	RE43025	RADAR SENSOR	1	(SUB FOR RE21073)	
18	R82243	GASKET	1		
19	14H1040	NUT	3	1/2"	
20	AR111058	SENSOR	1	(SUB FOR RE21510 OR RW26466) (FI)	

2E5

ELECTRICAL

RXP8343 -UN-01JAN94

ELECTRICAL OUTLET SOCKET



RXP8343

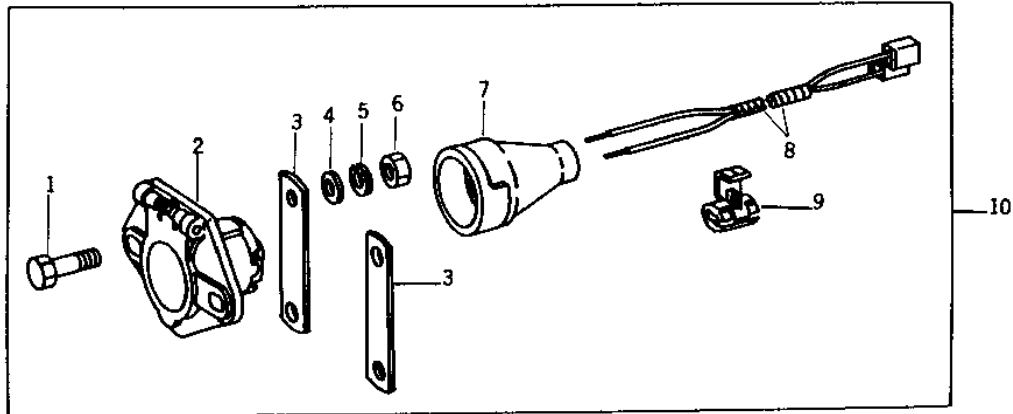
KEY	PART NO.	PART NAME	QTY	TRACTOR SERIAL NO.	REMARKS
1	AT20709	SOCKET OUTLET	1		
2	19H1815	CAP SCREW	2	1/2" X 1-1/4"	
3	12H301	LOCK WASHER	6	1/2"	
4	14H1040	NUT	2	1/2"	
5	AA5692R	ELECTRICAL PLUG	1		
6	AR40710	PLUG	1		

2E6

ELECTRICAL

R32128 -UN-01JAN94

7-TERMINAL ELECTRICAL OUTLET SOCKET



R32128

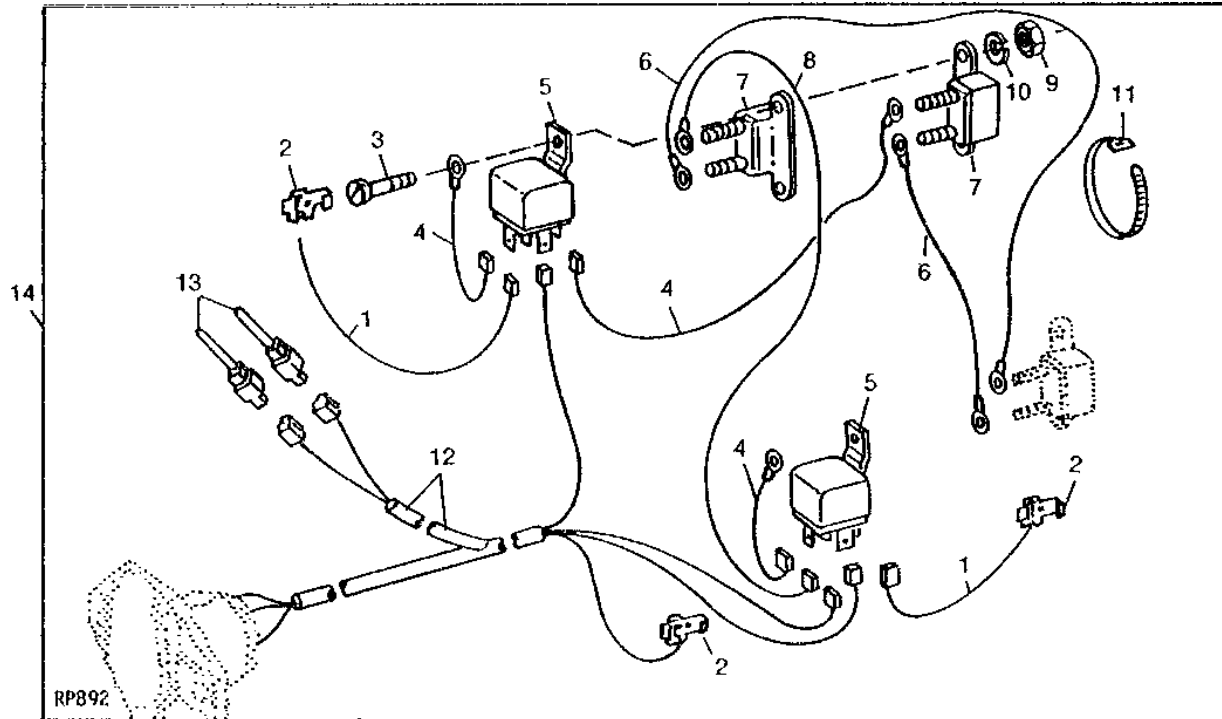
KEY	PART NO.	PART NAME	QTY	TRACTOR SERIAL NO.	REMARKS
1	19H1905	CAP SCREW	4	5/16" X 1"	
2	AR75695	SOCKET OUTLET	1		
3	R61776	STRAP	2		
4	24H1136	WASHER	4	11/32" X 11/16" X 0.065"	
5	12H303	LOCK WASHER	4	5/16"	
6	14H785	NUT	4	5/16"	
7	R61775	BOOT	1		
8	AR75696	WIRING HARNESS	1	GROUND	
.....		WIRING LEAD	1	3963 MM (156") TAIL LAMP LEAD, (MAKE FROM R77500)	
9	AR67855	CONNECTOR	3		
10	RE17282	KIT	1	(SUB FOR AR75694) (FI)	
..	AH93625	PLUG	1	(ELECTRICAL OUTLET MALE PLUG)	

2E7

ELECTRICAL

7-TERMINAL ELECTRICAL OUTLET SOCKET SUPPLEMENTARY WIRING KIT

RP892 -UN-01JAN94



KEY	PART NO.	PART NAME	QTY	TRACTOR SERIAL NO.	REMARKS
1	WIRING LEAD	2		300 MM (11-7/8") (MAKE FROM R66319 AND R65600)
2	AR67855	CONNECTOR	3		
3	21H1282	SCREW	2		0.190" X 7/8"
4	WIRING LEAD	3		152 MM (6") (MAKE FROM R66319, R32025, R32021 AND R32027)
5	AR74411	RELAY	2		
6	WIRING LEAD	2		152 MM (6") (MAKE FROM R66319, R32025 AND (2) R32018)
7	AR28403	CIRCUIT BREAKER	2		
8	WIRING LEAD	1		310 MM (12-1/4") (MAKE FROM R66319, R32018 AND R32027)
9	14H631	NUT	6		0.190"
10	12M7060	WASHER	6		0.209"
11	R44302	TIE BAND	10		
12	AR82908	WIRING HARNESS	1		
13	AR82911	WIRING LEAD	2		
14	AR82906	KIT	1		(SUB FOR AR78052, THIS APPLICATION) (USE WITH RE17282) (FI)

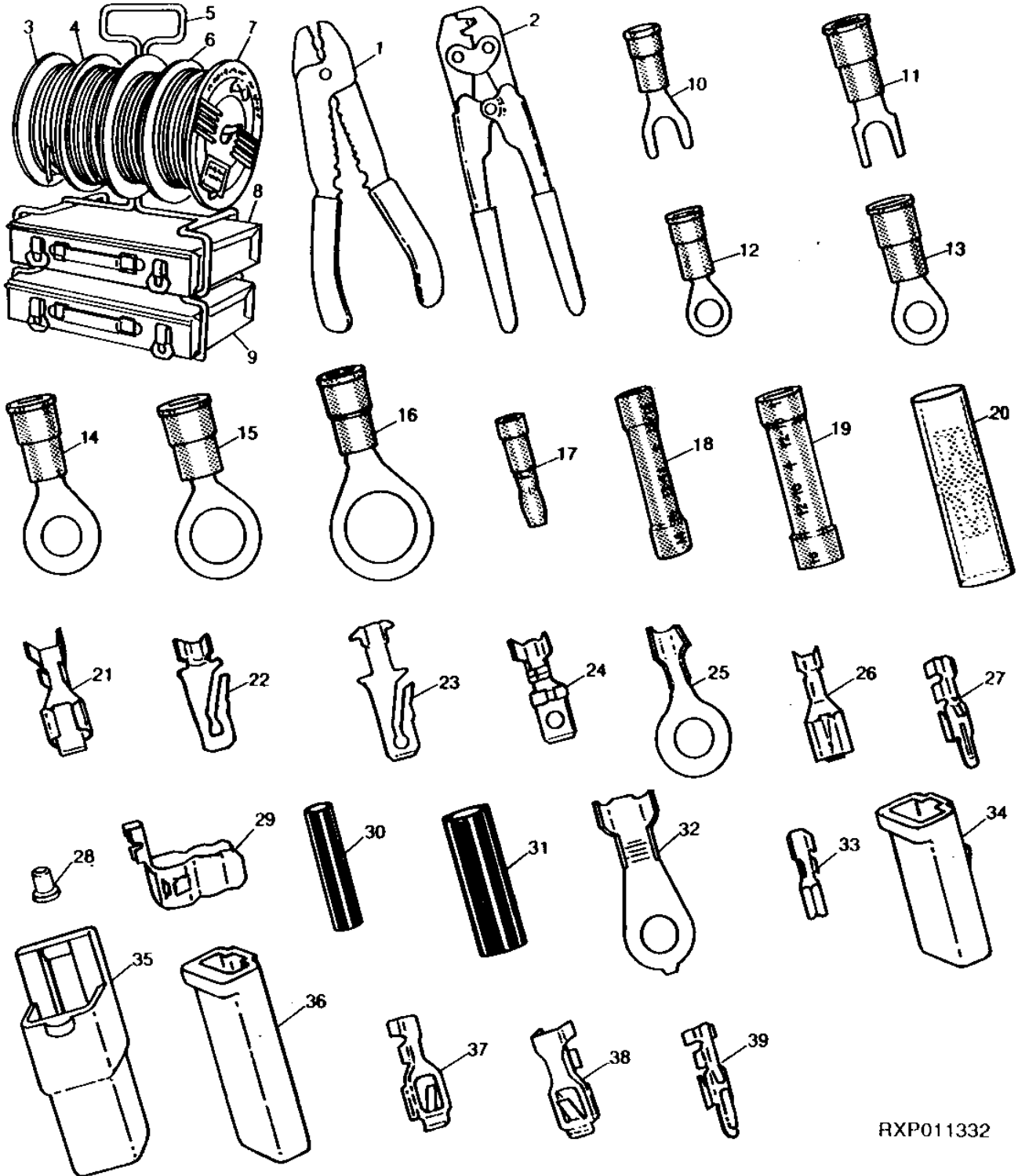
MEMORANDA

2E8

ELECTRICAL

RXP011332 -UN-27SEP94

ELECTRICAL TERMINALS,CONNECTORS AND WIRING



RXP011332

2E9

ELECTRICAL

ELECTRICAL TERMINALS,CONNECTORS AND WIRING - CONTINUED

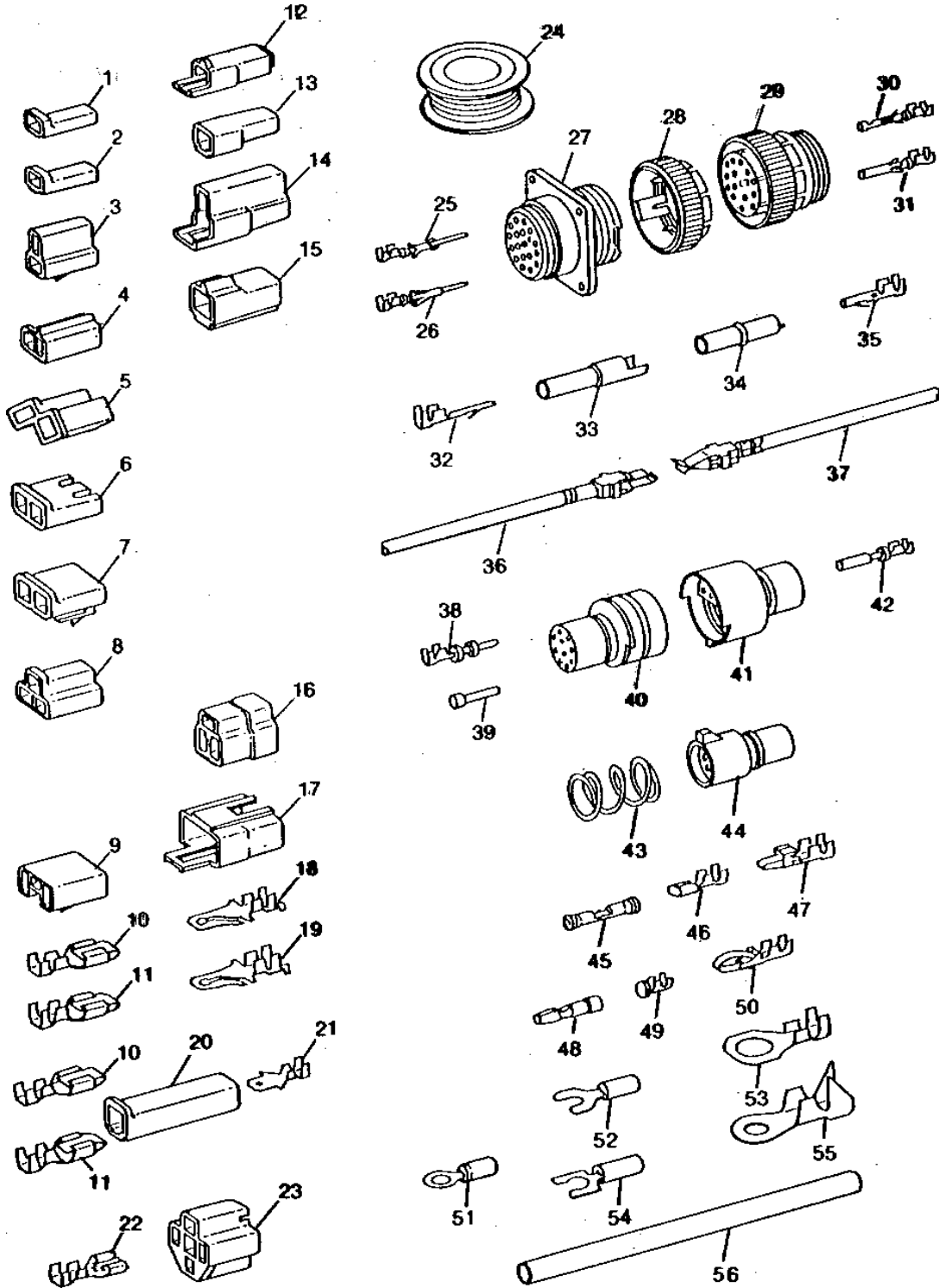
KEY	PART NO.	PART NAME	QTY	TRACTOR SERIAL NO.	REMARKS
1	R32011	TOOL	1	(NLA)	
2	R65594	TOOL	1		
3	R66319	WIRING LEAD	1	14 GA., 30.5 M (100 FT.) (1 SPOOL)	
4	R65593	WIRING LEAD	1	16 GA., 30.5 M (100 FT.) (1 SPOOL)	
5	R65608	RACK	1		
6	R66321	WIRING LEAD	1	10 GA., 15 M (50 FT.) (1 SPOOL)	
7	R66320	WIRING LEAD	1	12 GA., 30.5 M (100 FT.) (1 SPOOL)	
8	R65609	CONTAINER	1	(NLA)	
9	R65610	CONTAINER	1		
10	R32016	TERMINAL	1	14-16 GA., NO. 10 SPADE	
11	R32017	TERMINAL	1	10-12 GA., NO. 10 SPADE	
12	R32018	TERMINAL	1	14-16 GA., NO. 10 EYELET	
13	R32019	TERMINAL	1	10-12 GA., NO. 10 EYELET	
14	R32021	TERMINAL	1	10-12 GA., 1/4" EYELET	
15	R32022	TERMINAL	1	10-12 GA., 3/8" EYELET	
16	R32023	TERMINAL	1	10-12 GA., 1/2" EYELET	
17	R32026	TERMINAL	1	MALE BULLETT	
18	R32027	CONNECTOR	1	SPLICE, 14-16 GA.	
19	R32028	TERMINAL	1	SPLICE, 10-12 GA.	
20	AL2976T	CONNECTOR	1	(SUB FOR R32029) 2-WIRE BULLETT CONNECTOR	
21	R65595	TERMINAL	1	FEMALE, 10 GA.	
22	R65596	TERMINAL	1	MALE, 10 GA. OR TWO 14 GA. CABLES	
23	R65597	TERMINAL	1	MALE, 14-16 GA.	
24	R65598	TERMINAL	1	MALE, SHORT, 14-16 GA.	
25	R65599	TERMINAL	1	14-16 GA., 1/4" EYELET	
26	R65600	TERMINAL	1	FEMALE, 14-16 GA.	
27	R65601	TERMINAL	1	TWIN-LOCK, TWO 16 GA. CABLES	
28	R65602	SOCKET CONTACT	1	BULB SOCKET, 16-18 GA.	
29	R65603	TERMINAL NIPPLE	1	FUSE	
30	R65604	INSULATING SLEEVE	1	14-18 GA.	
31	R65605	INSULATING SLEEVE	1	8-12 GA.	
32	R65606	TERMINAL	1	6-8 GA., 1/4" EYELET	
33	R65607	TERMINAL	1	18-20 GA.	
34	T28583	RECEPTACLE	1	ONE CONTACT LOCK-TYPE, MALE	
35	T28585	TERMINAL	1	ONE CONTACT LOCK-TYPE, FEMALE	
36	U46370	CONNECTOR	1	CONNECTOR, ONE CONTACT SINGLE BODY, MALE	
37	U46662	TERMINAL	1	FEMALE	
38	U46663	TERMINAL	1	FEMALE	
39	U46664	TERMINAL	1	FEMALE	

2E10

ELECTRICAL

RXP010581 -UN-01JAN94

ELECTRICAL CONNECTORS, TERMINALS AND WIRING



RXP010581

2E11

ELECTRICAL

ELECTRICAL CONNECTORS, TERMINALS AND WIRING - CONTINUED

KEY	PART NO.	PART NAME	QTY	TRACTOR SERIAL NO.	REMARKS
1	T28583	RECEPTACLE	1	(B)	
2	M43835	FLAT CONNECTOR	1	(B)	
3	R77476	CONNECTOR	1	(A)	
4	R77477	CONNECTOR	1	(A)	
5	R77479	CONNECTOR	1	(A)	
6	R77480	CONNECTOR	1	(A)	
7	R77481	CONNECTOR	1	(A)	
8	R77482	CONNECTOR	1		
9	H104855	CONNECTOR	1		
10	U46662	TERMINAL	1	(E) (F)	
11	N115096	TERMINAL	1	(G) (SUB R65595) (PKG. OF 15)	
12	T28585	TERMINAL	1	(B)	
13	R77475	CONNECTOR	1	(B)	
14	T28586	CONNECTOR	1	(A)	
15	R77478	CONNECTOR	1	(A)	
16	R77483	CONNECTOR	1		
17	R48887	RECEPTACLE	1		
18	T34067	TERMINAL	1	(E) (F)	
19	R77484	TERMINAL	1	(G) (PKG. OF 15)	
20	U46370	CONNECTOR	1	(B)	
21	R77485	TAB	1	(C) (F)	
22	R77486	TERMINAL	1	(E) (F)	
23	R77487	CONNECTOR	1	(B)	
24	R66321	WIRING LEAD	1	15M (50 FT.) 10 GA.	
	R66320	WIRING LEAD	1	30.5M (100 FT.) 12 GA.	
	R77501	WIRE	1	30.5M (100 FT.) 14 GA.	
	R77500	WIRE	1	30.5M (100 FT.) 16 GA.	
	R77499	WIRE	1	30.5M (100 FT.) 18 GA.	
	R77498	WIRE	1	30.5M (100 FT.) 20 GA.	
25	R77462	PIN CONTACT	1	(PKG. OF 40) (20-22 OR 24 GA. WIRE)	
26	R77464	PIN CONTACT	1	(H) (PKG. OF 50)	
27	R77456	RECEPTACLE	1	(37 WAY)	
28	R77458	CONNECTOR	1	(A) (SIZE 23)	
	R77459	CONNECTOR	1	(A) (SIZE 17)	
	R77460	CONNECTOR	1	(A) (SIZE 13)	
	R77461	CONNECTOR	1	(A) (SIZE 11)	
29	R77457	ELECTRICAL PLUG	1	(37 WAY)	
30	R77463	SOCKET CONTACT	1	(PKG. OF 40) (20-22 OR 24 GA. WIRE)	
31	R77465	SOCKET CONTACT	1	(H) (PKG. OF 50)	
32	R77468	TERMINAL	1	(PKG. OF 5)	
33	R77466	CONNECTOR	1	(A)	
34	R77467	CONNECTOR	1	(A)	

(A) PKG. OF 2

(B) PKG. OF 3

(C) PKG. OF 10

(D) PKG. OF 20

(E) PKG. OF 25

(F) 14 OR 16 GA. WIRE

(G) 10 OR 12 GA. WIRE

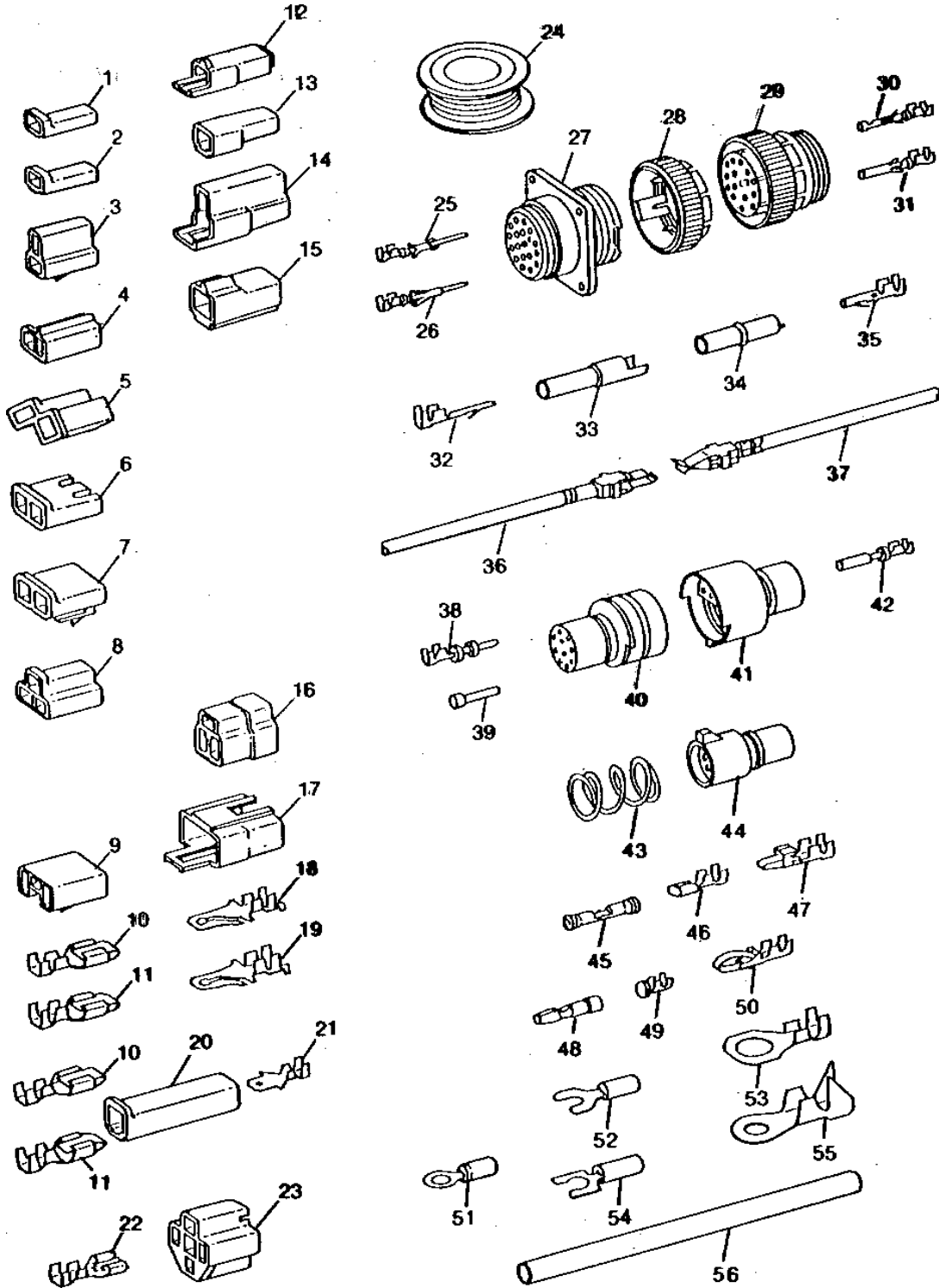
(H) 14-16 OR 18 GA. WIRE

2E12

ELECTRICAL

RXP010581 -UN-01JAN94

ELECTRICAL CONNECTORS, TERMINALS AND WIRING - CONTINUED



RXP010581

2E13

ELECTRICAL

ELECTRICAL CONNECTORS, TERMINALS AND WIRING - CONTINUED

KEY	PART NO.	PART NAME	QTY	TRACTOR SERIAL NO.	REMARKS
35	R77469	TERMINAL	1		(PKG. OF 5)
36	RE11156	TERMINAL	1		(B) (MALE)
37	RE11157	TERMINAL	1		(B) (FEMALE)
38	R70222	PIN CONTACT	1		(D) (H)
39	R70221	ELECTRICAL PLUG	1		(E)
40	R70219	PLUG	1		(A) (10 WAY)
	R70217	PLUG	1		(A) (7 WAY)
	R70215	PLUG	1		(A) (4 WAY)
	R70213	PLUG	1		(A) (3 WAY)
41	R70211	CONNECTOR	1		(A) (2 WAY)
	R70218	RECEPTACLE	1		(A) (10 WAY)
	R70216	RECEPTACLE	1		(A) (7 WAY)
	R70214	RECEPTACLE	1		(A) (4 WAY)
	R70212	RECEPTACLE	1		(A) (3 WAY)
	R70210	RECEPTACLE	1		(A) (2 WAY)
42	AR91793	SOCKET CONTACT	1		(D)
43	R30378	SPRING	1		(C)
44	R77474	CONNECTOR	1		(A) (6 WAY)
45	R77470	TERMINAL	1		SPLICE (PKG. OF 15) (16-18-20 OR 22 GA. WIRE)
	R77471	TERMINAL	1		(C) (G) SPLICE
	R77472	TERMINAL	1		(A) SPLICE (8 GA. WIRE)
	R77473	TERMINAL	1		(A) SPLICE (6 GA. WIRE)
46	R65607	TERMINAL	1		(C) (18 OR 20 GA. WIRE)
47	U46664	TERMINAL	1		(C) (F)
48	R32026	TERMINAL	1		(D) (F)
49	R65602	SOCKET CONTACT	1		(C) (16 OR 18 GA. WIRE)
50	R70220	TERMINAL	1		(C) (18 OR 20 GA. WIRE)
51	R77489	TERMINAL	1		(D) (14-16-18 OR 20 GA. WIRE) (NO. 10 EYELET)
	R77493	TERMINAL	1		(D) (G) (NO. 10 EYELET)
	R77488	TERMINAL	1		(D) (14-16-18 OR 20 GA. WIRE) (3/8" EYELET)
	R77490	TERMINAL	1		(D) (G) (1/2" EYELET)
52	R77496	TERMINAL	1		(D) (F) (NO. 8 SPADE)
	R77495	TERMINAL	1		(D) (18 GA. WIRE) (NO. 10 SPADE)
53	R77497	TERMINAL	1		(D) (F) (NO. 6 SPADE)
54	R77491	TERMINAL	1		(D) (G) (3/8" EYELET)
	R77492	TERMINAL	1		(D) (G) (1/4" EYELET)
55	R77494	TERMINAL	1		(D) (6 OR 8 GA. WIRE) (1/4" EYELET)
56	R77502	TUBE	1		(PKG. OF 8) 3/8" (HEAT SHRINK)
	R77503	TUBE	1		(PKG. OF 8) 3/16" (HEAT SHRINK)

(A) PKG. OF 2

(B) PKG. OF 3

(C) PKG. OF 10

(D) PKG. OF 20

(E) PKG. OF 25

(F) 14 OR 16 GA. WIRE

(G) 10 OR 12 GA. WIRE

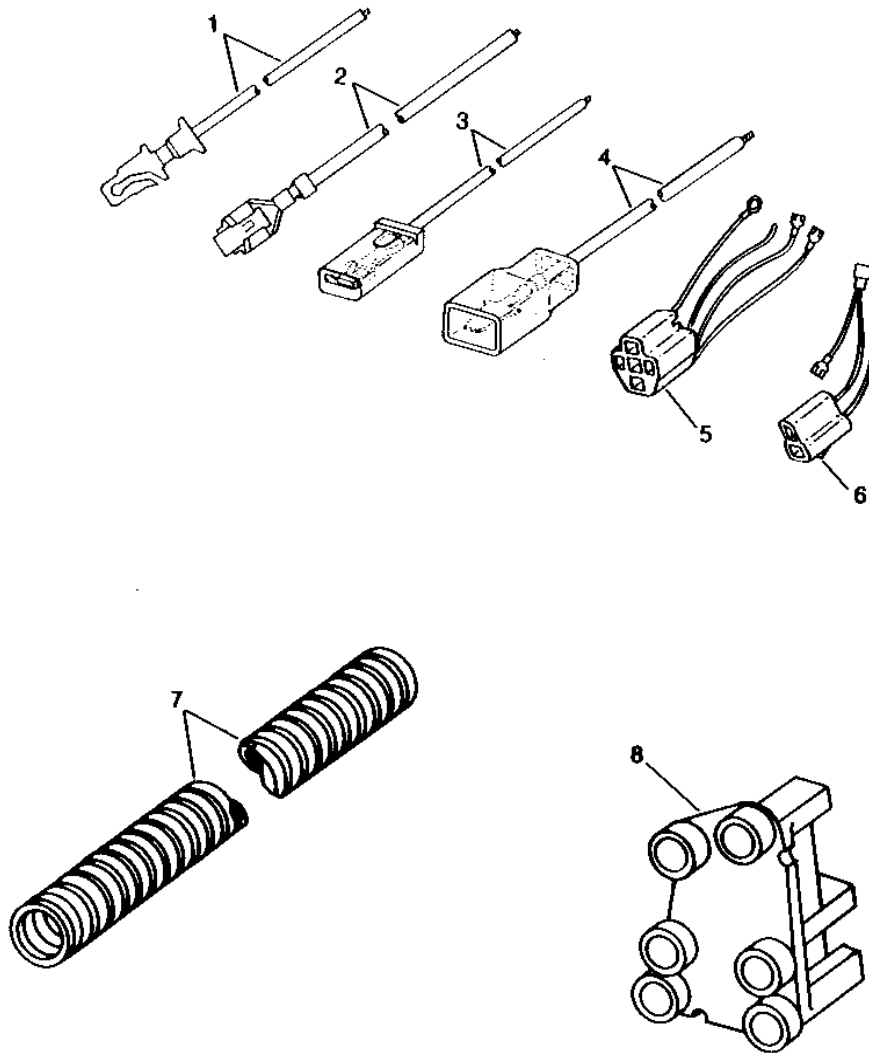
(H) 14-16 OR 18 GA. WIRE

2E14

ELECTRICAL

RXP8619 -UN-28NOV94

SUPPLEMENTARY TERMINALS AND CONNECTORS



2E15

ELECTRICAL

SUPPLEMENTARY TERMINALS AND CONNECTORS - CONTINUED

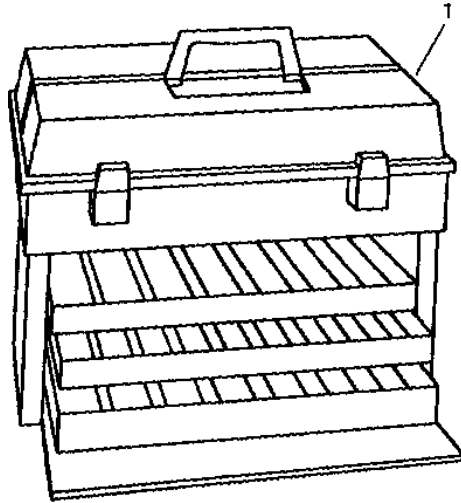
KEY	PART NO.	PART NAME	QTY	TRACTOR SERIAL NO.	REMARKS
1	AR65005	TERMINAL	1		
2	AR65006	TERMINAL	1		
3	R32024	WIRING LEAD	1		
4	R32025	WIRING LEAD	1		
5	RE21730	TERMINAL	1		
	RE21731	TERMINAL	1		
6	RE21732	TERMINAL	1		
7	R93219	CONDUIT	1		6.3 X 3048 MM (1/4" X 120")
	R93220	CONDUIT	1		10.4 X 3048 MM (13/32" X 120")
	R93221	CONDUIT	1		15.9 X 3048 MM (5/8" X 120")
	R93222	CONDUIT	1		25.4 X 3048 MM (1" X 120")
8	AR83425	RECEPTACLE CONNECTOR BODY	1		(LIGHT SWITCH)

2E16

ELECTRICAL

RXP010001 -UN-01JAN94

ELECTRICAL CONNECTOR AND TERMINAL KIT



RXP010001

KEY	PART NO.	PART NAME	QTY	TRACTOR SERIAL NO.	REMARKS
1	PM797NA	KIT	1	(A)	
(A) KIT INCLUDES CONNECTORS,TERMINALS AND TOOLS					

MEMORANDA

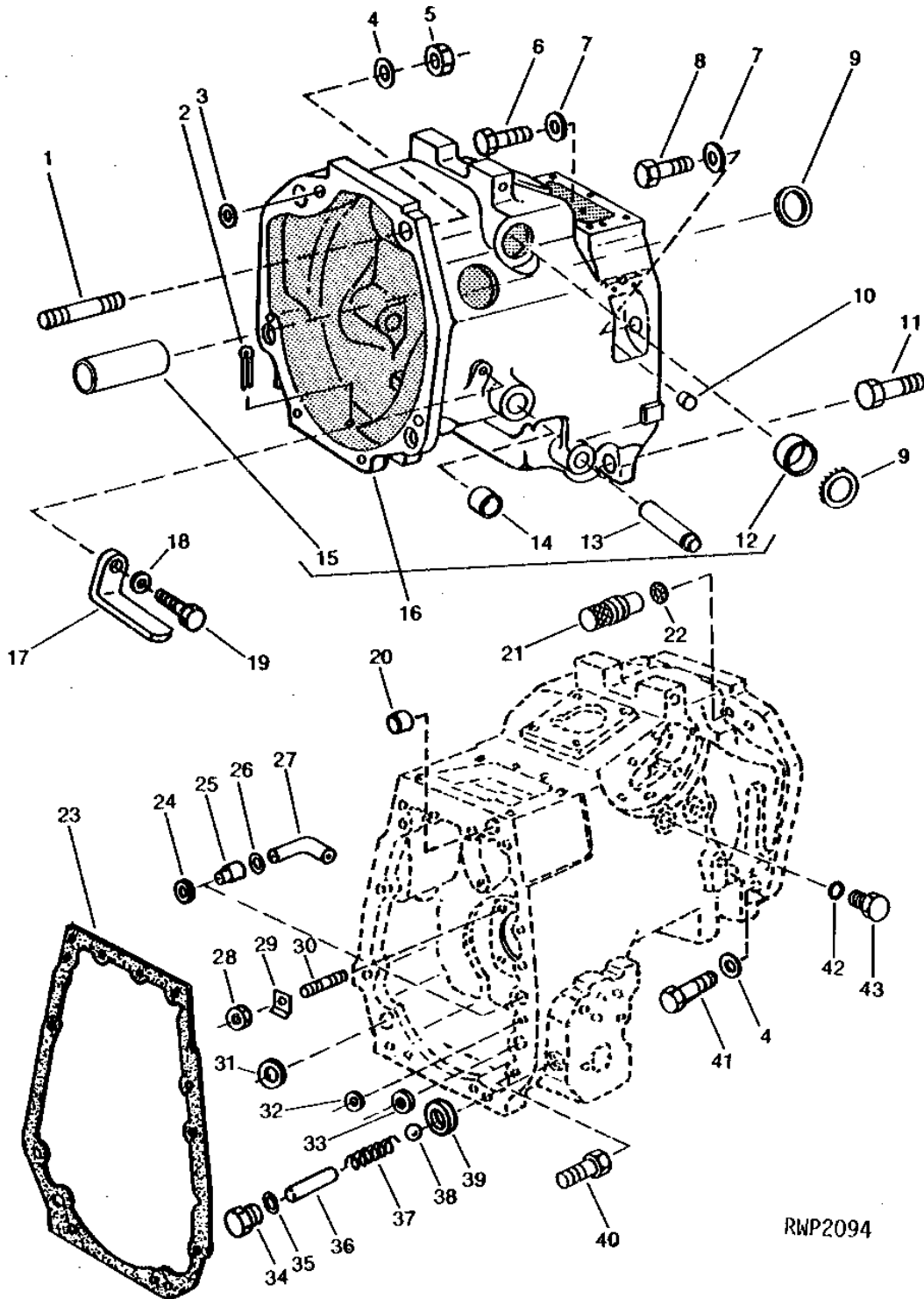
2E20

POWER TRAIN

RWP2094

-UN-01JAN94

CLUTCH HOUSING



RWP2094

2E21

POWER TRAIN

CLUTCH HOUSING - CONTINUED

KEY	PART NO.	PART NAME	QTY	TRACTOR SERIAL NO.	REMARKS
1	L29854	STUD	1		
2	11M7084	COTTER PIN	1		5 X 25 MM
3	R26919	WASHER	1		
4	R70268	WASHER	4		(SUB FOR R42363)
5	14H1039	NUT	1		5/8", (USE WITH R71696)
6	19H2510	CAP SCREW	2		1/2" X 1-5/8"
7	T20168	WASHER	3		
8	19H2735	CAP SCREW	1		1/2" X 2"
9	R1680R	PLUG	2		(SUB FOR T22589)
10	M4224T	PLUG	1		(LESS MID-PTO)
11	19H1721	CAP SCREW	6		(A) 1/2" X 1-1/2"
12	T21445	BUSHING	1		STEERING GEAR SHAFT
13	T21448	PIN	1		CLUTCH PEDAL PIVOT
14	T21446	BUSHING	1		CLUTCH FORK SHAFT
15	T21447	SLEEVE	1		CLUTCH RELEASE BEARING CARRIER
16	AR94535	HOUSING	1		(B) (LESS HI-LO) (MARKED R71696) (ALSO ORDER T23059, L29854 AND 14H1039) (SUB FOR AT29679 OR AT41649)
	AL24091	HOUSING	1	-187300	(A) (HI-LO) (MARKED L29298) (SUB FOR AT29710) (NLA)
	AR78332	HOUSING	1	187301-	(A) (HI-LO) (MARKED R63437)
17	T22531	BRACKET	1		(ORCHARD FENDERS)
18	12H304	LOCK WASHER	1		(ORCHARD FENDERS)
19	19H2284	CAP SCREW	1		(ORCHARD FENDERS)
20	T12083	CAP	1		
21	T22898	PLUG	1		(LESS TACHOMETER)
22	T21827	WASHER	1		
23	R99290	GASKET	1		(SUB FOR T21968 OR T36236)
24	T22851	WASHER	1		(FOR .875" C'BORE)
	T68412	WASHER	1		(FOR .984" C'BORE)
25	T25408	SLEEVE	1		(B)
26	R375R	O-RING	1		(B)
27	R64806	OIL TUBE	1		(B) (SUB FOR R48290 OR T30842)
28	14H1076	NUT	4		3/8"
29	R30958	LOCK PLATE	4		
30	R55396	STUD	4		(SUB FOR C2175R)
31	R26149	PACKING	1		
32	A4847R	WASHER	1		
33	T22851	WASHER	1		(FOR .875" C'BORE)
	T68412	WASHER	1		(FOR .984" C'BORE)
34	R27175	DRAIN PLUG	1		
35	F3171R	O-RING	1		
36	T22850	PIN	1		
37	T14059	SPRING	1		
38	F2772R	BALL	1		
39	T22858	VALVE SEAT INSERT	1		
40	19H2351	CAP SCREW	1		1/2" X 1/2", (LESS INDEPENDENT PTO)
	T30774	CAP SCREW	1		(A)
41	19H3170	CAP SCREW	4		5/8" X 4-1/2", (3 USED WITH R71696)
42	R26375	O-RING	1		
43	R39112	FITTING	1		STEERING SHAFT OIL DRAIN
..	RE50137	GASKET KIT	1		CLUTCH HOUSING TO TRANSMISSION CASE, (SUB FOR AR94702)

(A) INDEPENDENT PTO

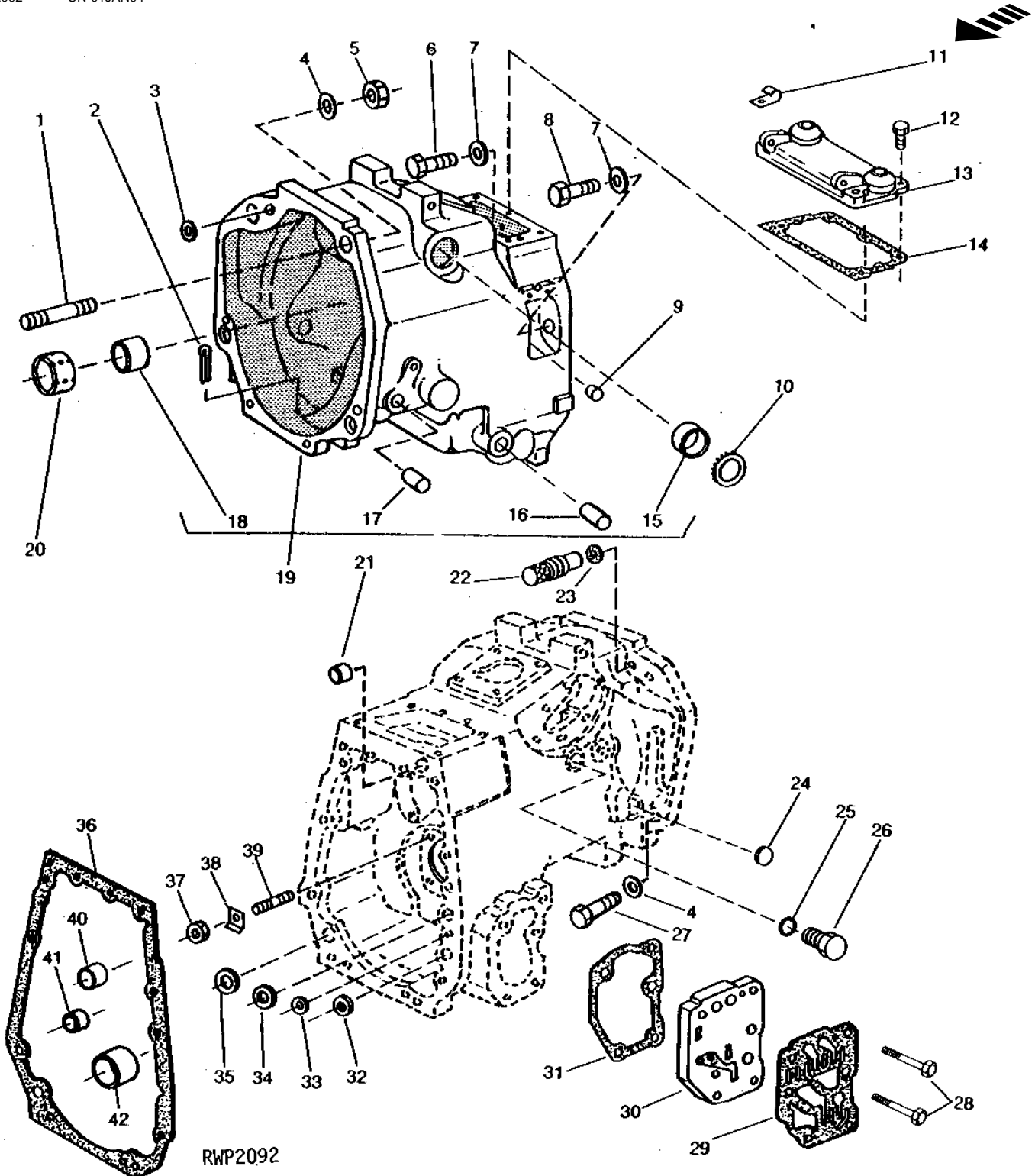
(B) LESS HI-LO

2E22

POWER TRAIN

RWP2092 -UN-01JAN94

CLUTCH HOUSING (REVERSER)



2E23

POWER TRAIN

CLUTCH HOUSING - CONTINUED (REVERSER)

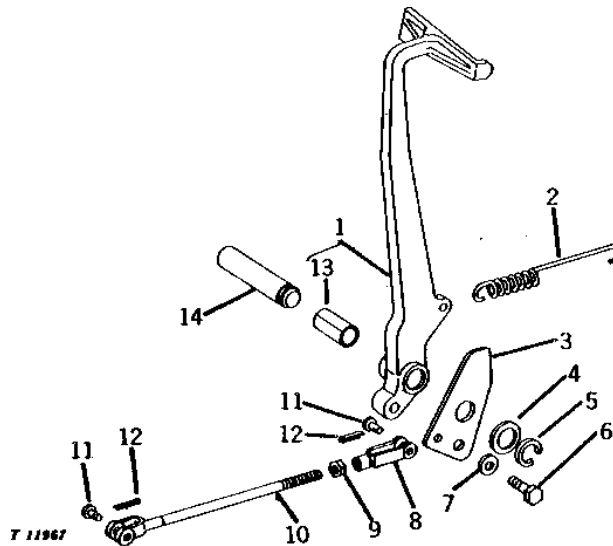
KEY	PART NO.	PART NAME	QTY	TRACTOR SERIAL NO.	REMARKS
1	L29854	STUD	1		(USE WITH AR94537)
2	11M7084	COTTER PIN	1		5 X 25 MM
3	R26919	WASHER	1		
4	R70268	WASHER	4		(SUB FOR R42363)
5	14H1039	NUT	1		5/8", (USE WITH AR94537)
6	19H2510	CAP SCREW	2		1/2" X 1-5/8"
7	T20168	WASHER	3		
8	19H2735	CAP SCREW	1		
9	M4224T	PLUG	1		(WITHOUT MID-PTO)
10	R1680R	PLUG	1		(SUB FOR T22569)
11	T19935	CLAMP	1		
12	T22728	SCREW	7		
13	AT23579	COVER	1		(MARKED T23050)
14	T36042	GASKET	1		
15	T21445	BUSHING	1		STEERING SHAFT
16	R27567	BUSHING	1		
17	R27320	BUSHING	1		
18	T23211	BUSHING	1		FORWARD CLUTCH DRUM
19	RE16423	HOUSING	1		(MARKED R71697) (SUB FOR AR78334 OR AR94537)
20	T27693	SLEEVE	1		OIL MANIFOLD
21	T12083	CAP	1		
22	T22898	PLUG	1		
23	T21827	WASHER	1		
24	30H13	PLUG	1		1"
25	R26375	O-RING	1		
26	R39112	FITTING	1		STEERING SHAFT OIL DRAIN
27	19H3170	CAP SCREW	AR		5/8" X 4-1/2", ((3) USED WITH AR94537) ((4) USED WITH AR78334)
28	08H4460	CAP SCREW	1		1/2" X 7-1/2"
	19H1991	CAP SCREW	1		1/2" X 8"
29	R99385	GASKET	1		(SUB FOR T25139, T40170 OR T49105)
30	T27772	CLUTCH PLATE	1		(SUB FOR T22658)
31	T27771	GASKET	1		
32	T22851	WASHER	1		(FOR .875" C' BORE)
	T68412	WASHER	1		(FOR .984" C' BORE)
33	A4847R	WASHER	1		
34	T22851	WASHER	1		(FOR .875" C' BORE)
	T68412	WASHER	1		(FOR .984" C' BORE)
35	R26149	PACKING	1		
36	R99290	GASKET	1		(SUB FOR T21968 OR T36236)
37	14H1076	NUT	4		3/8"
38	R30958	LOCK PLATE	4		
39	R55396	STUD	4		(SUB FOR C2175R)
40	T22584	BUSHING	1		LUBRICATION TUBES
41	T22585	BUSHING	1		PRESSURE TUBE
42	T23212	BUSHING	1		PLANET PINION CARRIER SHAFT
..	RE50137	GASKET KIT	1		CLUTCH HOUSING TO TRANSMISSION CASE, (SUB FOR AR94702) (SUB RE50756)

2E24

POWER TRAIN

CLUTCH PEDAL AND LINKAGE (LESS REVERSER)

T11967 -UN-01JAN94



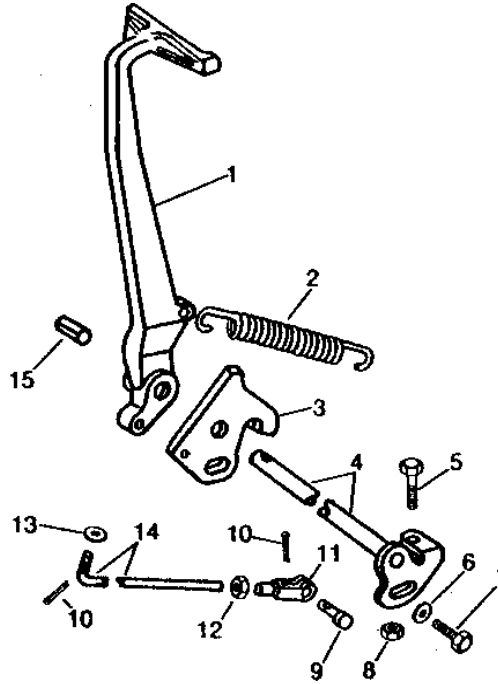
KEY	PART NO.	PART NAME	QTY	TRACTOR SERIAL NO.	REMARKS
1	AL27229	PEDAL	1		(SUB FOR AT22096)
2	T21452	EXTENSION SPRING	1		
3	T22528	ARM	1		(LESS PTO OR WITH 540 RPM PTO) (SUB AL27229)
	T22529	ARM	1		(SUB AL27229) (CONTINUOUS DRIVE 540 RPM PTO OR CONTINUOUS DRIVEN 540-1000 RPM PTO)
4	24H1451	WASHER	1		1-1/32" X 1-3/4" X 0.060"
5	A602R	SNAP RING	1		
6	19H3579	CAP SCREW	1		1/2" X 1-3/8"
7	T26198	WASHER	1		
8	M80373	YOKE	1		(SUB FOR L324T)
9	14H774	NUT	1		3/8"
10	AT20383	YOKE	1		
11	R65563	PIN	2		(SUB FOR C1067R)
12	11M7059	COTTER PIN	2		3.200 X 20 MM
13	T21998	BUSHING	1		
14	T21448	PIN	1		

2E25

POWER TRAIN

CLUTCH PEDAL AND LINKAGE (REVERSER)

RWP2323 -UN-01JAN94



RWP2323

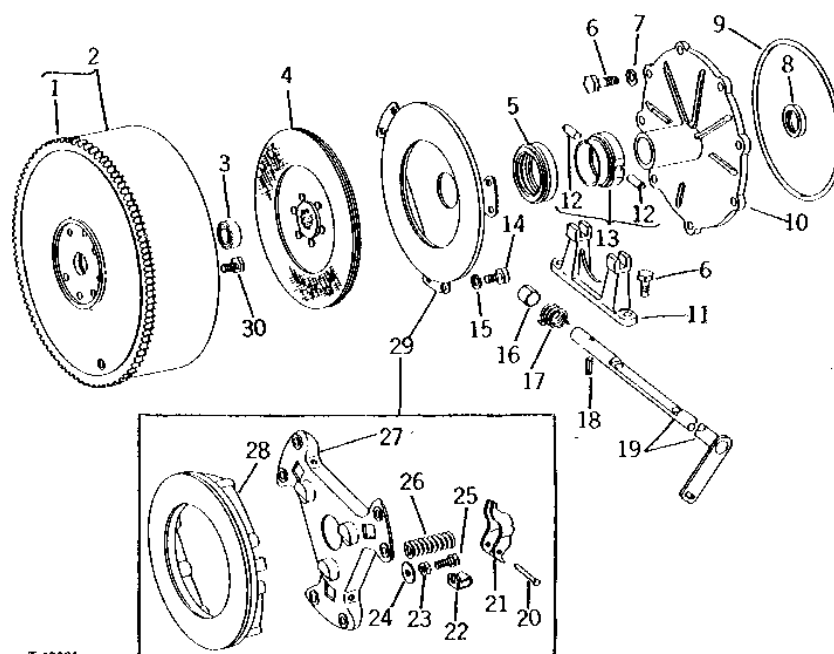
KEY	PART NO.	PART NAME	QTY	TRACTOR SERIAL NO.	REMARKS
1	T22296	PEDAL	1		
2	R68471	SPRING	1		(SUB FOR T22302)
3	T29582	ARM	1		
4	AT21789	SHAFT	1		
5	F2273R	SCREW	1		
6	T26198	WASHER	1		
7	19H1721	CAP SCREW	1	1/2" X 1-1/2"	
8	14H732	NUT	1	3/8"	
9	R65563	PIN	1	(SUB FOR C1067R)	
10	11M7059	COTTER PIN	3	3.200 X 20 MM	
11	M80373	YOKE	1	(SUB FOR L324T)	
12	14H774	NUT	1	3/8"	
13	24M7096	WASHER	2	10.500 X 18 X 1.600 MM	
14	T29581	BOLT	1		
15	R27567	BUSHING	1		

2F1

POWER TRAIN

CLUTCH DISCONNECT AND FLYWHEEL (REVERSER)

T17281 -UN-01JAN94



T 17281

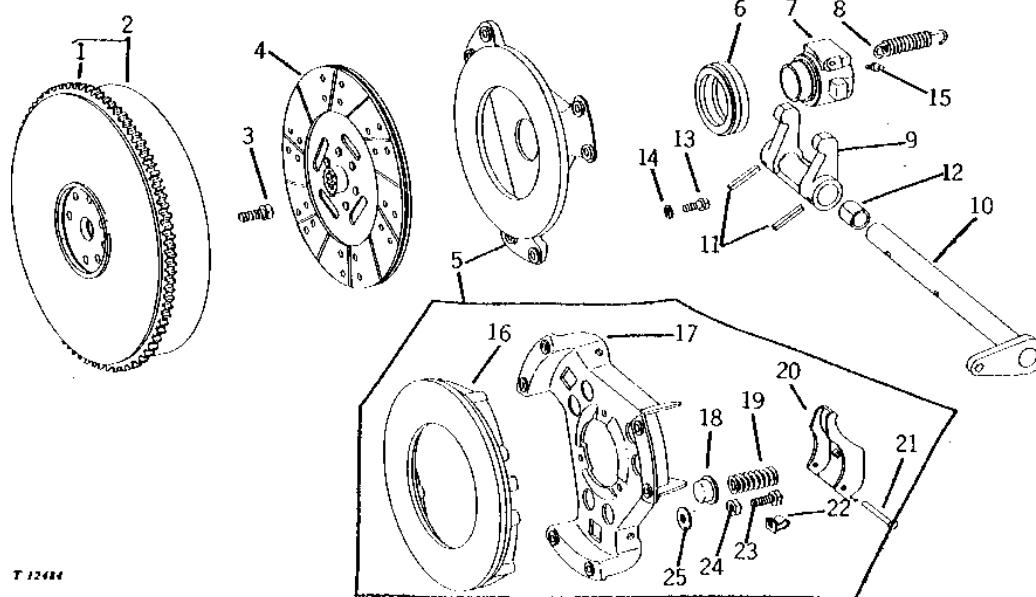
KEY	PART NO.	PART NAME	QTY	TRACTOR SERIAL NO.	REMARKS
1	T20088	GEAR	1		
2	AT18181	FLYWHEEL	1	-187300	
	AR66780	FLYWHEEL	1	187301-	
3	AR56268	BALL BEARING	1	-187300	(SUB AL24903)
	JD9449	BALL BEARING	1	187301-	
4	AL24059	CLUTCH DISK	1		(DIESEL) (SUB FOR AT21669)
	AT21665	CLUTCH DISK	1		(GASOLINE)
5	AT17464	THRUST BEARING	1		
6	19H2552	CAP SCREW	10		3/8" X 1-1/8"
7	12H304	LOCK WASHER	8		3/8"
8	AR69708	SEAL	1		
9	T22178	WASHER	1		
10	T22177	SUPPORT	1		
11	T22505	FORK	1		
12	T22567	PIN	2		
13	AT20055	HOUSING	1		
14	L372T	CAP SCREW	6		
15	12H303	LOCK WASHER	6		5/16"
16	R27320	BUSHING	1		
17	T24948	SPRING	1		
18	34H253	SPRING PIN	1		1/8" X 1-3/8"
19	AT27717	SHAFT	1		
20	T11700	PIN	3		
21	T63652	LEVER	3		(SUB FOR T11701)
22	T13267	CLIP	3		
23	14H882	NUT	3		5/16"
24	T13269	WASHER	3		
25	H61022	CAP SCREW	3		
26	R55042	SPRING	3		(SUB FOR T24956)
27	H33689	BRACKET	1		
28	T24955	CLUTCH PLATE	1		
29	AT60368	CLUTCH PLATE	1		(SUB FOR AT22064 OR AR63785)
30	19H3385	CAP SCREW	4		1/2" X 1-1/8"

2F2

POWER TRAIN

ENGINE CLUTCH AND FLYWHEEL (LESS PTO OR WITH TRANSMISSION DRIVEN PTO) (LESS REVERSER)

T12484 -UN-01JAN94



T 12484

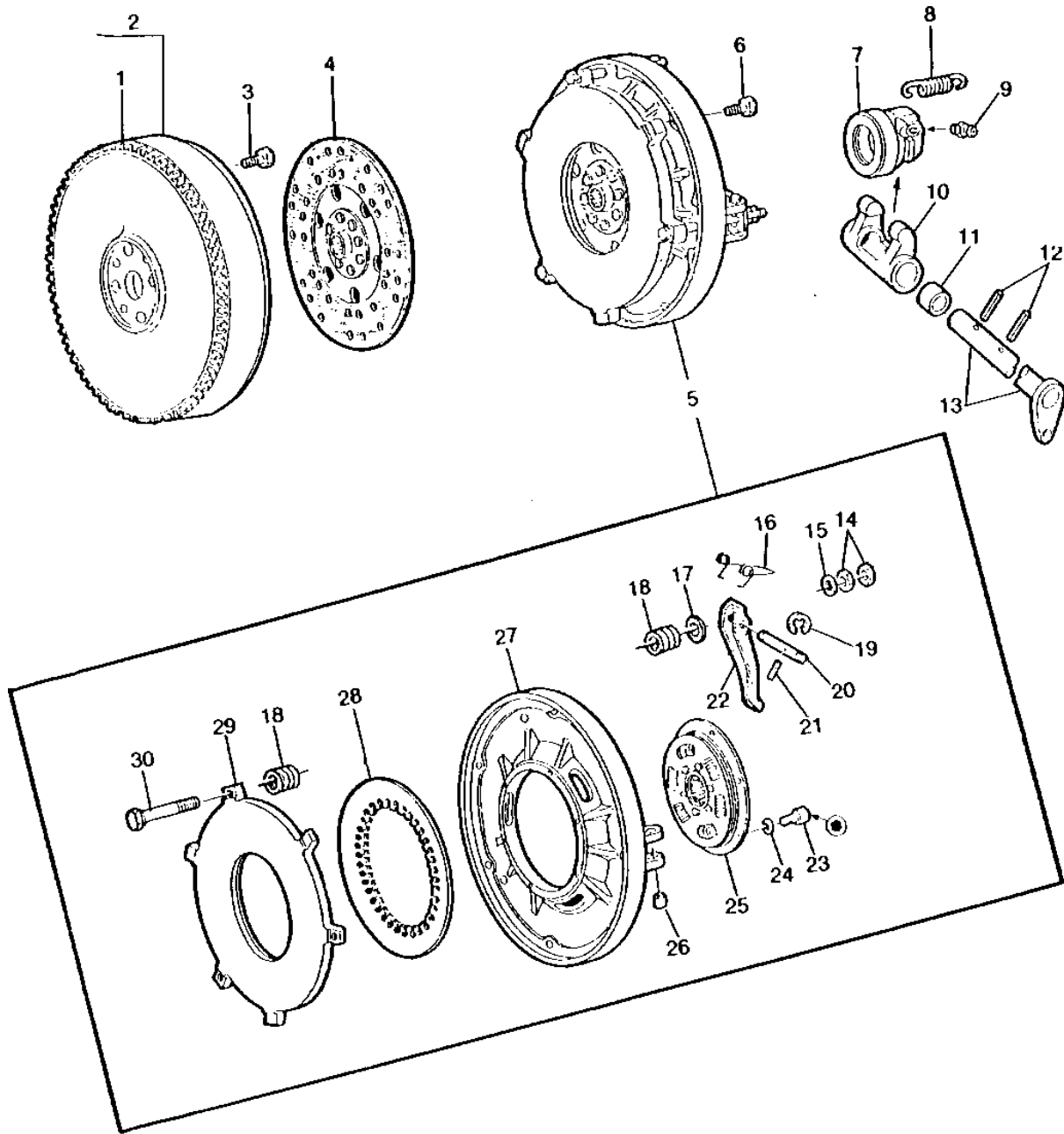
KEY	PART NO.	PART NAME	QTY	TRACTOR SERIAL NO.	REMARKS
1	T20088	GEAR	1		
2	AT18045	FLYWHEEL	1		
3	R46162	SCREW	4		(SUB FOR T20139)
4	AR66923	CLUTCH DISK	1		(SUB FOR AT32207) (SUB RE29881)
5	AT25817	PLATE	1		
6	AR43065	THRUST BEARING	1		(ALSO ORDER R51469) (SUB FOR AT17464)
7	R51469	PLANET PINION CARRIER	1		(ALSO ORDER AR43065) (SUB FOR T23011)
8	T21450	EXTENSION SPRING	1		
9	T21999	FORK	1		
10	AT19837	SHAFT	1		(SUB FOR AR101631)
11	34H353	SPRING PIN	2		3/8" X 1-3/4"
12	T21446	BUSHING	1		
13	L372T	CAP SCREW	6		
14	12H303	LOCK WASHER	6		5/16"
15	JD7797	LUBRICATION FITTING	1	-187300	
16	T15941	PLATE	1		
17	T19428	BRACKET	1		
18	T15943	CAP	6		
19	T29802	COMPRESSION SPRING	6		
20	T15944	LEVER	3		
21	T19956	RIVET	3		
22	T13267	CLIP	3		
23	T18750	CAP SCREW	3		
24	14H882	NUT	3		5/16"
25	T15940	WASHER	3		

2F3

POWER TRAIN

RWP6170 -UN-01JAN94

ENGINE CLUTCH (INDEPENDENT PTO)



RWP6170

2F4

POWER TRAIN

ENGINE CLUTCH - CONTINUED (INDEPENDENT PTO)

KEY	PART NO.	PART NAME	QTY	TRACTOR SERIAL NO.	REMARKS
1	T20088	GEAR	1		
2	AT21382	FLYWHEEL	1		
3	R46162	SCREW	4		
4	RE29881	CLUTCH DISK	1		(SUB FOR AR66923)
5	AL39618	CLUTCH PLATE	1		(SUB FOR AL19084 OR AL32965) (SUB AL56167)
	AL56167	CLUTCH	1		(SUB FOR AL39618)
6	19H3219	CAP SCREW	6		3/8" X 1-3/8"
7	AT24699	BEARING	1		(SUB R51469 AND AR43065)
8	T21450	EXTENSION SPRING	1		
9	T27178	LUBRICATION FITTING	1		
10	T21999	FORK	1		
11	T21446	BUSHING	1		
12	34H353	SPRING PIN	2		3/8" X 1-3/4"
13	AT19837	SHAFT	1		(SUB FOR AR101631)
14	T29649	NUT	6		
15	T29650	WASHER	3		
	L56083	WASHER	3		(B)
16	T28230	SPRING	3		
	L55214	TORSION SPRING	3		(B)
17	L41589	WASHER	3		(A)
18	L41588	COMPRESSION SPRING	3		(A)
19	L38513	SNAP RING	6		(SUB T28231)
20	T28222	PIN	3		
	L41387	PIN	3		(A)
	L55215	PIN	3		(B)
21	L41387	PIN	3		(SUB FOR T28226)
	34M7010	SPRING PIN	3		(A) (B) 3 X 20 MM
22	T28221	LEVER	3		(SUB AL60272) (AL60272 CONTAINS (3) LEVERS)
	L41386	LEVER	3		(A) (SHEET METAL)
	L56084	LEVER	3		(B) (CAST)
23	L27184	SCREW	6		
24	12M7135	LOCK WASHER	6		10.200 MM
25	AL32964	TORSIONAL DAMPENER	1		(SUB FOR AL19085)
26	T28225	BUSHING	6		(SUB FOR L27183)
27	L27185	PLATE	1		
	L38511	PLATE	1		(A) (B)
28	L39302	DIAPHRAGM	1		(SUB FOR L29246)
	L56085	DISK SPRING	1		(B)
29	L39950	CLUTCH PLATE	1		(SUB FOR L27182)
30	T29648	CAP SCREW	3		
	L41388	CAP SCREW	3		(A) (B)

(A) USE WITH AL39618

(B) USE WITH AL56167

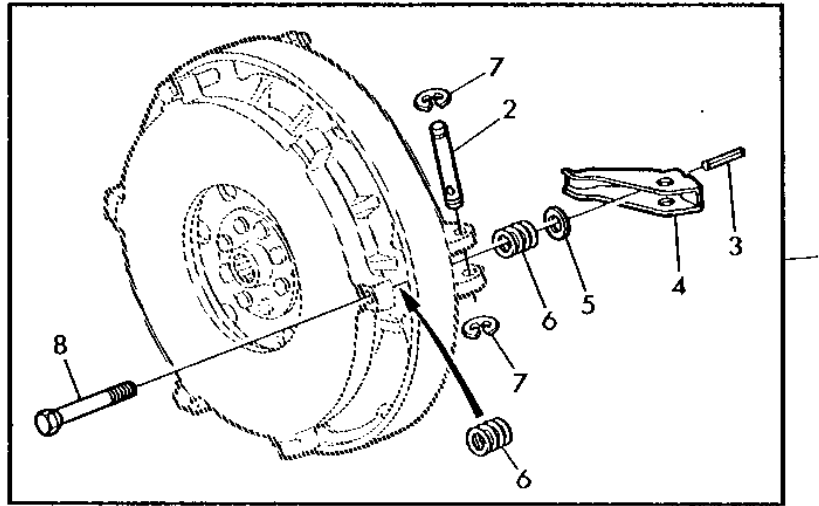
USE ON TRACTORS HAVING AN "L" AS THE LAST DIGIT OF THE CHASSIS SERIAL NUMBER

2F5

POWER TRAIN

L104810 -UN-01JAN94

SINGLE-STAGE CLUTCH REPAIR KIT



L 104810

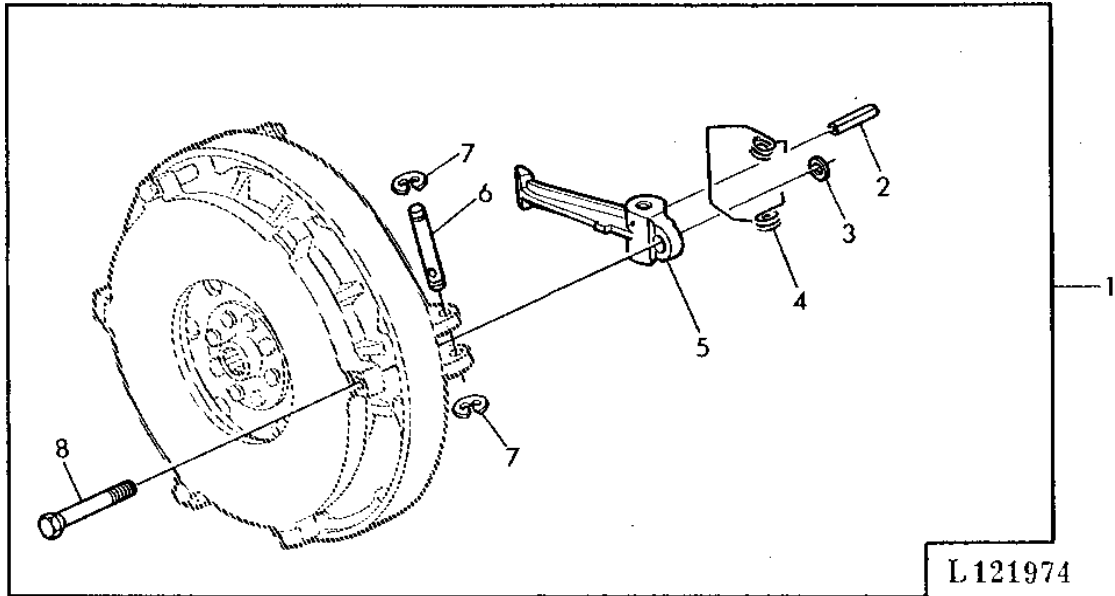
KEY	PART NO.	PART NAME	QTY	TRACTOR SERIAL NO.	REMARKS
1	AL39935	KIT	1		(SUB AL60270)
	AL39937	KIT	1		(SUB AL60272)
2	L41387	PIN	3		
3	34M7010	SPRING PIN	3		3 X 20 MM
4	L41386	LEVER	3		PIVOT LENGTH 103 MM (4") (USE WITH AL39935)
	L41389	LEVER	3		PIVOT LENGTH 108 MM (4-1/4") (USE WITH AL39937)
5	L41589	WASHER	3		
6	L41588	COMPRESSION SPRING	6		
7	L38513	SNAP RING	6		
8	L41388	CAP SCREW	3		

2F6

POWER TRAIN

L121974 -UN-01JAN94

REPAIR KIT FOR SINGLE CLUTCH



KEY	PART NO.	PART NAME	QTY	SERIAL NO.	REMARKS
1	AL60270	KIT	1		(SUB FOR AL39935)
	AL60272	KIT	1		(SUB FOR AL39937)
2	34M7010	SPRING PIN	3		3 X 20 MM
3	L56083	WASHER	3		
4	L55214	SPRING	3		
5	L56084	LEVER	3		(USE ON AL60270)
	L56375	LEVER	3		(USE ON AL60272)
6	L55215	PIN	3		
7	L38513	SNAP RING	6		
8	L41388	CAP SCREW	3		

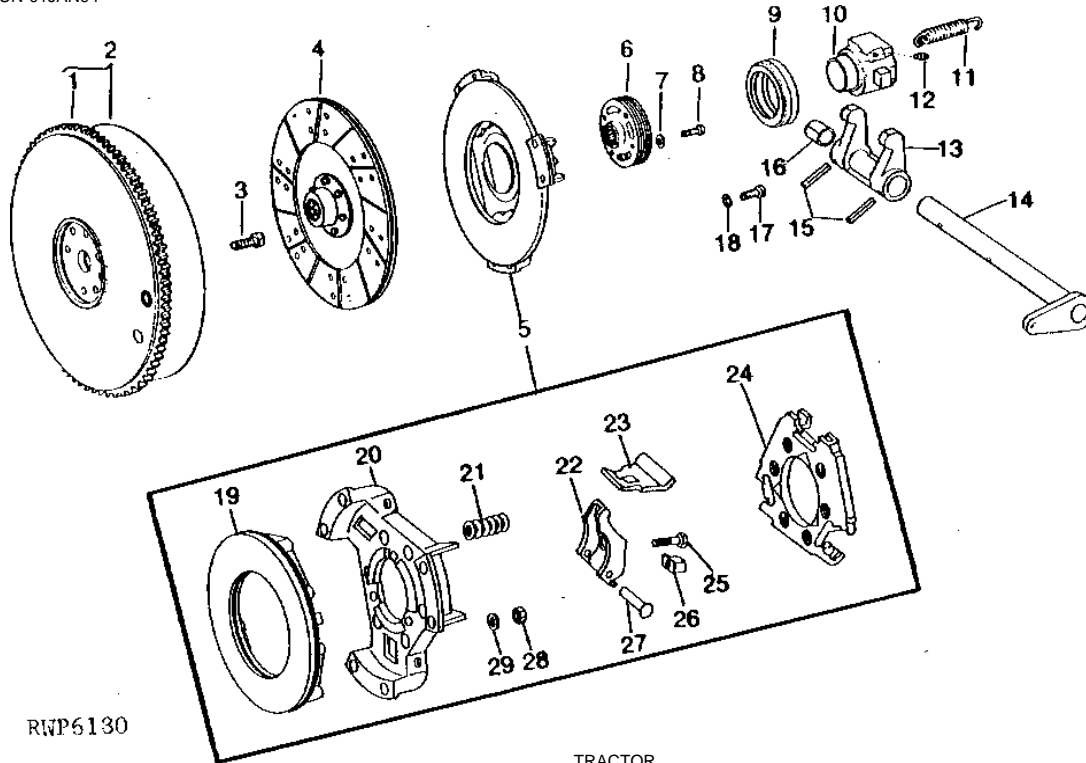
MEMORANDA

2F7

POWER TRAIN

ENGINE CLUTCH AND FLYWHEEL (INDEPENDENT PTO) (LESS REVERSER)

RWP6180 -UN-01JAN94



KEY	PART NO.	PART NAME	QTY	TRACTOR SERIAL NO.	REMARKS
1	T20088	GEAR	1		
2	AT29695	FLYWHEEL	1	-187300	(NLA)
	AR66781	FLYWHEEL	1	187301-	
3	R46162	SCREW	4		(SUB FOR T20139)
4	AR66925	DISK	1		(SUB FOR AT32209) (SUB RE29880)
5	AR71587	PLATE	1	-187300	(GASOLINE) (ALSO ORDER R51469 AND AR43065)
	AT30046	PLATE	1	-187300	(SUB FOR AT30045)
	AR100649	CLUTCH	1	187301-	(A) (SUB AR100649)
6	AT29700	ABSORBER	1	-187300	(A) (SUB AR100649)
7	24H1136	WASHER	3	-187300	(A) 11/32" X 11/16" X 0.065"
8	19H2020	CAP SCREW	3	-187300	(A) 5/16" X 1/2"
9	AR43065	THRUST BEARING	1		(ALSO ORDER R51469) (SUB FOR AT17464)
10	R51469	PLANET PINION CARRIER	1		(ALSO ORDER AR43065) (SUB FOR T23011)
11	T21450	EXTENSION SPRING	1		
12	JD7797	LUBRICATION FITTING	1	-187300	1/4", (USE WITH T23011)
13	T21999	FORK	1		
14	AT19837	SHAFT	1		(SUB FOR AR101631)
15	34H353	SPRING PIN	2		3/8" X 1-3/4"
16	T21446	BUSHING	1		
17	L372T	CAP SCREW	6		
18	12H303	LOCK WASHER	6		5/16"
19	R55038	PLATE	1	187301-	
20	T35299	BRACKET	1	187301-	
21	T35295	SPRING	6	187301-	
22	T35301	LEVER	3	187301-	
23	T35298	LINK	3	187301-	
24	T35300	RING	1	187301-	
25	T35294	BOLT	3	187301-	
26	T35296	CLAMP	3	187301-	
27	T35297	PIN	3	187301-	
28	14H882	NUT	3	187301-	5/16"
29	T15940	WASHER	3	187301-	

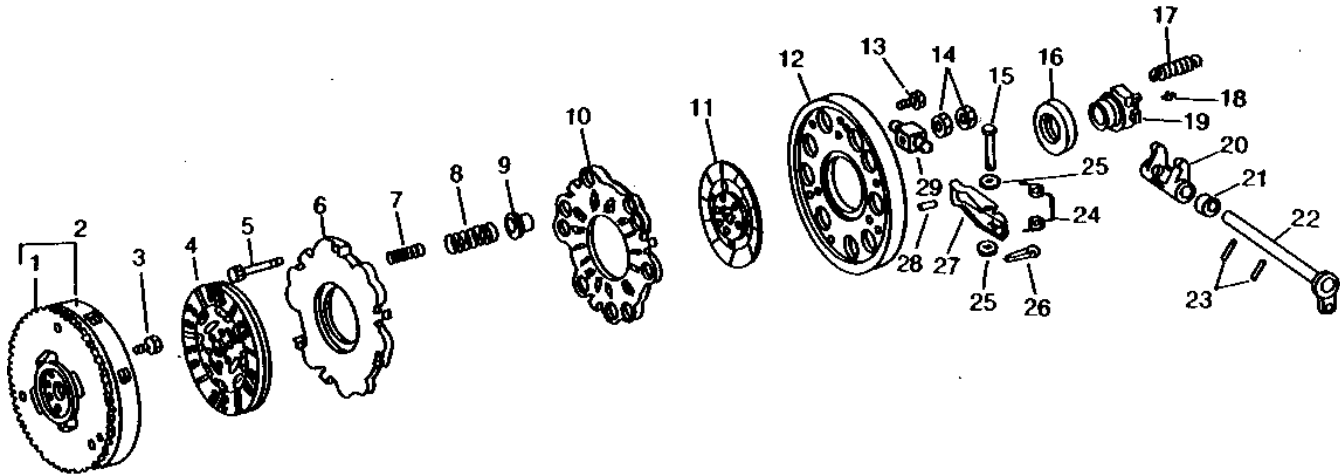
(A) DIESEL

2F8

POWER TRAIN

ENGINE AND PTO CLUTCH AND FLYWHEEL (CONTINUOUS DRIVEN PTO)

RWP4859 -UN-01JAN94



RWP4859

KEY	PART NO.	PART NAME	QTY	TRACTOR SERIAL NO.	REMARKS
1	T20088	GEAR	1		
2	AT21381	FLYWHEEL	1	-187300	
	AR66779	FLYWHEEL	1	187301-	
3	T20306	CAP SCREW	4		
4	AR66923	CLUTCH DISK	1		(SUB FOR AT32207) (SUB RE29881)
5	T23008	BOLT	3		
6	T22194	CLUTCH PLATE	1		
7	R38185	SPRING	9		(SUB FOR R26638)
8	T22927	SPRING	9		
9	R27033	BUSHING	9		
10	T22195	CLUTCH PLATE	1		
11	AL19092	CLUTCH	1		(A) (SUB FOR AT21675)
	AT20916	CLUTCH DISK	1		(B)
12	T27706	COVER	1		
13	19H3219	CAP SCREW	6		3/8" X 1-3/8"
14	14H774	NUT	6		3/8"
15	T27708	PIN	3		
16	AR43065	THRUST BEARING	1		(SUB FOR AT17464)
17	T21450	EXTENSION SPRING	1		
18	JD7797	LUBRICATION FITTING	1	-187300	1/4"
19	R51469	PLANET PINION CARRIER	1		(ALSO ORDER AR43065) (SUB FOR T23011)
20	T21999	FORK	1		
21	T21446	BUSHING	1		
22	AT19837	SHAFT	1		(SUB FOR AR101631)
23	34H353	SPRING PIN	2		3/8" X 1-3/4"
24	T27707	SPRING	3		
25	24H1325	WASHER	6		15/32" X 59/64" X 0.065"
26	11M7059	COTTER PIN	3		3.200 X 20 MM
27	R96514	LEVER	3		(SUB FOR T22197)
28	T24381	DOWEL PIN	3		
29	T21932	BAR	3		

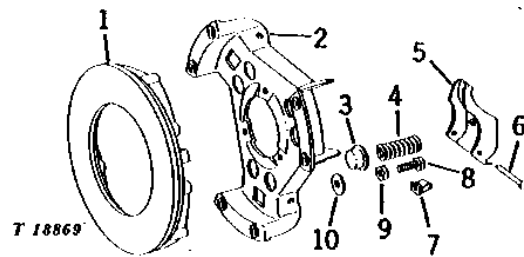
(A) DIESEL
(B) GASOLINE

2F9

POWER TRAIN

**PRESSURE PLATE
(INDEPENDENT PTO)
(DIESEL)**
(TRACTOR SERIAL NO. -187300)

T18869 -UN-01JAN94



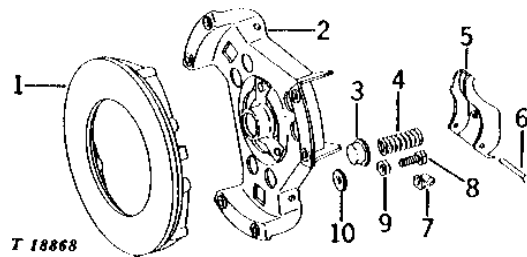
KEY	PART NO.	PART NAME	QTY	TRACTOR SERIAL NO.	REMARKS
1	T33192	PLATE	1	(SUB AR100649)	
2	T33193	BRACKET	1	(SUB AR100649)	
3	T30896	BUSHING	6		
4	T33191	SPRING	6	(SUB AR100649)	
5	T15944	LEVER	3		
6	T19956	RIVET	3		
7	T13267	CLIP	3		
8	T18750	CAP SCREW	3	(SUB H61022)	
9	14H882	NUT	3	5/16"	
10	T15940	WASHER	3		
..	AT30046	PLATE	1	(COMPLETE) (SUB AR100649)	

2F10

POWER TRAIN

**PRESSURE PLATE
(INDEPENDENT PTO)
(LESS REVERSER)
(GASOLINE)**

T18868 -UN-01JAN94



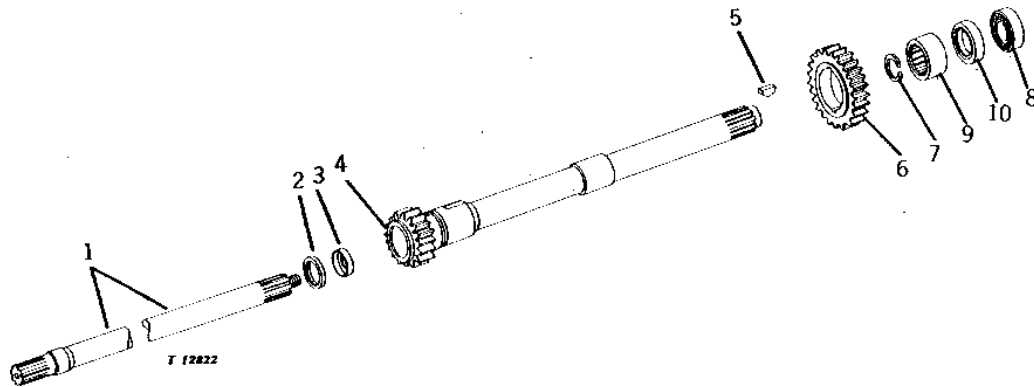
KEY	PART NO.	PART NAME	QTY	TRACTOR SERIAL NO.	REMARKS
1	T33192	PLATE	1	(SUB AR71587, AR43065 AND R51469)	
2	AT32444	BRACKET	1	(NO LONGER AVAILABLE)	
3	T30896	BUSHING	6		
4	T33191	SPRING	6	(SUB AR71587, AR43065 AND R51469)	
5	T15944	LEVER	3		
6	T19956	RIVET	3		
7	T13267	CLIP	3		
8	T18750	CAP SCREW	3	(SUB H61022)	
9	14H882	NUT	3	5/16"	
10	T15940	WASHER	3		
..	AT30045	CLUTCH PLATE	1	(COMPLETE) (SUB AR71587, AR43065 AND R51469)	

2F11

POWER TRAIN

**CLUTCH SHAFTS AND PILOT
(CONTINUOUS DRIVEN PTO)
(LESS HI-LO SHIFT OR REVERSER)**

T12822 -UN-01JAN94



KEY	PART NO.	PART NAME	QTY	TRACTOR SERIAL NO.	REMARKS
1	R56514	SHAFT	1	-187300	(SUB FOR T30791)
	R55039	SHAFT	1	187301-236044	
	R59988	SHAFT	1	236045-	(ALSO ORDER R58897) (SUB FOR AR73233)
2	AT21780	SEAL	1		
3	T23062	CAP	1		
4	T42381	SHAFT	1		(SUB FOR T22219)
5	26H77	SHAFT KEY	1		(A) 3/16" X 3/4"
6	T22126	GEAR	1		(A)
7	R39081	SNAP RING	1		(A)
8	AL28037	BALL BEARING	1	-187300	(SUB FOR JD9464 OR AL24903)
	JD9449	BALL BEARING	1	187301-	
9	JD9813	NEEDLE BEARING	1		(SUB JD8823)
10	T22198	SEAL	1		

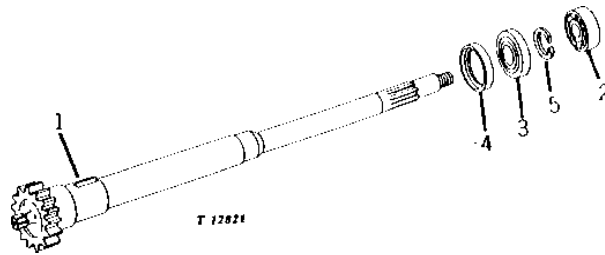
(A) REAR 1000 RPM PTO OR MID-PTO

2F12

POWER TRAIN

CLUTCH SHAFT AND PILOT
 (LESS PTO OR WITH TRANSMISSION DRIVEN PTO)
 (TRACTOR SERIAL NO. -XXXXXX)

T12821 -UN-01JAN94



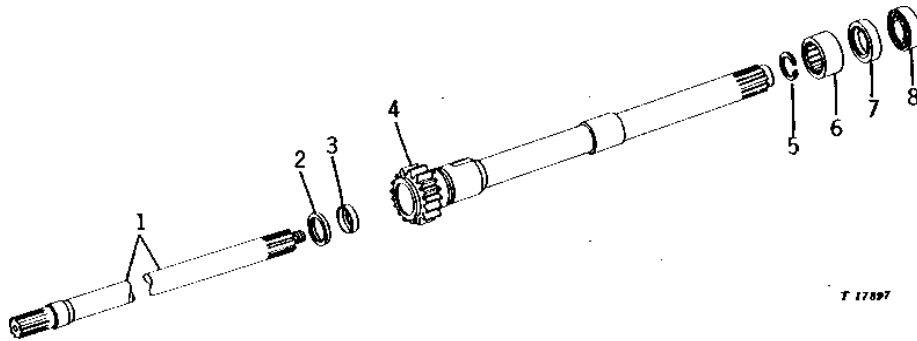
KEY	PART NO.	PART NAME	QTY	TRACTOR SERIAL NO.	REMARKS
1	T23061	SHAFT	1		
2	AL28037	BALL BEARING	1		(SUB FOR JD9464 OR AL24903)
3	T22198	SEAL	1		
4	T22904	GUIDE	1		
5	R26933	SNAP RING	1		

2F13

POWER TRAIN

T17897 -UN-01JAN94

CLUTCH SHAFTS AND PILOT
(540 RPM INDEPENDENT PTO)



KEY	PART NO.	PART NAME	QTY	TRACTOR SERIAL NO.	REMARKS
1	R56514	SHAFT	1	-187300	(SUB FOR T30791)
	R56514	SHAFT	1		(A)
	R55039	SHAFT	1	187301-XXXXXX	(SUB AR73233)
	R59988	SHAFT	1	XXXXXX-	(ALSO ORDER R58897) (SUB FOR AR73233)
2	AT21780	SEAL	1		
3	T23062	CAP	1		
4	T42381	SHAFT	1		(SUB FOR T22219)
5	R26933	SNAP RING	1	-XXXXXX	
6	JD9813	NEEDLE BEARING	1		(SUB JD8823)
7	T22198	SEAL	1		
8	AL28037	BALL BEARING	1	-187300	(SUB FOR JD9464 OR AL24903)
	AL24903	BEARING	1		(A)
	JD9449	BALL BEARING	1	187301-	

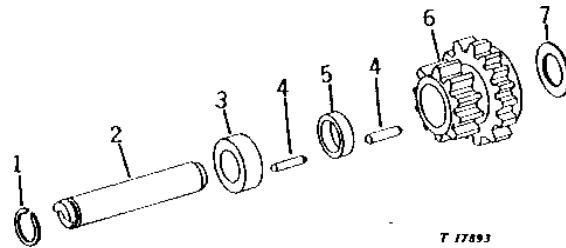
(A) USE ON TRACTORS HAVING AN "L" AS THE LAST DIGIT OF THE CHASSIS SERIAL NUMBER

2F14

POWER TRAIN

T17893 -UN-01JAN94

REAR COUNTERSHAFT (540-1000 RPM INDEPENDENT PTO)



T 17893

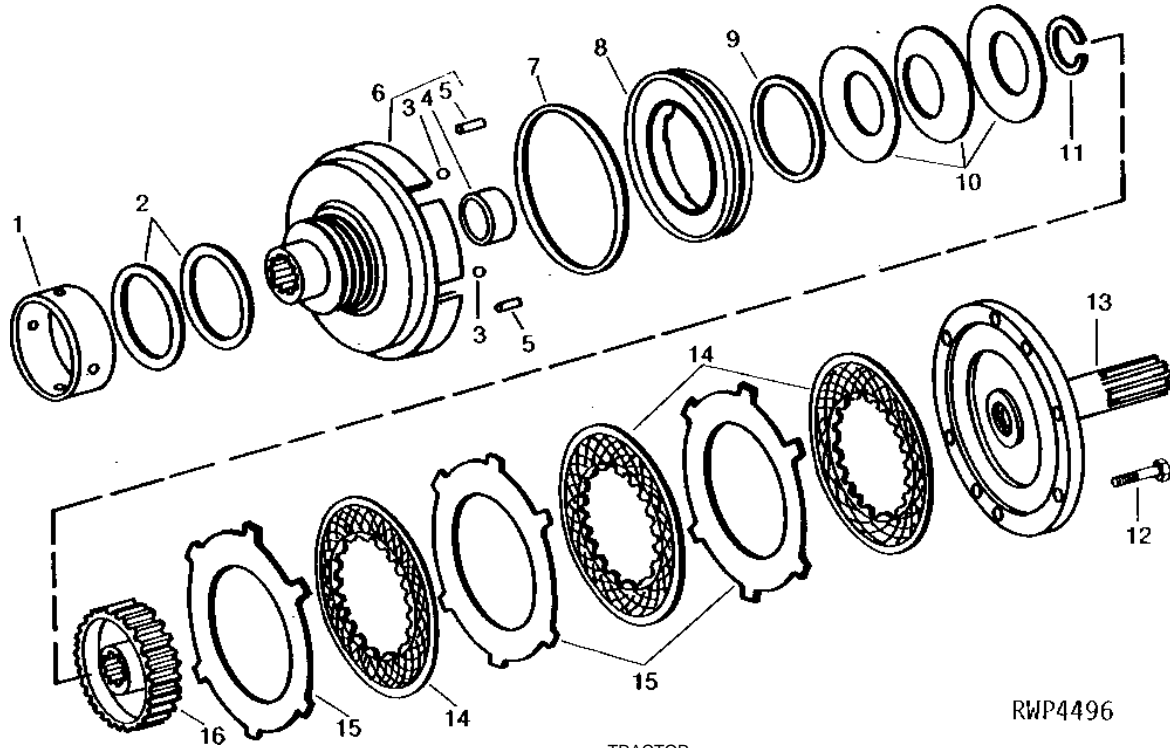
KEY	PART NO.	PART NAME	QTY	TRACTOR SERIAL NO.	REMARKS
1	R33320	SNAP RING	1		
2	R33852	COUNTERSHAFT	1		
3	R38216	SPACER	1		
4	R26006	NEEDLE ROLLER	48		
5	R38215	WASHER	1		
6	R38214	GEAR	1		
7	T30793	THRUST WASHER	1		

2F15

POWER TRAIN

RWP4496 -UN-01JAN94

CLUTCH DRUM AND DISKS (REVERSER)



RWP4496

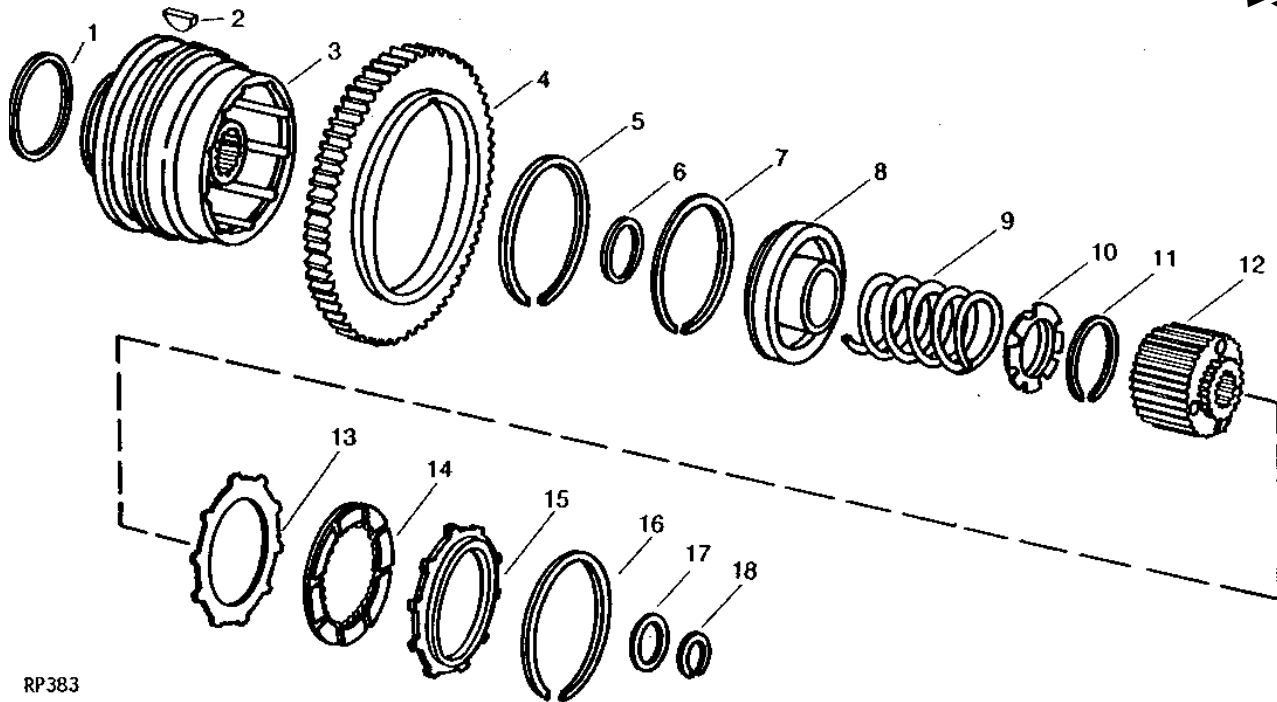
KEY	PART NO.	PART NAME	QTY	TRACTOR SERIAL NO.	REMARKS
1	T27693	SLEEVE	1		
2	R39322	RING	2		
3	H836R	BALL	2	9 MM (11/32")	
4	R39114	BUSHING	1		
5	R30587	DOWEL PIN	2		
6	AR39077	DRUM	1		
7	R39116	WASHER	1		
8	R39115	PISTON	1		
9	R39117	WASHER	1	(SUB R120834)	
10	R39082	DISK SPRING	3		
11	R39081	SNAP RING	1		
12	19H1849	CAP SCREW	6	5/16" X 1-1/4"	
13	R39084	SHAFT	1	-187300	
	R55017	SHAFT	1	187301-	
14	RE27995	CLUTCH DISK	3	(SUB FOR R31404 OR RE23000)	
15	R57345	CLUTCH PLATE	3	(SUB FOR R39325)	
16	R39118	HUB	1		

2F16

POWER TRAIN

POWERSHAFT CLUTCH DRUM AND DISKS (INDEPENDENT PTO)

RP383 -UN-01JAN94



RP383

KEY	PART NO.	PART NAME	QTY	TRACTOR SERIAL NO.	REMARKS
1	R33167	RING	2		
2	26H77	SHAFT KEY	1		3/16" X 3/4"
3	AT32058	DRUM	1	-187300	(A) (SUB AL29818, L33563 AND L38023)
	AL29817	DRUM	1	187301-	(A) (C) (SUB FOR AL23188)
	AT32059	DRUM	1	-187300	(B)
	AR65083	DRUM	1	187301-	(B) (C) (SUB AL29820, L33563 AND L38023)
4	T30755	GEAR	1		(A)
	T30794	GEAR	1		(B)
5	T28660	SNAP RING	1		
6	R39304	WASHER	1		
7	R39280	PISTON RING	1	-187300	
	L28656	PISTON RING	1	187301-	(C)
8	T28661	PISTON	1	-187300	(SUB L32736)
	L28655	PISTON	1	187301-	(C) (SUB L32738)
9	T28662	SPRING	1		
10	T32474	GUIDE	1		
11	R39299	SNAP RING	1		
12	L29401	HUB	1		(SUB FOR L29399 AND T30757)
13	T28664	DISK, OUTER SPLINE	10		(A)
	T28664	DISK, OUTER SPLINE	6		(B)
14	RE37011	DISK, INNER SPLINE	10		(A) (SUB FOR AT26632)
	RE37011	DISK, INNER SPLINE	6		(B) (540-1000 RPM PTO) (SUB FOR AT26632)
15	T28665	PLATE	1		
16	T32844	SNAP RING	1		
17	T30763	THRUST WASHER	1		
18	T30764	SNAP RING	1		

(A) 540 RPM PTO

(B) 540-1000 RPM PTO

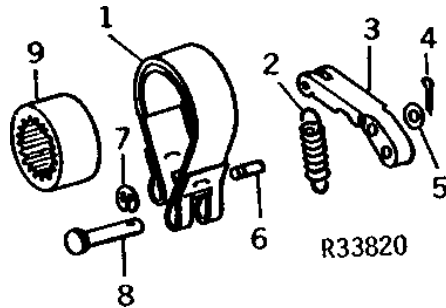
(C) USE ON TRACTORS HAVING AN "L" AS THE LAST DIGIT OF THE CHASSIS SERIAL NUMBER

2F17

POWER TRAIN

POWER SHAFT BRAKE BAND
(INDEPENDENT PTO)
(TRACTOR SERIAL NO. -187300)

R33820 -UN-01JAN94



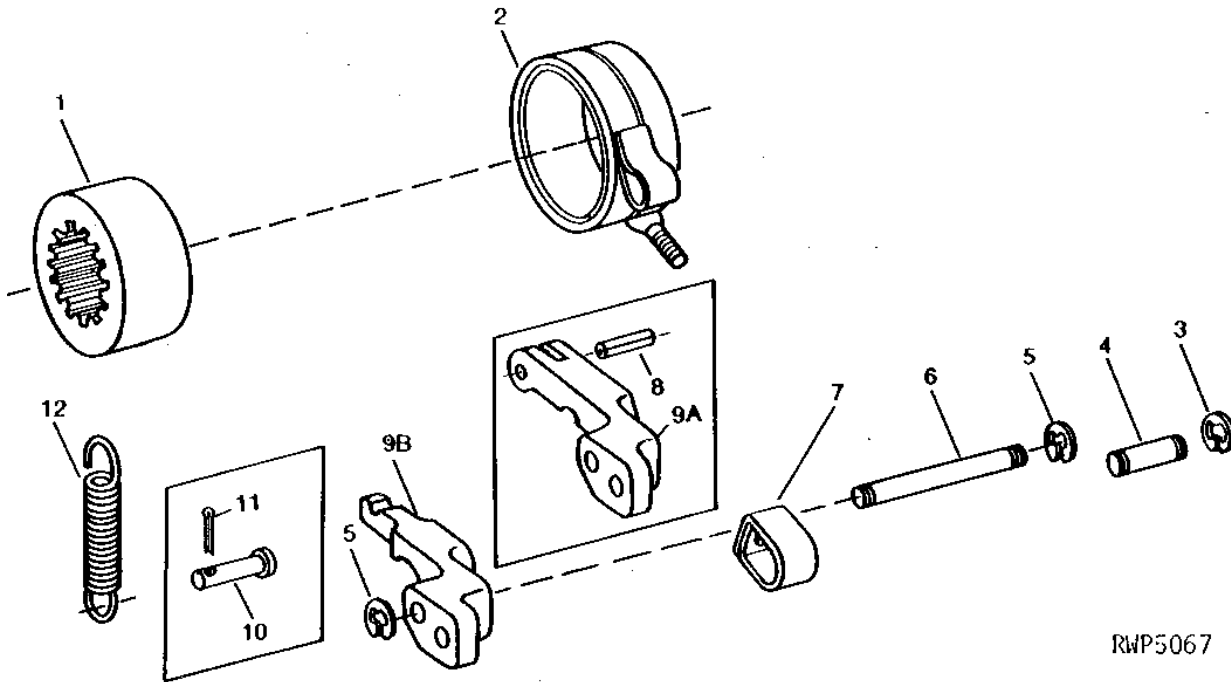
KEY	PART NO.	PART NAME	QTY	TRACTOR SERIAL NO.	REMARKS
1	AT29686	BRAKE BAND	1		(SUB RE43393)
2	R280R	SPRING	1		
3	T30762	ARM	1		(NO LONGER AVAILABLE)
4	11M7059	COTTER PIN	1		3.200 X 20 MM
5	U13489	WASHER	1		
6	R26822	PIN	1	-XXXXXX	
7	R72653	SNAP RING	1		(SUB FOR M2396T)
8	N6704DN	PIN	1		
9	T30761	BRAKE DRUM	1		

2F18

POWER TRAIN

**POWER SHAFT BRAKE BAND
(INDEPENDENT PTO)
(TRACTOR SERIAL NO. 187301-)**

RWP5067 -UN-01JAN94



RWP5067

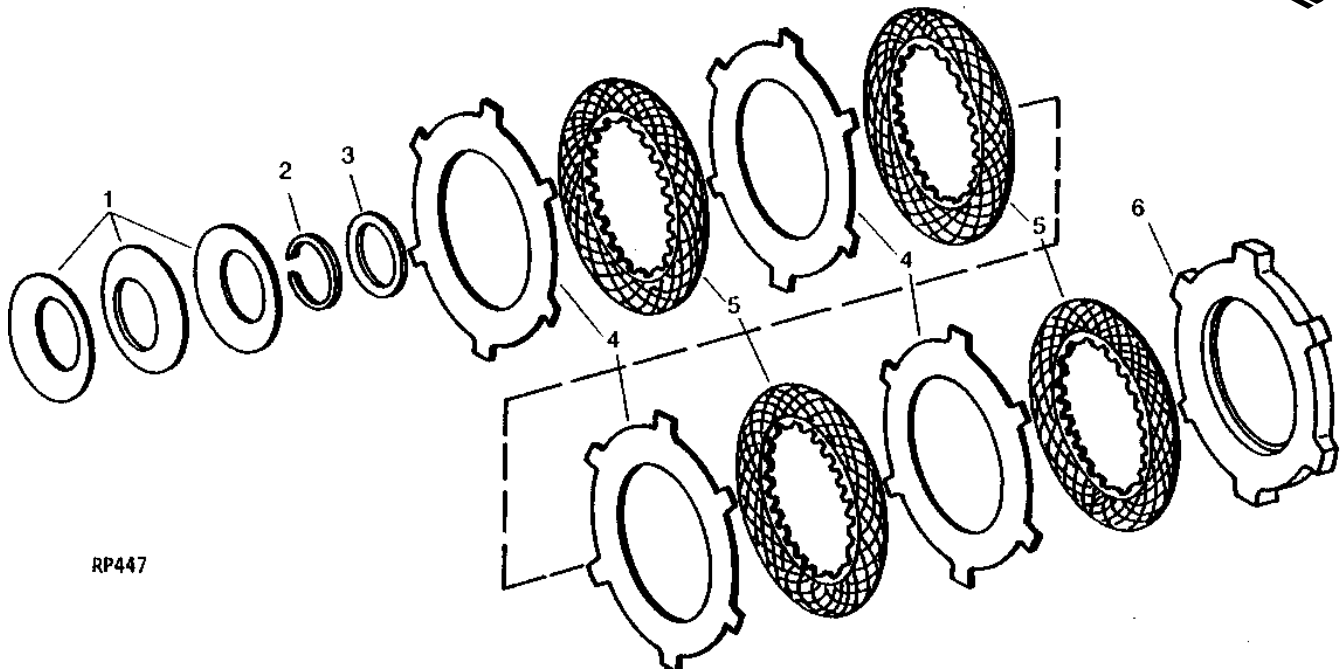
KEY	PART NO.	PART NAME	QTY	TRACTOR SERIAL NO.	REMARKS
1	R53067	BRAKE DRUM	1		
2	AR58605	BRAKE BAND	1		
3	R72653	SNAP RING	1		(SUB FOR M2396T)
4	R53071	PIN	1		
5	40M1818	SNAP RING	2		
6	R53072	PIN	1		
7	R62644	RETAINER	1		(SUB FOR R53830)
8	34H276	SPRING PIN	1	-XXXXXX	3/16" X 9/16", (NLA)
9A	L31262	ARM	1	-XXXXXX	(SUB L31515 AND L31514)
9B	L31515	LEVER	1	XXXXXX-	
10	U11004	PIN	1	-XXXXXX	
11	11M7059	COTTER PIN	1	-XXXXXX	3.200 X 20 MM
	U13489	WASHER	1	-XXXXXX	
12	R280R	SPRING	1	-XXXXXX	
	L31514	SPRING	1	XXXXXX-	

2F19

POWER TRAIN

REVERSE BRAKE PLATES AND DISKS (REVERSER)

RP447 -UN-01JAN94



RP447

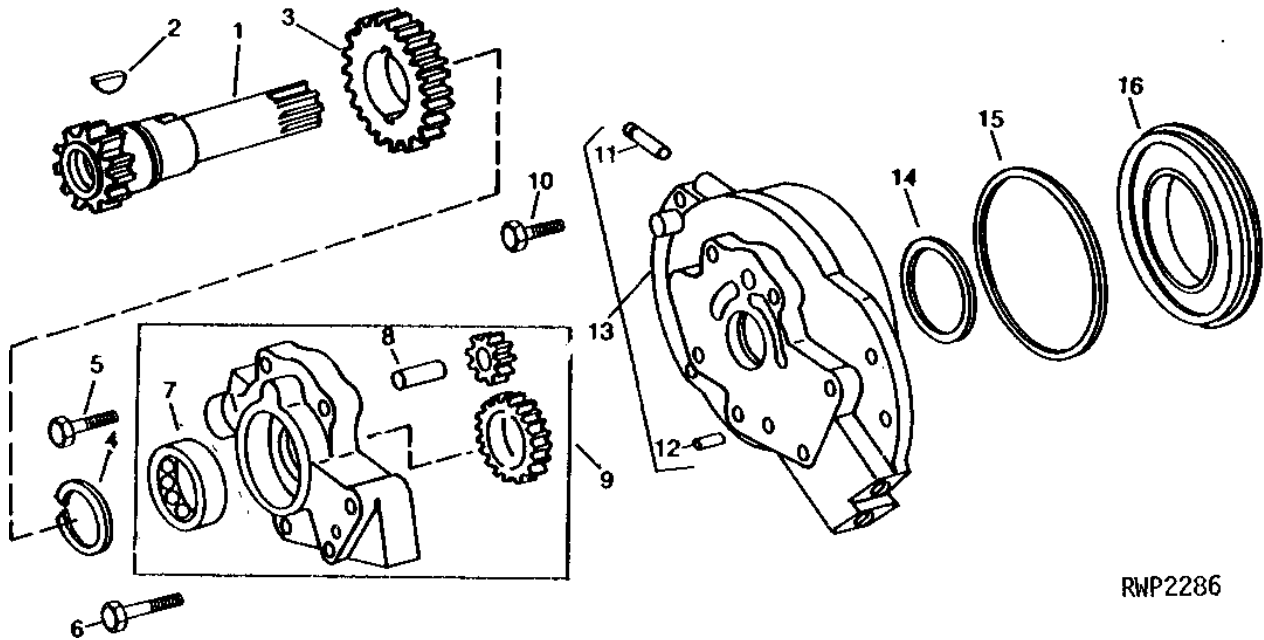
KEY	PART NO.	PART NAME	QTY	TRACTOR SERIAL NO.	REMARKS
1	R39082	DISK SPRING	3		
2	R39081	SNAP RING	1		
3	R39088	WASHER	1		
4	R57345	CLUTCH PLATE	4	(SUB FOR R39325)	
5	RE27995	CLUTCH DISK	4	(SUB FOR R31404 OR RE23000)	
6	R39085	CLUTCH PLATE	1		

2F20

POWER TRAIN

REVERSE BRAKE HOUSING AND PISTON (REVERSER)

RWP2286 -UN-01JAN94



RWP2286

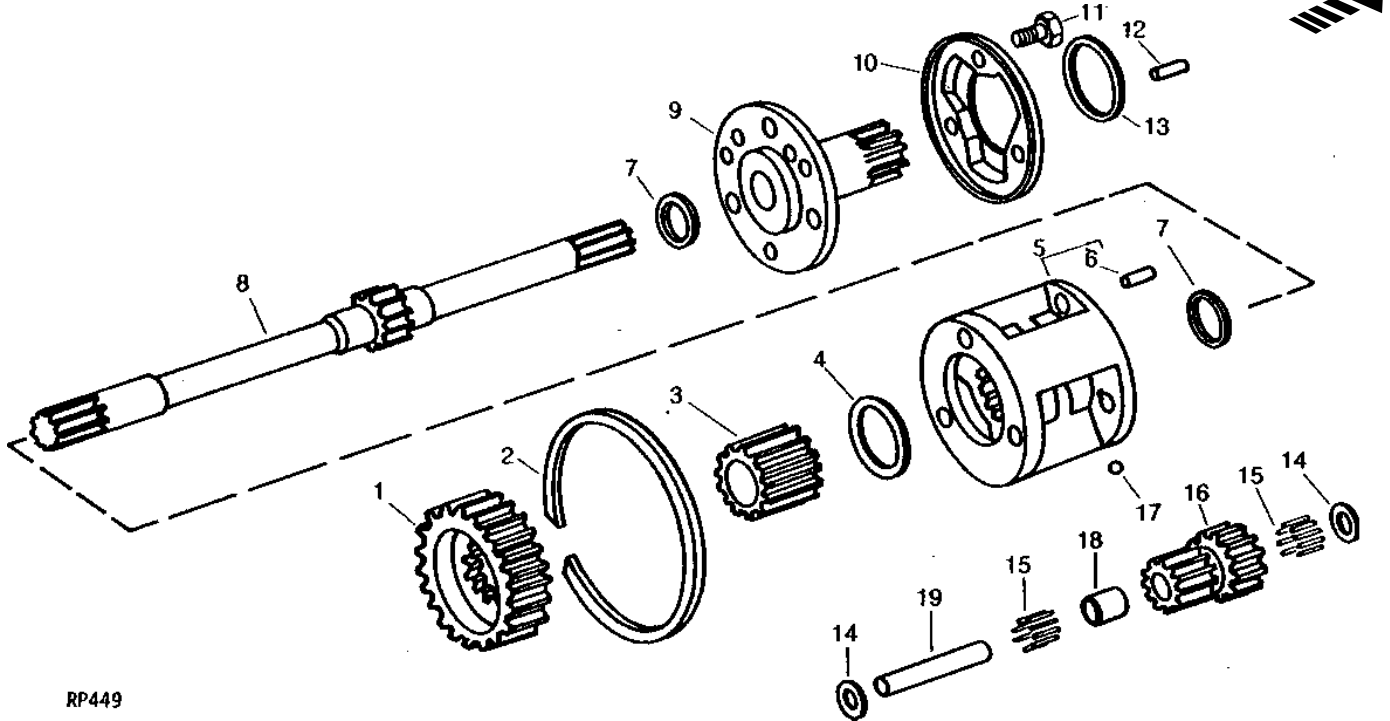
KEY	PART NO.	PART NAME	QTY	TRACTOR SERIAL NO.	REMARKS
1	T22928	SHAFT	1		
2	26H77	SHAFT KEY	1		3/16" X 3/4"
3	T22126	GEAR	1		(REAR 1000 RPM PTO OR MID-PTO)
4	R39081	SNAP RING	1		(REAR 1000 RPM PTO OR MID-PTO)
5	R41041	CAP SCREW	1		
6	R40235	CAP SCREW	5		
7	JD8720	ROLLER BEARING	1		
8	R58661	DOWEL PIN	1		(SUB FOR R39224)
9	AR96662	OIL PUMP	1		(MARKED R39244 OR R57959) (SUB FOR AR39107)
10	19H2552	CAP SCREW	7		3/8" X 1-1/8"
11	R27245	PIN	1		(SUB FOR R39166)
12	R30587	DOWEL PIN	3		
13	AR39163	HOUSING	1	-XXXXXX	(MARKED R39312)
	AR70310	HOUSING	1	XXXXXX-	(MARKED R58522) (SUB FOR AR63139)
14	R39117	WASHER	1		(SUB R120834)
15	R33059	SEALING WASHER	1		
16	R39189	PISTON	1		

2F21

POWER TRAIN

REVERSE BRAKE CARRIER AND SHAFT (REVERSER)

RP449 -UN-01JAN94



RP449

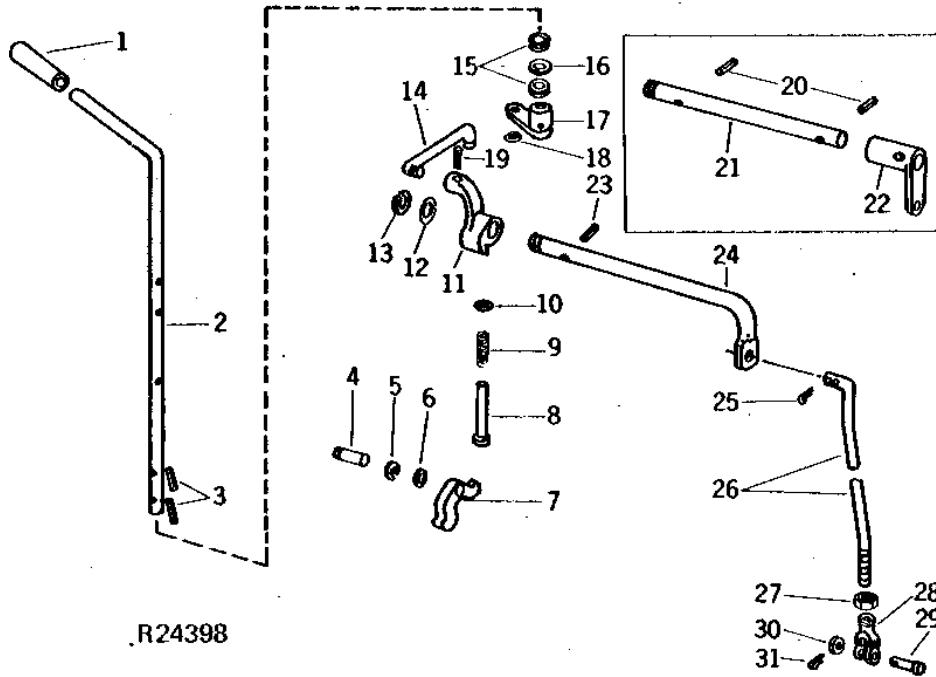
KEY	PART NO.	PART NAME	QTY	TRACTOR SERIAL NO.	REMARKS
1	R39119	HUB	1		
2	R31289	SNAP RING	1		
3	R39145	GEAR	1		
4	R65390	THRUST WASHER	1		(SUB FOR R39193)
5	AR39074	PLANET PINION CARRIER	1		(MARKED R39128)
6	R1612R	DOWEL PIN	1		
7	R39192	WASHER	2		
8	R39123	SHAFT	1		
9	R39124	SHAFT	1		
10	R39125	ISOLATOR	1		
11	19H2284	CAP SCREW	3		3/8" X 7/8"
12	34H251	SPRING PIN	1		1/8" X 1"
13	T22660	WASHER	1		
14	R39129	THRUST WASHER	6		
15	R39090	NEEDLE ROLLER	132		
16	R39122	PINION	3		
17	A4742R	BALL	3		4MM (5/32")
18	R39091	SPACER	3		
19	R39089	PIN	3		

2F22

POWER TRAIN

R24398 -UN-01JAN94

REVERSER CONTROL LEVER AND LINKAGE



R24398

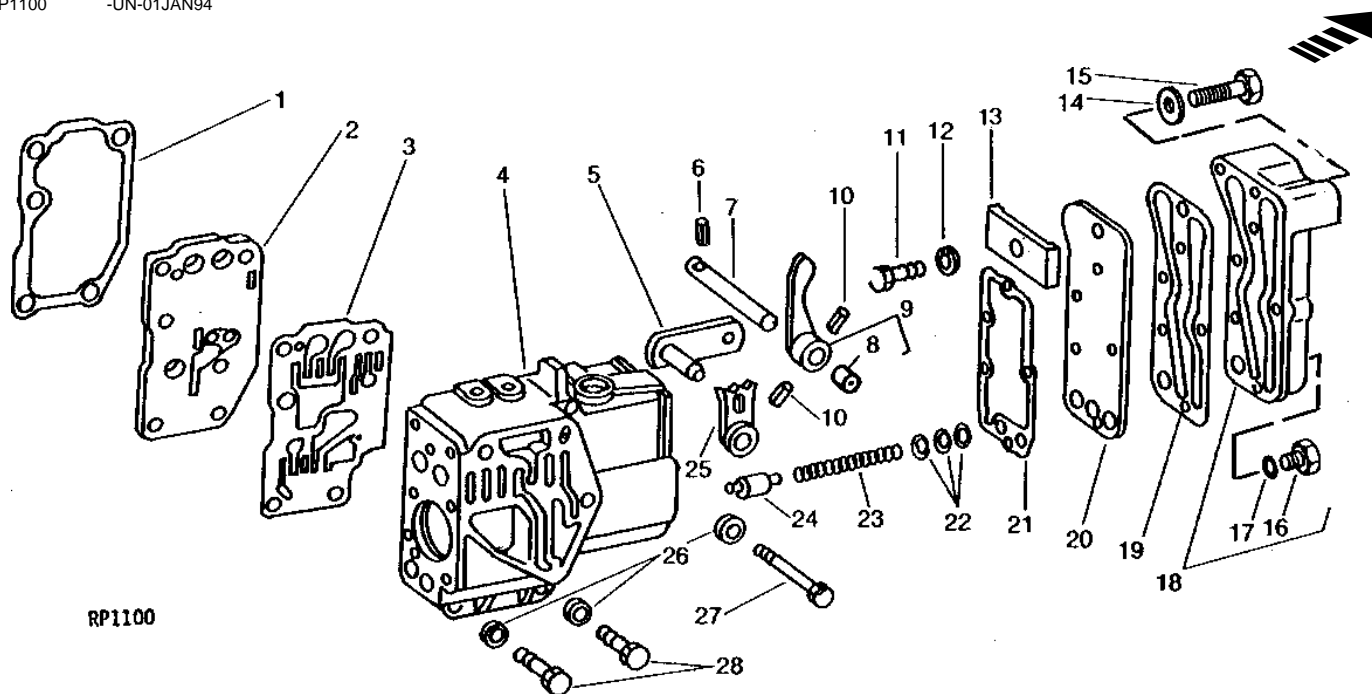
KEY	PART NO.	PART NAME	QTY	TRACTOR SERIAL NO.	REMARKS
1	R54272	KNOB	1		
2	T35675	PIN	1		
3	34H280	SPRING PIN	2		3/16" X 7/8"
4	R27245	PIN	1		(SUB FOR R39166)
5	R72655	SNAP RING	1		(SUB FOR T12808, THIS APPLICATION)
6	24H1305	WASHER	1		13/32" X 13/16" X 0.065"
7	T23207	ARM	1		
8	T23206	PIN	1		
9	R26169	SPRING	1		
10	F3353R	O-RING	1		
11	T22754	LEVER	1		
12	24H1658	WASHER	1		21/32" X 1" X 0.060"
13	A4883R	RING	1		
14	T29314	LINK	1		
15	R34811	GROMMET	2		
16	24H1340	WASHER	1		33/64" X 7/8" X 0.075"
17	T26842	LEVER	1		
18	R72654	SNAP RING	1		(SUB FOR R27507)
19	11M7082	COTTER PIN	1		2.500 X 25 MM
20	25H75	GROOVE PIN	2	-XXXXXX	3/16" X 1-1/2"
21	T22753	SHAFT	1	-XXXXXX	(SUB R61136)
22	T22755	ARM	1	-XXXXXX	(SUB R61136)
23	25H72	GROOVE PIN	1	XXXXXX-	3/16" X 1"
24	R61136	SHAFT	1	XXXXXX-	
25	11M7081	COTTER PIN	2		2.500 X 20 MM
26	T22757	ROD	1		
27	14H732	NUT	1		3/8"
28	C284R	YOKE	1		
29	R65563	PIN	1		(SUB FOR C1067R)
30	24M7106	WASHER	1		10 X 18 X 2.500 MM
31	11M7059	COTTER PIN	1		3.200 X 20 MM

2F23

POWER TRAIN

RP1100 -UN-01JAN94

REVERSER CLUTCH VALVE SHAFT AND ARM ASSEMBLY



RP1100

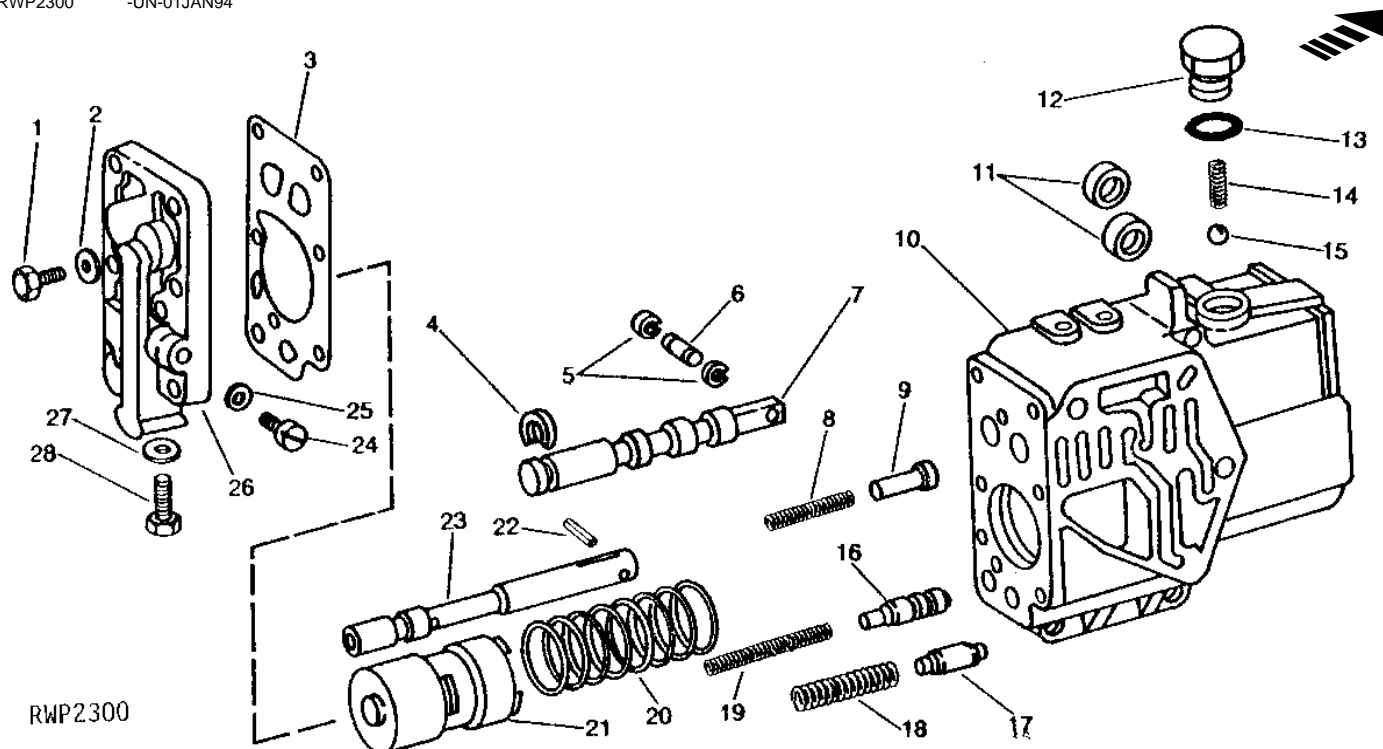
KEY	PART NO.	PART NAME	QTY	TRACTOR SERIAL NO.	REMARKS
1	T27771	GASKET	1		
2	T27772	CLUTCH PLATE	1		
3	R99385	GASKET	1		(SUB FOR T40178)
4	R54579	HOUSING	1		(ALSO ORDER (2) R27216 AND (2) R26287)
5	AR39064	SHAFT	1		
6	34H387	SPRING PIN	1		3/16" X 3/4"
7	R39152	PIN	1		
8	BUSHING	1		(SUB AR39040)
9	AR39040	ARM	1		
10	25H522	GROOVE PIN	2		3/16" X 7/8"
11	19H2552	CAP SCREW	1		3/8" X 1-1/8"
12	12H304	LOCK WASHER	1		3/8"
13	R39248	STRAP	1		
14	24H1286	WASHER	5		9/32" X 1/2" X 1/16"
15	19H2935	SCREW	5		1/4" X 1-1/2"
16	R27218	FITTING PLUG	1		
17	R26448	O-RING	1		
18	AR39138	COVER	1		(MARKED R39160)
19	R98922	GASKET	1		(SUB FOR R39161)
20	R39162	PLATE	1		
21	R98923	GASKET	1		(SUB FOR R39163)
22	R33521	SHIM	AR		0.76MM (.030")
23	R39132	SPRING	1		
24	R39294	PIN	1		
25	R39151	LEVER	1		
26	24H1301	WASHER	3		13/32" X 9/16" X 0.065"
27	19H1912	CAP SCREW	1		3/8" X 3-1/2"
28	19H2665	CAP SCREW	2		3/8" X 1-5/8"

2F24

POWER TRAIN

RWP2300 -UN-01JAN94

REVERSER CLUTCH CONTROL VALVE AND PISTON ASSEMBLY



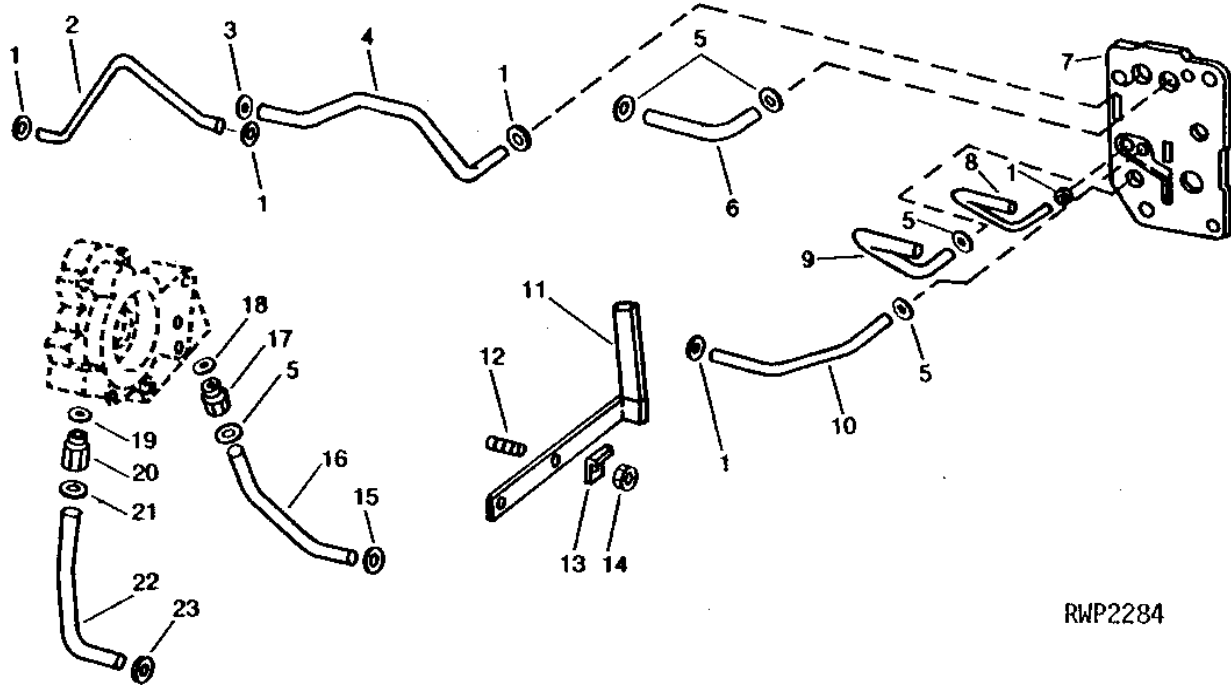
KEY	PART NO.	PART NAME	QTY	TRACTOR SERIAL NO.	REMARKS
1	19H2932	SCREW	6	1/4" X 1"	
2	12H302	LOCK WASHER	6	1/4"	
3	R98924	GASKET	1	(SUB FOR R39159, R72874 OR R78583)	
4	F3366R	SNAP RING	1		
5	R72654	SNAP RING	2	(SUB FOR R27507)	
6	R31319	PIN	1		
7	R39150	VALVE	1		
8	R39137	SPRING	1		
9	R39140	PIN	1		
10	R54579	HOUSING	1	(ALSO ORDER (2) R27216 AND (2) R26287)	
11	AR39043	SEAL	2		
12	R39164	PLUG	1		
13	R26906	O-RING	1		
14	R33277	SPRING	1		
15	D2361R	BALL	1	13MM (1/2")	
16	T113380	VALVE	1	(SUB FOR T59404)	
17	R39294	PIN	1		
18	F3322R	SPRING	1		
19	R39133	SPRING	1		
20	R39229	SPRING	1		
21	R63364	PISTON	1		
22	34H310	SPRING PIN	1	1/4" X 3/4"	
23	R39149	VALVE	1		
24	R34028	BOLT	1		
25	R27976	O-RING	1		
26	R39158	COVER	1		
27	R26287	O-RING	1		
28	R27216	DRAIN PLUG	1		

2F25

POWER TRAIN

RWP2284 -UN-01JAN94

REVERSE OIL TUBES



RWP2284

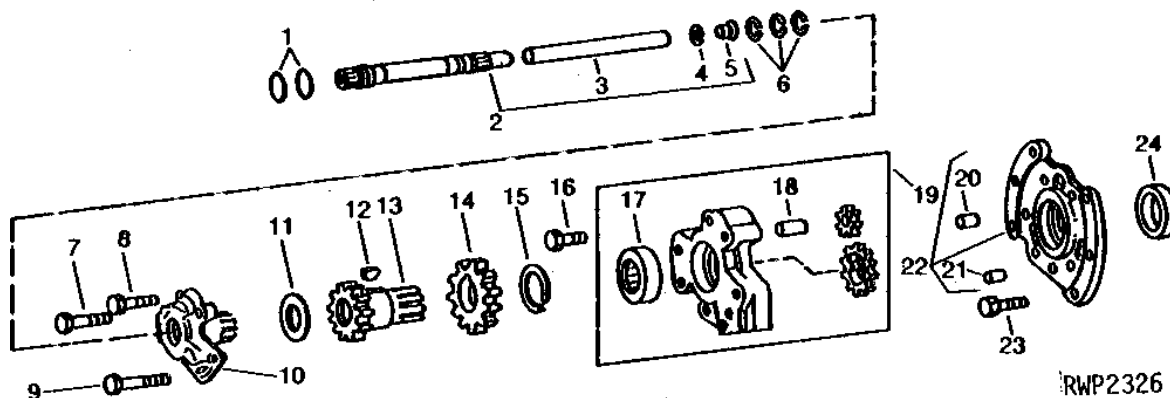
KEY	PART NO.	PART NAME	QTY	TRACTOR SERIAL NO.	REMARKS
1	A3917R	O-RING	5		
2	T22583	OIL TUBE	1		FRONT CLUTCH LUBRICATION
3	R27166	O-RING	1		
4	T22582	OIL TUBE	1		FRONT CLUTCH PRESSURE
5	R375R	O-RING	5		
6	T22579	TUBE	1		REVERSE CLUTCH PRESSURE
7	T27772	CLUTCH PLATE	1		
8	T22933	OIL TUBE	1		TRANSMISSION LUBE
9	T22932	OIL TUBE	1		FILTER
10	T22580	OIL TUBE	1		REAR CLUTCH LUBRICATION
11	AT22335	RETAINER	1		
12	R55396	STUD	2		
13	R30958	LOCK PLATE	2		
14	14H812	NUT	2		3/8"
15	T68412	WASHER	1		
16	T25419	OIL TUBE	1		PUMP OUTLET
17	T22862	ADAPTER	1		
18	R26906	O-RING	1		
19	F3171R	O-RING	1		
20	T30754	ADAPTER	1		
21	T13119	O-RING	1		
22	T25418	OIL TUBE	1		PUMP INLET
23	R26149	PACKING	1		

2G1

POWER TRAIN

CLUTCH OIL MANIFOLD AND TRANSMISSION OIL PUMP (HI-LO SHIFT)

RWP2326 -UN-01JAN94



RWP2326

KEY	PART NO.	PART NAME	QTY	TRACTOR SERIAL NO.	REMARKS
1	R26753	RING	2		
2	AR39127	SHAFT	1		
3	R39278	ROTARY VALVE SLEEVE	1		
4	R34140	RING	1		
5	R39279	RETAINER	1		
6	R39283	RING	3		
7	19H2939	CAP SCREW	2	3/8" X 2.380", (NLA)	
8	T22156	BOLT	2	(SUB FOR R39306)	
9	R39305	CAP SCREW	1		
10	AR39118	MANIFOLD	1		
11	R39284	THRUST WASHER	1		
12	26H74	SHAFT KEY	1	3/16" X 5/8"	
13	R39254	SHAFT	1		
14	R39261	GEAR	1	(1000 RPM)	
15	R39081	SNAP RING	1		
16	R41041	CAP SCREW	1		
17	JD8720	ROLLER BEARING	1		
18	R58661	DOWEL PIN	1	(SUB FOR R39224)	
19	AR96662	OIL PUMP	1	(MARKED R39244 OR R57959)	(SUB FOR AR39107)
20	F399R	DOWEL PIN	2		
21	R30587	DOWEL PIN	2		
22	AR39108	COVER	1	-229883	(MARKED R39245) (SUB AR71396)
	AR71396	ADAPTER	1	229884-236043	(MARKED R57961)
	AR39108	COVER	1	236044-	(MARKED R39245) (SUB AR71396)
23	19H2552	CAP SCREW	4	3/8" X 1-1/8"	
24	JD8729	ROLLER BEARING	1		

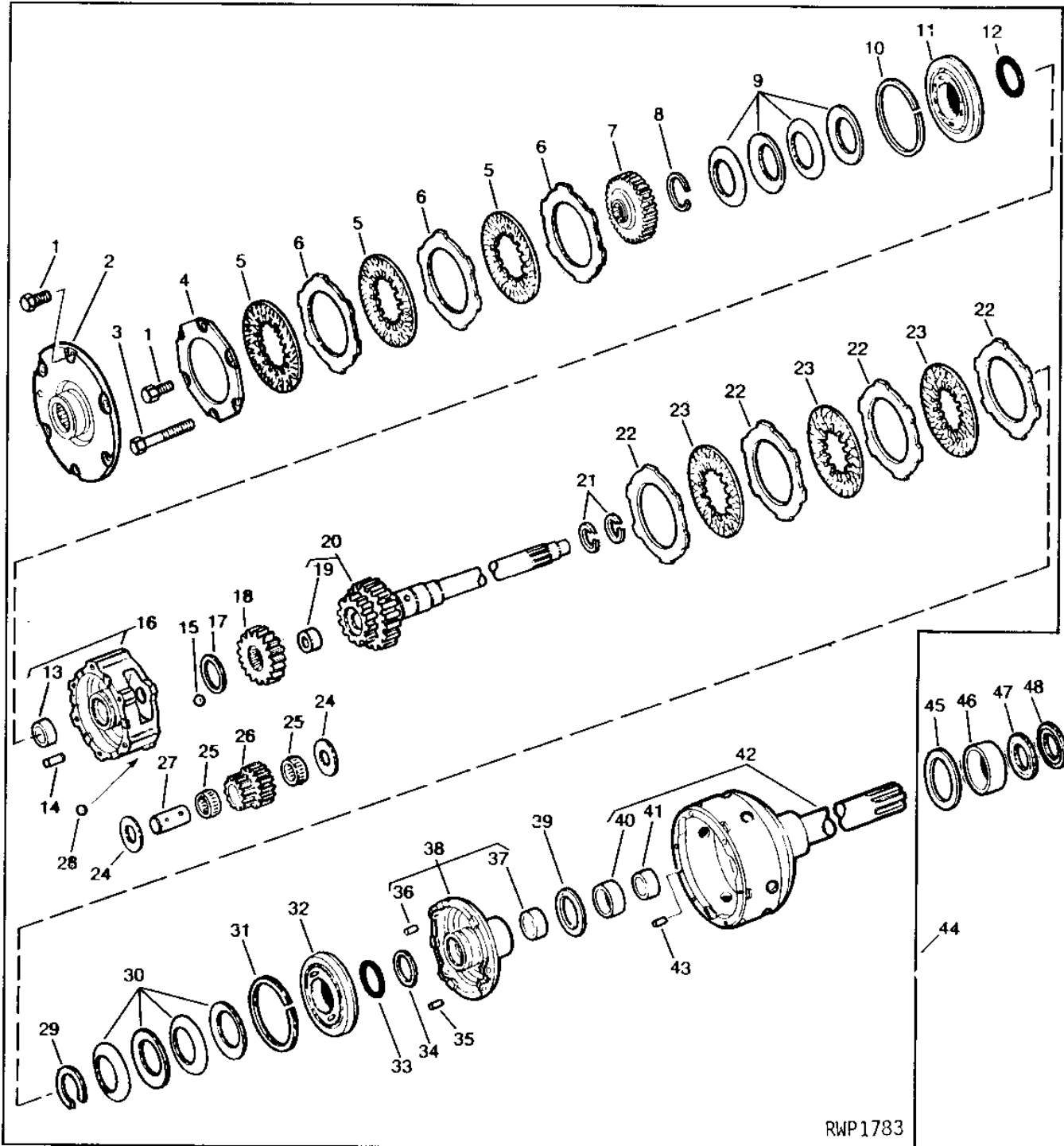
MEMORANDA

2G2

POWER TRAIN

HI-LO CLUTCH ASSEMBLY (HI-LO SHIFT)

RWP1783 -UN-02JAN94



2G3

POWER TRAIN

HI-LO CLUTCH ASSEMBLY - CONTINUED (HI-LO SHIFT)

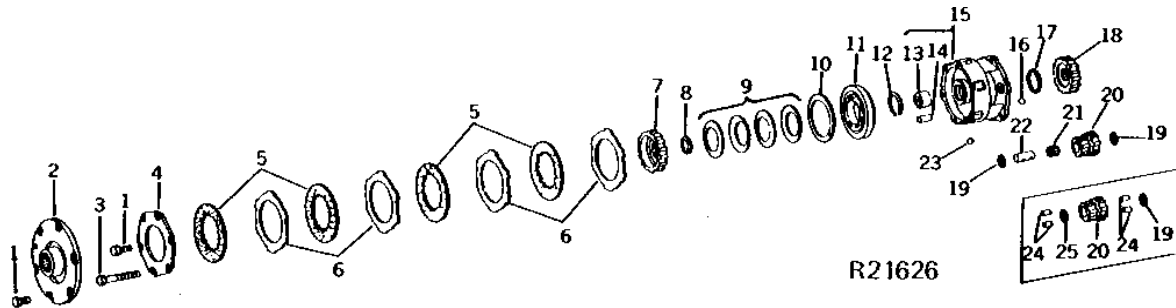
KEY	PART NO.	PART NAME	QTY	TRACTOR SERIAL NO.	REMARKS
1	19H1813	CAP SCREW	9		5/16" X 5/8"
2	R39238	COVER	1		
3	19H1897	CAP SCREW	3		5/16" X 3-3/4"
4	R39260	PLATE	1		(SUB AR86461, THIS APPLICATION)
5	AR39128	DISK, INNER SPLINE	3	-XXXXXX	(SUB AR86461, THIS APPLICATION)
	AR78361	DISK, INNER SPLINE	2	XXXXXX-	
6	R39259	CLUTCH PLATE	3	-XXXXXX	(SUB AR86461, THIS APPLICATION)
	R64197	CLUTCH PLATE	3	XXXXXX-	
7	R52378	HUB	1		
8	R39299	SNAP RING	1		
9	R39282	DISK SPRING	4		
10	R39280	PISTON RING	1		
11	R52384	PISTON	1		
12	R39304	WASHER	1		
13	R39247	BUSHING	1		
14	R56457	DOWEL PIN	1		
15	A4742R	BALL	3		
16	AR85746	PLANET PINION CARRIER	1		(MARKED R54959) (SUB FOR AR63585)
	R63452	SPRING	1	XXXXXX-	
17	R65390	THRUST WASHER	1		(SUB FOR R39193)
18	R55013	STEERING GEAR	1		
19	R39276	BUSHING	1		
20	AR63691	SHAFT	1		
21	R26753	RING	1		
22	R39259	CLUTCH PLATE	4	-XXXXXX	(SUB AR86461, THIS APPLICATION)
	R64197	CLUTCH PLATE	4	XXXXXX-	
23	AR39128	DISK, INNER SPLINE	3	-XXXXXX	(SUB AR86461, THIS APPLICATION)
	AR78361	DISK, INNER SPLINE	2	XXXXXX-	
24	R54961	THRUST WASHER	6		
25	JD9932	NEEDLE BEARING	6		
26	R55014	PLANET PINION	3		
27	R54958	PIN	3		
28	H871R	BALL	3		
29	R39299	SNAP RING	1		
30	R39282	DISK SPRING	4		
31	R39280	PISTON RING	1		
32	R39285	PISTON	1		
33	R39304	WASHER	1		
34	R65390	THRUST WASHER	1		(SUB FOR R39193)
35	R56457	DOWEL PIN	2		
36	R39253	DOWEL PIN	1		
37	R39252	BUSHING	1		
38	AR56772	DRUM	1		
39	R39281	THRUST WASHER	1		(SUB R65392)
40	R39265	BUSHING	1		
41	R34650	SEAL	1		
42	AR63693	SHAFT	1		
43	B2641R	DOWEL PIN	1		
44	AR82017	HIGH-LOW CLUTCH	1	187301-	(SUB FOR AR82021)
45	R73701	WASHER	1		(SUB FOR T25409 OR R65391)
46	L29343	BUSHING	1		(SUB FOR T25404 OR T28804)
47	AR82795	SEAL	1		(SUB FOR AT27728)
48	JD9449	BALL BEARING	1		

2G4

POWER TRAIN

LO CLUTCH ASSEMBLY (HI-LO SHIFT)

R21626 -UN-01JAN94



R21626

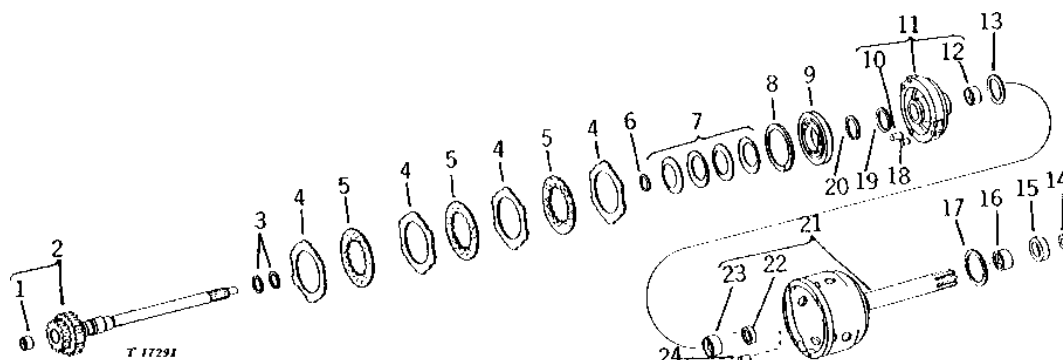
KEY	PART NO.	PART NAME	QTY	TRACTOR SERIAL NO.	REMARKS
1	19H1813	CAP SCREW	9	5/16" X 5/8"	
2	R39238	COVER	1		
3	19H1807	CAP SCREW	3	3/8" X 1-5/8"	
4	R39260	PLATE	1	(SUB AR86461, THIS APPLICATION)	
5	AR39128	DISK, INNER SPLINE	4	-187300	
	AR39128	DISK, INNER SPLINE	3	187301-XXXXXX	(SUB AR86461, THIS APPLICATION)
	AR78361	DISK, INNER SPLINE	2	XXXXXX-	
6	R39259	CLUTCH PLATE	4	-187300	
	R39259	CLUTCH PLATE	3	187301-XXXXXX	(SUB AR86461, THIS APPLICATION)
	R64197	CLUTCH PLATE	3	XXXXXX-	
7	R52378	HUB	1	(SUB FOR R39237)	
8	R39299	SNAP RING	1		
9	R39282	DISK SPRING	4		
10	R39280	PISTON RING	1		
11	R39285	PISTON	1	-187300	
	R52384	PISTON	1	187301-	
12	R39304	WASHER	1		
13	R39247	BUSHING	1		
14	R56457	DOWEL PIN	1	(SUB FOR R39253)	
15	AR39109	PLANET PINION CARRIER	1	-187300	(SUB AR89729)
	AR85746	PLANET PINION CARRIER	1	187301-	(MARKED R54959) (SUB FOR AR63585)
	R63452	SPRING	1	XXXXXX-	
16	H871R	BALL	3	5MM (3/16")	
17	R65390	THRUST WASHER	1	(SUB FOR R39193)	
18	R39256	GEAR	1	-187300	
	R55013	STEERING GEAR	1	187301-	
19	R39129	THRUST WASHER	6	-187300	
	R54961	THRUST WASHER	6	187301-	
20	R39239	PLANET PINION	3	-187300	
	R55014	PLANET PINION	3	187301-	
21	JD9932	NEEDLE BEARING	6	XXXXXX-	
22	R39257	PIN	3	-187300	
	R54958	PIN	3	187301-	
23	H871R	BALL	3	5MM (3/16")	
24	R39286	NEEDLE ROLLER	132	-187300	
25	R39258	THRUST WASHER	3	-XXXXXX	
..	AR82016	HIGH-LOW CLUTCH	1	-187300	(SUB FOR AR39104 OR AR61399)

2G5

POWER TRAIN

HI CLUTCH ASSEMBLY (HI-LO SHIFT)

T17291 -UN-01JAN94



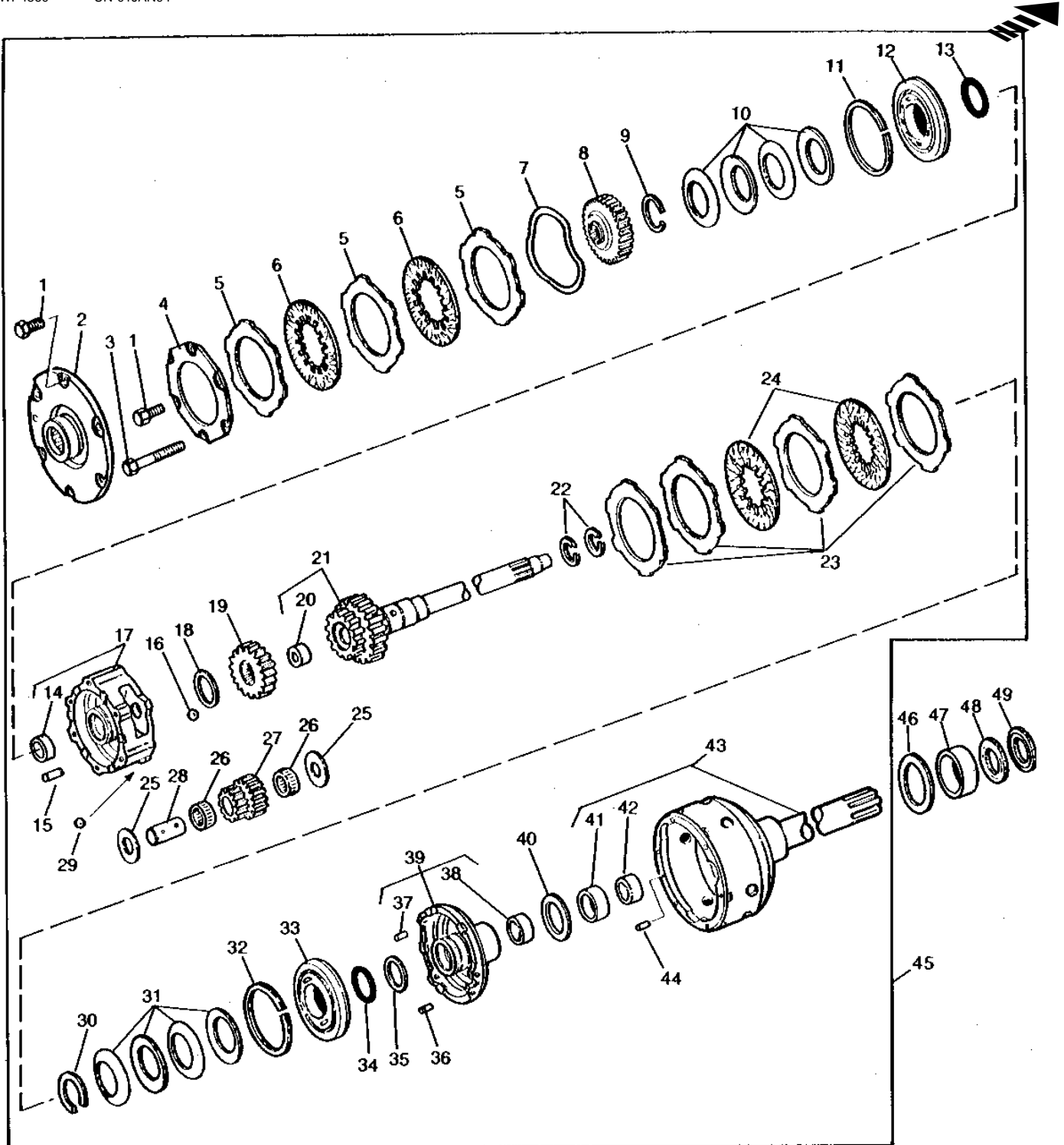
KEY	PART NO.	PART NAME	QTY	TRACTOR SERIAL NO.	REMARKS
1	R39276	BUSHING	1		
2	AR39174	DRIVE SHAFT	1	-187300	(MARKED R39320)
	AR61403	DRIVE SHAFT	1	-187300	(MARKED R54062)
	AR63691	SHAFT	1	187301-	(MARKED R55018)
3	R26753	RING	1		
4	R39259	CLUTCH PLATE	4	-XXXXXX	(SUB AR86461, THIS APPLICATION)
	R64197	CLUTCH PLATE	4	XXXXXX-	
5	AR39128	DISK, INNER SPLINE	3	-XXXXXX	(SUB AR86461, THIS APPLICATION)
	AR78361	DISK, INNER SPLINE	2	XXXXXX-	
6	R39299	SNAP RING	1		
7	R39282	DISK SPRING	4		
8	R39280	PISTON RING	1		
9	R39285	PISTON	1		
10	R56457	DOWEL PIN	1		(SUB FOR R39253)
11	AR56772	DRUM	1		(SUB FOR AR39114)
12	R39252	BUSHING	1		
13	R65392	WASHER	1		
14	JD10107	BALL BEARING	1	-187300	(SUB FOR JD9464, AL24903 OR AL28037)
	JD9449	BALL BEARING	1	187301-	
15	T22198	SEAL	1	-187300	
	AR82795	SEAL	1	187301-	(SUB FOR AT27728)
16	L29343	BUSHING	1		(SUB FOR T25404 OR T28804)
17	R73701	WASHER	1		(SUB FOR T25409 OR R65391)
18	R56457	DOWEL PIN	2		(SUB FOR R30587)
19	R65390	THRUST WASHER	1		(SUB FOR R39193)
20	R39304	WASHER	1		
21	AR39115	SHAFT	1	-187300	
	AR63693	SHAFT	1	187301-	
22	AR39117	SEAL	1	-187300	
	R34650	SEAL	1	187301-	
23	R39265	BUSHING	1		
24	B2641R	DOWEL PIN	1		
..	AR82016	HIGH-LOW CLUTCH	1	-187300	

2G6

POWER TRAIN

REPLACEMENT HI-LO CLUTCH ASSEMBLY (HI-LO SHIFT)

RWP4860 -UN-01JAN94



RWP4860

2G7

POWER TRAIN

REPLACEMENT HI-LO CLUTCH ASSEMBLY - CONTINUED (HI-LO SHIFT)

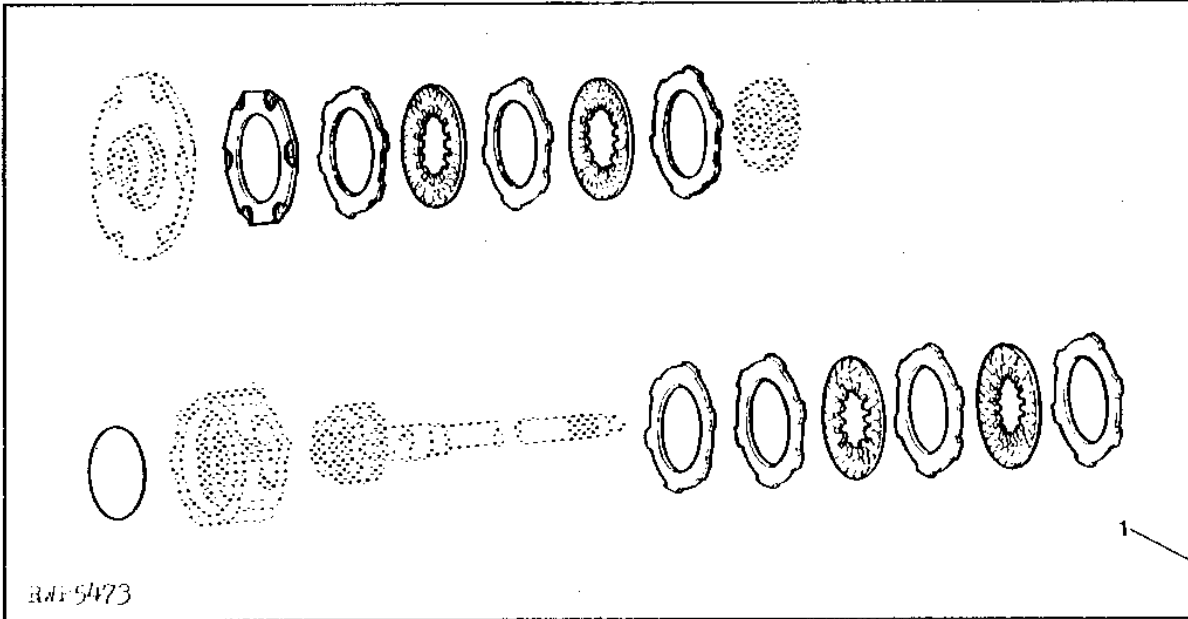
KEY	PART NO.	PART NAME	QTY	TRACTOR SERIAL NO.	REMARKS
1	19H1813	CAP SCREW	9	5/16" X 5/8"	
2	R39238	COVER	1		
3	19H1897	CAP SCREW	3	5/16" X 3-3/4"	
4	R39260	PLATE	1		(SUB AR86461, THIS APPLICATION)
5	R64197	CLUTCH PLATE	3		(SUB AR86461, THIS APPLICATION)
6	AR78361	DISK, INNER SPLINE	2		(SUB AR86461, THIS APPLICATION)
7	R63452	SPRING	1		
8	R52378	HUB	1		
9	R39299	SNAP RING	1		
10	R39282	DISK SPRING	4		
11	R39280	PISTON RING	1		
12	R52384	PISTON	1		
13	R39304	WASHER	1		
14	R39247	BUSHING	1		
15	R56457	DOWEL PIN	1		
16	H871R	BALL	3		
17	AR85744	PLANET PINION CARRIER	1		(MARKED R52376)
18	R65390	THRUST WASHER	1		(SUB FOR R39193)
19	R52380	SUN GEAR	1		
20	R39276	BUSHING	1		
21	AR61403	DRIVE SHAFT	1		(MARKED R54062)
22	R26753	RING	2		
23	R64197	CLUTCH PLATE	4		(SUB AR86461, THIS APPLICATION)
24	AR78361	DISK, INNER SPLINE	2		(SUB AR86461, THIS APPLICATION)
25	R52383	THRUST WASHER	6		
26	JD9927	NEEDLE BEARING	6		
27	R52381	PLANET PINION	3		
28	R52382	PIN	3		
29	H871R	BALL	3		
30	R39299	SNAP RING	1		
31	R39282	DISK SPRING	4		
32	R39280	PISTON RING	1		
33	R39285	PISTON	1		
34	R39304	WASHER	1		
35	R65390	THRUST WASHER	1		(SUB FOR R39193)
36	R56457	DOWEL PIN	2		
37	R56457	DOWEL PIN	1		
38	R39252	BUSHING	1		
39	AR56772	DRUM	1		(MARKED R52265)
40	R65392	WASHER	1		(SUB FOR R39281)
41	R39265	BUSHING	1		
42	AR39117	SEAL	1		
43	AR39115	SHAFT	1		
44	B2641R	DOWEL PIN	1		
45	AR82016	HIGH-LOW CLUTCH	1	-187300	(SUB FOR AR39104 OR AR61399)
46	R73701	WASHER	1		(SUB FOR T25409 OR R65391)
47	L29343	BUSHING	1		(SUB FOR T25404 OR T28804)
48	T22198	SEAL	1		
49	JD10107	BALL BEARING	1		(SUB FOR JD8511, JD9464, AL24903 OR AL28037)

2G8

POWER TRAIN

RWP5473 -UN-01JAN94

CLUTCH DISK ASSEMBLY



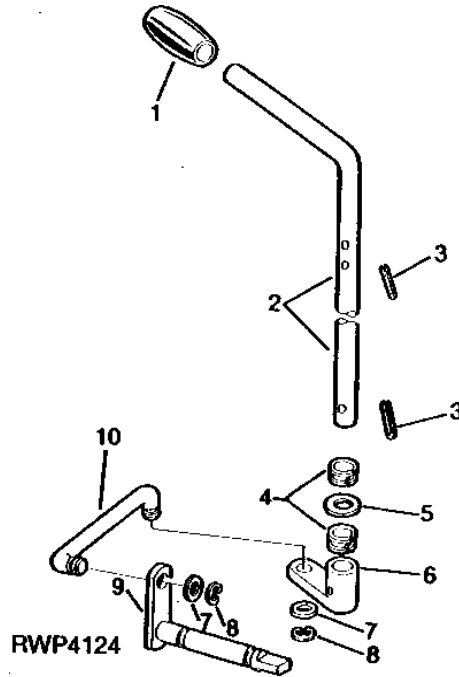
KEY	PART NO.	PART NAME	QTY	TRACTOR SERIAL NO.	REMARKS
1	AR86461	CLUTCH DISK	1		

2G9

POWER TRAIN

RWP4124 -UN-01JAN94

HI-LO SHIFT CONTROL LEVER AND LINKAGE



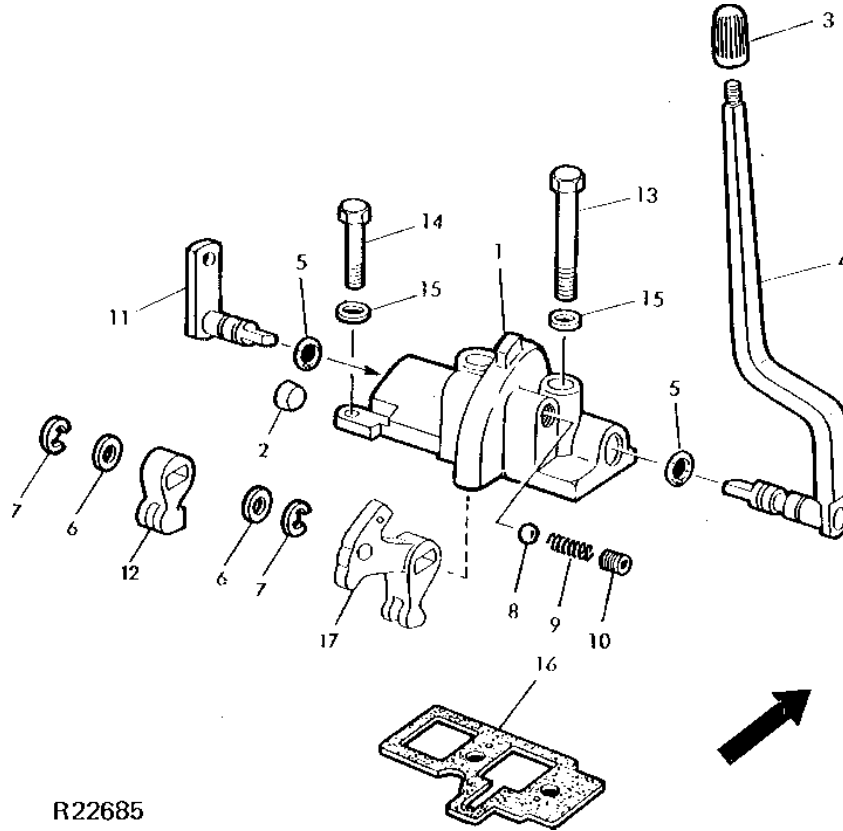
KEY	PART NO.	PART NAME	QTY	TRACTOR SERIAL NO.	REMARKS
1	R54272	KNOB	1		
2	T35675	PIN	1		
3	34H280	SPRING PIN	2	3/16" X 7/8"	
4	R34811	GROMMET	2		
5	24H1340	WASHER	1	33/64" X 7/8" X 0.075"	
6	T26842	LEVER	1		
7	24H1243	WASHER	2	11/32" X 5/8" X 1/16"	
8	R72654	SNAP RING	2	(SUB FOR R27507)	
9	AT23220	LEVER	1	(LESS INDEPENDENT PTO)	
	AT29712	LEVER	1	(INDEPENDENT PTO)	
10	T29314	LINK	1		

2G10

POWER TRAIN

R22685 -UN-01JAN94

CLUTCH CONTROL VALVE COVER AND ARM



R22685

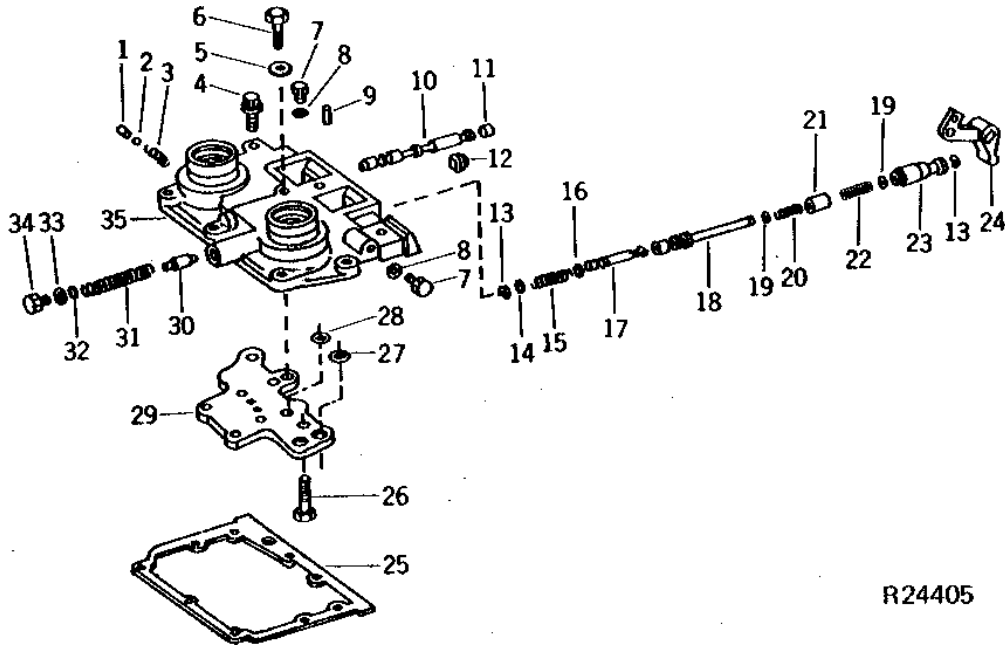
KEY	PART NO.	PART NAME	QTY	TRACTOR SERIAL NO.	REMARKS
1	T30750	COVER	1		
2	M4224T	PLUG	1		(LESS HI-LO SHIFT)
3	AR62028	KNOB	1		(SUB FOR M526T)
4	AT29688	LEVER	1		
5	R28782	O-RING	2		(1 USED HI-LO SHIFT)
6	24H1227	WASHER	2		17/32" X 13/16" X 0.060"
7	R26871	SNAP RING	2		(SUB FOR P44982)
8	R26552	BALL	2		8 MM (5/16")
9	R31680	SPRING	2		
10	22H1053	SET SCREW	2		7/16" X 7/16"
11	AT29712	LEVER	1		
12	T25395	LEVER	1		(HI-LO SHIFT)
13	19H3175	CAP SCREW	2		3/8" X 3-5/8", HS, SAE 8
14	19H1819	CAP SCREW	1		3/8" X 2-1/8"
15	24M7096	WASHER	3		10.500 X 18 X 1.600 MM
16	T30751	GASKET	1		
17	T30770	LEVER	1		

2G11

POWER TRAIN

CLUTCH CONTROL VALVE (INDEPENDENT PTO) (HI-LO SHIFT)

R24405 -UN-01JAN94



R24405

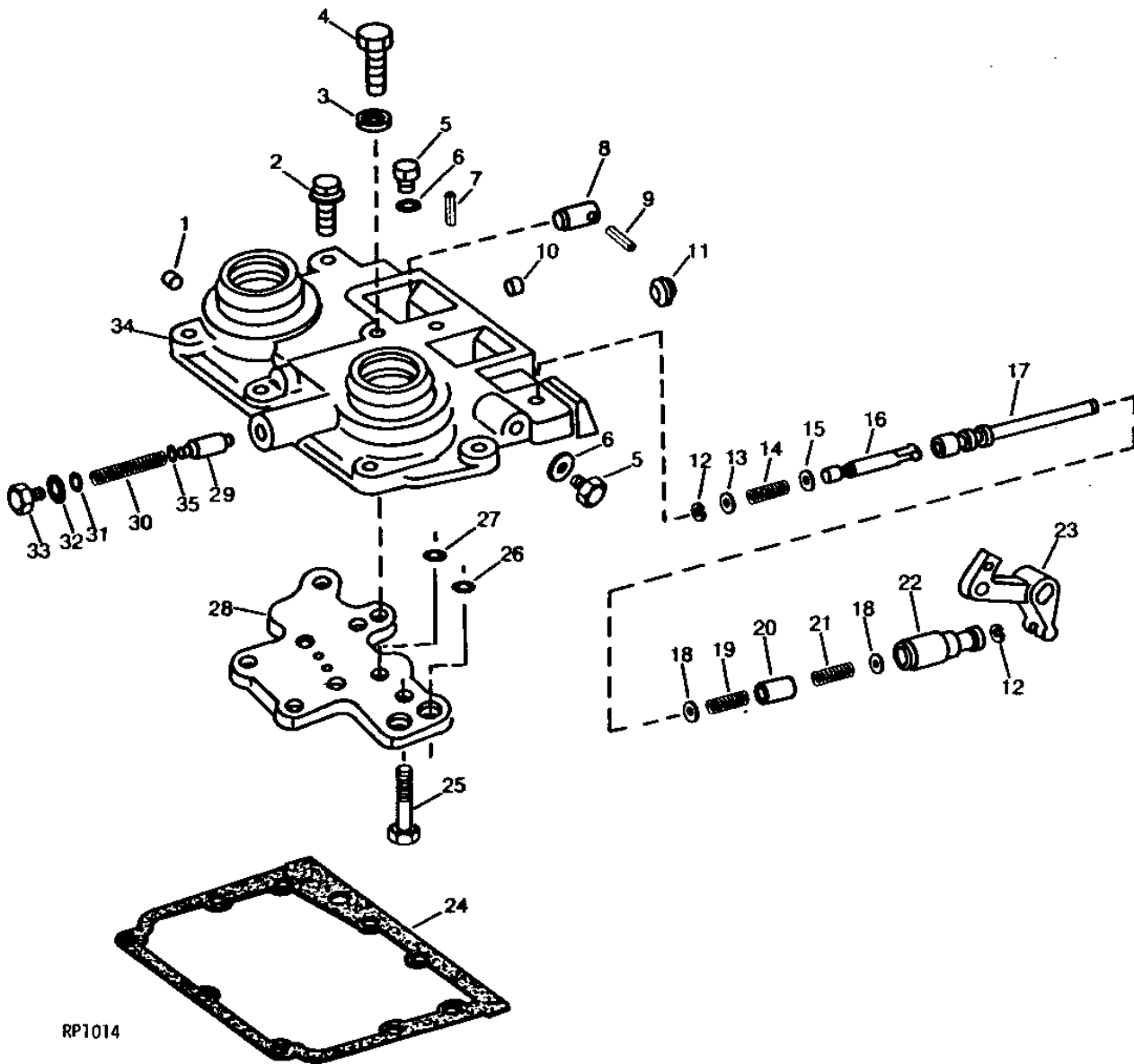
KEY	PART NO.	PART NAME	QTY	TRACTOR SERIAL NO.	REMARKS
1	M1102T	CAP	1		
2	R26552	BALL	1		8 MM (5/16")
3	T22739	SPRING	1		
4	T22728	SCREW	5		
5	24M7096	WASHER	1		10.500 X 18 X 1.600 MM
6	19H1800	CAP SCREW	1		3/8" X 1-1/2"
7	R27216	DRAIN PLUG	2		
8	R26287	O-RING	2		
9	R28634	PIN	2		
10	T25398	CONTROL VALVE	1		
11	M4224T	PLUG	1		
12	T30789	PLUG	1		
13	R30828	SNAP RING	2		
14	R31632	SHIM	6		
15	R45582	SPRING	1		
16	B1664R	SHIM	1		
17	T28634	PIN	1		
18	R62531	VALVE	1		
19	R31632	SHIM	AR		
20	T17589	SPRING	1		
21	R53168	SLEEVE	1		
22	R34863	SPRING	1		
23	R53167	ACTUATOR	1		
24	T30770	LEVER	1		
25	T36042	GASKET	1		
26	19H2552	CAP SCREW	4		3/8" X 1-1/8"
27	R375R	O-RING	2		
28	A3917R	O-RING	2		
29	T30752	PLATE	1		
30	R39294	PIN	1		
31	T31636	SPRING	1		
32	B1085R	WASHER	2		
	T33473	SHIM	1		
33	R26448	O-RING	1		
34	R27218	FITTING PLUG	1		
35	AT29681	COVER	1		(MARKED T30753 OR R54186) (SUB AR61916)

2G12

POWER TRAIN

RP1014 -UN-01JAN94

CLUTCH CONTROL VALVE
(INDEPENDENT PTO)
(LESS HI-LO SHIFT)



2G13

POWER TRAIN

CLUTCH CONTROL VALVE - CONTINUED
(INDEPENDENT PTO)
(LESS HI-LO SHIFT)

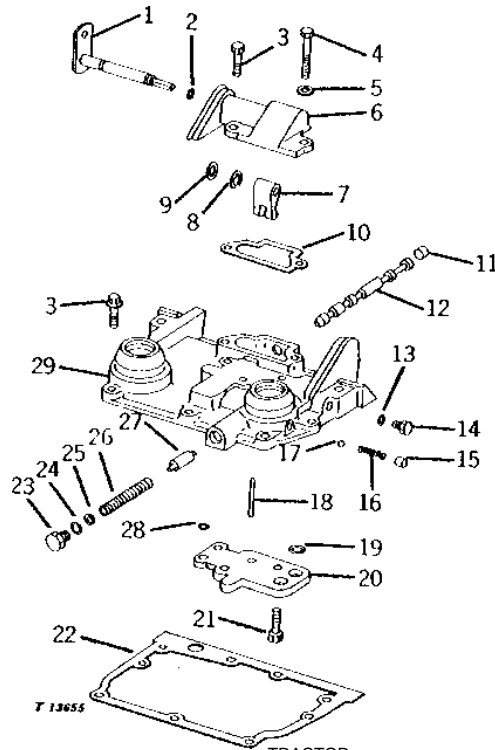
KEY	PART NO.	PART NAME	QTY	TRACTOR SERIAL NO.	REMARKS
1	M1102T	CAP	1		
2	T22728	SCREW	3		
3	24M7096	WASHER	1		10.500 X 18 X 1.600 MM
4	19H1800	CAP SCREW	1		3/8" X 1-1/2"
5	R27216	DRAIN PLUG	2		
6	R26287	O-RING	2		
7	R28634	PIN	2		
8	T30788	PIN	1		
9	34H231	SPRING PIN	1		3/32" X 3/4"
10	M4224T	PLUG	1		
11	T30789	PLUG	1		
12	R67794	SNAP RING	2		
13	R31632	SHIM	6		
14	R45582	SPRING	1		
15	B1664R	SHIM	1		
16	T28634	PIN	1		
17	R62531	VALVE	1		
18	R31632	SHIM	AR		
19	T17589	SPRING	1		
20	R53168	SLEEVE	1		
21	R34863	SPRING	1		
22	R53167	ACTUATOR	1		
23	T30770	LEVER	1		
24	T36042	GASKET	1		
25	19H2552	CAP SCREW	4		3/8" X 1-1/8"
26	R375R	O-RING	2		
27	A3917R	O-RING	2		
28	T30752	PLATE	1		
29	L30783	VALVE	1		PRESSURE REGULATING
30	T31636	SPRING	1		
31	B1085R	WASHER	2		
	T33473	SHIM	1		
32	R26448	O-RING	1		
33	R27218	FITTING PLUG	1		
34	AR61916	COVER	1		(MARKED R54186 OR T30753) (SUB FOR AT29681)
35	A3917R	O-RING	1		

2G14

POWER TRAIN

T13655 -UN-01JAN94

CLUTCH CONTROL VALVE (HI-LO SHIFT) (LESS INDEPENDENT PTO)



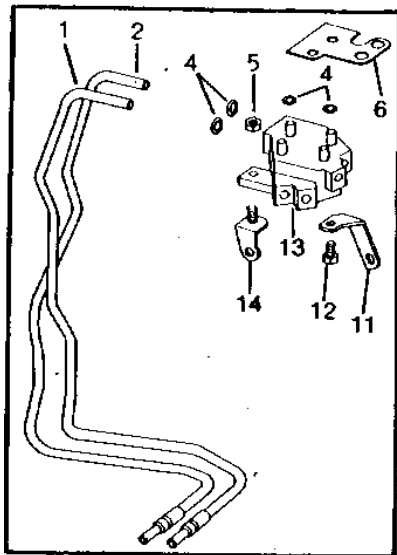
KEY	PART NO.	PART NAME	QTY	TRACTOR SERIAL NO.	REMARKS
1	AT23220	LEVER	1		
2	R28782	O-RING	1		
3	T22728	SCREW	6		
4	19H3181	CAP SCREW	1		3/8" X 2"
5	24M7096	WASHER	1		10.500 X 18 X 1.600 MM
6	T25394	COVER	1		
7	T25395	LEVER	1		
8	P44982	PISTON RING	1		(SUB FOR R26871)
9	24H1227	WASHER	1		17/32" X 13/16" X 0.060"
10	T25397	GASKET	1		
11	M4224T	PLUG	1		
12	T25398	CONTROL VALVE	1		
13	R26287	O-RING	1		
14	R27216	DRAIN PLUG	1		
15	M1102T	CAP	1		
16	T22739	SPRING	1		
17	R26552	BALL	1		8MM (5/16")
18	R33058	NEEDLE ROLLER	1		
19	R375R	O-RING	2		
20	T25399	PLATE	1		
21	19H2552	CAP SCREW	3		3/8" X 1-1/8"
22	T36042	GASKET	1		
23	R27218	FITTING PLUG	1		
24	R26448	O-RING	1		
25	B1085R	WASHER	2		
	T33473	SHIM	1		
26	R39132	SPRING	1		
27	R39294	PIN	1		
28	A3917R	O-RING	2		
29	R58768	HOUSING	1		(MARKED T25393 OR R58768) (SUB FOR AT23907 OR AR70718) (ALSO ORDER T24395)

2G15

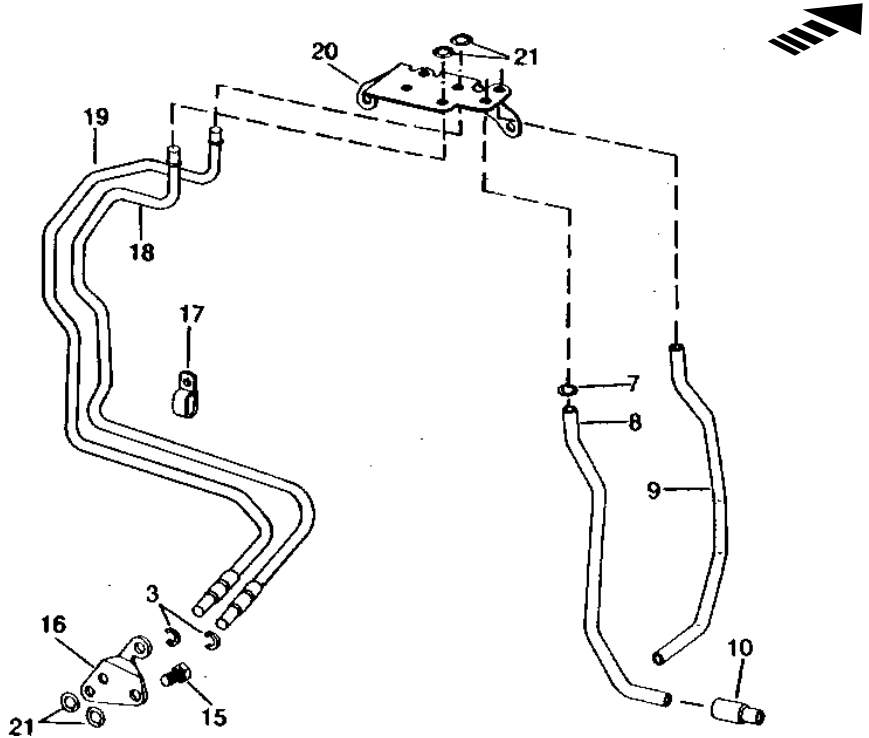
POWER TRAIN

CLUTCH OIL MANIFOLD AND OIL LINES (INDEPENDENT PTO) (LESS HI-LO SHIFT)

RXP8208 -UN-01JAN94



RXP8208



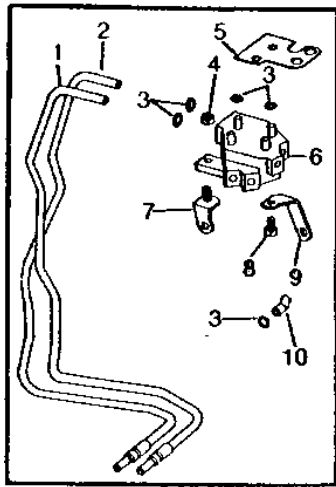
KEY	PART NO.	PART NAME	QTY	TRACTOR SERIAL NO.	REMARKS
1	AT29692	LINE	1	-147969	(PTO CLUTCH PRESSURE)
2	AT29693	LINE	1	-147969	(PTO BRAKE PRESSURE)
3	F2208R	SNAP RING	2		
	F3396R	SNAP RING	2		
4	A3917R	O-RING	4	-147969	
5	14H732	NUT	1	-147969	3/8"
6	T30780	RETAINER	1	-147969	(NLA)
7	R375R	O-RING	2		
8	T25412	OIL TUBE	1		PRESSURE
9	T25413	OIL TUBE	1		OUTLET
10	T25408	SLEEVE	1		
11	T30781	BRACKET	1	-147969	(NLA)
12	19H2038	CAP SCREW	1	-147969	3/8" X 1/2"
13	AT29690	MANIFOLD	1	-147969	(NLA)
14	AT29691	RETAINER	1	-147969	(NLA)
15	T30774	CAP SCREW	1		
16	T30773	BRACKET	1		
17	T30785	CLAMP	1		
	R66287	HALF CLAMP	1		
18	AR55382	OIL TUBE	1	147970-	(PTO CLUTCH PRESSURE) (SUB RE14758, RE14759, (2) F2208R AND R66287)
19	AR55396	OIL TUBE	1	147970-	(PTO BRAKE PRESSURE) (SUB RE14759, RE14758, (2) F2208R AND R66287)
20	R51286	RETAINER	1	147970-	
21	A3917R	O-RING	4	147970-	

2G16

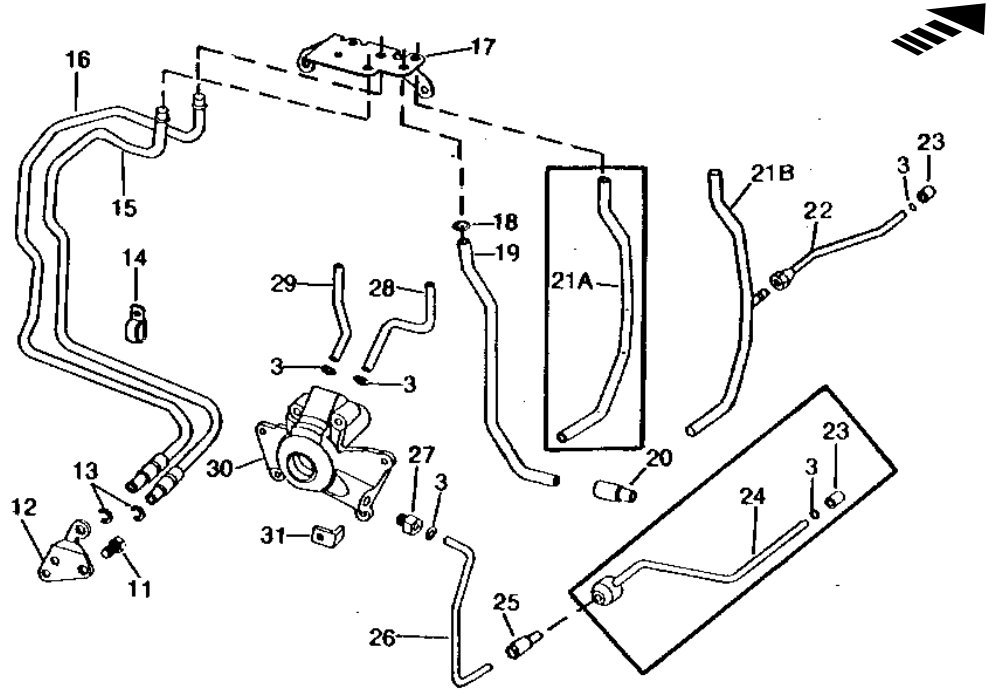
POWER TRAIN

CLUTCH OIL MANIFOLD AND OIL LINES (HI-LO SHIFT) (INDEPENDENT PTO)

RXP8209 -UN-01JAN94



RXP8209



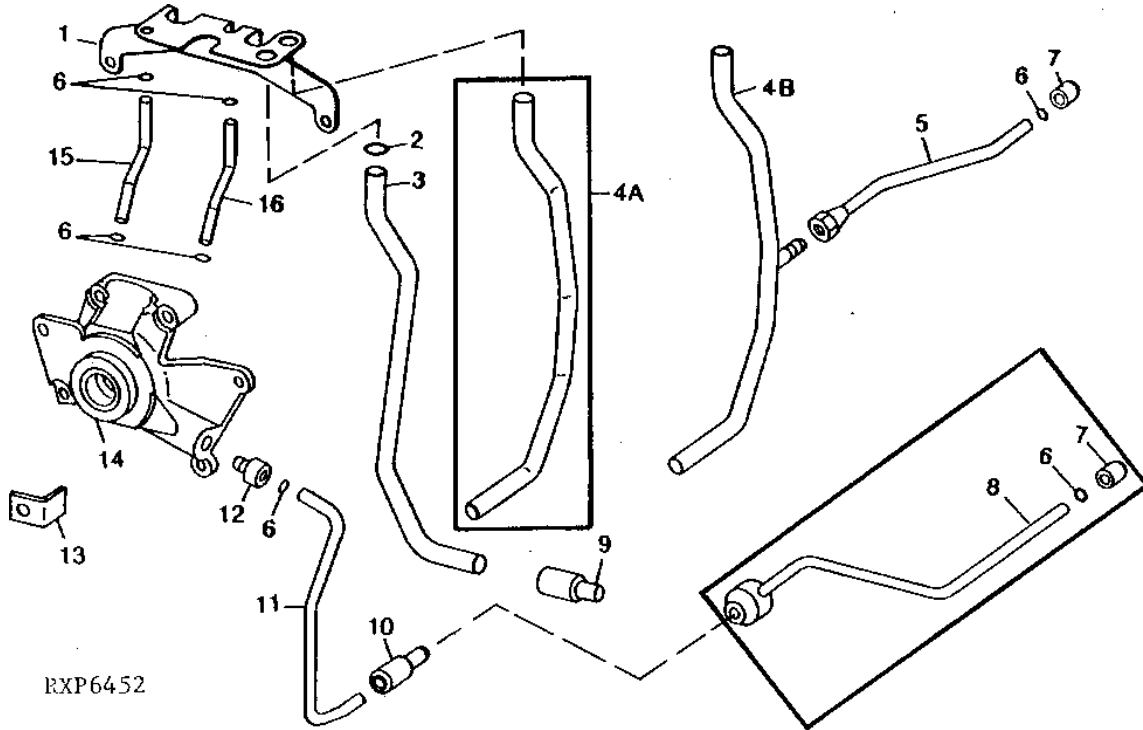
KEY	PART NO.	PART NAME	QTY	TRACTOR SERIAL NO.	REMARKS
1	AT29692	LINE	1	-147969	(PTO CLUTCH PRESSURE)
2	AT29693	LINE	1	-147969	(PTO BRAKE PRESSURE)
3	A3917R	O-RING	8		
4	14H732	NUT	1	-147969	3/8"
5	T30780	RETAINER	1	-147969	(NLA)
6	AT29715	MANIFOLD	1	-147969	
7	AT29691	RETAINER	1	-147969	(NLA)
8	19H2038	CAP SCREW	1	-147969	3/8" X 1/2"
9	T30781	BRACKET	1	-147969	(NLA)
10	T30808	OIL TUBE	2	-147969	
11	T30774	CAP SCREW	1		
12	T30773	BRACKET	1		
13	F2208R	SNAP RING	2		
	F3396R	SNAP RING	2		
	T30785	CLAMP	1		
14	AR55382	OIL TUBE	1	147970-	(PTO CLUTCH PRESSURE) (SUB RE14758, RE14759, (2) F2208R AND R66287)
15	AR55396	OIL TUBE	1	147970-	(PTO BRAKE PRESSURE) (SUB RE14759, RE14758, (2) F2208R AND R66287)
16	R51286	RETAINER	1	147970-	
17	R375R	O-RING	2		
18	T25413	OIL TUBE	1		OUTLET
19	T25408	SLEEVE	1		
20	T25412	OIL TUBE	1	-XXXXXX	PRESSURE
21A	AL25164	OIL TUBE	1	XXXXXX-	PRESSURE
21B	AL25165	OIL TUBE	1	XXXXXX-	
22	T22584	BUSHING	1		
23	AT23232	OIL TUBE	1		(SUB AL25164, AL25165 AND L30755)
24	L30755	ADAPTER	1	XXXXXX-	
25	T25411	OIL TUBE	1		
26	T22852	ADAPTER	1		
27	R51290	OIL TUBE	1	147970-	(LOW-CLUTCH PRESSURE)
28	R51289	OIL TUBE	1	147970-	(HI-CLUTCH PRESSURE)
29	AR39118	MANIFOLD	1		(MARKED R39266)
30	T25417	ANGLE	1		

2G17

POWER TRAIN

CLUTCH OIL MANIFOLD AND OIL LINES (HI-LO SHIFT) (LESS INDEPENDENT PTO)

RXP6452 -UN-01JAN94



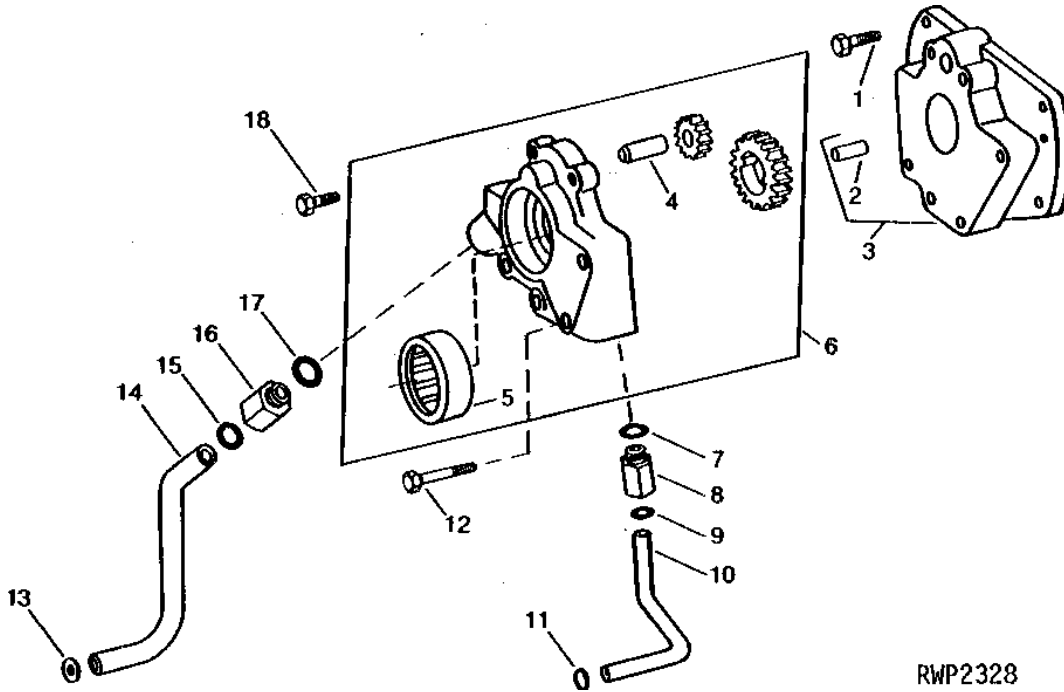
KEY	PART NO.	PART NAME	QTY	TRACTOR SERIAL NO.	REMARKS
1	T25416	RETAINER	1		
2	R375R	O-RING	1		
3	T25413	OIL TUBE	1		OUTLET
4A	T25412	OIL TUBE	1		-XXXXXX PRESSURE
4B	AL25164	OIL TUBE	1	XXXXXX-	
5	AL25165	OIL TUBE	1	XXXXXX-	
6	A3917R	O-RING	6		
7	T22584	BUSHING	1		
8	AT23232	OIL TUBE	1		
9	T25408	SLEEVE	1		
10	L30755	ADAPTER	1	XXXXXX-	
11	T25411	OIL TUBE	1		
12	T22852	ADAPTER	1		
13	T25417	ANGLE	1		
14	AR39118	MANIFOLD	1		(MARKED R39266)
15	T25414	OIL TUBE	1		(HI-CLUTCH PRESSURE)
16	T25415	OIL TUBE	1		(LO-CLUTCH PRESSURE)

2G18

POWER TRAIN

RWP2328 -UN-01JAN94

TRANSMISSION OIL PUMP AND OIL LINES (LESS HI-LO SHIFT OR REVERSER)



RWP2328

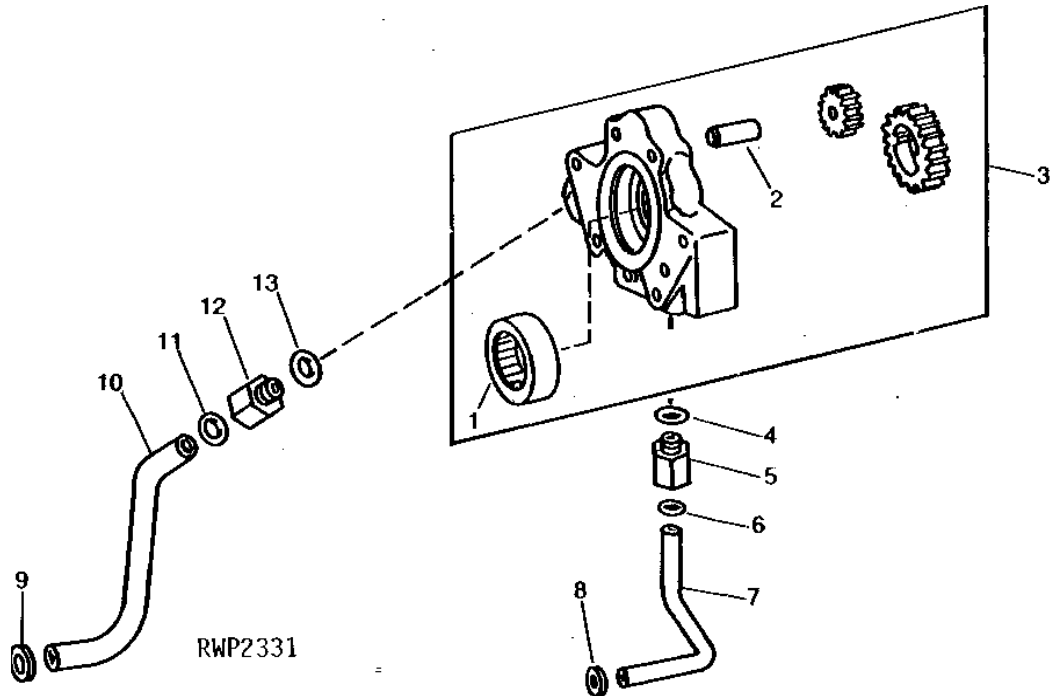
KEY	PART NO.	PART NAME	QTY	TRACTOR SERIAL NO.	REMARKS
1	19H2552	CAP SCREW	4	3/8" X 1-1/8"	
2	R30587	DOWEL PIN	3		
3	AR69659	ADAPTER	1		(SUB FOR AR39093)
4	R58661	DOWEL PIN	1		(SUB FOR R39224)
5	JD8720	ROLLER BEARING	1	-XXXXXX	(3.15 OD)
	JD8720	ROLLER BEARING	1	XXXXXX-	(3.15 OD)
6	AR96662	OIL PUMP	1	-XXXXXX	(MARKED R39244 OR R57959) (SUB FOR AR39107)
	AR96662	OIL PUMP	1	XXXXXX-	(MARKED R39244 OR R57959) (SUB FOR AR39107)
7	R26906	O-RING	1		
8	T22862	ADAPTER	1		
9	R375R	O-RING	1		
10	T25419	OIL TUBE	1		OUTLET
11	T22851	WASHER	1		
12	R40235	CAP SCREW	5		
13	R26149	PACKING	1		
14	T25418	OIL TUBE	1		INLET
15	T13119	O-RING	1		
16	T30754	ADAPTER	1		
17	F3171R	O-RING	1		
18	R41041	CAP SCREW	1		

2G19

POWER TRAIN

TRANSMISSION OIL PUMP AND OIL LINES (HI-LO SHIFT)

RWP2331 -UN-01JAN94



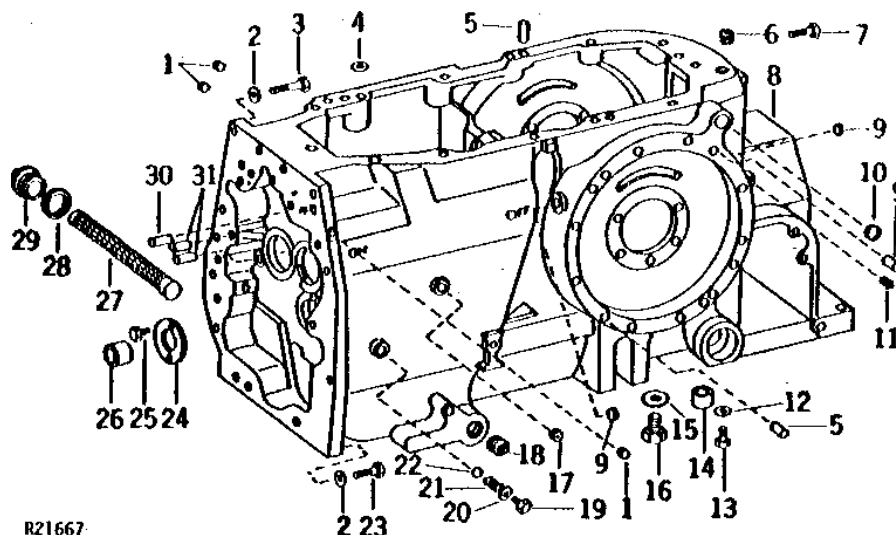
KEY	PART NO.	PART NAME	QTY	TRACTOR SERIAL NO.	REMARKS
1	JD8720	ROLLER BEARING	1	(540-1000 RPM PTO)	
2	R58661	DOWEL PIN	1	(SUB FOR R39224)	
3	AR96662	OIL PUMP	1	(MARKED R39244 OR R57959) (SUB FOR AR39107)	
4	R26906	O-RING	1	(REAR 540-1000 RPM PTO)	
5	T22862	ADAPTER	1		
6	R375R	O-RING	1		
7	T25419	OIL TUBE	1		DISCHARGE
8	T22851	WASHER	1		
9	R26149	PACKING	1		
10	T25418	OIL TUBE	1		INLET
11	T13119	O-RING	1		
12	T30754	ADAPTER	1		
13	F3171R	O-RING	1		

2G20

POWER TRAIN

R21667 -UN-01JAN94

TRANSMISSION CASE



R21667

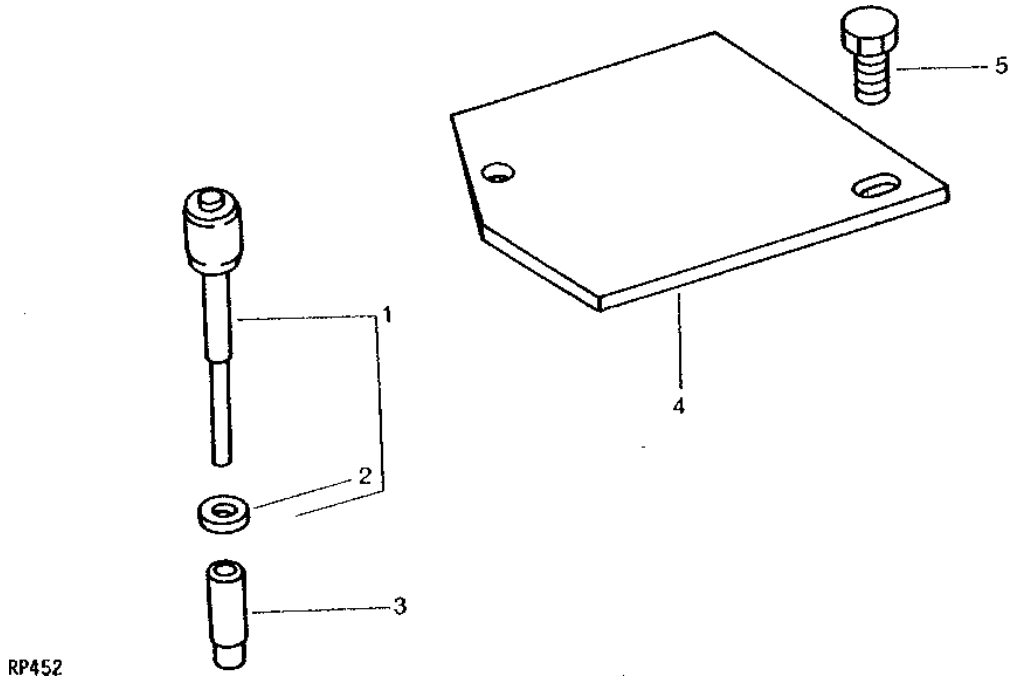
KEY	PART NO.	PART NAME	QTY	TRACTOR SERIAL NO.	REMARKS
1	M1102T	CAP	3		
2	T20168	WASHER	11		
3	19H1831	CAP SCREW	2	1/2" X 2"	
4	T17882	WASHER	2		
5	A120R	DOWEL PIN	6	(SUB R48685)	
6	15H562	PIPE PLUG	1	1", (PARK BRAKE ADJUSTING HOLE)	
7	19H2367	CAP SCREW	1	5/8" X 3/4", (CENTER LINK BRACKET STUD HOLE)	
8	AR65373	TRANSMISSION CASE	1	(MARKED R55840 OR T25400) (540 RPM PTO) (SUB AR101832, JD9878, L29048, R56615 AND AR94724) (WITH 540-1000 RPM CONTINUOUS PTO) AND 540 IND. (SUB AT69065, JD9878, L29048, (2) 19H2510, (2) 19H2644 AND (4) 19H2735)	
	AR65374	TRANSMISSION CASE	1	(540-1000 RPM INDEPENDENT PTO) (MARKED R55850 OR T30735) (SUB FOR AT29702) (SUB AR91515, JD9878, L29048, R56615 (2) 19H2510, (2) 19H2644 AND (4) 19H2735)	
9	T18891	CAP	2		
10	T21937	CAP	1	(LESS PARKING BRAKE)	
11	15H584	PIPE PLUG	1	1/2", (PARK BRAKE BAND HOLE)	
12	R27003	WASHER	1		
13	19H2351	CAP SCREW	1	1/2" X 1/2", (LESS PARKING BRAKE)	
14	T21671	BUSHING	1		
15	A4827R	WASHER	2		
16	R26727	DRAIN PLUG	2		
17	T18891	CAP	1	(LESS REAR PTO)	
18	15H562	PIPE PLUG	1	1"	
19	19H2351	CAP SCREW	1	1/2" X 1/2"	
20	R27003	WASHER	1		
21	T27716	SPRING	1	(REAR PTO)	
22	R26552	BALL	1	8 MM (5/16") (REAR PTO)	
23	19H1721	CAP SCREW	6	1/2" X 1-1/2"	
24	T28668	THRUST WASHER	1	(540-1000 RPM PTO OR 540 RPM PTO WITH MID-PTO)	
25	37H44	SCREW	2	0.151" X 3/8", (540-1000 RPM PTO OR 540 RPM PTO WITH MID-PTO)	
26	T22128	BUSHING	1	(LESS INDEPENDENT PTO)	
	T22128	BUSHING	2	(INDEPENDENT PTO)	
27	R53169	SCREEN	1	(NYLON) (SUB FOR AR26375)	
	AR26375	SCREEN	1	(STEEL)	
28	A4808R	WASHER	1		
29	R40147	FITTING	1	(SUB FOR A4806R)	
30	T26565	DOWEL PIN	2		
31	T24729	BUSHING	2		
..	RE50137	GASKET KIT	1	CLUTCH HOUSING TO TRANSMISSION CASE, (SUB FOR AR94702)	

2G21

POWER TRAIN

RP452 -UN-01JAN94

TRANSMISSION SUMP COVER AND OIL LEVEL ROD



RP452

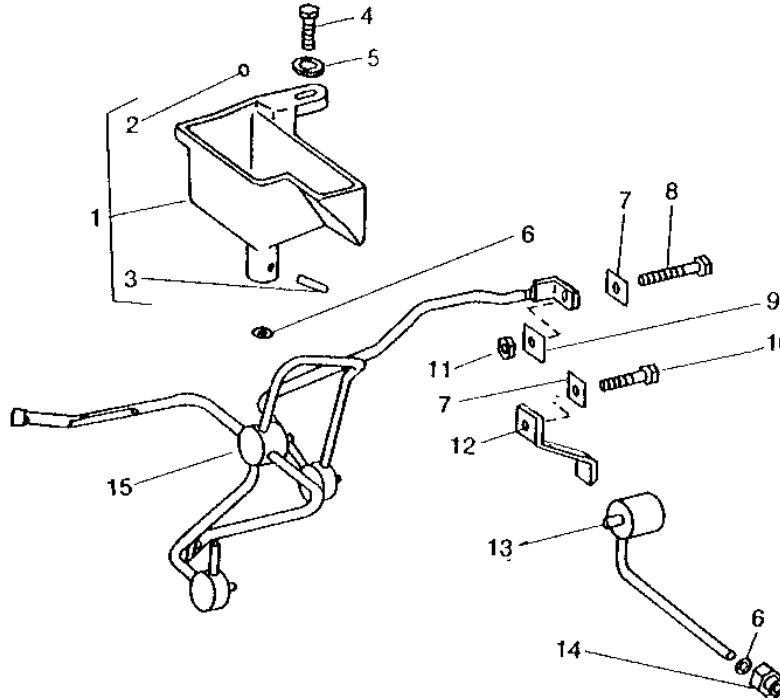
KEY	PART NO.	PART NAME	QTY	TRACTOR SERIAL NO.	REMARKS
1	AT19830	DIPSTICK	1		
2	R1590R	WASHER	1		
3	T21562	TUBE	1		
4	T22854	COVER	1		
5	19H2021	CAP SCREW	2		3/8" X 5/8"

2G22

POWER TRAIN

RP453 -UN-01JAN94

TRANSMISSION LUBRICATING OIL LINES



RP453

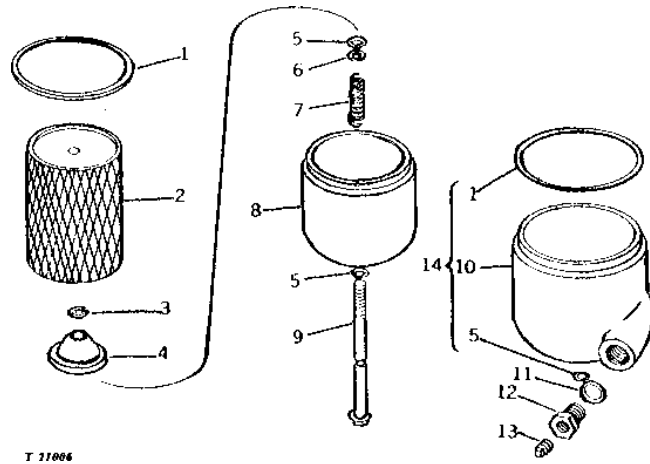
KEY	PART NO.	PART NAME	QTY	TRACTOR SERIAL NO.	REMARKS
1	AR66588	OIL CUP	1	(SUB AR87416 AND 21H1322)	
2	R26552	BALL	1	8 MM (5/16")	
3	R39090	NEEDLE ROLLER	1		
4	19H1731	CAP SCREW	1	3/8" X 1"	
5	24H1307	WASHER	1	13/32" X 1" X 1/16"	
6	A3917R	O-RING	2		
7	H246R	STRAP	2		
8	T22984	CAP SCREW	1		
9	R1888R	STRAP	1		
10	19H1800	CAP SCREW	1	3/8" X 1-1/2"	
11	14H732	NUT	1	3/8"	
12	T22974	CLAMP	1		
13	AT29752	OIL LINE	1		TRANSMISSION FRONT
14	T22852	ADAPTER	1		
15	AT22001	OIL LINE	1		TRANSMISSION REAR

2G23

POWER TRAIN

T21006 -UN-01JAN94

TRANSMISSION OIL FILTER



T 11006

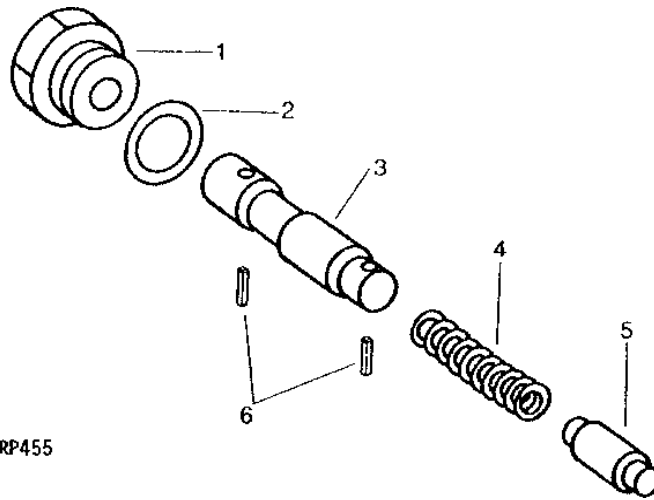
KEY	PART NO.	PART NAME	QTY	TRACTOR SERIAL NO.	REMARKS
1	R34733	WASHER	1		
2	AR75603	FILTER ELEMENT	1		(SUB FOR AR75601)
3	R32507	SNAP RING	1		
4	R65892	RETAINER	1		(SUB FOR R28593)
5	R394R	O-RING	3		
6	24H1227	WASHER	1		17/32" X 13/16" X 0.060"
7	R66064	SPRING	1		(SUB FOR R1769R)
8	R39796	COVER	1		
9	R82731	CAP SCREW	1		(SUB FOR R39799, R54752 OR R54753)
10	T31170	COVER	1		
11	F3171R	O-RING	1		
12	Y1912C	ADAPTER	1		
13	15H624	PIPE PLUG	1		1/2"
14	AT30197	COVER	1		

2G24

POWER TRAIN

RP455 -UN-01JAN94

TRANSMISSION RELIEF VALVE



RP455

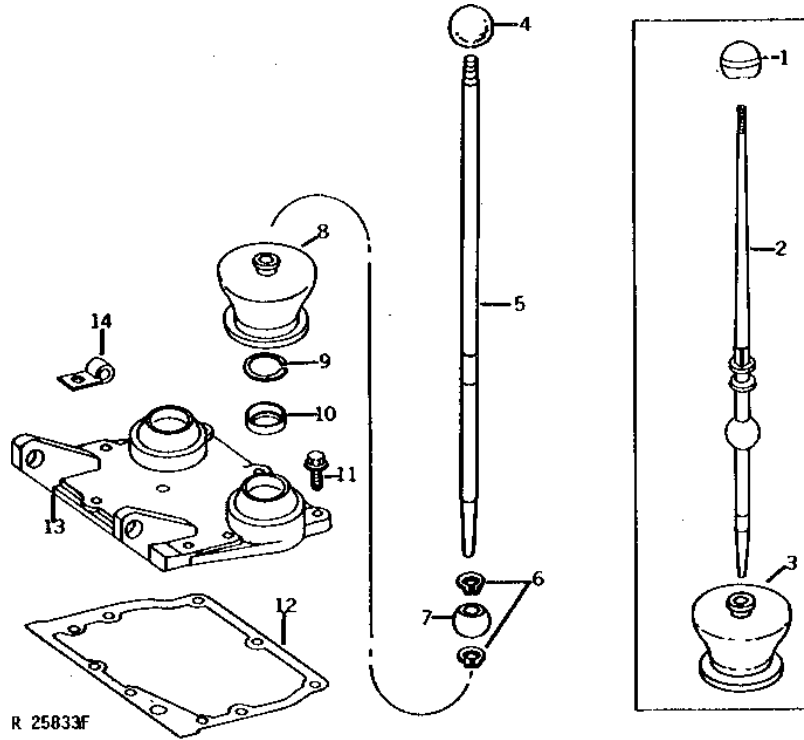
KEY	PART NO.	PART NAME	QTY	TRACTOR SERIAL NO.	REMARKS
1	R27175	DRAIN PLUG	1		
2	F3171R	O-RING	1		
3	T22853	SLEEVE	1		
4	R31698	SPRING	1		
5	R39294	PIN	1		
6	34H247	SPRING PIN	2	1/8" X 3/4"	

2G25

POWER TRAIN

R25833 -UN-01JAN94

TRANSMISSION TOP COVER AND SHIFT LEVER



R 25833F

KEY	PART NO.	PART NAME	QTY	TRACTOR SERIAL NO.	REMARKS
1	R50864	KNOB	1	(A)	
2	T22809	GEARSHIFT LEVER	1	(A) (SUB AL32791, R29936, R53815, L31055 AND (2) R32507)	
3	T27559	BOOT	1	(A)	
4	R50864	KNOB	1	(A)	
5	R53817	GEARSHIFT LEVER	1	(A) (SUB AL32791 AND R29936)	
6	R32507	SNAP RING	AR	(2 USED "T") (4 USED "L")	
7	R53815	BALL STUD	1	(A) (SUB AL32791 AND R29936)	
8	L31055	BOOT	1	(A)	
9	L4035T	SNAP RING	1	(A)	
10	L4027T	BUSHING	1	(A)	
11	T22728	SCREW	7	(LESS HI-LO SHIFT)	
	T22728	SCREW	6	(HI-LO SHIFT)	
	19H3181	CAP SCREW	7	3/8" X 2", (HI-LO SHIFT)	
12	T36042	GASKET	1		
13	AT23579	COVER	1	(LESS HI-LO SHIFT) (LESS INDEPENDENT PTO) (MARKED T23050)	
	R58768	HOUSING	1	(HI-LO SHIFT) (LESS INDEPENDENT PTO) (MARKED T25393 OR R58768) (ALSO ORDER T24395) (SUB FOR AT23907 OR AR70718)	
	AT29681	COVER	1	(INDEPENDENT PTO) (MARKED T30753 OR R54186) (SUB AR61916)	
14	T19935	CLAMP	1	(REVERSER)	

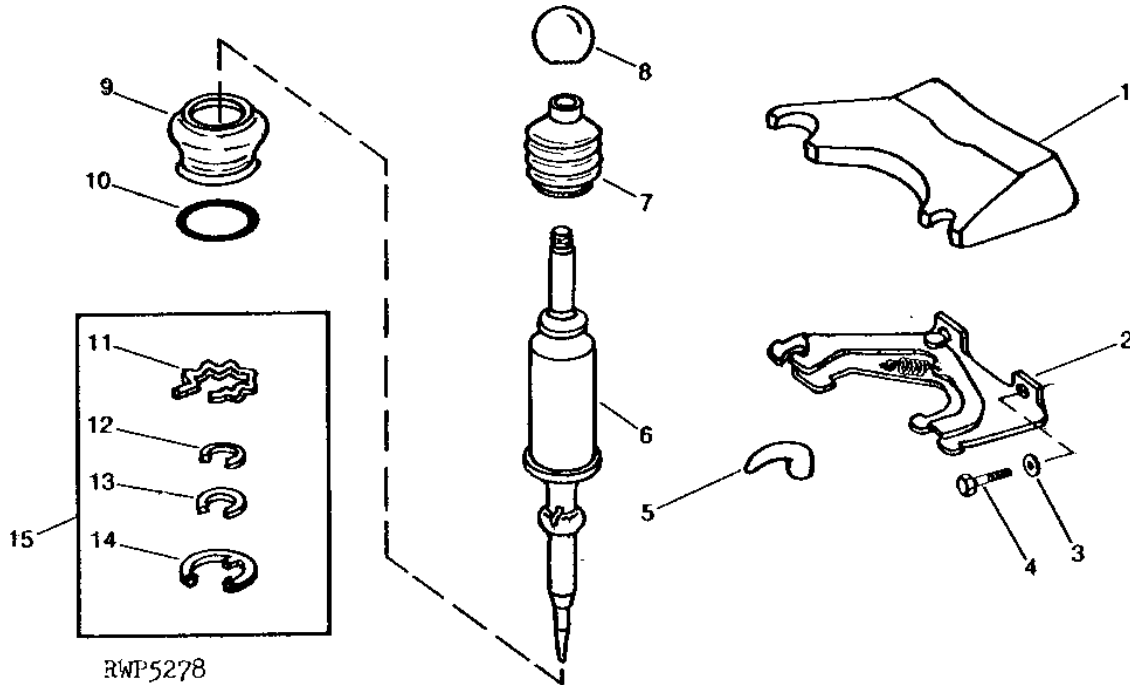
(A) 2 USED ON TRACTORS HAVING AN "L" AS THE LAST DIGIT OF THE CHASSIS SERIAL NUMBER.

2H1

POWER TRAIN

RWP5278 -UN-01JAN94

PARK LOCK ASSURANCE KIT (LEFT-HAND LEVER)



KEY	PART NO.	PART NAME	QTY	TRACTOR SERIAL NO.	REMARKS
1	R75442	COVER	1		
2	AR101754	BRACKET	1		
3	24H1822	WASHER	18		11/32" X 7/8" X 1/16"
4	19H1901	CAP SCREW	2		5/16" X 2"
5	R75440	HANDLE	1		
6	AR101755	LEVER	1		
7	R75451	BOOT	1		
8	R50864	KNOB	1		
9	R78249	BOOT	1		
10	L31311	O-RING	1		
11	R80839	SNAP RING	1		(SUB FOR R75450)
12	R80840	SHIM	3		
13	R80841	SHIM	3		
14	R75449	BEARING	1		
15	RE18116	KIT	1		

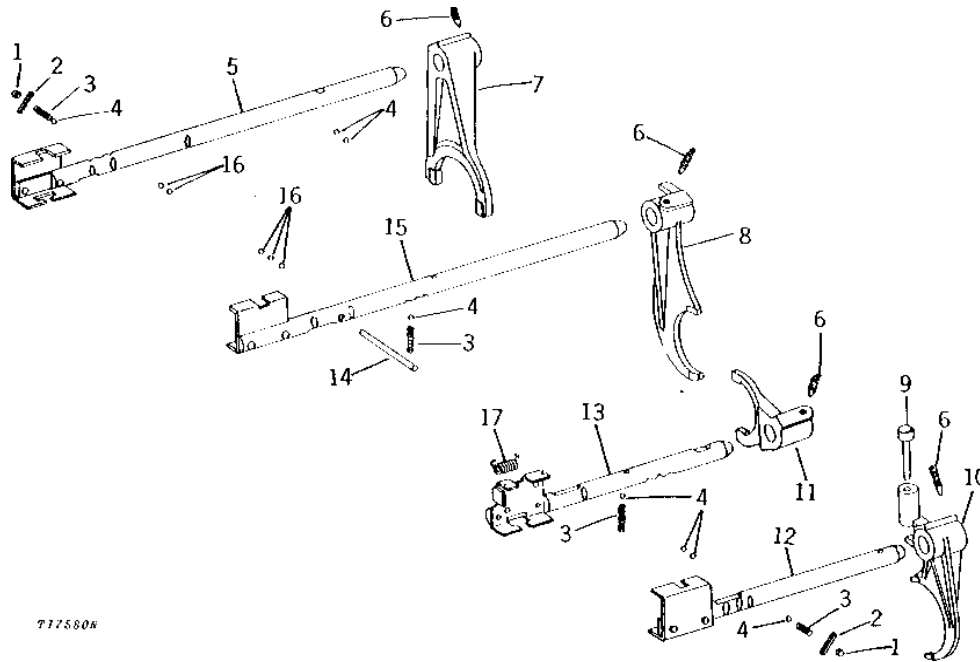
NOTE: MAY BE USED ON TRACTORS HAVING A "T" AS THE LAST DIGIT OF THE CHASSIS SERIAL NUMBER AND MAY BE USED ON THOSE HAVING AN "L".

2H2

POWER TRAIN

T17580 -UN-01JAN94

GEAR SHIFTERS AND SHIFTER SHAFTS



717580H

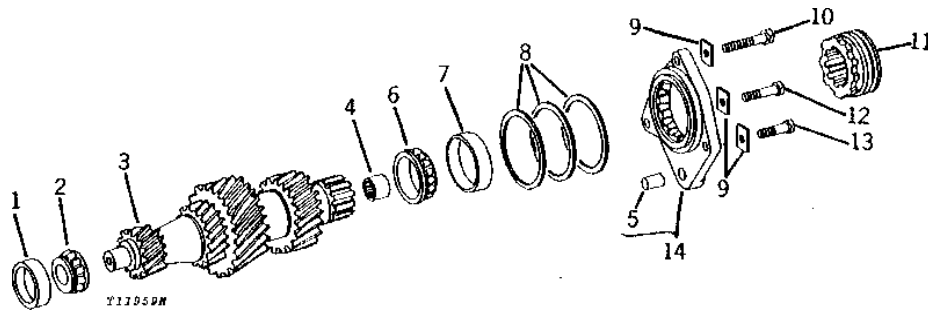
KEY	PART NO.	PART NAME	QTY	TRACTOR SERIAL NO.	REMARKS
1	M1102T	CAP	3		
2	34H251	SPRING PIN	2		1/8" X 1"
3	T27716	SPRING	4		
4	R26552	BALL	8		8 MM (5/16")
5	AR95992	SHAFT	1		(1ST AND 5TH, 2ND AND 6TH SPEED) (SUB FOR AT20786)
6	T25614	SET SCREW	4		
7	L28401	SHIFTER	1		(1ST AND 5TH, 2ND AND 6TH SPEED) (SUB FOR T21603)
8	T32142	SHIFTER	1		(3RD AND 7TH, 4TH AND 8TH SPEED) (SUB R59032)
9	R98941	PIN	1		(SUB FOR T22435 OR R60559)
10	R51233	SHIFTER	1	-246644	(LOW AND REVERSE RANGE) (SUB R60557)
	R60557	SHIFTER	1	246645-	(LOW AND REVERSE RANGE)
11	R59176	SHIFTER	1		(HIGH RANGE)
12	AL33250	SHIFTER ROD	1		(LOW AND REVERSE RANGE)
13	AT29386	SHIFTER ROD	1	-246644	(HIGH RANGE) (SUB RE18646)
	RE18147	SHAFT	1	246645-	(HIGH RANGE) (SUB FOR AT53247 OR AR73458)
14	T22736	PIN	1		
15	AR95991	SHAFT	1		(3RD AND 7TH, 4TH AND 8TH SPEED) (SUB FOR AT20784)
16	400R	BALL	5		6 MM (1/4")
17	T28680	SPRING	1		

2H3

POWER TRAIN

T11959 -UN-01JAN94

TRANSMISSION DRIVE SHAFT ASSEMBLY



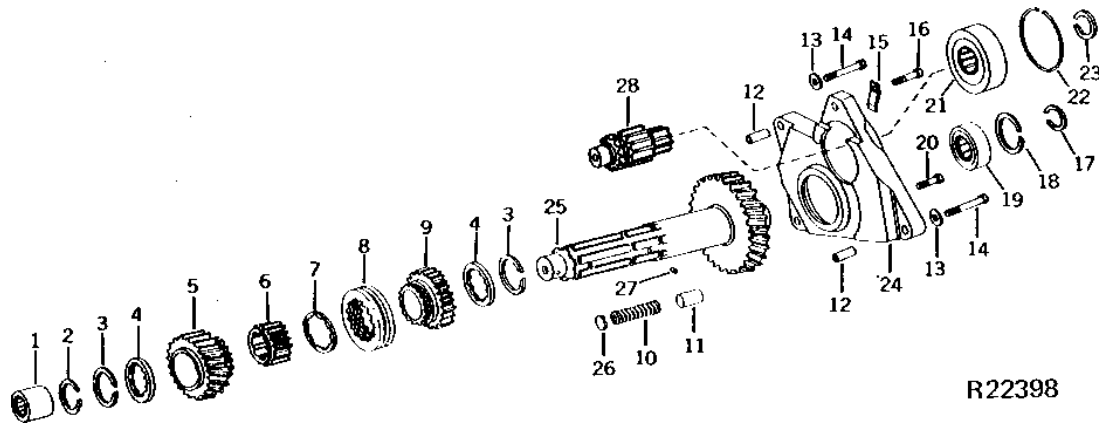
KEY	PART NO.	PART NAME	QTY	TRACTOR SERIAL NO.	REMARKS
1	JD7449	BEARING CUP	1		
2	JD7375	BEARING CONE	1		
3	T21980	DRIVE SHAFT	1		
4	JD9839	NEEDLE BEARING	1		
5	R54380	DOWEL PIN	1		(SUB FOR T25317)
6	JD8171	BEARING CONE	1		
7	JD8276	BEARING CUP	1		
8	T21442	SHIM	AR		0.08 MM (.003")
	T21443	SHIM	AR		0.13 MM (.005")
	T21444	SHIM	AR		0.25 MM (.010")
9	H246R	STRAP	3		
10	T22984	CAP SCREW	1		
11	R67336	SHIFT COLLAR	1		(SUB FOR T22934 OR R65579)
12	19H1800	CAP SCREW	1		3/8" X 1-1/2"
13	19H1732	CAP SCREW	1		3/8" X 1-1/4"
14	AT22315	QUILL	1		(SUB T22955 AND R54380) (NLA)

2H4

POWER TRAIN

COUNTERSHAFT AND BEARING SUPPORT (LESS INDEPENDENT PTO)

R22398 -UN-01JAN94



R22398

KEY	PART NO.	PART NAME	QTY	TRACTOR SERIAL NO.	REMARKS
1	JD9822	NEEDLE BEARING	1	-187300	
	JD9878	NEEDLE BEARING	1	187301-	
2	R34399	SNAP RING	1	-187300	
	L29048	SNAP RING	1	187301-	
3	T19242	SNAP RING	2		
4	T19245	THRUST WASHER	2		
5	T30065	GEAR	1		LOW RANGE
6	T21964	SLEEVE	1		
7	R55721	THRUST WASHER	1		
8	R50655	SHIFT COLLAR	1		
9	T21981	GEAR	1		REVERSE RANGE (LESS REVERSER)
10	T24732	SPRING	2		
11	T21969	FRICTION PLUG	2		
12	T24729	BUSHING	2		
13	R1870R	WASHER	2		(SUB R57696)
14	19H2549	CAP SCREW	2		3/8" X 1-7/8"
15	T24736	CLAMP	1		
16	19H1732	CAP SCREW	1		3/8" X 1-1/4"
17	F215R	RING	1		
18	B190R	SNAP RING	1		
19	JD9258	BALL BEARING	1		(SUB FOR JD9465)
20	19H1731	CAP SCREW	1		3/8" X 1"
21	JD7672	BALL BEARING	1		(A)
	JD9361	BALL BEARING	1		(B)
22	T24737	SNAP RING	1		
23	A364R	SNAP RING	1		(A)
	T25621	SNAP RING	1		(B)
24	T24691	SUPPORT	1		(SUB L36557)
25	T24726	COUNTERSHAFT	1	-187300	
	R56615	COUNTERSHAFT	1	187301-	
26	T24521	DISK	2		(REVERSER)
27	T16573	PIN	1		(REVERSER)
28	R65576	GEAR	1		(A) (SUB FOR T24728)
	R65577	STEERING GEAR	1		(B) (SUB FOR T25620) (SUB R67338)

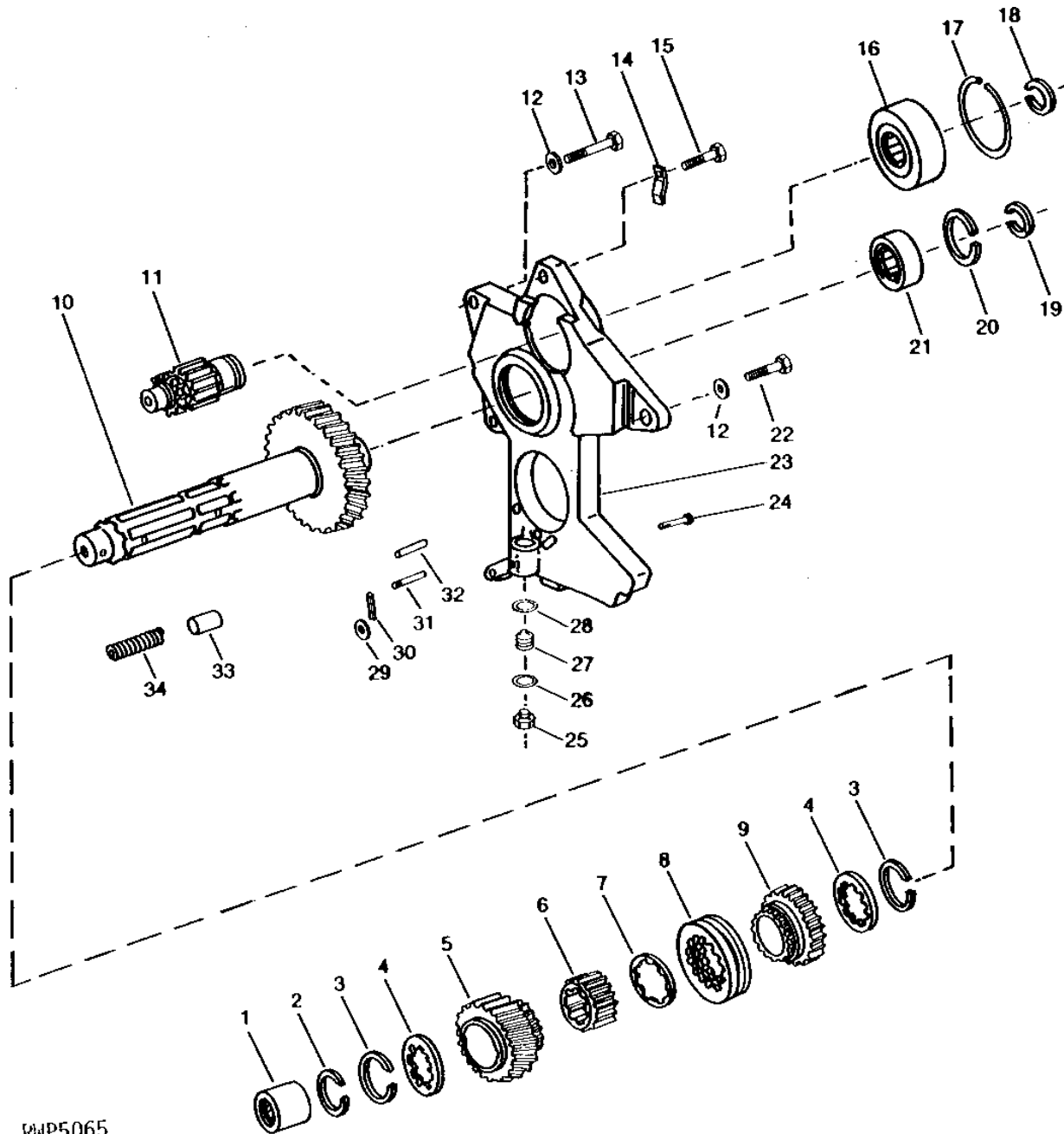
(A) LESS HI-LO SHIFT
(B) HI-LO SHIFT

2H5

POWER TRAIN

COUNTERSHAFT AND BEARING SUPPORT (INDEPENDENT PTO)

RWP5065 -UN-01JAN94



RWP5065

2H6

POWER TRAIN

COUNTERSHAFT AND BEARING SUPPORT - CONTINUED (INDEPENDENT PTO)

KEY	PART NO.	PART NAME	QTY	TRACTOR SERIAL NO.	REMARKS
1	JD9822	NEEDLE BEARING	1	-187300	
	JD9822	NEEDLE BEARING	1		(C)
	JD9878	NEEDLE BEARING	1	187301-	
2	R34399	SNAP RING	1	-187300	
	R34399	SNAP RING	1		(C)
	L29048	SNAP RING	1	187301-	
3	T19242	SNAP RING	2		
4	T19245	THRUST WASHER	2		
5	T30065	GEAR	1		LOW RANGE
6	T21964	SLEEVE	1		
7	R55721	THRUST WASHER	1		(SUB FOR T24730)
8	R50655	SHIFT COLLAR	1		
9	T21981	GEAR	1		REVERSE RANGE
10	T24726	COUNTERSHAFT	1	-187300	
	R56615	COUNTERSHAFT	1	187301-	
	T24726	COUNTERSHAFT	1		(C)
11	R67341	GEAR	1		(A) (SUB FOR T24728 OR R65576)
	R65577	STEERING GEAR	1		(B) (SUB FOR T25620) (SUB R67338)
12	R1870R	WASHER	2		(SUB R57696)
13	19H1801	CAP SCREW	2		3/8" X 2"
14	T24736	CLAMP	1		
15	19H1732	CAP SCREW	1		3/8" X 1-1/4"
16	JD9361	BALL BEARING	1		(A)
	JD7674	BALL BEARING	1		(B)
17	T24737	SNAP RING	1		
18	A364R	SNAP RING	1		(A)
	T25621	SNAP RING	1		(B)
19	F215R	RING	1		
20	B190R	SNAP RING	1		
21	JD9258	BALL BEARING	1		(SUB FOR JD9465)
22	19H1731	CAP SCREW	1		3/8" X 1"
23	AR78203	SUPPORT	1	-187300	(MARKED R63296) (ALSO ORDER L31514) (SUB FOR T30749 OR AR67704)
	AR78202	SUPPORT	1	187301-	(ALSO ORDER L31514 AND L31515) (SUB FOR AR66561) (MARKED R53064 OR L31516)
24	N6704DN	PIN	1	-XXXXXX	
25	R51912	FITTING	1	-187300	(SUB FOR R44823)
	R53066	FITTING PLUG	1	187301-	
26	R27149	O-RING	1	-187300	
	U17409	O-RING	1	187301-	
27	T30758	PISTON	1	-187300	
	R53065	PISTON	1	187301-	
28	P42061	O-RING	1	-187300	
	R27928	O-RING	1	187301-	
29	U13489	WASHER	1	-XXXXXX	
30	11M7059	COTTER PIN	1	-XXXXXX	3.200 X 20 MM
31	R26822	PIN	1	-187300	
	R53072	PIN	1	187301-	
32	H826R	DOWEL PIN	1	187301-	
33	T21969	FRICTION PLUG	2		
34	T24732	SPRING	2		

(A) LESS HI-LO SHIFT

(B) HI-LO SHIFT

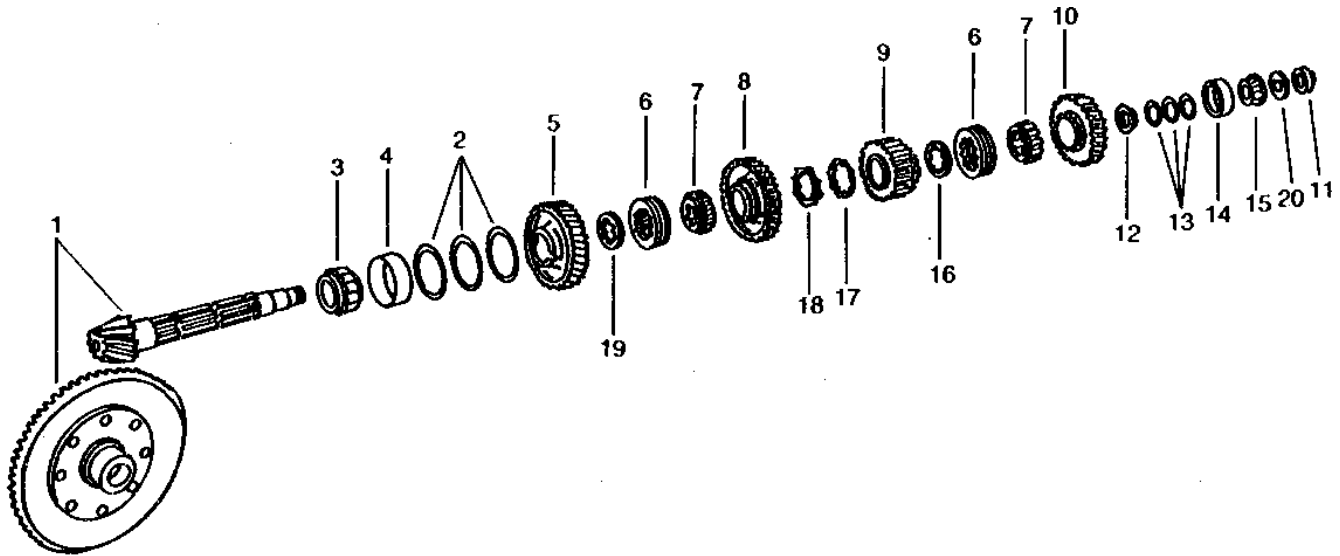
(C) USE ON TRACTORS HAVING AN "L" AS THE LAST DIGIT OF THE CHASSIS SERIAL NUMBER

2H7

POWER TRAIN

RP459 -UN-01JAN94

DIFFERENTIAL DRIVE SHAFT ASSEMBLY



RP459

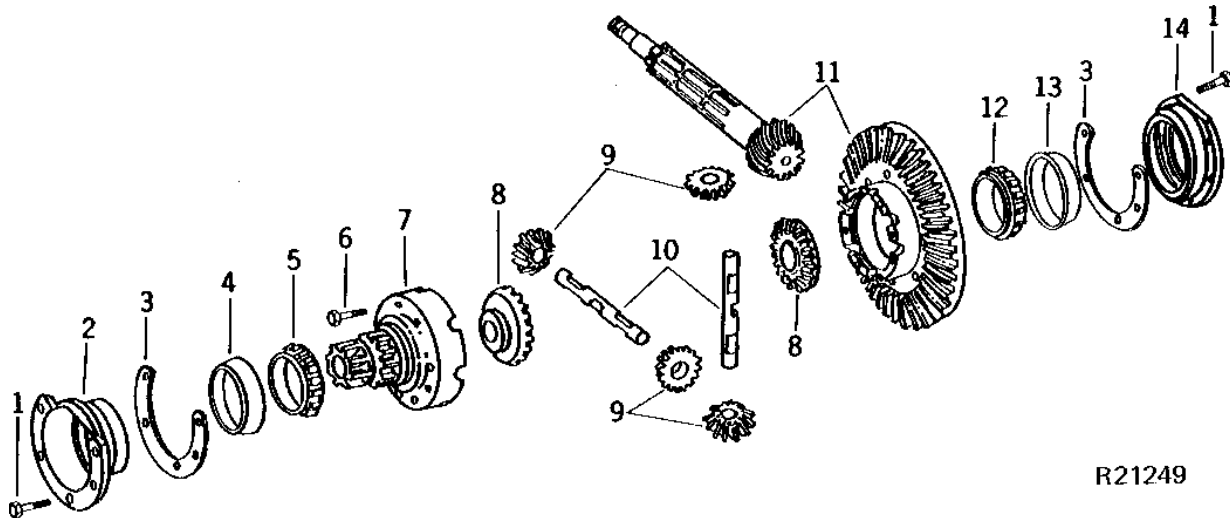
KEY	PART NO.	PART NAME	QTY	TRACTOR SERIAL NO.	REMARKS
1	AL38555	KIT	1		(MARKED T30253, L40656 AND L40657) (9-39 RATIO) (SUB AT166883)
	AT21622	DIFFERENTIAL	1		(MARKED T30253, T21401 AND T21402) (8-35 RATIO) (SUB FOR AL38555) (SUB AT166883)
	AT21623	DIFFERENTIAL	1		(MARKED T30253, T21403 AND T21404) (9-43 RATIO)
2	T31794	SHIM	AR		0.25 MM (.010") (SUB FOR T17201)
3	JD8997	BEARING CONE	1		
4	JD8255	BEARING CUP	1		
5	T21975	GEAR	1		(1ST AND 5TH SPEED)
6	T21970	SHIFT COLLAR	2		
7	T21964	SLEEVE	2		
8	T21976	GEAR	1		(2ND AND 6TH SPEED)
9	T21977	GEAR	1		(4TH AND 8TH SPEED)
10	AT30053	GEAR	1		(3RD AND 7TH SPEED) (MARKED T31080)
11	T24917	NUT	1		
12	T21965	WASHER	1		
13	M2056T	SHIM	AR		0.05 MM (.002")
	M2057T	SHIM	AR		0.13 MM (.005") (SUB AT146268)
	M2058T	SHIM	AR		0.25 MM (.010") (SUB AT146268)
	L35024	SHIM	AR		0.39 MM (.015")
14	JD8267	BEARING CUP	1		
15	JD8979	BEARING	1		
16	R55721	THRUST WASHER	1		(SUB FOR T24730)
17	R56473	THRUST WASHER	1		(SUB FOR T24734)
18	R55722	THRUST WASHER	1		(SUB FOR T24731)
19	R55721	THRUST WASHER	1		(SUB FOR T24730)
20	T24918	WASHER	1		

2H8

POWER TRAIN

R21249 -UN-01JAN94

DIFFERENTIAL ASSEMBLY



R21249

KEY	PART NO.	PART NAME	QTY	TRACTOR SERIAL NO.	REMARKS
1	T22874	BOLT	10		
2	T21433	QUILL	1	L.H.	
3	T21434	SHIM	AR	0.08 MM (.003")	
	T21435	SHIM	AR	0.13 MM (.005")	
	T21436	SHIM	AR	0.25 MM (.010")	
4	JD7425	BEARING CUP	1	L.H.	
5	JD8147	BEARING CONE	1	L.H.	
6	T21430	CAP SCREW	8		
7	T21974	HOUSING	1	L.H. (SUB FOR T21972)	
8	T29394	BEVEL GEAR	2	(18 TEETH) (SUB FOR T21971) (SUB (2) T118949 AND (4) T118950)	
9	T21876	BEVEL GEAR	4	(SUB FOR T37822) (SUB (2) T118949 AND (4) T118950)	
10	T21875	PINION SHAFT	2		
11	AL38555	KIT	1	(MARKED T30253, L40656 AND L40657) (9-39 RATIO) (TIRE SIZE 28" AND BELOW) (SUB AT166883)	
	AT21622	DIFFERENTIAL	1	(MARKED T30253, T21401 AND T21402) (SUB FOR AL38555) (8-35 RATIO) (TIRE SIZE 28" AND BELOW) (SUB AT166883)	
	AT21623	DIFFERENTIAL	1	(MARKED T30253, T21403 AND T21404) (9-43 RATIO) (TIRE SIZE ABOVE 28")	
12	JD8946	BEARING CONE	1	R.H.	
13	JD8206	BEARING CUP	1	R.H.	
14	T21432	QUILL	1	R.H.	

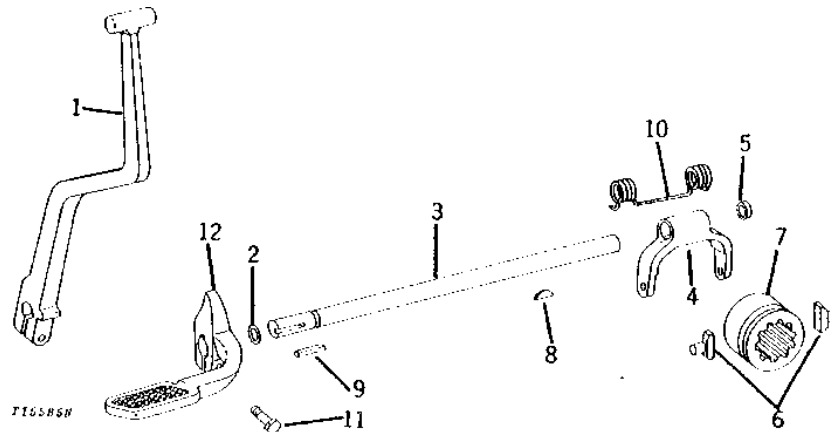
MEMORANDA

2H9

POWER TRAIN

T15585 -UN-01JAN94

DIFFERENTIAL LOCK MECHANISM



KEY	PART NO.	PART NAME	QTY	TRACTOR SERIAL NO.	REMARKS
1	T21842	LEVER	1		
2	R28776	O-RING	1		
3	T21839	SHAFT	1		
4	T21840	YOKE	1		
5	T18891	CAP	1		
6	T21841	SHOE	2		
7	T21819	SHIFT COLLAR	1		
8	26H77	SHAFT KEY	1	3/16" X 3/4"	
9	H410R	SHAFT KEY	1		
10	T24522	SPRING	1	(SUB R63850)	
11	19H1732	CAP SCREW	1	3/8" X 1-1/4"	
12	T26555	PEDAL	1	(762 MM (30") OR LARGER TIRE)	
	T22953	PEDAL	1	(711 MM (28") OR SMALLER TIRE) (NLA)	

2H11

POWER TRAIN

DIFFERENTIAL ASSEMBLY AND LOCK MECHANISM - CONTINUED

KEY	PART NO.	PART NAME	QTY	TRACTOR SERIAL NO.	REMARKS
1	AT21623	DIFFERENTIAL	1		(INCLUDES T30253 AND T30254)
2	L29226	SHAFT	2		
3	L29227	GEAR	4		
4	T29394	BEVEL GEAR	2		(18 TEETH) (SUB FOR T21971) (SUB (2) T118949 AND (4) T118950)
5	R51500	HOUSING	1		L.H.
6	T21430	CAP SCREW	8		
7	JD8147	BEARING CONE	1		L.H.
8	JD7425	BEARING CUP	1		L.H.
9	T21433	QUILL	1		L.H.
10	T21432	QUILL	1		R.H.
11	T21434	SHIM	AR		0.08 MM (.003")
	T21435	SHIM	AR		0.13 MM (.005")
	T21436	SHIM	AR		0.25 MM (.010")
12	T22874	BOLT	10		
13	JD8946	BEARING CONE	1		R.H.
14	JD8206	BEARING CUP	1		R.H.
15	T27429	LEVER	1		
16	T27430	PEDAL	1		
17	19H1731	CAP SCREW	1		3/8" X 1"
18	12H304	LOCK WASHER	1		3/8"
19	19H2665	CAP SCREW	1		3/8" X 1-5/8"
20	T21839	SHAFT	1		(ALSO ORDER R28776)
21	L29406	O-RING	1	-XXXXXX	(USE WITH SHAFT WITH (2) KEYWAYS)
	R28776	O-RING	1	XXXXXX-	(USE WITH SHAFT WITH (1) KEYWAY)
22	L29834	SHAFT KEY	1		
23	T21840	YOKE	1		
24	26H77	SHAFT KEY	2	-XXXXXX	3/16" X 3/4"
	26H77	SHAFT KEY	1	XXXXXX-	3/16" X 3/4"
25	T24522	SPRING	1		(SUB R63850)
26	R51501	SHIFT COLLAR	1		
27	T21841	SHOE	2		
28	T18891	CAP	1		
29	T30253	HOUSING	1		R.H.
30	L29871	RIVET	8		(SUB T30254)

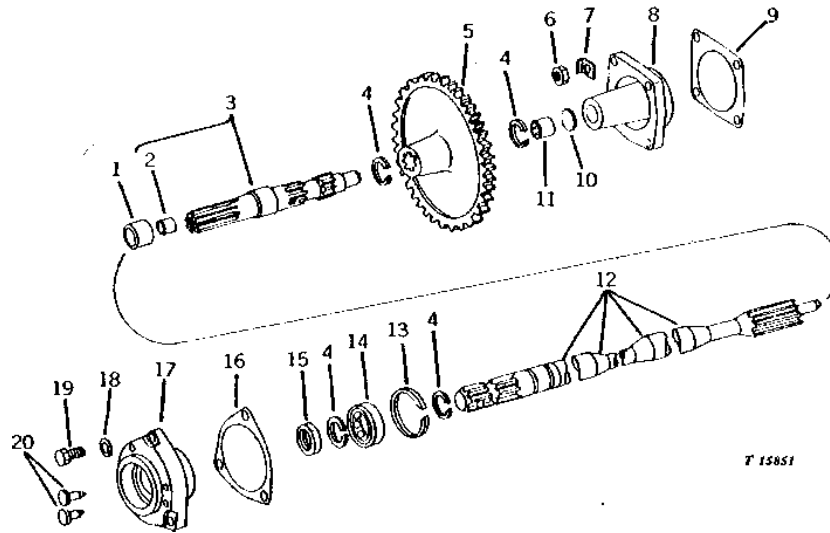
USE ON TRACTORS HAVING AN "L" AS THE LAST DIGIT OF THE CHASSIS SERIAL NUMBER

2H12

POWER TRAIN

GEARS AND SHAFTS
(540 RPM PTO)
(LESS INDEPENDENT PTO)

T15851 -UN-01JAN94



T 15851

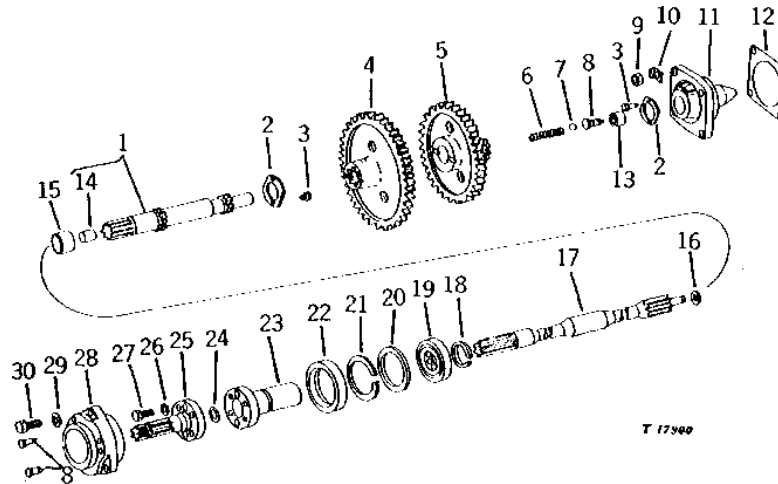
KEY	PART NO.	PART NAME	QTY	TRACTOR SERIAL NO.	REMARKS
1	T22128	BUSHING	1		
2	T22127	BUSHING	1		
3	AT23224	SHAFT	1		
4	M2353T	SNAP RING	4		
5	T22214	GEAR	1		
6	14H812	NUT	4	3/8"	
7	R30958	LOCK PLATE	4		
8	T22234	QUILL	1		
9	T21997	GASKET	1		
10	R26656	WASHER	1		
11	JD8877	NEEDLE BEARING	1		
12	R47249	SHAFT	1	REAR	
13	40M7044	SNAP RING	1	(SUB FOR R47513)	
14	JD9344	BALL BEARING	1		
15	AL56820	SEAL	1	(SUB FOR T22069)	
16	T22080	GASKET	1		
17	R47514	QUILL	1	REAR	
18	12H301	LOCK WASHER	3	1/2"	
19	19H1721	CAP SCREW	3	1/2" X 1-1/2"	
20	R27329	SCREW	2		

2H13

POWER TRAIN

GEARS AND SHAFTS
(540-1000 RPM PTO)
(LESS INDEPENDENT PTO)
(TRACTOR SERIAL NO. -187300)

T17900 -UN-01JAN94



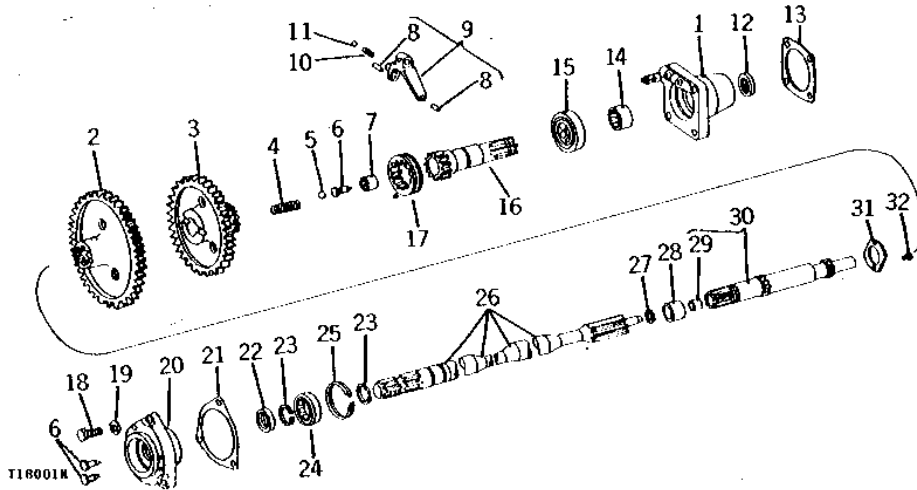
KEY	PART NO.	PART NAME	QTY	TRACTOR SERIAL NO.	REMARKS
1	AT22055	SHAFT	1		(SUB T22543 AND T22127)
2	T28668	THRUST WASHER	2		
3	37H44	SCREW	4		0.151" X 3/8"
4	AT20080	GEAR	1		(540 RPM) (LESS HI-LO) (MARKED T22218)
	AT23223	GEAR	1		(540 RPM) (HI-LO) (MARKED T25406) (NLA)
5	AT20079	GEAR	1		(1000 RPM) (LESS HI-LO) (MARKED T22215)
	AT23222	GEAR	1		(1000 RPM) (HI-LO) (MARKED T25405)
6	T22545	SPRING	1		
7	M886T	BALL	1		16 MM (5/8")
8	R27329	SCREW	3		
9	14H812	NUT	4		3/8"
10	R30958	LOCK PLATE	4		
11	T21996	QUILL	1		
12	T21997	GASKET	1		
13	JD8877	NEEDLE BEARING	1		
14	T22127	BUSHING	1		
15	T22128	BUSHING	1		
16	T22546	WASHER	1		
17	R48821	SHAFT	1		
18	R29001	RING	1		
19	JD9292	BALL BEARING	1		
20	R26795	WASHER	1		
21	A1160R	SNAP RING	1		
22	AR26706	SEAL	1		
23	T22129	GUIDE	1		
24	T22935	O-RING	1		
25	AT20094	POWER-TAKEOFF	1		(540 RPM)
	AT20095	POWER-TAKEOFF	1		(1000 RPM)
26	12H304	LOCK WASHER	4		3/8"
27	19H2552	CAP SCREW	4		3/8" X 1-1/8"
28	T22238	QUILL	1		REAR
29	12H301	LOCK WASHER	3		1/2"
30	19H1721	CAP SCREW	3		1/2" X 1-1/2"

2H14

POWER TRAIN

GEARS AND SHAFTS
(540 RPM PTO WITH 1000 MID PTO)
(LESS INDEPENDENT PTO)
(TRACTOR SERIAL NO. -187300)

T18001 -UN-01JAN94



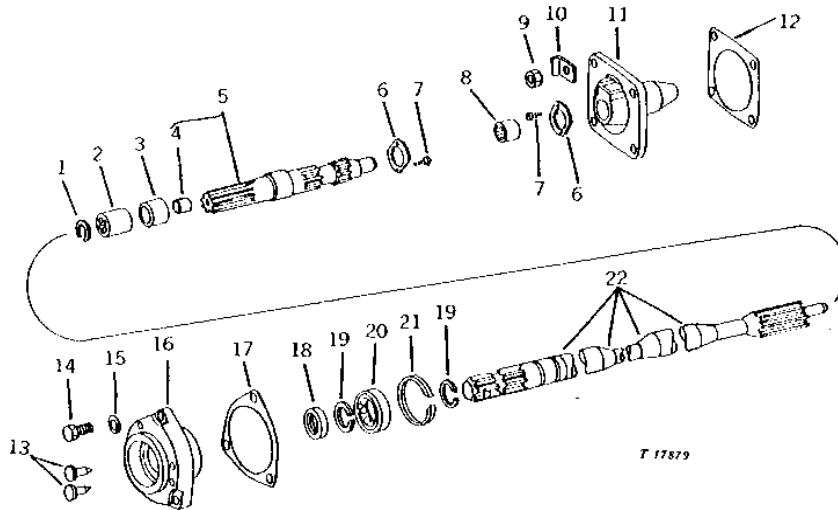
KEY	PART NO.	PART NAME	QTY	TRACTOR SERIAL NO.	REMARKS
1	T22288	QUILL	1		
2	AT20080	GEAR	1		(540 RPM) (MARKED T22218)
	AT23223	GEAR	1		(540 RPM) (HI-LO) (MARKED T25406) (NLA)
3	AT20079	GEAR	1		(1000 RPM) (LESS HI-LO) (MARKED T22215)
	AT23222	GEAR	1		(1000 RPM) (HI-LO) (MARKED T25405)
4	T22545	SPRING	1		
5	M886T	BALL	1		16 MM (5/8")
6	R27329	SCREW	3		
7	JD8877	NEEDLE BEARING	1		
8	R30587	DOWEL PIN	2		
9	AT32496	YOKE	1		
10	T27716	SPRING	1		
11	R26552	BALL	1		8 MM (5/16")
12	AT21420	SEAL	1		
13	T21997	GASKET	1		
14	JD9813	NEEDLE BEARING	1		(SUB JD8823)
15	JD7692	BALL BEARING	1		
16	T22289	SHAFT	1		
17	T21970	SHIFT COLLAR	1		
18	19H1721	CAP SCREW	3		1/2" X 1-1/2"
19	12H301	LOCK WASHER	3		1/2"
20	R47514	QUILL	1		
21	T22080	GASKET	1		
22	AL56820	SEAL	1		(SUB FOR T22069)
23	M2353T	SNAP RING	2		
24	JD9344	BALL BEARING	1		
25	40M7044	SNAP RING	1		(SUB FOR R47513)
26	R47249	SHAFT	1		REAR
27	T22546	WASHER	1		
28	T22128	BUSHING	1		
29	T22127	BUSHING	1		
30	AT22055	SHAFT	1		(SUB T22543 AND T22127)
31	T28668	THRUST WASHER	1		
32	37H44	SCREW	2		0.151" X 3/8"

2H15

POWER TRAIN

GEARS AND SHAFTS
(540 RPM PTO)
(INDEPENDENT PTO)

T17879 -UN-01JAN94



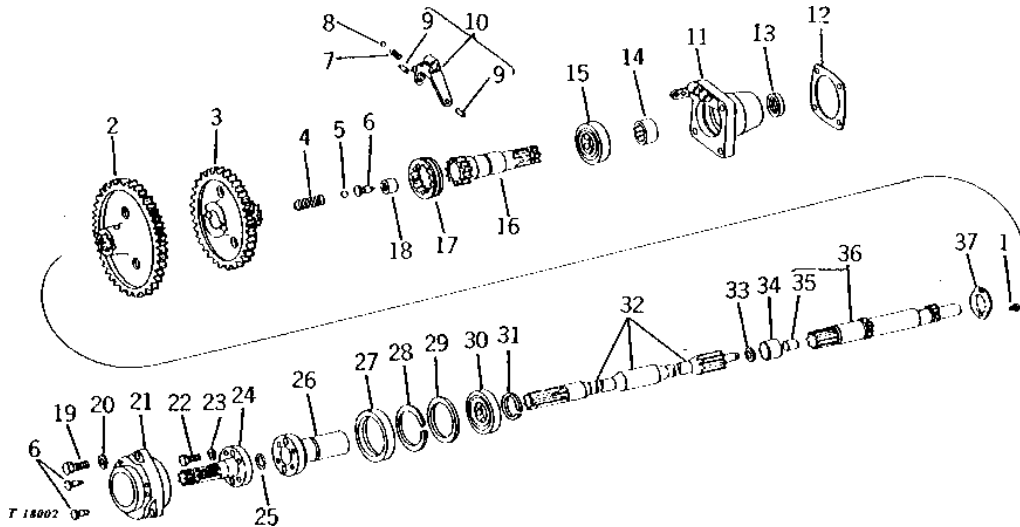
KEY	PART NO.	PART NAME	QTY	TRACTOR SERIAL NO.	REMARKS
1	T30766	SNAP RING	1	-XXXXXX	
2	T30767	SPLINED COUPLING	1	-XXXXXX	
3	T22128	BUSHING	1		
4	T22127	BUSHING	1		
5	AT29687	SHAFT	1		
6	T28668	THRUST WASHER	2		
7	37H44	SCREW	4	0.151" X 3/8"	
8	JD8877	NEEDLE BEARING	1		
9	14H812	NUT	4	3/8"	
10	R30958	LOCK PLATE	4		
11	T21996	QUILL	1		
12	T21997	GASKET	1		
13	R27329	SCREW	2		
14	19H1721	CAP SCREW	3	1/2" X 1-1/2"	
15	12H301	LOCK WASHER	3	1/2"	
16	R47514	QUILL	1	REAR	
17	T22080	GASKET	1		
18	AL56820	SEAL	1	(SUB FOR T22069)	
19	M2353T	SNAP RING	2		
20	JD9344	BALL BEARING	1		
21	40M7044	SNAP RING	1	(SUB FOR R47513)	
22	R47249	SHAFT	1		

2H16

POWER TRAIN

GEARS AND SHAFT (540-1000 RPM PTO WITH 1000 MID PTO) (LESS INDEPENDENT PTO) (REVERSER)

T18002 -UN-01JAN94



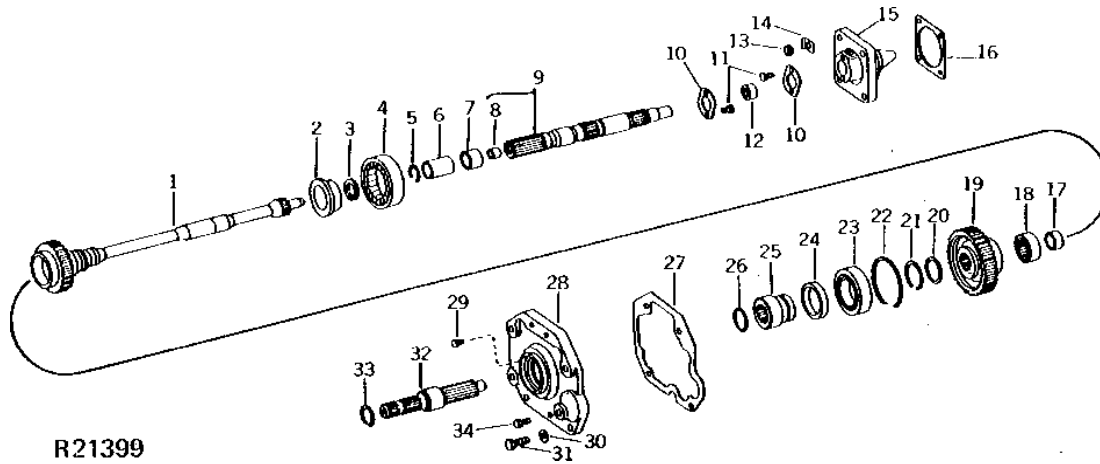
KEY	PART NO.	PART NAME	QTY	TRACTOR SERIAL NO.	REMARKS
1	37H44	SCREW	2		0.151" X 3/8"
2	AT20080	GEAR	1		(540 RPM) (LESS HI-LO) (MARKED T22218)
	AT23223	GEAR	1	-187300	(540 RPM) (HI-LO) (MARKED T25406) (NLA)
3	AT20079	GEAR	1		(1000 RPM) (LESS HI-LO) (MARKED T22215)
	AT23222	GEAR	1	-187300	(1000 RPM) (HI-LO) (MARKED T25405)
4	T22545	SPRING	1		
5	M886T	BALL	1		16 MM (5/8")
6	R27329	SCREW	3		
7	T27716	SPRING	1		
8	R26552	BALL	1		8 MM (5/16)
9	R30587	DOWEL PIN	2		
10	AT32496	YOKE	1		
11	T22288	QUILL	1		
12	T21997	GASKET	1		
13	AT21420	SEAL	1		
14	JD9813	NEEDLE BEARING	1		(SUB JD8823)
15	JD7692	BALL BEARING	1		
16	T22289	SHAFT	1		MID-PTO
17	T21970	SHIFT COLLAR	1		
18	JD8877	NEEDLE BEARING	1		
19	19H1721	CAP SCREW	3		1/2" X 1-1/2"
20	12H301	LOCK WASHER	3		1/2"
21	T22238	QUILL	1		REAR
22	19H2552	CAP SCREW	4		3/8" X 1-1/8"
23	12H304	LOCK WASHER	4		3/8"
24	AT20094	POWER-TAKEOFF	1		(540 RPM)
	AT20095	POWER-TAKEOFF	1		(1000 RPM)
25	T22935	O-RING	1		
26	T22129	GUIDE	1		
27	AR26706	SEAL	1		
28	A1160R	SNAP RING	1		
29	R26795	WASHER	1		
30	JD9292	BALL BEARING	1		
31	R29001	RING	1		
32	R48821	SHAFT	1		
33	T22546	WASHER	1		
34	T22128	BUSHING	1		
35	T22127	BUSHING	1		
36	AT22055	SHAFT	1		(SUB T22543 AND T22127)
37	T28668	THRUST WASHER	1		

2H17

POWER TRAIN

**GEARS AND SHAFTS
(540-1000 RPM)
(INDEPENDENT PTO) (LESS MID-PTO)**

R21399 -UN-01JAN94



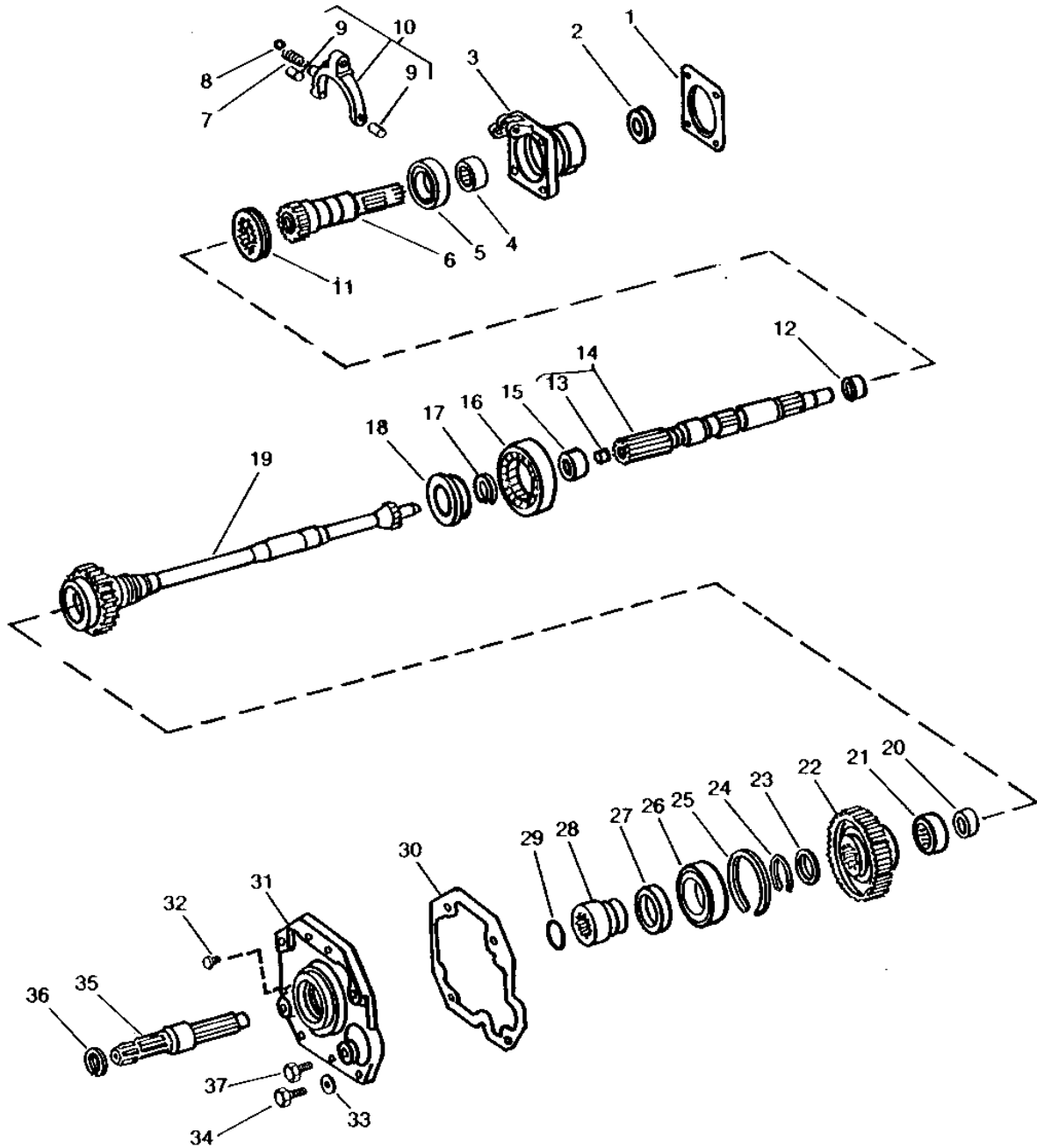
KEY	PART NO.	PART NAME	QTY	TRACTOR SERIAL NO.	REMARKS
1	AT29706	SHAFT	1		
2	JD9508	BEARING RACE	1		
3	R29001	RING	1		
4	JD8344	ROLLER BEARING	1		
5	T30766	SNAP RING	1		
6	T30767	SPLINED COUPLING	1		
7	T22128	BUSHING	1		
8	T22127	BUSHING	1		
9	AT29687	SHAFT	1		
10	T28668	THRUST WASHER	2		(SUB FOR T22217)
11	37H44	SCREW	4		0.151" X 3/8"
12	JD8877	NEEDLE BEARING	1		
13	14H312	NUT	4		7/8"
14	R30958	LOCK PLATE	4		
15	T21996	QUILL	1		
16	T21997	GASKET	1		
17	JD7557	BEARING RACE	1		
18	JD7537	ROLLER BEARING	1		
19	T30798	GEAR	1		
20	R38219	THRUST WASHER	1		
21	F1334R	SNAP RING	1		
22	C1919R	SNAP RING	1		
23	JD9320	BALL BEARING	1		
24	AT16431	SEAL	1		(SUB RE13181)
25	R45126	GUIDE	1		
26	P50631	O-RING	1		
27	T30800	GASKET	1		
28	R69658	QUILL	1		(SUB FOR T30799)
29	R27329	SCREW	2		
30	12H301	LOCK WASHER	4		1/2"
31	19H1721	CAP SCREW	4		1/2" X 1-1/2"
32	AT29707	POWER-TAKEOFF	1		(540 RPM)
	T30803	SHAFT	1		(1000 RPM)
33	R38221	SNAP RING	1		
34	19H2488	CAP SCREW	1		5/16" X 5/8", (LESS ROCKSHAFT)

2H18

POWER TRAIN

GEARS AND SHAFTS
(540-1000 RPM INDEPENDENT PTO)
(MID-PTO)

RWP5945 -UN-01JAN94



RWP5945

2H19

POWER TRAIN

**GEARS AND SHAFTS - CONTINUED
(540-1000 RPM INDEPENDENT PTO)
(MID-PTO)**

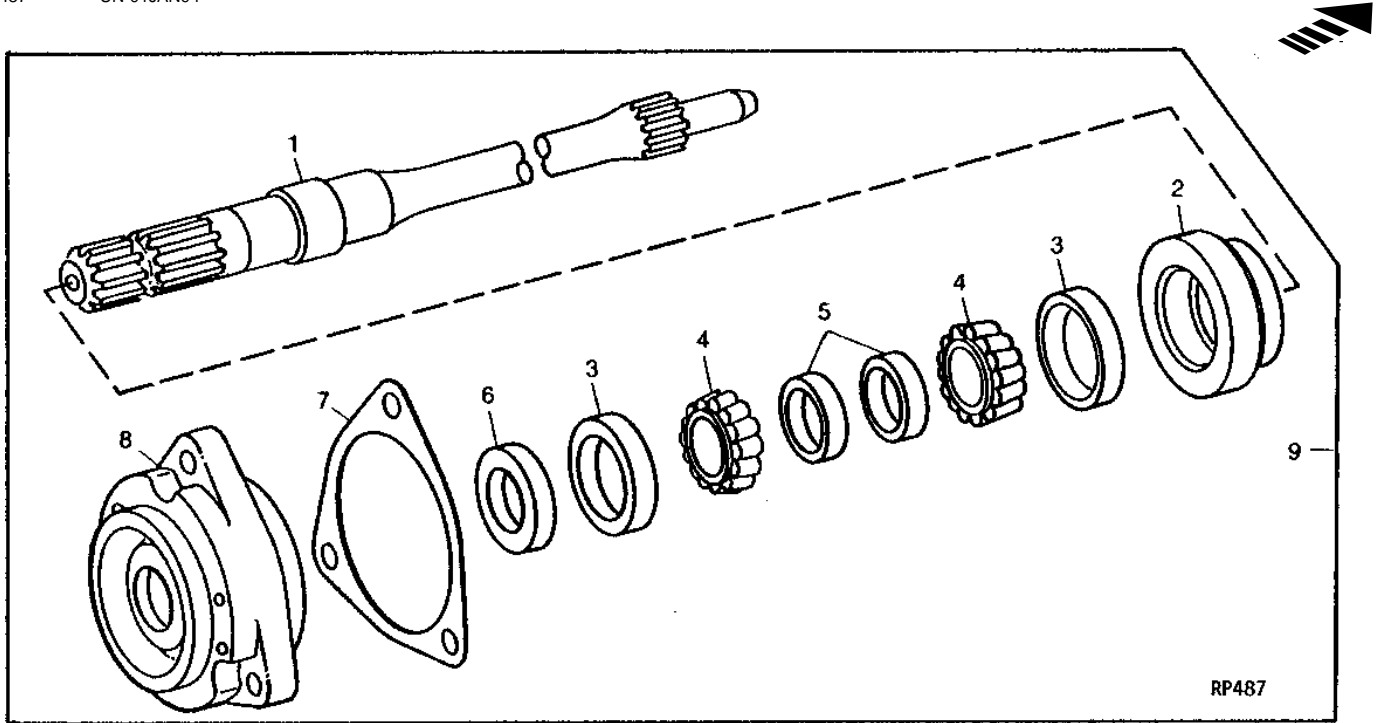
KEY	PART NO.	PART NAME	QTY	TRACTOR SERIAL NO.	REMARKS
1	T21997	GASKET	1		
2	AT21420	SEAL	1		
3	T22288	QUILL	1		
4	JD9813	NEEDLE BEARING	1	(SUB JD8823)	
5	JD7692	BALL BEARING	1		
6	T22289	SHAFT	1		
7	T27716	SPRING	1		
8	R26552	BALL	1		
9	R30587	DOWEL PIN	2		
10	AT32496	YOKE	1		
11	T21970	SHIFT COLLAR	1		
12	JD8877	NEEDLE BEARING	1		
13	T22127	BUSHING	1		
14	AT29687	SHAFT	1		
15	T22128	BUSHING	1		
16	JD8344	ROLLER BEARING	1		
17	R29001	RING	1		
18	JD9508	BEARING RACE	1		
19	AT29706	SHAFT	1		
20	JD7557	BEARING RACE	1		
21	JD7537	ROLLER BEARING	1		
22	T30798	GEAR	1		
23	R38219	THRUST WASHER	1		
24	F1334R	SNAP RING	1		
25	C1919R	SNAP RING	1		
26	JD9320	BALL BEARING	1		
27	AT16431	SEAL	1	(SUB RE13181, THIS APPLICATION)	
28	R45126	GUIDE	1		
29	P50631	O-RING	1		
30	T30800	GASKET	1		
31	R69658	QUILL	1	(SUB FOR T30799)	
32	R27329	SCREW	2		
33	12H301	LOCK WASHER	4	1/2"	
34	19H1721	CAP SCREW	4	1/2" X 1-1/2"	
35	AT29707	POWER-TAKEOFF	1	(540 RPM)	
	T30803	SHAFT	1	(1000 RPM)	
36	R38221	SNAP RING	1		
37	19H2488	CAP SCREW	1	5/16" X 5/8", (LESS ROCKSHAFT)	

2H20

POWER TRAIN

THRUST CAPACITY IMPROVEMENT KIT (SINGLE 540 RPM PTO)

RP487 -UN-01JAN94



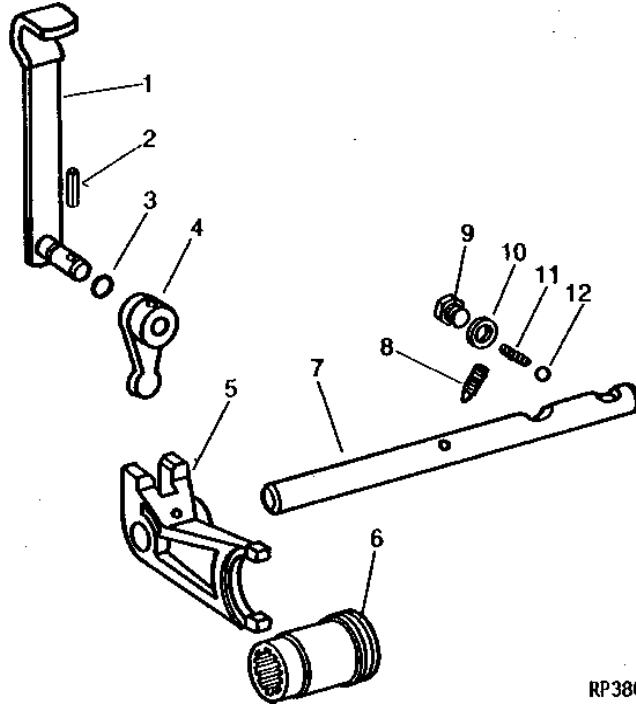
KEY	PART NO.	PART NAME	QTY	TRACTOR SERIAL NO.	REMARKS
1	R69509	SHAFT	1		
2	R69511	BUSHING	1		
3	JD9125	BEARING CUP	1		
4	JD9065	BEARING CONE	1		
5	R69510	SPACER	2		
6	AL56820	SEAL	1		(SUB FOR T22069)
7	R69513	SHIM	AR		0.13 MM (.005") (SUB AT146240)
	R69515	SHIM	AR		0.25 MM (.010") (SUB AT146240)
	R69516	SHIM	AR		0.50 MM (.020") (SUB AT146240)
	R69514	SHIM	AR		0.13 MM (.005") PAPER, (SUB AT146240)
8	R69512	QUILL	1		
9	AR93928	KIT	1		

2H21

POWER TRAIN

RP380 -UN-01JAN94

REAR POWER SHAFT SHIFTER LINKAGE



RP380

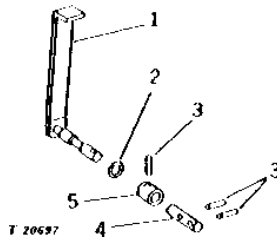
KEY	PART NO.	PART NAME	QTY	TRACTOR SERIAL NO.	REMARKS
1	AT20093	LEVER	1		
2	T27544	GROOVE PIN	1		
3	R28776	O-RING	1		
4	AT20025	ARM	1		
5	T21992	SHIFTER	1		
6	T26337	SHIFT COLLAR	1		
7	R48289	SHAFT	1		
8	T25614	SET SCREW	1		
9	19H2351	CAP SCREW	1		1/2" X 1/2"
10	R27003	WASHER	1		
11	T27716	SPRING	1		
12	R26552	BALL	1		8 MM (5/16")

2H22

POWER TRAIN

T20697 -UN-01JAN94

MID POWER SHAFT SHIFTER LEVER



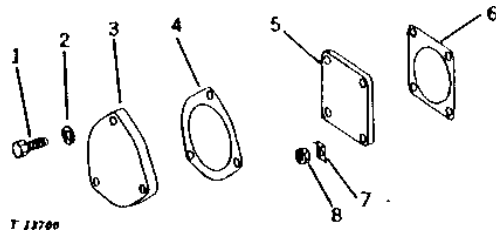
KEY	PART NO.	PART NAME	QTY	TRACTOR SERIAL NO.	REMARKS
1	AT29826	LEVER	1		
2	R28782	O-RING	1		
3	34H282	SPRING PIN	3	3/16" X 1"	
4	T21873	PIN	1		
5	T30851	COUPLING	1		

2H23

POWER TRAIN

T13700 -UN-01JAN94

POWER SHAFT COVER (LESS PTO)



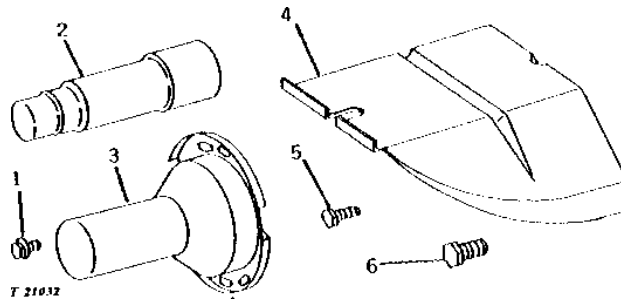
KEY	PART NO.	PART NAME	QTY	TRACTOR SERIAL NO.	REMARKS
1	19H1815	CAP SCREW	3		1/2" X 1-1/4"
2	12H301	LOCK WASHER	3		1/2"
3	T30719	COVER	1		
4	T22080	GASKET	1		
5	T26416	PLATE	1		
6	T21997	GASKET	1		
7	R30958	LOCK PLATE	4		
8	14H812	NUT	4		3/8"

2H24

POWER TRAIN

T21032 -UN-01JAN94

POWER SHAFT SHIELD AND GUARD



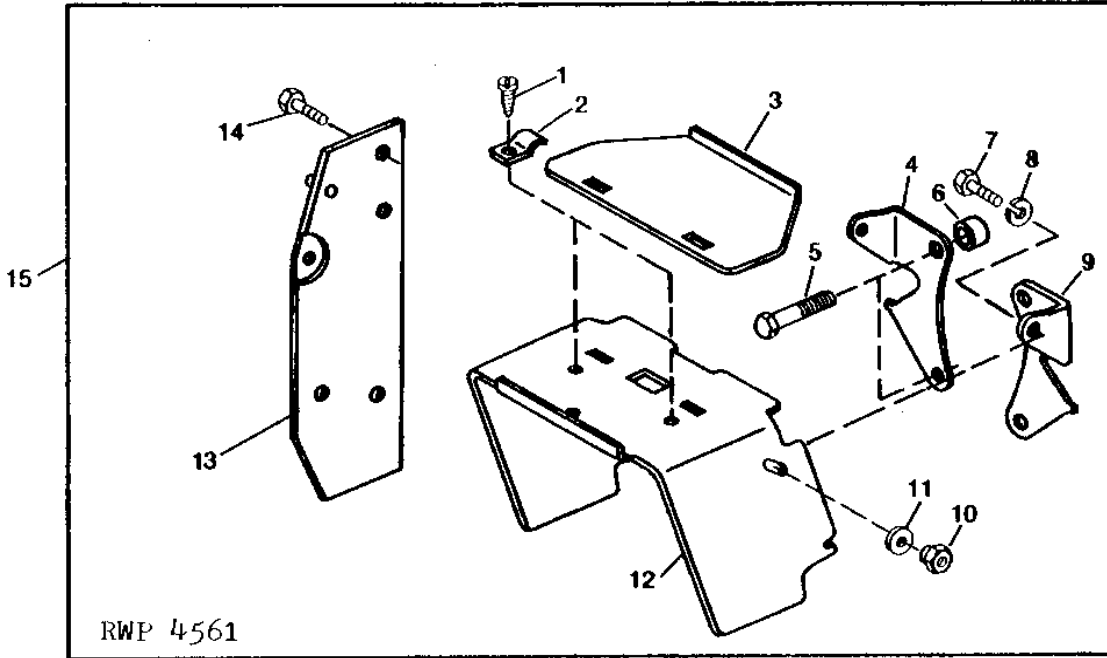
KEY	PART NO.	PART NAME	QTY	TRACTOR SERIAL NO.	REMARKS
1	R27329	SCREW	2		
2	T30804	GUARD	1		(540-1000 RPM INDEPENDENT PTO)
3	AR26782	GUARD	1		(PTO SHAFT)
4	AT20761	SHIELD	1		(LESS INDEPENDENT PTO) (SUB RE13912)
	T30802	SHIELD	1		(540-1000 RPM INDEPENDENT PTO) (SUB RE13912)
5	19H1936	CAP SCREW	2		3/8" X 3/4"
6	19H1792	CAP SCREW	2		1/2" X 1"

2H25

POWER TRAIN

RWP4561 -UN-01JAN94

PTO MASTER SHIELD KIT



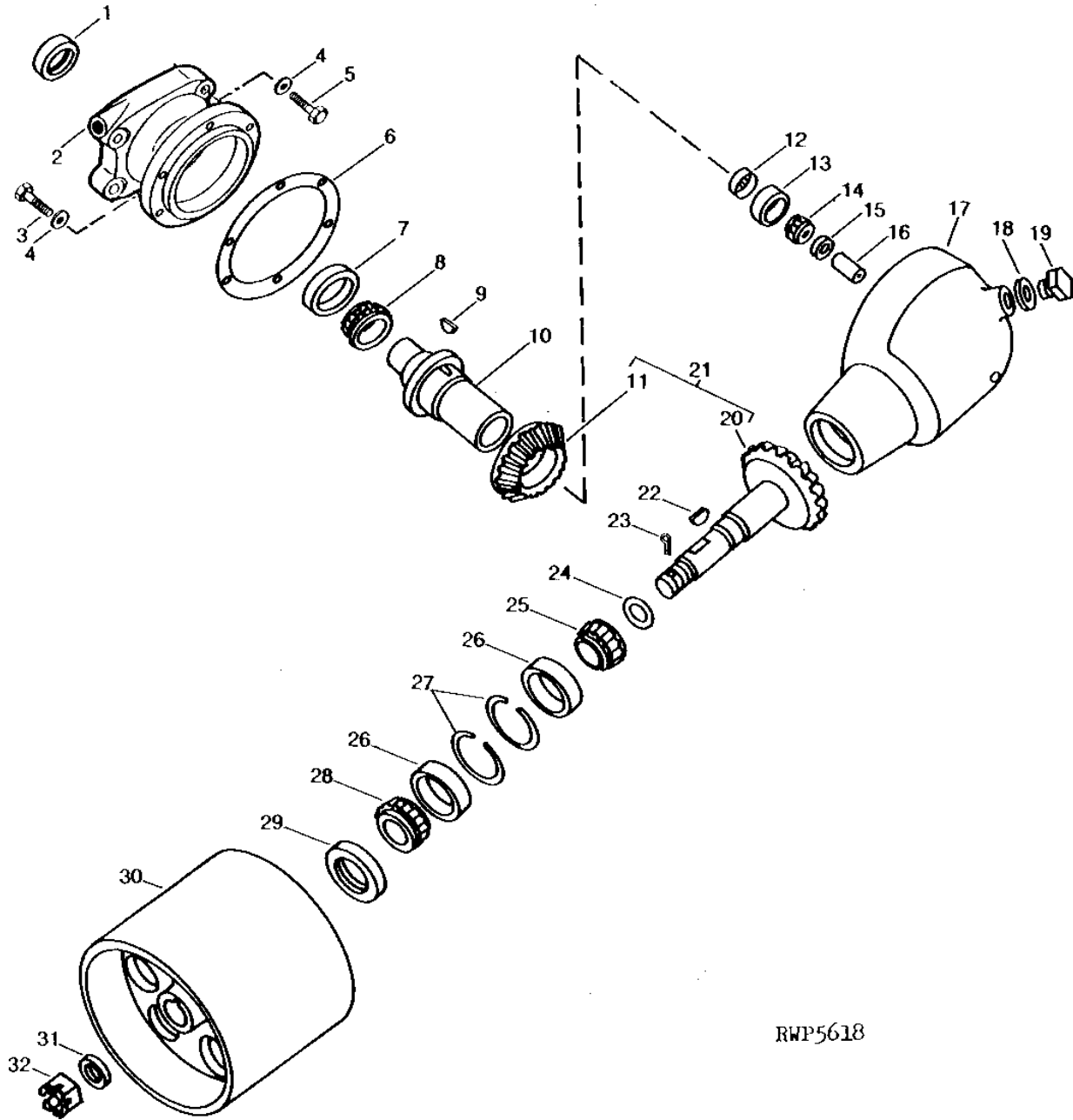
KEY	PART NO.	PART NAME	QTY	TRACTOR SERIAL NO.	REMARKS
1	37H52	SCREW	2		1/4" X 3/8"
2	R69657	CLAMP	2		
3	L38694	COVER	1		
4	R69655	SUPPORT	1		L.H.
5	19H1831	CAP SCREW	4		1/2" X 2"
6	28H1785	BUSHING	4		0.546" X 0.840" X 1-1/16"
7	19H1731	CAP SCREW	2		3/8" X 1"
8	12H304	LOCK WASHER	2		3/8"
9	R69654	SUPPORT	1		R.H.
10	R63607	WELD NUT	2		3/8"
11	24M7338	WASHER	2		17 X 30 X 3 MM, (SUB FOR T497T)
12	R69628	SHIELD	1		
13	AR90971	SUPPORT	1		
14	19H1792	CAP SCREW	1		1/2" X 1"
15	RE13912	KIT	1		
..	R120111	LABEL	1		PTO SAFETY

211

POWER TRAIN

RWP5618 -UN-01JAN94

BELT PULLEY



RWP5618

212

POWER TRAIN

BELT PULLEY - CONTINUED

KEY	PART NO.	PART NAME	QTY	TRACTOR SERIAL NO.	REMARKS
1	AT12431	SEAL	1		
2	T29243	QUILL	1		(ALL EXCEPT DUAL SPEED INDEPENDENT PTO)
	T29550	QUILL	1		(DUAL SPEED INDEPENDENT PTO)
3	19H3579	CAP SCREW	6		1/2" X 1-3/8"
4	12H301	LOCK WASHER	10		1/2"
5	19H2644	CAP SCREW	4		1/2" X 2-1/2"
6	R44372	SHIM	AR		0.08 MM (.003") PAPER
	R44361	SHIM	AR		0.13 MM (.005")
	T13341	SHIM	AR		0.25 MM (.010")
7	JD8247	BEARING CUP	1		
8	JD8922	BEARING CONE	1		
9	26H85	SHAFT KEY	1		1/4" X 1"
10	T13329	HUB	1		(B)
	T22999	HUB	1		(A)
11	R63692	GEAR	1		(B) (ALSO ORDER R63691) (SUB FOR T13330)
	AT28049	SHAFT	1		(A) (SUB FOR T23000)
12	M2206T	CAP	1		
13	JD7438	BEARING CUP	1		
14	JD8135	BEARING CONE	1		
15	T13331	SHIM	AR		0.08 MM (.003")
	T13332	SHIM	AR		0.13 MM (.005")
	T13333	SHIM	AR		0.25 MM (.010")
16	T13471	PIN	1		
17	T29242	CASE	1		
18	A4827R	WASHER	1		
19	R26727	DRAIN PLUG	1		
20	R63691	SHAFT	1		(B) (ALSO ORDER R63692) (SUB FOR T18717)
	T22998	SHAFT	1		(A) (SUB AT28049)
21	AT28049	SHAFT	1		(A)
22	26H93	SHAFT KEY	1		1/4" X 1-1/4"
23	11M7032	COTTER PIN	1		5 X 50 MM
24	L11027	SHIM	AR		0.10 MM (.004")
	L11028	SHIM	AR		0.20 MM (.008")
25	JD8969	BEARING CONE	1		
26	JD7418	BEARING CUP	2		
27	T13325	SNAP RING	2		
28	JD8982	BEARING CONE	1		
29	AT124396	SEAL	1		(SUB FOR AT16887)
30	T18718	PULLEY	1		305MM (12") DIA.
31	R30399	WASHER	1		(SUB FOR T18996)
32	14H920	NUT	1		1"

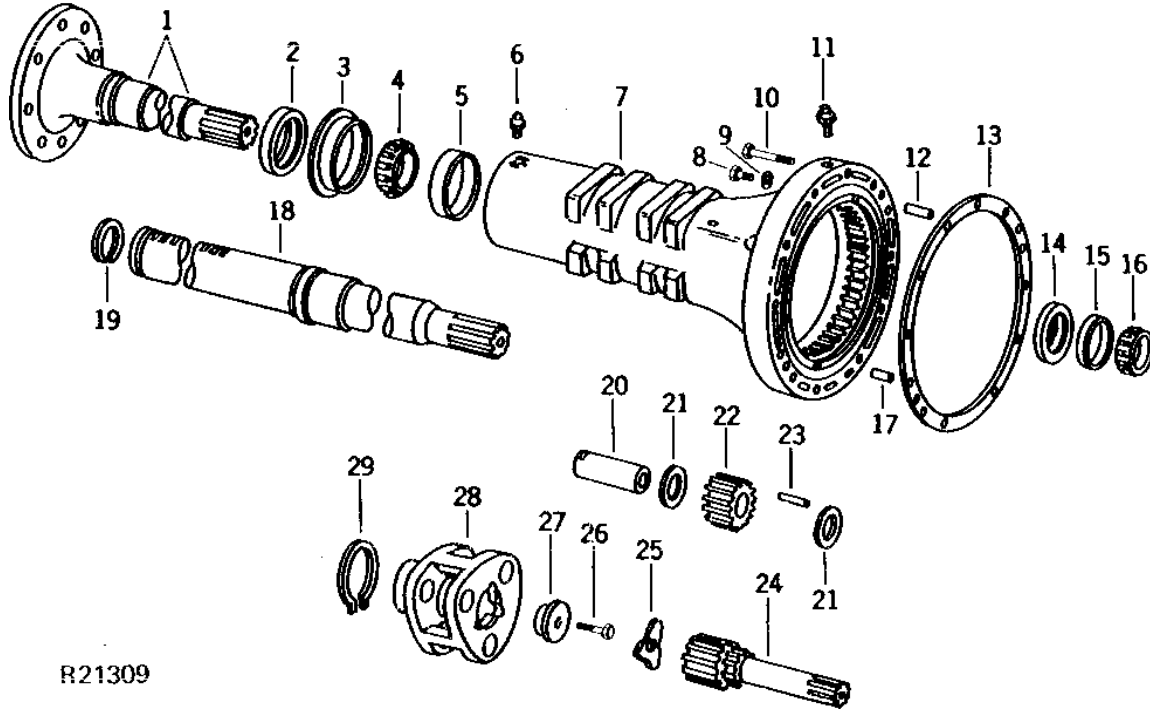
(A) 540 RPM PTO
(B) 1000 RPM PTO

213

POWER TRAIN

R21309 -UN-01JAN94

PLANETARY AND REAR AXLE



R21309

KEY	PART NO.	PART NAME	QTY	TRACTOR SERIAL NO.	REMARKS
1	T24519	SPINDLE	1	-187300	(C)
	T21566	HALF AXLE	1	-187300	(660 MM (26") OR SMALLER TIRE)
	T21570	SPINDLE	1	-187300	(711 MM (28") TIRE)
	T24519	SPINDLE	1	187301-	
2	AT20703	SEAL	1		
3	T21429	BEARING CUP	1		
4	JD8946	BEARING CONE	1		
5	JD8206	BEARING CUP	1		
6	JD7759	LUBRICATION FITTING	1		
7	AT19626	HOUSING	1	-187300	(711 MM (28") TIRE) (MARKED T21411) (SUB AT22761)
	AT19831	HOUSING	1	-187300	(660 MM (26") OR SMALLER TIRE) (MARKED T21565)
	AR54321	HOUSING	1	-187300	(A) (C) (MARKED R50070) (SUB AT106668, R26287 AND R27216)
	AT106668	HOUSING	1	187301-	(MARKED T105801) (WITH GEAR T125844 MARKED R57200) (ALSO ORDER R26287 AND R27216) (SUB FOR AR68402) (MARKED R55800)
8	R27216	DRAIN PLUG	1		
9	R26287	O-RING	1		
10	19H1990	CAP SCREW	12		1/2" X 2-1/4", (LESS REAR EXHAUST)
	19H1990	CAP SCREW	11		1/2" X 2-1/4", (REAR EXHAUST)
	19H1974	CAP SCREW	1		1/2" X 2-3/4", (REAR EXHAUST)
11	R21612	BLEED SCREW	1		
12	PIN	1		(NOT REQUIRED)
13	R98915	GASKET	1		(SUB FOR T21419)
14	AT124397	SEAL	1	-187300	(C) (SUB FOR T21693)
	AT20702	SEAL	1	-187300	(B)
	AT124397	SEAL	1	187301-	(SUB FOR T21693)
15	JD7425	BEARING CUP	1	-187300	(B)
	JD8206	BEARING CUP	1	-187300	(C)
	JD8206	BEARING CUP	1	187301-	
16	JD8147	BEARING CONE	1	-187300	(B)
	JD9007	BEARING CONE	1	-187300	(C)
	JD9007	BEARING CONE	1	187301-	
17	T21428	DOWEL PIN	3		

214

POWER TRAIN

PLANETARY AND REAR AXLE - CONTINUED

KEY	PART NO.	PART NAME	QTY	TRACTOR SERIAL NO.	REMARKS
18	R54622	HALF AXLE	1	-187300	(711 MM (28") TIRE) (SUB FOR T21550) (NLA)
	R54623	REAR AXLE	1	-187300	(C) (SUB FOR R49991)
	R54623	REAR AXLE	1	187301-	
19	R53656	SNAP RING	1		
20	T21548	PINION SHAFT	3	-187300	(B)
	T35793	SHAFT	4	-187300	(C)
	T38049	PINION SHAFT	AR	187301-	(3 USED, THREE-PINION) (4 USED, FOUR-PINION) (SUB T149083)
21	T21424	THRUST WASHER	AR		(6 USED, THREE-PINION) (8 USED, FOUR-PINION)
22	T21547	GEAR	AR		(3 USED, THREE PINION) (4 USED, FOUR-PINION)
23	T21418	PIN	AR		(69 USED, THREE-PINION) (92 USED, FOUR-PINION)
24	T28908	DRIVE SHAFT	1		L.H. (SUB T71926)
	T28907	DRIVE SHAFT	1		R.H. (SUB T71925)
25	T21427	LOCK PLATE	1		(B)
	R49993	PLATE	1		(C)
26	L37325	CAP SCREW	1		
27	L38057	WASHER	1		(SUB FOR T21423)
28	T21414	PLANET PINION CARRIER	1	-187300	(B)
	R55779	PLANET PINION CARRIER	1	187301-	(B)
	L33479	PLANET PINION CARRIER	1		(C) (SUB FOR R49992)
29	T21409	SNAP RING	1	-187300	(B)
	T35791	SNAP RING	1	-187300	(C)
	T35791	SNAP RING	1	187301-	

(A) USE ON TRACTORS HAVING AN "L" AS THE LAST DIGIT OF CHASSIS SERIAL NUMBER AND WILL ALSO FIT "T" CHASSIS.

(B) 711 MM (28") OR SMALLER TIRE

(C) 762 MM (30") OR LARGER TIRE

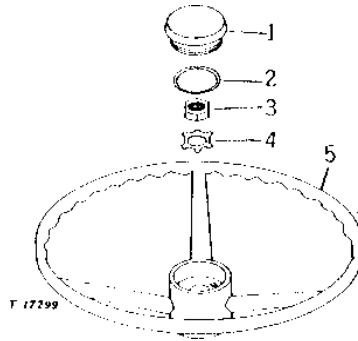
MEMORANDA

216

STEERING AND BRAKES

T17299 -UN-01JAN94

STEERING WHEEL



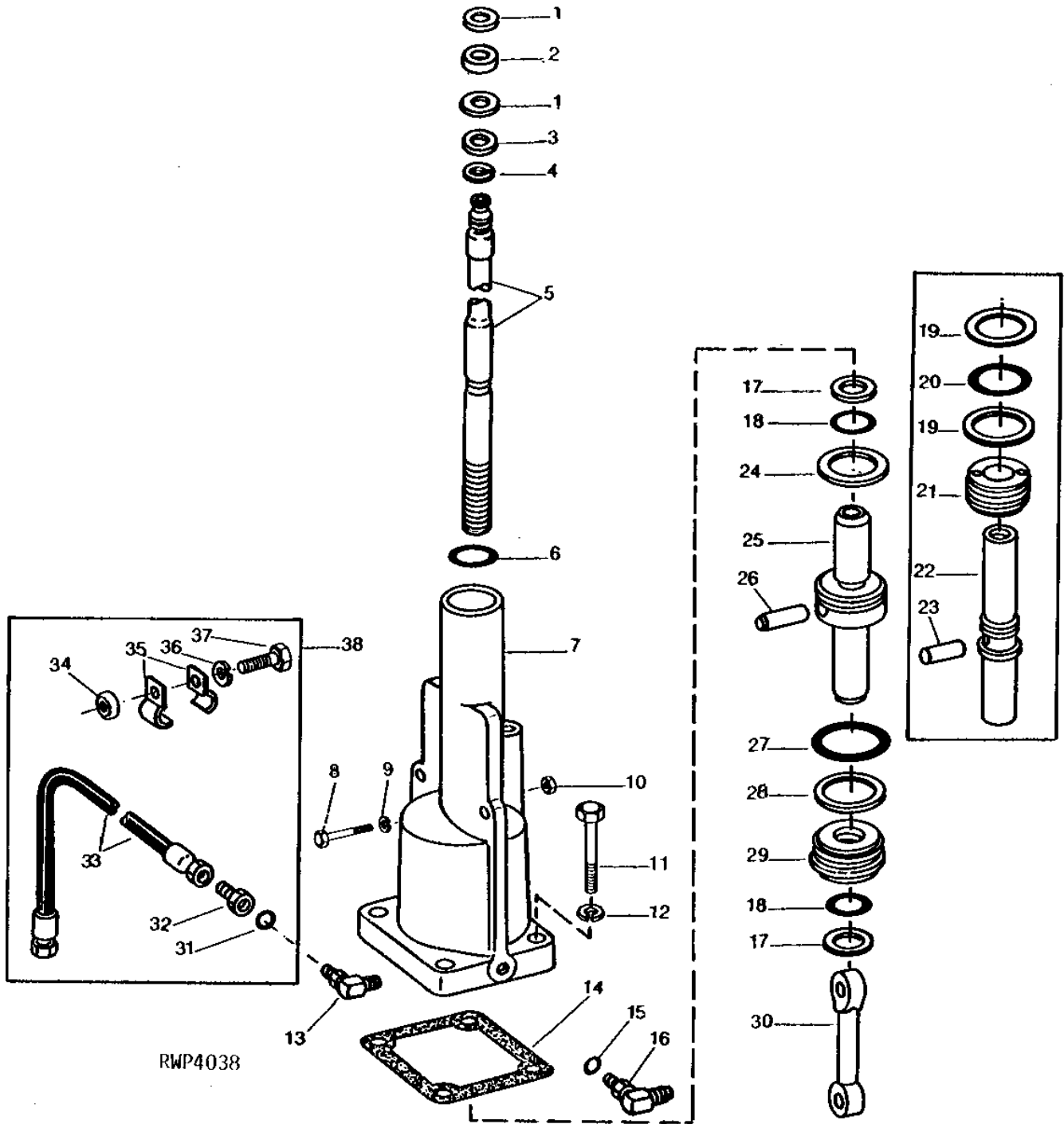
KEY	PART NO.	PART NAME	QTY	TRACTOR SERIAL NO.	REMARKS
1	R47998	CAP	1		
2	B3690R	O-RING	1		
3	14H904	NUT	1	3/4"	
4	T17148	LOCK WASHER	1		
5	AL28457	STEERING WHEEL	1	(SUB FOR T22875)	

217

RWP4038

-UN-01JAN94

POWER STEERING VALVE HOUSING AND SHAFT



RWP4038

218

STEERING AND BRAKES

POWER STEERING VALVE HOUSING AND SHAFT - CONTINUED

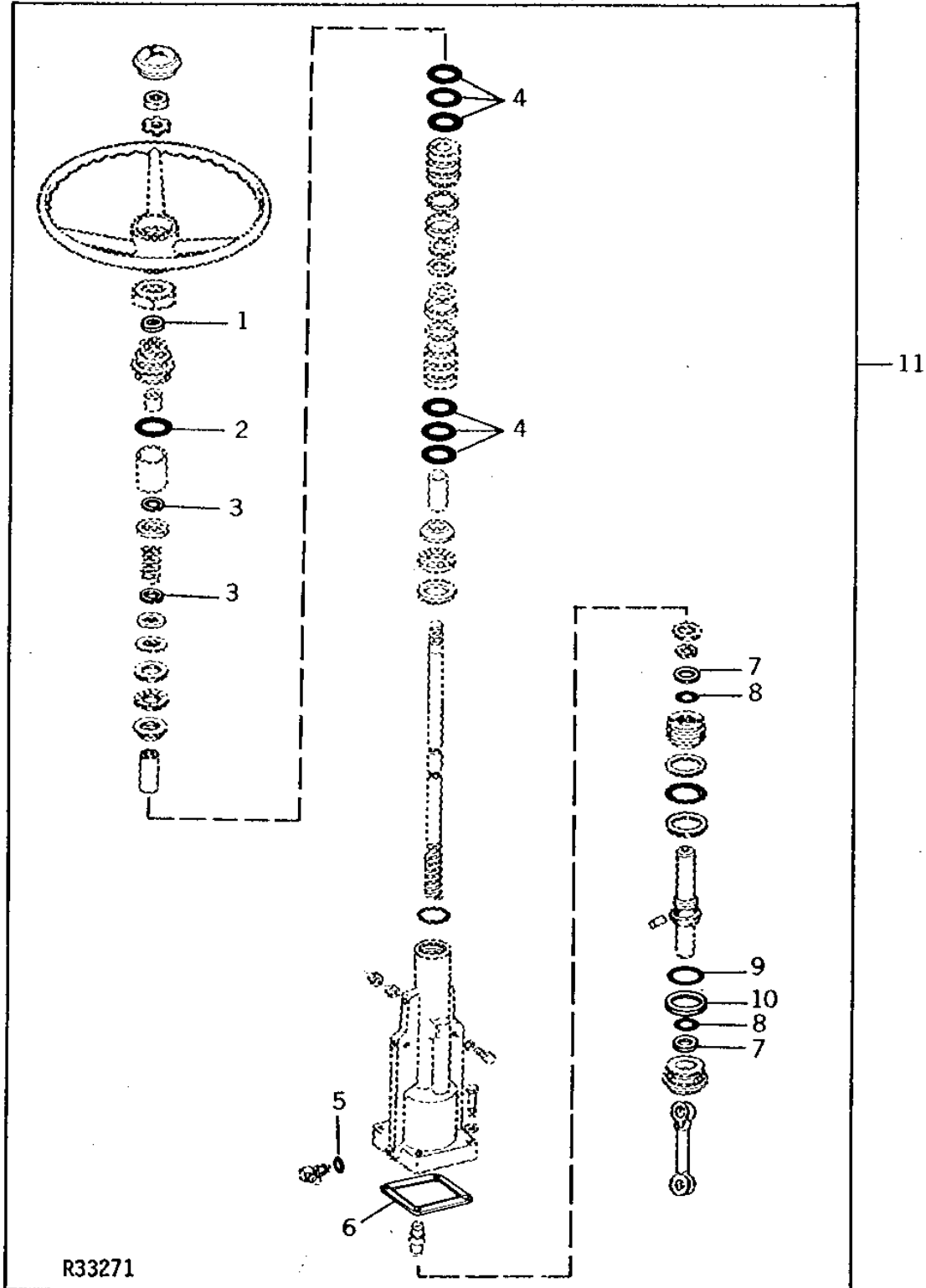
KEY	PART NO.	PART NAME	QTY	TRACTOR SERIAL NO.	REMARKS
1	T25329	WASHER	2		
2	JD9832	THRUST BEARING	1		
3	T22824	BUSHING	1		
4	R35226	SNAP RING	1		
5	T34332	STEERING WHEEL SHAFT	1	-187300	(FINE THREAD) (SUB R57446, T13555 AND L29197) (4-START)
	R57446	STEERING WHEEL SHAFT	1	187301-	(FINE THREAD) (SUB FOR T34332 OR R55484)
	L29199	STEERING WHEEL SHAFT	1		(A) (COURSE THREAD) (2-START)
6	L34451	O-RING	6		(SUB FOR T25335, THIS APPLICATION)
7	AT23175	HOUSING	1		(MARKED T25295) (SUB RE10800)
8	19H1849	CAP SCREW	2		5/16" X 1-1/4"
9	12H303	LOCK WASHER	2		5/16"
10	14H785	NUT	2		5/16"
11	19H1801	CAP SCREW	4		3/8" X 2"
12	12H304	LOCK WASHER	4		3/8"
13	AT37209	ELBOW FITTING	1		(SUB AR89099)
14	R98910	GASKET	1		(SUB FOR T25337)
15	R26448	O-RING	1		
16	AT35121	ELBOW FITTING	1		(SUB FOR AR26725)
17	T25327	BACK-UP RING	2		
18	U10289	O-RING	2		
19	T25326	BACK-UP RING	2	-XXXXXX	
20	F3450R	O-RING	1	-XXXXXX	
21	T25325	PISTON	1	-XXXXXX	(SUB R57292, THIS APPLICATION)
22	T34331	ROD	1	-XXXXXX	(SUB R60945, R60946 AND R57293)
	T25323	ROD	1		(A) (SUB AL70300)
23	T21655	PIN	1	-XXXXXX	(SUB R60945, R60946 AND R57293)
24	R57293	SEAL	1	XXXXXX-	
25	R60945	SHAFT	1	XXXXXX-	(ALSO ORDER R57293)
26	R60946	DOWEL PIN	1	XXXXXX-	
27	U12331	O-RING	1		
28	R35684	BACK-UP RING	1		
29	T25336	GUIDE	1		
30	T25324	ROD	1		
31	R26448	O-RING	1		
32	AT54132	CHECK VALVE	1		
33	AH83485	HYDRAULIC HOSE	1		
34	28H1878	SPACER	1		3/8" X 7/16"
35	R35726	CLAMP	2		
36	12H304	LOCK WASHER	1		3/8"
37	19H1801	CAP SCREW	1		3/8" X 2"
38	AR89099	VALVE	1		KIT, STEERING INLET CHECK VALVE, (SUB FOR AR63623)

(A) USE ON TRACTORS HAVING AN "L" AS THE LAST DIGIT OF THE CHASSIS SERIAL NUMBER

219

R33271 -UN-01JAN94

POWER STEERING OVERHAUL KIT



R33271

2110

STEERING AND BRAKES

POWER STEERING OVERHAUL KIT - CONTINUED

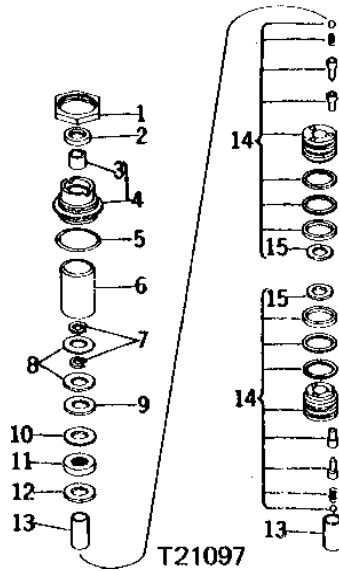
KEY	PART NO.	PART NAME	QTY	TRACTOR SERIAL NO.	REMARKS
1	T22260	SEAL	1		(ALSO ORDER AT19858)
2	T34248	O-RING	1		
3	R35226	SNAP RING	3		
4	L34451	O-RING	6		(SUB FOR T25335, THIS APPLICATION)
5	R26448	O-RING	1		
6	R98910	GASKET	1		(SUB FOR T25337)
7	T25327	BACK-UP RING	2		
8	U10289	O-RING	2		
9	U12331	O-RING	1		
10	R35684	BACK-UP RING	1		
11	AT26188	KIT	1		

2111

STEERING AND BRAKES

POWER STEERING VALVE
(TRACTOR SERIAL NO. -187300)

T21097 -UN-01JAN94



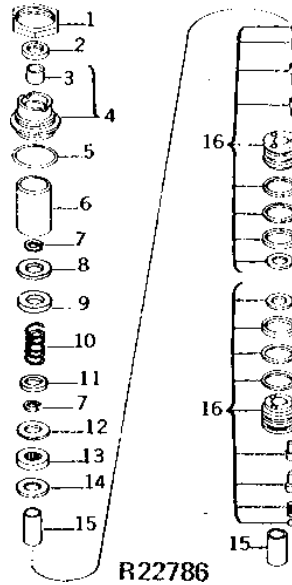
KEY	PART NO.	PART NAME	QTY	TRACTOR SERIAL NO.	REMARKS
1	T21718	NUT	1		
2	T22260	SEAL	1		(ALSO ORDER AT19858)
3	R27320	BUSHING	1		
4	AT19858	ADJUSTER	1		(ALSO ORDER T22260)
5	B3690R	O-RING	1		
6	T22823	SLEEVE	1		
7	R35226	SNAP RING	2		
8	T22824	BUSHING	2		
9	T22825	SHIM	6		0.13 MM (.005")
	T31290	SHIM	1		0.76 MM (.030")
	T25741	SHIM	2		0.05 MM (.002")
10	T21716	WASHER	1		
11	JD9832	THRUST BEARING	1		
12	T25329	WASHER	1		
13	R49980	SLEEVE	2		
14	AR81610	HOUSING	2		(SUB FOR AT25490)
	R49982	SLEEVE	2		
	T25333	SHIM	AR		0.05 MM (.002")
	T25334	SHIM	AR		0.25 MM (.010")
15	T27409	WASHER	2		

2112

STEERING AND BRAKES

POWER STEERING VALVE
(TRACTOR SERIAL NO. 187301-)

R22786 -UN-01JAN94



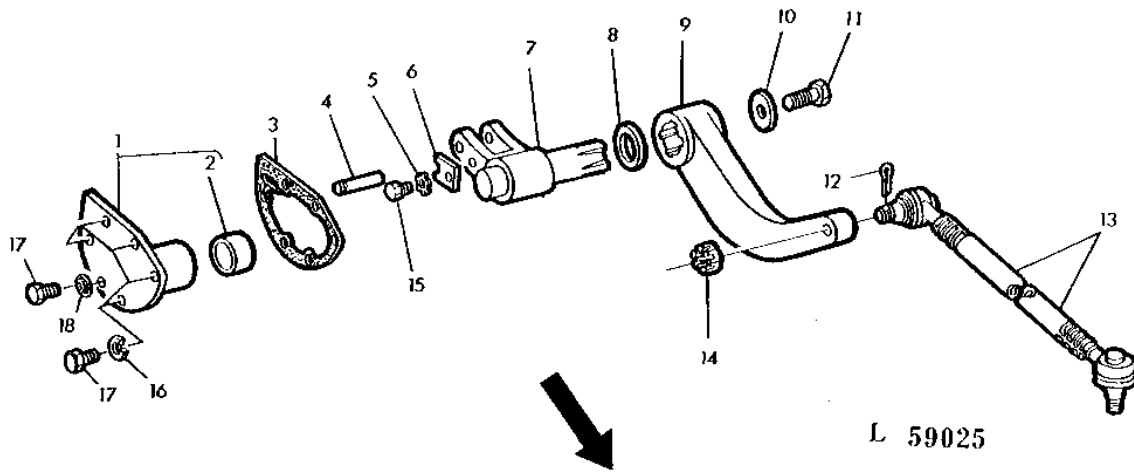
KEY	PART NO.	PART NAME	QTY	TRACTOR SERIAL NO.	REMARKS
1	T21718	NUT	1		
2	T22260	SEAL	1		(ALSO ORDER AT19858)
3	R27320	BUSHING	1		
4	AT19858	ADJUSTER	1		(ALSO ORDER T22260)
5	B3690R	O-RING	1		
6	T22823	SLEEVE	1		
7	R35226	SNAP RING	2		
8	T22824	BUSHING	1		
9	T21716	WASHER	1	-XXXXXX	
10	T13555	SPRING	1		
11	L29197	THRUST WASHER	1		
12	T21716	WASHER	1		
13	JD9832	THRUST BEARING	1		
14	T25329	WASHER	1		
15	T25330	BUSHING	2		
16	AR81610	HOUSING	2		(SUB FOR AT25490)

2113

STEERING AND BRAKES

STEERING ARM AND DRAG LINK

L59025 -UN-01JAN94



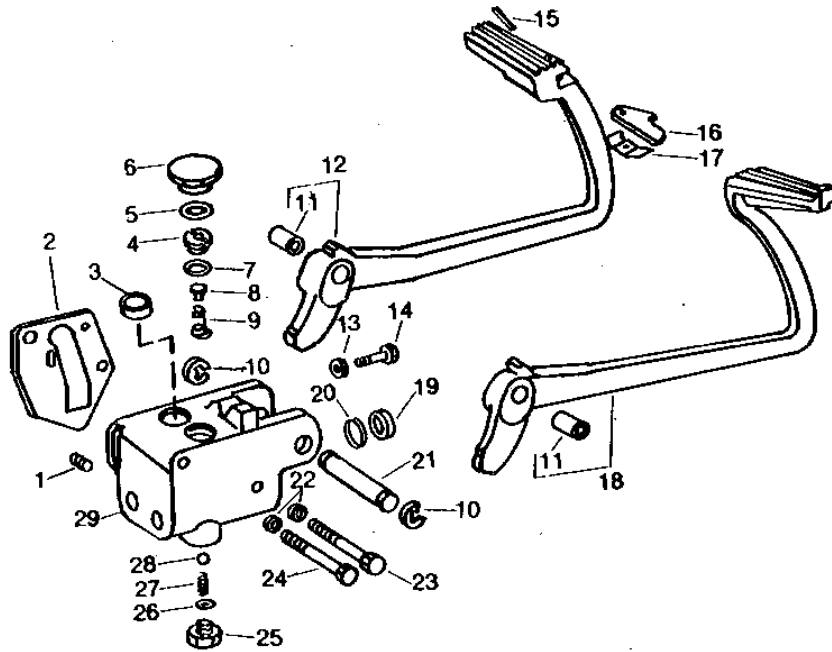
KEY	PART NO.	PART NAME	QTY	TRACTOR SERIAL NO.	REMARKS
1	AT54955	COVER	1		(MARKED T47920 OR T57001) (SUB FOR AT20854 OR AT46457)
2	T21445	BUSHING	1		
3	T21527	GASKET	1		
4	T21722	PIN	1		
5	12H297	LOCK WASHER	1	1/4"	
6	T21659	PLATE	1		
7	T36482	SHAFT	1	(SUB FOR T21546)	
8	AT11927	SEAL	1		
9	T28272	LEVER	1		
10	R20135	WASHER	1		
11	19H1833	CAP SCREW	1	5/8" X 1-1/4"	
12	11M7083	COTTER PIN	2	3.200 X 50 MM	
13	AR91711	DRAG LINK	1	(SUB FOR AR68817 OR RE11248)	
14	14H918	NUT	2	5/8"	
15	19H1227	CAP SCREW	1	1/4" X 1/2"	
16	12H304	LOCK WASHER	5	3/8"	
17	19H3219	CAP SCREW	1	3/8" X 1-3/8"	
	19H1732	CAP SCREW	5	3/8" X 1-1/4"	
18	12H304	LOCK WASHER	1	3/8"	

2114

STEERING AND BRAKES

RXP6438 -UN-01JAN94

BRAKE PEDALS



RXP6438

KEY	PART NO.	PART NAME	QTY	TRACTOR SERIAL NO.	REMARKS
1	15H560	PIPE PLUG	1	1/16"	
2	T30687	GASKET	1	(A)	
	T40169	GASKET	1	(B)	
3	R35286	CAP	1	(USE WITH R49664)	
4	VALVE	2	(SUB FOR AT129106, T21810, T21811 OR T21812)	
				(SUB AT135655)	
5	R29936	O-RING	1		
6	T21806	DRAIN PLUG	1		
7	R26906	O-RING	2		
8	SEAT	2	(SUB FOR AT129106, T21810, T21811 OR T21812)	
				(SUB AT135655)	
9	SPRING	2	(SUB FOR AT129106, T21810, T21811 OR T21812)	
				(SUB AT135655)	
10	F2863R	SNAP RING	2		
11	B177R	BUSHING	2		
12	AT20247	PEDAL	1	(A) L.H. (MARKED T21809) (IF MARKED L29277 ALSO ORDER AT20246) (SUB B177R AND T21809)	
	AT20249	PEDAL	1	(B) L.H. (MARKED T22491) (SUB B177R AND T21808)	
13	14H732	NUT	2	3/8"	
14	19H1732	CAP SCREW	2	3/8" X 1-1/4"	
15	34H312	SPRING PIN	1	1/4" X 1"	
16	R50879	ARM	1		
17	R50034	LEAF SPRING	1		
18	AT20246	PEDAL	1	(A) R.H. (MARKED T21808) (IF MARKED L28274, ALSO ORDER AT20247) (SUB B177R AND T21808)	
	AT20248	PEDAL	1	(B) R.H. (MARKED T22490)	
19	T22101	SEAL	2	SEAL, (SUB AR54929)	
20	R495R	O-RING	2		
21	T49189	PIN	1	(SUB FOR T21803)	
22	12H301	LOCK WASHER	2	1/2"	
23	19H3599	CAP SCREW	2	(A) 1/2" X 5-1/4"	
	19H1991	CAP SCREW	1	(B) 1/2" X 8"	
24	19H3586	CAP SCREW	1	(A) 1/2" X 4-1/4", HS, SAE 8	
	08H4460	CAP SCREW	1	(B) 1/2" X 7-1/2"	
25	R39112	FITTING	2		
26	R26375	O-RING	2		
27	T21816	SPRING	2		
28	D2361R	BALL	2	13 MM (1/2")	
29	AR53493	HOUSING	1	(MARKED R49664) (INCLUDES R29936, R36636, T21806 AND 15H560)	

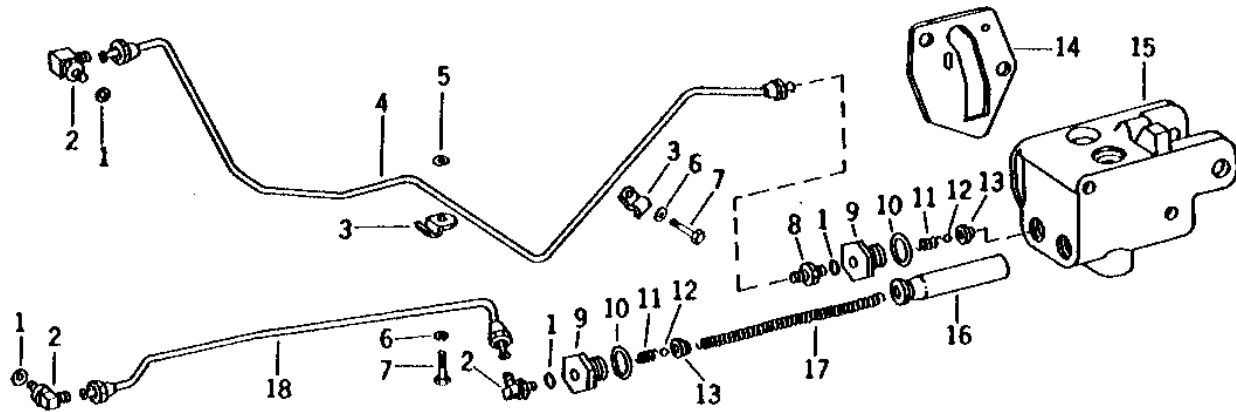
(A) LESS REVERSER
(B) REVERSER

2115

STEERING AND BRAKES

BRAKE VALVE AND OIL LINES

T21068 -UN-01JAN94



T21068

KEY	PART NO.	PART NAME	QTY	TRACTOR SERIAL NO.	REMARKS
1	R26287	O-RING	4		
2	AT32335	ELBOW FITTING	3		(SUB FOR AR26746)
3	R27528	CLAMP	2		
4	AR65686	LINE	1		(A) L.H. (SUB FOR AT19899)
5	AR65687	LINE	1		(B) L.H. (SUB FOR AT20244)
6	24H1312	WASHER	1		13/32" X 1-3/8" X 0.105"
7	12H304	LOCK WASHER	2		3/8"
8	19H1936	CAP SCREW	2		3/8" X 3/4"
9	R27527	ADAPTER	1		
10	T21813	SEAT	2		
11	F3171R	O-RING	2		
12	T21814	SPRING	2		
13	400R	BALL	2		6 MM (1/4")
14	T21815	RETAINER	2		
15	T30687	GASKET	1		(A)
16	T40169	GASKET	1		(B)
17	AR53493	HOUSING	1		(MARKED R49664) (INCLUDES T21806, R29936, R36636 AND 15H560)
18	T22100	PISTON	2		(SUB R73933)
19	T21817	SPRING	2		
20	AR65688	LINE	1		(A) R.H. (SUB FOR AT23544)
21	AR65689	LINE	1		(B) R.H. (SUB FOR AT23545)

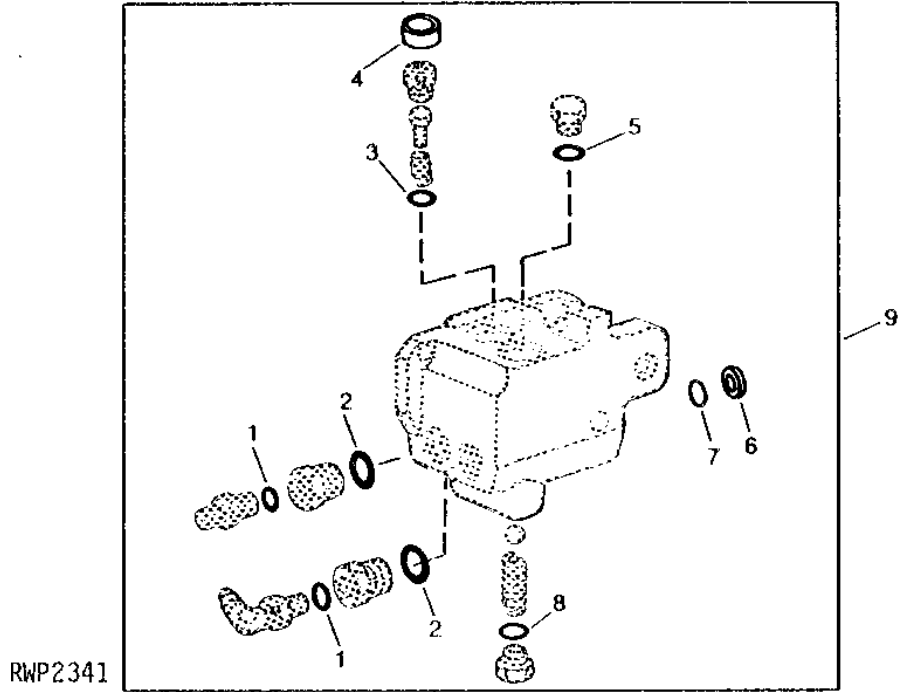
(A) LESS REVERSER
(B) REVERSER

2116

STEERING AND BRAKES

RWP2341 -UN-01JAN94

BRAKE VALVE OVERHAUL KIT



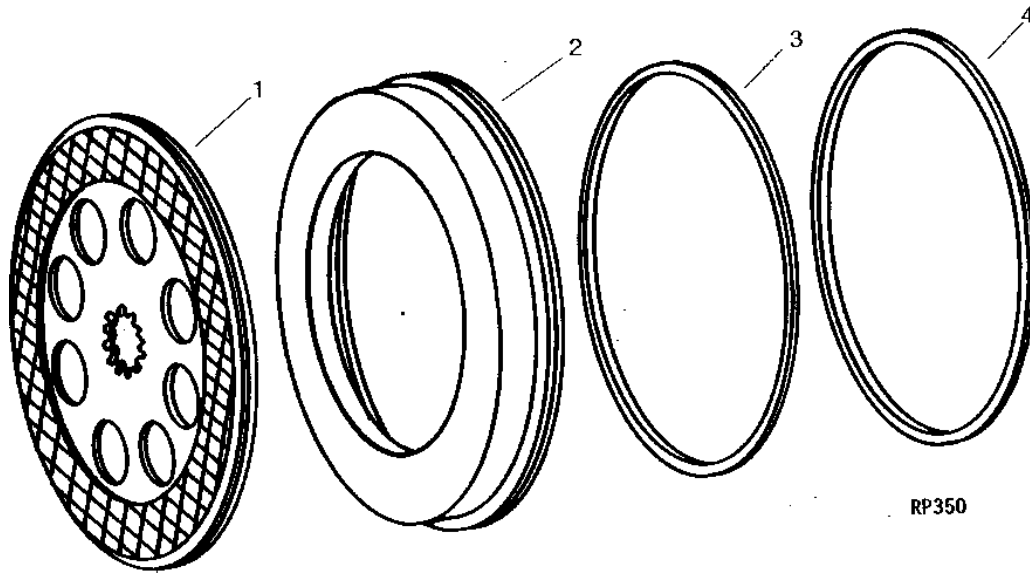
KEY	PART NO.	PART NAME	QTY	TRACTOR SERIAL NO.	REMARKS
1	R26287	O-RING	2		
2	F3171R	O-RING	2		
3	R26906	O-RING	2		
4	R35286	CAP	1		
5	R29936	O-RING	1		
6	T22101	SEAL	2		
7	R495R	O-RING	2		
8	R26375	O-RING	2		
9	AR54929	KIT	1		

2117

STEERING AND BRAKES

RP350 -UN-01JAN94

BRAKE DISK ASSEMBLY



KEY	PART NO.	PART NAME	QTY	TRACTOR SERIAL NO.	REMARKS
1	AT63106	BRAKE DISK	1		(SUB FOR AT22034)
2	L31016	PLATE	1	-187300	(SUB FOR T38063)
	R55774	PLATE	1	187301-	(SUB T52029)
	L31016	PLATE	1		(A) (SUB FOR T46728)
3	R50704	SEALING WASHER	1	-187300	
	T28473	WASHER	1	187301-	(SUB T135749)
	R50704	SEALING WASHER	1		(A)
4	R50703	WASHER	1	-187300	(SUB FOR T22102)
	R50704	SEALING WASHER	1	187301-	
	R50703	WASHER	1		(A)

(A) USE ON TRACTORS HAVING AN "L" AS THE LAST DIGIT OF THE CHASSIS SERIAL NUMBER

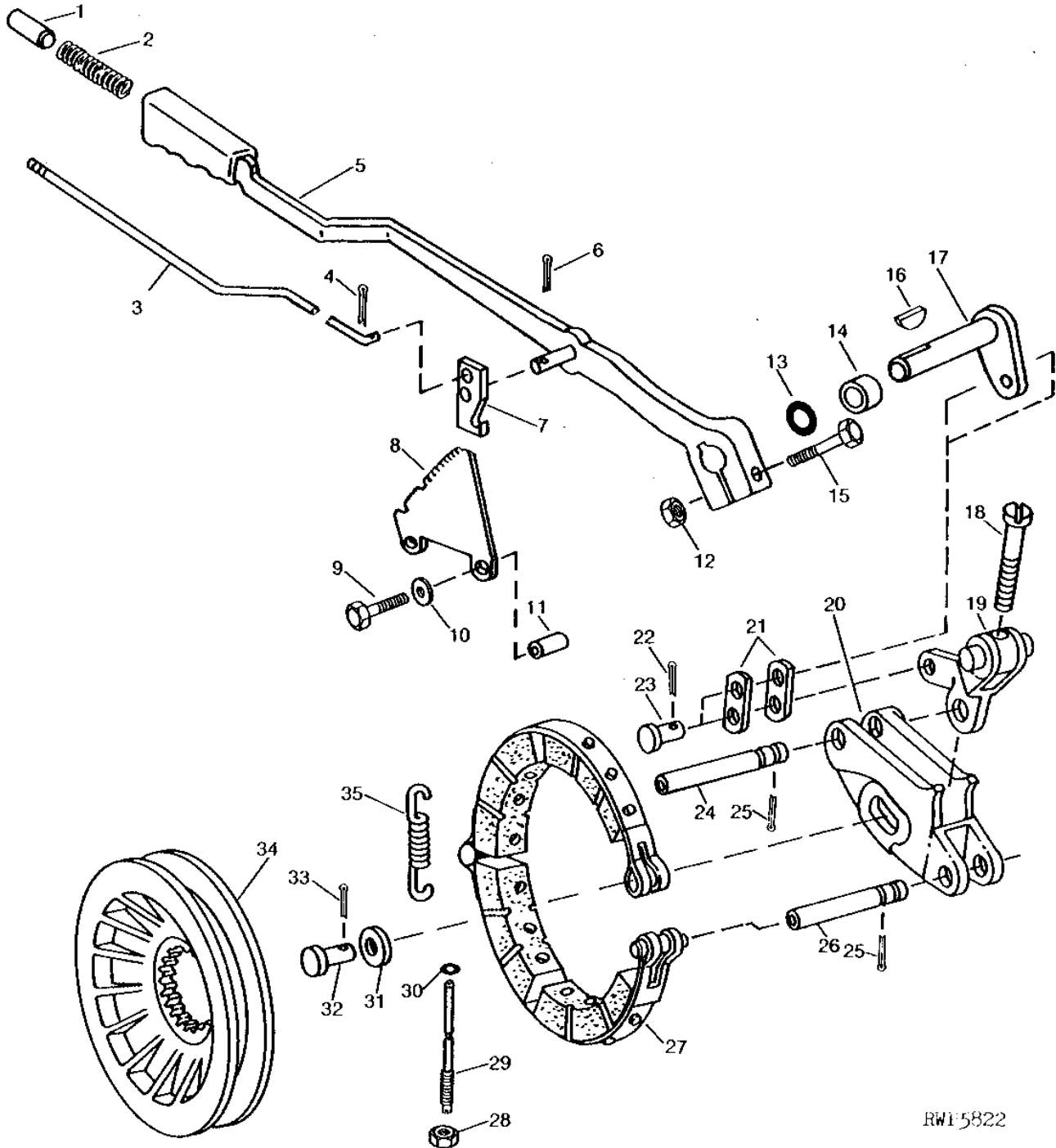
MEMORANDA

2118

STEERING AND BRAKES

RWP5822 -UN-01JAN94

HAND BRAKE



RW15822

2119

STEERING AND BRAKES

HAND BRAKE - CONTINUED

KEY	PART NO.	PART NAME	QTY	TRACTOR SERIAL NO.	REMARKS
1	L62606	KNOB	1		(SUB FOR T21595)
2	T21576	SPRING	1		
3	T21594	ROD	1		
4	11M7077	COTTER PIN	1		1.600 X 25 MM
5	AT19834	HANDBRAKE LEVER	1		
6	11M7059	COTTER PIN	1		3.200 X 20 MM
7	T21587	PAWL	1		
8	T21588	PLATE	1		
9	19H1974	CAP SCREW	2		1/2" X 2-3/4"
10	T20168	WASHER	2		
11	28H1597	WASHER	2		0.546" X 0.840" X 3/8"
12	T11234	LOCK NUT	1		3/8", (SUB FOR M63440)
13	R495R	O-RING	1		
14	L60667	SPACER	1		(SUB FOR L29882)
15	19H2549	CAP SCREW	1		3/8" X 1-7/8"
16	26H77	SHAFT KEY	1		3/16" X 3/4"
17	AL24550	SHAFT	1		
18	T21579	SET SCREW	1		
19	L29884	LEVER	1		
20	T21772	ANCHOR	1		
21	L29883	STRAP	2		
22	11M7059	COTTER PIN	2		3.200 X 20 MM
23	F2653R	PIN	2		
24	T21775	PIN	2		
25	11M7087	COTTER PIN	2		4 X 40 MM
26	T21775	PIN	1		
27	AT19833	BRAKE BAND	1		
28	14H971	NUT	1		1/2"
29	T21776	SCREW	1		
30	R27490	O-RING	1		(SUB T17951)
31	24H1658	WASHER	1		21/32" X 1" X 0.060"
32	T25285	PIN	1		
33	11M7015	COTTER PIN	1		3.200 X 25 MM
34	T21596	BRAKE DRUM	1		
35	T21577	SPRING	1		

MEMORANDA

3B4

HYDRAULICS

R32261 -UN-01JAN94

TRANSMISSION AND HYDRAULIC OIL



R32261F

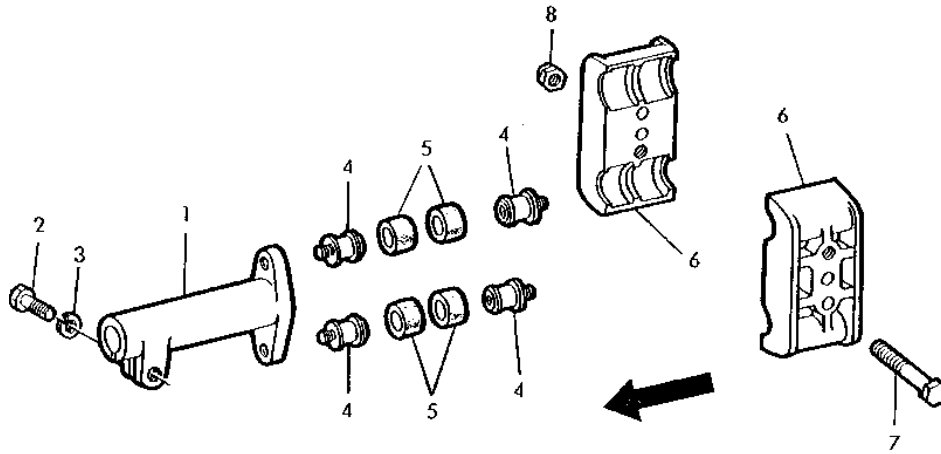
KEY	PART NO.	PART NAME	QTY	TRACTOR SERIAL NO.	REMARKS
..	AR69444	HY-GARD	1		19L (5 GAL)
..	AR69445	HY-GARD	1		208L (55 GAL) (EMPTY DRUMS NOT RETURNABLE)

3B5

HYDRAULICS

L49578 -UN-01JAN94

HYDRAULIC PUMP DRIVE



L 49578

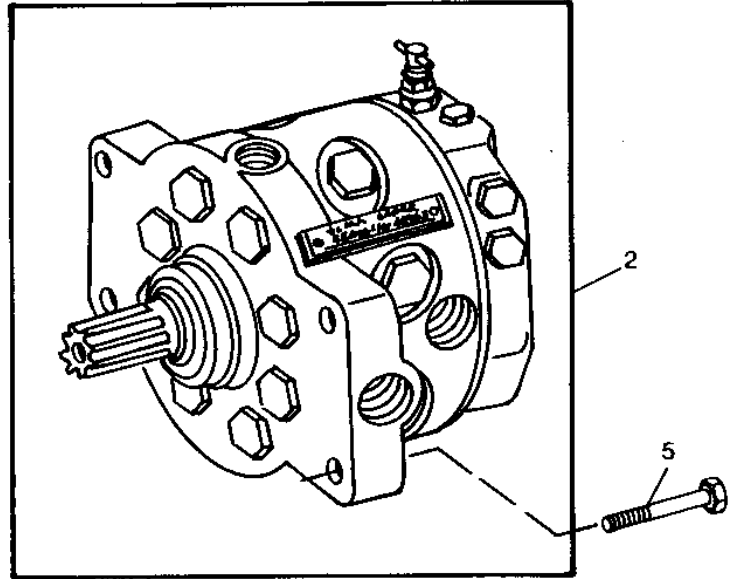
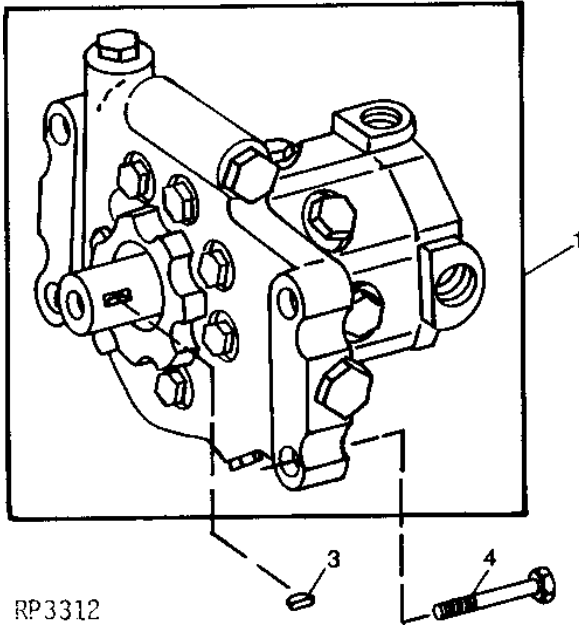
KEY	PART NO.	PART NAME	QTY	TRACTOR SERIAL NO.	REMARKS
1	T22914	DRIVE SHAFT	1		23 CM3 (1.38 IN3) PUMP
	AT42308	DRIVE SHAFT	1		39 CM3 (2.4 IN3) PUMP, (SUB FOR T22915)
2	19H1800	CAP SCREW	1		3/8" X 1-1/2", 23 CM3 (1.38 IN3) PUMP
	19H3221	CAP SCREW	2		3/8" X 1-1/4", 39 CM3 (2.4 IN3) PUMP
3	12H304	LOCK WASHER	1		3/8"
4	R34360	SCREW	4		
5	R45822	BUSHING	4		(SUB FOR AR49427)
6	R38348	EXTERNAL HALF COUPLER	2		
7	19H2116	CAP SCREW	2		3/8" X 2-1/2"
8	T11234	LOCK NUT	2		

3B6

HYDRAULICS

RP3312 -UN-01JAN94

REPLACEMENT HYDRAULIC PUMP ASSEMBLY



RP3312

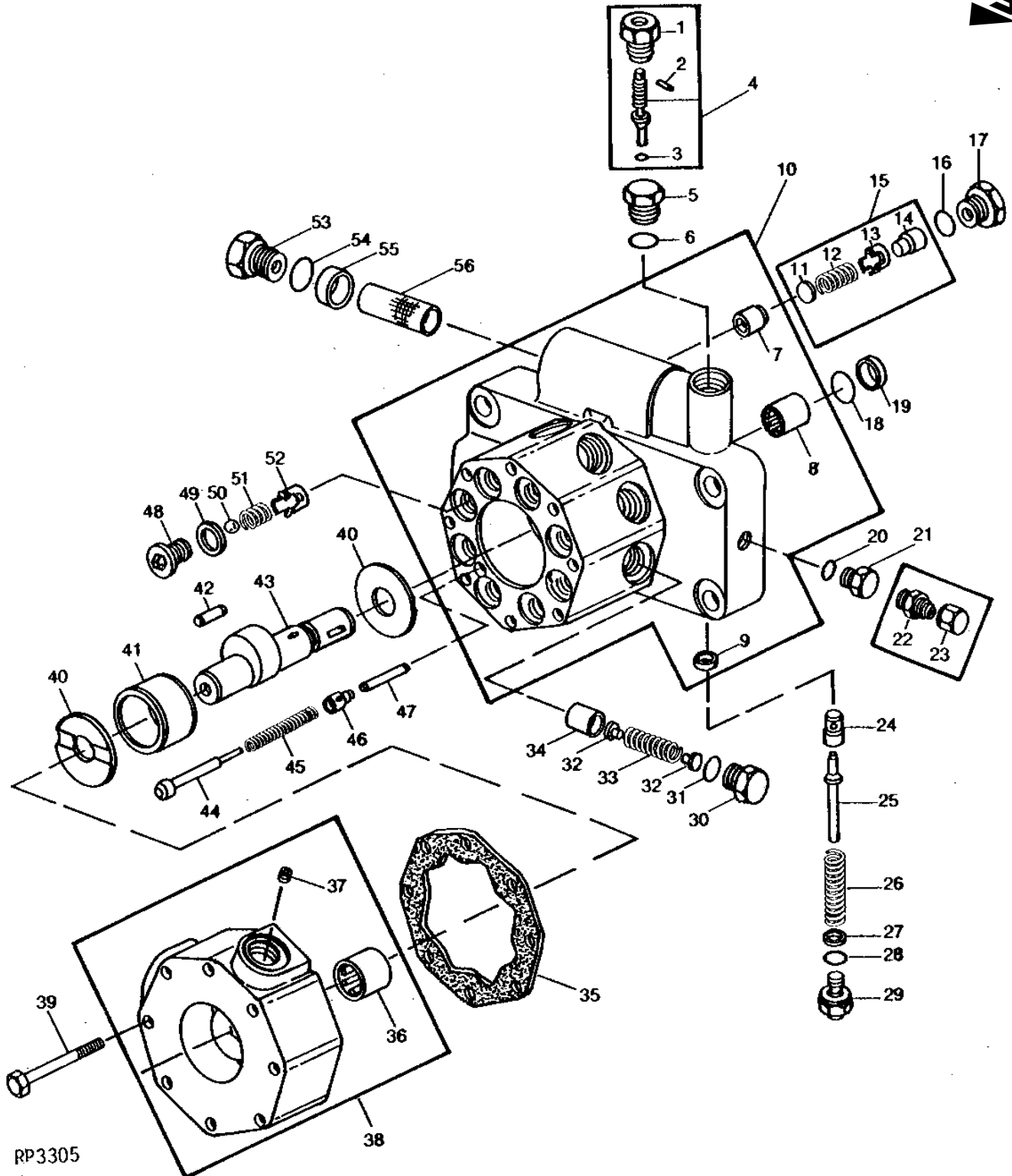
KEY	PART NO.	PART NAME	QTY	TRACTOR SERIAL NO.	REMARKS
1	AR103033	HYDRAULIC PUMP	1	23 CM3 (1.38 IN.3) (MODEL CA1) (SUB FOR AR39168 OR AR89064)	
2	AR97872	HYDRAULIC PUMP	1	40 CM3 (2.4 IN.3) (MODEL EA1) (ALSO ORDER R52683, R39741, R36075, R26906, U13639 AND F3171R) (SUB FOR AR39695 OR AR90459)	
3	26H77	SHAFT KEY	1	3/16" X 3/4"	
4	19H1974	CAP SCREW	4	1/2" X 2-3/4"	
5	19H1990	CAP SCREW	4	1/2" X 2-1/4"	

3B7

HYDRAULICS

RP3305 -UN-01JAN94

HYDRAULIC PUMP
23 CM3 (1.38 IN.3)



RP3305

3B8

HYDRAULICS

HYDRAULIC PUMP - CONTINUED
23 CM3 (1.38 IN.3)

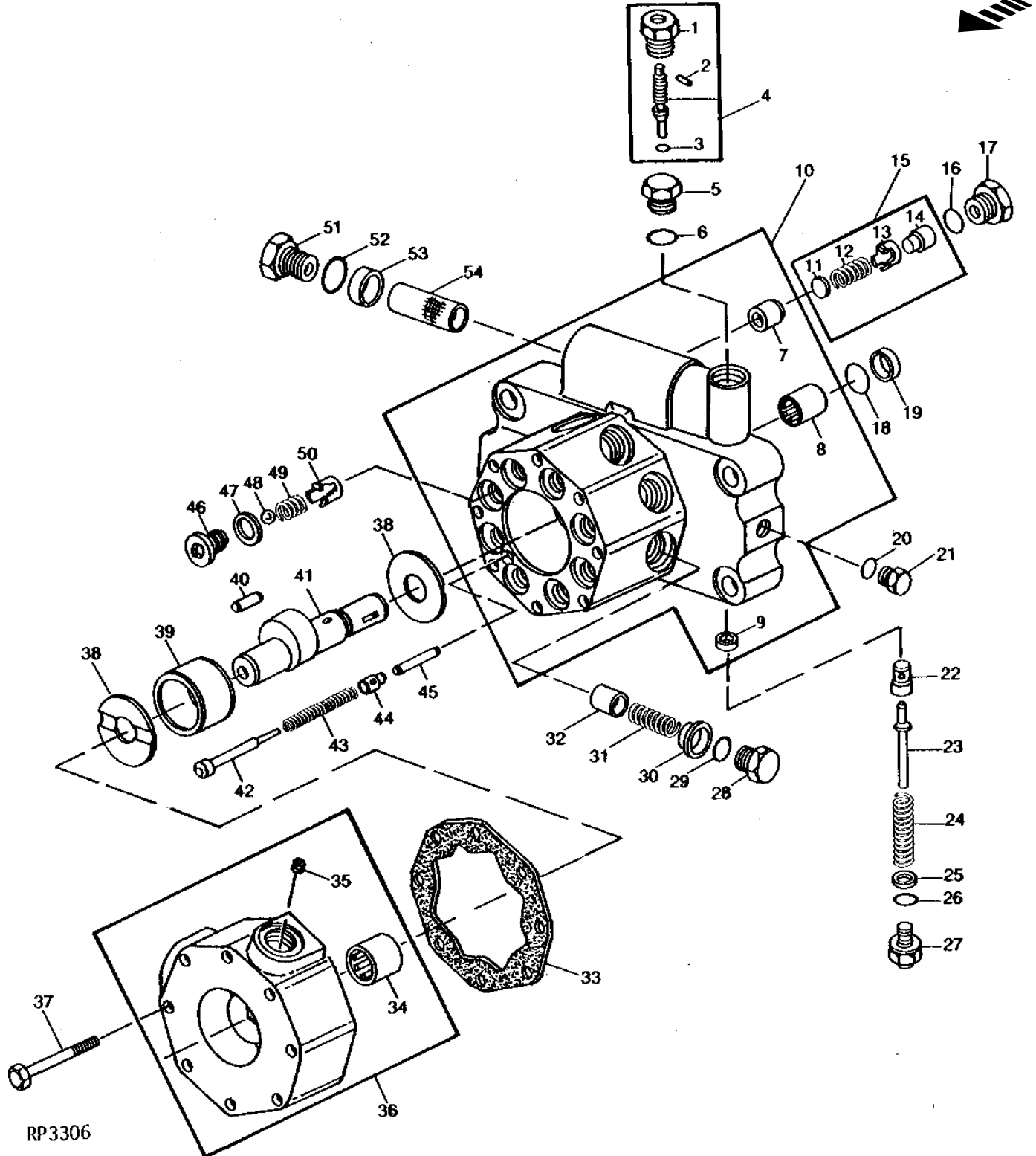
KEY	PART NO.	PART NAME	QTY	TRACTOR SERIAL NO.	REMARKS
1	R38053	DRAIN PLUG	1		
2	34H254	SPRING PIN	1		1/8" X 1-1/2"
3	R30903	O-RING	1		
4	AR38225	SCREW	1		(MANUAL DESTROKE) (OPTIONAL)
5	R39112	FITTING	1		(LESS MANUAL DESTROKE)
6	R26375	O-RING	1		
7	R105583	SEAT	8		
8	JD9858	NEEDLE BEARING	1		
9	R72936	VALVE SEAT INSERT	1		(ALSO ORDER R68384) (SUB FOR R38041, R68502 OR R69302)
10	AR39170	HOUSING	1		(MARKED R39317 OR R60969) (SUB AR89075) (ALSO ORDER (2) R68382, R68381, R39112 AND R26375)
11	R49297	DISK	8		
12	R39228	SPRING	8		
13	R48738	GUIDE	8		
14	R83508	STOP	8		(SUB FOR R49298 OR R72886)
15	RE23382	VALVE	8		(OUTLET) (SUB FOR AR52785 OR AR96613)
16	R26375	O-RING	8		
17	R39112	FITTING	8		
18	R39182	RING	1		
19	AR39052	SEAL	1		
20	R26286	O-RING	1		
21	R27094	DRAIN PLUG	1	-XXXXXX	
22	R27272	FITTING	1	XXXXXX-	
23	R36926	FITTING	1	XXXXXX-	
24	R68384	CONTROL VALVE	1		(ALSO ORDER R72936) (SUB FOR R40756)
25	R68383	GUIDE	1		(SUB R76167 AND AR103040) (SUB FOR R39242)
26	R39240	SPRING	1		
27	24M7096	WASHER	1		10.500 X 18 X 1.600 MM
28	R26906	O-RING	1		
29	AR39106	SCREW	1		(SUB AR103040 AND R76167)
30	R39112	FITTING	8		
31	R26375	O-RING	8		
32	R39070	GUIDE	16		
33	AR39041	SPRING	1		(SET OF 8)
34	R63022	PISTON	8		(ALSO ORDER R63629) (SUB FOR R39068)
35	L62442	GASKET	1		(SUB FOR R39178 OR R59234)
36	JD9858	NEEDLE BEARING	1		
37	R39321	ORIFICE	1		
38	AR90453	COVER	1		(MARKED R39318) (SUB FOR AR39173)
39	19H1944	CAP SCREW	8		3/8" X 2-3/4"
40	R66164	THRUST WASHER	2		(SUB FOR R39016)
41	R63629	BEARING RACE	1		(ALSO ORDER (8) R63022) (SUB FOR R39017)
42	R39073	NEEDLE ROLLER	33		
43	R39319	SHAFT	1		
44	R39181	GUIDE	1		
45	R68390	SPRING	1		(SUB FOR R31630)
46	R39180	VALVE	1		
47	R39179	NEEDLE ROLLER	1		
48	R68553	VALVE SEAT INSERT	8		(SUB FOR R39075)
49	R26375	O-RING	8		
50	D2361R	BALL	8		
51	R39078	SPRING	8		
52	R39076	GUIDE	8		
53	R27175	DRAIN PLUG	1		
54	F3171R	O-RING	1		
55	R27174	PACKING	2		
56	R27173	FILTER ELEMENT	1		
..	AR103033	HYDRAULIC PUMP	1		(SUB FOR AR39168 OR AR89064)

3B9

HYDRAULICS

REPLACEMENT HYDRAULIC PUMP - MODEL CA1 23 CM3 (1.38 IN.3)

RP3306 -UN-01JAN94



3B10

HYDRAULICS

REPLACEMENT HYDRAULIC PUMP - MODEL CA1 - CONTINUED
23 CM3 (1.38 IN.3)

KEY	PART NO.	PART NAME	QTY	MODEL NO.	REMARKS
1	R38053	DRAIN PLUG	1		
2	34H254	SPRING PIN	1		1/8" X 1-1/2"
3	R30903	O-RING	1		
4	AR38225	SCREW	1		(MANUAL DESTROKE)(OPTIONAL)
5	R39112	FITTING	1		(LESS MANUAL DESTROKE)
6	R26375	O-RING	1		
7	R105583	SEAT	8		
8	JD9858	NEEDLE BEARING	1		
9	R72936	VALVE SEAT INSERT	1		(ALSO ORDER R68384)
10	AR89075	HOUSING	1		(MARKED R68385)
11	R49297	DISK	8		
12	R39228	SPRING	8		
13	R48738	GUIDE	8		
14	R83508	STOP	8		(SUB FOR R49298 OR R72886)
15	AR96613	VALVE	8		(OUTLET) (SUB FOR AR52785 OR AR96613)
16	R26375	O-RING	8		
17	R39112	FITTING	8		
18	R63605	O-RING	1		
19	AR39052	SEAL	1		
20	R26286	O-RING	1		
21	R27094	DRAIN PLUG	1		
22	R68384	CONTROL VALVE	1		(ALSO ORDER R72936)
23	R68383	GUIDE	1	-7PP4	(SUB R76167 AND AR103040)
	R76167	GUIDE	1	7PP5-	
24	R39240	SPRING	1		
25	24M7096	WASHER	1	-7PP4	10.500 X 18 X 1.600 MM
26	R26906	O-RING	1		
27	AR89073	ADJUSTER	1	-7PP4	
	AR103040	SCREW	1	7PP5-	
28	R39112	FITTING	8		
29	R26375	O-RING	8		
30	AR101238	SHIELD	1		(SET OF 8)
31	AR39041	SPRING	1		(SET OF 8)
32	R63022	PISTON	8		(ALSO ORDER R63629)
33	L62442	GASKET	1		(SUB FOR R39178 OR R59234)
34	JD9858	NEEDLE BEARING	1		
35	R39321	ORIFICE	1		
36	AR90453	COVER	1		(MARKED R39318, R68380 OR R81065)
37	19H1944	CAP SCREW	8		3/8" X 2-3/4"
38	R66164	THRUST WASHER	2		
39	R63629	BEARING RACE	1		(ALSO ORDER (8) R63022)
40	R39073	NEEDLE ROLLER	33		
41	R39319	SHAFT	1		
42	R39181	GUIDE	1		
43	R68390	SPRING	1		
44	R39180	VALVE	1		
45	R39179	NEEDLE ROLLER	1		
46	R68553	VALVE SEAT INSERT	8		
47	R26375	O-RING	8		
48	D2361R	BALL	8		
49	R39078	SPRING	8		
50	R39076	GUIDE	8		
51	R39112	FITTING	1		(B)
52	R26375	O-RING	1		(B)
53	R68382	PACKING	2		(B)
54	R68381	FILTER	1		(B)
..	AR89064	HYDRAULIC PUMP	1	-7PP4	(SUB AR103033) (SUB FOR AR39168)
..	AR103033	HYDRAULIC PUMP	1	7PP5-	(A) (SUB FOR AR39168 OR AR89064)

(A) MODEL CA1 - PUMP WITH SERIAL PLATE
(B) USE WITH HOUSING MARKED R68385 OR R68388

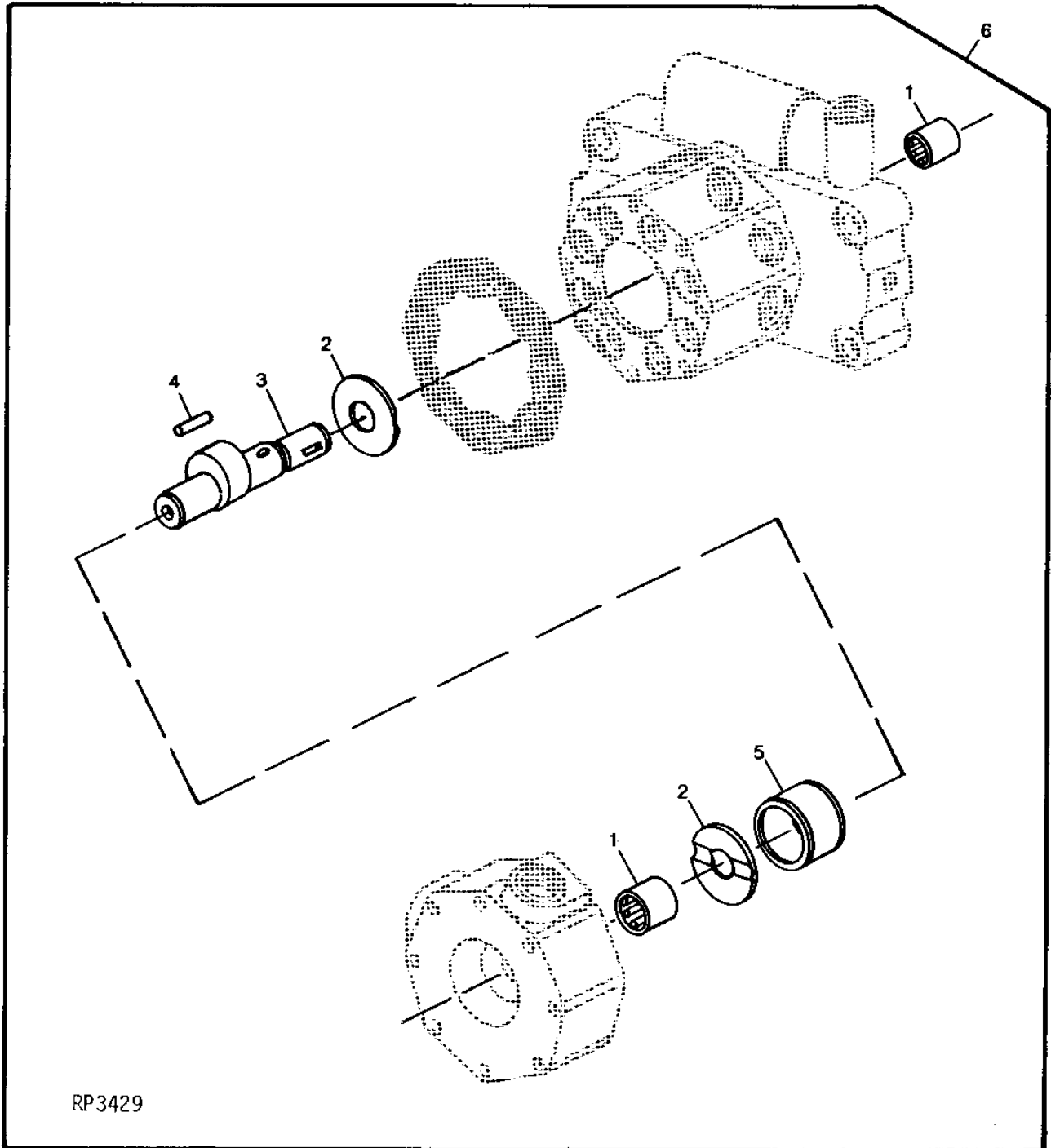
3B11

HYDRAULICS

HYDRAULIC PUMP SHAFT OVERHAUL KIT 23 CM3 (1.38 IN.3)

RP3429

-UN-01JAN94



RP3429

3B12

HYDRAULICS

HYDRAULIC PUMP SHAFT OVERHAUL KIT - CONTINUED
23 CM3 (1.38 IN.3)

KEY	PART NO.	PART NAME	QTY	TRACTOR SERIAL NO.	REMARKS
1	JD9858	NEEDLE BEARING	2		
2	R66164	THRUST WASHER	2		
3	R39319	SHAFT	1		
4	R39073	NEEDLE ROLLER	33		
5	R63629	BEARING RACE	1		
6	AL35755	KIT	1	(A)	

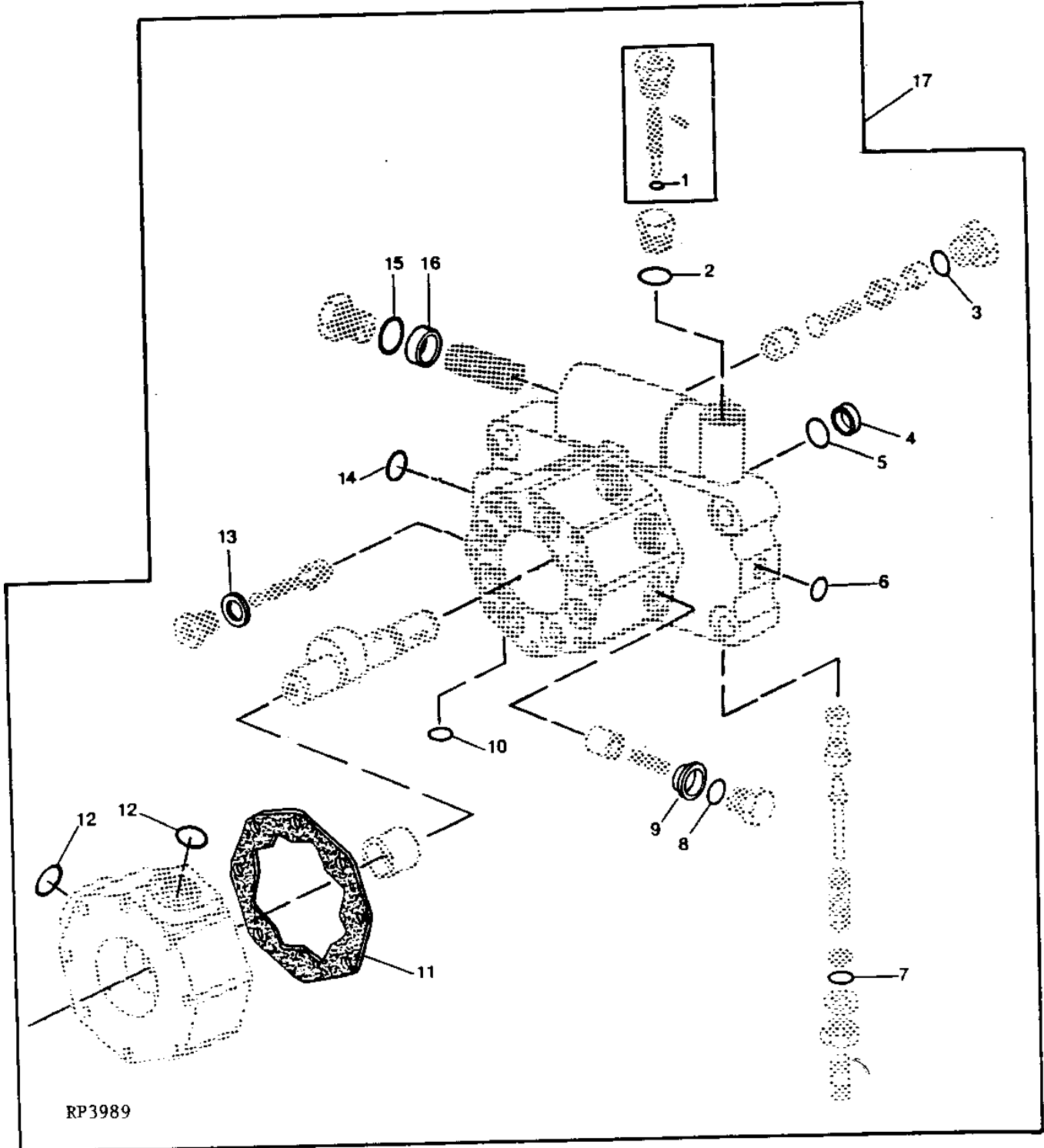
(A) USE WITH HOUSING MARKED R39316, R39317, R60969, R68385 OR R68386

3B13

HYDRAULICS

HYDRAULIC PUMP OVERHAUL KIT
23 CM3 (1.38 IN.3)

RP3989 -UN-01JAN94



3B14

HYDRAULICS

HYDRAULIC PUMP OVERHAUL KIT - CONTINUED
23 CM3 (1.38 IN.3)

KEY	PART NO.	PART NAME	QTY	TRACTOR SERIAL NO.	REMARKS
1	R30903	O-RING	1		
2	R26375	O-RING	1		
3	R26375	O-RING	8		
4	AR39052	SEAL	1		
5	R63605	O-RING	1		
6	R26286	O-RING	1		
7	R26906	O-RING	1		
8	R26375	O-RING	8		
9	AR101238	SHIELD	1		(SET OF 8)
10	R26287	O-RING	1		
11	L62442	GASKET	1		(SUB FOR R39178 OR R59234)
12	F3171R	O-RING	2		
13	R26375	O-RING	8		
14	R26375	O-RING	1		
15	F3171R	O-RING	1		(A)
	R26375	O-RING	1		(A)
16	R27174	PACKING	2		(A)
	R68382	PACKING	2		(A)
17	AR98993	KIT	1		

(A) UNIVERSAL KIT - APPLICATIONS WILL VARY

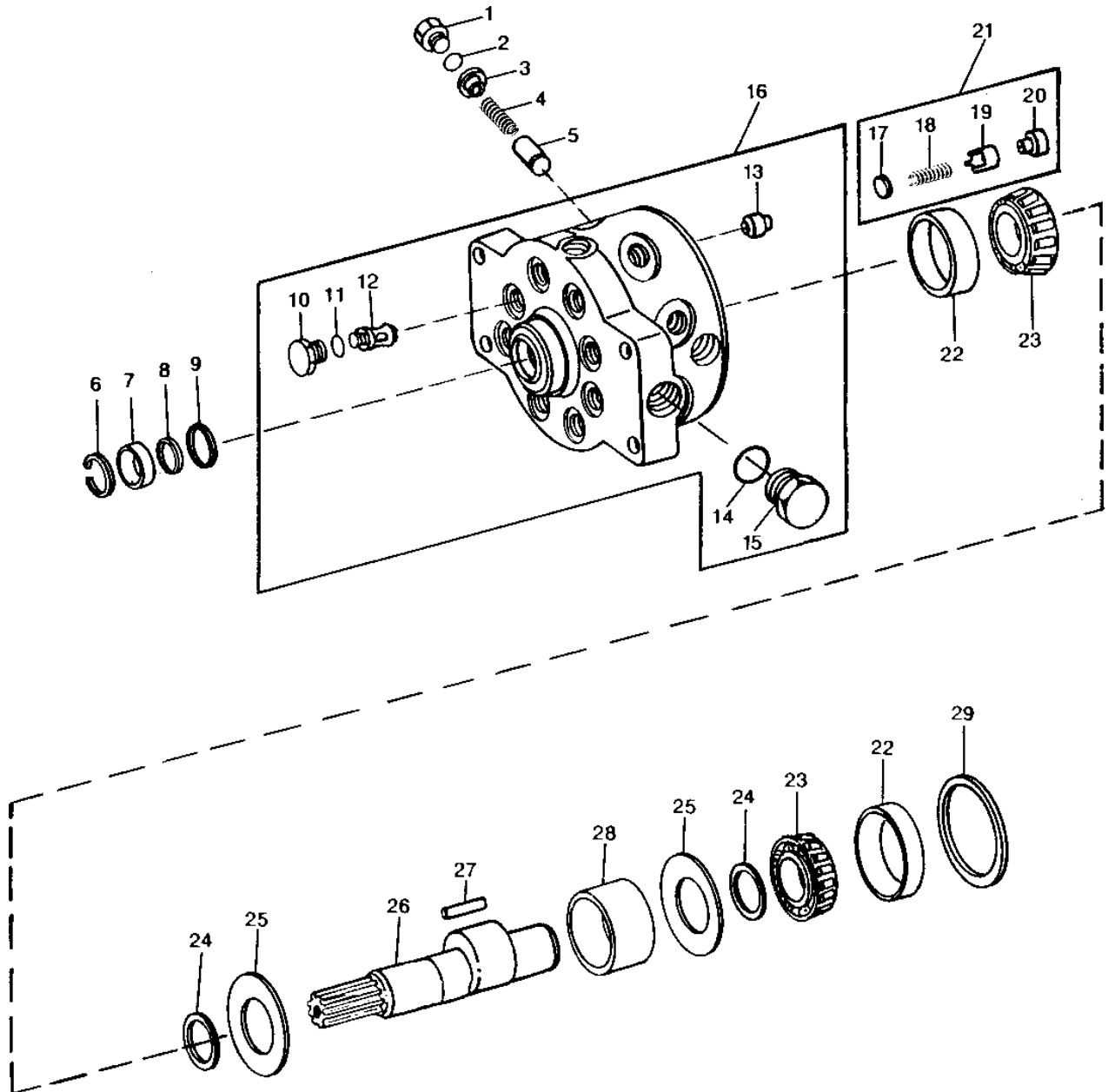
3B15

HYDRAULICS

RP3261

-UN-01JAN94

HYDRAULIC PUMP
39 CM3 (2.4 IN.3)
(PUMP LESS SERIAL PLATE)



3B16

HYDRAULICS

HYDRAULIC PUMP - CONTINUED
39 CM3 (2.4 IN.3)
(PUMP LESS SERIAL PLATE)

KEY	PART NO.	PART NAME	QTY	TRACTOR SERIAL NO.	REMARKS
1	R45438	FITTING	8		
2	R495R	O-RING	8	-XXXXXX	(SUB R56463 AND AR101236, THIS APPLICATION)
	R56463	O-RING	8	XXXXXX-	
3	AR101236	SHIELD	1	XXXXXX-	(SET OF 8) (SUB FOR R56749)
4	AR76762	SPRING	1		(SET OF 8) (SUB FOR AR55186)
5	R27150	PISTON	8		
6	R26137	SNAP RING	1		
7	RE28790	SEAL	1		(SUB FOR AR52224)
8	R56753	SHIM	1	XXXXXX-	
9	R39729	O-RING	1		
10	R78293	FITTING	8		
11	R27149	O-RING	8		
12	AR53301	VALVE	8		
13	R105583	SEAT	8		
14	U13639	O-RING	1		
15	R39741	DRAIN PLUG	1		
16	AR47580	HOUSING	1		(MARKED R45228) (SUB AR97872) (ALSO ORDER R52683, R39741, R36075, R26906, U13639 AND F3171R)
17	R49297	DISK	8		
18	R39228	SPRING	8		
19	R48738	GUIDE	8		
20	R83508	STOP	8		(SUB FOR R49298 OR R72886)
21	RE23382	VALVE	8		(SUB FOR AR52785 OR AR96613)
22	JD8223	BEARING CUP	2		
23	JD8192	BEARING CONE	2		
24	R34349	WASHER	2		
25	R60732	WASHER	2		
26	R39843	SHAFT	1		
27	R27145	NEEDLE ROLLER	36		
28	R45874	BEARING RACE	1		
29	R27478	SHIM	AR		0.15 MM (.006")
	R27479	SHIM	AR		0.25 MM (.010")
..	AR39695	HYDRAULIC PUMP	1		(SUB AR97872) (ALSO ORDER R52683, R39741, R36075, R26906, U13639 AND F3171R)
..	AR90459	HYDRAULIC PUMP	1		(SUB AR97872) (ALSO ORDER R52683, R39741, R36075, R26906, U13639 AND F3171R) (SUB FOR AR39695)

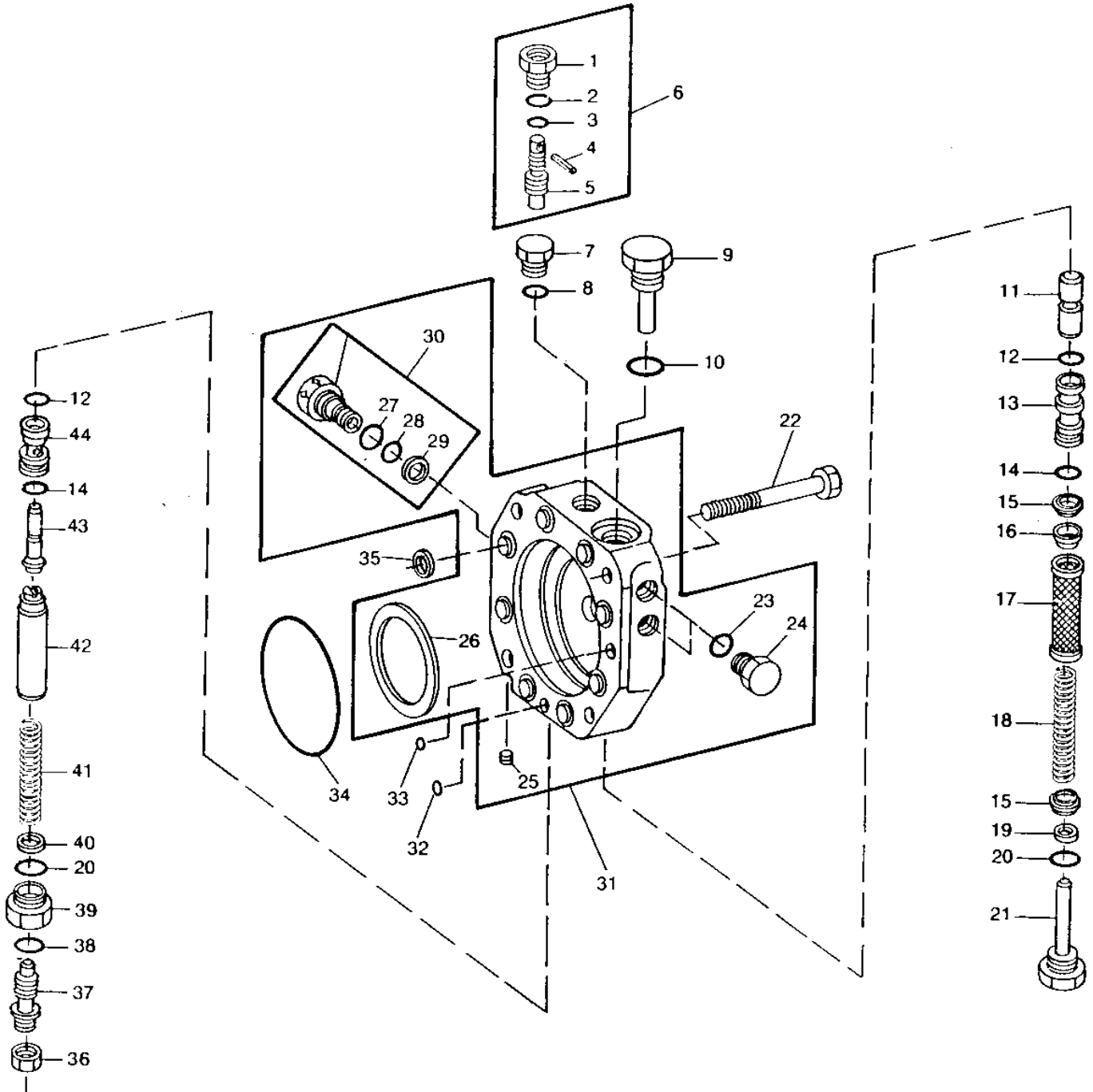
3B17

HYDRAULICS

HYDRAULIC PUMP STROKE CONTROL VALVE 39 CM3 (2.4 IN.3) (PUMP LESS SERIAL PLATE)

RP3510

-UN-01JAN94



RP 3510

3B18

HYDRAULICS

HYDRAULIC PUMP STROKE CONTROL VALVE - CONTINUED
 39 CM3 (2.4 IN.3)
 (PUMP LESS SERIAL PLATE)

KEY	PART NO.	PART NAME	QTY	TRACTOR SERIAL NO.	REMARKS
1	R27475	FITTING	1		
2	R26448	O-RING	1		
3	A4365R	O-RING	1		
4	34H254	SPRING PIN	1		1/8" X 1-1/2"
5	R27171	SCREW	1		
6	AR33249	SCREW	1		(MANUAL DESTROKE)
7	R27218	FITTING PLUG	1		(LESS MANUAL DESTROKE)
8	R26448	O-RING	1		(LESS MANUAL DESTROKE)
9	AR51745	DRAIN PLUG	1		
10	R26906	O-RING	1		
11	R27172	VALVE	1		
12	R27564	O-RING	2		
13	R70351	SLEEVE	1		(SUB FOR R27476)
14	R27166	O-RING	2		
15	R27174	PACKING	2		
16	R27167	GUIDE	1		
17	R27173	FILTER ELEMENT	1		
18	R27159	SPRING	1		
19	R27170	SHIM	AR		0.010"
	24H1298	WASHER	AR		0.030"
20	F3171R	O-RING	2		
21	AR26646	DRAIN PLUG	1		
22	19H3520	CAP SCREW	4		1/2" X 3-1/4"
23	R26287	O-RING	2		
24	R27216	DRAIN PLUG	2		
25	15H560	PIPE PLUG	1		1/16", (USE WITH R49071)
26	R49072	WASHER	1		(NOT USED IN ALL APPLICATIONS)
27	R26375	O-RING	1		(USE WITH R49071)
28	T40308	O-RING	1		(USE WITH R49071)
29	T57374	BACK-UP RING	1		(USE WITH R49071)
30	AR90378	PLUG	1		(USE WITH R49071)
31	AR38714	HOUSING	1		(MARKED R42663, R44802 OR R49071)
32	R56755	WASHER	1		(SUB FOR A4847R)
33	R63548	O-RING	1		(SUB FOR A3917R OR R56756)
34	R56757	O-RING	1		(SUB FOR R26621)
35	R69279	WASHER	8		(SUB FOR R26149 OR R56754)
36	14H1021	NUT	1		7/16"
37	AR52254	SET SCREW	1		
38	R28782	O-RING	1		
39	R28781	FITTING	1		
40	R42260	WASHER	1		
41	R31781	SPRING	1		
42	R71321	GUIDE	1		(SUB FOR R32344)
43	R70559	CONTROL VALVE	1		(SUB RE10712, R27166 AND R41057) (SUB FOR R27472 OR R65194)
44	R69262	SLEEVE	1		(SUB RE10712, R27166 AND R41057) (SUB FOR R27471, R58499 OR R65192)

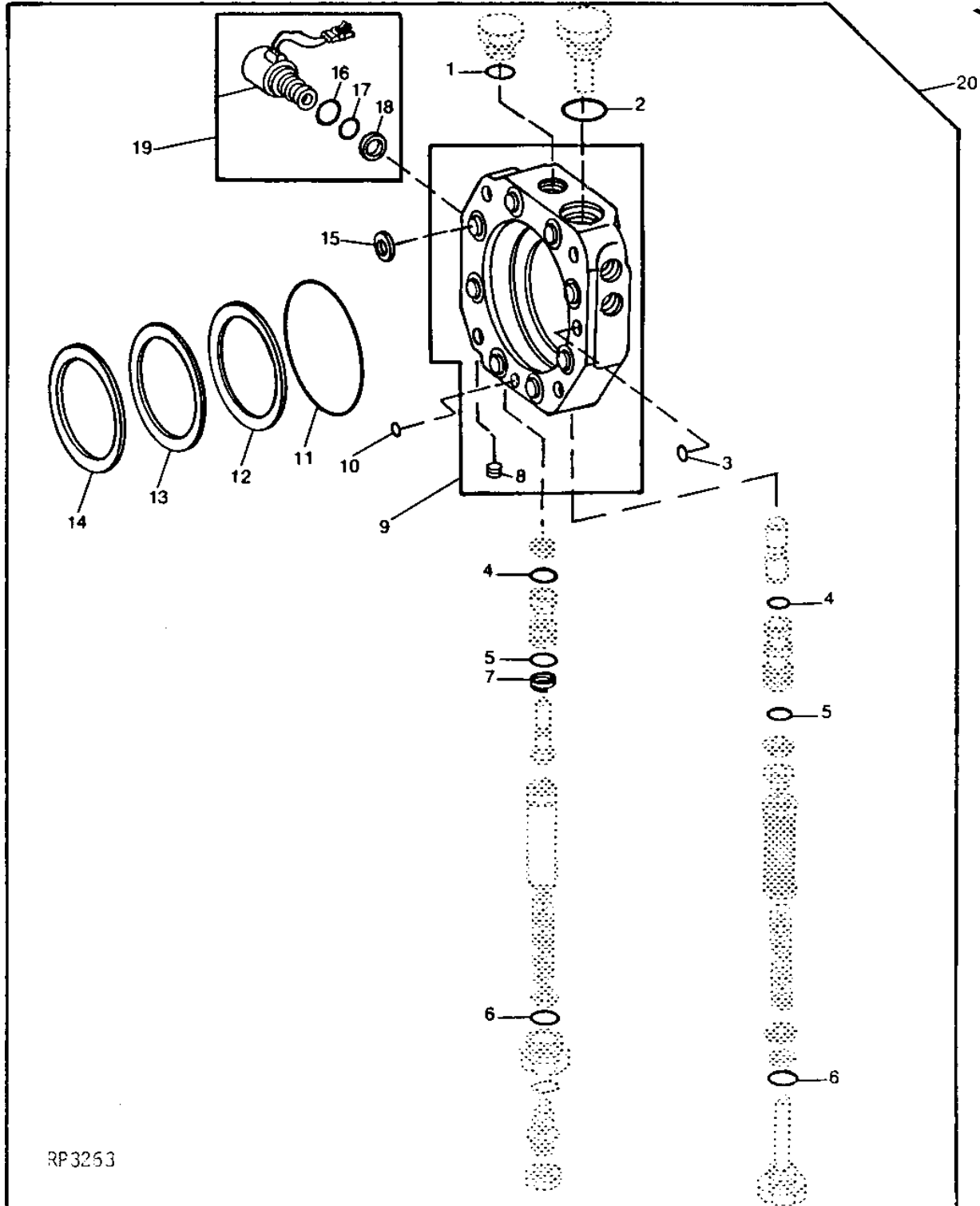
3B19

HYDRAULICS

HYDRAULIC PUMP ELECTRIC DESTROKE KIT 39 CM3 (2.4 IN.3) (PUMP LESS SERIAL PLATE)

RP3263

-UN-01JAN94



3B20

HYDRAULICS

HYDRAULIC PUMP ELECTRIC DESTROKE KIT - CONTINUED
39 CM3 (2.4 IN.3)
(PUMP LESS SERIAL PLATE)

KEY	PART NO.	PART NAME	QTY	TRACTOR SERIAL NO.	REMARKS
1	R26448	O-RING	1		
2	R26906	O-RING	1		
3	R63548	O-RING	1		(SUB FOR R56756)
4	R27564	O-RING	2		
5	R27166	O-RING	2		
6	F3171R	O-RING	2		
7	R41057	BACK-UP RING	1		
8	15H560	PIPE PLUG	1		1/16"
9	AR52494	HOUSING	1		(MARKED R49071)
10	R56755	WASHER	1		
11	R56757	O-RING	1		
12	R27478	SHIM	2		0.15 MM (.006")
13	R27479	SHIM	2		0.25 MM (.010")
14	R49072	WASHER	1		(NOT USED IN ALL APPLICATIONS)
15	R69279	WASHER	8		
16	R26375	O-RING	1		
17	T40308	O-RING	1		
18	T57374	BACK-UP RING	1		
19	RE32529	SOLENOID VALVE	1		(SUB FOR RE21725)
20	RE14868	KIT	1		(A)

(A) INCLUDES RE12330 WIRE CONNECTORS

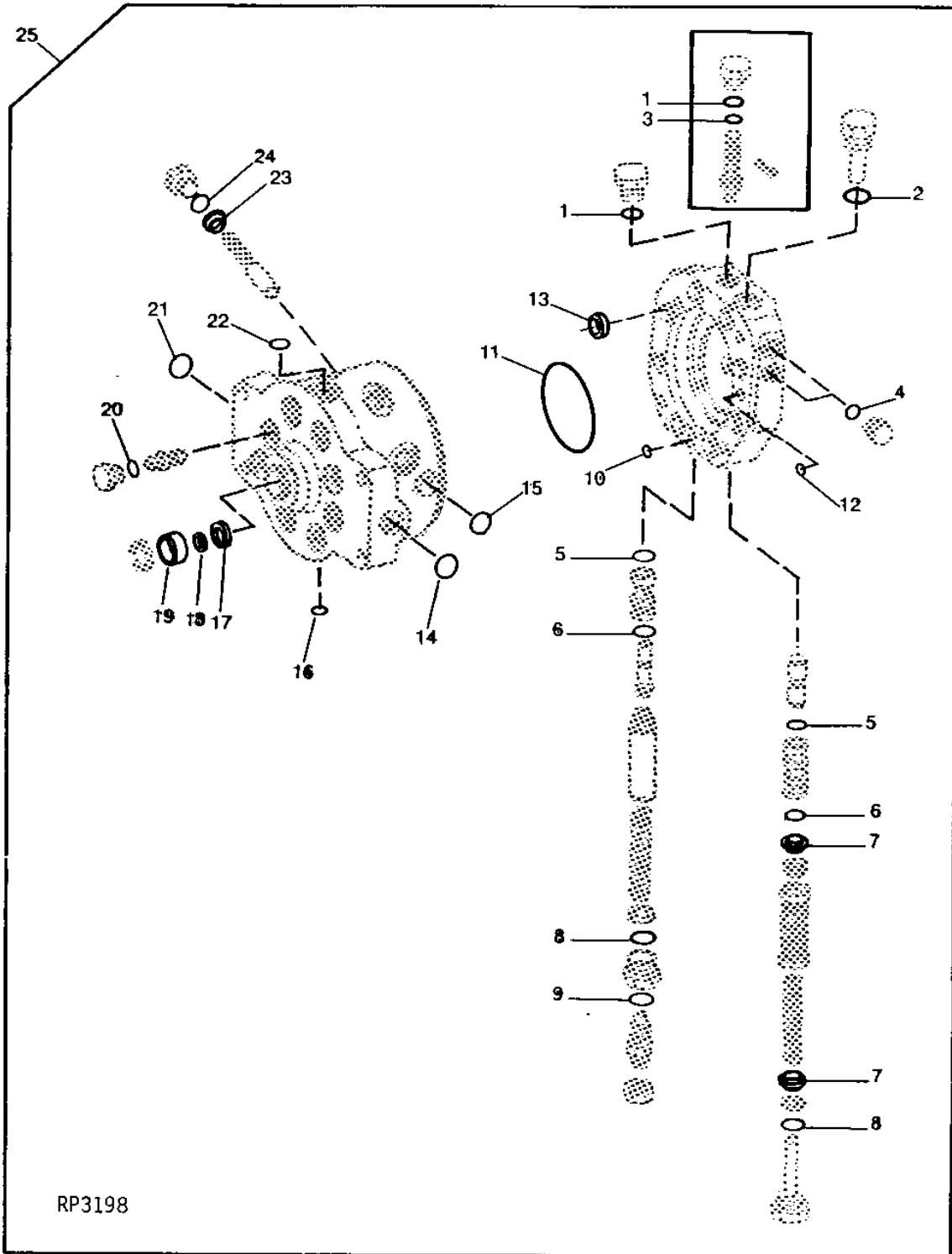
3B21

HYDRAULICS

HYDRAULIC PUMP AND STROKE CONTROL VALVE OVERHAUL KIT 39 CM3 (2.4 IN.3) (PUMP LESS SERIAL PLATE)

RP3198

-UN-01JAN94



RP3198

3B22

HYDRAULICS

HYDRAULIC PUMP AND STROKE CONTROL VALVE OVERHAUL KIT - CONTINUED
39 CM3 (2.4 IN.3)
(PUMP LESS SERIAL PLATE)

KEY	PART NO.	PART NAME	QTY	TRACTOR SERIAL NO.	REMARKS
1	R26448	O-RING	2		
2	R26906	O-RING	1		
3	A4365R	O-RING	1		
4	R26287	O-RING	2		
5	R27564	O-RING	2		
6	R27166	O-RING	2		
7	R27174	PACKING	2		
8	R56751	O-RING	2		
9	R28782	O-RING	1		
10	R56755	WASHER	1		
11	R56757	O-RING	1		
12	R63548	O-RING	1		(A) (SUB FOR R56756)
	A4365R	O-RING	1		(A)
13	R69279	WASHER	8		
14	U13639	O-RING	1		
15	R26906	O-RING	1		
16	R26287	O-RING	1		
17	R39729	O-RING	1		
18	R56753	SHIM	1		
19	RE28790	SEAL	1		
20	R27149	O-RING	8		
21	R56751	O-RING	1		
22	R27928	O-RING	2		(A) (TOP)
	P47908	O-RING	1		(A) (BOTTOM)
	R35827	WASHER	1		(A)
23	AR101236	SHIELD	1		(SET OF 8)
24	R56463	O-RING	8		
25	RE29103	KIT	1		(B) (SUB FOR AR67718)

(A) UNIVERSAL KIT - APPLICATIONS WILL VARY

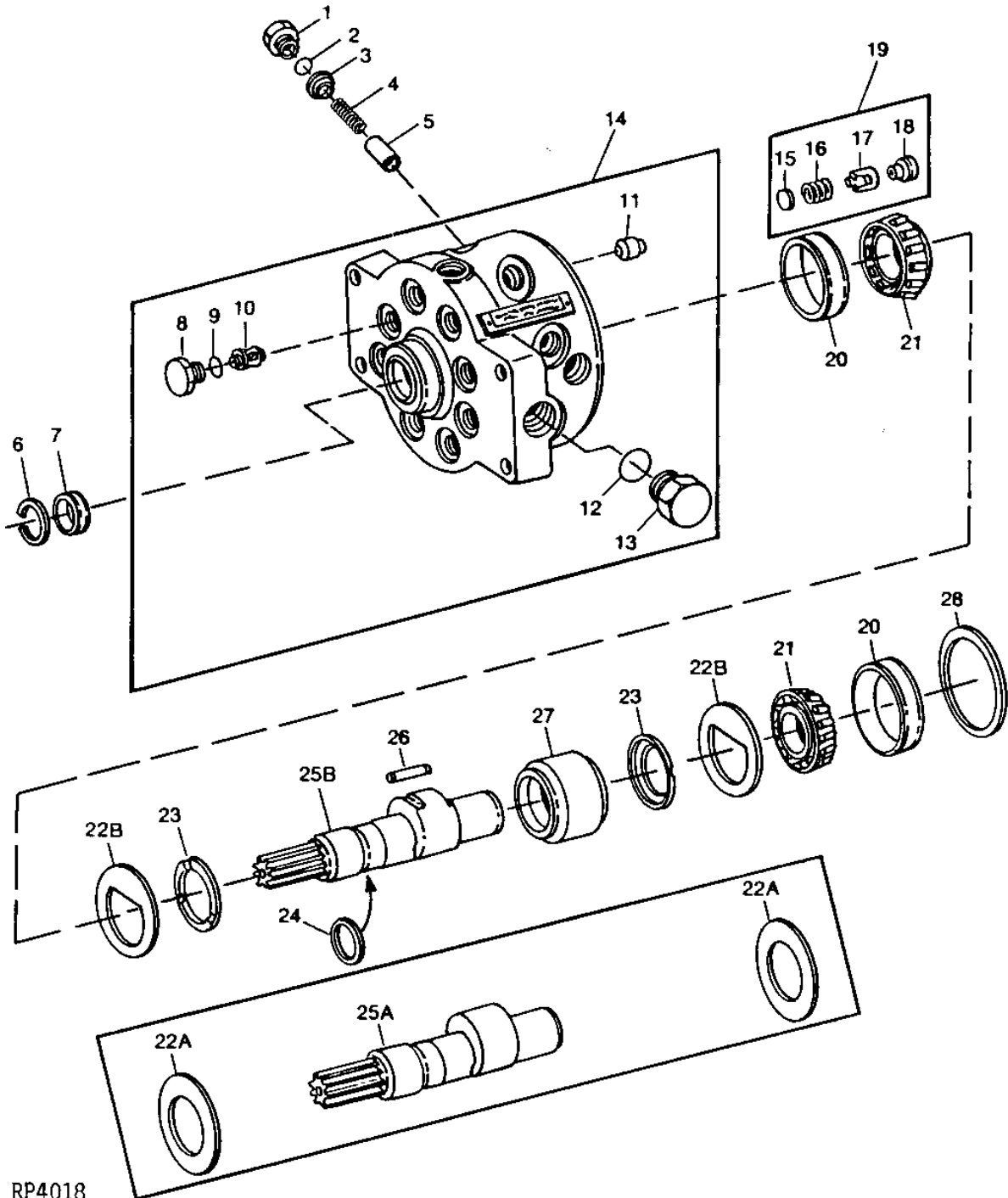
(B) ALSO ORDER (2) R27166 AND (2) R41057, IF STROKE CONTROL VALVE HAS BEEN REPLACED.

3B23

HYDRAULICS

HYDRAULIC PUMP - MODEL EA1
40 CM3 (2.4 IN.3)
(REPLACEMENT PUMP WITH SERIAL PLATE)

RP4018 -UN-18OCT94



RP4018

3B24

HYDRAULICS

HYDRAULIC PUMP - MODEL EA1 - CONTINUED
40 CM3 (2.4 IN.3)
(REPLACEMENT PUMP WITH SERIAL PLATE)

KEY	PART NO.	PART NAME	QTY	PUMP SERIAL NO.	REMARKS
1	R45438	FITTING	8		
2	R56463	O-RING	8		
3	AR101236	SHIELD	1		(SET OF 8) (SUB FOR R56749)
4	AR76762	SPRING	1		(SET OF 8)
5	R27150	PISTON	8		
6	R26137	SNAP RING	1		
7	RE28790	SEAL	1		(SUB FOR AR52224)
8	R78293	FITTING	8		
9	R27149	O-RING	8		
10	AR53301	VALVE	8		
11	R105583	SEAT	8		
12	U13639	O-RING	1		
13	R39741	DRAIN PLUG	1		
14	RE11804	HOUSING	1		(MODEL PJ1) (MARKED R73741)
15	R49297	DISK	8		
16	R39228	SPRING	8		
17	R48738	GUIDE	8		
18	R83508	STOP	8		(SUB FOR R72886)
19	RE23382	VALVE	8		(SUB FOR AR96613)
20	JD8223	BEARING CUP	2		
21	JD8192	BEARING CONE	2		
22A	R77903	WASHER	2	-014818	(SUB FOR R45425)
22B	R79151	LOCK WASHER	2	014819-	(USE WITH R79150)
23	R72507	THRUST WASHER	2		
24	R77611	RING	1		(SEALING) (SUB FOR R68252 OR RE11777)
25A	R73228	SHAFT	1	-014818	(SUB R79150) (ALSO ORDER (2) R79151)
25B	R79150	SHAFT	1	014819-	
26	R45422	NEEDLE ROLLER	25		
27	R72506	BEARING RACE	1		
28	R27478	SHIM	AR		0.15 MM (.006")
	R27479	SHIM	AR		0.25 MM (.010")
..	AR97872	HYDRAULIC PUMP	1		

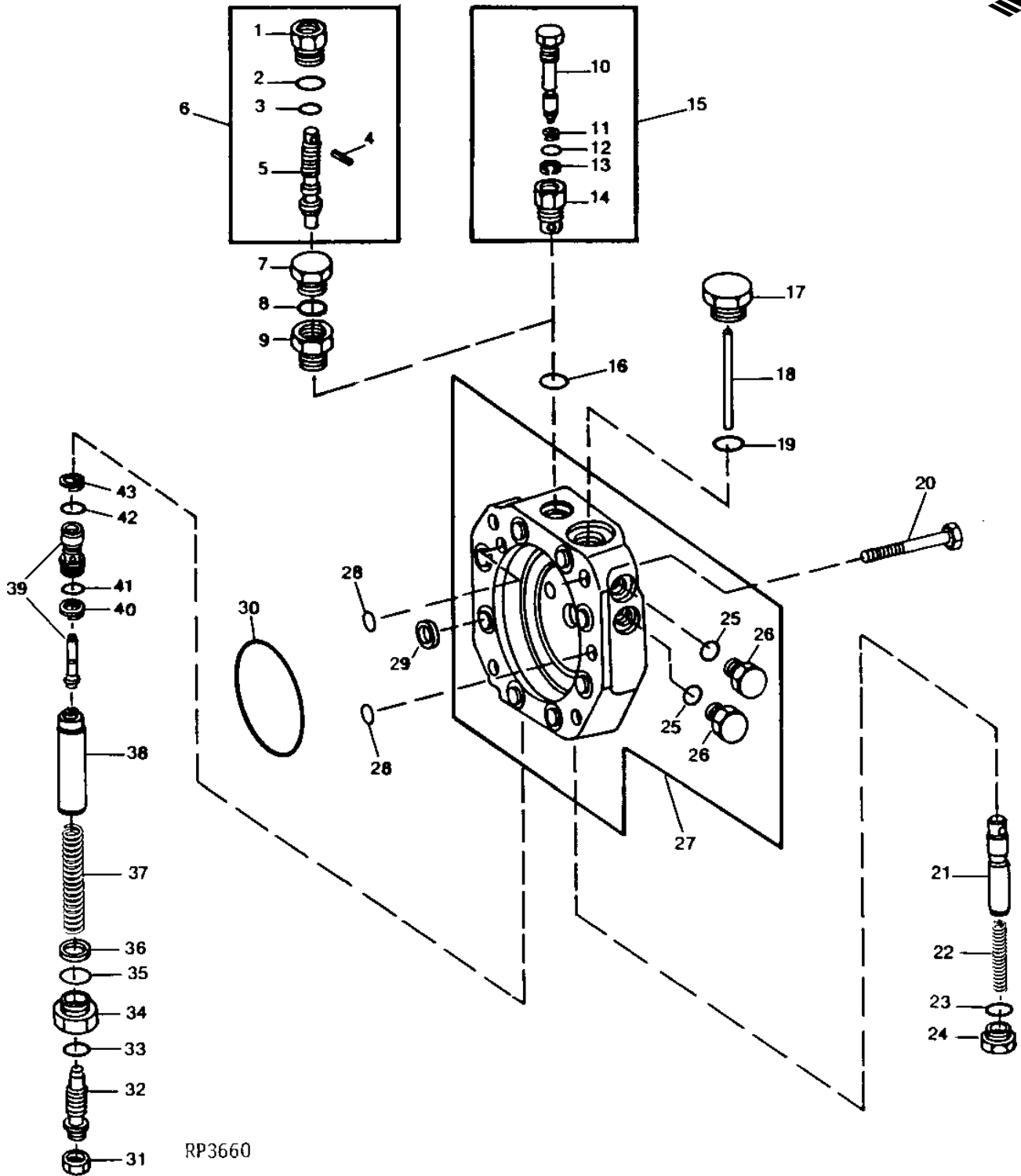
3C1

HYDRAULICS

HYDRAULIC PUMP STROKE CONTROL VALVE
40 CM3 (2.4 IN.3)
(REPLACEMENT PUMP WITH SERIAL PLATE)

RP3660

-UN-14SEP94



RP3660

3C2

HYDRAULICS

HYDRAULIC PUMP STROKE CONTROL VALVE - CONTINUED
 40 CM3 (2.4 IN.3)
 (REPLACEMENT PUMP WITH SERIAL PLATE)

KEY	PART NO.	PART NAME	QTY	PUMP SERIAL NO.	REMARKS
1	R27475	FITTING	1		
2	R26448	O-RING	1		
3	A4365R	O-RING	1		
4	34H254	SPRING PIN	1	1/8" X 1-1/2"	
5	R75879	SCREW	1		
6	AR96625	SCREW	1		(A) (MANUAL DESTROKE) (OPTIONAL)
7	R27218	FITTING PLUG	1		(LESS MANUAL DESTROKE)
8	R26448	O-RING	1		(LESS MANUAL DESTROKE)
9	R70617	PIPE PLUG	1		
10	R79266	SCREW	1		
11	R36358	BACK-UP RING	1		
12	R34802	O-RING	1		
13	R79268	SNAP RING	1		
14	R79267	PLUG	1		
15	RE13271	SCREW	1		(A) (MANUAL DESTROKE) (OPTIONAL)
16	R26906	O-RING	1		
17	R75642	DRAIN PLUG	1		
18	R75564	PIN	1		
19	R56751	O-RING	1		
20	19H3520	CAP SCREW	4	1/2" X 3-1/4"	
21	R70867	VALVE	1		
22	R70868	SPRING	1		
23	R26375	O-RING	1		
24	R73736	PLUG	1		
25	R26448	O-RING	2		
26	R75376	DRAIN PLUG	2		
27	RE12470	HOUSING	1		(MARKED R77714)
28	R56755	WASHER	2		
29	R69279	WASHER	8		
30	R56757	O-RING	1		
31	14H1021	NUT	1	7/16"	
32	AR52254	SET SCREW	1		
33	R28782	O-RING	1		
34	R28781	FITTING	1		
35	F3171R	O-RING	1		
36	R42260	WASHER	1		
37	R31781	SPRING	1		
38	R71321	GUIDE	1		
39	RE10712	CONTROL VALVE	1		
40	R41057	BACK-UP RING	1		
41	R27166	O-RING	1		
42	R27564	O-RING	1		
43	R75938	WASHER	1		

(A) DESIGNS INTERCHANGEABLE

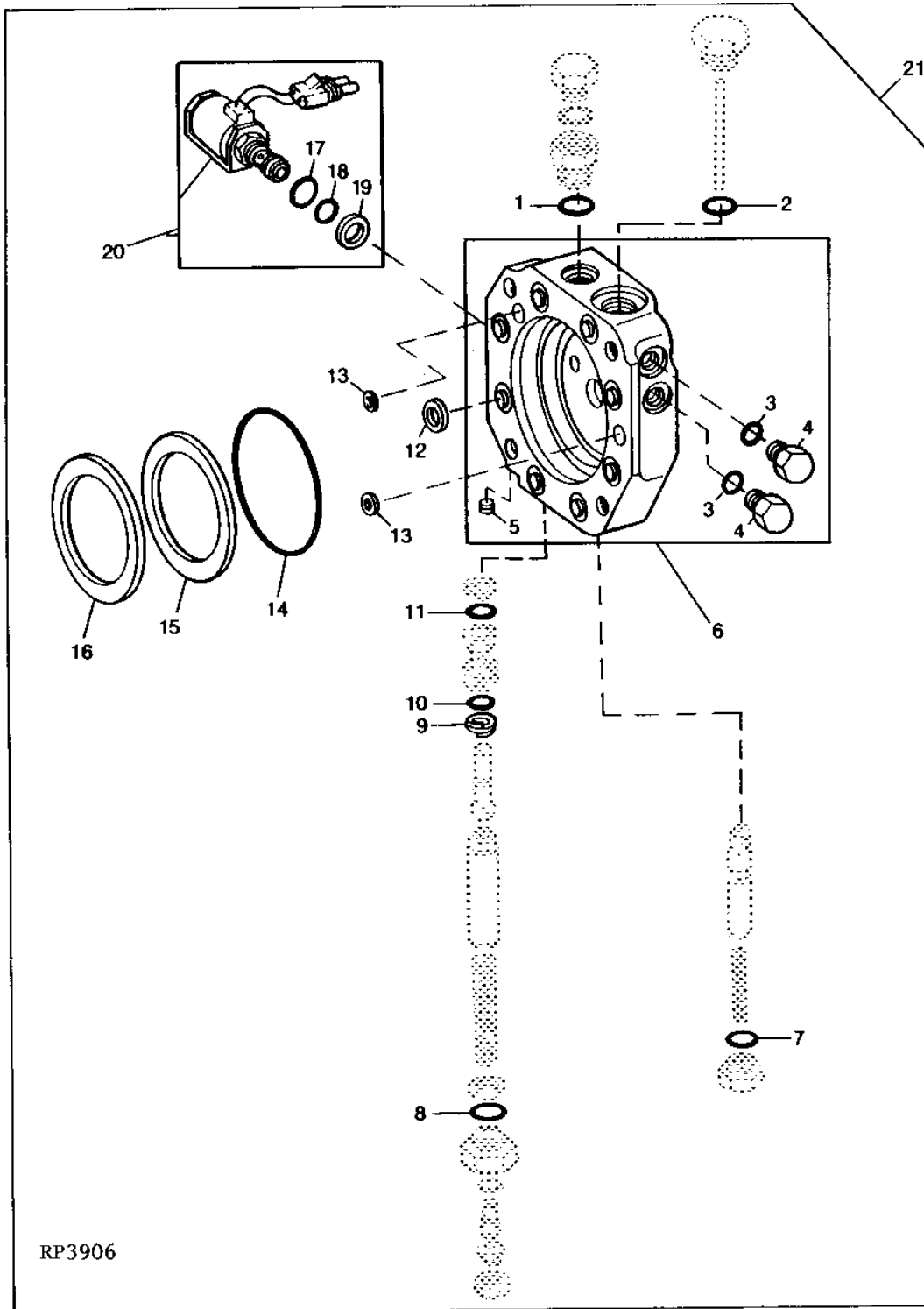
3C3

HYDRAULICS

HYDRAULIC PUMP ELECTRIC DESTROKE KIT 40 CM3 (2.4 IN.3) (REPLACEMENT PUMP WITH SERIAL PLATE)

RP3906

-UN-12OCT94



3C4

HYDRAULICS

HYDRAULIC PUMP ELECTRIC DESTROKE KIT - CONTINUED
40 CM3 (2.4 IN.3)
(REPLACEMENT PUMP WITH SERIAL PLATE)

KEY	PART NO.	PART NAME	QTY	PUMP SERIAL NO.	REMARKS
1	R26906	O-RING	1		
2	R56751	O-RING	1		
3	R26448	O-RING	2		
4	R75376	DRAIN PLUG	2		
5	15H560	PIPE PLUG	1	1/16"	
6	AR101632	HOUSING	1	(MARKED R77712)	
7	R26375	O-RING	1		
8	F3171R	O-RING	1		
9	R41057	BACK-UP RING	1		
10	R27166	O-RING	1		
11	R27564	O-RING	1		
12	R69279	WASHER	8		
13	R56755	WASHER	2		
14	R56757	O-RING	1		
15	R27478	SHIM	2	0.15 MM (.006")	
16	R27479	SHIM	2	0.25 MM (.010")	
17	R26375	O-RING	1		
18	T40308	O-RING	1		
19	T57374	BACK-UP RING	1		
20	RE32529	SOLENOID VALVE	1	(SUB FOR RE21725)	
21	RE24647	KIT	1	(A) (SUB RE40463)	

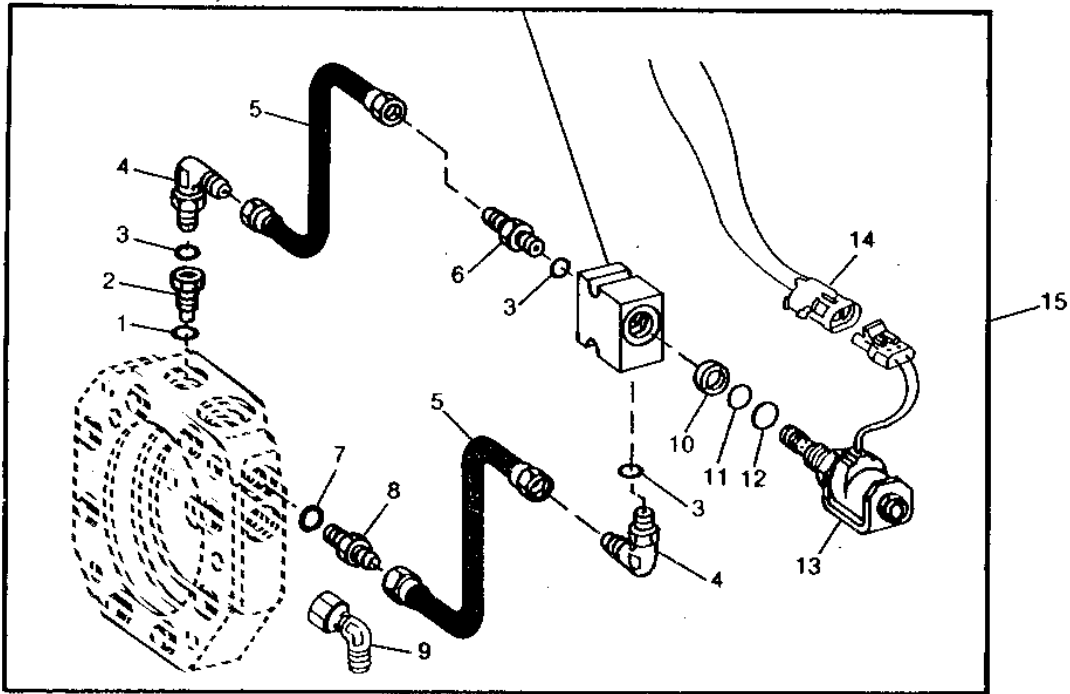
(A) INCLUDES RE12330 WIRE CONNECTORS

3C5

HYDRAULICS

RXP9501 -UN-01JAN94

HYDRAULIC PUMP ELECTRIC DESTROKE KIT



RXP9501

KEY	PART NO.	PART NAME	QTY	PUMP SERIAL NO.	REMARKS
1	R26906	O-RING	1		
2	R70617	PIPE PLUG	1		
3	R26448	O-RING	4		
4	AT35121	ELBOW FITTING	2		
5	AN250096	HYDRAULIC HOSE	2		
6	R27212	FITTING	1		
7	R26287	O-RING	1	(A)	
	R26448	O-RING	1	(B)	
8	T43535	FITTING	1	(A)	
	Z36276	ADAPTER	1	(B)	
9	AE24616	ELBOW FITTING	1	(USE WITH T43535 OR Z36276)	
10	T57374	BACK-UP RING	1		
11	T40308	O-RING	1		
12	R26375	O-RING	1		
13	RE32529	SOLENOID VALVE	1		
14	RE50017	WIRING HARNESS	1		
15	RE40463	KIT	1		

(A) NON-SERIALIZED PUMP
(B) SERIALIZED PUMP

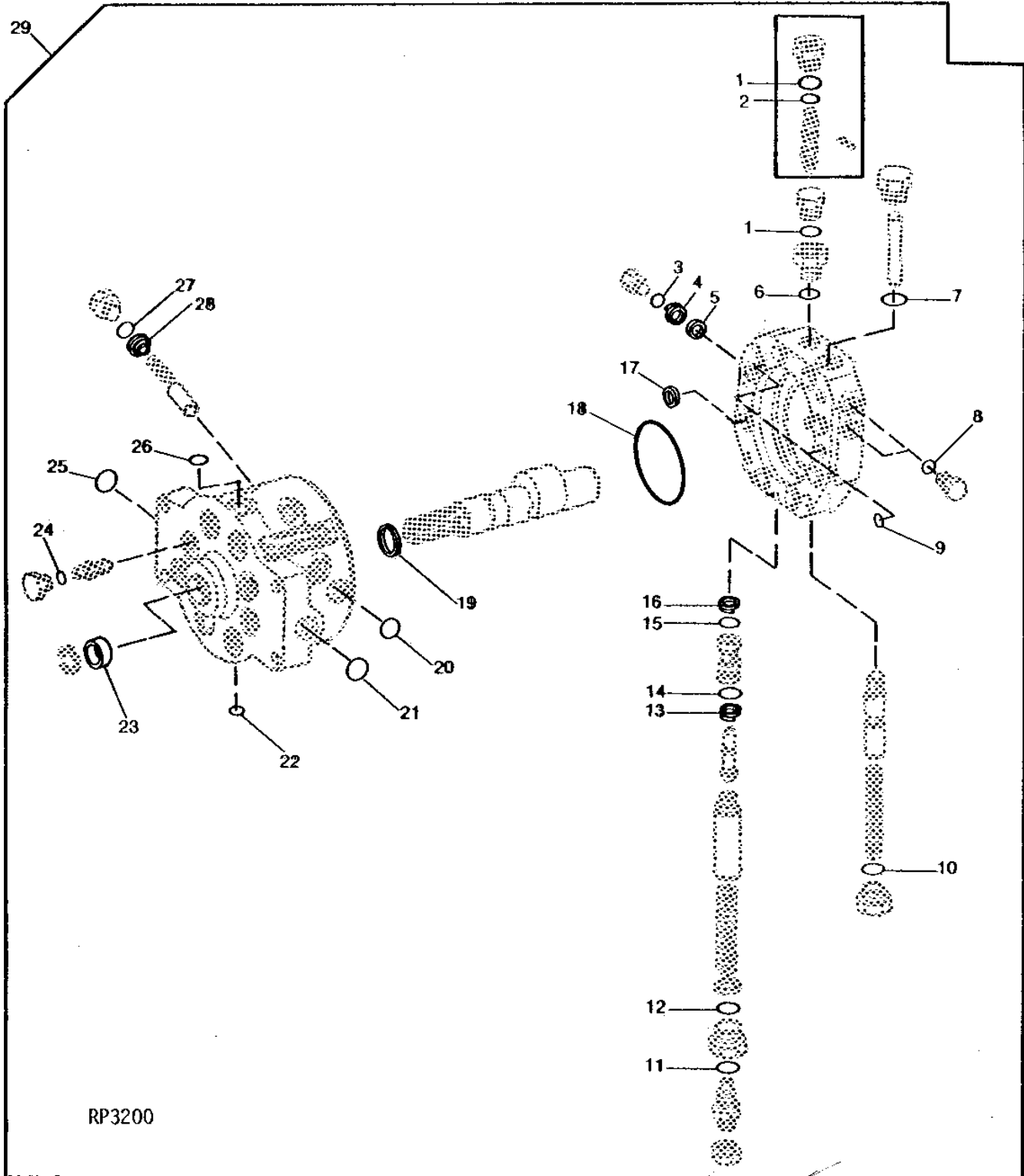
MEMORANDA

3C6

HYDRAULICS

HYDRAULIC PUMP AND STROKE CONTROL VALVE OVERHAUL KIT 40 CM3 (2.4 IN.3) (REPLACEMENT PUMP WITH SERIAL PLATE)

RP3200 -UN-01JAN94



3C7

HYDRAULICS

HYDRAULIC PUMP AND STROKE CONTROL VALVE OVERHAUL KIT - CONTINUED
 40 CM3 (2.4 IN.3)
 (REPLACEMENT PUMP WITH SERIAL PLATE)

KEY	PART NO.	PART NAME	QTY	PUMP SERIAL NO.	REMARKS
1	R26448	O-RING	1		
2	A4365R	O-RING	1		
3	R26375	O-RING	1	(A)	
4	T40308	O-RING	1	(A)	
5	T57374	BACK-UP RING	1	(A)	
6	R26906	O-RING	1		
7	R56751	O-RING	1		
8	R26448	O-RING	2		
9	R56755	WASHER	2		
10	R26375	O-RING	1		
11	R28782	O-RING	1		
12	R56751	O-RING	1		
13	R41057	BACK-UP RING	1		
14	R27166	O-RING	1		
15	R27564	O-RING	1		
16	R75938	WASHER	1		
17	R69279	WASHER	8		
18	R56757	O-RING	1		
19	R77611	RING	1	(SEALING)	
20	R56751	O-RING	1		
21	U13639	O-RING	1	(A)	
	R56751	O-RING	1	(A)	
	R29936	O-RING	1	(A)	
22	R26287	O-RING	1		
23	RE28790	SEAL	1		
24	R27149	O-RING	8		
25	R56751	O-RING	1	(A)	
	R29936	O-RING	1	(A)	
26	R27928	O-RING	1	(A) (TOP)	
	P47908	O-RING	1	(A) (BOTTOM)	
	R26906	O-RING	1	(A)	
27	R56463	O-RING	8		
28	AR101236	SHIELD	1	(SET OF 8)	
29	RE29107	KIT	1	(SUB FOR AR96321)	

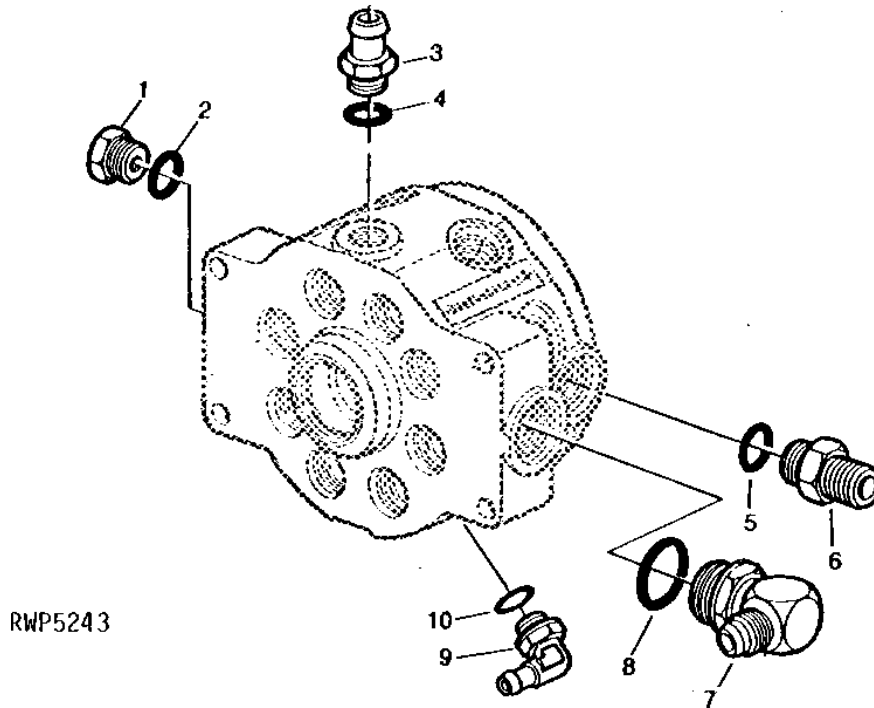
(A) UNIVERSAL KIT - APPLICATIONS WILL VARY

3C8

HYDRAULICS

HYDRAULIC PUMP CONNECTORS AND FITTINGS 40 CM3 (2.4 IN.3)

RWP5243 -UN-01JAN94



KEY	PART NO.	PART NAME	QTY	TRACTOR SERIAL NO.	REMARKS
1	R27175	DRAIN PLUG	1		
2	F3171R	O-RING	1		
3	R39215	FITTING	1		
4	R52683	FITTING	1	(A)	
	R35827	WASHER	1		
	R26906	O-RING	1	(A)	
5	R26906	O-RING	1		
	F3171R	O-RING	1	(A)	
6	R27270	FITTING	1		
	R36075	FITTING	1	(A)	
7	AR39071	ELBOW FITTING	1		
8	U13639	O-RING	1		
9	AT32335	ELBOW FITTING	1		
10	R26287	O-RING	1		

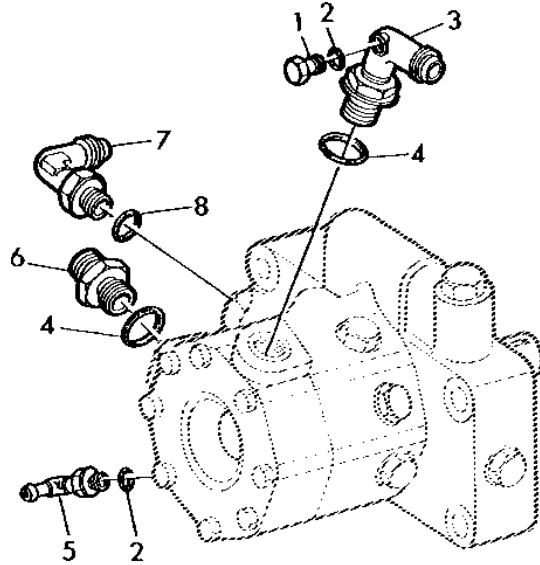
(A) REPLACEMENT PUMP WITH SERIAL NUMBER PLATE

3C9

HYDRAULICS

HYDRAULIC PUMP CONNECTORS AND FITTINGS 23 CM3 (1.4 IN.3)

L108975 -UN-01JAN94



L 108975

KEY	PART NO.	PART NAME	QTY	TRACTOR SERIAL NO.	REMARKS
1	R27216	DRAIN PLUG	1		
2	R26287	O-RING	2		
3	AR73684	TEE FITTING	1		
4	U12547	O-RING	2		(SUB FOR F3171R, THIS APPLICATION)
5	AL28468	ELBOW FITTING	1		
6	R27267	FITTING	1		
7	AL28658	ELBOW FITTING	1		
8	R26375	O-RING	1		

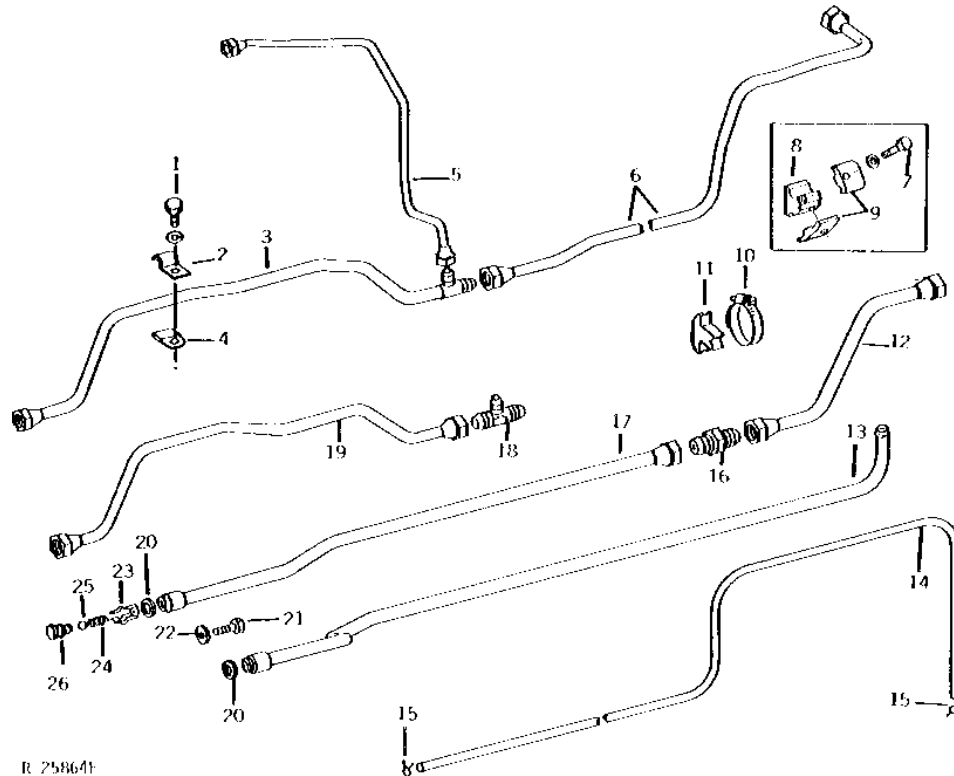
MEMORANDA

3C10

HYDRAULICS

HYDRAULIC PUMP INLET AND PRESSURE OIL LINES 39 CM3 (2.4 IN.3) PUMP

R25864 -UN-01JAN94



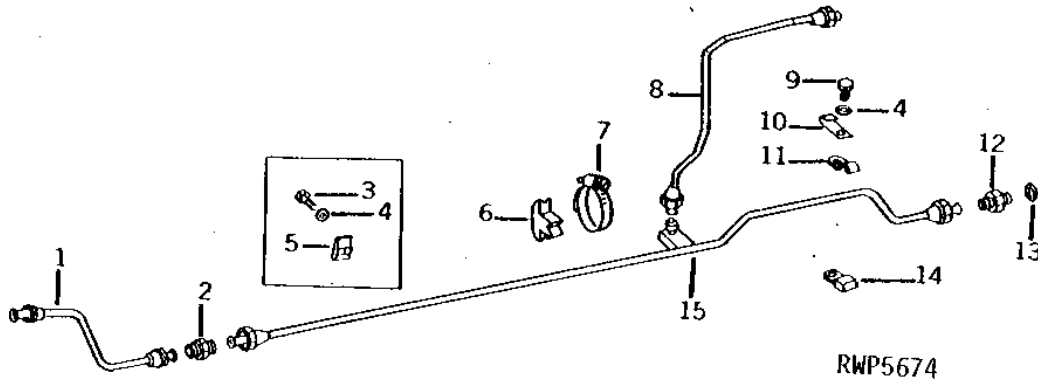
KEY	PART NO.	PART NAME	QTY	TRACTOR SERIAL NO.	REMARKS
1	19H2284	CAP SCREW	1	3/8" X 7/8"	
	12H304	LOCK WASHER	1	3/8"	
2	T25724	CLAMP	1	(SUB (2) R35726, 28H1518, 19H1732 AND 12H304)	
3	AR65540	OIL LINE	1	(REVERSER)	
4	R28539	CLAMP	1	(SUB (2) R35726, 28H1518, 19H1732 AND 12H304)	
5	AT23552	OIL LINE	1	STEERING PRESSURE, (SUB AR103470, THIS APPLICATION)	
	AH83485	HYDRAULIC HOSE	1	(USE WHEN AR89099 HAS BEEN INSTALLED)	
6	AR65539	OIL LINE	1	PRESSURE	
7	19H1732	CAP SCREW	4	-XXXXXX 3/8" X 1-1/4"	
	12H304	LOCK WASHER	4	-XXXXXX 3/8"	
8	T23053	SPACER	2	-XXXXXX (SUB TY22470 AND R49076)	
9	T23040	CLAMP	4	-XXXXXX (SUB TY22470 AND R49076)	
10	AR21840	CLAMP	2	XXXXXX- (SUB TY22470)	
11	R49076	SPACER	2	XXXXXX-	
12	AT23555	OIL LINE	1	INLET	
13	AT22263	OIL LINE	1	COOLER TO CLUTCH CONTROL VALVE, (REVERSER)	
	AT22143	OIL LINE	1	COOLER TO CLUTCH HOUSING, (LESS REVERSER)	
14	T23083	TUBE	1	RESERVOIR TO CLUTCH HOUSING COVER	
15	T19324	CLAMP	2		
16	R27266	FITTING	1		
17	AR65541	OIL LINE	1	INLET, (REVERSER)	
	AR65543	OIL LINE	1	INLET, (LESS REVERSER)	
18	T28991	TEE FITTING	1	(LESS REVERSER)	
19	AR65544	OIL LINE	1	PRESSURE, (LESS REVERSER)	
20	R1662R	WASHER	2		
21	19H1731	CAP SCREW	1	3/8" X 1"	
22	A4231R	WASHER	1		
23	R39076	GUIDE	1	(LESS REVERSER)	
24	R39078	SPRING	1	(LESS REVERSER)	
25	D2361R	BALL	1	13MM (1/2") (LESS REVERSER)	
26	T23203	VALVE SEAT	1	(LESS REVERSER)	

3C11

HYDRAULICS

HYDRAULIC PUMP PRESSURE OIL LINES 23 CM3 (1.38 IN.3) PUMP

RWP5674 -UN-01JAN94



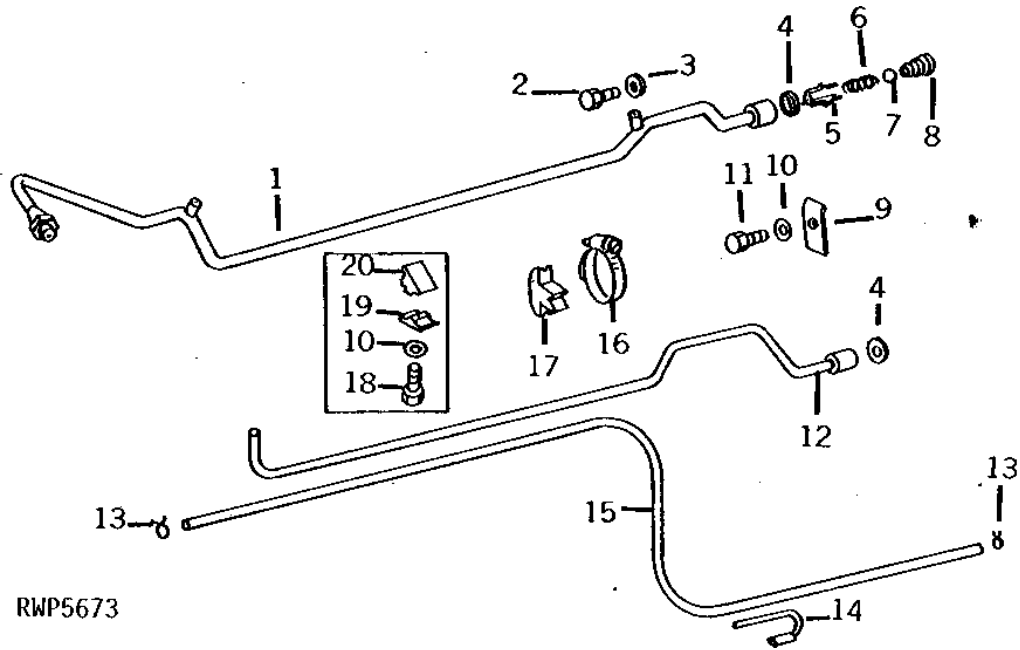
KEY	PART NO.	PART NAME	QTY	TRACTOR SERIAL NO.	REMARKS
1	AT22079	OIL LINE	1		
2	R34063	FITTING	1		
3	19H1732	CAP SCREW	2	-XXXXXX	3/8" X 1-1/4"
4	12H304	LOCK WASHER	3	-XXXXXX	3/8"
	12H304	LOCK WASHER	3	XXXXXX-	3/8"
5	T23054	CLAMP	2	-XXXXXX	(SUB TY22470 AND R49076)
6	R49076	SPACER	2	XXXXXX-	(SUB TY22470)
7	AR21840	CLAMP	2	XXXXXX-	(SUB TY22470)
8	AT23552	OIL LINE	1		STEERING PRESSURE, (SUB AR103470, THIS APPLICATION)
	AH83485	HYDRAULIC HOSE	1		(USE WHEN AR89099 HAS BEEN INSTALLED)
9	19H2284	CAP SCREW	1		3/8" X 7/8"
10	B1986R	CLIP	1		(REVERSER)
11	R28538	CLAMP	1		(SUB (2) R27539, 28H1518, 19H1732 AND 12H304)
12	R31665	FITTING	1		
13	R26906	O-RING	1		
14	R28539	CLAMP	1		(SUB (2) R27539, 28H1518, 19H1732 AND 12H304)
15	AT23562	OIL LINE	1		(LESS REVERSER)
	AT23563	OIL LINE	1		(REVERSER)

3C12

HYDRAULICS

HYDRAULIC PUMP OIL INLET LINES 23 CM3 (1.38 IN.3) PUMP

RWP5673 -UN-01JAN94



RWP5673

KEY	PART NO.	PART NAME	QTY	TRACTOR SERIAL NO.	REMARKS
1	AT22199	OIL LINE	1	(A)	
	AT22264	OIL LINE	1	(B)	
2	19H1731	CAP SCREW	1	3/8" X 1"	
3	A4231R	WASHER	1	(B)	
4	R1662R	WASHER	3		
5	R39076	GUIDE	1	(A)	
6	R39078	SPRING	1	(A)	
7	D2361R	BALL	1	(A)	13 MM (1/2") INLET LINE CHECK VALVE
8	T23203	VALVE SEAT	1	(A)	
9	T23059	RETAINER	1	(A)	
10	12H304	LOCK WASHER	3	3/8"	
11	19H2552	CAP SCREW	1	(A) 3/8" X 1-1/8"	
12	AT22143	OIL LINE	1	(A)	
	AT22263	OIL LINE	1	(B)	
13	T19324	CLAMP	2		
14	R44302	TIE BAND	1		
15	T23083	TUBE	1		(REVERSER TO CLUTCH HOUSING)
16	AR21840	CLAMP	2	XXXXXX-	(SUB TY22470)
17	R49076	SPACER	2	XXXXXX-	
18	19H1732	CAP SCREW	2	-XXXXXX	3/8" X 1-1/4"
19	T23054	CLAMP	2	-XXXXXX	(SUB TY22470 AND R49076)
20	T23053	SPACER	2	-XXXXXX	(SUB TY22470 AND R49076)

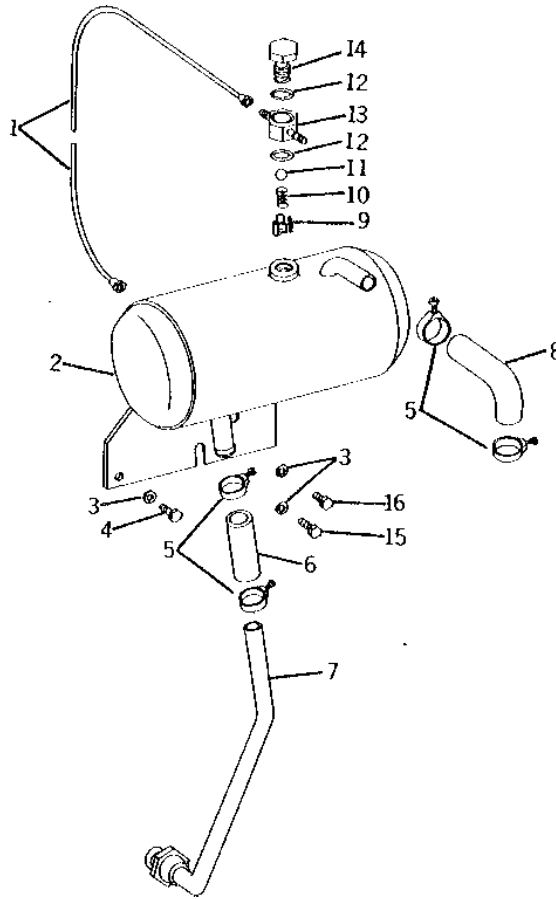
(A) LESS REVERSER
(B) REVERSER

3C13

HYDRAULICS

T12834 -UN-01JAN94

HYDRAULIC OIL RESERVOIR AND ASSOCIATED PARTS



T 12834

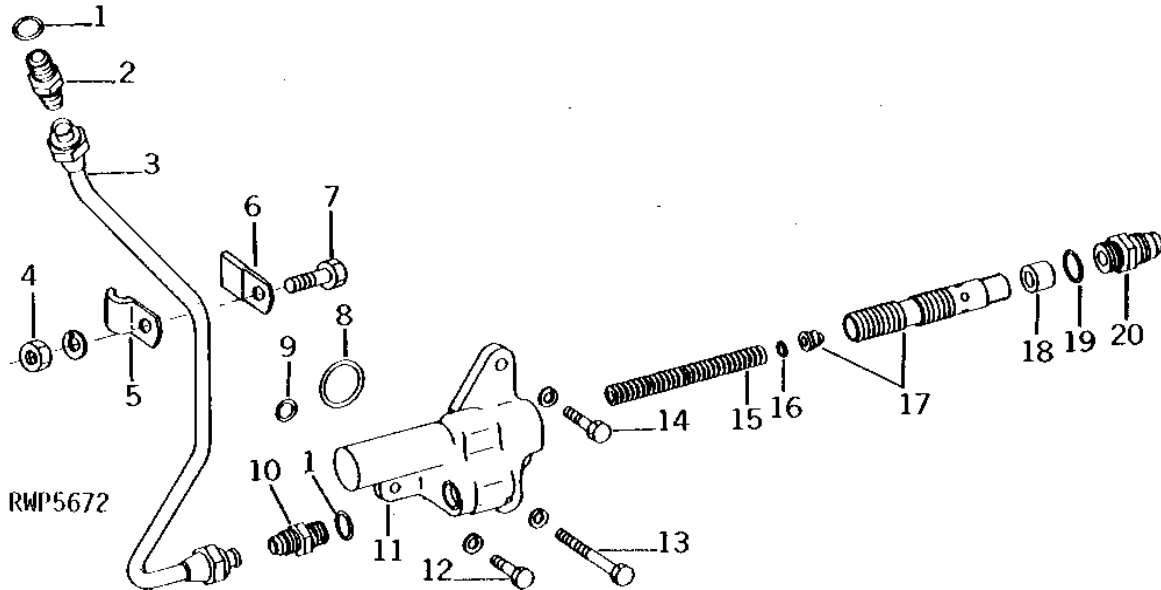
KEY	PART NO.	PART NAME	QTY	TRACTOR SERIAL NO.	REMARKS
1	AT20960	OIL LINE	1		HYDRAULIC PUMP DRAIN
2	AR62440	RESERVOIR	1		
3	12H304	LOCK WASHER	3	3/8"	
4	19H2021	CAP SCREW	1	3/8" X 5/8"	
5	AR21839	CLAMP	4	(SUB TY22467)	
6	HOSE	1		19 X 64 MM (3/4" X 2 1/2") LONG, (MAKE FROM TY22329)
7	AT20959	OIL LINE	1		RESERVOIR TO HYDRAULIC PUMP, (23 CM3 (1.38 IN3)) PUMP
.....		HYDRAULIC HOSE	1		356 MM (14") RESERVOIR TO HYDRAULIC PUMP, (MAKE FROM T61939) (SUB FOR T35689) (39 CM3 (2.4 IN3)) PUMP
8	L35843	HOSE	1		RESERVOIR TO COOLER, (SUB FOR T40167 OR T22958)
9	R39076	GUIDE	1		
10	R39078	SPRING	1		
11	D2361R	BALL	1	13 MM (1/2")	
12	U11343	O-RING	2		
13	AT20983	FITTING	1		
14	T22970	PLUG	1		
15	19H1936	CAP SCREW	1	3/8" X 3/4"	
	19H2284	CAP SCREW	1	3/8" X 7/8"	
16	19H1936	CAP SCREW	1	3/8" X 3/4"	

3C14

HYDRAULICS

RWP5672 -UN-01JAN94

PRESSURE CONTROL VALVE



KEY	PART NO.	PART NAME	QTY	TRACTOR SERIAL NO.	REMARKS
1	R26375	O-RING	2		
2	R27237	FITTING	1		
3	AT28578	LINE	1		SCV PRESSURE
4	14H1040	NUT	1	1/2"	
	12H301	LOCK WASHER	1	1/2"	
5	R28538	CLAMP	1		
6	R28539	CLAMP	1		
7	19H1792	CAP SCREW	1	1/2" X 1"	
8	R60332	O-RING	1		
9	R28776	O-RING	1		
10	R27237	FITTING	1		(SELECTIVE CONTROL VALVE)
	R39112	FITTING	1		(LESS SELECTIVE CONTROL VALVE)
11	R39273	HOUSING	1		(SUB R66083, R66084, R66085, R26375 AND T13119)
12	19H2552	CAP SCREW	1	3/8" X 1-1/8"	
	12H304	LOCK WASHER	1	3/8"	
13	19H2128	CAP SCREW	1	3/8" X 3"	
	12H304	LOCK WASHER	1	3/8"	
14	19H1800	CAP SCREW	1	3/8" X 1-1/2"	
	12H304	LOCK WASHER	1	3/8"	
15	R40072	SPRING	1		
16	24H1283	WASHER	AR	7/32" X 1/2" X 0.049"	
17	AR65881	VALVE	1	(A)	
	AR65880	VALVE	1	(B)	
18	R55937	SLEEVE	1	(B)	
19	R26906	O-RING	1		
20	R31665	FITTING	1	(A)	
	R27270	FITTING	1	(B)	

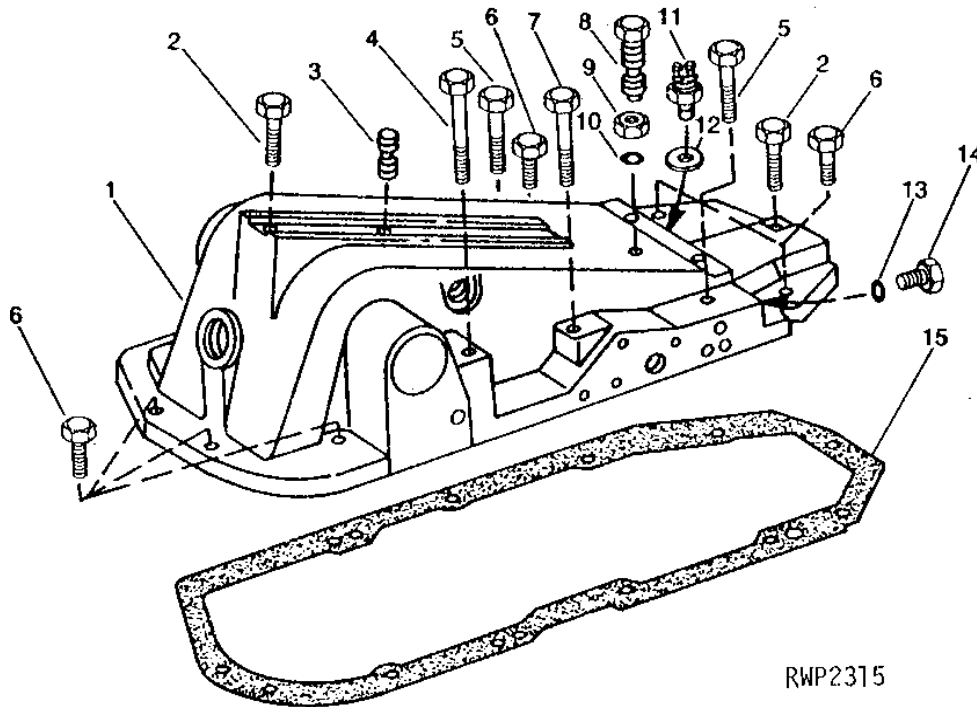
(A) 23 CM3 (1.38 IN3) PUMP
 (B) 39 CM3 (2.4 IN3) PUMP

3C15

HYDRAULICS

RWP2315 -UN-01JAN94

ROCKSHAFT HOUSING



RWP2315

KEY	PART NO.	PART NAME	QTY	TRACTOR SERIAL NO.	REMARKS
1	AR104660	HOUSING	1		(MARKED R62595, T32264 OR R76702) (ALSO ORDER R26448 AND R27218) (SUB FOR AR77179 OR AT20881)
	T27258	STRAP	1		(B)
2	19H1831	CAP SCREW	4		1/2" X 2"
3	T21630	PIN	1		
4	19H3550	CAP SCREW	1		1/2" X 4"
5	19H1974	CAP SCREW	2		1/2" X 2-3/4"
6	19H1721	CAP SCREW	9		1/2" X 1-1/2"
	19H1721	CAP SCREW	8	-187300	(A) 1/2" X 1-1/2"
	19H2644	CAP SCREW	9	-187300	(A) 1/2" X 2-1/2"
7	19H3520	CAP SCREW	1		1/2" X 3-1/4"
8	T22471	SCREW	1		
9	14H888	NUT	1		9/16"
10	R26448	O-RING	1		
11	RE38390	SWITCH	1		NEUTRAL START, (SUB FOR R36265, AR85323, AR89691 OR AT85153)
12	T16911	SHIM	1		
13	R26287	O-RING	1		
14	R27216	DRAIN PLUG	1		
15	T21641	GASKET	1		

(A) LOW PROFILE

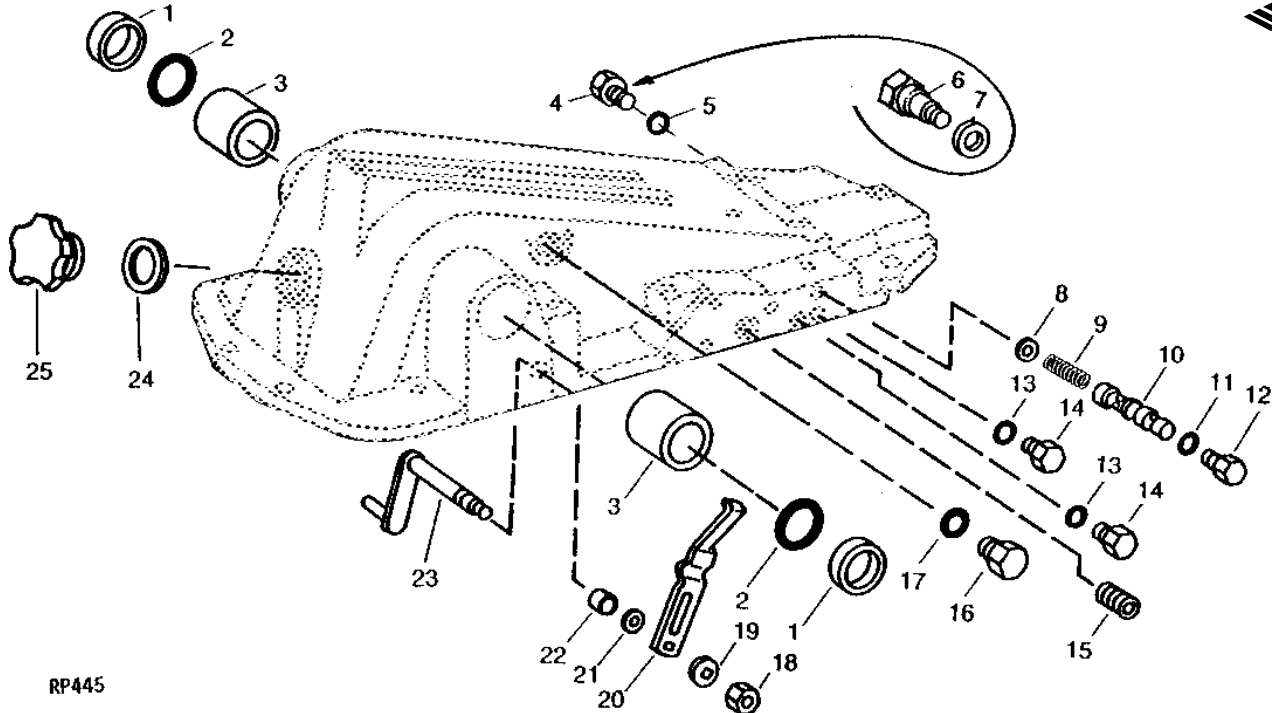
(B) USE ON TRACTORS HAVING AN "L" AS THE LAST DIGIT OF THE CHASSIS SERIAL NUMBER

3C16

HYDRAULICS

RP445 -UN-01JAN94

ROCKSHAFT HOUSING PARTS



RP445

KEY	PART NO.	PART NAME	QTY	TRACTOR SERIAL NO.	REMARKS
1	T21615	CAP	2		
2	R26863	O-RING	2		
	T26904	O-RING	2	(A)	
3	T22474	BUSHING	2		
4	R27218	FITTING PLUG	1		
5	R26448	O-RING	1		
6	T21638	ADAPTER	1	(ALSO ORDER R26448 AND R27218) (SUB FOR T32855)	
7	F1791R	WASHER	1		
8	24H1283	WASHER	1	7/32" X 1/2" X 0.049"	
9	T22968	SPRING	1		
10	R26460	CONTROL VALVE	1		
11	R26375	O-RING	1		
12	T22867	DRAIN PLUG	1		
13	R26287	O-RING	2		
14	R27216	DRAIN PLUG	2		
15	15H562	PIPE PLUG	1	1"	(LESS REMOTE CYLINDER CONTROL)
16	R27474	DRAIN PLUG	1		(LESS REMOTE CYLINDER CONTROL)
17	R26906	O-RING	1		
18	14H732	NUT	1	3/8"	
19	T22876	WASHER	1		
20	T22465	LEVER	1		
21	F3353R	O-RING	1		
22	T21631	BUSHING	1		
23	AL28674	LEVER	1	(SUB FOR AL28227 OR AT19839)	
24	T21564	WASHER	1		
25	L29872	PLUG	1	(SUB FOR T21562)	

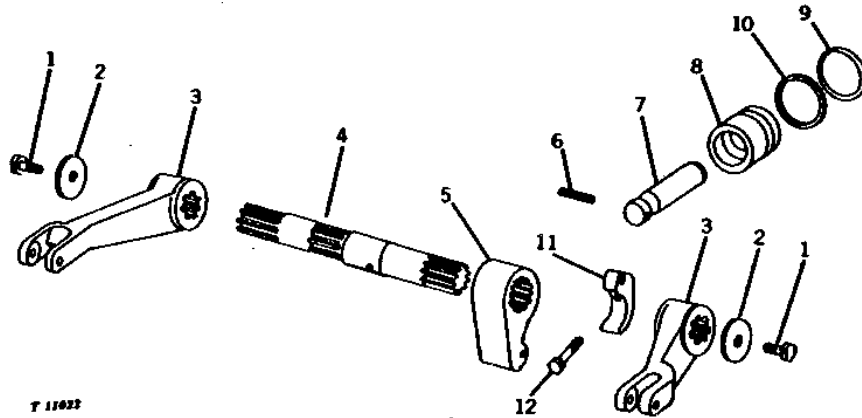
(A) USE ON TRACTORS HAVING AN "L" AS THE LAST DIGIT OF THE CHASSIS SERIAL NUMBER

3C17

HYDRAULICS

T11022 -UN-01JAN94

ROCKSHAFT, PISTON AND LIFT ARMS



KEY	PART NO.	PART NAME	QTY	TRACTOR SERIAL NO.	REMARKS
1	19H1815	CAP SCREW	2		1/2" X 1-1/4"
2	T21956	WASHER	2		
3	T29931	LIFT ARM	2		
4	T22318	ROCKSHAFT	1		
	T22318	ROCKSHAFT	1		(A) (ALSO ORDER (2) R26863)
5	T21474	LEVER	1		
6	34H320	SPRING PIN	1		1/4" X 2-1/4"
7	F2570R	ROD	1		
8	R65619	PISTON	1		(SUB FOR T21616 OR R47344)
9	A4444R	O-RING	1		(SUB R65620 AND R65621, THIS APPLICATION)
10	T21617	BACK-UP RING	1		(SUB R65620 AND R65621)
11	T22319	CAM	1		
12	19H2335	CAP SCREW	1		1/4" X 2-3/4"
	19H2151	CAP SCREW	1		(A) 1/4" X 3"

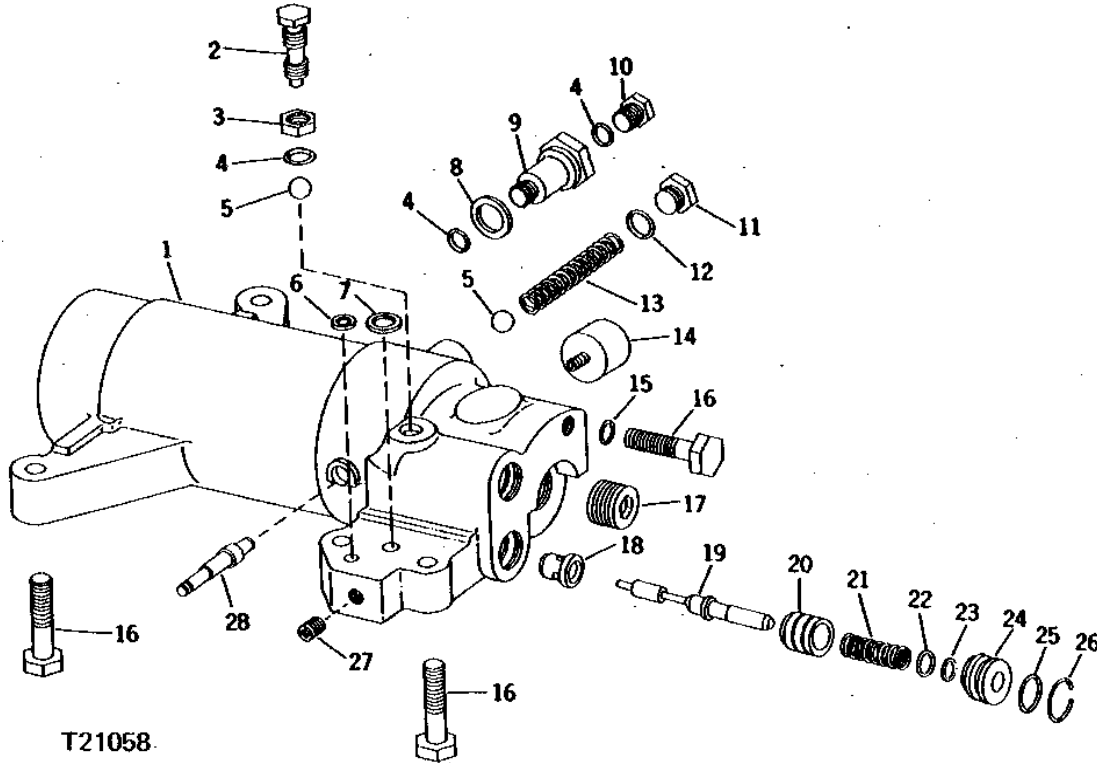
(A) USE ON TRACTORS HAVING AN "L" AS THE LAST DIGIT OF THE CHASSIS SERIAL NUMBER

3C18

HYDRAULICS

T21058 -UN-01JAN94

ROCKSHAFT CYLINDER AND VALVE HOUSING



T21058.

KEY	PART NO.	PART NAME	QTY	TRACTOR SERIAL NO.	REMARKS
1	AR63911	HOUSING	1		(MARKED R55137) (SUB FOR AT20197) (ALSO ORDER R26448, R27218 AND F3322R) (SUB AL64830)
2	T22471	SCREW	1		
3	T27258	STRAP	1		(A) (NOT ILLUSTRATED)
3	14H888	NUT	1		9/16"
4	R26448	O-RING	2		
5	D2361R	BALL	2		
6	A4847R	WASHER	1		
7	F2741R	PACKING	1		
8	F1791R	WASHER	1		
9	T21638	ADAPTER	1		(ALSO ORDER R26448 AND R27218) (SUB FOR T32855)
10	R27218	FITTING PLUG	1	-187300	
11	T22867	DRAIN PLUG	1		
12	R26375	O-RING	1		
13	F3322R	SPRING	1		(SUB FOR F2962R)
14	AT21781	VALVE	1		
15	R26286	O-RING	1		
16	19H1765	CAP SCREW	5		3/8" X 1-3/4"
17	15H562	PIPE PLUG	1		1"
18	T28538	VALVE SEAT INSERT	2		(ALSO ORDER R54969)
19	R54969	VALVE SPOOL	2		(ALSO ORDER T28538) (SUB FOR T28537)
20	T24540	SLEEVE	2		
21	T19526	SPRING	2		
22	R10093	O-RING	2		
23	R31136	BACK-UP RING	2		
24	T24485	PLUG	2		
25	L55204	O-RING	2		(SUB FOR R65548)
26	M3265T	SNAP RING	2		
27	15H559	PIPE PLUG	1		1/4"
28	T22469	PIN	1		

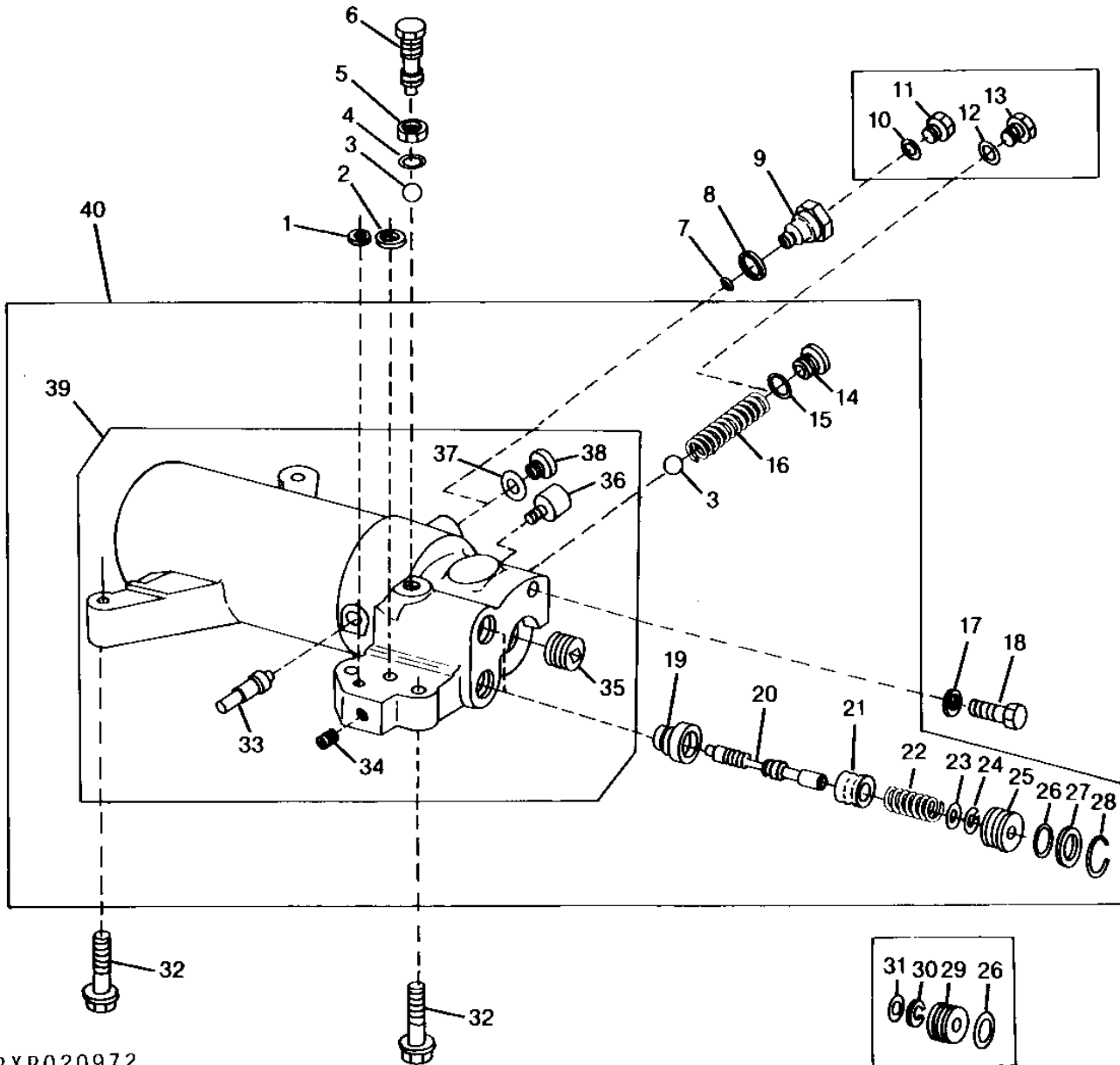
(A) USE ON TRACTORS HAVING AN "L" AS THE LAST DIGIT OF THE CHASSIS SERIAL NUMBER

3C19

HYDRAULICS

RXP020972 -UN-08DEC94

ROCKSHAFT CYLINDER AND VALVE HOUSING



RXP020972

3C20

HYDRAULICS

ROCKSHAFT CYLINDER AND VALVE HOUSING - CONTINUED

KEY	PART NO.	PART NAME	QTY	TRACTOR SERIAL NO.	REMARKS
1	L34383	WASHER	1		(SUB FOR A4847R)
2	L34382	WASHER	1		
3	D2361R	BALL	2		
4	R26448	O-RING	1		
5	14H888	NUT	1		9/16"
6	T22471	SCREW	1		
7	R26448	O-RING	1		
8	F1791R	WASHER	1		
9	T21638	ADAPTER	1		-XXXXXX (USE WITH R55137)
	L62507	ADAPTER	1	XXXXXX-	(USE WITH L41725)
10	R26448	O-RING	1		-XXXXXX (USE WITH AR63911)
11	R27218	FITTING PLUG	1		-XXXXXX (USE WITH AR63911)
12	R26375	O-RING	1		-XXXXXX (USE WITH AR63911)
13	T22867	DRAIN PLUG	1		-XXXXXX (USE WITH AR63911)
14	T22867	DRAIN PLUG	1		-XXXXXX (USE WITH R55137)
	L41384	PIPE PLUG	1	XXXXXX-	(USE WITH L41725)
15	R26375	O-RING	1		-XXXXXX (USE WITH R55137)
	L41383	RING	1	XXXXXX-	(USE WITH L41725)
16	F3322R	SPRING	1		
17	R26286	O-RING	1		
18	19H3217	CAP SCREW	1		3/8" X 1-3/4"
19	T28538	VALVE SEAT INSERT	2		(ALSO ORDER R54969) (SUB FOR T22483)
20	R54969	VALVE SPOOL	2		(ALSO ORDER T28538) (SUB FOR T24484 OR T28537)
21	T24540	SLEEVE	2		
22	R49648	SPRING	2		(SUB FOR A354R OR T19526)
23	L55203	O-RING	2	XXXXXX-	
24	L56957	BACK-UP RING	2	XXXXXX-	
25	L42314	PLUG	2	XXXXXX-	
26	L55204	O-RING	2		(SUB FOR R65548)
27	L55202	BACK-UP RING	2	XXXXXX-	
28	M3265T	SNAP RING	2		
29	L34381	PLUG	2		-XXXXXX (ORDER L42314, L55202, L55204, L56957, L55203) (SUB FOR T24485)
30	R31136	BACK-UP RING	2		-XXXXXX
31	R10093	O-RING	2		-XXXXXX
32	R48593	CAP SCREW	4		
33	L64852	PIN	1		(SUB FOR T22469)
34	15H559	PIPE PLUG	1		1/4"
35	15H562	PIPE PLUG	1		
36	AT21781	VALVE	1		
37	R26448	O-RING	1		-XXXXXX (USE WITH R55137)
	L41536	O-RING	1	XXXXXX-	(USE WITH L41725)
38	R27218	FITTING PLUG	1		-XXXXXX (USE WITH R55137)
	L41726	PIPE PLUG	1	XXXXXX-	(USE WITH L41725)
39	AR63911	HOUSING	1		-XXXXXX (MARKED R55137) (SUB FOR AT20197) (ALSO ORDER R27218, R26448 AND F3322R) (SUB AL64830, F1791R, L41383, L41384, (2) L41536 AND L41538)
	AL40888	HOUSING	1	XXXXXX-	(MARKED L41725) (SUB AL64830)
40	AL64830	SHIPPING BUNDLE	1	XXXXXX-	(MARKED L41725)

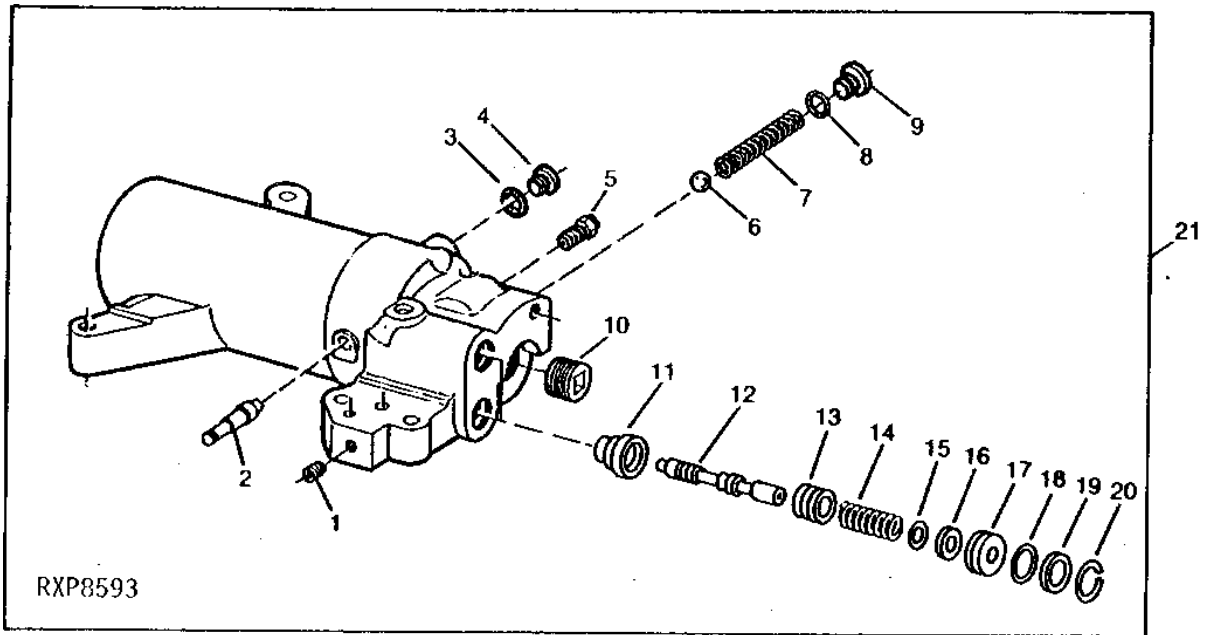
3C21

HYDRAULICS

RXP8593

-UN-01JAN94

ROCKSHAFT CYLINDER AND VALVE HOUSING



3C22

HYDRAULICS

ROCKSHAFT CYLINDER AND VALVE HOUSING - CONTINUED

KEY	PART NO.	PART NAME	QTY	TRACTOR SERIAL NO.	REMARKS
1	15H559	PIPE PLUG	1		
2	L64852	PIN	1		1/4"
3	L41536	O-RING	1		
4	L41726	PIPE PLUG	1		M16
5	AT21781	VALVE	1		
6	D2361R	BALL	1		1/2"
7	F3322R	SPRING	1		
8	L41383	RING	1		
9	L41384	PIPE PLUG	1		M18
10	15H562	PIPE PLUG	1		1"
11	T28538	VALVE SEAT INSERT	2		
12	R54969	VALVE SPOOL	2		
13	T24540	SLEEVE	2		
14	R49648	SPRING	2		
15	L55203	O-RING	2		
16	L56957	BACK-UP RING	2		
17	L42314	PLUG	2		
18	L55204	O-RING	2		
19	L55202	BACK-UP RING	2		
20	M3265T	SNAP RING	2		
21	AL64830	SHIPPING BUNDLE	1		(MARKED L41725)

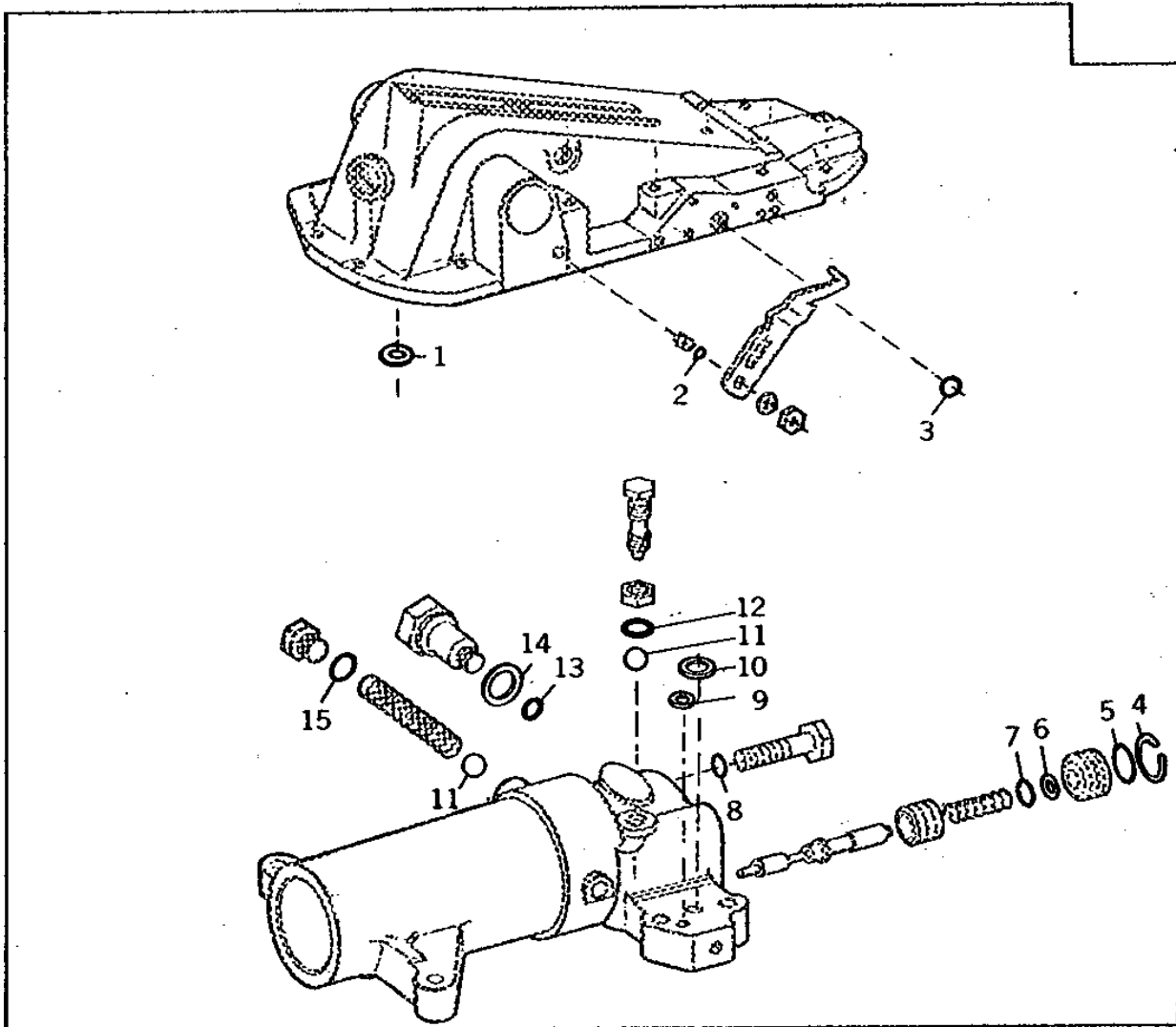
3C23

HYDRAULICS

R32430

-UN-01JAN94

ROCKSHAFT REBUILD SEAL KIT



R32430F

3C24

HYDRAULICS

ROCKSHAFT REBUILD SEAL KIT - CONTINUED

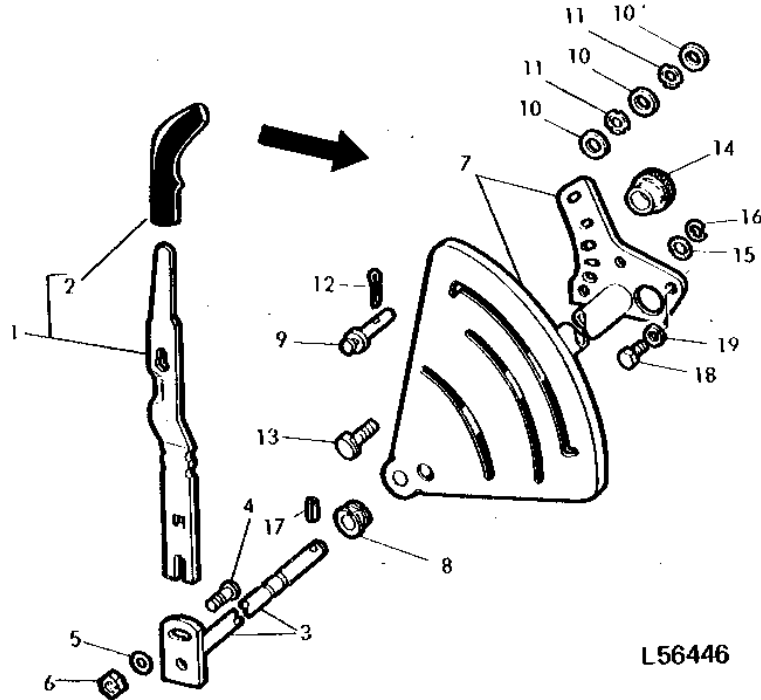
KEY	PART NO.	PART NAME	QTY	TRACTOR SERIAL NO.	REMARKS
1	T17882	WASHER	1		
2	F3353R	O-RING	1		
3	R10093	O-RING	1		
4	M3265T	SNAP RING	2		
5	L55204	O-RING	2		(SUB FOR R65548)
6	R31136	BACK-UP RING	2		
7	R10093	O-RING	2		
8	R26286	O-RING	1		
9	A4847R	WASHER	1		
10	F2741R	PACKING	1		
11	D2361R	BALL	2		
12	R26448	O-RING	1		
	T27260	WASHER	1		
13	R26448	O-RING	1		
14	F1791R	WASHER	1		
15	R26375	O-RING	1		
16	AR92385	KIT	1		

3C25

HYDRAULICS

L56446 -UN-01JAN94

ROCKSHAFT CONTROL LEVER AND QUADRANT



L56446

KEY	PART NO.	PART NAME	QTY	TRACTOR SERIAL NO.	REMARKS
1	AT24724	LEVER	1		
	AL24015	LEVER	1	(A)	
2	R54273	GRIP	1		
3	AT19838	SHAFT	1		
4	03H1765	BOLT	1	3/8" X 3/4"	
5	24H1305	WASHER	1	13/32" X 13/16" X 0.065"	
6	14H812	NUT	1	3/8"	
7	AL33044	QUADRANT	1	(SUB FOR AT24725)	
8	T26626	GROMMET	1		
9	T26625	PIN	1		
10	24M7207	WASHER	3	8.400 X 24 X 2 MM	
11	T22877	LOCK WASHER	2		
12	11M7081	COTTER PIN	1	2.500 X 20 MM	
13	T22865	SCREW	1		
14	T22470	KNOB	1		
15	R10093	O-RING	1		
16	R30437	SNAP RING	1		
17	34H268	SPRING PIN	1	5/32" X 1-1/4"	
18	19H2284	CAP SCREW	3	3/8" X 7/8"	
19	12H304	LOCK WASHER	3	3/8"	

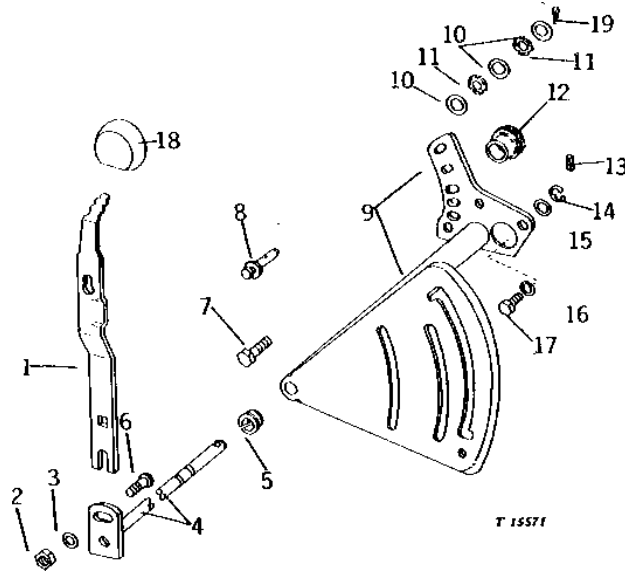
(A) USE ON TRACTORS HAVING AN "L" AS THE LAST DIGIT OF THE CHASSIS SERIAL NUMBER

3D1

HYDRAULICS

ROCKSHAFT CONTROL LEVER AND QUADRANT (LOW PROFILE)

T15571 -UN-01JAN94



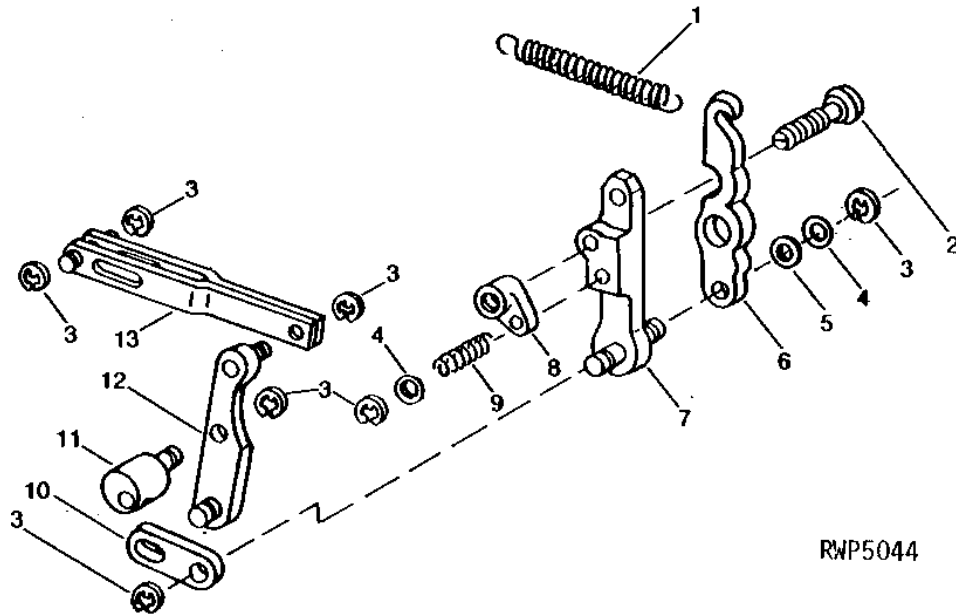
KEY	PART NO.	PART NAME	QTY	TRACTOR SERIAL NO.	REMARKS
1	T28233	LEVER	1		
2	14H812	NUT	1	3/8"	
3	24H1305	WASHER	1	13/32" X 13/16" X 0.065"	
4	AT26350	ARM	1		
5	T26626	GROMMET	1		
6	03H1765	BOLT	1	3/8" X 3/4"	
7	T22865	SCREW	1		
8	T26625	PIN	1		
9	AT26349	QUADRANT	1		
10	24M7207	WASHER	3	8.400 X 24 X 2 MM	
11	T22877	LOCK WASHER	2		
12	T22470	KNOB	1		
13	34H268	SPRING PIN	1	5/32" X 1-1/4"	
14	R30437	SNAP RING	1		
15	R10093	O-RING	1		
16	12H304	LOCK WASHER	3	3/8"	
17	19H2284	CAP SCREW	3	3/8" X 7/8"	
18	R27829	KNOB	1		
19	11M7081	COTTER PIN	1	2.500 X 20 MM	

3D2

HYDRAULICS

RWP5044 -UN-01JAN94

ROCKSHAFT CYLINDER AND VALVE HOUSING LINKAGE



RWP5044

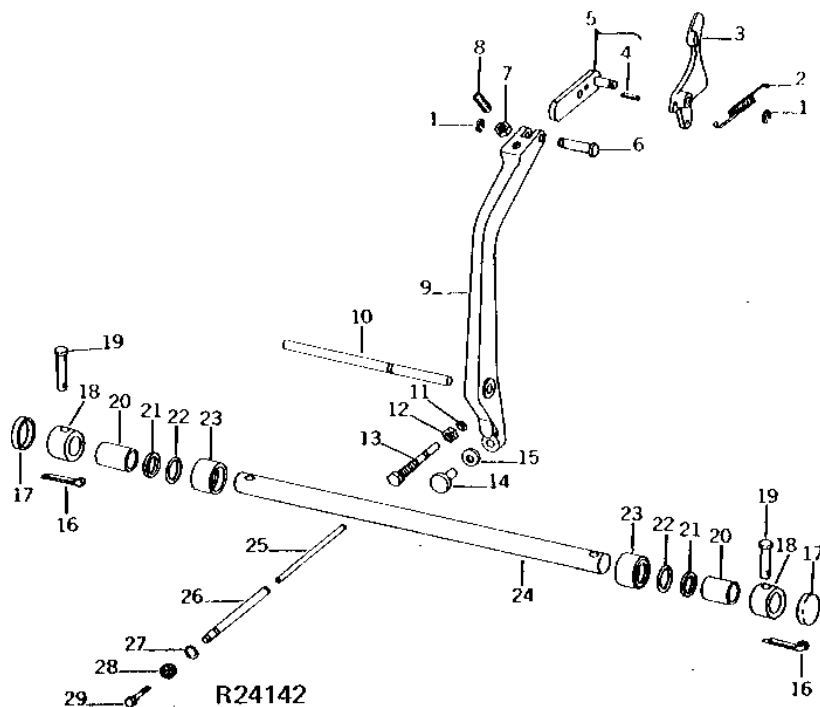
KEY	PART NO.	PART NAME	QTY	TRACTOR SERIAL NO.	REMARKS
1	T22473	SPRING	1		
2	T22228	SCREW	1		
3	R72653	SNAP RING	7		(SUB FOR M2396T)
4	24H1290	WASHER	2		21/64" X 3/4" X 0.035"
5	T22233	WASHER	1		
6	T22224	CAM	1		
7	AT20084	LINK	1		
8	T22229	NUT	1		
9	F1942R	SPRING	1		
10	T22232	STRAP	1		
11	AT19840	FULCRUM	1		
12	AT20085	LINK	1		
13	AT20141	LEVER	1		

3D3

HYDRAULICS

R24142 -UN-01JAN94

LOAD CONTROL



KEY	PART NO.	PART NAME	QTY	TRACTOR SERIAL NO.	REMARKS
1	R72653	SNAP RING	2		(SUB FOR M2396T)
2	T21955	EXTENSION SPRING	1		
3	T28551	CAM FOLLOWER	1		(SUB FOR T22317)
4	34H279	SPRING PIN	1		3/16" X 13/16"
5	AT19848	EXTENSION	1		
6	T24690	PIN	1		
7	14H856	NUT	1		1/2"
8	T29311	SET SCREW	1		
9	L39881	LEVER	1		(SUB FOR T21487 OR L39120) (SUB L58389 AND L56824)
10	T21681	DOWEL PIN	1		
	M360T	SNAP RING	1	-091995	
11	A4365R	O-RING	1		(A)
12	14H856	NUT	1		(A) 1/2"
13	T23216	CAP SCREW	1		(A)
	19H2643	CAP SCREW	1		(A) 1/2" X 7/8", (LESS ROCKSHAFT)
14	T21680	PIN	1		
15	24H1302	WASHER	1		13/32" X 11/16" X 0.035"
16	11M7082	COTTER PIN	2		2.500 X 25 MM
17	T22653	CAP	2		(LESS ROCKSHAFT)
	R66197	THRUST WASHER	2		(ROCKSHAFT) (SUB FOR R43216)
18	R47061	BUSHING	2	XXXXXX-	
19	R57619	PIN	2	XXXXXX-	(SUB FOR R47063)
20	T22096	BUSHING	2		
	R42929	THRUST WASHER	2		
21	T22095	WASHER	2		
22	A4730R	O-RING	2		
23	T22094	BUSHING	2		
24	L26937	PIN	1	XXXXXX-	
25	T30917	PIN	1		(B)
26	T30918	PIN	1		(B)
27	A4365R	O-RING	1		(B)
28	14H882	NUT	1		(B) 5/16"
29	19H3120	CAP SCREW	1		(B) 5/16" X 1-1/2"

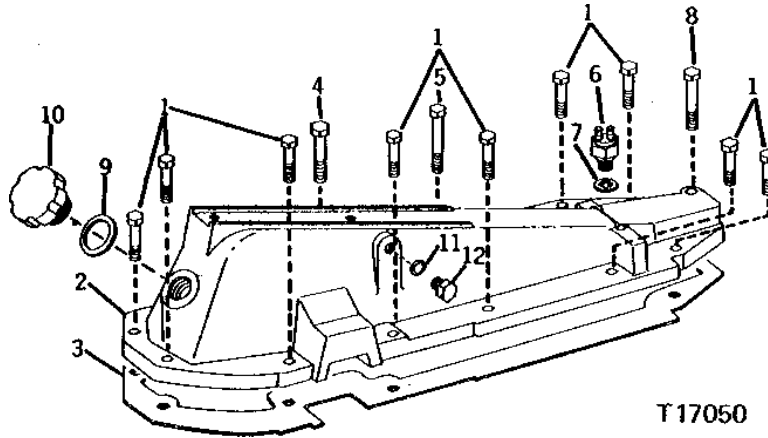
(A) LESS INDEPENDENT PTO
(B) INDEPENDENT PTO

3D4

HYDRAULICS

SEAT SUPPORT BASE (LESS ROCKSHAFT)

T17050 -UN-01JAN94



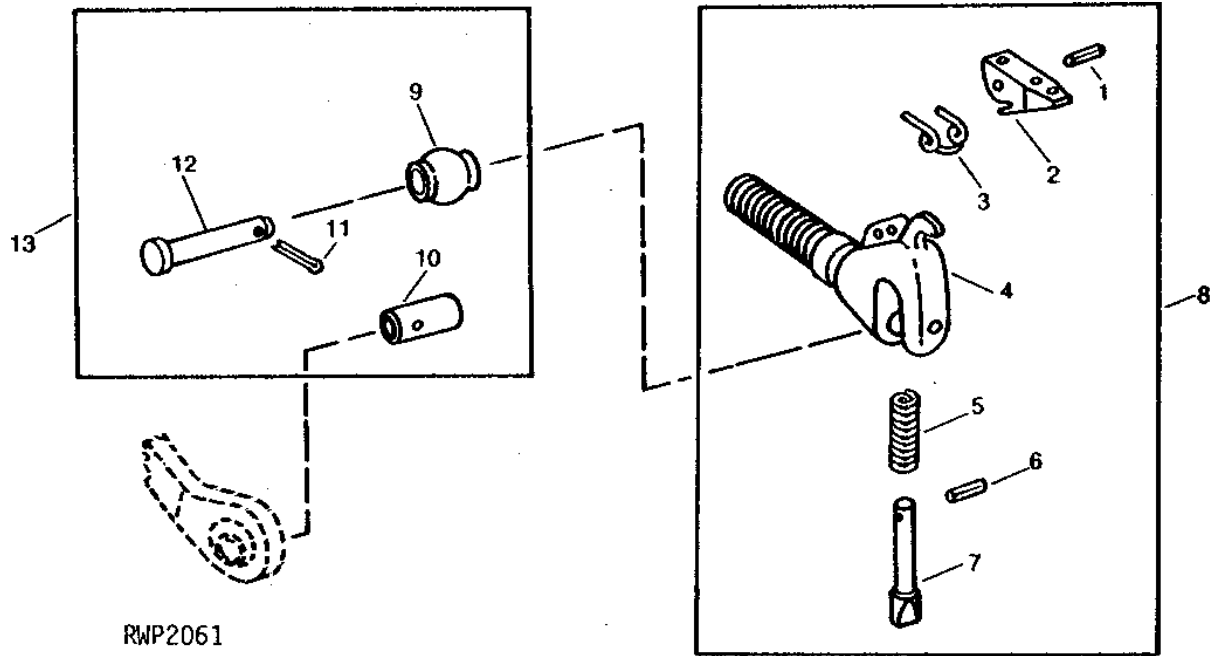
KEY	PART NO.	PART NAME	QTY	TRACTOR SERIAL NO.	REMARKS
1	19H1721	CAP SCREW	10		
2	T55423	BASE	1		(ALSO ORDER T35390) (SUB FOR T21471 OR T35389)
3	T21641	GASKET	1		
4	19H1831	CAP SCREW	1		1/2" X 2"
5	19H2644	CAP SCREW	1		1/2" X 2-1/2"
6	RE38390	SWITCH	1		NEUTRAL SWITCH START, (SUB FOR R36265, AR89691, AR85323 OR AT85153)
7	T16911	SHIM	1		
8	19H1990	CAP SCREW	1		1/2" X 2-1/4"
9	T21564	WASHER	1		
10	L29872	PLUG	1		(SUB FOR T21563)
11	R26906	O-RING	1		(LESS SELECTIVE CONTROL VALVE)
12	R27474	DRAIN PLUG	1		(LESS SELECTIVE CONTROL VALVE)

3D5

HYDRAULICS

RWP2061 -UN-01JAN94

CENTER LINK HOOK



RWP2061

KEY	PART NO.	PART NAME	QTY	TRACTOR SERIAL NO.	REMARKS
1	34H284	SPRING PIN	2	3/16" X 1-1/4"	
2	F2824R	HANDLE	1		
3	F2823R	SPRING	1		
4	T28036	HOOK	1		
5	F2822R	SPRING	1		
6	34H299	SPRING PIN	1	7/32" X 1-1/4"	
7	R53196	LATCH	1		
8	AT26196	HOOK	1		(ORDER COMPONENTS PARTS)
9	F2680R	BALL STUD	1		(A)
	F2681R	BALL	1		(B)
10	R66432	BUSHING	2		(A) 56 MM (2-3/16") SHORT
	R66433	BUSHING	2		(B) 65 MM (2-9/16") LONG
11	11M7038	COTTER PIN	1		(A) 6.300 X 40 MM
	11M7040	COTTER PIN	1		(B) 0.248" X 1.969"
12	R58262	PIN	1		(A) (SUB FOR R44917)
	R53296	PIN	1		(B)
13	AF2710R	BALL	1		(A) (SUB F2680R, R58262, (2) R66432, (2) R66433 AND 11M7038)
	AF2711R	BALL	1		(B)

(A) CATEGORY I
(B) CATEGORY II

PARTS ON THIS PAGE CANNOT BE USED WITH ORIGINAL CENTER LINK ON TRACTORS HAVING AN "L" AS THE LAST DIGIT OF THE CHASSIS SERIAL NUMBER. USE WITH PARTS SHOWN ON NEXT PAGE.

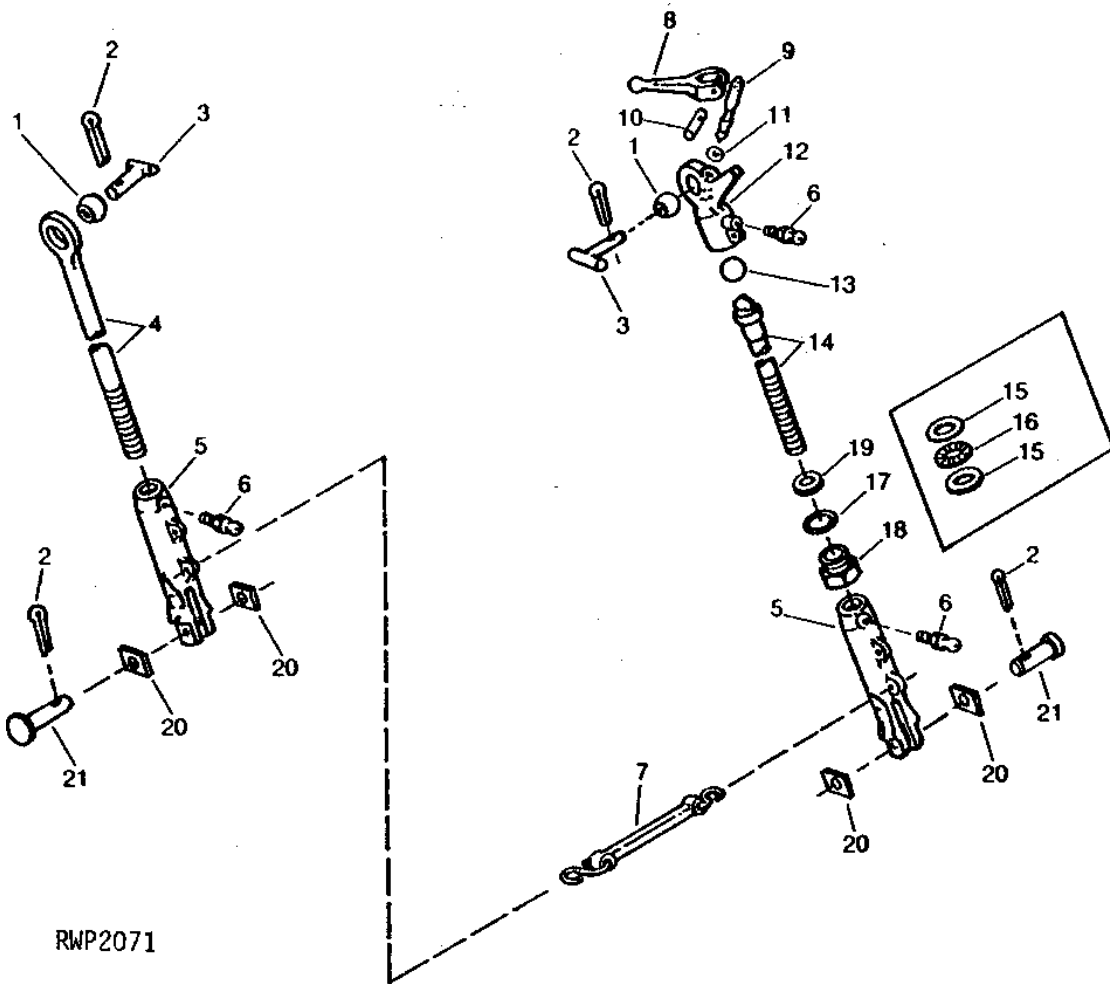
3D6

HYDRAULICS

RWP2071

-UN-01JAN94

RIGHT AND LEFT LIFT LINK



3D7

HYDRAULICS

RIGHT AND LEFT LIFT LINK - CONTINUED

KEY	PART NO.	PART NAME	QTY	TRACTOR SERIAL NO.	REMARKS
1	T21901	BALL	1		
2	11M7030	COTTER PIN	4	5 X 40 MM	
3	AT21754	PIN	2		
4	T25836	END	1	L.H. (DRAFT LINKS)	
	T25822	LIFT LINK	1	L.H. (TELESCOPING DRAFT TUBES) 18.43", (SUB L28372)	
	T24909	SPACER	1	L.H. (TELESCOPING DRAFT TUBES) 17.64"	
5	R48595	LINK BODY	2	(SUB FOR T21497)	
6	JD7798	LUBRICATION FITTING	3	1/8", (SUB JD7759)	
7	AR68071	STRAP	1	(SUB FOR AR64845)	
8	T21559	HANDLE	1		
9	T21558	SHAFT	1		
10	34H314	SPRING PIN	1	1/4" X 1-1/4"	
11	P46051	O-RING	1		
12	L28374	HOUSING	1	(SUB FOR T21462)	
13	T22399	BALL	1		
14	T25835	SHAFT	1	R.H. (DRAFT LINKS)	
	T25823	SHAFT	1	R.H. (TELESCOPING DRAFT TUBES) 15.87"	
	T24908	SHAFT	1	R.H. (TELESCOPING DRAFT TUBES) 15.12"	
15	JD9812	THRUST BEARING	2	-XXXXXX	
16	JD8856	NEEDLE BEARING	1	-XXXXXX	
17	T21903	WASHER	1		
18	T21758	ADAPTER	1		
19	T32488	WASHER	1	XXXXXX-	
20	T21759	STRAP	4		
21	T22714	PIN	2		

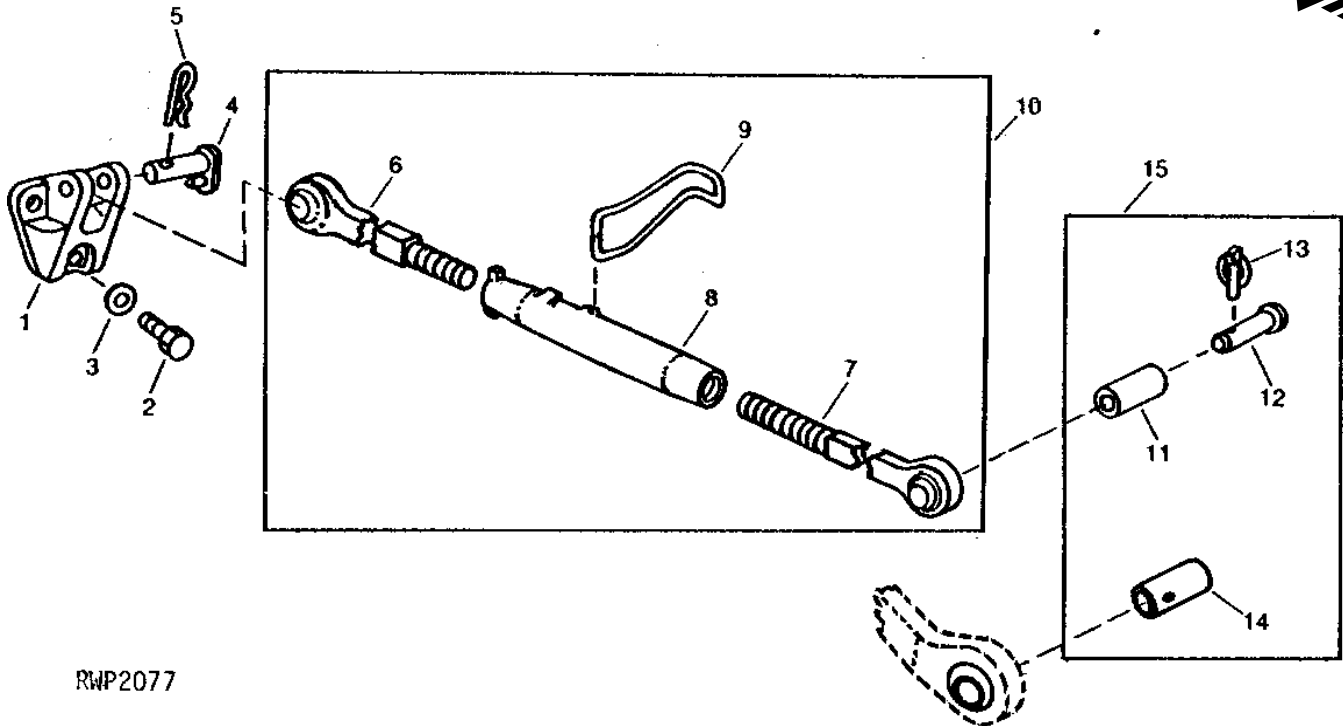
MEMORANDA

3D8

HYDRAULICS

RWP2077 -UN-01JAN94

3-POINT HITCH CENTER LINK



RWP2077

KEY	PART NO.	PART NAME	QTY	TRACTOR SERIAL NO.	REMARKS
1	T21685	BRACKET	1		
2	19H1708	CAP SCREW	3	5/8" X 1-3/4"	
3	12H294	LOCK WASHER	3	5/8"	
4	AT21912	PIN	1		
5	A3581R	SPRING LOCKING PIN	1		
6	AT19795	END	1	FRONT	
7	AT19796	END	1	REAR	
8	R70183	LINK BODY	1		
9	T22008	HANDLE	1		
10	AR92432	LINK BODY	1		
11	T12553	BUSHING	1	(TO CONVERT CATEGORY II TO CATEGORY I)	
12	R53296	PIN	1	(B)	
	R58262	PIN	1	(A)	
13	AR62151	QUICK LOCK PIN	1	(SUB M115827)	
14	R66432	BUSHING	1	(A) 56 MM (2-3/16") SHORT	
	R66433	BUSHING	1	(B) 65 MM (2-9/16") LONG	
15	AT12350	BUSHING	1	(CATEGORY CONVERSION) (SUB M115827, R58262, (2) R66432 AND T12553)	

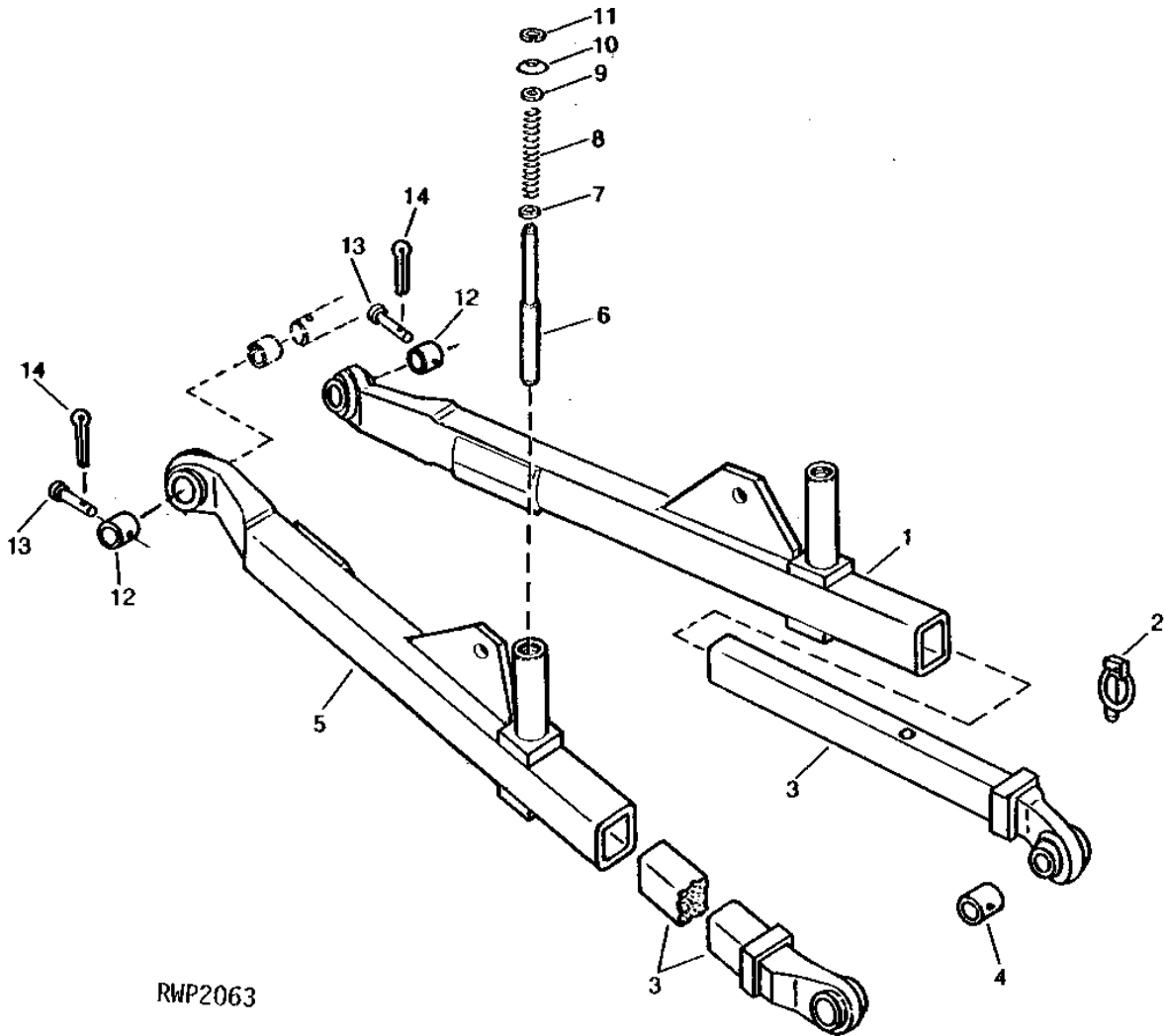
(A) CATEGORY I
(B) CATEGORY II

3D9

HYDRAULICS

RWP2063 -UN-01JAN94

TELESCOPING DRAFT LINKS
(CATEGORY I AND II HITCH)



RWP2063

3D10

HYDRAULICS

TELESCOPING DRAFT LINKS - CONTINUED (CATEGORY I AND II HITCH)

KEY	PART NO.	PART NAME	QTY	TRACTOR SERIAL NO.	REMARKS
1	AT30150	DRAFT LINK	1		(SUB FOR AT22632)
2	AR62149	QUICK LOCK PIN	2		(SUB FOR DA5883A) (TO CONVERT CATEGORY II TO CATEGORY I)
3	AR28570	BAR	2		
4	R66432	BUSHING	2		(SUB FOR F2684R) (TO CONVERT CATEGORY II TO CATEGORY I)
5	AT30151	DRAFT LINK	1		(SUB FOR AT22633)
6	F2693R	PIN	2		
7	D2865R	WASHER	2		(SUB 24H1111)
8	F2695R	SPRING	2		
9	T18716	WASHER	2		
10	B2477R	WASHER	2		
11	F2208R	SNAP RING	2		
12	R47061	BUSHING	2		
13	R57619	PIN	2		(SUB FOR R47063) (ALSO ORDER 11M7015)
14	11M7082	COTTER PIN	2		2.500 X 25 MM, (USE WITH R47063)
	11M7015	COTTER PIN	2		3.200 X 25 MM, (USE WITH R57619)
..	T21759	STRAP	4		
..	AT25649	HITCH	1		(TELESCOPING DRAFT LINKS) (CATEGORY II) (ORDER INDIVIDUAL COMPONENTS)

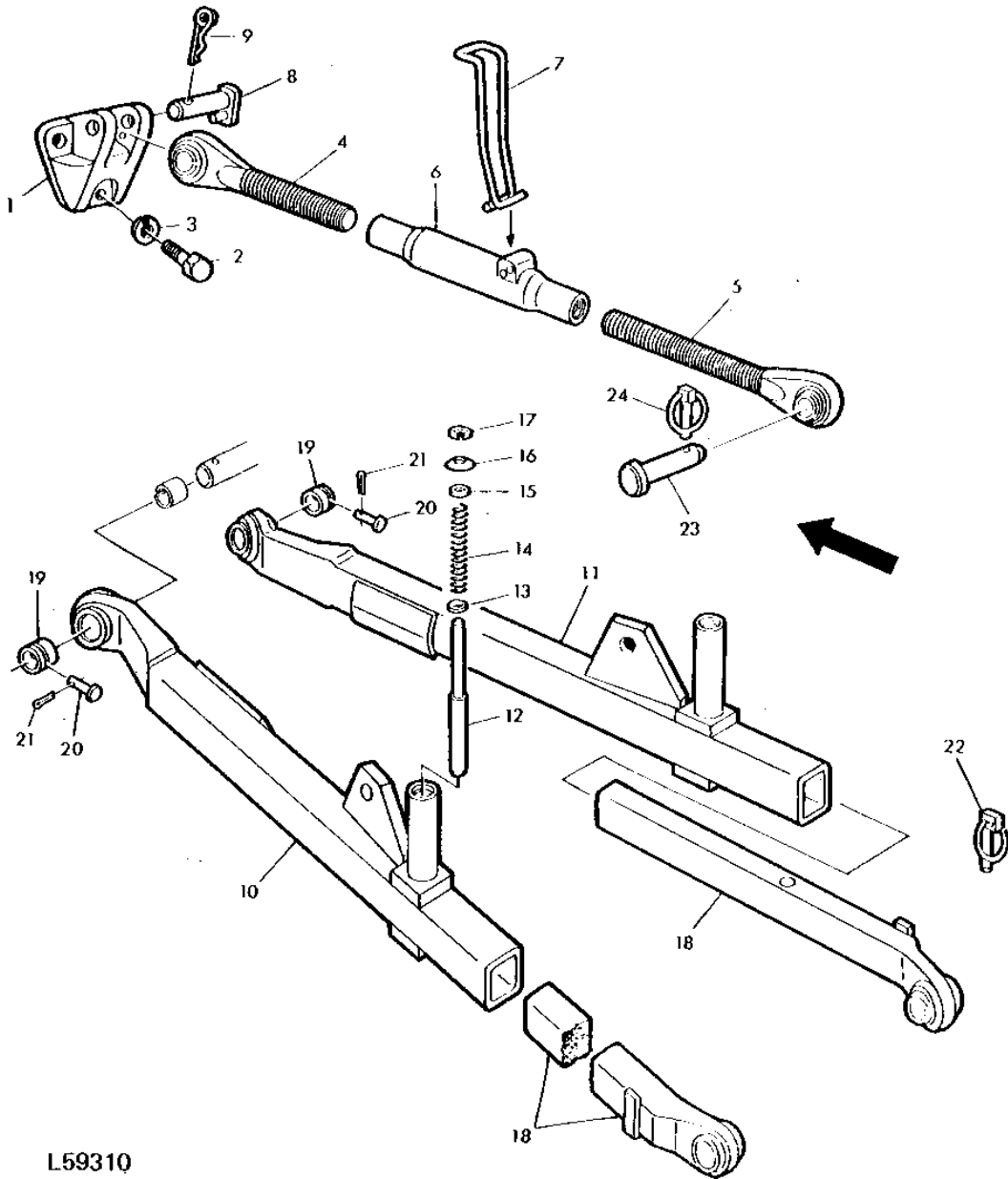
3D11

HYDRAULICS

L59310

-UN-01JAN94

3-POINT HITCH CENTER LINK AND TELESCOPING DRAFT LINKS



L59310

3D12

HYDRAULICS

3-POINT HITCH CENTER LINK AND TELESCOPING DRAFT LINKS - CONTINUED

KEY	PART NO.	PART NAME	QTY	TRACTOR SERIAL NO.	REMARKS
1	T21685	BRACKET	1		
2	19H1708	CAP SCREW	3		5/8" X 1-3/4"
3	12H294	LOCK WASHER	3		5/8"
4	AT23759	END	1		L.H. THREAD, (SUB AL39172)
5	AL67292	CENTER LINK END	1		(SUB FOR AL39171 OR AL18136)
6	AL18135	LINK BODY	1		
7	T27136	HANDLE	1		
8	AT21912	PIN	1		
9	A3581R	SPRING LOCKING PIN	1		
10	AT28466	DRAFT LINK	1		
11	AT28464	DRAFT LINK	1		
12	F2693R	PIN	2		
13	D2865R	WASHER	2		(SUB 24H1111)
14	F2695R	SPRING	2		
15	T18716	WASHER	2		
16	B2477R	WASHER	2		
17	F2208R	SNAP RING	2		
18	AR28570	BAR	2		
19	R47061	BUSHING	2		
20	R47063	PIN	2		(SUB R57619 AND 11M7015)
21	11M7082	COTTER PIN	2		2.500 X 25 MM, (USE WITH R47063)
	11M7015	COTTER PIN	2		3.200 X 25 MM, (USE WITH R57619)
22	AR62149	QUICK LOCK PIN	2		
23	R53296	PIN	1		(CATEGORY II)
24	B11182	QUICK LOCK PIN	1		(SUB M115827)
..	AT25649	HITCH	1		(TELESCOPING DRAFT LINKS) (CATEGORY II) (ORDER INDIVIDUAL COMPONENTS)

USE ON TRACTORS HAVING AN "L" AS THE LAST DIGIT OF THE CHASSIS SERIAL NUMBER

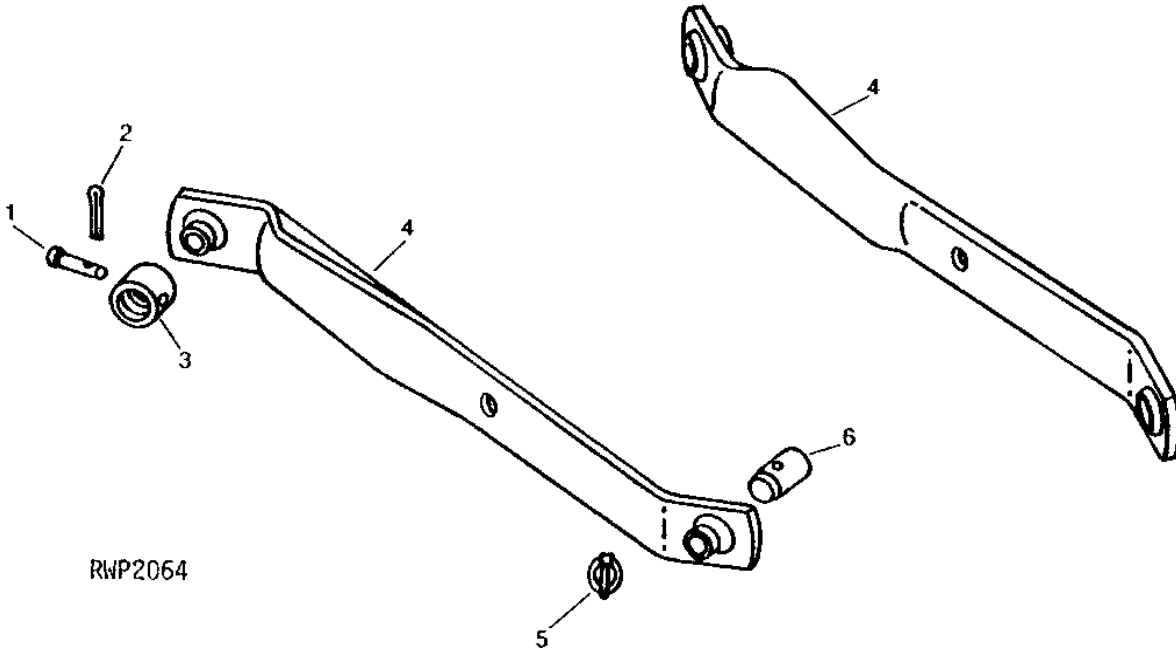
MEMORANDA

3D13

HYDRAULICS

RWP2064 -UN-01JAN94

DRAFT LINKS



RWP2064

KEY	PART NO.	PART NAME	QTY	TRACTOR SERIAL NO.	REMARKS
1	R57619	PIN	2		(SUB FOR R47063) (ALSO ORDER 11M7015)
2	11M7082	COTTER PIN	2		2.500 X 25 MM, (USE WITH R47063)
	11M7015	COTTER PIN	2		3.200 X 25 MM
3	R47061	BUSHING	2		
4	AR77530	DRAFT LINK	2		
5	AR62149	QUICK LOCK PIN	2		(SUB FOR DA5883A) (TO CONVERT CATEGORY II TO CATEGORY I)
6	R66432	BUSHING	2		(SUB FOR F2684R) (TO CONVERT CATEGORY II TO CATEGORY I)

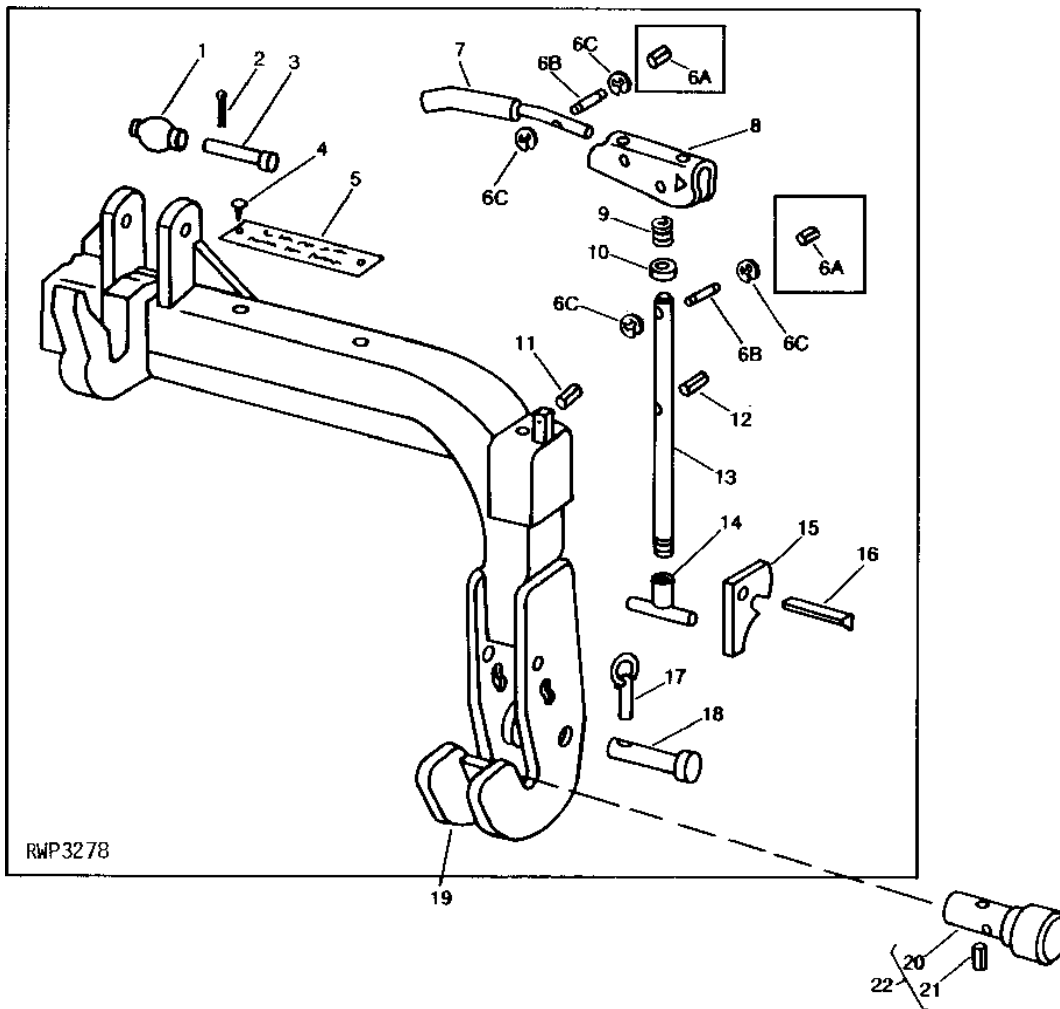
3D14

HYDRAULICS

RWP3278

-UN-06OCT94

IMPLEMENT QUICK COUPLER



3D15

HYDRAULICS

IMPLEMENT QUICK COUPLER - CONTINUED

KEY	PART NO.	PART NAME	QTY	TRACTOR SERIAL NO.	REMARKS
1	F2681R	BALL	1		
2	11M7040	COTTER PIN	1		0.248" X 1.969"
3	R53296	PIN	1		
4	37H44	SCREW	2		0.151" X 3/8"
5	R56039	DECAL	1		
6A	34H311	SPRING PIN	2	-XXXXXX	1/4" X 7/8"
6B	R66901	SPRING PIN	2	XXXXXX-	
6C	R72654	SNAP RING	4	XXXXXX-	(SUB FOR R27507)
7	R48163	HANDLE	2		
8	R48164	LEVER	2		
9	R43444	SPRING	2		
10	R46890	SLEEVE	2		
11	34H311	SPRING PIN	2		1/4" X 7/8"
12	34H277	SPRING PIN	2		3/16" X 5/8"
13	R46889	STUD	2		
14	AR49206	PIN	2		
15	R46893	LATCH	2		
16	34H373	SPRING PIN	2		1/2" X 2-1/2"
17	AR62151	QUICK LOCK PIN	2		(SUB M115827)
18	R58268	PIN	2		(SUB FOR R27997)
19	TY15269	HITCH	1		(SUB TY16042)
20	R27998	HALF SLEEVE	2		
21	R27999	SPRING PIN	2		
22	AR27093	ADAPTER	2		

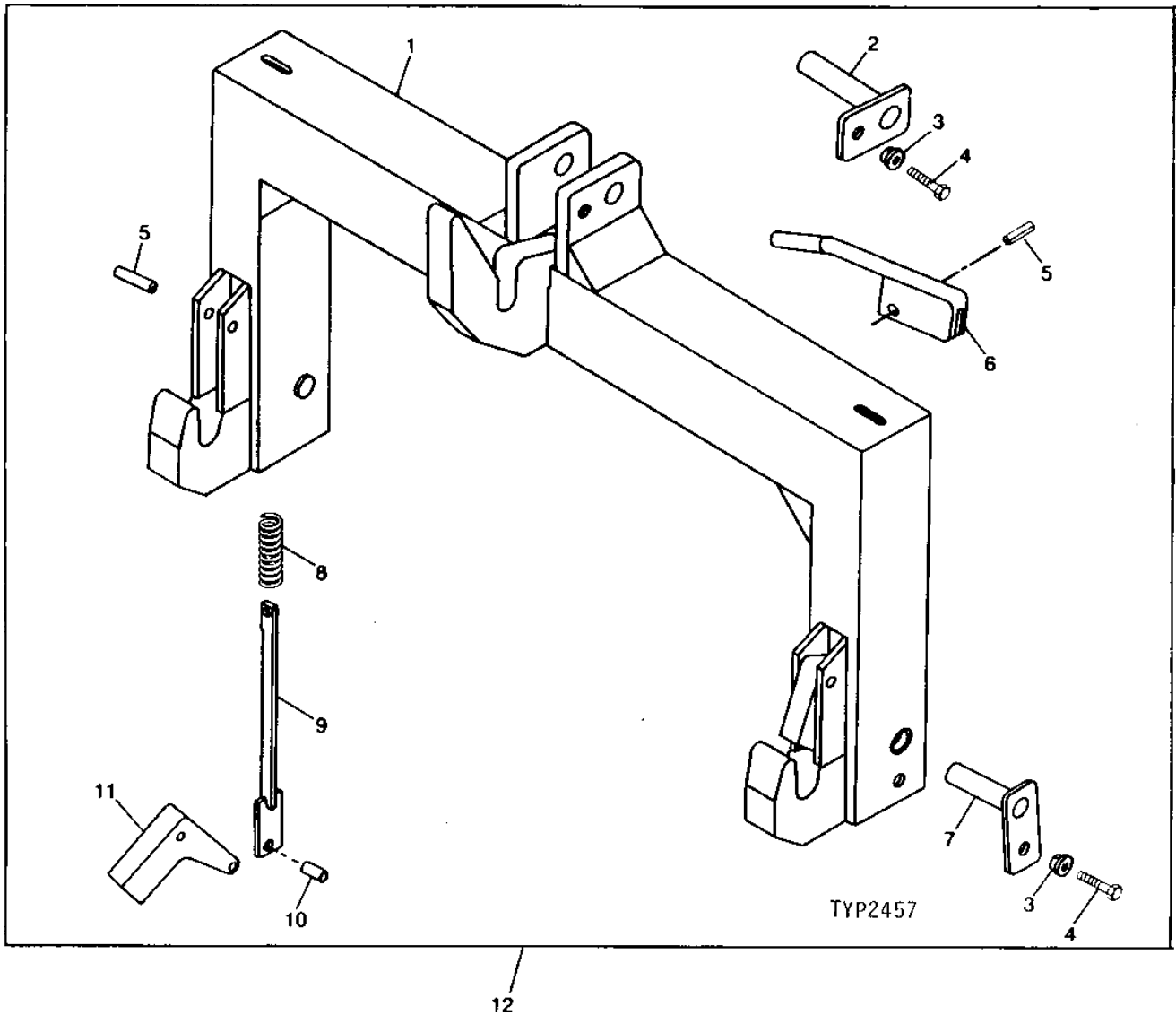
3D16

HYDRAULICS

TYP2457

-UN-01JAN94

3-POINT HITCH QUICK COUPLER



3D17

HYDRAULICS

3-POINT HITCH QUICK COUPLER - CONTINUED

KEY	PART NO.	PART NAME	QTY	SERIAL NO. OR YEAR	REMARKS
1	FRAME	1		(ORDER TY16042)
2	PT9287	PIN	1		
3	PT9290	BUSHING	3		
4	19H2632	CAP SCREW	3	1/2" X 1-1/8"	
5	34H371	SPRING PIN	4	1/2" X 2"	
6	PT9281	HANDLE	2		
7	PT9286	PIN	2		
8	PT9284	SPRING	2		
9	PT9283	BAR	2		
10	34H116	SPRING PIN	2	5/16" X 1"	
11	PT9282	LUG	2		
12	TY15269	HITCH	1		(CATEGORY II) (SUB FOR AR49202) (SUB TY16042)
..	PT9292	DECAL KIT	1		

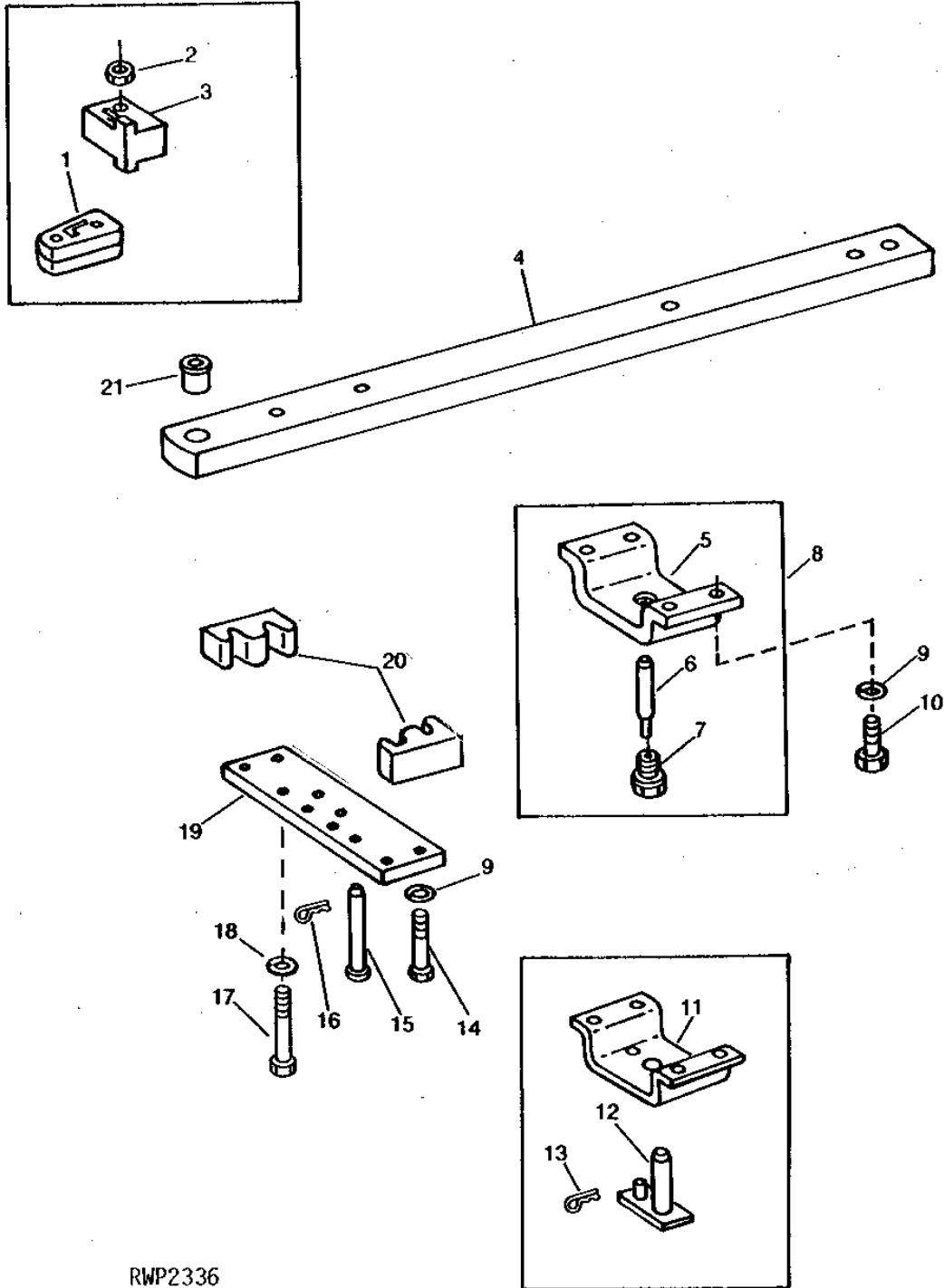
3D18

HYDRAULICS

RWP2336

-UN-01JAN94

SWINGING DRAWBAR ASSEMBLY



RWP2336

3D19

HYDRAULICS

SWINGING DRAWBAR ASSEMBLY - CONTINUED

KEY	PART NO.	PART NAME	QTY	TRACTOR SERIAL NO.	REMARKS
1	T21913	SPACER	2	-XXXXXX	(USE WITH 2" WIDE DRAWBAR)
2	14H1040	NUT	2		(A) 1/2"
3	T30099	BUSHING	2	-XXXXXX	(A)
4	T25304	DRAWBAR	1	-XXXXXX	(A) (C) (SUB R61126)
	R61126	DRAWBAR	1	XXXXXX-	(A) (C)
	T27969	DRAWBAR	1	-XXXXXX	(B) (SUB L29020 AND (2) L29023)
	L29020	DRAWBAR	1	XXXXXX-	(B)
	T21667	DRAWBAR	1	-XXXXXX	(C) (SUB R61126 AND (2) L29023)
5	AL27203	SUPPORT	1	XXXXXX-	
6	L32016	PIN	1	XXXXXX-	
7	L31849	ADAPTER	1	XXXXXX-	
8	AR101210	KIT	1	XXXXXX-	DRAWBAR FRONT SUPPORT
9	12H301	LOCK WASHER	8		1/2"
10	19H1815	CAP SCREW	4		1/2" X 1-1/4"
11	T21672	SUPPORT	1	-XXXXXX	(SUB AR101210)
12	AT19850	PIN	1	-XXXXXX	(SUB AR101210)
13	T22848	SPRING LOCKING PIN	1	-XXXXXX	
14	19H1820	CAP SCREW	4		1/2" X 3"
15	L29022	PIN	2		(B) (C) (SUB FOR T32016)
16	A3581R	SPRING LOCKING PIN	2		(B) (C)
17	19H3550	CAP SCREW	2		(A) 1/2" X 4"
18	12H301	LOCK WASHER	2		(A) 1/2"
19	T21677	SUPPORT	1		
20	L29023	SPACER	2	XXXXXX-	(USE WITH 2-1/2" WIDE DRAWBAR)
21	R70080	SPACER	1		(TO CONVERT 33 MM TO 19.8 MM)

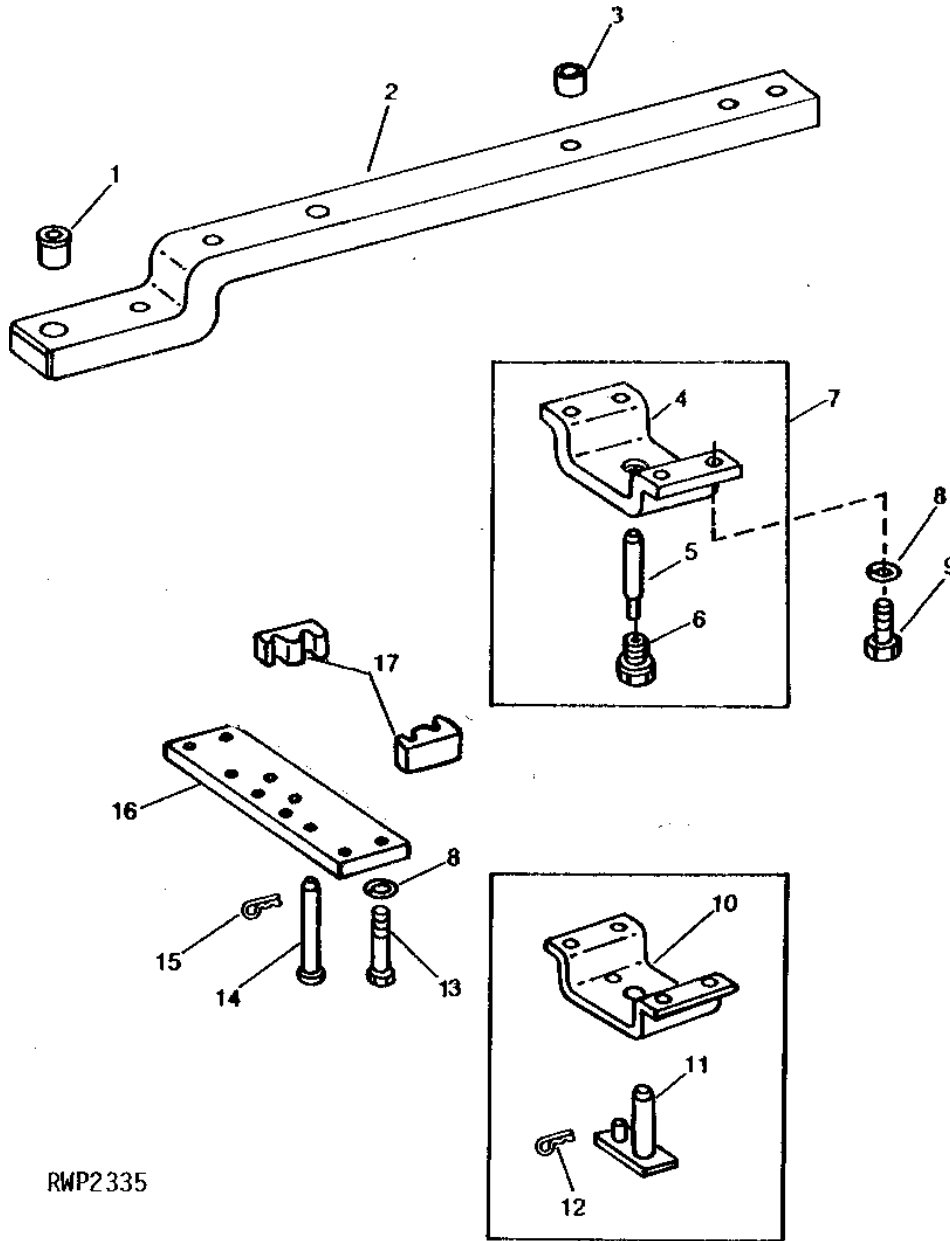
- (A) HEAVY-DUTY DRAWBAR
- (B) OFFSET DRAWBAR
- (C) STRAIGHT DRAWBAR

3D20

HYDRAULICS

RWP2335 -UN-01JAN94

SWINGING DRAWBAR



RWP2335

3D21

HYDRAULICS

SWINGING DRAWBAR - CONTINUED

KEY	PART NO.	PART NAME	QTY	TRACTOR SERIAL NO.	REMARKS
1	R70080	SPACER	1		
2	L29020	DRAWBAR	1		
3	T21671	BUSHING	1		
4	AL27203	SUPPORT	1	XXXXXX-	
5	L32016	PIN	1	XXXXXX-	
6	L31849	ADAPTER	1	XXXXXX-	
7	AR101210	KIT	1	XXXXXX-	
8	12H301	LOCK WASHER	8		1/2"
9	19H1815	CAP SCREW	4		1/2" X 1-1/4"
10	T21672	SUPPORT	1	-XXXXXX	(SUB AR101210)
11	AT19850	PIN	1	-XXXXXX	(SUB AR101210)
12	T22848	SPRING LOCKING PIN	1	-XXXXXX	
13	19H3520	CAP SCREW	4		1/2" X 3-1/4"
14	L29022	PIN	2		
15	A3581R	SPRING LOCKING PIN	2		
16	T21677	SUPPORT	1		
17	L29023	SPACER	2		

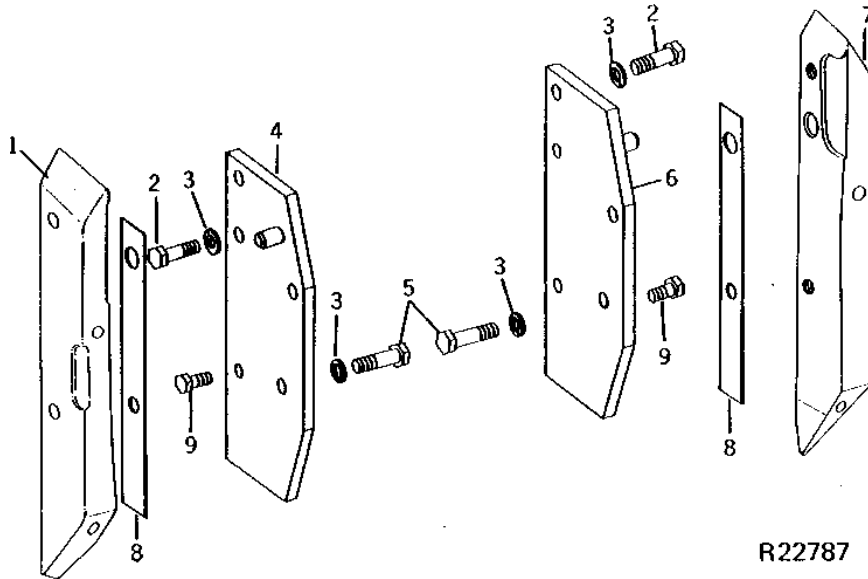
USE ON TRACTORS HAVING AN "L" AS THE LAST DIGIT OF THE CHASSIS SERIAL NUMBER

3D22

HYDRAULICS

R22787 -UN-01JAN94

SWAY BLOCKS AND SUPPORTS



R22787

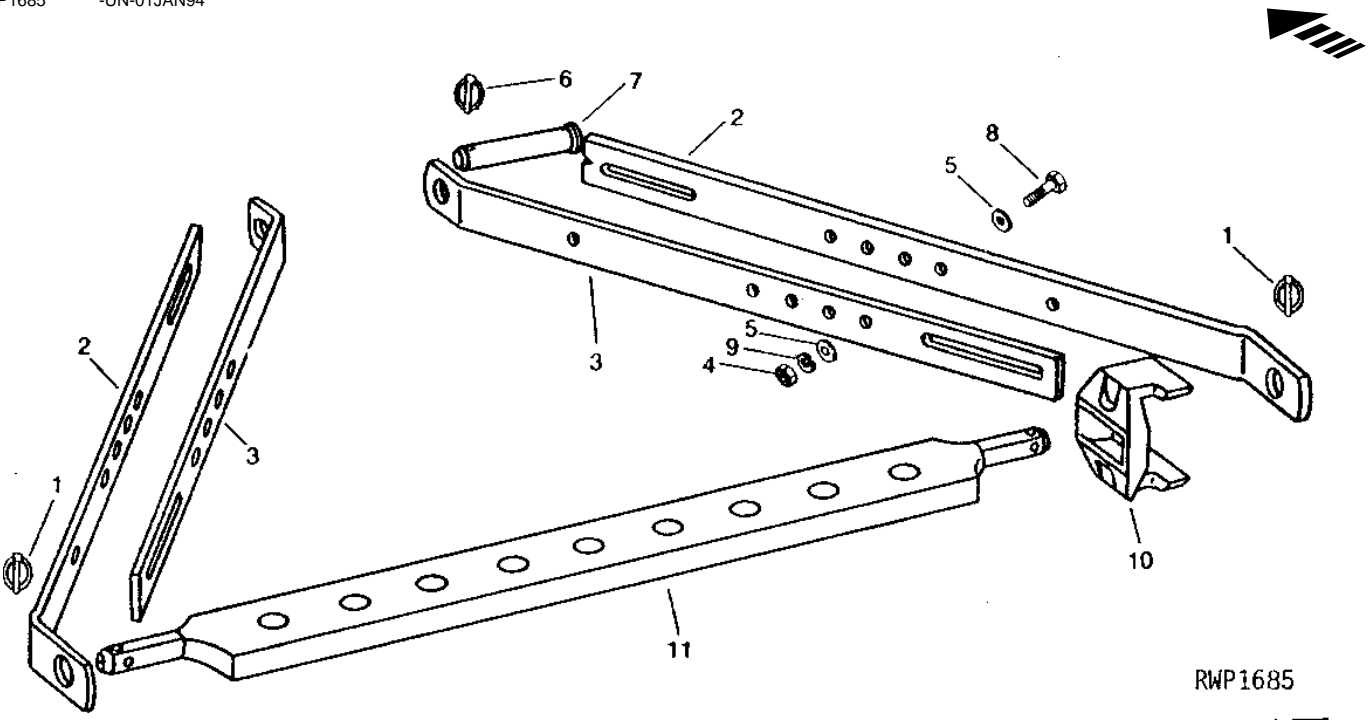
KEY	PART NO.	PART NAME	QTY	TRACTOR SERIAL NO.	REMARKS
1	T30277	SWAY BLOCK	1		L.H.
2	19H1815	CAP SCREW	4		1/2" X 1-1/4"
3	12H301	LOCK WASHER	6		1/2"
4	AR90971	SUPPORT	1		L.H. (SUB FOR AT20168)
5	19H1721	CAP SCREW	2		1/2" X 1-1/2"
6	AT20167	SUPPORT	1		R.H.
7	T30276	SWAY BLOCK	1		R.H.
8	AT29301	SHIM	4		(NON-TELESCOPING DRAFT TUBES)
9	19H1936	CAP SCREW	2		3/8" X 3/4"

3D23

HYDRAULICS

RWP1685 -UN-01JAN94

3-POINT HITCH DRAWBAR



RWP1685

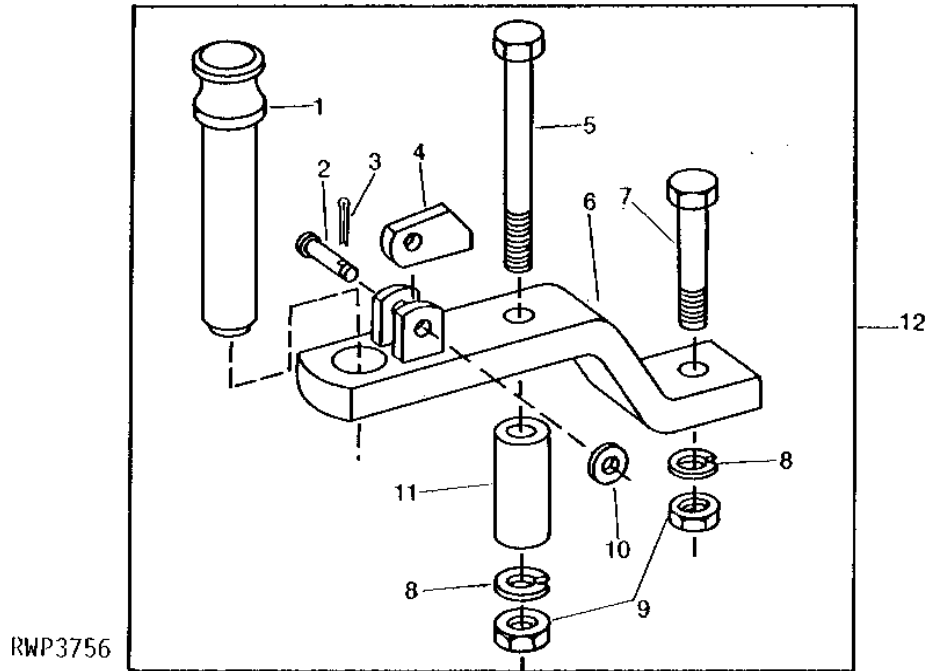
KEY	PART NO.	PART NAME	QTY	TRACTOR SERIAL NO.	REMARKS
1	AR62150	QUICK LOCK PIN	2		(SUB FOR R36471)
2	T22118	STRAP	2		
3	T22119	STRAP	2		
4	14H1040	NUT	6	1/2"	
5	24H1341	WASHER	12	17/32" X 15/16" X 0.060"	
6	AR62151	QUICK LOCK PIN	1		(SUB FOR B11182) (SUB M115827)
7	T22120	PIN	1		
8	19H2473	CAP SCREW	6	1/2" X 1-3/4"	
9	12H301	LOCK WASHER	6	1/2"	
10	T29307	STABILIZER	1		
11	T21678	DRAWBAR	1		

3D24

HYDRAULICS

RWP3756 -UN-01JAN94

HAMMER STRAP ASSEMBLY



RWP3756

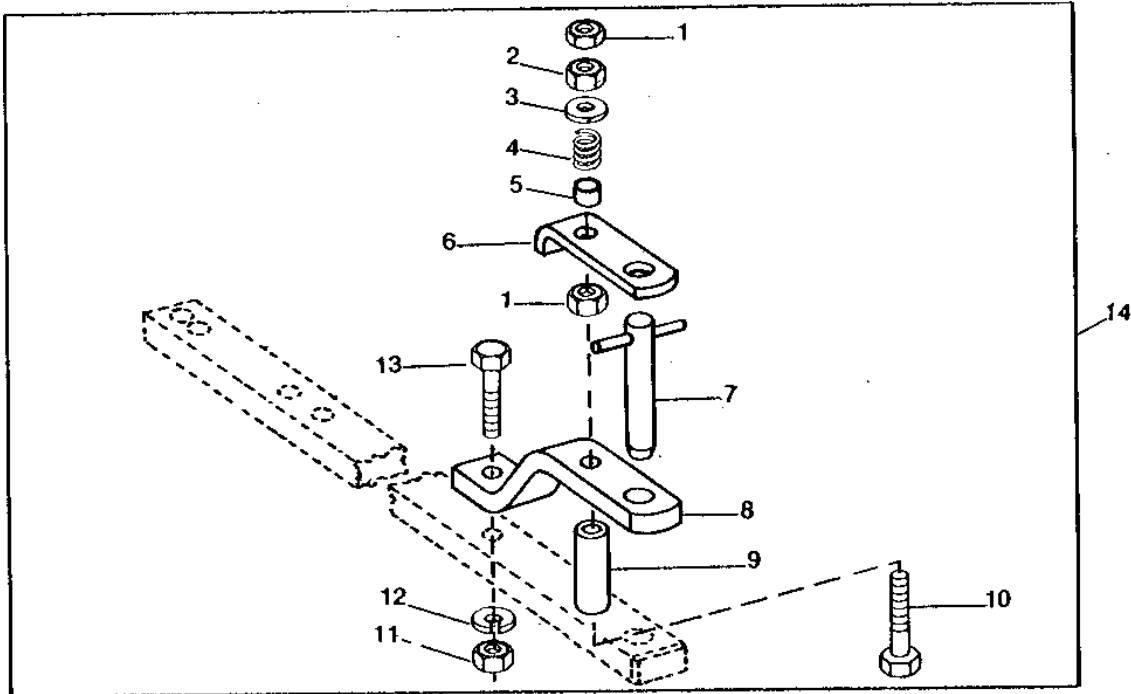
KEY	PART NO.	PART NAME	QTY	TRACTOR SERIAL NO.	REMARKS
1	T29645	PIN	1	(SUB L63825 AND L63826)	
2	N167122	PIN	1	(SUB FOR R52107)	
3	11M7077	COTTER PIN	1	1.600 X 25 MM	
4	T29644	LATCH	1	(SUB L63826)	
5	19H3174	CAP SCREW	1	5/8" X 5-1/4"	
6	AT28198	STRAP	1	(STRAIGHT DRAWBAR) (INCLUDED IN AR74111)	
	AT28197	STRAP	1	(OFFSET DRAWBAR) (INCLUDED IN AR78279)	
7	19H1863	CAP SCREW	1	5/8" X 3"	
8	12H294	LOCK WASHER	2	5/8"	
9	14H1039	NUT	2	5/8"	
10	24H1292	WASHER	1	11/32" X 3/4" X 0.120"	
11	T29892	SPACER	1		
12	AR74111	KIT	1	(USE WITH R61126) (SUB RE39829)	
	AR78279	KIT	1	(USE WITH L29020) (SUB RE39830)	

3D25

HYDRAULICS

RWP3979 -UN-01JAN94

DRAWBAR HAMMER STRAP



RWP3979

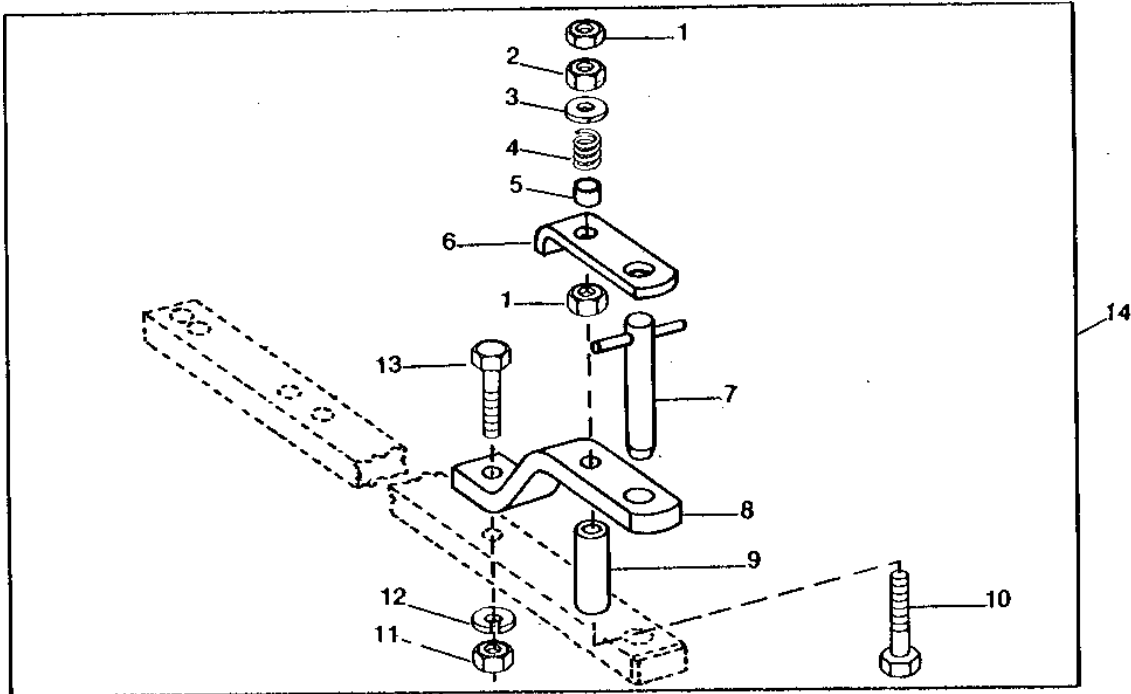
KEY	PART NO.	PART NAME	QTY	TRACTOR SERIAL NO.	REMARKS
1	14H821	NUT	2	5/8"	
2	14H1039	NUT	1	5/8"	
3	24H1372	WASHER	1	21/32" X 1-1/2" X 0.060"	
4	F3541R	SPRING	1		
5	F3542R	BUSHING	1		
6	F3539R	RETAINER	1		
7	AR69988	PIN	1		
8	T29899	STRAP	1		STRAIGHT DRAWBAR
	T29897	STRAP	1		OFFSET DRAWBAR
9	T29892	SPACER	1		
10	19H2432	CAP SCREW	1	5/8" X 7-1/2"	
11	14H1039	NUT	1	5/8"	
12	12H294	LOCK WASHER	1	5/8"	
13	19H1863	CAP SCREW	1	5/8" X 3"	
14	RE13089	KIT	1		STRAIGHT DRAWBAR, (SUB RE39829)
	RE13090	KIT	1		OFFSET DRAWBAR, (SUB RE39830)

3E1

HYDRAULICS

RWP3979 -UN-01JAN94

DRAWBAR HAMMER STRAP



RWP3979

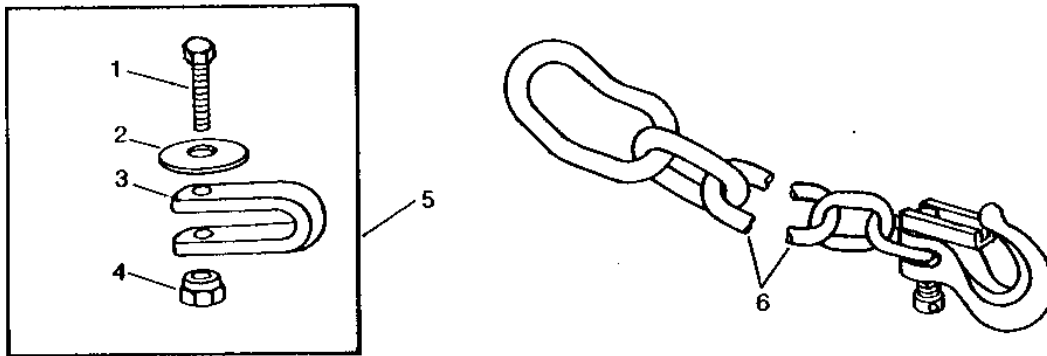
KEY	PART NO.	PART NAME	QTY	TRACTOR SERIAL NO.	REMARKS
1	14H821	NUT	2	5/8"	
2	14H1039	NUT	1	5/8"	
3	24H1372	WASHER	7	21/32" X 1-1/2" X 0.060"	
4	F3541R	SPRING	1		
5	F3542R	BUSHING	1		
6	F3539R	RETAINER	1		
7	AR69988	PIN	1		
8	T29899	STRAP	1		STRAIGHT DRAWBAR
	T29897	STRAP	1		OFFSET DRAWBAR
9	N186901	SPACER	1		
10	08H4770	CAP SCREW	1	5/8" X 8-1/4"	
11	14H1039	NUT	1	5/8"	
12	12H294	LOCK WASHER	1	5/8"	
13	19H1863	CAP SCREW	1	5/8" X 3"	
14	RE39829	KIT	1		STRAIGHT DRAWBAR, (SUB FOR AR74111 OR RE13089)
	RE39830	KIT	1		OFFSET DRAWBAR, (SUB FOR AR78279 OR RE13090)

3E2

HYDRAULICS

RWP5796 -UN-01JAN94

IMPLEMENT SAFETY CHAIN



RWP5796

KEY	PART NO.	PART NAME	QTY	TRACTOR SERIAL NO.	REMARKS
1	19H1768	CAP SCREW	1	(A) (B)	
	19H2084	CAP SCREW	1	(A)	
	19H2174	CAP SCREW	1	(B)	
2	R36402	WASHER	1		
3	R69408	CLEVIS	1	(A)	
	R69409	CLEVIS	1	(B)	
4	T25879	NUT	2		
5	AR90577	SAFETY CHAIN ADAPTER KIT	1		CATEGORY IV DRAWBARS
	AR90578	CHAIN KIT	1		CATEGORY II AND III DRAWBARS
6	RE26739	LINK CHAIN	1		61 LINKS 6.4 MM (1/4") DIA CHAIN (6,000 LB)
	AR90581	LINK CHAIN	1		61 LINKS 6.4 MM (1/4") DIA CHAIN (10,000 LB)
	AR90579	LINK CHAIN	1		42 LINKS 9.5 MM (3/8") DIA CHAIN
	AR90583	LINK CHAIN	1		43 LINKS 11.1 MM (7/16") DIA CHAIN
	AN212996	LINK CHAIN	1		42 LINKS 12.7 MM (1/2") DIA CHAIN, (SUB FOR RE26740)

(A) INCLUDED IN AR90577
 (B) INCLUDED IN AR90578

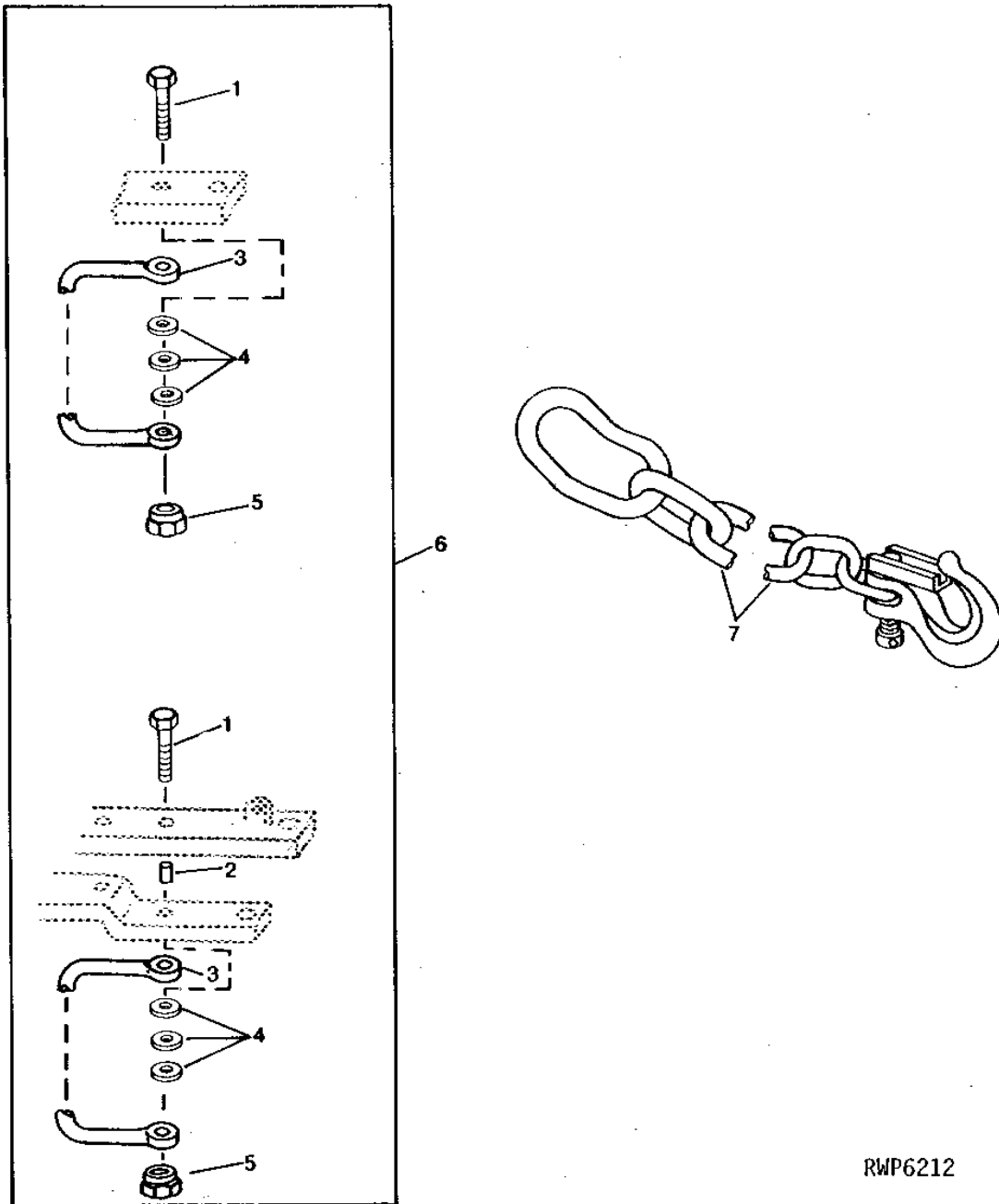
3E3

HYDRAULICS

RWP6212

-UN-01JAN94

SAFETY CHAIN AND ATTACHMENT KIT



RWP6212

3E4

HYDRAULICS

SAFETY CHAIN AND ATTACHMENT KIT - CONTINUED

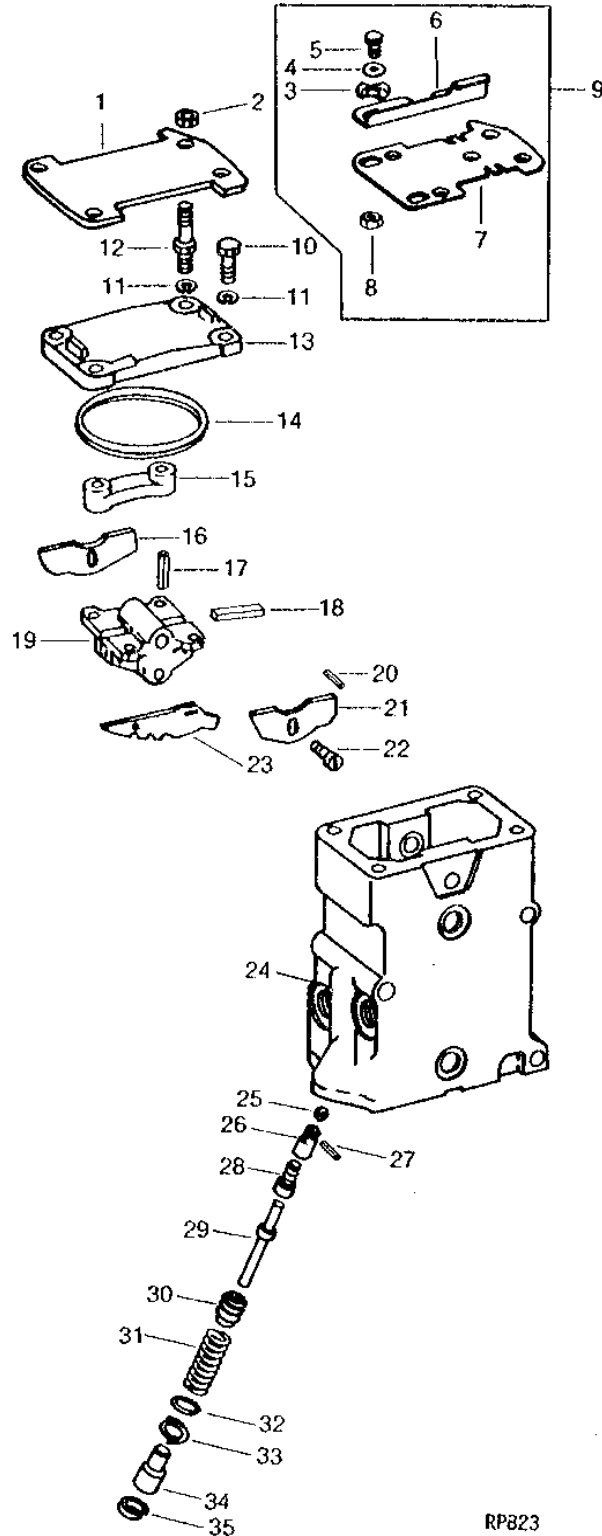
KEY	PART NO.	PART NAME	QTY	TRACTOR SERIAL NO.	REMARKS
1	19H2233	CAP SCREW	1	5/8" X 3-1/2"	
	08H4770	CAP SCREW	1	5/8" X 8-1/4"	
2	N186901	SPACER	1		
3	18940	CLEVIS	1	(ORDER RE19428)	
4	R1836R	WASHER	3		
5	N101344	LOCK NUT	1		
6	RE19428	CHAIN KIT	1		
7	RE26739	LINK CHAIN	1	61 LINKS 6.4MM (1/4") DIA CHAIN (6,000 LB)	
	AR90581	LINK CHAIN	1	61 LINKS 6.4MM (1/4") DIA CHAIN (10,000 LB)	
	AR90579	LINK CHAIN	1	42 LINKS 9.5MM (3/8") DIA CHAIN	
	AR90583	LINK CHAIN	1	43 LINKS 11.1MM (7/16") DIA CHAIN	
	AN212996	LINK CHAIN	1	42 LINKS 12.7 MM (1/2") DIA CHAIN, (SUB FOR RE26740)	

3E5

HYDRAULICS

RP823 -UN-01JAN94

SELECTIVE CONTROL VALVE COVER AND ROCKER ASSEMBLY



RP823

3E6

HYDRAULICS

SELECTIVE CONTROL VALVE COVER AND ROCKER ASSEMBLY - CONTINUED

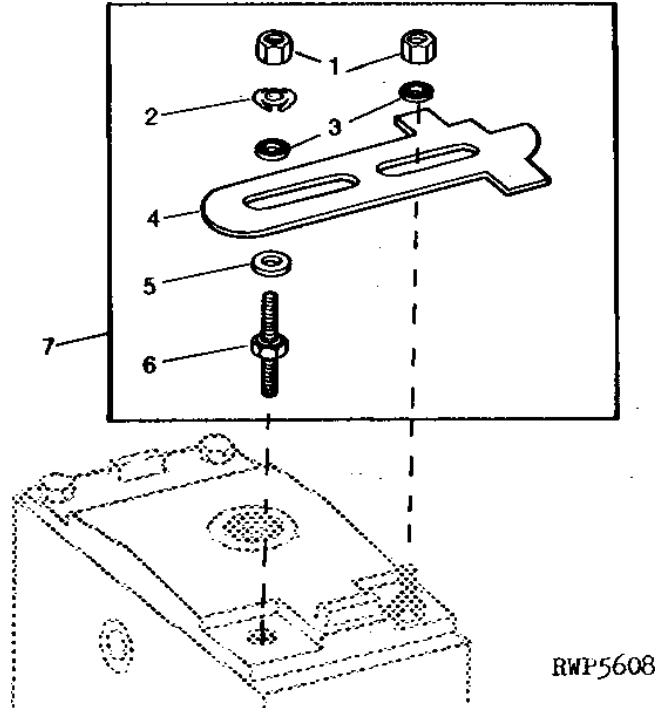
KEY	PART NO.	PART NAME	QTY	MODEL NO.	REMARKS
1	T22996	ADJUSTING STRAP	1		
2	14H732	NUT	2	3/8"	
3	T25804	LOCK WASHER	1		
4	24H1320	WASHER	1	29/64" X 3/4" X 0.035"	
5	T25803	CAP SCREW	1		
6	T29519	LOCK PLATE	1		
7	T29518	PLATE	1	(SUB RE19419)	
8	14H785	NUT	1	5/16"	
9	AT29222	LOCK	1	(FOR DUAL SELECTIVE CONTROL) (SUB RE19419)	
10	19H1731	CAP SCREW	2	3/8" X 1"	
11	12H304	LOCK WASHER	4	3/8"	
12	R39225	STUD	2		
13	R49186	COVER	1		
14	R49187	WASHER	1		
15	R49221	RETAINER	2		
16	R51414	CAM	1	UPPER	
17	22H1025	SET SCREW	4	1/4" X 7/8"	
18	34H297	SPRING PIN	1	7/32" X 1"	
19	R51412	ROCKER	1		
20	R28744	PIN	2		
21	R51415	CAM	1	LOWER	
22	R27233	SCREW	2		
23	R51413	CAM	1		
24	AR40828	HOUSING	1	-10SC3	(MARKED R40599) (SUB AR83549, AR85628, R65289, R27166, R41057, R59629, (2) R65501, (2) R65502, R66916 AND R74695)
	AR83549	HOUSING	1	10SC4-	(MARKED R65504)
25	R51409	SPACER	1		
26	R51410	CAM FOLLOWER	1		
27	R51411	PIN	1		
28	R48978	GUIDE	1	INNER	
29	R55398	PIN	1		
30	R48980	PISTON	1		
31	R41055	SPRING	1		
32	B2762R	O-RING	1		
33	R26546	BACK-UP RING	1		
34	R55397	GUIDE	1	OUTER	
35	R46722	SNAP RING	1		
..	AR52394	KIT	1		SELECTIVE CONTROL VALVE DETENT PISTON

3E7

HYDRAULICS

RWP5608 -UN-01JAN94

SELECTIVE CONTROL VALVE LEVER LOCK



RWP5608

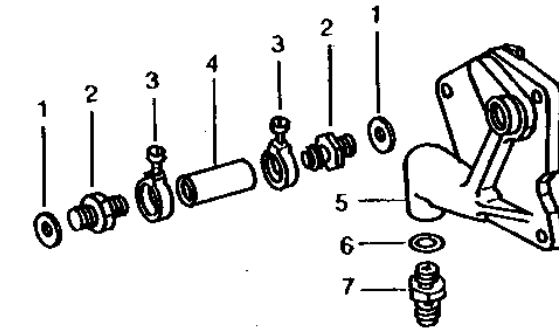
KEY	PART NO.	PART NAME	QTY	TRACTOR SERIAL NO.	REMARKS
1	K40003	LOCK NUT	2		(SUB FOR R41564, THIS APPLICATION)
2	T25804	LOCK WASHER	1		
3	R52921	WASHER	2		
4	R81293	LOCK PLATE	1		(SUB RE19419)
5	24H1305	WASHER	1		13/32" X 13/16" X 0.065"
6	R39225	STUD	1		
7	RE19419	LOCK	1		

3E8

HYDRAULICS

RWP5671 -UN-01JAN94

SELECTIVE CONTROL VALVE COVER



RWP5671

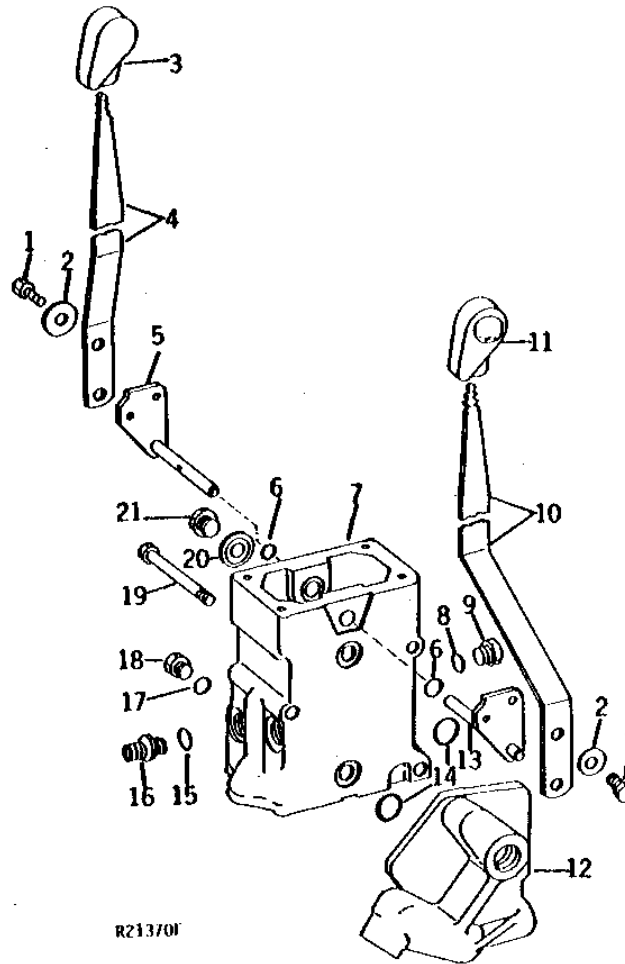
KEY	PART NO.	PART NAME	QTY	TRACTOR SERIAL NO.	REMARKS
1	R26906	O-RING	2		
2	R39171	HOSE FITTING	2		
3	AR21837	CLAMP	2		(SUB TY22465)
4	R20922	HOSE	1		(SUB FOR T22881)
5	R39289	COVER	1		
6	R26375	O-RING	1		
7	R27237	FITTING	1		

3E9

HYDRAULICS

R21370 -UN-01JAN94

SELECTIVE CONTROL VALVE LEVERS AND ARMS



R21370I

KEY	PART NO.	PART NAME	QTY	MODEL NO.	REMARKS
1	19H1895	CAP SCREW	1		1/2" X 3/4"
2	24H1625	WASHER	1		17/32" X 1" X 0.120"
3	R62148	GRIP	1		(SUB FOR R54275)
4	T23071	LEVER	1		
5	AR39158	ARM	1		(A)
6	R394R	O-RING	1		(A) (SUB R65287, THIS APPLICATION)
7	AR40828	HOUSING	1	-10SC3	(MARKED R40599) (SUB AR83549, R65289, R27166, R41057, R59629, (2) R65501, (2) R65502, R66916 AND R74695)
	AR83549	HOUSING	1	10SC4-	(MARKED R65504)
8	R26375	O-RING	1		
9	R39112	FITTING	2		
10	T23069	LEVER	1		
11	R62147	GRIP	1		(SUB FOR R54274)
12	R39289	COVER	1		
13	AR39157	ARM	1		
14	R26149	PACKING	2		
15	R26375	O-RING	2		
16	R27237	FITTING	2		
17	R26448	O-RING	1		
18	R27218	FITTING PLUG	1		
19	19H1912	CAP SCREW	3		3/8" X 3-1/2"
	19H3328	CAP SCREW	3		(B) 3/8" X 6-1/2"
20	AR26697	SEALING WASHER	1		(A)
21	R41155	PLUG	1		

(A) DUAL
(B) SINGLE

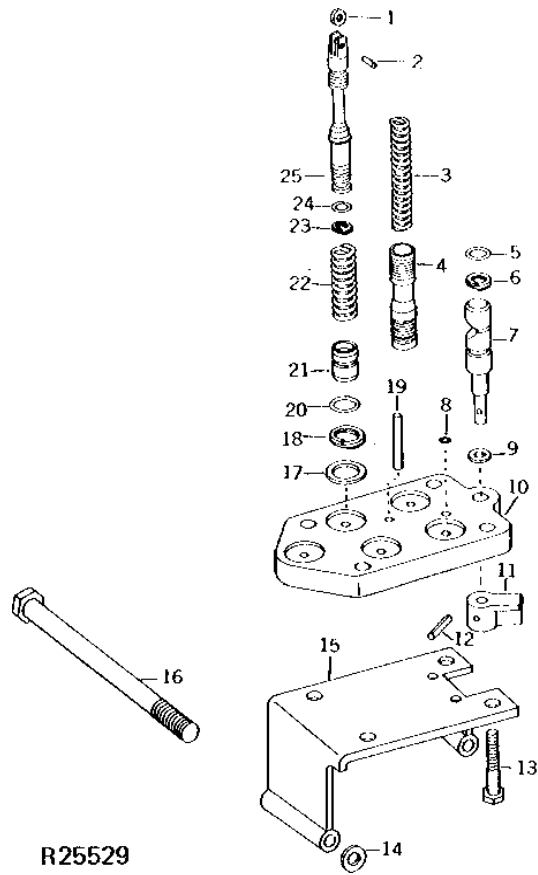
MEMORANDA

3E10

HYDRAULICS

SELECTIVE CONTROL VALVE POPPET, METERING AND FLOW CONTROL VALVE (EARLY DESIGN)

R25529 -UN-01JAN94



3E11

HYDRAULICS

**SELECTIVE CONTROL VALVE POPPET, METERING AND FLOW CONTROL VALVE - CONTINUED
(EARLY DESIGN)**

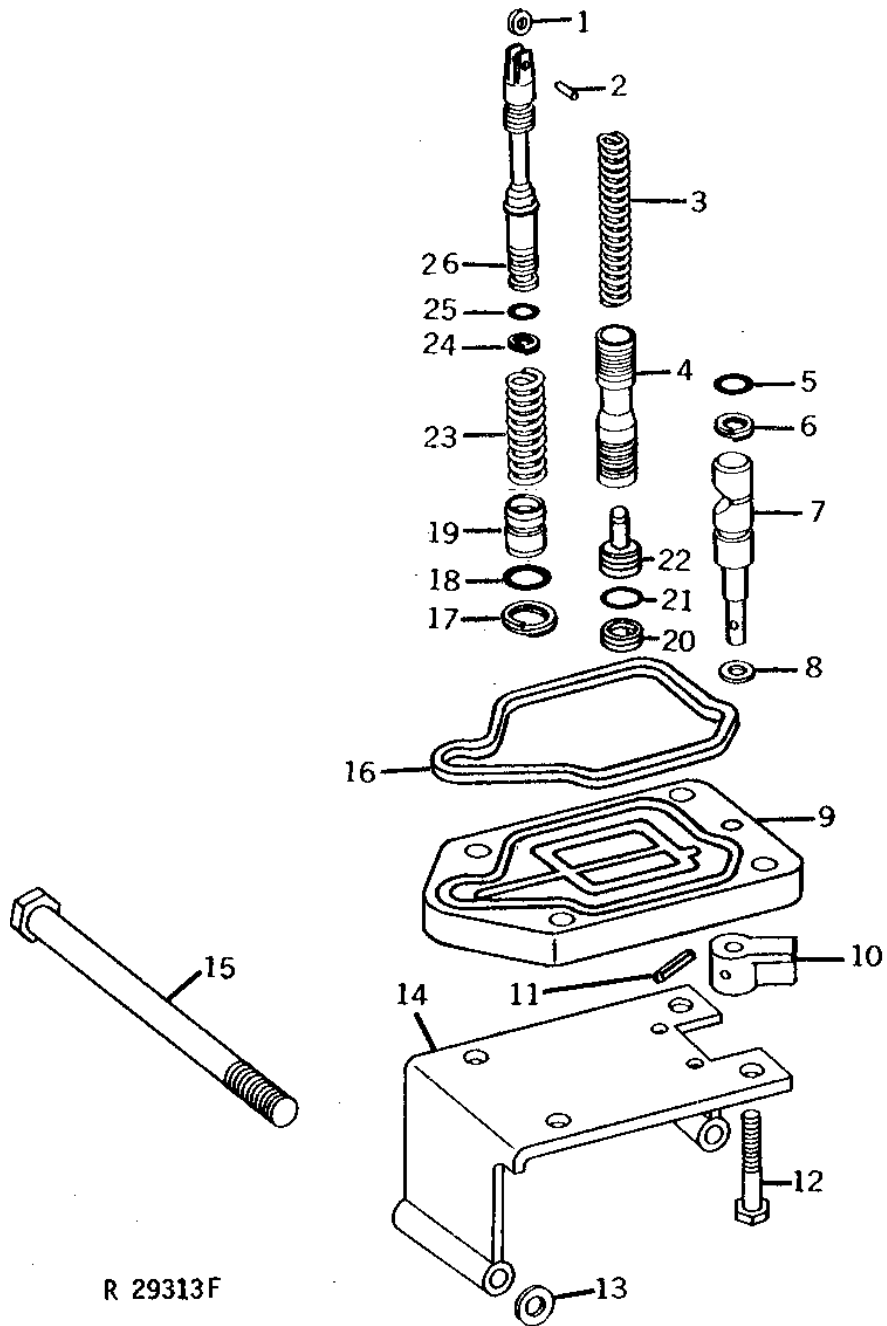
KEY	PART NO.	PART NAME	QTY	TRACTOR SERIAL NO.	REMARKS
1	R51409	SPACER	4		(SUB FOR R41613)
2	34H242	SPRING PIN	4		1/8" X 7/16"
3	R41549	SPRING	1		
4	R52549	SHUT-OFF VALVE	1		(SUB FOR R41154)
5	P46051	O-RING	1		
6	R40937	BACK-UP RING	1		
7	R52547	VALVE	1		(SUB FOR R41333)
8	R34812	O-RING	1		
9	R41339	SHIM	1		
10	AR40688	COVER	1		(MARKED R49708)
11	R62652	ARM	1		(SUB FOR R41338)
12	34H231	SPRING PIN	1		3/32" X 3/4"
13	19H1800	CAP SCREW	4		3/8" X 1-1/2"
	19H1732	CAP SCREW	4		3/8" X 1-1/4", (DUAL)
14	24H1111	WASHER	1	XXXXXX-	17/32" X 1-1/16" X 0.090"
15	AR99025	BRACKET	1		(SUB FOR AR39162)
16	19H3597	CAP SCREW	2		1/2" X 4-3/4"
	19H3542	CAP SCREW	2		1/2" X 6-1/2", (HEAVY-DUTY REAR AXLE HOUSING)
17	R26149	PACKING	6		
18	R41057	BACK-UP RING	4		
19	34H284	SPRING PIN	1		3/16" X 1-1/4"
20	R27166	O-RING	4		
21	R66416	BUSHING	4		(SUB FOR R41156, THIS APPLICATION)
22	R65501	SPRING	2		(SUB FOR R41055, THIS APPLICATION)
	R65502	SPRING	2		(SUB FOR R44310)
23	R26484	BACK-UP RING	AR		(4 USED PRESSURE VALVE) (2 USED RETURN VALVE)
24	A3917R	O-RING	AR		(4 USED PRESSURE VALVE) (2 USED RETURN VALVE)
					(SUB FOR R65286, THIS APPLICATION)
25	AR86535	VALVE	4		(SUB FOR AR52629, AR56120, AR70150 OR AR78396)

3E12

HYDRAULICS

SELECTIVE CONTROL VALVE POPPET, METERING AND FLOW CONTROL VALVE (LATE DESIGN)

R29313 -UN-01JAN94



3E13

HYDRAULICS

SELECTIVE CONTROL VALVE POPPET, METERING AND FLOW CONTROL VALVE - CONTINUED
(LATE DESIGN)

KEY	PART NO.	PART NAME	QTY	TRACTOR SERIAL NO.	REMARKS
1	R51409	SPACER	4		
2	34H242	SPRING PIN	4		
3	R41549	SPRING	1		1/8" X 7/16"
4	R52549	SHUT-OFF VALVE	1		
5	P46051	O-RING	1		
6	R40937	BACK-UP RING	1		
7	R65289	VALVE	1		
8	R41339	SHIM	1		
9	R59629	CAP	1		
10	R62652	ARM	1		(SUB FOR R41338)
11	34H231	SPRING PIN	1		3/32" X 3/4"
12	19H1800	CAP SCREW	4		3/8" X 1-1/2"
	19H1732	CAP SCREW	4		3/8" X 1-1/4", (DUAL)
13	24H1111	WASHER	1		17/32" X 1-1/16" X 0.090"
14	AR99025	BRACKET	1		(SUB FOR AR39162)
15	19H3597	CAP SCREW	2		1/2" X 4-3/4"
	19H3542	CAP SCREW	2		1/2" X 6-1/2", (HEAVY-DUTY REAR AXLE HOUSING)
16	R74695	WASHER	1		(SUB FOR R49187, THIS APPLICATION)
17	R41057	BACK-UP RING	4		
18	R27166	O-RING	4		
19	R66416	BUSHING	4		
20	R41057	BACK-UP RING	1		
21	R27166	O-RING	1		
22	R66916	STOP	1		(SUB FOR R65354)
23	R65501	SPRING	2		RETURN
	R65502	SPRING	2		PRESSURE
24	R26484	BACK-UP RING	AR		(4 USED PRESSURE VALVE) (2 USED RETURN VALVE)
25	A3917R	O-RING	AR		(4 USED PRESSURE VALVE) (2 USED RETURN VALVE) (SUB FOR R65286, THIS APPLICATION)
26	AR86535	VALVE	4		(SUB FOR AR78396)

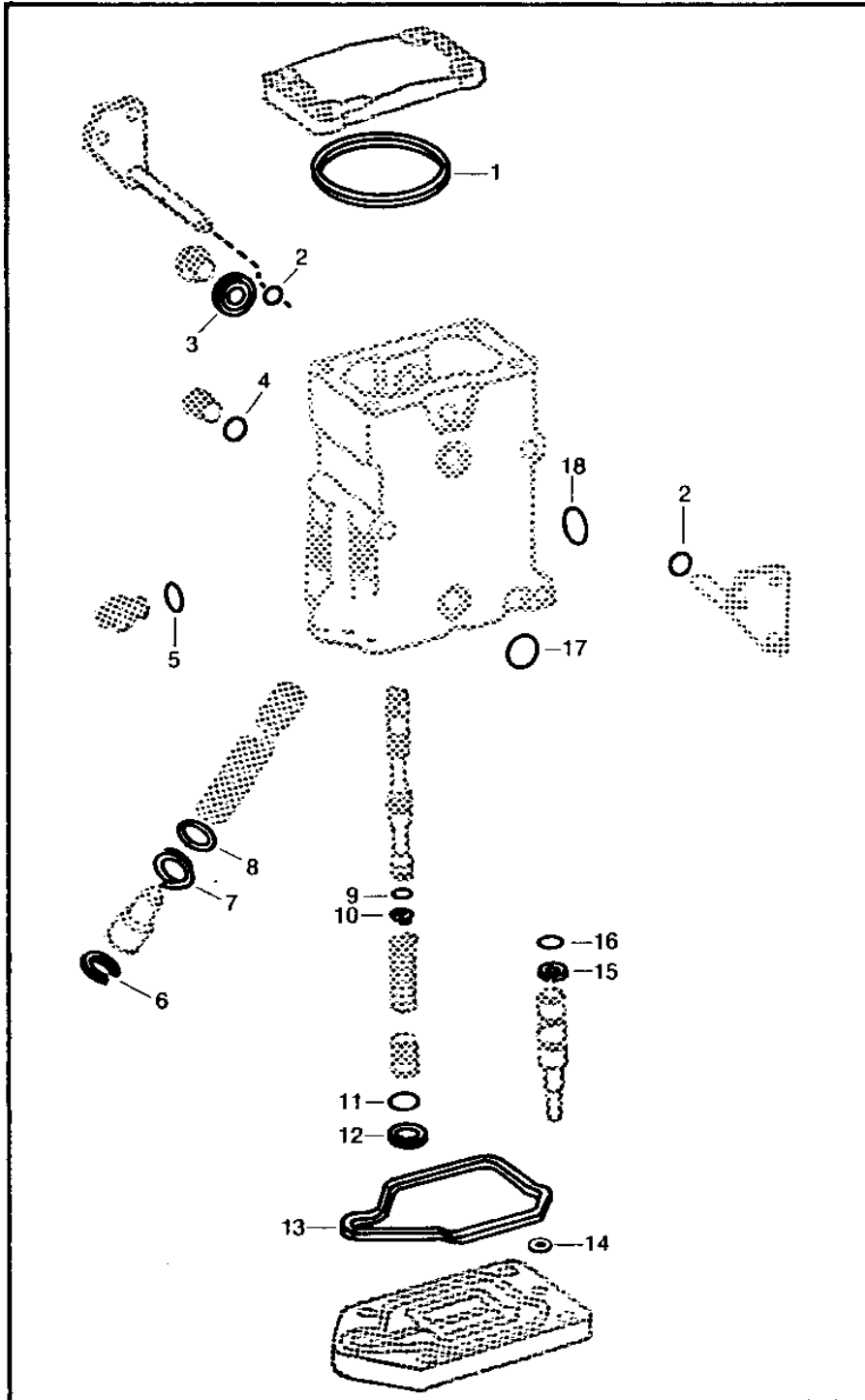
3E14

HYDRAULICS

RP578

-UN-01JAN94

SELECTIVE CONTROL VALVE OVERHAUL KIT



3E15

HYDRAULICS

SELECTIVE CONTROL VALVE OVERHAUL KIT - CONTINUED

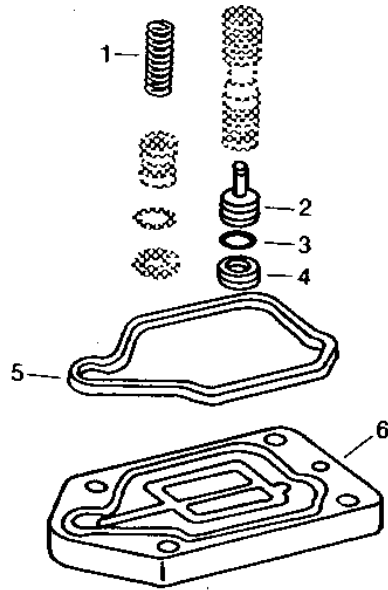
KEY	PART NO.	PART NAME	QTY	TRACTOR SERIAL NO.	REMARKS
1	R49187	WASHER	1		
2	R65287	O-RING	2		
3	AR26697	SEALING WASHER	1		
4	R26448	O-RING	1		
5	R26375	O-RING	2		
6	R46722	SNAP RING	1		
7	R26546	BACK-UP RING	1		
8	B2762R	O-RING	1		
9	A3917R	O-RING	AR		(4 USED PRESSURE VALVE) (2 USED RETURN VALVE) (SUB FOR R65286, THIS APPLICATION)
10	R26484	BACK-UP RING	AR		(4 USED PRESSURE VALVE) (2 USED RETURN VALVE)
11	R27166	O-RING	4		
12	R41057	BACK-UP RING	4		
13	R74695	WASHER	1		
14	R41339	SHIM	1		
15	R40937	BACK-UP RING	1		
16	P46051	O-RING	1		
17	R26448	O-RING	1		
18	R26149	PACKING	1		
19	AR82571	KIT	1		(SUB RE10924)

3E16

HYDRAULICS

RXP8037 -UN-01JAN94

SELECTIVE CONTROL VALVE CAP WITH PACKING



RXP8037

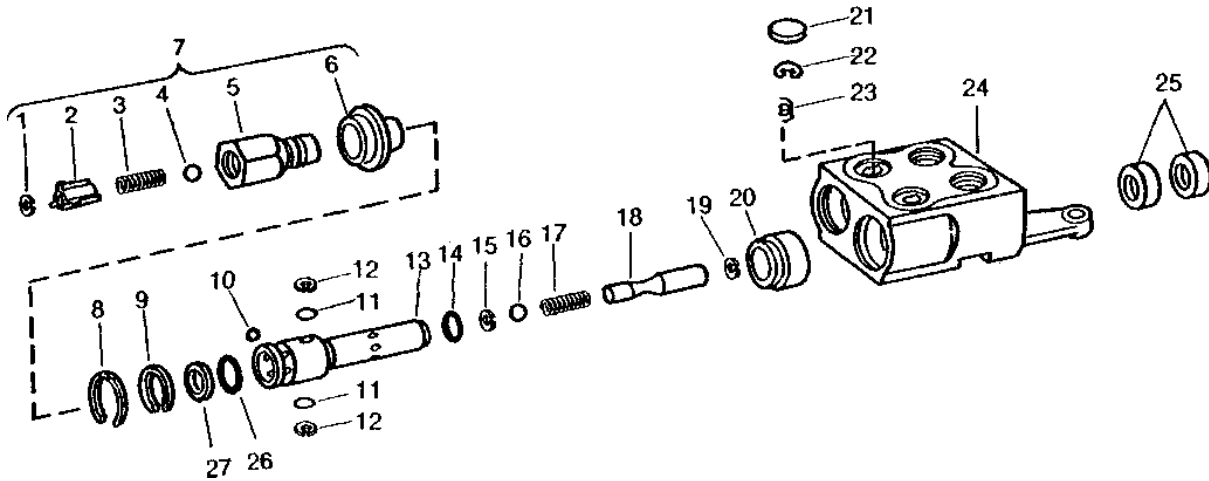
KEY	PART NO.	PART NAME	QTY	TRACTOR SERIAL NO.	REMARKS
1	R65501	SPRING	2		
	R65502	SPRING	2		
2	R66916	STOP	1		
3	R27166	O-RING	1		
4	R41057	BACK-UP RING	1		
5	R74695	WASHER	1		
6	R59629	CAP	1		

3E17

HYDRAULICS

RP437 -UN-01JAN94

SELECTIVE CONTROL VALVE BREAKAWAY COUPLER ASSEMBLY



RP437

KEY	PART NO.	PART NAME	QTY	TRACTOR SERIAL NO.	REMARKS
1	R59633	WEAR RING	2		(SUB FOR R28204)
2	R28085	GUIDE	2		(SUB RE15361)
3	R28084	SPRING	2		
4	D2361R	BALL	2		13 MM (1/2")
5	R27430	HYD. QUICK-CONNECT COUPLER	1		(SUB AR93819) (PRESSURE)
	R45630	HYD. QUICK-CONNECT COUPLER	1		(SUB AR93820) (RETURN)
6	R28006	CAP	2		
7	AR30210	INTERNAL HALF COUPLER	1		(SUB AR93819) (PRESSURE)
	AR47643	BREAKAWAY COUPLER	1		(SUB AR93820) (RETURN)
8	R75132	RING	2		
9	R32356	SNAP RING	2		
10	400R	BALL	12		6 MM (1/4")
11	A3917R	O-RING	4		(SUB FOR R65286, THIS APPLICATION)
12	R26484	BACK-UP RING	4		
13	R34397	SOCKET OUTLET	2		
14	R375R	O-RING	2		
15	R26482	RING	2		
16	D2361R	BALL	2		13 MM (1/2")
17	R28084	SPRING	2		
18	R34400	PLUG	2		
19	R26483	SNAP RING	2		
20	R34398	SLEEVE	2		
21	30H15	PLUG	2		1-1/8"
22	R72653	SNAP RING	2		(SUB FOR M2396T)
23	R31890	SPRING	2		
24	AR52621	COUPLING	1		
	AR52622	COUPLING	1		(DUAL SELECTIVE CONTROL) (SUB R39110, R49191, R72654, 12H303 AND 24H1286)
25	R74530	SEAL	8		(SUB FOR A4730R, R495R, R65285 OR R59343, THIS APPLICATION) (SUB R79311)
26	R495R	O-RING	2		(SUB R59343, THIS APPLICATION)
27	R26485	BACK-UP RING	2		

NOTE: QUANTITIES SHOWN ABOVE ARE FOR A SINGLE SELECTIVE CONTROL VALVE BREAKAWAY COUPLER.
DOUBLE THE QUANTITY FOR A DUAL SELECTIVE CONTROL VALVE BREAKAWAY COUPLER.

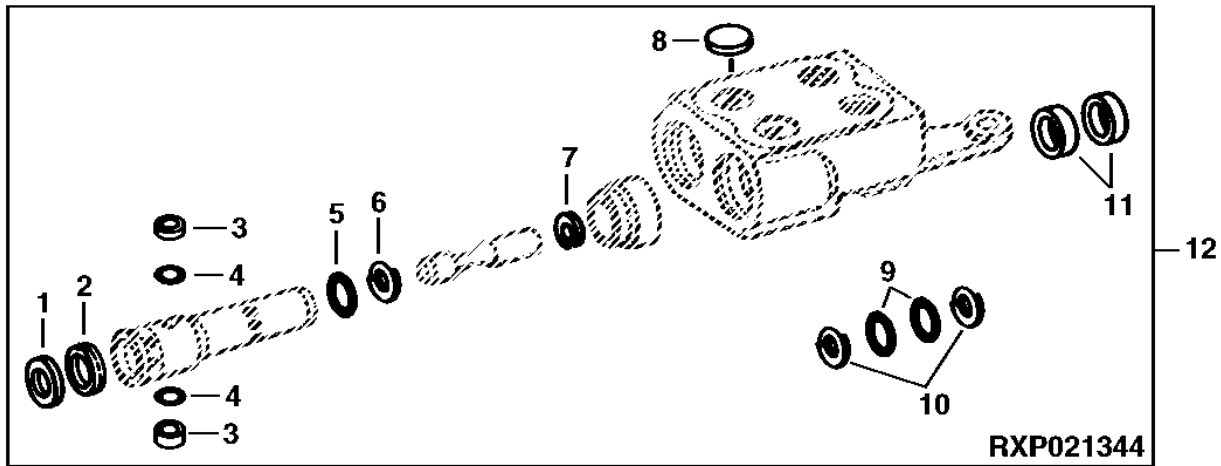
MEMORANDA

3E18

HYDRAULICS

RXP021344 -UN-11OCT95

BREAKAWAY COUPLER OVERHAUL KIT



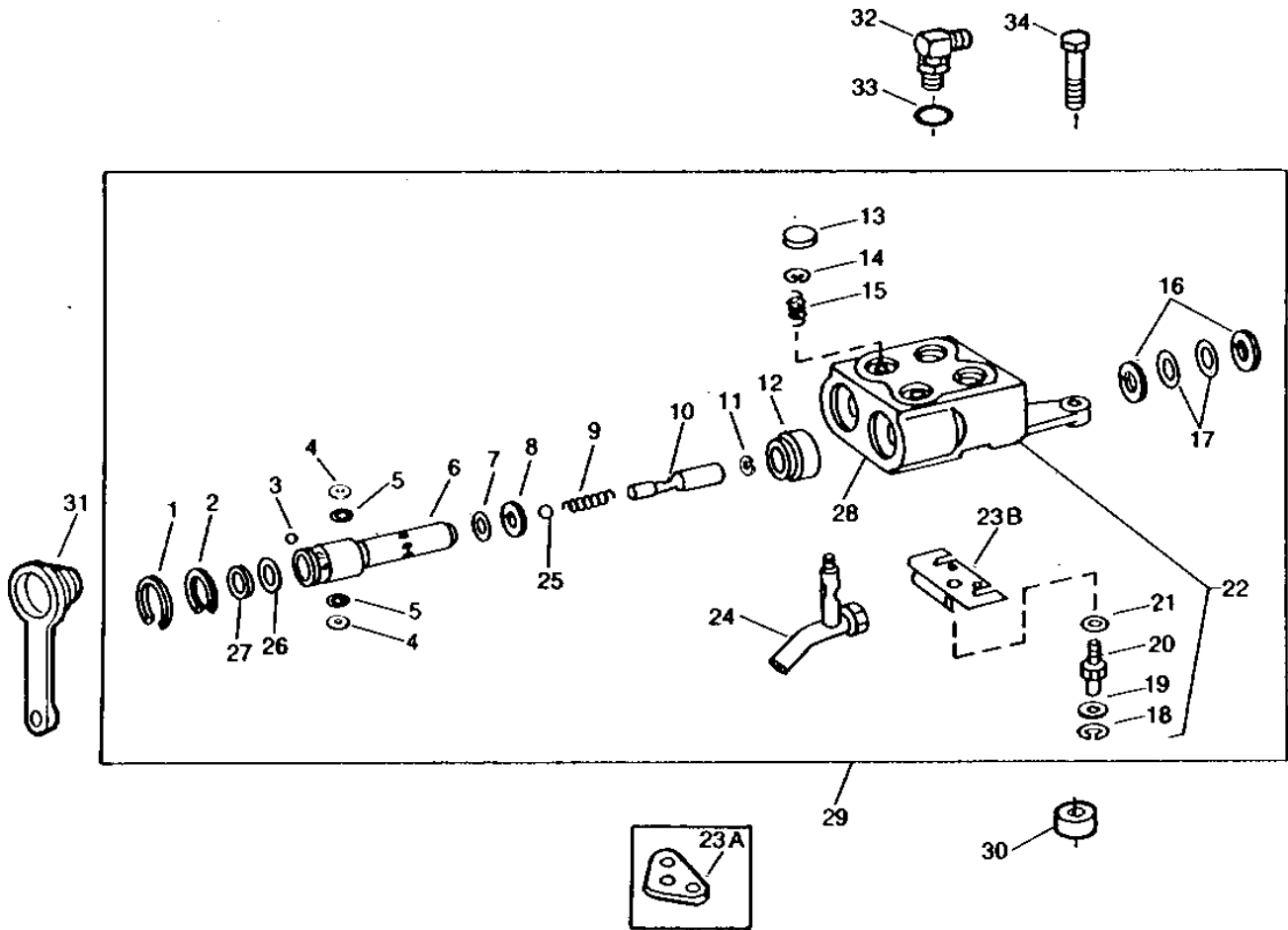
KEY	PART NO.	PART NAME	QTY	TRACTOR SERIAL NO.	REMARKS
1	R26485	BACK-UP RING	2		
2	R59343	RING	2		
3	R26484	BACK-UP RING	4		
4	A3917R	O-RING	4		
5	R375R	O-RING	2		
6	R26482	RING	2		
7	R26483	SNAP RING	2		
8	30H15	PLUG	2	1-1/8"	
9	A4730R	O-RING	4	(EARLY DESIGN)	
10	R26480	BACK-UP RING	4	(EARLY DESIGN)	
11	R79311	SEAL	4	(LATE DESIGN) (SUB FOR R65285 OR R74530)	
12	AR82570	KIT	1	(SUB FOR AR30685)	

3E19

HYDRAULICS

RXP8314 -UN-01JAN94

SELECTIVE CONTROL VALVE BREAKAWAY COUPLER AND DUST PLUG



RXP8314

3E20

HYDRAULICS

SELECTIVE CONTROL VALVE BREAKAWAY COUPLER AND DUST PLUG - CONTINUED

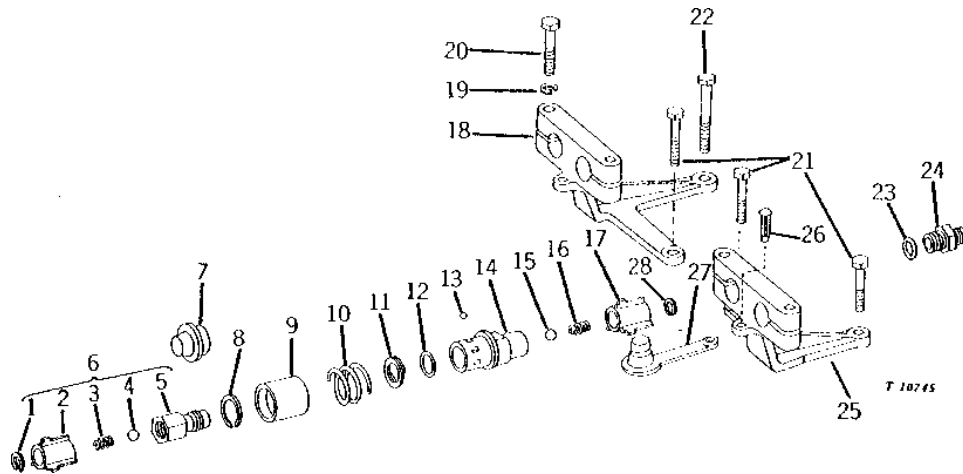
KEY	PART NO.	PART NAME	QTY	TRACTOR SERIAL NO.	REMARKS
1	R34399	SNAP RING	2		
2	R32356	SNAP RING	2		
3	400R	BALL	12		6MM (1/4")
4	R26484	BACK-UP RING	4		
5	A3917R	O-RING	4		(SUB FOR R65286, THIS APPLICATION)
6	R34397	SOCKET OUTLET	2		
7	R375R	O-RING	2		
8	R26482	RING	2		
9	R28084	SPRING	2		
10	R34400	PLUG	2		
11	R26483	SNAP RING	2		
12	R34398	SLEEVE	2		
13	30H15	PLUG	2		1-1/8"
14	R72653	SNAP RING	2		(SUB FOR M2396T)
15	R31890	SPRING	2		
16	R26480	BACK-UP RING	4		
17	A4730R	O-RING	4		
18	R72654	SNAP RING	1		(SUB FOR R27507)
19	24H1286	WASHER	1		9/32" X 1/2" X 1/16"
20	R49191	SCREW	1		
21	12H303	LOCK WASHER	1		5/16"
22	AR52621	COUPLING	1		R.H. (SINGLE) (MARKED R39109)
	AR52622	COUPLING	1		L.H. (DUAL) (SUB R39110, R49191, R72654, 12H303 AND 24H1286)
23A	R51285	PLATE	1		(SUB FOR R34402 AND AR75958) (SUB R61957)
23B	AR75958	CAM	1		(SUB FOR R51285) (SUB R61957)
24	AR99100	LEVER	2		(SUB FOR AR33877 OR AR82576)
25	D2361R	BALL	2		13MM (1/2")
26	R495R	O-RING	2		(SUB R59343, THIS APPLICATION)
27	R26485	BACK-UP RING	2		
28	R39110	HOUSING	1		(DUAL)
29	AR39036	BREAKAWAY COUPLER	1		R.H. (SINGLE)
	AR39037	BREAKAWAY COUPLER	1		L.H. (DUAL)
30	N10065	BUSHING	1		
31	R32419	COVER	1		(SUB R80324)
32	AT32332	ELBOW FITTING	2		(SUB FOR AR26763)
33	R26375	O-RING	2		
34	19H1831	CAP SCREW	1		1/2" X 2", (SINGLE)
	19H1974	CAP SCREW	1		1/2" X 2-3/4", (DUAL)

3E21

HYDRAULICS

SELECTIVE CONTROL VALVE COUPLER (SINGLE AND DUAL)

T10745 -UN-01JAN94



KEY	PART NO.	PART NAME	QTY	TRACTOR SERIAL NO.	REMARKS
1	R59633	WEAR RING	2	(SUB FOR R28204)	
2	R28085	GUIDE	2	(SUB AR93819)	
3	R28084	SPRING	2		
4	D2361R	BALL	2	13 MM (1/2")	
5	R27430	HYD. QUICK-CONNECT COUPLER	2	(SUB AR93819)	
6	AR30210	INTERNAL HALF COUPLER	2	(SUB AR93819)	
7	R28006	CAP	2		
8	R32356	SNAP RING	2		
9	R32355	SLEEVE	2	(SUB RE15361)	
10	R32354	SPRING	2		
11	R26485	BACK-UP RING	2		
12	R59343	RING	2		
13	400R	BALL	12	6 MM (1/4")	
14	R32353	SOCKET OUTLET	2	(SUB RE15361)	
15	D2361R	BALL	2	13 MM (1/2")	
16	R28084	SPRING	2		
17	R28085	GUIDE	2	(SUB RE15361)	
18	T22245	CLAMP	1	L.H. (DUAL)	
19	12H304	LOCK WASHER	2	3/8"	
20	19H1765	CAP SCREW	2	3/8" X 1-3/4"	
21	19H1831	CAP SCREW	3	1/2" X 2"	
22	19H1974	CAP SCREW	1	1/2" X 2-3/4"	
23	R26375	O-RING	2		
24	R27237	FITTING	2		
25	T22243	CLAMP	1	R.H.	
26	T22244	STUD	1		
27	R32419	COVER	2	(SUB R80324)	
28	R59633	WEAR RING	2	(SUB FOR R28204)	

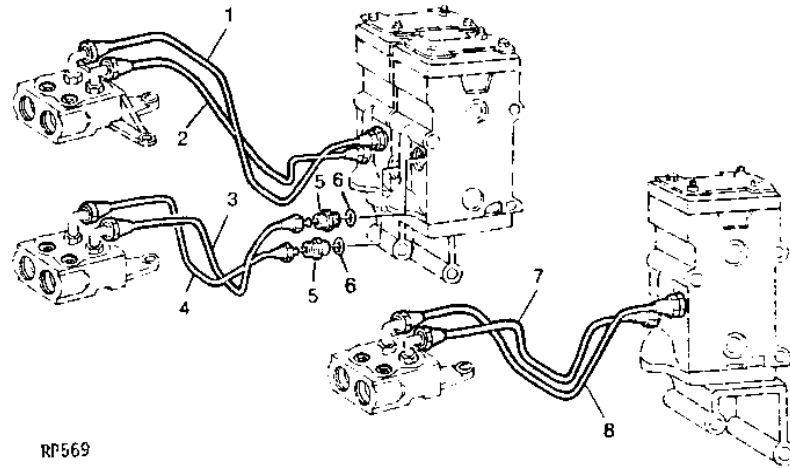
NOTE: QUANTITIES SHOWN ABOVE ARE FOR A SINGLE SELECTIVE CONTROL VALVE COUPLER. DOUBLE THE QUANTITY FOR DUAL SELECTIVE CONTROL VALVE COUPLER.

3E22

HYDRAULICS

RP569 -UN-01JAN94

COUPLER OIL LINES



RP569

KEY	PART NO.	PART NAME	QTY	TRACTOR SERIAL NO.	REMARKS
1	AT20039	OIL LINE	1		(A) UPPER L.H.
2	AT20040	OIL LINE	1		(A) LOWER L.H.
3	AT20037	OIL LINE	1		(A) UPPER R.H.
4	AT20038	OIL LINE	1		(A) LOWER R.H.
5	R27237	FITTING	AR		(2 USED SINGLE) (4 USED DUAL)
6	R26375	O-RING	AR		(2 USED SINGLE) (4 USED DUAL)
7	AT22170	OIL LINE	1		(B) LOWER R.H.
8	AT22169	OIL LINE	1		(B) UPPER R.H.

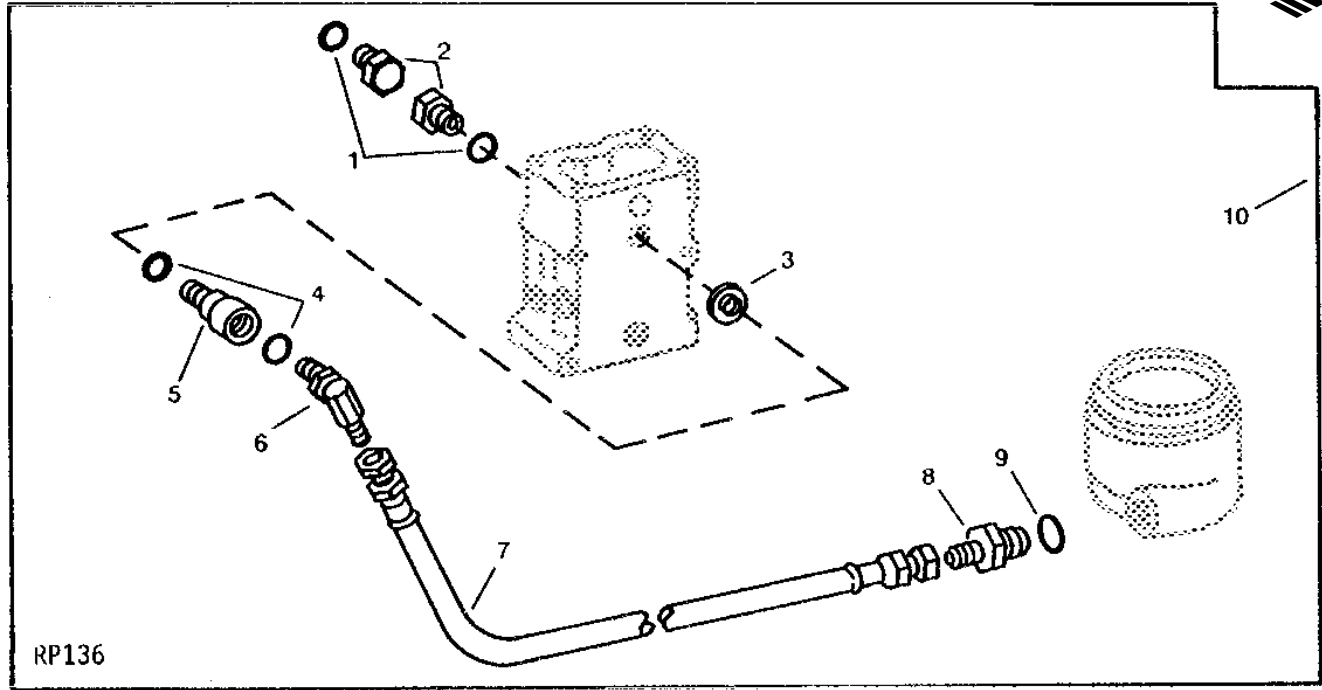
(A) DUAL SELECTIVE CONTROL VALVE
 (B) SINGLE SELECTIVE CONTROL VALVE

3E23

HYDRAULICS

RP136 -UN-01JAN94

SELECTIVE CONTROL VALVE OIL FILTER RETURN KIT



KEY	PART NO.	PART NAME	QTY	TRACTOR SERIAL NO.	REMARKS
1	R26906	O-RING	2		
2	R27474	DRAIN PLUG	2		
3	AR26697	SEALING WASHER	1		
4	R26375	O-RING	2		
5	T34079	COUPLING	1		
6	AR30110	ELBOW FITTING	1	90°	
7	AU30241	HYDRAULIC HOSE	1		
8	R36075	FITTING	1		
9	F3171R	O-RING	1		
10	AR71945	KIT	1		

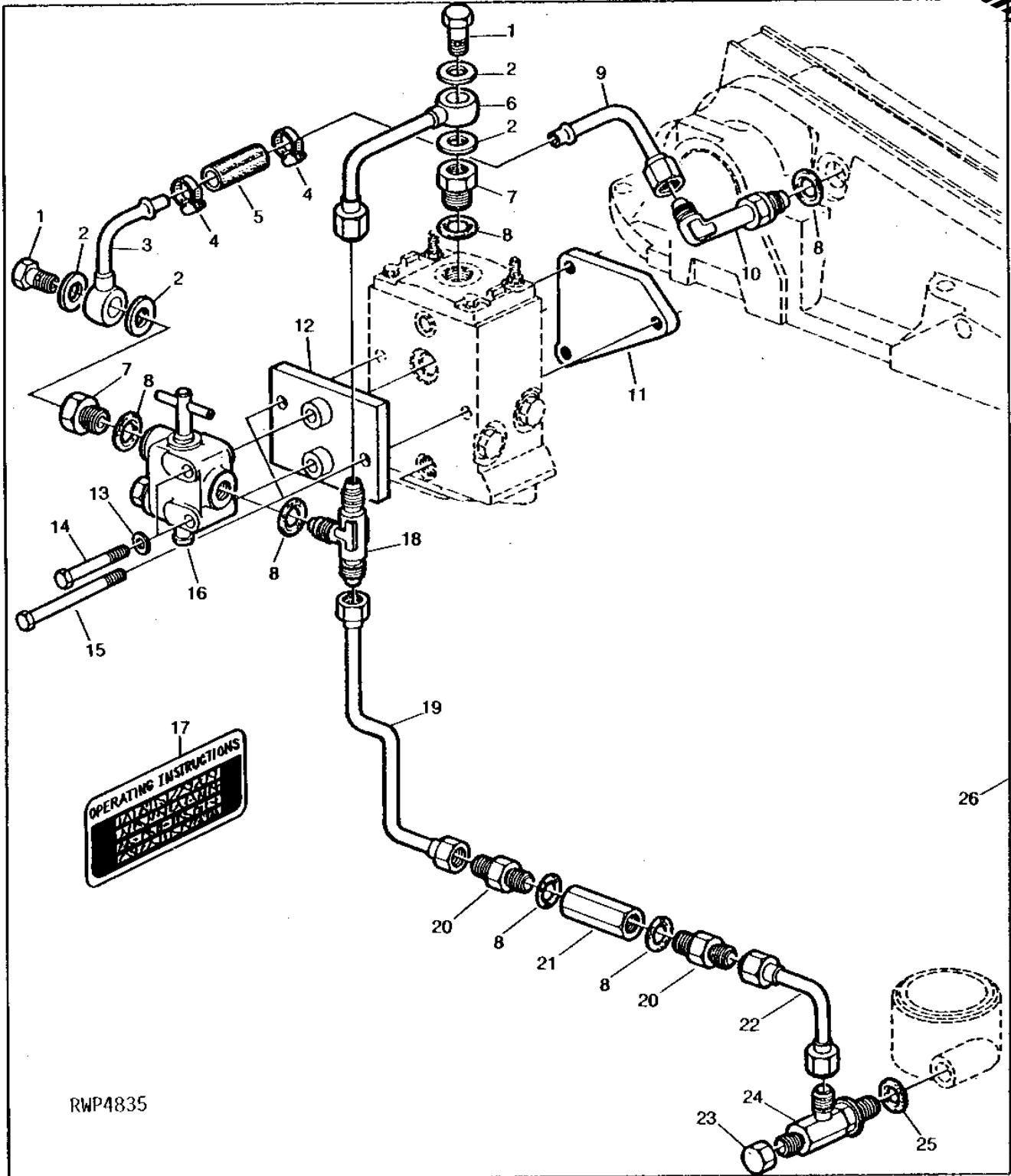
MEMORANDA

3E24

HYDRAULICS

DUAL RETURN OIL CONVERSION KIT (SINGLE SELECTIVE CONTROL VALVE)

RWP4835 -UN-01JAN94



RWP4835

3E25

HYDRAULICS

DUAL RETURN OIL CONVERSION KIT - CONTINUED (SINGLE SELECTIVE CONTROL VALVE)

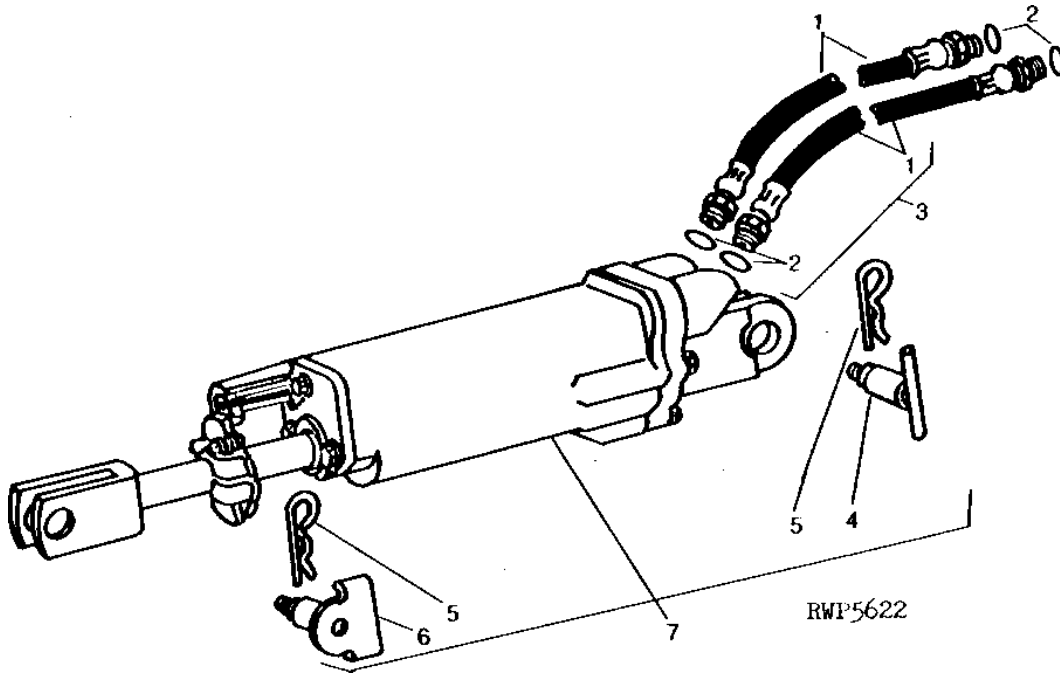
KEY	PART NO.	PART NAME	QTY	TRACTOR SERIAL NO.	REMARKS
1	T32204	HOLLOW SCREW	2		
2	51M4238	WASHER	4		16.200 X 19.900 X 1.500 MM
3	AL37931	OIL LINE	1		
4	AR21837	CLAMP	2		(SUB TY22465)
5	L419801	HOSE	1		62 MM (25") (SUB FOR L36134 OR L61849) (MAKE FROM TY22453)
6	AL38205	HOSE	1		
7	L39693	ADAPTER	2		
8	R26906	O-RING	6		
	R74695	WASHER	1		SCV COVER
9	AL37936	OIL LINE	1		
10	AL31989	ELBOW FITTING	1		
11	R37479	COVER	1		
12	AL38122	BRACKET	1		
13	24M7055	WASHER	2		8.400 X 16 X 1.600 MM
14	19M7164	CAP SCREW	2		M8 X 50
15	19M2228	CAP SCREW	2		
16	AA23586	VALVE	1		
17	R79585	DECAL	1		OPERATING INSTRUCTIONS
18	AL38125	TEE FITTING	1		
19	AL38123	OIL LINE	1		
20	R27270	FITTING	2		
21	AT34811	VALVE	1		
22	AL38124	OIL LINE	1		
23	R36927	FITTING	1		
24	AL38025	TEE FITTING	1		
25	F3171R	O-RING	1		
26	RE13714	KIT	1		

3F1

HYDRAULICS

RWP5622 -UN-01JAN94

REMOTE CYLINDER AND HOSES



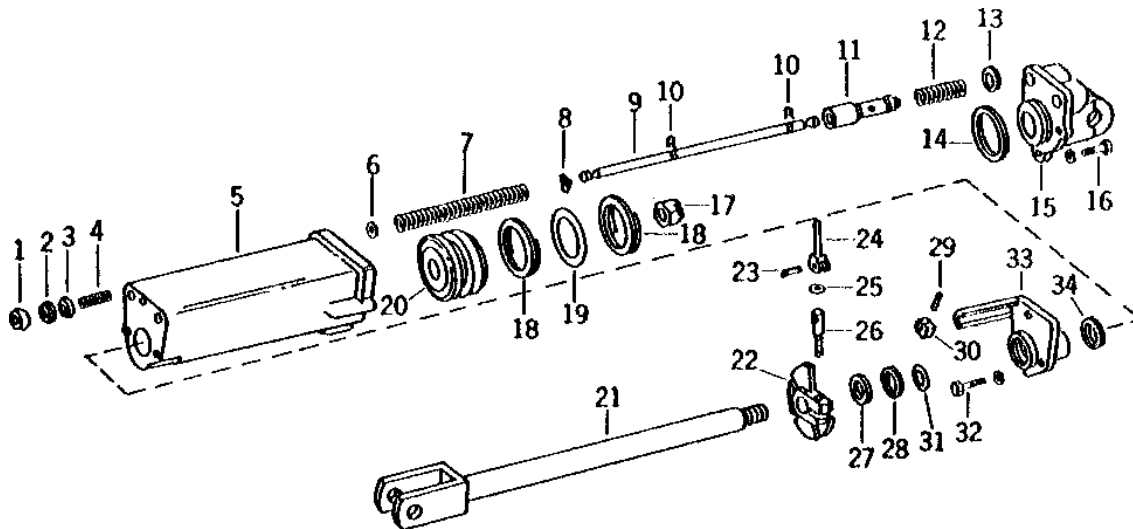
KEY	PART NO.	PART NAME	QTY	TRACTOR SERIAL NO.	REMARKS
1	AR26407	HYDRAULIC HOSE	2		
2	R26375	O-RING	4		
3	AR27440	HYDRAULIC HOSE	1		(SUB (2) AR26407 AND (4) R26375)
4	AR47825	PIN	1		
5	A3581R	SPRING LOCKING PIN	2		
6	AA6307R	PIN	1	-XXXXXX	(SUB AR71902)
	AR71902	PIN	1	XXXXXX-	
7	AR38426	HYDRAULIC CYLINDER	1		(SUB AR38239, AR47825, AR71902, AR93819, AR93820 AND A3581R)

3F2

HYDRAULICS

R21264 -UN-01JAN94

REMOTE CYLINDER



R21264

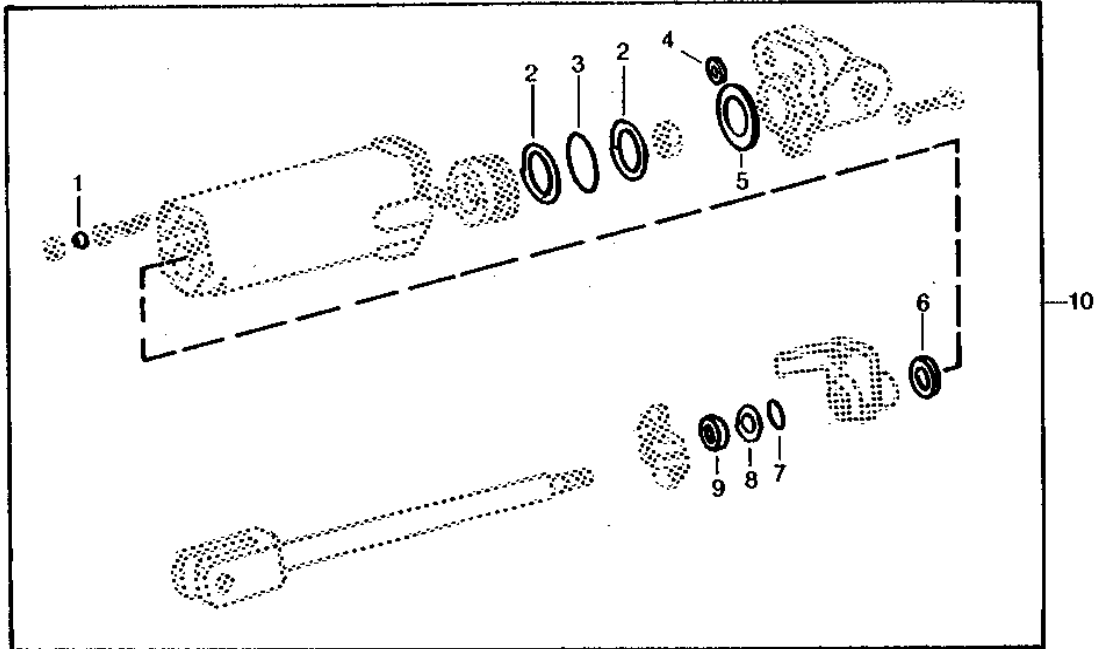
KEY	PART NO.	PART NAME	QTY	TRACTOR SERIAL NO.	REMARKS
1	A4746R	ADAPTER	1		
2	A4745R	PACKING	3		
3	A4747R	WASHER	1		
4	A4748R	SPRING ASSEMBLY	1		
5	R39006	CYLINDER	1		
	15H624	PIPE PLUG	1	1/2"	
6	24H1301	WASHER	1	13/32" X 9/16" X 0.065"	
7	A4737R	SPRING	1		
8	R57696	WASHER	1	(SUB FOR A4738R)	
9	A4736R	ROD	1		
10	A4739R	RING	2		
11	R39012	VALVE	1		
12	R49352	SPRING	1		
13	A4723R	WASHER	2		
14	R39029	WASHER	1		
15	R39013	COVER	1		
16	19H2473	CAP SCREW	4	1/2" X 1-3/4"	
	12H301	LOCK WASHER	4	1/2"	
17	H34753	LOCK NUT	1		
18	R39009	BACK-UP RING	2		
19	L2104N	O-RING	1		
20	R39008	PISTON	1		
21	AR38849	ROD	1	(SUB FOR AR39034)	
22	R39064	STOP	1		
23	34H264	SPRING PIN	1	5/32" X 7/8"	
24	A5302R	YOKE	1		
25	R57696	WASHER	1	(SUB FOR R1870R)	
26	A5301R	SCREW	1		
27	AA5607R	SEAL	1		
28	A4731R	WASHER	1		
29	25H760	GROOVE PIN	1	7/32" X 1-1/4"	
30	R27426	ARM	1		
31	A4730R	O-RING	1		
32	19H2552	CAP SCREW	3	3/8" X 1-1/8"	
	12H304	LOCK WASHER	3	3/8"	
33	A4732R	GUIDE	1		
34	A4733R	WASHER	1		

3F3

HYDRAULICS

RP576 -UN-01JAN94

REMOTE CYLINDER OVERHAUL KIT



RP576

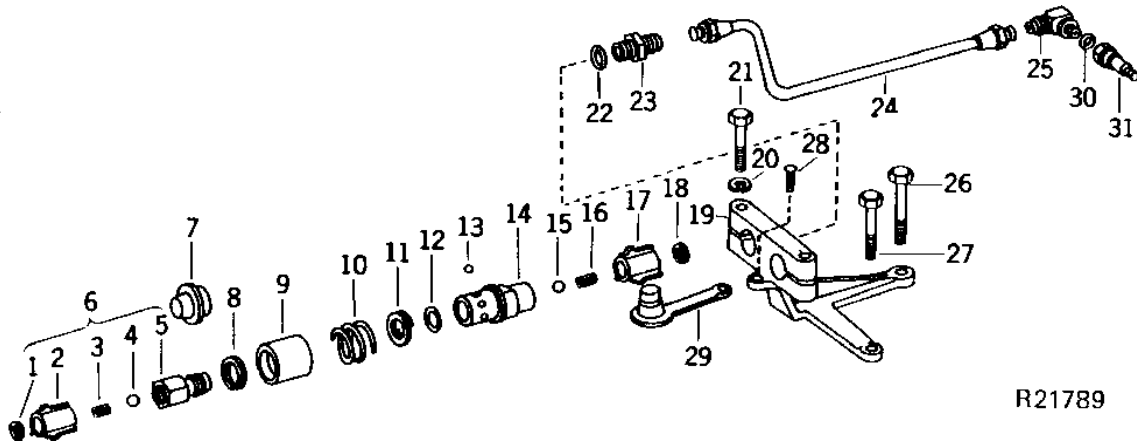
KEY	PART NO.	PART NAME	QTY	TRACTOR SERIAL NO.	REMARKS
1	A4745R	PACKING	3		
2	R39009	BACK-UP RING	2		
3	L2104N	O-RING	1		
4	A4723R	WASHER	2		
5	R39029	WASHER	1		
6	A4733R	WASHER	1		
7	A4730R	O-RING	1		
8	A4731R	WASHER	1		
9	AA5607R	SEAL	1		
10	AR38713	KIT	1		

3F4

HYDRAULICS

R21789 -UN-25SEP95

ROCKSHAFT CYLINDER OUTLET COUPLER



R21789

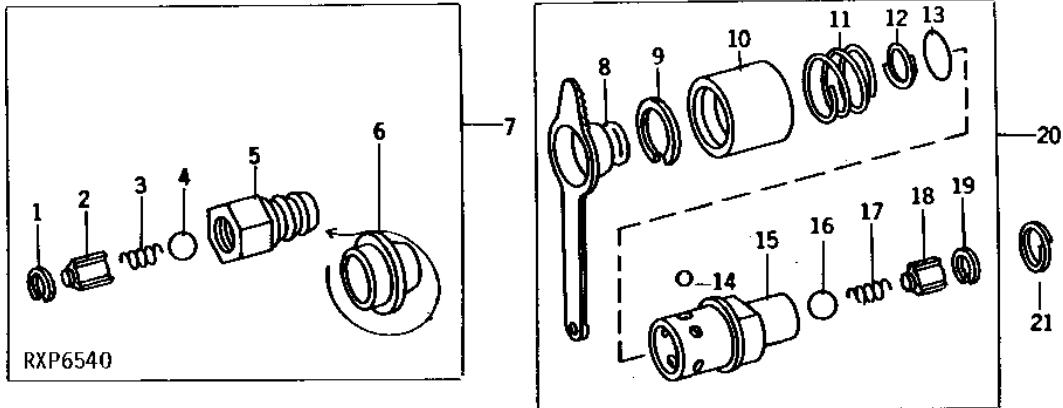
KEY	PART NO.	PART NAME	QTY	TRACTOR SERIAL NO.	REMARKS
1	R59633	WEAR RING	1		(SUB FOR R28204)
2	R28085	GUIDE	1		(SUB RE15361)
3	R28084	SPRING	1		
4	D2361R	BALL	1	13MM (1/2")	
5	R27430	HYD. QUICK-CONNECT COUPLER	1		(SUB AR93819)
6	AR30210	INTERNAL HALF COUPLER	1		(SUB AR93819)
7	R28006	CAP	1		
8	R32356	SNAP RING	1		
9	R32355	SLEEVE	1		(SUB RE15361)
10	R32354	SPRING	1		
11	R26485	BACK-UP RING	1		
12	R59343	RING	1		
13	400R	BALL	6	6 MM (1/4")	
14	R32353	SOCKET OUTLET	1		(SUB RE15361)
15	D2361R	BALL	1	13 MM (1/2")	
16	R28084	SPRING	1		
17	R28085	GUIDE	1		(SUB RE15361)
18	R59633	WEAR RING	1		(SUB FOR R28204)
19	T22245	CLAMP	1		L.H.
20	12H304	LOCK WASHER	1		3/8"
21	19H1765	CAP SCREW	2		3/8" X 1-3/4"
22	R26375	O-RING	1		
23	R27237	FITTING	1		
24	AT22918	LINE	1		
25	AT35120	ELBOW FITTING	1		(SUB FOR AR37017 AND AT32337)
26	19H1974	CAP SCREW	1		1/2" X 2-3/4"
27	19H1831	CAP SCREW	1		1/2" X 2"
28	T22244	STUD	1		
29	R32419	COVER	1		(SUB R80324)
30	R26448	O-RING	1		
31	T21638	ADAPTER	1		

3F5

HYDRAULICS

RXP6540 -UN-06OCT94

FLEXIBLE OIL LINE COUPLER



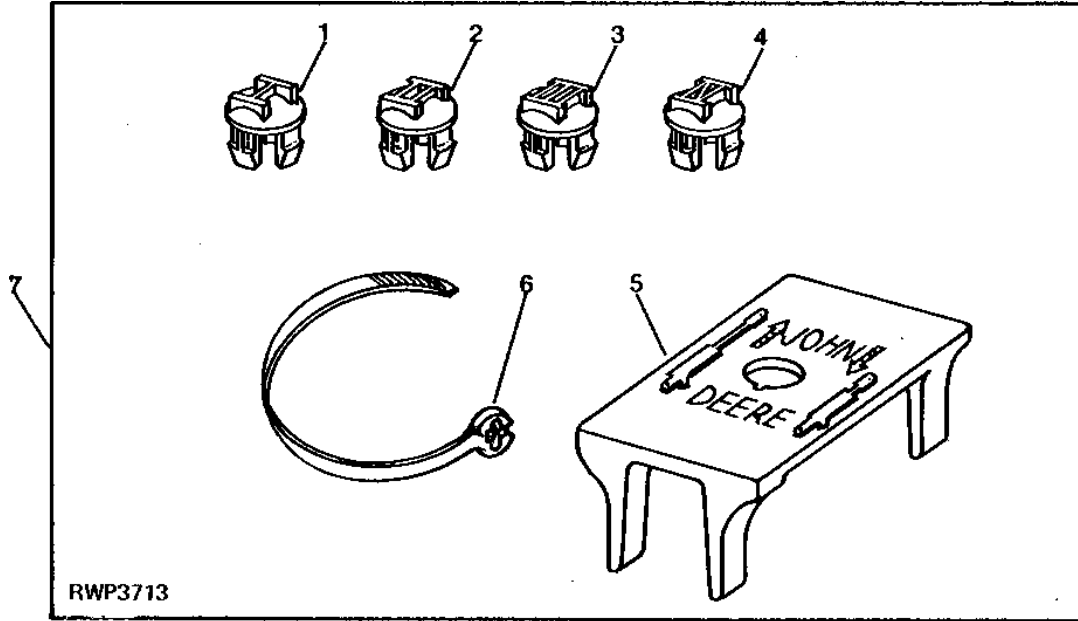
KEY	PART NO.	PART NAME	QTY	TRACTOR SERIAL NO.	REMARKS
1	R59633	WEAR RING	1		
2	R28085	GUIDE	1		(SUB AR93819 OR AR93820, THIS APPLICATION)
3	R28084	SPRING	1		
4	D2361R	BALL	1		13 MM (1/2")
5	R27430	HYD. QUICK-CONNECT COUPLER	1		(PRESSURE) (SUB AR93819)
	R45630	HYD. QUICK-CONNECT COUPLER	1		(RETURN) (SUB AR93820)
6	R28006	CAP	1		
7	AR30210	INTERNAL HALF COUPLER	1		(PRESSURE) (SUB AR93819)
	AR47643	BREAKAWAY COUPLER	1		(RETURN) (SUB AR93820)
8	R32419	COVER	1		(SUB R80324)
9	R32356	SNAP RING	1		
10	R32355	SLEEVE	1		(SUB RE15361)
11	R32354	SPRING	1		
12	R26485	BACK-UP RING	1		
13	R495R	O-RING	1		
14	400R	BALL	6		6 MM (1/4")
15	R32353	SOCKET OUTLET	1		(SUB RE15361)
16	D2361R	BALL	1		13 MM (1/2")
17	R28084	SPRING	1		
18	R28085	GUIDE	1		(SUB RE15361)
19	R59633	WEAR RING	1		
20	RE15361	COUPLING	1		(SUB FOR AR47331)
21	R36946	SPRING	1		

3F6

HYDRAULICS

RWP3713 -UN-01JAN94

REMOTE CYLINDER HOSE IDENTIFICATION KIT



KEY	PART NO.	PART NAME	QTY	TRACTOR SERIAL NO.	REMARKS
1	R74242	PLUG	1		
2	R74243	PLUG	1		
3	R74244	PLUG	1		
4	R74246	PLUG	1		
5	R76459	TAG	1		
6	H113196	TIE BAND	2	(SUB FOR R76477)	
7	AR103808	KIT	1		

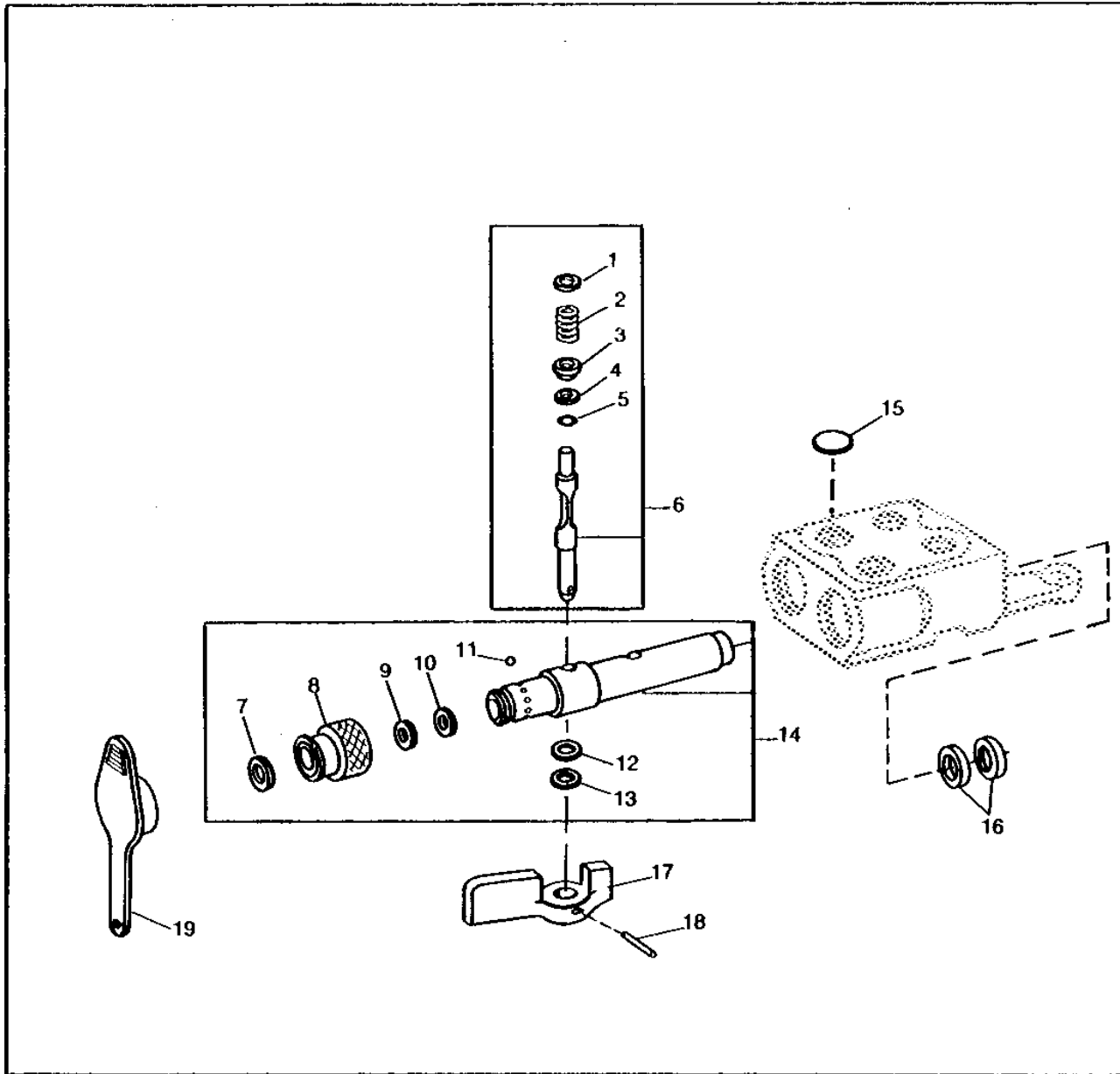
3F7

HYDRAULICS

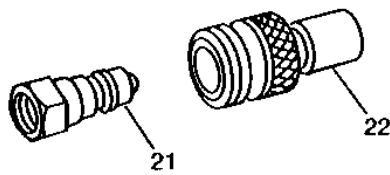
RWP3518

-UN-01JAN94

JOHN DEERE TO ISO COUPLER CONVERSION KIT



RWP3518



3F8

HYDRAULICS

JOHN DEERE TO ISO COUPLER CONVERSION KIT - CONTINUED

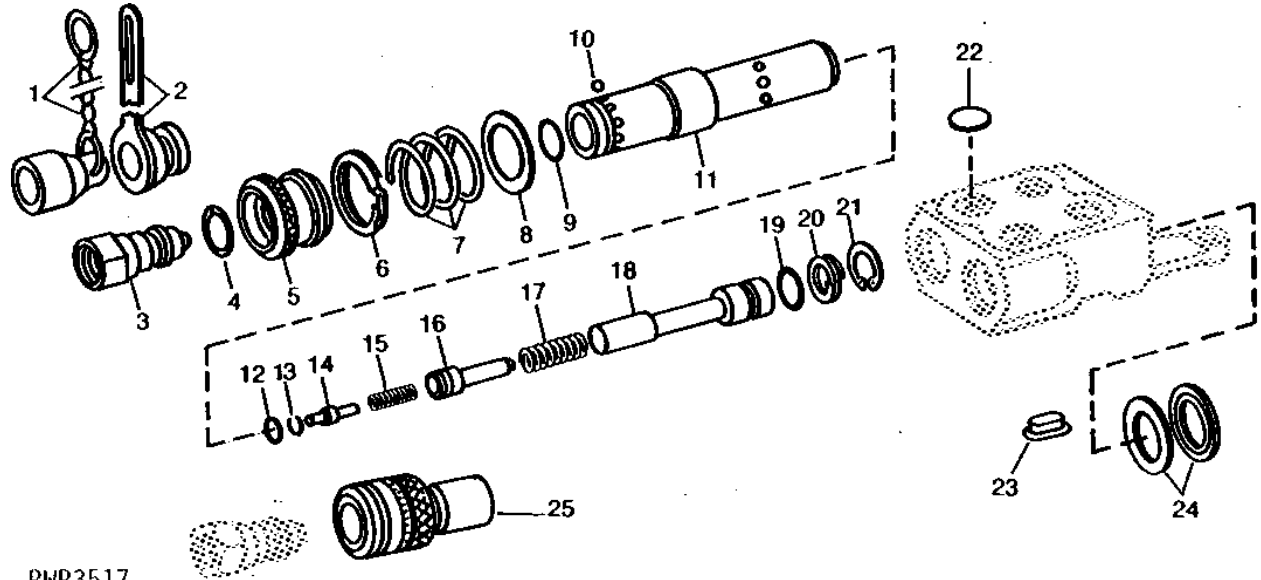
KEY	PART NO.	PART NAME	QTY	TRACTOR SERIAL NO.	REMARKS
1	R54242	SNAP RING	2		
2	R78767	SPRING	2		
3	R48698	WASHER	2		
4	R31136	BACK-UP RING	2		
5	R10093	O-RING	2		
6	RE13814	SHAFT	2		
7	40M4378	SNAP RING	2		
8	R78765	SLEEVE	2		
9	R71387	WASHER	2		
10	R74210	O-RING	2		
11	H871R	BALL	16		
12	P51212	O-RING	2		
13	R78766	BACK-UP RING	2		
14	RE13813	RECEPTACLE	2		
15	30H15	PLUG	2		1-1/8"
16	R79311	SEAL	2		(SUB A4730R AND R26480, THIS APPLICATION)
17	R78769	HANDLE	2		
18	34H247	SPRING PIN	2		
19	R78768	COVER	2		
20	RE12121	RECEIVER	1		
21	AR94522	INTERNAL HALF COUPLER	AR		(SUB FOR AL26973)
22	AL26972	EXTERNAL HALF COUPLER	AR		

3F9

HYDRAULICS

RWP3517 -UN-01JAN94

ISO BREAKAWAY COUPLER (SERVICE PARTS FOR AR80911)



RWP3517

KEY	PART NO.	PART NAME	QTY	TRACTOR SERIAL NO.	REMARKS
1	A15898	CAP	1		
2	A15899	CAP	1		
3	AR94522	INTERNAL HALF COUPLER	1		(SUB FOR AL26973)
4	R64617	SNAP RING	1		
5	R64618	SLEEVE	1		
6	R64615	SNAP RING	1		
7	R64609	SPRING	1		
8	R64608	WASHER	1		
9	R21722	O-RING	1		
10	H871R	BALL	8	5 MM (3/16")	
11	R64605	EXTERNAL HALF COUPLER	1		
12	T77613	O-RING	1		(SUB FOR R64613)
13	R64614	SNAP RING	1		
14	R64612	PIN	1		
15	R64611	SPRING	1		
16	R64610	POPPET	1		
17	R64607	SPRING	1		
18	R64606	GUIDE	1		
19	R375R	O-RING	1		
20	R26482	RING	1		
21	U15969	SNAP RING	1		
22	30H15	PLUG	1	1-1/8"	
23	R64561	PLUG	1		
24	R79311	SEAL	2		(SUB FOR R74530)
25	AL26972	EXTERNAL HALF COUPLER	1		

MEMORANDA

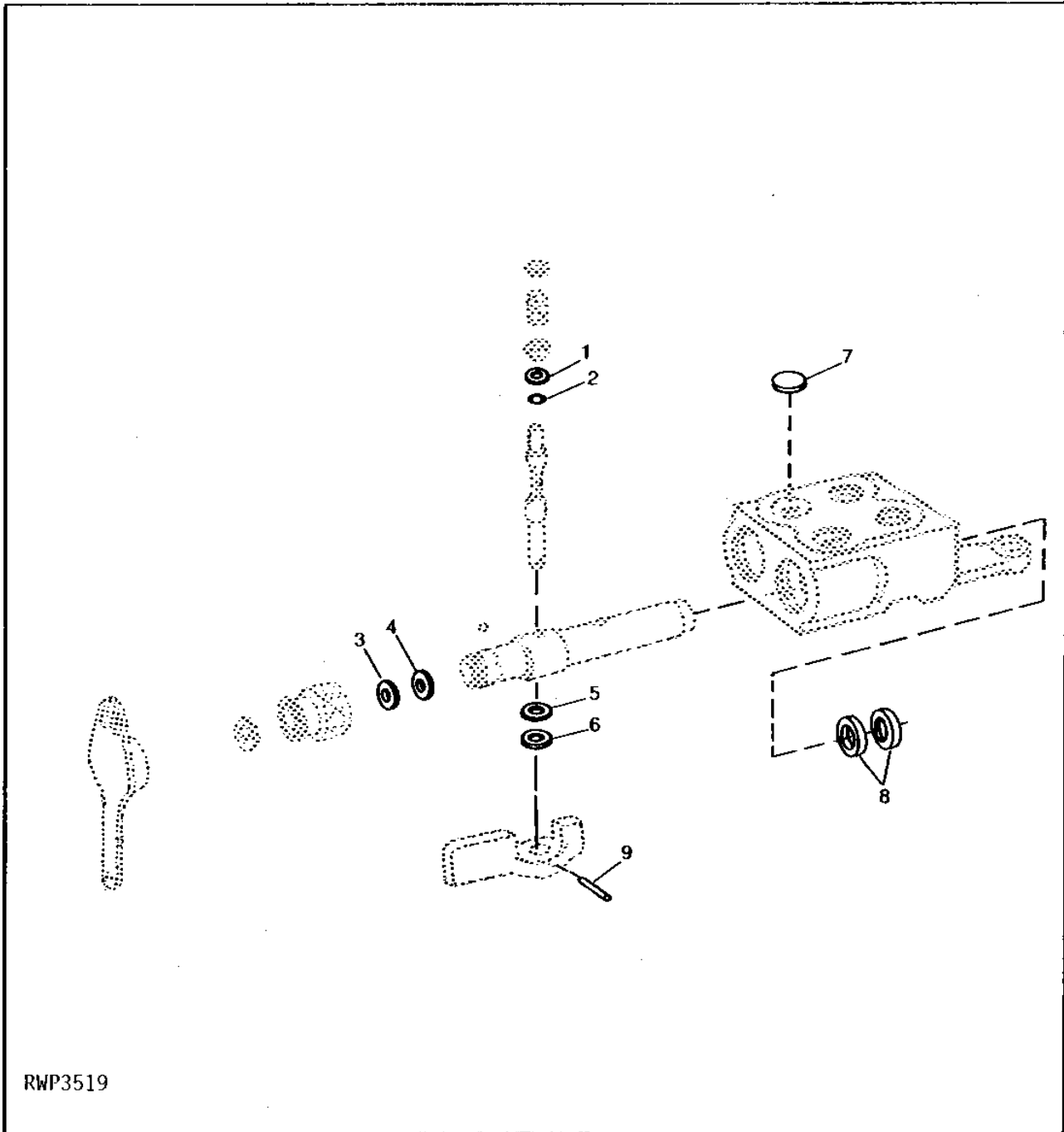
3F10

HYDRAULICS

RWP3519

-UN-01JAN94

ISO COUPLER OVERHAUL KIT



RWP3519

3F11

HYDRAULICS

ISO COUPLER OVERHAUL KIT - CONTINUED

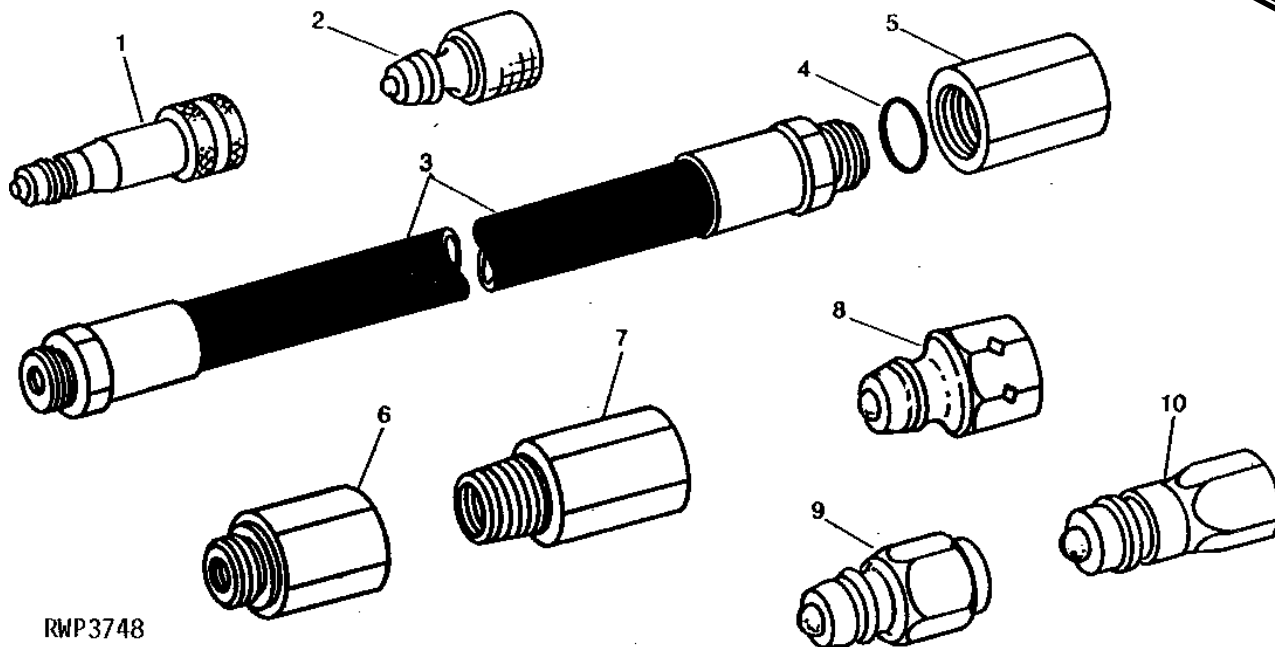
KEY	PART NO.	PART NAME	QTY	TRACTOR SERIAL NO.	REMARKS
1	R31136	BACK-UP RING	2		
2	R10093	O-RING	2		
3	R71387	WASHER	2		
4	R74210	O-RING	2		
5	P51212	O-RING	2		
6	R78766	BACK-UP RING	2		
7	30H15	PLUG	2	1-1/8"	
8	R79311	SEAL	4	(SUB FOR A4730R OR R26480)	
9	34H247	SPRING PIN	2		
10	RE13815	KIT	1		

3F12

HYDRAULICS

RWP3748 -UN-01JAN94

IMPLEMENT HYDRAULIC OIL LINES AND FITTINGS



RWP3748

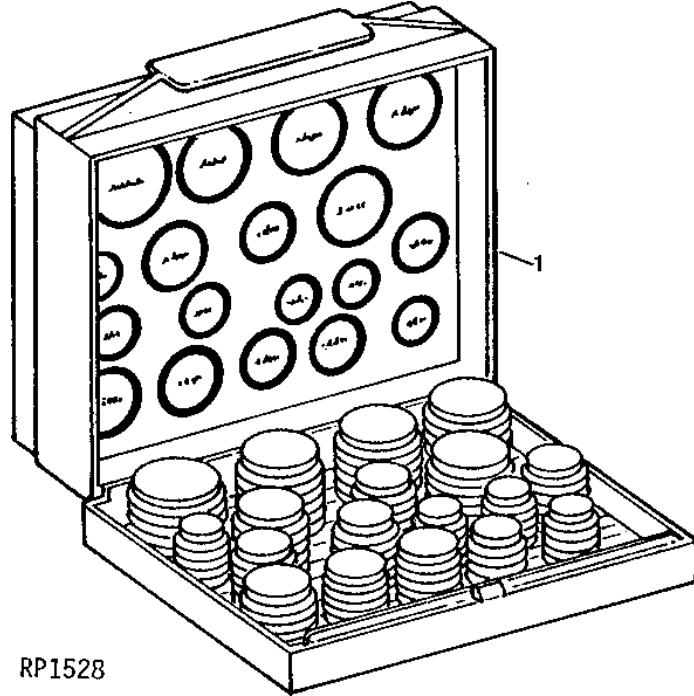
KEY	PART NO.	PART NAME	QTY	TRACTOR SERIAL NO.	REMARKS
1	AR98202	HYD. QUICK-CONNECT COUPLER	1	JOHN DEERE TO ISO	
	R21722	O-RING	1	(INCLUDED IN AR98202)	
	RE11457	ADAPTER	1	IHC TO ISO	
	U11647	O-RING	1	(INCLUDED IN RE11457)	
2	AR98201	HYD. QUICK-CONNECT COUPLER	1	ISO TO JOHN DEERE	
	R21722	O-RING	1	(INCLUDED IN AR98201, RE11458 AND RE11463)	
	R71387	WASHER	1	(INCLUDED IN AR98201)	
	RE11456	ADAPTER	1	IHC TO JOHN DEERE	
	RE11458	ADAPTER	1	JOHN DEERE TO IHC	
	RE11463	ADAPTER	1	ISO TO IHC	
3	AR28754	HYDRAULIC HOSE	1	10 X 610 MM (3/8" X 24") (SUB TY3018)	
	AR28755	HYDRAULIC HOSE	1	10 X 914 MM (3/8" X 36")	
	R36658	HYDRAULIC HOSE	1	13 X 610 MM (1/2" X 24")	
	R36659	HYDRAULIC HOSE	1	13 X 914 MM (1/2" X 36")	
4	R26375	O-RING	1		
5	R30815	FITTING	1	3/4" THREAD	
6	R30817	ADAPTER	1	3/4"-16UNF MALE X 1/2"-14NPT FEMALE	
7	R30816	ADAPTER	1	1/2"-14NPT MALE X 3/4"-16UNF FEMALE	
8	AR93820	FITTING	1	JOHN DEERE, 3/4"-16 UNF	
9	RE11447	FITTING	1	JOHN DEERE, 1/2"-14NPT	
10	AR94522	INTERNAL HALF COUPLER	1	ISO, 3/4"-16UNF	

3F13

HYDRAULICS

RP1528 -UN-01JAN94

O-RING KIT



RP1528

KEY	PART NO.	PART NAME	QTY	TRACTOR SERIAL NO.	REMARKS
1	AR73500	KIT	1		

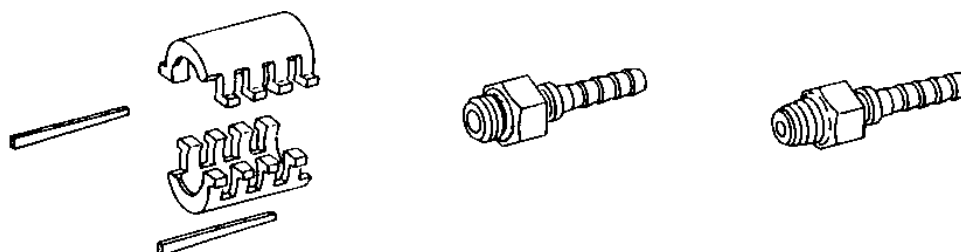
3F14

HYDRAULICS

RXP7733

-UN-23SEP94

BULK FLEXIBLE OIL LINE AND REUSABLE LOK-PIN COUPLINGS



Oil Line (Length) Approx. 50 ft.)		Set of Ferrules with Pins*	Stem-Straight Thread with O-ring	Stem-Pipe Thread
R 34790	3/8" I.D. — 1 Wire	AR 39635* *	R 39687
R 34791	1/2" I.D. — 1 Wire	AR 39636* *	R 39688
R 34792	3/4" I.D. — 1 Wire	AR 39637#	R 39689
R 34793	3/8" I.D. — 2 Wire	AR 39632	AR 39635* *	R 39687
R 34794	1/2" I.D. — 2 Wire	AR 39636* *	R 39688
R 34795	3/4" I.D. — 2 Wire	AR 39637#	R 39689

* Each set of ferrules includes two R39681 pins - extra pins may be ordered, packed 20 in a package.
 **Includes R26375 O-ring.
 # Includes F3171R O-ring.

REUSABLE COUPLINGS (Use With Braid Flexible Oil Line)



1 WR Single Wire		2 WR Double Wire		I.D.	Thread
Coupling No.		Coupling No.			
AF 3585	R	AR 21629		3/8"	3/8" — 18 NPTF
AF 3586	R	AR 21630		1/2"	1/2" — 14 NPTF
AF 3587	R		5/8"	3/4" — 14 NPTF
AF 3588	R	AR 21632		3/4"	3/4" — 14 NPTF
R 34644		AR 21634		1"	1" — 11-1/2" NPTF
R 34646			3/8"	3/4" — 16 O-ring type thread
		R 34647		1/2"	3/4" — 16 O-ring type thread

BULK SINGLE WIRE BRAID FLEXIBLE OIL LINE (Use With Reusable Coupling for Single Wire Braid Flexible Oil Line)

Part No.	I.D.	O.D.	Length
A 5776 R	1/2"	29/32"	Approx. 50 ft.
A 5777 R	5/8"	1-1/32"	Approx. 50 ft.

BULK DOUBLE WIRE BRAID FLEXIBLE OIL LINE (Use with Reusable Coupling for Double Wire Braid Flexible Oil Line)

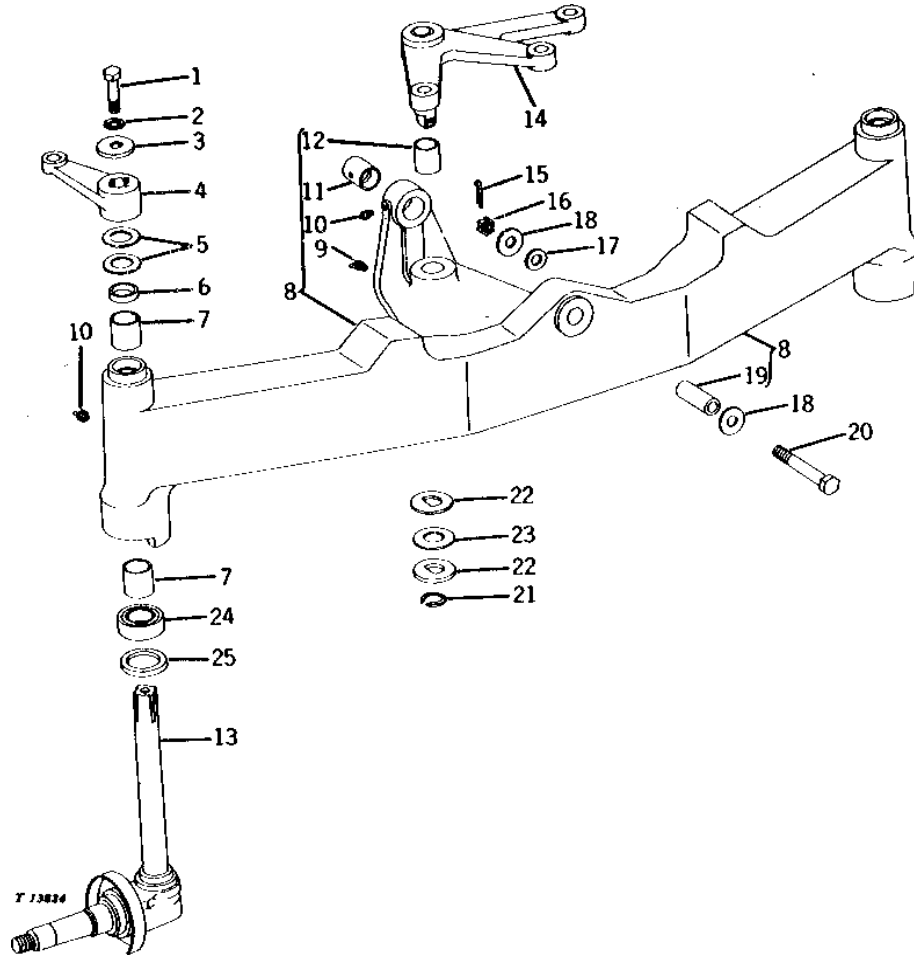
Part No.	I.D.	O.D.	Length
R 21531	3/8"	29/32"	Approx. 50 ft.
R 21532 RXP7733	1/2"	31/32"	Approx. 50 ft.

3F17

WHEELS, FRONT AXLES, SHEET METAL

FIXED TREAD FRONT AXLE, SPINDLE AND KNUCKLE ASSEMBLY (TRACTOR SERIAL NO. -187300)

T13834 -UN-01JAN94



KEY	PART NO.	PART NAME	QTY	TRACTOR SERIAL NO.	REMARKS
1	19H3158	CAP SCREW	2		3/4" X 2"
2	12H236	LOCK WASHER	2		3/4"
3	F3607R	WASHER	2		
4	T21519	LEVER	1		R.H.
	T21520	LEVER	1		L.H.
5	T15285	SHIM	4		0.69 MM (.027")
6	T15288	WASHER	2		
7	T21553	BUSHING	4		
8	AT22292	FRONT AXLE	1		(MARKED T21777) (NO LONGER AVAILABLE)
9	JD7799	LUBRICATION FITTING	1		
10	JD7798	LUBRICATION FITTING	3		
11	T23170	BUSHING	1		
12	T23118	BUSHING	2		
13	AT39457	KNUCKLE	2		(ALSO ORDER JD8969) (SUB FOR AT19804 OR AT35227)
14	AT19797	CRANK	1		(SUB AT52868)
15	11M7030	COTTER PIN	1		5 X 40 MM
16	14H902	NUT	1		3/4"
17	T25921	SHIM	AR		0.38 MM (.015")
18	T25922	WASHER	2		
19	T21669	BUSHING	1		
20	T25840	CAP SCREW	1		
21	F534R	SNAP RING	1		
22	T23229	WASHER	2		
23	T23228	SHIM	3		0.25 MM (.010")
24	JD8410	THRUST BEARING	2		
25	T15284	WASHER	2		

3F18

WHEELS, FRONT AXLES, SHEET METAL

STRAIGHT ADJUSTABLE FRONT AXLE

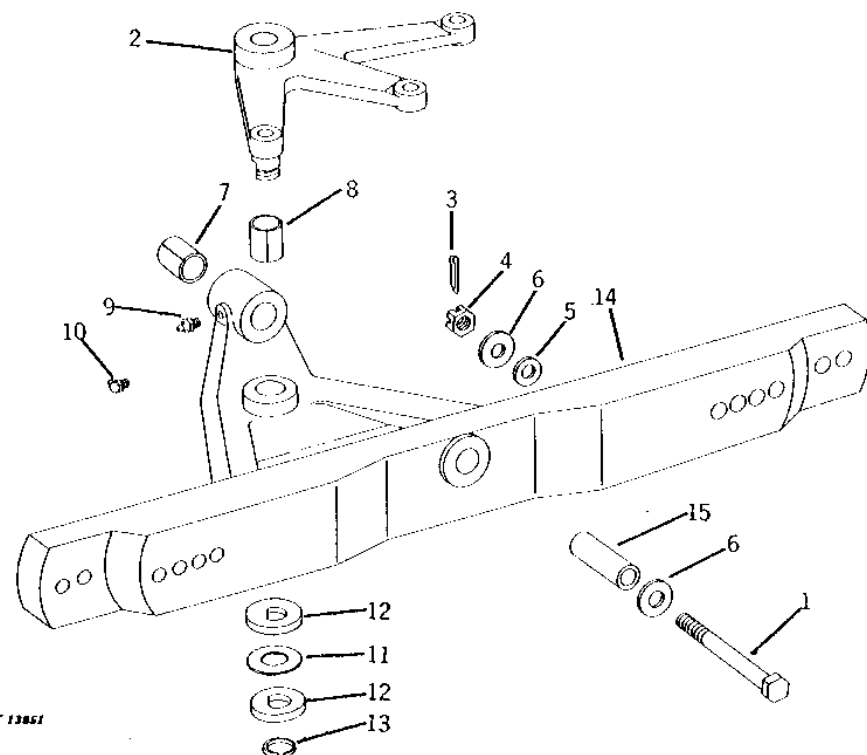
1524 - 2235 MM (60" - 88")

1245 - 2057 MM (49" - 81")

1473 - 2350 MM (58" - 92-1/2")

(TRACTOR SERIAL NO. -187300)

T13851 -UN-01JAN94



T 13851

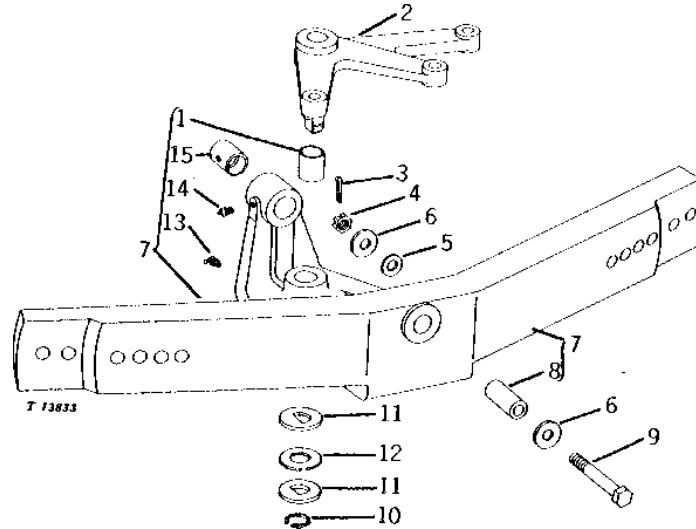
KEY	PART NO.	PART NAME	QTY	TRACTOR SERIAL NO.	REMARKS
1	T25840	CAP SCREW	1		
2	AT19793	BELLCRANK	1		
3	11M7030	COTTER PIN	1	5 X 40 MM	
4	14H902	NUT	1	3/4"	
5	T25921	SHIM	AR	0.38 MM (.015")	
6	T25922	WASHER	2		
7	T23170	BUSHING	1		
8	T23118	BUSHING	2		
9	JD7798	LUBRICATION FITTING	1	(1/8") STRAIGHT	
10	JD7799	LUBRICATION FITTING	1	90° (1/8")	
11	T23228	SHIM	3	0.25 MM (.010")	
12	T23229	WASHER	2		
13	F534R	SNAP RING	1		
14	AR64915	FRONT AXLE	1	1245 - 2057 MM (49" - 81") (MARKED R55198) (SUB FOR AT22237) (INCLUDES BUSHINGS AND FITTINGS) (SUB AR91810 AND AR92945)	
	AR64709	FRONT AXLE	1	1524 - 2235 MM (60" - 88") 1473 - 2350 MM (58" - 92-1/2") (MARKED T25505) (INCLUDES BUSHINGS AND FITTINGS) (SUB AR91809 AND AR92945)	
15	T21669	BUSHING	1		

3F19

WHEELS, FRONT AXLES, SHEET METAL

SWEPT BACK ADJUSTABLE FRONT AXLE
 1118 - 1676 MM (44" - 66")
 1245 - 2007 MM (49" - 79")
 (TRACTOR SERIAL NO. -187300)

T13833 -UN-01JAN94



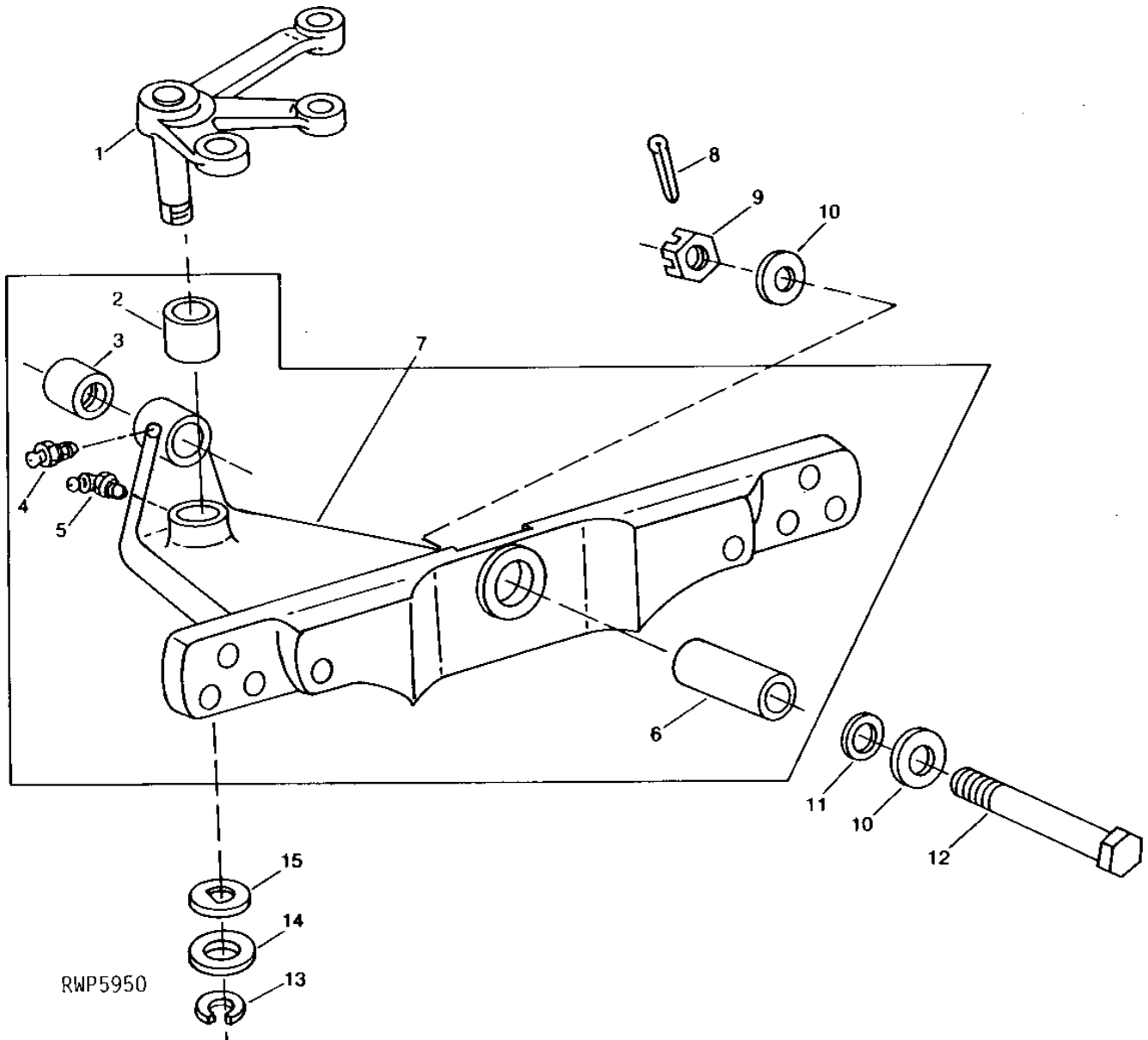
KEY	PART NO.	PART NAME	QTY	TRACTOR SERIAL NO.	REMARKS
1	T23118	BUSHING	2		
2	AT19794	LEVER	1		
3	11M7030	COTTER PIN	1	5 X 40 MM	
4	14H902	NUT	1	3/4"	
5	T25921	SHIM	AR	0.38 MM (.015")	
6	T25922	WASHER	2		
7	AT22278	AXLE	1	(27/9.5 X 15" OR 7.50 X 16" TIRES)	
	AT34970	AXLE	1	(MARKED T36118) (SUB FOR AT22220) (SUB AR91808 AND AR92944)	
8	T21669	BUSHING	1		
9	T25840	CAP SCREW	1		
10	F534R	SNAP RING	1		
11	T23229	WASHER	2		
12	T23228	SHIM	3	0.25 MM (.010")	
13	JD7799	LUBRICATION FITTING	1	90° (1/8")	
14	JD7798	LUBRICATION FITTING	1	(1/8") STRAIGHT	
15	T23170	BUSHING	1		

3F20

WHEELS, FRONT AXLES, SHEET METAL

STRAIGHT ADJUSTABLE FRONT AXLE
(HEAVY-DUTY)
1346-1930MM (53"-76")

RWP5950 -UN-01JAN94



3F21

WHEELS, FRONT AXLES, SHEET METAL

STRAIGHT ADJUSTABLE FRONT AXLE - CONTINUED
(HEAVY-DUTY)
1346-1930 MM (53"-76")

KEY	PART NO.	PART NAME	QTY	TRACTOR SERIAL NO.	REMARKS
1	AT19793	BELLCRANK	1		
2	JD9911	NEEDLE BEARING	2		
3	T23170	BUSHING	1		
4	JD7798	LUBRICATION FITTING	1		STRAIGHT 1/8", (SUB JD7759)
5	JD7799	LUBRICATION FITTING	1		90°, 1/8"
6	T21669	BUSHING	1		
7	AR53391	AXLE	1		
8	11M7030	COTTER PIN	1		5 X 40 MM
9	14H902	NUT	1		3/4"
10	T25922	WASHER	2		
11	T25921	SHIM	AR		0.38 MM (.015")
12	T25840	CAP SCREW	1		
13	F534R	SNAP RING	1		
14	T23228	SHIM	AR		0.25 MM (.010")
15	T23229	WASHER	2		

3F22

WHEELS, FRONT AXLES, SHEET METAL

FRONT AXLE KNEE, SPINDLE AND KNUCKLE ASSEMBLY (SWEEP BACK ADJUSTABLE FRONT AXLE)

1245 - 2007 MM (49" - 79")

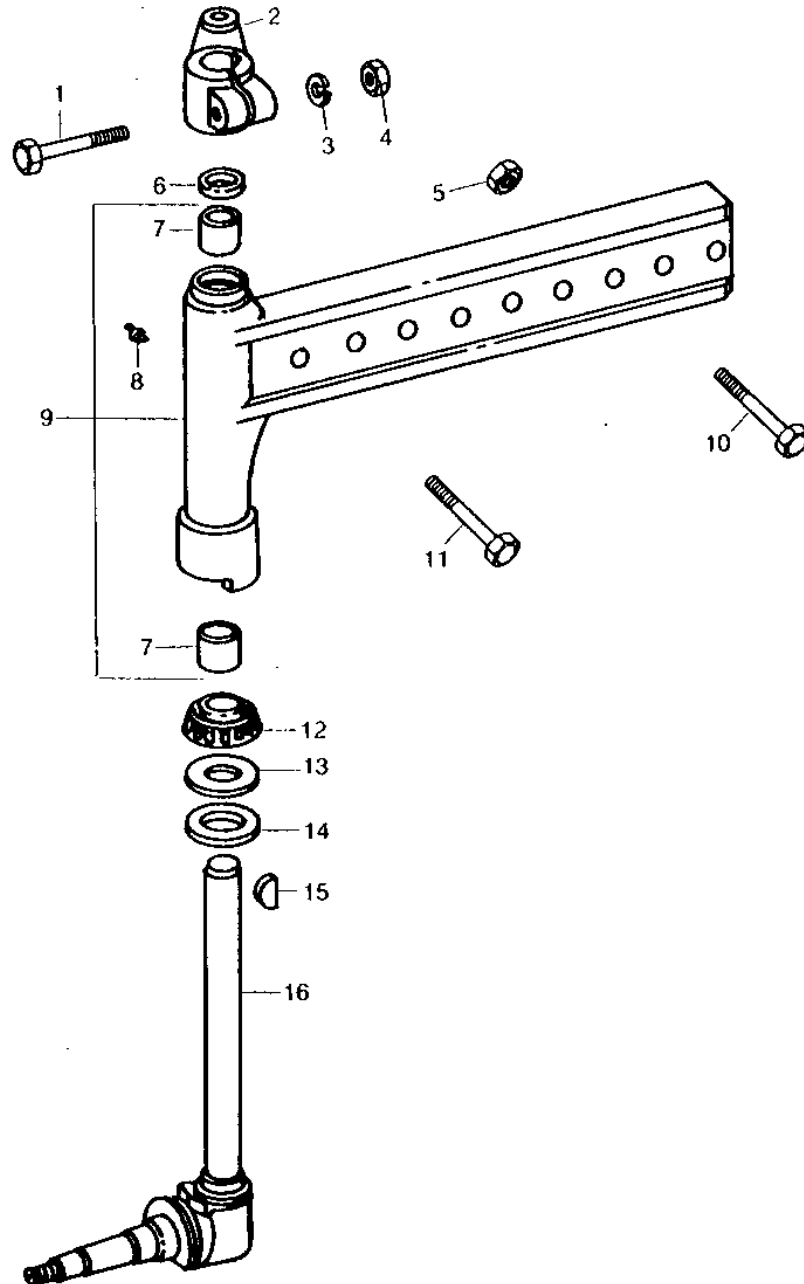
(1118 - 1676 MM (44" - 66") TRACTOR SERIAL NO. -187300)

(STRAIGHT ADJUSTABLE FRONT AXLE)

1245 - 2057 MM (49" - 81") 1524 - 2235 MM (60" - 88")

(1473 - 2350 MM (58" - 92-1/2") TRACTOR SERIAL NO. -187300)

RP244 -UN-01JAN94



RP244

3F23

WHEELS, FRONT AXLES, SHEET METAL

FRONT AXLE KNEE, SPINDLE AND KNUCKLE ASSEMBLY - CONTINUED
(SWEPT BACK ADJUSTABLE FRONT AXLE)
 1245 - 2007 MM (49" - 79")
 (1118 - 1676 MM (44" - 66") TRACTOR SERIAL NO. -187300)
(STRAIGHT ADJUSTABLE FRONT AXLE)
 1245 - 2057 MM (49" - 81") 1524 - 2235 MM (60" - 88")
 (1473 - 2350 MM (58" - 92-1/2") TRACTOR SERIAL NO. 187300)

KEY	PART NO.	PART NAME	QTY	TRACTOR SERIAL NO.	REMARKS
1	19H2644	CAP SCREW	2		1/2" X 2-1/2"
2	T21517	LEVER	1		R.H. (SWEPT BACK)
	T21518	LEVER	1		L.H. (SWEPT BACK)
	T21618	LEVER	1		R.H. (STRAIGHT)
	T21619	LEVER	1		L.H. (STRAIGHT)
3	12H301	LOCK WASHER	2		1/2"
4	14H1040	NUT	2		1/2"
5	14H794	NUT	4		3/4"
6	M1518T	WASHER	2		
7	T21539	BUSHING	4		
8	JD7798	LUBRICATION FITTING	2		
9	AT22279	AXLE KNEE	1	-187300	R.H. (MARKED T21942) (SWEPT BACK) (27/9.5 X 15" OR 7.50 X 16" TIRE)
	AT22221	AXLE KNEE	1		R.H. (MARKED T21511) (SWEPT BACK)
	AT22246	AXLE KNEE	1		R.H. (MARKED T21513) (STRAIGHT 49" - 81")
	AT22331	AXLE KNEE	1		R.H. (MARKED T22950) (STRAIGHT 60" - 88")
	AT25637	AXLE	1	-187300	R.H. (MARKED T27545) (STRAIGHT 58" - 92-1/2") (NLA)
	AT22238	AXLE KNEE	1	-187300	R.H. (MARKED T21837) (STRAIGHT)
	AT22280	AXLE KNEE	1	-187300	L.H. (MARKED T21943) (SWEPT BACK) (27/9.5 X 15" OR 7.50 X 16" TIRE)
	AT22222	AXLE KNEE	1		L.H. (MARKED T21512) (SWEPT BACK)
	AT22247	AXLE KNEE	1		L.H. (MARKED T21514) (STRAIGHT 49" - 81")
	AT22332	AXLE KNEE	1		L.H. (MARKED T22951) (STRAIGHT 60" - 88")
	AT25638	FRONT AXLE	1	-187300	L.H. (MARKED T27546) (STRAIGHT 58" - 92-1/2") (NLA)
	AT22239	AXLE KNEE	1	-187300	L.H. (MARKED T21838) (STRAIGHT)
10	19H2826	CAP SCREW	2		3/4" X 4-1/2", (SWEPT BACK)
	19H2000	CAP SCREW	3		3/4" X 5"
11	19H2826	CAP SCREW	3		3/4" X 4-1/2" HS, SAE 8
	19H3196	CAP SCREW	4		3/4" X 4" HS, SAE 8, (SWEPT BACK)
12	JD8407	THRUST BEARING	2		
13	M2283T	WASHER	2		
14	M2282T	WASHER	2		
15	26H93	SHAFT KEY	2		1/4" X 1-1/4"
16	AR103473	KNUCKLE	2	-187300	(SUB FOR AR52862) (27/9.5 X 15" OR 7.50 X 16" TIRE) (VERTICAL LENGTH 250MM (9-13/16"))
	AR103471	KNUCKLE	2		(SUB FOR AR52860) (VERTICAL LENGTH 388 MM (15-9/32"))
	AR103472	KNUCKLE	2		(SUB FOR AR52861) (VERTICAL LENGTH 300 MM (11-13/16"))

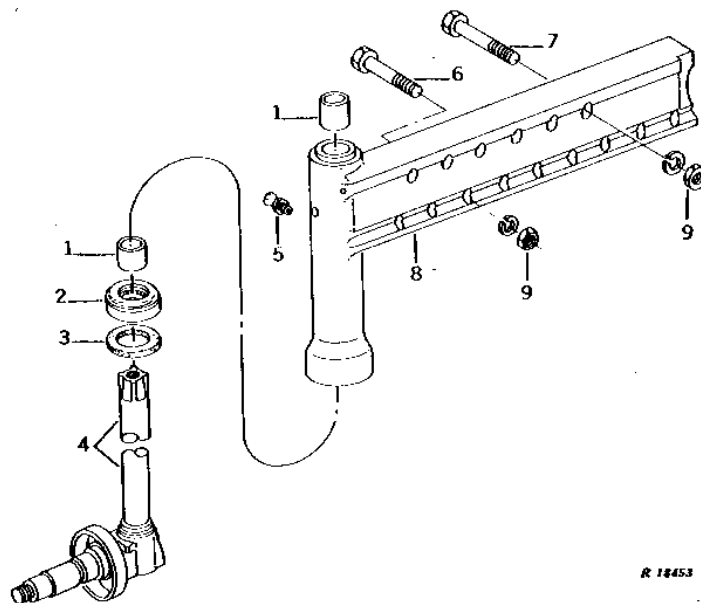
MEMORANDA

3F24

WHEELS, FRONT AXLES, SHEET METAL

FRONT AXLE KNEE SPINDLE AND KNUCKLE (HEAVY-DUTY) 1364 - 1930MM (53" - 76")

R18453 -UN-01JAN94



R 18453

KEY	PART NO.	PART NAME	QTY	TRACTOR SERIAL NO.	REMARKS
1	T21553	BUSHING	4		
2	JD8410	THRUST BEARING	2		(B) (60" AND LARGER TIRES)
	R49837	WASHER	4		(C) (28" AND SMALLER TIRES)
3	T15284	WASHER	2		
4	AR67416	KNUCKLE	2		(B) (ALSO ORDER JD7418 AND JD8969) (30" AND LARGER TIRES)
	AR67417	KNUCKLE	2		(C) (ALSO ORDER JD7418 AND JD8969) (28" AND SMALLER TIRES)
5	JD7798	LUBRICATION FITTING	2		
6	19H2001	CAP SCREW	6		3/4" X 5-1/2"
7	19H1988	CAP SCREW	2		3/4" X 6"
8	AL23281	ARM	1		(B) L.H. (MARKED L28783) (30" AND LARGER TIRES)
	AR60325	AXLE	1		(C) L.H. (MARKED R53545) (28" AND SMALLER TIRES) (NLA)
	AR73354	AXLE KNEE	1		(A) L.H. (MARKED L28318 OR R60526) (30" AND LARGER TIRES)
	AL23280	ARM	1		(B) R.H. (MARKED T29212 AND L28782) (SUB FOR AT27228) (30" AND LARGER TIRES)
	AR60324	AXLE	1		(C) R.H. (MARKED R53544) (28" AND SMALLER TIRES) (NLA)
	AR73353	AXLE KNEE	1		(A) R.H. (MARKED L28317 OR R60525) (30" AND LARGER TIRES)
9	14H794	NUT	8		3/4"
	12H236	LOCK WASHER	10		3/4"

- (A) USE ON TRACTORS HAVING AN "L" AS THE LAST DIGIT OF THE CHASSIS SERIAL NUMBER
 (B) HIGH KNEE
 (C) MEDIUM KNEE

3F25

WHEELS, FRONT AXLES, SHEET METAL

TIE ROD ASSEMBLY (SWEEP BACK ADJUSTABLE FRONT AXLE)

1245 - 2007 MM (49" - 79")

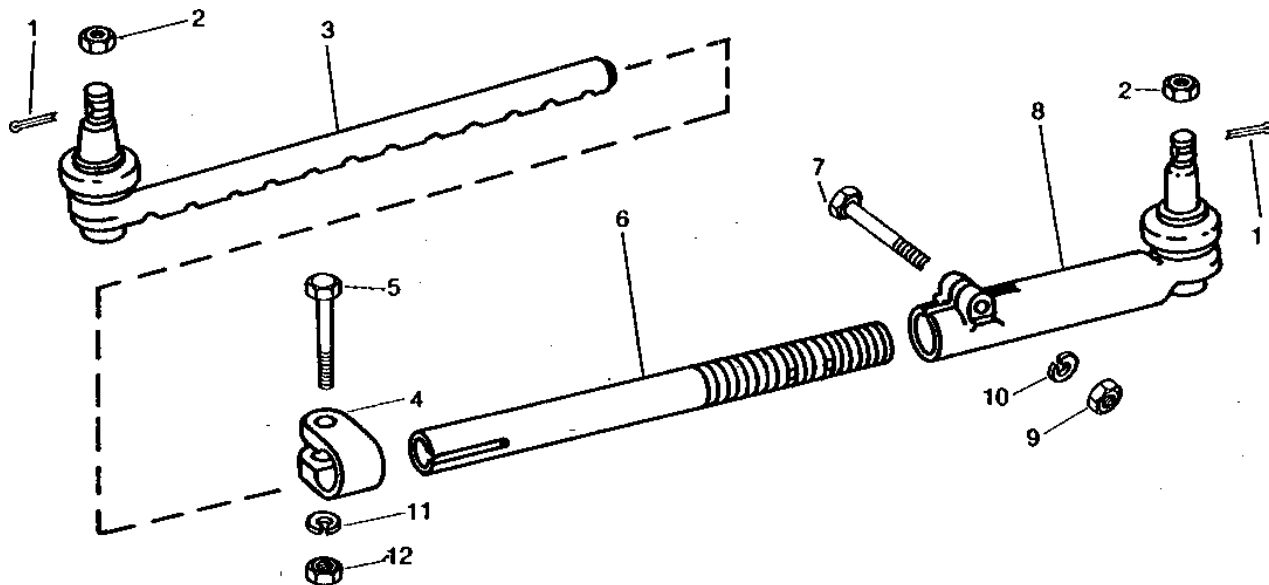
(1118 - 1676 MM (44" - 66") TRACTOR SERIAL NO. -187300)

(STRAIGHT ADJUSTABLE FRONT AXLE)

1245 - 2057 MM (49" - 81")

(1473 - 2350 MM (58" - 92-1/2") TRACTOR SERIAL NO. -187300)

RP246 -UN-01JAN94



RP246

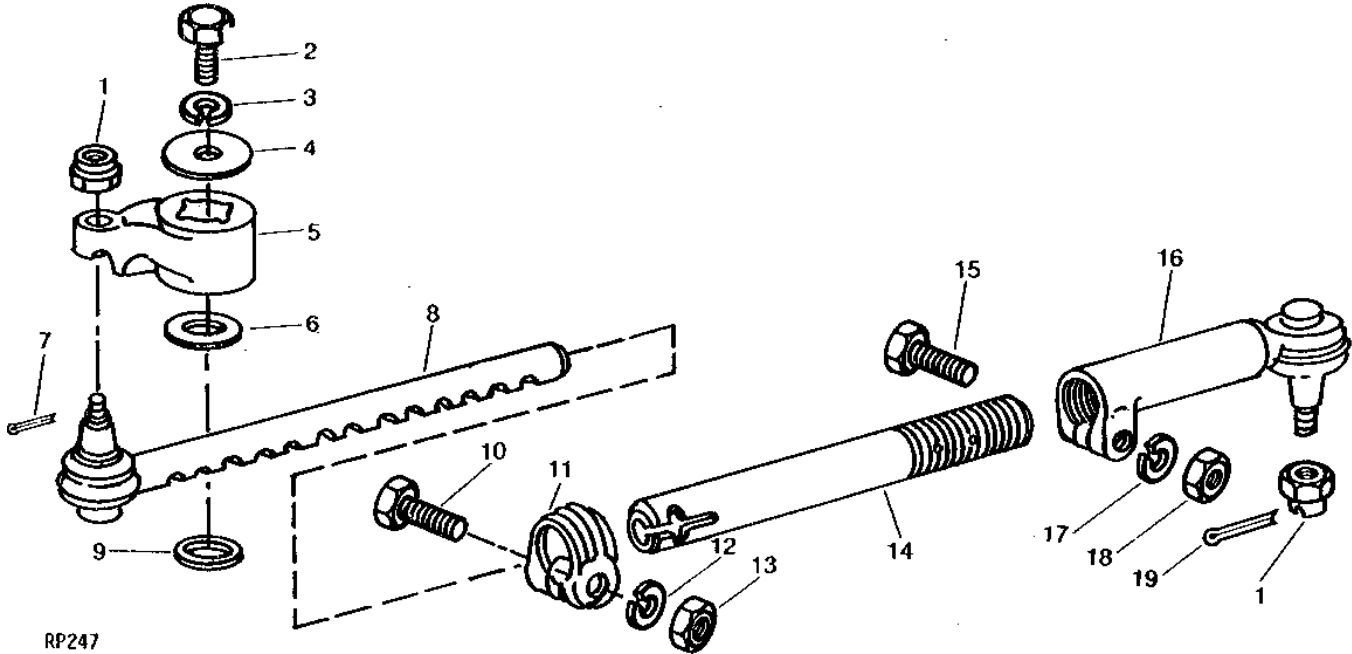
KEY	PART NO.	PART NAME	QTY	TRACTOR SERIAL NO.	REMARKS
1	11M7083	COTTER PIN	4		3.200 X 50 MM
2	14H918	NUT	4		5/8"
3	AT27131	TIE ROD END	2	-187300	1118 - 1676 MM (44" - 66") SWEEP BACK (27/9.5 X 15" TIRES) (9.45" LONG)
	AT23885	ROD	2		1245 - 2007 MM (49" - 79") SWEEP BACK (12.24" LONG)
	AT23583	TIE ROD END	2		(1524 - 2235 MM (60" - 88") STRAIGHT) (1473 - 2350 MM (58" - 92-1/2") STRAIGHT) (16.89" LONG)
	AT27134	ROD	2		1245 - 2057 MM (49" - 81") STRAIGHT, (14.57" LONG)
4	R50507	CLAMP	2		
	AT148533	CLAMP	2		(1524 - 2235 MM (60" - 88") STRAIGHT) (1473 - 2350 MM (58" - 92-1/2") STRAIGHT) (SUB FOR T22946)
5	19H2528	CAP SCREW	2		1/2" X 2"
6	T29106	PIPE	2	-187300	1118 - 1676 MM (44" - 66") SWEEP BACK, (27/9.5 X 15" TIRE)
	T25901	PIPE	2		1245 - 2007 MM (49" - 79") SWEEP BACK
	T22952	TUBE	2		(1524 - 2235 MM (60" - 88") STRAIGHT) (1473 - 2350 MM (58" - 92-1/2") STRAIGHT)
	T29109	PIPE	2		1245 - 2057 MM (49" - 81") STRAIGHT
7	19H2544	CAP SCREW	2		3/8" X 1-1/2"
	19H1765	CAP SCREW	2		3/8" X 1-3/4"
8	AT27130	TIE ROD END	2		INNER
	AT23886	TIE ROD END	2		INNER (1524 - 2235 MM (60" - 88") STRAIGHT) (1473 - 2350 MM (58" - 92-1/2") STRAIGHT)
9	14H1080	NUT	2		3/8"
	12H304	LOCK WASHER	2		3/8"
	12H301	LOCK WASHER	2		1/2"
12	14H865	NUT	1		1/2"

3G1

WHEELS, FRONT AXLES, SHEET METAL

TIE ROD ASSEMBLY (STRAIGHT ADJUSTABLE FRONT AXLE) (HEAVY-DUTY) 1346 - 1930 MM (53" - 76")

RP247 -UN-01JAN94



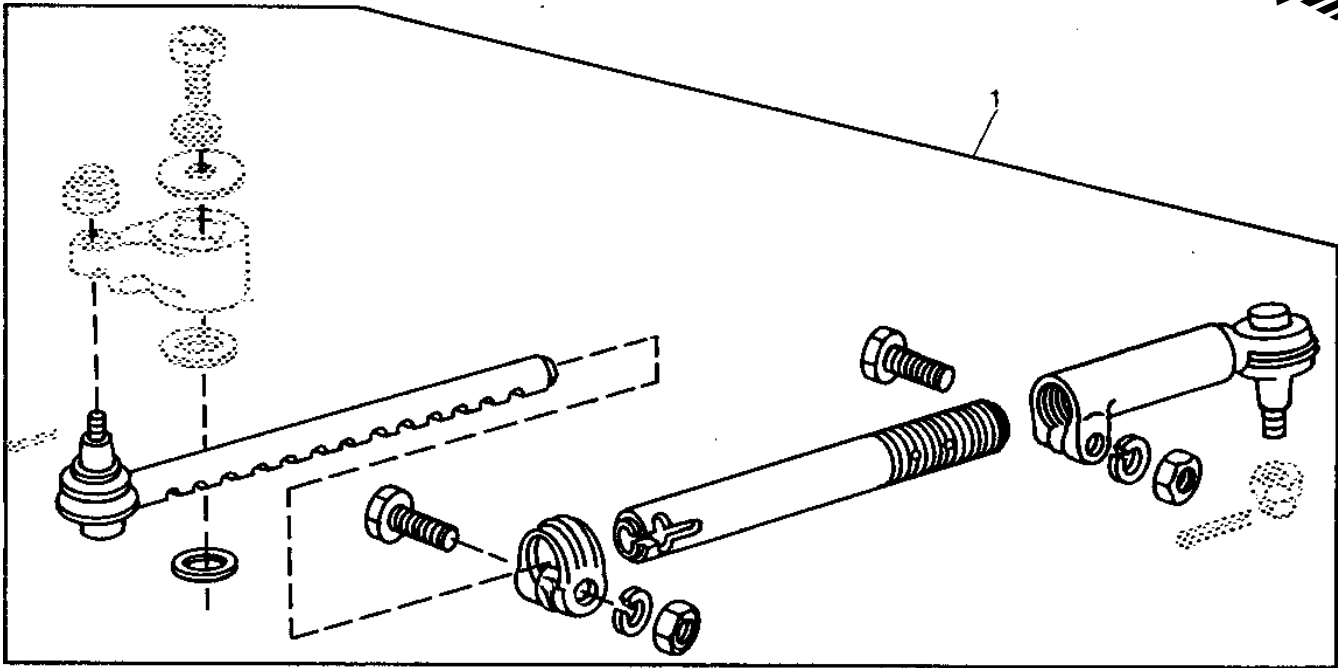
KEY	PART NO.	PART NAME	QTY	TRACTOR SERIAL NO.	REMARKS
1	14H918	NUT	2	5/8"	
2	19H3158	CAP SCREW	2	3/4" X 2"	
3	12H236	LOCK WASHER	2	3/4"	
4	F3607R	WASHER	2		
5	L25880	ARM	1	R.H.	
	L25879	ARM	1	L.H.	
6	T15285	SHIM	2		
7	11M7083	COTTER PIN	2	3.200 X 50 MM	
8	AT27134	ROD	2	OUTER	
9	T15288	WASHER	2		
10	19H2528	CAP SCREW	2	1/2" X 2"	
11	R50507	CLAMP	2		
12	12H301	LOCK WASHER	2	1/2"	
13	14H865	NUT	2	1/2"	
14	T29109	PIPE	2		
15	19H2544	CAP SCREW	2	3/8" X 1-1/2"	
16	AT27130	TIE ROD END	2	INNER	
17	12H304	LOCK WASHER	2	3/8"	
18	14H1080	NUT	2	3/8"	
19	11M7083	COTTER PIN	2	3.200 X 50 MM	

3G2

WHEELS, FRONT AXLES, SHEET METAL

TIE ROD ASSEMBLY
(SWEEP BACK ADJUSTABLE FRONT AXLE)
 1118 - 1676 MM (44" - 66")
 1245 - 2007 MM (49" - 79")
(STRAIGHT ADJUSTABLE FRONT AXLE)
 1245 - 2057 MM (49" - 81")
 1524 - 2235 MM (60" - 88")

RP429 -UN-01JAN94



RP429

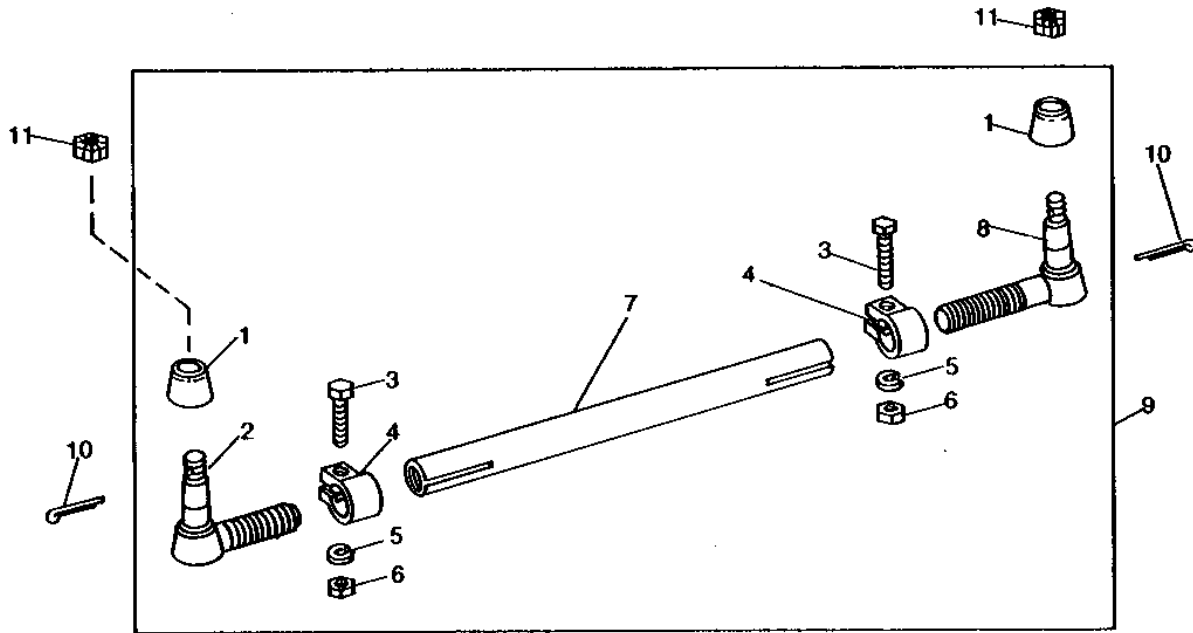
KEY	PART NO.	PART NAME	QTY	TRACTOR SERIAL NO.	REMARKS
1	AR54635	ROD	2	-187300	1118 - 1676 MM (44" - 66") SWEPT BACK
	AR54634	ROD	2	187301-	1245 - 2007 MM (49" - 79") SWEPT BACK
	AT20939	ROD	2		1524 - 2235 MM (60" - 88") STRAIGHT (ORDER COMPONENT PARTS)
	AR54637	ROD	2		1245 - 2057 MM (49" - 81") STRAIGHT

3G3

WHEELS, FRONT AXLES, SHEET METAL

TIE ROD ASSEMBLY (FIXED TREAD) (TRACTOR SERIAL NO. -187300)

RWP4864 -UN-01JAN94



RWP4864

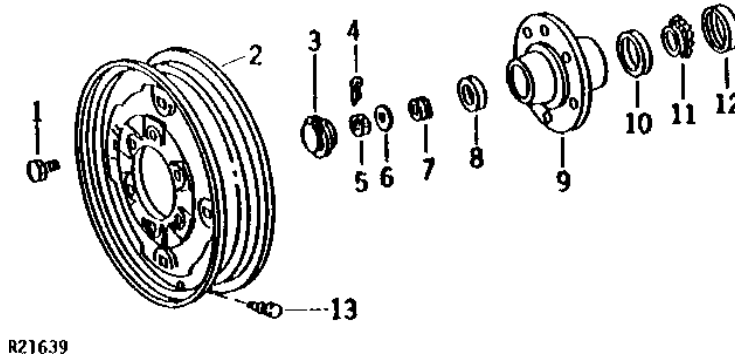
KEY	PART NO.	PART NAME	QTY	TRACTOR SERIAL NO.	REMARKS
1	R40589	COVER	2		(SUB FOR R28019)
2	AR27430	TIE ROD END	1		OUTER
3	19H1802	CAP SCREW	2		7/16" X 1-7/8"
4	R28023	CLAMP	2		
5	12H293	LOCK WASHER	2		7/16"
6	14H1047	NUT	2		7/16"
7	T22948	TUBE	2		
8	AR27351	UNIVERSAL JOINT	1		INNER
9	AT19823	TIE ROD	2		
10	11M7083	COTTER PIN	2		3.200 X 50 MM
11	14H1083	NUT	2		5/8"

3G4

WHEELS, FRONT AXLES, SHEET METAL

R21639 -UN-01JAN94

FRONT WHEEL ASSEMBLY



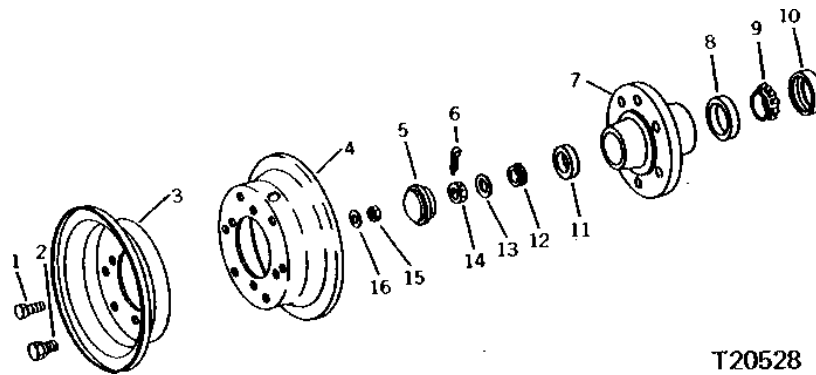
KEY	PART NO.	PART NAME	QTY	TRACTOR SERIAL NO.	REMARKS
1	JD19	WHEEL BOLT	12	-187300	(5.50" X 16" TIRE) (6.00" X 16" TIRE)
	JD16	WHEEL BOLT	12		
2	JD3039	WHEEL	2		(7.50" X 16" TIRE)
	JD3002	RIM	2		(6.00" X 16" TIRE) (5.50" X 16" TIRE)
	JD1091	WHEEL	2		(7.50" X 15" TIRE)
	JD1291	WHEEL	2	-187300	(6.50" X 16" TIRE)
	JD3211	WHEEL	2	-187300	(7.50" X 18" TIRE)
	JD3011	RIM	2	-187300	(14" TIRE)
	JD3000	RIM	2	-187300	(15" TIRE)
	JD1091	WHEEL	2	-187300	(6.40 X 15" TIRE)
	JD3229	WHEEL	2	187301-	(9.5L X 15" TIRE)
	JD3219	RIM	2	187301-	(11L X 15" TIRE)
	JD3047	WHEEL	2	187301-	(27/9.5" X 15" TIRE)
3	T12688	CAP	2		(SUB N52048)
4	11M7030	COTTER PIN	2		5 X 40 MM
5	14H902	NUT	2		3/4"
6	T10510	WASHER	2		
7	JD8905	BEARING CONE	2		
8	JD8239	BEARING CUP	2		
9	T21543	HUB	2	-187300	(6.00" X 16" TIRE) (5.50" X 16" TIRE)
	T25809	HUB	2		(6.50" X 16" TIRE AND 7.50" X 15" TIRE)
					(7.50" X 16" TIRE) (9.00" X 10" TIRE)
					(7.50" X 18" TIRE)
10	JD8230	BEARING CUP	2		
11	JD8194	BEARING CONE	2		
12	AT10344	SEAL	2		
13	AM30347	TIRE VALVE STEM	1		

3G5

WHEELS, FRONT AXLES, SHEET METAL

FRONT WHEEL ASSEMBLY
 (1118 - 1676 MM (44" - 66") SWEEP BACK AXLE)
 (18.4" X 16.1" OR 38" X 20" REAR TIRES AND 8.3" X 24" OR 9.5" X 24" DUAL REAR TIRES)
 (TRACTOR SERIAL NO. -187300)

T20528 -UN-01JAN94



T20528

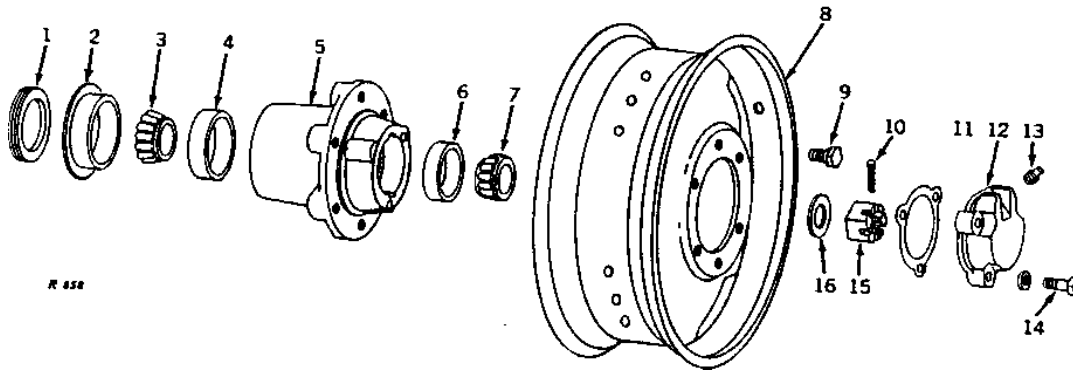
KEY	PART NO.	PART NAME	QTY	TRACTOR SERIAL NO.	REMARKS
1	T30351	CAP SCREW	20		
2	JD16	WHEEL BOLT	12		
3	T30041	WHEEL	2		(9.00" - 10" TIRE)
4	T30040	WHEEL	2		(9.00" - 10" TIRE)
5	T12688	CAP	2		(SUB N52048)
6	11M7030	COTTER PIN	2		5 X 40 MM
7	T25809	HUB	2		
8	JD8230	BEARING CUP	2		
9	JD8194	BEARING CONE	2		
10	AT10344	SEAL	2		
11	JD8239	BEARING CUP	2		
12	JD8905	BEARING CONE	2		
13	T10510	WASHER	2		
14	14H902	NUT	2		3/4"
15	14H1040	NUT	20		1/2" HS, SAE 8
16	12H301	LOCK WASHER	20		1/2"

3G6

WHEELS, FRONT AXLES, SHEET METAL

FRONT WHEELS (HEAVY-DUTY FRONT AXLE)

R858 -UN-19DEC94



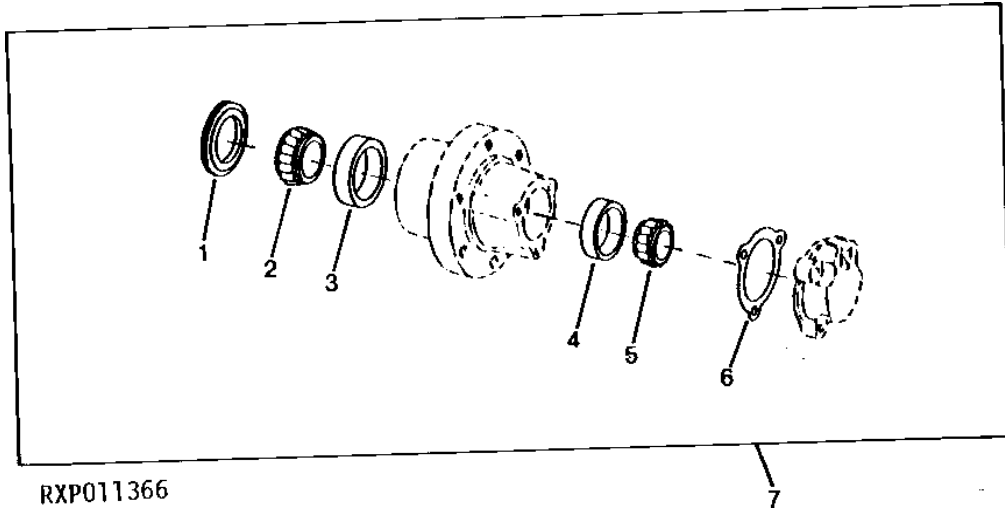
KEY	PART NO.	PART NAME	QTY	TRACTOR SERIAL NO.	REMARKS
1	AR26480	SEAL	2		
2	R26632	BUSHING	2		
3	JD8913	BEARING CONE	2	-190558	(1.6880 ID)
4	JD8969	BEARING CONE	2	190559-	(1.7960 ID)
4	JD7445	BEARING CUP	2	-190558	(3.2700 OD)
4	JD7418	BEARING CUP	2	190559-	(3.2650 OD)
5	T21545	HUB	1	-187300	(SUB R49839, R50992, JD7418 AND 15H638)
5	R49839	HUB	2	187301-	
6	JD8251	BEARING CUP	2		
7	JD8929	BEARING CONE	2		
8	JD3039	WHEEL	2	-187300	(7.50" - 16" TIRE)
8	JD1091	WHEEL	2	-187300	(7.5L - 15" TIRE)
8	JD3229	WHEEL	2		(9.5L - 15" TIRE)
8	JD3219	RIM	2		(11L - 15" TIRE)
8	JD3047	WHEEL	2	187301-	(27/9.5" - 15" TIRE)
9	JD16	WHEEL BOLT	12		
10	11M7030	COTTER PIN	2		5 X 40 MM
11	A1556R	GASKET	2	-187300	
12	A1555R	CAP	2	-187300	
12	R50992	CAP	2	187301-	
13	15H638	PIPE PLUG	2	-187300	1/8"
14	19H1758	CAP SCREW	6	-187300	5/16" X 1-1/4"
14	24H1136	WASHER	6	-187300	11/32" X 11/16" X 0.065"
15	14H920	NUT	2		1"
16	R28575	WASHER	2		(SUB FOR A5146R)
..	AM30347	TIRE VALVE STEM	1		

3G7

WHEELS, FRONT AXLES, SHEET METAL

RXP011366 -UN-12OCT94

FRONT WHEEL BEARING KIT



KEY	PART NO.	PART NAME	QTY	TRACTOR SERIAL NO.	REMARKS
1	AR26480	SEAL	1		
2	JD8913	BEARING CONE	1		
3	JD7445	BEARING CUP	1		
4	JD8251	BEARING CUP	1		
5	JD8929	BEARING CONE	1		
6	A1556R	GASKET	1		
7	RE54814	BEARING KIT	1	(USE WITH T21545)	

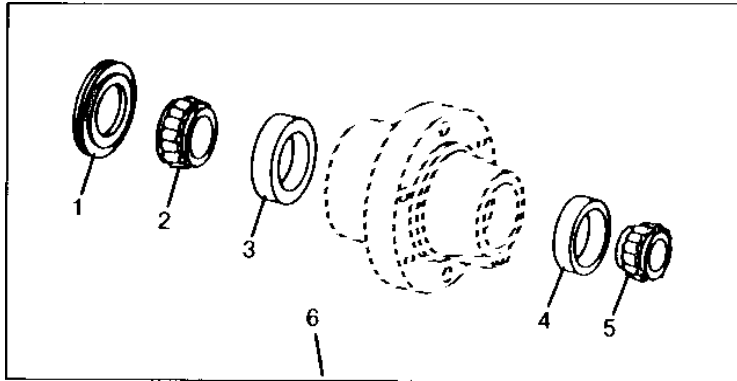
MEMORANDA

3G8

WHEELS, FRONT AXLES, SHEET METAL

RXP9982 -UN-05JUL95

FRONT WHEEL BEARING KIT



RXP9982

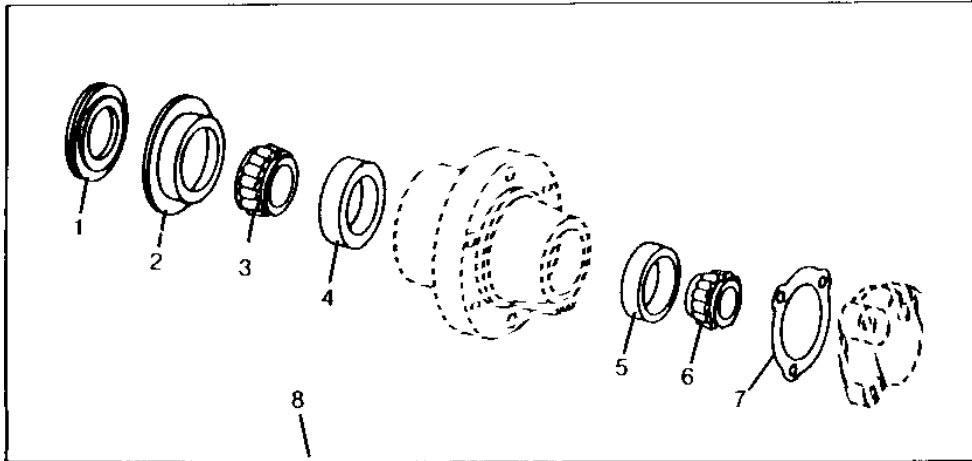
KEY	PART NO.	PART NAME	QTY	TRACTOR SERIAL NO.	REMARKS
1	AT10344	SEAL	1		
2	JD8194	BEARING CONE	1		
3	JD8230	BEARING CUP	1		
4	JD8239	BEARING CUP	1		
5	JD8905	BEARING CONE	1		
6	RE54817	BEARING KIT	1		(USE WITH T25809)

3G9

WHEELS, FRONT AXLES, SHEET METAL

**FRONT WHEEL BEARING KIT
(HEAVY-DUTY)
(TRACTOR SERIAL NO. 187301)**

RXP9983 -UN-18JUL95



RXP9983

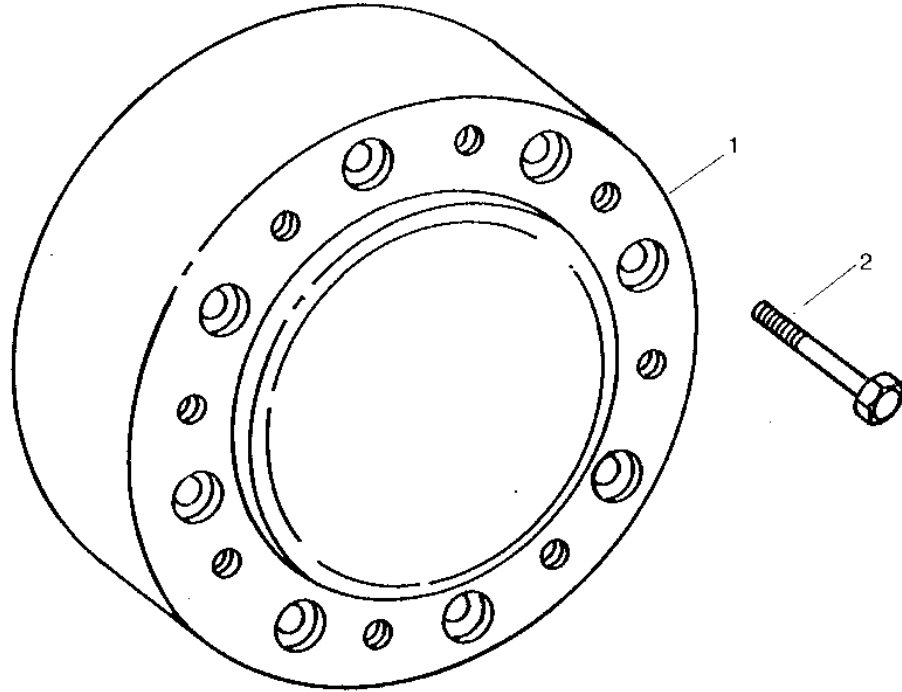
KEY	PART NO.	PART NAME	QTY	TRACTOR SERIAL NO.	REMARKS
1	AR26480	SEAL	1		
2	R26632	BUSHING	1		
3	JD8969	BEARING CONE	1		
4	JD7418	BEARING CUP	1		
5	JD8251	BEARING CUP	1		
6	JD8929	BEARING CONE	1		
7	A1556R	GASKET	1		
8	RE54819	BEARING KIT	1	(USE WITH R49839)	

3G10

WHEELS, FRONT AXLES, SHEET METAL

RP249 -UN-01JAN94

FLANGED AXLE EXTENSION



RP249

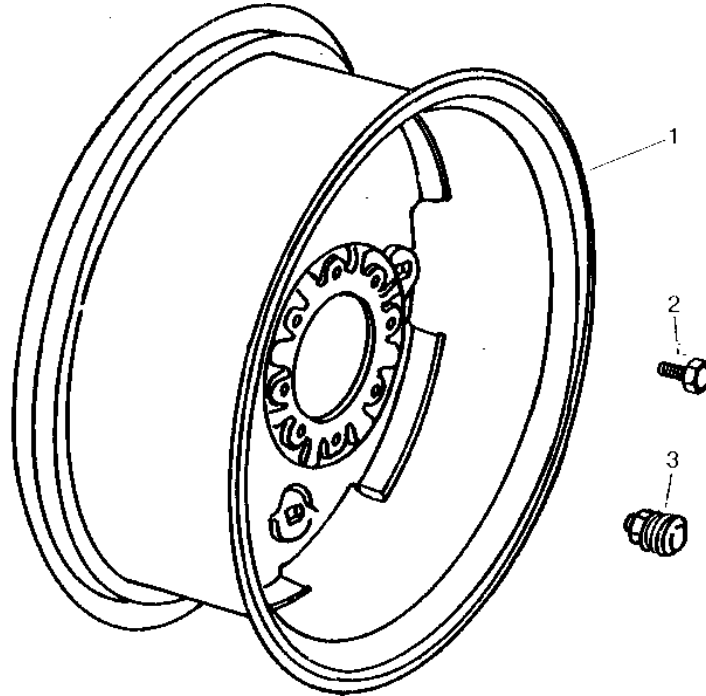
KEY	PART NO.	PART NAME	QTY	TRACTOR SERIAL NO.	REMARKS
1	T22690	EXTENSION	2		
2	19H2647	CAP SCREW	16	9/16" X 4-1/2"	

3G11

WHEELS, FRONT AXLES, SHEET METAL

RP250 -UN-01JAN94

STEEL DISK REAR WHEEL (FLANGED AXLE)



RP250

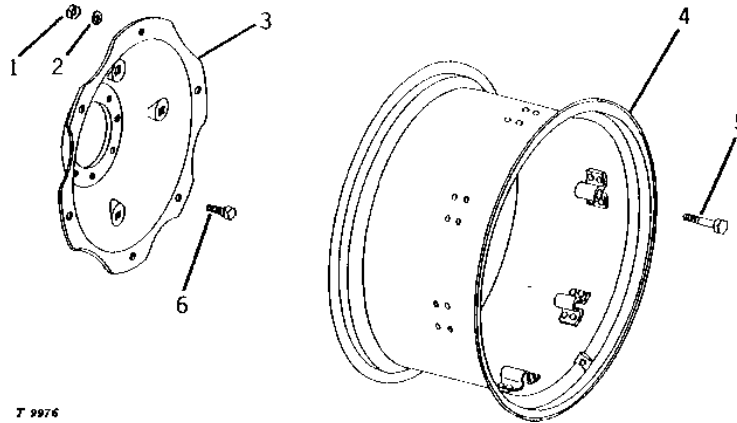
KEY	PART NO.	PART NAME	QTY	TRACTOR SERIAL NO.	REMARKS
1	JD3040	RIM	1		(16.9 X 26" AND 18.4 X 26" TIRES)
	JD3036	RIM	1	-187300	(12.4 X 28" TIRE) (NLA)
	JD3037	RIM	1	-187300	(13.6 X 28" TIRE) (NLA)
2	JD16	WHEEL BOLT	8		
3	AH86866	PLUG	1		

3G12

WHEELS, FRONT AXLES, SHEET METAL

DEMOUNTABLE STEEL DISK REAR WHEEL (FLANGED AXLE)

T9976 -UN-01JAN94



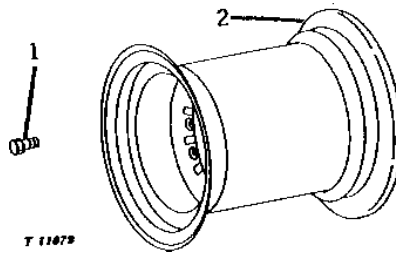
KEY	PART NO.	PART NAME	QTY	TRACTOR SERIAL NO.	REMARKS
1	14H1039	NUT	6	5/8"	
2	12H294	LOCK WASHER	6	5/8"	
3	T19400	DISK	1	-187300	(26" TIRE) (NLA)
	T19638	WHEEL CENTER	1		(24" TIRE)
	T19065	WHEEL CENTER	1	-XXXXXX	(28" TIRE)
4	T21742	RIM	1	-187300	(12.4" X 24" TIRE)
	AT20519	RIM	1	-187300	(14.9" X 24" TIRE)
	AT17707	RIM	1	-187300	(14.9" X 26" TIRE) (NLA)
	T21741	RIM	1	-187300	(12.4" X 28" TIRE)
	AT20521	RIM	1		(16.9" X 24" TIRE)
	T21743	RIM	1	-XXXXXX	(13.6" X 28" TIRE)
5	19H1863	CAP SCREW	6	5/8" X 3"	
6	JD16	WHEEL BOLT	8		

3G13

WHEELS, FRONT AXLES, SHEET METAL

DUAL STEEL DISK REAR WHEEL
(FLANGED AXLE)
(TRACTOR SERIAL NO. -XXXXXX)

T11079 -UN-01JAN94



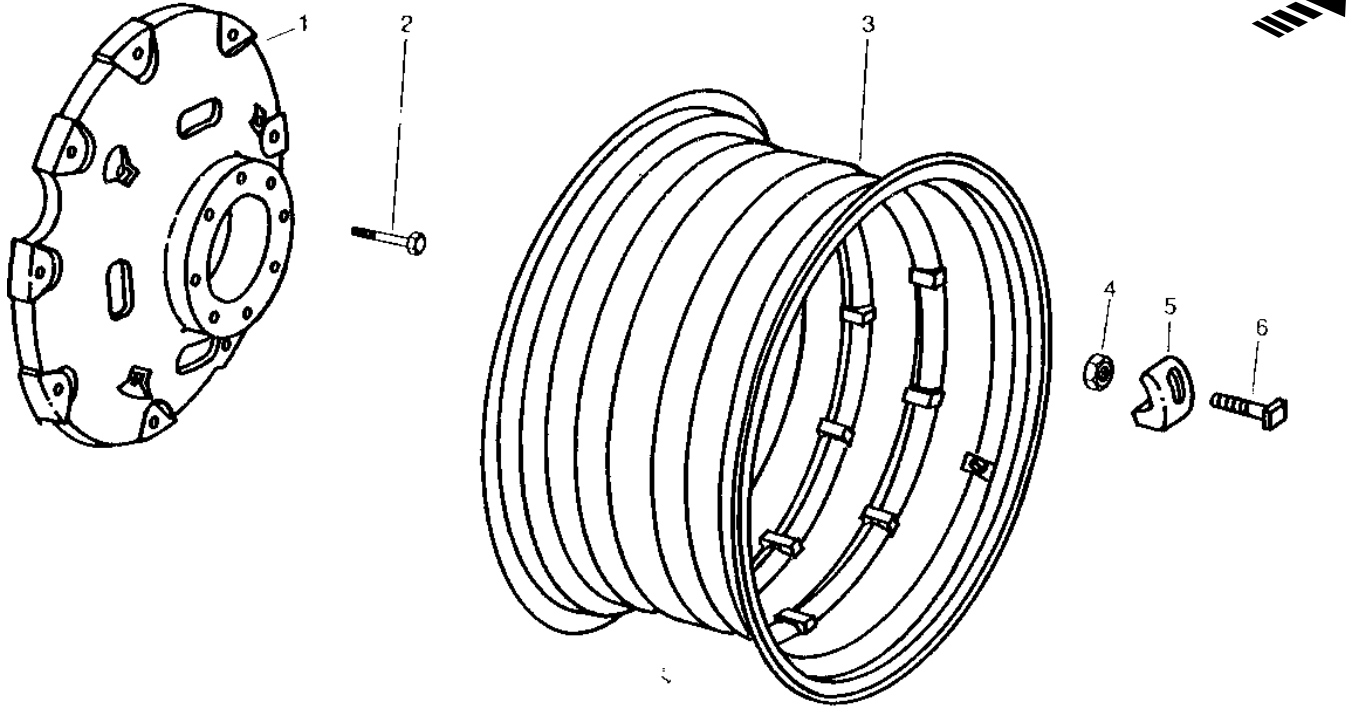
KEY	PART NO.	PART NAME	QTY	TRACTOR SERIAL NO.	REMARKS
1	JD16	WHEEL BOLT	8		
2	JD3038	WHEEL	1		(18.4" X 16A" TIRE)
	JD683	WHEEL	1		(9.5" X 24" TIRE) (NLA)

3G14

WHEELS, FRONT AXLES, SHEET METAL

RP251 -UN-01JAN94

CAST REAR WHEEL (FLANGED AXLE)



RP251

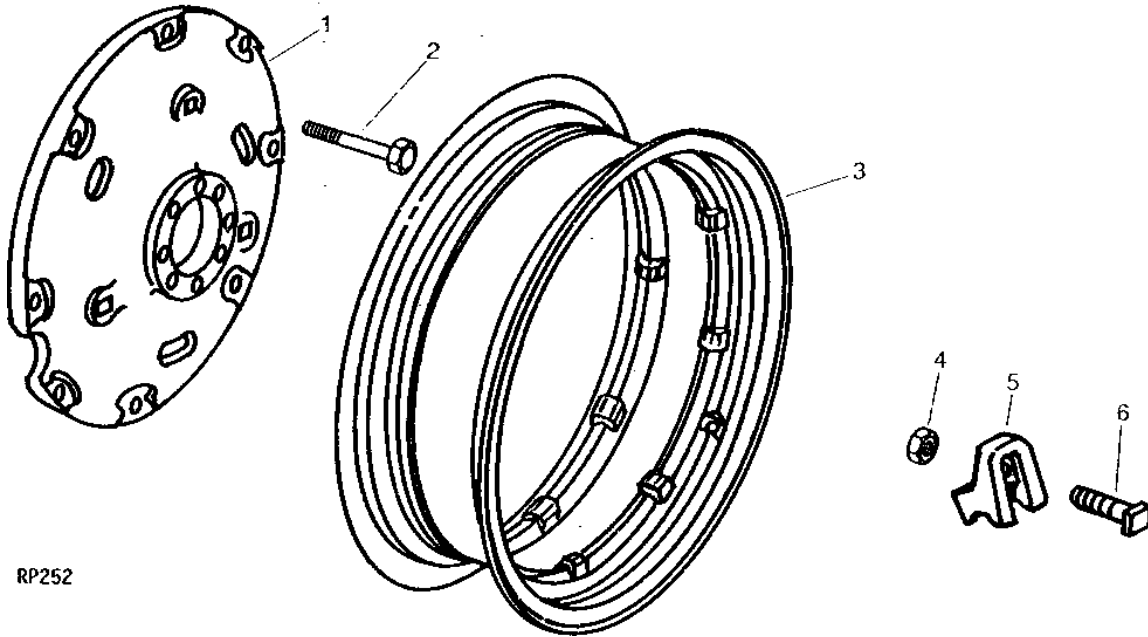
KEY	PART NO.	PART NAME	QTY	TRACTOR SERIAL NO.	REMARKS
1	T21485	WHEEL	1		(28" AND 30" RIM) (NLA)
	T22816	WHEEL	1	-187300	(24" RIM)
2	19H2724	CAP SCREW	8		9/16" X 3-1/2"
3	T24157	RIM	1		(16.9" X 30" TIRE) (SUB AL82375, (9) L65341, (9) R106793 AND (9) 14M7276)
	T21753	RIM	1	-187300	(13.6" X 28" TIRE) (NLA)
	R31994	RIM	1		(14.9" X 28" TIRE)
	T22831	RIM	1	-187300	(16.9" X 24" AND 18.4" X 24" TIRE)
	R31995	RIM	1		(16.9" X 28" TIRE)
4	14H800	NUT	9		5/8"
	14H800	NUT	8	-187300	5/8"
5	A4388R	CLAMP	9		
	A4388R	CLAMP	8	-187300	(16.9" X 24" AND 18.4" X 24" TIRE)
6	08H4659	BOLT	9		5/8" X 2-1/2"
	08H4659	BOLT	8	-187300	5/8" X 2-1/2"

3G15

WHEELS, FRONT AXLES, SHEET METAL

RP252 -UN-01JAN94

CAST REAR WHEEL (FLANGED AXLE)



RP252

KEY	PART NO.	PART NAME	QTY	TRACTOR SERIAL NO.	REMARKS
1	T21483	WHEEL	1		(36" OR 38" RIM)
2	19H2724	CAP SCREW	8		9/16" X 3-1/2"
3	B3772R	RIM	1	-187300	(12.4" X 36" TIRE)
	B3773R	RIM	1	-187300	(13.9" X 36" AND 14.9 X 36" TIRE) (NO LONGER AVAILABLE)
	T27642	RIM	1		(13.6" X 38" TIRE)
	T27720	RIM	1		(15.5" X 38" TIRE)
4	14H800	NUT	8		5/8"
5	A4388R	CLAMP	8		
6	08H4659	BOLT	8		5/8" X 2-1/2"

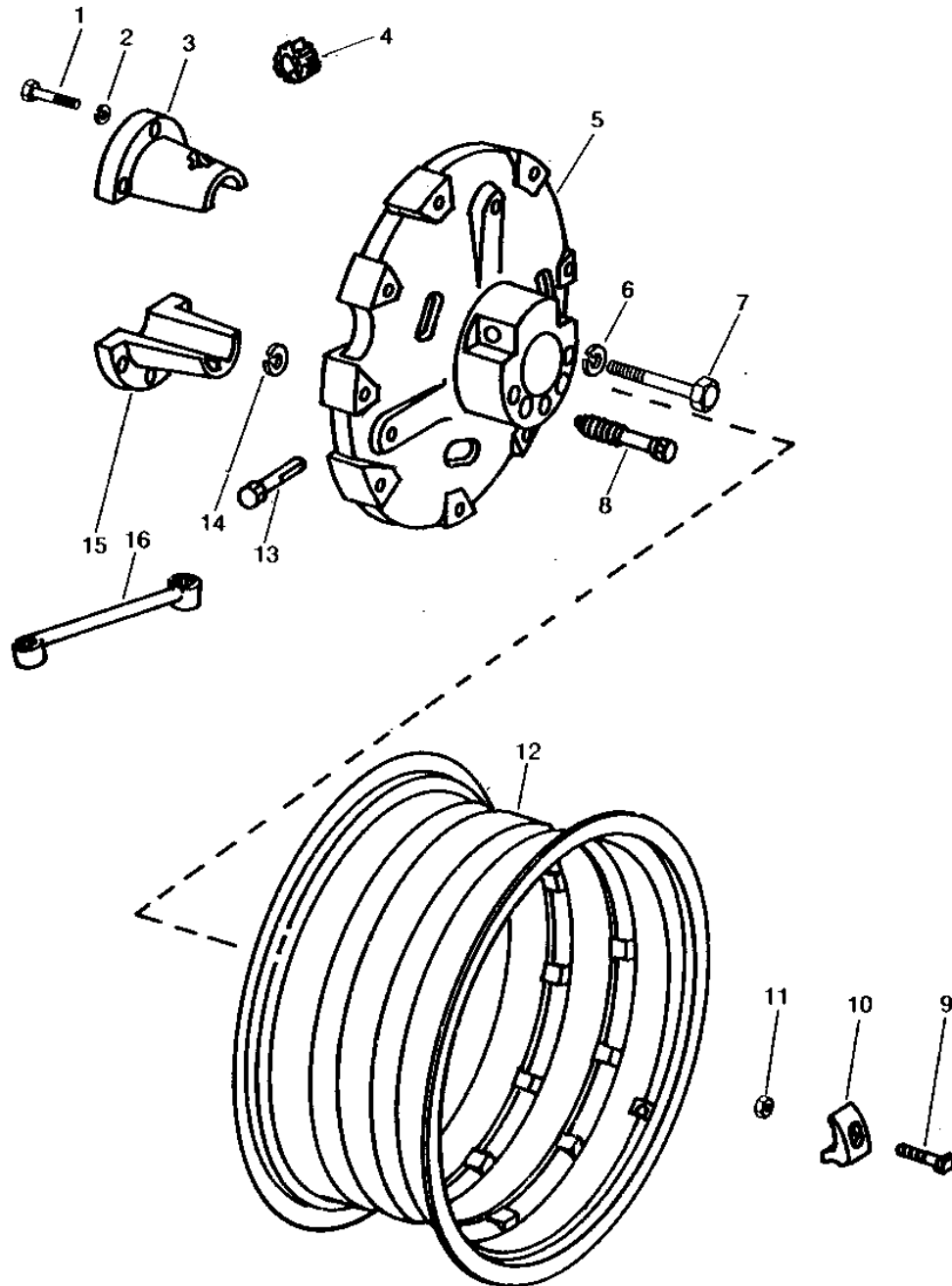
MEMORANDA

3G16

WHEELS, FRONT AXLES, SHEET METAL

CAST REAR WHEEL (PINION ADJUSTED AXLE)

RP254 -UN-01JAN94



RP254

3G17

WHEELS, FRONT AXLES, SHEET METAL

**CAST REAR WHEEL - CONTINUED
(PINION ADJUSTED AXLE)**

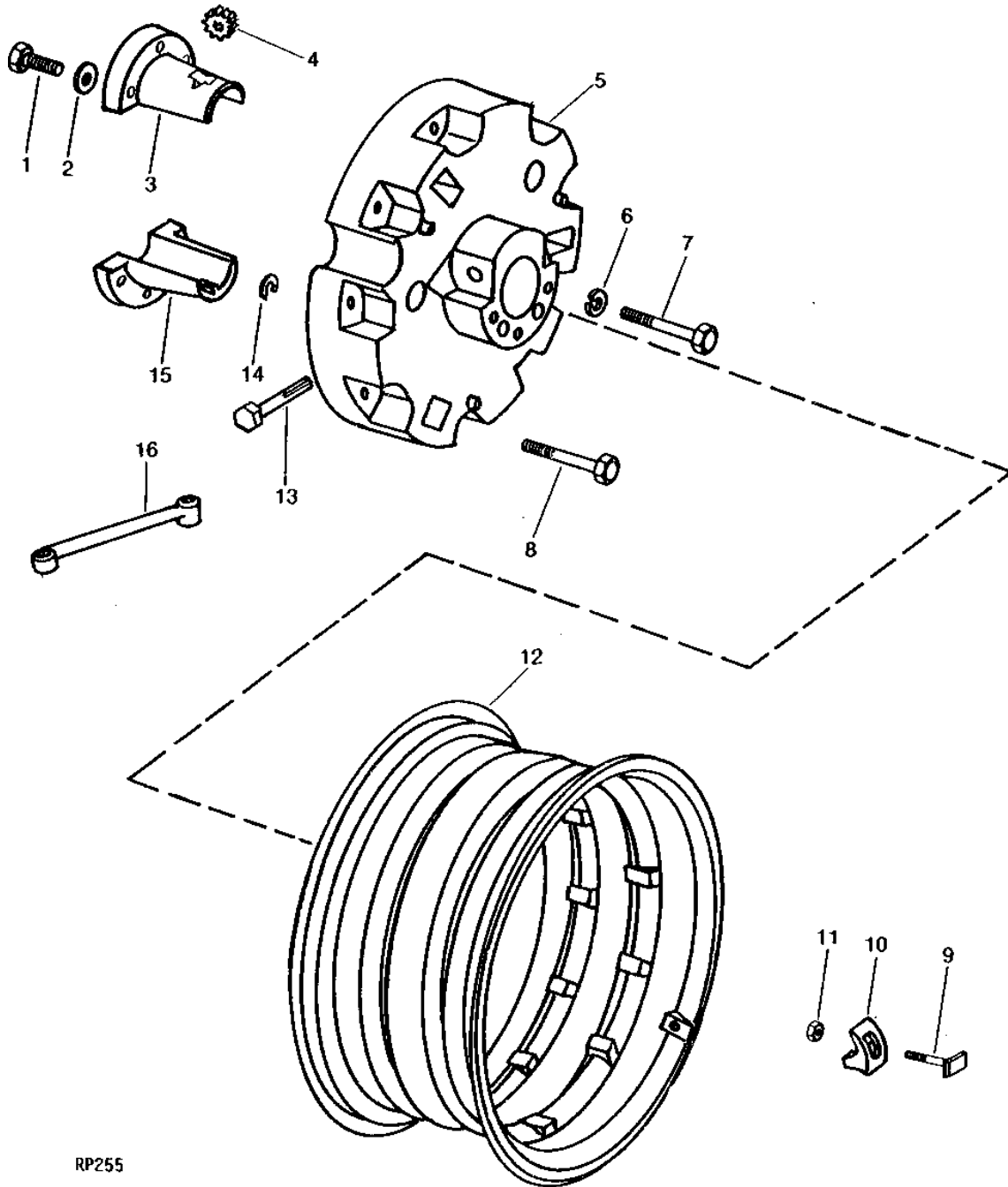
KEY	PART NO.	PART NAME	QTY	TRACTOR SERIAL NO.	REMARKS
1	19H2600	CAP SCREW	3		3/4" X 2-5/8"
2	12H236	LOCK WASHER	3		3/4"
3	B3016R	HALF SLEEVE	1		
4	B3014R	PINION	1		
5	B3801R	WHEEL	1		(36" OR 38" RIM) (SUB R71392)
	T21468	WHEEL	1		(28" OR 30" RIM) (SUB R71389)
6	12H245	LOCK WASHER	3		7/8"
7	19H2310	CAP SCREW	3		7/8" X 6", (SUB FOR R34828)
8	R39758	SCREW	2		
9	08H4694	BOLT	8		5/8" X 4", HS, SAE 8
	08H4694	BOLT	9		5/8" X 4", HS, SAE 8
10	A4388R	CLAMP	8		(36" OR 38" RIM)
	A4388R	CLAMP	9		(28" OR 30" RIM)
11	14H800	NUT	8		5/8"
12	B3772R	RIM	1	-187300	(12.4" X 36" TIRE) (HU)
	T27642	RIM	1		(13.6" X 38" TIRE)
	B3773R	RIM	1	-187300	(13.9" AND 14.9" X 36" TIRE) (NLA)
	T27720	RIM	1		(15.5" X 38" TIRE)
	T24157	RIM	1		(16.9" X 30" TIRE) (SUB AL82375, (9) L65341, (9) R106793 AND (9) 14M7276)
	R31995	RIM	1		(16.9" X 28" AND 18.4" X 28" TIRE)
	R31994	RIM	1		(14.9" X 28" TIRE)
	T21753	RIM	1	-187300	(13.6" X 28" TIRE) (NLA)
13	A4380R	PINION SHAFT	1		
14	A4883R	RING	2		
15	B3018R	SLEEVE	1		
16	R34827	WRENCH	1		

3G18

WHEELS, FRONT AXLES, SHEET METAL

RP255 -UN-01JAN94

HEAVY CAST REAR WHEEL
(PINION ADJUSTED AXLE)



3G19

WHEELS, FRONT AXLES, SHEET METAL

HEAVY CAST REAR WHEEL - CONTINUED (PINION ADJUSTED AXLE)

KEY	PART NO.	PART NAME	QTY	TRACTOR SERIAL NO.	REMARKS
1	19H2600	CAP SCREW	3		3/4" X 2-5/8"
2	12H236	LOCK WASHER	3		3/4"
3	B3016R	HALF SLEEVE	1		
4	B3014R	PINION	1		
5	T22818	WHEEL	1		(36" OR 38" RIM)
	T22817	WHEEL	1		(28" OR 30" RIM)
6	12H245	LOCK WASHER	3		7/8"
7	19H2310	CAP SCREW	3		7/8" X 6", (SUB FOR R34826)
8	R39758	SCREW	2		
9	08H4694	BOLT	8		5/8" X 4", HS, SAE 8
	08H4694	BOLT	9		5/8" X 4", HS, SAE 8
10	A4388R	CLAMP	8		(36" OR 38" RIM)
	A4388R	CLAMP	9		(28" OR 30" RIM)
11	14H800	NUT	8		5/8"
	14H800	NUT	9		5/8"
12	T24157	RIM	1		(16.9" X 30" TIRE) (SUB AL82375, (9) L65341, (9) R106793 AND (9) 14M7276)
	B3773R	RIM	1	-187300	(13.9" AND 14.9" X 36" TIRE) (NLA)
	B3772R	RIM	1	-187300	(12.4" X 36" TIRE)
	T21753	RIM	1	-187300	(13.6" X 28" TIRE) (NLA)
	R31994	RIM	1		(14.9" X 28" TIRE)
	R31995	RIM	1		(16.9" X 28" AND 18.4" X 28" TIRE)
	T27642	RIM	1		(13.6" X 38" TIRE)
	T27720	RIM	1		(15.5" X 38" TIRE)
13	A4380R	PINION SHAFT	1		
14	A4883R	RING	2		
15	B3018R	SLEEVE	1		
16	R34827	WRENCH	1		

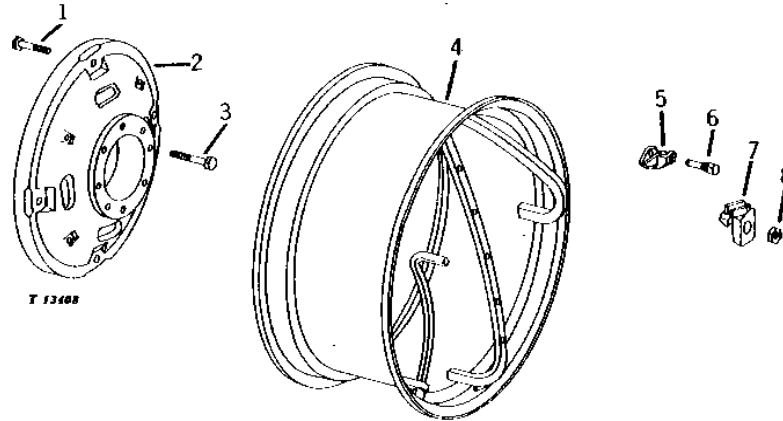
MEMORANDA

3G20

WHEELS, FRONT AXLES, SHEET METAL

POWER ADJUSTED REAR WHEEL (12.4 X 36" AND 13.9 X 36") (13.6 X 28" AND 14.9 X 28")

T13408 -UN-01JAN94



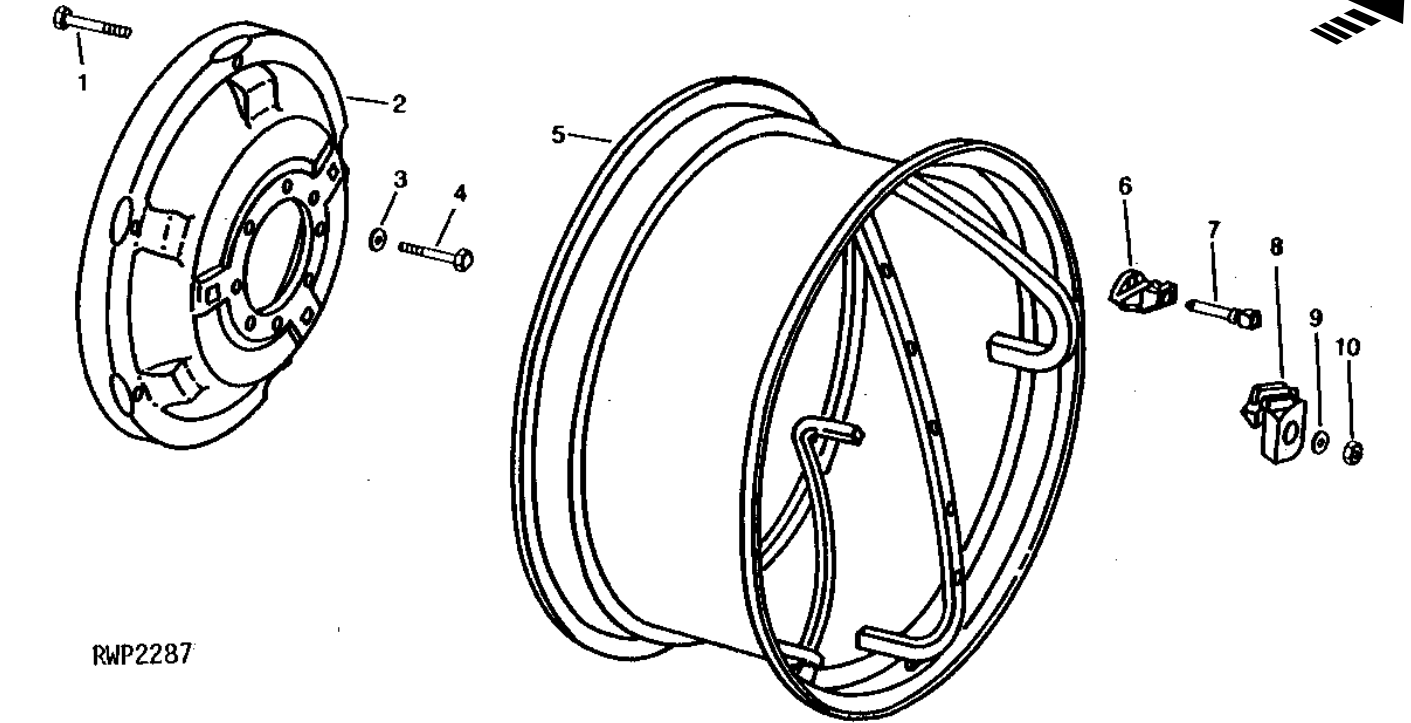
KEY	PART NO.	PART NAME	QTY	TRACTOR SERIAL NO.	REMARKS
1	08H4618	BOLT	6		3/4" X 2-5/8", (30" OR LARGER TIRES)
	08H4618	BOLT	4		3/4" X 2-5/8", (28" OR SMALLER TIRES)
2	T25340	WHEEL	1		(HU) (NO LONGER AVAILABLE)
	T25338	WHEEL	1		(RU)
3	19H2724	CAP SCREW	8		9/16" X 3-1/2"
4	AB5506R	RIM	1		(13.9 X 36" AND 12.4 X 36" TIRES) (NO LONGER AVAILABLE)
	AL60764	RIM	1		(14.9 X 28" TIRES) (SUB FOR AM3202T)
5	M2334T	STOP	2		
6	M2335T	SCREW	2		
7	T25339	CLAMP	6		(30" OR LARGER TIRES)
	T25339	CLAMP	4		(28" OR SMALLER TIRES)
8	14H858	NUT	6		3/4", (30" OR LARGER TIRES)
	14H858	NUT	4		3/4", (28" OR SMALLER TIRES)

3G21

WHEELS, FRONT AXLES, SHEET METAL

POWER ADJUSTED REAR WHEELS (16.9" X 28" TIRES) (STEEL DISK WHEEL)

RWP2287 -UN-01JAN94



RWP2287

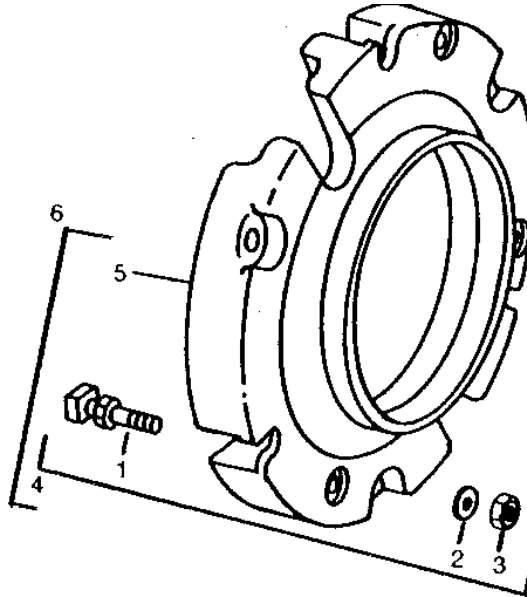
KEY	PART NO.	PART NAME	QTY	TRACTOR SERIAL NO.	REMARKS
1	08H4618	BOLT	5		3/4" X 2-5/8"
	12H236	LOCK WASHER	5		3/4"
2	R55259	WHEEL	1		
3	R63024	WASHER	8		(SUB FOR R26575)
4	19H2635	CAP SCREW	8		9/16" X 1-1/4"
5	AR64101	WHEEL	1		
6	M2334T	STOP	2		
7	M2335T	SCREW	2		
8	T25339	CLAMP	5		
9	24H1161	WASHER	5		
10	14H858	NUT	5		3/4"
..	AT25226	STEM	1		

3G22

WHEELS, FRONT AXLES, SHEET METAL

REAR WHEEL WEIGHT
 (28" AND 36" POWER ADJUSTED REAR WHEEL) (FLANGED AXLE)
 (CAST WHEEL)

RP181 -UN-01JAN94



RP181

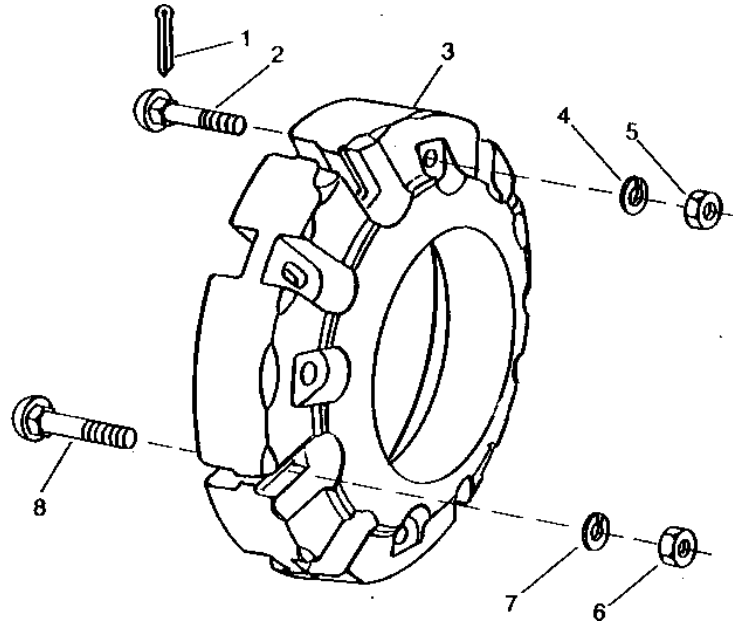
KEY	PART NO.	PART NAME	QTY	TRACTOR SERIAL NO.	REMARKS
1	R34801	BOLT	3		
2	12H294	LOCK WASHER	3	5/8"	
3	14H1039	NUT	3	5/8"	
4	MOUNTING PARTS	1		(AA4029R CANCELLED, ORDER COMPONENT PARTS) (FIRST AND ADDITIONAL WEIGHTS TO WHEEL)
5	R55312	WEIGHT	1		(28" TIRE)
	T21689	WEIGHT	1		(36" TIRE) (NLA)
6	WEIGHT	1		50KG (110 LBS) (AT15585 CANCELLED, ORDER COMPONENT PARTS)

3G23

WHEELS, FRONT AXLES, SHEET METAL

REAR WHEEL WEIGHT
(24" DEMOUNTABLE STEEL DISK WHEEL) (FLANGED AXLE)
(TRACTOR SERIAL NO. -187300)

RWP5455 -UN-01JAN94



RWP5455

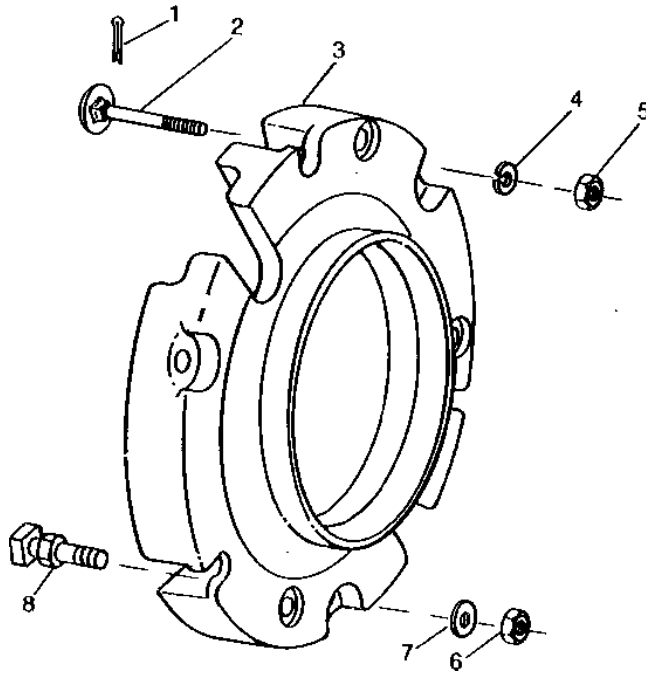
KEY	PART NO.	PART NAME	QTY	TRACTOR SERIAL NO.	REMARKS
1	11M7015	COTTER PIN	4		
2	R28493	BOLT	4		
3	T19293	WEIGHT	2		50KG (110 LBS) (NLA)
4	12H294	LOCK WASHER	2		5/8"
5	14H1039	NUT	2		5/8"
6	14H1039	NUT	2		5/8"
7	12H294	LOCK WASHER	2		5/8"
8	03H1786	BOLT	4		5/8" X 4-1/2", (ADDITIONAL WEIGHTS TO WHEEL)

3G24

WHEELS, FRONT AXLES, SHEET METAL

REAR WHEEL WEIGHT (28" STEEL DISK WHEEL) (FLANGED AXLE)

RWP5457 -UN-01JAN94



RWP5457

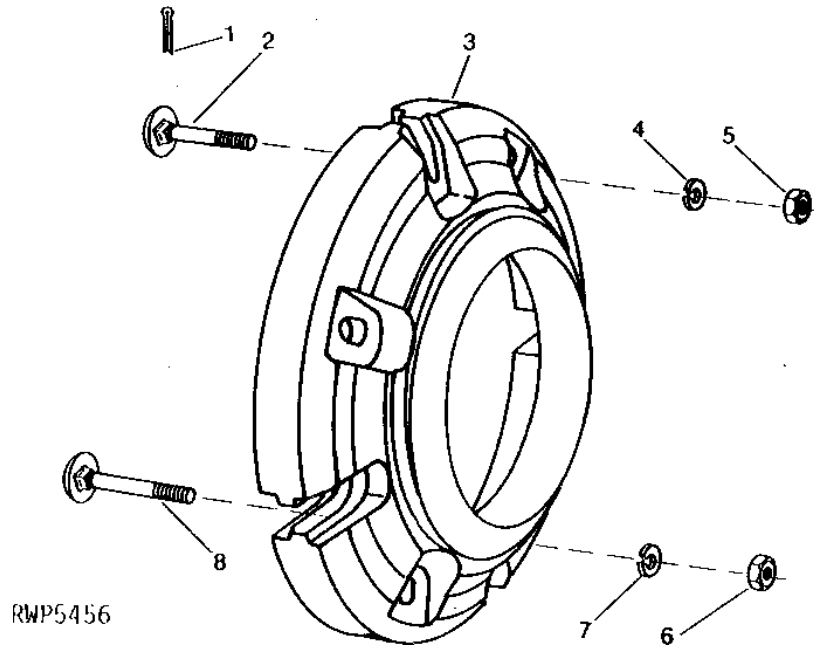
KEY	PART NO.	PART NAME	QTY	TRACTOR SERIAL NO.	REMARKS
1	11M7015	COTTER PIN	4	3.200 X 25 MM	
2	R28493	BOLT	4	(1ST WEIGHT TO WHEEL)	
	R55602	GANG BOLT	3	(1ST WEIGHT TO WHEEL)	
3	R55312	WEIGHT	1	40KG (88 LBS)	
	T21689	WEIGHT	1	50KG (110 LBS) (NLA)	
4	12H294	LOCK WASHER	3	5/8"	
5	14H1039	NUT	3	5/8"	
6	14H1039	NUT	3	5/8"	
7	12H294	LOCK WASHER	3	5/8"	
8	R34801	BOLT	3	(ADDITIONAL WEIGHT TO WHEEL)	

3G25

WHEELS, FRONT AXLES, SHEET METAL

REAR WHEEL WEIGHT (26" AND 28" DEMOUNTABLE STEEL DISK WHEELS) (FLANGED AXLE)

RWP5456 -UN-01JAN94



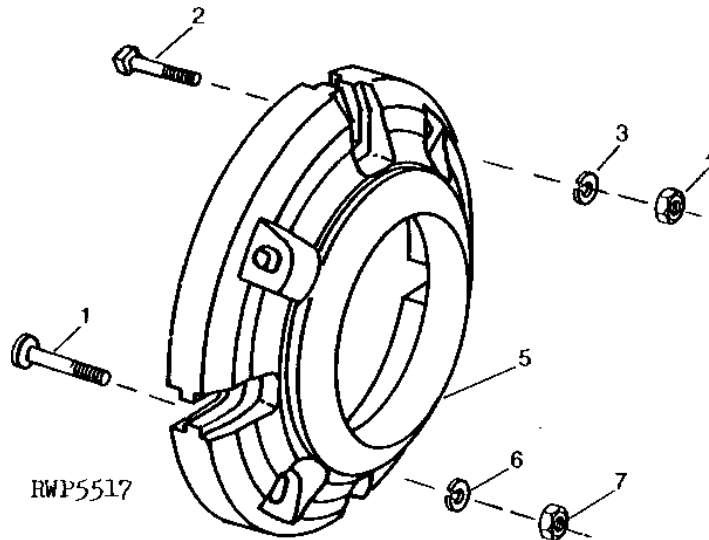
KEY	PART NO.	PART NAME	QTY	TRACTOR SERIAL NO.	REMARKS
1	11M7015	COTTER PIN	4	3.200 X 25 MM	
2	R55602	GANG BOLT	4	5/8" X 2-3/4" (1ST WEIGHT TO WHEEL) (SUB FOR T21824)	
3	R56920	WEIGHT	1	54KG (120 LBS) (SUB FOR T21688 OR T25341)	
4	12H294	LOCK WASHER	4	5/8"	
5	14H1039	NUT	4	5/8"	
6	14H1039	NUT	4	5/8"	
7	12H294	LOCK WASHER	4	5/8"	
8	03H1516	BOLT	4	5/8" X 3-3/4", (ADDITIONAL WEIGHTS TO WHEEL)	

3H1

WHEELS, FRONT AXLES, SHEET METAL

REAR WHEEL WEIGHTS (28" AND 30" CAST WHEELS) (FLANGED AXLE)

RWP5517 -UN-01JAN94



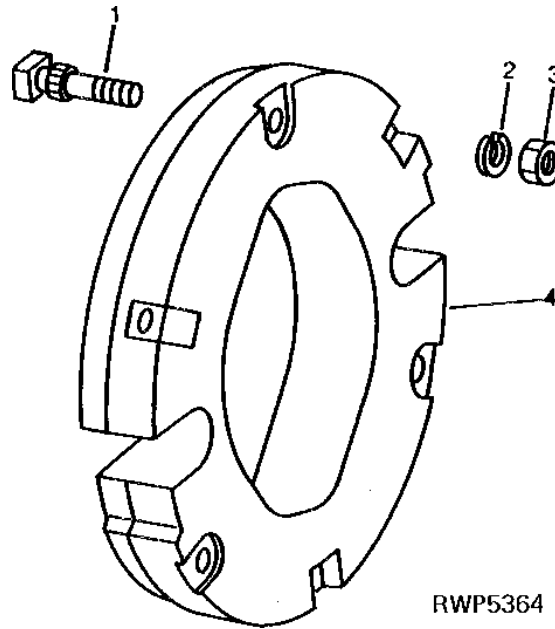
KEY	PART NO.	PART NAME	QTY	TRACTOR SERIAL NO.	REMARKS
1	03H1516	BOLT	4	5/8" X 3-3/4"	
2	R21302	WHEEL BOLT	4	(1ST WEIGHT TO WHEEL)	
3	12H294	LOCK WASHER	4	5/8"	
4	14H1039	NUT	4	5/8"	
5	R56920	WEIGHT	1	54KG (120 LBS.)	
6	12H294	LOCK WASHER	4	5/8"	
7	14H1039	NUT	4	5/8"	

3H2

WHEELS, FRONT AXLES, SHEET METAL

REAR WHEEL WEIGHTS (30" CAST AND HEAVY CAST WHEELS) (PINION ADJUSTED AXLE)

RWP5364 -UN-01JAN94



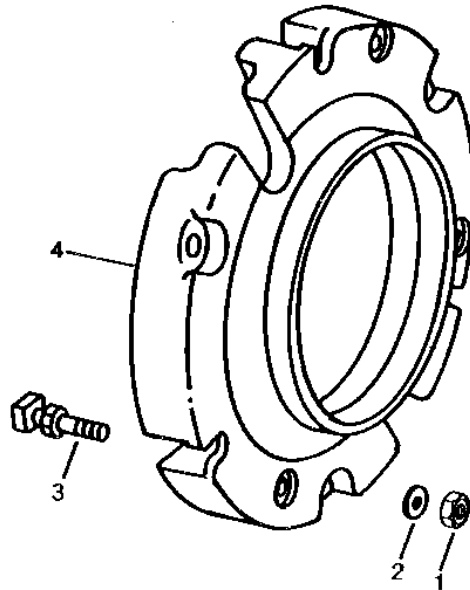
KEY	PART NO.	PART NAME	QTY	TRACTOR SERIAL NO.	REMARKS
1	R34801	BOLT	3		
2	12H294	LOCK WASHER	3	5/8"	
3	14H1039	NUT	3	5/8"	
4	R61524	WEIGHT	1	63.5KG (140 LBS.) (NLA)	
	R61727	WEIGHT	1	54KG (120 LBS.)	

3H3

WHEELS, FRONT AXLES, SHEET METAL

RWP5365 -UN-01JAN94

REAR WHEEL WEIGHT
(36" OR 38" CAST WHEEL) (FLANGED AXLE)



RWP5365

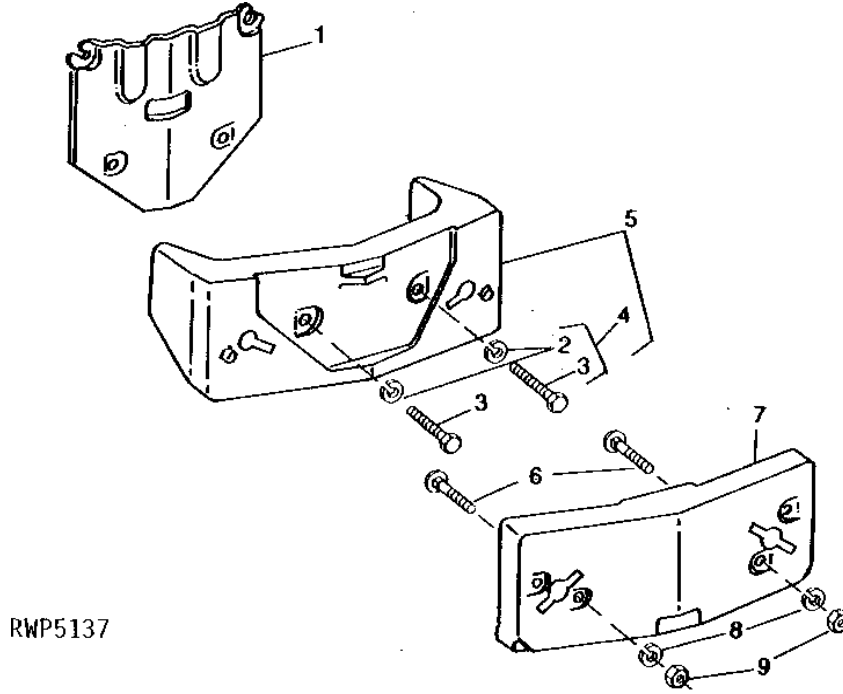
KEY	PART NO.	PART NAME	QTY	TRACTOR SERIAL NO.	REMARKS
1	14H1039	NUT	3	5/8"	
2	12H294	LOCK WASHER	3	5/8"	
3	R21302	WHEEL BOLT	3	(1ST WEIGHT TO WHEEL)	
4	T21689	WEIGHT	1	50KG (110 LBS.)	

3H4

WHEELS, FRONT AXLES, SHEET METAL

RWP5137 -UN-01JAN94

FRAME WEIGHTS



RWP5137

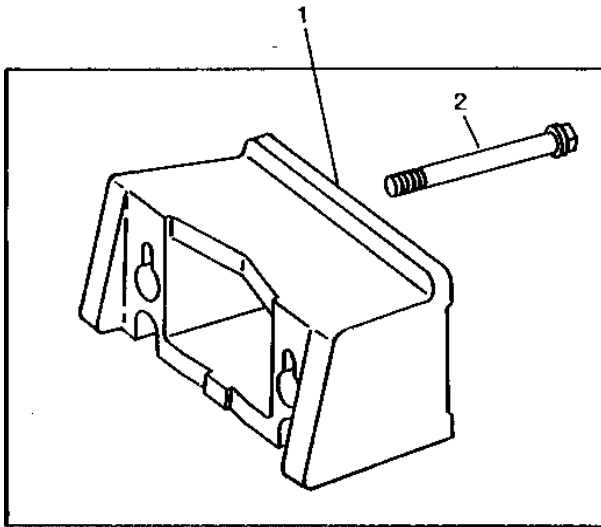
KEY	PART NO.	PART NAME	QTY	TRACTOR SERIAL NO.	REMARKS
1	T22446	SUPPORT	1		
2	12H236	LOCK WASHER	2	3/4"	
3	19H2113	CAP SCREW	2	3/4" X 3-1/4"	
4	AT20187	KIT	1	(1ST WEIGHT)	
5	AT20186	WEIGHT	1		
6	03H1857	BOLT	2	5/8" X 2-3/4"	
7	R27643	WEIGHT	1		
8	12H294	LOCK WASHER	2	5/8"	
9	14H800	NUT	2	5/8"	

3H5

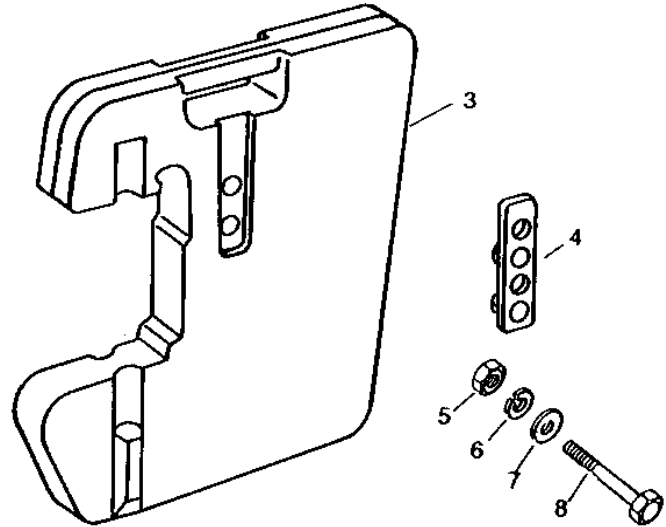
WHEELS, FRONT AXLES, SHEET METAL

RWP5458 -UN-01JAN94

TWO, FOUR, OR SIX QUIK-TATCH FRONT WEIGHTS



RWP5458



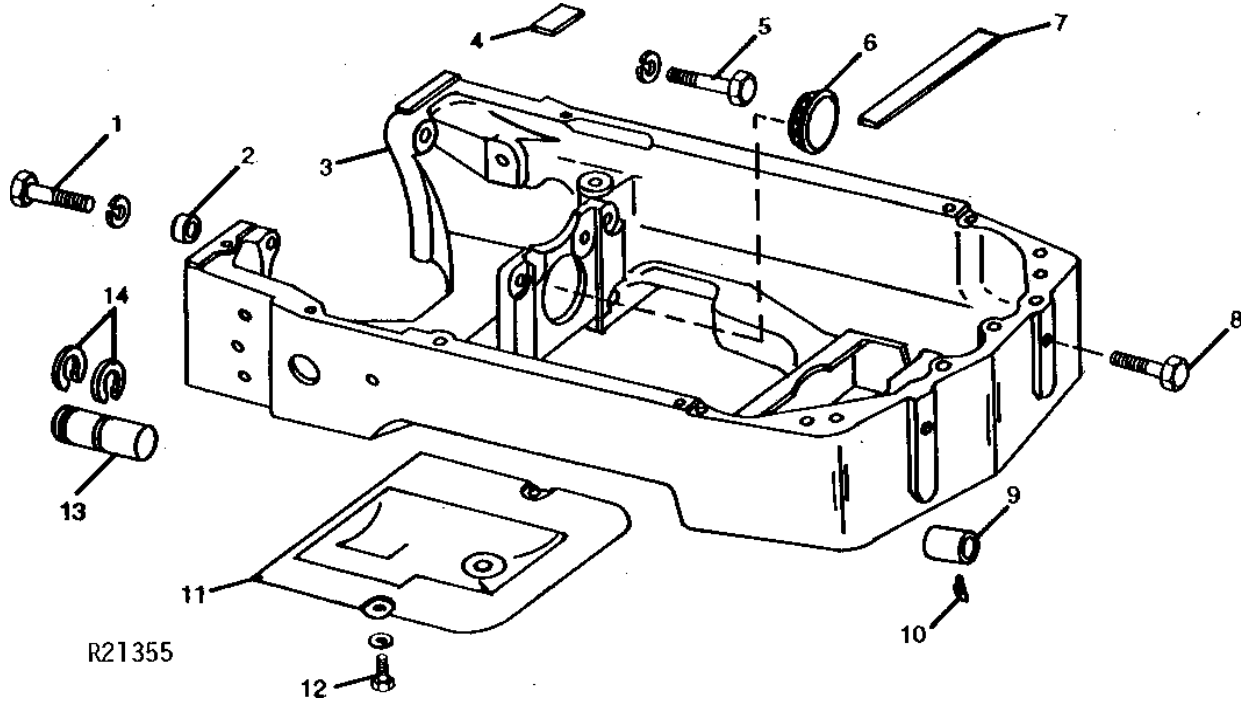
KEY	PART NO.	PART NAME	QTY	TRACTOR SERIAL NO.	REMARKS
1	AR92425	SUPPORT	1		(SUB FOR R51679 OR AR58363) (NLA)
2	R52924	SELF-LOCKING SCREW	2		
3	R51680	WEIGHT	1		
4	AR68801	RETAINER	2		(NOT REQUIRED)
5	14H1039	NUT	1		5/8"
6	12H294	LOCK WASHER	1		5/8"
7	24H1367	WASHER	1		21/32" X 1-1/4" X 1/4"
8	19H1926	CAP SCREW	1		5/8" X 4-3/4"
	08H4260	CAP SCREW	1		5/8" X 9"
	R51681	CAP SCREW	1		(SIX QUIK-TATCH WEIGHTS)

3H6

WHEELS, FRONT AXLES, SHEET METAL

R21355 -UN-01JAN94

FRONT SUPPORT



R21355

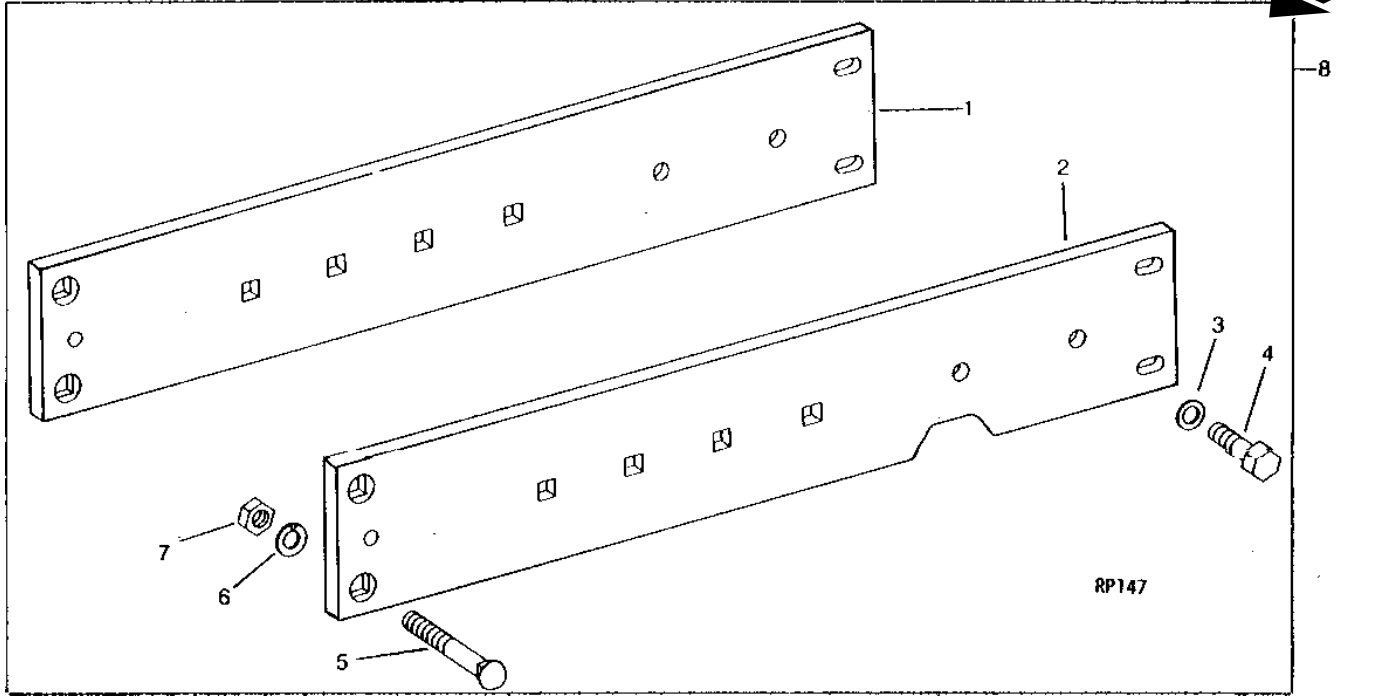
KEY	PART NO.	PART NAME	QTY	TRACTOR SERIAL NO.	REMARKS
1	19H2358	CAP SCREW	2	9/16" X 2-1/4"	
	12H317	LOCK WASHER	2	9/16"	
2	T26929	BUSHING	2		
3	AR72474	SUPPORT	1		(MARKED R51615, R59985 OR L28931) (SUB FOR AT24986 OR AR55890) (ALSO ORDER (4) 19H2072)
4	FOAM PAD	1		38 X 89 X 64 MM (1-1/2" X 3-1/2" X 2-1/2") (MAKE FROM R35339)
5	19H2072	CAP SCREW	4	5/8" X 3-1/4"	
	12H294	LOCK WASHER	4	5/8"	
6	R1680R	PLUG	1		(LESS HYDRAULIC PUMP) (SUB FOR T22569)
7	T21540	PAD	2		
8	19H2009	CAP SCREW	2	3/4" X 1-5/8"	
9	T23118	BUSHING	1		
10	JD7799	LUBRICATION FITTING	1	90°, 1/8"	
11	T22864	COVER	1		
12	19H2021	CAP SCREW	2	3/8" X 5/8"	
	12H304	LOCK WASHER	2	3/8"	
13	R54195	SPRING PIN	1		
14	T24160	SNAP RING	2		

3H7

WHEELS, FRONT AXLES, SHEET METAL

SIDE FRAMES

RP147 -UN-01JAN94



RP147

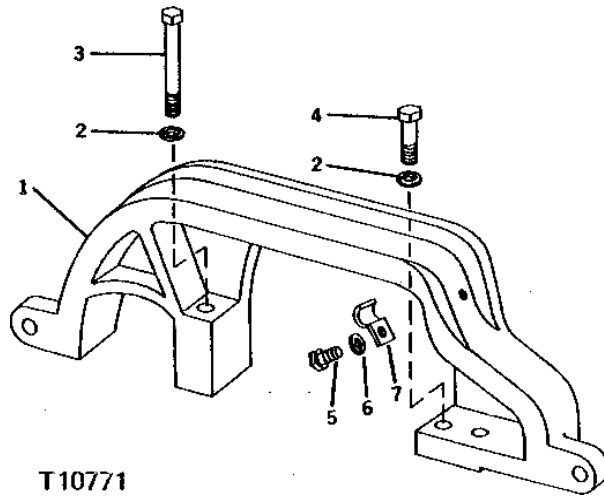
KEY	PART NO.	PART NAME	QTY	TRACTOR SERIAL NO.	REMARKS
1	T21651	FRAME	1		R.H.
2	T21652	FRAME	1		L.H.
3	24H1375	WASHER	4		11/16" X 1-1/8" X 0.060"
4	19H1756	CAP SCREW	4		5/8" X 1-1/2"
5	10H1157	BOLT	4		5/8" X 3-1/4"
6	12H294	LOCK WASHER	4		5/8"
7	14H1039	NUT	4		5/8"
8	AT37357	FRAME	1		

3H8

WHEELS, FRONT AXLES, SHEET METAL

IMPLEMENT ATTACHING BRACKET (STRAIGHT ADJUSTABLE FRONT AXLE)

T10771 -UN-01JAN94



KEY	PART NO.	PART NAME	QTY	TRACTOR SERIAL NO.	REMARKS
1	T29360	BRACKET	1		(SUB FOR T22508) (NO LONGER AVAILABLE)
2	12H301	LOCK WASHER	2		1/2"
3	19H3520	CAP SCREW	1		1/2" X 3-1/4"
4	19H1721	CAP SCREW	1		1/2" X 1-1/2"
5	19H1948	CAP SCREW	1		(A) 1/4" X 3/4"
6	12H302	LOCK WASHER	1		(A) 1/4"
7	R27747	CLAMP	1		(A)

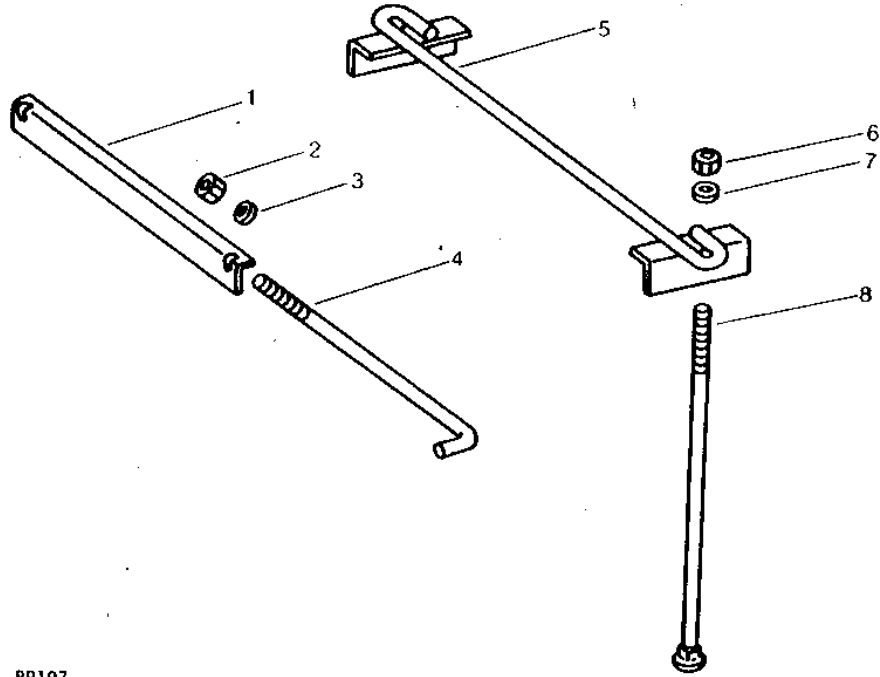
(A) POWER STEERING

3H9

WHEELS, FRONT AXLES, SHEET METAL

RP197 -UN-01JAN94

BATTERY CLAMPS



RP197

KEY	PART NO.	PART NAME	QTY	TRACTOR SERIAL NO.	REMARKS
1	T22570	CLAMP	1	(A)	
2	14H786	NUT	2	1/4"	
3	24H1287	WASHER	2	9/32" X 5/8" X 0.065"	
4	R56525	BOLT	2	(A)	
5	AT20452	CLAMP	1	(B) (DIESEL) (SUB AR101727)	
6	14H952	WING NUT	2	(B) 1/4"	
7	24H1821	WASHER	2	(B) 9/32" X 47/64" X 1/16"	
8	03H1938	BOLT	2	(B) 1/4" X 10-1/4"	

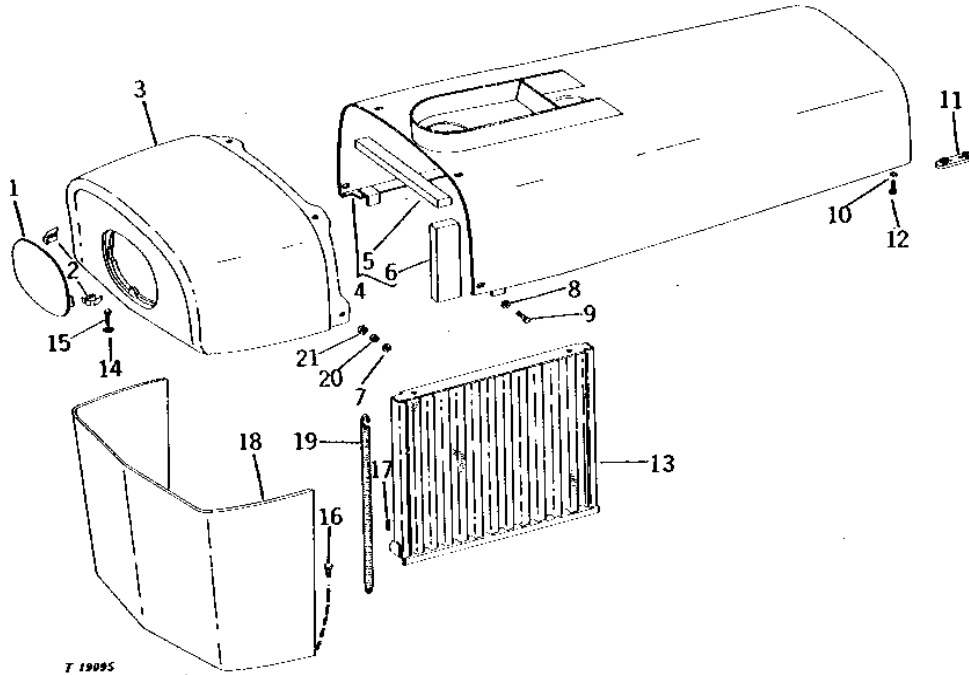
(A) SINGLE 12-VOLT BATTERY
 (B) TWO 12-VOLT BATTERIES

3H10

WHEELS, FRONT AXLES, SHEET METAL

FRONT PLATE, HOOD AND GRILLE ASSEMBLY (LOW PROFILE) (TRACTOR SERIAL NO. -187300)

T19095 -UN-01JAN94



KEY	PART NO.	PART NAME	QTY	TRACTOR SERIAL NO.	REMARKS
1	AT32761	PANEL	1		
2	T21749	CLIP	2		
3	T33646	HOOD	1		
4	AT27749	HOOD	1		(NO LONGER AVAILABLE)
5	T21491	ISOLATOR	2		
6	T21490	FOAM PAD	2		
7	24H1366	WASHER	4	21/32" X 1-1/8" X 0.036"	
8	24H1299	WASHER	4	3/8" X 1-1/4" X 0.065"	
9	19H1900	CAP SCREW	4	5/16" X 3/4"	
10	12H310	LOCK WASHER	4	3/8"	
11	T25291	REINFORCEMENT	2		
12	19H1936	CAP SCREW	4	3/8" X 3/4"	
13	AR72950	GRILLE	2		(SUB FOR AT19880)
14	12H294	LOCK WASHER	4	5/8"	
15	19H1356	CAP SCREW	4	5/8" X 1-3/4"	
16	19H1792	CAP SCREW	8	1/2" X 1"	
17	34H340	SPRING PIN	4	5/16" X 13/16"	
18	AT19862	PLATE	1		(NO LONGER AVAILABLE)
19	R26858	SPRING	2		
20	R20817	WASHER	4		
21	A4666R	WASHER	4		

MEMORANDA

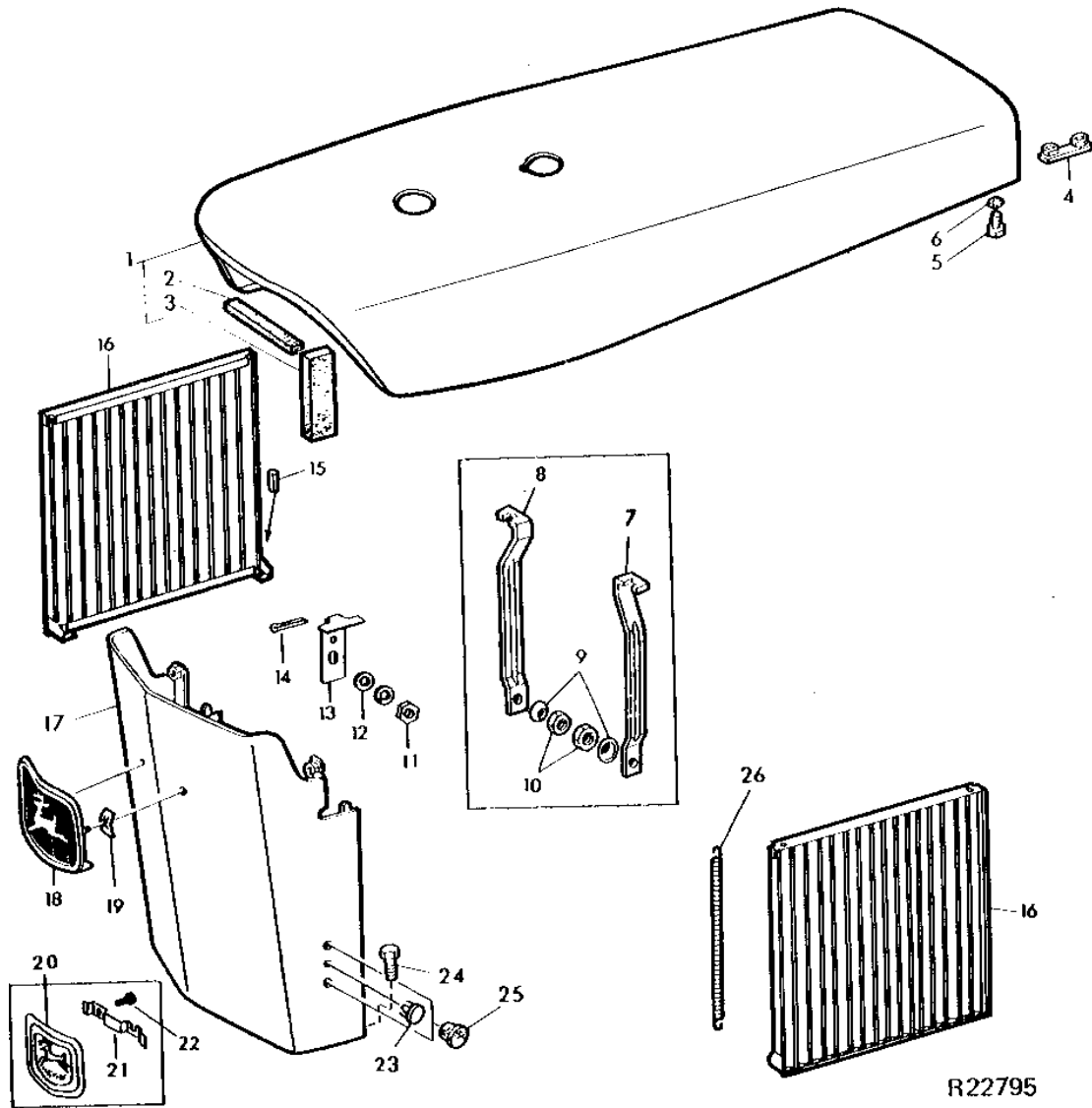
3H11

WHEELS, FRONT AXLES, SHEET METAL

R22795

-UN-01JAN94

FRONT PLATE, HOOD AND GRILLE ASSEMBLY



3H12

WHEELS, FRONT AXLES, SHEET METAL

FRONT PLATE, HOOD AND GRILLE ASSEMBLY - CONTINUED

KEY	PART NO.	PART NAME	QTY	TRACTOR SERIAL NO.	REMARKS
1	AT19785	HOOD	1	-187300	(HORIZONTAL EXHAUST) (SUB AR64004 AND (2) R55211)
	AR64004	HOOD	1	187301-	(HORIZONTAL EXHAUST)
	AT19787	HOOD	1	-187300	(VERTICAL EXHAUST) (SUB AR64003 AND (2) R55211)
	AR64003	HOOD	1	187301-	(VERTICAL EXHAUST) (ALSO ORDER (2) R55211) (ON "L" TRACTORS)
	T22085	BUMPER	2		
2	T21491	ISOLATOR	2		RADIATOR TOP
3	R58666	ISOLATOR	2		RADIATOR SIDE
4	T25291	REINFORCEMENT	2	-187300	
	T25291	REINFORCEMENT	2		(A)
	R55211	PLATE	2	187301-	
5	19H1936	CAP SCREW	4		3/8" X 3/4"
6	12H310	LOCK WASHER	4		3/8"
7	T21865	LATCH	1	-187300	L.H.
	T21865	LATCH	1		(A) L.H.
8	T21864	LATCH	1	-187300	R.H.
	T21864	LATCH	1		(A) R.H.
9	T21863	WASHER	2	-187300	
	T21863	WASHER	2		(A)
10	M63440	LOCK NUT	2	-187300	(SUB T11234)
	M63440	LOCK NUT	2		(A) (SUB T11234)
11	14H812	NUT	2	187301-	3/8"
	12H304	LOCK WASHER	2	187301-	3/8"
12	24H1302	WASHER	2	187301-	13/32" X 11/16" X 0.035"
13	R59519	LATCH	2	187301-	(SUB FOR R49524)
14	11M7012	COTTER PIN	2	187301-	0.126" X 0.630"
15	34H340	SPRING PIN	4		5/16" X 13/16"
16	AT19880	GRILLE	2		
17	AR71851	PLATE	1		(SUB FOR AT19774 OR AR64005) (ALSO ORDER (2) R59519 AND (2) 11H235) (NLA)
18	R59991	MEDALLION	1	187301-	(SUB FOR R55213) (SUB R67027)
19	L31750	CLIP	2	187301-	(SUB FOR R27888)
20	R48294	MEDALLION	1	-187300	
21	R48295	RETAINER	1	-187300	
22	37H29	SCREW	2	-187300	5/16" X 5/8"
23	H84660	PLUG	2		(A) (SUB FOR P48093)
24	19H3530	CAP SCREW	9		1/2" X 7/8"
25	99M5913	PLUG	4		(A)
26	R26858	SPRING	2		

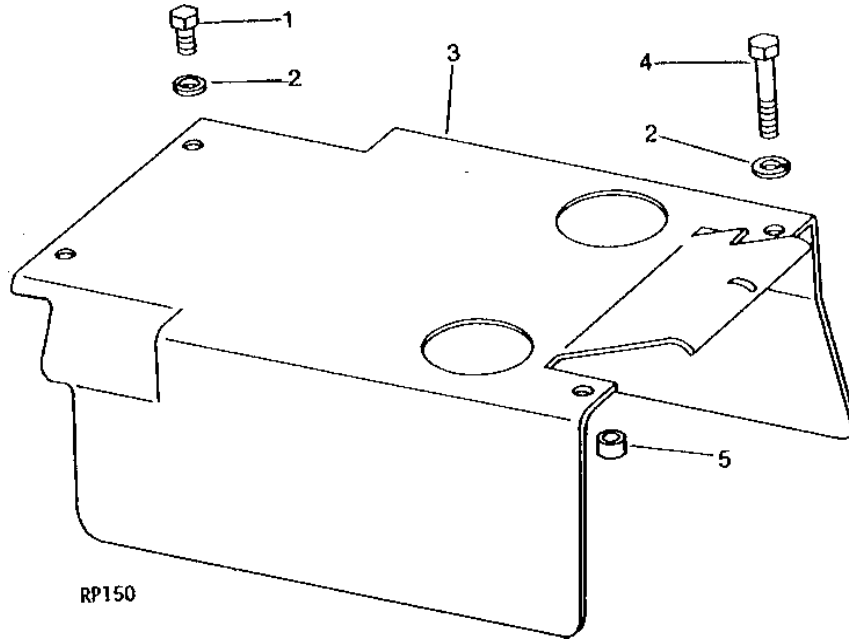
(A) USE ON TRACTORS HAVING AN "L" AS THE LAST DIGIT OF THE CHASSIS SERIAL NUMBER

3H13

WHEELS, FRONT AXLES, SHEET METAL

RP150 -UN-01JAN94

TRANSMISSION CASE SHIELD (LESS INDEPENDENT PTO) (LESS ROCKSHAFT)



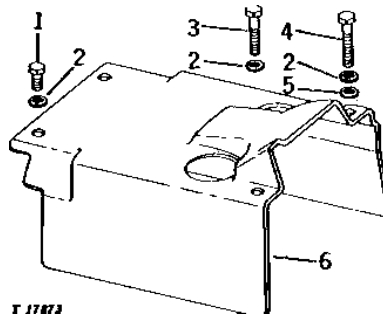
KEY	PART NO.	PART NAME	QTY	TRACTOR SERIAL NO.	REMARKS
1	19H2021	CAP SCREW	2	3/8" X 5/8"	
2	12H304	LOCK WASHER	4	3/8"	
3	R48684	SHIELD	1	(SUB FOR T22394)	
4	19H1765	CAP SCREW	2	3/8" X 1-3/4"	
5	SPACER	1	(NOT REQUIRED)	

3H14

WHEELS, FRONT AXLES, SHEET METAL

TRANSMISSION CASE SHIELD (INDEPENDENT PTO)

T17873 -UN-01JAN94



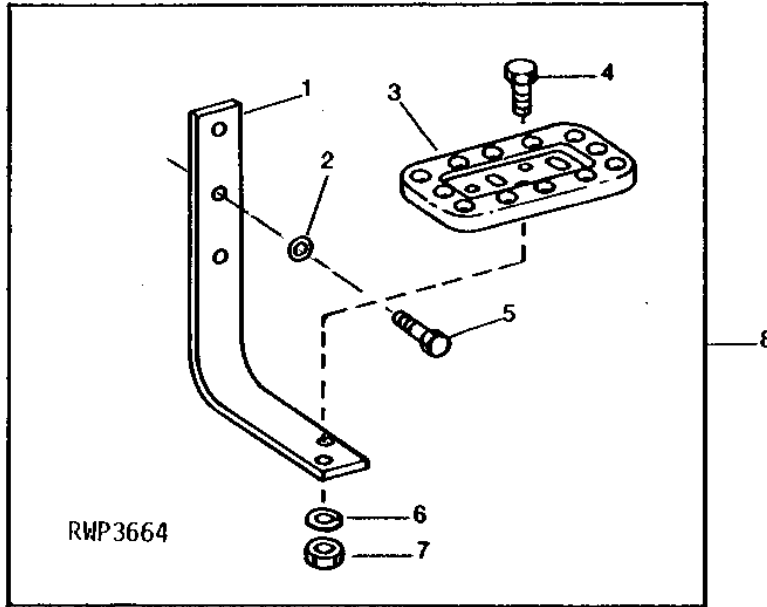
KEY	PART NO.	PART NAME	QTY	TRACTOR SERIAL NO.	REMARKS
1	19H2021	CAP SCREW	2	3/8" X 5/8"	
2	12H304	LOCK WASHER	4	3/8"	
3	19H1765	CAP SCREW	1	3/8" X 1-3/4"	
4	19H1819	CAP SCREW	1	3/8" X 2-1/8"	
5	24M7096	WASHER	1	10.500 X 18 X 1.600 MM	
6	T30748	SHIELD	1		

3H15

WHEELS, FRONT AXLES, SHEET METAL

RWP3664 -UN-01JAN94

STEP AND SUPPORT



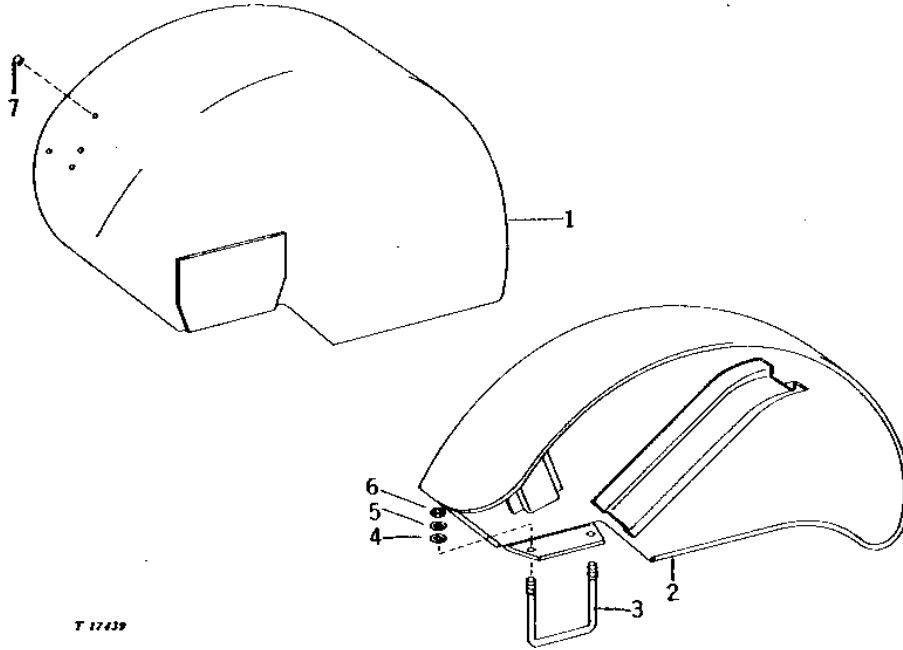
KEY	PART NO.	PART NAME	QTY	TRACTOR SERIAL NO.	REMARKS
1	T25703	SUPPORT	1		
2	24H1375	WASHER	2		
3	F3195R	STEP	1		11/16" X 1-1/8" X 0.060"
4	19H2552	CAP SCREW	2		3/8" X 1-1/8"
5	19H1756	CAP SCREW	2		5/8" X 1-1/2", (LESS SIDE FRAMES)
	19H2706	CAP SCREW	2		5/8" X 2" HS, SAE 8, (SIDE FRAMES)
6	12H304	LOCK WASHER	2		3/8"
7	14H812	NUT	2		3/8"
8	AT23541	STEP	1		

3H16

WHEELS, FRONT AXLES, SHEET METAL

FENDERS
(LOW PROFILE)
(11.2 X 24", 12.4 X 24" OR 18.4 X 16" TIRES)
(TRACTOR SERIAL NO. -187300)

T17439 -UN-01JAN94



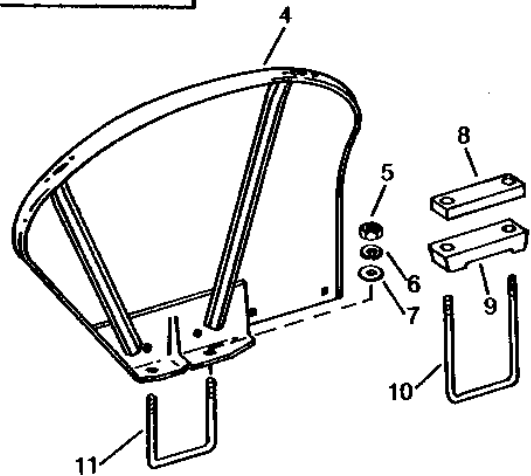
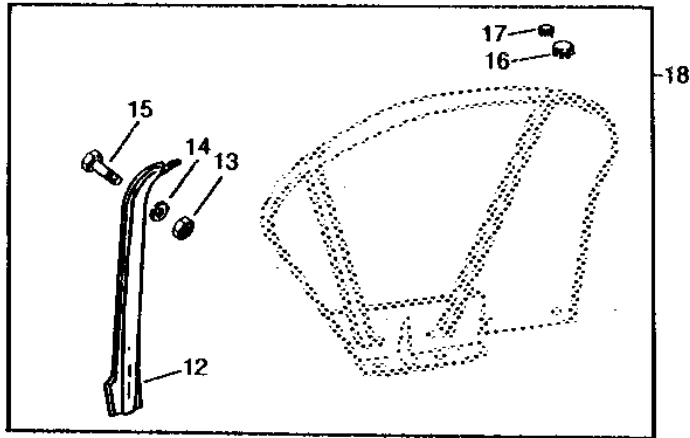
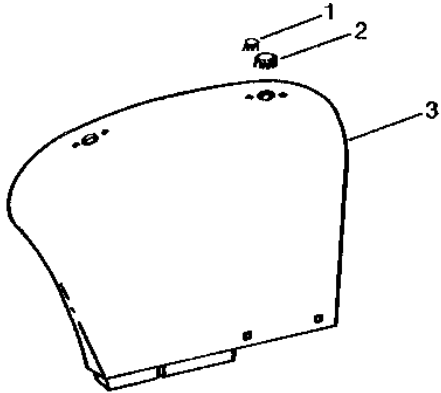
KEY	PART NO.	PART NAME	QTY	TRACTOR SERIAL NO.	REMARKS
1	AR51153	FENDER	1		L.H. (NLA)
2	AR51152	FENDER	1		R.H. (NLA)
3	T22705	U-BOLT	2		
4	24H1698	WASHER	4		21/32" X 1-5/8" X 1/4"
5	12H294	LOCK WASHER	4		5/8"
6	14H1039	NUT	4		5/8"
7	H113924	PLUG	4		(SUB FOR R42451) (SUB T15005)

3H17

WHEELS, FRONT AXLES, SHEET METAL

RP1524 -UN-01JAN94

FENDERS



RP1524

3H18

WHEELS, FRONT AXLES, SHEET METAL

FENDERS - CONTINUED

KEY	PART NO.	PART NAME	QTY	TRACTOR SERIAL NO.	REMARKS
1	H113924	PLUG	8		(SUB FOR R42451) (SUB T15005)
2	H23746	PLUG	4		(SUB FOR T22520)
3	AR51407	FENDER	1		L.H. (SUB FOR AR51408)
4	AT20777	FENDER	1		R.H. (SUB FOR AT27146)
5	14H1039	NUT	4		(A) 5/8"
6	12H294	LOCK WASHER	4		(A) 5/8"
7	24H1698	WASHER	4		(A) 21/32" X 1-5/8" X 1/4"
8	T25671	STRAP	2	-187300	(A) (38" TIRES)
9	T21571	SPACER	2		(A) (38" TIRES)
	R48138	SPACER	2	-187300	(ROLL-GARD) (NO LONGER AVAILABLE)
10	L60517	U-BOLT	2		(A) (38" TIRES) (SUB FOR T22706)
	T29119	U-BOLT	2	-187300	(A) (38" TIRES)
11	T22705	U-BOLT	2	-187300	(A)
12	R56822	BRACE	2		(B)
13	14H786	NUT	8		(B) 1/4"
14	12H302	LOCK WASHER	8		(B) 1/4"
15	21H1303	SCREW	8		(B) 1/4" X 3/4"
16	H23746	PLUG	2		
17	H113924	PLUG	4		(SUB FOR R42451) (SUB T15005)
18	AR68451	BRACE	1		(SUB R56822, H23746, T15005, 12H302, 14H786 AND 21H1303)

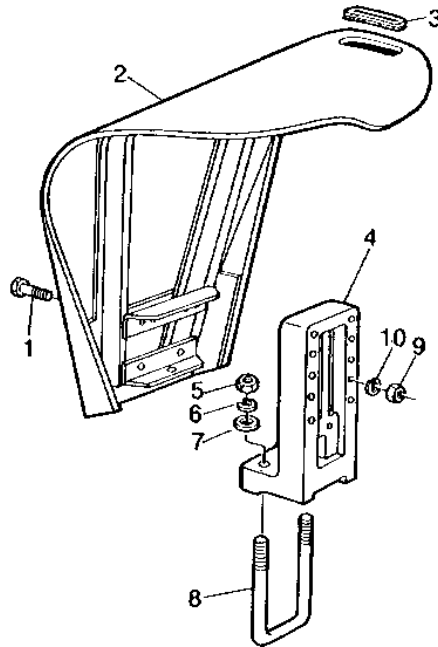
(A) LESS ROLL-GARD
(B) TURN SIGNALS

3H19

WHEELS, FRONT AXLES, SHEET METAL

RXP6450 -UN-01JAN94

ROW-CROP FENDERS



RXP6450

KEY	PART NO.	PART NAME	QTY	TRACTOR SERIAL NO.	REMARKS
1	19H1974	CAP SCREW	4	1/2" X 2-3/4"	
2	RE13878	FENDER	1	R.H. (SUB FOR AR48872)	
	RE13879	FENDER	1	L.H. (SUB FOR AR48873)	
3	R20759	GROMMET	1		
4	R70588	SUPPORT	1	(SUB FOR R41296, R54541, R64540 OR R67410)	
5	14H1039	NUT	2	(A) 5/8"	
	14H794	NUT	2	(B) 3/4"	
6	12H294	LOCK WASHER	2	(A) 5/8"	
	12H236	LOCK WASHER	2	(B) 3/4"	
7	24H1400	WASHER	2	(B) 25/32" X 1-5/8" X 1/4"	
	24H1698	WASHER	2	(A) 21/32" X 1-5/8" X 1/4"	
8	P54140	U-BOLT	1	(A)	
	R54542	CAP SCREW	2	(B)	
9	14H1040	NUT	4	1/2"	
10	12H301	LOCK WASHER	4	1/2"	

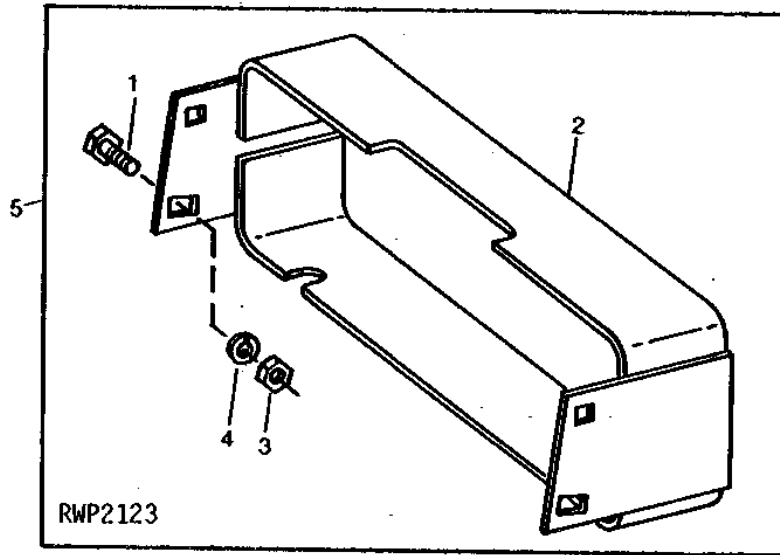
(A) LESS ROLL-GARD
(B) ROLL-GARD

3H20

WHEELS, FRONT AXLES, SHEET METAL

RWP2123 -UN-01JAN94

LIGHT GUARD



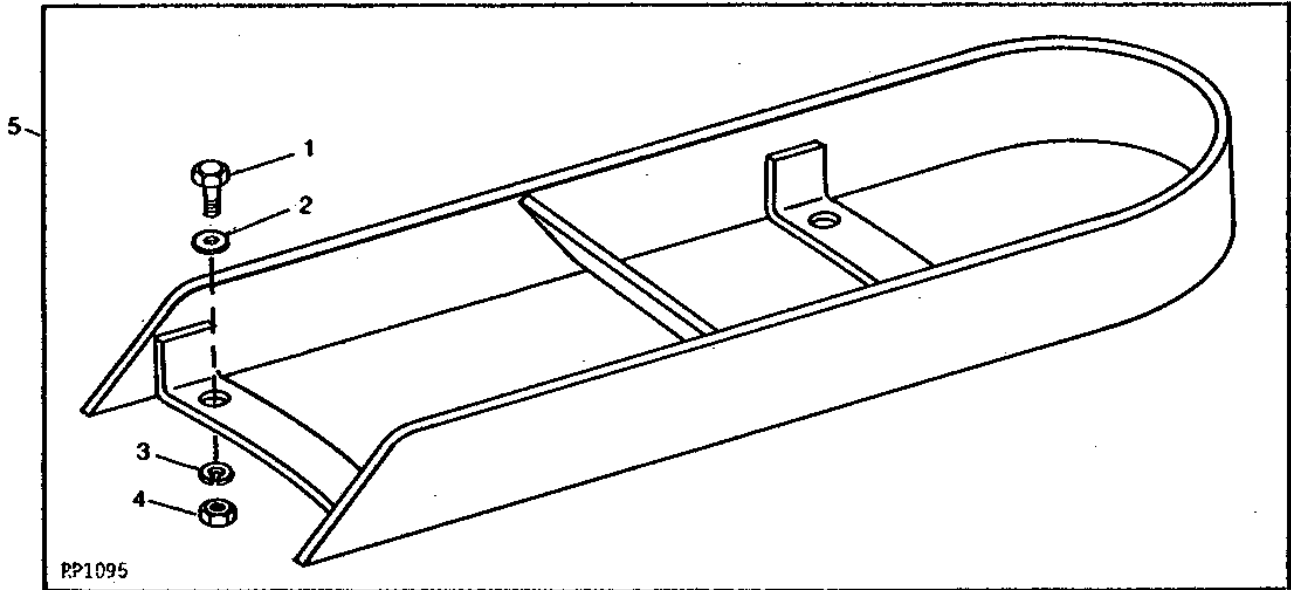
KEY	PART NO.	PART NAME	QTY	TRACTOR SERIAL NO.	REMARKS
1	19H1792	CAP SCREW	4	1/2" X 1"	
2	GUARD	1	(ORDER AR66724) (SUB FOR AR66441)	
3	14H1040	NUT	4	1/2"	
4	12H301	LOCK WASHER	4	1/2"	
5	AR66724	GUARD	1		
..	AR72233	WIRING LEAD	1		(USE FOR R.H. LAMP TO SWITCH WHEN GUARD IS INSTALLED)
..	AR67855	CONNECTOR	1		(USE FOR R.H. LAMP LEAD TO L.H. LAMP LEAD WHEN GUARD IS INSTALLED)
..	R44302	TIE BAND	AR		

3H21

WHEELS, FRONT AXLES, SHEET METAL

RP1095 -UN-01JAN94

FUEL AND RADIATOR CAP SHIELD



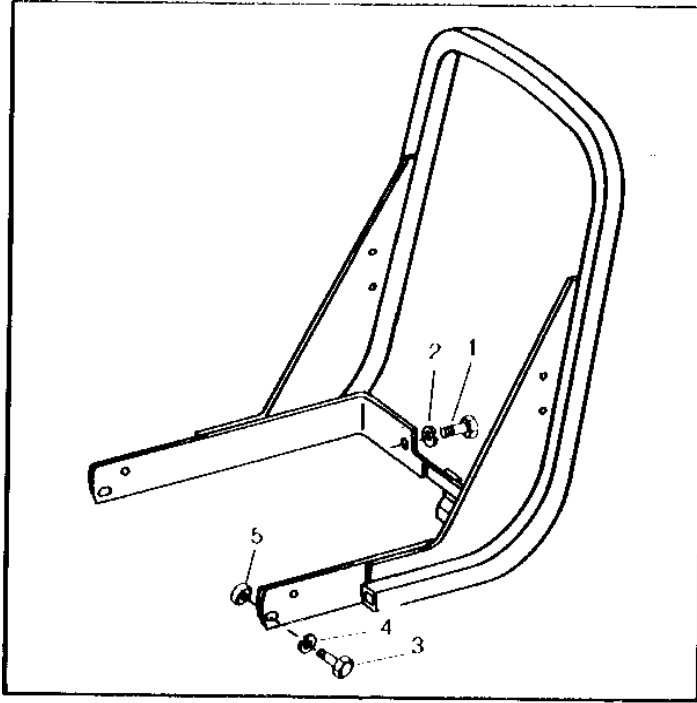
KEY	PART NO.	PART NAME	QTY	TRACTOR SERIAL NO.	REMARKS
1	19H1936	CAP SCREW	4		3/8" X 3/4"
2	24H1306	WASHER	4		13/32" X 1" X 0.035"
3	12H304	LOCK WASHER	4		3/8"
4	14H812	NUT	4		3/8"
5	AR66039	SHIELD	1		(SUB AR91614)

3H22

WHEELS, FRONT AXLES, SHEET METAL

RP153 -UN-01JAN94

GRILLE GUARD



RP153

KEY	PART NO.	PART NAME	QTY	TRACTOR SERIAL NO.	REMARKS
1	19H1798	CAP SCREW	2	3/4" X 1-3/4"	
2	12H236	LOCK WASHER	2	3/4"	
3	19H1847	CAP SCREW	2	5/8" X 2-1/2"	
4	12H294	LOCK WASHER	2	5/8"	
5	T18145	BUSHING	2		
6	AR66723	GUARD	1		

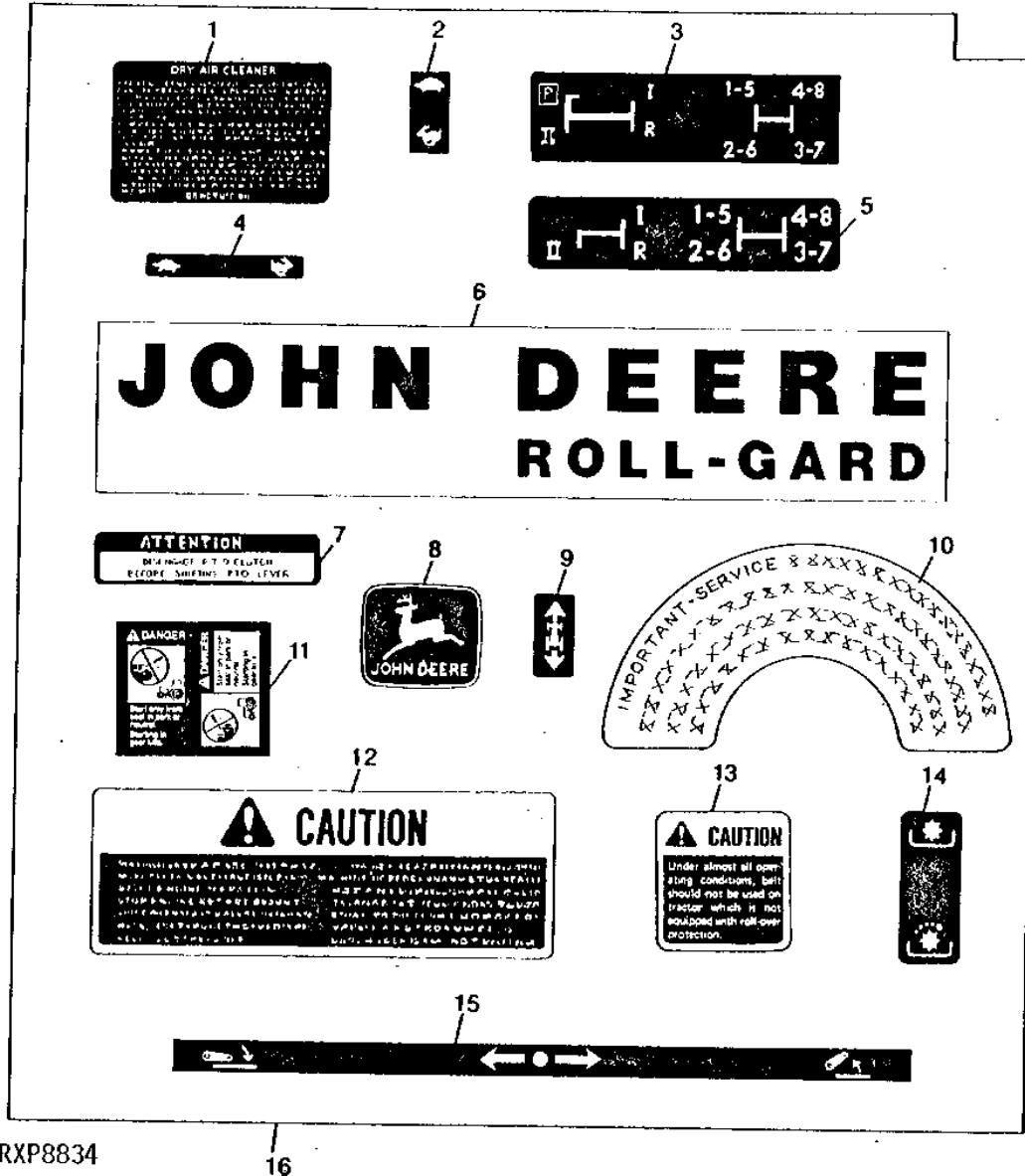
3H23

WHEELS, FRONT AXLES, SHEET METAL

RXP8834

-UN-01JAN94

LABEL REFINISHING KIT



RXP8834

16

3H24

WHEELS, FRONT AXLES, SHEET METAL

LABEL REFINISHING KIT - CONTINUED

KEY	PART NO.	PART NAME	QTY	TRACTOR SERIAL NO.	REMARKS
1	R56902	LABEL	1		DRY AIR CLEANER (FUEL TANK)
2	R56467	LABEL	1		TRANSMISSION HI-LO CONTROL LEVER
3	R68277	LABEL	1		SHIFT LEVER
4	R77420	LABEL	2		SCV FLOW
5	L35521	LABEL	1		SHIFT LEVER (COLLAR SHIFT)
6	R47292	LABEL	1		ROLL-GARD (CROSS MEMBER)
7	T65880	WARNING LABEL	1		CONTINUOUS PTO
8	JD5272	LABEL	1		(TOOL BOX)
9	R56468	LABEL	1		REVERSER TRANSMISSION CONTROL LEVER
10	R72816	LABEL	1		DRY AIR CLEANER (COVER)
11	T146102	WARNING LABEL	1		BYPASS START (ENGLISH)
12	R82425	LABEL	1		SAFETY (FENDER) (SUB FOR R76341)
13	R87527	LABEL	1		CAUTION, ROLL-GARD (STRUT) (SUB FOR R41781)
14	T30772	LABEL	1		PTO CLUTCH LEVER
15	L36319	DECAL	1		ROCKSHAFT QUADRANT
16	AR105634	KIT	1		(SUB FOR AR73918 AND AR94358)
17	T146106	WARNING LABEL	1		(A) BYPASS START (ESPANOL)
	T146104	WARNING LABEL	1		(A) BYPASS START (FRANCAIS)
	T146515	WARNING LABEL	1		(A) BYPASS START (DEUTSCH)
	T146516	WARNING LABEL	1		(A) BYPASS START (ITALIANO)
	T146517	WARNING LABEL	1		(A) BYPASS START (FRANCAIS/ENGLISH)

(A) NOT INCLUDED IN KIT

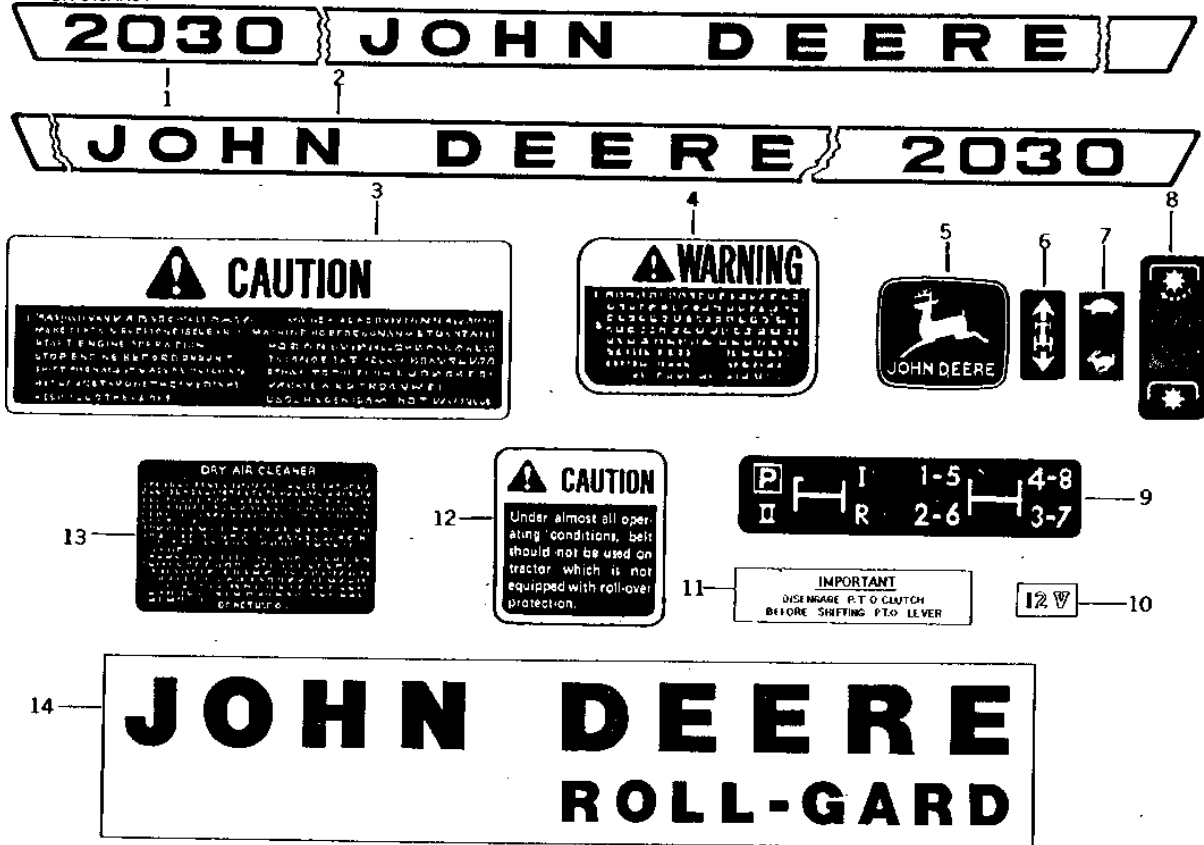
3H25

WHEELS, FRONT AXLES, SHEET METAL

DECALS AND LABELS

RXP8835

-UN-01JAN94



KEY	PART NO.	PART NAME	QTY	TRACTOR SERIAL NO.	REMARKS
1	R89984	LABEL	1	-187300	L.H. (SUB FOR R50677)
	R55753	DECAL	1	187301-	L.H.
	R50679	DECAL	1		L.H. (SUB R89982) (LOW PROFILE)
2	R50676	DECAL	1	-187300	(SUB R89983) R.H.
	R55752	DECAL	1	187301-	R.H.
	R89981	LABEL	1		R.H. (LOW PROFILE) (SUB FOR R50678)
3	R82425	LABEL	1		SAFETY, (SUB FOR T19168, R49020, R51821 OR R76341)
4	R83103	LABEL	1		PTO SAFETY, (SUB FOR R64391) (SUB R120111)
5	JD5272	LABEL	1		(TOOL BOX)
6	R56468	LABEL	1		REVERSER TRANSMISSION CONTROL LEVER
7	R56467	LABEL	1		TRANSMISSION HI-LO CONTROL LEVER
8	T30772	LABEL	1		PTO CLUTCH LEVER
9	R68277	LABEL	1		SHIFT LEVER, (SUB FOR R59830 OR T32214)
10	A5180R	DECAL	1		(ELECTRICAL OUTLET) (NO LONGER AVAILABLE)
11	T25899	INSTRUCTION PLATE	1		PTO
12	R87527	LABEL	1		ROLL-GARD CAUTION, (SUB FOR R41781)
13	R56902	LABEL	1		DRY AIR CLEANER
14	R47292	LABEL	1	-XXXXXX	

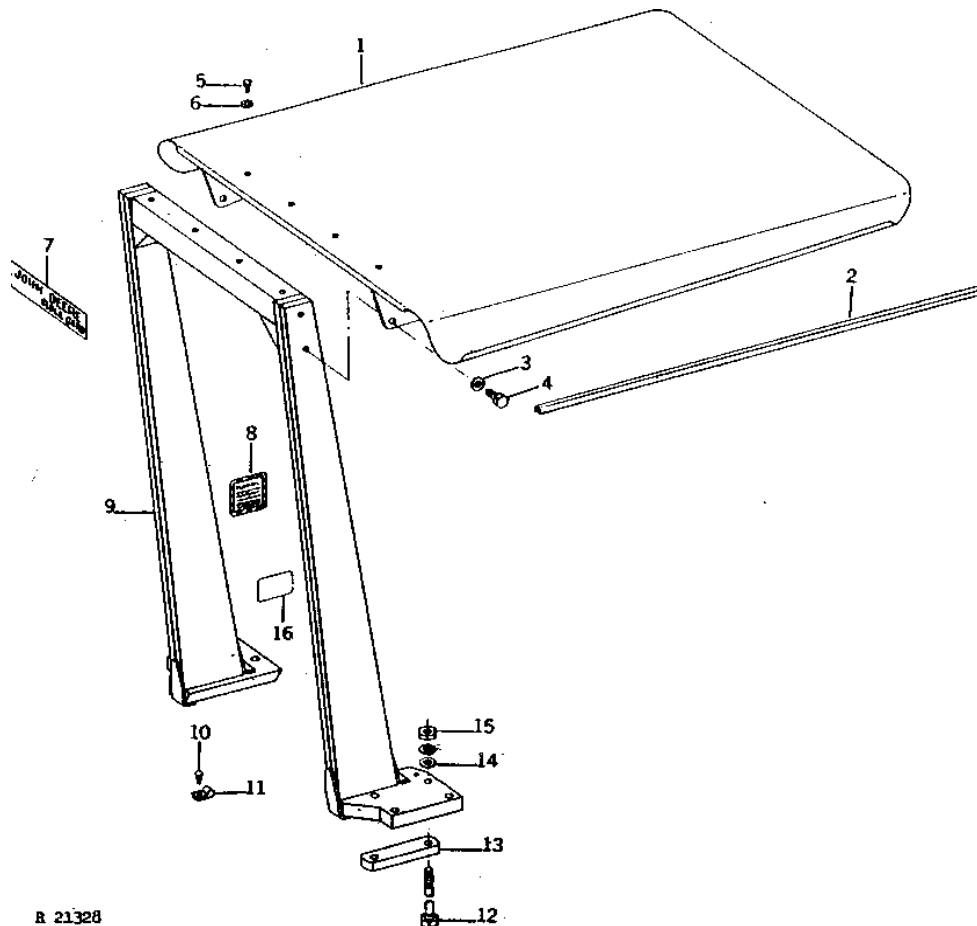
RXP8835
REMARKS

312

OPERATOR'S STATION

R21328 -UN-01JAN94

ROLL-GARD AND CANOPY



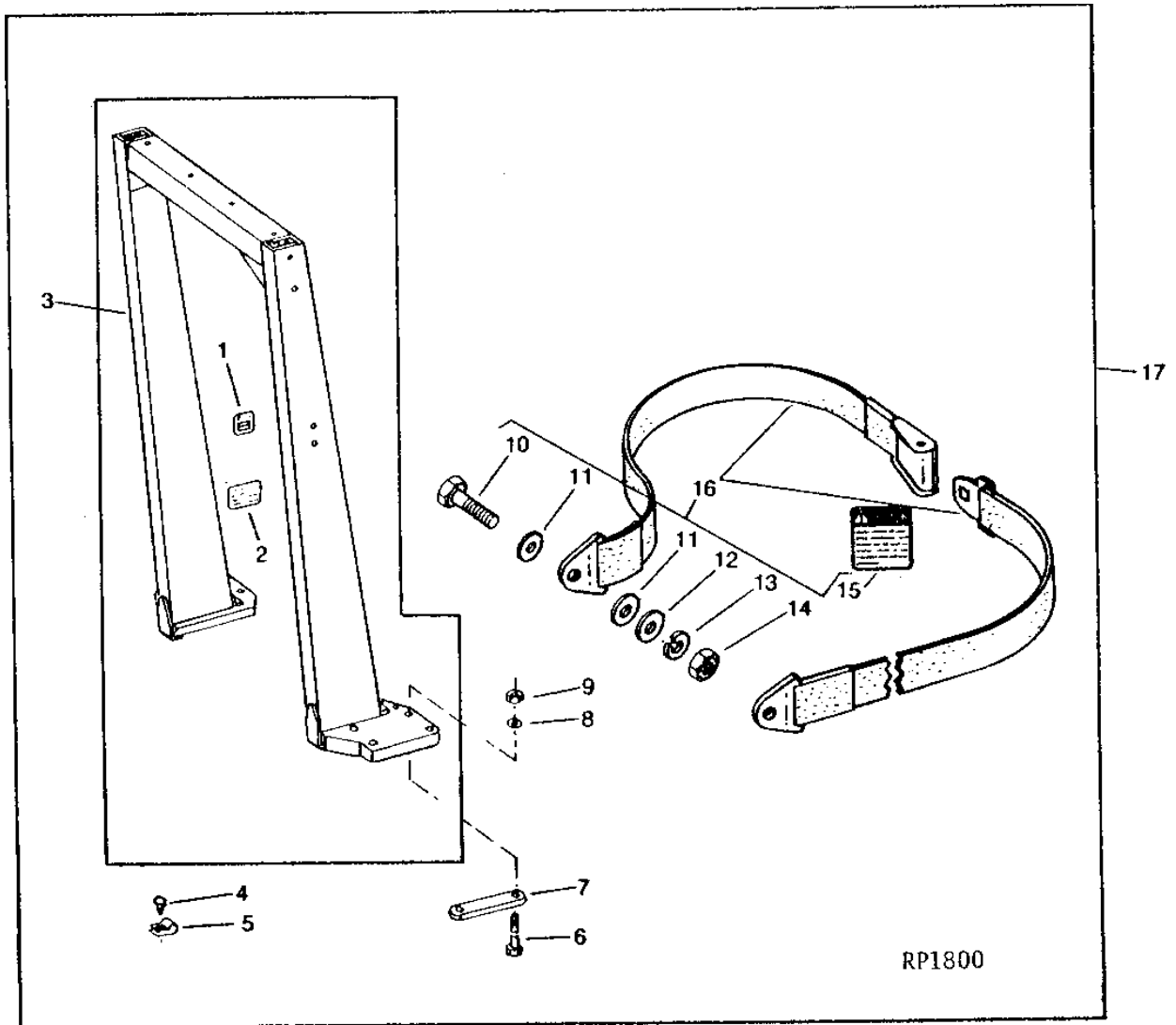
KEY	PART NO.	PART NAME	QTY	TRACTOR SERIAL NO.	REMARKS
1	AR56695	CANOPY	1		(SUB AT53098, R52260 AND (2) R52261)
	R52260	ISOLATOR	1		(CENTER)
	R52261	ISOLATOR	2		(SIDES)
2	T25667	RUBBER MOUNT	2		
3	24H1625	WASHER	4		17/32" X 1" X 0.120"
4	19H1815	CAP SCREW	4		1/2" X 1-1/4"
5	37H3	SCREW	4		1/4" X 5/8"
6	24H1288	WASHER	4		9/32" X 1" X 1/16"
7	R47292	LABEL	1	-XXXXXX	
8	R87527	LABEL	1		CAUTION, (SUB FOR R41781)
9	AR51148	ROLL-GARD	1		(SUB AL70191)
10	37H3	SCREW	2		1/4" X 5/8"
11	T22645	CLIP	2		
12	R48139	CAP SCREW	AR		(8 USED 28" AND UNDER REAR WHEELS) (4 USED 30" AND OVER REAR WHEELS)
	R42439	BOLT	8		
	R54542	CAP SCREW	4		(30" AND OVER REAR WHEELS)
13	U40656	STRAP	2		
	R71477	STRAP	2		(NLA)
14	24H1400	WASHER	8		25/32" X 1-5/8" X 1/4"
	24H1393	WASHER	4		25/32" X 1-3/8" X 0.180"
15	14H794	NUT	8		3/4"
16	LABEL	1		(NOT FURNISHED)

313

OPERATOR'S STATION

RP1800 -UN-01JAN94

ROLL-GARD



314

OPERATOR'S STATION

ROLL-GARD - CONTINUED

KEY	PART NO.	PART NAME	QTY	TRACTOR SERIAL NO.	REMARKS
1	R41781	DECAL	1		CAUTION, (SUB R87527)
2	DECAL	1		(NOT FURNISHED)
3	ROLL-GARD	1		(ORDER AL70191)
4	37H3	SCREW	2		1/4" X 5/8"
5	T22645	CLIP	2		
6	R48139	CAP SCREW	8		(28" AND UNDER REAR WHEELS)
	R48139	CAP SCREW	4		(30" AND OVER REAR WHEELS)
	R54542	CAP SCREW	4		3/4" X 10-3/4"
7	U40656	STRAP	4	-XXXXXX	
	T32480	PLATE	2	XXXXXX-	
8	24H1402	WASHER	4		25/32" X 1-7/8" X 1/4"
	24H1396	WASHER	6		25/32" X 1-1/2" X 0.105"
9	14H858	NUT	8		3/4"
10	R41778	BOLT	2		
11	24H1226	WASHER	4		1/2" X 1-1/4" X 0.083"
12	24H1363	WASHER	2		41/64" X 1-1/16" X 0.105"
13	12H293	LOCK WASHER	2		7/16"
14	14H813	NUT	2		7/16"
15	R81424	LABEL	1		CAUTION
16	AT37833	SEAT BELT	1		51MM (2") WIDTH
17	AR51143	KIT	1		(REGULAR FENDERS) (SUB AL70191)
	AR69101	KIT	1		(ROW-CROP FENDERS)

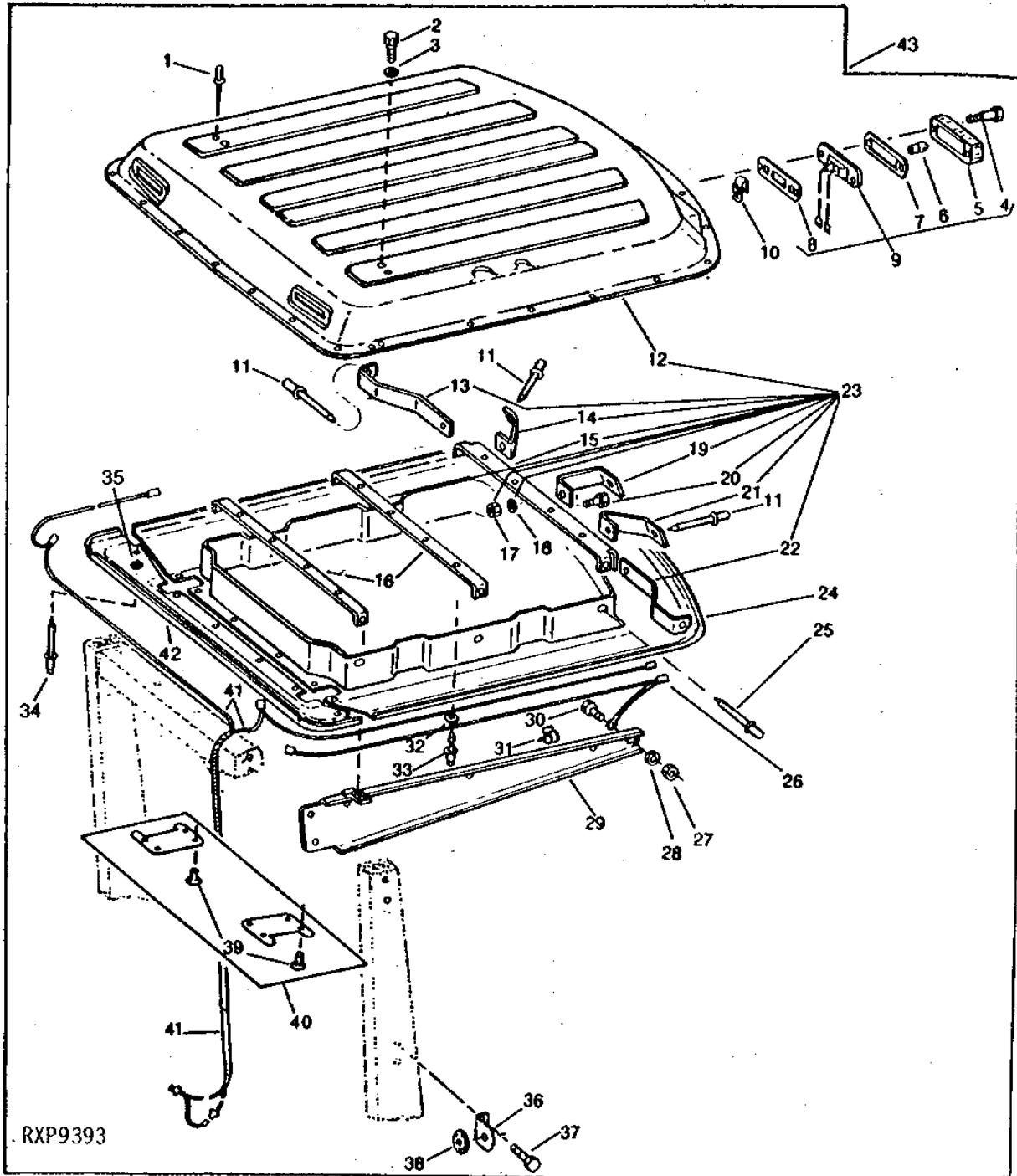
315

OPERATOR'S STATION

RXP9393

-UN-01JAN94

ROLL-GARD CANOPY



316

OPERATOR'S STATION

ROLL-GARD CANOPY - CONTINUED

KEY	PART NO.	PART NAME	QTY	TRACTOR SERIAL NO.	REMARKS
1	R55326	RIVET	2		
2	19H1792	CAP SCREW	2	1/2" X 1"	
3	24H1227	WASHER	2	17/32" X 13/16" X 0.060"	
4	R54781	SCREW	8		
5	R54779	LENS	4		
6	AD2062R	BULB	4	(12-VOLT)	
7	R54782	GASKET	4		
8	R61179	GASKET	4		
9	AR60250	LAMP	4		
10	R99350	NUT	8	(SUB FOR R53528, THIS APPLICATION)	
11	R55326	RIVET	17		
12	R60100	CANOPY	1	(SUB FOR AR78261)	
13	R62926	BRACE	1		
14	R81223	BRACKET	1	(SUB FOR R62926)	
15	AR77698	SUPPORT	1		
16	R62922	SUPPORT	2		
17	14H1076	NUT	7	3/8"	
18	24H1682	WASHER	7	13/32" X 7/8" X 0.120"	
19	R81221	BRACKET	1	(SUB FOR R62929)	
20	19H1731	CAP SCREW	7	3/8" X 1"	
21	R81222	BRACKET	1	(SUB FOR R62923)	
22	R62925	BRACE	1		
23	AR73338	ROOF	1		
	R60101	ISOLATOR	1		
24	R60103	PANEL	1		
25	R55326	RIVET	6		
26	AR56211	WIRING HARNESS	2		
27	14H1076	NUT	6	3/8"	
28	24H1682	WASHER	2	13/32" X 7/8" X 0.120"	
29	AR72902	SUPPORT	1	R.H.	
	AR72903	SUPPORT	1	L.H.	
30	19H1731	CAP SCREW	6	3/8" X 1"	
31	R21551	CLIP	4		
32	R52119	WASHER	32		
33	R63679	RIVET	32		
34	R63679	RIVET	6		
35	R52119	WASHER	6		
36	R60459	BRACKET	2		
37	37H3	SCREW	4	1/4" X 5/8"	
38	T33745	REFLECTOR	2		
39	R63679	RIVET	8	XXXXXX-	
40	AR76583	COVER	2	XXXXXX- (NLA)	
41	AR72987	WIRING HARNESS	1		
	H97644	CONDUIT	1		
42	R60104	PANEL	1		
43	AR73336	CANOPY	1	-XXXXXX (ALSO ORDER AR87385)	
	RE19445	CANOPY	1	XXXXXX- (NLA)	

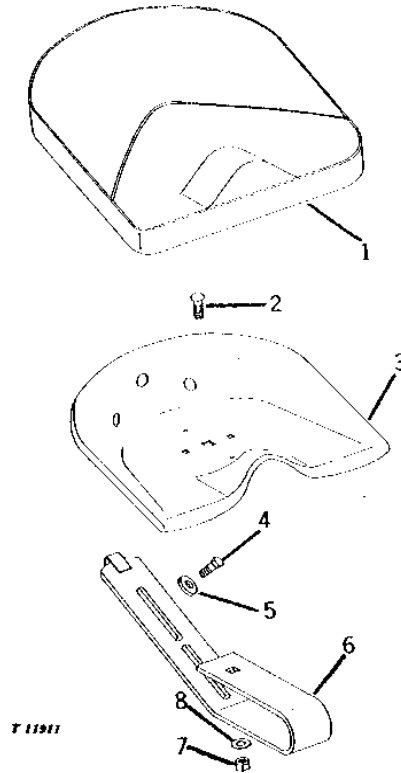
MEMORANDA

317

OPERATOR'S STATION

STEEL SEAT ASSEMBLY
(TRACTOR SERIAL NO. -187300)

T11911 -UN-01JAN94



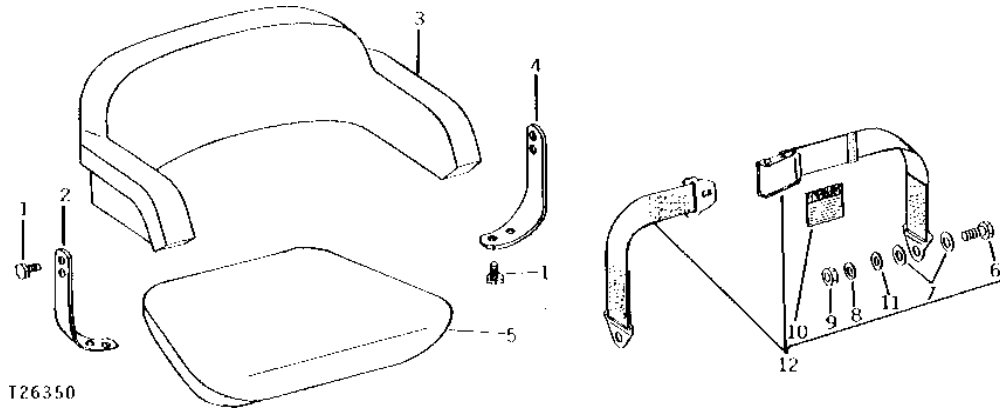
KEY	PART NO.	PART NAME	QTY	TRACTOR SERIAL NO.	REMARKS
1	AT20190	FOAM PAD	1		(NO LONGER AVAILABLE)
2	03H1652	BOLT	1		5/8" X 1-1/2"
3	AD1606R	SEAT	1		
4	19H1815	CAP SCREW	2		1/2" X 1-1/4"
5	M557T	WASHER	2		
6	AT21752	RETAINER	1		(SUB T23227 AND T24677)
7	14H1039	NUT	1		5/8"
8	12H294	LOCK WASHER	1		5/8"

318

OPERATOR'S STATION

T26350 -UN-01JAN94

DELUXE SEAT



KEY	PART NO.	PART NAME	QTY	TRACTOR SERIAL NO.	REMARKS
1	19H1936	CAP SCREW	8	3/8" X 3/4"	
2	T27718	SUPPORT	1	R.H.	
3	AR65449	CUSHION	1	(YELLOW) (SUB FOR AT25963)	
4	T27719	SUPPORT	1	L.H.	
5	AR65448	CUSHION	1	(YELLOW) (SUB FOR AT20489)	
6	R41778	BOLT	2		
7	24H1226	WASHER	4	1/2" X 1-1/4" X 0.083"	
8	12H293	LOCK WASHER	2	7/16"	
9	14H1047	NUT	2	7/16"	
10	R81424	LABEL	1	(SUB FOR R42732)	
11	24H1363	WASHER	2	41/64" X 1-1/16" X 0.105"	
12	AT24149	SEAT BELT	1	(SUB FOR AT24917 OR AT24149)	

MEMORANDA

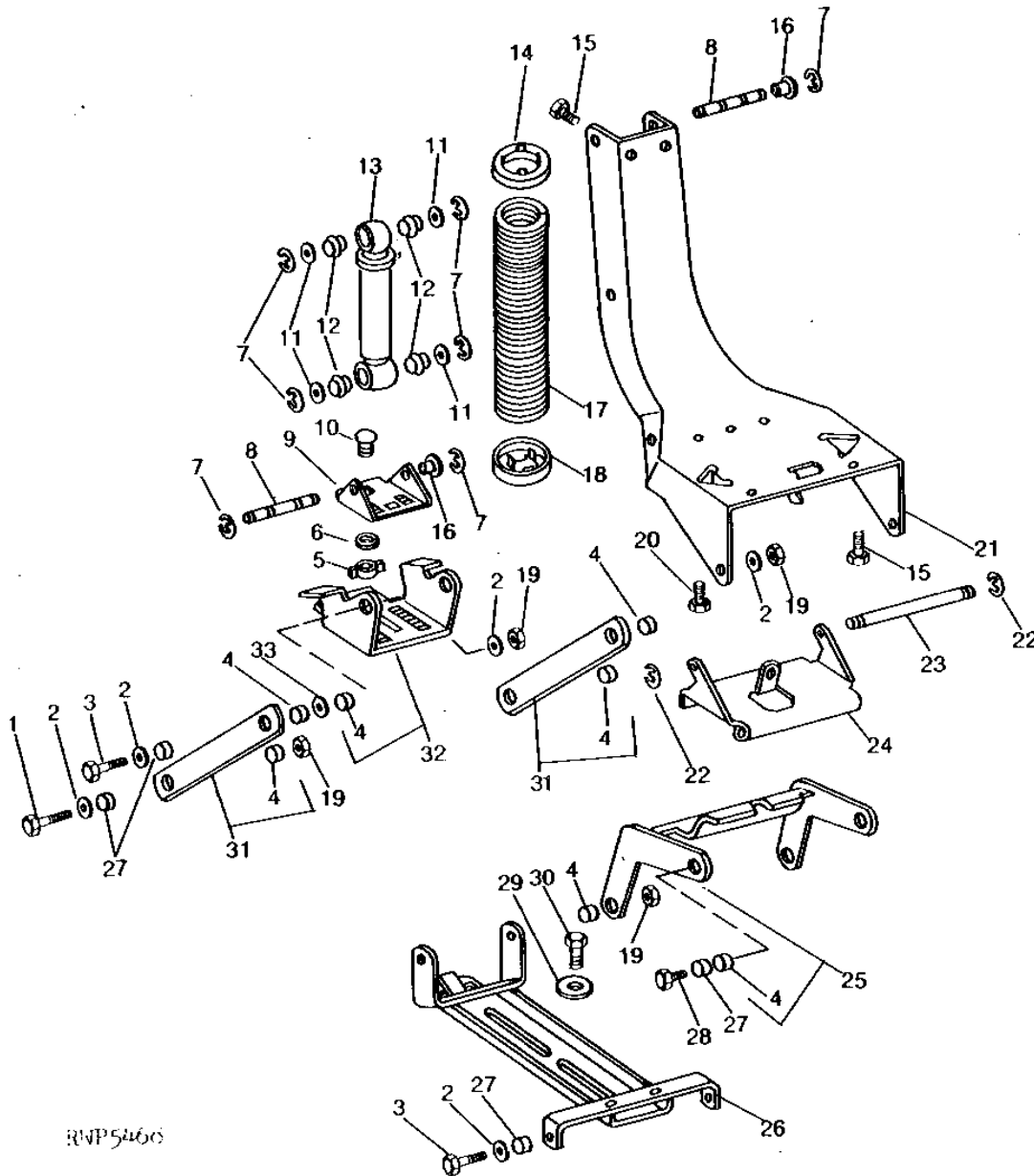
319

OPERATOR'S STATION

RWP5468

-UN-01JAN94

DELUXE SEAT SUPPORT ASSEMBLY



3110

OPERATOR'S STATION

DELUXE SEAT SUPPORT ASSEMBLY - CONTINUED

KEY	PART NO.	PART NAME	QTY	TRACTOR SERIAL NO.	REMARKS
1	19H1765	CAP SCREW	2		3/8" X 1-3/4"
2	R27441	WASHER	10		
3	19H1732	CAP SCREW	4		3/8" X 1-1/4"
4	R27116	BUSHING	10		
5	14H819	WING NUT	2		5/16", (SUB FOR T23238 OR R1069R)
6	24H1290	WASHER	2		21/64" X 3/4" X 0.035"
7	F2863R	SNAP RING	8		
8	T21923	SHAFT	2		
9	T23237	SUPPORT	1		
10	03H1540	BOLT	2		5/16" X 3/4"
11	R1836R	WASHER	4		
12	R26832	BUSHING	4		
13	AR71976	ABSORBER	1		(SUB FOR AR26529 OR AR69854) (SUB RE62234)
14	R27442	CAP	1		
15	19H1936	CAP SCREW	4		3/8" X 3/4"
16	T21926	BUSHING	2		
17	R26877	SPRING	1		
18	R26879	CAP	1		
19	14H1076	NUT	8		3/8"
20	19H1732	CAP SCREW	1		3/8" X 1-1/4"
21	T21920	FRAME	1		
22	R72655	SNAP RING	2		(SUB FOR T12808)
23	T21922	PIN	1		
24	T27971	LATCH	1		
25	AT26122	LINK	1		(SUB AT26123 AND (4) R27116)
26	AT19923	SUPPORT	1		(SUB AT35094 AND T23227)
27	R27440	BUSHING	10		
28	19H1731	CAP SCREW	2		3/8" X 1"
29	M557T	WASHER	2		
30	19H1815	CAP SCREW	2		1/2" X 1-1/4"
31	AT20438	LINK	2		
32	AT20441	LINK	1		
33	24H1309	WASHER	2		13/32" X 1-1/16" X 0.120"

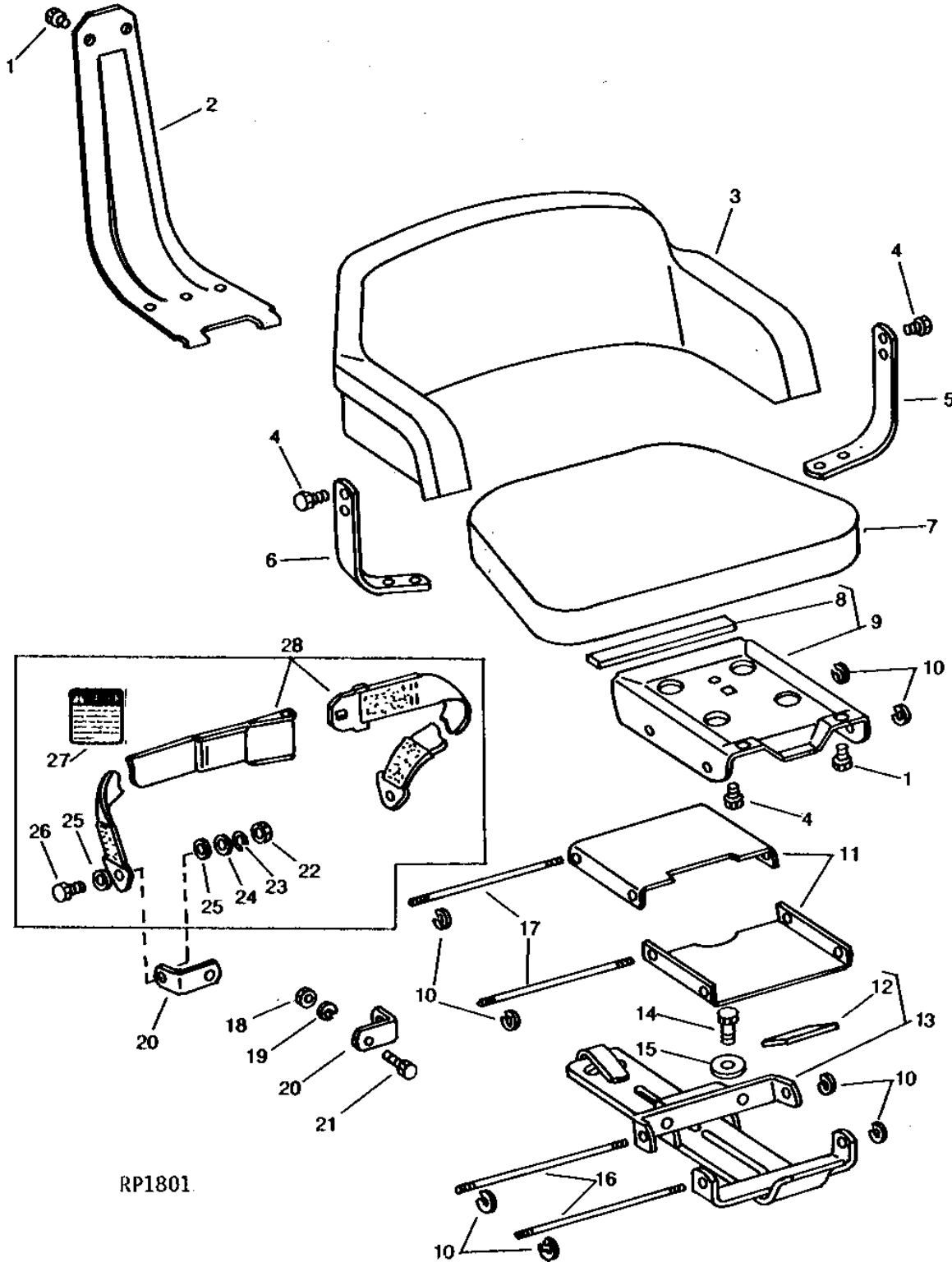
3111

OPERATOR'S STATION

RP1801

-UN-01JAN94

REGULAR SEAT ASSEMBLY



RP1801

3112

OPERATOR'S STATION

REGULAR SEAT ASSEMBLY - CONTINUED

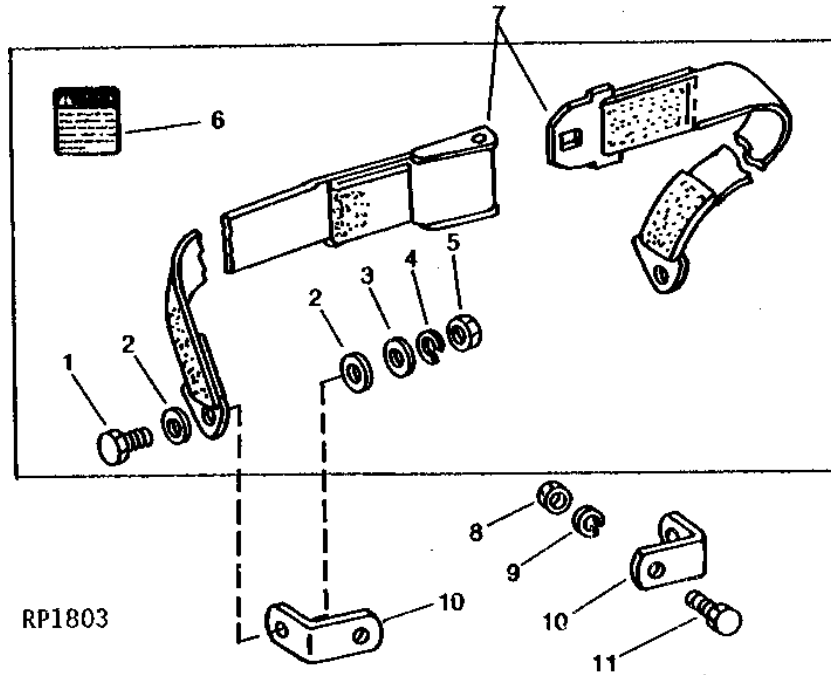
KEY	PART NO.	PART NAME	QTY	TRACTOR SERIAL NO.	REMARKS
1	19H1936	CAP SCREW	4		3/8" X 3/4"
2	T22782	SUPPORT	1		
3	AR65449	CUSHION	1		(YELLOW) (SUB FOR AT25963)
4	19H1936	CAP SCREW	9		3/8" X 3/4"
5	T27719	SUPPORT	1		
6	T27718	SUPPORT	1		
7	AR65448	CUSHION	1		(YELLOW) (SUB FOR AT20489)
8	T22781	WEATHERSTRIP	1		
9	AT20792	SUPPORT	1		(SUB T22780 AND T22781)
10	R72655	SNAP RING	8		(SUB FOR T12808)
11	T22777	LINK	2		
12	T22776	WEATHERSTRIP	1		
13	AT20791	SUPPORT	1		
14	19H1815	CAP SCREW	2		1/2" X 1-1/4"
15	M557T	WASHER	2		
16	T22779	PIN	2		LOWER
17	T22778	PIN	2		UPPER
18	14H1040	NUT	2		1/2"
19	12H301	LOCK WASHER	2		1/2"
20	T26153	ANGLE	1		
21	19H3579	CAP SCREW	2		1/2" X 1-3/8"
22	14H1047	NUT	2		7/16"
23	12H293	LOCK WASHER	2		7/16"
24	24H1363	WASHER	2		41/64" X 1-1/16" X 0.105"
25	24H1226	WASHER	4		1/2" X 1-1/4" X 0.083"
26	R41778	BOLT	2		
27	R81424	LABEL	1		(SUB FOR R42732)
28	AT37833	SEAT BELT	1		(SUB FOR AT24917 OR AT24149)

3113

OPERATOR'S STATION

RP1803 -UN-01JAN94

SEAT BELT



RP1803

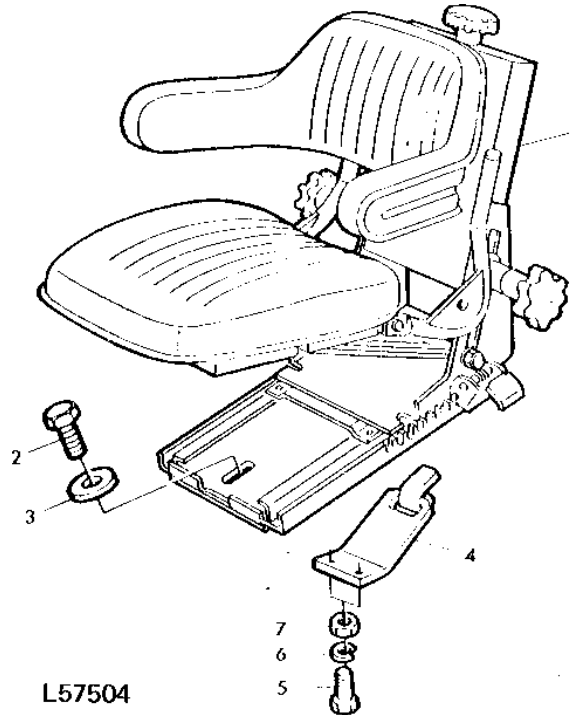
KEY	PART NO.	PART NAME	QTY	TRACTOR SERIAL NO.	REMARKS
1	R41778	BOLT	2		
2	24H1226	WASHER	4		1/2" X 1-1/4" X 0.083"
3	24H1363	WASHER	2		41/64" X 1-1/16" X 0.105"
4	12H293	LOCK WASHER	2		7/16"
5	14H1047	NUT	2		7/16"
6	R81424	LABEL	1		(SUB FOR R42732)
7	AT37833	SEAT BELT	1		76MM (3") (WIDTH) (SUB FOR AT24149)
	AT38518	SEAT BELT	1		51MM (2") (WIDTH)
8	14H1040	NUT	2		1/2"
9	12H301	LOCK WASHER	2		1/2"
10	T26153	ANGLE	2		
11	19H3579	CAP SCREW	2		1/2" X 1-3/8"

3114

OPERATOR'S STATION

L57504 -UN-01JAN94

DELUXE SEAT ASSEMBLY



KEY	PART NO.	PART NAME	QTY	TRACTOR SERIAL NO.	REMARKS
1	AL24161	SEAT	1	(SUB AL39913)	
2	19H1815	CAP SCREW	2	1/2" X 1-1/4"	
3	M557T	WASHER	2		
4	AL23433	RETAINER	1	(SUB AL63296)	
5	19H1849	CAP SCREW	2	5/16" X 1-1/4"	
6	12H303	LOCK WASHER	2	5/16"	
7	14H785	NUT	2	5/16"	

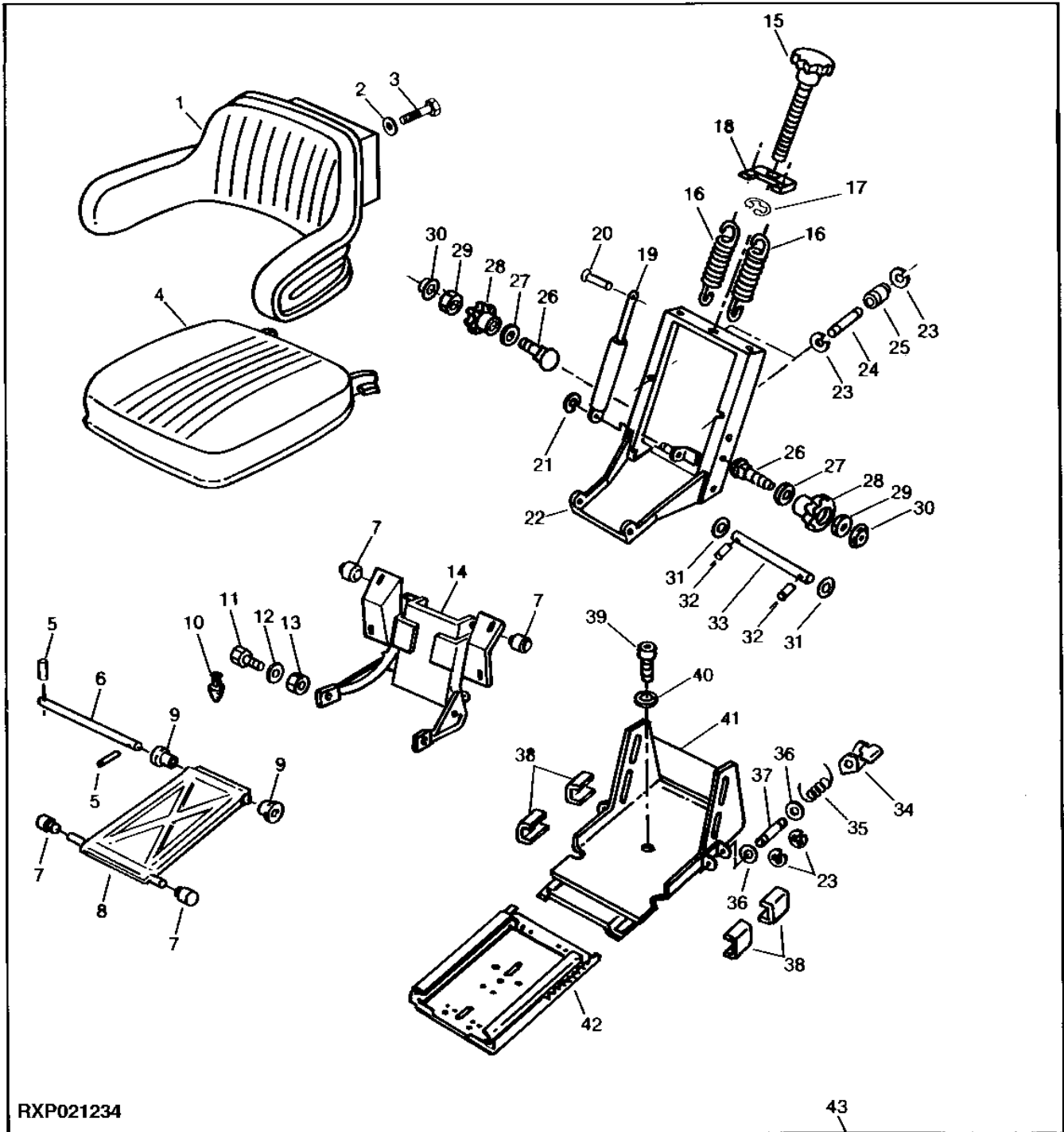
USE ON TRACTORS HAVING AN "L" AS THE LAST DIGIT OF THE CHASSIS SERIAL NUMBER.

3115

OPERATOR'S STATION

RXP021234 -UN-28AUG95

DELUXE SEAT



RXP021234

3116

OPERATOR'S STATION

DELUXE SEAT AND SUPPORT - CONTINUED

KEY	PART NO.	PART NAME	QTY	TRACTOR SERIAL NO.	REMARKS
1	AL24163	ARMREST	1		(YELLOW) (SUB AL39816)
2	24M7055	WASHER	4		8.400 X 16 X 1.600 MM
3	19H1813	CAP SCREW	4		5/16" X 5/8"
4	AL24170	CUSHION	1		(YELLOW) (SUB AL70202)
5	34M3851	SPRING PIN	2		
6	L29209	PIN	1		
7	L25686	ROLLER	4		(SUB L64688)
8	AL24164	SEAT	1		
9	L27167	BUSHING	2		
10	L25678	BUMPER	1		
11	19H2508	CAP SCREW	2		1/2" X 1-3/8"
12	24M7047	WASHER	2		13 X 24 X 2.500 MM
13	T27645	NUT	2		1/2", (SUB K40014)
14	AL24169	SUPPORT	1		
15	AL23886	BOLT	1		
16	L41593	EXTENSION SPRING	2		(SUB FOR L28076)
17	40M7042	SNAP RING	1		
18	L28077	RETAINER	1		
19	AL24165	ABSORBER	1		
20	16M7061	RIVET	1		(SUB FOR L28081)
21	L27166	SNAP RING	1		(NLA)
22	AL24168	SPRING	1	-229006	(SUB AL30692)
	AL30692	HOUSING	1	229007-	
23	40M7041	SNAP RING	6		
24	L31731	PIN	2		
25	AL26918	ROLLER	2		
26	03M7099	BOLT	2		M10 X 45
27	24M7149	WASHER	2		10.500 X 30 X 2.500 MM
28	L29211	HANDLE	2		
29	L31730	NUT	2		
30	L31727	COVER	1		
31	24M7044	WASHER	2		13 X 20 X 2 MM
32	34M3851	SPRING PIN	2		4 X 24 MM
33	L29208	PIN	1		
34	L29204	PAWL	1		(SEAT ADJUSTMENT)
35	L29206	SPRING	1		
36	24M7055	WASHER	2		8.400 X 16 X 1.600 MM
37	L29205	PIN	1		
38	L29202	RAIL	8	-116799	
	L31729	RAIL	4	116800-	
39	19M7695	SCREW	1		M10 X 20
40	12M7013	LOCK WASHER	1		10.200 MM M10
41	AL24167	ADJUSTER	1	-229006	(HEIGHT ADJUSTMENT) (SUB AL30691)
	AL30691	FRAME	1	229007-	(HEIGHT ADJUSTMENT)
42	AL28248	ADJUSTER	1		(LENGTH ADJUSTMENT)
43	AL24161	SEAT	1		(SUB AL56097 AND (2) 19H1815)

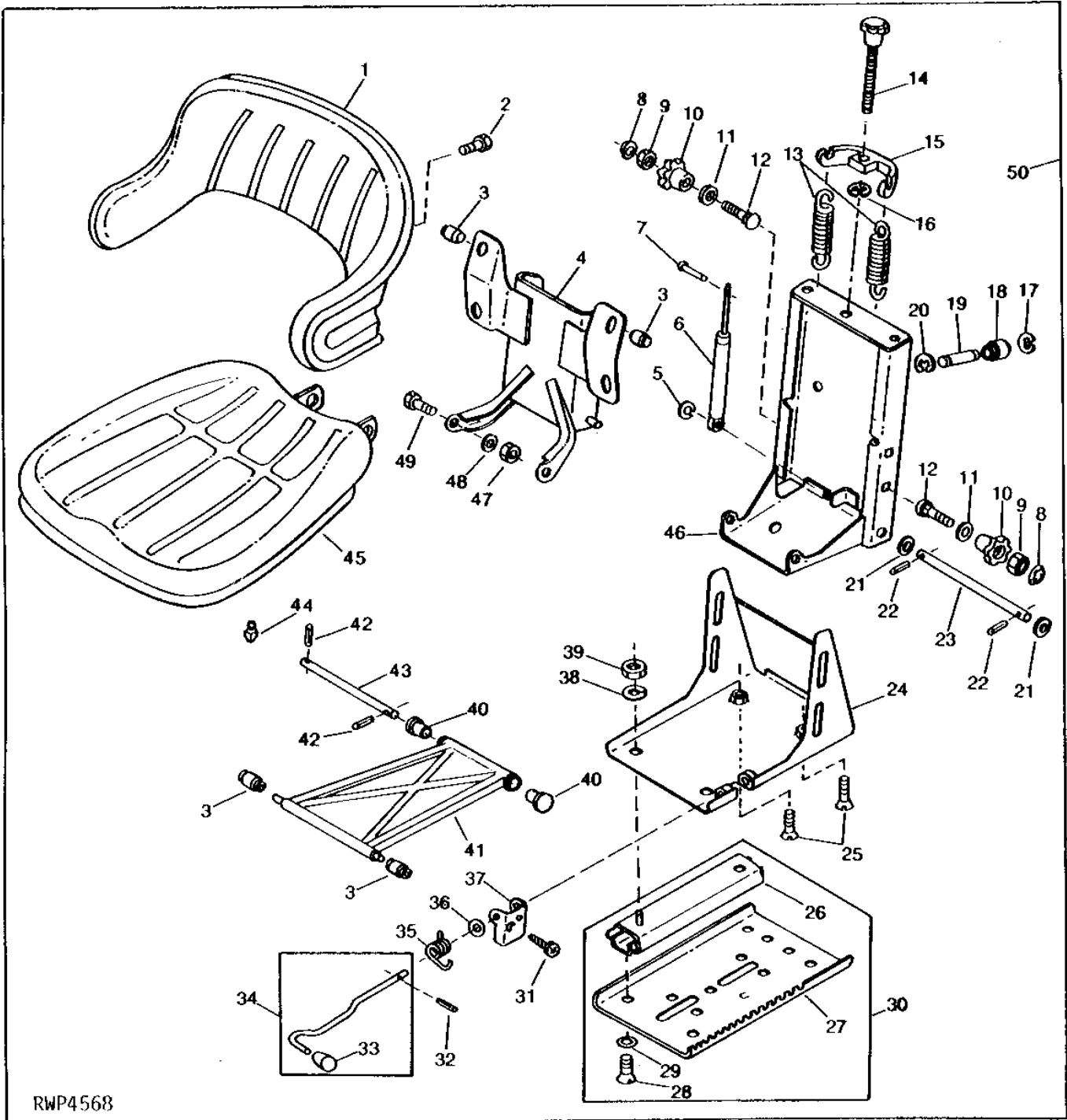
3117

OPERATOR'S STATION

RWP4568

-UN-01JAN94

DELUXE SEAT ASSEMBLY



3118

OPERATOR'S STATION

DELUXE SEAT ASSEMBLY - CONTINUED

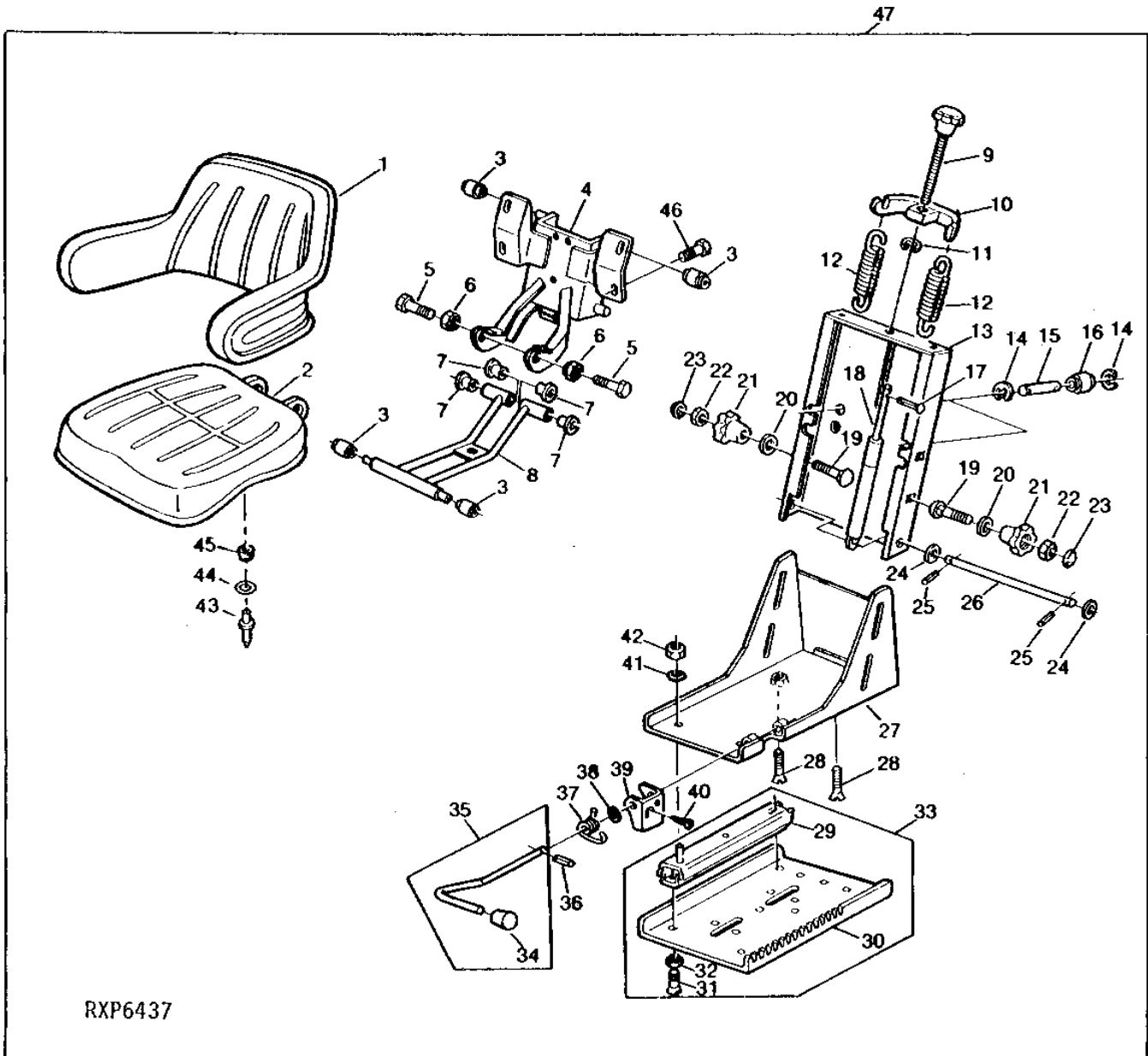
KEY	PART NO.	PART NAME	QTY	TRACTOR SERIAL NO.	REMARKS
1	AL36555	SEAT BACK	1		(SUB AL39816)
2	19H1813	CAP SCREW	4		5/16" X 5/8"
3	L25686	ROLLER	4		GUIDE, 480 I.D.
4	AL24169	SUPPORT	1		
5	L27166	SNAP RING	1		(NLA)
6	AL24165	ABSORBER	1		
7	16M7061	RIVET	1		4 X 25 MM
8	L31727	COVER	2		
9	L31730	NUT	2		
10	L29211	HANDLE	2		
11	24M7149	WASHER	2		10.500 X 30 X 2.500 MM
12	03M7099	BOLT	2		M10 X 45
13	L35825	LEAF SPRING	2		
14	AL33069	SPINDLE	1		
15	L28077	RETAINER	1		
16	40M7042	SNAP RING	2		
17	40M7041	SNAP RING	2		
18	AL26918	ROLLER	2		
19	L31731	PIN	2		
20	40M7041	SNAP RING	2		
21	24M7044	WASHER	2		13 X 20 X 2 MM
22	34M3851	SPRING PIN	2		4 X 24 MM
23	L29208	PIN	1		
24	AL33010	ADJUSTER	1		
25	19M7902	SCREW	2		M8 X 16
26	AL33439	RAIL	2		
27	L36269	PLATE	1		
28	19M7924	SCREW	4		M8 X 16
29	L36292	LOCK NUT	4		
30	AL33016	ADJUSTER	1		
31	37M7079	SCREW	1		
32	34M7121	SPRING PIN	1		4 X 28 MM, (NLA)
33	L34156	KNOB	1		
34	AL36327	LEVER	1		
35	L35769	SPRING	1		
36	24M7207	WASHER	1		8.400 X 24 X 2 MM
37	L38377	PAWL	1		
38	12M7032	LOCK WASHER	1		M8
39	14M7273	NUT	2		M8
40	L27167	BUSHING	2		
41	AL24164	SEAT	1		
42	34M3851	SPRING PIN	2		4 X 24 MM
43	L29209	PIN	1		
44	L25678	BUMPER	1		
45	AL36324	SEAT	1		(SUB AL70202)
46	AL30692	HOUSING	1		
47	K40014	LOCK NUT	2		(SUB FOR T27645)
48	24M7047	WASHER	1		13 X 24 X 2.500 MM
49	19H2508	CAP SCREW	2		1/2" X 1-3/8"
50	AL36556	SEAT	1		(SUB FOR AL24161) (SUB AL56097 AND (2) 19H1815)

3119

OPERATOR'S STATION

RXP6437 -UN-01JAN94

DELUXE SEAT ASSEMBLY



3120

OPERATOR'S STATION

DELUXE SEAT ASSEMBLY - CONTINUED

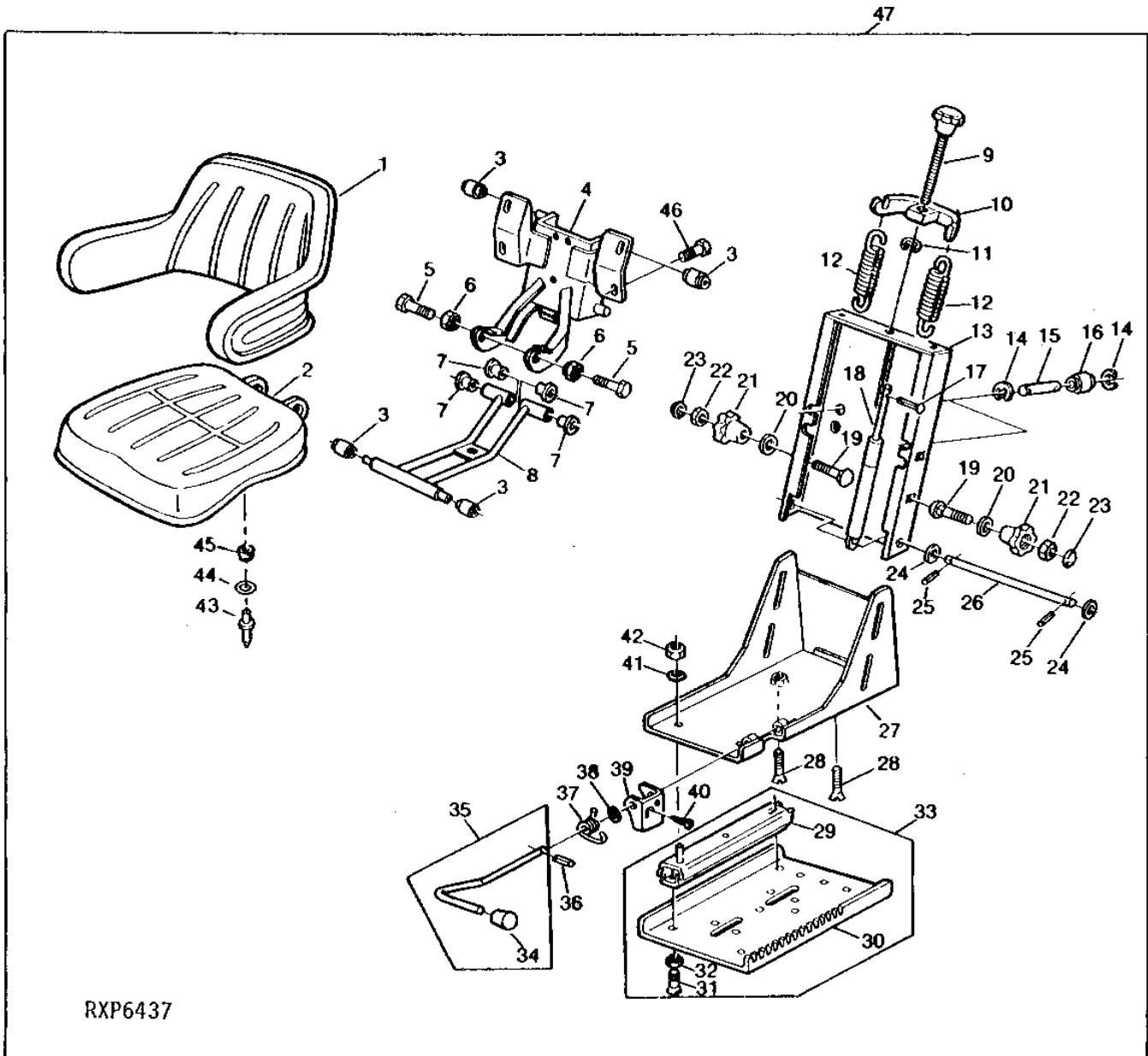
KEY	PART NO.	PART NAME	QTY	TRACTOR SERIAL NO.	REMARKS
1	AL39816	SEAT BACK	1		
2	AL39823	SEAT	1		(SUB AL70202)
3	L25686	ROLLER	4		
4	AL39940	SUPPORT	1		(SUB AL70339)
5	19H1792	CAP SCREW	2		1/2" X 1"
6	T27645	NUT	2		1/2"
7	L27167	BUSHING	AR		
8	AL39941	ARM	1		
9	AL39944	KNOB	1		
10	AL39943	RETAINER	1		
11	40M7042	SNAP RING	1		7MM
12	L35825	LEAF SPRING	2		(SUB FOR L61554)
13	L41591	SPRING ASSEMBLY	1		
14	40M7041	SNAP RING	4		5MM
15	L31731	PIN	2		
16	AL26918	ROLLER	2		
17	16M7061	RIVET	1		4 X 25 MM
18	AL39942	ABSORBER	1		
19	03M7099	BOLT	2		M10 X 45
20	24M7178	WASHER	2		10.500 X 30 X 2.500 MM
21	L29211	HANDLE	2		
22	L31730	NUT	2		10MM
23	L31727	COVER	2		
24	24M7047	WASHER	2		13 X 24 X 2.500 MM
25	34M3851	SPRING PIN	2		4 X 24 MM
26	L29208	PIN	1		
27	AL33010	ADJUSTER	1		
28	19M7297	CAP SCREW	2		M8 X 12
29	AL33439	RAIL	2		
30	L36269	PLATE	1		
31	19M7924	SCREW	4		M8 X 16
32	L36292	LOCK NUT	4		M8
33	AL33016	ADJUSTER	1		
34	L34156	KNOB	1		
35	AL35641	LEVER	1		
36	34M7127	SPRING PIN	1		4 X 24 MM
37	L35769	SPRING	1		
38	24M7207	WASHER	1		8.400 X 24 X 2 MM
39	L38377	PAWL	1		
40	37M7079	SCREW	1		6.3X13MM
41	12M7032	LOCK WASHER	2		M8
42	14M7273	NUT	2		M8
43	L39010	RIVET	2		
44	24M7117	WASHER	2		4.300 X 9 X 0.800 MM
45	L35768	BUMPER	2		
46	19H1813	CAP SCREW	4		5/16" X 5/8"
47	AL39913	SEAT	1		(ALSO ORDER (2) 19H1815) (SUB AL56097)

3121

OPERATOR'S STATION

RXP6437 -UN-01JAN94

DELUXE SEAT ASSEMBLY



3122

OPERATOR'S STATION

DELUXE SEAT ASSEMBLY - CONTINUED

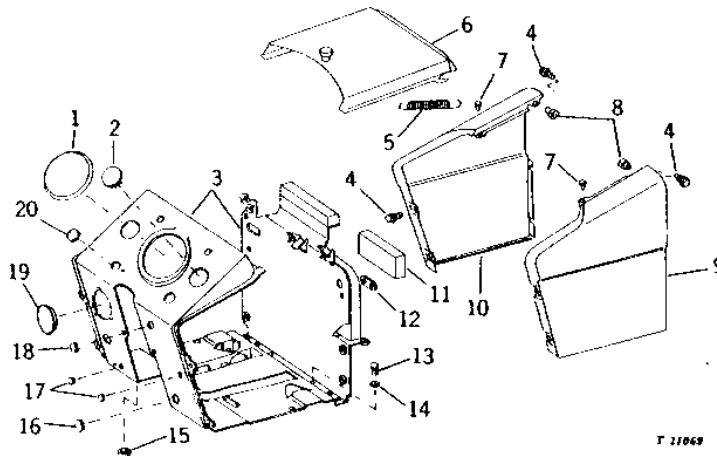
KEY	PART NO.	PART NAME	QTY	TRACTOR SERIAL NO.	REMARKS
1	AL64414	CUSHION	1		
2	AL70356	CUSHION	1		
3	L64688	ROLLER	4		
4	AL70339	DRIVER	1		
5	19H2508	CAP SCREW	2		1/2" X 1-3/8"
6	E62934	FLANGE NUT	2		1/2"
7	L27167	BUSHING	AR		
8	AL39941	ARM	1		
9	AL39944	KNOB	1		
10	AL39943	RETAINER	1		
11	40M7042	SNAP RING	1		7MM
12	L35825	LEAF SPRING	2		(SUB FOR L61554)
13	L41591	SPRING ASSEMBLY	1		
14	40M7041	SNAP RING	4		5MM
15	L31731	PIN	2		
16	AL26918	ROLLER	2		
17	16M7061	RIVET	1		4 X 25 MM
18	AL39942	ABSORBER	1		
19	03M7099	BOLT	2		M10 X 45
20	24M7178	WASHER	2		10.500 X 30 X 2.500 MM
21	L29211	HANDLE	2		
22	L31730	NUT	2		10MM
23	L31727	COVER	2		
24	24M7047	WASHER	2		13 X 24 X 2.500 MM
25	34M3851	SPRING PIN	2		4 X 24 MM
26	L29208	PIN	1		
27	AL33010	ADJUSTER	1		
28	19M7297	CAP SCREW	2		M8 X 12
29	AL33439	RAIL	2		
30	L36269	PLATE	1		
31	19M7924	SCREW	4		M8 X 16
32	14M7166	LOCK NUT	4		M8
33	AL33016	ADJUSTER	1		
34	L34156	KNOB	1		
35	AL35641	LEVER	1		
36	34M7127	SPRING PIN	1		4 X 24 MM
37	L35769	SPRING	1		
38	24M7207	WASHER	1		8.400 X 24 X 2 MM
39	L38377	PAWL	1		
40	37M7079	SCREW	1		6.3X13MM
41	12M7032	LOCK WASHER	2		M8
42	14M7273	NUT	2		M8
43	L39010	RIVET	2		
44	24M7117	WASHER	2		4.300 X 9 X 0.800 MM
45	L35768	BUMPER	2		
46	19H1813	CAP SCREW	4		5/16" X 5/8"
47	AL56097	SEAT	1		(ALSO ORDER (2) 19H1815)

3123

OPERATOR'S STATION

T21069 -UN-01JAN94

COWL



T 21069

KEY	PART NO.	PART NAME	QTY	TRACTOR SERIAL NO.	REMARKS
1	T22212	PLUG	1		(TACHOMETER)
2	T14500	PLUG	1		(FUEL GAUGE)
3	AR64369	INSTRUMENT PANEL	1		(ALSO ORDER T16734, T22213, H84660 AND (2) R44720) (SUB FOR AR51436)
4	T22211	SCREW, WITH WASHER	10		
5	T25367	EXTENSION SPRING	1		
6	AT20026	COVER	1		
7	T22085	BUMPER	2		
8	T22086	NUT	2		
9	T22209	COWL	1	R.H.	
10	T22210	COWL	1	L.H.	
11	T21490	FOAM PAD	1		
12	R26418	GROMMET	1		
13	19H2021	CAP SCREW	4	3/8" X 5/8"	
14	12H304	LOCK WASHER	4	3/8"	
15	T23247	GROMMET	1		
16	A4270R	PLUG	1		(CIGAR LIGHTER)
17	M42229	PLUG	2		(ETHER STARTING) (SUB FOR T11708)
18	T16738	PLUG	1		(HORN BUTTON)
19	T22213	PLUG	1		(HOUR METER)
20	M42229	PLUG	1		(LIGHT SWITCH) (SUB FOR T11708)

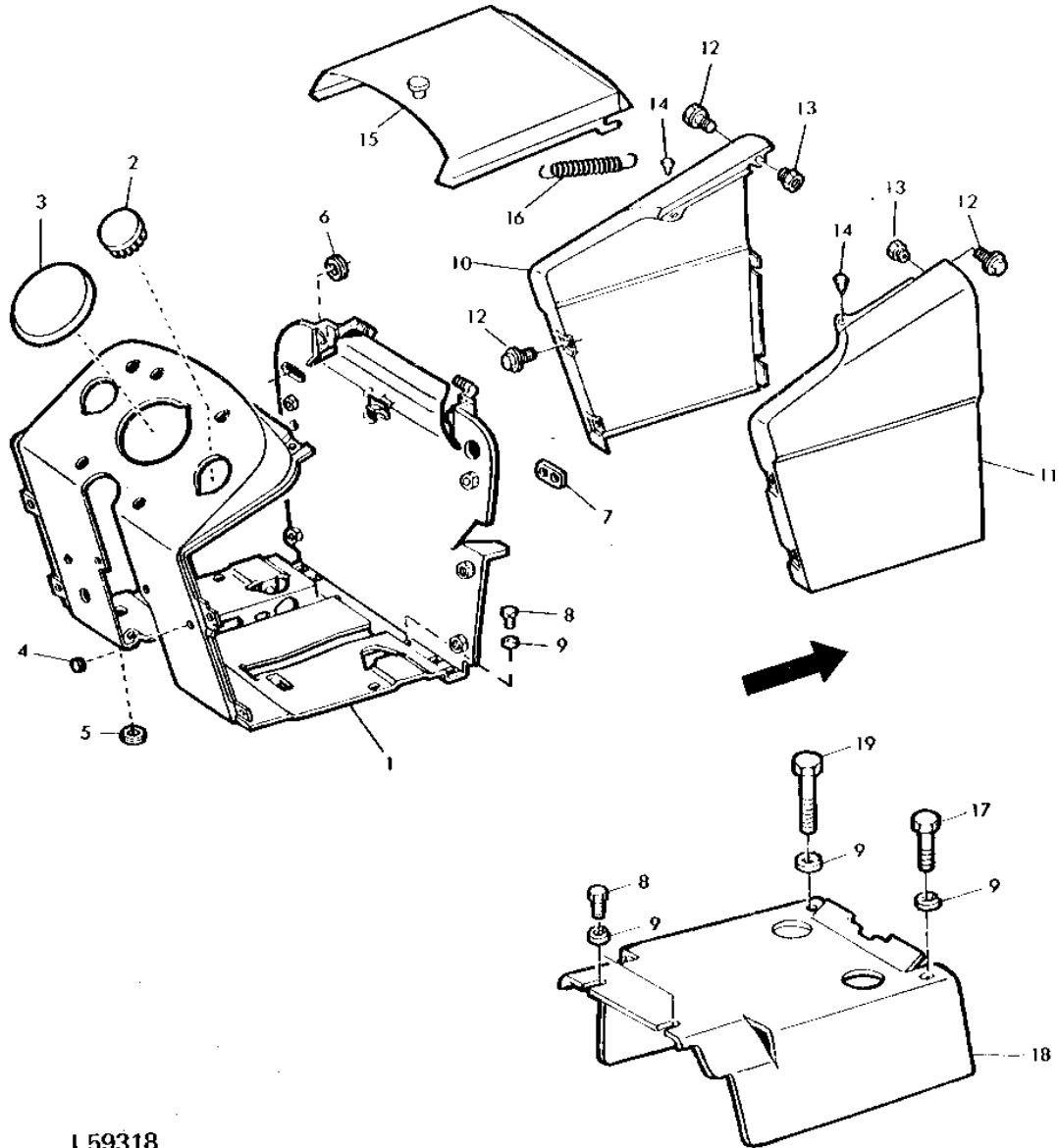
MEMORANDA

3124

OPERATOR'S STATION

L59318 -UN-01JAN94

DASH AND COWL



L59318

3125

OPERATOR'S STATION

DASH AND COWL - CONTINUED

KEY	PART NO.	PART NAME	QTY	TRACTOR SERIAL NO.	REMARKS
1	AL25344	COWL	1		(NLA)
2	T14500	PLUG	1		(FUEL GAUGE)
3	T24540	SLEEVE	1		(TACHOMETER)
4	H84660	PLUG	1		(REPLACEMENT DASH)
5	T23247	GROMMET	1		
6	R26936	GROMMET	1		
7	R26418	GROMMET	1		
8	19H2021	CAP SCREW	6		3/8" X 5/8"
9	12H304	LOCK WASHER	10		3/8"
10	T22210	COWL	1		L.H.
11	T22209	COWL	1		R.H.
12	T22211	SCREW, WITH WASHER	10		
13	T22086	NUT	2		
14	T22085	BUMPER	2		
15	AT20026	COVER	1		
16	T25367	EXTENSION SPRING	1		
17	19H1765	CAP SCREW	1		3/8" X 1-3/4"
18	T30748	SHIELD	1		(INDEPENDENT PTO)
19	19H1819	CAP SCREW	1		3/8" X 2-1/8"

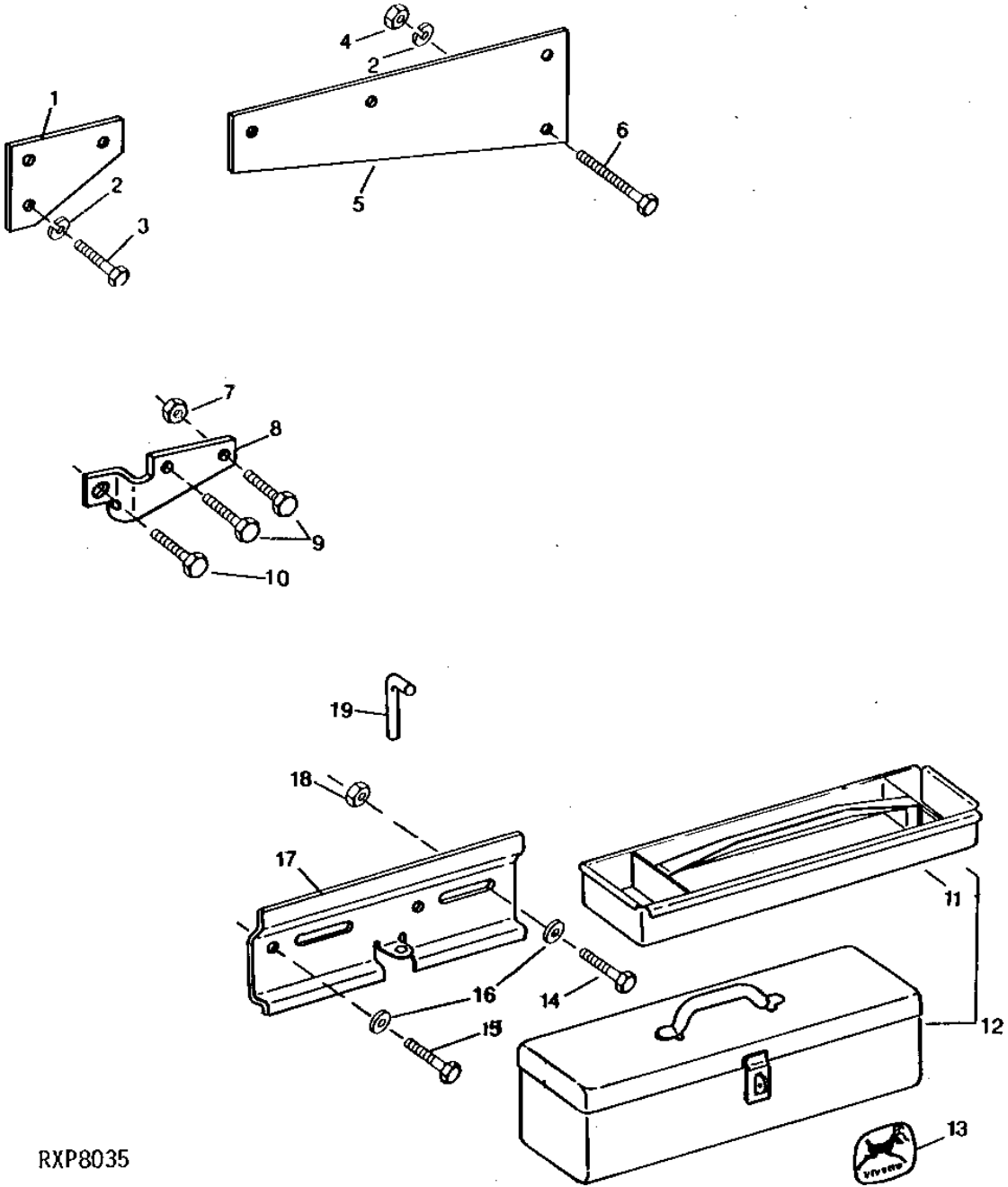
USE ON TRACTORS HAVING AN "L" AS THE LAST DIGIT OF THE CHASSIS SERIAL NUMBER.

3J1

OPERATOR'S STATION

RXP8035 -UN-01JAN94

TOOLBOX AND SUPPORTS



RXP8035

3J2

OPERATOR'S STATION

TOOLBOX AND SUPPORTS - CONTINUED

KEY	PART NO.	PART NAME	QTY	TRACTOR SERIAL NO.	REMARKS
1	T23035	PLATE	1	(A)	
2	12H294	LOCK WASHER	4	(A) 5/8"	
3	19H1833	CAP SCREW	2	(A) 5/8" X 1-1/4"	
4	14H1039	NUT	2	(A) 5/8"	
5	R77511	SUPPORT	1	(A)	
6	19H1863	CAP SCREW	2	(A) 5/8" X 3"	
7	14H1039	NUT	2	5/8"	
8	L34351	BRACKET	1		
9	19H1833	CAP SCREW	2	5/8" X 1-1/4"	
10	19H1871	CAP SCREW	1	3/4" X 1-1/4"	
11	AT22073	HOLDER	1		
12	AT22070	TOOLBOX	1		
13	JD5602	LABEL	1	-XXXXXX	
14	19H1833	CAP SCREW	1	5/8" X 1-1/4"	
15	19H1916	CAP SCREW	1	5/8" X 1"	
16	24H1363	WASHER	2	41/64" X 1-1/16" X 0.105"	
17	T23033	BRACKET	1		
18	14H1039	NUT	1	5/8"	
19	T23027	PIN	1		

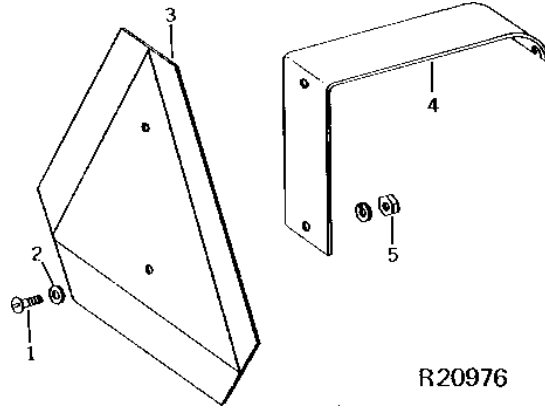
(A) LESS SIDE FRAME

3J3

OPERATOR'S STATION

SLOW MOVING VEHICLE EMBLEM AND BRACKET (REGULAR OR DELUXE SEAT)

R20976 -UN-01JAN94



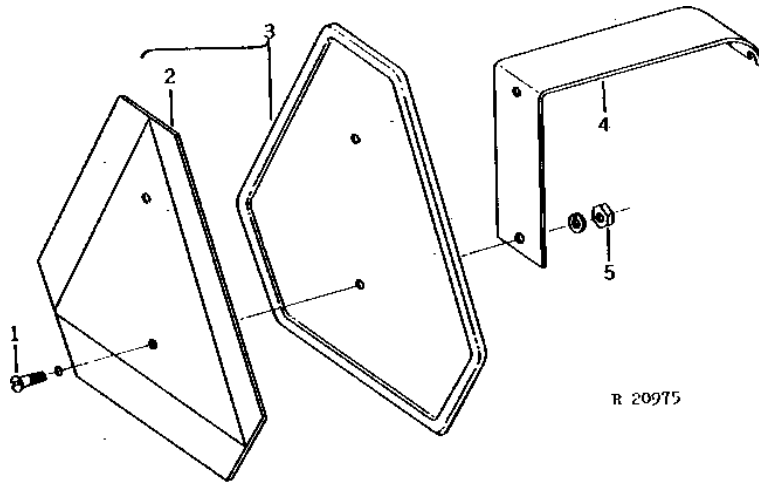
KEY	PART NO.	PART NAME	QTY	TRACTOR SERIAL NO.	REMARKS
1	21H1301	SCREW	2	0.190" X 1/2"	
2	B1664R	SHIM	2	0.030"	
3	JD5403	SMV EMBLEM	1	(SUB TY2615)	
4	R55932	BRACKET	1	(SUB FOR T30399)	
5	14H778	NUT	2	0.190"	
	12H246	LOCK WASHER	2	0.190"	

3J4

OPERATOR'S STATION

R20975 -UN-01JAN94

SLOW MOVING VEHICLE EMBLEM AND BRACKET



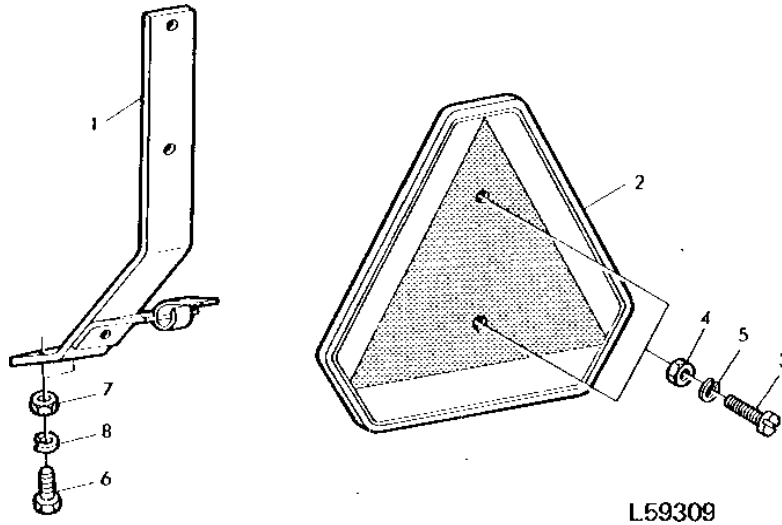
KEY	PART NO.	PART NAME	QTY	TRACTOR SERIAL NO.	REMARKS
1	19H1948	CAP SCREW	2	1/4" X 3/4"	
2	JD5400	SIGN	1		
3	TY2615	SMV EMBLEM	1	(SUB FOR AR61194)	
4	R55932	BRACKET	1	(SUB FOR T30399)	
5	14H786	NUT	2	1/4"	
	12H302	LOCK WASHER	2	1/4"	

3J5

OPERATOR'S STATION

L59309 -UN-01JAN94

SLOW MOVING VEHICLE EMBLEM



KEY	PART NO.	PART NAME	QTY	TRACTOR SERIAL NO.	REMARKS
1	AR63597	BRACKET	1		(SUB R54972 AND AL63296)
2	TY2615	SMV EMBLEM	1		(SUB FOR AR61194)
3	21H1303	SCREW	2		1/4" X 3/4"
4	14H786	NUT	2		1/4"
5	12H302	LOCK WASHER	2		1/4"
6	19H2127	CAP SCREW	2		5/16" X 7/8"
7	14H785	NUT	2		5/16"
8	12H303	LOCK WASHER	2		5/16"

USE ON TRACTORS HAVING AN "L" AS THE LAST DIGIT OF THE CHASSIS SERIAL NUMBER

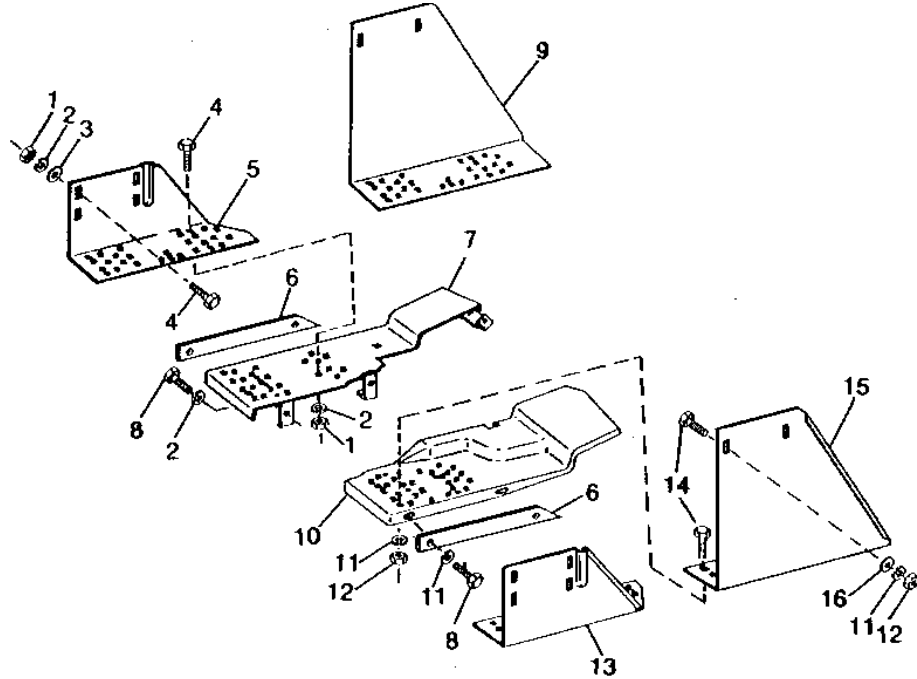
MEMORANDA

3J6

OPERATOR'S STATION

RXP6352 -UN-01JAN94

FENDER EXTENSIONS AND FOOTRESTS



RXP6352

KEY	PART NO.	PART NAME	QTY	TRACTOR SERIAL NO.	REMARKS
1	14H812	NUT	11	3/8"	
	14H812	NUT	12	(A) 3/8"	
2	12H304	LOCK WASHER	16	3/8"	
	12H304	LOCK WASHER	17	(A) 3/8"	
3	24H1307	WASHER	4	13/32" X 1" X 1/16"	
4	03H1765	BOLT	11	3/8" X 3/4"	
	03H1765	BOLT	12	(A) 3/8" X 3/4"	
5	T32414	SPACER	1	L.H.	
6	R54540	STRAP	2	(ROW-CROP)	
7	AT19847	FOOTREST	1	L.H.	
8	19H1731	CAP SCREW	5	3/8" X 1"	
9	T29120	EXTENSION	1	-187300 (B) L.H.	
10	AR73848	FOOTREST	1	R.H. (SUB FOR AR65463 OR AT28581)	
11	12H304	LOCK WASHER	17	(B) 3/8"	
12	14H812	NUT	12	(B) 3/8"	
13	T32413	SPACER	1	R.H.	
14	03H1765	BOLT	12	3/8" X 3/4"	
15	T30117	FENDER	1	-187300 (B) R.H.	
16	24H1307	WASHER	4	(B) 13/32" X 1" X 1/16"	

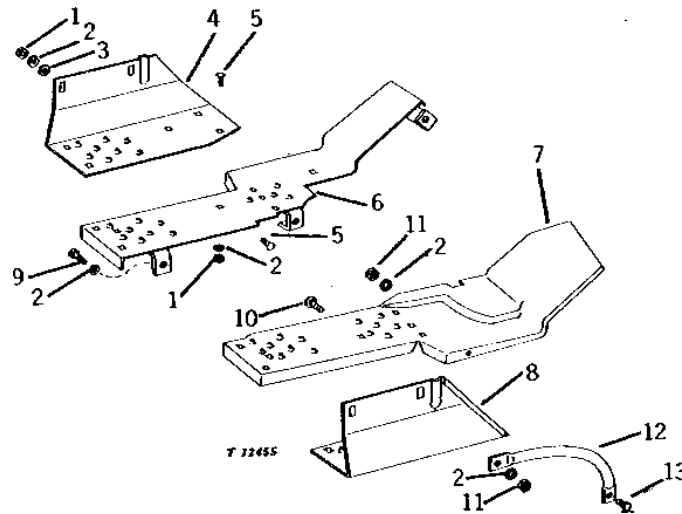
(A) VERTICAL MUFFLER
(B) 38" TIRE AND LESS ROLL-GARD

3J7

OPERATOR'S STATION

FENDER EXTENSIONS AND FOOTRESTS (TRACTOR SERIAL NO. -187300)

T12455 -UN-01JAN94



KEY	PART NO.	PART NAME	QTY	TRACTOR SERIAL NO.	REMARKS
1	14H812	NUT	11	3/8"	
	14H812	NUT	12	(A) 3/8"	
	12H304	LOCK WASHER	20	(B) 3/8"	
2	12H304	LOCK WASHER	16	(C) 3/8"	
	12H304	LOCK WASHER	21	(A) (B) 3/8"	
	12H304	LOCK WASHER	17	(A) (C) 3/8"	
3	24H1307	WASHER	4	13/32" X 1" X 1/16"	
4	T22464	EXTENSION	1	(B) L.H.	
	T32414	SPACER	1	(C) L.H.	
5	03H1765	BOLT	11	3/8" X 3/4"	
	03H1765	BOLT	12	3/8" X 3/4"	
6	AT20196	FOOTREST	1	L.H.	
7	AT28582	FOOTREST	1	R.H. (NLA)	
8	T22463	EXTENSION	1	(B) R.H.	
	T32413	SPACER	1	(C) R.H.	
9	19H1731	CAP SCREW	5	3/8" X 1"	
10	03H1557	BOLT	2	3/8" X 1-1/4"	
11	14H1040	NUT	4	(B) 1/2"	
12	T24924	GUARD	1	(B) (NLA)	
	T24925	GUARD	1	(B) (NLA)	
13	19H1936	CAP SCREW	2	(B) 3/8" X 3/4"	

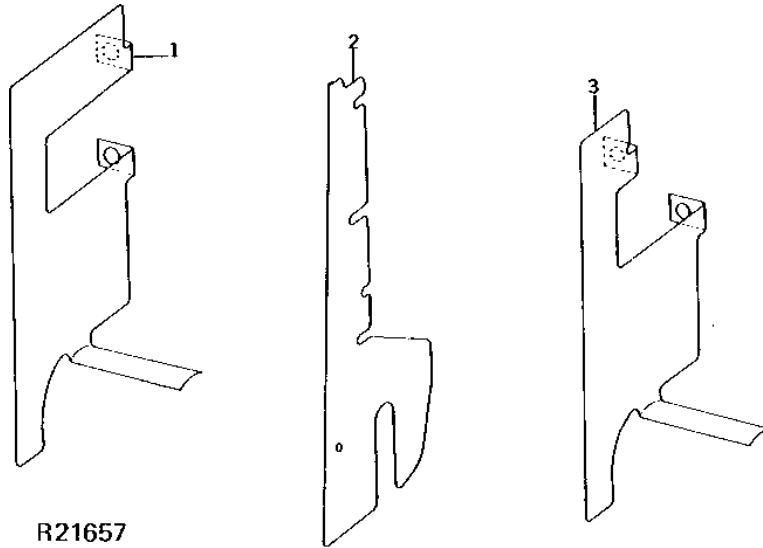
- (A) VERTICAL MUFFLER
- (B) LESS ROLL-GARD
- (C) ROLL-GARD

3J8

OPERATOR'S STATION

FAN BLAST DEFLECTOR FOR VERTICAL AND REAR EXHAUST (GASOLINE)

R21657 -UN-01JAN94



R21657

KEY	PART NO.	PART NAME	QTY	TRACTOR SERIAL NO.	REMARKS
1	R56589	DEFLECTOR	1		(REAR EXHAUST) (NO LONGER AVAILABLE)
2	T23233	ISOLATOR	1	-XXXXXX	(REAR EXHAUST) (NO LONGER AVAILABLE)
3	R56590	DEFLECTOR	1		(VERTICAL EXHAUST) (NO LONGER AVAILABLE)

3J9

OPERATOR'S STATION

R32259 -UN-01JAN94

LOCTITE SEALANT



R32259F

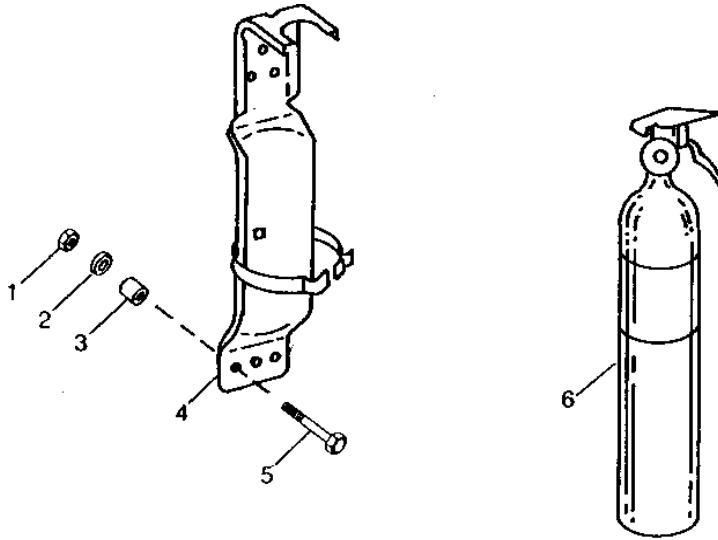
KEY	PART NO.	PART NAME	QTY	TRACTOR SERIAL NO.	REMARKS
1	TY9371	ADHESIVE	1		(TUBE OF 6CC) (SUB FOR AT14927 OR AT24538)

3J10

OPERATOR'S STATION

RWP2787 -UN-01JAN94

FIRE EXTINGUISHER



RWP2787

KEY	PART NO.	PART NAME	QTY	TRACTOR SERIAL NO.	REMARKS
1	14H786	NUT	2		1/4", (SUB FOR 28H1914)
2	24H1287	WASHER	2		9/32" X 5/8" X 0.065"
3	28H3423	BUSHING	2		
4	AT75387	BRACKET	1		(SUB FOR AT62019)
5	21H1035	SCREW	2		1/4" X 1-1/2"
6	AT141924	FIRE EXTINGUISHER	1		(SUB FOR AT62018 OR AT81764)

1K6

2030 TRACTOR

NUMERICAL INDEX

PART NO.	GRID	KEY	PAGE	PART NO.	GRID	KEY	PAGE	PART NO.	GRID	KEY	PAGE
AA23586	3E25	16	70 - 89	AL23854	2B19	14	40 - 17	AL26973	3F8	21	70 - 97
AA32178	2D2	..	40 - 45	AL23855	2B19	9	40 - 17	AL26973	3F9	3	70 - 98
AA3495R	2D4	7	40 - 47	AL23856	2B19	1	40 - 17	AL27156	1D10	11	30 - 3
AA3495R	2D5	5	40 - 48	AL23857	2B19	18	40 - 17	AL27159	1D10	20	30 - 3
AA34967	2D1	3	40 - 44	AL23857	2B21	6	40 - 19	AL27203	3D19	5	70 - 57
AA34967	2D2	3	40 - 45	AL23857	2B21	13	40 - 19	AL27203	3D21	4	70 - 59
AA34968	2D2	23	40 - 45	AL23886	3I16	15	90 - 15	AL27229	2E24	1	50 - 6
AA4029R	3G22	4	80 - 27	AL24015	3C25	1	70 - 38	AL27229	2E24	3	50 - 6
AA5607R	3F2	27	70 - 91	AL24059	2F1	4	50 - 8	AL27371	2B19	7	40 - 17
AA5607R	3F3	9	70 - 92	AL24091	2E21	16	50 - 3	AL27372	2B19	12	40 - 17
AA5692R	2E5	5	40 - 74	AL24155	1G23	6	30 - 89	AL27373	2B19	14	40 - 17
AA6307R	3F1	6	70 - 90	AL24161	3I14	1	90 - 13	AL27374	2B19	9	40 - 17
AB5506R	3G20	4	80 - 25	AL24161	3I16	43	90 - 15	AL28037	2F11	8	50 - 17
AD1606R	3I7	3	90 - 5	AL24161	3I18	50	90 - 15B	AL28037	2F12	2	50 - 18
AD2062R	2C24	3	40 - 42	AL24163	3I16	1	90 - 15	AL28037	2F13	8	50 - 19
AD2062R	2D1	2	40 - 44	AL24164	3I16	8	90 - 15	AL28037	2G5	14	50 - 37
AD2062R	2D2	2	40 - 45	AL24164	3I18	41	90 - 15B	AL28037	2G7	49	50 - 39
AD2062R	2D5	1	40 - 48	AL24165	3I16	19	90 - 15	AL28227	3C16	23	70 - 33
AD2062R	2D5	7	40 - 48	AL24165	3I18	6	90 - 15B	AL28248	3I16	42	90 - 15
AD2062R	3I6	6	90 - 3	AL24167	3I16	41	90 - 15	AL28457	2I6	5	60 - 1
AE24616	3C5	9	70 - 23C	AL24168	3I16	22	90 - 15	AL28468	3C9	5	70 - 26A
AE31724	1D10	20	30 - 3	AL24169	3I16	14	90 - 15	AL28658	3C9	7	70 - 26A
AE31724	1G25	6	30 - 91	AL24169	3I18	4	90 - 15B	AL28674	3C16	23	70 - 33
AF2710R	3D5	13	70 - 43	AL24170	3I16	4	90 - 15	AL2976T	2E9	20	40 - 79
AF2711R	3D5	13	70 - 43	AL24187	2B4	17	40 - 1	AL29817	2F16	3	50 - 22
AF3580R	1D12	5	30 - 5	AL24187	2D18	7	40 - 62	AL29818	2F16	3	50 - 22
AF3583R	1D12	1	30 - 5	AL24189	2B4	5	40 - 1	AL29820	2F16	3	50 - 22
AF3584R	1D12	4	30 - 5	AL24194	1D10	13	30 - 3	AL30414	2B21	28	40 - 19
AF3892R	2D3	12	40 - 46	AL24194	2D16	1	40 - 60	AL30416	2B21	7	40 - 19
AF3892R	2D4	2	40 - 47	AL24550	2I19	17	60 - 15	AL30417	2B21	9	40 - 19
AH20849	1D10	19	30 - 3	AL24903	2F1	3	50 - 8	AL30418	2B21	21	40 - 19
AH80032	1E12	5	30 - 29	AL24903	2F11	8	50 - 17	AL30419	2B21	11	40 - 19
AH80032	1E18	3	30 - 31B	AL24903	2F12	2	50 - 18	AL30421	2B21	18	40 - 19
AH83485	2I8	33	60 - 3	AL24903	2F13	8	50 - 19	AL30422	2B21	27	40 - 19
AH83485	3C10	5	70 - 27	AL24903	2G5	14	50 - 37	AL30423	2B21	17	40 - 19
AH83485	3C11	8	70 - 28	AL24903	2G7	49	50 - 39	AL30423	2B23	4	40 - 19B
AH86866	3G11	3	80 - 18	AL25164	2G16	21B	50 - 48	AL30424	2B21	6	40 - 19
AH93625	2D1	8	40 - 44	AL25164	2G16	24	50 - 48	AL30424	2B21	13	40 - 19
AH93625	2D2	12	40 - 45	AL25164	2G17	4B	50 - 49	AL30425	2B21	11	40 - 19
AH93625	2E6	..	40 - 75	AL25165	2G16	22	50 - 48	AL30691	3I16	41	90 - 15
AL17684	2D11	7	40 - 55	AL25165	2G16	24	50 - 48	AL30692	3I16	22	90 - 15
AL18135	3D12	6	70 - 51	AL25165	2G17	5	50 - 49	AL30692	3I18	46	90 - 15B
AL18136	3D12	5	70 - 51	AL25266	2C19	2	40 - 37	AL31989	3E25	10	70 - 89
AL18604	2D16	3	40 - 60	AL25267	2C17	6	40 - 35	AL32791	2G25	2	50 - 57
AL19084	2F4	5	50 - 11	AL25267	2C17	7	40 - 35	AL32791	2G25	5	50 - 57
AL19085	2F4	25	50 - 11	AL25267	2C19	6	40 - 37	AL32791	2G25	7	50 - 57
AL19092	2F8	11	50 - 14	AL25268	2C19	8	40 - 37	AL32863	2B19	1	40 - 17
AL19192	2C17	8	40 - 35	AL25269	2C19	13	40 - 37	AL32863	2B21	5	40 - 19
AL19208	2B19	17	40 - 17	AL25270	2C19	14	40 - 37	AL32964	2F4	25	50 - 11
AL19905	2D16	2	40 - 60	AL25271	2C19	16	40 - 37	AL32965	2F4	5	50 - 11
AL19906	2D16	4	40 - 60	AL25272	2C19	24	40 - 37	AL32975	2D16	1	40 - 60
AL19907	2D16	5	40 - 60	AL25273	2C19	25	40 - 37	AL33010	3I18	24	90 - 15B
AL23188	2F16	3	50 - 22	AL25274	2C17	29	40 - 35	AL33010	3I20	27	90 - 15D
AL23280	3F24	8	80 - 9	AL25274	2C19	29	40 - 37	AL33010	3I22	27	90 - 15F
AL23281	3F24	8	80 - 9	AL25275	2C17	29	40 - 35	AL33016	3I18	30	90 - 15B
AL23433	3I14	4	90 - 13	AL25275	2C19	32	40 - 37	AL33016	3I20	33	90 - 15D
AL23434	2B18	20	40 - 16	AL25344	3I25	1	90 - 19	AL33016	3I22	33	90 - 15F
AL23844	2C17	2	40 - 35	AL25347	2B5	12	40 - 2	AL33044	3C25	7	70 - 38
AL23846	2C17	14	40 - 35	AL25509	2B5	2	40 - 2	AL33069	3I18	14	90 - 15B
AL23847	2C17	13	40 - 35	AL25509	2B5	19	40 - 2	AL33250	2H2	12	50 - 59
AL23848	2C17	30	40 - 35	AL25510	2B5	2	40 - 2	AL33439	3I18	26	90 - 15B
AL23848	2C19	30	40 - 37	AL26918	3I16	25	90 - 15	AL33439	3I20	29	90 - 15D
AL23849	2B19	7	40 - 17	AL26918	3I18	18	90 - 15B	AL33439	3I22	29	90 - 15F
AL23850	2B19	21	40 - 17	AL26918	3I20	16	90 - 15D	AL35641	3I20	35	90 - 15D
AL23851	2B19	23	40 - 17	AL26918	3I22	16	90 - 15F	AL35641	3I22	35	90 - 15F
AL23852	2B19	19	40 - 17	AL26972	3F8	22	70 - 97	AL35755	3B12	6	70 - 9
AL23853	2B19	12	40 - 17	AL26972	3F9	25	70 - 98	AL35998	2B4	13	40 - 1

1K7

2030 TRACTOR

NUMERICAL INDEX - CONTINUED

PART NO.	GRID	KEY	PAGE	PART NO.	GRID	KEY	PAGE	PART NO.	GRID	KEY	PAGE
AL35998	2B21	1	40 - 19	AL60272	2F4	22	50 - 11	AR100426	1D4	13	20 - 51
AL35998	2B23	1	40 - 19B	AL60272	2F5	1	50 - 12	AR100596	1B13	6	20 - 11
AL35999	2B21	23	40 - 19	AL60272	2F6	1	50 - 12A	AR100596	1B13	9	20 - 11
AL36324	3I18	45	90 - 15B	AL60272	2F6	5	50 - 12A	AR100596	1C25	22	20 - 47
AL36327	3I18	34	90 - 15B	AL60764	3G20	4	80 - 25	AR100596	1D3	1	20 - 50
AL36390	2B21	1	40 - 19	AL63296	3I14	4	90 - 13	AR100596	1D4	1	20 - 51
AL36391	2B4	13	40 - 1	AL63296	3J5	1	90 - 24	AR100649	2F7	5	50 - 13
AL36391	2B18	1	40 - 16	AL63298	1D12	4	30 - 5	AR100649	2F7	6	50 - 13
AL36391	2B19	..	40 - 17	AL63309	1D12	1	30 - 5	AR100649	2F9	1	50 - 15
AL36391	2B21	1	40 - 19	AL64414	3I22	1	90 - 15F	AR100649	2F9	2	50 - 15
AL36555	3I18	1	90 - 15B	AL64830	3C18	1	70 - 35	AR100649	2F9	4	50 - 15
AL36556	3I18	50	90 - 15B	AL64830	3C20	39	70 - 35B	AR100649	2F9	..	50 - 15
AL37357	1D12	5	30 - 5	AL64830	3C20	40	70 - 35B	AR101210	3D19	8	70 - 57
AL37364	1D12	1	30 - 5	AL64830	3C22	21	70 - 35D	AR101210	3D19	11	70 - 57
AL37365	1D12	4	30 - 5	AL65077	2B21	18	40 - 19	AR101210	3D19	12	70 - 57
AL37931	3E25	3	70 - 89	AL65077	2B21	23	40 - 19	AR101210	3D21	7	70 - 59
AL37936	3E25	9	70 - 89	AL65077	2B23	2	40 - 19B	AR101210	3D21	10	70 - 59
AL38025	3E25	24	70 - 89	AL67175	2B4	13	40 - 1	AR101210	3D21	11	70 - 59
AL38122	3E25	12	70 - 89	AL67175	2B23	1	40 - 19B	AR101236	3B16	2	70 - 13
AL38123	3E25	19	70 - 89	AL67292	3D12	5	70 - 51	AR101236	3B16	3	70 - 13
AL38124	3E25	22	70 - 89	AL68887	2B23	10	40 - 19B	AR101236	3B22	23	70 - 19
AL38125	3E25	18	70 - 89	AL68891	2B23	13	40 - 19B	AR101236	3B24	3	70 - 21
AL38205	3E25	6	70 - 89	AL70191	3I2	9	90 - 1	AR101236	3C7	28	70 - 25
AL38379	1D12	3	30 - 5	AL70191	3I4	3	90 - 1B	AR101238	3B10	30	70 - 7
AL38555	2H7	1	50 - 64	AL70191	3I4	17	90 - 1B	AR101238	3B14	9	70 - 11
AL38555	2H8	11	50 - 65	AL70202	3I16	4	90 - 15	AR101549	1C15	5	20 - 39
AL39171	3D12	5	70 - 51	AL70202	3I18	45	90 - 15B	AR101549	1C15	6	20 - 39
AL39172	3D12	4	70 - 51	AL70202	3I20	2	90 - 15D	AR101549	1C16	4	20 - 40
AL39618	2F4	5	50 - 11	AL70300	2I8	22	60 - 3	AR101549	1C17	2	20 - 40A
AL39618	2F4	..	50 - 11	AL70339	3I20	4	90 - 15D	AR101549	1C18	5	20 - 40B
AL39816	3I16	1	90 - 15	AL70339	3I22	4	90 - 15F	AR101549	1C19	1	20 - 41
AL39816	3I18	1	90 - 15B	AL70356	3I22	2	90 - 15F	AR101631	2F2	10	50 - 9
AL39816	3I20	1	90 - 15D	AL70854	2C17	3	40 - 35	AR101631	2F4	13	50 - 11
AL39823	3I20	2	90 - 15D	AL70854	2C19	3	40 - 37	AR101631	2F7	14	50 - 13
AL39913	3I14	1	90 - 13	AL78689	2B4	13	40 - 1	AR101631	2F8	22	50 - 14
AL39913	3I20	47	90 - 15D	AL78689	2B23	1	40 - 19B	AR101632	3C4	6	70 - 23B
AL39934	1D12	5	30 - 5	AL81436	2B4	13	40 - 1	AR101727	3H9	5	80 - 39
AL39935	2F5	1	50 - 12	AL81436	2B21	1	40 - 19	AR101754	2H1	2	50 - 58
AL39935	2F5	4	50 - 12	AL81436	2B23	1	40 - 19B	AR101755	2H1	6	50 - 58
AL39935	2F6	1	50 - 12A	AL81450	2B23	10	40 - 19B	AR101832	2G20	8	50 - 52
AL39937	2F5	1	50 - 12	AL82375	3G14	3	80 - 21	AR102783	1E14	..	30 - 29B
AL39937	2F5	4	50 - 12	AL82375	3G17	12	80 - 24A	AR102785	1E14	11	30 - 29B
AL39937	2F6	1	50 - 12A	AL82375	3G19	12	80 - 24C	AR102792	1E14	37	30 - 29B
AL39940	3I20	4	90 - 15D	AM30347	3G4	13	80 - 14	AR102793	1E9	34	30 - 26
AL39941	3I20	8	90 - 15D	AM30347	3G6	..	80 - 16	AR102793	1E14	40	30 - 29B
AL39941	3I22	8	90 - 15F	AM3202T	3G20	4	80 - 25	AR102793	1E14	..	30 - 29B
AL39942	3I20	18	90 - 15D	AM39968	2C8	13	40 - 29	AR102793	1E18	16	30 - 31B
AL39942	3I22	18	90 - 15F	AM39968	2C14	1	40 - 32	AR102794	1E14	..	30 - 29B
AL39943	3I20	10	90 - 15D	AM39968	2C14	5	40 - 32	AR103033	3B6	1	70 - 3
AL39943	3I22	10	90 - 15F	AM39969	2C14	2	40 - 32	AR103033	3B8	..	70 - 5
AL39944	3I20	9	90 - 15D	AM39970	2C8	10	40 - 29	AR103033	3B10	..	70 - 7
AL39944	3I22	9	90 - 15F	AN212996	3E2	6	70 - 65	AR103040	3B8	25	70 - 5
AL40888	3C20	39	70 - 35B	AN212996	3E4	7	70 - 65B	AR103040	3B8	29	70 - 5
AL55046	2C19	8	40 - 37	AN250096	3C5	5	70 - 23C	AR103040	3B10	23	70 - 7
AL56097	3I16	43	90 - 15	AR100124	1B13	6	20 - 11	AR103040	3B10	27	70 - 7
AL56097	3I18	50	90 - 15B	AR100124	1B13	9	20 - 11	AR103470	3C10	5	70 - 27
AL56097	3I20	47	90 - 15D	AR100124	1C25	22	20 - 47	AR103470	3C11	8	70 - 28
AL56097	3I22	47	90 - 15F	AR100124	1C25	25	20 - 47	AR103471	3F23	16	80 - 7
AL56167	2F4	5	50 - 11	AR100124	1D2	2	20 - 49	AR103472	3F23	16	80 - 7
AL56167	2F4	..	50 - 11	AR100124	1D2	29	20 - 49	AR103473	3F23	16	80 - 7
AL56820	2H12	15	50 - 70	AR100124	1D3	1	20 - 50	AR103525	2B9	11	40 - 7
AL56820	2H14	22	50 - 72	AR100124	1D3	9	20 - 50	AR103525	2B9	14	40 - 7
AL56820	2H15	18	50 - 73	AR100124	1D4	1	20 - 51	AR103769	1B15	5	20 - 13
AL56820	2H20	6	50 - 78	AR100124	1D4	13	20 - 51	AR103808	3F6	7	70 - 95
AL60270	2F5	1	50 - 12	AR100420	1C25	25	20 - 47	AR103811	1B13	6	20 - 11
AL60270	2F6	1	50 - 12A	AR100422	1D3	9	20 - 50	AR104660	3C15	1	70 - 32
AL60270	2F6	5	50 - 12A	AR100424	1D2	29	20 - 49	AR105634	3H24	16	80 - 55

1K8

2030 TRACTOR

NUMERICAL INDEX - CONTINUED

PART NO.	GRID	KEY	PAGE	PART NO.	GRID	KEY	PAGE	PART NO.	GRID	KEY	PAGE
AR11105	2C21	12	40 - 39	AR30736	1E24	10	30 - 37	AR39163	2F20	13	50 - 26
AR111058	2E4	20	40 - 73	AR30736	1F6	10	30 - 44	AR39168	3B6	1	70 - 3
AR11106	2C21	14	40 - 39	AR30736	1F16	10	30 - 54	AR39168	3B8	..	70 - 5
AR11131	2C6	16	40 - 27	AR33249	3B18	6	70 - 15	AR39168	3B10	..	70 - 7
AR21737	2D5	7	40 - 48	AR33877	3E20	24	70 - 83	AR39170	3B8	10	70 - 5
AR21739	2D5	1	40 - 48	AR34450	1C15	22	20 - 39	AR39173	3B8	38	70 - 5
AR21837	1C12	5	20 - 36	AR34612	1F20	31	30 - 59	AR39174	2G5	2	50 - 37
AR21837	1C23	1	20 - 45	AR34990	2B5	21	40 - 2	AR39695	3B6	2	70 - 3
AR21837	3E8	3	70 - 69	AR34990	2B6	18	40 - 3	AR39695	3B16	..	70 - 13
AR21837	3E25	4	70 - 89	AR34990	2B7	24	40 - 5	AR40386	1D12	13	30 - 5
AR21839	1C21	19	20 - 43	AR37017	3F4	25	70 - 93	AR40418	2C20	5	40 - 38
AR21839	3C13	5	70 - 30	AR38225	3B8	4	70 - 5	AR40507	2D10	7	40 - 54
AR21840	1C21	13	20 - 43	AR38225	3B10	4	70 - 7	AR40688	3E11	10	70 - 73
AR21840	3C10	10	70 - 27	AR38239	3F1	7	70 - 90	AR40710	2E5	6	40 - 74
AR21840	3C11	7	70 - 28	AR38397	1D18	5	30 - 12	AR40828	3E6	24	70 - 67
AR21840	3C12	16	70 - 29	AR38398	1D18	4	30 - 12	AR40828	3E9	7	70 - 70
AR21969	1B4	..	20 - 1	AR38426	3F1	7	70 - 90	AR41691	1C15	5	20 - 39
AR21999	1D10	1	30 - 3	AR38458	2B4	13	40 - 1	AR41691	1C18	4	20 - 40B
AR21999	1D11	4	30 - 4	AR38458	2B13	6	40 - 11	AR41785	1B4	..	20 - 1
AR26375	2G20	27	50 - 52	AR38458	2B17	..	40 - 15	AR41870	1B4	..	20 - 1
AR26407	3F1	1	70 - 90	AR38461	2B17	11	40 - 15	AR43065	2F2	6	50 - 9
AR26407	3F1	3	70 - 90	AR38713	3F3	10	70 - 92	AR43065	2F2	7	50 - 9
AR26480	3G6	1	80 - 16	AR38714	3B18	31	70 - 15	AR43065	2F4	7	50 - 11
AR26480	3G7	1	80 - 16A	AR38849	3F2	21	70 - 91	AR43065	2F7	5	50 - 13
AR26480	3G9	1	80 - 16D	AR39034	3F2	21	70 - 91	AR43065	2F7	9	50 - 13
AR26529	3I10	13	90 - 9	AR39036	3E20	29	70 - 83	AR43065	2F7	10	50 - 13
AR26646	3B18	21	70 - 15	AR39037	3E20	29	70 - 83	AR43065	2F8	16	50 - 14
AR26674	1E1	3	30 - 20	AR39040	2F23	8	50 - 29	AR43065	2F8	19	50 - 14
AR26697	3E9	20	70 - 70	AR39040	2F23	9	50 - 29	AR43065	2F10	1	50 - 16
AR26697	3E15	3	70 - 77	AR39041	3B8	33	70 - 5	AR43065	2F10	4	50 - 16
AR26697	3E23	3	70 - 86	AR39041	3B10	31	70 - 7	AR43065	2F10	..	50 - 16
AR26706	2H13	22	50 - 71	AR39043	2F24	11	50 - 30	AR44402	1B5	1	20 - 2
AR26706	2H16	27	50 - 74	AR39052	3B8	19	70 - 5	AR44402	1B15	..	20 - 13
AR26725	2I8	16	60 - 3	AR39052	3B10	19	70 - 7	AR44542	1F6	19	30 - 44
AR26746	2I15	2	60 - 10	AR39052	3B14	4	70 - 11	AR44542	1F16	19	30 - 54
AR26763	3E20	32	70 - 83	AR39064	2F23	5	50 - 29	AR45437	2D18	4	40 - 62
AR26782	2H24	3	50 - 82	AR39071	3C8	7	70 - 26	AR45438	2D18	8	40 - 62
AR26928	1D20	20	30 - 14	AR39074	2F21	5	50 - 27	AR45530	1B13	6	20 - 11
AR26928	1D21	22	30 - 15	AR39077	2F15	6	50 - 21	AR47331	3F5	20	70 - 94
AR26930	1D12	8	30 - 5	AR39093	2G18	3	50 - 50	AR47458	2D13	3	40 - 57
AR27093	3D15	22	70 - 55	AR39104	2G4	..	50 - 36	AR47458	2D14	4	40 - 58
AR27351	3G3	8	80 - 13	AR39104	2G7	45	50 - 39	AR47459	2D13	2	40 - 57
AR27430	3G3	2	80 - 13	AR39106	3B8	29	70 - 5	AR47580	3B16	16	70 - 13
AR27440	3F1	3	70 - 90	AR39107	2F20	9	50 - 26	AR47643	3E17	7	70 - 79
AR27814	1D23	1	30 - 17	AR39107	2G1	19	50 - 32	AR47643	3F5	7	70 - 94
AR27940	1D23	6	30 - 17	AR39107	2G18	6	50 - 50	AR47825	3F1	4	70 - 90
AR27977	1B20	2	20 - 18	AR39107	2G19	3	50 - 51	AR47825	3F1	7	70 - 90
AR27977	2B4	16	40 - 1	AR39108	2G1	22	50 - 32	AR48041	2D2	22	40 - 45
AR28401	2B5	11	40 - 2	AR39109	2G4	15	50 - 36	AR48219	1F2	9	30 - 40
AR28401	2B6	4	40 - 3	AR39114	2G5	11	50 - 37	AR48219	1F9	9	30 - 47
AR28401	2B7	25	40 - 5	AR39115	2G5	21	50 - 37	AR48219	1F11	7	30 - 49
AR28401	2C23	6	40 - 41	AR39115	2G7	43	50 - 39	AR48643	2B4	19	40 - 1
AR28403	2B4	2	40 - 1	AR39117	2G5	22	50 - 37	AR48872	3H19	2	80 - 50
AR28403	2E7	7	40 - 76	AR39117	2G7	42	50 - 39	AR48873	3H19	2	80 - 50
AR28570	3D10	3	70 - 49	AR39118	2G1	10	50 - 32	AR49202	3D17	12	70 - 55B
AR28570	3D12	18	70 - 51	AR39118	2G16	30	50 - 48	AR49206	3D15	14	70 - 55
AR28602	1E25	16	30 - 38	AR39118	2G17	14	50 - 49	AR49427	3B5	5	70 - 2
AR28602	1F7	16	30 - 45	AR39127	2G1	2	50 - 32	AR49542	1F2	3	30 - 40
AR28602	1F17	25	30 - 55	AR39128	2G3	5	50 - 35	AR49542	1F9	3	30 - 47
AR28754	3F12	3	70 - 102	AR39128	2G3	23	50 - 35	AR49797	2D20	1	40 - 64
AR28755	3F12	3	70 - 102	AR39128	2G4	5	50 - 36	AR49798	2D20	1	40 - 64
AR30110	3E23	6	70 - 86	AR39128	2G5	5	50 - 37	AR49877	1E20	9	30 - 33
AR30210	3E17	7	70 - 79	AR39138	2F23	18	50 - 29	AR49877	1G17	15	30 - 82
AR30210	3E21	6	70 - 84	AR39157	3E9	13	70 - 70	AR49900	1E20	4	30 - 33
AR30210	3F4	6	70 - 93	AR39158	3E9	5	70 - 70	AR49900	1E21	..	30 - 34
AR30210	3F5	7	70 - 94	AR39162	3E11	15	70 - 73	AR49900	1E22	..	30 - 35
AR30685	3E18	12	70 - 81	AR39162	3E13	14	70 - 75	AR49900	1E23	..	30 - 36

1K9

2030 TRACTOR

NUMERICAL INDEX - CONTINUED

PART NO.	GRID	KEY	PAGE	PART NO.	GRID	KEY	PAGE	PART NO.	GRID	KEY	PAGE
AR49900	1E24	..	30 - 37	AR51747	1F2	..	30 - 40	AR55382	2G15	18	50 - 47
AR49900	1E25	..	30 - 38	AR51747	1F3	..	30 - 41	AR55382	2G16	15	50 - 48
AR49900	1F1	..	30 - 39	AR51747	1F4	..	30 - 42	AR55396	2G15	19	50 - 47
AR49900	1F2	..	30 - 40	AR51747	1F6	..	30 - 44	AR55396	2G16	16	50 - 48
AR49900	1F3	..	30 - 41	AR51747	1F7	..	30 - 45	AR55591	1C21	17	20 - 43
AR50040	1E2	4	30 - 21	AR51747	1F8	..	30 - 46	AR55694	2B4	6	40 - 1
AR50040	1E3	1	30 - 22	AR51747	1F9	..	30 - 47	AR55694	2B4	7	40 - 1
AR50041	1E2	9	30 - 21	AR51747	1F10	..	30 - 48	AR55694	2D18	2	40 - 62
AR50041	1E3	3	30 - 22	AR51796	1F11	7	30 - 49	AR55694	2D18	4	40 - 62
AR50041	1E4	11	30 - 22A	AR51818	1E24	17	30 - 37	AR55694	2D18	8	40 - 62
AR50041	1G25	2	30 - 91	AR51958	1E24	19	30 - 37	AR55694	2D20	24	40 - 64
AR50580	2B5	1	40 - 2	AR51961	1E24	18	30 - 37	AR55759	1B25	1	20 - 23
AR50580	2B6	1	40 - 3	AR52159	1E5	8	30 - 23	AR55759	1C1	1	20 - 24
AR50580	2B7	1	40 - 5	AR52159	1E7	3	30 - 24A	AR55759	1C2	1	20 - 25
AR50580	2C24	3	40 - 42	AR52224	3B16	7	70 - 13	AR55759	1C3	1	20 - 26
AR50623	1G1	4	30 - 65	AR52224	3B24	7	70 - 21	AR55760	1B9	7	20 - 7
AR50779	2D20	2	40 - 64	AR52229	1F4	7	30 - 42	AR55760	1B22	1	20 - 20
AR50780	2D20	2	40 - 64	AR52229	1F14	7	30 - 52	AR55760	1B23	1	20 - 21
AR50874	1F2	3	30 - 40	AR52254	3B18	37	70 - 15	AR55888	2D5	7	40 - 48
AR50874	1F9	3	30 - 47	AR52254	3C2	32	70 - 23	AR55890	3H6	3	80 - 36
AR50874	1F11	5	30 - 49	AR52392	2D22	4	40 - 66	AR55978	1B25	6	20 - 23
AR50897	1E1	1	30 - 20	AR52394	3E6	..	70 - 67	AR55984	1B25	4	20 - 23
AR50926	2D22	14	40 - 66	AR52494	3B20	9	70 - 17	AR55984	1C3	2	20 - 26
AR50927	2D20	20	40 - 64	AR52556	1E5	7	30 - 23	AR55984	1C3	5	20 - 26
AR50927	2D22	20	40 - 66	AR52589	1E19	14	30 - 32	AR56086	1E10	5	30 - 27
AR50928	2D20	18	40 - 64	AR52621	3E17	24	70 - 79	AR56086	1E14	..	30 - 29B
AR50929	2D22	19	40 - 66	AR52621	3E20	22	70 - 83	AR56120	3E11	25	70 - 73
AR50930	2D22	15	40 - 66	AR52622	3E17	24	70 - 79	AR56211	3I6	26	90 - 3
AR50931	2D22	23	40 - 66	AR52622	3E20	22	70 - 83	AR56268	2F1	3	50 - 8
AR51143	3I4	17	90 - 1B	AR52629	3E11	25	70 - 73	AR56290	1E20	9	30 - 33
AR51148	3I2	9	90 - 1	AR52690	1E21	13	30 - 34	AR56290	1G14	17	30 - 78
AR51152	3H16	2	80 - 47	AR52690	1F1	13	30 - 39	AR56290	1G17	15	30 - 82
AR51153	3H16	1	80 - 47	AR52785	3B8	15	70 - 5	AR56675	2D9	3	40 - 53
AR51240	1E8	1	30 - 25	AR52785	3B10	15	70 - 7	AR56695	3I2	1	90 - 1
AR51241	1E8	1	30 - 25	AR52785	3B16	21	70 - 13	AR56772	2G3	38	50 - 35
AR51338	2B4	5	40 - 1	AR52860	3F23	16	80 - 7	AR56772	2G5	11	50 - 37
AR51398	2B6	2	40 - 3	AR52861	3F23	16	80 - 7	AR56772	2G7	39	50 - 39
AR51399	2B6	2	40 - 3	AR52862	3F23	16	80 - 7	AR56782	1D15	1	30 - 9
AR51403	2B5	2	40 - 2	AR52871	1B7	27	20 - 5	AR56782	1D17	1	30 - 11
AR51403	2B5	4	40 - 2	AR52874	1C25	25	20 - 47	AR58126	2B4	1	40 - 1
AR51403	2B7	2	40 - 5	AR53301	3B16	12	70 - 13	AR58126	2D13	3	40 - 57
AR51404	2B5	19	40 - 2	AR53301	3B24	10	70 - 21	AR58126	2D14	4	40 - 58
AR51404	2B7	22	40 - 5	AR53371	1D2	29	20 - 49	AR58196	1C9	19	20 - 33
AR51405	2B5	20	40 - 2	AR53391	3F21	7	80 - 5	AR58363	3H5	1	80 - 35
AR51405	2B7	23	40 - 5	AR53452	2B4	1	40 - 1	AR58605	2F18	2	50 - 24
AR51406	2B5	12	40 - 2	AR53452	2D13	3	40 - 57	AR59058	1B7	27	20 - 5
AR51406	2B7	16	40 - 5	AR53452	2D14	4	40 - 58	AR59070	1B11	64	20 - 9
AR51407	3H18	3	80 - 49	AR53493	2I14	29	60 - 9	AR60250	3I6	9	90 - 3
AR51408	3H18	3	80 - 49	AR53493	2I15	15	60 - 10	AR60324	3F24	8	80 - 9
AR51436	3I23	3	90 - 16	AR53835	1B11	64	20 - 9	AR60325	3F24	8	80 - 9
AR51481	2D13	1	40 - 57	AR54321	2I3	7	50 - 86	AR60559	1E6	6	30 - 24
AR51481	2D14	3	40 - 58	AR54634	3G2	1	80 - 12	AR60701	1C10	9	20 - 34
AR51706	1E22	5	30 - 35	AR54635	3G2	1	80 - 12	AR60937	2D15	1	40 - 59
AR51712	1F1	22	30 - 39	AR54637	3G2	1	80 - 12	AR61194	3J4	3	90 - 23
AR51712	1F1	24	30 - 39	AR54749	1B5	4	20 - 2	AR61194	3J5	2	90 - 24
AR51712	1F8	22	30 - 46	AR54749	1B21	..	20 - 19	AR61351	1B11	57	20 - 9
AR51712	1F8	24	30 - 46	AR54778	1D11	7	30 - 4	AR61351	1C6	9	20 - 29
AR51712	1F18	22	30 - 56	AR54923	2C2	6	40 - 23	AR61352	1B11	54	20 - 9
AR51712	1F18	24	30 - 56	AR54923	2C8	22	40 - 29	AR61352	1C6	2	20 - 29
AR51745	3B18	9	70 - 15	AR54923	2C8	25	40 - 29	AR61354	1F22	15	30 - 61
AR51747	1E20	4	30 - 33	AR54923	2C22	2	40 - 40	AR61399	2G4	..	50 - 36
AR51747	1E21	..	30 - 34	AR54923	2C22	4	40 - 40	AR61399	2G7	45	50 - 39
AR51747	1E22	..	30 - 35	AR54929	2I14	19	60 - 9	AR61403	2G5	2	50 - 37
AR51747	1E23	..	30 - 36	AR54929	2I16	9	60 - 11	AR61403	2G7	21	50 - 39
AR51747	1E24	..	30 - 37	AR54975	2D6	2	40 - 49	AR61916	2G11	35	50 - 43
AR51747	1E25	..	30 - 38	AR55094	1C13	1	20 - 37	AR61916	2G13	34	50 - 45
AR51747	1F1	..	30 - 39	AR55186	3B16	4	70 - 13	AR61916	2G25	13	50 - 57

1K10

2030 TRACTOR

NUMERICAL INDEX - CONTINUED

PART NO.	GRID	KEY	PAGE	PART NO.	GRID	KEY	PAGE	PART NO.	GRID	KEY	PAGE
AR62028	2G10	3	50 - 42	AR64422	2D10	10	40 - 54	AR67416	3F24	4	80 - 9
AR62149	3D10	2	70 - 49	AR64709	3F18	14	80 - 2	AR67417	3F24	4	80 - 9
AR62149	3D12	22	70 - 51	AR64727	1B7	27	20 - 5	AR67453	2B9	2	40 - 7
AR62149	3D13	5	70 - 53	AR64845	3D7	7	70 - 45	AR67453	2B9	3	40 - 7
AR62150	3D23	1	70 - 61	AR64915	3F18	14	80 - 2	AR67647	1F5	..	30 - 43
AR62151	3D8	13	70 - 47	AR65005	2E15	1	40 - 85	AR67647	1F15	..	30 - 53
AR62151	3D15	17	70 - 55	AR65006	2E15	2	40 - 85	AR67670	1C10	4	20 - 34
AR62151	3D23	6	70 - 61	AR65083	2F16	3	50 - 22	AR67670	1C10	13	20 - 34
AR62322	1D8	..	30 - 1	AR65373	2G20	8	50 - 52	AR67675	1F3	21	30 - 41
AR62359	2D24	1	40 - 69	AR65374	2G20	8	50 - 52	AR67675	1F8	13	30 - 46
AR62360	2D21	1	40 - 65	AR65443	2D18	9	40 - 62	AR67675	1F10	8	30 - 48
AR62377	1D8	..	30 - 1	AR65444	2B4	17	40 - 1	AR67675	1F13	19	30 - 51
AR62401	2B4	13	40 - 1	AR65444	2D18	7	40 - 62	AR67675	1F18	13	30 - 56
AR62401	2B18	1	40 - 16	AR65445	2D19	1	40 - 63	AR67704	2H6	23	50 - 63
AR62401	2B19	..	40 - 17	AR65446	2B4	6	40 - 1	AR67706	1E9	24	30 - 26
AR62401	2B21	1	40 - 19	AR65446	2D18	8	40 - 62	AR67706	1E9	25	30 - 26
AR62440	3C13	2	70 - 30	AR65447	2B4	7	40 - 1	AR67706	1E9	34	30 - 26
AR62447	2B5	19	40 - 2	AR65447	2D18	4	40 - 62	AR67706	1E10	2	30 - 27
AR62452	1B13	14	20 - 11	AR65448	3I8	5	90 - 6	AR67706	1E10	8	30 - 27
AR62978	1C10	15	20 - 34	AR65448	3I12	7	90 - 11	AR67706	1E14	14	30 - 29B
AR62978	1C10	18	20 - 34	AR65449	3I8	3	90 - 6	AR67718	3B22	25	70 - 19
AR62978	1C11	6	20 - 35	AR65449	3I12	3	90 - 11	AR67733	1F22	16	30 - 61
AR62979	1C10	18	20 - 34	AR65463	3J6	10	90 - 26	AR67733	1G5	16	30 - 69
AR62979	1C11	8	20 - 35	AR65507	1D2	29	20 - 49	AR67734	1F22	17	30 - 61
AR63139	2F20	13	50 - 26	AR65507	1D2	30	20 - 49	AR67734	1G5	17	30 - 69
AR63166	1E20	5	30 - 33	AR65507	1D2	31	20 - 49	AR67735	1F22	18	30 - 61
AR63166	1E20	8	30 - 33	AR65507	1D2	32	20 - 49	AR67735	1G5	18	30 - 69
AR63166	1F13	9	30 - 51	AR65539	3C10	6	70 - 27	AR67736	1F22	19	30 - 61
AR63168	1F17	8	30 - 55	AR65540	3C10	3	70 - 27	AR67736	1G5	19	30 - 69
AR63212	1E24	18	30 - 37	AR65541	3C10	17	70 - 27	AR67855	2D6	7	40 - 49
AR63212	1F6	18	30 - 44	AR65543	3C10	17	70 - 27	AR67855	2D10	8	40 - 54
AR63212	1F16	18	30 - 54	AR65544	3C10	19	70 - 27	AR67855	2D17	4	40 - 61
AR63213	1E24	17	30 - 37	AR65686	2I15	4	60 - 10	AR67855	2E2	14	40 - 71
AR63213	1F6	17	30 - 44	AR65687	2I15	4	60 - 10	AR67855	2E6	9	40 - 75
AR63213	1F16	17	30 - 54	AR65688	2I15	18	60 - 10	AR67855	2E7	2	40 - 76
AR63218	1B4	1	20 - 1	AR65689	2I15	18	60 - 10	AR67855	3H20	..	80 - 51
AR63219	1B4	1	20 - 1	AR65715	1C21	28	20 - 43	AR67942	1B19	11	20 - 17
AR63222	1B4	1	20 - 1	AR65880	3C14	17	70 - 31	AR68071	3D7	7	70 - 45
AR63585	2G3	16	50 - 35	AR65881	3C14	17	70 - 31	AR68119	2D6	6	40 - 49
AR63585	2G4	15	50 - 36	AR66031	1E14	27	30 - 29B	AR68299	2C8	30	40 - 29
AR63597	3J5	1	90 - 24	AR66039	3H21	5	80 - 52	AR68302	2C10	10	40 - 31
AR63623	2I8	38	60 - 3	AR66441	3H20	2	80 - 51	AR68304	2C2	20	40 - 23
AR63654	1E2	8	30 - 21	AR66478	2B5	11	40 - 2	AR68304	2C6	1	40 - 27
AR63656	1E2	14	30 - 21	AR66478	2C23	6	40 - 41	AR68304	2C6	11	40 - 27
AR63657	1B13	14	20 - 11	AR66561	2H6	23	50 - 63	AR68304	2C6	..	40 - 27
AR63691	2G3	20	50 - 35	AR66588	2G22	1	50 - 54	AR68304	2C22	21	40 - 40
AR63691	2G5	2	50 - 37	AR66723	3H22	6	80 - 53	AR68402	2I3	7	50 - 86
AR63693	2G3	42	50 - 35	AR66724	3H20	2	80 - 51	AR68451	3H18	18	80 - 49
AR63693	2G5	21	50 - 37	AR66724	3H20	5	80 - 51	AR68458	2B5	4	40 - 2
AR63784	2F7	5	50 - 13	AR66726	1B16	3	20 - 14	AR68458	2D4	8	40 - 47
AR63785	2F1	29	50 - 8	AR66779	2F8	2	50 - 14	AR68653	1E20	5	30 - 33
AR63911	3C18	1	70 - 35	AR66780	2F1	2	50 - 8	AR68653	1E20	8	30 - 33
AR63911	3C20	10	70 - 35B	AR66781	2F7	2	50 - 13	AR68720	1E3	10	30 - 22
AR63911	3C20	11	70 - 35B	AR66799	2C23	3	40 - 41	AR68801	3H5	4	80 - 35
AR63911	3C20	12	70 - 35B	AR66923	2F2	4	50 - 9	AR68817	2I13	13	60 - 8
AR63911	3C20	13	70 - 35B	AR66923	2F4	4	50 - 11	AR68979	1B11	64	20 - 9
AR63911	3C20	39	70 - 35B	AR66923	2F8	4	50 - 14	AR68980	1C25	25	20 - 47
AR63979	1B4	1	20 - 1	AR66925	2F7	4	50 - 13	AR69101	3I4	17	90 - 1B
AR64003	3H12	1	80 - 43	AR67074	1C10	19	20 - 34	AR69398	1C21	9	20 - 43
AR64004	3H12	1	80 - 43	AR67338	2B9	1	40 - 7	AR69444	3B4	..	70 - 1
AR64005	3H12	17	80 - 43	AR67380	1E20	4	30 - 33	AR69445	3B4	..	70 - 1
AR64101	3G21	5	80 - 26	AR67380	1F13	..	30 - 51	AR69659	2G18	3	50 - 50
AR64102	1D17	2	30 - 11	AR67380	1F14	..	30 - 52	AR69708	2F1	8	50 - 8
AR64106	2B5	12	40 - 2	AR67380	1F16	..	30 - 54	AR69743	1E3	11	30 - 22
AR64120	1E5	8	30 - 23	AR67380	1F17	..	30 - 55	AR69743	1E4	6	30 - 22A
AR64120	1E8	11	30 - 25	AR67380	1F18	..	30 - 56	AR69852	1G13	18	30 - 77
AR64369	3I23	3	90 - 16	AR67398	2D10	10	40 - 54	AR69853	1F25	22	30 - 64

1K11

2030 TRACTOR

NUMERICAL INDEX - CONTINUED

PART NO.	GRID	KEY	PAGE	PART NO.	GRID	KEY	PAGE	PART NO.	GRID	KEY	PAGE
AR69854	3I10	13	90 - 9	AR73500	3F13	1	70 - 103	AR77796	1G7	1	30 - 71
AR69988	3D25	7	70 - 63	AR73620	2D17	..	40 - 61	AR78041	1C3	5	20 - 26
AR69988	3E1	7	70 - 64	AR73621	2D17	6	40 - 61	AR78052	2E7	14	40 - 76
AR70082	2C2	12	40 - 23	AR73622	2D17	5	40 - 61	AR78202	2H6	23	50 - 63
AR70150	3E11	25	70 - 73	AR73634	1F25	16	30 - 64	AR78203	2H6	23	50 - 63
AR70310	2F20	13	50 - 26	AR73634	1G7	16	30 - 71	AR78261	3I6	12	90 - 3
AR70436	2B9	9	40 - 7	AR73673	1E20	9	30 - 33	AR78279	3D24	6	70 - 62
AR70436	2B24	1	40 - 20	AR73673	1G14	16	30 - 78	AR78279	3D24	12	70 - 62
AR70436	2C15	..	40 - 33	AR73673	1G14	17	30 - 78	AR78279	3E1	14	70 - 64
AR70436	2C17	1	40 - 35	AR73673	1G17	11	30 - 82	AR78310	1B25	4	20 - 23
AR70436	2C19	1	40 - 37	AR73673	1G17	15	30 - 82	AR78310	1C1	2	20 - 24
AR70711	2B9	11	40 - 7	AR73684	3C9	3	70 - 26A	AR78310	1C2	2	20 - 25
AR70711	2B9	14	40 - 7	AR73828	1E23	2	30 - 36	AR78332	2E21	16	50 - 3
AR70718	2G14	29	50 - 46	AR73828	1F5	3	30 - 43	AR78334	2E23	19	50 - 5
AR70718	2G25	13	50 - 57	AR73828	1F15	3	30 - 53	AR78361	2G3	5	50 - 35
AR71396	2G1	22	50 - 32	AR73829	1E23	2	30 - 36	AR78361	2G3	23	50 - 35
AR71587	2F7	5	50 - 13	AR73829	1F5	3	30 - 43	AR78361	2G4	5	50 - 36
AR71587	2F10	1	50 - 16	AR73829	1F15	3	30 - 53	AR78361	2G5	5	50 - 37
AR71587	2F10	4	50 - 16	AR73848	3J6	10	90 - 26	AR78361	2G7	6	50 - 39
AR71587	2F10	..	50 - 16	AR73918	3H24	16	80 - 55	AR78361	2G7	24	50 - 39
AR71592	1C3	5	20 - 26	AR74111	3D24	6	70 - 62	AR78396	3E11	25	70 - 73
AR71593	1C1	5	20 - 24	AR74111	3D24	12	70 - 62	AR78396	3E13	26	70 - 75
AR71593	1C2	5	20 - 25	AR74111	3E1	14	70 - 64	AR78485	1D12	6	30 - 5
AR71594	1B23	5	20 - 21	AR74411	2E7	5	40 - 76	AR78485	1D12	13	30 - 5
AR71618	1B9	18	20 - 7	AR75601	2G23	2	50 - 55	AR78632	1F24	13	30 - 63
AR71618	1B21	3	20 - 19	AR75603	1G25	1	30 - 91	AR78632	1G9	13	30 - 73
AR71618	1B23	4	20 - 21	AR75603	2G23	2	50 - 55	AR79922	1D4	13	20 - 51
AR71618	1C1	4	20 - 24	AR75694	2E6	10	40 - 75	AR79923	1D2	29	20 - 49
AR71618	1C2	4	20 - 25	AR75695	2E6	2	40 - 75	AR81610	2I11	14	60 - 6
AR71618	1C3	4	20 - 26	AR75696	2E6	8	40 - 75	AR81610	2I12	16	60 - 7
AR71618	1C25	25	20 - 47	AR75958	3E20	23A	70 - 83	AR82016	2G4	..	50 - 36
AR71618	1D2	29	20 - 49	AR75958	3E20	23B	70 - 83	AR82016	2G5	..	50 - 37
AR71618	1D2	30	20 - 49	AR76100	1F25	22	30 - 64	AR82016	2G7	45	50 - 39
AR71618	1D2	31	20 - 49	AR76100	1G7	22	30 - 71	AR82017	2G3	44	50 - 35
AR71618	1D2	32	20 - 49	AR76101	1G11	33	30 - 75	AR82021	2G3	44	50 - 35
AR71851	3H12	17	80 - 43	AR76102	1G5	4	30 - 69	AR82286	1C1	5	20 - 24
AR71902	3F1	6	70 - 90	AR76102	1G6	2	30 - 70	AR82286	1C2	5	20 - 25
AR71902	3F1	7	70 - 90	AR76103	1F25	22	30 - 64	AR82294	1B7	13	20 - 5
AR71945	3E23	10	70 - 86	AR76103	1G7	23	30 - 71	AR82294	1C4	6	20 - 27
AR71976	3I10	13	90 - 9	AR76395	2F7	5	50 - 13	AR82295	1B7	16	20 - 5
AR71991	1D3	9	20 - 50	AR76583	3I6	40	90 - 3	AR82295	1C4	2	20 - 27
AR71992	1D4	13	20 - 51	AR76704	1E20	22	30 - 33	AR82570	3E18	12	70 - 81
AR71997	1C25	25	20 - 47	AR76704	1E20	23	30 - 33	AR82571	3E15	19	70 - 77
AR71998	1D2	29	20 - 49	AR76704	1F22	23	30 - 61	AR82576	3E20	24	70 - 83
AR72233	2D10	6	40 - 54	AR76704	1G5	23	30 - 69	AR82795	2G3	47	50 - 35
AR72233	3H20	..	80 - 51	AR76762	3B16	4	70 - 13	AR82795	2G5	15	50 - 37
AR72474	3H6	3	80 - 36	AR76762	3B24	4	70 - 21	AR82906	2E7	14	40 - 76
AR72847	2B9	..	40 - 7	AR77179	3C15	1	70 - 32	AR82908	2E7	12	40 - 76
AR72869	1F22	15	30 - 61	AR77324	2D5	7	40 - 48	AR82911	2E7	13	40 - 76
AR72869	1G5	15	30 - 69	AR77325	2D5	7	40 - 48	AR83425	2E15	8	40 - 85
AR72879	1F22	15	30 - 61	AR77326	2B5	21	40 - 2	AR83549	3E6	24	70 - 67
AR72879	1F25	1	30 - 64	AR77326	2B6	18	40 - 3	AR83549	3E9	7	70 - 70
AR72879	1G5	3	30 - 69	AR77326	2B7	24	40 - 5	AR84228	1D10	18	30 - 3
AR72902	3I6	29	90 - 3	AR77326	2D5	1	40 - 48	AR84228	1G25	7	30 - 91
AR72903	3I6	29	90 - 3	AR77326	2D5	7	40 - 48	AR84733	1E3	10	30 - 22
AR72950	3H10	13	80 - 40	AR77326	2D5	9	40 - 48	AR84733	1E3	13	30 - 22
AR72957	1C12	2	20 - 36	AR77326	2D8	1	40 - 51	AR84733	1E4	7	30 - 22A
AR72987	3I6	41	90 - 3	AR77459	1C21	9	20 - 43	AR85323	2B4	23	40 - 1
AR72996	1D25	7	30 - 19	AR77485	2B4	22	40 - 1	AR85323	3C15	11	70 - 32
AR73175	1G6	4	30 - 70	AR77485	2B13	2	40 - 11	AR85323	3D4	6	70 - 42
AR73233	2F11	1	50 - 17	AR77530	3D13	4	70 - 53	AR85578	2D11	6	40 - 55
AR73233	2F13	1	50 - 19	AR77698	3I6	15	90 - 3	AR85618	1G14	8	30 - 78
AR73336	3I6	43	90 - 3	AR77762	1B9	10	20 - 7	AR85618	1G16	6	30 - 81
AR73338	3I6	23	90 - 3	AR77762	1B25	4	20 - 23	AR85628	3E6	24	70 - 67
AR73353	3F24	8	80 - 9	AR77762	1C3	2	20 - 26	AR85710	1F22	31	30 - 61
AR73354	3F24	8	80 - 9	AR77762	1C3	5	20 - 26	AR85710	1G5	31	30 - 69
AR73458	2H2	13	50 - 59	AR77796	1F25	1	30 - 64	AR85744	2G7	17	50 - 39

1K12

2030 TRACTOR

NUMERICAL INDEX - CONTINUED

PART NO.	GRID	KEY	PAGE	PART NO.	GRID	KEY	PAGE	PART NO.	GRID	KEY	PAGE
AR85746	2G3	16	50 - 35	AR90581	3E4	7	70 - 65B	AR94535	2E21	16	50 - 3
AR85746	2G4	15	50 - 36	AR90583	3E2	6	70 - 65	AR94537	2E23	1	50 - 5
AR86461	2G3	4	50 - 35	AR90583	3E4	7	70 - 65B	AR94537	2E23	5	50 - 5
AR86461	2G3	5	50 - 35	AR90601	1F11	2	30 - 49	AR94537	2E23	19	50 - 5
AR86461	2G3	6	50 - 35	AR90601	1F20	2	30 - 59	AR94657	1G11	15	30 - 75
AR86461	2G3	22	50 - 35	AR90826	2C21	12	40 - 39	AR94702	2E21	..	50 - 3
AR86461	2G3	23	50 - 35	AR90826	2C21	14	40 - 39	AR94702	2E23	..	50 - 5
AR86461	2G4	4	50 - 36	AR90971	2H25	13	50 - 83	AR94702	2G20	..	50 - 52
AR86461	2G4	5	50 - 36	AR90971	3D22	4	70 - 60	AR94724	2G20	8	50 - 52
AR86461	2G4	6	50 - 36	AR91515	2G20	8	50 - 52	AR94952	1G19	1	30 - 85
AR86461	2G5	4	50 - 37	AR91548	1E24	14	30 - 37	AR95991	2H2	15	50 - 59
AR86461	2G5	5	50 - 37	AR91548	1F6	14	30 - 44	AR95992	2H2	5	50 - 59
AR86461	2G7	4	50 - 39	AR91548	1F16	14	30 - 54	AR96321	3C7	29	70 - 25
AR86461	2G7	5	50 - 39	AR91594	1D12	12	30 - 5	AR96613	3B8	15	70 - 5
AR86461	2G7	6	50 - 39	AR91614	3H21	5	80 - 52	AR96613	3B10	15	70 - 7
AR86461	2G7	23	50 - 39	AR91660	1B19	5	20 - 17	AR96613	3B16	21	70 - 13
AR86461	2G7	24	50 - 39	AR91711	2I13	13	60 - 8	AR96613	3B24	19	70 - 21
AR86461	2G8	1	50 - 40	AR91774	1F22	15	30 - 61	AR96625	3C2	6	70 - 23
AR86535	3E11	25	70 - 73	AR91774	1G5	15	30 - 69	AR96662	2F20	9	50 - 26
AR86535	3E13	26	70 - 75	AR91793	2E13	42	40 - 83	AR96662	2G1	19	50 - 32
AR86598	1D15	3	30 - 9	AR91808	3F19	7	80 - 3	AR96662	2G18	6	50 - 50
AR86598	1D17	2	30 - 11	AR91813	2B9	9	40 - 7	AR96662	2G19	3	50 - 51
AR86969	2D5	1	40 - 48	AR91813	2B24	1	40 - 20	AR96773	1F25	4	30 - 64
AR87068	1F2	13	30 - 40	AR91813	2B24	..	40 - 20	AR96773	1F25	5	30 - 64
AR87068	1F9	14	30 - 47	AR91813	2C6	..	40 - 27	AR96773	1G7	4	30 - 71
AR87068	1F11	7	30 - 49	AR91813	2C20	..	40 - 38	AR96773	1G7	5	30 - 71
AR87385	3I6	43	90 - 3	AR91813	2C21	12	40 - 39	AR97088	1B7	27	20 - 5
AR87416	2G22	1	50 - 54	AR91813	2C21	13	40 - 39	AR97088	1B7	..	20 - 5
AR88239	1E20	9	30 - 33	AR91813	2C21	23	40 - 39	AR97094	1B7	27	20 - 5
AR88239	1G14	16	30 - 78	AR91813	2C21	..	40 - 39	AR97100	1B11	64	20 - 9
AR88239	1G14	17	30 - 78	AR91813	2C22	..	40 - 40	AR97103	1B11	64	20 - 9
AR88239	1G17	11	30 - 82	AR91814	2C21	23	40 - 39	AR97114	1B11	64	20 - 9
AR88239	1G17	15	30 - 82	AR91815	2C21	12	40 - 39	AR97191	1D2	29	20 - 49
AR89064	3B6	1	70 - 3	AR91907	1G3	32	30 - 67	AR97872	3B6	2	70 - 3
AR89064	3B8	..	70 - 5	AR92385	3C24	16	70 - 37	AR97872	3B16	16	70 - 13
AR89064	3B10	..	70 - 7	AR92425	3H5	1	80 - 35	AR97872	3B16	..	70 - 13
AR89073	3B10	27	70 - 7	AR92432	3D8	10	70 - 47	AR97872	3B24	..	70 - 21
AR89075	3B8	10	70 - 5	AR92893	1B19	18	20 - 17	AR98023	2D10	9	40 - 54
AR89075	3B10	10	70 - 7	AR92944	3F19	7	80 - 3	AR98201	3F12	2	70 - 102
AR89099	2I8	13	60 - 3	AR93637	1F24	8	30 - 63	AR98202	3F12	1	70 - 102
AR89099	2I8	38	60 - 3	AR93637	1G9	8	30 - 73	AR98993	3B14	17	70 - 11
AR89099	3C10	5	70 - 27	AR93638	1F25	6	30 - 64	AR99025	3E11	15	70 - 73
AR89099	3C11	8	70 - 28	AR93638	1F25	23	30 - 64	AR99025	3E13	14	70 - 75
AR89564	1E20	9	30 - 33	AR93638	1G7	6	30 - 71	AR99081	2D15	3	40 - 59
AR89564	1G14	8	30 - 78	AR93819	3E17	5	70 - 79	AR99082	2D15	2	40 - 59
AR89564	1G14	17	30 - 78	AR93819	3E17	7	70 - 79	AR99100	3E20	24	70 - 83
AR89564	1G16	17	30 - 81	AR93819	3E21	2	70 - 84	AT10123	1B22	9	20 - 20
AR89564	1G17	15	30 - 82	AR93819	3E21	5	70 - 84	AT10344	3G4	12	80 - 14
AR89691	2B12	6	40 - 10	AR93819	3E21	6	70 - 84	AT10344	3G5	10	80 - 15
AR89691	3C15	11	70 - 32	AR93819	3F1	7	70 - 90	AT10344	3G8	1	80 - 16C
AR89691	3D4	6	70 - 42	AR93819	3F4	5	70 - 93	AT10519	1B22	9	20 - 20
AR89729	2G4	15	50 - 36	AR93819	3F4	6	70 - 93	AT10611	1D15	1	30 - 9
AR90340	1F2	9	30 - 40	AR93819	3F5	2	70 - 94	AT10611	1D17	1	30 - 11
AR90340	1F9	9	30 - 47	AR93819	3F5	5	70 - 94	AT10638	1E6	7	30 - 24
AR90340	1F11	7	30 - 49	AR93819	3F5	7	70 - 94	AT106668	2I3	7	50 - 86
AR90378	3B18	30	70 - 15	AR93820	3E17	5	70 - 79	AT11520	1E25	20	30 - 38
AR90453	3B8	38	70 - 5	AR93820	3E17	7	70 - 79	AT11520	1F7	20	30 - 45
AR90453	3B10	36	70 - 7	AR93820	3F1	7	70 - 90	AT11520	1F17	27	30 - 55
AR90459	3B6	2	70 - 3	AR93820	3F5	2	70 - 94	AT11524	1F2	13	30 - 40
AR90459	3B16	..	70 - 13	AR93820	3F5	5	70 - 94	AT11524	1F9	14	30 - 47
AR90577	3E2	5	70 - 65	AR93820	3F5	7	70 - 94	AT11524	1F11	7	30 - 49
AR90577	3E2	..	70 - 65	AR93820	3F12	8	70 - 102	AT11927	2I13	8	60 - 8
AR90578	3E2	5	70 - 65	AR93928	2H20	9	50 - 78	AT12350	3D8	15	70 - 47
AR90578	3E2	..	70 - 65	AR94358	3H24	16	80 - 55	AT12431	2I2	1	50 - 85
AR90579	3E2	6	70 - 65	AR94522	3F8	21	70 - 97	AT124396	2I2	29	50 - 85
AR90579	3E4	7	70 - 65B	AR94522	3F9	3	70 - 98	AT124397	2I3	14	50 - 86
AR90581	3E2	6	70 - 65	AR94522	3F12	10	70 - 102	AT129106	2I14	4	60 - 9

1K13

2030 TRACTOR

NUMERICAL INDEX - CONTINUED

PART NO.	GRID	KEY	PAGE	PART NO.	GRID	KEY	PAGE	PART NO.	GRID	KEY	PAGE
AT129106	2I14	8	60-9	AT18025	2C22	..	40-40	AT20039	3E22	1	70-85
AT129106	2I14	9	60-9	AT18030	1B11	43	20-9	AT20040	3E22	2	70-85
AT13381	2B5	4	40-2	AT18030	1B19	15	20-17	AT20042	1G21	20	30-87
AT135655	2I14	4	60-9	AT18045	2F2	2	50-9	AT20044	1G19	1	30-85
AT135655	2I14	8	60-9	AT18049	1B15	23	20-13	AT20055	2F1	13	50-8
AT135655	2I14	9	60-9	AT18073	1D22	6	30-16	AT20079	2H13	5	50-71
AT13740	1B7	4A	20-5	AT18074	1C23	4	20-45	AT20079	2H14	3	50-72
AT13740	1C21	26	20-43	AT18126	1C10	15	20-34	AT20079	2H16	3	50-74
AT140057	1F4	19	30-42	AT18150	2B9	9	40-7	AT20080	2H13	4	50-71
AT140057	1F14	19	30-52	AT18150	2B24	1	40-20	AT20080	2H14	2	50-72
AT141924	3J10	6	90-30	AT18150	2B25	..	40-21	AT20080	2H16	2	50-74
AT14385	2B4	11	40-1	AT18155	1C6	2	20-29	AT20084	3D2	7	70-40
AT14385	2B10	1	40-8	AT18156	1C6	9	20-29	AT20085	3D2	12	70-40
AT14476	1E14	31	30-29B	AT18173	1E20	10	30-33	AT20093	2H21	1	50-79
AT146240	2H20	7	50-78	AT18174	1E20	21	30-33	AT20094	2H13	25	50-71
AT146268	2H7	13	50-64	AT18175	1E20	20	30-33	AT20094	2H16	24	50-74
AT14679	2B11	15	40-9	AT18176	1E20	19	30-33	AT20095	2H13	25	50-71
AT14680	2B11	2	40-9	AT18179	1B16	3	20-14	AT20095	2H16	24	50-74
AT14682	2B11	3	40-9	AT18181	2F1	2	50-8	AT20106	2B5	4	40-2
AT14682	2B11	22	40-9	AT18702	2B9	2	40-7	AT20106	2B6	11	40-3
AT14684	2B11	7	40-9	AT18721	2D12	3	40-56	AT20106	2B7	13	40-5
AT14692	2B11	1	40-9	AT18773	2B6	16	40-3	AT20106	2D3	1	40-46
AT14693	2B11	10	40-9	AT19508	1C8	16	20-32	AT20141	3D2	13	70-40
AT14764	2B9	3	40-7	AT19626	2I3	7	50-86	AT20167	3D22	6	70-60
AT148533	3F25	4	80-10	AT19753	3H12	17	80-43	AT20167	3D22	4	70-60
AT14927	3J9	1	90-29	AT19785	3H12	1	80-43	AT20175	2B4	17	40-1
AT15146	2C6	7	40-27	AT19787	3H12	1	80-43	AT20175	2D18	7	40-62
AT15147	2C2	18	40-23	AT19793	3F18	2	80-2	AT20186	3H4	5	80-34
AT15147	2C22	17	40-40	AT19793	3F21	1	80-5	AT20187	3H4	4	80-34
AT15585	3G22	6	80-27	AT19794	3F19	2	80-3	AT20190	3I7	1	90-5
AT15601	1D22	5	30-16	AT19795	3D8	6	70-47	AT20196	3J7	6	90-27
AT15604	1D22	2	30-16	AT19796	3D8	7	70-47	AT20197	3C18	1	70-35
AT159296	2D19	1	40-63	AT19797	3F17	14	80-1	AT20197	3C20	39	70-35B
AT16288	2B5	21	40-2	AT19804	3F17	13	80-1	AT20244	2I15	4	60-10
AT16288	2B6	18	40-3	AT19823	3G3	9	80-13	AT20246	2I14	12	60-9
AT16288	2B7	24	40-5	AT19830	2G21	1	50-53	AT20246	2I14	18	60-9
AT16288	2D5	1	40-48	AT19831	2I3	7	50-86	AT20247	2I14	12	60-9
AT16288	2D5	9	40-48	AT19833	2I19	27	60-15	AT20247	2I14	18	60-9
AT16288	2D8	1	40-51	AT19834	2I19	5	60-15	AT20248	2I14	18	60-9
AT16290	2C4	23	40-25	AT19837	2F2	10	50-9	AT20249	2I14	12	60-9
AT16291	2C2	2	40-23	AT19837	2F4	13	50-11	AT20266	1E1	7	30-20
AT16431	2H17	24	50-75	AT19837	2F7	14	50-13	AT20383	2E24	10	50-6
AT16431	2H19	27	50-77	AT19837	2F8	22	50-14	AT20438	3I10	31	90-9
AT165535	1C21	9	20-43	AT19837	2F8	22	50-14	AT20441	3I10	32	90-9
AT166883	2H7	1	50-64	AT19838	3C25	3	70-38	AT20452	3H9	5	80-39
AT166883	2H8	11	50-65	AT19839	3C16	23	70-33	AT20489	3I8	5	90-6
AT16887	2I2	29	50-85	AT19840	3D2	11	70-40	AT20489	3I12	7	90-11
AT169229	1C21	9	20-43	AT19847	3J6	7	90-26	AT20519	3G12	4	80-19
AT17387	1E1	12	30-20	AT19848	3D3	5	70-41	AT20521	3G12	4	80-19
AT17387	1G25	2	30-91	AT19850	3D19	12	70-57	AT20641	2D19	1	40-63
AT17464	2F1	5	50-8	AT19850	3D21	11	70-59	AT20662	2C2	12	40-23
AT17464	2F2	6	50-9	AT19858	2I10	1	60-5	AT20663	2C21	23	40-39
AT17464	2F7	9	50-13	AT19858	2I11	2	60-6	AT20664	2C22	12	40-40
AT17464	2F8	16	50-14	AT19858	2I12	4	60-7	AT20702	2I3	14	50-86
AT17707	3G12	4	80-19	AT19858	2I12	4	60-7	AT20703	2I3	2	50-86
AT18005	1B25	6	20-23	AT19858	2I12	4	60-7	AT20709	2B5	14	40-2
AT18009	1B19	5	20-17	AT19862	3H10	18	80-40	AT20709	2B6	17	40-3
AT18015	1B13	8	20-11	AT19880	3H10	13	80-40	AT20709	2B7	17	40-5
AT18025	2B9	9	40-7	AT19880	3H12	16	80-43	AT20709	2E5	1	40-74
AT18025	2B24	1	40-20	AT19899	2I15	4	60-10	AT20727	1D10	11	30-3
AT18025	2B24	..	40-20	AT19904	2D19	4	40-63	AT20727	1D11	6	30-4
AT18025	2C6	..	40-27	AT19923	3I10	26	90-9	AT20728	1D10	8	30-3
AT18025	2C21	12	40-39	AT19983	1D25	20	30-19	AT20728	1D11	8	30-4
AT18025	2C21	13	40-39	AT20025	2H21	4	50-79	AT20728	1G25	7	30-91
AT18025	2C21	14	40-39	AT20026	3I23	6	90-16	AT20739	2B6	10	40-3
AT18025	2C21	14	40-39	AT20026	3I25	15	90-19	AT20739	2B7	10	40-5
AT18025	2C21	23	40-39	AT20037	3E22	3	70-85	AT20739	2D9	3	40-53
AT18025	2C21	..	40-39	AT20038	3E22	4	70-85				

1K14

2030 TRACTOR

NUMERICAL INDEX - CONTINUED

PART NO.	GRID	KEY	PAGE	PART NO.	GRID	KEY	PAGE	PART NO.	GRID	KEY	PAGE
AT20740	2B6	14	40 - 3	AT21381	2F8	2	50 - 14	AT22079	3C11	1	70 - 28
AT20740	2B7	11	40 - 5	AT21382	2F4	2	50 - 11	AT22089	1D25	3	30 - 19
AT20746	1D23	12A	30 - 17	AT21420	2H14	12	50 - 72	AT22096	2E24	1	50 - 6
AT20749	2B9	2	40 - 7	AT21420	2H16	13	50 - 74	AT22143	3C10	13	70 - 27
AT20751	2B9	2	40 - 7	AT21420	2H19	2	50 - 77	AT22143	3C12	12	70 - 29
AT20761	2H24	4	50 - 82	AT21534	1B17	1	20 - 15	AT22169	3E22	8	70 - 85
AT20777	3H18	4	80 - 49	AT21608	1B19	11	20 - 17	AT22170	3E22	7	70 - 85
AT20781	1G24	7	30 - 90	AT21619	2B4	13	40 - 1	AT22199	3C12	1	70 - 29
AT20784	2H2	15	50 - 59	AT21619	2B13	6	40 - 11	AT22220	3F19	7	80 - 3
AT20786	2H2	5	50 - 59	AT21619	2B15	..	40 - 13	AT22221	3F23	9	80 - 7
AT20791	3I12	13	90 - 11	AT21622	2H7	1	50 - 64	AT22222	3F23	9	80 - 7
AT20792	3I12	9	90 - 11	AT21622	2H8	11	50 - 65	AT22237	3F18	14	80 - 2
AT20841	1D11	11	30 - 4	AT21623	2H7	1	50 - 64	AT22238	3F23	9	80 - 7
AT20848	1C21	9	20 - 43	AT21623	2H8	11	50 - 65	AT22239	3F23	9	80 - 7
AT20854	2I13	1	60 - 8	AT21623	2H11	1	50 - 69	AT22246	3F23	9	80 - 7
AT20881	3C15	1	70 - 32	AT21625	1D3	9	20 - 50	AT22247	3F23	9	80 - 7
AT20911	1D25	6	30 - 19	AT21627	1D4	13	20 - 51	AT22263	3C10	13	70 - 27
AT20912	1D25	10	30 - 19	AT21658	2B10	10	40 - 8	AT22263	3C12	12	70 - 29
AT20912	2B4	14	40 - 1	AT21665	2F1	4	50 - 8	AT22264	3C12	1	70 - 29
AT20916	2F8	11	50 - 14	AT21669	2F1	4	50 - 8	AT22278	3F19	7	80 - 3
AT20930	1G22	6	30 - 88	AT21675	2F8	11	50 - 14	AT22279	3F23	9	80 - 7
AT20939	3G2	1	80 - 12	AT21689	1D15	2	30 - 9	AT22280	3F23	9	80 - 7
AT20959	3C13	7	70 - 30	AT21689	1D17	2	30 - 11	AT22292	3F17	8	80 - 1
AT20960	3C13	1	70 - 30	AT21719	2B11	8	40 - 9	AT22315	2H3	14	50 - 60
AT20983	3C13	13	70 - 30	AT21720	2B11	11	40 - 9	AT22331	3F23	9	80 - 7
AT21062	2B11	5	40 - 9	AT21721	2B11	21	40 - 9	AT22332	3F23	9	80 - 7
AT21108	1C4	5	20 - 27	AT21722	2B11	20	40 - 9	AT22335	2F25	11	50 - 31
AT21110	1C4	5	20 - 27	AT21738	1F25	17	30 - 64	AT22632	3D10	1	70 - 49
AT21112	1C4	5	20 - 27	AT21738	1G7	17	30 - 71	AT22633	3D10	5	70 - 49
AT21114	1C4	5	20 - 27	AT21741	1G3	32	30 - 67	AT22761	2I3	7	50 - 86
AT21116	1B22	9	20 - 20	AT21742	1G3	9	30 - 67	AT22918	3F4	24	70 - 93
AT21117	1B22	9	20 - 20	AT21742	1G11	25	30 - 75	AT22919	1B11	64	20 - 9
AT21119	1B22	9	20 - 20	AT21752	3I7	6	90 - 5	AT22919	1C5	2	20 - 28
AT21122	1B25	8	20 - 23	AT21754	3D7	3	70 - 45	AT22919	1C5	5	20 - 28
AT21124	1B25	8	20 - 23	AT21780	2F11	2	50 - 17	AT22959	2B6	9	40 - 3
AT21126	1B25	8	20 - 23	AT21780	2F13	2	50 - 19	AT22960	2B6	15	40 - 3
AT21128	1B25	8	20 - 23	AT21781	3C18	14	70 - 35	AT22961	1C23	5	20 - 45
AT21130	1C4	1	20 - 27	AT21781	3C20	36	70 - 35B	AT22962	1C23	5	20 - 45
AT21132	1C4	1	20 - 27	AT21781	3C22	5	70 - 35D	AT22963	1C23	5	20 - 45
AT21134	1C4	1	20 - 27	AT21789	2E25	4	50 - 7	AT22965	1B19	18	20 - 17
AT21136	1C4	1	20 - 27	AT21795	1D20	18	30 - 14	AT22970	2D9	3	40 - 53
AT21138	1B9	14	20 - 7	AT21795	1D21	21	30 - 15	AT22989	1E9	11	30 - 26
AT21138	1B25	8	20 - 23	AT21801	1B13	14	20 - 11	AT22990	1E9	9	30 - 26
AT21139	1B11	62	20 - 9	AT21815	2B4	22	40 - 1	AT22993	1E9	18	30 - 26
AT21139	1C4	1	20 - 27	AT21815	2B13	2	40 - 11	AT22994	1E19	14	30 - 32
AT21140	1B11	61	20 - 9	AT21880	2D12	3	40 - 56	AT22995	1E19	14	30 - 32
AT21140	1C4	5	20 - 27	AT21912	3D8	4	70 - 47	AT23000	1E9	..	30 - 26
AT21160	2B15	25	40 - 13	AT21912	3D12	8	70 - 51	AT23000	1E10	..	30 - 27
AT21160	2B17	28	40 - 15	AT21913	1D21	27	30 - 15	AT23175	2I8	7	60 - 3
AT21161	2B15	14	40 - 13	AT21914	1D20	18	30 - 14	AT23188	2B15	23	40 - 13
AT21161	2B17	16	40 - 15	AT21914	1D21	21	30 - 15	AT23188	2B17	25	40 - 15
AT21177	2B10	10	40 - 8	AT21941	2B10	12	40 - 8	AT23189	2B15	26	40 - 13
AT21191	1B11	64	20 - 9	AT21941	2B11	22	40 - 9	AT23189	2B17	29	40 - 15
AT21191	1C5	2	20 - 28	AT21995	2B11	13	40 - 9	AT23220	2G9	9	50 - 41
AT21191	1C5	5	20 - 28	AT21997	1D25	7	30 - 19	AT23220	2G14	1	50 - 46
AT21225	1D22	31	30 - 16	AT22001	2G22	15	50 - 54	AT23222	2H13	5	50 - 71
AT21226	1C4	6	20 - 27	AT22034	2I17	1	60 - 12	AT23222	2H14	3	50 - 72
AT21227	1C4	2	20 - 27	AT22037	2B4	6	40 - 1	AT23222	2H16	3	50 - 74
AT21239	2D18	9	40 - 62	AT22037	2D18	8	40 - 62	AT23223	2H13	4	50 - 71
AT21334	1B13	14	20 - 11	AT22038	2B4	7	40 - 1	AT23223	2H14	2	50 - 72
AT21343	2B10	10	40 - 8	AT22038	2D18	4	40 - 62	AT23223	2H16	2	50 - 74
AT21351	2B4	8	40 - 1	AT22055	2H13	1	50 - 71	AT23224	2H12	3	50 - 70
AT21351	2B10	12	40 - 8	AT22055	2H14	30	50 - 72	AT23232	2G16	24	50 - 48
AT21351	2B11	14	40 - 9	AT22055	2H16	36	50 - 74	AT23232	2G17	8	50 - 49
AT21351	2B11	..	40 - 9	AT22064	2F1	29	50 - 8	AT23401	2B9	9	40 - 7
AT21373	1D22	16	30 - 16	AT22070	3J2	12	90 - 21	AT23401	2B24	1	40 - 20
AT21373	1D22	17	30 - 16	AT22073	3J2	11	90 - 21	AT23401	2C15	..	40 - 33

1K15

2030 TRACTOR

NUMERICAL INDEX - CONTINUED

PART NO.	GRID	KEY	PAGE	PART NO.	GRID	KEY	PAGE	PART NO.	GRID	KEY	PAGE
AT23401	2C17	1	40-35	AT25817	2F2	5	50-9	AT29295	1E18	16	30-31B
AT23401	2C19	1	40-37	AT25819	1E10	15	30-27	AT29301	3D22	8	70-60
AT23508	1D11	..	30-4	AT25821	1E10	3	30-27	AT29386	2H2	13	50-59
AT23541	3H15	8	80-46	AT25821	1E19	1	30-32	AT29458	1G1	25	30-65
AT23544	2I15	18	60-10	AT25910	2C17	32	40-35	AT29458	1G6	25	30-70
AT23545	2I15	18	60-10	AT25914	2C17	25	40-35	AT29460	1G3	32	30-67
AT23552	3C10	5	70-27	AT25959	1E23	6	30-36	AT29461	1G3	18	30-67
AT23552	3C11	8	70-28	AT25963	3I8	3	90-6	AT29461	1G3	19	30-67
AT23555	3C10	12	70-27	AT25963	3I12	3	90-11	AT29461	1G3	20	30-67
AT23562	3C11	15	70-28	AT26122	3I10	25	90-9	AT29461	1G3	21	30-67
AT23563	3C11	15	70-28	AT26123	3I10	25	90-9	AT29461	1G3	22	30-67
AT23579	2E23	13	50-5	AT26188	2I10	11	60-5	AT29461	1G3	23	30-67
AT23579	2G25	13	50-57	AT26196	3D5	8	70-43	AT29461	1G3	24	30-67
AT23583	3F25	3	80-10	AT26349	3D1	9	70-39	AT29461	1G3	25	30-67
AT23759	3D12	4	70-51	AT26350	3D1	4	70-39	AT29461	1G3	26	30-67
AT23885	3F25	3	80-10	AT26373	1C15	22	20-39	AT29461	1G11	8	30-75
AT23886	3F25	8	80-10	AT26632	2F16	14	50-22	AT29461	1G11	9	30-75
AT23907	2G14	29	50-46	AT26698	1B19	15	20-17	AT29461	1G11	10	30-75
AT23907	2G25	13	50-57	AT26702	1B22	8	20-20	AT29461	1G11	11	30-75
AT24013	1C23	5	20-45	AT27018	1C15	10	20-39	AT29464	1F22	10	30-61
AT24149	3I8	12	90-6	AT27108	1C13	1	20-37	AT29464	1G5	10	30-69
AT24149	3I12	28	90-11	AT27128	2B15	7	40-13	AT29619	1C13	1	20-37
AT24149	3I13	7	90-12	AT27128	2B17	6	40-15	AT29620	1C13	1	20-37
AT24252	1B19	23	20-17	AT27130	3F25	8	80-10	AT29620	1C16	13	20-40
AT24254	1C10	4	20-34	AT27130	3G1	16	80-11	AT29674	1E8	1	30-25
AT24437	1D10	7	30-3	AT27131	3F25	3	80-10	AT29679	2E21	16	50-3
AT24437	1D11	9	30-4	AT27134	3F25	3	80-10	AT29681	2G11	35	50-43
AT24438	1D10	6	30-3	AT27134	3G1	8	80-11	AT29681	2G13	34	50-45
AT24438	1D11	10	30-4	AT27146	3H18	4	80-49	AT29681	2G25	13	50-57
AT24538	3J9	1	90-29	AT27228	3F24	8	80-9	AT29686	2F17	1	50-23
AT24692	2B4	6	40-1	AT27406	1C12	..	20-36	AT29687	2H15	5	50-73
AT24692	2D18	8	40-62	AT27413	1C12	2	20-36	AT29687	2H17	9	50-75
AT24693	2B4	7	40-1	AT27425	2C25	1	40-43	AT29687	2H19	14	50-77
AT24693	2D18	1	40-62	AT27585	1C21	6	20-43	AT29688	2G10	4	50-42
AT24699	2F4	7	50-11	AT27620	1E20	8	30-33	AT29690	2G15	13	50-47
AT24724	3C25	1	70-38	AT27622	1E20	12	30-33	AT29691	2G15	14	50-47
AT24725	3C25	7	70-38	AT27622	1G14	4	30-78	AT29691	2G16	7	50-48
AT24885	1G21	11	30-87	AT27622	1G17	3	30-82	AT29692	2G15	1	50-47
AT24917	3I8	12	90-6	AT27717	2F1	19	50-8	AT29692	2G16	1	50-48
AT24917	3I12	28	90-11	AT27728	2G3	47	50-35	AT29693	2G15	2	50-47
AT24967	1B22	1	20-20	AT27728	2G5	15	50-37	AT29693	2G16	2	50-48
AT24968	1D2	29	20-49	AT27749	3H10	4	80-40	AT29695	2F7	2	50-13
AT24986	3H6	3	80-36	AT27907	2C25	2	40-43	AT29700	2F7	6	50-13
AT25226	3G21	..	80-26	AT27908	2D7	1	40-50	AT29702	2G20	8	50-52
AT25266	1D23	13	30-17	AT27917	1F22	31	30-61	AT29706	2H17	1	50-75
AT25490	2I11	14	60-6	AT27917	1G5	31	30-69	AT29706	2H19	19	50-77
AT25490	2I12	16	60-7	AT27960	1D21	27	30-15	AT29707	2H17	32	50-75
AT25491	1E10	25	30-27	AT28049	2I2	11	50-85	AT29707	2H19	35	50-77
AT25491	1E19	6	30-32	AT28049	2I2	20	50-85	AT29710	2E21	16	50-3
AT25575	2B11	18	40-9	AT28049	2I2	21	50-85	AT29712	2G9	9	50-41
AT25575	2B11	19	40-9	AT28092	1F25	22	30-64	AT29712	2G10	11	50-42
AT25619	2B9	9	40-7	AT28197	3D24	6	70-62	AT29715	2G16	6	50-48
AT25619	2B24	1	40-20	AT28198	3D24	6	70-62	AT29752	2G22	13	50-54
AT25619	2B25	..	40-21	AT28414	1D15	3	30-9	AT29826	2H22	1	50-80
AT25619	2C2	..	40-23	AT28414	1D17	2	30-11	AT29928	1C5	5	20-28
AT25619	2C4	..	40-25	AT28464	3D12	11	70-51	AT30045	2F7	5	50-13
AT25619	2C6	..	40-27	AT28466	3D12	10	70-51	AT30045	2F10	..	50-16
AT25619	2C11	4	40-31A	AT28578	3C14	3	70-31	AT30046	2F7	5	50-13
AT25619	2C13	10	40-31D	AT28581	3J6	10	90-26	AT30046	2F9	..	50-15
AT25637	3F23	9	80-7	AT28582	3J7	7	90-27	AT30053	2H7	10	50-64
AT25638	3F23	9	80-7	AT28962	1D20	23	30-14	AT30126	1F22	3	30-61
AT25649	3D10	..	70-49	AT29157	2B9	1	40-7	AT30150	3D10	1	70-49
AT25649	3D12	..	70-51	AT29213	1B25	1	20-23	AT30151	3D10	5	70-49
AT25651	2C22	1	40-40	AT29222	3E6	9	70-67	AT30172	1D20	23	30-14
AT25651	2C22	3	40-40	AT29295	1E8	2	30-25	AT30197	2G23	14	50-55
AT25651	2C22	4	40-40	AT29295	1E9	..	30-26	AT30224	1E9	34	30-26
AT25651	2C22	5	40-40	AT29295	1E10	..	30-27	AT31250	1B15	5	20-13

1K16

2030 TRACTOR

NUMERICAL INDEX - CONTINUED

PART NO.	GRID	KEY	PAGE	PART NO.	GRID	KEY	PAGE	PART NO.	GRID	KEY	PAGE
AT31413	2B4	22	40 - 1	AT53098	3I2	1	90 - 1	A3917R	2G13	35	50 - 45
AT31413	2B18	16	40 - 16	AT53247	2H2	13	50 - 59	A3917R	2G14	28	50 - 46
AT31442	1E14	14	30 - 29B	AT54132	2I8	32	60 - 3	A3917R	2G15	4	50 - 47
AT31563	1B11	64	20 - 9	AT54940	1C21	17	20 - 43	A3917R	2G15	21	50 - 47
AT31593	1B7	27	20 - 5	AT54955	2I13	1	60 - 8	A3917R	2G16	3	50 - 48
AT31619	1D25	10	30 - 19	AT55441	2D1	12	40 - 44	A3917R	2G17	6	50 - 49
AT31619	2B4	14	40 - 1	AT55441	2D2	25	40 - 45	A3917R	2G22	6	50 - 54
AT31877	1E9	24	30 - 26	AT60368	2F1	29	50 - 8	A3917R	3B18	33	70 - 15
AT31878	1E9	25	30 - 26	AT62018	3J10	6	90 - 30	A3917R	3E11	24	70 - 73
AT32058	2F16	3	50 - 22	AT62019	3J10	4	90 - 30	A3917R	3E13	25	70 - 75
AT32059	2F16	3	50 - 22	AT63106	2I17	1	60 - 12	A3917R	3E15	9	70 - 77
AT32064	1D25	1	30 - 19	AT63813	1D15	5	30 - 9	A3917R	3E17	11	70 - 79
AT32207	2F2	4	50 - 9	AT63813	1D17	4	30 - 11	A3917R	3E18	4	70 - 81
AT32207	2F8	4	50 - 14	AT67693	2D18	9	40 - 62	A3917R	3E20	5	70 - 83
AT32209	2F7	4	50 - 13	AT69065	2G20	8	50 - 52	A39716	2D1	1	40 - 44
AT32332	3E20	32	70 - 83	AT72330	1C12	..	20 - 36	A39716	2D2	1	40 - 45
AT32335	2I15	2	60 - 10	AT75387	3J10	4	90 - 30	A4159R	2B10	5	40 - 8
AT32335	3C8	9	70 - 26	AT77424	1D15	3	30 - 9	A4231R	3C10	22	70 - 27
AT32337	3F4	25	70 - 93	AT77424	1D17	2	30 - 11	A4231R	3C12	3	70 - 29
AT32439	1E10	8	30 - 27	AT77459	1C21	9	20 - 43	A4270R	3I23	16	90 - 16
AT32444	2F10	2	50 - 16	AT81398	1D10	6	30 - 3	A4365R	1E5	6	30 - 23
AT32489	1C19	1	20 - 41	AT81398	1D11	10	30 - 4	A4365R	3B18	3	70 - 15
AT32496	2H14	9	50 - 72	AT81764	3J10	6	90 - 30	A4365R	3B22	3	70 - 19
AT32496	2H16	10	50 - 74	AT85153	2B4	23	40 - 1	A4365R	3B22	12	70 - 19
AT32496	2H19	10	50 - 77	AT85153	2B12	6	40 - 10	A4365R	3C2	3	70 - 23
AT32606	1C10	18	20 - 34	AT85153	3C15	11	70 - 32	A4365R	3C7	2	70 - 25
AT32761	3H10	1	80 - 40	AT85153	3D4	6	70 - 42	A4365R	3D3	11	70 - 41
AT34811	3E25	21	70 - 89	AT91813	2B9	9	40 - 7	A4365R	3D3	27	70 - 41
AT34970	3F19	7	80 - 3	AU30241	3E23	7	70 - 86	A4380R	3G17	13	80 - 24A
AT35081	1D15	3	30 - 9	AU41465	2B5	9	40 - 2	A4380R	3G19	13	80 - 24C
AT35081	1D17	2	30 - 11	AU41465	2B6	6	40 - 3	A4388R	3G14	5	80 - 21
AT35094	3I10	26	90 - 9	AU41465	2B7	8	40 - 5	A4388R	3G15	5	80 - 22
AT35120	3F4	25	70 - 93	AZ14504	2C17	24	40 - 35	A4388R	3G17	10	80 - 24A
AT35121	2I8	16	60 - 3	AZ14506	2C17	29	40 - 35	A4388R	3G19	10	80 - 24C
AT35121	3C5	4	70 - 23C	AZ14507	2C17	16	40 - 35	A4444R	3C17	9	70 - 34
AT35227	3F17	13	80 - 1	A1160R	2H13	21	50 - 71	A4655R	2C23	4	40 - 41
AT37209	2I8	13	60 - 3	A1160R	2H16	28	50 - 74	A4666R	3H10	21	80 - 40
AT37357	3H7	8	80 - 37	A120R	1B7	1	20 - 5	A4723R	3F2	13	70 - 91
AT37368	2D17	7	40 - 61	A120R	1B7	3	20 - 5	A4723R	3F3	4	70 - 92
AT37833	3I4	16	90 - 1B	A120R	2G20	5	50 - 52	A4730R	3D3	22	70 - 41
AT37833	3I12	28	90 - 11	A1555R	3G6	12	80 - 16	A4730R	3E17	25	70 - 79
AT37833	3I13	7	90 - 12	A1556R	3G6	11	80 - 16	A4730R	3E18	9	70 - 81
AT38518	3I13	7	90 - 12	A1556R	3G7	6	80 - 16A	A4730R	3E20	17	70 - 83
AT38821	2D17	1	40 - 61	A1556R	3G9	7	80 - 16D	A4730R	3F2	31	70 - 91
AT39043	2D11	5	40 - 55	A15898	3F9	1	70 - 98	A4730R	3F3	7	70 - 92
AT39457	3F17	13	80 - 1	A15899	3F9	2	70 - 98	A4730R	3F8	16	70 - 97
AT41649	2E21	16	50 - 3	A2899R	2D4	6	40 - 47	A4730R	3F11	8	70 - 101
AT42308	3B5	1	70 - 2	A2899R	2D5	6	40 - 48	A4731R	3F2	28	70 - 91
AT44165	2B4	6	40 - 1	A3539R	2B4	10	40 - 1	A4731R	3F3	8	70 - 92
AT44165	2B4	7	40 - 1	A3539R	2B10	4	40 - 8	A4732R	3F2	33	70 - 91
AT44165	2D18	1	40 - 62	A3539R	2B10	6	40 - 8	A4733R	3F2	34	70 - 91
AT44165	2D18	4	40 - 62	A3539R	2B10	7	40 - 8	A4733R	3F3	6	70 - 92
AT44165	2D18	8	40 - 62	A3539R	2B10	8	40 - 8	A4736R	3F2	9	70 - 91
AT44165	2D20	23	40 - 64	A3539R	2B10	11	40 - 8	A4737R	3F2	7	70 - 91
AT46457	2I13	1	60 - 8	A354R	3C20	22	70 - 35B	A4738R	3F2	8	70 - 91
AT48214	1D25	20	30 - 19	A3581R	3D8	5	70 - 47	A4739R	3F2	10	70 - 91
AT48673	2B4	6	40 - 1	A3581R	3D12	9	70 - 51	A4742R	2F21	17	50 - 27
AT48673	2D18	8	40 - 62	A3581R	3D19	16	70 - 57	A4742R	2G3	15	50 - 35
AT48673	2D20	26	40 - 64	A3581R	3D21	15	70 - 59	A4745R	3F2	2	70 - 91
AT48674	2B4	7	40 - 1	A3581R	3F1	5	70 - 90	A4745R	3F3	1	70 - 92
AT48674	2D18	4	40 - 62	A3581R	3F1	7	70 - 90	A4746R	3F2	1	70 - 91
AT514T	2C4	12	40 - 25	A364R	2H4	23	50 - 61	A4747R	3F2	3	70 - 91
AT514T	2C21	6	40 - 39	A364R	2H6	18	50 - 63	A4748R	3F2	4	70 - 91
AT516T	2C4	17	40 - 25	A3910R	1B13	12	20 - 11	A4806R	2G20	29	50 - 52
AT516T	2C21	11	40 - 39	A3917R	2F25	1	50 - 31	A4808R	2G20	28	50 - 52
AT517T	2C21	2	40 - 39	A3917R	2G11	28	50 - 43	A4827R	1C8	14	20 - 32
AT52868	3F17	14	80 - 1	A3917R	2G13	27	50 - 45	A4827R	1C9	16	20 - 33

1K17

2030 TRACTOR

NUMERICAL INDEX - CONTINUED

PART NO.	GRID	KEY	PAGE	PART NO.	GRID	KEY	PAGE	PART NO.	GRID	KEY	PAGE
A4827R	2G20	15	50 - 52	C284R	2F22	28	50 - 28	F2693R	3D12	12	70 - 51
A4827R	2I2	18	50 - 85	DA5883A	3D10	2	70 - 49	F2695R	3D10	8	70 - 49
A48331	2D2	3	40 - 45	DA5883A	3D13	5	70 - 53	F2695R	3D12	14	70 - 51
A48332	2D2	23	40 - 45	DD12120	1B15	2	20 - 13	F2741R	3C18	7	70 - 35
A4847R	2E21	32	50 - 3	DD14292	1E7	3	30 - 24A	F2741R	3C24	10	70 - 37
A4847R	2E23	33	50 - 5	D2361R	2F24	15	50 - 30	F2772R	2E21	38	50 - 3
A4847R	3B18	32	70 - 15	D2361R	2I14	28	60 - 9	F2822R	3D5	5	70 - 43
A4847R	3C18	6	70 - 35	D2361R	3B8	50	70 - 5	F2823R	3D5	3	70 - 43
A4847R	3C20	1	70 - 35B	D2361R	3B10	48	70 - 7	F2824R	3D5	2	70 - 43
A4847R	3C24	9	70 - 37	D2361R	3C10	25	70 - 27	F2863R	2I14	10	60 - 9
A4881R	1D25	19	30 - 19	D2361R	3C12	7	70 - 29	F2863R	3I10	7	90 - 9
A4883R	2F22	13	50 - 28	D2361R	3C13	11	70 - 30	F2935R	2D4	10	40 - 47
A4883R	3G17	14	80 - 24A	D2361R	3C18	5	70 - 35	F2962R	3C18	13	70 - 35
A4883R	3G19	14	80 - 24C	D2361R	3C20	3	70 - 35B	F3171R	2D17	9	40 - 61
A5146R	3G6	16	80 - 16	D2361R	3C22	6	70 - 35D	F3171R	2E21	35	50 - 3
A5180R	3H25	10	80 - 56	D2361R	3C24	11	70 - 37	F3171R	2F25	19	50 - 31
A5301R	3F2	26	70 - 91	D2361R	3E17	4	70 - 79	F3171R	2G18	17	50 - 50
A5302R	3F2	24	70 - 91	D2361R	3E17	16	70 - 79	F3171R	2G19	13	50 - 51
A602R	2E24	5	50 - 6	D2361R	3E20	25	70 - 83	F3171R	2G23	11	50 - 55
B1085R	2G11	32	50 - 43	D2361R	3E21	4	70 - 84	F3171R	2G24	2	50 - 56
B1085R	2G13	31	50 - 45	D2361R	3E21	15	70 - 84	F3171R	2I15	10	60 - 10
B1085R	2G14	25	50 - 46	D2361R	3F4	4	70 - 93	F3171R	2I16	2	60 - 11
B11182	3D12	24	70 - 51	D2361R	3F4	15	70 - 93	F3171R	3B6	2	70 - 3
B11182	3D23	6	70 - 61	D2361R	3F5	4	70 - 94	F3171R	3B8	54	70 - 5
B1664R	2G11	16	50 - 43	D2361R	3F5	16	70 - 94	F3171R	3B14	12	70 - 11
B1664R	2G13	15	50 - 45	D2865R	3D10	7	70 - 49	F3171R	3B14	15	70 - 11
B1664R	3J3	2	90 - 22	D2865R	3D12	13	70 - 51	F3171R	3B16	16	70 - 13
B17575	2D12	1B	40 - 56	E16050	2D20	16	40 - 64	F3171R	3B16	..	70 - 13
B17682	1E10	6	30 - 27	E34355	1E12	2	30 - 29	F3171R	3B18	20	70 - 15
B17682	1E14	3	30 - 29B	E34355	1E12	12	30 - 29	F3171R	3B20	6	70 - 17
B17696	1E19	9	30 - 32	E34355	1E18	2	30 - 31B	F3171R	3C2	35	70 - 23
B177R	2I14	11	60 - 9	E49903	1E12	2	30 - 29	F3171R	3C4	8	70 - 23B
B177R	2I14	12	60 - 9	E49903	1E12	12	30 - 29	F3171R	3C8	2	70 - 26
B177R	2I14	18	60 - 9	E49903	1E18	2	30 - 31B	F3171R	3C8	5	70 - 26
B190R	2H4	18	50 - 61	E49906	1E9	6	30 - 26	F3171R	3C9	4	70 - 26A
B190R	2H6	20	50 - 63	E49906	1E19	11	30 - 32	F3171R	3E23	9	70 - 86
B1986R	3C11	10	70 - 28	E62934	3I22	6	90 - 15F	F3171R	3E25	25	70 - 89
B2477R	3D10	10	70 - 49	F1334R	2H17	21	50 - 75	F3195R	3H15	3	80 - 46
B2477R	3D12	16	70 - 51	F1334R	2H19	24	50 - 77	F3322R	2F24	18	50 - 30
B2641R	2G3	43	50 - 35	F1791R	3C16	7	70 - 33	F3322R	3C18	1	70 - 35
B2641R	2G5	24	50 - 37	F1791R	3C18	8	70 - 35	F3322R	3C18	13	70 - 35
B2641R	2G7	44	50 - 39	F1791R	3C20	8	70 - 35B	F3322R	3C20	16	70 - 35B
B2762R	3E6	32	70 - 67	F1791R	3C20	39	70 - 35B	F3322R	3C20	39	70 - 35B
B2762R	3E15	8	70 - 77	F1791R	3C24	14	70 - 37	F3322R	3C22	7	70 - 35D
B3014R	3G17	4	80 - 24A	F1942R	3D2	9	70 - 40	F3353R	2F22	10	50 - 28
B3014R	3G19	4	80 - 24C	F215R	2H4	17	50 - 61	F3353R	3C16	21	70 - 33
B3016R	3G17	3	80 - 24A	F215R	2H6	19	50 - 63	F3353R	3C24	2	70 - 37
B3016R	3G19	3	80 - 24C	F2208R	2G15	3	50 - 47	F3366R	2F24	4	50 - 30
B3018R	3G17	15	80 - 24A	F2208R	2G15	18	50 - 47	F339R	2G1	20	50 - 32
B3018R	3G19	15	80 - 24C	F2208R	2G15	19	50 - 47	F3396R	1G19	15	30 - 85
B3690R	2I6	2	60 - 1	F2208R	2G16	13	50 - 48	F3396R	2G15	3	50 - 47
B3690R	2I11	5	60 - 6	F2208R	2G16	15	50 - 48	F3396R	2G16	13	50 - 48
B3690R	2I12	5	60 - 7	F2208R	2G16	16	50 - 48	F3450R	2I8	20	60 - 3
B3772R	3G15	3	80 - 22	F2208R	3D10	11	70 - 49	F3539R	3D25	6	70 - 63
B3772R	3G17	12	80 - 24A	F2208R	3D12	17	70 - 51	F3539R	3E1	6	70 - 64
B3772R	3G19	12	80 - 24C	F2269R	1G21	9	30 - 87	F3541R	3D25	4	70 - 63
B3773R	3G15	3	80 - 22	F2273R	2E25	5	50 - 7	F3541R	3E1	4	70 - 64
B3773R	3G17	12	80 - 24A	F2506R	1D25	12	30 - 19	F3542R	3D25	5	70 - 63
B3773R	3G19	12	80 - 24C	F2570R	3C17	7	70 - 34	F3542R	3E1	5	70 - 64
B3801R	3G17	5	80 - 24A	F2653R	2I19	23	60 - 15	F3607R	3F17	3	80 - 1
C1067R	2E24	11	50 - 6	F2680R	3D5	9	70 - 43	F3607R	3G1	4	80 - 11
C1067R	2E25	9	50 - 7	F2680R	3D5	13	70 - 43	F534R	3F17	21	80 - 1
C1067R	2F22	29	50 - 28	F2681R	3D5	9	70 - 43	F534R	3F18	13	80 - 2
C1919R	2H17	22	50 - 75	F2681R	3D15	1	70 - 55	F534R	3F19	10	80 - 3
C1919R	2H19	25	50 - 77	F2684R	3D10	4	70 - 49	F534R	3F21	13	80 - 5
C2175R	2E21	30	50 - 3	F2684R	3D13	6	70 - 53	GW16-456	1E9	21	30 - 26
C2175R	2E23	39	50 - 5	F2693R	3D10	6	70 - 49	H104855	2E11	9	40 - 81

1K18

2030 TRACTOR

NUMERICAL INDEX - CONTINUED

PART NO.	GRID	KEY	PAGE	PART NO.	GRID	KEY	PAGE	PART NO.	GRID	KEY	PAGE
H113196	2C11	2	40 - 31A	JD3219	3G4	2	80 - 14	JD8230	3G5	8	80 - 15
H113196	2C13	2	40 - 31D	JD3219	3G6	8	80 - 16	JD8230	3G8	3	80 - 16C
H113196	3F6	6	70 - 95	JD3229	3G4	2	80 - 14	JD8239	3G4	8	80 - 14
H113924	3H16	7	80 - 47	JD3229	3G6	8	80 - 16	JD8239	3G5	11	80 - 15
H113924	3H18	1	80 - 49	JD5272	3H24	8	80 - 55	JD8239	3G8	4	80 - 16C
H113924	3H18	17	80 - 49	JD5272	3H25	5	80 - 56	JD8247	2I2	7	50 - 85
H20925	1E12	7	30 - 29	JD5400	3J4	2	90 - 23	JD8251	3G6	6	80 - 16
H20925	1E18	5	30 - 31B	JD5403	3J3	3	90 - 22	JD8251	3G7	4	80 - 16A
H20993	1E12	3	30 - 29	JD5602	3J2	13	90 - 21	JD8251	3G9	5	80 - 16D
H22551	1E14	10	30 - 29B	JD683	3G13	2	80 - 20	JD8255	2H7	4	50 - 64
H23193	2C4	4	40 - 25	JD7375	2H3	2	50 - 60	JD8267	2H7	14	50 - 64
H23746	3H18	2	80 - 49	JD7418	2I2	26	50 - 85	JD8276	2H3	7	50 - 60
H23746	3H18	16	80 - 49	JD7418	3F24	4	80 - 9	JD8344	2H17	4	50 - 75
H23746	3H18	18	80 - 49	JD7418	3G6	4	80 - 16	JD8344	2H19	16	50 - 77
H246R	2G22	7	50 - 54	JD7418	3G6	5	80 - 16	JD8407	3F23	12	80 - 7
H246R	2H3	9	50 - 60	JD7418	3G9	4	80 - 16D	JD8410	3F17	24	80 - 1
H33689	2F1	27	50 - 8	JD7425	2H8	4	50 - 65	JD8410	3F24	2	80 - 9
H34753	3F2	17	70 - 91	JD7425	2H11	8	50 - 69	JD8511	2G7	49	50 - 39
H410R	2H9	9	50 - 67	JD7425	2I3	15	50 - 86	JD8720	2F20	7	50 - 26
H61022	2F1	25	50 - 8	JD7438	2I2	13	50 - 85	JD8720	2G1	17	50 - 32
H61022	2F9	8	50 - 15	JD7445	3G6	4	80 - 16	JD8720	2G18	5	50 - 50
H61022	2F10	8	50 - 16	JD7445	3G7	3	80 - 16A	JD8720	2G19	1	50 - 51
H81551	1E12	4	30 - 29	JD7449	2H3	1	50 - 60	JD8729	2G1	24	50 - 32
H826R	2H6	32	50 - 63	JD7537	2H17	18	50 - 75	JD8823	2F11	9	50 - 17
H836R	2F15	3	50 - 21	JD7537	2H19	21	50 - 77	JD8823	2F13	6	50 - 19
H84660	3H12	23	80 - 43	JD7557	2H17	17	50 - 75	JD8823	2H14	14	50 - 72
H84660	3I23	3	90 - 16	JD7557	2H19	20	50 - 77	JD8823	2H16	14	50 - 74
H84660	3I25	4	90 - 19	JD7672	2H4	21	50 - 61	JD8823	2H19	4	50 - 77
H871R	2G3	28	50 - 35	JD7674	2H6	16	50 - 63	JD8833	1D22	14	30 - 16
H871R	2G4	16	50 - 36	JD7692	2H14	15	50 - 72	JD8856	3D7	16	70 - 45
H871R	2G4	23	50 - 36	JD7692	2H16	15	50 - 74	JD8867	1E10	10	30 - 27
H871R	2G7	16	50 - 39	JD7692	2H19	5	50 - 77	JD8877	2H12	11	50 - 70
H871R	2G7	29	50 - 39	JD7759	2I3	6	50 - 86	JD8877	2H13	13	50 - 71
H871R	3F8	11	70 - 97	JD7759	3D7	6	70 - 45	JD8877	2H14	7	50 - 72
H871R	3F9	10	70 - 98	JD7759	3F21	4	80 - 5	JD8877	2H15	8	50 - 73
H97644	3I6	41	90 - 3	JD7797	2F2	15	50 - 9	JD8877	2H16	18	50 - 74
H987R	2D20	19	40 - 64	JD7797	2F7	12	50 - 13	JD8877	2H17	12	50 - 75
JD10036	2B21	26	40 - 19	JD7797	2F8	18	50 - 14	JD8877	2H19	12	50 - 77
JD10036	2B23	9	40 - 19B	JD7798	3D7	6	70 - 45	JD8905	3G4	7	80 - 14
JD10107	2G5	14	50 - 37	JD7798	3F17	10	80 - 1	JD8905	3G5	12	80 - 15
JD10107	2G7	49	50 - 39	JD7798	3F18	9	80 - 2	JD8905	3G8	5	80 - 16C
JD1091	3G4	2	80 - 14	JD7798	3F19	14	80 - 3	JD8913	3G6	3	80 - 16
JD1091	3G6	8	80 - 16	JD7798	3F21	4	80 - 5	JD8913	3G7	2	80 - 16A
JD126	2D1	6	40 - 44	JD7798	3F23	8	80 - 7	JD8922	2I2	8	50 - 85
JD126	2D2	10	40 - 45	JD7798	3F24	5	80 - 9	JD8929	3G6	7	80 - 16
JD126	2D20	10	40 - 64	JD7799	3F17	9	80 - 1	JD8929	3G7	5	80 - 16A
JD1291	3G4	2	80 - 14	JD7799	3F18	10	80 - 2	JD8929	3G9	6	80 - 16D
JD16	3G4	1	80 - 14	JD7799	3F19	13	80 - 3	JD8946	2H8	12	50 - 65
JD16	3G5	2	80 - 15	JD7799	3F21	5	80 - 5	JD8946	2H11	13	50 - 69
JD16	3G6	9	80 - 16	JD7799	3H6	10	80 - 36	JD8946	2I3	4	50 - 86
JD16	3G11	2	80 - 18	JD8135	2I2	14	50 - 85	JD8969	2I2	25	50 - 85
JD16	3G12	6	80 - 19	JD8147	2H8	5	50 - 65	JD8969	3F17	13	80 - 1
JD16	3G13	1	80 - 20	JD8147	2H11	7	50 - 69	JD8969	3F24	4	80 - 9
JD19	3G4	1	80 - 14	JD8147	2I3	16	50 - 86	JD8969	3G6	3	80 - 16
JD3000	3G4	2	80 - 14	JD8171	2H3	6	50 - 60	JD8969	3G9	3	80 - 16D
JD30001	2B23	8	40 - 19B	JD8192	3B16	23	70 - 13	JD8979	2H7	15	50 - 64
JD3002	3G4	2	80 - 14	JD8192	3B24	21	70 - 21	JD8982	2I2	28	50 - 85
JD3011	3G4	2	80 - 14	JD8194	3G4	11	80 - 14	JD8997	2H7	3	50 - 64
JD3036	3G11	1	80 - 18	JD8194	3G5	9	80 - 15	JD9007	2I3	16	50 - 86
JD3037	3G11	1	80 - 18	JD8194	3G8	2	80 - 16C	JD9065	2H20	4	50 - 78
JD3038	3G13	2	80 - 20	JD8206	2H8	13	50 - 65	JD9125	2H20	3	50 - 78
JD3039	3G4	2	80 - 14	JD8206	2H11	14	50 - 69	JD9257	1C15	8	20 - 39
JD3039	3G6	8	80 - 16	JD8206	2I3	5	50 - 86	JD9257	1C16	5	20 - 40
JD3040	3G11	1	80 - 18	JD8206	2I3	15	50 - 86	JD9257	1C17	3	20 - 40A
JD3047	3G4	2	80 - 14	JD8223	3B16	22	70 - 13	JD9257	1C18	6	20 - 40B
JD3047	3G6	8	80 - 16	JD8223	3B24	20	70 - 21	JD9257	1C19	2	20 - 41
JD3211	3G4	2	80 - 14	JD8230	3G4	10	80 - 14	JD9258	2H4	19	50 - 61

1K19

2030 TRACTOR

NUMERICAL INDEX - CONTINUED

PART NO.	GRID	KEY	PAGE	PART NO.	GRID	KEY	PAGE	PART NO.	GRID	KEY	PAGE
JD9258	2H6	21	50-63	L25879	3G1	5	80-11	L29206	3I16	35	90-15
JD9292	2H13	19	50-71	L25880	3G1	5	80-11	L29208	3I16	33	90-15
JD9292	2H16	30	50-74	L26937	3D3	24	70-41	L29208	3I18	23	90-15B
JD9320	2H17	23	50-75	L27166	3I16	21	90-15	L29208	3I20	26	90-15D
JD9320	2H19	26	50-77	L27166	3I18	5	90-15B	L29208	3I22	26	90-15F
JD9344	2H12	14	50-70	L27167	3I16	9	90-15	L29209	3I16	6	90-15
JD9344	2H14	24	50-72	L27167	3I18	40	90-15B	L29209	3I18	43	90-15B
JD9344	2H15	20	50-73	L27167	3I20	7	90-15D	L29211	3I16	28	90-15
JD9361	2H4	21	50-61	L27167	3I22	7	90-15F	L29211	3I18	10	90-15B
JD9361	2H6	16	50-63	L27182	2F4	29	50-11	L29211	3I20	21	90-15D
JD9449	2B15	23	40-13	L27183	2F4	26	50-11	L29211	3I22	21	90-15F
JD9449	2B17	25	40-15	L27184	2F4	23	50-11	L29226	2H11	2	50-69
JD9449	2F1	3	50-8	L27185	2F4	27	50-11	L29227	2H11	3	50-69
JD9449	2F11	8	50-17	L27339	2B19	13	40-17	L29246	2F4	28	50-11
JD9449	2F13	8	50-19	L28076	3I16	16	90-15	L29263	1C21	14	20-43
JD9449	2G3	48	50-35	L28077	3I16	18	90-15	L29265	1D25	10	30-19
JD9449	2G5	14	50-37	L28077	3I18	15	90-15B	L29277	2I14	12	60-9
JD9464	2F11	8	50-17	L28081	3I16	20	90-15	L29298	2E21	16	50-3
JD9464	2F12	2	50-18	L28274	2I14	18	60-9	L29343	2G3	46	50-35
JD9464	2F13	8	50-19	L28317	3F24	8	80-9	L29343	2G5	16	50-37
JD9464	2G5	14	50-37	L28318	3F24	8	80-9	L29343	2G7	47	50-39
JD9464	2G7	49	50-39	L28372	3D7	4	70-45	L29372	1D10	3	30-3
JD9465	2H4	19	50-61	L28374	3D7	12	70-45	L29373	1D10	4	30-3
JD9465	2H6	21	50-63	L28401	2H2	7	50-59	L29399	2F16	12	50-22
JD9508	2H17	2	50-75	L28655	2F16	8	50-22	L29401	2F16	12	50-22
JD9508	2H19	18	50-77	L28656	2F16	7	50-22	L29406	2H11	21	50-69
JD9810	1D22	13	30-16	L28782	3F24	8	80-9	L29819	1D10	2	30-3
JD9812	3D7	15	70-45	L28783	3F24	8	80-9	L29820	1D25	1	30-19
JD9813	2F11	9	50-17	L28931	3H6	3	80-36	L29834	2H11	22	50-69
JD9813	2F13	6	50-19	L29020	3D19	4	70-57	L29854	2E21	1	50-3
JD9813	2H14	14	50-72	L29020	3D21	2	70-59	L29854	2E21	16	50-3
JD9813	2H16	14	50-74	L29020	3D24	12	70-62	L29854	2E23	1	50-5
JD9813	2H19	4	50-77	L29022	3D19	15	70-57	L29871	2H11	30	50-69
JD9822	2H4	1	50-61	L29022	3D21	14	70-59	L29872	3C16	25	70-33
JD9822	2H6	1	50-63	L29023	3D19	4	70-57	L29872	3D4	10	70-42
JD9832	2I8	2	60-3	L29023	3D19	20	70-57	L29882	2I19	14	60-15
JD9832	2I11	11	60-6	L29023	3D21	17	70-59	L29883	2I19	21	60-15
JD9832	2I12	13	60-7	L29048	2G20	8	50-52	L29884	2I19	19	60-15
JD9839	2H3	4	50-60	L29048	2H4	2	50-61	L30755	2G16	24	50-48
JD9858	3B8	8	70-5	L29048	2H6	2	50-63	L30755	2G16	25	50-48
JD9858	3B8	36	70-5	L29151	2C19	31	40-37	L30755	2G17	10	50-49
JD9858	3B10	8	70-7	L29152	2C17	23	40-35	L30783	2G13	29	50-45
JD9858	3B10	34	70-7	L29152	2C19	23	40-37	L30860	2C19	4	40-37
JD9858	3B12	1	70-9	L29153	2C17	5	40-35	L30861	2C19	39	40-37
JD9878	2G20	8	50-52	L29154	2C17	22	40-35	L30862	2C17	7	40-35
JD9878	2H4	1	50-61	L29155	2C17	21	40-35	L30862	2C19	7	40-37
JD9878	2H6	1	50-63	L29156	2C17	9	40-35	L30864	2C19	35	40-37
JD9911	3F21	2	80-5	L29156	2C19	9	40-37	L30865	2C19	36	40-37
JD9927	2G7	26	50-39	L29157	2C17	19	40-35	L30866	2C19	37	40-37
JD9932	2G3	25	50-35	L29157	2C19	19	40-37	L30867	2C19	38	40-37
JD9932	2G4	21	50-36	L29158	2C17	18	40-35	L30868	2C19	34	40-37
J53372	1G1	9	30-65	L29158	2C19	18	40-37	L30869	2C19	33	40-37
K40003	3E7	1	70-68	L29159	2B19	3	40-17	L30960	2B23	15	40-19B
K40014	3I16	13	90-15	L29160	2B19	22	40-17	L31016	2I17	2	60-12
K40014	3I18	47	90-15B	L29161	2B19	20	40-17	L31055	2G25	2	50-57
L11027	2I2	24	50-85	L29162	2B19	15	40-17	L31055	2G25	8	50-57
L11028	2I2	24	50-85	L29163	2B19	8	40-17	L31262	2F18	9A	50-24
L19651	2C17	3	40-35	L29164	2B19	10	40-17	L31311	2H1	10	50-58
L19651	2C19	3	40-37	L29165	2B19	11	40-17	L31514	2F18	9A	50-24
L19654	2C17	7	40-35	L29166	2B19	4	40-17	L31514	2F18	12	50-24
L2104N	3F2	19	70-91	L29167	2B19	2	40-17	L31514	2H6	23	50-63
L2104N	3F3	3	70-92	L29197	2I8	5	60-3	L31515	2F18	9A	50-24
L25678	3I16	10	90-15	L29197	2I12	11	60-7	L31515	2F18	9B	50-24
L25678	3I18	44	90-15B	L29199	2I8	5	60-3	L31515	2H6	23	50-63
L25686	3I16	7	90-15	L29202	3I16	38	90-15	L31516	2H6	23	50-63
L25686	3I18	3	90-15B	L29204	3I16	34	90-15	L31727	3I16	30	90-15
L25686	3I20	3	90-15D	L29205	3I16	37	90-15	L31727	3I18	8	90-15B

1K20

2030 TRACTOR

NUMERICAL INDEX - CONTINUED

PART NO.	GRID	KEY	PAGE	PART NO.	GRID	KEY	PAGE	PART NO.	GRID	KEY	PAGE
L31727	3I20	23	90 - 15D	L38513	2F4	19	50 - 11	L55202	3C20	27	70 - 35B
L31727	3I22	23	90 - 15F	L38513	2F5	7	50 - 12	L55202	3C20	29	70 - 35B
L31729	3I16	38	90 - 15	L38513	2F6	7	50 - 12A	L55202	3C22	19	70 - 35D
L31730	3I16	29	90 - 15	L38694	2H25	3	50 - 83	L55203	3C20	23	70 - 35B
L31730	3I18	9	90 - 15B	L39010	3I20	43	90 - 15D	L55203	3C20	29	70 - 35B
L31730	3I20	22	90 - 15D	L39010	3I22	43	90 - 15F	L55203	3C22	15	70 - 35D
L31730	3I22	22	90 - 15F	L39120	3D3	9	70 - 41	L55204	3C18	25	70 - 35
L31731	3I16	24	90 - 15	L39302	2F4	28	50 - 11	L55204	3C20	26	70 - 35B
L31731	3I18	19	90 - 15B	L39693	3E25	7	70 - 89	L55204	3C20	29	70 - 35B
L31731	3I20	15	90 - 15D	L39881	3D3	9	70 - 41	L55204	3C22	18	70 - 35D
L31731	3I22	15	90 - 15F	L39950	2F4	29	50 - 11	L55204	3C24	5	70 - 37
L31750	3H12	19	80 - 43	L4027T	2G25	10	50 - 57	L55214	2F4	16	50 - 11
L31849	3D19	7	70 - 57	L4035T	2G25	9	50 - 57	L55214	2F6	4	50 - 12A
L31849	3D21	6	70 - 59	L40656	2H7	1	50 - 64	L55215	2F4	20	50 - 11
L32016	3D19	6	70 - 57	L40656	2H8	11	50 - 65	L55215	2F6	6	50 - 12A
L32016	3D21	5	70 - 59	L40657	2H7	1	50 - 64	L56083	2F4	15	50 - 11
L324T	2E24	8	50 - 6	L40657	2H8	11	50 - 65	L56083	2F6	3	50 - 12A
L324T	2E25	11	50 - 7	L41296	2B21	20	40 - 19	L56084	2F4	22	50 - 11
L32736	2F16	8	50 - 22	L41383	3C20	15	70 - 35B	L56084	2F6	5	50 - 12A
L32738	2F16	8	50 - 22	L41383	3C20	39	70 - 35B	L56085	2F4	28	50 - 11
L33479	2I4	28	50 - 87	L41383	3C22	8	70 - 35D	L56375	2F6	5	50 - 12A
L33563	2F16	3	50 - 22	L41384	3C20	14	70 - 35B	L56824	3D3	9	70 - 41
L33985	2B21	25	40 - 19	L41384	3C20	39	70 - 35B	L56957	3C20	24	70 - 35B
L33986	2B21	8	40 - 19	L41384	3C22	9	70 - 35D	L56957	3C20	29	70 - 35B
L33987	2B21	10	40 - 19	L41386	2F4	22	50 - 11	L56957	3C22	16	70 - 35D
L33992	2B21	22	40 - 19	L41386	2F5	4	50 - 12	L58389	3D3	9	70 - 41
L33993	2B21	4	40 - 19	L41387	2F4	20	50 - 11	L60517	3H18	10	80 - 49
L33994	2B21	14	40 - 19	L41387	2F4	21	50 - 11	L60631	1D12	2	30 - 5
L34156	3I18	33	90 - 15B	L41387	2F5	2	50 - 12	L60667	2I19	14	60 - 15
L34156	3I20	34	90 - 15D	L41388	2F4	30	50 - 11	L61554	3I20	12	90 - 15D
L34156	3I22	34	90 - 15F	L41388	2F5	8	50 - 12	L61554	3I22	12	90 - 15F
L34351	3J2	8	90 - 21	L41388	2F6	8	50 - 12A	L61849	3E25	5	70 - 89
L34381	3C20	29	70 - 35B	L41389	2F5	4	50 - 12	L62442	3B8	35	70 - 5
L34382	3C20	2	70 - 35B	L41536	3C20	37	70 - 35B	L62442	3B10	33	70 - 7
L34383	3C20	1	70 - 35B	L41536	3C20	39	70 - 35B	L62442	3B14	11	70 - 11
L34451	2I8	6	60 - 3	L41536	3C22	3	70 - 35D	L62507	3C20	9	70 - 35B
L34451	2I10	4	60 - 5	L41538	3C20	39	70 - 35B	L62606	2I19	1	60 - 15
L35024	2H7	13	50 - 64	L41575	2B21	3	40 - 19	L63825	3D24	1	70 - 62
L35521	3H24	5	80 - 55	L41575	2B23	7	40 - 19B	L63826	3D24	1	70 - 62
L35768	3I20	45	90 - 15D	L41579	2C17	17	40 - 35	L63826	3D24	4	70 - 62
L35768	3I22	45	90 - 15F	L41579	2C19	17	40 - 37	L64688	3I16	7	90 - 15
L35769	3I18	35	90 - 15B	L41579	2C19	36	40 - 37	L64688	3I22	3	90 - 15F
L35769	3I20	37	90 - 15D	L41579	2C19	37	40 - 37	L64852	3C20	33	70 - 35B
L35769	3I22	37	90 - 15F	L41579	2C19	38	40 - 37	L64852	3C22	2	70 - 35D
L35825	3I18	13	90 - 15B	L41588	2F4	18	50 - 11	L65000	2E4	10	40 - 73
L35825	3I20	12	90 - 15D	L41588	2F5	6	50 - 12	L65058	2B23	15	40 - 19B
L35825	3I22	12	90 - 15F	L41589	2F4	17	50 - 11	L65174	2B23	14	40 - 19B
L35843	3C13	8	70 - 30	L41589	2F5	5	50 - 12	L65341	3G14	3	80 - 21
L35845	1C21	18	20 - 43	L41591	3I20	13	90 - 15D	L65341	3G17	12	80 - 24A
L36134	3E25	5	70 - 89	L41591	3I22	13	90 - 15F	L65341	3G19	12	80 - 24C
L36269	3I18	27	90 - 15B	L41593	3I16	16	90 - 15	L77042	2B23	12	40 - 19B
L36269	3I20	30	90 - 15D	L41725	3C20	9	70 - 35B	M1098T	1C16	11	20 - 40
L36269	3I22	30	90 - 15F	L41725	3C20	14	70 - 35B	M1098T	1C17	6	20 - 40A
L36292	3I18	29	90 - 15B	L41725	3C20	15	70 - 35B	M1102T	2G11	1	50 - 43
L36292	3I20	32	90 - 15D	L41725	3C20	37	70 - 35B	M1102T	2G13	1	50 - 45
L36319	3H24	15	80 - 55	L41725	3C20	38	70 - 35B	M1102T	2G14	15	50 - 46
L36557	2H4	24	50 - 61	L41725	3C20	39	70 - 35B	M1102T	2G20	1	50 - 52
L372T	2F1	14	50 - 8	L41725	3C20	40	70 - 35B	M1102T	2H2	1	50 - 59
L372T	2F2	13	50 - 9	L41725	3C22	21	70 - 35D	M1112T	1D15	15	30 - 9
L372T	2F7	17	50 - 13	L41726	3C20	38	70 - 35B	M1112T	1D19	9	30 - 13
L37325	2I4	26	50 - 87	L41726	3C22	4	70 - 35D	M115827	3D8	13	70 - 47
L38023	2F16	3	50 - 22	L41855	1D12	4	30 - 5	M115827	3D8	15	70 - 47
L38057	2I4	27	50 - 87	L419801	3E25	5	70 - 89	M115827	3D12	24	70 - 51
L38377	3I18	37	90 - 15B	L42314	3C20	25	70 - 35B	M115827	3D15	17	70 - 55
L38377	3I20	39	90 - 15D	L42314	3C20	29	70 - 35B	M115827	3D23	6	70 - 61
L38377	3I22	39	90 - 15F	L42314	3C22	17	70 - 35D	M1335T	1D10	15	30 - 3
L38511	2F4	27	50 - 11	L4667T	1G19	7	30 - 85	M1335T	1D11	3	30 - 4

1K21

2030 TRACTOR

NUMERICAL INDEX - CONTINUED

PART NO.	GRID	KEY	PAGE	PART NO.	GRID	KEY	PAGE	PART NO.	GRID	KEY	PAGE
M1339T	1G19	4	30 - 85	N186901	3E4	2	70 - 65B	RE11463	3F12	2	70 - 102
M1518T	3F23	6	80 - 7	N52048	3G4	3	80 - 14	RE11602	1F25	1	30 - 64
M1746T	1B16	6	20 - 14	N52048	3G5	5	80 - 15	RE11602	1G5	4	30 - 69
M2056T	2H7	13	50 - 64	N6704DN	2F17	8	50 - 23	RE11602	1G6	2	30 - 70
M2057T	2H7	13	50 - 64	N6704DN	2H6	24	50 - 63	RE11777	3B24	24	70 - 21
M2058T	2H7	13	50 - 64	PM797NA	2B5	10	40 - 2	RE11804	3B24	14	70 - 21
M2206T	2I2	12	50 - 85	PM797NA	2E16	1	40 - 86	RE12121	3F8	20	70 - 97
M2282T	3F23	14	80 - 7	PT1293	2D1	3	40 - 44	RE12330	3C4	..	70 - 23B
M2283T	3F23	13	80 - 7	PT1294	2D1	7	40 - 44	RE12470	3C2	27	70 - 23
M2334T	3G20	5	80 - 25	PT1294	2D2	7	40 - 45	RE12715	2D11	9	40 - 55
M2334T	3G21	6	80 - 26	PT1295	2D1	13	40 - 44	RE12842	1B5	2	20 - 2
M2335T	3G20	6	80 - 25	PT1296	2D1	10	40 - 44	RE13089	3D25	14	70 - 63
M2335T	3G21	7	80 - 26	PT1296	2D2	14	40 - 45	RE13089	3E1	14	70 - 64
M2353T	2H12	4	50 - 70	PT1297	2D1	12	40 - 44	RE13090	3D25	14	70 - 63
M2353T	2H14	23	50 - 72	PT1624	2D1	4	40 - 44	RE13090	3E1	14	70 - 64
M2353T	2H15	19	50 - 73	PT18180	2D1	4	40 - 44	RE13181	2H17	24	50 - 75
M2396T	2F17	7	50 - 23	PT18180	2D2	5	40 - 45	RE13181	2H19	27	50 - 77
M2396T	2F18	3	50 - 24	PT9281	3D17	6	70 - 55B	RE13271	3C2	15	70 - 23
M2396T	3D2	3	70 - 40	PT9282	3D17	11	70 - 55B	RE13517	1E7	6	30 - 24A
M2396T	3D3	1	70 - 41	PT9283	3D17	9	70 - 55B	RE13714	3E25	26	70 - 89
M2396T	3E17	22	70 - 79	PT9284	3D17	8	70 - 55B	RE13813	3F8	14	70 - 97
M2396T	3E20	14	70 - 83	PT9286	3D17	7	70 - 55B	RE13814	3F8	6	70 - 97
M3119T	1D20	6	30 - 14	PT9287	3D17	2	70 - 55B	RE13815	3F11	10	70 - 101
M3119T	1D21	14	30 - 15	PT9290	3D17	3	70 - 55B	RE13878	3H19	2	80 - 50
M3265T	3C18	26	70 - 35	PT9292	3D17	..	70 - 55B	RE13879	3H19	2	80 - 50
M3265T	3C20	28	70 - 35B	PT9318	2D1	7	40 - 44	RE13912	2H24	4	50 - 82
M3265T	3C22	20	70 - 35D	PT9318	2D2	7	40 - 45	RE13912	2H25	15	50 - 83
M3265T	3C24	4	70 - 37	PT9319	2D1	4	40 - 44	RE14069	2B12	5	40 - 10
M360T	3D3	10	70 - 41	PT9319	2D2	5	40 - 45	RE14512	2B9	11	40 - 7
M3636T	1D22	22	30 - 16	PT9320	2D2	17	40 - 45	RE14512	2B9	14	40 - 7
M3636T	2C17	33	40 - 35	PT9321	2D1	12	40 - 44	RE14513	2B9	2	40 - 7
M3636T	2C19	40	40 - 37	PT9321	2D2	25	40 - 45	RE14513	2B9	3	40 - 7
M3742T	1G19	8	30 - 85	PT9390	2D2	6	40 - 45	RE14515	2B9	2	40 - 7
M3853T	1C10	14	20 - 34	P42061	2H6	28	50 - 63	RE14515	2B9	3	40 - 7
M3853T	1C11	5	20 - 35	P44982	2G10	7	50 - 42	RE14758	2G15	18	50 - 47
M41029	1B9	8	20 - 7	P44982	2G14	8	50 - 46	RE14758	2G15	19	50 - 47
M41029	1B25	2	20 - 23	P46051	3D7	11	70 - 45	RE14758	2G16	15	50 - 48
M42229	3I23	17	90 - 16	P46051	3E11	5	70 - 73	RE14758	2G16	16	50 - 48
M42229	3I23	20	90 - 16	P46051	3E13	5	70 - 75	RE14759	2G15	18	50 - 47
M4224T	2E21	10	50 - 3	P46051	3E15	16	70 - 77	RE14759	2G15	19	50 - 47
M4224T	2E23	9	50 - 5	P47892	1D22	3	30 - 16	RE14759	2G16	15	50 - 48
M4224T	2G10	2	50 - 42	P47893	1D22	4	30 - 16	RE14759	2G16	16	50 - 48
M4224T	2G11	11	50 - 43	P47908	3B22	22	70 - 19	RE14868	3B20	20	70 - 17
M4224T	2G13	10	50 - 45	P47908	3C7	26	70 - 25	RE14920	1G1	12	30 - 65
M4224T	2G14	11	50 - 46	P48093	3H12	23	80 - 43	RE15361	3E17	2	70 - 79
M43835	2E11	2	40 - 81	P48347	1F20	5	30 - 59	RE15361	3E21	9	70 - 84
M526T	2G10	3	50 - 42	P50631	2H17	26	50 - 75	RE15361	3E21	14	70 - 84
M557T	3I7	5	90 - 5	P50631	2H19	29	50 - 77	RE15361	3E21	17	70 - 84
M557T	3I10	29	90 - 9	P50738	2D7	3	40 - 50	RE15361	3F4	2	70 - 93
M557T	3I12	15	90 - 11	P51212	3F8	12	70 - 97	RE15361	3F4	9	70 - 93
M557T	3I14	3	90 - 13	P51212	3F11	5	70 - 101	RE15361	3F4	14	70 - 93
M63431	1F11	1	30 - 49	P54140	3H19	8	80 - 50	RE15361	3F4	17	70 - 93
M63440	2I19	12	60 - 15	RE10596	1G23	6	30 - 89	RE15361	3F5	10	70 - 94
M63440	3H12	10	80 - 43	RE10712	3B18	43	70 - 15	RE15361	3F5	15	70 - 94
M67T	1B22	3	20 - 20	RE10712	3B18	44	70 - 15	RE15361	3F5	18	70 - 94
M67T	1B25	2	20 - 23	RE10712	3C2	39	70 - 23	RE15361	3F5	20	70 - 94
M80373	2E24	8	50 - 6	RE10800	2I8	7	60 - 3	RE15381	1C11	13	20 - 35
M80373	2E25	11	50 - 7	RE10924	3E15	19	70 - 77	RE15660	2D15	3	40 - 59
M886T	2H13	7	50 - 71	RE11156	2E13	36	40 - 83	RE16149	1B9	21	20 - 7
M886T	2H14	5	50 - 72	RE11157	2E13	37	40 - 83	RE16149	1C5	5	20 - 28
M886T	2H16	5	50 - 74	RE11248	2I13	13	60 - 8	RE16423	2E23	19	50 - 5
N10065	3E20	30	70 - 83	RE11257	1F25	1	30 - 64	RE16918	1C25	25	20 - 47
N101344	3E4	5	70 - 65B	RE11345	1C18	7	20 - 40B	RE16919	1D3	9	20 - 50
N102039	1B13	12	20 - 11	RE11447	3F12	9	70 - 102	RE16920	1D4	13	20 - 51
N115096	2E11	11	40 - 81	RE11456	3F12	2	70 - 102	RE16922	1D2	29	20 - 49
N167122	3D24	2	70 - 62	RE11457	3F12	1	70 - 102	RE16946	2B11	10	40 - 9
N186901	3E1	9	70 - 64	RE11458	3F12	2	70 - 102	RE17282	2E6	10	40 - 75

1K22

2030 TRACTOR

NUMERICAL INDEX - CONTINUED

PART NO.	GRID	KEY	PAGE	PART NO.	GRID	KEY	PAGE	PART NO.	GRID	KEY	PAGE
RE17282	2E7	14	40-76	RE21725	3C4	20	70-23B	RE37091	1F9	2	30-47
RE17515	2D16	1	40-60	RE21730	2E15	5	40-85	RE37091	1F9	6	30-47
RE18116	2H1	15	50-58	RE21731	2E15	5	40-85	RE37091	1F9	9	30-47
RE18147	2H2	13	50-59	RE21732	2E15	6	40-85	RE37091	1F9	14	30-47
RE18646	2H2	13	50-59	RE21738	2E2	15	40-71	RE37091	1F11	2	30-49
RE19031	1B15	5	20-13	RE21790	1D23	13	30-17	RE37091	1F11	7	30-49
RE19187	2B9	9	40-7	RE22561	1C5	5	20-28	RE37091	1F20	2	30-59
RE19187	2B24	1	40-20	RE22589	2E2	2	40-71	RE37463	1E7	6	30-24A
RE19187	2B24	..	40-20	RE23000	2F15	14	50-21	RE37482	1E5	8	30-23
RE19187	2B25	..	40-21	RE23000	2F19	5	50-25	RE37482	1E6	1	30-24
RE19187	2C8	..	40-29	RE23182	1B5	2	20-2	RE37482	1E6	6	30-24
RE19187	2C10	..	40-31	RE23382	3B8	15	70-5	RE37482	1E7	3	30-24A
RE19187	2C11	4	40-31A	RE23382	3B16	21	70-13	RE37483	1C18	7	20-40B
RE19187	2C13	10	40-31D	RE23382	3B24	19	70-21	RE37996	2B12	4	40-10
RE19187	2C14	..	40-32	RE24175	2C14	4	40-32	RE38390	2B4	23	40-1
RE19188	2C10	18	40-31	RE24561	1D23	1	30-17	RE38390	2B12	6	40-10
RE19191	2C8	18	40-29	RE24647	3C4	21	70-23B	RE38390	3C15	11	70-32
RE19192	2C8	19	40-29	RE25043	1C13	1	20-37	RE38390	3D4	6	70-42
RE19193	2C2	12	40-23	RE25043	1C16	13	20-40	RE38566	1D3	9	20-50
RE19193	2C8	4	40-29	RE25621	2D24	1	40-69	RE38597	1C25	25	20-47
RE19197	2C8	10	40-29	RE26214	1E3	10	30-22	RE38707	2E4	11	40-73
RE19402	1E9	..	30-26	RE26214	1E4	7	30-22A	RE38851	1D4	13	20-51
RE19402	1E10	..	30-27	RE26739	3E2	6	70-65	RE38857	1D2	29	20-49
RE19402	1E12	..	30-29	RE26739	3E4	7	70-65B	RE39061	2B25	9	40-21
RE19402	1E16	1	30-31	RE26740	3E2	6	70-65	RE39065	2C15	5	40-33
RE19403	1E12	6	30-29	RE26740	3E4	7	70-65B	RE39188	1E8	2	30-25
RE19403	1E18	4	30-31B	RE26981	1E3	11	30-22	RE39188	1E9	..	30-26
RE19404	1E12	..	30-29	RE26981	1E4	6	30-22A	RE39188	1E10	2	30-27
RE19404	1E16	1	30-31	RE26981	1E7	3	30-24A	RE39188	1E10	8	30-27
RE19405	1E12	1	30-29	RE27667	2F15	14	50-21	RE39188	1E10	..	30-27
RE19405	1E18	1	30-31B	RE27995	2F19	5	50-25	RE39188	1E14	40	30-29B
RE19406	1E12	8A	30-29	RE27995	2F19	5	50-25	RE39188	1E18	8	30-31B
RE19407	1E12	10	30-29	RE28790	3B16	7	70-13	RE39188	1E18	9	30-31B
RE19407	1E18	7	30-31B	RE28790	3B22	19	70-19	RE39188	1E18	10	30-31B
RE19408	1E9	..	30-26	RE28790	3B24	7	70-21	RE39188	1E18	10	30-31B
RE19408	1E10	..	30-27	RE28790	3C7	23	70-25	RE39188	1E18	11	30-31B
RE19408	1E12	8B	30-29	RE29103	3B22	25	70-19	RE39188	1E18	12	30-31B
RE19419	3E6	7	70-67	RE29107	3C7	29	70-25	RE39188	1E18	13	30-31B
RE19419	3E6	9	70-67	RE29107	3C7	29	70-25	RE39188	1E18	13	30-31B
RE19419	3E7	4	70-68	RE29880	2F7	4	50-13	RE39188	1E18	14	30-31B
RE19419	3E7	7	70-68	RE29881	2F2	4	50-9	RE39188	1E18	15	30-31B
RE19428	3E4	3	70-65B	RE29881	2F4	4	50-11	RE39188	1E18	16	30-31B
RE19428	3E4	6	70-65B	RE29881	2F8	4	50-14	RE39189	1E18	16	30-31B
RE19445	316	43	90-3	RE30174	1D23	1	30-17	RE39190	1E18	6	30-31B
RE19505	1C19	1	20-41	RE31973	1B15	5	20-13	RE39829	3D24	12	70-62
RE19507	1C18	7	20-40B	RE32529	3B20	19	70-17	RE39829	3D25	14	70-63
RE19717	1C13	1	20-37	RE32529	3C4	20	70-23B	RE39829	3E1	14	70-64
RE19717	1C16	13	20-40	RE32529	3C5	13	70-23C	RE39830	3D24	12	70-62
RE19719	1C16	12	20-40	RE33197	1B11	43	20-9	RE39830	3D25	14	70-63
RE19853	1B7	27	20-5	RE33197	1B19	15	20-17	RE39830	3E1	14	70-64
RE19853	1B7	..	20-5	RE33636	1D23	1	30-17	RE39830	2C20	6	40-38
RE19855	1B11	64	20-9	RE35279	1B13	14	20-11	RE40463	3C4	21	70-23B
RE19864	1B7	27	20-5	RE35685	1C11	13	20-35	RE40463	3C5	15	70-23C
RE19867	1B11	64	20-9	RE35992	1B5	3	20-2	RE42730	2B9	9	40-7
RE19944	1C13	1	20-37	RE36425	1C10	9	20-34	RE42730	2B24	1	40-20
RE19944	1C17	7	20-40A	RE36425	1C10	11	20-34	RE42730	2B24	..	40-20
RE21073	2E4	17	40-73	RE36425	1C10	19	20-34	RE42730	2B25	..	40-21
RE21076	1B9	13	20-7	RE36905	1E5	8	30-23	RE42730	2C8	..	40-29
RE21076	1B25	6	20-23	RE36905	1E8	11	30-25	RE42730	2C10	..	40-31
RE21076	1B25	7	20-23	RE37011	2F16	14	50-22	RE42730	2C11	4	40-31A
RE21096	2E4	11	40-73	RE37089	1F2	9	30-40	RE42730	2C13	10	40-31D
RE21112	2E2	3	40-71	RE37089	1F2	13	30-40	RE42730	2C14	..	40-32
RE21113	2E2	10	40-71	RE37089	1F9	9	30-47	RE43025	2E4	17	40-73
RE21439	1F5	8	30-43	RE37089	1F9	9	30-47	RE43274	1E5	8	30-23
RE21439	1F15	8	30-53	RE37089	1F11	7	30-49	RE43274	1E8	11	30-25
RE21510	2E4	20	40-73	RE37091	1F2	2	30-40	RE43393	2F17	1	50-23
RE21725	3B20	19	70-17	RE37091	1F2	6	30-40	RE44574	1B19	18	20-17
				RE37091	1F2	9	30-40	RE44657	2D22	28	40-66
				RE37091	1F2	13	30-40	RE46317	2E4	11	40-73

1K23

2030 TRACTOR

NUMERICAL INDEX - CONTINUED

PART NO.	GRID	KEY	PAGE	PART NO.	GRID	KEY	PAGE	PART NO.	GRID	KEY	PAGE
RE46414	2E4	12	40 - 73	R10186	1E9	6	30 - 26	R113752	1B11	64	20 - 9
RE49984	2C13	4	40 - 31D	R10186	1E19	11	30 - 32	R113752	1C10	18	20 - 34
RE49985	2C13	7	40 - 31D	R10187	1E9	7	30 - 26	R113752	1C10	19	20 - 34
RE49986	2C13	8	40 - 31D	R10188	1E9	17	30 - 26	R113752	1C11	4	20 - 35
RE50017	3C5	14	70 - 23C	R10188	1E14	20	30 - 29B	R113752	1C11	13	20 - 35
RE50095	2B9	9	40 - 7	R10194	1E10	11	30 - 27	R119269	1C9	1	20 - 33
RE50095	2B24	1	40 - 20	R10194	1E19	2	30 - 32	R119269	1D2	21	20 - 49
RE50095	2B24	..	40 - 20	R10198	1E14	5	30 - 29B	R120106	2E4	10	40 - 73
RE50095	2C11	4	40 - 31A	R10211	1E9	5	30 - 26	R120107	2E4	10	40 - 73
RE50095	2C13	10	40 - 31D	R10211	1E14	23	30 - 29B	R120108	2E4	10	40 - 73
RE50096	2C11	3	40 - 31A	R10211	1E19	10	30 - 32	R120111	2H25	..	50 - 83
RE50096	2C13	3	40 - 31D	R10300	1E10	9	30 - 27	R120111	3H25	4	80 - 56
RE50137	2E21	..	50 - 3	R105346	1D4	4	20 - 51	R120834	2F15	9	50 - 21
RE50137	2E23	..	50 - 5	R105529	1F22	11	30 - 61	R120834	2F20	14	50 - 26
RE50137	2G20	..	50 - 52	R105529	1F22	12	30 - 61	R125066	1C9	5	20 - 33
RE50756	2E23	..	50 - 5	R105529	1G5	11	30 - 69	R125066	1D2	26	20 - 49
RE54814	3G7	7	80 - 16A	R105529	1G5	12	30 - 69	R125754	1B9	9	20 - 7
RE54817	3G8	6	80 - 16C	R105529	1G13	8	30 - 77	R125754	1B25	3	20 - 23
RE54819	3G9	8	80 - 16D	R105530	1F22	11	30 - 61	R125863	1C25	24	20 - 47
RE55343	1B11	64	20 - 9	R105530	1F22	12	30 - 61	R125863	1D2	1	20 - 49
RE55343	1C10	18	20 - 34	R105530	1G5	11	30 - 69	R125863	1D3	8	20 - 50
RE55343	1C10	19	20 - 34	R105530	1G5	12	30 - 69	R125863	1D4	12	20 - 51
RE55343	1C11	4	20 - 35	R105530	1G13	8	30 - 77	R15023	2B15	12	40 - 13
RE55343	1C11	13	20 - 35	R105583	3B8	7	70 - 5	R15023	2B17	15	40 - 15
RE56308	1B13	14	20 - 11	R105583	3B10	7	70 - 7	R15024	2B15	13	40 - 13
RE57664	1B19	15	20 - 17	R105583	3B16	13	70 - 13	R15024	2B17	17	40 - 15
RE62234	3I10	13	90 - 9	R105583	3B24	11	70 - 21	R15025	2B15	5	40 - 13
RE62658	1C18	7	20 - 40B	R105814	1G21	6	30 - 87	R15026	2B15	7	40 - 13
RE62916	2B9	9	40 - 7	R105942	2E4	10	40 - 73	R15026	2B17	6	40 - 15
RE62916	2B24	1	40 - 20	R106793	3G14	3	80 - 21	R15027	2B15	18	40 - 13
RE62916	2B24	..	40 - 20	R106793	3G17	12	80 - 24A	R15027	2B17	21	40 - 15
RE62916	2C2	..	40 - 23	R106793	3G19	12	80 - 24C	R15029	2B15	24	40 - 13
RE62916	2C4	20	40 - 25	R1069R	3I10	5	90 - 9	R15029	2B17	26	40 - 15
RE62916	2C4	..	40 - 25	R107734	2B13	7	40 - 11	R15030	2B15	10	40 - 13
RE62916	2C8	30	40 - 29	R11039	2C6	19	40 - 27	R15030	2B17	14	40 - 15
RE62916	2C8	..	40 - 29	R11066	2C6	9	40 - 27	R15033	2B15	22	40 - 13
RE62916	2C10	20	40 - 31	R11066	2C14	3	40 - 32	R15033	2B17	24	40 - 15
RE62916	2C10	..	40 - 31	R11087	2C4	18	40 - 25	R15034	2B15	9	40 - 13
RE62916	2C11	4	40 - 31A	R11087	2C21	17	40 - 39	R15035	2B15	11	40 - 13
RE62916	2C13	10	40 - 31D	R11095	2C2	5	40 - 23	R15035	2B17	13	40 - 15
RW26466	2E4	20	40 - 73	R11096	2C2	1	40 - 23	R15036	2B15	8	40 - 13
R100105	1B19	2	20 - 17	R11108	2C2	12	40 - 23	R15036	2B17	4	40 - 15
R100380	2B25	4	40 - 21	R11116	2C2	7	40 - 23	R15036	2B17	9	40 - 15
R10093	1B17	4	20 - 15	R11116	2C8	26	40 - 29	R15038	2B15	20	40 - 13
R10093	3C18	22	70 - 35	R11116	2C22	6	40 - 40	R1590R	2G21	2	50 - 53
R10093	3C20	31	70 - 35B	R11117	2C2	8	40 - 23	R1612R	2F21	6	50 - 27
R10093	3C24	3	70 - 37	R11117	2C8	27	40 - 29	R1662R	3C10	20	70 - 27
R10093	3C24	7	70 - 37	R11117	2C22	7	40 - 40	R1662R	3C12	4	70 - 29
R10093	3C25	15	70 - 38	R11118	2C8	21	40 - 29	R1680R	2E21	9	50 - 3
R10093	3D1	15	70 - 39	R11118	2C22	1	40 - 40	R1680R	2E23	10	50 - 5
R10093	3F8	5	70 - 97	R11191	2C21	19	40 - 39	R1680R	3H6	6	80 - 36
R10093	3F11	2	70 - 101	R11194	2C6	12	40 - 27	R1769R	2G23	7	50 - 55
R10104	1E10	14	30 - 27	R11198	2C6	3	40 - 27	R1836R	3E4	4	70 - 65B
R10104	1E14	38	30 - 29B	R11225	2C22	2	40 - 40	R1836R	3I10	11	90 - 9
R10150	1E9	35	30 - 26	R11235	2C2	29	40 - 23	R1870R	2H4	13	50 - 61
R10160	1E9	32	30 - 26	R11236	2C4	21	40 - 25	R1870R	2H6	12	50 - 63
R10160	1E14	13	30 - 29B	R11236	2C10	19	40 - 31	R1870R	3F2	25	70 - 91
R10170	1E10	24	30 - 27	R11238	2C4	3	40 - 25	R1888R	2G22	9	50 - 54
R10170	1E14	32	30 - 29B	R11239	2C4	8	40 - 25	R20135	2I13	10	60 - 8
R10170	1E19	5	30 - 32	R11240	2C2	20	40 - 23	R20498	1E5	3	30 - 23
R10182	1E10	12	30 - 27	R11240	2C6	..	40 - 27	R20498	1E6	3	30 - 24
R10182	1E19	3	30 - 32	R11240	2C22	21	40 - 40	R20498	1E8	10	30 - 25
R10184	1E9	13	30 - 26	R11243	2C4	1	40 - 25	R20759	3H19	3	80 - 50
R10184	1G23	9	30 - 89	R11278	2D11	1	40 - 55	R20817	3H10	20	80 - 40
R10185	1E9	15	30 - 26	R112922	2C13	6	40 - 31D	R20922	3E8	4	70 - 69
R10185	1E14	28	30 - 29B	R112923	2C13	5	40 - 31D	R21302	3H1	2	80 - 31
R10185	1G23	8	30 - 89	R112926	2C13	9	40 - 31D	R21302	3H3	3	80 - 33

1K24

2030 TRACTOR

NUMERICAL INDEX - CONTINUED

PART NO.	GRID	KEY	PAGE	PART NO.	GRID	KEY	PAGE	PART NO.	GRID	KEY	PAGE
R21551	2B5	6	40 - 2	R26375	3B10	47	70 - 7	R26448	3C20	4	70 - 35B
R21551	2B6	13	40 - 3	R26375	3B10	52	70 - 7	R26448	3C20	7	70 - 35B
R21551	2B7	14	40 - 5	R26375	3B14	2	70 - 11	R26448	3C20	10	70 - 35B
R21551	3I6	31	90 - 3	R26375	3B14	3	70 - 11	R26448	3C20	37	70 - 35B
R21612	2I3	11	50 - 86	R26375	3B14	8	70 - 11	R26448	3C20	39	70 - 35B
R21722	3F9	9	70 - 98	R26375	3B14	13	70 - 11	R26448	3C24	12	70 - 37
R21722	3F12	1	70 - 102	R26375	3B14	14	70 - 11	R26448	3C24	13	70 - 37
R21722	3F12	2	70 - 102	R26375	3B14	15	70 - 11	R26448	3E9	17	70 - 70
R24561	1G7	25	30 - 71	R26375	3B18	27	70 - 15	R26448	3E15	4	70 - 77
R26006	2F14	4	50 - 20	R26375	3B20	16	70 - 17	R26448	3E15	17	70 - 77
R26117	1D22	22	30 - 16	R26375	3C2	23	70 - 23	R26448	3F4	30	70 - 93
R26121	1D2	30	20 - 49	R26375	3C4	7	70 - 23B	R26460	3C16	10	70 - 33
R26125	1B15	13	20 - 13	R26375	3C4	17	70 - 23B	R26480	3E18	10	70 - 81
R26137	3B16	6	70 - 13	R26375	3C5	12	70 - 23C	R26480	3E20	16	70 - 83
R26137	3B24	6	70 - 21	R26375	3C7	3	70 - 25	R26480	3F8	16	70 - 97
R26149	1D23	3	30 - 17	R26375	3C7	10	70 - 25	R26480	3F11	8	70 - 101
R26149	2E21	31	50 - 3	R26375	3C9	8	70 - 26A	R26482	3E17	15	70 - 79
R26149	2E23	35	50 - 5	R26375	3C14	1	70 - 31	R26482	3E18	6	70 - 81
R26149	2F25	23	50 - 31	R26375	3C14	11	70 - 31	R26482	3E20	8	70 - 83
R26149	2G18	13	50 - 50	R26375	3C16	11	70 - 33	R26482	3F9	20	70 - 98
R26149	2G19	9	50 - 51	R26375	3C18	12	70 - 35	R26483	3E17	19	70 - 79
R26149	3B18	35	70 - 15	R26375	3C20	12	70 - 35B	R26483	3E18	7	70 - 81
R26149	3E9	14	70 - 70	R26375	3C20	15	70 - 35B	R26483	3E20	11	70 - 83
R26149	3E11	17	70 - 73	R26375	3C24	15	70 - 37	R26484	3E11	23	70 - 73
R26149	3E15	18	70 - 77	R26375	3E8	6	70 - 69	R26484	3E13	24	70 - 75
R26169	2F22	9	50 - 28	R26375	3E9	8	70 - 70	R26484	3E15	10	70 - 77
R26241	1B7	3	20 - 5	R26375	3E9	15	70 - 70	R26484	3E17	12	70 - 79
R26286	3B8	20	70 - 5	R26375	3E15	5	70 - 77	R26484	3E18	3	70 - 81
R26286	3B10	20	70 - 7	R26375	3E20	33	70 - 83	R26484	3E20	4	70 - 83
R26286	3B14	6	70 - 11	R26375	3E21	23	70 - 84	R26485	3E17	27	70 - 79
R26286	3C18	15	70 - 35	R26375	3E22	6	70 - 85	R26485	3E18	1	70 - 81
R26286	3C20	17	70 - 35B	R26375	3E23	4	70 - 86	R26485	3E20	27	70 - 83
R26286	3C24	8	70 - 37	R26375	3F1	2	70 - 90	R26485	3E21	11	70 - 84
R26287	1E1	5	30 - 20	R26375	3F1	3	70 - 90	R26485	3F4	11	70 - 93
R26287	1E4	4	30 - 22A	R26375	3F4	22	70 - 93	R26485	3F5	12	70 - 94
R26287	2F23	4	50 - 29	R26375	3F12	4	70 - 102	R26493	1B7	10	20 - 5
R26287	2F24	10	50 - 30	R26409	2B5	3	40 - 2	R26493	1B9	30	20 - 7
R26287	2F24	27	50 - 30	R26409	2B7	3	40 - 5	R26500	1D22	7	30 - 16
R26287	2G11	8	50 - 43	R26418	3I23	12	90 - 16	R26501	1D22	8	30 - 16
R26287	2G13	6	50 - 45	R26418	3I25	7	90 - 19	R26501	1G19	11	30 - 85
R26287	2G14	13	50 - 46	R26448	2B12	2	40 - 10	R26501	1G21	16	30 - 87
R26287	2I3	7	50 - 86	R26448	2F23	17	50 - 29	R26524	1G21	15	30 - 87
R26287	2I3	9	50 - 86	R26448	2G11	33	50 - 43	R26524	1G22	10	30 - 88
R26287	2I15	1	60 - 10	R26448	2G13	32	50 - 45	R26546	3E6	33	70 - 67
R26287	2I16	1	60 - 11	R26448	2G14	24	50 - 46	R26546	3E15	7	70 - 77
R26287	3B14	10	70 - 11	R26448	2I8	15	60 - 3	R26552	2G10	8	50 - 42
R26287	3B18	23	70 - 15	R26448	2I8	31	60 - 3	R26552	2G11	2	50 - 43
R26287	3B22	4	70 - 19	R26448	2I10	5	60 - 5	R26552	2G14	17	50 - 46
R26287	3B22	16	70 - 19	R26448	3B18	2	70 - 15	R26552	2G20	22	50 - 52
R26287	3C5	7	70 - 23C	R26448	3B18	8	70 - 15	R26552	2G22	2	50 - 54
R26287	3C7	22	70 - 25	R26448	3B20	1	70 - 17	R26552	2H2	4	50 - 59
R26287	3C8	10	70 - 26	R26448	3B22	1	70 - 19	R26552	2H14	11	50 - 72
R26287	3C9	2	70 - 26A	R26448	3C2	2	70 - 23	R26552	2H16	8	50 - 74
R26287	3C15	13	70 - 32	R26448	3C2	8	70 - 23	R26552	2H19	8	50 - 77
R26287	3C16	13	70 - 33	R26448	3C2	25	70 - 23	R26552	2H21	12	50 - 79
R26375	2E21	42	50 - 3	R26448	3C4	3	70 - 23B	R26575	3G21	3	80 - 26
R26375	2E23	25	50 - 5	R26448	3C5	3	70 - 23C	R26621	3B18	34	70 - 15
R26375	2I14	26	60 - 9	R26448	3C5	7	70 - 23C	R26632	3G6	2	80 - 16
R26375	2I16	8	60 - 11	R26448	3C7	1	70 - 25	R26632	3G9	2	80 - 16D
R26375	3B8	6	70 - 5	R26448	3C7	8	70 - 25	R26637	1G21	7	30 - 87
R26375	3B8	10	70 - 5	R26448	3C15	1	70 - 32	R26638	2F8	7	50 - 14
R26375	3B8	16	70 - 5	R26448	3C15	10	70 - 32	R26650	1B7	11	20 - 5
R26375	3B8	31	70 - 5	R26448	3C16	5	70 - 33	R26650	1B9	29	20 - 7
R26375	3B8	49	70 - 5	R26448	3C16	6	70 - 33	R26656	2H12	10	50 - 70
R26375	3B10	6	70 - 7	R26448	3C18	1	70 - 35	R26726	1D23	16	30 - 17
R26375	3B10	16	70 - 7	R26448	3C18	4	70 - 35	R26726	1E20	25	30 - 33
R26375	3B10	29	70 - 7	R26448	3C18	9	70 - 35	R26726	1E22	13	30 - 35

1K25

2030 TRACTOR

NUMERICAL INDEX - CONTINUED

PART NO.	GRID	KEY	PAGE	PART NO.	GRID	KEY	PAGE	PART NO.	GRID	KEY	PAGE
R26726	1F4	15	30 - 42	R27149	3B16	11	70 - 13	R27218	3C20	11	70 - 35B
R26726	1F14	15	30 - 52	R27149	3B22	20	70 - 19	R27218	3C20	38	70 - 35B
R26727	2G20	16	50 - 52	R27149	3B24	9	70 - 21	R27218	3C20	39	70 - 35B
R26727	2I2	19	50 - 85	R27149	3C7	24	70 - 25	R27218	3E9	18	70 - 70
R26753	2G1	1	50 - 32	R27150	3B16	5	70 - 13	R27233	3E6	22	70 - 67
R26753	2G3	21	50 - 35	R27150	3B24	5	70 - 21	R27237	3C14	2	70 - 31
R26753	2G5	3	50 - 37	R27159	3B18	18	70 - 15	R27237	3C14	10	70 - 31
R26753	2G7	22	50 - 39	R27166	1C10	12	20 - 34	R27237	3E8	7	70 - 69
R26795	2H13	20	50 - 71	R27166	1C25	8	20 - 47	R27237	3E9	16	70 - 70
R26795	2H16	29	50 - 74	R27166	1D2	19	20 - 49	R27237	3E21	24	70 - 84
R26822	2F17	6	50 - 23	R27166	2F25	3	50 - 31	R27237	3E22	5	70 - 85
R26822	2H6	31	50 - 63	R27166	3B18	14	70 - 15	R27237	3F4	23	70 - 93
R26832	3I10	12	90 - 9	R27166	3B18	43	70 - 15	R27245	2F20	11	50 - 26
R26858	3H10	19	80 - 40	R27166	3B18	44	70 - 15	R27245	2F22	4	50 - 28
R26858	3H12	26	80 - 43	R27166	3B20	5	70 - 17	R27266	3C10	16	70 - 27
R26863	3C16	2	70 - 33	R27166	3B22	6	70 - 19	R27267	3C9	6	70 - 26A
R26863	3C17	4	70 - 34	R27166	3B22	..	70 - 19	R27270	3C8	6	70 - 26
R26871	2G10	7	50 - 42	R27166	3C2	41	70 - 23	R27270	3C14	20	70 - 31
R26871	2G14	8	50 - 46	R27166	3C4	10	70 - 23B	R27270	3E25	20	70 - 89
R26877	3I10	17	90 - 9	R27166	3C7	14	70 - 25	R27272	3B8	22	70 - 5
R26879	3I10	18	90 - 9	R27166	3E6	24	70 - 67	R27285	1C25	13	20 - 47
R26906	2F24	13	50 - 30	R27166	3E9	7	70 - 70	R27285	1E5	4	30 - 23
R26906	2F25	18	50 - 31	R27166	3E11	20	70 - 73	R27285	1E6	2	30 - 24
R26906	2G18	7	50 - 50	R27166	3E13	18	70 - 75	R27285	1E7	2	30 - 24A
R26906	2G19	4	50 - 51	R27166	3E13	21	70 - 75	R27285	1E8	6	30 - 25
R26906	2I14	7	60 - 9	R27166	3E15	11	70 - 77	R27320	2E23	17	50 - 5
R26906	2I16	3	60 - 11	R27166	3E16	3	70 - 78	R27320	2F1	16	50 - 8
R26906	3B6	2	70 - 3	R27167	3B18	16	70 - 15	R27320	2I11	3	60 - 6
R26906	3B8	28	70 - 5	R27170	3B18	19	70 - 15	R27320	2I12	3	60 - 7
R26906	3B10	26	70 - 7	R27171	3B18	5	70 - 15	R27329	2H12	20	50 - 70
R26906	3B14	7	70 - 11	R27172	3B18	11	70 - 15	R27329	2H13	8	50 - 71
R26906	3B16	16	70 - 13	R27173	3B8	56	70 - 5	R27329	2H14	6	50 - 72
R26906	3B16	..	70 - 13	R27173	3B18	17	70 - 15	R27329	2H15	13	50 - 73
R26906	3B18	10	70 - 15	R27174	3B8	55	70 - 5	R27329	2H16	6	50 - 74
R26906	3B20	2	70 - 17	R27174	3B14	16	70 - 11	R27329	2H17	29	50 - 75
R26906	3B22	2	70 - 19	R27174	3B18	15	70 - 15	R27329	2H19	32	50 - 77
R26906	3B22	15	70 - 19	R27174	3B22	7	70 - 19	R27329	2H24	1	50 - 82
R26906	3C2	16	70 - 23	R27175	2E21	34	50 - 3	R27346	1E2	7	30 - 21
R26906	3C4	1	70 - 23B	R27175	2G24	1	50 - 56	R27346	1E3	13	30 - 22
R26906	3C5	1	70 - 23C	R27175	3B8	53	70 - 5	R27426	3F2	30	70 - 91
R26906	3C7	6	70 - 25	R27175	3C8	1	70 - 26	R27430	3E17	5	70 - 79
R26906	3C7	26	70 - 25	R27181	1D25	11	30 - 19	R27430	3E21	5	70 - 84
R26906	3C8	4	70 - 26	R27212	3C5	6	70 - 23C	R27430	3F4	5	70 - 93
R26906	3C8	5	70 - 26	R27216	2F23	4	50 - 29	R27430	3F5	5	70 - 94
R26906	3C11	13	70 - 28	R27216	2F24	10	50 - 30	R27440	3I10	27	90 - 9
R26906	3C14	19	70 - 31	R27216	2F24	28	50 - 30	R27441	3I10	2	90 - 9
R26906	3C16	17	70 - 33	R27216	2G11	7	50 - 43	R27442	3I10	14	90 - 9
R26906	3D4	11	70 - 42	R27216	2G13	5	50 - 45	R27460	2B5	15	40 - 2
R26906	3E8	1	70 - 69	R27216	2G14	14	50 - 46	R27460	2B7	18	40 - 5
R26906	3E23	1	70 - 86	R27216	2I3	7	50 - 86	R27460	2D5	10	40 - 48
R26906	3E25	8	70 - 89	R27216	2I3	8	50 - 86	R27460	2D7	4	40 - 50
R26919	2E21	3	50 - 3	R27216	3B18	24	70 - 15	R27460	2D8	2	40 - 51
R26919	2E23	3	50 - 5	R27216	3C9	1	70 - 26A	R27460	2D8	5	40 - 51
R26933	2F12	5	50 - 18	R27216	3C15	14	70 - 32	R27471	3B18	44	70 - 15
R26933	2F13	5	50 - 19	R27216	3C16	14	70 - 33	R27472	3B18	43	70 - 15
R26936	2D18	12	40 - 62	R27218	2F23	16	50 - 29	R27474	3C16	16	70 - 33
R26936	3I25	6	90 - 19	R27218	2G11	34	50 - 43	R27474	3D4	12	70 - 42
R27003	2G20	12	50 - 52	R27218	2G13	33	50 - 45	R27474	3E23	2	70 - 86
R27003	2G20	20	50 - 52	R27218	2G14	23	50 - 46	R27475	3B18	1	70 - 15
R27003	2H21	10	50 - 79	R27218	3B18	7	70 - 15	R27475	3C2	1	70 - 23
R27033	2F8	9	50 - 14	R27218	3C2	7	70 - 23	R27476	3B18	13	70 - 15
R27094	3B8	21	70 - 5	R27218	3C15	1	70 - 32	R27478	3B16	29	70 - 13
R27094	3B10	21	70 - 7	R27218	3C16	4	70 - 33	R27478	3B20	12	70 - 17
R27116	3I10	4	90 - 9	R27218	3C16	6	70 - 33	R27478	3B24	28	70 - 21
R27116	3I10	25	90 - 9	R27218	3C18	1	70 - 35	R27478	3C4	15	70 - 23B
R27145	3B16	27	70 - 13	R27218	3C18	9	70 - 35	R27479	3B16	29	70 - 13
R27149	2H6	26	50 - 63	R27218	3C18	10	70 - 35	R27479	3B20	13	70 - 17

1L1

2030 TRACTOR

NUMERICAL INDEX - CONTINUED

PART NO.	GRID	KEY	PAGE	PART NO.	GRID	KEY	PAGE	PART NO.	GRID	KEY	PAGE
R27479	3B24	28	70 - 21	R28539	3C14	6	70 - 31	R30719	1F7	18	30 - 45
R27479	3C4	16	70 - 23B	R28575	3G6	16	80 - 16	R30719	1F17	24	30 - 55
R27490	2I19	30	60 - 15	R28583	1D23	15	30 - 17	R30721	1F17	9	30 - 55
R27507	2F22	18	50 - 28	R28584	1D23	14A	30 - 17	R30722	1F17	15	30 - 55
R27507	2F24	5	50 - 30	R28593	2G23	4	50 - 55	R30725	1E22	1	30 - 35
R27507	2G9	8	50 - 41	R28634	2G11	9	50 - 43	R30725	1F4	3	30 - 42
R27507	3D15	6C	70 - 55	R28634	2G13	7	50 - 45	R30725	1F14	3	30 - 52
R27507	3E20	18	70 - 83	R28744	3E6	20	70 - 67	R30727	1E22	2	30 - 35
R27527	2I15	8	60 - 10	R28776	2H9	2	50 - 67	R30727	1F4	6	30 - 42
R27528	2I15	3	60 - 10	R28776	2H11	20	50 - 69	R30727	1F14	6	30 - 52
R27539	3C11	11	70 - 28	R28776	2H11	21	50 - 69	R30728	1E22	16	30 - 35
R27539	3C11	14	70 - 28	R28776	2H21	3	50 - 79	R30729	1E22	16	30 - 35
R27564	3B18	12	70 - 15	R28776	3C14	9	70 - 31	R30730	1E22	16	30 - 35
R27564	3B20	4	70 - 17	R28781	3B18	39	70 - 15	R30731	1E22	16	30 - 35
R27564	3B22	5	70 - 19	R28781	3C2	34	70 - 23	R30732	1E24	13	30 - 37
R27564	3C2	42	70 - 23	R28782	2G10	5	50 - 42	R30732	1F6	13	30 - 44
R27564	3C4	11	70 - 23B	R28782	2G14	2	50 - 46	R30732	1F16	13	30 - 54
R27564	3C7	15	70 - 25	R28782	2H22	2	50 - 80	R30735	1E22	7	30 - 35
R27567	2E23	16	50 - 5	R28782	3B18	38	70 - 15	R30735	1F4	9	30 - 42
R27567	2E25	15	50 - 7	R28782	3B22	9	70 - 19	R30735	1F14	9	30 - 52
R27643	3H4	7	80 - 34	R28782	3C2	33	70 - 23	R30737	1E22	9	30 - 35
R27747	3H8	7	80 - 38	R28782	3C7	11	70 - 25	R30737	1F4	11	30 - 42
R27829	3D1	18	70 - 39	R28794	1D12	2	30 - 5	R30737	1F14	11	30 - 52
R27888	3H12	19	80 - 43	R29001	2H13	18	50 - 71	R30815	3F12	5	70 - 102
R27928	2H6	28	50 - 63	R29001	2H16	31	50 - 74	R30816	3F12	7	70 - 102
R27928	3B22	22	70 - 19	R29001	2H17	3	50 - 75	R30817	3F12	6	70 - 102
R27928	3C7	26	70 - 25	R29001	2H19	17	50 - 77	R30828	2G11	13	50 - 43
R27976	1D3	2	20 - 50	R29377	1C12	10	20 - 36	R30903	3B8	3	70 - 5
R27976	2F24	25	50 - 30	R29936	2G25	2	50 - 57	R30903	3B10	3	70 - 7
R27997	3D15	18	70 - 55	R29936	2G25	5	50 - 57	R30903	3B14	1	70 - 11
R27998	3D15	20	70 - 55	R29936	2G25	7	50 - 57	R30937	1C21	27	20 - 43
R27999	3D15	21	70 - 55	R29936	2I14	5	60 - 9	R30958	2E21	29	50 - 3
R280R	2F17	2	50 - 23	R29936	2I14	29	60 - 9	R30958	2E23	38	50 - 5
R280R	2F18	12	50 - 24	R29936	2I15	15	60 - 10	R30958	2F25	13	50 - 31
R28006	3E17	6	70 - 79	R29936	2I16	5	60 - 11	R30958	2H12	7	50 - 70
R28006	3E21	7	70 - 84	R29936	3C7	21	70 - 25	R30958	2H13	10	50 - 71
R28006	3F4	7	70 - 93	R29936	3C7	25	70 - 25	R30958	2H15	10	50 - 73
R28006	3F5	6	70 - 94	R30181	2D4	7	40 - 47	R30958	2H17	14	50 - 75
R28019	3G3	1	80 - 13	R30181	2D5	5	40 - 48	R30958	2H23	7	50 - 81
R28023	3G3	4	80 - 13	R30182	2D3	11	40 - 46	R30964	2B9	10	40 - 7
R28084	3E17	3	70 - 79	R30182	2D4	1	40 - 47	R31136	3C18	23	70 - 35
R28084	3E17	17	70 - 79	R30182	2D5	8	40 - 48	R31136	3C20	30	70 - 35B
R28084	3E20	9	70 - 83	R30378	2B4	6	40 - 1	R31136	3C24	6	70 - 37
R28084	3E21	3	70 - 84	R30378	2B4	7	40 - 1	R31136	3F8	4	70 - 97
R28084	3E21	16	70 - 84	R30378	2D18	3	40 - 62	R31136	3F11	1	70 - 101
R28084	3F4	3	70 - 93	R30378	2D18	4	40 - 62	R31227	1D23	6	30 - 17
R28084	3F4	16	70 - 93	R30378	2D18	8	40 - 62	R31250	2D3	11	40 - 46
R28084	3F5	3	70 - 94	R30378	2D20	25	40 - 64	R31250	2D4	1	40 - 47
R28084	3F5	17	70 - 94	R30378	2E13	43	40 - 83	R31250	2D5	8	40 - 48
R28085	3E17	2	70 - 79	R30399	2I2	31	50 - 85	R31289	2F21	2	50 - 27
R28085	3E21	2	70 - 84	R30437	3C25	16	70 - 38	R31319	2F24	6	50 - 30
R28085	3E21	17	70 - 84	R30437	3D1	14	70 - 39	R31404	2F15	14	50 - 21
R28085	3F4	2	70 - 93	R30587	2F15	5	50 - 21	R31404	2F19	5	50 - 25
R28085	3F4	17	70 - 93	R30587	2F20	12	50 - 26	R31630	3B8	45	70 - 5
R28085	3F5	2	70 - 94	R30587	2G1	21	50 - 32	R31632	2G11	14	50 - 43
R28085	3F5	18	70 - 94	R30587	2G5	18	50 - 37	R31632	2G11	19	50 - 43
R28204	3E17	1	70 - 79	R30587	2G18	2	50 - 50	R31632	2G13	13	50 - 45
R28204	3E21	1	70 - 84	R30587	2H14	8	50 - 72	R31632	2G13	18	50 - 45
R28204	3E21	28	70 - 84	R30587	2H16	9	50 - 74	R31665	3C11	12	70 - 28
R28204	3F4	1	70 - 93	R30587	2H19	9	50 - 77	R31665	3C14	20	70 - 31
R28204	3F4	18	70 - 93	R30714	1E21	7	30 - 34	R31680	2G10	9	50 - 42
R28493	3G23	2	80 - 28	R30714	1F3	12	30 - 41	R31698	2G24	4	50 - 56
R28493	3G24	2	80 - 29	R30714	1F13	13	30 - 51	R31781	3B18	41	70 - 15
R28538	3C11	11	70 - 28	R30718	1E25	17	30 - 38	R31781	3C2	37	70 - 23
R28538	3C14	5	70 - 31	R30718	1F7	17	30 - 45	R31890	3E17	23	70 - 79
R28539	3C10	4	70 - 27	R30718	1F17	23	30 - 55	R31890	3E20	15	70 - 83
R28539	3C11	14	70 - 28	R30719	1E25	18	30 - 38	R31892	2D3	9	40 - 46

1L2

2030 TRACTOR

NUMERICAL INDEX - CONTINUED

PART NO.	GRID	KEY	PAGE	PART NO.	GRID	KEY	PAGE	PART NO.	GRID	KEY	PAGE
R31935	1E10	18	30 - 27	R32419	3F4	29	70 - 93	R34650	2G3	41	50 - 35
R31994	3G14	3	80 - 21	R32419	3F5	8	70 - 94	R34650	2G5	22	50 - 37
R31994	3G17	12	80 - 24A	R32507	2G23	3	50 - 55	R34656	1D25	17	30 - 19
R31994	3G19	12	80 - 24C	R32507	2G25	2	50 - 57	R34733	2G23	1	50 - 55
R31995	3G14	3	80 - 21	R32507	2G25	6	50 - 57	R34760	1E20	16	30 - 33
R31995	3G17	12	80 - 24A	R33058	2G14	18	50 - 46	R34760	1G14	12	30 - 78
R31995	3G19	12	80 - 24C	R33059	2F20	15	50 - 26	R34760	1G16	19	30 - 81
R32006	2B4	10	40 - 1	R33167	2F16	1	50 - 22	R34760	1G17	16	30 - 82
R32006	2B10	4	40 - 8	R33259	1E23	7	30 - 36	R34761	1E20	15	30 - 33
R32006	2B10	6	40 - 8	R33259	1F5	9	30 - 43	R34761	1G14	13	30 - 78
R32006	2B10	7	40 - 8	R33259	1F15	9	30 - 53	R34761	1G17	17	30 - 82
R32006	2B10	8	40 - 8	R33259	1F20	24	30 - 59	R34764	1D2	34	20 - 49
R32011	2E9	1	40 - 79	R33277	2F24	14	50 - 30	R34764	1E20	18	30 - 33
R32013	2B4	10	40 - 1	R33320	2F14	1	50 - 20	R34764	1G14	16	30 - 78
R32013	2B10	4	40 - 8	R33521	2F23	22	50 - 29	R34764	1G16	14	30 - 81
R32013	2B10	6	40 - 8	R33852	2F14	2	50 - 20	R34764	1G17	11	30 - 82
R32013	2B10	7	40 - 8	R34028	2F24	24	50 - 30	R34767	1D2	33	20 - 49
R32013	2B10	8	40 - 8	R34063	3C11	2	70 - 28	R34767	1G17	12	30 - 82
R32016	2D4	3	40 - 47	R34140	2G1	4	50 - 32	R34801	3G22	1	80 - 27
R32016	2D5	2	40 - 48	R34349	3B16	24	70 - 13	R34801	3G24	8	80 - 29
R32016	2E9	10	40 - 79	R34352	1C21	22	20 - 43	R34801	3H2	1	80 - 32
R32017	2E9	11	40 - 79	R34360	3B5	4	70 - 2	R34802	3C2	12	70 - 23
R32018	2B4	18	40 - 1	R34394	1D23	7	30 - 17	R34811	1G21	3	30 - 87
R32018	2D10	5	40 - 54	R34395	1D23	8	30 - 17	R34811	2F22	15	50 - 28
R32018	2E7	6	40 - 76	R34397	3E17	13	70 - 79	R34811	2G9	4	50 - 41
R32018	2E7	8	40 - 76	R34397	3E20	6	70 - 83	R34812	1E9	27	30 - 26
R32018	2E9	12	40 - 79	R34398	3E17	20	70 - 79	R34812	1E21	4	30 - 34
R32019	2E9	13	40 - 79	R34398	3E20	12	70 - 83	R34812	1E24	2	30 - 37
R32021	2E7	4	40 - 76	R34399	2H4	2	50 - 61	R34812	1F3	8	30 - 41
R32021	2E9	14	40 - 79	R34399	2H6	2	50 - 63	R34812	1F6	2	30 - 44
R32022	2E9	15	40 - 79	R34399	3E20	1	70 - 83	R34812	1F13	8	30 - 51
R32023	2E9	16	40 - 79	R34400	3E17	18	70 - 79	R34812	1F16	2	30 - 54
R32024	2E15	3	40 - 85	R34400	3E20	10	70 - 83	R34812	1F20	9	30 - 59
R32025	2B4	18	40 - 1	R34402	3E20	23A	70 - 83	R34812	3E11	8	70 - 73
R32025	2E7	4	40 - 76	R34404	1F20	5	30 - 59	R34824	1F1	17	30 - 39
R32025	2E7	6	40 - 76	R34446	1E1	4	30 - 20	R34826	3G19	7	80 - 24C
R32025	2E15	4	40 - 85	R34447	1E2	5	30 - 21	R34827	3G17	16	80 - 24A
R32026	2E9	17	40 - 79	R34447	1E3	8	30 - 22	R34827	3G19	16	80 - 24C
R32026	2E13	48	40 - 83	R34622	1F5	8	30 - 43	R34828	3G17	7	80 - 24A
R32027	2B4	18	40 - 1	R34622	1F15	8	30 - 53	R34863	2G11	22	50 - 43
R32027	2B6	5	40 - 3	R34623	1E23	5	30 - 36	R34863	2G13	21	50 - 45
R32027	2B7	9	40 - 5	R34623	1F5	7	30 - 43	R35226	2I8	4	60 - 3
R32027	2D10	5	40 - 54	R34623	1F15	7	30 - 53	R35226	2I10	3	60 - 5
R32027	2E7	4	40 - 76	R34624	1E23	14	30 - 36	R35226	2I11	7	60 - 6
R32027	2E7	8	40 - 76	R34624	1F5	16	30 - 43	R35226	2I12	7	60 - 7
R32027	2E9	18	40 - 79	R34624	1F15	16	30 - 53	R35286	2I14	3	60 - 9
R32028	2E9	19	40 - 79	R34625	1E23	8	30 - 36	R35286	2I16	4	60 - 11
R32029	2E9	20	40 - 79	R34625	1F5	10	30 - 43	R35339	1C21	20	20 - 43
R32276	2D22	11	40 - 66	R34625	1F15	10	30 - 53	R35339	3H6	4	80 - 36
R32306	1D23	4	30 - 17	R34627	1E23	11	30 - 36	R35340	1C21	25	20 - 43
R32344	3B18	42	70 - 15	R34630	1E23	3	30 - 36	R35352	1E20	5	30 - 33
R32353	3E21	14	70 - 84	R34630	1F5	2	30 - 43	R35684	2I8	28	60 - 3
R32353	3F4	14	70 - 93	R34630	1F15	2	30 - 53	R35684	2I10	10	60 - 5
R32353	3F5	15	70 - 94	R34631	1E23	20	30 - 36	R35726	2I8	35	60 - 3
R32354	3E21	10	70 - 84	R34631	1F5	6	30 - 43	R35726	3C10	2	70 - 27
R32354	3F4	10	70 - 93	R34631	1F15	6	30 - 53	R35726	3C10	4	70 - 27
R32354	3F5	11	70 - 94	R34632	1E23	9	30 - 36	R35827	3B22	22	70 - 19
R32355	3E21	9	70 - 84	R34632	1F5	11	30 - 43	R35827	3C8	4	70 - 26
R32355	3F4	9	70 - 93	R34632	1F15	11	30 - 53	R36075	3B6	2	70 - 3
R32355	3F5	10	70 - 94	R34632	1F20	25	30 - 59	R36075	3B16	16	70 - 13
R32356	3E17	9	70 - 79	R34635	1F1	16	30 - 39	R36075	3B16	..	70 - 13
R32356	3E20	2	70 - 83	R34635	1F8	16	30 - 46	R36075	3C8	6	70 - 26
R32356	3E21	8	70 - 84	R34635	1F18	16	30 - 56	R36075	3E23	8	70 - 86
R32356	3F4	8	70 - 93	R34635	1F20	15	30 - 59	R36235	2D20	22	40 - 64
R32356	3F5	9	70 - 94	R34638	1E23	4	30 - 36	R36265	2B4	23	40 - 1
R32419	3E20	31	70 - 83	R34638	1F5	4	30 - 43	R36265	3C15	11	70 - 32
R32419	3E21	27	70 - 84	R34639	1E22	18	30 - 35	R36265	3D4	6	70 - 42

1L3

2030 TRACTOR

NUMERICAL INDEX - CONTINUED

PART NO.	GRID	KEY	PAGE	PART NO.	GRID	KEY	PAGE	PART NO.	GRID	KEY	PAGE
R36358	3C2	11	70 - 23	R39009	3F3	2	70 - 92	R39129	2F21	14	50 - 27
R36402	3E2	2	70 - 65	R39012	3F2	11	70 - 91	R39129	2G4	19	50 - 36
R36471	3D23	1	70 - 61	R39013	3F2	15	70 - 91	R39132	2F23	23	50 - 29
R36535	1E21	5	30 - 34	R39016	3B8	40	70 - 5	R39132	2G14	26	50 - 46
R36535	1F3	9	30 - 41	R39017	3B8	41	70 - 5	R39133	2F24	19	50 - 30
R36538	1E21	18	30 - 34	R39029	3F2	14	70 - 91	R39137	2F24	8	50 - 30
R36538	1F10	4	30 - 48	R39029	3F3	5	70 - 92	R39140	2F24	9	50 - 30
R36538	1F13	25	30 - 51	R39064	3F2	22	70 - 91	R39145	2F21	3	50 - 27
R36540	1E21	20	30 - 34	R39068	3B8	34	70 - 5	R39149	2F24	23	50 - 30
R36540	1F10	2	30 - 48	R39070	3B8	32	70 - 5	R39150	2F24	7	50 - 30
R36540	1F13	27	30 - 51	R39073	3B8	42	70 - 5	R39151	2F23	25	50 - 29
R36542	1E25	14	30 - 38	R39073	3B10	40	70 - 7	R39152	2F23	7	50 - 29
R36542	1F7	14	30 - 45	R39073	3B12	4	70 - 9	R39158	2F24	26	50 - 30
R36542	1F17	13	30 - 55	R39075	3B8	48	70 - 5	R39159	2F24	3	50 - 30
R36636	2I14	29	60 - 9	R39076	3B8	52	70 - 5	R39160	2F23	18	50 - 29
R36636	2I15	15	60 - 10	R39076	3B10	50	70 - 7	R39161	2F23	19	50 - 29
R36646	1F1	27	30 - 39	R39076	3C10	23	70 - 27	R39162	2F23	20	50 - 29
R36646	1F8	27	30 - 46	R39076	3C12	5	70 - 29	R39163	2F23	21	50 - 29
R36646	1F18	27	30 - 56	R39076	3C13	9	70 - 30	R39164	2F24	12	50 - 30
R36651	1F1	15	30 - 39	R39078	3B8	51	70 - 5	R39166	2F20	11	50 - 26
R36658	3F12	3	70 - 102	R39078	3B10	49	70 - 7	R39166	2F22	4	50 - 28
R36659	3F12	3	70 - 102	R39078	3C10	24	70 - 27	R39171	3E8	2	70 - 69
R36732	2D22	24	40 - 66	R39078	3C12	6	70 - 29	R39178	3B8	35	70 - 5
R36757	1D8	..	30 - 1	R39078	3C13	10	70 - 30	R39178	3B10	33	70 - 7
R36926	3B8	23	70 - 5	R39081	2F11	7	50 - 17	R39178	3B14	11	70 - 11
R36927	3E25	23	70 - 89	R39081	2F15	11	50 - 21	R39179	3B8	47	70 - 5
R36946	3F5	21	70 - 94	R39081	2F19	2	50 - 25	R39179	3B10	45	70 - 7
R37139	1E21	6	30 - 34	R39081	2F20	4	50 - 26	R39180	3B8	46	70 - 5
R37139	1F2	7	30 - 40	R39081	2G1	15	50 - 32	R39180	3B10	44	70 - 7
R37139	1F3	10	30 - 41	R39082	2F15	10	50 - 21	R39181	3B8	44	70 - 5
R37139	1F9	7	30 - 47	R39082	2F19	1	50 - 25	R39181	3B10	42	70 - 7
R37479	3E25	11	70 - 89	R39082	2F19	1	50 - 25	R39182	3B8	18	70 - 5
R375R	2E21	26	50 - 3	R39084	2F15	13	50 - 21	R39182	3B8	18	70 - 5
R375R	2F25	5	50 - 31	R39085	2F19	6	50 - 25	R39189	2F20	16	50 - 26
R375R	2G11	27	50 - 43	R39088	2F19	3	50 - 25	R39192	2F21	7	50 - 27
R375R	2G13	26	50 - 45	R39089	2F21	19	50 - 27	R39193	2F21	4	50 - 27
R375R	2G14	19	50 - 46	R39090	2F21	15	50 - 27	R39193	2G3	17	50 - 35
R375R	2G15	7	50 - 47	R39090	2G22	3	50 - 54	R39193	2G3	34	50 - 35
R375R	2G16	18	50 - 48	R39091	2F21	18	50 - 27	R39193	2G4	17	50 - 36
R375R	2G17	2	50 - 49	R39109	3E20	22	70 - 83	R39193	2G5	19	50 - 37
R375R	2G18	9	50 - 50	R39110	3E17	24	70 - 79	R39193	2G7	18	50 - 39
R375R	2G19	6	50 - 51	R39110	3E20	22	70 - 83	R39193	2G7	35	50 - 39
R375R	3E17	14	70 - 79	R39110	3E20	28	70 - 83	R39215	3C8	3	70 - 26
R375R	3E18	5	70 - 81	R39112	2E21	43	50 - 3	R39224	2F20	8	50 - 26
R375R	3E20	7	70 - 83	R39112	2E23	26	50 - 5	R39224	2G1	18	50 - 32
R375R	3F9	19	70 - 98	R39112	2I14	25	60 - 9	R39224	2G18	4	50 - 50
R38041	3B8	9	70 - 5	R39112	3B8	5	70 - 5	R39224	2G19	2	50 - 51
R38053	3B8	1	70 - 5	R39112	3B8	10	70 - 5	R39225	3E6	12	70 - 67
R38053	3B10	1	70 - 7	R39112	3B8	17	70 - 5	R39225	3E7	6	70 - 68
R38185	2F8	7	50 - 14	R39112	3B8	30	70 - 5	R39228	3B8	12	70 - 5
R38214	2F14	6	50 - 20	R39112	3B10	5	70 - 7	R39228	3B10	12	70 - 7
R38215	2F14	5	50 - 20	R39112	3B10	17	70 - 7	R39228	3B16	18	70 - 13
R38216	2F14	3	50 - 20	R39112	3B10	28	70 - 7	R39228	3B24	16	70 - 21
R38219	2H17	20	50 - 75	R39112	3B10	51	70 - 7	R39228	3B24	16	70 - 21
R38219	2H19	23	50 - 77	R39112	3C14	10	70 - 31	R39229	2F24	20	50 - 30
R38221	2H17	33	50 - 75	R39112	3E9	9	70 - 70	R39237	2G4	7	50 - 36
R38221	2H19	36	50 - 77	R39114	3E9	9	70 - 70	R39238	2G3	2	50 - 35
R38348	3B5	6	70 - 2	R39114	2F15	4	50 - 21	R39238	2G4	2	50 - 36
R38371	2D6	3	40 - 49	R39115	2F15	8	50 - 21	R39238	2G7	2	50 - 39
R38372	2B13	16	40 - 11	R39116	2F15	7	50 - 21	R39239	2G4	20	50 - 36
R38372	2B18	6	40 - 16	R39117	2F15	9	50 - 21	R39240	3B8	26	70 - 5
R38374	2B15	9	40 - 13	R39117	2F20	14	50 - 26	R39240	3B10	24	70 - 7
R38374	2B17	12	40 - 15	R39118	2F15	16	50 - 21	R39242	3B8	25	70 - 5
R38449	1C21	24	20 - 43	R39119	2F21	1	50 - 27	R39244	2F20	9	50 - 26
R39006	3F2	5	70 - 91	R39122	2F21	16	50 - 27	R39244	2G1	19	50 - 32
R39008	3F2	20	70 - 91	R39123	2F21	8	50 - 27	R39244	2G18	6	50 - 50
R39009	3F2	18	70 - 91	R39124	2F21	9	50 - 27	R39244	2G19	3	50 - 51
				R39125	2F21	10	50 - 27	R39245	2G1	22	50 - 32
				R39128	2F21	5	50 - 27	R39247	2G3	13	50 - 35

1L4

2030 TRACTOR

NUMERICAL INDEX - CONTINUED

PART NO.	GRID	KEY	PAGE	PART NO.	GRID	KEY	PAGE	PART NO.	GRID	KEY	PAGE
R39247	2G4	13	50 - 36	R39299	2G7	30	50 - 39	R41041	2G1	16	50 - 32
R39247	2G7	14	50 - 39	R39304	2F16	6	50 - 22	R41041	2G18	18	50 - 50
R39248	2F23	13	50 - 29	R39304	2G3	12	50 - 35	R41055	3E6	31	70 - 67
R39252	2G3	37	50 - 35	R39304	2G3	33	50 - 35	R41055	3E11	22	70 - 73
R39252	2G5	12	50 - 37	R39304	2G4	12	50 - 36	R41057	3B18	43	70 - 15
R39252	2G7	38	50 - 39	R39304	2G5	20	50 - 37	R41057	3B18	44	70 - 15
R39253	2G3	36	50 - 35	R39304	2G7	13	50 - 39	R41057	3B20	7	70 - 17
R39253	2G4	14	50 - 36	R39304	2G7	34	50 - 39	R41057	3B22	..	70 - 19
R39253	2G5	10	50 - 37	R39305	2G1	9	50 - 32	R41057	3C2	40	70 - 23
R39254	2G1	13	50 - 32	R39306	2G1	8	50 - 32	R41057	3C4	9	70 - 23B
R39256	2G4	18	50 - 36	R39312	2F20	13	50 - 26	R41057	3C7	13	70 - 25
R39257	2G4	22	50 - 36	R39316	3B12	..	70 - 9	R41057	3E6	24	70 - 67
R39258	2G4	25	50 - 36	R39317	3B8	10	70 - 5	R41057	3E9	7	70 - 70
R39259	2G3	6	50 - 35	R39317	3B12	..	70 - 9	R41057	3E11	18	70 - 73
R39259	2G3	22	50 - 35	R39318	3B8	38	70 - 5	R41057	3E13	17	70 - 75
R39259	2G4	6	50 - 36	R39318	3B10	36	70 - 7	R41057	3E13	20	70 - 75
R39259	2G5	4	50 - 37	R39319	3B8	43	70 - 5	R41057	3E15	12	70 - 77
R39260	2G3	4	50 - 35	R39319	3B10	41	70 - 7	R41057	3E16	4	70 - 78
R39260	2G4	4	50 - 36	R39319	3B12	3	70 - 9	R41154	3E11	4	70 - 73
R39260	2G7	4	50 - 39	R39320	2G5	2	50 - 37	R41155	3E9	21	70 - 70
R39261	2G1	14	50 - 32	R39321	3B8	37	70 - 5	R41156	3E11	21	70 - 73
R39265	2G3	40	50 - 35	R39321	3B10	35	70 - 7	R41296	3H19	4	80 - 50
R39265	2G5	23	50 - 37	R39322	2F15	2	50 - 21	R41333	3E11	7	70 - 73
R39265	2G7	41	50 - 39	R39325	2F15	15	50 - 21	R41338	3E11	11	70 - 73
R39266	2G16	30	50 - 48	R39325	2F19	4	50 - 25	R41338	3E13	10	70 - 75
R39266	2G17	14	50 - 49	R394R	2G23	5	50 - 55	R41339	3E11	9	70 - 73
R39273	3C14	11	70 - 31	R394R	3E9	6	70 - 70	R41339	3E13	8	70 - 75
R39276	2G3	19	50 - 35	R39613	1D25	4	30 - 19	R41339	3E15	14	70 - 77
R39276	2G5	1	50 - 37	R39615	1D25	5	30 - 19	R41412	1B15	11	20 - 13
R39276	2G7	20	50 - 39	R39729	3B16	9	70 - 13	R41412	1B15	12	20 - 13
R39278	2G1	3	50 - 32	R39729	3B22	17	70 - 19	R41439	2B5	3	40 - 2
R39279	2G1	5	50 - 32	R39741	1B7	22	20 - 5	R41439	2D22	13	40 - 66
R39280	2F16	7	50 - 22	R39741	3B6	2	70 - 3	R41549	3E11	3	70 - 73
R39280	2G3	10	50 - 35	R39741	3B16	15	70 - 13	R41549	3E13	3	70 - 75
R39280	2G3	31	50 - 35	R39741	3B16	16	70 - 13	R41564	3E7	1	70 - 68
R39280	2G4	10	50 - 36	R39741	3B16	..	70 - 13	R41613	3E11	1	70 - 73
R39280	2G5	8	50 - 37	R39741	3B24	13	70 - 21	R41778	3I4	10	90 - 1B
R39280	2G7	11	50 - 39	R39758	3G17	8	80 - 24A	R41778	3I8	6	90 - 6
R39280	2G7	32	50 - 39	R39758	3G19	8	80 - 24C	R41778	3I12	26	90 - 11
R39281	2G3	39	50 - 35	R39796	2G23	8	50 - 55	R41778	3I13	1	90 - 12
R39281	2G7	40	50 - 39	R39799	2G23	9	50 - 55	R41781	3H24	13	80 - 55
R39282	2G3	9	50 - 35	R39800	2B17	11	40 - 15	R41781	3H25	12	80 - 56
R39282	2G3	30	50 - 35	R39803	2B17	10	40 - 15	R41781	3I2	8	90 - 1
R39282	2G4	9	50 - 36	R39843	3B16	26	70 - 13	R41781	3I4	1	90 - 1B
R39282	2G5	7	50 - 37	R39857	2C21	13	40 - 39	R42260	3B18	40	70 - 15
R39282	2G7	10	50 - 39	R39886	1G17	9	30 - 82	R42260	3C2	36	70 - 23
R39282	2G7	31	50 - 39	R39985	1G21	6	30 - 87	R42363	2E21	4	50 - 3
R39283	2G1	6	50 - 32	R40072	3C14	15	70 - 31	R42363	2E23	4	50 - 5
R39284	2G1	11	50 - 32	R40147	2G20	29	50 - 52	R42364	1B19	20	20 - 17
R39285	2G3	32	50 - 35	R40235	2F20	6	50 - 26	R42439	3I2	12	90 - 1
R39285	2G4	11	50 - 36	R40235	2G18	12	50 - 50	R42451	3H16	7	80 - 47
R39285	2G5	9	50 - 37	R40337	2C2	12	40 - 23	R42451	3H18	1	80 - 49
R39285	2G7	33	50 - 39	R40445	2B9	12	40 - 7	R42451	3H18	17	80 - 49
R39286	2G4	24	50 - 36	R40589	3G3	1	80 - 13	R42483	1E24	16	30 - 37
R39289	3E8	5	70 - 69	R40599	3E6	24	70 - 67	R42483	1F6	16	30 - 44
R39289	3E9	12	70 - 70	R40599	3E9	7	70 - 70	R42483	1F16	16	30 - 54
R39294	2F23	24	50 - 29	R40707	1F1	25	30 - 39	R42483	1F20	17	30 - 59
R39294	2F24	17	50 - 30	R40707	1F8	25	30 - 46	R42663	3B18	31	70 - 15
R39294	2G11	30	50 - 43	R40707	1F18	25	30 - 56	R42666	2D6	1	40 - 49
R39294	2G14	27	50 - 46	R40756	3B8	24	70 - 5	R42726	1D8	..	30 - 1
R39294	2G24	5	50 - 56	R40791	1B13	4	20 - 11	R42729	1B15	7	20 - 13
R39299	2F16	11	50 - 22	R40801	2C22	11	40 - 40	R42732	3I8	10	90 - 6
R39299	2G3	8	50 - 35	R40937	3E11	6	70 - 73	R42732	3I12	27	90 - 11
R39299	2G3	29	50 - 35	R40937	3E13	6	70 - 75	R42732	3I13	6	90 - 12
R39299	2G4	8	50 - 36	R40937	3E15	15	70 - 77	R42929	3D3	20	70 - 41
R39299	2G5	6	50 - 37	R40983	1G21	6	30 - 87	R43216	3D3	17	70 - 41
R39299	2G7	9	50 - 39	R41041	2F20	5	50 - 26	R43413	1D2	7	20 - 49

1L5

2030 TRACTOR

NUMERICAL INDEX - CONTINUED

PART NO.	GRID	KEY	PAGE	PART NO.	GRID	KEY	PAGE	PART NO.	GRID	KEY	PAGE
R43416	1D2	8	20 - 49	R47061	3D3	18	70 - 41	R48290	2E21	27	50 - 3
R43416	1D4	4	20 - 51	R47061	3D10	12	70 - 49	R48294	3H12	20	80 - 43
R43444	3D15	9	70 - 55	R47061	3D12	19	70 - 51	R48295	3H12	21	80 - 43
R43662	2B5	16	40 - 2	R47061	3D13	3	70 - 53	R48352	2C24	4	40 - 42
R44302	1G23	5	30 - 89	R47063	3D3	19	70 - 41	R48399	1E5	5	30 - 23
R44302	2B4	12	40 - 1	R47063	3D10	13	70 - 49	R48473	2D8	4	40 - 51
R44302	2B6	3	40 - 3	R47063	3D10	14	70 - 49	R48493	1E21	30	30 - 34
R44302	2B12	1	40 - 10	R47063	3D12	20	70 - 51	R48493	1F3	13	30 - 41
R44302	2B25	6	40 - 21	R47063	3D12	21	70 - 51	R48493	1F13	12	30 - 51
R44302	2C11	2	40 - 31A	R47063	3D13	1	70 - 53	R48495	1E22	4	30 - 35
R44302	2C13	2	40 - 31D	R47063	3D13	2	70 - 53	R48495	1F4	4	30 - 42
R44302	2C15	3	40 - 33	R47077	1F2	4	30 - 40	R48496	1E23	15	30 - 36
R44302	2C20	4	40 - 38	R47077	1F9	4	30 - 47	R48496	1F5	17	30 - 43
R44302	2D1	11	40 - 44	R47077	1F11	3	30 - 49	R48496	1F15	17	30 - 53
R44302	2D2	24	40 - 45	R47077	1F17	4	30 - 55	R48497	1E23	16	30 - 36
R44302	2D22	12	40 - 66	R47160	1D23	14B	30 - 17	R48497	1F5	18	30 - 43
R44302	2E2	1	40 - 71	R47249	2H12	12	50 - 70	R48497	1F15	18	30 - 53
R44302	2E7	11	40 - 76	R47249	2H14	26	50 - 72	R48498	1E23	17	30 - 36
R44302	3C12	14	70 - 29	R47249	2H15	22	50 - 73	R48498	1F5	20	30 - 43
R44302	3H20	..	80 - 51	R47281	1E20	14	30 - 33	R48498	1F15	20	30 - 53
R44310	3E11	22	70 - 73	R47292	3H24	6	80 - 55	R48499	1F16	21	30 - 54
R44342	2D13	5	40 - 57	R47292	3H25	14	80 - 56	R48500	1E24	14	30 - 37
R44342	2D14	1	40 - 58	R47292	3I2	7	90 - 1	R48500	1F6	14	30 - 44
R44361	2I2	6	50 - 85	R47344	3C17	8	70 - 34	R48500	1F16	14	30 - 54
R44372	2I2	6	50 - 85	R47358	1E2	10	30 - 21	R48501	1E22	20	30 - 35
R44720	3I23	3	90 - 16	R47358	1E3	4	30 - 22	R48501	1F4	1	30 - 42
R44802	3B18	31	70 - 15	R47381	1F25	21	30 - 64	R48501	1F14	1	30 - 52
R44823	2H6	25	50 - 63	R47381	1G7	21	30 - 71	R48526	1E24	5	30 - 37
R44917	3D5	12	70 - 43	R47384	1F25	27	30 - 64	R48593	3C20	32	70 - 35B
R45045	1E23	2	30 - 36	R47474	2D6	5	40 - 49	R48595	3D7	5	70 - 45
R45045	1F5	3	30 - 43	R47513	2H12	13	50 - 70	R48599	1E20	1	30 - 33
R45126	2H17	25	50 - 75	R47513	2H14	25	50 - 72	R48600	1E20	2	30 - 33
R45126	2H19	28	50 - 77	R47513	2H15	21	50 - 73	R48601	1F1	21	30 - 39
R45211	2B5	6	40 - 2	R47514	2H12	17	50 - 70	R48601	1F8	21	30 - 46
R45228	3B16	16	70 - 13	R47514	2H14	20	50 - 72	R48601	1F18	21	30 - 56
R45361	2D13	1	40 - 57	R47514	2H15	16	50 - 73	R48602	1F1	23	30 - 39
R45422	3B24	26	70 - 21	R47731	1G17	8	30 - 82	R48602	1F8	23	30 - 46
R45425	3B24	22A	70 - 21	R47732	1G17	5	30 - 82	R48602	1F18	23	30 - 56
R45438	3B16	1	70 - 13	R47733	1G16	7	30 - 81	R48603	1F1	22	30 - 39
R45438	3B24	1	70 - 21	R47733	1G17	4	30 - 82	R48603	1F8	22	30 - 46
R45582	2G11	15	50 - 43	R47734	1G17	6	30 - 82	R48603	1F18	22	30 - 56
R45582	2G13	14	50 - 45	R47831	2B6	19	40 - 3	R48603	1F1	19	30 - 39
R45630	3E17	5	70 - 79	R47831	2C24	9	40 - 42	R48604	1F1	19	30 - 39
R45630	3F5	5	70 - 94	R47859	2D22	1	40 - 66	R48604	1F8	19	30 - 46
R45822	3B5	5	70 - 2	R47860	2D20	9	40 - 64	R48604	1F18	19	30 - 56
R45874	3B16	28	70 - 13	R47861	2D20	9	40 - 64	R48605	1F18	11	30 - 56
R459R	1E1	9	30 - 20	R47998	2I6	1	60 - 1	R48606	1F1	9	30 - 39
R460R	1F13	22	30 - 51	R48000	1D2	33	20 - 49	R48606	1F8	10	30 - 46
R460R	1F20	6	30 - 59	R48000	1E20	17	30 - 33	R48606	1F18	10	30 - 56
R46162	2F2	3	50 - 9	R48000	1G14	15	30 - 78	R48607	1F1	10	30 - 39
R46162	2F4	3	50 - 11	R48000	1G16	15	30 - 81	R48607	1F8	9	30 - 46
R46162	2F7	3	50 - 13	R48000	1G17	12	30 - 82	R48607	1F18	9	30 - 56
R46191	2C21	22	40 - 39	R48008	1E1	2	30 - 20	R48663	2D4	9	40 - 47
R46414	2B25	8	40 - 21	R48026	2D20	..	40 - 64	R48664	2C24	1	40 - 42
R46625	1B7	26	20 - 5	R48028	2D20	28	40 - 64	R48665	2C24	2	40 - 42
R46625	1B7	27	20 - 5	R48048	2D20	17	40 - 64	R48684	3H13	3	80 - 44
R46625	1B9	32	20 - 7	R48049	2D20	27	40 - 64	R48685	1B7	1	20 - 5
R46675	1G16	10	30 - 81	R48071	1E2	6	30 - 21	R48685	1B7	3	20 - 5
R46675	1G17	7	30 - 82	R48071	1E3	7	30 - 22	R48685	1B9	24	20 - 7
R46722	3E6	35	70 - 67	R48071	1E4	5	30 - 22A	R48685	1B9	40	20 - 7
R46722	3E15	6	70 - 77	R48128	2B4	9	40 - 1	R48685	2G20	5	50 - 52
R46889	3D15	13	70 - 55	R48138	3H18	9	80 - 49	R48698	3F8	3	70 - 97
R46890	3D15	10	70 - 55	R48139	3I2	12	90 - 1	R48715	1F25	18	30 - 64
R46893	3D15	15	70 - 55	R48139	3I4	6	90 - 1B	R48715	1G7	18	30 - 71
R47038	1E12	9	30 - 29	R48163	3D15	7	70 - 55	R48738	3B8	13	70 - 5
R47049	1F2	2	30 - 40	R48164	3D15	8	70 - 55	R48738	3B10	13	70 - 7
R47049	1F9	2	30 - 47	R48289	2H21	7	50 - 79	R48738	3B16	19	70 - 13

1L6

2030 TRACTOR

NUMERICAL INDEX - CONTINUED

PART NO.	GRID	KEY	PAGE	PART NO.	GRID	KEY	PAGE	PART NO.	GRID	KEY	PAGE
R48738	3B24	17	70 - 21	R495R	3E17	25	70 - 79	R51469	2F7	9	50 - 13
R48767	1D2	31	20 - 49	R495R	3E17	26	70 - 79	R51469	2F7	10	50 - 13
R48768	1B9	16	20 - 7	R495R	3E20	26	70 - 83	R51469	2F8	19	50 - 14
R48768	1B21	2	20 - 19	R495R	3F5	13	70 - 94	R51469	2F10	1	50 - 16
R48768	1D2	31	20 - 49	R49515	1B16	1	20 - 14	R51469	2F10	4	50 - 16
R48795	1F9	12	30 - 47	R49515	1C25	12	20 - 47	R51469	2F10	..	50 - 16
R48821	2H13	17	50 - 71	R49515	1D2	12	20 - 49	R51500	2H11	5	50 - 69
R48821	2H16	32	50 - 74	R49516	1C25	10	20 - 47	R51501	2H11	26	50 - 69
R48887	2E11	17	40 - 81	R49516	1D2	20	20 - 49	R51516	1C8	11	20 - 32
R48978	3E6	28	70 - 67	R49524	3H12	13	80 - 43	R51516	1C9	14	20 - 33
R48980	3E6	30	70 - 67	R49648	3C20	22	70 - 35B	R51615	3H6	3	80 - 36
R48993	1C16	10	20 - 40	R49648	3C22	14	70 - 35D	R51679	3H5	1	80 - 35
R48993	1C17	6	20 - 40A	R49664	2I14	3	60 - 9	R51680	3H5	3	80 - 35
R48997	1C13	1	20 - 37	R49664	2I14	29	60 - 9	R51681	3H5	8	80 - 35
R48997	1C15	10	20 - 39	R49664	2I15	15	60 - 10	R51731	1B9	9	20 - 7
R49020	3H25	3	80 - 56	R49708	3E11	10	70 - 73	R51731	1B25	3	20 - 23
R49071	3B18	25	70 - 15	R49837	3F24	2	80 - 9	R51734	1B13	13	20 - 11
R49071	3B18	27	70 - 15	R49839	3G6	5	80 - 16	R51799	1F25	10	30 - 64
R49071	3B18	28	70 - 15	R49839	3G9	8	80 - 16D	R51799	1G7	10	30 - 71
R49071	3B18	29	70 - 15	R49980	2I11	13	60 - 6	R51821	3H25	3	80 - 56
R49071	3B18	30	70 - 15	R49982	2I11	14	60 - 6	R51832	1G3	27	30 - 67
R49071	3B18	31	70 - 15	R49991	2I4	18	50 - 87	R51912	2H6	25	50 - 63
R49071	3B20	9	70 - 17	R49992	2I4	28	50 - 87	R51936	1G14	9	30 - 78
R49072	3B18	26	70 - 15	R49993	2I4	25	50 - 87	R51936	1G16	1	30 - 81
R49072	3B20	14	70 - 17	R50034	2I14	17	60 - 9	R51937	1G14	10	30 - 78
R49076	3C10	8	70 - 27	R50070	2I3	7	50 - 86	R51937	1G16	2	30 - 81
R49076	3C10	9	70 - 27	R50226	1G21	6	30 - 87	R52107	3D24	2	70 - 62
R49076	3C10	11	70 - 27	R50507	3F25	4	80 - 10	R52119	3I6	32	90 - 3
R49076	3C11	5	70 - 28	R50507	3G1	11	80 - 11	R52119	3I6	35	90 - 3
R49076	3C11	6	70 - 28	R50653	1D11	7	30 - 4	R52251	1B15	15	20 - 13
R49076	3C12	17	70 - 29	R50655	2H4	8	50 - 61	R52252	1B15	17	20 - 13
R49076	3C12	19	70 - 29	R50655	2H6	8	50 - 63	R52260	3I2	1	90 - 1
R49076	3C12	20	70 - 29	R50676	3H25	2	80 - 56	R52261	3I2	1	90 - 1
R49186	3E6	13	70 - 67	R50677	3H25	1	80 - 56	R52265	2G7	39	50 - 39
R49187	3E6	14	70 - 67	R50678	3H25	2	80 - 56	R52376	2G7	17	50 - 39
R49187	3E13	16	70 - 75	R50679	3H25	1	80 - 56	R52378	2G3	7	50 - 35
R49187	3E15	1	70 - 77	R50703	2I17	4	60 - 12	R52378	2G4	7	50 - 36
R49191	3E17	24	70 - 79	R50704	2I17	3	60 - 12	R52378	2G7	8	50 - 39
R49191	3E20	20	70 - 83	R50704	2I17	4	60 - 12	R52380	2G7	19	50 - 39
R49191	3E20	22	70 - 83	R50864	2G25	1	50 - 57	R52381	2G7	27	50 - 39
R49209	1E23	11	30 - 36	R50864	2G25	4	50 - 57	R52382	2G7	28	50 - 39
R49209	1F5	13	30 - 43	R50864	2H1	8	50 - 58	R52383	2G7	25	50 - 39
R49209	1F15	13	30 - 53	R50879	2I14	16	60 - 9	R52384	2G3	11	50 - 35
R49211	1F1	15	30 - 39	R50992	3G6	5	80 - 16	R52384	2G4	11	50 - 36
R49211	1F8	15	30 - 46	R50992	3G6	12	80 - 16	R52384	2G7	12	50 - 39
R49211	1F18	15	30 - 56	R51112	1B22	3	20 - 20	R52547	3E11	7	70 - 73
R49212	1F1	14	30 - 39	R51112	1B25	2	20 - 23	R52549	3E11	4	70 - 73
R49212	1F8	14	30 - 46	R51233	2H2	10	50 - 59	R52549	3E13	4	70 - 75
R49212	1F18	14	30 - 56	R51285	3E20	23A	70 - 83	R52627	1E12	11	30 - 29
R49221	3E6	15	70 - 67	R51285	3E20	23B	70 - 83	R52683	3B6	2	70 - 3
R49296	2C24	3	40 - 42	R51286	2G15	20	50 - 47	R52683	3B16	16	70 - 13
R49297	3B8	11	70 - 5	R51286	2G16	17	50 - 48	R52683	3B16	..	70 - 13
R49297	3B10	11	70 - 7	R51289	2G16	29	50 - 48	R52683	3C8	3	70 - 26
R49297	3B16	17	70 - 13	R51290	2G16	28	50 - 48	R52790	1D3	8	20 - 50
R49297	3B24	15	70 - 21	R51409	3E6	25	70 - 67	R52879	1C9	19	20 - 33
R49298	3B8	14	70 - 5	R51409	3E11	1	70 - 73	R52921	3E7	3	70 - 68
R49298	3B10	14	70 - 7	R51409	3E13	1	70 - 75	R52924	3H5	2	80 - 35
R49298	3B16	20	70 - 13	R51410	3E6	26	70 - 67	R53064	2H6	23	50 - 63
R49346	1F14	4	30 - 52	R51411	3E6	27	70 - 67	R53065	2H6	27	50 - 63
R49352	3F2	12	70 - 91	R51412	3E6	19	70 - 67	R53066	2H6	25	50 - 63
R49394	2C6	10	40 - 27	R51413	3E6	23	70 - 67	R53067	2F18	1	50 - 24
R495R	1C25	7	20 - 47	R51414	3E6	16	70 - 67	R53071	2F18	4	50 - 24
R495R	1D2	18	20 - 49	R51415	3E6	21	70 - 67	R53072	2F18	6	50 - 24
R495R	2I14	20	60 - 9	R51469	2F2	6	50 - 9	R53072	2H6	31	50 - 63
R495R	2I16	7	60 - 11	R51469	2F2	7	50 - 9	R53167	2G11	23	50 - 43
R495R	2I19	13	60 - 15	R51469	2F4	7	50 - 11	R53167	2G13	22	50 - 45
R495R	3B16	2	70 - 13	R51469	2F7	5	50 - 13	R53168	2G11	21	50 - 43

1L7

2030 TRACTOR

NUMERICAL INDEX - CONTINUED

PART NO.	GRID	KEY	PAGE	PART NO.	GRID	KEY	PAGE	PART NO.	GRID	KEY	PAGE
R53168	2G13	20	50 - 45	R54779	3I6	5	90 - 3	R55618	2B7	5	40 - 5
R53169	2G20	27	50 - 52	R54781	3I6	4	90 - 3	R55647	1B9	11	20 - 7
R53196	3D5	7	70 - 43	R54782	3I6	7	90 - 3	R55647	1B25	5	20 - 23
R53214	1E2	1	30 - 21	R54802	1B7	18	20 - 5	R55721	2H4	7	50 - 61
R53223	1B7	27	20 - 5	R54958	2G3	27	50 - 35	R55721	2H6	7	50 - 63
R53223	1B13	10	20 - 11	R54958	2G4	22	50 - 36	R55721	2H7	16	50 - 64
R53250	1B7	27	20 - 5	R54959	2G3	16	50 - 35	R55721	2H7	19	50 - 64
R53250	1B13	10	20 - 11	R54959	2G4	15	50 - 36	R55722	2H7	18	50 - 64
R53296	3D5	12	70 - 43	R54961	2G3	24	50 - 35	R55752	3H25	2	80 - 56
R53296	3D8	12	70 - 47	R54961	2G4	19	50 - 36	R55753	3H25	1	80 - 56
R53296	3D12	23	70 - 51	R54969	3C18	18	70 - 35	R55758	1C17	7	20 - 40A
R53296	3D15	3	70 - 55	R54969	3C18	19	70 - 35	R55760	1C13	1	20 - 37
R53382	1C10	11	20 - 34	R54969	3C20	19	70 - 35B	R55760	1C16	13	20 - 40
R53382	1C11	4	20 - 35	R54969	3C20	20	70 - 35B	R55774	2I17	2	60 - 12
R53443	1D11	17	30 - 4	R54969	3C22	12	70 - 35D	R55779	2I4	28	50 - 87
R53528	3I6	10	90 - 3	R54972	3J5	1	90 - 24	R55800	2I3	7	50 - 86
R53544	3F24	8	80 - 9	R54987	1B15	2	20 - 13	R55840	2G20	8	50 - 52
R53545	3F24	8	80 - 9	R54998	1E3	2	30 - 22	R55850	2G20	8	50 - 52
R53656	2I4	19	50 - 87	R54998	1E4	2	30 - 22A	R55874	1F25	9	30 - 64
R53815	2G25	2	50 - 57	R55011	1B7	27	20 - 5	R55874	1G7	9	30 - 71
R53815	2G25	7	50 - 57	R55011	1B13	10	20 - 11	R55916	1D20	19	30 - 14
R53817	2G25	5	50 - 57	R55013	2G3	18	50 - 35	R55916	1D21	16	30 - 15
R53830	2F18	7	50 - 24	R55013	2G4	18	50 - 36	R55932	3J3	4	90 - 22
R54052	1B13	14	20 - 11	R55014	2G3	26	50 - 35	R55932	3J4	4	90 - 23
R54054	1C6	2	20 - 29	R55014	2G4	20	50 - 36	R55937	3C14	18	70 - 31
R54054	1C6	9	20 - 29	R55017	2F15	13	50 - 21	R56012	2B13	13	40 - 11
R54062	2G5	2	50 - 37	R55018	2G5	2	50 - 37	R56012	2B18	19	40 - 16
R54062	2G7	21	50 - 39	R55038	2F7	19	50 - 13	R56026	2D10	3	40 - 54
R54186	2G11	35	50 - 43	R55039	2F11	1	50 - 17	R56039	3D15	5	70 - 55
R54186	2G13	34	50 - 45	R55039	2F13	1	50 - 19	R56396	1F8	6	30 - 46
R54186	2G25	13	50 - 57	R55042	2F1	26	50 - 8	R56396	1F18	6	30 - 56
R54195	3H6	13	80 - 36	R55137	3C18	1	70 - 35	R56396	1F20	13	30 - 59
R54242	3F8	1	70 - 97	R55137	3C20	9	70 - 35B	R56410	2D10	4	40 - 54
R54271	1G21	1	30 - 87	R55137	3C20	14	70 - 35B	R56455	1D10	5	30 - 3
R54272	2F22	1	50 - 28	R55137	3C20	15	70 - 35B	R56457	2G3	14	50 - 35
R54272	2G9	1	50 - 41	R55137	3C20	37	70 - 35B	R56457	2G3	35	50 - 35
R54273	3C25	2	70 - 38	R55137	3C20	38	70 - 35B	R56457	2G4	14	50 - 36
R54274	3E9	11	70 - 70	R55137	3C20	39	70 - 35B	R56457	2G5	10	50 - 37
R54275	3E9	3	70 - 70	R55164	1C13	1	20 - 37	R56457	2G5	18	50 - 37
R54279	1G11	13	30 - 75	R55164	1C16	12	20 - 40	R56457	2G7	15	50 - 39
R54380	2H3	5	50 - 60	R55198	3F18	14	80 - 2	R56457	2G7	36	50 - 39
R54380	2H3	14	50 - 60	R55200	1G21	28	30 - 87	R56457	2G7	37	50 - 39
R54467	2D20	15	40 - 64	R55201	1G19	18	30 - 85	R56463	1B13	5	20 - 11
R54540	3J6	6	90 - 26	R55202	1G19	23	30 - 85	R56463	1C25	7	20 - 47
R54541	3H19	4	80 - 50	R55211	3H12	1	80 - 43	R56463	1D2	18	20 - 49
R54542	3H19	8	80 - 50	R55211	3H12	4	80 - 43	R56463	1D3	3	20 - 50
R54542	3I2	12	90 - 1	R55213	3H12	18	80 - 43	R56463	1D4	3	20 - 51
R54542	3I4	6	90 - 1B	R55259	3G21	2	80 - 26	R56463	3B16	2	70 - 13
R54560	1B13	14	20 - 11	R55299	1B17	4	20 - 15	R56463	3B22	24	70 - 19
R54565	1B15	1	20 - 13	R55312	3G22	5	80 - 27	R56463	3B24	2	70 - 21
R54565	1B15	2	20 - 13	R55312	3G24	3	80 - 29	R56463	3C7	27	70 - 25
R54579	2F23	4	50 - 29	R55326	3I6	1	90 - 3	R56467	3H24	2	80 - 55
R54579	2F24	10	50 - 30	R55326	3I6	11	90 - 3	R56467	3H25	7	80 - 56
R54614	1C10	16	20 - 34	R55326	3I6	25	90 - 3	R56468	3H24	9	80 - 55
R54614	1C10	18	20 - 34	R55396	2E21	30	50 - 3	R56468	3H25	6	80 - 56
R54614	1C11	9	20 - 35	R55396	2E23	39	50 - 5	R56473	2H7	17	50 - 64
R54615	1C10	15	20 - 34	R55396	2F25	12	50 - 31	R56474	1D21	3	30 - 15
R54615	1C10	18	20 - 34	R55397	3E6	34	70 - 67	R56481	2B24	9	40 - 20
R54615	1C11	8	20 - 35	R55398	3E6	29	70 - 67	R56483	1E22	15	30 - 35
R54622	2I4	18	50 - 87	R55405	1C16	2	20 - 40	R56483	1F4	17	30 - 42
R54623	2I4	18	50 - 87	R55474	1B15	18	20 - 13	R56483	1F14	17	30 - 52
R54638	1D2	11	20 - 49	R55484	2I8	5	60 - 3	R56514	2F11	1	50 - 17
R54638	1D4	2	20 - 51	R55509	1D2	10	20 - 49	R56514	2F13	1	50 - 19
R54641	1D2	28	20 - 49	R55602	3G24	2	80 - 29	R56525	3H9	4	80 - 39
R54641	1D4	10	20 - 51	R55602	3G25	2	80 - 30	R56551	1D11	13	30 - 4
R54752	2G23	9	50 - 55	R55618	1D25	2	30 - 19	R56589	3J8	1	90 - 28
R54753	2G23	9	50 - 55	R55618	2B5	6	40 - 2	R56590	3J8	3	90 - 28

1L8

2030 TRACTOR

NUMERICAL INDEX - CONTINUED

PART NO.	GRID	KEY	PAGE	PART NO.	GRID	KEY	PAGE	PART NO.	GRID	KEY	PAGE
R56615	2G20	8	50 - 52	R57335	1B15	17	20 - 13	R59448	1B13	15	20 - 11
R56615	2H4	25	50 - 61	R57336	1B15	15	20 - 13	R59448	1C25	24	20 - 47
R56615	2H6	10	50 - 63	R57337	1B15	17	20 - 13	R59448	1D3	8	20 - 50
R56736	1C5	5	20 - 28	R57345	2F15	15	50 - 21	R59448	1D4	12	20 - 51
R56737	1C5	5	20 - 28	R57345	2F19	4	50 - 25	R59519	3H12	13	80 - 43
R56747	1E10	4	30 - 27	R57446	2I8	5	60 - 3	R59519	3H12	17	80 - 43
R56749	3B16	3	70 - 13	R57452	2C6	11	40 - 27	R59629	3E6	24	70 - 67
R56749	3B24	3	70 - 21	R57582	1B21	1	20 - 19	R59629	3E9	7	70 - 70
R56751	3B22	8	70 - 19	R57619	3D3	19	70 - 41	R59629	3E13	9	70 - 75
R56751	3B22	21	70 - 19	R57619	3D10	13	70 - 49	R59629	3E16	6	70 - 78
R56751	3C2	19	70 - 23	R57619	3D10	14	70 - 49	R59633	3E17	1	70 - 79
R56751	3C4	2	70 - 23B	R57619	3D12	20	70 - 51	R59633	3E21	1	70 - 84
R56751	3C7	7	70 - 25	R57619	3D12	21	70 - 51	R59633	3E21	28	70 - 84
R56751	3C7	12	70 - 25	R57619	3D13	1	70 - 53	R59633	3F4	1	70 - 93
R56751	3C7	20	70 - 25	R57696	2H4	13	50 - 61	R59633	3F4	18	70 - 93
R56751	3C7	21	70 - 25	R57696	2H6	12	50 - 63	R59633	3F5	1	70 - 94
R56751	3C7	25	70 - 25	R57696	3F2	8	70 - 91	R59633	3F5	19	70 - 94
R56753	3B16	8	70 - 13	R57696	3F2	25	70 - 91	R59820	1F24	7	30 - 63
R56753	3B22	18	70 - 19	R57959	2F20	9	50 - 26	R59821	1F24	7	30 - 63
R56754	3B18	35	70 - 15	R57959	2G1	19	50 - 32	R59830	3H25	9	80 - 56
R56755	3B18	32	70 - 15	R57959	2G18	6	50 - 50	R59985	3H6	3	80 - 36
R56755	3B20	10	70 - 17	R57959	2G19	3	50 - 51	R59988	2F11	1	50 - 17
R56755	3B22	10	70 - 19	R57961	2G1	22	50 - 32	R59988	2F13	1	50 - 19
R56755	3C2	28	70 - 23	R58007	1B11	51	20 - 9	R59991	3H12	18	80 - 43
R56755	3C4	13	70 - 23B	R58007	1C6	7	20 - 29	R60035	2B9	..	40 - 7
R56755	3C7	9	70 - 25	R58262	3D5	12	70 - 43	R60100	3I6	12	90 - 3
R56756	3B18	33	70 - 15	R58262	3D5	13	70 - 43	R60101	3I6	23	90 - 3
R56756	3B20	3	70 - 17	R58262	3D8	12	70 - 47	R60103	3I6	24	90 - 3
R56756	3B22	12	70 - 19	R58262	3D8	15	70 - 47	R60104	3I6	42	90 - 3
R56757	3B18	34	70 - 15	R58268	3D15	18	70 - 55	R60123	1C12	2	20 - 36
R56757	3B20	11	70 - 17	R58422	1E24	15	30 - 37	R60123	1C12	10	20 - 36
R56757	3B22	11	70 - 19	R58422	1F6	15	30 - 44	R60124	1C12	1	20 - 36
R56757	3C2	30	70 - 23	R58422	1F16	15	30 - 54	R60124	1C12	2	20 - 36
R56757	3C4	14	70 - 23B	R58499	3B18	44	70 - 15	R60332	3C14	8	70 - 31
R56757	3C7	18	70 - 25	R58522	2F20	13	50 - 26	R60371	1G7	28	30 - 71
R56790	1B13	14	20 - 11	R58661	2F20	8	50 - 26	R60373	1F25	11	30 - 64
R56822	3H18	12	80 - 49	R58661	2G1	18	50 - 32	R60373	1G7	12	30 - 71
R56822	3H18	18	80 - 49	R58661	2G18	4	50 - 50	R60384	1G7	11	30 - 71
R56902	3H24	1	80 - 55	R58661	2G19	2	50 - 51	R60459	3I6	36	90 - 3
R56902	3H25	13	80 - 56	R58666	3H12	3	80 - 43	R60462	1G21	11	30 - 87
R56920	3G25	3	80 - 30	R58768	2G14	29	50 - 46	R60525	3F24	8	80 - 9
R56920	3H1	5	80 - 31	R58768	2G25	13	50 - 57	R60526	3F24	8	80 - 9
R57025	2C8	16	40 - 29	R58897	2F11	1	50 - 17	R60557	2H2	10	50 - 59
R57027	2C10	5	40 - 31	R58897	2F13	1	50 - 19	R60559	2H2	9	50 - 59
R57028	2C10	8	40 - 31	R59032	2H2	8	50 - 59	R60722	2D17	8	40 - 61
R57029	2C8	1	40 - 29	R59055	1D23	12B	30 - 17	R60732	3B16	25	70 - 13
R57057	1G11	12	30 - 75	R59082	1G23	6	30 - 89	R60745	1G16	20	30 - 81
R57059	1C10	7	20 - 34	R59176	2H2	11	50 - 59	R60746	1G14	16	30 - 78
R57059	1C11	2	20 - 35	R59234	3B8	35	70 - 5	R60746	1G17	11	30 - 82
R57097	1F17	19	30 - 55	R59234	3B10	33	70 - 7	R60945	2I8	22	60 - 3
R57098	1F17	5	30 - 55	R59234	3B14	11	70 - 11	R60945	2I8	23	60 - 3
R57107	1G19	21	30 - 85	R59299	1E20	22	30 - 33	R60945	2I8	25	60 - 3
R57119	1D12	7	30 - 5	R59299	1E20	23	30 - 33	R60946	2I8	22	60 - 3
R57119	1D12	13	30 - 5	R59299	1F22	21	30 - 61	R60946	2I8	23	60 - 3
R57160	1B7	8	20 - 5	R59299	1G5	21	30 - 69	R60946	2I8	26	60 - 3
R57160	1B11	55	20 - 9	R59300	1E20	22	30 - 33	R60969	3B8	10	70 - 5
R57160	1C6	1	20 - 29	R59300	1E20	23	30 - 33	R60969	3B12	..	70 - 9
R57258	1E2	10	30 - 21	R59300	1F22	22	30 - 61	R61126	3D19	4	70 - 57
R57258	1E3	4	30 - 22	R59300	1G5	22	30 - 69	R61126	3D24	12	70 - 62
R57292	2I8	21	60 - 3	R59312	1B19	10	20 - 17	R61133	2C6	10	40 - 27
R57293	2I8	22	60 - 3	R59343	3E17	25	70 - 79	R61134	2C6	11	40 - 27
R57293	2I8	23	60 - 3	R59343	3E17	26	70 - 79	R61136	2F22	21	50 - 28
R57293	2I8	24	60 - 3	R59343	3E18	2	70 - 81	R61136	2F22	22	50 - 28
R57293	2I8	25	60 - 3	R59343	3E20	26	70 - 83	R61136	2F22	24	50 - 28
R57332	1B15	15	20 - 13	R59343	3E21	12	70 - 84	R61146	1E20	22	30 - 33
R57333	1B15	17	20 - 13	R59343	3F4	12	70 - 93	R61146	1E20	23	30 - 33
R57334	1B15	15	20 - 13	R59409	1C10	6	20 - 34	R61146	1F22	20	30 - 61

1L9

2030 TRACTOR

NUMERICAL INDEX - CONTINUED

PART NO.	GRID	KEY	PAGE	PART NO.	GRID	KEY	PAGE	PART NO.	GRID	KEY	PAGE
R61146	1G5	20	30 - 69	R63691	2I2	20	50 - 85	R65501	3E9	7	70 - 70
R61179	3I6	8	90 - 3	R63692	2I2	11	50 - 85	R65501	3E11	22	70 - 73
R61460	1C21	3	20 - 43	R63692	2I2	20	50 - 85	R65501	3E13	23	70 - 75
R61524	3H2	4	80 - 32	R63850	2H9	10	50 - 67	R65501	3E16	1	70 - 78
R61727	3H2	4	80 - 32	R63850	2H11	25	50 - 69	R65502	3E6	24	70 - 67
R61775	2E6	7	40 - 75	R64152	1B13	15	20 - 11	R65502	3E9	7	70 - 70
R61776	2E6	3	40 - 75	R64152	1D4	12	20 - 51	R65502	3E11	22	70 - 73
R61871	1C10	10	20 - 34	R64197	2G3	6	50 - 35	R65502	3E13	23	70 - 75
R61871	1C11	11	20 - 35	R64197	2G3	22	50 - 35	R65502	3E16	1	70 - 78
R61932	2C4	2	40 - 25	R64197	2G4	6	50 - 36	R65504	3E6	24	70 - 67
R61932	2C10	12	40 - 31	R64197	2G5	4	50 - 37	R65504	3E9	7	70 - 70
R61934	2C10	13	40 - 31	R64197	2G7	5	50 - 39	R65548	3C18	25	70 - 35
R61957	3E20	23A	70 - 83	R64197	2G7	23	50 - 39	R65548	3C20	26	70 - 35B
R61957	3E20	23B	70 - 83	R64374	1E1	10	30 - 20	R65548	3C24	5	70 - 37
R62050	1G11	28	30 - 75	R64374	1E1	11	30 - 20	R65563	2E24	11	50 - 6
R62051	1G11	34	30 - 75	R64391	3H25	4	80 - 56	R65563	2E25	9	50 - 7
R62052	1G9	19	30 - 73	R64506	1E7	8	30 - 24A	R65563	2F22	29	50 - 28
R62054	1G9	16	30 - 73	R64540	3H19	4	80 - 50	R65576	2H4	28	50 - 61
R62077	1G11	18	30 - 75	R64561	3F9	23	70 - 98	R65576	2H6	11	50 - 63
R62078	1G11	19	30 - 75	R64605	3F9	11	70 - 98	R65577	2H4	28	50 - 61
R62147	3E9	11	70 - 70	R64606	3F9	18	70 - 98	R65577	2H6	11	50 - 63
R62148	3E9	3	70 - 70	R64607	3F9	17	70 - 98	R65579	2H3	11	50 - 60
R62372	1C21	22	20 - 43	R64608	3F9	8	70 - 98	R65593	2E9	4	40 - 79
R62531	2G11	18	50 - 43	R64609	3F9	7	70 - 98	R65594	2E9	2	40 - 79
R62531	2G13	17	50 - 45	R64610	3F9	16	70 - 98	R65595	2E9	21	40 - 79
R62568	1D22	26	30 - 16	R64611	3F9	15	70 - 98	R65595	2E11	11	40 - 81
R62595	3C15	1	70 - 32	R64612	3F9	14	70 - 98	R65596	2E9	22	40 - 79
R62644	2F18	7	50 - 24	R64613	3F9	12	70 - 98	R65597	2E9	23	40 - 79
R62652	3E11	11	70 - 73	R64614	3F9	13	70 - 98	R65598	2E9	24	40 - 79
R62652	3E13	10	70 - 75	R64615	3F9	6	70 - 98	R65599	2E9	25	40 - 79
R62922	3I6	16	90 - 3	R64617	3F9	4	70 - 98	R65600	2B6	5	40 - 3
R62923	3I6	21	90 - 3	R64618	3F9	5	70 - 98	R65600	2B7	9	40 - 5
R62925	3I6	22	90 - 3	R64700	2D11	8	40 - 55	R65600	2E7	1	40 - 76
R62926	3I6	13	90 - 3	R64806	2E21	27	50 - 3	R65600	2E9	26	40 - 79
R62926	3I6	14	90 - 3	R65192	3B18	44	70 - 15	R65601	2E9	27	40 - 79
R62929	3I6	19	90 - 3	R65194	3B18	43	70 - 15	R65602	2E9	28	40 - 79
R62981	1G16	21	30 - 81	R65214	1B7	16	20 - 5	R65602	2E13	49	40 - 83
R62982	1G16	12	30 - 81	R65215	1B7	13	20 - 5	R65603	2E9	29	40 - 79
R62984	1G16	9	30 - 81	R65215	1B11	60	20 - 9	R65604	2E9	30	40 - 79
R63022	3B8	34	70 - 5	R65215	1C4	6	20 - 27	R65605	2E9	31	40 - 79
R63022	3B8	41	70 - 5	R65285	3E17	25	70 - 79	R65606	2E9	32	40 - 79
R63022	3B10	32	70 - 7	R65285	3E18	11	70 - 81	R65607	2E9	33	40 - 79
R63022	3B10	39	70 - 7	R65286	3E11	24	70 - 73	R65607	2E13	46	40 - 83
R63024	3G21	3	80 - 26	R65286	3E13	25	70 - 75	R65608	2E9	5	40 - 79
R63035	1G6	9	30 - 70	R65286	3E15	9	70 - 77	R65609	2E9	8	40 - 79
R63296	2H6	23	50 - 63	R65286	3E17	11	70 - 79	R65610	2E9	9	40 - 79
R63364	2F24	21	50 - 30	R65286	3E20	5	70 - 83	R65619	3C17	8	70 - 34
R63434	1B20	4	20 - 18	R65287	3E9	6	70 - 70	R65620	3C17	9	70 - 34
R63437	2E21	16	50 - 3	R65287	3E15	2	70 - 77	R65620	3C17	10	70 - 34
R63452	2G3	16	50 - 35	R65289	3E6	24	70 - 67	R65621	3C17	9	70 - 34
R63452	2G4	15	50 - 36	R65289	3E9	7	70 - 70	R65621	3C17	10	70 - 34
R63452	2G7	7	50 - 39	R65289	3E13	7	70 - 75	R65831	1F25	11	30 - 64
R63548	3B18	33	70 - 15	R65354	3E13	22	70 - 75	R65892	2G23	4	50 - 55
R63548	3B20	3	70 - 17	R65390	2F21	4	50 - 27	R66064	2G23	7	50 - 55
R63548	3B22	12	70 - 19	R65390	2G3	17	50 - 35	R66069	2D11	2	40 - 55
R63605	3B10	18	70 - 7	R65390	2G3	34	50 - 35	R66083	3C14	11	70 - 31
R63605	3B14	5	70 - 11	R65390	2G4	17	50 - 36	R66084	3C14	11	70 - 31
R63607	2H25	10	50 - 83	R65390	2G5	19	50 - 37	R66085	3C14	11	70 - 31
R63629	3B8	34	70 - 5	R65390	2G7	18	50 - 39	R66090	1G14	11	30 - 78
R63629	3B8	41	70 - 5	R65390	2G7	35	50 - 39	R66090	1G16	3	30 - 81
R63629	3B10	32	70 - 7	R65391	2G3	45	50 - 35	R66164	3B8	40	70 - 5
R63629	3B10	39	70 - 7	R65391	2G5	17	50 - 37	R66164	3B10	38	70 - 7
R63629	3B12	5	70 - 9	R65391	2G7	46	50 - 39	R66164	3B12	2	70 - 9
R63679	3I6	33	90 - 3	R65392	2G3	39	50 - 35	R66197	3D3	17	70 - 41
R63679	3I6	34	90 - 3	R65392	2G5	13	50 - 37	R662R	1G19	7	30 - 85
R63679	3I6	39	90 - 3	R65392	2G7	40	50 - 39	R66287	2G15	17	50 - 47
R63691	2I2	11	50 - 85	R65501	3E6	24	70 - 67	R66287	2G15	18	50 - 47

1L10

2030 TRACTOR

NUMERICAL INDEX - CONTINUED

PART NO.	GRID	KEY	PAGE	PART NO.	GRID	KEY	PAGE	PART NO.	GRID	KEY	PAGE
R66287	2G15	19	50 - 47	R68382	3B10	53	70 - 7	R70221	2E13	39	40 - 83
R66287	2G16	15	50 - 48	R68382	3B14	16	70 - 11	R70222	2E13	38	40 - 83
R66287	2G16	16	50 - 48	R68383	3B8	25	70 - 5	R70268	2E21	4	50 - 3
R66319	2B4	18	40 - 1	R68383	3B10	23	70 - 7	R70268	2E23	4	50 - 5
R66319	2B6	5	40 - 3	R68384	3B8	9	70 - 5	R70315	1F1	11	30 - 39
R66319	2B7	9	40 - 5	R68384	3B8	24	70 - 5	R70351	3B18	13	70 - 15
R66319	2D4	3	40 - 47	R68384	3B10	9	70 - 7	R70483	1B20	7	20 - 18
R66319	2D5	2	40 - 48	R68384	3B10	22	70 - 7	R70483	1C25	10	20 - 47
R66319	2D10	5	40 - 54	R68385	3B10	10	70 - 7	R70483	1D2	20	20 - 49
R66319	2E7	1	40 - 76	R68385	3B10	..	70 - 7	R70559	3B18	43	70 - 15
R66319	2E7	4	40 - 76	R68385	3B12	..	70 - 9	R70588	3H19	4	80 - 50
R66319	2E7	6	40 - 76	R68386	3B12	..	70 - 9	R70617	3C2	9	70 - 23
R66319	2E7	8	40 - 76	R68388	3B10	..	70 - 7	R70617	3C5	2	70 - 23C
R66319	2E9	3	40 - 79	R68390	3B8	45	70 - 5	R70867	3C2	21	70 - 23
R66320	2E9	7	40 - 79	R68390	3B10	43	70 - 7	R70868	3C2	22	70 - 23
R66320	2E11	24	40 - 81	R68406	1G21	28	30 - 87	R70956	1D2	17	20 - 49
R66321	2E9	6	40 - 79	R68406	1G21	29	30 - 87	R71321	3B18	42	70 - 15
R66321	2E11	24	40 - 81	R68471	2E25	2	50 - 7	R71321	3C2	38	70 - 23
R66416	3E11	21	70 - 73	R68502	3B8	9	70 - 5	R71387	3F8	9	70 - 97
R66416	3E13	19	70 - 75	R68553	3B8	48	70 - 5	R71387	3F11	3	70 - 101
R66432	3D5	10	70 - 43	R68553	3B10	46	70 - 7	R71387	3F12	2	70 - 102
R66432	3D5	13	70 - 43	R69109	2D22	1	40 - 66	R71389	3G17	5	80 - 24A
R66432	3D8	14	70 - 47	R69260	1C9	5	20 - 33	R71392	3G17	5	80 - 24A
R66432	3D8	15	70 - 47	R69260	1D2	26	20 - 49	R71477	3I2	13	90 - 1
R66432	3D10	4	70 - 49	R69262	3B18	44	70 - 15	R71696	2E21	5	50 - 3
R66432	3D13	6	70 - 53	R69279	3B18	35	70 - 15	R71696	2E21	16	50 - 3
R66433	3D5	10	70 - 43	R69279	3B20	15	70 - 17	R71697	2E23	19	50 - 5
R66433	3D5	13	70 - 43	R69279	3B22	13	70 - 19	R72506	3B24	27	70 - 21
R66433	3D8	14	70 - 47	R69279	3C2	29	70 - 23	R72507	3B24	23	70 - 21
R66593	1F2	3	30 - 40	R69279	3C4	12	70 - 23B	R72653	2F17	7	50 - 23
R66593	1F9	3	30 - 47	R69279	3C7	17	70 - 25	R72653	2F18	3	50 - 24
R66821	1E2	10	30 - 21	R69302	3B8	9	70 - 5	R72653	3D2	3	70 - 40
R66821	1E3	4	30 - 22	R69408	3E2	3	70 - 65	R72653	3D3	1	70 - 41
R66821	1E4	8	30 - 22A	R69409	3E2	3	70 - 65	R72653	3E17	22	70 - 79
R66901	3D15	6B	70 - 55	R69442	1G16	11	30 - 81	R72653	3E20	14	70 - 83
R66916	3E6	24	70 - 67	R69443	1G16	8	30 - 81	R72654	2F22	18	50 - 28
R66916	3E9	7	70 - 70	R69509	2H20	1	50 - 78	R72654	2F24	5	50 - 30
R66916	3E13	22	70 - 75	R69510	2H20	5	50 - 78	R72654	2G9	8	50 - 41
R66916	3E16	2	70 - 78	R69511	2H20	2	50 - 78	R72654	3D15	6C	70 - 55
R67027	3H12	18	80 - 43	R69512	2H20	8	50 - 78	R72654	3E17	24	70 - 79
R67035	1C22	1	20 - 44	R69513	2H20	7	50 - 78	R72654	3E20	18	70 - 83
R67336	2H3	11	50 - 60	R69514	2H20	7	50 - 78	R72654	3E20	22	70 - 83
R67338	2H4	28	50 - 61	R69515	2H20	7	50 - 78	R72655	2F22	5	50 - 28
R67338	2H6	11	50 - 63	R69516	2H20	7	50 - 78	R72655	3I10	22	90 - 9
R67341	2H6	11	50 - 63	R69628	2H25	12	50 - 83	R72655	3I12	10	90 - 11
R67410	3H19	4	80 - 50	R69635	1C21	7	20 - 43	R72660	1G19	7	30 - 85
R67779	1G14	18	30 - 78	R69654	2H25	9	50 - 83	R72816	1D11	..	30 - 4
R67779	1G16	13	30 - 81	R69655	2H25	4	50 - 83	R72816	3H24	10	80 - 55
R67779	1G17	10	30 - 82	R69657	2H25	2	50 - 83	R72874	2F24	3	50 - 30
R67794	2G13	12	50 - 45	R69658	2H17	28	50 - 75	R72886	3B8	14	70 - 5
R68252	3B24	24	70 - 21	R69658	2H19	31	50 - 77	R72886	3B10	14	70 - 7
R68261	1G16	3	30 - 81	R70080	3D19	21	70 - 57	R72886	3B16	20	70 - 13
R68277	3H24	3	80 - 55	R70080	3D21	1	70 - 59	R72886	3B24	18	70 - 21
R68277	3H25	9	80 - 56	R70150	1D12	11	30 - 5	R72936	3B8	9	70 - 5
R68281	1E20	11	30 - 33	R70182	1B19	5	20 - 17	R72936	3B8	24	70 - 5
R68281	1E20	13	30 - 33	R70183	3D8	8	70 - 47	R72936	3B10	9	70 - 7
R68281	1F22	1	30 - 61	R70210	2E13	41	40 - 83	R72936	3B10	22	70 - 7
R68281	1F22	2	30 - 61	R70211	2E13	40	40 - 83	R72967	1B11	64	20 - 9
R68281	1F22	..	30 - 61	R70212	2E13	41	40 - 83	R72972	1B7	27	20 - 5
R68281	1G5	1	30 - 69	R70213	2E13	40	40 - 83	R72976	1B7	27	20 - 5
R68281	1G5	2	30 - 69	R70214	2E13	41	40 - 83	R73139	1B7	25	20 - 5
R68281	1G5	..	30 - 69	R70215	2E13	40	40 - 83	R73139	1B7	27	20 - 5
R68281	1G14	1	30 - 78	R70216	2E13	41	40 - 83	R73139	1B9	31	20 - 7
R68380	3B10	36	70 - 7	R70217	2E13	40	40 - 83	R73140	1B7	27	20 - 5
R68381	3B8	10	70 - 5	R70218	2E13	41	40 - 83	R73140	1C5	1	20 - 28
R68381	3B10	54	70 - 7	R70219	2E13	40	40 - 83	R73140	1C25	1	20 - 47
R68382	3B8	10	70 - 5	R70220	2E13	50	40 - 83	R73228	3B24	25A	70 - 21

1L11

2030 TRACTOR

NUMERICAL INDEX - CONTINUED

PART NO.	GRID	KEY	PAGE	PART NO.	GRID	KEY	PAGE	PART NO.	GRID	KEY	PAGE
R73521	1C25	22	20 - 47	R76126	1B19	20	20 - 17	R77611	3C7	19	70 - 25
R73521	1D2	2	20 - 49	R76167	3B8	25	70 - 5	R77712	3C4	6	70 - 23B
R73521	1D3	1	20 - 50	R76167	3B8	29	70 - 5	R77714	3C2	27	70 - 23
R73521	1D4	1	20 - 51	R76167	3B10	23	70 - 7	R77903	3B24	22A	70 - 21
R73701	2G3	45	50 - 35	R76341	3H24	12	80 - 55	R78249	2H1	9	50 - 58
R73701	2G5	17	50 - 37	R76341	3H25	3	80 - 56	R78293	3B16	10	70 - 13
R73701	2G7	46	50 - 39	R76459	3F6	5	70 - 95	R78293	3B24	8	70 - 21
R73736	3C2	24	70 - 23	R76477	2B25	5	40 - 21	R78366	1C9	5	20 - 33
R73741	3B24	14	70 - 21	R76477	2C15	4	40 - 33	R78366	1D2	26	20 - 49
R73933	2I15	16	60 - 10	R76477	2C20	3	40 - 38	R78583	2F24	3	50 - 30
R74194	1B25	7	20 - 23	R76477	3F6	6	70 - 95	R78765	3F8	8	70 - 97
R74210	3F8	10	70 - 97	R76578	1F20	11	30 - 59	R78766	3F8	13	70 - 97
R74210	3F11	4	70 - 101	R76702	3C15	1	70 - 32	R78766	3F11	6	70 - 101
R74242	3F6	1	70 - 95	R77126	1D2	27	20 - 49	R78767	3F8	2	70 - 97
R74243	3F6	2	70 - 95	R77420	3H24	4	80 - 55	R78768	3F8	19	70 - 97
R74244	3F6	3	70 - 95	R77456	2E11	27	40 - 81	R78769	3F8	17	70 - 97
R74246	3F6	4	70 - 95	R77457	2E11	29	40 - 81	R79015	1F22	7	30 - 61
R74310	1F1	14	30 - 39	R77458	2E11	28	40 - 81	R79015	1F24	1	30 - 63
R74310	1F8	14	30 - 46	R77459	2E11	28	40 - 81	R79015	1F24	3	30 - 63
R74310	1F18	14	30 - 56	R77460	2E11	28	40 - 81	R79015	1G5	7	30 - 69
R74312	1E24	10	30 - 37	R77461	2E11	28	40 - 81	R79015	1G9	1	30 - 73
R74312	1F6	10	30 - 44	R77462	2E11	25	40 - 81	R79015	1G9	3	30 - 73
R74312	1F16	10	30 - 54	R77463	2E11	30	40 - 81	R79089	1B7	16	20 - 5
R74354	1C10	12	20 - 34	R77464	2E11	26	40 - 81	R79089	1B11	63	20 - 9
R74354	1C11	10	20 - 35	R77465	2E11	31	40 - 81	R79089	1C4	2	20 - 27
R74354	1C25	8	20 - 47	R77466	2E11	33	40 - 81	R79150	3B24	22B	70 - 21
R74354	1D2	19	20 - 49	R77467	2E11	34	40 - 81	R79150	3B24	25A	70 - 21
R74472	1E24	23	30 - 37	R77468	2E11	32	40 - 81	R79150	3B24	25B	70 - 21
R74472	1F6	23	30 - 44	R77469	2E13	35	40 - 83	R79151	3B24	22B	70 - 21
R74472	1F16	23	30 - 54	R77470	2E13	45	40 - 83	R79151	3B24	25A	70 - 21
R74530	3E17	25	70 - 79	R77471	2E13	45	40 - 83	R79266	3C2	10	70 - 23
R74530	3E18	11	70 - 81	R77472	2E13	45	40 - 83	R79267	3C2	14	70 - 23
R74530	3F9	24	70 - 98	R77473	2E13	45	40 - 83	R79268	3C2	13	70 - 23
R74552	1C10	6	20 - 34	R77474	2E13	44	40 - 83	R79311	3E17	25	70 - 79
R74552	1C11	1	20 - 35	R77475	2E11	13	40 - 81	R79311	3E18	11	70 - 81
R74553	1C10	6	20 - 34	R77476	2E11	3	40 - 81	R79311	3F8	16	70 - 97
R74553	1C10	8	20 - 34	R77477	2E11	4	40 - 81	R79311	3F9	24	70 - 98
R74553	1C11	14	20 - 35	R77478	2E11	15	40 - 81	R79311	3F11	8	70 - 101
R74695	3E6	24	70 - 67	R77479	2E11	5	40 - 81	R79585	3E25	17	70 - 89
R74695	3E9	7	70 - 70	R77480	2E11	6	40 - 81	R79604	1G14	2	30 - 78
R74695	3E13	16	70 - 75	R77481	2E11	7	40 - 81	R79604	1G14	5	30 - 78
R74695	3E15	13	70 - 77	R77482	2E11	8	40 - 81	R79604	1G14	8	30 - 78
R74695	3E16	5	70 - 78	R77483	2E11	16	40 - 81	R79604	1G16	5	30 - 81
R74695	3E25	8	70 - 89	R77484	2E11	19	40 - 81	R79604	1G16	6	30 - 81
R75132	3E17	8	70 - 79	R77485	2E11	21	40 - 81	R79604	1G17	2	30 - 82
R75376	3C2	26	70 - 23	R77486	2E11	22	40 - 81	R79605	1G14	3	30 - 78
R75376	3C4	4	70 - 23B	R77487	2E11	23	40 - 81	R79605	1G14	6	30 - 78
R75440	2H1	5	50 - 58	R77488	2E13	51	40 - 83	R79605	1G14	8	30 - 78
R75442	2H1	1	50 - 58	R77489	2E2	13	40 - 71	R79605	1G16	4	30 - 81
R75449	2H1	14	50 - 58	R77489	2E13	51	40 - 83	R79605	1G16	6	30 - 81
R75450	2H1	11	50 - 58	R77490	2E13	51	40 - 83	R79605	1G17	1	30 - 82
R75451	2H1	7	50 - 58	R77491	2E13	54	40 - 83	R79606	1G14	7	30 - 78
R75564	3C2	18	70 - 23	R77492	2E13	54	40 - 83	R79606	1G14	8	30 - 78
R75642	3C2	17	70 - 23	R77493	2E13	51	40 - 83	R79606	1G16	6	30 - 81
R75832	1E7	7	30 - 24A	R77494	2E13	55	40 - 83	R79623	1B15	15	20 - 13
R75833	2D11	2	40 - 55	R77495	2E13	52	40 - 83	R79624	1B15	17	20 - 13
R75879	3C2	5	70 - 23	R77496	2E13	52	40 - 83	R79625	1B15	17	20 - 13
R75892	1B7	19	20 - 5	R77497	2E13	53	40 - 83	R79626	1B15	17	20 - 13
R75892	1B9	28	20 - 7	R77498	2E11	24	40 - 81	R79627	1B15	17	20 - 13
R75938	3C2	43	70 - 23	R77499	2E11	24	40 - 81	R79628	1B15	15	20 - 13
R75938	3C7	16	70 - 25	R77500	2E6	8	40 - 75	R79629	1B15	15	20 - 13
R75967	1E14	26	30 - 29B	R77500	2E11	24	40 - 81	R79630	1B15	15	20 - 13
R75969	1E14	16	30 - 29B	R77501	2E11	24	40 - 81	R79854	1C5	5	20 - 28
R75970	1E14	2	30 - 29B	R77502	2E13	56	40 - 83	R80033	1B9	12	20 - 7
R75972	1E14	18	30 - 29B	R77503	2E13	56	40 - 83	R80033	1B25	7	20 - 23
R75973	1E14	8	30 - 29B	R77511	3J2	5	90 - 21	R80242	1B13	15	20 - 11
R76126	1B11	48	20 - 9	R77611	3B24	24	70 - 21	R80242	1C25	24	20 - 47

1L12

2030 TRACTOR

NUMERICAL INDEX - CONTINUED

PART NO.	GRID	KEY	PAGE	PART NO.	GRID	KEY	PAGE	PART NO.	GRID	KEY	PAGE
R80242	1D3	8	20-50	R83508	3B10	14	70-7	R97454	1C9	1	20-33
R80242	1D4	12	20-51	R83508	3B16	20	70-13	R97454	1D2	21	20-49
R80324	3E20	31	70-83	R83508	3B24	18	70-21	R97455	1C13	1	20-37
R80324	3E21	27	70-84	R83554	1B20	5	20-18	R97455	1C15	3	20-39
R80324	3F4	29	70-93	R84158	2E2	13	40-71	R97455	1C18	2	20-40B
R80324	3F5	8	70-94	R85363	1B11	64	20-9	R97758	1C15	20	20-39
R80407	1B7	27	20-5	R85363	1B13	10	20-11	R97773	1C9	5	20-33
R80407	1B11	64	20-9	R87527	3H24	13	80-55	R97773	1D2	26	20-49
R80839	2H1	11	50-58	R87527	3H25	12	80-56	R97976	1B7	27	20-5
R80840	2H1	12	50-58	R87527	3I2	8	90-1	R97976	1B11	64	20-9
R80841	2H1	13	50-58	R87527	3I4	1	90-1B	R98821	1C25	14	20-47
R81065	3B10	36	70-7	R87627	1C25	9	20-47	R98836	1C25	23	20-47
R81167	2C10	14	40-31	R87627	1D2	9	20-49	R98836	1D3	7	20-50
R81168	2C10	11	40-31	R87627	1D3	2	20-50	R98836	1D15	10	30-9
R81169	2C10	6	40-31	R87627	1D4	9	20-51	R98836	1D19	2	30-13
R81170	2C10	4	40-31	R89824	1B19	2	20-17	R98837	1C25	18	20-47
R81171	2C10	15	40-31	R89879	1D2	10	20-49	R98837	1D3	6	20-50
R81172	2C8	20	40-29	R89879	1D4	11	20-51	R98837	1D15	11	30-9
R81173	2C10	21	40-31	R89981	3H25	2	80-56	R98837	1D19	3	30-13
R81174	2C8	3	40-29	R89982	3H25	1	80-56	R98844	1D15	8	30-9
R81175	2C8	2	40-29	R89983	3H25	2	80-56	R98844	1D17	7	30-11
R81176	2C8	11	40-29	R89984	3H25	1	80-56	R98910	2I8	14	60-3
R81198	2C8	29	40-29	R90648	1B7	27	20-5	R98910	2I10	6	60-5
R81221	3I6	19	90-3	R90648	1B9	22	20-7	R98915	2I3	13	50-86
R81222	3I6	21	90-3	R90648	1C5	1	20-28	R98922	2F23	19	50-29
R81223	3I6	14	90-3	R90648	1C25	1	20-47	R98923	2F23	21	50-29
R81275	1D2	4	20-49	R90648	1D2	23	20-49	R98924	2F24	3	50-30
R81275	1D4	8	20-51	R90658	1D2	3	20-49	R98941	2B12	6	40-10
R81275	1D13	4	30-6	R90658	1D4	6	20-51	R98941	2H2	9	50-59
R81275	1D14	5	30-7	R90658	1D4	..	20-51	R99290	2E21	23	50-3
R81293	3E7	4	70-68	R90658	1D17	11	30-11	R99290	2E23	36	50-5
R81424	3I4	15	90-1B	R90658	1D21	4	30-15	R99350	3I6	10	90-3
R81424	3I8	10	90-6	R91708	1B7	8	20-5	R99385	2E23	29	50-5
R81424	3I12	27	90-11	R92425	1C25	24	20-47	R99385	2F23	3	50-29
R81424	3I13	6	90-12	R92425	1D2	1	20-49	TY12717	2B10	10	40-8
R81513	1B11	64	20-9	R92425	1D3	8	20-50	TY1427	2B4	13	40-1
R81513	1B15	23	20-13	R92425	1D4	12	20-51	TY1427	2B13	6	40-11
R81514	1B11	64	20-9	R93219	2E15	7	40-85	TY1427	2B17	..	40-15
R82131	1E3	10	30-22	R93220	2E15	7	40-85	TY1428	2B4	13	40-1
R82131	1E3	11	30-22	R93221	2E15	7	40-85	TY1428	2B13	6	40-11
R82131	1E4	1	30-22A	R93222	2E15	7	40-85	TY1428	2B15	..	40-13
R82131	1E7	1	30-24A	R94419	1C15	4	20-39	TY1465	2C20	..	40-38
R82236	2E4	16	40-73	R94419	1C16	3	20-40	TY15263	2D1	14	40-44
R82237	2E4	14	40-73	R94419	1C17	1	20-40A	TY15263	2D2	26	40-45
R82238	2E4	15	40-73	R94419	1C18	3	20-40B	TY15269	3D15	19	70-55
R82239	2E4	13	40-73	R96514	2F8	27	50-14	TY15269	3D17	12	70-55B
R82243	2E4	18	40-73	R97342	1C25	12	20-47	TY16005	1B5	3	20-2
R82355	2E4	4	40-73	R97342	1D2	12	20-49	TY16042	3D15	19	70-55
R82423	2E2	8	40-71	R97348	1D2	7	20-49	TY16042	3D17	1	70-55B
R82425	3H24	12	80-55	R97349	1D2	8	20-49	TY16042	3D17	12	70-55B
R82425	3H25	3	80-56	R97349	1D4	4	20-51	TY16055	2D1	14	40-44
R82439	1E23	13	30-36	R97350	1C25	13	20-47	TY16055	2D2	26	40-45
R82439	1F5	15	30-43	R97350	1D2	15	20-49	TY21717	2B10	10	40-8
R82439	1F15	15	30-53	R97350	1E5	4	30-23	TY21730	2B9	1	40-7
R82439	1F20	26	30-59	R97350	1E5	8	30-23	TY22007	1B4	2	20-1
R82731	2G23	9	50-55	R97350	1E6	2	30-24	TY22008	1B4	2	20-1
R82820	1B9	1	20-7	R97350	1E7	2	30-24A	TY22009	1B4	1	20-1
R82820	1B15	18	20-13	R97350	1E8	6	30-25	TY22010	1B4	2	20-1
R82820	1B15	23	20-13	R97350	1E8	11	30-25	TY22011	1B4	2	20-1
R82896	1B15	14	20-13	R97351	1B20	7	20-18	TY22329	3C13	6	70-30
R83055	2E2	9	40-71	R97351	1C25	10	20-47	TY22453	3E25	5	70-89
R83103	3H25	4	80-56	R97351	1D2	20	20-49	TY22465	1C12	5	20-36
R83109	2E2	11	40-71	R97352	1C25	15	20-47	TY22465	1C23	1	20-45
R83169	1C8	11	20-32	R97352	1D2	22	20-49	TY22465	3E8	3	70-69
R83169	1C9	14	20-33	R97354	1D2	27	20-49	TY22465	3E25	4	70-89
R83427	1F25	1	30-64	R97354	1F22	27	30-61	TY22467	1C21	19	20-43
R83508	3B8	14	70-5	R97354	1G5	27	30-69	TY22467	3C13	5	70-30

1L13

2030 TRACTOR

NUMERICAL INDEX - CONTINUED

PART NO.	GRID	KEY	PAGE	PART NO.	GRID	KEY	PAGE	PART NO.	GRID	KEY	PAGE
TY22470	1C21	13	20 - 43	TY6706	2B24	..	40 - 20	T11883	1F20	23	30 - 59
TY22470	3C10	8	70 - 27	TY6706	2C20	..	40 - 38	T11884	1E21	8	30 - 34
TY22470	3C10	9	70 - 27	TY6706	2C21	18	40 - 39	T11884	1F3	16	30 - 41
TY22470	3C10	10	70 - 27	TY6706	2C21	..	40 - 39	T11884	1F13	14	30 - 51
TY22470	3C11	5	70 - 28	TY6706	2C22	..	40 - 40	T11885	1E22	15	30 - 35
TY22470	3C11	7	70 - 28	TY6720	2B9	9	40 - 7	T11885	1F4	17	30 - 42
TY22470	3C12	16	70 - 29	TY6720	2B24	1	40 - 20	T11886	1E22	14	30 - 35
TY22470	3C12	19	70 - 29	TY6720	2C17	1	40 - 35	T11886	1F4	16	30 - 42
TY22470	3C12	20	70 - 29	TY6720	2C19	1	40 - 37	T11886	1F14	16	30 - 52
TY2615	3J3	3	90 - 22	TY6727	2C15	..	40 - 33	T11887	1E22	17	30 - 35
TY2615	3J4	3	90 - 23	TY6732	1C13	1	20 - 37	T11887	1F4	21	30 - 42
TY2615	3J5	2	90 - 24	TY6733	1C15	10	20 - 39	T11887	1F14	21	30 - 52
TY3018	3F12	3	70 - 102	TY6739	1C13	1	20 - 37	T11888	1F4	20	30 - 42
TY6280	1B4	1	20 - 1	TY6791	2B21	1	40 - 19	T11888	1F14	20	30 - 52
TY6297	1B4	1	20 - 1	TY9305	2D1	14	40 - 44	T11889	1E22	10	30 - 35
TY6298	1B4	1	20 - 1	TY9305	2D2	26	40 - 45	T11889	1F4	13	30 - 42
TY6300	1B4	1	20 - 1	TY9371	3J9	1	90 - 29	T11889	1F14	13	30 - 52
TY6301	1B4	1	20 - 1	T10079	1C25	14	20 - 47	T11890	1E22	11	30 - 35
TY6311	1B4	1	20 - 1	T10079	1E8	3	30 - 25	T11890	1F4	12	30 - 42
TY6312	1B4	1	20 - 1	T10079	1E10	2	30 - 27	T11890	1F14	12	30 - 52
TY6313	1B4	1	20 - 1	T10510	3G4	6	80 - 14	T11891	1E22	19	30 - 35
TY6359	1B4	1	20 - 1	T10510	3G5	13	80 - 15	T11891	1F4	2	30 - 42
TY6360	1B4	1	20 - 1	T105801	2I3	7	50 - 86	T11891	1F4	17	30 - 42
TY6361	1B4	1	20 - 1	T11107	1D22	11	30 - 16	T11891	1F14	2	30 - 52
TY6389	1B4	2	20 - 1	T11234	1C21	1	20 - 43	T11891	1F20	18	30 - 59
TY6390	1B4	2	20 - 1	T11234	1D22	24	30 - 16	T11894	1E23	21	30 - 36
TY6391	1B4	2	20 - 1	T11234	2I19	12	60 - 15	T11894	1F5	5	30 - 43
TY6392	1B4	2	20 - 1	T11234	3B5	8	70 - 2	T11894	1F15	5	30 - 53
TY6393	1B4	2	20 - 1	T11234	3H12	10	80 - 43	T11894	1F20	30	30 - 59
TY6394	1B4	2	20 - 1	T11290	1E21	22	30 - 34	T118949	2H8	8	50 - 65
TY6605	2B18	1	40 - 16	T11290	1F10	5	30 - 48	T118949	2H8	9	50 - 65
TY6605	2B19	..	40 - 17	T11290	1F13	24	30 - 51	T118949	2H11	4	50 - 69
TY6606	2B10	10	40 - 8	T11290	1F20	4	30 - 59	T118950	2H8	8	50 - 65
TY6615	2B24	1	40 - 20	T11292	1D23	17	30 - 17	T118950	2H8	9	50 - 65
TY6615	2C15	..	40 - 33	T113380	2F24	16	50 - 30	T118950	2H11	4	50 - 69
TY6615	2C17	1	40 - 35	T11672	2C2	14	40 - 23	T11899	1E23	10	30 - 36
TY6615	2C19	1	40 - 37	T11672	2C8	5	40 - 29	T11899	1F1	18	30 - 39
TY6620	2B24	1	40 - 20	T11672	2C22	13	40 - 40	T11899	1F5	12	30 - 43
TY6620	2B24	..	40 - 20	T11675	2C2	19	40 - 23	T11899	1F8	18	30 - 46
TY6620	2B25	..	40 - 21	T11675	2C22	18	40 - 40	T11899	1F15	12	30 - 53
TY6639	2B9	9	40 - 7	T11680	2C4	22	40 - 25	T11899	1F18	18	30 - 56
TY6639	2B24	1	40 - 20	T11680	2C10	23	40 - 31	T11899	1F20	21	30 - 59
TY6639	2B24	..	40 - 20	T11700	2F1	20	50 - 8	T11900	1E23	12	30 - 36
TY6639	2C20	..	40 - 38	T11701	2F1	21	50 - 8	T11900	1F5	14	30 - 43
TY6639	2C21	..	40 - 39	T11708	3I23	17	90 - 16	T11900	1F15	14	30 - 53
TY6639	2C22	..	40 - 40	T11708	3I23	20	90 - 16	T11906	1E24	2	30 - 37
TY6651	2B18	1	40 - 16	T11739	2C4	2	40 - 25	T11906	1F6	2	30 - 44
TY6651	2B19	..	40 - 17	T11875	1E21	15	30 - 34	T11906	1F16	2	30 - 54
TY6652	2B21	1	40 - 19	T11875	1F3	23	30 - 41	T11906	1F20	9	30 - 59
TY6690	2C2	20	40 - 23	T11875	1F13	20	30 - 51	T11907	1E24	15	30 - 37
TY6690	2C6	1	40 - 27	T11876	1E21	14	30 - 34	T11907	1F16	15	30 - 54
TY6690	2C6	11	40 - 27	T11876	1F3	22	30 - 41	T11909	1E24	22	30 - 37
TY6690	2C6	..	40 - 27	T11876	1F13	21	30 - 51	T11909	1F6	22	30 - 44
TY6690	2C22	21	40 - 40	T11877	1E21	29	30 - 34	T11909	1F16	22	30 - 54
TY6702	2B9	9	40 - 7	T11877	1F3	1	30 - 41	T11910	1E24	21	30 - 37
TY6702	2B24	1	40 - 20	T11877	1F13	1	30 - 51	T11910	1F6	21	30 - 44
TY6702	2B24	..	40 - 20	T11877	1F20	27	30 - 59	T11910	1F16	21	30 - 54
TY6702	2B25	..	40 - 21	T11878	1E21	12	30 - 34	T11911	1E25	21	30 - 38
TY6702	2C2	..	40 - 23	T11878	1E21	17	30 - 34	T11911	1F7	21	30 - 45
TY6702	2C4	20	40 - 25	T11878	1F13	18	30 - 51	T11911	1F17	28	30 - 55
TY6702	2C4	..	40 - 25	T11878	1F20	12	30 - 59	T11913	1E24	8	30 - 37
TY6702	2C8	30	40 - 29	T11882	1E21	9	30 - 34	T11913	1F6	8	30 - 44
TY6702	2C8	..	40 - 29	T11882	1F3	15	30 - 41	T11913	1F16	8	30 - 54
TY6702	2C10	20	40 - 31	T11882	1F13	15	30 - 51	T11914	1E24	9	30 - 37
TY6702	2C10	..	40 - 31	T11883	1E21	10	30 - 34	T11914	1F6	9	30 - 44
TY6706	2B9	9	40 - 7	T11883	1F3	14	30 - 41	T11914	1F16	9	30 - 54
TY6706	2B24	1	40 - 20	T11883	1F13	16	30 - 51	T11915	1E25	3	30 - 38

1L14

2030 TRACTOR

NUMERICAL INDEX - CONTINUED

PART NO.	GRID	KEY	PAGE	PART NO.	GRID	KEY	PAGE	PART NO.	GRID	KEY	PAGE
T11915	1F1	3	30 - 39	T11943	1F16	11	30 - 54	T146102	2C15	1	40 - 33
T11915	1F3	19	30 - 41	T11943	1F20	16	30 - 59	T146102	2C20	2	40 - 38
T11915	1F7	3	30 - 45	T11953	1F6	5	30 - 44	T146102	3H24	11	80 - 55
T11915	1F8	3	30 - 46	T11953	1F16	5	30 - 54	T146104	2B25	10	40 - 21
T11915	1F17	11	30 - 55	T12083	2E21	20	50 - 3	T146104	2C11	1	40 - 31A
T11915	1F18	3	30 - 56	T12083	2E23	21	50 - 5	T146104	2C13	1	40 - 31D
T11915	1F20	11	30 - 59	T12250	1C22	2	20 - 44	T146104	2C15	6	40 - 33
T11917	1E25	10	30 - 38	T12553	3D8	11	70 - 47	T146104	2C20	1	40 - 38
T11917	1F7	10	30 - 45	T12553	3D8	15	70 - 47	T146104	3H24	17	80 - 55
T11917	1F17	3	30 - 55	T125844	2I3	7	50 - 86	T146106	2B25	10	40 - 21
T11917	1F17	17	30 - 55	T12654	1E9	3	30 - 26	T146106	2C11	1	40 - 31A
T11918	1E21	25	30 - 34	T12688	3G4	3	80 - 14	T146106	2C13	1	40 - 31D
T11918	1F2	8	30 - 40	T12688	3G5	5	80 - 15	T146106	2C15	6	40 - 33
T11918	1F3	11	30 - 41	T12808	2F22	5	50 - 28	T146106	2C20	1	40 - 38
T11918	1F9	8	30 - 47	T12808	3I10	22	90 - 9	T146106	3H24	17	80 - 55
T11918	1F13	11	30 - 51	T12808	3I12	10	90 - 11	T146106	2B25	10	40 - 21
T11918	1F20	8	30 - 59	T12938	1E8	1	30 - 25	T146515	2C11	1	40 - 31A
T11920	1E25	12	30 - 38	T12938	1E8	8	30 - 25	T146515	2C13	1	40 - 31D
T11920	1F7	12	30 - 45	T13119	2F25	21	50 - 31	T146515	2C15	6	40 - 33
T11921	1E21	2	30 - 34	T13119	2G18	15	50 - 50	T146515	2C20	1	40 - 38
T11921	1F3	6	30 - 41	T13119	2G19	11	50 - 51	T146515	3H24	17	80 - 55
T11921	1F13	6	30 - 51	T13119	3C14	11	70 - 31	T146516	2B25	10	40 - 21
T11921	1F17	7	30 - 55	T13213	1B16	3	20 - 14	T146516	2C11	1	40 - 31A
T11921	1F17	14	30 - 55	T13213	1B16	7	20 - 14	T146516	2C13	1	40 - 31D
T11923	1E24	12	30 - 37	T13213	1C25	6	20 - 47	T146516	2C15	6	40 - 33
T11923	1F6	12	30 - 44	T13213	1D2	14	20 - 49	T146516	2C20	1	40 - 38
T11923	1F16	12	30 - 54	T13267	2F1	22	50 - 8	T146516	3H24	17	80 - 55
T11924	1E24	7	30 - 37	T13267	2F2	22	50 - 9	T146517	2B25	10	40 - 21
T11924	1F6	7	30 - 44	T13267	2F9	7	50 - 15	T146517	2C11	1	40 - 31A
T11924	1F16	7	30 - 54	T13267	2F10	7	50 - 16	T146517	2C13	1	40 - 31D
T11925	1E24	3	30 - 37	T13269	2F1	24	50 - 8	T146517	2C15	6	40 - 33
T11925	1F6	3	30 - 44	T13325	2I2	27	50 - 85	T146517	2C20	1	40 - 38
T11925	1F16	3	30 - 54	T13329	2I2	10	50 - 85	T146517	3H24	17	80 - 55
T11926	1E22	3	30 - 35	T13330	2I2	11	50 - 85	T149083	2I4	20	50 - 87
T11926	1F4	5	30 - 42	T13331	2I2	15	50 - 85	T15005	3H16	7	80 - 47
T11926	1F14	5	30 - 52	T13332	2I2	15	50 - 85	T15005	3H18	1	80 - 49
T11927	1E25	4	30 - 38	T13333	2I2	15	50 - 85	T15005	3H18	17	80 - 49
T11927	1F7	4	30 - 45	T13341	2I2	6	50 - 85	T15005	3H18	18	80 - 49
T11927	1F17	12	30 - 55	T134452	2B25	10	40 - 21	T15284	3F17	25	80 - 1
T11929	1E25	15	30 - 38	T134452	2C15	6	40 - 33	T15284	3F24	3	80 - 9
T11929	1F7	15	30 - 45	T134452	2C20	1	40 - 38	T15285	3F17	5	80 - 1
T11930	1E21	11	30 - 34	T134453	2B25	10	40 - 21	T15285	3G1	6	80 - 11
T11930	1E21	16	30 - 34	T134453	2C15	6	40 - 33	T15288	3F17	6	80 - 1
T11930	1F13	17	30 - 51	T134453	2C20	1	40 - 38	T15288	3G1	9	80 - 11
T11931	1E24	20	30 - 37	T134454	2B25	10	40 - 21	T15564	2C2	26	40 - 23
T11931	1F6	20	30 - 44	T134454	2C15	6	40 - 33	T15564	2C8	17	40 - 29
T11931	1F16	20	30 - 54	T134454	2C20	1	40 - 38	T15564	2C22	25	40 - 40
T11932	1E24	1	30 - 37	T134455	2B25	10	40 - 21	T15634	1B22	7	20 - 20
T11932	1F6	1	30 - 44	T134455	2C15	6	40 - 33	T15699	1E25	19	30 - 38
T11932	1F16	1	30 - 54	T134455	2C20	1	40 - 38	T15699	1F7	19	30 - 45
T11934	1E23	7	30 - 36	T134456	2C20	1	40 - 38	T15699	1F17	26	30 - 55
T11934	1F5	9	30 - 43	T134459	2B25	1	40 - 21	T15702	1F17	6	30 - 55
T11934	1F15	9	30 - 53	T134459	2C15	1	40 - 33	T15705	1F1	12	30 - 39
T11934	1F20	24	30 - 59	T134459	2C20	2	40 - 38	T15705	1F8	12	30 - 46
T11935	1F2	12	30 - 40	T13471	2I2	16	50 - 85	T15705	1F18	12	30 - 56
T11935	1F9	13	30 - 47	T13555	2I8	5	60 - 3	T15707	1F1	14	30 - 39
T11936	1F2	6	30 - 40	T13555	2I12	10	60 - 7	T15710	1F1	6	30 - 39
T11936	1F9	6	30 - 47	T135749	2I17	3	60 - 12	T15710	1F1	7	30 - 39
T11937	1F2	11	30 - 40	T13744	2B5	13	40 - 2	T15710	1F8	7	30 - 46
T11937	1F9	11	30 - 47	T13744	2B7	15	40 - 5	T15710	1F18	7	30 - 56
T11937	1F11	6	30 - 49	T14059	2E21	37	50 - 3	T15710	1F20	14	30 - 59
T11937	1F20	7	30 - 59	T14264	2D22	8	40 - 66	T15711	1F1	25	30 - 39
T11938	1F2	5	30 - 40	T14500	3I23	2	90 - 16	T15711	1F8	25	30 - 46
T11938	1F9	5	30 - 47	T14500	3I25	2	90 - 19	T15711	1F18	25	30 - 56
T11940	1F17	1	30 - 55	T146102	2B25	1	40 - 21	T15712	1F1	26	30 - 39
T11943	1E24	11	30 - 37	T146102	2C11	1	40 - 31A	T15712	1F8	26	30 - 46
T11943	1F6	11	30 - 44	T146102	2C13	1	40 - 31D	T15712	1F18	26	30 - 56

1L15

2030 TRACTOR

NUMERICAL INDEX - CONTINUED

PART NO.	GRID	KEY	PAGE	PART NO.	GRID	KEY	PAGE	PART NO.	GRID	KEY	PAGE
T15712	1F20	22	30 - 59	T17882	3C24	1	70 - 37	T19293	3G23	3	80 - 28
T15715	1E21	26	30 - 34	T17945	1F13	10	30 - 51	T19324	3C10	15	70 - 27
T15715	1F3	2	30 - 41	T17946	1E25	1	30 - 38	T19324	3C12	13	70 - 29
T15715	1F5	19	30 - 43	T17946	1F7	1	30 - 45	T19400	3G12	3	80 - 19
T15715	1F13	2	30 - 51	T17947	1E21	3	30 - 34	T19428	2F2	17	50 - 9
T15715	1F15	19	30 - 53	T17947	1F3	7	30 - 41	T19526	3C18	21	70 - 35
T15720	1E25	2	30 - 38	T17947	1F13	7	30 - 51	T19526	3C20	22	70 - 35B
T15720	1F7	2	30 - 45	T17949	1E25	8	30 - 38	T19566	1B5	2	20 - 2
T15720	1F17	10	30 - 55	T17949	1F7	8	30 - 45	T19569	2C2	31	40 - 23
T15720	1F20	10	30 - 59	T17949	1F17	20	30 - 55	T19589	2C2	30	40 - 23
T15721	1E21	28	30 - 34	T17950	1E25	7	30 - 38	T19603	2B9	8	40 - 7
T15721	1F3	4	30 - 41	T17950	1F7	7	30 - 45	T19604	2C6	6	40 - 27
T15721	1F13	4	30 - 51	T17950	1F17	21	30 - 55	T19606	2C6	2	40 - 27
T15940	2F2	25	50 - 9	T17951	1E21	4	30 - 34	T19606	2C6	5	40 - 27
T15940	2F7	29	50 - 13	T17951	1F3	8	30 - 41	T19609	2C6	11	40 - 27
T15940	2F9	10	50 - 15	T17951	1F13	8	30 - 51	T19638	3G12	3	80 - 19
T15940	2F10	10	50 - 16	T17951	2I19	30	60 - 15	T19651	1C15	9	20 - 39
T15941	2F2	16	50 - 9	T17952	1E24	6	30 - 37	T19651	1C17	4	20 - 40A
T15943	2F2	18	50 - 9	T17952	1F6	6	30 - 44	T19651	1C23	3	20 - 45
T15944	2F2	20	50 - 9	T17952	1F16	6	30 - 54	T19651	1C23	14	20 - 45
T15944	2F9	5	50 - 15	T17953	1E21	1	30 - 34	T19653	1C16	6	20 - 40
T15944	2F10	5	50 - 16	T17953	1F3	5	30 - 41	T19743	1E8	1	30 - 25
T16106	1E14	12	30 - 29B	T17953	1F13	5	30 - 51	T19743	1E8	7	30 - 25
T16468	1C8	7	20 - 32	T17987	2C2	13	40 - 23	T19743	1G25	5	30 - 91
T16573	2H4	27	50 - 61	T18105	2C6	8	40 - 27	T19854	1E21	24	30 - 34
T16580	2B11	12	40 - 9	T18109	2C6	10	40 - 27	T19854	1F10	7	30 - 48
T16601	1E24	23	30 - 37	T18113	2C2	17	40 - 23	T19855	1E21	21	30 - 34
T16601	1F6	23	30 - 44	T18113	2C8	9	40 - 29	T19855	1F10	1	30 - 48
T16601	1F16	23	30 - 54	T18113	2C22	15	40 - 40	T19855	1F13	28	30 - 51
T16602	1E24	4	30 - 37	T18145	3H22	5	80 - 53	T19856	1E22	6	30 - 35
T16602	1F6	4	30 - 44	T18354	2C6	4	40 - 27	T19856	1F4	8	30 - 42
T16602	1F16	4	30 - 54	T18529	1F1	11	30 - 39	T19856	1F14	8	30 - 52
T16734	3I23	3	90 - 16	T18716	3D10	9	70 - 49	T19856	1E22	6	30 - 35
T16738	3I23	18	90 - 16	T18716	3D12	15	70 - 51	T19857	1F4	8	30 - 42
T16911	2B12	3	40 - 10	T18717	2I2	20	50 - 85	T19857	1F14	8	30 - 52
T16911	3C15	12	70 - 32	T18718	2I2	30	50 - 85	T19858	1E25	5	30 - 38
T16911	3D4	7	70 - 42	T18750	2F2	23	50 - 9	T19858	1F7	5	30 - 45
T17058	2C2	15	40 - 23	T18750	2F9	8	50 - 15	T19859	1E25	6	30 - 38
T17058	2C8	12	40 - 29	T18750	2F10	8	50 - 16	T19859	1F7	6	30 - 45
T17058	2C22	14	40 - 40	T18838	1B22	2	20 - 20	T19859	1F17	22	30 - 55
T17117	1F1	1	30 - 39	T18891	1B7	9	20 - 5	T19860	1E25	9	30 - 38
T17117	1F3	17	30 - 41	T18891	1B9	33	20 - 7	T19860	1F7	9	30 - 45
T17117	1F8	1	30 - 46	T18891	2G20	9	50 - 52	T19860	1F17	18	30 - 55
T17117	1F18	1	30 - 56	T18891	2G20	17	50 - 52	T19861	1E25	11	30 - 38
T17122	1F1	2	30 - 39	T18891	2H9	5	50 - 67	T19861	1F7	11	30 - 45
T17122	1F3	18	30 - 41	T18891	2H11	28	50 - 69	T19861	1F17	16	30 - 55
T17122	1F8	2	30 - 46	T18996	2I2	31	50 - 85	T19862	1E25	13	30 - 38
T17122	1F18	2	30 - 56	T19044	1B17	2	20 - 15	T19862	1F7	13	30 - 45
T17123	1F1	4	30 - 39	T19044	1G25	3	30 - 91	T19863	1F8	17	30 - 46
T17123	1F8	4	30 - 46	T19065	3G12	3	80 - 19	T19863	1F18	17	30 - 56
T17123	1F18	4	30 - 56	T19117	1E1	14	30 - 20	T19865	1E21	23	30 - 34
T17124	1F3	20	30 - 41	T19118	1E1	9	30 - 20	T19865	1F10	6	30 - 48
T17125	1F1	8	30 - 39	T19119	1E1	13	30 - 20	T19865	1F13	23	30 - 51
T17125	1F8	8	30 - 46	T19123	1E1	8	30 - 20	T19935	2E23	11	50 - 5
T17125	1F18	8	30 - 56	T19168	3H25	3	80 - 56	T19935	2G25	14	50 - 57
T17126	1F1	5	30 - 39	T19178	2B5	16	40 - 2	T19956	2F2	21	50 - 9
T17126	1F8	5	30 - 46	T19178	2B7	19	40 - 5	T19956	2F9	6	50 - 15
T17126	1F18	5	30 - 56	T19178	2D5	13	40 - 48	T19956	2F10	6	50 - 16
T17137	1F1	20	30 - 39	T19178	2D8	6	40 - 51	T19973	1B13	14	20 - 11
T17137	1F8	20	30 - 46	T19179	2B5	17	40 - 2	T19977	1F2	1	30 - 40
T17137	1F18	20	30 - 56	T19179	2B7	20	40 - 5	T19977	1F9	1	30 - 47
T17148	2I6	4	60 - 1	T19179	2D3	7	40 - 46	T19977	1F11	1	30 - 49
T17201	2H7	2	50 - 64	T19179	2D5	14	40 - 48	T19977	1F20	1	30 - 59
T17589	2G11	20	50 - 43	T19242	2H4	3	50 - 61	T19978	1D15	5	30 - 9
T17589	2G13	19	50 - 45	T19242	2H6	3	50 - 63	T19978	1D17	4	30 - 11
T17609	1D22	32	30 - 16	T19245	2H4	4	50 - 61	T19995	1D22	17	30 - 16
T17882	2G20	4	50 - 52	T19245	2H6	4	50 - 63	T19996	1D22	10	30 - 16

1L16

2030 TRACTOR

NUMERICAL INDEX - CONTINUED

PART NO.	GRID	KEY	PAGE	PART NO.	GRID	KEY	PAGE	PART NO.	GRID	KEY	PAGE
T20006	1D2	3	20-49	T20112	2B10	16	40-8	T20219	1D2	5	20-49
T20006	1D4	6	20-51	T20113	2B10	15	40-8	T20219	1D4	5	20-51
T20006	1D4	..	20-51	T20115	2B10	9	40-8	T20223	1D22	15	30-16
T20006	1D17	11	30-11	T20129	1B15	9	20-13	T20229	1D22	12	30-16
T20006	1D21	4	30-15	T20130	1B11	56	20-9	T20231	1D22	9	30-16
T20009	1B25	7	20-23	T20130	1C6	8	20-29	T20232	1C25	11	20-47
T20013	1B15	22	20-13	T20130	1C6	9	20-29	T20232	1D22	1	30-16
T20013	1B15	23	20-13	T20133	1B11	52	20-9	T20239	1C15	1	20-39
T20024	1C5	5	20-28	T20133	1C6	2	20-29	T20239	1C25	20	20-47
T20029	1B19	5	20-17	T20133	1C6	4	20-29	T20242	1C15	3	20-39
T20034	1B19	4	20-17	T20139	2F2	3	50-9	T20243	1C15	1	20-39
T20036	1B19	2	20-17	T20139	2F7	3	50-13	T20243	1C16	1	20-40
T20036	1B19	7	20-17	T20141	1D15	8	30-9	T20243	1C18	1	20-40B
T20036	1B19	19	20-17	T20141	1D17	7	30-11	T20243	1C25	21	20-47
T20040	1D3	8	20-50	T20146	1C8	6	20-32	T20243	1D2	24	20-49
T20040	1D4	12	20-51	T20152	1C8	16	20-32	T20247	1D15	9	30-9
T20046	1B19	12	20-17	T20154	1C8	1	20-32	T20249	1D17	8	30-11
T20050	1B9	27	20-7	T20154	1C25	2	20-47	T20254	1D19	1	30-13
T20050	1C10	22	20-34	T20155	1C9	1	20-33	T20255	1D21	3	30-15
T20052	1E20	29	30-33	T20155	1D2	21	20-49	T20267	1C15	2	20-39
T20055	1E20	24	30-33	T20159	1D2	4	20-49	T20268	1C15	3	20-39
T20055	1E22	12	30-35	T20159	1D13	4	30-6	T20270	1C13	1	20-37
T20055	1F4	14	30-42	T20165	1E20	30	30-33	T20270	1C15	2	20-39
T20055	1F14	14	30-52	T20166	1B9	19	20-7	T20271	1C15	3	20-39
T20055	1F20	20	30-59	T20166	1C5	4	20-28	T20272	1C8	16	20-32
T20055	1F22	9	30-61	T20167	1D22	20	30-16	T20272	1C8	19	20-32
T20055	1F25	1	30-64	T20168	1B7	14	20-5	T20272	1C9	10	20-33
T20055	1G1	3	30-65	T20168	1B11	59	20-9	T20272	1C9	19	20-33
T20055	1G5	5	30-69	T20168	1B13	11	20-11	T20273	1C8	16	20-32
T20055	1G5	9	30-69	T20168	1C4	3	20-27	T20273	1C8	18	20-32
T20055	1G6	3	30-70	T20168	2E21	7	50-3	T20273	1C9	9	20-33
T20055	1G13	12	30-77	T20168	2E23	7	50-5	T20273	1C9	19	20-33
T20067	1C8	11	20-32	T20168	2G20	2	50-52	T20273	1C25	19	20-47
T20067	1C9	14	20-33	T20168	2I19	10	60-15	T20273	1D2	25	20-49
T20070	1B9	6	20-7	T20174	1B15	15	20-13	T20277	1C23	2	20-45
T20070	1B15	18	20-13	T20175	1B15	17	20-13	T20283	1C6	1	20-29
T20071	1B15	22	20-13	T20176	1B15	11	20-13	T20286	1B15	17	20-13
T20071	1B15	23	20-13	T20176	1B15	12	20-13	T20287	1B15	12	20-13
T20072	1B9	4	20-7	T20182	1B13	10	20-11	T20294	1C7	1	20-31
T20072	1B15	20	20-13	T20183	1B13	10	20-11	T20294	1C9	28	20-33
T20073	1B9	2	20-7	T20184	1B13	10	20-11	T20295	1C5	5	20-28
T20073	1B15	16	20-13	T20193	1B11	51	20-9	T20298	1C10	20	20-34
T20074	1B13	1	20-11	T20193	1C6	7	20-29	T20304	1C25	5	20-47
T20075	1B13	6	20-11	T20202	2B13	9	40-11	T20304	1D2	13	20-49
T20075	1B13	9	20-11	T20202	2B18	2	40-16	T20306	2F8	3	50-14
T20075	1C25	22	20-47	T20204	1C15	19	20-39	T20310	1B15	14	20-13
T20075	1D2	2	20-49	T20204	2B13	7	40-11	T20314	1B15	4	20-13
T20075	1D3	1	20-50	T20204	2B18	12	40-16	T20315	1B15	8	20-13
T20075	1D4	1	20-51	T20207	1C25	23	20-47	T20316	1B15	3	20-13
T20077	1B15	10	20-13	T20207	1D3	7	20-50	T20317	1C23	9	20-45
T20078	1C10	15	20-34	T20207	1D15	10	30-9	T20328	1C7	2	20-31
T20078	1C10	16	20-34	T20207	1D19	2	30-13	T20328	1C9	27	20-33
T20088	2F1	1	50-8	T20208	1C25	18	20-47	T20328	1C25	3	20-47
T20088	2F2	1	50-9	T20208	1D3	6	20-50	T20328	1D2	16	20-49
T20088	2F4	1	50-11	T20208	1D15	11	30-9	T20334	1C15	20	20-39
T20088	2F7	1	50-13	T20208	1D19	3	30-13	T20336	1C7	4	20-31
T20088	2F8	1	50-14	T20212	1C23	16	20-45	T20336	1C9	21	20-33
T20089	1B20	5	20-18	T20212	1C25	17	20-47	T20336	1C9	26	20-33
T20090	1B20	6	20-18	T20212	1D3	5	20-50	T20336	1C25	15	20-47
T20091	1C10	17	20-34	T20215	1C23	6	20-45	T20336	1D2	22	20-49
T20091	1C11	7	20-35	T20215	1C25	16	20-47	T20362	1C9	6	20-33
T20094	1B11	41	20-9	T20215	1D2	6	20-49	T20364	1C9	5	20-33
T20094	1B19	13	20-17	T20215	1D3	4	20-50	T20364	1D2	26	20-49
T20097	1C10	16	20-34	T20215	1D4	7	20-51	T20445	1B19	15	20-17
T20098	1B16	3	20-14	T20217	1B19	9	20-17	T21098	2B13	16	40-11
T20098	1B16	6	20-14	T20218	1C23	4	20-45	T21401	2H7	1	50-64
T20112	1C25	4	20-47	T20219	1C23	11	20-45	T21401	2H8	11	50-65

1L17

2030 TRACTOR

NUMERICAL INDEX - CONTINUED

PART NO.	GRID	KEY	PAGE	PART NO.	GRID	KEY	PAGE	PART NO.	GRID	KEY	PAGE
T21402	2H7	1	50-64	T21527	2I13	3	60-8	T21689	3G24	3	80-29
T21402	2H8	11	50-65	T21539	3F23	7	80-7	T21689	3H3	4	80-33
T21403	2H7	1	50-64	T21540	3H6	7	80-36	T21690	1C21	17	20-43
T21403	2H8	11	50-65	T21543	3G4	9	80-14	T21693	2I3	14	50-86
T21404	2H7	1	50-64	T21545	3G6	5	80-16	T21699	1D11	12	30-4
T21404	2H8	11	50-65	T21545	3G7	7	80-16A	T21703	1D11	13	30-4
T21409	2I4	29	50-87	T21546	2I13	7	60-8	T21716	2I11	10	60-6
T21411	2I3	7	50-86	T21547	2I4	22	50-87	T21716	2I12	9	60-7
T21414	2I4	28	50-87	T21548	2I4	20	50-87	T21716	2I12	12	60-7
T21418	2I4	23	50-87	T21550	2I4	18	50-87	T21718	2I11	1	60-6
T21419	2I3	13	50-86	T21553	3F17	7	80-1	T21718	2I12	1	60-7
T21423	2I4	27	50-87	T21553	3F24	1	80-9	T21722	2I13	4	60-8
T21424	2I4	21	50-87	T21558	3D7	9	70-45	T21741	3G12	4	80-19
T21427	2I4	25	50-87	T21559	3D7	8	70-45	T21742	3G12	4	80-19
T21428	2I3	17	50-86	T21562	2G21	3	50-53	T21743	3G12	4	80-19
T21429	2I3	3	50-86	T21562	3C16	25	70-33	T21749	3H10	2	80-40
T21430	2H8	6	50-65	T21563	3D4	10	70-42	T21753	3G14	3	80-21
T21430	2H11	6	50-69	T21564	3C16	24	70-33	T21753	3G17	12	80-24A
T21432	2H8	14	50-65	T21564	3D4	9	70-42	T21753	3G19	12	80-24C
T21432	2H11	10	50-69	T21565	2I3	7	50-86	T21758	3D7	18	70-45
T21433	2H8	2	50-65	T21566	2I3	1	50-86	T21759	3D7	20	70-45
T21433	2H11	9	50-69	T21570	2I3	1	50-86	T21759	3D10	..	70-49
T21434	2H8	3	50-65	T21571	3H18	9	80-49	T21761	2D3	10	40-46
T21434	2H11	11	50-69	T21576	2I19	2	60-15	T21772	2I19	20	60-15
T21435	2H8	3	50-65	T21577	2I19	35	60-15	T21775	2I19	24	60-15
T21435	2H11	11	50-69	T21579	2I19	18	60-15	T21775	2I19	26	60-15
T21436	2H8	3	50-65	T21587	2I19	7	60-15	T21776	2I19	29	60-15
T21436	2H11	11	50-69	T21588	2I19	8	60-15	T21777	3F17	8	80-1
T21442	2H3	8	50-60	T21594	2I19	3	60-15	T21803	2I14	21	60-9
T21443	2H3	8	50-60	T21595	2I19	1	60-15	T21806	2I14	6	60-9
T21444	2H3	8	50-60	T21596	2I19	34	60-15	T21806	2I14	29	60-9
T21445	2E21	12	50-3	T21603	2H2	7	50-59	T21806	2I15	15	60-10
T21445	2E23	15	50-5	T21615	3C16	1	70-33	T21808	2I14	12	60-9
T21445	2I13	2	60-8	T21616	3C17	8	70-34	T21808	2I14	18	60-9
T21446	2E21	14	50-3	T21617	3C17	10	70-34	T21809	2I14	12	60-9
T21446	2F2	12	50-9	T21618	3F23	2	80-7	T21810	2I14	4	60-9
T21446	2F4	11	50-11	T21619	3F23	2	80-7	T21810	2I14	8	60-9
T21446	2F7	16	50-13	T21630	3C15	3	70-32	T21810	2I14	9	60-9
T21446	2F8	21	50-14	T21631	3C16	22	70-33	T21811	2I14	4	60-9
T21447	2E21	15	50-3	T21638	3C16	6	70-33	T21811	2I14	8	60-9
T21448	2E21	13	50-3	T21638	3C18	9	70-35	T21811	2I14	9	60-9
T21448	2E24	14	50-6	T21638	3C20	9	70-35B	T21812	2I14	4	60-9
T21450	2F2	8	50-9	T21638	3F4	31	70-93	T21812	2I14	8	60-9
T21450	2F4	8	50-11	T21641	3C15	15	70-32	T21812	2I14	9	60-9
T21450	2F7	11	50-13	T21641	3D4	3	70-42	T21813	2I15	9	60-10
T21450	2F8	17	50-14	T21651	3H7	1	80-37	T21814	2I15	11	60-10
T21452	2E24	2	50-6	T21652	3H7	2	80-37	T21815	2I15	13	60-10
T21462	3D7	12	70-45	T21655	2I8	23	60-3	T21816	2I14	27	60-9
T21468	3G17	5	80-24A	T21659	2I13	6	60-8	T21817	2I15	17	60-10
T21471	3D4	2	70-42	T21667	3D19	4	70-57	T21819	2H9	7	50-67
T21474	3C17	5	70-34	T21669	3F17	19	80-1	T21824	3G25	2	80-30
T21483	3G15	1	80-22	T21669	3F18	15	80-2	T21827	2E21	22	50-3
T21485	3G14	1	80-21	T21669	3F19	8	80-3	T21827	2E23	23	50-5
T21487	3D3	9	70-41	T21669	3F21	6	80-5	T21828	2D19	1	40-63
T21490	3H10	6	80-40	T21671	2G20	14	50-52	T21828	2D19	2	40-63
T21490	3I23	11	90-16	T21671	3D21	3	70-59	T21837	3F23	9	80-7
T21491	3H10	5	80-40	T21672	3D19	11	70-57	T21838	3F23	9	80-7
T21491	3H12	2	80-43	T21672	3D21	10	70-59	T21839	2H9	3	50-67
T21497	3D7	5	70-45	T21677	3D19	19	70-57	T21839	2H11	20	50-69
T21511	3F23	9	80-7	T21677	3D21	16	70-59	T21840	2H9	4	50-67
T21512	3F23	9	80-7	T21678	3D23	11	70-61	T21840	2H11	23	50-69
T21513	3F23	9	80-7	T21680	3D3	14	70-41	T21841	2H9	6	50-67
T21514	3F23	9	80-7	T21681	3D3	10	70-41	T21841	2H11	27	50-69
T21517	3F23	2	80-7	T21685	3D8	1	70-47	T21842	2H9	1	50-67
T21518	3F23	2	80-7	T21685	3D12	1	70-51	T21863	3H12	9	80-43
T21519	3F17	4	80-1	T21688	3G25	3	80-30	T21864	3H12	8	80-43
T21520	3F17	4	80-1	T21689	3G22	5	80-27	T21865	3H12	7	80-43

1L18

2030 TRACTOR

NUMERICAL INDEX - CONTINUED

PART NO.	GRID	KEY	PAGE	PART NO.	GRID	KEY	PAGE	PART NO.	GRID	KEY	PAGE
T21873	2H22	4	50-80	T22085	3H12	1	80-43	T22217	2H17	10	50-75
T21875	2H8	10	50-65	T22085	3I23	7	90-16	T22218	2H13	4	50-71
T21876	2H8	9	50-65	T22085	3I25	14	90-19	T22218	2H14	2	50-72
T21887	2B9	11	40-7	T22086	3I23	8	90-16	T22218	2H16	2	50-74
T21888	2B9	11	40-7	T22086	3I25	13	90-19	T22219	2F11	4	50-17
T21889	2B9	13	40-7	T22094	3D3	23	70-41	T22219	2F13	4	50-19
T21901	3D7	1	70-45	T22095	3D3	21	70-41	T22224	3D2	6	70-40
T21903	3D7	17	70-45	T22096	3D3	20	70-41	T22228	3D2	2	70-40
T21913	3D19	1	70-57	T22100	2I15	16	60-10	T22229	3D2	8	70-40
T21920	3I10	21	90-9	T22101	2I14	19	60-9	T22232	3D2	10	70-40
T21922	3I10	23	90-9	T22101	2I16	6	60-11	T22233	3D2	5	70-40
T21923	3I10	8	90-9	T22102	2I17	4	60-12	T22234	2H12	8	50-70
T21926	3I10	16	90-9	T22118	3D23	2	70-61	T22238	2H13	28	50-71
T21932	2F8	29	50-14	T22119	3D23	3	70-61	T22238	2H16	21	50-74
T21937	2G20	10	50-52	T22120	3D23	7	70-61	T22239	1G21	12	30-87
T21942	3F23	9	80-7	T22126	2F11	6	50-17	T22240	1G19	14	30-85
T21943	3F23	9	80-7	T22126	2F20	3	50-26	T22240	1G21	18	30-87
T21955	3D3	2	70-41	T22127	2H12	2	50-70	T22240	1G22	8	30-88
T21956	3C17	2	70-34	T22127	2H13	1	50-71	T22241	1G21	19	30-87
T21964	2H4	6	50-61	T22127	2H13	14	50-71	T22241	1G22	7	30-88
T21964	2H6	6	50-63	T22127	2H14	29	50-72	T22242	1G22	5	30-88
T21964	2H7	7	50-64	T22127	2H14	30	50-72	T22243	3E21	25	70-84
T21965	2H7	12	50-64	T22127	2H15	4	50-73	T22244	3E21	26	70-84
T21968	2E21	23	50-3	T22127	2H16	35	50-74	T22244	3F4	28	70-93
T21968	2E23	36	50-5	T22127	2H16	36	50-74	T22245	3E21	18	70-84
T21969	2H4	11	50-61	T22127	2H17	8	50-75	T22245	3F4	19	70-93
T21969	2H6	33	50-63	T22127	2H19	13	50-77	T22260	2I10	1	60-5
T21970	2H7	6	50-64	T22128	2G20	26	50-52	T22260	2I11	2	60-6
T21970	2H14	17	50-72	T22128	2H12	1	50-70	T22260	2I11	4	60-6
T21970	2H16	17	50-74	T22128	2H13	15	50-71	T22260	2I12	2	60-7
T21970	2H19	11	50-77	T22128	2H14	28	50-72	T22260	2I12	4	60-7
T21971	2H8	8	50-65	T22128	2H15	3	50-73	T22288	2H14	1	50-72
T21971	2H11	4	50-69	T22128	2H16	34	50-74	T22288	2H16	11	50-74
T21972	2H8	7	50-65	T22128	2H17	7	50-75	T22288	2H19	3	50-77
T21974	2H8	7	50-65	T22128	2H19	15	50-77	T22289	2H14	16	50-72
T21975	2H7	5	50-64	T22129	2H13	23	50-71	T22289	2H16	16	50-74
T21976	2H7	8	50-64	T22129	2H16	26	50-74	T22289	2H19	6	50-77
T21977	2H7	9	50-64	T22134	1G21	14	30-87	T22296	2E25	1	50-7
T21980	2H3	3	50-60	T22134	1G22	11	30-88	T22302	2E25	2	50-7
T21981	2H4	9	50-61	T22144	1G24	1	30-90	T22317	3D3	3	70-41
T21981	2H6	9	50-63	T22149	1G19	10	30-85	T22318	3C17	4	70-34
T21992	2H21	5	50-79	T22150	1G19	13	30-85	T22319	3C17	11	70-34
T21996	2H13	11	50-71	T22151	1G19	12	30-85	T22381	1C21	21	20-43
T21996	2H15	11	50-73	T22156	2G1	8	50-32	T22385	1D11	7	30-4
T21996	2H17	15	50-75	T22177	2F1	10	50-8	T22385	1D11	11	30-4
T21997	2H12	9	50-70	T22178	2F1	9	50-8	T22394	3H13	3	80-44
T21997	2H13	12	50-71	T22194	2F8	6	50-14	T22399	3D7	13	70-45
T21997	2H14	13	50-72	T22195	2F8	10	50-14	T22435	2H2	9	50-59
T21997	2H15	12	50-73	T22197	2F8	27	50-14	T22446	3H4	1	80-34
T21997	2H16	12	50-74	T22198	2F11	10	50-17	T22463	3J7	8	90-27
T21997	2H17	16	50-75	T22198	2F12	3	50-18	T22464	3J7	4	90-27
T21997	2H19	1	50-77	T22198	2F13	7	50-19	T22465	3C16	20	70-33
T21997	2H23	6	50-81	T22198	2G5	15	50-37	T22469	3C18	28	70-35
T21998	2E24	13	50-6	T22198	2G7	48	50-39	T22469	3C20	33	70-35B
T21999	2F2	9	50-9	T22209	3I23	9	90-16	T22470	3C25	14	70-38
T21999	2F4	10	50-11	T22209	3I25	11	90-19	T22470	3D1	12	70-39
T21999	2F7	13	50-13	T22210	3I23	10	90-16	T22471	3C15	8	70-32
T21999	2F8	20	50-14	T22210	3I25	10	90-19	T22471	3C18	2	70-35
T22008	3D8	9	70-47	T22211	3I23	4	90-16	T22471	3C20	6	70-35B
T22069	2H12	15	50-70	T22211	3I25	12	90-19	T22473	3D2	1	70-40
T22069	2H14	22	50-72	T22212	3I23	1	90-16	T22474	3C16	3	70-33
T22069	2H15	18	50-73	T22213	3I23	3	90-16	T22483	3C20	19	70-35B
T22069	2H20	6	50-78	T22213	3I23	19	90-16	T22490	2I14	18	60-9
T22080	2H12	16	50-70	T22214	2H12	5	50-70	T22491	2I14	12	60-9
T22080	2H14	21	50-72	T22215	2H13	5	50-71	T22495	1C21	3	20-43
T22080	2H15	17	50-73	T22215	2H14	3	50-72	T22496	1C21	14	20-43
T22080	2H23	4	50-81	T22215	2H16	3	50-74	T22497	1C21	15	20-43

1L19

2030 TRACTOR

NUMERICAL INDEX - CONTINUED

PART NO.	GRID	KEY	PAGE	PART NO.	GRID	KEY	PAGE	PART NO.	GRID	KEY	PAGE
T22500	1C21	15	20 - 43	T22817	3G19	5	80 - 24C	T22984	2G22	8	50 - 54
T22505	2F1	11	50 - 8	T22818	3G19	5	80 - 24C	T22984	2H3	10	50 - 60
T22508	3H8	1	80 - 38	T22823	2I11	6	60 - 6	T22996	3E6	1	70 - 67
T22520	3H18	2	80 - 49	T22823	2I12	6	60 - 7	T22998	2I2	20	50 - 85
T22522	2D3	8	40 - 46	T22824	2I8	3	60 - 3	T22999	2I2	10	50 - 85
T22528	2E24	3	50 - 6	T22824	2I11	8	60 - 6	T23000	2I2	11	50 - 85
T22529	2E24	3	50 - 6	T22824	2I12	8	60 - 7	T23008	2F8	5	50 - 14
T22531	2E21	17	50 - 3	T22825	2I11	9	60 - 6	T23011	2F2	7	50 - 9
T22534	1D23	2	30 - 17	T22830	1D11	11	30 - 4	T23011	2F7	10	50 - 13
T22543	2H13	1	50 - 71	T22831	3G14	3	80 - 21	T23011	2F7	12	50 - 13
T22543	2H14	30	50 - 72	T22848	3D19	13	70 - 57	T23011	2F8	19	50 - 14
T22543	2H16	36	50 - 74	T22848	3D21	12	70 - 59	T23027	3J2	19	90 - 21
T22545	2H13	6	50 - 71	T22850	2E21	36	50 - 3	T23033	3J2	17	90 - 21
T22545	2H14	4	50 - 72	T22851	2E21	24	50 - 3	T23035	3J2	1	90 - 21
T22545	2H16	4	50 - 74	T22851	2E21	33	50 - 3	T23040	3C10	9	70 - 27
T22546	2H13	16	50 - 71	T22851	2E23	32	50 - 5	T23050	2E23	13	50 - 5
T22546	2H14	27	50 - 72	T22851	2E23	34	50 - 5	T23050	2G25	13	50 - 57
T22546	2H16	33	50 - 74	T22851	2G18	11	50 - 50	T23053	3C10	8	70 - 27
T22567	2F1	12	50 - 8	T22851	2G19	8	50 - 51	T23053	3C12	20	70 - 29
T22569	2E23	10	50 - 5	T22852	2G16	27	50 - 48	T23054	3C11	5	70 - 28
T22569	3H6	6	80 - 36	T22852	2G17	12	50 - 49	T23054	3C12	19	70 - 29
T22570	3H9	1	80 - 39	T22852	2G22	14	50 - 54	T23059	2E21	16	50 - 3
T22579	2F25	6	50 - 31	T22853	2G24	3	50 - 56	T23059	3C12	9	70 - 29
T22580	2F25	10	50 - 31	T22854	2G21	4	50 - 53	T23061	2F12	1	50 - 18
T22582	2F25	4	50 - 31	T22858	2E21	39	50 - 3	T23062	2F11	3	50 - 17
T22583	2F25	2	50 - 31	T22862	2F25	17	50 - 31	T23062	2F13	3	50 - 19
T22584	2E23	40	50 - 5	T22862	2G18	8	50 - 50	T23069	3E9	10	70 - 70
T22584	2G16	23	50 - 48	T22862	2G19	5	50 - 51	T23071	3E9	4	70 - 70
T22584	2G17	7	50 - 49	T22864	3H6	11	80 - 36	T23083	3C10	14	70 - 27
T22585	2E23	41	50 - 5	T22865	3C25	13	70 - 38	T23083	3C12	15	70 - 29
T22589	2E21	9	50 - 3	T22865	3D1	7	70 - 39	T23084	1D11	5	30 - 4
T22645	3I2	11	90 - 1	T22867	3C16	12	70 - 33	T23118	3F17	12	80 - 1
T22645	3I4	5	90 - 1B	T22867	3C18	11	70 - 35	T23118	3F18	8	80 - 2
T22653	3D3	17	70 - 41	T22867	3C20	13	70 - 35B	T23118	3F19	1	80 - 3
T22658	2E23	30	50 - 5	T22867	3C20	14	70 - 35B	T23118	3H6	9	80 - 36
T22660	2F21	13	50 - 27	T22874	2H8	1	50 - 65	T23170	3F17	11	80 - 1
T22690	3G10	1	80 - 17	T22874	2H11	12	50 - 69	T23170	3F18	7	80 - 2
T22698	1G21	4	30 - 87	T22875	2I6	5	60 - 1	T23170	3F19	15	80 - 3
T22705	3H16	3	80 - 47	T22876	3C16	19	70 - 33	T23170	3F21	3	80 - 5
T22705	3H18	11	80 - 49	T22877	3C25	11	70 - 38	T23203	3C10	26	70 - 27
T22706	3H18	10	80 - 49	T22877	3D1	11	70 - 39	T23203	3C12	8	70 - 29
T22707	2D3	2	40 - 46	T22881	3E8	4	70 - 69	T23206	2F22	8	50 - 28
T22708	2D3	2	40 - 46	T22893	1B15	14	20 - 13	T23207	2F22	7	50 - 28
T22714	3D7	21	70 - 45	T22898	2E21	21	50 - 3	T23211	2E23	18	50 - 5
T22720	1C25	12	20 - 47	T22898	2E23	22	50 - 5	T23212	2E23	42	50 - 5
T22728	2E23	12	50 - 5	T22900	1C21	8	20 - 43	T23216	3D3	13	70 - 41
T22728	2G11	4	50 - 43	T22904	2F12	4	50 - 18	T23226	1D22	25	30 - 16
T22728	2G13	2	50 - 45	T22914	3B5	1	70 - 2	T23227	3I7	6	90 - 5
T22728	2G14	3	50 - 46	T22915	3B5	1	70 - 2	T23227	3I10	26	90 - 9
T22728	2G25	11	50 - 57	T22927	2F8	8	50 - 14	T23228	3F17	23	80 - 1
T22736	2H2	14	50 - 59	T22928	2F20	1	50 - 26	T23228	3F18	11	80 - 2
T22739	2G11	3	50 - 43	T22932	2F25	9	50 - 31	T23228	3F19	12	80 - 3
T22739	2G14	16	50 - 46	T22933	2F25	8	50 - 31	T23228	3F21	14	80 - 5
T22753	2F22	21	50 - 28	T22934	2H3	11	50 - 60	T23229	3F17	22	80 - 1
T22754	2F22	11	50 - 28	T22935	2H13	24	50 - 71	T23229	3F18	12	80 - 2
T22755	2F22	22	50 - 28	T22935	2H16	25	50 - 74	T23229	3F19	11	80 - 3
T22757	2F22	26	50 - 28	T22946	3F25	4	80 - 10	T23229	3F21	15	80 - 5
T22776	3I12	12	90 - 11	T22948	3G3	7	80 - 13	T23233	3J8	2	90 - 28
T22777	3I12	11	90 - 11	T22950	3F23	9	80 - 7	T23237	3I10	9	90 - 9
T22778	3I12	17	90 - 11	T22951	3F23	9	80 - 7	T23238	3I10	5	90 - 9
T22779	3I12	16	90 - 11	T22952	3F25	6	80 - 10	T23245	1D23	11	30 - 17
T22780	3I12	9	90 - 11	T22953	2H9	12	50 - 67	T23247	3I23	15	90 - 16
T22781	3I12	8	90 - 11	T22955	2H3	14	50 - 60	T23247	3I25	5	90 - 19
T22781	3I12	9	90 - 11	T22958	3C13	8	70 - 30	T23258	1D11	..	30 - 4
T22782	3I12	2	90 - 11	T22968	3C16	9	70 - 33	T23260	1C9	22	20 - 33
T22809	2G25	2	50 - 57	T22970	3C13	14	70 - 30	T23263	1D10	12	30 - 3
T22816	3G14	1	80 - 21	T22974	2G22	12	50 - 54	T23263	1D11	15	30 - 4

1L20

2030 TRACTOR

NUMERICAL INDEX - CONTINUED

PART NO.	GRID	KEY	PAGE	PART NO.	GRID	KEY	PAGE	PART NO.	GRID	KEY	PAGE
T23435	1B7	17	20 - 5	T24460	1G5	27	30 - 69	T24564	1F25	15	30 - 64
T23435	1B9	26	20 - 7	T24472	1G14	14	30 - 78	T24564	1G7	15	30 - 71
T23435	1B17	3	20 - 15	T24472	1G16	16	30 - 81	T24565	1F25	11	30 - 64
T23442	1F22	28	30 - 61	T24472	1G17	13	30 - 82	T24566	1F25	14	30 - 64
T23442	1G5	28	30 - 69	T24473	1C15	20	20 - 39	T24566	1G7	14	30 - 71
T23462	1E20	23	30 - 33	T24474	2B15	17	40 - 13	T24568	1F25	20	30 - 64
T23463	1E20	22	30 - 33	T24474	2B17	20	40 - 15	T24568	1G7	20	30 - 71
T23469	1B15	1	20 - 13	T24484	3C20	20	70 - 35B	T24571	1F25	28	30 - 64
T23470	1B15	1	20 - 13	T24485	3C18	24	70 - 35	T24571	1G7	26	30 - 71
T23470	1B15	2	20 - 13	T24485	3C20	29	70 - 35B	T24572	1F25	29	30 - 64
T23471	1B25	5	20 - 23	T24515	1B16	3	20 - 14	T24572	1G7	27	30 - 71
T23474	1B7	15	20 - 5	T24519	2I3	1	50 - 86	T24574	1G3	28	30 - 67
T23474	1B11	58	20 - 9	T24521	2H4	26	50 - 61	T24575	1G3	29	30 - 67
T23474	1C4	4	20 - 27	T24522	2H9	10	50 - 67	T24576	1G3	34	30 - 67
T23481	1C1	..	20 - 24	T24522	2H11	25	50 - 69	T24576	1G11	20	30 - 75
T23517	1B19	15	20 - 17	T24524	2B11	19	40 - 9	T24586	1G3	33	30 - 67
T23522	1E9	8	30 - 26	T24525	2B11	18	40 - 9	T24586	1G11	14	30 - 75
T23523	1E9	10	30 - 26	T24526	2B11	9	40 - 9	T24588	1G3	17	30 - 67
T23524	1E9	2	30 - 26	T24535	1B16	1	20 - 14	T24588	1G11	3	30 - 75
T23529	1E9	12	30 - 26	T24535	1C25	12	20 - 47	T24589	1G3	7	30 - 67
T23531	1E10	10	30 - 27	T24535	1D2	12	20 - 49	T24589	1G3	16	30 - 67
T23532	1E10	25	30 - 27	T24539	2C2	9	40 - 23	T24589	1G11	1	30 - 75
T23533	1C21	14	20 - 43	T24539	2C8	28	40 - 29	T24589	1G11	30	30 - 75
T23536	1E10	25	30 - 27	T24539	2C22	8	40 - 40	T24590	1G3	12	30 - 67
T23543	1B15	17	20 - 13	T24540	3C18	20	70 - 35	T24590	1G11	4	30 - 75
T23544	1B15	17	20 - 13	T24540	3C20	21	70 - 35B	T24594	1G3	35	30 - 67
T23545	1B15	17	20 - 13	T24540	3C22	13	70 - 35D	T24594	1G11	21	30 - 75
T23546	1B15	15	20 - 13	T24540	3I25	3	90 - 19	T24595	1G3	30	30 - 67
T23547	1B15	15	20 - 13	T24541	1G1	1	30 - 65	T24595	1G11	17	30 - 75
T23548	1B15	15	20 - 13	T24541	1G6	1	30 - 70	T24596	1G3	31	30 - 67
T23549	1B15	17	20 - 13	T24542	1F22	12	30 - 61	T24596	1G11	16	30 - 75
T23550	1B15	17	20 - 13	T24542	1G5	12	30 - 69	T24597	1G3	10	30 - 67
T23551	1B15	17	20 - 13	T24543	1F22	11	30 - 61	T24597	1G11	24	30 - 75
T23590	1B20	8	20 - 18	T24543	1G5	11	30 - 69	T24598	1G3	13	30 - 67
T23594	1B15	7	20 - 13	T24543	1G13	8	30 - 77	T24598	1G11	5	30 - 75
T23596	1B20	7	20 - 18	T24544	1F22	14	30 - 61	T24599	1G3	11	30 - 67
T23596	1C25	10	20 - 47	T24544	1G5	14	30 - 69	T24599	1G11	6	30 - 75
T23596	1D2	20	20 - 49	T24545	1G1	3	30 - 65	T24599	1G13	11	30 - 77
T23598	2B15	1	40 - 13	T24546	1F25	3	30 - 64	T24600	1G3	2	30 - 67
T23598	2B17	1	40 - 15	T24546	1G7	3	30 - 71	T24600	1G11	26	30 - 75
T23601	2B15	5	40 - 13	T24548	1F24	20	30 - 63	T24600	1G13	10	30 - 77
T23604	1B19	16	20 - 17	T24548	1G9	20	30 - 73	T24602	1G3	3	30 - 67
T23610	2B15	21	40 - 13	T24548	1G13	1	30 - 77	T24602	1G11	22	30 - 75
T23610	2B17	23	40 - 15	T24549	1F24	17	30 - 63	T24604	1G3	8	30 - 67
T23611	1D13	3	30 - 6	T24549	1G9	17	30 - 73	T24604	1G11	29	30 - 75
T23614	1C7	3	20 - 31	T24549	1G13	2	30 - 77	T24605	1G3	6	30 - 67
T23614	1C9	25	20 - 33	T24550	1G1	22	30 - 65	T24605	1G11	31	30 - 75
T23620	1C23	7	20 - 45	T24550	1G6	22	30 - 70	T24606	1G3	5	30 - 67
T23628	1C13	1	20 - 37	T24552	1G1	24	30 - 65	T24606	1G11	27	30 - 75
T23628	1C15	21	20 - 39	T24552	1G6	24	30 - 70	T24607	1F22	7	30 - 61
T23628	1C16	8	20 - 40	T24552	1G11	32	30 - 75	T24607	1F24	1	30 - 63
T23631	1C15	10	20 - 39	T24553	1G1	23	30 - 65	T24607	1G5	7	30 - 69
T23877	2D12	1A	40 - 56	T24553	1G6	23	30 - 70	T24607	1G9	1	30 - 73
T23878	2D12	2	40 - 56	T24553	1G13	7	30 - 77	T24608	1F22	8	30 - 61
T24151	1B13	7	20 - 11	T24556	1F25	4	30 - 64	T24608	1F24	2	30 - 63
T24157	3G14	3	80 - 21	T24556	1G7	4	30 - 71	T24608	1G5	8	30 - 69
T24157	3G17	12	80 - 24A	T24557	1F25	6	30 - 64	T24608	1G9	2	30 - 73
T24157	3G19	12	80 - 24C	T24557	1G7	6	30 - 71	T24609	1F24	19	30 - 63
T24160	3H6	14	80 - 36	T24558	1F25	7	30 - 64	T24610	1F24	18	30 - 63
T24166	2B4	21	40 - 1	T24558	1G7	6	30 - 71	T24610	1G9	18	30 - 73
T24166	2B13	1	40 - 11	T24558	1G7	7	30 - 71	T24611	1F24	16	30 - 63
T24225	2C19	5	40 - 37	T24559	1F25	8	30 - 64	T24613	1F24	10	30 - 63
T24226	2C19	21	40 - 37	T24559	1G7	8	30 - 71	T24617	1F24	5	30 - 63
T24381	2F8	28	50 - 14	T24561	1F25	27	30 - 64	T24617	1G9	5	30 - 73
T24395	2G14	29	50 - 46	T24562	1F25	13	30 - 64	T24618	1F24	6	30 - 63
T24395	2G25	13	50 - 57	T24562	1G7	13	30 - 71	T24618	1G9	6	30 - 73
T24460	1F22	27	30 - 61	T24563	1F25	12	30 - 64	T24619	1F24	4	30 - 63

1L21

2030 TRACTOR

NUMERICAL INDEX - CONTINUED

PART NO.	GRID	KEY	PAGE	PART NO.	GRID	KEY	PAGE	PART NO.	GRID	KEY	PAGE
T24619	1G9	4	30-73	T24691	2H4	24	50-61	T25329	2I11	12	60-6
T24619	1G13	4	30-77	T24726	2H4	25	50-61	T25329	2I12	14	60-7
T24620	1F24	3	30-63	T24726	2H6	10	50-63	T25330	2I12	15	60-7
T24620	1G9	3	30-73	T24728	2H4	28	50-61	T25333	2I11	14	60-6
T24621	1F24	14	30-63	T24728	2H6	11	50-63	T25334	2I11	14	60-6
T24621	1G9	14	30-73	T24729	2G20	31	50-52	T25335	2I8	6	60-3
T24622	1F24	9	30-63	T24729	2H4	12	50-61	T25335	2I10	4	60-5
T24622	1G9	10	30-73	T24730	2H6	7	50-63	T25336	2I8	29	60-3
T24622	1G13	3	30-77	T24730	2H7	16	50-64	T25337	2I8	14	60-3
T24623	1G1	6	30-65	T24730	2H7	19	50-64	T25337	2I10	6	60-5
T24623	1G6	6	30-70	T24731	2H7	18	50-64	T25338	3G20	2	80-25
T24625	1G6	7	30-70	T24732	2H4	10	50-61	T25339	3G20	7	80-25
T24626	1G6	12	30-70	T24732	2H6	34	50-63	T25339	3G21	8	80-26
T24627	1G1	13	30-65	T24734	2H7	17	50-64	T25340	3G20	2	80-25
T24627	1G6	13	30-70	T24736	2H4	15	50-61	T25341	3G25	3	80-30
T24627	1G13	14	30-77	T24736	2H6	14	50-63	T25343	2B15	20	40-13
T24628	1G1	10	30-65	T24737	2H4	22	50-61	T25343	2B17	22	40-15
T24628	1G6	10	30-70	T24737	2H6	17	50-63	T25367	3I23	5	90-16
T24629	1G1	10	30-65	T24844	1D20	9	30-14	T25367	3I25	16	90-19
T24629	1G6	10	30-70	T24844	1D21	6	30-15	T25393	2G14	29	50-46
T24630	1G1	10	30-65	T24845	1D20	13	30-14	T25393	2G25	13	50-57
T24630	1G6	10	30-70	T24845	1D21	15	30-15	T25394	2G14	6	50-46
T24631	1G1	10	30-65	T24846	1D20	8	30-14	T25395	2G10	12	50-42
T24631	1G6	10	30-70	T24846	1D21	12	30-15	T25395	2G14	7	50-46
T24632	1G1	16	30-65	T24878	1D22	30	30-16	T25397	2G14	10	50-46
T24632	1G6	16	30-70	T24879	1D22	26	30-16	T25398	2G11	10	50-43
T24633	1G1	21	30-65	T24908	3D7	14	70-45	T25398	2G14	12	50-46
T24633	1G6	21	30-70	T24909	3D7	4	70-45	T25399	2G14	20	50-46
T24634	1G1	15	30-65	T24917	2H7	11	50-64	T25400	2G20	8	50-52
T24634	1G6	15	30-70	T24918	2H7	20	50-64	T25404	2G3	46	50-35
T24634	1G13	16	30-77	T24924	3J7	12	90-27	T25404	2G5	16	50-37
T24635	1G1	17	30-65	T24925	3J7	12	90-27	T25404	2G7	47	50-39
T24635	1G6	17	30-70	T24948	2F1	17	50-8	T25405	2H13	5	50-71
T24636	1G1	18	30-65	T24955	2F1	28	50-8	T25405	2H14	3	50-72
T24636	1G6	18	30-70	T24956	2F1	26	50-8	T25405	2H16	3	50-74
T24637	1G1	5	30-65	T24965	1C5	1	20-28	T25406	2H13	4	50-71
T24637	1G6	5	30-70	T24965	1C25	1	20-47	T25406	2H14	2	50-72
T24637	1G13	13	30-77	T24965	1D2	23	20-49	T25406	2H16	2	50-74
T24638	1G1	2	30-65	T25030	1D22	20	30-16	T25408	2E21	25	50-3
T24642	1F22	..	30-61	T25117	1B20	4	20-18	T25408	2G15	10	50-47
T24642	1G5	..	30-69	T25117	1B20	5	20-18	T25408	2G16	20	50-48
T24647	1G3	4	30-67	T25139	2E23	29	50-5	T25408	2G17	9	50-49
T24647	1G11	23	30-75	T25142	1E23	13	30-36	T25409	2G3	45	50-35
T24647	1G13	9	30-77	T25142	1F5	15	30-43	T25409	2G5	17	50-37
T24649	1G1	14	30-65	T25142	1F15	15	30-53	T25409	2G7	46	50-39
T24649	1G6	14	30-70	T25142	1F20	26	30-59	T25411	2G16	26	50-48
T24650	1G1	8	30-65	T25147	1E10	16	30-27	T25411	2G17	11	50-49
T24650	1G1	11	30-65	T25149	1E10	20	30-27	T25412	2G15	8	50-47
T24650	1G6	8	30-70	T25152	1E9	26	30-26	T25412	2G16	21A	50-48
T24650	1G6	11	30-70	T25153	1E9	28	30-26	T25412	2G17	4A	50-49
T24650	1G13	15	30-77	T25154	1E9	27	30-26	T25413	2G15	9	50-47
T24651	1G1	19	30-65	T25155	1E9	29	30-26	T25413	2G16	19	50-48
T24651	1G6	19	30-70	T25156	1E9	30	30-26	T25413	2G17	3	50-49
T24651	1G13	17	30-77	T25158	1E10	17	30-27	T25414	2G17	15	50-49
T24652	1F25	1	30-64	T25285	2I19	32	60-15	T25415	2G17	16	50-49
T24652	1F25	24	30-64	T25291	3H10	11	80-40	T25416	2G17	1	50-49
T24652	1G1	20	30-65	T25291	3H12	4	80-43	T25417	2G16	31	50-48
T24652	1G6	20	30-70	T25295	2I8	7	60-3	T25417	2G17	13	50-49
T24656	1F25	23	30-64	T25304	3D19	4	70-57	T25418	2F25	22	50-31
T24656	1G7	24	30-71	T25317	2H3	5	50-60	T25418	2G18	14	50-50
T24657	1F24	11	30-63	T25323	2I8	22	60-3	T25418	2G19	10	50-51
T24657	1G9	11	30-73	T25324	2I8	30	60-3	T25419	2F25	16	50-31
T24658	1F24	12	30-63	T25325	2I8	21	60-3	T25419	2G18	10	50-50
T24658	1G9	12	30-73	T25326	2I8	19	60-3	T25419	2G19	7	50-51
T24662	1G9	9	30-73	T25327	2I8	17	60-3	T25431	1C6	2	20-29
T24677	3I7	6	90-5	T25327	2I10	7	60-5	T25431	1C6	9	20-29
T24690	3D3	6	70-41	T25329	2I8	1	60-3	T25466	1B15	15	20-13

1L22

2030 TRACTOR

NUMERICAL INDEX - CONTINUED

PART NO.	GRID	KEY	PAGE	PART NO.	GRID	KEY	PAGE	PART NO.	GRID	KEY	PAGE
T25467	1B15	17	20 - 13	T26321	1B19	22	20 - 17	T27670	2C19	20	40 - 37
T25505	3F18	14	80 - 2	T26322	1B19	23	20 - 17	T27671	2C17	26	40 - 35
T25614	2H2	6	50 - 59	T26323	1B9	38	20 - 7	T27671	2C19	26	40 - 37
T25614	2H21	8	50 - 79	T26323	1B11	46	20 - 9	T27693	2E23	20	50 - 5
T25620	2H4	28	50 - 61	T26323	1B19	2	20 - 17	T27693	2F15	1	50 - 21
T25620	2H6	11	50 - 63	T26323	1B19	7	20 - 17	T27706	2F8	12	50 - 14
T25621	2H4	23	50 - 61	T26323	1B19	19	20 - 17	T27707	2F8	24	50 - 14
T25621	2H6	18	50 - 63	T26324	1B9	39	20 - 7	T27708	2F8	15	50 - 14
T25667	3I2	2	90 - 1	T26324	1B11	47	20 - 9	T27716	2G20	21	50 - 52
T25671	3H18	8	80 - 49	T26324	1B19	1	20 - 17	T27716	2H2	3	50 - 59
T25701	1B7	6	20 - 5	T26325	1B11	44	20 - 9	T27716	2H14	10	50 - 72
T25701	1B9	23	20 - 7	T26325	1B19	19	20 - 17	T27716	2H16	7	50 - 74
T25701	1C15	7	20 - 39	T26326	1B9	36	20 - 7	T27716	2H19	7	50 - 77
T25703	3H15	1	80 - 46	T26326	1B19	6	20 - 17	T27716	2H21	11	50 - 79
T25724	3C10	2	70 - 27	T26327	1B9	35	20 - 7	T27718	3I8	2	90 - 6
T25741	2I11	9	60 - 6	T26327	1B19	7	20 - 17	T27718	3I12	6	90 - 11
T25803	3E6	5	70 - 67	T26337	2H21	6	50 - 79	T27719	3I8	4	90 - 6
T25804	3E6	3	70 - 67	T26416	2H23	5	50 - 81	T27719	3I12	5	90 - 11
T25804	3E7	2	70 - 68	T26555	2H9	12	50 - 67	T27720	3G15	3	80 - 22
T25809	3G4	9	80 - 14	T26565	1B19	17	20 - 17	T27720	3G17	12	80 - 24A
T25809	3G5	7	80 - 15	T26565	1B20	3	20 - 18	T27720	3G19	12	80 - 24C
T25809	3G8	6	80 - 16C	T26565	2G20	30	50 - 52	T27759	1F25	5	30 - 64
T25822	3D7	4	70 - 45	T26601	2C8	23	40 - 29	T27759	1G7	5	30 - 71
T25823	3D7	14	70 - 45	T26601	2C22	3	40 - 40	T27761	1F25	2	30 - 64
T25835	3D7	14	70 - 45	T26602	2C22	1	40 - 40	T27761	1G7	2	30 - 71
T25836	3D7	4	70 - 45	T26625	3C25	9	70 - 38	T27761	1G13	5	30 - 77
T25840	3F17	20	80 - 1	T26625	3D1	8	70 - 39	T27762	1G3	1	30 - 67
T25840	3F18	1	80 - 2	T26626	3C25	8	70 - 38	T27764	1F22	5	30 - 61
T25840	3F19	9	80 - 3	T26626	3D1	5	70 - 39	T27765	1F22	4	30 - 61
T25840	3F21	12	80 - 5	T26833	1G21	28	30 - 87	T27771	2E23	31	50 - 5
T25879	3E2	4	70 - 65	T26842	2F22	17	50 - 28	T27771	2F23	1	50 - 29
T25899	3H25	11	80 - 56	T26842	2G9	6	50 - 41	T27772	2E23	30	50 - 5
T25901	3F25	6	80 - 10	T26870	1G14	18	30 - 78	T27772	2F23	2	50 - 29
T25921	3F17	17	80 - 1	T26870	1G17	10	30 - 82	T27772	2F25	7	50 - 31
T25921	3F18	5	80 - 2	T26904	3C16	2	70 - 33	T27860	1E7	4	30 - 24A
T25921	3F19	5	80 - 3	T26929	3H6	2	80 - 36	T27969	3D19	4	70 - 57
T25921	3F21	11	80 - 5	T26937	1G19	11	30 - 85	T27971	3I10	24	90 - 9
T25922	3F17	18	80 - 1	T26937	1G21	16	30 - 87	T28030	1F22	30	30 - 61
T25922	3F18	6	80 - 2	T27136	3D12	7	70 - 51	T28030	1G5	30	30 - 69
T25922	3F19	6	80 - 3	T27178	2F4	9	50 - 11	T28036	3D5	4	70 - 43
T25922	3F21	10	80 - 5	T27258	3C15	1	70 - 32	T28041	1B9	3	20 - 7
T26041	2B4	9	40 - 1	T27258	3C18	2	70 - 35	T28041	1B11	53	20 - 9
T26058	1F22	6	30 - 61	T27260	3C24	12	70 - 37	T28041	1B15	18	20 - 13
T26058	1G5	6	30 - 69	T27261	1C15	6	20 - 39	T28041	1B15	21	20 - 13
T26149	1B25	3	20 - 23	T27350	1G22	3	30 - 88	T28041	1C6	3	20 - 29
T26151	1B21	2	20 - 19	T27409	2I11	15	60 - 6	T28221	2F4	22	50 - 11
T26153	3I12	20	90 - 11	T27410	1E10	13	30 - 27	T28222	2F4	20	50 - 11
T26153	3I13	10	90 - 12	T27429	2H11	15	50 - 69	T28225	2F4	26	50 - 11
T26175	1B15	15	20 - 13	T27430	2H11	16	50 - 69	T28226	2F4	21	50 - 11
T26176	1B15	15	20 - 13	T27474	1D25	1	30 - 19	T28230	2F4	16	50 - 11
T26177	1B15	15	20 - 13	T27544	2H21	2	50 - 79	T28231	2F4	19	50 - 11
T26178	1B15	17	20 - 13	T27545	3F23	9	80 - 7	T28233	3D1	1	70 - 39
T26179	1B15	17	20 - 13	T27546	3F23	9	80 - 7	T28272	2I13	9	60 - 8
T26180	1B15	17	20 - 13	T27549	1C23	15	20 - 45	T28433	1B20	5	20 - 18
T26198	2E24	7	50 - 6	T27559	2G25	3	50 - 57	T28435	1B20	5	20 - 18
T26198	2E25	6	50 - 7	T27642	3G15	3	80 - 22	T28473	2I17	3	60 - 12
T26223	1E22	8	30 - 35	T27642	3G17	12	80 - 24A	T28537	3C18	19	70 - 35
T26223	1F4	10	30 - 42	T27642	3G19	12	80 - 24C	T28537	3C20	20	70 - 35B
T26223	1F14	10	30 - 52	T27645	3I16	13	90 - 15	T28538	3C18	18	70 - 35
T26223	1F20	19	30 - 59	T27645	3I18	47	90 - 15B	T28538	3C18	19	70 - 35
T26238	1E23	1	30 - 36	T27645	3I20	6	90 - 15D	T28538	3C20	19	70 - 35B
T26238	1F5	1	30 - 43	T27657	1C8	13	20 - 32	T28538	3C20	20	70 - 35B
T26238	1F15	1	30 - 53	T27657	1C9	15	20 - 33	T28538	3C22	11	70 - 35D
T26256	1E23	19	30 - 36	T27658	1B9	34	20 - 7	T28551	3D3	3	70 - 41
T26256	1F5	21	30 - 43	T27658	1C8	12	20 - 32	T28583	2E9	34	40 - 79
T26256	1F15	21	30 - 53	T27658	1C9	18	20 - 33	T28583	2E11	1	40 - 81
T26256	1F20	28	30 - 59	T27670	2C17	20	40 - 35	T28585	2B6	5	40 - 3

1L23

2030 TRACTOR

NUMERICAL INDEX - CONTINUED

PART NO.	GRID	KEY	PAGE	PART NO.	GRID	KEY	PAGE	PART NO.	GRID	KEY	PAGE
T28585	2B7	9	40 - 5	T29648	2F4	30	50 - 11	T30735	2G20	8	50 - 52
T28585	2E9	35	40 - 79	T29649	2F4	14	50 - 11	T30738	1D25	21	30 - 19
T28585	2E11	12	40 - 81	T29650	2F4	15	50 - 11	T30738	1E2	13	30 - 21
T28586	2E11	14	40 - 81	T29741	1G22	10	30 - 88	T30738	1E3	14	30 - 22
T28634	2G11	17	50 - 43	T29750	1D20	19	30 - 14	T30738	1E5	1	30 - 23
T28634	2G13	16	50 - 45	T29750	1D21	16	30 - 15	T30738	1E6	5	30 - 24
T28660	2F16	5	50 - 22	T29751	1D20	17	30 - 14	T30738	1E8	12	30 - 25
T28661	2F16	8	50 - 22	T29751	1D21	20	30 - 15	T30748	3H14	6	80 - 45
T28662	2F16	9	50 - 22	T29752	1D20	15	30 - 14	T30748	3I25	18	90 - 19
T28664	2F16	13	50 - 22	T29752	1D21	18	30 - 15	T30749	2H6	23	50 - 63
T28665	2F16	15	50 - 22	T29802	2F2	19	50 - 9	T30750	2G10	1	50 - 42
T28668	2G20	24	50 - 52	T29892	3D24	11	70 - 62	T30751	2G10	16	50 - 42
T28668	2H13	2	50 - 71	T29892	3D25	9	70 - 63	T30752	2G11	29	50 - 43
T28668	2H14	31	50 - 72	T29897	3D25	8	70 - 63	T30752	2G13	28	50 - 45
T28668	2H15	6	50 - 73	T29897	3E1	8	70 - 64	T30753	2G11	35	50 - 43
T28668	2H16	37	50 - 74	T29899	3D25	8	70 - 63	T30753	2G13	34	50 - 45
T28668	2H17	10	50 - 75	T29899	3E1	8	70 - 64	T30753	2G25	13	50 - 57
T28680	2H2	17	50 - 59	T29931	3C17	3	70 - 34	T30754	2F25	20	50 - 31
T28743	1B19	15	20 - 17	T29969	1E20	14	30 - 33	T30754	2G18	16	50 - 50
T28745	1B22	6	20 - 20	T30014	1B22	4	20 - 20	T30754	2G19	12	50 - 51
T28748	1C23	13	20 - 45	T30014	1B23	2	20 - 21	T30755	2F16	4	50 - 22
T28804	2G3	46	50 - 35	T30015	1C1	2	20 - 24	T30757	2F16	12	50 - 22
T28804	2G5	16	50 - 37	T30015	1C2	2	20 - 25	T30758	2H6	27	50 - 63
T28804	2G7	47	50 - 39	T30040	3G5	4	80 - 15	T30761	2F17	9	50 - 23
T28907	2I4	24	50 - 87	T30041	3G5	3	80 - 15	T30762	2F17	3	50 - 23
T28908	2I4	24	50 - 87	T30065	2H4	5	50 - 61	T30763	2F16	17	50 - 22
T28991	3C10	18	70 - 27	T30065	2H6	5	50 - 63	T30764	2F16	18	50 - 22
T29106	3F25	6	80 - 10	T30099	3D19	3	70 - 57	T30766	2H15	1	50 - 73
T29109	3F25	6	80 - 10	T30117	3J6	15	90 - 26	T30766	2H17	5	50 - 75
T29109	3G1	14	80 - 11	T30253	2H7	1	50 - 64	T30767	2H15	2	50 - 73
T29119	3H18	10	80 - 49	T30253	2H8	11	50 - 65	T30767	2H17	6	50 - 75
T29120	3J6	9	90 - 26	T30253	2H11	1	50 - 69	T30770	2G10	17	50 - 42
T29212	3F24	8	80 - 9	T30253	2H11	29	50 - 69	T30770	2G11	24	50 - 43
T29242	2I2	17	50 - 85	T30254	2H11	1	50 - 69	T30770	2G13	23	50 - 45
T29243	2I2	2	50 - 85	T30254	2H11	30	50 - 69	T30772	3H24	14	80 - 55
T29307	3D23	10	70 - 61	T30276	3D22	7	70 - 60	T30772	3H25	8	80 - 56
T29311	3D3	8	70 - 41	T30277	3D22	1	70 - 60	T30773	2G15	16	50 - 47
T29314	2F22	14	50 - 28	T30351	3G5	1	80 - 15	T30773	2G16	12	50 - 48
T29314	2G9	10	50 - 41	T30399	3J3	4	90 - 22	T30774	2E21	40	50 - 3
T29360	3H8	1	80 - 38	T30399	3J4	4	90 - 23	T30774	2G15	15	50 - 47
T29380	1C12	1	20 - 36	T30519	1E9	20	30 - 26	T30774	2G16	11	50 - 48
T29381	1B7	4B	20 - 5	T30525	1G23	3	30 - 89	T30780	2G15	6	50 - 47
T29381	1B7	5	20 - 5	T30607	1E23	18	30 - 36	T30780	2G16	5	50 - 48
T29384	1C12	6	20 - 36	T30607	1F5	22	30 - 43	T30781	2G15	11	50 - 47
T29385	1C12	7	20 - 36	T30607	1F15	22	30 - 53	T30781	2G16	9	50 - 48
T29388	1B7	4B	20 - 5	T30607	1F20	29	30 - 59	T30785	2G15	17	50 - 47
T29388	1B7	5	20 - 5	T30653	1G13	6	30 - 77	T30785	2G16	14	50 - 48
T29388	1C12	4	20 - 36	T30654	1F25	19	30 - 64	T30788	2G13	8	50 - 45
T29394	2H8	8	50 - 65	T30654	1G7	19	30 - 71	T30789	2G11	12	50 - 43
T29394	2H11	4	50 - 69	T30664	1G3	14	30 - 67	T30789	2G13	11	50 - 45
T29417	2B5	8	40 - 2	T30664	1G11	7	30 - 75	T30791	2F11	1	50 - 17
T29417	2B6	7	40 - 3	T30665	1F24	13	30 - 63	T30791	2F13	1	50 - 19
T29417	2B7	7	40 - 5	T30665	1G9	13	30 - 73	T30793	2F14	7	50 - 20
T29518	3E6	7	70 - 67	T30666	1F24	7	30 - 63	T30794	2F16	4	50 - 22
T29519	3E6	6	70 - 67	T30666	1G9	7	30 - 73	T30798	2H17	19	50 - 75
T29521	1C16	12	20 - 40	T30668	1F25	1	30 - 64	T30798	2H19	22	50 - 77
T29539	1G14	3	30 - 78	T30668	1F25	25	30 - 64	T30799	2H17	28	50 - 75
T29539	1G16	4	30 - 81	T30669	1F25	1	30 - 64	T30799	2H19	31	50 - 77
T29539	1G17	1	30 - 82	T30669	1F25	26	30 - 64	T30800	2H17	27	50 - 75
T29540	1G14	2	30 - 78	T30680	1G1	7	30 - 65	T30800	2H19	30	50 - 77
T29540	1G16	5	30 - 81	T30682	1G1	12	30 - 65	T30802	2H24	4	50 - 82
T29540	1G17	2	30 - 82	T30687	2I14	2	60 - 9	T30803	2H17	32	50 - 75
T29550	2I2	2	50 - 85	T30687	2I15	14	60 - 10	T30803	2H19	35	50 - 77
T29581	2E25	14	50 - 7	T30719	2H23	3	50 - 81	T30804	2H24	2	50 - 82
T29582	2E25	3	50 - 7	T30720	1C13	1	20 - 37	T30808	2G16	10	50 - 48
T29644	3D24	4	70 - 62	T30720	1C15	12	20 - 39	T30842	2E21	27	50 - 3
T29645	3D24	1	70 - 62	T30721	1C15	21	20 - 39	T30851	2H22	5	50 - 80

1L24

2030 TRACTOR

NUMERICAL INDEX - CONTINUED

PART NO.	GRID	KEY	PAGE	PART NO.	GRID	KEY	PAGE	PART NO.	GRID	KEY	PAGE
T30896	2F9	3	50 - 15	T32474	2F16	10	50 - 22	T40178	2F23	3	50 - 29
T30896	2F10	3	50 - 16	T32480	3I4	7	90 - 1B	T40308	3B18	28	70 - 15
T30897	1C15	4	20 - 39	T32488	3D7	19	70 - 45	T40308	3B20	17	70 - 17
T30897	1C16	3	20 - 40	T32499	1E9	3	30 - 26	T40308	3C4	18	70 - 23B
T30897	1C17	1	20 - 40A	T32554	1E9	31	30 - 26	T40308	3C5	11	70 - 23C
T30908	1E6	8	30 - 24	T32844	2F16	16	50 - 22	T40308	3C7	4	70 - 25
T30917	3D3	25	70 - 41	T32855	3C16	6	70 - 33	T41072	2B6	12	40 - 3
T30918	3D3	26	70 - 41	T32855	3C18	9	70 - 35	T41072	2B7	12	40 - 5
T31080	2H7	10	50 - 64	T33170	1E8	5	30 - 25	T42381	2F11	4	50 - 17
T31124	1F4	19	30 - 42	T33170	1E10	21	30 - 27	T42381	2F13	4	50 - 19
T31124	1F14	19	30 - 52	T33170	1G25	4	30 - 91	T43535	3C5	8	70 - 23C
T31125	1F4	19	30 - 42	T33183	2D12	2	40 - 56	T43535	3C5	9	70 - 23C
T31125	1F14	19	30 - 52	T33191	2F9	4	50 - 15	T46728	2I17	2	60 - 12
T31126	1F4	19	30 - 42	T33191	2F10	4	50 - 16	T47920	2I13	1	60 - 8
T31126	1F14	19	30 - 52	T33192	2F9	1	50 - 15	T48835	1G21	23	30 - 87
T31127	1F4	19	30 - 42	T33192	2F10	1	50 - 16	T48835	1G21	28	30 - 87
T31127	1F14	19	30 - 52	T33193	2F9	2	50 - 15	T48835	1G22	5	30 - 88
T31128	1F4	19	30 - 42	T33232	1D25	14	30 - 19	T49105	2E23	29	50 - 5
T31128	1F14	19	30 - 52	T33279	1B7	6	20 - 5	T49189	2I14	21	60 - 9
T31170	2G23	10	50 - 55	T33279	1B9	23	20 - 7	T497T	2H25	11	50 - 83
T31174	1G14	19	30 - 78	T33279	1C8	4	20 - 32	T50467	1G19	12	30 - 85
T31174	1G16	18	30 - 81	T33279	1C9	2	20 - 33	T52029	2I17	2	60 - 12
T31174	1G17	14	30 - 82	T33473	2G11	32	50 - 43	T526T	1B22	5	20 - 20
T31290	2I11	9	60 - 6	T33473	2G13	31	50 - 45	T54615	1C10	16	20 - 34
T31386	1D14	3	30 - 7	T33473	2G14	25	50 - 46	T55423	3D4	2	70 - 42
T31437	2D19	5	40 - 63	T33646	3H10	3	80 - 40	T57001	2I13	1	60 - 8
T31636	2G11	31	50 - 43	T33745	3I6	38	90 - 3	T57374	3B18	29	70 - 15
T31636	2G13	30	50 - 45	T34067	2E11	18	40 - 81	T57374	3B20	18	70 - 17
T31794	2H7	2	50 - 64	T34079	3E23	5	70 - 86	T57374	3C4	19	70 - 23B
T32016	3D19	15	70 - 57	T34248	2I10	2	60 - 5	T57374	3C5	10	70 - 23C
T32017	1B22	4	20 - 20	T34331	2I8	22	60 - 3	T57374	3C7	5	70 - 25
T32029	1D23	11	30 - 17	T34332	2I8	5	60 - 3	T59404	2F24	16	50 - 30
T32142	2H2	8	50 - 59	T35294	2F7	25	50 - 13	T61939	3C13	7	70 - 30
T32204	3E25	1	70 - 89	T35295	2F7	21	50 - 13	T63652	2F1	21	50 - 8
T32214	3H25	9	80 - 56	T35296	2F7	26	50 - 13	T64421	1D23	11	30 - 17
T32231	1D25	2	30 - 19	T35297	2F7	27	50 - 13	T65880	3H24	7	80 - 55
T32231	2B5	6	40 - 2	T35298	2F7	23	50 - 13	T68412	2E21	24	50 - 3
T32231	2B7	5	40 - 5	T35299	2F7	20	50 - 13	T68412	2E21	33	50 - 3
T32238	1F4	18	30 - 42	T35300	2F7	24	50 - 13	T68412	2E23	32	50 - 5
T32238	1F14	18	30 - 52	T35301	2F7	22	50 - 13	T68412	2E23	34	50 - 5
T32239	1F4	18	30 - 42	T35389	3D4	2	70 - 42	T68412	2F25	15	50 - 31
T32239	1F14	18	30 - 52	T35390	3D4	2	70 - 42	T719T	1E9	22	30 - 26
T32240	1F4	18	30 - 42	T35674	1G21	2	30 - 87	T71925	2I4	24	50 - 87
T32240	1F14	18	30 - 52	T35675	1G21	2	30 - 87	T71926	2I4	24	50 - 87
T32241	1F4	18	30 - 42	T35675	2F22	2	50 - 28	T735T	2C21	4	40 - 39
T32241	1F14	18	30 - 52	T35675	2G9	2	50 - 41	T736T	2C4	13	40 - 25
T32252	1G17	11	30 - 82	T35689	3C13	7	70 - 30	T736T	2C10	9	40 - 31
T32262	1B21	2	20 - 19	T35791	2I4	29	50 - 87	T736T	2C21	7	40 - 39
T32264	3C15	1	70 - 32	T35793	2I4	20	50 - 87	T738T	2C4	11	40 - 25
T32340	1C1	..	20 - 24	T36042	2E23	14	50 - 5	T738T	2C21	3	40 - 39
T32342	1B7	27	20 - 5	T36042	2G11	25	50 - 43	T739T	2C4	9	40 - 25
T32342	1B13	10	20 - 11	T36042	2G13	24	50 - 45	T739T	2C21	20	40 - 39
T32343	1B7	27	20 - 5	T36042	2G14	22	50 - 46	T740T	2C4	10	40 - 25
T32343	1B9	15	20 - 7	T36042	2G25	12	50 - 57	T740T	2C21	21	40 - 39
T32343	1B21	1	20 - 19	T36118	3F19	7	80 - 3	T741T	2C21	1	40 - 39
T32343	1B23	3	20 - 21	T36236	2E21	23	50 - 3	T743T	2C21	15	40 - 39
T32343	1C1	3	20 - 24	T36236	2E23	36	50 - 5	T77165	1G19	12	30 - 85
T32343	1C2	3	20 - 25	T36482	2I13	7	60 - 8	T77613	3F9	12	70 - 98
T32343	1C3	3	20 - 26	T366T	2D18	10	40 - 62	T79479	1D23	11	30 - 17
T32344	1B9	17	20 - 7	T37822	2H8	9	50 - 65	T84409	2B25	1	40 - 21
T32344	1D2	30	20 - 49	T38049	2I4	20	50 - 87	T84409	2C15	1	40 - 33
T32348	1B7	27	20 - 5	T38063	2I17	2	60 - 12	T84409	2C20	2	40 - 38
T32365	1E1	15	30 - 20	T39395	2D17	2	40 - 61	T84410	2B25	10	40 - 21
T32413	3J6	13	90 - 26	T40167	3C13	8	70 - 30	T84410	2C15	6	40 - 33
T32413	3J7	8	90 - 27	T40169	2I14	2	60 - 9	T84410	2C20	1	40 - 38
T32414	3J6	5	90 - 26	T40169	2I15	14	60 - 10	T84411	2B25	10	40 - 21
T32414	3J7	4	90 - 27	T40170	2E23	29	50 - 5	T84411	2C15	6	40 - 33

1L25

2030 TRACTOR

NUMERICAL INDEX - CONTINUED

PART NO.	GRID	KEY	PAGE	PART NO.	GRID	KEY	PAGE	PART NO.	GRID	KEY	PAGE
T84411	2C20	1	40-38	16-A41	1E19	4	30-32				
T84412	2B25	10	40-21	16-456	1E9	21	30-26				
T84412	2C15	6	40-33	16-456	1E14	17	30-29B				
T84412	2C20	1	40-38	16-456	1E19	12	30-32				
T84413	2B25	10	40-21	16-47	1E9	23	30-26				
T84413	2C15	6	40-33	16-47	1E14	15	30-29B				
T84413	2C20	1	40-38	16-47	1E19	13	30-32				
T84578	2B25	10	40-21	16-654	1E10	5	30-27				
T84578	2C15	6	40-33	1839345	2C22	11	40-40				
T84578	2C20	1	40-38	1873796	2C8	24	40-29				
U10289	2I8	18	60-3	1873796	2C22	5	40-40				
U10289	2I10	8	60-5	18940	3E4	3	70-65B				
U11004	2F18	10	50-24	24-340	1E10	22	30-27				
U11343	3C13	12	70-30	24-340	1E14	33	30-29B				
U11647	3F12	1	70-102	24-340	1E19	7	30-32				
U12331	2I8	27	60-3	30-739	1E9	4	30-26				
U12331	2I10	9	60-5	30-739	1E14	9	30-29B				
U12547	3C9	4	70-26A	400R	2H2	16	50-59				
U13489	2F17	5	50-23	400R	2I15	12	60-10				
U13489	2F18	11	50-24	400R	3E17	10	70-79				
U13489	2H6	29	50-63	400R	3E20	3	70-83				
U13639	1B7	21	20-5	400R	3E21	13	70-84				
U13639	3B6	2	70-3	400R	3F4	13	70-93				
U13639	3B16	14	70-13	400R	3F5	14	70-94				
U13639	3B16	16	70-13	43-33	1E10	23	30-27				
U13639	3B16	..	70-13	43-33	1E14	34	30-29B				
U13639	3B22	14	70-19	43-33	1E19	8	30-32				
U13639	3B24	12	70-21	44-38	1E14	19	30-29B				
U13639	3C7	21	70-25	44-68	1E14	35	30-29B				
U13639	3C8	8	70-26	49-101L	1E10	26	30-27				
U15969	3F9	21	70-98	49-101L	1E14	6	30-29B				
U16538	1B25	2	20-23	55-261	1E14	36	30-29B				
U17409	2H6	26	50-63	810601	2C21	13	40-39				
U40656	3I2	13	90-1	818265	2C21	22	40-39				
U40656	3I4	7	90-1B	820148	2C2	3	40-23				
U46370	2E9	36	40-79	820149	2C2	4	40-23				
U46370	2E11	20	40-81	99-4	1E9	33	30-26				
U46662	2E2	12	40-71	994	1E9	33	30-26				
U46662	2E9	37	40-79								
U46662	2E11	10	40-81								
U46663	2E9	38	40-79								
U46664	2E9	39	40-79								
U46664	2E13	47	40-83								
Y1912C	2G23	12	50-55								
Z24798	2C17	6	40-35								
Z24799	2C17	15	40-35								
Z24799	2C19	15	40-37								
Z24800	2C17	31	40-35								
Z24801	2C17	20	40-35								
Z24810	2C17	17	40-35								
Z24810	2C19	17	40-37								
Z36276	3C5	8	70-23C								
Z36276	3C5	9	70-23C								
Z42047	2B21	24	40-19								
Z42047	2B23	3	40-19B								
Z42048	2B21	19	40-19								
Z42049	2B19	8	40-17								
Z42049	2B21	12	40-19								
15-A295	1E9	16	30-26								
15-A295	1E14	24	30-29B								
15-A85	1E10	7	30-27								
15-A85	1E14	4	30-29B								
15-483	1E9	1	30-26								
15-483	1E14	1	30-29B								
15-483	1E19	9	30-32								
16-A41	1E10	27	30-27								
16-A41	1E14	7	30-29B								