

1A2

7520 TRACTOR

RWP5982 -UN-01JAN94



JOHN DEERE 7520 TRACTOR

(SPECIFICATIONS AND DESIGN SUBJECT TO CHANGE WITHOUT NOTICE)

COPYRIGHT (C) 1995. DEERE & COMPANY. MOLINE, ILLINOIS. ALL RIGHTS RESERVED.

1A3

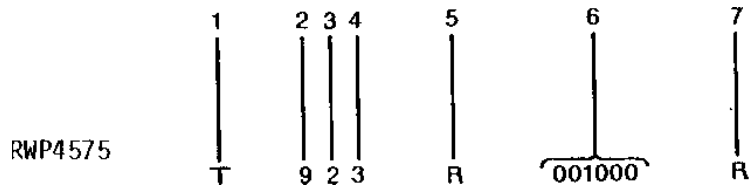
7520 TRACTOR

SERIAL NUMBERS

EACH 7520 TRACTOR HAS THE FOLLOWING SERIAL NUMBER PLATES: BASIC TRACTOR AND ENGINE.

TRACTOR SERIAL NUMBER

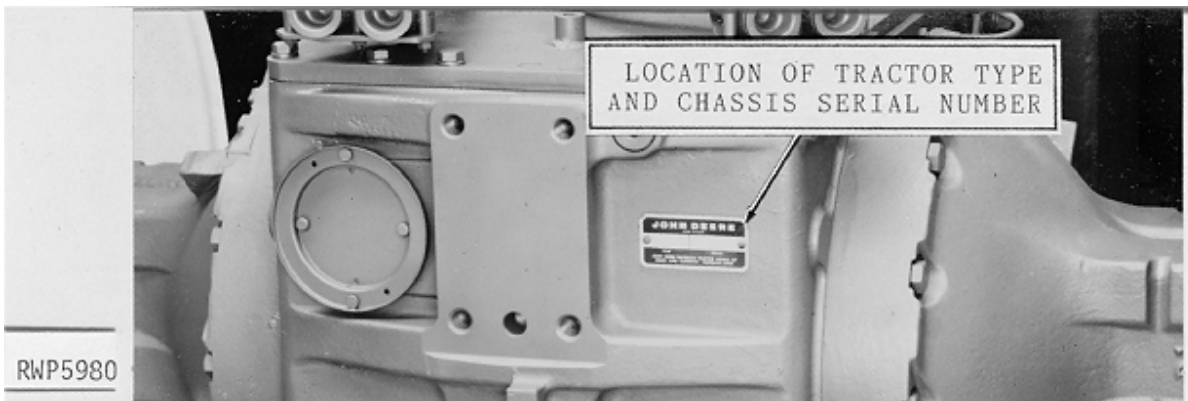
RWP4575 -UN-01JAN94



1. DESIGNATES TYPE OF UNIT
2. DESIGNATES MODEL SERIES
3. DESIGNATES CHASSIS DESIGN
4. DESIGNATES TYPE OF ENGINE
5. DESIGNATES TYPE OF TRANSMISSION
6. DESIGNATES TRACTOR SERIAL NUMBER
7. DESIGNATES TRACTOR MANUFACTURER

- T - TRACTOR
9 - 7520
2 -
3 - DIESEL
R - SYNCRO-RANGE
R - JOHN DEERE TRACTOR WORKS

RWP5980 -UN-01JAN94



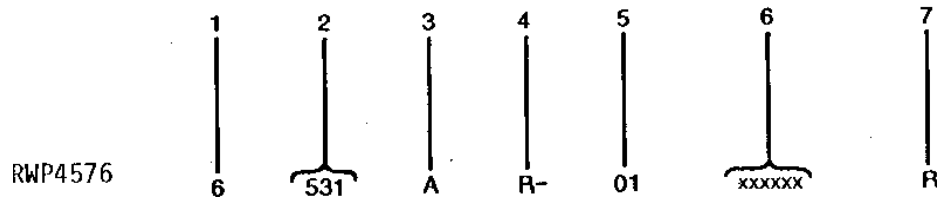
THE BASIC TRACTOR SERIAL NUMBER PLATE IS LOCATED AT THE REAR OF THE TRANSMISSION CASE.

1A4

7520 TRACTOR

ENGINE SERIAL NUMBER

RWP4576 -UN-01JAN94



- | | |
|---|----------------------------------|
| 1. DESIGNATES NUMBER OF CYLINDERS | 6 |
| 2. DESIGNATES CUBIC INCH DISPLACEMENT | 531 |
| 3. DESIGNATES TYPE OF AIR INTAKE SYSTEM | A - TURBOCHARGED AND INTERCOOLED |
| 4. DESIGNATES USER FACTORY | R - JOHN DEERE TRACTOR WORKS |
| 5. DESIGNATES THE VERSION | 01- FIRST |
| 6. DESIGNATES ENGINE SERIAL NUMBER | |
| 7. DESIGNATES ENGINE MANUFACTURER | R - JOHN DEERE TRACTOR WORKS |

RWP5981 -UN-01JAN94



THE ENGINE SERIAL NUMBER PLATE IS LOCATED ON THE RIGHT-HAND SIDE OF THE ENGINE.

1A5

7520 TRACTOR

SHORT BLOCK SERIAL NUMBER PLATE (-RGSB531882500)

RGP3513 -UN-01JAN94



RGP3513

A SHORT BLOCK SERIAL NUMBER PLATE PLUS 2-37H44 DRIVE SCREWS ARE USED TO ATTACH TO REPLACEMENT SHORT BLOCK ASSEMBLIES. THIS NUMBER WILL BE REFERRED TO WHEN NEW PARTS AFFECT THE SHORT BLOCK ASSEMBLY. THE PREVIOUS ENGINE SERIAL NUMBER SHOULD BE STAMPED INTO THE BLANK SPACE PROVIDED, AS A REFERENCE FOR YOUR DEALER.

- | | |
|---------------------------------------|----------------------------|
| 1. DESIGNATES ENGINE MANUFACTURER | RG - WATERLOO ENGINE WORKS |
| 2. DESIGNATES REPLACEMENT SHORT BLOCK | SB |
| 3. DESIGNATES CUBIC INCH | 531 |
| 4. DESIGNATES THE PRODUCTION DATE | 8825 |
| 5. DESIGNATES COMPONENT SEQUENCE | 00 |

SERIAL NUMBER NOW STAMPED INTO CASTING OF BLOCK NEAR PREVIOUS SERIAL NUMBER PLATE.

EXAMPLE: RE170420295

- | | |
|-----------------------------------|---------|
| 1. DESIGNATES SERVICE PART NUMBER | RE17042 |
| 2. DESIGNATES MONTH PACKAGED | 02 |
| 3. DESIGNATES YEAR PACKAGED | 95 |

1A6

7520 TRACTOR

SERIAL NUMBER LISTING INFORMATION

SERIAL NUMBER INFORMATION IS LISTED TO SHOW ON WHICH MACHINES EACH PART CAN BE USED; FOR EXAMPLE:

- THE PART CAN BE USED ON ALL MACHINES.
- 000000- THE PART CAN BE USED ON ALL MACHINES BEGINNING WITH THE SERIAL NUMBER LISTED.
- 000000 THE PART CAN BE USED ON ALL MACHINES UP TO AND INCLUDING THE SERIAL NUMBER LISTED.
- 000000-000000 THE PART CAN BE USED ON ALL MACHINES BETWEEN AND INCLUDING THE SERIAL NUMBERS LISTED.

- 15BV1- WHEN A MODEL NUMBER BEGINS WITH 15BV, 14HA, 15PP, 25SC, 2RC, 4RC, 15RS, 3CY, 2SP, OR 31SV, IT REFERS TO THE MODEL NUMBER OF THE BRAKE VALVE, HYDRAULIC ACCUMULATOR, HYDRAULIC PUMP, REMOTE CYLINDER SELECTIVE CONTROL VALVE FOR NO ROCKSHAFT, REMOTE CYLINDER SELECTIVE CONTROL VALVES, REMOTE CYLINDERS, REMOTE CYLINDERS WITH MECHANICAL STOPS, ROCKSHAFT CONTROL VALVE, STEERING CYLINDER, STEERING METERING PUMP, OR STEERING VALVE.

WHEN XXXXXX'S ARE LISTED IN PLACE OF A SERIAL NUMBER, A SERIAL NUMBER CHANGE WAS MADE BUT THE EXACT SERIAL NUMBER WAS NOT AVAILABLE WHEN THE CATALOG WAS PRODUCED.

MODEL NUMBERS

THE COMPONENTS LISTED BELOW HAVE MODEL NUMBERS:

ACCUMULATOR	1HA3
BRAKE VALVE	7BV2
FLEXIBLE OIL LINE COUPLER	3DL1
HYDRAULIC PUMP	1PP4
PRESSURE CONTROL VALVE	2PC1
REMOTE CYLINDER SELECTIVE CONTROL VALVE - SINGLE	21SC1
REMOTE CYLINDER SELECTIVE CONTROL VALVE - DUAL	12SC1
REMOTE CYLINDER SELECTIVE CONTROL VALVE - TRIPLE	22SC1
REMOTE CYLINDER WITH HYDRAULIC STOP	2RC4
REMOTE CYLINDER WITH MECHANICAL STOP	4RC3
ROCKSHAFT CONTROL VALVE	9RS1
STEERING CYLINDER	1CY1
STEERING VALVE	3SY2

EACH OF THE ABOVE COMPONENTS HAS A MODEL NUMBER. WHEN THE DESIGN OF ONE OF THESE COMPONENTS IS CHANGED, THE MODEL NUMBER FOR THE NEWLY DESIGNED COMPONENT IS CHANGED.

DIRECTION ARROW

ARROWS ARE USED WITH ILLUSTRATIONS TO INDICATE THE FRONT OF THE UNIT. "RIGHT-HAND" AND "LEFT-HAND" SIDES ARE DETERMINED BY FACING IN THE DIRECTION OF MACHINE FORWARD TRAVEL.

BOX-ENCLOSED ILLUSTRATIONS

A KEY NUMBER, SHOWN IN THE PARTS LIST, IS ASSIGNED TO A BOX ENCLOSING ALL PARTS SOLD AS A SERVICE ASSEMBLY.

BOLT AND CAP SCREW STRENGTH IDENTIFICATION

U.S. CUSTOMARY DIMENSIONED PRODUCT: BOLTS AND CAP SCREWS REQUIRED TO HAVE HIGH-STRENGTH QUALITIES EQUIVALENT TO SAE GRADE 8 ARE IDENTIFIED THROUGHOUT THIS CATALOG BY THE DESCRIPTION HS SAE 8. ALL STANDARD BOLTS AND CAP SCREWS ARE SAE GRADE 5 OR LOWER.

METRIC DIMENSIONED PRODUCT: BOLTS AND CAP SCREWS REQUIRED TO HAVE HIGH-STRENGTH QUALITIES EQUIVALENT TO PROPERTY CLASS 10.9 ARE IDENTIFIED THROUGHOUT THIS CATALOG BY THE DESCRIPTION HS 10.9. ALL STANDARD BOLTS AND CAP SCREWS ARE PROPERTY CLASS 8.8 OR LOWER.

JDM REMANUFACTURED COMPONENTS

THE SERVICE PARTS LISTED IN THIS CATALOG ARE INTENDED FOR THE REPAIR OF ORIGINAL EQUIPMENT COMPONENTS. ALTHOUGH MOST SERVICE PARTS MAY BE USED TO REPAIR REMANUFACTURED COMPONENTS, THE REMANUFACTURING PROCESS MAY CHANGE PARTS SUFFICIENTLY SO THAT SERVICE ARE INADEQUATE OR NOT USABLE.

TRADEMARKS

THROUGHOUT THIS PARTS CATALOG, YOU WILL FIND THE FOLLOWING DEERE AND COMPANY TRADEMARKS:

HYDRACUSHIONED™
INVESTIGATOR™ II
PERSONAL-POSTURE™
QUAD-RANGE™
PERFORMANCE TRAK™ II

ROLL-GARD®
SOUND-GARD®
TORQ-GARD SUPREME®
HY-GARD®
QUIK-TATCH®

CHANGE INDICATOR LINE (MICROFICHE CATALOGS ONLY)

CHANGES AFFECTING THE ORDERING OF PARTS ARE IDENTIFIED BY VERTICAL LINES MARKED IN THE LEFT-HAND MARGIN OF REVISED PARTS LISTING IMAGES. A LINE IS ALSO AT THE LEFT-HAND EDGE OF THE SAME PART NUMBER IN THE NUMERICAL INDEX TO SHOW THE LOCATION OF REVISED INFORMATION.

1A8

7520 TRACTOR

QUANTITY COLUMN OR REMARKS COLUMN

GENERALLY THE QUANTITY SHOWN IS FOR THE ENTIRE TRACTOR AT ANY GIVEN LOCATION. THERE ARE EXCEPTIONS AS IN WHEEL HARDWARE WHERE ONLY ENOUGH IS SHOWN FOR ONE WHEEL.

THE FOLLOWING ABBREVIATIONS ARE USED IN THE REMARKS COLUMN:

NLR - NO LONGER REQUIRED

^NA - NOT APPLICABLE

NLA - NO LONGER AVAILABLE

FI - FIELD INSTALLED

^CA - COMPLETE GOODS ATTACHMENT

CA AND FI ARE OPTIONS THAT MUST BE ORDERED DIRECT FROM THE PRODUCING FACTORY.

1A9

7520 TRACTOR

SECTION INDEX

GENERAL INFORMATION	10
ENGINE	20
FUEL AND AIR	30
ELECTRICAL	40
POWER TRAIN	50
STEERING AND BRAKES	60
HYDRAULICS	70
WHEELS, FRONT AXLES, SHEET METAL	80
OPERATOR'S STATION	90
NUMERICAL INDEX	95

1A10

7520 TRACTOR

ALPHABETICAL INDEX

GRID		PAGE	GRID		PAGE
A					
3B15	ABSORBER, SHOCK, SEAT SUPPORT.....	90-23	2B24	BEVEL GEAR, DIFFERENTIAL.....	50-28
2E8	ACCUMULATOR, BRAKE.....	60-26	2B24	BEVEL PINION, DIFFERENTIAL.....	50-28
2E10	ACCUMULATOR, BRAKE.....	60-28	1B11	BLOCK, CYLINDER (6531A & T) (SBSN 628711-).....	20-14
2G12	ADAPTER IMPLEMENT QUICK-COUPLER.....	70-48	1B9	BLOCK, CYLINDER (6531A) (EARLY DESIGN).....	20-12
1D17	ADAPTER, STARTING AID.....	30-16	1B13	BLOCK, ENGINE SHORT (6531A).....	20-16
1D18	ADAPTER, STARTING AID.....	30-17	1B15	BLOCK, ENGINE SHORT (6531A).....	20-18
1D12	AFTERCOOLER (6531A).....	30-10	2B25	BLOCKERS, TRANSMISSION.....	50-29
1D4	AIR CLEANER.....	30-2	3B6	BLOWER AND CONDENSATE TRAY, CAB.....	90-14
1D7	AIR CLEANER ELEMENT CLEANING GUN.....	30-5	3B6	BLOWER SWITCH.....	90-14
3A22	AIR CONDITIONING CLUTCH.....	90-2	3B12	BODY, CAB.....	90-20
3A22	AIR CONDITIONING COIL.....	90-2	1B5	BOLT, ENGINE LIFT EYE (6531).....	20-8
3A22	AIR CONDITIONING COMPRESSOR.....	90-2	1B1	BOLTS, HEAD (6531).....	20-5A
3A24	AIR CONDITIONING COMPRESSOR.....	90-4	1A25	BOLTS, HEAD (6531A).....	20-5
2I7	AIR CONDITIONING O-RING KIT.....	70-90	2I19	BOX, BATTERY.....	80-11
3A22	AIR CONDITIONING PULLEY.....	90-2	1F3	BRACKET, ALTERNATOR MOUNTING.....	40-8
1D3	AIR INTAKE PIPE.....	30-1	1F5	BRACKET, ALTERNATOR MOUNTING.....	40-10
3B20	AIR INTAKE, ROOF MOUNTED.....	90-29	1F7	BRACKET, ALTERNATOR MOUNTING.....	40-12
1F9	ALTERNATOR (12 VOLT, 72 AMP) (DELCO-REMY).....	40-14	2H20	BRACKET, BREAKAWAY COUPLER.....	70-79
1F8	ALTERNATOR (12-VOLT, 55 AMP) (MOTOROLA).....	40-13	1H11	BRACKET, ELECTRICAL REMOTE CONTROL.....	40-60
1F9	ALTERNATOR (12VOLT, 78 AMP) (DELCO-REMY).....	40-14	3C12	BRACKET, FIRE EXTINGUISHER.....	90-46
1F3	ALTERNATOR (55 AMP).....	40-8	2D24	BRACKET, STEERING CYLINDER.....	60-17
1F5	ALTERNATOR (72 AMP) (78 AMP).....	40-10	1G22	BRACKET,RADAR SENSOR.....	40-49A
1F3	ALTERNATOR BELT.....	40-8	1F2	BRACKETS, ALTERNATOR MOUNTING.....	40-7
1F5	ALTERNATOR BELT.....	40-10	2E8	BRAKE ACCUMULATOR.....	60-26
1F9	ALTERNATOR BRUSHES.....	40-14	2E10	BRAKE ACCUMULATOR.....	60-28
1F9	ALTERNATOR FAN.....	40-14	2E6	BRAKE FACING.....	60-24
1F3	ALTERNATOR MOUNTING BRACKET.....	40-8	2E7	BRAKE FACING.....	60-25
1F5	ALTERNATOR MOUNTING BRACKET.....	40-10	2E4	BRAKE OIL PIPES (FRONT).....	60-22
1F7	ALTERNATOR MOUNTING BRACKET.....	40-12	2E5	BRAKE OIL PIPES (REAR).....	60-23
1F2	ALTERNATOR MOUNTING BRACKETS.....	40-7	2D25	BRAKE PEDAL.....	60-18
1G24	ANALOG TACHOMETER.....	40-49C	2E7	BRAKE PLATE.....	60-25
1E9	ANEROID CONTROL.....	30-34	2E6	BRAKE PLATES.....	60-24
1H1	ANTENNA, RADIO.....	40-50	2E1	BRAKE VALVE.....	60-19
2C18	ANTI-FRICTION DIFFERENTIAL KIT.....	50-48	2E2	BRAKE VALVE OVERHAUL KIT.....	60-20
2C20	ANTI-FRICTION NO LOCK DIFFERENTIAL KIT.....	50-50	2E3	BRAKE VALVE PLUNGER REPLACEMENT KIT.....	60-21
1E15	ARM, FOOT SPEED CONTROL.....	30-40	2C11	BRAKE, PTO SNUBBER.....	50-41
2F24	ARM, LIFT.....	70-35	2H13	BREAKAWAY COUPLER.....	70-72
2F25	ARM, LOAD CONTROL.....	70-36	2H15	BREAKAWAY COUPLER (ISO CONVERSION KIT).....	70-74
2C3	ARM, PARK RELEASE.....	50-32	2H14	BREAKAWAY COUPLER (ISO).....	70-73
2C3	ARM, SPEED CHANGE LEVER.....	50-32	2H11	BREAKAWAY COUPLER (LESS ROCKSHAFT).....	70-70
2C5	ARM, SPEED CHANGE SHIFTER.....	50-35	2H9	BREAKAWAY COUPLER (ROCKSHAFT).....	70-68
2C1	ARM, SPEED RANGE LEVER.....	50-30	2H20	BREAKAWAY COUPLER BRACKET.....	70-79
2C5	ARM, SPEED RANGE SHIFTER.....	50-35	2H8	BREAKAWAY COUPLER OIL LINES.....	70-67
1F22	ARMATURE, STARTER (DELCO-REMY).....	40-28	2H10	BREAKAWAY COUPLER OVERHAUL KIT.....	70-69
1F13	ARMATURE, STARTER (NIPPONDENSO).....	40-18	1E24	BREAKER, CIRCUIT.....	40-4B
1B6	ARMS, ROCKER (6531).....	20-9	1H16	BREAKER, ELECTRICAL OUTLET CIRCUIT.....	40-65
2I12	AXLE STOP.....	80-4	1E22	BREAKER, MAIN CIRCUIT.....	40-4
2I22	AXLE SUPPORT, FRONT.....	80-14	1F9	BRUSHES, ALTERNATOR.....	40-14
2D6	AXLE, FRONT.....	50-62	2I6	BULK FLEXIBLE OIL LINE COUPLINGS.....	70-89
2C14	AXLE, REAR.....	50-44	2G1	BUSHING KIT, LOAD CONTROL SHAFT.....	70-37
B					
2I16	BAFFLE, HOOD.....	80-8	3B20	CAB AIR INTAKE, ROOF MOUNTED.....	90-29
1E20	BATTERY.....	40-2	3B12	CAB BODY.....	90-20
2I19	BATTERY BOX.....	80-11	3B2	CAB CIRCUIT BREAKER.....	90-9
1E21	BATTERY CABLES.....	40-3	3B3	CAB COMPRESSOR VALVE.....	90-11
2I19	BATTERY CLAMPS.....	80-11	3B1	CAB CONDENSER.....	90-8
1C4	BEARING, THRUST (6531).....	20-32	3B8	CAB CONTROL PANEL.....	90-16
1C4	BEARINGS, MAIN (6531).....	20-32	3B21	CAB COWL PANEL.....	90-30
1F3	BELT, FAN AND ALTERNATOR DRIVE.....	40-8	1G16	CAB DOME LIGHT.....	40-43
1F5	BELT, FAN AND ALTERNATOR DRIVE.....	40-10	3B17	CAB DOOR (HINSON).....	90-25
1C20	BELTS, FAN (6531A).....	20-44	3B3	CAB EVAPORATOR.....	90-11
			3B2	CAB FAN MOTOR.....	90-9
			3B6	CAB FAN MOTOR.....	90-14
C					

1A11

7520 TRACTOR

ALPHABETICAL INDEX - CONTINUED

<i>GRID</i>		<i>PAGE</i>	<i>GRID</i>		<i>PAGE</i>
3B23	CAB FLOOR MAT	90-32	1A24	CONDITIONER, COOLANT	20-3
3B22	CAB FLOOR PANELS	90-31	1B23	CONNECTING RODS (6531A)	20-26
3B4	CAB FRESH AIR FILTER	90-12	1E3	CONNECTORS, FUEL INJECTION PUMP HOUSING.....	30-28
3B18	CAB GLASS	90-26	1H19	CONNECTORS,ELECTRICAL	40-68
3B9	CAB HEATER	90-17	1H21	CONNECTORS,ELECTRICAL	40-70
1G7	CAB LAMP PARTS	40-34	1H23	CONNECTORS,ELECTRICAL	40-72
1G6	CAB LAMP WIRING	40-33	3B4	CONSOLE COVER, CAB	90-12
1G6	CAB LAMPS	40-33	3B8	CONSOLE COVER, REAR	90-16
1H1	CAB RADIO	40-50	3C3	CONSOLE, ROCKSHAFT	90-37
3B1	CAB RECEIVER-DRYER	90-8	3C3	CONSOLE, SELECTIVE CONTROL	90-37
3B19	CAB ROOF	90-28	1H19	CONTAINER,ELECTRICAL PARTS.....	40-68
3B21	CAB SEALING BAFFLES.....	90-30	3B25	CONTROL SUPPORT	90-34
3B23	CAB UPHOLSTERY	90-32	3B25	CONTROL SUPPORT COVER	90-34
3B17	CAB WINDOW, FRONT (R.H.)	90-25	2F11	CONTROL VALVE, PRESSURE	70-22
1H10	CAB WINDSHIELD WASHER	40-59	2D18	CONTROL VALVE, STEERING FLOW	60-11
1H9	CAB WINDSHIELD WIPER	40-58	1E9	CONTROL, ANEROID	30-34
1E21	CABLE, BATTERY	40-3	2F25	CONTROL, LOAD	70-36
2B9	CABLE, HI-LO SPEED SHIFTER LEVER.....	50-12	2C5	CONTROL, TRANSMISSION SHIFTER	50-35
2B7	CABLE, PTO SHIFTER	50-10	2I4	CONVERSION KIT, REMOTE CYLINDER	70-87
2G7	CABLE, ROCKSHAFT CONTROL VALVE	70-43	1A24	COOLANT CONDITIONER.....	20-3
1G21	CABLE, SPEED-HOUR METER	40-49	1C23	COOLANT HEATER, ENGINE (6531) (110 VOLT)	20-47
2C5	CABLE, TRANSMISSION SHIFTER	50-35	1C16	COOLER, ENGINE OIL (6531A)	20-40
2C6	CABLES, TRANSMISSION CONTROL	50-36	2F17	COOLER, HYDRAULIC OIL.....	70-28
1B7	CAMSHAFT (6531).....	20-10	2B23	COUNTERSHAFT, TRANSMISSION	50-27
1B7	CAMSHAFT GEAR (6531).....	20-10	2H17	COUPLER OVERHAUL KIT (ISO).....	70-76
1D21	CAP, FUEL FILLER (R.H.).....	30-21	2H13	COUPLER, BREAKAWAY	70-72
1C18	CAP, RADIATOR	20-42	2H15	COUPLER, BREAKAWAY (ISO CONVERSION KIT)	70-74
2G23	CAP, SELECTIVE CONTROL VALVE	70-58	2H14	COUPLER, BREAKAWAY (ISO)	70-73
2C14	CARRIER, PLANET PINION	50-44	2H11	COUPLER, BREAKAWAY (LESS ROCKSHAFT)	70-70
2D6	CARRIER, PLANET PINION	50-62	2H9	COUPLER, BREAKAWAY (ROCKSHAFT)	70-68
2D2	CASE, FRONT DIFFERENTIAL.....	50-58	2H19	COUPLER, FLEXIBLE OIL LINE	70-78
2B20	CASE, TRANSMISSION.....	50-24	2G12	COUPLER, IMPLEMENT QUICK.....	70-48
2I9	CAST DISK WHEELS	80-1	2H15	COUPLER, ISO CONVERSION KIT	70-74
2G10	CENTER LINK	70-46	2E16	COUPLER, MAIN PUMP DRIVE	70-2
2G15	CHAIN, IMPLEMENT SAFETY	70-51	2I6	COUPLINGS, FLEXIBLE OIL LINE (BULK)	70-89
1D23	CHECK VALVE, FUEL (6531)	30-23	2I6	COUPLINGS, REUSABLE LOK-PIN	70-89
3C1	CIGAR LIGHTER	90-35	3B19	COVER, CAB CONDENSER	90-28
1E24	CIRCUIT BREAKER	40-4B	3B4	COVER, CAB CONSOLE	90-12
1H16	CIRCUIT BREAKER, ELECTRICAL OUTLET	40-65	3B8	COVER, CAB REAR CONSOLE	90-16
3B2	CIRCUIT BREAKERS, CAB	90-9	2A23	COVER, CLUTCH INSPECTION	50-1
2I19	CLAMP, BATTERY	80-11	3B25	COVER, CONTROL SUPPORT.....	90-34
1D4	CLEANER, AIR	30-2	2H9	COVER, DUST, BREAKAWAY COUPLER	70-68
2B3	CLUTCH COLLAR	50-6	2H11	COVER, DUST, BREAKAWAY COUPLER	70-70
2A25	CLUTCH CONTROL, TRANSMISSION	50-3	1D15	COVER, EXHAUST MUFFLER	30-14
2B3	CLUTCH FORK.....	50-6	2D2	COVER, FRONT DIFFERENTIAL CASE.....	50-58
2A23	CLUTCH HOUSING	50-1	1B3	COVER, ROCKER ARM	20-6
2A25	CLUTCH PEDAL.....	50-3	3C4	COVER, SELECTIVE CONTROL LINKAGE	90-38
2B1	CLUTCH PEDAL VALVE	50-4	1F12	COVER, STARTER SOLENOID SWITCH KIT (NIPPONDENSO).....	40-17
2B2	CLUTCH PEDAL VALVE OVERHAUL KIT	50-5	2D17	COVER, STEERING VALVE	60-9
2B3	CLUTCH RELEASE, TRANSMISSION	50-6	2D14	COVER, STEERING VALVE CYLINDER	60-6
3A22	CLUTCH, AIR CONDITIONING	90-2	1C3	COVER, TIMING GEAR (6531A).....	20-31
2A24	CLUTCH, TRANSMISSION	50-2	2B21	COVER, TRANSMISSION CASE FRONT.....	50-25
3A22	COIL, AIR CONDITIONING	90-2	2B22	COVER, TRANSMISSION CASE REAR	50-26
1F22	COIL, STARTER (DELCO-REMY).....	40-28	3C2	COWL	90-36
1F15	COIL, STARTER (NIPPONDENSO)	40-20	3B21	COWL PANEL, CAB.....	90-30
2B25	COLLAR, SYNCHRONIZER DRIVE	50-29	1B24	CRANKSHAFT	20-27
1F23	COMMUTATOR END FRAME, STARTER (DELCO-REMY)	40-29	1B25	CRANKSHAFT (6531)	20-28
1F14	COMMUTATOR END FRAME, STARTER (NIPPONDENSO).....	40-19	1B25	CRANKSHAFT GEAR (6531).....	20-28
3A24	COMPRESSOR (AIR CONDITIONING).....	90-4	1C2	CRANKSHAFT REAR OIL SEAL.....	20-30
3A24	COMPRESSOR BELT	90-4	1C2	CRANKSHAFT REAR OIL SEAL HOUSING.....	20-30
3A25	COMPRESSOR VALVE KIT.....	90-5	3B14	CUSHION, SEAT	90-22
3B3	COMPRESSOR VALVE, CAB	90-11	3B14	CUSHION, SEAT BACK.....	90-22
3A22	COMPRESSOR, AIR CONDITIONING	90-2	1B11	CYLINDER BLOCK (6531A & T) (SBSN 628711-).....	20-14
3B19	CONDENSER COVER, CAB	90-28	1B9	CYLINDER BLOCK (6531A) (EARLY DESIGN)	20-12
3B1	CONDENSER, CAB	90-8	1B9	CYLINDER BLOCK FITTINGS (EARLY DESIGN)	20-12

1A12

7520 TRACTOR

ALPHABETICAL INDEX - CONTINUED

GRID	PAGE	GRID	PAGE
1B11	CYLINDER BLOCK FITTINGS (6531A & T) (SBSN 628711-).....		
	20-14		
1A25	CYLINDER HEAD (6531A) (EARLY DESIGN)	1D8	ELBOW, EXHAUST (6531A)
	20-5	2F7	ELECTRIC DESTROKE SOLENOID
1A25	CYLINDER HEAD GASKET (6531A).....		30-6
	20-5	2F8	ELECTRIC DESTROKE SOLENOID VALVE, HYDRAULIC PUMP
1C24	CYLINDER HEAD GASKET SET (6531A)		70-19
	20-48	1G15	ELECTRIC HORN.....
1B1	CYLINDER HEAD REPLACEMENT (6531) (LATE DESIGN)	1I4	ELECTRICAL CONNECTOR AND TERMINAL KIT
	20-5A	1H19	ELECTRICAL CONNECTORS
2H22	CYLINDER HOSE IDENTIFICATION KIT	1H21	ELECTRICAL CONNECTORS
	70-81	1H23	ELECTRICAL CONNECTORS
1B23	CYLINDER LINER (6531A)	1H19	ELECTRICAL CRIMPING TOOL
	20-26	1H16	ELECTRICAL OUTLET CIRCUIT BREAKER
1A24	CYLINDER LINER PACKING LUBRICANT.....	1H16	ELECTRICAL OUTLET PLUG
	20-3	1H16	ELECTRICAL OUTLET SOCKET
2D23	CYLINDER REPAIR KIT	1H17	ELECTRICAL OUTLET SOCKET KIT
	60-16	1H19	ELECTRICAL PARTS CONTAINER
2E10	CYLINDER, BRAKE ACCUMULATOR	1H11	ELECTRICAL REMOTE CONTROL
	60-28	1H11	ELECTRICAL REMOTE CONTROL BRACKETS
2H21	CYLINDER, REMOTE	1H12	ELECTRICAL REMOTE CONTROL KIT
	70-80	1H11	ELECTRICAL REMOTE CONTROL SWITCH.....
2H23	CYLINDER, REMOTE (HYDRAULIC STOP).....	1H15	ELECTRICAL REMOTE CONTROL WIRING
	70-82	1H13	ELECTRICAL REMOTE CONTROL WIRING KIT.....
2I1	CYLINDER, REMOTE (MECHANICAL STOP)	1D18	ELECTRICAL STARTING AID
	70-84		30-17
2D10	CYLINDER, STEERING	1H19	ELECTRICAL TERMINALS
	60-2	1H21	ELECTRICAL TERMINALS
2D21	CYLINDER, STEERING (L.H.).....	1H23	ELECTRICAL TERMINALS
	60-14	1I4	ELECTRICAL TOOLS.....
2D22	CYLINDER, STEERING (R.H.)	1H19	ELECTRICAL WIRING
	60-15	1H21	ELECTRICAL WIRING
2D15	CYLINDER, STEERING VALVE	1H23	ELECTRICAL WIRING
	60-7	1D19	ELECTRICALLY OPERATED STARTING AID WIRING KIT
2D16	CYLINDER, STEERING VALVE		30-19
	60-8	1D4	ELEMENT, AIR CLEANER.....
		2C9	ELEMENT, OIL FILTER, TRANSMISSION
		3C11	EMBLEM, SLOW MOVING VEHICLE
		2D10	EMBLEM, STEERING WHEEL
		1F23	END FRAME, STARTER COMMUTATOR (DELCO-REMY)
			40-29
		1F14	END FRAME, STARTER COMMUTATOR (NIPPONDENSO).....
			40-19
		1C23	ENGINE COOLANT HEATER (6531) (110 VOLT)
		1C24	ENGINE GASKET SET (6531A)
		1B5	ENGINE LIFT EYE BOLT (6531).....
		1C16	ENGINE OIL COOLER (6531A).....
		1B19	ENGINE OIL DIPSTICK (6531)
		1C14	ENGINE OIL FILTER (6531)
		1C14	ENGINE OIL PRESSURE REGULATING HOUSING (6531)
			20-38
		1C8	ENGINE OIL PUMP
		1C6	ENGINE OIL PUMP (6531A) (CAMSHAFT DRIVEN).....
			20-36
		1C13	ENGINE OIL PUMP INTAKE (LATE DESIGN) (6531)
			20-34
		1C10	ENGINE OIL PUMP REPLACEMENT (6531) (CRANKSHAFT DRIVEN) (LATE DESIGN)
			20-37D
		1B13	ENGINE SHORT BLOCK (6531A).....
		1B15	ENGINE SHORT BLOCK (6531A).....
		1A24	ENGINE VALVE STEM LUBRICANT.....
			20-16
			20-18
		3B3	EVAPORATOR, CAB
			20-3
		1D8	EXHAUST ELBOW (6531A).....
			90-11
		1D14	EXHAUST MANIFOLD (6531)
		1D14	EXHAUST MANIFOLD GASKET (6531)
		1D15	EXHAUST MUFFLER.....
			30-6
		1B1	EXHAUST VALVES (6531)
			30-12
		1B6	EXHAUST VALVES (6531)
			30-12
		1D22	EXTENSION KIT, FUEL FILLER
			30-14
			20-5A
			20-9
			30-22

D

1A13

7520 TRACTOR

ALPHABETICAL INDEX - CONTINUED

GRID		PAGE	GRID		PAGE
3C12	EXTINGUISHER, FIRE.....	90-46	1E8	FUEL INJECTION NOZZLE (6531A).....	30-33
1B5	EYE BOLT, ENGINE LIFT (6531).....	20-8	1E1	FUEL INJECTION PUMP (6531).....	30-26
			1E5	FUEL INJECTION PUMP GOVERNOR LEVERS AND CONTROLS	30-30
	F		1E3	FUEL INJECTION PUMP HOUSING CONNECTORS	30-28
2E6	FACING, BRAKE	60-24	1D20	FUEL PIPES (L.H.).....	30-20
2E7	FACING, BRAKE	60-25	1D21	FUEL PIPES (R.H.)	30-21
1C20	FAN (6531A).....	20-44	1D22	FUEL STRAINER	30-22
1F3	FAN BELT.....	40-8	1D20	FUEL TANK (L.H.)	30-20
1F5	FAN BELT.....	40-10	1D21	FUEL TANK (R.H.).....	30-21
1C20	FAN BELTS (6531A)	20-44	1E7	FUEL TRANSFER PUMP.....	30-32
3B2	FAN MOTOR, CAB.....	90-9			
1C20	FAN PULLEY (6531A)	20-44		G	
1F9	FAN, ALTERNATOR.....	40-14	1C24	GASKET SET, CYLINDER HEAD (6531A).....	20-48
1C18	FAN, SHROUD	20-42	1C24	GASKET SET, ENGINE (6531A).....	20-48
2I17	FENDERS, FRONT AND REAR	80-9	1B1	GASKET, CYLINDER HEAD (6531)	20-5A
1D22	FILLER NECK EXTENSION KIT	30-22	1A25	GASKET, CYLINDER HEAD (6531A).....	20-5
2F21	FILLER, ROCKSHAFT OIL	70-32	1D14	GASKET, EXHAUST MANIFOLD (6531).....	30-12
3B4	FILTER, CAB FRESH AIR	90-12	1C13	GASKET, OIL PUMP INTAKE (LATE DESIGN) (6531)	20-37D
1C14	FILTER, ENGINE OIL (6531).....	20-38	1C3	GASKET, TIMING GEAR COVER (6531)	20-31
1D24	FILTER, FUEL (6531A)	30-24	1G19	GAUGE, FUEL	40-46
2C9	FILTER, TRANSMISSION OIL.....	50-39	1G19	GAUGE, OIL TEMPERATURE.....	40-46
1E13	FILTERS	30-38	1G19	GAUGE, WATER TEMPERATURE	40-46
2C16	FINAL DRIVE KIT, HIGH PRESSURE ANGLE.....	50-46	1B7	GEAR, CAMSHAFT (6531)	20-10
2C14	FINAL DRIVE SHAFT AND SUN PINION.....	50-44	2B23	GEAR, COUNTERSHAFT	50-27
2D6	FINAL DRIVE SHAFT AND SUN PINION.....	50-62	1B24	GEAR, CRANKSHAFT	20-27
3C12	FIRE EXTINGUISHER	90-46	1B25	GEAR, CRANKSHAFT (6531)	20-28
1B9	FITTINGS, CYLINDER BLOCK (EARLY DESIGN).....	20-12	2B23	GEAR, DIFFERENTIAL BEVEL	50-27
1B11	FITTINGS, CYLINDER BLOCK (6531A & T) (SBSN 628711-).....	20-14	2B17	GEAR, LOWER INPUT.....	50-21
1G20	FLASHER, WARNING LAMP	40-47	2C1	GEAR, SHIFTER	50-30
1G8	FLASHING WARNING LAMP, IMPLEMENT	40-35	2C3	GEAR, SHIFTER	50-32
2H19	FLEXIBLE OIL LINE COUPLER	70-78	1B24	GEAR, STARTER.....	20-27
2I6	FLEXIBLE OIL LINE COUPLINGS, BULK.....	70-89	2B16	GEARS, INPUT IDLER.....	50-20
1G10	FLOOD LAMP KIT (REAR CENTER)	40-37	2B18	GEARS, PTO IDLER	50-22
1G11	FLOOD LAMP KIT (UPPER FRONT)	40-38	2B24	GEARS, TRANSMISSION	50-28
3B23	FLOOR MAT, CAB.....	90-32	2B15	GEARS, UPPER INPUT SHAFT	50-19
3B22	FLOOR PANELS, CAB.....	90-31	2C5	GEARSHIFT LEVER.....	50-35
2D18	FLOW CONTROL VALVE	60-11	3B18	GLASS, CAB.....	90-26
2G24	FLOW CONTROL VALVE, SCV	70-59	1E5	GOVERNOR LEVERS AND CONTROLS, FUEL INJECTION PUMP	30-30
1D17	FLUID, STARTING	30-16	2I14	GRILLE	80-6
1D18	FLUID, STARTING	30-17	2I15	GRILLE FRAME TIE ROD.....	80-7
1B24	FLYWHEEL.....	20-27	1E21	GROUND CABLE, BATTERY	40-3
1E15	FOOT SPEED CONTROL LINKAGE	30-40	2C10	GUARD, REAR PTO	50-40
2B3	FORK, CLUTCH	50-6	2D1	GUARD, UNIVERSAL JOINT.....	50-57
2I13	FRAME, FRONT AND SIDE	80-5	1D7	GUN, AIR CLEANER ELEMENT CLEANING	30-5
2C24	FRONT AXLE DRIVE SHAFT	50-54			
2I22	FRONT AXLE SUPPORT.....	80-14		H	
2D3	FRONT DIFFERENTIAL.....	50-59	1E12	HAND SPEED CONTROL LINKAGE.....	30-37
2D4	FRONT DIFFERENTIAL CASE KIT.....	50-60	2I18	HANDLE, CAB MOUNTING	80-10
2C25	FRONT DIFFERENTIAL DRIVE.....	50-55	1E19	HARNES, ALTERNATOR	40-1
2G14	FRONT DRAWBAR SUPPORT	70-50	1E19	HARNES, CAB WIRING.....	40-1
1G11	FRONT FLOOD LAMP KIT	40-38	1E19	HARNES, ENGINE WIRING	40-1
2I13	FRONT FRAME	80-5	1E19	HARNES, HORN SWITCH.....	40-1
2I13	FRONT PLATE	80-5	1E19	HARNES, INSTRUMENT PANEL	40-1
2I14	FRONT PLATE	80-6	1B1	HEAD BOLTS (6531)	20-5A
1C3	FRONT SEAL (6531)	20-31	1A25	HEAD BOLTS (6531A).....	20-5
1G7	FRONTND REAR LAMPS	40-34	1A25	HEAD, CYLINDER (6531A) (EARLY DESIGN).....	20-5
1D23	FUEL CHECK VALVE (6531)	30-23	1B1	HEAD, CYLINDER REPLACEMENT (6531)	20-5A
1D22	FUEL FILLER EXTENSION KIT	30-22	1H7	HEADPHONES, RADIO	40-56
1D24	FUEL FILTER (6531A).....	30-24	3B9	HEATER, CAB	90-17
1D25	FUEL FILTER KIT (6531).....	30-25	1C23	HEATER, ENGINE COOLANT (6531) (110 VOLT)	20-47
1G19	FUEL GAUGE.....	40-46			
1D20	FUEL GAUGE SENDER (L.H.)	30-20			
1E1	FUEL INJECTION LINES (6531).....	30-26			
1E1	FUEL INJECTION NOZZLE (6531)	30-26			

1A14

7520 TRACTOR

ALPHABETICAL INDEX - CONTINUED

<i>GRID</i>		<i>PAGE</i>	<i>GRID</i>		<i>PAGE</i>
2B9	HI-LO SPEED SHIFTER LEVER	50-12	1G9	IMPLEMENT WARNING LAMP KIT	40-36
2C16	HIGH PRESSURE ANGLE FINAL DRIVE KIT	50-46	1G19	INDICATOR LAMPS	40-46
2B5	HINGE AND PINS KIT	50-8	2B12	INPUT GEAR FRONT BEARING HOUSING	50-16
2F13	HINGE FLEXIBLE OIL LINE	70-24	2B14	INPUT GEAR LUBRICATION PIPE	50-18
2B6	HINGE, FRONT AND REAR	50-9	2B16	INPUT IDLER GEAR	50-20
2B5	HINGE, PIVOT	50-8	2B17	INPUT SHAFT, LOWER	50-21
2G12	HITCH, 3-POINT, QUICK-COUPLER, IMPLEMENT	70-48	2B15	INPUT SHAFT, UPPER	50-19
2I16	HOOD	80-8	1A25	INSERTS, VALVE (6531A)	20-5
2I16	HOOD BAFFLE	80-8	1B1	INSERTS, VALVE SEAT (6531)	20-5A
2I16	HOOD ORNAMENT	80-8	1B17	INSTALLATION KIT, SHORT BLOCK (6531A)	20-20
1G13	HORN	40-40	1G19	INSTRUMENT PANEL AND INSTRUMENTS	40-46
1G14	HORN ASSEMBLY, DUAL	40-41	1D12	INTAKE MANIFOLD (6531A)	30-10
1G14	HORN SWITCH	40-41	1B1	INTAKE VALVES (6531)	20-5A
1G15	HORN SWITCH	40-42	1B6	INTAKE VALVES (6531)	20-9
1G15	HORN, ELECTRIC	40-42	1C13	INTAKE, ENGINE OIL PUMP (LATE DESIGN) (6531)	20-37D
1G14	HORN, ELECTRIC (12-VOLT) (HIGH NOTE)	40-41	1C12	INTAKE, OIL PUMP REPLACEMENT (6531)	20-37C
1G14	HORN, ELECTRIC (12-VOLT) (LOW NOTE)	40-41	2H15	ISO COUPLER CONVERSION KIT	70-74
2H22	HOSE IDENTIFICATION KIT, REMOTE CYLINDER	70-81	2H17	ISO COUPLER OVERHAUL KIT	70-76
1C18	HOSE, RADIATOR	20-42	2H15	ISO COUPLER RECEPTACLE	70-74
2H21	HOSE, REMOTE CYLINDER	70-80	2H15	ISO TO JOHN DEERE COUPLER CONVERSION	70-74
3B9	HOSES, CAB HEATER	90-17			
2A23	HOUSING, CLUTCH	50-1		J	
1C2	HOUSING, CRANKSHAFT REAR OIL	20-30	2C22	JOINT, UNIVERSAL TELESCOPING	50-52
2C13	HOUSING, DIFFERENTIAL	50-43	2C23	JOINT, UNIVERSAL TELESCOPING (FRONT AXLE)	50-53
2D3	HOUSING, DIFFERENTIAL	50-59			
1C14	HOUSING, ENGINE OIL PRESSURE REGULATING (6531)	20-38		K	
2B12	HOUSING, INPUT GEAR FRONT BEARING	50-16	1G20	KEY SWITCH	40-47
2F18	HOUSING, OIL FILTER RELIEF VALVE	70-29	2I7	KIT, AIR CONDITIONING O-RING	70-90
2C8	HOUSING, OIL PUMP, TRANSMISSION	50-38	2C20	KIT, ANTI-FRICTION NO LOCK DIFFERENTIAL	50-50
2F11	HOUSING, PRESSURE CONTROL VALVE	70-22	2E2	KIT, BRAKE VALVE OVERHAUL	60-20
2C14	HOUSING, REAR AXLE	50-44	2E3	KIT, BRAKE VALVE PLUNGER REPLACEMENT	60-21
2F20	HOUSING, ROCKSHAFT	70-31	2H10	KIT, BREAKAWAY COUPLER OVERHAUL	70-69
2F21	HOUSING, ROCKSHAFT	70-32	2I4	KIT, CONVERSION, REMOTE CYLINDER	70-87
2G6	HOUSING, ROCKSHAFT CONTROL VALVE	70-42	2H22	KIT, CYLINDER HOSE IDENTIFICATION	70-81
2G21	HOUSING, SELECTIVE CONTROL VALVE	70-56	2D23	KIT, CYLINDER REPAIR	60-16
1F13	HOUSING, STARTER DRIVE (NIPPONDENSO)	40-18	1H17	KIT, ELECTRICAL OUTLET SOCKET	40-66
1F20	HOUSING, STARTER DRIVE END (DELCO-REMY)	40-26	1H12	KIT, ELECTRICAL REMOTE CONTROL	40-61
1F24	HOUSING, STARTER DRIVE END (DELCO-REMY)	40-29A	1H13	KIT, ELECTRICAL REMOTE CONTROL WIRING	40-62
1C22	HOUSING, THERMOSTAT (6531)	20-46	2D4	KIT, FRONT DIFFERENTIAL CASE	50-60
2B12	HOUSING, TORQUE-DIVIDER	50-16	1D25	KIT, FUEL FILTER (6531)	30-25
2E15	HYDRAULIC OIL	70-1	2C16	KIT, HIGH PRESSURE ANGLE FINAL DRIVE	50-46
2F17	HYDRAULIC OIL COOLER	70-28	2B5	KIT, HINGE AND PINS	50-8
2I5	HYDRAULIC OIL LINES, IMPLEMENT	70-88	2I7	KIT, HYDRAULIC O-RING	70-90
2E18	HYDRAULIC PUMP	70-4	2E24	KIT, HYDRAULIC PUMP ELECTRIC DESTROKE	70-10
2E17	HYDRAULIC PUMP ASSEMBLY, REPLACEMENT	70-3	2F7	KIT, HYDRAULIC PUMP ELECTRIC DESTROKE	70-18
2E16	HYDRAULIC PUMP DRIVE	70-2	2E22	KIT, HYDRAULIC PUMP OVERHAUL	70-8
2F8	HYDRAULIC PUMP ELECTRIC DESTROKE SOLENOID VALVE	70-19	2F5	KIT, HYDRAULIC PUMP OVERHAUL	70-16
2E24	HYDRAULIC PUMP ELECTRIC DESTROKE KIT	70-10	1G9	KIT, IMPLEMENT WARNING LAMP	40-36
2F7	HYDRAULIC PUMP ELECTRIC-DESTROKE KIT	70-18	2G1	KIT, LOAD CONTROL SHAFT BUSHING	70-37
2E22	HYDRAULIC PUMP OVERHAUL KIT	70-8	1F1	KIT, NEUTRAL-START SWITCH	40-6
2F5	HYDRAULIC PUMP OVERHAUL KIT	70-16	1B21	KIT, OIL PAN (6531A)	20-24
2F1	HYDRAULIC PUMP REPLACEMENT	70-12	2I3	KIT, OVERHAUL, REMOTE CYLINDER	70-86
2E20	HYDRAULIC PUMP STROKE CONTROL VALVE	70-6	1H8	KIT, RADIO MOUNTING	40-57
2F3	HYDRAULIC PUMP STROKE CONTROL VALVE	70-14	1G10	KIT, REAR CENTER FLOOD LAMP	40-37
2F12	HYDRAULIC RELIEF VALVE AND CHECK	70-23	2H3	KIT, SELECTIVE CONTROL VALVE CAP	70-62
2F14	HYDRAULIC RETURN OIL PIPES	70-25	2H4	KIT, SELECTIVE CONTROL VALVE DETENT	70-63
			2H1	KIT, SELECTIVE CONTROL VALVE OVERHAUL	70-60
			1F18	KIT, STARTER SOLENOID COVER (DELCO-REMY)	40-23
			1F19	KIT, STARTER SOLENOID COVER (DELCO-REMY)	40-24
			1F12	KIT, STARTER SOLENOID SWITCH COVER (NIPPONDENSO)	40-17
			2E20	KIT, STROKE CONTROL VALVE SHUT-OFF	70-6
2B18	IDLER GEARS, PTO	50-22			
1G20	IGNITION SWITCH	40-47			
2I5	IMPLEMENT HYDRAULIC OIL LINES	70-88			
2G12	IMPLEMENT QUICK-COUPLER	70-48			
2G15	IMPLEMENT SAFETY CHAIN	70-51			

I

1A15

7520 TRACTOR

ALPHABETICAL INDEX - CONTINUED

GRID		PAGE	GRID		PAGE
2F3	KIT, STROKE CONTROL VALVE SHUT-OFF	70-14	1D12	MANIFOLD, INTAKE (6531A)	30-10
1H18	KIT, SUPPLEMENTARY WIRING	40-67	2H6	MANIFOLD, SELECTIVE CONTROL.....	70-65
1G11	KIT, UPPER FRONT FLOOD LAMP	40-38	1C22	MANIFOLD, WATER OUTLET (6531).....	20-46
1I4	KIT,ELECTRICAL CONNECTOR AND TERMINAL.....	40-76	2C12	MASTER SHIELD SUPPORT	50-42
1E12	KNOB, HAND SPEED CONTROL LEVER	30-37	3B23	MAT, CAB FLOOR	90-32
L					
2I20	LABELS.....	80-12	1G21	METER, SPEED-HOUR	40-49
1G7	LAMP PARTS, CAB	40-34	3C5	MIRROR, REAR VIEW.....	90-39
1G6	LAMP WIRING, CAB	40-33	3C6	MIRROR, REAR VIEW.....	90-40
1G8	LAMP, FLASHING WARNING, IMPLEMENT	40-35	3B2	MOTOR, CAB FAN.....	90-9
1G19	LAMP, INDICATOR	40-46	3B6	MOTOR, CAB FAN.....	90-14
1G7	LAMP, TAIL.....	40-34	1F11	MOTOR, STARTING.....	40-16
1G7	LAMP, WARNING.....	40-34	1H9	MOTOR, WINDSHIELD WIPER	40-58
1G7	LAMPS, REAR	40-34	1F3	MOUNTING BRACKET, ALTERNATOR	40-8
1E25	LEAD, CIRCUIT BREAKER WIRING.....	40-5	1F5	MOUNTING BRACKET, ALTERNATOR	40-10
2C5	LEVER, GEARSHIFT	50-35	1F7	MOUNTING BRACKET, ALTERNATOR	40-12
1E12	LEVER, HAND SPEED CONTROL	30-37	1F2	MOUNTING BRACKETS, ALTERNATOR	40-7
2B9	LEVER, HI-LO SPEED SHIFTER	50-12	2I18	MOUNTING HANDLE, CAB	80-10
2B4	LEVER, PTO SHIFTER	50-7	1H8	MOUNTING KIT, RADIO	40-57
2G7	LEVER, ROCKSHAFT CONTROL VALVE	70-43	1D15	MUFFLER	30-14
2H5	LEVERS, SELECTIVE CONTROL	70-64	1D15	MUFFLER COVER	30-14
2D17	LEVERS, STEERING VALVE OPERATING	60-9	1D15	MUFFLER EXTENSION	30-14
2F24	LIFT ARMS	70-35	N		
2G11	LIFT LINK	70-47	1D22	NECK, FUEL FILLER EXTENSION	30-22
1G20	LIGHT SWITCH	40-47	2C1	NEUTRAL START SWITCH.....	50-30
1G16	LIGHT, CAB DOME	40-43	1F1	NEUTRAL-START SWITCH KIT	40-6
2F13	LINE, HINGE FLEXIBLE OIL	70-24	1E11	NO MAGNETIC PICK-UP.....	30-36
2F9	LINE, HYDRAULIC PUMP SEAL DRAIN	70-20	1E1	NOZZLE, FUEL INJECTION (6531)	30-26
1B23	LINER, CYLINDER (6531A)	20-26	1E8	NOZZLE, FUEL INJECTION (6531A)	30-33
1E1	LINES, FUEL INJECTION (6531)	30-26	O		
2H8	LINES, OIL, BREAKAWAY COUPLER	70-67	2I7	O-RING KIT	70-90
2I5	LINES, OIL, IMPLEMENT HYDRAULIC	70-88	1C16	OIL COOLER, ENGINE (6531A)	20-40
2H7	LINES, SELECTIVE CONTROL VALVE	70-66	2F17	OIL COOLER, HYDRAULIC.....	70-28
2G10	LINK, CENTER	70-46	2C9	OIL FILTER COVER, TRANSMISSION.....	50-39
2G10	LINK, DRAFT	70-46	2C9	OIL FILTER ELEMENT, TRANSMISSION.....	50-39
2G11	LINK, LIFT.....	70-47	2F18	OIL FILTER RELIEF VALVE	70-29
2B7	LINKAGE CABLE, PTO	50-10	1C14	OIL FILTER, ENGINE (6531)	20-38
2D25	LINKAGE, BRAKE PEDAL.....	60-18	2F13	OIL LINE, HINGE FLEXIBLE	70-24
2G3	LINKAGE, LOAD SELECTOR CONTROL.....	70-39	2H8	OIL LINES, BREAKAWAY COUPLER.....	70-67
2G4	LINKAGE, LOAD SELECTOR CONTROL.....	70-40	2A25	OIL LINES, CLUTCH CONTROL.....	50-3
2B4	LINKAGE, PTO SHIFTER	50-7	2I5	OIL LINES, HYDRAULIC, IMPLEMENT	70-88
2G3	LINKAGE, ROCKSHAFT CONTROL	70-39	1B20	OIL PAN (6531)	20-23
2G4	LINKAGE, ROCKSHAFT CONTROL	70-40	1B21	OIL PAN KIT (6531A).....	20-24
2G7	LINKAGE, ROCKSHAFT CONTROL VALVE	70-43	2E4	OIL PIPES, BRAKE (FRONT)	60-22
2H5	LINKAGE, SELECTIVE CONTROL	70-64	2E5	OIL PIPES, BRAKE (REAR)	60-23
1E12	LINKAGE, SPEED CONTROL	30-37	2F10	OIL PIPES, HYDRAULIC SYSTEM	70-21
1E15	LINKAGE, SPEED CONTROL	30-40	2F12	OIL PIPES, HYDRAULIC SYSTEM	70-23
2F25	LOAD CONTROL	70-36	2F14	OIL PIPES, HYDRAULIC SYSTEM	70-25
2G1	LOAD CONTROL SHAFT BUSHING KIT	70-37	2F15	OIL PIPES, HYDRAULIC SYSTEM	70-26
2G3	LOAD SELECTOR CONTROL.....	70-39	2F16	OIL PIPES, HYDRAULIC SYSTEM	70-27
2G4	LOAD SELECTOR CONTROL.....	70-40	2H6	OIL PIPES, SELECTIVE CONTROL VALVE	70-65
3C10	LOCTITE SEALANT	90-44	2D19	OIL PIPES, STEERING	60-12
2I6	LOK-PIN COUPLINGS, REUSABLE	70-89	1D8	OIL PIPES, TURBOCHARGER (6531A)	30-6
1A24	LUBRICANT, CYLINDER LINER PACKING	20-3	1B11	OIL PRESSURE SWITCH (6531A & T) (SBSN 628711-).....	20-14
1A24	LUBRICANT, ENGINE VALVE STEM	20-3	1B9	OIL PRESSURE SWITCH (6531A)	20-12
2B14	LUBRICATION PIPE, INPUT GEAR	50-18	1C13	OIL PUMP INTAKE GASKET (LATE DESIGN) (6531)	20-37D
M					
1C4	MAIN BEARINGS (6531)	20-32	1C12	OIL PUMP INTAKE REPLACEMENT (6531)	20-37C
1E22	MAIN CIRCUIT BREAKER.....	40-4	1C10	OIL PUMP REPLACEMENT, ENGINE (6531) (CRANKSHAFT DRIVEN) (LATE DESIGN)	20-37A
1F15	MAIN FRAME, STARTER (NIPPONDENSO)	40-20			
1D14	MANIFOLD, EXHAUST (6531).....	30-12			

1A16

7520 TRACTOR

ALPHABETICAL INDEX - CONTINUED

GRID	PAGE	GRID	PAGE			
1C6	OIL PUMP, ENGINE (6531A) (CAMSHAFT DRIVEN).....	20-34	2I14	PLATE, FRONT	80-6	
2C8	OIL PUMP, TRANSMISSION	50-38	2B25	PLATE, SYNCHRONIZER	50-29	
2F17	OIL RESERVOIR	70-28	1D3	PRE-CLEANER.....	30-1	
2E15	OIL, HYDRAULIC	70-1	2F11	PRESSURE CONTROL VALVE.....	70-22	
2E15	OIL, TRANSMISSION AND HYDRAULIC	70-1	2C12	PTO ADAPTER.....	50-42	
2I16	ORNAMENT, HOOD.....	80-8	2C10	PTO DRIVE GEAR	50-40	
2H10	OVERHAUL KIT, BREAKAWAY COUPLER	70-69	2C10	PTO DRIVE SHAFTS	50-40	
2B2	OVERHAUL KIT, CLUTCH PEDAL VALVE	50-5	2C10	PTO GUARD.....	50-40	
2E22	OVERHAUL KIT, HYDRAULIC PUMP.....	70-8	2B18	PTO IDLER GEARS	50-22	
2F5	OVERHAUL KIT, HYDRAULIC PUMP.....	70-16	2B7	PTO LEVER LINKAGE.....	50-10	
2H17	OVERHAUL KIT, ISO COUPLER	70-76	2B4	PTO SHIFTER LEVER AND LINKAGE	50-7	
2I3	OVERHAUL KIT, REMOTE CYLINDER	70-86	2B8	PTO SHIFTER YOKE	50-11	
2H1	OVERHAUL KIT, SELECTIVE CONTROL VALVE	70-60	2C11	PTO SNUBBER BRAKE.....	50-41	
2D12	OVERHAUL KIT, STEERING VALVE CYLINDER	60-4	3A22	PULLEY, AIR CONDITIONING	90-2	
1C21	OVERHAUL KIT, WATER PUMP	20-45	1B24	PULLEY, CRANKSHAFT	20-27	
P				1C1	PULLEY, CRANKSHAFT	20-29
1A24	PACKING, LUBRICANT, CYLINDER LINER.....	20-3	1C20	PULLEY, FAN (6531A).....	20-44	
3C2	PAD, COWL SOUND DAMPENING	90-36	2E17	PUMP ASSEMBLY, HYDRAULIC, REPLACEMENT.....	70-3	
1B20	PAN, OIL (6531).....	20-23	1E3	PUMP HOUSING CONNECTORS, FUEL INJECTION.....	30-28	
3B8	PANEL, CAB CONTROL	90-16	2F1	PUMP REPLACEMENT, HYDRAULIC	70-12	
3B21	PANEL, CAB COWL.....	90-30	2E16	PUMP, DRIVE COUPLER	70-2	
1G19	PANEL, INSTRUMENT.....	40-46	1C8	PUMP, ENGINE OIL.....	20-36	
2I14	PANEL, SIDE	80-6	1C6	PUMP, ENGINE OIL (6531A) (CAMSHAFT DRIVEN).....	20-34	
3B22	PANELS, CAB FLOOR.....	90-31	1E1	PUMP, FUEL INJECTION (6531)	30-26	
2D25	PEDAL, BRAKE	60-18	1E7	PUMP, FUEL TRANSFER	30-32	
2A25	PEDAL, CLUTCH	50-3	2E18	PUMP, HYDRAULIC.....	70-4	
1E15	PEDAL, FOOT SPEED CONTROL	30-40	2C8	PUMP, OIL, HYDRAULIC.....	50-38	
1G24	PERFORMANCE TRAK II MINI-MONITOR.....	40-49C	1C20	PUMP, WATER (6531A)	20-44	
1E11	PICK-UP, NO MAGNETIC	30-36	Q			
2G16	PIN, DRAWBAR	70-52	3C1	QUADRANT, SHIFT LEVER	90-35	
2G18	PIN, DRAWBAR	70-54	2G12	QUICK-COUPLER, IMPLEMENT	70-48	
2B5	PIN, PIVOT.....	50-8	R			
2B24	PINION, DIFFERENTIAL BEVEL.....	50-28	1G22	RADAR SENSOR	40-49A	
2B25	PINION, HIGH RANGE.....	50-29	1G22	RADAR SENSOR BRACKET.....	40-49A	
2B25	PINION, LOW RANGE	50-29	1G22	RADAR SENSOR WIRING HARNESS	40-49A	
2C13	PINION, PLANET	50-43	1C18	RADIATOR	20-42	
2D3	PINION, PLANET	50-59	1C18	RADIATOR CAP	20-42	
1D3	PIPE, AIR INTAKE	30-1	1H3	RADIO (BENDIX)	40-52	
2B14	PIPE, INPUT GEAR LUBRICATION	50-18	1H5	RADIO (MOTOROLA).....	40-54	
1D20	PIPES, FUEL (L.H.)	30-20	1H7	RADIO HEADPHONES.....	40-56	
1D21	PIPES, FUEL (R.H.)	30-21	1H8	RADIO MOUNTING KIT	40-57	
2E4	PIPES, OIL, BRAKE (FRONT).....	60-22	1H1	RADIO, CAB	40-50	
2E5	PIPES, OIL, BRAKE (REAR)	60-23	2C14	REAR AXLE HOUSING	50-44	
2F14	PIPES, OIL, HYDRAULIC RETURN	70-25	2C14	REAR AXLE SHAFT.....	50-44	
2F15	PIPES, OIL, HYDRAULIC RETURN	70-26	1G10	REAR CENTER FLOOD LAMP	40-37	
2F16	PIPES, OIL, HYDRAULIC RETURN	70-27	2C13	REAR DIFFERENTIAL	50-43	
2F10	PIPES, OIL, MAIN HYDRAULIC	70-21	1G7	REAR LAMPS.....	40-34	
2H6	PIPES, OIL, SELECTIVE CONTROL VALVE	70-65	3C5	REAR VIEW MIRROR	90-39	
2D19	PIPES, OIL, STEERING.....	60-12	3C6	REAR VIEW MIRROR	90-40	
1D8	PIPES, TURBOCHARGER OIL (6531A)	30-6	2I9	REAR WHEELS	80-1	
1B23	PISTON RINGS (6531A)	20-26	2I10	REAR WHEELS	80-2	
2E8	PISTON, ACCUMULATOR.....	60-26	3B1	RECEIVER-DRYER, CAB.....	90-8	
1B23	PISTON, ENGINE (6531A).....	20-26	2G16	REGULAR DRAWBAR	70-52	
2F24	PISTON, ROCKSHAFT.....	70-35	1F9	REGULATOR	40-14	
2D10	PISTON, STEERING VALVE	60-2	1F2	REGULATOR, VOLTAGE.....	40-7	
2B5	PIVOT, UPPER HINGE	50-8	1F3	REGULATOR, VOLTAGE.....	40-8	
2C14	PLANET PINION CARRIER	50-44	1G5	RELAY KIT, WIRING ACCESSORY	40-31	
2D6	PLANET PINION CARRIER.....	50-62	1G4	RELAY WIRING KIT, ACCESSORY	40-30	
2D6	PLANETARY AND FRONT AXLE	50-62	1E22	RELAY, STARTING CIRCUIT	40-4	
2C14	PLANETARY AND REAR AXLE	50-44	1E23	RELAY, STARTING CIRCUIT	40-4A	
2E7	PLATE, BRAKE	60-25				
2E6	PLATE, BRAKE FACING	60-24				
2E6	PLATE, BRAKE PRESSURE	60-24				

1A17

7520 TRACTOR

ALPHABETICAL INDEX - CONTINUED

GRID		PAGE	GRID		PAGE
2B3	RELEASE, TRANSMISSION CLUTCH	50-6	2G21	SELECTIVE CONTROL VALVE COVER	70-56
2D7	RELIEF VALVE (PFWD)	50-63	2H4	SELECTIVE CONTROL VALVE DETENT KIT	70-63
2F18	RELIEF VALVE, HYDRAULIC OIL FILTER.....	70-29	2H7	SELECTIVE CONTROL VALVE LINES.....	70-66
2F12	RELIEF VALVE, OIL FILTER.....	70-23	2H6	SELECTIVE CONTROL VALVE MANIFOLD.....	70-65
2F23	RELIEF VALVE, ROCKSHAFT PISTON	70-34	2H1	SELECTIVE CONTROL VALVE OVERHAUL KIT.....	70-60
1H12	REMOTE CONTROL KIT, ELECTRICAL	40-61	2G24	SELECTIVE CONTROL VALVE POPPET.....	70-59
1H13	REMOTE CONTROL WIRING KIT, ELECTRICAL	40-62	1D20	SENDER, FUEL GAUGE (L.H.).....	30-20
1H15	REMOTE CONTROL WIRING, ELECTRICAL.....	40-64	1G22	SENSOR, RADAR	40-49A
1H11	REMOTE CONTROL, ELECTRICAL	40-60	2B3	SHAFT, CLUTCH FORK	50-6
2H21	REMOTE CYLINDER	70-80	2C24	SHAFT, FRONT AXLE DRIVE.....	50-54
2H23	REMOTE CYLINDER (HYDRAULIC STOP)	70-82	2B17	SHAFT, LOWER INPUT.....	50-21
2I1	REMOTE CYLINDER (MECHANICAL STOP).....	70-84	2C14	SHAFT, PLANET PINION.....	50-44
2I4	REMOTE CYLINDER CONVERSION KIT.....	70-87	2C10	SHAFT, PTO DRIVE.....	50-40
2H22	REMOTE CYLINDER HOSE IDENTIFICATION KIT.....	70-81	2C14	SHAFT, REAR AXLE	50-44
2I3	REMOTE CYLINDER OVERHAUL KIT	70-86	1B6	SHAFT, ROCKER ARM (6531)	20-9
1D6	REMOTE MOUNTED VACUUM SWITCH.....	30-4	2D10	SHAFT, STEERING	60-2
2D23	REPAIR KIT, CYLINDER	60-16	2B25	SHAFT, TRANSMISSION DRIVE	50-29
1C10	REPLACEMENT ENGINE OIL PUMP (6531) (CRANKSHAFT DRIVEN) (LATE DESIGN)	20-37A	2B19	SHAFT, TRANSMISSION FRONT OUTPUT.....	50-23
2E17	REPLACEMENT HYDRAULIC PUMP ASSEMBLY.....	70-3	2B15	SHAFT, UPPER INPUT	50-19
1C12	REPLACEMENT OIL PUMP INTAKE (6531)	20-37C	2C1	SHAFTS, SHIFTER	50-30
2F17	RESERVOIR, HYDRAULIC OIL.....	70-28	2C3	SHAFTS, SHIFTER	50-32
2G20	RETAINER, DRAWBAR	70-55A	2C10	SHIELD, PTO MASTER	50-40
2I6	REUSABLE LOK-PIN COUPLINGS.....	70-89	2B4	SHIFTER LEVER, PTO	50-7
2I9	RIM, DEMOUNTABLE	80-1	2C1	SHIFTER SHAFTS	50-30
1B23	RINGS, PISTON (6531A).....	20-26	2C3	SHIFTER SHAFTS	50-32
1B3	ROCKER ARM COVER	20-6	2B8	SHIFTER YOKE, PTO	50-11
1B6	ROCKER ARM SHAFT (6531).....	20-9	3B15	SHOCK ABSORBER	90-23
1B6	ROCKER ARMS (6531)	20-9	1B15	SHORT BLOCK ENGINE (6531A).....	20-18
2G21	ROCKER, SELECTIVE CONTROL VALVE.....	70-56	1B17	SHORT BLOCK INSTALLATION KIT (6531A)	20-20
3C3	ROCKSHAFT CONSOLE	90-37	1B13	SHORT BLOCK, ENGINE (6531A)	20-16
2G3	ROCKSHAFT CONTROL LINKAGE	70-39	1C18	SHROUD, FAN	20-42
2G4	ROCKSHAFT CONTROL LINKAGE	70-40	2I13	SIDE FRAME	80-5
2G6	ROCKSHAFT CONTROL VALVE	70-42	2I4	SIDE PANEL.....	80-6
2G7	ROCKSHAFT CONTROL VALVE LINKAGE	70-43	3C11	SLOW MOVING VEHICLE EMBLEM.....	90-45
2F20	ROCKSHAFT HOUSING	70-31	1H16	SOCKET, ELECTRICAL OUTLET	40-65
2F21	ROCKSHAFT HOUSING	70-32	1F16	SOLENOID SWITCH (NIPPONDENSO)	40-21
2F24	ROCKSHAFT LIFT ARMS	70-35	1G1	SOLENOID SWITCH, STARTER.....	40-29C
2F23	ROCKSHAFT PISTON RELIEF VALVE.....	70-34	1G2	SOLENOID SWITCH, STARTER	40-29E
2G2	ROCKSHAFT THROTTLE VALVE.....	70-38	1F17	SOLENOID SWITCH, STARTER (NIPPONDENSO).....	40-22
1B23	RODS, CONNECTING (6531A)	20-26	2F7	SOLENOID, DESTROKE (ELECTRIC)	70-18
3B10	ROLL-GARD, TWO POST	90-18	2F8	SOLENOID, DESTROKE (ELECTRIC)	70-19
3B11	ROLL-GARD, TWO POST	90-19	2C3	SPEED CHANGE ARM	50-32
3B20	ROOF MOUNTED AIR INTAKE.....	90-29	1E12	SPEED CONTROL LINKAGE	30-37
3B19	ROOF, CAB	90-28	1E15	SPEED CONTROL LINKAGE	30-40
			2C1	SPEED RANGE ARM.....	50-30
			1G21	SPEED-HOUR METER.....	40-49
			1F22	STARTER ARMATURE (DELCO-REMY)	40-28
			1F13	STARTER ARMATURE (NIPPONDENSO)	40-18
			1F22	STARTER COIL (DELCO-REMY)	40-28
			1F15	STARTER COIL (NIPPONDENSO)	40-20
			1F23	STARTER COMMUTATOR END FRAME (DELCO-REMY)	40-29
			1F14	STARTER COMMUTATOR END FRAME (NIPPONDENSO).....	40-19
			1F20	STARTER DRIVE (DELCO-REMY)	40-26
			1F24	STARTER DRIVE (DELCO-REMY)	40-29A
			1F20	STARTER DRIVE END HOUSING (DELCO-REMY)	40-26
			1F13	STARTER DRIVE HOUSING (NIPPONDENSO).....	40-18
			1F15	STARTER MAIN FRAME (NIPPONDENSO).....	40-20
			1F16	STARTER SOLENOID (NIPPONDENSO)	40-21
			1F18	STARTER SOLENOID COVER KIT (DELCO-REMY).....	40-23
			1F19	STARTER SOLENOID COVER KIT (DELCO-REMY).....	40-24
			1G1	STARTER SOLENOID SWITCH	40-29C
			1G2	STARTER SOLENOID SWITCH	40-29E
			1F17	STARTER SOLENOID SWITCH (NIPPONDENSO)	40-22
			1F12	STARTER SOLENOID SWITCH COVER KIT (NIPPONDENSO).....	40-17

S

2G15	SAFETY CHAIN, IMPLEMENT	70-51
2C8	SCREEN, OIL PUMP INTAKE.....	50-38
2G23	SCV FLOW CONTROL VALVE	70-58
2G24	SCV POPPET, METERING AND FLOW CONTROL	70-59
1C2	SEAL, CRANKSHAFT REAR OIL	20-30
1C3	SEAL, FRONT (6531).....	20-31
3C10	SEALANT, LOCTITE.....	90-44
3B14	SEAT BACK CUSHION	90-22
3B10	SEAT BELT.....	90-18
3B11	SEAT BELT.....	90-19
3B14	SEAT CUSHION.....	90-22
3B16	SEAT SUPPORT, DELUXE	90-24
3B15	SEAT SUSPENSION	90-23
3C3	SELECTIVE CONTROL CONSOLE.....	90-37
2G24	SELECTIVE CONTROL FLOW CONTROL VALVE	70-59
2H5	SELECTIVE CONTROL LEVERS	70-64
3C4	SELECTIVE CONTROL LINKAGE COVERS	90-38
2H3	SELECTIVE CONTROL VALVE CAP KIT.....	70-62

1A18

7520 TRACTOR

ALPHABETICAL INDEX - CONTINUED

GRID		PAGE	GRID		PAGE
1F24	STARTER, DRIVE END HOUSING (DELCO-REMY)	40-29A	1F17	SWITCH, STARTER SOLENOID (NIPPONDENSO).....	40-22
1D19	STARTING AID WIRING KIT, ELECTRICALLY OPERATED	30-19	1G18	SWITCH, TURN SIGNAL	40-45
1D17	STARTING AID, COLD WEATHER	30-16	1D4	SWITCH, VACUUM INDICATOR	30-2
1D18	STARTING AID, ELECTRICAL	30-17	1H9	SWITCH, WIPER	40-58
1E22	STARTING CIRCUIT RELAY	40-4	2B25	SYNCHRONIZER DRUM	50-29
1E23	STARTING CIRCUIT RELAY	40-4A			
1D17	STARTING FLUID.....	30-16		T	
1D18	STARTING FLUID.....	30-17			
1F11	STARTING MOTOR	40-16	1B8	TACHOMETER DRIVE (6531).....	20-11
2D10	STEERING CYLINDER.....	60-2	1G7	TAIL LAMP	40-34
2D21	STEERING CYLINDER (L.H.)	60-14	1D20	TANK, FUEL (L.H.).....	30-20
2D22	STEERING CYLINDER (R.H.)	60-15	1D21	TANK, FUEL (R.H.)	30-21
2D24	STEERING CYLINDER MOUNTING	60-17	1I1	TERMINALS AND CONNECTORS,SUPPLEMENTARY	40-74
2D19	STEERING FLEXIBLE LINES	60-12	1H19	TERMINALS,ELECTRICAL.....	40-68
2D18	STEERING FLOW CONTROL VALVE	60-11	1H21	TERMINALS,ELECTRICAL.....	40-70
2D19	STEERING OIL PIPES.....	60-12	1H23	TERMINALS,ELECTRICAL.....	40-72
2D15	STEERING VALVE ASSEMBLY	60-7	1C22	THERMOSTAT (6531)	20-46
2D16	STEERING VALVE ASSEMBLY	60-8	1C22	THERMOSTAT HOUSING (6531)	20-46
2D10	STEERING VALVE CYLINDER	60-2	2G2	THROTTLE VALVE, ROCKSHAFT	70-38
2D14	STEERING VALVE CYLINDER COVER	60-6	1C4	THRUST BEARING (6531)	20-32
2D12	STEERING VALVE CYLINDER OVERHAUL KIT	60-4	1C4	THRUST WASHERS (6531).....	20-32
2D17	STEERING VALVE OPERATING LEVER	60-9	2F19	TIE ROD SUPPORT.....	70-30
2D10	STEERING VALVE PISTON	60-2	2I15	TIE ROD, GRILLE FRAME	80-7
2D10	STEERING WHEEL	60-2	1C3	TIMING GEAR COVER (6531A)	20-31
2D10	STEERING WHEEL EMBLEM	60-2	1C3	TIMING GEAR COVER GASKET (6531)	20-31
2I18	STEP (R.H.)	80-10	3C8	TOOLBOX	90-42
2I12	STOP, AXLE	80-4	3C9	TOOLBOX (HINSON)	90-43
1D22	STRAINER, FUEL.....	30-22	3C7	TOOLS	90-41
2E20	STROKE CONTROL VALVE SHUT-OFF KIT	70-6	2B12	TORQUE-DIVIDE HOUSING	50-16
2F3	STROKE CONTROL VALVE SHUT-OFF KIT	70-14	2B11	TORQUE-DIVIDER SHIFTER YOKE	50-15
2E20	STROKE CONTROL VALVE, HYDRAULIC PUMP.....	70-6	1E7	TRANSFER PUMP, FUEL	30-32
2F3	STROKE CONTROL VALVE, HYDRAULIC PUMP.....	70-14	2E15	TRANSMISSION AND HYDRAULIC OIL.....	70-1
1I1	SUPPLEMENTARY TERMINALS AND CONNECTORS.....	40-74	2B25	TRANSMISSION BLOCKERS	50-29
1H18	SUPPLEMENTARY WIRING KIT	40-67	2B20	TRANSMISSION CASE	50-24
1D4	SUPPORT, AIR CLEANER	30-2	2B21	TRANSMISSION CASE FRONT COVER	50-25
3B25	SUPPORT, CONTROL	90-34	2B22	TRANSMISSION CASE REAR COVER	50-26
3C1	SUPPORT, DASH.....	90-35	2A24	TRANSMISSION CLUTCH.....	50-2
3B16	SUPPORT, DELUXE SEAT	90-24	2B3	TRANSMISSION CLUTCH RELEASE	50-6
2G8	SUPPORT, DRAFT LINK	70-44	2C6	TRANSMISSION CONTROL CABLES	50-36
2G9	SUPPORT, DRAFT LINK	70-45	2B23	TRANSMISSION COUNTERSHAFT	50-27
2G14	SUPPORT, DRAWBAR FRONT.....	70-50	2B25	TRANSMISSION DRUM.....	50-29
2G18	SUPPORT, DRAWBAR, FRONT	70-54	2B19	TRANSMISSION FRONT OUTPUT SHAFT	50-23
2I22	SUPPORT, FRONT AXLE	80-14	2C5	TRANSMISSION SHIFTER CONTROL	50-35
2C25	SUPPORT, FRONT DIFFERENTIAL	50-55	2B25	TRANSMISSION SYNCHRONIZER DISK.....	50-29
2B9	SUPPORT, HI-LO SPEED SHIFTER LEVER	50-12	1B19	TUBE, DIPSTICK (6531)	20-22
2C12	SUPPORT, MASTER SHIELD	50-42	1B3	TUBE, VENTILATOR OUTLET	20-6
2F19	SUPPORT, TIE ROD	70-30	1D10	TURBOCHARGER (AIRESEARCH) (6531A).....	30-8
3B15	SUSPENSION, SEAT	90-23	1D8	TURBOCHARGER (6531A)	30-6
2G16	SWAY CONTROL BLOCK.....	70-52	1D8	TURBOCHARGER OIL PIPES (6531A).....	30-6
2G18	SWAY CONTROL BLOCKS.....	70-54	1G18	TURN SIGNAL CONTROLLER	40-45
3B6	SWITCH, BLOWER	90-14			
1G17	SWITCH, DIMMER	40-44		U	
1H11	SWITCH, ELECTRICAL REMOTE CONTROL	40-60			
1G13	SWITCH, HORN	40-40	2C22	UNIVERSAL JOINT	50-52
1G14	SWITCH, HORN	40-41	2C23	UNIVERSAL JOINT (FRONT AXLE)	50-53
1G15	SWITCH, HORN	40-42	2C24	UNIVERSAL JOINT, FRONT AXLE DRIVE SHAFT	50-54
1G20	SWITCH, IGNITION KEY	40-47	2D1	UNIVERSAL JOINT, GUARD.....	50-57
1G20	SWITCH, LIGHT	40-47	3B23	UPHOLSTERY, CAB	90-32
2C1	SWITCH, NEUTRAL START	50-30			
1B11	SWITCH, OIL PRESSURE (6531A & T) (SBSN 628711-).....	20-14		V	
1B9	SWITCH, OIL PRESSURE (6531A).....	20-12			
1F16	SWITCH, SOLENOID (NIPPONDENSO).....	40-21	1D4	VACUUM INDICATOR SWITCH	30-2
1G20	SWITCH, STARTER	40-47	1D6	VACUUM SWITCH, REMOTE MOUNTED	30-4
1G1	SWITCH, STARTER SOLENOID	40-29C	1A25	VALVE INSERTS (6531A)	20-5
1G2	SWITCH, STARTER SOLENOID	40-29E			

1A19

7520 TRACTOR

ALPHABETICAL INDEX - CONTINUED

<i>GRID</i>		<i>PAGE</i>	<i>GRID</i>	<i>PAGE</i>
3A25	VALVE KIT, COMPRESSOR	90-5		
1B1	VALVE SEAT INSERTS (6531)	20-5A		
1A24	VALVE STEM LUBRICANT, ENGINE	20-3		
2E1	VALVE, BRAKE	60-19		
3B3	VALVE, CAB COMPRESSOR	90-11		
2B1	VALVE, CLUTCH PEDAL	50-4		
2G23	VALVE, FLOW CONTROL, SCV	70-58		
1D23	VALVE, FUEL CHECK (6531)	30-23		
2F18	VALVE, OIL FILTER RELIEF	70-29		
2F11	VALVE, PRESSURE CONTROL	70-22		
2D7	VALVE, RELIEF (PFWD)	50-63		
2F23	VALVE, ROCKSHAFT PISTON RELIEF	70-34		
2G2	VALVE, ROCKSHAFT THROTTLE	70-38		
2G21	VALVE, SELECTIVE CONTROL	70-56		
2D15	VALVE, STEERING ASSEMBLY	60-7		
2D16	VALVE, STEERING ASSEMBLY	60-8		
2D18	VALVE, STEERING FLOW CONTROL	60-11		
1B1	VALVES, EXHAUST (6531)	20-5A		
1B6	VALVES, EXHAUST (6531)	20-9		
1B1	VALVES, INTAKE (6531)	20-5A		
1B6	VALVES, INTAKE (6531)	20-9		
1B3	VENTILATOR OUTLET TUBE	20-6		
1F2	VOLTAGE REGULATOR	40-7		
1F3	VOLTAGE REGULATOR	40-8		

W

1G7	WARNING LAMP	40-34
1G20	WARNING LAMP FLASHER	40-47
1G9	WARNING LAMP KIT, IMPLEMENT	40-36
1G8	WARNING LAMP, FLASHING, IMPLEMENT	40-35
1H10	WASHER, CAB WINDSHIELD	40-59
1C4	WASHERS, THRUST (6531)	20-32
1C22	WATER OUTLET MANIFOLD (6531)	20-46
1C20	WATER PUMP (6531A)	20-44
1C21	WATER PUMP OVERHAUL KIT	20-45
1G19	WATER TEMPERATURE GAUGE	40-46
2I11	WEIGHT, WHEEL	80-3
2I11	WHEEL WEIGHTS	80-3
2D10	WHEEL, STEERING	60-2
2I9	WHEELS, DRIVE	80-1
2I10	WHEELS, DRIVE	80-2
2G18	WIDE SWING DRAWBAR	70-54
3B17	WINDOW, FRONT CAB (R.H.)	90-25
1H9	WINDSHIELD WIPER, CAB	40-58
1H9	WIPER, CAB WINDSHIELD	40-58
1G5	WIRING ACCESSORY RELAY KIT	40-31
1E19	WIRING HARNESS, ENGINE	40-1
1G22	WIRING HARNESS, RADAR SENSOR	40-49A
1G4	WIRING KIT, ACCESSORY RELAY	40-30
1H13	WIRING KIT, ELECTRICAL REMOTE CONTROL	40-62
1H18	WIRING KIT, SUPPLEMENTARY	40-67
1E25	WIRING LEADS, CIRCUIT BREAKER	40-5
1G6	WIRING, CAB LAMP	40-33
1H15	WIRING, ELECTRICAL REMOTE CONTROL	40-64

Y

2B19	YOKE, OUTPUT SHAFT U-JOINT	50-23
2B8	YOKE, PTO SHIFTER	50-11
2B11	YOKE, TORQUE-DIVIDER SHIFTER	50-15

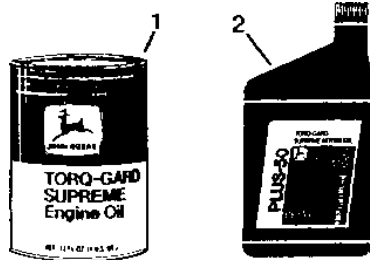
MEMORANDA

1A23

ENGINE

RGP3291 -UN-01JAN94

TORQ-GARD SUPREME AND PLUS-50 ENGINE OIL



RGP 3291

TORQ-GARD SUPREME ENGINE					
KEY	PART NO.	PART NAME	QTY	SERIAL NO.	REMARKS
1	TY6359	OIL	1	(SAE 5W/30), 0.9 L (1 QUART) CAN	
	TY6360	OIL	1	(SAE 5W/30), 19 L (5 GALLON) CAN	
	TY6361	OIL	1	(SAE 5W/30), 208 L (55 GALLON) DRUM	
	TY6364	OIL	1	(SAE 10W/30), 0.9 L (1 QUART) (BREAKIN)	
	TY6297	OIL	1	(SAE 15W/40), 0.9 L (1 QUART) CAN	
	TY6298	OIL	1	(SAE 15W/40), 19 L (5 GALLON) CAN	
	TY6300	OIL	1	(SAE 15W/40), 114 L (30 GALLON) DRUM	
	TY6301	OIL	1	(SAE 15W/40), 208 L (55 GALLON) DRUM	
	TY6311	OIL	1	(SAE 10W), 0.9 L (1 QUART) CAN	
	TY22009	OIL	1	(SAE 10W), 3.8 L (1 GALLON)	
	TY6312	OIL	1	(SAE 10W), 19 L (5 GALLON) CAN	
	TY6313	OIL	1	(SAE 10W), 208 L (55 GALLON) DRUM	
	AR63979	OIL	1	(SAE 30W), 0.2 L (1 HALF PINT) CAN	
	AR63218	OIL	1	(SAE 30W), 0.9 L (1 QUART) CAN	
	AR63219	OIL	1	(SAE 30W), 19 L (5 GALLON) CAN	
	TY6280	OIL	1	(SAE 30W), 114 L (30 GALLON) DRUM	
	AR63222	OIL	1	(SAE 30W), 208 L (55 GALLON) DRUM	

TORQ-GARD PLUS-50 ENGINE					
KEY	PART NO.	PART NAME	QTY	SERIAL NO.	REMARKS
2	TY6389	OIL	1	(SAE 15W/40), 0.9 L (1 QUART)	
	TY22008	OIL	1	(SAE 15W/40), 3.8 L (1 GALLON)	
	TY6390	OIL	1	(SAE 15W/40), 19 L (5 GALLON)	
	TY22010	OIL	1	(SAE 15W/40), 113.6 L (30 GALLON)	
	TY6391	OIL	1	(SAE 15W/40), 208 L (55 GALLON)	
	TY6392	OIL	1	(SAE 30W), 0.9 L (1 QUART)	
	TY22007	OIL	1	(SAE 30W), 3.8 L (1 GALLON)	
	TY6393	OIL	1	(SAE 30W), 19 L (5 GALLON)	
	TY22011	OIL	1	(SAE 30W), 113.6 L (30 GALLON)	
	TY6394	OIL	1	(SAE 30W), 208 L (55 GALLON)	
..	TY22041	OIL	1	(SAE 10W/30), 3.8L (1 GALLON) (BREAKIN)	
..	TY22042	OIL	1	(SAE 10W/30), 208L (55 GALLON) (BREAKIN)	

KITS FOR OFF SEASON STORAGE (NOT ILLUSTRATED)

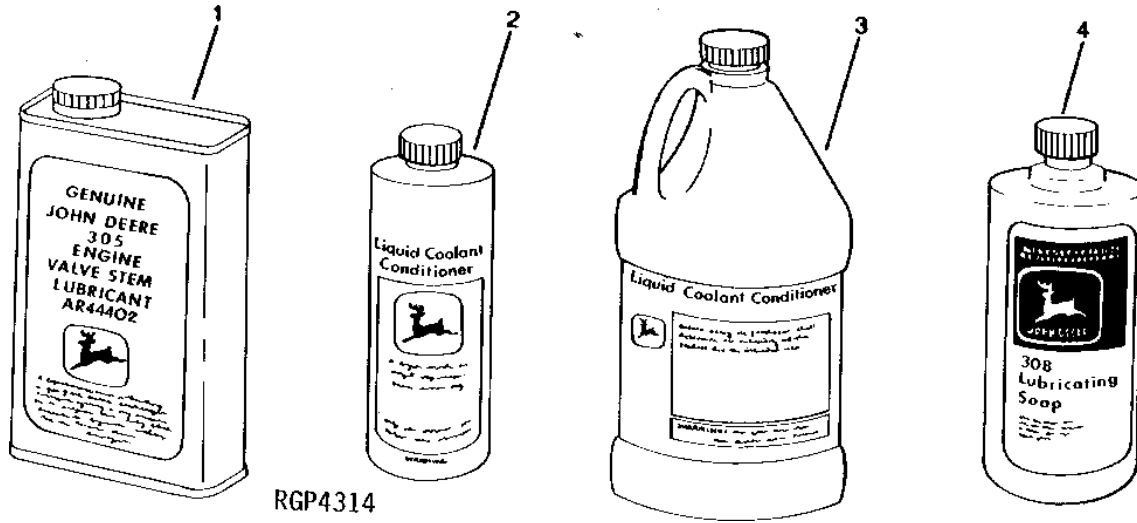
ENGINE					
KEY	PART NO.	PART NAME	QTY	SERIAL NO.	REMARKS
..	AR41785	KIT	1		CONTAINS 0.9 L (1 QT.) CAN OF INTERNAL CORROSION INHIBITOR, 1 ROLL OF TAPE, AND 6 PLASTIC BAGS (OFF-SEASON STORAGE)
..	AR41870	RUST INHIBITOR	1		0.9 L (1 QT.) CAN, (SUB AR41785)
..	AR21969	KIT	1		(DUST CAP/COVER KIT)

1A24

ENGINE

RGP4314 -UN-01JAN94

COOLANT CONDITIONER AND ENGINE PART LUBRICANTS



VALVE STEM LUBRICANT

KEY	PART NO.	PART NAME	QTY	SERIAL NO.	REMARKS
1	AR44402	OIL	1	0.9L (1 QT.)	

COOLANT CONDITIONER

KEY	PART NO.	PART NAME	QTY	SERIAL NO.	REMARKS
2	TY16004	ENGINE COOLANT CONDITIONER	1	.473L (16 OZ.) (SUB FOR T19566, RE12842 OR RE23182)	
3	TY16005	ENGINE COOLANT CONDITIONER	1	3.8L (1 GAL.) (SUB FOR RE35992)	

CYLINDER LINER PACKING LUBRICANT

KEY	PART NO.	PART NAME	QTY	ENGINE SERIAL NO.	REMARKS
4	AR54749	LUBRICANT	1	0.9L (1 QT.)	

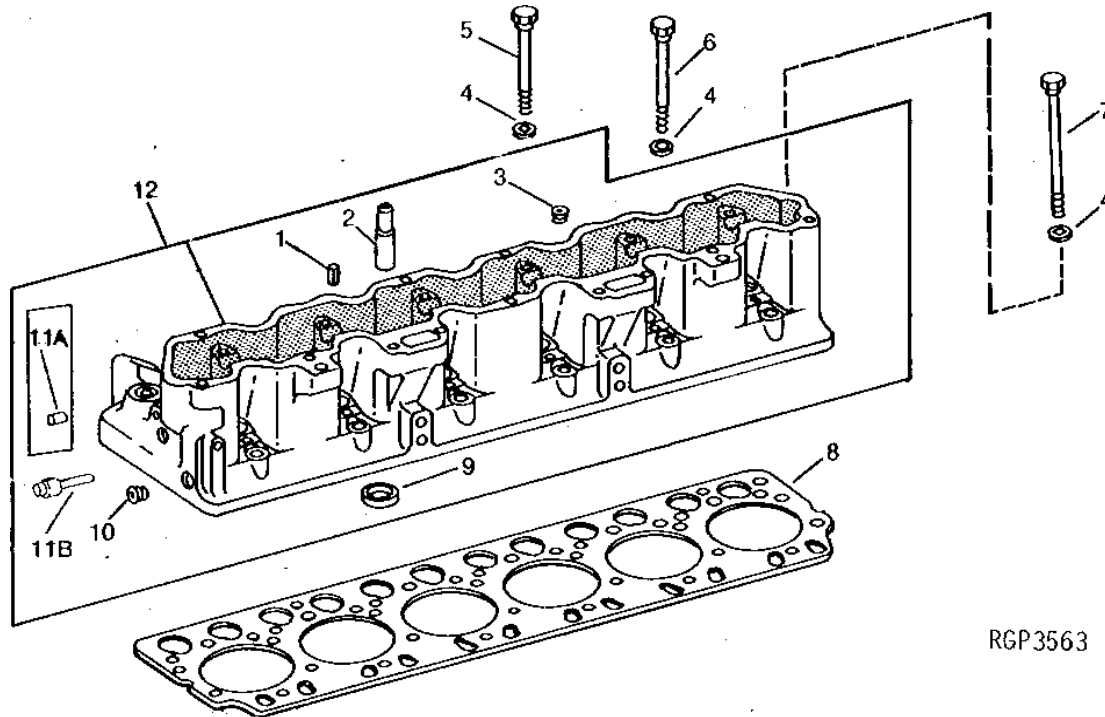
MEMORANDA

1A25

ENGINE

CYLINDER HEAD AND GASKET (6531A)

RGP3563 -UN-01JAN94



RGP3563

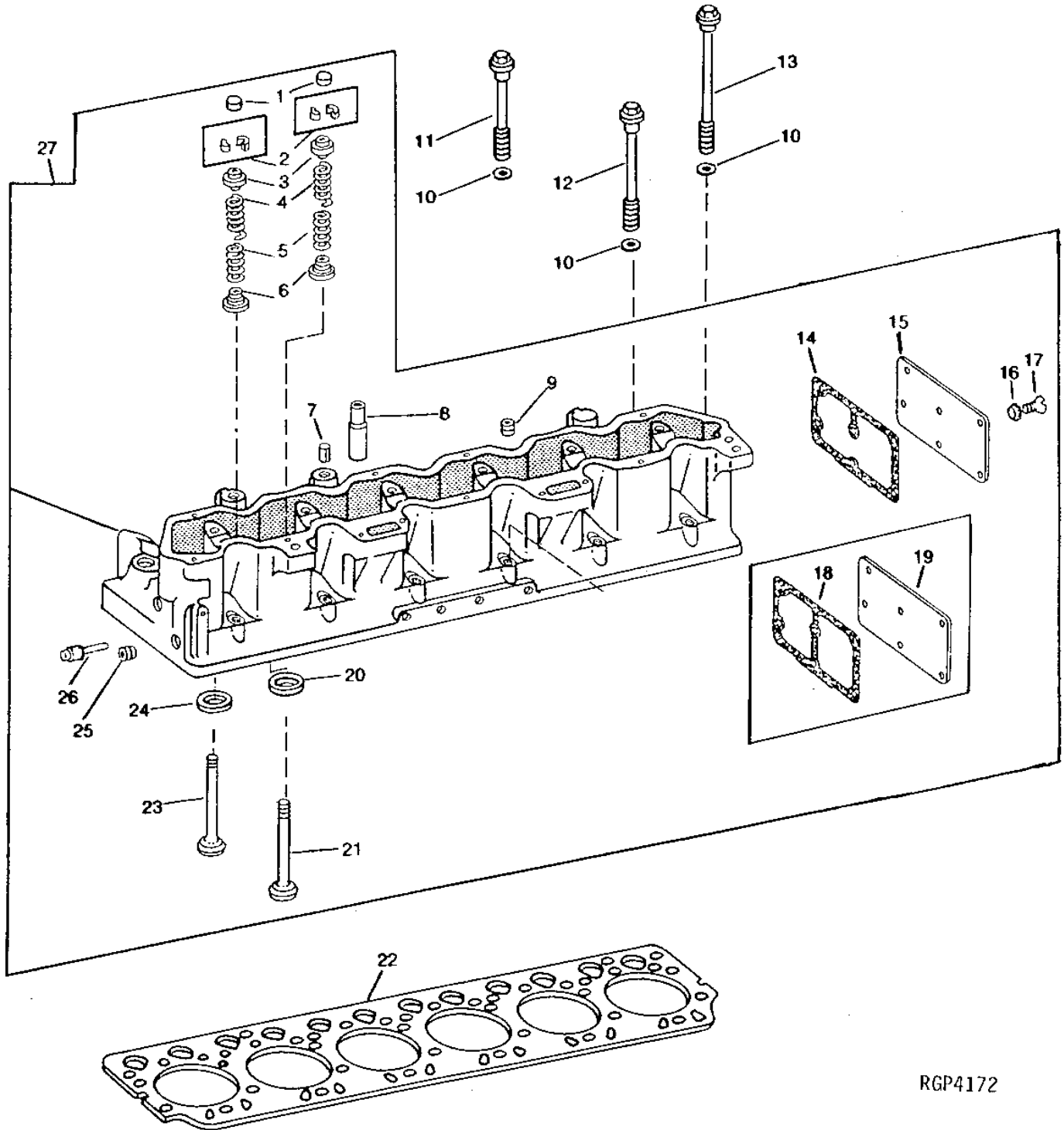
KEY	PART NO.	PART NAME	QTY	ENGINE SERIAL NO.	REMARKS
1	34H387	SPRING PIN	1		3/16" X 3/4"
2	R53192	BUSHING	12		
3	15H624	PIPE PLUG	5		1/2" 1/2", (SUB FOR AR72319)
4	R70268	WASHER	26		(SUB FOR R42363)
5	R80575	CAP SCREW	3		5/8" X 6-1/2", (SUB FOR R45267, R60118, R70265 OR R67345) (ALSO ORDER R70268)
6	R80574	CAP SCREW	21		5/8" X 5-1/2", (SUB FOR R45266, R60117 OR R92368, THIS APPLICATION) (ALSO ORDER R70268)
7	R80576	CAP SCREW	2		5/8" X 7-3/4", (SUB FOR R45268 OR R60119) (ALSO ORDER R70268)
8	R78513	GASKET	1		(SUB FOR R49688)
9	R48313	INSERT	6		STANDARD, INTAKE
	R52919	INSERT	6		0.25MM (.010") OVERSIZE, INTAKE
	R48314	VALVE SEAT INSERT	6		STANDARD, EXHAUST
	R52920	VALVE SEAT INSERT	6		0.25MM (.010") OVERSIZE, EXHAUST
10	15H690	PIPE PLUG	4		3/4", (SUB FOR AR72318)
11A	F1743R	DOWEL PIN	2	-XXXXXX	
11B	AT107509	PLUG	1	XXXXXX-	
12	AR51250	CYLINDER HEAD	1		(MARKED R48270 OR R86702) (SUB FOR AR81619) (SUB RE56478) (ALSO ORDER (2) R80576 AND (3) R80575)

1B1

ENGINE

REPLACEMENT CYLINDER HEAD AND VALVES (6531A OR 6531T)

RGP4172 -UN-01JAN94



RGP4172

1B2

ENGINE

REPLACEMENT CYLINDER HEAD AND VALVES - CONTINUED (6531A OR 6531T)

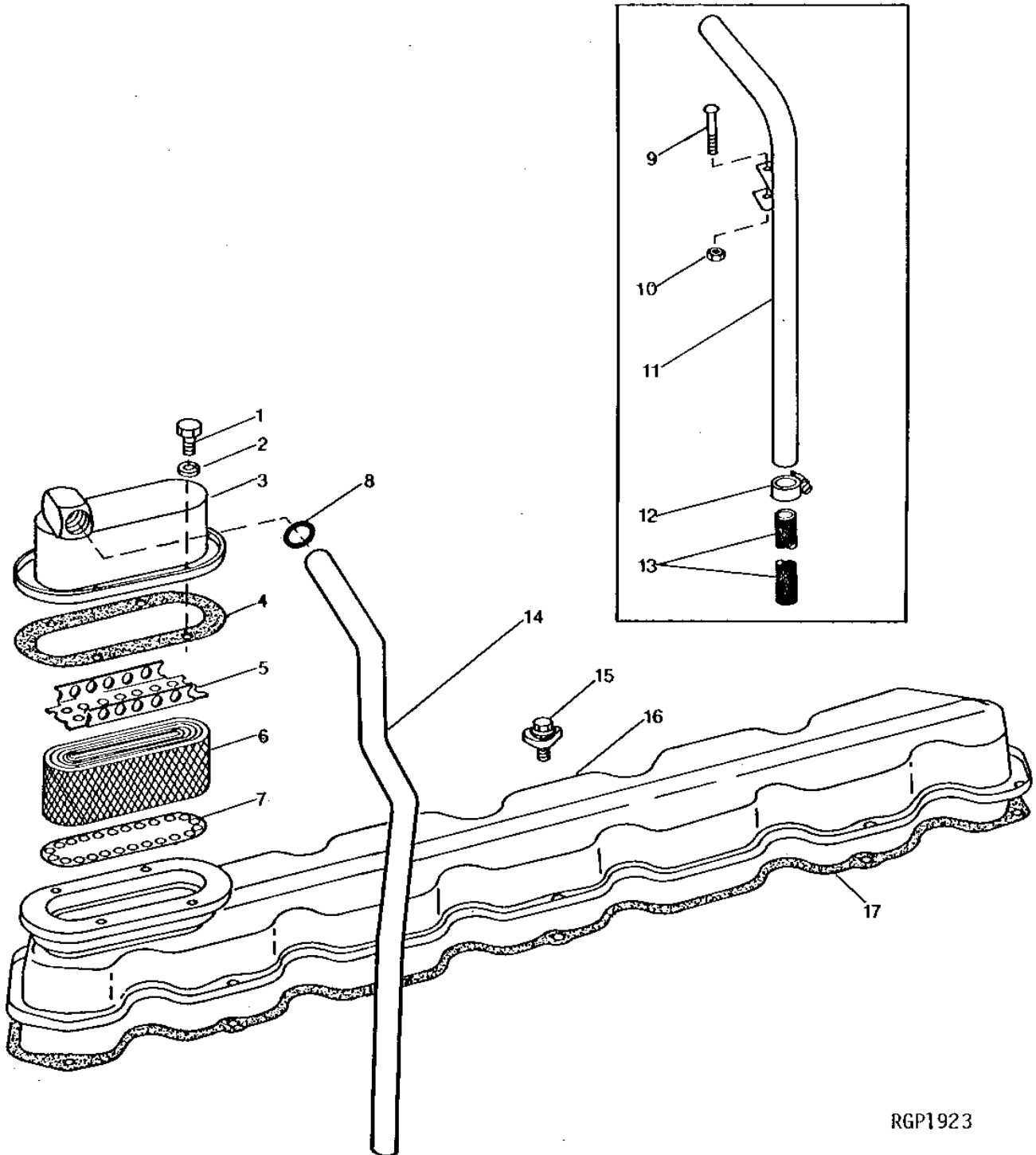
KEY	PART NO.	PART NAME	QTY	ENGINE SERIAL NO.	REMARKS
1	R40366	CAP	12		
2	R35431	LOCK	24		
3	R49283	CAP	12		
4	R49571	SPRING	12		
5	R49569	SPRING	12		
6	R81086	ROTATOR	12		
7	34H387	SPRING PIN	1	3/16" X 3/4"	
8	R53192	BUSHING	12		
9	15H624	PIPE PLUG	6	1/2"	
10	R70268	WASHER	25		
11	R80575	CAP SCREW	6		
12	R80574	CAP SCREW	16		
13	R80576	CAP SCREW	4		
14	R120293	GASKET	1	(USE WITH R120292)	
15	R120292	COVER	1	(USE WITH 12H324)	
16	12H324	WASHER	6	3/8", (USE WITH R120292)	
17	N61345	SCREW	6		
18	R105027	GASKET	1	(SUB R120292, R120293 AND (6) 12H324)	
19	R105026	COVER	1	(SUB R120292, R120293 AND (6) 12H324)	
20	R48314	VALVE SEAT INSERT	6	STD (EXHAUST)	
	R52920	VALVE SEAT INSERT	6	0.25 MM (.010") OS (EXHAUST)	
21	R90601	EXHAUST VALVE	6		
22	R78513	GASKET	1		
23	R90602	INTAKE VALVE	6		
24	R48313	INSERT	6	STD (INTAKE)	
	R52919	INSERT	AR	0.25 MM (.010") OS (INTAKE)	
25	15H690	PIPE PLUG	2	3/4"	
26	AT107509	PLUG	2		
27	RE53702	CYLINDER HEAD	1	(MARKED R116836) (SUB RE56478)	
	RE56478	CYLINDER HEAD	1	(MARKED R116836)	

1B3

ENGINE

ROCKER ARM COVER AND CRANKCASE VENT (6531)

RGP1923 -UN-01JAN94



RGP1923

1B4

ENGINE

**ROCKER ARM COVER AND CRANKCASE VENT - CONTINUED
(6531)**

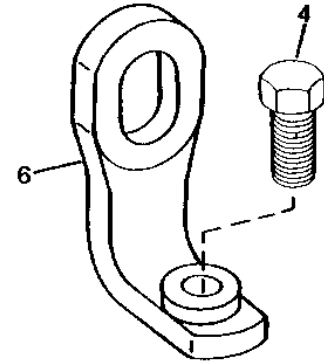
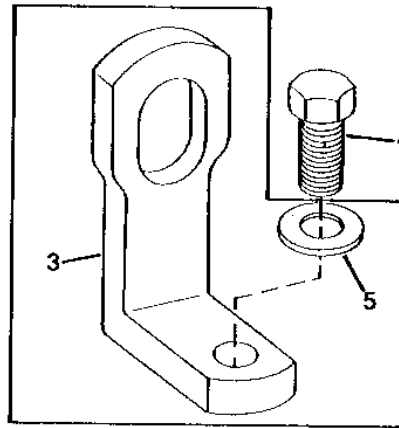
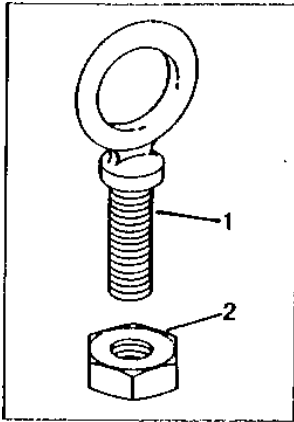
KEY	PART NO.	PART NAME	QTY	ENGINE SERIAL NO.	REMARKS
1	19H1813	CAP SCREW	4		5/16" X 5/8"
2	12H303	LOCK WASHER	4		5/16"
3	AR53544	COVER	1		
4	R49492	GASKET	1		
5	R49690	DEFLECTOR	1		
6	R49692	FILTER ELEMENT	1		
7	R49691	ISOLATOR	1		
8	R495R	O-RING	1		
9	21H997	SCREW	1	-285885	0.190" X 1-1/2"
10	14H631	NUT	1	-285885	0.190"
11	AR53511	TUBE	1	-285885	(SUB R49683)
	AR67055	TUBE	1	285886-XXXXXX	(SUB R49683) (7520)
12	TY22467	CLAMP	1	-285885	(SUB FOR AR21839)
13	R50389	HOSE	1	-285885	(19 MM X 610 MM) (3/4" X 24")
14	R49683	LINE	1	XXXXXX-	(7520)
	R49683	LINE	1	285886-	(5400, 6030)
15	AR103811	SCREW, WITH WASHER	9		6.350 X 19.050 MM (1/4" X 3/4") (SUB FOR AR45530)
16	AR53537	COVER	1		
17	R74365	GASKET	1		(SUB FOR R49867)

1B5

ENGINE

ENGINE LIFT EYE BOLT (6531)

RGP4345 -UN-01JAN94



RGP4345

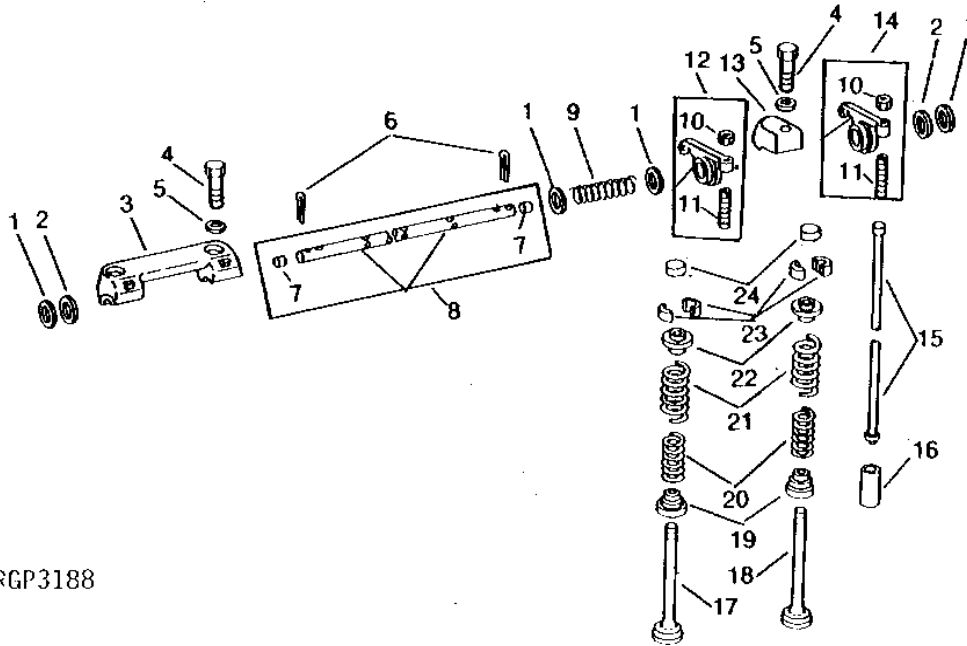
KEY	PART NO.	PART NAME	QTY	ENGINE SERIAL NO.	REMARKS
1	R60980	EYEBOLT	2		(SUB RE61025 AND 19H2710)
2	14H821	NUT	2		5/8"
	14H821	NUT	1		5/8", (5400, 6030)
3	R122209	STRAP	2		(SUB RE61025)
4	19H2710	CAP SCREW	2		5/8" X 1-3/4"
5	24M7241	WASHER	2		17 X 34 X 4 MM
6	RE61025	STRAP	2		

1B6

ENGINE

ROCKER ARMS, SHAFT, AND VALVES (6531A & T)

RGP3188 -UN-01JAN94



RGP3188

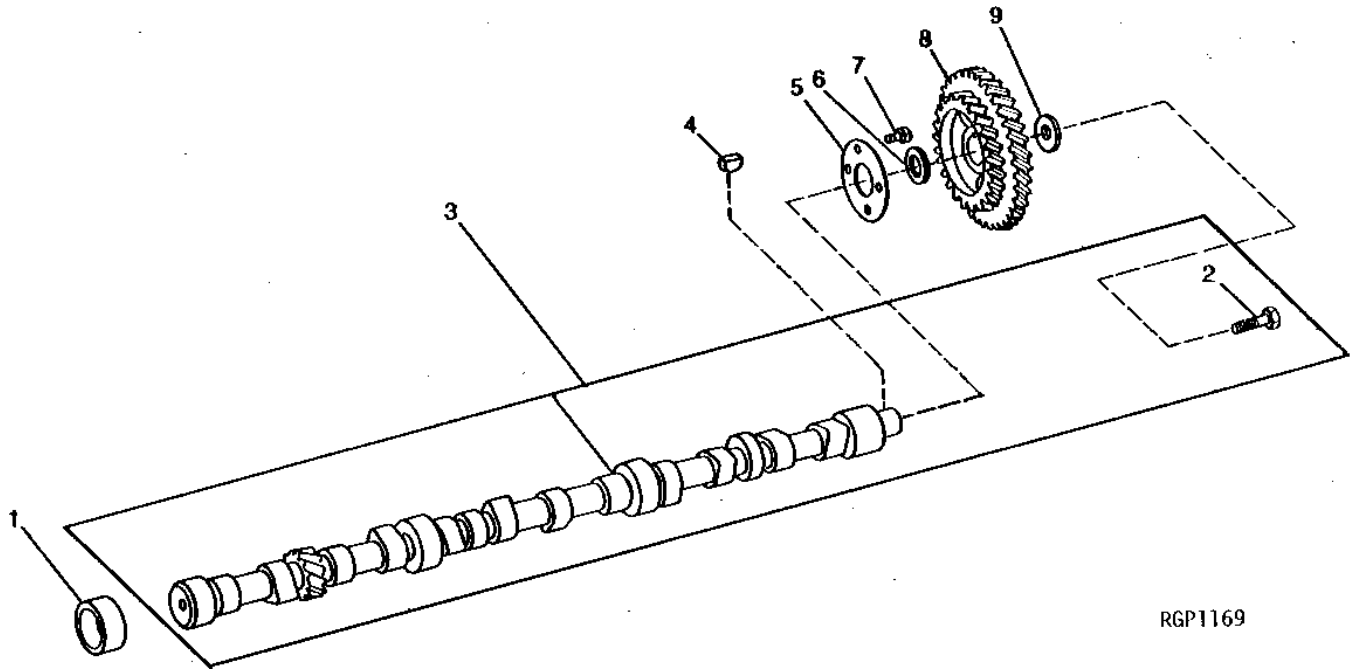
KEY	PART NO.	PART NAME	QTY	ENGINE SERIAL NO.	REMARKS
1	R61266	WASHER	12		
2	R35022	WASHER	2		
3	R57276	CLAMP	2		
4	R56957	BOLT	6		
5	T20168	WASHER	6		
6	11M7086	COTTER PIN	2	0.098" X 1.969"	
7	R35019	PLUG	2		
8	AR92514	ROCKER ARM SHAFT	1	(SUB FOR AR74545, AR35006 OR AR53068)	
9	R35020	SPRING	5		
10	14H1080	NUT	12	3/8"	
11	R27443	SET SCREW	12		
12	AR69901	ARM	6	(SUB FOR AR36181)	
13	R49728	CLAMP	2		
14	AR69902	ARM	6	(SUB FOR AR36182)	
15	AR53087	PUSH ROD	12		
16	AR41291	CAM FOLLOWER	12		
17	R90602	INTAKE VALVE	6	(SUB FOR R49566) (ALSO ORDER R40366)	
18	R90601	EXHAUST VALVE	6	(SUB FOR R49567) (ALSO ORDER R40366)	
19	R81086	ROTATOR	12	(SUB FOR R49568)	
20	R49569	SPRING	12		
21	R49571	SPRING	12		
22	R49283	CAP	12		
23	R35431	LOCK	24		
24	R40366	CAP	12	(USE WITH R90601 OR R90602)	

1B7

ENGINE

CAMSHAFT AND GEAR (6531A & 6531T)

RGP1169 -UN-01JAN94



RGP1169

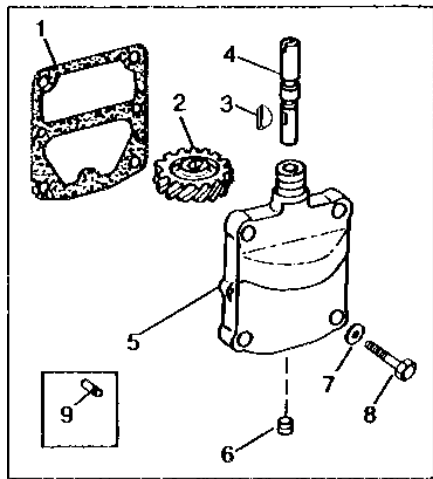
KEY	PART NO.	PART NAME	QTY	ENGINE SERIAL NO.	REMARKS
1	R46903	BUSHING	4		
2	19H1990	CAP SCREW	1	1/2" X 2-1/4", (USE WITH R54843 OR R63406)	
	R83569	CAP SCREW	1	12.700 X 114.300 MM (1/2" X 4-1/2") (GR. G)	
3	RE11137	KIT	1	(USE WITH R77447)	(MARKED R77447) (SUB FOR R49398, R54843 OR R63406)
4	26H13	SHAFT KEY	1	5/32" X 3/4"	
5	R40634	THRUST WASHER	1	(USE WITH R67576) (SUB R99597, R42355 AND R99616, THIS APPLICATION)	
6	R42355	THRUST WASHER	1	(USE WITH R99597)	
	R35127	WASHER	1	(SUB R99597, R42355 AND R99616, THIS APPLICATION)	
	R99616	WASHER	1	(USE WITH R99597)	
7	19H1813	CAP SCREW	4	5/16" X 5/8"	
8	R67576	GEAR	1	(SUB FOR R49194) (SUB R99597, R42355 AND R99616, THIS APPLICATION)	
	R99597	GEAR	1		
9	R35256	WASHER	1		

1B8

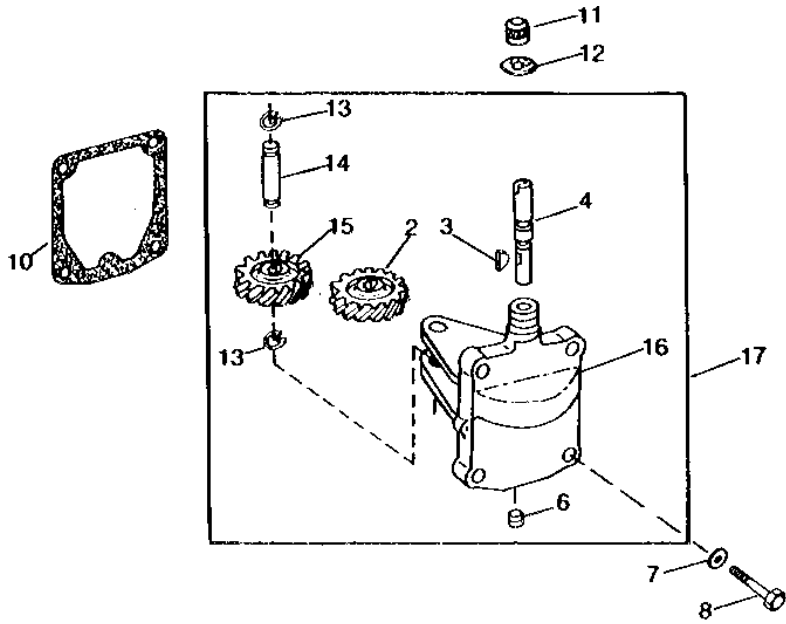
ENGINE

TACHOMETER DRIVE (6531)

RGP2279 -UN-01JAN94



RGP2279



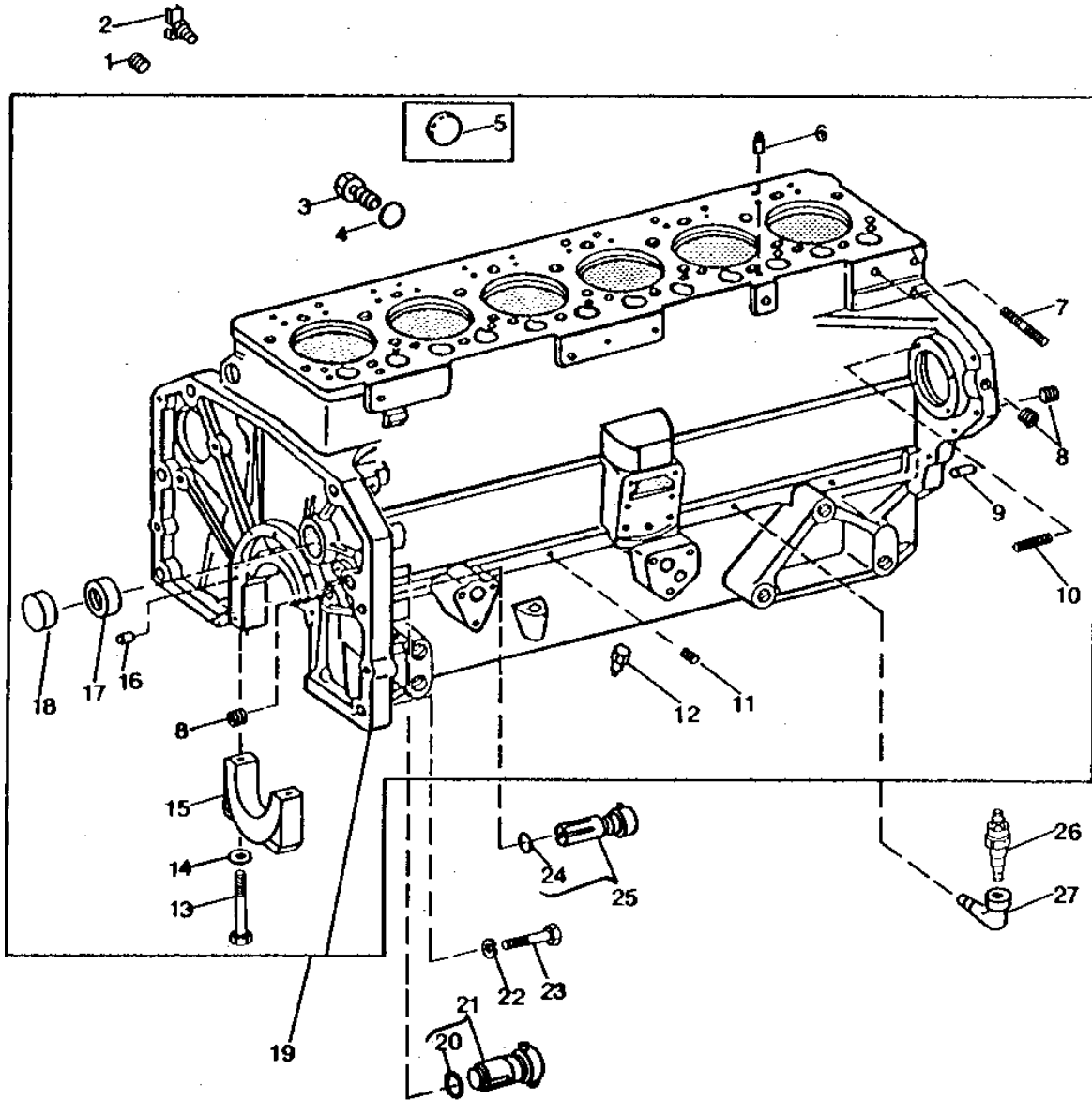
KEY	PART NO.	PART NAME	QTY	SHORT BLOCK SERIAL NO.	REMARKS
1	R44853	GASKET	1	-628710	(USE WITH R48260 OR R72129)
2	R32426	GEAR	1	-628710	
3	26H3	SHAFT KEY	1	-628710	3/32" X 3/8"
4	R26172	SHAFT	1	-628710	
5	R43851	HOUSING	1	-628710	(USE WITH R48260 OR R72129) (SUB FOR AR43652)
6	15H559	PIPE PLUG	1	-628710	1/4"
7	24H1884	WASHER	4	-628710	13/32" X 13/16" X 0.120"
8	19H3219	CAP SCREW	4	-628710	3/8" X 1-3/8"
9	F1743R	DOWEL PIN	1	-628710	(USE WITH AR43652)
10	R62410	GASKET	1	628800-	(USE WITH R80401)
11	B3362R	CAP	1	628800-	
12	B3285R	WASHER	1	628800-	
13	R72655	SNAP RING	2	628800-	(USE WITH R80401) (SUB FOR T12808)
14	R63287	GROOVE PIN	1	628800-	(USE WITH R80401)
15	R89785	GEAR	1	628800-	(USE WITH R80401) (SUB FOR R63286)
16	R63285	HOUSING	1	628800-	(USE WITH R80401)
17	RE29234	HOUSING	1	628800-	(USE WITH R80401) (SUB FOR AR80682)

1B9

ENGINE

CYLINDER BLOCK, FITTINGS AND MAIN BEARING CAPS
(SHORT BLOCK SERIAL NO. -628710)
(6531A)

RGP1999 -UN-01JAN94



RGP1999

1B10

ENGINE

CYLINDER BLOCK, FITTINGS AND MAIN BEARING CAPS - CONTINUED
(SHORT BLOCK SERIAL NO. -628710)
(6531A)

KEY	PART NO.	PART NAME	QTY	ENGINE SERIAL NO.	REMARKS
1	15H562	PIPE PLUG	1		1", (SUB FOR AR78522)
2	AT13740	DRAIN VALVE	1		
3	R39741	DRAIN PLUG	1		(USE WITH R72129)
4	U13639	O-RING	1		(USE WITH R72129)
5	AR80294	PLUG	1		(USE WITH R48260) (SUB FOR R47092)
6	R26241	DOWEL PIN	2		
7	K3083R	STUD	3		
8	15H624	PIPE PLUG	3		1/2", (SUB FOR AR72319)
9	R1612R	DOWEL PIN	4		
10	R55396	STUD	4		
11	R104592	PIPE PLUG	5		(SUB FOR R21630, THIS APPLICATION)
12	R43621	ORIFICE	6		
13	R63952	CAP SCREW	14		
14	R70268	WASHER	14		(SUB FOR R42363)
15	R48256	BEARING CAP	6		(MAIN)
	R48257	BEARING CAP	1		(MAIN THRUST)
16	F1743R	DOWEL PIN	2		
17	R46903	BUSHING	4		
18	R26115	CAP	1		
19	AR94841	CYLINDER BLOCK	1		(A) (MARKED R48260 OR R72129) (INCLUDES AR53173 AND R72328) (SUB FOR AR56155) (ALSO ORDER R54123 AND U13639)
20	R27149	O-RING	1		
21	AR61533	PLUG	1		
22	12H236	LOCK WASHER	6		3/4"
23	19H1707	CAP SCREW	6		3/4" X 2-3/4"
24	A4365R	O-RING	1		
25	AR61589	PLUG	1		
26	AT85174	SWITCH	1		(6030, 7520) (SUB FOR AR27977)
	AT85174	SWITCH	1		(5400)
27	15H197	ELBOW FITTING	1		
..	R58725	ELBOW FITTING	1		(INCLUDED IN AR94841) (SUB AR53173 AND R72328)

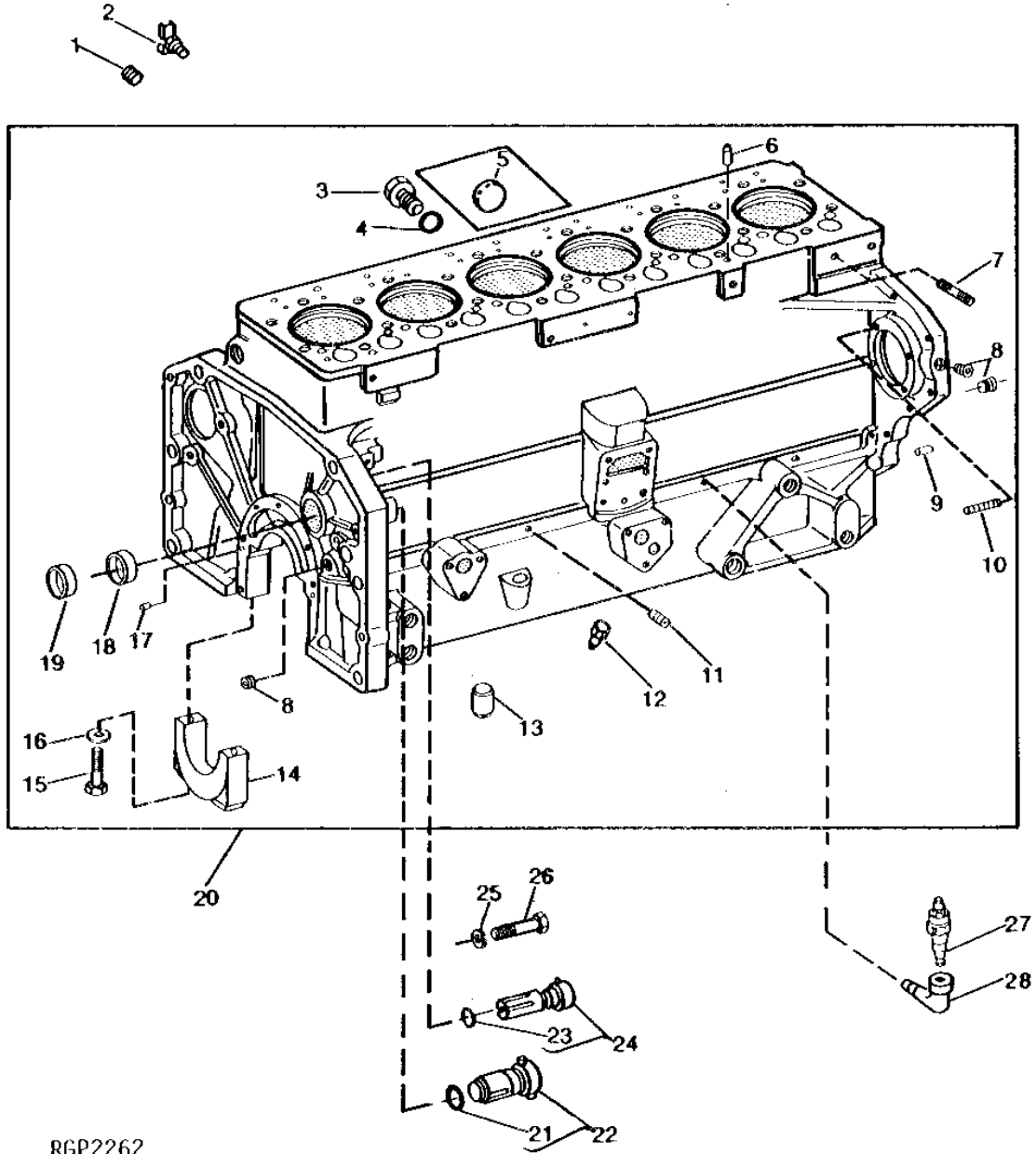
(A) CAM DRIVEN OIL PUMP

1B11

ENGINE

CYLINDER BLOCK, FITTINGS AND MAIN BEARING CAPS
(6531A & T) (SHORT BLOCK SERIAL NO. 628711-)

RGP2262 -UN-01JAN94



RGP2262

1B12

ENGINE

CYLINDER BLOCK, FITTINGS AND MAIN BEARING CAPS - CONTINUED
(6531A & T) (SHORT BLOCK SERIAL NO. 628711-)

KEY	PART NO.	PART NAME	QTY	ENGINE SERIAL NO.	REMARKS
1	15H562	PIPE PLUG	1		1", (SUB FOR AR78522)
2	AT13740	DRAIN VALVE	1		
3	R39741	DRAIN PLUG	1		(USE WITH R72129)
4	U13639	O-RING	1		(USE WITH R72129)
5	AR80294	PLUG	1		(USE WITH R48260) (SUB FOR R47092)
6	R26241	DOWEL PIN	2		
7	K3083R	STUD	3		
8	15H624	PIPE PLUG	3		1/2", (SUB FOR AR72319)
9	R1612R	DOWEL PIN	4		
10	R55396	STUD	4		
11	R104592	PIPE PLUG	5		1/8", (SUB FOR R21630, THIS APPLICATION)
12	R43621	ORIFICE	6		
13	R62930	BUSHING	2		
14	R48256	BEARING CAP	6		(MAIN)
	R48257	BEARING CAP	1		(MAIN THRUST)
15	R63952	CAP SCREW	14		
16	R70268	WASHER	14		(SUB FOR R42363)
17	F1743R	DOWEL PIN	2		
18	R46903	BUSHING	4		
19	R26115	CAP	1		
20	RE17047	CYLINDER BLOCK	1		(A) (MARKED R48260, R72129 OR R80401) (ALSO ORDER R54123, U13639, R58724 AND AR99699)
21	R27149	O-RING	1		
22	AR61533	PLUG	1		
23	A4365R	O-RING	1		
24	AR61589	PLUG	1		
25	12H236	LOCK WASHER	6		3/4"
26	19H1707	CAP SCREW	6		3/4" X 2-3/4"
27	AT85174	SWITCH	1		(6030, 7520) (SUB FOR AR27977)
	AT85174	SWITCH	1		(5400)
28	15H197	ELBOW FITTING	1		

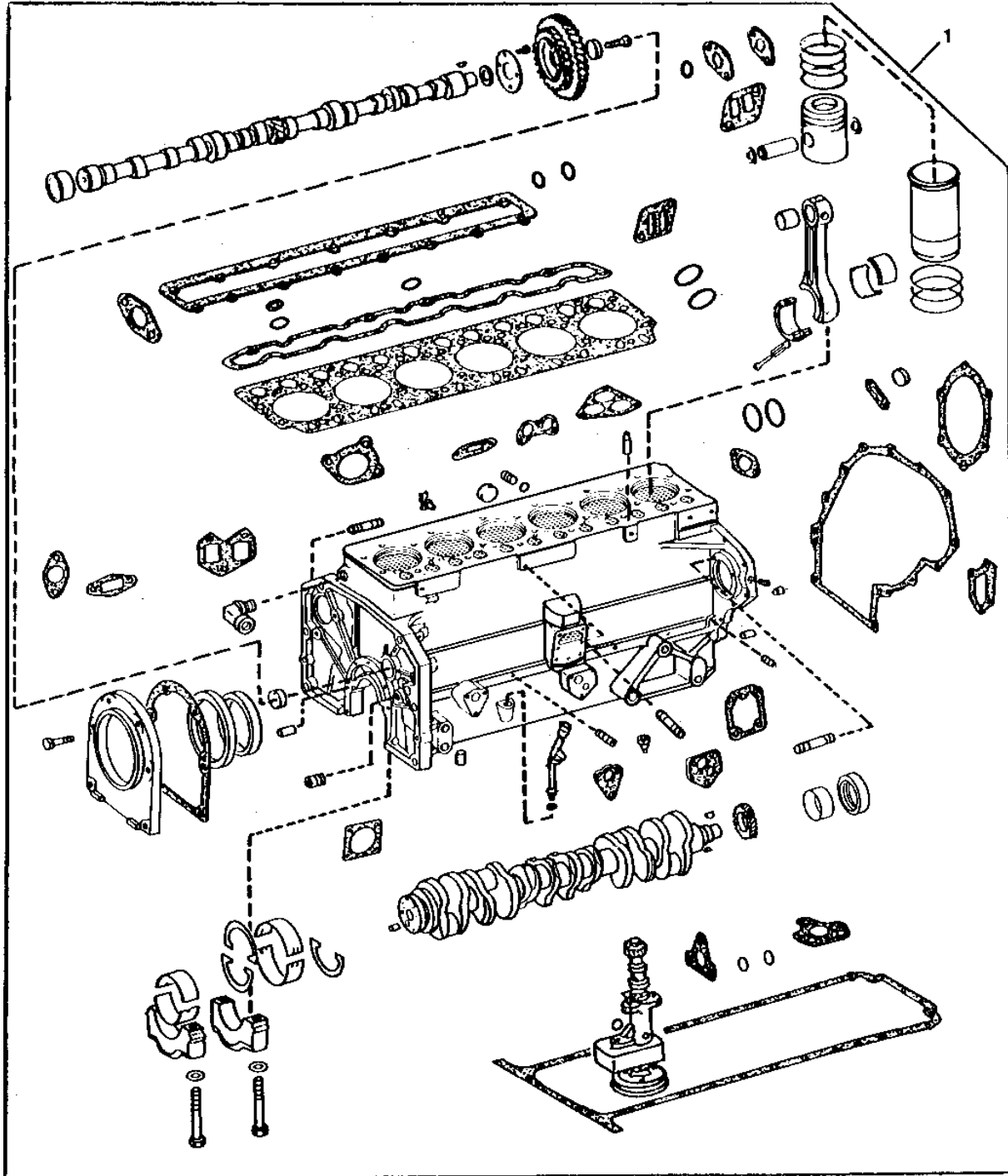
(A) CRANK DRIVEN OIL PUMP

1B13

ENGINE

ENGINE SHORT BLOCK
(ENGINE SERIAL NO. -628710)
(6531A)

RGP2259 -UN-01JAN94



RGP2259

1B14

ENGINE

ENGINE SHORT BLOCK - CONTINUED
(SHORT BLOCK SERIAL NO. -628710)
(6531A)

KEY	PART NO.	PART NAME	QTY	ENGINE SERIAL NO.	REMARKS
1	AR94825	SHORT BLOCK ASSEMBLY	1		(A) (MARKED R48260 OR R72129) (SUB FOR AR56151) (SUB RE17042, RG23549 AND RE43168 WITHOUT AR70162 OR AR67540) (WITH AR70162 OR AR67540 ALSO ORDER RE42650) (WITH COOLANT HEATER ALSO ORDER AR62399)

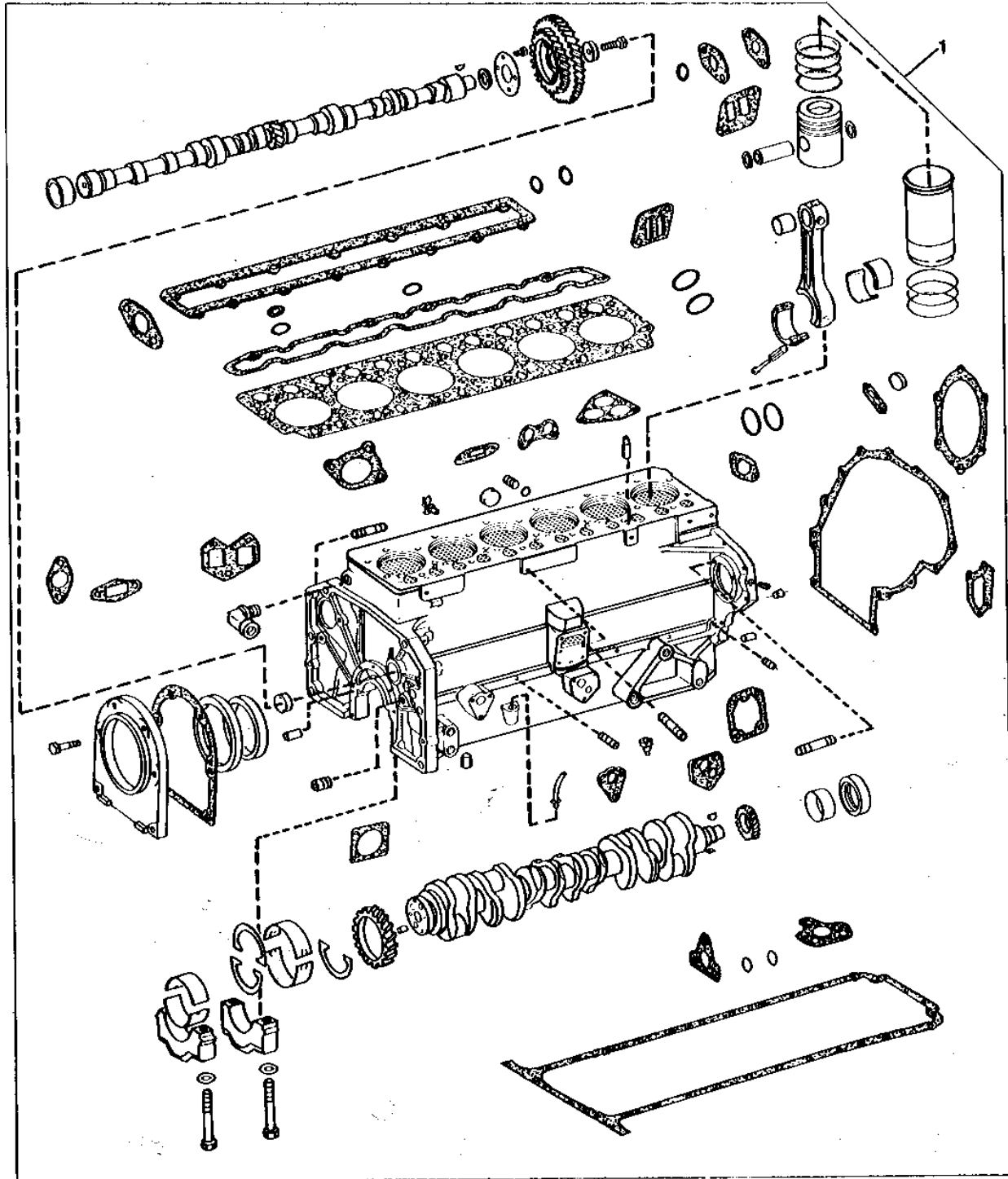
(A) CAM DRIVEN OIL PUMP

1B15

ENGINE

ENGINE SHORT BLOCK
(SHORT BLOCK SERIAL NO. 628711-)
(6531A)

RGP1561 -UN-01JAN94



RGP1561

1B16

ENGINE

ENGINE SHORT BLOCK - CONTINUED
(SHORT BLOCK SERIAL NO. 628711-)
(6531A)

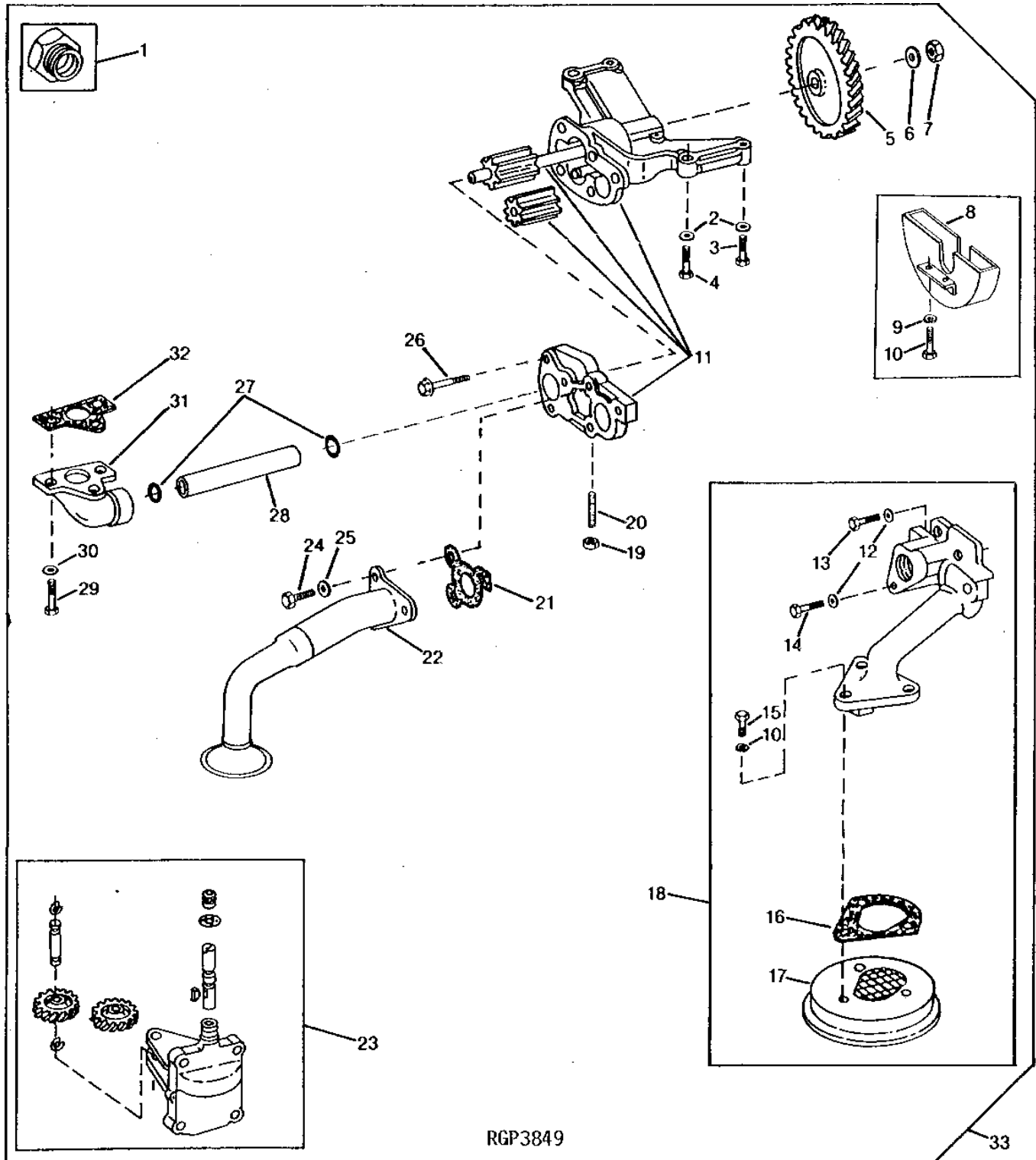
KEY	PART NO.	PART NAME	QTY	ENGINE SERIAL NO.	REMARKS
1	RE17042	SHORT BLOCK ASSEMBLY	1	(A) (MARKED R80401)	
		(A) CRANK DRIVEN OIL PUMP			

1B17

ENGINE

SHORT BLOCK INSTALLATION KIT
(SHORT BLOCK SERIAL NO. 628710-)
(6531A)

RGP3849 -UN-01JAN94



1B18

ENGINE

SHORT BLOCK INSTALLATION KIT - CONTINUED
(SHORT BLOCK SERIAL NO. -628710)
(6531A)

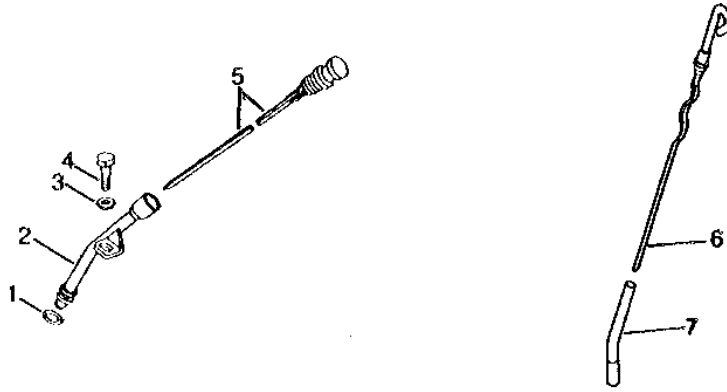
KEY	PART NO.	PART NAME	QTY	ENGINE SERIAL NO.	REMARKS
1	R54123	ADAPTER	1		
2	R57696	WASHER	4		
3	19H3239	CAP SCREW	2		3/8" X 1-1/4"
4	19H2549	CAP SCREW	2		3/8" X 1-7/8"
5	R62938	GEAR	1		
6	T21242	WASHER	1		
7	14H826	NUT	1		1/2", (SUB FOR R79187)
8	AR77713	SHIELD	1		(NLA)
9	12H303	LOCK WASHER	3	-XXXXXX	5/16"
10	19H1813	CAP SCREW	2		5/16" X 5/8", NO LONGER REQUIRED
11	RE44118	OIL PUMP	1	-XXXXXX	(SUB FOR AR94478 OR AR99339) (SUB RE60622)
12	M72490	WASHER	5	-XXXXXX	(SUB FOR R42729)
13	19H1765	CAP SCREW	3	-XXXXXX	3/8" X 1-3/4"
14	19H2733	CAP SCREW	2	-XXXXXX	3/8" X 2-3/8"
15	19H2127	CAP SCREW	3	-XXXXXX	5/16" X 7/8"
16	R70475	GASKET	1	-XXXXXX	
17	AR77711	OIL PUMP INTAKE	1	-XXXXXX	
18	AR99339	OIL PUMP	1	-XXXXXX	(SUB RE60622)
19	14H785	NUT	1		5/16"
20	22H1040	SET SCREW	1		5/16" X 1-1/4"
21	R100569	GASKET	1	XXXXXX-	
22	RE43168	OIL PUMP INTAKE	1	XXXXXX-	
23	RE29234	HOUSING	1		(SUB FOR AR80682)
24	R104628	CAP SCREW	3	XXXXXX-	
25	12H303	LOCK WASHER	3	XXXXXX-	
26	R104628	CAP SCREW	2	XXXXXX-	
27	R71732	O-RING	1		
28	R62947	TUBE	1		
29	19H2552	CAP SCREW	3		3/8" X 1-1/8"
30	M72490	WASHER	3		(SUB FOR R70234 OR R42729)
31	R62948	ELBOW FITTING	1		
32	R69418	GASKET	1		
33	AR102886	KIT	1		(USED WITH R63199 ONLY) (SUB RG23549 AND RE43168, WITHOUT AR70162 OR AR67540) (WITH AR70162 OR AR67540, ALSO ORDER RE42650)

1B19

ENGINE

RGP2319 -UN-01JAN94

ENGINE OIL DIPSTICK AND TUBE



RGP2319

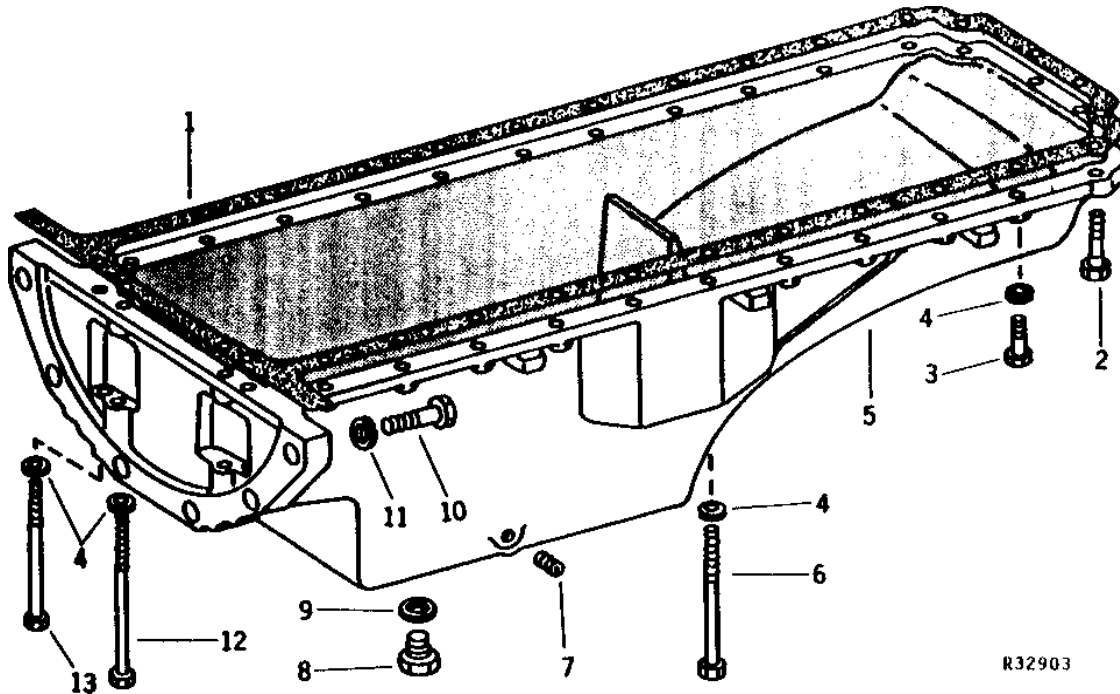
KEY	PART NO.	PART NAME	QTY	SHORT BLOCK SERIAL NO.	REMARKS
1	P48347	O-RING	1	-628710	(SUB FOR R34404, THIS APPLICATION)
2	AR53543	TUBE	1	-628710	
3	12H304	LOCK WASHER	1	-628710	3/8"
4	19H1936	CAP SCREW	1	-628710	3/8" X 3/4"
5	AR53542	DIPSTICK	1	-628710	
6	AR99699	DIPSTICK	1	628801-	(USE WITH BLOCK MARKED R80401)
7	R58724	TUBE	1	628801-	(USE WITH BLOCK MARKED R80401)

1B20

ENGINE

OIL PAN (6531A)

R32903 -UN-01JAN94



R32903

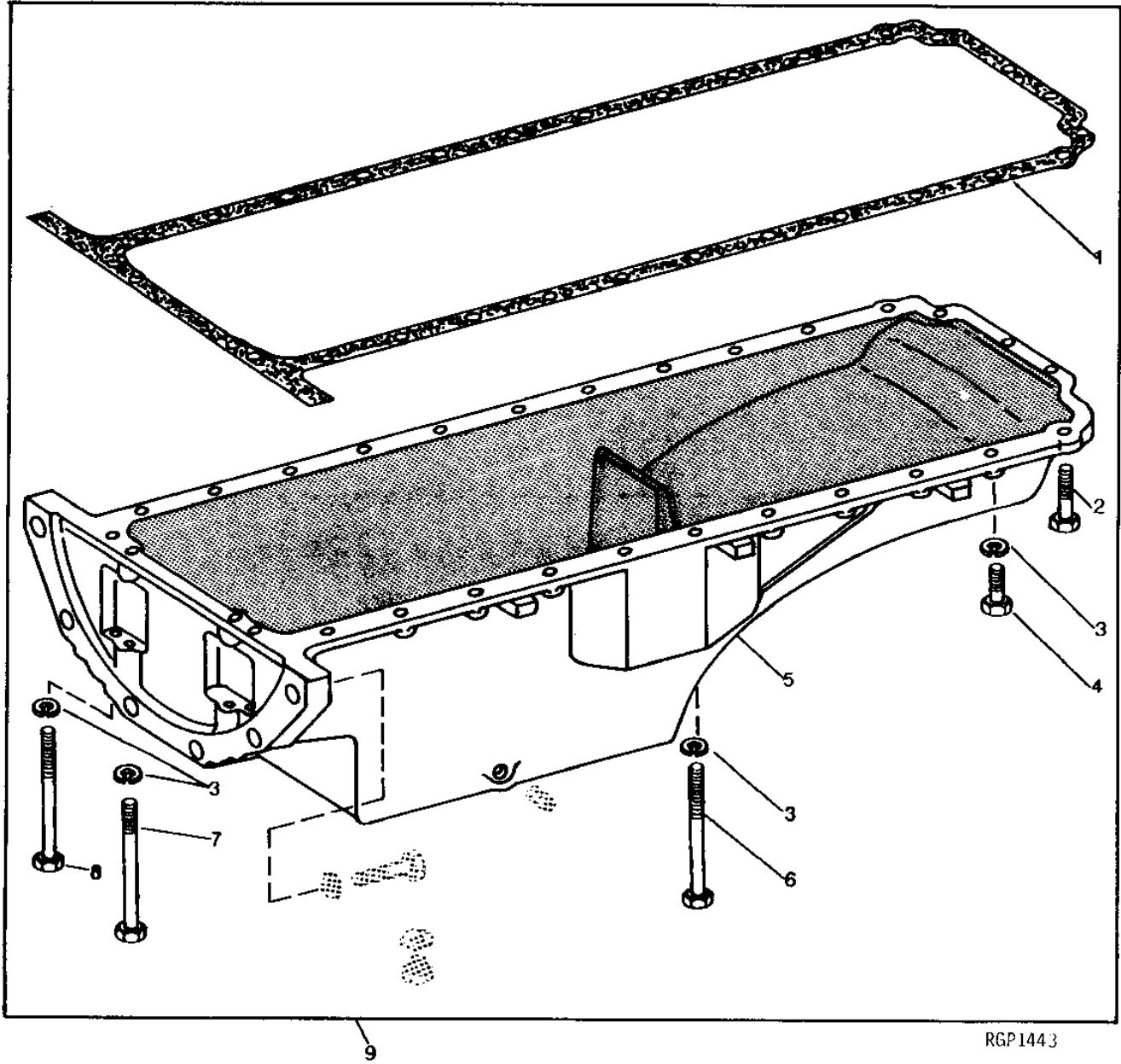
KEY	PART NO.	PART NAME	QTY	ENGINE SERIAL NO.	REMARKS
1	R71919	GASKET	1		(SUB FOR R47248 OR R61670)
2	R35141	SCREW	2		(USE WITH R48850)
	R71920	SCREW	2		(USE WITH R72352)
3	19H1800	CAP SCREW	22		3/8" X 1-1/2"
4	12H304	LOCK WASHER	28		3/8"
5	R48850	OIL PAN	1		(SUB AR95817) (ALSO ORDER R27175, F3171, R27218 AND R68718)
	R72352	OIL PAN	1		(SUB AR95817) (ALSO ORDER R27175, F3171, R27218 AND R68718)
6	19H2205	CAP SCREW	2		3/8" X 6"
7	15H624	PIPE PLUG	1		1/2"
8	R26727	DRAIN PLUG	1		(SUB FOR R51944)
9	A4827R	WASHER	1		
10	19H2663	CAP SCREW	6		3/4" X 2-1/8"
11	12H236	LOCK WASHER	6		3/4"
12	19H3481	CAP SCREW	2		3/8" X 7-1/2", (USE WITH R46577)
	19H3564	CAP SCREW	2		3/8" X 7-5/8", (USE WITH R73791)
13	19H3328	CAP SCREW	2		3/8" X 6-1/2"

1B21

ENGINE

OIL PAN KIT
(6531A)

RGP1443 -UN-01JAN94



1B22

ENGINE

OIL PAN KIT - CONTINUED
(6531A)

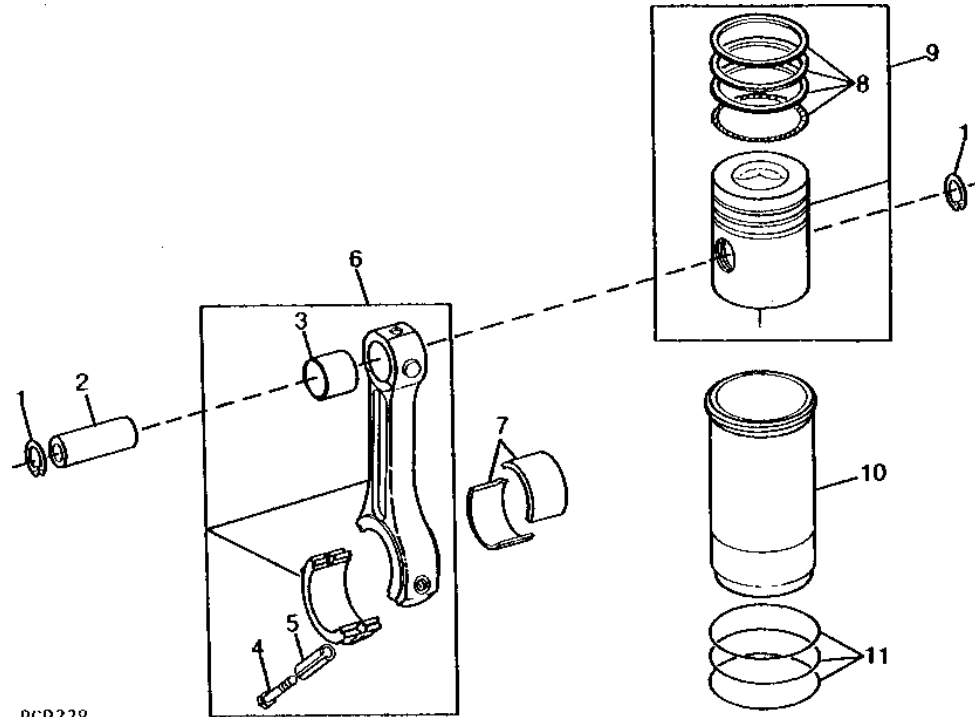
KEY	PART NO.	PART NAME	QTY	ENGINE SERIAL NO.	REMARKS
1	R71919	GASKET	1		
2	R71920	SCREW	2		
3	12H304	LOCK WASHER	28	3/8"	
4	19H2633	CAP SCREW	22	3/8" X 1-1/2"	
5	R73192	OIL PAN	1		(SUB FOR R72352) (SUB R119227 AND 15H624)
6	19H3041	CAP SCREW	2	3/8" X 6"	
7	19H3481	CAP SCREW	2	-XXXXXX	3/8" X 7-1/2", (USE WITH R46577)
	19H3564	CAP SCREW	2	XXXXXX-	3/8" X 7-5/8", (USE WITH R73791) (NOT IN KIT)
8	19H3328	CAP SCREW	2		3/8" X 6-1/2"
9	AR95817	KIT	1		(NLA)

1B23

ENGINE

PISTONS, RINGS, CONNECTING RODS, AND LINERS (6531A)

RGP338 -UN-01JAN94



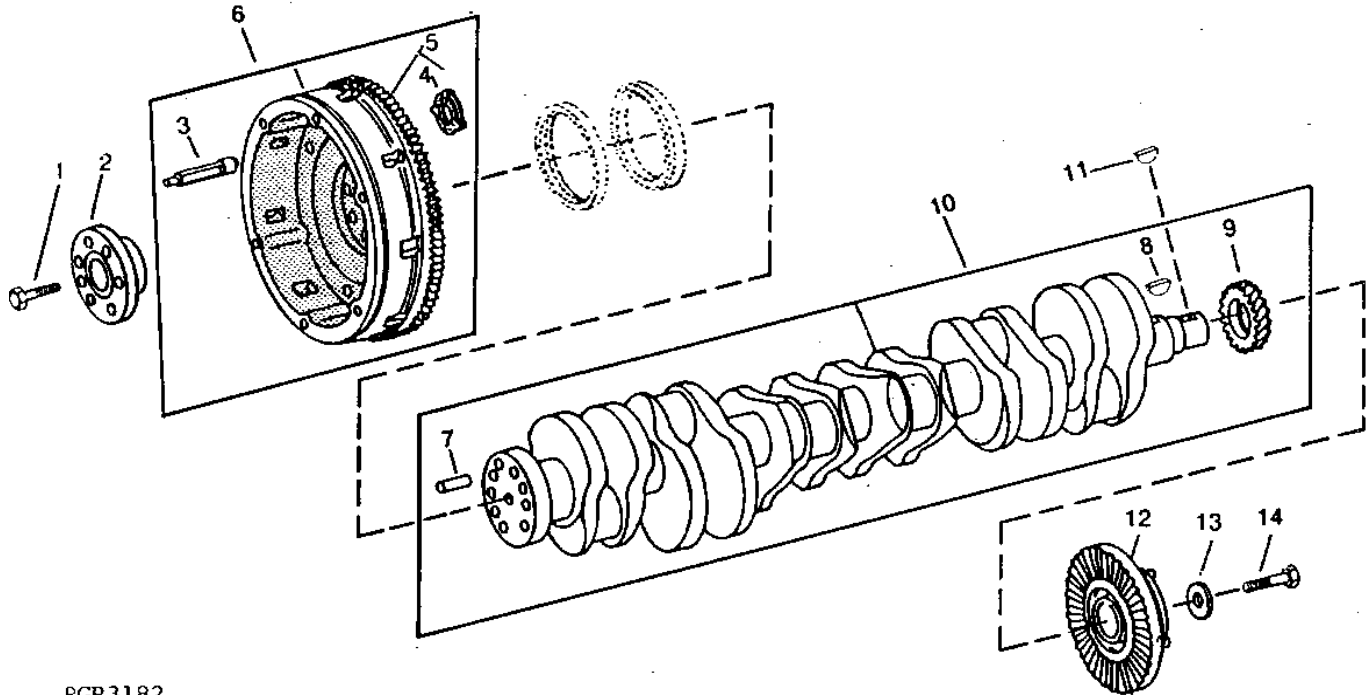
KEY	PART NO.	PART NAME	QTY	ENGINE SERIAL NO.	REMARKS
1	E1343FN	SNAP RING	12		
2	R49418	PISTON PIN	6		STD
	R52545	PISTON PIN	6		(0.76MM) OS (MARKED YELLOW)
3	R52546	PISTON PIN	6		(0.13MM) OS (MARKED RED)
4	R76783	BUSHING	6		(SUB FOR R52918)
5	R66453	CAP SCREW	12		(SUB FOR R48316)
6	R48317	SLEEVE	12		
6	AR51368	CONNECTING ROD	6	-290630	(MARKED R48315) (SUB AR86986)
	AR86986	CONNECTING ROD	6	290631-	(MARKED R53287, R58883 OR R66926) (SUB FOR AR59421 OR AR70913)
7	AR53020	BEARING	AR		STD, (PKG. OF (2) R49385)
	AR57207	BEARING	AR		0.05MM (.002") US (PKG. OF (2) R52541)
	AR57208	BEARING	AR		0.25MM (.010") US (PKG. OF (2) R52542)
	AR57209	BEARING	AR		0.51MM (.020") US (PKG. OF (2) R52543)
	AR57210	BEARING	AR		0.76MM (.030") US (PKG. OF (2) R52544)
8	AR53226	PISTON RING	6		
9	AR53225	PISTON	6		(MARKED AR53227) (ALSO ORDER R48350)
10	R48350	CYLINDER LINER	6		
11	R49423	O-RING	18		(SUB FOR (6) AR53100)
..	R116524	SHIM	AR		1.27MM (.050")

1B24

ENGINE

CRANKSHAFT AND FLYWHEEL (6531A & D)

RGP3182 -UN-01JAN94



RGP 3182

KEY	PART NO.	PART NAME	QTY	ENGINE SERIAL NO.	REMARKS
1	R35044	SELF-LOCKING SCREW	6	(5010, 5020*, 5020&, 6030)	
2	E48686	HUB	1	(5400)	
3	R26646	PIN	3	-004499	
	R36675	PIN	3	004500-	
	R55274	PIN	3		(SUB FOR R49215) (6030)
4	R57480	GASKET	1		(5020*, 5020&, 6030)
5	AR103044	KIT	1		(MARKED R76000) (SUB FOR R35047)
6	AR103108	FLYWHEEL	1		(MARKED R35060, R42200, R42210, R40190 OR R40820) (SUB FOR AR36904, AR35800, AR36092, AR40936, AR36619, AR44104 OR AR44105) (5020*, 5020&) (NLA)
	AR103112	FLYWHEEL	1		(MARKED R44070) (SUB FOR AR45278)
	AR103109	FLYWHEEL	1		(MARKED R49220 OR R54780) (SUB FOR AR52639, AR63261 OR AR64672) (5010, 7520)
7	R60161	DOWEL PIN	2		(SUB FOR R35046 OR T23740)
8	26H12	SHAFT KEY	1		1/8" X 3/4"
9	R35045	GEAR	1		
10	AR69263	CRANKSHAFT	1		(MARKED R36350 OR R63476) (SUB FOR AR35010) (SUB AR92533)
11	26H85	SHAFT KEY	1		1/4" X 1"
12	AR58180	ABSORBER	1	-004499	(A) (SUB FOR R35646) (NOT SHOWN) (5010)
	AR58177	ABSORBER	1	004500-	(A) (SUB FOR R34365, AR53023 OR AR50397) (5010, 5020*, 5020&, 6030)
	AR58178	ABSORBER	1	030581-	(A) AIR CONDITIONING, (NOT SHOWN) (5020&, 6030) (NLA)
	ABSORBER	NA		(7520)
13	R26333	WASHER	1		
14	19H2706	CAP SCREW	1		5/8" X 2", HS, SAE 8

(*) 5020 (-024999)

(&) 5020 (025000-)

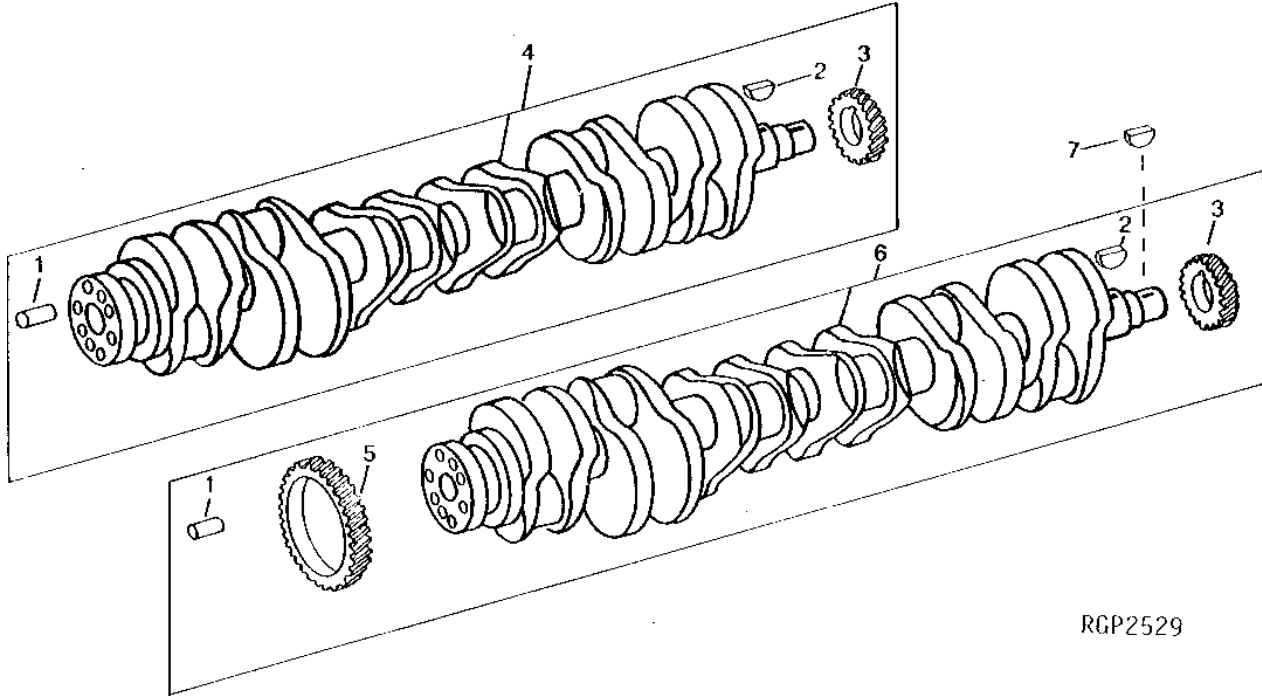
(A) USE ON NATURALLY ASPIRATED ENGINES ONLY

1B25

ENGINE

CRANKSHAFT (6531)

RGP2529 -UN-01JAN94



RGP2529

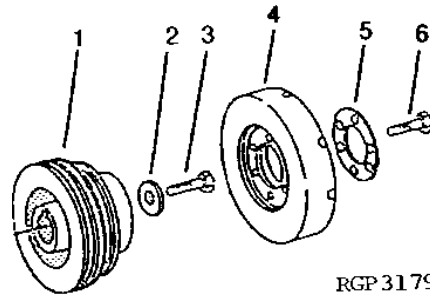
KEY	PART NO.	PART NAME	QTY	SHORT BLOCK SERIAL NO.	REMARKS
1	R60161	DOWEL PIN	2		
2	26H12	SHAFT KEY	1		1/8" X 3/4"
3	R35045	GEAR	1		
4	AR69263	CRANKSHAFT	1	-223644	(MARKED R36350) (SUB AR92533)
5	R63326	GEAR	1	223645-	
6	AR92533	CRANKSHAFT	1	223645-	(MARKED R63476 OR AR78403)
7	26H85	SHAFT KEY	1		1/4" X 1"

1C1

ENGINE

CRANKSHAFT PULLEY AND DAMPENER (6531)

RGP3179 -UN-01JAN94



RGP3179

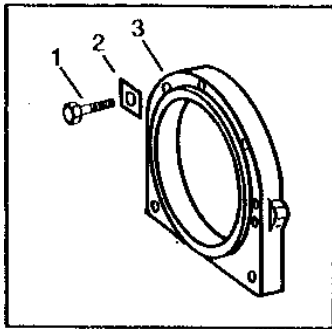
KEY	PART NO.	PART NAME	QTY	ENGINE SERIAL NO.	REMARKS
1	R49344	PULLEY	1		
2	R26333	WASHER	1		
3	19H1824	CAP SCREW	1	5/8" X 2-1/4"	
4	AR53079	TORSIONAL DAMPENER	1		
5	R49519	WASHER	1		
6	19H1800	CAP SCREW	4	3/8" X 1-1/2"	

1C2

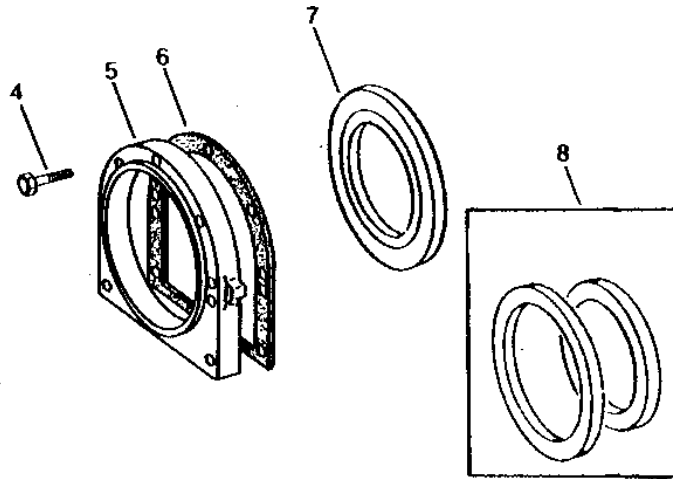
ENGINE

CRANKSHAFT REAR OIL SEAL AND HOUSING (6531)

RGP2793 -UN-01JAN94



RGP2793



KEY	PART NO.	PART NAME	QTY	ENGINE SERIAL NO.	REMARKS
1	19H2661	CAP SCREW	7	-030841	5/16" X 1-3/8"
2	R35128	LOCK PLATE	7	-030841	
3	AR45347	HOUSING	1	-030841	(SUB RE13310, R73791 AND (2) 19H3564)
4	R41035	CAP SCREW	7	030842-	7.925 X 35.052 MM (5/16" X 1.380") (USE WITH R46577)
5	R46577	HOUSING	1	030842-	(SUB R110212 AND (2) 19H3564)
	R110212	HOUSING	1		(SUB FOR R73791)
6	R35043	GASKET	1		
7	RE13310	SEAL	1		(SUB FOR RE13312)
8	AR101833	SEAL	1		(SUB RE13310) (SUB FOR AR48942)

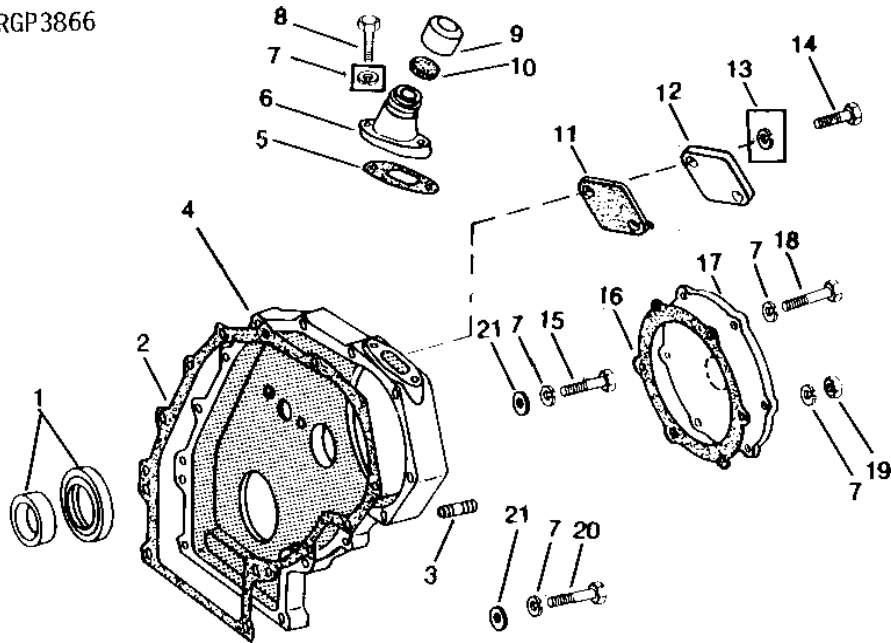
1C3

ENGINE

TIMING GEAR COVER (6531A)

RGP3866 -UN-07MAR95

RGP3866



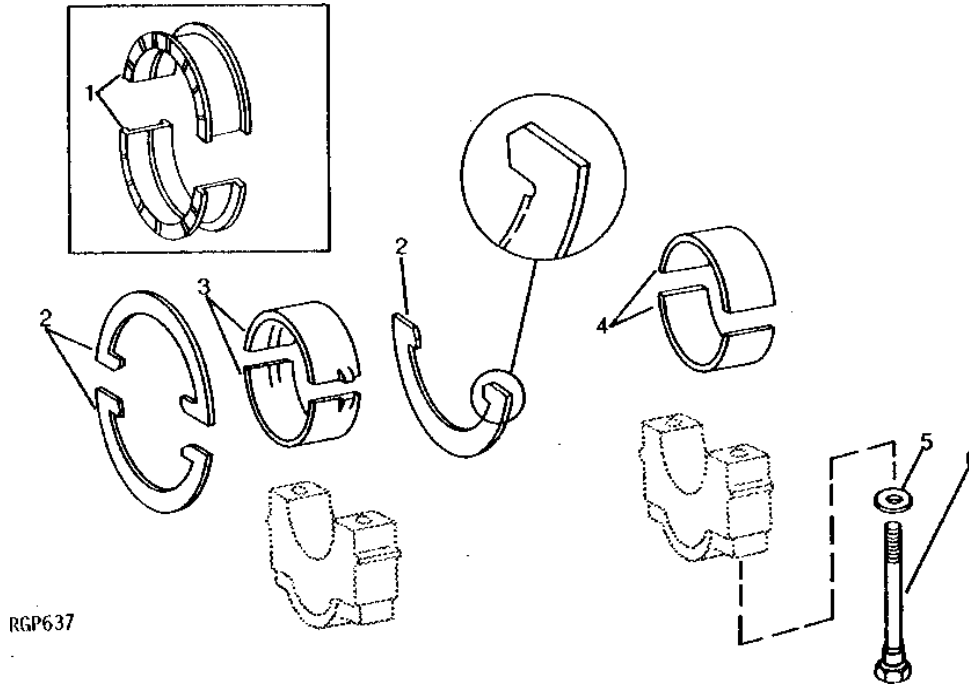
KEY	PART NO.	PART NAME	QTY	ENGINE SERIAL NO.	REMARKS
1	AR49025	SEAL	1		
2	R49483	GASKET	1		
3	R32042	STUD	2		
4	AR67511	COVER	1	-304571	(SUB R110147, R67770, R67769, (2) R32042, AR49025, R49483, (2) 12H302, (2) 19H1948 AND (9) 24H1305)
	R110147	COVER	1	304572-	(MARKED R67342, R77301 OR R110147) (SUB FOR AR88415 OR RE10830) (ALSO ORDER AR49025, R49483, (2) R32042 AND (9) 24H1305) (SUB FOR R49486)
5	R82943	GASKET	1		
6	R49179	FILLER NECK	1		
7	12H304	LOCK WASHER	15		3/8", (NOT REQUIRED WITH E55662)
	12H304	LOCK WASHER	2		(NO LONGER REQUIRED WITH R41041)
8	R41041	CAP SCREW	2		
9	T20294	CAP	1		
10	T20328	GASKET	1		
11	R67770	GASKET	1	304572-	
12	R67769	COVER	1	304572-	
13	12H302	LOCK WASHER	2	304572-	1/4", (NO LONGER REQUIRED)
14	19H1948	CAP SCREW	2	304572-	1/4" X 3/4"
15	19H1801	CAP SCREW	5		3/8" X 2"
16	R35349	GASKET	1		
17	R35348	COVER	1		
18	19H1733	CAP SCREW	4		3/8" X 2-1/2"
19	E55662	FLANGE NUT	2		
20	19H1800	CAP SCREW	4		3/8" X 1-1/2"
21	24H1305	WASHER	9		13/32" X 13/16" X 0.065", (USE WITH R110147)

1C4

ENGINE

MAIN AND MAIN THRUST BEARINGS (6531)

RGP637 -UN-01JAN94



KEY	PART NO.	PART NAME	QTY	ENGINE SERIAL NO.	REMARKS
1	AR53019	THRUST BEARING	1	-306439	STD (PKG R40228, R80229 OR R49383 AND R49384) (SUB FOR AR35176) (SUB AR101267) (ALSO ORDER AR89622 OR AR89971)
	AR57203	THRUST BEARING	1	-306439	0.05MM (.002") US, STD FLANGE (PKG R35561 AND R35562, R52533 AND R52534) (SUB AR104563) (SUB FOR R35177) (ALSO ORDER AR89622 OR AR89971)
	AR35178	THRUST BEARING	1		0.08MM (.003") US (PKG R35563 & R35564) (NLA)
	AR57204	THRUST BEARING	1	-306439	0.25MM (.010") US, STD FLANGE (PKG R52535 AND R52536) (SUB AR104564) (ALSO ORDER AR89622 OR AR89971)
	AR57205	THRUST BEARING	1	-306439	0.51MM (.020") US, STD FLANGE (PKG R35565 & R35566, R52537 & R52538) (SUB FOR AR35179) (SUB AR104565) (ALSO ORDER AR89622 OR AR89971)
	AR35180	THRUST BEARING	1		0.56MM (.022") US (PKG R35567 AND R35568) (NLA)
	AR57206	THRUST BEARING	1	-306539	0.76MM (.030") US, STD FLANGE (PKG R35569 & R35570, R52539 & R52540) (SUB FOR AR35181) (SUB AR104566) (ALSO ORDER AR89622 OR AR89971)
	AR35182	THRUST BEARING	1		0.81MM (.032") US (PKG R35571 AND R35572) (NLA)
	AR63214	THRUST BEARING	1	-306439	0.25MM (.010") US, 0.18 MM (.007") OS FLANGE, (SUB AR104564) (ALSO ORDER AR89622 OR AR89971) (PKG R54754 AND R54755)
	AR35183	THRUST BEARING	1		STD. WITH 0.38MM (.015") OS FLANGE (PKG R35573 & R35574) (NLA)
	AR35184	THRUST BEARING	1		0.81MM (.032") US W/ 0.63MM (.025") OS FLANGE (PKG R35575 & R35576) (NLA)
	AR35314	THRUST BEARING	1		0.81MM (.032") US WITH 0.63MM (.025) OS FLANGE (PKG R35785 & R35786) (NLA)

1C5

ENGINE

MAIN AND THRUST BEARINGS - CONTINUED

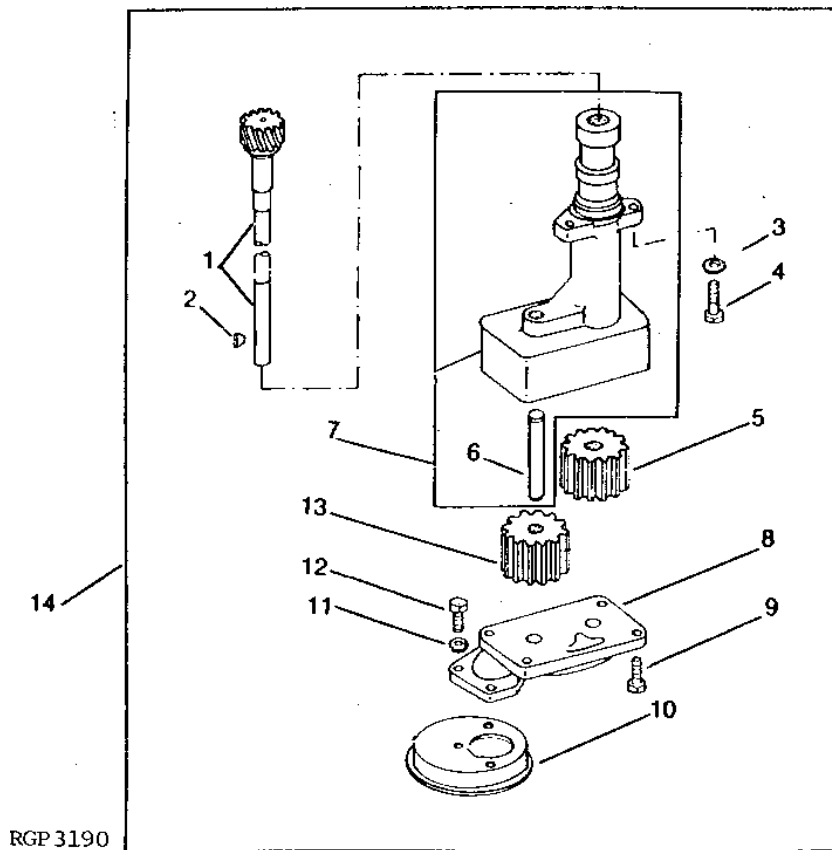
KEY	PART NO.	PART NAME	QTY	ENGINE SERIAL NO.	REMARKS
2	AR89622	THRUST WASHER	1	306440-	STD (PKG (3) R62910)
	AR89971	THRUST WASHER	1	306440-	0.18MM (.007") OS, (PKG R62910 AND (2) R69040)
3	AR101267	THRUST BEARING	1	306440-	STD (PKG R40228 AND R40229 OR R49383 AND R49384 OR (2) R66339, (2) R75146 OR (2) R74669) (SUB FOR AR101408, AR94645, AR53019 OR AR35176) (ALSO ORDER AR89622 OR AR89971)
	AR104563	THRUST BEARING	1	306440-	0.05MM (.002") US (PKG R35561 AND R35562 OR R52533 AND R52534 AND AR94646 OR (2) R69032, (2) R75157 OR (2) R76641, (SUB FOR AR35177, AR101409, AR94646 OR AR57203) (ALSO ORDER AR89622 OR AR89971)
	AR104564	THRUST BEARING	1	306440-	0.25MM (.010") US (PKG (2) R69034, (2) R75159 OR (2) R76643) (SUB FOR AR101410, AR57204, AR63214 OR AR94647)
	AR104565	THRUST BEARING	1	306440-	0.51MM (.020") US, (PKG R35565 AND R35566 OR (2) R69036, (2) R75161 OR (2) R76645 OR R52537 AND R52538) (SUB FOR AR35179, AR101411, AR94648 OR AR57205) (ALSO ORDER AR89622 OR AR89971)
	AR104566	THRUST BEARING	1	306440-	0.76MM (.030") US, (PKG R35569 AND R35570 OR (2) R69038, (2) R75163 OR (2) R76647, R52539 OR R52540) (SUB FOR AR35181, AR101412, AR94649 OR AR57206) (ALSO ORDER AR89622 OR AR89971)
	AR104567	BEARING	AR		STD (PKG (2) R40227 OR (2) R49382, (2) R66337, (2) R75144 OR (2) R74667) (SUB FOR AR53018, AR101403 OR AR35660)
4	AR101266	BEARING	AR		0.05MM (.002") US (PKG (2) R52529, (2) R69024, (2) R75149, (2) R76633 OR (2) R35577) (SUB FOR AR57199, AR35185 OR AR90642)
	AR35186	BEARING	AR		0.08MM (.003") US (PKG (2) R35578) (NLA)
	AR104568	BEARING	AR		0.25MM (.010") US, (PKG (2) R52530, (2) R69026, (2) R75151, OR (2) R76635) (SUB FOR AR57200 OR AR90641)
	AR104569	BEARING	AR		0.51MM (.020") US, (PKG (2) R35579, (2) R52531, (2) R69028, (2) R75153 OR (2) R76637) (SUB FOR AR57201, AR35187 OR AR90644)
	AR35188	BEARING	AR		0.56MM (.022") US (PKG (2) R35580) (NLA)
5	AR104570	BEARING	AR		0.76MM (.030") US, (PKG (2) R35581, (2) R52532, (2) R69030, (2) R75155 OR (2) R76639) (SUB FOR AR57202, AR35187 OR AR90645)
	AR35190	BEARING	AR		0.81MM (.032") US (PKG (2) R35582) (NLA)
6	R70268	WASHER	14		16.662 X 27.940 X 4.394 MM (21/32" X 1.100" X 0.173") (SUB FOR R42363 OR R36995)
	R42365	BOLT	14		15.875 X 120.650MM (5/8" X 4-3/4") (SUB FOR R40231) (USE WITH R35130, R40270, R45300 OR R47510)
	R63952	CAP SCREW	14		15.875 X 133.350 MM (5/8" X 5-1/4") (USE WITH R48260, R72129 OR R80401) (SUB FOR R60117)

1C6

ENGINE

ENGINE OIL PUMP
(6531A) (CAMSHAFT DRIVEN)
(ENGINE SERIAL NO. -XXXXXX)
(SHORT BLOCK SERIAL NO. -628710)

RGP3190 -UN-01JAN94



1C7

ENGINE

ENGINE OIL PUMP - CONTINUED
(6531A) (CAMSHAFT DRIVEN)
ENGINE SERIAL NO. -XXXXXX)
(SHORT BLOCK SERIAL NO. -628710)

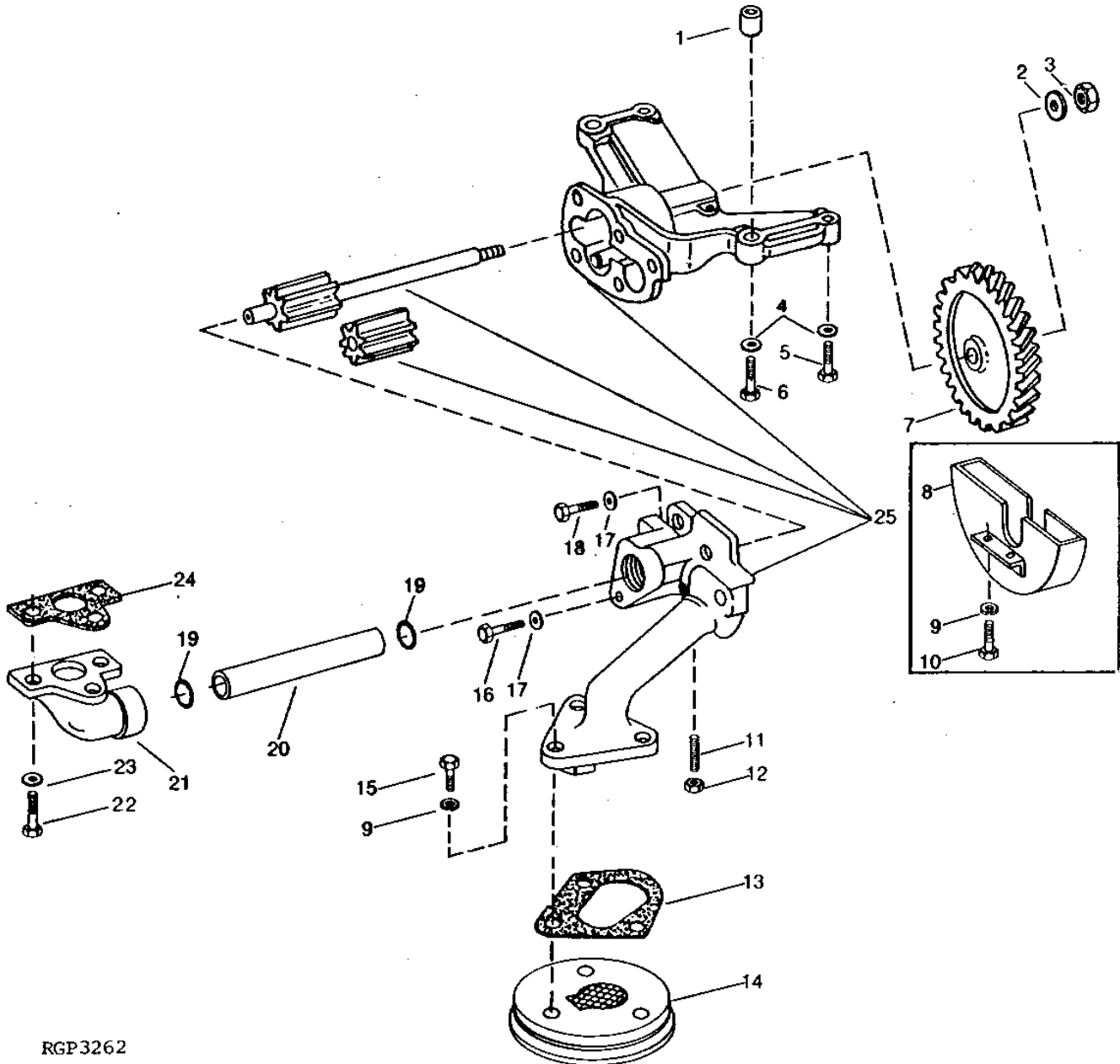
KEY	PART NO.	PART NAME	QTY	ENGINE SERIAL NO.	REMARKS
1	R64569	GEAR	1		(SUB FOR R49412)
2	26H74	SHAFT KEY	1		3/16" X 5/8"
3	R42729	WASHER	2		
4	R41920	CAP SCREW	2		(USE WITH R49172) (SUB FOR AR63865)
	R38614	CAP SCREW	2		(USE WITH R57497 OR R56606) (SUB FOR R56609)
5	R43434	GEAR	1		
6	R49173	DOWEL PIN	1		
7	AR68312	HOUSING	1		(MARKED R49172, R56606 OR R57497) (SUB FOR AR52597) (SUB AR69041, (2) R38614, (2) R41920 AND (2) M72490) (ALSO ORDER R49173)
8	R49174	COVER	1		
	R52049	GASKET	1		
9	R46567	CAP SCREW	4		
10	AR52750	OIL PUMP INTAKE	1		
11	12H303	LOCK WASHER	3		5/16"
12	19H2127	CAP SCREW	3		5/16" X 7/8"
13	AR69042	GEAR	1		(SUB FOR AR43111 AND AR70085)
14	AR69040	OIL PUMP	1		(SUB FOR AR53539 OR AR76543) (ALSO ORDER (2) R38614 OR R41920)
..	H826R	DOWEL PIN	1		

1C8

ENGINE

ENGINE OIL PUMP (EARLY DESIGN)
(6531A) (CRANKSHAFT DRIVEN)
(SHORT BLOCK SERIAL NO. 628711-)

RGP3262 -UN-01JAN94



RGP3262

1C9

ENGINE

ENGINE OIL PUMP (EARLY DESIGN) - CONTINUED
(6531A) (CRANKSHAFT DRIVEN)
(SHORT BLOCK SERIAL NO. 628711-)

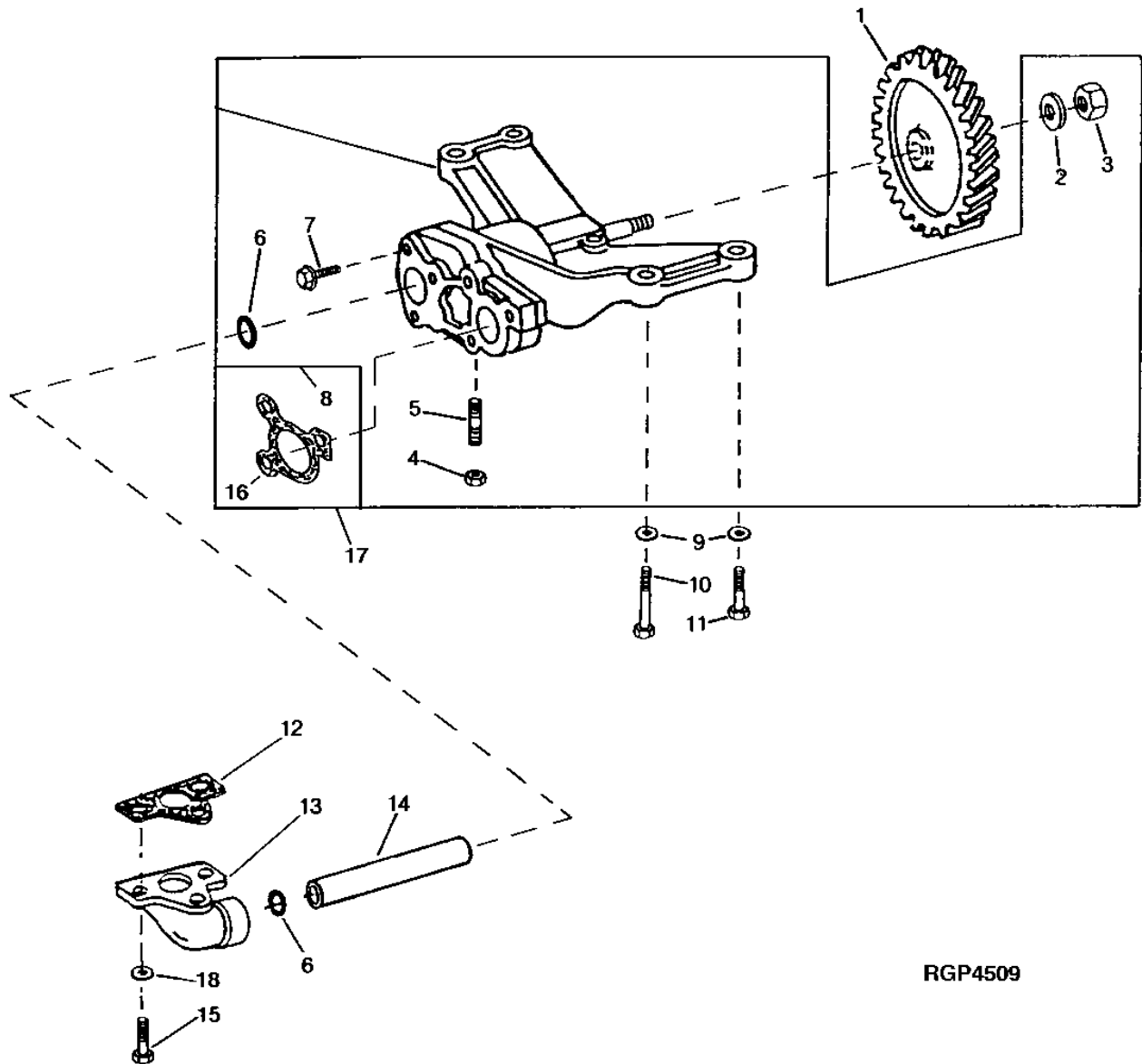
KEY	PART NO.	PART NAME	QTY	ENGINE SERIAL NO.	REMARKS
1	R62930	BUSHING	2		
2	T21242	WASHER	1		
3	14H826	NUT	1		1/2", (SUB FOR R79187, APPL)
4	R57696	WASHER	4		
5	19H2545	CAP SCREW	2		3/8" X 1-3/8"
6	19H2549	CAP SCREW	2		3/8" X 1-7/8"
7	R62938	GEAR	1		
8	SHIELD	1		NLR
9	LOCK WASHER	5		NLR
10	CAP SCREW	2		NLR
11	22H1040	SET SCREW	1		5/16" X 1-1/4"
12	14H785	NUT	1		5/16"
13	R70475	GASKET	1		
14	AR77711	OIL PUMP INTAKE	1		
15	19H2127	CAP SCREW	3		5/16" X 7/8"
16	19H2733	CAP SCREW	2		3/8" X 2-3/8"
17	M72490	WASHER	5		(SUB FOR R70234 AND R42729)
18	19H1765	CAP SCREW	3		3/8" X 1-3/4"
19	R71732	O-RING	2		
20	R62947	TUBE	1		
21	R62948	ELBOW FITTING	1		
22	19H2552	CAP SCREW	3		3/8" X 1-1/8"
23	M72490	WASHER	3		(SUB FOR R70234 AND R42729)
24	R69418	GASKET	1		
25	AR99339	OIL PUMP	1		(MARKED R62946) (SUB FOR AR94478) (SUB RE60622 AND RE43168 WITH R48850, R72352, R73192 AR36886 OR AR69040)
	AR99339	OIL PUMP	1		(SUB RE60622 AND RE42650 WITH AR70162 OR AR67540)

1C10

ENGINE

REPLACEMENT ENGINE OIL PUMP (LATE DESIGN)
(SHORT BLOCK SERIAL NO. 628711-)
(6531A AND 6531T) (CRANKSHAFT DRIVEN)

RGP4509 -UN-20JUN95



RGP4509

1C11

ENGINE

REPLACEMENT ENGINE OIL PUMP (LATE DESIGN) - CONTINUED
(SHORT BLOCK SERIAL NO. 628711-)
(6531A AND 6531T) (CRANKSHAFT DRIVEN)

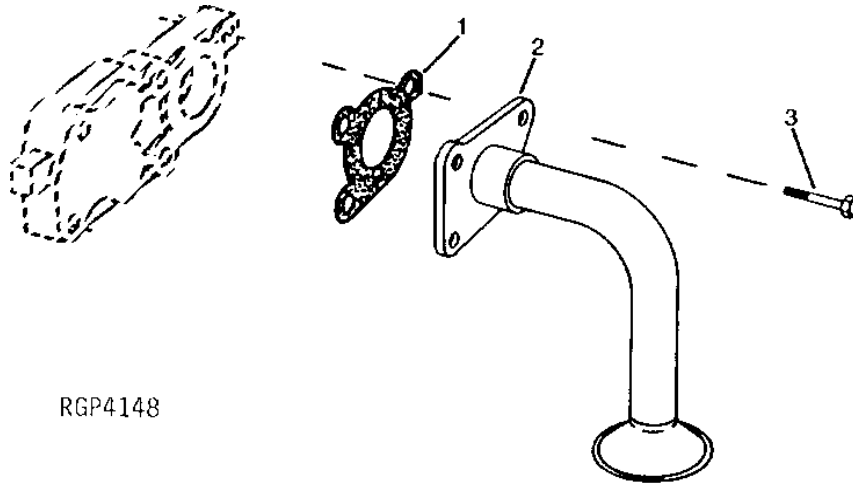
KEY	PART NO.	PART NAME	QTY	ENGINE SERIAL NO.	REMARKS
1	R62938	GEAR	1		
2	T21242	WASHER	1		
3	14H826	NUT	1	1/2"	
4	14H785	NUT	1	5/16"	
5	22H1040	SET SCREW	1	5/16" X 1-1/4"	
6	R71732	O-RING	2		
7	R104628	CAP SCREW	2		
	R104628	CAP SCREW	3		(INTAKE TO OIL PUMP COVER)
8	RE44118	OIL PUMP	1		(SUB FOR AR99339) (SUB RE60622)
9	R57696	WASHER	4		
10	19H3239	CAP SCREW	2		
11	19H2545	CAP SCREW	2	3/8" X 1-3/8"	
12	R69418	GASKET	1		
13	R62948	ELBOW FITTING	1		
14	R62947	TUBE	1		
15	19H3483	CAP SCREW	3	3/8" X 1-1/8"	
16	R100569	GASKET	1		
17	RE60622	OIL PUMP	1		
18	M72490	WASHER	3		

1C12

ENGINE

REPLACEMENT ENGINE OIL PUMP INTAKE (EARLY DESIGN) (6531) (CRANKSHAFT DRIVEN OIL PUMP)

RGP4148 -UN-01JAN94



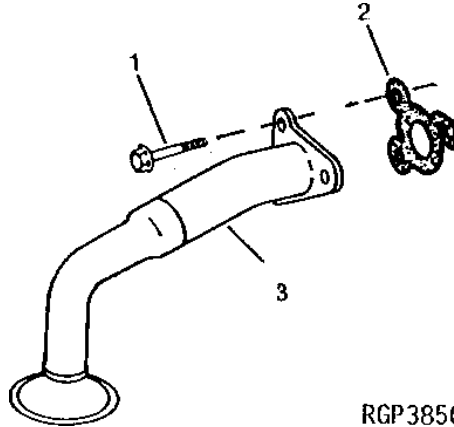
KEY	PART NO.	PART NAME	QTY	ENGINE SERIAL NO.	REMARKS
1	R100569	GASKET	1		
2	RE42650	OIL PUMP INTAKE	1		(USE WITH RE44118 OR RE60622) (USE WITH AR70162 OIL PAN OR PREVIOUS AR67540 OIL PUMP)
3	R104628	CAP SCREW	3		

1C13

ENGINE

REPLACEMENT ENGINE OIL PUMP INTAKE (LATE DESIGN) (6531) (CRANKSHAFT DRIVEN OIL PUMP)

RGP3850 -UN-01JAN94



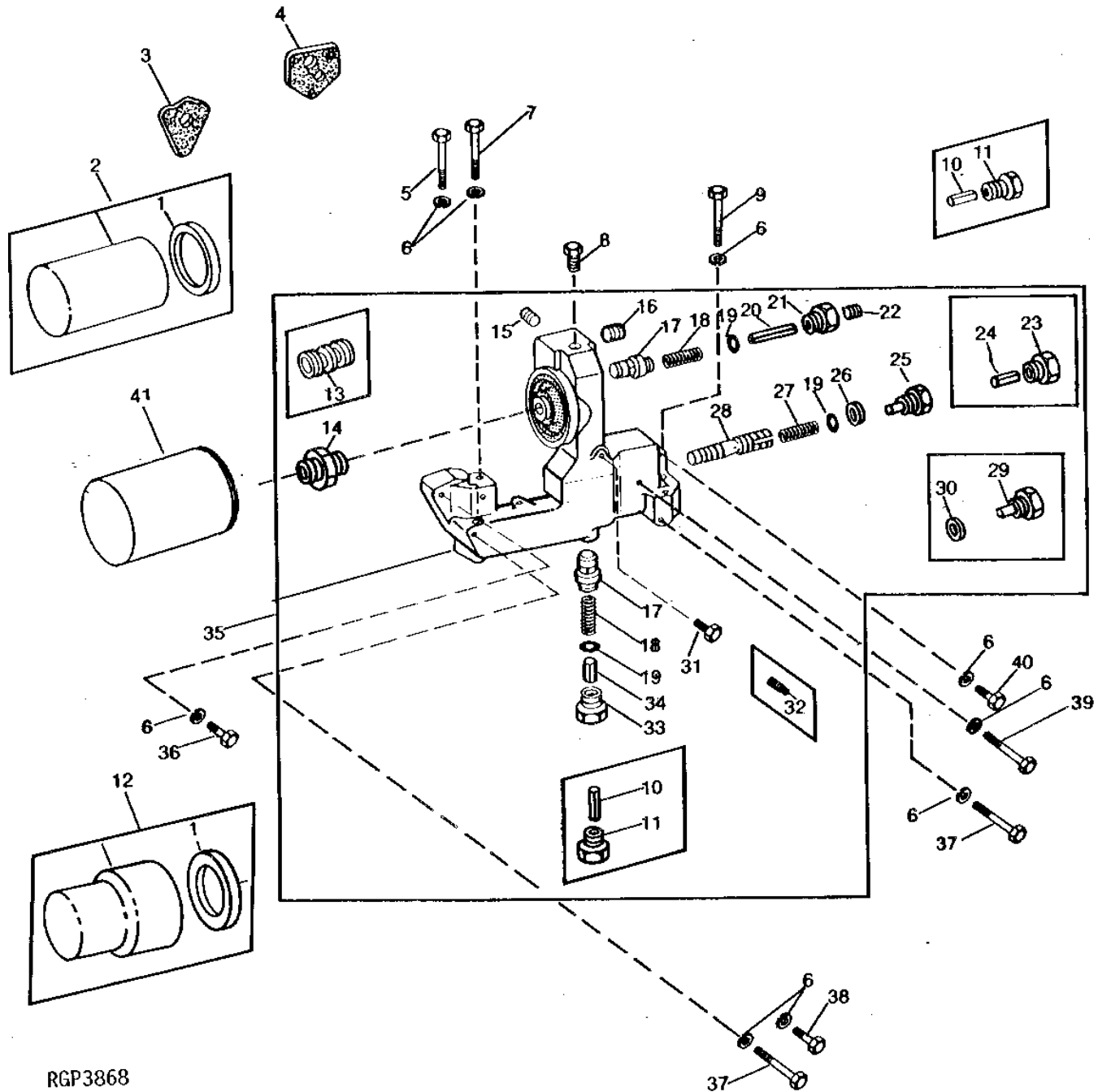
KEY	PART NO.	PART NAME	QTY	ENGINE SERIAL NO.	REMARKS
1	R104628	CAP SCREW	3		
2	R100569	GASKET	1		
3	RE43168	OIL PUMP INTAKE	1		(USE WITH RE44118 OR RE60622) (USE WITH R48850, R72352, AR36886, R73192 OIL PANS OR PREVIOUS AR69040 OIL PUMP)

1C14

ENGINE

ENGINE OIL PRESSURE REGULATING HOUSING AND OIL FILTER (6531)

RGP3868 -UN-01JAN94



RGP3868

1C15

ENGINE

ENGINE OIL PRESSURE REGULATING HOUSING AND OIL FILTER - CONTINUED
(6531)

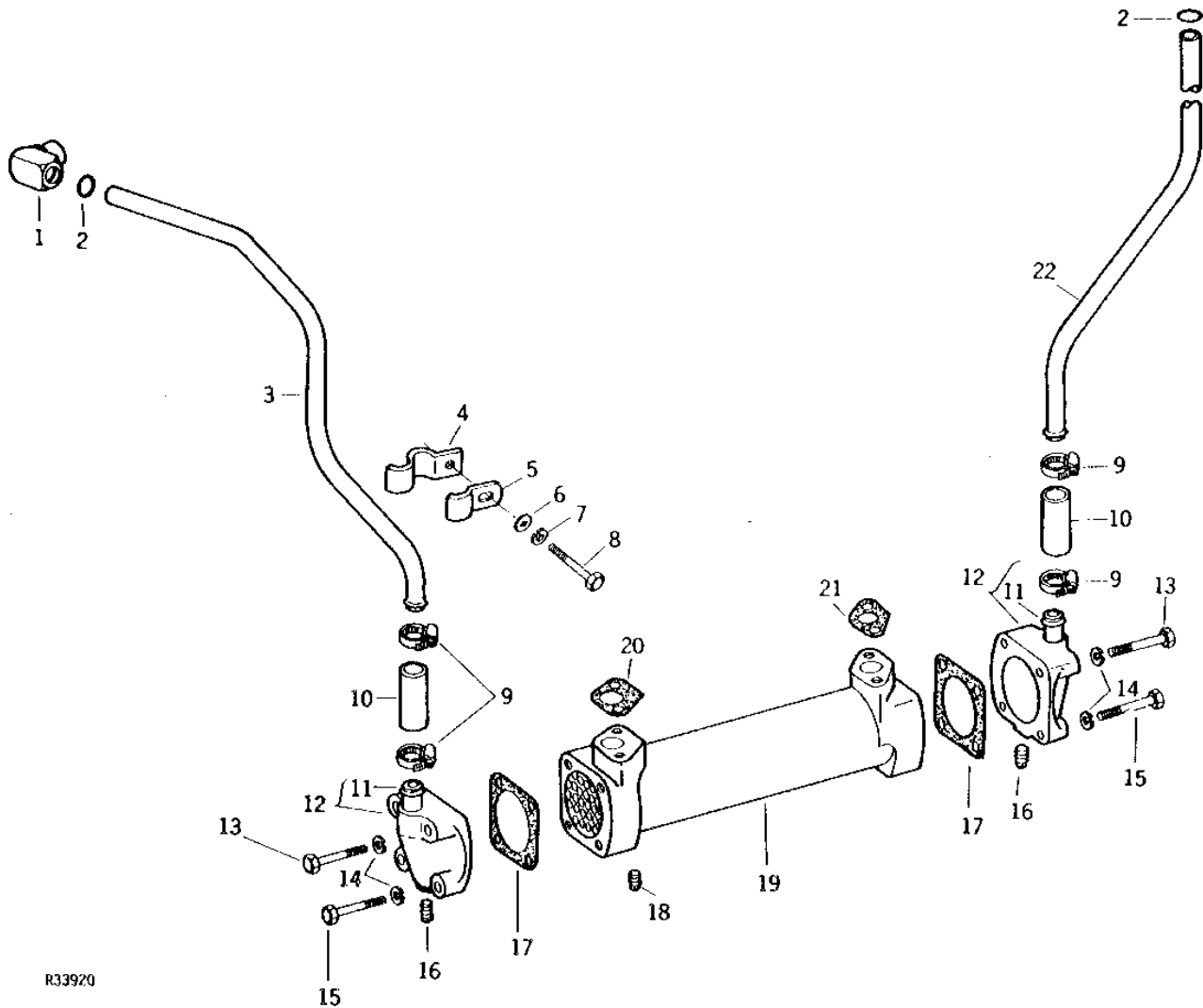
KEY	PART NO.	PART NAME	QTY	ENGINE SERIAL NO.	REMARKS
1	R43660	PACKING	1		(USE WITH AR43261, AR98329 OR RE57394)
2	AR43634	OIL FILTER	1		(MARKED AR43261 OR AR43634) (USE WITH R43429)
	RE57394	OIL FILTER	1		(MARKED RE57394) (USE WITH R104621)
3	R49485	GASKET	1		
4	R49484	GASKET	1		
5	19H2639	CAP SCREW	1		3/8" X 3-3/8"
6	12H304	LOCK WASHER	12		3/8"
7	19H2345	CAP SCREW	1		3/8" X 5-1/2"
8	15H607	PIPE BUSHING	1		
9	19H1944	CAP SCREW	2		3/8" X 2-3/4"
10	34H393	PIN	2	-307747	7/16" X 1-1/8", (USE WITH R71483)
11	R49465	DRAIN PLUG	2	-307747	(SUB FOR R71483, APPL) (ALSO ORDER 34H313)
12	AR101278	OIL FILTER	1		(MARKED AR98329) (USE WITH R104621) (SUB RE57394)
13	R43429	FITTING	1		(USE WITH AR43261 OR AR43634)
14	R104621	ADAPTER	1		(USE WITH AR98329, RE46380 OR RE57394) (SUB FOR R73913)
15	15H624	PIPE PLUG	3		1/2", (SUB FOR AR72319)
16	15H690	PIPE PLUG	5		3/4", (SUB FOR AR72318)
17	R49464	VALVE	2		
18	R26151	SPRING	2		
19	U17409	O-RING	2	-307747	(USE WITH R48349 OR R68157)
	U17409	O-RING	3	307748-	(USE WITH R71485)
20	34H366	SPRING PIN	1	307748-	1/2" X 1", (USE WITH R71485)
21	R67319	ADAPTER	1	307748-	(USE WITH R71485)
22	R104592	PIPE PLUG	1		
23	R71483	DRAIN PLUG	1	307748-	(SUB AR105510, APPL) (USE WITH R71485)
24	34H393	PIN	1	307748-	7/16" X 1-1/8", (USE WITH R71485)
25	AR105510	DRAIN PLUG	1		
26	U40750	WASHER	AR		
27	R43548	SPRING	1		
28	R77003	VALVE	1		(SUB FOR R43428)
29	RE10834	DRAIN PLUG	1	-307747	(USE WITH R48349 OR R68157) (SUB FOR R43425)
30	R43424	WASHER	1	-307747	(USE WITH R48349 OR R68157)
31	R55233	PIPE PLUG	1		
32	R42852	PIPE PLUG	1		(SUB R55233)
33	R49465	DRAIN PLUG	1	307748-	(SUB FOR R71483, APPL) (ALSO ORDER 34H313)
34	34H393	PIN	1		7/16" X 1-1/8", (USE WITH R71483)
	34H313	SPRING PIN	1		1/4" X 1-1/8", (USE WITH R49465)
35	AR67461	HOUSING	1	-305122	(MARKED R48349) (SUB RE12770)
	AR90475	HOUSING	1	305123-307747	(MARKED R68157) (SUB RE12770)
	AR94082	HOUSING	1	307748-	(MARKED R71485) (SUB RE12770)
	RE12770	KIT	1		(MARKED R71485 OR R77939)
36	19H1819	CAP SCREW	1		3/8" X 2-1/8"
37	19H1854	CAP SCREW	2		3/8" X 3-3/4"
38	19H2128	CAP SCREW	1		3/8" X 3"
39	19H2023	CAP SCREW	1		3/8" X 3-1/4"
40	19H2552	CAP SCREW	1		3/8" X 1-1/8"
41	RE46380	OIL FILTER	1		(MARKED RE46380) (SUB RE57394)

1C16

ENGINE

ENGINE OIL COOLER (6531A)

R33920 -UN-01JAN94



R33920

1C17

ENGINE

**ENGINE OIL COOLER - CONTINUED
(6531A)**

KEY	PART NO.	PART NAME	QTY	ENGINE SERIAL NO.	REMARKS
1	AR53173	ADAPTER	1		
2	R72328	O-RING	2		(SUB FOR R43780)
3	R49469	OIL TUBE	1	-286162	(SUB R57108 AND R64437)
	R57108	OIL TUBE	1	286163-	
4	R27531	CLAMP	1	-285885	(SUB R38323, THIS APPLICATION)
	R64437	CLAMP	1	285886-	(SUB FOR R60944)
5	R38323	CLAMP	1	285886-	
6	24M7096	WASHER	1	285886-	10.500 X 18 X 1.600 MM
7	12H304	LOCK WASHER	1		3/8"
8	19H1731	CAP SCREW	1		3/8" X 1"
9	TY22467	CLAMP	4		(SUB FOR AR21839)
10	HOSE	1		(INLET) 19MM X 64MM (3/4" X 2-1/2") (30R2) (MAKE FROM TY22329) (SUB FOR R26905)
	HOSE	1		(OUTLET) 19MM X 86MM (3/4" X 3-11/32") (30R2) (MAKE FROM TY22329) (SUB FOR R36858 OR R34147)
11	R49279	LINE	2		
12	AR52751	CAP	2		MARKED R49181
13	19H1819	CAP SCREW	4		3/8" X 2-1/8"
14	12H304	LOCK WASHER	8		3/8"
15	19H1765	CAP SCREW	4		3/8" X 1-3/4"
16	R55233	PIPE PLUG	2		(SUB FOR A4242R)
17	R49489	GASKET	2		
18	15H255	PIPE PLUG	1		3/8"
19	AR53372	OIL COOLER	1		
20	R49491	GASKET	1		
21	R49490	GASKET	1		
22	R49471	HYDRAULIC LINE	1		(USE WITH AR53219)

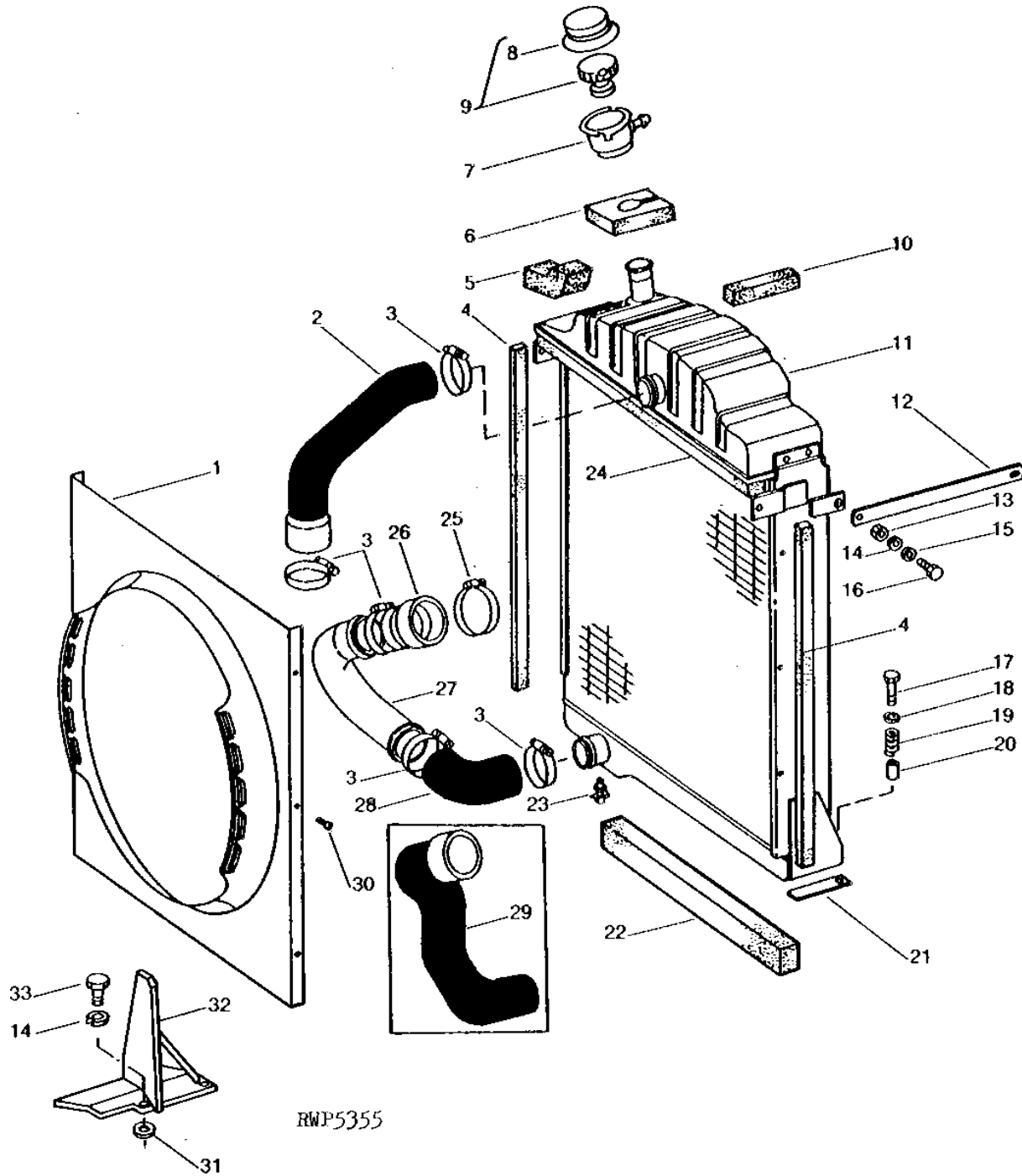
1C18

ENGINE

RWP5355

-UN-01JAN94

RADIATOR



1C19

ENGINE

RADIATOR - CONTINUED

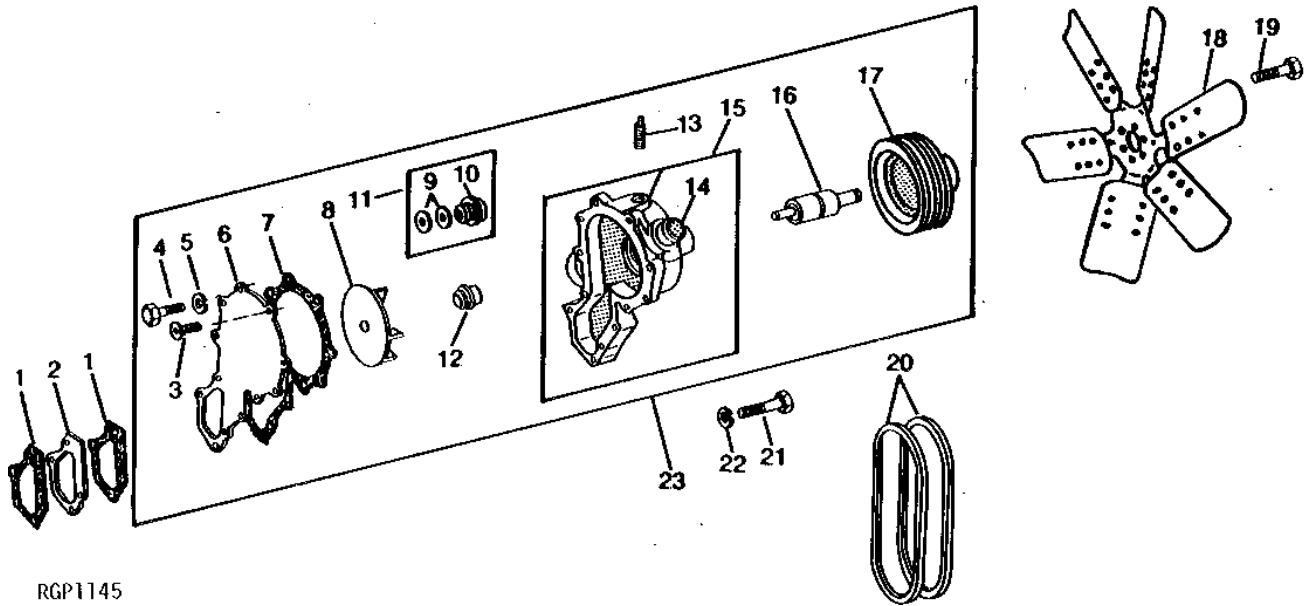
KEY	PART NO.	PART NAME	QTY	TRACTOR SERIAL NO.	REMARKS
1	R49807	SHROUD	1		
2	R49651	HOSE	1		
3	AR21999	CLAMP	5		
4	INSULATOR	2		12.7 X 25.4 X 635MM (1/2" X 1" X 25") (MAKE FROM R30936)
5	INSULATOR	1		38.1 X 20.8 X 139.7MM (1-1/2" X 2" X 5-1/2") (MAKE FROM R35339)
6	R28015	FOAM PAD	1		
7	RE15427	FILLER NECK	1		
8	R27209	COVER	1		
9	AR28482	CAP	1		
10	INSULATOR	1		25.4 X 25.4 X 127MM (1" X 1" X 5") (MAKE FROM R30937)
11	AR53422	RADIATOR	1		
12	R51925	BRACE	2		
13	14H1076	NUT	1		3/8"
14	12H304	LOCK WASHER	3		3/8"
15	24H1305	WASHER	2		13/32" X 13/16" X 0.065"
16	19H1731	CAP SCREW	2		3/8" X 1"
17	19H2549	CAP SCREW	2		3/8" X 1-7/8"
18	24H1309	WASHER	2		13/32" X 1-1/16" X 0.120"
19	F2411R	SPRING	2		
20	R26417	SPACER	2		
21	R26413	STRAP	2		RUBBER
22	R35339	ISOLATOR	1		
23	AT13740	DRAIN VALVE	1		
24	R36209	ISOLATOR	1		
25	AR21841	CLAMP	1		
26	R57396	HOSE	1	XXXXX-	
27	R57578	PIPE	1	XXXXX-	
28	R57577	HOSE	1	XXXXX-	
29	AR62219	HOSE	1	-XXXXX	(SUB FOR R49653) (SUB R57577, R57578, R57396 AND (2) AR21999)
30	37H79	SCREW	6		1/4" X 5/8"
31	24H1309	WASHER	1		13/32" X 1-1/16" X 0.120"
32	AR58761	DEFLECTOR	1		
33	19H1936	CAP SCREW	1		3/8" X 3/4"

1C20

ENGINE

FAN AND WATER PUMP (6531A)

RGP1145 -UN-01JAN94



RGP1145

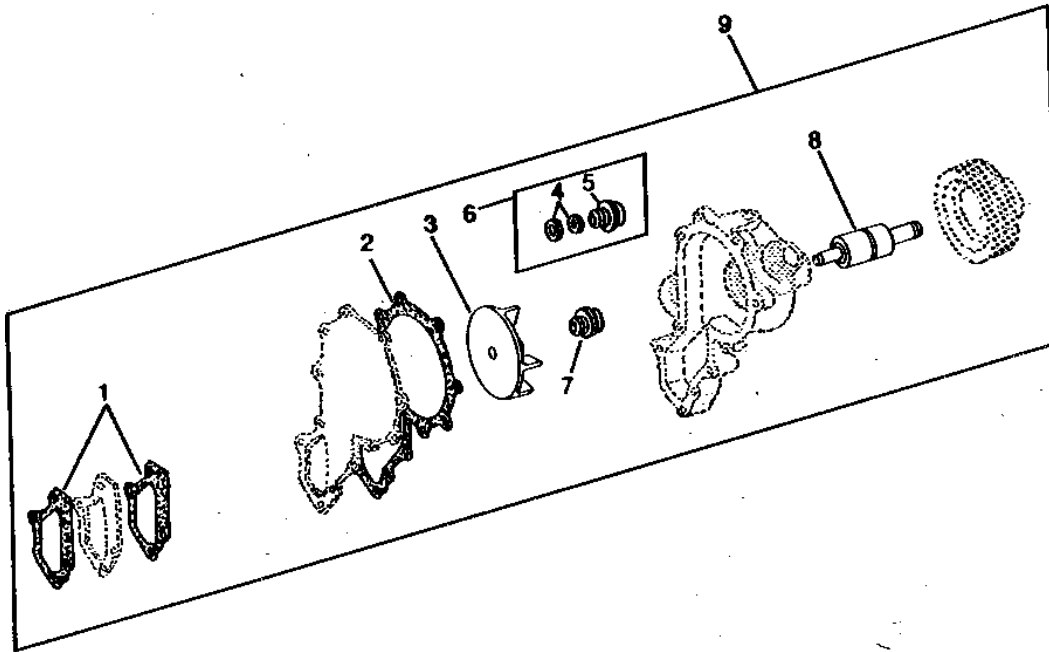
KEY	PART NO.	PART NAME	QTY	ENGINE SERIAL NO.	REMARKS
1	R49495	GASKET	2		
2	R49421	SPACER	1		
3	R49482	SCREW	1		(SUB H78097)
4	19H2284	CAP SCREW	7		3/8" X 7/8"
5	12H304	LOCK WASHER	NA		3/8"
6	R49420	COVER	1		
7	R69415	GASKET	1		(SUB FOR R49494)
8	R49698	IMPELLER	1		
9	AR41691	INSERT	1		(SUB RE20776, THIS APPLICATION)
10	T27261	SEAL	1		(SUB RE20776, THIS APPLICATION)
11	AR62934	SEAL	1		(SUB RE20776, THIS APPLICATION) (SUB FOR AR36668)
12	RE20776	KIT	1		(SUB FOR AR101549, THIS APPLICATION)
13	15H584	PIPE PLUG	1		1/2"
14	R48819	LINE	1		
15	AR52261	HOUSING	1		(MARKED R48818) (NLA)
16	AU43144	BALL BEARING	1		
17	R49417	PULLEY	1		
18	AU43146	FAN	1		
19	19H2284	CAP SCREW	6		3/8" X 7/8"
20	AR53099	BELT SET	1		
21	19H1733	CAP SCREW	4		3/8" X 2-1/2"
22	12H304	LOCK WASHER	4		3/8"
23	AR53547	PUMP	1		

1C21

ENGINE

RGP1146 -UN-01JAN94

WATER PUMP REPAIR KIT



RGP1146

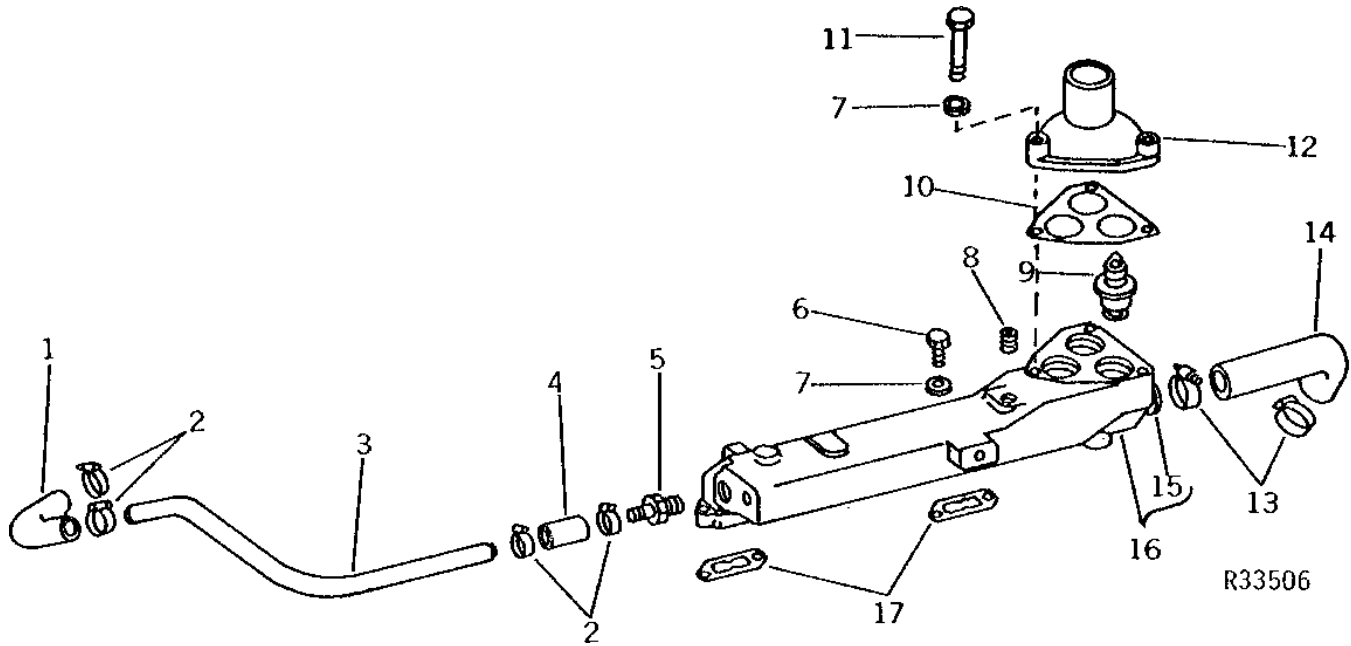
KEY	PART NO.	PART NAME	QTY	ENGINE SERIAL NO.	REMARKS
1	R49495	GASKET	2		
2	R69415	GASKET	1		(SUB FOR R49494)
3	R49698	IMPELLER	1		
4	AR41691	INSERT	1		(SUB RE20776, THIS APPLICATION)
5	T27261	SEAL	1		(SUB RE20776, THIS APPLICATION)
6	AR62934	SEAL	1		(SUB RE20776, THIS APPLICATION) (SUB FOR AR101549, THIS APPLICATION)
7	RE20776	KIT	1		
8	AU43144	BALL BEARING	1		
9	AR98561	KIT	1		(SUB FOR AR57198)

1C22

ENGINE

WATER OUTLET MANIFOLD AND THERMOSTATS (6531)

R33506 -UN-01JAN94



KEY	PART NO.	PART NAME	QTY	ENGINE SERIAL NO.	REMARKS
1	R49474	HOSE	1	(SUB TY22404)	
	TY22404	HOSE	AR	(BULK)	
2	TY22467	CLAMP	4	(SUB FOR AR21839)	
3	R49472	TUBE	1		
4	R44324	HOSE	1	(25.4 MM X 66.7 MM)	(SUB FOR R49475)
5	R49518	FITTING	1		
6	19H2545	CAP SCREW	4	3/8" X 1-3/8"	
7	12H304	LOCK WASHER	7	3/8"	
8	15H624	PIPE PLUG	2	1/2"	
9	AR48675	THERMOSTAT	3	(180°F.)	
10	R81274	GASKET	1	(SUB FOR R49488)	
11	19H1801	CAP SCREW	3	3/8" X 2"	
12	R49178	COVER	1		
13	AR65293	CLAMP	2		
14	R49409	HOSE	1	(SUB TY22410)	
	TY22410	HOSE	AR	(BULK)	
15	R52248	TUBE	1		
16	AR53219	MANIFOLD	1	(MARKED R48578)	(USE WITH R49471)
17	R88397	GASKET	2	(SUB FOR R42693)	

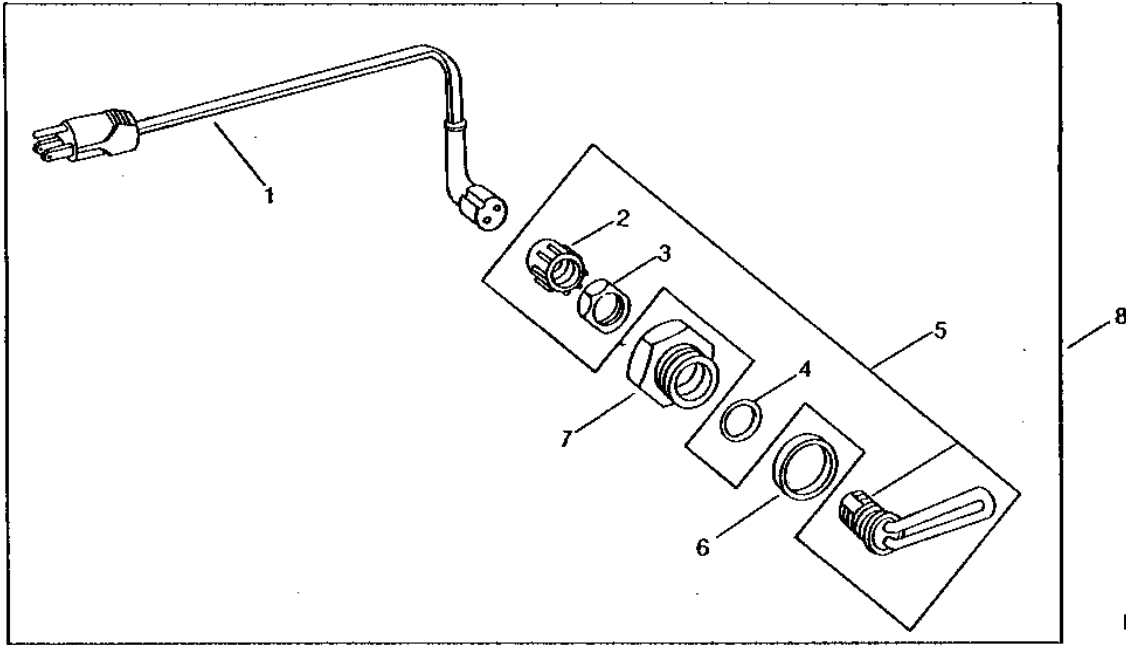
1C23

ENGINE

ENGINE COOLANT HEATER (110 VOLT) (6531)

RGP546

-UN-01JAN94



RGP546

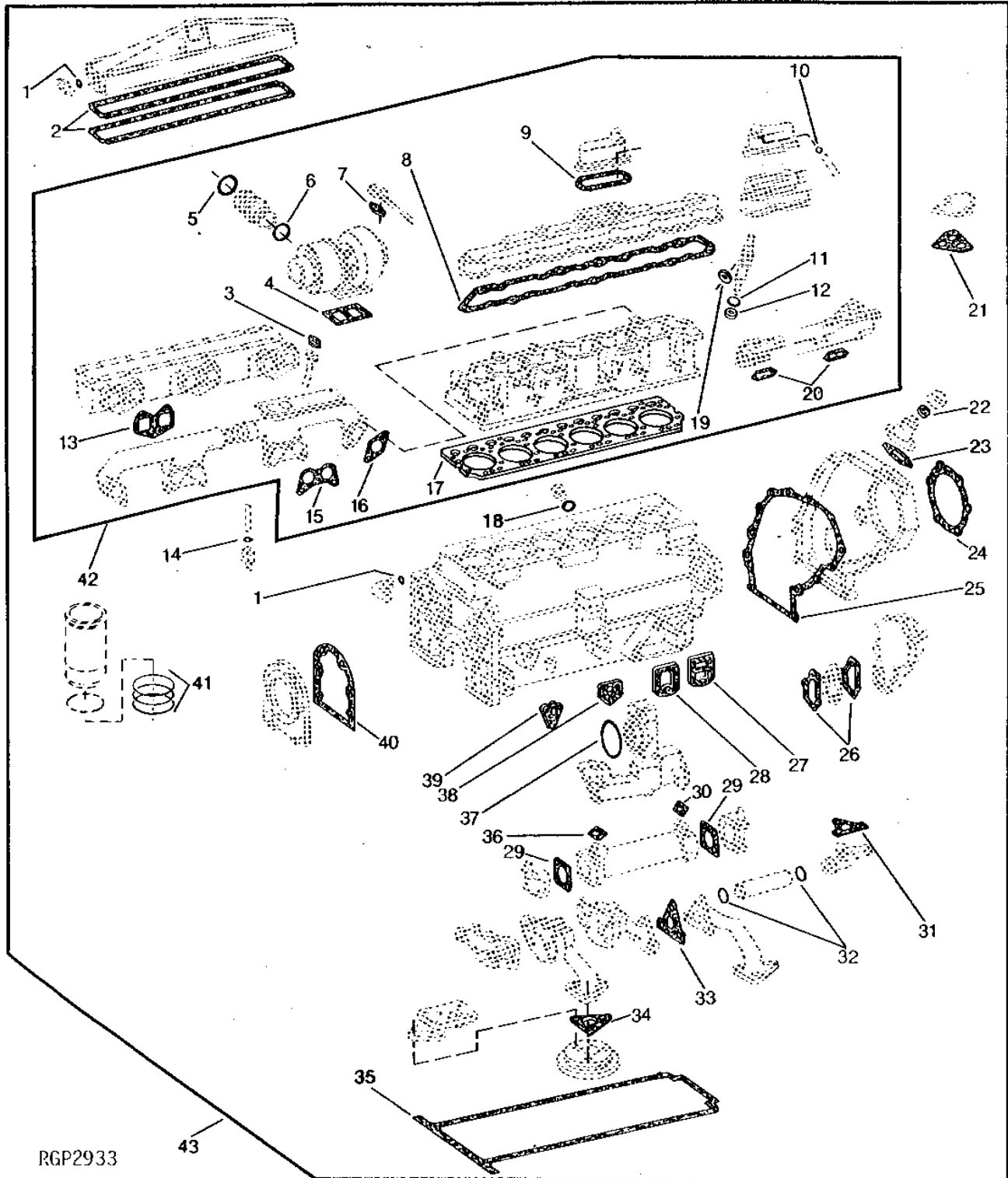
KEY	PART NO.	PART NAME	QTY	ENGINE SERIAL NO.	REMARKS
1	AR50411	WIRING LEAD	1		
2	R54510	CAP	1	(SUB AR62399, APPL)	
3	R54511	NUT	1	(SUB AR62399, APPL)	
4	R47693	GASKET	1		
5	AR62399	COOLANT HEATER	1	(110 VOLT)	
6	U13639	O-RING	1		
7	R54123	ADAPTER	1		
8	AR62492	COOLANT HEATER	1	(USE WITH R80401)	

1C24

ENGINE

ENGINE GASKET SET (6531A)

RGP2933 -UN-01JAN94



RGP2933

1C25

ENGINE

ENGINE GASKET SET - CONTINUED (6531A)

KEY	PART NO.	PART NAME	QTY	SHORT BLOCK SERIAL NO.	REMARKS
1	R47153	O-RING	2		(SUB FOR R50420, THIS APPLICATION)
2	R53081	GASKET	2		
3	R105346	GASKET	1		(SUB FOR R49487, R43416 OR R97349)
4	R49697	GASKET	1		
5	R49424	O-RING	1		
6	R49425	O-RING	1		
7	R58222	GASKET	1		(SUB FOR R49493)
8	R74365	GASKET	1		(SUB FOR R49867)
9	GASKET	1		(NOT INCLUDED)
10	R495R	O-RING	1		
11	R51603	O-RING	6		
12	R64840	WASHER	6		(SUB FOR R48633)
13	R40088	GASKET	3		
14	O-RING	1		(NOT USED THIS APPLICATION)
15	R80969	GASKET	2	-XXXXXX	(SUB FOR R66000, R78422 OR R49695) (SUB R86454 AND R86455)
	R86455	GASKET	2	XXXXXX-	
16	R80970	GASKET	2	-XXXXXX	(SUB FOR R66001, R78423 OR R49696) (SUB R86454 AND R86455)
	R86454	GASKET	2	XXXXXX-	
17	R78513	GASKET	1		(SUB FOR R49688)
18	U13639	O-RING	1		
19	WASHER	6		(NOT USED THIS APPLICATION)
20	R88397	GASKET	2		(SUB FOR R42693)
21	R81274	GASKET	1		(SUB FOR R49488)
22	T20328	GASKET	1		
23	R82943	GASKET	1		(SUB FOR R49486)
24	R35349	GASKET	1		
25	R49483	GASKET	1		
26	R49495	GASKET	2		
27	R44853	GASKET	1		(USE WITH R43851)
28	R62410	GASKET	1		(USE WITH R63285)
29	R49489	GASKET	2		
30	R49490	GASKET	1		
31	R69418	GASKET	1	XXXXXX-	
32	R71732	O-RING	2	XXXXXX-	
33	GASKET	NA	XXXXXX-	NOT USED THIS APPLICATION
34	R70475	GASKET	1	XXXXXX-	
35	R71919	GASKET	1		(THIN) (SUB FOR R47248 OR R61670)
36	R49491	GASKET	1		
37	R43660	PACKING	1		
38	R49484	GASKET	1		
39	R49485	GASKET	1		
40	R35043	GASKET	1		
41	R49423	O-RING	18		(CYLINDER LINER PACKING)
42	AR56154	GASKET KIT	1		CYLINDER HEAD
43	RE17046	GASKET	1		ENGINE REBUILD, (SUB FOR AR56153)
..	R72328	O-RING	2		(OIL COOLER INLET AND OUTLET TUBE)
..	R48693	WASHER	12	-282943	(ENGINE SERIAL NUMBER)
..	P48347	O-RING	1	-XXXXXX	(DIPSTICK TUBE TO CYLINDER BLOCK) (SUB FOR R34404, THIS APPLICATION)

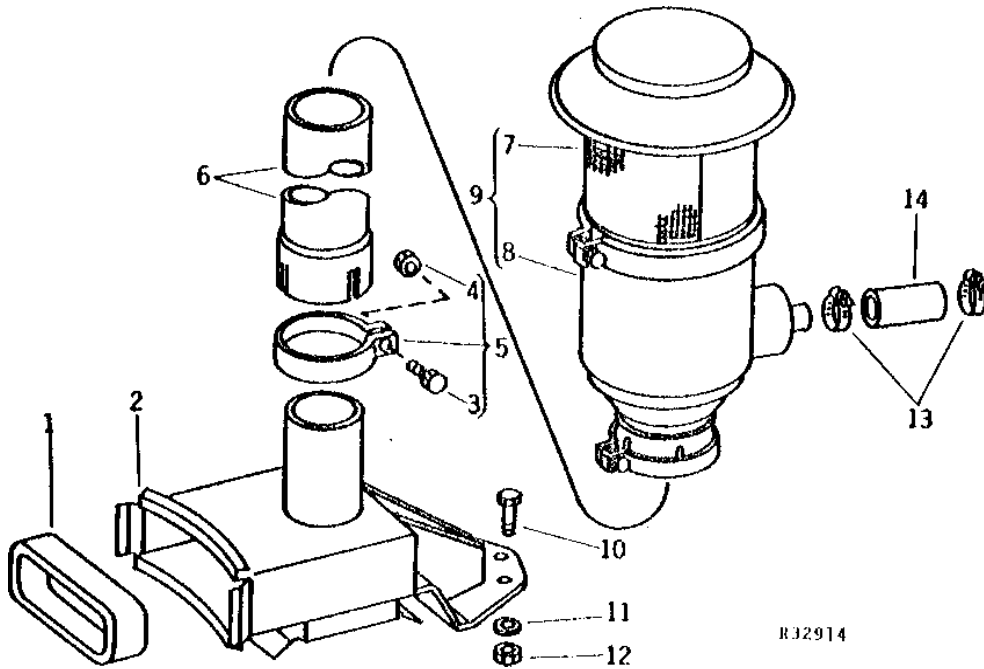
MEMORANDA

1D3

FUEL AND AIR

R32914 -UN-01JAN94

PRE-CLEANER



R32914

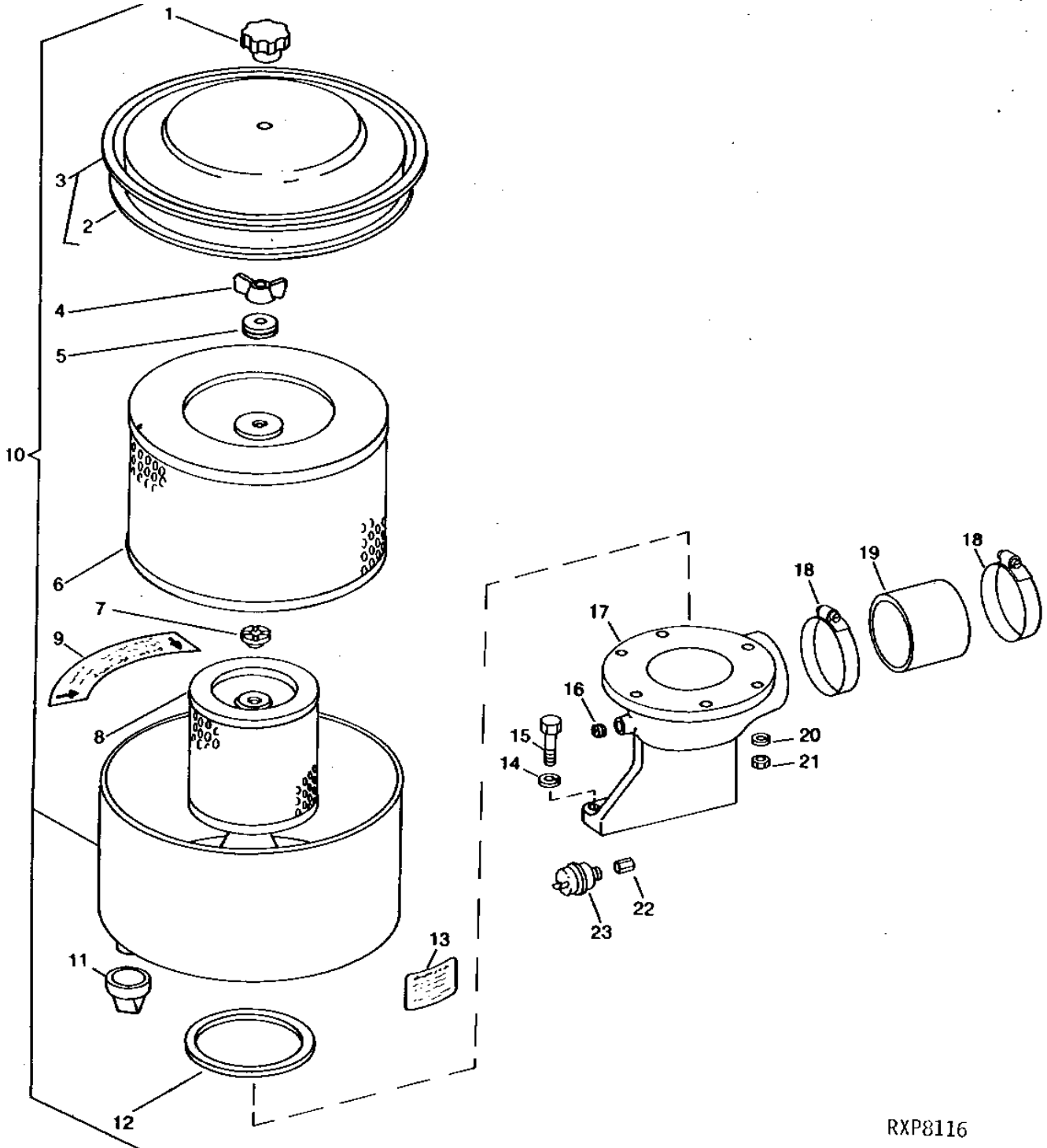
KEY	PART NO.	PART NAME	QTY	TRACTOR SERIAL NO.	REMARKS
1	R52364	SEAL	1		
2	AR61856	INTAKE MANIFOLD	1		
3	19H1732	CAP SCREW	1	3/8" X 1-1/4"	
4	14H1076	NUT	1	3/8"	
5	AR55869	CLAMP	1		
6	R51514	PIPE	1		
7	AR58782	HOOD	1		
8	AR58783	HOUSING	1	(SUB AR53837)	
9	AR53837	PRESCREENER	1		
10	19H1800	CAP SCREW	4	3/8" X 1-1/2"	
11	12H304	LOCK WASHER	4	3/8"	
12	14H1076	NUT	4	3/8"	
13	AR21839	CLAMP	2	(SUB TY22467)	
14	R51515	HOSE	1	32 X 89MM (1-1/4" X 3-1/2")	

1D4

FUEL AND AIR

RXP8116 -UN-01JAN94

AIR CLEANER



RXP8116

1D5

FUEL AND AIR

AIR CLEANER - CONTINUED

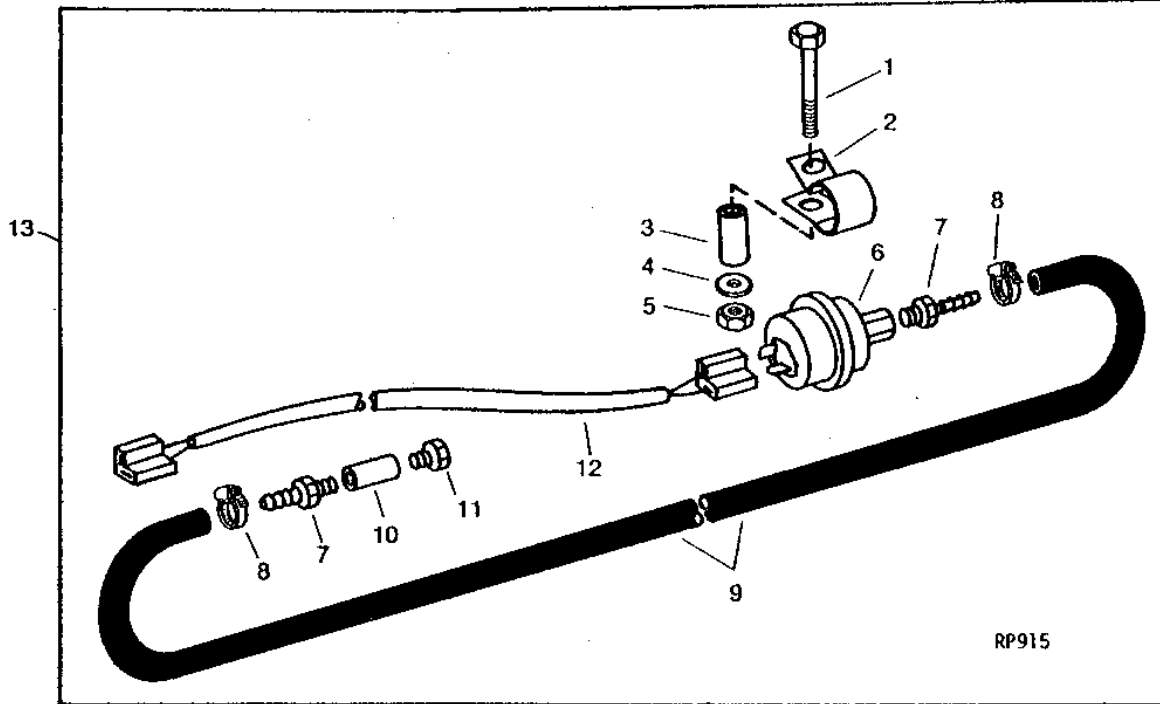
KEY	PART NO.	PART NAME	QTY	TRACTOR SERIAL NO.	REMARKS
1	AR58781	KNOB	1		
2	R53139	WASHER	1		
3	AR58780	COVER	1	(NLA)	
4	R44418	WING NUT	1		
5	AR43940	WASHER	1		
6	AR54404	FILTER ELEMENT	1		
7	R48567	NUT	1		
8	AR61988	FILTER ELEMENT	1	(SUB FOR AR51432)	
9	R49403	LABEL	1		
10	AR64624	AIR CLEANER	1	(SUB FOR AR53502)	
11	R48568	VALVE	1		
12	R53140	GASKET	1	-XXXXXX	(SUB R56420)
	R56420	GASKET	1	XXXXX-	(SUB FOR AR66919)
13	R48632	LABEL	1	-003052	(SUB R56902)
	R56902	LABEL	1	003053-XXXXXX	
14	12H294	LOCK WASHER	2		5/8"
15	19H1756	CAP SCREW	2		5/8" X 1-1/2"
16	F1737R	FILTER	1		
17	R49812	SUPPORT	1	(NLA)	
18	C16054	CLAMP	2		
19	R49681	HOSE	1		
20	12H304	LOCK WASHER	6		3/8"
21	14H1076	NUT	6		3/8"
22	15H639	PIPE BUSHING	1	XXXXXX-	1/8"
23	AR43595	SWITCH	1	-XXXXXX	
	RE17515	SENSOR	1	XXXXXX-	(ALSO ORDER 15H639) (SUB FOR AL32975 OR AL24194)

1D6

FUEL AND AIR

RP915 -UN-01JAN94

REMOTE MOUNTED VACUUM SWITCH



RP915

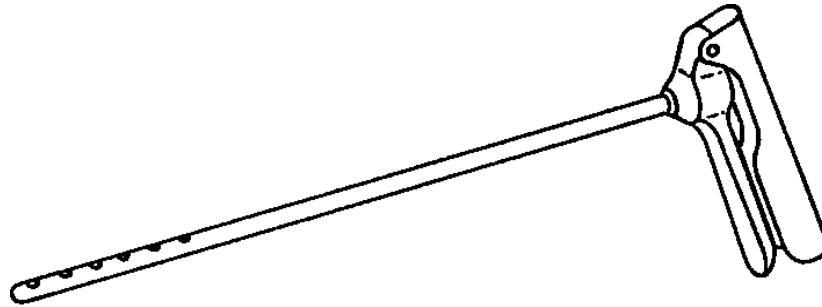
KEY	PART NO.	PART NAME	QTY	TRACTOR SERIAL NO.	REMARKS
1	19H1913	CAP SCREW	1	5/16" X 2-1/4"	
	19H2791	CAP SCREW	1	3/8" X 1-3/4"	
2	R46414	CLAMP	1		
3	28H1495	SPACER	1	0.493" X 0.675" X 1"	
4	12H304	LOCK WASHER	1	3/8"	
5	14H1076	NUT	1	3/8"	
6	AR50489	SWITCH	1		
	R44302	TIE BAND	AR		
7	R57286	FITTING	2		
8	AR48236	CLAMP	2	(SUB TY22462)	
9	T31483	HOSE	1		
10	15H73	COUPLING	1	1/8"	
11	15H639	PIPE BUSHING	1	1/4" X 1/8"	
12	AR68734	WIRING HARNESS	1		
13	AR68733	KIT	1		

1D7

FUEL AND AIR

RP474 -UN-01JAN94

DRY AIR CLEANER ELEMENT CLEANING GUN



RP474

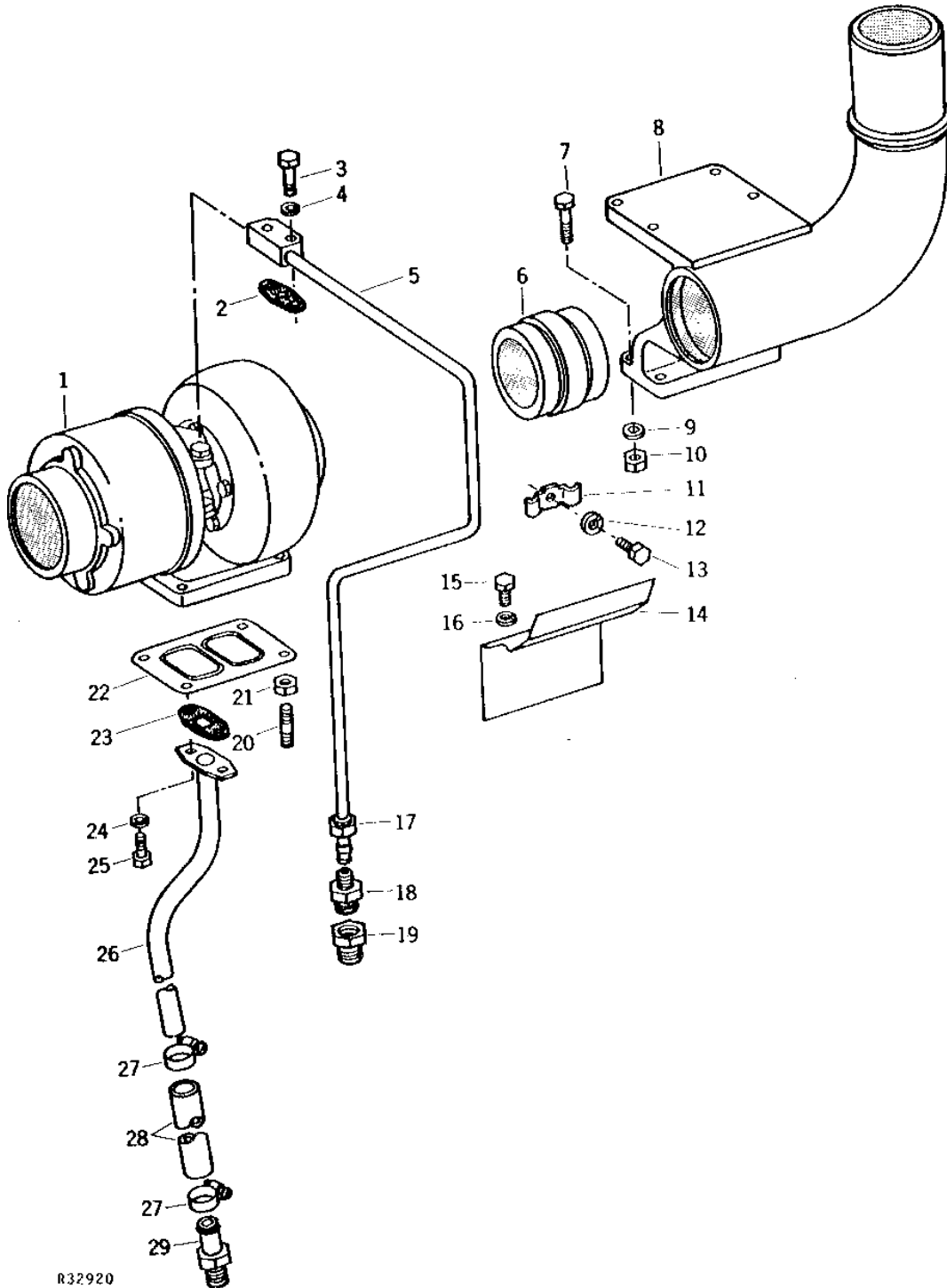
KEY	PART NO.	PART NAME	QTY	TRACTOR SERIAL NO.	REMARKS
..	AR62322	GREASE GUN	1		(MARKED R42726) (SUB FOR AR45035 OR AR62377)
..	R36757	AIR CLEANER	1		(NLA)

1D8

FUEL AND AIR

TURBOCHARGER, OIL PIPES AND EXHAUST ELBOW (6531A)

R32920 -UN-01JAN94



R32920

1D9

FUEL AND AIR

TURBOCHARGER, OIL PIPES AND EXHAUST ELBOW - CONTINUED (6531A)

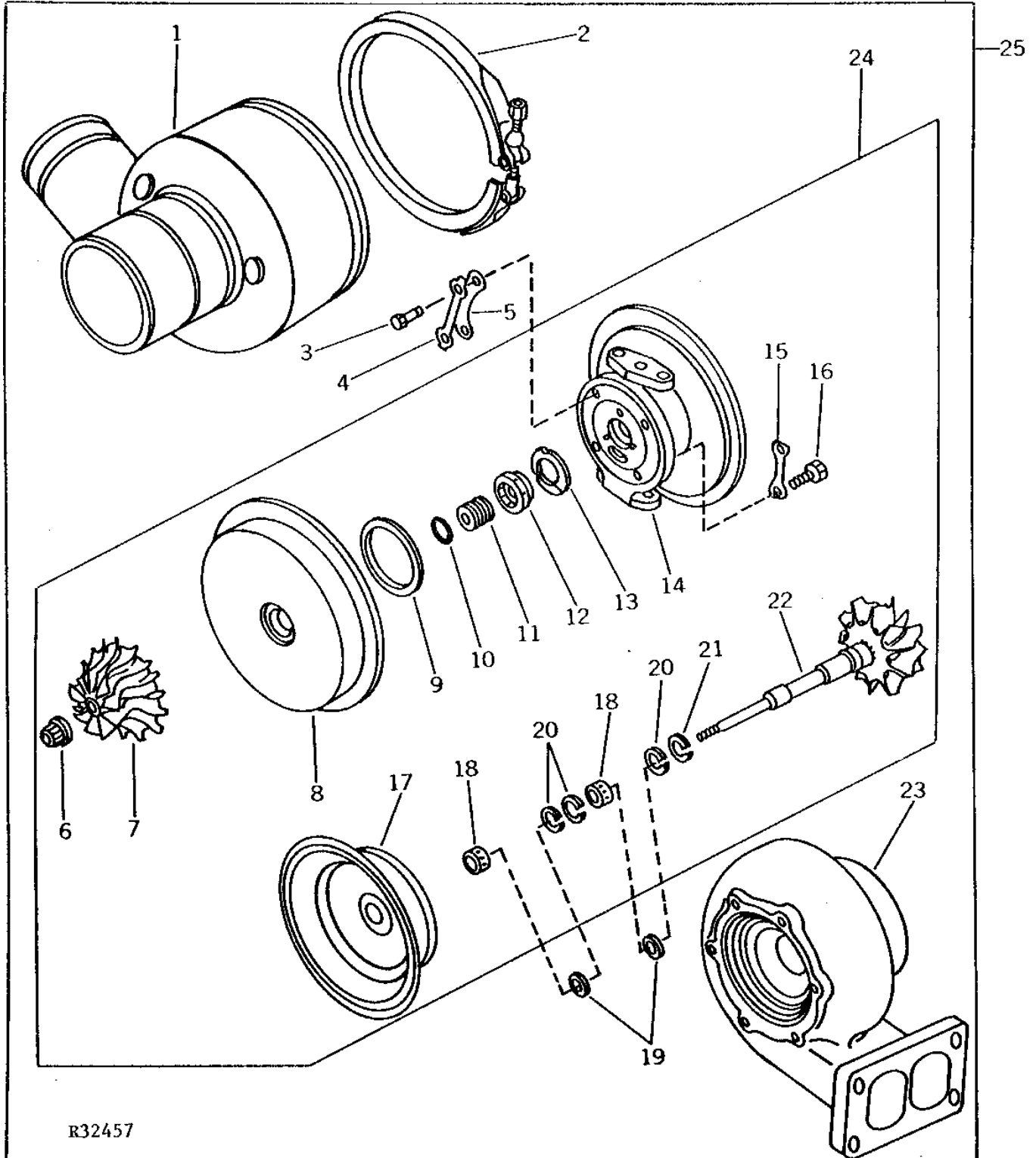
KEY	PART NO.	PART NAME	QTY	ENGINE SERIAL NO.	REMARKS
1	TURBOCHARGER	1		(AIRESEARCH) (SUB AR58298) (7520, 6030, 5400)
	TURBOCHARGER	1		(SCHWITZER) (SUB AR81387) (6030, 5400)
2	R58222	GASKET	1		(SUB FOR R49493)
3	19H2552	CAP SCREW	2		3/8" X 1-1/8"
4	12H304	LOCK WASHER	2		3/8"
5	AR53497	OIL LINE	1		
6	R49419	COUPLING	1		
7	19H1800	CAP SCREW	4		3/8" X 1-1/2"
8	R49175	ELBOW FITTING	1		
9	24H1305	WASHER	4		13/32" X 13/16" X 0.065"
10	M63440	LOCK NUT	4		(SUB FOR C744DN) (SUB E50102)
11	R51948	CLAMP	1		
12	12H303	LOCK WASHER	1		5/16"
13	19H1900	CAP SCREW	1		5/16" X 3/4"
14	R51134	HEAT SHIELD	1		
15	19H2038	CAP SCREW	2		3/8" X 1/2"
16	12H304	LOCK WASHER	2		3/8"
17	R49671	WASHER	1		RUBBER
	R49672	FITTING	1		
18	R51133	FITTING	1		
19	15H607	PIPE BUSHING	1		
20	R55078	STUD	4		
21	E55662	FLANGE NUT	4		
22	R49697	GASKET	1		
23	R105346	GASKET	1		(SUB FOR R43416 OR R97349)
24	12H304	LOCK WASHER	2		3/8"
25	19H2284	CAP SCREW	2		3/8" X 7/8"
26	AR53498	OIL LINE	1		
27	TY22467	CLAMP	2		(SUB FOR AR21839)
28	R49631	HOSE	1		(19MM X 229MM) (100R3)
29	R39503	HOSE FITTING	1		

1D10

FUEL AND AIR

TURBOCHARGER
AIRESEARCH)
(6531A)

R32457 -UN-01JAN94



R32457

1D11

FUEL AND AIR

TURBOCHARGER - CONTINUED
AIRESEARCH
(6531A)

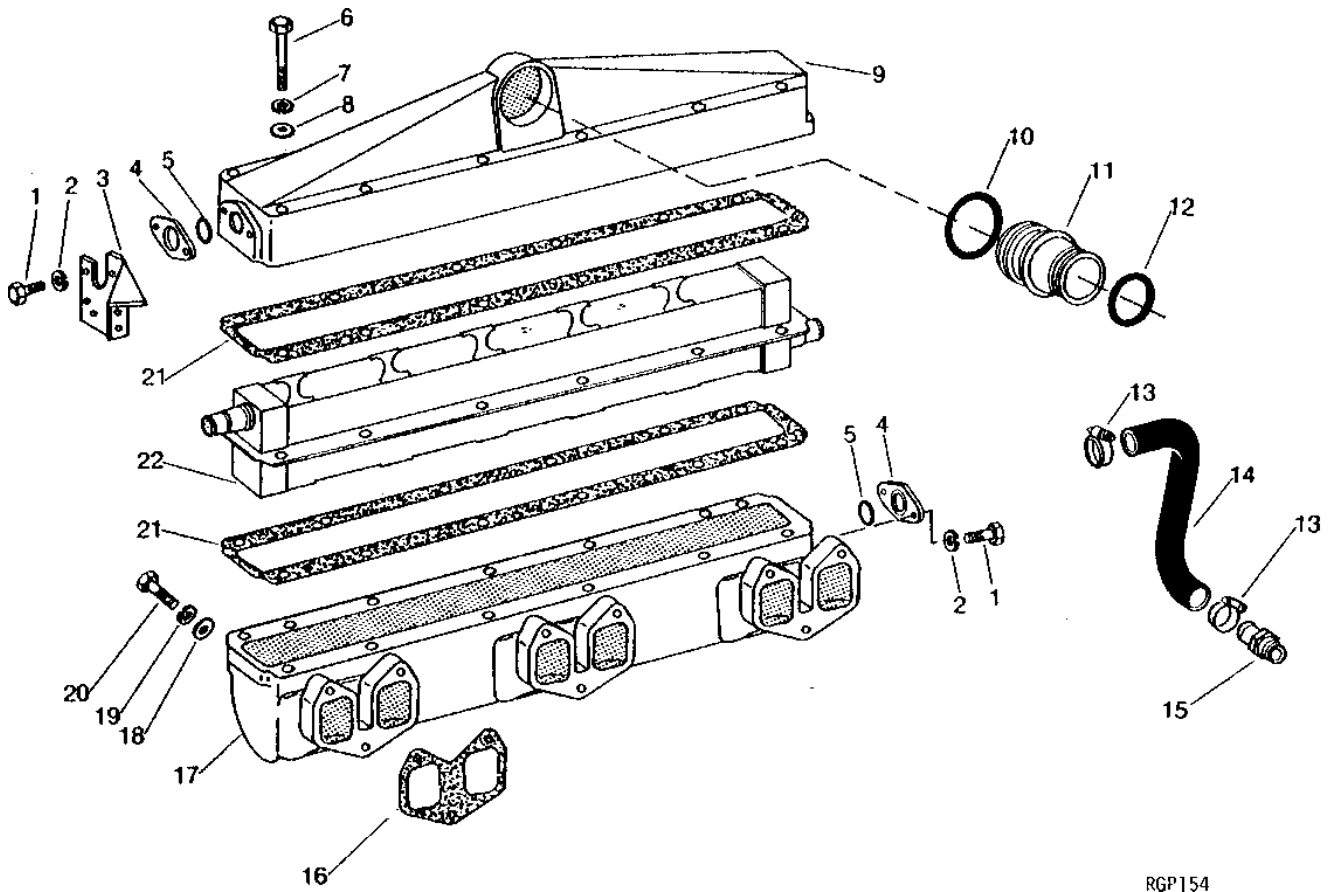
KEY	PART NO.	PART NAME	QTY	ENGINE SERIAL NO.	REMARKS
1	AR58300	HOUSING	1	(NLA)	
2	AR73133	CLAMP	1	(SUB FOR AR58301) (NLA)	
3	R52867	BOLT	6		
4	R52868	PLATE	3		
5	R52869	PLATE	3		
6	R52865	LOCK NUT	1		
7	R52866	IMPELLER	1	(NLA)	
8	AR58302	SEAT BACK	1	(NLA)	
9	R43805	O-RING	1		
10	R52870	PISTON RING	1		
11	R52871	SPACER	1		
12	R52872	LOCKING COLLAR	1		
13	R52873	THRUST BEARING	1		
14	AR58303	HOUSING	1	(NLA)	
15	R43986	LOCK PLATE	2		
16	19H1919	CAP SCREW	4	1/4" X 5/8"	
17	R52874	SHROUD	1	(NLA)	
18	R60304	BEARING	2	STD	
	R60392	BEARING	2	0.13 MM (.005") US	
	R60393	BEARING	2	(SUB RE51483) 0.25 MM (.010") US	
	RE51483	BEARING KIT	1		
19	R60305	SHIM	2		
20	R52876	SNAP RING	3		
21	R52877	PISTON RING	1		
22	AR58304	WHEEL	1	(NLA)	
23	R52878	HOUSING	1	(NLA)	
24	AR58305	HOUSING	1		
25	AR58298	TURBOCHARGER	1	(REMAN)	

1D12

FUEL AND AIR

AFTERCOOLER AND INTAKE MANIFOLD (6531A)

RGP154 -UN-01JAN94



RGP154

1D13

FUEL AND AIR

AFTERCOOLER AND INTAKE MANIFOLD - CONTINUED (6531A)

KEY	PART NO.	PART NAME	QTY	ENGINE SERIAL NO.	REMARKS
1	19H1905	CAP SCREW	4		5/16" X 1"
2	12H303	LOCK WASHER	4		5/16"
3	R74006	SHIELD	1		(SUB FOR R59558) (5400)
4	R49517	COVER	2		
5	R47153	O-RING	2		(SUB FOR R50420, THIS APPLICATION)
6	19H2228	CAP SCREW	12		3/8" X 4"
7	12H304	LOCK WASHER	12		3/8"
8	24H1305	WASHER	12		13/32" X 13/16" X 0.065"
9	R58065	COVER	1		(SUB FOR R49095)
10	R49424	O-RING	1		
11	R49481	COUPLING	1		
12	R49425	O-RING	1		
13	TY22467	CLAMP	2		(SUB FOR AR21839)
14	R49473	HOSE	1		
15	R49518	FITTING	1		
16	R40088	GASKET	3		
17	R49094	INTAKE MANIFOLD	1		
18	R63489	WASHER	9		12 X 23.500 X 3.050 MM (0.472" X 0.925" X 0.120")
19	LOCK WASHER	9		(NO LONGER REQUIRED)
20	19H1802	CAP SCREW	9		7/16" X 1-7/8"
21	R53081	GASKET	2		(SUB FOR R49487)
22	RE46441	AFTERCOOLER	1		(SUB FOR AR53373, AR73030 OR AR70420)

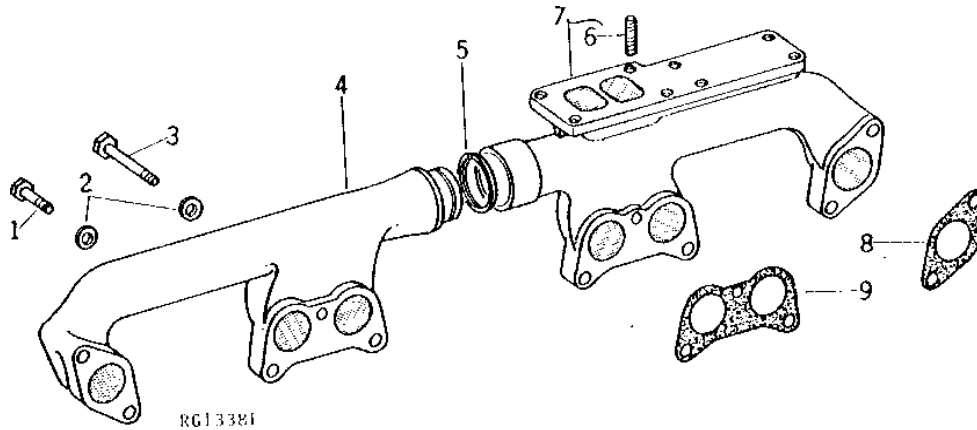
1D14

FUEL AND AIR

RG1338

-UN-01JAN94

EXHAUST MANIFOLDS



KEY	PART NO.	PART NAME	QTY	ENGINE SERIAL NO.	REMARKS
1	19H2719	CAP SCREW	6		7/16" X 1-7/8", (SUB FOR R53082)
2	R63489	WASHER	10		12 X 23.500 X 3.050 MM (0.472" X 0.925" X 0.120")
3	19H3705	CAP SCREW	4		7/16" X 3-1/2", (SUB FOR R53083)
4	R120571	EXHAUST MANIFOLD	1		(ALSO ORDER R57703) (SUB FOR R48773 AND R57632)
5	R57703	RING	1		
6	R55078	STUD	4		
7	AR55246	EXHAUST MANIFOLD	1		(MARKED R48772) (SUB R48772 AND (4) R55078)
8	R80970	GASKET	2	-060152	(SUB FOR R49696, R66001 OR R78423) (SUB R86454 AND R86455)
	R86454	GASKET	2	060153-	
9	R80969	GASKET	2	-060152	(SUB FOR R49695, R66000 OR R78422) (SUB R86454 AND R86455)
	R86455	GASKET	2	060153-	

MEMORANDA

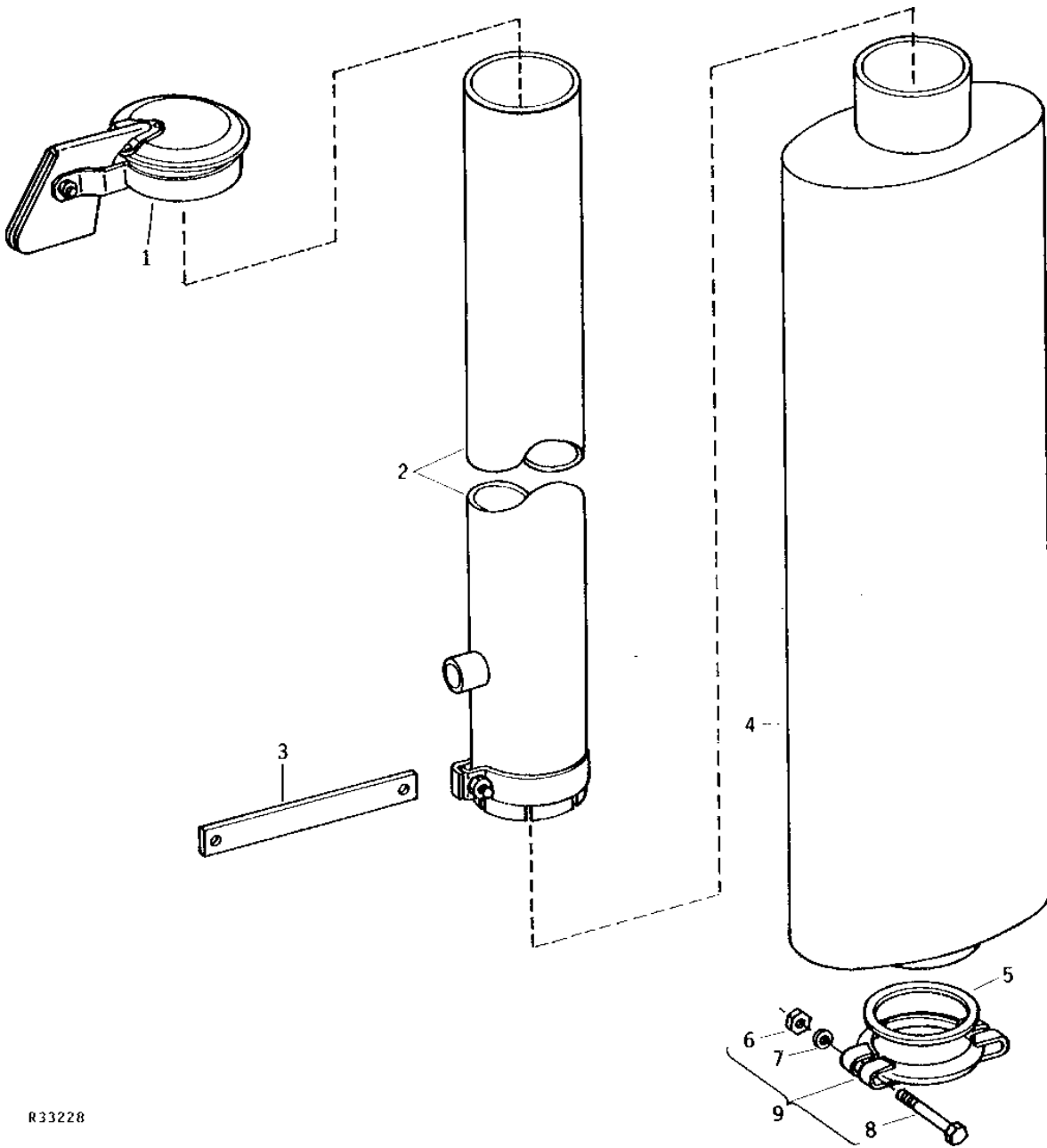
1D15

FUEL AND AIR

R33228

-UN-01JAN94

MUFFLER, EXTENSION AND COVER



R33228

1D16

FUEL AND AIR

MUFFLER, EXTENSION AND COVER - CONTINUED

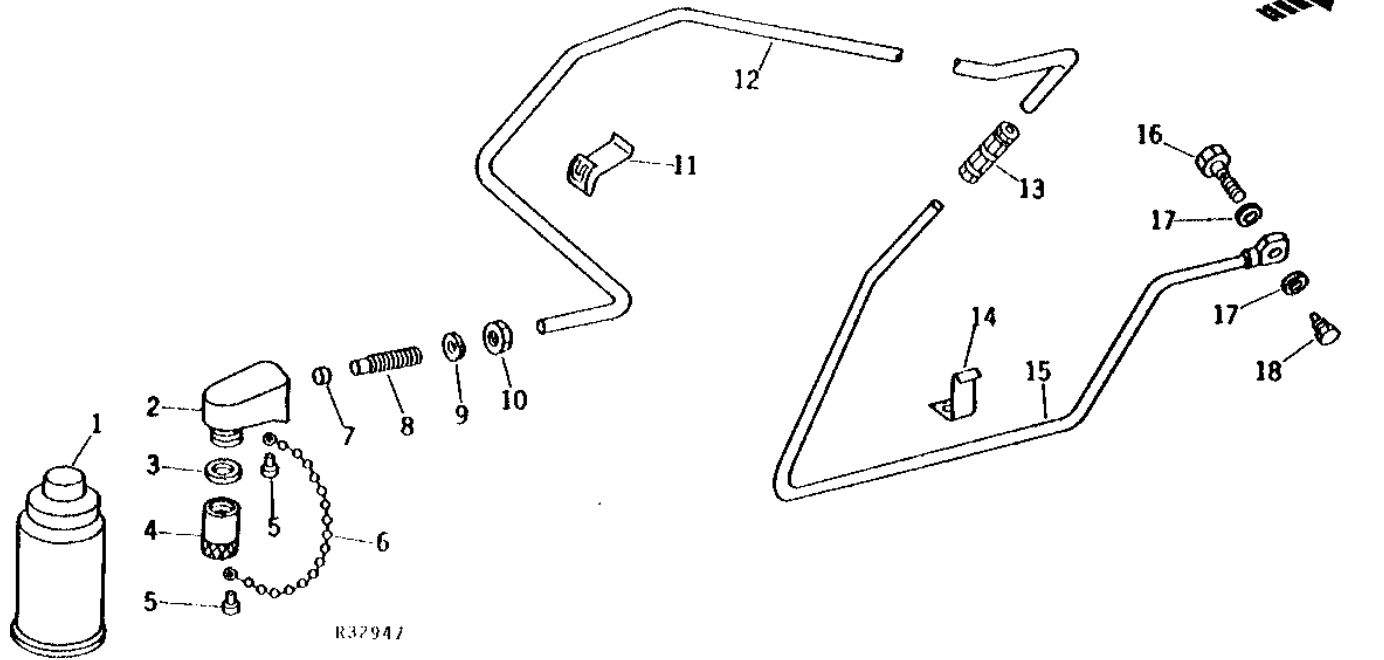
KEY	PART NO.	PART NAME	QTY	TRACTOR SERIAL NO.	REMARKS
1	AR60857	EXHAUST CAP	1		(SUB FOR AR56788)
2	AR55853	MUFFLER EXTENSION	1		
3	R53466	STRAP	1		
4	AR53749	MUFFLER	1		
5	R42375	WASHER	1		
6	14H1076	NUT	2		3/8"
7	24H1305	WASHER	2		13/32" X 13/16" X 0.065"
8	19H2023	CAP SCREW	2		3/8" X 3-1/4"
9	AR43704	CLAMP	1		

1D17

FUEL AND AIR

R32947 -UN-01JAN94

COLD WEATHER STARTING AID



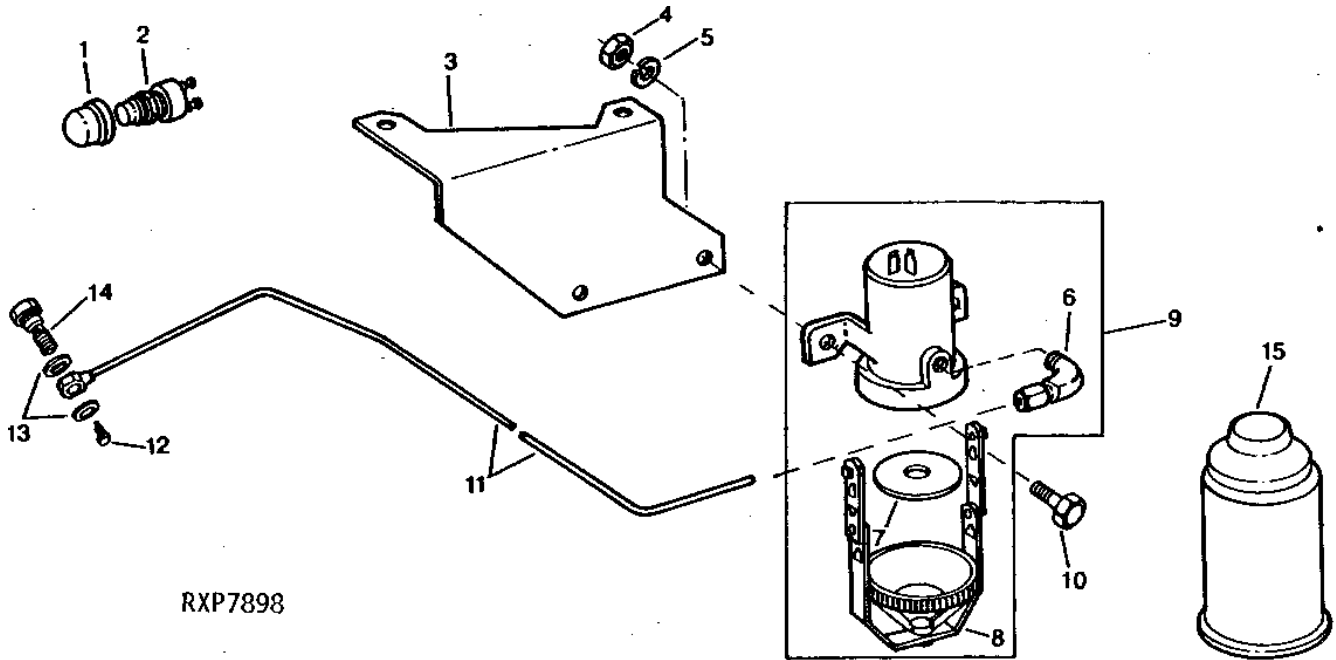
KEY	PART NO.	PART NAME	QTY	TRACTOR SERIAL NO.	REMARKS
1	RE30174	STARTING FLUID	1		(SUB FOR AR27814 OR RE24561)
2	R39534	ADAPTER	1		
3	R26149	PACKING	1		
4	R32306	CAP	1		
5	37H44	SCREW	2		0.151" X 3/8"
6	AR27940	LINK CHAIN	1		
7	R34394	WASHER	1		
8	R34395	ADAPTER	1		
9	12H301	LOCK WASHER	1		1/2"
10	14H1040	NUT	1		1/2"
11	R47113	CLIP	1		
12	R40962	TUBE	1		
13	R34388	UNION FITTING	1		
14	R40468	CLAMP	2		
15	AR53691	LINE	1		
16	R51152	SCREW	1		
17	T20055	WASHER	2		
18	R28583	NOZZLE	1		

1D18

FUEL AND AIR

ELECTRICALLY OPERATED STARTING AID

RXP7898 -UN-01JAN94



RXP7898

KEY	PART NO.	PART NAME	QTY	TRACTOR SERIAL NO.	REMARKS
1	T55585	CAP	1		(SUB FOR AR67950)
2	R39554	SWITCH	1		
3	R56876	BRACKET	1		
4	14H785	NUT	2	5/16"	
5	12H303	LOCK WASHER	2	5/16"	
6	RE21790	ELBOW FITTING	1		(SUB FOR AT25266)
7	T46726	GASKET	1		
8	AT57288	BAIL	1		(SUB FOR AT45396)
9	AT39623	SOLENOID	1		(SUB RE48310)
	T13119	O-RING	1		(USE WITH AR97514)
10	19H2127	CAP SCREW	2	5/16" X 7/8"	
11	AR67949	LINE	1		
12	R28583	NOZZLE	1		
13	T20055	WASHER	2		
14	R51152	SCREW	1		
15	RE30174	STARTING FLUID	1		(SUB FOR AR27814 OR RE24561)
..	R44302	TIE BAND	AR		

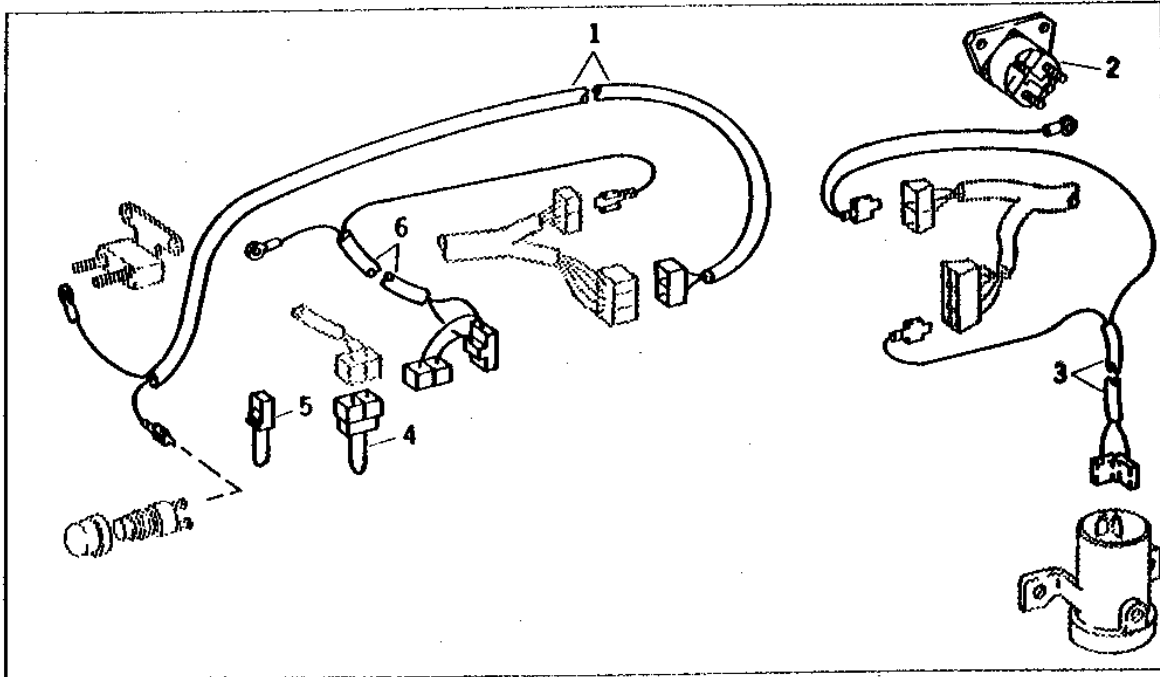
MEMORANDA

1D19

FUEL AND AIR

R32483 -UN-01JAN94

ELECTRICALLY OPERATED STARTING AID WIRING KIT



R32483

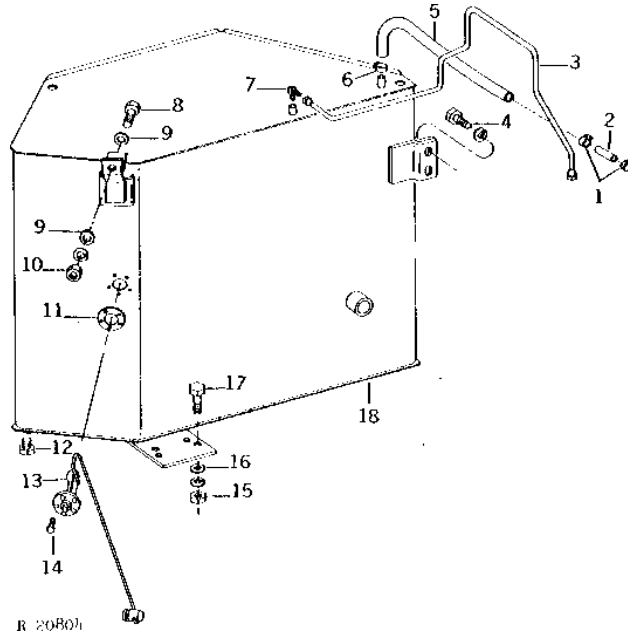
KEY	PART NO.	PART NAME	QTY	TRACTOR SERIAL NO.	REMARKS
1	AR68018	WIRING HARNESS	1	(SUB RE42401)	
2	AT68973	RELAY	1	(SUB FOR AT40955) (SUB RE38391)	
3	AR68020	WIRING HARNESS	1	(SUB RE42401)	
4	AR68014	WIRING LEAD	1	BYPASS, (SUB RE43401)	
5	WIRING HARNESS	1	BYPASS (NOT REQUIRED)	
6	AR68021	WIRING HARNESS	1	(SUB RE42401)	
7	AR68500	KIT	1	(NO LONGER AVAILABLE)	
..	R44302	TIE BAND	1		

1D20

FUEL AND AIR

R20804 -UN-01JAN94

LEFT-HAND FUEL TANK WITH PIPE



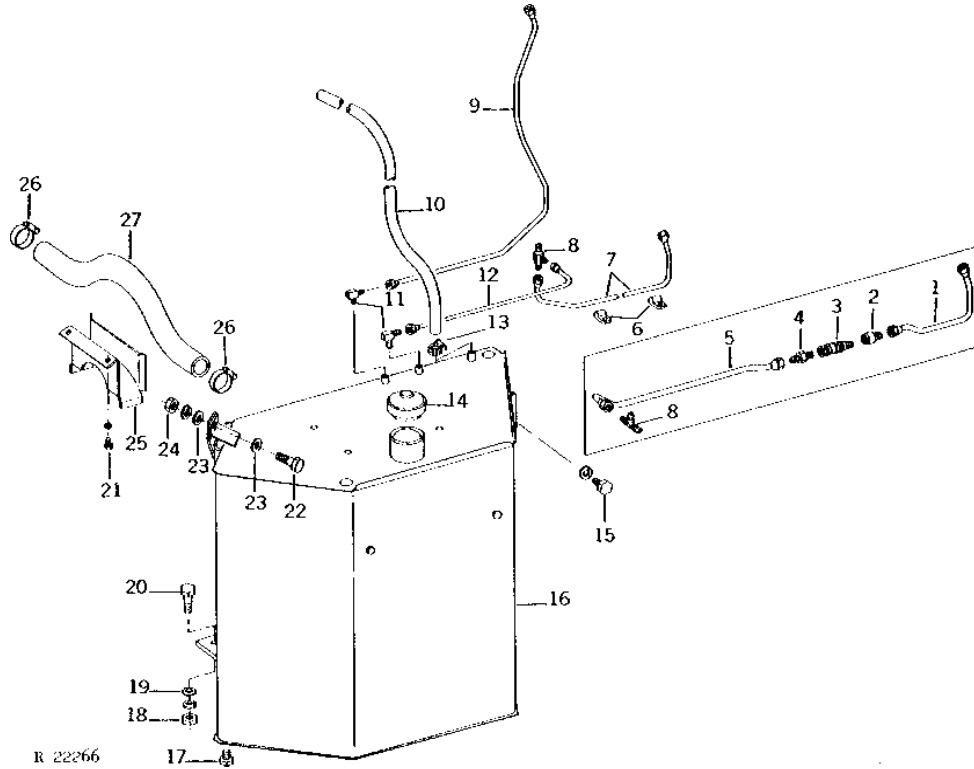
KEY	PART NO.	PART NAME	QTY	TRACTOR SERIAL NO.	REMARKS
1	AR21837	CLAMP	2		(SUB TY22465)
2	R52308	TUBE	1		
3	AR54380	FUEL LINE	1		
	T14050	CLIP	1		(SUB T29527)
4	19H1732	CAP SCREW	1		3/8" X 1-1/4"
	12H304	LOCK WASHER	1		3/8"
5	R45847	HOSE	1		
6	AR21839	CLAMP	1		(SUB TY22467)
7	AR26674	ELBOW FITTING	1		
8	19H2473	CAP SCREW	1		1/2" X 1-3/4"
9	24H1625	WASHER	2		17/32" X 1" X 0.120"
10	14H1040	NUT	2		1/2"
	12H301	LOCK WASHER	2		1/2"
11	R27181	GASKET	1		
12	A4242R	PIPE PLUG	1		(SUB R55233)
13	AR43676	SENDER	1		
14	21H981	SCREW	5		0.190" X 1/2"
15	14H1040	NUT	2		1/2"
	12H301	LOCK WASHER	2		1/2"
16	24H1625	WASHER	2		17/32" X 1" X 0.120"
17	19H1831	CAP SCREW	1		1/2" X 2"
18	AR54378	FUEL TANK	1		

1D21

FUEL AND AIR

R22266 -UN-01JAN94

RIGHT-HAND FUEL TANK WITH PIPES



KEY	PART NO.	PART NAME	QTY	TRACTOR SERIAL NO.	REMARKS
1	AR66539	FUEL LINE	1	(A)	
2	R56243	FITTING	1	(A)	
3	AR66540	CHECK VALVE	1	(A)	
4	R32136	FITTING	1	(A)	
5	AR66538	FUEL LINE	1	(A)	
	AR66535	KIT	1	(A)	FUEL PIPE
6	T14050	CLIP	2		(SUB T29527)
7	AR54381	FUEL LINE	1	-XXXXX	(TANK TO TRANSFER PUMP) (SUB AR66535)
8	T27323	TEE FITTING	1		(SUB FOR R47794)
9	AR54382	FUEL LINE	1		
10	R45847	HOSE	1		
11	AR26674	ELBOW FITTING	2		
12	AR54379	LINE	1		(TANK TO TEE)
	AR88404	TUBE	1		KIT, FUEL TANK REPAIR
13	AR21837	CLAMP	1		(SUB TY22465)
14	AR36752	CAP	1		
15	19H1732	CAP SCREW	1	3/8" X 1-1/4"	
	12H304	LOCK WASHER	1	3/8"	
16	AR54377	FUEL TANK	1		
	AR88404	TUBE	1		(FUEL PICKUP REPAIR KIT)
17	A4242R	PIPE PLUG	1		(SUB R55233)
18	14H1040	NUT	2	1/2"	
	12H301	LOCK WASHER	2	1/2"	
19	24H1625	WASHER	2	17/32" X 1" X 0.120"	
20	19H1831	CAP SCREW	2	1/2" X 2"	
21	19H1731	CAP SCREW	2	3/8" X 1"	
	12H304	LOCK WASHER	2	3/8"	
22	19H2473	CAP SCREW	1	1/2" X 1-3/4"	
23	24H1625	WASHER	2	17/32" X 1" X 0.120"	
24	14H1040	NUT	1	1/2"	
	12H301	LOCK WASHER	1	1/2"	
25	AR56757	SUPPORT	1		
26	AR21840	CLAMP	2	(SUB TY22470)	
27	R52219	HOSE	1		

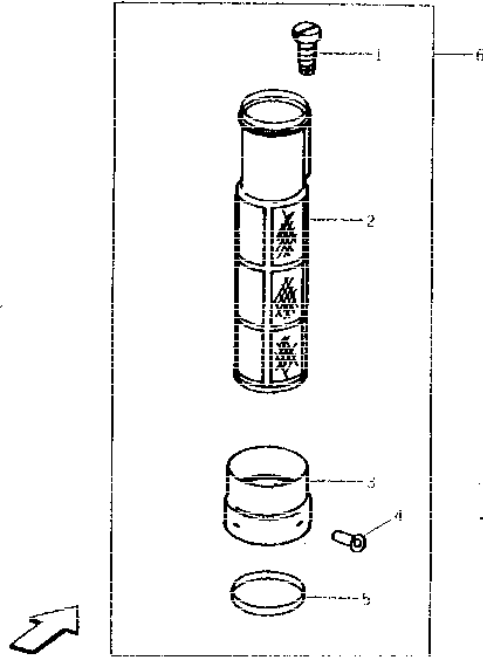
(A) CONTAINED IN AR66535

1D22

FUEL AND AIR

R31488 -UN-01JAN94

FUEL FILLER EXTENSION KIT (TRACTOR SERIAL NO. 003038-)



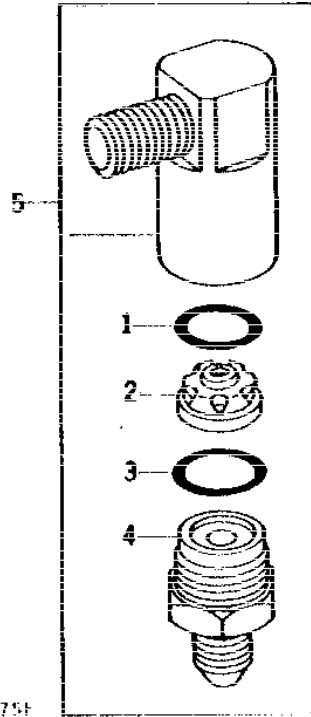
KEY	PART NO.	PART NAME	QTY	TRACTOR SERIAL NO.	REMARKS
1	37H80	SCREW	3	0.190" X 1/2"	
2	AT36652	STRAINER	1		
3	AR87592	EXTENSION	1		
4	R54477	RIVET	4		
5	R67292	WASHER	1		
6	AR87591	FILLER NECK	1	-006003	KIT, EXTENSION

1D23

FUEL AND AIR

RG1175 -UN-01JAN94

FUEL CHECK VALVE (6531)



R611754

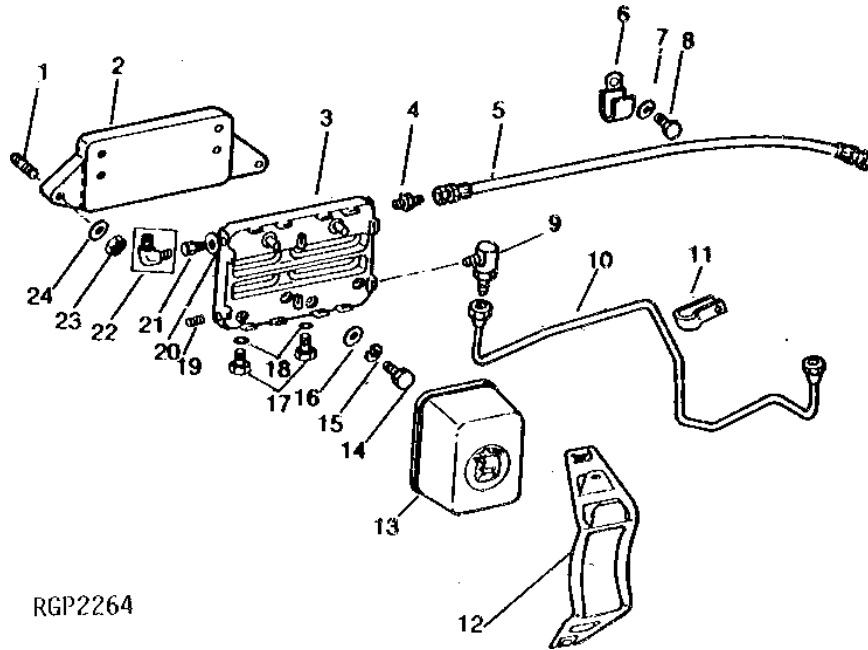
KEY	PART NO.	PART NAME	QTY	ENGINE SERIAL NO.	REMARKS
1	R27166	O-RING	1		
2	AR73824	CHECK VALVE	1		
3	R375R	O-RING	1		
4	R60863	FITTING	1		
5	AR73888	CHECK VALVE	1		

1D24

FUEL AND AIR

FUEL FILTERS (6531A)

RGP2264 -UN-01JAN94



RGP2264

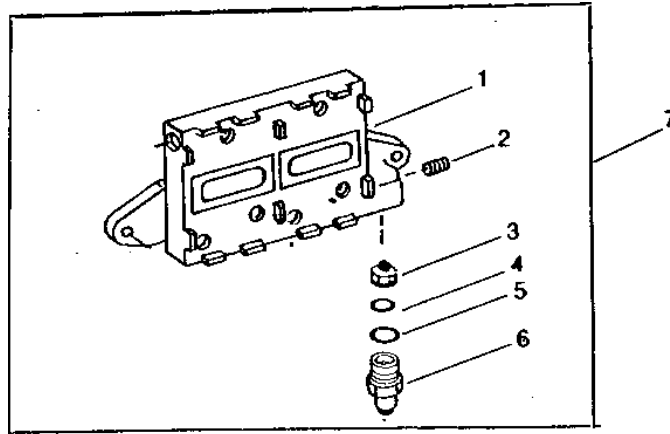
KEY	PART NO.	PART NAME	QTY	ENGINE SERIAL NO.	REMARKS
1	K3083R	STUD	2		
2	R50427	SUPPORT	1		(SUB RE24359) (ALSO ORDER (2) 12H293)
3	AR54590	HOUSING	1		
4	R32136	FITTING	2	-291927	
	R32136	FITTING	1	291928-	
5	AR58211	HYDRAULIC HOSE	1		17", (5400, 7520)
	AR47295	HYDRAULIC HOSE	1		22"
6	R72853	CLAMP	1		(SUB FOR R45211)
7	12H304	LOCK WASHER	1		3/8"
8	19H2038	CAP SCREW	1		3/8" X 1/2"
9	AR73888	CHECK VALVE	1	291928-	(A) (SUB FOR AR74604)
10	AR58212	FUEL LINE	1	-291927	
	AR73821	FUEL LINE	1	291928-	(A) (SUB FOR AR74604)
11	T30367	CLAMP	1		(SUB FOR AR74604)
12	R66821	CLAMP	2		(SUB FOR R47358 OR R57258)
13	AR50041	FUEL FILTER	2		
14	19H1905	CAP SCREW	4		5/16" X 1"
15	12H303	LOCK WASHER	4		5/16"
16	24H1136	WASHER	4		11/32" X 11/16" X 0.065"
17	R79060	O-RING	2		(SUB FOR R34447 OR R26287, THIS APPLICATION)
18	R48071	DRAIN PLUG	2		
19	15H559	PIPE PLUG	1		1/4"
20	R50426	WASHER	1	285886-	
21	R50425	BLEED SCREW	1	285886-	
22	U45538	ELBOW FITTING	1	-285885	(SUB FOR AR54591)
23	14H849	NUT	1		7/16"
	14H1047	NUT	1		7/16"
24	24H1325	WASHER	2		15/32" X 59/64" X 0.065"
..	AR74604	KIT	1		(NO LONGER AVAILABLE) ORDER INDIVIDUAL PARTS.

1D25

FUEL AND AIR

FUEL FILTER BASE KIT (6531)

RGP3482 -UN-01JAN94



RGP 3482

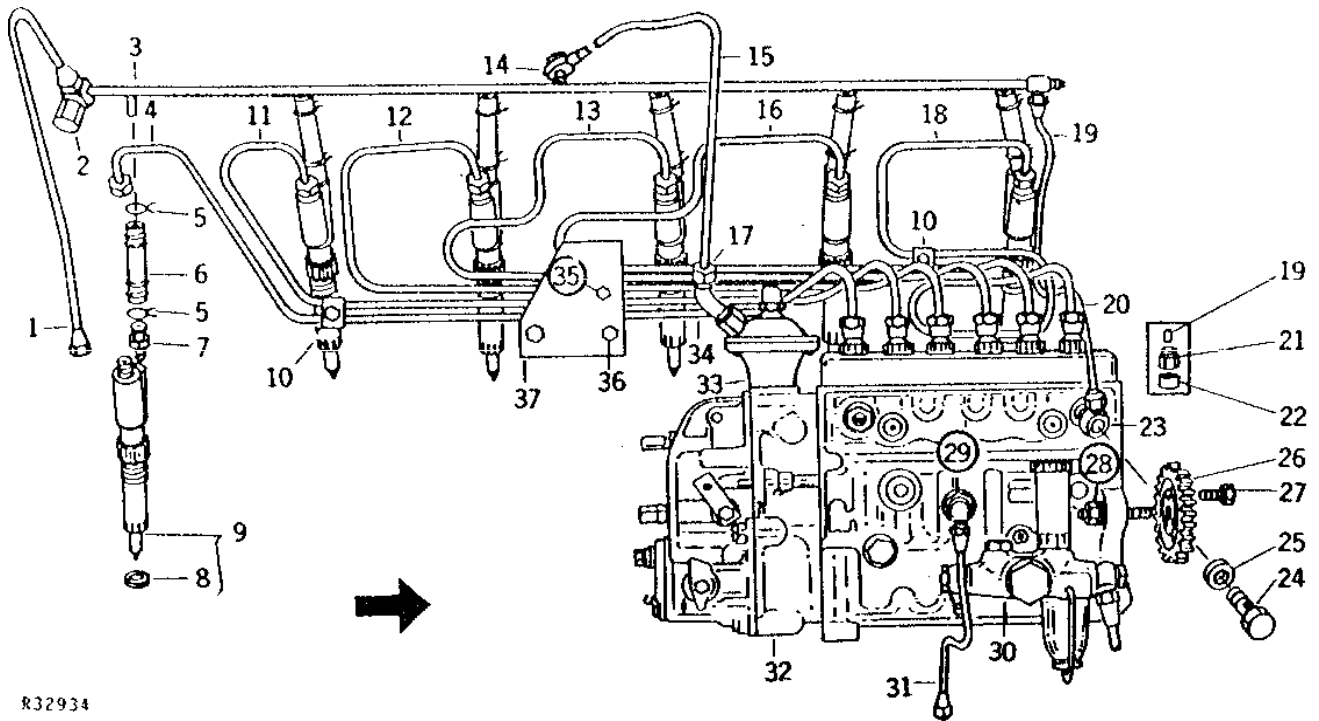
KEY	PART NO.	PART NAME	QTY	ENGINE SERIAL NO.	REMARKS
1	R81459	BASE	1		
2	R104592	PIPE PLUG	1		(SUB FOR R50427)
3	AR73824	CHECK VALVE	1		
4	P46051	O-RING	1		
5	R375R	O-RING	1		
6	R81460	FITTING	1		
	R81461	FITTING	NA		
7	RE24359	BASE	1		

1E1

FUEL AND AIR

FUEL INJECTION PUMP, NOZZLES, AND FUEL LINES (6531)

R32934 -UN-01JAN94



R32934

1E2

FUEL AND AIR

FUEL INJECTION PUMP, NOZZLES AND FUEL LINES - CONTINUED (6531)

KEY	PART NO.	PART NAME	QTY	ENGINE SERIAL NO.	REMARKS
1	AR58197	LINE	1	-285885	(SUB FOR AR68308) (SUB R31147, R50425 AND R50426)
2	R31147	FITTING	1		
3	FUEL LINE	1	-282943	(SUB AR62306, (6) R34765, (12) R34766, (6) R54466, R31147, R50425 AND R50426)
	AR62306	FUEL LINE	1	282944-	(ALSO ORDER R31147, R50425 AND R50426)
	19H2021	CAP SCREW	1		3/8" X 5/8"
	12H304	LOCK WASHER	1		3/8"
	A4881R	CLIP	1		(5400)
4	AR53490	FUEL LINE	1		
5	R34766	CLAMP	12	282944-	
6	R34765	BOOT	6	282944-	
7	R54466	FITTING	6	282944-	
8	R64840	WASHER	6		(SUB FOR R48633)
9	INJECTION NOZZLE	6		(SUB AR53353)
10	AR53461	CLAMP	2	-XXXXXX	
	R49629	CLAMP	2	-XXXXXX	
	14H786	NUT	2	-XXXXXX	1/4"
	12H302	LOCK WASHER	2	-XXXXXX	1/4"
	R58186	CLAMP	4	XXXXXX-	
	R59305	STRAP	2	XXXXXX-	
	R61144	STRAP	2	XXXXXX-	
	AR76704	SCREW	2	XXXXXX-	
11	AR53489	FUEL LINE	1		
12	AR53488	FUEL LINE	1		
13	AR53487	FUEL LINE	1		
14	R51152	SCREW	1		
	T20055	WASHER	2		
15	AR56237	FUEL LINE	1		
16	AR53486	FUEL LINE	1		
17	R51937	TUBE NUT	1		
	R51936	PACKING	1		
18	AR53485	FUEL LINE	1		
19	AR53479	FUEL LINE	1	-288462	
	AR68331	FUEL LINE	1	288463-	(5400)
20	R469R	FITTING	12		
	R468R	SLEEVE	12		
21	R51937	TUBE NUT	1	-288462	
22	R51936	PACKING	1	-288462	
23	R53162	FITTING	1	-288462	(INTERNAL THREADS)
	R58608	FITTING	1	288463-	(EXTERNAL THREADS)
24	R53903	FITTING	2		
25	R53901	WASHER	2		
26	R66667	GEAR	1		(SUB FOR R57510)
27	AR95772	CAP SCREW	3		(SUB FOR R58707)
28	R114130	STUD	4		(SUB FOR R55396)
	M72490	WASHER	4		(SUB FOR R42729)
	E55662	FLANGE NUT	4		3/8"
29	R57641	ELBOW FITTING	1		(USE (2) WITH AR53491)
	T18012	ELBOW FITTING	1		(USE WITH RE38186)
30	FUEL PUMP	1		(SUB AR58812)
31	RE38186	LINE	1		(SUB FOR AR53491) (ALSO ORDER AR88903, R79060 AND T18012)
32	AR73241	FUEL INJECTION PUMP	1		(A) (SUB FOR AR58571) (NO LONGER AVAILABLE)
	FUEL INJECTION PUMP	1		(6030)
33	ANEROID	NA		(SUB AR73240) (5400, 7520)
34	R53056	ELBOW FITTING	1		
35	AR53460	CLAMP	1		
	R49628	STRAP	2		
	19H1791	CAP SCREW	1		1/4" X 1-1/4"
	12H302	LOCK WASHER	1		1/4"
36	19H1731	CAP SCREW	1		3/8" X 1"
	12H304	LOCK WASHER	2		3/8"
37	R49674	BRACKET	1		

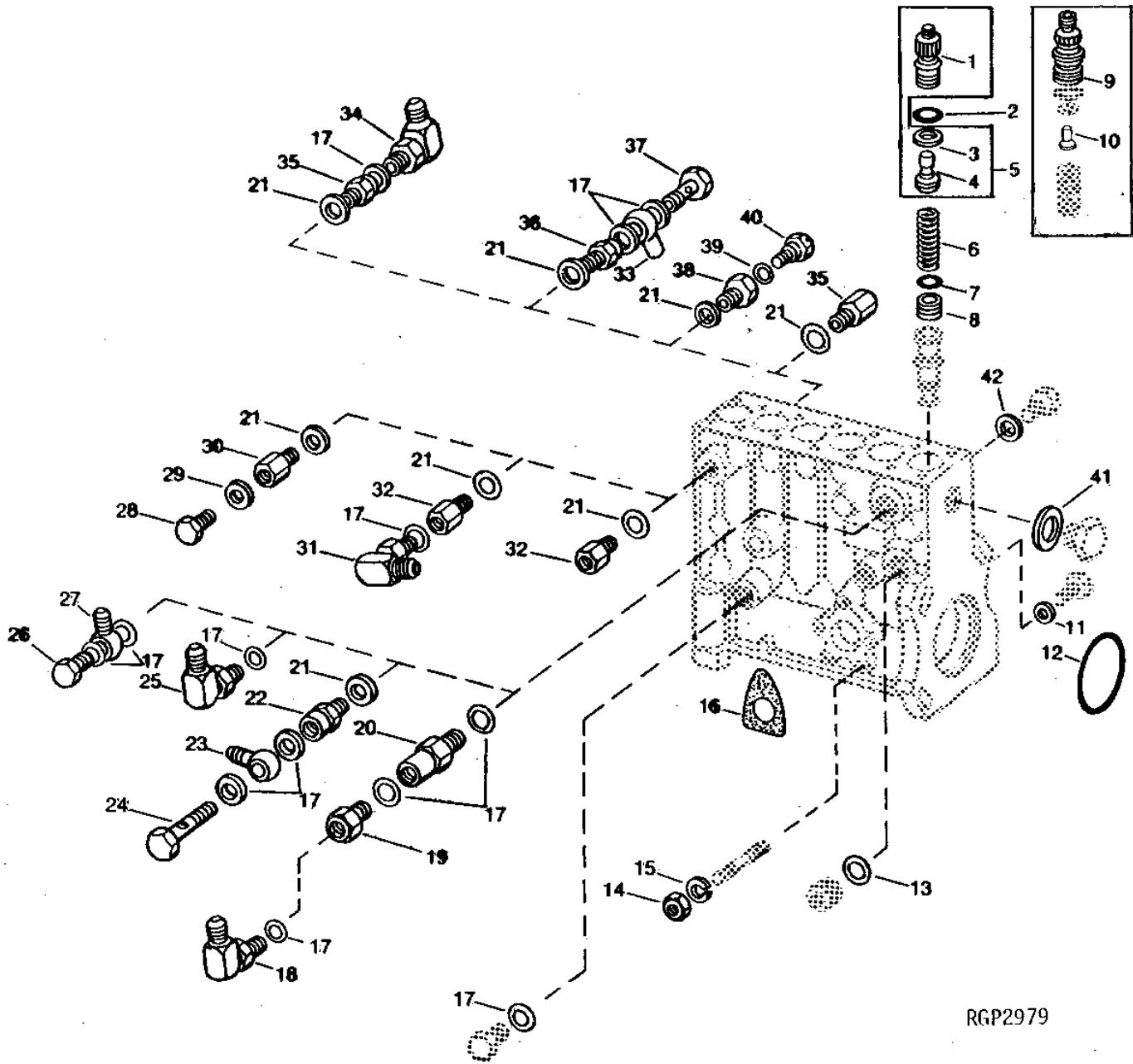
(A) SEE YOUR AUTHORIZED PUMP REPAIR STATION FOR INTERNAL PARTS

1E3

FUEL AND AIR

FUEL INJECTION PUMP HOUSING CONNECTORS (6531A)

RGP2979 -UN-01JAN94



RGP2979

1E4

FUEL AND AIR

FUEL INJECTION PUMP HOUSING CONNECTORS - CONTINUED
(6531A)

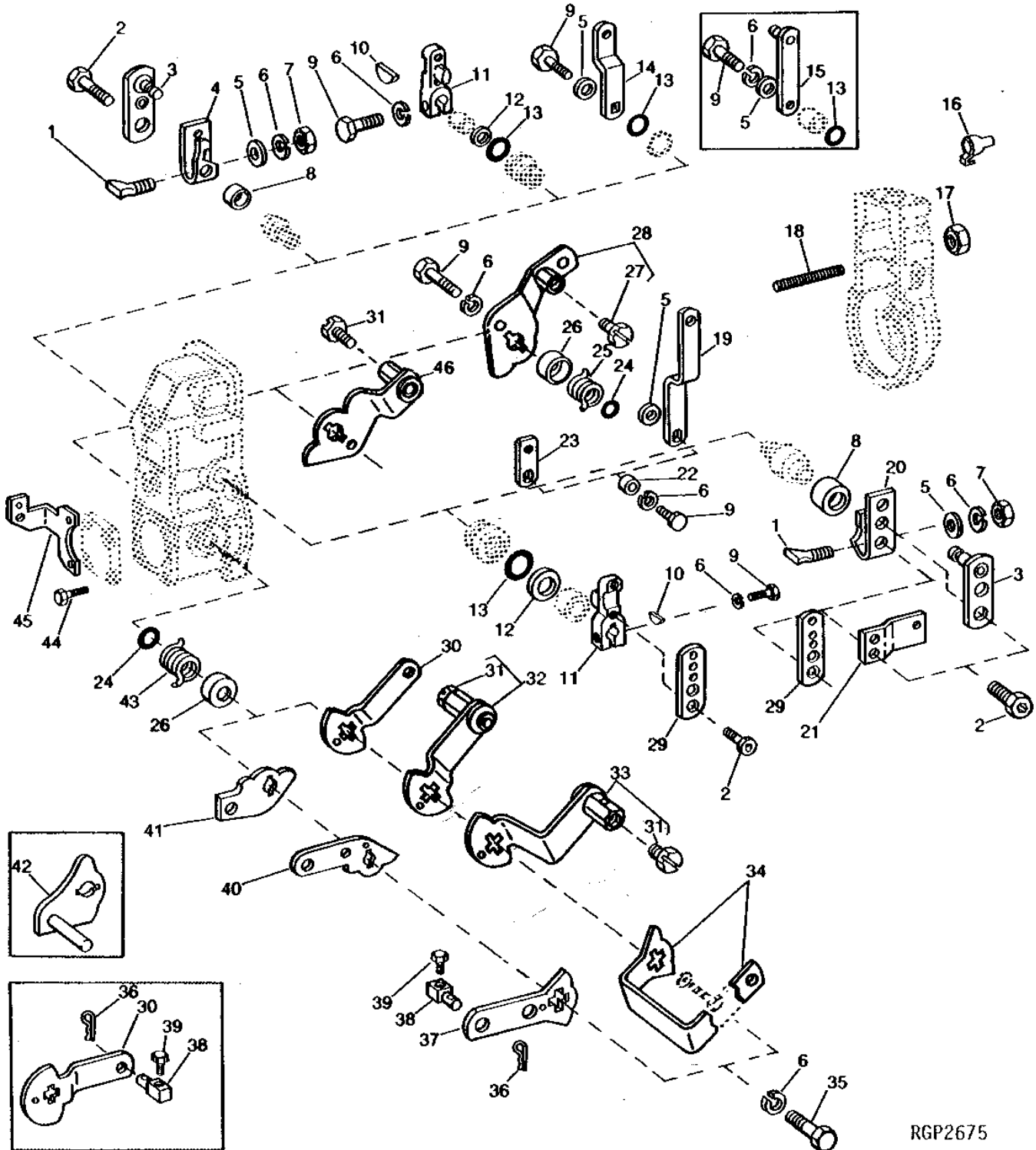
KEY	PART NO.	PART NAME	QTY	ENGINE SERIAL NO.	REMARKS
1	R53856	HOLDER	6	(NLA)	
2	T24210	O-RING	6		
3	R53855	WASHER	6	(NLA)	
4	PIN	NA		
5	KIT	NA		
6	R53854	SPRING	6	(NLA)	
7	R68493	SHIM	6	(SUB FOR R53853)	
8	R53852	VALVE	6		
9	NOZZLE HOLDER	NA		
10	PIN	NA		
11	R62107	WASHER	6		
12	R53884	O-RING	1	(6030)	
13	R53868	WASHER	1		
14	T31556	NUT	3		
15	T24229	LOCK WASHER	3		
16	R67879	GASKET	1		
17	R53901	WASHER	5		
18	FITTING	NA		
19	ADAPTER	NA		
20	VALVE	NA		
21	R53899	WASHER	2	(7520, 5400)	
	R53899	WASHER	3	(6030)	
22	R53900	ADAPTER	1	(6030)	
23	R53162	FITTING	1	-288462	INTERNAL THREADS, (6030)
	R58608	FITTING	1	288463-	EXTERNAL THREADS, (6030)
24	R53903	FITTING	1		(6030)
25	FITTING	NA		
26	R53903	FITTING	1		(7520, 5400, 6030)
27	R53162	FITTING	1	-288462	INTERNAL THREAD, (7520, 5400)
	R58608	FITTING	1	288463-	EXTERNAL THREAD, (7520, 5400)
28	T24294	SCREW	1		
29	T32369	SEAL	1	(NLA)	
30	R53905	FITTING	1	(NLA)	
31	ELBOW FITTING	NA		
32	ADAPTER	NA		
33	R53902	FITTING	1		
34	ELBOW FITTING	NA		
35	ADAPTER	NA		
36	R53900	ADAPTER	1		
37	R53903	FITTING	1		
38	FITTING	NA		
39	SEAL	NA		
40	SCREW	NA		
41	R53868	WASHER	1	(7520, 5400)	
42	R53901	WASHER	1	(7520)	

1E5

FUEL AND AIR

FUEL INJECTION PUMP GOVERNOR LEVERS AND CONTROLS (6531A)

RGP2675 -UN-01JAN94



RGP2675

1E6

FUEL AND AIR

FUEL INJECTION PUMP GOVERNOR LEVERS AND CONTROLS - CONTINUED

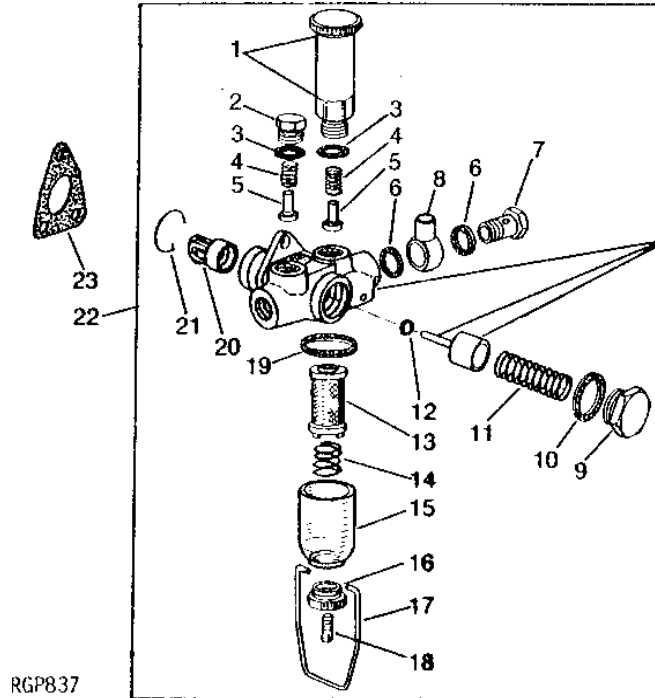
KEY	PART NO.	PART NAME	QTY	ENG. SER. NO. OR PUMP DATE	REMARKS
1	PIN	NA		
2	SCREW	NA		
3	LEVER	NA		
4	LEVER	NA		
5	24M7054	WASHER	1		6.400 X 12 X 1.600 MM, (SUB FOR R53942)
6	T24229	LOCK WASHER	4		(7520, 5400)
	T24229	LOCK WASHER	3		(6030)
7	NUT	NA		
8	SEAL	NA		
9	R53976	SCREW	1		(5400, 6030)
	R53941	CAP SCREW	1		(7520)
10	KEY	NA		
11	LEVER	NA		
12	WASHER	NA		
13	R53937	O-RING	2		
14	R53977	LEVER	1		
15	LEVER	NA		
16	R53918	PACKING	1		
17	T31556	NUT	1		
18	R60914	SET SCREW	1		
19	LEVER	NA		
20	LEVER	NA		
21	LEVER	NA		
22	R53975	WASHER	1		
23	R53974	LEVER	1		
24	R53955	O-RING	1		
25	SPRING	NA		
	SPRING	NA		
26	R68438	RETAINER	1		
27	SCREW	NA		
28	LEVER	NA		
29	LEVER	NA		
	LEVER	NA		
30	LEVER	NA		
31	SET SCREW	NA		
32	LEVER	NA		
33	LEVER	NA		
34	LEVER	NA		
35	CAP SCREW	NA		
	R53976	SCREW	1		
36	SPRING PIN	NA		
37	R53957	LEVER	1		
38	SWIVEL	NA		
39	SCREW	NA		
40	LEVER	NA		
41	LEVER	NA		
42	LEVER	NA		
43	R53954	SPRING	1		
44	CAP SCREW	NA		
45	BRACKET	NA		
46	LEVER	NA		

1E7

FUEL AND AIR

FUEL TRANSFER PUMP (6531A)

RGP837 -UN-01JAN94



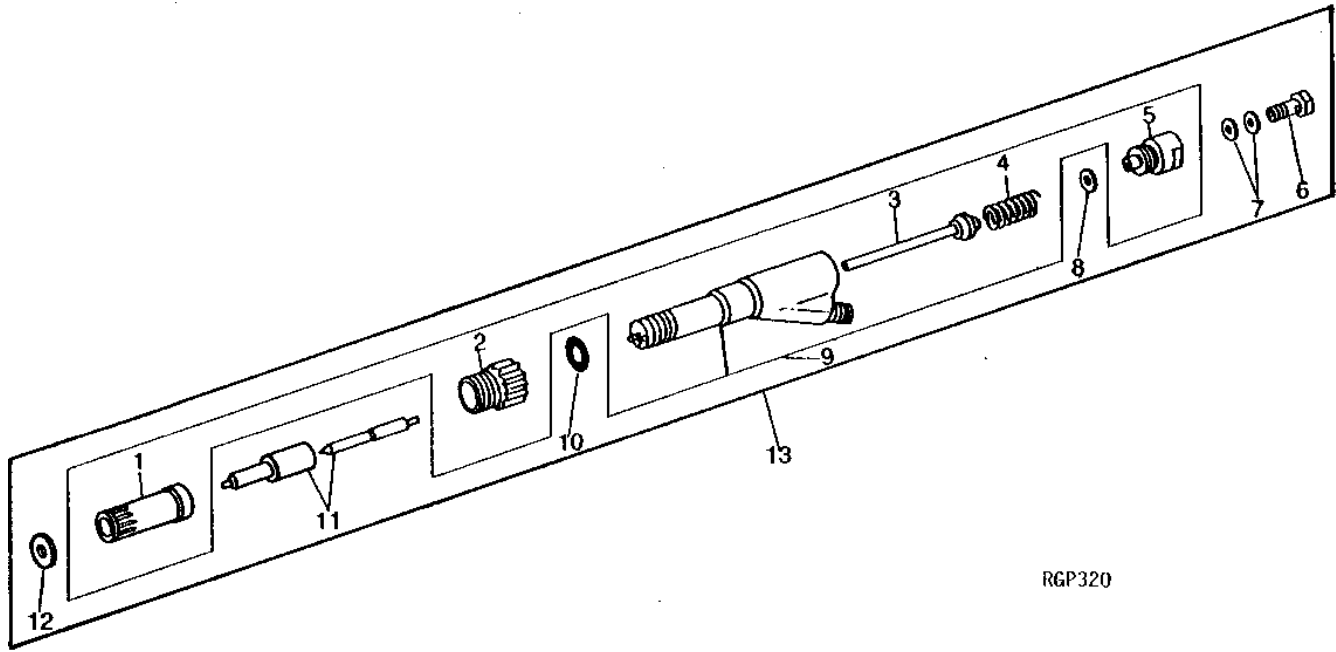
KEY	PART NO.	PART NAME	QTY	ENGINE SERIAL NO.	REMARKS
1	RE48048	HAND PRIMER	1		(SUB FOR R54033 OR R70135)
2	R54024	PLUG	1		
3	R54025	WASHER	2		
4	R54023	SPRING	2		
5	R54022	VALVE	2		
6	R53901	WASHER	4		
7	R53903	FITTING	2		
8	R53902	FITTING	2		
9	R54015	DRAIN PLUG	1		
10	R64861	WASHER	1		(SUB FOR R54016)
11	R54011	SPRING	1		
12	R54013	O-RING	1		
13	R54026	FILTER	1		
14	R54029	SPRING	1		
15	R54027	HOUSING	1		
16	R54031	NUT	1		
17	R54030	CLIP	1		
18	R54032	STUD	1		
19	R67074	GASKET	1		(SUB FOR R54028)
20	AR73863	TAPPET	1		
21	R54021	SNAP RING	1		
22	AR58812	FUEL PUMP	1		
23	R67879	GASKET	1		(SUB FOR R53161)

1E8

FUEL AND AIR

FUEL INJECTION NOZZLE (21 MM) (6531A)

RGP320 -UN-01JAN94



RGP320

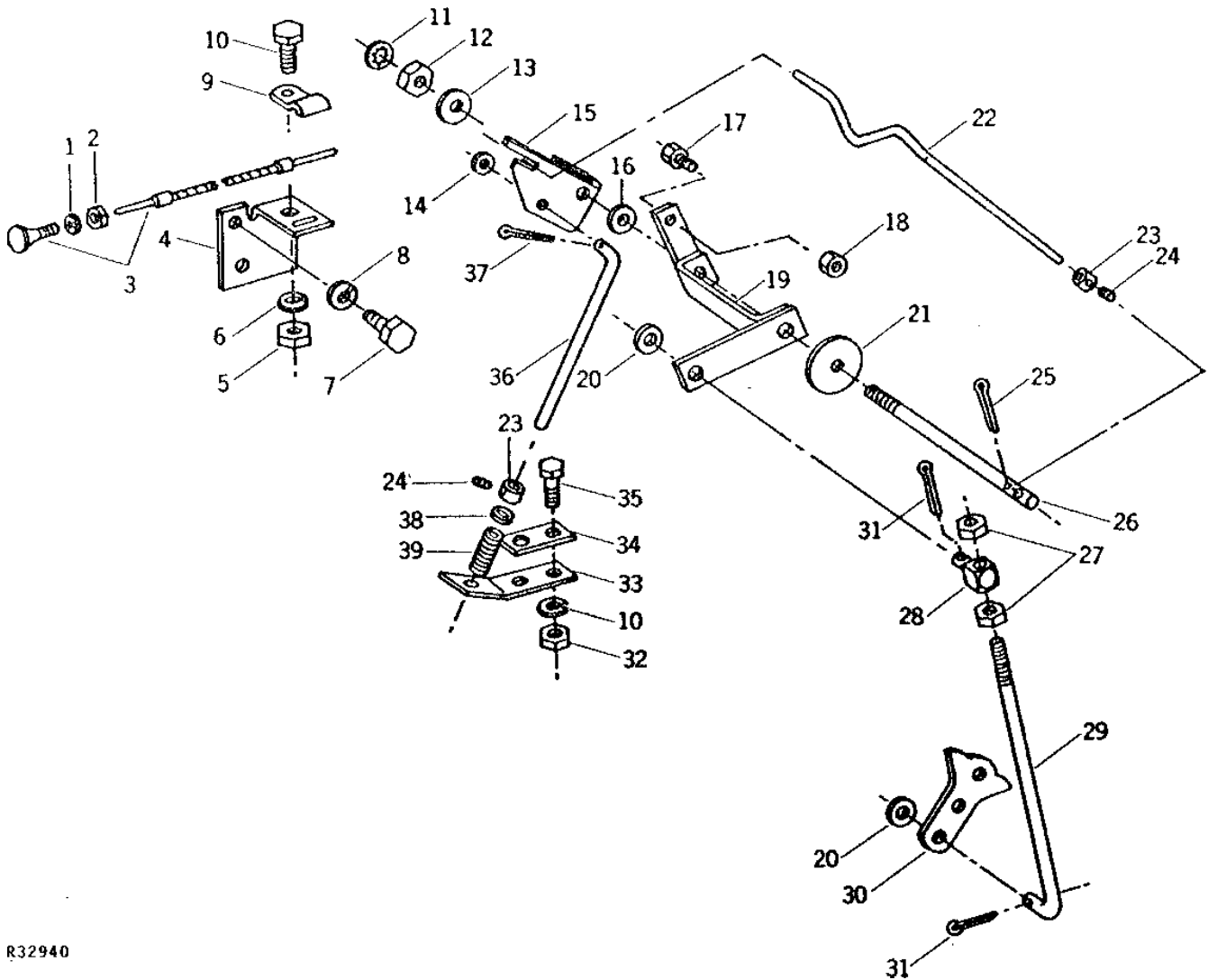
KEY	PART NO.	PART NAME	QTY	ENGINE SERIAL NO.	REMARKS
1	R48696	NUT	1		
2	R48695	NUT	1		
3	R48689	SPINDLE	1		
4	R48691	SPRING	1		
5	R48692	PLUG	1		
6	R48694	SCREW	1	-282943	
7	R48693	WASHER	2	-282943	
8	R48698	WASHER	1		1.09 MM (.043")
	R48699	WASHER	1		1.14 MM (.045")
	R48700	WASHER	1		1.19 MM (.047")
	R48701	WASHER	1		1.25 MM (.049")
	R48702	WASHER	1		1.30 MM (.051")
	R48703	WASHER	1		1.35 MM (.053")
	R48704	WASHER	1		1.40 MM (.055")
	R48705	WASHER	1		1.45 MM (.057")
	R48706	WASHER	1		1.50 MM (.059")
9	AR52375	HOUSING	1		
10	R51603	O-RING	1		
11	R49511	NOZZLE	1		(KDL 3 X 0.43)
12	R64840	WASHER	1		(SUB FOR R48633)
13	AR53353	NOZZLE	6		

1E9

FUEL AND AIR

ANEROID CONTROL (6531A)

R32940 -UN-01JAN94



R32940

1E10

FUEL AND AIR

ANEROID CONTROL - CONTINUED
(6531A)

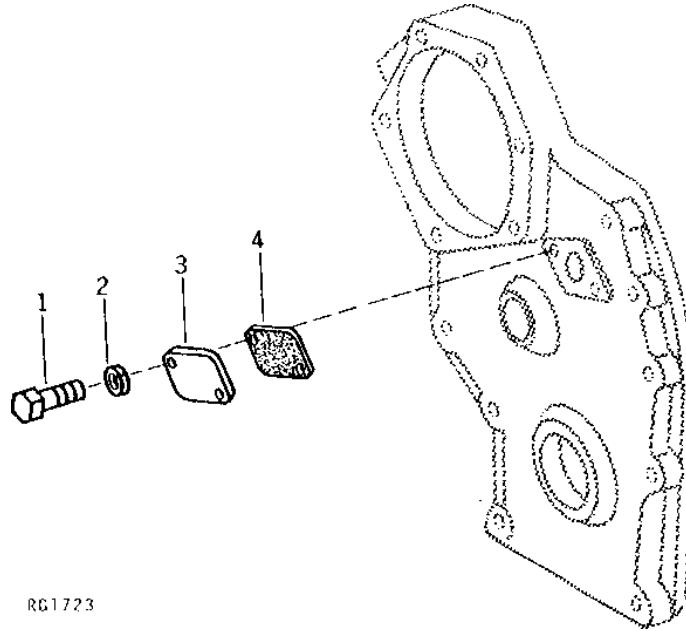
KEY	PART NO.	PART NAME	QTY	ENGINE SERIAL NO.	REMARKS
1	12H310	LOCK WASHER	1	3/8"	
2	14H774	NUT	1	3/8"	
3	AR58919	PUSH PULL CABLE	1		
4	E55662	FLANGE NUT	1		
5	12H304	LOCK WASHER	1	3/8", (NOT REQUIRED W/E55662)	
6	R54555	BRACKET	1	(NLA)	
7	19H1791	CAP SCREW	1	1/4" X 1-1/4"	
8	12H302	LOCK WASHER	1	1/4"	
9	R27528	CLAMP	1		
10	19H1936	CAP SCREW	1	3/8" X 3/4"	
11	12H310	LOCK WASHER	1	3/8"	
12	E55662	FLANGE NUT	1		
13	A147R	LOCK WASHER	1		
14	24H1283	WASHER	1	7/32" X 1/2" X 0.049"	
15	R54295	CAM	1		
16	24H1303	WASHER	1	13/32" X 11/16" X 0.065"	
17	R53151	BOLT	1		
18	14H786	NUT	1	1/4"	
19	AR58784	LEVER	1		
20	24H1286	WASHER	2	9/32" X 1/2" X 1/16"	
21	24H1903	WASHER	1		
22	R54296	SPRING	1		
23	R54294	SHIFT COLLAR	2		
24	SET SCREW	NA		
25	11H211	COTTER PIN	1	1/8" X 3/4"	
26	R53145	STUD	1		
27	14H786	NUT	2	1/4"	
28	R36084	SWIVEL	2		
29	R53149	HOOK BOLT	1		
30	R53957	LEVER	1		
31	11H233	COTTER PIN	2	3/32" X 1/2"	
32	14H786	NUT	1	1/4"	
33	R54298	GUIDE	1		
34	R54297	STRAP	1		
35	19H2036	CAP SCREW	2	1/4" X 7/8"	
36	R54299	PIN	1		
37	11H230	COTTER PIN	1	1/16" X 3/8"	
38	24H1283	WASHER	1	7/32" X 1/2" X 0.049"	
39	R35325	SPRING	1		

1E11

FUEL AND AIR

RG1723 -UN-01JAN94

NO MAGNETIC PICK-UP
(ENGINE SERIAL NO. XXXXX-)



RG1723

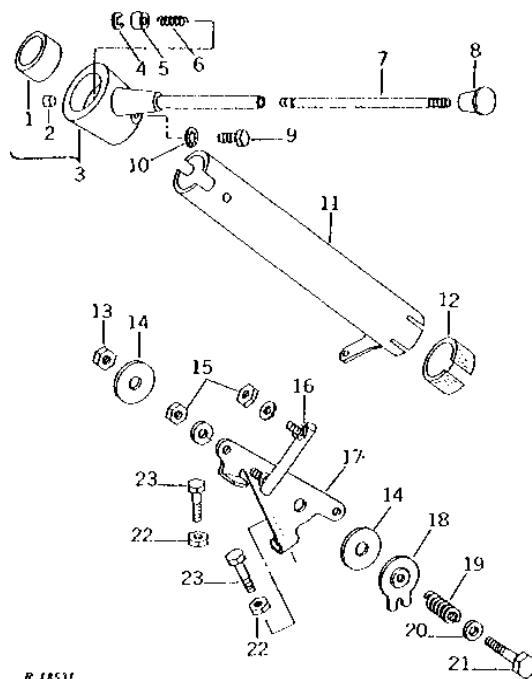
KEY	PART NO.	PART NAME	QTY	ENGINE SERIAL NO.	REMARKS
1	19H1948	CAP SCREW	2	1/4" X 3/4"	
2	12H302	LOCK WASHER	2	1/4"	
3	R67769	COVER	1		
4	R67770	GASKET	1		

1E12

FUEL AND AIR

R18531 -UN-01JAN94

HAND SPEED CONTROL LINKAGE



R 18531

KEY	PART NO.	PART NAME	QTY	TRACTOR SERIAL NO.	REMARKS
1	R27075	BUSHING	1		
2	R51114	DOWEL PIN	1		
3	AR30472	HUB	1		(MARKED R27072)
4	R30828	SNAP RING	1		
5	R38377	WASHER	1		
6	R28009	SPRING	1		
7	R38376	LEVER	1		
8	R52578	KNOB	1		
9	R28007	BOLT	1		
10	12H310	LOCK WASHER	1	3/8"	
11	AR51963	TUBE	1		
12	R26958	ISOLATOR	1		
13	K40003	LOCK NUT	1		
14	R39985	WASHER	2		(SUB FOR R40983) (SUB FOR R50226, THIS APPLICATION) (SUB R105814, THIS APPLICATION)
15	14H649	NUT	2	1/4"	
	12H302	LOCK WASHER	2	1/4"	
16	R40982	BALL JOINT	1		
17	AR40703	LEVER	1		
18	R40984	PLATE	1		
19	R31271	SPRING	1		
20	24H1305	WASHER	1	13/32" X 13/16" X 0.065"	
21	19H2733	CAP SCREW	1	3/8" X 2-3/8"	
22	14H611	NUT	2	5/16"	
23	19H2831	CAP SCREW	2	5/16" X 1-1/2"	

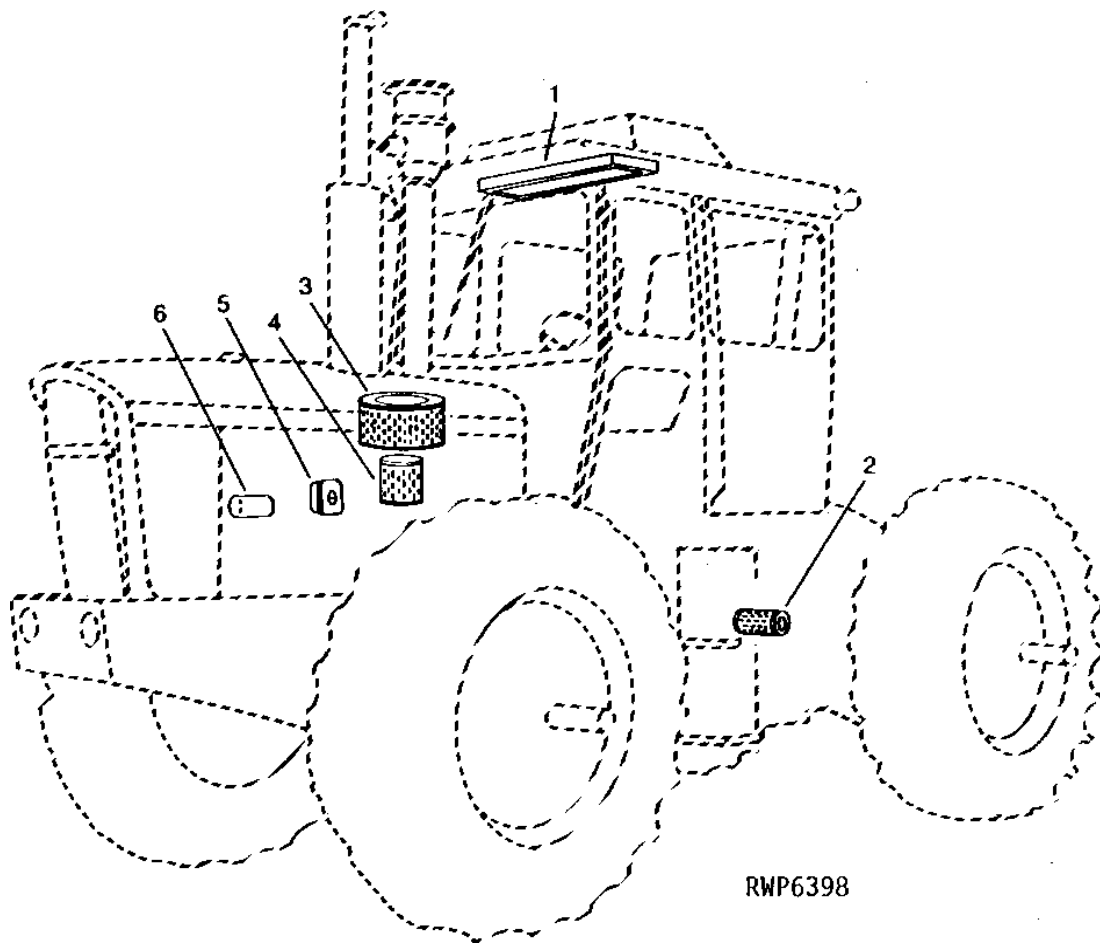
1E13

FUEL AND AIR

RWP6398

-UN-01JAN94

FILTERS



1E14

FUEL AND AIR

FILTERS - CONTINUED

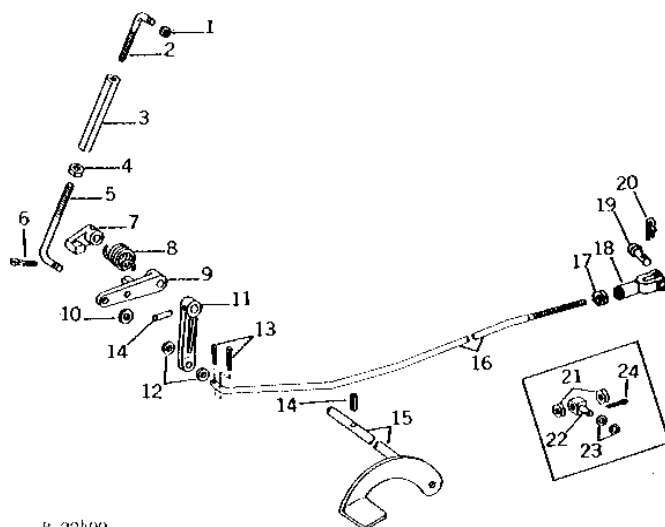
KEY	PART NO.	PART NAME	QTY	TRACTOR SERIAL NO.	REMARKS
1	AR61903	AIR FILTER	1		
2	AR75603	FILTER ELEMENT	1		TRANSMISSION
3	AR54404	FILTER ELEMENT	1		
4	AR61988	FILTER ELEMENT	1		
5	AR50041	FUEL FILTER	2		FUEL
6	AR43634	OIL FILTER	1		ENGINE

1E15

FUEL AND AIR

R22409 -UN-01JAN94

FOOT SPEED CONTROL PEDAL AND LINKAGE



R 22409

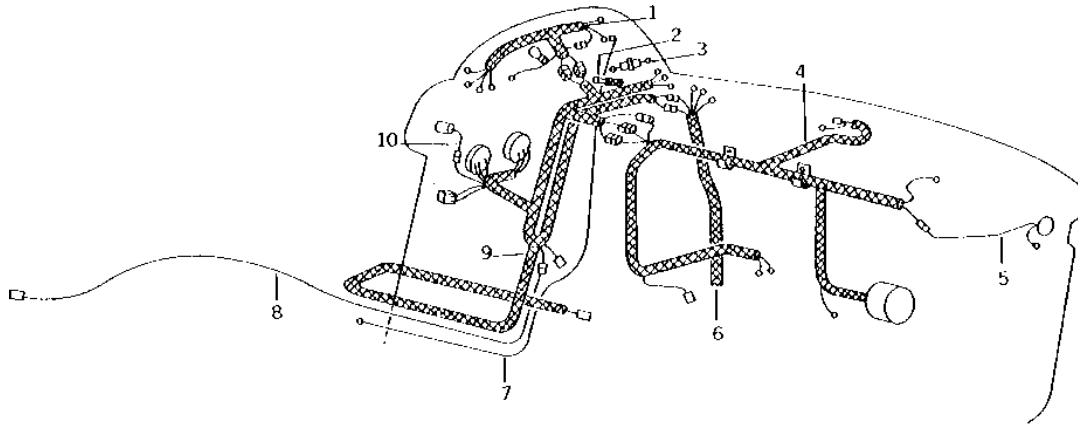
KEY	PART NO.	PART NAME	QTY	TRACTOR SERIAL NO.	REMARKS
1	R72653	SNAP RING	1		(SUB FOR M2396T)
2	R40985	BOLT	1		
3	R40986	TURNBUCKLE	1		
4	14H611	NUT	1	5/16"	
5	R43525	ROD	1		
6	11M7079	COTTER PIN	1	0.098" X 0.472"	
7	R40991	ARM	1		
8	R38143	SPRING	1		(SUB R117129)
9	R40988	ARM	1		
10	24H1136	WASHER	1	11/32" X 11/16" X 0.065"	
11	R49846	LEVER	1		
12	24H1289	WASHER	2	21/64" X 5/8" X 0.049"	
13	11M7077	COTTER PIN	2	0.063" X 0.984"	
14	34H282	SPRING PIN	2	3/16" X 1"	
15	AR43161	PEDAL	1		
16	R49267	ROD	1	-002080	(SUB R72660, T54033, R82766, R46528, R55645 AND 14H463)
	R55645	ROD	1	002081-	
17	14H882	NUT	1	002081-	5/16"
18	R42282	YOKE	1	002081-	(SUB T54033 AND R82766)
19	R72660	PIN	1	002081-	(SUB FOR R662R)
20	R46528	SPRING LOCKING PIN	1	002081-	
21	14H850	NUT	2	-002080	1/4"
22	R36084	SWIVEL	1	-002080	
23	B1664R	SHIM	2	-002080	
24	11M7081	COTTER PIN	1	-002080	0.098" X 0.787"

1E19

ELECTRICAL

R18784 -UN-01JAN94

WIRING HARNESS



R 18784

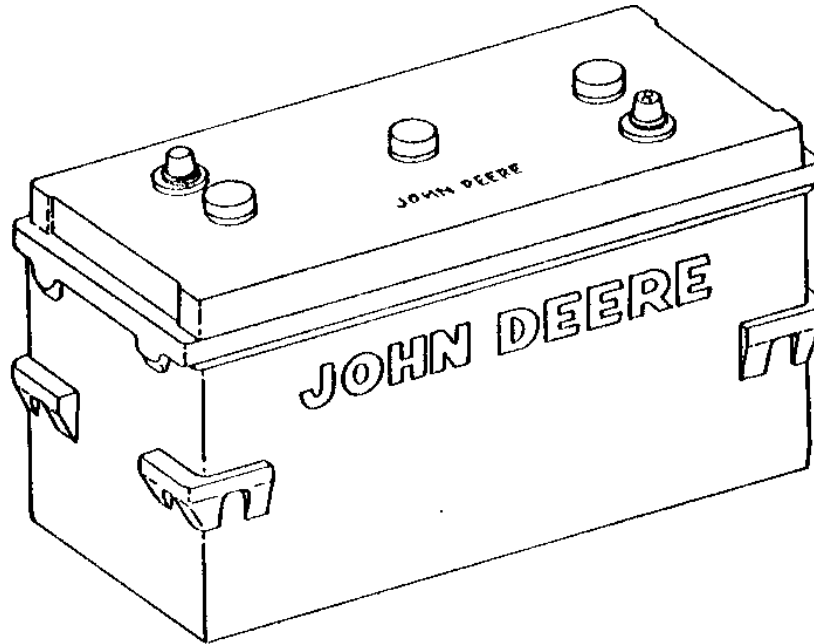
KEY	PART NO.	PART NAME	QTY	TRACTOR SERIAL NO.	REMARKS
1	AR43986	WIRING HARNESS	1		INSTRUMENT PANEL
2	AR46730	WIRING HARNESS	1		HORN SWITCH
3	AR47547	WIRING LEAD	1		FUSEHOLDER
	AR47548	FUSE	1		
4	AR54826	WIRING HARNESS	1	-003222	ALTERNATOR TO MAIN WIRING HARNESS
	AR68025	WIRING HARNESS	1	003223-	ALTERNATOR TO MAIN WIRING HARNESS
	T13744	CLAMP	1		
	R45211	CLAMP	6		
5	AR73580	WIRING HARNESS	1		HORN, (SUB FOR AR49038)
6	AR67346	WIRING HARNESS	1		CAB MAIN, (SUB FOR AR53157)
7	AR50970	WIRING LEAD	1		FUEL SENDER TO GAUGE
8	AR50724	WIRING HARNESS	1		NEUTRAL START
	T14264	CLAMP	1		
	19H1936	CAP SCREW	1		3/8" X 3/4"
	12H304	LOCK WASHER	1		3/8"
9	AR48936	WIRING HARNESS	1	-003222	MAIN
	AR68028	WIRING HARNESS	1	003223-	(SUB RE42411) MAIN
	AR56758	WIRING LEAD	1		CAB GROUND
10	WIRING LEAD	1		229MM (9") (MAKE FROM R66319, R32018, R32027 AND R32025)
..	R44302	TIE BAND	AR		
..	R48825	LABEL	1		WIRING
..	AR55283	WIRING HARNESS	1		ADAPTOR TO DELCO-REMY ALTENATOR
..	AR46820	WIRING LEAD	1	-003242	559MM (22") GROUND TO STARTER

1E20

ELECTRICAL

R33050 -UN-01JAN94

STORAGE BATTERY



R33050

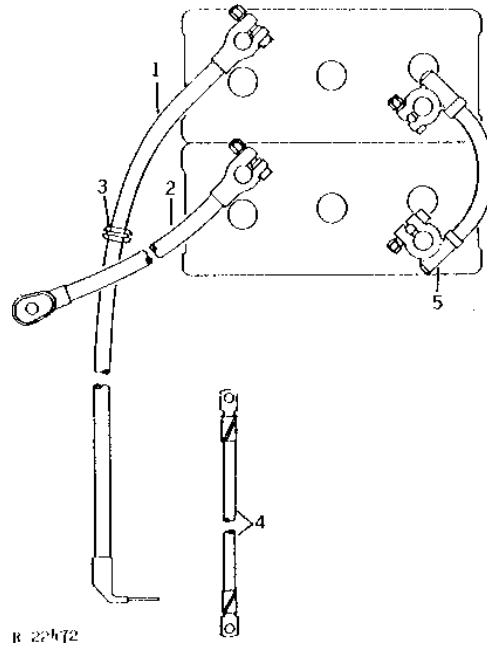
KEY	PART NO.	PART NAME	QTY	TRACTOR SERIAL NO.	REMARKS
..	TY6120	BATTERY	2		(6-VOLT) 900 COLD CRANKING AMPS AT - 18°C (0°F), 420 MINUTE RESERVE CAPACITY AT 25 AMPS, (SUB FOR AR46116)

1E21

ELECTRICAL

R22472 -UN-01JAN94

BATTERY CABLES



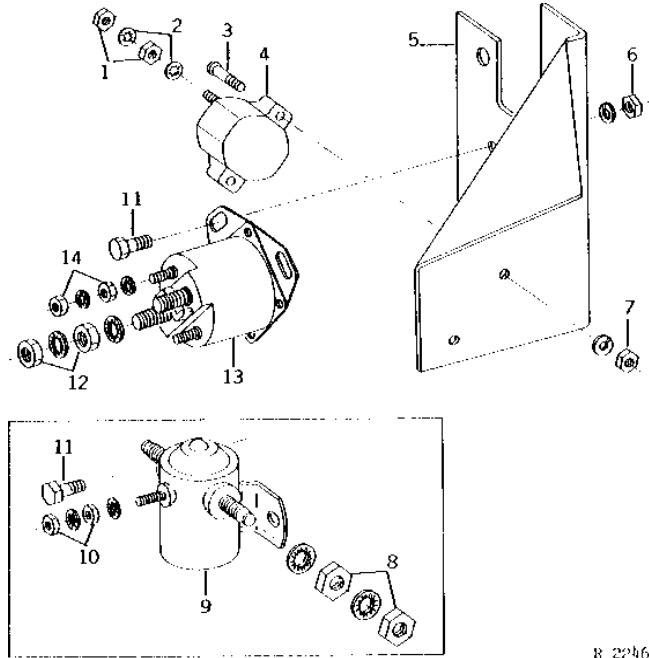
KEY	PART NO.	PART NAME	QTY	TRACTOR SERIAL NO.	REMARKS
1	AR88485	CABLE	1		1829MM (72") (SUB FOR AR53096)
2	AR53097	CABLE	1	-003242	1524MM (60")
	AR45975	CABLE	1	003243-	457MM (18")
3	R38454	GROMMET	1		
	19H1849	CAP SCREW	4	-003242	5/16" X 1-1/4"
	12H303	LOCK WASHER	4	-003242	5/16"
	14H785	NUT	4	-003242	5/16"
	R43475	CLAMP	8	-003242	
4	AR46820	WIRING LEAD	1	-003242	559MM (22")
	AR67069	CABLE	1	003243-	483MM (19")
5	RE21742	CABLE	1		(SUB FOR AR46231)

1E22

ELECTRICAL

R22463 -UN-01JAN94

STARTING CIRCUIT RELAY AND MAIN CIRCUIT BREAKER



R 22463

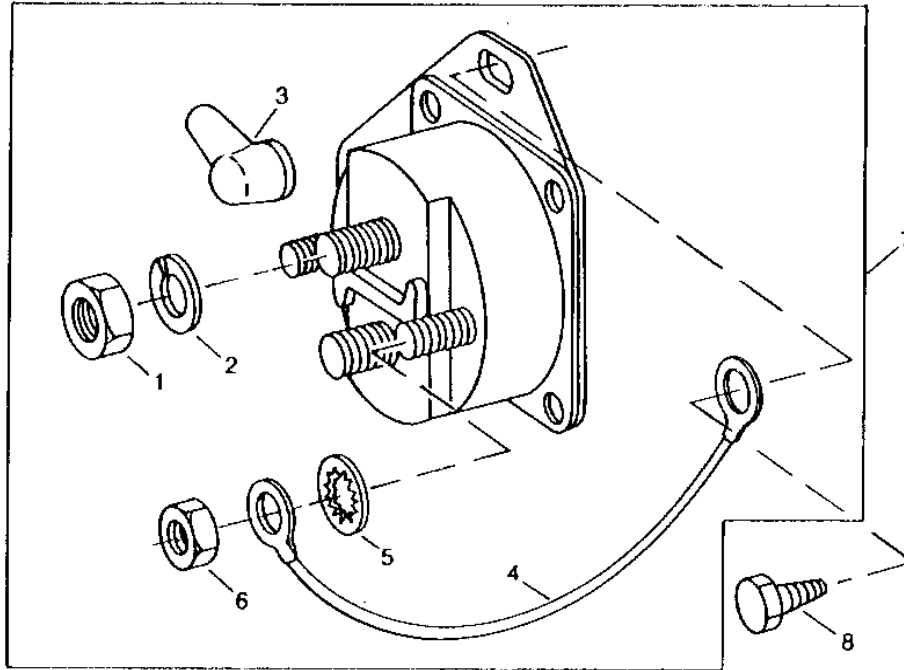
KEY	PART NO.	PART NAME	QTY	TRACTOR SERIAL NO.	REMARKS
1	14H631	NUT	2		0.190"
2	12M7060	WASHER	2		0.209"
3	21H1148	SCREW	2		0.190" X 3/4"
4	AR41287	CIRCUIT BREAKER	1		
5	R74006	SHIELD	1		(SUB FOR R51246 OR R59558)
6	14H786	NUT	2		1/4"
	12H302	LOCK WASHER	2		1/4"
7	14H631	NUT	2		0.190"
	12H246	LOCK WASHER	2		0.190"
8	14H650	NUT	4	-003222	5/16", (USE WITH AR44999)
	12H334	LOCK WASHER	4	-003222	5/16", (USE WITH AR44999)
9	AR44999	RELAY	1	-003222	(SUB RE38391) (ALSO ORDER (2) 12H303, 12H246, (2) 14H785 AND 14H631) (ORDER RE41287 STARTER CIRCUIT COVER KIT)
10	14H605	NUT	2	-003222	0.164", (USE WITH AR44999)
	12M7084	LOCK WASHER	2	-003222	0.169", (USE WITH AR44999)
11	19H1227	CAP SCREW	2		1/4" X 1/2"
12	14H611	NUT	4	003223-	5/16"
	12H334	LOCK WASHER	4	003223-	5/16"
13	AT40955	RELAY	1	003223-	(SUB RE38391) (ORDER RE41287 STARTER CIRCUIT COVER KIT)
14	14H631	NUT	4	003223-	0.190"
	12M7060	WASHER	4	003223-	0.209"

1E23

ELECTRICAL

RXP7387 -UN-01JAN94

STARTING CIRCUIT RELAY



RXP7387

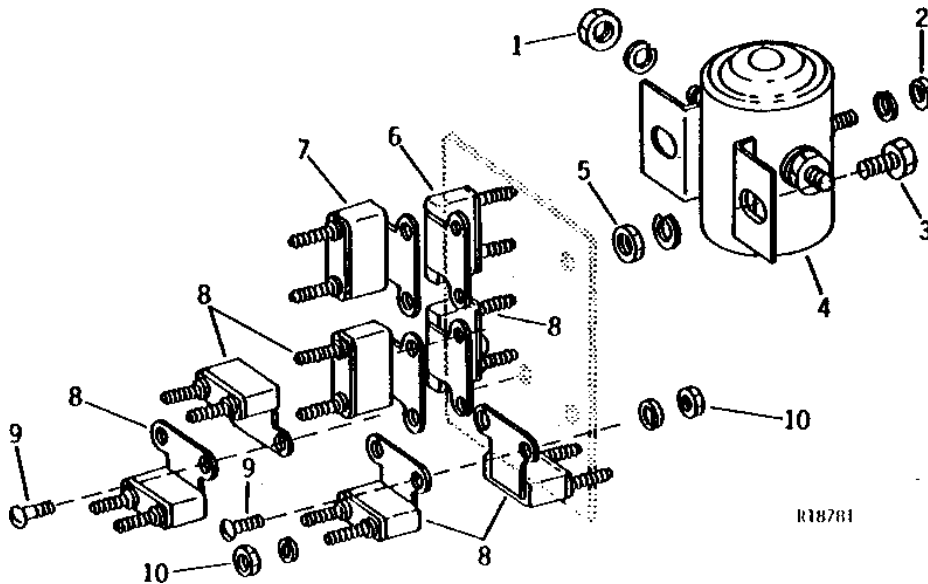
KEY	PART NO.	PART NAME	QTY	TRACTOR SERIAL NO.	REMARKS
1	14H785	NUT	2	5/16"	
2	12M7032	LOCK WASHER	2	0.331"	
3	R74993	BOOT	2		
4	WIRING LEAD	1	152MM (6") (MAKE FROM R65593 AND R65599)	
5	12M7060	WASHER	2	0.209"	
6	14H631	NUT	2	0.190"	
7	RE38391	KIT	1	(SUB FOR AT68973 OR AR44999) (ALSO ORDER RE41287)	
8	R52938	CAP SCREW	2		

1E24

ELECTRICAL

R18781 -UN-01JAN94

CIRCUIT BREAKERS



R18781

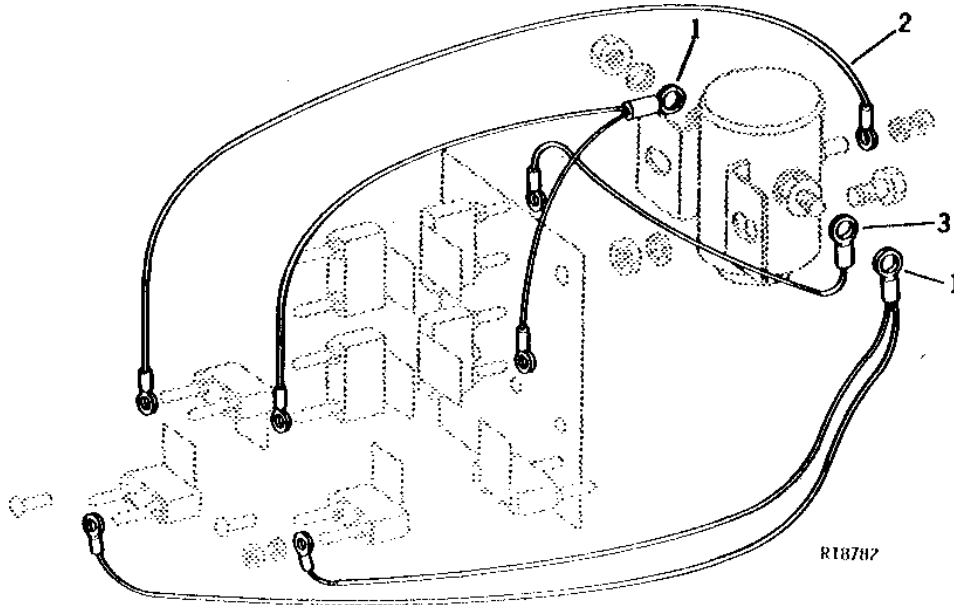
KEY	PART NO.	PART NAME	QTY	TRACTOR SERIAL NO.	REMARKS
1	14H650	NUT	2	5/16"	
	12H303	LOCK WASHER	2	5/16"	
2	14H605	NUT	1	0.164"	
	12H315	LOCK WASHER	1	0.164"	
3	19H1227	CAP SCREW	2	1/4" X 1/2"	
4	AR54484	RELAY	1		
5	14H786	NUT	2	1/4"	
	12H302	LOCK WASHER	2	1/4"	
6	AR49352	CIRCUIT BREAKER	1	(30 AMP)	
7	AR55649	CIRCUIT BREAKER	1	IGNITION (10 AMP)	
8	AR28403	CIRCUIT BREAKER	AR	(20 AMP) (4 USED WITH CAB) (5 USED WITH AIR CONDITIONING) (1 MORE USED WITH OUTLET SOCKET)	
9	21H1295	SCREW	5	0.190" X 5/8"	
10	14H631	NUT	16	0.190"	
	12M7060	WASHER	16	0.209"	
..	R48825	LABEL	1		

1E25

ELECTRICAL

CIRCUIT BREAKER LEADS (FOR CAB AND AIR CONDITIONING)

R18782 -UN-01JAN94



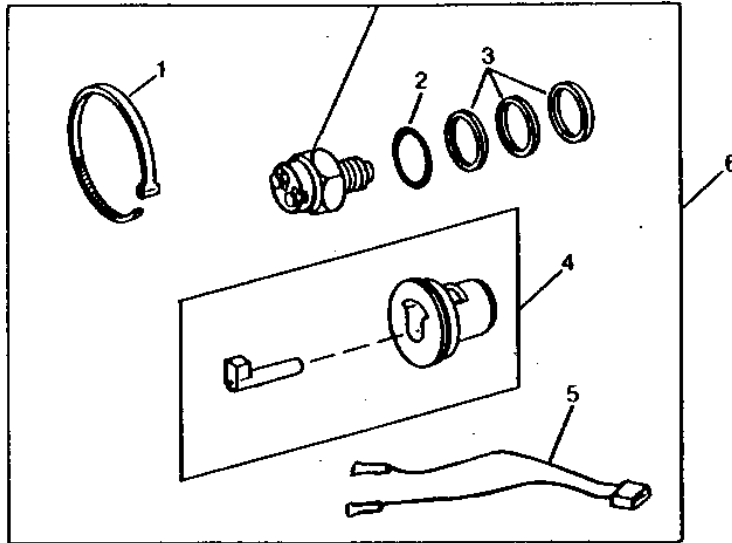
KEY	PART NO.	PART NAME	QTY	TRACTOR SERIAL NO.	REMARKS
1	AR49602	WIRING HARNESS	2		
2	WIRING LEAD	1		152MM (6") (MAKE FROM R66319 AND (2) R32018)
3	WIRING LEAD	1		152MM (6") (AIR CONDITIONING) (MAKE FROM R66319, R32019 AND R32022)
..	R48825	LABEL	1		

1F1

ELECTRICAL

RXP8097 -UN-01JAN94

NEUTRAL-START SWITCH KIT



RXP8097

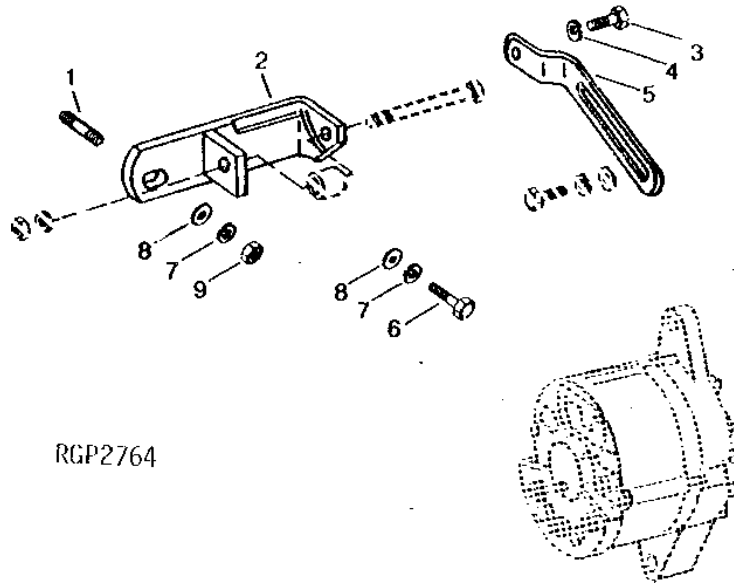
KEY	PART NO.	PART NAME	QTY	TRACTOR SERIAL NO.	REMARKS
1	R44302	TIE BAND	2		
2	R26448	O-RING	1		
3	T16911	SHIM	3		
4	RE37996	GAUGE	1		(NEUTRAL-START SWITCH ADJ.)
5	RE14069	WIRING HARNESS	1		
6	RE38390	SWITCH	1		(SUB FOR AR89691 OR AT85153)

1F2

ELECTRICAL

MOUNTING BRACKETS (LESS AIR CONDITIONING)

RGP2764 -UN-01JAN94



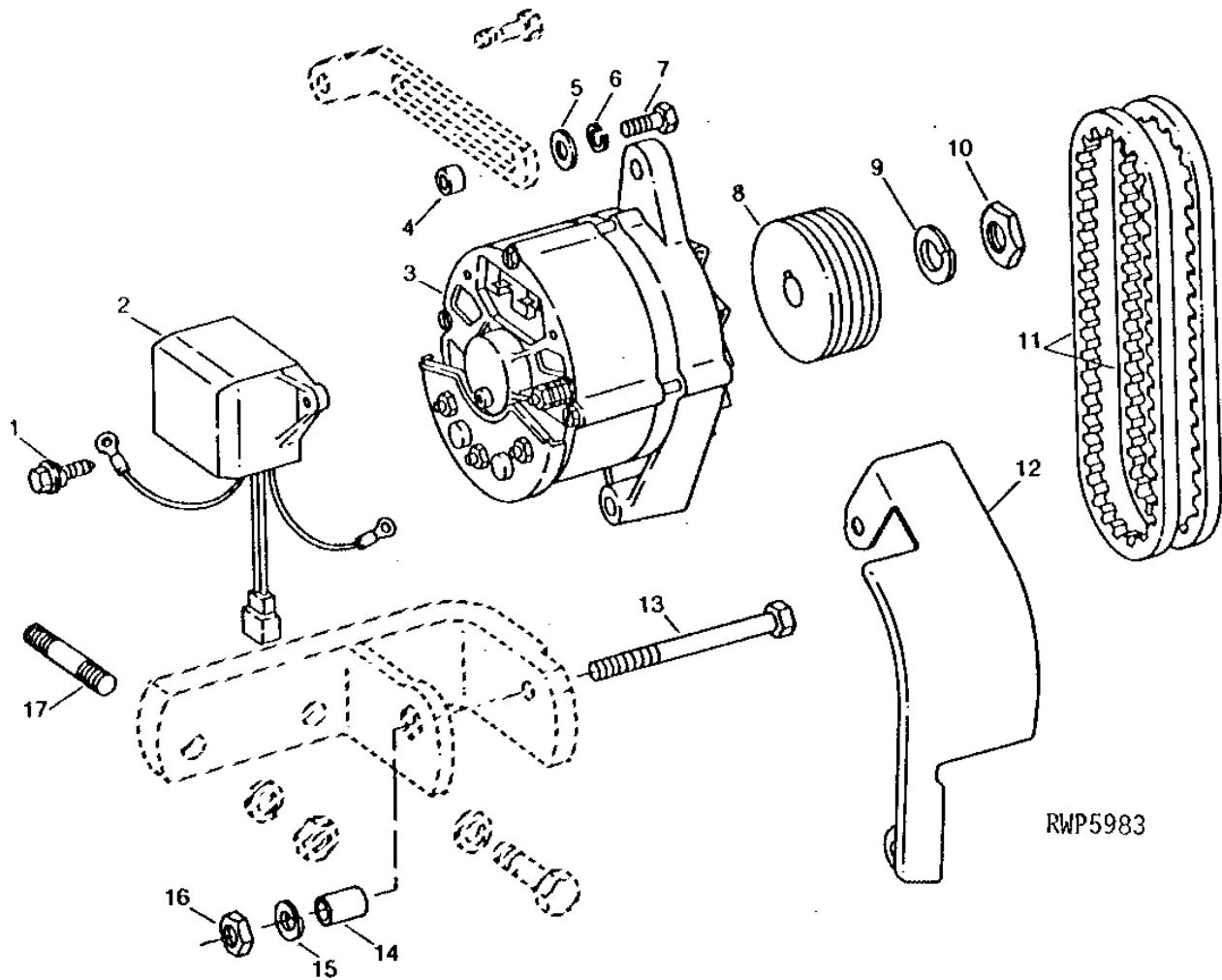
KEY	PART NO.	PART NAME	QTY	ENGINE SERIAL NO.	REMARKS
1	K3083R	STUD	1	7/16" X 1-3/4"	
2	AR40416	BRACKET	1		
3	19H1900	CAP SCREW	1	5/16" X 3/4"	
4	12H303	LOCK WASHER	1	5/16"	
5	R40775	STRAP	1		
6	19H2500	CAP SCREW	1	7/16" X 1-3/8"	
7	12H293	LOCK WASHER	2	7/16"	
8	24M7044	WASHER	2	13 X 20 X 2 MM	
9	14H1047	NUT	1	7/16"	

1F3

ELECTRICAL

ALTERNATOR, REGULATOR AND PARTS (LESS AIR CONDITIONING)

RWP5983 -UN-01JAN94



RWP5983

1F4

ELECTRICAL

ALTERNATOR, REGULATOR AND PARTS - CONTINUED
(LESS AIR CONDITIONING)

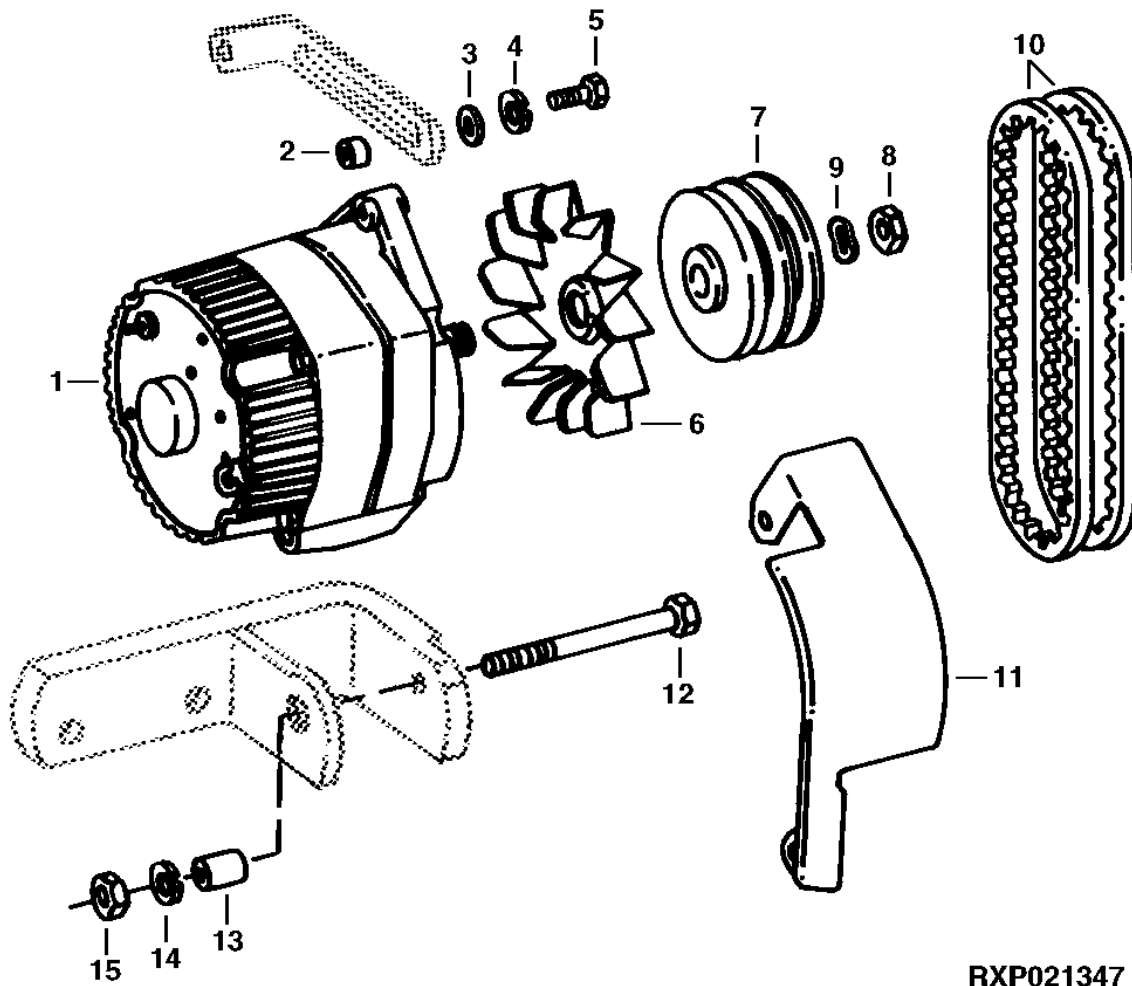
KEY	PART NO.	PART NAME	QTY	TRACTOR SERIAL NO.	REMARKS
1	R44008	SCREW	3		
2	AR78298	VOLTAGE REGULATOR	1		
3	AR40420	ALTERNATOR	1		(55 AMP) (MOTOROLA NO. 70D44110C01)
	TY1430	ALTERNATOR	1		(55 AMP) (REMANUFACTURED) (MOTOROLA)
4	R51649	BEARING RACE	1		
5	24H1292	WASHER	1		11/32" X 3/4" X 0.120"
6	12H303	LOCK WASHER	1		5/16"
7	19H2831	CAP SCREW	1		5/16" X 1-1/2"
8	R43828	PULLEY	1		
9	12H294	LOCK WASHER	1		5/8"
10	14H866	NUT	1		5/8"
11	AR53099	BELT SET	1		(TWO MATCHED)
12	R55223	SHIELD	1		(SUB FOR R51933)
13	19H1854	CAP SCREW	1	-XXXXXX	3/8" X 3-3/4"
	19H2023	CAP SCREW	1	XXXXXX-	3/8" X 3-1/4"
14	R45377	SPACER	1	-XXXXXX	
15	12H304	LOCK WASHER	1		3/8"
16	14H1076	NUT	1		3/8"
17	K3083R	STUD	1		

1F5

ELECTRICAL

ALTERNATOR AND PARTS (AIR CONDITIONING)

RXP021347 -UN-11OCT95



RXP021347

1F6

ELECTRICAL

ALTERNATOR AND PARTS - CONTINUED (AIR CONDITIONING)

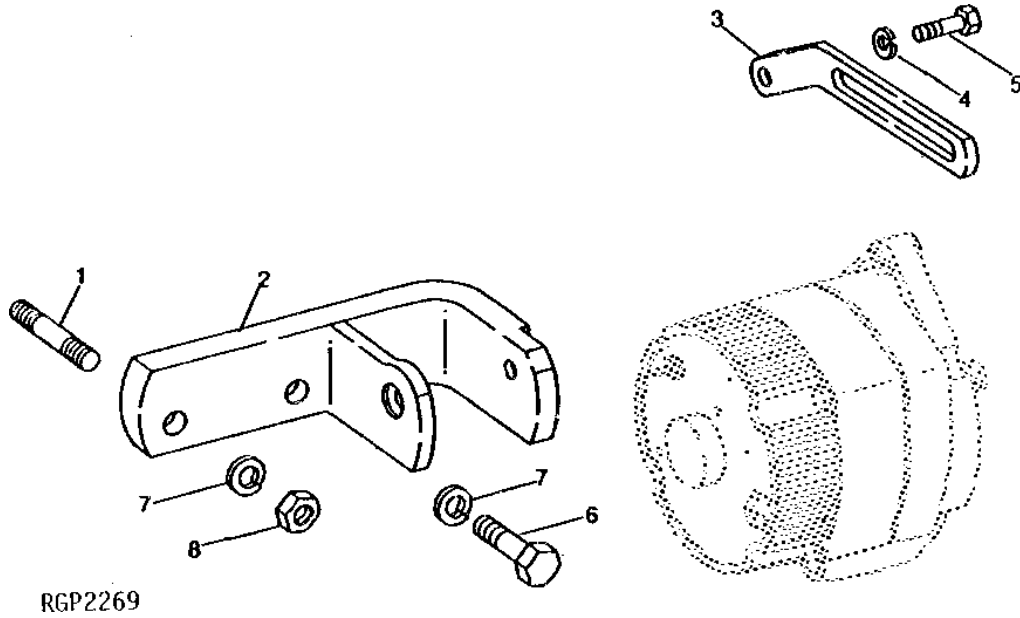
KEY	PART NO.	PART NAME	QTY	ENGINE SERIAL NO.	REMARKS
1	RE31694	ALTERNATOR	1		(78 AMP) (DELCO-REMY) (ALSO ORDER 12M7006, 12M7065, 14M7165 AND 19M7163) (SUB FOR AR54793, AR84306, AR93446, RE27109 OR RE13797)
	TY6772	ALTERNATOR	1		(72 AMP) (REMANUFACTURED) (DELCO-REMY) (SUB FOR TY6600)
	TY6790	ALTERNATOR	1		(90 AMP) (REMANUFACTURED) (DELCO-REMY) (SUB FOR TY6625)
	TY6686	ALTERNATOR	1		(78 AMP) (REMANUFACTURED) (DELCO-REMY)
2	R51649	BEARING RACE	1		
3	24H1292	WASHER	1		11/32" X 3/4" X 0.120"
	12H303	LOCK WASHER	1		5/16"
4	12H303	LOCK WASHER	1		5/16"
5	19H2831	CAP SCREW	1		5/16" X 1-1/2"
6	R50659	FAN	1		(USE WITH TY6772 OR TY6790)
	R87764	FAN	1		(USE WITH RE31694 OR TY6686)
7	R50662	PULLEY	1		(USE WITH TY6772 OR TY6790)
	R81507	PULLEY	1		(USE WITH TY6686 OR TY6790)
8	R11049	NUT	1		
9	T10745	WASHER	1		
10	AR53099	BELT SET	1		(TWO MATCHED)
11	R55223	SHIELD	1		(SUB FOR R51933)
12	19H1854	CAP SCREW	1		3/8" X 3-3/4"
13	R45377	SPACER	1		
14	12H304	LOCK WASHER	1		3/8"
15	14H1076	NUT	1		3/8"

1F7

ELECTRICAL

ALTERNATOR MOUNTING BRACKET (AIR CONDITIONING)

RGP2269 -UN-01JAN94



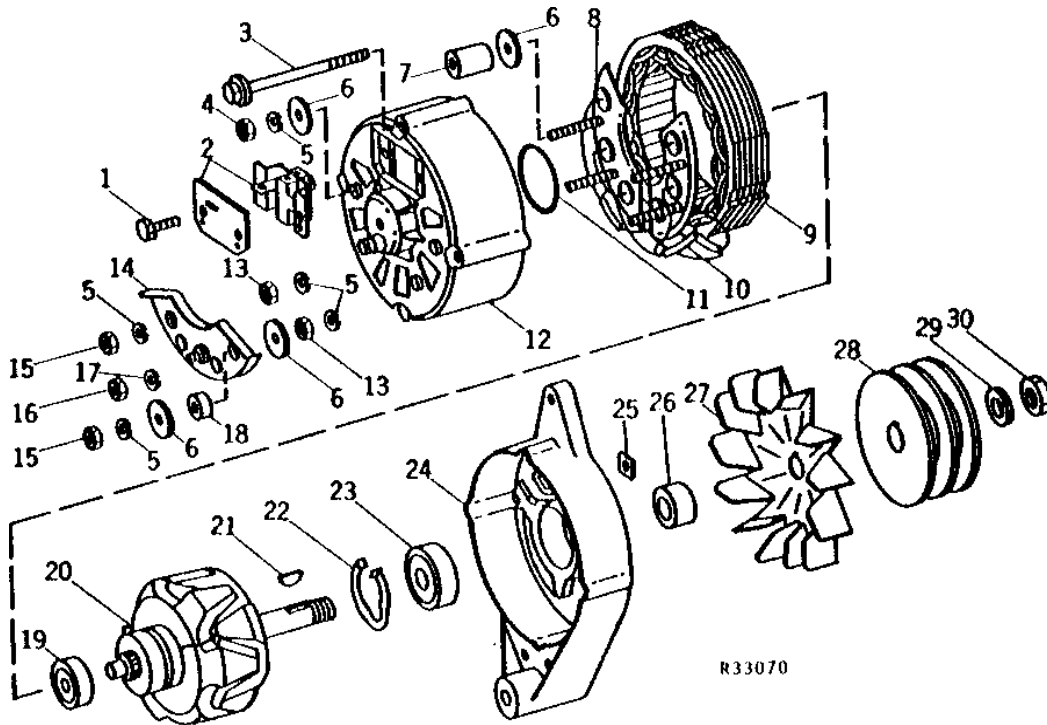
KEY	PART NO.	PART NAME	QTY	ENGINE SERIAL NO.	REMARKS
1	K3083R	STUD	1		
2	AR78393	BRACKET	1		(SUB FOR AR53450)
3	R49593	STRAP	1		
4	12H303	LOCK WASHER	2	5/16"	
5	19H1900	CAP SCREW	1	5/16" X 3/4"	
6	19H1978	CAP SCREW	1	7/16" X 1-1/2"	
7	12H293	LOCK WASHER	2	7/16"	
8	14H1047	NUT	1		

1F8

ELECTRICAL

ALTERNATOR
(12-VOLT) (55 AMP)
(MOTOROLA)

R33070 -UN-01JAN94



R33070

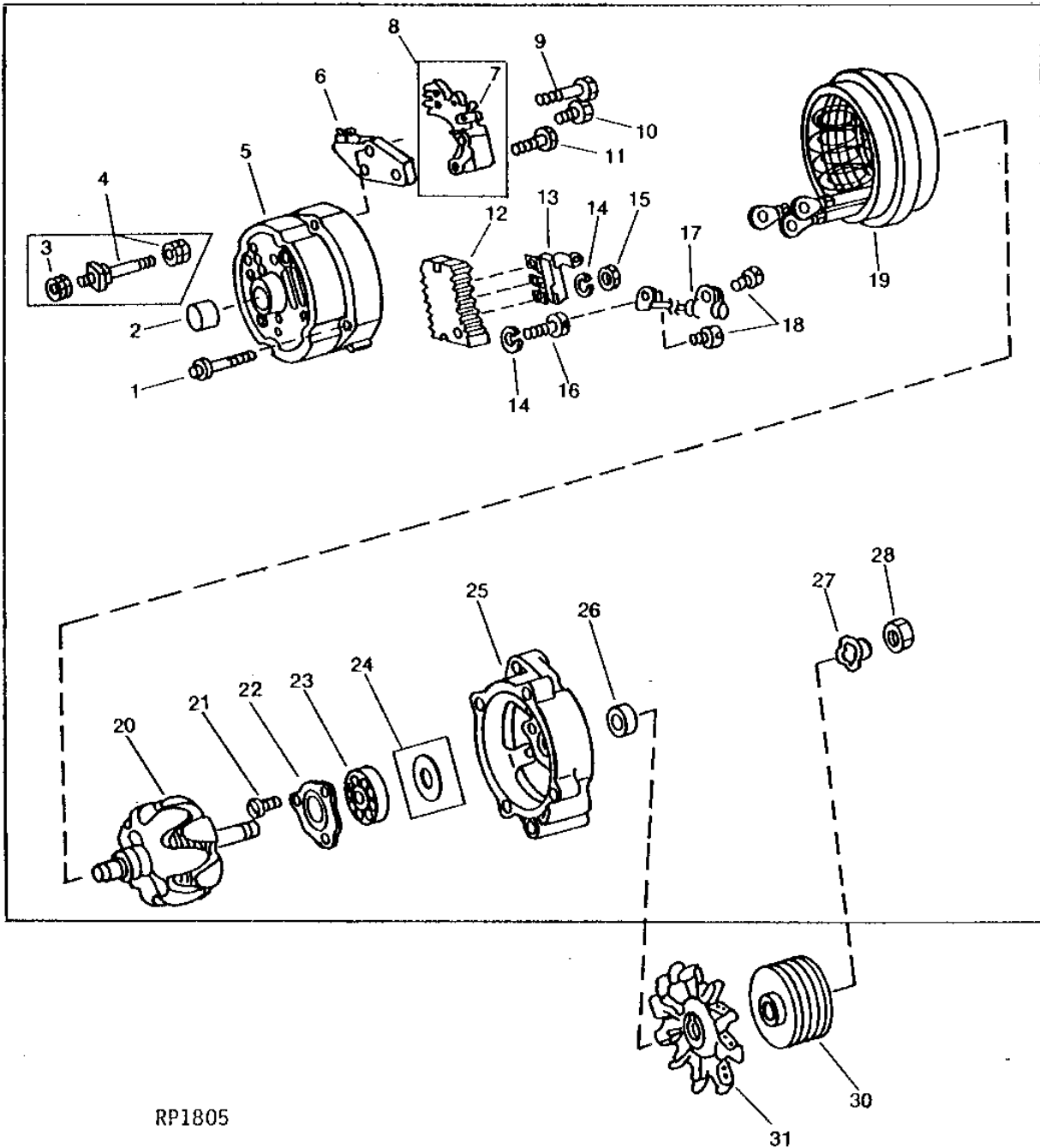
KEY	PART NO.	PART NAME	QTY	TRACTOR SERIAL NO.	REMARKS
1	37H10	SCREW	2		
2	AT27128	HOLDER	1		
3	R15045	BOLT	4		
4	14H778	NUT	2	0.190"	
5	12M7060	WASHER	6	0.209"	
6	R15036	WASHER	6		
7	R15035	SLEEVE	2		
8	R15023	DIODE	1		
9	R39802	STATOR	1		
10	R15024	DIODE	1		
11	R15030	O-RING	1		
12	R38374	HOUSING	1		
13	14H778	NUT	2	0.190"	
14	R39800	DIODE	1		
15	14H778	NUT	2	0.190"	
16	14H786	NUT	1	1/4"	
17	12H297	LOCK WASHER	1	1/4"	
18	R39803	WASHER	1		
19	AT23189	BALL BEARING	1		
20	R39801	ROTOR	1		
21	26H72	SHAFT KEY	1	1/8" X 5/8"	
22	R15029	RETAINER	1		
23	JD9449	BALL BEARING	1	(SUB FOR AT23188)	
24	R15033	HOUSING	1		
25	T23610	NUT	4		
26	T25343	BUSHING	1		
27	R15027	FAN	1		
28	R43828	PULLEY	1		
29	12H294	LOCK WASHER	1	5/8"	
30	14H866	NUT	1	5/8"	
..	AR40420	ALTERNATOR	1		COMPLETE, LESS PULLEY (MOTOROLA NO. 70D44110C01)
..	TY1430	ALTERNATOR	1		(REMANUFACTURED)

1F9

ELECTRICAL

ALTERNATOR
(12-VOLT) (72 AMP) (78 AMP) (90 AMP)
(DELCO-REMY) (AIR CONDITIONING)

RP1805 -UN-01JAN94



RP1805

1F10

ELECTRICAL

**ALTERNATOR - CONTINUED
(12-VOLT) (72 AMP) (78 AMP) (90 AMP)
(DELCO-REMY) (AIR CONDITIONING)**

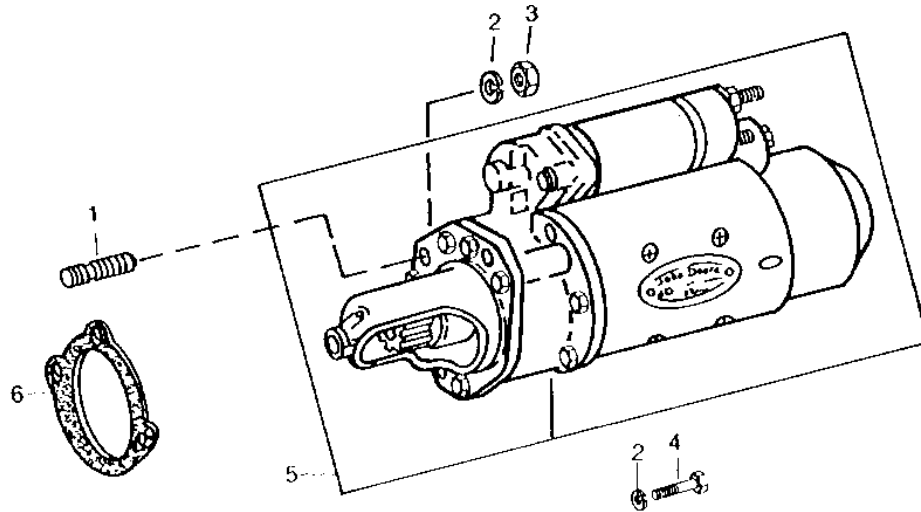
KEY	PART NO.	PART NAME	QTY	TRACTOR SERIAL NO.	REMARKS
1	R51535	BOLT	4		
2	AR77851	ROLLER BEARING	1		
3	14M7165	LOCK NUT	1		M6. (SUB FOR R71248)
4	AR55834	TERMINAL	1		(SUB AR93945 AND 14M7165)
5	R71400	HOUSING	1		(SUB FOR R66301) (ALSO ORDER 21H1319)
	R51529	HOUSING	1		(USE WITH AR54793)
	21H1319	SCREW	1		0.164" X 7/8"
6	AR55827	VOLTAGE REGULATOR	1		
7	AR90058	BRUSH	2		
	AR69269	BRUSH	1		(USE WITH AR54793) (SUB FOR AR55833)
8	AR85941	CARBON BRUSH HOLDER	1		
9	R76186	SCREW	1		
10	R51530	SCREW	2		
11	R66302	SCREW	1		
12	AR55832	RECTIFIER	1		-XXXXXX (USE WITH AR54793, AR84306 OR AR93446)
	RE13799	RECTIFIER	1	XXXXXX-	(USE WITH RE13797)
13	RE13798	DIODE	1		(SUB FOR AR55831)
14	12M7084	LOCK WASHER	4		0.169"
15	14H605	NUT	3		0.164"
16	21H1319	SCREW	1		0.164" X 7/8"
17	AR55835	CAPACITOR	1		
18	37H2	SCREW	2		0.164" X 5/8"
19	AR55837	STATOR	1		(SUB FOR RE13800)
20	RE13801	ROTOR	1		(SUB FOR AR78093)
21	21H1301	SCREW	3		0.190" X 1/2"
22	R11109	PLATE	1		(SUB FOR AR55836)
23	JD9449	BALL BEARING	1		(SUB FOR AT23188)
24	R51534	SHIM	1		(USE WITH AR54793 OR AR84306)
25	R71399	HOUSING	1		(SUB FOR R51528)
26	R69645	WASHER	1		(USE WITH AR84306 OR RE13797)
	R51533	ECCENTRIC LOCKING COLLAR	1		OUTER, (USE WITH AR54793 OR AR84306)
	R51532	ECCENTRIC LOCKING COLLAR	1		INNER, (USE WITH AR54793)
27	T10745	WASHER	1		
28	R11049	NUT	1		
29	AR93446	ALTERNATOR	1		-XXXXXX (72 AMP) (SUB RE31694) (SUB FOR AR54793, AR84306 OR RE27109) (ALSO ORDER 14M7165, 12M7006, 12M7065 AND 19M7163)
	RE31694	ALTERNATOR	1	XXXXXX-	(78 AMP) (SUB FOR AR54793, AR84306, AR93446 OR RE27109)
	TY6772	ALTERNATOR	1		(72 AMP) (REMANUFACTURED) (SUB FOR TY6600)
	TY6790	ALTERNATOR	1		(90 AMP) (REMANUFACTURED) (SUB FOR TY6625)
	TY6686	ALTERNATOR	1		(78 AMP) (REMANUFACTURED)
30	R50662	PULLEY	1		(USE WITH AR84306, AR93446, AR54793, RE27109, TY6600, TY6625, TY6772 OR TY6790)
	R81507	PULLEY	1		(USE WITH RE13797, RE31694, TY6625, TY6686 OR TY6790) (SUB FOR R52161)
31	R50659	FAN	1		(USE WITH AR54793, AR84306, AR93446, TY6600, TY6625, TY6772 OR TY6790)
	R87764	FAN	1		(USE WITH RE31694) (USE WITH RE31694, RE27109, TY6625 OR TY6686)

1F11

ELECTRICAL

STARTING MOTOR (12-VOLT)

RGP3021 -UN-01JAN94



RGP3021

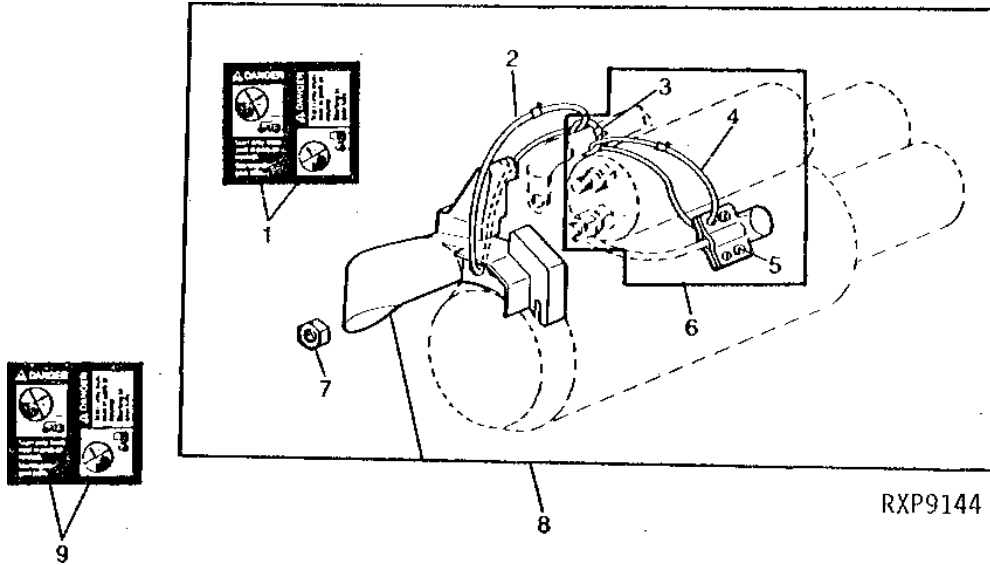
KEY	PART NO.	PART NAME	QTY	ENGINE SERIAL NO.	REMARKS
1	R114129	STUD	2		
2	12H301	LOCK WASHER	3		1/2" X 2", (SUB FOR D488R, THIS APPLICATION)
3	14H1040	NUT	2		1/2"
4	19H1721	CAP SCREW	1		1/2" X 1-1/2"
5	AR62154	STARTER	1		(JOHN DEERE) (NIPPONDENSO NO. 028000-3810) (SUB FOR AR46886) (SUB TY6711)
	AR62153	STARTER	1		(DELCO-REMY NO. 1114166) (SUB RE41756 OR TY6697)
	AR102188	STARTER	1		(DELCO-REMY NO. 1114831) (SUB RE41756 OR TY6697)
	RE13942	STARTER	1		(DELCO-REMY NO. 1990325) (SUB RE41756 OR TY6697)
	RE28781	STARTER	1		(DELCO-REMY NO. 1990356) (SUB RE41756 OR TY6730)
	RE41756	STARTER	1		(DELCO-REMY NO. 1993935) (MARKED RE38633)
	TY6711	STARTER	1		(REMANUFACTURED) (NIPPONDENSO) (SUB FOR AR46886, AR62154 OR TY6612)
	TY6697	STARTER	1		(REMANUFACTURED DELCO-REMY) (SUB FOR TY1902)
	TY6730	STARTER	1		(REMANUFACTURED) (DELCO-REMY)
6	R57480	GASKET	1		

1F12

ELECTRICAL

STARTER SOLENOID COVER KIT (JOHN DEERE) (NIPPONDENSO)

RXP9144 -UN-01JAN94



RXP9144

KEY	PART NO.	PART NAME	QTY	ENGINE SERIAL NO.	REMARKS
1	T146102	WARNING LABEL	1		(ENGLISH) (SUB FOR T84409 OR T134459)
2	R76477	TIE BAND	1		
3	R44302	TIE BAND	1		
4	R76477	TIE BAND	1		
5	R66117	SCREW	2		
6	RE39063	SHIELD	1		
7	14H732	NUT	1		
8	RE39096	SHIELD	1	(A)	
9	T146106	WARNING LABEL	1		(ESPANOL) (SUB FOR T84410 OR T134452)
	T146104	WARNING LABEL	1		(FRANCAIS) (SUB FOR T84411 OR T134453)
	T146515	WARNING LABEL	1		(DEUTSCH) (SUB FOR T84412 OR T134454)
	T146516	WARNING LABEL	1		(ITALIANO) (SUB FOR T84413 OR T134455)
	T146517	WARNING LABEL	1		(ENGLISH/FRANCAIS) (SUB FOR T84578 OR T134456)

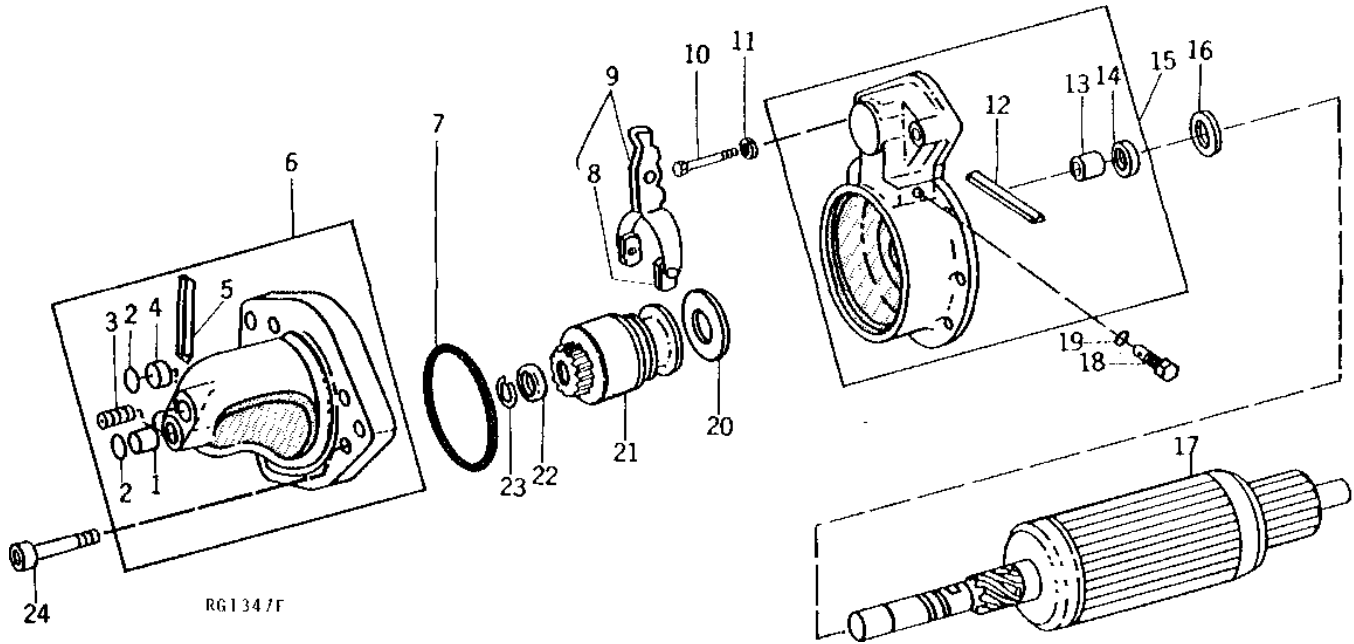
(A) USE WITH AR62154, AR46886, TY6612 OR TY6711

1F13

ELECTRICAL

STARTER DRIVE HOUSING AND ARMATURE (JOHN DEERE) (AR62154)

RG1347 -UN-01JAN94



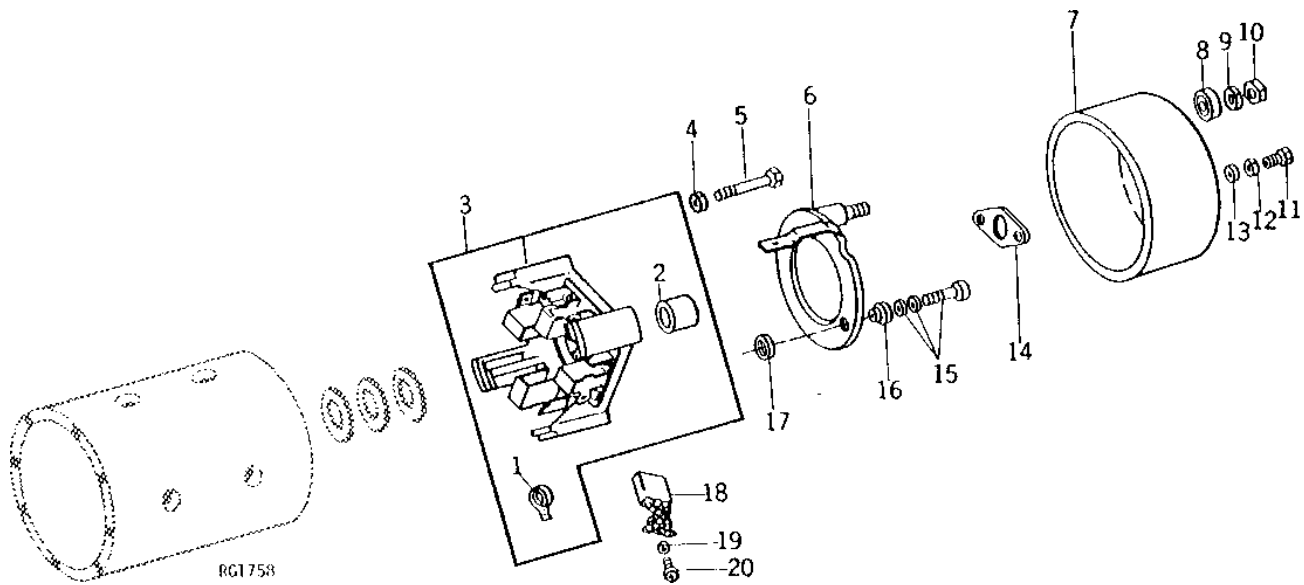
KEY	PART NO.	PART NAME	QTY	ENGINE SERIAL NO.	REMARKS
1	R56797	BUSHING	1		
2	R56796	CAP	2		
3	15H558	PIPE PLUG	1	1/8"	
4	R56798	FELT	1		
5	R56799	FELT	1		
6	AR67831	HOUSING	1		
7	R50901	WASHER	1		
8	R51667	WEAR PLATE	2		
9	AR67827	ARM	1		
10	R50893	SCREW	2		
11	12H302	LOCK WASHER	2	1/4"	
12	R51666	WICK	1		
13	R51665	BUSHING	1		
14	AR55947	SEAL	1		
15	AR67833	HOUSING	1		
16	R50906	THRUST WASHER	1		
17	AR67834	ARMATURE	1		
18	R56791	SHAFT	1		
19	R52387	O-RING	1		
20	R50905	WEAR RING	1		
21	AR67832	CLUTCH	1		
22	R50903	STOP	1		
23	R50902	SNAP RING	1		
24	R58053	BOLT	6		(SUB R50900, THIS APPLICATION)
..	AR62154	STARTER	1		(NIPPONDENSO NO. 028000-3810) (SUB TY6711)

1F14

ELECTRICAL

STARTER COMMUTATOR END FRAME (JOHN DEERE) (AR62154)

RG1758 -UN-01JAN94



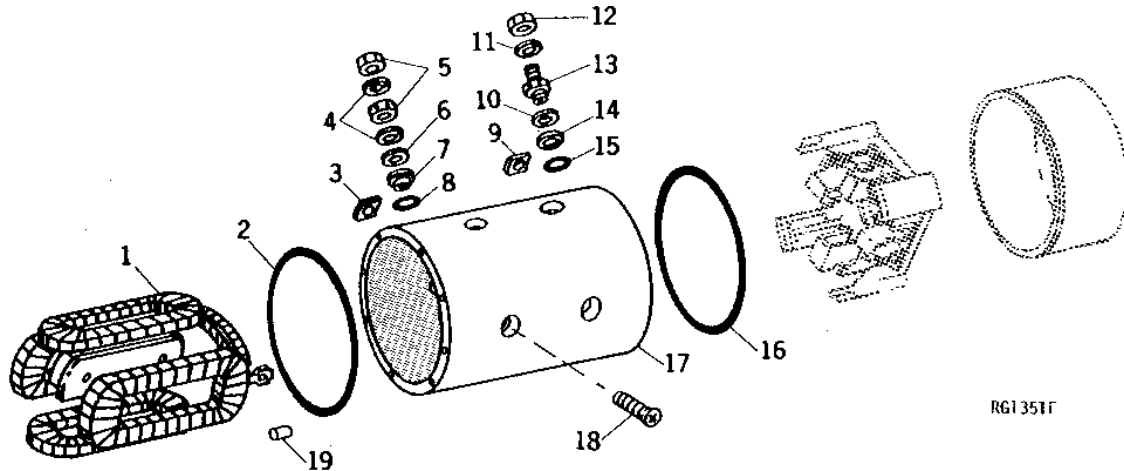
KEY	PART NO.	PART NAME	QTY	ENGINE SERIAL NO.	REMARKS
1	R56803	SPRING	4		
2	R50891	BUSHING	1		
3	AR67836	FRAME	1		
4	12H317	LOCK WASHER	2	9/16"	
5	R51659	SCREW	2		
6	AR67838	FITTING	1		
7	R56807	COVER	1		
8	R56808	GROMMET	1		
9	12H301	LOCK WASHER	2	1/2"	
10	14H1040	NUT	1	1/2"	
11	R50931	SCREW	2		
12	12H246	LOCK WASHER	2	0.190"	
13	24H1283	WASHER	2	7/32" X 1/2" X 0.049"	
14	R56806	GASKET	1		
15	AR67839	SCREW	2		
16	R56805	WASHER	2		
17	R56804	WASHER	2		
18	AR67837	BRUSH	4		
19	12H246	LOCK WASHER	4	0.190"	
20	R50929	SCREW	4		
..	AR62154	STARTER	1	(NIPPONDENSO NO. 028000-3810) (SUB TY6711)	

1F15

ELECTRICAL

STARTER MAIN FRAME AND COIL (JOHN DEERE) (AR62154)

RG1351 -UN-01JAN94



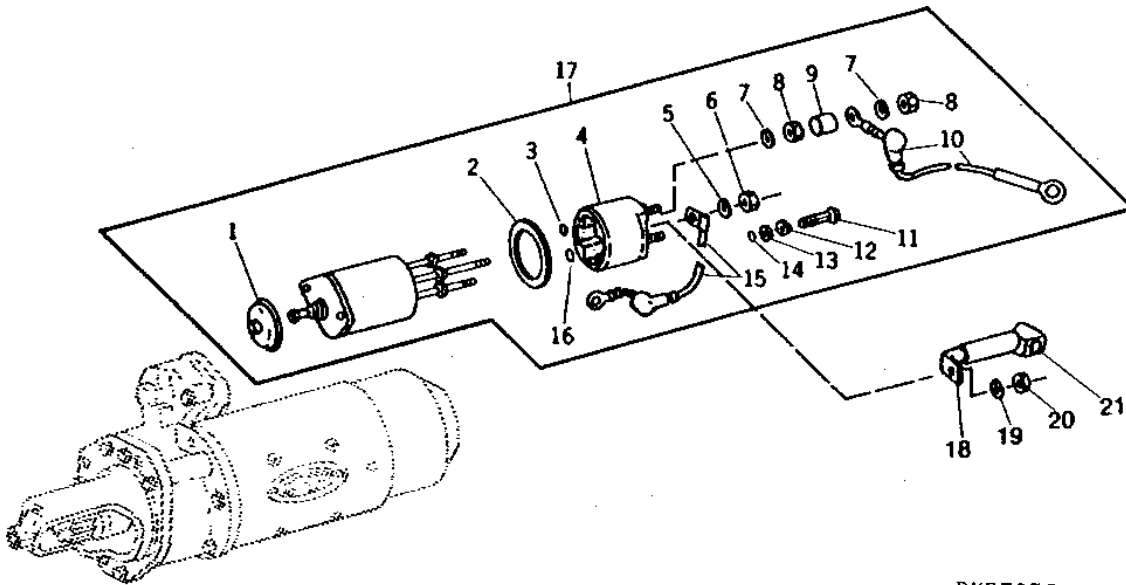
KEY	PART NO.	PART NAME	QTY	ENGINE SERIAL NO.	REMARKS
1	AR67835	FIELD WINDING COIL	1		
2	R50913	O-RING	1		
3	R50916	WASHER	1		
4	12H246	LOCK WASHER	2	0.190"	
5	R50907	NUT	2		
6	24H1283	WASHER	1	7/32" X 1/2" X 0.049"	
7	R50914	WASHER	1		
8	R50915	O-RING	1		
9	R50920	BUSHING	1		
10	R50917	WASHER	1		
11	R50899	LOCK WASHER	1		
12	R50909	NUT	1		
13	R56802	STUD	1		
14	R50918	WASHER	1		
15	R50919	O-RING	1		
16	R50922	O-RING	1		
17	FRAME	1	(ORDER TY6711)	
18	R50921	SCREW	8		
19	R51664	DOWEL PIN	1		
..	AR62154	STARTER	1	(NIPPONDENSO NO. 028000-3810) (SUB TY6711)	

1F16

ELECTRICAL

STARTER SOLENOID SWITCH
(12 VOLT) (JOHN DEERE)
(STARTING MOTOR DATE CODE -8S0168)

RXP7956 -UN-01JAN94



RXP7956

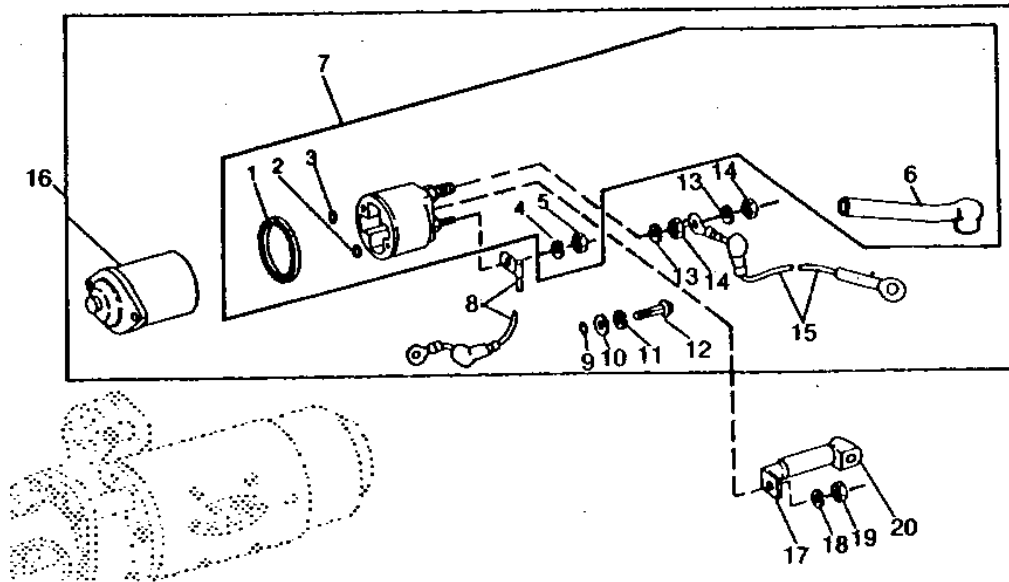
KEY	PART NO.	PART NAME	QTY	ENGINE SERIAL NO.	REMARKS
1	R52385	BOOT	1		
2	R51668	WASHER	1		
3	R56792	WASHER	1		
4	AR71257	COVER	1		(SUB RE15355 AND RE39096) (SUB FOR AR67829 OR AR90069, THIS APPLICATION)
5	12H246	LOCK WASHER	1	0.190"	
6	14H631	NUT	1	0.190"	
7	12H303	LOCK WASHER	2	5/16"	
8	R51671	NUT	2		
9	R56794	SLEEVE	1		
10	AR67830	WIRING LEAD	1		
11	R51669	SCREW	2		
12	12H302	LOCK WASHER	2	1/4"	
13	24H1305	WASHER	1	13/32" X 13/16" X 0.065"	
14	R50894	O-RING	1		
15	RE15058	WIRE	1		(SUB FOR AR55949)
16	R56793	SHIM	1		
17	AR67828	SWITCH	1		(SUB RE15356 AND RE39096) (SUB FOR AR90068)
18	R56801	BOOT	1		
19	14H732	NUT	1	3/8"	
20	R50899	LOCK WASHER	1		
21	R56800	STRAP	1		

1F17

ELECTRICAL

**STARTER SOLENOID SWITCH
(12VOLT) (JOHN DEERE)
(STARTING MOTOR DATE CODE 8S0169-)**

RXP7957 -UN-01JAN94



RXP7957

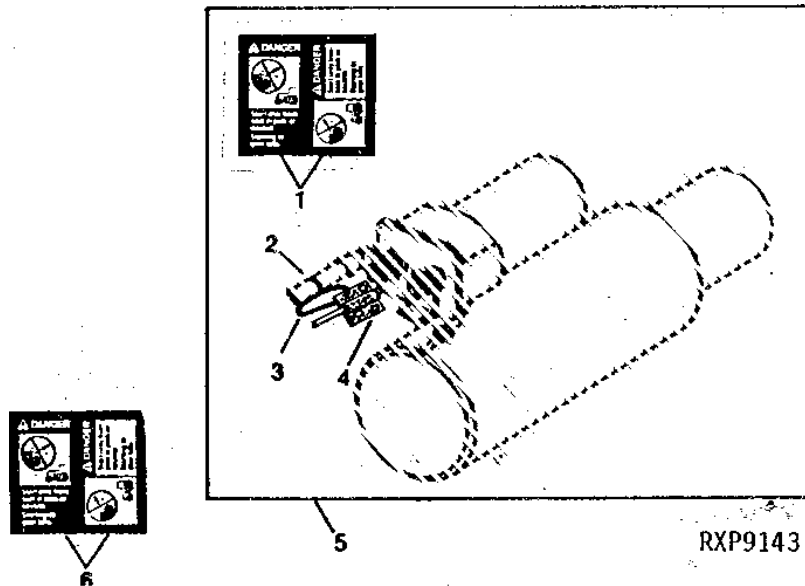
KEY	PART NO.	PART NAME	QTY	ENGINE SERIAL NO.	REMARKS
1	R68224	GASKET	1		
2	R56793	SHIM	1		
3	R56792	WASHER	1		
4	12H246	LOCK WASHER	5	0.190"	
5	14H631	NUT	1	0.190"	
6	R68222	HOSE	1		
7	RE15355	SOLENOID	1		(NIPPONDENSO NO. 028099-3620) (SUB FOR AR67829, AR71257 OR AR90069) (SUB FOR AR55949)
8	RE15058	WIRE	1		
9	R50894	O-RING	1		
10	24H1305	WASHER	1	13/32" X 13/16" X 0.065"	
11	12H302	LOCK WASHER	2	1/4"	
12	R51669	SCREW	2		
13	12H303	LOCK WASHER	2	5/16"	
14	R51671	NUT	2		
15	AR67830	WIRING LEAD	1		
16	RE15356	SOLENOID	1		(NIPPONDENSO NO. 028099-3630) (SUB FOR AR67828 OR AR90068) (ALSO ORDER RE39096)
17	R56800	STRAP	1		
18	R50899	LOCK WASHER	1		
19	14H732	NUT	1	3/8"	
20	R56801	BOOT	1		

1F18

ELECTRICAL

STARTER SOLENOID COVER KIT (DELCO-REMY)

RXP9143 -UN-01JAN94



RXP9143

KEY	PART NO.	PART NAME	QTY	TRACTOR SERIAL NO.	REMARKS
1	T146102	WARNING LABEL	1		(ENGLISH) (SUB FOR T84409 OR T134459)
2	R44302	TIE BAND	1		
3	R76477	TIE BAND	1		
4	R66117	SCREW	2		
5	RE39062	SHIELD	1		(A)
6	T146106	WARNING LABEL	1		(ESPAÑOL) (SUB FOR T84410 OR T134452)
	T146104	WARNING LABEL	1		(FRANÇAIS) (SUB FOR T84411 OR T134453)
	T146515	WARNING LABEL	1		(DEUTSCH) (SUB T84412 OR T134454)
	T146516	WARNING LABEL	1		(ITALIANO) (SUB FOR T84413 OR T134455)
	T146517	WARNING LABEL	1		(ENGLISH/FRANÇAIS) (SUB FOR T84578 OR T134456)

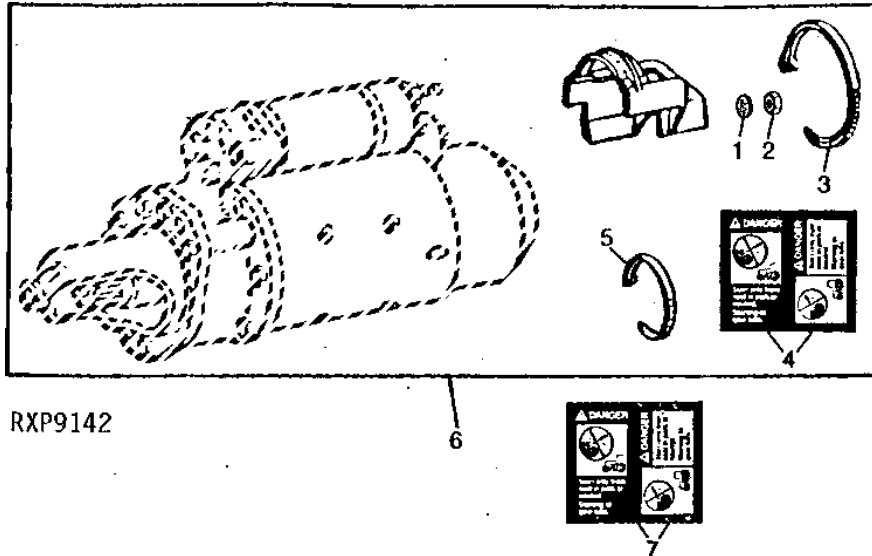
(A) USE WITH AR62153, AR102188, RE13942, TY1902 OR TY6697)

1F19

ELECTRICAL

STARTER SOLENOID COVER KIT (DELCO-REMY)

RXP9142 -UN-01JAN94



RXP9142

6

KEY	PART NO.	PART NAME	QTY	TRACTOR SERIAL NO.	REMARKS
1	12H295	LOCK WASHER	1	0.190"	
2	14H631	NUT	1	0.190"	
3	R76477	TIE BAND	1		
4	T146102	WARNING LABEL	1		(ENGLISH) (SUB FOR T84409 OR T134459)
5	R44302	TIE BAND	1		
6	RE41759	SHIELD	1		(A)
7	T146106	WARNING LABEL	1		(ESPAÑOL) (SUB FOR T84410 OR T134452)
	T146104	WARNING LABEL	1		(FRANCAIS) (SUB FOR T84411 OR T134453)
	T146515	WARNING LABEL	1		(DEUTSCH) (SUB FOR T84412 OR T134454)
	T146516	WARNING LABEL	1		(ITALIANO) (SUB FOR T84413 OR T134455)
	T146517	WARNING LABEL	1		(ENGLISH/FRANCAIS) (SUB FOR T84578 OR T134456)

(A) USE WITH RE41756 OR TY6730

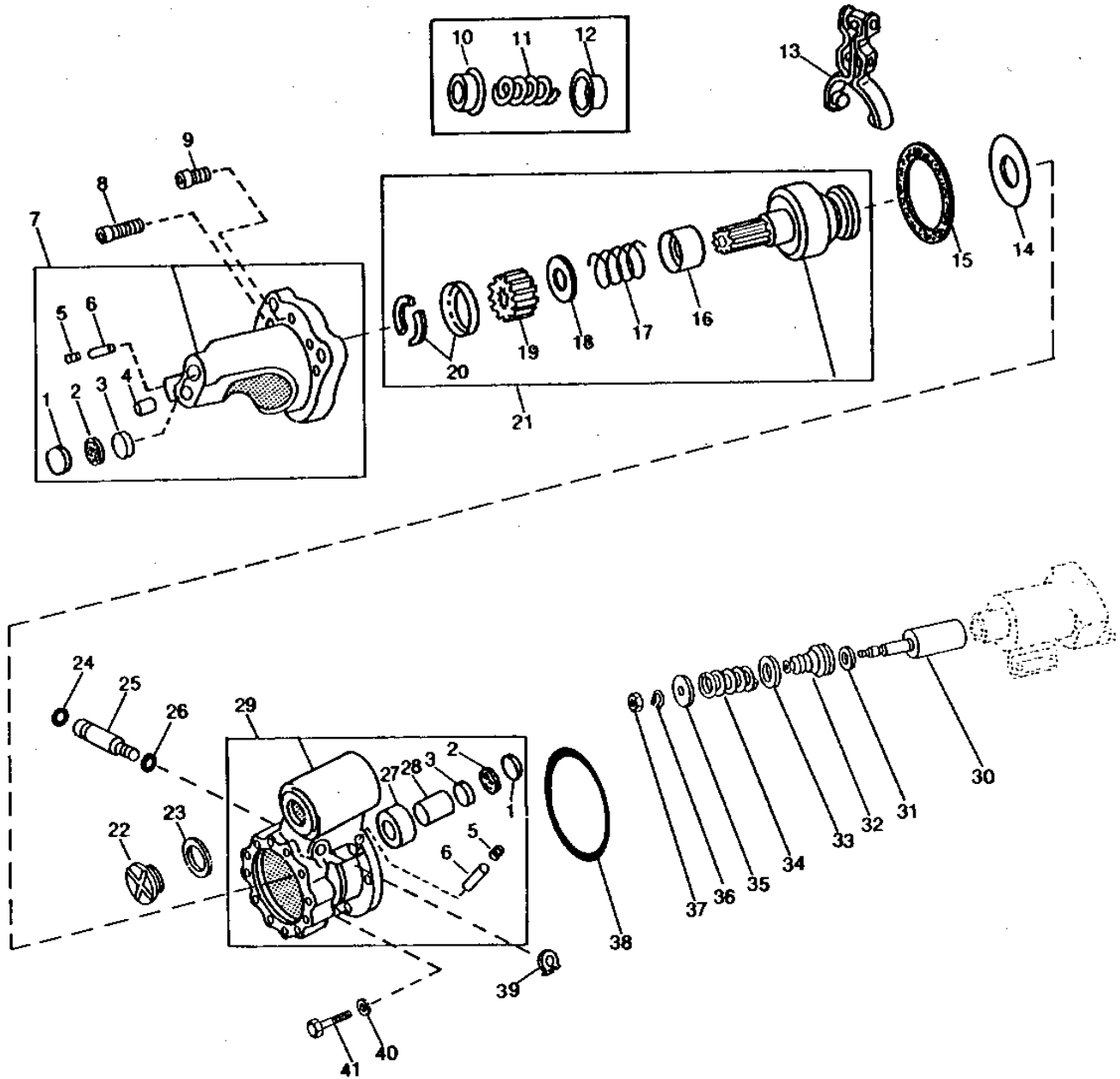
MEMORANDA

1F20

ELECTRICAL

STARTER DRIVE END HOUSING AND DRIVE (DELCO-REMY) (AR62153)

RGP1860 -UN-01JAN94



RGP1860

1F21

ELECTRICAL

STARTER DRIVE END HOUSING AND DRIVE - CONTINUED
(DELCO-REMY)
(AR62153)

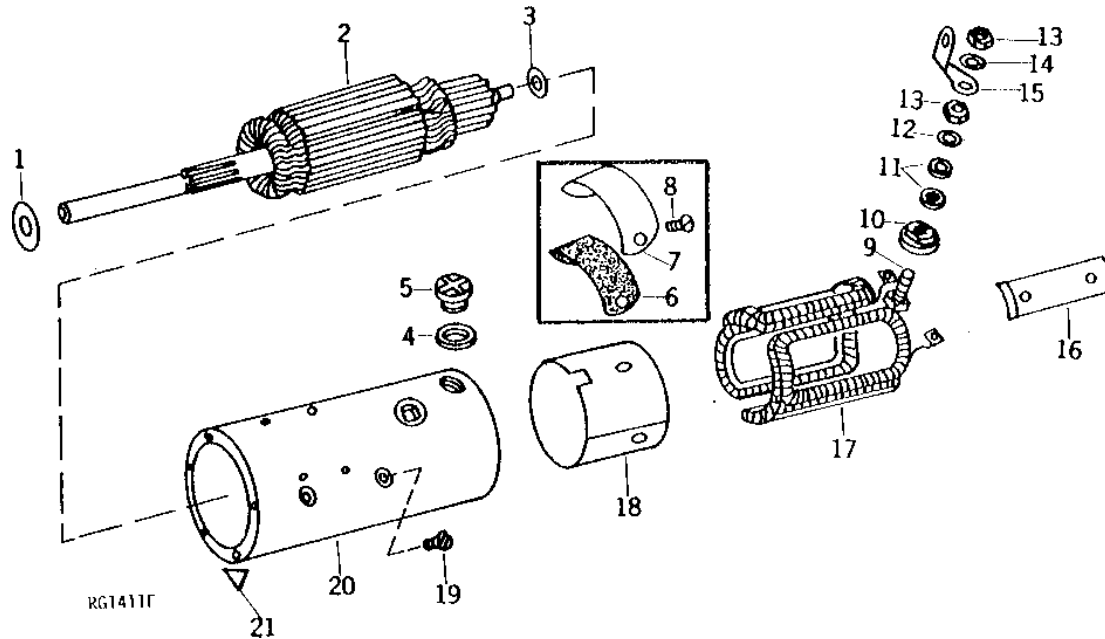
KEY	PART NO.	PART NAME	QTY	ENGINE SERIAL NO.	REMARKS
1	R68630	PLUG	4		
2	R68631	GASKET	4		
3	R68629	FELT	4		
4	R11147	BUSHING	1		
5	15H566	PIPE PLUG	2	1/8"	
6	R40337	WICK	2		
7	AR102762	HOUSING	1		(SUB FOR AR48343)
8	19H2928	SCREW	5		5/16" X 1-1/2"
9	19H2899	SCREW	1		5/16" X 0.880"
10	R46198	BEARING	1		(OPTIONAL DESIGN)
11	R11144	SPRING	1		(OPTIONAL DESIGN)
12	R11282	BEARING CUP	1		(OPTIONAL DESIGN)
13	AR11081	LEVER	1		
14	1911644	WASHER	1		
15	R11140	GASKET	1		
16	R46194	BEARING	1		(NLA)
17	R46196	SPRING	1		(NLA)
18	R46195	WASHER	1		(NLA)
19	R46197	PINION	1		
20	AR48344	KIT	1		WASHER
21	AR102761	DRIVE	1		(SUB FOR AR48342)
22	R11133	PLUG	1		
23	R11121	GASKET	1		
24	A3917R	O-RING	1		
25	R11136	SHAFT	1		
26	A4365R	O-RING	1		
27	R11273	SEAL	1		
28	R11017	BUSHING	1		
29	AR102760	HOUSING	1		(SUB FOR AR11329)
30	AR11080	PLUNGER	1		
31	R11138	SHIM	1		
32	R11127	BOOT	1		
33	R11126	RETAINER	1		
34	R11128	SPRING	1		
35	R11129	CAP	1		
36	R11026	SNAP RING	1		
37	R11151	LOCK NUT	1		
38	R11120	O-RING	1		
39	R11026	SNAP RING	1		
40	12H302	LOCK WASHER	7	1/4"	
41	19H3005	CAP SCREW	7	1/4" X 1"	
..	AR62153	STARTER	1		(DELCO-REMY NO. 1114166) (SUB RE41756 OR TY6697)

1F22

ELECTRICAL

ARMATURE AND COIL (DELCO-REMY) (AR62153)

RG1411 -UN-01JAN94



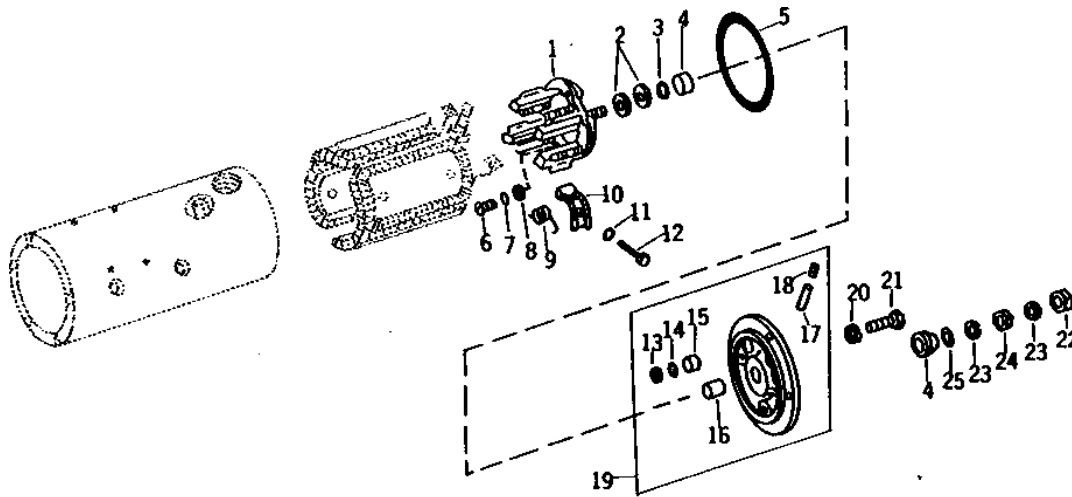
KEY	PART NO.	PART NAME	QTY	ENGINE SERIAL NO.	REMARKS
1	R11018	WASHER	1		
2	AR48341	ARMATURE	1		
3	R11096	WASHER	1		
4	R11121	GASKET	2		
5	R11133	PLUG	2		
6	R11141	GASKET	2		(OPTIONAL DESIGN)
7	R11142	PLATE	2		(OPTIONAL DESIGN)
8	21H1021	SCREW	4		1/4" X 1/2"
9	R11146	SCREW	1		
10	AR40171	GROMMET	1		
11	R11011	WASHER	2		
12	R68625	WASHER	1		(SUB FOR 811912)
13	14H971	NUT	2		1/2"
14	12H301	LOCK WASHER	1		1/2"
15	R11135	BRACKET	1		
16	R11003	SHOE	4		
17	AR48340	FIELD WINDING COIL	1		
18	R11143	INSULATOR	1		
19	21H1280	SCREW	8		3/8" X 3/4"
20	FRAME	1		(ORDER TY6697 OR RE41756)
21	R11253	INSULATOR	2		
..	AR62153	STARTER	1		(DELCO-REMY NO. 1114166) (SUB RE41756 OR TY6697)

1F23

ELECTRICAL

COMMUTATOR END FRAME (DELCO-REMY) (AR62153)

RG1412 -UN-01JAN94



RG1412F

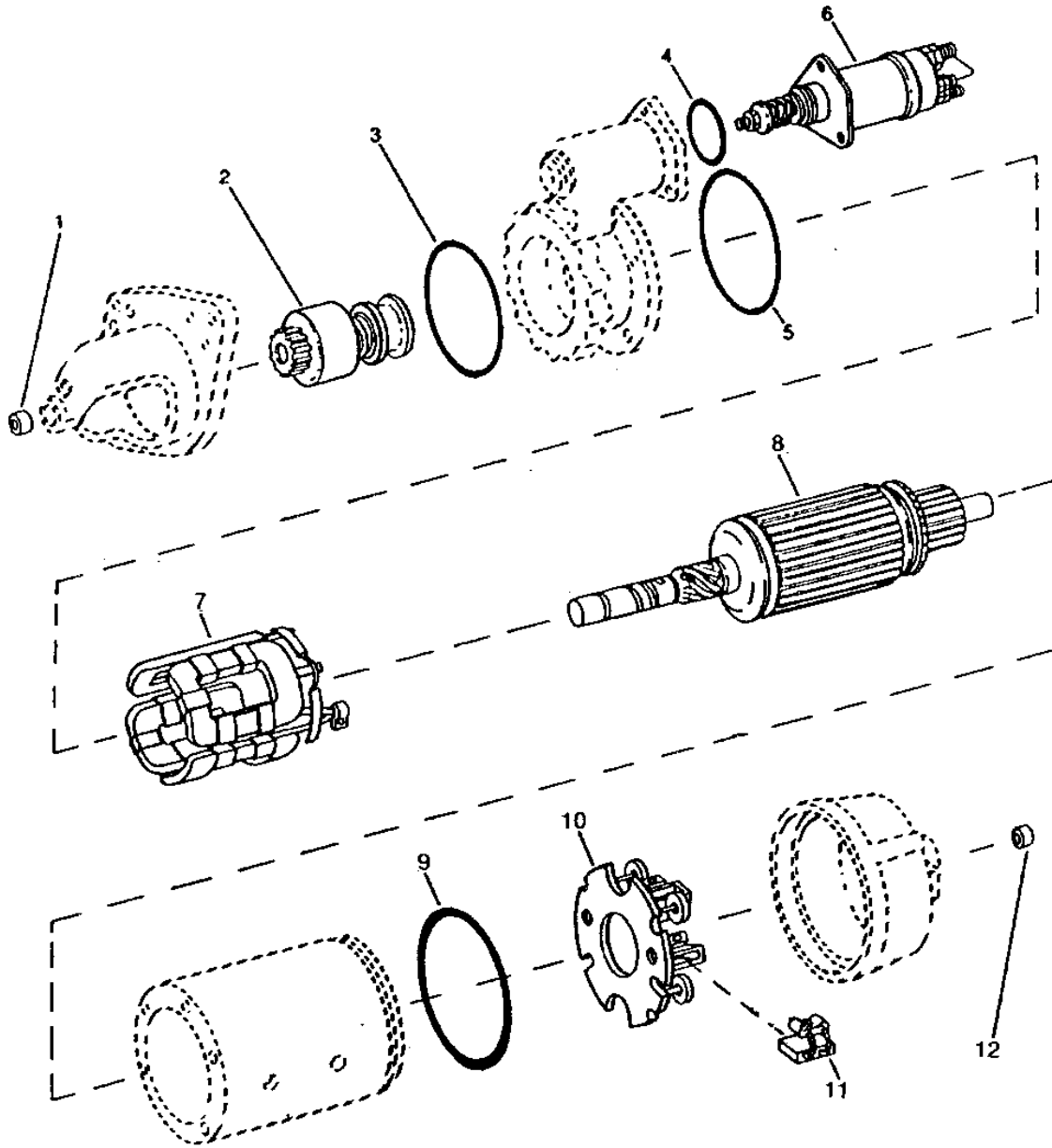
KEY	PART NO.	PART NAME	QTY	ENGINE SERIAL NO.	REMARKS
1	AR11084	PLATE	1		
2	R11011	WASHER	2		
3	R394R	O-RING	1		
4	R11012	WASHER	2		(SUB FOR R11123 AND R11124)
5	R11120	O-RING	1		
6	21H1158	SCREW	3		0.164" X 1/2"
7	12H315	LOCK WASHER	3		0.164"
8	24H1281	WASHER	3		5/32" X 3/8" X 0.049"
9	R11148	SPRING	8		
10	AR48338	BRUSH	8		
11	12H315	LOCK WASHER	8		0.164"
12	21H1293	SCREW	8		0.164" X 5/16"
13	R68630	PLUG	1		
14	R68631	GASKET	1		
15	R68629	FELT	1		
16	R11008	BUSHING	1		
17	R40337	WICK	1		
18	15H566	PIPE PLUG	1		1/8"
19	AR11085	FRAME	1		
20	12H302	LOCK WASHER	4		1/4"
21	19H3005	CAP SCREW	4		1/4" X 1"
22	14H1040	NUT	1		1/2"
23	12H301	LOCK WASHER	2		1/2"
24	14H971	NUT	1		1/2"
25	R68625	WASHER	1		(SUB FOR 811912)
..	AR62153	STARTER	1		(SUB RE41756 OR TY6697)

1F24

ELECTRICAL

STARTING MOTOR
(12 VOLT)
(DELCO-REMY)
(RE41756)

RXP7832 -UN-01JAN94



RXP7832

1F25

ELECTRICAL

STARTING MOTOR - CONTINUED
(DELCO-REMY)
(RE41756)

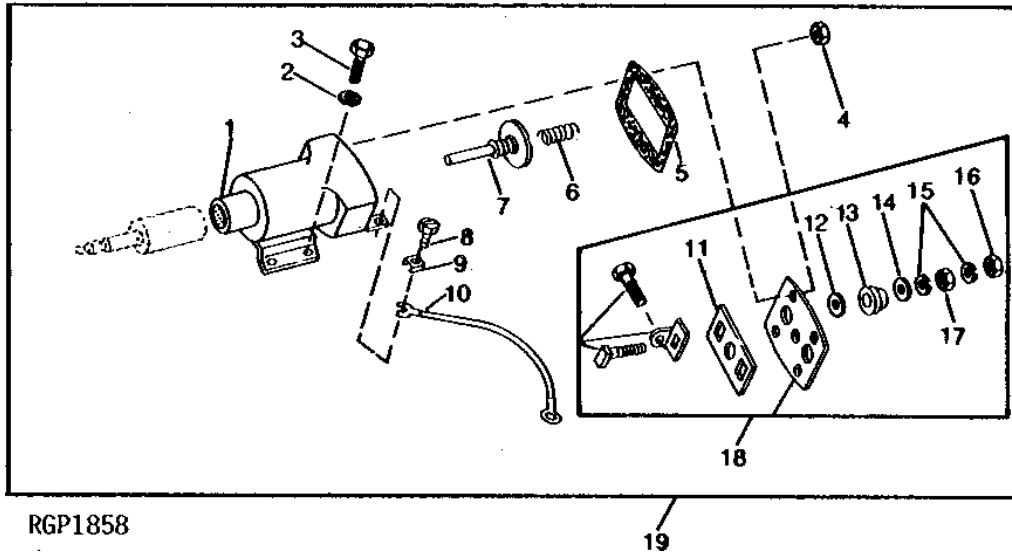
KEY	PART NO.	PART NAME	QTY	ENGINE SERIAL NO.	REMARKS
1	R99695	BUSHING	1		
2	RE38620	DRIVE	1		
3	R62673	O-RING	1		
4	R99693	O-RING	1		
5	R11120	O-RING	1		
6	RE38617	SOLENOID	1		
7	RE38627	FIELD WINDING COIL	1		
8	RE38623	ARMATURE	1		
9	R99702	O-RING	1		
10	RE38630	CARBON BRUSH HOLDER	1		
11	R99699	BRUSH	4		
12	R11147	BUSHING	1		
..	RE41756	STARTER	1		(SUB FOR AR62153, AR102188, RE13942, RE28781 OR RE38633)

1G1

ELECTRICAL

STARTER SOLENOID SWITCH (ENGINE SERIAL NO. -307648)

RGP1858 -UN-01JAN94



KEY	PART NO.	PART NAME	QTY	ENGINE SERIAL NO.	REMARKS
1	AR48339	CASE	1	(SUB AR102755)	
2	12H302	LOCK WASHER	4	1/4"	
3	19H2479	CAP SCREW	4	1/4" X 3/8"	
4	AR11134	NUT	4		
5	R11009	GASKET	1		
6	R11134	SPRING	1		
7	AR11079	DISK	1		
8	21H1335	SCREW	4	0.190" X 5/16"	
9	R11084	CLIP	2		
10	WIRING LEAD	1	254 MM (10") (MAKE FROM PM797NA)	
11	R11036	INSULATOR	1		
12	R11130	WASHER	2		
13	R11131	INSULATOR	2		
14	R68625	WASHER	2	(SUB FOR 811912)	
15	12H301	LOCK WASHER	4	1/2"	
16	14H1040	NUT	2	1/2"	
17	14H971	NUT	2	1/2"	
18	AR11078	PLATE	1		
19	AR48337	SWITCH	1	(DELCO-REMY NO. 1119862) (SUB AR102755)	

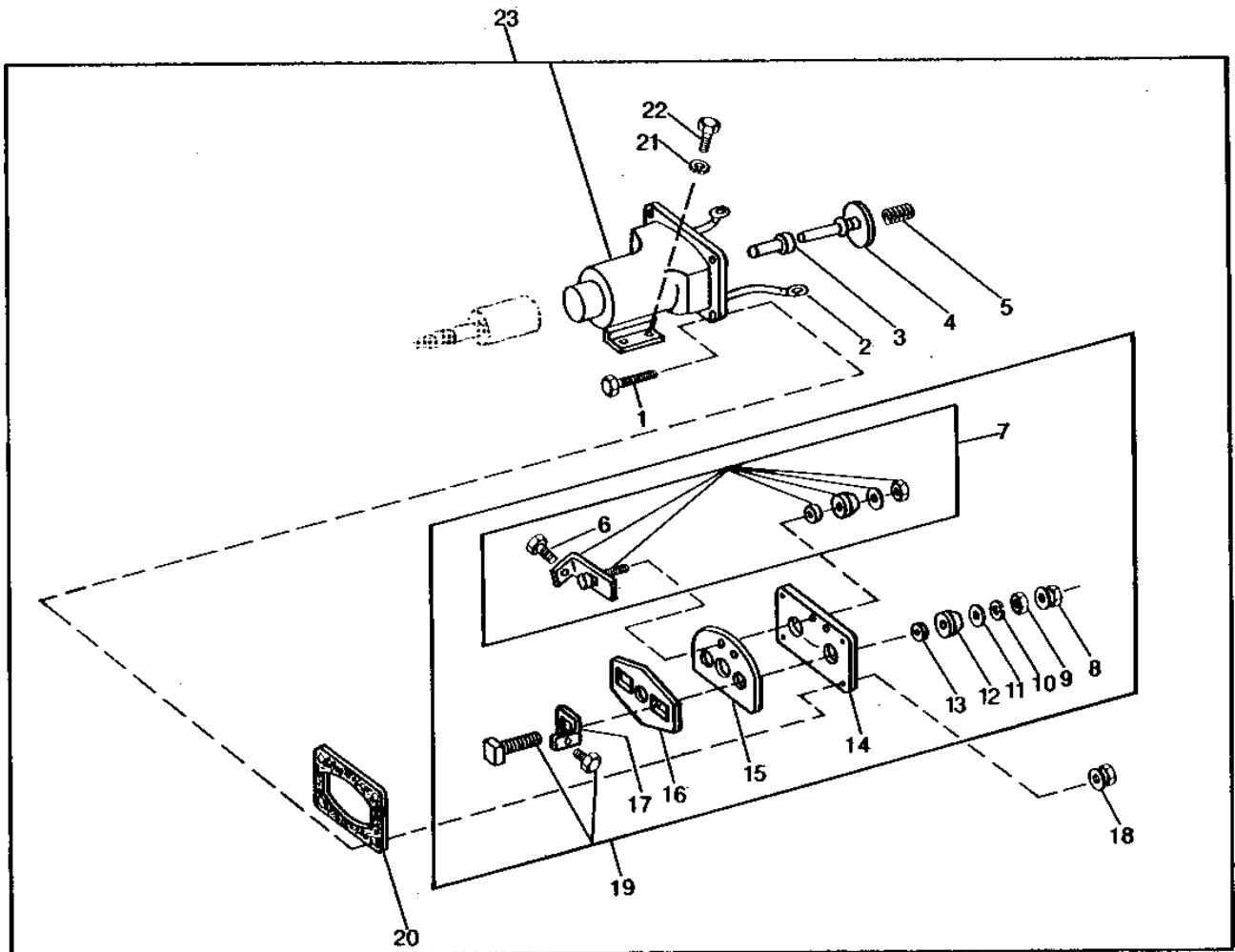
MEMORANDA

1G2

ELECTRICAL

STARTER SOLENOID SWITCH (ENGINE SERIAL NO. 307649-)

RGP1854 -UN-01JAN94



RGP1854

1G3

ELECTRICAL

STARTER SOLENOID SWITCH - CONTINUED
(ENGINE SERIAL NO. 307649-)

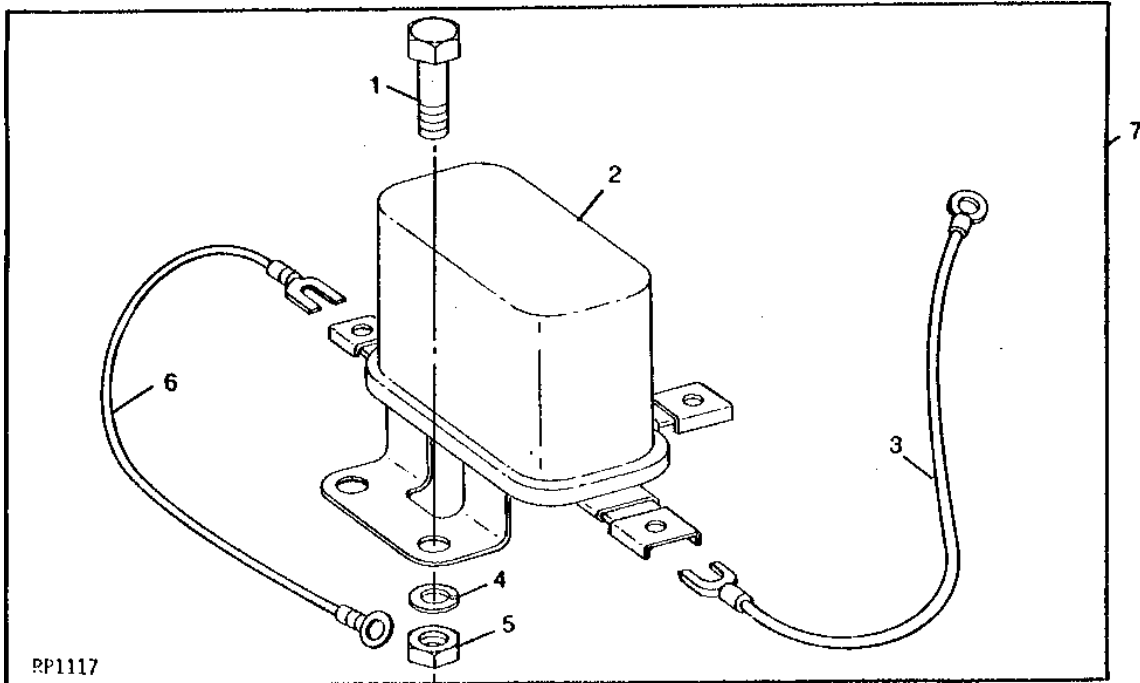
KEY	PART NO.	PART NAME	QTY	ENGINE SERIAL NO.	REMARKS
1	R75961	SCREW	4		
2	WIRING LEAD	1		(MAKE FROM PM797NA)
3	R75960	BUSHING	1		
4	AR11079	DISK	1		
5	R11134	SPRING	1		
6	21H1335	SCREW	4		0.190" X 5/16"
7	AR102765	KIT	1		
8	AR102764	NUT	2		
9	14H971	NUT	2		1/2"
10	12H301	LOCK WASHER	2		1/2"
11	R68625	WASHER	2		
12	R11131	INSULATOR	2		
13	R11130	WASHER	2		
14	R75956	PLATE	1		
15	R75958	INSULATOR	1		
16	R75957	INSULATOR	1		
17	R75959	SUPPORT	1		
18	AR102763	NUT	4		
19	AR102757	PACKAGE OF PARTS	1		
20	R75952	GASKET	1		
21	12H302	LOCK WASHER	4		1/4"
22	19H2479	CAP SCREW	4		1/4" X 3/8"
23	AR102755	SWITCH	1		(DELCO-REMY NO. 1115561)

1G4

ELECTRICAL

ACCESSORY RELAY WIRING KIT

RP1117 -UN-01JAN94



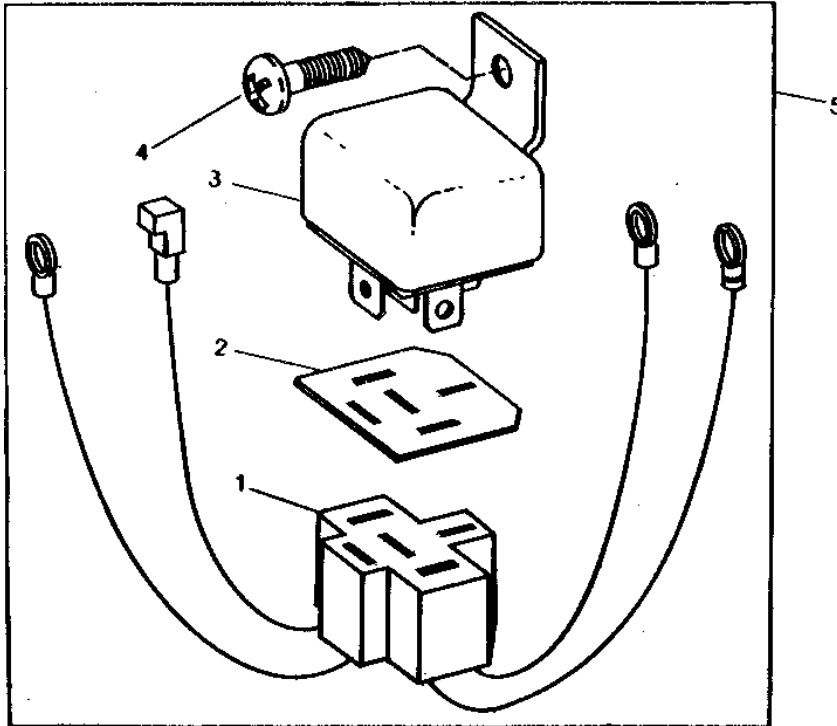
KEY	PART NO.	PART NAME	QTY	TRACTOR SERIAL NO.	REMARKS
1	19H1919	CAP SCREW	2	1/4" X 5/8"	
2	AE23861	RELAY	1	(SUB AH98337)	
3	AR78384	WIRING LEAD	1	(RELAY TO CIRCUIT BREAKER)	
4	12H302	LOCK WASHER	2	1/4"	
5	14H786	NUT	2	1/4"	
6	AR78386	WIRING LEAD	1	(RELAY GROUND)	
7	AR78382	KIT	1	(SUB AR91166)	

1G5

ELECTRICAL

RWP2586 -UN-01JAN94

ACCESSORY RELAY WIRING KIT



RWP2586

KEY	PART NO.	PART NAME	QTY	TRACTOR SERIAL NO.	REMARKS
1	AR91167	WIRING HARNESS	1		
	AR78384	WIRING LEAD	3		
	R32022	TERMINAL	2		
	R32028	TERMINAL	3		
2	R67982	COVER	1		
3	AR74411	RELAY	1		
4	37H52	SCREW	1	1/4" X 3/8"	
	19H1919	CAP SCREW	1	1/4" X 5/8"	
	12H302	LOCK WASHER	1	1/4"	
	14H786	NUT	1	1/4"	
5	AR91166	KIT	1		

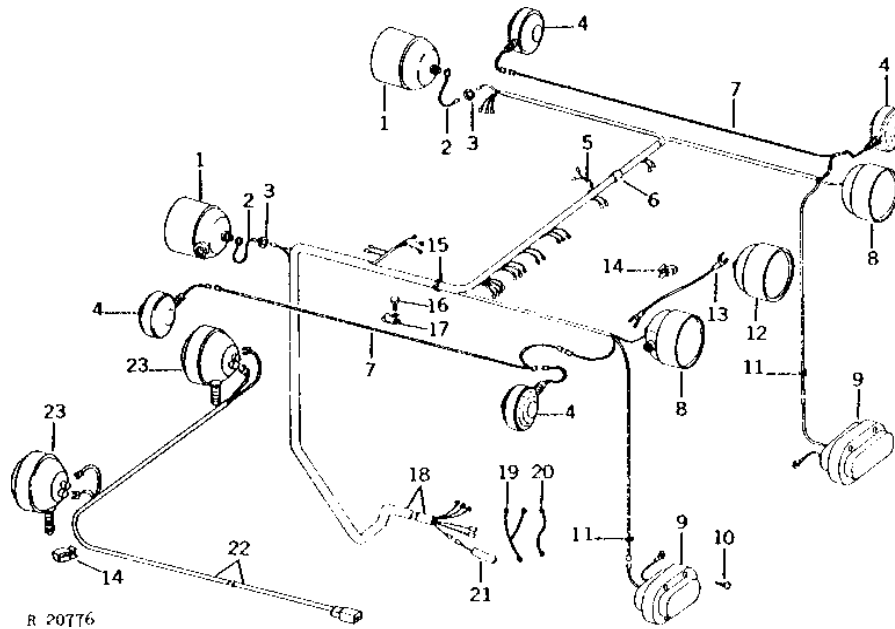
MEMORANDA

1G6

ELECTRICAL

R20776 -UN-01JAN94

CAB LAMP WIRING (HINSON)



R 20776

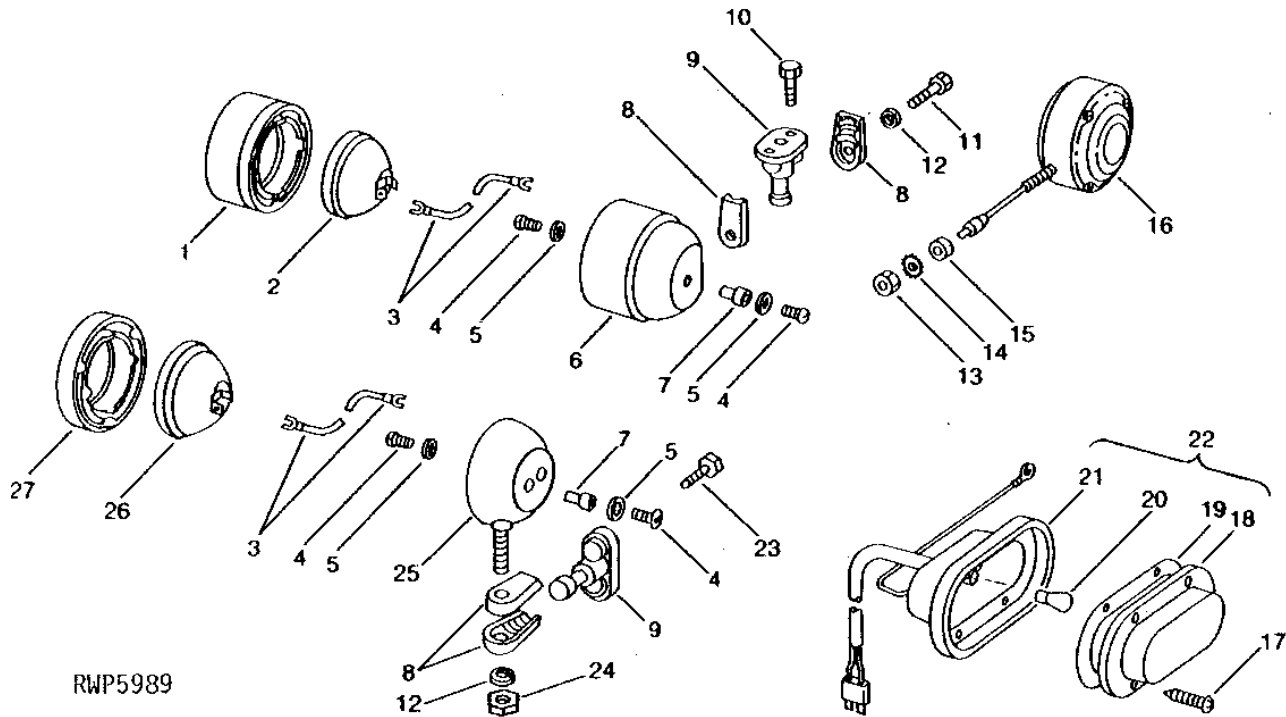
KEY	PART NO.	PART NAME	QTY	TRACTOR SERIAL NO.	REMARKS
1	AR42119	LAMP	2		(HOBBS OR GUIDE) (SUB RE19075, THIS APPLICATION)
2	WIRING LEAD	2		191MM (7-1/2") (MAKE FROM R66319, R32018, R32027 AND R32025)
3	R2579R	GROMMET	2		
4	AR54975	LAMP	4		
5	R27180	GROMMET	1		
6	R48883	CLAMP	2		
7	AR54976	WIRING HARNESS	2		
8	AR42119	LAMP	1		(HOBBS OR GUIDE) (SUB RE19075, THIS APPLICATION)
9	AR78825	TAIL LAMP	2		(SUB FOR AR45099)
10	37H2	SCREW	8		0.164" X 5/8"
11	M1895T	GROMMET	4		
12	AR42119	LAMP	1		(HOBBS OR GUIDE) (SUB RE19075, THIS APPLICATION)
13	WIRING LEAD	1		686MM (27") (MAKE FROM R66319 AND (2) R32016)
14	R21551	CLIP	6		
15	R27533	GROMMET	2		
16	19H1227	CAP SCREW	1		1/4" X 1/2"
	12H302	LOCK WASHER	1		1/4"
17	R40791	CLAMP	1		
18	AR67346	WIRING HARNESS	1		(SUB FOR AR53157)
	R48887	RECEPTACLE	1		
	R45211	CLAMP	1		
	19H1900	CAP SCREW	1		5/16" X 3/4"
	14H785	NUT	1		5/16"
	24H1136	WASHER	1		11/32" X 11/16" X 0.065"
19	AR49602	WIRING HARNESS	2		
20	WIRING LEAD	1		330MM (13") STARTING CIRCUIT RELAY TO STARTING MOTOR GROUND, (MAKE FROM R66319 AND (2) R32022)
21	WIRING LEAD	1		(NOT REQUIRED)
22	AR54892	WIRING HARNESS	1		
	R28193	GROMMET	2		
23	AR54891	LAMP	2		

1G7

ELECTRICAL

CAB FRONT AND REAR LAMPS, TAIL LAMP, AND WARNING LAMPS (HINSON)

RWP5989 -UN-01JAN94



RWP5989

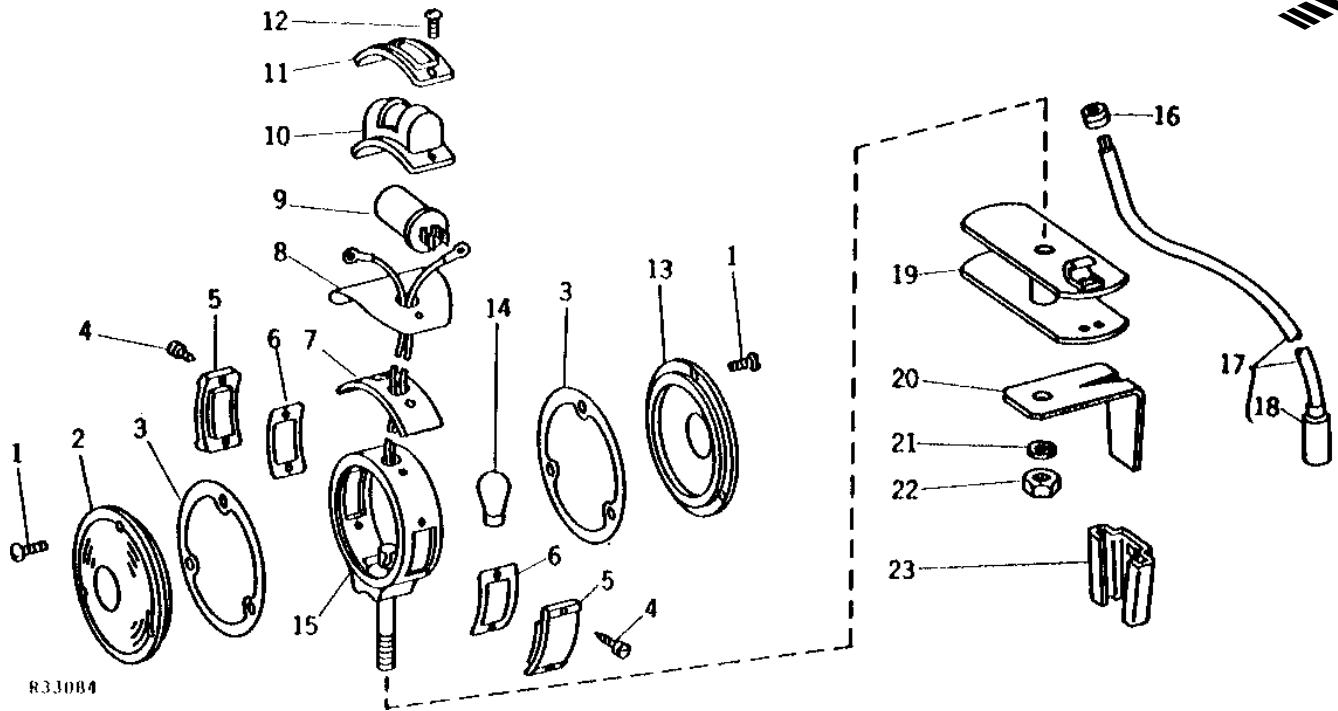
KEY	PART NO.	PART NAME	QTY	TRACTOR SERIAL NO.	REMARKS
1	R42689	BEZEL	1	(HOBBS)	
	R48293	BEZEL	1	(GUIDE)	
2	AR42591	HEADLIGHT	1	(12-VOLT) (FRONT AND REAR UPPER) (USE WITH AR42119)	
	AR104119	HEADLIGHT	1	(12-VOLT) (FRONT AND REAR UPPER) (USE WITH RE19075) (H7606)	
3	WIRING LEAD	1	165MM (6-1/2") SEALED UNIT TO TERMINAL PLATE, (MAKE FROM R66319 AND (2) R32016)	
4	21H1293	SCREW	2	0.164" X 5/16"	
5	12M7084	LOCK WASHER	2	0.169"	
6	AR42119	LAMP	1	(12-VOLT) (HOBBS OR GUIDE) (SUB RE19075, THIS APPLICATION)	
7	R30181	PLATE	1	(HOBBS)	
8	R27460	CLAMP	2		
9	R43662	BRACKET	1		
10	37H106	SCREW	2	3/8" X 5/8"	
11	19H2644	CAP SCREW	1	1/2" X 2-1/2"	
12	12H301	LOCK WASHER	2	1/2"	
13	14H856	NUT	1	1/2"	
14	12H292	LOCK WASHER	1	1/2"	
15	R38371	WASHER	1		
16	AR54975	LAMP	1		
	AD2062R	BULB	1	(12-16 VOLT) 32 C.P.	
	R42666	LENS	1	(AMBER)	
	R42667	LENS	1	(RED)	
17	37H2	SCREW	4	0.164" X 5/8"	
18	R45936	LENS	1		
19	R45937	GASKET	1		
20	AR48041	BULB	1		
21	AR48040	HOUSING	1	WITH LENS, (SUB AR78825)	
22	AR78825	TAIL LAMP	1	(SUB FOR AR45099)	
23	37H106	SCREW	4	3/8" X 5/8"	
24	14H971	NUT	2	1/2"	
25	AR54891	LAMP	1	(FRONT FRAME) (NLA)	
26	RE25125	DUAL BEAM LAMP	1	(12-VOLT) (FRONT LOWER) (SUB FOR AR48723)	
27	R31250	BEZEL	1		

1G8

ELECTRICAL

R33084 -UN-01JAN94

FLASHING WARNING LAMP (FOR TOWED IMPLEMENT)



R33084

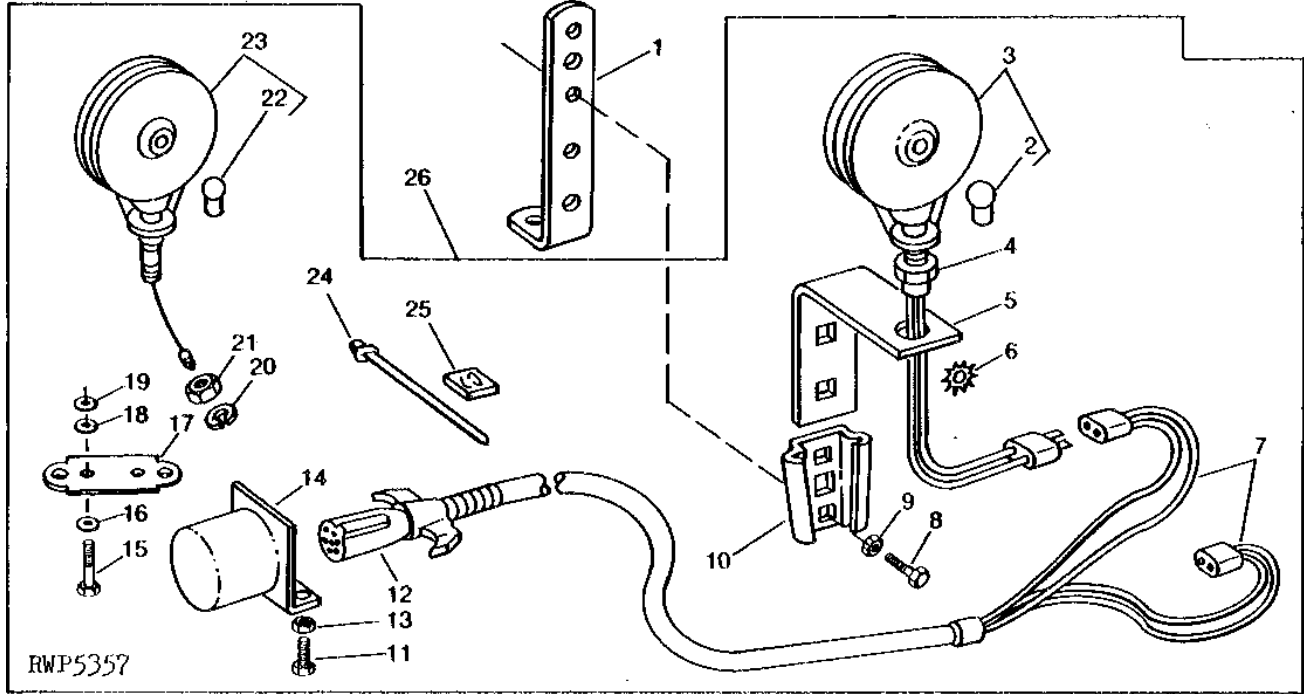
KEY	PART NO.	PART NAME	QTY	TRACTOR SERIAL NO.	REMARKS
1	21H1290	SCREW	2	0.138" X 1/2"	
2	A5275R	LENS	1		
	A5276R	LENS	1		
3	A5277R	GASKET	2	(NO LONGER AVAILABLE)	
4	37H46	SCREW	4		
5	A5278R	LENS	2		
6	A5279R	GASKET	2		
7	R41327	GASKET	1	(NO LONGER AVAILABLE)	
8	R41328	HOOD	1	(NO LONGER AVAILABLE)	
9	AR21858	FLASHER	1		
10	R41325	COVER	1	(NO LONGER AVAILABLE)	
11	R41326	BEZEL	1	(NO LONGER AVAILABLE)	
12	37H95	SCREW	2		
13	A5275R	LENS	1		
14	AA6218R	BULB	1		
15	HOUSING	1	(NO LONGER AVAILABLE)	
16	R2579R	GROMMET	1		
17	AR40710	PLUG	1		
18	AA5692R	ELECTRICAL PLUG	1		
19	AA6217R	REEL	1		
20	R63180	BRACKET	1	(SUB FOR A5273R)	
21	12H293	LOCK WASHER	1	7/16"	
22	14H1047	NUT	1	7/16"	
23	JD126	SOCKET	1		

1G9

ELECTRICAL

RWP5357 -UN-01JAN94

IMPLEMENT WARNING LAMP KIT



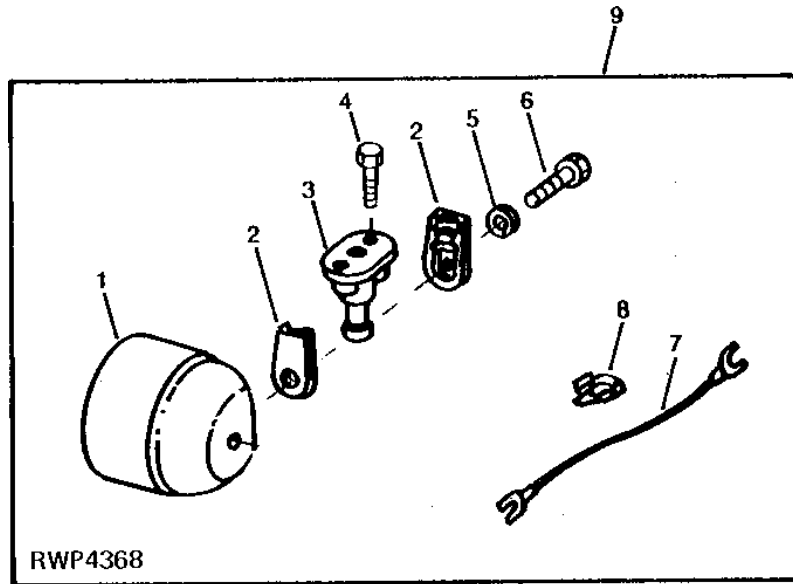
KEY	PART NO.	PART NAME	QTY	TRACTOR SERIAL NO.	REMARKS
1	A39716	BRACKET	2		
2	AD2062R	BULB	2		
3	AA34967	LAMP	2		(SUB FOR PT1293)
	A48331	LENS	2		
4	12H301	LOCK WASHER	2	1/2"	
	14H856	NUT	2	1/2"	
5	PT18180	BRACKET	2		(SUB FOR PT1624 OR PT9319)
6	PT9390	WASHER	1		
7	PT9318	WIRING HARNESS	1		(SUB FOR PT1294)
8	37H57	SCREW	5	5/16" X 3/4"	
9	14H785	NUT	5	5/16"	
10	JD126	SOCKET	2		
11	37H3	SCREW	2	1/4" X 5/8"	
12	AH93625	PLUG	1		
13	14H786	NUT	2	1/4"	
14	PT1296	BRACKET	1		
15	37H57	SCREW	5	5/16" X 3/4"	
16	24H1822	WASHER	1	11/32" X 7/8" X 1/16"	
17	PT9320	BRACKET	1		
18	24H1822	WASHER	1	11/32" X 7/8" X 1/16"	
19	14H788	NUT	5	3/8"	
20	12H301	LOCK WASHER	1	1/2"	
21	14H856	NUT	1	1/2"	
22	AR48041	BULB	1		
23	AA34968	TAIL LAMP	1		
	A48332	LENS	1		
24	R44302	TIE BAND	AR		
25	AT55441	BASE	AR		(SUB FOR PT1297 OR PT9321)
26	TY16055	KIT	1		(SUB FOR TY9305 OR TY15263) (FI)
..	AA32178	WIRING LEAD	1		ACCESSORY

1G10

ELECTRICAL

RWP4368 -UN-01JAN94

FLOOD LAMP KIT (REAR CENTER)



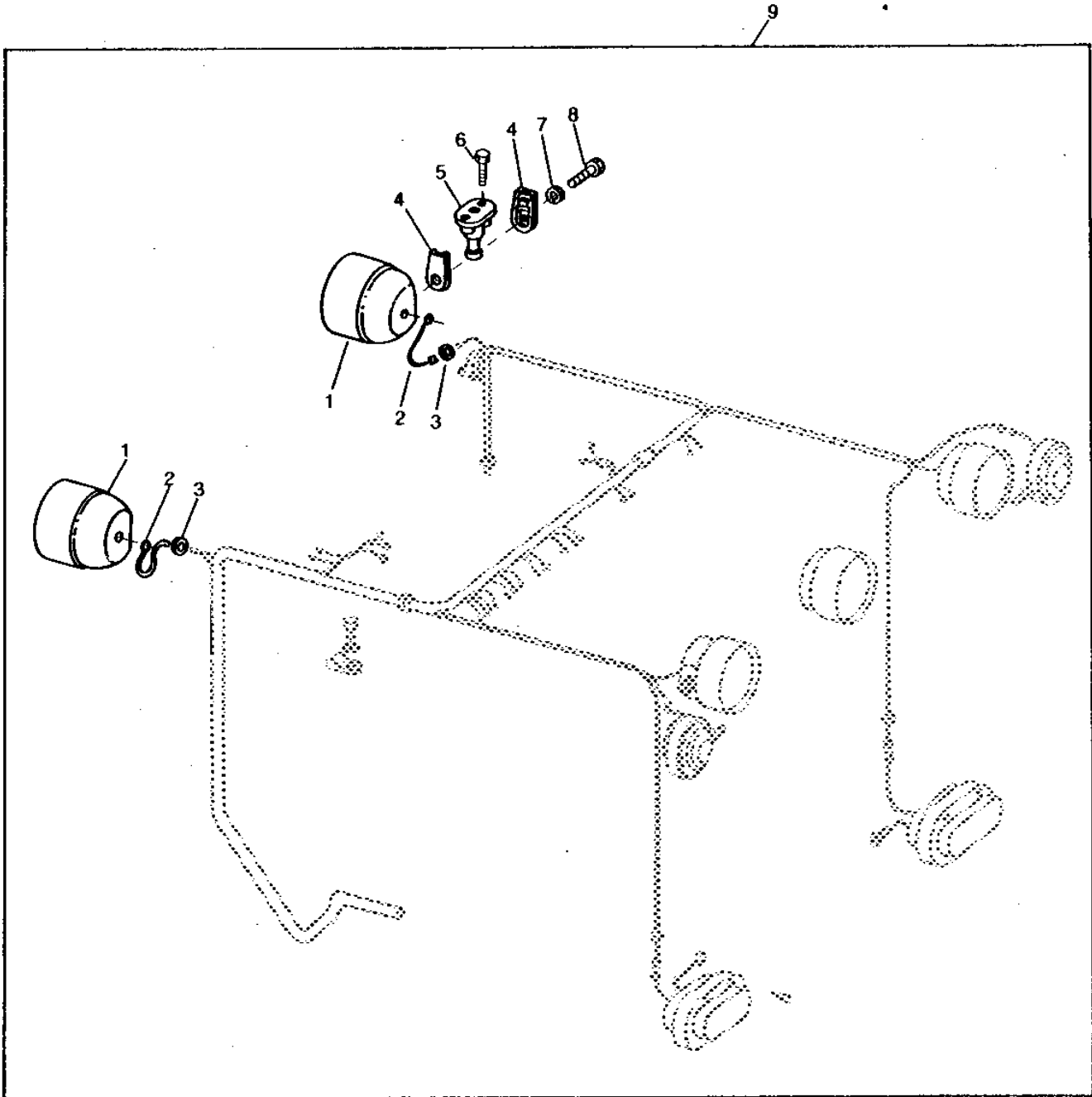
KEY	PART NO.	PART NAME	QTY	TRACTOR SERIAL NO.	REMARKS
1	AR42119	LAMP	1		(12-VOLT) (SUB RE19075, THIS APPLICATION)
2	R27460	CLAMP	2		
3	R43662	BRACKET	1		
4	37H106	SCREW	2		
5	12H301	LOCK WASHER	1	1/2"	
6	19H2644	CAP SCREW	2	1/2" X 2-1/2"	
7	WIRING LEAD	1	689MM (27")	(MAKE FROM (2) AR32016 AND R66319)
8	R21551	CLIP	2		
9	AR52604	KIT	1		

1G11

ELECTRICAL

RWP4369 -UN-01JAN94

FLOOD LAMP KIT
(UPPER FRONT)



RWP4369

1G12

ELECTRICAL

FLOOD LAMP KIT - CONTINUED
(UPPER FRONT)

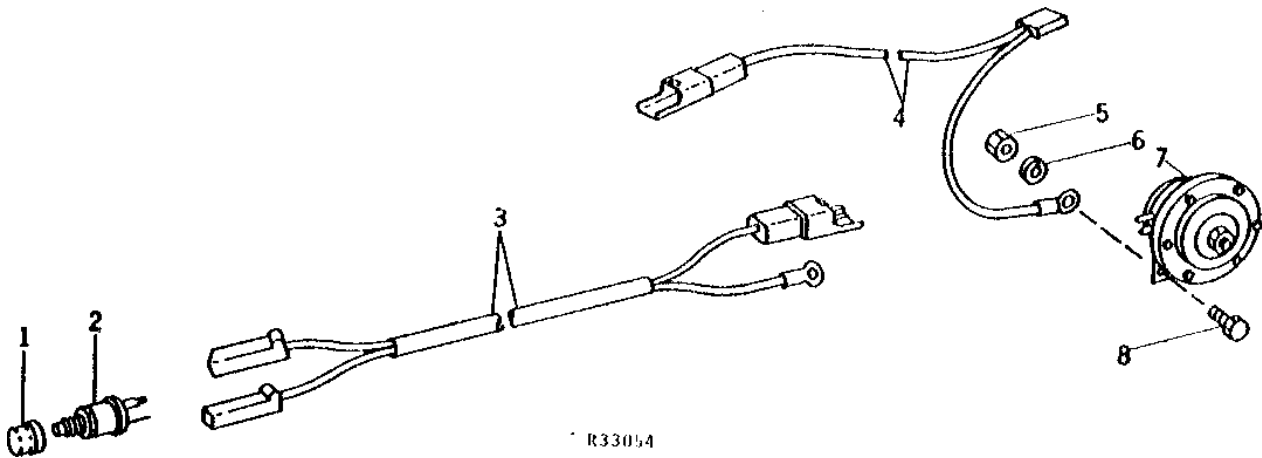
KEY	PART NO.	PART NAME	QTY	TRACTOR SERIAL NO.	REMARKS
1	AR42119	LAMP	2		(12-VOLT) (SUB RE19075, THIS APPLICATION)
	AR104119	HEADLIGHT	2		HALOGEN, (USE WITH RE19075)
2	WIRING LEAD	2		191MM (7-1/2") (MAKE FROM R32018, R66319 AND R32027) (ALSO ORDER R32025)
3	R2579R	GROMMET	2		
4	R27460	CLAMP	4		
5	R43662	BRACKET	2		
6	37H106	SCREW	4		
7	12H301	LOCK WASHER	2	1/2"	
8	19H2644	CAP SCREW	4	1/2" X 2-1/2"	
9	AR51968	KIT	1		

1G13

ELECTRICAL

R33054 -UN-01JAN94

HORN



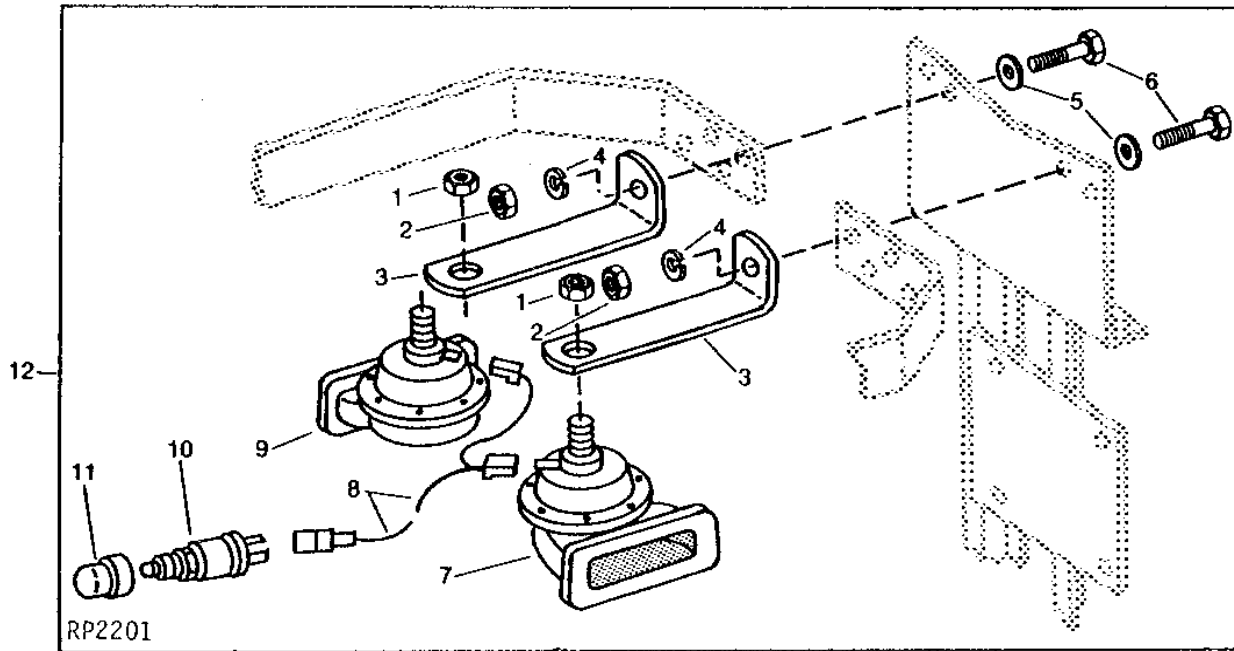
KEY	PART NO.	PART NAME	QTY	TRACTOR SERIAL NO.	REMARKS
1	T55501	CAP	1		(SUB FOR AR47374, THIS APPLICATION)
2	AR21823	SWITCH	1		
3	AR46730	WIRING HARNESS	1		
4	AR73580	WIRING HARNESS	1		(SUB FOR AR49038)
5	14H785	NUT	1		5/16"
6	12H303	LOCK WASHER	1		5/16"
7	AL14896	HORN	1		(12-VOLT) (SUB FOR AR49036 OR AR73579)
8	19H1813	CAP SCREW	1		5/16" X 5/8"
..	AR49032	HORN	1		(NLA)

1G14

ELECTRICAL

RP2201 -UN-01JAN94

DUAL HORN ASSEMBLY



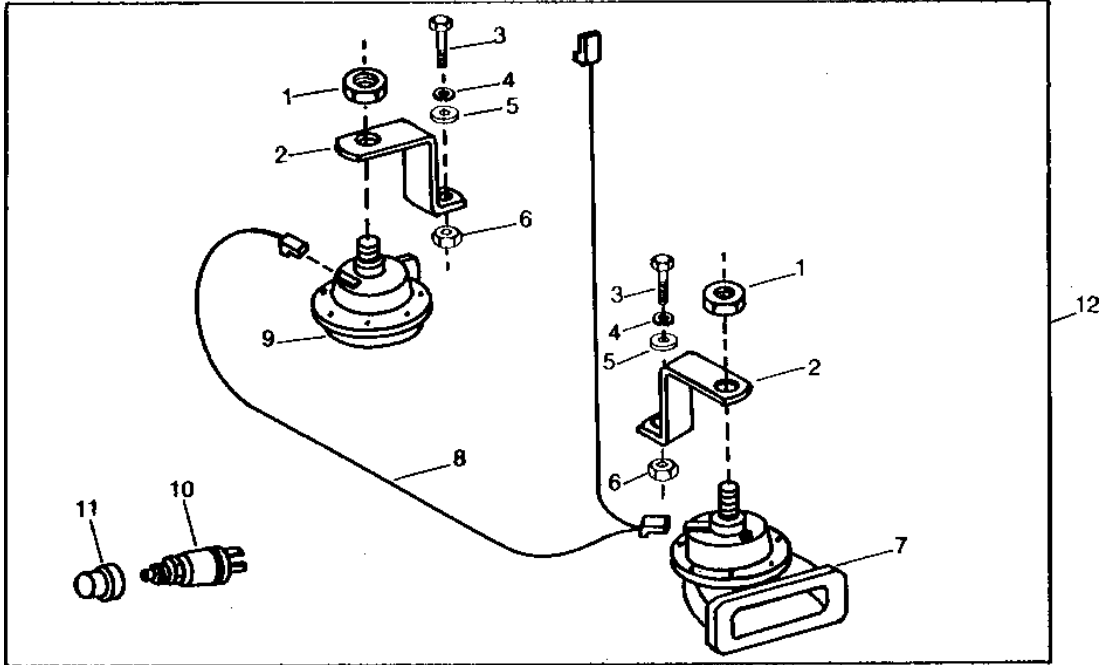
KEY	PART NO.	PART NAME	QTY	TRACTOR SERIAL NO.	REMARKS
1	R11278	NUT	2		
2	14H785	NUT	2	5/16"	
3	R64699	BRACKET	2	(ILLUSTRATED)	
	R66069	BRACKET	2	(SUB R75833)	
4	12H303	LOCK WASHER	2	5/16"	
5	24H1136	WASHER	2	11/32" X 11/16" X 0.065"	
6	19H1849	CAP SCREW	2	5/16" X 1-1/4"	
7	R64700	LOW NOTE HORN	1	(12-VOLT) (LOW NOTE)	
8	AR85578	WIRING HARNESS	1		
9	AT39043	HIGH NOTE HORN	1	(12-VOLT) (HIGH NOTE)	
10	AR21823	SWITCH	1		
11	T55501	CAP	1		
12	AR81178	HORN	1	(NLA)	

1G15

ELECTRICAL

RWP4230 -UN-01JAN94

DUAL HORN ASSEMBLY



RWP4230

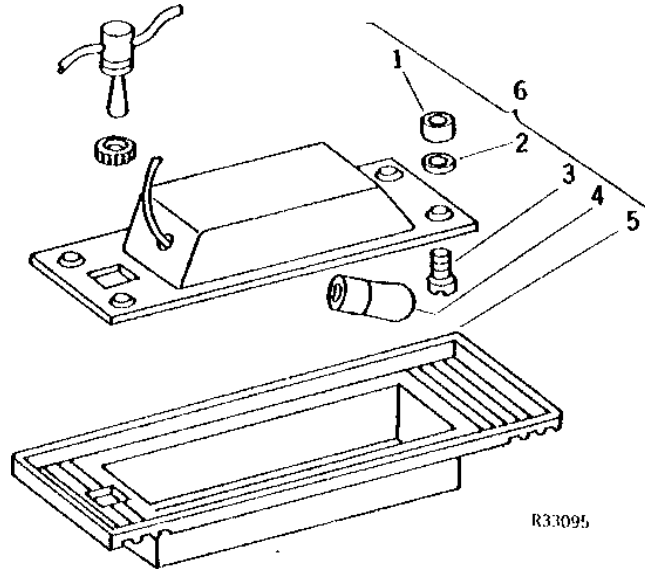
KEY	PART NO.	PART NAME	QTY	TRACTOR SERIAL NO.	REMARKS
1	R11278	NUT	2		
2	R75833	BRACKET	2		
3	19H1849	CAP SCREW	2	5/16" X 1-1/4"	
4	12H303	LOCK WASHER	2	5/16"	
5	24H1136	WASHER	2	11/32" X 11/16" X 0.065"	
6	14H785	NUT	2	5/16"	
7	R64700	LOW NOTE HORN	1		(12-VOLT) (LOW NOTE)
8	AR85578	WIRING HARNESS	1		
9	AT39043	HIGH NOTE HORN	1		(12-VOLT) (HIGH NOTE)
10	AR21823	SWITCH	1		
11	T55501	CAP	1		
12	AR102454	HORN	1		(SUB FOR AR81178) (ORDER INDIVIDUAL SERVICE PARTS)

1G16

ELECTRICAL

DOMELIGHT (HINSON CAB)

R33095 -UN-01JAN94



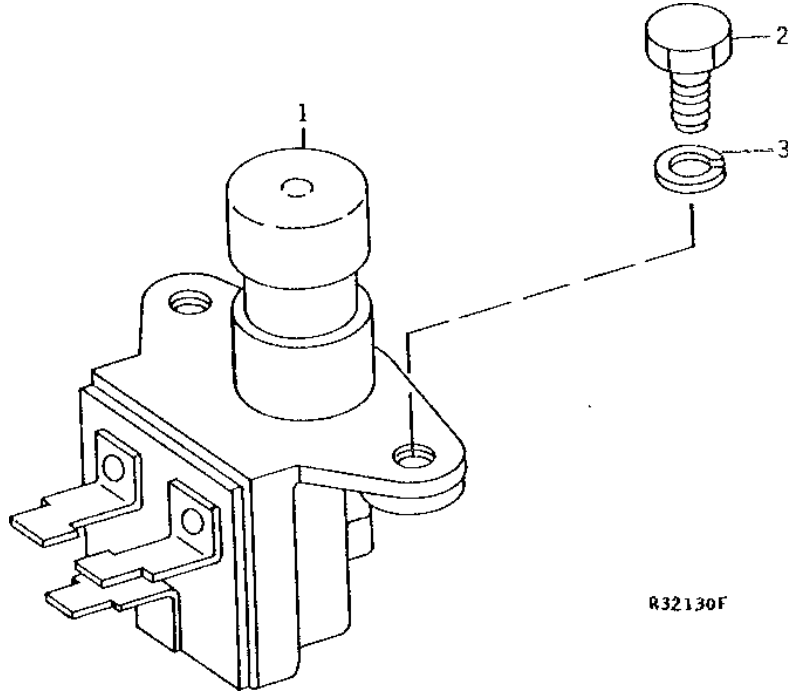
KEY	PART NO.	PART NAME	QTY	TRACTOR SERIAL NO.	REMARKS
1	14H1026	NUT	4	0.138"	
2	12H314	LOCK WASHER	4	0.138"	
3	21H1353	SCREW	4	0.138" X 3/4"	
4	AR86969	BULB	1	(SUB FOR AR21739)	
5	R47886	LENS	1		
6	AR50260	LAMP	1		
..	WIRING LEAD	1	203MM (8") DOME LIGHT GROUND, (MAKE FROM R66319, R32018 AND R32025)	
..	WIRING LEAD	1	164MM (6-1/2") DOME LIGHT POWER, (MAKE FROM R32027 AND R32025)	

1G17

ELECTRICAL

R32130 -UN-01JAN94

DIMMER SWITCH



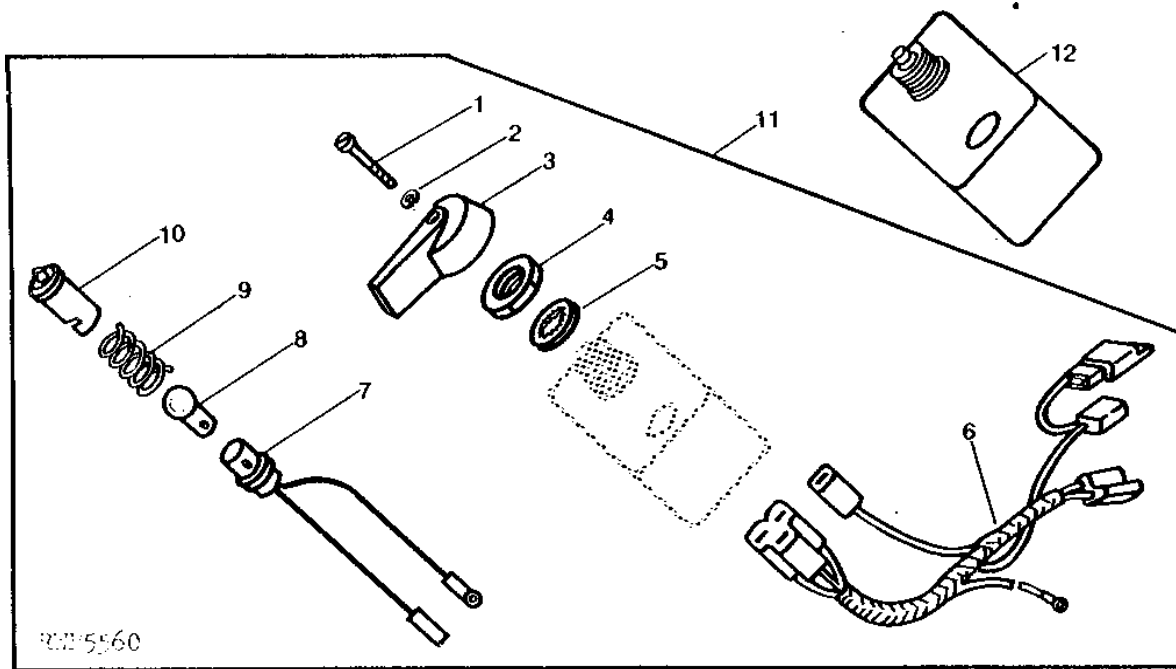
KEY	PART NO.	PART NAME	QTY	TRACTOR SERIAL NO.	REMARKS
1	AR48725	DIMMER SWITCH	1		
2	19H1919	CAP SCREW	2	1/4" X 5/8"	
3	12H302	LOCK WASHER	2	1/4"	

1G18

ELECTRICAL

TURN SIGNAL CONTROL AND INDICATORS (TRACTOR SERIAL NO. 003061-)

RWP5560 -UN-01JAN94



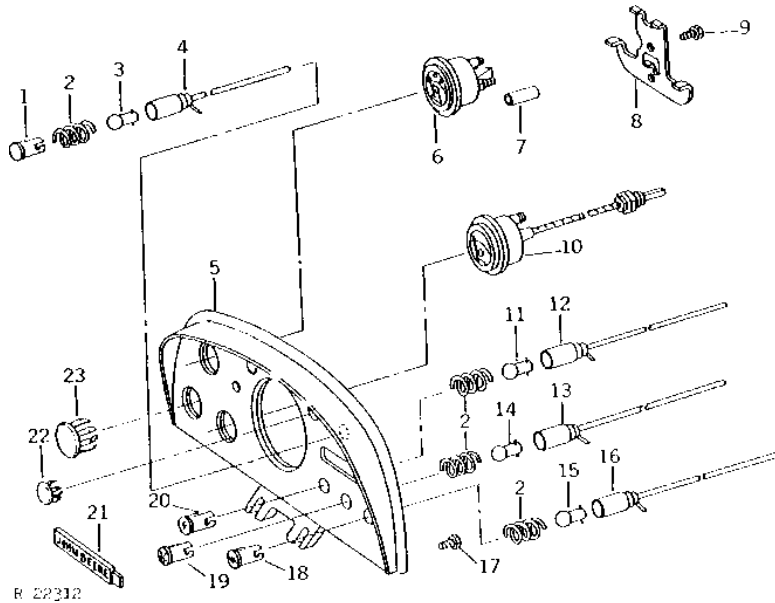
KEY	PART NO.	PART NAME	QTY	TRACTOR SERIAL NO.	REMARKS
1	21H1372	SCREW	1	1/8" X 3/8"	
2	12H233	LOCK WASHER	1	1/8"	
3	R56026	KNOB	1		
4	R56410	NUT	1		
5	12H327	LOCK WASHER	1	3/4"	
6	AR74340	WIRING HARNESS	1		TURN SIGNAL SWITCH, (SUB FOR AR67344)
	AR67628	WIRING HARNESS	1		(CONTROLLER TO FRONT L.H. WARNING LAMP)
7	AR67340	WIRING HARNESS	2		
8	R56409	BULB	2	2 C.P.	
9	R30378	SPRING	2		
10	AR67690	LENS	2		
11	AR68276	HANDLE	1		
12	AR64422	TURN SIGNAL CONTROLLER	1		

1G19

ELECTRICAL

R22312 -UN-01JAN94

INSTRUMENT PANEL, INSTRUMENTS, AND INDICATOR LAMPS



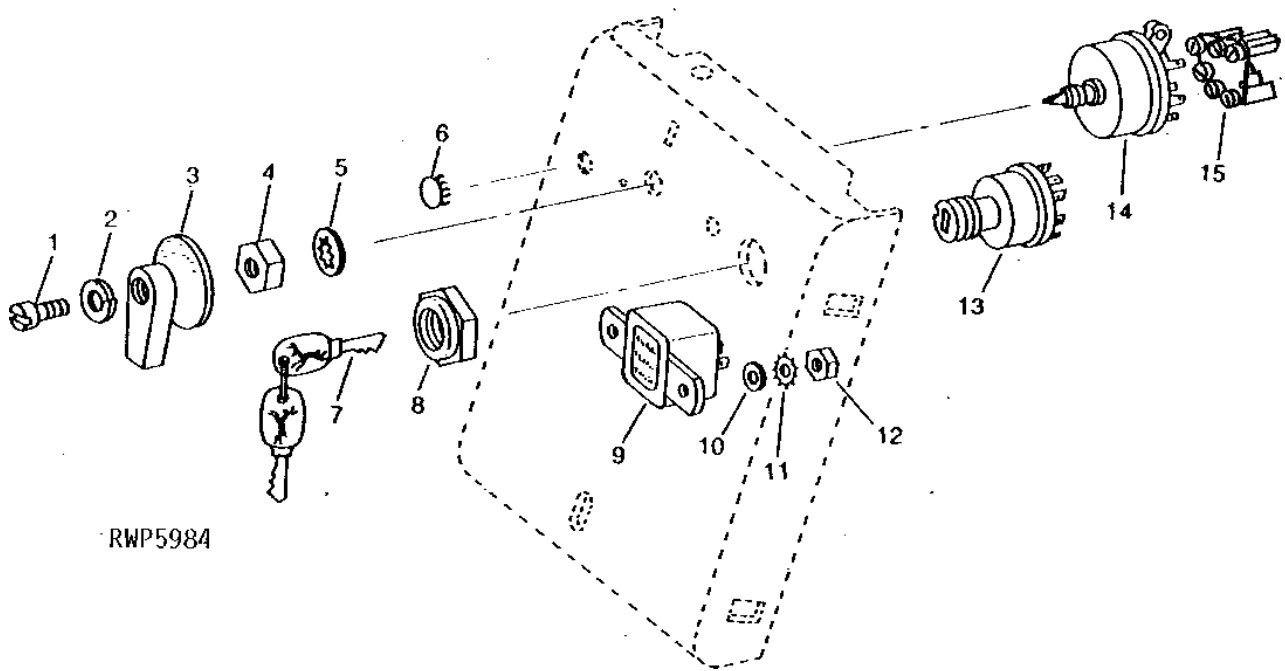
KEY	PART NO.	PART NAME	QTY	TRACTOR SERIAL NO.	REMARKS
1	AR47916	LENS	1		
2	R30378	SPRING	4		
3	AR50440	LAMP	1		
4	AR50508	INDICATOR LIGHT	1		
5	AR68199	INSTRUMENT PANEL	1		(SUB FOR AR51160) (SUB R56320 AND (2) T16738)
6	AR45436	GAUGE	1		
7	R46160	BUSHING	1		
8	R44198	CLAMP	1		
9	37H98	SCREW	2		NO. 10 X 7/8"
10	AR54946	PYROMETER	1		
11	AR50439	LAMP	1		
12	AR48034	INDICATOR LIGHT	1	-XXXXXX	(ALTERNATOR)
	AT44165	WIRING LEAD	1	XXXXXX-	
13	AR48033	INDICATOR LIGHT	1	-XXXXXX	(AIR CLEANER FILTER) (SUB AT44165, AR45439, AR55694 AND R30378)
	AT44165	WIRING LEAD	1	XXXXXX-	
14	AR50439	LAMP	1		
15	AR55694	BULB	1		(SUB FOR R30379)
16	AR48035	INDICATOR LIGHT	1	-XXXXXX	(ENGINE OIL PRESSURE) (SUB AT44165, AT48674, AR55694 AND R30378)
	AT44165	WIRING LEAD	1	XXXXXX-	
17	37M7245	SCREW	2		NO. 10 X 3/8"
18	AR45437	LENS	1	-XXXXXX	(SUB AT48674)
	AT48673	LENS	1	XXXXXX-	
19	AR45439	LENS	1		
20	AR45438	LENS	1	-XXXXXX	(SUB AT48673)
	AT48673	LENS	1	XXXXXX-	
21	AR45440	IDENTIFICATION PLATE	1		
22	T16738	PLUG	2		
23	R34337	PLUG	1		(SUB M61266)
..	R49025	LABEL	1		

1G20

ELECTRICAL

LIGHT AND IGNITION SWITCHES

RWP5984 -UN-01JAN94



RWP5984

KEY	PART NO.	PART NAME	QTY	TRACTOR SERIAL NO.	REMARKS
1	21H1299	SCREW	1		0.164" X 3/8"
2	12H315	LOCK WASHER	1		0.164"
3	R46092	LEVER	1	-XXXXXX	(SUB AR54445)
	AR54445	KNOB	1	XXXXXX-	
4	A4655R	NUT	1		
5	12H292	LOCK WASHER	1		1/2"
6	R28473	PLUG	1		
7	AR51481	KEY	1		
8	R44342	NUT	1		
9	AR48594	FLASHER	1	-003060	
10	24H1283	WASHER	2	-003060	7/32" X 1/2" X 0.049"
11	12M7060	WASHER	2	-003060	0.209"
12	14H631	NUT	2	-003060	0.190"
13	AR58126	KEY SWITCH	1		(SUB FOR AR53452)
	AR47459	CYLINDER	1		WITH KEYS, (USE WITH AR53452)
14	AR48724	LIGHT SWITCH	1		
15	AR83425	RECEPTACLE CONNECTOR BODY	1		

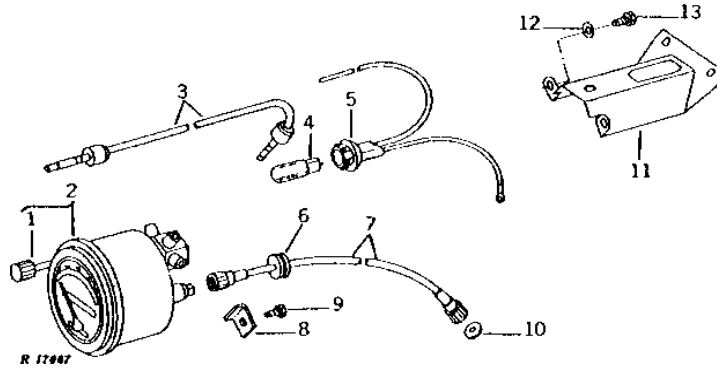
MEMORANDA

1G21

ELECTRICAL

R17087 -UN-01JAN94

SPEED-HOUR METER



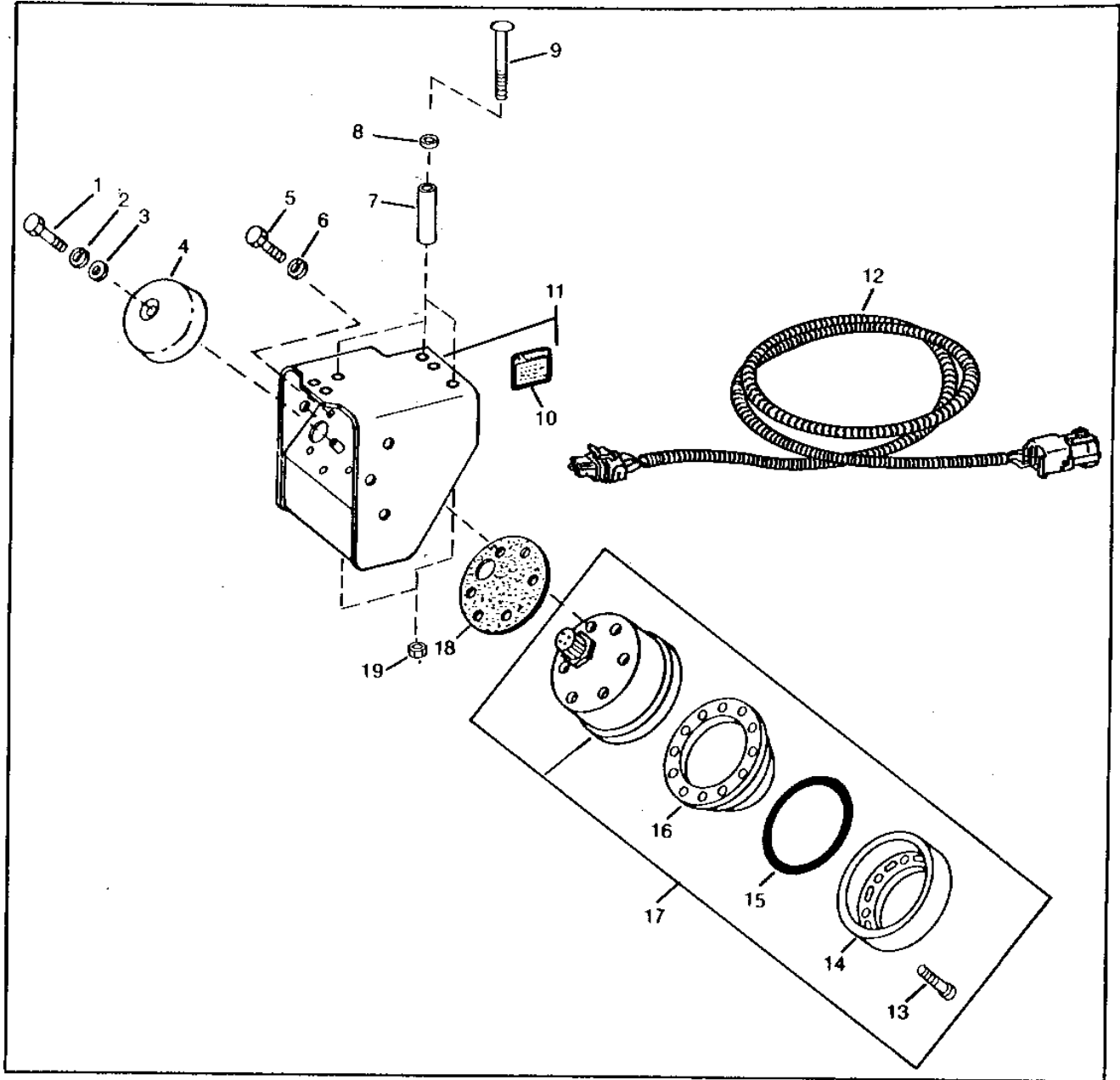
KEY	PART NO.	PART NAME	QTY	TRACTOR SERIAL NO.	REMARKS
1	AR40802	KNOB	1		
2	AR53098	TACHOMETER	1		
3	AR48016	WIRING LEAD	2		
4	AR48015	BULB	1		
5	AR50838	WIRING HARNESS	1		
6	R41440	GROMMET	1		
7	AT17503	CABLE	1		
	AT17504	CORE	1	INNER	
8	R34206	CLAMP	2		
9	37M7245	SCREW	2	NO. 10 X 3/8"	
10	B3285R	WASHER	1		
11	R41706	SUPPORT	1		
12	24H1283	WASHER	2	7/32" X 1/2" X 0.049"	
13	37H121	SCREW	2	NO. 10 X 5/8"	

1G22

ELECTRICAL

RXP9306 -UN-01JAN94

RADAR SENSOR



RXP9306

20

1G23

ELECTRICAL

RADAR SENSOR - CONTINUED

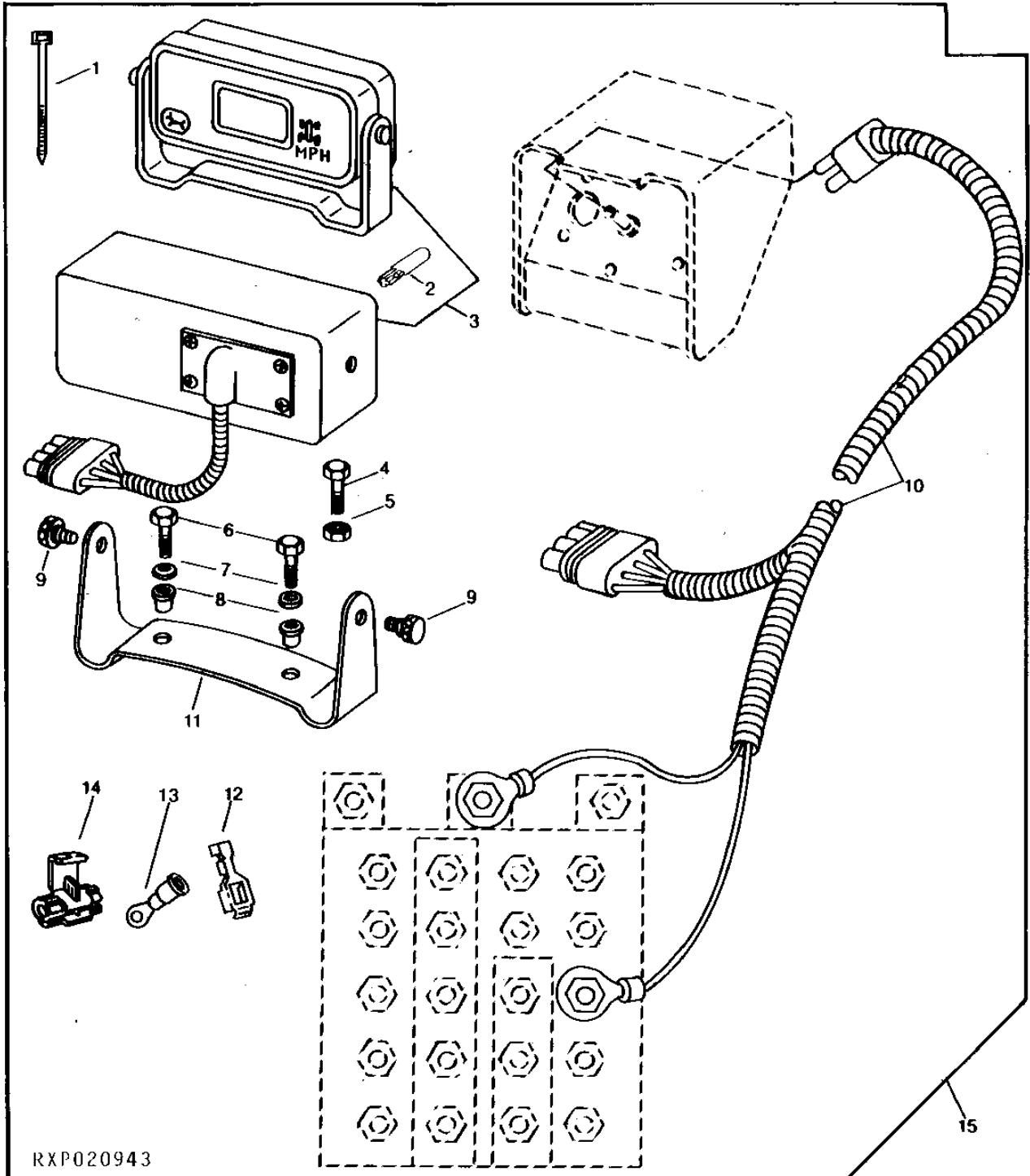
KEY	PART NO.	PART NAME	QTY	TRACTOR SERIAL NO.	REMARKS
1	19H1813	CAP SCREW	1	5/16" X 5/8"	
2	12H303	LOCK WASHER	1	5/16"	
3	24H1136	WASHER	1	11/32" X 11/16" X 0.065"	
4	R82355	SHIELD	1		
5	19H1813	CAP SCREW	6	5/16" X 5/8"	
6	12H303	LOCK WASHER	6	5/16"	
7	28H3343	BUSHING	3	0.546" X 0.840" X 5-3/8"	
8	24H1625	WASHER	2	17/32" X 1" X 0.120"	
9	03H2052	BOLT	3	1/2" X 6-1/2"	
10	R120107	LABEL	1	(ENGLISH)	
	R120106	LABEL	1	(FRENCH)	
	R105942	LABEL	1	(GERMAN)	
	R120108	LABEL	1	(SPANISH)	
	L65000	LABEL	1		
11	RE46317	BRACKET	1	(SUB FOR RE21096 OR RE38707)	
12	RE46414	WIRING HARNESS	1		
13	R82239	SCREW	12		
14	R82237	SNAP RING	1		
15	R82238	O-RING	1		
16	R82236	COVER	1		
17	RE43025	RADAR SENSOR	1	(SUB FOR RE21073)	
18	R82243	GASKET	1		
19	14H1040	NUT	3	1/2"	
20	AR111058	SENSOR	1	(SUB FOR RE21510 OR RW26466) (FI)	

1G24

ELECTRICAL

PERFORMANCE TRAK II MINI-MONITOR (ANALOG TACHOMETER)

RXP020943 -UN-12OCT94



RXP020943

1G25

ELECTRICAL

PERFORMANCE TRAK II MINI-MONITOR - CONTINUED
(ANALOG TACHOMETER)

KEY	PART NO.	PART NAME	QTY	TRACTOR SERIAL NO.	REMARKS
1	R44302	TIE BAND	AR		
2	RE22589	LAMP	1		
3	RE21112	MONITOR CONSOLE	1		
4	19H1978	CAP SCREW	3	7/16" X 1-1/2"	
	12H293	LOCK WASHER	3	7/16"	
5	14H1047	NUT	3	7/16"	
	14H786	NUT	2	1/4"	
6	19H1914	CAP SCREW	2	1/4" X 1"	
7	24H1287	WASHER	4	9/32" X 5/8" X 0.065"	
8	R82423	NUT	2	RUBBER	
9	R83055	WING SCREW	2		
10	RE21113	WIRING HARNESS	1	3500MM (138")	
11	R83109	BRACKET	1		
12	U46662	TERMINAL	1		
13	R77489	TERMINAL	1		
	R84158	TERMINAL	1		
14	AR67855	CONNECTOR	3		
15	RE21738	MONITOR CONSOLE	1	(FI)	

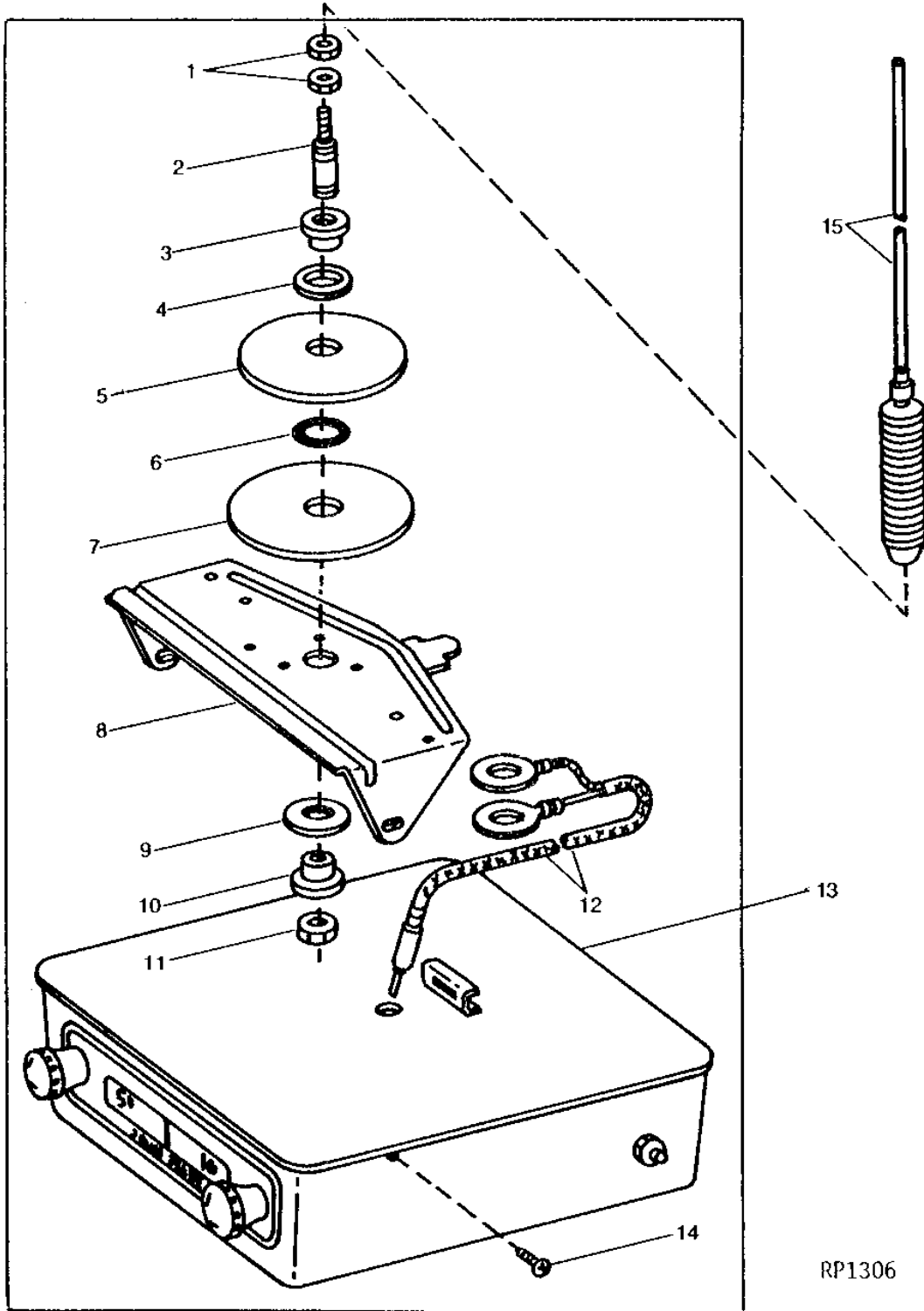
1H1

ELECTRICAL

RP1306

-UN-01JAN94

CAB RADIO



RP1306

1H2

ELECTRICAL

CAB RADIO - CONTINUED

KEY	PART NO.	PART NAME	QTY	CAB SERIAL NO.	REMARKS
1	R53512	WELD NUT	2		
2	R53515	BUSHING	1	(NLA)	
3	R53516	WASHER	1	(LONG) (NLA)	
4	R53518	WASHER	1	(NLA)	
5	R53519	WASHER	1	(NLA)	
6	B2762R	O-RING	1	(NLA)	
7	R53520	WASHER	1	(NLA)	
8	R53521	BRACKET	1	(NLA)	
9	R53522	WASHER	1		
10	R53517	BUSHING	1	(SHORT) (NLA)	
11	R53512	WELD NUT	3	(NLA)	
12	AR60084	WIRING LEAD	1	(NLA)	
13	AR68363	RADIO	1	(A) (ALSO ORDER AR46986) (SUB FOR AR60083)	
				(NLA)	
14	AR60089	SCREW	2	(NLA)	
15	AR46986	ANTENNA	1		
..	AR41758	CAPACITOR	1		
..	R42799	RESISTOR	1		

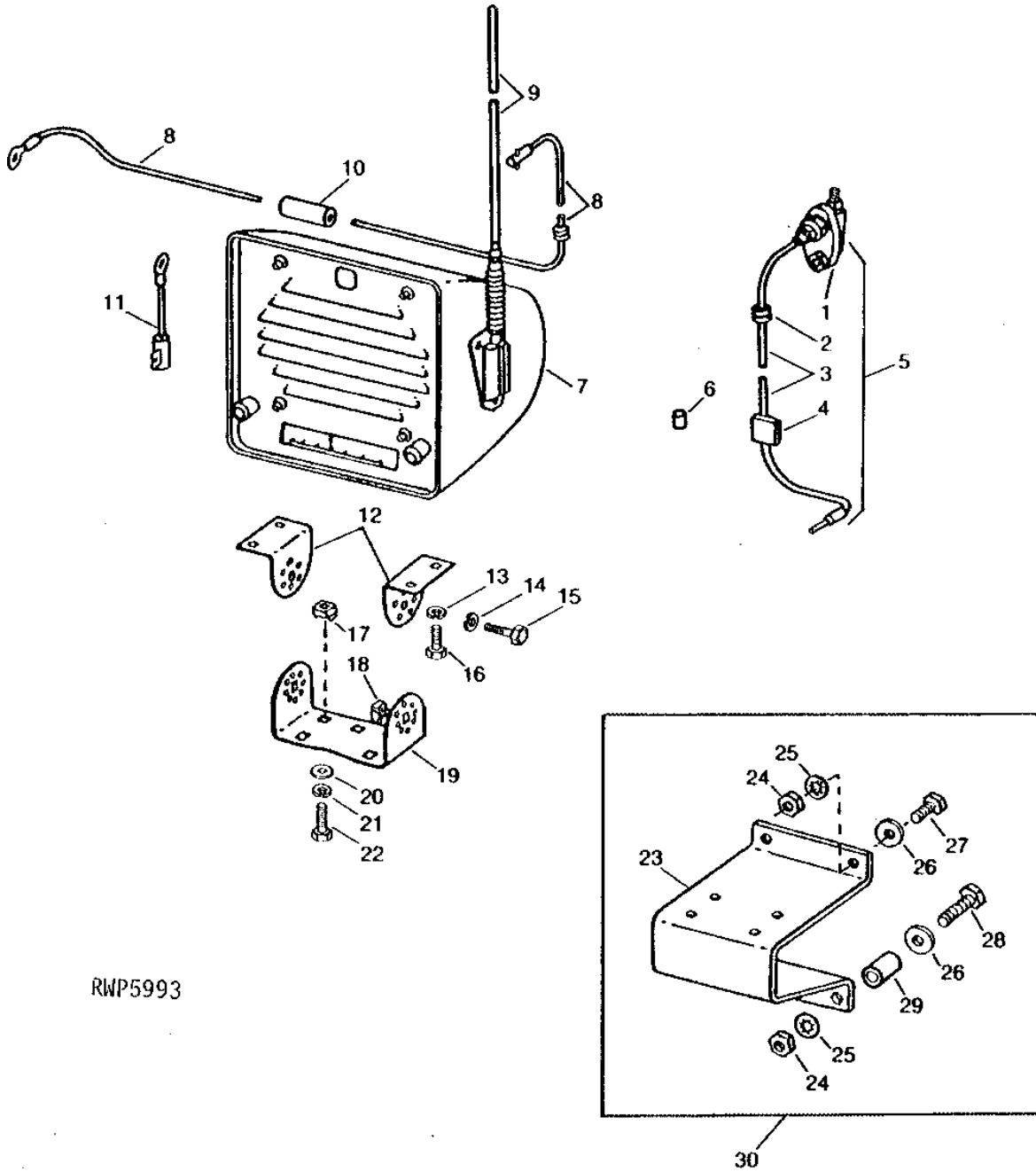
(A) CHECK AUDIOVOX DIRECT - SHIP PROGRAM GUIDE

1H3

ELECTRICAL

RWP5993 -UN-01JAN94

RADIO
(BENDIX)



RWP5993

1H4

ELECTRICAL

**RADIO - CONTINUED
(BENDIX)**

KEY	PART NO.	PART NAME	QTY	TRACTOR SERIAL NO.	REMARKS
1	AR46984	BASE	1		
2	R27583	GROMMET	1		
3	AR46985	WIRING LEAD	1		
4	R47474	CLIP	1		(SUB FOR R45137)
5	AR46983	BASE	1		(WITH CAB) (NLA)
6	R45136	PLUG	1		
7	TY15267	TIRE CHAINS	1		(A) (ALSO ORDER AR46986) (SUB FOR AR57157, AR68362, AR68361, AR101245 OR TY15155) (NLA)
8	AR41756	WIRING LEAD	1		
9	AR41760	ANTENNA	1		
	AR46986	ANTENNA	1		(THREADED TYPE)
10	R42799	RESISTOR	1		
11	AR41758	CAPACITOR	1		
12	R46505	BRACKET	2		
13	12H297	LOCK WASHER	4		1/4"
14	12H310	LOCK WASHER	2		3/8"
15	19H1936	CAP SCREW	2		3/8" X 3/4"
16	19H1227	CAP SCREW	4		1/4" X 1/2"
17	AR41951	NUT	4		
18	AR41950	NUT	2		
19	R41880	BRACKET	1		
20	24H1294	WASHER	4		11/32" X 1-1/8" X 1/16"
21	12M7032	LOCK WASHER	4		0.331"
22	19H1813	CAP SCREW	4		5/16" X 5/8"
23	R49057	BRACKET	1		
24	14H785	NUT	4		5/16"
25	12M7032	LOCK WASHER	4		0.331"
26	24H1294	WASHER	4		11/32" X 1-1/8" X 1/16"
27	19H1813	CAP SCREW	2		5/16" X 5/8"
28	19H1875	CAP SCREW	2		5/16" X 1-3/4"
29	28H1495	SPACER	2		0.493" X 0.675" X 1"
30	AR52479	KIT	1		RADIO MOUNTING (NLA)

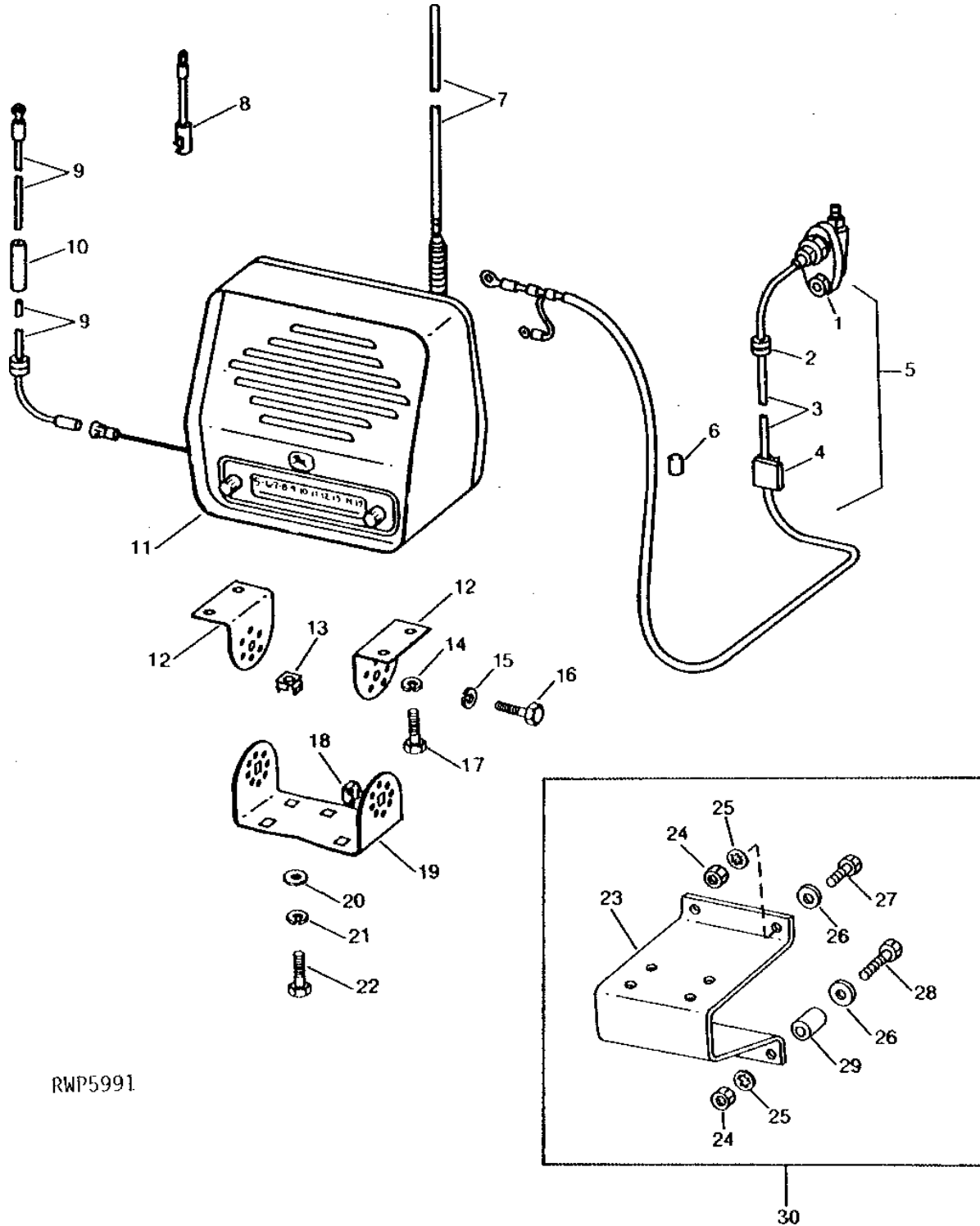
(A) CHECK AUDIOVOX DIRECT - SHIP PROGRAM GUIDE

1H5

ELECTRICAL

RWP5991 -UN-01JAN94

RADIO
(MOTOROLA)



RWP5991

1H6

ELECTRICAL

**RADIO - CONTINUED
(MOTOROLA)**

KEY	PART NO.	PART NAME	QTY	TRACTOR SERIAL NO.	REMARKS
1	AR46984	BASE	1		
2	R27583	GROMMET	1		
3	AR51484	WIRING LEAD	1		
4	R47474	CLIP	4		(SUB FOR R45137)
5	AR51483	BASE	1		(WITH CAB)
6	R45136	PLUG	1		
7	AR46986	ANTENNA	1		
8	AR41758	CAPACITOR	1		
9	AR41756	WIRING LEAD	1		
10	R42799	RESISTOR	1		
11	TY15155	RADIO	1		(A) (ALSO ORDER AR46986) (SUB TY15267) (SUB FOR AR57156, AR68361 OR AR101245) (NLA)
12	R52408	BRACKET	2		
13	AR41951	NUT	3		
14	12H297	LOCK WASHER	4		1/4"
15	12H310	LOCK WASHER	2		3/8"
16	19H1936	CAP SCREW	2		3/8" X 3/4"
17	19H1227	CAP SCREW	4		1/4" X 1/2"
18	AR41950	NUT	2		
19	R41880	BRACKET	1		
20	24H1294	WASHER	3		11/32" X 1-1/8" X 1/16"
21	12M7032	LOCK WASHER	2		0.331"
22	19H1813	CAP SCREW	3		5/16" X 5/8"
23	R49057	BRACKET	1		
24	14H785	NUT	4		5/16"
25	12M7032	LOCK WASHER	4		0.331"
26	24H1294	WASHER	4		11/32" X 1-1/8" X 1/16"
27	19H1813	CAP SCREW	2		5/16" X 5/8"
28	19H1875	CAP SCREW	2		5/16" X 1-3/4"
29	28H1495	SPACER	2		0.493" X 0.675" X 1"
30	AR52479	KIT	1		RADIO MOUNTING (HINSON CAB) (NLA)

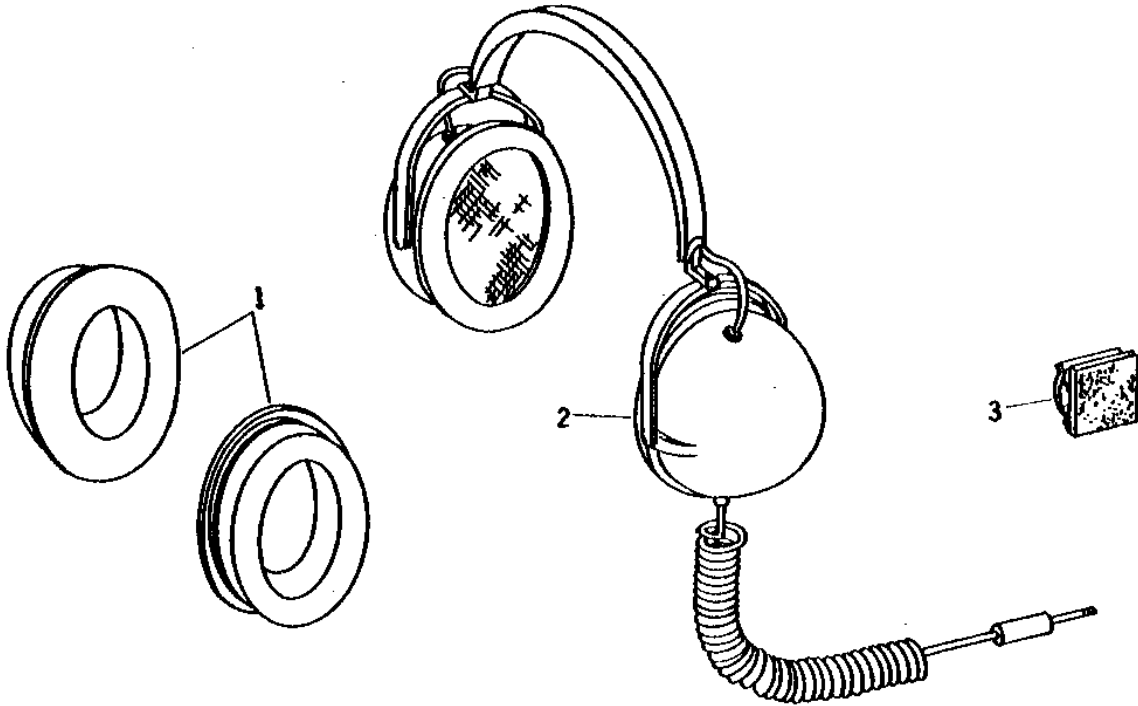
(A) CHECK AUDIOVOX DIRECT - SHIP PROGRAM GUIDE

1H7

ELECTRICAL

R33062 -UN-01JAN94

RADIO HEADPHONES



R33062

KEY	PART NO.	PART NAME	QTY	CAB SERIAL NO.	REMARKS
1	AR73311	FOAM PAD	1		(SUB FOR R53409) (PKG. OF 2)
2	AR59663	HEADPHONES	1		(A) (NLA)
3	R53410	CLIP	1		

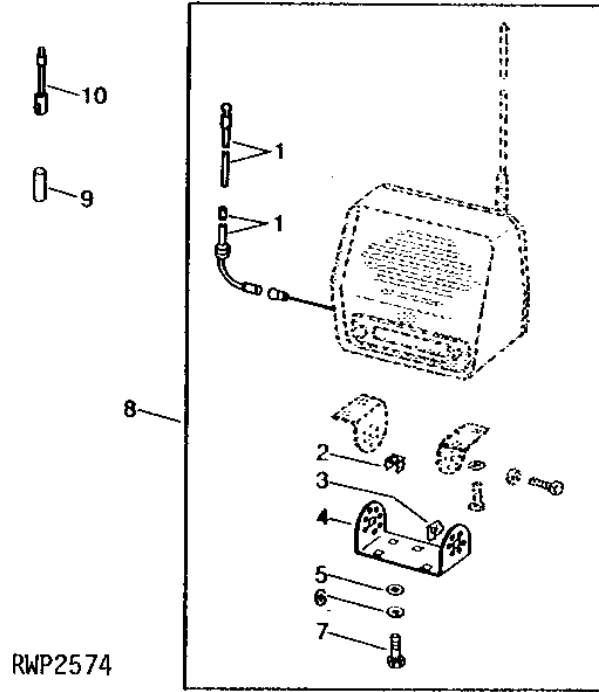
(A) CHECK AUDIOVOX DIRECT - SHIP PROGRAM GUIDE

1H8

ELECTRICAL

RWP2574 -UN-01JAN94

RADIO MOUNTING KIT



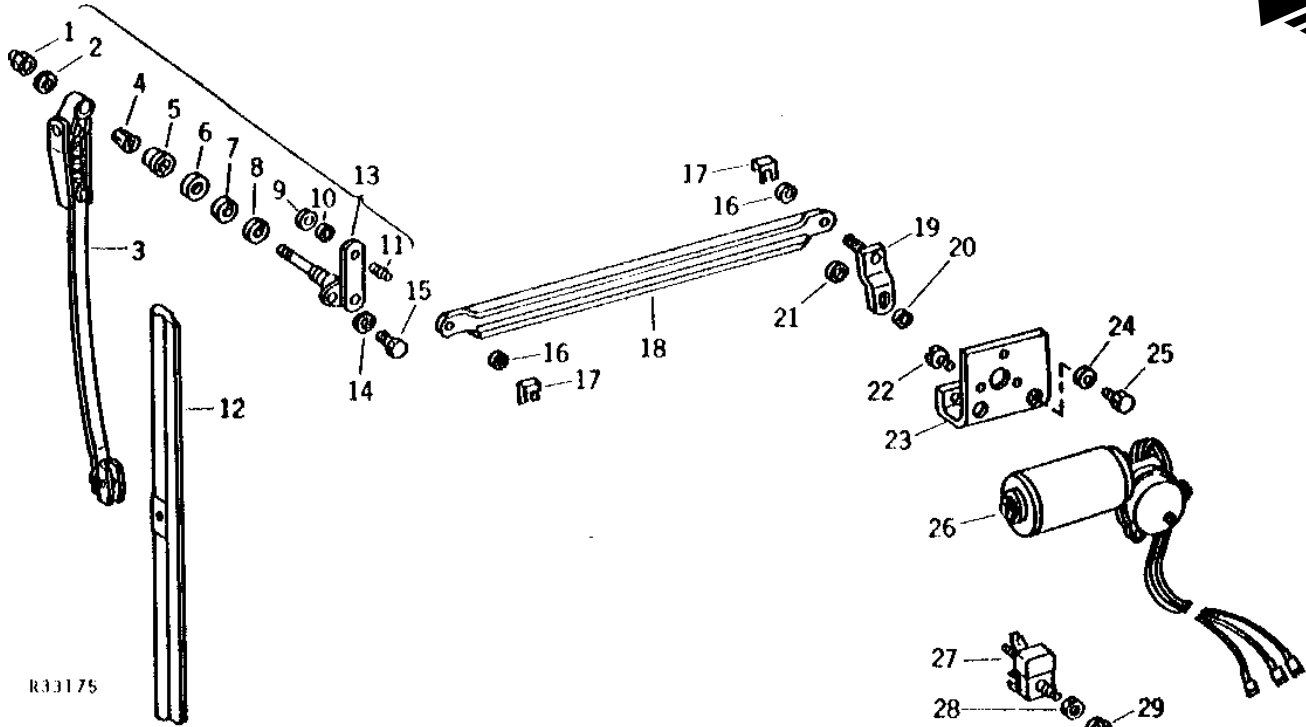
KEY	PART NO.	PART NAME	QTY	TRACTOR SERIAL NO.	REMARKS
1	AR41756	WIRING LEAD	1		
2	AR41951	NUT	3		
3	AR41950	NUT	2		
4	R41880	BRACKET	1		
5	24H1294	WASHER	3		11/32" X 1-1/8" X 1/16"
6	12M7032	LOCK WASHER	3		0.331"
7	19H1813	CAP SCREW	3		5/16" X 5/8"
8	AR41754	KIT	1		(FOR 2ND VEHICLE RADIO APPLICATION)
9	R42799	RESISTOR	1		NOISE SUPPRESSOR
10	AR41758	CAPACITOR	1		

1H9

ELECTRICAL

WINDSHIELD WIPER (HINSON)

R33175 -UN-01JAN94



R33175

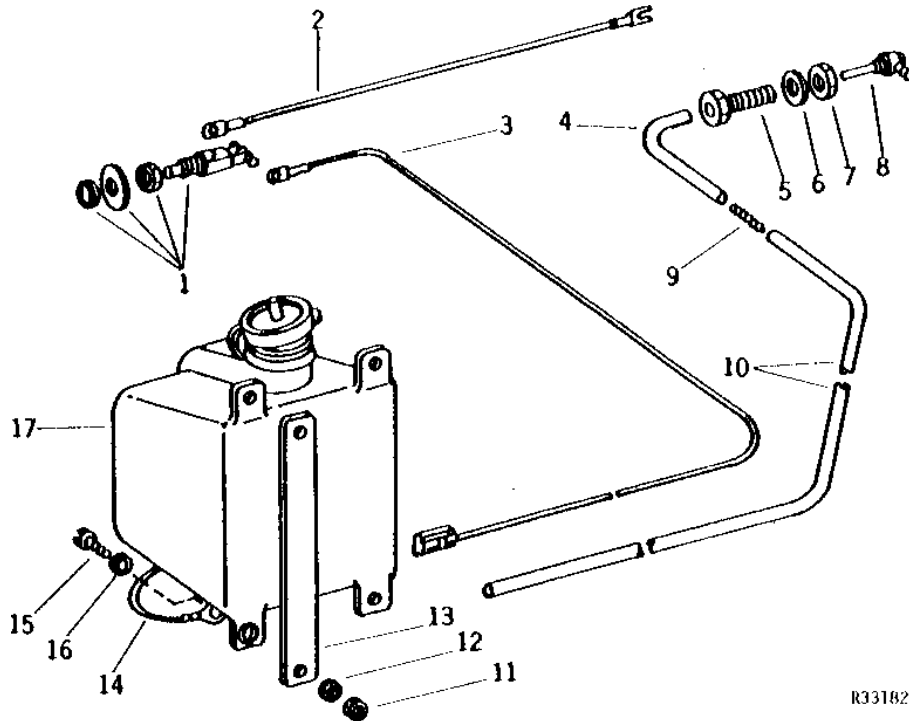
KEY	PART NO.	PART NAME	QTY	CAB SERIAL NO.	REMARKS
1	U46514	NUT	1		
2	12H303	LOCK WASHER	1	5/16"	
3	AR55155	ARM	1		
4	U46513	NUT	1		
5	U46512	CAP	1		
6	U46511	NUT	1		
7	U46510	WASHER	1		
8	U46509	WASHER	1		
9	14H649	NUT	1	1/4"	
10	12H297	LOCK WASHER	1	1/4"	
11	U46507	PIN	1		
12	AU42026	WIPER BLADE	1		
13	AU43852	SHAFT	1	(SUB AT58209)	
14	12H329	LOCK WASHER	2	1"	
15	21H1317	SCREW	2	0.190" X 5/8"	
16	T32255	SHIM	2		
17	U46506	CLIP	2		
18	AR52294	LINK	1		
19	AU43954	ARM	1		
20	U46508	WASHER	1		
21	AU43857	LOCK NUT	1		
22	AU43854	SCREW	3		
23	R48875	BRACKET	1		
24	12H302	LOCK WASHER	2	1/4"	
25	19H1227	CAP SCREW	2	1/4" X 1/2"	
26	AR59444	MOTOR	1	(ALSO ORDER AR64992) (SUB FOR AT29855) (SUB AT66481 AND AT66482)	
27	AR45839	SWITCH	1	(USE WITH AT29855)	
	AR64992	WIPER SWITCH	1	(USE WITH AR59444)	
28	R44165	LOCK NUT	1		
29	AR69370	KNOB	1	(SUB FOR AR49969)	

1H10

ELECTRICAL

R33182 -UN-01JAN94

WINDSHIELD WASHER



R33182

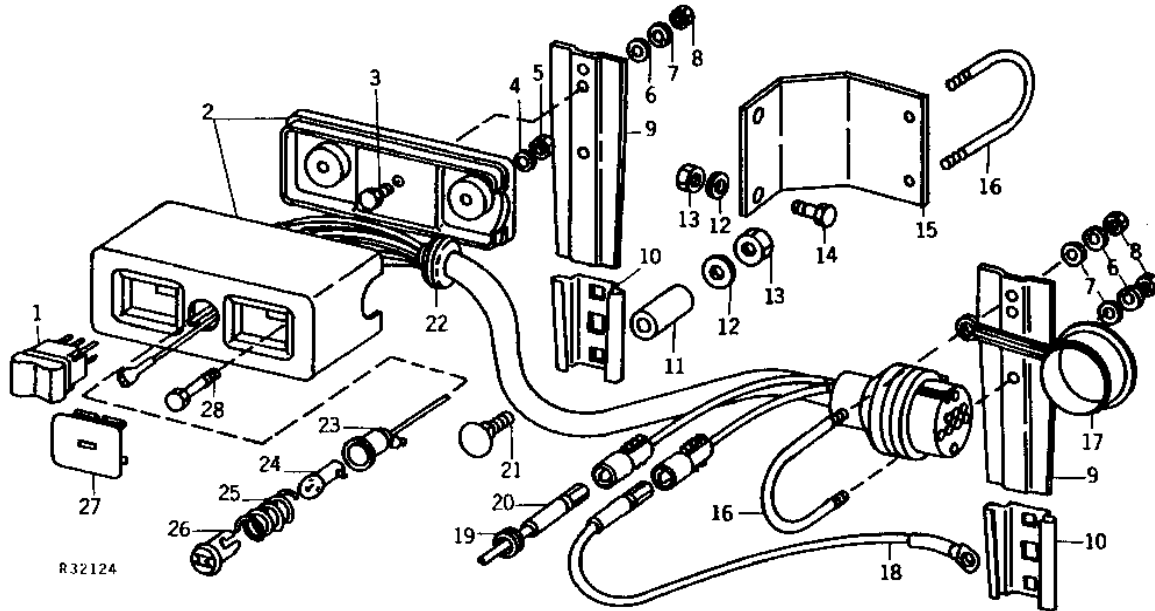
KEY	PART NO.	PART NAME	QTY	CAB SERIAL NO.	REMARKS
1	AR62294	WIPER/WASHER SWITCH	1		
2	AR62295	WIRING LEAD	1		(CIRCUIT BREAKER TO SWITCH) (NLA)
3	AR62296	WIRING LEAD	1		(SWITCH TO MOTOR)
4	HOSE	1		152MM (6") (MAKE FROM R54447)
5	R54446	BOLT	1		
6	D2865R	WASHER	1		(SUB 24H1111)
7	14H1040	NUT	1		1/2"
8	NOZZLE	1		(ORDER AR62293)
9	R54443	HOSE FITTING	1		
10	R54445	HOSE	1		2540MM (100") ROLL (CUT TO LENGTH)
11	14H786	NUT	4		1/4"
12	12H302	LOCK WASHER	4		1/4"
13	R54442	BRACKET	2		(NLA)
14	WIRING LEAD	1		
15	21H1303	SCREW	4		1/4" X 3/4"
16	24H1286	WASHER	4		9/32" X 1/2" X 1/16"
17	AR62293	KIT	1		(INCLUDES AR62294) (NLA)

1H11

ELECTRICAL

R32124 -UN-01JAN94

ELECTRICAL REMOTE CONTROL



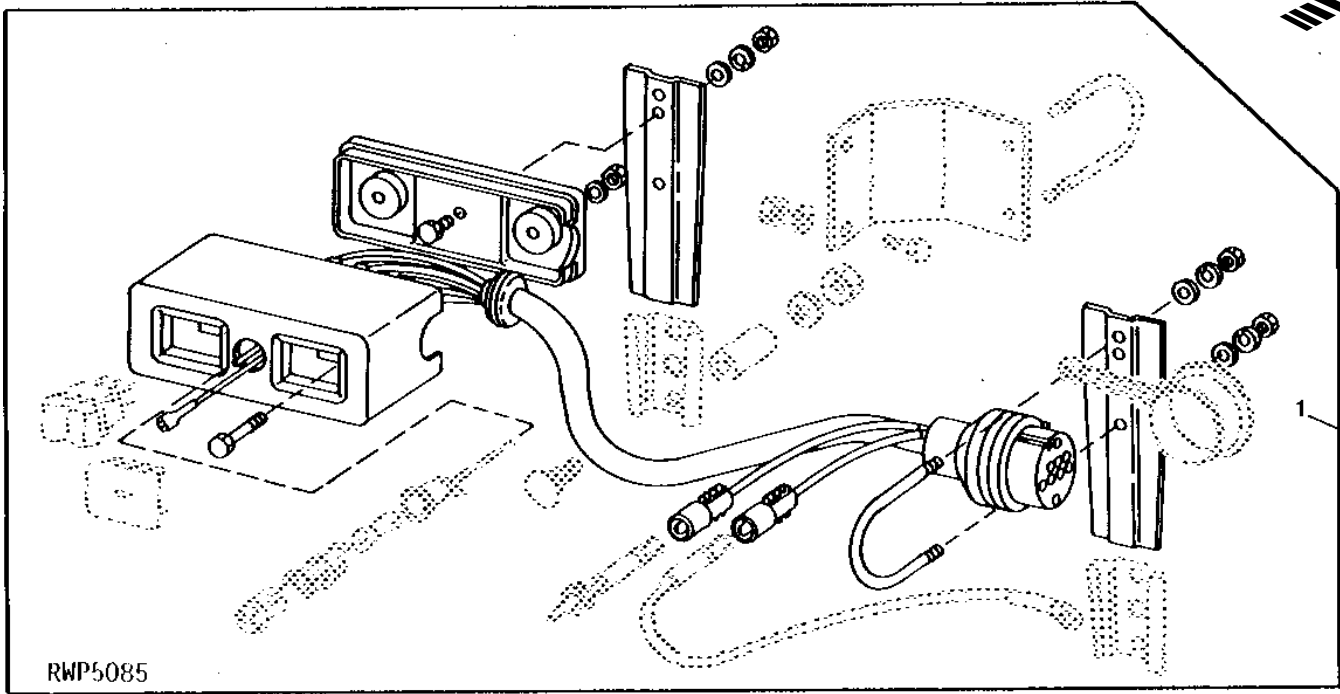
KEY	PART NO.	PART NAME	QTY	TRACTOR SERIAL NO.	REMARKS
1	AR49797	TOGGLE SWITCH	1		MOMENTARY ROCKER (FI)
	AR49798	ROCKER SWITCH	1		DETENT ROCKER (FI)
2	AR50779	WIRING HARNESS	1		(TWO SWITCH CONTROL)
	AR50780	WIRING HARNESS	1		(FOUR SWITCH CONTROL)
3	19H1914	CAP SCREW	1		1/4" X 1"
4	12H315	LOCK WASHER	2		0.164"
5	14H605	NUT	2		0.164"
6	24H1821	WASHER	3		9/32" X 47/64" X 1/16"
7	12H302	LOCK WASHER	3		1/4"
8	14H786	NUT	3		1/4"
9	R47861	BRACKET	AR		(2 USED, TWO SWITCH) (1 USED, FOUR SWITCH)
	R47860	BRACKET	1		(FOUR SWITCH)
10	JD126	SOCKET	2		
11	28H1495	SPACER	2		3/8" X 1"
12	24M7207	WASHER	4		8.400 X 24 X 2 MM
13	14H785	NUT	4		5/16"
14	21H1304	SCREW	2		5/16" X 3/4"
15	R54467	BRACKET	1		
16	E16050	U-BOLT	1		
17	R48048	CAP	1		
18	AR50928	WIRING LEAD	1		SWITCH BOX GROUND
19	H987R	GROMMET	4		
20	AR50927	WIRING LEAD	1		RELAY TO SWITCH BOX
21	03H1515	BOLT	2		5/16" X 2"
22	R36235	GROMMET	1		
23	AT44165	WIRING LEAD	1		INDICATOR
24	AR55694	BULB	1		
25	R30378	SPRING	1		
26	AT48673	LENS	1		
27	R48049	PLUG	1		
28	R48028	SCREW	2		
..	R48026	DECAL	1		WARNING
..	R48027	GROMMET	1		(CAB OPENING)
..	R32276	PLUG	1		(CAB OPENING)

1H12

ELECTRICAL

RWP5085 -UN-01JAN94

ELECTRICAL REMOTE CONTROL KIT



KEY	PART NO.	PART NAME	QTY	TRACTOR SERIAL NO.	REMARKS
1	AR62360	KIT	1	(TWO SWITCHES) (FI)	

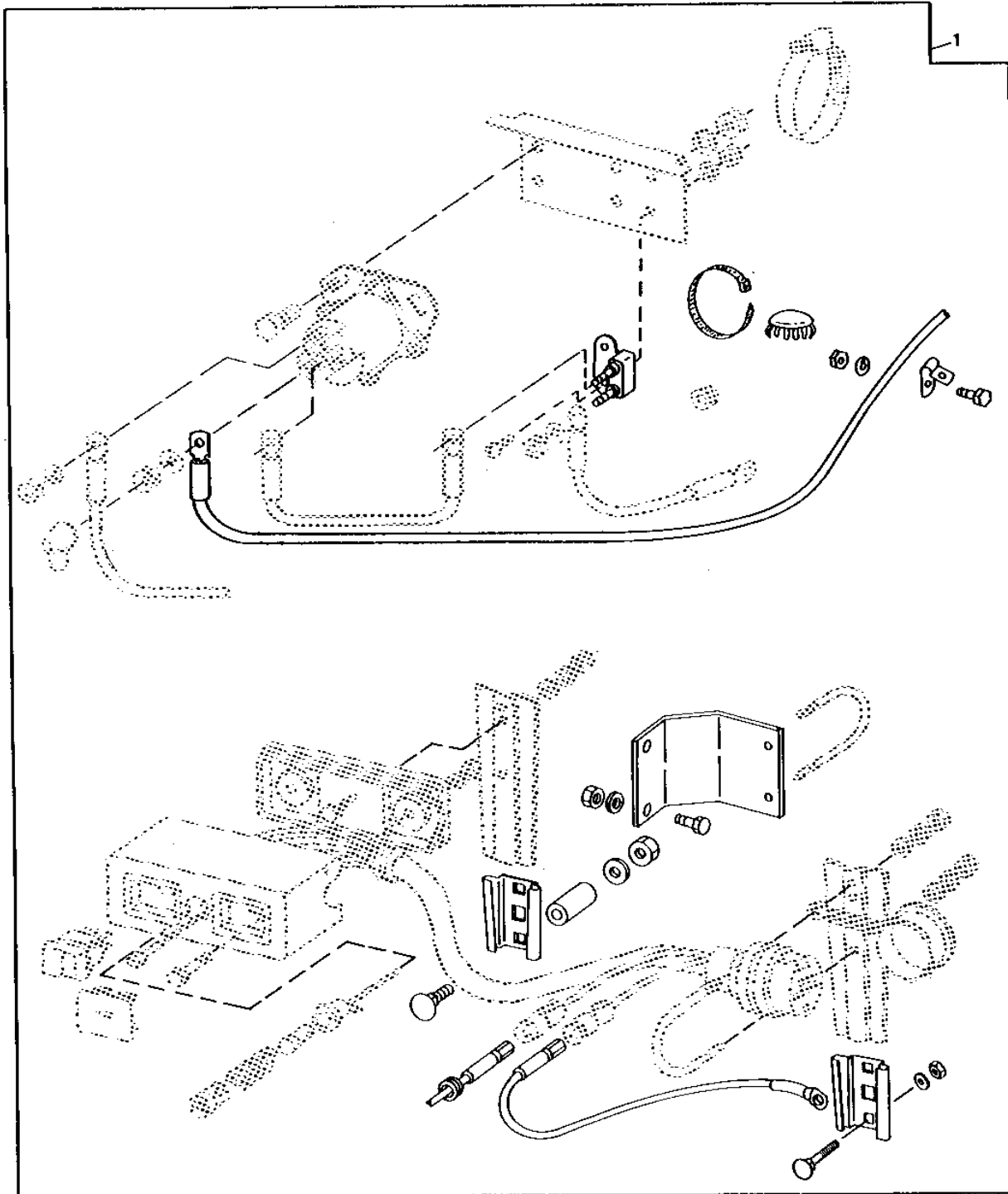
1H13

ELECTRICAL

RWP5666

-UN-01JAN94

ELECTRICAL REMOTE CONTROL WIRING KIT



RWP5666

1H14

ELECTRICAL

ELECTRICAL REMOTE CONTROL WIRING KIT - CONTINUED

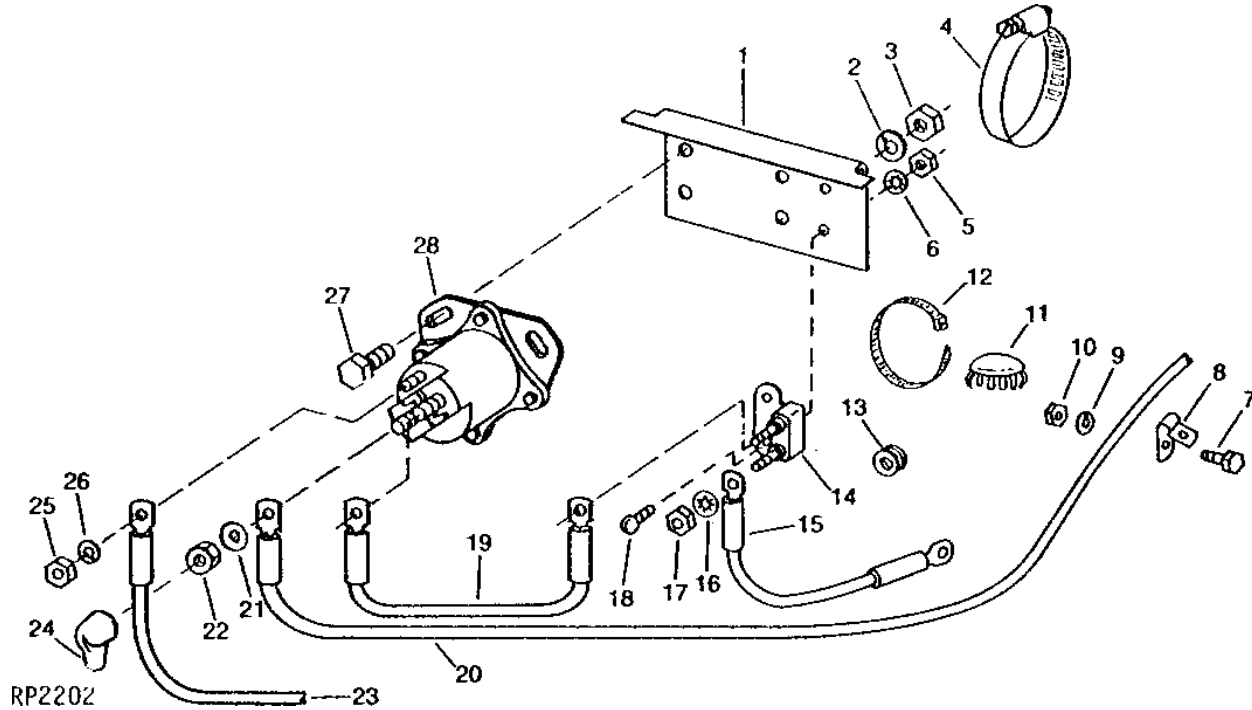
KEY	PART NO.	PART NAME	QTY	TRACTOR SERIAL NO.	REMARKS
1	RE25621	WIRING HARNESS	1	(SUB FOR AR62359)	

1H15

ELECTRICAL

RP2202 -UN-01JAN94

ELECTRIC REMOTE CONTROL WIRING



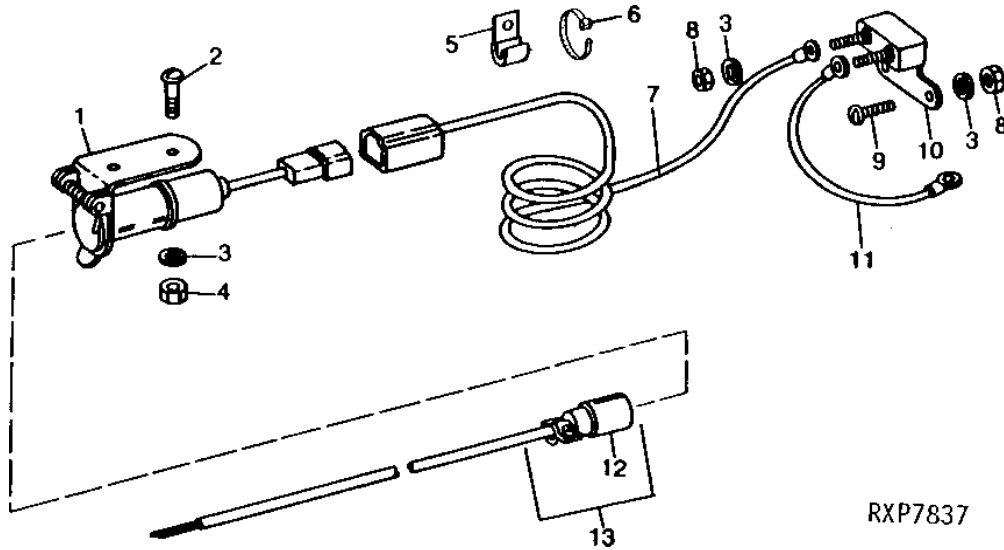
KEY	PART NO.	PART NAME	QTY	TRACTOR SERIAL NO.	REMARKS
1	R69109	BRACKET	1	(SUB FOR R47859)	
2	12H297	LOCK WASHER	2	1/4"	
3	14H786	NUT	2	1/4"	
4	AR52392	CLAMP	2		
5	14H631	NUT	2	0.190"	
6	12H295	LOCK WASHER	2	0.190"	
7	19H1731	CAP SCREW	2	3/8" X 1"	
8	T14264	CLAMP	2		
9	12H304	LOCK WASHER	2	3/8"	
10	14H732	NUT	2	3/8"	
11	R32276	PLUG	1	(CAB OPENING)	
12	R44302	TIE BAND	AR		
13	R41439	GROMMET	1	(USED FOR BANDING)	
14	AR50926	CIRCUIT BREAKER	1		
15	AR50930	WIRING LEAD	1		CIRCUIT BREAKER TO STARTER
16	12H295	LOCK WASHER	2	0.190"	
17	14H631	NUT	2	0.190"	
18	21H1295	SCREW	2	0.190" X 5/8"	
19	AR50929	WIRING LEAD	1		CIRCUIT BREAKER TO RELAY
20	AR50927	WIRING LEAD	1		RELAY TO SWITCH BOX
21	12H303	LOCK WASHER	2	5/16"	
22	14H785	NUT	2	5/16"	
23	AR50931	WIRING LEAD	1		RELAY TO IGNITION SWITCH
24	R36732	BOOT	2		
25	14H631	NUT	1	0.190"	
26	12H246	LOCK WASHER	1	0.190"	
27	19H1919	CAP SCREW	2	1/4" X 5/8"	
28	RE44657	RELAY	1	(FI)	

1H16

ELECTRICAL

RXP7837 -UN-23SEP94

ELECTRICAL OUTLET SOCKET



RXP7837

KEY	PART NO.	PART NAME	QTY	TRACTOR SERIAL NO.	REMARKS
1	AR26571	SOCKET	1		
2	21H1301	SCREW	2	0.190" X 1/2"	
3	12H295	LOCK WASHER	6	0.190"	
4	14H778	NUT	2	0.190"	
5	T32231	CLAMP	2	(SUB FOR R55618)	
6	R44302	TIE BAND	5		
7	WIRING LEAD	1	4153MM (163-1/2") (MAKE FROM R66321, T28585, U46662, R77493 AND R77471)	
8	14H631	NUT	4	0.190"	
9	21H1295	SCREW	2	0.190" X 5/8"	
10	AR28403	CIRCUIT BREAKER	1		
11	WIRING LEAD	1	152MM (6") (MAKE FROM R66321 AND (2) R77493)	
12	AA5692R	ELECTRICAL PLUG	1	(NLA)	
13	AR40710	PLUG	1		

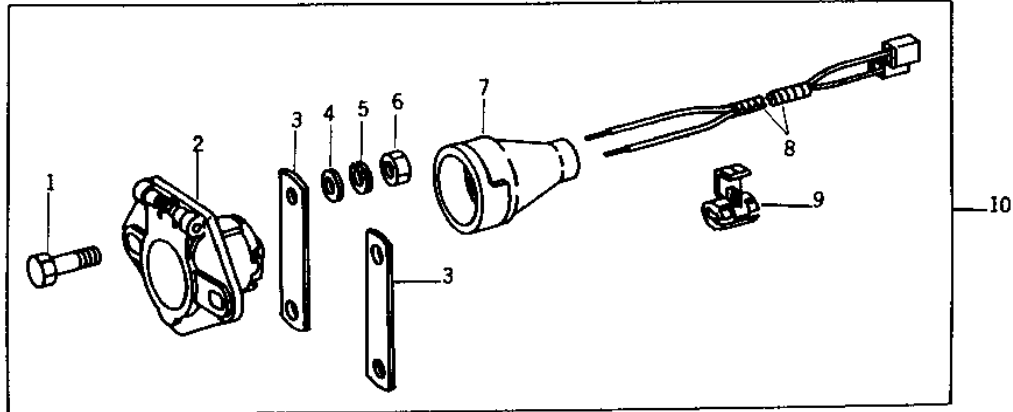
1H17

ELECTRICAL

R32128

-UN-01JAN94

7-TERMINAL ELECTRICAL OUTLET SOCKET



R32128

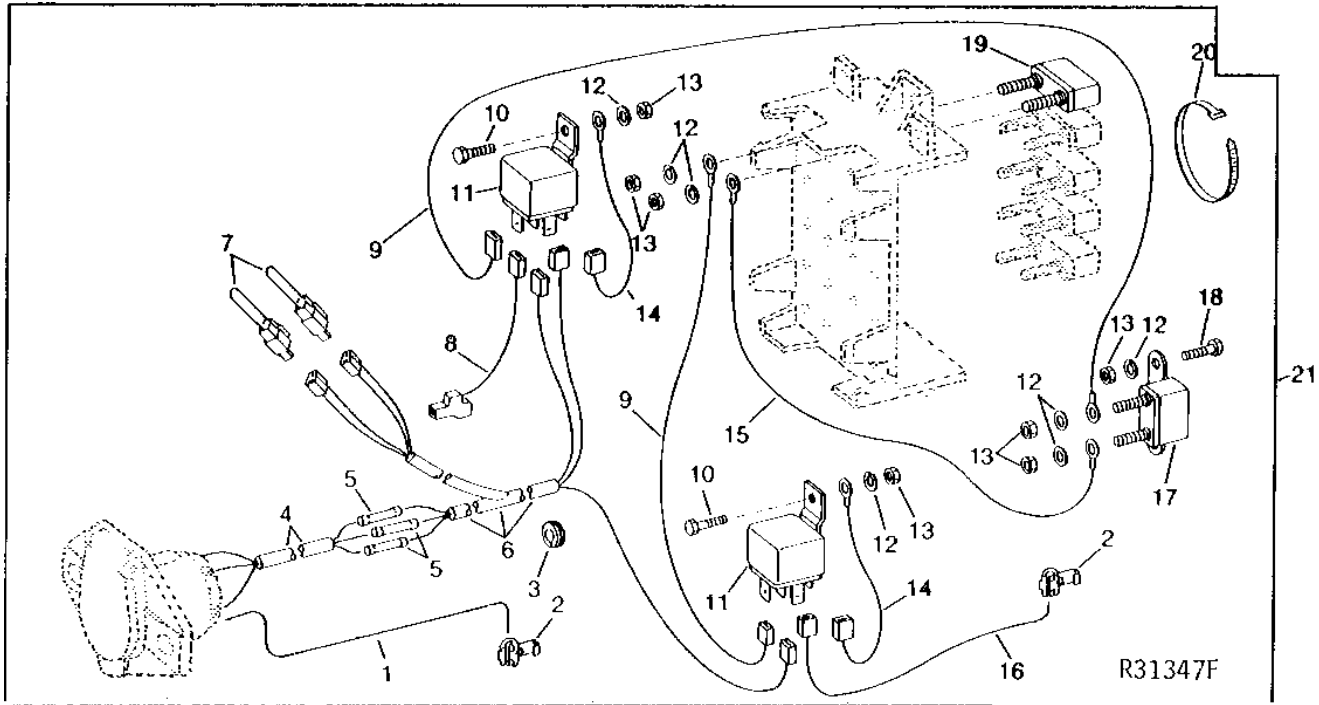
KEY	PART NO.	PART NAME	QTY	TRACTOR SERIAL NO.	REMARKS
1	19H1905	CAP SCREW	4	5/16" X 1"	
2	AR75695	SOCKET OUTLET	1		
3	R61776	STRAP	2		
4	24H1136	WASHER	4	11/32" X 11/16" X 0.065"	
5	12H303	LOCK WASHER	4	5/16"	
6	14H785	NUT	4	5/16"	
7	R61775	BOOT	1		
8	AR75696	WIRING HARNESS	1	EXTENSION	
	WIRING LEAD	1	3963MM (156") TAIL LAMP, (MAKE FROM R77500)	
	WIRING LEAD	1	400MM (16") GROUND, (MAKE FROM R77500 AND R77488)	
9	AR67855	CONNECTOR	3		
10	RE17282	KIT	1	(SUB FOR AR75694) (FI)	

1H18

ELECTRICAL

R31347 -UN-01JAN94

7-TERMINAL SOCKET (SUPPLEMENTARY WIRING KIT)



R31347F

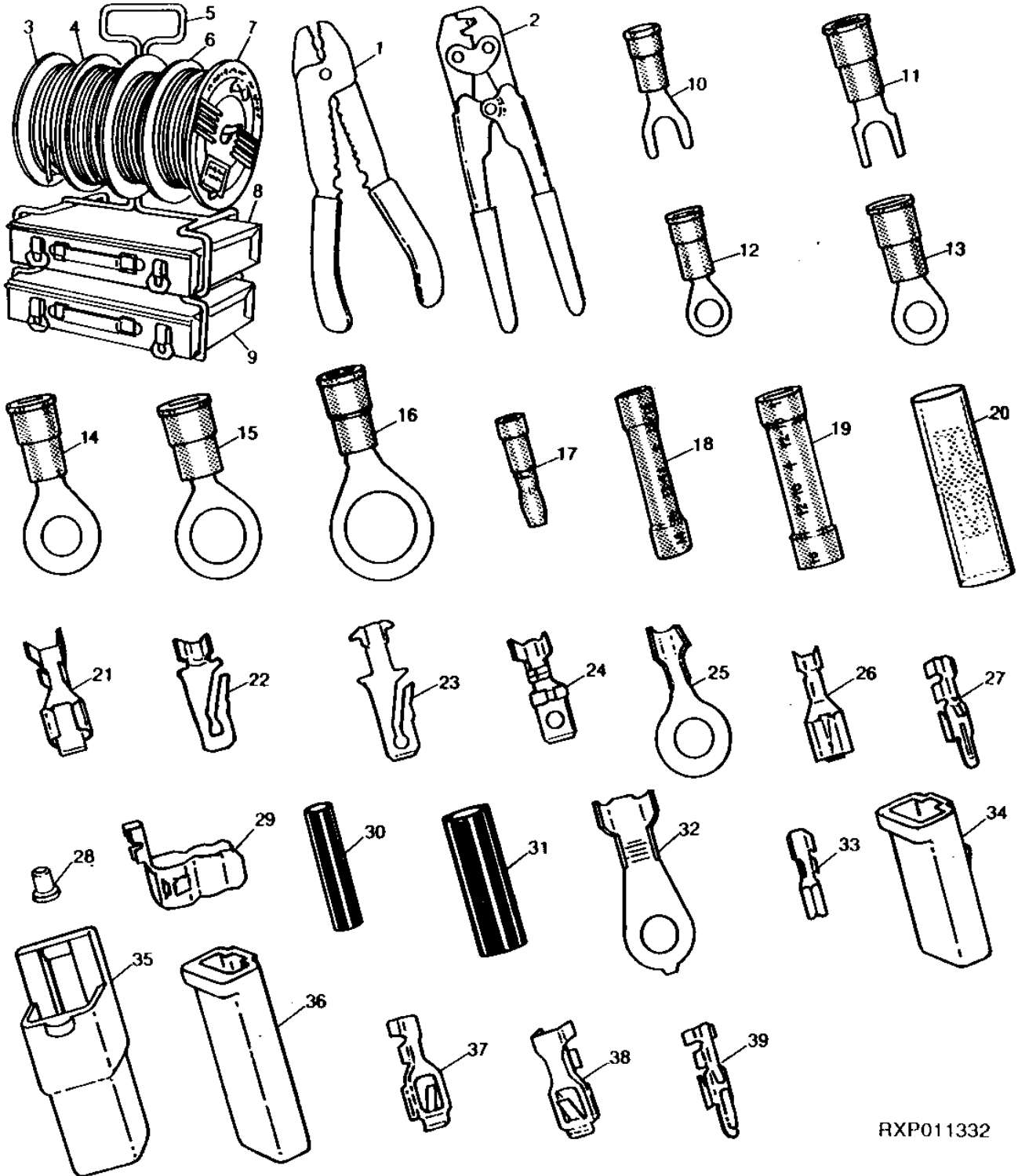
KEY	PART NO.	PART NAME	QTY	TRACTOR SERIAL NO.	REMARKS
1	WIRING LEAD	1		3962MM (156") OUTLET SOCKET, (MAKE FROM R66319)
2	AR67855	CONNECTOR	2		
3	R40445	GROMMET	1		
4	AR82910	WIRING HARNESS	1		
5	R32027	CONNECTOR	4		
6	AR82912	WIRING HARNESS	1		
7	AR82911	WIRING LEAD	2		
8	AR50834	WIRING LEAD	1		
9	WIRING LEAD	3		311MM (12-1/4") (MAKE FROM R66319, R32018, R32027 AND R32025)
10	21H1282	SCREW	2		0.190" X 7/8"
11	AR74411	RELAY	2		
12	12M7060	WASHER	8		0.209"
13	14H631	NUT	8		0.190"
14	WIRING LEAD	1		152MM (6") RELAY GROUND, (MAKE FROM R66319, R32021 AND R32027)
15	WIRING LEAD	1		152MM (6") CIRCUIT BREAKER, (MAKE FROM R66319 AND (2) R32018)
16	AR82909	WIRING LEAD	1		
17	AR49352	CIRCUIT BREAKER	1		(30 AMP)
18	21H1295	SCREW	2		0.190" X 5/8"
19	AR28403	CIRCUIT BREAKER	1		(20 AMP)
20	R44302	TIE BAND	10		
21	AR78052	KIT	1		(USE WITH AR75694 OR RE17282)

1H19

ELECTRICAL

RXP011332 -UN-27SEP94

ELECTRICAL TERMINALS,CONNECTORS AND WIRING



RXP011332

1H20

ELECTRICAL

ELECTRICAL TERMINALS,CONNECTORS AND WIRING - CONTINUED

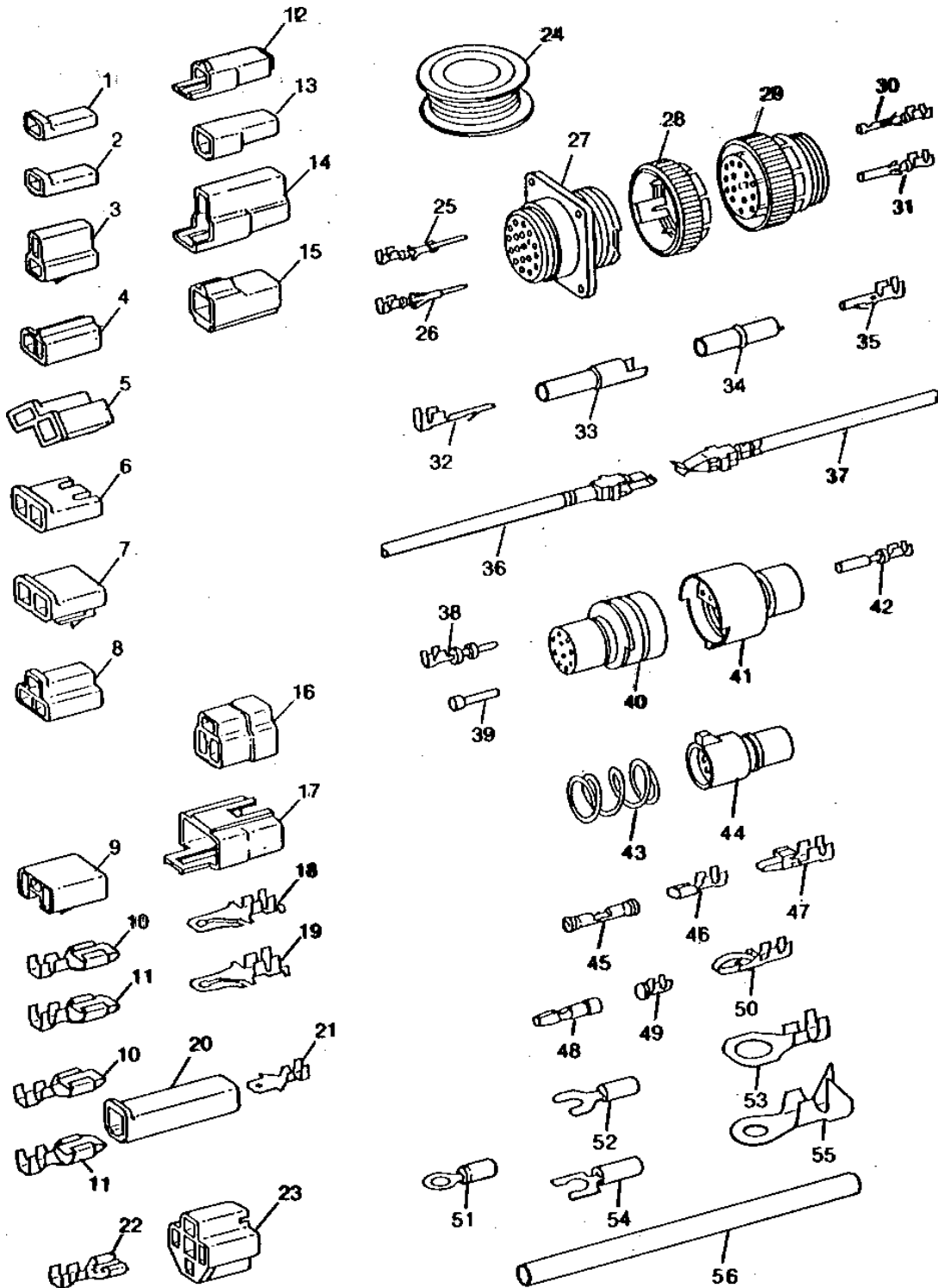
KEY	PART NO.	PART NAME	QTY	TRACTOR SERIAL NO.	REMARKS
1	R32011	TOOL	1	(NLA)	
2	R65594	TOOL	1		
3	R66319	WIRING LEAD	1	14 GA., 30.5 M (100 FT.) (1 SPOOL)	
4	R65593	WIRING LEAD	1	16 GA., 30.5 M (100 FT.) (1 SPOOL)	
5	R65608	RACK	1		
6	R66321	WIRING LEAD	1	10 GA., 15 M (50 FT.) (1 SPOOL)	
7	R66320	WIRING LEAD	1	12 GA., 30.5 M (100 FT.) (1 SPOOL)	
8	R65609	CONTAINER	1	(NLA)	
9	R65610	CONTAINER	1		
10	R32016	TERMINAL	1	14-16 GA., NO. 10 SPADE	
11	R32017	TERMINAL	1	10-12 GA., NO. 10 SPADE	
12	R32018	TERMINAL	1	14-16 GA., NO. 10 EYELET	
13	R32019	TERMINAL	1	10-12 GA., NO. 10 EYELET	
14	R32021	TERMINAL	1	10-12 GA., 1/4" EYELET	
15	R32022	TERMINAL	1	10-12 GA., 3/8" EYELET	
16	R32023	TERMINAL	1	10-12 GA., 1/2" EYELET	
17	R32026	TERMINAL	1	MALE BULLETT	
18	R32027	CONNECTOR	1	SPLICE, 14-16 GA.	
19	R32028	TERMINAL	1	SPLICE, 10-12 GA.	
20	AL2976T	CONNECTOR	1	(SUB FOR R32029) 2-WIRE BULLETT CONNECTOR	
21	R65595	TERMINAL	1	FEMALE, 10 GA.	
22	R65596	TERMINAL	1	MALE, 10 GA. OR TWO 14 GA. CABLES	
23	R65597	TERMINAL	1	MALE, 14-16 GA.	
24	R65598	TERMINAL	1	MALE, SHORT, 14-16 GA.	
25	R65599	TERMINAL	1	14-16 GA., 1/4" EYELET	
26	R65600	TERMINAL	1	FEMALE, 14-16 GA.	
27	R65601	TERMINAL	1	TWIN-LOCK, TWO 16 GA. CABLES	
28	R65602	SOCKET CONTACT	1	BULB SOCKET, 16-18 GA.	
29	R65603	TERMINAL NIPPLE	1	FUSE	
30	R65604	INSULATING SLEEVE	1	14-18 GA.	
31	R65605	INSULATING SLEEVE	1	8-12 GA.	
32	R65606	TERMINAL	1	6-8 GA., 1/4" EYELET	
33	R65607	TERMINAL	1	18-20 GA.	
34	T28583	RECEPTACLE	1	ONE CONTACT LOCK-TYPE, MALE	
35	T28585	TERMINAL	1	ONE CONTACT LOCK-TYPE, FEMALE	
36	U46370	CONNECTOR	1	CONNECTOR, ONE CONTACT SINGLE BODY, MALE	
37	U46662	TERMINAL	1	FEMALE	
38	U46663	TERMINAL	1	FEMALE	
39	U46664	TERMINAL	1	FEMALE	

1H21

ELECTRICAL

ELECTRICAL CONNECTORS, TERMINALS AND WIRING

RXP010581 -UN-01JAN94



RXP010581

1H22

ELECTRICAL

ELECTRICAL CONNECTORS, TERMINALS AND WIRING - CONTINUED

KEY	PART NO.	PART NAME	QTY	TRACTOR SERIAL NO.	REMARKS
1	T28583	RECEPTACLE	1	(B)	
2	M43835	FLAT CONNECTOR	1	(B)	
3	R77476	CONNECTOR	1	(A)	
4	R77477	CONNECTOR	1	(A)	
5	R77479	CONNECTOR	1	(A)	
6	R77480	CONNECTOR	1	(A)	
7	R77481	CONNECTOR	1	(A)	
8	R77482	CONNECTOR	1		
9	H104855	CONNECTOR	1		
10	U46662	TERMINAL	1	(E) (F)	
11	N115096	TERMINAL	1	(G) (SUB R65595) (PKG. OF 15)	
12	T28585	TERMINAL	1	(B)	
13	R77475	CONNECTOR	1	(B)	
14	T28586	CONNECTOR	1	(A)	
15	R77478	CONNECTOR	1	(A)	
16	R77483	CONNECTOR	1		
17	R48887	RECEPTACLE	1		
18	T34067	TERMINAL	1	(E) (F)	
19	R77484	TERMINAL	1	(G) (PKG. OF 15)	
20	U46370	CONNECTOR	1	(B)	
21	R77485	TAB	1	(C) (F)	
22	R77486	TERMINAL	1	(E) (F)	
23	R77487	CONNECTOR	1	(B)	
24	R66321	WIRING LEAD	1	15M (50 FT.) 10 GA.	
	R66320	WIRING LEAD	1	30.5M (100 FT.) 12 GA.	
	R77501	WIRE	1	30.5M (100 FT.) 14 GA.	
	R77500	WIRE	1	30.5M (100 FT.) 16 GA.	
	R77499	WIRE	1	30.5M (100 FT.) 18 GA.	
	R77498	WIRE	1	30.5M (100 FT.) 20 GA.	
25	R77462	PIN CONTACT	1	(PKG. OF 40) (20-22 OR 24 GA. WIRE)	
26	R77464	PIN CONTACT	1	(H) (PKG. OF 50)	
27	R77456	RECEPTACLE	1	(37 WAY)	
28	R77458	CONNECTOR	1	(A) (SIZE 23)	
	R77459	CONNECTOR	1	(A) (SIZE 17)	
	R77460	CONNECTOR	1	(A) (SIZE 13)	
	R77461	CONNECTOR	1	(A) (SIZE 11)	
29	R77457	ELECTRICAL PLUG	1	(37 WAY)	
30	R77463	SOCKET CONTACT	1	(PKG. OF 40) (20-22 OR 24 GA. WIRE)	
31	R77465	SOCKET CONTACT	1	(H) (PKG. OF 50)	
32	R77468	TERMINAL	1	(PKG. OF 5)	
33	R77466	CONNECTOR	1	(A)	
34	R77467	CONNECTOR	1	(A)	

(A) PKG. OF 2

(B) PKG. OF 3

(C) PKG. OF 10

(D) PKG. OF 20

(E) PKG. OF 25

(F) 14 OR 16 GA. WIRE

(G) 10 OR 12 GA. WIRE

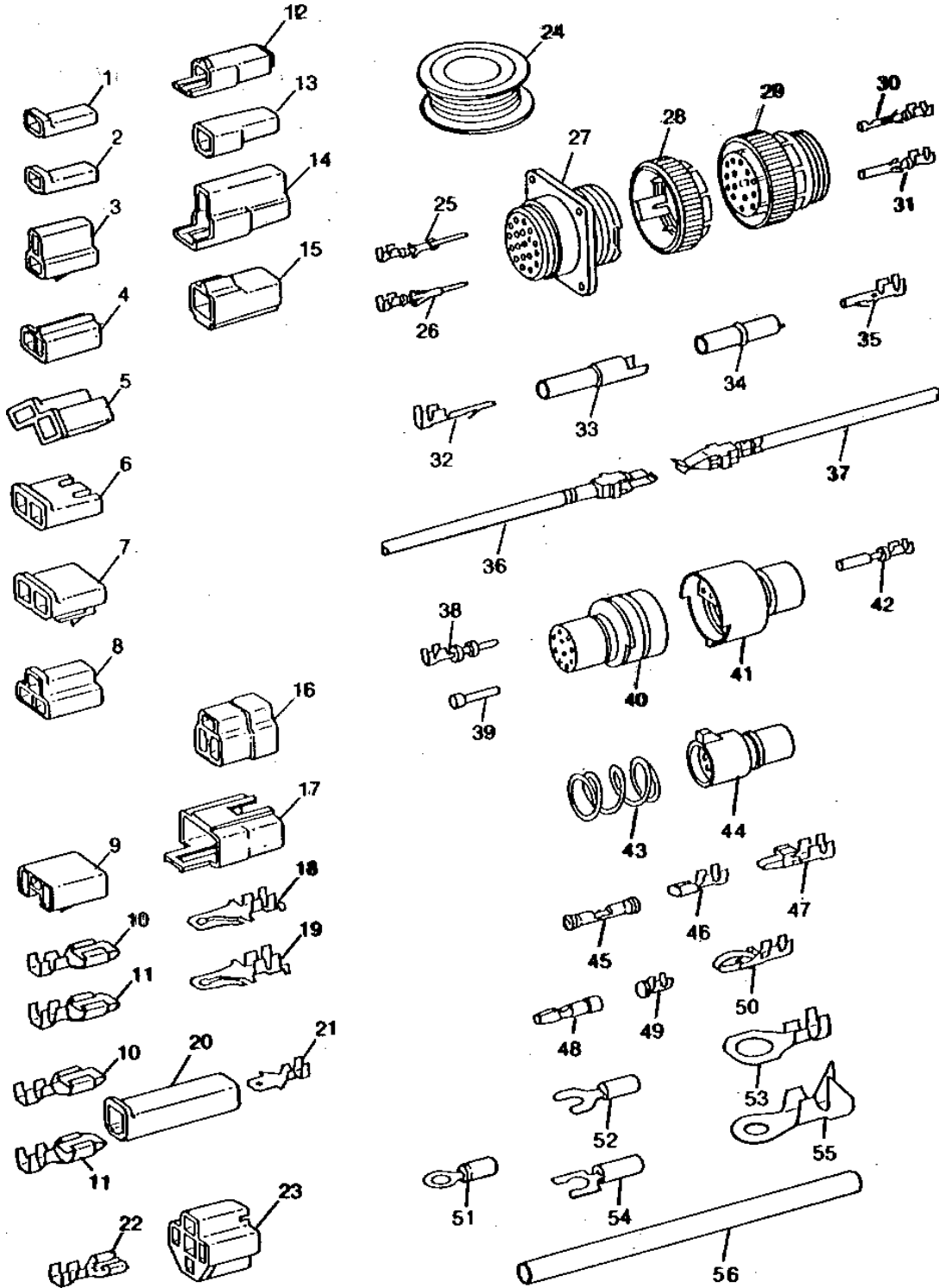
(H) 14-16 OR 18 GA. WIRE

1H23

ELECTRICAL

ELECTRICAL CONNECTORS, TERMINALS AND WIRING - CONTINUED

RXP010581 -UN-01JAN94



RXP010581

1H24

ELECTRICAL

ELECTRICAL CONNECTORS, TERMINALS AND WIRING - CONTINUED

KEY	PART NO.	PART NAME	QTY	TRACTOR SERIAL NO.	REMARKS
35	R77469	TERMINAL	1		(PKG. OF 5)
36	RE11156	TERMINAL	1		(B) (MALE)
37	RE11157	TERMINAL	1		(B) (FEMALE)
38	R70222	PIN CONTACT	1		(D) (H)
39	R70221	ELECTRICAL PLUG	1		(E)
40	R70219	PLUG	1		(A) (10 WAY)
	R70217	PLUG	1		(A) (7 WAY)
	R70215	PLUG	1		(A) (4 WAY)
	R70213	PLUG	1		(A) (3 WAY)
41	R70211	CONNECTOR	1		(A) (2 WAY)
	R70218	RECEPTACLE	1		(A) (10 WAY)
	R70216	RECEPTACLE	1		(A) (7 WAY)
	R70214	RECEPTACLE	1		(A) (4 WAY)
	R70212	RECEPTACLE	1		(A) (3 WAY)
	R70210	RECEPTACLE	1		(A) (2 WAY)
42	AR91793	SOCKET CONTACT	1		(D)
43	R30378	SPRING	1		(C)
44	R77474	CONNECTOR	1		(A) (6 WAY)
45	R77470	TERMINAL	1		SPLICE (PKG. OF 15) (16-18-20 OR 22 GA. WIRE)
	R77471	TERMINAL	1		(C) (G) SPLICE
	R77472	TERMINAL	1		(A) SPLICE (8 GA. WIRE)
	R77473	TERMINAL	1		(A) SPLICE (6 GA. WIRE)
46	R65607	TERMINAL	1		(C) (18 OR 20 GA. WIRE)
47	U46664	TERMINAL	1		(C) (F)
48	R32026	TERMINAL	1		(D) (F)
49	R65602	SOCKET CONTACT	1		(C) (16 OR 18 GA. WIRE)
50	R70220	TERMINAL	1		(C) (18 OR 20 GA. WIRE)
51	R77489	TERMINAL	1		(D) (14-16-18 OR 20 GA. WIRE) (NO. 10 EYELET)
	R77493	TERMINAL	1		(D) (G) (NO. 10 EYELET)
	R77488	TERMINAL	1		(D) (14-16-18 OR 20 GA. WIRE) (3/8" EYELET)
	R77490	TERMINAL	1		(D) (G) (1/2" EYELET)
52	R77496	TERMINAL	1		(D) (F) (NO. 8 SPADE)
	R77495	TERMINAL	1		(D) (18 GA. WIRE) (NO. 10 SPADE)
53	R77497	TERMINAL	1		(D) (F) (NO. 6 SPADE)
54	R77491	TERMINAL	1		(D) (G) (3/8" EYELET)
	R77492	TERMINAL	1		(D) (G) (1/4" EYELET)
55	R77494	TERMINAL	1		(D) (6 OR 8 GA. WIRE) (1/4" EYELET)
56	R77502	TUBE	1		(PKG. OF 8) 3/8" (HEAT SHRINK)
	R77503	TUBE	1		(PKG. OF 8) 3/16" (HEAT SHRINK)

(A) PKG. OF 2

(B) PKG. OF 3

(C) PKG. OF 10

(D) PKG. OF 20

(E) PKG. OF 25

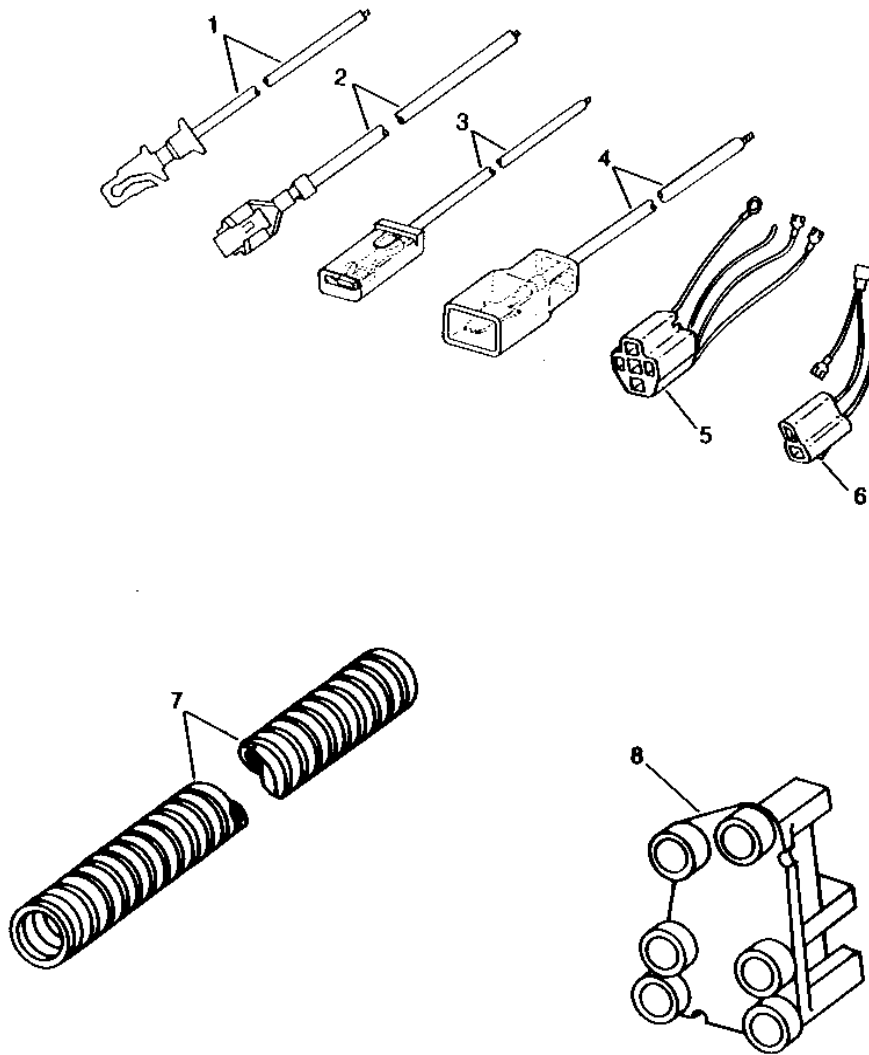
(F) 14 OR 16 GA. WIRE

(G) 10 OR 12 GA. WIRE

(H) 14-16 OR 18 GA. WIRE

RXP8619 -UN-28NOV94

SUPPLEMENTARY TERMINALS AND CONNECTORS



112

ELECTRICAL

SUPPLEMENTARY TERMINALS AND CONNECTORS - CONTINUED

KEY	PART NO.	PART NAME	QTY	TRACTOR SERIAL NO.	REMARKS
1	AR65005	TERMINAL	1		
2	AR65006	TERMINAL	1		
3	R32024	WIRING LEAD	1		
4	R32025	WIRING LEAD	1		
5	RE21730	TERMINAL	1		
	RE21731	TERMINAL	1		
6	RE21732	TERMINAL	1		
7	R93219	CONDUIT	1		6.3 X 3048 MM (1/4" X 120")
	R93220	CONDUIT	1		10.4 X 3048 MM (13/32" X 120")
	R93221	CONDUIT	1		15.9 X 3048 MM (5/8" X 120")
	R93222	CONDUIT	1		25.4 X 3048 MM (1" X 120")
8	AR83425	RECEPTACLE CONNECTOR BODY	1		(LIGHT SWITCH)

MEMORANDA

113

ELECTRICAL

SUPPLEMENTARY TERMINALS, CONNECTORS AND REPAIR CONDUIT - CONTINUED

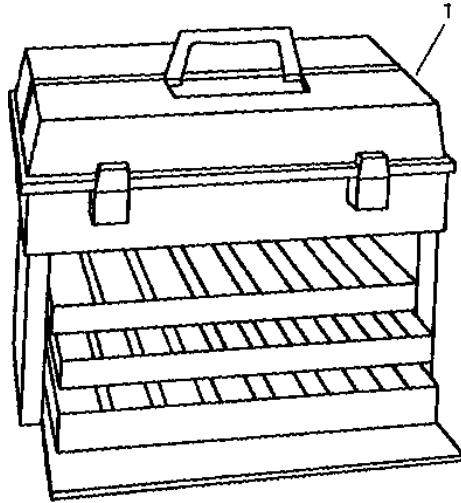
KEY	PART NO.	PART NAME	QTY	TRACTOR SERIAL NO.	REMARKS
1	AR65005	TERMINAL	1		
2	AR65006	TERMINAL	1		
3	R32024	WIRING LEAD	1		
4	R32025	WIRING LEAD	1		
5	RE21730	TERMINAL	1		
	RE21731	TERMINAL	1		
6	RE21732	TERMINAL	1		
7	R93219	CONDUIT	1		6.3 X 3048MM (1/4" X 120")
	R93220	CONDUIT	1		10.4 X 3048MM (13/32" X 120")
	R93221	CONDUIT	1		15.9 X 3048MM (5/8" X 120")
	R93222	CONDUIT	1		25.4 X 3048MM (1" X 120")
8	AR83425	RECEPTACLE CONNECTOR BODY	1		(LIGHT SWITCH)

114

ELECTRICAL

RXP010001 -UN-01JAN94

ELECTRICAL CONNECTOR AND TERMINAL KIT



RXP010001

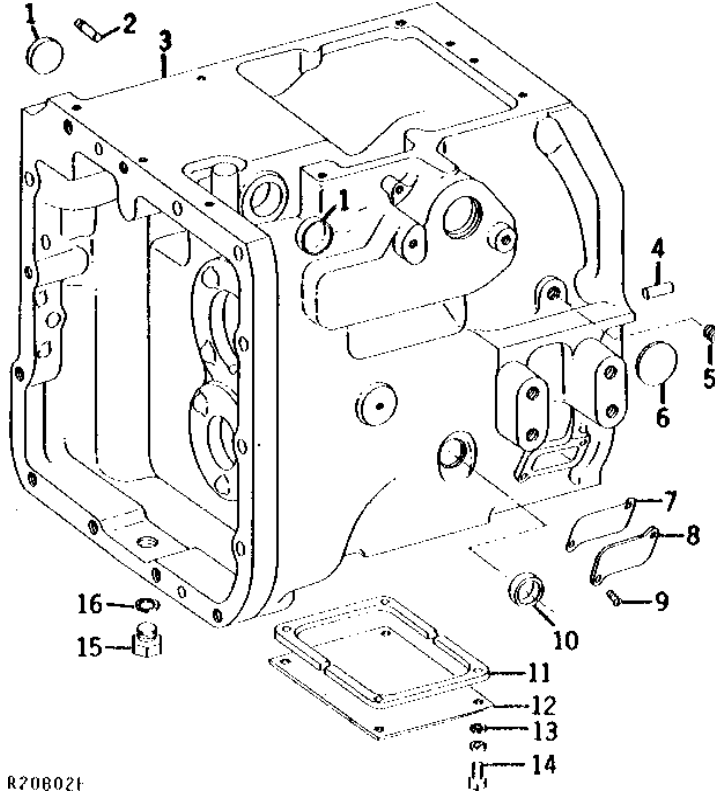
KEY	PART NO.	PART NAME	QTY	TRACTOR SERIAL NO.	REMARKS
1	PM797NA	KIT	1	(A)	
(A) KIT INCLUDES CONNECTORS,TERMINALS AND TOOLS					

2A23

POWER TRAIN

R20802 -UN-01JAN94

CLUTCH HOUSING



R20802†

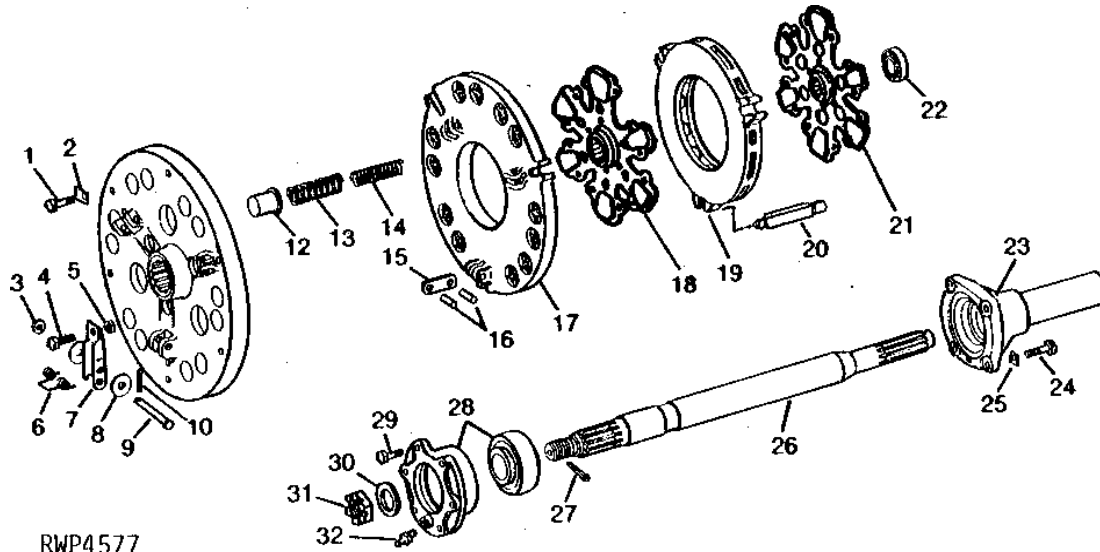
KEY	PART NO.	PART NAME	QTY	TRACTOR SERIAL NO.	REMARKS
1	R45844	CAP	3		
2	R39976	PIN	1		
3	AR55329	HOUSING	1		(MARKED R50560) (SUB AR53720, R45844, 15H690 AND 30H28)
4	T26565	DOWEL PIN	2		(SUB FOR C1220R)
5	15H564	PIPE PLUG	1		3/4"
6	30H28	PLUG	1		2-1/2"
7	R31494	GASKET	1		(SUB R67989)
8	R31493	COVER	1		
9	21H1318	SCREW	2		0.216" X 1/2"
10	M1206T	CAP	1		
11	R35283	SEAL	2		
12	R35282	COVER	1		
13	24M7096	WASHER	4		10.500 X 18 X 1.600 MM
14	19H2284	CAP SCREW	4		3/8" X 7/8"
	12H304	LOCK WASHER	4		3/8"
15	F3128R	DRAIN PLUG	1		
16	A4827R	WASHER	1		

2A24

POWER TRAIN

RWP4577 -UN-01JAN94

TRANSMISSION CLUTCH



RWP4577

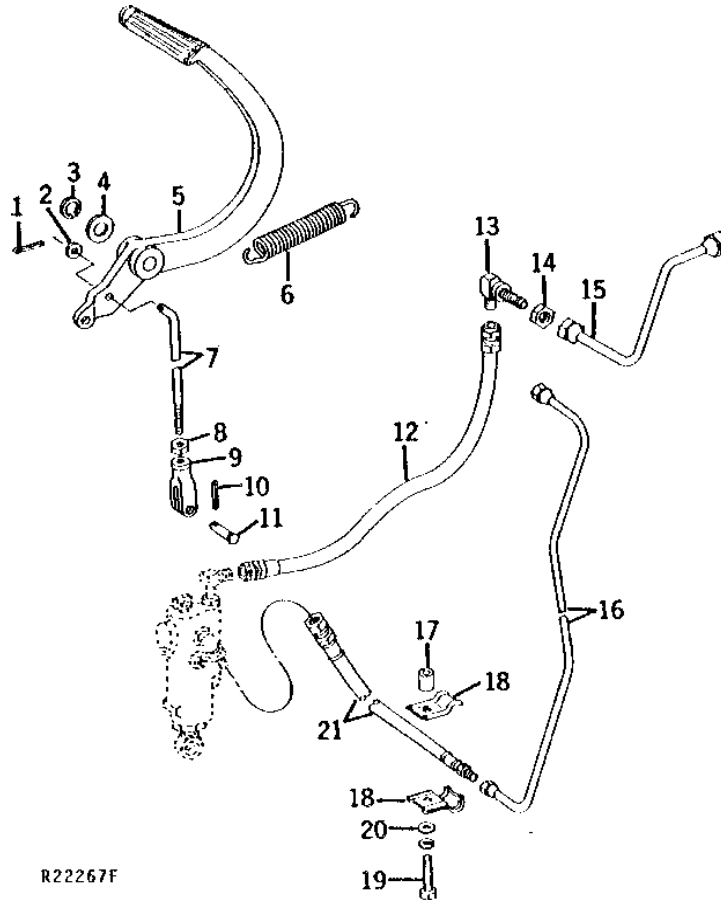
KEY	PART NO.	PART NAME	QTY	TRACTOR SERIAL NO.	REMARKS
1	19H988	CAP SCREW	6	-XXXXXX	3/8" X 1-1/4"
	R46567	CAP SCREW	6	XXXXXX-	
2	R30920	PLATE	6	-XXXXXX	
3	24H1325	WASHER	3		15/32" X 59/64" X 0.065"
4	R35079	SCREW	3		
5	14H934	NUT	3		7/16"
6	R35078	SPRING	3		
7	AR56228	LEVER	3		
8	R41986	WASHER	6		
9	R35077	PIN	3		
10	11M7021	COTTER PIN	3		0.157" X 0.984"
11	AR58198	COVER	1		(MARKED R51954) (SUB R51954 AND (6) R41986)
12	R43385	RETAINER	12		
13	R43443	SPRING	12		
14	R47109	SPRING	12		
15	R35074	STRAP	3	-003064	
	R55273	STRAP	3	003065-	
	R57134	STRAP	3	-003064	(USE WITH NEW CLUTCH DISK) (SUB FOR AR68422)
16	R35075	QUICK LOCK PIN	6		
17	R49229	PLATE	1		
18	AR64674	CLUTCH DISK	1		(ALSO ORDER AR64673, (3) R55273 AND (3) R55274) (SUB FOR AR53482)
19	R49228	CLUTCH PLATE	1		
20	R55274	PIN	3		
21	AR64673	CLUTCH DISK	1		(ALSO ORDER AR64674, (3) R55273 AND (3) R55274) (SUB FOR AR53481)
22	JD9443	BALL BEARING	1		(SUB FOR JD9419)
23	AR35698	QUILL	1		(MARKED R36331)
24	19H1800	CAP SCREW	4		3/8" X 1-1/2"
25	H246R	STRAP	4		
26	R49014	SHAFT	1		
27	11H22	COTTER PIN	1		3/32" X 1"
28	AR60853	QUILL	1		(SUB FOR R51934)
29	19H218	CAP SCREW	6		3/8" X 1"
30	R48733	WASHER	AR		
	R48734	WASHER	AR		
	R48735	WASHER	AR		
31	R48776	NUT	1		
32	JD7759	LUBRICATION FITTING	1		

2A25

POWER TRAIN

TRANSMISSION CLUTCH CONTROL

R22267 -UN-01JAN94



R22267F

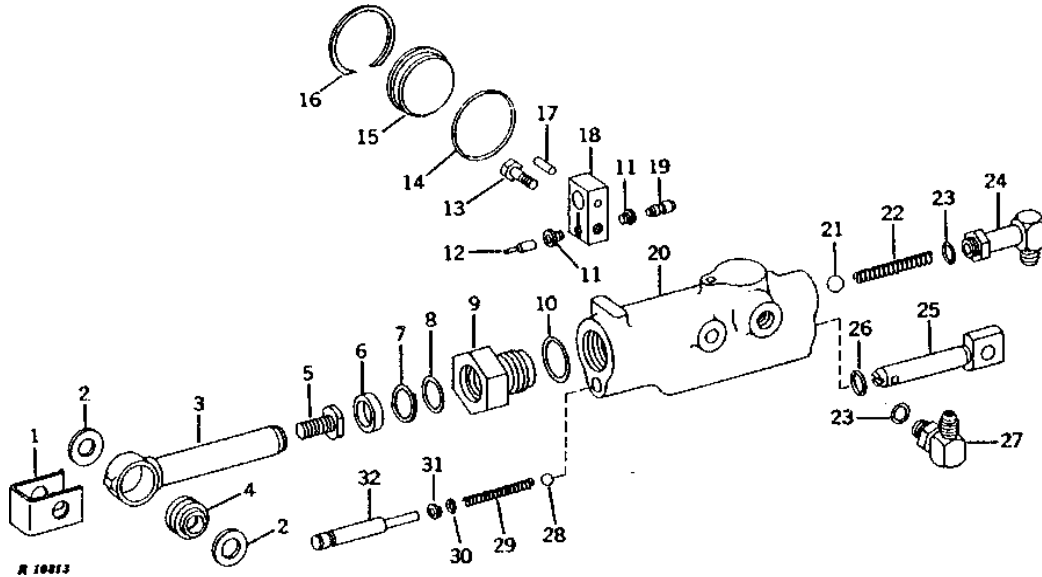
KEY	PART NO.	PART NAME	QTY	TRACTOR SERIAL NO.	REMARKS
1	11M7059	COTTER PIN	1		3.200 X 20 MM
2	24H1305	WASHER	1		13/32" X 13/16" X 0.065"
3	R73380	SNAP RING	1		(SUB FOR A369R)
4	24H1395	WASHER	1		25/32" X 1-7/16" X 0.060"
5	R39978	PEDAL	1	-003202	
	R56349	PEDAL	1	003203-	
	R51762	LABEL	1		
6	R36725	SPRING	1		
7	R39979	BOLT	1	-003202	
	R56350	SET SCREW	1	003203-	
8	14H732	NUT	1		3/8"
9	C284R	YOKE	1		
10	11M7059	COTTER PIN	1		3.200 X 20 MM
11	R65563	PIN	1		(SUB FOR C1067R)
12	AR54387	HOSE	1		PRESSURE
13	AR35981	ELBOW FITTING	1		
14	R27296	NUT	1		
15	AR52552	LINE	1		CLUTCH PEDAL VALVE TO BRAKE
16	AR52553	HYDRAULIC LINE	1		
17	28H1697	SPACER	1		0.493" X 0.675" X 3/4"
18	R47687	CLAMP	2	-XXXXXX	(SUB R57549)
	R57549	CLAMP	2	XXXXXX-	
19	24M7096	WASHER	1		10.500 X 18 X 1.600 MM
20	19H1765	CAP SCREW	1		3/8" X 1-3/4"
	12H304	LOCK WASHER	1		3/8"
21	R36324	HYDRAULIC HOSE	1		RETURN

2B1

POWER TRAIN

R10813 -UN-01JAN94

CLUTCH PEDAL VALVE



KEY	PART NO.	PART NAME	QTY	TRACTOR SERIAL NO.	REMARKS
1	R36365	CLEVIS	1		
2	R36364	WASHER	2		
3	R40079	PISTON	1		
4	R36360	BUSHING	1	-XXXXXX (SUB AR69719)	
4	AR69719	BUSHING	1	XXXXXX-	
5	R40081	SCREW	1		
6	AR29326	SEAL	1		
7	R26546	BACK-UP RING	1		
8	B2762R	O-RING	1		
9	R36385	CAP	1		
10	F3171R	O-RING	1		
11	R36577	FITTING	2		
12	R40078	PIN	1		
13	19H2925	SCREW	1		NO. 10 X 1/2"
14	R26773	O-RING	1		
15	R36386	PLUG	1		
16	R57033	RING	1		
17	R490R	PIN	1		
18	R36382	VALVE	1		
19	R36661	STEM	1		
20	AR36519	HOUSING	1		(MARKED R40077)
21	R26552	BALL	1		
22	R35325	SPRING	1		
23	R26286	O-RING	2		
24	AR35710	ELBOW FITTING	1		
25	R36355	ROD	1		
26	R28776	O-RING	1		
27	AT32333	ELBOW FITTING	1		(SUB FOR AR26771)
28	400R	BALL	1		6MM (1/4")
29	R26421	SPRING	1		
30	R27490	O-RING	1		(SUB T17951)
31	R36358	BACK-UP RING	1		
32	R40082	GUIDE	1		
..	AR34041	KIT	1		OVERHAUL

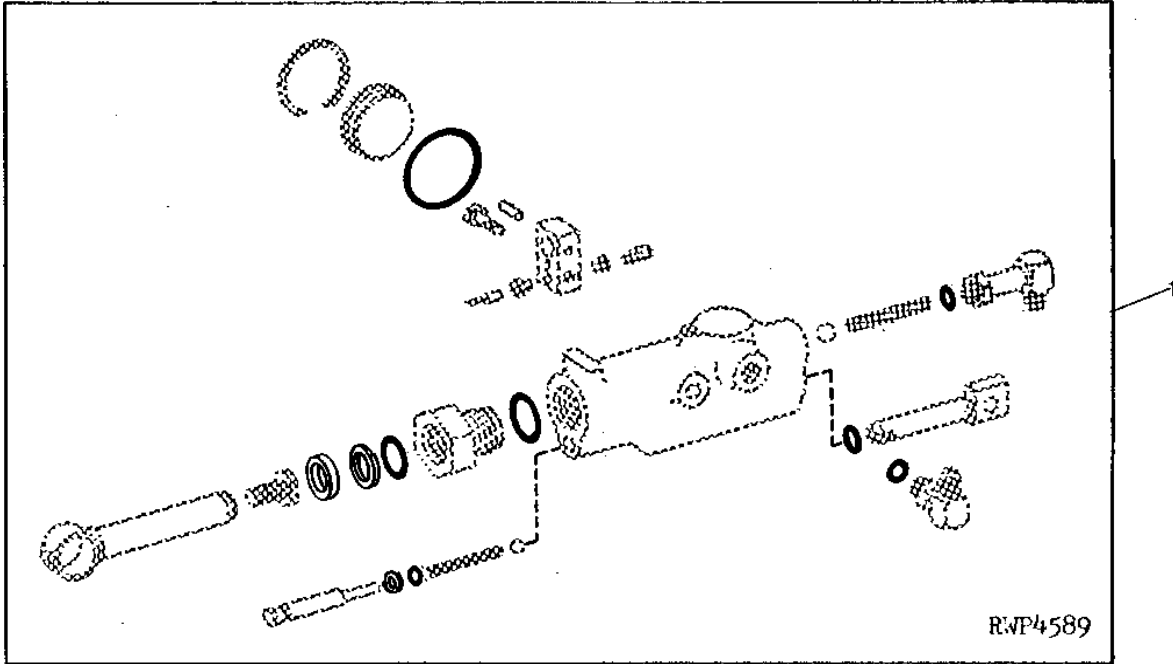
2B2

POWER TRAIN

RWP4589

-UN-01JAN94

CLUTCH PEDAL VALVE OVERHAUL KIT



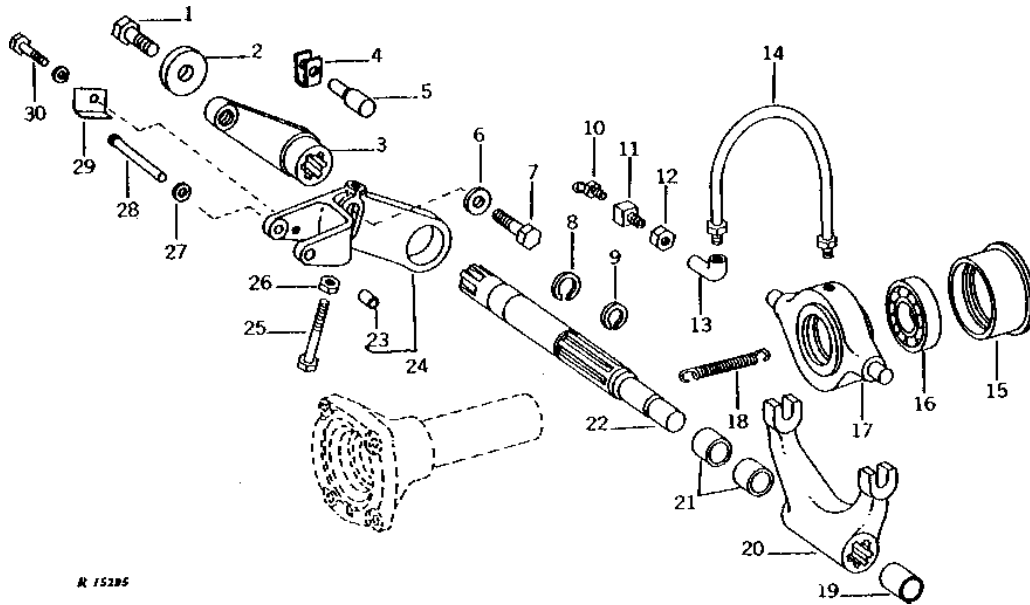
KEY	PART NO.	PART NAME	QTY	TRACTOR SERIAL NO.	REMARKS
1	AR34041	KIT	1		(ORDER COMPONENT PARTS)

2B3

POWER TRAIN

TRANSMISSION CLUTCH RELEASE

R15295 -UN-01JAN94



R 15295

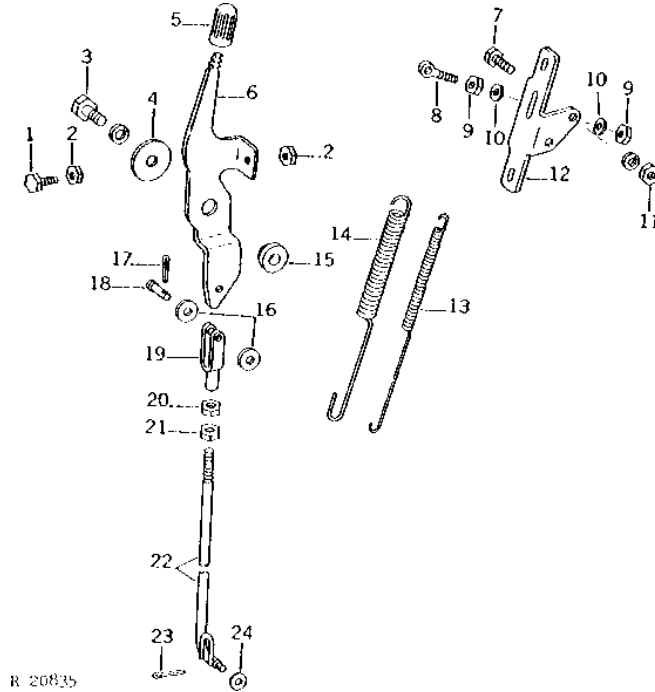
KEY	PART NO.	PART NAME	QTY	TRACTOR SERIAL NO.	REMARKS
1	19H1756	CAP SCREW	1	5/8" X 1-1/2"	
2	R26333	WASHER	1		
3	R36319	LEVER	1		
4	R36365	CLEVIS	1		
5	R36316	PIN	1		
6	24H1211	WASHER	1	9/16" X 1-3/8" X 0.105"	
7	19H1831	CAP SCREW	1	1/2" X 2"	
8	F215R	RING	1		
9	R26267	RING	1		
10	JD7806	LUBRICATION FITTING	1		
11	R36311	FITTING	1		
12	E12379	NUT	1		
13	15H197	ELBOW FITTING	1		
14	R32434	HYDRAULIC HOSE	1		
15	R36334	SLEEVE	1		
16	AR26845	BALL BEARING	1		
17	AR35699	PLANET PINION CARRIER	1		
18	R42783	SPRING	1		
19	R26642	BUSHING	1	R.H.	
20	R36335	FORK	1		
21	R36337	BUSHING	2	L.H.	
22	R36336	SHAFT	1	(NLA)	
23	R36318	WASHER	2		
24	AR36428	ARM	1	(MARKED R39977)	
25	19H2873	CAP SCREW	1	3/8" X 2-3/4"	
26	14H1076	NUT	1	3/8"	
27	A147R	LOCK WASHER	1		
28	R31711	PIN	1		
29	R40139	ANGLE	1		
30	19H1936	CAP SCREW	1	3/8" X 3/4"	
	12H304	LOCK WASHER	1	3/8"	

2B4

POWER TRAIN

R20835 -UN-01JAN94

PTO SHIFTER LEVER AND LINKAGE



KEY	PART NO.	PART NAME	QTY	TRACTOR SERIAL NO.	REMARKS
1	19H2791	CAP SCREW	1	3/8" X 1-3/4"	
2	14H1076	NUT	2	3/8"	
3	19H2354	CAP SCREW	1	9/16" X 1-1/4"	
4	12H317	LOCK WASHER	1	9/16"	
5	F2912R	WASHER	1		
6	R52577	GRIP	1		
7	R41370	LEVER	1		
8	19H2284	CAP SCREW	2	3/8" X 7/8"	
9	R42512	EYEBOLT	1		
10	14H1076	NUT	2	3/8"	
11	24H1305	WASHER	2	13/32" X 13/16" X 0.065"	
12	14H1076	NUT	2	3/8"	
13	12H304	LOCK WASHER	2	3/8"	
14	R46313	BRACKET	1		
15	R42509	SPRING	1		
16	R42511	SPRING	1		
17	R26574	WASHER	1		
18	24H1309	WASHER	2	13/32" X 1-1/16" X 0.120"	
19	11M7081	COTTER PIN	1	0.098" X 0.787"	
20	R65563	PIN	1	(SUB FOR C1067R)	
21	L324T	YOKE	1		
22	14H774	NUT	1	3/8"	
23	14H1080	NUT	1	3/8"	
24	AR44616	ROD	1		
25	11M7059	COTTER PIN	1	3.200 X 20 MM	
26	24H1290	WASHER	2	21/64" X 3/4" X 0.035"	

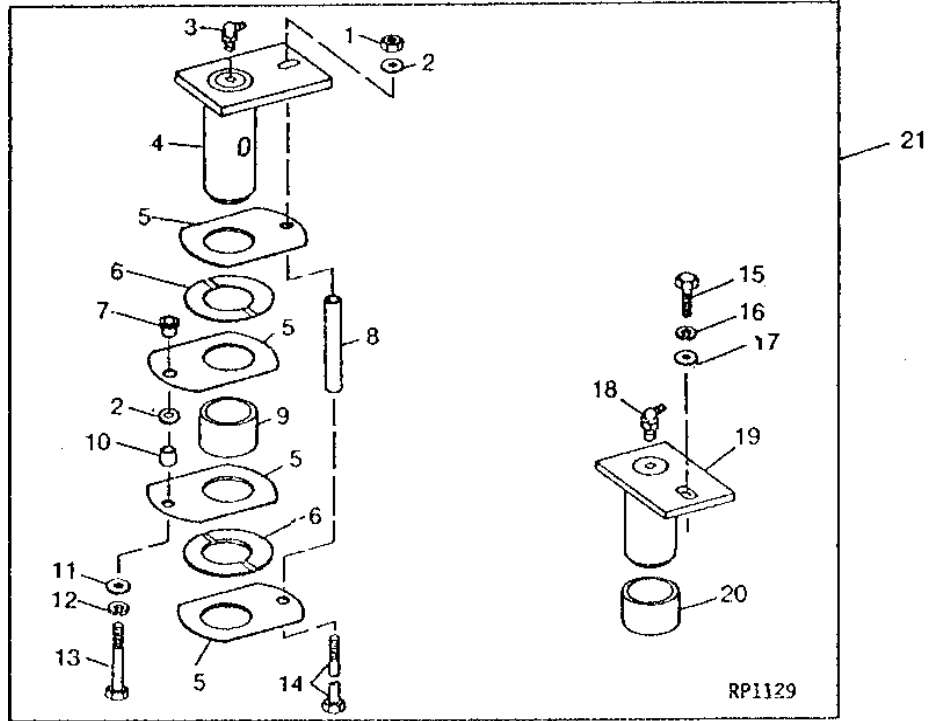
2B5

POWER TRAIN

RP1129

-UN-01JAN94

UPPER AND LOWER HINGE PIN



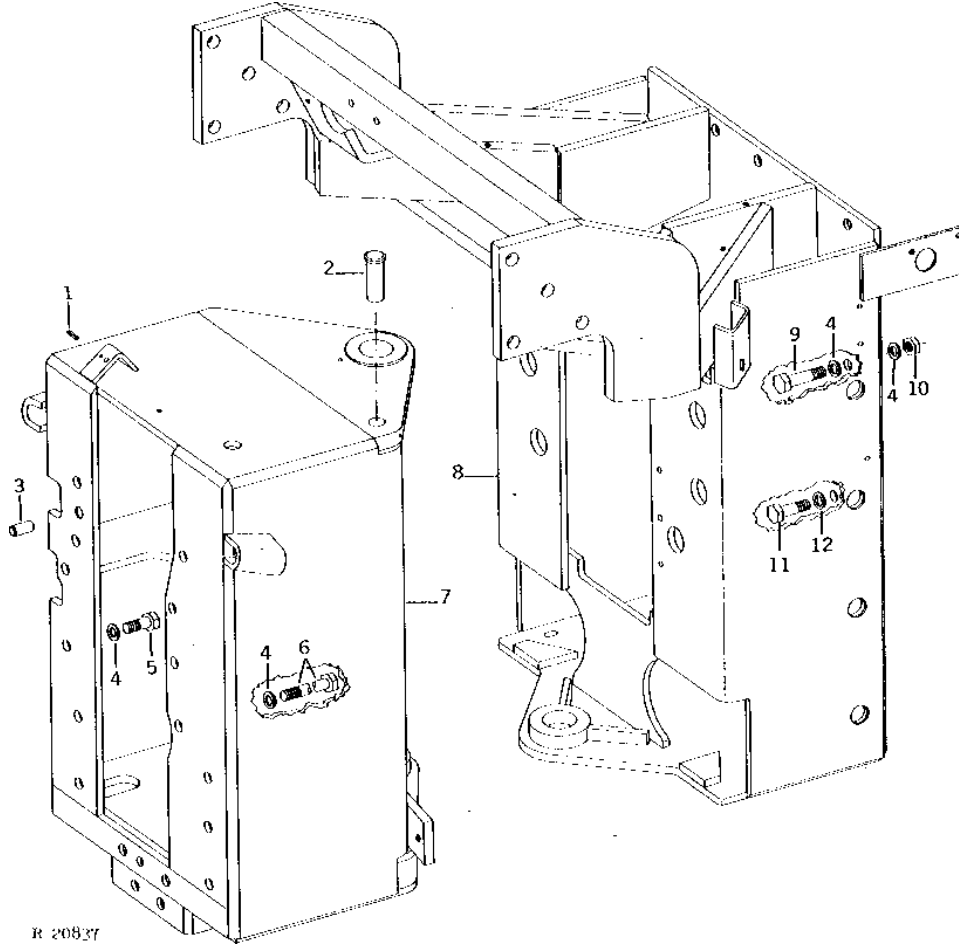
KEY	PART NO.	PART NAME	QTY	TRACTOR SERIAL NO.	REMARKS
1	T11234	LOCK NUT	1		
2	R1870R	WASHER	2		(SUB R57696)
3	JD7781	LUBRICATION FITTING	1		
4	AR57226	PIN	1		UPPER
5	R51084	PLATE	4		
6	R51085	THRUST WASHER	2		
7	R53593	LOCK NUT	1		(ALSO ORDER R57696) (SUB FOR R51086)
8	R51087	BUSHING	1		
9	R52932	BUSHING	1		(SUB R57400)
10	R51088	BUSHING	1		
11	24H1305	WASHER	1		13/32" X 13/16" X 0.065"
12	12H304	LOCK WASHER	1		3/8"
13	19H2733	CAP SCREW	1		3/8" X 2-3/8"
14	19H3330	CAP SCREW	1		3/8" X 6-1/4", HS, SAE 8
15	19H1800	CAP SCREW	1		3/8" X 1-1/2"
16	12H304	LOCK WASHER	1		3/8"
17	R1870R	WASHER	1		(SUB R57696)
18	JD7781	LUBRICATION FITTING	1		
19	AR57226	PIN	1		LOWER
20	R52932	BUSHING	1		(SUB R57400)
21	AR55613	KIT	1		(NLA)

2B6

POWER TRAIN

R20837 -UN-01JAN94

FRONT AND REAR HINGES



R 20837

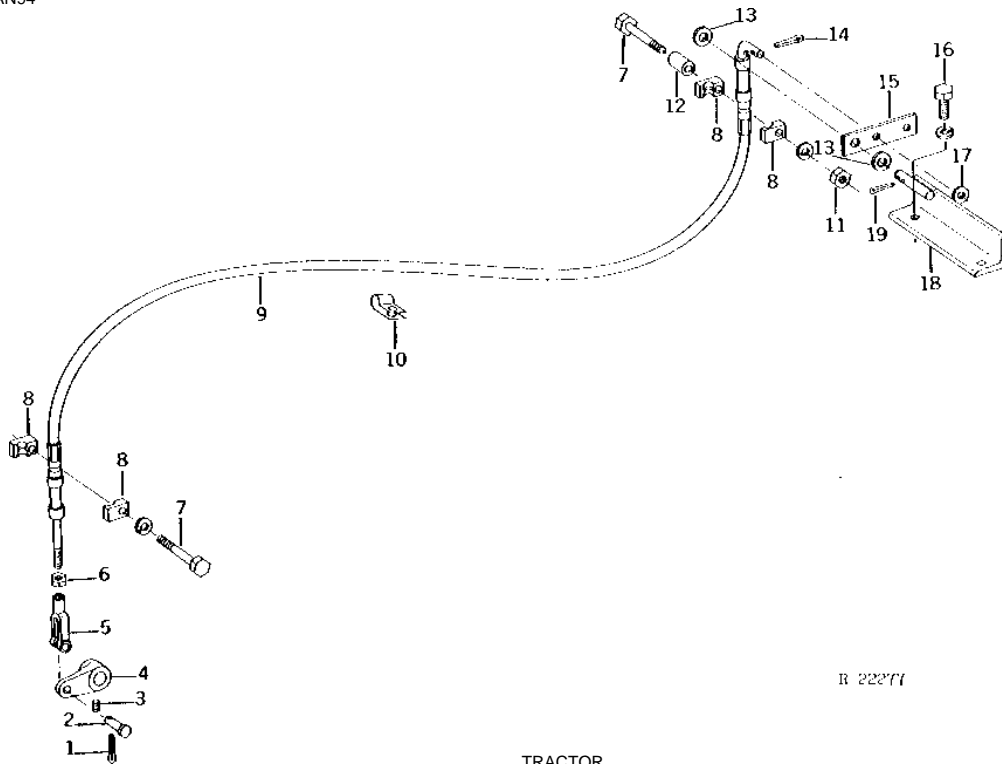
KEY	PART NO.	PART NAME	QTY	TRACTOR SERIAL NO.	REMARKS
1	34H254	SPRING PIN	1		
2	R43320	PIN	1		1/8" X 1-1/2"
3	R26277	DOWEL PIN	2		(SUB R62760)
4	T21397	WASHER	29		
5	19H2009	CAP SCREW	12		3/4" X 1-5/8"
6	08H4525	CAP SCREW	3		3/4" X 9-1/2"
7	AR62305	HINGE	1		
8	AR52283	HINGE	1	-001710	(SUB AR62195, AR82036, (2) R65159, (6) T21397 AND (6) 19H2431)
	AR62195	HINGE	1	001711-	
9	19H1440	CAP SCREW	5		3/4" X 3"
10	14H794	NUT	5		3/4"
11	19H1798	CAP SCREW	4		3/4" X 1-3/4"
	19H3359	CAP SCREW	4		7/8" X 2"
12	T19572	WASHER	4		

2B7

POWER TRAIN

R22277 -UN-01JAN94

PTO REAR LINKAGE CABLE



R 22277

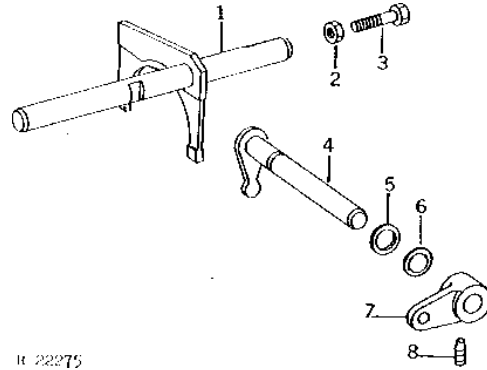
KEY	PART NO.	PART NAME	QTY	TRACTOR SERIAL NO.	REMARKS
1	11M7079	COTTER PIN	1		
2	R72660	PIN	1		0.098" X 0.472"
3	B1914R	SET SCREW	1		(SUB FOR R662R)
4	R51904	ARM	1		
5	M3742T	YOKE	1		
6	14H649	NUT	1		1/4"
7	19H2128	CAP SCREW	2		3/8" X 3"
	12H304	LOCK WASHER	2		3/8"
8	T33483	CLAMP	4		
9	AR53063	PUSH PULL CABLE	1		
	R39725	SEAL	2		
	R39726	SEAL	1		
	R39727	SEAL	1		
10	T13814	CLAMP	1		
11	14H1076	NUT	1		3/8"
	12H304	LOCK WASHER	1		3/8"
12	28H1495	SPACER	1		0.493" X 0.675" X 1"
13	24H1227	WASHER	2		17/32" X 13/16" X 0.060"
14	11M7079	COTTER PIN	1		0.098" X 0.472"
15	R48050	STRAP	1		
16	19H1731	CAP SCREW	1		3/8" X 1"
	12H304	LOCK WASHER	1		3/8"
17	24H1286	WASHER	1		9/32" X 1/2" X 1/16"
18	AR66915	BRACKET	1		(SUB FOR AR50935)
19	11M7015	COTTER PIN	2		3.200 X 25 MM

2B8

POWER TRAIN

R22275 -UN-01JAN94

PTO SHIFTER YOKE



R 22275

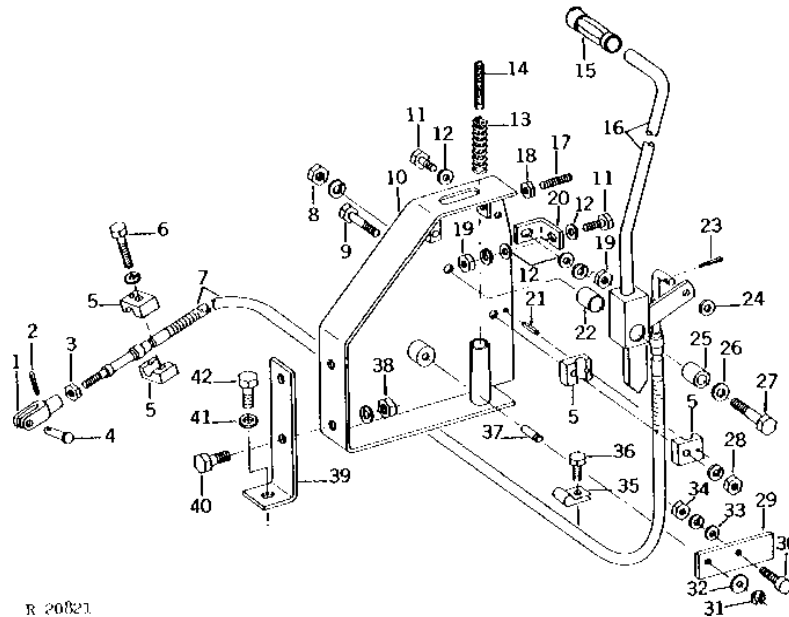
KEY	PART NO.	PART NAME	QTY	TRACTOR SERIAL NO.	REMARKS
1	AR65393	YOKE	1		(SUB FOR AR56226)
2	14H1076	NUT	1	002689-	3/8"
3	R55819	BOLT	1	002689-	
4	AR52580	ARM	1		
5	24H1181	WASHER	AR		13/16" X 1-1/8" X 0.060"
6	R27166	O-RING	1	-001733	
	AT12820	SEAL	1	001734-	(SUB FOR AR62328)
7	R51904	ARM	1		
8	T25614	SET SCREW	1		

2B9

POWER TRAIN

HI-LO SPEED SELECTOR SHIFTER LEVER, SUPPORT AND CABLE

R20821 -UN-01JAN94



KEY	PART NO.	PART NAME	QTY	TRACTOR SERIAL NO.	REMARKS
1	T13606	YOKE	1		
2	11M7081	COTTER PIN	1	0.098" X 0.787"	
3	14H774	NUT	1	3/8"	
4	R65563	PIN	1	(SUB FOR C1067R)	
5	R47806	CLAMP	4		
6	19H3181	CAP SCREW	1	3/8" X 2"	
	12H304	LOCK WASHER	1	3/8"	
7	AR53115	PUSH PULL CABLE	1		(CONDUIT TO TERMINAL SLEEVE)
	R48718	SEAL	1		(TERMINAL SLEEVE TO INNER MEMBER INPUT END)
	R48719	SEAL	1		(SUB R48720)
	R48720	SEAL	1		(TERMINAL SLEEVE TO INNER MEMBER OUTPUT END)
8	14H1040	NUT	1	1/2"	
	12H301	LOCK WASHER	1	1/2"	
9	19H3181	CAP SCREW	1	3/8" X 2"	
10	AR56942	SUPPORT	1		
	R49477	LABEL	1		
11	19H1731	CAP SCREW	2	3/8" X 1"	
12	24H1305	WASHER	4	13/32" X 13/16" X 0.065"	
13	R47109	SPRING	1		
14	R41549	SPRING	1		
15	R52582	GRIP	1	-XXXXXX	
16	AR72070	LEVER	1	(SUB FOR AR59871 OR AR65818)	
17	R42948	SET SCREW	1		
18	14H732	NUT	1	3/8"	
19	14H1076	NUT	2	3/8"	
	12H304	LOCK WASHER	2	3/8"	
20	R49202	ANGLE	1		
21	34H254	SPRING PIN	1	1/8" X 1-1/2"	
22	R26182	BUSHING	1		
23	11M7081	COTTER PIN	1	0.098" X 0.787"	
24	24M7096	WASHER	1	10.500 X 18 X 1.600 MM	
25	R47966	BUSHING	1		

2B10

POWER TRAIN

HI-LO SPEED SELECTOR SHIFTER LEVER, SUPPORT AND CABLE - CONTINUED

KEY	PART NO.	PART NAME	QTY	TRACTOR SERIAL NO.	REMARKS
26	24H1211	WASHER	1		9/16" X 1-3/8" X 0.105"
27	19H2644	CAP SCREW	1		1/2" X 2-1/2"
28	14H1076	NUT	1		3/8"
	12H304	LOCK WASHER	1		3/8"
29	R52361	ARM	1		
30	AR52086	BEARING	1		
31	F3396R	SNAP RING	1		
32	24H1309	WASHER	1		13/32" X 1-1/16" X 0.120"
33	24H1652	WASHER	1		13/32" X 11/16" X 7/64"
34	14H1080	NUT	1		3/8"
	12H304	LOCK WASHER	1		3/8"
35	T13073	CLIP	1		
36	19H2284	CAP SCREW	1		3/8" X 7/8"
37	F3392R	PIN	1		
38	14H1040	NUT	2		1/2"
	12H301	LOCK WASHER	2		1/2"
39	R52673	SUPPORT	1		
40	19H1792	CAP SCREW	1		1/2" X 1"
41	24H1341	WASHER	1		17/32" X 15/16" X 0.060"
42	19H1815	CAP SCREW	2		1/2" X 1-1/4"

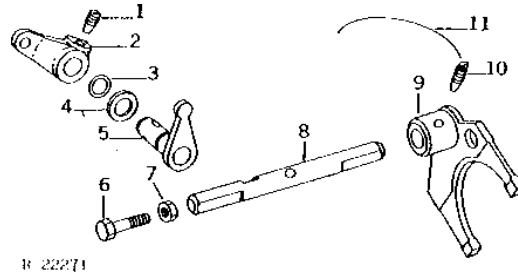
MEMORANDA

2B11

POWER TRAIN

R22271 -UN-01JAN94

TORQUE DIVIDER SHIFTER YOKE



R 22271

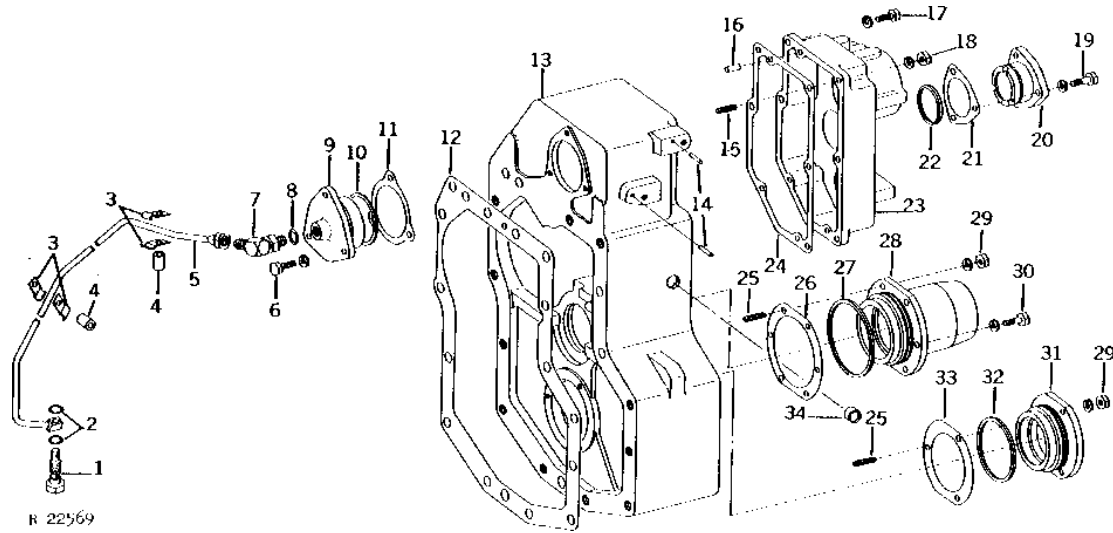
KEY	PART NO.	PART NAME	QTY	TRACTOR SERIAL NO.	REMARKS
1	T25614	SET SCREW	2		
2	R51903	ARM	1		
3	R27166	O-RING	1	-001733	
	AT12820	SEAL	1	001734-	(SUB FOR AR62328)
4	24H1181	WASHER	AR		13/16" X 1-1/8" X 0.060"
5	AR52582	ARM	1		
6	R55819	BOLT	2	002689-	
7	14H1076	NUT	2	002689-	3/8"
8	R56383	SHAFT	1		
9	AR66809	YOKE	1		(ALSO ORDER R56383 AND B1914R) (SUB FOR AR56227)
10	B1914R	SET SCREW	1		
11	WIRE	1		16 GA X 6"

2B12

POWER TRAIN

R22569 -UN-01JAN94

TORQUE DIVIDER HOUSING WITH QUILLS



KEY	PART NO.	PART NAME	QTY	TRACTOR SERIAL NO.	REMARKS
1	R48088	SCREW	1		
2	U15980	O-RING	2		
3	R27720	CLAMP	4		
4	28H1518	WASHER	2	0.493" X 0.675" X 5/16"	
	R41041	CAP SCREW	1	(ROCKSHAFT)	
5	AR52562	HYDRAULIC LINE	1	(NLA)	
6	19H2552	CAP SCREW	3	3/8" X 1-1/8"	
	12H304	LOCK WASHER	3	3/8"	
7	AR51515	FITTING	1		
8	R26286	O-RING	1		
9	R47342	QUILL	1		
10	R47564	WASHER	1		
11	R47561	SHIM	AR	0.08MM (.003")	
	R47562	SHIM	AR	0.13MM (.005")	
	R47563	SHIM	AR	0.25MM (.010")	
12	R99291	GASKET	1		(SUB FOR R47666)
13	AR56992	HOUSING	1	-002688	(MARKED R48800) (SUB AR66349, R55819 AND 14H1076)
	AR90768	HOUSING	1	002689-	(MARKED R55880) (SUB FOR AR66349)
14	34H254	SPRING PIN	2		1/8" X 1-1/2"
15	R55396	STUD	2		(SUB FOR C2175R)
16	R28671	DOWEL PIN	2		
17	19H1732	CAP SCREW	7	3/8" X 1-1/4"	
	19H1801	CAP SCREW	1	3/8" X 2"	
	12H304	LOCK WASHER	8	3/8"	
18	14H1076	NUT	1	3/8"	
	12H304	LOCK WASHER	1	3/8"	
19	19H1732	CAP SCREW	3	3/8" X 1-1/4"	
	19H2023	CAP SCREW	1	3/8" X 3-1/4"	
	12H304	LOCK WASHER	4	3/8"	
20	R49163	RETAINER	1		

2B13

POWER TRAIN

TORQUE DIVIDER HOUSING WITH QUILLS - CONTINUED

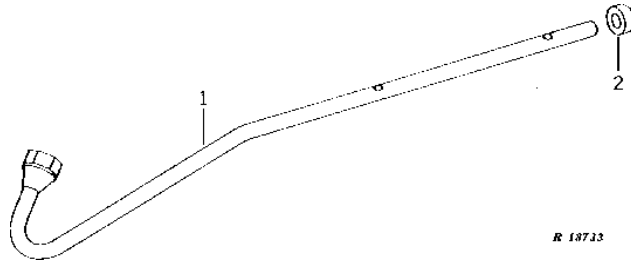
KEY	PART NO.	PART NAME	QTY	TRACTOR SERIAL NO.	REMARKS
21	R47549	SHIM	AR	0.08MM (.003")	
	R47550	SHIM	AR	0.13MM (.005")	
	R47551	SHIM	AR	0.25MM (.010")	
22	R47552	WASHER	1		
23	R55816	HOUSING	1		(ALSO ORDER (2) R55819 AND (2) 14H1076) (SUB FOR R48793)
24	R48971	GASKET	1		(SUB R107247)
25	M3636T	STUD	6		
26	R48972	SHIM	AR	0.08MM (.003")	
	R48973	SHIM	AR	0.13MM (.005")	
	R48974	SHIM	AR	0.25MM (.010")	
27	R47565	RING	1		
28	R49053	QUILL	1		
29	14H1076	NUT	6	3/8"	
	12H304	LOCK WASHER	6	3/8"	
30	19H2552	CAP SCREW	3	3/8" X 1-1/8"	
	12H304	LOCK WASHER	3	3/8"	
31	R47336	QUILL	1	(NLA)	
32	R47559	WASHER	1		
33	R47556	SHIM	AR	0.08MM (.003")	
	R47557	SHIM	AR	0.13MM (.005")	
	R47558	SHIM	AR	0.25MM (.010")	
34	T12083	CAP	1	(LESS PTO)	

2B14

POWER TRAIN

R18733 -UN-01JAN94

INPUT GEAR LUBRICATION PIPE



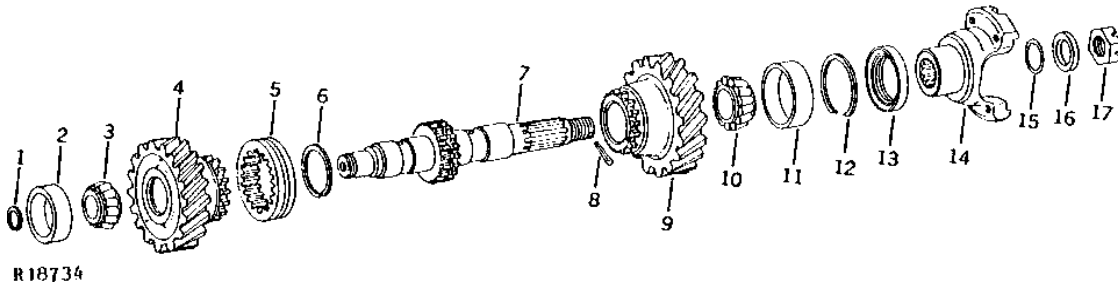
KEY	PART NO.	PART NAME	QTY	TRACTOR SERIAL NO.	REMARKS
1	AR53512	OIL LINE	1		
2	AR39043	SEAL	1		

2B15

POWER TRAIN

R18734 -UN-01JAN94

UPPER INPUT SHAFT, BEARINGS, AND COLLARS



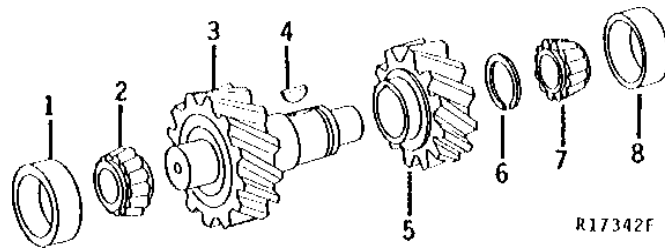
KEY	PART NO.	PART NAME	QTY	TRACTOR SERIAL NO.	REMARKS
1	R47545	SNAP RING	AR		2.74MM (.108")
	R47546	SNAP RING	AR		2.87MM (.113")
	R47547	SNAP RING	AR		3.00MM (.118")
	R47548	SNAP RING	AR		3.12MM (.123")
2	JD7270	BEARING CUP	1		
3	JD7246	BEARING CONE	1		
4	R49051	STEERING GEAR	1		
5	R54984	SHIFT COLLAR	1		(SUB FOR R49055)
6	A1402R	SNAP RING	1		(EIGHT SPEED)
7	R51307	SHAFT	1		
8	11M7032	COTTER PIN	1		0.197" X 1.969"
9	R49050	HELICAL GEAR	1		(SIXTEEN SPEED)
10	JD8901	BEARING CONE	1		
11	JD8236	BEARING CUP	1		
12	R47771	SNAP RING	1		(NLA)
13	AR94262	SEAL	1		(SUB FOR R37410)
14	R47655	UNIVERSAL JOINT YOKE	1		
15	U10289	O-RING	1		
16	R48733	WASHER	AR		6.35MM (.250")
	R48734	WASHER	AR		6.29MM (.248")
	R48735	WASHER	AR		6.23MM (.245")
17	R48776	NUT	1		

2B16

POWER TRAIN

R17342 -UN-01JAN94

INPUT IDLER GEARS AND SHAFT



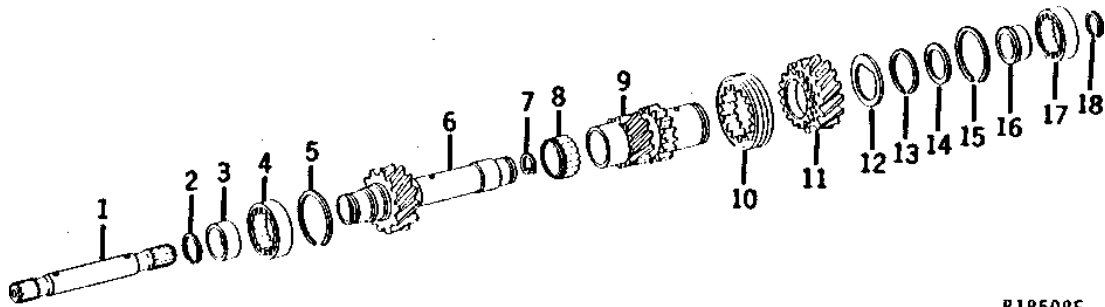
KEY	PART NO.	PART NAME	QTY	TRACTOR SERIAL NO.	REMARKS
1	JD10050	BEARING CUP	1		(SUB FOR JD9122)
2	JD10051	BEARING CONE	1		(SUB FOR JD9059)
3	R49052	STEERING GEAR	1		
4	26H93	SHAFT KEY	1	1/4" X 1-1/4"	
5	R48983	STEERING GEAR	1		(SIXTEEN SPEED)
6	R29001	RING	1		(SIXTEEN SPEED)
7	JD7397	BEARING CONE	1		
8	JD7421	BEARING CUP	1		

2B17

POWER TRAIN

R18508 -UN-01JAN94

LOWER INPUT SHAFT



R18508F

KEY	PART NO.	PART NAME	QTY	TRACTOR SERIAL NO.	REMARKS
1	R47480	SHAFT	1		
2	R28640	SNAP RING	1		
3	JD7599	BEARING RACE	1		
4	AR63790	ROLLER BEARING	1		(SUB FOR JD9412)
5	R48905	SNAP RING	1		(NLA)
6	R49021	STEERING GEAR	1		
7	R41707	SNAP RING	1		
8	JD9912	ROLLER BEARING	2		(A)
9	R49086	PINION	1		(A)
10	R54984	SHIFT COLLAR	1		(A) (SUB FOR R49055)
11	R49075	STEERING GEAR	1		(A)
12	R49159	WASHER	1		(A)
13	R49644	SNAP RING	1		(A)
14	H29027	THRUST BEARING	1		(A)
15	F564R	SNAP RING	1		
16	JD9500	BEARING RACE	1		
17	JD8737	ROLLER BEARING	1		
18	R48745	SNAP RING	1		(SUB FOR R48623)

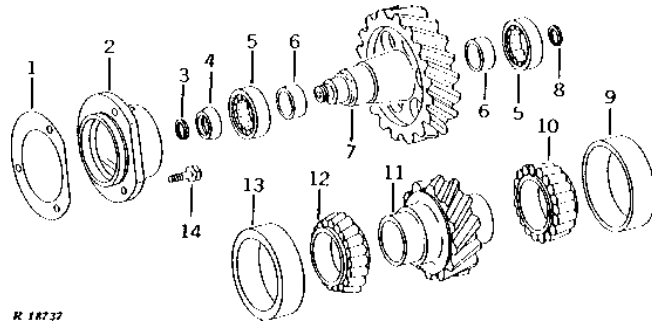
(A) PTO ONLY

2B18

POWER TRAIN

R18737 -UN-01JAN94

PTO IDLER GEARS AND SHAFTS



R 18737

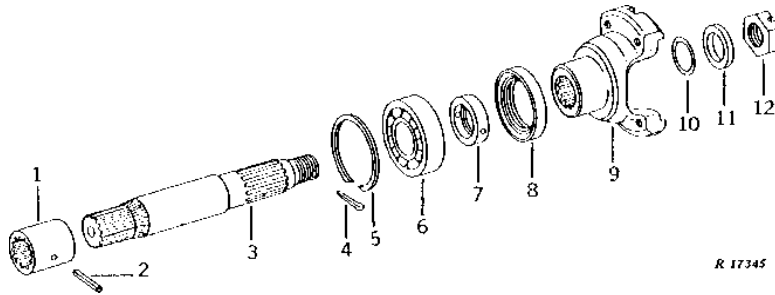
KEY	PART NO.	PART NAME	QTY	TRACTOR SERIAL NO.	REMARKS
1	R43346	SHIM	AR	0.15MM (.006")	
	R43347	SHIM	AR	0.25MM (.010")	
	R43348	SHIM	AR	0.46MM (.018")	
2	R47338	RETAINER	1		
3	R35226	SNAP RING	1		
4	R51504	GUIDE	1	(NLA)	
5	JD7502	ROLLER BEARING	2		
6	JD9504	BEARING RACE	2		
7	R49087	GEAR	1		
8	F2370R	SNAP RING	1		
9	JD7292	BEARING CUP	1		
10	JD7378	BEARING CONE	1		
11	R49088	GEAR	1		
12	JD8158	BEARING CONE	1		
13	JD7417	BEARING CUP	1		
14	R57725	SCREW	3	(SUB FOR R40835)	

2B19

POWER TRAIN

R17345 -UN-01JAN94

TRANSMISSION FRONT OUTPUT SHAFT



R 17345

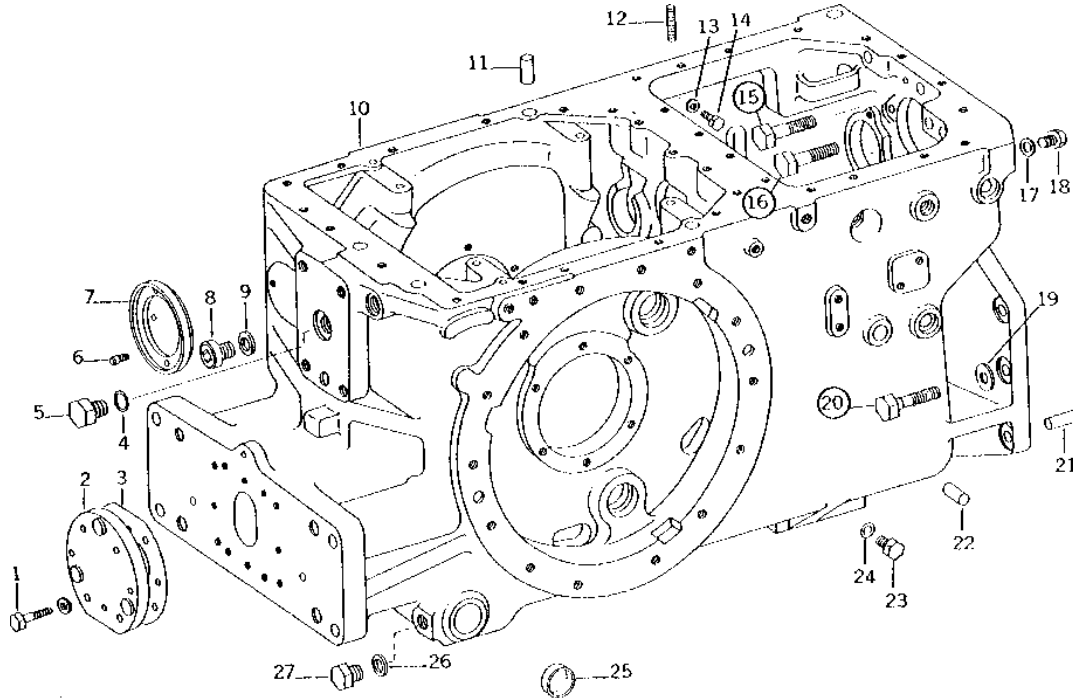
KEY	PART NO.	PART NAME	QTY	TRACTOR SERIAL NO.	REMARKS
1	R47362	COUPLING	1		
2	34H291	SPRING PIN	1	3/16" X 2-1/8"	
3	R47479	SHAFT	1	(NLA)	
4	11M7032	COTTER PIN	1	0.197" X 1.969"	
5	F169R	SNAP RING	1		
6	JD8520	BALL BEARING	1		
7	R47657	SPACER	1		
8	AR94262	SEAL	1	(SUB FOR R37410)	
9	R67064	UNIVERSAL JOINT YOKE	1	(SUB FOR R48015 OR R58536) (ALSO ORDER A4540R) (SUB R72672)	
10	U10289	O-RING	1		
11	R48733	WASHER	AR	6.35MM (.250")	
	R48734	WASHER	AR	6.29MM (.248")	
	R48735	WASHER	AR	6.23MM (.245")	
12	R48776	NUT	1		

2B20

POWER TRAIN

R20809 -UN-01JAN94

TRANSMISSION CASE



R 20809

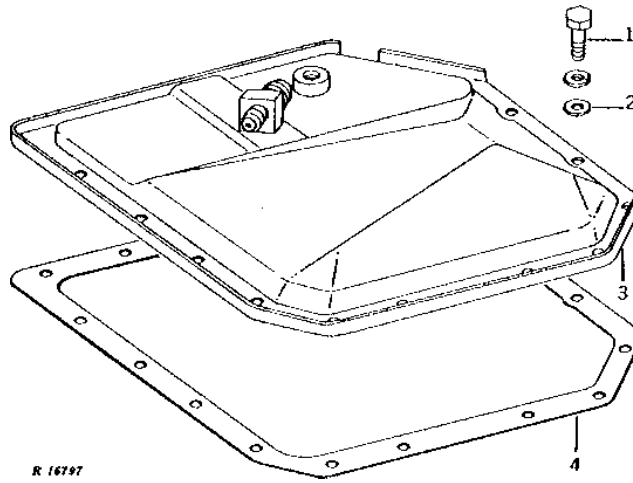
KEY	PART NO.	PART NAME	QTY	TRACTOR SERIAL NO.	REMARKS
1	19H2473	CAP SCREW	6		1/2" X 1-3/4"
	12H301	LOCK WASHER	6		1/2"
2	R35274	COVER	1		(LESS PTO)
3	R58900	GASKET	1		(SUB FOR R35621)
4	F3171R	O-RING	1	001572-	
5	AR54983	FITTING PLUG	1	001572-	
6	R27329	SCREW	2		
7	AR26707	RETAINER	1		
8	R27483	PLUG	1		
9	H851R	WASHER	1		
10	AR49732	TRANSMISSION CASE	1	-001571	(MARKED R46680) (SUB AR77463 AND AR63947)
	AR77463	TRANSMISSION CASE	1	001572-	(MARKED R49840, R55480 OR R62810) (SUB FOR AR63311 OR AR64640)
11	R26616	DOWEL PIN	3		
12	D488R	STUD	1		
13	A3098R	WASHER	1		
14	19H2021	CAP SCREW	1		3/8" X 5/8"
15	19H1707	CAP SCREW	1		3/4" X 2-3/4"
16	19H2026	CAP SCREW	1		3/4" X 4"
17	R26287	O-RING	1		
18	R27216	DRAIN PLUG	1	-001571	(SUB FOR R31631)
	R27094	DRAIN PLUG	1	001572-	
19	T21397	WASHER	11		
20	19H1707	CAP SCREW	9		3/4" X 2-3/4"
21	A776R	PIN	2		
22	T25317	DOWEL PIN	4		
23	R27218	FITTING PLUG	1		
24	R51494	WASHER	1		
25	R43409	CAP	2	-001571	(LESS ROCKSHAFT)
	R54213	CAP	2	001572-	(LESS ROCKSHAFT)
26	R26906	O-RING	1		
27	R27474	DRAIN PLUG	1		

2B21

POWER TRAIN

R16797 -UN-01JAN94

TRANSMISSION CASE FRONT COVER



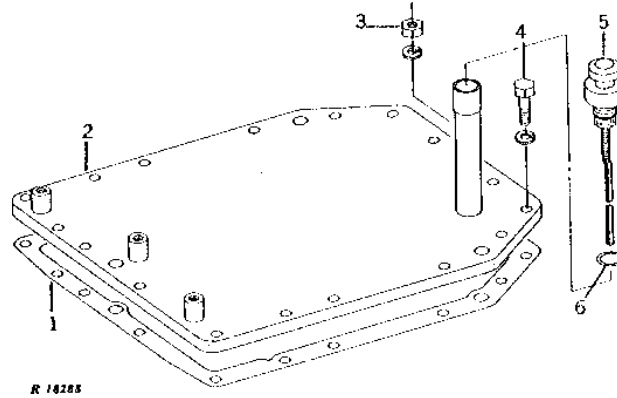
KEY	PART NO.	PART NAME	QTY	TRACTOR SERIAL NO.	REMARKS
1	19H1731	CAP SCREW	2	3/8" X 1"	
	19H2665	CAP SCREW	2	3/8" X 1-5/8"	
	19H1801	CAP SCREW	2	3/8" X 2"	
	12H304	LOCK WASHER	16	3/8"	
2	A4624R	WASHER	12		
3	AR50872	COVER	1		
4	R43260	GASKET	1		

2B22

POWER TRAIN

TRANSMISSION CASE REAR COVER (LESS ROCKSHAFT)

R18288 -UN-01JAN94



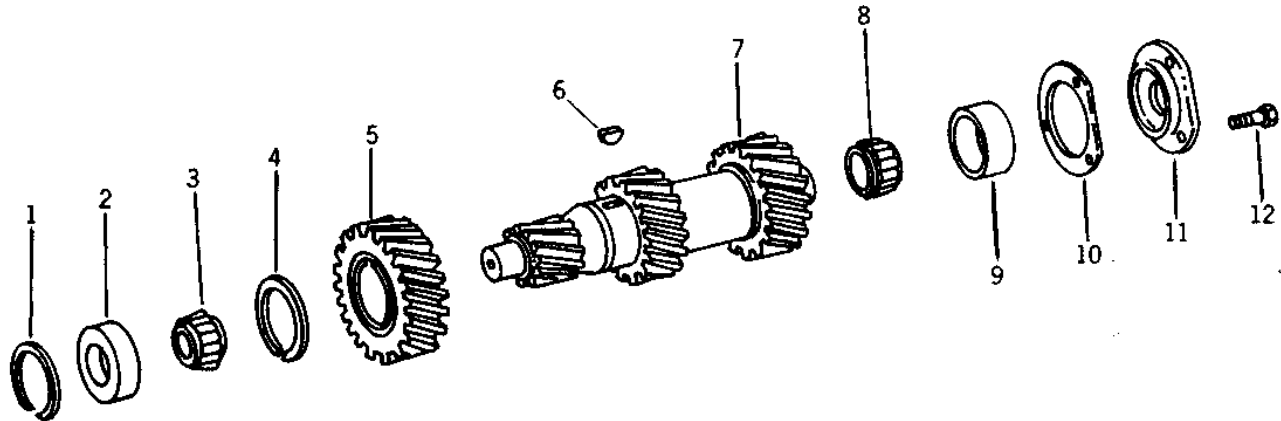
KEY	PART NO.	PART NAME	QTY	TRACTOR SERIAL NO.	REMARKS
1	R43408	GASKET	1		
2	AR54397	COVER	1		
3	14H1040	NUT	1	1/2"	
4	12H301	LOCK WASHER	1	1/2"	
	19H1721	CAP SCREW	17	1/2" X 1-1/2"	
	12H301	LOCK WASHER	17	1/2"	
5	AR50470	DIPSTICK	1		
6	A4730R	O-RING	3		

2B23

POWER TRAIN

R32224 -UN-01JAN94

COUNTERSHAFT



R32224F

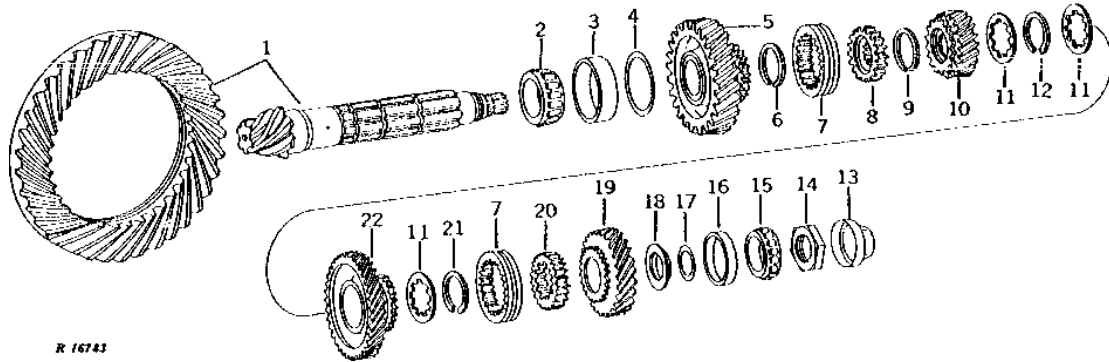
KEY	PART NO.	PART NAME	QTY	TRACTOR SERIAL NO.	REMARKS
1	R35377	SNAP RING	1		
2	JD8262	BEARING CUP	1		(SUB JD10005 AND JD8113)
3	JD7383	BEARING CONE	1		
4	R35369	SNAP RING	1	-001571	
	R52705	SNAP RING	1	001572-	
5	R43017	GEAR	1	-001571	(SIXTH AND EIGHTH SPEED COUNTERSHAFT)
	R67643	STEERING GEAR	1	001572-	(SUB FOR R52704)
6	26H93	SHAFT KEY	1	-001571	1/4" X 1-1/4"
	26H101	SHAFT KEY	1	001572-	3/8" X 1-1/2"
7	R43128	COUNTERSHAFT	1	-001571	
	R50562	COUNTERSHAFT	1	001572-	
8	JD9015	BEARING CONE	1		
9	JD8288	BEARING CUP	1		
10	R43346	SHIM	AR		0.15MM (.006")
	R43347	SHIM	AR		0.25MM (.010")
	R43348	SHIM	AR		0.46MM (.018")
11	R47338	RETAINER	1		(PTO)
	R43129	RETAINER	1		(LESS PTO)
12	R57725	SCREW	3		(SUB FOR R40835)

2B24

POWER TRAIN

R16783 -UN-01JAN94

REAR DIFFERENTIAL DRIVE AND BEVEL PINION ASSEMBLY



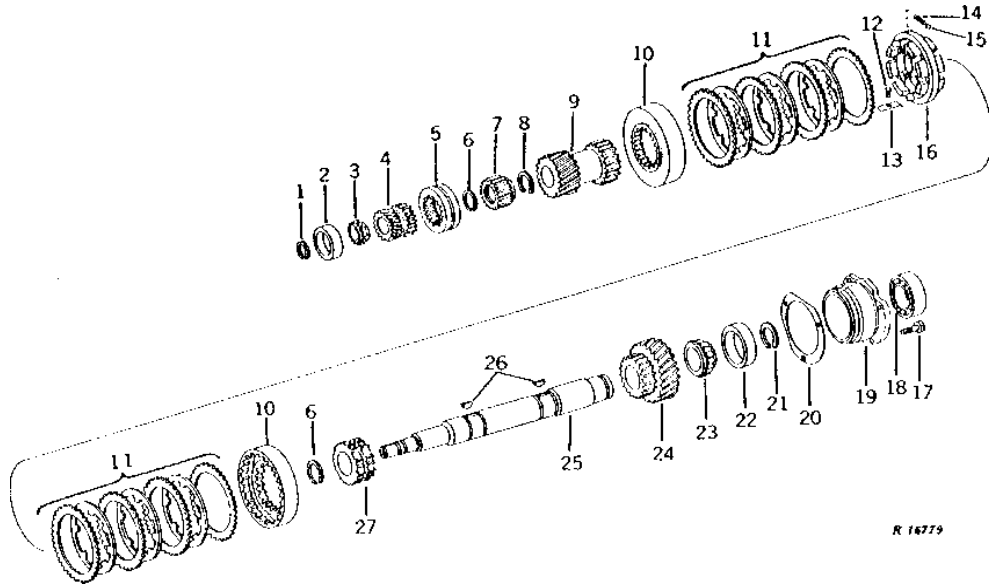
KEY	PART NO.	PART NAME	QTY	TRACTOR SERIAL NO.	REMARKS
1	AR52432	BEVEL GEAR DRIVE	1		(MATCHED SET) (MARKED R49012 AND R49013) (SUB AR52433, (2) R33410, (3) R33411, (2) R33412, (2) R36765, (2) R36766 AND (2) R36767)
2	JD8977	BEARING CONE	1	-001571	
	JD9066	BEARING CONE	1	001572-	
3	JD8266	BEARING CUP	1	-001571	
	JD8280	BEARING CUP	1	001572-	
4	R33410	SHIM	AR		0.08MM (.003")
	R33411	SHIM	AR		0.13MM (.005")
	R33412	SHIM	AR		0.25MM (.010")
5	AR54679	GEAR	1		(FIRST AND THIRD SPEED) (MARKED R50561 OR R43131) (SUB FOR AR43025)
6	R35372	SNAP RING	1		
7	R35491	SHIFT COLLAR	2		
8	R43191	GEAR	1		
9	R43349	SNAP RING	1		
10	R43018	GEAR	1		(SIXTH AND EIGHTH SPEED)
11	R35426	THRUST WASHER	3		
12	R35373	SNAP RING	1		
13	R48387	RETAINER	1		
14	R48386	NUT	1		
15	JD7359	BEARING CONE	1		
16	JD8235	BEARING CUP	1		
17	R36765	SHIM	AR		0.08MM (.003")
	R36766	SHIM	AR		0.13MM (.005")
	R36767	SHIM	AR		0.25MM (.010")
18	R36764	BUSHING	1		
19	R43019	GEAR	1		(FOURTH AND SEVENTH SPEED)
20	R35489	GEAR	1		
21	R35371	SNAP RING	1		
22	R43134	GEAR	1		(SECOND AND FIFTH SPEED)

2B25

POWER TRAIN

R16779 -UN-01JAN94

TRANSMISSION DRIVE SHAFT ASSEMBLY (SYNCHRO-RANGE WITH COLLAR SHIFT REVERSE)



KEY	PART NO.	PART NAME	QTY	TRACTOR SERIAL NO.	REMARKS
1	R35164	SNAP RING	1	1.93MM (.076")	
	R35165	SNAP RING	1	2.01MM (.079")	
	R35166	SNAP RING	1	2.08MM (.082")	
	R35167	SNAP RING	1	2.16MM (.085")	
	R40713	SNAP RING	1	2.24MM (.088")	
	R40714	SNAP RING	1	2.31MM (.091")	
	R40715	SNAP RING	1	2.39MM (.094")	
2	JD8291	BEARING CUP	1		
3	JD7232	BEARING CONE	1		
4	R47119	PINION	1		
5	R47118	SHIFT COLLAR	1		
6	R35385	SNAP RING	2		
7	R47117	SHIFT COLLAR	1		
8	R35386	SNAP RING	1		
9	R59827	PINION	1		(SUB FOR R43021 OR R51842)
10	R36678	DRUM	2		
11	AR69155	SYNCHRONIZER	1		(2 SETS USED) (SUB FOR AR52434) (SUB RE37120)
12	R45225	STUD	2		
13	R35461	CLAMP	2		
14	R59860	SPRING	4		(SUB FOR R27730)
15	A4742R	BALL	4		
16	AR35403	SYNCHRONIZER	1		
17	R57725	SCREW	2		(SUB FOR R40835)
	R47658	SELF-LOCKING SCREW	1		
18	AR63790	ROLLER BEARING	1		(SUB FOR JD9412)
19	R48984	QUILL	1		
20	R53749	SHIM	AR	0.15MM (.006")	(SUB FOR R47659)
	R53750	SHIM	AR	0.25MM (.010")	(SUB FOR R47660)
	R53751	SHIM	AR	0.46MM (.018")	(SUB FOR R47661)
21	R35381	SNAP RING	1	1.93MM (.076")	
	R35382	SNAP RING	1	2.01MM (.079")	
	R35383	SNAP RING	1	2.08MM (.082")	
	R35384	SNAP RING	1	2.16MM (.085")	
	R40711	SNAP RING	1	2.24MM (.088")	
	R40712	SNAP RING	1	2.31MM (.091")	
22	JD8240	BEARING CUP	1		
23	JD8907	BEARING CONE	1		
24	R54567	PINION	1		(SUB FOR R43020)
25	R49587	DRIVE SHAFT	1		
26	26H82	SHAFT KEY	2	1/4" X 7/8"	
27	R64129	SHIFT COLLAR	1		(SUB FOR R35457)

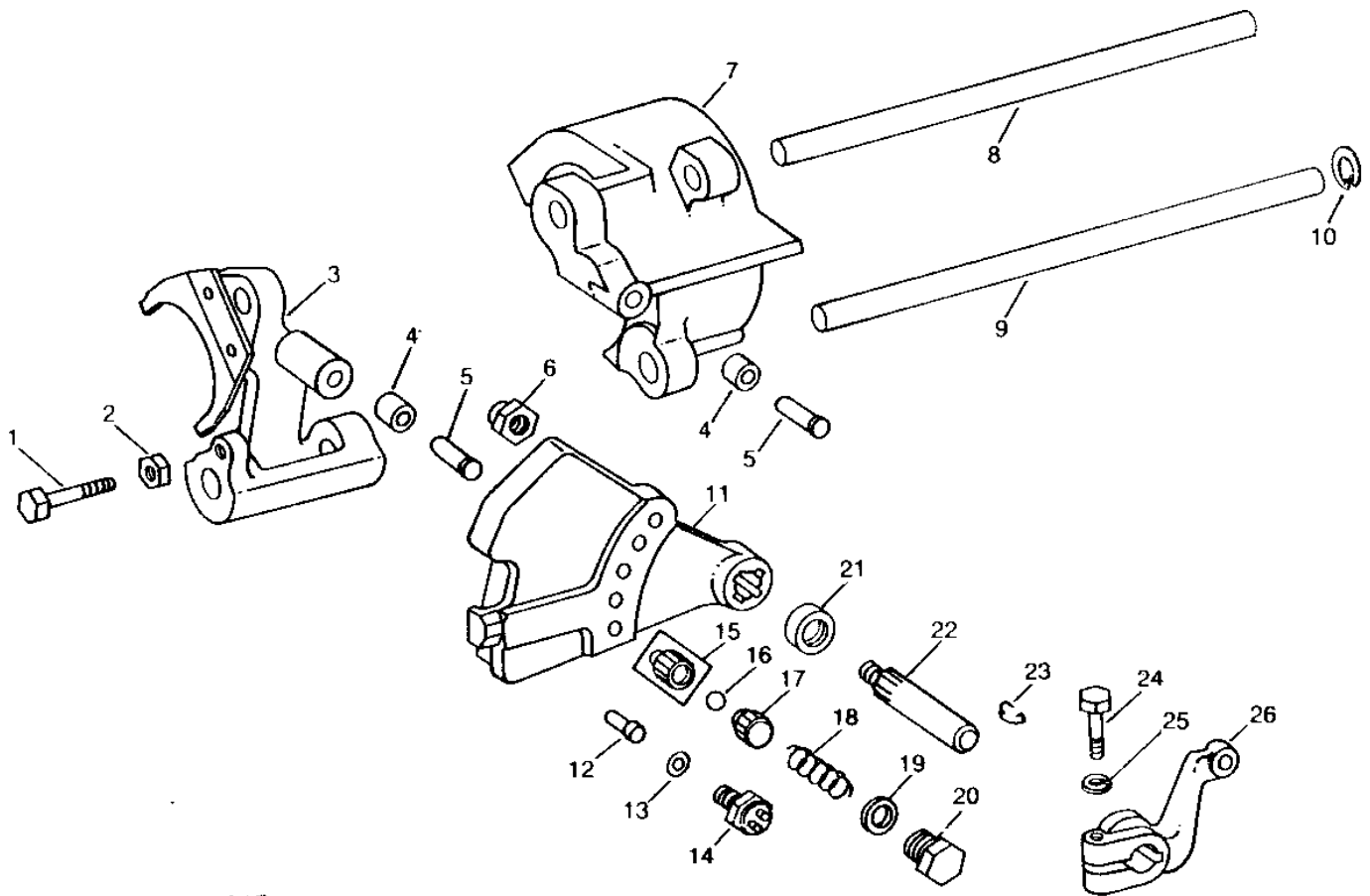
2C1

POWER TRAIN

RWP5987

-UN-02JAN94

RANGE SHIFTERS AND SHIFTER SHAFTS



RWP5987

2C2

POWER TRAIN

RANGE SHIFTERS AND SHIFTER SHAFTS - CONTINUED

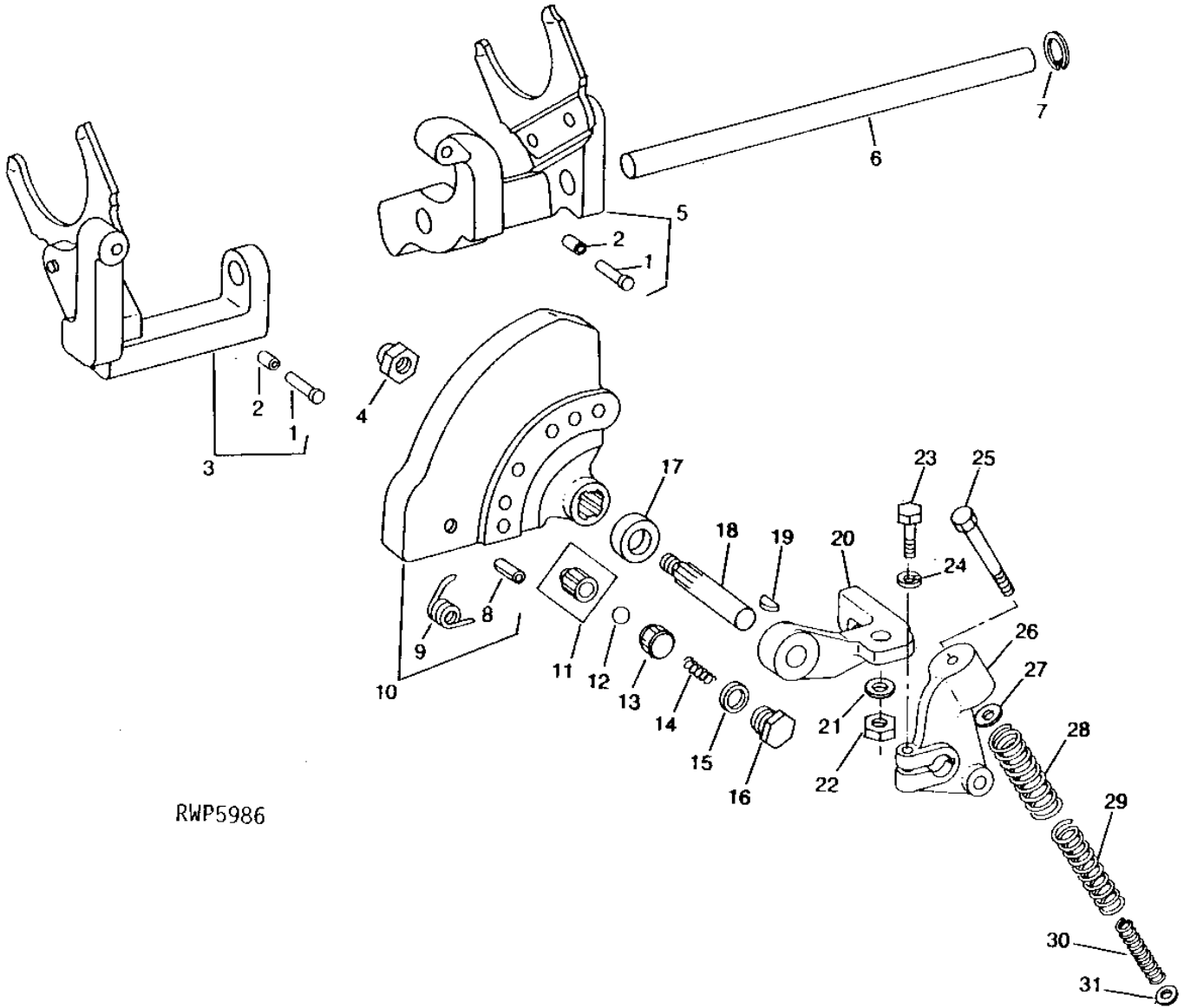
KEY	PART NO.	PART NAME	QTY	TRACTOR SERIAL NO.	REMARKS
1	19H1944	CAP SCREW	1		3/8" X 2-3/4"
2	14H1076	NUT	1		3/8"
3	AR73158	SHIFTER	1		(MARKED R47121 OR R60339) (SUB FOR AR49652)
4	R43906	SPACER	2		
5	R97316	PIN	2		(SUB FOR R43907)
6	E17421	LOCK NUT	1		
7	AR43744	SHIFTER	1		(MARKED R43137)
8	R70558	SHAFT	1		(SUB FOR R43461)
9	R43460	SHAFT	1		
10	R46205	RING	1		
11	R100094	CAM	1		(SUB FOR R43393)
12	R99556	PIN	1		(SUB FOR R33731)
13	T16911	SHIM	AR		
14	RE38390	SWITCH	1		(SUB FOR R36265, AR85323 OR AR89691)
15	R26202	PAWL	1	-XXXXXX	
16	M886T	BALL	1	XXXXXX-	(5/8")
17	T19079	RETAINER	1	XXXXXX-	
18	T23856	SPRING	1	-XXXXXX	
	R51865	SPRING	1	XXXXXX-	
19	A4827R	WASHER	1		
20	R38181	FITTING	1		
21	AR389R	SEAL	1		
22	AR31904	SHAFT	1		(SUB E17421 AND R32630)
23	26H17	SHAFT KEY	1		3/16" X 7/8"
24	19H1800	CAP SCREW	1		3/8" X 1-1/2"
25	12H304	LOCK WASHER	1		3/8"
26	R47703	ARM	1		

2C3

POWER TRAIN

RWP5986 -UN-01JAN94

GEAR SHIFTERS AND SHIFTER SHAFTS



RWP5986

2C4

POWER TRAIN

GEAR SHIFTERS AND SHIFTER SHAFTS - CONTINUED

KEY	PART NO.	PART NAME	QTY	TRACTOR SERIAL NO.	REMARKS
1	R26206	PIN	2		
2	R26207	ROLLER	2		
3	AR43026	LEVER	1		(FIRST AND THIRD, SIXTH AND EIGHT SPEED) (MARKED R43135)
4	E17421	LOCK NUT	1		
5	AR43027	LEVER	1		(SECOND AND FIFTH, FOURTH AND SEVENTH) (MARKED R43136)
6	R43460	SHAFT	1		
7	R46205	RING	1		
8	34H365	SPRING PIN	1		1/2" X 7/8"
9	R43593	SPRING	1		(SUB FOR R73444)
10	AR77725	CAM	1		(MARKED R43391, R61108, R62803 OR R62972) (SUB FOR AR43097, AR74081 OR AR77462)
11	R26202	PAWL	1	-XXXXXX	
12	M886T	BALL	1	XXXXXX-	(5/8")
13	T19079	RETAINER	1	XXXXXX-	
14	R26203	SPRING	1	-XXXXXX	
	R59378	SPRING	1	XXXXXX-	
15	A4827R	WASHER	1		
16	R38181	FITTING	1		
17	AR389R	SEAL	1		
18	R47662	SHAFT	1		(NLA)
19	26H17	SHAFT KEY	1		3/16" X 7/8"
20	R47701	ARM	1		
21	R1870R	WASHER	1		(SUB R57696)
22	T11234	LOCK NUT	1		
23	19H1800	CAP SCREW	1		3/8" X 1-1/2"
24	12H304	LOCK WASHER	1		3/8"
25	19H2228	CAP SCREW	1		3/8" X 4"
26	R47702	ARM	1		
27	R1870R	WASHER	1		(SUB R57696)
28	R26637	SPRING	1		
29	R26638	SPRING	1		
30	R26369	SPRING	1		
31	24H1219	WASHER	1		7/16" X 1" X 0.083"

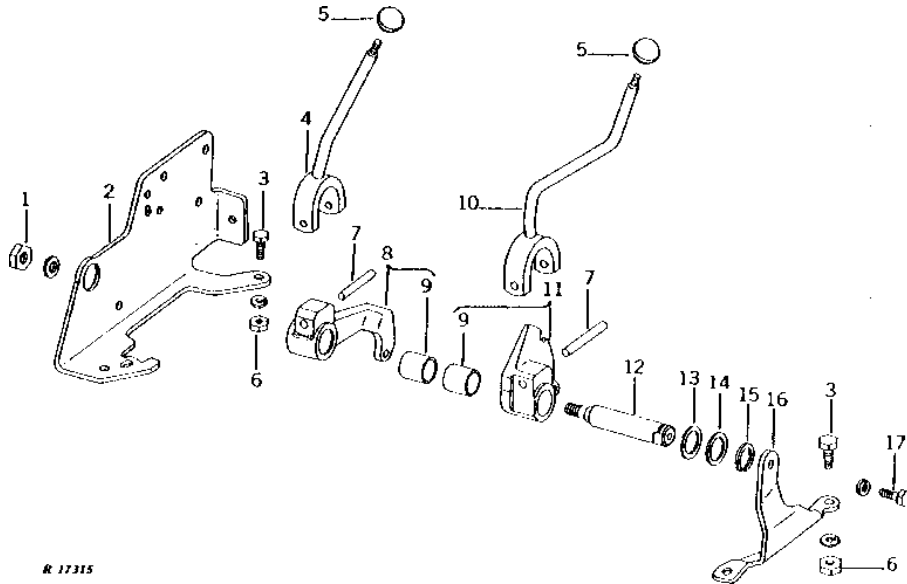
MEMORANDA

2C5

POWER TRAIN

R17315 -UN-01JAN94

TRANSMISSION SHIFTER CONTROL LEVERS AND ARMS



KEY	PART NO.	PART NAME	QTY	TRACTOR SERIAL NO.	REMARKS
1	14H914	NUT	1	5/8"	
	12H294	LOCK WASHER	1	5/8"	
2	R44678	SUPPORT	1		
3	19H2284	CAP SCREW	4	3/8" X 7/8"	
4	AR52204	LEVER	1		
5	R50864	KNOB	2		
6	14H1076	NUT	4	3/8"	
	12H304	LOCK WASHER	4	3/8"	
7	34H364	SPRING PIN	2	7/16" X 3"	
8	AR51755	ARM	1		
9	R26186	BUSHING	2		
10	AR51757	LEVER	1		
11	AR51758	ARM	1	(NLA)	
12	R48541	SHAFT	1		
13	T27317	WASHER	2		
14	T27314	SHIM	1		
15	T14658	SNAP RING	1		
16	R42129	SUPPORT	1		
17	19H2284	CAP SCREW	1	3/8" X 7/8"	
	12H304	LOCK WASHER	1	3/8"	

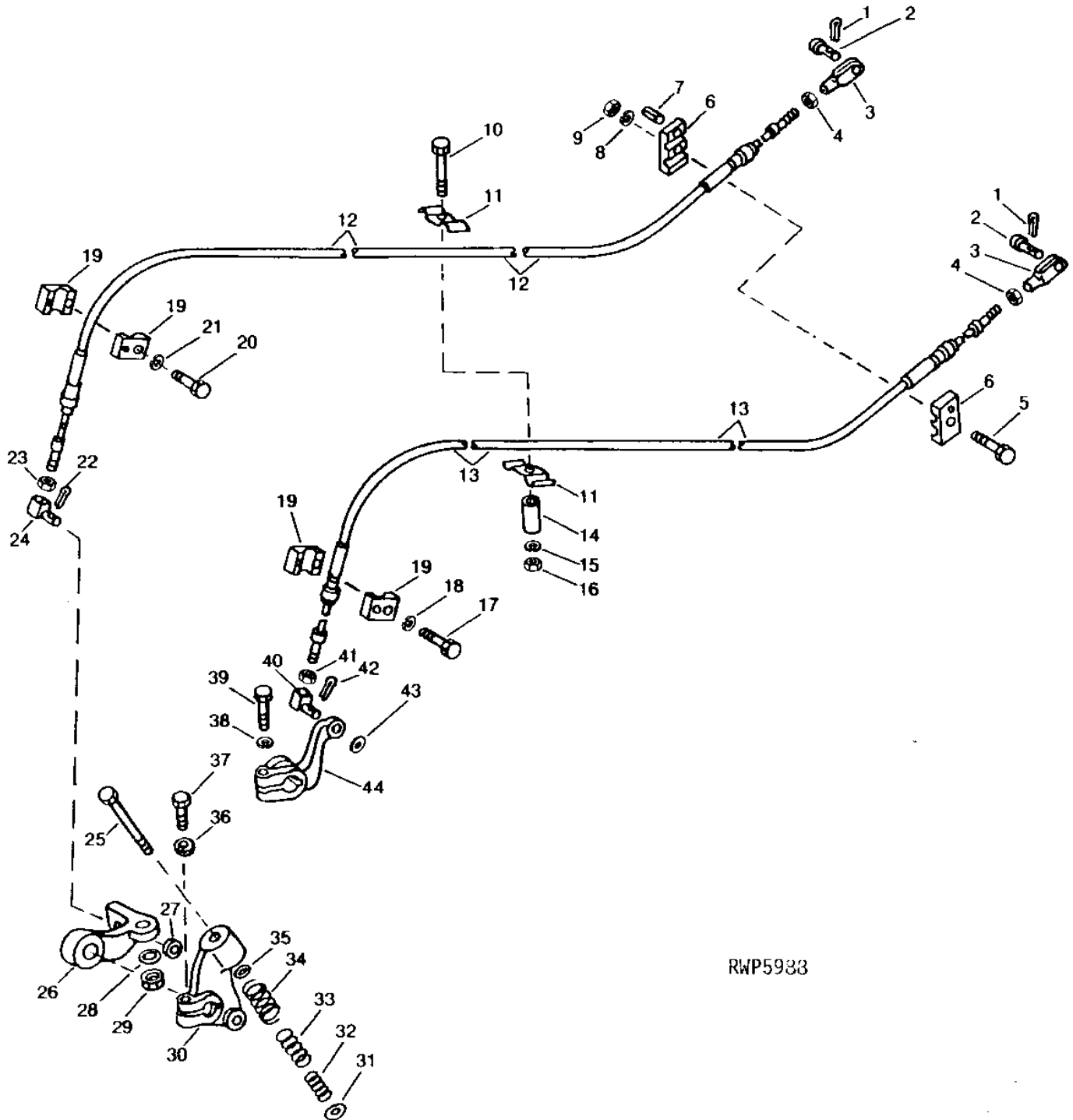
2C6

POWER TRAIN

RWP5988

-UN-01JAN94

TRANSMISSION CONTROL CABLES



RWP5988

2C7

POWER TRAIN

TRANSMISSION CONTROL CABLES - CONTINUED

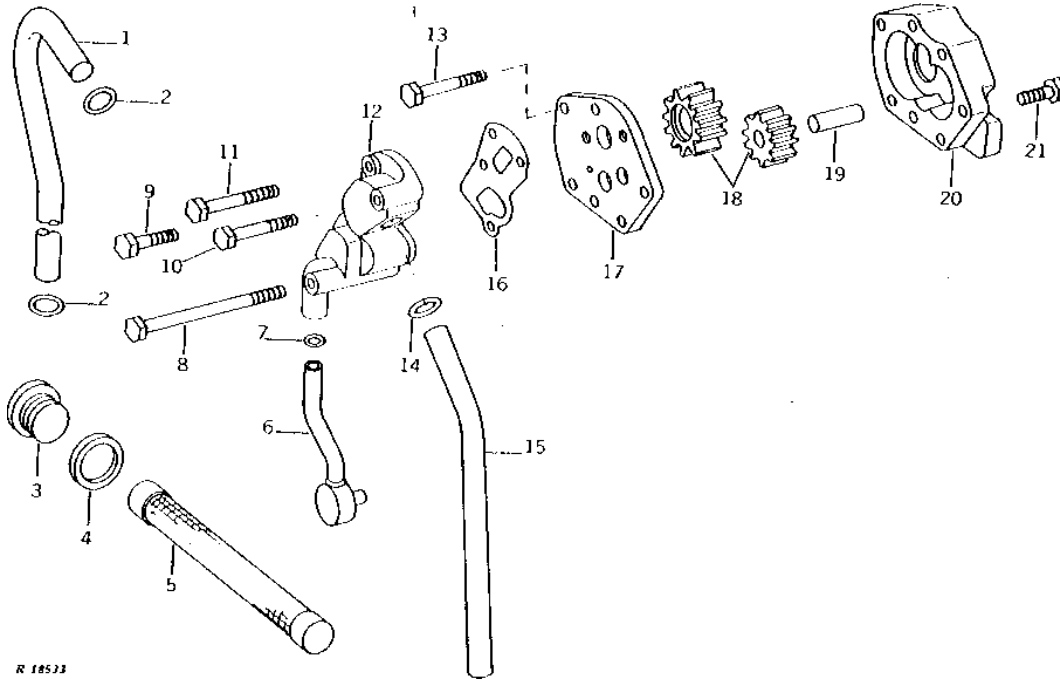
KEY	PART NO.	PART NAME	QTY	TRACTOR SERIAL NO.	REMARKS
1	11M7081	COTTER PIN	2		0.098" X 0.787"
2	R65563	PIN	2		(SUB FOR C1067R)
3	T13606	YOKE	2		
4	14H774	NUT	2		3/8"
5	19H1819	CAP SCREW	1		3/8" X 2-1/8"
6	R47807	CLAMP	2		
7	34H254	SPRING PIN	1		1/8" X 1-1/2"
8	12H304	LOCK WASHER	1		3/8"
9	14H1076	NUT	1		3/8"
10	19H1944	CAP SCREW	1		3/8" X 2-3/4"
11	R34064	CLAMP	2		
12	AR53113	PUSH PULL CABLE	1		(SPEED CHANGE)
	R48718	SEAL	1		(CONDUIT TO TERMINAL SLEEVE)
	R48719	SEAL	1		(TERMINAL SLEEVE TO INNER MEMBER INPUT END)
	R48720	SEAL	1		(SUB R48720)
13	AR53114	PUSH PULL CABLE	1		(TERMINAL SLEEVE TO INNER MEMBER OUTPUT END)
	R48718	SEAL	1		(SPEED RANGE)
	R48719	SEAL	1		(CONDUIT TO TERMINAL SLEEVE)
	R48720	SEAL	1		(TERMINAL SLEEVE TO INNER MEMBER INPUT END)
	R48720	SEAL	1		(SUB R48720)
	R48720	SEAL	1		(TERMINAL SLEEVE TO INNER MEMBER OUTPUT END)
14	28H3380	SPACER	1		0.493" X 0.675" X 1-5/8"
15	12H304	LOCK WASHER	1		3/8"
16	14H1076	NUT	1		3/8"
17	19H2549	CAP SCREW	1		3/8" X 1-7/8"
18	12H304	LOCK WASHER	1		3/8"
19	R47806	CLAMP	4		
20	19H2128	CAP SCREW	1		3/8" X 3"
21	12H304	LOCK WASHER	1		3/8"
22	11M7081	COTTER PIN	1		0.098" X 0.787"
23	14H774	NUT	1		3/8"
24	AR51386	SWIVEL	1		(NLA)
25	19H2228	CAP SCREW	1		3/8" X 4"
26	R47701	ARM	1		
27	24H1302	WASHER	1		13/32" X 11/16" X 0.035"
28	R1870R	WASHER	1		(SUB R57696)
29	T11234	LOCK NUT	1		
30	R47702	ARM	1		
31	24H1219	WASHER	1		7/16" X 1" X 0.083"
32	R26369	SPRING	1		
33	R26638	SPRING	1		
34	R26637	SPRING	1		
35	R1870R	WASHER	1		(SUB R57696)
36	12H304	LOCK WASHER	1		3/8"
37	19H1800	CAP SCREW	1		3/8" X 1-1/2"
38	12H304	LOCK WASHER	1		3/8"
39	19H1800	CAP SCREW	1		3/8" X 1-1/2"
40	AR51386	SWIVEL	1		(NLA)
41	14H774	NUT	1		3/8"
42	11M7081	COTTER PIN	1		0.098" X 0.787"
43	24H1302	WASHER	1		13/32" X 11/16" X 0.035"
44	R47703	ARM	1		

2C8

POWER TRAIN

R18533 -UN-01JAN94

TRANSMISSION OIL PUMP



R 18533

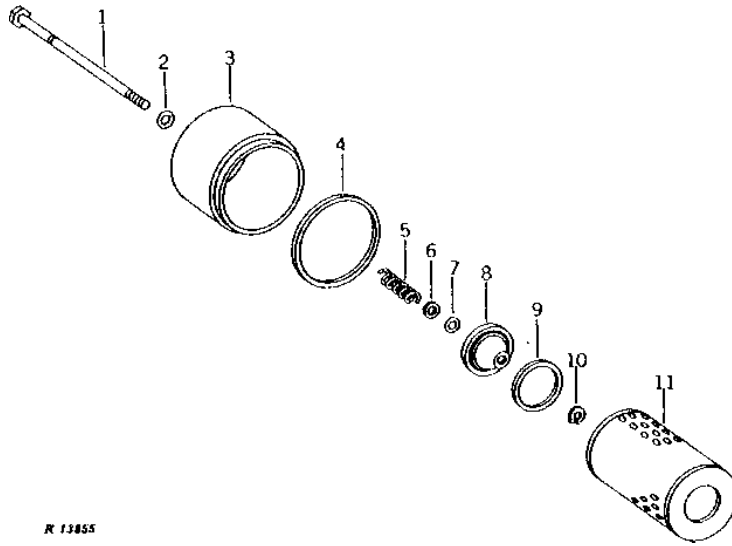
KEY	PART NO.	PART NAME	QTY	TRACTOR SERIAL NO.	REMARKS
1	R43254	OIL TUBE	1		
2	R56462	O-RING	2		
3	R40147	FITTING	1		(SUB FOR A4806R)
4	A4808R	WASHER	1		
5	R53169	SCREEN	1		(NYLON)
	AR26375	SCREEN	1		(STEEL)
6	AR43058	HYDRAULIC LINE	1		
7	A3917R	O-RING	1		
8	R43256	CAP SCREW	1		
9	R41006	CAP SCREW	1		
10	R43257	CAP SCREW	1		
11	R41007	CAP SCREW	1		
12	R51907	MANIFOLD	1		
13	R43252	CAP SCREW	2		
14	R56462	O-RING	1		
15	R40831	HYDRAULIC LINE	1		
16	R43253	GASKET	1		
17	R43250	COVER	1		
18	AR40670	GEAR	1		
19	R40824	DOWEL PIN	1		
20	AR53449	HOUSING	1		(MARKED R49588)
21	R41006	CAP SCREW	1		

2C9

POWER TRAIN

R13855 -UN-01JAN94

TRANSMISSION OIL FILTER



R 13855

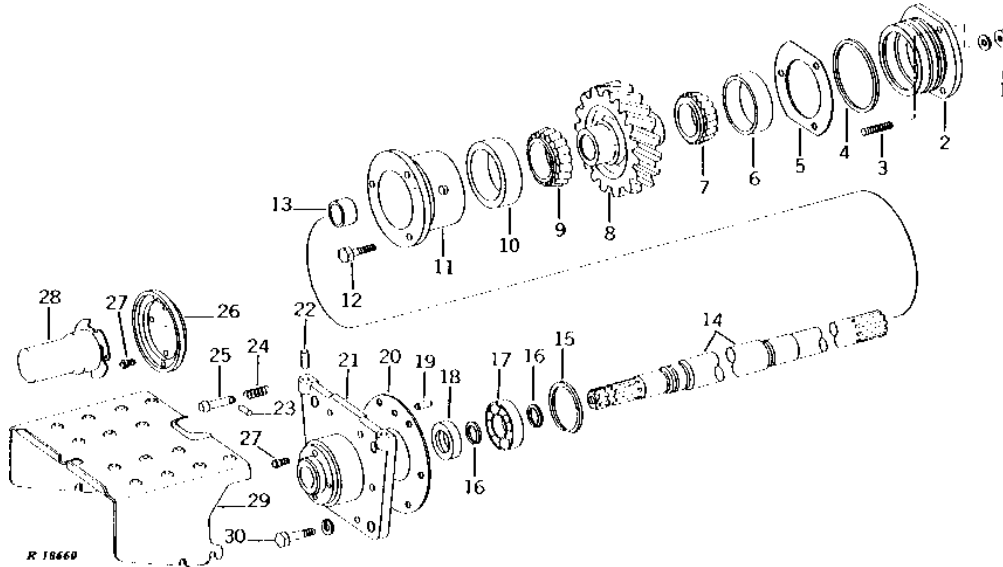
KEY	PART NO.	PART NAME	QTY	TRACTOR SERIAL NO.	REMARKS
1	R54750	CAP SCREW	1		(SUB FOR R39795)
2	R394R	O-RING	1		
3	R39796	COVER	1		
4	R34733	WASHER	1		
5	H819R	SPRING	1		
6	24H1227	WASHER	1		17/32" X 13/16" X 0.060"
7	R394R	O-RING	1		
8	R65892	RETAINER	1		
9	R28594	WASHER	1		
10	R32507	SNAP RING	1		
11	AR75603	FILTER ELEMENT	1		(PKG OF 2) (SUB FOR AR28271 OR AR75601)

2C10

POWER TRAIN

R18660 -UN-01JAN94

1000 RPM PTO SHAFT



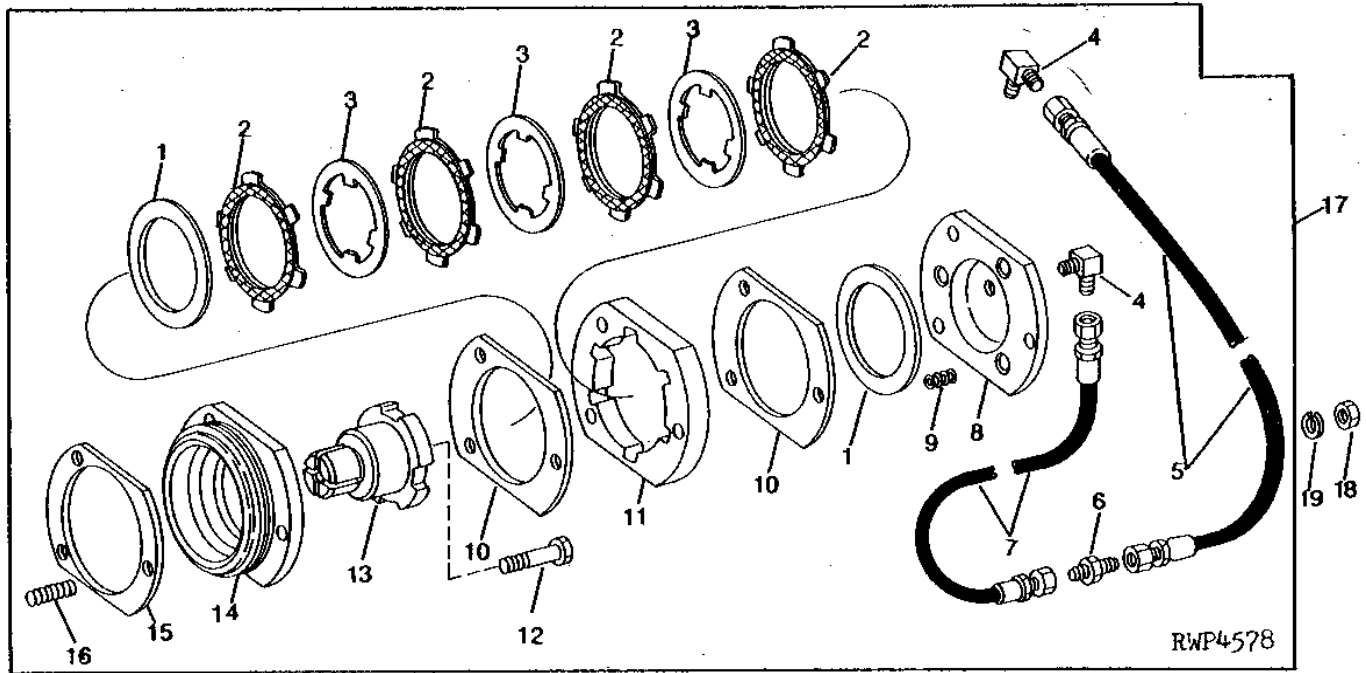
KEY	PART NO.	PART NAME	QTY	TRACTOR SERIAL NO.	REMARKS
1	14H1076	NUT	3	3/8"	
	12H304	LOCK WASHER	3	3/8"	
2	R47336	QUILL	1	(NLA)	
3	M3636T	STUD	3		
4	R47559	WASHER	1		
5	R47556	SHIM	AR	0.08MM (.003")	
	R47557	SHIM	AR	0.13MM (.005")	
	R47558	SHIM	AR	0.25MM (.010")	
6	JD7425	BEARING CUP	1		
7	JD8161	BEARING CONE	1		
8	R49089	GEAR	1		
9	JD7378	BEARING CONE	1		
10	JD7292	BEARING CUP	1		
11	R47337	QUILL	1		
12	R57725	SCREW	3	(SUB FOR R40835)	
13	R34328	BUSHING	1	(USE WITH R46680 OR R49840)	
	R55489	BUSHING	1	(USE WITH R55480)	
14	R49099	SHAFT	1		
15	A4609R	SNAP RING	1		
16	R40712	SNAP RING	2		
17	JD9409	BALL BEARING	1	(SUB FOR JD9346 OR JD7123)	
18	AR72992	SEAL	1	(SUB FOR AR26482)	
19	R26650	DOWEL PIN	2		
20	R58900	GASKET	1	(SUB FOR R35621)	
21	R49101	QUILL	1	(MARKED R35620)	
22	34H348	SPRING PIN	2	3/8" X 1"	
23	34H286	SPRING PIN	1	3/16" X 1-1/2"	
24	F1463R	SPRING	1		
25	F1462R	PIN	1		
26	AR26707	RETAINER	1		
27	R27329	SCREW	4		
28	AR26782	GUARD	1		
29	R27562	SHIELD	1		
30	19H2473	CAP SCREW	6	1/2" X 1-3/4"	
	12H301	LOCK WASHER	6	1/2"	

2C11

POWER TRAIN

RWP4578 -UN-01JAN94

PTO SNUBBER BRAKE



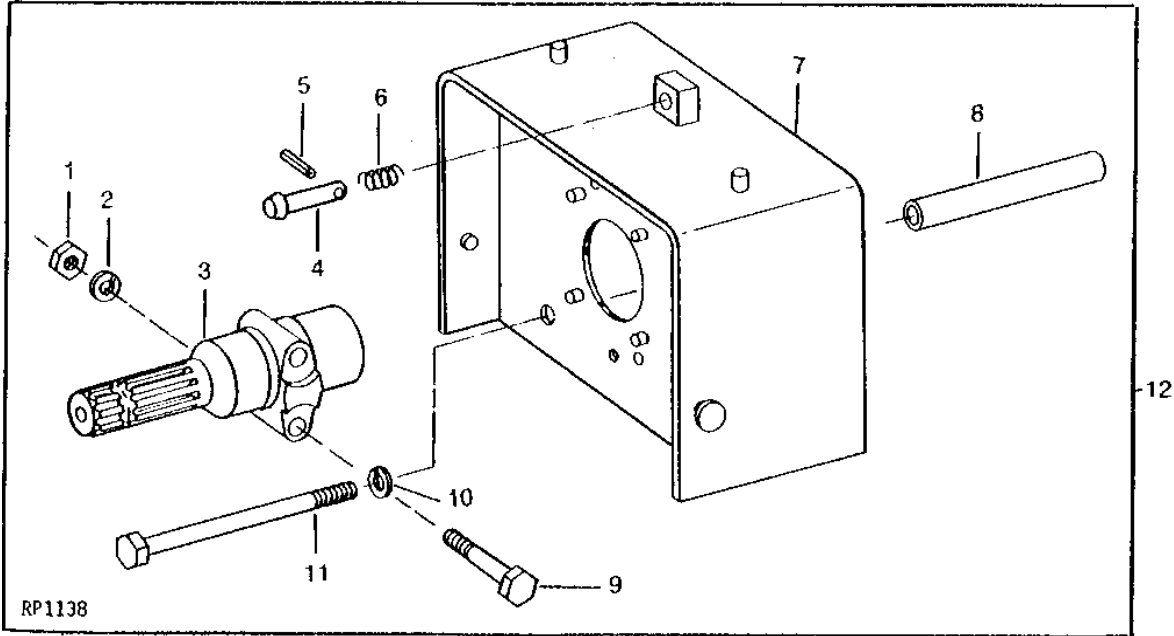
KEY	PART NO.	PART NAME	QTY	TRACTOR SERIAL NO.	REMARKS
1	R65139	WASHER	2	(NLA)	
2	AR69152	DISK	4	(SUB RE37119)	
3	R27727	PLATE	3	(SUB RE37119)	
4	AR26674	ELBOW FITTING	1		
5	AR36873	HYDRAULIC HOSE	1		
6	R50201	FITTING	1		
7	AR36576	HYDRAULIC HOSE	1		
8	R65138	COVER	1	(NLA)	
9	R31320	SPRING	3		
10	R65140	GASKET	2	(NO LONGER AVAILABLE)	
11	R65141	RETAINER	1	(NLA)	
12	19H1820	CAP SCREW	1	1/2" X 3"	
13	R65137	HUB	1		
14	R65142	QUILL	1	(NLA)	
15	R47556	SHIM	1	0.08MM (.003")	
	R47557	SHIM	1	0.13MM (.005")	
	R47558	SHIM	1	0.25MM (.010")	
16	R699R	STUD	3		
17	AR81989	BRAKE	1	(NO LONGER AVAILABLE)	
18	14H1076	NUT	3	3/8"	
19	12H304	LOCK WASHER	3	3/8"	
..	R44302	TIE BAND	AR		
..	AR69154	SYNCHRONIZER	1	(INCLUDES (3) AR69152 AND (2) R27727) (SUB RE37119)	

2C12

POWER TRAIN

RP1138 -UN-01JAN94

PTO ADAPTER



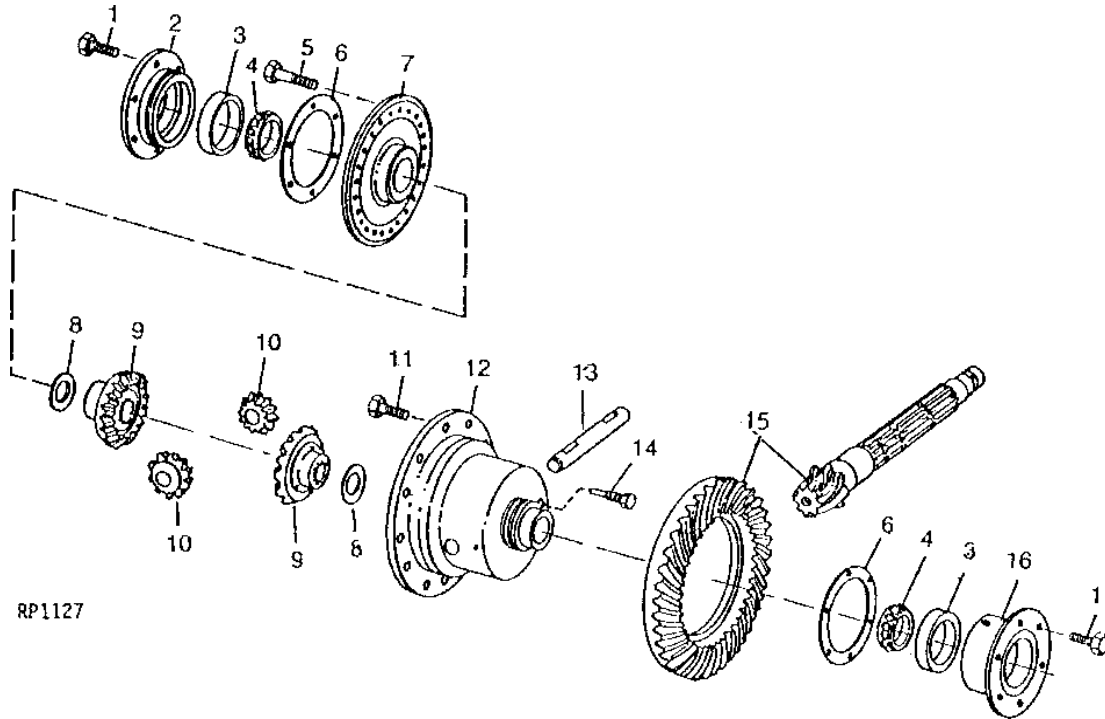
KEY	PART NO.	PART NAME	QTY	TRACTOR SERIAL NO.	REMARKS
1	14H1040	NUT	2	1/2"	
2	12H301	LOCK WASHER	2	1/2", (SUB FOR R30403)	
3	R58764	ADAPTER	1	(SUB FOR R49100) (SUB AR89543)	
4	F1462R	PIN	1		
5	34H286	SPRING PIN	1	3/16" X 1-1/2"	
6	F1463R	SPRING	1		
7	AR52538	SUPPORT	1	(NLA)	
8	R49122	BUSHING	4		
9	19H1974	CAP SCREW	2	1/2" X 2-3/4"	
10	12H301	LOCK WASHER	4	1/2"	
11	19H3202	CAP SCREW	4	1/2" X 6-1/2"	
12	AR53592	ADAPTER	1	1-3/8", (NLA)	

2C13

POWER TRAIN

RP1127 -UN-01JAN94

REAR DIFFERENTIAL



RP1127

KEY	PART NO.	PART NAME	QTY	TRACTOR SERIAL NO.	REMARKS
1	R41049	CAP SCREW	12	(NLA)	
2	R43186	QUILL	1	(A)	
3	JD8214	BEARING CUP	1	(A) L.H.	
	JD8214	BEARING CUP	1	R.H.	
4	JD9019	BEARING CONE	1	(A) L.H.	
	JD9019	BEARING CONE	1	R.H.	
5	R43369	SELF-LOCKING SCREW	12	(SUB FOR R42407)	
6	R35501	SHIM	AR	0.08MM (.003")	
	R35502	SHIM	AR	0.13MM (.005")	
	R35503	SHIM	AR	0.25MM (.010")	
7	AR88242	COVER	1	(A) (MARKED R43184 OR R46636) (SUB FOR AR43243)	
	34H311	SPRING PIN	3	1/4" X 7/8"	
8	R72586	THRUST WASHER	2	(SUB FOR R52157 OR R66788)	
9	R52155	GEAR	2		
10	R48253	PINION	2		
11	R43368	CAP SCREW	12		
12	AR43114	HOUSING	1	(MARKED R43002 OR R43003) (SUB AR101624)	
				(ALSO ORDER AR95431, JD8298, JD8962, R73274, R94631 AND (3) 34H311)	
13	R58424	PINION SHAFT	1	(SUB FOR R52154)	
14	R70236	CAP SCREW	1	(SUB FOR R41050)	
15	AR52432	BEVEL GEAR DRIVE	1	(MATCHED SET) (MARKED R49012 AND R49013) (SUB AR52433, (2) R33410, (3) R33411, (2) R33412, (2) R36765, (2) R36766 AND (2) R36767)	
16	R35500	QUILL	1		

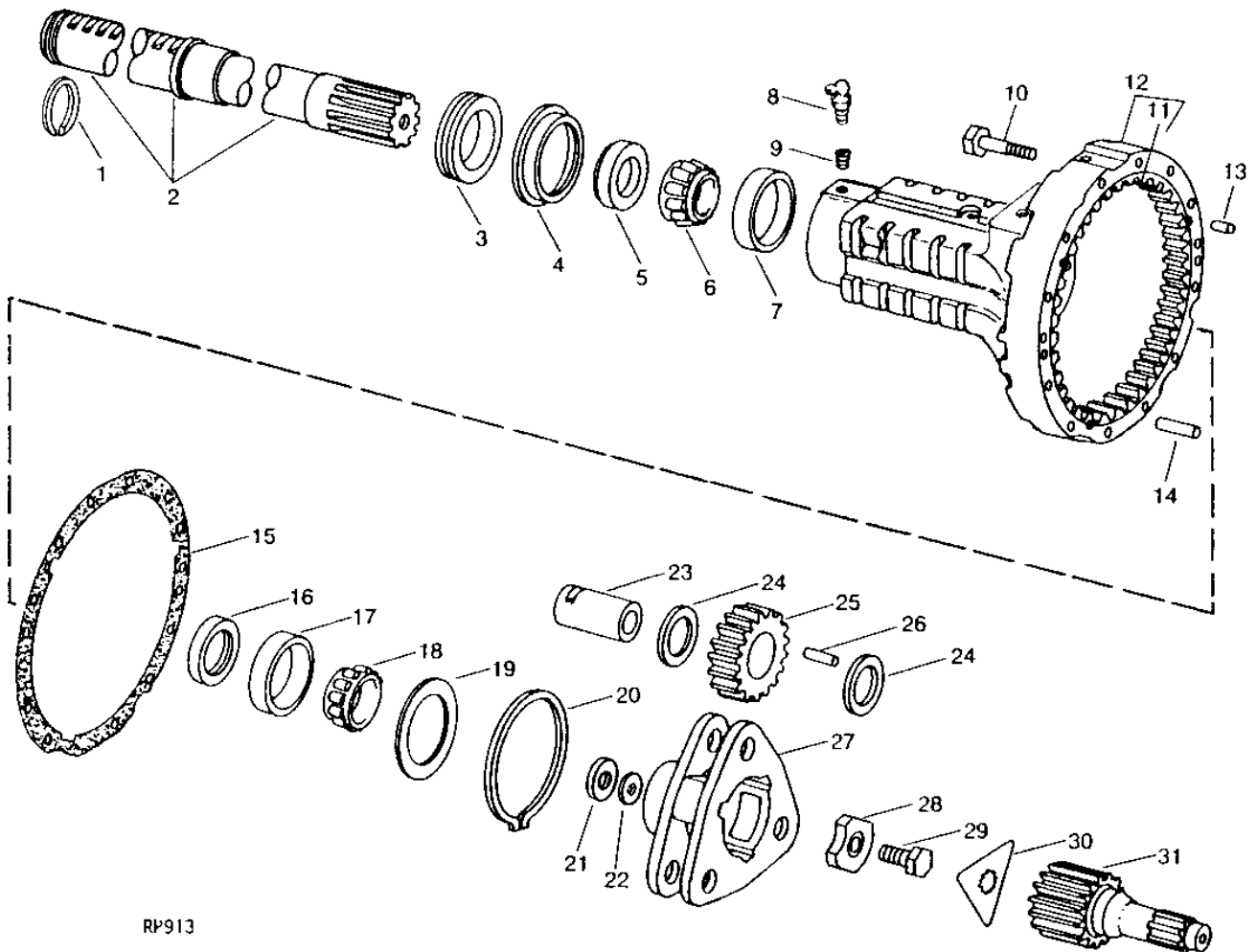
(A) SUB JD8298, JD8962, R73274, R94631 AND (3) 34H311

2C14

POWER TRAIN

RP913 -UN-16NOV94

PLANETARY AND REAR AXLE



RP913

2C15

POWER TRAIN

PLANETARY AND REAR AXLE - CONTINUED

KEY	PART NO.	PART NAME	QTY	TRACTOR SERIAL NO.	REMARKS
1	R53659	SNAP RING	1		
2	R53654	SHAFT	1		(SHAFT LENGTH 904MM (35.59")) (SUB FOR R47416)
	R53655	SHAFT	1		(SHAFT LENGTH 1139MM (44.84")) (SUB FOR R47418)
3	RE33499	SEAL	1		(SUB FOR AR68721 OR AH93852)
4	R59074	OIL CUP	1		(SUB FOR R35002 OR R57268)
5	R63106	SPACER	1		(SUB FOR R35119 OR R53635)
6	JD8962	BEARING CONE	1		
	JD10003	BEARING CONE	1		(UNDERSIZE)
7	JD8248	BEARING CUP	1		
8	JD7781	LUBRICATION FITTING	1		
9	15H559	PIPE PLUG	1		1/4"
10	19H3168	CAP SCREW	14		5/8" X 3-3/4"
11	R47169	GEAR	1		(SUB FOR RE13482)
12	AR54738	HOUSING	1	-001571	(MARKED R41300, R50240 OR R58294) (SUB FOR AR43050)
	AR54737	HOUSING	1	001572-	(MARKED R50630) (SUB AR54738)
13	T25317	DOWEL PIN	2		
14	R44961	DOWEL PIN	3		
15	R99394	GASKET	1		(SUB FOR R43227, R58295 OR R65308)
16	AR85311	SEAL	1		(SUB FOR R35735)
17	JD8248	BEARING CUP	1		
18	JD8962	BEARING CONE	1		
	JD10003	BEARING CONE	1		(UNDERSIZE)
19	R42529	SHIM	1		
20	R33029	SNAP RING	1		
21	R61461	SHIM	AR		0.08MM (.003")
	R59439	SHIM	AR		0.13MM (.005")
	R59440	SHIM	AR		0.51MM (.020")
22	F2380R	WASHER	1		
23	R43015	SHAFT	3		
24	R43245	THRUST WASHER	6		(SUB R83096)
25	R43014	PINION	3		(20 TEETH)
26	R43244	NEEDLE ROLLER	126		
27	R43001	PLANET PINION CARRIER	1		
28	R61771	RETAINER	1		(SUB FOR R46806)
29	R82175	CAP SCREW	1		HS, SAE 8, (SUB FOR R26011 OR R60032)
30	R26012	LOCK PLATE	1		
31	R43016	SHAFT	1		(13 TEETH) (SUB R113732)

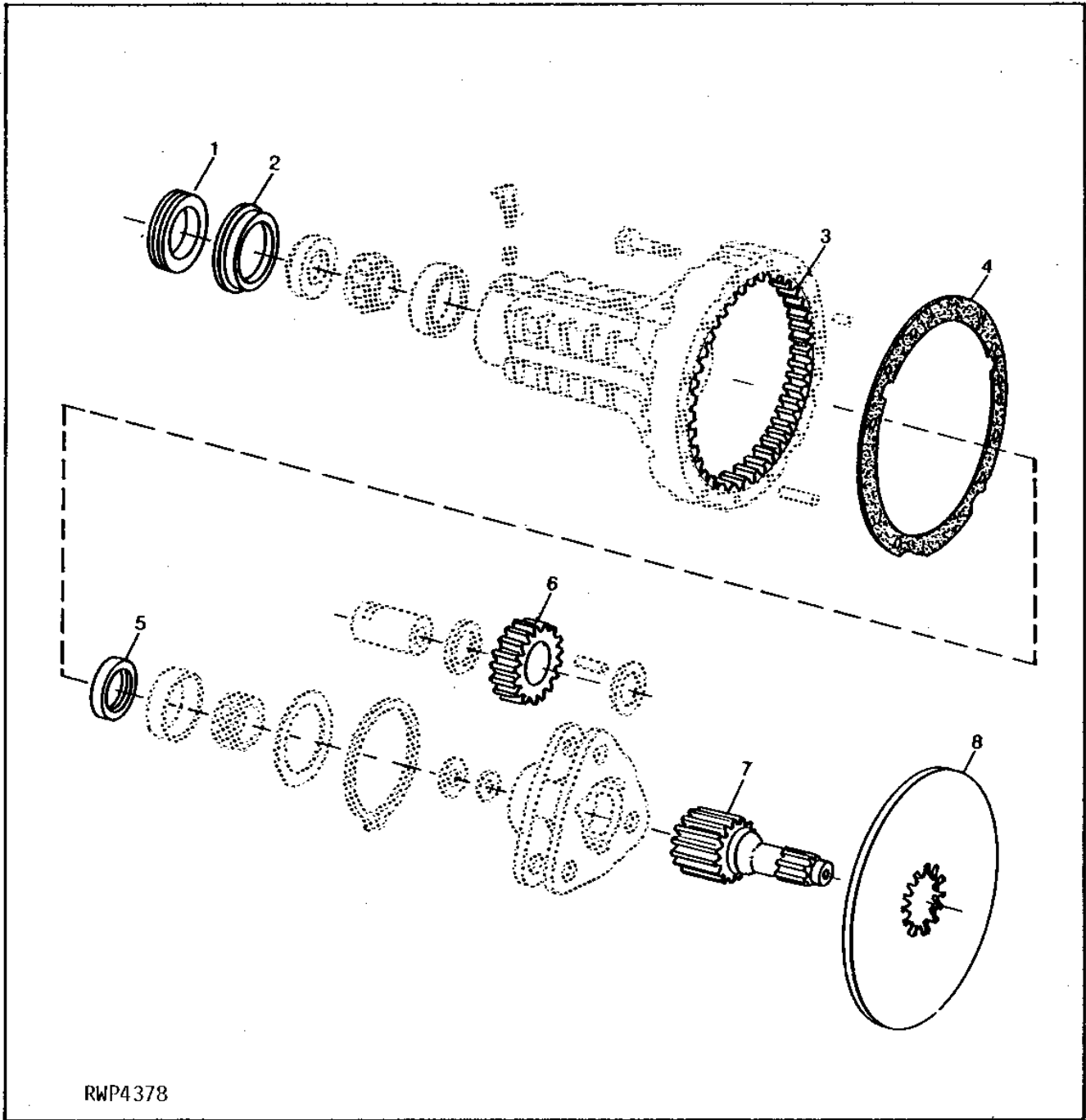
2C16

POWER TRAIN

RWP4378

-UN-01JAN94

HIGH PRESSURE ANGLE FINAL DRIVE KIT



9

2C17

POWER TRAIN

HIGH PRESSURE ANGLE FINAL DRIVE KIT - CONTINUED

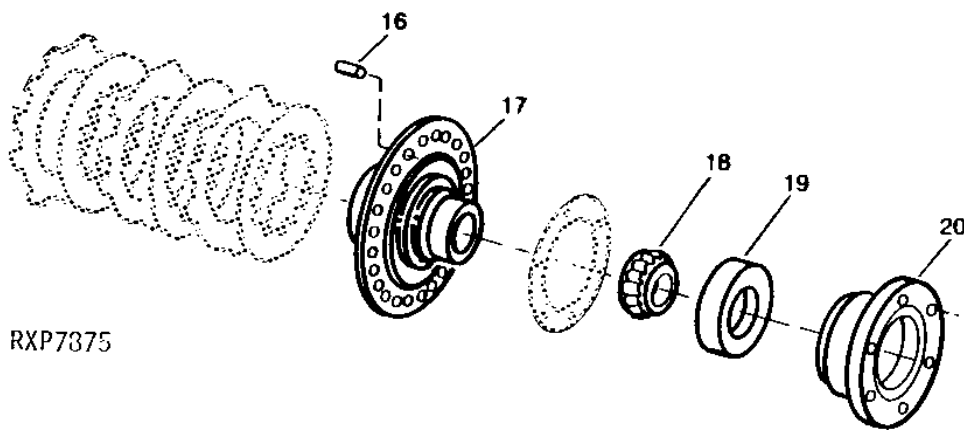
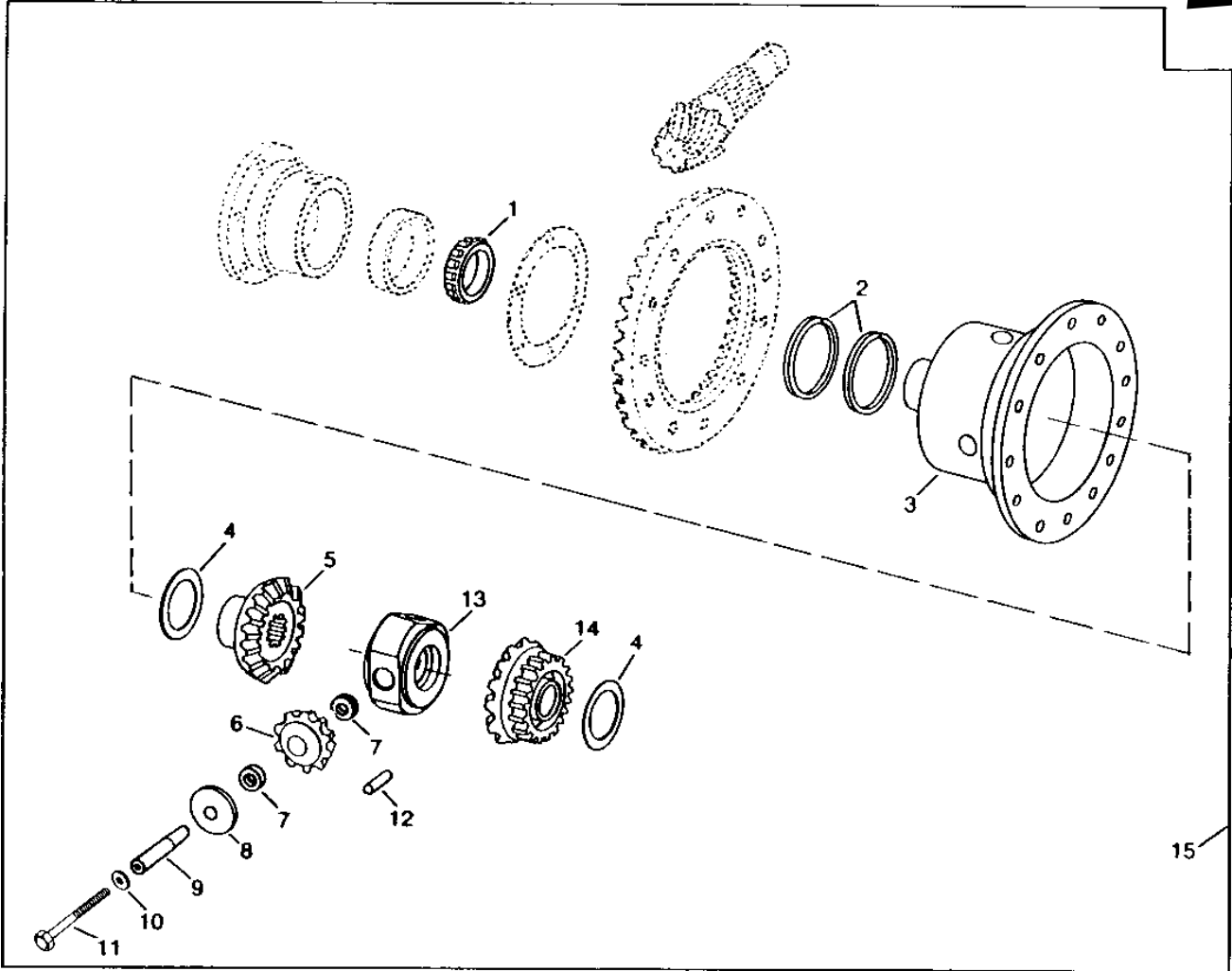
KEY	PART NO.	PART NAME	QTY	TRACTOR SERIAL NO.	REMARKS
1	RE31702	SEAL	2		(SUB FOR AR68721 OR AH93852)
2	R59074	OIL CUP	2		(SUB FOR R35002 OR R57268)
3	R57616	GEAR	2		(SUB FOR R61678 OR RE13479)
4	R99394	GASKET	2		(SUB FOR R65308)
5	AR98649	SEAL	2		
6	R57615	PLANET PINION	6		
7	R113733	SHAFT	2		(14 TEETH)
8	R113741	BRAKE DISK	2		(SUB FOR R61712 OR R91826) (ALSO ORDER RE46334 AND (3) RE46328)
9	RE41242	KIT	1		(SUB FOR AR80297 OR RE13478)

2C18

POWER TRAIN

RXP7875 -UN-16NOV94

REAR ANTI-FRICTION DIFFERENTIAL KIT



RXP7875

2C19

POWER TRAIN

REAR ANTI-FRICTION DIFFERENTIAL KIT - CONTINUED

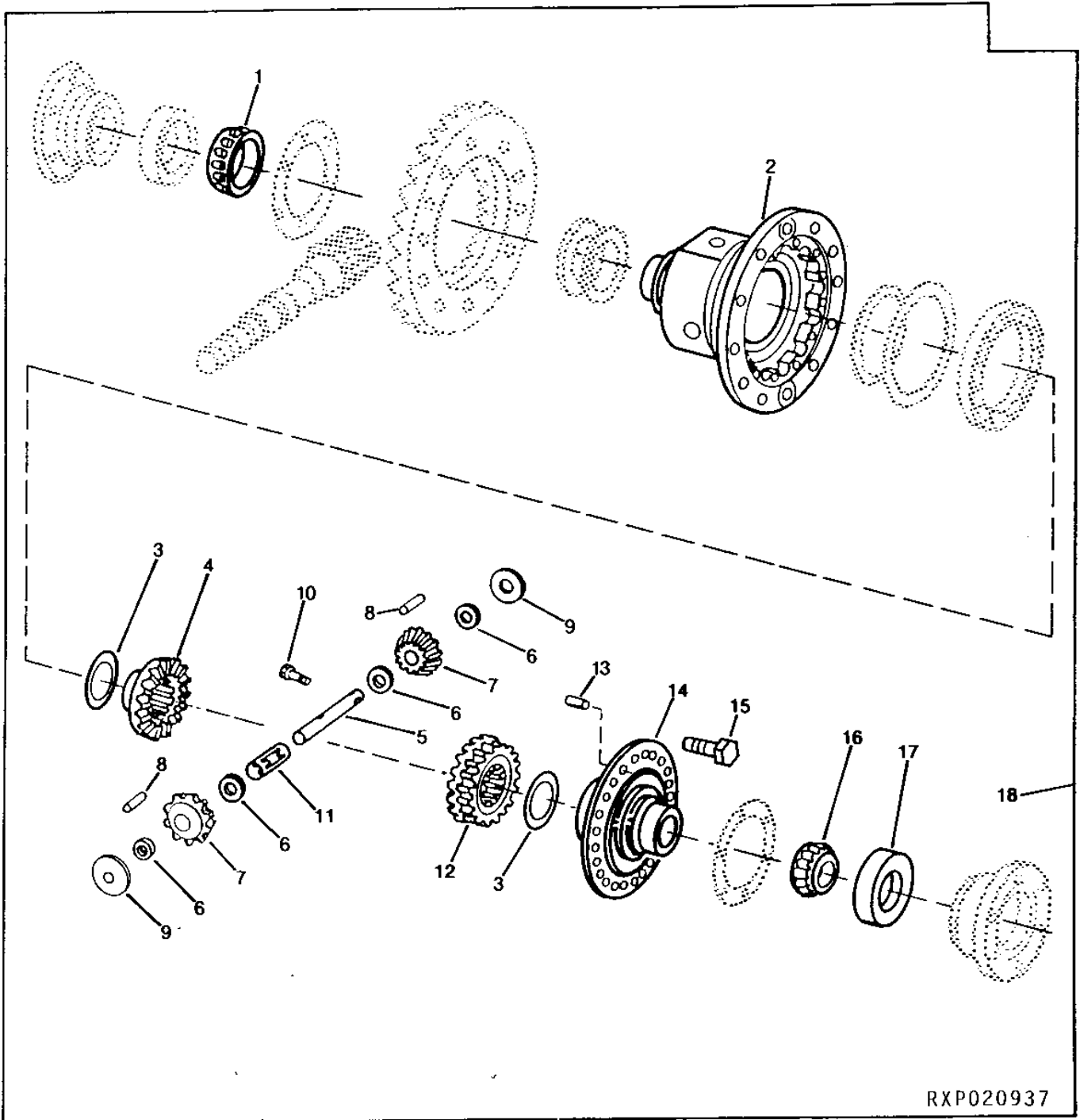
KEY	PART NO.	PART NAME	QTY	TRACTOR SERIAL NO.	REMARKS
1	JD9019	BEARING CONE	1		
2	R36881	RING	2		
3	AR88775	HOUSING	1		(MARKED R68165)
4	R72586	THRUST WASHER	2		
5	R109489	BEVEL GEAR	1		
6	R67784	PINION	3		
7	R68167	WASHER	6		
8	R68166	THRUST WASHER	3		
9	R67782	SHAFT	3		
10	R57696	WASHER	3		
11	R89837	CAP SCREW	3		(SUB FOR R71309)
12	R55081	NEEDLE ROLLER	54		
13	R93019	HUB	1		(ALSO ORDER (6) R68167)
14	R112169	BEVEL GEAR	1		(ALSO ORDER R113732)
15	AR101624	KIT	1		(SUB AR111163, R113732, JD8298, JD8962, R73274, R94631 AND (3) 34H311)
16	34H311	SPRING PIN	3		
17	R94631	COVER	1		
18	JD8962	BEARING CONE	1		
19	JD8298	BEARING CUP	1		
20	R73274	QUILL	1		

2C20

POWER TRAIN

RXP020937 -UN-20SEP94

AR103363 ANTI-FRICTION NO LOCK FRONT DIFFERENTIAL KIT



2C21

POWER TRAIN

AR103363 ANTI-FRICTION NO LOCK FRONT DIFFERENTIAL KIT - CONTINUED

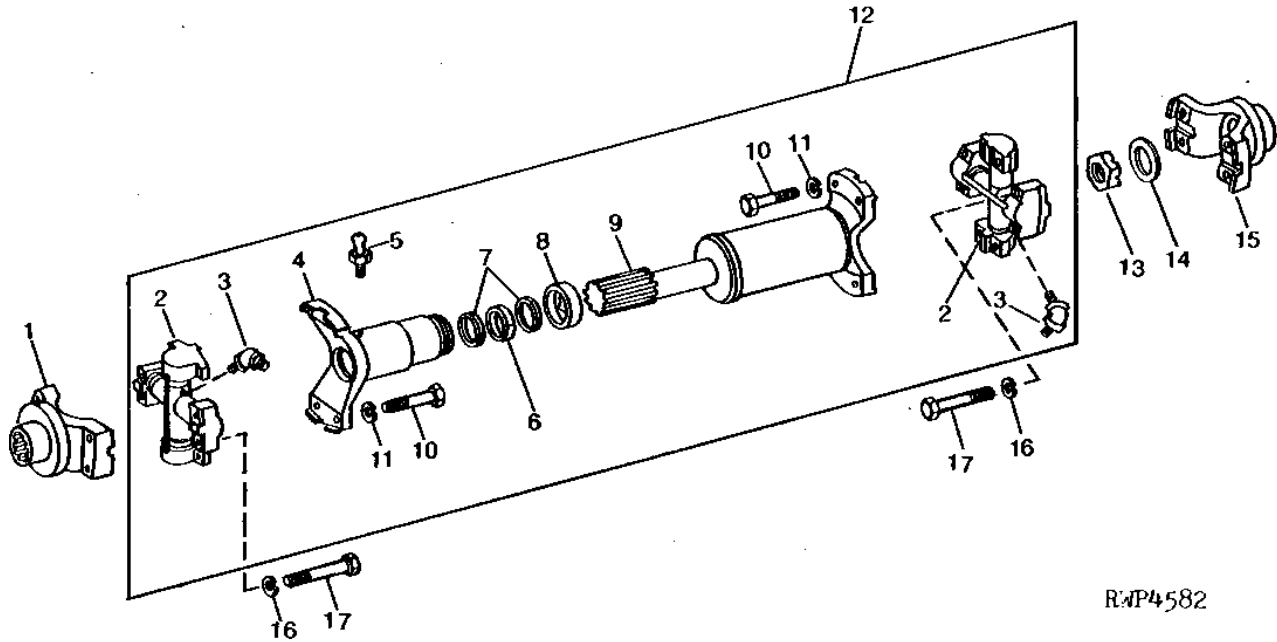
KEY	PART NO.	PART NAME	QTY	TRACTOR SERIAL NO.	REMARKS
1	JD8954	BEARING CONE	1		
2	AR93094	HOUSING	1		(MARKED R70838)
3	R93623	THRUST WASHER	2		(SUB FOR R77145)
4	R66715	BEVEL GEAR	1		
5	R68173	SHAFT	1		
6	R68167	WASHER	4		
7	R68170	PINION	2		
8	R68171	NEEDLE ROLLER	46		
9	R59460	THRUST WASHER	2		
10	R70236	CAP SCREW	1		
11	R74675	RETAINER	1		
12	R63477	BEVEL GEAR	1		
13	34H311	SPRING PIN	3		1/4" X 7/8"
14	R101054	COVER	1		(SUB FOR AR44614)
15	R116064	CAP SCREW	12		
16	JD8159	BEARING CONE	1		
17	JD8210	BEARING CUP	1		
18	AR103363	KIT	1		

2C22

POWER TRAIN

UNIVERSAL TELESCOPING JOINT (CLUTCH TO TORQUE DIVIDER)

RWP4582 -UN-01JAN94



RWP4582

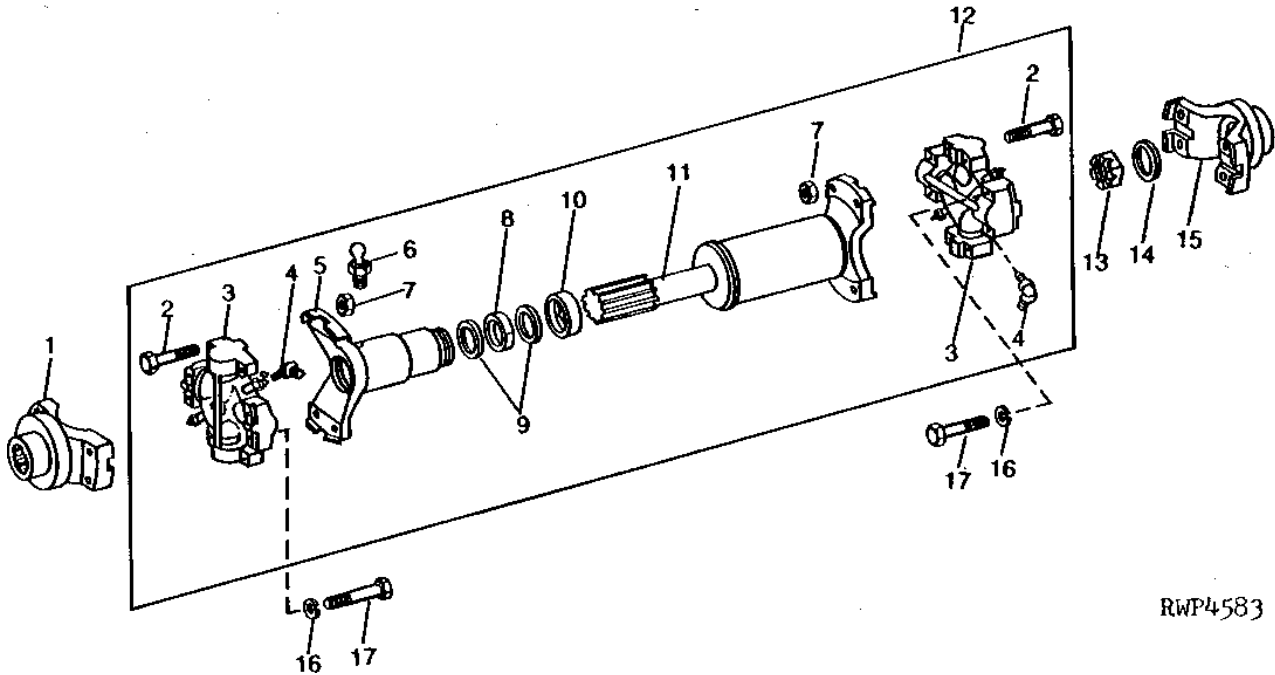
KEY	PART NO.	PART NAME	QTY	TRACTOR SERIAL NO.	REMARKS
1	R47655	UNIVERSAL JOINT YOKE	1		
2	AT59126	KIT	2		REPAIR CENTER PARTS, (SUB FOR AT23096) (SUB AT74268 AND (4) T76091)
3	JD7788	LUBRICATION FITTING	2		
4	AT32383	UNIVERSAL JOINT YOKE	1		(SUB AR50468)
5	JD7759	LUBRICATION FITTING	1		
6	T25245	WASHER	1		(SUB T61641)
7	T25244	WASHER	2		(SUB T61641)
8	T25243	CAP	1		(SUB T61641)
9	AR50924	YOKE	1		(SUB AR50468)
10	T82430	CAP SCREW	8		(SUB FOR T25247 OR T66881)
11	T77706	WASHER	8		(SUB FOR R37419)
12	AR50468	UNIVERSAL JOINT	1		
13	R48776	NUT	1		
14	R48733	WASHER	AR		6.35MM (.250")
	R48734	WASHER	AR		6.29MM (.248")
	R48735	WASHER	AR		6.23MM (.245")
15	R47655	UNIVERSAL JOINT YOKE	1		(SUB FOR R47653)
16	T77706	WASHER	8		(SUB FOR R37419)
17	T66730	CAP SCREW	8		(SUB FOR R37418)
..	R52596	LABEL	1		

2C23

POWER TRAIN

UNIVERSAL TELESCOPING JOINT (FRONT AXLE DRIVE, REAR)

RWP4583 -UN-01JAN94



RWP4583

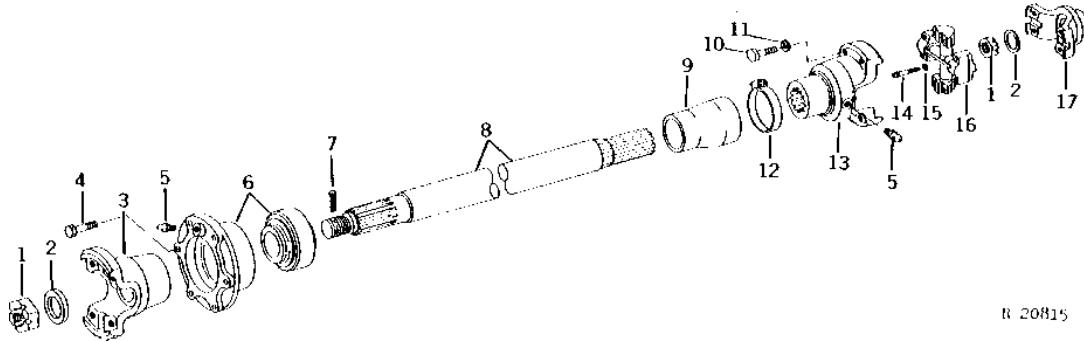
KEY	PART NO.	PART NAME	QTY	TRACTOR SERIAL NO.	REMARKS
1	R67064	UNIVERSAL JOINT YOKE	1		(ALSO ORDER A4540R) (SUB FOR R48015 OR R58536) (SUB R72672)
2	19H3012	CAP SCREW	8		1/2" X 2-3/8"
3	AR95974	UNIVERSAL JOINT CROSS	2		(SUB FOR AT27353, THIS APPLICATION) (SUB FOR AR90543) (SUB RE40111)
4	JD7760	LUBRICATION FITTING	2		
5	AT27355	UNIVERSAL JOINT YOKE	1		(SUB AR50469)
6	JD7759	LUBRICATION FITTING	1		
7	14H856	NUT	8		1/2"
8	T29335	BUSHING	1		(SUB R66563)
9	T29336	WASHER	1		(SUB R66563)
10	T29334	CAP	1		(SUB R66563)
11	AR50925	YOKE	1		(SUB AR50469)
12	AR50469	UNIVERSAL JOINT	1		
13	R48776	NUT	1		
14	R48733	WASHER	AR		6.35MM (.250")
	R48734	WASHER	AR		6.29MM (.248")
	R48735	WASHER	AR		6.23MM (.245")
15	R67064	UNIVERSAL JOINT YOKE	1		(ALSO ORDER A4540R) (SUB FOR R48015 OR R58536) (SUB R72672)
16	12H301	LOCK WASHER	8		1/2"
17	19H3011	CAP SCREW	8		1/2" X 2-1/8"
..	R52596	LABEL	1		

2C24

POWER TRAIN

R20815 -UN-01JAN94

FRONT AXLE DRIVE SHAFT



R 20815

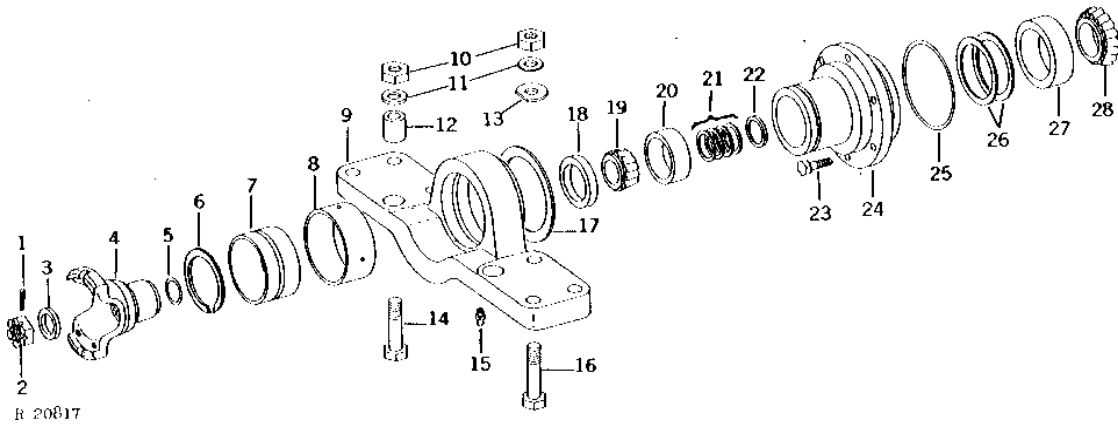
KEY	PART NO.	PART NAME	QTY	TRACTOR SERIAL NO.	REMARKS
1	R48776	NUT	2		
2	R48733	WASHER	AR	6.35MM (.250")	
	R48734	WASHER	AR	6.29MM (.248")	
	R48735	WASHER	AR	6.23MM (.245")	
3	R67064	UNIVERSAL JOINT YOKE	1		(ALSO ORDER A4540R) (SUB FOR R48015 OR R58536) (SUB R72672)
4	19H218	CAP SCREW	6	3/8" X 1"	
5	JD7759	LUBRICATION FITTING	2		
6	AR60853	QUILL	1		(SUB FOR R51934)
7	11M7032	COTTER PIN	1	0.197" X 1.969"	
8	R56982	SHAFT	1		(SUB FOR R51844) (NLA)
9	R52449	HOSE	1		
10	T82430	CAP SCREW	4		(SUB FOR T25247 OR T66881)
11	T77706	WASHER	4		(SUB FOR R37419)
12	AR21999	CLAMP	1		
13	AR54752	UNIVERSAL JOINT YOKE	1		(NLA)
14	T66730	CAP SCREW	4		(SUB FOR R37418)
15	T77706	WASHER	4		(SUB FOR R37419)
16	AT59126	KIT	1		REPAIR CENTER PARTS, (SUB FOR AT23096) (SUB AT74268 AND (4) T76091)
17	R47655	UNIVERSAL JOINT YOKE	1		(SUB FOR R47653)

2C25

POWER TRAIN

R20817 -UN-01JAN94

FRONT DIFFERENTIAL DRIVE AND SUPPORT ASSEMBLY



KEY	PART NO.	PART NAME	QTY	TRACTOR SERIAL NO.	REMARKS
1	11M7032	COTTER PIN	1		0.197" X 1.969"
2	R48776	NUT	1		
3	R48733	WASHER	AR		6.35MM (.250")
	R48734	WASHER	AR		6.29MM (.248")
	R48735	WASHER	AR		6.23MM (.245")
4	R47655	UNIVERSAL JOINT YOKE	1		(SUB FOR R47653)
5	U10289	O-RING	1		
6	R50952	SNAP RING	1		
7	R91785	BUSHING	1		(SUB FOR R37436)
8	R78266	BUSHING	1		(SUB FOR R37438 OR R58696)
9	AR54775	SUPPORT	1		(MARKED R50651)
10	14H406	NUT	4		7/8"
11	T19572	WASHER	4		
12	T30008	BUSHING	2		
13	T30009	WASHER	2		
14	19H2279	CAP SCREW	2		7/8" X 4-1/2"
15	JD7759	LUBRICATION FITTING	1		
16	19H2693	CAP SCREW	2		7/8" X 4-1/4"
	19H2113	CAP SCREW	4		3/4" X 3-1/4"
17	R37439	WASHER	1		
18	AR94262	SEAL	1		(SUB FOR R37410)
19	JD8974	BEARING CONE	1		
20	JD8240	BEARING CUP	1		
21	R45197	SHIM	1		0.18MM (.007")
	R45198	SHIM	1		0.25MM (.010")
	R45199	SHIM	1		0.30MM (.012")
	R45200	SHIM	1		0.38MM (.015")
22	R45201	WASHER	1		
23	R46162	SCREW	6		
24	R50951	QUILL	1		(SUB R77053)
25	R27796	O-RING	1		
26	R35365	SHIM	AR		0.08MM (.003")
	R35366	SHIM	AR		0.13MM (.005")
	R35367	SHIM	AR		0.25MM (.010")
27	JD8280	BEARING CUP	1		
28	JD9056	BEARING CONE	1		

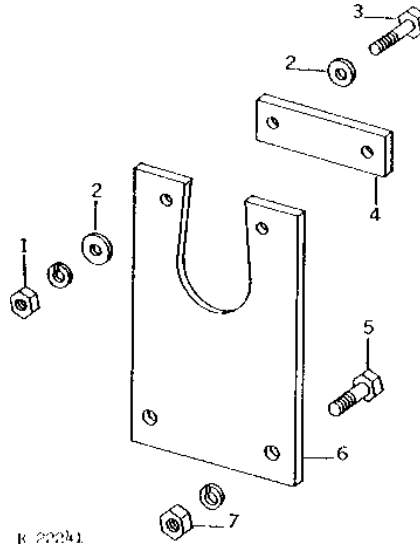
MEMORANDA

2D1

POWER TRAIN

R22241 -UN-01JAN94

UNIVERSAL JOINT GUARD



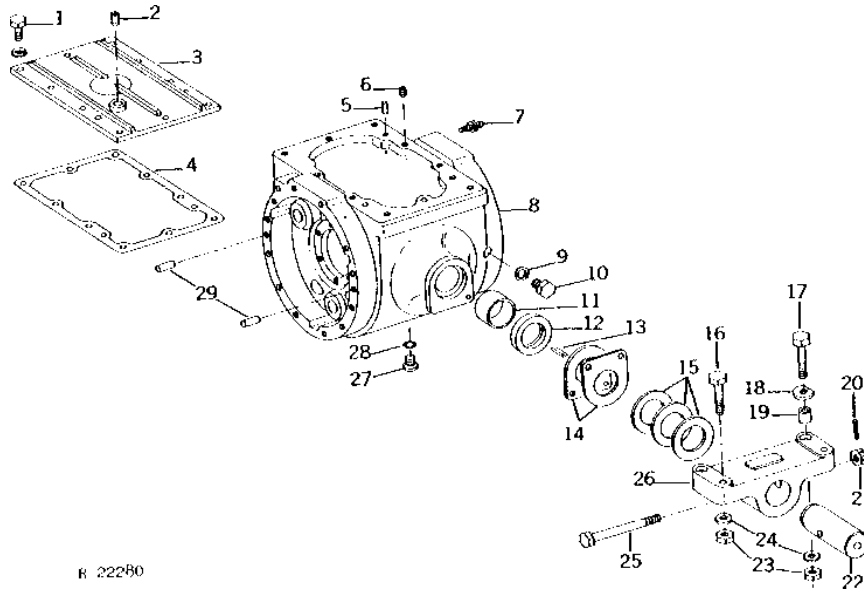
KEY	PART NO.	PART NAME	QTY	TRACTOR SERIAL NO.	REMARKS
1	14H1076	NUT	2	3/8"	
	12H304	LOCK WASHER	2	3/8"	
2	24H1309	WASHER	4	13/32" X 1-1/16" X 0.120"	
3	19H3217	CAP SCREW	2	3/8" X 1-3/4"	
4	R32252	STRAP	1		
5	19H456	CAP SCREW	2	1/2" X 1-3/8"	
6	R57618	GUARD	1		
7	14H1040	NUT	2	1/2"	
	12H301	LOCK WASHER	2	1/2"	

2D2

POWER TRAIN

R22280 -UN-01JAN94

FRONT DIFFERENTIAL CASE



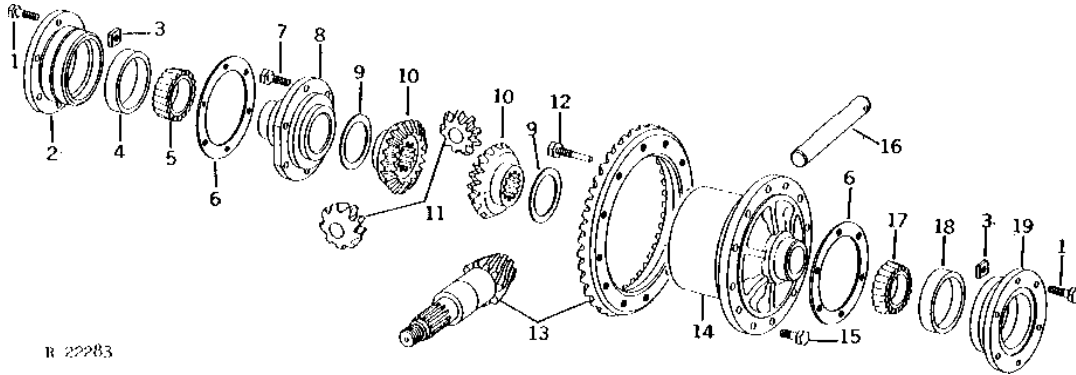
KEY	PART NO.	PART NAME	QTY	TRACTOR SERIAL NO.	REMARKS
1	19H456	CAP SCREW	10	1/2" X 1-3/8"	
	12H301	LOCK WASHER	10	1/2"	
2	15H571	PIPE PLUG	1	3/8"	
3	AR72959	COVER	1		(SUB FOR R42106 OR AR57097) (SUB RE35484)
4	R94319	GASKET	1		(SUB FOR R42103 OR R74305)
5	R48685	DOWEL PIN	2		(SUB FOR A120R)
6	R21630	PIPE PLUG	1		
7	R21612	BLEED SCREW	1		
8	AR56286	CASE	1		(MARKED R49700) (SUB RE10256) (NLA)
9	A4827R	WASHER	1		
10	R26727	DRAIN PLUG	1		
11	R55523	BUSHING	1		(SUB FOR R48581)
12	AT34656	SEAL	1		
13	R48685	DOWEL PIN	1		(SUB FOR A120R)
14	T31718	PLATE	2		
15	T27125	WASHER	AR		
16	19H2072	CAP SCREW	2	5/8" X 3-1/4"	
17	19H2233	CAP SCREW	2	5/8" X 3-1/2"	
18	T24463	WASHER	2		
19	T20431	BUSHING	2		
20	11M7015	COTTER PIN	1	3.200 X 25 MM	
21	14H926	NUT	1	1/2"	
22	T27123	PIN	1		
23	14H1039	NUT	4	5/8"	
24	R1836R	WASHER	2		
25	T27515	BOLT	1		
26	T27122	SUPPORT	1		(SUB T73466, (2) T68617, (2) T30009, T16164, (4) 19M7832, (4) 14M7300 AND (2) 30251)
27	R33138	FITTING	1		
28	R26375	O-RING	1		
29	R54380	DOWEL PIN	4		

2D3

POWER TRAIN

R22283 -UN-01JAN94

FRONT DIFFERENTIAL



KEY	PART NO.	PART NAME	QTY	TRACTOR SERIAL NO.	REMARKS
1	R46162	SCREW	12		
2	R31196	QUILL	1		(SUB R34856 WHEN AR103363 IS USED)
3	14H823	NUT	2		1/2"
4	JD8210	BEARING CUP	1		
5	JD8159	BEARING CONE	1		
6	R46323	SHIM	AR		0.08MM (.003")
	R46324	SHIM	AR		0.13MM (.005")
	R46325	SHIM	AR		0.25MM (.010")
7	R41049	CAP SCREW	5		(NLA)
8	R31195	COVER	1		
9	R65741	THRUST WASHER	2		(USE WITH R54182 OR R63477) (SUB FOR R53202) (SUB R93623)
10	R63477	BEVEL GEAR	2		(ALSO ORDER (2) R93623) (SUB FOR R42446 OR R54182)
11	R42444	PINION	2		
12	R70236	CAP SCREW	1		(SUB FOR R41050)
13	AR52430	GEAR	1		(MATCHED SET) (MARKED R49010 AND R49011) (SUB AR52431, (2) R26227, (4) R26228, R45197, R45198, R45199 AND R45200) (SUB AR103363) (ALSO ORDER R34856)
14	R31189	HOUSING	1		
15	R41048	CAP SCREW	12		(SUB FOR R41903 OR R53740)
16	R58425	SHAFT	1		
17	JD8954	BEARING CONE	1		
18	JD8259	BEARING CUP	1		
19	R31190	QUILL	1		

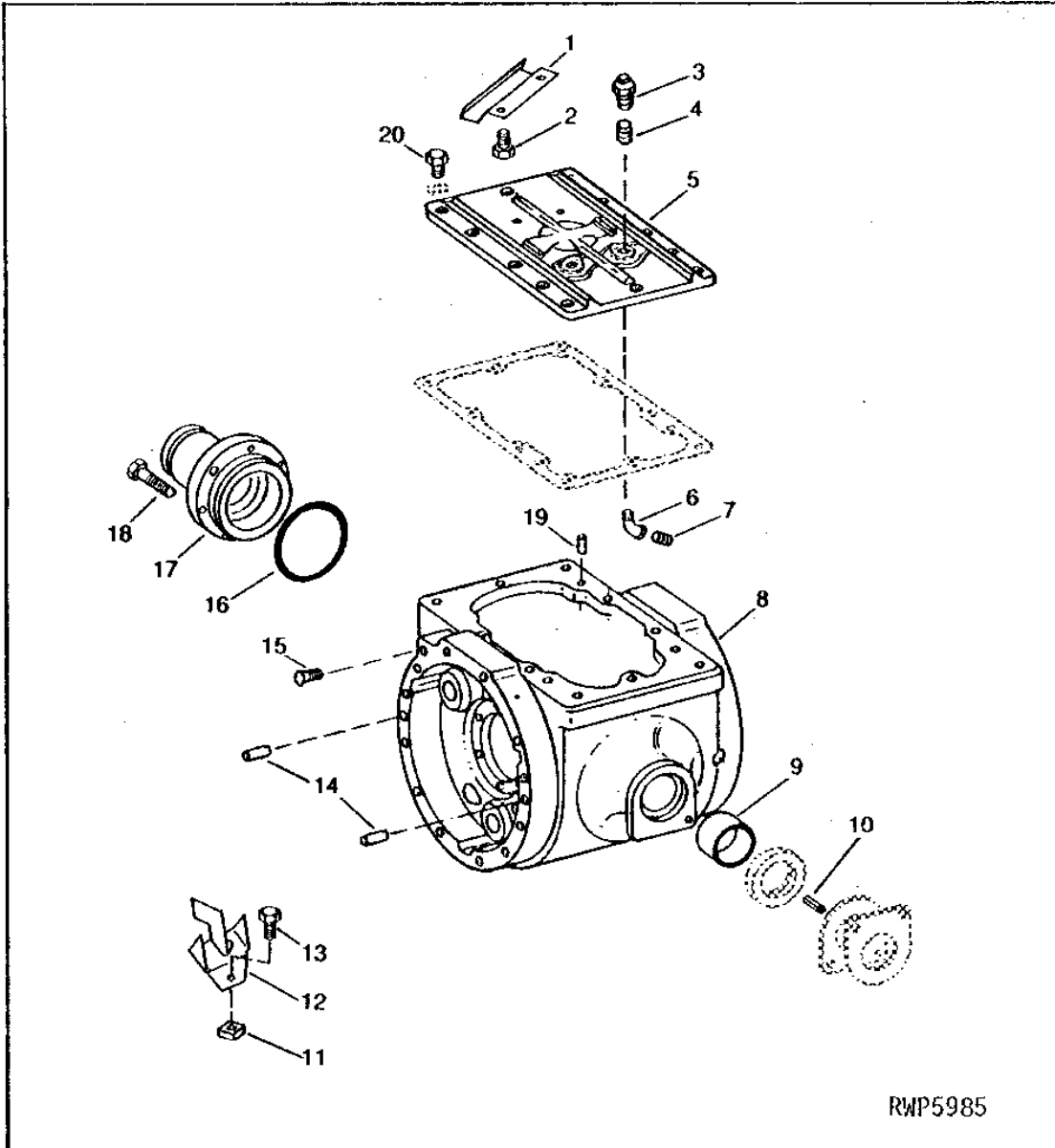
2D4

POWER TRAIN

RWP5985

-UN-01JAN94

FRONT DIFFERENTIAL CASE KIT



2D5

POWER TRAIN

FRONT DIFFERENTIAL CASE KIT - CONTINUED

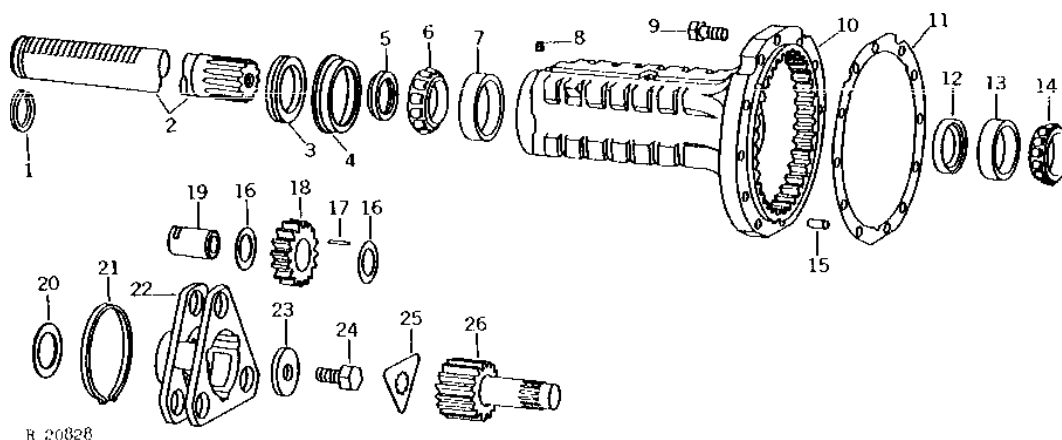
KEY	PART NO.	PART NAME	QTY	TRACTOR SERIAL NO.	REMARKS
1	R59443	TROUGH	1		
2	R59444	EYEBOLT	2		
3	AE38448	RELIEF VALVE	1		
4	15H511	PIPE BUSHING	1	1/8"	
5	AR72959	COVER	1		(SUB FOR R42106 OR AR57097) (SUB RE35484)
6	15H221	ELBOW FITTING	1		
7	29H146	THREADED NIPPLE	1	3/8"	
8	CASE	1		(MARKED R77054)
9	R55523	BUSHING	1		(SUB FOR R48581)
10	R48685	DOWEL PIN	1		(SUB FOR A120R)
11	14H823	NUT	2	1/2"	
12	RE27291	FUNNEL	2		(SUB FOR AR71734)
13	R46162	SCREW	2		
14	R54380	DOWEL PIN	4		
15	22H994	SET SCREW	1	3/8" X 5/8"	
16	R27796	O-RING	1		
17	R77053	QUILL	1		
18	R46162	SCREW	1		
19	R48685	DOWEL PIN	2		(SUB FOR A120R)
20	19H3579	CAP SCREW	1	1/2" X 1-3/8"	
21	RE10256	KIT	1		(NLA)

2D6

POWER TRAIN

R20828 -UN-01JAN94

PLANETARY AND FRONT AXLE



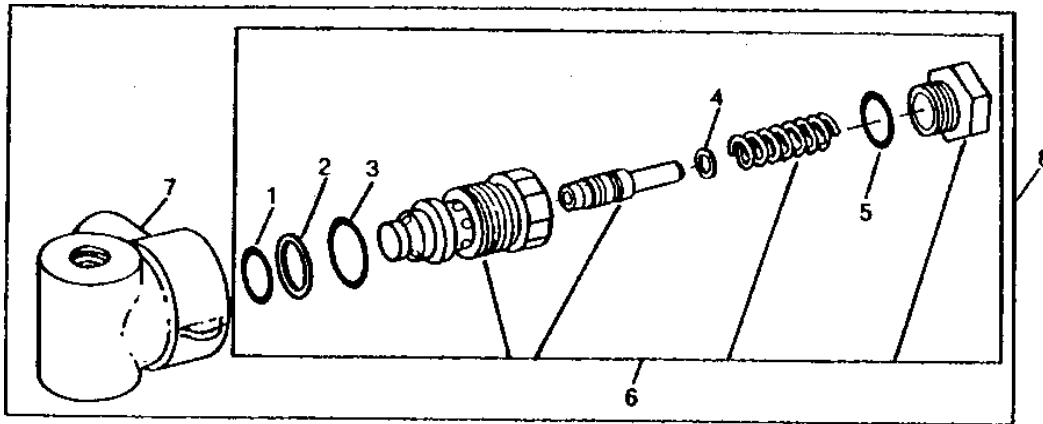
KEY	PART NO.	PART NAME	QTY	TRACTOR SERIAL NO.	REMARKS
1	R53658	SNAP RING	1		
2	R53643	SHAFT	1	-XXXXXX	(LENGTH 941MM (37-1/16")) (2642MM (104") TREAD) (SUB R60076)
	R60076	SHAFT	1	XXXXXX-	(LENGTH 937MM (36-29/32")) (2642MM (104") TREAD)
	R53644	SHAFT	1	-XXXXXX	(SPECIAL DUAL) (LENGTH 1159MM (45-5/8")) (SUB R60078)
	R60078	SHAFT	1	XXXXXX-	(SPECIAL DUAL) (LENGTH 1156MM (45-1/2"))
3	R33026	SEAL	1		
4	R57269	OIL CUP	1		(SUB FOR R28128)
5	R65648	SPACER	1		(SUB FOR R33020 OR R63105)
6	JD8191	BEARING CONE	1		
7	JD10002	BEARING CONE	1		(UNDERSIZE)
8	JD8214	BEARING CUP	1		
8	15H559	PIPE PLUG	1		1/4"
9	19H1863	CAP SCREW	12		5/8" X 3"
10	AR54736	HOUSING	1		(MARKED R34940 OR R50160) (SUB FOR AR34755) (SUB AR105556)
	R76845	PINION	1		
11	R94311	GASKET	1		(SUB FOR R74155 OR R42289)
12	R33027	SEAL	1		
13	JD8213	BEARING CUP	1		
14	JD8177	BEARING CONE	1		
15	R65543	DOWEL PIN	3		(SUB FOR R33024)
16	R33022	THRUST WASHER	6		
17	R33028	NEEDLE ROLLER	99		
18	R33004	PINION	3		
19	R63112	PINION SHAFT	3		(SUB FOR R33021)
20	R42101	SHIM	1		
21	R33029	SNAP RING	1		
22	R42901	PLANET PINION CARRIER	1		
23	R72169	SPACER	1		(SUB FOR R33023 OR R48460, THIS APPLICATION)
24	R60032	SELF-LOCKING SCREW	1		(SUB FOR R26011)
25	R26012	LOCK PLATE	1		
26	R45779	SHAFT	1		
..	R72232	BALL	AR		AXLE SHIMMING LEAD, (SUB FOR AR94976)

2D7

POWER TRAIN

RELIEF VALVE (POWER FRONT WHEEL DRIVE)

RXP8624 -UN-01JAN94



RXP8624

KEY	PART NO.	PART NAME	QTY	TRACTOR SERIAL NO.	REMARKS
1	T44948	O-RING	1		(SUB FOR U40424)
2	T75972	BACK-UP RING	1		
3	U15242	O-RING	1		
4	W19898	SHIM	AR	0.25 MM (.010")	
	W19897	SHIM	AR	0.51 MM (.020")	
	W20088	WASHER	AR	1.02 MM (.040")	
5	W19903	O-RING	1		
6	AR103059	RELIEF VALVE	1		(SUB FOR T37189 OR AR69793) (SUB RE36615)
7	T37190	HOUSING	1		
8	AT30373	RELIEF VALVE	1		

MEMORANDA

MEMORANDA

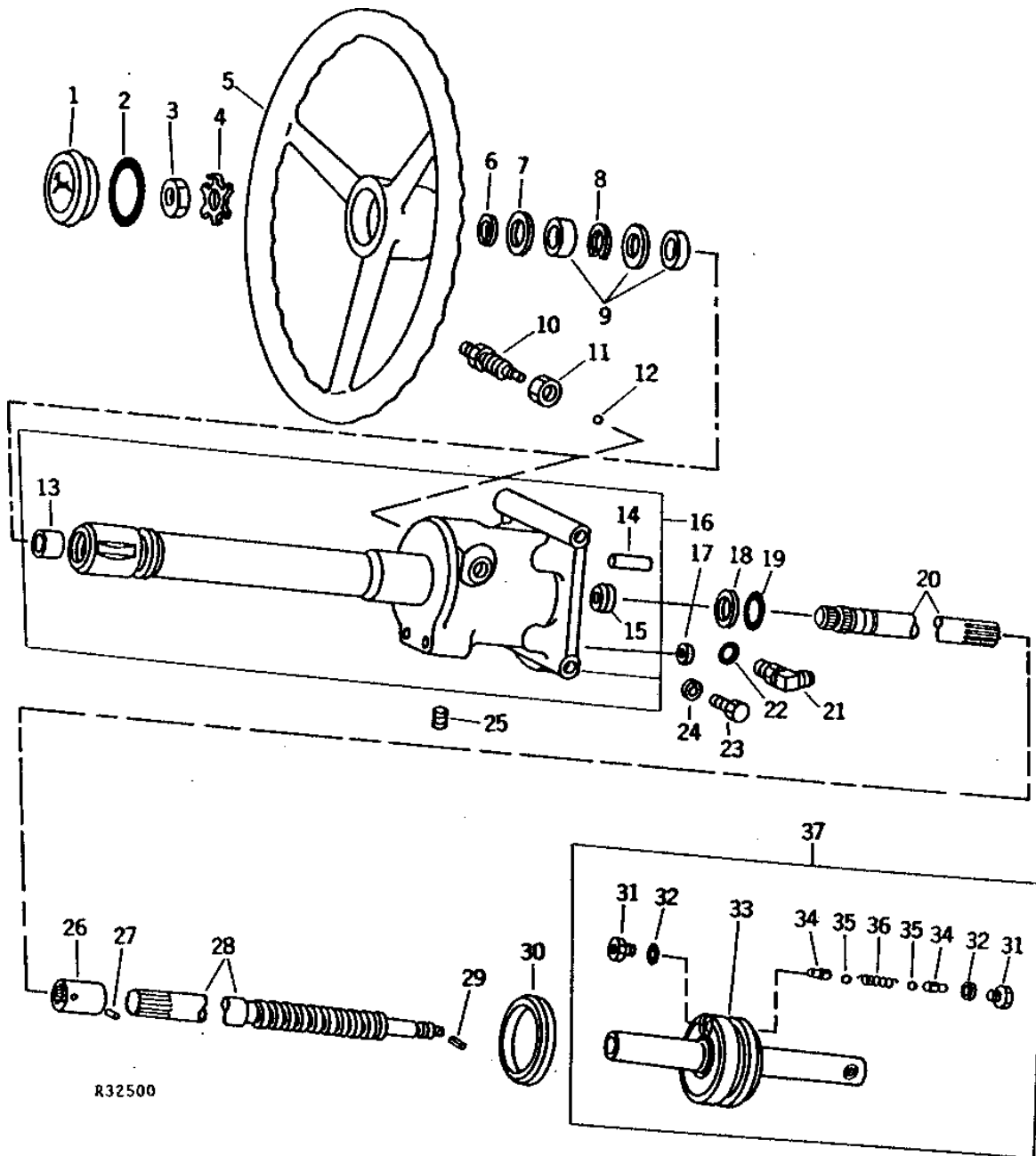
2D10

STEERING AND BRAKES

R32500

-UN-01JAN94

STEERING VALVE CYLINDER, SHAFT, AND PISTON



2D11

STEERING AND BRAKES

STEERING VALVE CYLINDER, SHAFT, AND PISTON - CONTINUED

KEY	PART NO.	PART NAME	QTY	TRACTOR SERIAL NO.	REMARKS
1	R47998	CAP	1		(SUB FOR R45792)
2	B3690R	O-RING	1		
3	14H904	NUT	1		3/4"
4	T17148	LOCK WASHER	1		
5	AR26625	STEERING WHEEL	1		
6	B169R	SNAP RING	1		
7	R42629	WASHER	1		
8	R26933	SNAP RING	1		
9	AR34172	SEAL KIT	1		
10	R27299	SCREW	1		
11	R27453	NUT	1		
12	400R	BALL	1		
13	R27320	BUSHING	1		
14	R32186	DOWEL PIN	2		
15	R27087	WASHER	1		
16	AR55874	CYLINDER	1		(MARKED R51579)
17	AR67783	O-RING KIT	1		(SUB FOR AR42009)
18	R26441	BACK-UP RING	1		
19	A3606R	O-RING	1		
20	R37426	SHAFT	1		(SUB R73737)
21	AT38033	ELBOW FITTING	1		(SUB FOR AR26722)
22	R26448	O-RING	1		
23	19H1732	CAP SCREW	1		3/8" X 1-1/4"
	19H2284	CAP SCREW	3		3/8" X 7/8"
	R27218	FITTING PLUG	1		
24	12H304	LOCK WASHER	4		3/8"
	24H1305	WASHER	1		13/32" X 13/16" X 0.065"
	R26448	O-RING	1		
25	15H558	PIPE PLUG	1		1/8"
26	R27319	SPLINED COUPLING	1		
27	34H282	SPRING PIN	1		3/16" X 1"
28	R34125	SHAFT	1		
29	11M7081	COTTER PIN	1		0.098" X 0.787"
30	R40567	WASHER	1		
31	R31202	VALVE	2		
32	R26287	O-RING	2		
33	AR30298	PISTON	1		(SUB AR30297)
34	R31201	SHAFT	2		
35	H871R	BALL	1		
36	A4816R	SPRING	1		
37	AR30297	PISTON	1		

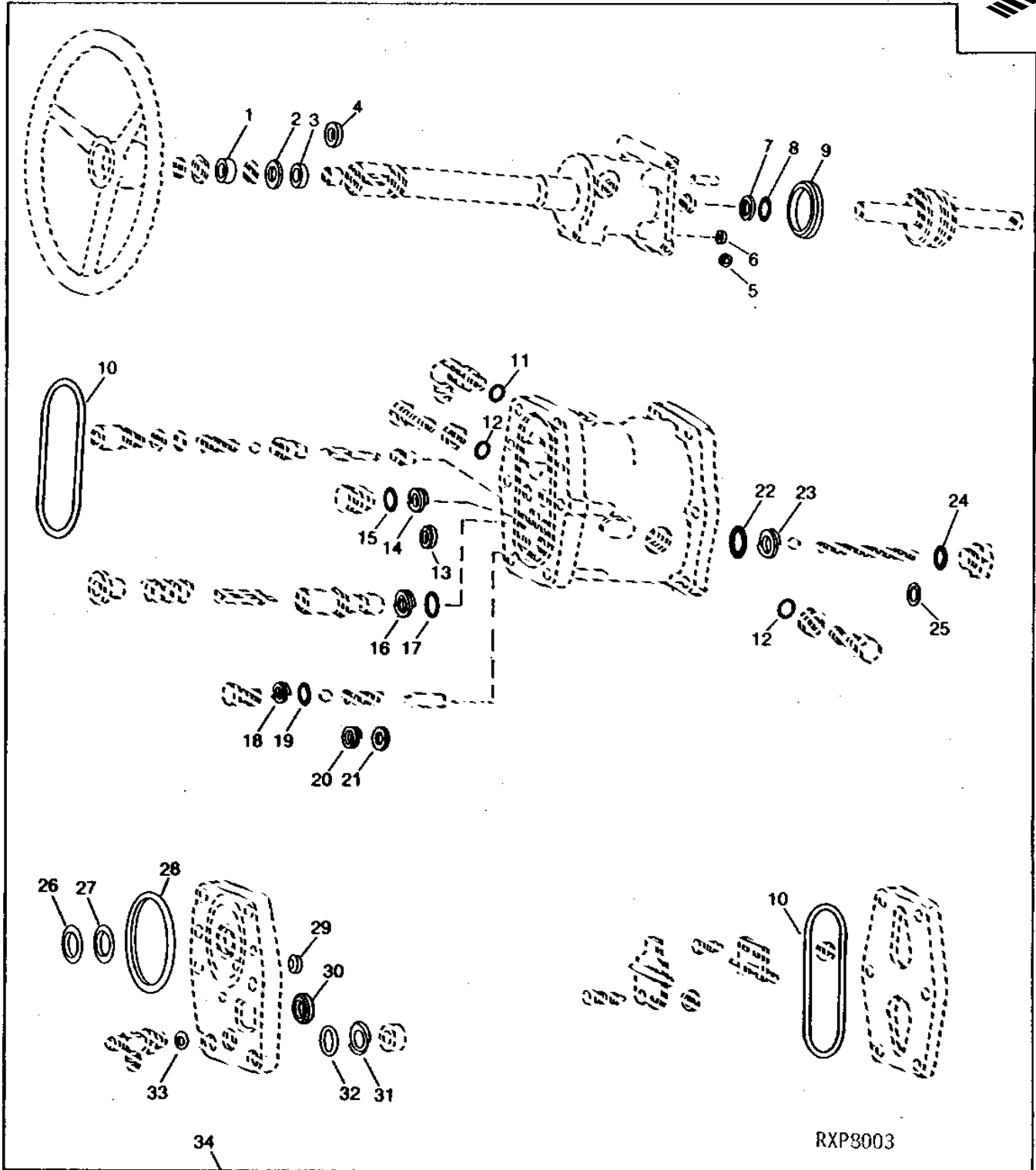
2D12

STEERING AND BRAKES

RXP8003

-UN-01JAN94

STEERING VALVE CYLINDER OVERHAUL KIT



RXP8003

2D13

STEERING AND BRAKES

STEERING VALVE CYLINDER OVERHAUL KIT - CONTINUED

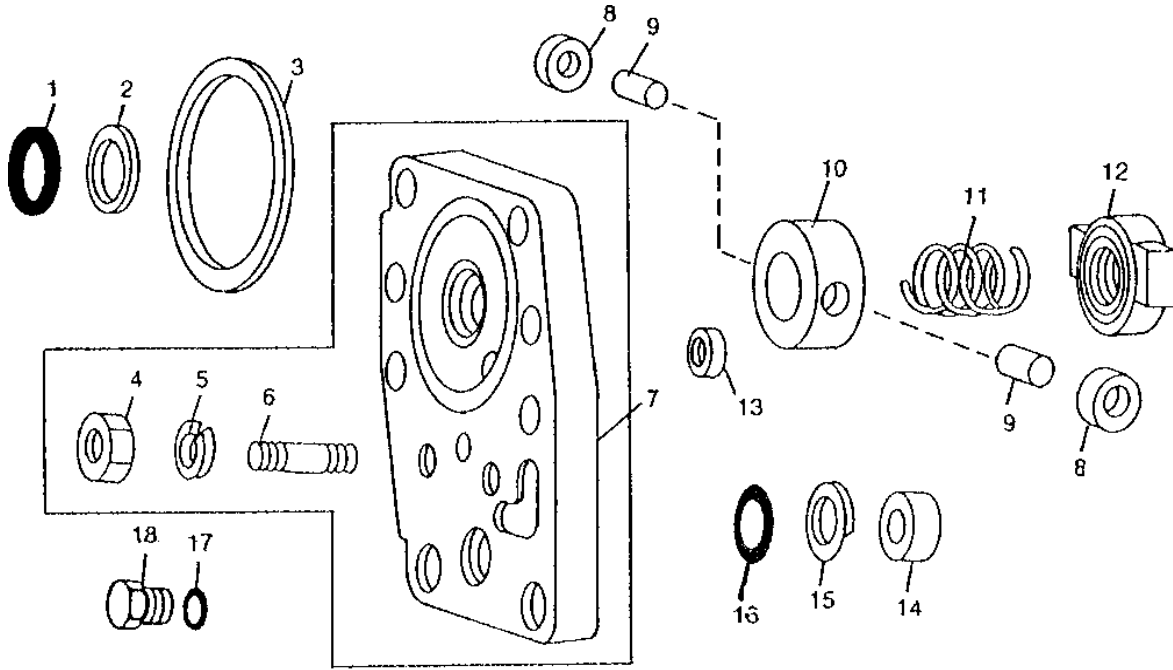
KEY	PART NO.	PART NAME	QTY	TRACTOR SERIAL NO.	REMARKS
1	AR39585	KIT	1		

2D14

STEERING AND BRAKES

RP1131 -UN-01JAN94

STEERING VALVE CYLINDER COVER



RP1131

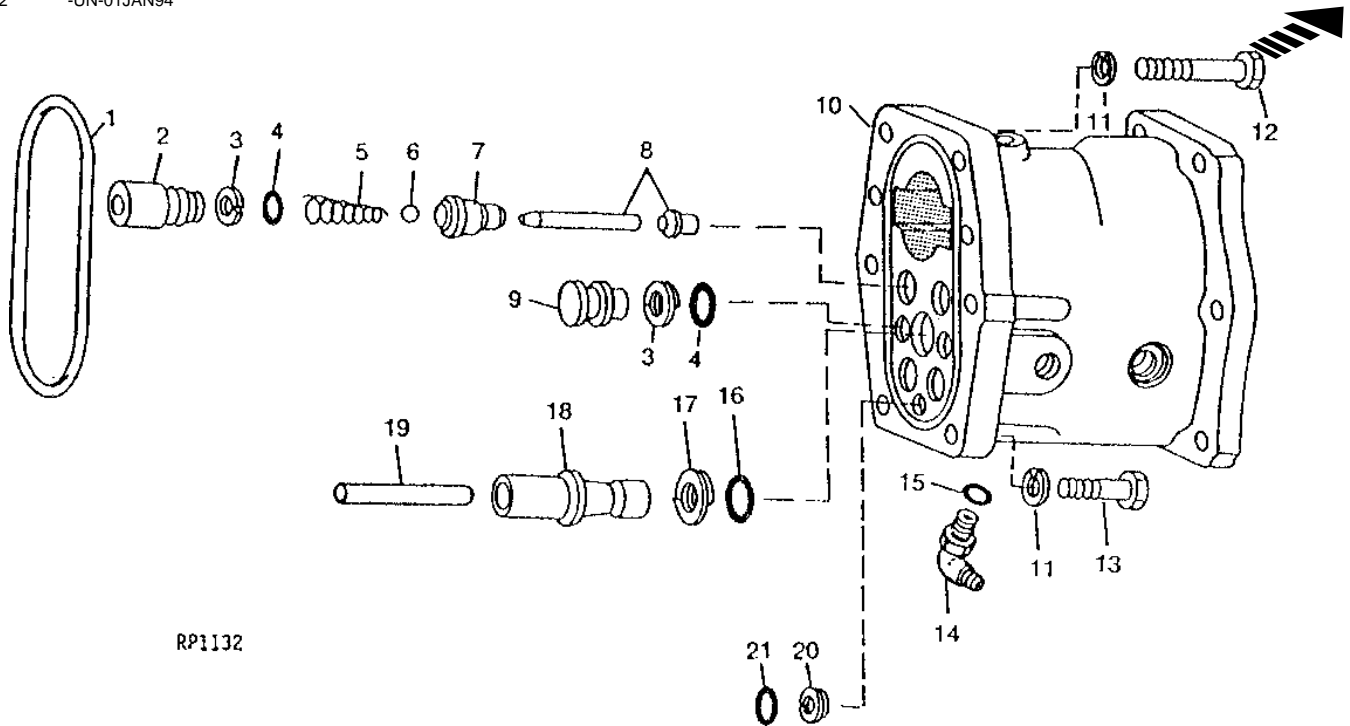
KEY	PART NO.	PART NAME	QTY	TRACTOR SERIAL NO.	REMARKS
1	A3606R	O-RING	1		
2	R26441	BACK-UP RING	1		
3	AR67783	O-RING KIT	1		(STEERING VALVE COVER TO CYLINDER PACKING) (SUB FOR AR42009)
4	14H1047	NUT	2		
5	12H293	LOCK WASHER	2		7/16"
6	R55183	STUD	2		7/16"
7	AR47293	COVER	1		(MARKED R44845)
8	R26755	WASHER	2		
9	R27091	PIN	2		
10	R40149	LOCKING COLLAR	1		
11	R40531	SPRING	1		
12	R27089	NUT	1		
13	AR67783	O-RING KIT	1		(STEERING VALVE COVER TO CYLINDER PACKING) (SUB FOR AR42009)
14	R34121	PISTON	1		
15	R47694	BACK-UP RING	1		
16	R495R	O-RING	1		
17	R26286	O-RING	1		
18	R27094	DRAIN PLUG	1		

2D15

STEERING AND BRAKES

RP1132 -UN-01JAN94

STEERING VALVE



RP1132

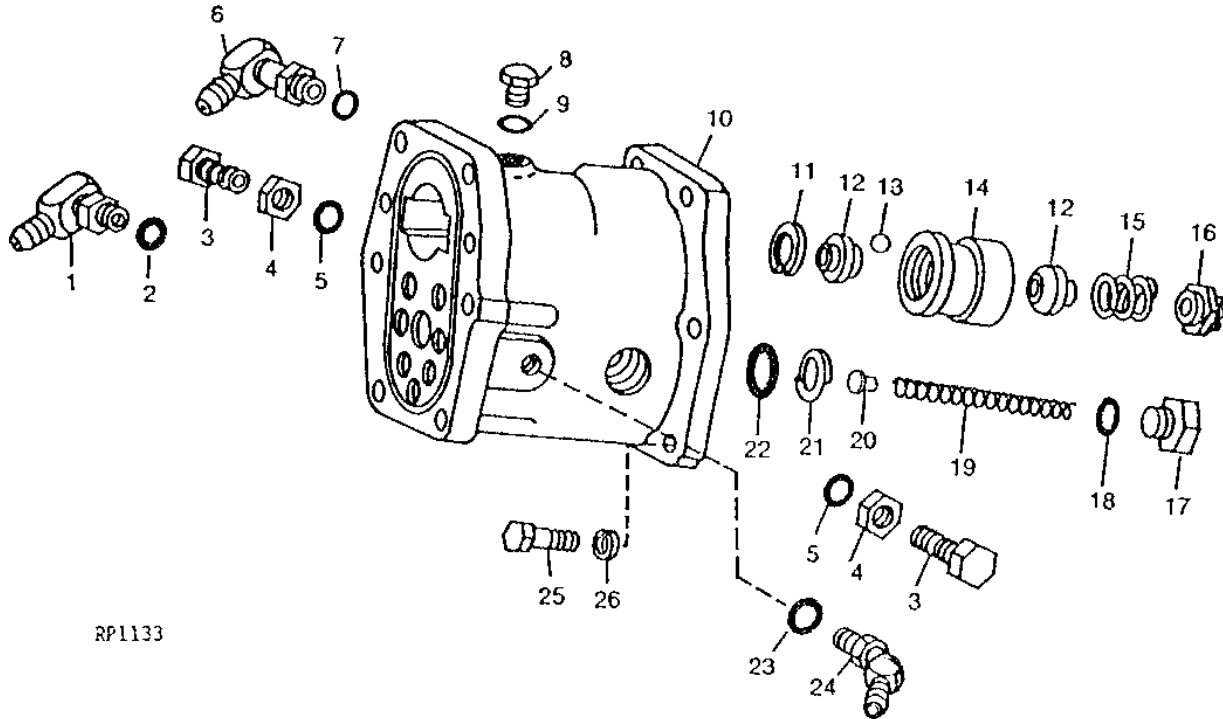
KEY	PART NO.	PART NAME	QTY	TRACTOR SERIAL NO.	REMARKS
1	R34733	WASHER	1		
2	R41724	PLUG	4		
3	R32588	BACK-UP RING	6		
4	R459R	O-RING	6		
5	R26565	SPRING	4		
6	400R	BALL	4		
7	R28124	VALVE	4		
8	AR49535	SHAFT	2		UPPER
	AR49536	SHAFT	2		LOWER
9	R34131	PLUG	2		
10	R42115	HOUSING	1		
11	12H301	LOCK WASHER	6		1/2"
12	19H1822	CAP SCREW	1		7/16" X 1"
13	R48783	CAP SCREW	1		
	R48785	CAP SCREW	1		
14	AT32332	ELBOW FITTING	1		(SUB FOR AR26763)
15	R26375	O-RING	1		
16	B2762R	O-RING	1		
17	R26546	BACK-UP RING	1		
18	R37428	VALVE SEAT	1		
19	R37467	DOWEL PIN	1		
20	A4365R	O-RING	1		
21	R34129	BACK-UP RING	1		

2D16

STEERING AND BRAKES

RP1133 -UN-01JAN94

STEERING VALVE



RP1133

KEY	PART NO.	PART NAME	QTY	TRACTOR SERIAL NO.	REMARKS
1	AT32332	ELBOW FITTING	1		(SUB FOR AR26763)
2	R26375	O-RING	1		
3	R40338	DRAIN PLUG	2		
4	R27296	NUT	2		
5	R26286	O-RING	2		
6	AT32332	ELBOW FITTING	1		(SUB FOR AR26763)
7	R26375	O-RING	1		
8	R27216	DRAIN PLUG	1		(SUB FOR R31631)
9	R26287	O-RING	1		
10	R42115	HOUSING	1		
11	R26425	SNAP RING	1		
12	R40595	BEARING RACE	2		
13	R26552	BALL	13		
14	R40757	BUSHING	1		
15	R40596	SPRING	1		
16	R40597	LOCK NUT	1		
17	R39112	FITTING	1		
18	R26375	O-RING	1		
19	R28783	SPRING	1		
20	R37476	VALVE	1		
21	R30323	BACK-UP RING	1		
22	T12860	O-RING	1		
23	R26375	O-RING	1		
24	AT32332	ELBOW FITTING	1		(SUB FOR AR26763)
25	19H2552	CAP SCREW	6		3/8" X 1-1/8"
26	12H304	LOCK WASHER	6		3/8"

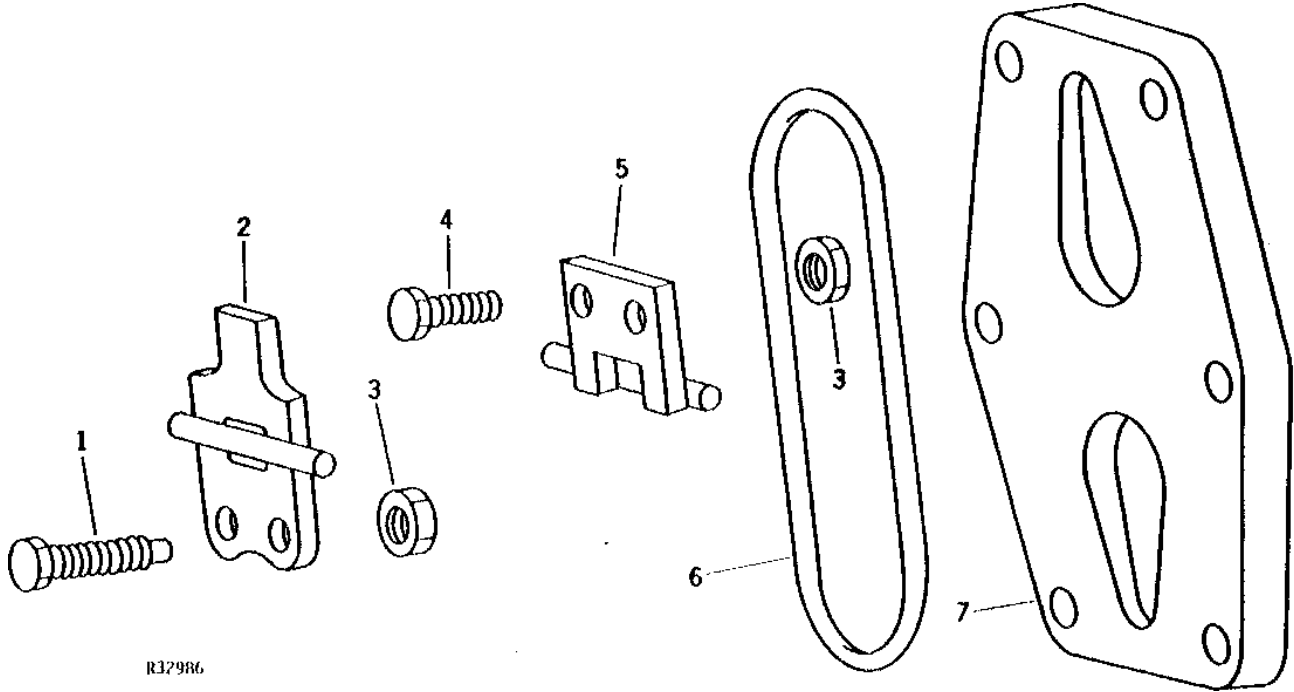
2D17

STEERING AND BRAKES

R32986

-UN-01JAN94

STEERING VALVE COVER AND VALVE OPERATING LEVERS



KEY	PART NO.	PART NAME	QTY	TRACTOR SERIAL NO.	REMARKS
1	R26554	SET SCREW	2		
2	AR26448	LEVER	1		
3	14H649	NUT	4	1/4"	
4	R31217	SCREW	2		(SUB FOR R26762, THIS APPLICATION)
5	AR26402	LEVER	1		
6	R34733	WASHER	1		
7	R51748	COVER	1	-003205	(SUB FOR R26553) (SUB R57034)
	R57034	COVER	1	003206-	

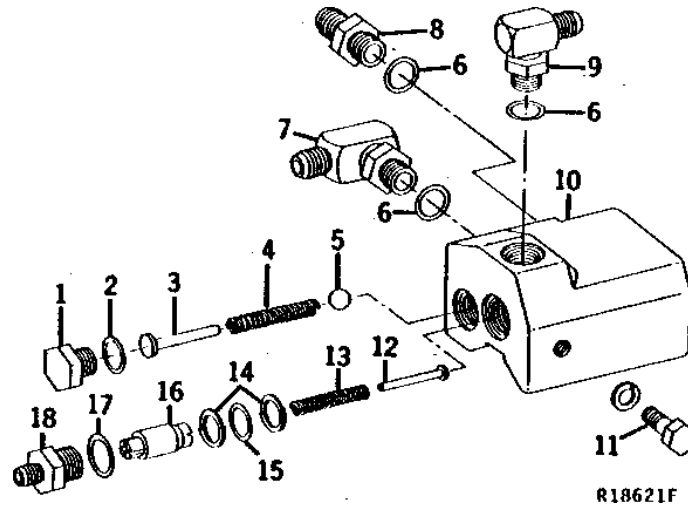
MEMORANDA

2D18

STEERING AND BRAKES

R18621 -UN-01JAN94

STEERING FLOW CONTROL VALVE



KEY	PART NO.	PART NAME	QTY	TRACTOR SERIAL NO.	REMARKS
1	R39112	FITTING	1		
2	R26375	O-RING	1		
3	T32481	GUIDE	1		
4	T561T	SPRING	1		
5	U11498	BALL	1		
6	R26375	O-RING	3		
7	AT32332	ELBOW FITTING	1		(SUB FOR AR26763)
8	R27237	FITTING	1		
9	AR31674	FITTING	1		
10	T39823	HOUSING	1		(SUB FOR T33485)
11	19H1822	CAP SCREW	1		7/16" X 1"
	12H293	LOCK WASHER	1		7/16"
12	R39179	NEEDLE ROLLER	1		
13	R33173	SPRING	1		
14	R26546	BACK-UP RING	2		
15	B2762R	O-RING	1		
16	T23659	CONTROL VALVE	1		
17	R26906	O-RING	1		
18	R28450	FITTING	1		

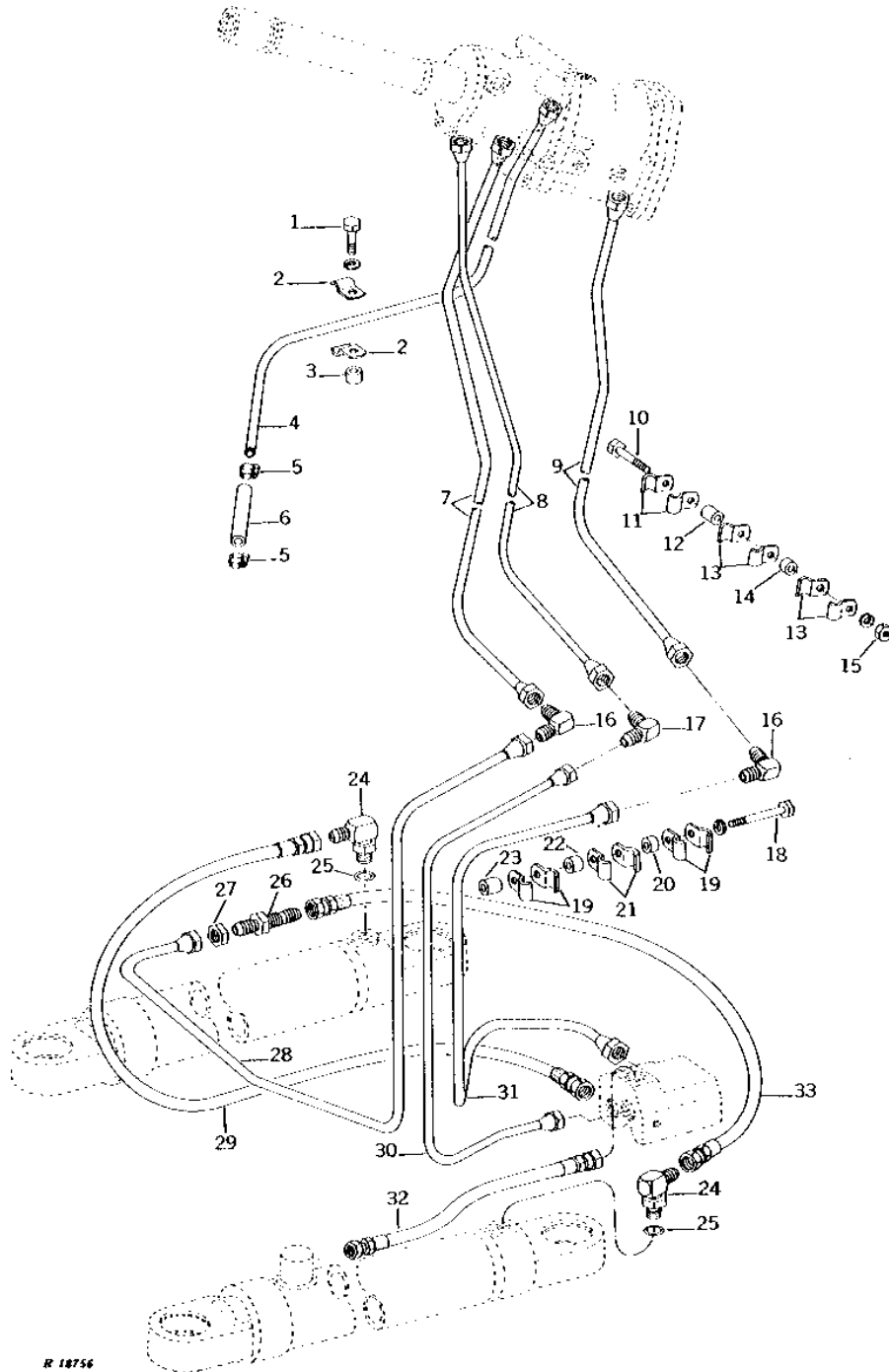
2D19

STEERING AND BRAKES

R18756

-UN-01JAN94

STEERING VALVE PIPES



2D20

STEERING AND BRAKES

STEERING VALVE PIPES - CONTINUED

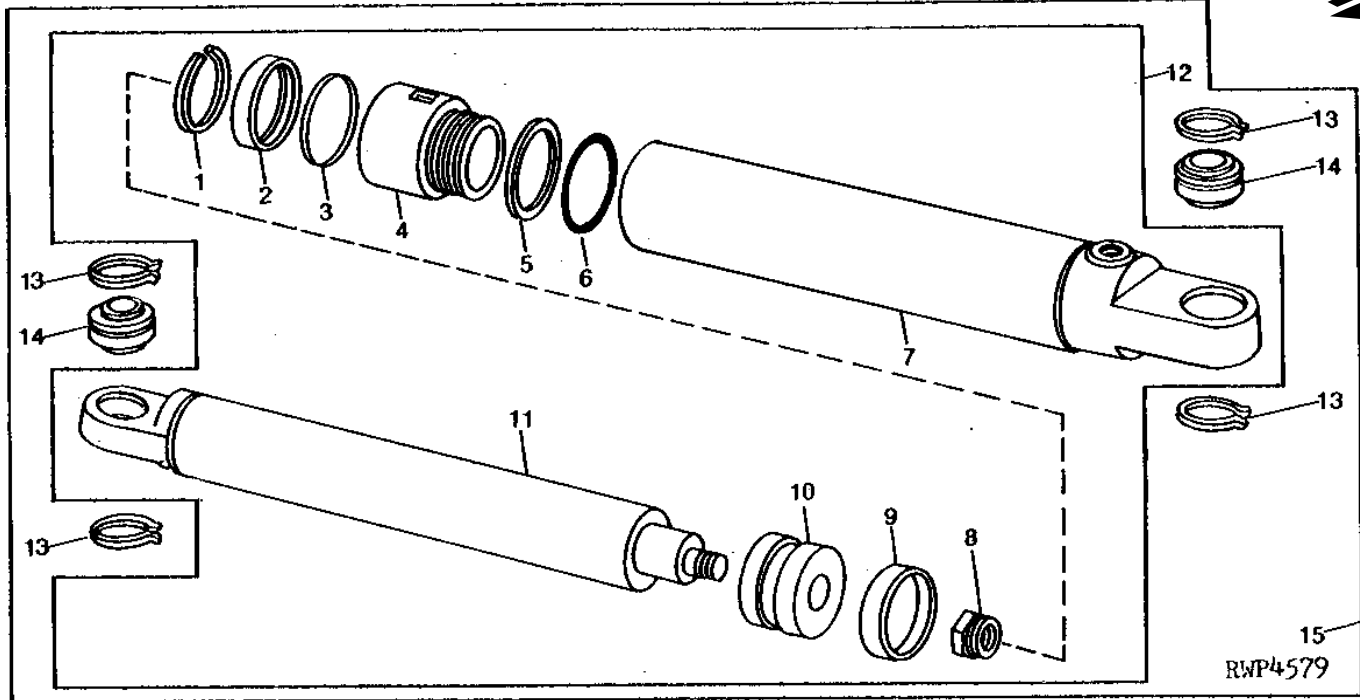
KEY	PART NO.	PART NAME	QTY	TRACTOR SERIAL NO.	REMARKS
1	19H1732	CAP SCREW	1		3/8" X 1-1/4"
	12H304	LOCK WASHER	1		3/8"
2	R27539	CLAMP	2		
3	28H1521	SPACER	1		0.493" X 0.675" X 9/16"
4	AR53896	LINE	1		
5	AR21837	CLAMP	2		(SUB TY22465)
6	R50109	HOSE	1		
7	AR54384	HYDRAULIC LINE	1		STEERING VALVE TO R.H. STEERING CYLINDER
8	AR53895	HYDRAULIC LINE	1		STEERING VALVE CYLINDER TO FLOW CONTROL VALVE
9	AR53894	HYDRAULIC LINE	1		STEERING VALVE TO FLOW CONTROL VALVE
10	19H2553	CAP SCREW	1		3/8" X 2-5/8"
11	R27720	CLAMP	1		
12	28H1697	SPACER	1		0.493" X 0.675" X 3/4"
13	R27539	CLAMP	4		
14	28H1519	WASHER	1		0.493" X 0.675" X 3/8"
15	14H1076	NUT	1		3/8"
	12H304	LOCK WASHER	1		3/8"
16	AR54385	ELBOW FITTING	2		
17	AR54386	ELBOW FITTING	1		
18	19H2023	CAP SCREW	1		3/8" X 3-1/4"
	19H2128	CAP SCREW	1		3/8" X 3"
	12H304	LOCK WASHER	2		3/8"
19	R27539	CLAMP	8		
20	28H1519	WASHER	2		0.493" X 0.675" X 3/8"
21	R27720	CLAMP	4		
22	28H1888	BUSHING	2		0.493" X 0.675" X 17/32"
23	28H1697	SPACER	2		0.493" X 0.675" X 3/4"
24	AT32332	ELBOW FITTING	2		(SUB FOR AR26763)
25	R26375	O-RING	2		
26	R52831	FITTING	1		(ALSO ORDER 24H1393) (SUB FOR R35701)
27	R27448	NUT	1		
28	AR53642	OIL LINE	1		(NLA)
29	AT42233	HYDRAULIC HOSE	1		(SUB FOR AR53643)
30	AR53641	LINE	1		
31	AR53640	HYDRAULIC LINE	1		
32	AR53644	HYDRAULIC HOSE	1		
33	AT42233	HYDRAULIC HOSE	1		(SUB FOR AR53643)
..	AR21969	KIT	1		PLUG CAP

2D21

STEERING AND BRAKES

RWP4579 -UN-01JAN94

LEFT-HAND STEERING CYLINDER ASSEMBLY



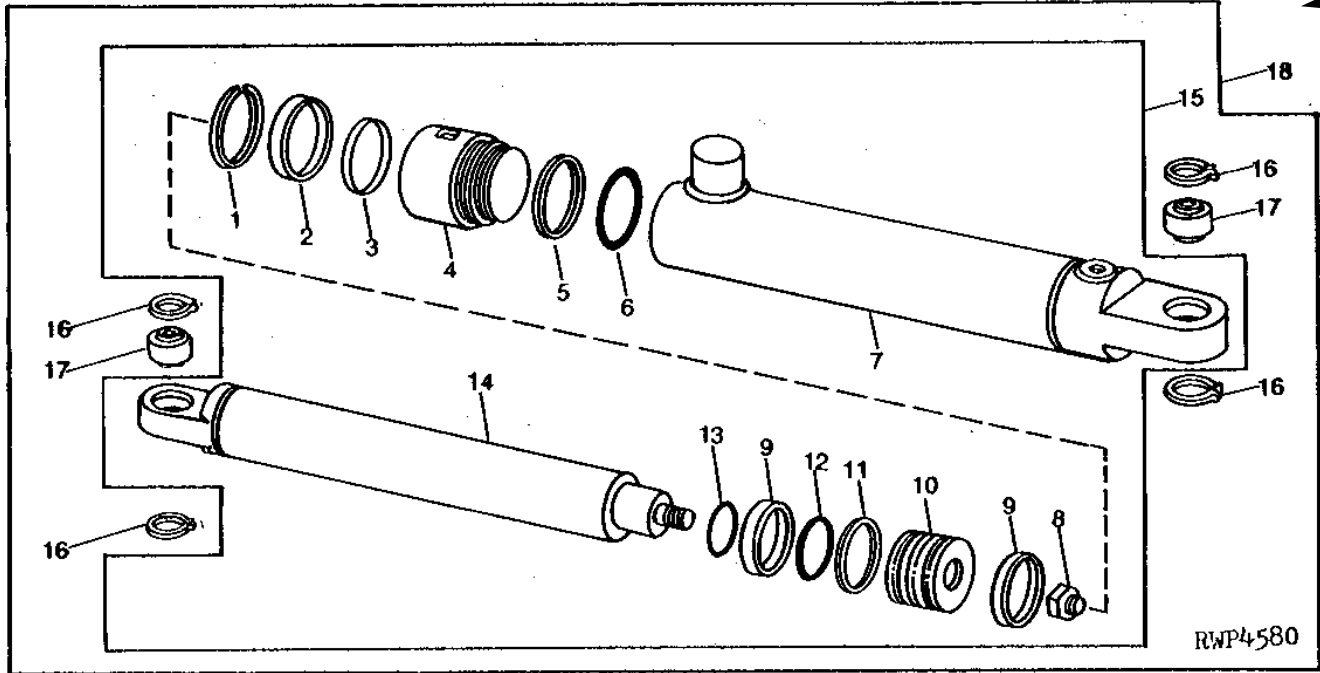
KEY	PART NO.	PART NAME	QTY	TRACTOR SERIAL NO.	REMARKS
1	U42858	SEAL	1		
2	U42862	PISTON RING	1		
3	U42857	SEAL	1		
4	U42853	GUIDE	1	(SUB R80925)	
5	U42859	BACK-UP RING	1		
6	P48403	O-RING	1		
7	AU41906	HYDRAULIC CYLINDER BARREL	1		
8	P45231	LOCK NUT	1		
9	U42863	WEAR RING	1		
10	U42852	PISTON	1		
11	AU41828	ROD	1		
12	AU41905	CYLINDER	1	(NO LONGER AVAILABLE) (ORDER AR53935)	
13	F2367R	SNAP RING	4		
14	AT61453	BUSHING	2	(SUB FOR AT54529)	
15	AR53935	CYLINDER	1	(ORDER COMPONENT PARTS)	

2D22

STEERING AND BRAKES

RWP4580 -UN-01JAN94

RIGHT-HAND STEERING CYLINDER ASSEMBLY



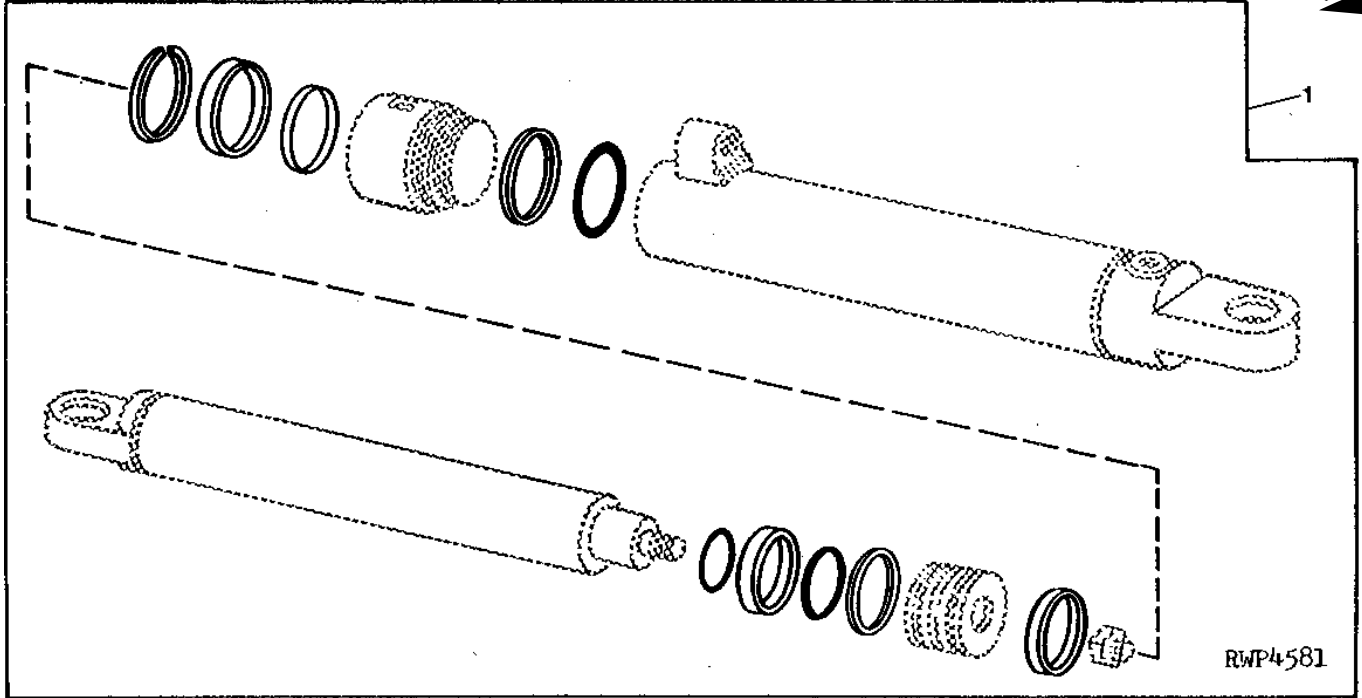
KEY	PART NO.	PART NAME	QTY	TRACTOR SERIAL NO.	REMARKS
1	U42858	SEAL	1		
2	U42862	PISTON RING	1		
3	U42857	SEAL	1		
4	U42853	GUIDE	1	(SUB R80925)	
5	U42859	BACK-UP RING	1		
6	P48403	O-RING	1		
7	AU41830	HYDRAULIC CYLINDER BARREL	1		
8	P45231	LOCK NUT	1		
9	T36525	WEAR RING	2		
10	U42851	PISTON	1		
11	U42860	WASHER	1		
12	A29498	O-RING	1	(SUB FOR T13641)	
13	R31378	O-RING	1		
14	AU41828	ROD	1		
15	AU41827	CYLINDER	1	(NO LONGER AVAILABLE)	
16	F2367R	SNAP RING	4		
17	AT61453	BUSHING	2	(SUB FOR AT54529)	
18	AR53934	CYLINDER	1		

2D23

STEERING AND BRAKES

RWP4581 -UN-01JAN94

CYLINDER REPAIR KIT



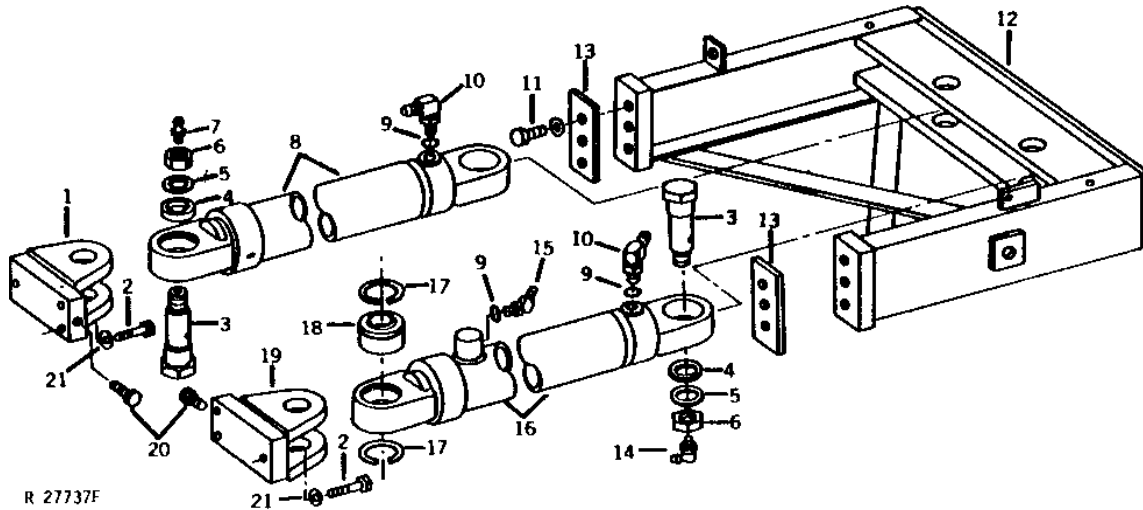
KEY	PART NO.	PART NAME	QTY	TRACTOR SERIAL NO.	REMARKS
1	AT35142	KIT	1		

2D24

STEERING AND BRAKES

R27737 -UN-01JAN94

STEERING CYLINDER MOUNTING



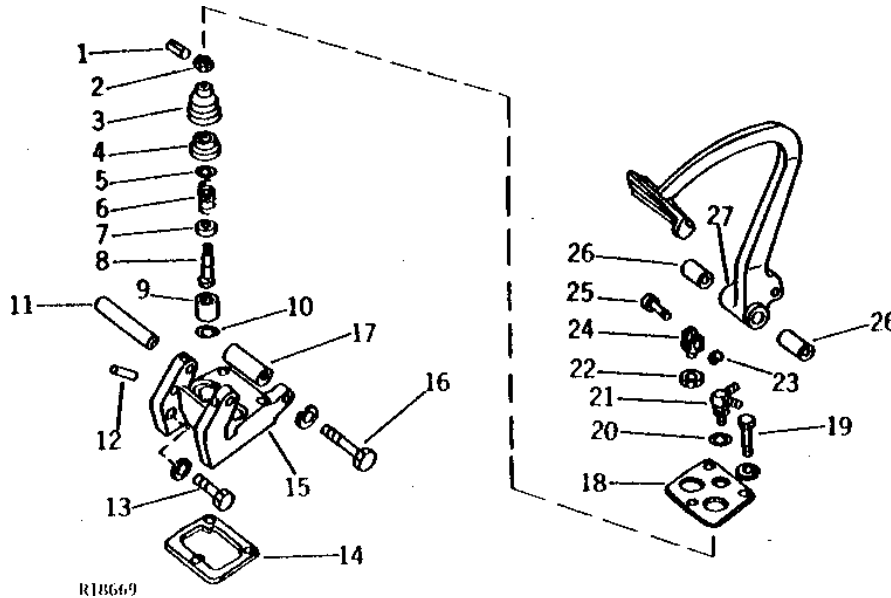
KEY	PART NO.	PART NAME	QTY	TRACTOR SERIAL NO.	REMARKS
1	AR52429	CLEVIS	1	(NLA)	
2	19H1990	CAP SCREW	6		1/2" X 2-1/4"
3	T59402	PIN	4		(SUB FOR T27277)
4	T27278	WASHER	4		(SUB T70477)
5	R26681	THRUST WASHER	4		
6	T27821	LOCK NUT	4		
7	JD7759	LUBRICATION FITTING	2		
8	AU41905	CYLINDER	1		(NLA)
9	R26375	O-RING	3		
10	AT32332	ELBOW FITTING	2		(SUB FOR AR26763)
11	19H2710	CAP SCREW	6	-001710	5/8" X 1-3/4", (USE WITH AR52584)
	19H2717	CAP SCREW	6	001711-XXXXXX	3/4" X 1-3/4", (USE WITH AR62197)
	T21397	WASHER	6	001711-	
	19H2431	CAP SCREW	6	XXXXXX-	3/4" X 2-1/4", (USE WITH AR82036)
12	AR62197	BRACKET	1	-XXXXXX	(ALSO ORDER (6) 19H2717 AND (6) T21397) (SUB FOR AR52584) (SUB AR82036, (2) R65159, 19H2431 AND (6) T21397)
	AR82036	BRACKET	1	XXXXXX-	
13	R65159	STRAP	2	XXXXXX-	
14	JD7781	LUBRICATION FITTING	2	-001710	
	JD7759	LUBRICATION FITTING	2	001711-	
15	AR26745	ELBOW FITTING	1		
16	AU41827	CYLINDER	1		(NO LONGER AVAILABLE)
17	F2367R	SNAP RING	8		
18	AT61453	BUSHING	4		(SUB FOR AT25833 OR AT54529)
19	AR52428	CLEVIS	1		
20	19H1833	CAP SCREW	2		5/8" X 1-1/4"
21	F2742R	WASHER	4		

2D25

STEERING AND BRAKES

BRAKE PEDAL AND BRACKET

R18669 -UN-01JAN94



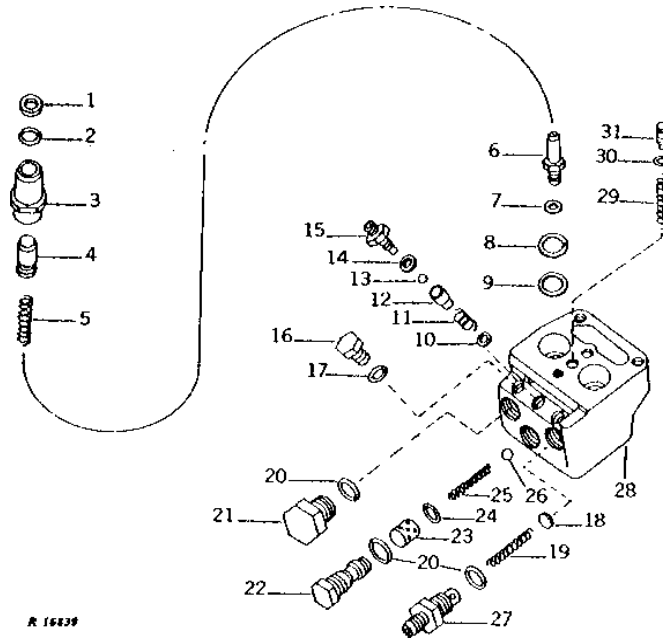
KEY	PART NO.	PART NAME	QTY	MODEL NO.	REMARKS
1	34H245	SPRING PIN	2	1/8" X 5/8"	
2	R39982	NUT	2		
3	R54059	BOOT	2	(SUB FOR R39981)	
4	R31459	RETAINER	2		
5	R30903	O-RING	2		
6	R31271	SPRING	2		
7	R52168	STOP	2	(SUB FOR R31458)	
8	R39980	BOLT	2		
9	R52169	GUIDE	2	(SUB FOR R31457)	
10	A3606R	O-RING	2		
11	R45929	GROOVE PIN	1		
12	34H286	SPRING PIN	1	3/16" X 1-1/2"	
13	19H2550	CAP SCREW	1	1/2" X 1-5/8"	
	12H301	LOCK WASHER	1	1/2"	
14	R31455	GASKET	1		
15	R45926	BRACKET	1		
16	19H2211	CAP SCREW	1	1/2" X 5"	
	12H301	LOCK WASHER	1	1/2"	
17	R35614	SPACER	1		
18	R26384	RETAINER	1		
19	19H1733	CAP SCREW	3	3/8" X 2-1/2"	
	12H304	LOCK WASHER	3	3/8"	
20	R26287	O-RING	1		
21	AR36097	FITTING	1		
22	14H732	NUT	2	3/8"	
23	R26386	SNAP RING	2		
24	R31273	YOKE	2		
25	R26385	PIN	2		
26	B177R	BUSHING	2		
27	AR53615	PEDAL	1	(MARKED R49676)	

2E1

STEERING AND BRAKES

R16839 -UN-01JAN94

BRAKE VALVE



KEY	PART NO.	PART NAME	QTY	MODEL NO.	REMARKS
1	R32092	WASHER	2		
2	R459R	O-RING	2		
3	R32091	PISTON	2		
4	R32090	PLUNGER	2		
5	R26369	SPRING	2		
6	AR52497	VALVE	2		
7	R26286	O-RING	2		
8	R27137	BACK-UP RING	2		
9	R27149	O-RING	2		
10	R44255	WASHER	1		
11	R44256	SPRING	1		
12	R44254	GUIDE	1		
13	400R	BALL	1		
14	R26287	O-RING	1		
15	R36742	COUPLING	1		
16	R27216	DRAIN PLUG	2		(SUB FOR R31631) (USE WITH R31454)
17	R26287	O-RING	2		(USE WITH R31454)
18	R26376	DISK	1		
19	R227R	SPRING	1		
20	R26375	O-RING	3		
21	R39112	FITTING	1		
22	R28774	FITTING	1		
23	R42684	STRAINER	1		
24	R28776	O-RING	1		
25	R26372	SPRING	1		
26	R42849	BALL	1		
27	R47738	FITTING	1		
28	AR42400	HOUSING	1		(MARKED R31454 OR R42007)
29	R26421	SPRING	2		
30	R30903	O-RING	2		
31	R47791	PLUG	2		

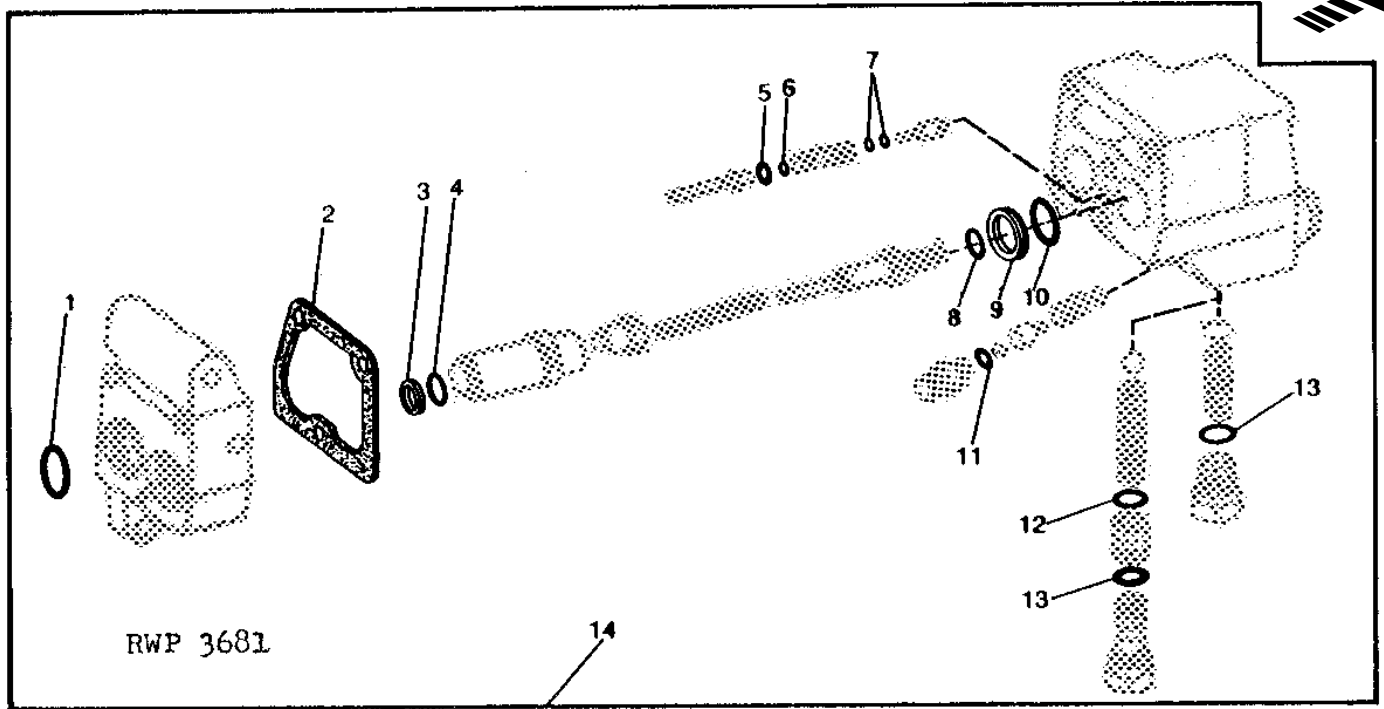
2E2

STEERING AND BRAKES

RWP3681

-UN-01JAN94

BRAKE VALVE OVERHAUL KIT



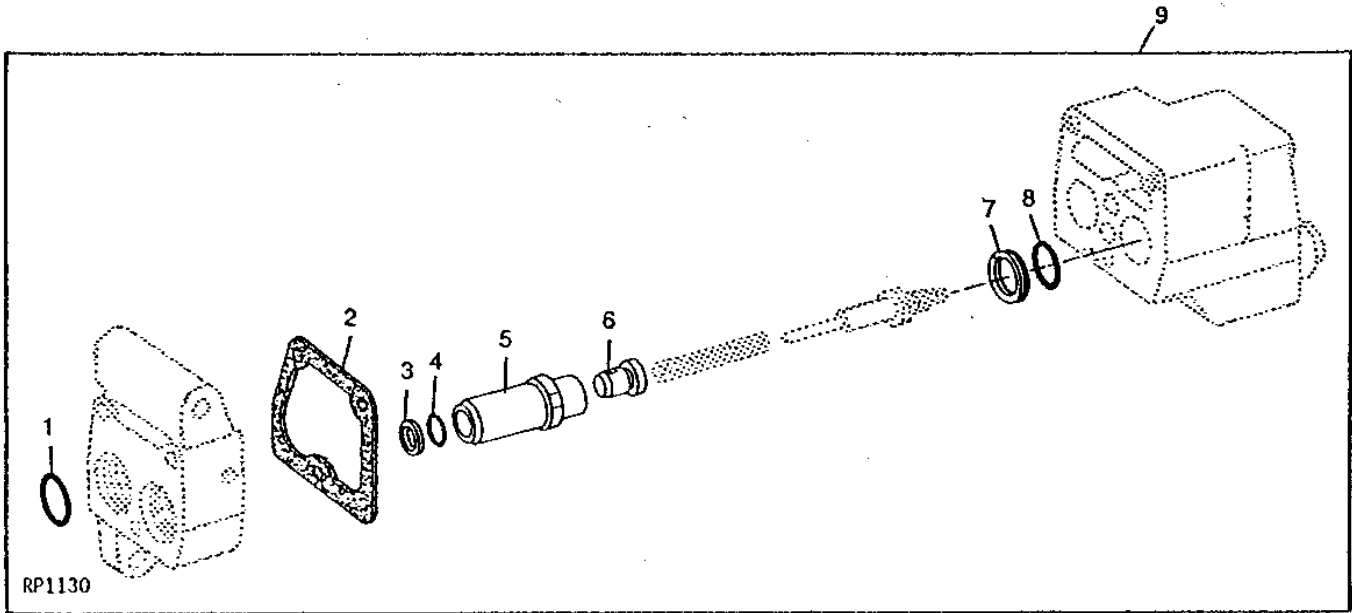
KEY	PART NO.	PART NAME	QTY	TRACTOR SERIAL NO.	REMARKS
1	A3606R	O-RING	2		
2	R31455	GASKET	1		
3	R32092	WASHER	2		
4	R459R	O-RING	2		
5	R31469	SHIM	2		
6	R31468	O-RING	2		
7	R30903	O-RING	4		
8	R26286	O-RING	2		
9	R27137	BACK-UP RING	2		
10	R27149	O-RING	2		
11	R26287	O-RING	1		
12	R28776	O-RING	1		
13	R26375	O-RING	3		
14	AR31946	KIT	1		

2E3

STEERING AND BRAKES

RP1130 -UN-01JAN94

BRAKE VALVE PLUNGER REPLACEMENT KIT



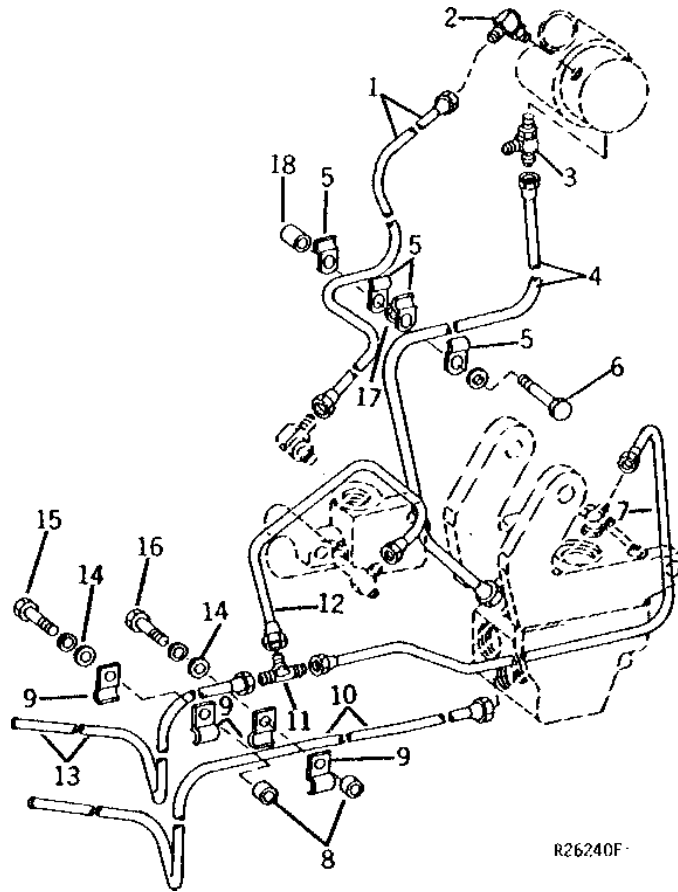
KEY	PART NO.	PART NAME	QTY	TRACTOR SERIAL NO.	REMARKS
1	A3606R	O-RING	2		
2	R31455	GASKET	1		
3	R32092	WASHER	2		
4	R459R	O-RING	2		
5	R32091	PISTON	2		
6	R32090	PLUNGER	2		
7	R27137	BACK-UP RING	2		
8	R27149	O-RING	2		
9	AR58165	KIT	1		

2E4

STEERING AND BRAKES

R26240 -UN-01JAN94

FRONT BRAKE PIPES



R26240F

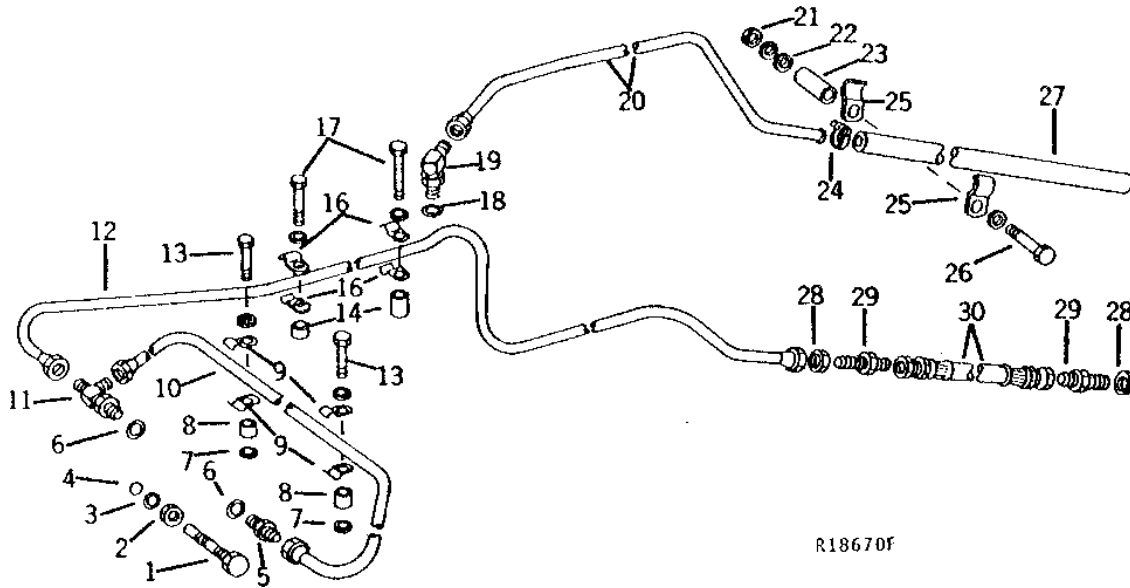
KEY	PART NO.	PART NAME	QTY	TRACTOR SERIAL NO.	REMARKS
1	AR53944	HYDRAULIC LINE	1		
2	AT32336	ELBOW FITTING	1		(SUB FOR AR36105)
3	AR41987	TEE FITTING	1		
4	AR52598	HYDRAULIC LINE	1		(NLA)
5	R42357	CLAMP	4		
6	19H1801	CAP SCREW	1		3/8" X 2"
	12H304	LOCK WASHER	1		3/8"
7	AR52566	HYDRAULIC LINE	1		
8	28H1519	WASHER	2		0.493" X 0.675" X 3/8"
9	R57549	CLAMP	4		
10	AR52565	HYDRAULIC LINE	1		
11	AR56216	TEE FITTING	1		
12	AR54678	LINE	1		
13	AR52567	HYDRAULIC LINE	1		
14	24M7096	WASHER	2		10.500 X 18 X 1.600 MM
15	19H1732	CAP SCREW	1		3/8" X 1-1/4"
	12H304	LOCK WASHER	1		3/8"
16	19H268	CAP SCREW	1		3/8" X 2-1/2"
	12H304	LOCK WASHER	1		3/8"
17	28H1518	WASHER	1		0.493" X 0.675" X 5/16"
18	28H1697	SPACER	1		0.493" X 0.675" X 3/4"

2E5

STEERING AND BRAKES

R18670 -UN-01JAN94

REAR BRAKE PIPES



R18670F

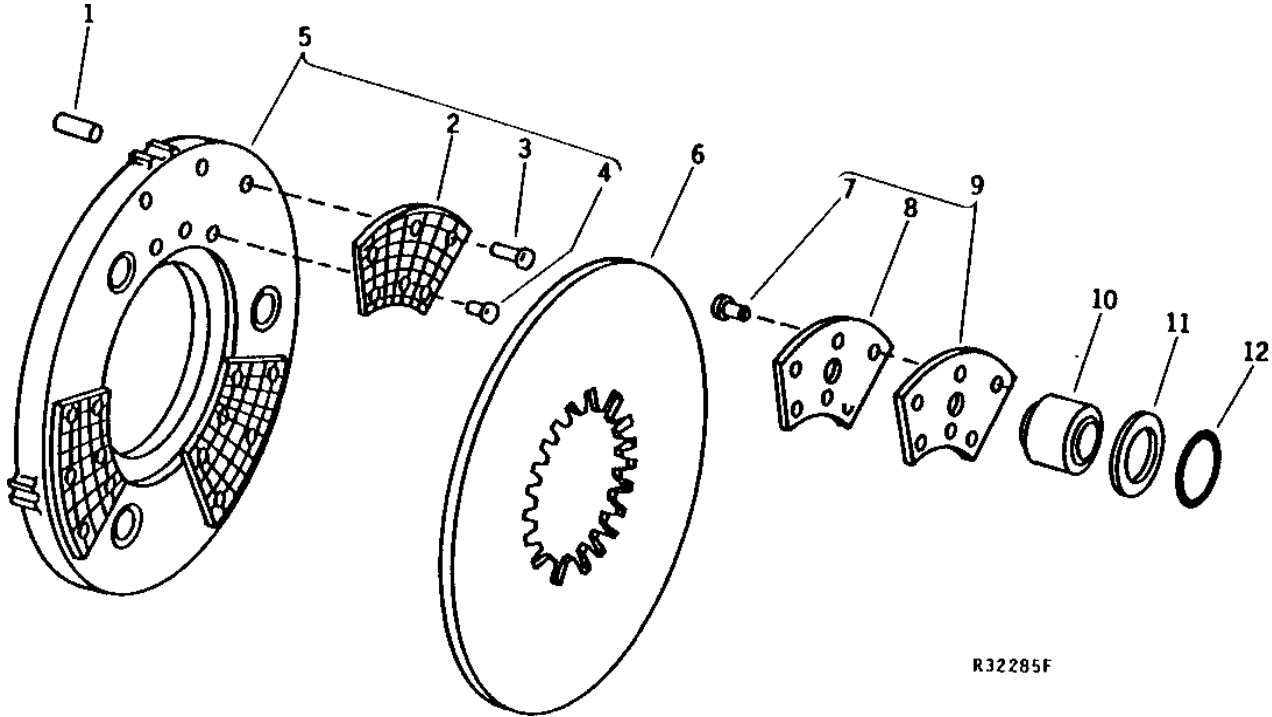
KEY	PART NO.	PART NAME	QTY	TRACTOR SERIAL NO.	REMARKS
1	R27906	SCREW	1		
2	R27296	NUT	1		
3	R26286	O-RING	1		
4	R42849	BALL	2		
5	R27272	FITTING	1		
6	R26286	O-RING	2		
7	A4624R	WASHER	4		
8	B1828R	BUSHING	2		
9	R42357	CLAMP	4		
10	AR50875	HYDRAULIC LINE	1		
11	AR50796	TEE FITTING	1		
12	AR50877	HYDRAULIC LINE	1		
13	19H2665	CAP SCREW	2	3/8" X 1-5/8"	
	12H304	LOCK WASHER	4	3/8"	
14	28H1519	WASHER	1	0.493" X 0.675" X 3/8"	
15	28H1524	SPACER	1	0.493" X 0.675" X 7/8"	
16	R42357	CLAMP	4		
17	19H1801	CAP SCREW	2	3/8" X 2"	
	12H304	LOCK WASHER	2	3/8"	
18	R26448	O-RING	1		
19	AT35121	ELBOW FITTING	1	(SUB FOR AR26725)	
20	AR53945	HYDRAULIC LINE	1	RETURN	
21	14H1076	NUT	1	3/8"	
	12H304	LOCK WASHER	1	3/8"	
22	24M7096	WASHER	1	10.500 X 18 X 1.600 MM	
23	28H1525	BUSHING	1	0.493" X 0.675" X 1-1/16"	
24	AR21836	CLAMP	2		
25	R57549	CLAMP	2		
26	19H1801	CAP SCREW	1	3/8" X 2"	
27	R49968	HYDRAULIC HOSE	1		
28	R26572	NUT	2		
29	R27238	FITTING	2		
30	AR50603	HYDRAULIC HOSE	1		
..	AR21969	KIT	1	CAP PLUG	

2E6

STEERING AND BRAKES

R32285 -UN-01JAN94

BRAKE PLATES AND FACINGS



R32285F

KEY	PART NO.	PART NAME	QTY	TRACTOR SERIAL NO.	REMARKS
1	R44961	DOWEL PIN	6		
2	R90086	BRAKE SHOE	6		(SUB FOR AR28488) (SUB RE46334, (3) RE46328 AND R100797)
	R90086	BRAKE SHOE	6		(A) (SUB FOR AR28488) (SUB RE46334, (3) RE46328 AND R113741)
3	D1761R	RIVET	18		
4	R708R	RIVET	18		
5	AR43046	PLATE	2	-XXXXXX	(MARKED R43224) (SUB RE46334, (3) RE46328 AND R100797)
	AR99647	PLATE	2	XXXXXX-	(MARKED R63917 OR R74350) (SUB FOR AR79129) (SUB RE46334, (3) RE46328 AND R100797)
	AR43046	PLATE	2	-XXXXXX	(A) (MARKED R43224) (SUB RE46334, (3) RE46328 AND R113741)
	AR99647	PLATE	2	XXXXXX-	(A) (MARKED R63917 OR R74350) (SUB FOR AR79129) (SUB RE46334, (3) RE46328 AND R113741)
6	R48864	BRAKE DISK	2		(13 TEETH) (SUB RE46334, (3) RE46328 AND R100797)
	R91826	BRAKE DISK	2		(A) (14 TEETH) (SUB FOR R61712) (SUB RE46334, (3) RE46328 AND R113741)
7	D1761R	RIVET	36		
8	R90086	BRAKE SHOE	6		(SUB FOR AR28488) (SUB RE46334, (3) RE46328 AND R100797)
	R90086	BRAKE SHOE	6		(A) (SUB FOR AR28488) (SUB RE46334, (3) RE46328 AND R113741)
9	AR32243	PLATE	6		(SUB RE46334, (3) RE46328 AND R100797)
	AR32243	PLATE	6		(A) (SUB RE46334, (3) RE46328 AND R113741)
10	R46674	PISTON	6		
11	R46673	WASHER	6		
12	A4728R	O-RING	6		

(A) USE WHEN R61711 OR R113733 HAS BEEN INSTALLED

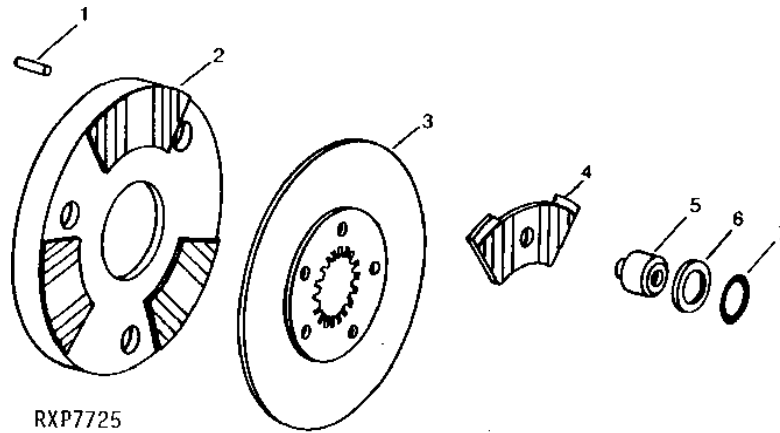
NOTE: THREE-PART SUBS ARE DUE TO INTRODUCTION OF NON-ASBESTOS LININGS (SEE FOLLOWING PAGE)

2E7

STEERING AND BRAKES

RXP7725 -UN-06OCT94

BRAKE PLATES AND FACINGS



KEY	PART NO.	PART NAME	QTY	TRACTOR SERIAL NO.	REMARKS
1	R44961	DOWEL PIN	6		
2	RE44415	PLATE	2	(MARKED R97993 OR R107178) (SUB FOR RE36647) (SUB RE46334)	
3	R100797	BRAKE DISK	2	(13 TEETH)	
	R113741	BRAKE DISK	2	(A) (14 TEETH) (SUB R113741)	
4	RE32681	PLATE	6	(SUB RE46328)	
5	R46674	PISTON	6		
6	R46673	WASHER	6		
7	A4728R	O-RING	6		

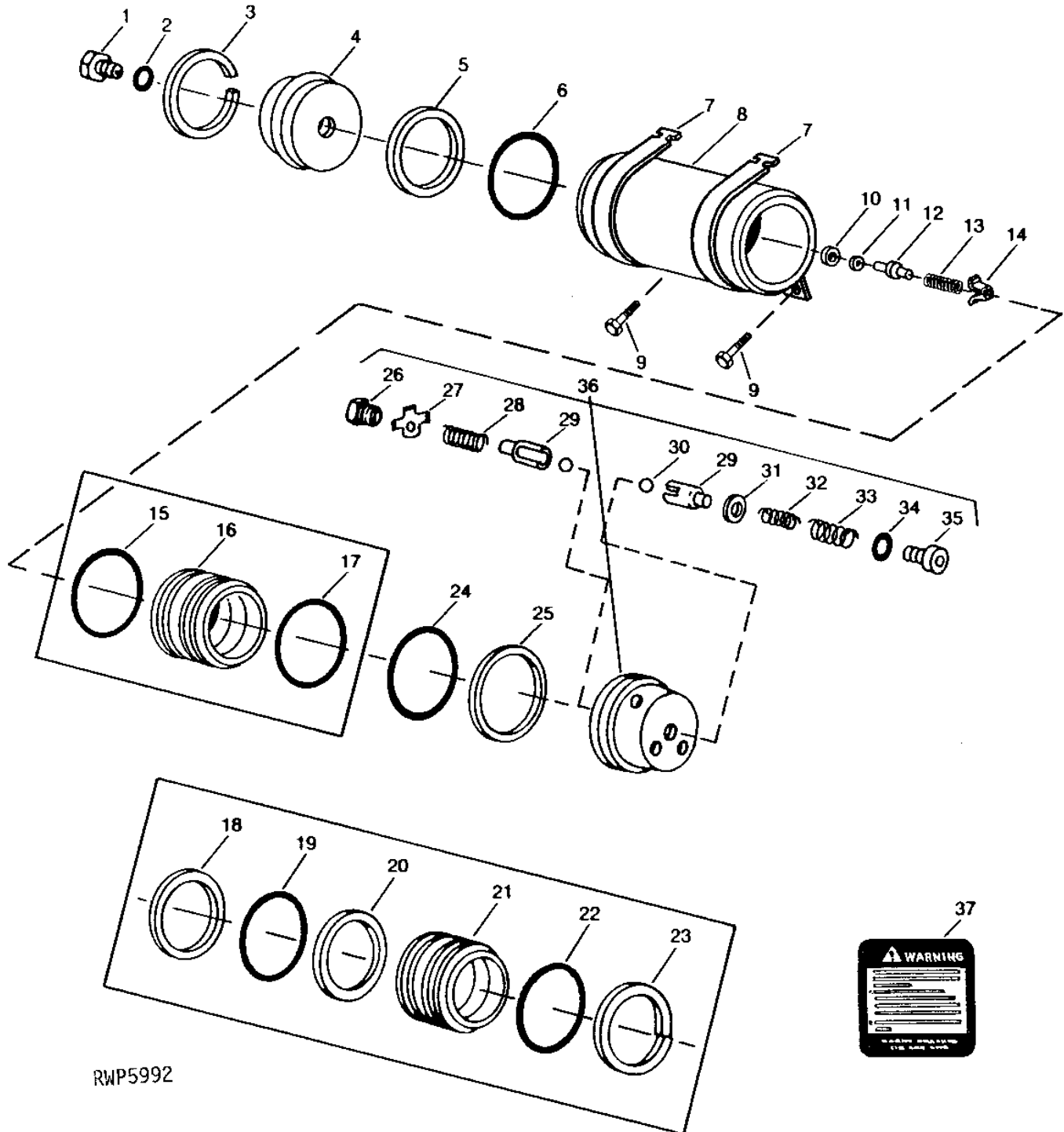
(A) USE WHEN R61711 OR R113733 HAS BEEN INSTALLED.

2E8

STEERING AND BRAKES

ACCUMULATOR

RWP5992 -UN-01JAN94



RWP5992



2E9

STEERING AND BRAKES

ACCUMULATOR - CONTINUED

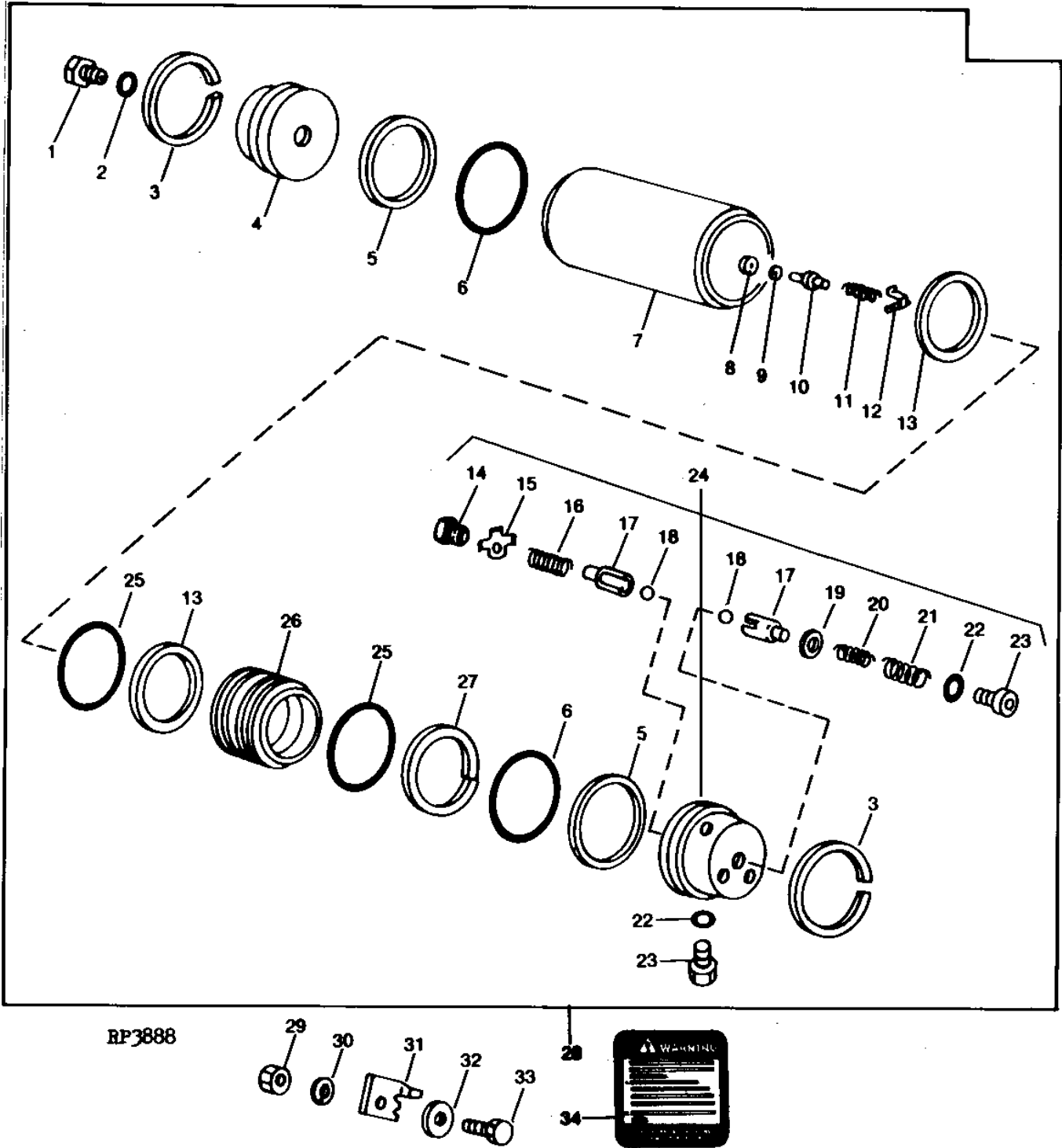
KEY	PART NO.	PART NAME	QTY	MODEL NO.	REMARKS
1	R27094	DRAIN PLUG	1		
2	R26286	O-RING	1		
3	U10136	SNAP RING	2		
4	R48957	END	1		
5	R35684	BACK-UP RING	1		
6	U12331	O-RING	1		
7	R41891	STRAP	2		
8	R46987	HYDRAULIC CYLINDER BARREL	1		(ALSO ORDER R46988, R47085, R47086, R47087, R41877, R26760, R35684, U10136 AND U12331)
9	19H2284	CAP SCREW	2		(SUB FOR AR41947)
10	R60038	PACKING	1		3/8" X 7/8"
11	R47087	WASHER	1		(SUB FOR R26760)
12	R47085	VALVE	1		
13	R47086	SPRING	1		
14	R41877	GUIDE	1		
15	A4728R	O-RING	1	-10HA1	
16	AR55711	PISTON	1	-10HA1	(MARKED R49345) (SUB R57103, R27649, (2) A4728R AND (2) L29015)
17	A4728R	O-RING	1	-10HA1	
18	L29015	BACK-UP RING	1	14HA2-	
19	A4728R	O-RING	1	14HA2-	
20	L29015	BACK-UP RING	1	14HA2-	
21	R57103	PISTON	1	14HA2-	(ALSO ORDER (2) A4728R, (2) L29015 AND R27649) (SUB FOR AL23523)
22	A4728R	O-RING	1	14HA2-	
23	R27649	BACK-UP RING	1	14HA2-	
24	U12331	O-RING	1		
25	R35684	BACK-UP RING	1		
26	R74022	RETAINER	1		(ILLUSTRATED) (USE WITH AR93259)
27	R33282	SNAP RING	1	10HA1-XXXXX	(USE WITH AR67781)
	R75866	LOCK PLATE	1		(ILLUSTRATED) (USE WITH AR93259)
	R48013	WASHER	1	10HA1-XXXXX	(USE WITH AR67781)
28	R44256	SPRING	1	10HA1-	
29	R44254	GUIDE	2	10HA1-	
30	400R	BALL	2	10HA1-	
31	R31632	SHIM	2	10HA1-	
32	R47606	SPRING	1	10HA1-	
33	R47605	SPRING	1	10HA1-	
34	R26286	O-RING	1	10HA1-	
35	R47607	PIPE PLUG	1	10HA1-	
36	AR67781	CAP	1	10HA1-XXXXX	(SUB FOR AR50387 OR AR65886) (SUB AR93259)
	AR93259	CAP	1	XXXXX-	(ILLUSTRATED)
37	R80752	LABEL	1		WARNING (ENGLISH) (SUB R120109)
	R80753	LABEL	1		WARNING (SPANISH) (SUB R120110)
	R80754	LABEL	1		WARNING (FRENCH)
	R82337	LABEL	1		WARNING (GERMAN)
..	AR67778	ACCUMULATOR	1		(SUB FOR AR45157) (SUB RE11956)

2E10

STEERING AND BRAKES

RP3888 -UN-25OCT94

BRAKE ACCUMULATOR



2E11

STEERING AND BRAKES

BRAKE ACCUMULATOR - CONTINUED

KEY	PART NO.	PART NAME	QTY	TRACTOR SERIAL NO.	REMARKS
1	R27094	DRAIN PLUG	1		
2	R26286	O-RING	1		
3	U10136	SNAP RING	2		(USE WITH R46987)
	R78101	SNAP RING	2		(USE WITH R77867)
4	R48957	END	1		
5	R35684	BACK-UP RING	2		
6	R86192	O-RING	2		(SUB FOR U12331)
7	R46987	HYDRAULIC CYLINDER BARREL	1		(SUB R77867 AND (2) R78101)
8	R60038	PACKING	1		
9	R47087	WASHER	1		
10	R47085	VALVE	1		
11	R47086	SPRING	1		
12	R41877	GUIDE	1		
13	L29015	BACK-UP RING	2		
14	R74022	RETAINER	1		
15	R75866	LOCK PLATE	1		
16	R44256	SPRING	1		
17	R44254	GUIDE	2		
18	400R	BALL	2		6MM (1/4")
19	R31632	SHIM	AR		
20	R47606	SPRING	1		
21	R47605	SPRING	1		
22	R26286	O-RING	2		
23	R47607	PIPE PLUG	2		
24	AR93259	CAP	1		
25	A4728R	O-RING	2		
26	R57103	PISTON	1		
27	R27649	BACK-UP RING	1		
28	RE11956	ACCUMULATOR	1		(SUB FOR AR67778) (ALSO ORDER R120109, R120110, R80754 OR R82337)
29	14H785	NUT	1		5/16"
30	12H303	LOCK WASHER	1		5/16"
31	R51851	CLIP	1		
32	24H1299	WASHER	1		3/8" X 1-1/4" X 0.065"
33	19H1905	CAP SCREW	1		5/16" X 1"
34	R80752	LABEL	1		WARNING (ENGLISH) (SUB R120109)
	R80753	LABEL	1		WARNING (SPANISH) (SUB R120110)
	R80754	LABEL	1		WARNING (FRENCH)
	R82337	LABEL	1		WARNING (GERMAN)

MEMORANDA

2E15

HYDRAULICS

R32261 -UN-01JAN94

TRANSMISSION AND HYDRAULIC OIL



R32261F

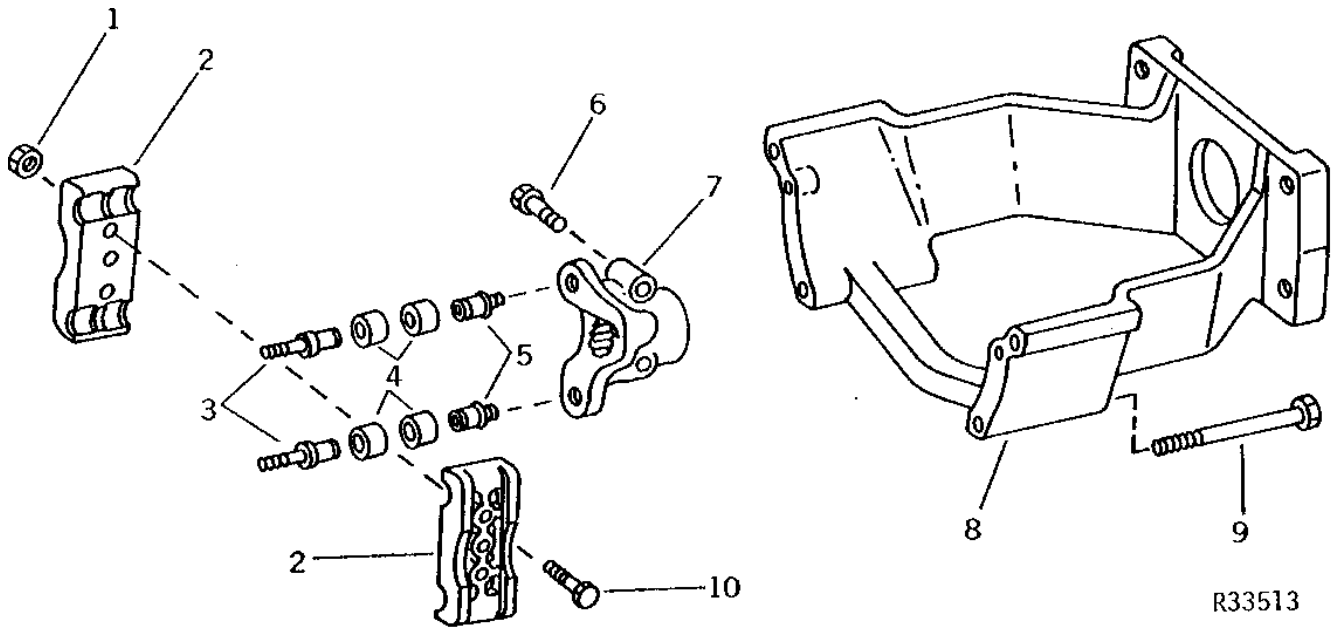
KEY	PART NO.	PART NAME	QTY	TRACTOR SERIAL NO.	REMARKS
..	AR69444	HY-GARD	1	(19 L)	
..	AR69445	HY-GARD	1	(208 L) (EMPTY DRUMS NOT RETURNABLE)	

2E16

HYDRAULICS

R33513 -UN-01JAN94

HYDRAULIC PUMP DRIVE AND SUPPORT



R33513

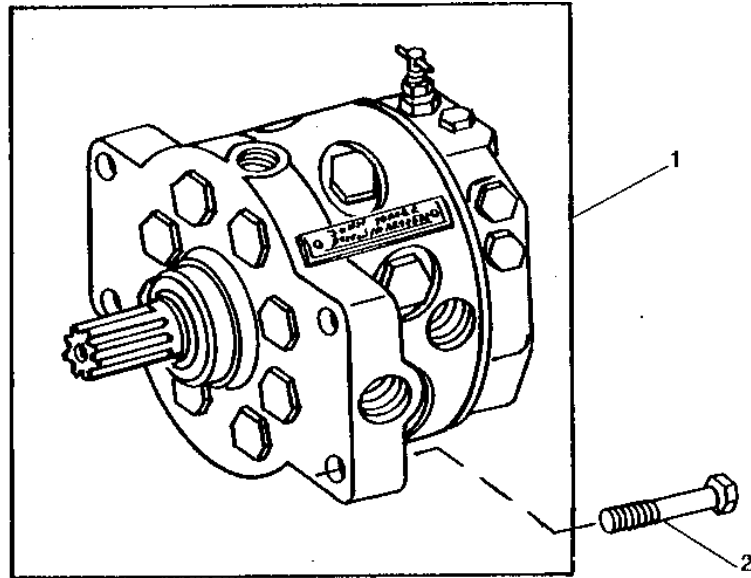
KEY	PART NO.	PART NAME	QTY	TRACTOR SERIAL NO.	REMARKS
1	M63440	LOCK NUT	2		(SUB E50102)
2	R34362	EXTERNAL HALF COUPLER	2		
3	R49724	SCREW	2		
4	R45822	BUSHING	4		(SUB FOR AR49427)
5	R34360	SCREW	2		
6	19H1732	CAP SCREW	2		3/8" X 1-1/4"
7	R49723	SHAFT	1		
8	R66837	SUPPORT	1		(SUB FOR R49722) (ALSO ORDER (2) 19H3339)
9	19H2211	CAP SCREW	4		1/2" X 5"
	19H3339	CAP SCREW	2		1/2" X 9-1/2", (USE WITH R66837)
10	19H2116	CAP SCREW	2		3/8" X 2-1/2"

2E17

HYDRAULICS

RP3196 -UN-01JAN94

REPLACEMENT HYDRAULIC PUMP ASSEMBLY



RP3196

KEY	PART NO.	PART NAME	QTY	TRACTOR SERIAL NO.	REMARKS
1	AR56161	HYDRAULIC PUMP	1	49 CM3 (3 IN.3) (SUB AR94660) (ALSO ORDER RE19313 AND F3171R)	
	AR94660	HYDRAULIC PUMP	1	50 CM3 (3 IN.3) (MODEL GA1)	
2	19H1990	CAP SCREW	4	1/2" X 2-1/4"	

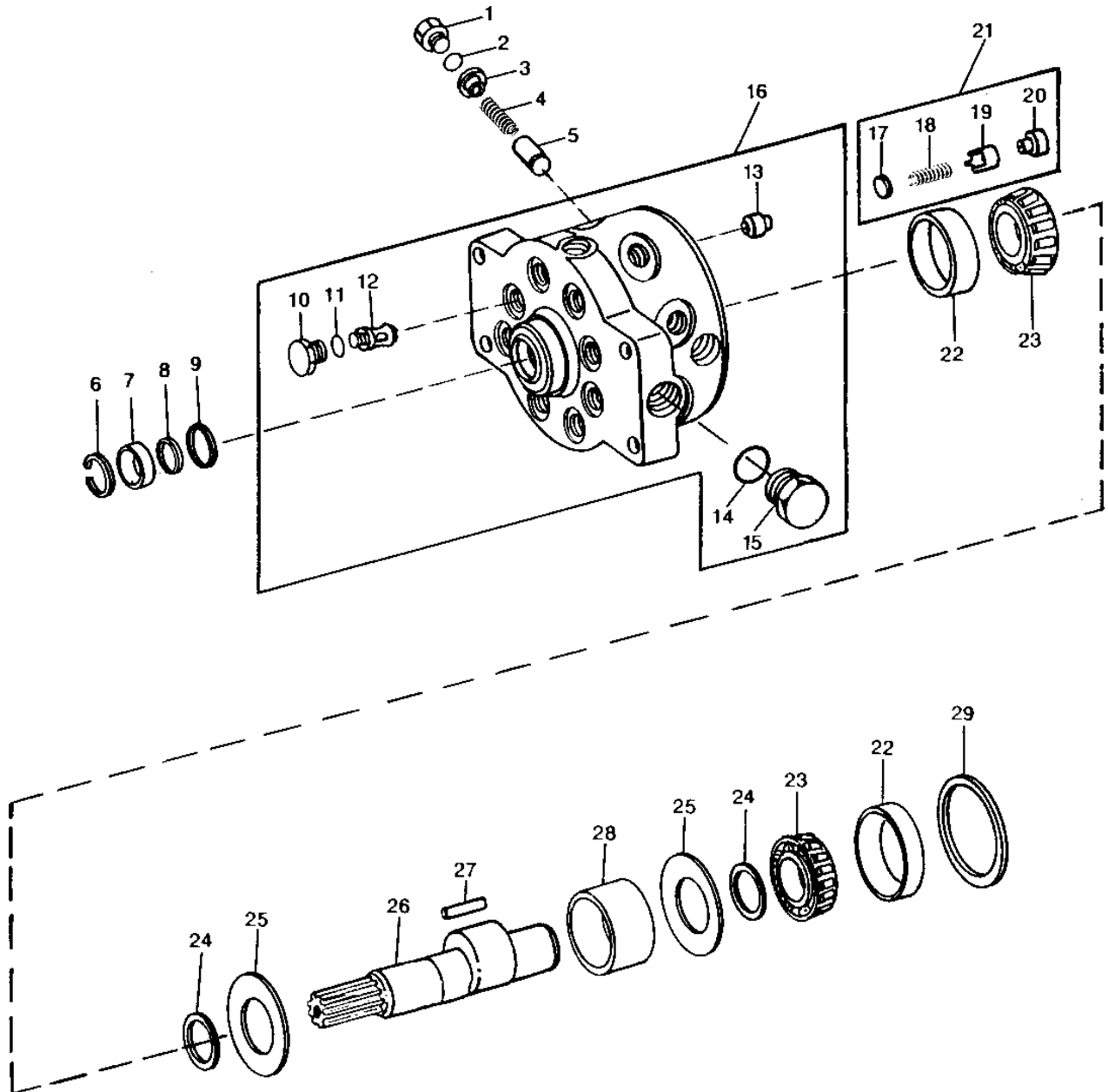
2E18

HYDRAULICS

RP3261

-UN-01JAN94

HYDRAULIC PUMP
49 CM3 (3 IN.3)
(PUMP LESS SERIAL PLATE)



2E19

HYDRAULICS

PUMP HYDRAULIC PUMP - CONTINUED
49 CM3 (3 IN.3)
(PUMP LESS SERIAL PLATE)

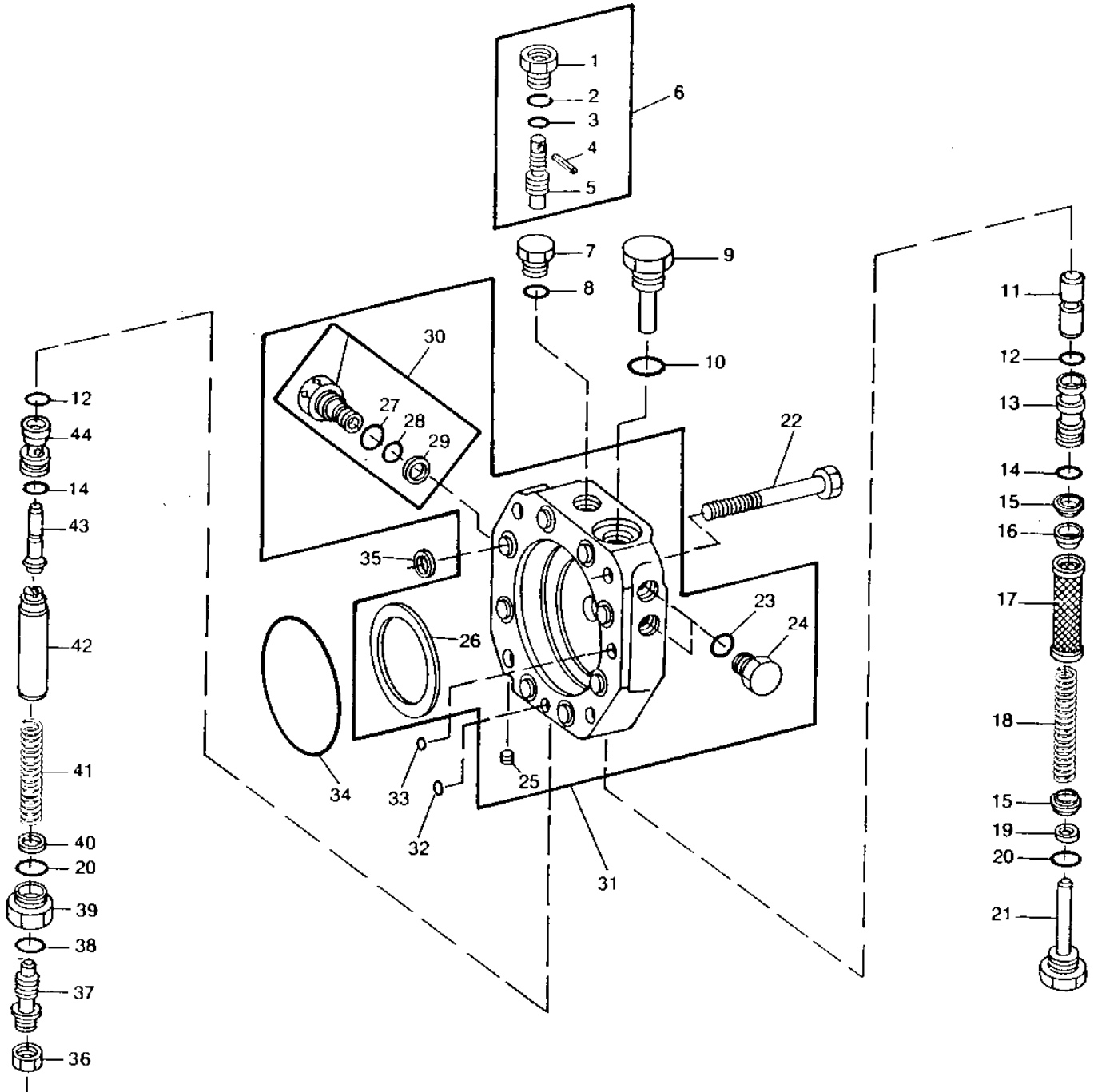
KEY	PART NO.	PART NAME	QTY	TRACTOR SERIAL NO.	REMARKS
1	R45438	FITTING	8		
2	R56463	O-RING	8		
3	AR101236	SHIELD	1		(SET OF 8) (SUB FOR R56749)
4	AR76762	SPRING	1		(SET OF 8) (SUB FOR AR55186)
5	R27150	PISTON	8		
6	R26137	SNAP RING	1		
7	RE28790	SEAL	1		(SUB FOR AR52224)
8	R56753	SHIM	1		
9	R39729	O-RING	1		
10	R78293	FITTING	8		(SUB FOR R44823)
11	R27149	O-RING	8		
12	AR53301	VALVE	8		(INLET) (SUB FOR AR26758)
13	R105583	SEAT	8		
14	U13639	O-RING	1		(USE WITH R45228)
	F3171R	O-RING	1		(USE WITH R45227)
15	R39741	DRAIN PLUG	1		(USE WITH R45228)
	R27175	DRAIN PLUG	1		(USE WITH R45227)
16	AR47580	HOUSING	1		(MARKED R45227, R45228 OR R60494) (SUB AR94660) (ALSO ORDER RE19313 AND F3171R)
17	R49297	DISK	8		
18	R39228	SPRING	8		
19	R48738	GUIDE	8		
20	R83508	STOP	8		(SUB FOR R49298 OR R72886)
21	RE23382	VALVE	8		(OUTLET) (SUB FOR AR52785 OR AR96613)
22	JD8223	BEARING CUP	2		
23	JD8192	BEARING CONE	2		
24	R34349	WASHER	2		
25	R60732	WASHER	2		(SUB FOR R42467)
26	R34348	SHAFT	1		
27	R27145	NEEDLE ROLLER	36		
28	R45874	BEARING RACE	1		
29	R27478	SHIM	AR		0.15MM (.006")
	R27479	SHIM	AR		0.25MM (.010")
..	AR56161	HYDRAULIC PUMP	1		(SUB AR94660) (ALSO ORDER RE19313 AND F3171R)

2E20

HYDRAULICS

HYDRAULIC PUMP STROKE CONTROL VALVE 49 CM3 (3 IN.3) (PUMP LESS SERIAL PLATE)

RP3510 -UN-01JAN94



RP 3510

2E21

HYDRAULICS

HYDRAULIC PUMP STROKE CONTROL VALVE - CONTINUED
49 CM3 (3 IN.3)
(PUMP LESS SERIAL PLATE)

KEY	PART NO.	PART NAME	QTY	TRACTOR SERIAL NO.	REMARKS
1	R27475	FITTING	1		
2	R26448	O-RING	1		
3	A4365R	O-RING	1		
4	34H254	SPRING PIN	1		1/8" X 1-1/2"
5	R27171	SCREW	1		
6	AR33249	SCREW	1		(MANUAL DESTROKE)
7	R27218	FITTING PLUG	1		(LESS MANUAL DESTROKE)
8	R26448	O-RING	1		(LESS MANUAL DESTROKE)
9	AR51745	PLUG	1		
10	R26906	O-RING	1		
11	R27172	VALVE	1		
12	R27564	O-RING	2		
13	R70351	SLEEVE	1		(SUB FOR R27476)
14	R27166	O-RING	2		
15	R27174	PACKING	2		
16	R27167	GUIDE	1		
17	R27173	FILTER ELEMENT	1		
18	R27159	SPRING	1		
19	R27170	SHIM	AR		0.010"
	24H1298	WASHER	AR		0.030"
20	R56751	O-RING	2		
21	AR26646	PLUG	1		
22	19H3520	CAP SCREW	4		1/2" X 3-1/4"
23	R26287	O-RING	2		
24	R27216	PLUG	2		
25	15H560	PIPE PLUG	1		1/16", (USE WITH R49071)
26	R49072	WASHER	1		(NOT USED IN ALL APPLICATIONS)
27	R26375	O-RING	1		(USE WITH R49071)
28	T40308	O-RING	1		(USE WITH R49071)
29	T57374	BACK-UP RING	1		(USE WITH R49071)
30	AR90378	PLUG	1		(USE WITH R49071)
31	AR38714	HOUSING	1		(MARKED R42663, R44802 OR R49071)
32	R56755	WASHER	1		(SUB FOR A4847R)
33	R56756	O-RING	1		(SUB FOR A3917R)
34	R56757	O-RING	1		(SUB FOR R26621)
35	R69279	WASHER	8		(SUB FOR R56754)
36	14H1021	NUT	1		7/16"
37	AR52254	SET SCREW	1		(SUB FOR AR51929)
38	R28782	O-RING	1		
39	R28781	FITTING	1		
40	R42260	WASHER	1		
41	R31781	SPRING	1		
42	R71321	GUIDE	1		(SUB FOR R32344)
43	R70559	CONTROL VALVE	1		(SUB RE10712, R27166 AND R41057) (SUB FOR R27472 OR R65194)
44	R69262	SLEEVE	1		(SUB RE10712, R27166 AND R41057) (SUB FOR R27471, R58499 OR R65192)

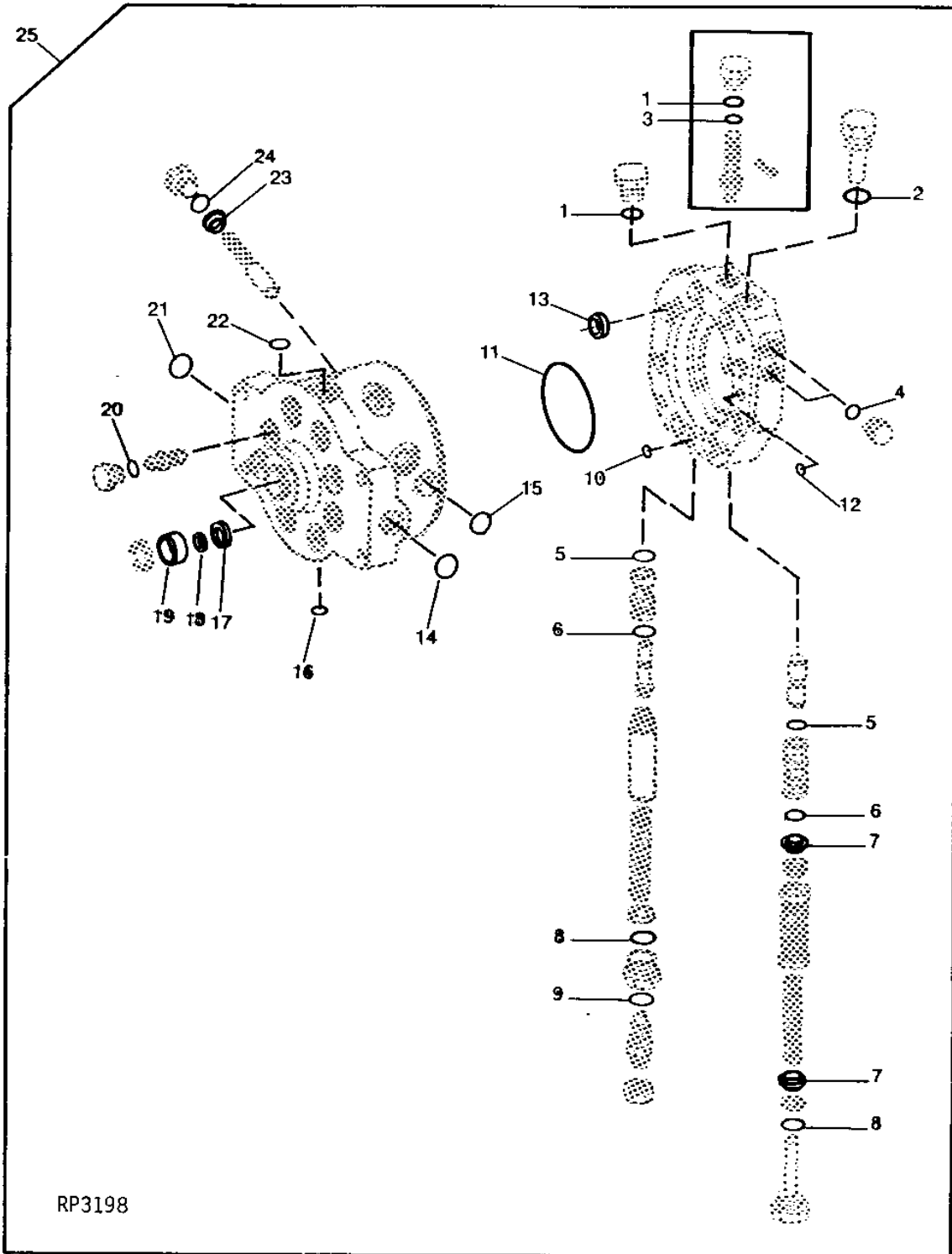
2E22

HYDRAULICS

HYDRAULIC PUMP AND STROKE CONTROL VALVE OVERHAUL KIT 49 CM3 (3 IN.3) (PUMP LESS SERIAL PLATE)

RP3198

-UN-01JAN94



RP3198

2E23

HYDRAULICS

HYDRAULIC PUMP AND STROKE CONTROL VALVE OVERHAUL KIT - CONTINUED
 49 CM3 (3 IN.3)
 (PUMP LESS SERIAL PLATE)

KEY	PART NO.	PART NAME	QTY	TRACTOR SERIAL NO.	REMARKS
1	R26448	O-RING	2		
2	R26906	O-RING	1		
3	A4365R	O-RING	1		
4	R26287	O-RING	2		
5	R27564	O-RING	2		
6	R27166	O-RING	2		
7	R27174	PACKING	2		
8	R56751	O-RING	2		
9	R28782	O-RING	1		
10	R56755	WASHER	1		
11	R56757	O-RING	1		
12	R56756	O-RING	1	(A)	
	A4365R	O-RING	1	(A)	
13	R69279	WASHER	8		
14	U13639	O-RING	1		
15	R26906	O-RING	1		
16	R26287	O-RING	1		
17	R39729	O-RING	1		
18	R56753	SHIM	1		
19	RE28790	SEAL	1		
20	R27149	O-RING	8		
21	R56751	O-RING	1		
22	R27928	O-RING	2	(A) TOP	
	P47908	O-RING	1	(A) BOTTOM	
	R35827	WASHER	1	(A)	
23	AR101236	SHIELD	1	(SET OF 8)	
24	R56463	O-RING	8		
25	RE29103	KIT	1	(B) (SUB FOR AR67718)	

(A) UNIVERSAL KIT - APPLICATIONS WILL VARY

(B) ALSO ORDER (2) R27166 AND (2) R41057, IF STROKE CONTROL VALVE HAS BEEN REPLACED

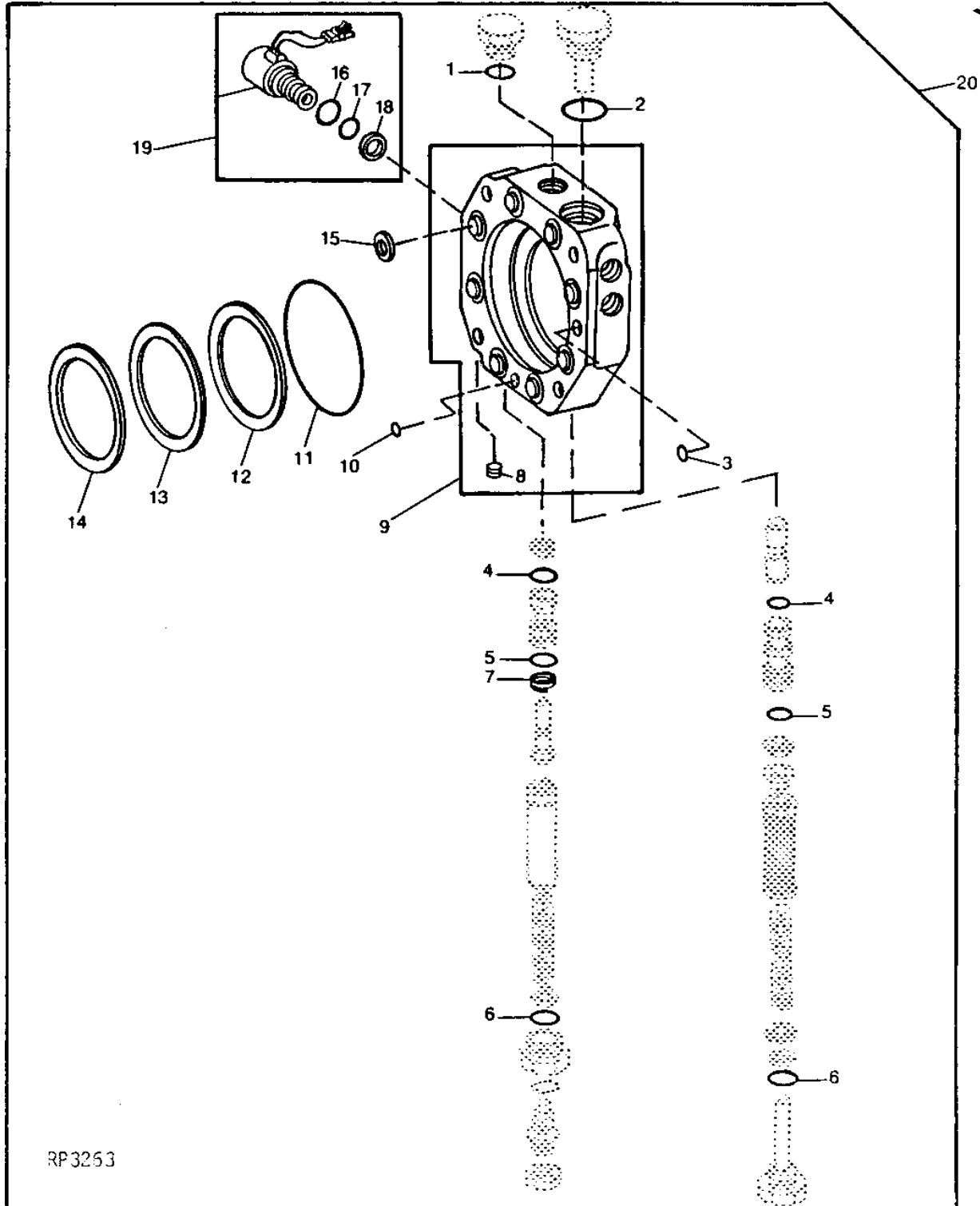
2E24

HYDRAULICS

HYDRAULIC PUMP ELECTRIC DESTROKE KIT 49 CM3 (3 IN.3) (PUMP LESS SERIAL PLATE)

RP3263

-UN-01JAN94



RP3263

2E25

HYDRAULICS

HYDRAULIC PUMP ELECTRIC DESTROKE KIT - CONTINUED
49 CM3 (3 IN.3)
(PUMP LESS SERIAL PLATE)

KEY	PART NO.	PART NAME	QTY	TRACTOR SERIAL NO.	REMARKS
1	R26448	O-RING	1		
2	R26906	O-RING	1		
3	R56756	O-RING	1		
4	R27564	O-RING	2		
5	R27166	O-RING	2		
6	F3171R	O-RING	2		
7	R41057	BACK-UP RING	1		
8	15H560	PIPE PLUG	1		1/16"
9	AR52494	HOUSING	1		(MARKED R49071) (SUB AR38714)
10	R56755	WASHER	1		
11	R56757	O-RING	1		
12	R27478	SHIM	2		0.15MM (.006")
13	R27479	SHIM	2		0.25MM (.010")
14	R49072	WASHER	1		(NOT USED IN ALL APPLICATIONS)
15	R69279	WASHER	8		
16	R26375	O-RING	1		
17	T40308	O-RING	1		
18	T57374	BACK-UP RING	1		
19	RE32529	SOLENOID VALVE	1		(SUB FOR RE12169 OR RE21725)
20	RE14868	KIT	1		(A)

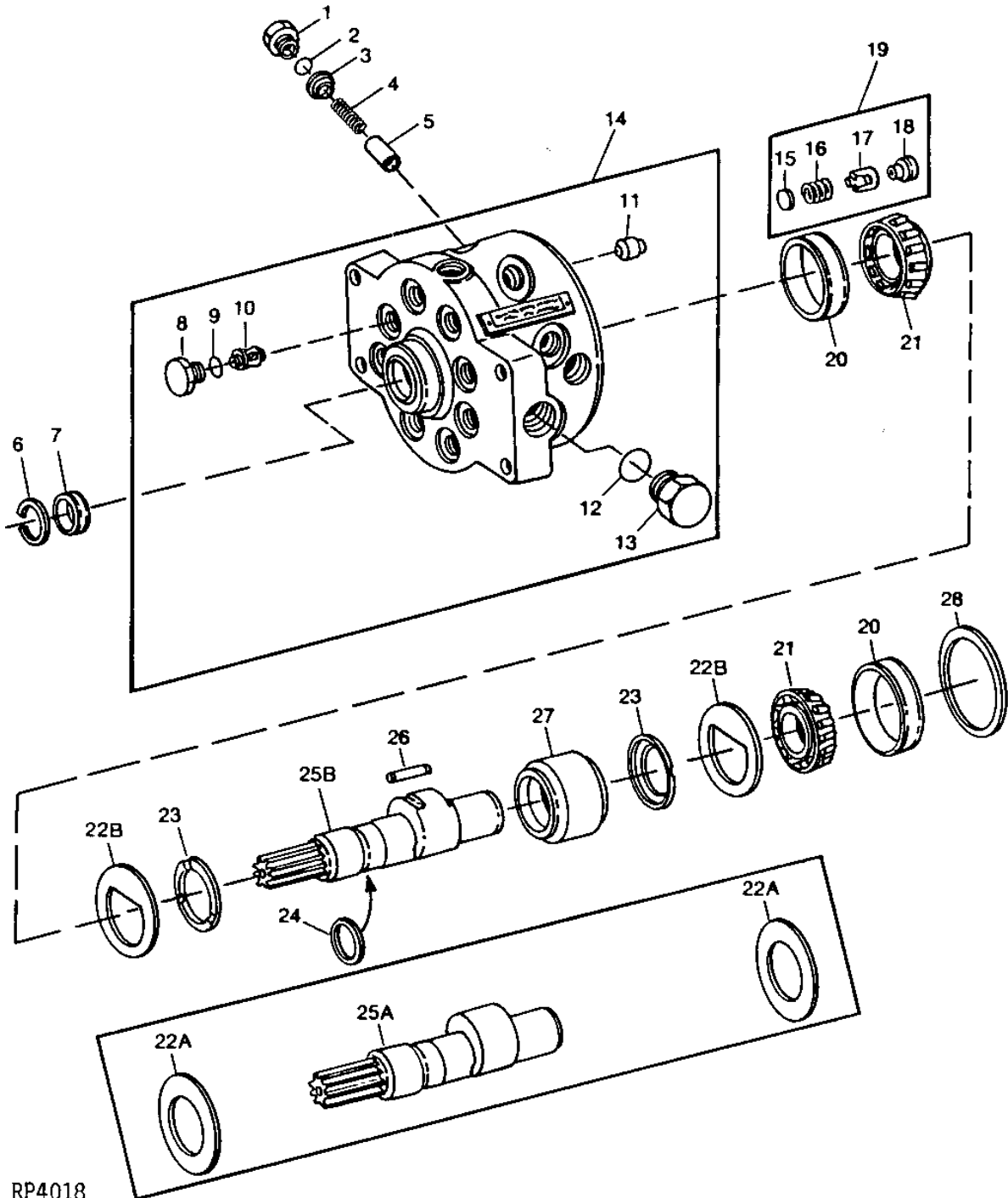
(A) INCLUDES RE12330 WIRE CONNECTORS

2F1

HYDRAULICS

HYDRAULIC PUMP - MODEL GA1
50 CM3 (3 IN.3)
(REPLACEMENT PUMP WITH SERIAL PLATE)

RP4018 -UN-18OCT94



RP4018

2F2

HYDRAULICS

HYDRAULIC PUMP - MODEL GA1 - CONTINUED
50 CM3 (3 IN.3)
(REPLACEMENT PUMP WITH SERIAL PLATE)

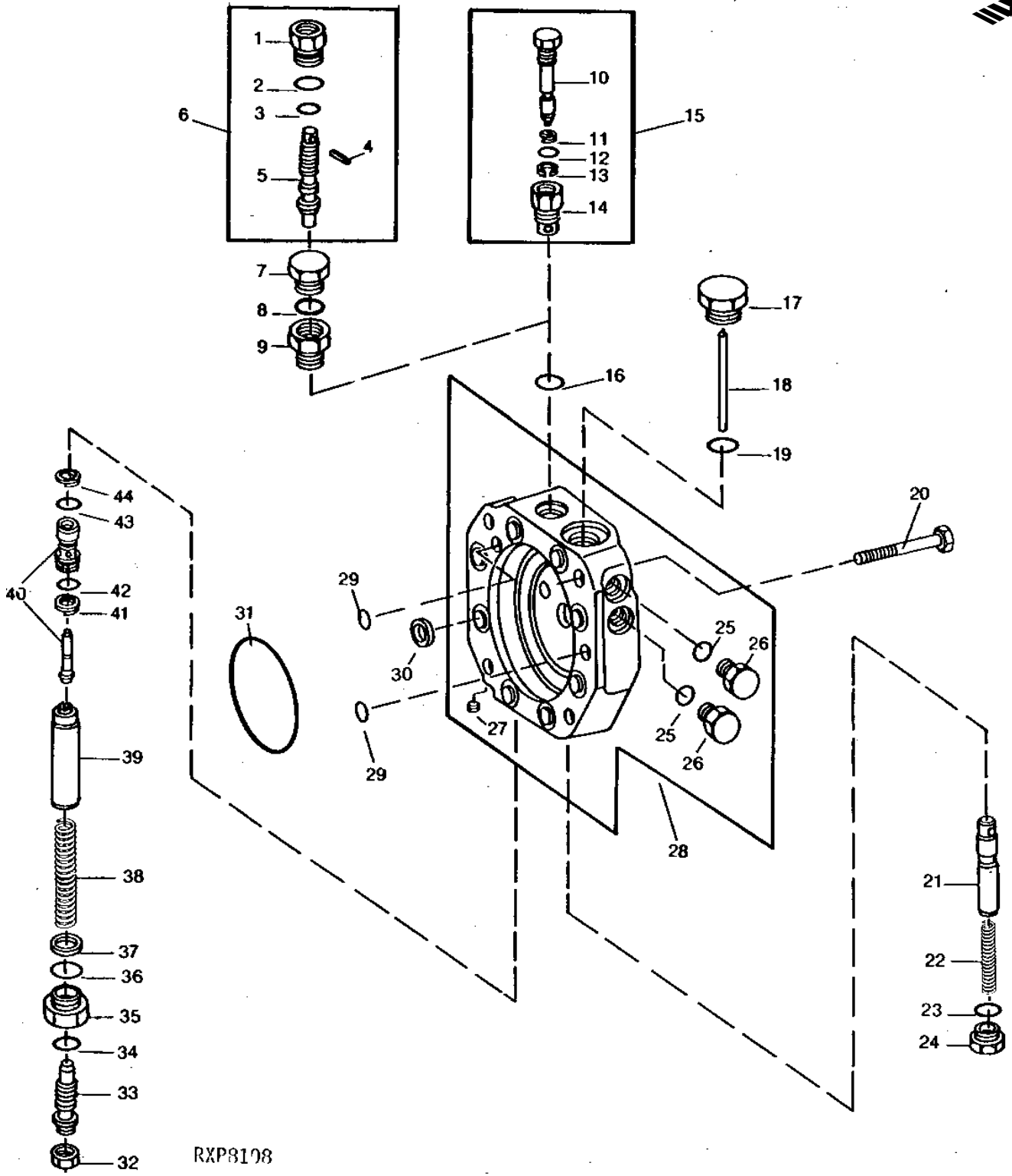
KEY	PART NO.	PART NAME	QTY	PUMP SERIAL NO.	REMARKS
1	R45438	FITTING	8		
2	R56463	O-RING	8		
3	AR101236	SHIELD	1		(SET OF 8)
4	AR76762	SPRING	1		(SET OF 8)
5	R27150	PISTON	8		
6	R26137	SNAP RING	1		
7	RE28790	SEAL	1		(SUB FOR AR52224)
8	R78293	FITTING	8		
9	R27149	O-RING	8		
10	AR53301	VALVE	8		(INLET)
11	R105583	SEAT	8		
12	F3171R	O-RING	1		(USE WITH R71586)
	U13639	O-RING	1		(USE WITH R73741)
13	R27175	PLUG	1		(USE WITH R71586)
	R39741	PLUG	1		(USE WITH R73741)
14	RE11804	HOUSING	1		(MODEL PJ1) (MARKED R71586 OR R73741)
15	R49297	DISK	8		
16	R39228	SPRING	8		
17	R48738	GUIDE	8		
18	R83508	STOP	8		(SUB FOR R49298 OR R72886)
19	RE23382	VALVE	8		(OUTLET) (SUB FOR AR96613)
20	JD8223	BEARING CUP	2		
21	JD8192	BEARING CONE	2		
22A	R77903	WASHER	2	-023628	(SUB FOR R45425)
22B	R79151	LOCK WASHER	2	023629-	(USE WITH R79152)
23	R72507	THRUST WASHER	2		
24	R77611	RING	1		(SEALING) (SUB FOR R68252 OR RE11777)
25A	R71598	SHAFT	1	-023628	(SUB R79152) (ALSO ORDER (2) R79151)
25B	R79152	SHAFT	1	023629-	
26	R45422	NEEDLE ROLLER	25		
27	R80558	BEARING RACE	1		(SUB FOR R72506)
28	R27478	SHIM	AR		0.15MM (.006")
	R27479	SHIM	AR		0.25MM (.010")
..	AR94660	HYDRAULIC PUMP	1		

2F3

HYDRAULICS

HYDRAULIC PUMP STROKE CONTROL VALVE 50 CM³ (3 IN.³) (REPLACEMENT PUMP WITH SERIAL PLATE)

RXP8108 -UN-01JAN94



RXP8108

2F4

HYDRAULICS

HYDRAULIC PUMP STROKE CONTROL VALVE - CONTINUED
50 CM3 (3 IN.3)
(REPLACEMENT PUMP WITH SERIAL PLATE)

KEY	PART NO.	PART NAME	QTY	PUMP SERIAL NO.	REMARKS
1	R27475	FITTING	1		
2	R26448	O-RING	1		
3	A4365R	O-RING	1		
4	34H254	SPRING PIN	1	1/8" X 1-1/2"	
5	R75879	SCREW	1		
6	AR96625	SCREW	1		(A) (MANUAL DESTROKE)
7	R27218	FITTING PLUG	1		(LESS MANUAL DESTROKE)
8	R26448	O-RING	1		(LESS MANUAL DESTROKE)
9	R70617	PIPE PLUG	1		
10	R79266	SCREW	1		
11	R36358	BACK-UP RING	1		
12	R34802	O-RING	1		
13	R79268	SNAP RING	1		
14	R79267	PLUG	1		
15	RE13271	SCREW	1		(A) (MANUAL DESTROKE)
16	R26906	O-RING	1		
17	R75642	PLUG	1		
18	R75564	PIN	1		
19	R56751	O-RING	1		
20	19H3520	CAP SCREW	4	1/2" X 3-1/4"	
21	R70867	VALVE	1		
22	R70868	SPRING	1		
23	R26375	O-RING	1		
24	R73736	PLUG	1		
25	R26448	O-RING	2		
26	R75376	PLUG	2		
27	15H560	PIPE PLUG	1		(C) 1/16"
28	RE12470	HOUSING	1		(LESS ELECTRIC DESTROKE VALVE PORT) (MARKED R77714)
	AR101632	HOUSING	1		(B) (MARKED R77712)
29	R56755	WASHER	2		
30	R69279	WASHER	8		
31	R56757	O-RING	1		
32	14H1021	NUT	1	7/16"	
33	AR52254	SET SCREW	1		
34	R28782	O-RING	1		
35	R28781	FITTING	1		
36	F3171R	O-RING	1		
37	R42260	WASHER	1		
38	R31781	SPRING	1		
39	R71321	GUIDE	1		
40	RE10712	CONTROL VALVE	1		
41	R41057	BACK-UP RING	1		
42	R27166	O-RING	1		
43	R27564	O-RING	1		
44	R75938	WASHER	1		

- (A) DESIGNS INTERCHANGEABLE
- (B) USE FOR ELECTRIC DESTROKE SOLENOID VALVE
- (C) USE ON AR101632

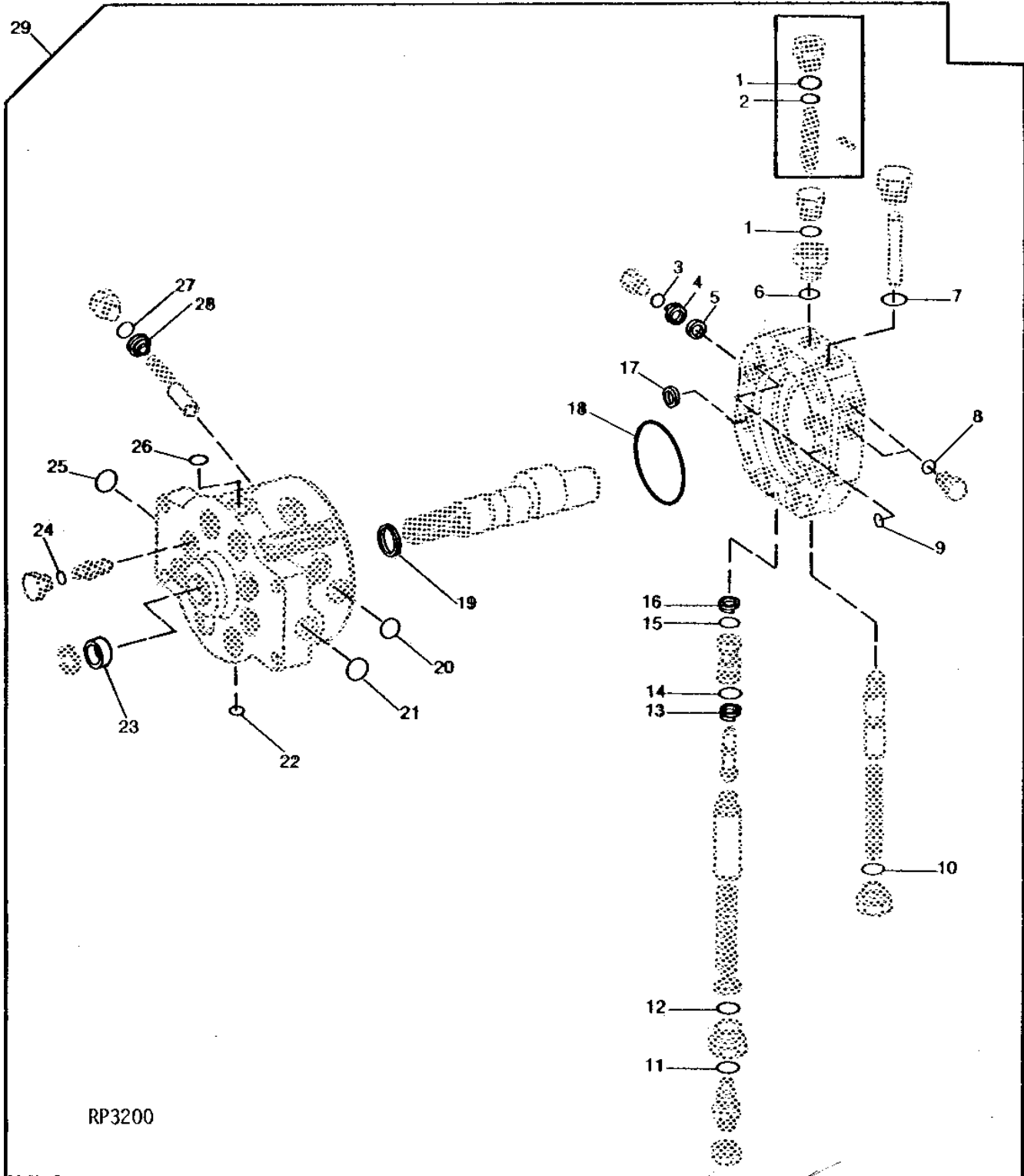
2F5

HYDRAULICS

HYDRAULIC PUMP AND STROKE CONTROL VALVE OVERHAUL KIT 50 CM³ (3 IN.³) (REPLACEMENT PUMP WITH SERIAL PLATE)

RP3200

-UN-01JAN94



2F6

HYDRAULICS

HYDRAULIC PUMP AND STROKE CONTROL VALVE OVERHAUL KIT - CONTINUED
 50 CM3 (3 IN.3)
 (REPLACEMENT PUMP WITH SERIAL PLATE)

KEY	PART NO.	PART NAME	QTY	PUMP SERIAL NO.	REMARKS
1	R26448	O-RING	1		
2	A4365R	O-RING	1		
3	R26375	O-RING	1	(A)	
4	T40308	O-RING	1	(A)	
5	T57374	BACK-UP RING	1	(A)	
6	R26906	O-RING	1		
7	R56751	O-RING	1		
8	R26448	O-RING	2		
9	R56755	WASHER	2		
10	R26375	O-RING	1		
11	R28782	O-RING	1		
12	R56751	O-RING	1		
13	R41057	BACK-UP RING	1		
14	R27166	O-RING	1		
15	R27564	O-RING	1		
16	R75938	WASHER	1		
17	R69279	WASHER	8		
18	R56757	O-RING	1		
19	R77611	RING	1	(SEALING)	
20	R56751	O-RING	1		
21	U13639	O-RING	1	(A)	
	R56751	O-RING	1	(A)	
	R29936	O-RING	1	(A)	
22	R26287	O-RING	1		
23	RE28790	SEAL	1		
24	R27149	O-RING	8		
25	R56751	O-RING	1	(A)	
	R29936	O-RING	1	(A)	
26	R27928	O-RING	1	(A) TOP	
	P47908	O-RING	1	(A) BOTTOM	
	R26906	O-RING	1	(A)	
27	R56463	O-RING	8		
28	AR101236	SHIELD	1	(SET OF 8)	
29	RE29107	KIT	1	(SUB FOR AR96321)	

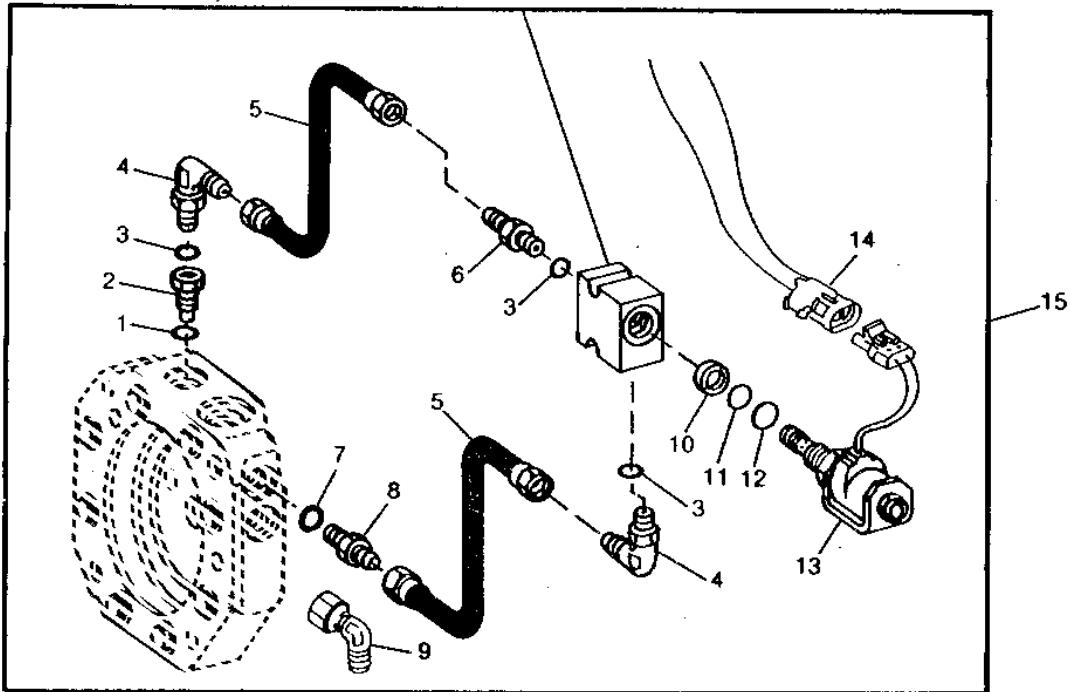
(A) UNIVERSAL KIT - APPLICATIONS WILL VARY

2F7

HYDRAULICS

RXP9501 -UN-01JAN94

HYDRAULIC PUMP ELECTRIC DESTROKE KIT



RXP9501

KEY	PART NO.	PART NAME	QTY	PUMP SERIAL NO.	REMARKS
1	R26906	O-RING	1		
2	R70617	PIPE PLUG	1		
3	R26448	O-RING	4		
4	AT35121	ELBOW FITTING	2		
5	AN250096	HYDRAULIC HOSE	2		
6	R27212	FITTING	1		
7	R26287	O-RING	1	(A)	
	R26448	O-RING	1	(B)	
8	T43535	FITTING	1	(A)	
	Z36276	ADAPTER	1	(B)	
9	AE24616	ELBOW FITTING	1	(USE WITH T43535 OR Z36276)	
10	T57374	BACK-UP RING	1		
11	T40308	O-RING	1		
12	R26375	O-RING	1		
13	RE32529	SOLENOID VALVE	1		
14	RE50017	WIRING HARNESS	1		
15	RE40463	KIT	1		

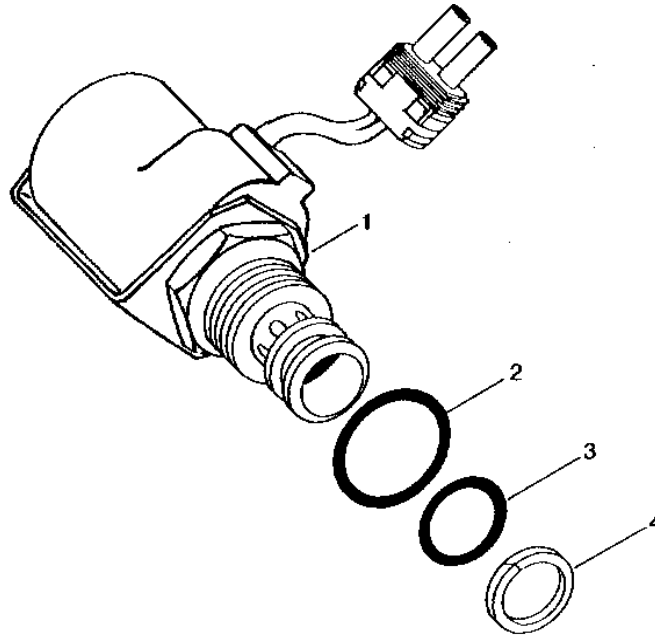
(A) NON-SERIALIZED PUMP
(B) SERIALIZED PUMP

2F8

HYDRAULICS

RXP7706 -UN-01JAN94

HYDRAULIC PUMP ELECTRIC DESTROKE SOLENOID VALVE



RXP7706

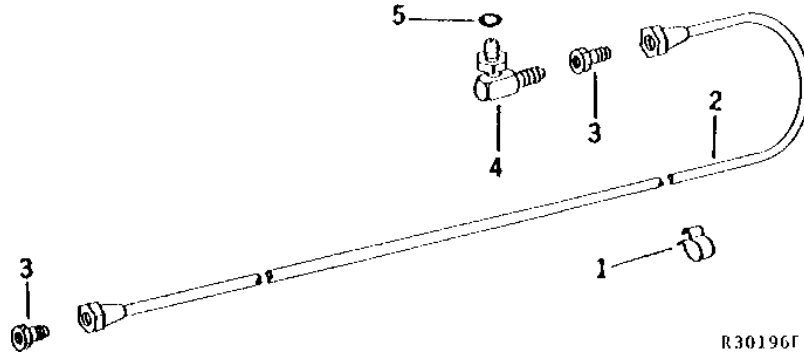
KEY	PART NO.	PART NAME	QTY	PUMP SERIAL NO.	REMARKS
1	RE32529	SOLENOID VALVE	1		(SUB FOR RE12169 OR RE21725)
2	R26375	O-RING	1		
3	T40308	O-RING	1		
4	T57374	BACK-UP RING	1		

2F9

HYDRAULICS

R30196 -UN-01JAN94

HYDRAULIC PUMP SEAL DRAIN LINES



R30196T

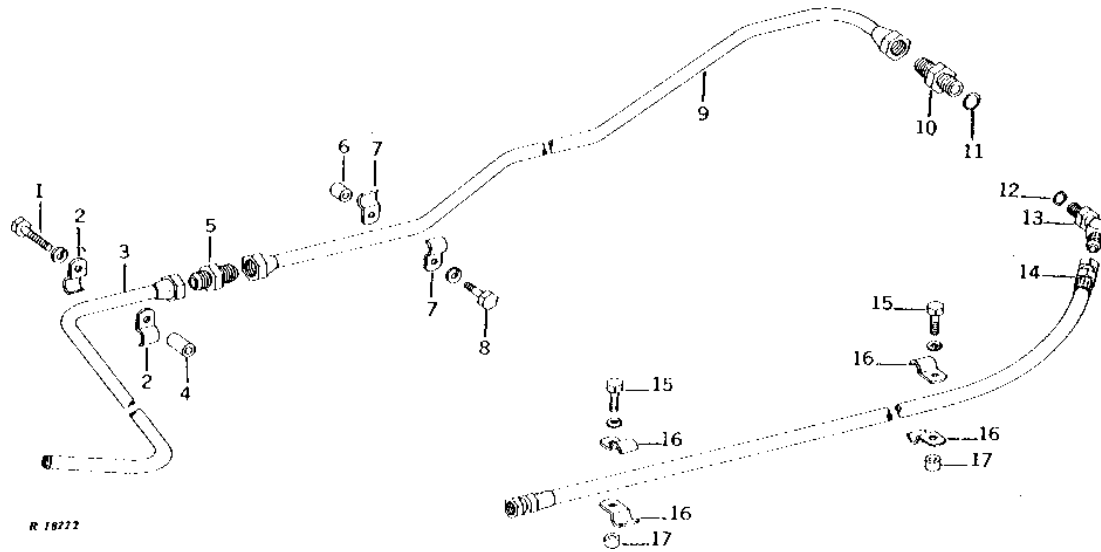
KEY	PART NO.	PART NAME	QTY	TRACTOR SERIAL NO.	REMARKS
1	R21551	CLIP	5		
2	AR79713	OIL LINE	1		(ALSO ORDER (2) R64170) (SUB FOR AR54751)
3	R64170	ADAPTER	2	XXXXXX-	
4	AT32335	ELBOW FITTING	1		(SUB FOR AR26746)
5	R26287	O-RING	1		

2F10

HYDRAULICS

R18772 -UN-01JAN94

HYDRAULIC PUMP INLET PIPES AND PRESSURE LINE



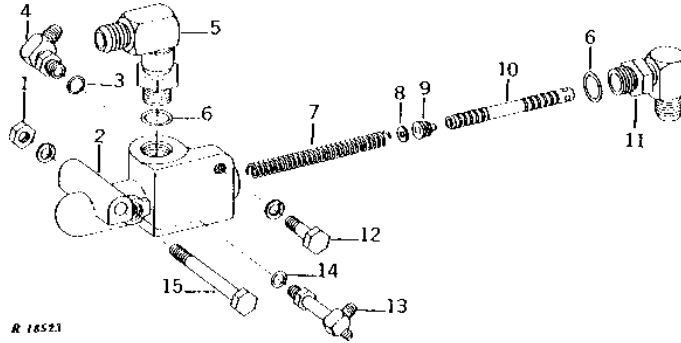
KEY	PART NO.	PART NAME	QTY	TRACTOR SERIAL NO.	REMARKS
1	19H268	CAP SCREW	1	3/8" X 2-1/2"	
	12H304	LOCK WASHER	1	3/8"	
2	R27531	CLAMP	2		
3	AR54389	HYDRAULIC LINE	1		
4	28H1526	BUSHING	1	0.493" X 0.675" X 1-5/16"	
5	R27266	FITTING	1		
6	28H1697	SPACER	1	0.493" X 0.675" X 3/4"	
7	R38323	CLAMP	2		
8	19H1800	CAP SCREW	1	3/8" X 1-1/2"	
	12H304	LOCK WASHER	1	3/8"	
9	AR53574	HYDRAULIC LINE	1		
10	R27267	FITTING	1		
11	R29936	O-RING	1		
12	R26906	O-RING	1		
	F3171R	O-RING	1		REPLACEMENT PUMP WITH SERIAL PLATE
13	AR40516	ELBOW FITTING	1		
	RE19313	FITTING	1		REPLACEMENT PUMP WITH SERIAL PLATE
14	AH76900	HYDRAULIC HOSE	1		(SUB FOR AR54388)
15	19H2733	CAP SCREW	2	3/8" X 2-3/8"	
	12H304	LOCK WASHER	2	3/8"	
16	R36180	CLAMP	2		
17	28H1497	BUSHING	2	0.493" X 0.675" X 1-1/2"	

2F11

HYDRAULICS

R18523 -UN-01JAN94

PRESSURE CONTROL VALVE



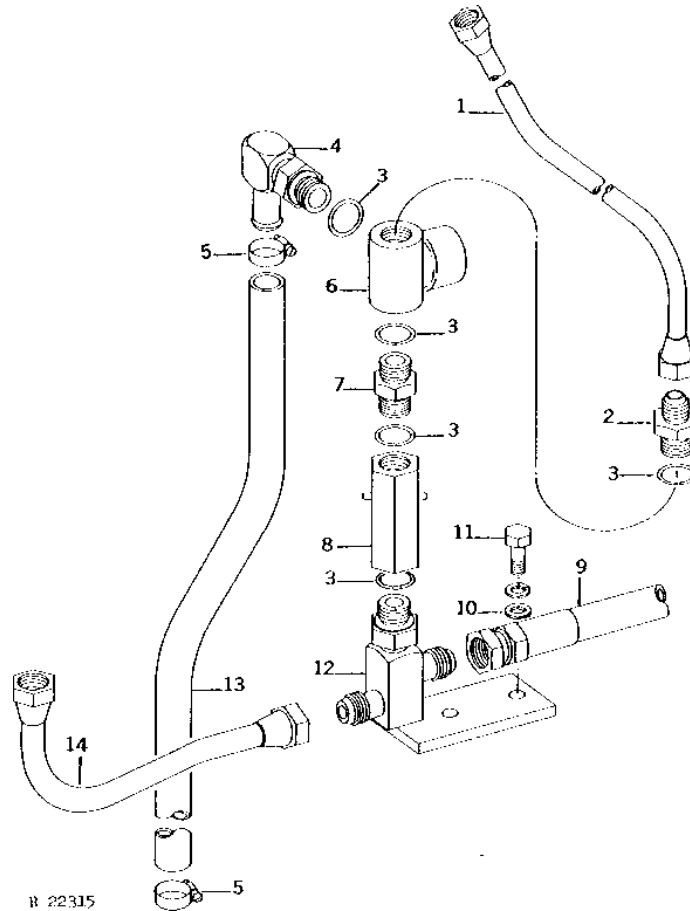
KEY	PART NO.	PART NAME	QTY	TRACTOR SERIAL NO.	REMARKS
1	14H1076	NUT	1	3/8"	
	12H304	LOCK WASHER	1	3/8"	
2	R40999	HOUSING	1		
3	R26286	O-RING	1		
4	AT32333	ELBOW FITTING	1		(SUB FOR AR26771)
5	AR40516	ELBOW FITTING	1		
6	R26906	O-RING	2		
7	R40072	SPRING	1		
8	24H1283	WASHER	AR	7/32" X 1/2" X 0.049"	
9	ORIFICE	1		(SUB AR63906)
10	AR63906	VALVE	1		(SUB FOR R41001)
11	AR26724	ELBOW FITTING	1		
12	19H1731	CAP SCREW	1	3/8" X 1"	
	12H304	LOCK WASHER	1	3/8"	
13	AR55104	TEE FITTING	1		
14	R26287	O-RING	1		
15	19H3175	CAP SCREW	1	3/8" X 3-5/8" HS, SAE 8	

2F12

HYDRAULICS

R22315 -UN-01JAN94

HYDRAULIC RELIEF VALVE AND CHECK VALVE



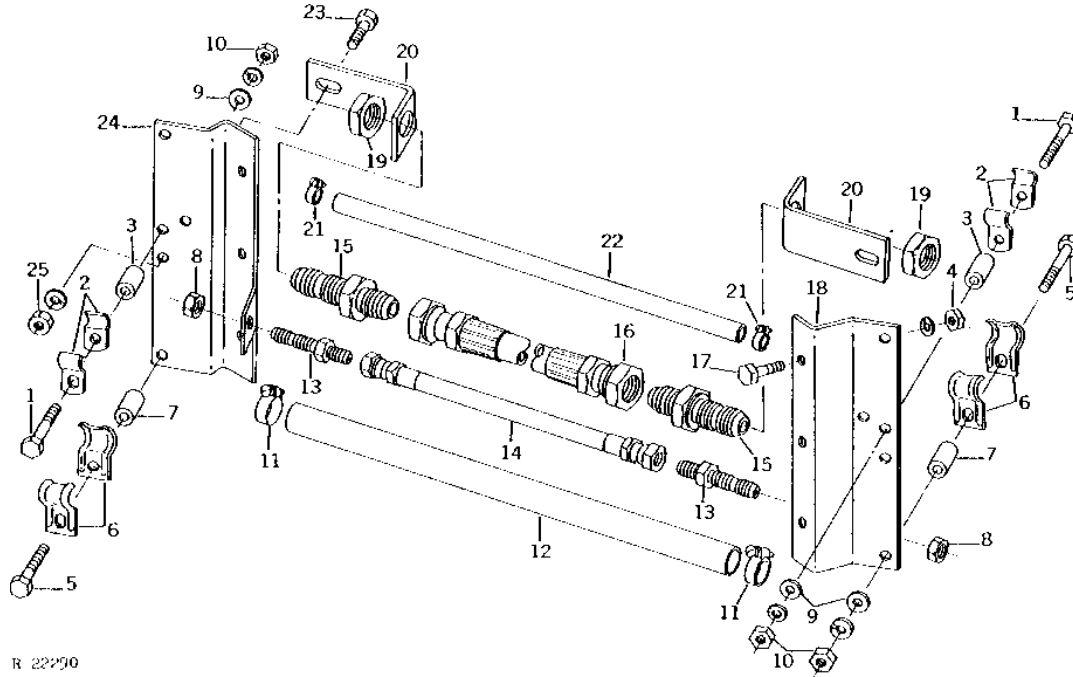
KEY	PART NO.	PART NAME	QTY	TRACTOR SERIAL NO.	REMARKS
1	AR54383	HYDRAULIC LINE	1		
2	R31665	FITTING	1		
3	R26906	O-RING	5		
4	AR52206	ELBOW FITTING	1		
5	AT18904	CLAMP	2		
6	AT30373	RELIEF VALVE	1		
7	T31269	ADAPTER	1		
8	AT34811	VALVE	1		
9	AH76900	HYDRAULIC HOSE	1		(SUB FOR AR54388)
10	24M7096	WASHER	2		10.500 X 18 X 1.600 MM
11	19H1134	CAP SCREW	2		3/8" X 3/4"
12	12H304	LOCK WASHER	2		3/8"
12	AR55941	MANIFOLD	1		
13	R50554	HOSE	1		19 X 440MM (3/4" X 17-5/16") (MAKE FROM TY22329)
14	AR55944	HYDRAULIC LINE	1		

2F13

HYDRAULICS

R22290 -UN-01JAN94

HINGE FLEXIBLE OIL LINE AND HOSE



R 22290

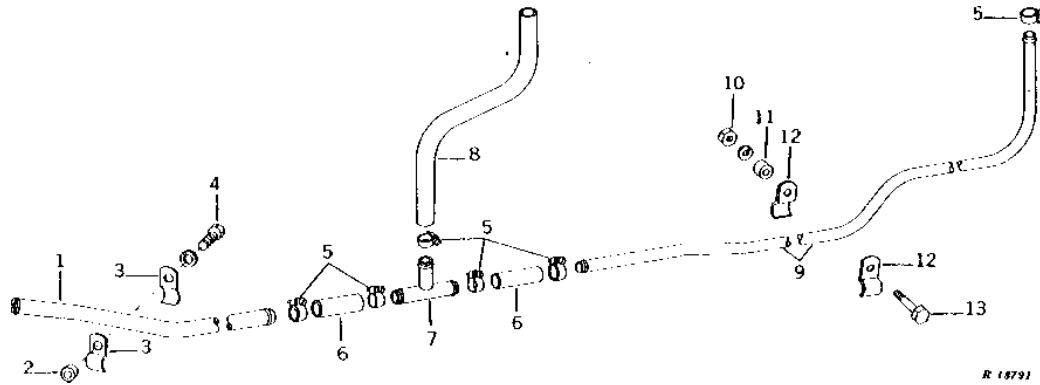
KEY	PART NO.	PART NAME	QTY	TRACTOR SERIAL NO.	REMARKS
1	19H1801	CAP SCREW	2		3/8" X 2"
2	R42357	CLAMP	4		
3	28H1525	BUSHING	2		0.493" X 0.675" X 1-1/16"
4	14H1076	NUT	6		3/8"
	12H304	LOCK WASHER	6		3/8"
5	19H1801	CAP SCREW	6	-003679	3/8" X 2"
	19H1801	CAP SCREW	4	003680-	3/8" X 2"
6	R51655	HALF CLAMP	12	-003679	
	R51655	HALF CLAMP	8	003680-	
7	28H1525	BUSHING	6	-003679	0.493" X 0.675" X 1-1/16"
	28H1525	BUSHING	4	003680-	0.493" X 0.675" X 1-1/16"
8	R26572	NUT	2		
9	24M7096	WASHER	6	-003679	10.500 X 18 X 1.600 MM
	24M7096	WASHER	4	003680-	10.500 X 18 X 1.600 MM
10	14H1076	NUT	8	-003679	3/8"
	12H304	LOCK WASHER	8	-003679	3/8"
	14H1076	NUT	6	003680-	3/8"
	12H304	LOCK WASHER	6	003680-	3/8"
11	AR21839	CLAMP	6	-003679	(SUB TY22467)
	AR21839	CLAMP	4	003680-	(SUB TY22467)
12	R50553	HOSE	3	-003679	
	R50553	HOSE	2	003680-	
13	R27238	FITTING	2		
14	AR50603	HYDRAULIC HOSE	1		
15	R47876	FITTING	2	003680-	
16	AR50725	HYDRAULIC HOSE	1	003680-	
17	19H2552	CAP SCREW	6		3/8" X 1-1/8"
18	R50555	BRACKET	1		
19	R27390	NUT	2	003680-	
20	R56998	CLAMP	2	003680-	
21	AR21836	CLAMP	2		
22	R49968	HYDRAULIC HOSE	1		
23	19H1731	CAP SCREW	2		3/8" X 1"
24	R50998	BRACKET	1		
25	14H1076	NUT	2	003680-	3/8"
	12H304	LOCK WASHER	2	003680-	3/8"

2F14

HYDRAULICS

R18791 -UN-01JAN94

HYDRAULIC OIL RETURN PIPE



R 18791

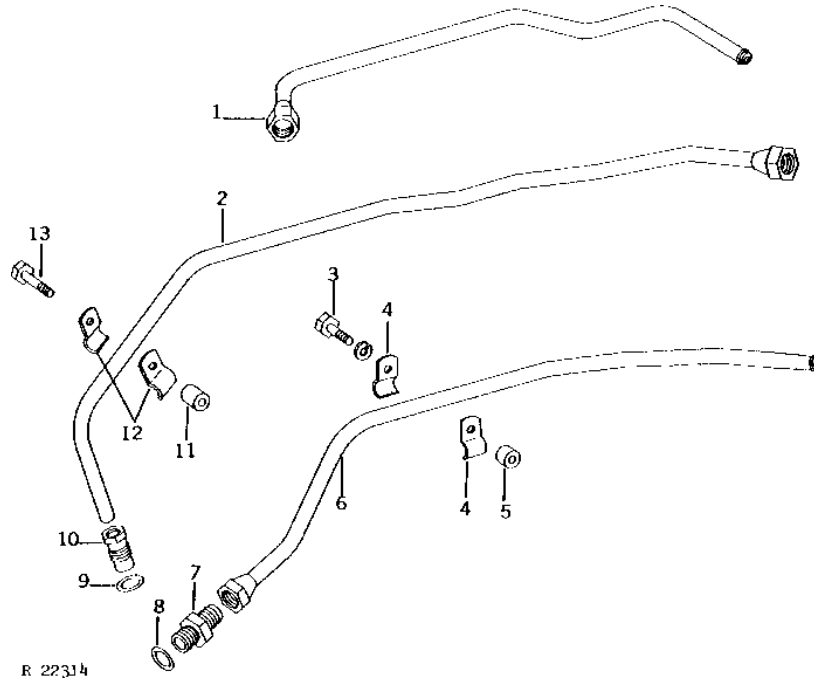
KEY	PART NO.	PART NAME	QTY	TRACTOR SERIAL NO.	REMARKS
1	R50103	TUBE	1		
2	28H1519	WASHER	1		0.493" X 0.675" X 3/8"
3	R51655	HALF CLAMP	2		
4	19H1732	CAP SCREW	1		3/8" X 1-1/4"
	12H304	LOCK WASHER	1		3/8"
5	AR21839	CLAMP	5		(SUB TY22467)
6	HOSE	2		63.5MM (2-1/2") (MAKE FROM TY22329) (SUB FOR R26905)
7	R61955	TEE FITTING	1		(SUB FOR R43735)
8	R50554	HOSE	1		19 X 440MM (3/4" X 17-5/16") (MAKE FROM TY22329)
9	R50857	TUBE	1		
10	14H1076	NUT	1		3/8"
	12H304	LOCK WASHER	1		3/8"
11	28H1685	SPACER	1		0.493" X 0.675" X 1-11/16"
12	R51655	HALF CLAMP	2		
13	19H268	CAP SCREW	1		3/8" X 2-1/2"

2F15

HYDRAULICS

REAR HYDRAULIC RETURN PIPES (LESS ROCKSHAFT)

R22314 -UN-01JAN94



R 22314

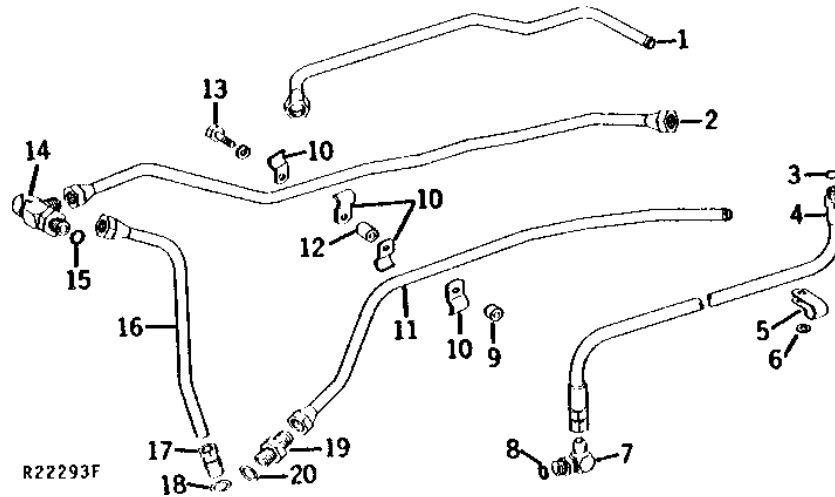
KEY	PART NO.	PART NAME	QTY	TRACTOR SERIAL NO.	REMARKS
1	AR54344	HYDRAULIC LINE	1		RETURN
2	R49974	OIL TUBE	1	-003679	RETURN
	AR50799	HYDRAULIC LINE	1	003680-	RETURN
3	19H1800	CAP SCREW	1		3/8" X 1-1/2"
	12H304	LOCK WASHER	1		3/8"
4	R38323	CLAMP	2		
5	28H1521	SPACER	1		0.493" X 0.675" X 9/16"
6	AR54343	HYDRAULIC LINE	1		INLET
7	R27267	FITTING	1		
8	F3171R	O-RING	1		
9	B2762R	O-RING	1		
10	R76494	FITTING	1		(SUB FOR R33610)
11	28H1495	SPACER	1		0.493" X 0.675" X 1"
12	R76494	FITTING	2		(SUB FOR R38323)
13	R39305	CAP SCREW	1		

2F16

HYDRAULICS

REAR HYDRAULIC PRESSURE AND RETURN PIPES (ROCKSHAFT)

R22293 -UN-01JAN94



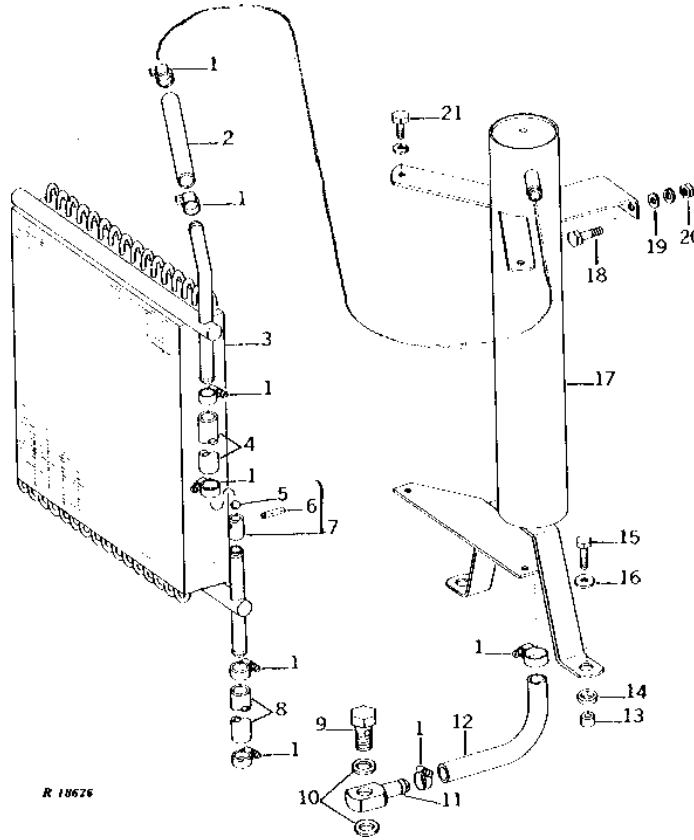
KEY	PART NO.	PART NAME	QTY	TRACTOR SERIAL NO.	REMARKS
1	AR54344	HYDRAULIC LINE	1		RETURN
2	AR55168	LINE	1	-003679	RETURN
	AR53374	HYDRAULIC LINE	1	003680-	RETURN
3	R26375	O-RING	1		
4	AR54423	HYDRAULIC HOSE	1		PRESSURE
5	A4772R	CLIP	1		
6	24H1305	WASHER	1		13/32" X 13/16" X 0.065"
7	AR26724	ELBOW FITTING	1		
8	R26906	O-RING	1		
9	28H1521	SPACER	1		0.493" X 0.675" X 9/16"
10	R38323	CLAMP	4		
11	AR54343	HYDRAULIC LINE	1		
12	28H1527	SPACER	1		0.493" X 0.675" X 1-3/8"
13	R39305	CAP SCREW	1		
14	AR53376	TEE FITTING	1		
15	F3171R	O-RING	1		
16	AR53375	HYDRAULIC LINE	1		RETURN
17	R76494	FITTING	1		(SUB FOR R33610)
18	B2762R	O-RING	1		
19	R27267	FITTING	1		
20	F3171R	O-RING	1		

2F17

HYDRAULICS

R18626 -UN-01JAN94

COOLER AND RESERVOIR



R 18626

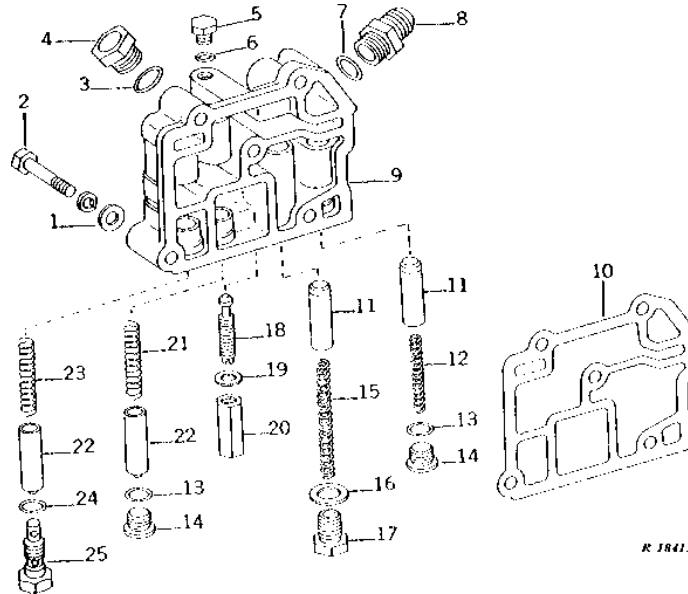
KEY	PART NO.	PART NAME	QTY	TRACTOR SERIAL NO.	REMARKS
1	AR21839	CLAMP	8	(SUB TY22467)	
2	HOSE	1	19 X 159MM (3/4" X 6-1/4") (MAKE FROM TY22329) (SUB FOR R50858)	
3	AR55102	OIL COOLER	1		
4	HOSE	1	19 X 346MM (3/4" X 13-5/8") (MAKE FROM TY22329) (SUB FOR R50999)	
5	R48084	BALL	1		
6	34H231	SPRING PIN	1	3/32" X 3/4"	
7	AR55076	CHECK VALVE	1		
8	HOSE	1	19 X 129MM (3/4" X 5-3/32") (MAKE FROM TY22329) (SUB FOR R34603 OR R32087)	
9	R27927	HOLLOW SCREW	1		
10	R27928	O-RING	2		
11	R27926	FITTING	1		
12	R50859	HOSE	1	(MAKE FROM TY22423)	
13	28H1878	SPACER	2	0.493" X 0.675" X 7/16"	
14	F1791R	WASHER	2		
15	19H2552	CAP SCREW	2	3/8" X 1-1/8"	
16	24H1309	WASHER	2	13/32" X 1-1/16" X 0.120"	
17	AR55024	RESERVOIR	1		
18	03H1519	BOLT	2	3/8" X 1"	
19	24H1136	WASHER	2	11/32" X 11/16" X 0.065"	
20	14H1076	NUT	2	3/8"	
	12H304	LOCK WASHER	2	3/8"	
21	19H1948	CAP SCREW	4	1/4" X 3/4"	
	12H302	LOCK WASHER	4	1/4"	

2F18

HYDRAULICS

R18413 -UN-01JAN94

OIL FILTER RELIEF VALVE HOUSING



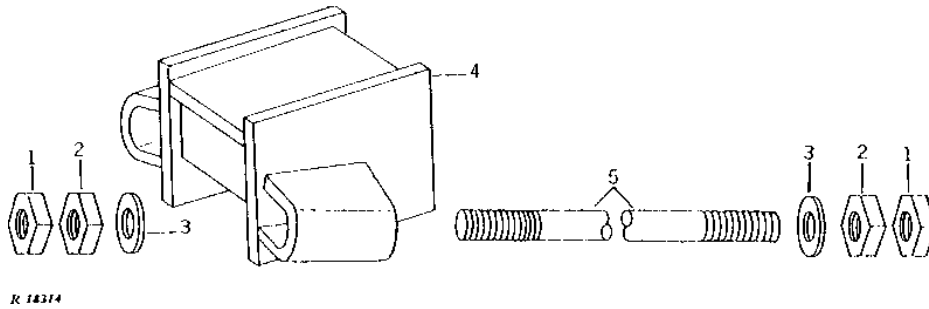
KEY	PART NO.	PART NAME	QTY	TRACTOR SERIAL NO.	REMARKS
1	24H1325	WASHER	5	15/32" X 59/64" X 0.065"	
2	19H2500	CAP SCREW	1	7/16" X 1-3/8"	
	19H1828	CAP SCREW	1	7/16" X 4"	
	19H2055	CAP SCREW	2	7/16" X 2-1/4"	
	19H2227	CAP SCREW	1	7/16" X 2-1/2"	
	12H293	LOCK WASHER	5	7/16"	
3	B2762R	O-RING	1		
4	R76494	FITTING	1	(SUB FOR R33610)	
5	R27094	DRAIN PLUG	1		
6	R26286	O-RING	1		
7	F3171R	O-RING	1		
8	R27267	FITTING	1		
9	AR52630	HOUSING	1	(MARKED R49199 OR R49200)	
	R39112	FITTING	1		
	R26375	O-RING	1		
	15H624	PIPE PLUG	1	1/2"	
10	R49758	GASKET	1	(SUB FOR R41463)	
11	R57561	VALVE	2	(ALSO ORDER R33259) (SUB FOR R49197)	
12	R26686	SPRING	1		
13	R26375	O-RING	2		
14	R33138	FITTING	2		
15	R39808	SPRING	1		
16	R1742R	WASHER	1		
17	R52589	FITTING PLUG	1	(SUB FOR R33163)	
18	R39587	SET SCREW	1		
19	F2846R	WASHER	1		
20	F2847R	NUT	1		
21	R28914	SPRING	1		
22	R57559	VALVE	2	(ALSO ORDER R33259) (SUB FOR R33162)	
23	R42057	SPRING	1		
24	U15980	O-RING	1		
25	R48088	SCREW	1		

2F19

HYDRAULICS

TIE ROD SUPPORT (ROCKSHAFT)

R18314 -UN-01JAN94



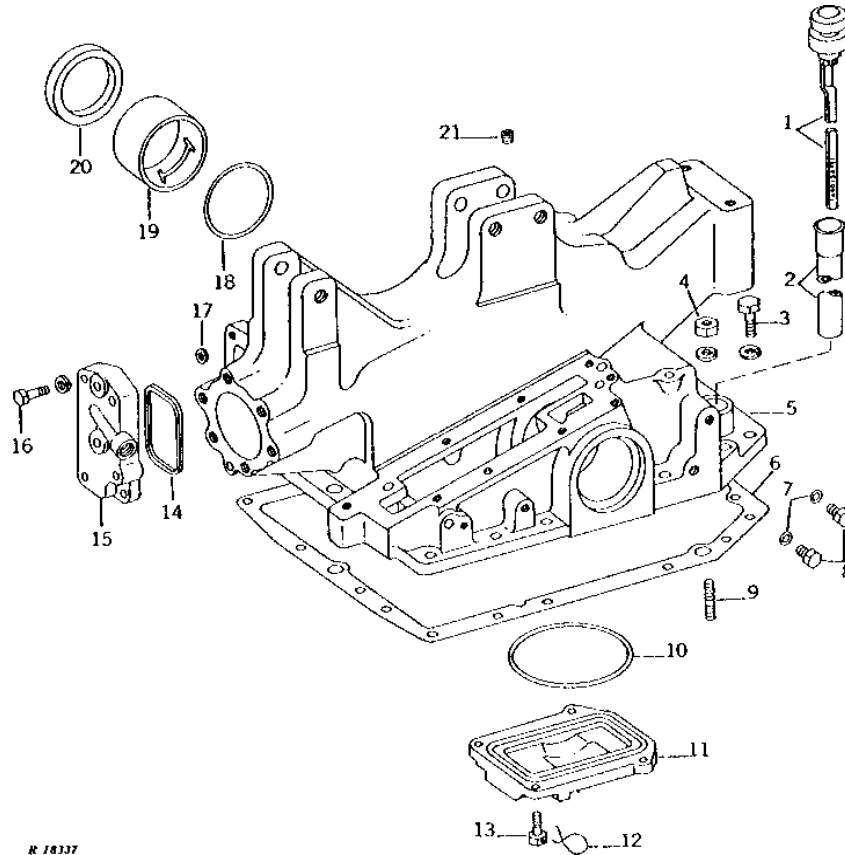
KEY	PART NO.	PART NAME	QTY	TRACTOR SERIAL NO.	REMARKS
1	14H488	NUT	4	1"	
2	14H410	NUT	4	1"	
3	R28575	WASHER	4		
4	AR53457	SUPPORT	1	-001571	
	AR56793	SUPPORT	1	001572-	
5	R49611	STUD	2		

2F20

HYDRAULICS

ROCKSHAFT HOUSING WITH BUSHINGS AND OIL SEAL (TRACTOR SERIAL NO. -001571)

R18337 -UN-01JAN94



R 18337

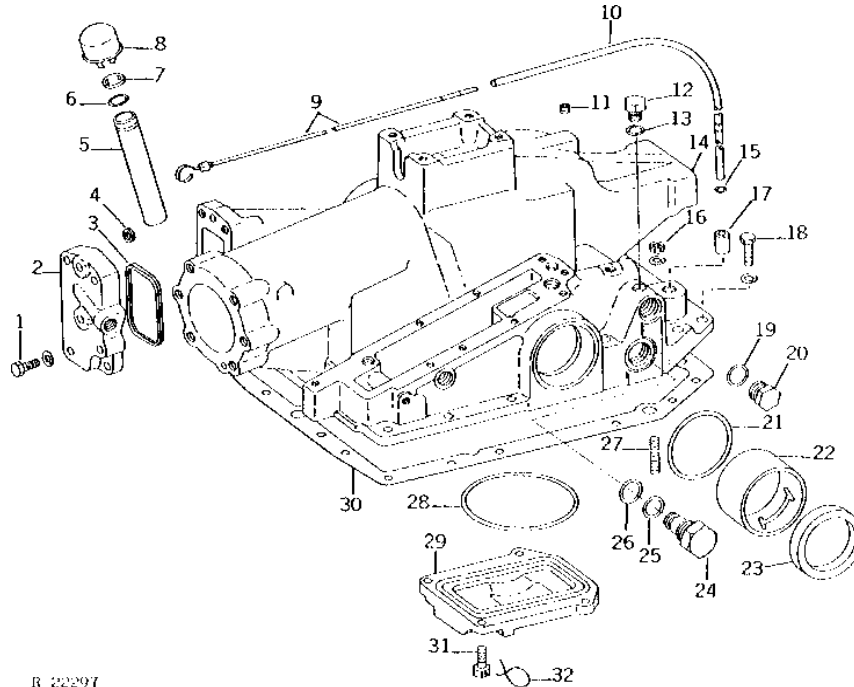
KEY	PART NO.	PART NAME	QTY	TRACTOR SERIAL NO.	REMARKS
1	AR43083	DIPSTICK	1		
	A4730R	O-RING	1		
2	R43325	HOOK BOLT	1		
3	19H1721	CAP SCREW	13	1/2" X 1-1/2"	
	19H1990	CAP SCREW	4	1/2" X 2-1/4"	
	12H301	LOCK WASHER	17	1/2"	
4	14H1040	NUT	1	1/2"	
	12H301	LOCK WASHER	1	1/2"	
5	AR43220	HOUSING	1		(MARKED R41280)
6	R43408	GASKET	1		
7	R26286	O-RING	2		
8	R27094	DRAIN PLUG	2		
9	D488R	STUD	1		
10	R36425	WASHER	1		
11	R58544	COVER	1		(SUB FOR R51551 OR R55080)
12	WIRE	1	-XXXXXX	16 GA X 14"
13	R57725	SCREW	4		(SUB FOR R61762)
14	R40922	PACKING	1		
15	AR54325	KIT	1		(SUB R49995, (2) R26375 AND (2) R39112)
16	19H2500	CAP SCREW	1	7/16" X 1-3/8"	
	19H1899	CAP SCREW	2	7/16" X 2"	
	12H293	LOCK WASHER	1	7/16"	
17	F2741R	PACKING	1		
18	R36424	O-RING	1		L.H.
	A5598R	O-RING	1		R.H.
19	R36378	BUSHING	1		L.H.
	R36379	BUSHING	1		R.H.
20	R36423	SEAL	2		
21	15H559	PIPE PLUG	1	1/4"	

2F21

HYDRAULICS

ROCKSHAFT HOUSING WITH BUSHINGS AND OIL SEAL (TRACTOR SERIAL NO. 001572-)

R22297 -UN-01JAN94



R 22297

KEY	PART NO.	PART NAME	QTY	TRACTOR SERIAL NO.	REMARKS
1	19H1899	CAP SCREW	3	7/16" X 2"	
	19H2500	CAP SCREW	3	7/16" X 1-3/8"	
	12H293	LOCK WASHER	4	7/16"	
2	AR54325	KIT	1		(SUB R49995, (2) R26375 AND (2) R39112)
3	R40922	PACKING	1		
4	F2741R	PACKING	1		
5	R51190	TUBE	1		
6	R1225R	O-RING	1		
7	R57550	ISOLATOR	1		
8	AR55304	CAP	1		(ALSO ORDER R57550)
9	AR89228	DIPSTICK	1		(SUB FOR AR54616)
10	AR56083	LINE	1		
11	15H559	PIPE PLUG	2	1/4"	
12	R39112	FITTING	1		
13	R26375	O-RING	1		
14	AR54726	HOUSING	1		(MARKED R50250) (SUB AR68112 AND R51190)
15	A3917R	O-RING	1		
16	14H1040	NUT	1	1/2"	
	12H301	LOCK WASHER	1	1/2"	
17	R55214	BUSHING	1		(ALSO ORDER A3917R) (SUB FOR R49955)
18	19H1721	CAP SCREW	13	1/2" X 1-1/2"	
	19H1990	CAP SCREW	2	1/2" X 2-1/4"	
	19H1781	CAP SCREW	2	1/2" X 3-1/2"	
	12H301	LOCK WASHER	17	1/2"	
19	R26906	O-RING	2		
20	R27474	DRAIN PLUG	2		
21	A5598R	O-RING	1		
	R36424	O-RING	1		
22	R36379	BUSHING	1		
	R36378	BUSHING	1		
23	R36423	SEAL	2		

2F22

HYDRAULICS

ROCKSHAFT HOUSING WITH BUSHINGS AND OIL SEAL - CONTINUED
(TRACTOR SERIAL NO. 001572-)

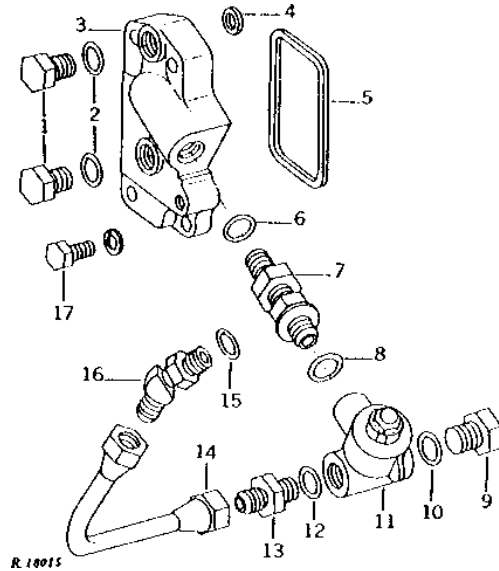
KEY	PART NO.	PART NAME	QTY	TRACTOR SERIAL NO.	REMARKS
24	R56910	FITTING	1		(ALSO ORDER R21722 AND R26546) (SUB FOR R52294)
25	R27928	O-RING	1	-003275	
	R21722	O-RING	1	003276-	
	R26546	BACK-UP RING	1	003276-	
26	R29936	O-RING	1		
27	D488R	STUD	1		
28	R36425	WASHER	1		
29	R58544	COVER	1		(SUB FOR R51551 OR R55080)
30	R43408	GASKET	1		
31	R57725	SCREW	4		(SUB FOR R61762)
32	WIRE	2	-XXXXXX	16 GA. X 14"

2F23

HYDRAULICS

R18015 -UN-01JAN94

ROCKSHAFT PISTON RELIEF VALVE



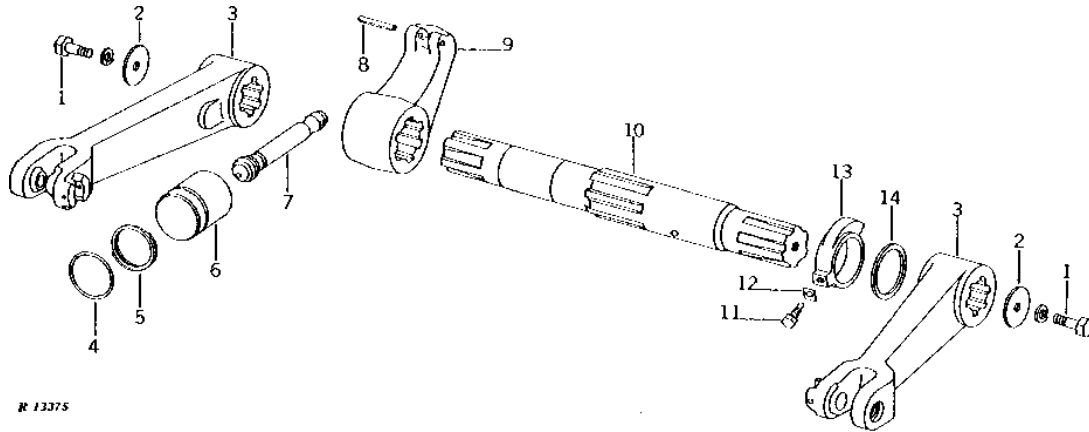
KEY	PART NO.	PART NAME	QTY	TRACTOR SERIAL NO.	REMARKS
1	R39112	FITTING	2		
2	R26375	O-RING	2		
3	AR54325	KIT	1		(SUB R49995, (2) R26375 AND (2) R39112)
4	F2741R	PACKING	1		
5	R40922	PACKING	1		
6	R26906	O-RING	1		
7	AR54399	FITTING	1		
8	R26906	O-RING	1		
9	R27474	DRAIN PLUG	1		
10	R26906	O-RING	1		
11	AT30373	RELIEF VALVE	1		
12	R26906	O-RING	1		
13	R31665	FITTING	1		
14	AR54398	LINE	1	-001571	
	AR56794	LINE	1	001572-	
15	R26375	O-RING	1		
16	AR26745	ELBOW FITTING	1		
17	19H2500	CAP SCREW	1		7/16" X 1-3/8"
	19H1899	CAP SCREW	2		7/16" X 2"
	12H293	LOCK WASHER	1		7/16"

2F24

HYDRAULICS

R13375 -UN-01JAN94

ROCKSHAFT, ROCKSHAFT PISTON, AND LIFT ARMS



KEY	PART NO.	PART NAME	QTY	TRACTOR SERIAL NO.	REMARKS
1	19H2589	CAP SCREW	2		3/4" X 1-7/8"
	12H236	LOCK WASHER	2		3/4"
2	R36402	WASHER	2		
3	R43314	LIFT ARM	2		
4	A5598R	O-RING	1	-001571	
	R59968	WASHER	1	001572-	(ALSO ORDER R59969) (SUB FOR F2576R, THIS APPLICATION)
5	R43404	BACK-UP RING	1	-001571	
	R59969	WASHER	1	001572-	(ALSO ORDER R59968) (SUB FOR R49886, THIS APPLICATION)
6	R43313	PISTON	1	-001571	
	R49885	PISTON	1	001572-	(SUB R64233)
7	AR43547	ROD	1		
8	34H323	SPRING PIN	1		1/4" X 3"
9	R54165	ARM	1		(SUB FOR R43311)
10	R43324	ROCKSHAFT	1		
11	R69642	CAP SCREW	1		(SUB FOR R26626)
12	F3173R	LOCK PLATE	1		
13	R62500	CAM	1		(SUB FOR R43312)
14	R43601	WASHER	2		

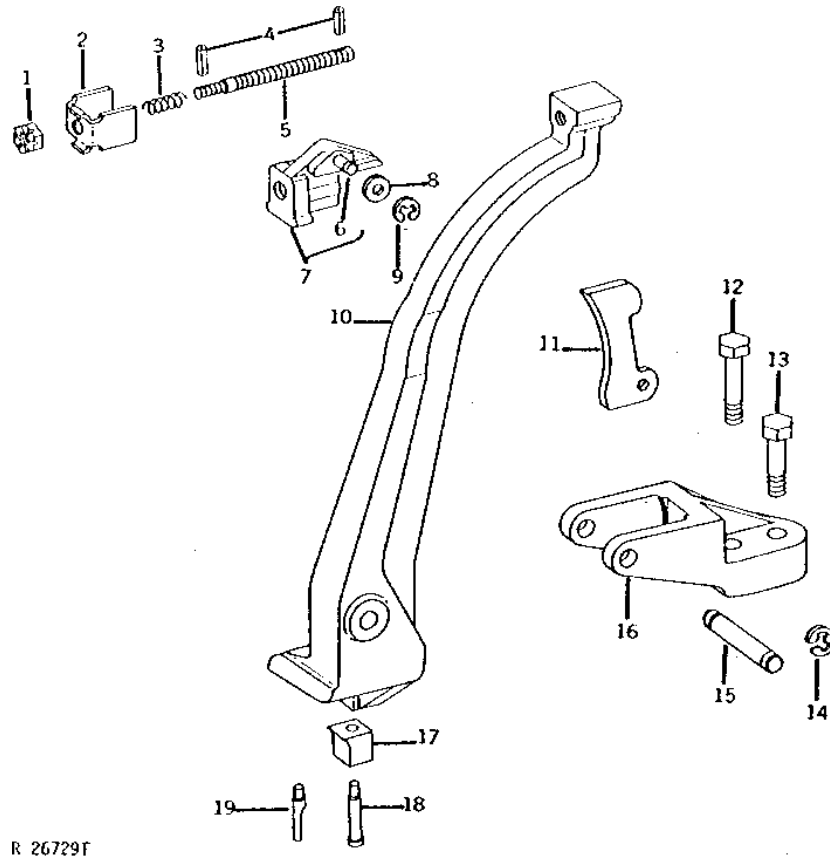
2F25

HYDRAULICS

R26729

-UN-01JAN94

LOAD CONTROL



R 26729F

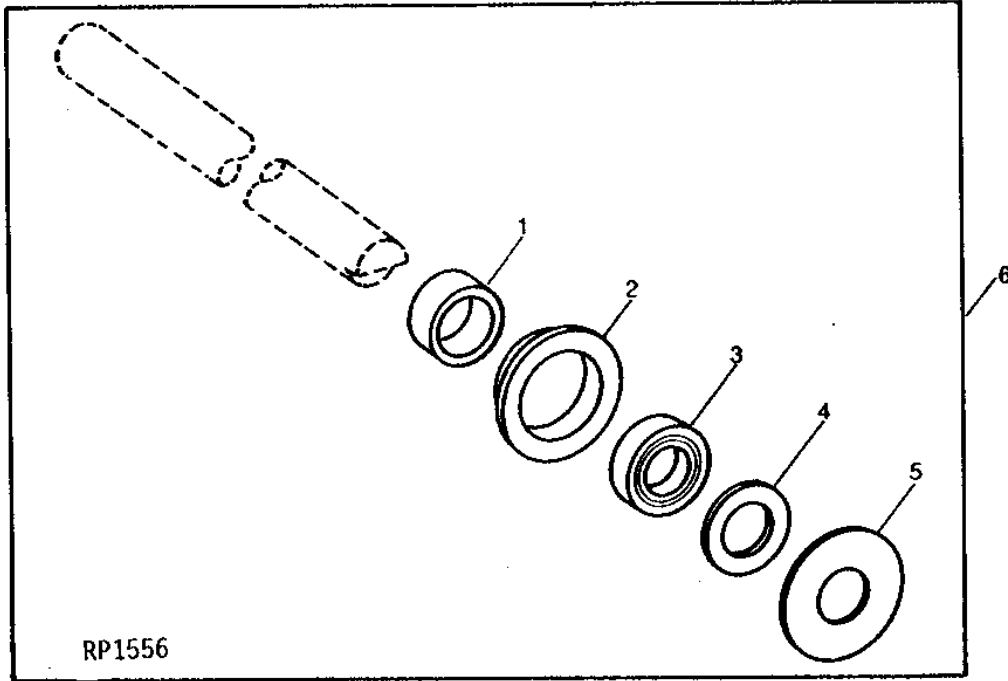
KEY	PART NO.	PART NAME	QTY	TRACTOR SERIAL NO.	REMARKS
1	14H936	NUT	1		3/8"
2	R46443	LOCK PLATE	1		
3	F1463R	SPRING	1		
4	34H243	SPRING PIN	2		1/8" X 1/2"
5	R26628	STUD	1		
6	R64295	SPRING PIN	1		
7	AR77700	EXTENSION	1		(MARKED R41121 OR R62931) (SUB FOR AR40785)
8	24H1287	WASHER	1		9/32" X 5/8" X 0.065"
9	R72654	SNAP RING	1		(SUB FOR R27507)
10	R43921	ARM	1		
11	R49336	CAM FOLLOWER	1		
12	R43369	SELF-LOCKING SCREW	2		(SUB FOR R42407)
13	R43369	SELF-LOCKING SCREW	1		(SUB FOR R42407)
14	F2863R	SNAP RING	2		
15	R43769	PIN	1		
16	R48418	SUPPORT	1	-001571	(SUB R51751) (NLA)
	R51751	SUPPORT	1	001572-	(NLA)
17	R40889	FOLLOWER	1		
18	R40891	PIN	1		
19	R43922	PIN	1		

2G1

HYDRAULICS

LOAD CONTROL SHAFT BUSHING KIT
(TRACTOR SERIAL NO. -001571)

RP1556 -UN-01JAN94



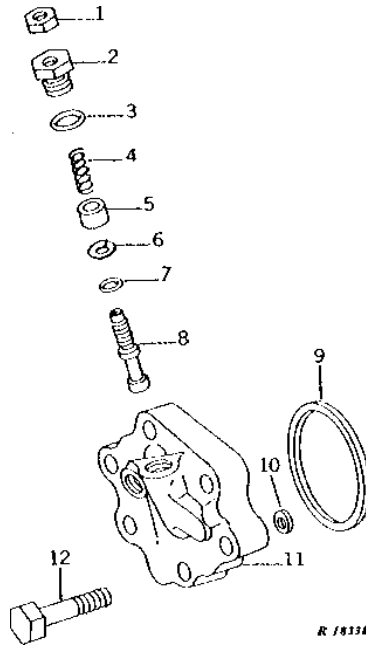
KEY	PART NO.	PART NAME	QTY	TRACTOR SERIAL NO.	REMARKS
1	R68429	BUSHING	2		
2	R68430	BUSHING	2		0.76MM (.030") (OVERSIZE)
3	AR43103	SEAL	2		
4	H394R	WASHER	2		
5	R51154	WASHER	AR		1.27MM (.050")
	R51155	WASHER	AR		1.52MM (.060")
	R51156	WASHER	AR		1.83MM (.072")
6	AR89133	KIT	1		LOAD CONTROL REPAIR

2G2

HYDRAULICS

R18338 -UN-01JAN94

ROCKSHAFT THROTTLE VALVE



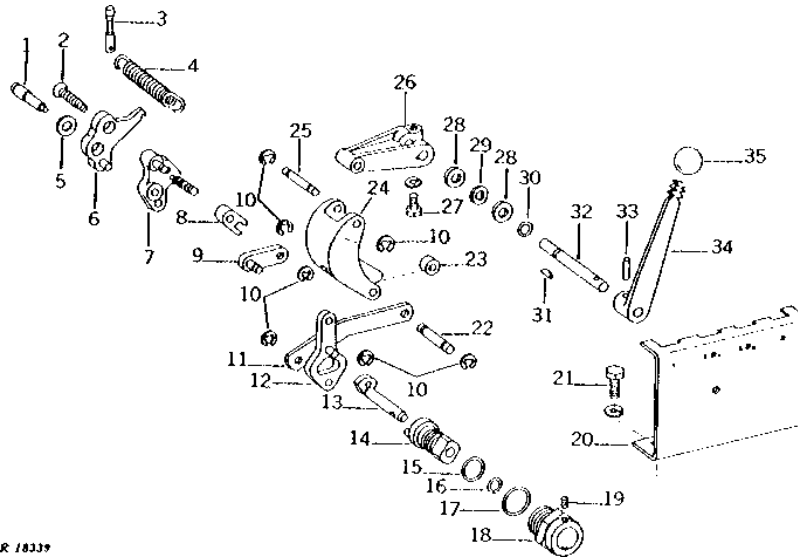
KEY	PART NO.	PART NAME	QTY	TRACTOR SERIAL NO.	REMARKS
1	14H774	NUT	1	3/8"	
2	R26458	FITTING	1		
3	R26906	O-RING	1		
4	B3686R	SPRING	1		
5	R26457	VALVE	1		(SUB R59684)
6	R31136	BACK-UP RING	1		
7	A4365R	O-RING	1		
8	R26625	SHAFT	1		
9	R43403	WASHER	1	-001571	
	R49888	PACKING	1	001572-	(SUB R65503)
10	F2741R	PACKING	1		
11	R49996	COVER	1	-001571	
	R52290	COVER	1	001572-	
12	19H3244	CAP SCREW	6	5/8" X 2-1/4"	

2G3

HYDRAULICS

ROCKSHAFT CONTROL LINKAGE AND LOAD SELECTOR CONTROL (TRACTOR SERIAL NO. -001571)

R18339 -UN-01JAN94



R 18339

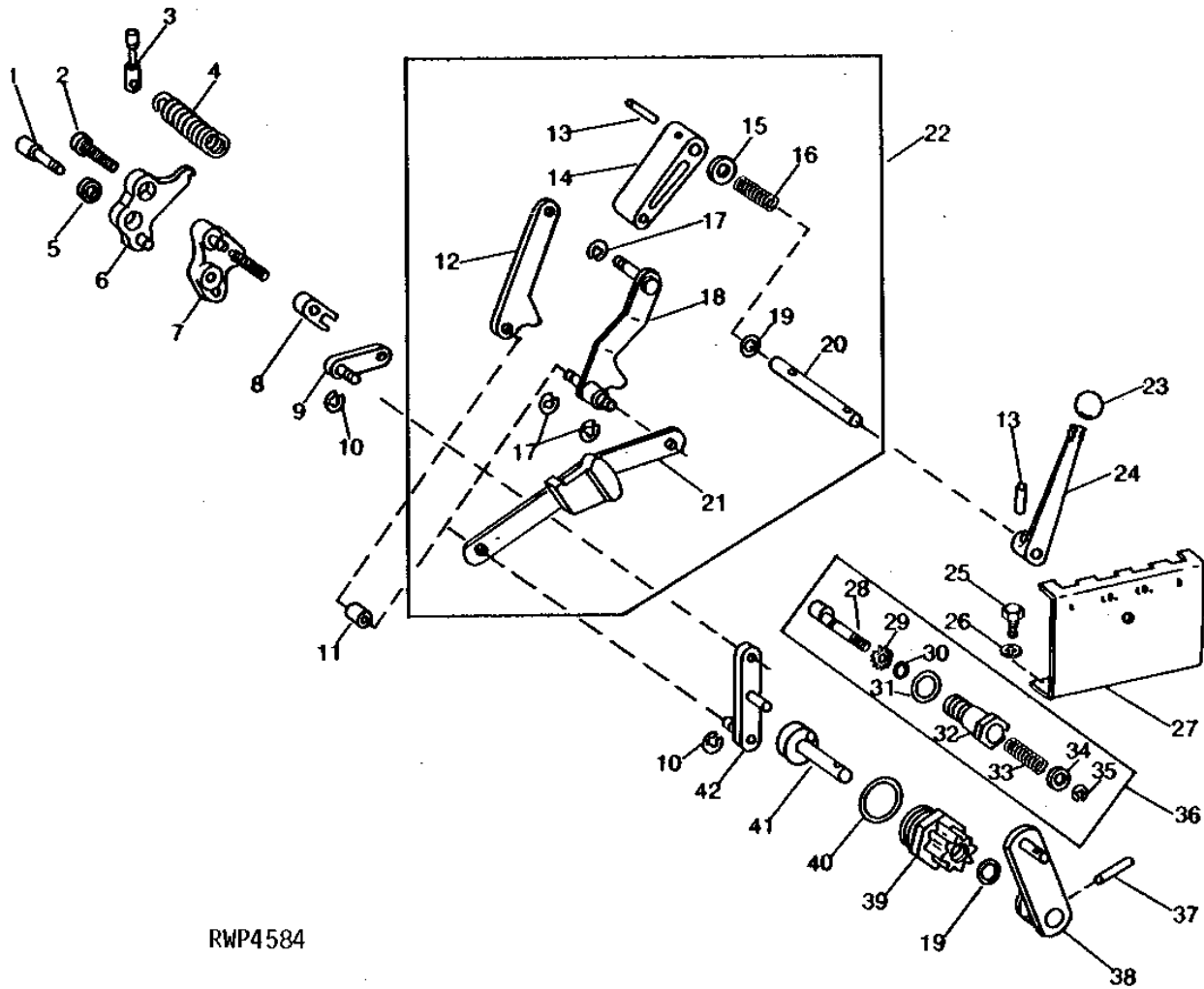
KEY	PART NO.	PART NAME	QTY	TRACTOR SERIAL NO.	REMARKS
1	R64296	SHAFT	1		(SUB FOR R40949)
2	T22228	SCREW	1		
3	R41108	PIN	1		
4	R60730	SPRING	1		(SUB FOR R44300 OR R53033)
5	24H1321	SHIM	1		0.018"
6	AR40676	LEVER	1		
7	AR40754	LINK	1		(SUB AR81783, R64845, T519T AND R64843)
8	R40885	NUT	1		
9	AR40675	LEVER	1		
10	R72653	SNAP RING	7		(SUB FOR M2396T)
11	R51025	LINK	1		(SUB FOR R41079)
12	AR52797	LINK	1		
13	R49333	SHAFT	1		
14	AR52796	BUSHING	1		
15	R27928	O-RING	1		
16	R394R	O-RING	1		
17	U13639	O-RING	1		
18	R49332	QUILL	1		
19	22H1033	SET SCREW	1		5/16" X 3/8"
20	R49584	QUADRANT	1		
21	19H1732	CAP SCREW	2		3/8" X 1-1/4"
	12H304	LOCK WASHER	2		3/8"
22	R41118	PIN	1		
23	R41661	BUSHING	1		
24	AR86775	KIT	1		(SUB FOR R40884 OR AR58474)
25	R41119	PIN	1		
26	R40944	ARM	1		(SUB AR86775)
27	19H1905	CAP SCREW	1		5/16" X 1"
	12H303	LOCK WASHER	1		5/16"
28	R47301	WASHER	2		
29	T519T	WASHER	2		
30	R394R	O-RING	1		
31	26H67	SHAFT KEY	1		1/8" X 3/8"
32	R41117	SHAFT	1		
33	R56504	SPRING PIN	2		
34	AR53442	LEVER	1		
35	R52576	KNOB	1		
..	R51202	DECAL	1		

2G4

HYDRAULICS

ROCKSHAFT CONTROL LINKAGE AND LOAD CONTROL (TRACTOR SERIAL NO. 001572-)

RWP4584 -UN-01JAN94



RWP4584

2G5

HYDRAULICS

ROCKSHAFT CONTROL LINKAGE AND LOAD CONTROL - CONTINUED
(TRACTOR SERIAL NO. 001572-)

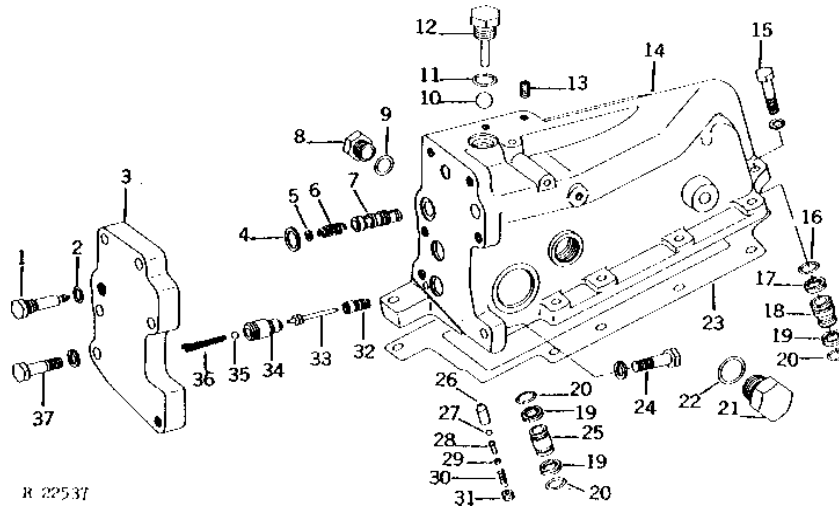
KEY	PART NO.	PART NAME	QTY	MODEL NO.	REMARKS
1	R64296	SHAFT	1		(SUB FOR R40949)
2	T22228	SCREW	1		
3	R41108	PIN	1	-XXXXXX	
	R66894	PIN	1	XXXXXX-	
4	R60730	SPRING	1		(SUB FOR R53033)
5	24H1321	SHIM	1		0.018"
6	AR40676	LEVER	1		
7	AR40754	LINK	1		(SUB AR81783, R64845, T519T AND R64843)
8	R40885	NUT	1		
9	AR40675	LEVER	1		
10	R72653	SNAP RING	2		(SUB FOR M2396T)
11	R41661	BUSHING	1		
12	R52828	LINK	1		
13	R56504	SPRING PIN	3		
14	R56821	ARM	1		(SUB FOR R52824)
15	24H1341	WASHER	1		17/32" X 15/16" X 0.060"
16	B423R	SPRING	1		
17	R72653	SNAP RING	3		(SUB FOR M2396T)
18	AR58236	LINK	1		(SUB AR72293 AND AR72294)
19	R394R	O-RING	2		(NOT INCLUDED IN AR86775)
20	R52823	SHAFT	1		
21	AR55084	LINK	1		(SUB AR72293 AND AR72294)
22	AR86775	KIT	1		LOAD SELECTOR CONTROL LINKAGE, (SUB FOR AR58474)
23	R52576	KNOB	1		
24	AR53442	LEVER	1		
25	19H1732	CAP SCREW	2		3/8" X 1-1/4"
26	12H304	LOCK WASHER	2		3/8"
27	R49584	QUADRANT	1		
28	R55373	ECCENTRIC	1		(ALSO ORDER R55374) (SUB FOR R51028)
29	12H310	LOCK WASHER	1	-001833	3/8"
30	A4365R	O-RING	1		
31	R26906	O-RING	1		
32	R55374	BUSHING	1		(ALSO ORDER R55373) (SUB FOR R51027)
33	R50559	SPRING	1		
34	24M7096	WASHER	1		10.500 X 18 X 1.600 MM
35	R72653	SNAP RING	1		(SUB FOR M2396T)
36	AR59026	BUSHING	1		
37	34H284	SPRING PIN	1		3/16" X 1-1/4"
38	AR60613	ARM	1		(NLA)
39	R52174	QUILL	1		
40	U13639	O-RING	1		
41	R54128	SHAFT	1		(SUB AR79505 AND AR72292)
42	AR40753	LINK	1		(SUB AR79505 AND AR72292)
..	R51202	DECAL	1		

2G6

HYDRAULICS

R22537 -UN-01JAN94

ROCKSHAFT CONTROL VALVE HOUSING



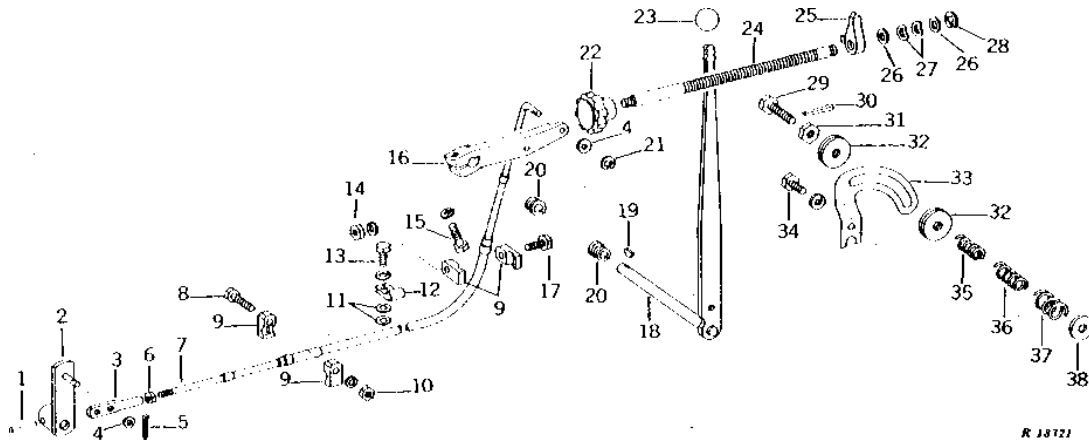
KEY	PART NO.	PART NAME	QTY	MODEL NO.	REMARKS
1	R40881	FITTING	1		
2	R26448	O-RING	1		
3	R59080	COVER	1		(SUB FOR R50065)
4	R26149	PACKING	5		
5	B1664R	SHIM	AR		
6	R26566	SPRING	1		
7	R43791	CONTROL VALVE	1		
8	R39112	FITTING	1		
9	R26375	O-RING	1		
10	M886T	BALL	1		
11	R26906	O-RING	1		
12	R56916	PLUG	1		(SUB FOR AR26761)
13	15H558	PIPE PLUG	4		1/8"
14	AR76340	HOUSING	1		(MARKED AR54328, AR76277 OR AR94166) (SUB FOR AR54329)
15	R66895	ORIFICE	1		
15	19H1732	CAP SCREW	9		3/8" X 1-1/4"
15	12H304	LOCK WASHER	9		3/8"
16	R27564	O-RING	1		
17	R45925	BACK-UP RING	1		
18	R45924	BUSHING	1		
19	R41057	BACK-UP RING	3		
20	R27166	O-RING	3		
21	R27175	DRAIN PLUG	1		(SUB FOR R55150)
22	F3171R	O-RING	1		
23	R40896	GASKET	1		
24	19H2500	CAP SCREW	1		7/16" X 1-3/8"
24	12H293	LOCK WASHER	1		7/16"
25	R40945	VALVE	1		
26	R40893	VALVE SEAT INSERT	1		(SUB R61349 AND R61350)
27	R41776	BALL	1		
28	R41777	PIN	1		
29	R40895	SHIM	AR		0.51MM (.020")
30	R59860	SPRING	1		(SUB FOR R27730, THIS APPLICATION)
31	R40894	PLUG	1		
32	AR78483	GUIDE	2		(SUB FOR AR31703)
33	R44298	SHAFT	2	-XXXXXX	
34	R62336	SHAFT	2	XXXXXX-	(SUB FOR R59111)
34	R59083	VALVE	2		(SUB FOR R44299)
35	400R	BALL	2		
36	R26565	SPRING	2		
37	19H1978	CAP SCREW	5		7/16" X 1-1/2"
37	12H293	LOCK WASHER	5		7/16"

2G7

HYDRAULICS

R18321 -UN-01JAN94

ROCKSHAFT CONTROL VALVE LEVER AND LINKAGE



R 18321

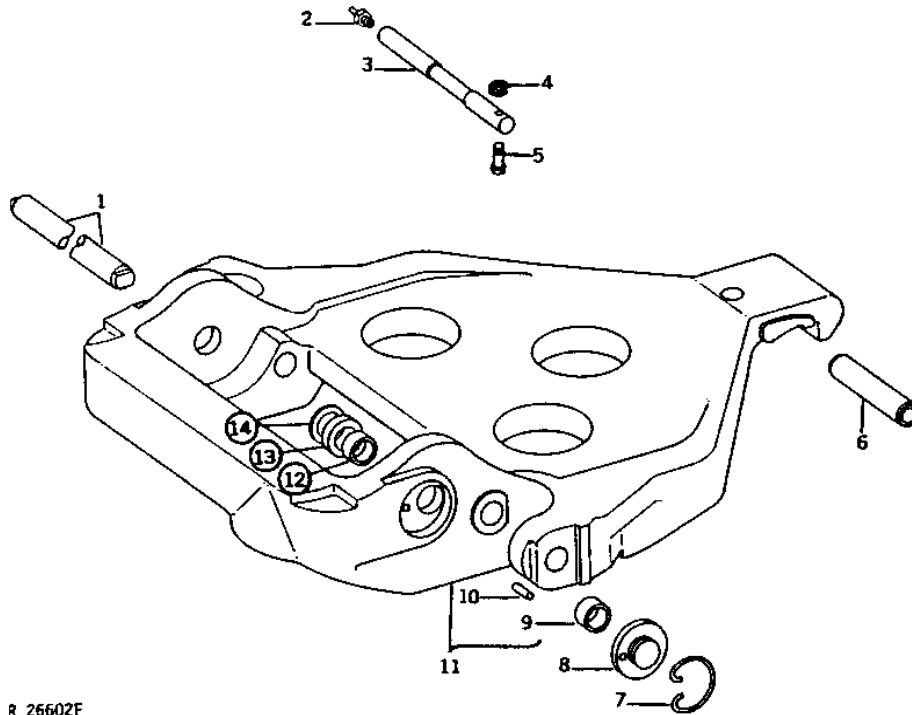
KEY	PART NO.	PART NAME	QTY	TRACTOR SERIAL NO.	REMARKS
1	34H284	SPRING PIN	1		3/16" X 1-1/4"
2	AR53441	ARM	1	-001571	(NLA)
	AR60613	ARM	1	001572-	(NLA)
3	R31422	END	1		
4	24H1287	WASHER	2		9/32" X 5/8" X 0.065"
5	11M7079	COTTER PIN	1		0.098" X 0.472"
6	14H850	NUT	1		1/4"
7	AR54422	PUSH PULL CABLE	1		
8	19H2665	CAP SCREW	1		3/8" X 1-5/8"
9	T33483	CLAMP	4		
10	14H1076	NUT	1		3/8"
	12H304	LOCK WASHER	1		3/8"
11	A147R	LOCK WASHER	2		
12	T13814	CLAMP	1		
13	19H1732	CAP SCREW	1		3/8" X 1-1/4"
	12H304	LOCK WASHER	1		3/8"
14	14H1076	NUT	1		3/8"
	12H304	LOCK WASHER	1		3/8"
15	19H988	CAP SCREW	1		3/8" X 1-1/4"
	12H304	LOCK WASHER	1		3/8"
16	R42094	ARM	1		
17	19H1765	CAP SCREW	1		3/8" X 1-3/4"
18	AR57245	LEVER	1		
19	26H15	SHAFT KEY	1		1/4" X 3/4"
20	R42093	GROMMET	2		
21	R72654	SNAP RING	1		(SUB FOR R27507)
22	R41385	KNOB	1		
23	R51161	KNOB	1		
24	R58204	SCREW	1		(SUB FOR R47300)
25	R41386	STOP	1		
26	R47301	WASHER	2		
27	T519T	WASHER	2		
28	R26871	SNAP RING	1		
29	R42639	CAP SCREW	1		
30	11M7059	COTTER PIN	1		3.200 X 20 MM
31	14H732	NUT	1		3/8"
32	AR42287	WASHER	2		(SUB R105813 AND R41968)
33	R49411	PLATE	1		
34	19H2485	CAP SCREW	1		5/16" X 7/16"
	12H303	LOCK WASHER	1		5/16"
35	R41147	SPRING	1		
36	R44313	SPRING	1		
37	R44314	SPRING	1		
38	24H1299	WASHER	1		3/8" X 1-1/4" X 0.065"
..	R44302	TIE BAND	3		

2G8

HYDRAULICS

DRAFT LINK SUPPORT (TRACTOR SERIAL NO. -001571)

R26602 -UN-01JAN94



R 26602F

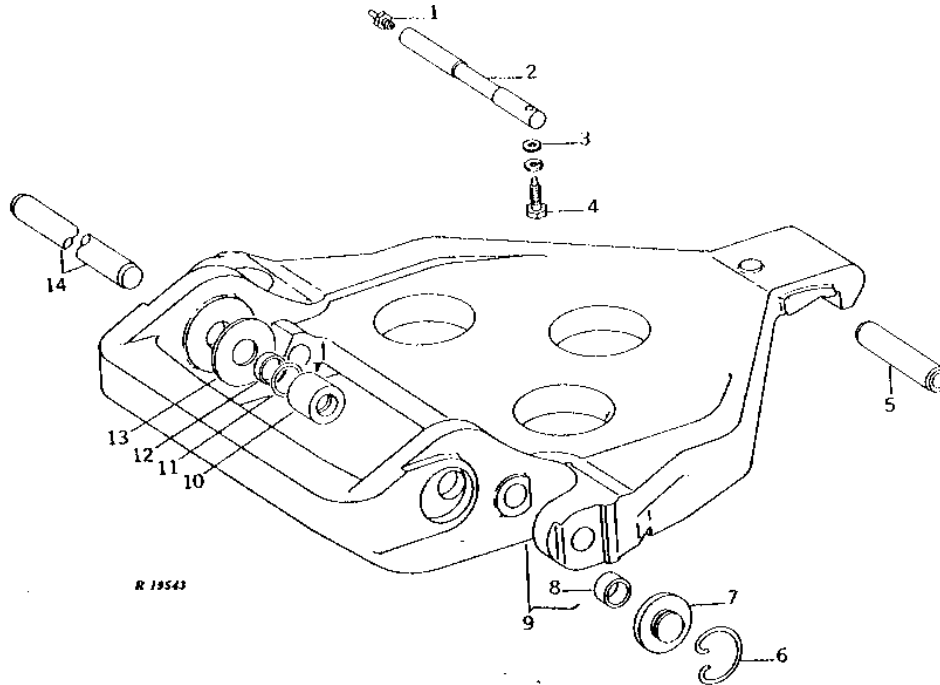
KEY	PART NO.	PART NAME	QTY	TRACTOR SERIAL NO.	REMARKS
1	R43318	PIN	1		
2	JD7759	LUBRICATION FITTING	1		
3	R43298	PIN	1		
4	R26386	SNAP RING	1		
5	R26385	PIN	1		
6	R43326	BUSHING	1		
7	R43764	SNAP RING	2		
8	R43299	RETAINER	2		
9	R43316	BUSHING	2		
10	R1612R	DOWEL PIN	2		
11	AR62307	SUPPORT	1		(MARKED R51118 OR R54197) (ALSO ORDER AR52606) (SUB FOR AR43078 OR AR55203)
	AR51576	KIT	1		NEGATIVE STOP SCREW, WITH BUSHING, (USE WITH R51118) (SUB R48452, R48453 AND 14H821)
12	R43315	BUSHING	2		
13	AR84793	SEAL	2		(SUB FOR AR43103 OR AR78339)
	R51154	WASHER	AR		1.27MM (.050") (USE WITH AR78339 OR AR84793)
	R51155	WASHER	AR		1.52MM (.060") (USE WITH AR78339 OR AR84793)
	R51156	WASHER	AR		1.83MM (.072") (USE WITH AR78339 OR AR84793)
14	H394R	WASHER	2		

2G9

HYDRAULICS

DRAFT LINK SUPPORT (TRACTOR SERIAL NO. 001572-)

R19543 -UN-01JAN94



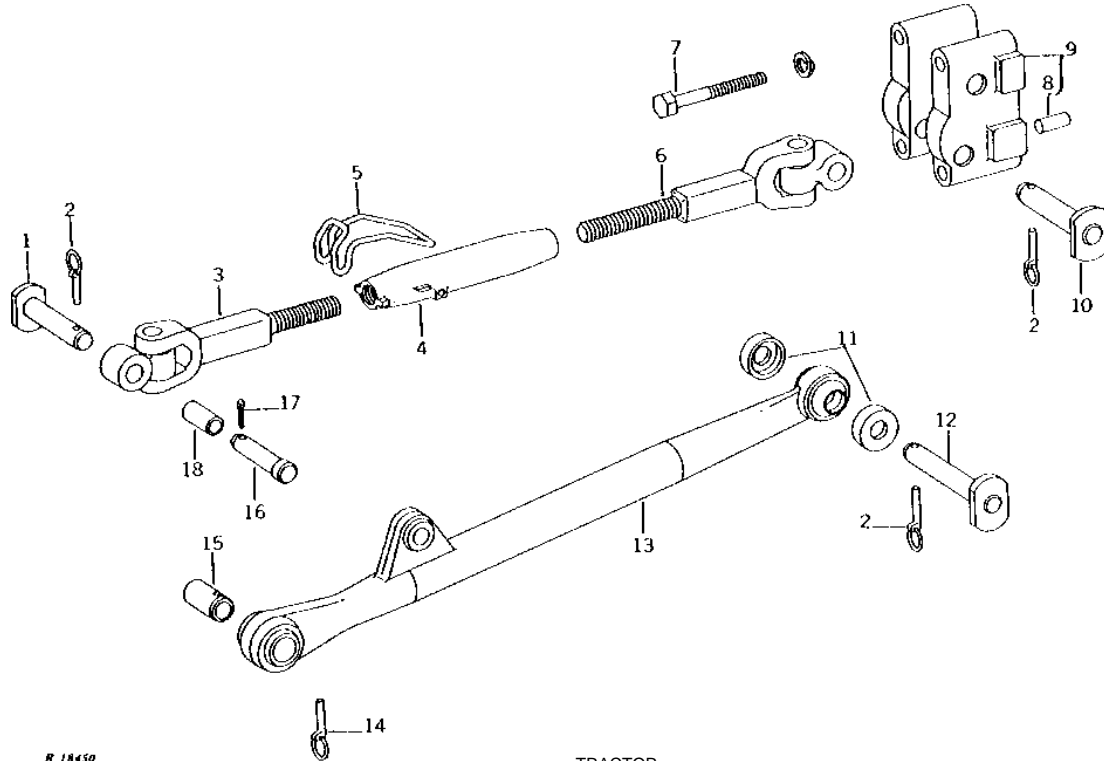
KEY	PART NO.	PART NAME	QTY	TRACTOR SERIAL NO.	REMARKS
1	JD7759	LUBRICATION FITTING	1		
2	R43298	PIN	1		
3	A147R	LOCK WASHER	1	-XXXXXX	
4	R26385	PIN	1		
5	R43326	BUSHING	1		
6	R43764	SNAP RING	2		
7	R53189	RETAINER	2		
8	R43316	BUSHING	2		
9	AR58920	SUPPORT	1		(MARKED R53389)
10	AR56769	BUSHING	2		BUSHING, (INCLUDES R53198 AND R52184) (SUB FOR AR85460)
11	R53198	O-RING	2		
12	R52184	WASHER	2		
13	R51154	WASHER	AR	1.27MM (.050")	
	R51155	WASHER	AR	1.52MM (.060")	
	R51156	WASHER	AR	1.83MM (.072")	
14	R52185	PIN	1		

2G10

HYDRAULICS

R18450 -UN-01JAN94

DRAFT LINKS AND CENTER LINK



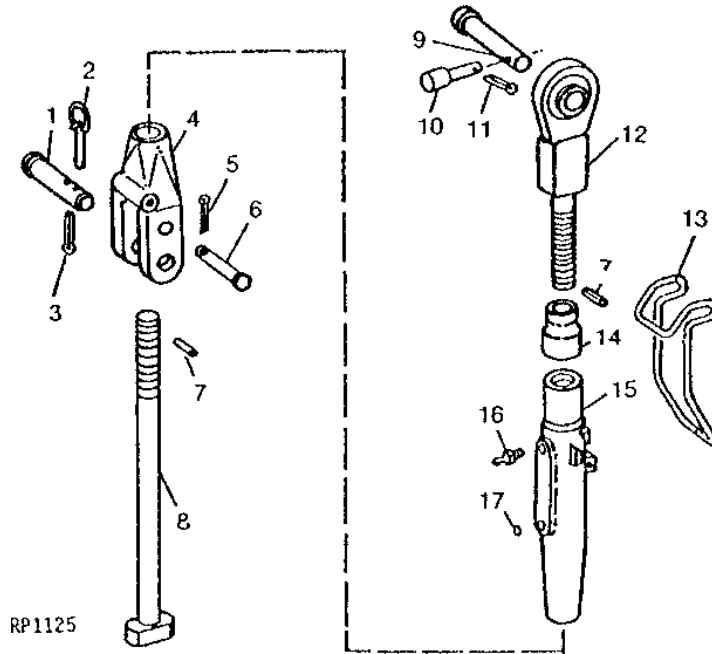
KEY	PART NO.	PART NAME	QTY	TRACTOR SERIAL NO.	REMARKS
1	AR70026	PIN	1	(SUB FOR AR35763)	
2	AR62151	QUICK LOCK PIN	4	(1/4" DIA.) (SUB FOR B11182) (SUB M115827)	
	AR62149	QUICK LOCK PIN	4	(7/16" DIA.) (SUB FOR DA5883A)	
3	AR60110	CENTER LINK END	1	(SUB FOR AR54667)	
4	R47067	LINK BODY	1		
5	R42495	HANDLE	1		
6	AR60109	CENTER LINK END	1	(SUB FOR AR54666)	
7	19H2001	CAP SCREW	4	3/4" X 5-1/2"	
	12H236	LOCK WASHER	4	3/4"	
8	R26277	DOWEL PIN	1		
9	AR43316	BRACKET	1	(MARKED R43081)	
10	AR89302	PIN	1	(SUB FOR AR35773 OR AR70025)	
11	R26608	WASHER	4		
12	AR60295	PIN	2	(ALSO ORDER AR62149) (SUB FOR AR43077)	
13	AR55150	DRAFT LINK	1	R.H.	
	AR55151	DRAFT LINK	1	L.H.	
14	AR62150	QUICK LOCK PIN	2	(SUB FOR R36471)	
15	R66435	BUSHING	2	(CATEGORY II) (SUB FOR R36470)	
16	R53296	PIN	1	(CATEGORY II) (SUB FOR R44918)	
17	11M7040	COTTER PIN	1	0.248" X 1.969"	
18	R66434	BUSHING	1	(CATEGORY II) (SUB FOR R36469)	
..	AR35857	BUSHING	1	(FOR CATEGORY II IMPLEMENTS) (CONSISTS OF R36469, (2) R36470, R53296 AND 11M7040)	

2G11

HYDRAULICS

RP1125 -UN-01JAN94

LIFT LINK



KEY	PART NO.	PART NAME	QTY	TRACTOR SERIAL NO.	REMARKS
1	R58264	PIN	1		(SUB FOR R43323)
2	AR62149	QUICK LOCK PIN	1		(SUB FOR DA5883A)
3	11M7030	COTTER PIN	1		0.197" X 1.575"
4	R58934	YOKE	1		(SUB FOR R42171)
5	11M7021	COTTER PIN	1		0.157" X 0.984"
6	R63737	PIN	1		(SUB FOR R42172)
7	34H284	SPRING PIN	2		3/16" X 1-1/4"
8	R43259	LIFT LINK	1		
9	R79916	DOWEL PIN	1		(SUB FOR AR43140 OR AR70027)
10	R68672	PIN	1		(ALSO ORDER 11M7059) (SUB FOR AR26566, AR62152 OR AR83396, THIS APPLICATION)
11	11M7059	COTTER PIN	1		3.200 X 20 MM
12	AR78526	DRAFT LINK END	1		(SUB FOR AR43059) (SUB RE44555)
13	R42495	HANDLE	1		
14	R43706	SLEEVE	1		
15	R43079	LINK BODY	1		
16	JD7759	LUBRICATION FITTING	1		
17	30H6	PLUG	3		9/16"

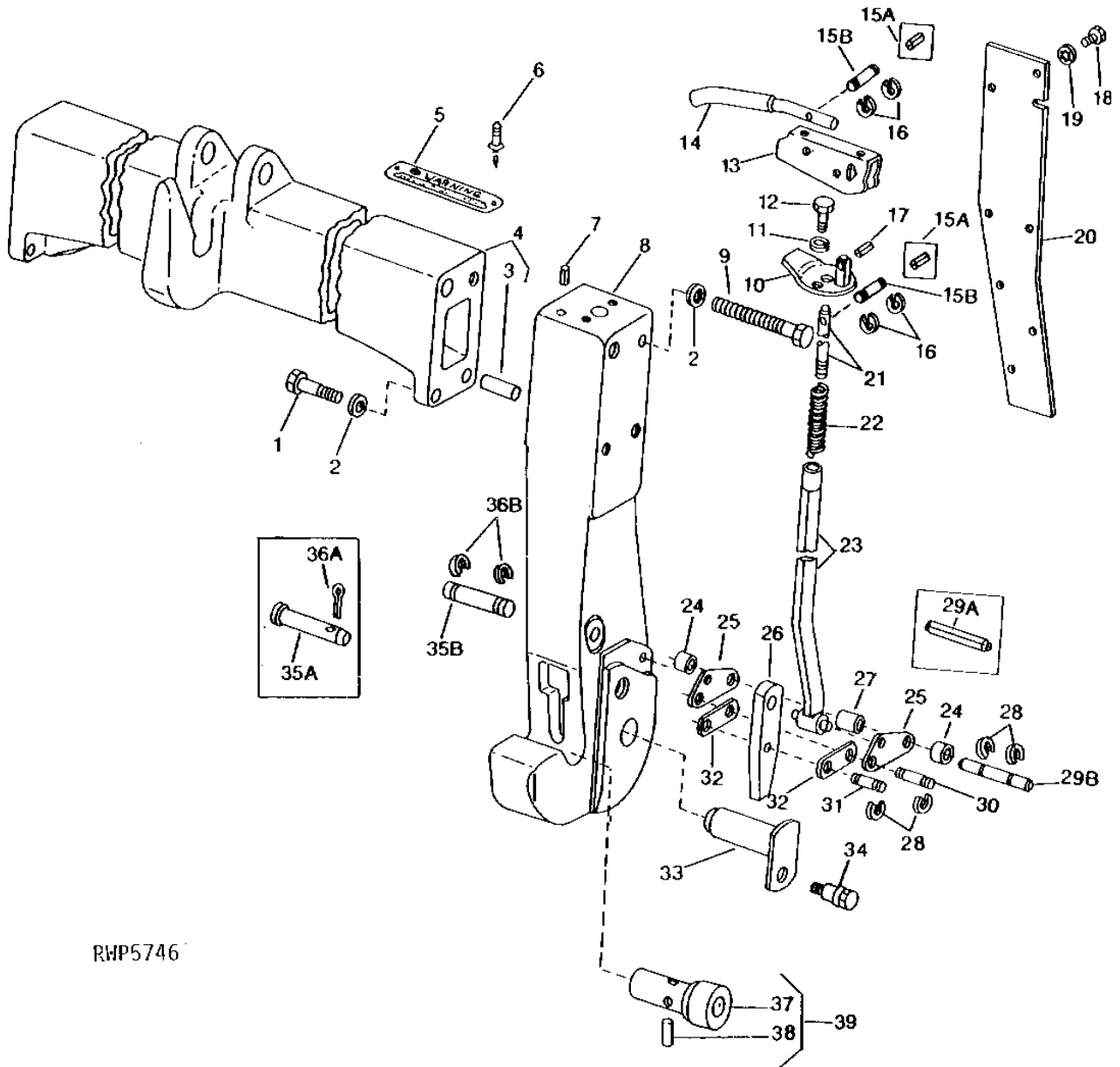
2G12

HYDRAULICS

RWP5746

-UN-01JAN94

IMPLEMENT QUICK COUPLER



RWP5746

2G13

HYDRAULICS

IMPLEMENT QUICK COUPLER - CONTINUED

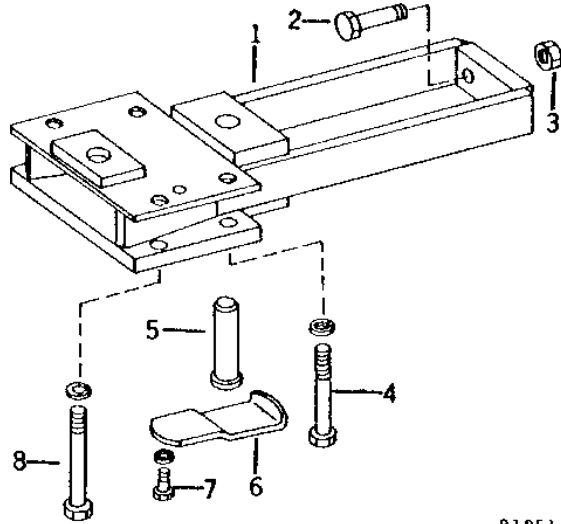
KEY	PART NO.	PART NAME	QTY	TRACTOR SERIAL NO.	REMARKS
1	19H1708	CAP SCREW	2		5/8" X 1-3/4"
2	12H294	LOCK WASHER	4		5/8"
3	A776R	PIN	4		
4	AR84904	SUPPORT	1		(MARKED R36448, R65817 OR R65203) (SUB FOR AR35851 OR AR82263)
5	R46895	INSTRUCTION PLATE	1		
6	37H44	SCREW	2		0.151" X 3/8"
7	34H311	SPRING PIN	2		1/4" X 7/8"
8	R66985	QUICK COUPLER	1		(ALSO ORDER R66987 AND (2) R73380) (SUB FOR R47585 OR R65085)
	R66986	QUICK COUPLER	1		(ALSO ORDER R66987 AND (2) R73380) (SUB FOR R47586 OR R65086)
9	19H1708	CAP SCREW	2		5/8" X 1-3/4"
10	AR50374	BRACKET	1		
11	12H304	LOCK WASHER	4		3/8"
12	19H1731	CAP SCREW	4		3/8" X 1"
13	R48164	LEVER	1		
14	R48163	HANDLE	1		
15A	34H311	SPRING PIN	4	-XXXXXX	1/4" X 7/8"
15B	R66901	SPRING PIN	4	XXXXXX-	
16	R72654	SNAP RING	8	XXXXXX-	(SUB FOR R27507)
17	34H311	SPRING PIN	2		1/4" X 7/8"
18	19H1227	CAP SCREW	14		1/4" X 1/2"
19	12H302	LOCK WASHER	14		1/4"
20	R58617	SHIELD	2		(SUB FOR R36444)
21	R47578	STUD	2		
22	R43444	SPRING	2		
23	AR50377	BAR	2		
24	F2206R	WASHER	4		
25	R65243	LINK	4		(SUB FOR R47581 OR R58203)
26	R36441	LATCH	2		
27	28H1919	BUSHING	2		1/2" X 15/16"
28	F2208R	SNAP RING	12		
29A	34H375	SPRING PIN	2	-XXXXXX	1/2" X 3", (USE WITH R47585 AND R47586)
29B	R65082	PIN	2	XXXXXX-	(USE WITH R65085 AND R65086)
30	R119275	PIN	2		(SUB FOR R47679)
31	R119276	PIN	2		(SUB FOR R47678)
32	R65242	STRAP	4		(SUB FOR R47590)
33	AR48112	PIN	2		
	AR76161	PIN	1		(USE WITH R65085 AND R65086)
34	AR74673	CAP SCREW	2		(SUB FOR AR48110)
	AR78289	CAP SCREW	1		(USE WITH R65085 AND R65086)
35A	R28556	PIN	2	-XXXXXX	
35B	R66987	PIN	2	XXXXXX-	
36A	11M7087	COTTER PIN	2	-XXXXXX	0.157" X 1.575"
36B	R73380	SNAP RING	4	XXXXXX-	(SUB FOR A369R)
37	R27998	HALF SLEEVE	2		
38	R27999	SPRING PIN	2		
39	AR27093	ADAPTER	1		

2G14

HYDRAULICS

R18513 -UN-01JAN94

DRAWBAR FRONT SUPPORT



R18513F

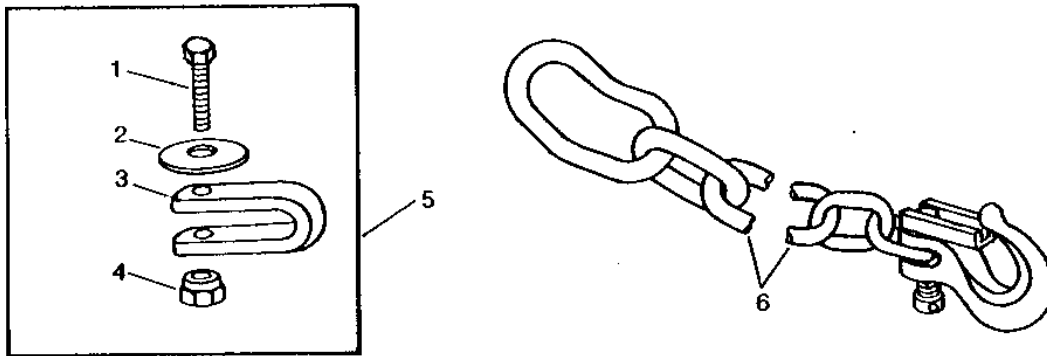
KEY	PART NO.	PART NAME	QTY	TRACTOR SERIAL NO.	REMARKS
1	AR53891	SUPPORT	1		
2	19H1862	CAP SCREW	2	3/4" X 2-1/2"	
3	14H794	NUT	2	3/4"	
4	19H2174	CAP SCREW	2	3/4" X 4-1/4"	
5	R43320	PIN	1	(SUB R62760)	
6	R49881	RETAINER	1		
7	19H1731	CAP SCREW	1	3/8" X 1"	
	12H304	LOCK WASHER	1	3/8"	
8	19H2000	CAP SCREW	2	3/4" X 5"	

2G15

HYDRAULICS

RWP5796 -UN-01JAN94

IMPLEMENT SAFETY CHAIN



RWP5796

KEY	PART NO.	PART NAME	QTY	TRACTOR SERIAL NO.	REMARKS
1	19H1768	CAP SCREW	1	(A) (B) 3/4" X 2"	
	19H2084	CAP SCREW	1	(A) 3/4" X 4-1/2"	
	19H2174	CAP SCREW	1	(B) 3/4" X 4-1/4"	
2	R36402	WASHER	1		
3	R69408	CLEVIS	1	(A)	
	R69409	CLEVIS	1	(B)	
4	T25879	NUT	2		
5	AR90577	SAFETY CHAIN ADAPTER KIT	1		CATEGORY IV DRAWBARS
	AR90578	CHAIN KIT	1		CATEGORY II AND III DRAWBARS
6	RE26739	LINK CHAIN	1		61 LINKS 6.4MM (1/4") DIA CHAIN (6,000 LB)
	AR90581	LINK CHAIN	1		61 LINKS 6.4MM (1/4") DIA CHAIN (10,000 LB)
	AR90579	LINK CHAIN	1		42 LINKS 9.5MM (3/8") DIA CHAIN
	AR90583	LINK CHAIN	1		43 LINKS 11.1MM (7/16") DIA CHAIN
	RE26740	LINK CHAIN	1		42 LINKS 12.7MM (1/2") DIA CHAIN, (SUB AN212996)

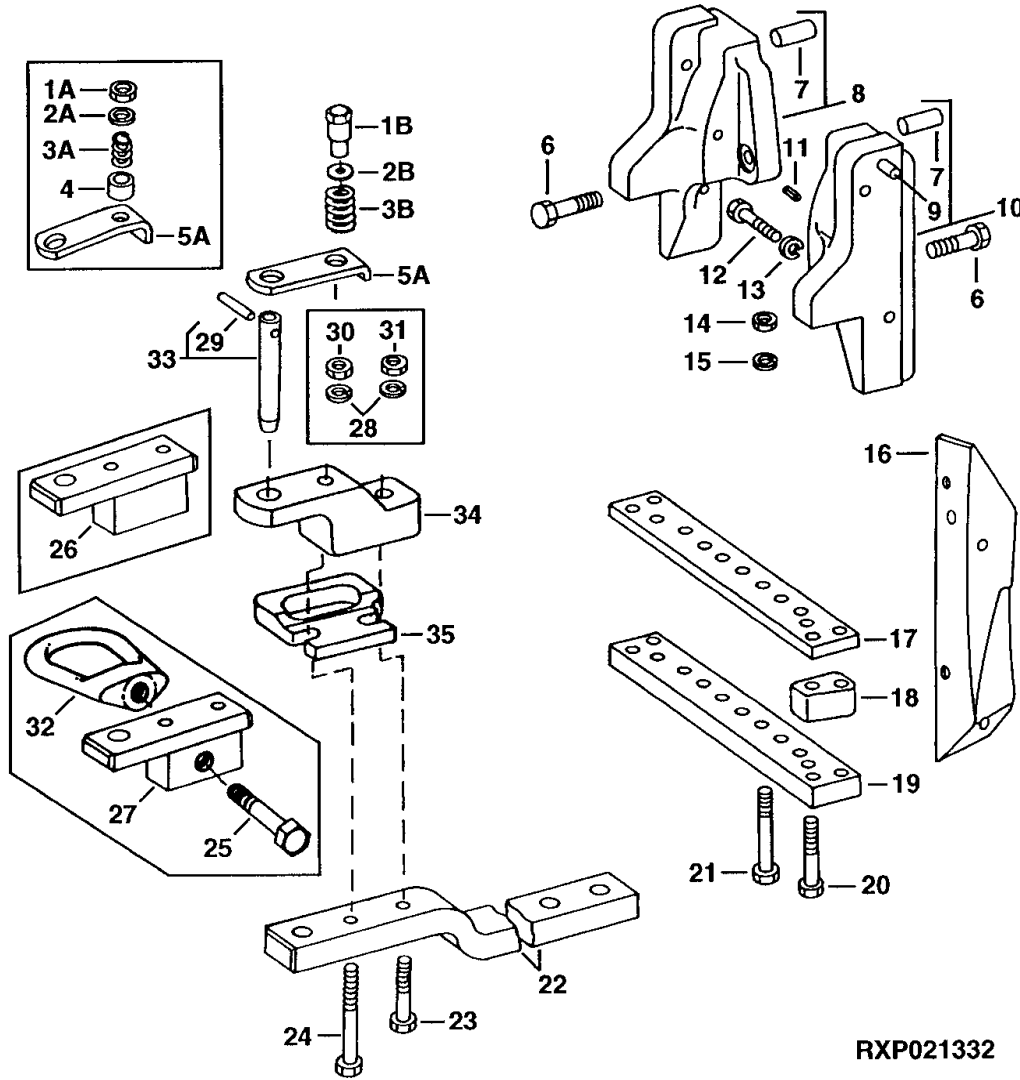
(A) INCLUDED IN AR90577
 (B) INCLUDED IN AR90578

2G16

HYDRAULICS

RXP021332 -UN-31OCT95

REGULAR DRAWBAR



2G17

HYDRAULICS

REGULAR DRAWBAR - CONTINUED

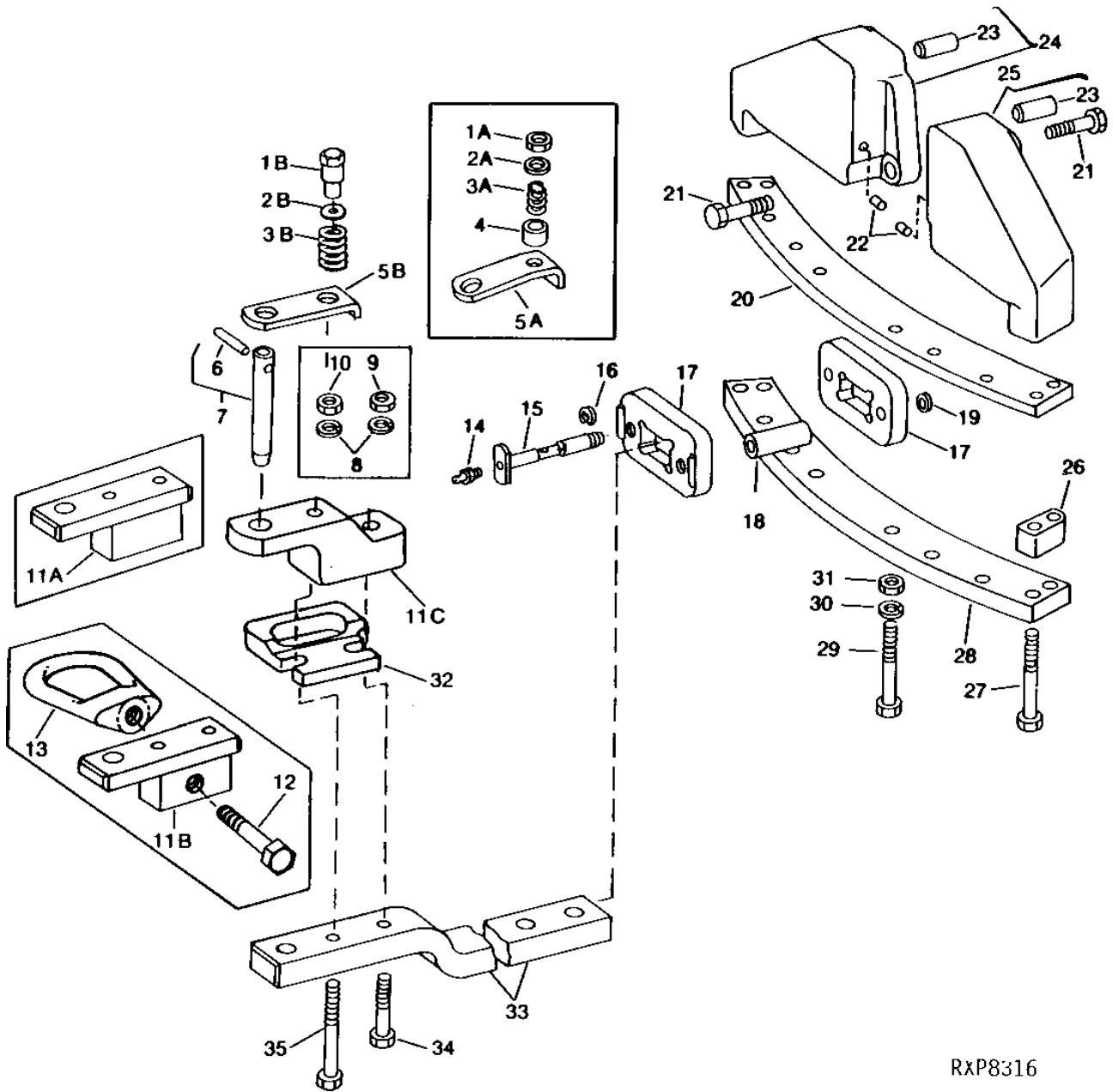
KEY	PART NO.	PART NAME	QTY	TRACTOR SERIAL NO.	REMARKS
1A	R40121	LOCK NUT	1	-001571	
1B	R54065	NUT	1	001572-	(SUB R72433)
2A	24H1395	WASHER	1	-001571	25/32" X 1-7/16" X 0.060"
2B	24H1513	WASHER	1	001572-	1-13/32" X 2" X 0.060"
3A	A350R	SPRING	1	-001571	
3B	F304R	SPRING	1	001572-	
4	R47044	BUSHING	1	-001571	
5A	R49883	RETAINER	1	-001571	(SUB R54064, R72433, F304R, 19H2723 AND 24H1513)
5B	R54064	RETAINER	1	001572-	
6	19H3333	CAP SCREW	6		7/8" X 2-3/4"
7	R35482	DOWEL PIN	4		
8	AR35862	BRACKET	1		(MARKED R36508)
9	R26277	DOWEL PIN	2		
10	AR35861	BRACKET	1		(MARKED R36507)
11	34H348	SPRING PIN	2		3/8" X 1"
12	19H1863	CAP SCREW	4		5/8" X 3"
13	12H294	LOCK WASHER	4		5/8"
14	14H794	NUT	2		3/4"
15	12H236	LOCK WASHER	2		3/4"
16	R48815	SWAY BLOCK	1		R.H.
	R48816	SWAY BLOCK	1		L.H.
17	R36272	STRAP	1		
18	R40028	SPACER	2		
19	R36273	SUPPORT	1		
20	19H3210	CAP SCREW	4		
21	19H2827	CAP SCREW	2		3/4" X 4-3/4"
22	R50984	DRAWBAR	1		(SUB FOR R49882)
23	19H2723	CAP SCREW	1		3/4" X 6-1/4"
24	19H3234	CAP SCREW	1	-001571	3/4" X 8-1/2"
	19H2723	CAP SCREW	1	001572-	3/4" X 6-1/4"
25	19H2728	CAP SCREW	1		3/4" X 3"
26	AR35912	STRAP	1	-XXXXXX	(SUB R78214, R105478, 19H3196 AND 19H3612)
27	RE19377	STRAP	1	XXXXXX-	(SUB FOR AR53877) (SUB R80447, R105478, 19H3225 AND 19H2825)
28	12H236	LOCK WASHER	2		3/4"
29	25H1191	GROOVE PIN	1		1/2" X 4", (SUB FOR T56005) (USE WITH AR69987)
30	14H794	NUT	1	-001571	3/4"
31	14H794	NUT	1		3/4"
32	R81245	SUPPORT	1		(USE WITH RE19377)
33	AR69987	PIN	1		(1-3/8" DIA.) (SUB FOR AR35807)
	AR69988	PIN	1	-XXXXXX	(1-1/4" DIA.)
34	R78214	STRAP	1		
35	R83170	RETAINER	1		(USE WITH R78214 OR R80447)

2G18

HYDRAULICS

RXP8316 -UN-01JAN94

WIDE SWING DRAWBAR



RXP8316

2G19

HYDRAULICS

WIDE SWING DRAWBAR - CONTINUED

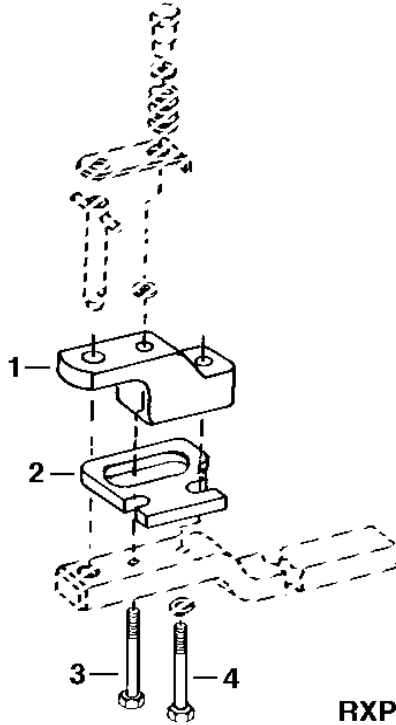
KEY	PART NO.	PART NAME	QTY	TRACTOR SERIAL NO.	REMARKS
1A	R40121	LOCK NUT	1	-001571	
1B	R54065	NUT	1	001572-	(SUB R72433)
2A	24H1395	WASHER	1	-001571	25/32" X 1-7/16" X 0.060"
2B	24H1513	WASHER	1	001572-	1-13/32" X 2" X 0.060"
3A	A350R	SPRING	1	-001571	
3B	F304R	SPRING	1	001572-	
4	R47044	BUSHING	1	-001571	
5A	R49883	RETAINER	1	-001571	(SUB R54064, R72433, F304R, 19H2723 AND 24H1513)
5B	R54064	RETAINER	1	001572-	
6	25H1191	GROOVE PIN	1		1/2" X 4", (SUB FOR T56005)
7	AR69987	PIN	1		(1-3/8" DIA.) (SUB FOR AR35807)
	AR69988	PIN	1		(1-1/4" DIA.)
8	12H236	LOCK WASHER	2		3/4"
9	14H794	NUT	1		3/4"
10	14H794	NUT	1	-001571	3/4"
11A	AR53877	STRAP	1	-XXXXXX	(SUB R80447, R83170, 19H2825 AND 19H3225)
11B	RE19377	STRAP	1	XXXXXX-XXXXXX	(SUB R80447, R83170, 19H2825 AND 19H3225)
11C	R80447	STRAP	1	XXXXXX-	
12	19H2728	CAP SCREW	1	XXXXXX-	3/4" X 3"
13	R81245	SUPPORT	1	XXXXXX-	(USE WITH RE19377)
	R105478	RETAINER	1		(USE WITH R80447 OR AR53877)
14	JD7759	LUBRICATION FITTING	2		
15	AR61656	PIN	2		(SUB FOR AR44820)
16	R73380	SNAP RING	2		(SUB FOR A369R)
17	R49879	HANGER	2		
18	R54141	BUSHING	2		
19	24M7353	WASHER	2		(SUB FOR R42660)
20	R83112	SUPPORT	1		(SUB FOR R35483)
21	19H2089	CAP SCREW	6		7/8" X 2-3/4"
22	34H348	SPRING PIN	2		3/8" X 1"
23	R35482	DOWEL PIN	4		
24	AR71405	BRACKET	1		(MARKED R35468 OR R59198) (SUB FOR AR35527)
25	AR71404	BRACKET	1		(MARKED R35467 OR R59197) (SUB FOR AR35526)
26	R49878	SPACER	2		
27	19H3210	CAP SCREW	4		3/4" X 5-1/4"
28	R83111	SUPPORT	1		(SUB FOR R35476)
29	19H2827	CAP SCREW	2		3/4" X 4-3/4"
30	12H236	LOCK WASHER	2		3/4"
31	14H794	NUT	2		3/4"
32	R83170	RETAINER	1		
33	R50984	DRAWBAR	1		(SUB FOR R49882)
34	19H2723	CAP SCREW	1		3/4" X 6-1/4"
35	19H3234	CAP SCREW	1	-001571	3/4" X 8-1/2", (SUB FOR T56005)
	19H2723	CAP SCREW	1	001572-	3/4" X 6-1/4"

2G20

HYDRAULICS

RXP8264 -UN-26OCT95

DRAWBAR RETAINER



RXP8264

KEY	PART NO.	PART NAME	QTY	TRACTOR SERIAL NO.	REMARKS
1	R78214	STRAP	1		(SUB FOR AR35912 OR RE19375)
	R80447	STRAP	1		(SUB FOR AR53877 OR RE19377)
2	R105478	RETAINER	1		
3	19H3225	CAP SCREW	1		3/4" X 6-1/2"
4	19H2825	CAP SCREW	1		3/4" X 4-1/4"

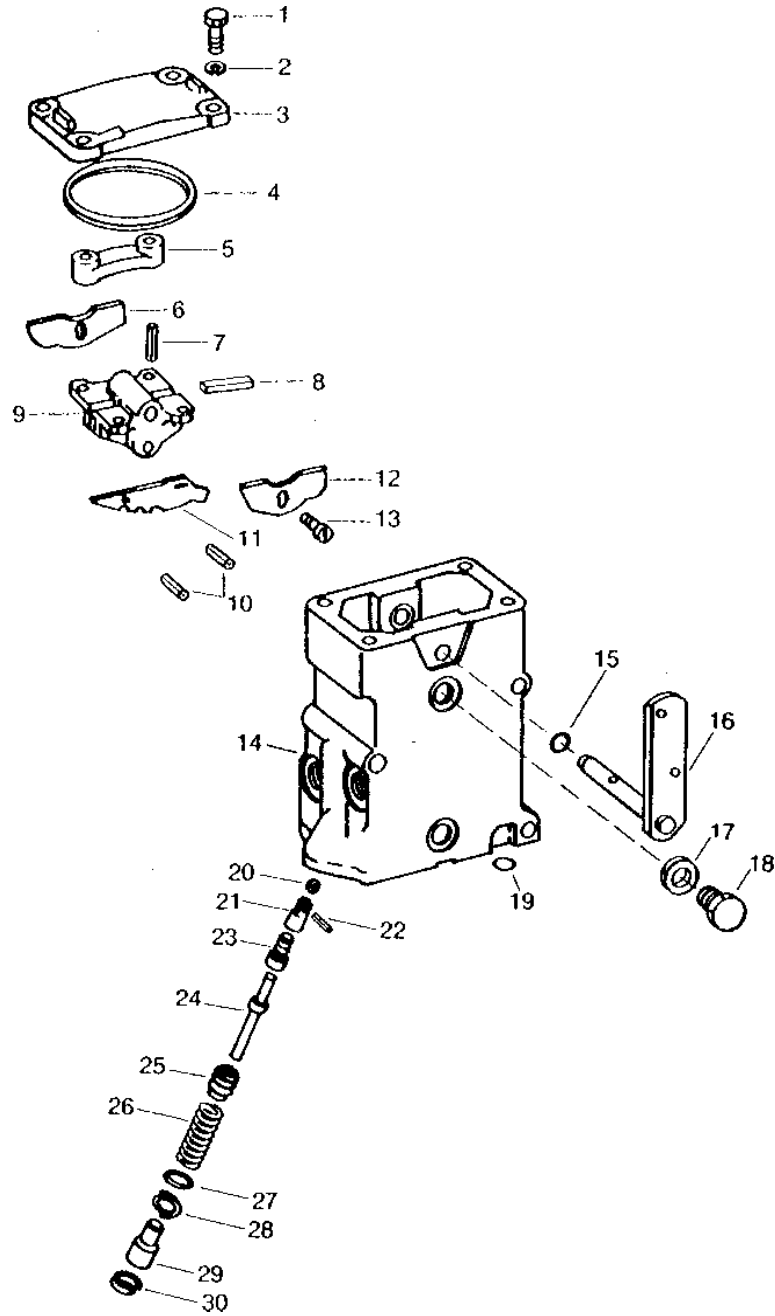
MEMORANDA

2G21

HYDRAULICS

RP1142 -UN-01JAN94

SELECTIVE CONTROL VALVE HOUSING



RP1142

2G22

HYDRAULICS

SELECTIVE CONTROL VALVE HOUSING - CONTINUED

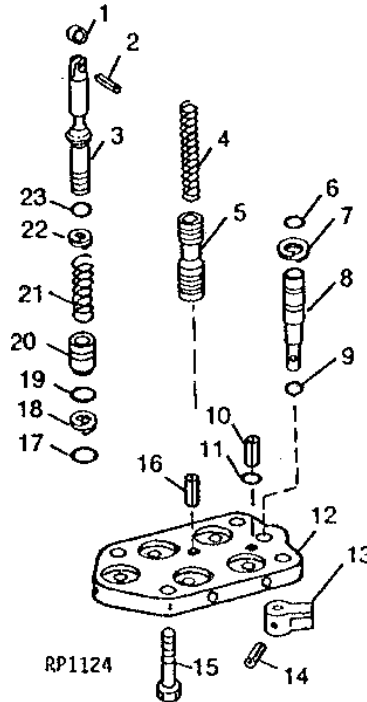
KEY	PART NO.	PART NAME	QTY	MODEL NO.	REMARKS
1	19H1731	CAP SCREW	4		
2	12H304	LOCK WASHER	4		3/8" X 1"
3	R49186	COVER	1		3/8"
4	R49187	WASHER	1		
5	R49221	RETAINER	2		
6	22H1025	SET SCREW	4		1/4" X 7/8"
7	R51414	CAM	1		
8	R56504	SPRING PIN	1		
9	R51412	ROCKER	1		
10	R28744	PIN	2		
11	R51413	CAM	1		
12	R51415	CAM	1		
13	R27233	SCREW	2		
14	AR40828	HOUSING	1	-XXXXX	(MARKED R40599) (SUB AR83549, R27166, R41057, R59629, (2) R65501, (2) R65502, R66916, R74695 AND R65289)
	AR83549	HOUSING	1	XXXXX-	(MARKED R65504)
15	R394R	O-RING	1		(SUB R65287, THIS APPLICATION)
16	AR54411	ARM	1	19SC1-	(SINGLE)
	AR54410	ARM	1	20SC1-	(DUAL AND TRIPLE)
17	AR26697	SEALING WASHER	1		
18	R41155	PLUG	1		
19	R26149	PACKING	AR		(5 USED DUAL) (7 USED TRIPLE)
20	R51409	SPACER	1		
21	R51410	CAM FOLLOWER	1		
22	R51411	PIN	1		
23	R48978	GUIDE	1		
24	R55398	PIN	1		(SUB FOR R48981)
25	R48980	PISTON	1		
26	R41055	SPRING	1		
27	B2762R	O-RING	1		
28	R26546	BACK-UP RING	1		
29	R55397	GUIDE	1		(ALSO ORDER R55398) (SUB FOR R48979)
30	R46722	SNAP RING	1		

2G23

HYDRAULICS

SELECTIVE CONTROL VALVE POPPET, METERING AND FLOW CONTROL VALVE (EARLY DESIGN)

RP1124 -UN-01JAN94



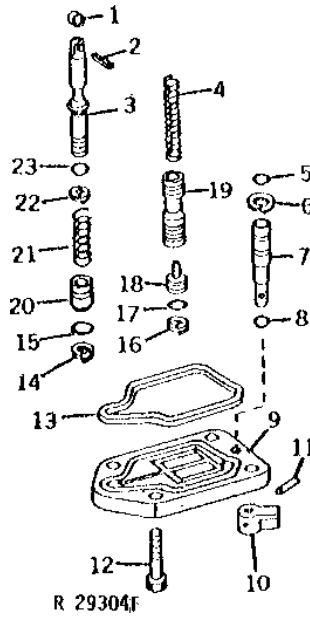
KEY	PART NO.	PART NAME	QTY	MODEL NO.	REMARKS
1	R51409	SPACER	4		
2	34H242	SPRING PIN	4	1/8" X 7/16"	
3	AR86535	VALVE	4	(SUB FOR AR56120 OR AR78396)	
4	R41549	SPRING	1		
5	R52549	SHUT-OFF VALVE	1		
6	P46051	O-RING	1		
7	R40937	BACK-UP RING	1		
8	R52547	VALVE	1		
9	R41339	SHIM	1		
10	34H275	SPRING PIN	1	3/16" X 1/2"	
11	R34812	O-RING	1		
12	AR40688	COVER	1		
13	R41338	ARM	1	(SUB R62652)	
14	34H231	SPRING PIN	1	3/32" X 3/4"	
15	19H988	CAP SCREW	AR	3/8" X 1-1/4", (8 USED DUAL) (12 USED TRIPLE)	
	12H304	LOCK WASHER	AR	3/8", (8 USED DUAL) (12 USED TRIPLE)	
16	34H284	SPRING PIN	1	3/16" X 1-1/4"	
17	R26149	PACKING	6		
18	R41057	BACK-UP RING	4		
19	R27166	O-RING	4		
20	R66416	BUSHING	4	(SUB FOR R41156, THIS APPLICATION)	
21	R65501	SPRING	2	(SUB FOR R41055, THIS APPLICATION)	
	R65502	SPRING	2	(SUB FOR R44310)	
22	R26484	BACK-UP RING	6	(4 USED PRESSURE VALVE) (2 USED RETURN VALVE)	
23	R65286	O-RING	6	(4 USED PRESSURE VALVE) (2 USED RETURN VALVE) (SUB FOR A3917R, THIS APPLICATION)	

2G24

HYDRAULICS

SELECTIVE CONTROL VALVE POPPET, METERING AND FLOW CONTROL VALVE (LATE DESIGN)

R29304 -UN-01JAN94



KEY	PART NO.	PART NAME	QTY	TRACTOR SERIAL NO.	REMARKS
1	R51409	SPACER	4		
2	34H242	SPRING PIN	4	1/8" X 7/16"	
3	AR86535	VALVE	4	(SUB FOR AR78396)	
4	R41549	SPRING	1		
5	P46051	O-RING	1		
6	R40937	BACK-UP RING	1		
7	R65289	VALVE	1		
8	R41339	SHIM	1		
9	R59629	CAP	1		
10	R41338	ARM	1	(SUB R62652)	
11	34H231	SPRING PIN	1	3/32" X 3/4"	
12	19H1731	CAP SCREW	AR	3/8" X 1", (8 USED DUAL) (12 USED TRIPLE)	
	12H304	LOCK WASHER	AR	3/8", (8 USED DUAL) (12 USED TRIPLE)	
13	R74695	WASHER	1		
14	R41057	BACK-UP RING	4		
15	R27166	O-RING	4		
16	R41057	BACK-UP RING	1		
17	R27166	O-RING	1		
18	R66916	STOP	1	(SUB FOR R65354)	
19	R52549	SHUT-OFF VALVE	1		
20	R66416	BUSHING	4		
21	R65501	SPRING	2	RETURN	
	R65502	SPRING	2	PRESSURE	
22	R26484	BACK-UP RING	6	(4 USED PRESSURE VALVE) (2 USED RETURN VALVE)	
23	R65286	O-RING	6	(4 USED PRESSURE VALVE) (2 USED RETURN VALVE)	

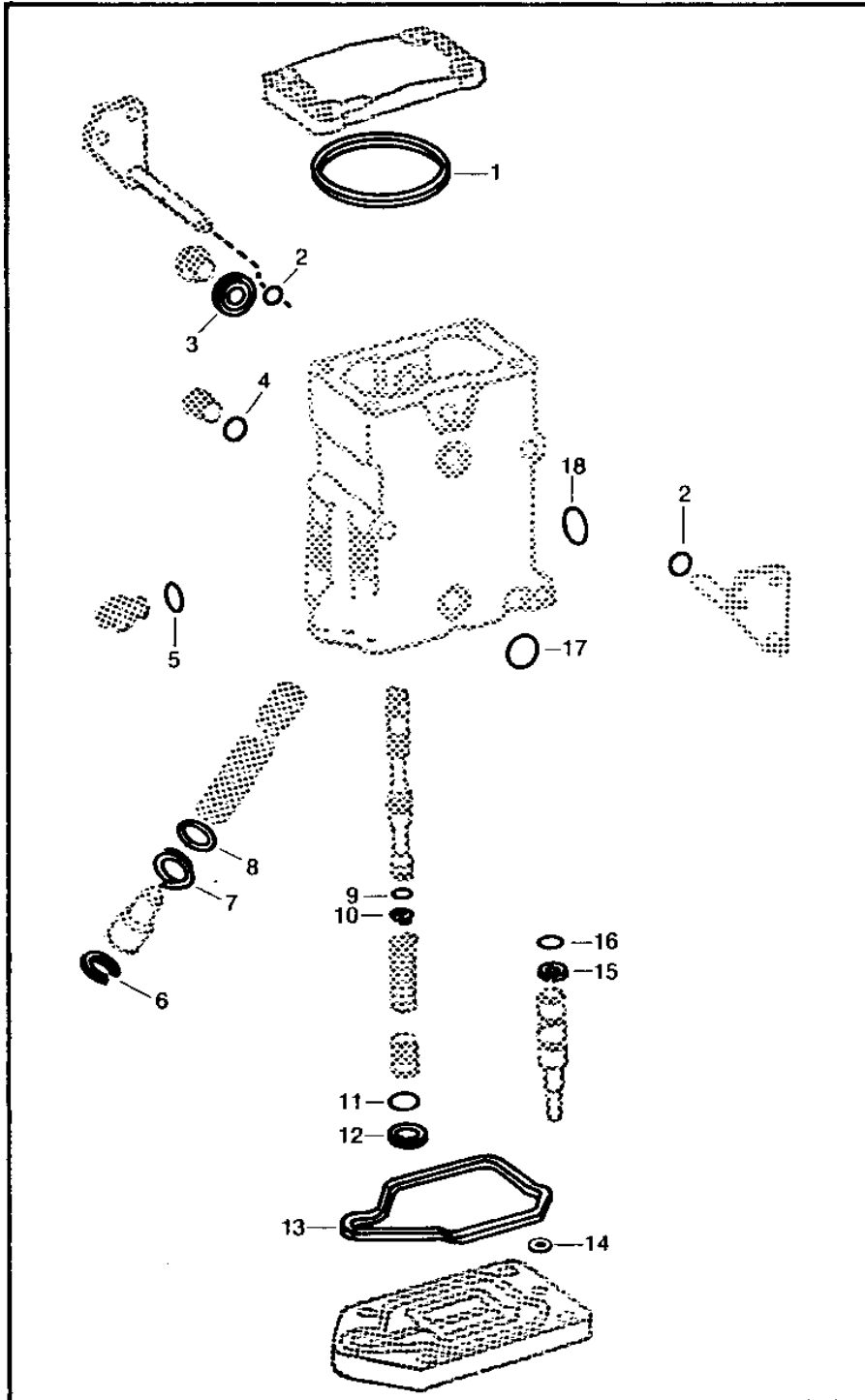
2H1

HYDRAULICS

RP578

-UN-01JAN94

SELECTIVE CONTROL VALVE OVERHAUL KIT



2H2

HYDRAULICS

SELECTIVE CONTROL VALVE OVERHAUL KIT - CONTINUED

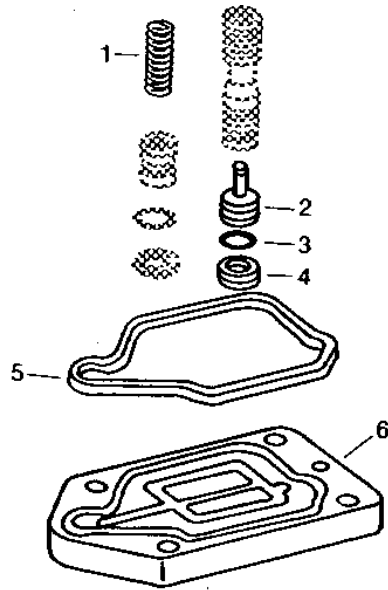
KEY	PART NO.	PART NAME	QTY	TRACTOR SERIAL NO.	REMARKS
1	R49187	WASHER	1		
2	R65287	O-RING	2		
3	AR26697	SEALING WASHER	1		
4	R26448	O-RING	1		
5	R26375	O-RING	2		
6	R46722	SNAP RING	1		
7	R26546	BACK-UP RING	1		
8	B2762R	O-RING	1		
9	R65286	O-RING	AR		(4 USED PRESSURE) (2 USED RETURN)
10	R26484	BACK-UP RING	AR		(4 USED PRESSURE) (2 USED RETURN)
11	R27166	O-RING	4		
12	R41057	BACK-UP RING	4		
13	R74695	WASHER	1		
14	R41339	SHIM	1		
15	R40937	BACK-UP RING	1		
16	P46051	O-RING	1		
17	R26448	O-RING	1		
18	R26149	PACKING	1		
19	AR82571	KIT	1		(SUB FOR AR46978) (SUB RE10924)

2H3

HYDRAULICS

RXP8037 -UN-01JAN94

SELECTIVE CONTROL VALVE CAP WITH PACKING



RXP8037

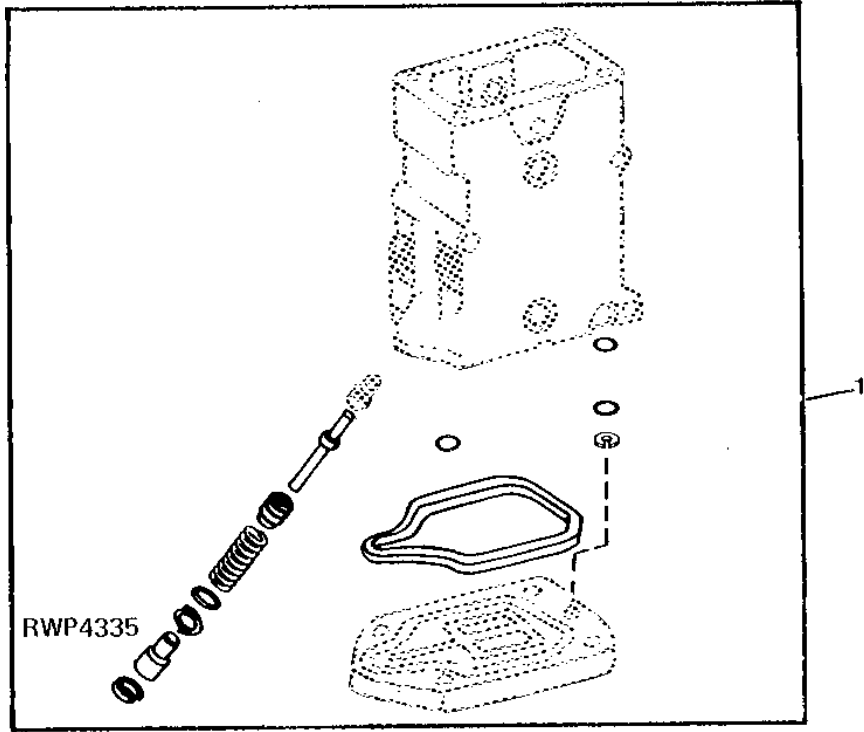
KEY	PART NO.	PART NAME	QTY	TRACTOR SERIAL NO.	REMARKS
1	R65501	SPRING	2		RETURN PRESSURE
	R65502	SPRING	2		
2	R66916	STOP	1		
3	R27166	O-RING	1		
4	R41057	BACK-UP RING	1		
5	R74695	WASHER	1		
6	R59629	CAP	1		(SUB R27166, R41057, R59629, (2) R65501, (2) R65502, R66916 AND R74695)

2H4

HYDRAULICS

RWP4335 -UN-01JAN94

SELECTIVE CONTROL VALVE DETENT KIT



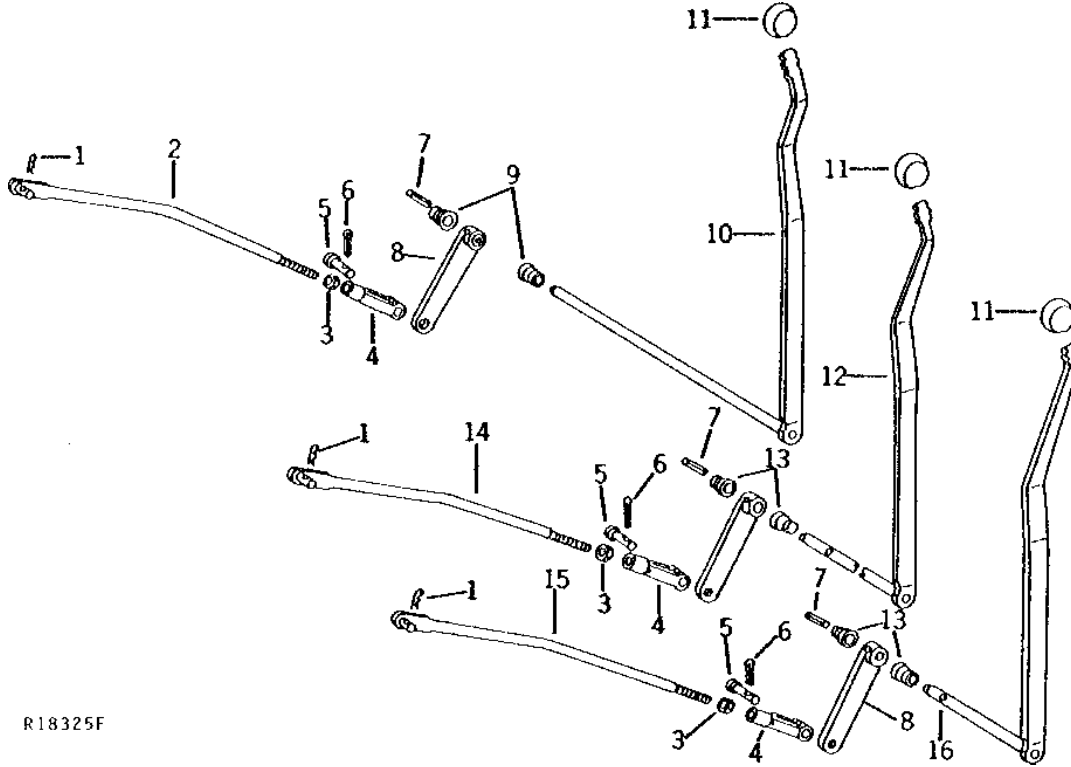
KEY	PART NO.	PART NAME	QTY	TRACTOR SERIAL NO.	REMARKS
1	AR52394	KIT	1		

2H5

HYDRAULICS

R18325 -UN-01JAN94

SELECTIVE CONTROL LEVERS AND LINKAGES



R18325F

KEY	PART NO.	PART NAME	QTY	TRACTOR SERIAL NO.	REMARKS
1	R46528	SPRING LOCKING PIN	1		
2	AR54412	ROD	1	(A)	
3	14H650	NUT	1	5/16"	
4	R42282	YOKE	1	(SUB T54033 AND R82766)	
5	R72660	PIN	1	(SUB FOR R662R)	
6	11M7079	COTTER PIN	1	0.098" X 0.472"	
7	34H312	SPRING PIN	1	1/4" X 1"	
8	AR57239	ARM	1		
9	R42093	GROMMET	2		
10	AR57242	LEVER	1	(A)	
11	R52690	GRIP	1	(A)	
	R52691	GRIP	1	(B)	
	R52692	GRIP	1	(C)	
12	AR57243	LEVER	1	(B)	
13	R42093	GROMMET	AR	(2 USED DUAL) (4 USED TRIPLE)	
14	AR54413	ROD	1	(B)	
15	AR54414	ROD	1	(C)	
16	AR57244	LEVER	1	(C)	
..	AR53792	STRAP	1	KIT, SELECTIVE CONTROL LEVER STOP	
..	R51302	SPRING	1	SELECTIVE CONTROL LEVER LOCK, (SUB FOR AR55421)	

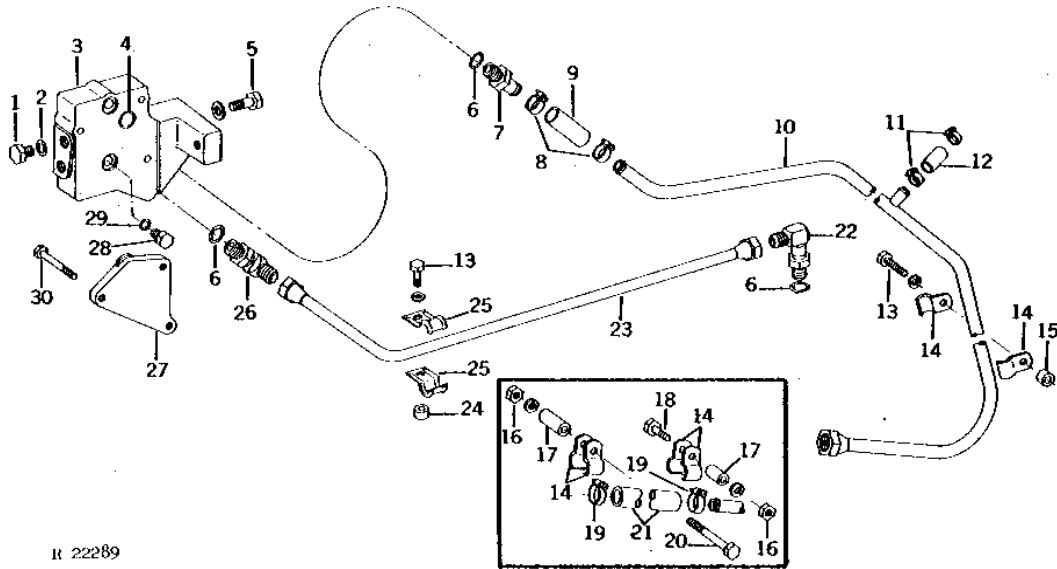
- (A) SINGLE
- (B) DUAL
- (C) TRIPLE

2H6

HYDRAULICS

R22289 -UN-01JAN94

SELECTIVE CONTROL VALVE PRESSURE AND RETURN PIPES



R 22289

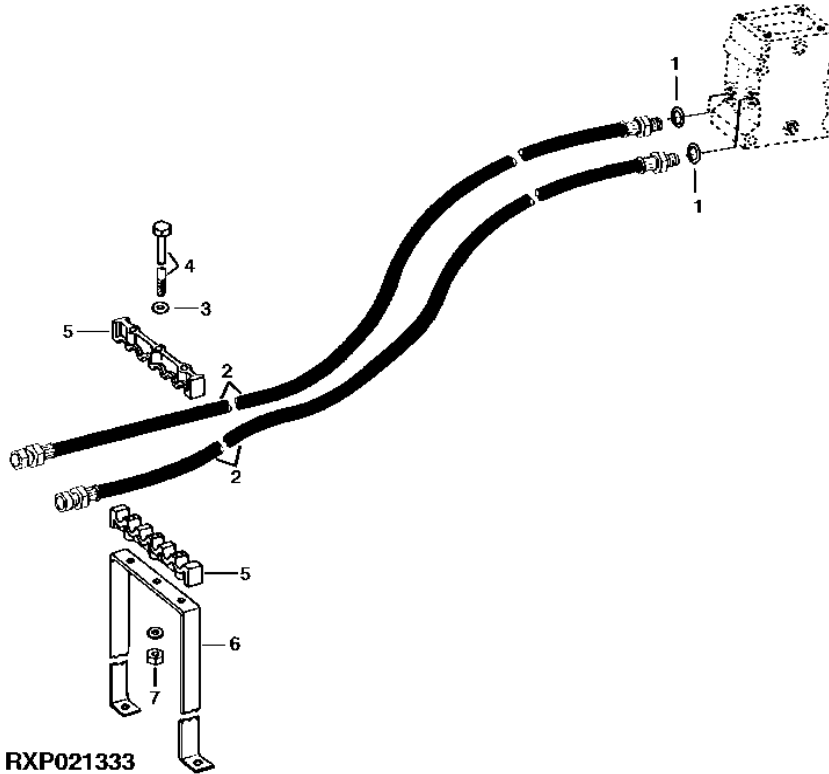
KEY	PART NO.	PART NAME	QTY	TRACTOR SERIAL NO.	REMARKS
1	R39112	FITTING	1		(2 USED LESS ROCKSHAFT)
2	R26375	O-RING	1		(2 USED LESS ROCKSHAFT)
3	R49513	MANIFOLD	1		
4	R26149	PACKING	AR		(6 USED DUAL) (8 USED TRIPLE)
5	19H1820	CAP SCREW	2		1/2" X 3"
	12H301	LOCK WASHER	2		1/2"
6	R26906	O-RING	3		
7	R52683	FITTING	1		
8	AR21839	CLAMP	2		(SUB TY22467)
9	HOSE	1		63.5MM (2-1/2") (MAKE FROM TY22329) (SUB FOR R26905)
10	AR54493	OIL LINE	1	-003679	RETURN
	AR68226	OIL LINE	1	003680-	RETURN
11	AR21837	CLAMP	2		(SUB TY22465)
12	R50109	HOSE	1		
13	19H1732	CAP SCREW	2		3/8" X 1-1/4"
	12H304	LOCK WASHER	2		3/8"
14	R27531	CLAMP	6	-03679	
	R27531	CLAMP	2	003680-	
15	28H1878	SPACER	1		0.493" X 0.675" X 7/16"
16	14H1076	NUT	2	-003679	3/8"
	12H304	LOCK WASHER	2	-003679	3/8"
17	28H1525	BUSHING	1	-003679	0.493" X 0.675" X 1-1/16"
18	19H1801	CAP SCREW	1	-003679	3/8" X 2"
19	AR21839	CLAMP	2	-003679	
20	19H1800	CAP SCREW	1	-003679	3/8" X 1-1/2"
21	R50553	HOSE	1	-003679	
22	AR40516	ELBOW FITTING	1		
23	AR54492	OIL LINE	1		PRESSURE
24	28H1518	WASHER	1		0.493" X 0.675" X 5/16"
25	R47576	CLAMP	2		
26	AT32338	FITTING	1		(SUB FOR AR26828)
27	R37479	COVER	1		
28	R27218	FITTING PLUG	1		
29	R26448	O-RING	1		
30	08H4148	CAP SCREW	3		3/8" X 8-1/2", (DUAL)
	08H4496	CAP SCREW	3		3/8" X 11", (TRIPLE)

2H7

HYDRAULICS

SELECTIVE CONTROL VALVE REAR LINES (LESS ROCKSHAFT)

RXP021333 -UN-20SEP95



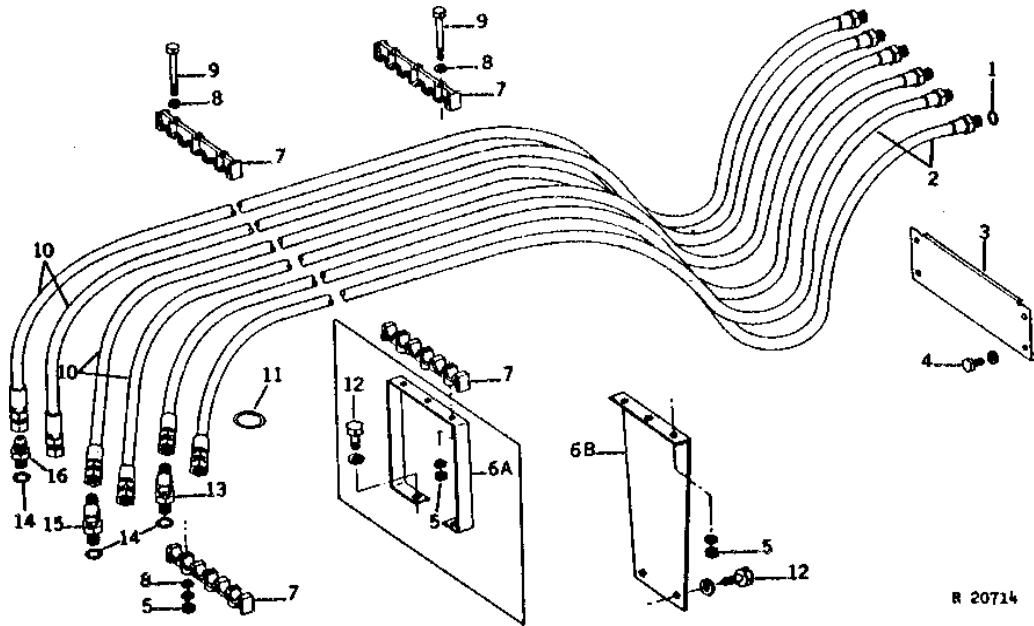
KEY	PART NO.	PART NAME	QTY	TRACTOR SERIAL NO.	REMARKS
1	R26375	O-RING	4		
2	AR54424 B3685R	HYDRAULIC HOSE O-RING	AR 4		(4 USED DUAL) (6 USED TRIPLE) (TO HOLD FLEXIBLE LINES IN BUNDLE)
3	24H1136	WASHER	3		11/32" X 11/16" X 0.065"
4	19H1904	CAP SCREW	3		5/16" X 3"
5	R47599	CLAMP	2		
6	R50115	SUPPORT	1		
7	14H785	NUT	3	5/16"	
	12H303	LOCK WASHER	3	5/16"	

2H8

HYDRAULICS

R20714 -UN-01JAN94

BREAKAWAY COUPLER FLEXIBLE OIL LINES



R 20714

KEY	PART NO.	PART NAME	QTY	TRACTOR SERIAL NO.	REMARKS
1	R26375	O-RING	AR		(4 USED DUAL) (6 USED TRIPLE)
2	AR54424	HYDRAULIC HOSE	2		(B)
3	R50177	PLATE	1		(B)
	R50176	PLATE	1		(A)
4	19H2020	CAP SCREW	4		5/16" X 1/2", (5 USED DUAL) (4 USED TRIPLE)
	12H303	LOCK WASHER	4		5/16", (5 USED DUAL) (4 USED TRIPLE)
5	14H785	NUT	6		5/16"
	12H303	LOCK WASHER	6		5/16"
6A	R50116	SUPPORT	1	-001571	
6B	R52295	SUPPORT	1	001572-	
7	R47599	CLAMP	4		
8	24H1136	WASHER	9		11/32" X 11/16" X 0.065"
9	19H1904	CAP SCREW	6		5/16" X 3"
10	AR54425	HOSE	4		
11	B3685R	O-RING	1		
12	19H1815	CAP SCREW	2		1/2" X 1-1/4"
	12H301	LOCK WASHER	2		1/2"
13	AR26745	ELBOW FITTING	2		(B)
14	R26375	O-RING	AR		(4 USED DUAL) (6 USED TRIPLE)
15	R27237	FITTING	2		(A)
	AR26745	ELBOW FITTING	2		(B)
16	R27237	FITTING	2		

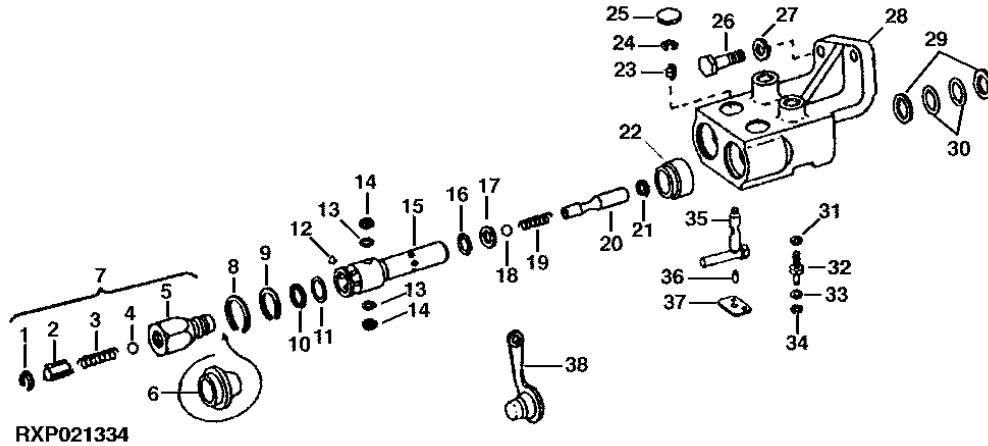
(A) DUAL
(B) TRIPLE

2H9

HYDRAULICS

BREAKAWAY COUPLER (ROCKSHAFT)

RXP021334 -UN-20SEP95



KEY	PART NO.	PART NAME	QTY	TRACTOR SERIAL NO.	REMARKS
1	R59633	WEAR RING	2		(SUB FOR R28204)
2	R28085	GUIDE	2		(SUB AR93819 OR AR93820, THIS APPLICATION)
3	R28084	SPRING	2		
4	D2361R	BALL	2		
5	R27430	HYD. QUICK-CONNECT COUPLER	1		(PRESSURE) (SUB AR93819)
	R45630	HYD. QUICK-CONNECT COUPLER	1		(RETURN) (SUB AR93820)
6	R28006	CAP	2		
7	AR93819	HYD. QUICK-CONNECT COUPLER	1		(PRESSURE) (SUB FOR AR30210)
	AR93820	FITTING	1		(RETURN) (SUB FOR AR47643)
8	R34399	SNAP RING	2		
9	R32356	SNAP RING	2		
10	R26485	BACK-UP RING	2		
11	R59343	RING	2		
12	400R	BALL	12		
13	R65286	O-RING	4		(SUB FOR A3917R, THIS APPLICATION) (SUB R78436, THIS APPLICATION)
14	R26484	BACK-UP RING	4		
15	R34397	SOCKET OUTLET	2		
16	R375R	O-RING	2		
17	R26482	RING	2		
18	D2361R	BALL	2		
19	R28084	SPRING	2		
20	R34400	PLUG	2		
21	R26483	SNAP RING	2		
22	R34398	SLEEVE	2		
23	R31890	SPRING	2		
24	R72653	SNAP RING	2		(SUB FOR M2396T)
25	30H15	PLUG	2		1-1/8"
26	19H2106	CAP SCREW	1		7/16" X 2-3/4", (L.H. COUPLER)
	19H456	CAP SCREW	1		1/2" X 1-3/8", (L.H. COUPLER)
	19H456	CAP SCREW	2		1/2" X 1-3/8", (4 USED TRIPLE)
27	12H293	LOCK WASHER	1		7/16", (L.H. COUPLER)
	12H301	LOCK WASHER	1		1/2", (L.H. COUPLER)
	12H301	LOCK WASHER	2		1/2", (DUAL)
28	AR52620	HOUSING	1		(SUB R34396, R49191, R72654, 12H10 AND 24H1286)
29	R26480	BACK-UP RING	4		(SUB R74530, THIS APPLICATION)
30	A4730R	O-RING	4		(SUB R74530, THIS APPLICATION)
31	12H303	LOCK WASHER	1		5/16"
32	R49191	SCREW	1		
33	24H1286	WASHER	1		9/32" X 1/2" X 1/16"
34	R72654	SNAP RING	1		(SUB FOR R27507)
35	AR82576	LEVER	1		(SUB FOR AR33877) (SUB AR99100)
36	34H244	SPRING PIN	2		1/8" X 9/16"
37	R51285	PLATE	1	-XXXXXX	(SUB FOR R41494) (SUB AR75958, THIS APPLICATION)
	AR75958	CAM	1	XXXXXX-	
38	R32419	COVER	2		

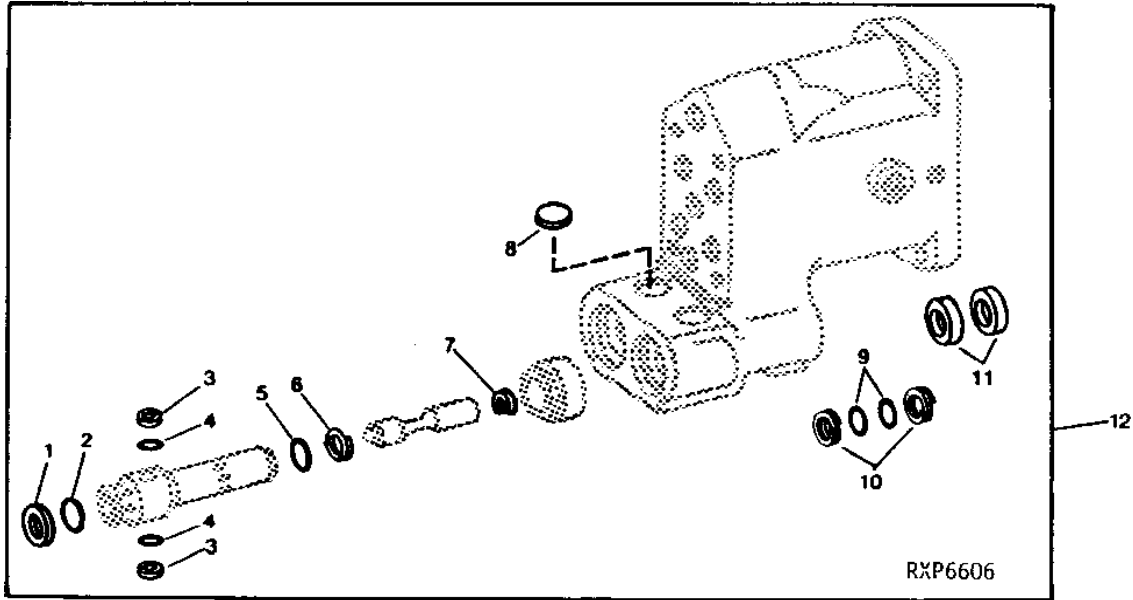
2H10

HYDRAULICS

RXP6606

-UN-06OCT94

BREAKAWAY COUPLER OVERHAUL KIT



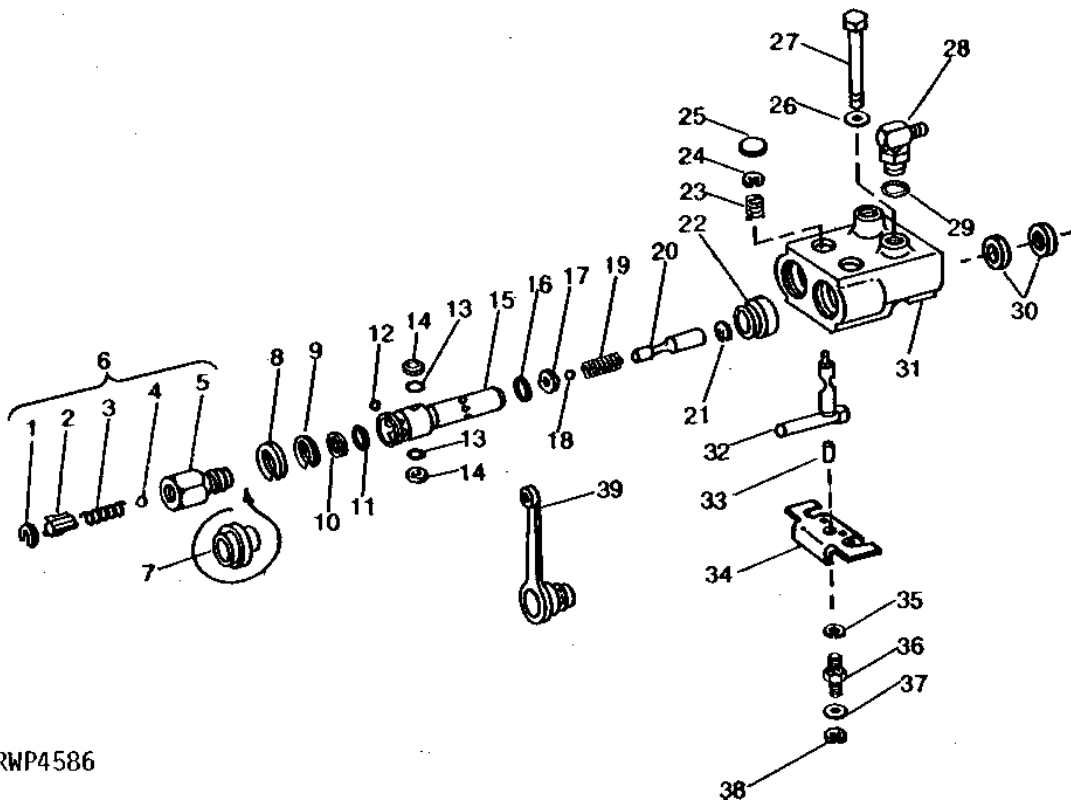
KEY	PART NO.	PART NAME	QTY	TRACTOR SERIAL NO.	REMARKS
1	R26485	BACK-UP RING	2		
2	R59343	RING	2		
3	R26484	BACK-UP RING	4		
4	R65286	O-RING	4	(SUB R78436)	
5	R375R	O-RING	2		
6	R26482	RING	2		
7	R26483	SNAP RING	2		
8	30H15	PLUG	2	1-1/8"	
9	A4730R	O-RING	4	(EARLY DESIGN)	
10	R26480	BACK-UP RING	4	(EARLY DESIGN)	
11	R79311	SEAL	4	(SUB FOR R65285 AND R74530)	
12	AR82570	KIT	1	(SUB FOR AR30685)	

2H11

HYDRAULICS

DELUXE BREAKAWAY COUPLER (LESS ROCKSHAFT)

RWP4586 -UN-01JAN94



RWP4586

2H12

HYDRAULICS

DELUXE BREAKAWAY COUPLER - CONTINUED (LESS ROCKSHAFT)

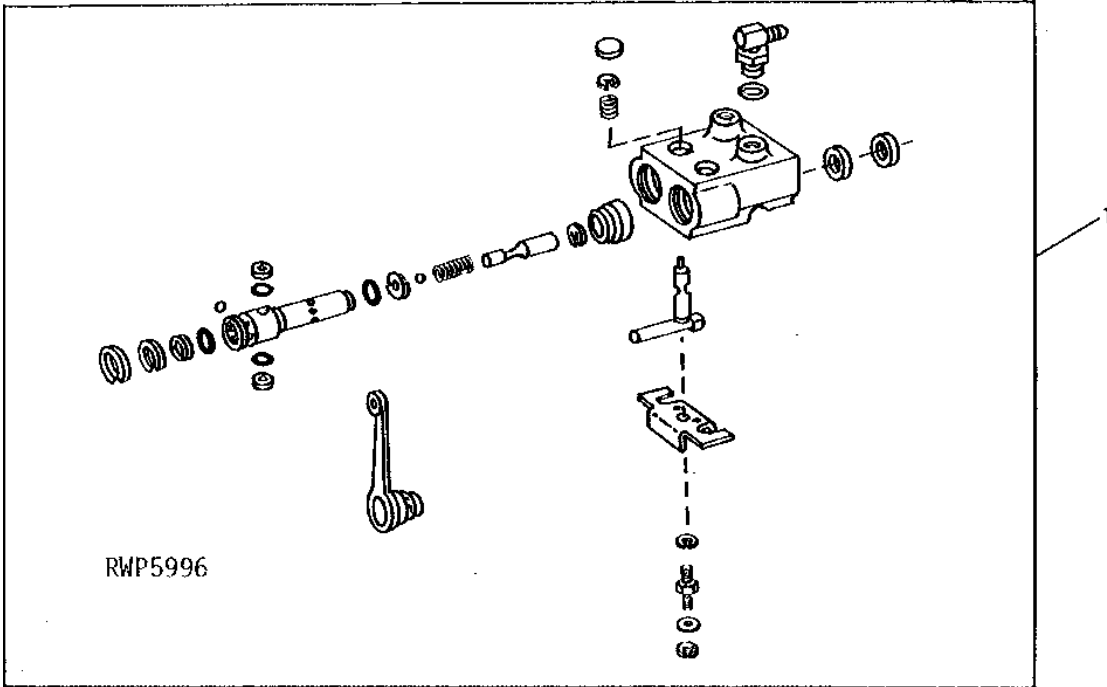
KEY	PART NO.	PART NAME	QTY	TRACTOR SERIAL NO.	REMARKS
1	R59633	WEAR RING	2		(SUB FOR R28204)
2	R28085	GUIDE	2		(SUB AR93819 OR AR93820, THIS APPLICATION)
3	R28084	SPRING	2		
4	D2361R	BALL	2		
5	R27430	HYD. QUICK-CONNECT COUPLER	1		(PRESSURE) (SUB AR93819)
	R45630	HYD. QUICK-CONNECT COUPLER	1		(RETURN) (SUB AR93820)
6	AR93819	HYD. QUICK-CONNECT COUPLER	1		(PRESSURE) (SUB FOR AR30210)
	AR93820	FITTING	1		(RETURN) (SUB FOR AR47643)
7	R28006	CAP	2		
8	R34399	SNAP RING	2		
9	R32356	SNAP RING	2		
10	R26485	BACK-UP RING	2		
11	R59343	RING	2		(SUB FOR R495R, THIS APPLICATION)
12	400R	BALL	12		
13	R65286	O-RING	4		(SUB FOR A3917R, THIS APPLICATION)
14	R26484	BACK-UP RING	4		
15	R34397	SOCKET OUTLET	2		
16	R375R	O-RING	2		
17	R26482	RING	2		
18	D2361R	BALL	2		
19	R28084	SPRING	2		
20	R34400	PLUG	2		
21	R26483	SNAP RING	2		
22	R34398	SLEEVE	2		
23	R31890	SPRING	2		
24	R72653	SNAP RING	2		(SUB FOR M2396T)
25	30H15	PLUG	2		1-1/8"
26	19H1781	CAP SCREW	2		1/2" X 3-1/2"
27	24H1341	WASHER	2		17/32" X 15/16" X 0.060"
28	AT32332	ELBOW FITTING	2		(SUB FOR AR26763)
29	R26375	O-RING	2		
30	R79311	SEAL	4		(SUB FOR R26480 AND A4730R, THIS APPLICATION) (SUB FOR R65285)
31	R47699	HOUSING	1		
32	AR82576	LEVER	2		(SUB FOR AR33877) (SUB AR99100)
33	34H244	SPRING PIN	2		1/8" X 9/16"
34	AR75958	CAM	1		(SUB FOR R41494 OR R51285)
35	12H303	LOCK WASHER	1		5/16"
36	R49191	SCREW	1		
37	24H1286	WASHER	1		9/32" X 1/2" X 1/16"
38	R72654	SNAP RING	1		(SUB R27507)
39	R32419	COVER	2		
..	AR68221	BREAKAWAY COUPLER	1		

2H13

HYDRAULICS

BREAKAWAY COUPLER (LESS ROCKSHAFT)

RWP5996 -UN-01JAN94



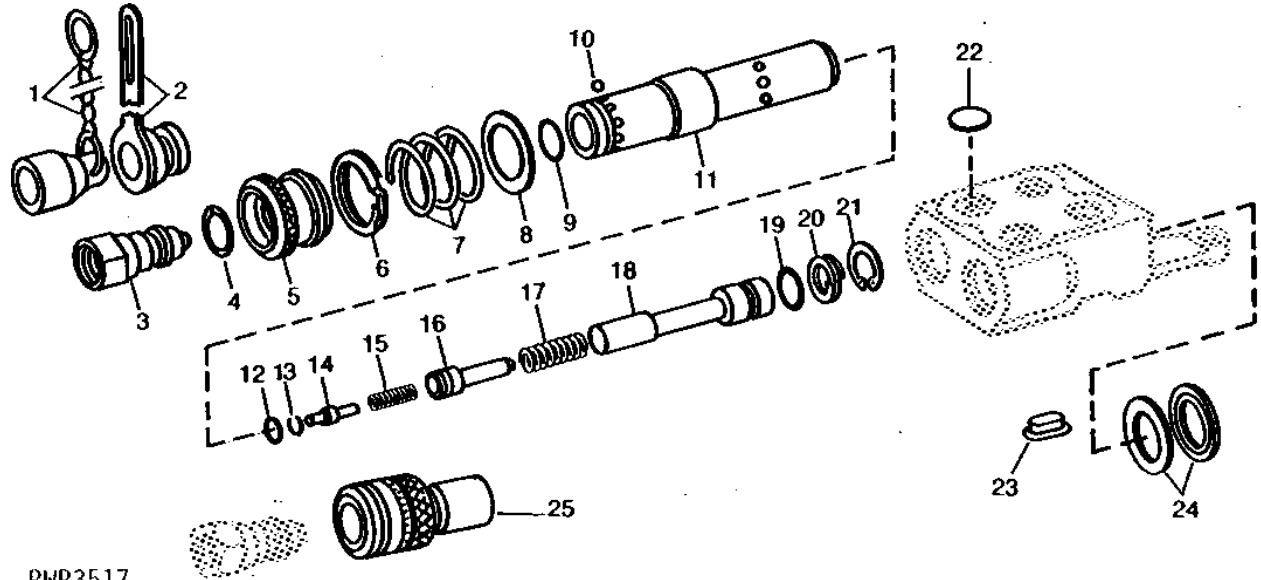
KEY	PART NO.	PART NAME	QTY	TRACTOR SERIAL NO.	REMARKS
1	AR68221	BREAKAWAY COUPLER	1		

2H14

HYDRAULICS

RWP3517 -UN-01JAN94

ISO BREAKAWAY COUPLER (SERVICE PARTS FOR AR80911)



RWP3517

KEY	PART NO.	PART NAME	QTY	TRACTOR SERIAL NO.	REMARKS
1	A15898	CAP	1		
2	A15899	CAP	1		
3	AR94522	INTERNAL HALF COUPLER	1		(SUB FOR AL26973)
4	R64617	SNAP RING	1		
5	R64618	SLEEVE	1		
6	R64615	SNAP RING	1		
7	R64609	SPRING	1		
8	R64608	WASHER	1		
9	R21722	O-RING	1		
10	H871R	BALL	8		5MM (3/16")
11	R64605	EXTERNAL HALF COUPLER	1		
12	R64613	O-RING	1		
13	R64614	SNAP RING	1		
14	R64612	PIN	1		
15	R64611	SPRING	1		
16	R64610	POPPET	1		
17	R64607	SPRING	1		
18	R64606	GUIDE	1		
19	R375R	O-RING	1		
20	R26482	RING	1		
21	U15969	SNAP RING	1		
22	30H15	PLUG	1		1-1/8"
23	R64561	PLUG	1		
24	R74530	SEAL	2		(SUB R79311)
25	AL26972	EXTERNAL HALF COUPLER	1		

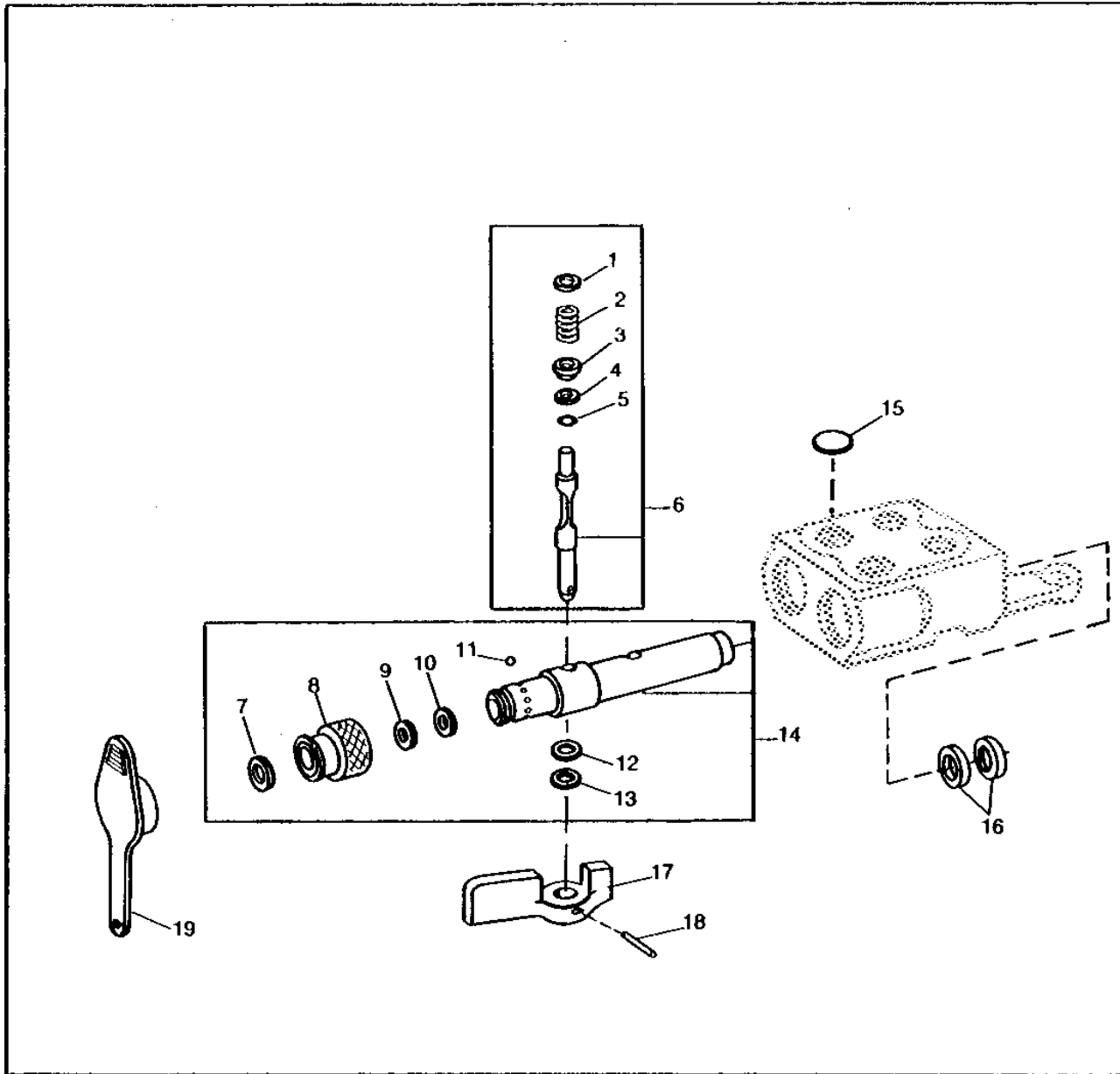
2H15

HYDRAULICS

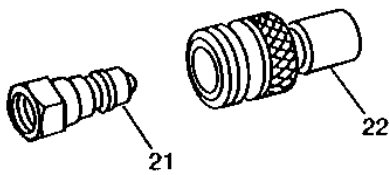
RWP3518

-UN-01JAN94

JOHN DEERE TO ISO COUPLER CONVERSION KIT



RWP3518



2H16

HYDRAULICS

JOHN DEERE TO ISO COUPLER CONVERSION KIT - CONTINUED

KEY	PART NO.	PART NAME	QTY	TRACTOR SERIAL NO.	REMARKS
1	R54242	SNAP RING	2		
2	R78767	SPRING	2		
3	R48698	WASHER	2		
4	R31136	BACK-UP RING	2		
5	R10093	O-RING	2		
6	RE13814	SHAFT	2		
7	40M4378	SNAP RING	2		
8	R78765	SLEEVE	2		
9	R71387	WASHER	2		
10	R74210	O-RING	2		
11	H871R	BALL	16		
12	P51212	O-RING	2		
13	R78766	BACK-UP RING	2		
14	RE13813	RECEPTACLE	2		
15	30H15	PLUG	2		1-1/8"
16	R74530	SEAL	2		(SUB R79311)
17	R78769	HANDLE	2		
18	34H247	SPRING PIN	2		1/8" X 3/4"
19	R78768	COVER	2		
20	RE12121	RECEIVER	1		
21	AR94522	INTERNAL HALF COUPLER	AR		(SUB FOR AL26973)
22	AL26972	EXTERNAL HALF COUPLER	AR		

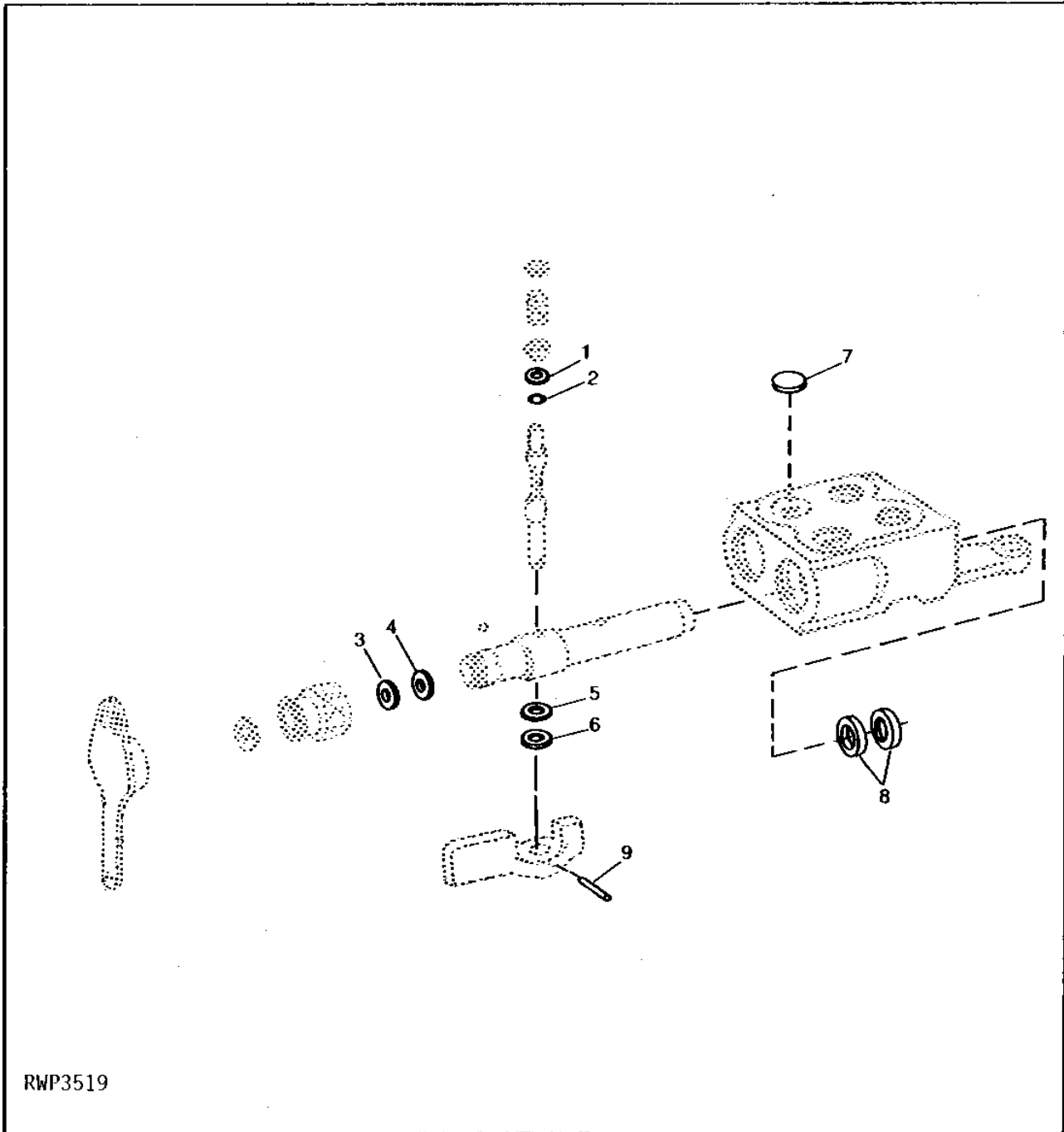
2H17

HYDRAULICS

RWP3519

-UN-01JAN94

ISO COUPLER OVERHAUL KIT



RWP3519

2H18

HYDRAULICS

ISO COUPLER OVERHAUL KIT - CONTINUED

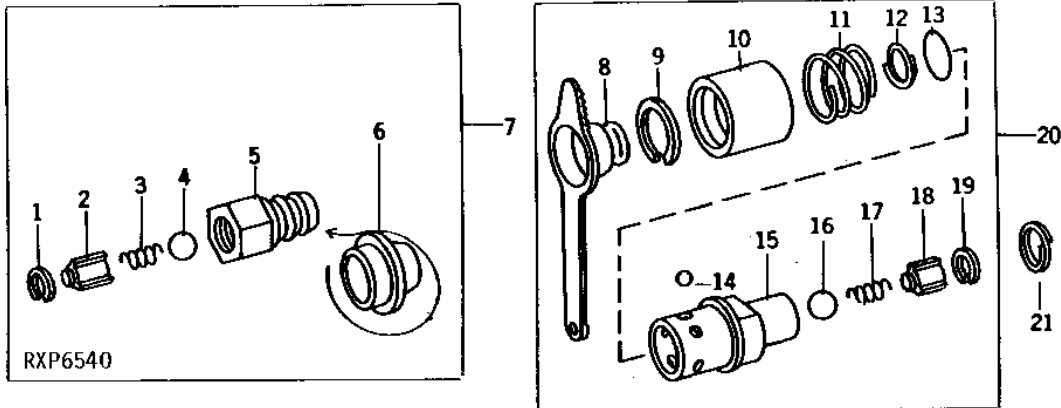
KEY	PART NO.	PART NAME	QTY	TRACTOR SERIAL NO.	REMARKS
1	R31136	BACK-UP RING	2		
2	R10093	O-RING	2		
3	R71387	WASHER	2		
4	R74210	O-RING	2		
5	P51212	O-RING	2		
6	R78766	BACK-UP RING	2		
7	30H15	PLUG	2	1-1/8"	
8	R74530	SEAL	4	(SUB R79311)	
9	34H247	SPRING PIN	2	1/8" X 3/4"	
10	RE13815	KIT	1		

2H19

HYDRAULICS

RXP6540 -UN-06OCT94

FLEXIBLE OIL LINE COUPLER



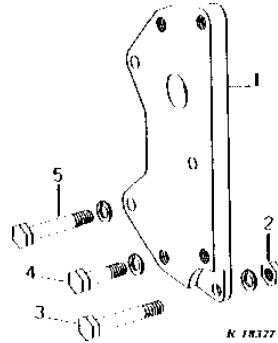
KEY	PART NO.	PART NAME	QTY	TRACTOR SERIAL NO.	REMARKS
1	R59633	WEAR RING	1		(SUB FOR R28204)
2	R28085	GUIDE	1		(SUB AR93819 OR AR93820, THIS APPLICATION)
3	R28084	SPRING	1		
4	D2361R	BALL	1		13MM (1/2")
5	R27430	HYD. QUICK-CONNECT COUPLER	1		(PRESSURE) (SUB AR93819)
	R45630	HYD. QUICK-CONNECT COUPLER	1		(RETURN) (SUB AR93820)
6	R28006	CAP	1		
7	AR30210	INTERNAL HALF COUPLER	1		(PRESSURE) (SUB AR93819)
	AR47643	BREAKAWAY COUPLER	1		(RETURN) (SUB AR93820)
8	R32419	COVER	1		(SUB R80324)
9	R32356	SNAP RING	1		
10	R32355	SLEEVE	1		
11	R32354	SPRING	1		(SUB RE15361)
12	R26485	BACK-UP RING	1		
13	R495R	O-RING	1		
14	400R	BALL	6		6MM (1/4")
15	R32353	SOCKET OUTLET	1		(SUB RE15361)
16	D2361R	BALL	1		13MM (1/2")
17	R28084	SPRING	1		
18	R28085	GUIDE	1		(SUB RE15361)
19	R59633	WEAR RING	1		(SUB FOR R28204)
20	AR47331	SOCKET OUTLET	1		(SUB RE15361)
21	R36946	SPRING	1		

2H20

HYDRAULICS

R18327 -UN-01JAN94

BREAKAWAY COUPLER BRACKET



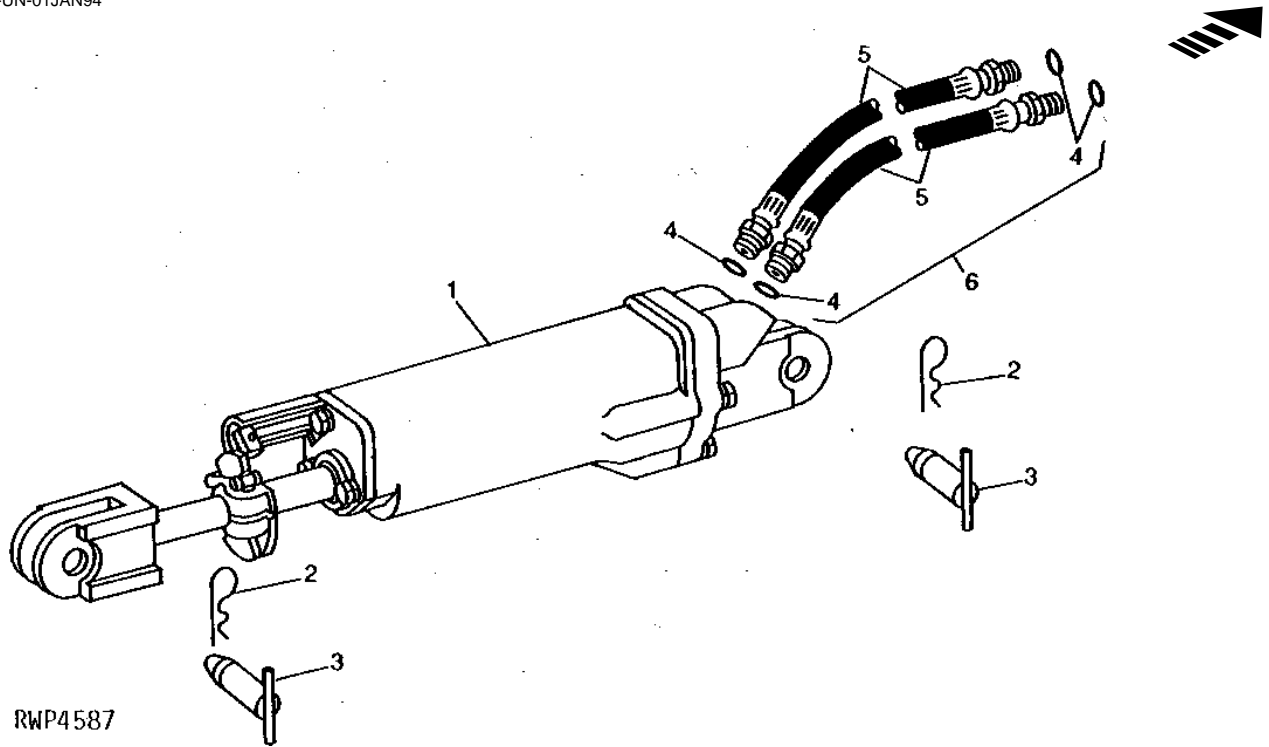
KEY	PART NO.	PART NAME	QTY	TRACTOR SERIAL NO.	REMARKS
1	R50118	BRACKET	1		
2	14H1047	NUT	1	7/16"	
	12H293	LOCK WASHER	1	7/16"	
3	19H3229	CAP SCREW	1	7/16" X 2-3/8"	
4	19H456	CAP SCREW	AR	1/2" X 1-3/8", (2 USED DUAL) (4 USED TRIPLE)	
	12H301	LOCK WASHER	AR	1/2", (2 USED DUAL) (4 USED TRIPLE)	
5	19H2055	CAP SCREW	3	7/16" X 2-1/4"	
	12H293	LOCK WASHER	3	7/16"	

2H21

HYDRAULICS

RWP4587 -UN-01JAN94

REMOTE CYLINDER AND HOSES



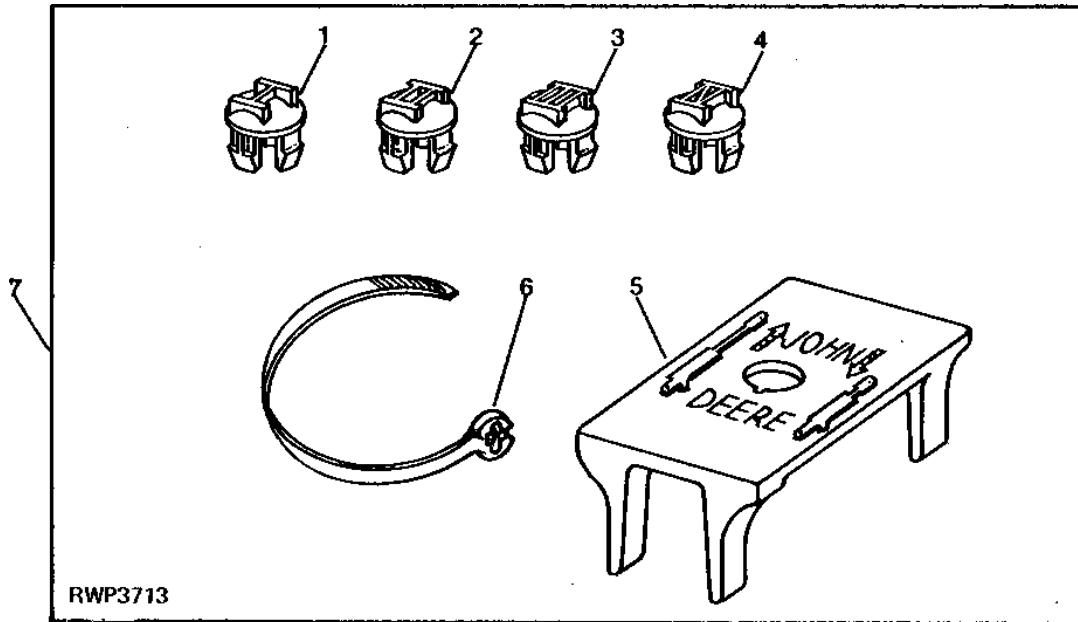
KEY	PART NO.	PART NAME	QTY	TRACTOR SERIAL NO.	REMARKS
1	AR35261	CYLINDER	1		
	AR36303	CYLINDER	1		(NOT AS ILLUSTRATED)
2	A3581R	SPRING LOCKING PIN	2		
3	AR47825	PIN	2		
4	R26375	O-RING	4		
5	R36795	HYDRAULIC HOSE	2		
6	AR36158	OIL LINE	1		

2H22

HYDRAULICS

RWP3713 -UN-01JAN94

REMOTE CYLINDER HOSE IDENTIFICATION KIT



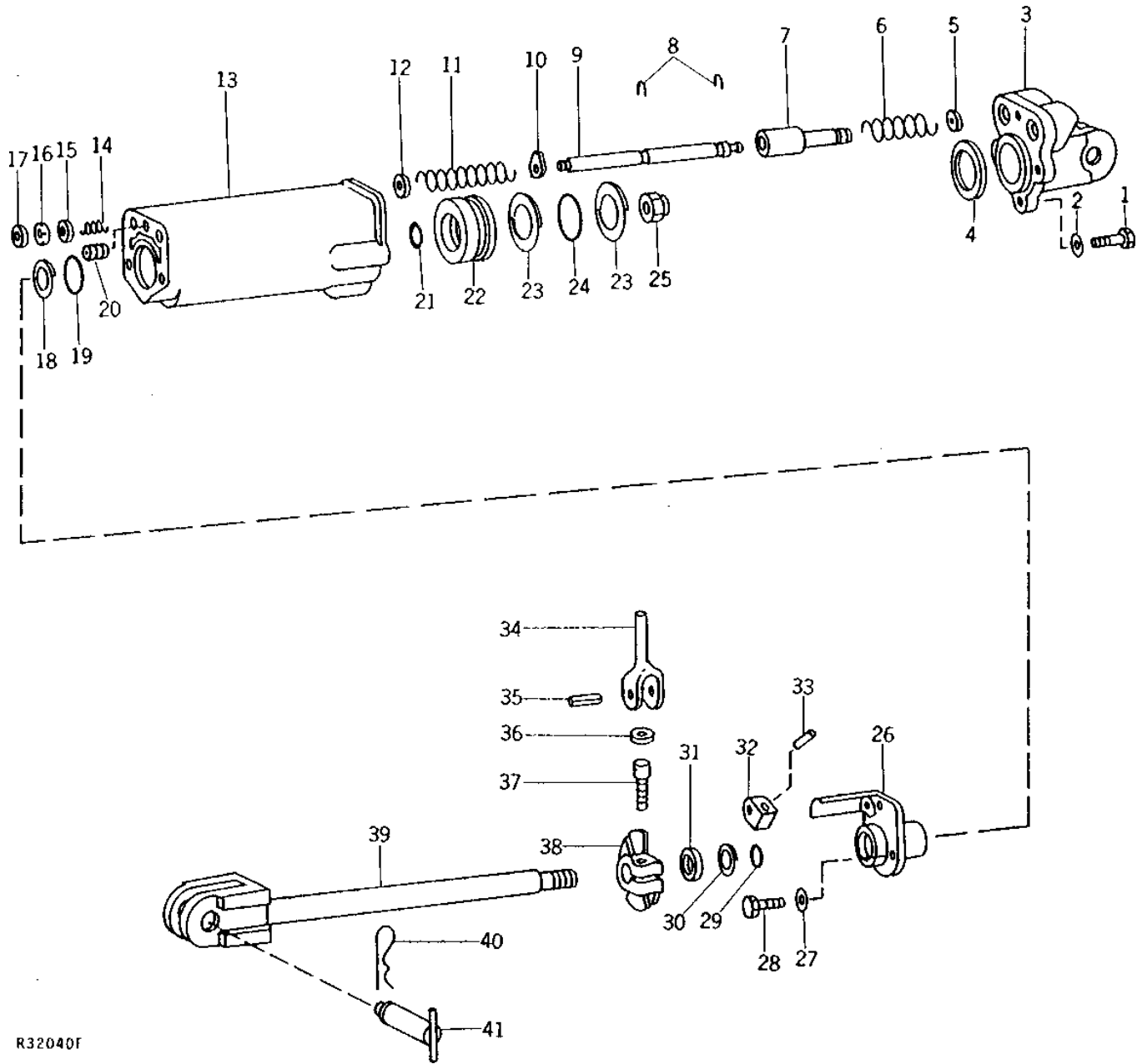
KEY	PART NO.	PART NAME	QTY	TRACTOR SERIAL NO.	REMARKS
1	R74242	PLUG	1		
2	R74243	PLUG	1		
3	R74244	PLUG	1		
4	R74246	PLUG	1		
5	R76459	TAG	1		
6	R76477	TIE BAND	2		
7	AR103808	KIT	1		

2H23

HYDRAULICS

R32040 -UN-01JAN94

REMOTE CYLINDER PARTS (HYDRAULIC STOP)



R32040F

2H24

HYDRAULICS

REMOTE CYLINDER PARTS - CONTINUED (HYDRAULIC STOP)

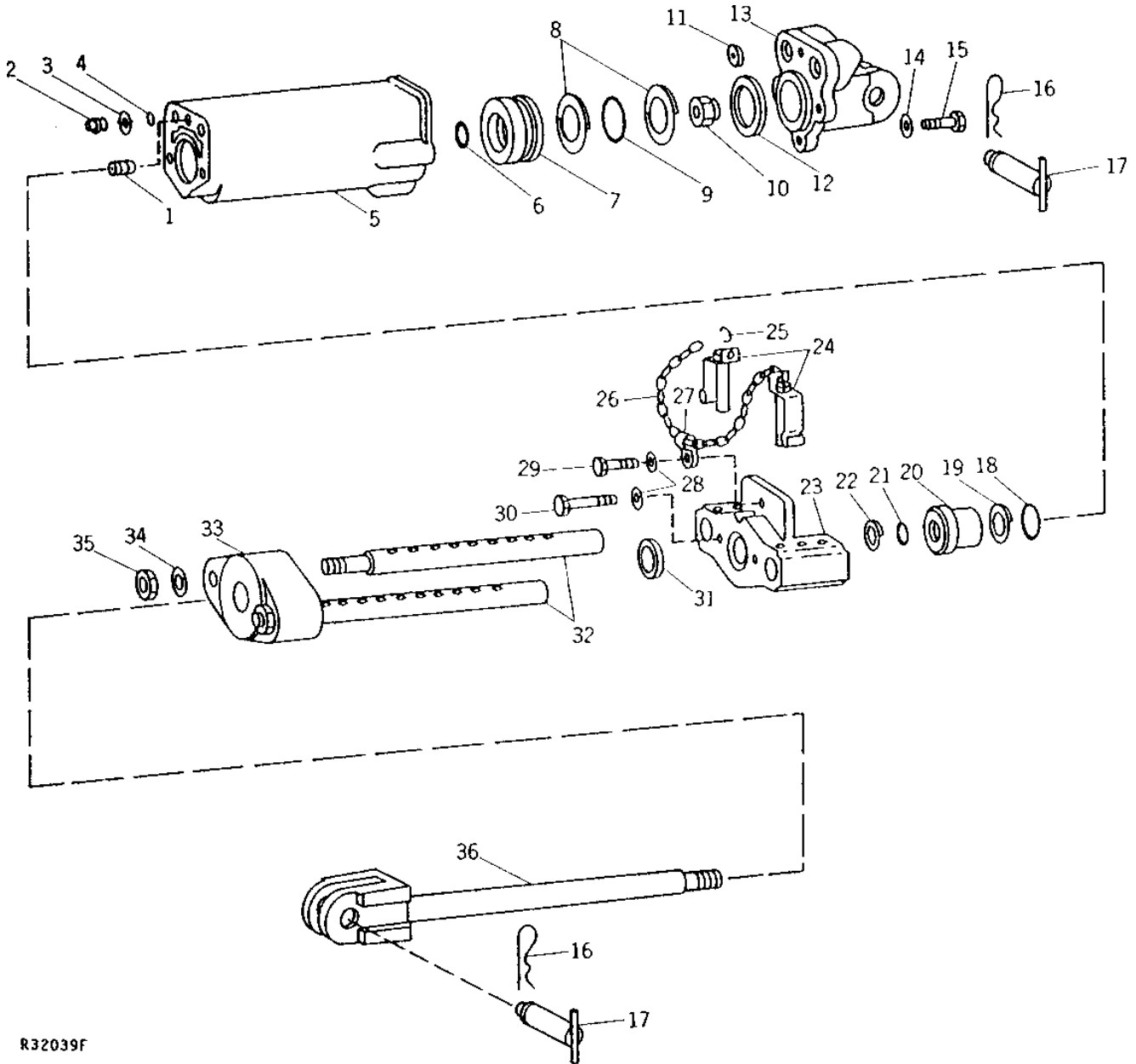
KEY	PART NO.	PART NAME	QTY	TRACTOR SERIAL NO.	REMARKS
1	19H2357	CAP SCREW	4		9/16" X 2"
2	12H317	LOCK WASHER	4		9/16"
3	R35452	CYLINDER HEAD	1		
4	F1427R	WASHER	1		
5	A4723R	WASHER	2		
6	R49352	SPRING	1		
	A4744R	SPRING	1		(OPTIONAL)
	A4741R	SPRING	1		(OPTIONAL)
7	R39012	VALVE	1		
8	A4739R	RING	2		
9	A4736R	ROD	1		
10	R57696	WASHER	1		(SUB FOR A4738R)
11	A4737R	SPRING	1		
12	24H1301	WASHER	1		13/32" X 9/16" X 0.065"
13	R35447	CYLINDER	1		
14	A4748R	SPRING ASSEMBLY	1		
15	A4747R	WASHER	1		
16	A4745R	PACKING	3		
17	A4746R	ADAPTER	1		
18	R35474	BACK-UP RING	1		
19	T11220	O-RING	1		
20	15H624	PIPE PLUG	1		1/2"
21	R27564	O-RING	1		
22	R44297	PISTON	1		
23	R35472	BACK-UP RING	2		
24	F1430R	O-RING	1		
25	R45620	LOCK NUT	1		
26	R40219	GUIDE	1		
27	12H304	LOCK WASHER	3		3/8"
28	19H1731	CAP SCREW	3		3/8" X 1"
29	R29463	O-RING	1		
30	R35473	BACK-UP RING	1		
31	R35738	SEAL	1		
32	A5304R	ARM	1		
33	25H760	GROOVE PIN	1		7/32" X 1-1/4"
34	A5302R	YOKE	1		
35	34H264	SPRING PIN	1		5/32" X 7/8"
36	R57696	WASHER	1		(SUB FOR R1870R)
37	A5301R	SCREW	1		
38	R35448	STOP	1		
39	AR45544	ROD	1		
40	A3581R	SPRING LOCKING PIN	2		
41	AR47825	PIN	2		
..	AR45534	KIT	1		(TO CONVERT 89 X 203MM (3-1/2" X 8") REMOTE CYLINDER FROM HYDRAULIC STOP TO MECHANICAL STOP)

211

HYDRAULICS

R32039 -UN-01JAN94

REMOTE CYLINDER PARTS (MECHANICAL STOP)



R32039F

212

HYDRAULICS

REMOTE CYLINDER PARTS - CONTINUED (MECHANICAL STOP)

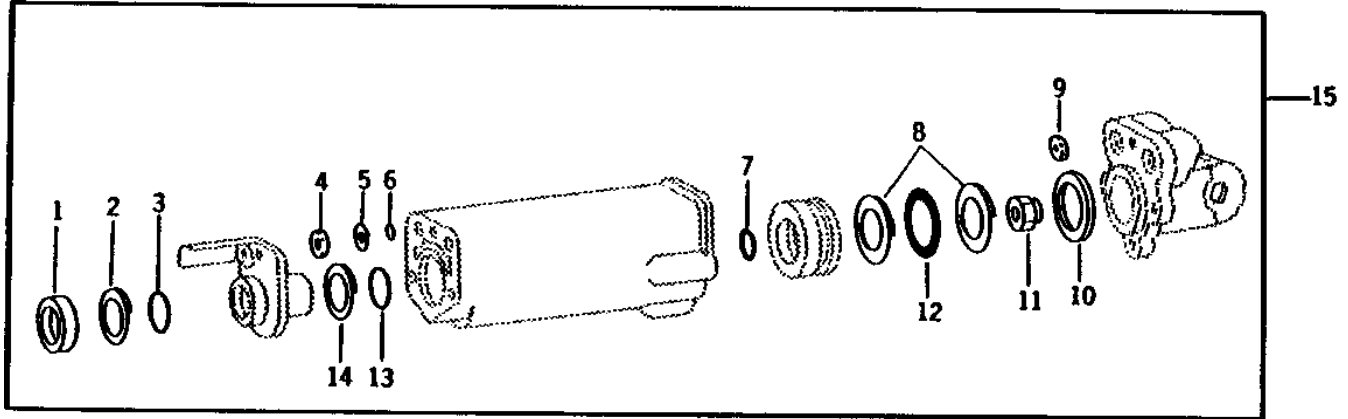
KEY	PART NO.	PART NAME	QTY	TRACTOR SERIAL NO.	REMARKS
1	15H624	PIPE PLUG	1	1/2"	
2	R34131	PLUG	1		
3	R32588	BACK-UP RING	1		
4	R459R	O-RING	1		
5	R35447	CYLINDER	1		
6	R27564	O-RING	1		
7	R44297	PISTON	1		
8	R35472	BACK-UP RING	2		
9	F1430R	O-RING	1		
10	R45620	LOCK NUT	1		
11	A4723R	WASHER	2		
12	F1427R	WASHER	1		
13	R35452	CYLINDER HEAD	1		
14	12H317	LOCK WASHER	4	9/16"	
15	19H2357	CAP SCREW	4	9/16" X 2"	
16	A3581R	SPRING LOCKING PIN	2		
17	AR47825	PIN	2		
18	T11220	O-RING	1		
19	R35474	BACK-UP RING	1		
20	R36951	GUIDE	1		
21	R29463	O-RING	1		
22	R35473	BACK-UP RING	1		
23	R44286	GUIDE	1		
24	AR68145	QUICK LOCK PIN	2	(SUB FOR AR45536)	
25	D2913R	LINK	2		
26	R49193	LINK CHAIN	1	(SUB FOR A3184R) (SUB AN163885)	
27	T13073	CLIP	1		
28	12H304	LOCK WASHER	3	3/8"	
29	19H2552	CAP SCREW	1	3/8" X 1-1/8"	
30	19H1726	CAP SCREW	2	3/8" X 2-1/4"	
31	R35738	SEAL	1		
32	R44287	ROD	2		
33	R36952	STOP	1		
34	12H236	LOCK WASHER	2	3/4"	
35	14H905	NUT	2	3/4"	
36	AR45544	ROD	1		
..	AR45534	KIT	1	(TO CONVERT 89 X 203MM (3-1/2" X 8") REMOTE CYLINDER FROM HYDRAULIC STOP TO MECHANICAL STOP)	

213

HYDRAULICS

R32035 -UN-23SEP94

REMOTE CYLINDER OVERHAUL KIT (3-1/2" X 8" HYDRAULIC OR MECHANICAL STOP)



R 320 35F

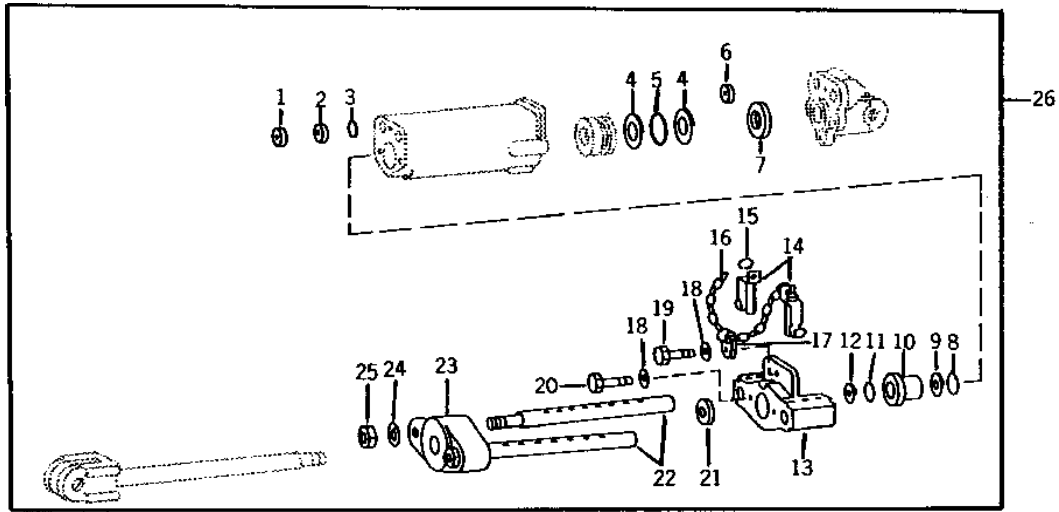
KEY	PART NO.	PART NAME	QTY	TRACTOR SERIAL NO.	REMARKS
1	R35738	SEAL	1		
2	R35473	BACK-UP RING	1		
3	R29463	O-RING	1		
4	A4745R	PACKING	3		(HYDRAULIC STOP)
5	R32588	BACK-UP RING	1		(MECHANICAL STOP)
6	R459R	O-RING	1		(MECHANICAL STOP)
7	R27564	O-RING	1		
8	R35472	BACK-UP RING	2		
9	A4723R	WASHER	2		
10	F1427R	WASHER	1		
11	R45620	LOCK NUT	1		
12	F1430R	O-RING	1		
13	T11220	O-RING	1		
14	R35474	BACK-UP RING	1		
15	AR31945	KIT	1		

214

HYDRAULICS

R32034 -UN-06OCT94

REMOTE CYLINDER CONVERSION KIT (3-1/2" X 8" HYDRAULIC STOP TO MECHANICAL STOP)

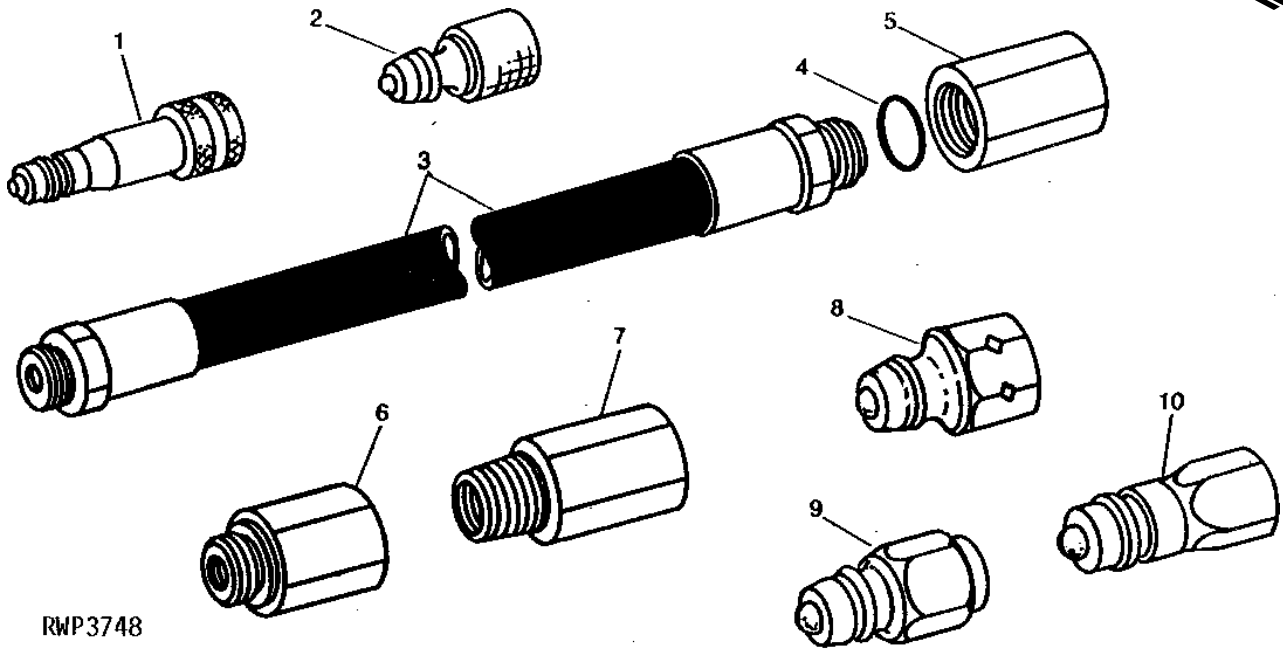


R32034F

KEY	PART NO.	PART NAME	QTY	TRACTOR SERIAL NO.	REMARKS
1	R34131	PLUG	1		
2	R32588	BACK-UP RING	1		
3	R459R	O-RING	1		
4	R35472	BACK-UP RING	2		
5	F1430R	O-RING	1		
6	A4723R	WASHER	2		
7	F1427R	WASHER	1		
8	T11220	O-RING	1		
9	R35474	BACK-UP RING	1		
10	R36951	GUIDE	1		
11	R29463	O-RING	1		
12	R35473	BACK-UP RING	1		
13	R44286	GUIDE	1		
14	AR68145	QUICK LOCK PIN	2		
15	D2913R	LINK	2		
16	R49193	LINK CHAIN	1	(SUB AN163885)	
17	T13073	CLIP	1		
18	12H304	LOCK WASHER	3	3/8"	
19	19H2552	CAP SCREW	1	3/8" X 1-1/8"	
20	19H1726	CAP SCREW	2	3/8" X 2-1/4"	
21	R35738	SEAL	1		
22	R44287	ROD	2		
23	R36952	STOP	1		
24	12H236	LOCK WASHER	2	3/4"	
25	14H905	NUT	2	3/4"	
26	AR45534	KIT	1		

RWP3748 -UN-01JAN94

IMPLEMENT HYDRAULIC OIL LINES AND FITTINGS

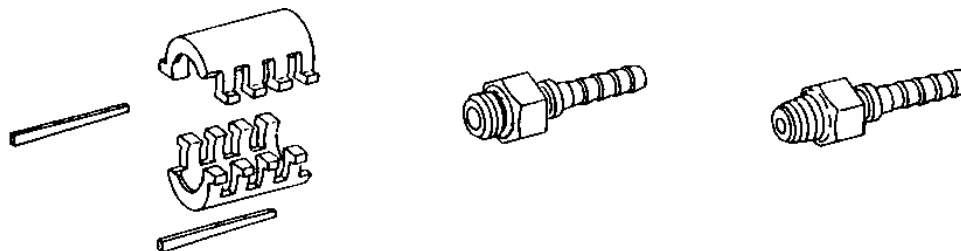


RWP3748

KEY	PART NO.	PART NAME	QTY	TRACTOR SERIAL NO.	REMARKS
1	AR98202	HYD. QUICK-CONNECT COUPLER	1	JOHN DEERE TO ISO	
	R21722	O-RING	1	(INCLUDED IN AR98202)	
	RE11457	ADAPTER	1	IHC TO ISO	
2	U11647	O-RING	1	(INCLUDED IN RE11457)	
	AR98201	HYD. QUICK-CONNECT COUPLER	1	ISO TO JOHN DEERE (FI)	
	RE11456	ADAPTER	1	IHC TO JOHN DEERE	
	RE11458	ADAPTER	1	JOHN DEERE TO IHC	
	RE11463	ADAPTER	1	ISO TO IHC	
	R21722	O-RING	1	(INCLUDED IN AR98201, RE11463 AND RE11458)	
3	R71387	WASHER	1	(INCLUDED IN AR98201) (FI)	
	AR28754	HYDRAULIC HOSE	1	10 X 610MM (3/8" X 24") (SUB TY3018)	
	AR28755	HYDRAULIC HOSE	1	10 X 914MM (3/8" X 36")	
	R36658	HYDRAULIC HOSE	1	13 X 610MM (1/2" X 24")	
	R36659	HYDRAULIC HOSE	1	13 X 914MM (1/2" X 36")	
4	R26375	O-RING	1		
5	R30815	FITTING	1	3/4" THREAD	
6	R30817	ADAPTER	1	3/4"-16UNF MALE X 1/2"-14NPT FEMALE	
7	R30816	ADAPTER	1	1/2"-14NPT MALE X 3/4"-16UNF FEMALE	
8	AR93820	FITTING	1	JOHN DEERE, 3/4"-16 UNF	
9	RE11447	FITTING	1	JOHN DEERE, 1/2"-14NPT	
10	AR94522	INTERNAL HALF COUPLER	1	ISO, 3/4"-16UNF	

RXP7733 -UN-23SEP94

BULK FLEXIBLE OIL LINE AND REUSABLE LOK-PIN COUPLINGS



Oil Line (Length) Approx. 50 ft.)		Set of Ferrules with Pins*	Stem-Straight Thread with O-ring	Stem-Pipe Thread
R 34790	3/8" I.D. — 1 Wire	AR 39635* *	R 39687
R 34791	1/2" I.D. — 1 Wire	AR 39636* *	R 39688
R 34792	3/4" I.D. — 1 Wire	AR 39637#	R 39689
R 34793	3/8" I.D. — 2 Wire	AR 39632	AR 39635* *	R 39687
R 34794	1/2" I.D. — 2 Wire	AR 39636* *	R 39688
R 34795	3/4" I.D. — 2 Wire	AR 39637#	R 39689

* Each set of ferrules includes two R39681 pins - extra pins may be ordered, packed 20 in a package.
 **Includes R26375 O-ring.
 # Includes F3171R O-ring.

REUSABLE COUPLINGS (Use With Braid Flexible Oil Line)



1 WR Single Wire		2 WR Double Wire		I.D.	Thread
<i>Coupling No.</i>		<i>Coupling No.</i>			
AF 3585	R	AR 21629		3/8"	3/8" — 18 NPTF
AF 3586	R	AR 21630		1/2"	1/2" — 14 NPTF
AF 3587	R		5/8"	3/4" — 14 NPTF
AF 3588	R	AR 21632		3/4"	3/4" — 14 NPTF
		AR 21634		1"	1" — 11-1/2" NPTF
R 34644			3/8"	3/4" — 16 O-ring type thread
R 34646		R 34647		1/2"	3/4" — 16 O-ring type thread

BULK SINGLE WIRE BRAID FLEXIBLE OIL LINE (Use With Reusable Coupling for Single Wire Braid Flexible Oil Line)

Part No.	I.D.	O.D.	Length
A 5776 R	1/2"	29/32"	Approx. 50 ft.
A 5777 R	5/8"	1-1/32"	Approx. 50 ft.

BULK DOUBLE WIRE BRAID FLEXIBLE OIL LINE (Use with Reusable Coupling for Double Wire Braid Flexible Oil Line)

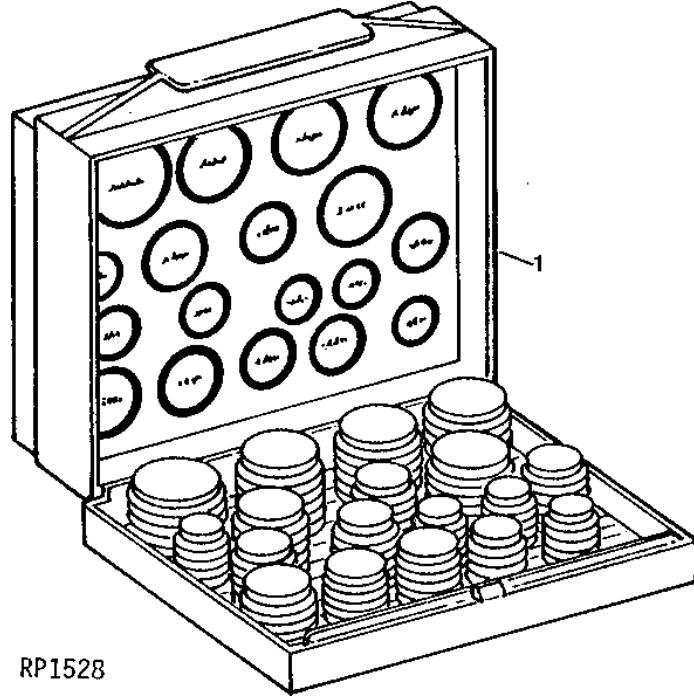
Part No.	I.D.	O.D.	Length
R 21531	3/8"	29/32"	Approx. 50 ft.
R 21532 RXP7733	1/2"	31/32"	Approx. 50 ft.

217

HYDRAULICS

RP1528 -UN-01JAN94

O-RING KIT



RP1528

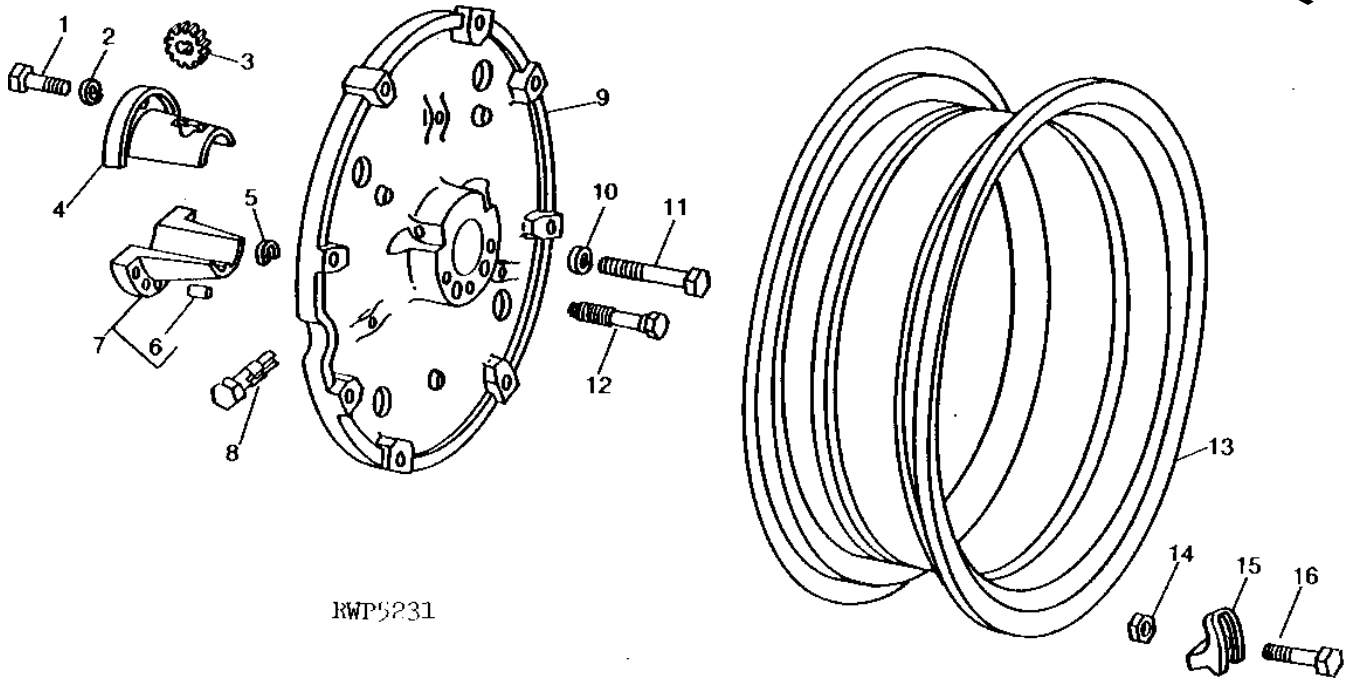
KEY	PART NO.	PART NAME	QTY	TRACTOR SERIAL NO.	REMARKS
1	AR73500 AT66632	KIT KIT	1 1		HYDRAULIC AIR CONDITIONING

219

WHEELS, FRONT AXLES, SHEET METAL

RWP5231 -UN-01JAN94

WHEELS



RWP5231

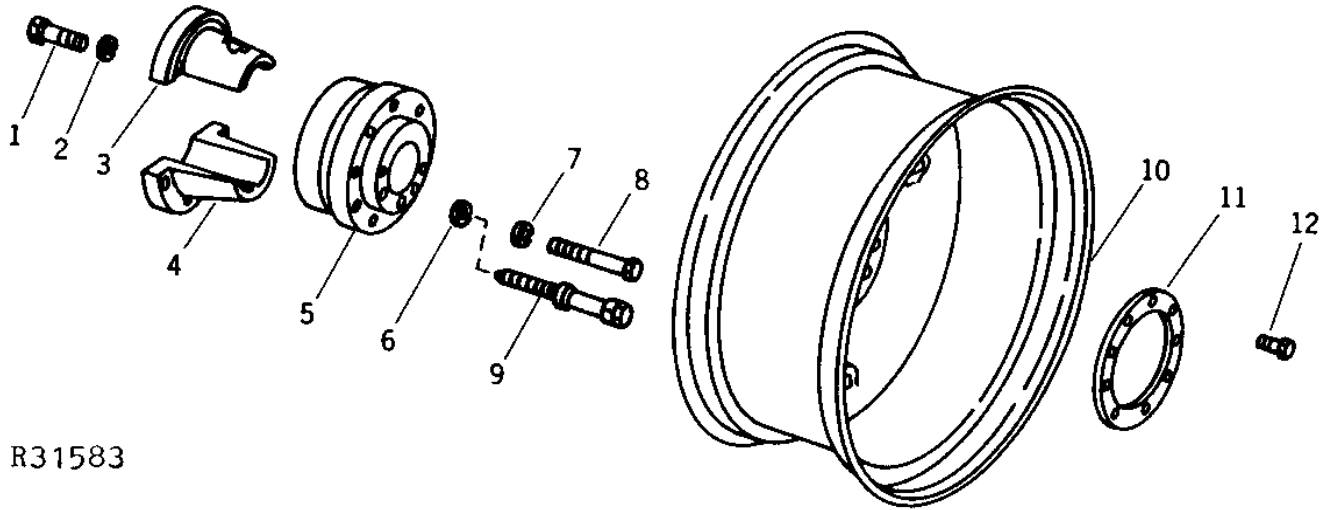
KEY	PART NO.	PART NAME	QTY	TRACTOR SERIAL NO.	REMARKS
1	19H2600	CAP SCREW	3	3/4" X 2-5/8"	
2	12H236	LOCK WASHER	3	3/4"	
3	A4379R	PINION	1	(USE WITH R34680 OR R52160)	
	B3014R	PINION	1	(USE WITH R36190)	
4	R33531	HALF SLEEVE	1	(USE WITH R34680 OR R52160) (SUB R93955)	
	R52031	HALF SLEEVE	1	(USE WITH R36190)	
5	A4883R	RING	2	(USE WITH R34680 OR R52160)	
	R35333	SNAP RING	2	(USE WITH R36190)	
6	R35335	DOWEL PIN	2	(USE WITH R36190)	
7	R33532	HALF SLEEVE	1	(USE WITH R34680 OR R52160)	
	AR83355	SLEEVE	1	ILLUSTRATED, (USE WITH R36190) (SUB FOR R52032)	
8	A4380R	PINION SHAFT	1		
9	R34680	WHEEL	1	(FOR 23.1-30 TIRE)	
	R36190	WHEEL	1	(FOR 24.5-32 AND 30.5-32 TIRE)	
	R52160	WHEEL	1	(FOR 18.4-34 AND 20.8-34 TIRE)	
10	12H245	LOCK WASHER	3	7/8"	
11	8H4419	CAP SCREW	3	(USE WITH R34680 OR R52160)	
	8H4486	CAP SCREW	3	(USE WITH R36190)	
12	R33706	SCREW	2	(USE WITH R34680 OR R52160) (SUB R58303)	
	R35332	SCREW	2	(USE WITH R36190)	
13	R31943	RIM	1	(FOR 18.4-34 TIRE)	
	R48146	RIM	1	(FOR 20.8 X 34 TIRE 6 PR)	
	R34659	RIM	1	(FOR 23.1-30 TIRE)	
	R36097	RIM	1	(FOR 24.5-32 TIRE 10 PR)	
	RE12784	RIM	1	(FOR 30.5-32 TIRE 10 PR) (SUB FOR AR53883)	
14	14H800	NUT	AR	5/8", (8 USED WITH R34680) (12 USED WITH R36190 OR R52160)	
15	B634R	CLAMP	AR	(8 USED WITH R34680) (12 USED WITH R36190)	
	A4388R	CLAMP	12	(USE WITH R52160)	
16	A4064R	BOLT	AR	(8 USED WITH R34680) (12 USED WITH R35190) (SUB R34801)	
	08H4694	BOLT	12	5/8" X 4" HS, SAE 8, (USE WITH R52160)	
93	A4379R	PINION	1	(USE WITH R34680 OR R52160)	
..	R55151	PLUG	AR	(SECOND VALVE STEM HOLE)	

2110

WHEELS, FRONT AXLES, SHEET METAL

R31583 -UN-01JAN94

DUAL WHEELS



R31583

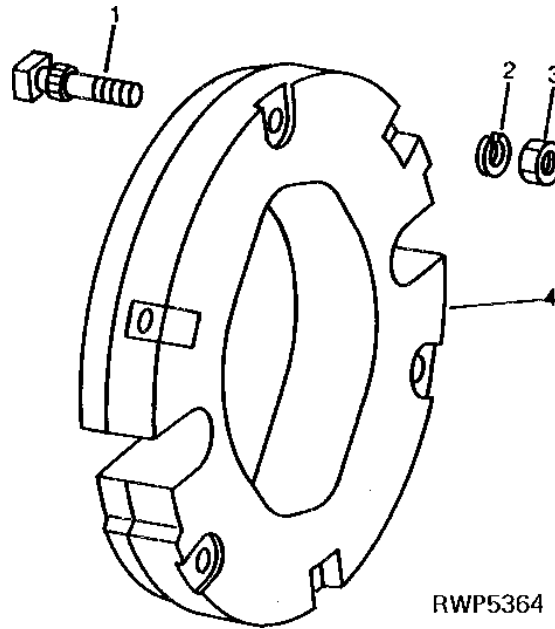
KEY	PART NO.	PART NAME	QTY	TRACTOR SERIAL NO.	REMARKS
1	19H2600	CAP SCREW	3		3/4" X 2-5/8"
2	12H236	LOCK WASHER	3		3/4"
3	R33533	HALF SLEEVE	1		
4	R33534	SLEEVE	1		
5	R28490	HUB	1		
6	A4883R	RING	2		
7	12H245	LOCK WASHER	3		7/8"
8	19H2310	CAP SCREW	3		
9	R39758	SCREW	2		
10	JD3224	WHEEL	1		(W16L-34)
	JD3226	WHEEL	1		(20.8-34)
11	R54983	WHEEL RING	1		
12	19H2672	CAP SCREW	9		5/8" X 2"

2111

WHEELS, FRONT AXLES, SHEET METAL

RWP5364 -UN-01JAN94

WHEEL WEIGHTS (30" AND 34" CAST DISK WHEELS)



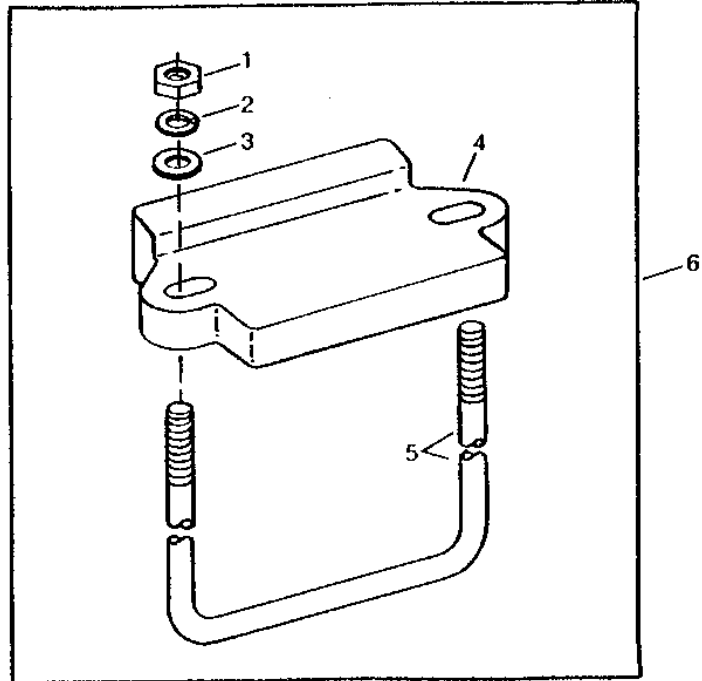
KEY	PART NO.	PART NAME	QTY	TRACTOR SERIAL NO.	REMARKS
1	R34801	BOLT	3		
2	12H294	LOCK WASHER	3	5/8"	
3	14H1039	NUT	3	5/8"	
4	R61524	WEIGHT	1	64 KG, (140 LBS)	
	R61727	WEIGHT	1	51 KG, (112 LBS)	

2112

WHEELS, FRONT AXLES, SHEET METAL

RP1139 -UN-01JAN94

AXLE STOP



RP1139

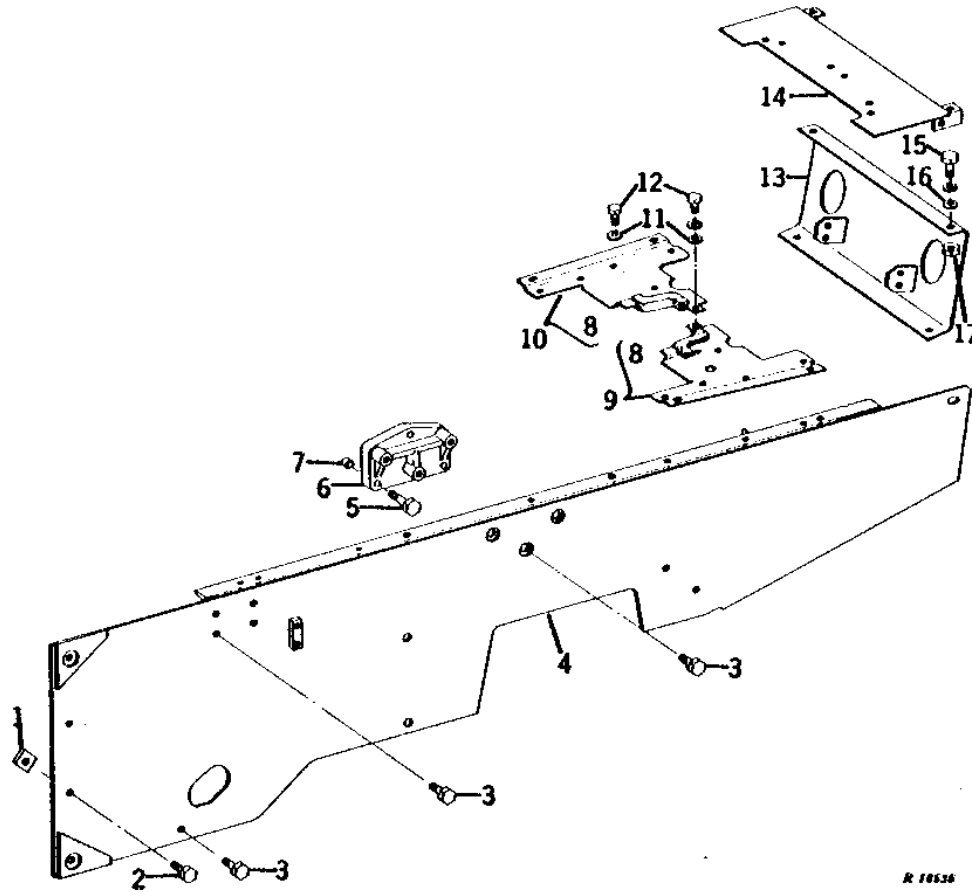
KEY	PART NO.	PART NAME	QTY	TRACTOR SERIAL NO.	REMARKS
1	14H1039	NUT	4	5/8"	
2	12H294	LOCK WASHER	4	5/8"	
3	24H1139	WASHER	4	11/16" X 1-1/4" X 0.105"	
	24H1367	WASHER	4	21/32" X 1-1/4" X 1/4"	
4	R54338	STOP	2		
5	R26992	U-BOLT	2		
6	AR61655	STOP	1		

2113

WHEELS, FRONT AXLES, SHEET METAL

R18536 -UN-01JAN94

SIDE AND FRONT FRAME



R 18536

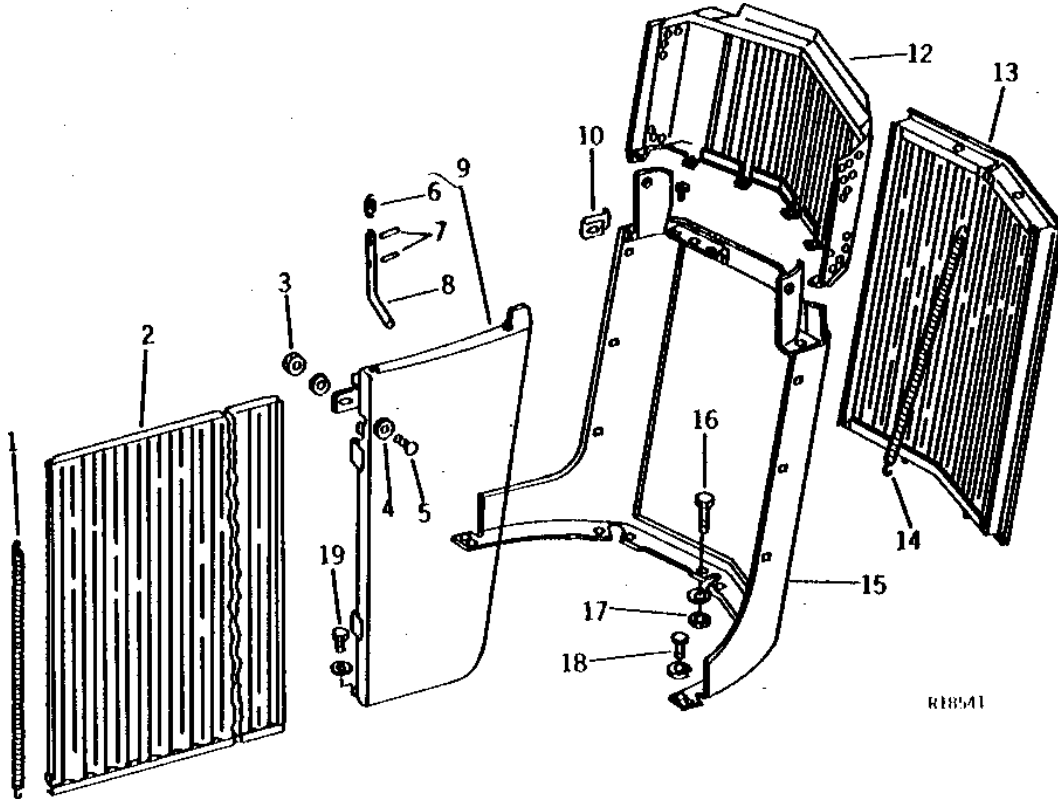
KEY	PART NO.	PART NAME	QTY	TRACTOR SERIAL NO.	REMARKS
1	14H794	NUT	8	3/4"	
	B3627R	WASHER	8		
2	R35192	WHEEL BOLT	8		
3	19H1798	CAP SCREW	4	3/4" X 1-3/4"	
	19H1768	CAP SCREW	2	3/4" X 2"	
4	AR54691	FRAME	1	R.H.	
	AR54692	FRAME	1	L.H.	
5	19H1425	CAP SCREW	6	3/4" X 2-3/4"	
6	R49117	BRACKET	2		
7	F3515R	BUSHING	4		
8	FOAM PAD	2		25 X 25 X 203MM (1" X 1" X 8") (MAKE FROM R30937)
9	AR53635	PLATE	1		
	R41089	FOAM PAD	1		(NO LONGER AVAILABLE) (ORDER AR53635)
	ISOLATOR	1		3 X 38 X 25MM (1/8" X 1-1/2" X 1") (MAKE FROM R30597)
10	AR53636	PLATE	1		
	R41089	FOAM PAD	1		(NO LONGER AVAILABLE) (ORDER AR53636)
	ISOLATOR	1		3 X 38 X 25MM (1/8" X 1-1/2" X 1") (MAKE FROM R30597)
11	24H1309	WASHER	7	13/32" X 1-1/16" X 0.120"	
12	19H1134	CAP SCREW	7	3/8" X 3/4"	
13	AR52644	PANEL	1		
14	AR52539	PLATE	1		
15	19H456	CAP SCREW	6	1/2" X 1-3/8"	
	12H301	LOCK WASHER	6	1/2"	
16	24H1341	WASHER	6	17/32" X 15/16" X 0.060"	
17	14H1040	NUT	2	1/2"	

2114

WHEELS, FRONT AXLES, SHEET METAL

R18541 -UN-01JAN94

GRILLE, SIDE PANELS AND FRONT PLATE



R18541

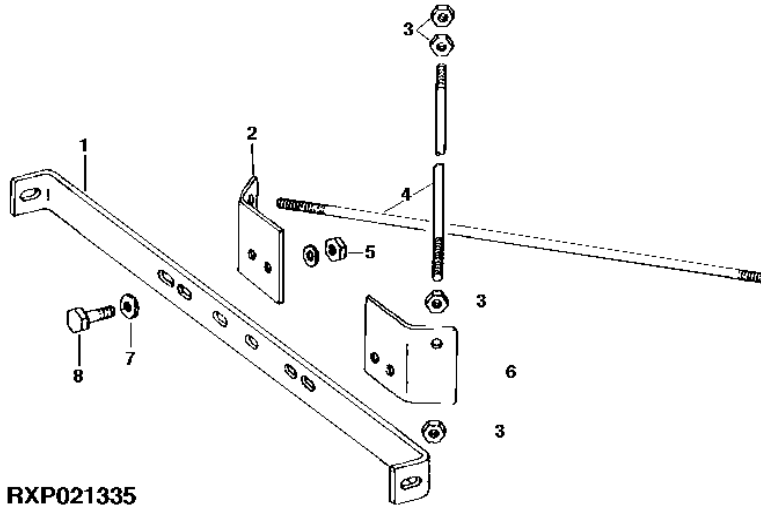
KEY	PART NO.	PART NAME	QTY	TRACTOR SERIAL NO.	REMARKS
1	R35769	SPRING	2		
2	AR53791	GRILLE	2		
3	14H1076	NUT	2	3/8"	
	12H304	LOCK WASHER	2	3/8"	
4	24H1305	WASHER	2	13/32" X 13/16" X 0.065"	
5	03H1519	BOLT	2	3/8" X 1"	
6	B161R	SPRING	2		
7	34H387	SPRING PIN	4	3/16" X 3/4"	
8	R26702	ROD	1	R.H.	
	R26703	ROD	1	L.H.	
9	AR36790	PANEL	1	R.H. (NLA)	
	AR36791	PANEL	1	L.H. (NLA)	
10	R26694	CLIP	6		
11	37H84	SCREW	5	1/4" X 3/4"	
12	AR35025	GRILLE	1		
13	AR52577	GRILLE	1		
14	R35769	SPRING	1		
15	AR52522	FRAME	1		
16	19H456	CAP SCREW	6	1/2" X 1-3/8"	
17	14H1040	NUT	6	1/2"	
	12H301	LOCK WASHER	6	1/2"	
18	19H1815	CAP SCREW	2	1/2" X 1-1/4"	
	12H301	LOCK WASHER	2	1/2"	
19	19H2021	CAP SCREW	2	3/8" X 5/8"	
	12H304	LOCK WASHER	2	3/8"	

2115

WHEELS, FRONT AXLES, SHEET METAL

RXP021335 -UN-20SEP95

GRILLE FRAME TIE ROD



RXP021335

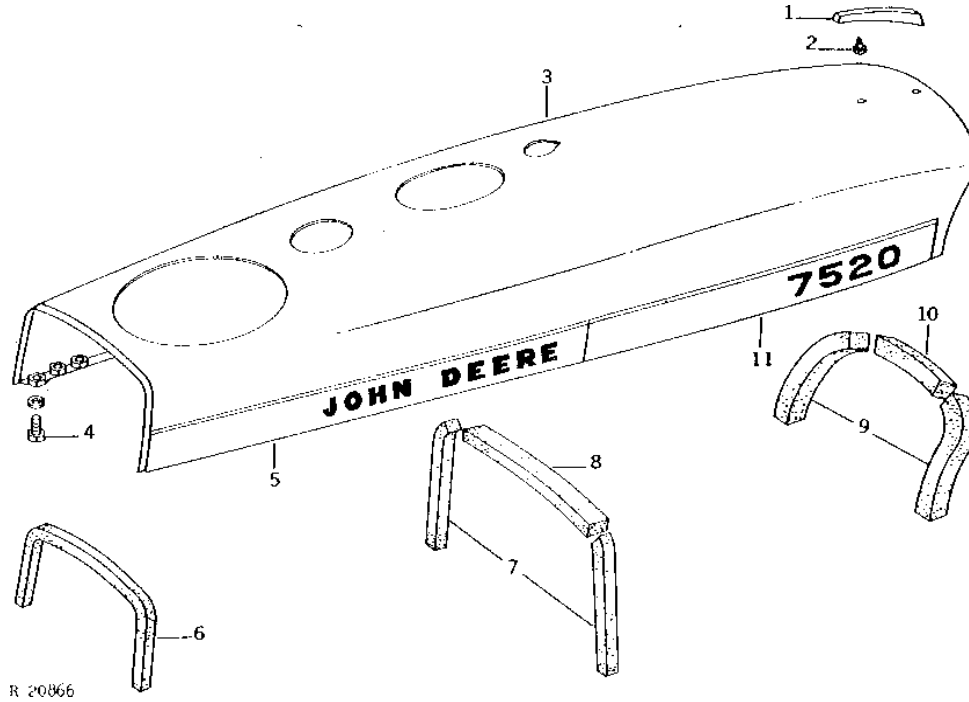
KEY	PART NO.	PART NAME	QTY	TRACTOR SERIAL NO.	REMARKS
1	R49156	BRACE	1		
2	R49155	BRACKET	1		
3	14H1076	NUT	8	3/8"	
4	R49153	STUD	2		
5	14H1076	NUT	4	3/8"	
	12H304	LOCK WASHER	4	3/8"	
6	R49154	BRACKET	1		
7	24H1305	WASHER	4	13/32" X 13/16" X 0.065"	
8	19H2552	CAP SCREW	4	3/8" X 1-1/8"	

2116

WHEELS, FRONT AXLES, SHEET METAL

R20866 -UN-01JAN94

HOOD AND BAFFLES



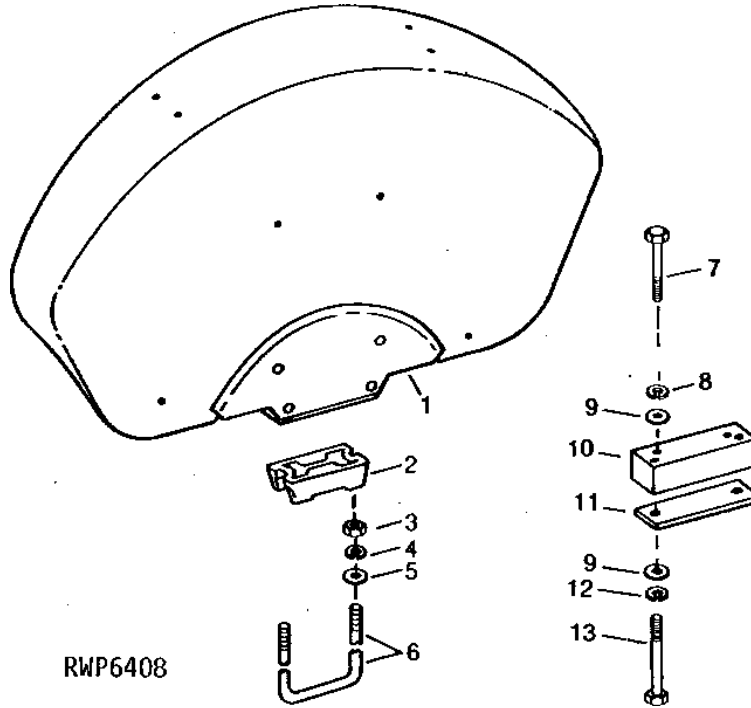
KEY	PART NO.	PART NAME	QTY	TRACTOR SERIAL NO.	REMARKS
1	AR28047	MEDALLION	1		
2	37M7245	SCREW	2		NO. 10 X 3/8"
3	AR55106	HOOD	1		(LESS LABELS)
4	19H1936	CAP SCREW	2		3/8" X 3/4"
	12H304	LOCK WASHER	2		3/8"
5	R62775	LABEL	1		R.H. (SUB FOR R53425)
	R62776	LABEL	1		L.H. (SUB FOR R53426)
6	FOAM PAD	1		25 X 25 X 813MM (1" X 1" X 32") (MAKE FROM R30937)
7	FOAM PAD	2		38 X 38 X 362MM (1-1/2" X 1-1/2" X 14-1/4") (MAKE FROM R43753)
8	FOAM PAD	1		38 X 38 X 362MM (1-1/2" X 1-1/2" X 14-1/4") (MAKE FROM R43753)
9	R35340	FOAM PAD	2		
10	R35339	ISOLATOR	1		
11	R62779	LABEL	1		R.H. (SUB FOR R53429)
	R62780	LABEL	1		L.H. (SUB FOR R53430)
..	R53431	DECAL	2		

2117

WHEELS, FRONT AXLES, SHEET METAL

RWP6408 -UN-01JAN94

FRONT AND REAR FENDERS



RWP6408

KEY	PART NO.	PART NAME	QTY	TRACTOR SERIAL NO.	REMARKS
1	AR40496	FENDER	1		
2	R39766	SPACER	AR		(1 USED REAR, 2 USED FRONT) (NLA)
3	14H1039	NUT	2		5/8"
4	12H294	LOCK WASHER	2		5/8"
5	24H1139	WASHER	2		11/16" X 1-1/4" X 0.105"
6	R34666	U-BOLT	1		
7	19H2706	CAP SCREW	2		HS, SAE 8
8	12H294	LOCK WASHER	2		5/8"
9	24H1139	WASHER	4		11/16" X 1-1/4" X 0.105"
10	R51957	SPACER	1		
11	R51956	PLATE	1		
12	12H294	LOCK WASHER	2		5/8"
13	08H4738	BOLT	2		5/8" X 9"
	T15539	BOLT	2		5/8" X 4"

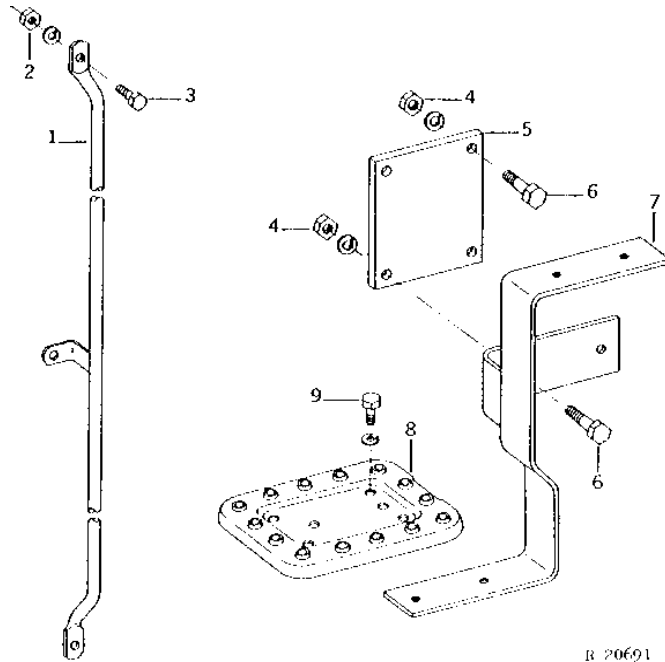
2118

WHEELS, FRONT AXLES, SHEET METAL

R20691

-UN-01JAN94

MOUNTING HANDLE AND RIGHT-HAND STEP



R 20691

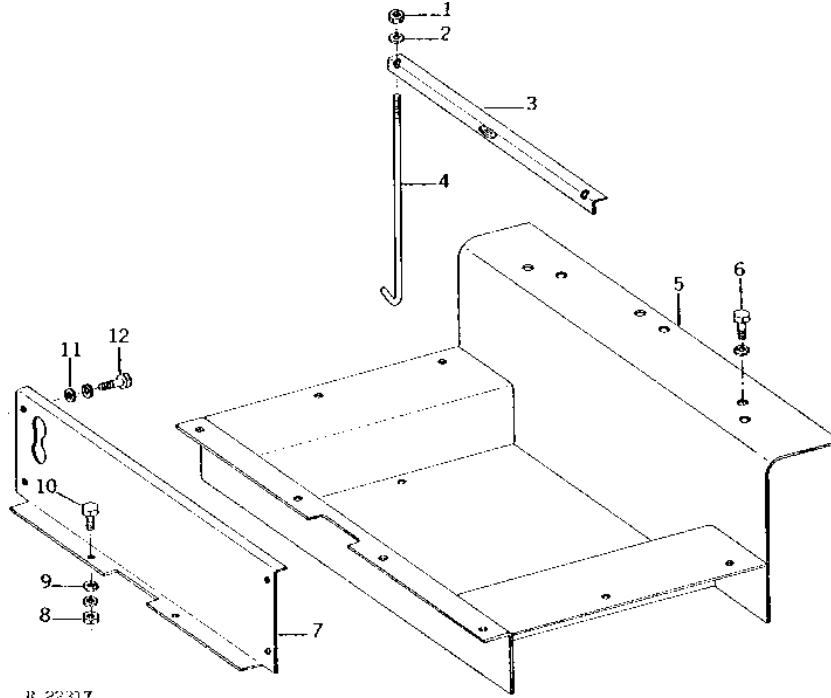
KEY	PART NO.	PART NAME	QTY	TRACTOR SERIAL NO.	REMARKS
1	AR52773	HANDLE	1		
2	14H1076	NUT	3	3/8"	
	12H304	LOCK WASHER	3	3/8"	
3	19H1731	CAP SCREW	3	3/8" X 1"	
4	14H1040	NUT	4	1/2"	
	12H301	LOCK WASHER	4	1/2"	
5	R54265	PLATE	1		
6	19H1831	CAP SCREW	4	1/2" X 2"	
7	AR43089	SUPPORT	1		
8	R43356	STEP	2		
9	19H2284	CAP SCREW	4	3/8" X 7/8"	
	12H304	LOCK WASHER	4	3/8"	

2119

WHEELS, FRONT AXLES, SHEET METAL

R22317 -UN-01JAN94

BATTERY BOX



R 22317

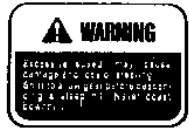
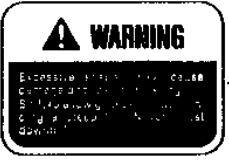
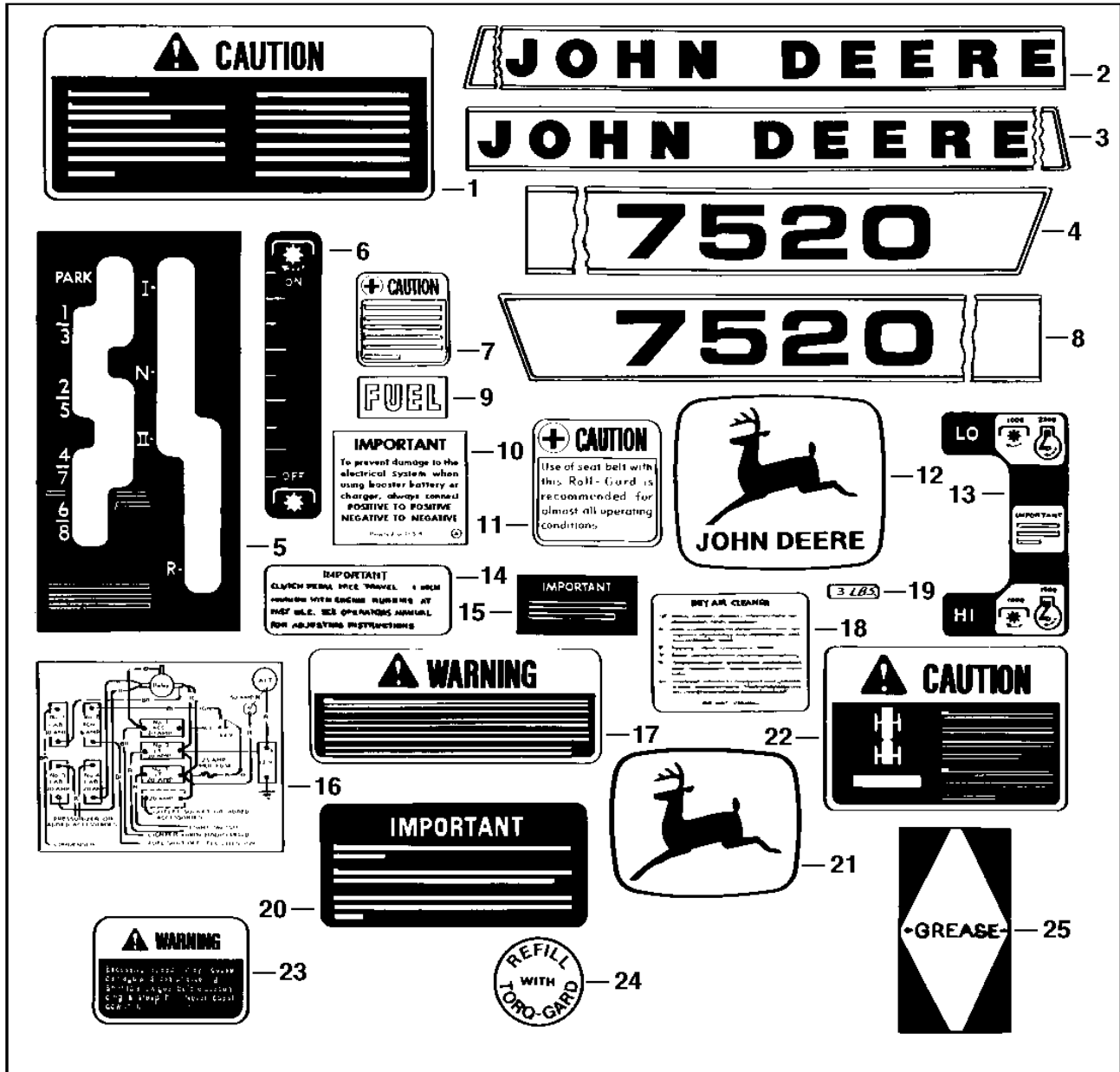
KEY	PART NO.	PART NAME	QTY	TRACTOR SERIAL NO.	REMARKS
1	14H786	NUT	4	1/4"	
2	24H1287	WASHER	4	9/32" X 5/8" X 0.065"	
3	AR78502	CLAMP	2	(SUB FOR AR69070)	
4	R35666	BOLT	4		
5	AR52585 R34337	BOX PLUG	1 1	(SUB M61266)	
6	19H2284 12H304 24H1136	CAP SCREW LOCK WASHER WASHER	6 6 6	3/8" X 7/8" 3/8" 11/32" X 11/16" X 0.065"	
7	R49123	PANEL	1		
8	14H785 12H303	NUT LOCK WASHER	2 2	5/16" 5/16"	
9	24H1136	WASHER	2	11/32" X 11/16" X 0.065"	
10	19H1900	CAP SCREW	2	5/16" X 3/4"	
11	21H1136	SCREW	4	0.190" X 1-1/2"	
12	19H1900 12H303	CAP SCREW LOCK WASHER	4 4	5/16" X 3/4" 5/16"	

2120

WHEELS, FRONT AXLES, SHEET METAL

RXP021337 -UN-21SEP95

DECAL SET



RXP021337

2121

WHEELS, FRONT AXLES, SHEET METAL

DECAL SET - CONTINUED

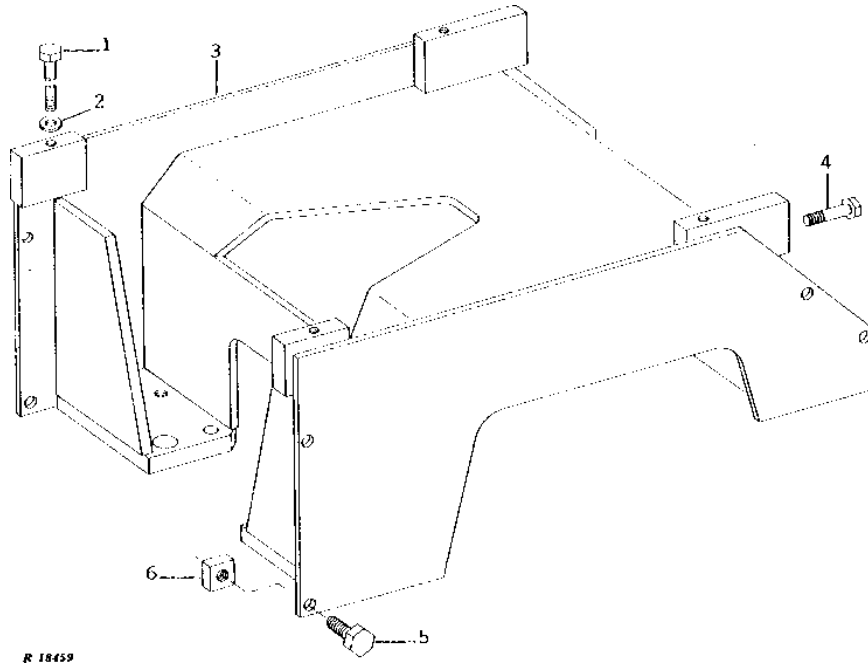
KEY	PART NO.	PART NAME	QTY	TRACTOR SERIAL NO.	REMARKS
1	R51909	DECAL	1		
2	R62775	LABEL	1		R.H. (SUB FOR R53425)
3	R62776	LABEL	1		L.H. (SUB FOR R53426)
4	R62779	LABEL	1		R.H. (SUB FOR R53429)
5	R48812	LABEL	1		
6	R53294	LABEL	1		PTO LEVER
7	R81424	LABEL	1		(SUB FOR R42732)
8	R62780	LABEL	1		L.H. (SUB FOR R53430)
9	R31287	DECAL	1		
10	LABEL	1		BATTERY (NO LONGER AVAILABLE)
11	R41781	DECAL	1		(SUB R87527)
12	R53431	DECAL	2		
13	R49477	LABEL	1		
14	R51762	LABEL	1		CLUTCH PEDAL
15	R48241	LABEL	1		PTO SHIFTING
16	R48825	LABEL	1		
17	R51202	DECAL	1		SAFETY
18	R56902	LABEL	1	-XXXXXX	DRY AIR CLEANER
19	R46733	LABEL	1		COMPRESSOR CHARGE
20	R54694	LABEL	1		ENGINE STARTING INSTRUCTIONS
21	JD5234	DECAL	1		
22	R51309	DECAL	1		SAFETY
23	R69466	LABEL	1		OVERSPEED WARNING
24	R48628	LABEL	1		OIL FILLER CAP
25	R52596	LABEL	2		
26	AR58029	DECAL KIT	1		
27	R64391	LABEL	1		PTO SAFETY, (SUB R120111)
28	R80752	LABEL	1		ACCUMULATOR (ENGLISH) (SUB R120109)
	R80753	LABEL	1		ACCUMULATOR (ESPANOL) (SUB R120110)
	R80754	LABEL	1		ACCUMULATOR (FRANCAIS)
	R82337	LABEL	1		ACCUMULATOR (DEUTSCH)
29	R70191	LABEL	1		OVERSPEED WARNING (FRANCAIS/ENGLISH) (CANADA ONLY)
	R70192	LABEL	1		OVERSPEED WARNING (FRENCH)
	R70193	LABEL	1		OVERSPEED WARNING (SPANISH)
	R70194	LABEL	1		OVERSPEED WARNING (ITALIAN)
	R70195	LABEL	1		OVERSPEED WARNING (GERMAN)
30	T146102	WARNING LABEL	1		(ENGLISH) (SUB FOR T84409 OR T134459)
	T146106	WARNING LABEL	1		(ESPANOL) (SUB FOR T84410 OR T134452)
	T146104	WARNING LABEL	1		(FRANCAIS) (SUB FOR T84411 OR T134453)
	T146515	WARNING LABEL	1		(DEUTSCH) (SUB FOR T84412 OR T134454)
	T146516	WARNING LABEL	1		(ITALIANO) (SUB FOR T84413 OR T134455)
	T146517	WARNING LABEL	1		(FRANCAIS/ENGLISH) (SUB FOR T84578 OR T134456)

2122

WHEELS, FRONT AXLES, SHEET METAL

FRONT AXLE SUPPORT

R18459 -UN-01JAN94



KEY	PART NO.	PART NAME	QTY	TRACTOR SERIAL NO.	REMARKS
1	19H2331	CAP SCREW	1	5/8" X 7"	
2	R1836R	WASHER	1		
3	AR53737	FRONT AXLE SUPPORT	1		
4	19H1708	CAP SCREW	2	5/8" X 1-3/4"	
5	R35192	WHEEL BOLT	1		
6	R47954	NUT	4	(SUB B3627R AND 14H794)	

MEMORANDA

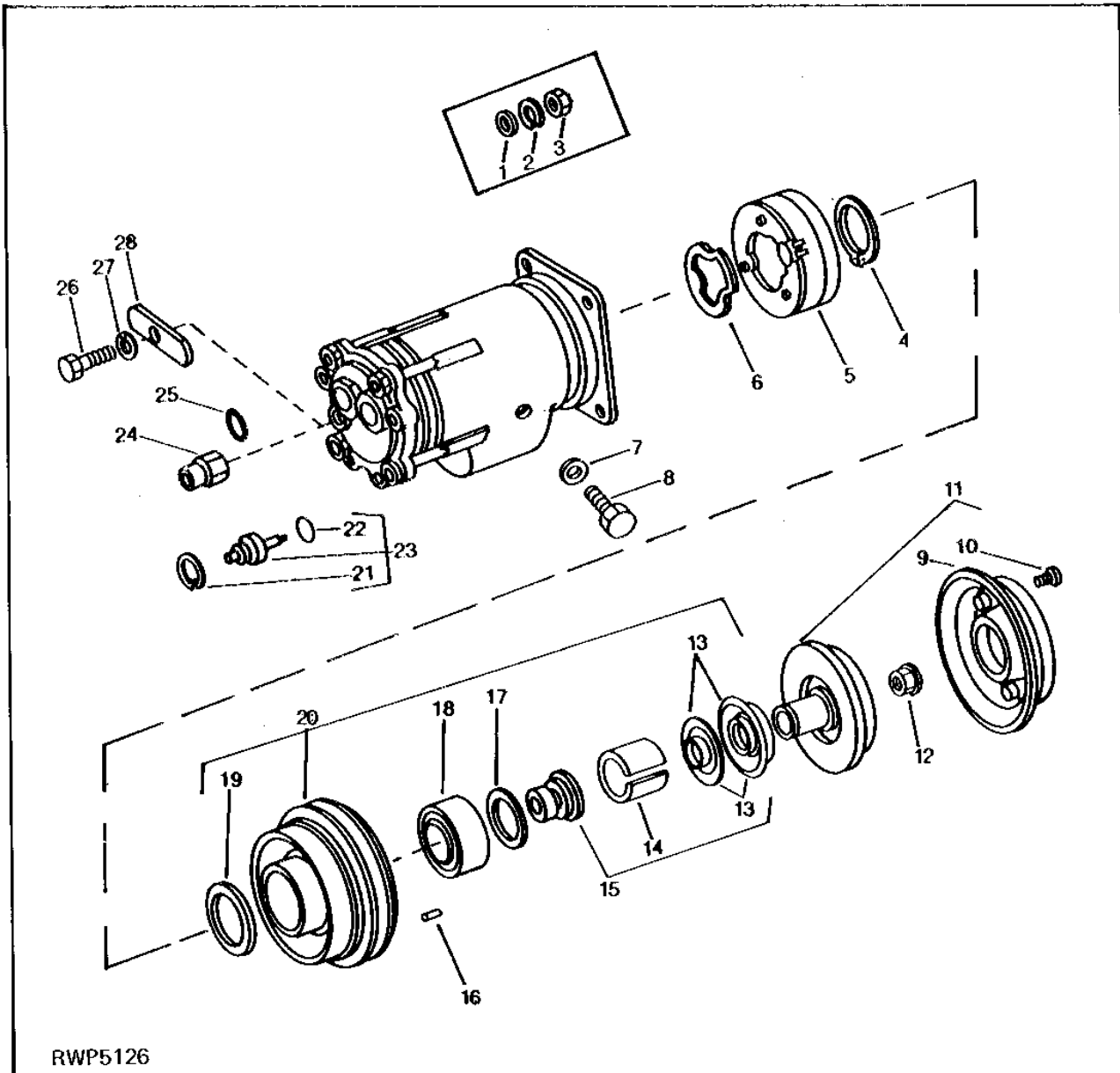
3A22

OPERATOR'S STATION

RWP5126

-UN-01JAN94

COMPRESSOR, COIL, CLUTCH AND PULLEY



3A23

OPERATOR'S STATION

COMPRESSOR, COIL, CLUTCH AND PULLEY - CONTINUED

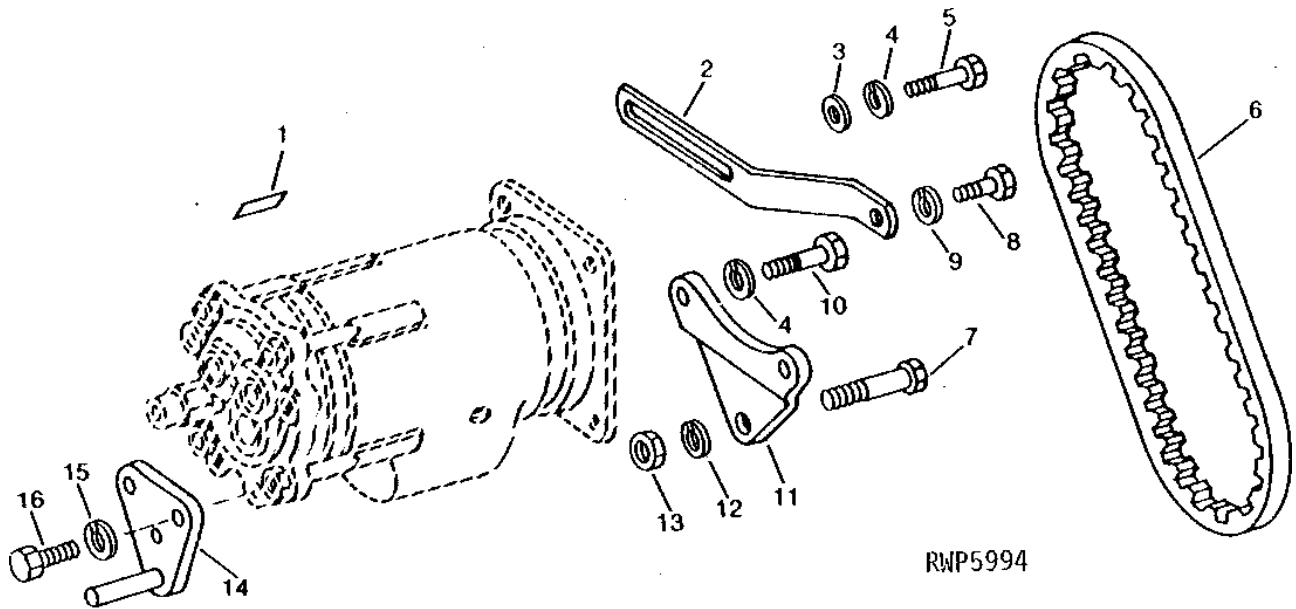
KEY	PART NO.	PART NAME	QTY	TRACTOR SERIAL NO.	REMARKS
1	R47230	WASHER	1	-XXXXXX	
2	R69297	FLANGE NUT	1	-XXXXXX	(SUB FOR R47231)
3	R47232	NUT	1	-XXXXXX	(SUB R69297)
4	R47224	SNAP RING	1		
5	AR49803	ELECTRICAL COIL	1		
6	R56246	GASKET	1		
7	R47234	WASHER	1		
8	R47233	PLUG	1		
9	AR71290	COVER	1		(SUB FOR AR53446)
10	37H32	SCREW	3		0.190" X 3/8"
11	AR71286	CLUTCH	1		(SUB FOR AR63255)
12	R69297	FLANGE NUT	1	XXXXXX-	
13	AR71289	SHIELD	1		(SUB FOR R47228 OR AR63254)
14	R47227	SEAL	1		
15	AR71285	KIT	1		COMPRESSOR SHAFT SEAL
16	R47229	SHAFT KEY	1		
17	R47226	SNAP RING	1		
18	AR71288	BALL BEARING	1		
19	R54766	WASHER	1		
20	AR71287	PULLEY	1		(SUB FOR AR49804)
21	R63571	SNAP RING	1	XXXXXX-	
22	32240	O-RING	1	XXXXXX-	
23	AR78501	KIT	1	XXXXXX-	SUPERHEAT SWITCH
24	AR49808	VALVE	1		
25	R74210	O-RING	2		(SUB FOR R47235)
26	19H2959	CAP SCREW	1	-XXXXXX	3/8" X 2"
	19M7170	CAP SCREW	1	XXXXXX-	
27	12M7066	LOCK WASHER	1		M10
28	R60171	STRAP	1		
29	AR77343	COMPRESSOR	1	-XXXXXX	(SUB TY6665, 19M7170, (3) 19M7163, (2) 19M7662, (3) 12M7065 AND (3) 12M7066) (SUB FOR AR49799, AR49802 OR AR60948)
	AR92109	COMPRESSOR	1	XXXXXX-	(SUB TY6665)
..	TY6628	COMPRESSOR	1		(REMANUFACTURED) (SUB TY6665)
..	TY6384	OIL	1		0.91L (1 QT)

3A24

OPERATOR'S STATION

COMPRESSOR BELT AND MOUNTING BRACKETS (HINSON)

RWP5994 -UN-01JAN94



RWP5994

KEY	PART NO.	PART NAME	QTY	CAB SERIAL NO.	REMARKS
1	R46733	LABEL	1		
2	R49594	STRAP	1		
3	24H1136	WASHER	1		11/32" X 11/16" X 0.065"
4	12H303	LOCK WASHER	3	-XXXXXX	5/16"
	12M7065	LOCK WASHER	3	XXXXXX-	M8
5	19H2529	CAP SCREW	1	-XXXXXX	5/16" X 1"
	19M7163	CAP SCREW	3	XXXXXX-	M8 X 25
6	R71603	BELT	1		(SUB FOR R46098 OR R71603, THIS APPLICATION)
7	19H1831	CAP SCREW	1		1/2" X 2"
8	19H2553	CAP SCREW	1		3/8" X 2-5/8"
9	12H304	LOCK WASHER	1		3/8"
10	19H2529	CAP SCREW	2		5/16" X 1"
11	R45981	BRACKET	1		
12	12H301	LOCK WASHER	1		1/2"
13	14H1040	NUT	1		1/2"
14	AR77342	SUPPORT	1		(SUB FOR AR49485)
15	12H304	LOCK WASHER	2	-XXXXXX	3/8"
	12M7066	LOCK WASHER	2	XXXXXX-	M10
16	19H1731	CAP SCREW	2	-XXXXXX	3/8" X 1"
	19M7662	CAP SCREW	2	XXXXXX-	M10 X 30
..	TY6384	OIL	1		

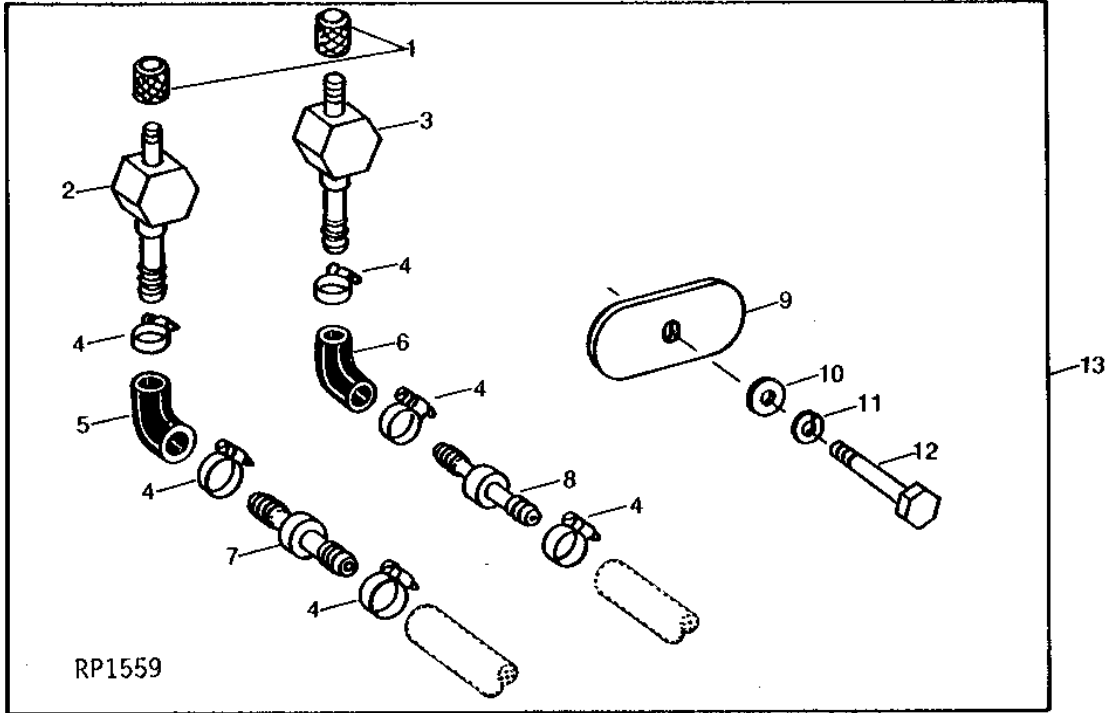
3A25

OPERATOR'S STATION

RP1559

-UN-01JAN94

COMPRESSOR VALVE KIT



KEY	PART NO.	PART NAME	QTY	CAB SERIAL NO.	REMARKS
1	R60172	NUT	2		
2	AR94974	ADAPTER	1		
3	AR94975	ADAPTER	1		
4	AR21837	CLAMP	6		(SUB TY22465)
5	R72229	HOSE	1		
6	R72228	HOSE	1		
7	R72227	COUPLING	1		
8	R72226	COUPLING	1		
9	R60171	STRAP	1		
10	24H1884	WASHER	1		13/32" X 13/16" X 0.120"
11	12H304	LOCK WASHER	1		3/8"
12	19H2959	CAP SCREW	1		3/8" X 2"
13	AR94973	FITTING	1		

MEMORANDA

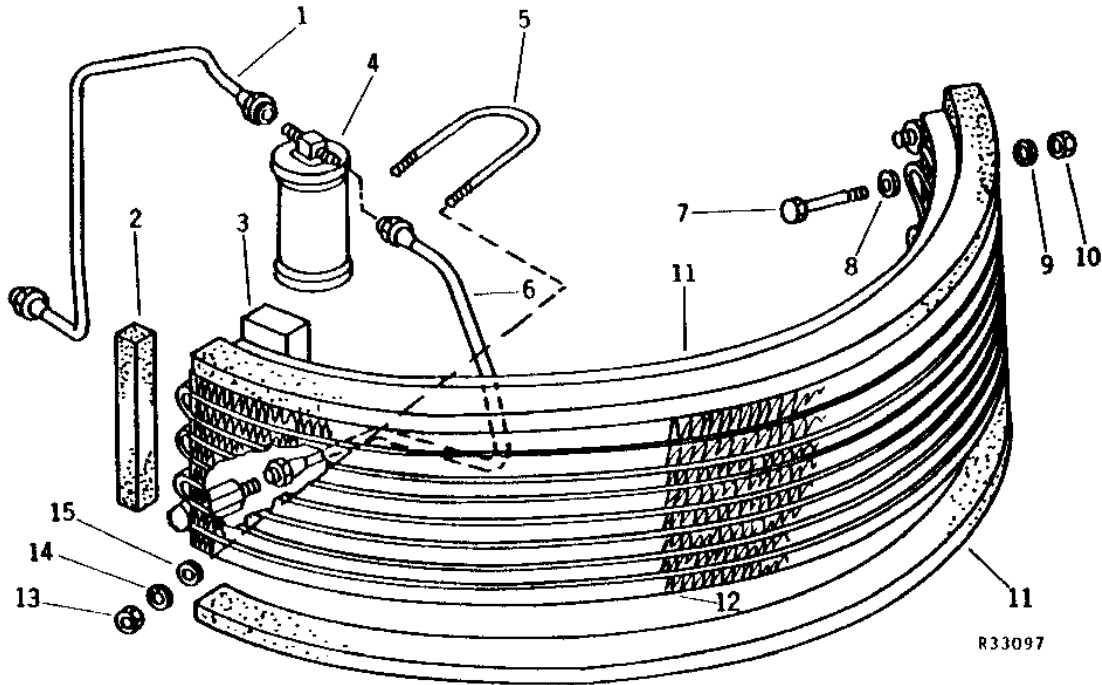
MEMORANDA

3B1

OPERATOR'S STATION

R33097 -UN-01JAN94

CONDENSER AND RECEIVER-DRYER (HINSON)



R33097

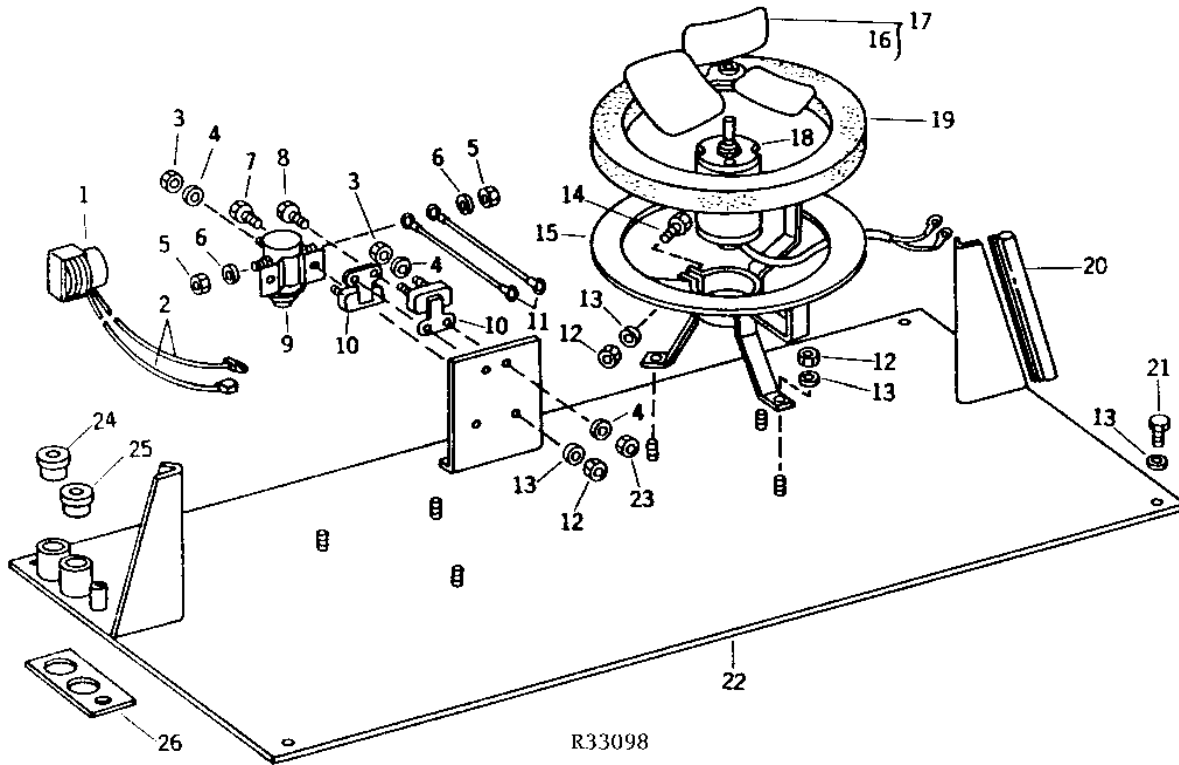
KEY	PART NO.	PART NAME	QTY	CAB SERIAL NO.	REMARKS
1	AR52319	LINE	1		
2	FOAM PAD	1		25 X 25 X 203MM (1" X 1" X 8") (MAKE FROM R30937)
3	FOAM PAD	1		25 X 51 X 152MM (1" X 2" X 6") (MAKE FROM R28123)
4	AR45867	RECEIVER	1		
5	R21244	U-BOLT	1		
6	AR52318	LINE	1		
7	19H1949	CAP SCREW	2		5/16" X 2-1/2"
8	24H1291	WASHER	2		21/64" X 1-15/32" X 7/64"
9	12H303	LOCK WASHER	2		5/16"
10	14H785	NUT	2		5/16"
11	FOAM PAD	2		25 X 25 X 1270MM (1" X 1" X 50") (MAKE FROM R30937)
12	AR49967	CORE	1		
13	14H786	NUT	2		1/4"
14	12H302	LOCK WASHER	2		1/4"
15	24H1291	WASHER	2		21/64" X 1-15/32" X 7/64"

3B2

OPERATOR'S STATION

CONDENSER FAN MOTOR AND CIRCUIT BREAKER (HINSON)

R33098 -UN-01JAN94



R33098

KEY	PART NO.	PART NAME	QTY	CAB SERIAL NO.	REMARKS
1	AR45868	THERMOSTAT	1		
2	WIRING LEAD	2		(MAKE FROM R32027) (FROM AR84006) (ALSO ORDER R32025)
3	14H631	NUT	6	0.190"	
4	12H246	LOCK WASHER	8	0.190"	
5	14H650	NUT	2	5/16"	
6	12H303	LOCK WASHER	2	5/16"	
7	19H1919	CAP SCREW	2	1/4" X 5/8"	
8	21H1317	SCREW	2	0.190" X 5/8"	
9	AR54484	RELAY	1		
10	AR28403	CIRCUIT BREAKER	2		
11	WIRING LEAD	2		203MM (8") (MAKE FROM R66319, R32018 AND R32022) (FROM AR84006)
12	14H786	NUT	8	1/4"	
13	12H302	LOCK WASHER	14	1/4"	
14	19H1948	CAP SCREW	2	1/4" X 3/4"	
15	AR52316	SUPPORT	2		
16	22H922	SET SCREW	2	0.190" X 1/4"	
17	AR49963	FAN	2		
18	AR49962	MOTOR	2		
19	R47470	ISOLATOR	2		
20	WIRING LEAD	2		254MM (10") (MAKE FROM R44447)
21	19H1227	CAP SCREW	6	1/4" X 1/2"	
22	AR52315	PLATE	1		
23	14H774	NUT	2	3/8"	
24	R48900	GROMMET	1		
25	R48901	GROMMET	1		
26	R48899	GASKET	1		

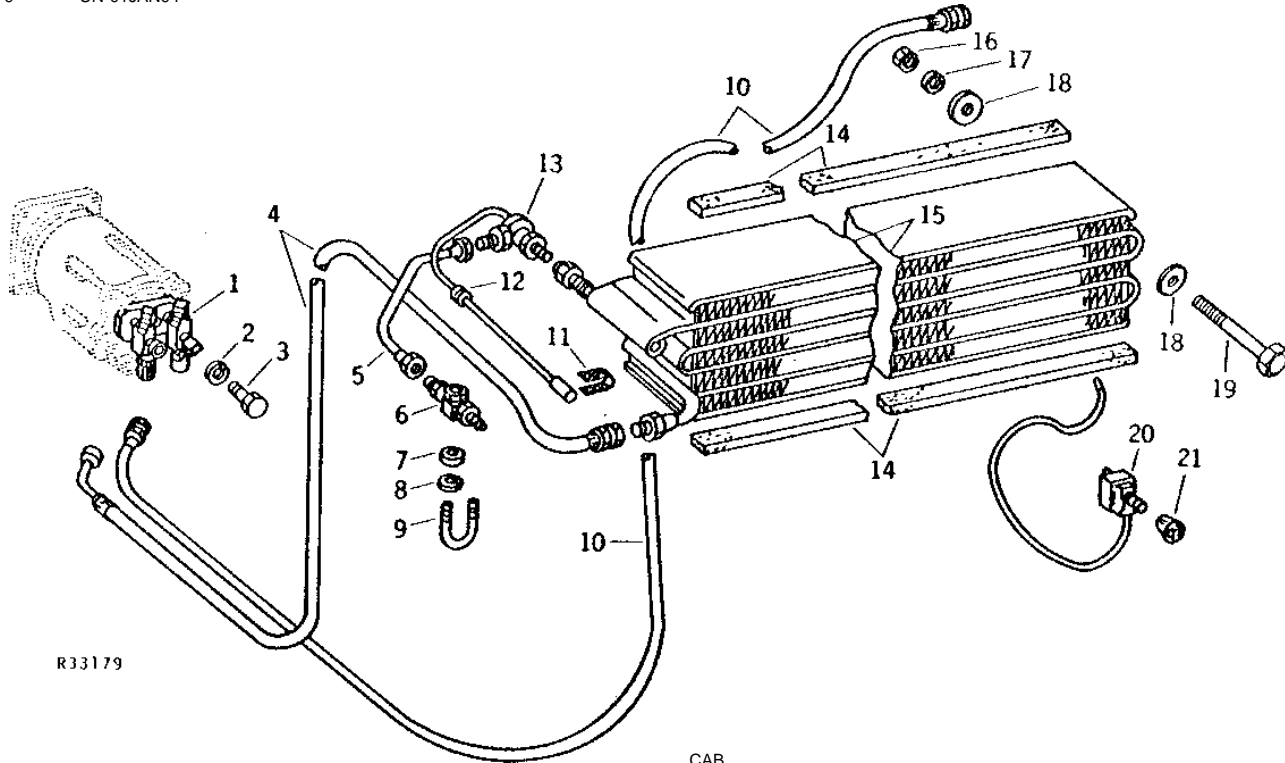
MEMORANDA

3B3

OPERATOR'S STATION

EVAPORATOR AND MANIFOLD (HINSON)

R33179 -UN-01JAN94



R33179

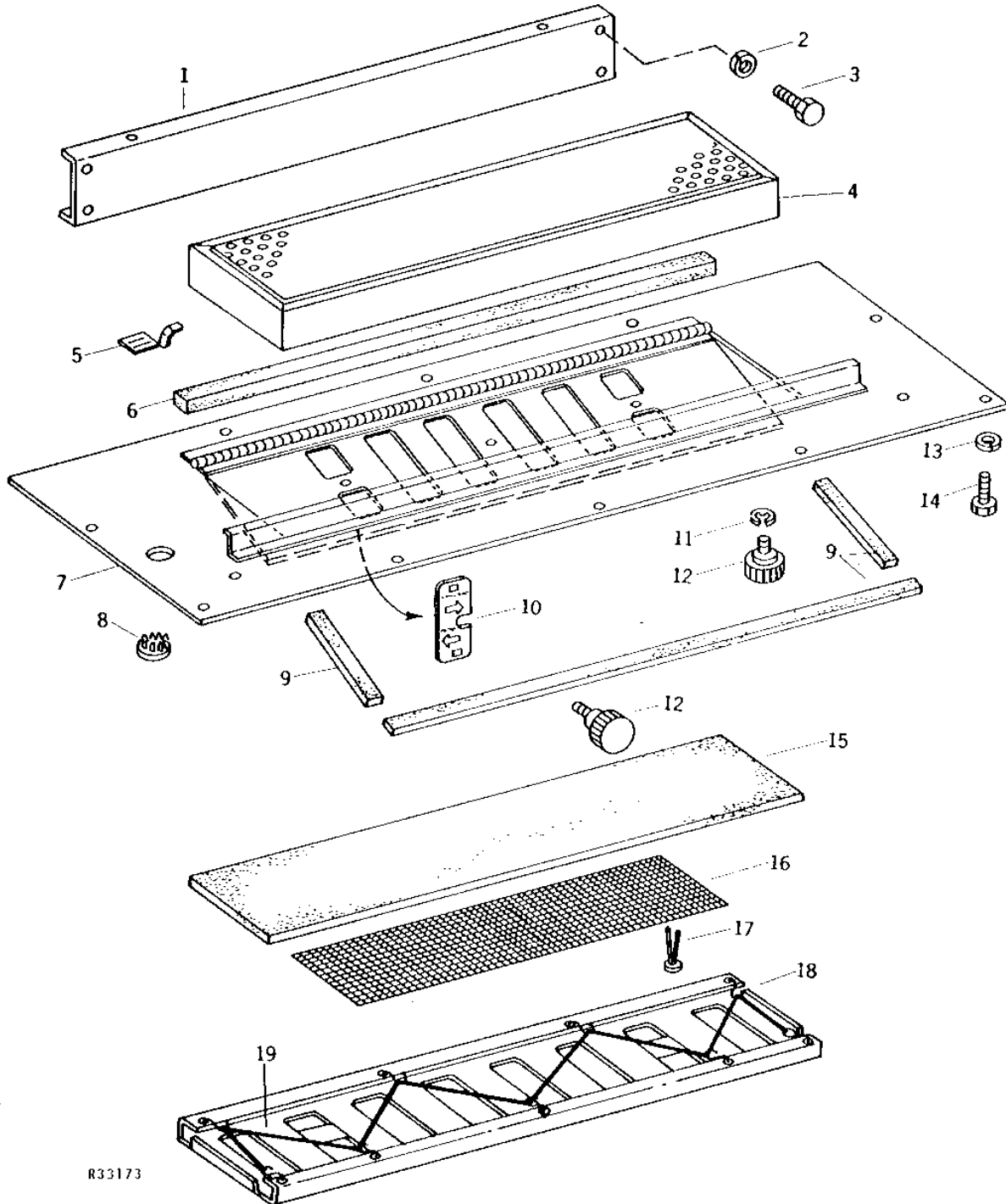
KEY	PART NO.	PART NAME	QTY	CAB SERIAL NO.	REMARKS
1	AR52325	VALVE	1	(SUB AR94973)	
2	12H304	LOCK WASHER	1	3/8"	
3	19H1938	CAP SCREW	1	3/8" X 13/16"	
4	AR64088	HOSE	1	(SUB FOR AR52329) (SUB RE58483)	
	R27533	GROMMET	1		
5	AR52322	LINE	1		
	N31425	GROMMET	1		
6	AR52321	SIGHT PLUG	1		
7	14H786	NUT	4	1/4"	
8	12H302	LOCK WASHER	4	1/4"	
9	R21230	U-BOLT	2		
10	AR64087	HOSE	1	COMPRESSOR TO CONDENSER, (SUB FOR AR52328)	
	R40791	CLAMP	1	(SUB RE57318)	
	A4772R	CLIP	1		
	R42045	CLIP	1		
11	CLAMP	1	(NOT FURNISHED)	
12	R27180	GROMMET	1		
13	AR49961	VALVE	1		
14	FOAM PAD	2	762MM (30") (MAKE FROM R48884)	
15	AR49966	CORE	1		
16	14H785	NUT	3	5/16"	
17	12H303	LOCK WASHER	3	5/16"	
18	24H1291	WASHER	6	21/64" X 1-15/32" X 7/64"	
19	19H2342	CAP SCREW	3	5/16" X 4-1/2"	
20	AR52324	SWITCH	1		
	R26409	GROMMET	2		
21	AR69370	KNOB	1	(SUB FOR AR49969)	
..	R76477	TIE BAND	1		
..	R57003	TAPE	1	9144MM (360") (SUB TY15709)	

3B4

OPERATOR'S STATION

CONSOLE COVER FRONT AND FILTER (HINSON)

R33173 -UN-01JAN94



R33173

3B5

OPERATOR'S STATION

CONSOLE COVER FRONT AND FILTER - CONTINUED (HINSON)

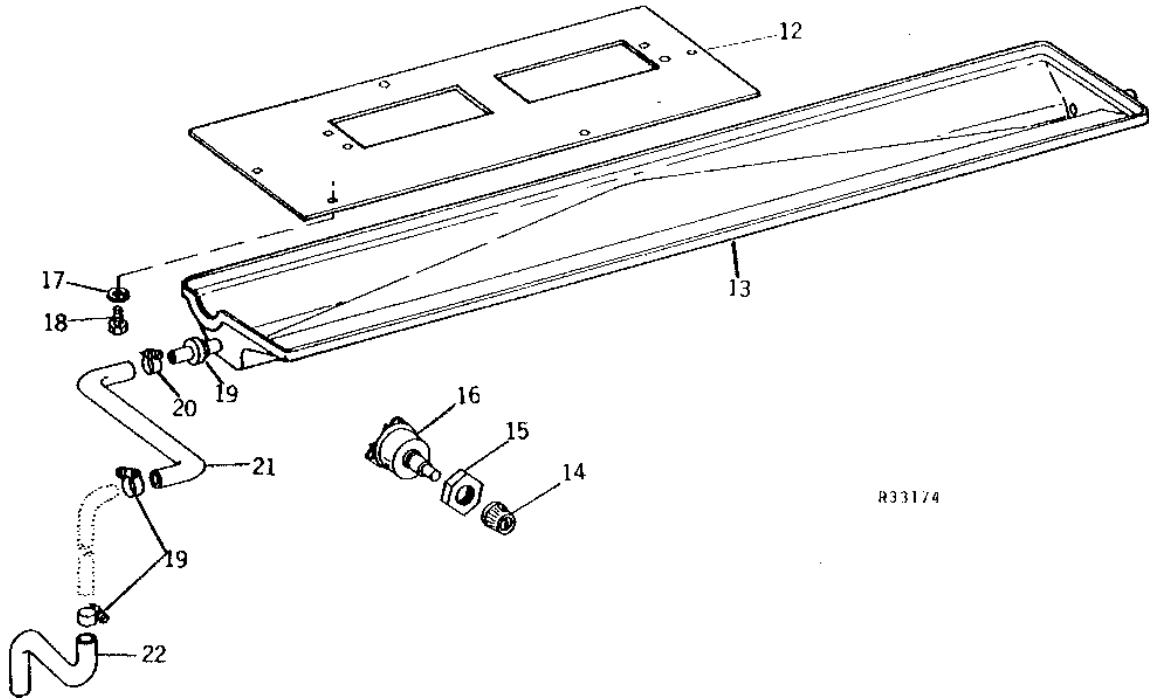
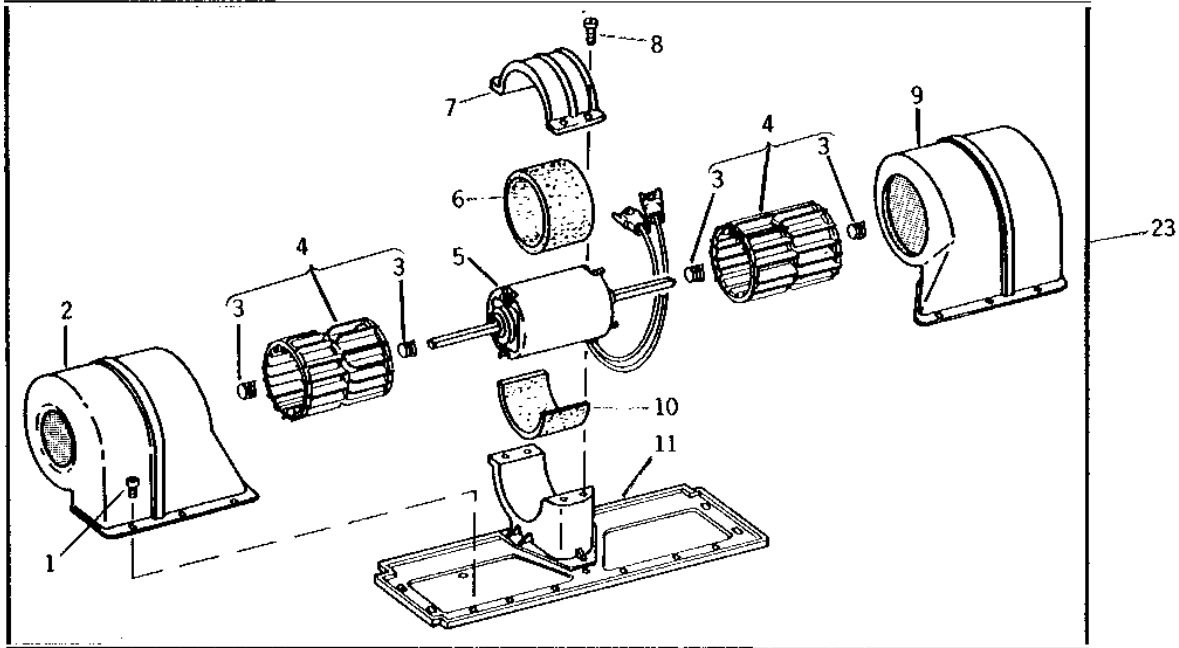
KEY	PART NO.	PART NAME	QTY	TRACTOR SERIAL NO.	REMARKS
1	AR52296	PANEL	1		
2	12H302	LOCK WASHER	7		1/4"
3	19H1227	CAP SCREW	7		1/4" X 1/2"
4	AR61903	AIR FILTER	1		(SUB FOR AR49986)
5	AR50010	CLIP	4		(SUB FOR AR50009)
6	R48880	WEATHERSTRIP	1		787MM (31")
7	AR52297	COVER	1	-003933	
	AR70450	COVER	1	003934-	
	R48884	WEATHERSTRIP	1		
8	R36590	PLUG	1		
9	R48879	WEATHERSTRIP	1		1270MM (50")
10	R48878	LABEL	1		
11	R72654	SNAP RING	2		(SUB FOR R27507)
12	AR52300	KNOB	4	-003933	
	AR52300	KNOB	2	003934-	
13	12H302	LOCK WASHER	14		1/4"
14	19H1227	CAP SCREW	14		1/4" X 1/2"
15	R48881	FILTER ELEMENT	1		
16	R58619	FILTER	1	003934-	
17	R58620	RETAINER	3	003934-	
18	AR63928	DOOR	1		(SUB FOR AR52298)
19	AR52299	CABLE	1		

3B6

OPERATOR'S STATION

R33174 -UN-01JAN94

BLOWER AND CONDENSATE TRAY (HINSON)



R33174

3B7

OPERATOR'S STATION

BLOWER AND CONDENSATE TRAY - CONTINUED (HINSON)

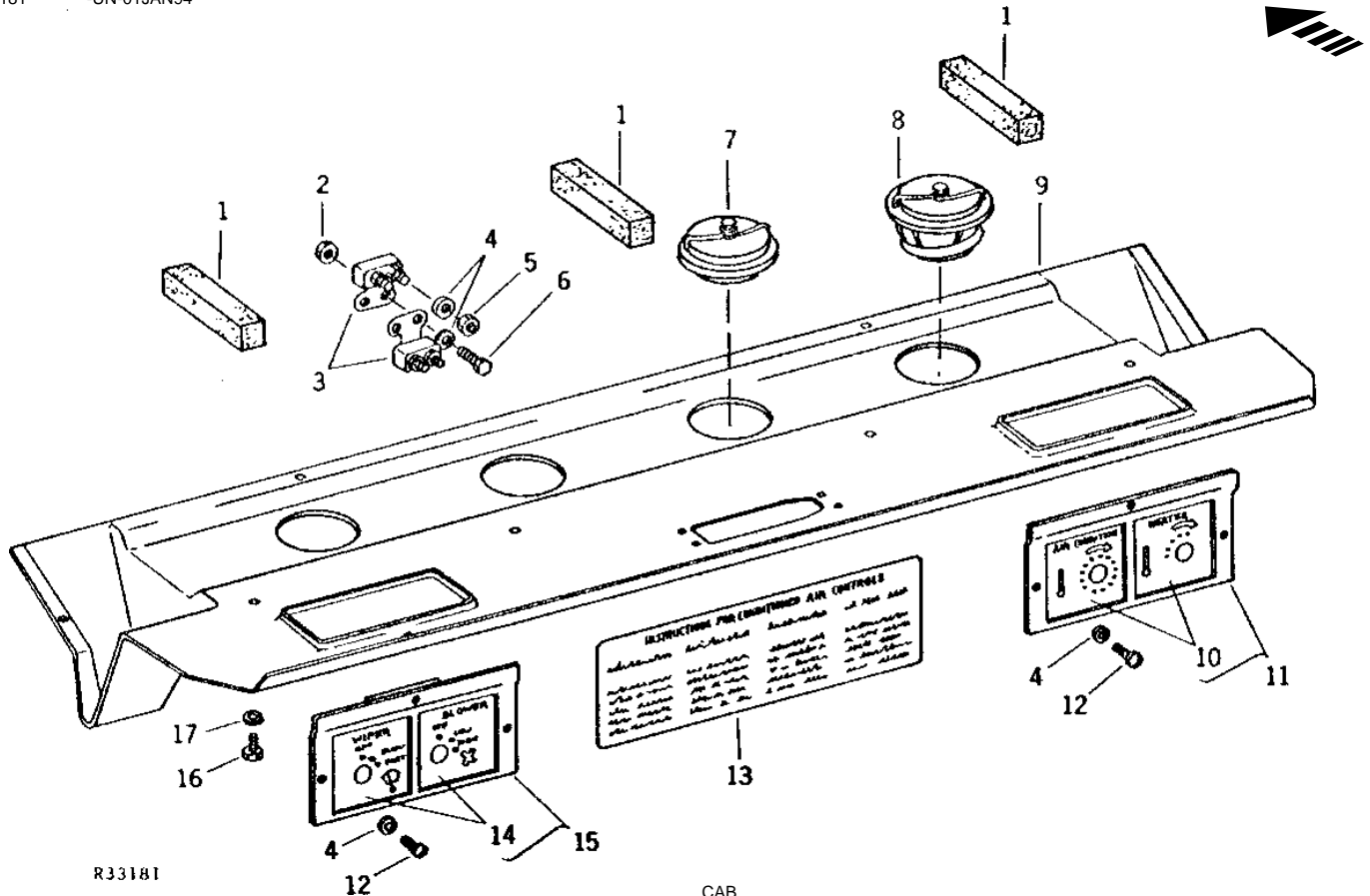
KEY	PART NO.	PART NAME	QTY	CAB SERIAL NO.	REMARKS
1	14H605	NUT	8		0.164"
	21H1158	SCREW	8		0.164" X 1/2"
	37H127	SCREW	8		0.138" X 5/16"
2	AR69012	HOUSING	2		
3	R56101	CLIP	4		(4 PER MOTOR)
4	AR66028	IMPELLER	2		(2 PER MOTOR) (SUB AR66034)
5	AR62497	MOTOR	2		
6	R57606	CUSHION	1		
7	R59450	RETAINER	1		
8	37H80	SCREW	4		0.190" X 1/2"
9	AR69011	HOUSING	2		
10	CUSHION	1		102MM (4") (MAKE FROM R57606)
11	AR74020	BASE	2		(SUB FOR AR68974)
12	R48885	PANEL	2		
13	AR52323	CONTAINER	1		
	WEATHERSTRIP	1		6 X 13 X 1016MM (1/4" X 1/2" X 40") (MAKE FROM R48884)
	FOAM PAD	1		6 X 13 X 965MM (1/4" X 1/2" X 38") (MAKE FROM R48884)
	FOAM PAD	2		6 X 13 X 51MM (1/4" X 1/2" X 2") (MAKE FROM R48884)
	R49858	ISOLATOR	1		
14	AR69370	KNOB	1		(SUB FOR AR49969)
15	R27296	NUT	1		
16	AR53155	SWITCH	1		(SUB FOR AR49964)
17	12H302	LOCK WASHER	4		1/4"
18	19H1227	CAP SCREW	4		1/4" X 1/2"
19	R48902	GROMMET	2		
20	AR21837	CLAMP	6		(SUB TY22465)
21	R48913	HOSE	2		
22	R49293	HOSE	2		
23	AR74019	BLOWER	2		(SUB FOR AR49968, AR53156, AR62561, AR66027 OR AR68973) (ALSO ORDER R36229)
..	R44302	TIE BAND	1		

3B8

OPERATOR'S STATION

REAR CONSOLE COVER AND CONTROL PANEL (HINSON)

R33181 -UN-01JAN94



R33181

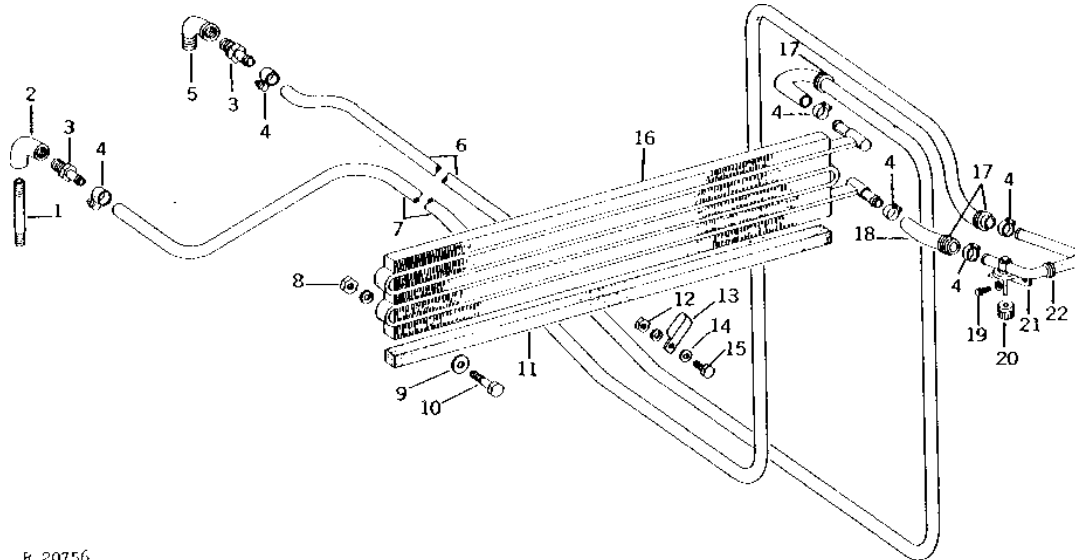
KEY	PART NO.	PART NAME	QTY	CAB SERIAL NO.	REMARKS
1	FOAM PAD	3		25 X 25 X 127MM (1" X 1" X 5") (MAKE FROM R30937)
2	14H778	NUT	2		0.190"
3	AR28403	CIRCUIT BREAKER	2		
4	12H246	LOCK WASHER	10		0.190"
5	14H631	NUT	4		0.190"
6	21H1317	SCREW	2		0.190" X 5/8"
7	AR49952	DEFLECTOR	3		
8	AR49970	DEFLECTOR	1		
9	R48874	COVER	1		
10	R48896	LABEL	1		(HEATER)
	R48908	LABEL	1		(AIR CONDITIONING)
	R48911	LABEL	1		(AIR CONDITIONING AND HEATER) (NLA)
11	AR52313	PANEL	1		
	AR52314	PANEL	1		(HEATER)
	AR52326	PANEL	1		(AIR CONDITIONING)
	AR52327	PANEL	1		(AIR CONDITIONING AND HEATER)
12	21H1317	SCREW	4		0.190" X 5/8"
13	R54839	LABEL	1		(AIR CONDITIONING) (SUB FOR R48903)
	R54840	LABEL	1		(PRESSURIZES)
14	R48882	LABEL	1		
15	AR52301	PANEL	1		(WIPER AND BLOWER) (NO LONGER AVAILABLE)
16	19H1227	CAP SCREW	11		1/4" X 1/2"
17	12H302	LOCK WASHER	11		1/4"
..	R36590	PLUG	AR		(LESS AIR CONDITIONING)
..	T11708	PLUG	1		(LESS AIR CONDITIONING)
..	T13911	PLUG	1		(LESS AIR CONDITIONING)

3B9

OPERATOR'S STATION

CAB HEATER AND HOSES (HINSON)

R20756 -UN-01JAN94



R 20756

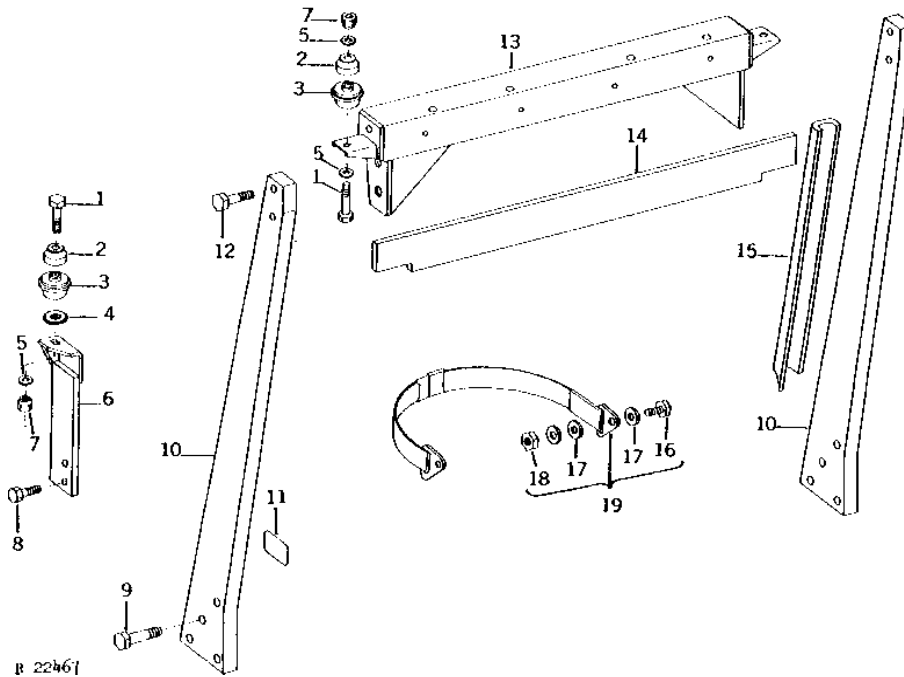
KEY	PART NO.	PART NAME	QTY	CAB SERIAL NO.	REMARKS
1	29H217	THREADED NIPPLE	1		1/2"
2	15H577	ELBOW FITTING	1		
3	R41985	FITTING	2		
4	AR21837	CLAMP	6		(SUB TY22465)
5	15H602	ELBOW FITTING	1		
6	HOSE	1		(CUT TO LENGTH) (MAKE FROM R45847)
7	HOSE	1		(CUT TO LENGTH) (MAKE FROM R45847)
8	14H785	NUT	3		5/16"
	12H303	LOCK WASHER	3		5/16"
9	24H1291	WASHER	3		21/64" X 1-15/32" X 7/64"
10	19H3552	CAP SCREW	3		5/16" X 1-1/2" HS, SAE 8
11	R47468	ISOLATOR	1		
12	14H1076	NUT	1		3/8"
	12H304	LOCK WASHER	1		3/8"
13	R42045	CLIP	1		
14	24H1301	WASHER	1		13/32" X 9/16" X 0.065"
15	19H1936	CAP SCREW	1		3/8" X 3/4"
16	AR49965	CORE	1		
17	H31207	GROMMET	3		
18	HOSE	1		203MM (8") (MAKE FROM R45847)
19	19H1227	CAP SCREW	2		1/4" X 1/2"
	12H302	LOCK WASHER	2		1/4"
20	AR69370	KNOB	1		(SUB FOR AR49969)
21	AR49987	VALVE	1		
22	P41858	GROMMET	1		

3B10

OPERATOR'S STATION

R22467 -UN-01JAN94

ROLL-GARD
(TRACTOR SERIAL NO. -002477)



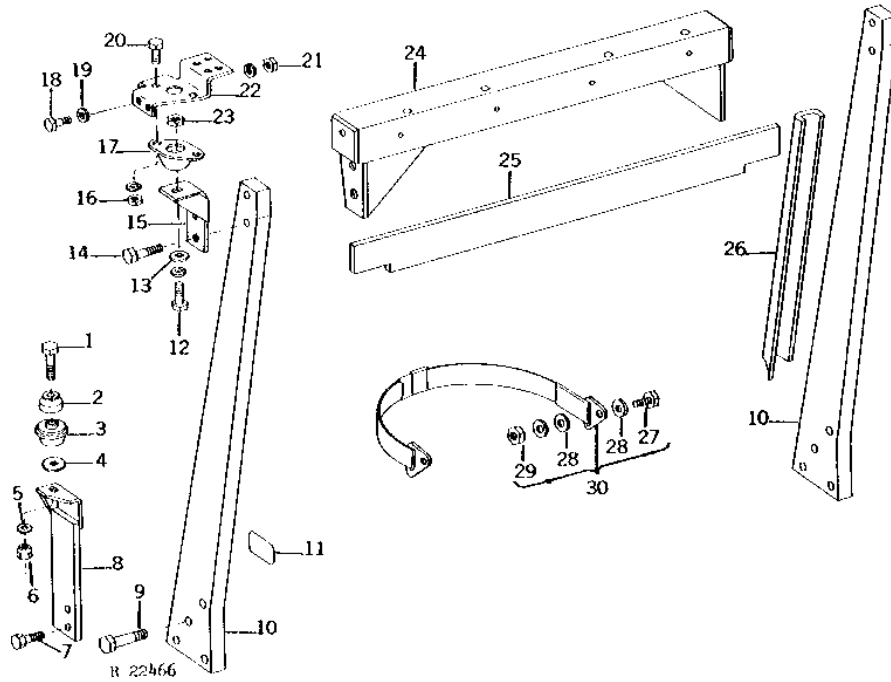
KEY	PART NO.	PART NAME	QTY	TRACTOR SERIAL NO.	REMARKS
1	19H3550	CAP SCREW	4	1/2" X 4"	
2	AR58429	SUPPORT	4		
3	AR58428	SUPPORT	4		
4	R20135	WASHER	2		
5	24H1341	WASHER	6	17/32" X 15/16" X 0.060"	
6	AR59312	BRACKET	2		
7	K40014	LOCK NUT	4	(SUB FOR F2855R)	
8	19H1768	CAP SCREW	4	3/4" X 2"	
9	19H2421	CAP SCREW	1	1" X 3-3/4"	
10	R47773	FRAME	2		
	R55052	LABEL	1	(NO LONGER AVAILABLE)	
11	R41781	DECAL	1	(SUB R87527)	
12	19H2728	CAP SCREW	4	3/4" X 3"	
13	AR57225	FRAME	1		
14	R55238	ISOLATOR	1		
15	R42646	FOAM PAD	2		
16	R41778	BOLT	2		
17	24H1226	WASHER	2	1/2" X 1-1/4" X 0.083"	
18	14H863	NUT	2	3/4"	
	12H293	LOCK WASHER	2	7/16"	
19	AR41761	SEAT BELT	1	51MM (2") WIDTH	
	AT38518	SEAT BELT	1	76MM (3") WIDTH	
	R81424	LABEL	1	(SUB FOR R42732)	

3B11

OPERATOR'S STATION

ROLL-GARD
(TRACTOR SERIAL NO. 002478-)

R22466 -UN-01JAN94



KEY	PART NO.	PART NAME	QTY	CAB SERIAL NO.	REMARKS
1	19H1992	CAP SCREW	2	1/2" X 4"	
2	AR58429	SUPPORT	2		
3	AR58428	SUPPORT	2		
4	R20135	WASHER	2		
5	R42408	WASHER	2		
6	K40014	LOCK NUT	2	(SUB FOR F2855R)	
7	19H1768	CAP SCREW	4	3/4" X 2"	
8	AR59312	BRACKET	2		
9	19H2421	CAP SCREW	6	1" X 3-3/4"	
10	R47773	FRAME	2		
	R55052	LABEL	1	(NO LONGER AVAILABLE)	
11	R41781	DECAL	1	(SUB R87527)	
12	19H1831	CAP SCREW	2	1/2" X 2"	
	12H301	LOCK WASHER	2	1/2"	
13	24H1625	WASHER	2	17/32" X 1" X 0.120"	
14	19H3027	CAP SCREW	4	3/4" X 3-1/2"	
15	AR68105	SUPPORT	2		
16	14H1040	NUT	4	1/2"	
	12H301	LOCK WASHER	4	1/2"	
17	AR68104	ISOLATOR	2		
18	19H2284	CAP SCREW	16	3/8" X 7/8"	
19	24H1309	WASHER	16	13/32" X 1-1/16" X 0.120"	
20	19H1792	CAP SCREW	4	1/2" X 1"	
21	14H1076	NUT	16	3/8"	
	12H304	LOCK WASHER	16	3/8"	
22	R56945	BRACKET	1	L.H.	
	R56944	BRACKET	1	R.H.	
	14H1040	NUT	2	1/2"	
24	AR66283	FRAME	1		
25	R55238	ISOLATOR	1		
26	R42646	FOAM PAD	2		
27	R41778	BOLT	2		
28	24H1226	WASHER	2	1/2" X 1-1/4" X 0.083"	
	12H293	LOCK WASHER	2	7/16"	
29	14H864	NUT	2	7/16"	
	12H293	LOCK WASHER	2	7/16"	
30	AR41761	SEAT BELT	1	51MM (2") WIDTH	
	AT38518	SEAT BELT	1	76MM (3") WIDTH	
	R81424	LABEL	1	(SUB FOR R42732)	

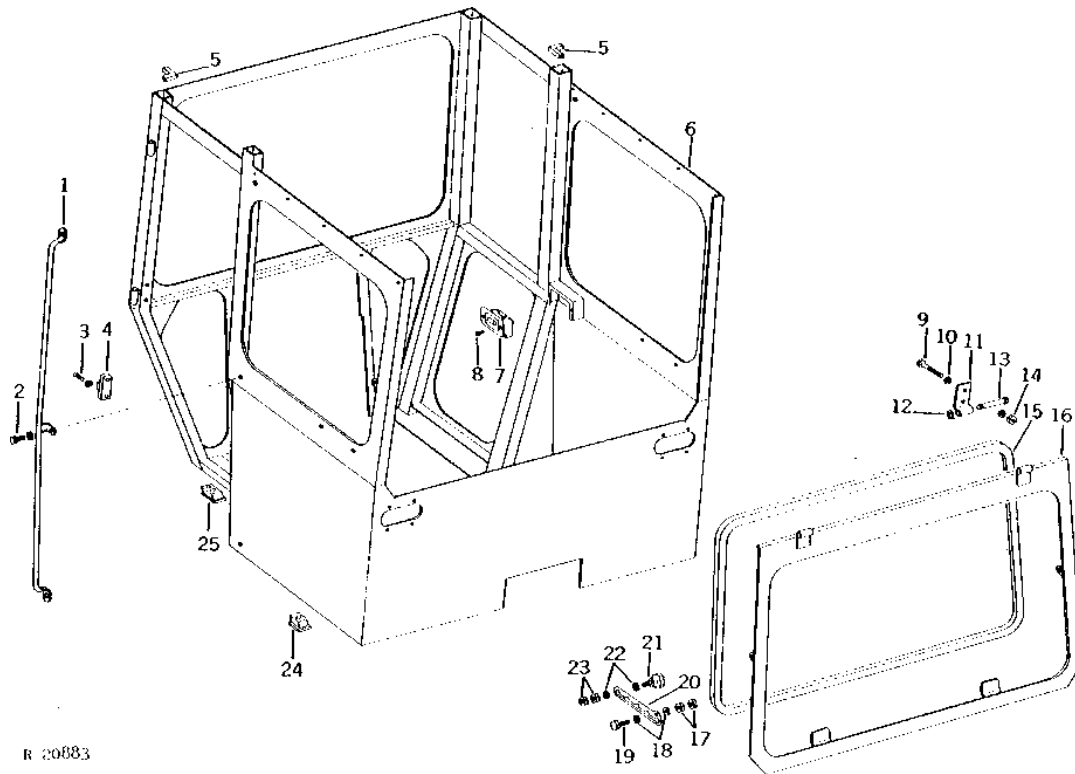
3B12

OPERATOR'S STATION

R20883

-UN-01JAN94

CAB BODY
(HINSON)



R 20883

3B13

OPERATOR'S STATION

CAB BODY - CONTINUED (HINSON)

KEY	PART NO.	PART NAME	QTY	CAB SERIAL NO.	REMARKS
1	AR52773	HANDLE	1		
2	19H1731	CAP SCREW	3		3/8" X 1"
	12H304	LOCK WASHER	3		3/8"
3	21H1021	SCREW	2		1/4" X 1/2"
	12H322	LOCK WASHER	2		1/4"
4	H63952	PLATE	1		
	R60165	NUT	2		
5	MOLDING	4		(MAKE FROM R41358)
6	FRAME	1		(SUB FOR AR54434) (NO LONGER AVAILABLE)
7	AH80057	ASHTRAY	1		
8	37H95	SCREW	2		NO. 8 X 1/2"
9	19H1731	CAP SCREW	4		3/8" X 1"
10	24H1305	WASHER	1		13/32" X 13/16" X 0.065"
11	R48877	HINGE	2		
12	R11026	SNAP RING	2	-014206	
	R72655	SNAP RING	2	014207-	(SUB FOR T12808)
13	R55170	PIN	2		(ALSO ORDER (2) R72655) (SUB FOR R48873)
14	14H1076	NUT	4		3/8"
	12H304	LOCK WASHER	4		3/8"
15	WEATHERSTRIP	1		4216MM (166") (MAKE FROM H61993)
16	AR52290	PANEL	1		
17	14H732	NUT	4		3/8"
18	24H1287	WASHER	4		9/32" X 5/8" X 0.065"
19	19H1948	CAP SCREW	2		1/4" X 3/4"
20	R44444	ARM	2		
21	R48872	KNOB	2		
22	24H1136	WASHER	4		11/32" X 11/16" X 0.065"
23	14H611	NUT	4		5/16"
24	R48892	PLUG	1		(B) L.H.
	R48895	GROMMET	1		(A) L.H.
	R48892	PLUG	1		(D) R.H.
	R48895	GROMMET	1		(C) R.H.
25	R48890	GROMMET	1		(B) L.H.
	R48904	GROMMET	1		(A) L.H.
	R48891	PLUG	1		(D) R.H.
	R48894	GROMMET	1		(C) R.H. (NLA)
..	R51309	DECAL	1		

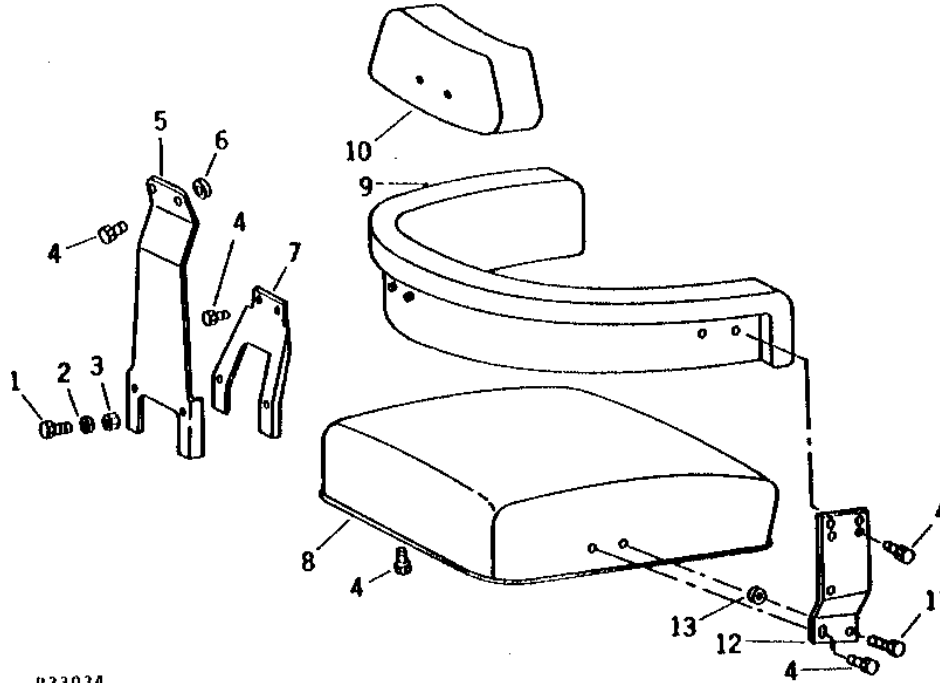
- (A) AIR CONDITIONING
- (B) LESS AIR CONDITIONING
- (C) HEATER
- (D) LESS HEATER

3B14

OPERATOR'S STATION

R33034 -UN-01JAN94

DELUXE SEAT



023034

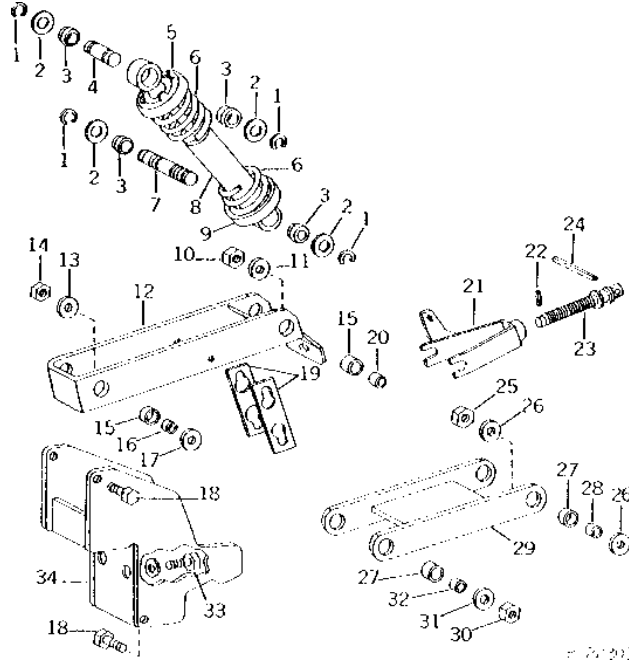
KEY	PART NO.	PART NAME	QTY	TRACTOR SERIAL NO.	REMARKS
1	19H1905	CAP SCREW	2		5/16" X 1"
2	12H303	LOCK WASHER	2		5/16"
3	14H785	NUT	2		5/16"
4	19H1813	CAP SCREW	16		5/16" X 5/8"
5	R34272	SUPPORT	1		
6	24H448	WASHER	2		25/32" X 1-1/8" X 0.090"
7	R27785	SUPPORT	1		
8	AR44763	CUSHION	1		
	R32736	COVER	1		(NATURAL CANVAS)
	R34618	CUSHION COVER	1		(YELLOW VINYL)
	R34609	COVER	1		(WHITE CANVAS) (SUB R34618)
9	AR59680	ARMREST	1		(SUB FOR AR42598)
	R34620	CUSHION COVER	1		
10	R34267	SEAT BACK	1		(SUB FOR AR59679)
	R34619	CUSHION COVER	1		
11	19H2127	CAP SCREW	2		5/16" X 7/8"
12	R41937	SUPPORT	1	-003667	(SUB R57274)
	R57274	SUPPORT	1	003668-	
	R41938	SUPPORT	1	-003667	
	R57275	SUPPORT	1	003668-	
13	24H1517	WASHER	2		1-13/32" X 2-23/32" X 0.036"

3B15

OPERATOR'S STATION

R22303 -UN-01JAN94

SEAT SUSPENSION



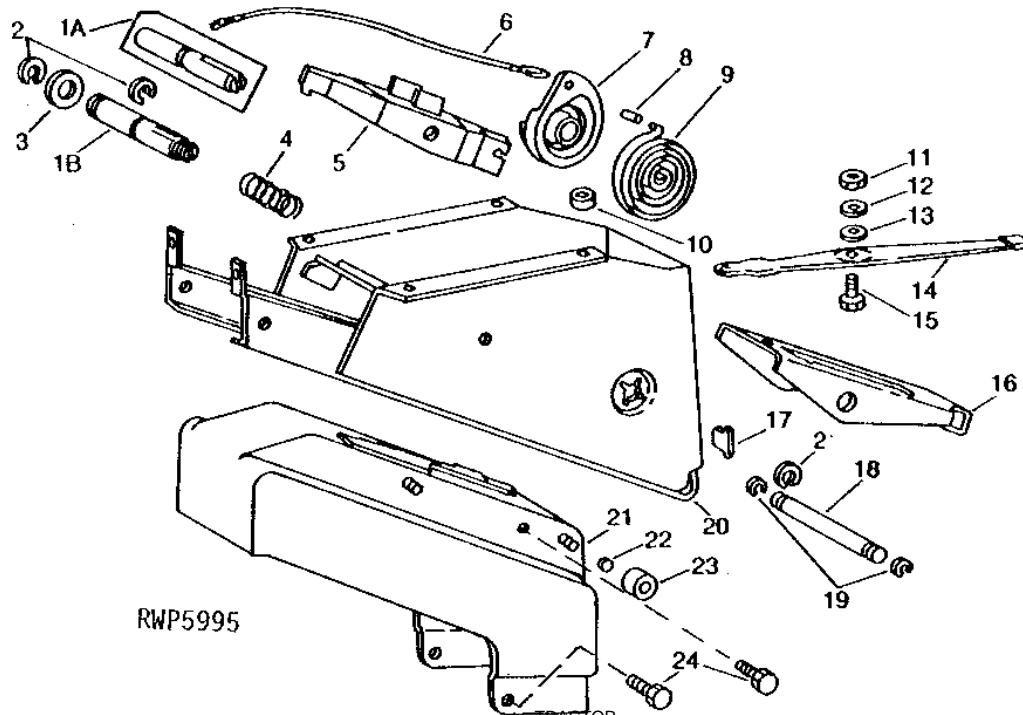
KEY	PART NO.	PART NAME	QTY	TRACTOR SERIAL NO.	REMARKS
1	F2863R	SNAP RING	4		
2	R1836R	WASHER	4		
3	R26832	BUSHING	4		
4	R26875	PIN	1		
5	R27442	CAP	1		
6	R26877	SPRING	1		
7	R26876	SHAFT	1		
8	AR71976	ABSORBER	1		(SUB FOR AR26529 OR AR69854) (SUB RE62234)
9	R26879	CAP	1		
10	M63440	LOCK NUT	2		(SUB E50102)
11	R27441	WASHER	2		
12	AR36048	ARM	1		(SUB AR60029 AND (4) R51649, THIS APPLICATION)
13	R27441	WASHER	2		
14	M63440	LOCK NUT	2		(SUB E50102)
15	R51648	WASHER	4		(SUB FOR R36704)
16	R27440	BUSHING	2		
17	24H1309	WASHER	2		13/32" X 1-1/16" X 0.120"
18	19H1800	CAP SCREW	2		3/8" X 1-1/2"
	19H2552	CAP SCREW	2		3/8" X 1-1/8"
19	R26878	LINK	2		
20	R27440	BUSHING	2		
21	AR26530	YOKE	1	-003667	(SUB AR69271)
	AR69271	YOKE	1	003668-	
22	34H247	SPRING PIN	1		1/8" X 3/4"
23	R27121	SCREW	1	-003667	(SUB R57623 AND 34H323)
	R57623	SCREW	1	003668-	
24	34H323	SPRING PIN	1	003668-	1/4" X 3"
25	M63440	LOCK NUT	2		(SUB E50102)
26	R27441	WASHER	4		
27	R51648	WASHER	4		(SUB FOR R51648)
28	R27440	BUSHING	2		
29	AR35858	LINK	1		
30	M63440	LOCK NUT	2		(SUB E50102)
31	R27441	WASHER	2		
32	R27440	BUSHING	2		
33	19H1833	CAP SCREW	2		5/8" X 1-1/4"
	12H294	LOCK WASHER	2		5/8"
34	AR35367	SUPPORT	1		

3B16

OPERATOR'S STATION

RWP5995 -UN-01JAN94

SEAT SUPPORT



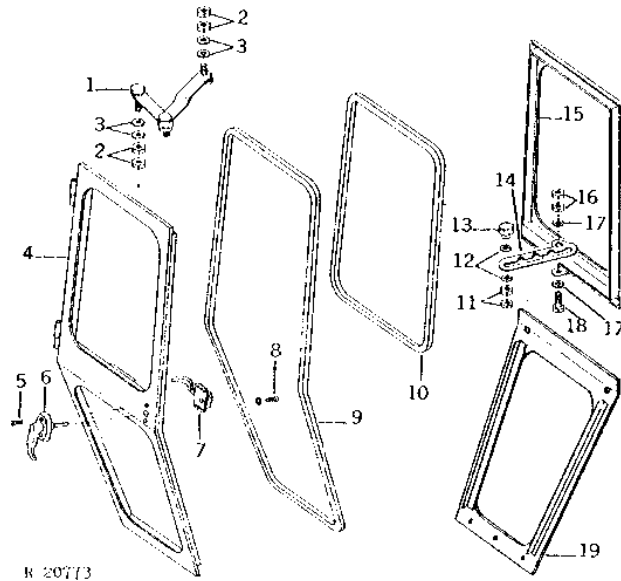
KEY	PART NO.	PART NAME	QTY	TRACTOR SERIAL NO.	REMARKS
1A	R26874	SHAFT	1	-003074	
1B	R57572	PIN	1	003075-	(ALSO ORDER R73380 AND (2) 24H1384) (SUB FOR R56064)
2	R73380	SNAP RING	2	-003074	(SUB FOR A369R)
3	24H1395	SNAP RING	3	003075-	(SUB FOR A369R)
	24H1384	WASHER	1	-003074	25/32" X 1-7/16" X 0.060"
4	A4744R	WASHER	2	003075-	49/64" X 1-1/16" X 0.036"
5	R26828	SPRING	1		
6	AR26403	LATCH	1		
7	R26432	CABLE	1		(SUB R78257)
8	34H282	REEL	1		
9	R31260	SPRING PIN	1		3/16" X 1"
10	28H1517	SPRING	1		
11	14H786	WASHER	2		0.493" X 0.675" X 1/4"
12	12H302	NUT	1		1/4"
13	24H1287	LOCK WASHER	1		1/4"
14	R27439	WASHER	1		9/32" X 5/8" X 0.065"
15	R26431	LEVER	1		
16	R26830	SCREW	1		
17	R26434	HANDLE	1		
18	R26829	LATCH	1		
19	R26871	PIN	1		
20	AR68728	SNAP RING	2		
		SUPPORT	1		(ALSO ORDER R57572, R73380, (2) 28H1517 AND (2) 24H1384) (SUB FOR AR36047 OR AR65883)
21	AR35366	FRAME	1		
22	R26872	SHIM	AR		0.25MM (.010")
	R26873	SHIM	AR		0.51MM (.020")
23	R26436	ROLLER	4		
24	19H1732	CAP SCREW	4		3/8" X 1-1/4"

3B17

OPERATOR'S STATION

CAB DOOR AND RIGHT-HAND FRONT WINDOW (HINSON)

R20773 -UN-01JAN94



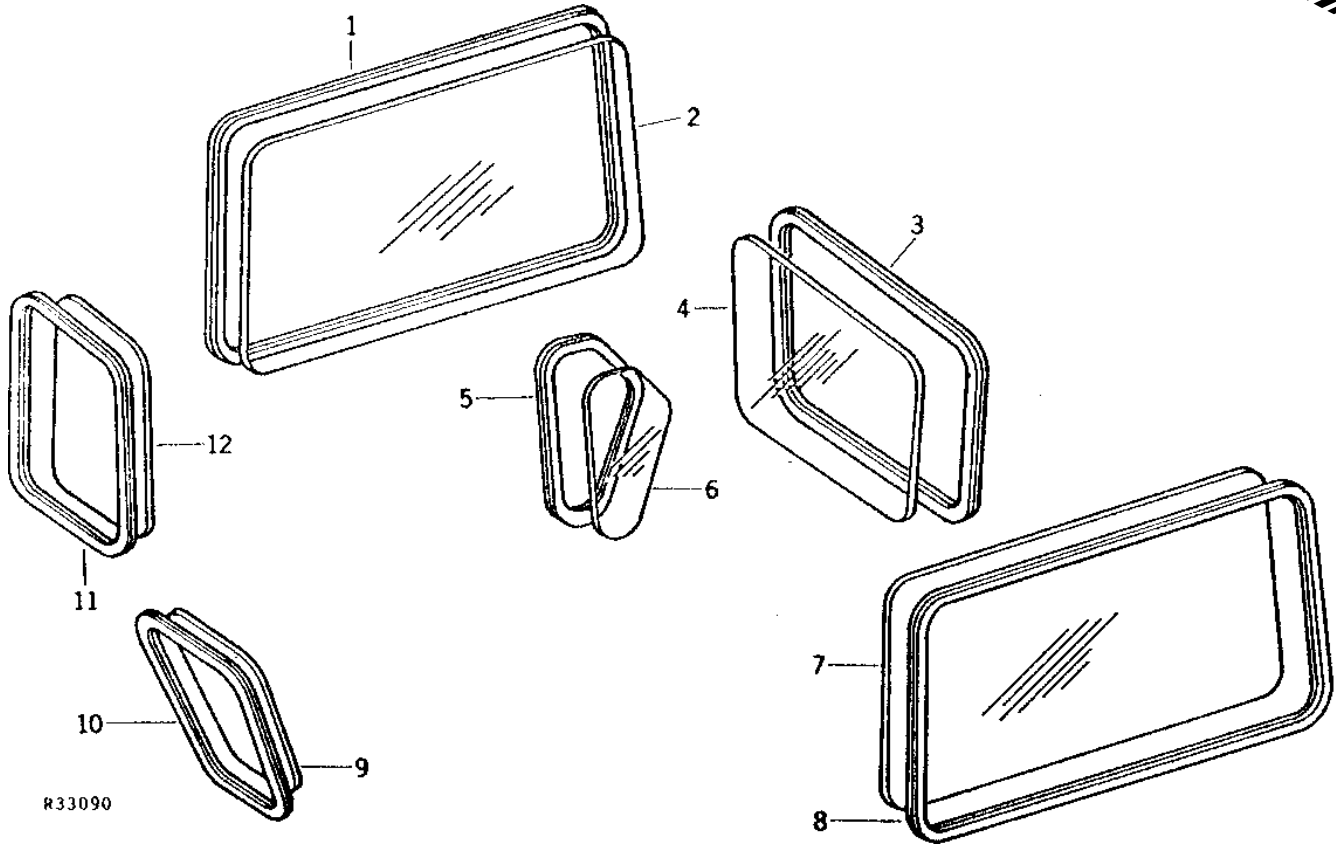
KEY	PART NO.	PART NAME	QTY	CAB SERIAL NO.	REMARKS
1	AR52772	REGULATOR	1		
2	14H611	NUT	4	5/16"	
3	24H1136	WASHER	4	11/32" X 11/16" X 0.065"	
4	AR52770	DOOR	1	(NLA)	
5	21H1073	SCREW	2	0.190" X 1/2"	
6	AR55154	HANDLE	1	(SUB FOR AR52292)	
7	AR51481	KEY	1		
7	AR52771	LATCH	1		
8	21H1301	SCREW	4	0.190" X 1/2"	
	12H246	LOCK WASHER	4	0.190"	
9	WEATHERSTRIP	1	3810MM (150") (MAKE FROM H61993)	
10	WEATHERSTRIP	1	2616MM (103") (MAKE FROM H61993)	
11	14H611	NUT	2	5/16"	
12	24H1136	WASHER	2	11/32" X 11/16" X 0.065"	
13	R48872	KNOB	1		
14	R44444	ARM	1		
15	AR52289	PANEL	1		
16	14H732	NUT	2	3/8"	
17	24H1287	WASHER	2	9/32" X 5/8" X 0.065"	
18	19H1948	CAP SCREW	1	1/4" X 3/4"	
19	AR52803	PANEL	1		
..	R51309	DECAL	1		
..	AR57248	KIT	1	WEATHERSEAL	

3B18

OPERATOR'S STATION

R33090 -UN-01JAN94

CAB GLASS
(HINSON)



R33090

KEY	PART NO.	PART NAME	QTY	CAB SERIAL NO.	REMARKS
1	MOLDING	1	3683MM (145")	(MAKE FROM R49857 AND R44438)
2	R48867	WINDOWPANE	1		
3	MOLDING	2	2743MM (108")	(MAKE FROM R49857 AND R44438)
4	R48870	WINDOWPANE	2		
5	MOLDING	2	1397MM (55")	(MAKE FROM R49857 AND R44438)
6	R48868	WINDOWPANE	2		
7	R48865	WINDOWPANE	1		
8	R49857	MOLDING	1	4267MM (168")	
	R44438	ISOLATOR	1	4267MM (168")	
9	R48869	WINDOWPANE	2		DOOR, LOWER AND R.H. LOWER
10	MOLDING	2	1880MM (74")	(MAKE FROM R49857 AND R44438)
11	MOLDING	2	1994MM (78-1/2")	(MAKE FROM R49857 AND R44438)
12	R48871	WINDOWPANE	2		DOOR, UPPER AND R.H. UPPER

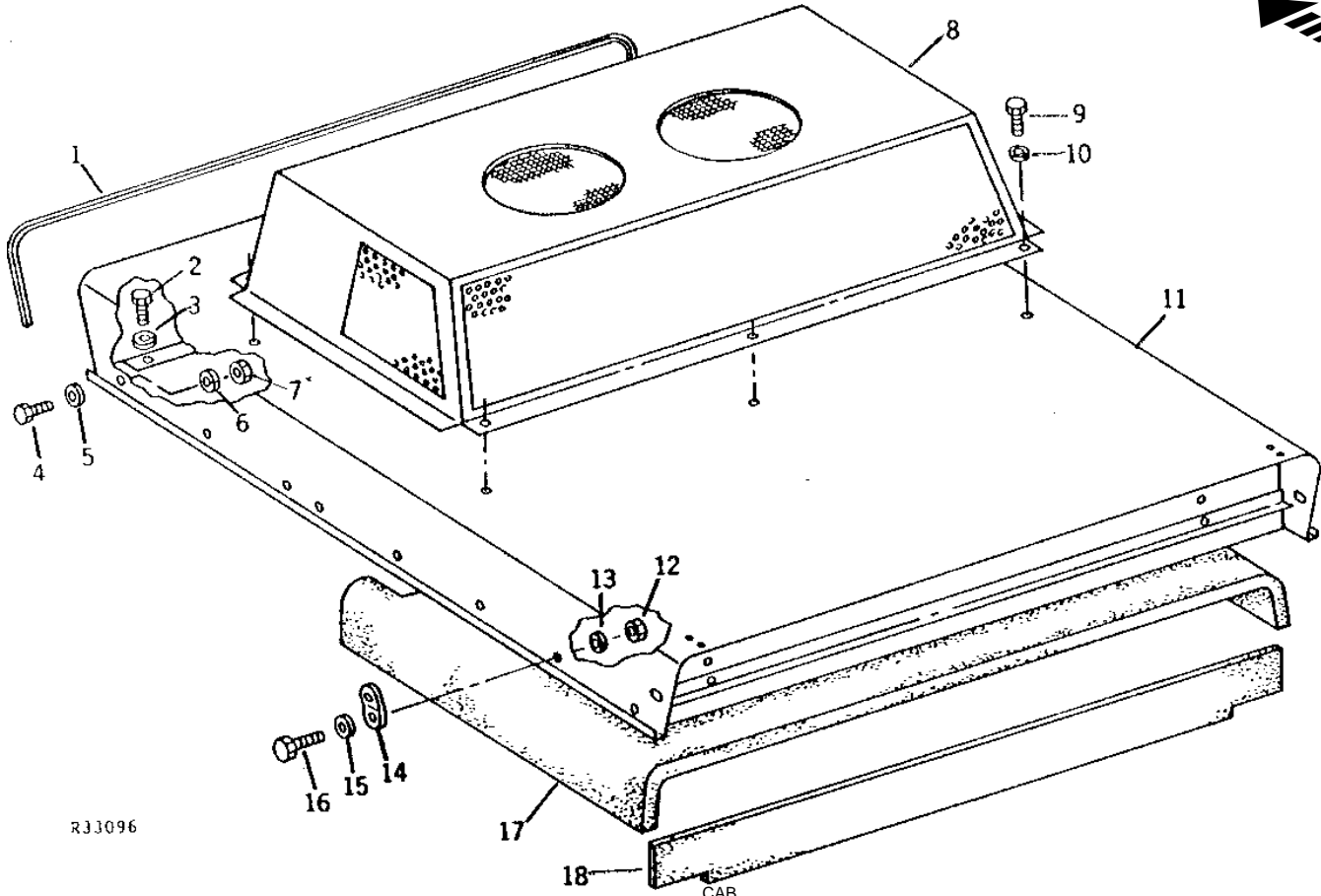
MEMORANDA

3B19

OPERATOR'S STATION

CAB ROOF AND CONDENSER COVER (HINSON)

R33096 -UN-01JAN94



R33096

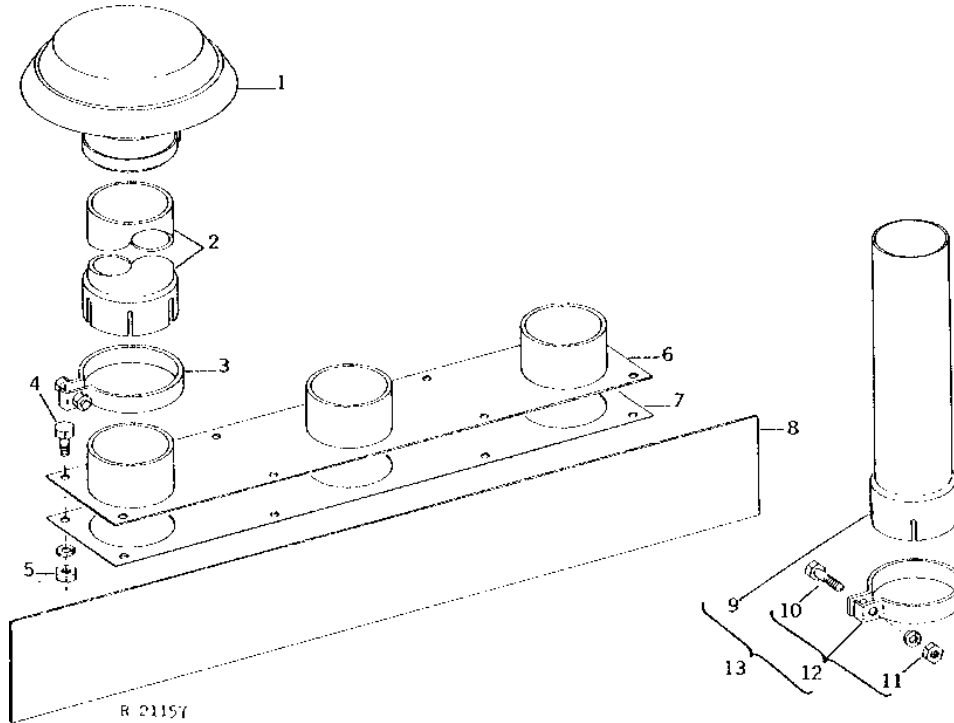
KEY	PART NO.	PART NAME	QTY	SERIAL NO.	REMARKS
1	MOLDING	1	1524MM (60") (MAKE FROM (2) R41358)	
2	19H1227	CAP SCREW	5	1/4" X 1/2"	
3	12H302	LOCK WASHER	5	1/4"	
4	19H3552	CAP SCREW	14	5/16" X 1-1/2" HS, SAE 8	
5	24H1136	WASHER	14	11/32" X 11/16" X 0.065"	
6	12H303	LOCK WASHER	14	5/16"	
7	14H785	NUT	14	5/16"	
8	AR52320	COVER	1		
9	19H1227	CAP SCREW	6	1/4" X 1/2"	
10	12H302	LOCK WASHER	6	1/4"	
11	AR68107	ROOF	1	(PRESSURIZED CAB) (ALSO ORDER R56944, R56945, (16) 24H1309, (16) 19H2284, (16) 14H1076 AND (16) 12H304)	
	AR68108	ROOF	1	(AIR CONDITIONED CAB) (ALSO ORDER R56944, R56945, (16) 24H1309, (16) 19H2284, (16) 14H1076 AND (16) 12H304) (NLA)	
12	14H785	NUT	4	5/16"	
13	12H303	LOCK WASHER	4	5/16"	
14	R48876	HOOK	4		
15	24H1136	WASHER	4	11/32" X 11/16" X 0.065"	
16	19H1900	CAP SCREW	4	5/16" X 3/4"	
17	R55237	HEADLINER	1	(SUB FOR R48912)	
18	R55238	ISOLATOR	1		

3B20

OPERATOR'S STATION

ROOF MOUNTED AIR INTAKE (HINSON)

R21157 -UN-01JAN94



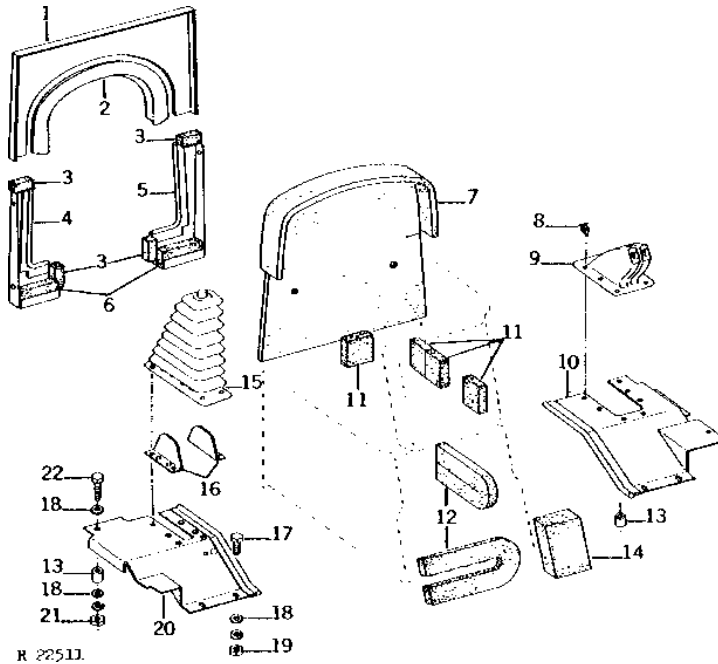
KEY	PART NO.	PART NAME	QTY	CAB SERIAL NO.	REMARKS
1	AR72337	CAP	3		(SUB FOR AR43998)
2	R55370	AIR INTAKE STACK	3		
3	AR51762	CLAMP	3		
4	19H1731	CAP SCREW	8	3/8" X 1"	
5	14H1076	NUT	8	3/8"	
	12H304	LOCK WASHER	8	3/8"	
6	AR64362	BASE	1		
7	R55369	GASKET	1	(NLA)	
8	R55366	COVER	1		
9	R55371	MUFFLER EXTENSION	1	(SUB AR64363)	
10	19H2791	CAP SCREW	1	3/8" X 1-3/4"	
11	14H1076	NUT	1	3/8"	
	12H304	LOCK WASHER	1	3/8"	
12	R49104	CLAMP	1		
13	AR64363	EXHAUST PIPE	1		

3B21

OPERATOR'S STATION

R22511 -UN-01JAN94

SEALING BAFFLES, COWL PANEL, AND EXTENSION



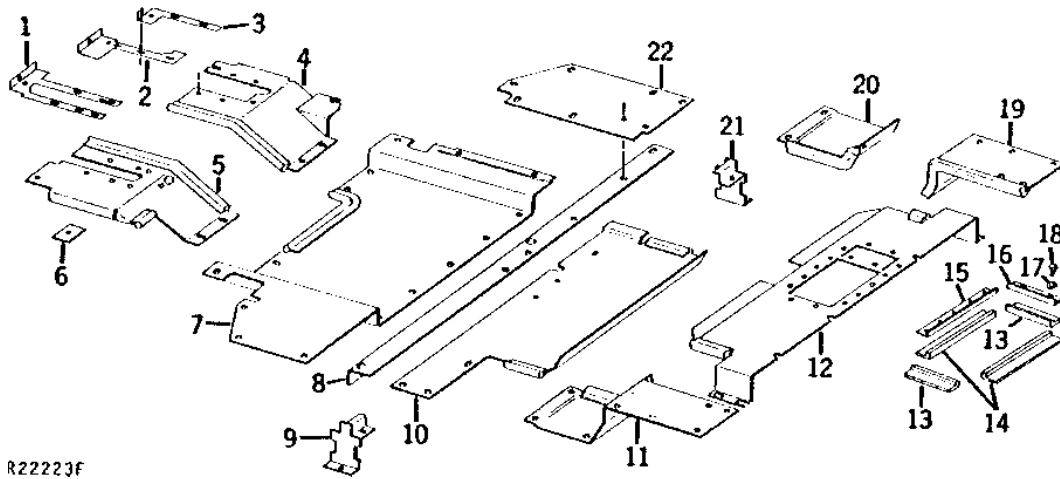
KEY	PART NO.	PART NAME	QTY	TRACTOR SERIAL NO.	REMARKS
1	AR51589	PANEL	1		
2	SEAL	1		(MAKE FROM R44585)
3	FOAM PAD	4		25 X 25 X 60MM (1" X 1" X 2-3/4") (MAKE FROM R30937)
4	AR66288	PANEL	1		(SUB FOR AR55645)
5	SEAL	1		(MAKE FROM R44447)
6	AR66287	PANEL	1		(SUB FOR AR55644)
7	SEAL	1		(MAKE FROM R44447)
8	R44588	ISOLATOR	2		
9	AR65967	ISOLATOR	1		
10	R49043	CLIP	12	-XXXXXX	
11	R48151	BOOT	1		
12	AR63181	EXTENSION	1		(SUB FOR AR53144)
13	R46904	ISOLATOR	4		
14	FOAM PAD	2		25 X 51 X 565MM (1" X 2" X 22-1/4") (MAKE FROM R28123)
15	28H1495	SPACER	2		0.493" X 0.675" X 1"
16	R46632	ISOLATOR	1		
17	R48150	BOOT	1	-003969	
18	R57257	BOOT	1	003970-	
19	R49042	SUPPORT	2	-003969	
20	03H1519	BOLT	6		3/8" X 1"
21	24H1305	WASHER	6		13/32" X 13/16" X 0.065"
22	14H1076	NUT	6		3/8"
..	12H304	LOCK WASHER	6		3/8"
..	AR63182	EXTENSION	1		(SUB FOR AR53501)
..	14H1076	NUT	2		3/8"
..	19H1726	CAP SCREW	2		3/8" X 2-1/4"
..	R53745	TAPE	1		54.9M (180 FT) (SUB FOR R46662)
..	R46663	SEALING TRIM	1		28M (60 FT)
..	R45015	FOAM PAD	1		25 X 610 X 610MM (1" X 24" X 24")
..	AR49923	ADHESIVE	1		0.47L (1 PT)

3B22

OPERATOR'S STATION

R22223 -UN-01JAN94

FLOOR PANELS



R22223F

KEY	PART NO.	PART NAME	QTY	TRACTOR SERIAL NO.	REMARKS
1	R55946	RETAINER	1		
2	R54715	RETAINER	1		
3	R54716	RETAINER	1		
4	AR63181	EXTENSION	1		
5	AR63182	EXTENSION	1	-003202	
	AR64281	EXTENSION	1	003203-	
6	R54713	PLATE	2		
7	AR65033	PLATE	1	-003202	(SUB FOR AR53500)
	AR65026	PLATE	1	003203-	
8	R52675	SUPPORT	1		
9	AR63174	RETAINER	1		
10	AR63183	PLATE	1		(SUB FOR R52674)
11	AR65032	PANEL	1		(SUB FOR AR52070)
12	AR59622	PANEL	1		
13	R56277	ISOLATOR	2		
14	R56276	ISOLATOR	2		
15	R56274	RETAINER	2		
16	R56275	RETAINER	2		
17	24H753	WASHER	14	9/32" X 5/8" X 0.049"	
18	34H84	SPRING PIN	14		
19	AR65031	PANEL	1		(SUB FOR AR52069)
20	AR65030	PANEL	1		(SUB FOR AR52068)
21	AR63173	RETAINER	1		
22	R53383	PLATE	1		

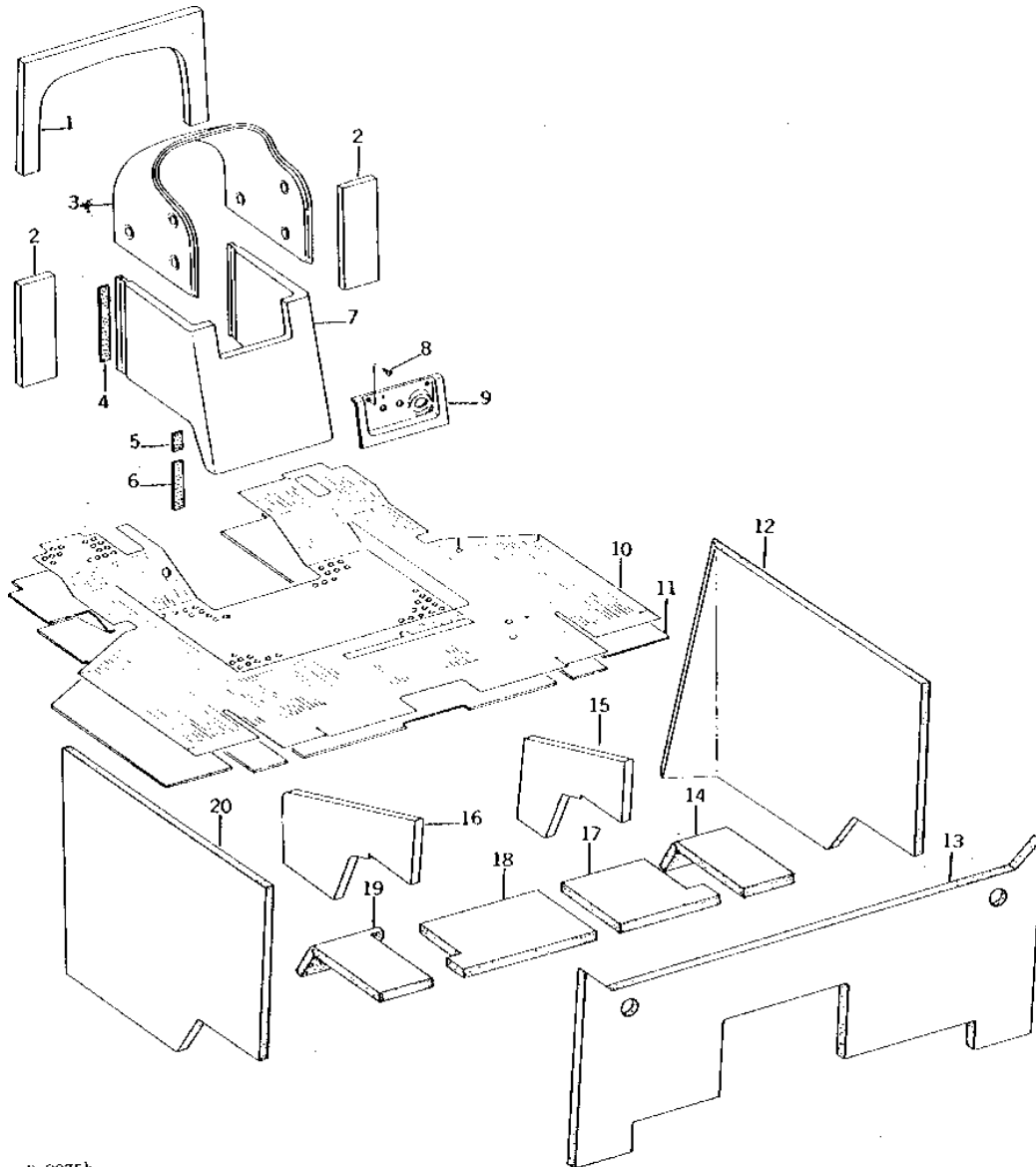
3B23

OPERATOR'S STATION

R20754

-UN-01JAN94

UPHOLSTERY AND FLOOR MAT



R 20754

3B24

OPERATOR'S STATION

UPHOLSTERY AND FLOOR MAT - CONTINUED

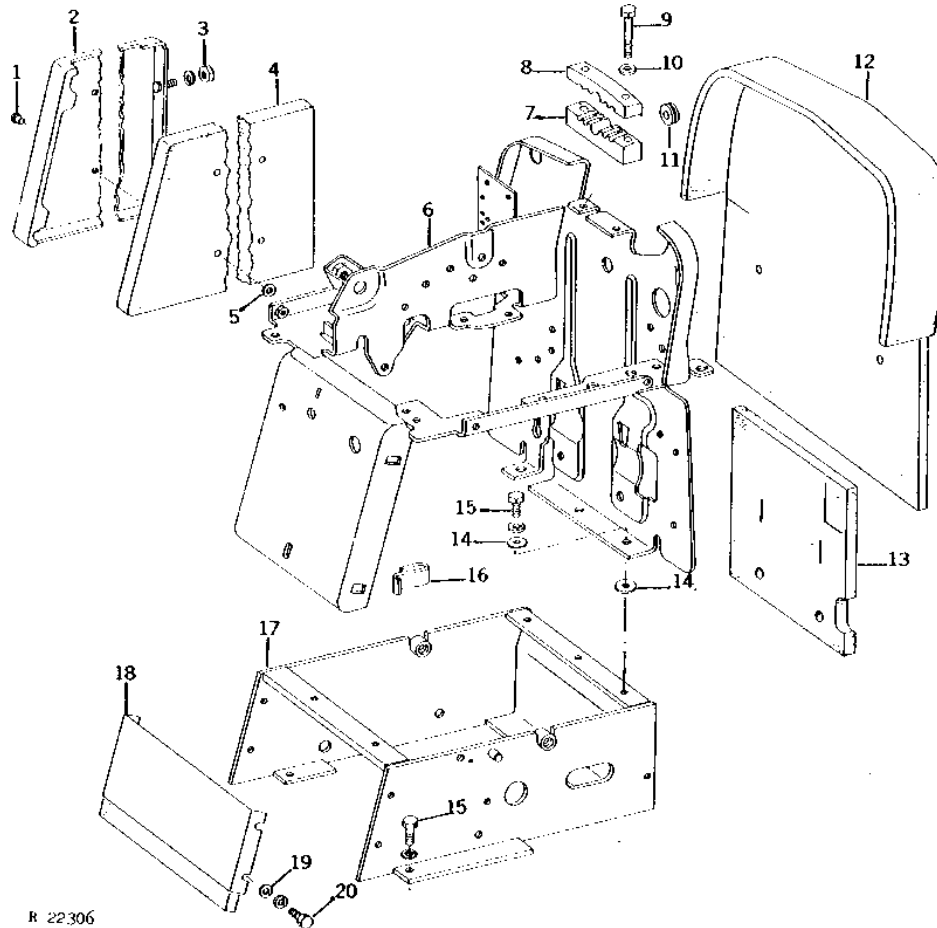
KEY	PART NO.	PART NAME	QTY	CAB SERIAL NO.	REMARKS
1	R53084	FOAM PAD	1		
2	R54450	FOAM PAD	2		
3	AR58481	FOAM PAD	1		
4	DUAL LOCK FASTENER	1		25 X 203MM (1" X 8") (MAKE FROM R57132)
5	DUAL LOCK FASTENER	2		25 X 51MM (1" X 2") (MAKE FROM R57132)
6	DUAL LOCK FASTENER	1		25 X 127MM (1" X 5") (MAKE FROM R57132)
7	AR58480	FOAM PAD	1		
8	37H130	SCREW	2		0.138" X 5/16"
9	R52991	RETAINER	1		
10	R53062	MAT	1		
11	R53063	PAD	1		
12	R49290	FOAM PAD	1		
13	R50181	COVER	1		(SUB FOR R54797)
14	R53384	FOAM PAD	1		
15	R52986	FOAM PAD	1		
16	R52987	FOAM PAD	1		
17	R50182	FOAM PAD	1		
18	R50183	FOAM PAD	1		
19	R50179	FOAM PAD	1		
20	R49291	FOAM PAD	1		
..	AR49923	ADHESIVE	1		0.47L (1 PT)
..	R57132	DUAL LOCK FASTENER	1		76MM (3") LONG

3B25

OPERATOR'S STATION

R22306 -UN-01JAN94

CONTROL SUPPORT AND COVERS



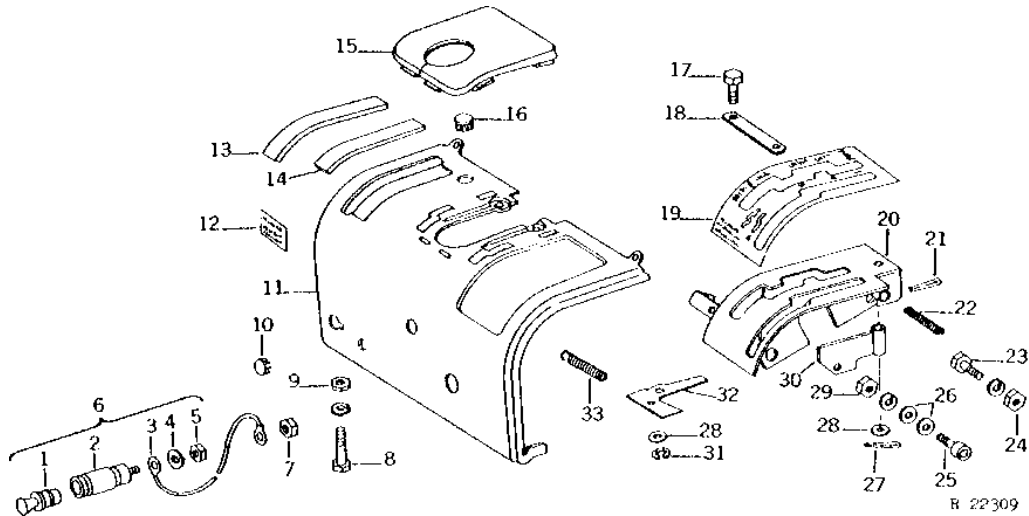
KEY	PART NO.	PART NAME	QTY	TRACTOR SERIAL NO.	REMARKS
1	R52990	RIVET	2		
2	AR40585	COVER	1		L.H. (SUB FOR AR60259)
	AR40584	COVER	1		R.H. (SUB FOR AR60258)
3	14H785	NUT	2		5/16"
	12H303	LOCK WASHER	2		5/16"
4	R52981	FOAM PAD	2		
5	24H1821	WASHER	8		9/32" X 47/64" X 1/16"
6	AR51071	SUPPORT	1		(NLA)
7	R41442	CLAMP	1		
8	R41438	CLAMP	1		
9	19H2334	CAP SCREW	2		1/4" X 2-1/2"
10	24H1287	WASHER	2		9/32" X 5/8" X 0.065"
11	R38454	GROMMET	1		
12	AR65967	ISOLATOR	1		
13	R41436	FOAM PAD	1		-XXXXXX (SUB AR65957)
14	R48378	WASHER	10		
15	19H2284	CAP SCREW	10		3/8" X 7/8"
	12H304	LOCK WASHER	5		3/8"
16	R42275	CLIP	4		
17	AR53721	BASE	1		
18	R56388	COVER	1		(SUB FOR AR53890)
19	24H1286	WASHER	4		9/32" X 1/2" X 1/16"
20	19H1227	CAP SCREW	4		1/4" X 1/2"
	12H302	LOCK WASHER	4		1/4"

3C1

OPERATOR'S STATION

R22309 -UN-01JAN94

DASH, COVER, AND SHIFT LEVER GUIDE



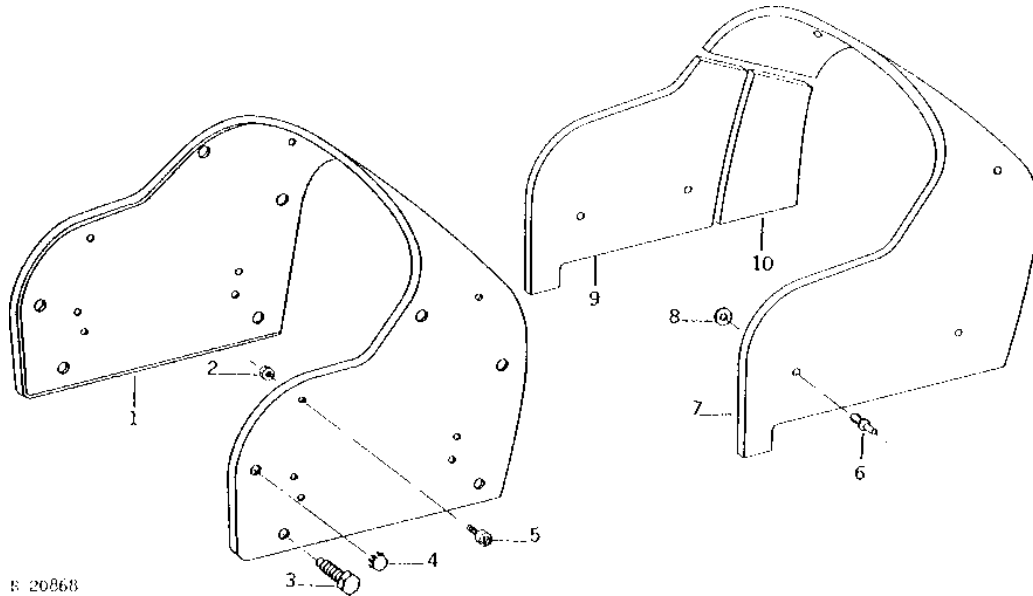
KEY	PART NO.	PART NAME	QTY	TRACTOR SERIAL NO.	REMARKS
1	AR60937	LIGHTER	1		(SUB FOR AA5787R)
2	AR30394	CIRCUIT BREAKER	1		
3	AR94130	WIRING LEAD	1		
4	12M7084	LOCK WASHER	1	0.169"	
5	14H605	NUT	1	0.164"	
6	AR48643	LIGHTER	1		(12-VOLT)
7	14H631	NUT	1	0.190"	
8	19H2284	CAP SCREW	2	3/8" X 7/8"	
	12H304	LOCK WASHER	2	3/8"	
9	14H1076	NUT	2	3/8"	
10	M42229	PLUG	1		(LESS COLD WEATHER STARTING AID) (SUB FOR R32234 OR T11708)
11	AR67125	INSTRUMENT PANEL	1		(SUB FOR AR51760)
12	R48241	LABEL	1		
13	R45405	ISOLATOR	1		(LESS PTO)
14	R53294	LABEL	1		(SUB FOR R44952)
15	R41604	COVER	1		
16	R44720	PLUG	2		
17	19H1900	CAP SCREW	2	5/16" X 3/4"	
18	R40925	PLATE	1		
19	R48812	LABEL	1		
20	AR52205	QUADRANT	1		
21	11M7082	COTTER PIN	1		
22	R42057	SPRING	1		
23	19H2284	CAP SCREW	1	3/8" X 7/8"	
24	14H1076	NUT	1	3/8"	
	12H304	LOCK WASHER	1	3/8"	
25	19H3053	SCREW	1	5/16" X 1"	
26	24H1289	WASHER	2	21/64" X 5/8" X 0.049"	
27	11M7081	COTTER PIN	1	0.098" X 0.787"	
28	R57696	WASHER	2		(SUB FOR R1870R)
29	14H611	NUT	1	5/16"	
30	AR51761	PLATE	1		
	12H303	LOCK WASHER	1	5/16"	
31	R72655	SNAP RING	1		(SUB FOR T12808)
32	R48549	LATCH	1		
33	R31877	SPRING	1		

3C2

OPERATOR'S STATION

R20868 -UN-01JAN94

COWL



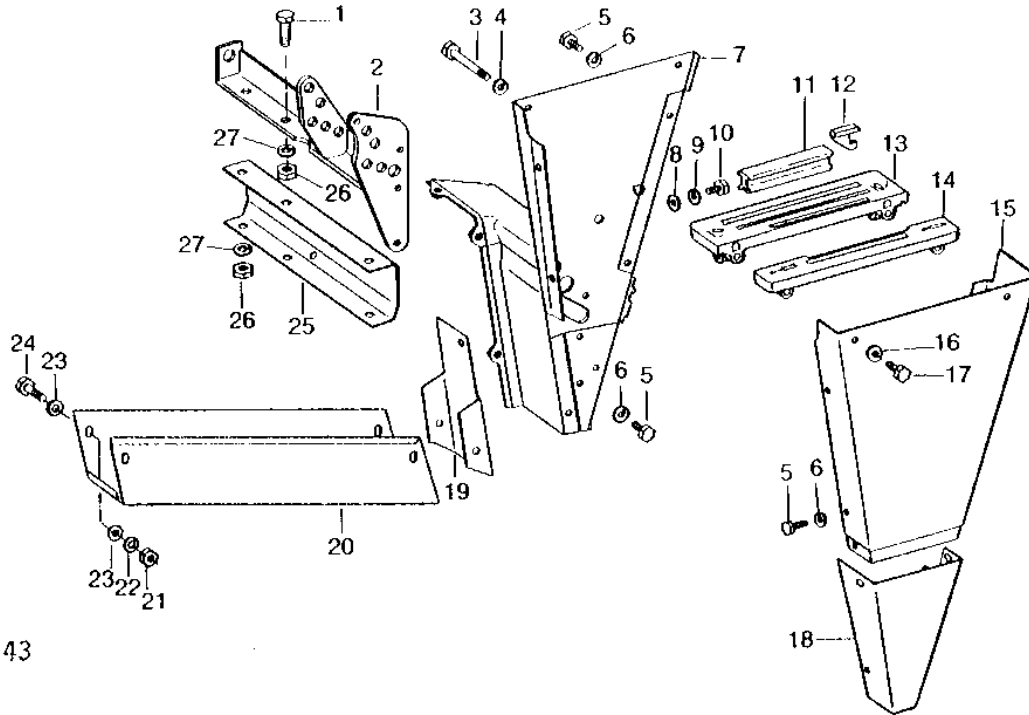
KEY	PART NO.	PART NAME	QTY	TRACTOR SERIAL NO.	REMARKS
1	R52959	COWL	1		
2	14H605	NUT	6	0.164"	
3	AR26568	SCREW	4		
4	R42451	PLUG	6	(SUB T15005)	
5	R53115	STUD	6		
6	R52990	RIVET	6		
7	R52978	FOAM PAD	1	(SUB FOR R52979)	
8	24H1821	WASHER	6	9/32" X 47/64" X 1/16"	
9	R52978	FOAM PAD	1	(SUB FOR R52980)	
10	R52978	FOAM PAD	1	(SUB FOR R52982)	

3C3

OPERATOR'S STATION

RP1143 -UN-01JAN94

ROCKSHAFT AND SELECTIVE CONTROL CONSOLE



RP1143

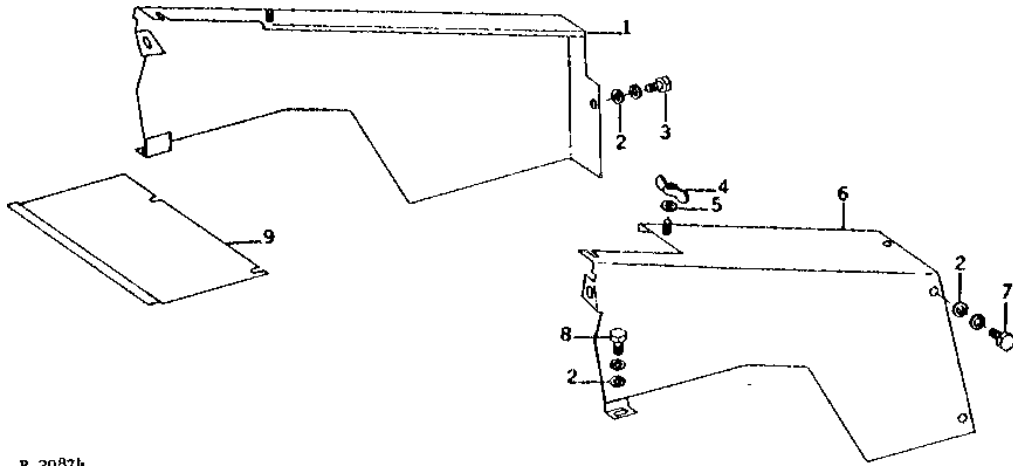
KEY	PART NO.	PART NAME	QTY	TRACTOR SERIAL NO.	REMARKS
1	19H1815	CAP SCREW	6		1/2" X 1-1/4"
2	AR54426	BRACKET	1		
3	19H1921	CAP SCREW	2		5/16" X 3-1/4"
4	12H303	LOCK WASHER	2		5/16"
5	19H1900	CAP SCREW	12		5/16" X 3/4"
6	12H303	LOCK WASHER	12		5/16"
7	AR54429	COVER	1		
8	24M7096	WASHER	1		10.500 X 18 X 1.600 MM
9	12H304	LOCK WASHER	2		3/8"
10	19H1936	CAP SCREW	1		3/8" X 3/4"
	19H2038	CAP SCREW	1		3/8" X 1/2"
11	AR62598	STRAP	1		(FOR NO DETENT) (SUB R54533)
12	AR53792	STRAP	1		
13	R41194	GUIDE	1		
14	R41760	GUIDE	1		
15	AR40812	COVER	1		(NLA)
16	12H303	LOCK WASHER	2		5/16"
17	19H2020	CAP SCREW	2		5/16" X 1/2"
18	AR54430	COVER	1		
19	R52671	SUPPORT	1		
20	R52672	BRACE	1		
21	14H785	NUT	4		5/16"
22	12H303	LOCK WASHER	4		5/16"
23	24H1822	WASHER	8		11/32" X 7/8" X 1/16"
24	19H1900	CAP SCREW	4		5/16" X 3/4"
25	R50174	SUPPORT	1		
26	14H1040	NUT	6		1/2"
27	12H301	LOCK WASHER	6		1/2"

3C4

OPERATOR'S STATION

R20874 -UN-01JAN94

SELECTIVE CONTROL LINKAGE COVERS



R 20874

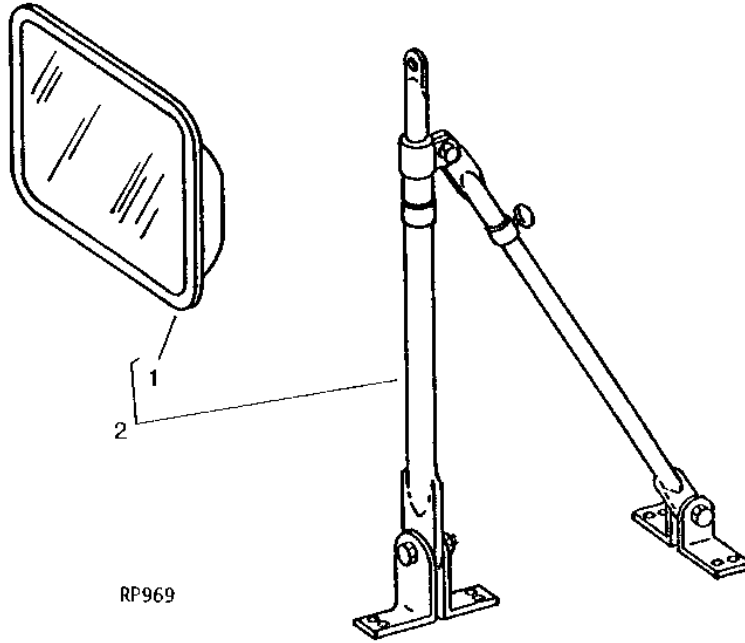
KEY	PART NO.	PART NAME	QTY	CAB SERIAL NO.	REMARKS
1	AR58640	COVER	1		
2	24H1136	WASHER	8		11/32" X 11/16" X 0.065"
3	19H1813	CAP SCREW	3		5/16" X 5/8"
	12H303	LOCK WASHER	3		5/16"
4	14H819	WING NUT	2		5/16", (SUB FOR R1069R)
5	24H1292	WASHER	2		11/32" X 3/4" X 0.120"
6	AR58639	COVER	1		
7	19H2020	CAP SCREW	3		5/16" X 1/2"
	12H303	LOCK WASHER	3		5/16"
8	19H1813	CAP SCREW	2		5/16" X 5/8"
	12H303	LOCK WASHER	2		5/16"
9	R50173	DOOR	1		
	R47941	ISOLATOR	3		

3C5

OPERATOR'S STATION

RP969 -UN-01JAN94

REAR VIEW MIRROR



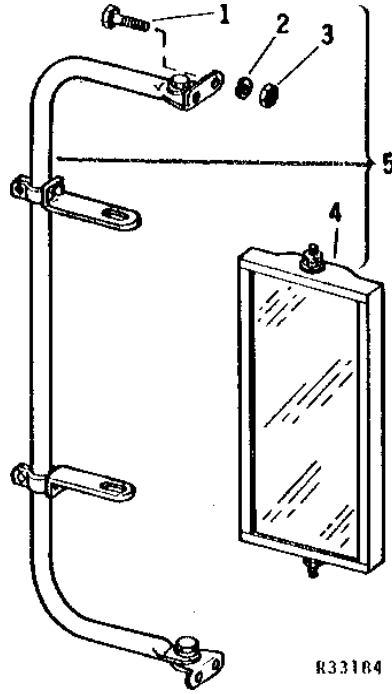
KEY	PART NO.	PART NAME	QTY	TRACTOR SERIAL NO.	REMARKS
1	AR89137	REAR VIEW MIRROR	1		(SUB FOR AR44255 OR AH16186)
2	AR44254	REAR VIEW MIRROR	1		(SUB (3) AH85483, AR89137 AND (6) H78354)

3C6

OPERATOR'S STATION

R33184 -UN-01JAN94

OUTSIDE MIRROR



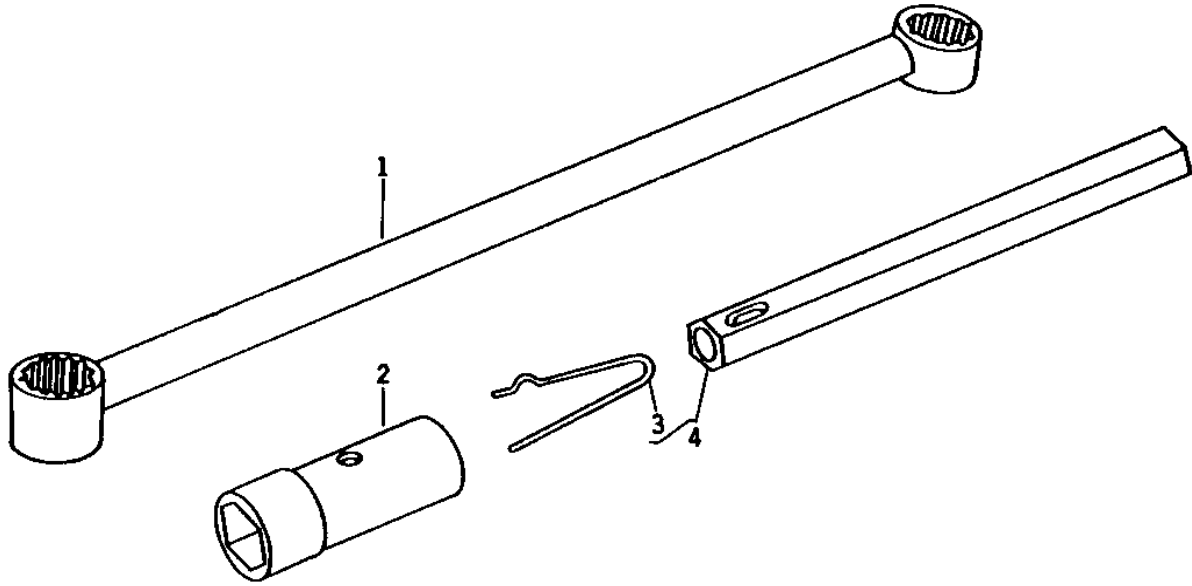
KEY	PART NO.	PART NAME	QTY	CAB SERIAL NO.	REMARKS
1	19H1948	CAP SCREW	4	1/4" X 3/4"	
2	12H302	LOCK WASHER	4	1/4"	
3	14H786	NUT	4	1/4"	
4	AR52555	REAR VIEW MIRROR	1		
5	AR52554	REAR VIEW MIRROR	1		

3C7

OPERATOR'S STATION

R32260 -UN-12OCT94

TOOLS



R32260F

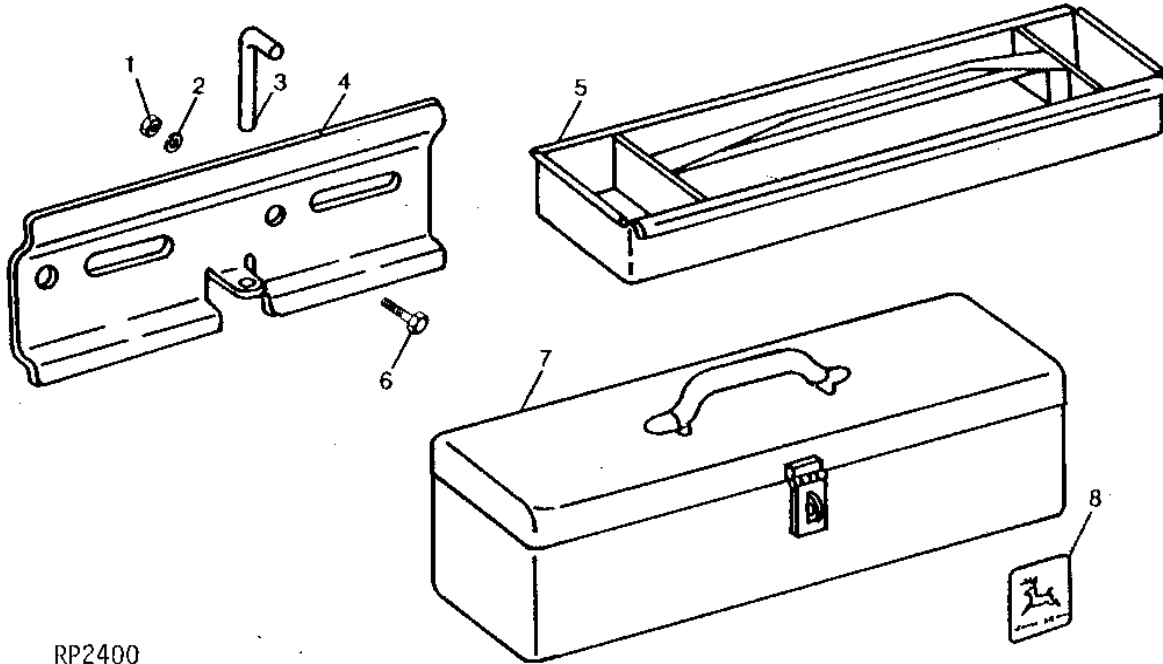
KEY	PART NO.	PART NAME	QTY	TRACTOR SERIAL NO.	REMARKS
1	R34827	WRENCH	1		
2	AR39683	WRENCH	1		
3	R39739	SPRING LOCKING PIN	1		
4	AR39682	EXTENSION	1		

3C8

OPERATOR'S STATION

RP2400 -UN-01JAN94

TOOLBOX AND SUPPORTS



RP2400

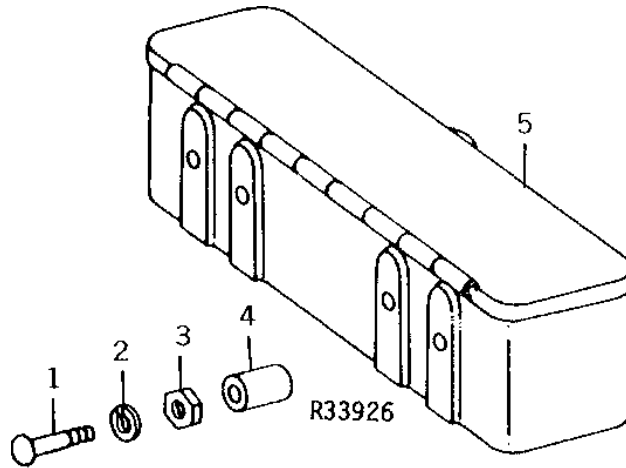
KEY	PART NO.	PART NAME	QTY	TRACTOR SERIAL NO.	REMARKS
1	14H1039	NUT	2	5/8"	
2	12H294	LOCK WASHER	2	5/8"	
3	T23027	PIN	1		
4	T23033	BRACKET	1		
5	AT22073	HOLDER	1		
6	19H2461	CAP SCREW	2	3/8" X 1-1/4"	
7	AT22070	TOOLBOX	1		
8	JD5272	LABEL	1	-XXXXXX	
	JD5602	LABEL	1	XXXXXX-	

3C9

OPERATOR'S STATION

R33926 -UN-01JAN94

TOOLBOX
(HINSON)



KEY	PART NO.	PART NAME	QTY	TRACTOR SERIAL NO.	REMARKS
1	03H1558	BOLT	2	3/8" X 1-1/2"	
2	12H304	LOCK WASHER	2	3/8"	
3	14H1076	NUT	2	3/8"	
4	28H1919	BUSHING	2	0.622" X 0.840" X 15/16"	
5	AR34684	TOOLBOX	1		

3C10

OPERATOR'S STATION

R32259 -UN-01JAN94

LOCTITE SEALANT



R32259F

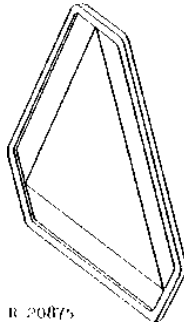
KEY	PART NO.	PART NAME	QTY	TRACTOR SERIAL NO.	REMARKS
1	TY9371	ADHESIVE	1		(6 CC) (SUB FOR AT14927 OR AT24538)

3C11

OPERATOR'S STATION

R20875 -UN-01JAN94

SLOW MOVING VEHICLE EMBLEM



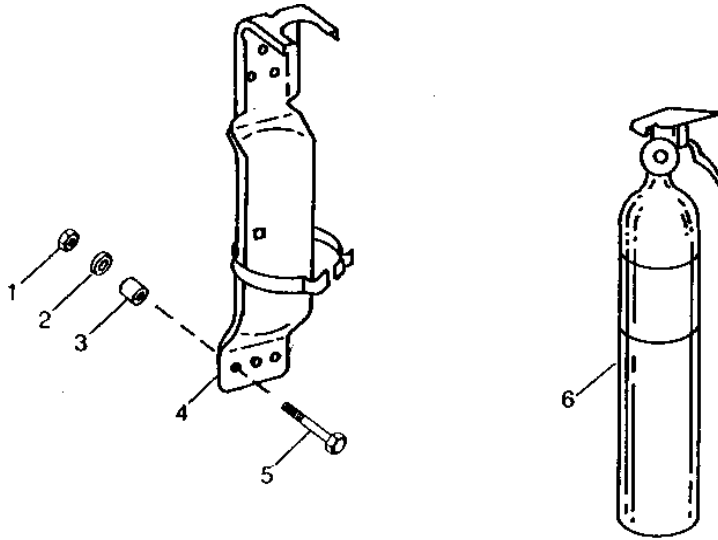
KEY	PART NO.	PART NAME	QTY	TRACTOR SERIAL NO.	REMARKS
..	JD5400	SIGN	1		

3C12

OPERATOR'S STATION

RWP2787 -UN-01JAN94

FIRE EXTINGUISHER



RWP2787

KEY	PART NO.	PART NAME	QTY	SG BODY SERIAL NO.	REMARKS
1	14H786	NUT	2	1/4"	
2	24H1287	WASHER	2	9/32" X 5/8" X 0.065"	
3	28H1914	BUSHING	2		
4	AT62019	BRACKET	1	(SUB AT75387)	
5	21H1035	SCREW	2	1/4" X 1-1/2"	
6	AT81764	FIRE EXTINGUISHER	1	(SUB FOR AT62018) (SUB AT141924)	

1K16

7520 TRACTOR

NUMERICAL INDEX

PART NO.	GRID	KEY	PAGE	PART NO.	GRID	KEY	PAGE	PART NO.	GRID	KEY	PAGE
AA32178	1G9	..	40 - 36	AR102761	1F21	21	40 - 27	AR21839	2H6	19	70 - 65
AA34967	1G9	3	40 - 36	AR102762	1F21	7	40 - 27	AR21840	1D21	26	30 - 21
AA34968	1G9	23	40 - 36	AR102763	1G3	18	40 - 29F	AR21841	1C19	25	20 - 43
AA5692R	1G8	18	40 - 35	AR102764	1G3	8	40 - 29F	AR21858	1G8	9	40 - 35
AA5692R	1H16	12	40 - 65	AR102765	1G3	7	40 - 29F	AR21969	1A23	..	20 - 2
AA5787R	3C1	1	90 - 35	AR102886	1B18	33	20 - 21	AR21969	2D20	..	60 - 13
AA6217R	1G8	19	40 - 35	AR103044	1B24	5	20 - 27	AR21969	2E5	..	60 - 23
AA6218R	1G8	14	40 - 35	AR103059	2D7	6	50 - 63	AR21999	1C19	3	20 - 43
AD2062R	1G7	16	40 - 34	AR103108	1B24	6	20 - 27	AR21999	1C19	29	20 - 43
AD2062R	1G9	2	40 - 36	AR103109	1B24	6	20 - 27	AR21999	2C24	12	50 - 54
AE23861	1G4	2	40 - 30	AR103112	1B24	6	20 - 27	AR26375	2C8	5	50 - 38
AE24616	2F7	9	70 - 18	AR103363	2C21	18	50 - 51	AR26402	2D17	5	60 - 9
AE38448	2D5	3	50 - 61	AR103363	2D3	2	50 - 59	AR26403	3B16	6	90 - 24
AH16186	3C5	1	90 - 39	AR103363	2D3	14	50 - 59	AR26448	2D17	2	60 - 9
AH76900	2F10	14	70 - 21	AR103808	2H22	7	70 - 81	AR26482	2C10	18	50 - 40
AH76900	2F12	9	70 - 23	AR103811	1B4	15	20 - 7	AR26529	3B15	8	90 - 23
AH80057	3B13	7	90 - 21	AR104119	1G7	2	40 - 34	AR26530	3B15	21	90 - 23
AH85483	3C5	2	90 - 39	AR104119	1G12	1	40 - 39	AR26566	2G11	10	70 - 47
AH93625	1G9	12	40 - 36	AR104563	1C4	1	20 - 32	AR26568	3C2	3	90 - 36
AH93852	2C15	3	50 - 45	AR104563	1C5	3	20 - 33	AR26571	1H16	1	40 - 65
AH93852	2C17	1	50 - 47	AR104564	1C4	1	20 - 32	AR26625	2D11	5	60 - 3
AH98337	1G4	2	40 - 30	AR104564	1C5	3	20 - 33	AR26646	2E21	21	70 - 7
AL14896	1G13	7	40 - 40	AR104565	1C4	1	20 - 32	AR26674	1D20	7	30 - 20
AL23523	2E9	21	60 - 27	AR104565	1C5	3	20 - 33	AR26674	1D21	11	30 - 21
AL24194	1D5	23	30 - 3	AR104566	1C4	1	20 - 32	AR26674	2C11	4	50 - 41
AL26972	2H14	25	70 - 73	AR104566	1C5	3	20 - 33	AR26697	2G22	17	70 - 57
AL26972	2H16	22	70 - 75	AR104567	1C5	4	20 - 33	AR26697	2H2	3	70 - 61
AL26973	2H14	3	70 - 73	AR104568	1C5	4	20 - 33	AR26707	2B20	7	50 - 24
AL26973	2H16	21	70 - 75	AR104569	1C5	4	20 - 33	AR26707	2C10	26	50 - 40
AL2976T	1H20	20	40 - 69	AR104570	1C5	4	20 - 33	AR26722	2D11	21	60 - 3
AL32975	1D5	23	30 - 3	AR105510	1C15	25	20 - 39	AR26724	2F11	11	70 - 22
AN163885	2I2	26	70 - 85	AR105556	2D6	10	50 - 62	AR26724	2F16	7	70 - 27
AN163885	2I4	16	70 - 87	AR11078	1G1	18	40 - 29C	AR26725	2E5	19	60 - 23
AN212996	2G15	6	70 - 51	AR11079	1G1	7	40 - 29C	AR26745	2D24	15	60 - 17
AN250096	2F7	5	70 - 18	AR11079	1G3	4	40 - 29F	AR26745	2F23	16	70 - 34
AR101236	2E19	3	70 - 5	AR11080	1F21	30	40 - 27	AR26745	2H8	13	70 - 67
AR101236	2E23	23	70 - 9	AR11081	1F21	13	40 - 27	AR26745	2H8	15	70 - 67
AR101236	2F2	3	70 - 13	AR11084	1F23	1	40 - 29	AR26746	2F9	4	70 - 20
AR101236	2F6	28	70 - 17	AR11085	1F23	19	40 - 29	AR26758	2E19	12	70 - 5
AR101245	1H4	7	40 - 53	AR111058	1G23	20	40 - 49B	AR26761	2G6	12	70 - 42
AR101245	1H6	11	40 - 55	AR111163	2C19	15	50 - 49	AR26763	2D15	14	60 - 7
AR101266	1C5	4	20 - 33	AR11134	1G1	4	40 - 29C	AR26763	2D16	1	60 - 8
AR101267	1C4	1	20 - 32	AR11329	1F21	29	40 - 27	AR26763	2D16	6	60 - 8
AR101267	1C5	3	20 - 33	AR21739	1G16	4	40 - 43	AR26763	2D16	24	60 - 8
AR101278	1C15	12	20 - 39	AR21823	1G13	2	40 - 40	AR26763	2D18	7	60 - 11
AR101403	1C5	4	20 - 33	AR21823	1G14	10	40 - 41	AR26763	2D20	24	60 - 13
AR101408	1C5	3	20 - 33	AR21823	1G15	10	40 - 42	AR26763	2D24	10	60 - 17
AR101409	1C5	3	20 - 33	AR21836	2E5	24	60 - 23	AR26763	2H12	28	70 - 71
AR101410	1C5	3	20 - 33	AR21836	2F13	21	70 - 24	AR26763	2B1	27	50 - 4
AR101411	1C5	3	20 - 33	AR21837	1D20	1	30 - 20	AR26771	2F11	4	70 - 22
AR101412	1C5	3	20 - 33	AR21837	1D21	13	30 - 21	AR26782	2C10	28	50 - 40
AR101549	1C20	12	20 - 44	AR21837	2D20	5	60 - 13	AR26828	2H6	26	70 - 65
AR101549	1C21	6	20 - 45	AR21837	2H6	11	70 - 65	AR26845	2B3	16	50 - 6
AR101624	2C13	12	50 - 43	AR21837	3A25	4	90 - 5	AR27093	2G13	39	70 - 49
AR101624	2C19	15	50 - 49	AR21837	3B7	20	90 - 15	AR27814	1D17	1	30 - 16
AR101632	2F4	28	70 - 15	AR21837	3B9	4	90 - 17	AR27814	1D18	15	30 - 17
AR101632	2F4	..	70 - 15	AR21839	1B4	12	20 - 7	AR27940	1D17	6	30 - 16
AR101833	1C2	8	20 - 30	AR21839	1C17	9	20 - 41	AR27977	1B10	26	20 - 13
AR102188	1F11	5	40 - 16	AR21839	1C22	2	20 - 46	AR27977	1B12	27	20 - 15
AR102188	1F18	..	40 - 23	AR21839	1D3	13	30 - 1	AR28047	2I16	1	80 - 8
AR102188	1F25	..	40 - 29B	AR21839	1D9	27	30 - 7	AR28271	2C9	11	50 - 39
AR102454	1G15	12	40 - 42	AR21839	1D13	13	30 - 11	AR28403	1E24	8	40 - 4B
AR102755	1G1	1	40 - 29C	AR21839	1D20	6	30 - 20	AR28403	1H16	10	40 - 65
AR102755	1G1	19	40 - 29C	AR21839	2F13	11	70 - 24	AR28403	1H18	19	40 - 67
AR102755	1G3	23	40 - 29F	AR21839	2F14	5	70 - 25	AR28403	3B2	10	90 - 9
AR102757	1G3	19	40 - 29F	AR21839	2F17	1	70 - 28	AR28403	3B8	3	90 - 16
AR102760	1F21	29	40 - 27	AR21839	2H6	8	70 - 65	AR28482	1C19	9	20 - 43

1K17

7520 TRACTOR

NUMERICAL INDEX - CONTINUED

PART NO.	GRID	KEY	PAGE	PART NO.	GRID	KEY	PAGE	PART NO.	GRID	KEY	PAGE
AR28488	2E6	2	60-24	AR35858	3B15	29	90-23	AR41756	1H4	8	40-53
AR28488	2E6	8	60-24	AR35861	2G17	10	70-53	AR41756	1H6	9	40-55
AR28754	2I5	3	70-88	AR35862	2G17	8	70-53	AR41756	1H8	1	40-57
AR28755	2I5	3	70-88	AR35912	2G17	26	70-53	AR41758	1H2	..	40-51
AR29326	2B1	6	50-4	AR35912	2G20	1	70-55A	AR41758	1H4	11	40-53
AR30210	2H9	7	70-68	AR35981	2A25	13	50-3	AR41758	1H6	8	40-55
AR30210	2H12	6	70-71	AR36047	3B16	20	90-24	AR41758	1H8	10	40-57
AR30210	2H19	7	70-78	AR36048	3B15	12	90-23	AR41760	1H4	9	40-53
AR30297	2D11	33	60-3	AR36092	1B24	6	20-27	AR41761	3B10	19	90-18
AR30297	2D11	37	60-3	AR36097	2D25	21	60-18	AR41761	3B11	30	90-19
AR30298	2D11	33	60-3	AR36105	2E4	2	60-22	AR41785	1A23	..	20-2
AR30394	3C1	2	90-35	AR36158	2H21	6	70-80	AR41870	1A23	..	20-2
AR30472	1E12	3	30-37	AR36181	1B6	12	20-9	AR41947	2E9	8	60-27
AR30685	2H10	12	70-69	AR36182	1B6	14	20-9	AR41950	1H4	18	40-53
AR31674	2D18	9	60-11	AR36303	2H21	1	70-80	AR41950	1H6	18	40-55
AR31703	2G6	32	70-42	AR36428	2B3	24	50-6	AR41950	1H8	3	40-57
AR31904	2C2	22	50-31	AR36519	2B1	20	50-4	AR41951	1H4	17	40-53
AR31945	2I3	15	70-86	AR36576	2C11	7	50-41	AR41951	1H6	13	40-55
AR31946	2E2	14	60-20	AR36619	1B24	6	20-27	AR41951	1H8	2	40-57
AR32016	1G10	7	40-37	AR36668	1C20	11	20-44	AR41987	2E4	3	60-22
AR32243	2E6	9	60-24	AR36752	1D21	14	30-21	AR42009	2D11	17	60-3
AR33249	2E21	6	70-7	AR36790	2I14	9	80-6	AR42009	2D14	3	60-6
AR33877	2H9	35	70-68	AR36791	2I14	9	80-6	AR42009	2D14	13	60-6
AR33877	2H12	32	70-71	AR36873	2C11	5	50-41	AR42119	1G6	1	40-33
AR34041	2B1	..	50-4	AR36886	1C9	25	20-37	AR42119	1G6	8	40-33
AR34041	2B2	1	50-5	AR36886	1C13	3	20-37D	AR42119	1G6	12	40-33
AR34172	2D11	9	60-3	AR36904	1B24	6	20-27	AR42119	1G7	2	40-34
AR34684	3C9	5	90-43	AR38714	2E21	31	70-7	AR42119	1G7	6	40-34
AR34755	2D6	10	50-62	AR38714	2E25	9	70-11	AR42119	1G10	1	40-37
AR35006	1B6	8	20-9	AR389R	2C2	21	50-31	AR42119	1G12	1	40-39
AR35010	1B24	10	20-27	AR389R	2C4	17	50-33	AR42287	2G7	32	70-43
AR35025	2I14	12	80-6	AR39043	2B14	2	50-18	AR42400	2E1	28	60-19
AR35176	1C4	1	20-32	AR39585	2D13	1	60-5	AR42591	1G7	2	40-34
AR35176	1C5	3	20-33	AR39682	3C7	4	90-41	AR42598	3B14	9	90-22
AR35177	1C5	3	20-33	AR39683	3C7	2	90-41	AR43025	2B24	5	50-28
AR35178	1C4	1	20-32	AR40171	1F22	10	40-28	AR43026	2C4	3	50-33
AR35179	1C4	1	20-32	AR40416	1F2	2	40-7	AR43027	2C4	5	50-33
AR35179	1C5	3	20-33	AR40420	1F4	3	40-9	AR43046	2E6	5	60-24
AR35180	1C4	1	20-32	AR40420	1F8	..	40-13	AR43050	2C15	12	50-45
AR35181	1C4	1	20-32	AR40496	2I17	1	80-9	AR43058	2C8	6	50-38
AR35181	1C5	3	20-33	AR40516	2F10	13	70-21	AR43059	2G11	12	70-47
AR35182	1C4	1	20-32	AR40516	2F11	5	70-22	AR43077	2G10	12	70-46
AR35183	1C4	1	20-32	AR40516	2H6	22	70-65	AR43078	2G8	11	70-44
AR35184	1C4	1	20-32	AR40584	3B25	2	90-34	AR43083	2F20	1	70-31
AR35185	1C5	4	20-33	AR40585	3B25	2	90-34	AR43089	2I18	7	80-10
AR35186	1C5	4	20-33	AR40670	2C8	18	50-38	AR43097	2C4	10	50-33
AR35187	1C5	4	20-33	AR40675	2G3	9	70-39	AR43103	2G1	3	70-37
AR35188	1C5	4	20-33	AR40675	2G5	9	70-41	AR43103	2G8	13	70-44
AR35190	1C5	4	20-33	AR40676	2G3	6	70-39	AR43111	1C7	13	20-35
AR35261	2H21	1	70-80	AR40676	2G5	6	70-41	AR43114	2C13	12	50-43
AR35314	1C4	1	20-32	AR40688	2G23	12	70-58	AR43140	2G11	9	70-47
AR35366	3B16	21	90-24	AR40703	1E12	17	30-37	AR43161	1E15	15	30-40
AR35367	3B15	34	90-23	AR40710	1G8	17	40-35	AR43220	2F20	5	70-31
AR35403	2B25	16	50-29	AR40710	1H16	13	40-65	AR43243	2C13	7	50-43
AR35526	2G19	25	70-55	AR40753	2G5	42	70-41	AR43261	1C15	1	20-39
AR35527	2G19	24	70-55	AR40754	2G3	7	70-39	AR43261	1C15	2	20-39
AR35660	1C5	4	20-33	AR40754	2G5	7	70-41	AR43261	1C15	13	20-39
AR35698	2A24	23	50-2	AR40785	2F25	7	70-36	AR43316	2G10	9	70-46
AR35699	2B3	17	50-6	AR40802	1G21	1	40-49	AR43547	2F24	7	70-35
AR35710	2B1	24	50-4	AR40812	3C3	15	90-37	AR43595	1D5	23	30-3
AR35763	2G10	1	70-46	AR40828	2G22	14	70-57	AR43634	1C15	2	20-39
AR35773	2G10	10	70-46	AR40936	1B24	6	20-27	AR43634	1C15	13	20-39
AR35800	1B24	6	20-27	AR41287	1E22	4	40-4	AR43634	1E14	6	30-39
AR35807	2G17	33	70-53	AR41291	1B6	16	20-9	AR43652	1B8	5	20-11
AR35807	2G19	7	70-55	AR41691	1C20	9	20-44	AR43652	1B8	9	20-11
AR35851	2G13	4	70-49	AR41691	1C21	4	20-45	AR43676	1D20	13	30-20
AR35857	2G10	..	70-46	AR41754	1H8	8	40-57	AR43704	1D16	9	30-15

1K18

7520 TRACTOR

NUMERICAL INDEX - CONTINUED

PART NO.	GRID	KEY	PAGE	PART NO.	GRID	KEY	PAGE	PART NO.	GRID	KEY	PAGE
AR43744	2C2	7	50 - 31	AR47643	2H9	7	70 - 68	AR49968	3B7	23	90 - 15
AR43940	1D5	5	30 - 3	AR47643	2H12	6	70 - 71	AR49969	1H9	29	40 - 58
AR43986	1E19	1	40 - 1	AR47643	2H19	7	70 - 78	AR49969	3B3	21	90 - 11
AR43998	3B20	1	90 - 29	AR47825	2H21	3	70 - 80	AR49969	3B7	14	90 - 15
AR44104	1B24	6	20 - 27	AR47825	2H24	41	70 - 83	AR49969	3B9	20	90 - 17
AR44105	1B24	6	20 - 27	AR47825	2I2	17	70 - 85	AR49970	3B8	8	90 - 16
AR44254	3C5	2	90 - 39	AR47916	1G19	1	40 - 46	AR49986	3B5	4	90 - 13
AR44255	3C5	1	90 - 39	AR48015	1G21	4	40 - 49	AR49987	3B9	21	90 - 17
AR44402	1A24	1	20 - 3	AR48016	1G21	3	40 - 49	AR50009	3B5	5	90 - 13
AR44614	2C21	14	50 - 51	AR48033	1G19	13	40 - 46	AR50010	3B5	5	90 - 13
AR44616	2B4	22	50 - 7	AR48034	1G19	12	40 - 46	AR50041	1D24	13	30 - 24
AR44763	3B14	8	90 - 22	AR48035	1G19	16	40 - 46	AR50041	1E14	5	30 - 39
AR44820	2G19	15	70 - 55	AR48040	1G7	21	40 - 34	AR50260	1G16	6	40 - 43
AR44999	1E22	8	40 - 4	AR48041	1G7	20	40 - 34	AR50374	2G13	10	70 - 49
AR44999	1E22	9	40 - 4	AR48041	1G9	22	40 - 36	AR50377	2G13	23	70 - 49
AR44999	1E22	10	40 - 4	AR48110	2G13	34	70 - 49	AR50387	2E9	36	60 - 27
AR44999	1E23	7	40 - 4A	AR48112	2G13	33	70 - 49	AR50397	1B24	12	20 - 27
AR45035	1D7	..	30 - 5	AR48236	1D6	8	30 - 4	AR50411	1C23	1	20 - 47
AR45099	1G6	9	40 - 33	AR48337	1G1	19	40 - 29C	AR50439	1G19	11	40 - 46
AR45099	1G7	22	40 - 34	AR48338	1F23	10	40 - 29	AR50439	1G19	14	40 - 46
AR45157	2E9	..	60 - 27	AR48339	1G1	1	40 - 29C	AR50440	1G19	3	40 - 46
AR45278	1B24	6	20 - 27	AR48340	1F22	17	40 - 28	AR50468	2C22	4	50 - 52
AR45347	1C2	3	20 - 30	AR48341	1F22	2	40 - 28	AR50468	2C22	9	50 - 52
AR45436	1G19	6	40 - 46	AR48342	1F21	21	40 - 27	AR50468	2C22	12	50 - 52
AR45437	1G19	18	40 - 46	AR48343	1F21	7	40 - 27	AR50469	2C23	5	50 - 53
AR45438	1G19	20	40 - 46	AR48344	1F21	20	40 - 27	AR50469	2C23	11	50 - 53
AR45439	1G19	13	40 - 46	AR48594	1G20	9	40 - 47	AR50469	2C23	12	50 - 53
AR45439	1G19	19	40 - 46	AR48643	3C1	6	90 - 35	AR50470	2B22	5	50 - 26
AR45440	1G19	21	40 - 46	AR48675	1C22	9	20 - 46	AR50489	1D6	6	30 - 4
AR45530	1B4	15	20 - 7	AR48723	1G7	26	40 - 34	AR50508	1G19	4	40 - 46
AR45534	2H24	..	70 - 83	AR48724	1G20	14	40 - 47	AR50603	2E5	30	60 - 23
AR45534	2I2	..	70 - 85	AR48725	1G17	1	40 - 44	AR50603	2F13	14	70 - 24
AR45534	2I4	26	70 - 87	AR48936	1E19	9	40 - 1	AR50724	1E19	8	40 - 1
AR45536	2I2	24	70 - 85	AR48942	1C2	8	20 - 30	AR50725	2F13	16	70 - 24
AR45544	2H24	39	70 - 83	AR49025	1C3	1	20 - 31	AR50779	1H11	2	40 - 60
AR45544	2I2	36	70 - 85	AR49025	1C3	4	20 - 31	AR50780	1H11	2	40 - 60
AR45839	1H9	27	40 - 58	AR49032	1G13	..	40 - 40	AR50796	2E5	11	60 - 23
AR45867	3B1	4	90 - 8	AR49036	1G13	7	40 - 40	AR50799	2F15	2	70 - 26
AR45868	3B2	1	90 - 9	AR49038	1E19	5	40 - 1	AR50834	1H18	8	40 - 67
AR45975	1E21	2	40 - 3	AR49038	1G13	4	40 - 40	AR50838	1G21	5	40 - 49
AR46116	1E20	..	40 - 2	AR49352	1H18	17	40 - 67	AR50872	2B21	3	50 - 25
AR46231	1E21	5	40 - 3	AR49427	2E16	4	70 - 2	AR50875	2E5	10	60 - 23
AR46730	1E19	2	40 - 1	AR49485	3A24	14	90 - 4	AR50877	2E5	12	60 - 23
AR46730	1G13	3	40 - 40	AR49535	2D15	8	60 - 7	AR50924	2C22	9	50 - 52
AR46820	1E19	..	40 - 1	AR49536	2D15	8	60 - 7	AR50925	2C23	11	50 - 53
AR46820	1E21	4	40 - 3	AR49602	1E25	1	40 - 5	AR50926	1H15	14	40 - 64
AR46886	1F11	5	40 - 16	AR49602	1G6	19	40 - 33	AR50927	1H11	20	40 - 60
AR46886	1F12	..	40 - 17	AR49652	2C2	3	50 - 31	AR50927	1H15	20	40 - 64
AR46978	2H2	19	70 - 61	AR49732	2B20	10	50 - 24	AR50928	1H11	18	40 - 60
AR46983	1H4	5	40 - 53	AR49732	2B20	10	50 - 24	AR50929	1H15	19	40 - 64
AR46984	1H4	1	40 - 53	AR49797	1H11	1	40 - 60	AR50930	1H15	15	40 - 64
AR46984	1H6	1	40 - 55	AR49798	1H11	1	40 - 60	AR50931	1H15	23	40 - 64
AR46985	1H4	3	40 - 53	AR49799	3A23	29	90 - 3	AR50935	2B7	18	50 - 10
AR46986	1H2	13	40 - 51	AR49802	3A23	29	90 - 3	AR50970	1E19	7	40 - 1
AR46986	1H2	15	40 - 51	AR49803	3A23	5	90 - 3	AR51071	3B25	6	90 - 34
AR46986	1H4	7	40 - 53	AR49804	3A23	20	90 - 3	AR51160	1G19	5	40 - 46
AR46986	1H4	9	40 - 53	AR49808	3A23	24	90 - 3	AR51250	1A25	12	20 - 5
AR46986	1H6	7	40 - 55	AR49923	3B21	..	90 - 30	AR51368	1B23	6	20 - 26
AR46986	1H6	11	40 - 55	AR49923	3B24	..	90 - 33	AR51386	2C7	24	50 - 37
AR47293	2D14	7	60 - 6	AR49952	3B8	7	90 - 16	AR51386	2C7	40	50 - 37
AR47295	1D24	5	30 - 24	AR49961	3B3	13	90 - 11	AR51432	1D5	8	30 - 3
AR47331	2H19	20	70 - 78	AR49962	3B2	18	90 - 9	AR51481	1G20	7	40 - 47
AR47374	1G13	1	40 - 40	AR49963	3B2	17	90 - 9	AR51481	3B17	6	90 - 25
AR47459	1G20	13	40 - 47	AR49964	3B7	16	90 - 15	AR51483	1H6	5	40 - 55
AR47547	1E19	3	40 - 1	AR49965	3B9	16	90 - 17	AR51484	1H6	3	40 - 55
AR47548	1E19	3	40 - 1	AR49966	3B3	15	90 - 11	AR51515	2B12	7	50 - 16
AR47580	2E19	16	70 - 5	AR49967	3B1	12	90 - 8	AR51576	2G8	11	70 - 44

1K19

7520 TRACTOR

NUMERICAL INDEX - CONTINUED

PART NO.	GRID	KEY	PAGE	PART NO.	GRID	KEY	PAGE	PART NO.	GRID	KEY	PAGE
AR51589	3B21	1	90 - 30	AR52538	2C12	7	50 - 42	AR53301	2E19	12	70 - 5
AR51745	2E21	9	70 - 7	AR52539	2I13	14	80 - 5	AR53301	2F2	10	70 - 13
AR51755	2C5	8	50 - 35	AR52552	2A25	15	50 - 3	AR53353	1E2	9	30 - 27
AR51757	2C5	10	50 - 35	AR52553	2A25	16	50 - 3	AR53353	1E8	13	30 - 33
AR51758	2C5	11	50 - 35	AR52554	3C6	5	90 - 40	AR53372	1C17	19	20 - 41
AR51760	3C1	11	90 - 35	AR52555	3C6	4	90 - 40	AR53373	1D13	22	30 - 11
AR51761	3C1	30	90 - 35	AR52562	2B12	5	50 - 16	AR53374	2F16	2	70 - 27
AR51762	3B20	3	90 - 29	AR52565	2E4	10	60 - 22	AR53375	2F16	16	70 - 27
AR51929	2E21	37	70 - 7	AR52566	2E4	7	60 - 22	AR53376	2F16	14	70 - 27
AR51963	1E12	11	30 - 37	AR52567	2E4	13	60 - 22	AR53422	1C19	11	20 - 43
AR51968	1G12	9	40 - 39	AR52577	2I14	13	80 - 6	AR53441	2G7	2	70 - 43
AR52068	3B22	20	90 - 31	AR52580	2B8	4	50 - 11	AR53442	2G3	34	70 - 39
AR52069	3B22	19	90 - 31	AR52582	2B11	5	50 - 15	AR53442	2G5	24	70 - 41
AR52070	3B22	11	90 - 31	AR52584	2D24	11	60 - 17	AR53446	3A23	9	90 - 3
AR52086	2B10	30	50 - 13	AR52584	2D24	12	60 - 17	AR53449	2C8	20	50 - 38
AR52204	2C5	4	50 - 35	AR52585	2I19	5	80 - 11	AR53450	1F7	2	40 - 12
AR52205	3C1	20	90 - 35	AR52597	1C7	7	20 - 35	AR53452	1G20	13	40 - 47
AR52206	2F12	4	70 - 23	AR52598	2E4	4	60 - 22	AR53457	2F19	4	70 - 30
AR52224	2E19	7	70 - 5	AR52604	1G10	9	40 - 37	AR53460	1E2	35	30 - 27
AR52224	2F2	7	70 - 13	AR52606	2G8	11	70 - 44	AR53461	1E2	10	30 - 27
AR52254	2E21	37	70 - 7	AR52620	2H9	28	70 - 68	AR53479	1E2	19	30 - 27
AR52254	2F4	33	70 - 15	AR52630	2F18	9	70 - 29	AR53481	2A24	21	50 - 2
AR52261	1C20	15	20 - 44	AR52639	1B24	6	20 - 27	AR53482	2A24	18	50 - 2
AR52283	2B6	8	50 - 9	AR52644	2I13	13	80 - 5	AR53485	1E2	18	30 - 27
AR52289	3B17	15	90 - 25	AR52750	1C7	10	20 - 35	AR53486	1E2	16	30 - 27
AR52290	3B13	16	90 - 21	AR52751	1C17	12	20 - 41	AR53487	1E2	13	30 - 27
AR52292	3B17	6	90 - 25	AR52770	3B17	4	90 - 25	AR53488	1E2	12	30 - 27
AR52294	1H9	18	40 - 58	AR52771	3B17	7	90 - 25	AR53489	1E2	11	30 - 27
AR52296	3B5	1	90 - 13	AR52772	3B17	1	90 - 25	AR53490	1E2	4	30 - 27
AR52297	3B5	7	90 - 13	AR52773	2I18	1	80 - 10	AR53491	1E2	31	30 - 27
AR52298	3B5	18	90 - 13	AR52773	3B13	1	90 - 21	AR53497	1D9	5	30 - 7
AR52299	3B5	19	90 - 13	AR52785	2E19	21	70 - 5	AR53498	1D9	26	30 - 7
AR52300	3B5	12	90 - 13	AR52796	2G3	14	70 - 39	AR53500	3B22	7	90 - 31
AR52301	3B8	15	90 - 16	AR52797	2G3	12	70 - 39	AR53501	3B21	20	90 - 30
AR52313	3B8	11	90 - 16	AR52803	3B17	19	90 - 25	AR53502	1D5	10	30 - 3
AR52314	3B8	11	90 - 16	AR53018	1C5	4	20 - 33	AR53511	1B4	11	20 - 7
AR52315	3B2	22	90 - 9	AR53019	1C4	1	20 - 32	AR53512	2B14	1	50 - 18
AR52316	3B2	15	90 - 9	AR53019	1C5	3	20 - 33	AR53537	1B4	16	20 - 7
AR52318	3B1	6	90 - 8	AR53020	1B23	7	20 - 26	AR53539	1C7	14	20 - 35
AR52319	3B1	1	90 - 8	AR53023	1B24	12	20 - 27	AR53542	1B19	5	20 - 22
AR52320	3B19	8	90 - 28	AR53063	2B7	9	50 - 10	AR53543	1B19	2	20 - 22
AR52321	3B3	6	90 - 11	AR53068	1B6	8	20 - 9	AR53544	1B4	3	20 - 7
AR52322	3B3	5	90 - 11	AR53079	1C1	4	20 - 29	AR53547	1C20	23	20 - 44
AR52323	3B7	13	90 - 15	AR53087	1B6	15	20 - 9	AR53574	2F10	9	70 - 21
AR52324	3B3	20	90 - 11	AR53096	1E21	1	40 - 3	AR53592	2C12	12	50 - 42
AR52325	3B3	1	90 - 11	AR53097	1E21	2	40 - 3	AR53615	2D25	27	60 - 18
AR52326	3B8	11	90 - 16	AR53098	1G21	2	40 - 49	AR53635	2I13	9	80 - 5
AR52327	3B8	11	90 - 16	AR53099	1C20	20	20 - 44	AR53636	2I13	10	80 - 5
AR52328	3B3	10	90 - 11	AR53099	1F4	11	40 - 9	AR53640	2D20	31	60 - 13
AR52329	3B3	4	90 - 11	AR53099	1F6	10	40 - 11	AR53641	2D20	30	60 - 13
AR52375	1E8	9	30 - 33	AR53100	1B23	11	20 - 26	AR53642	2D20	28	60 - 13
AR52392	1H15	4	40 - 64	AR53113	2C7	12	50 - 37	AR53643	2D20	29	60 - 13
AR52394	2H4	1	70 - 63	AR53114	2C7	13	50 - 37	AR53643	2D20	33	60 - 13
AR52428	2D24	19	60 - 17	AR53115	2B9	7	50 - 12	AR53644	2D20	32	60 - 13
AR52429	2D24	1	60 - 17	AR53144	3B21	10	90 - 30	AR53691	1D17	15	30 - 16
AR52430	2D3	13	50 - 59	AR53155	3B7	16	90 - 15	AR53720	2A23	3	50 - 1
AR52431	2D3	13	50 - 59	AR53156	3B7	23	90 - 15	AR53721	3B25	17	90 - 34
AR52432	2B24	1	50 - 28	AR53157	1E19	6	40 - 1	AR53737	2I22	3	80 - 14
AR52432	2C13	15	50 - 43	AR53157	1G6	18	40 - 33	AR53749	1D16	4	30 - 15
AR52433	2B24	1	50 - 28	AR53173	1B10	19	20 - 13	AR53791	2I14	2	80 - 6
AR52433	2C13	15	50 - 43	AR53173	1B10	..	20 - 13	AR53792	2H5	..	70 - 64
AR52434	2B25	11	50 - 29	AR53173	1C17	1	20 - 41	AR53792	3C3	12	90 - 37
AR52479	1H4	30	40 - 53	AR53219	1C17	22	20 - 41	AR53837	1D3	8	30 - 1
AR52479	1H6	30	40 - 55	AR53219	1C22	16	20 - 46	AR53837	1D3	9	30 - 1
AR52494	2E25	9	70 - 11	AR53225	1B23	9	20 - 26	AR53877	2G17	27	70 - 53
AR52497	2E1	6	60 - 19	AR53226	1B23	8	20 - 26	AR53877	2G19	11A	70 - 55
AR52522	2I14	15	80 - 6	AR53227	1B23	9	20 - 26	AR53877	2G19	13	70 - 55

1K20

7520 TRACTOR

NUMERICAL INDEX - CONTINUED

PART NO.	GRID	KEY	PAGE	PART NO.	GRID	KEY	PAGE	PART NO.	GRID	KEY	PAGE
AR53877	2G20	1	70 - 55A	AR54692	2I13	4	80 - 5	AR55947	1F13	14	40 - 18
AR53883	2I9	13	80 - 1	AR54726	2F21	14	70 - 32	AR55949	1F16	15	40 - 21
AR53890	3B25	18	90 - 34	AR54736	2D6	10	50 - 62	AR55949	1F17	8	40 - 22
AR53891	2G14	1	70 - 50	AR54737	2C15	12	50 - 45	AR56083	2F21	10	70 - 32
AR53894	2D20	9	60 - 13	AR54738	2C15	12	50 - 45	AR56120	2G23	3	70 - 58
AR53895	2D20	8	60 - 13	AR54749	1A24	4	20 - 3	AR56151	1B14	1	20 - 17
AR53896	2D20	4	60 - 13	AR54751	2F9	2	70 - 20	AR56153	1C25	43	20 - 49
AR53934	2D22	18	60 - 15	AR54752	2C24	13	50 - 54	AR56154	1C25	42	20 - 49
AR53935	2D21	12	60 - 14	AR54775	2C25	9	50 - 55	AR56155	1B10	19	20 - 13
AR53935	2D21	15	60 - 14	AR54793	1F6	1	40 - 11	AR56161	2E17	1	70 - 3
AR53944	2E4	1	60 - 22	AR54793	1F10	5	40 - 15	AR56161	2E19	..	70 - 5
AR53945	2E5	20	60 - 23	AR54793	1F10	7	40 - 15	AR56216	2E4	11	60 - 22
AR54325	2F20	15	70 - 31	AR54793	1F10	12	40 - 15	AR56226	2B8	1	50 - 11
AR54325	2F21	2	70 - 32	AR54793	1F10	24	40 - 15	AR56227	2B11	9	50 - 15
AR54325	2F23	3	70 - 34	AR54793	1F10	26	40 - 15	AR56228	2A24	7	50 - 2
AR54328	2G6	14	70 - 42	AR54793	1F10	29	40 - 15	AR56237	1E2	15	30 - 27
AR54329	2G6	14	70 - 42	AR54793	1F10	30	40 - 15	AR56286	2D2	8	50 - 58
AR54343	2F15	6	70 - 26	AR54793	1F10	31	40 - 15	AR56757	1D21	25	30 - 21
AR54343	2F16	11	70 - 27	AR54826	1E19	4	40 - 1	AR56758	1E19	9	40 - 1
AR54344	2F15	1	70 - 26	AR54891	1G6	23	40 - 33	AR56769	2G9	10	70 - 45
AR54344	2F16	1	70 - 27	AR54891	1G7	25	40 - 34	AR56788	1D16	1	30 - 15
AR54377	1D21	16	30 - 21	AR54892	1G6	22	40 - 33	AR56793	2F19	4	70 - 30
AR54378	1D20	18	30 - 20	AR54946	1G19	10	40 - 46	AR56794	2F23	14	70 - 34
AR54379	1D21	12	30 - 21	AR54975	1G6	4	40 - 33	AR56942	2B9	10	50 - 12
AR54380	1D20	3	30 - 20	AR54975	1G7	16	40 - 34	AR56992	2B12	13	50 - 16
AR54381	1D21	7	30 - 21	AR54976	1G6	7	40 - 33	AR57097	2D2	3	50 - 58
AR54382	1D21	9	30 - 21	AR54983	2B20	5	50 - 24	AR57097	2D5	5	50 - 61
AR54383	2F12	1	70 - 23	AR55024	2F17	17	70 - 28	AR57156	1H6	11	40 - 55
AR54384	2D20	7	60 - 13	AR55076	2F17	7	70 - 28	AR57157	1H4	7	40 - 53
AR54385	2D20	16	60 - 13	AR55084	2G5	21	70 - 41	AR57198	1C21	9	20 - 45
AR54386	2D20	17	60 - 13	AR55102	2F17	3	70 - 28	AR57199	1C5	4	20 - 33
AR54387	2A25	12	50 - 3	AR55104	2F11	13	70 - 22	AR57200	1C5	4	20 - 33
AR54388	2F10	14	70 - 21	AR55106	2I16	3	80 - 8	AR57201	1C5	4	20 - 33
AR54388	2F12	9	70 - 23	AR55150	2G10	13	70 - 46	AR57202	1C5	4	20 - 33
AR54389	2F10	3	70 - 21	AR55151	2G10	13	70 - 46	AR57203	1C4	1	20 - 32
AR54397	2B22	2	50 - 26	AR55154	3B17	6	90 - 25	AR57203	1C5	3	20 - 33
AR54398	2F23	14	70 - 34	AR55155	1H9	3	40 - 58	AR57204	1C4	1	20 - 32
AR54399	2F23	7	70 - 34	AR55168	2F16	2	70 - 27	AR57204	1C5	3	20 - 33
AR54404	1D5	6	30 - 3	AR55186	2E19	4	70 - 5	AR57205	1C4	1	20 - 32
AR54404	1E14	3	30 - 39	AR55203	2G8	11	70 - 44	AR57205	1C5	3	20 - 33
AR54410	2G22	16	70 - 57	AR55246	1D14	7	30 - 12	AR57206	1C4	1	20 - 32
AR54411	2G22	16	70 - 57	AR55283	1E19	..	40 - 1	AR57206	1C5	3	20 - 33
AR54412	2H5	2	70 - 64	AR55304	2F21	8	70 - 32	AR57207	1B23	7	20 - 26
AR54413	2H5	14	70 - 64	AR55329	2A23	3	50 - 1	AR57208	1B23	7	20 - 26
AR54414	2H5	15	70 - 64	AR55421	2H5	..	70 - 64	AR57209	1B23	7	20 - 26
AR54422	2G7	7	70 - 43	AR55613	2B5	21	50 - 8	AR57210	1B23	7	20 - 26
AR54423	2F16	4	70 - 27	AR55644	3B21	5	90 - 30	AR57225	3B10	13	90 - 18
AR54424	2H7	2	70 - 66	AR55645	3B21	4	90 - 30	AR57226	2B5	4	50 - 8
AR54424	2H8	2	70 - 67	AR55649	1E24	7	40 - 4B	AR57226	2B5	19	50 - 8
AR54425	2H8	10	70 - 67	AR55694	1G19	13	40 - 46	AR57239	2H5	8	70 - 64
AR54426	3C3	2	90 - 37	AR55694	1G19	15	40 - 46	AR57242	2H5	10	70 - 64
AR54429	3C3	7	90 - 37	AR55694	1G19	16	40 - 46	AR57243	2H5	12	70 - 64
AR54430	3C3	18	90 - 37	AR55694	1H11	24	40 - 60	AR57244	2H5	16	70 - 64
AR54434	3B13	6	90 - 21	AR55711	2E9	16	60 - 27	AR57245	2G7	18	70 - 43
AR54445	1G20	3	40 - 47	AR55827	1F10	6	40 - 15	AR57248	3B17	..	90 - 25
AR54484	1E24	4	40 - 4B	AR55831	1F10	13	40 - 15	AR58029	2I21	26	80 - 13
AR54484	3B2	9	90 - 9	AR55832	1F10	12	40 - 15	AR58126	1G20	13	40 - 47
AR54492	2H6	23	70 - 65	AR55833	1F10	7	40 - 15	AR58165	2E3	9	60 - 21
AR54493	2H6	10	70 - 65	AR55834	1F10	4	40 - 15	AR58177	1B24	12	20 - 27
AR54590	1D24	3	30 - 24	AR55835	1F10	17	40 - 15	AR58178	1B24	12	20 - 27
AR54591	1D24	22	30 - 24	AR55836	1F10	22	40 - 15	AR58180	1B24	12	20 - 27
AR54616	2F21	9	70 - 32	AR55837	1F10	19	40 - 15	AR58197	1E2	1	30 - 27
AR54666	2G10	6	70 - 46	AR55853	1D16	2	30 - 15	AR58198	2A24	11	50 - 2
AR54667	2G10	3	70 - 46	AR55869	1D3	5	30 - 1	AR58211	1D24	5	30 - 24
AR54678	2E4	12	60 - 22	AR55874	2D11	16	60 - 3	AR58212	1D24	10	30 - 24
AR54679	2B24	5	50 - 28	AR55941	2F12	12	70 - 23	AR58236	2G5	18	70 - 41
AR54691	2I13	4	80 - 5	AR55944	2F12	14	70 - 23	AR58298	1D9	1	30 - 7

1K21

7520 TRACTOR

NUMERICAL INDEX - CONTINUED

PART NO.	GRID	KEY	PAGE	PART NO.	GRID	KEY	PAGE	PART NO.	GRID	KEY	PAGE
AR58298	1D11	25	30 - 9	AR62149	2G10	12	70 - 46	AR63947	2B20	10	50 - 24
AR58300	1D11	1	30 - 9	AR62149	2G11	2	70 - 47	AR63979	1A23	1	20 - 2
AR58301	1D11	2	30 - 9	AR62150	2G10	14	70 - 46	AR64087	3B3	10	90 - 11
AR58302	1D11	8	30 - 9	AR62151	2G10	2	70 - 46	AR64088	3B3	4	90 - 11
AR58303	1D11	14	30 - 9	AR62152	2G11	10	70 - 47	AR64281	3B22	5	90 - 31
AR58304	1D11	22	30 - 9	AR62153	1F11	5	40 - 16	AR64362	3B20	6	90 - 29
AR58305	1D11	24	30 - 9	AR62153	1F18	..	40 - 23	AR64363	3B20	9	90 - 29
AR58428	3B10	3	90 - 18	AR62153	1F21	..	40 - 27	AR64363	3B20	13	90 - 29
AR58428	3B11	3	90 - 19	AR62153	1F22	..	40 - 28	AR64422	1G18	12	40 - 45
AR58429	3B10	2	90 - 18	AR62153	1F23	..	40 - 29	AR64624	1D5	10	30 - 3
AR58429	3B11	2	90 - 19	AR62153	1F25	..	40 - 29B	AR64640	2B20	10	50 - 24
AR58474	2G3	24	70 - 39	AR62154	1F11	5	40 - 16	AR64672	1B24	6	20 - 27
AR58474	2G5	22	70 - 41	AR62154	1F12	..	40 - 17	AR64673	2A24	18	50 - 2
AR58480	3B24	7	90 - 33	AR62154	1F13	..	40 - 18	AR64673	2A24	21	50 - 2
AR58481	3B24	3	90 - 33	AR62154	1F14	..	40 - 19	AR64674	2A24	18	50 - 2
AR58571	1E2	32	30 - 27	AR62154	1F15	..	40 - 20	AR64674	2A24	21	50 - 2
AR58639	3C4	6	90 - 38	AR62195	2B6	8	50 - 9	AR64992	1H9	26	40 - 58
AR58640	3C4	1	90 - 38	AR62197	2D24	11	60 - 17	AR64992	1H9	27	40 - 58
AR58761	1C19	32	20 - 43	AR62197	2D24	12	60 - 17	AR65005	1I2	1	40 - 74A
AR58780	1D5	3	30 - 3	AR62219	1C19	29	20 - 43	AR65005	1I3	1	40 - 75
AR58781	1D5	1	30 - 3	AR62293	1H10	8	40 - 59	AR65006	1I2	2	40 - 74A
AR58782	1D3	7	30 - 1	AR62293	1H10	17	40 - 59	AR65006	1I3	2	40 - 75
AR58783	1D3	8	30 - 1	AR62294	1H10	1	40 - 59	AR65026	3B22	7	90 - 31
AR58784	1E10	19	30 - 35	AR62294	1H10	17	40 - 59	AR65030	3B22	20	90 - 31
AR58812	1E2	30	30 - 27	AR62295	1H10	2	40 - 59	AR65031	3B22	19	90 - 31
AR58812	1E7	22	30 - 32	AR62296	1H10	3	40 - 59	AR65032	3B22	11	90 - 31
AR58919	1E10	3	30 - 35	AR62305	2B6	7	50 - 9	AR65033	3B22	7	90 - 31
AR58920	2G9	9	70 - 45	AR62306	1E2	3	30 - 27	AR65293	1C22	13	20 - 46
AR59026	2G5	36	70 - 41	AR62307	2G8	11	70 - 44	AR65393	2B8	1	50 - 11
AR59312	3B10	6	90 - 18	AR62322	1D7	..	30 - 5	AR65818	2B9	16	50 - 12
AR59312	3B11	8	90 - 19	AR62328	2B8	6	50 - 11	AR65883	3B16	20	90 - 24
AR59421	1B23	6	20 - 26	AR62328	2B11	3	50 - 15	AR65886	2E9	36	60 - 27
AR59444	1H9	26	40 - 58	AR62359	1H14	1	40 - 63	AR65957	3B25	13	90 - 34
AR59444	1H9	27	40 - 58	AR62360	1H12	1	40 - 61	AR65967	3B21	7	90 - 30
AR59622	3B22	12	90 - 31	AR62377	1D7	..	30 - 5	AR65967	3B25	12	90 - 34
AR59663	1H7	2	40 - 56	AR62399	1B14	1	20 - 17	AR66027	3B7	23	90 - 15
AR59679	3B14	10	90 - 22	AR62399	1C23	2	20 - 47	AR66028	3B7	4	90 - 15
AR59680	3B14	9	90 - 22	AR62399	1C23	3	20 - 47	AR66034	3B7	4	90 - 15
AR59871	2B9	16	50 - 12	AR62399	1C23	5	20 - 47	AR66283	3B11	24	90 - 19
AR60029	3B15	12	90 - 23	AR62492	1C23	8	20 - 47	AR66287	3B21	5	90 - 30
AR60083	1H2	13	40 - 51	AR62497	3B7	5	90 - 15	AR66288	3B21	4	90 - 30
AR60084	1H2	12	40 - 51	AR62561	3B7	23	90 - 15	AR66349	2B12	13	50 - 16
AR60089	1H2	14	40 - 51	AR62598	3C3	11	90 - 37	AR66535	1D21	5	30 - 21
AR60109	2G10	6	70 - 46	AR62934	1C20	11	20 - 44	AR66535	1D21	7	30 - 21
AR60110	2G10	3	70 - 46	AR62934	1C21	6	20 - 45	AR66538	1D21	5	30 - 21
AR60258	3B25	2	90 - 34	AR63173	3B22	21	90 - 31	AR66539	1D21	1	30 - 21
AR60259	3B25	2	90 - 34	AR63174	3B22	9	90 - 31	AR66540	1D21	3	30 - 21
AR60295	2G10	12	70 - 46	AR63181	3B21	10	90 - 30	AR66809	2B11	9	50 - 15
AR60613	2G5	38	70 - 41	AR63181	3B22	4	90 - 31	AR66915	2B7	18	50 - 10
AR60613	2G7	2	70 - 43	AR63182	3B21	20	90 - 30	AR66919	1D5	12	30 - 3
AR60853	2A24	28	50 - 2	AR63182	3B22	5	90 - 31	AR67055	1B4	11	20 - 7
AR60853	2C24	6	50 - 54	AR63183	3B22	10	90 - 31	AR67069	1E21	4	40 - 3
AR60857	1D16	1	30 - 15	AR63214	1C4	1	20 - 32	AR67125	3C1	11	90 - 35
AR60937	3C1	1	90 - 35	AR63214	1C5	3	20 - 33	AR67340	1G18	7	40 - 45
AR60948	3A23	29	90 - 3	AR63218	1A23	1	20 - 2	AR67344	1G18	6	40 - 45
AR61533	1B10	21	20 - 13	AR63219	1A23	1	20 - 2	AR67346	1E19	6	40 - 1
AR61533	1B12	22	20 - 15	AR63222	1A23	1	20 - 2	AR67346	1G6	18	40 - 33
AR61589	1B10	25	20 - 13	AR63254	3A23	13	90 - 3	AR67461	1C15	35	20 - 39
AR61589	1B12	24	20 - 15	AR63255	3A23	11	90 - 3	AR67511	1C3	4	20 - 31
AR61655	2I12	6	80 - 4	AR63261	1B24	6	20 - 27	AR67540	1B14	1	20 - 17
AR61656	2G19	15	70 - 55	AR63311	2B20	10	50 - 24	AR67540	1B18	33	20 - 21
AR61856	1D3	2	30 - 1	AR63790	2B17	4	50 - 21	AR67540	1C9	25	20 - 37
AR61903	1E14	1	30 - 39	AR63790	2B25	18	50 - 29	AR67540	1C12	2	20 - 37C
AR61903	3B5	4	90 - 13	AR63865	1C7	4	20 - 35	AR67628	1G18	6	40 - 45
AR61988	1D5	8	30 - 3	AR63906	2F11	9	70 - 22	AR67690	1G18	10	40 - 45
AR61988	1E14	4	30 - 39	AR63906	2F11	10	70 - 22	AR67718	2E23	25	70 - 9
AR62149	2G10	2	70 - 46	AR63928	3B5	18	90 - 13	AR67778	2E9	..	60 - 27

1K22

7520 TRACTOR

NUMERICAL INDEX - CONTINUED

PART NO.	GRID	KEY	PAGE	PART NO.	GRID	KEY	PAGE	PART NO.	GRID	KEY	PAGE
AR67778	2E11	28	60 - 29	AR69041	1C7	7	20 - 35	AR73030	1D13	22	30 - 11
AR67781	2E9	26	60 - 27	AR69042	1C7	13	20 - 35	AR73133	1D11	2	30 - 9
AR67781	2E9	27	60 - 27	AR69070	2I19	3	80 - 11	AR73158	2C2	3	50 - 31
AR67781	2E9	36	60 - 27	AR69152	2C11	2	50 - 41	AR73240	1E2	32	30 - 27
AR67783	2D11	17	60 - 3	AR69152	2C11	..	50 - 41	AR73241	1E2	32	30 - 27
AR67783	2D14	3	60 - 6	AR69154	2C11	..	50 - 41	AR73311	1H7	1	40 - 56
AR67783	2D14	13	60 - 6	AR69155	2B25	11	50 - 29	AR73500	2I7	1	70 - 90
AR67827	1F13	9	40 - 18	AR69263	1B24	10	20 - 27	AR73579	1G13	7	40 - 40
AR67828	1F16	17	40 - 21	AR69263	1B25	4	20 - 28	AR73580	1E19	5	40 - 1
AR67828	1F17	16	40 - 22	AR69269	1F10	7	40 - 15	AR73580	1G13	4	40 - 40
AR67829	1F16	4	40 - 21	AR69271	3B15	21	90 - 23	AR73821	1D24	10	30 - 24
AR67829	1F17	7	40 - 22	AR69370	1H9	29	40 - 58	AR73824	1D23	2	30 - 23
AR67830	1F16	10	40 - 21	AR69370	3B3	21	90 - 11	AR73824	1D25	3	30 - 25
AR67830	1F17	15	40 - 22	AR69370	3B7	14	90 - 15	AR73863	1E7	20	30 - 32
AR67831	1F13	6	40 - 18	AR69370	3B9	20	90 - 17	AR73888	1D23	5	30 - 23
AR67832	1F13	21	40 - 18	AR69444	2E15	..	70 - 1	AR73888	1D24	9	30 - 24
AR67833	1F13	15	40 - 18	AR69445	2E15	..	70 - 1	AR74019	3B7	23	90 - 15
AR67834	1F13	17	40 - 18	AR69719	2B1	4	50 - 4	AR74020	3B7	11	90 - 15
AR67835	1F15	1	40 - 20	AR69793	2D7	6	50 - 63	AR74081	2C4	10	50 - 33
AR67836	1F14	3	40 - 19	AR69854	3B15	8	90 - 23	AR74340	1G18	6	40 - 45
AR67837	1F14	18	40 - 19	AR69901	1B6	12	20 - 9	AR74411	1G5	3	40 - 31
AR67838	1F14	6	40 - 19	AR69902	1B6	14	20 - 9	AR74411	1H18	11	40 - 67
AR67839	1F14	15	40 - 19	AR69987	2G17	29	70 - 53	AR74545	1B6	8	20 - 9
AR67855	1G25	14	40 - 49D	AR69987	2G17	33	70 - 53	AR74604	1D24	9	30 - 24
AR67855	1H17	9	40 - 66	AR69987	2G19	7	70 - 55	AR74604	1D24	10	30 - 24
AR67855	1H18	2	40 - 67	AR69988	2G17	33	70 - 53	AR74604	1D24	11	30 - 24
AR67949	1D18	11	30 - 17	AR69988	2G19	7	70 - 55	AR74604	1D24	..	30 - 24
AR67950	1D18	1	30 - 17	AR70025	2G10	10	70 - 46	AR74673	2G13	34	70 - 49
AR68014	1D19	4	30 - 19	AR70026	2G10	1	70 - 46	AR75601	2C9	11	50 - 39
AR68018	1D19	1	30 - 19	AR70027	2G11	9	70 - 47	AR75603	1E14	2	30 - 39
AR68020	1D19	3	30 - 19	AR70085	1C7	13	20 - 35	AR75603	2C9	11	50 - 39
AR68021	1D19	6	30 - 19	AR70162	1B14	1	20 - 17	AR75694	1H17	10	40 - 66
AR68025	1E19	4	40 - 1	AR70162	1B18	33	20 - 21	AR75694	1H18	21	40 - 67
AR68028	1E19	9	40 - 1	AR70162	1C9	25	20 - 37	AR75695	1H17	2	40 - 66
AR68104	3B11	17	90 - 19	AR70162	1C12	2	20 - 37C	AR75696	1H17	8	40 - 66
AR68105	3B11	15	90 - 19	AR70420	1D13	22	30 - 11	AR75958	2H9	37	70 - 68
AR68107	3B19	11	90 - 28	AR70450	3B5	7	90 - 13	AR75958	2H12	34	70 - 71
AR68108	3B19	11	90 - 28	AR70913	1B23	6	20 - 26	AR76161	2G13	33	70 - 49
AR68112	2F21	14	70 - 32	AR71257	1F16	4	40 - 21	AR76277	2G6	14	70 - 42
AR68145	2I2	24	70 - 85	AR71257	1F17	7	40 - 22	AR76340	2G6	14	70 - 42
AR68145	2I4	14	70 - 87	AR71285	3A23	15	90 - 3	AR76543	1C7	14	20 - 35
AR68199	1G19	5	40 - 46	AR71286	3A23	11	90 - 3	AR76704	1E2	10	30 - 27
AR68221	2H12	..	70 - 71	AR71287	3A23	20	90 - 3	AR76762	2E19	4	70 - 5
AR68221	2H13	1	70 - 72	AR71288	3A23	18	90 - 3	AR76762	2F2	4	70 - 13
AR68226	2H6	10	70 - 65	AR71289	3A23	13	90 - 3	AR77342	3A24	14	90 - 4
AR68276	1G18	11	40 - 45	AR71290	3A23	9	90 - 3	AR77343	3A23	29	90 - 3
AR68308	1E2	1	30 - 27	AR71404	2G19	25	70 - 55	AR77462	2C4	10	50 - 33
AR68312	1C7	7	20 - 35	AR71405	2G19	24	70 - 55	AR77463	2B20	10	50 - 24
AR68331	1E2	19	30 - 27	AR71734	2D5	12	50 - 61	AR77700	2F25	7	70 - 36
AR68361	1H4	7	40 - 53	AR71976	3B15	8	90 - 23	AR77711	1B18	17	20 - 21
AR68361	1H6	11	40 - 55	AR72070	2B9	16	50 - 12	AR77711	1C9	14	20 - 37
AR68362	1H4	7	40 - 53	AR72292	2G5	41	70 - 41	AR77713	1B18	8	20 - 21
AR68363	1H2	13	40 - 51	AR72292	2G5	42	70 - 41	AR77725	2C4	10	50 - 33
AR68422	2A24	15	50 - 2	AR72293	2G5	18	70 - 41	AR77851	1F10	2	40 - 15
AR68500	1D19	7	30 - 19	AR72293	2G5	21	70 - 41	AR78052	1H18	21	40 - 67
AR68721	2C15	3	50 - 45	AR72294	2G5	18	70 - 41	AR78093	1F10	20	40 - 15
AR68721	2C17	1	50 - 47	AR72294	2G5	21	70 - 41	AR78289	2G13	34	70 - 49
AR68728	3B16	20	90 - 24	AR72318	1A25	10	20 - 5	AR78298	1F4	2	40 - 9
AR68733	1D6	13	30 - 4	AR72318	1C15	16	20 - 39	AR78339	2G8	13	70 - 44
AR68734	1D6	12	30 - 4	AR72319	1A25	3	20 - 5	AR78382	1G4	7	40 - 30
AR68973	3B7	23	90 - 15	AR72319	1B10	8	20 - 13	AR78384	1G4	3	40 - 30
AR68974	3B7	11	90 - 15	AR72319	1B12	8	20 - 15	AR78384	1G5	1	40 - 31
AR69011	3B7	9	90 - 15	AR72319	1C15	15	20 - 39	AR78386	1G4	6	40 - 30
AR69012	3B7	2	90 - 15	AR72337	3B20	1	90 - 29	AR78393	1F7	2	40 - 12
AR69040	1C7	14	20 - 35	AR72959	2D2	3	50 - 58	AR78396	2G23	3	70 - 58
AR69040	1C9	25	20 - 37	AR72959	2D5	5	50 - 61	AR78396	2G24	3	70 - 59
AR69040	1C13	3	20 - 37D	AR72992	2C10	18	50 - 40	AR78403	1B25	6	20 - 28

1K23

7520 TRACTOR

NUMERICAL INDEX - CONTINUED

PART NO.	GRID	KEY	PAGE	PART NO.	GRID	KEY	PAGE	PART NO.	GRID	KEY	PAGE
AR78483	2G6	32	70 - 42	AR87591	1D22	6	30 - 22	AR93819	2H12	6	70 - 71
AR78501	3A23	23	90 - 3	AR87592	1D22	3	30 - 22	AR93819	2H19	2	70 - 78
AR78502	2I19	3	80 - 11	AR88242	2C13	7	50 - 43	AR93819	2H19	5	70 - 78
AR78522	1B10	1	20 - 13	AR88404	1D21	12	30 - 21	AR93819	2H19	7	70 - 78
AR78522	1B12	1	20 - 15	AR88404	1D21	16	30 - 21	AR93820	2H9	2	70 - 68
AR78526	2G11	12	70 - 47	AR88415	1C3	4	20 - 31	AR93820	2H9	5	70 - 68
AR78825	1G6	9	40 - 33	AR88485	1E21	1	40 - 3	AR93820	2H9	7	70 - 68
AR78825	1G7	21	40 - 34	AR88775	2C19	3	50 - 49	AR93820	2H12	2	70 - 71
AR78825	1G7	22	40 - 34	AR88903	1E2	31	30 - 27	AR93820	2H12	5	70 - 71
AR79129	2E6	5	60 - 24	AR89133	2G1	6	70 - 37	AR93820	2H12	6	70 - 71
AR79505	2G5	41	70 - 41	AR89137	3C5	1	90 - 39	AR93820	2H19	2	70 - 78
AR79505	2G5	42	70 - 41	AR89137	3C5	2	90 - 39	AR93820	2H19	5	70 - 78
AR79713	2F9	2	70 - 20	AR89228	2F21	9	70 - 32	AR93820	2H19	7	70 - 78
AR80294	1B10	5	20 - 13	AR89302	2G10	10	70 - 46	AR93820	2I5	8	70 - 88
AR80294	1B12	5	20 - 15	AR89543	2C12	3	50 - 42	AR93945	1F10	4	40 - 15
AR80297	2C17	9	50 - 47	AR89622	1C4	1	20 - 32	AR94082	1C15	35	20 - 39
AR80682	1B8	17	20 - 11	AR89622	1C5	2	20 - 33	AR94130	3C1	3	90 - 35
AR80682	1B18	23	20 - 21	AR89622	1C5	3	20 - 33	AR94166	2G6	14	70 - 42
AR81178	1G14	12	40 - 41	AR89691	1F1	6	40 - 6	AR94262	2B15	13	50 - 19
AR81178	1G15	12	40 - 42	AR89691	2C2	14	50 - 31	AR94262	2B19	8	50 - 23
AR81387	1D9	1	30 - 7	AR89971	1C4	1	20 - 32	AR94262	2C25	18	50 - 55
AR81619	1A25	12	20 - 5	AR89971	1C5	2	20 - 33	AR94478	1B18	11	20 - 21
AR81783	2G3	7	70 - 39	AR89971	1C5	3	20 - 33	AR94478	1C9	25	20 - 37
AR81783	2G5	7	70 - 41	AR90058	1F10	7	40 - 15	AR94522	2H14	3	70 - 73
AR81989	2C11	17	50 - 41	AR90068	1F16	17	40 - 21	AR94522	2H16	21	70 - 75
AR82036	2B6	8	50 - 9	AR90068	1F17	16	40 - 22	AR94522	2I5	10	70 - 88
AR82036	2D24	11	60 - 17	AR90069	1F16	4	40 - 21	AR94645	1C5	3	20 - 33
AR82036	2D24	12	60 - 17	AR90069	1F17	7	40 - 22	AR94646	1C5	3	20 - 33
AR82263	2G13	4	70 - 49	AR90378	2E21	30	70 - 7	AR94647	1C5	3	20 - 33
AR82570	2H10	12	70 - 69	AR90475	1C15	35	20 - 39	AR94648	1C5	3	20 - 33
AR82571	2H2	19	70 - 61	AR90543	2C23	3	50 - 53	AR94649	1C5	3	20 - 33
AR82576	2H9	35	70 - 68	AR90577	2G15	5	70 - 51	AR94660	2E17	1	70 - 3
AR82576	2H12	32	70 - 71	AR90577	2G15	..	70 - 51	AR94660	2E19	16	70 - 5
AR82909	1H18	16	40 - 67	AR90578	2G15	5	70 - 51	AR94660	2E19	..	70 - 5
AR82910	1H18	4	40 - 67	AR90578	2G15	..	70 - 51	AR94660	2F2	..	70 - 13
AR82911	1H18	7	40 - 67	AR90579	2G15	6	70 - 51	AR94825	1B14	1	20 - 17
AR82912	1H18	6	40 - 67	AR90581	2G15	6	70 - 51	AR94841	1B10	19	20 - 13
AR83355	2I9	7	80 - 1	AR90583	2G15	6	70 - 51	AR94841	1B10	..	20 - 13
AR83396	2G11	10	70 - 47	AR90641	1C5	4	20 - 33	AR94973	3A25	13	90 - 5
AR83425	1G20	15	40 - 47	AR90642	1C5	4	20 - 33	AR94973	3B3	1	90 - 11
AR83425	1I2	8	40 - 74A	AR90644	1C5	4	20 - 33	AR94974	3A25	2	90 - 5
AR83425	1I3	8	40 - 75	AR90645	1C5	4	20 - 33	AR94975	3A25	3	90 - 5
AR83549	2G22	14	70 - 57	AR90768	2B12	13	50 - 16	AR94976	2D6	..	50 - 62
AR84006	3B2	2	90 - 9	AR91166	1G4	7	40 - 30	AR95431	2C13	12	50 - 43
AR84006	3B2	11	90 - 9	AR91166	1G5	5	40 - 31	AR95772	1E2	27	30 - 27
AR84306	1F6	1	40 - 11	AR91167	1G5	1	40 - 31	AR95817	1B20	5	20 - 23
AR84306	1F10	12	40 - 15	AR91793	1H24	42	40 - 73	AR95817	1B22	9	20 - 25
AR84306	1F10	24	40 - 15	AR92109	3A23	29	90 - 3	AR95974	2C23	3	50 - 53
AR84306	1F10	26	40 - 15	AR92514	1B6	8	20 - 9	AR96321	2F6	29	70 - 17
AR84306	1F10	29	40 - 15	AR92533	1B24	10	20 - 27	AR96613	2E19	21	70 - 5
AR84306	1F10	30	40 - 15	AR92533	1B25	4	20 - 28	AR96613	2F2	19	70 - 13
AR84306	1F10	31	40 - 15	AR92533	1B25	6	20 - 28	AR96625	2F4	6	70 - 15
AR84793	2G8	13	70 - 44	AR93094	2C21	2	50 - 51	AR97514	1D18	9	30 - 17
AR84904	2G13	4	70 - 49	AR93259	2E9	26	60 - 27	AR98201	2I5	2	70 - 88
AR85311	2C15	16	50 - 45	AR93259	2E9	27	60 - 27	AR98202	2I5	1	70 - 88
AR85323	2C2	14	50 - 31	AR93259	2E9	36	60 - 27	AR98329	1C15	1	20 - 39
AR85460	2G9	10	70 - 45	AR93259	2E11	24	60 - 29	AR98329	1C15	12	20 - 39
AR85578	1G14	8	40 - 41	AR93446	1F6	1	40 - 11	AR98329	1C15	14	20 - 39
AR85578	1G15	8	40 - 42	AR93446	1F10	12	40 - 15	AR98561	1C21	9	20 - 45
AR85941	1F10	8	40 - 15	AR93446	1F10	29	40 - 15	AR98649	2C17	5	50 - 47
AR86535	2G23	3	70 - 58	AR93446	1F10	30	40 - 15	AR99100	2H9	35	70 - 68
AR86535	2G24	3	70 - 59	AR93446	1F10	31	40 - 15	AR99100	2H12	32	70 - 71
AR86775	2G3	24	70 - 39	AR93819	2H9	2	70 - 68	AR99339	1B18	11	20 - 21
AR86775	2G3	26	70 - 39	AR93819	2H9	5	70 - 68	AR99339	1B18	18	20 - 21
AR86775	2G5	22	70 - 41	AR93819	2H9	7	70 - 68	AR99339	1C9	25	20 - 37
AR86969	1G16	4	40 - 43	AR93819	2H12	2	70 - 71	AR99339	1C11	8	20 - 37B
AR86986	1B23	6	20 - 26	AR93819	2H12	5	70 - 71	AR99647	2E6	5	60 - 24

1K24

7520 TRACTOR

NUMERICAL INDEX - CONTINUED

PART NO.	GRID	KEY	PAGE	PART NO.	GRID	KEY	PAGE	PART NO.	GRID	KEY	PAGE
AR99699	1B12	20	20 - 15	AT48673	1G19	18	40 - 46	A3606R	2D25	10	60 - 18
AR99699	1B19	6	20 - 22	AT48673	1G19	20	40 - 46	A3606R	2E2	1	60 - 20
AT107509	1A25	11B	20 - 5	AT48673	1H11	26	40 - 60	A3606R	2E3	1	60 - 21
AT107509	1B2	26	20 - 5B	AT48674	1G19	16	40 - 46	A369R	2A25	3	50 - 3
AT12820	2B8	6	50 - 11	AT48674	1G19	18	40 - 46	A369R	2G13	36B	70 - 49
AT12820	2B11	3	50 - 15	AT54529	2D21	14	60 - 14	A369R	2G19	16	70 - 55
AT13740	1B10	2	20 - 13	AT54529	2D22	17	60 - 15	A369R	3B16	2	90 - 24
AT13740	1B12	2	20 - 15	AT54529	2D24	18	60 - 17	A3917R	1F21	24	40 - 27
AT13740	1C19	23	20 - 43	AT55441	1G9	25	40 - 36	A3917R	2C8	7	50 - 38
AT141924	3C12	6	90 - 46	AT57288	1D18	8	30 - 17	A3917R	2E21	33	70 - 7
AT14927	3C10	1	90 - 44	AT58209	1H9	13	40 - 58	A3917R	2F21	15	70 - 32
AT17503	1G21	7	40 - 49	AT59126	2C22	2	50 - 52	A3917R	2F21	17	70 - 32
AT17504	1G21	7	40 - 49	AT59126	2C24	16	50 - 54	A3917R	2G23	23	70 - 58
AT18904	2F12	5	70 - 23	AT61453	2D21	14	60 - 14	A3917R	2H9	13	70 - 68
AT22070	3C8	7	90 - 42	AT61453	2D22	17	60 - 15	A3917R	2H12	13	70 - 71
AT22073	3C8	5	90 - 42	AT61453	2D24	18	60 - 17	A39716	1G9	1	40 - 36
AT23096	2C22	2	50 - 52	AT62018	3C12	6	90 - 46	A4064R	2I9	16	80 - 1
AT23096	2C24	16	50 - 54	AT62019	3C12	4	90 - 46	A4242R	1C17	16	20 - 41
AT23188	1F8	23	40 - 13	AT66481	1H9	26	40 - 58	A4242R	1D20	12	30 - 20
AT23188	1F10	23	40 - 15	AT66482	1H9	26	40 - 58	A4242R	1D21	17	30 - 21
AT23189	1F8	19	40 - 13	AT66632	2I7	1	70 - 90	A4365R	1B10	24	20 - 13
AT24538	3C10	1	90 - 44	AT68973	1D19	2	30 - 19	A4365R	1B12	23	20 - 15
AT25266	1D18	6	30 - 17	AT68973	1E23	7	40 - 4A	A4365R	1F21	26	40 - 27
AT25833	2D24	18	60 - 17	AT74268	2C22	2	50 - 52	A4365R	2D15	20	60 - 7
AT27128	1F8	2	40 - 13	AT74268	2C24	16	50 - 54	A4365R	2E21	3	70 - 7
AT27353	2C23	3	50 - 53	AT75387	3C12	4	90 - 46	A4365R	2E23	3	70 - 9
AT27355	2C23	5	50 - 53	AT81764	3C12	6	90 - 46	A4365R	2E23	12	70 - 9
AT29855	1H9	26	40 - 58	AT85153	1F1	6	40 - 6	A4365R	2F4	3	70 - 15
AT29855	1H9	27	40 - 58	AT85174	1B10	26	20 - 13	A4365R	2F6	2	70 - 17
AT30373	2D7	8	50 - 63	AT85174	1B12	27	20 - 15	A4365R	2G2	7	70 - 38
AT30373	2F12	6	70 - 23	AU41827	2D22	15	60 - 15	A4365R	2G5	30	70 - 41
AT30373	2F23	11	70 - 34	AU41827	2D24	16	60 - 17	A4379R	2I9	3	80 - 1
AT32332	2D15	14	60 - 7	AU41828	2D21	11	60 - 14	A4379R	2I9	93	80 - 1
AT32332	2D16	1	60 - 8	AU41828	2D22	14	60 - 15	A4380R	2I9	8	80 - 1
AT32332	2D16	6	60 - 8	AU41830	2D22	7	60 - 15	A4388R	2I9	15	80 - 1
AT32332	2D16	24	60 - 8	AU41905	2D21	12	60 - 14	A4540R	2B19	9	50 - 23
AT32332	2D18	7	60 - 11	AU41905	2D24	8	60 - 17	A4540R	2C23	1	50 - 53
AT32332	2D20	24	60 - 13	AU41906	2D21	7	60 - 14	A4540R	2C23	15	50 - 53
AT32332	2D24	10	60 - 17	AU42026	1H9	12	40 - 58	A4540R	2C24	3	50 - 54
AT32332	2H12	28	70 - 71	AU43144	1C20	16	20 - 44	A4609R	2C10	15	50 - 40
AT32333	2B1	27	50 - 4	AU43144	1C21	8	20 - 45	A4624R	2B21	2	50 - 25
AT32333	2F11	4	70 - 22	AU43146	1C20	18	20 - 44	A4624R	2E5	7	60 - 23
AT32335	2F9	4	70 - 20	AU43852	1H9	13	40 - 58	A4655R	1G20	4	40 - 47
AT32336	2E4	2	60 - 22	AU43854	1H9	22	40 - 58	A4723R	2H24	5	70 - 83
AT32338	2H6	26	70 - 65	AU43857	1H9	21	40 - 58	A4723R	2I2	11	70 - 85
AT32383	2C22	4	50 - 52	AU43954	1H9	19	40 - 58	A4723R	2I3	9	70 - 86
AT34656	2D2	12	50 - 58	A120R	2D2	5	50 - 58	A4723R	2I4	6	70 - 87
AT34811	2F12	8	70 - 23	A120R	2D2	13	50 - 58	A4728R	2E6	12	60 - 24
AT35121	2E5	19	60 - 23	A120R	2D5	10	50 - 61	A4728R	2E7	7	60 - 25
AT35121	2F7	4	70 - 18	A120R	2D5	19	50 - 61	A4728R	2E9	15	60 - 27
AT35142	2D23	1	60 - 16	A1402R	2B15	6	50 - 19	A4728R	2E9	16	60 - 27
AT36652	1D22	2	30 - 22	A147R	1E10	13	30 - 35	A4728R	2E9	17	60 - 27
AT38033	2D11	21	60 - 3	A147R	2B3	27	50 - 6	A4728R	2E9	19	60 - 27
AT38518	3B10	19	90 - 18	A147R	2G7	11	70 - 43	A4728R	2E9	21	60 - 27
AT38518	3B11	30	90 - 19	A147R	2G9	3	70 - 45	A4728R	2E9	22	60 - 27
AT39043	1G14	9	40 - 41	A15898	2H14	1	70 - 73	A4728R	2E11	25	60 - 29
AT39043	1G15	9	40 - 42	A15899	2H14	2	70 - 73	A4730R	2B22	6	50 - 26
AT39623	1D18	9	30 - 17	A29498	2D22	12	60 - 15	A4730R	2F20	1	70 - 31
AT40955	1D19	2	30 - 19	A3098R	2B20	13	50 - 24	A4730R	2H9	30	70 - 68
AT40955	1E22	13	40 - 4	A3184R	2I2	26	70 - 85	A4730R	2H10	9	70 - 69
AT42233	2D20	29	60 - 13	A350R	2G17	3A	70 - 53	A4730R	2H12	30	70 - 71
AT42233	2D20	33	60 - 13	A350R	2G19	3A	70 - 55	A4736R	2H24	9	70 - 83
AT44165	1G19	12	40 - 46	A3581R	2H21	2	70 - 80	A4737R	2H24	11	70 - 83
AT44165	1G19	13	40 - 46	A3581R	2H24	40	70 - 83	A4738R	2H24	10	70 - 83
AT44165	1G19	16	40 - 46	A3581R	2I2	16	70 - 85	A4739R	2H24	8	70 - 83
AT44165	1H11	23	40 - 60	A3606R	2D11	19	60 - 3	A4741R	2H24	6	70 - 83
AT45396	1D18	8	30 - 17	A3606R	2D14	1	60 - 6	A4742R	2B25	15	50 - 29

1K25

7520 TRACTOR

NUMERICAL INDEX - CONTINUED

PART NO.	GRID	KEY	PAGE	PART NO.	GRID	KEY	PAGE	PART NO.	GRID	KEY	PAGE
A4744R	2H24	6	70 - 83	B423R	2G5	16	70 - 41	F215R	2B3	8	50 - 6
A4744R	3B16	4	90 - 24	B634R	2I9	15	80 - 1	F2206R	2G13	24	70 - 49
A4745R	2H24	16	70 - 83	C1067R	2A25	11	50 - 3	F2208R	2G13	28	70 - 49
A4745R	2I3	4	70 - 86	C1067R	2B4	18	50 - 7	F2367R	2D21	13	60 - 14
A4746R	2H24	17	70 - 83	C1067R	2B9	4	50 - 12	F2367R	2D22	16	60 - 15
A4747R	2H24	15	70 - 83	C1067R	2C7	2	50 - 37	F2367R	2D24	17	60 - 17
A4748R	2H24	14	70 - 83	C1220R	2A23	4	50 - 1	F2370R	2B18	8	50 - 22
A4772R	2F16	5	70 - 27	C16054	1D5	18	30 - 3	F2380R	2C15	22	50 - 45
A4772R	3B3	10	90 - 11	C2175R	2B12	15	50 - 16	F2411R	1C19	19	20 - 43
A4806R	2C8	3	50 - 38	C284R	2A25	9	50 - 3	F2576R	2F24	4	70 - 35
A4808R	2C8	4	50 - 38	C744DN	1D9	10	30 - 7	F2741R	2F20	17	70 - 31
A4816R	2D11	36	60 - 3	DA5883A	2G10	2	70 - 46	F2741R	2F21	4	70 - 32
A4827R	1B20	9	20 - 23	DA5883A	2G11	2	70 - 47	F2741R	2F23	4	70 - 34
A4827R	2A23	16	50 - 1	D1761R	2E6	3	60 - 24	F2741R	2G2	10	70 - 38
A4827R	2C2	19	50 - 31	D1761R	2E6	7	60 - 24	F2742R	2D24	21	60 - 17
A4827R	2C4	15	50 - 33	D2361R	2H9	4	70 - 68	F2846R	2F18	19	70 - 29
A4827R	2D2	9	50 - 58	D2361R	2H9	18	70 - 68	F2847R	2F18	20	70 - 29
A48331	1G9	3	40 - 36	D2361R	2H12	4	70 - 71	F2855R	3B10	7	90 - 18
A48332	1G9	23	40 - 36	D2361R	2H12	18	70 - 71	F2855R	3B11	6	90 - 19
A4847R	2E21	32	70 - 7	D2361R	2H19	4	70 - 78	F2863R	2F25	14	70 - 36
A4881R	1E2	3	30 - 27	D2361R	2H19	16	70 - 78	F2863R	3B15	1	90 - 23
A4883R	2I9	5	80 - 1	D2865R	1H10	6	40 - 59	F2912R	2B4	4	50 - 7
A4883R	2I10	6	80 - 2	D2913R	2I2	25	70 - 85	F304R	2G17	3B	70 - 53
A5273R	1G8	20	40 - 35	D2913R	2I4	15	70 - 87	F304R	2G17	5A	70 - 53
A5275R	1G8	2	40 - 35	D488R	1F11	1	40 - 16	F304R	2G19	3B	70 - 55
A5275R	1G8	13	40 - 35	D488R	2B20	12	50 - 24	F304R	2G19	5A	70 - 55
A5276R	1G8	2	40 - 35	D488R	2F20	9	70 - 31	F3128R	2A23	15	50 - 1
A5277R	1G8	3	40 - 35	D488R	2F22	27	70 - 33	F3171	1B20	5	20 - 23
A5278R	1G8	5	40 - 35	E12379	2B3	12	50 - 6	F3171R	2B1	10	50 - 4
A5279R	1G8	6	40 - 35	E1343FN	1B23	1	20 - 26	F3171R	2B20	4	50 - 24
A5301R	2H24	37	70 - 83	E16050	1H11	16	40 - 60	F3171R	2E17	1	70 - 3
A5302R	2H24	34	70 - 83	E17421	2C2	6	50 - 31	F3171R	2E19	14	70 - 5
A5304R	2H24	32	70 - 83	E17421	2C2	22	50 - 31	F3171R	2E19	16	70 - 5
A5598R	2F20	18	70 - 31	E17421	2C4	4	50 - 33	F3171R	2E19	..	70 - 5
A5598R	2F21	21	70 - 32	E48686	1B24	2	20 - 27	F3171R	2E25	6	70 - 11
A5598R	2F24	4	70 - 35	E50102	1D9	10	30 - 7	F3171R	2F2	12	70 - 13
A776R	2B20	21	50 - 24	E50102	2E16	1	70 - 2	F3171R	2F4	36	70 - 15
A776R	2G13	3	70 - 49	E50102	3B15	10	90 - 23	F3171R	2F10	12	70 - 21
B11182	2G10	2	70 - 46	E50102	3B15	14	90 - 23	F3171R	2F15	8	70 - 26
B161R	2I14	6	80 - 6	E50102	3B15	25	90 - 23	F3171R	2F16	15	70 - 27
B1664R	1E15	23	30 - 40	E50102	3B15	30	90 - 23	F3171R	2F16	20	70 - 27
B1664R	2G6	5	70 - 42	E55662	1C3	7	20 - 31	F3171R	2F18	7	70 - 29
B169R	2D11	6	60 - 3	E55662	1C3	19	20 - 31	F3171R	2G6	22	70 - 42
B177R	2D25	26	60 - 18	E55662	1D9	21	30 - 7	F3173R	2F24	12	70 - 35
B1828R	2E5	8	60 - 23	E55662	1E2	28	30 - 27	F3392R	2B10	37	50 - 13
B1914R	2B7	3	50 - 10	E55662	1E10	4	30 - 35	F3396R	2B10	31	50 - 13
B1914R	2B11	9	50 - 15	E55662	1E10	12	30 - 35	F3515R	2I13	7	80 - 5
B1914R	2B11	10	50 - 15	F1427R	2H24	4	70 - 83	F564R	2B17	15	50 - 21
B2762R	1H2	6	40 - 51	F1427R	2I2	12	70 - 85	H104855	1H22	9	40 - 71
B2762R	2B1	8	50 - 4	F1427R	2I3	10	70 - 86	H246R	2A24	25	50 - 2
B2762R	2D15	16	60 - 7	F1427R	2I4	7	70 - 87	H29027	2B17	14	50 - 21
B2762R	2D18	15	60 - 11	F1430R	2H24	24	70 - 83	H31207	3B9	17	90 - 17
B2762R	2F15	9	70 - 26	F1430R	2I2	9	70 - 85	H394R	2G1	4	70 - 37
B2762R	2F16	18	70 - 27	F1430R	2I3	12	70 - 86	H394R	2G8	14	70 - 44
B2762R	2F18	3	70 - 29	F1430R	2I4	5	70 - 87	H61993	3B13	15	90 - 21
B2762R	2G22	27	70 - 57	F1462R	2C10	25	50 - 40	H61993	3B17	9	90 - 25
B2762R	2H2	8	70 - 61	F1462R	2C12	4	50 - 42	H61993	3B17	10	90 - 25
B3014R	2I9	3	80 - 1	F1463R	2C10	24	50 - 40	H63952	3B13	4	90 - 21
B3285R	1B8	12	20 - 11	F1463R	2C12	6	50 - 42	H78097	1C20	3	20 - 44
B3285R	1G21	10	40 - 49	F1463R	2F25	3	70 - 36	H78354	3C5	2	90 - 39
B3362R	1B8	11	20 - 11	F169R	2B19	5	50 - 23	H819R	2C9	5	50 - 39
B3627R	2I13	1	80 - 5	F1737R	1D5	16	30 - 3	H826R	1C7	..	20 - 35
B3627R	2I22	6	80 - 14	F1743R	1A25	11A	20 - 5	H851R	2B20	9	50 - 24
B3685R	2H7	2	70 - 66	F1743R	1B8	9	20 - 11	H871R	2D11	35	60 - 3
B3685R	2H8	11	70 - 67	F1743R	1B10	16	20 - 13	H871R	2H14	10	70 - 73
B3686R	2G2	4	70 - 38	F1743R	1B12	17	20 - 15	H871R	2H16	11	70 - 75
B3690R	2D11	2	60 - 3	F1791R	2F17	14	70 - 28	H987R	1H11	19	40 - 60

1L1

7520 TRACTOR

NUMERICAL INDEX - CONTINUED

PART NO.	GRID	KEY	PAGE	PART NO.	GRID	KEY	PAGE	PART NO.	GRID	KEY	PAGE
JD10002	2D6	6	50 - 62	JD8240	2B25	22	50 - 29	M2396T	2G5	17	70 - 41
JD10003	2C15	6	50 - 45	JD8240	2C25	20	50 - 55	M2396T	2G5	35	70 - 41
JD10003	2C15	18	50 - 45	JD8248	2C15	7	50 - 45	M2396T	2H9	24	70 - 68
JD10005	2B23	2	50 - 27	JD8248	2C15	17	50 - 45	M2396T	2H12	24	70 - 71
JD10050	2B16	1	50 - 20	JD8259	2D3	18	50 - 59	M3636T	2B13	25	50 - 17
JD10051	2B16	2	50 - 20	JD8262	2B23	2	50 - 27	M3636T	2C10	3	50 - 40
JD126	1G8	23	40 - 35	JD8266	2B24	3	50 - 28	M3742T	2B7	5	50 - 10
JD126	1G9	10	40 - 36	JD8280	2B24	3	50 - 28	M42229	3C1	10	90 - 35
JD126	1H11	10	40 - 60	JD8280	2C25	27	50 - 55	M43835	1H22	2	40 - 71
JD3224	2I10	10	80 - 2	JD8288	2B23	9	50 - 27	M61266	1G19	23	40 - 46
JD3226	2I10	10	80 - 2	JD8291	2B25	2	50 - 29	M61266	2I19	5	80 - 11
JD5234	2I21	21	80 - 13	JD8298	2C13	12	50 - 43	M63440	1D9	10	30 - 7
JD5272	3C8	8	90 - 42	JD8298	2C19	15	50 - 49	M63440	2E16	1	70 - 2
JD5400	3C11	..	90 - 45	JD8298	2C19	19	50 - 49	M63440	3B15	10	90 - 23
JD5602	3C8	8	90 - 42	JD8520	2B19	6	50 - 23	M63440	3B15	14	90 - 23
JD7123	2C10	17	50 - 40	JD8737	2B17	17	50 - 21	M63440	3B15	25	90 - 23
JD7232	2B25	3	50 - 29	JD8901	2B15	10	50 - 19	M63440	3B15	30	90 - 23
JD7246	2B15	3	50 - 19	JD8907	2B25	23	50 - 29	M72490	1B18	12	20 - 21
JD7270	2B15	2	50 - 19	JD8954	2C21	1	50 - 51	M72490	1B18	30	20 - 21
JD7292	2B18	9	50 - 22	JD8954	2D3	17	50 - 59	M72490	1C7	7	20 - 35
JD7292	2C10	10	50 - 40	JD8962	2C13	12	50 - 43	M72490	1C9	17	20 - 37
JD7359	2B24	15	50 - 28	JD8962	2C15	6	50 - 45	M72490	1C9	23	20 - 37
JD7378	2B18	10	50 - 22	JD8962	2C15	18	50 - 45	M72490	1C11	18	20 - 37B
JD7378	2C10	9	50 - 40	JD8962	2C19	15	50 - 49	M72490	1E2	28	30 - 27
JD7383	2B23	3	50 - 27	JD8962	2C19	18	50 - 49	M886T	2C2	16	50 - 31
JD7397	2B16	7	50 - 20	JD8974	2C25	19	50 - 55	M886T	2C4	12	50 - 33
JD7417	2B18	13	50 - 22	JD8977	2B24	2	50 - 28	M886T	2G6	10	70 - 42
JD7421	2B16	8	50 - 20	JD9015	2B23	8	50 - 27	N115096	1H22	11	40 - 71
JD7425	2C10	6	50 - 40	JD9019	2C13	4	50 - 43	N31425	3B3	5	90 - 11
JD7502	2B18	5	50 - 22	JD9019	2C19	1	50 - 49	N61345	1B2	17	20 - 5B
JD7599	2B17	3	50 - 21	JD9056	2C25	28	50 - 55	PM797NA	1G1	10	40 - 29C
JD7759	2A24	32	50 - 2	JD9059	2B16	2	50 - 20	PM797NA	1G3	2	40 - 29F
JD7759	2C22	5	50 - 52	JD9066	2B24	2	50 - 28	PM797NA	1I4	1	40 - 76
JD7759	2C23	6	50 - 53	JD9122	2B16	1	50 - 20	PT1293	1G9	3	40 - 36
JD7759	2C24	5	50 - 54	JD9346	2C10	17	50 - 40	PT1294	1G9	7	40 - 36
JD7759	2C25	15	50 - 55	JD9409	2C10	17	50 - 40	PT1296	1G9	14	40 - 36
JD7759	2D24	7	60 - 17	JD9412	2B17	4	50 - 21	PT1297	1G9	25	40 - 36
JD7759	2D24	14	60 - 17	JD9412	2B25	18	50 - 29	PT1624	1G9	5	40 - 36
JD7759	2G8	2	70 - 44	JD9419	2A24	22	50 - 2	PT18180	1G9	5	40 - 36
JD7759	2G9	1	70 - 45	JD9443	2A24	22	50 - 2	PT9318	1G9	7	40 - 36
JD7759	2G11	16	70 - 47	JD9449	1F8	23	40 - 13	PT9319	1G9	5	40 - 36
JD7759	2G19	14	70 - 55	JD9449	1F10	23	40 - 15	PT9320	1G9	17	40 - 36
JD7760	2C23	4	50 - 53	JD9500	2B17	16	50 - 21	PT9321	1G9	25	40 - 36
JD7781	2B5	3	50 - 8	JD9504	2B18	6	50 - 22	PT9390	1G9	6	40 - 36
JD7781	2B5	18	50 - 8	JD9912	2B17	8	50 - 21	P41858	3B9	22	90 - 17
JD7781	2C15	8	50 - 45	K3083R	1B10	7	20 - 13	P45231	2D21	8	60 - 14
JD7781	2D24	14	60 - 17	K3083R	1B12	7	20 - 15	P45231	2D22	8	60 - 15
JD7788	2C22	3	50 - 52	K3083R	1D24	1	30 - 24	P46051	1D25	4	30 - 25
JD7806	2B3	10	50 - 6	K3083R	1F2	1	40 - 7	P46051	2G23	6	70 - 58
JD8113	2B23	2	50 - 27	K3083R	1F4	17	40 - 9	P46051	2G24	5	70 - 59
JD8158	2B18	12	50 - 22	K3083R	1F7	1	40 - 12	P46051	2H2	16	70 - 61
JD8159	2C21	16	50 - 51	K40003	1E12	13	30 - 37	P47908	2E23	22	70 - 9
JD8159	2D3	5	50 - 59	K40014	3B10	7	90 - 18	P47908	2F6	26	70 - 17
JD8161	2C10	7	50 - 40	K40014	3B11	6	90 - 19	P48347	1B19	1	20 - 22
JD8177	2D6	14	50 - 62	L29015	2E9	16	60 - 27	P48347	1C25	..	20 - 49
JD8191	2D6	6	50 - 62	L29015	2E9	18	60 - 27	P48403	2D21	6	60 - 14
JD8192	2E19	23	70 - 5	L29015	2E9	20	60 - 27	P48403	2D22	6	60 - 15
JD8192	2F2	21	70 - 13	L29015	2E9	21	60 - 27	P51212	2H16	12	70 - 75
JD8210	2C21	17	50 - 51	L29015	2E11	13	60 - 29	P51212	2H18	5	70 - 77
JD8210	2D3	4	50 - 59	L324T	2B4	19	50 - 7	RE10256	2D2	8	50 - 58
JD8213	2D6	13	50 - 62	L65000	1G23	10	40 - 49B	RE10256	2D5	21	50 - 61
JD8214	2C13	3	50 - 43	M115827	2G10	2	70 - 46	RE10712	2E21	43	70 - 7
JD8214	2D6	7	50 - 62	M1206T	2A23	10	50 - 1	RE10712	2E21	44	70 - 7
JD8223	2E19	22	70 - 5	M1895T	1G6	11	40 - 33	RE10712	2F4	40	70 - 15
JD8223	2F2	20	70 - 13	M2396T	1E15	1	30 - 40	RE10830	1C3	4	20 - 31
JD8235	2B24	16	50 - 28	M2396T	2G3	10	70 - 39	RE10834	1C15	29	20 - 39
JD8236	2B15	11	50 - 19	M2396T	2G5	10	70 - 41	RE10924	2H2	19	70 - 61

1L2

7520 TRACTOR

NUMERICAL INDEX - CONTINUED

PART NO.	GRID	KEY	PAGE	PART NO.	GRID	KEY	PAGE	PART NO.	GRID	KEY	PAGE
RE11137	1B7	3	20 - 10	RE19075	1G12	1	40 - 39	RE31694	1F10	30	40 - 15
RE11156	1H24	36	40 - 73	RE19313	2E17	1	70 - 3	RE31694	1F10	31	40 - 15
RE11157	1H24	37	40 - 73	RE19313	2E19	16	70 - 5	RE31702	2C17	1	50 - 47
RE11447	2I5	9	70 - 88	RE19313	2E19	..	70 - 5	RE32529	2E25	19	70 - 11
RE11456	2I5	2	70 - 88	RE19313	2F10	13	70 - 21	RE32529	2F7	13	70 - 18
RE11457	2I5	1	70 - 88	RE19375	2G20	1	70 - 55A	RE32529	2F8	1	70 - 19
RE11458	2I5	2	70 - 88	RE19377	2G17	27	70 - 53	RE32681	2E7	4	60 - 25
RE11463	2I5	2	70 - 88	RE19377	2G17	32	70 - 53	RE33499	2C15	3	50 - 45
RE11777	2F2	24	70 - 13	RE19377	2G19	11B	70 - 55	RE35484	2D2	3	50 - 58
RE11804	2F2	14	70 - 13	RE19377	2G19	13	70 - 55	RE35484	2D5	5	50 - 61
RE11956	2E9	..	60 - 27	RE19377	2G20	1	70 - 55A	RE35992	1A24	3	20 - 3
RE11956	2E11	28	60 - 29	RE20776	1C20	9	20 - 44	RE36615	2D7	6	50 - 63
RE12121	2H16	20	70 - 75	RE20776	1C20	10	20 - 44	RE36647	2E7	2	60 - 25
RE12169	2E25	19	70 - 11	RE20776	1C20	11	20 - 44	RE37119	2C11	2	50 - 41
RE12169	2F8	1	70 - 19	RE20776	1C20	12	20 - 44	RE37119	2C11	3	50 - 41
RE12470	2F4	28	70 - 15	RE20776	1C21	4	20 - 45	RE37119	2C11	..	50 - 41
RE12770	1C15	35	20 - 39	RE20776	1C21	5	20 - 45	RE37120	2B25	11	50 - 29
RE12784	2I9	13	80 - 1	RE20776	1C21	6	20 - 45	RE37996	1F1	4	40 - 6
RE12842	1A24	2	20 - 3	RE20776	1C21	7	20 - 45	RE38186	1E2	29	30 - 27
RE13271	2F4	15	70 - 15	RE21073	1G23	17	40 - 49B	RE38186	1E2	31	30 - 27
RE13310	1C2	3	20 - 30	RE21096	1G23	11	40 - 49B	RE38390	1F1	6	40 - 6
RE13310	1C2	7	20 - 30	RE21112	1G25	3	40 - 49D	RE38390	2C2	14	50 - 31
RE13310	1C2	8	20 - 30	RE21113	1G25	10	40 - 49D	RE38391	1D19	2	30 - 19
RE13312	1C2	7	20 - 30	RE21510	1G23	20	40 - 49B	RE38391	1E22	9	40 - 4
RE13478	2C17	9	50 - 47	RE21725	2E25	19	70 - 11	RE38391	1E22	13	40 - 4
RE13479	2C17	3	50 - 47	RE21725	2F8	1	70 - 19	RE38391	1E23	7	40 - 4A
RE13482	2C15	11	50 - 45	RE21730	1I2	5	40 - 74A	RE38617	1F25	6	40 - 29B
RE13797	1F6	1	40 - 11	RE21730	1I3	5	40 - 75	RE38620	1F25	2	40 - 29B
RE13797	1F10	12	40 - 15	RE21731	1I2	5	40 - 74A	RE38623	1F25	8	40 - 29B
RE13797	1F10	26	40 - 15	RE21731	1I3	5	40 - 75	RE38627	1F25	7	40 - 29B
RE13797	1F10	30	40 - 15	RE21732	1I2	6	40 - 74A	RE38630	1F25	10	40 - 29B
RE13798	1F10	13	40 - 15	RE21732	1I3	6	40 - 75	RE38633	1F11	5	40 - 16
RE13799	1F10	12	40 - 15	RE21738	1G25	15	40 - 49D	RE38633	1F25	..	40 - 29B
RE13800	1F10	19	40 - 15	RE21742	1E21	5	40 - 3	RE38707	1G23	11	40 - 49B
RE13801	1F10	20	40 - 15	RE21790	1D18	6	30 - 17	RE39062	1F18	5	40 - 23
RE13813	2H16	14	70 - 75	RE22589	1G25	2	40 - 49D	RE39063	1F12	6	40 - 17
RE13814	2H16	6	70 - 75	RE23182	1A24	2	20 - 3	RE39096	1F12	8	40 - 17
RE13815	2H18	10	70 - 77	RE23382	2E19	21	70 - 5	RE39096	1F16	4	40 - 21
RE13942	1F11	5	40 - 16	RE23382	2F2	19	70 - 13	RE39096	1F16	17	40 - 21
RE13942	1F18	..	40 - 23	RE24359	1D24	2	30 - 24	RE39096	1F17	16	40 - 22
RE13942	1F25	..	40 - 29B	RE24359	1D25	7	30 - 25	RE40111	2C23	3	50 - 53
RE14069	1F1	5	40 - 6	RE24561	1D17	1	30 - 16	RE40463	2F7	15	70 - 18
RE14868	2E25	20	70 - 11	RE24561	1D18	15	30 - 17	RE41242	2C17	9	50 - 47
RE15058	1F16	15	40 - 21	RE25125	1G7	26	40 - 34	RE41287	1E22	9	40 - 4
RE15058	1F17	8	40 - 22	RE25621	1H14	1	40 - 63	RE41287	1E22	13	40 - 4
RE15355	1F16	4	40 - 21	RE26739	2G15	6	70 - 51	RE41287	1E23	7	40 - 4A
RE15355	1F17	7	40 - 22	RE26740	2G15	6	70 - 51	RE41756	1F11	5	40 - 16
RE15356	1F16	17	40 - 21	RE27109	1F6	1	40 - 11	RE41756	1F19	..	40 - 24
RE15356	1F17	16	40 - 22	RE27109	1F10	29	40 - 15	RE41756	1F21	..	40 - 27
RE15361	2H19	11	70 - 78	RE27109	1F10	30	40 - 15	RE41756	1F22	20	40 - 28
RE15361	2H19	15	70 - 78	RE27109	1F10	31	40 - 15	RE41756	1F22	..	40 - 28
RE15361	2H19	18	70 - 78	RE27291	2D5	12	50 - 61	RE41756	1F23	..	40 - 29
RE15361	2H19	20	70 - 78	RE28781	1F11	5	40 - 16	RE41756	1F25	..	40 - 29B
RE15427	1C19	7	20 - 43	RE28781	1F25	..	40 - 29B	RE41759	1F19	6	40 - 24
RE17042	1B16	1	20 - 19	RE28790	2E19	7	70 - 5	RE42401	1D19	1	30 - 19
RE17042 #RG2	1B14	1	20 - 17	RE28790	2E23	19	70 - 9	RE42401	1D19	3	30 - 19
RE17046	1C25	43	20 - 49	RE28790	2F2	7	70 - 13	RE42401	1D19	6	30 - 19
RE17047	1B12	20	20 - 15	RE28790	2F6	23	70 - 17	RE42411	1E19	9	40 - 1
RE17282	1H17	10	40 - 66	RE29103	2E23	25	70 - 9	RE42650	1B18	33	20 - 21
RE17282	1H18	21	40 - 67	RE29107	2F6	29	70 - 17	RE42650	1C9	25	20 - 37
RE17515	1D5	23	30 - 3	RE29234	1B8	17	20 - 11	RE42650	1C12	2	20 - 37C
RE19075	1G6	1	40 - 33	RE29234	1B18	23	20 - 21	RE43025	1G23	17	40 - 49B
RE19075	1G6	8	40 - 33	RE30174	1D17	1	30 - 16	RE43168	1B18	22	20 - 21
RE19075	1G6	12	40 - 33	RE30174	1D18	15	30 - 17	RE43168	1B18	33	20 - 21
RE19075	1G7	2	40 - 34	RE31694	1F6	1	40 - 11	RE43168	1C9	25	20 - 37
RE19075	1G7	6	40 - 34	RE31694	1F6	6	40 - 11	RE43168	1C13	3	20 - 37D
RE19075	1G10	1	40 - 37	RE31694	1F10	29	40 - 15	RE43401	1D19	4	30 - 19

1L3

7520 TRACTOR

NUMERICAL INDEX - CONTINUED

PART NO.	GRID	KEY	PAGE	PART NO.	GRID	KEY	PAGE	PART NO.	GRID	KEY	PAGE
RE44118	1B18	11	20 - 21	R104592	1B10	11	20 - 13	R11134	1G3	5	40 - 29F
RE44118	1C11	8	20 - 37B	R104592	1B12	11	20 - 15	R11135	1F22	15	40 - 28
RE44118	1C12	2	20 - 37C	R104592	1C15	22	20 - 39	R11136	1F21	25	40 - 27
RE44118	1C13	3	20 - 37D	R104592	1D25	2	30 - 25	R11138	1F21	31	40 - 27
RE44415	2E7	2	60 - 25	R104621	1C15	2	20 - 39	R11140	1F21	15	40 - 27
RE44555	2G11	12	70 - 47	R104621	1C15	12	20 - 39	R11141	1F22	6	40 - 28
RE44657	1H15	28	40 - 64	R104621	1C15	14	20 - 39	R11142	1F22	7	40 - 28
RE46317	1G23	11	40 - 49B	R104628	1B18	24	20 - 21	R11143	1F22	18	40 - 28
RE46328	2C17	8	50 - 47	R104628	1B18	26	20 - 21	R11144	1F21	11	40 - 27
RE46328	2E6	2	60 - 24	R104628	1C11	7	20 - 37B	R11146	1F22	9	40 - 28
RE46328	2E6	5	60 - 24	R104628	1C12	3	20 - 37C	R11147	1F21	4	40 - 27
RE46328	2E6	6	60 - 24	R104628	1C13	1	20 - 37D	R11147	1F25	12	40 - 29B
RE46328	2E6	8	60 - 24	R105026	1B2	19	20 - 5B	R11148	1F23	9	40 - 29
RE46328	2E6	9	60 - 24	R105027	1B2	18	20 - 5B	R11151	1F21	37	40 - 27
RE46328	2E7	4	60 - 25	R105346	1C25	3	20 - 49	R112169	2C19	14	50 - 49
RE46334	2C17	8	50 - 47	R105346	1D9	23	30 - 7	R11253	1F22	21	40 - 28
RE46334	2E6	2	60 - 24	R105478	2G17	26	70 - 53	R11273	1F21	27	40 - 27
RE46334	2E6	5	60 - 24	R105478	2G17	27	70 - 53	R11278	1G14	1	40 - 41
RE46334	2E6	6	60 - 24	R105478	2G19	13	70 - 55	R11278	1G15	1	40 - 42
RE46334	2E6	8	60 - 24	R105478	2G20	2	70 - 55A	R11282	1F21	12	40 - 27
RE46334	2E6	9	60 - 24	R105583	2E19	13	70 - 5	R113732	2C15	31	50 - 45
RE46334	2E7	2	60 - 25	R105583	2F2	11	70 - 13	R113732	2C19	14	50 - 49
RE46380	1C15	14	20 - 39	R105813	2G7	32	70 - 43	R113732	2C19	15	50 - 49
RE46380	1C15	41	20 - 39	R105814	1E12	14	30 - 37	R113733	2C17	7	50 - 47
RE46414	1G23	12	40 - 49B	R105942	1G23	10	40 - 49B	R113733	2E6	..	60 - 24
RE46441	1D13	22	30 - 11	R1069R	3C4	4	90 - 38	R113733	2E7	..	60 - 25
RE48048	1E7	1	30 - 32	R107178	2E7	2	60 - 25	R113741	2C17	8	50 - 47
RE48310	1D18	9	30 - 17	R107247	2B13	24	50 - 17	R113741	2E6	2	60 - 24
RE50017	2F7	14	70 - 18	R109489	2C19	5	50 - 49	R113741	2E6	5	60 - 24
RE51483	1D11	18	30 - 9	R11003	1F22	16	40 - 28	R113741	2E6	6	60 - 24
RE53702	1B2	27	20 - 5B	R11008	1F23	16	40 - 29	R113741	2E6	8	60 - 24
RE56478	1A25	12	20 - 5	R11009	1G1	5	40 - 29C	R113741	2E6	9	60 - 24
RE56478	1B2	27	20 - 5B	R11011	1F22	11	40 - 28	R113741	2E7	3	60 - 25
RE57318	3B3	10	90 - 11	R11011	1F23	2	40 - 29	R114129	1F11	1	40 - 16
RE57394	1C15	1	20 - 39	R11012	1F23	4	40 - 29	R114130	1E2	28	30 - 27
RE57394	1C15	2	20 - 39	R110147	1C3	4	20 - 31	R116064	2C21	15	50 - 51
RE57394	1C15	12	20 - 39	R110147	1C3	21	20 - 31	R116524	1B23	..	20 - 26
RE57394	1C15	14	20 - 39	R11017	1F21	28	40 - 27	R116836	1B2	27	20 - 5B
RE57394	1C15	41	20 - 39	R11018	1F22	1	40 - 28	R117129	1E15	8	30 - 40
RE58483	3B3	4	90 - 11	R110212	1C2	5	20 - 30	R119227	1B22	5	20 - 25
RE60622	1B18	11	20 - 21	R11026	1F21	36	40 - 27	R119275	2G13	30	70 - 49
RE60622	1B18	18	20 - 21	R11026	1F21	39	40 - 27	R119276	2G13	31	70 - 49
RE60622	1C9	25	20 - 37	R11026	3B13	12	90 - 21	R120106	1G23	10	40 - 49B
RE60622	1C11	8	20 - 37B	R11036	1G1	11	40 - 29C	R120107	1G23	10	40 - 49B
RE60622	1C11	17	20 - 37B	R11049	1F6	8	40 - 11	R120108	1G23	10	40 - 49B
RE60622	1C12	2	20 - 37C	R11049	1F10	28	40 - 15	R120109	2E9	37	60 - 27
RE60622	1C13	3	20 - 37D	R11084	1G1	9	40 - 29C	R120109	2E11	28	60 - 29
RE61025	1B5	1	20 - 8	R11096	1F22	3	40 - 28	R120109	2E11	34	60 - 29
RE61025	1B5	3	20 - 8	R11109	1F10	22	40 - 15	R120109	2I21	28	80 - 13
RE61025	1B5	6	20 - 8	R11120	1F21	38	40 - 27	R120110	2E9	37	60 - 27
RE62234	3B15	8	90 - 23	R11120	1F23	5	40 - 29	R120110	2E11	28	60 - 29
RG23549	1B18	33	20 - 21	R11120	1F25	5	40 - 29B	R120110	2E11	34	60 - 29
RW26466	1G23	20	40 - 49B	R11121	1F21	23	40 - 27	R120110	2I21	28	80 - 13
R100094	2C2	11	50 - 31	R11121	1F22	4	40 - 28	R120111	2I21	27	80 - 13
R100569	1B18	21	20 - 21	R11123	1F23	4	40 - 29	R120292	1B2	14	20 - 5B
R100569	1C11	16	20 - 37B	R11124	1F23	4	40 - 29	R120292	1B2	15	20 - 5B
R100569	1C12	1	20 - 37C	R11126	1F21	33	40 - 27	R120292	1B2	16	20 - 5B
R100569	1C13	2	20 - 37D	R11127	1F21	32	40 - 27	R120292	1B2	18	20 - 5B
R100797	2E6	2	60 - 24	R11128	1F21	34	40 - 27	R120292	1B2	19	20 - 5B
R100797	2E6	5	60 - 24	R11129	1F21	35	40 - 27	R120293	1B2	14	20 - 5B
R100797	2E6	6	60 - 24	R11130	1G1	12	40 - 29C	R120293	1B2	18	20 - 5B
R100797	2E6	8	60 - 24	R11130	1G3	13	40 - 29F	R120293	1B2	19	20 - 5B
R100797	2E6	9	60 - 24	R11131	1G1	13	40 - 29C	R120571	1D14	4	30 - 12
R100797	2E7	3	60 - 25	R11131	1G3	12	40 - 29F	R122209	1B5	3	20 - 8
R10093	2H16	5	70 - 75	R11133	1F21	22	40 - 27	R1225R	2F21	6	70 - 32
R10093	2H18	2	70 - 77	R11133	1F22	5	40 - 28	R15023	1F8	8	40 - 13
R101054	2C21	14	50 - 51	R11134	1G1	6	40 - 29C	R15024	1F8	10	40 - 13

1L4

7520 TRACTOR

NUMERICAL INDEX - CONTINUED

PART NO.	GRID	KEY	PAGE	PART NO.	GRID	KEY	PAGE	PART NO.	GRID	KEY	PAGE
R15026	1F8	2	40 - 13	R26228	2D3	13	50 - 59	R26375	2F21	2	70 - 32
R15027	1F8	27	40 - 13	R26241	1B10	6	20 - 13	R26375	2F21	13	70 - 32
R15029	1F8	22	40 - 13	R26241	1B12	6	20 - 15	R26375	2F23	2	70 - 34
R15030	1F8	11	40 - 13	R26267	2B3	9	50 - 6	R26375	2F23	3	70 - 34
R15033	1F8	24	40 - 13	R26277	2B6	3	50 - 9	R26375	2F23	15	70 - 34
R15035	1F8	7	40 - 13	R26277	2G10	8	70 - 46	R26375	2G6	9	70 - 42
R15036	1F8	6	40 - 13	R26277	2G17	9	70 - 53	R26375	2H2	5	70 - 61
R15045	1F8	3	40 - 13	R26286	2B1	23	50 - 4	R26375	2H6	2	70 - 65
R1612R	1B10	9	20 - 13	R26286	2B12	8	50 - 16	R26375	2H7	1	70 - 66
R1612R	1B12	9	20 - 15	R26286	2D14	17	60 - 6	R26375	2H8	1	70 - 67
R1612R	2G8	10	70 - 44	R26286	2D16	5	60 - 8	R26375	2H8	14	70 - 67
R1742R	2F18	16	70 - 29	R26286	2E1	7	60 - 19	R26375	2H12	29	70 - 71
R1836R	2D2	24	50 - 58	R26286	2E2	8	60 - 20	R26375	2H21	4	70 - 80
R1836R	2I22	2	80 - 14	R26286	2E5	3	60 - 23	R26375	2I5	4	70 - 88
R1836R	3B15	2	90 - 23	R26286	2E5	6	60 - 23	R26376	2E1	18	60 - 19
R1870R	2B5	2	50 - 8	R26286	2E9	2	60 - 27	R26384	2D25	18	60 - 18
R1870R	2B5	17	50 - 8	R26286	2E9	34	60 - 27	R26385	2D25	25	60 - 18
R1870R	2C4	21	50 - 33	R26286	2E11	2	60 - 29	R26385	2G8	5	70 - 44
R1870R	2C4	27	50 - 33	R26286	2E11	22	60 - 29	R26385	2G9	4	70 - 45
R1870R	2C7	28	50 - 37	R26286	2F11	3	70 - 22	R26386	2D25	23	60 - 18
R1870R	2C7	35	50 - 37	R26286	2F18	6	70 - 29	R26386	2G8	4	70 - 44
R1870R	2H24	36	70 - 83	R26286	2F20	7	70 - 31	R26409	3B3	20	90 - 11
R1870R	3C1	28	90 - 35	R26287	1D24	17	30 - 24	R26413	1C19	21	20 - 43
R20135	3B10	4	90 - 18	R26287	2B20	17	50 - 24	R26417	1C19	20	20 - 43
R20135	3B11	4	90 - 19	R26287	2D11	32	60 - 3	R26421	2B1	29	50 - 4
R21230	3B3	9	90 - 11	R26287	2D16	9	60 - 8	R26421	2E1	29	60 - 19
R21244	3B1	5	90 - 8	R26287	2D25	20	60 - 18	R26425	2D16	11	60 - 8
R21551	1G6	14	40 - 33	R26287	2E1	14	60 - 19	R26431	3B16	15	90 - 24
R21551	1G10	8	40 - 37	R26287	2E1	17	60 - 19	R26432	3B16	7	90 - 24
R21551	2F9	1	70 - 20	R26287	2E2	11	60 - 20	R26434	3B16	17	90 - 24
R21612	2D2	7	50 - 58	R26287	2E21	23	70 - 7	R26436	3B16	23	90 - 24
R21630	1B10	11	20 - 13	R26287	2E23	4	70 - 9	R26441	2D11	18	60 - 3
R21630	1B12	11	20 - 15	R26287	2E23	16	70 - 9	R26441	2D14	2	60 - 6
R21630	2D2	6	50 - 58	R26287	2F6	22	70 - 17	R26448	1F1	2	40 - 6
R21722	2F22	24	70 - 33	R26287	2F7	7	70 - 18	R26448	2D11	22	60 - 3
R21722	2F22	25	70 - 33	R26287	2F9	5	70 - 20	R26448	2D11	24	60 - 3
R21722	2H14	9	70 - 73	R26287	2F11	14	70 - 22	R26448	2E5	18	60 - 23
R21722	2I5	1	70 - 88	R26333	1B24	13	20 - 27	R26448	2E21	2	70 - 7
R21722	2I5	2	70 - 88	R26333	1C1	2	20 - 29	R26448	2E21	8	70 - 7
R227R	2E1	19	60 - 19	R26333	2B3	2	50 - 6	R26448	2E23	1	70 - 9
R2579R	1G6	3	40 - 33	R26369	2C4	30	50 - 33	R26448	2E25	1	70 - 11
R2579R	1G8	16	40 - 35	R26369	2C7	32	50 - 37	R26448	2F4	2	70 - 15
R2579R	1G12	3	40 - 39	R26369	2E1	5	60 - 19	R26448	2F4	8	70 - 15
R26011	2C15	29	50 - 45	R26372	2E1	25	60 - 19	R26448	2F4	25	70 - 15
R26011	2D6	24	50 - 62	R26375	2D2	28	50 - 58	R26448	2F6	1	70 - 17
R26012	2C15	30	50 - 45	R26375	2D15	15	60 - 7	R26448	2F6	8	70 - 17
R26012	2D6	25	50 - 62	R26375	2D16	2	60 - 8	R26448	2F7	3	70 - 18
R26115	1B10	18	20 - 13	R26375	2D16	7	60 - 8	R26448	2F7	7	70 - 18
R26115	1B12	19	20 - 15	R26375	2D16	18	60 - 8	R26448	2G6	2	70 - 42
R26137	2E19	6	70 - 5	R26375	2D16	23	60 - 8	R26448	2H2	4	70 - 61
R26137	2F2	6	70 - 13	R26375	2D18	2	60 - 11	R26448	2H2	17	70 - 61
R26149	1D17	3	30 - 16	R26375	2D18	6	60 - 11	R26448	2H6	29	70 - 65
R26149	2G6	4	70 - 42	R26375	2D20	25	60 - 13	R26457	2G2	5	70 - 38
R26149	2G22	19	70 - 57	R26375	2D24	9	60 - 17	R26458	2G2	2	70 - 38
R26149	2G23	17	70 - 58	R26375	2E1	20	60 - 19	R26480	2H9	29	70 - 68
R26149	2H2	18	70 - 61	R26375	2E2	13	60 - 20	R26480	2H10	10	70 - 69
R26149	2H6	4	70 - 65	R26375	2E21	27	70 - 7	R26480	2H12	30	70 - 71
R26151	1C15	18	20 - 39	R26375	2E25	16	70 - 11	R26482	2H9	17	70 - 68
R26172	1B8	4	20 - 11	R26375	2F4	23	70 - 15	R26482	2H10	6	70 - 69
R26182	2B9	22	50 - 12	R26375	2F6	3	70 - 17	R26482	2H12	17	70 - 71
R26186	2C5	9	50 - 35	R26375	2F6	10	70 - 17	R26482	2H14	20	70 - 73
R26202	2C2	15	50 - 31	R26375	2F7	12	70 - 18	R26483	2H9	21	70 - 68
R26202	2C4	11	50 - 33	R26375	2F8	2	70 - 19	R26483	2H10	7	70 - 69
R26203	2C4	14	50 - 33	R26375	2F16	3	70 - 27	R26483	2H12	21	70 - 71
R26206	2C4	1	50 - 33	R26375	2F18	9	70 - 29	R26484	2G23	22	70 - 58
R26207	2C4	2	50 - 33	R26375	2F18	13	70 - 29	R26484	2G24	22	70 - 59
R26227	2D3	13	50 - 59	R26375	2F20	15	70 - 31	R26484	2H2	10	70 - 61

1L5

7520 TRACTOR

NUMERICAL INDEX - CONTINUED

PART NO.	GRID	KEY	PAGE	PART NO.	GRID	KEY	PAGE	PART NO.	GRID	KEY	PAGE
R26484	2H9	14	70 - 68	R26906	2D18	17	60 - 11	R27166	2G24	17	70 - 59
R26484	2H10	3	70 - 69	R26906	2E21	10	70 - 7	R27166	2H2	11	70 - 61
R26484	2H12	14	70 - 71	R26906	2E23	2	70 - 9	R27166	2H3	3	70 - 62
R26485	2H9	10	70 - 68	R26906	2E23	15	70 - 9	R27166	2H3	6	70 - 62
R26485	2H10	1	70 - 69	R26906	2E25	2	70 - 11	R27167	2E21	16	70 - 7
R26485	2H12	10	70 - 71	R26906	2F4	16	70 - 15	R27170	2E21	19	70 - 7
R26485	2H19	12	70 - 78	R26906	2F6	6	70 - 17	R27171	2E21	5	70 - 7
R26546	2B1	7	50 - 4	R26906	2F6	26	70 - 17	R27172	2E21	11	70 - 7
R26546	2D15	17	60 - 7	R26906	2F7	1	70 - 18	R27173	2E21	17	70 - 7
R26546	2D18	14	60 - 11	R26906	2F10	12	70 - 21	R27174	2E21	15	70 - 7
R26546	2F22	24	70 - 33	R26906	2F11	6	70 - 22	R27174	2E23	7	70 - 9
R26546	2F22	25	70 - 33	R26906	2F12	3	70 - 23	R27175	1B20	5	20 - 23
R26546	2G22	28	70 - 57	R26906	2F16	8	70 - 27	R27175	2E19	15	70 - 5
R26546	2H2	7	70 - 61	R26906	2F21	19	70 - 32	R27175	2F2	13	70 - 13
R26552	2B1	21	50 - 4	R26906	2F23	6	70 - 34	R27175	2G6	21	70 - 42
R26552	2D16	13	60 - 8	R26906	2F23	8	70 - 34	R27180	1G6	5	40 - 33
R26553	2D17	7	60 - 9	R26906	2F23	10	70 - 34	R27180	3B3	12	90 - 11
R26554	2D17	1	60 - 9	R26906	2F23	12	70 - 34	R27181	1D20	11	30 - 20
R26565	2D15	5	60 - 7	R26906	2G2	3	70 - 38	R27209	1C19	8	20 - 43
R26565	2G6	36	70 - 42	R26906	2G5	31	70 - 41	R27212	2F7	6	70 - 18
R26566	2G6	6	70 - 42	R26906	2G6	11	70 - 42	R27216	2B20	18	50 - 24
R26572	2E5	28	60 - 23	R26906	2H6	6	70 - 65	R27216	2D16	8	60 - 8
R26572	2F13	8	70 - 24	R26933	2D11	8	60 - 3	R27216	2E1	16	60 - 19
R26574	2B4	15	50 - 7	R26958	1E12	12	30 - 37	R27216	2E21	24	70 - 7
R26608	2G10	11	70 - 46	R26992	2I12	5	80 - 4	R27218	1B20	5	20 - 23
R26616	2B20	11	50 - 24	R27072	1E12	3	30 - 37	R27218	2B20	23	50 - 24
R26621	2E21	34	70 - 7	R27075	1E12	1	30 - 37	R27218	2D11	23	60 - 3
R26625	2G2	8	70 - 38	R27087	2D11	15	60 - 3	R27218	2E21	7	70 - 7
R26626	2F24	11	70 - 35	R27089	2D14	12	60 - 6	R27218	2F4	7	70 - 15
R26628	2F25	5	70 - 36	R27091	2D14	9	60 - 6	R27218	2H6	28	70 - 65
R26637	2C4	28	50 - 33	R27094	2B20	18	50 - 24	R27233	2G22	13	70 - 57
R26637	2C7	34	50 - 37	R27094	2D14	18	60 - 6	R27237	2D18	8	60 - 11
R26638	2C4	29	50 - 33	R27094	2E9	1	60 - 27	R27237	2H8	15	70 - 67
R26638	2C7	33	50 - 37	R27094	2E11	1	60 - 29	R27237	2H8	16	70 - 67
R26642	2B3	19	50 - 6	R27094	2F18	5	70 - 29	R27238	2E5	29	60 - 23
R26646	1B24	3	20 - 27	R27094	2F20	8	70 - 31	R27238	2F13	13	70 - 24
R26650	2C10	19	50 - 40	R27121	3B15	23	90 - 23	R27266	2F10	5	70 - 21
R26681	2D24	5	60 - 17	R27137	2E1	8	60 - 19	R27267	2F10	10	70 - 21
R26686	2F18	12	70 - 29	R27137	2E2	9	60 - 20	R27267	2F15	7	70 - 26
R26694	2I14	10	80 - 6	R27137	2E3	7	60 - 21	R27267	2F16	19	70 - 27
R26702	2I14	8	80 - 6	R27145	2E19	27	70 - 5	R27267	2F18	8	70 - 29
R26703	2I14	8	80 - 6	R27149	1B10	20	20 - 13	R27272	2E5	5	60 - 23
R26727	1B20	8	20 - 23	R27149	1B12	21	20 - 15	R27296	2A25	14	50 - 3
R26727	2D2	10	50 - 58	R27149	2E1	9	60 - 19	R27296	2D16	4	60 - 8
R26755	2D14	8	60 - 6	R27149	2E2	10	60 - 20	R27296	2E5	2	60 - 23
R26760	2E9	8	60 - 27	R27149	2E3	8	60 - 21	R27296	3B7	15	90 - 15
R26760	2E9	10	60 - 27	R27149	2E19	11	70 - 5	R27299	2D11	10	60 - 3
R26762	2D17	4	60 - 9	R27149	2E23	20	70 - 9	R27319	2D11	26	60 - 3
R26773	2B1	14	50 - 4	R27149	2F2	9	70 - 13	R27320	2D11	13	60 - 3
R26828	3B16	5	90 - 24	R27149	2F6	24	70 - 17	R27329	2B20	6	50 - 24
R26829	3B16	18	90 - 24	R27150	2E19	5	70 - 5	R27329	2C10	27	50 - 40
R26830	3B16	16	90 - 24	R27150	2F2	5	70 - 13	R27390	2F13	19	70 - 24
R26832	3B15	3	90 - 23	R27159	2E21	18	70 - 7	R27430	2H9	5	70 - 68
R26871	2G7	28	70 - 43	R27166	1D23	1	30 - 23	R27430	2H12	5	70 - 71
R26871	3B16	19	90 - 24	R27166	2B8	6	50 - 11	R27430	2H19	5	70 - 78
R26872	3B16	22	90 - 24	R27166	2B11	3	50 - 15	R27439	3B16	14	90 - 24
R26873	3B16	22	90 - 24	R27166	2E21	14	70 - 7	R27440	3B15	16	90 - 23
R26874	3B16	1A	90 - 24	R27166	2E21	43	70 - 7	R27440	3B15	20	90 - 23
R26875	3B15	4	90 - 23	R27166	2E21	44	70 - 7	R27440	3B15	28	90 - 23
R26876	3B15	7	90 - 23	R27166	2E23	6	70 - 9	R27440	3B15	32	90 - 23
R26877	3B15	6	90 - 23	R27166	2E25	5	70 - 11	R27441	3B15	11	90 - 23
R26878	3B15	19	90 - 23	R27166	2F4	42	70 - 15	R27441	3B15	13	90 - 23
R26879	3B15	9	90 - 23	R27166	2F6	14	70 - 17	R27441	3B15	26	90 - 23
R26905	1C17	10	20 - 41	R27166	2G6	20	70 - 42	R27441	3B15	31	90 - 23
R26905	2F14	6	70 - 25	R27166	2G22	14	70 - 57	R27442	3B15	5	90 - 23
R26905	2H6	9	70 - 65	R27166	2G23	19	70 - 58	R27443	1B6	11	20 - 9
R26906	2B20	26	50 - 24	R27166	2G24	15	70 - 59	R27448	2D20	27	60 - 13

1L6

7520 TRACTOR

NUMERICAL INDEX - CONTINUED

PART NO.	GRID	KEY	PAGE	PART NO.	GRID	KEY	PAGE	PART NO.	GRID	KEY	PAGE
R27453	2D11	11	60 - 3	R27928	2F22	25	70 - 33	R30378	1H11	25	40 - 60
R27460	1G7	8	40 - 34	R27928	2G3	15	70 - 39	R30378	1H24	43	40 - 73
R27460	1G10	2	40 - 37	R27998	2G13	37	70 - 49	R30379	1G19	15	40 - 46
R27460	1G12	4	40 - 39	R27999	2G13	38	70 - 49	R30403	2C12	2	50 - 42
R27471	2E21	44	70 - 7	R28006	2H9	6	70 - 68	R30597	2I13	9	80 - 5
R27472	2E21	43	70 - 7	R28006	2H12	7	70 - 71	R30597	2I13	10	80 - 5
R27474	2B20	27	50 - 24	R28006	2H19	6	70 - 78	R30815	2I5	5	70 - 88
R27474	2F21	20	70 - 32	R28007	1E12	9	30 - 37	R30816	2I5	7	70 - 88
R27474	2F23	9	70 - 34	R28009	1E12	6	30 - 37	R30817	2I5	6	70 - 88
R27475	2E21	1	70 - 7	R28015	1C19	6	20 - 43	R30828	1E12	4	30 - 37
R27475	2F4	1	70 - 15	R28084	2H9	3	70 - 68	R30903	2D25	5	60 - 18
R27476	2E21	13	70 - 7	R28084	2H9	19	70 - 68	R30903	2E1	30	60 - 19
R27478	2E19	29	70 - 5	R28084	2H12	3	70 - 71	R30903	2E2	7	60 - 20
R27478	2E25	12	70 - 11	R28084	2H12	19	70 - 71	R30920	2A24	2	50 - 2
R27478	2F2	28	70 - 13	R28084	2H19	3	70 - 78	R30936	1C19	4	20 - 43
R27479	2E19	29	70 - 5	R28084	2H19	17	70 - 78	R30937	1C19	10	20 - 43
R27479	2E25	13	70 - 11	R28085	2H9	2	70 - 68	R30937	2I13	8	80 - 5
R27479	2F2	28	70 - 13	R28085	2H12	2	70 - 71	R30937	2I16	6	80 - 8
R27483	2B20	8	50 - 24	R28085	2H19	2	70 - 78	R30937	3B1	2	90 - 8
R27490	2B1	30	50 - 4	R28085	2H19	18	70 - 78	R30937	3B1	11	90 - 8
R27507	2F25	9	70 - 36	R28123	3B1	3	90 - 8	R30937	3B8	1	90 - 16
R27507	2G7	21	70 - 43	R28123	3B21	12	90 - 30	R30937	3B21	3	90 - 30
R27507	2G13	16	70 - 49	R28124	2D15	7	60 - 7	R31136	2G2	6	70 - 38
R27507	2H9	34	70 - 68	R28128	2D6	4	50 - 62	R31136	2H16	4	70 - 75
R27507	2H12	38	70 - 71	R28193	1G6	22	40 - 33	R31136	2H18	1	70 - 77
R27507	3B5	11	90 - 13	R28204	2H9	1	70 - 68	R31147	1E2	1	30 - 27
R27528	1E10	9	30 - 35	R28204	2H12	1	70 - 71	R31147	1E2	2	30 - 27
R27531	1C17	4	20 - 41	R28204	2H19	1	70 - 78	R31147	1E2	3	30 - 27
R27531	2F10	2	70 - 21	R28204	2H19	19	70 - 78	R31189	2D3	14	50 - 59
R27531	2H6	14	70 - 65	R28450	2D18	18	60 - 11	R31190	2D3	19	50 - 59
R27533	1G6	15	40 - 33	R28473	1G20	6	40 - 47	R31195	2D3	8	50 - 59
R27533	3B3	4	90 - 11	R28490	2I10	5	80 - 2	R31196	2D3	2	50 - 59
R27539	2D20	2	60 - 13	R28556	2G13	35A	70 - 49	R31201	2D11	34	60 - 3
R27539	2D20	13	60 - 13	R28575	2F19	3	70 - 30	R31202	2D11	31	60 - 3
R27539	2D20	19	60 - 13	R28583	1D17	18	30 - 16	R31217	2D17	4	60 - 9
R27562	2C10	29	50 - 40	R28583	1D18	12	30 - 17	R31250	1G7	27	40 - 34
R27564	2E21	12	70 - 7	R28594	2C9	9	50 - 39	R31260	3B16	9	90 - 24
R27564	2E23	5	70 - 9	R28640	2B17	2	50 - 21	R31271	1E12	19	30 - 37
R27564	2E25	4	70 - 11	R28671	2B12	16	50 - 16	R31271	2D25	6	60 - 18
R27564	2F4	43	70 - 15	R28744	2G22	10	70 - 57	R31273	2D25	24	60 - 18
R27564	2F6	15	70 - 17	R28774	2E1	22	60 - 19	R31287	2I21	9	80 - 13
R27564	2G6	16	70 - 42	R28776	2B1	26	50 - 4	R31320	2C11	9	50 - 41
R27564	2H24	21	70 - 83	R28776	2E1	24	60 - 19	R31378	2D22	13	60 - 15
R27564	2I2	6	70 - 85	R28776	2E2	12	60 - 20	R31422	2G7	3	70 - 43
R27564	2I3	7	70 - 86	R28781	2E21	39	70 - 7	R31454	2E1	16	60 - 19
R27583	1H4	2	40 - 53	R28781	2F4	35	70 - 15	R31454	2E1	17	60 - 19
R27583	1H6	2	40 - 55	R28782	2E21	38	70 - 7	R31454	2E1	28	60 - 19
R27649	2E9	16	60 - 27	R28782	2E23	9	70 - 9	R31455	2D25	14	60 - 18
R27649	2E9	21	60 - 27	R28782	2F4	34	70 - 15	R31455	2E2	2	60 - 20
R27649	2E9	23	60 - 27	R28782	2F6	11	70 - 17	R31455	2E3	2	60 - 21
R27649	2E11	27	60 - 29	R28783	2D16	19	60 - 8	R31457	2D25	9	60 - 18
R27720	2B12	3	50 - 16	R28914	2F18	21	70 - 29	R31458	2D25	7	60 - 18
R27720	2D20	11	60 - 13	R29001	2B16	6	50 - 20	R31459	2D25	4	60 - 18
R27720	2D20	21	60 - 13	R29463	2H24	29	70 - 83	R31468	2E2	6	60 - 20
R27727	2C11	3	50 - 41	R29463	2I2	21	70 - 85	R31469	2E2	5	60 - 20
R27727	2C11	..	50 - 41	R29463	2I3	3	70 - 86	R31493	2A23	8	50 - 1
R27730	2B25	14	50 - 29	R29463	2I4	11	70 - 87	R31494	2A23	7	50 - 1
R27730	2G6	30	70 - 42	R29936	2F6	21	70 - 17	R31631	2B20	18	50 - 24
R27785	3B14	7	90 - 22	R29936	2F6	25	70 - 17	R31631	2D16	8	60 - 8
R27796	2C25	25	50 - 55	R29936	2F10	11	70 - 21	R31631	2E1	16	60 - 19
R27796	2D5	16	50 - 61	R29936	2F22	26	70 - 33	R31632	2E9	31	60 - 27
R27906	2E5	1	60 - 23	R30181	1G7	7	40 - 34	R31632	2E11	19	60 - 29
R27926	2F17	11	70 - 28	R30323	2D16	21	60 - 8	R31665	2F12	2	70 - 23
R27927	2F17	9	70 - 28	R30378	1G18	9	40 - 45	R31665	2F23	13	70 - 34
R27928	2E23	22	70 - 9	R30378	1G19	2	40 - 46	R31711	2B3	28	50 - 6
R27928	2F6	26	70 - 17	R30378	1G19	13	40 - 46	R31781	2E21	41	70 - 7
R27928	2F17	10	70 - 28	R30378	1G19	16	40 - 46	R31781	2F4	38	70 - 15

1L7

7520 TRACTOR

NUMERICAL INDEX - CONTINUED

PART NO.	GRID	KEY	PAGE	PART NO.	GRID	KEY	PAGE	PART NO.	GRID	KEY	PAGE
R31877	3C1	33	90 - 35	R32276	1H11	..	40 - 60	R34206	1G21	8	40 - 49
R31890	2H9	23	70 - 68	R32276	1H15	11	40 - 64	R34267	3B14	10	90 - 22
R31890	2H12	23	70 - 71	R32306	1D17	4	30 - 16	R34272	3B14	5	90 - 22
R31943	2I9	13	80 - 1	R32344	2E21	42	70 - 7	R34328	2C10	13	50 - 40
R32011	1H20	1	40 - 69	R32353	2H19	15	70 - 78	R34337	1G19	23	40 - 46
R32016	1G6	13	40 - 33	R32354	2H19	11	70 - 78	R34337	2I19	5	80 - 11
R32016	1G7	3	40 - 34	R32355	2H19	10	70 - 78	R34348	2E19	26	70 - 5
R32016	1H20	10	40 - 69	R32356	2H9	9	70 - 68	R34349	2E19	24	70 - 5
R32017	1H20	11	40 - 69	R32356	2H12	9	70 - 71	R34360	2E16	5	70 - 2
R32018	1E19	10	40 - 1	R32356	2H19	9	70 - 78	R34362	2E16	2	70 - 2
R32018	1E25	2	40 - 5	R32419	2H9	38	70 - 68	R34365	1B24	12	20 - 27
R32018	1G6	2	40 - 33	R32419	2H12	39	70 - 71	R34388	1D17	13	30 - 16
R32018	1G12	2	40 - 39	R32419	2H19	8	70 - 78	R34394	1D17	7	30 - 16
R32018	1G16	..	40 - 43	R32426	1B8	2	20 - 11	R34395	1D17	8	30 - 16
R32018	1H18	9	40 - 67	R32434	2B3	14	50 - 6	R34396	2H9	28	70 - 68
R32018	1H18	15	40 - 67	R32507	2C9	10	50 - 39	R34397	2H9	15	70 - 68
R32018	1H20	12	40 - 69	R32588	2D15	3	60 - 7	R34397	2H12	15	70 - 71
R32018	3B2	11	90 - 9	R32588	2I2	3	70 - 85	R34398	2H9	22	70 - 68
R32019	1E25	3	40 - 5	R32588	2I3	5	70 - 86	R34398	2H12	22	70 - 71
R32019	1H20	13	40 - 69	R32588	2I4	2	70 - 87	R34399	2H9	8	70 - 68
R32021	1H18	14	40 - 67	R32630	2C2	22	50 - 31	R34399	2H12	8	70 - 71
R32021	1H20	14	40 - 69	R32736	3B14	8	90 - 22	R34400	2H9	20	70 - 68
R32022	1E25	3	40 - 5	R33004	2D6	18	50 - 62	R34400	2H12	20	70 - 71
R32022	1G5	1	40 - 31	R33020	2D6	5	50 - 62	R34404	1B19	1	20 - 22
R32022	1G6	20	40 - 33	R33021	2D6	19	50 - 62	R34404	1C25	..	20 - 49
R32022	1H20	15	40 - 69	R33022	2D6	16	50 - 62	R34447	1D24	17	30 - 24
R32022	3B2	11	90 - 9	R33023	2D6	23	50 - 62	R34603	2F17	8	70 - 28
R32023	1H20	16	40 - 69	R33024	2D6	15	50 - 62	R34609	3B14	8	90 - 22
R32024	1I2	3	40 - 74A	R33026	2D6	3	50 - 62	R34618	3B14	8	90 - 22
R32024	1I3	3	40 - 75	R33027	2D6	12	50 - 62	R34619	3B14	10	90 - 22
R32025	1E19	10	40 - 1	R33028	2D6	17	50 - 62	R34620	3B14	9	90 - 22
R32025	1G6	2	40 - 33	R33029	2C15	20	50 - 45	R34659	2I9	13	80 - 1
R32025	1G12	2	40 - 39	R33029	2D6	21	50 - 62	R34666	2I17	6	80 - 9
R32025	1G16	..	40 - 43	R33138	2D2	27	50 - 58	R34680	2I9	3	80 - 1
R32025	1H18	9	40 - 67	R33138	2F18	14	70 - 29	R34680	2I9	4	80 - 1
R32025	1I2	4	40 - 74A	R33162	2F18	22	70 - 29	R34680	2I9	5	80 - 1
R32025	1I3	4	40 - 75	R33163	2F18	17	70 - 29	R34680	2I9	7	80 - 1
R32025	3B2	2	90 - 9	R33173	2D18	13	60 - 11	R34680	2I9	9	80 - 1
R32026	1H20	17	40 - 69	R33259	2F18	11	70 - 29	R34680	2I9	11	80 - 1
R32026	1H24	48	40 - 73	R33259	2F18	22	70 - 29	R34680	2I9	12	80 - 1
R32027	1E19	10	40 - 1	R33282	2E9	26	60 - 27	R34680	2I9	14	80 - 1
R32027	1G6	2	40 - 33	R33410	2B24	1	50 - 28	R34680	2I9	15	80 - 1
R32027	1G12	2	40 - 39	R33410	2B24	4	50 - 28	R34680	2I9	16	80 - 1
R32027	1G16	..	40 - 43	R33410	2C13	15	50 - 43	R34680	2I9	93	80 - 1
R32027	1H18	5	40 - 67	R33411	2B24	1	50 - 28	R34733	2C9	4	50 - 39
R32027	1H18	9	40 - 67	R33411	2B24	4	50 - 28	R34733	2D15	1	60 - 7
R32027	1H18	14	40 - 67	R33411	2C13	15	50 - 43	R34733	2D17	6	60 - 9
R32027	1H20	18	40 - 69	R33412	2B24	1	50 - 28	R34765	1E2	3	30 - 27
R32027	3B2	2	90 - 9	R33412	2B24	4	50 - 28	R34765	1E2	6	30 - 27
R32028	1G5	1	40 - 31	R33412	2C13	15	50 - 43	R34766	1E2	3	30 - 27
R32028	1H20	19	40 - 69	R33531	2I9	4	80 - 1	R34766	1E2	5	30 - 27
R32029	1H20	20	40 - 69	R33532	2I9	7	80 - 1	R34801	2I9	16	80 - 1
R32042	1C3	3	20 - 31	R33533	2I10	3	80 - 2	R34801	2I11	1	80 - 3
R32042	1C3	4	20 - 31	R33534	2I10	4	80 - 2	R34802	2F4	12	70 - 15
R32087	2F17	8	70 - 28	R33610	2F15	10	70 - 26	R34812	2G23	11	70 - 58
R32090	2E1	4	60 - 19	R33610	2F16	17	70 - 27	R34827	3C7	1	90 - 41
R32090	2E3	6	60 - 21	R33610	2F18	4	70 - 29	R34856	2D3	2	50 - 59
R32091	2E1	3	60 - 19	R33706	2I9	12	80 - 1	R34856	2D3	14	50 - 59
R32091	2E3	5	60 - 21	R33731	2C2	12	50 - 31	R34940	2D6	10	50 - 62
R32092	2E1	1	60 - 19	R34064	2C7	11	50 - 37	R35002	2C15	4	50 - 45
R32092	2E2	3	60 - 20	R34121	2D14	14	60 - 6	R35002	2C17	2	50 - 47
R32092	2E3	3	60 - 21	R34125	2D11	28	60 - 3	R35019	1B6	7	20 - 9
R32136	1D21	4	30 - 21	R34129	2D15	21	60 - 7	R35020	1B6	9	20 - 9
R32136	1D24	4	30 - 24	R34131	2D15	9	60 - 7	R35022	1B6	2	20 - 9
R32186	2D11	14	60 - 3	R34131	2I2	2	70 - 85	R35043	1C2	6	20 - 30
R32234	3C1	10	90 - 35	R34131	2I4	1	70 - 87	R35043	1C25	40	20 - 49
R32252	2D1	4	50 - 57	R34147	1C17	10	20 - 41	R35044	1B24	1	20 - 27

1L8

7520 TRACTOR

NUMERICAL INDEX - CONTINUED

PART NO.	GRID	KEY	PAGE	PART NO.	GRID	KEY	PAGE	PART NO.	GRID	KEY	PAGE
R35045	1B24	9	20 - 27	R35472	2I2	8	70 - 85	R36190	2I9	6	80 - 1
R35045	1B25	3	20 - 28	R35472	2I3	8	70 - 86	R36190	2I9	7	80 - 1
R35046	1B24	7	20 - 27	R35472	2I4	4	70 - 87	R36190	2I9	9	80 - 1
R35047	1B24	5	20 - 27	R35473	2H24	30	70 - 83	R36190	2I9	11	80 - 1
R35060	1B24	6	20 - 27	R35473	2I2	22	70 - 85	R36190	2I9	12	80 - 1
R35074	2A24	15	50 - 2	R35473	2I3	2	70 - 86	R36190	2I9	14	80 - 1
R35075	2A24	16	50 - 2	R35473	2I4	12	70 - 87	R36190	2I9	15	80 - 1
R35077	2A24	9	50 - 2	R35474	2H24	18	70 - 83	R36209	1C19	24	20 - 43
R35078	2A24	6	50 - 2	R35474	2I2	19	70 - 85	R36229	3B7	23	90 - 15
R35079	2A24	4	50 - 2	R35474	2I3	14	70 - 86	R36235	1H11	22	40 - 60
R35119	2C15	5	50 - 45	R35474	2I4	9	70 - 87	R36265	2C2	14	50 - 31
R35127	1B7	6	20 - 10	R35476	2G19	28	70 - 55	R36272	2G17	17	70 - 53
R35128	1C2	2	20 - 30	R35482	2G17	7	70 - 53	R36273	2G17	19	70 - 53
R35130	1C5	6	20 - 33	R35482	2G19	23	70 - 55	R36311	2B3	11	50 - 6
R35141	1B20	2	20 - 23	R35483	2G19	20	70 - 55	R36316	2B3	5	50 - 6
R35164	2B25	1	50 - 29	R35489	2B24	20	50 - 28	R36318	2B3	23	50 - 6
R35165	2B25	1	50 - 29	R35491	2B24	7	50 - 28	R36319	2B3	3	50 - 6
R35166	2B25	1	50 - 29	R35500	2C13	16	50 - 43	R36324	2A25	21	50 - 3
R35167	2B25	1	50 - 29	R35501	2C13	6	50 - 43	R36331	2A24	23	50 - 2
R35177	1C4	1	20 - 32	R35502	2C13	6	50 - 43	R36334	2B3	15	50 - 6
R35190	2I9	16	80 - 1	R35503	2C13	6	50 - 43	R36335	2B3	20	50 - 6
R35192	2I13	2	80 - 5	R35561	1C4	1	20 - 32	R36336	2B3	22	50 - 6
R35192	2I22	5	80 - 14	R35561	1C5	3	20 - 33	R36337	2B3	21	50 - 6
R35226	2B18	3	50 - 22	R35562	1C5	3	20 - 33	R36350	1B24	10	20 - 27
R35256	1B7	9	20 - 10	R35563	1C4	1	20 - 32	R36350	1B25	4	20 - 28
R35274	2B20	2	50 - 24	R35565	1C4	1	20 - 32	R36355	2B1	25	50 - 4
R35282	2A23	12	50 - 1	R35565	1C5	3	20 - 33	R36358	2B1	31	50 - 4
R35283	2A23	11	50 - 1	R35566	1C5	3	20 - 33	R36358	2F4	11	70 - 15
R35325	1E10	39	30 - 35	R35567	1C4	1	20 - 32	R36360	2B1	4	50 - 4
R35325	2B1	22	50 - 4	R35569	1C4	1	20 - 32	R36364	2B1	2	50 - 4
R35332	2I9	12	80 - 1	R35569	1C5	3	20 - 33	R36365	2B1	1	50 - 4
R35333	2I9	5	80 - 1	R35570	1C5	3	20 - 33	R36365	2B3	4	50 - 6
R35335	2I9	6	80 - 1	R35571	1C4	1	20 - 32	R36378	2F20	19	70 - 31
R35339	1C19	5	20 - 43	R35573	1C4	1	20 - 32	R36378	2F21	22	70 - 32
R35339	1C19	22	20 - 43	R35575	1C4	1	20 - 32	R36379	2F20	19	70 - 31
R35339	2I16	10	80 - 8	R35578	1C5	4	20 - 33	R36379	2F21	22	70 - 32
R35340	2I16	9	80 - 8	R35579	1C5	4	20 - 33	R36382	2B1	18	50 - 4
R35348	1C3	17	20 - 31	R35580	1C5	4	20 - 33	R36385	2B1	9	50 - 4
R35349	1C3	16	20 - 31	R35581	1C5	4	20 - 33	R36386	2B1	15	50 - 4
R35349	1C25	24	20 - 49	R35582	1C5	4	20 - 33	R36402	2F24	2	70 - 35
R35365	2C25	26	50 - 55	R35614	2D25	17	60 - 18	R36402	2G15	2	70 - 51
R35366	2C25	26	50 - 55	R35620	2C10	21	50 - 40	R36423	2F20	20	70 - 31
R35367	2C25	26	50 - 55	R35621	2B20	3	50 - 24	R36423	2F21	23	70 - 32
R35369	2B23	4	50 - 27	R35621	2C10	20	50 - 40	R36424	2F20	18	70 - 31
R35371	2B24	21	50 - 28	R35646	1B24	12	20 - 27	R36424	2F21	21	70 - 32
R35372	2B24	6	50 - 28	R35666	2I19	4	80 - 11	R36425	2F20	10	70 - 31
R35373	2B24	12	50 - 28	R35684	2E9	5	60 - 27	R36425	2F22	28	70 - 33
R35377	2B23	1	50 - 27	R35684	2E9	8	60 - 27	R36441	2G13	26	70 - 49
R35381	2B25	21	50 - 29	R35684	2E9	25	60 - 27	R36444	2G13	20	70 - 49
R35382	2B25	21	50 - 29	R35684	2E11	5	60 - 29	R36448	2G13	4	70 - 49
R35383	2B25	21	50 - 29	R35701	2D20	26	60 - 13	R36469	2G10	18	70 - 46
R35384	2B25	21	50 - 29	R35735	2C15	16	50 - 45	R36469	2G10	..	70 - 46
R35385	2B25	6	50 - 29	R35738	2H24	31	70 - 83	R36470	2G10	15	70 - 46
R35386	2B25	8	50 - 29	R35738	2I2	31	70 - 85	R36470	2G10	..	70 - 46
R35426	2B24	11	50 - 28	R35738	2I3	1	70 - 86	R36471	2G10	14	70 - 46
R35431	1B2	2	20 - 5B	R35738	2I4	21	70 - 87	R36507	2G17	10	70 - 53
R35431	1B6	23	20 - 9	R35769	2I14	1	80 - 6	R36508	2G17	8	70 - 53
R35447	2H24	13	70 - 83	R35769	2I14	14	80 - 6	R36577	2B1	11	50 - 4
R35447	2I2	5	70 - 85	R35785	1C4	1	20 - 32	R36590	3B5	8	90 - 13
R35448	2H24	38	70 - 83	R35827	2E23	22	70 - 9	R36590	3B8	..	90 - 16
R35452	2H24	3	70 - 83	R36084	1E10	28	30 - 35	R36658	2I5	3	70 - 88
R35452	2I2	13	70 - 85	R36084	1E15	22	30 - 40	R36659	2I5	3	70 - 88
R35457	2B25	27	50 - 29	R36097	2I9	13	80 - 1	R36661	2B1	19	50 - 4
R35461	2B25	13	50 - 29	R36180	2F10	16	70 - 21	R36675	1B24	3	20 - 27
R35467	2G19	25	70 - 55	R36190	2I9	3	80 - 1	R36678	2B25	10	50 - 29
R35468	2G19	24	70 - 55	R36190	2I9	4	80 - 1	R36704	3B15	15	90 - 23
R35472	2H24	23	70 - 83	R36190	2I9	5	80 - 1	R36725	2A25	6	50 - 3

1L9

7520 TRACTOR

NUMERICAL INDEX - CONTINUED

PART NO.	GRID	KEY	PAGE	PART NO.	GRID	KEY	PAGE	PART NO.	GRID	KEY	PAGE
R36732	1H15	24	40 - 64	R39112	2F18	9	70 - 29	R40227	1C5	4	20 - 33
R36742	2E1	15	60 - 19	R39112	2F20	15	70 - 31	R40228	1C4	1	20 - 32
R36757	1D7	..	30 - 5	R39112	2F21	2	70 - 32	R40228	1C5	3	20 - 33
R36764	2B24	18	50 - 28	R39112	2F21	12	70 - 32	R40229	1C5	3	20 - 33
R36765	2B24	1	50 - 28	R39112	2F23	1	70 - 34	R40231	1C5	6	20 - 33
R36765	2B24	17	50 - 28	R39112	2F23	3	70 - 34	R40270	1C5	6	20 - 33
R36765	2C13	15	50 - 43	R39112	2G6	8	70 - 42	R40337	1F21	6	40 - 27
R36766	2B24	1	50 - 28	R39112	2H6	1	70 - 65	R40337	1F23	17	40 - 29
R36766	2B24	17	50 - 28	R39179	2D18	12	60 - 11	R40338	2D16	3	60 - 8
R36766	2C13	15	50 - 43	R39228	2E19	18	70 - 5	R40366	1B2	1	20 - 5B
R36767	2B24	1	50 - 28	R39228	2F2	16	70 - 13	R40366	1B6	17	20 - 9
R36767	2B24	17	50 - 28	R39305	2F15	13	70 - 26	R40366	1B6	18	20 - 9
R36767	2C13	15	50 - 43	R39305	2F16	13	70 - 27	R40366	1B6	24	20 - 9
R36795	2H21	5	70 - 80	R394R	1F23	3	40 - 29	R40445	1H18	3	40 - 67
R36858	1C17	10	20 - 41	R394R	2C9	2	50 - 39	R40468	1D17	14	30 - 16
R36881	2C19	2	50 - 49	R394R	2C9	7	50 - 39	R40531	2D14	11	60 - 6
R36946	2H19	21	70 - 78	R394R	2G3	16	70 - 39	R40567	2D11	30	60 - 3
R36951	2I2	20	70 - 85	R394R	2G3	30	70 - 39	R40595	2D16	12	60 - 8
R36951	2I4	10	70 - 87	R394R	2G5	19	70 - 41	R40596	2D16	15	60 - 8
R36952	2I2	33	70 - 85	R394R	2G22	15	70 - 57	R40597	2D16	16	60 - 8
R36952	2I4	23	70 - 87	R39503	1D9	29	30 - 7	R40599	2G22	14	70 - 57
R36995	1C5	5	20 - 33	R39534	1D17	2	30 - 16	R40634	1B7	5	20 - 10
R37410	2B15	13	50 - 19	R39554	1D18	2	30 - 17	R40711	2B25	21	50 - 29
R37410	2B19	8	50 - 23	R39587	2F18	18	70 - 29	R40712	2B25	21	50 - 29
R37410	2C25	18	50 - 55	R39725	2B7	9	50 - 10	R40712	2C10	16	50 - 40
R37418	2C22	17	50 - 52	R39726	2B7	9	50 - 10	R40713	2B25	1	50 - 29
R37418	2C24	14	50 - 54	R39727	2B7	9	50 - 10	R40714	2B25	1	50 - 29
R37419	2C22	11	50 - 52	R39729	2E19	9	70 - 5	R40715	2B25	1	50 - 29
R37419	2C22	16	50 - 52	R39729	2E23	17	70 - 9	R40757	2D16	14	60 - 8
R37419	2C24	11	50 - 54	R39739	3C7	3	90 - 41	R40775	1F2	5	40 - 7
R37419	2C24	15	50 - 54	R39741	1B10	3	20 - 13	R40791	1G6	17	40 - 33
R37426	2D11	20	60 - 3	R39741	1B12	3	20 - 15	R40791	3B3	10	90 - 11
R37428	2D15	18	60 - 7	R39741	2E19	15	70 - 5	R40820	1B24	6	20 - 27
R37436	2C25	7	50 - 55	R39741	2F2	13	70 - 13	R40824	2C8	19	50 - 38
R37438	2C25	8	50 - 55	R39758	2I10	9	80 - 2	R40831	2C8	15	50 - 38
R37439	2C25	17	50 - 55	R39766	2I17	2	80 - 9	R40835	2B18	14	50 - 22
R37467	2D15	19	60 - 7	R39795	2C9	1	50 - 39	R40835	2B23	12	50 - 27
R37476	2D16	20	60 - 8	R39796	2C9	3	50 - 39	R40835	2B25	17	50 - 29
R37479	2H6	27	70 - 65	R39800	1F8	14	40 - 13	R40835	2C10	12	50 - 40
R375R	1D23	3	30 - 23	R39801	1F8	20	40 - 13	R40881	2G6	1	70 - 42
R375R	1D25	5	30 - 25	R39802	1F8	9	40 - 13	R40884	2G3	24	70 - 39
R375R	2H9	16	70 - 68	R39803	1F8	18	40 - 13	R40885	2G3	8	70 - 39
R375R	2H10	5	70 - 69	R39808	2F18	15	70 - 29	R40885	2G5	8	70 - 41
R375R	2H12	16	70 - 71	R39976	2A23	2	50 - 1	R40889	2F25	17	70 - 36
R375R	2H14	19	70 - 73	R39977	2B3	24	50 - 6	R40891	2F25	18	70 - 36
R38143	1E15	8	30 - 40	R39978	2A25	5	50 - 3	R40893	2G6	26	70 - 42
R38181	2C2	20	50 - 31	R39979	2A25	7	50 - 3	R40894	2G6	31	70 - 42
R38181	2C4	16	50 - 33	R39980	2D25	8	60 - 18	R40895	2G6	29	70 - 42
R38323	1C17	4	20 - 41	R39981	2D25	3	60 - 18	R40896	2G6	23	70 - 42
R38323	1C17	5	20 - 41	R39982	2D25	2	60 - 18	R40922	2F20	14	70 - 31
R38323	2F10	7	70 - 21	R39985	1E12	14	30 - 37	R40922	2F21	3	70 - 32
R38323	2F15	4	70 - 26	R40028	2G17	18	70 - 53	R40922	2F23	5	70 - 34
R38323	2F15	12	70 - 26	R40072	2F11	7	70 - 22	R40925	3C1	18	90 - 35
R38323	2F16	10	70 - 27	R40077	2B1	20	50 - 4	R40937	2G23	7	70 - 58
R38371	1G7	15	40 - 34	R40078	2B1	12	50 - 4	R40937	2G24	6	70 - 59
R38374	1F8	12	40 - 13	R40079	2B1	3	50 - 4	R40937	2H2	15	70 - 61
R38376	1E12	7	30 - 37	R40081	2B1	5	50 - 4	R40944	2G3	26	70 - 39
R38377	1E12	5	30 - 37	R40082	2B1	32	50 - 4	R40945	2G6	25	70 - 42
R38454	1E21	3	40 - 3	R40088	1C25	13	20 - 49	R40949	2G3	1	70 - 39
R38454	3B25	11	90 - 34	R40088	1D13	16	30 - 11	R40949	2G5	1	70 - 41
R38614	1C7	4	20 - 35	R40121	2G17	1A	70 - 53	R40962	1D17	12	30 - 16
R38614	1C7	7	20 - 35	R40121	2G19	1A	70 - 55	R40982	1E12	16	30 - 37
R38614	1C7	14	20 - 35	R40139	2B3	29	50 - 6	R40983	1E12	14	30 - 37
R39012	2H24	7	70 - 83	R40147	2C8	3	50 - 38	R40984	1E12	18	30 - 37
R39112	2D16	17	60 - 8	R40149	2D14	10	60 - 6	R40985	1E15	2	30 - 40
R39112	2D18	1	60 - 11	R40190	1B24	6	20 - 27	R40986	1E15	3	30 - 40
R39112	2E1	21	60 - 19	R40219	2H24	26	70 - 83	R40988	1E15	9	30 - 40

1L10

7520 TRACTOR

NUMERICAL INDEX - CONTINUED

PART NO.	GRID	KEY	PAGE	PART NO.	GRID	KEY	PAGE	PART NO.	GRID	KEY	PAGE
R40991	1E15	7	30 - 40	R41549	2G23	4	70 - 58	R42363	1B10	14	20 - 13
R40999	2F11	2	70 - 22	R41549	2G24	4	70 - 59	R42363	1B12	16	20 - 15
R41001	2F11	10	70 - 22	R41604	3C1	15	90 - 35	R42363	1C5	5	20 - 33
R41006	2C8	9	50 - 38	R41661	2G3	23	70 - 39	R42365	1C5	6	20 - 33
R41006	2C8	21	50 - 38	R41661	2G5	11	70 - 41	R42375	1D16	5	30 - 15
R41007	2C8	11	50 - 38	R41706	1G21	11	40 - 49	R42407	2C13	5	50 - 43
R41035	1C2	4	20 - 30	R41707	2B17	7	50 - 21	R42407	2F25	12	70 - 36
R41041	1C3	8	20 - 31	R41724	2D15	2	60 - 7	R42407	2F25	13	70 - 36
R41041	2B12	4	50 - 16	R41760	3C3	14	90 - 37	R42408	3B11	5	90 - 19
R41048	2D3	15	50 - 59	R41776	2G6	27	70 - 42	R42444	2D3	11	50 - 59
R41049	2C13	1	50 - 43	R41777	2G6	28	70 - 42	R42446	2D3	10	50 - 59
R41049	2D3	7	50 - 59	R41778	3B10	16	90 - 18	R42451	3C2	4	90 - 36
R41050	2C13	14	50 - 43	R41778	3B11	27	90 - 19	R42467	2E19	25	70 - 5
R41050	2D3	12	50 - 59	R41781	2I21	11	80 - 13	R42495	2G10	5	70 - 46
R41055	2G22	26	70 - 57	R41781	3B10	11	90 - 18	R42495	2G11	13	70 - 47
R41055	2G23	21	70 - 58	R41781	3B11	11	90 - 19	R42509	2B4	13	50 - 7
R41057	2E21	43	70 - 7	R41877	2E9	8	60 - 27	R42511	2B4	14	50 - 7
R41057	2E21	44	70 - 7	R41877	2E9	14	60 - 27	R42512	2B4	8	50 - 7
R41057	2E25	7	70 - 11	R41877	2E11	12	60 - 29	R42529	2C15	19	50 - 45
R41057	2F4	41	70 - 15	R41880	1H4	19	40 - 53	R42629	2D11	7	60 - 3
R41057	2F6	13	70 - 17	R41880	1H6	19	40 - 55	R42639	2G7	29	70 - 43
R41057	2G6	19	70 - 42	R41880	1H8	4	40 - 57	R42646	3B10	15	90 - 18
R41057	2G22	14	70 - 57	R41891	2E9	7	60 - 27	R42646	3B11	26	90 - 19
R41057	2G23	18	70 - 58	R41903	2D3	16	50 - 59	R42660	2G19	19	70 - 55
R41057	2G24	14	70 - 59	R41920	1C7	4	20 - 35	R42663	2E21	31	70 - 7
R41057	2G24	16	70 - 59	R41920	1C7	7	20 - 35	R42666	1G7	16	40 - 34
R41057	2H2	12	70 - 61	R41920	1C7	14	20 - 35	R42667	1G7	16	40 - 34
R41057	2H3	4	70 - 62	R41937	3B14	12	90 - 22	R42684	2E1	23	60 - 19
R41057	2H3	6	70 - 62	R41938	3B14	12	90 - 22	R42689	1G7	1	40 - 34
R41079	2G3	11	70 - 39	R41968	2G7	32	70 - 43	R42693	1C22	17	20 - 46
R41089	2I13	9	80 - 5	R41985	3B9	3	90 - 17	R42693	1C25	20	20 - 49
R41089	2I13	10	80 - 5	R41986	2A24	8	50 - 2	R42726	1D7	..	30 - 5
R41108	2G3	3	70 - 39	R41986	2A24	11	50 - 2	R42729	1B18	12	20 - 21
R41108	2G5	3	70 - 41	R42007	2E1	28	60 - 19	R42729	1B18	30	20 - 21
R41117	2G3	32	70 - 39	R42045	3B3	10	90 - 11	R42729	1C7	3	20 - 35
R41118	2G3	22	70 - 39	R42045	3B9	13	90 - 17	R42729	1C9	17	20 - 37
R41119	2G3	25	70 - 39	R42057	2F18	23	70 - 29	R42729	1C9	23	20 - 37
R41121	2F25	7	70 - 36	R42057	3C1	22	90 - 35	R42729	1E2	28	30 - 27
R41147	2G7	35	70 - 43	R42093	2G7	20	70 - 43	R42732	2I21	7	80 - 13
R41155	2G22	18	70 - 57	R42093	2H5	9	70 - 64	R42732	3B10	19	90 - 18
R41156	2G23	20	70 - 58	R42093	2H5	13	70 - 64	R42732	3B11	30	90 - 19
R41194	3C3	13	90 - 37	R42094	2G7	16	70 - 43	R42783	2B3	18	50 - 6
R41280	2F20	5	70 - 31	R42101	2D6	20	50 - 62	R42799	1H2	..	40 - 51
R41300	2C15	12	50 - 45	R42103	2D2	4	50 - 58	R42799	1H4	10	40 - 53
R41325	1G8	10	40 - 35	R42106	2D2	3	50 - 58	R42799	1H6	10	40 - 55
R41326	1G8	11	40 - 35	R42106	2D5	5	50 - 61	R42799	1H8	9	40 - 57
R41327	1G8	7	40 - 35	R42115	2D15	10	60 - 7	R42849	2E1	26	60 - 19
R41328	1G8	8	40 - 35	R42115	2D16	10	60 - 8	R42849	2E5	4	60 - 23
R41338	2G23	13	70 - 58	R42129	2C5	16	50 - 35	R42852	1C15	32	20 - 39
R41338	2G24	10	70 - 59	R42171	2G11	4	70 - 47	R42901	2D6	22	50 - 62
R41339	2G23	9	70 - 58	R42172	2G11	6	70 - 47	R42948	2B9	17	50 - 12
R41339	2G24	8	70 - 59	R42200	1B24	6	20 - 27	R43001	2C15	27	50 - 45
R41339	2H2	14	70 - 61	R42210	1B24	6	20 - 27	R43002	2C13	12	50 - 43
R41358	3B13	5	90 - 21	R42260	2E21	40	70 - 7	R43003	2C13	12	50 - 43
R41358	3B19	1	90 - 28	R42260	2F4	37	70 - 15	R43014	2C15	25	50 - 45
R41370	2B4	6	50 - 7	R42275	3B25	16	90 - 34	R43015	2C15	23	50 - 45
R41385	2G7	22	70 - 43	R42282	1E15	18	30 - 40	R43016	2C15	31	50 - 45
R41386	2G7	25	70 - 43	R42282	2H5	4	70 - 64	R43017	2B23	5	50 - 27
R41436	3B25	13	90 - 34	R42289	2D6	11	50 - 62	R43018	2B24	10	50 - 28
R41438	3B25	8	90 - 34	R42355	1B7	5	20 - 10	R43019	2B24	19	50 - 28
R41439	1H15	13	40 - 64	R42355	1B7	6	20 - 10	R43020	2B25	24	50 - 29
R41440	1G21	6	40 - 49	R42355	1B7	8	20 - 10	R43021	2B25	9	50 - 29
R41442	3B25	7	90 - 34	R42357	2E4	5	60 - 22	R43079	2G11	15	70 - 47
R41463	2F18	10	70 - 29	R42357	2E5	9	60 - 23	R43081	2G10	9	70 - 46
R41494	2H9	37	70 - 68	R42357	2E5	16	60 - 23	R43128	2B23	7	50 - 27
R41494	2H12	34	70 - 71	R42357	2F13	2	70 - 24	R43129	2B23	11	50 - 27
R41549	2B9	14	50 - 12	R42363	1A25	4	20 - 5	R43131	2B24	5	50 - 28

1L11

7520 TRACTOR

NUMERICAL INDEX - CONTINUED

PART NO.	GRID	KEY	PAGE	PART NO.	GRID	KEY	PAGE	PART NO.	GRID	KEY	PAGE
R43134	2B24	22	50 - 28	R43444	2G13	22	70 - 49	R44302	1H18	20	40 - 67
R43135	2C4	3	50 - 33	R43460	2C2	9	50 - 31	R44302	2C11	..	50 - 41
R43136	2C4	5	50 - 33	R43460	2C4	6	50 - 33	R44302	2G7	..	70 - 43
R43137	2C2	7	50 - 31	R43461	2C2	8	50 - 31	R44302	3B7	..	90 - 15
R43184	2C13	7	50 - 43	R43475	1E21	3	40 - 3	R44310	2G23	21	70 - 58
R43186	2C13	2	50 - 43	R43525	1E15	5	30 - 40	R44313	2G7	36	70 - 43
R43191	2B24	8	50 - 28	R43548	1C15	27	20 - 39	R44314	2G7	37	70 - 43
R43224	2E6	5	60 - 24	R43593	2C4	9	50 - 33	R44324	1C22	4	20 - 46
R43227	2C15	15	50 - 45	R43601	2F24	14	70 - 35	R44342	1G20	8	40 - 47
R43244	2C15	26	50 - 45	R43621	1B10	12	20 - 13	R44418	1D5	4	30 - 3
R43245	2C15	24	50 - 45	R43621	1B12	12	20 - 15	R44438	3B18	1	90 - 26
R43250	2C8	17	50 - 38	R43660	1C15	1	20 - 39	R44438	3B18	3	90 - 26
R43252	2C8	13	50 - 38	R43660	1C25	37	20 - 49	R44438	3B18	5	90 - 26
R43253	2C8	16	50 - 38	R43662	1G7	9	40 - 34	R44438	3B18	8	90 - 26
R43254	2C8	1	50 - 38	R43662	1G10	3	40 - 37	R44438	3B18	10	90 - 26
R43256	2C8	8	50 - 38	R43662	1G12	5	40 - 39	R44438	3B18	11	90 - 26
R43257	2C8	10	50 - 38	R43706	2G11	14	70 - 47	R44444	3B13	20	90 - 21
R43259	2G11	8	70 - 47	R43735	2F14	7	70 - 25	R44444	3B17	14	90 - 25
R43260	2B21	4	50 - 25	R43753	2I16	7	80 - 8	R44447	3B2	20	90 - 9
R43298	2G8	3	70 - 44	R43753	2I16	8	80 - 8	R44447	3B21	4	90 - 30
R43298	2G9	2	70 - 45	R43764	2G8	7	70 - 44	R44447	3B21	5	90 - 30
R43299	2G8	8	70 - 44	R43764	2G9	6	70 - 45	R44585	3B21	2	90 - 30
R43311	2F24	9	70 - 35	R43769	2F25	15	70 - 36	R44588	3B21	6	90 - 30
R43312	2F24	13	70 - 35	R43780	1C17	2	20 - 41	R44678	2C5	2	50 - 35
R43313	2F24	6	70 - 35	R43791	2G6	7	70 - 42	R44720	3C1	16	90 - 35
R43314	2F24	3	70 - 35	R43805	1D11	9	30 - 9	R44802	2E21	31	70 - 7
R43315	2G8	12	70 - 44	R43828	1F4	8	40 - 9	R44823	2E19	10	70 - 5
R43316	2G8	9	70 - 44	R43828	1F8	28	40 - 13	R44845	2D14	7	60 - 6
R43316	2G9	8	70 - 45	R43851	1B8	5	20 - 11	R44853	1B8	1	20 - 11
R43318	2G8	1	70 - 44	R43851	1C25	27	20 - 49	R44853	1C25	27	20 - 49
R43320	2B6	2	50 - 9	R43906	2C2	4	50 - 31	R44918	2G10	16	70 - 46
R43320	2G14	5	70 - 50	R43907	2C2	5	50 - 31	R44952	3C1	14	90 - 35
R43323	2G11	1	70 - 47	R43921	2F25	10	70 - 36	R44961	2C15	14	50 - 45
R43324	2F24	10	70 - 35	R43922	2F25	19	70 - 36	R44961	2E6	1	60 - 24
R43325	2F20	2	70 - 31	R43986	1D11	15	30 - 9	R44961	2E7	1	60 - 25
R43326	2G8	6	70 - 44	R44008	1F4	1	40 - 9	R45015	3B21	..	90 - 30
R43326	2G9	5	70 - 45	R44070	1B24	6	20 - 27	R45136	1H4	6	40 - 53
R43346	2B18	1	50 - 22	R44165	1H9	28	40 - 58	R45136	1H6	6	40 - 55
R43346	2B23	10	50 - 27	R44198	1G19	8	40 - 46	R45137	1H4	4	40 - 53
R43347	2B18	1	50 - 22	R44254	2E1	12	60 - 19	R45137	1H6	4	40 - 55
R43347	2B23	10	50 - 27	R44254	2E9	29	60 - 27	R45197	2C25	21	50 - 55
R43348	2B18	1	50 - 22	R44254	2E11	17	60 - 29	R45197	2D3	13	50 - 59
R43348	2B23	10	50 - 27	R44255	2E1	10	60 - 19	R45198	2C25	21	50 - 55
R43349	2B24	9	50 - 28	R44256	2E1	11	60 - 19	R45198	2D3	13	50 - 59
R43356	2I18	8	80 - 10	R44256	2E9	28	60 - 27	R45199	2C25	21	50 - 55
R43368	2C13	11	50 - 43	R44256	2E11	16	60 - 29	R45199	2D3	13	50 - 59
R43369	2C13	5	50 - 43	R44286	2I2	23	70 - 85	R45200	2C25	21	50 - 55
R43369	2F25	12	70 - 36	R44286	2I4	13	70 - 87	R45200	2D3	13	50 - 59
R43369	2F25	13	70 - 36	R44287	2I2	32	70 - 85	R45201	2C25	22	50 - 55
R43385	2A24	12	50 - 2	R44287	2I4	22	70 - 87	R45211	1D24	6	30 - 24
R43391	2C4	10	50 - 33	R44297	2H24	22	70 - 83	R45211	1E19	4	40 - 1
R43393	2C2	11	50 - 31	R44297	2I2	7	70 - 85	R45211	1G6	18	40 - 33
R43403	2G2	9	70 - 38	R44298	2G6	33	70 - 42	R45225	2B25	12	50 - 29
R43404	2F24	5	70 - 35	R44299	2G6	34	70 - 42	R45227	2E19	14	70 - 5
R43408	2B22	1	50 - 26	R44300	2G3	4	70 - 39	R45227	2E19	15	70 - 5
R43408	2F20	6	70 - 31	R44302	1D6	6	30 - 4	R45227	2E19	16	70 - 5
R43408	2F22	30	70 - 33	R44302	1D18	..	30 - 17	R45228	2E19	14	70 - 5
R43409	2B20	25	50 - 24	R44302	1D19	..	30 - 19	R45228	2E19	15	70 - 5
R43416	1C25	3	20 - 49	R44302	1E19	..	40 - 1	R45228	2E19	16	70 - 5
R43416	1D9	23	30 - 7	R44302	1F1	1	40 - 6	R45266	1A25	6	20 - 5
R43424	1C15	30	20 - 39	R44302	1F12	3	40 - 17	R45267	1A25	5	20 - 5
R43425	1C15	29	20 - 39	R44302	1F18	2	40 - 23	R45268	1A25	7	20 - 5
R43428	1C15	28	20 - 39	R44302	1F19	5	40 - 24	R45300	1C5	6	20 - 33
R43429	1C15	2	20 - 39	R44302	1G9	24	40 - 36	R45377	1F4	14	40 - 9
R43429	1C15	13	20 - 39	R44302	1G25	1	40 - 49D	R45377	1F6	13	40 - 11
R43434	1C7	5	20 - 35	R44302	1H15	12	40 - 64	R45405	3C1	13	90 - 35
R43443	2A24	13	50 - 2	R44302	1H16	6	40 - 65	R45422	2F2	26	70 - 13

1L12

7520 TRACTOR

NUMERICAL INDEX - CONTINUED

PART NO.	GRID	KEY	PAGE	PART NO.	GRID	KEY	PAGE	PART NO.	GRID	KEY	PAGE
R45425	2F2	22A	70 - 13	R46663	3B21	..	90 - 30	R47338	2B23	11	50 - 27
R45438	2E19	1	70 - 5	R46673	2E6	11	60 - 24	R47342	2B12	9	50 - 16
R45438	2F2	1	70 - 13	R46673	2E7	6	60 - 25	R47358	1D24	12	30 - 24
R45620	2H24	25	70 - 83	R46674	2E6	10	60 - 24	R47362	2B19	1	50 - 23
R45620	2I2	10	70 - 85	R46680	2E7	5	60 - 25	R47416	2C15	2	50 - 45
R45620	2I3	11	70 - 86	R46680	2B20	10	50 - 24	R47418	2C15	2	50 - 45
R45630	2H9	5	70 - 68	R46680	2C10	13	50 - 40	R47468	3B9	11	90 - 17
R45630	2H12	5	70 - 71	R46722	2G22	30	70 - 57	R47470	3B2	19	90 - 9
R45630	2H19	5	70 - 78	R46722	2H2	6	70 - 61	R47474	1H4	4	40 - 53
R45779	2D6	26	50 - 62	R46733	2I21	19	80 - 13	R47474	1H6	4	40 - 55
R45792	2D11	1	60 - 3	R46733	3A24	1	90 - 4	R47479	2B19	3	50 - 23
R45822	2E16	4	70 - 2	R468R	1E2	20	30 - 27	R47480	2B17	1	50 - 21
R45844	2A23	1	50 - 1	R46806	2C15	28	50 - 45	R47510	1C5	6	20 - 33
R45844	2A23	3	50 - 1	R46895	2G13	5	70 - 49	R47545	2B15	1	50 - 19
R45847	1D20	5	30 - 20	R469R	1E2	20	30 - 27	R47546	2B15	1	50 - 19
R45847	1D21	10	30 - 21	R46903	1B7	1	20 - 10	R47547	2B15	1	50 - 19
R45847	3B9	6	90 - 17	R46903	1B10	17	20 - 13	R47548	2B15	1	50 - 19
R45847	3B9	7	90 - 17	R46903	1B12	18	20 - 15	R47549	2B13	21	50 - 17
R45847	3B9	18	90 - 17	R46904	3B21	11	90 - 30	R47550	2B13	21	50 - 17
R45874	2E19	28	70 - 5	R46987	2E9	8	60 - 27	R47551	2B13	21	50 - 17
R459R	2D15	4	60 - 7	R46987	2E11	3	60 - 29	R47552	2B13	22	50 - 17
R459R	2E1	2	60 - 19	R46987	2E11	7	60 - 29	R47556	2B13	33	50 - 17
R459R	2E2	4	60 - 20	R46988	2E9	8	60 - 27	R47556	2C10	5	50 - 40
R459R	2E3	4	60 - 21	R47044	2G17	4	70 - 53	R47556	2C11	15	50 - 41
R459R	2I2	4	70 - 85	R47044	2G19	4	70 - 55	R47557	2B13	33	50 - 17
R459R	2I3	6	70 - 86	R47067	2G10	4	70 - 46	R47557	2C10	5	50 - 40
R459R	2I4	3	70 - 87	R47085	2E9	8	60 - 27	R47557	2C11	15	50 - 41
R45924	2G6	18	70 - 42	R47085	2E9	12	60 - 27	R47558	2B13	33	50 - 17
R45925	2G6	17	70 - 42	R47085	2E11	10	60 - 29	R47558	2C10	5	50 - 40
R45926	2D25	15	60 - 18	R47086	2E9	8	60 - 27	R47558	2C11	15	50 - 41
R45929	2D25	11	60 - 18	R47086	2E9	13	60 - 27	R47559	2B13	32	50 - 17
R45936	1G7	18	40 - 34	R47086	2E11	11	60 - 29	R47559	2C10	4	50 - 40
R45937	1G7	19	40 - 34	R47087	2E9	8	60 - 27	R47561	2B12	11	50 - 16
R45981	3A24	11	90 - 4	R47087	2E9	11	60 - 27	R47562	2B12	11	50 - 16
R46092	1G20	3	40 - 47	R47087	2E11	9	60 - 29	R47563	2B12	11	50 - 16
R46098	3A24	6	90 - 4	R47092	1B10	5	20 - 13	R47564	2B12	10	50 - 16
R46160	1G19	7	40 - 46	R47092	1B12	5	20 - 15	R47565	2B13	27	50 - 17
R46162	2C25	23	50 - 55	R47109	2A24	14	50 - 2	R47565	2H6	25	70 - 65
R46162	2D3	1	50 - 59	R47109	2B9	13	50 - 12	R47578	2G13	21	70 - 49
R46162	2D5	13	50 - 61	R47113	1D17	11	30 - 16	R47581	2G13	25	70 - 49
R46162	2D5	18	50 - 61	R47117	2B25	7	50 - 29	R47585	2G13	8	70 - 49
R46194	1F21	16	40 - 27	R47118	2B25	5	50 - 29	R47585	2G13	29A	70 - 49
R46195	1F21	18	40 - 27	R47119	2B25	4	50 - 29	R47586	2G13	8	70 - 49
R46196	1F21	17	40 - 27	R47121	2C2	3	50 - 31	R47586	2G13	29A	70 - 49
R46197	1F21	19	40 - 27	R47153	1C25	1	20 - 49	R47590	2G13	32	70 - 49
R46198	1F21	10	40 - 27	R47153	1D13	5	30 - 11	R47599	2H7	5	70 - 66
R46205	2C2	10	50 - 31	R47169	2C15	11	50 - 45	R47599	2H8	7	70 - 67
R46205	2C4	7	50 - 33	R47224	3A23	4	90 - 3	R47605	2E9	33	60 - 27
R46313	2B4	12	50 - 7	R47226	3A23	17	90 - 3	R47605	2E11	21	60 - 29
R46323	2D3	6	50 - 59	R47227	3A23	14	90 - 3	R47606	2E9	32	60 - 27
R46324	2D3	6	50 - 59	R47228	3A23	13	90 - 3	R47606	2E11	20	60 - 29
R46325	2D3	6	50 - 59	R47229	3A23	16	90 - 3	R47607	2E9	35	60 - 27
R46414	1D6	2	30 - 4	R47230	3A23	1	90 - 3	R47607	2E11	23	60 - 29
R46443	2F25	2	70 - 36	R47231	3A23	2	90 - 3	R47653	2C22	15	50 - 52
R46505	1H4	12	40 - 53	R47232	3A23	3	90 - 3	R47653	2C24	17	50 - 54
R46528	1E15	16	30 - 40	R47233	3A23	8	90 - 3	R47653	2C25	4	50 - 55
R46528	1E15	20	30 - 40	R47234	3A23	7	90 - 3	R47655	2B15	14	50 - 19
R46528	2H5	1	70 - 64	R47235	3A23	25	90 - 3	R47655	2C22	1	50 - 52
R46567	1C7	9	20 - 35	R47248	1B20	1	20 - 23	R47655	2C22	15	50 - 52
R46567	2A24	1	50 - 2	R47248	1C25	35	20 - 49	R47655	2C24	17	50 - 54
R46577	1B20	12	20 - 23	R47300	2G7	24	70 - 43	R47655	2C25	4	50 - 55
R46577	1B22	7	20 - 25	R47301	2G3	28	70 - 39	R47657	2B19	7	50 - 23
R46577	1C2	4	20 - 30	R47301	2G7	26	70 - 43	R47658	2B25	17	50 - 29
R46577	1C2	5	20 - 30	R47336	2B13	31	50 - 17	R47659	2B25	20	50 - 29
R46632	3B21	14	90 - 30	R47336	2C10	2	50 - 40	R47660	2B25	20	50 - 29
R46636	2C13	7	50 - 43	R47337	2C10	11	50 - 40	R47661	2B25	20	50 - 29
R46662	3B21	..	90 - 30	R47338	2B18	2	50 - 22	R47662	2C4	18	50 - 33

1L13

7520 TRACTOR

NUMERICAL INDEX - CONTINUED

PART NO.	GRID	KEY	PAGE	PART NO.	GRID	KEY	PAGE	PART NO.	GRID	KEY	PAGE
R47666	2B12	12	50 - 16	R48293	1G7	1	40 - 34	R48733	2B19	11	50 - 23
R47678	2G13	31	70 - 49	R48313	1A25	9	20 - 5	R48733	2C22	14	50 - 52
R47679	2G13	30	70 - 49	R48313	1B2	24	20 - 5B	R48733	2C23	14	50 - 53
R47687	2A25	18	50 - 3	R48314	1A25	9	20 - 5	R48733	2C24	2	50 - 54
R47693	1C23	4	20 - 47	R48314	1B2	20	20 - 5B	R48733	2C25	3	50 - 55
R47694	2D14	15	60 - 6	R48315	1B23	6	20 - 26	R48734	2A24	30	50 - 2
R47699	2H12	31	70 - 71	R48316	1B23	4	20 - 26	R48734	2B15	16	50 - 19
R47701	2C4	20	50 - 33	R48317	1B23	5	20 - 26	R48734	2B19	11	50 - 23
R47701	2C7	26	50 - 37	R48349	1C15	19	20 - 39	R48734	2C22	14	50 - 52
R47702	2C4	26	50 - 33	R48349	1C15	29	20 - 39	R48734	2C23	14	50 - 53
R47702	2C7	30	50 - 37	R48349	1C15	30	20 - 39	R48734	2C24	2	50 - 54
R47703	2C2	26	50 - 31	R48349	1C15	35	20 - 39	R48734	2C25	3	50 - 55
R47703	2C7	44	50 - 37	R48350	1B23	9	20 - 26	R48735	2A24	30	50 - 2
R47738	2E1	27	60 - 19	R48350	1B23	10	20 - 26	R48735	2B15	16	50 - 19
R47771	2B15	12	50 - 19	R48378	3B25	14	90 - 34	R48735	2B19	11	50 - 23
R47773	3B10	10	90 - 18	R48386	2B24	14	50 - 28	R48735	2C22	14	50 - 52
R47773	3B11	10	90 - 19	R48387	2B24	13	50 - 28	R48735	2C23	14	50 - 53
R47791	2E1	31	60 - 19	R48418	2F25	16	70 - 36	R48735	2C24	2	50 - 54
R47794	1D21	8	30 - 21	R48452	2G8	11	70 - 44	R48735	2C25	3	50 - 55
R47806	2B9	5	50 - 12	R48453	2G8	11	70 - 44	R48738	2E19	19	70 - 5
R47806	2C7	19	50 - 37	R48460	2D6	23	50 - 62	R48738	2F2	17	70 - 13
R47807	2C7	6	50 - 37	R48541	2C5	12	50 - 35	R48745	2B17	18	50 - 21
R47859	1H15	1	40 - 64	R48549	3C1	32	90 - 35	R48772	1D14	7	30 - 12
R47860	1H11	9	40 - 60	R48567	1D5	7	30 - 3	R48773	1D14	4	30 - 12
R47861	1H11	9	40 - 60	R48568	1D5	11	30 - 3	R48776	2A24	31	50 - 2
R47876	2F13	15	70 - 24	R48578	1C22	16	20 - 46	R48776	2B15	17	50 - 19
R47886	1G16	5	40 - 43	R48581	2D2	11	50 - 58	R48776	2B19	12	50 - 23
R47941	3C4	9	90 - 38	R48581	2D5	9	50 - 61	R48776	2C22	13	50 - 52
R47954	2I22	6	80 - 14	R48623	2B17	18	50 - 21	R48776	2C23	13	50 - 53
R47966	2B9	25	50 - 12	R48628	2I21	24	80 - 13	R48776	2C24	1	50 - 54
R47998	2D11	1	60 - 3	R48632	1D5	13	30 - 3	R48776	2C25	2	50 - 55
R48013	2E9	27	60 - 27	R48633	1C25	12	20 - 49	R48783	2D15	13	60 - 7
R48015	2B19	9	50 - 23	R48633	1E2	8	30 - 27	R48785	2D15	13	60 - 7
R48015	2C23	1	50 - 53	R48633	1E8	12	30 - 33	R48793	2B13	23	50 - 17
R48015	2C23	15	50 - 53	R48685	2D2	5	50 - 58	R48800	2B12	13	50 - 16
R48015	2C24	3	50 - 54	R48685	2D2	13	50 - 58	R48812	2I21	5	80 - 13
R48026	1H11	..	40 - 60	R48685	2D5	10	50 - 61	R48812	3C1	19	90 - 35
R48027	1H11	..	40 - 60	R48685	2D5	19	50 - 61	R48815	2G17	16	70 - 53
R48028	1H11	28	40 - 60	R48689	1E8	3	30 - 33	R48816	2G17	16	70 - 53
R48048	1H11	17	40 - 60	R48691	1E8	4	30 - 33	R48818	1C20	15	20 - 44
R48049	1H11	27	40 - 60	R48692	1E8	5	30 - 33	R48819	1C20	14	20 - 44
R48050	2B7	15	50 - 10	R48693	1C25	..	20 - 49	R48825	1E19	..	40 - 1
R48071	1D24	18	30 - 24	R48693	1E8	7	30 - 33	R48825	1E24	..	40 - 4B
R48084	2F17	5	70 - 28	R48694	1E8	6	30 - 33	R48825	1E25	..	40 - 5
R48088	2B12	1	50 - 16	R48695	1E8	2	30 - 33	R48825	2I21	16	80 - 13
R48088	2F18	25	70 - 29	R48696	1E8	1	30 - 33	R48850	1B20	2	20 - 23
R48146	2I9	13	80 - 1	R48698	1E8	8	30 - 33	R48850	1B20	5	20 - 23
R48150	3B21	15	90 - 30	R48698	2H16	3	70 - 75	R48850	1C9	25	20 - 37
R48151	3B21	9	90 - 30	R48699	1E8	8	30 - 33	R48850	1C13	3	20 - 37D
R48163	2G13	14	70 - 49	R48700	1E8	8	30 - 33	R48864	2E6	6	60 - 24
R48164	2G13	13	70 - 49	R48701	1E8	8	30 - 33	R48865	3B18	7	90 - 26
R48241	2I21	15	80 - 13	R48702	1E8	8	30 - 33	R48867	3B18	2	90 - 26
R48241	3C1	12	90 - 35	R48703	1E8	8	30 - 33	R48868	3B18	6	90 - 26
R48253	2C13	10	50 - 43	R48704	1E8	8	30 - 33	R48869	3B18	9	90 - 26
R48256	1B10	15	20 - 13	R48705	1E8	8	30 - 33	R48870	3B18	4	90 - 26
R48256	1B12	14	20 - 15	R48706	1E8	8	30 - 33	R48871	3B18	12	90 - 26
R48257	1B10	15	20 - 13	R48718	2B9	7	50 - 12	R48872	3B13	21	90 - 21
R48257	1B12	14	20 - 15	R48718	2C7	12	50 - 37	R48872	3B17	13	90 - 25
R48260	1B8	1	20 - 11	R48718	2C7	13	50 - 37	R48873	3B13	13	90 - 21
R48260	1B8	5	20 - 11	R48719	2B9	7	50 - 12	R48874	3B8	9	90 - 16
R48260	1B10	5	20 - 13	R48719	2C7	12	50 - 37	R48875	1H9	23	40 - 58
R48260	1B10	19	20 - 13	R48719	2C7	13	50 - 37	R48876	3B19	14	90 - 28
R48260	1B12	5	20 - 15	R48720	2B9	7	50 - 12	R48877	3B13	11	90 - 21
R48260	1B12	20	20 - 15	R48720	2C7	12	50 - 37	R48878	3B5	10	90 - 13
R48260	1B14	1	20 - 17	R48720	2C7	13	50 - 37	R48879	3B5	9	90 - 13
R48260	1C5	6	20 - 33	R48733	2A24	30	50 - 2	R48880	3B5	6	90 - 13
R48270	1A25	12	20 - 5	R48733	2B15	16	50 - 19	R48881	3B5	15	90 - 13

1L14

7520 TRACTOR

NUMERICAL INDEX - CONTINUED

PART NO.	GRID	KEY	PAGE	PART NO.	GRID	KEY	PAGE	PART NO.	GRID	KEY	PAGE
R48882	3B8	14	90 - 16	R49086	2B17	9	50 - 21	R49398	1B7	3	20 - 10
R48883	1G6	6	40 - 33	R49087	2B18	7	50 - 22	R49403	1D5	9	30 - 3
R48884	3B3	14	90 - 11	R49088	2B18	11	50 - 22	R49409	1C22	14	20 - 46
R48884	3B5	7	90 - 13	R49089	2C10	8	50 - 40	R49411	2G7	33	70 - 43
R48884	3B7	13	90 - 15	R49094	1D13	17	30 - 11	R49412	1C7	1	20 - 35
R48885	3B7	12	90 - 15	R49095	1D13	9	30 - 11	R49417	1C20	17	20 - 44
R48887	1G6	18	40 - 33	R49099	2C10	14	50 - 40	R49418	1B23	2	20 - 26
R48887	1H22	17	40 - 71	R49100	2C12	3	50 - 42	R49419	1D9	6	30 - 7
R48890	3B13	25	90 - 21	R49101	2C10	21	50 - 40	R49420	1C20	6	20 - 44
R48891	3B13	25	90 - 21	R49104	3B20	12	90 - 29	R49421	1C20	2	20 - 44
R48892	3B13	24	90 - 21	R49117	2I13	6	80 - 5	R49423	1B23	11	20 - 26
R48894	3B13	25	90 - 21	R49122	2C12	8	50 - 42	R49423	1C25	41	20 - 49
R48895	3B13	24	90 - 21	R49123	2I19	7	80 - 11	R49424	1C25	5	20 - 49
R48896	3B8	10	90 - 16	R49153	2I15	4	80 - 7	R49424	1D13	10	30 - 11
R48899	3B2	26	90 - 9	R49154	2I15	6	80 - 7	R49425	1C25	6	20 - 49
R48900	3B2	24	90 - 9	R49155	2I15	2	80 - 7	R49425	1D13	12	30 - 11
R48901	3B2	25	90 - 9	R49156	2I15	1	80 - 7	R49464	1C15	17	20 - 39
R48902	3B7	19	90 - 15	R49159	2B17	12	50 - 21	R49465	1C15	11	20 - 39
R48903	3B8	13	90 - 16	R49163	2B12	20	50 - 16	R49465	1C15	33	20 - 39
R48904	3B13	25	90 - 21	R49172	1C7	4	20 - 35	R49465	1C15	34	20 - 39
R48905	2B17	5	50 - 21	R49172	1C7	7	20 - 35	R49469	1C17	3	20 - 41
R48908	3B8	10	90 - 16	R49173	1C7	6	20 - 35	R49471	1C17	22	20 - 41
R48911	3B8	10	90 - 16	R49173	1C7	7	20 - 35	R49471	1C22	16	20 - 46
R48912	3B19	17	90 - 28	R49174	1C7	8	20 - 35	R49472	1C22	3	20 - 46
R48913	3B7	21	90 - 15	R49175	1D9	8	30 - 7	R49473	1D13	14	30 - 11
R48957	2E9	4	60 - 27	R49178	1C22	12	20 - 46	R49474	1C22	1	20 - 46
R48957	2E11	4	60 - 29	R49179	1C3	6	20 - 31	R49475	1C22	4	20 - 46
R48971	2B13	24	50 - 17	R49186	2G22	3	70 - 57	R49477	2B9	10	50 - 12
R48972	2B13	26	50 - 17	R49187	2G22	4	70 - 57	R49477	2I21	13	80 - 13
R48973	2B13	26	50 - 17	R49187	2H2	1	70 - 61	R49481	1D13	11	30 - 11
R48974	2B13	26	50 - 17	R49191	2H9	28	70 - 68	R49482	1C20	3	20 - 44
R48978	2G22	23	70 - 57	R49191	2H9	32	70 - 68	R49483	1C3	2	20 - 31
R48979	2G22	29	70 - 57	R49191	2H12	36	70 - 71	R49483	1C3	4	20 - 31
R48980	2G22	25	70 - 57	R49193	2I2	26	70 - 85	R49483	1C25	25	20 - 49
R48981	2G22	24	70 - 57	R49193	2I4	16	70 - 87	R49484	1C15	4	20 - 39
R48983	2B16	5	50 - 20	R49194	1B7	8	20 - 10	R49484	1C25	38	20 - 49
R48984	2B25	19	50 - 29	R49197	2F18	11	70 - 29	R49485	1C15	3	20 - 39
R490R	2B1	17	50 - 4	R49199	2F18	9	70 - 29	R49485	1C25	39	20 - 49
R49010	2D3	13	50 - 59	R49200	2F18	9	70 - 29	R49486	1C3	5	20 - 31
R49011	2D3	13	50 - 59	R49202	2B9	20	50 - 12	R49486	1C25	23	20 - 49
R49012	2B24	1	50 - 28	R49215	1B24	3	20 - 27	R49487	1C25	3	20 - 49
R49012	2C13	15	50 - 43	R49220	1B24	6	20 - 27	R49487	1D13	21	30 - 11
R49013	2B24	1	50 - 28	R49221	2G22	5	70 - 57	R49488	1C22	10	20 - 46
R49013	2C13	15	50 - 43	R49228	2A24	19	50 - 2	R49488	1C25	21	20 - 49
R49014	2A24	26	50 - 2	R49229	2A24	17	50 - 2	R49489	1C17	17	20 - 41
R49021	2B17	6	50 - 21	R49267	1E15	16	30 - 40	R49489	1C25	29	20 - 49
R49025	1G19	..	40 - 46	R49279	1C17	11	20 - 41	R49490	1C17	21	20 - 41
R49042	3B21	16	90 - 30	R49283	1B2	3	20 - 5B	R49490	1C25	30	20 - 49
R49043	3B21	8	90 - 30	R49283	1B6	22	20 - 9	R49491	1C17	20	20 - 41
R49050	2B15	9	50 - 19	R49290	3B24	12	90 - 33	R49491	1C25	36	20 - 49
R49051	2B15	4	50 - 19	R49291	3B24	20	90 - 33	R49492	1B4	4	20 - 7
R49052	2B16	3	50 - 20	R49293	3B7	22	90 - 15	R49493	1C25	7	20 - 49
R49053	2B13	28	50 - 17	R49297	2E19	17	70 - 5	R49493	1D9	2	30 - 7
R49055	2B15	5	50 - 19	R49297	2F2	15	70 - 13	R49494	1C20	7	20 - 44
R49055	2B17	10	50 - 21	R49298	2E19	20	70 - 5	R49494	1C21	2	20 - 45
R49057	1H4	23	40 - 53	R49298	2F2	18	70 - 13	R49495	1C20	1	20 - 44
R49057	1H6	23	40 - 55	R49332	2G3	18	70 - 39	R49495	1C21	1	20 - 45
R49071	2E21	25	70 - 7	R49333	2G3	13	70 - 39	R49495	1C25	26	20 - 49
R49071	2E21	27	70 - 7	R49336	2F25	11	70 - 36	R495R	1B4	8	20 - 7
R49071	2E21	28	70 - 7	R49344	1C1	1	20 - 29	R495R	1C25	10	20 - 49
R49071	2E21	29	70 - 7	R49345	2E9	16	60 - 27	R495R	2D14	16	60 - 6
R49071	2E21	30	70 - 7	R49352	2H24	6	70 - 83	R495R	2H12	11	70 - 71
R49071	2E21	31	70 - 7	R49383	1C4	1	20 - 32	R495R	2H19	13	70 - 78
R49071	2E25	9	70 - 11	R49383	1C5	3	20 - 33	R49511	1E8	11	30 - 33
R49072	2E21	26	70 - 7	R49384	1C4	1	20 - 32	R49513	2H6	3	70 - 65
R49072	2E25	14	70 - 11	R49384	1C4	1	20 - 32	R49517	1D13	4	30 - 11
R49075	2B17	11	50 - 21	R49385	1C5	3	20 - 33	R49518	1C22	5	20 - 46
				R49385	1B23	7	20 - 26				

1L15

7520 TRACTOR

NUMERICAL INDEX - CONTINUED

PART NO.	GRID	KEY	PAGE	PART NO.	GRID	KEY	PAGE	PART NO.	GRID	KEY	PAGE
R49518	1D13	15	30 - 11	R49883	2G17	5A	70 - 53	R50899	1F15	11	40 - 20
R49519	1C1	5	20 - 29	R49883	2G19	5A	70 - 55	R50899	1F16	20	40 - 21
R49566	1B6	17	20 - 9	R49885	2F24	6	70 - 35	R50899	1F17	18	40 - 22
R49567	1B6	18	20 - 9	R49886	2F24	5	70 - 35	R50900	1F13	24	40 - 18
R49568	1B6	19	20 - 9	R49888	2G2	9	70 - 38	R50901	1F13	7	40 - 18
R49569	1B2	5	20 - 5B	R49955	2F21	17	70 - 32	R50902	1F13	23	40 - 18
R49569	1B6	20	20 - 9	R49968	2E5	27	60 - 23	R50903	1F13	22	40 - 18
R49571	1B2	4	20 - 5B	R49968	2F13	22	70 - 24	R50905	1F13	20	40 - 18
R49571	1B6	21	20 - 9	R49974	2F15	2	70 - 26	R50906	1F13	16	40 - 18
R49584	2G3	20	70 - 39	R49995	2F20	15	70 - 31	R50907	1F15	5	40 - 20
R49584	2G5	27	70 - 41	R49995	2F21	2	70 - 32	R50909	1F15	12	40 - 20
R49587	2B25	25	50 - 29	R49995	2F23	3	70 - 34	R50913	1F15	2	40 - 20
R49588	2C8	20	50 - 38	R49996	2G2	11	70 - 38	R50914	1F15	7	40 - 20
R49593	1F7	3	40 - 12	R50065	2G6	3	70 - 42	R50915	1F15	8	40 - 20
R49594	3A24	2	90 - 4	R50103	2F14	1	70 - 25	R50916	1F15	3	40 - 20
R49611	2F19	5	70 - 30	R50109	2D20	6	60 - 13	R50917	1F15	10	40 - 20
R49628	1E2	35	30 - 27	R50109	2H6	12	70 - 65	R50918	1F15	14	40 - 20
R49629	1E2	10	30 - 27	R50115	2H7	6	70 - 66	R50919	1F15	15	40 - 20
R49631	1D9	28	30 - 7	R50116	2H8	6A	70 - 67	R50920	1F15	9	40 - 20
R49644	2B17	13	50 - 21	R50118	2H20	1	70 - 79	R50921	1F15	18	40 - 20
R49651	1C19	2	20 - 43	R50160	2D6	10	50 - 62	R50922	1F15	16	40 - 20
R49653	1C19	29	20 - 43	R50173	3C4	9	90 - 38	R50929	1F14	20	40 - 19
R49671	1D9	17	30 - 7	R50174	3C3	25	90 - 37	R50931	1F14	11	40 - 19
R49672	1D9	17	30 - 7	R50176	2H8	3	70 - 67	R50951	2C25	24	50 - 55
R49674	1E2	37	30 - 27	R50177	2H8	3	70 - 67	R50952	2C25	6	50 - 55
R49676	2D25	27	60 - 18	R50179	3B24	19	90 - 33	R50984	2G17	22	70 - 53
R49681	1D5	19	30 - 3	R50181	3B24	13	90 - 33	R50984	2G19	33	70 - 55
R49683	1B4	11	20 - 7	R50182	3B24	17	90 - 33	R50998	2F13	24	70 - 24
R49683	1B4	14	20 - 7	R50183	3B24	18	90 - 33	R50999	2F17	4	70 - 28
R49688	1A25	8	20 - 5	R50201	2C11	6	50 - 41	R51025	2G3	11	70 - 39
R49688	1C25	17	20 - 49	R50226	1E12	14	30 - 37	R51027	2G5	32	70 - 41
R49690	1B4	5	20 - 7	R50240	2C15	12	50 - 45	R51028	2G5	28	70 - 41
R49691	1B4	7	20 - 7	R50250	2F21	14	70 - 32	R51084	2B5	5	50 - 8
R49692	1B4	6	20 - 7	R50389	1B4	13	20 - 7	R51085	2B5	6	50 - 8
R49695	1C25	15	20 - 49	R50420	1C25	1	20 - 49	R51086	2B5	7	50 - 8
R49695	1D14	9	30 - 12	R50420	1D13	5	30 - 11	R51087	2B5	8	50 - 8
R49696	1C25	16	20 - 49	R50425	1D24	21	30 - 24	R51088	2B5	10	50 - 8
R49696	1D14	8	30 - 12	R50425	1E2	1	30 - 27	R51114	1E12	2	30 - 37
R49697	1C25	4	20 - 49	R50425	1E2	3	30 - 27	R51118	2G8	11	70 - 44
R49697	1D9	22	30 - 7	R50426	1D24	20	30 - 24	R51133	1D9	18	30 - 7
R49698	1C20	8	20 - 44	R50426	1E2	1	30 - 27	R51134	1D9	14	30 - 7
R49698	1C21	3	20 - 45	R50426	1E2	3	30 - 27	R51152	1D17	16	30 - 16
R49700	2D2	8	50 - 58	R50427	1D24	2	30 - 24	R51152	1D18	14	30 - 17
R49722	2E16	8	70 - 2	R50427	1D25	1	30 - 25	R51152	1E2	14	30 - 27
R49723	2E16	7	70 - 2	R50553	2F13	12	70 - 24	R51154	2G1	5	70 - 37
R49724	2E16	3	70 - 2	R50553	2H6	21	70 - 65	R51154	2G8	13	70 - 44
R49728	1B6	13	20 - 9	R50554	2F12	13	70 - 23	R51154	2G9	13	70 - 45
R49758	2F18	10	70 - 29	R50554	2F14	8	70 - 25	R51155	2G1	5	70 - 37
R49807	1C19	1	20 - 43	R50555	2F13	18	70 - 24	R51155	2G8	13	70 - 44
R49812	1D5	17	30 - 3	R50559	2G5	33	70 - 41	R51155	2G9	13	70 - 45
R49840	2B20	10	50 - 24	R50560	2A23	3	50 - 1	R51156	2G1	5	70 - 37
R49840	2C10	13	50 - 40	R50561	2B24	5	50 - 28	R51156	2G8	13	70 - 44
R49846	1E15	11	30 - 40	R50562	2B23	7	50 - 27	R51156	2G9	13	70 - 45
R49857	3B18	1	90 - 26	R50630	2C15	12	50 - 45	R51161	2G7	23	70 - 43
R49857	3B18	3	90 - 26	R50651	2C25	9	50 - 55	R51190	2F21	5	70 - 32
R49857	3B18	5	90 - 26	R50659	1F6	6	40 - 11	R51190	2F21	14	70 - 32
R49857	3B18	8	90 - 26	R50659	1F10	31	40 - 15	R51202	2G3	..	70 - 39
R49857	3B18	10	90 - 26	R50662	1F6	7	40 - 11	R51202	2G5	..	70 - 41
R49857	3B18	11	90 - 26	R50662	1F10	30	40 - 15	R51202	2I21	17	80 - 13
R49858	3B7	13	90 - 15	R50857	2F14	9	70 - 25	R51246	1E22	5	40 - 4
R49867	1B4	17	20 - 7	R50858	2F17	2	70 - 28	R51285	2H9	37	70 - 68
R49867	1C25	8	20 - 49	R50859	2F17	12	70 - 28	R51285	2H12	34	70 - 71
R49878	2G19	26	70 - 55	R50864	2C5	5	50 - 35	R51302	2H5	..	70 - 64
R49879	2G19	17	70 - 55	R50891	1F14	2	40 - 19	R51307	2B15	7	50 - 19
R49881	2G14	6	70 - 50	R50893	1F13	10	40 - 18	R51309	2I21	22	80 - 13
R49882	2G17	22	70 - 53	R50894	1F16	14	40 - 21	R51309	3B13	..	90 - 21
R49882	2G19	33	70 - 55	R50894	1F17	9	40 - 22	R51309	3B17	..	90 - 25

1L16

7520 TRACTOR

NUMERICAL INDEX - CONTINUED

PART NO.	GRID	KEY	PAGE	PART NO.	GRID	KEY	PAGE	PART NO.	GRID	KEY	PAGE
R51409	2G22	20	70 - 57	R51954	2A24	11	50 - 2	R52672	3C3	20	90 - 37
R51409	2G23	1	70 - 58	R51956	2117	11	80 - 9	R52673	2B10	39	50 - 13
R51409	2G24	1	70 - 59	R51957	2117	10	80 - 9	R52674	3B22	10	90 - 31
R51410	2G22	21	70 - 57	R52031	219	4	80 - 1	R52675	3B22	8	90 - 31
R51411	2G22	22	70 - 57	R52032	219	7	80 - 1	R52683	2H6	7	70 - 65
R51412	2G22	9	70 - 57	R52049	1C7	8	20 - 35	R52690	2H5	11	70 - 64
R51413	2G22	11	70 - 57	R52154	2C13	13	50 - 43	R52691	2H5	11	70 - 64
R51414	2G22	7	70 - 57	R52155	2C13	9	50 - 43	R52692	2H5	11	70 - 64
R51415	2G22	12	70 - 57	R52157	2C13	8	50 - 43	R52704	2B23	5	50 - 27
R51494	2B20	24	50 - 24	R52160	219	3	80 - 1	R52705	2B23	4	50 - 27
R51504	2B18	4	50 - 22	R52160	219	4	80 - 1	R52823	2G5	20	70 - 41
R51514	1D3	6	30 - 1	R52160	219	5	80 - 1	R52824	2G5	14	70 - 41
R51515	1D3	14	30 - 1	R52160	219	7	80 - 1	R52828	2G5	12	70 - 41
R51528	1F10	25	40 - 15	R52160	219	9	80 - 1	R52831	2D20	26	60 - 13
R51529	1F10	5	40 - 15	R52160	219	11	80 - 1	R52865	1D11	6	30 - 9
R51530	1F10	10	40 - 15	R52160	219	12	80 - 1	R52866	1D11	7	30 - 9
R51532	1F10	26	40 - 15	R52160	219	14	80 - 1	R52867	1D11	3	30 - 9
R51533	1F10	26	40 - 15	R52160	219	15	80 - 1	R52868	1D11	4	30 - 9
R51534	1F10	24	40 - 15	R52160	219	16	80 - 1	R52869	1D11	5	30 - 9
R51535	1F10	1	40 - 15	R52160	219	93	80 - 1	R52870	1D11	10	30 - 9
R51551	2F20	11	70 - 31	R52161	1F10	30	40 - 15	R52871	1D11	11	30 - 9
R51551	2F22	29	70 - 33	R52168	2D25	7	60 - 18	R52872	1D11	12	30 - 9
R51579	2D11	16	60 - 3	R52169	2D25	9	60 - 18	R52873	1D11	13	30 - 9
R51603	1C25	11	20 - 49	R52174	2G5	39	70 - 41	R52874	1D11	17	30 - 9
R51603	1E8	10	30 - 33	R52184	2G9	10	70 - 45	R52876	1D11	20	30 - 9
R51648	3B15	15	90 - 23	R52184	2G9	12	70 - 45	R52877	1D11	21	30 - 9
R51648	3B15	27	90 - 23	R52185	2G9	14	70 - 45	R52878	1D11	23	30 - 9
R51649	1F4	4	40 - 9	R52219	1D21	27	30 - 21	R52918	1B23	3	20 - 26
R51649	1F6	2	40 - 11	R52248	1C22	15	20 - 46	R52919	1A25	9	20 - 5
R51649	3B15	12	90 - 23	R52290	2G2	11	70 - 38	R52919	1B2	24	20 - 5B
R51655	2F13	6	70 - 24	R52294	2F22	24	70 - 33	R52920	1A25	9	20 - 5
R51655	2F14	3	70 - 25	R52295	2H8	6B	70 - 67	R52920	1B2	20	20 - 5B
R51655	2F14	12	70 - 25	R52308	1D20	2	30 - 20	R52932	2B5	9	50 - 8
R51659	1F14	5	40 - 19	R52361	2B10	29	50 - 13	R52932	2B5	20	50 - 8
R51664	1F15	19	40 - 20	R52364	1D3	1	30 - 1	R52938	1E23	8	40 - 4A
R51665	1F13	13	40 - 18	R52385	1F16	1	40 - 21	R52959	3C2	1	90 - 36
R51666	1F13	12	40 - 18	R52387	1F13	19	40 - 18	R52978	3C2	7	90 - 36
R51667	1F13	8	40 - 18	R52408	1H6	12	40 - 55	R52978	3C2	9	90 - 36
R51668	1F16	2	40 - 21	R52449	2C24	9	50 - 54	R52978	3C2	10	90 - 36
R51669	1F16	11	40 - 21	R52529	1C5	4	20 - 33	R52979	3C2	7	90 - 36
R51669	1F17	12	40 - 22	R52530	1C5	4	20 - 33	R52980	3C2	9	90 - 36
R51671	1F16	8	40 - 21	R52533	1C5	3	20 - 33	R52981	3B25	4	90 - 34
R51671	1F17	14	40 - 22	R52534	1C4	1	20 - 32	R52982	3C2	10	90 - 36
R51748	2D17	7	60 - 9	R52534	1C5	3	20 - 33	R52986	3B24	15	90 - 33
R51751	2F25	16	70 - 36	R52535	1C4	1	20 - 32	R52987	3B24	16	90 - 33
R51762	2A25	5	50 - 3	R52537	1C5	3	20 - 33	R52990	3B25	1	90 - 34
R51762	2I21	14	80 - 13	R52539	1C5	3	20 - 33	R52990	3C2	6	90 - 36
R51842	2B25	9	50 - 29	R52540	1C5	3	20 - 33	R52991	3B24	9	90 - 33
R51844	2C24	8	50 - 54	R52541	1B23	7	20 - 26	R53033	2G3	4	70 - 39
R51851	2E11	31	60 - 29	R52542	1B23	7	20 - 26	R53033	2G5	4	70 - 41
R51865	2C2	18	50 - 31	R52543	1B23	7	20 - 26	R53056	1E2	34	30 - 27
R51903	2B11	2	50 - 15	R52544	1B23	7	20 - 26	R53062	3B24	10	90 - 33
R51904	2B7	4	50 - 10	R52545	1B23	2	20 - 26	R53063	3B24	11	90 - 33
R51904	2B8	7	50 - 11	R52546	1B23	2	20 - 26	R53081	1C25	2	20 - 49
R51907	2C8	12	50 - 38	R52547	2G23	8	70 - 58	R53081	1D13	21	30 - 11
R51909	2I21	1	80 - 13	R52549	2G23	5	70 - 58	R53082	1D14	1	30 - 12
R51925	1C19	12	20 - 43	R52549	2G24	19	70 - 59	R53083	1D14	3	30 - 12
R51933	1F4	12	40 - 9	R52576	2G3	35	70 - 39	R53084	3B24	1	90 - 33
R51933	1F6	11	40 - 11	R52576	2G5	23	70 - 41	R53115	3C2	5	90 - 36
R51934	2A24	28	50 - 2	R52577	2B4	5	50 - 7	R53139	1D5	2	30 - 3
R51934	2C24	6	50 - 54	R52578	1E12	8	30 - 37	R53140	1D5	12	30 - 3
R51936	1E2	17	30 - 27	R52582	2B9	15	50 - 12	R53145	1E10	26	30 - 35
R51936	1E2	22	30 - 27	R52589	2F18	17	70 - 29	R53149	1E10	29	30 - 35
R51937	1E2	17	30 - 27	R52596	2C22	..	50 - 52	R53151	1E10	17	30 - 35
R51937	1E2	21	30 - 27	R52596	2C23	..	50 - 53	R53161	1E7	23	30 - 32
R51944	1B20	8	20 - 23	R52596	2I21	25	80 - 13	R53162	1E2	23	30 - 27
R51948	1D9	11	30 - 7	R52671	3C3	19	90 - 37	R53162	1E4	23	30 - 29

1L17

7520 TRACTOR

NUMERICAL INDEX - CONTINUED

PART NO.	GRID	KEY	PAGE	PART NO.	GRID	KEY	PAGE	PART NO.	GRID	KEY	PAGE
R53162	1E4	27	30 - 29	R53902	1E4	33	30 - 29	R54442	1H10	13	40 - 59
R53169	2C8	5	50 - 38	R53902	1E7	8	30 - 32	R54443	1H10	9	40 - 59
R53189	2G9	7	70 - 45	R53903	1E2	24	30 - 27	R54445	1H10	10	40 - 59
R53192	1A25	2	20 - 5	R53903	1E4	24	30 - 29	R54446	1H10	5	40 - 59
R53192	1B2	8	20 - 5B	R53903	1E4	26	30 - 29	R54447	1H10	4	40 - 59
R53198	2G9	10	70 - 45	R53903	1E4	37	30 - 29	R54450	3B24	2	90 - 33
R53198	2G9	11	70 - 45	R53903	1E7	7	30 - 32	R54466	1E2	3	30 - 27
R53202	2D3	9	50 - 59	R53905	1E4	30	30 - 29	R54466	1E2	7	30 - 27
R53287	1B23	6	20 - 26	R53918	1E6	16	30 - 31	R54467	1H11	15	40 - 60
R53294	2I21	6	80 - 13	R53937	1E6	13	30 - 31	R54477	1D22	4	30 - 22
R53294	3C1	14	90 - 35	R53941	1E6	9	30 - 31	R54510	1C23	2	20 - 47
R53296	2G10	16	70 - 46	R53942	1E6	5	30 - 31	R54511	1C23	3	20 - 47
R53296	2G10	..	70 - 46	R53954	1E6	43	30 - 31	R54533	3C3	11	90 - 37
R53383	3B22	22	90 - 31	R53955	1E6	24	30 - 31	R54555	1E10	6	30 - 35
R53384	3B24	14	90 - 33	R53957	1E6	37	30 - 31	R54567	2B25	24	50 - 29
R53389	2G9	9	70 - 45	R53957	1E10	30	30 - 35	R54694	2I21	20	80 - 13
R53409	1H7	1	40 - 56	R53974	1E6	23	30 - 31	R54713	3B22	6	90 - 31
R53410	1H7	3	40 - 56	R53975	1E6	22	30 - 31	R54715	3B22	2	90 - 31
R53425	2I16	5	80 - 8	R53976	1E6	9	30 - 31	R54716	3B22	3	90 - 31
R53425	2I21	2	80 - 13	R53976	1E6	35	30 - 31	R54750	2C9	1	50 - 39
R53426	2I16	5	80 - 8	R53977	1E6	14	30 - 31	R54754	1C4	1	20 - 32
R53426	2I21	3	80 - 13	R54011	1E7	11	30 - 32	R54766	3A23	19	90 - 3
R53429	2I16	11	80 - 8	R54013	1E7	12	30 - 32	R54780	1B24	6	20 - 27
R53429	2I21	4	80 - 13	R54015	1E7	9	30 - 32	R54797	3B24	13	90 - 33
R53430	2I16	11	80 - 8	R54016	1E7	10	30 - 32	R54839	3B8	13	90 - 16
R53430	2I21	8	80 - 13	R54021	1E7	21	30 - 32	R54840	3B8	13	90 - 16
R53431	2I16	..	80 - 8	R54022	1E7	5	30 - 32	R54843	1B7	2	20 - 10
R53431	2I21	12	80 - 13	R54023	1E7	4	30 - 32	R54843	1B7	3	20 - 10
R53466	1D16	3	30 - 15	R54024	1E7	2	30 - 32	R54983	2I10	11	80 - 2
R53512	1H2	1	40 - 51	R54025	1E7	3	30 - 32	R54984	2B15	5	50 - 19
R53512	1H2	11	40 - 51	R54026	1E7	13	30 - 32	R54984	2B17	10	50 - 21
R53515	1H2	2	40 - 51	R54027	1E7	15	30 - 32	R55052	3B10	10	90 - 18
R53516	1H2	3	40 - 51	R54028	1E7	19	30 - 32	R55052	3B11	10	90 - 19
R53517	1H2	10	40 - 51	R54029	1E7	14	30 - 32	R55078	1D9	20	30 - 7
R53518	1H2	4	40 - 51	R54030	1E7	17	30 - 32	R55078	1D14	6	30 - 12
R53519	1H2	5	40 - 51	R54031	1E7	16	30 - 32	R55078	1D14	7	30 - 12
R53520	1H2	7	40 - 51	R54032	1E7	18	30 - 32	R55080	2F20	11	70 - 31
R53521	1H2	8	40 - 51	R54033	1E7	1	30 - 32	R55080	2F22	29	70 - 33
R53522	1H2	9	40 - 51	R54059	2D25	3	60 - 18	R55081	2C19	12	50 - 49
R53593	2B5	7	50 - 8	R54064	2G17	5A	70 - 53	R55150	2G6	21	70 - 42
R53635	2C15	5	50 - 45	R54064	2G17	5B	70 - 53	R55151	2I9	..	80 - 1
R53643	2D6	2	50 - 62	R54064	2G19	5A	70 - 55	R55170	3B13	13	90 - 21
R53644	2D6	2	50 - 62	R54064	2G19	5B	70 - 55	R55183	2D14	6	60 - 6
R53654	2C15	2	50 - 45	R54065	2G17	1B	70 - 53	R55214	2F21	17	70 - 32
R53655	2C15	2	50 - 45	R54065	2G19	1B	70 - 55	R55223	1F4	12	40 - 9
R53658	2D6	1	50 - 62	R54123	1B10	19	20 - 13	R55223	1F6	11	40 - 11
R53659	2C15	1	50 - 45	R54123	1B12	20	20 - 15	R55233	1C15	31	20 - 39
R53740	2D3	16	50 - 59	R54123	1B18	1	20 - 21	R55233	1C15	32	20 - 39
R53745	3B21	..	90 - 30	R54123	1C23	7	20 - 47	R55233	1C17	16	20 - 41
R53749	2B25	20	50 - 29	R54128	2G5	41	70 - 41	R55233	1D20	12	30 - 20
R53750	2B25	20	50 - 29	R54141	2G19	18	70 - 55	R55233	1D21	17	30 - 21
R53751	2B25	20	50 - 29	R54165	2F24	9	70 - 35	R55237	3B19	17	90 - 28
R53852	1E4	8	30 - 29	R54182	2D3	9	50 - 59	R55238	3B10	14	90 - 18
R53853	1E4	7	30 - 29	R54182	2D3	10	50 - 59	R55238	3B11	25	90 - 19
R53854	1E4	6	30 - 29	R54197	2G8	11	70 - 44	R55238	3B19	18	90 - 28
R53855	1E4	3	30 - 29	R54213	2B20	25	50 - 24	R55273	2A24	15	50 - 2
R53856	1E4	1	30 - 29	R54242	2H16	1	70 - 75	R55273	2A24	18	50 - 2
R53868	1E4	13	30 - 29	R54265	2I18	5	80 - 10	R55273	2A24	21	50 - 2
R53868	1E4	41	30 - 29	R54294	1E10	23	30 - 35	R55274	1B24	3	20 - 27
R53884	1E4	12	30 - 29	R54295	1E10	15	30 - 35	R55274	2A24	18	50 - 2
R53899	1E4	21	30 - 29	R54296	1E10	22	30 - 35	R55274	2A24	20	50 - 2
R53900	1E4	22	30 - 29	R54297	1E10	34	30 - 35	R55274	2A24	21	50 - 2
R53900	1E4	36	30 - 29	R54298	1E10	33	30 - 35	R55366	3B20	8	90 - 29
R53901	1E2	25	30 - 27	R54299	1E10	36	30 - 35	R55369	3B20	7	90 - 29
R53901	1E4	17	30 - 29	R54338	2I12	4	80 - 4	R55370	3B20	2	90 - 29
R53901	1E4	42	30 - 29	R54380	2D2	29	50 - 58	R55371	3B20	9	90 - 29
R53901	1E7	6	30 - 32	R54380	2D5	14	50 - 61	R55373	2G5	28	70 - 41

1L18

7520 TRACTOR

NUMERICAL INDEX - CONTINUED

PART NO.	GRID	KEY	PAGE	PART NO.	GRID	KEY	PAGE	PART NO.	GRID	KEY	PAGE
R55373	2G5	32	70-41	R56755	2E21	32	70-7	R57286	1D6	7	30-4
R55374	2G5	28	70-41	R56755	2E23	10	70-9	R57396	1C19	26	20-43
R55374	2G5	32	70-41	R56755	2E25	10	70-11	R57396	1C19	29	20-43
R55396	1B10	10	20-13	R56755	2F4	29	70-15	R57400	2B5	9	50-8
R55396	1B12	10	20-15	R56755	2F6	9	70-17	R57400	2B5	20	50-8
R55396	1E2	28	30-27	R56756	2E21	33	70-7	R57480	1B24	4	20-27
R55396	2B12	15	50-16	R56756	2E23	12	70-9	R57480	1F11	6	40-16
R55397	2G22	29	70-57	R56756	2E25	3	70-11	R57497	1C7	4	20-35
R55398	2G22	24	70-57	R56757	2E21	34	70-7	R57497	1C7	7	20-35
R55398	2G22	29	70-57	R56757	2E23	11	70-9	R57510	1E2	26	30-27
R55480	2B20	10	50-24	R56757	2E25	11	70-11	R57549	2A25	18	50-3
R55480	2C10	13	50-40	R56757	2F4	31	70-15	R57549	2E4	9	60-22
R55489	2C10	13	50-40	R56757	2F6	18	70-17	R57549	2E5	25	60-23
R55523	2D2	11	50-58	R56791	1F13	18	40-18	R57550	2F21	7	70-32
R55523	2D5	9	50-61	R56792	1F16	3	40-21	R57550	2F21	8	70-32
R55618	1H16	5	40-65	R56792	1F17	3	40-22	R57559	2F18	22	70-29
R55645	1E15	16	30-40	R56793	1F16	16	40-21	R57561	2F18	11	70-29
R55816	2B13	23	50-17	R56793	1F17	2	40-22	R57572	3B16	1B	90-24
R55819	2B8	3	50-11	R56794	1F16	9	40-21	R57572	3B16	20	90-24
R55819	2B11	6	50-15	R56796	1F13	2	40-18	R57577	1C19	28	20-43
R55819	2B12	13	50-16	R56797	1F13	1	40-18	R57577	1C19	29	20-43
R55819	2B13	23	50-17	R56798	1F13	4	40-18	R57578	1C19	27	20-43
R55880	2B12	13	50-16	R56799	1F13	5	40-18	R57578	1C19	29	20-43
R55946	3B22	1	90-31	R56800	1F16	21	40-21	R57606	3B7	6	90-15
R56026	1G18	3	40-45	R56800	1F17	17	40-22	R57606	3B7	10	90-15
R56064	3B16	1B	90-24	R56801	1F16	18	40-21	R57615	2C17	6	50-47
R56101	3B7	3	90-15	R56801	1F17	20	40-22	R57616	2C17	3	50-47
R56243	1D21	2	30-21	R56801	1F15	13	40-20	R57616	2C17	3	50-47
R56246	3A23	6	90-3	R56802	1F14	1	40-19	R57618	2D1	6	50-57
R56274	3B22	15	90-31	R56803	1F14	1	40-19	R57623	3B15	23	90-23
R56275	3B22	16	90-31	R56804	1F14	17	40-19	R57632	1D14	4	30-12
R56276	3B22	14	90-31	R56805	1F14	16	40-19	R57641	1E2	29	30-27
R56277	3B22	13	90-31	R56806	1F14	14	40-19	R57696	1B18	2	20-21
R56320	1G19	5	40-46	R56807	1F14	7	40-19	R57696	1C9	4	20-37
R56349	2A25	5	50-3	R56808	1F14	8	40-19	R57696	1C11	9	20-37B
R56350	2A25	7	50-3	R56821	2G5	14	70-41	R57696	2B5	2	50-8
R56383	2B11	8	50-15	R56876	1D18	3	30-17	R57696	2B5	7	50-8
R56383	2B11	9	50-15	R56902	1D5	13	30-3	R57696	2B5	17	50-8
R56388	3B25	18	90-34	R56902	2I21	18	80-13	R57696	2C4	21	50-33
R56409	1G18	8	40-45	R56910	2F22	24	70-33	R57696	2C4	27	50-33
R56410	1G18	4	40-45	R56916	2G6	12	70-42	R57696	2C7	28	50-37
R56420	1D5	12	30-3	R56944	3B11	22	90-19	R57696	2C7	35	50-37
R56462	2C8	2	50-38	R56944	3B19	11	90-28	R57696	2C19	10	50-49
R56462	2C8	14	50-38	R56945	3B11	22	90-19	R57696	2H24	10	70-83
R56463	2E19	2	70-5	R56945	3B19	11	90-28	R57696	2H24	36	70-83
R56463	2E23	24	70-9	R56957	1B6	4	20-9	R57696	3C1	28	90-35
R56463	2F2	2	70-13	R56982	2C24	8	50-54	R57696	1D14	4	30-12
R56463	2F6	27	70-17	R56998	2F13	20	70-24	R57703	1D14	5	30-12
R56504	2G3	33	70-39	R57003	3B3	..	90-11	R57725	2B18	14	50-22
R56504	2G5	13	70-41	R57033	2B1	16	50-4	R57725	2B23	12	50-27
R56504	2G22	8	70-57	R57034	2D17	7	60-9	R57725	2B25	17	50-29
R56606	1C7	4	20-35	R57103	2E9	16	60-27	R57725	2C10	12	50-40
R56606	1C7	7	20-35	R57103	2E9	21	60-27	R57725	2F20	13	70-31
R56609	1C7	4	20-35	R57103	2E11	26	60-29	R57725	2F22	31	70-33
R56749	2E19	3	70-5	R57108	1C17	3	20-41	R58053	1F13	24	40-18
R56751	2E21	20	70-7	R57132	3B24	4	90-33	R58065	1D13	9	30-11
R56751	2E23	8	70-9	R57132	3B24	5	90-33	R58186	1E2	10	30-27
R56751	2E23	21	70-9	R57132	3B24	6	90-33	R58203	2G13	25	70-49
R56751	2F4	19	70-15	R57134	3B24	..	90-33	R58204	2G7	24	70-43
R56751	2F6	7	70-17	R57257	2A24	15	50-2	R58222	1C25	7	20-49
R56751	2F6	12	70-17	R57258	3B21	15	90-30	R58222	1D9	2	30-7
R56751	2F6	20	70-17	R57268	1D24	12	30-24	R58264	2G11	1	70-47
R56751	2F6	21	70-17	R57268	2C15	4	50-45	R58294	2C15	12	50-45
R56751	2F6	25	70-17	R57269	2C17	2	50-47	R58295	2C15	15	50-45
R56753	2E19	8	70-5	R57274	2D6	4	50-62	R58303	2I9	12	80-1
R56753	2E23	18	70-9	R57274	3B14	12	90-22	R58424	2C13	13	50-43
R56754	2E21	35	70-7	R57275	3B14	12	90-22	R58425	2D3	16	50-59
				R57276	1B6	3	20-9	R58499	2E21	44	70-7

1L19

7520 TRACTOR

NUMERICAL INDEX - CONTINUED

PART NO.	GRID	KEY	PAGE	PART NO.	GRID	KEY	PAGE	PART NO.	GRID	KEY	PAGE
R58536	2B19	9	50 - 23	R60161	1B24	7	20 - 27	R62946	1C9	25	20 - 37
R58536	2C23	1	50 - 53	R60161	1B25	1	20 - 28	R62947	1B18	28	20 - 21
R58536	2C23	15	50 - 53	R60165	3B13	4	90 - 21	R62947	1C9	20	20 - 37
R58536	2C24	3	50 - 54	R60171	3A23	28	90 - 3	R62947	1C11	14	20 - 37B
R58544	2F20	11	70 - 31	R60171	3A25	9	90 - 5	R62948	1B18	31	20 - 21
R58544	2F22	29	70 - 33	R60172	3A25	1	90 - 5	R62948	1C9	21	20 - 37
R58608	1E2	23	30 - 27	R60304	1D11	18	30 - 9	R62948	1C11	13	20 - 37B
R58608	1E4	23	30 - 29	R60305	1D11	19	30 - 9	R62972	2C4	10	50 - 33
R58608	1E4	27	30 - 29	R60339	2C2	3	50 - 31	R63105	2D6	5	50 - 62
R58617	2G13	20	70 - 49	R60392	1D11	18	30 - 9	R63106	2C15	5	50 - 45
R58619	3B5	16	90 - 13	R60393	1D11	18	30 - 9	R63112	2D6	19	50 - 62
R58620	3B5	17	90 - 13	R60494	2E19	16	70 - 5	R63180	1G8	20	40 - 35
R58696	2C25	8	50 - 55	R60730	2G3	4	70 - 39	R63199	1B18	33	20 - 21
R58707	1E2	27	30 - 27	R60730	2G5	4	70 - 41	R63285	1B8	16	20 - 11
R58724	1B12	20	20 - 15	R60732	2E19	25	70 - 5	R63285	1C25	28	20 - 49
R58724	1B19	7	20 - 22	R60863	1D23	4	30 - 23	R63286	1B8	15	20 - 11
R58725	1B10	..	20 - 13	R60914	1E6	18	30 - 31	R63287	1B8	14	20 - 11
R58764	2C12	3	50 - 42	R60944	1C17	4	20 - 41	R63326	1B25	5	20 - 28
R58883	1B23	6	20 - 26	R60980	1B5	1	20 - 8	R63406	1B7	2	20 - 10
R58900	2B20	3	50 - 24	R61108	2C4	10	50 - 33	R63406	1B7	3	20 - 10
R58900	2C10	20	50 - 40	R61144	1E2	10	30 - 27	R63476	1B24	10	20 - 27
R58934	2G11	4	70 - 47	R61266	1B6	1	20 - 9	R63476	1B25	6	20 - 28
R59074	2C15	4	50 - 45	R61349	2G6	26	70 - 42	R63477	2C21	12	50 - 51
R59074	2C17	2	50 - 47	R61350	2G6	26	70 - 42	R63477	2D3	9	50 - 59
R59080	2G6	3	70 - 42	R61461	2C15	21	50 - 45	R63477	2D3	10	50 - 59
R59083	2G6	34	70 - 42	R61524	2I11	4	80 - 3	R63489	1D13	18	30 - 11
R59111	2G6	33	70 - 42	R61670	1B20	1	20 - 23	R63489	1D14	2	30 - 12
R59197	2G19	25	70 - 55	R61670	1C25	35	20 - 49	R63571	3A23	21	90 - 3
R59198	2G19	24	70 - 55	R61678	2C17	3	50 - 47	R63737	2G11	6	70 - 47
R59305	1E2	10	30 - 27	R61711	2E6	..	60 - 24	R63917	2E6	5	60 - 24
R59343	2H9	11	70 - 68	R61711	2E7	..	60 - 25	R63952	1B10	13	20 - 13
R59343	2H10	2	70 - 69	R61712	2C17	8	50 - 47	R63952	1B12	15	20 - 15
R59343	2H12	11	70 - 71	R61712	2E6	6	60 - 24	R63952	1C5	6	20 - 33
R59378	2C4	14	50 - 33	R61727	2I11	4	80 - 3	R64129	2B25	27	50 - 29
R59439	2C15	21	50 - 45	R61762	2F20	13	70 - 31	R64170	2F9	2	70 - 20
R59440	2C15	21	50 - 45	R61762	2F22	31	70 - 33	R64170	2F9	3	70 - 20
R59443	2D5	1	50 - 61	R61771	2C15	28	50 - 45	R64233	2F24	6	70 - 35
R59444	2D5	2	50 - 61	R61775	1H17	7	40 - 66	R64295	2F25	6	70 - 36
R59450	3B7	7	90 - 15	R61776	1H17	3	40 - 66	R64296	2G3	1	70 - 39
R59460	2C21	9	50 - 51	R61955	2F14	7	70 - 25	R64296	2G5	1	70 - 41
R59558	1D13	3	30 - 11	R62107	1E4	11	30 - 29	R64391	2I21	27	80 - 13
R59558	1E22	5	40 - 4	R62336	2G6	33	70 - 42	R64437	1C17	3	20 - 41
R59629	2G22	14	70 - 57	R62410	1B8	10	20 - 11	R64437	1C17	4	20 - 41
R59629	2G24	9	70 - 59	R62410	1C25	28	20 - 49	R64561	2H14	23	70 - 73
R59629	2H3	6	70 - 62	R62500	2F24	13	70 - 35	R64569	1C7	1	20 - 35
R59633	2H9	1	70 - 68	R62652	2G23	13	70 - 58	R64605	2H14	11	70 - 73
R59633	2H12	1	70 - 71	R62652	2G24	10	70 - 59	R64606	2H14	18	70 - 73
R59633	2H19	1	70 - 78	R62673	1F25	3	40 - 29B	R64607	2H14	17	70 - 73
R59633	2H19	19	70 - 78	R62760	2B6	2	50 - 9	R64608	2H14	8	70 - 73
R59684	2G2	5	70 - 38	R62760	2G14	5	70 - 50	R64609	2H14	7	70 - 73
R59827	2B25	9	50 - 29	R62775	2I16	5	80 - 8	R64610	2H14	16	70 - 73
R59860	2B25	14	50 - 29	R62775	2I21	2	80 - 13	R64611	2H14	15	70 - 73
R59860	2G6	30	70 - 42	R62776	2I16	5	80 - 8	R64612	2H14	14	70 - 73
R59968	2F24	4	70 - 35	R62776	2I21	3	80 - 13	R64613	2H14	12	70 - 73
R59968	2F24	5	70 - 35	R62779	2I16	11	80 - 8	R64614	2H14	13	70 - 73
R59969	2F24	4	70 - 35	R62779	2I21	4	80 - 13	R64615	2H14	6	70 - 73
R59969	2F24	5	70 - 35	R62780	2I16	11	80 - 8	R64617	2H14	4	70 - 73
R60032	2C15	29	50 - 45	R62780	2I21	8	80 - 13	R64618	2H14	5	70 - 73
R60032	2D6	24	50 - 62	R62803	2C4	10	50 - 33	R64699	1G14	3	40 - 41
R60038	2E9	10	60 - 27	R62810	2B20	10	50 - 24	R64700	1G14	7	40 - 41
R60038	2E11	8	60 - 29	R62910	1C5	2	20 - 33	R64700	1G15	7	40 - 42
R60076	2D6	2	50 - 62	R62930	1B12	13	20 - 15	R64840	1C25	12	20 - 49
R60078	2D6	2	50 - 62	R62930	1C9	1	20 - 37	R64840	1E2	8	30 - 27
R60117	1A25	6	20 - 5	R62931	2F25	7	70 - 36	R64840	1E8	12	30 - 33
R60117	1C5	6	20 - 33	R62938	1B18	5	20 - 21	R64843	2G3	7	70 - 39
R60118	1A25	5	20 - 5	R62938	1C9	7	20 - 37	R64843	2G5	7	70 - 41
R60119	1A25	7	20 - 5	R62938	1C11	1	20 - 37B	R64845	2G3	7	70 - 39

1L20

7520 TRACTOR

NUMERICAL INDEX - CONTINUED

PART NO.	GRID	KEY	PAGE	PART NO.	GRID	KEY	PAGE	PART NO.	GRID	KEY	PAGE
R64845	2G5	7	70 - 41	R65600	1H20	26	40 - 69	R66894	2G5	3	70 - 41
R64861	1E7	10	30 - 32	R65601	1H20	27	40 - 69	R66895	2G6	14	70 - 42
R65082	2G13	29B	70 - 49	R65602	1H20	28	40 - 69	R66901	2G13	15B	70 - 49
R65085	2G13	8	70 - 49	R65602	1H24	49	40 - 73	R66916	2G22	14	70 - 57
R65085	2G13	29B	70 - 49	R65603	1H20	29	40 - 69	R66916	2G24	18	70 - 59
R65085	2G13	33	70 - 49	R65604	1H20	30	40 - 69	R66916	2H3	2	70 - 62
R65085	2G13	34	70 - 49	R65605	1H20	31	40 - 69	R66916	2H3	6	70 - 62
R65086	2G13	8	70 - 49	R65606	1H20	32	40 - 69	R66926	1B23	6	20 - 26
R65086	2G13	29B	70 - 49	R65607	1H20	33	40 - 69	R66985	2G13	8	70 - 49
R65086	2G13	33	70 - 49	R65607	1H24	46	40 - 73	R66986	2G13	8	70 - 49
R65086	2G13	34	70 - 49	R65608	1H20	5	40 - 69	R66987	2G13	8	70 - 49
R65137	2C11	13	50 - 41	R65609	1H20	8	40 - 69	R66987	2G13	35B	70 - 49
R65138	2C11	8	50 - 41	R65610	1H20	9	40 - 69	R67064	2B19	9	50 - 23
R65139	2C11	1	50 - 41	R65648	2D6	5	50 - 62	R67064	2C23	1	50 - 53
R65140	2C11	10	50 - 41	R65741	2D3	9	50 - 59	R67064	2C23	15	50 - 53
R65141	2C11	11	50 - 41	R65817	2G13	4	70 - 49	R67064	2C24	3	50 - 54
R65142	2C11	14	50 - 41	R65892	2C9	8	50 - 39	R67074	1E7	19	30 - 32
R65159	2B6	8	50 - 9	R66000	1C25	15	20 - 49	R67292	1D22	5	30 - 22
R65159	2D24	12	60 - 17	R66000	1D14	9	30 - 12	R67319	1C15	21	20 - 39
R65159	2D24	13	60 - 17	R66001	1C25	16	20 - 49	R67342	1C3	4	20 - 31
R65192	2E21	44	70 - 7	R66001	1D14	8	30 - 12	R67345	1A25	5	20 - 5
R65194	2E21	43	70 - 7	R66069	1G14	3	40 - 41	R67576	1B7	5	20 - 10
R65203	2G13	4	70 - 49	R66117	1F12	5	40 - 17	R67576	1B7	8	20 - 10
R65242	2G13	32	70 - 49	R66117	1F18	4	40 - 23	R67643	2B23	5	50 - 27
R65243	2G13	25	70 - 49	R662R	1E15	19	30 - 40	R67769	1C3	4	20 - 31
R65285	2H10	11	70 - 69	R662R	2B7	2	50 - 10	R67769	1C3	12	20 - 31
R65285	2H12	30	70 - 71	R662R	2H5	5	70 - 64	R67769	1E11	3	30 - 36
R65286	2G23	23	70 - 58	R66301	1F10	5	40 - 15	R67770	1C3	4	20 - 31
R65286	2G24	23	70 - 59	R66302	1F10	11	40 - 15	R67770	1C3	11	20 - 31
R65286	2H2	9	70 - 61	R66319	1E19	10	40 - 1	R67770	1E11	4	30 - 36
R65286	2H9	13	70 - 68	R66319	1E25	2	40 - 5	R67782	2C19	9	50 - 49
R65286	2H10	4	70 - 69	R66319	1E25	3	40 - 5	R67784	2C19	6	50 - 49
R65286	2H12	13	70 - 71	R66319	1G6	2	40 - 33	R67879	1E4	16	30 - 29
R65287	2G22	15	70 - 57	R66319	1G6	13	40 - 33	R67879	1E7	23	30 - 32
R65287	2H2	2	70 - 61	R66319	1G6	20	40 - 33	R67982	1G5	2	40 - 31
R65289	2G22	14	70 - 57	R66319	1G7	3	40 - 34	R67989	2A23	7	50 - 1
R65289	2G24	7	70 - 59	R66319	1G10	7	40 - 37	R68157	1C15	19	20 - 39
R65308	2C15	15	50 - 45	R66319	1G12	2	40 - 39	R68157	1C15	29	20 - 39
R65308	2C17	4	50 - 47	R66319	1G16	..	40 - 43	R68157	1C15	30	20 - 39
R65354	2G24	18	70 - 59	R66319	1H18	1	40 - 67	R68157	1C15	35	20 - 39
R65501	2G22	14	70 - 57	R66319	1H18	9	40 - 67	R68165	2C19	3	50 - 49
R65501	2G23	21	70 - 58	R66319	1H18	14	40 - 67	R68166	2C19	8	50 - 49
R65501	2G24	21	70 - 59	R66319	1H18	15	40 - 67	R68167	2C19	7	50 - 49
R65501	2H3	1	70 - 62	R66319	1H20	3	40 - 69	R68167	2C19	13	50 - 49
R65501	2H3	6	70 - 62	R66319	3B2	11	90 - 9	R68167	2C21	6	50 - 51
R65502	2G22	14	70 - 57	R66320	1H20	7	40 - 69	R68170	2C21	7	50 - 51
R65502	2G23	21	70 - 58	R66320	1H22	24	40 - 71	R68171	2C21	8	50 - 51
R65502	2G24	21	70 - 59	R66321	1H16	7	40 - 65	R68173	2C21	5	50 - 51
R65502	2H3	1	70 - 62	R66321	1H16	11	40 - 65	R68222	1F17	6	40 - 22
R65502	2H3	6	70 - 62	R66321	1H20	6	40 - 69	R68224	1F17	1	40 - 22
R65503	2G2	9	70 - 38	R66321	1H22	24	40 - 71	R68252	2F2	24	70 - 13
R65504	2G22	14	70 - 57	R66337	1C5	4	20 - 33	R68429	2G1	1	70 - 37
R65543	2D6	15	50 - 62	R66339	1C5	3	20 - 33	R68430	2G1	2	70 - 37
R65563	2A25	11	50 - 3	R66416	2G23	20	70 - 58	R68438	1E6	26	30 - 31
R65563	2B4	18	50 - 7	R66416	2G24	20	70 - 59	R68493	1E4	7	30 - 29
R65563	2B9	4	50 - 12	R66434	2G10	18	70 - 46	R68625	1F22	12	40 - 28
R65563	2C7	2	50 - 37	R66435	2G10	15	70 - 46	R68625	1F23	25	40 - 29
R65593	1E23	4	40 - 4A	R66453	1B23	4	20 - 26	R68625	1G1	14	40 - 29C
R65593	1H20	4	40 - 69	R66563	2C23	8	50 - 53	R68625	1G3	11	40 - 29F
R65594	1H20	2	40 - 69	R66563	2C23	9	50 - 53	R68629	1F21	3	40 - 27
R65595	1H20	21	40 - 69	R66563	2C23	10	50 - 53	R68629	1F23	15	40 - 29
R65595	1H22	11	40 - 71	R66667	1E2	26	30 - 27	R68630	1F21	1	40 - 27
R65596	1H20	22	40 - 69	R66715	2C21	4	50 - 51	R68630	1F23	13	40 - 29
R65597	1H20	23	40 - 69	R66788	2C13	8	50 - 43	R68631	1F21	2	40 - 27
R65598	1H20	24	40 - 69	R66821	1D24	12	30 - 24	R68631	1F23	14	40 - 29
R65599	1E23	4	40 - 4A	R66837	2E16	8	70 - 2	R68672	2G11	10	70 - 47
R65599	1H20	25	40 - 69	R66837	2E16	9	70 - 2	R68718	1B20	5	20 - 23

1L21

7520 TRACTOR

NUMERICAL INDEX - CONTINUED

PART NO.	GRID	KEY	PAGE	PART NO.	GRID	KEY	PAGE	PART NO.	GRID	KEY	PAGE
R69032	1C5	3	20-33	R70617	2F7	2	70-18	R72507	2F2	23	70-13
R69034	1C5	3	20-33	R708R	2E6	4	60-24	R72586	2C13	8	50-43
R69036	1C5	3	20-33	R70838	2C21	2	50-51	R72586	2C19	4	50-49
R69038	1C5	3	20-33	R70867	2F4	21	70-15	R72653	1E15	1	30-40
R69109	1H15	1	40-64	R70868	2F4	22	70-15	R72653	2G3	10	70-39
R69262	2E21	44	70-7	R71248	1F10	3	40-15	R72653	2G5	10	70-41
R69279	2E21	35	70-7	R71309	2C19	11	50-49	R72653	2G5	17	70-41
R69279	2E23	13	70-9	R71321	2E21	42	70-7	R72653	2G5	35	70-41
R69279	2E25	15	70-11	R71321	2F4	39	70-15	R72653	2H9	24	70-68
R69279	2F4	30	70-15	R71387	2H16	9	70-75	R72653	2H12	24	70-71
R69279	2F6	17	70-17	R71387	2H18	3	70-77	R72654	2F25	9	70-36
R69297	3A23	2	90-3	R71387	2I5	2	70-88	R72654	2G7	21	70-43
R69297	3A23	3	90-3	R71399	1F10	25	40-15	R72654	2G13	16	70-49
R69297	3A23	12	90-3	R71400	1F10	5	40-15	R72654	2H9	28	70-68
R69408	2G15	3	70-51	R71483	1C15	10	20-39	R72654	2H9	34	70-68
R69409	2G15	3	70-51	R71483	1C15	23	20-39	R72654	2H12	38	70-71
R69415	1C20	7	20-44	R71483	1C15	34	20-39	R72654	3B5	11	90-13
R69415	1C21	2	20-45	R71485	1C15	19	20-39	R72655	1B8	13	20-11
R69418	1B18	32	20-21	R71485	1C15	20	20-39	R72655	3B13	12	90-21
R69418	1C9	24	20-37	R71485	1C15	21	20-39	R72655	3B13	13	90-21
R69418	1C11	12	20-37B	R71485	1C15	23	20-39	R72655	3C1	31	90-35
R69418	1C25	31	20-49	R71485	1C15	24	20-39	R72660	1E15	16	30-40
R69466	2I21	23	80-13	R71485	1C15	35	20-39	R72660	1E15	19	30-40
R69642	2F24	11	70-35	R71586	2F2	12	70-13	R72660	2B7	2	50-10
R69645	1F10	26	40-15	R71586	2F2	13	70-13	R72660	2H5	5	70-64
R699R	2C11	16	50-41	R71586	2F2	14	70-13	R72672	2B19	9	50-23
R70135	1E7	1	30-32	R71598	2F2	25A	70-13	R72672	2C23	1	50-53
R70191	2I21	29	80-13	R71603	3A24	6	90-4	R72672	2C23	15	50-53
R70192	2I21	29	80-13	R71732	1B18	27	20-21	R72672	2C24	3	50-54
R70193	2I21	29	80-13	R71732	1C9	19	20-37	R72853	1D24	6	30-24
R70194	2I21	29	80-13	R71732	1C11	6	20-37B	R72886	2E19	20	70-5
R70195	2I21	29	80-13	R71732	1C25	32	20-49	R72886	2F2	18	70-13
R70210	1H24	41	40-73	R71919	1B20	1	20-23	R73192	1B22	5	20-25
R70211	1H24	40	40-73	R71919	1B22	1	20-25	R73192	1C9	25	20-37
R70212	1H24	41	40-73	R71919	1C25	35	20-49	R73192	1C13	3	20-37D
R70213	1H24	40	40-73	R71920	1B20	2	20-23	R73274	2C13	12	50-43
R70214	1H24	41	40-73	R71920	1B22	2	20-25	R73274	2C19	15	50-49
R70215	1H24	40	40-73	R72129	1B8	1	20-11	R73274	2C19	20	50-49
R70216	1H24	41	40-73	R72129	1B8	5	20-11	R73380	2A25	3	50-3
R70217	1H24	40	40-73	R72129	1B10	3	20-13	R73380	2G13	8	70-49
R70218	1H24	41	40-73	R72129	1B10	4	20-13	R73380	2G13	36B	70-49
R70219	1H24	40	40-73	R72129	1B10	19	20-13	R73380	2G19	16	70-55
R70220	1H24	50	40-73	R72129	1B12	3	20-15	R73380	3B16	1B	90-24
R70221	1H24	39	40-73	R72129	1B12	4	20-15	R73380	3B16	2	90-24
R70222	1H24	38	40-73	R72129	1B12	20	20-15	R73380	3B16	20	90-24
R70234	1B18	30	20-21	R72129	1B14	1	20-17	R73444	2C4	9	50-33
R70234	1C9	17	20-37	R72129	1C5	6	20-33	R73736	2F4	24	70-15
R70234	1C9	23	20-37	R72169	2D6	23	50-62	R73737	2D11	20	60-3
R70236	2C13	14	50-43	R72226	3A25	8	90-5	R73741	2F2	12	70-13
R70236	2C21	10	50-51	R72227	3A25	7	90-5	R73741	2F2	13	70-13
R70236	2D3	12	50-59	R72228	3A25	6	90-5	R73741	2F2	14	70-13
R70265	1A25	5	20-5	R72229	3A25	5	90-5	R73791	1B20	12	20-23
R70268	1A25	4	20-5	R72232	2D6	..	50-62	R73791	1B22	7	20-25
R70268	1A25	5	20-5	R72328	1B10	19	20-13	R73791	1C2	3	20-30
R70268	1A25	6	20-5	R72328	1B10	..	20-13	R73791	1C2	5	20-30
R70268	1A25	7	20-5	R72328	1C17	2	20-41	R73913	1C15	14	20-39
R70268	1B2	10	20-5B	R72328	1C25	..	20-49	R74006	1D13	3	30-11
R70268	1B10	14	20-13	R72352	1B20	2	20-23	R74006	1E22	5	40-4
R70268	1B12	16	20-15	R72352	1B20	5	20-23	R74022	2E9	26	60-27
R70268	1C5	5	20-33	R72352	1B22	5	20-25	R74022	2E11	14	60-29
R70351	2E21	13	70-7	R72352	1C9	25	20-37	R74155	2D6	11	50-62
R70475	1B18	16	20-21	R72352	1C13	3	20-37D	R74210	2H16	10	70-75
R70475	1C9	13	20-37	R72433	2G17	1B	70-53	R74210	2H18	4	70-77
R70475	1C25	34	20-49	R72433	2G17	5A	70-53	R74210	3A23	25	90-3
R70558	2C2	8	50-31	R72433	2G19	1B	70-55	R74242	2H22	1	70-81
R70559	2E21	43	70-7	R72433	2G19	5A	70-55	R74243	2H22	2	70-81
R70617	2F4	9	70-15	R72506	2F2	27	70-13	R74244	2H22	3	70-81

1L22

7520 TRACTOR

NUMERICAL INDEX - CONTINUED

PART NO.	GRID	KEY	PAGE	PART NO.	GRID	KEY	PAGE	PART NO.	GRID	KEY	PAGE
R74246	2H22	4	70 - 81	R77145	2C21	3	50 - 51	R78101	2E11	7	60 - 29
R74305	2D2	4	50 - 58	R77301	1C3	4	20 - 31	R78214	2G17	26	70 - 53
R74350	2E6	5	60 - 24	R77447	1B7	2	20 - 10	R78214	2G17	34	70 - 53
R74365	1B4	17	20 - 7	R77447	1B7	3	20 - 10	R78214	2G17	35	70 - 53
R74365	1C25	8	20 - 49	R77456	1H22	27	40 - 71	R78214	2G20	1	70 - 55A
R74530	2H9	29	70 - 68	R77457	1H22	29	40 - 71	R78257	3B16	6	90 - 24
R74530	2H9	30	70 - 68	R77458	1H22	28	40 - 71	R78266	2C25	8	50 - 55
R74530	2H10	11	70 - 69	R77459	1H22	28	40 - 71	R78293	2E19	10	70 - 5
R74530	2H14	24	70 - 73	R77460	1H22	28	40 - 71	R78293	2F2	8	70 - 13
R74530	2H16	16	70 - 75	R77461	1H22	28	40 - 71	R78422	1C25	15	20 - 49
R74530	2H18	8	70 - 77	R77462	1H22	25	40 - 71	R78422	1D14	9	30 - 12
R74669	1C5	3	20 - 33	R77463	1H22	30	40 - 71	R78423	1C25	16	20 - 49
R74675	2C21	11	50 - 51	R77464	1H22	26	40 - 71	R78423	1D14	8	30 - 12
R74695	2G22	14	70 - 57	R77465	1H22	31	40 - 71	R78436	2H9	13	70 - 68
R74695	2G24	13	70 - 59	R77466	1H22	33	40 - 71	R78436	2H10	4	70 - 69
R74695	2H2	13	70 - 61	R77467	1H22	34	40 - 71	R78513	1A25	8	20 - 5
R74695	2H3	5	70 - 62	R77468	1H22	32	40 - 71	R78513	1B2	22	20 - 5B
R74695	2H3	6	70 - 62	R77469	1H24	35	40 - 73	R78513	1C25	17	20 - 49
R74993	1E23	3	40 - 4A	R77470	1H24	45	40 - 73	R78765	2H16	8	70 - 75
R75146	1C5	3	20 - 33	R77471	1H16	7	40 - 65	R78766	2H16	13	70 - 75
R75153	1C5	4	20 - 33	R77471	1H24	45	40 - 73	R78766	2H18	6	70 - 77
R75155	1C5	4	20 - 33	R77472	1H24	45	40 - 73	R78767	2H16	2	70 - 75
R75157	1C5	3	20 - 33	R77473	1H24	45	40 - 73	R78768	2H16	19	70 - 75
R75161	1C5	3	20 - 33	R77474	1H24	44	40 - 73	R78769	2H16	17	70 - 75
R75163	1C5	3	20 - 33	R77475	1H22	13	40 - 71	R79060	1D24	17	30 - 24
R75376	2F4	26	70 - 15	R77476	1H22	3	40 - 71	R79060	1E2	31	30 - 27
R75564	2F4	18	70 - 15	R77477	1H22	4	40 - 71	R79151	2F2	22B	70 - 13
R75642	2F4	17	70 - 15	R77478	1H22	15	40 - 71	R79151	2F2	25A	70 - 13
R75833	1G14	3	40 - 41	R77479	1H22	5	40 - 71	R79152	2F2	22B	70 - 13
R75833	1G15	2	40 - 42	R77480	1H22	6	40 - 71	R79152	2F2	25A	70 - 13
R75866	2E9	27	60 - 27	R77481	1H22	7	40 - 71	R79152	2F2	25B	70 - 13
R75866	2E11	15	60 - 29	R77482	1H22	8	40 - 71	R79187	1B18	7	20 - 21
R75879	2F4	5	70 - 15	R77483	1H22	16	40 - 71	R79266	2F4	10	70 - 15
R75938	2F4	44	70 - 15	R77484	1H22	19	40 - 71	R79267	2F4	14	70 - 15
R75938	2F6	16	70 - 17	R77485	1H22	21	40 - 71	R79268	2F4	13	70 - 15
R75952	1G3	20	40 - 29F	R77486	1H22	22	40 - 71	R79311	2H10	11	70 - 69
R75956	1G3	14	40 - 29F	R77487	1H22	23	40 - 71	R79311	2H12	30	70 - 71
R75957	1G3	16	40 - 29F	R77488	1H17	8	40 - 66	R79311	2H14	24	70 - 73
R75958	1G3	15	40 - 29F	R77488	1H24	51	40 - 73	R79311	2H16	16	70 - 75
R75959	1G3	17	40 - 29F	R77489	1G25	13	40 - 49D	R79311	2H18	8	70 - 77
R75960	1G3	3	40 - 29F	R77489	1H24	51	40 - 73	R79916	2G11	9	70 - 47
R75961	1G3	1	40 - 29F	R77490	1H24	51	40 - 73	R80229	1C4	1	20 - 32
R76000	1B24	5	20 - 27	R77491	1H24	54	40 - 73	R80324	2H19	8	70 - 78
R76186	1F10	9	40 - 15	R77492	1H24	54	40 - 73	R80401	1B8	10	20 - 11
R76459	2H22	5	70 - 81	R77493	1H16	7	40 - 65	R80401	1B8	13	20 - 11
R76477	1F12	2	40 - 17	R77493	1H16	11	40 - 65	R80401	1B8	14	20 - 11
R76477	1F12	4	40 - 17	R77493	1H24	51	40 - 73	R80401	1B8	15	20 - 11
R76477	1F18	3	40 - 23	R77494	1H24	55	40 - 73	R80401	1B8	16	20 - 11
R76477	1F19	3	40 - 24	R77495	1H24	52	40 - 73	R80401	1B8	17	20 - 11
R76477	2H22	6	70 - 81	R77496	1H24	52	40 - 73	R80401	1B12	20	20 - 15
R76477	3B3	..	90 - 11	R77497	1H24	53	40 - 73	R80401	1B16	1	20 - 19
R76494	2F15	10	70 - 26	R77498	1H22	24	40 - 71	R80401	1B19	6	20 - 22
R76494	2F15	12	70 - 26	R77499	1H22	24	40 - 71	R80401	1B19	7	20 - 22
R76494	2F16	17	70 - 27	R77500	1H17	8	40 - 66	R80401	1C5	6	20 - 33
R76494	2F18	4	70 - 29	R77500	1H22	24	40 - 71	R80401	1C23	8	20 - 47
R76633	1C5	4	20 - 33	R77501	1H22	24	40 - 71	R80447	2G17	27	70 - 53
R76635	1C5	4	20 - 33	R77502	1H24	56	40 - 73	R80447	2G17	35	70 - 53
R76641	1C5	3	20 - 33	R77503	1H24	56	40 - 73	R80447	2G19	11A	70 - 55
R76643	1C5	3	20 - 33	R77611	2F2	24	70 - 13	R80447	2G19	11B	70 - 55
R76645	1C5	3	20 - 33	R77611	2F6	19	70 - 17	R80447	2G19	11C	70 - 55
R76647	1C5	3	20 - 33	R77712	2F4	28	70 - 15	R80447	2G19	13	70 - 55
R76783	1B23	3	20 - 26	R77714	2F4	28	70 - 15	R80447	2G20	1	70 - 55A
R76845	2D6	10	50 - 62	R77867	2E11	3	60 - 29	R80558	2F2	27	70 - 13
R77003	1C15	28	20 - 39	R77867	2E11	7	60 - 29	R80574	1A25	6	20 - 5
R77053	2C25	24	50 - 55	R77903	2F2	22A	70 - 13	R80574	1B2	12	20 - 5B
R77053	2D5	17	50 - 61	R77939	1C15	35	20 - 39	R80575	1A25	5	20 - 5
R77054	2D5	8	50 - 61	R78101	2E11	3	60 - 29	R80575	1A25	12	20 - 5

1L23

7520 TRACTOR

NUMERICAL INDEX - CONTINUED

PART NO.	GRID	KEY	PAGE	PART NO.	GRID	KEY	PAGE	PART NO.	GRID	KEY	PAGE
R80575	1B2	11	20 - 5B	R86454	1D14	8	30 - 12	TY15155	1H6	11	40 - 55
R80576	1A25	7	20 - 5	R86454	1D14	9	30 - 12	TY15263	1G9	26	40 - 36
R80576	1A25	12	20 - 5	R86455	1C25	15	20 - 49	TY15267	1H4	7	40 - 53
R80576	1B2	13	20 - 5B	R86455	1C25	16	20 - 49	TY15267	1H6	11	40 - 55
R80752	2E9	37	60 - 27	R86455	1D14	8	30 - 12	TY15709	3B3	..	90 - 11
R80752	2E11	34	60 - 29	R86455	1D14	9	30 - 12	TY16004	1A24	2	20 - 3
R80752	2I21	28	80 - 13	R86702	1A25	12	20 - 5	TY16005	1A24	3	20 - 3
R80753	2E9	37	60 - 27	R87527	2I21	11	80 - 13	TY16055	1G9	26	40 - 36
R80753	2E11	34	60 - 29	R87527	3B10	11	90 - 18	TY1902	1F11	5	40 - 16
R80753	2I21	28	80 - 13	R87527	3B11	11	90 - 19	TY1902	1F18	..	40 - 23
R80754	2E9	37	60 - 27	R87764	1F6	6	40 - 11	TY22007	1A23	2	20 - 2
R80754	2E11	28	60 - 29	R87764	1F10	31	40 - 15	TY22008	1A23	2	20 - 2
R80754	2E11	34	60 - 29	R88397	1C22	17	20 - 46	TY22009	1A23	1	20 - 2
R80754	2I21	28	80 - 13	R88397	1C25	20	20 - 49	TY22010	1A23	2	20 - 2
R80925	2D21	4	60 - 14	R89785	1B8	15	20 - 11	TY22011	1A23	2	20 - 2
R80925	2D22	4	60 - 15	R89837	2C19	11	50 - 49	TY22041	1A23	..	20 - 2
R80969	1C25	15	20 - 49	R90086	2E6	2	60 - 24	TY22042	1A23	..	20 - 2
R80969	1D14	9	30 - 12	R90086	2E6	8	60 - 24	TY22329	1C17	10	20 - 41
R80970	1C25	16	20 - 49	R90601	1B2	21	20 - 5B	TY22329	2F12	13	70 - 23
R80970	1D14	8	30 - 12	R90601	1B6	18	20 - 9	TY22329	2F14	6	70 - 25
R81086	1B2	6	20 - 5B	R90601	1B6	24	20 - 9	TY22329	2F14	8	70 - 25
R81086	1B6	19	20 - 9	R90602	1B2	23	20 - 5B	TY22329	2F17	2	70 - 28
R81245	2G17	32	70 - 53	R90602	1B6	17	20 - 9	TY22329	2F17	4	70 - 28
R81245	2G19	13	70 - 55	R90602	1B6	24	20 - 9	TY22329	2F17	8	70 - 28
R81274	1C22	10	20 - 46	R91785	2C25	7	50 - 55	TY22329	2H6	9	70 - 65
R81274	1C25	21	20 - 49	R91826	2C17	8	50 - 47	TY22404	1C22	1	20 - 46
R81424	2I21	7	80 - 13	R91826	2E6	6	60 - 24	TY22410	1C22	14	20 - 46
R81424	3B10	19	90 - 18	R92368	1A25	6	20 - 5	TY22423	2F17	12	70 - 28
R81424	3B11	30	90 - 19	R93019	2C19	13	50 - 49	TY22462	1D6	8	30 - 4
R81459	1D25	1	30 - 25	R93219	1I2	7	40 - 74A	TY22465	1D20	1	30 - 20
R81460	1D25	6	30 - 25	R93219	1I3	7	40 - 75	TY22465	1D21	13	30 - 21
R81461	1D25	6	30 - 25	R93220	1I2	7	40 - 74A	TY22465	2D20	5	60 - 13
R81507	1F6	7	40 - 11	R93220	1I3	7	40 - 75	TY22465	2H6	11	70 - 65
R81507	1F10	30	40 - 15	R93221	1I2	7	40 - 74A	TY22465	3A25	4	90 - 5
R82175	2C15	29	50 - 45	R93221	1I3	7	40 - 75	TY22465	3B7	20	90 - 15
R82236	1G23	16	40 - 49B	R93222	1I2	7	40 - 74A	TY22465	3B9	4	90 - 17
R82237	1G23	14	40 - 49B	R93222	1I3	7	40 - 75	TY22467	1B4	12	20 - 7
R82238	1G23	15	40 - 49B	R93623	2C21	3	50 - 51	TY22467	1C17	9	20 - 41
R82239	1G23	13	40 - 49B	R93623	2D3	9	50 - 59	TY22467	1C22	2	20 - 46
R82243	1G23	18	40 - 49B	R93623	2D3	10	50 - 59	TY22467	1D3	13	30 - 1
R82337	2E9	37	60 - 27	R93955	2I9	4	80 - 1	TY22467	1D9	27	30 - 7
R82337	2E11	28	60 - 29	R94311	2D6	11	50 - 62	TY22467	1D13	13	30 - 11
R82337	2E11	34	60 - 29	R94319	2D2	4	50 - 58	TY22467	1D20	6	30 - 20
R82337	2I21	28	80 - 13	R94631	2C13	12	50 - 43	TY22467	2F13	11	70 - 24
R82355	1G23	4	40 - 49B	R94631	2C19	15	50 - 49	TY22467	2F14	5	70 - 25
R82423	1G25	8	40 - 49D	R94631	2C19	17	50 - 49	TY22467	2F17	1	70 - 28
R82766	1E15	16	30 - 40	R97316	2C2	5	50 - 31	TY22467	2H6	8	70 - 65
R82766	1E15	18	30 - 40	R97349	1C25	3	20 - 49	TY22470	1D21	26	30 - 21
R82766	2H5	4	70 - 64	R97349	1D9	23	30 - 7	TY3018	2I5	3	70 - 88
R82943	1C3	5	20 - 31	R97993	2E7	2	60 - 25	TY6120	1E20	..	40 - 2
R82943	1C25	23	20 - 49	R99291	2B12	12	50 - 16	TY6280	1A23	1	20 - 2
R83055	1G25	9	40 - 49D	R99394	2C15	15	50 - 45	TY6297	1A23	1	20 - 2
R83096	2C15	24	50 - 45	R99394	2C17	4	50 - 47	TY6298	1A23	1	20 - 2
R83109	1G25	11	40 - 49D	R99556	2C2	12	50 - 31	TY6300	1A23	1	20 - 2
R83111	2G19	28	70 - 55	R99597	1B7	5	20 - 10	TY6301	1A23	1	20 - 2
R83112	2G19	20	70 - 55	R99597	1B7	6	20 - 10	TY6311	1A23	1	20 - 2
R83170	2G17	35	70 - 53	R99597	1B7	8	20 - 10	TY6312	1A23	1	20 - 2
R83170	2G19	11A	70 - 55	R99616	1B7	5	20 - 10	TY6313	1A23	1	20 - 2
R83170	2G19	11B	70 - 55	R99616	1B7	6	20 - 10	TY6359	1A23	1	20 - 2
R83170	2G19	32	70 - 55	R99616	1B7	8	20 - 10	TY6360	1A23	1	20 - 2
R83508	2E19	20	70 - 5	R99693	1F25	4	40 - 29B	TY6361	1A23	1	20 - 2
R83508	2F2	18	70 - 13	R99695	1F25	1	40 - 29B	TY6364	1A23	1	20 - 2
R83569	1B7	2	20 - 10	R99699	1F25	11	40 - 29B	TY6384	3A23	..	90 - 3
R84158	1G25	13	40 - 49D	R99702	1F25	9	40 - 29B	TY6384	3A24	..	90 - 4
R86192	2E11	6	60 - 29	TY1430	1F4	3	40 - 9	TY6389	1A23	2	20 - 2
R86454	1C25	15	20 - 49	TY1430	1F8	..	40 - 13	TY6390	1A23	2	20 - 2
R86454	1C25	16	20 - 49	TY15155	1H4	7	40 - 53	TY6391	1A23	2	20 - 2

1L24

7520 TRACTOR

NUMERICAL INDEX - CONTINUED

PART NO.	GRID	KEY	PAGE	PART NO.	GRID	KEY	PAGE	PART NO.	GRID	KEY	PAGE
TY6392	1A23	2	20 - 2	T13073	2I2	27	70 - 85	T16738	1G19	22	40 - 46
TY6393	1A23	2	20 - 2	T13073	2I4	17	70 - 87	T16911	1F1	3	40 - 6
TY6394	1A23	2	20 - 2	T13119	1D18	9	30 - 17	T16911	2C2	13	50 - 31
TY6600	1F6	1	40 - 11	T134452	1F12	9	40 - 17	T17148	2D11	4	60 - 3
TY6600	1F10	29	40 - 15	T134452	1F18	6	40 - 23	T17951	2B1	30	50 - 4
TY6600	1F10	30	40 - 15	T134452	1F19	7	40 - 24	T18012	1E2	29	30 - 27
TY6600	1F10	31	40 - 15	T134452	2I21	30	80 - 13	T18012	1E2	31	30 - 27
TY6612	1F11	5	40 - 16	T134453	1F12	9	40 - 17	T19079	2C2	17	50 - 31
TY6612	1F12	..	40 - 17	T134453	1F18	6	40 - 23	T19079	2C4	13	50 - 33
TY6625	1F6	1	40 - 11	T134453	1F19	7	40 - 24	T19566	1A24	2	20 - 3
TY6625	1F10	29	40 - 15	T134453	2I21	30	80 - 13	T19572	2B6	12	50 - 9
TY6625	1F10	30	40 - 15	T134454	1F12	9	40 - 17	T19572	2C25	11	50 - 55
TY6625	1F10	31	40 - 15	T134454	1F18	6	40 - 23	T20055	1D17	17	30 - 16
TY6628	3A23	..	90 - 3	T134454	1F19	7	40 - 24	T20055	1D18	13	30 - 17
TY6665	3A23	29	90 - 3	T134454	2I21	30	80 - 13	T20055	1E2	14	30 - 27
TY6665	3A23	..	90 - 3	T134455	1F12	9	40 - 17	T20168	1B6	5	20 - 9
TY6686	1F6	1	40 - 11	T134455	1F18	6	40 - 23	T20294	1C3	9	20 - 31
TY6686	1F6	6	40 - 11	T134455	1F19	7	40 - 24	T20328	1C3	10	20 - 31
TY6686	1F6	7	40 - 11	T134455	2I21	30	80 - 13	T20328	1C25	22	20 - 49
TY6686	1F10	29	40 - 15	T134456	1F12	9	40 - 17	T20431	2D2	19	50 - 58
TY6686	1F10	30	40 - 15	T134456	1F18	6	40 - 23	T21242	1B18	6	20 - 21
TY6686	1F10	31	40 - 15	T134456	1F19	7	40 - 24	T21242	1C9	2	20 - 37
TY6697	1F11	5	40 - 16	T134456	2I21	30	80 - 13	T21242	1C11	2	20 - 37B
TY6697	1F18	..	40 - 23	T134459	1F12	1	40 - 17	T21397	2B6	4	50 - 9
TY6697	1F21	..	40 - 27	T134459	1F18	1	40 - 23	T21397	2B6	8	50 - 9
TY6697	1F22	20	40 - 28	T134459	1F19	4	40 - 24	T21397	2B20	19	50 - 24
TY6697	1F22	..	40 - 28	T134459	2I21	30	80 - 13	T21397	2D24	11	60 - 17
TY6697	1F23	..	40 - 29	T13606	2B9	1	50 - 12	T21397	2D24	12	60 - 17
TY6711	1F11	5	40 - 16	T13606	2C7	3	50 - 37	T22228	2G3	2	70 - 39
TY6711	1F12	..	40 - 17	T13641	2D22	12	60 - 15	T22228	2G5	2	70 - 41
TY6711	1F13	..	40 - 18	T13744	1E19	4	40 - 1	T23027	3C8	3	90 - 42
TY6711	1F14	..	40 - 19	T13814	2B7	10	50 - 10	T23033	3C8	4	90 - 42
TY6711	1F15	17	40 - 20	T13814	2G7	12	70 - 43	T23610	1F8	25	40 - 13
TY6711	1F15	..	40 - 20	T13911	3B8	..	90 - 16	T23659	2D18	16	60 - 11
TY6730	1F11	5	40 - 16	T14050	1D20	3	30 - 20	T23740	1B24	7	20 - 27
TY6730	1F19	..	40 - 24	T14050	1D21	6	30 - 21	T23856	2C2	18	50 - 31
TY6772	1F6	1	40 - 11	T14264	1E19	8	40 - 1	T24210	1E4	2	30 - 29
TY6772	1F6	6	40 - 11	T14264	1H15	8	40 - 64	T24229	1E4	15	30 - 29
TY6772	1F6	7	40 - 11	T146102	1F12	1	40 - 17	T24229	1E6	6	30 - 31
TY6772	1F10	29	40 - 15	T146102	1F18	1	40 - 23	T24294	1E4	28	30 - 29
TY6772	1F10	30	40 - 15	T146102	1F19	4	40 - 24	T24463	2D2	18	50 - 58
TY6772	1F10	31	40 - 15	T146102	2I21	30	80 - 13	T25243	2C22	8	50 - 52
TY6790	1F6	1	40 - 11	T146104	1F12	9	40 - 17	T25244	2C22	7	50 - 52
TY6790	1F6	6	40 - 11	T146104	1F18	6	40 - 23	T25245	2C22	6	50 - 52
TY6790	1F6	7	40 - 11	T146104	1F19	7	40 - 24	T25247	2C22	10	50 - 52
TY6790	1F10	29	40 - 15	T146104	2I21	30	80 - 13	T25247	2C24	10	50 - 54
TY6790	1F10	30	40 - 15	T146106	1F12	9	40 - 17	T25317	2B20	22	50 - 24
TY6790	1F10	31	40 - 15	T146106	1F18	6	40 - 23	T25317	2C15	13	50 - 45
TY9305	1G9	26	40 - 36	T146106	1F19	7	40 - 24	T25343	1F8	26	40 - 13
TY9371	3C10	1	90 - 44	T146106	2I21	30	80 - 13	T25614	2B8	8	50 - 11
T10745	1F6	9	40 - 11	T146515	1F12	9	40 - 17	T25614	2B11	1	50 - 15
T10745	1F10	27	40 - 15	T146515	1F18	6	40 - 23	T25879	2G15	4	70 - 51
T11220	2H24	19	70 - 83	T146515	1F19	7	40 - 24	T26565	2A23	4	50 - 1
T11220	2I2	18	70 - 85	T146515	2I21	30	80 - 13	T27122	2D2	26	50 - 58
T11220	2I3	13	70 - 86	T146516	1F12	9	40 - 17	T27123	2D2	22	50 - 58
T11220	2I4	8	70 - 87	T146516	1F18	6	40 - 23	T27125	2D2	15	50 - 58
T11234	2B5	1	50 - 8	T146516	1F19	7	40 - 24	T27261	1C20	10	20 - 44
T11234	2C4	22	50 - 33	T146516	2I21	30	80 - 13	T27261	1C21	5	20 - 45
T11234	2C7	29	50 - 37	T146517	1F12	9	40 - 17	T27277	2D24	3	60 - 17
T11708	3B8	..	90 - 16	T146517	1F18	6	40 - 23	T27278	2D24	4	60 - 17
T11708	3C1	10	90 - 35	T146517	1F19	7	40 - 24	T27314	2C5	14	50 - 35
T12083	2B13	34	50 - 17	T146517	2I21	30	80 - 13	T27317	2C5	13	50 - 35
T12808	1B8	13	20 - 11	T14658	2C5	15	50 - 35	T27323	1D21	8	30 - 21
T12808	3B13	12	90 - 21	T15005	3C2	4	90 - 36	T27515	2D2	25	50 - 58
T12808	3C1	31	90 - 35	T15539	2I17	13	80 - 9	T27821	2D24	6	60 - 17
T12860	2D16	22	60 - 8	T16164	2D2	26	50 - 58	T28583	1H20	34	40 - 69
T13073	2B10	35	50 - 13	T16738	1G19	5	40 - 46	T28583	1H22	1	40 - 71

1L25

7520 TRACTOR

NUMERICAL INDEX - CONTINUED

PART NO.	GRID	KEY	PAGE	PART NO.	GRID	KEY	PAGE	PART NO.	GRID	KEY	PAGE
T28585	1H16	7	40 - 65	T68617	2D2	26	50 - 58	U42851	2D22	10	60 - 15
T28585	1H20	35	40 - 69	T70477	2D24	4	60 - 17	U42852	2D21	10	60 - 14
T28585	1H22	12	40 - 71	T73466	2D2	26	50 - 58	U42853	2D21	4	60 - 14
T28586	1H22	14	40 - 71	T75972	2D7	2	50 - 63	U42853	2D22	4	60 - 15
T29334	2C23	10	50 - 53	T76091	2C22	2	50 - 52	U42857	2D21	3	60 - 14
T29335	2C23	8	50 - 53	T76091	2C24	16	50 - 54	U42857	2D22	3	60 - 15
T29336	2C23	9	50 - 53	T77706	2C22	11	50 - 52	U42858	2D21	1	60 - 14
T29527	1D20	3	30 - 20	T77706	2C22	16	50 - 52	U42858	2D22	1	60 - 15
T29527	1D21	6	30 - 21	T77706	2C24	11	50 - 54	U42859	2D21	5	60 - 14
T30008	2C25	12	50 - 55	T77706	2C24	15	50 - 54	U42859	2D22	5	60 - 15
T30009	2C25	13	50 - 55	T82430	2C22	10	50 - 52	U42860	2D22	11	60 - 15
T30009	2D2	26	50 - 58	T82430	2C24	10	50 - 54	U42862	2D21	2	60 - 14
T30367	1D24	11	30 - 24	T84409	1F12	1	40 - 17	U42862	2D22	2	60 - 15
T31269	2F12	7	70 - 23	T84409	1F18	1	40 - 23	U42863	2D21	9	60 - 14
T31483	1D6	9	30 - 4	T84409	1F19	4	40 - 24	U45538	1D24	22	30 - 24
T31556	1E4	14	30 - 29	T84409	2I21	30	80 - 13	U46370	1H20	36	40 - 69
T31556	1E6	17	30 - 31	T84410	1F12	9	40 - 17	U46370	1H22	20	40 - 71
T31718	2D2	14	50 - 58	T84410	1F18	6	40 - 23	U46506	1H9	17	40 - 58
T32231	1H16	5	40 - 65	T84410	1F19	7	40 - 24	U46507	1H9	11	40 - 58
T32255	1H9	16	40 - 58	T84410	2I21	30	80 - 13	U46508	1H9	20	40 - 58
T32369	1E4	29	30 - 29	T84411	1F12	9	40 - 17	U46509	1H9	8	40 - 58
T32481	2D18	3	60 - 11	T84411	1F18	6	40 - 23	U46510	1H9	7	40 - 58
T33483	2B7	8	50 - 10	T84411	1F19	7	40 - 24	U46511	1H9	6	40 - 58
T33483	2G7	9	70 - 43	T84411	2I21	30	80 - 13	U46512	1H9	5	40 - 58
T33485	2D18	10	60 - 11	T84412	1F12	9	40 - 17	U46513	1H9	4	40 - 58
T34067	1H22	18	40 - 71	T84412	1F18	6	40 - 23	U46514	1H9	1	40 - 58
T36525	2D22	9	60 - 15	T84412	1F19	7	40 - 24	U46662	1G25	12	40 - 49D
T37189	2D7	6	50 - 63	T84412	2I21	30	80 - 13	U46662	1H16	7	40 - 65
T37190	2D7	7	50 - 63	T84413	1F12	9	40 - 17	U46662	1H20	37	40 - 69
T39823	2D18	10	60 - 11	T84413	1F18	6	40 - 23	U46662	1H22	10	40 - 71
T40308	2E21	28	70 - 7	T84413	1F19	7	40 - 24	U46663	1H20	38	40 - 69
T40308	2E25	17	70 - 11	T84413	2I21	30	80 - 13	U46664	1H20	39	40 - 69
T40308	2F6	4	70 - 17	T84578	1F12	9	40 - 17	U46664	1H24	47	40 - 73
T40308	2F7	11	70 - 18	T84578	1F18	6	40 - 23	W19897	2D7	4	50 - 63
T40308	2F8	3	70 - 19	T84578	1F19	7	40 - 24	W19898	2D7	4	50 - 63
T43535	2F7	8	70 - 18	T84578	2I21	30	80 - 13	W19903	2D7	5	50 - 63
T43535	2F7	9	70 - 18	U10136	2E9	3	60 - 27	W20088	2D7	4	50 - 63
T44948	2D7	1	50 - 63	U10136	2E9	8	60 - 27	Z36276	2F7	8	70 - 18
T46726	1D18	7	30 - 17	U10136	2E11	3	60 - 29	Z36276	2F7	9	70 - 18
T519T	2G3	7	70 - 39	U10289	2B15	15	50 - 19	1911644	1F21	14	40 - 27
T519T	2G3	29	70 - 39	U10289	2B19	10	50 - 23	30251	2D2	26	50 - 58
T519T	2G5	7	70 - 41	U10289	2C25	5	50 - 55	32240	3A23	22	90 - 3
T519T	2G7	27	70 - 43	U11498	2D18	5	60 - 11	400R	2B1	28	50 - 4
T54033	1E15	16	30 - 40	U11647	2I5	1	70 - 88	400R	2D11	12	60 - 3
T54033	1E15	18	30 - 40	U12331	2E9	6	60 - 27	400R	2D15	6	60 - 7
T54033	2H5	4	70 - 64	U12331	2E9	8	60 - 27	400R	2E1	13	60 - 19
T55501	1G13	1	40 - 40	U12331	2E9	24	60 - 27	400R	2E9	30	60 - 27
T55501	1G14	11	40 - 41	U12331	2E11	6	60 - 29	400R	2E11	18	60 - 29
T55501	1G15	11	40 - 42	U13639	1B10	4	20 - 13	400R	2G6	35	70 - 42
T55585	1D18	1	30 - 17	U13639	1B10	19	20 - 13	400R	2H9	12	70 - 68
T56005	2G17	29	70 - 53	U13639	1B12	4	20 - 15	400R	2H12	12	70 - 71
T56005	2G19	6	70 - 55	U13639	1B12	20	20 - 15	400R	2H19	14	70 - 78
T56005	2G19	35	70 - 55	U13639	1C23	6	20 - 47	8H4419	2I9	11	80 - 1
T561T	2D18	4	60 - 11	U13639	1C25	18	20 - 49	8H4486	2I9	11	80 - 1
T57374	2E21	29	70 - 7	U13639	2E19	14	70 - 5	811912	1F22	12	40 - 28
T57374	2E25	18	70 - 11	U13639	2E23	14	70 - 9	811912	1F23	25	40 - 29
T57374	2F6	5	70 - 17	U13639	2F2	12	70 - 13	811912	1G1	14	40 - 29C
T57374	2F7	10	70 - 18	U13639	2F6	21	70 - 17				
T57374	2F8	4	70 - 19	U13639	2G3	17	70 - 39				
T59402	2D24	3	60 - 17	U13639	2G5	40	70 - 41				
T61641	2C22	6	50 - 52	U15242	2D7	3	50 - 63				
T61641	2C22	7	50 - 52	U15969	2H14	21	70 - 73				
T61641	2C22	8	50 - 52	U15980	2B12	2	50 - 16				
T66730	2C22	17	50 - 52	U15980	2F18	24	70 - 29				
T66730	2C24	14	50 - 54	U17409	1C15	19	20 - 39				
T66881	2C22	10	50 - 52	U40424	2D7	1	50 - 63				
T66881	2C24	10	50 - 54	U40750	1C15	26	20 - 39				