

# 1A2

4030 TRACTOR

RWP3337 -UN-01JAN94



*JOHN DEERE 4030 TRACTOR*

*(SPECIFICATIONS AND DESIGN SUBJECT TO CHANGE WITHOUT NOTICE)*

*COPYRIGHT (C) 1995. DEERE & COMPANY, MOLINE, ILLINOIS. ALL RIGHTS RESERVED.*

# 1A3

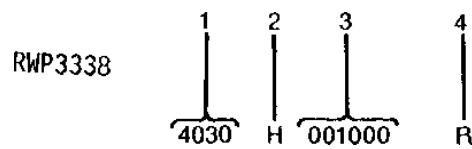
4030 TRACTOR

## SERIAL NUMBERS

EACH 4030 TRACTOR HAS THE FOLLOWING SERIAL NUMBER PLATES: BASIC TRACTOR, ENGINE, SHORT BLOCK, ROLL-GARD, AND SOUND-GARD BODY.

### TRACTOR SERIAL NUMBER

RWP3338 -UN-01JAN94



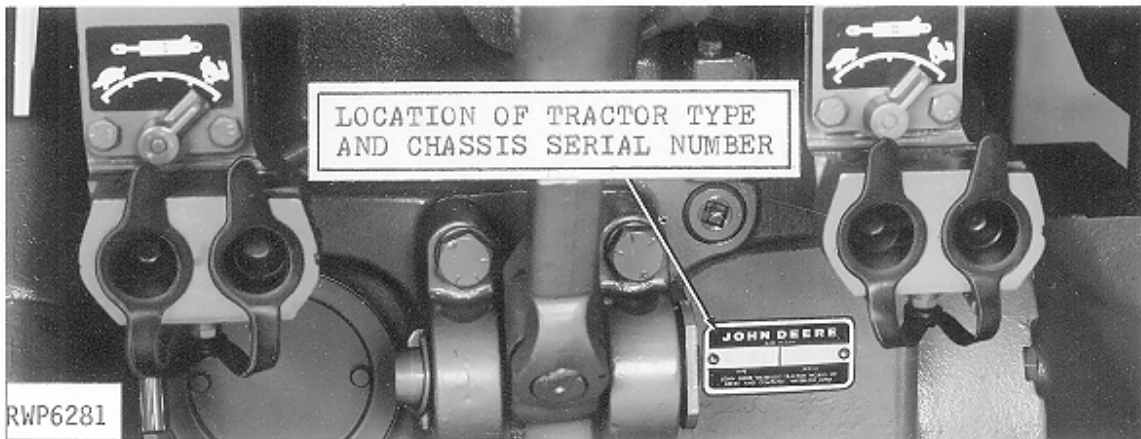
1. DESIGNATES TRACTOR MODEL
2. DESIGNATES TRANSMISSION TYPE

4030  
C - CREEPER  
H - QUAD-RANGE  
W - SYNCRO-RANGE

3. DESIGNATES TRACTOR SERIAL NUMBER
4. DESIGNATES TRACTOR MANUFACTURER

R - JOHN DEERE TRACTOR WORKS

RWP6281 -UN-16NOV94



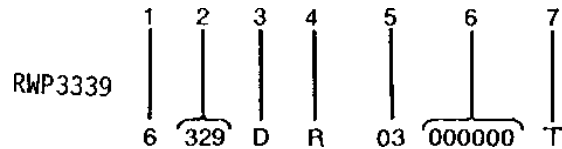
THE BASIC TRACTOR SERIAL NUMBER PLATE IS LOCATED AT THE REAR OF THE TRANSMISSION CASE.

# 1A4

4030 TRACTOR

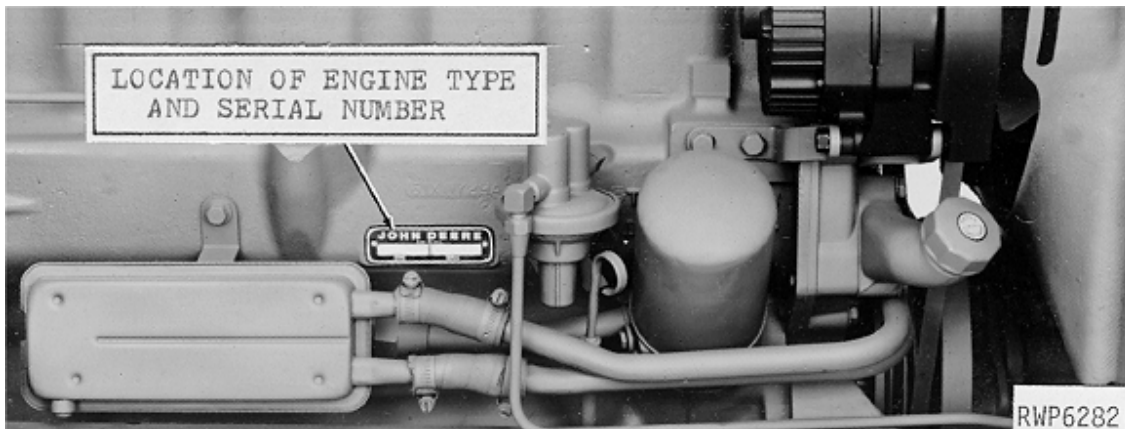
## ENGINE SERIAL NUMBER

RWP3339 -UN-01JAN94



- |   |                              |
|---|------------------------------|
| 1. DESIGNATES NUMBER OF CYLINDERS       | 6                            |
| 2. DESIGNATES CUBIC INCH DISPLACEMENT   | 329                          |
| 3. DESIGNATES TYPE OF AIR INTAKE SYSTEM | D - NATURALLY ASPIRATED      |
| 4. DESIGNATES FACTORY USER              | R - JOHN DEERE TRACTOR WORKS |
| 5. DESIGNATES VERSION                   | 03 - THIRD                   |
| 6. DESIGNATES ENGINE SERIAL NUMBER      |                              |
| 7. DESIGNATES ENGINE MANUFACTURER       | T - JOHN DEERE DUBUQUE WORKS |

RWP6282 -UN-01JAN94



THE ENGINE SERIAL NUMBER PLATE IS LOCATED ON THE RIGHT-HAND SIDE OF THE ENGINE BEHIND THE INJECTION PUMP.

# 1A5

4030 TRACTOR

## SHORT BLOCK SERIAL NUMBER

RWP3498 -UN-01JAN94

1  
XXXXXXXX XXXXXX

2  
T

3  
SB

4  
329

5  
000000

RWP3498

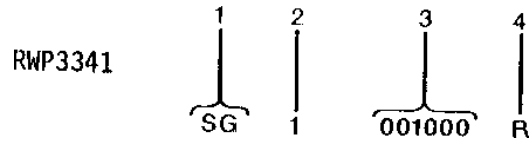
1. DESIGNATES THE SERIAL NUMBER OF THE ENGINE
2. DESIGNATES THE MANUFACTURER OF THE ENGINE
3. DESIGNATES SHORT BLOCK SB
4. DESIGNATES THE CUBIC INCH DISPLACEMENT 329
5. DESIGNATES THE SHORT BLOCK SERIAL NUMBER 000000

# 1A6

4030 TRACTOR

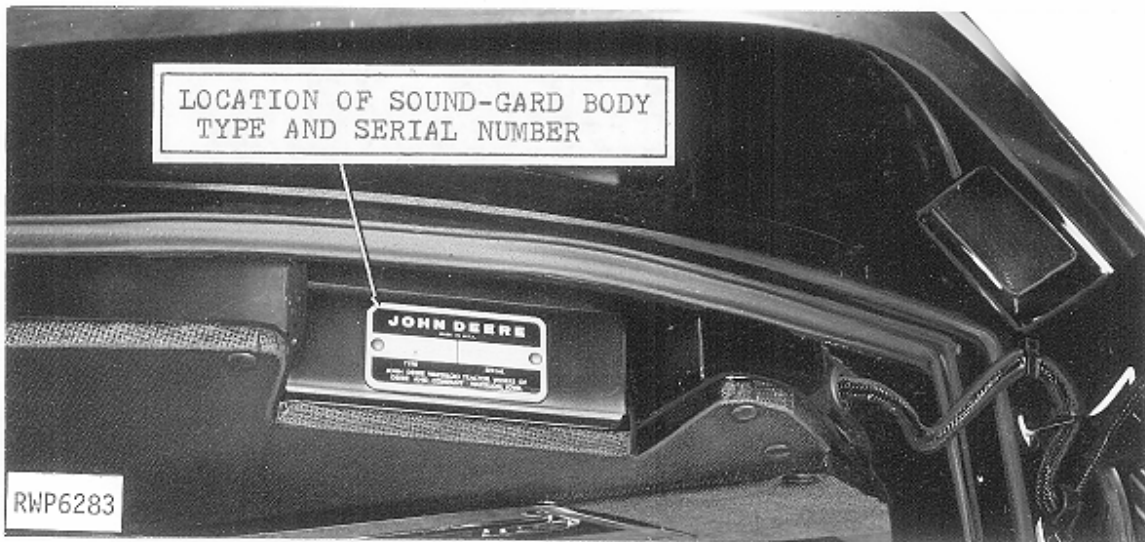
## SOUND-GARD BODY OR ROLL-GARD SERIAL NUMBER

RWP3341 -UN-01JAN94



1. DESIGNATES TYPE  
SG - SOUND-GARD BODY  
RG - ROLL-GARD
2. DESIGNATES VERSION  
1 - FIRST
3. DESIGNATES SERIAL NUMBER
4. DESIGNATES SOUND-GARD BODY MANUFACTURER - JOHN DEERE TRACTOR WORKS

RWP6283 -UN-16NOV94



THE SOUND-GARD BODY SERIAL NUMBER PLATE IS LOCATED ON THE WINDSHIELD WIPER MOTOR ACCESS DOOR HEADER.

THE ROLL-GARD SERIAL NUMBER IS STAMPED ON A PLATE LOCATED ON THE RIGHT-HAND FRONT POST.

# 1A7

4030 TRACTOR

## SERIAL NUMBER LISTING INFORMATION

SERIAL NUMBER INFORMATION IS LISTED TO SHOW ON WHICH MACHINES EACH PART CAN BE USED; FOR EXAMPLE:

- THE PART CAN BE USED ON ALL MACHINES.
- 000000- THE PART CAN BE USED ON ALL MACHINES BEGINNING WITH THE SERIAL NUMBER LISTED.
- 000000 THE PART CAN BE USED ON ALL MACHINES UP TO AND INCLUDING THE SERIAL NUMBER LISTED.
- 000000-000000 THE PART CAN BE USED ON ALL MACHINES BETWEEN AND INCLUDING THE SERIAL NUMBERS LISTED.
  
- 15BV1- WHEN A MODEL NUMBER BEGINS WITH 15BV, 14HA, 15PP, 25SC, 2RC, 4RC, 15RS, 3CY, 2SP, OR 31SV, IT REFERS TO THE MODEL NUMBER OF THE BRAKE VALVE, HYDRAULIC ACCUMULATOR, HYDRAULIC PUMP, REMOTE CYLINDER SELECTIVE CONTROL VALVE FOR NO ROCKSHAFT, REMOTE CYLINDER SELECTIVE CONTROL VALVES, REMOTE CYLINDERS, REMOTE CYLINDERS WITH MECHANICAL STOPS, ROCKSHAFT CONTROL VALVE, STEERING CYLINDER, STEERING METERING PUMP, OR STEERING VALVE.

WHEN XXXXXX'S ARE LISTED IN PLACE OF A SERIAL NUMBER, A SERIAL NUMBER CHANGE WAS MADE BUT THE EXACT SERIAL NUMBER WAS NOT AVAILABLE WHEN THE CATALOG WAS PRODUCED.

## MODEL NUMBERS

THE FOLLOWING COMPONENTS HAVE MODEL NUMBERS:

BRAKE VALVE .....	12BV1
DIFFERENTIAL LOCK VALVE .....	11DL1
HYDRAULIC ACCUMULATOR .....	14HA1
HYDRAULIC PUMP (50 CM3) (3 IN3) .....	1PPA
HYDRAULIC PUMP (65 CM3) (4 IN3) .....	8PP4
POWER WEIGHT TRANSFER CONTROL VALVE .....	1DC2
REMOTE CYLINDER SELECTIVE CONTROL VALVE - SINGLE .....	23SC1
REMOTE CYLINDER SELECTIVE CONTROL VALVE - DUAL .....	23SC2
REMOTE CYLINDER SELECTIVE CONTROL VALVE - TRIPLE .....	24SC1
REMOTE CYLINDER (76 X 203MM (3" X 8")) .....	1RC3
REMOTE CYLINDER WITH MECHANICAL STOP (76 X 203MM (3" X 8")) .....	3RC2
ROCKSHAFT CONTROL VALVE .....	10RS1
STEERING CYLINDER .....	3CY1
STEERING METERING PUMP .....	2SP1
STEERING VALVE .....	14SV1

EACH OF THE ABOVE COMPONENTS HAS A MODEL NUMBER. WHEN THE DESIGN OF ONE OF THESE COMPONENTS IS CHANGED, THE MODEL NUMBER FOR THE NEWLY DESIGNED COMPONENT IS CHANGED.

## DIRECTION ARROW

ARROWS ARE USED WITH ILLUSTRATIONS TO INDICATE THE FRONT OF THE UNIT. "RIGHT-HAND" AND "LEFT-HAND" SIDES ARE DETERMINED BY FACING IN THE DIRECTION OF MACHINE FORWARD TRAVEL.

## BOX-ENCLOSED ILLUSTRATIONS

A KEY NUMBER, SHOWN IN THE PARTS LIST, IS ASSIGNED TO A BOX ENCLOSING ALL PARTS SOLD AS A SERVICE ASSEMBLY.

## BOLT AND CAP SCREW STRENGTH IDENTIFICATION

U.S. CUSTOMARY DIMENSIONED PRODUCT: BOLTS AND CAP SCREWS REQUIRED TO HAVE HIGH-STRENGTH QUALITIES EQUIVALENT TO SAE GRADE 8 ARE IDENTIFIED THROUGHOUT THIS CATALOG BY THE DESCRIPTION HS SAE 8. ALL STANDARD BOLTS AND CAP SCREWS ARE SAE GRADE 5 OR LOWER.

METRIC DIMENSIONED PRODUCT: BOLTS AND CAP SCREWS REQUIRED TO HAVE HIGH-STRENGTH QUALITIES EQUIVALENT TO PROPERTY CLASS 10.9 ARE IDENTIFIED THROUGHOUT THIS CATALOG BY THE DESCRIPTION HS 10.9. ALL STANDARD BOLTS AND CAP SCREWS ARE PROPERTY CLASS 8.8 OR LOWER.

## CHANGE INDICATOR LINE (MICROFICHE CATALOGS ONLY)

CHANGES AFFECTING THE ORDERING OF PARTS ARE IDENTIFIED BY VERTICAL LINES MARKED IN THE LEFT-HAND MARGIN OF REVISED PARTS LISTING IMAGES. A LINE IS ALSO AT THE LEFT-HAND EDGE OF THE SAME PART NUMBER IN THE NUMERICAL INDEX TO SHOW THE LOCATION OF REVISED INFORMATION.

## JDM REMANUFACTURED COMPONENTS

THE SERVICE PARTS LISTED IN THIS CATALOG ARE INTENDED FOR THE REPAIR OF ORIGINAL EQUIPMENT COMPONENTS. ALTHOUGH MOST SERVICE PARTS MAY BE USED TO REPAIR REMANUFACTURED COMPONENTS, THE REMANUFACTURING PROCESS MAY CHANGE PARTS SUFFICIENTLY SO THAT SERVICE PARTS ARE INADEQUATE OR NOT USABLE.

## TRADEMARKS

THROUGHOUT THIS PARTS CATALOG, YOU WILL FIND THE FOLLOWING DEERE AND COMPANY TRADEMARKS:

PERSONAL-POSTURE™  
PERFORMANCE TRAK™ I  
PERFORMANCE TRAK™ II  
QUAD-RANGE™  
INVESTIGATOR™ II

QUIK-TATCH®  
ROLL-GARD®  
SOUND-GARD®  
TORQ-GARD SUPREME®  
HY-GARD®

# 1A9

4030 TRACTOR

---

## QUANTITY COLUMN OR REMARKS COLUMN

GENERALLY THE QUANTITY SHOWN IS FOR THE ENTIRE TRACTOR AT ANY GIVEN LOCATION. THERE ARE EXCEPTIONS AS IN WHEEL HARDWARE WHERE ONLY ENOUGH IS SHOWN FOR ONE WHEEL.

THE FOLLOWING ABBREVIATIONS ARE USED IN THE REMARKS COLUMN:

NLR - NO LONGER REQUIRED

NA - NOT APPLICABLE

NLA - NO LONGER AVAILABLE

**FI - FIELD INSTALLED**

**CA - COMPLETE GOODS ATTACHMENT**

CA AND FI ARE OPTIONS THAT MUST BE ORDERED DIRECT FROM THE PRODUCING FACTORY.



# 1A10

4030 TRACTOR

---

## SECTION INDEX

GENERAL INFORMATION .....	10
ENGINE .....	20
FUEL AND AIR .....	30
ELECTRICAL .....	40
POWER TRAIN .....	50
STEERING AND BRAKES .....	60
HYDRAULICS .....	70
WHEELS, FRONT AXLES, SHEET METAL .....	80
OPERATOR'S STATION .....	90
NUMERICAL INDEX .....	95

# 1A11

4030 TRACTOR

## ALPHABETICAL INDEX

GRID		PAGE	GRID	PAGE
<b>A</b>				
4E21	ABSORBER, SHOCK, SEAT SUPPORT.....	90-42	4H5	ASHTRAY (EARLY DESIGN).....
3D1	ACCUMULATOR, BRAKE .....	60-50	4H6	ASHTRAY (LATE DESIGN) .....
1C7	ADAPTER, ENGINE OIL COOLER .....	20-31	3B5	ASSEMBLY OVERHAUL .....
1F6	ADAPTER, STARTING AID (ELECTRIC) .....	30-57	3E7	ATTENUATOR, HYDRAULIC OIL .....
1F4	ADAPTER, STARTING AID (ELECTRICAL) .....	30-55	3E5	ATTENUATOR, HYDRAULIC OIL (EARLY DESIGN).....
1F1	ADAPTER, STARTING AID (MANUAL).....	30-51	4F17	AUTOMOTIVE DOOR LATCH .....
1D5	AIR CLEANER .....	30-4	2G2	AUXILIARY ELECTRICAL OUTLET, 7-TERMINAL.....
1D7	AIR CLEANER (LATE DESIGN) .....	30-6	3H23	AUXILIARY HYDRAULIC OUTLET KIT .....
1F8	AIR CLEANER FILTER .....	30-59	3H20	AUXILIARY OUTLET COUPLER KIT .....
4D9	AIR COMPRESSOR WIRING .....	90-6	4B3	AXLE BRACKET, FRONT .....
4D7	AIR CONDITIONING BELT, COMPRESSOR .....	90-4	4B4	AXLE, ADJUSTABLE TREAD FRONT .....
4D5	AIR CONDITIONING BELT, COMPRESSOR (EARLY MODEL) .....	90-2	2J16	AXLE, REAR .....
4D7	AIR CONDITIONING COMPRESSOR.....	90-4	<b>B</b>	
4D5	AIR CONDITIONING COMPRESSOR(EARLY MODEL).....	90-2	4F3	BACKREST, SUPPORT, SEAT .....
4D10	AIR CONDITIONING CONDENSER .....	90-7	4C9	BAFFLE, HOOD .....
4D13	AIR CONDITIONING EVAPORATOR .....	90-10	1C16	BAFFLES, RADIATOR, KIT .....
4D11	AIR CONDITIONING THERMOSTAT .....	90-8	3F12	BALL, IMPLEMENT HITCH .....
4D13	AIR CONDITIONING THERMOSTAT SWITCH.....	90-10	4C5	BATTERY BOX (DIESEL) .....
1F8	AIR FILTER.....	30-59	4B24	BATTERY BOX (LESS ROLL-GARD) .....
1D4	AIR INTAKE (DIESEL) .....	30-3	4C7	BATTERY BOX (RG AND SGB) .....
1D10	AIR INTAKE PIPE (DIESEL) .....	30-9	4C1	BATTERY BOX (ROLL-GARD) .....
1D9	AIR INTAKE PIPE (GASOLINE) .....	30-8	2B13	BATTERY CABLE (GASOLINE) .....
4D16	AIR LOUVER .....	90-13	2B12	BATTERY CABLES (DIESEL) .....
4D16	AIR LOUVER PANEL.....	90-13	2B13	BATTERY CABLES (GASOLINE) .....
4D15	AIR LOUVER, SOUND-GARD BODY .....	90-12	4C5	BATTERY CLAMPS (DIESEL).....
1D3	AIR STACK.....	30-2	4B24	BATTERY CLAMPS (LESS ROLL-GARD) .....
4B4	AJUSTABLE TREAD FRONT AXLE .....	80-3	4C7	BATTERY CLAMPS (RG AND SGB) .....
2C6	ALTERNATOR (EARLY DESIGN) .....	40-30	4C1	BATTERY CLAMPS (ROLL-GARD).....
2C4	ALTERNATOR BELT .....	40-28	2B14	BATTERY, STORAGE .....
2C8	ALTERNATOR BRUSHES .....	40-32	1B24	BEARING CAP .....
2C6	ALTERNATOR BRUSHES (EARLY DESIGN).....	40-30	1B17	BEARING, CONNECTING ROD .....
2C6	ALTERNATOR FAN (EARLY DESIGN).....	40-30	4D7	BELT, COMPRESSOR.....
2C8	ALTERNATOR FAN (LATE DESIGN) .....	40-32	1C18	BELT, FAN .....
2E7	ALTERNATOR GAUGE .....	40-84	2C4	BELT, FAN AND ALTERNATOR DRIVE.....
2C4	ALTERNATOR MOUNTING BRACKET.....	40-28	4E7	BELT, SEAL (W/O HI CROP) .....
2C8	ALTERNATOR PARTS (LATE DESIGN).....	40-32	4E17	BELT, SEAT .....
2C4	ALTERNATOR PULLEY.....	40-28	4E24	BELT, SEAT (SOUND-GARD BODY) .....
2C6	ALTERNATOR REGULATOR (EARLY DESIGN) .....	40-30	4E3	BELT, SEAT (TWO-POST ROLL-GARD) .....
2E11	ANALOG TACHOMETER.....	40-88	4E18	BELT, SEAT FOUR-POST (ROLL-GARD) .....
2F3	ANTENNA BRACKET, CB RADIO.....	40-106	2H9	BEVEL GEAR, DIFFERENTIAL .....
2F1	ANTENNA KIT, RADIO.....	40-104	2J11	BEVEL GEAR, DIFFERENTIAL .....
2E25	ANTENNA, FENDER MOUNTED .....	40-103	2J12	BEVEL GEAR, DIFFERENTIAL .....
2E21	ANTENNA, RADIO KIT.....	40-98	2H9	BEVEL PINION, DIFFERENTIAL.....
2I17	ARM SHIFTER .....	50-47	2J11	BEVEL PINION, DIFFERENTIAL.....
3E18	ARM, LIFT.....	70-37	2J12	BEVEL PINION, DIFFERENTIAL.....
3F8	ARM, LOAD CONTROL .....	70-51	4D16	BEZEL, AIR LOUVER .....
3H11	ARM, REMOTE CYLINDER TRANSPORT .....	70-102	4C21	BI-LINGUAL DECAL KIT .....
1B7	ARM, ROCKER.....	20-6	2F9	BLADE, WINDSHIELD WIPER .....
3E18	ARM, ROCKSHAFT CRANK .....	70-37	2F11	BLADE, WINDSHIELD WIPER .....
2I2	ARM, SHIFTER.....	50-32	1B10	BLOCK, CYLINDER .....
2I6	ARM, SHIFTER GEAR.....	50-36	3F21	BLOCK, SWAY CONTROL .....
2I4	ARM, SHIFTER SHAFT (LATE DESIGN) .....	50-34	2H11	BLOCKERS, TRANSMISSION .....
3B18	ARM, STEERING .....	60-16	2H13	BLOCKERS, TRANSMISSION (LATE DESIGN).....
3C11	ARM, STEERING .....	60-34	4D24	BLOWER FILTER CAPACITOR KIT .....
4B3	ARM, STEERING .....	80-1	4D25	BLOWER MOTOR RESISTOR .....
4B7	ARM, STEERING .....	80-6	4D16	BLOWER SWITCH .....
2F9	ARM, WINDSHIELD WIPER .....	40-111A	4D20	BLOWER, PRESSURIZER.....
2F11	ARM, WINDSHIELD WIPER .....	40-111C	4D18	BLOWER, PRESSURIZER (EARLY DESIGN) .....
2C24	ARMATURE, STARTER (DELCO-REMY) (DIESEL).....	40-50	4D22	BLOWER, PRESSURIZER, SOUND-GARD BODY .....
2C12	ARMATURE, STARTER (GASOLINE).....	40-36	4E11	BODY, FOUR-POST ROLL-GARD .....
2D5	ARMATURE, STARTER (JOHN DEERE) (DIESEL).....	40-56	4F13	BODY, REPLACEMENT SOUND-GARD.....
4F1	ARMREST, SEAT (SOUND-GARD BODY).....	90-48	4F7	BODY, SOUND-GARD .....
2I7	ARMS, SHIFTER SHAFT (LATE DESIGN).....	50-37	2G22	BOOT, CLUTCH PEDAL .....
			4H18	BOOT, SHIFTER ROD.....

# 1A12

4030 TRACTOR

## ALPHABETICAL INDEX - CONTINUED

GRID		PAGE	GRID		PAGE
4C5	BOX, BATTERY (DIESEL).....	80-28	2E17	CAPACITOR, RADIO NOISE SUPPRESSOR.....	40-94
4B24	BOX, BATTERY (LESS ROLL-GARD).....	80-22	1D20	CARBURETOR.....	30-20
4C7	BOX, BATTERY (RG AND SGB).....	80-30	1D21	CARBURETOR.....	30-21
4C1	BOX, BATTERY (ROLL-GARD).....	80-24	1D22	CARBURETOR.....	30-21A
4H21	BOX, TOOL.....	90-119	1D24	CARBURETOR REPAIR KIT.....	30-21C
4C3	BRACE, PLATFORM EXTENSION.....	80-26	1D24	CARBURETOR, REPLACEMENT.....	30-21C
4G1	BRACKET CONTROL SUPPORT.....	90-73	2H23	CARRIER, PLANET PINION.....	50-28
2F3	BRACKET, CB RADIO ANTENNA.....	40-106	2J16	CARRIER, PLANET PINION.....	50-70
2F3	BRACKET, CB RADIO MOUNTING.....	40-106	2H17	CARRIER, PLANET PINION (CREEPER).....	50-22
2F21	BRACKET, ELECTRICAL REMOTE CONTROL.....	40-117	2H25	CARRIER, PLANET PINION (CREEPER).....	50-30
2E17	BRACKET, FENDER.....	40-94	2G23	CASE COVER.....	50-3
4B3	BRACKET, FRONT AXLE PIVOT.....	80-1	2H7	CASE, TRANSMISSION.....	50-12
4G2	BRACKET, SOUND-GARD BODY ROOF.....	90-74	4B15	CAST DISK WHEELS.....	80-12
1E1	BRACKET, WATER SEPARATOR.....	30-22	2F3	CB RADIO MOUNTING KIT.....	40-106
2F9	BRACKET, WINDSHIELD WIPER.....	40-111A	3F12	CENTER LINK.....	70-56
2F11	BRACKET, WINDSHIELD WIPER.....	40-111C	3F13	CENTER LINK KIT.....	70-57
2E9	BRACKET,RADAR SENSOR.....	40-86	3H24	CHAIN, IMPLEMENT SAFETY.....	70-113
4D10	BRACKETS, CONDENSER MOUNTING.....	90-7	4C25	CHART, GROUND SPEED.....	80-46
3C9	BRACKETS, FRONT STEERING OIL LINES.....	60-32	2E6	CIGAR LIGHTER.....	40-83
4E9	BRACKETS, MOUNTING (ROLL-GARD).....	90-30	2B17	CIRCUIT BREAKER (LESS SGB)(EARLY DESIGN).....	40-14
3D1	BRAKE ACCUMULATOR.....	60-50	2B18	CIRCUIT BREAKER (LESS SGB)(EARLY DESIGN).....	40-15
3C15	BRAKE FACING.....	60-38	2B19	CIRCUIT BREAKER (SGB) (EARLY DESIGN).....	40-17
3C16	BRAKE FACING.....	60-39	2B20	CIRCUIT BREAKER (SGB) (LATE DESIGN).....	40-18
3C25	BRAKE OIL LINES (LOWER).....	60-49	2B22	CIRCUIT BREAKER SUPPORT KIT.....	40-21
3C24	BRAKE OIL LINES (REAR).....	60-48	2G1	CIRCUIT BREAKER, ELECTRICAL OUTLET.....	40-122
3C25	BRAKE OIL LINES (RETURN).....	60-49	2G4	CIRCUIT BREAKER, SUPPLEMENTARY WIRING.....	40-126
3C22	BRAKE OIL LINES (UPPER).....	60-46	4C5	CLAMP, BATTERY (DIESEL).....	80-28
3C20	BRAKE PEDALS.....	60-44	4B24	CLAMP, BATTERY (LESS ROLL-GARD).....	80-22
2H21	BRAKE PISTON HOUSING.....	50-26	4C7	CLAMP, BATTERY (RG AND SGB).....	80-30
3C16	BRAKE PLATE.....	60-39	4C1	CLAMP, BATTERY (ROLL-GARD).....	80-24
3C15	BRAKE PLATES.....	60-38	3I3	CLEAN-UP KIT, HYDRAULIC OIL.....	70-117
3C17	BRAKE VALVE.....	60-40	1D5	CLEANER, DRY AIR.....	30-4
3C19	BRAKE VALVE OVERHAUL KIT.....	60-43	1D7	CLEANER, DRY AIR (LATE DESIGN).....	30-6
2H19	BRAKE, PISTON HOUSING (QUAD-RANGE).....	50-24	2E7	CLUSTER GAUGE.....	40-84
3H1	BREAKAWAY COUPLER.....	70-92	2G24	CLUTCH CONTROL, PTO.....	50-5
3H5	BREAKAWAY COUPLER (ISO CONVERSION KIT).....	70-96	2G24	CLUTCH DISK (PERMA-CLUTCH).....	50-5
3H4	BREAKAWAY COUPLER (ISO).....	70-95	2H21	CLUTCH DRUM.....	50-26
3H3	BREAKAWAY COUPLER OVERHAUL KIT.....	70-94	2H19	CLUTCH DRUM (QUAD-RANGE).....	50-24
2B20	BREAKER CIRCUIT (SGB) (LATE DESIGN).....	40-18	2G21	CLUTCH HOUSING.....	50-1
2B19	BREAKER, CIRCUIT (SGB) (EARLY DESIGN).....	40-17	2H1	CLUTCH OPERATING PISTON HOUSING.....	50-6
2F23	BREAKER, CIRCUIT, REMOTE CONTROL.....	40-119	2G22	CLUTCH PEDAL.....	50-2
2G1	BREAKER, ELECTRICAL OUTLET CIRCUIT.....	40-122	2H1	CLUTCH SHAFT.....	50-6
2B17	BREAKER,CIRCUIT (LESS SGB)(EARLY DESIGN).....	40-14	4D4	CLUTCH, COMPRESSOR.....	90-1
2B18	BREAKER,CIRCUIT (LESS SGB)(EARLY DESIGN).....	40-15	2I8	CLUTCH, CONTROL, TRANSMISSION.....	50-38
2C8	BRUSHES, ALTERNATOR.....	40-32	2H3	CLUTCH, OIL PRESSURE VALVE HOUSING.....	50-8
3I1	BULK FLEXIBLE OIL LINE.....	70-115	2H4	CLUTCH, OIL PRESSURE VALVE HOUSING.....	50-9
3F9	BUSHING KIT, LOAD CONTROL SHAFT.....	70-53	4D4	COIL, COMPRESSOR.....	90-1
1B17	BUSHING, PISTON.....	20-14	2C1	COIL, DISTRIBUTOR.....	40-25
2C18	BYPASS STARTER LABEL.....	40-42	2D6	COIL, STARTER (JOHN DEERE) (DIESEL).....	40-57
2D4	BYPASS, STARTER LABEL.....	40-55	1F6	COLD WEATHER STARTING AID (ELECTRIC).....	30-57
			1F4	COLD WEATHER STARTING AID (ELECTRICAL).....	30-55
			1F1	COLD WEATHER STARTING AID (MANUAL).....	30-51
			1F5	COLD WEATHER STARTING AID (MANUAL).....	30-56
			2H9	COLLAR, SYNCHRONIZE DRIVE.....	50-14
			2C14	COMMUTATOR END FRAME (GASOLINE).....	40-38
			2D7	COMMUTATOR END FRAME, STARTER (JOHN DEERE) (DIESEL).....	40-58
			4D4	COMPRESSOR.....	90-1
			4D11	COMPRESSOR SERVICE VALVE.....	90-8
			4D5	COMPRESSOR,AIR CONDITIONING(EARLY MODEL).....	90-2
			4D10	CONDENSER.....	90-7
			1B17	CONNECTING ROD BEARINGS.....	20-14
			1B17	CONNECTING RODS.....	20-14
			2G8	CONNECTORS, ELECTRICAL, DEUTSCH.....	40-131
			2G6	CONNECTORS, ELECTRICAL, WEATHERPACK.....	40-128
			3D25	CONNECTORS, HYDRAULIC PUMP.....	70-18

### C

2B12	CABLE, BATTERY (DIESEL).....	40-8
2B13	CABLE, BATTERY (GASOLINE).....	40-9
1E24	CABLE, SPEED CONTROL.....	30-48
4H12	CABLE, SPEED-HOUR METER.....	90-110
1B7	CAMSHAFT.....	20-6
1B7	CAMSHAFT GEAR.....	20-6
4E13	CANOPY, FOUR-POST ROLL-GARD.....	90-34
4E5	CANOPY, TWO-POST ROLL-GARD.....	90-28
1D3	CAP, AIR STACK.....	30-2
1D15	CAP, FUEL FILLER (DIESEL).....	30-14
1D14	CAP, FUEL FILLER (GASOLINE).....	30-13
1C13	CAP, RADIATOR.....	20-38
4D22	CAPACITOR, BLOWER MOTOR FILTER.....	90-20

# 1A13

4030 TRACTOR

## ALPHABETICAL INDEX - CONTINUED

GRID		PAGE	GRID		PAGE
2G9	CONNECTORS,ELECTRICAL .....	40-132	1C2	COVER, TIMING GEAR (DIESEL) .....	20-25
2G11	CONNECTORS,ELECTRICAL .....	40-134	2G23	COVER, TRANSMISSION, FRONT .....	50-3
2G13	CONNECTORS,ELECTRICAL .....	40-136	3E13	COVER, TRANSMISSION, REAR (LESS RS) .....	70-32
2E4	CONSOLE LIGHT HOUSING, FOUR-POST ROLL-GA RD.....	40-81	4G14	COVER, WARNING LAMP OPENING.....	90-87
2E4	CONSOLE LIGHT, FOUR-POST ROLL-GARD.....	40-81	4H10	COWL .....	90-108
4H14	CONSOLE, ROCKSHAFT AND SELECTIVE CONTROL ....	90-112	3E18	CRANK, ROCKSHAFT ARM .....	70-37
2G9	CONTAINER,ELECTRICAL PARTS.....	40-132	1B22	CRANKSHAFT .....	20-20
4H14	CONTROL LEVER CONSOLE.....	90-112	2I9	CREEPER CONTROL RODS .....	50-39
2I22	CONTROL LEVERS (SYNCRO-RANGE) .....	50-52	4E17	CUSHION, SEAT .....	90-38
3F3	CONTROL LINKAGE, ROCKSHAFT (LATE DESIGN) .....	70-46	4E17	CUSHION, SEAT BACK.....	90-38
4D15	CONTROL PANEL, SOUND-GARD BODY .....	90-12	1B10	CYLINDER BLOCK.....	20-9
4H10	CONTROL SUPPORT .....	90-108	1B5	CYLINDER HEAD .....	20-3
4G1	CONTROL SUPPORT BRACKET .....	90-73	1B16	CYLINDER LINER .....	20-13
4H10	CONTROL SUPPORT COVER .....	90-108	1B21	CYLINDER LINER .....	20-19
4D16	CONTROL VALVE, HEATER.....	90-13	1B20	CYLINDER LINER (DIESEL) .....	20-18
1E23	CONTROL, FOOT SPEED.....	30-47	1B21	CYLINDER LINER SEAL KIT.....	20-19
3F1	CONTROL, LINKAGE, ROCKSHAFT .....	70-44	1B20	CYLINDER LINER SEAL KIT (DIESEL) .....	20-18
3F8	CONTROL, LOAD.....	70-51	3H11	CYLINDER, REMOTE .....	70-102
3F1	CONTROL, LOAD SELECTOR .....	70-44	3H13	CYLINDER, REMOTE (HYDRAULIC STOP).....	70-104
3F3	CONTROL, LOAD SELECTOR (LATE DESIGN) .....	70-46	3H18	CYLINDER, REMOTE (MECHANICAL STOP) .....	70-108
2I1	CONTROL, PTO CLUTCH.....	50-31	3H17	CYLINDER, REMOTE, OVERHAUL KIT .....	70-107
3F1	CONTROL, ROCKSHAFT .....	70-44	3B5	CYLINDER, STEERING VALVE .....	60-3
3F5	CONTROL, ROCKSHAFT LEVER .....	70-48			
2I8	CONTROL, TRANSMISSION SHIFTER .....	50-38		D	
2I10	CONTROL, TRANSMISSION SHIFTER .....	50-40	4H12	DASH ASSEMBLY .....	90-110
3E19	CONTROL, VALVE HOUSING, ROCKSHAFT .....	70-38	4H12	DASH SUPPORT .....	90-110
3E23	CONTROL, VALVE HOUSING, ROCKSHAFT .....	70-42	4C21	DECAL KIT (BI-LINGUAL) .....	80-42
2G3	CONVENIENCE ELECTRICAL OUTLET SOCKET.....	40-124	4C23	DECAL REFINISHING KIT .....	80-44
3H15	CONVERSION KIT, REMOTE CYLINDER .....	70-106	1C17	DEFLECTOR, FAN BLAST .....	20-42
1B4	COOLANT,ENGINE .....	20-2	4E19	DELUXE SEAT SUPPORT .....	90-40
1C7	COOLER, ENGINE OIL (EARLY DESIGN).....	20-31	4B15	DEMOUNTABLE RIMS.....	80-12
1C8	COOLER, ENGINE OIL (LATE DESIGN) .....	20-32	4B17	DEMOUNTABLE RIMS.....	80-14
3E8	COOLER, HYDRAULIC OIL.....	70-27	2G8	DEUTSCH TERMINALS AND CONNECTORS .....	40-131
4D16	COOLING TEMPERATURE SWITCH .....	90-13	3H9	DIAGNOSTIC RECEPTACLE .....	70-100
2H10	COUNTERSHAFT.....	50-15	2H9	DIFFERENTIAL DRIVE SHAFT .....	50-14
3H7	COUPLER OVERHAUL KIT (ISO).....	70-98	2J11	DIFFERENTIAL DRIVE SHAFT .....	50-65
3H1	COUPLER, BREAKAWAY .....	70-92	2J12	DIFFERENTIAL DRIVE SHAFT .....	50-66
3H5	COUPLER, BREAKAWAY (ISO CONVERSION KIT) .....	70-96	2J14	DIFFERENTIAL LOCK OIL PIPES .....	50-68
3H4	COUPLER, BREAKAWAY (ISO) .....	70-95	2J15	DIFFERENTIAL LOCK PEDAL .....	50-69
3H10	COUPLER, FLEXIBLE OIL LINE .....	70-101	2J15	DIFFERENTIAL LOCK RELEASE LINK .....	50-69
3F17	COUPLER, IMPLEMENT QUICK (HEAVY-DUTY) .....	70-62	2J13	DIFFERENTIAL LOCK VALVE.....	50-67
3F15	COUPLER, IMPLEMENT QUICK (REGULAR) .....	70-60	2B10	DIMMER SWITCH .....	40-6
3H5	COUPLER, ISO CONVERSION KIT .....	70-96	2D21	DIMMER SWITCH .....	40-73
3E1	COUPLER, MAIN PUMP DRIVE .....	70-19	1C10	DIPSTICK, ENGINE .....	20-35
3H20	COUPLER, OUTLET, AUXILIARY .....	70-110	3E15	DIPSTICK, TRANSMISSION .....	70-34
3G3	COUPLER, POWER WEIGHT TRANSFER HITCH .....	70-70	3E13	DIPSTICK, TRANSMISSION (LESS RS).....	70-32
3F19	COUPLER, QUICK, THREE-POINT HITCH .....	70-63A	3C15	DISK, BRAKE .....	60-38
3I1	COUPLINGS, REUSABLE LOK-PIN .....	70-115	2G24	DISK, CLUTCH (PTO) .....	50-5
4H14	COVER, CONSOLE .....	90-112	2H11	DISK, TRANSMISSION SYNCHRONIZER .....	50-16
4H10	COVER, CONTROL SUPPORT.....	90-108	2C2	DISTRIBUTOR .....	40-26
3H9	COVER, DUST (DIAGNOSTIC RECEPTACLE) .....	70-100	2C1	DISTRIBUTOR, COIL .....	40-25
3H10	COVER, DUST, BREAKAWAY COUPLER .....	70-101	2E3	DOME LIGHT (EARLY DESIGN).....	40-80
3H1	COVER, DUST, COUPLER .....	70-92	2E4	DOME LIGHT (LATE DESIGN) .....	40-81
1D13	COVER, EXHAUST MUFFLER .....	30-12	4F19	DOOR HANDLE, SOUND-GARD BODY.....	90-66
1E6	COVER, GOVERNOR HOUSING .....	30-28	4F21	DOOR HANDLE, SOUND-GARD BODY.....	90-68
4G10	COVER, PRESSURIZER (REPLACEMENT).....	90-82	4F23	DOOR HANDLE, SOUND-GARD BODY (LATE DESIGN).....	90-70
2J3	COVER, RETURN PORT.....	50-57	4F17	DOOR KIT, SOUND-GARD BODY .....	90-64
1B6	COVER, ROCKER ARM .....	20-5	4F17	DOOR LATCH, AUTOMOTIVE .....	90-64
3E15	COVER, ROCKSHAFT HOUSING .....	70-34	4F19	DOOR STOP .....	90-66
3E17	COVER, ROCKSHAFT PISTON .....	70-36	4F25	DOOR, SOUND-GARD BODY SERVICE .....	90-72
3F7	COVER, SELECTIVE CONTROL .....	70-50	4F15	DOORS, SOUND-GARD BODY.....	90-62
2D4	COVER, STARTER SOLENOID (JOHN DEERE).....	40-55	4B22	DOUBLE FRONT WEIGHT .....	80-19
3B9	COVER, STEERING VALVE .....	60-7	3F14	DRAFT LINKS.....	70-59
3B6	COVER, STEERING VALVE CYLINDER .....	60-4	3F23	DRAWBAR CLEVIS PIN KIT .....	70-66
1C1	COVER, TIMING GEAR.....	20-24			

# 1A14

4030 TRACTOR

## ALPHABETICAL INDEX - CONTINUED

GRID	PAGE	GRID	PAGE			
3F24	DRAWBAR FRONT SUPPORT .....	70-67	1C2	ENGINE OIL PRESSURE RELIEF VALVE(DIESEL) .....	20-25	
3F21	DRAWBAR, REGULAR .....	70-64	2B10	ENGINE OIL PRESSURE SENDER .....	40-6	
3G1	DRAWBAR, WIDE SWING.....	70-68	1C4	ENGINE OIL PUMP .....	20-28	
3E1	DRIVE, HYDRAULIC PUMP.....	70-19	1C5	ENGINE OIL PUMP (LATE DESIGN) .....	20-29	
2H19	DRUM, CLUTCH (QUAD-RANGE).....	50-24	1C6	ENGINE OIL PUMP KIT.....	20-30	
2H21	DRUM, HI-LO CLUTCH .....	50-26	1C22	ENGINE OVERHAUL GASKET KIT .....	20-48	
2H11	DRUM, SYNCHRONIZER.....	50-16	2B10	ENGINE WIRING .....	40-6	
2H13	DRUM, SYNCHRONIZER (LATE DESIGN).....	50-18	1F2	ETHER STARTING AID .....	30-52	
2E14	DUAL HORN.....	40-91	4E1	EVAPORATOR .....	90-24	
2E15	DUAL HORN.....	40-92	4D13	EVAPORATOR, AIR CONDITIONING .....	90-10	
4B17	DUAL REAR WHEELS.....	80-14	1D12	EXHAUST MANIFOLD (DIESEL).....	30-11	
3H10	DUST COVER, BREAKAWAY COUPLER.....	70-101	1D11	EXHAUST MANIFOLD (GASOLINE) .....	30-10	
3H1	DUST COVER, COUPLER.....	70-92	1D3	EXHAUST PIPE, AIR STACK .....	30-2	
<b>E</b>				1B7	EXHAUST VALVE .....	20-6
3D24	ELECTRIC DESTROKE SOLENOID .....	70-17A	4C9	EXTENSION, HOOD.....	80-32	
2E14	ELECTRIC HORN.....	40-91	1D13	EXTENSION, MUFFLER .....	30-12	
2E15	ELECTRIC HORN.....	40-92	4H4	EXTENSION, PLATFORM .....	90-101	
2D22	ELECTRIC REMOTE CONTROLLED SPOTLIGHT .....	40-74	4B11	EXTENSION, SPINDLE FRONT WHEEL .....	80-10	
2G17	ELECTRICAL CONNECTOR AND TERMINAL KIT .....	40-140	4B10	EXTENSION, SPINDLE, FRONT WHEEL.....	80-9	
2G9	ELECTRICAL CONNECTORS .....	40-132	4H23	EXTINGUISHER, FIRE.....	90-121	
2G11	ELECTRICAL CONNECTORS .....	40-134	<b>F</b>			
2G13	ELECTRICAL CONNECTORS .....	40-136	3C15	FACING, BRAKE .....	60-38	
2G8	ELECTRICAL CONNECTORS, DEUTSCH .....	40-131	3C16	FACING, BRAKE .....	60-39	
2G9	ELECTRICAL CRIMPING TOOL .....	40-132	1C18	FAN BELT.....	20-43	
2G1	ELECTRICAL OUTLET CIRCUIT BREAKER .....	40-122	2C4	FAN BELT .....	40-28	
2G1	ELECTRICAL OUTLET PLUG .....	40-122	1C17	FAN BLAST DEFLECTOR .....	20-42	
2G3	ELECTRICAL OUTLET SOCKET .....	40-122	1C13	FAN SHROUD .....	20-38	
2G3	ELECTRICAL OUTLET SOCKET (SGB).....	40-124	2C8	FAN, ALTERNATOR (LATE DESIGN).....	40-32	
2G2	ELECTRICAL OUTLET SOCKET, 7-TERMINAL.....	40-123	2E25	FENDER MOUNTED ANTENNA .....	40-103	
2G9	ELECTRICAL PARTS CONTAINER .....	40-132	4C12	FENDERS .....	80-35	
2F21	ELECTRICAL REMOTE CONTROL .....	40-117	4H19	FENDERS, FRONT .....	90-117	
2F21	ELECTRICAL REMOTE CONTROL BRACKETS .....	40-117	2J3	FILTER COVER, TRANSMISSION OIL.....	50-57	
2F22	ELECTRICAL REMOTE CONTROL KIT .....	40-118	2I25	FILTER ELEMENT, TRANSMISSION OIL.....	50-55	
2F21	ELECTRICAL REMOTE CONTROL SWITCH.....	40-117	1F8	FILTER, AIR .....	30-59	
2F23	ELECTRICAL REMOTE CONTROL WIRING .....	40-119	1F8	FILTER, AIR CLEANER .....	30-59	
2F24	ELECTRICAL REMOTE CONTROL WIRING KIT.....	40-120	1F8	FILTER, ENGINE .....	30-59	
2F23	ELECTRICAL REMOTE CONTROL WIRING RELAY.....	40-119	1C10	FILTER, ENGINE OIL.....	20-35	
2G9	ELECTRICAL TERMINALS .....	40-132	1E17	FILTER, FUEL (DIESEL) .....	30-40	
2G11	ELECTRICAL TERMINALS .....	40-134	1F8	FILTER, FUEL (DIESEL) .....	30-59	
2G13	ELECTRICAL TERMINALS .....	40-136	1D17	FILTER, FUEL (GASOLINE) .....	30-16	
2G6	ELECTRICAL TERMINALS AND CONNECTORS, WEATHERPACK .....	40-128	1F8	FILTER, FUEL (GASOLINE) .....	30-59	
2G8	ELECTRICAL TERMINALS, DEUTSCH.....	40-131	1F8	FILTER, TRANSMISSION .....	30-59	
2G17	ELECTRICAL TOOLS.....	40-140	2I25	FILTER, TRANSMISSION OIL.....	50-55	
2G9	ELECTRICAL WIRING .....	40-132	4D17	FILTERS, PRESSURIZER .....	90-15	
2G11	ELECTRICAL WIRING .....	40-134	2J16	FINAL DRIVE SHAFT AND SUN PINION.....	50-70	
2G13	ELECTRICAL WIRING .....	40-136	4H23	FIRE EXTINGUISHER .....	90-121	
2I25	ELEMENT, OIL FILTER, TRANSMISSION .....	50-55	3B20	FIXED STEERING .....	60-19	
4H22	EMBLEM, SLOW MOVING VEHICLE .....	90-120	3B4	FIXED STEERING (EARLY DESIGN) .....	60-2	
3B3	EMBLEM, STEERING WHEEL .....	60-1	2B17	FLASHER, WARNING LAMP (LESS SGB) (EARLY DESIGN).....	40-14	
3B23	EMBLEM, STEERING WHEEL .....	60-22	2B18	FLASHER, WARNING LAMP (LESS SGB) (EARLY DESIGN).....	40-15	
2D7	END FRAME, STARTER COMMUTATOR (JOHN DEERE) (DIESEL) .....	40-58	2B20	FLASHER,WARNING LAMP (SGB) (LATE DESIGN).....	40-18	
4B7	END, TIE ROD .....	80-6	2B19	FLASHER,WARNING LAMP (SGB)(EARLY DESIGN) .....	40-17	
1B13	ENGINE BASIC OVERHAUL KIT .....	20-11A	3H10	FLEXIBLE OIL LINE COUPLER .....	70-101	
1B4	ENGINE COOLANT .....	20-2	2D18	FLOOD LAMPS .....	40-70	
1C25	ENGINE COOLANT HEATER .....	20-51	2D12	FLOOD LAMPS (LESS SGB OR RG).....	40-64	
1F8	ENGINE FILTER.....	30-59	2B8	FLOOD LAMPS (REPLACEMENT SGB).....	40-4	
1B9	ENGINE FRONT PLATE .....	20-8	2D14	FLOOD LAMPS (ROLL-GARD) .....	40-66	
1B3	ENGINE OIL .....	20-1	2D16	FLOOD LAMPS (SOUND-GARD BODY) .....	40-68	
1C7	ENGINE OIL COOLER (EARLY DESIGN) .....	20-31	2B6	FLOOD LAMPS (SOUND-GARD BODY)(ROLL-GARD) .....	40-2	
1C8	ENGINE OIL COOLER (LATE DESIGN).....	20-32	4H4	FLOOR MAT .....	90-101	
1C10	ENGINE OIL FILTER .....	20-35	1F6	FLUID, STARTING (ELECTRIC) .....	30-57	
1C1	ENGINE OIL PRESSURE RELIEF VALVE .....	20-24	1F5	FLUID, STARTING (MANUAL).....	30-56	



# 1A16

4030 TRACTOR

## ALPHABETICAL INDEX - CONTINUED

GRID		PAGE	GRID		PAGE
2E15	HORN, ELECTRIC .....	40-92		I	
1D10	HOSE, AIR INTAKE (DIESEL).....	30-9			
1D9	HOSE, AIR INTAKE (GASOLINE) .....	30-8	1B22	IDLER GEAR, CRANKSHAFT .....	20-20
1C13	HOSE, RADIATOR .....	20-38	2E6	IGNITION SWITCH.....	40-83
3H11	HOSE, REMOTE CYLINDER.....	70-102	3H25	IMPLEMENT HYDRAULIC OIL LINES .....	70-114
3C5	HOSES STEERING OIL (REAR).....	60-28	3F17	IMPLEMENT QUICK COUPLER (HEAVY-DUTY).....	70-62
4E1	HOSES, HEATER.....	90-24	3F15	IMPLEMENT QUICK COUPLER (REGULAR).....	70-60
3C5	HOSES, OIL, STEERING (REAR).....	60-28	3H24	IMPLEMENT SAFETY CHAIN .....	70-113
2H21	HOUSING, BRAKE PISTON .....	50-26	2E7	INDICATOR LAMPS .....	40-84
2H19	HOUSING, BRAKE PISTON (QUAD-RANGE) .....	50-24	1E19	INJECTION NOZZLE .....	30-42
1D20	HOUSING, CARBURETOR .....	30-20	1E18	INJECTION NOZZLE, FUEL .....	30-41
2G21	HOUSING, CLUTCH.....	50-1	1E3	INJECTION PUMP .....	30-25
2H1	HOUSING, CLUTCH OPERATING PISTON .....	50-6	1E21	INJECTION PUMP FUEL SHUT-OFF .....	30-45
2E4	HOUSING, CONSOLE LIGHT, FOUR-POST ROLL-G ARD .....	40-81	1E15	INJECTION PUMP GASKET OVERHAUL KIT .....	30-38
2J11	HOUSING, DIFFERENTIAL .....	50-65	1E3	INJECTOR NOZZLE.....	30-25
2J12	HOUSING, DIFFERENTIAL .....	50-66	1C3	INLET, OIL FILLER, ENGINE .....	20-27
2J13	HOUSING, DIFFERENTIAL LOCK VALVE .....	50-67	4G6	INNER ROOF .....	90-78
1B25	HOUSING, FLYWHEEL .....	20-23	4G8	INNER ROOF, SOUND-GARD BODY.....	90-80
1E6	HOUSING, FUEL INJECTION PUMP .....	30-28	2D24	INSTALLATION KIT, SPOTLIGHT .....	40-76
1C4	HOUSING, OIL PUMP, ENGINE .....	20-28	4H12	INSTRUMENT PANEL .....	90-110
1C5	HOUSING, OIL PUMP, ENGINE (LATE DESIGN) .....	20-29	2E7	INSTRUMENT PANEL AND INSTRUMENTS .....	40-84
2H3	HOUSING, PRESSURE REGULATING VALVE .....	50-8	2B10	INSTRUMENT PANEL WIRING.....	40-6
2H4	HOUSING, PRESSURE REGULATING VALVE .....	50-9	1D4	INTAKE MANIFOLD (DIESEL).....	30-3
4D22	HOUSING, PRESSURIZER BLOWER.....	90-20	1D11	INTAKE MANIFOLD (GASOLINE) .....	30-10
2J16	HOUSING, REAR AXLE.....	50-70	1B7	INTAKE VALVE .....	20-6
3E15	HOUSING, ROCKSHAFT .....	70-34	3H5	ISO COUPLER CONVERSION KIT.....	70-96
3E19	HOUSING, ROCKSHAFT CONTROL VALVE .....	70-38	3H7	ISO COUPLER OVERHAUL KIT .....	70-98
3E23	HOUSING, ROCKSHAFT CONTROL VALVE .....	70-42	3H5	ISO COUPLER RECEPTACLE .....	70-96
3G9	HOUSING, SCV (EARLY DESIGN).....	70-77	3H5	ISO TO JOHN DEERE COUPLER CONVERSION .....	70-96
3G12	HOUSING, SCV (LATE MODEL).....	70-80		K	
3G7	HOUSING, SELECTIVE CONTROL VALVE .....	70-74	2B10	KEY SWITCH .....	40-6
3H1	HOUSING, SELECTIVE CONTROL VALVE .....	70-92	2E6	KEY SWITCH .....	40-83
2D5	HOUSING, STARTER DRIVE (JOHN DEERE) (DIESEL).....	40-56	1D3	KIT, AIR STACK.....	30-2
3C11	HOUSING, STEERING MOTOR .....	60-34	2E19	KIT, AM RADIO (MOTOROLA) .....	40-96
1C19	HOUSING, THERMOSTAT.....	20-45	2E20	KIT, AM-FM RADIO (MOTOROLA) .....	40-97
3B18	HOUSING,STEERING MOTOR (ADJUSTABLE AXLE) .....	60-16	2G2	KIT, AUXILIARY ELECTRICAL OUTLET SOCKET .....	40-123
3B17	HOUSING,STEERING MOTOR(CONVERTIBLE AXLE).....	60-15	3H23	KIT, AUXILIARY HYDRAULIC OUTLET .....	70-112
4B10	HUBS, DOUBLE FRONT WHEEL .....	80-9	3H20	KIT, AUXILIARY OUTLET COUPLER .....	70-110
3I4	HYDRAULIC AND TRANSMISSION OIL.....	70-118	1B13	KIT, BASIC ENGINE OVERHAUL .....	20-11A
3G20	HYDRAULIC CONTROL LEVER SUPPORT.....	70-88	4D24	KIT, BLOWER FILTER CAPACITOR.....	90-22
3H9	HYDRAULIC DIAGNOSTIC RECEPTACLE .....	70-100	3C19	KIT, BRAKE VALVE OVERHAUL .....	60-43
3E7	HYDRAULIC OIL ATTENUATOR.....	70-26	3H3	KIT, BREAKAWAY COUPLER OVERHAUL .....	70-94
3E5	HYDRAULIC OIL ATTENUATOR (EARLY DESIGN) .....	70-24	1D24	KIT, CARBURETOR REPAIR .....	30-21C
3I3	HYDRAULIC OIL CLEAN-UP KIT .....	70-117	3F13	KIT, CENTER LINK .....	70-57
3E8	HYDRAULIC OIL COOLER .....	70-27	2B22	KIT, CIRCUIT BREAKER SUPPORT.....	40-21
3E9	HYDRAULIC OIL COOLER RETURN TUBES .....	70-28	3F23	KIT, CLEVIS, DRAWBAR PIN .....	70-66
3H25	HYDRAULIC OIL LINES, IMPLEMENT .....	70-114	1B21	KIT, CYLINDER LINER SEAL .....	20-19
3E2	HYDRAULIC OIL MANIFOLD .....	70-20	1B20	KIT, CYLINDER LINER SEAL (DIESEL).....	20-18
3G6	HYDRAULIC OIL PRESSURE GAUGE.....	70-73	4C23	KIT, DECAL REFINISHING .....	80-44
3E2	HYDRAULIC OIL PRESSURE LINES .....	70-20	3G15	KIT, DIRECTIONAL CONTROL VALVE (DUAL).....	70-83
3E11	HYDRAULIC OIL RESERVOIR .....	70-30	2F22	KIT, ELECTRICAL REMOTE CONTROL .....	40-118
3D8	HYDRAULIC PUMP .....	70-2	2F24	KIT, ELECTRICAL REMOTE CONTROL WIRING .....	40-120
3D7	HYDRAULIC PUMP ASSEMBLY, REPLACEMENT .....	70-1	1C6	KIT, ENGINE OIL PUMP .....	20-30
3E1	HYDRAULIC PUMP DRIVE .....	70-19	1C22	KIT, ENGINE OVERHAUL GASKET .....	20-48
3D14	HYDRAULIC PUMP ELECTRIC DESTROKE KIT.....	70-8	1F7	KIT, ETHER STARTING TUBE .....	30-58
3D22	HYDRAULIC PUMP ELECTRIC DESTROKE KIT.....	70-16	2D18	KIT, FLOOD LAMPS .....	40-70
3D24	HYDRAULIC PUMP ELECTRIC-DESTROKE KIT.....	70-17A	4C11	KIT, FRONT HOOD HANDLE .....	80-34
3D12	HYDRAULIC PUMP OVERHAUL KIT .....	70-6	1C24	KIT, GASKET (DIESEL) .....	20-50
3D20	HYDRAULIC PUMP OVERHAUL KIT .....	70-14	3I3	KIT, HYDRAULIC OIL CLEAN-UP.....	70-117
3D16	HYDRAULIC PUMP REPLACEMENT .....	70-10	3D14	KIT, HYDRAULIC PUMP ELECTRIC DESTROKE .....	70-8
3D10	HYDRAULIC PUMP STROKE CONTROL VALVE .....	70-4	3D22	KIT, HYDRAULIC PUMP ELECTRIC DESTROKE .....	70-16
3D18	HYDRAULIC PUMP STROKE CONTROL VALVE .....	70-12	3D24	KIT, HYDRAULIC PUMP ELECTRIC DESTROKE .....	70-17A
3E10	HYDRAULIC, THERMOSTAT.....	70-29	3D12	KIT, HYDRAULIC PUMP OVERHAUL.....	70-6
			3D20	KIT, HYDRAULIC PUMP OVERHAUL.....	70-14

# 1A17

4030 TRACTOR

## ALPHABETICAL INDEX - CONTINUED

GRID		PAGE	GRID		PAGE
2J1	KIT, INCREASED OIL FILTRATION .....	50-56	2D12	LAMP, FRONT (LESS SGB OR RG) .....	40-64
3F9	KIT, LOAD CONTROL SHAFT BUSHING.....	70-53	2B8	LAMP, FRONT (REPLACEMENT SGB) .....	40-4
2D11	KIT, NEUTRAL START SWITCH.....	40-62	2D14	LAMP, FRONT (ROLL-GARD).....	40-66
3I2	KIT, O-RING .....	70-116	2D16	LAMP, FRONT (SOUND-GARD BODY) .....	40-68
2I20	KIT, OUTBOARD SHIFTER .....	50-50	2E7	LAMP, INDICATOR .....	40-84
1C15	KIT, OVERFLOW .....	20-40	2D12	LAMP, REAR (LESS SGB OR RG).....	40-64
1B21	KIT, PISTON LINER .....	20-19	2B8	LAMP, REAR (REPLACEMENT SGB) .....	40-4
1B20	KIT, PISTON LINER (DIESEL) .....	20-18	2D14	LAMP, REAR (ROLL-GARD) .....	40-66
1B19	KIT, PISTON LINER (GASOLINE).....	20-17	2D16	LAMP, REAR (SOUND-GARD BODY) .....	40-68
1C16	KIT, RADIATOR BAFFLES .....	20-41	2D20	LAMP, TURN SIGNAL .....	40-72
1C15	KIT, RADIATOR OVERFLOW .....	20-40	2B10	LAMP, WARNING.....	40-6
2E21	KIT, RADIO ANTENNA.....	40-98	2D19	LAMP, WARNING (LESS RG OR SGB) .....	40-71
2E17	KIT, RADIO MOUNTING .....	40-94	2D12	LAMP, WARNING (LESS SGB OR RG) .....	40-64
2E21	KIT, RADIO NOISE SUPPRESSION .....	40-98	2B8	LAMP, WARNING (REPLACEMENT SGB).....	40-4
2B23	KIT, RELAY (EARLY DESIGN) .....	40-22	2D14	LAMP, WARNING (ROLL-GARD) .....	40-66
2B24	KIT, RELAY (LATE DESIGN).....	40-23	2B6	LAMP, WARNING (SBG) (RG) .....	40-2
3H15	KIT, REMOTE CYLINDER CONVERSION .....	70-106	2D16	LAMP, WARNING (SOUND-GARD BODY).....	40-68
3H17	KIT, REMOTE CYLINDER OVERHAUL .....	70-107	2B6	LAMPS, FRONT AND REAR (SBG) (RG).....	40-2
3F5	KIT, ROCKSHAFT CONTROL HEIGHT STOP .....	70-48	4F21	LATCH, SOUND-GARD BODY DOOR .....	90-68
3E19	KIT, ROCKSHAFT STABILIZER CONTROL .....	70-38	4F23	LATCH, SOUND-GARD BODY DOOR (LATE DESIGN).....	90-70
3G17	KIT, SELECTIVE CONTROL VALVE (TRIPLE) .....	70-85	3G20	LEVER SUPPORT, HYDRAULIC CONTROL .....	70-88
3G7	KIT, SELECTIVE CONTROL VALVE OVERHAUL .....	70-74	2I8	LEVER, GEAR SHIFT .....	50-38
3G14	KIT, SELECTIVE CONTROL VALVE OVERHAUL .....	70-82	2I10	LEVER, GEARSHIFT (QUAD-RANGE) .....	50-40
2B25	KIT, SERVICE WIRE RESISTANCE .....	40-24	3F1	LEVER, LOAD SELECTOR CONTROL.....	70-44
4F17	KIT, SOUND-GARD BODY DOOR .....	90-64	2I1	LEVER, PTO CLUTCH.....	50-31
4H3	KIT, SOUND-GARD BODY UPHOLSTERY (BLACK).....	90-100	3F5	LEVER, ROCKSHAFT CONTROL .....	70-48
2E23	KIT, SPEAKER .....	40-100	3G18	LEVER, SELECTIVE CONTROL .....	70-86
2E21	KIT, SPEAKERS.....	40-98	2I16	LEVER, SELECTOR, STOP.....	50-46
2C18	KIT, STARTER SOLENOID COVER (DELCO-REMY) .....	40-42	1E24	LEVER, SPEED CONTROL .....	30-48
2D10	KIT, STARTING MOTOR SEALING .....	40-61	3F3	LEVER,LOAD SELECTOR CONTROL(LATE DESIGN) .....	70-46
3B21	KIT, STEERING METERING PUMP .....	60-20	2I22	LEVERS, CONTROL (SYNCRO-RANGE) .....	50-52
3B5	KIT, STEERING PISTON CYLINDER AND VALVE .....	60-3	3B9	LEVERS, STEERING VALVE OPERATING .....	60-7
3B23	KIT, STEERING PUMP ASSEMBLY .....	60-22	3F10	LIFT LINK, HITCH .....	70-54
3B10	KIT, STEERING VALVE CYLINDER OVERHAUL .....	60-8	2B10	LIGHT SWITCH .....	40-6
4C19	KIT, STEPS.....	80-41A	2E6	LIGHT SWITCH .....	40-83
3D10	KIT, STROKE CONTROL VALVE SHUT-OFF .....	70-4	2E3	LIGHT, DOME (EARLY DESIGN) .....	40-80
3D18	KIT, STROKE CONTROL VALVE SHUT-OFF .....	70-12	2E4	LIGHT, DOME (LATE DESIGN).....	40-81
2G4	KIT, SUPPLEMENTARY WIRING .....	40-126	2E6	LIGHTER, CIGAR .....	40-83
2H16	KIT, SYNCHRONIZER REPLACEMENT .....	50-21	1D18	LINE, FUEL (DIESEL) .....	30-17
2E5	KIT, TURN SIGNAL .....	40-82	3E4	LINE, HYDRAULIC PUMP SEAL DRAIN .....	70-23
2G17	KIT,ELECTRICAL CONNECTOR AND TERMINAL.....	40-140	1B16	LINER, CYLINDER .....	20-13
2C11	KIT,STARTER SOLENOID COVER.....	40-35	1B21	LINER, CYLINDER .....	20-19
3G13	KITS, SELECTIVE CONTROL VALVE .....	70-81	1B20	LINER, CYLINDER (DIESEL).....	20-18
4B5	KNEE, FRONT AXLE .....	80-4	3C22	LINES, BRAKE OIL (UPPER) .....	60-46
1E24	KNOB, HAND SPEED CONTROL LEVER .....	30-48	4E1	LINES, HEATER .....	90-24
2I1	KNOB, PTO LEVER .....	50-31	3G6	LINES, HYDRAULIC OIL PRESSURE .....	70-73
3G18	KNOB, SELECTIVE CONTROL .....	70-86	3C24	LINES, OIL, BRAKE (REAR) .....	60-48
4B11	KNUCKLE, ROLL-O-MATIC .....	80-10	3C25	LINES, OIL, BRAKE (RETURN) .....	60-49
4B5	KUNCKLE, FRONT AXLE .....	80-4	3E2	LINES, OIL, HYDRAULIC RETURN .....	70-20
			3E4	LINES, OIL, HYDRAULIC RETURN .....	70-23
			3H25	LINES, OIL, IMPLEMENT HYDRAULIC .....	70-114
			3B12	LINES, OIL, STEERING .....	60-10
			3C9	LINES, OIL, STEERING (CONVERTIBLE AXLE) .....	60-32
			3B16	LINES, OIL, STEERING (FIXED) (REAR).....	60-14
			3B14	LINES, OIL, STEERING (TELESCOPING) .....	60-12
			3C5	LINES, STEERING (REAR) .....	60-28
			3C7	LINES, STEERING OIL (FRONT) .....	60-30
			3B14	LINES,STEERING OIL REAR(SOUND-GARD BODY) .....	60-12
			3F12	LINK, CENTER .....	70-56
			2J15	LINK, DIFFERENTIAL LOCK RELEASE .....	50-69
			3F14	LINK, DRAFT .....	70-59
			1E24	LINKAGE, SPEED CONTROL .....	30-48
			1E22	LINKAGE, SPEED CONTROL (DIESEL).....	30-46
			3F8	LOAD CONTROL .....	70-51
			3F9	LOAD CONTROL SHAFT BUSING KIT .....	70-53
			3F1	LOAD SELECTOR CONTROL.....	70-44

### L

4C9	LABEL .....	80-32
2C18	LABEL, BYPASS STARTER .....	40-42
2D4	LABEL, BYPASS STARTER .....	40-55
2C11	LABEL,STARTER SOLENOID START .....	40-35
4C21	LABELS (BI-LINGUAL).....	80-42
2B10	LAMP AND ENGINE WIRING .....	40-6
2B10	LAMP, CAB.....	40-6
4C12	LAMP, CONSOLE.....	80-35
2D18	LAMP, FLOOD .....	40-70
2D12	LAMP, FLOOD (LESS SGB OR RG) .....	40-64
2B8	LAMP, FLOOD (REPLACEMENT SGB) .....	40-4
2D14	LAMP, FLOOD (ROLL-GARD).....	40-66
2B6	LAMP, FLOOD (SOUND-GARD BODY) .....	40-2
2D16	LAMP, FLOOD (SOUND-GARD BODY) .....	40-68



# 1A18

4030 TRACTOR

## ALPHABETICAL INDEX - CONTINUED

<i>GRID</i>		<i>PAGE</i>	<i>GRID</i>		<i>PAGE</i>
3F3	LOAD SELECTOR CONTROL (LATE DESIGN).....	70-46	3E7	OIL ATTENUATOR.....	70-26
4H24	LOCTITE SEALANT.....	90-122	3E5	OIL ATTENUATOR, HYDRAULIC (EARLY DESIGN).....	70-24
2E23	LOUD SPEAKER, RADIO.....	40-100	1C7	OIL COOLER, ENGINE (EARLY DESIGN).....	20-31
4D15	LOUVER, AIR.....	90-12	1C8	OIL COOLER, ENGINE (LATE DESIGN).....	20-32
4D16	LOUVER, AIR.....	90-13	3E8	OIL COOLER, HYDRAULIC.....	70-27
<b>M</b>					
1B24	MAIN BEARING.....	20-22	1C3	OIL FILLER INLET.....	20-27
2C21	MAIN FRAME, STARTER (DELCO-REMY) (DIESEL).....	40-46	1C5	OIL FILTER BODY, ENGINE (LATE DESIGN).....	20-29
2D1	MAIN FRAME, STARTER (DELCO-REMY) (DIESEL).....	40-52	2J2	OIL FILTER HEATER.....	50-56A
2D6	MAIN FRAME, STARTER (JOHN DEERE) (DIESEL).....	40-57	2J4	OIL FILTER RELIEF VALVE.....	50-58
1B24	MAIN THRUST BEARING.....	20-22	2J3	OIL FILTER RETURN PORT COVER.....	50-57
1D12	MANIFOLD, EXHAUST (DIESEL).....	30-11	1C10	OIL FILTER, ENGINE.....	20-35
1D11	MANIFOLD, EXHAUST (GASOLINE).....	30-10	2J1	OIL FILTRATION KIT.....	50-56
3E2	MANIFOLD, HYDRAULIC OIL.....	70-20	3H10	OIL LINE COUPLER.....	70-101
1D4	MANIFOLD, INTAKE (DIESEL).....	30-3	3I1	OIL LINE, BULK FLEXIBLE.....	70-115
1D11	MANIFOLD, INTAKE (GASOLINE).....	30-10	3E4	OIL LINES AND FITTINGS, RETURN.....	70-23
1C19	MANIFOLD, WATER OUTLET.....	20-45	3C22	OIL LINES, BRAKE (UPPER).....	60-46
4H4	MAT, PLATFORM.....	90-101	3E2	OIL LINES, HYDRAULIC AND FITTINGS.....	70-20
4H16	MAT, PLATFORM.....	90-114	3E9	OIL LINES, HYDRAULIC AND FITTINGS.....	70-28
4H8	MIRROR, OUTSIDE REAR VIEW.....	90-106	3H25	OIL LINES, HYDRAULIC, IMPLEMENT.....	70-114
4H7	MIRROR, REAR VIEW.....	90-105	1B15	OIL PAN.....	20-12
4H9	MIRROR, REAR VIEW.....	90-107	1B15	OIL PAN GASKET.....	20-12
4G17	MOLDINGS, SOUND-GARD BODY GLASS.....	90-90	2J14	OIL PAN OIL PIPES, DIFFERENTIAL LOCK.....	50-68
4D22	MOTOR, PRESSURIZER BLOWER.....	90-20	2B10	OIL PRESSURE SENDER, ENGINE.....	40-6
2C10	MOTOR, STARTING.....	40-34	1C6	OIL PUMP KIT, ENGINE.....	20-30
3C11	MOTOR, STEERING.....	60-34	1C4	OIL PUMP, ENGINE.....	20-28
3B18	MOTOR, STEERING (ADJUSTABLE AXLE).....	60-16	1C5	OIL PUMP, ENGINE (LATE DESIGN).....	20-29
3B17	MOTOR, STEERING (CONVERTIBLE AXLE).....	60-15	2I24	OIL PUMP, TRANSMISSION (QUAD-RANGE).....	50-54
2F5	MOTOR, WINDSHIELD WIPER (R.H.).....	40-108	3E11	OIL RESERVOIR, HYDRAULIC.....	70-30
2F9	MOTOR, WINDSHIELD WIPER.....	40-111A	1B3	OIL, ENGINE.....	20-1
2F11	MOTOR, WINDSHIELD WIPER.....	40-111C	3I4	OIL, HYDRAULIC.....	70-118
2F13	MOTOR, WINDSHIELD WIPER (L.H.).....	40-112	3I4	OIL, TRANSMISSION.....	70-118
2F7	MOTOR, WINDSHIELD WIPER, (R.H.).....	40-110	4C13	OPERATOR SHIELD.....	80-36
2F19	MOTOR, WINDSHIELD WIPER, REAR.....	40-116	4C14	OPERATOR SHIELD.....	80-37
2F20	MOTOR, REAR WINDSHIELD WIPER.....	40-116A	4E23	OPERATOR'S MANUAL HOLDER.....	90-45
4D7	MOUNTING BRACKET, COMPRESSOR.....	90-4	4C9	ORNAMENT, HOOD.....	80-32
4D5	MOUNTING BRACKET, COMPRESSOR (EARLY MODEL).....	90-2	2I20	OUTBOARD SHIFTER KIT.....	50-50
4E9	MOUNTING BRACKETS (ROLL-GARD).....	90-30	1C15	OVERFLOW KIT, RADIATOR.....	20-40
4C9	MOUNTING HANDLE.....	80-32	3H3	OVERHAUL KIT, BREAKAWAY COUPLER.....	70-94
2F3	MOUNTING KIT, CB RADIO.....	40-106	3D12	OVERHAUL KIT, HYDRAULIC PUMP.....	70-6
4D10	MOUNTING, BRACKET, CONDENSER.....	90-7	3D20	OVERHAUL KIT, HYDRAULIC PUMP.....	70-14
4F11	MOUNTING, SOUND-GARD BODY.....	90-58	3H7	OVERHAUL KIT, ISO COUPLER.....	70-98
1D13	MUFFLER.....	30-12	<b>P</b>		
<b>N</b>					
2D11	NEURTAL START SWITCH KIT.....	40-62	1B15	PAN, OIL.....	20-12
2B10	NEUTRAL START SWITCH.....	40-6	4D16	PANEL, AIR LOUVER.....	90-13
2D11	NEUTRAL START SWITCH.....	40-62	4D15	PANEL, CONTROL.....	90-12
4D22	NOISE FILTER CAPACITOR, BLOWER MOTOR.....	90-20	4H12	PANEL, INSTRUMENT.....	90-110
2F4	NOISE SUPPRESSION KIT, WIPER MOTOR.....	40-107	3C20	PEDAL, BRAKE.....	60-44
1E18	NOZZLE, FUEL INJECTION.....	30-41	2G22	PEDAL, CLUTCH.....	50-2
1E19	NOZZLE, FUEL INJECTION.....	30-42	2J15	PEDAL, DIFFERENTIAL LOCK.....	50-69
1E3	NOZZLE, INJECTOR.....	30-25	1E23	PEDAL, FOOT SPEED CONTROL.....	30-47
<b>O</b>					
3C19	O-RING KIT, BRAKE VALVE.....	60-43	2E11	PERFORMANCE TRAK II MINI-MONITOR.....	40-88
3I2	O-RING PACKING KIT.....	70-116	4F4	PERSONAL-POSTURE SEAT SUPPORT.....	90-51
			3F21	PIN, DRAWBAR.....	70-64
			3G1	PIN, DRAWBAR (WIDE SWING).....	70-68
			1B17	PIN, PISTON.....	20-14
			2H9	PINION, BEVEL, DIFFERENTIAL.....	50-14
			2J11	PINION, BEVEL, DIFFERENTIAL.....	50-65
			2J12	PINION, BEVEL, DIFFERENTIAL.....	50-66
			2H11	PINION, HIGH RANGE.....	50-16
			2H13	PINION, HIGH RANGE (LATE DESIGN).....	50-18
			2H11	PINION, LOW RANGE.....	50-16
			2H13	PINION, LOW RANGE (LATE DESIGN).....	50-18
			2J16	PINION, PLANET.....	50-70
			1D10	PIPE, AIR INTAKE (DIESEL).....	30-9

# 1A19

4030 TRACTOR

## ALPHABETICAL INDEX - CONTINUED

<i>GRID</i>		<i>PAGE</i>	<i>GRID</i>		<i>PAGE</i>
1D9	PIPE, AIR INTAKE (GASOLINE) .....	30-8	1E3	PUMP, FUEL INJECTION .....	30-25
1D16	PIPES, FUEL .....	30-15	1D19	PUMP, FUEL TRANSFER .....	30-19
1D17	PIPES, FUEL (GASOLINE) .....	30-16	3D8	PUMP, HYDRAULIC .....	70-2
1E3	PIPES, FUEL INJECTION .....	30-25	1C4	PUMP, OIL, ENGINE .....	20-28
3E9	PIPES, OIL, COOLER RETURN .....	70-28	1C5	PUMP, OIL, ENGINE (LATE DESIGN) .....	20-29
2J14	PIPES, OIL, DIFFERENTIAL LOCK .....	50-68	3B21	PUMP, STEERING METERING .....	60-20
3E9	PIPES, OIL, HYDRAULIC RETURN .....	70-28	1C18	PUMP, WATER .....	20-43
1B21	PISTON LINER KIT .....	20-19	2F17	PUMP, WINDSHIELD WASHER .....	40-115A
1B20	PISTON LINER KIT (DIESEL) .....	20-18	1B7	PUSH RODS .....	20-6
1B19	PISTON LINER KIT (GASOLINE) .....	20-17			
1B17	PISTON PIN .....	20-14		<b>Q</b>	
1B17	PISTON PIN BUSHING .....	20-14			
1B17	PISTON RINGS .....	20-14			
1B17	PISTON, ENGINE .....	20-14	2I8	QUADRANT, SPEED CHANGE AND SPEED RANGE .....	50-38
2H1	PISTON, PTO BRAKE .....	50-6	3F15	QUICK COUPLER .....	70-60
3E18	PISTON, ROCKSHAFT .....	70-37	3F17	QUICK COUPLER (HEAVY-DUTY) .....	70-62
3C11	PISTON, STEERING MOTOR .....	60-34	3F19	QUICK COUPLER, THREE-POINT HITCH .....	70-63A
3B18	PISTON, STEERING MOTOR (ADJUSTABLE AXLE) .....	60-16			
3B5	PISTON, STEERING VALVE .....	60-3		<b>R</b>	
3C1	PISTON, STEERING VALVE .....	60-24			
3B17	PISTON, STEERING MOTOR (CONVERTIBLE AXLE) .....	60-15	2E9	RADAR SENSOR .....	40-86
2H23	PLANET PINION CARRIER .....	50-28	2E9	RADAR SENSOR BRACKET .....	40-86
2H24	PLANET PINION CARRIER ASSEMBLY .....	50-29	2E9	RADAR SENSOR WIRING HARNESS .....	40-86
2J16	PLANET, PINION CARRIER .....	50-70	1C13	RADIATOR .....	20-38
2H17	PLANET, PINION CARRIER (CREEPER) .....	50-22	1C16	RADIATOR BAFFLE KIT .....	20-41
2H25	PLANET, PINION CARRIER (CREEPER) .....	50-30	1C13	RADIATOR CAP .....	20-38
2H25	PLANETARY SHIFTER (SYNCRO-RANGE) .....	50-30	1C15	RADIATOR OVERFLOW KIT .....	20-40
3C16	PLATE, BRAKE .....	60-39	2E22	RADIO .....	40-99
3C15	PLATE, BRAKE FACING .....	60-38	2E16	RADIO (MOTOROLA) .....	40-93
3C15	PLATE, BRAKE PRESSURE .....	60-38	2E18	RADIO AND TAPE PLAYER (MOTOROLA) .....	40-95
2G24	PLATE, CLUTCH .....	50-5	2E21	RADIO ANTENNA AND SPEAKERS .....	40-98
1B9	PLATE, ENGINE, FRONT .....	20-8	2F1	RADIO ANTENNA KIT .....	40-104
2H11	PLATE, SYNCHRONIZER .....	50-16	2E24	RADIO HEADPHONES .....	40-101
2H13	PLATE, SYNCHRONIZER (LATE DESIGN) .....	50-18	2E17	RADIO MOUNTING KIT .....	40-94
4H16	PLATFORM .....	90-114	2F3	RADIO MOUNTING KIT, CB .....	40-106
4C3	PLATFORM EXTENSION .....	80-26	2E21	RADIO NOISE SUPPRESSION KIT .....	40-98
4H4	PLATFORM MAT .....	90-101	2E23	RADIO SPEAKERS .....	40-100
4H16	PLATFORM MAT .....	90-114	2E19	RADIO, AM (MOTOROLA) .....	40-96
4H4	PLATFORM, EXTENSION .....	90-101	2E20	RADIO, AM-FM (MOTOROLA) .....	40-97
2C1	PLUGS, SPARK .....	40-25	2D12	REAR AND WARNING LAMP (LESS SGB OR RG) .....	40-64
3G3	POWER WEIGHT TRANSFER HITCH COUPLER .....	70-70	2D14	REAR AND WARNING LAMP (ROLL-GARD) .....	40-66
3G4	POWER WEIGHT TRANSFER IMPLEMENT LINK .....	70-71	2D16	REAR AND WARNING LAMP (SOUND-GARD BODY) .....	40-68
3G6	POWER WEIGHT TRANSFER OIL PRESSURE GAUGE ..	70-73	2J16	REAR AXLE HOUSING .....	50-70
3G6	POWER WEIGHT TRANSFER OIL PRESSURE LINES ..	70-73	2J16	REAR AXLE SHAFT .....	50-70
3G5	POWER WEIGHT TRANSFER VALVE .....	70-72	4C14	REAR OPERATOR SHIELD .....	80-37
3E2	PRESSURE CONTROL VALVE .....	70-20	4G21	REAR SLIDING WINDOW .....	90-94
1C2	PRESSURE RELIEF VALVE, ENGINE OIL .....	20-25	4G13	REAR SUN VISOR .....	90-86
4D20	PRESSURIZER BLOWER .....	90-18	4H7	REAR VIEW MIRROR .....	90-105
4D18	PRESSURIZER BLOWER (EARLY DESIGN) .....	90-16	4H9	REAR VIEW MIRROR .....	90-107
4D22	PRESSURIZER BLOWER, SOUND-GARD BODY .....	90-20	4H8	REAR VIEW MIRROR, OUTSIDE .....	90-106
4G10	PRESSURIZER COVER (REPLACEMENT) .....	90-82	4B18	REAR WHEEL WEIGHTS .....	80-15
4D17	PRESSURIZER FILTERS .....	90-15	4B15	REAR WHEELS .....	80-12
2G24	PTO CLUTCH .....	50-5	4B17	REAR WHEELS .....	80-14
2I1	PTO CLUTCH LEVER LINKAGE .....	50-31	2F19	REAR WINDSHIELD WIPER .....	40-116
2J8	PTO DRIVE GEAR .....	50-62	2F20	REAR WINDSHIELD WIPER .....	40-116A
2J9	PTO DRIVE GEAR .....	50-63	2F20	REAR WINDSHIELD WIPER MOTOR .....	40-116A
2J10	PTO DRIVE GEAR .....	50-64	3H9	RECEPTACLE, DIAGNOSTIC .....	70-100
2J6	PTO MASTER SHIELD .....	50-60	2C6	REGULATOR, ALTERNATOR (EARLY DESIGN) .....	40-30
2J7	PTO, DRIVE GEAR .....	50-61	2C8	REGULATOR, ALTERNATOR (LATE DESIGN) .....	40-32
2C4	PULLEY, ALTERNATOR .....	40-28	4E1	REGULATOR, HEATER .....	90-24
4D4	PULLEY, COMPRESSOR .....	90-1	2B10	RELAY, CIRCUIT STARTING .....	40-6
3D25	PUMP FITTINGS AND CONNECTORS .....	70-18	2B16	RELAY, STARTING CIRCUIT .....	40-13
2I24	PUMP OIL, TRANSMISSION .....	50-54	2B15	RELAY, STARTING CIRCUIT (EARLY DESIGN) .....	40-12
3D16	PUMP REPLACEMENT, HYDRAULIC .....	70-10	2G4	RELAY, SUPPLEMENTARY WIRING .....	40-126
3E1	PUMP, DRIVE COUPLER .....	70-19	2F23	RELAY, WIRING, ELECTRICAL REMOTE CONTROL .....	40-119
1D18	PUMP, FUEL (DIESEL) .....	30-17	2J4	RELIEF VALVE, OIL FILTER .....	50-58
1D17	PUMP, FUEL (GASOLINE) .....	30-16			

# 1A20

4030 TRACTOR

## ALPHABETICAL INDEX - CONTINUED

GRID	PAGE	GRID	PAGE
2F23	REMOTE CONTROL CIRCUIT BREAKER .....	40-119	
2F22	REMOTE CONTROL KIT, ELECTRICAL .....	40-118	
2E1	REMOTE CONTROL SPOTLIGHT .....	40-78	
2F24	REMOTE CONTROL WIRING KIT, ELECTRICAL .....	40-120	
2F23	REMOTE CONTROL WIRING, ELECTRICAL.....	40-119	
2F21	REMOTE CONTROL, ELECTRICAL .....	40-117	
2D22	REMOTE CONTROLLED SPOTLIGHT .....	40-74	
3H11	REMOTE CYLINDER .....	70-102	
3H13	REMOTE CYLINDER (HYDRAULIC STOP) .....	70-104	
3H15	REMOTE CYLINDER CONVERSION KIT.....	70-106	
3H18	REMOTE CYLINDER KIT (MECHANICAL STOP) .....	70-108	
3H17	REMOTE CYLINDER OVERHAUL .....	70-107	
1D24	REPLACEMENT CARBURETOR.....	30-21C	
3D7	REPLACEMENT HYDRAULIC PUMP ASSEMBLY.....	70-1	
4E15	REPLACEMENT ROLL-GARD.....	90-36	
4F13	REPLACEMENT SOUND-GARD BODY .....	90-60	
4F13	REPLACEMENT SOUND-GARD BODY (BASIC) .....	90-60	
3E11	RESERVOIR, HYDRAULIC OIL.....	70-30	
4D25	RESISTOR, BLOWER MOTOR .....	90-23	
3E4	RETURN OIL LINES.....	70-23	
2J3	RETURN PORT COVER .....	50-57	
3I1	REUSABLE LOK-PIN COUPLINGS.....	70-115	
4B15	RIM, DEMOUNTABLE .....	80-12	
4B17	RIM, DEMOUNTABLE .....	80-14	
1B17	RINGS, PISTON .....	20-14	
1B6	ROCKER ARM COVER .....	20-5	
1B6	ROCKER ARM COVER GASKET .....	20-5	
1B7	ROCKER ARMS .....	20-6	
3F5	ROCKSHAFT CONTROL HEIGHT STOP KIT .....	70-48	
3F1	ROCKSHAFT CONTROL LEVER .....	70-44	
3F5	ROCKSHAFT CONTROL LEVER .....	70-48	
3E21	ROCKSHAFT CONTROL VALVE .....	70-40	
3E23	ROCKSHAFT CONTROL VALVE HOUSING .....	70-42	
3E18	ROCKSHAFT CRANK ARM.....	70-37	
3E15	ROCKSHAFT HOUSING .....	70-34	
3E15	ROCKSHAFT HOUSING COVER .....	70-34	
3E13	ROCKSHAFT HOUSING COVER,BOTTOM (LESS RS) ....	70-32	
3E18	ROCKSHAFT LIFT ARMS .....	70-37	
3F3	ROCKSHAFT LINKAGE (LATE DESIGN) .....	70-46	
3F1	ROCKSHAFT LINKAGE AND CONTROL .....	70-44	
3E4	ROCKSHAFT OIL LINES, RETURN .....	70-23	
3E18	ROCKSHAFT PISTON .....	70-37	
3E17	ROCKSHAFT PISTON COVER .....	70-36	
1B17	RODS, CONNECTING .....	20-14	
2I9	RODS, CREEPER CONTROL .....	50-39	
1B7	RODS, PUSH .....	20-6	
2I18	RODS, SHIFTER CONTROL (SYNCRO-RANGE) .....	50-48	
2I6	RODS, TRANSMISSION SHIFTER CONTROL.....	50-36	
4E7	ROLL-GARD (W/O HI CROP) .....	90-29A	
4E11	ROLL-GARD BODY .....	90-32	
4E11	ROLL-GARD BODY, FOUR-POST .....	90-32	
4E13	ROLL-GARD CANOPY, FOUR-POST .....	90-34	
4E5	ROLL-GARD CANOPY, TWO-POST .....	90-28	
4E9	ROLL-GARD MOUNTING BRACKETS .....	90-30	
4E15	ROLL-GARD WITH CANOPY (REPLACEMENT) .....	90-36	
4E3	ROLL-GARD, TWO-POST SEAT BELT) .....	90-26	
4E15	ROLL-GARD, 4-POST (REPLACEMENT) .....	90-36	
4B11	ROLL-O-MATIC.....	80-10	
4G6	ROOF, INNER .....	90-78	
4G2	ROOF, SOUND-GARD BODY .....	90-74	
4G8	ROOF, SOUND-GARD BODY INNER.....	90-80	
1B7	ROTATOR VALVE .....	20-6	
1E10	ROTOR, FUEL INJECTION PUMP .....	30-33	
			S
3H24	SAFETY CHAIN, IMPLEMENT .....	70-113	
4H24	SEALANT, LOCTITE.....	90-122	
2D10	SEALING KIT, STARTING MOTOR .....	40-61	
4F1	SEAT ARMREST LINKS (SOUND-GARD BODY) .....	90-48	
4E17	SEAT BACK CUSHION .....	90-38	
4F3	SEAT BACKREST SUPPORT (SOUND-GARD BODY) .....	90-50	
4E17	SEAT BELT.....	90-38	
4E24	SEAT BELT (SOUND-GARD BODY).....	90-46	
4E3	SEAT BELT (TWO-POST ROLL-GARD).....	90-26	
4E7	SEAT BELT (W/O HI CROP).....	90-29A	
4E18	SEAT BELT FOUR-POST (ROLL-GARD) .....	90-39	
4F9	SEAT COVER AND HEADLIGHT PANEL (REPLACE- MENT SOUND-GARD BODY).....	90-56	
4E17	SEAT CUSHION .....	90-38	
4E24	SEAT CUSHIONS (SOUND-GARD BODY).....	90-46	
4E19	SEAT SUPPORT, DELUXE .....	90-40	
4F4	SEAT SUPPORT, PERSONAL-POSTURE .....	90-51	
4E21	SEAT SUSPENSION .....	90-42	
4F5	SEAT SUSPENSION (PERSONAL-POSTURE) .....	90-52	
3F7	SELECTIVE CONTROL COVER .....	70-50	
3G18	SELECTIVE CONTROL LEVERS .....	70-86	
4H14	SELECTIVE CONTROL LOCK .....	90-112	
3G7	SELECTIVE CONTROL VALVE.....	70-74	
3G22	SELECTIVE CONTROL VALVE (EARLY DESIGN) .....	70-90	
3G17	SELECTIVE CONTROL VALVE (TRIPLE) .....	70-85	
3G9	SELECTIVE CONTROL VALVE CAM (EARLY DESIGN).....	70-77	
3H1	SELECTIVE CONTROL VALVE HOUSING .....	70-92	
3G9	SELECTIVE CONTROL VALVE HOUSING (EARLY DESIGN).....	70-77	
3G12	SELECTIVE CONTROL VALVE HOUSING (LATE MODEL) .....	70-80	
3G13	SELECTIVE CONTROL VALVE KITS .....	70-81	
3G14	SELECTIVE CONTROL VALVE OVERHAUL KIT.....	70-82	
3G9	SELECTIVE CONTROL VALVE ROCKER (EARLY DESIGN).....	70-77	
3G12	SELECTIVE CONTROL VALVE ROCKER (LATE MODEL) .....	70-80	
3G21	SELECTIVE CONTROL VALVE SUPPORT .....	70-89	
3G23	SELECTIVE CONTROL VALVE SUPPORT .....	70-91A	
3G10	SELECTIVE CONTROL VALVES .....	70-78	
2I16	SELECTOR LEVER STOP.....	50-46	
2B10	SENDER, FUEL GAGE .....	40-6	
1D15	SENDER, FUEL GAUGE (DIESEL).....	30-14	
1D14	SENDER, FUEL GAUGE (GASOLINE) .....	30-13	
1B5	SENDER, TEMPERATURE GAUGE .....	20-3	
2B10	SENDER, WATER TEMPERATURE .....	40-6	
2E9	SENSOR, RADAR .....	40-86	
1E1	SEPARATOR, WATER.....	30-22	
1E2	SEPARATOR, WATER.....	30-23	
4F25	SERVICE DOOR, SOUND-GARD BODY .....	90-72	
2B25	SERVICE WIRE RESISTANCE KIT .....	40-24	
2H1	SHAFT, CLUTCH DRIVE .....	50-6	
2J16	SHAFT, FINAL DRIVE .....	50-70	
2J16	SHAFT, PLANET PINION.....	50-70	
2J7	SHAFT, PTO DRIVE.....	50-61	
2J8	SHAFT, PTO DRIVE.....	50-62	
2J9	SHAFT, PTO DRIVE.....	50-63	
2J10	SHAFT, PTO DRIVE.....	50-64	
2J16	SHAFT, REAR AXLE .....	50-70	
3B21	SHAFT, STEERING .....	60-20	
2H11	SHAFT, TRANSMISSION DRIVE .....	50-16	
2H13	SHAFT, TRANSMISSION DRIVE (LATE DESIGN).....	50-18	
2I6	SHAFTS, SHIFTER .....	50-36	
2I2	SHAFTS, SHIFTER (EARLY DESIGN) .....	50-32	

# 1A21

4030 TRACTOR

## ALPHABETICAL INDEX - CONTINUED

GRID	PAGE	GRID	PAGE
2I4	SHAFTS, TRANSMISSION SHIFTER .....	4G22	SOUND-GARD BODY UPHOLSTERY .....
2I7	SHAFTS, TRANSMISSION SHIFTER (LATE DESIGN).....	4H1	SOUND-GARD BODY UPHOLSTERY .....
	50-37	4H3	SOUND-GARD BODY UPHOLSTERY KIT (BLACK) .....
2J6	SHIELD, PTO MASTER .....	2F5	SOUND-GARD BODY WINDSHIELD WIPER (R.H.) .....
4C13	SHIELD, REAR OPERATOR .....	2C1	SPARK PLUGS.....
4C14	SHIELD, REAR OPERATOR .....	2E23	SPEAKER, RADIO .....
4C15	SHIELD, SIDE .....	2E21	SPEAKERS, KIT .....
2I22	SHIFT LEVER (SYNCRO-RANGE) .....	4C25	SPEED CHART, GROUND .....
4H18	SHIFTER BOOT .....	1E22	SPEED CONTROL LEVER (DIESEL) .....
2I18	SHIFTER CONTROL RODS (SYNCRO-RANGE) .....	1E24	SPEED CONTROL LINKAGE .....
2I22	SHIFTER LINKAGE (CREEPER).....	1E22	SPEED CONTROL LINKAGE (DIESEL) .....
2I18	SHIFTER RODS (LATE DESIGN) .....	1E23	SPEED CONTROL LINKAGE (FOOT OPERATED) .....
2I12	SHIFTER RODS, QUAD-RANGE (EARLY DESIGN) .....	4H12	SPEED-HOUR METER.....
2I14	SHIFTER RODS, QUAD-RANGE (LATE DESIGN).....	4B10	SPINDLE EXTENSION, FRONT WHEEL .....
2I6	SHIFTER SHAFTS .....	3C13	SPINDLE, STEERING MOTOR .....
2I2	SHIFTER SHAFTS (EARLY DESIGN).....	3B18	SPINDLE, STEERING MOTOR (ADJUSTABLE AXLE) .....
2I4	SHIFTER SHAFTS (LATE DESIGN) .....	3B17	SPINDLE, STEERING MOTOR (CONVERTIBLE AXLE).....
2I7	SHIFTER SHAFTS (LATE DESIGN) .....	2D24	SPOTLIGHT INSTALLATION KIT .....
2I6	SHIFTERS.....	2E1	SPOTLIGHT, REMOTE CONTROL .....
2I2	SHIFTERS (EARLY DESIGN) .....	2D22	SPOTLIGHT, REMOTE CONTROLLED .....
4E21	SHOCK ABSORBER, SEAT.....	2C10	STARTER .....
1B11	SHORT BLOCK ASSEMBLY .....	2C19	STARTER (DELCO-REMY) (DIESEL) .....
1C13	SHROUD, FAN .....	2C12	STARTER (GASOLINE) .....
4G13	SIDE SUN VISOR .....	2D5	STARTER ARMATURE (JOHN DEERE) (DIESEL).....
4C15	SIDE, SHIELD .....		40-56
2E5	SIGNAL, TURN.....	2C14	STARTER COIL (GASOLINE) .....
4G21	SLIDING WINDOW, REAR .....		40-38
4H22	SLOW MOVING VEHICLE EMBLEM.....	2D6	STARTER COIL (JOHN DEERE) (DIESEL).....
2G1	SOCKET, ELECTRICAL OUTLET .....		40-57
2G2	SOCKET, ELECTRICAL OUTLET, 7-TERMINAL .....	2D7	STARTER COMMUTATOR END FRAME (JOHN DEERE) (DIESEL) .....
2G3	SOCKET, CONVENIENCE ELECTRICAL OUTLET (SOUND-GARD BODY) .....		40-58
	40-124	2C24	STARTER DRIVE HOUSING (DELCO-REMY) (DIESEL).....
2C19	SOLENOID SWITCH (DELCO-REMY) (DIESEL) .....		40-50
2C23	SOLENOID SWITCH (DIESEL) .....	2D5	STARTER DRIVE HOUSING (JOHN DEERE) (DIESEL).....
2D3	SOLENOID SWITCH (DIESEL) .....		40-56
2C12	SOLENOID SWITCH (GASOLINE) .....	1B25	STARTER GEAR .....
2C16	SOLENOID SWITCH (GASOLINE) .....		20-23
2D8	SOLENOID SWITCH, STARTER (JOHN DEERE) .....	2C24	STARTER GEAR (DELCO-REMY) (DIESEL) .....
2D9	SOLENOID SWITCH, STARTER (JOHN DEERE) .....		40-50
3D24	SOLENOID, DESTROKE (ELECTRIC) .....	2D1	STARTER MAIN FRAME (DELCO-REMY) (DIESEL).....
4F7	SOUND-GARD BODY .....		40-52
4F13	SOUND-GARD BODY (REPLACEMENT) .....	2C21	STARTER MAIN FRAME (DELCO-REMY) (DIESEL).....
4D16	SOUND-GARD BODY AIR LOUVER PANEL .....		40-46
4F1	SOUND-GARD BODY ARMREST.....	2D6	STARTER MAIN FRAME (JOHN DEERE) (DIESEL).....
4H5	SOUND-GARD BODY ASH TRAY.....		40-57
4F19	SOUND-GARD BODY DOOR HANDLE .....	2C14	STARTER MAINFRAME (GASOLINE) .....
4F21	SOUND-GARD BODY DOOR HANDLE .....		40-38
4F23	SOUND-GARD BODY DOOR HANDLE (LATE DESIGN).....	2D4	STARTER SOLENOID COVER (JOHN DEERE) .....
	90-70		40-55
4F15	SOUND-GARD BODY DOORS .....	2C11	STARTER SOLENOID COVER KIT .....
4D16	SOUND-GARD BODY ENVIRONMENT CONTROLS.....		40-35
4G19	SOUND-GARD BODY GLASS.....	2C18	STARTER SOLENOID COVER KIT (DELCO-REMY).....
4G12	SOUND-GARD BODY HEAD LINER .....		40-42
4G8	SOUND-GARD BODY INNER ROOF .....	2C11	STARTER SOLENOID SAFTEY START LABEL .....
2D14	SOUND-GARD BODY LAMP (ROLL-GARD) .....		40-35
2D16	SOUND-GARD BODY LAMP (SOUND-GARD BODY).....	2D3	STARTER SOLENOID SWITCH (DIESEL) .....
4H4	SOUND-GARD BODY MAT, FLOOR.....		40-54
4G19	SOUND-GARD BODY MOLDING .....	2D8	STARTER SOLENOID SWITCH (JOHN DEERE).....
4G17	SOUND-GARD BODY MOLDINGS .....		40-59
4F11	SOUND-GARD BODY MOUNTING .....	2D9	STARTER SOLENOID SWITCH (JOHN DEERE).....
4H7	SOUND-GARD BODY REAR VIEW MIRROR .....		40-60
4G2	SOUND-GARD BODY ROOF.....	1F6	STARTING AID (ELECTRIC) .....
4G4	SOUND-GARD BODY ROOF.....		30-57
4G6	SOUND-GARD BODY ROOF.....	1F2	STARTING AID KIT (ETHER) .....
4F25	SOUND-GARD BODY SERVICE DOOR.....		30-52
4C17	SOUND-GARD BODY STEP .....	1F7	STARTING AID TUBE KIT.....
4G15	SOUND-GARD BODY TRIM .....		30-58
	80-40	1F5	STARTING AID, COLD WEATHER (MANUAL) .....
	90-88		30-56
		2B16	STARTING CIRCUIT RELAY .....
			40-13
		2B15	STARTING CIRCUIT RELAY (EARLY DESIGN) .....
			40-12
		1F6	STARTING FLUID (ELECTRIC).....
			30-57
		1F4	STARTING FLUID (ELECTRICAL).....
			30-55
		1F1	STARTING FLUID (MANUAL) .....
			30-51
		1F5	STARTING FLUID (MANUAL) .....
			30-56
		1F7	STARTING FLUID TUBE KIT .....
			30-58
		2C10	STARTING MOTOR .....
			40-34
		2D10	STARTING MOTOR SEALING KIT .....
			40-61
		1F2	STARTING TUBE KIT .....
			30-52
		3C11	STEERING ARM.....
			60-34
		4B7	STEERING ARM.....
			80-6
		3B18	STEERING ARM (ADJUSTABLE AXLE).....
			60-16
		4B3	STEERING GEAR ARM.....
			80-1



# 1A23

4030 TRACTOR

## ALPHABETICAL INDEX - CONTINUED

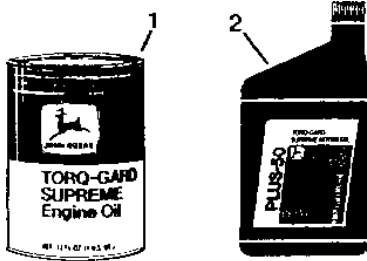
<i>GRID</i>		<i>PAGE</i>	<i>GRID</i>		<i>PAGE</i>
4E5	TWO-POST ROLL-GARD CANOPY .....	90-28	2G6	WEATHERPACK TERMINALS.....	40-128
	<b>U</b>		4B21	WEIGHT, FRONT .....	80-18
4G23	UPHOLSTERY (REPLACEMENT SGB) .....	90-96	4B22	WEIGHT, FRONT .....	80-19
4H1	UPHOLSTERY, SOUND-GARD BODY .....	90-98	4B23	WEIGHT, FRONT .....	80-20
4G22	UPHOLSTERY SOUND-GARD BODY.....	90-95	4B18	WEIGHT, REAR WHEEL .....	80-15
	<b>V</b>		4B19	WEIGHT, REAR WHEEL (34" OR 38" DISK).....	80-16
2B10	VACCUUM SWITCH INDICATOR .....	40-6	4B10	WHEEL HUBS .....	80-9
1D5	VACUUM INDICATOR SWITCH .....	30-4	4B10	WHEEL SPINDLE.....	80-9
1D7	VACUUM INDICATOR SWITCH (LATE DESIGN) .....	30-6	4B19	WHEEL WEIGHT, REAR (34" OR 38" DISK).....	80-16
3C3	VALVE BODY, STEERING .....	60-26	3B4	WHEEL, STEERING (EARLY DESIGN) .....	60-2
3C17	VALVE, BRAKE .....	60-40	3B20	WHEEL, STEERING (FIXED) .....	60-19
3G10	VALVE, CHECK, SCV .....	70-78	3B3	WHEEL, STEERING (TELESCOPING) .....	60-1
4D11	VALVE, COMPRESSOR SERVICE .....	90-8	4B12	WHEELS, FRONT.....	80-11
2J13	VALVE, DIFFERENTIAL LOCK .....	50-67	4B9	WHEELS, FRONT (SINGLE) .....	80-8
3E23	VALVE, DIRECTIONAL CONTROL .....	70-42	4B15	WHEELS, REAR.....	80-12
3G23	VALVE, DIRECTIONAL CONTROL .....	70-91A	4B17	WHEELS, REAR.....	80-14
3G15	VALVE, DIRECTIONAL CONTROL (DUAL) .....	70-83	3G1	WIDE SWING DRAWBAR .....	70-68
1C1	VALVE, ENGINE OIL PRESSURE RELIEF .....	20-24	4G17	WINDOW MOLDINGS .....	90-90
1B7	VALVE, EXHAUST .....	20-6	4G17	WINDOW SEALS .....	90-90
3G10	VALVE, FLOW CONTROL, SCV .....	70-78	4G21	WINDOW, REAR SLIDING .....	90-94
1B7	VALVE, INTAKE .....	20-6	2F17	WINDSHIELD WASHER.....	40-115A
3G10	VALVE, METERING, SCV .....	70-78	2F17	WINDSHIELD WASHER PUMP.....	40-115A
1C7	VALVE, OIL COOLER RELIEF, ENGINE .....	20-31	2F13	WINDSHIELD WIPER AND MOTOR (L.H.) .....	40-112
2J4	VALVE, OIL FILTER RELIEF.....	50-58	2F9	WINDSHIELD WIPER ARM .....	40-111A
3G5	VALVE, POWER WEIGHT TRANSFER .....	70-72	2F11	WINDSHIELD WIPER ARM .....	40-111C
3E2	VALVE, PRESSURE CONTROL .....	70-20	2F9	WINDSHIELD WIPER BLADE .....	40-111A
3E21	VALVE, ROCKSHAFT CONTROL .....	70-40	2F11	WINDSHIELD WIPER BLADE .....	40-111C
3G7	VALVE, SELECTIVE CONTROL .....	70-74	2F9	WINDSHIELD WIPER MOTOR .....	40-111A
3H1	VALVE, SELECTIVE CONTROL .....	70-92	2F11	WINDSHIELD WIPER MOTOR .....	40-111C
3G22	VALVE, SELECTIVE CONTROL (EARLY DESIGN).....	70-90	2F5	WINDSHIELD WIPER MOTOR (R.H.).....	40-108
3G17	VALVE, SELECTIVE CONTROL (TRIPLE).....	70-85	2F9	WINDSHIELD WIPER WIRING HARNESS .....	40-111A
3B8	VALVE, STEERING .....	60-6	2F11	WINDSHIELD WIPER WIRING HARNESS .....	40-111C
3B7	VALVE, STEERING ASSEMBLY .....	60-5	2F7	WINDSHIELD WIPER, (R.H.).....	40-110
3C1	VALVE, STEERING ASSEMBLY .....	60-24	2F19	WINDSHIELD WIPER, REAR .....	40-116
1C2	VALVE,ENGINE OIL PRESSURE RELIEF(DIESEL).....	20-25	2F20	WINDSHIELD WIPER,REAR .....	40-116A
3G10	VALVES, SELECTIVE CONTROL .....	70-78	2F4	WIPER MOTOR SUPPRESSION KIT .....	40-107
1B6	VENTILATOR OUTLET TUBE .....	20-5	4D16	WIPER SWITCH .....	90-13
4G13	VISOR, SUN .....	90-86	2F13	WIPER SWITCH (L.H.).....	40-112
	<b>W</b>		2F19	WIPER, REAR WINDSHIELD .....	40-116
2D19	WARNING LAMP (LESS RG OR SGB) .....	40-71	2F13	WIPER, WINDSHIELD (L.H.) .....	40-112
2D12	WARNING LAMP (LESS SGB OR RG) .....	40-64	2F7	WIPER, WINDSHIELD, (R.H.) .....	40-110
2B8	WARNING LAMP (REPLACEMENT SGB) .....	40-4	2F20	WIPER,REAR WINDSHIELD .....	40-116A
2D14	WARNING LAMP (ROLL-GARD).....	40-66	2B24	WIRING ACCESSORY RELAY KIT (LATE DESIGN).....	40-23
2D16	WARNING LAMP (SOUND-GARD BODY) .....	40-68	2B23	WIRING ACCESSORY RELAY KIT(EARLY DESIGN) .....	40-22
2B17	WARNING LAMP FLASHER (LESS SGB) (EARLY DESIGN).....	40-14	2B8	WIRING HARNESS (REPLACEMENT SGB).....	40-4
2B18	WARNING LAMP FLASHER (LESS SGB) (EARLY DESIGN).....	40-15	2B6	WIRING HARNESS (SGB) (RG) .....	40-2
2B19	WARNING LAMP FLASHER (SGB)(EARLY DESIGN) .....	40-17	2F9	WIRING HARNESS, WINDSHIELD WIPER .....	40-111A
4G14	WARNING LAMP OPENING COVER .....	90-87	2F11	WIRING HARNESS, WINDSHIELD WIPER .....	40-111C
2B6	WARNING LAMP(SOUND-GARD BODY)(ROLL-GARD) ....	40-2	2E9	WIRING HARNESS,RADAR SENSOR .....	40-86
1C19	WATER OUTLET MANIFOLD .....	20-45	2F24	WIRING KIT, ELECTRICAL REMOTE CONTROL .....	40-120
1C18	WATER PUMP .....	20-43	4D9	WIRING, AIR COMPRESSOR .....	90-6
1E1	WATER SEPARATOR .....	30-22	2G2	WIRING, ELECTRICAL OUTLET, 7-TERMINAL .....	40-123
1E2	WATER SEPARATOR .....	30-23	2F23	WIRING, ELECTRICAL REMOTE CONTROL.....	40-119
2E7	WATER TEMPERATURE GAUGE.....	40-84	2G4	WIRING, SUPPLEMENTARY .....	40-126
2B10	WATER TEMPERATURE SENDER .....	40-6			
2G6	WEATHERPACK CONNECTORS .....	40-128			

# 1B3

ENGINE

RGP3291 -UN-01JAN94

## TORQ-GARD PLUS 50 ENGINE OIL



RGP 3291

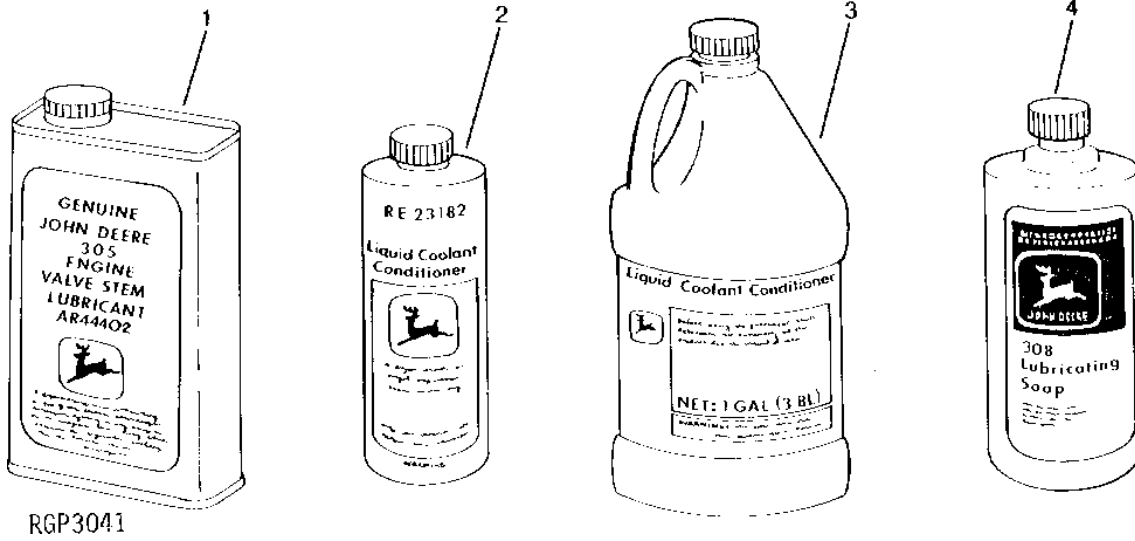
KEY	PART NO.	PART NAME	QTY	ENGINE SERIAL NO.	REMARKS
1	TY6359	OIL	1	(SAE 5W/30), 0.9L (1 QT)	
	TY6360	OIL	1	(SAE 5W/30), 19L (5 GAL)	
	TY6361	OIL	1	(SAE 5W/30), 208L (55 GAL)	
	TY6297	OIL	1	(SAE 15W/40), 0.9L (1 QT)	
	TY6298	OIL	1	(SAE 15W/40), 19L (5 GAL)	
	TY6300	OIL	1	(SAE 15W/40), 113.6L (30 GAL)	
	TY6301	OIL	1	(SAE 15W/40), 208L (55 GAL)	
	TY6311	OIL	1	(SAE 10W), 0.9L (1 QT)	
	TY22009	OIL	1	(SAE 10), 3.8L (1 GAL)	
	TY6312	OIL	1	(SAE 10W), 19L (5 GAL)	
	TY6313	OIL	1	(SAE 10W), 208L (55 GAL)	
	AR63979	OIL	1	(SAE 30), 0.2L (.25 QT)	
	AR63218	OIL	1	(SAE 30), 0.9L (1 QT)	
	AR63219	OIL	1	(SAE 30), 19L (5 GAL)	
	TY6280	OIL	1	(SAE 30), 113.6L (30 GAL)	
	AR63222	OIL	1	(SAE 30), 208L (55 GAL)	
2	TY6389	OIL	1	(SAE 15W/40), 0.9L (1 QT)	
	TY22008	OIL	1	(SAE 15W/40), 3.8L (1 GAL)	
	TY6390	OIL	1	(SAE 15W/40), 19L (5 GAL)	
	TY22010	OIL	1	(SAE 15W/40), 113.6L (30 GAL)	
	TY6391	OIL	1	(SAE 15W/40), 208L (55 GAL)	
	TY6392	OIL	1	(SAE 30), 0.9L (1 QT)	
	TY22007	OIL	1	(SAE 30), 3.8L (1 GAL)	
	TY6393	OIL	1	(SAE 30), 19L (5 GAL)	
	TY22011	OIL	1	(SAE 30), 113.6L (30 GAL)	
	TY6394	OIL	1	(SAE 30), 208L (55 GAL)	

# 1B4

ENGINE

RGP3041 -UN-01JAN94

## ACCESSORY PARTS



RGP3041

KEY	PART NO.	PART NAME	QTY	TRACTOR SERIAL NO.	REMARKS
1	AR44402	OIL	1		0.9L (1 QT.)
2	TY16004	ENGINE COOLANT CONDITIONER	1		0.473L (16 OZ.)
3	TY16005	ENGINE COOLANT CONDITIONER	1		3.8L (1 GAL.)
4	AR54749	LUBRICANT	1		0.9L (1 QT.)
..	AR41785	KIT	1		(A)

(A) KIT FOR OFF-SEASON STORAGE

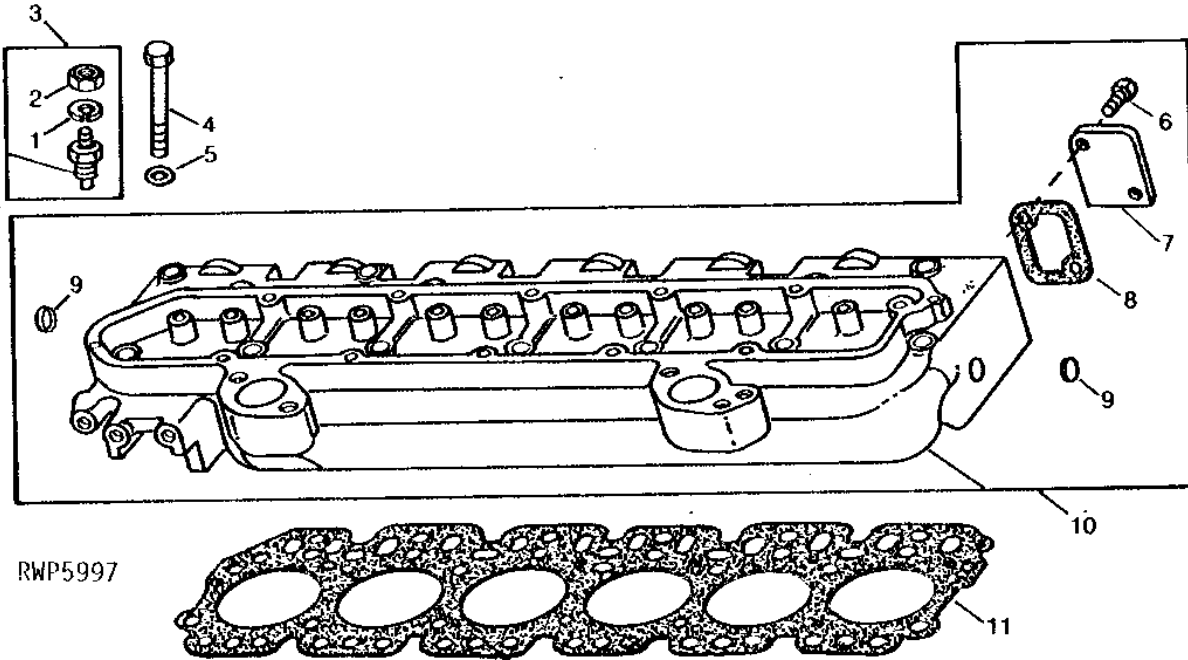


# 1B5

ENGINE

RWP5997 -UN-01JAN94

## CYLINDER HEAD AND GASKET



RWP5997

KEY	PART NO.	PART NAME	QTY	ENGINE SERIAL NO.	REMARKS
1	12M7060	WASHER	1	0.209"	
2	14H631	NUT	1	0.190"	
3	AR58233	SENSOR	1		
4	R53223	CAP SCREW	23	(B)	
	T20184	BOLT	6	(A)	
	R85363	CAP SCREW	7	(A) (SUB FOR T20182)	
	T23087	BOLT	10	(A)	
5	T20168	WASHER	23		
6	19H1134	CAP SCREW	2	3/8" X 3/4"	
7	R56725	COVER	1		
8	R54641	GASKET	1		
9	A3910R	CAP	2	(SUB N102039)	
10	AR65596	CYLINDER HEAD	1	(B) (MARKED R53220 OR R55950) (SUB RE56305)	
	AT20180	CYLINDER HEAD	1	(A) (MARKED T20471) (NLA)	
11	R98462	GASKET	1	(A) (SUB FOR R52791)	
	R114157	GASKET	1	(B) (SUB FOR R64153, R59449, R80243 OR R92426)	

(A) GASOLINE  
(B) DIESEL

---

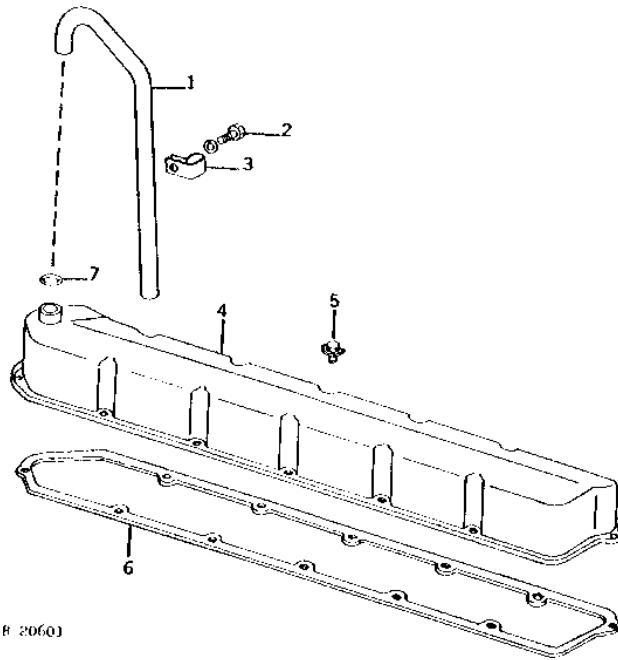
MEMORANDA

# 1B6

ENGINE

R20601 -UN-01JAN94

## ROCKER ARM COVER AND VENT TUBE



# 20601

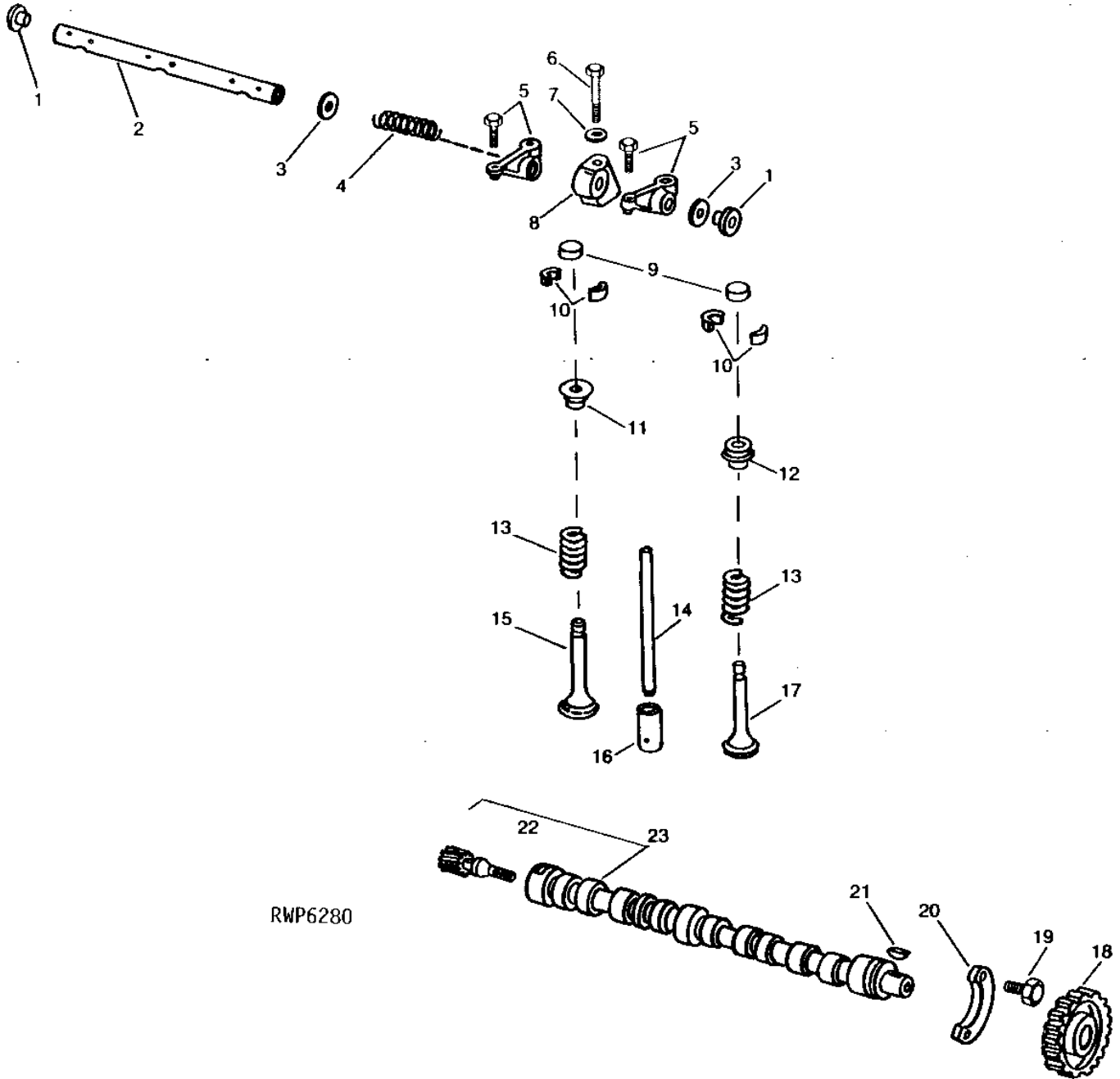
KEY	PART NO.	PART NAME	QTY	ENGINE SERIAL NO.	REMARKS
1	R53251	TUBE	1	(NLA)	
2	19H2021	CAP SCREW	1	3/8" X 5/8"	
	12H304	LOCK WASHER	1	3/8"	
3	R27531	CLAMP	1		
4	AT21679	VALVE COVER	1		
5	AR103811	SCREW, WITH WASHER	12	(SUB FOR AR45530)	
6	R75728	GASKET	1	(ALSO ORDER (12) AR100124) (SUB FOR R20467)	
7	R495R	O-RING	1		

# 1B7

ENGINE

RWP6280 -UN-01JAN94

## CAMSHAFT, ROCKER ARMS, AND VALVES



# 1B8

ENGINE

## CAMSHAFT, ROCKER ARMS, AND VALVES - CONTINUED

KEY	PART NO.	PART NAME	QTY	ENGINE SERIAL NO.	REMARKS
1	T23469	PLUG	2		(USE WITH T20465)
	R54565	PLUG	2		(USE WITH R54986)
2	R54986	SHAFT	1		(ALSO ORDER (2) R54565) (SUB FOR T20465)
3	T20316	WASHER	2		
4	T20314	SPRING	5		
5	RE19031	ROCKER ARM	12		(SUB FOR AT31250 OR AR103769) (SUB RE31973)
6	19H1733	CAP SCREW	6		3/8" X 2-1/2"
7	T23594	WASHER	1		
8	T20315	SUPPORT	6		
9	T20129	CAP	12		(B)
10	T20077	RETAINER	24		
11	T20176	RETAINER	6		(B) (SUB RE11410)
	T20169	CAP	6		(A)
	R27976	O-RING	6		(A)
12	T20176	RETAINER	6		(B) (SUB RE11410)
	T20287	ROTATOR	6		(A)
13	R26125	SPRING	12		
14	T20310	PIN	12		(B) (SUB R82896)
	T22893	PIN	12		(A)
15	R52251	INTAKE VALVE	6		(B) (SUB R79623)
	T25466	INTAKE VALVE	6		(A)
	R57332	INTAKE VALVE	6		(B) (C) 0.08MM (.003") (SUB FOR T23546) (SUB R79628)
	T26175	INTAKE VALVE	6		(A) (C) 0.08MM (.003")
	R79629	INTAKE VALVE	6		(B) (C) 0.38MM (.050") (SUB FOR T23547 OR R57334)
	T26176	INTAKE VALVE	6		(A) (C) 0.38MM (.050")
	R79630	INTAKE VALVE	6		(B) (C) 0.76MM (.030") (SUB FOR T23548 OR R57336) (NLA)
	T26177	INTAKE VALVE	6		(A) (C) 0.76MM (.030") (NLA)
16	T20073	TAPPET	12		
17	R79624	EXHAUST VALVE	6		(B) (SUB FOR R52252)
	T25467	EXHAUST VALVE	6		(A)
	R57333	EXHAUST VALVE	6		(B) (C) 0.08MM (.003") (SUB FOR T23549) (SUB R79625)
	T26178	EXHAUST VALVE	6		(A) (C) 0.08MM (.003")
	R79626	EXHAUST VALVE	6		(B) (C) 0.38MM (.050") (SUB FOR T23550 OR R57335)
	T26179	EXHAUST VALVE	6		(A) (C) 0.38MM (.050")
	R79627	EXHAUST VALVE	6		(B) (C) 0.76MM (.030") (SUB FOR T23551 OR R57337) (NLA)
	T26180	EXHAUST VALVE	6		(A) (C) 0.76MM (.030")
18	T20070	GEAR	1		(48 TEETH)
19	19H1731	CAP SCREW	2		3/8" X 1"
20	T20072	PLATE	1		
21	T28041	SHAFT KEY	1		
22	T22535	SHAFT	1		(12 TEETH) (WITH AT25185)
	R81514	GEAR	1		(ILLUSTRATED)
23	AT25185	CAMSHAFT	1		(MARKED T20464) (SUB R82821 AND R81514)

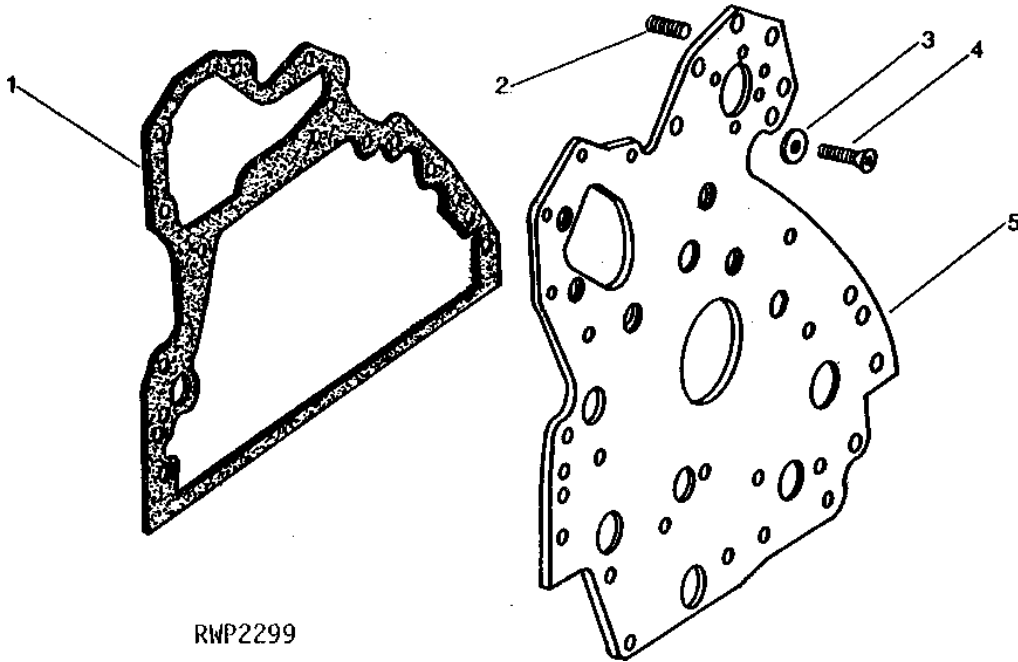
- (A) GASOLINE
- (B) DIESEL
- (C) OVERSIZE STEM

# 1B9

ENGINE

RWP2299 -UN-01JAN94

## ENGINE FRONT PLATE



RWP2299

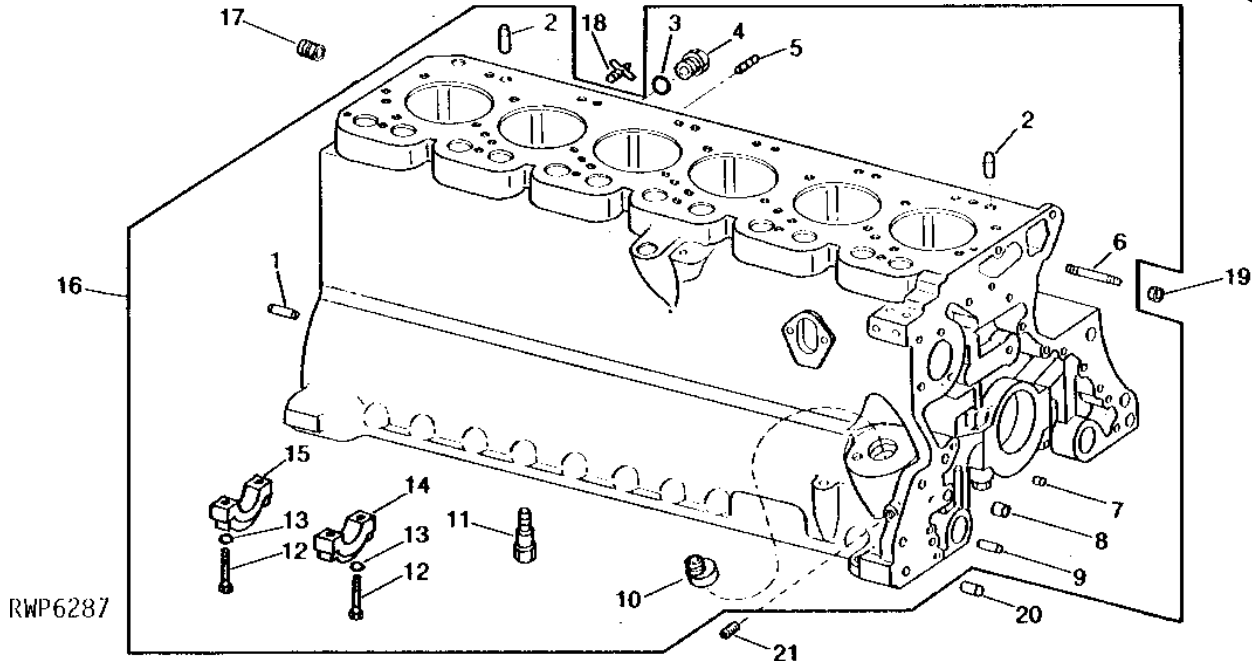
KEY	PART NO.	PART NAME	QTY	ENGINE SERIAL NO.	REMARKS
1	R90648	GASKET	1		(SUB FOR T24965 OR R73140)
2	AT21191	SET SCREW	2		5/16", (DIESEL)
	AT22919	SET SCREW	2		3/8", (DIESEL)
3	12H324	WASHER	5		3/8"
4	T20166	SCREW	5		
5	R56737	PLATE	1		ILLUSTRATED (GASOLINE) (SUB FOR R55085)
	R56736	PLATE	1		(DIESEL) (ALSO ORDER (5) AT21191 AND (2) AT22919) (SUB FOR R47283)

# 1B10

ENGINE

RWP6287 -UN-01JAN94

## CYLINDER BLOCK



KEY	PART NO.	PART NAME	QTY	ENGINE SERIAL NO.	REMARKS
1	R48685	DOWEL PIN	2		
2	R26241	DOWEL PIN	2		
3	U13639	O-RING	1		
4	R39741	DRAIN PLUG	1		
5	15H275	PIPE PLUG	1		1/4"
6	T33279	STUD	2		
7	T18891	CAP	2	-XXXXXX	
	T18891	CAP	1	XXXXXX-	
8	R26493	BUSHING	1		
9	R26650	DOWEL PIN	2		
10	T23435	THREADED NIPPLE	1		
11	R54802	ORIFICE	6		
12	T23474	CAP SCREW	14		
13	T20168	WASHER	14		
14	R65215	BEARING CAP	6		
15	R79089	CAP	1		
16	AR62806	CYLINDER	1	-XXXXXX	(A) (MARKED R55036) (SUB AR97093, R46625, R73139 AND R90648)
	AR64406	CYLINDER BLOCK	1	-XXXXXX	(B) (MARKED R55037) (SUB AR97027, R46625, R73139 AND R90648)
	AR97093	CYLINDER BLOCK	1	XXXXXX-	(A) (MARKED R72969) (ALSO ORDER R46625, R73139 AND R90648) (NO LONGER AVAILABLE)
	AR97027	CYLINDER BLOCK	1	XXXXXX-	(B) (MARKED R72968) (ALSO ORDER R46625, R73139 AND R90648) (SUB RE61643 AND R114157)
	RE19872	CYLINDER BLOCK	1		(B) (ILLUSTRATED) (MARKED R80405) (SUB FOR AR97027) (SUB RE61643 AND R114157)
17	15H585	PIPE PLUG	1		3/4"
18	AT13740	DRAIN VALVE	1		
19	14H1076	NUT	2		3/8"
20	R54380	DOWEL PIN	2		
21	15H255	PIPE PLUG	1		3/8"
..	RE19873	SHORT BLOCK ASSEMBLY	1	-248000	(B) (ALSO ORDER R81514) (SUB FOR AR62801, AR97060 OR AR97040) (SUB RE56353) (ALSO ORDER RE15381, IF NOT PREVIOUSLY INSTALLED)
..	AR97061	SHORT BLOCK ASSEMBLY	1	248001-	(B) (SUB RE56353 AND R81514) (SUB FOR AR64408)
..	15H558	PIPE PLUG	AR		1/8"

(A) GASOLINE

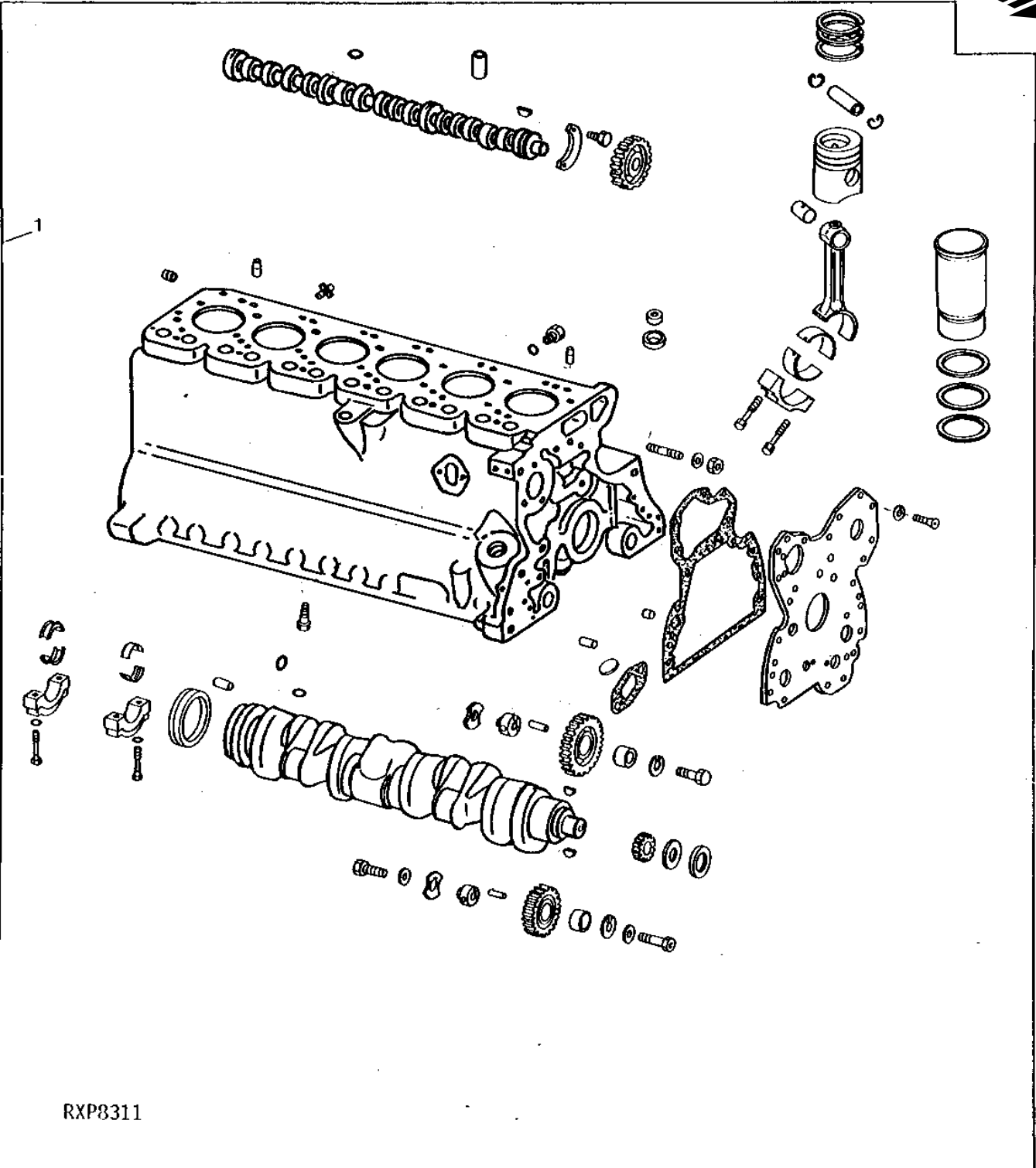
(B) DIESEL

# 1B11

ENGINE

RXP8311 -UN-01JAN94

SHORT BLOCK ASSEMBLY



RXP8311



# 1B12

ENGINE

---

SHORT BLOCK ASSEMBLY - CONTINUED

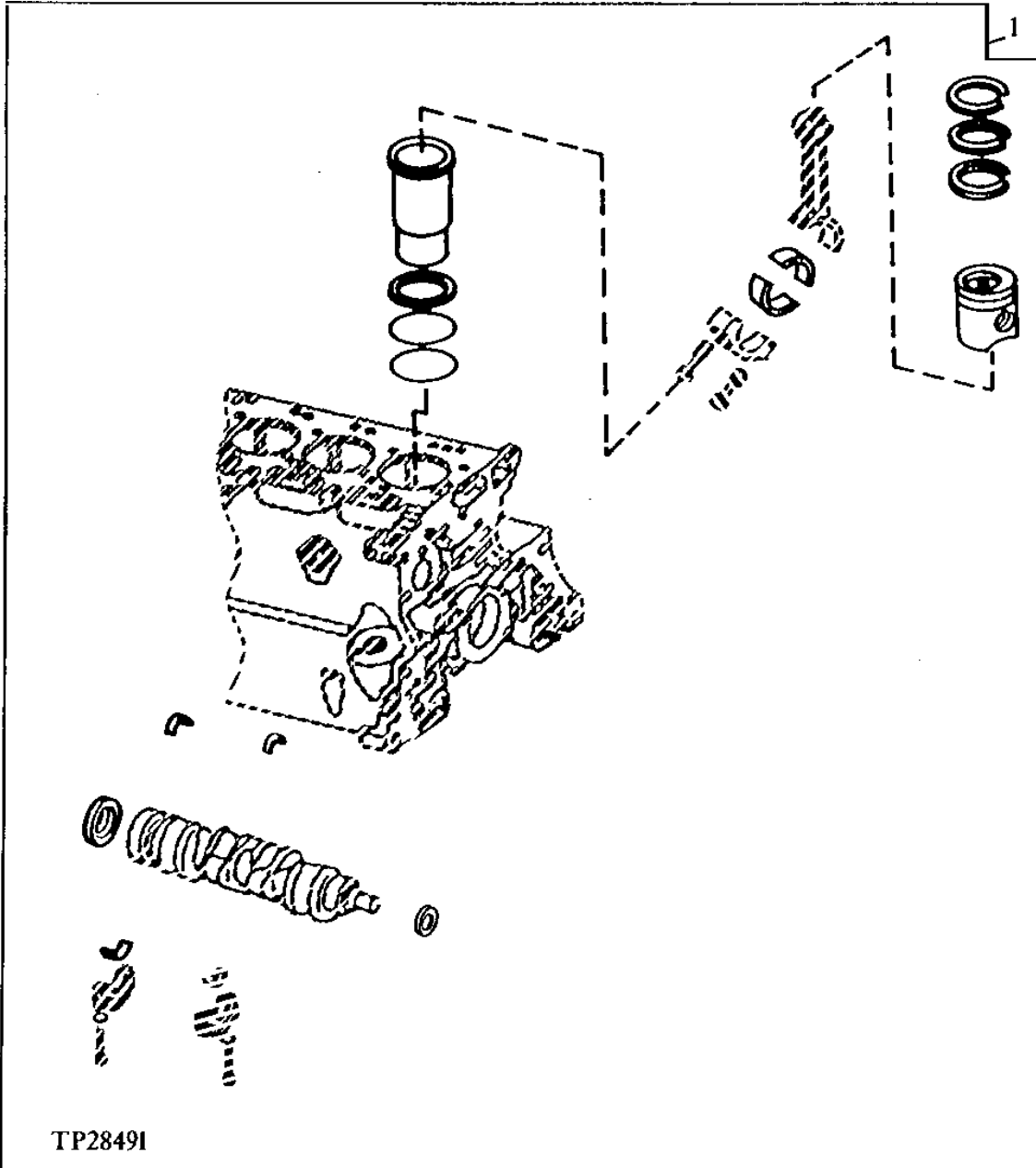
KEY	PART NO.	PART NAME	QTY	ENGINE SERIAL NO.	REMARKS
1	RE19873	SHORT BLOCK ASSEMBLY	1		(DIESEL) (ALSO ORDER R81514) (ALSO ORDER RE15381, IF NOT PREVIOUSLY INSTALLED) (SUB FOR AR62801, AR97060, AR97040 OR R97061)
	AR97139	SHORT BLOCK ASSEMBLY	1		(SUB RE56353) (GASOLINE) (SUB FOR AR62802) (SUB RE19883 AND R81514)

# 1B13

ENGINE

BASIC ENGINE OVERHAUL KIT  
(ENGINE SERIAL NO. 277550- )

TP28491 -UN-01JAN94



# 1B14

ENGINE

BASIC ENGINE OVERHAUL KIT  
(ENGINE SERIAL NO. 277550- )

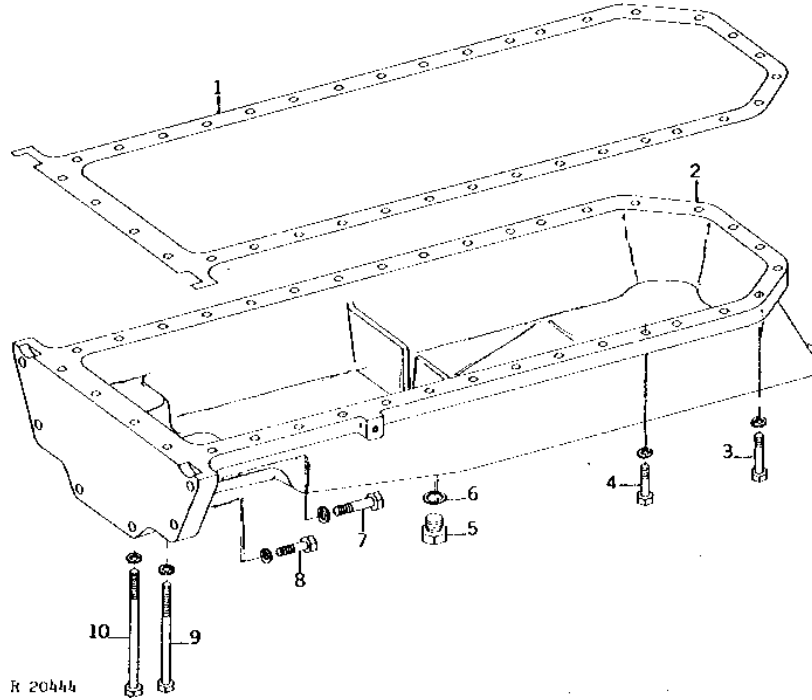
KEY	PART NO.	PART NAME	QTY	ENGINE SERIAL NO.	REMARKS
1	RE61611	KIT	1		(INCLUDES AT146114)

# 1B15

ENGINE

R20444 -UN-01JAN94

## OIL PAN



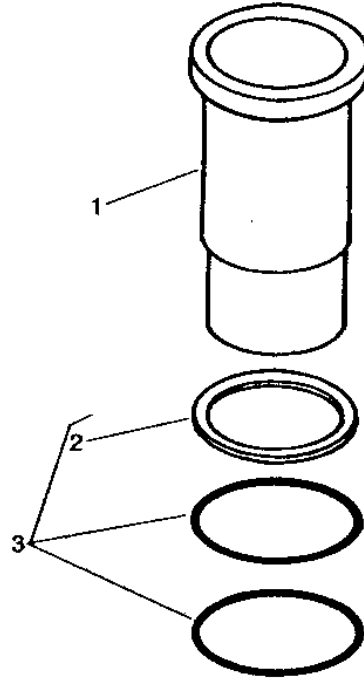
KEY	PART NO.	PART NAME	QTY	ENGINE SERIAL NO.	REMARKS
1	R52153	GASKET	1	(SUB R97345)	
2	R52152	OIL PAN	1		
3	19H1801	CAP SCREW	4	3/8" X 2"	
	12H304	LOCK WASHER	4	3/8"	
4	19H1800	CAP SCREW	1	3/8" X 1-1/2"	
	12H304	LOCK WASHER	28	3/8"	
5	M1746T	DRAIN PLUG	1		
6	T13213	WASHER	1		
7	19H1831	CAP SCREW	6	1/2" X 2"	
	12H301	LOCK WASHER	6	1/2"	
8	19H1800	CAP SCREW	2	3/8" X 1-1/2"	
	12H304	LOCK WASHER	2	3/8"	
9	19H2229	CAP SCREW	2	3/8" X 5-1/4"	
	12H304	LOCK WASHER	2	3/8"	
10	19H3328	CAP SCREW	2	3/8" X 6-1/2"	
	12H304	LOCK WASHER	2	3/8"	

# 1B16

ENGINE

RP204 -UN-01JAN94

## CYLINDER LINERS



RP204

KEY	PART NO.	PART NAME	QTY	ENGINE SERIAL NO.	REMARKS
1	T32340	CYLINDER LINER	6	(A)	
	T32343	CYLINDER LINER	6	(B) (SUB FOR R57582)	
2	R48767	PACKING	6	(A)	
	R48768	WASHER	6	(B)	
3	AR71617	KIT	6	(A) O-RING, (SUB FOR AR54747 AND AR65070)	
	AR71618	KIT	6	(B) O-RING, (SUB FOR AR54748 AND AR65071)	

(A) GASOLINE  
(B) DIESEL

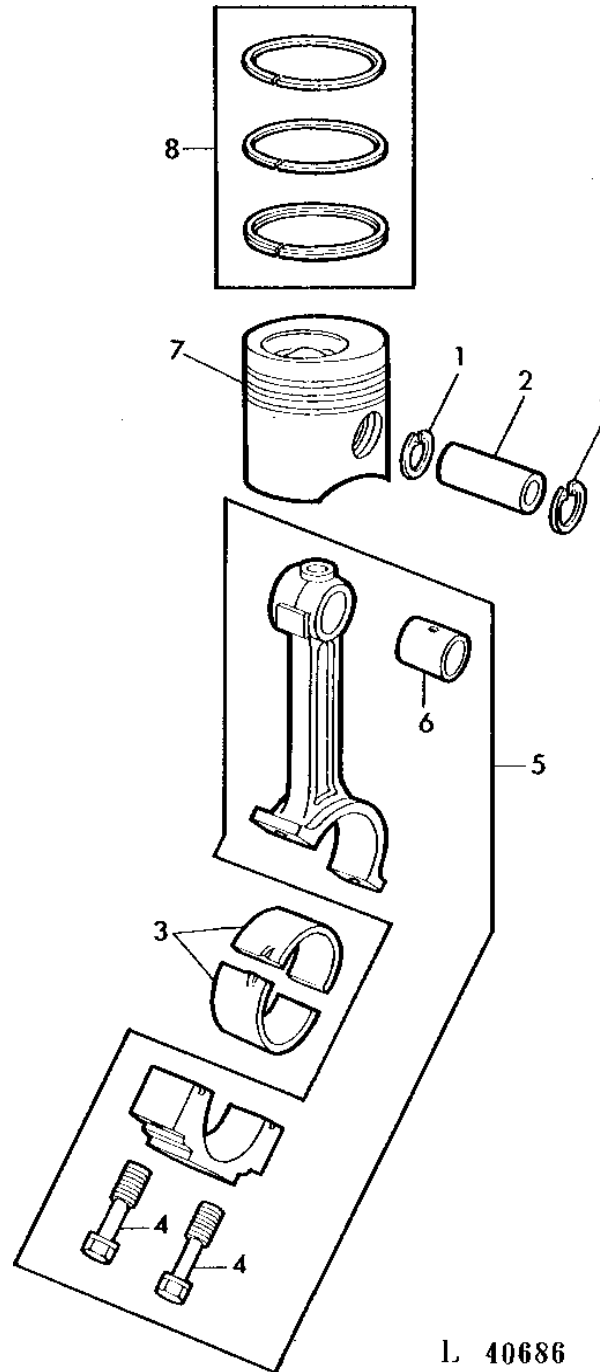
# 1B17

ENGINE

L40686

-UN-01JAN94

## PISTONS AND CONNECTING RODS



# 1B18

ENGINE

## PISTONS AND CONNECTING RODS - CONTINUED

KEY	PART NO.	PART NAME	QTY	ENGINE SERIAL NO.	REMARKS
1	R51112	SNAP RING	12	-277549	
	U16538	SNAP RING	12	277550-	(SUB FOR M41029)
2	T26149	PISTON PIN	6	-277549	(B)
	R51731	PISTON PIN	6	277550-	(B) (SUB R125754)
	T18838	PISTON PIN	6		(A)
3	AT21138	BEARING	6		(STD) (2 HALVES)
	AT21122	BEARING	6		0.05MM (.002") US (2 HALVES) (NLA)
	AT21124	BEARING	6		0.25MM (.010") US, (2 HALVES)
	AT21126	BEARING	6		0.51MM (.020") US, (2 HALVES)
	AT21128	BEARING	6		0.76MM (.030") US, (2 HALVES)
4	T20009	CAP SCREW	12		(SUB R74194)
	R80033	SCREW	12		(USE WITH RE21076)
5	AT18005	CONNECTING ROD	6	-277549	
	AR55978	CONNECTING ROD	6	277550-	(SUB RE21076)
6	T23471	BUSHING	6	-277549	
	R55647	BUSHING	6	277550-	
7	AR78310	PISTON	6	-277549	(B) (SUB FOR R51451) (SUB RE53265)
	AR55984	PISTON	6	277550-368190	(B) (SUB AR77762)
	AR77762	PISTON	6	368191-	(B)
	T24891	PISTON	6		(A)
8	AR70633	PISTON RING KIT	6		(A) (SUB FOR AR55758)
	AR55759	PISTON RING KIT	6		(B)

(A) GASOLINE  
(B) DIESEL

---

MEMORANDA

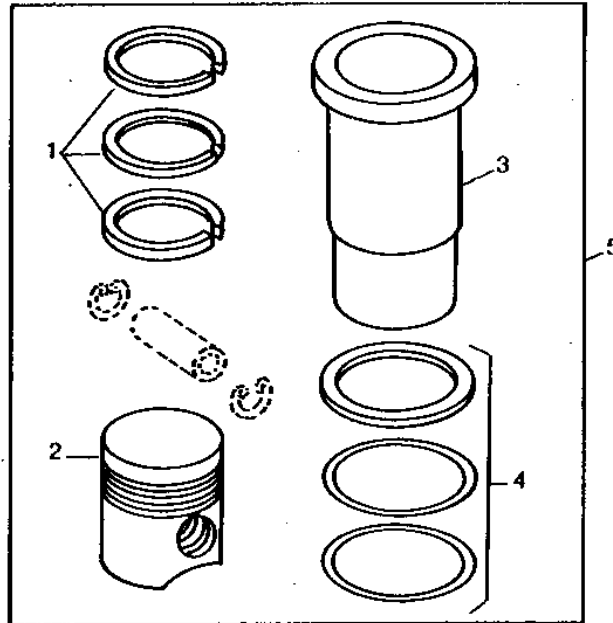


# 1B19

ENGINE

## PISTON LINER KIT (GASOLINE)

RWP4696 -UN-01JAN94



RWP4696

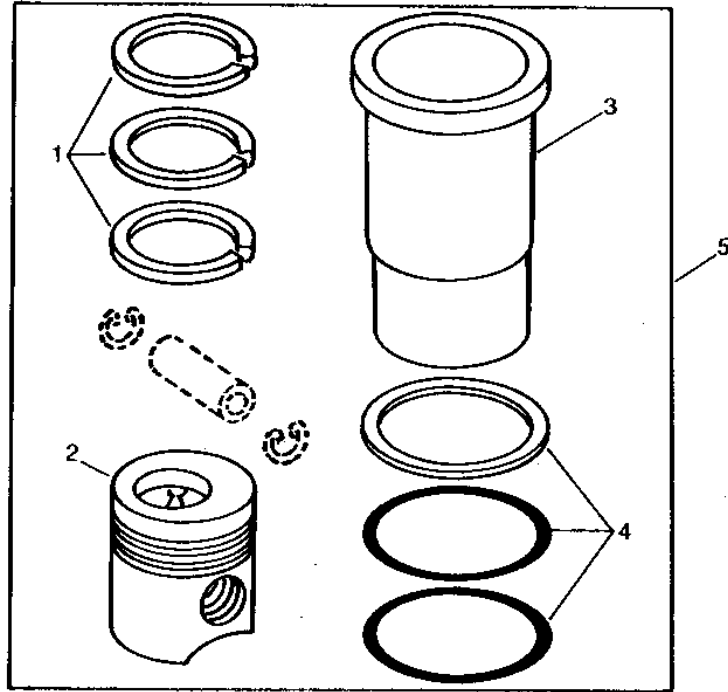
KEY	PART NO.	PART NAME	QTY	ENGINE SERIAL NO.	REMARKS
1	AR70633	PISTON RING KIT	1		
2	T24891	PISTON	1		
3	T32340	CYLINDER LINER	1		OIL CONTROL, (ORDER AR70633)
4	AR71617	KIT	1		
5	AR71595	PISTON-LINER KIT	6		(USE WITH T24891)

# 1B20

ENGINE

RWP2613 -UN-01JAN94

## PISTON LINER KIT (DIESEL)



RWP2613

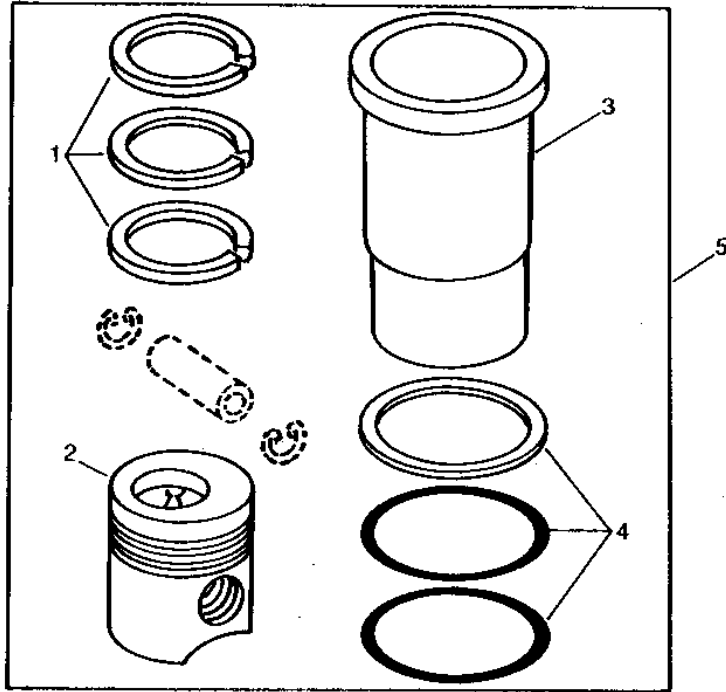
KEY	PART NO.	PART NAME	QTY	ENGINE SERIAL NO.	REMARKS
1	AR55759	PISTON RING KIT	1		
2	AR78310	PISTON	1		(WITH INSERT) (SUB RE53265)
3	T32343	CYLINDER LINER	1		
4	AR71618	KIT	1		
5	AR71593	PISTON-LINER KIT	6	-277549	(USE WITH AR78310)

# 1B21

ENGINE

RWP2613 -UN-01JAN94

## PISTON LINER KIT (DIESEL)



RWP2613

KEY	PART NO.	PART NAME	QTY	ENGINE SERIAL NO.	REMARKS
1	AR55759	PISTON RING KIT	1		
2	AR55984	PISTON	1	277550-368190	(WITH INSERT) (SUB AR77762)
	AR77762	PISTON	1	368191-	(WITH INSERT) (MARKED B)
3	T32343	CYLINDER LINER	1		
4	AR71618	KIT	1		
5	AR71592	PISTON-LINER KIT	6	277550-368190	(SUB AR78041) (USE WITH AR55984)
	AR78041	PISTON-LINER KIT	4	368191-	(USE WITH AR77762)

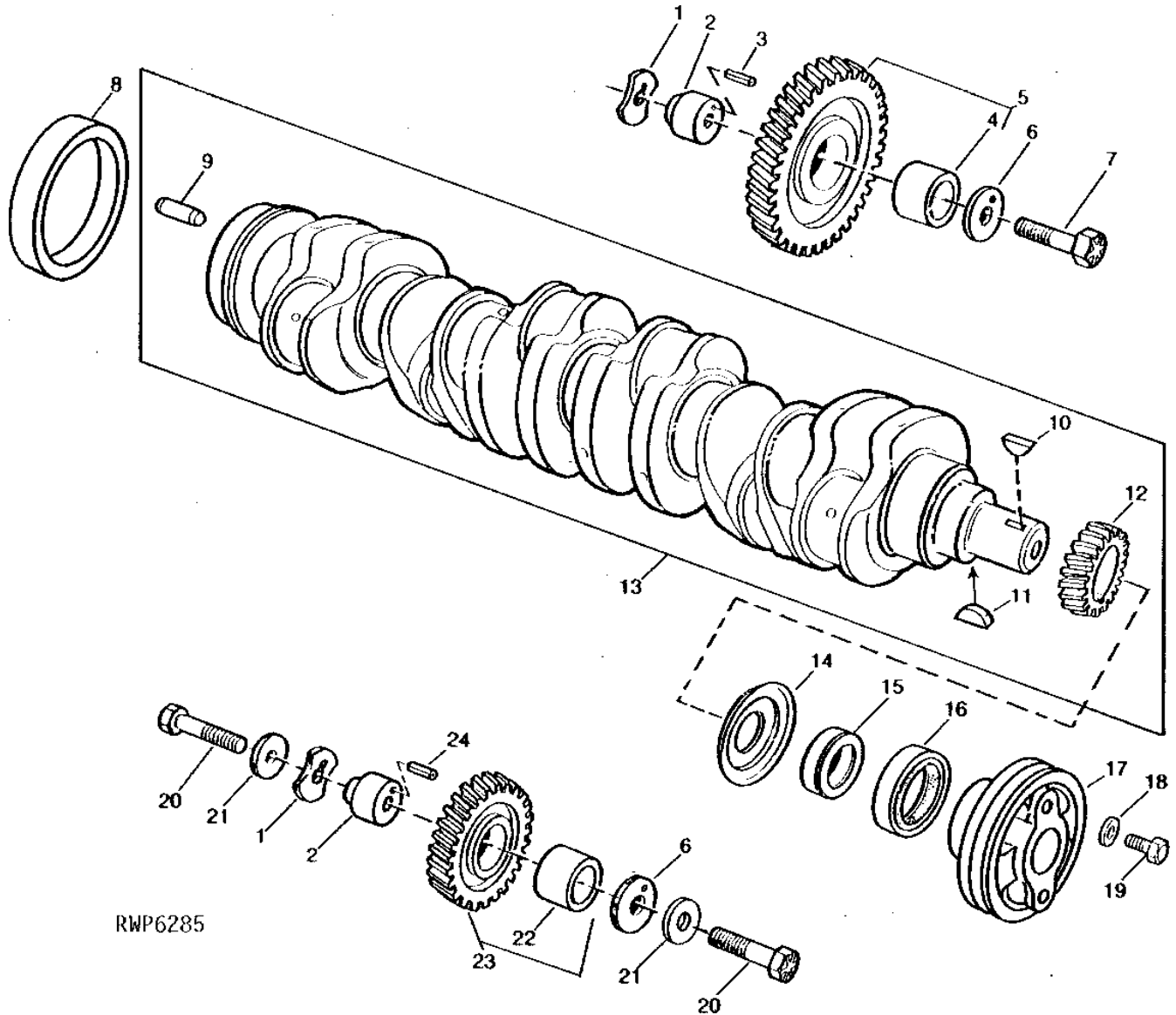
# 1B22

ENGINE

RWP6285

-UN-01JAN94

## CRANKSHAFT AND IDLER GEARS



RWP6285

# 1B23

ENGINE

## CRANKSHAFT AND IDLER GEARS - CONTINUED

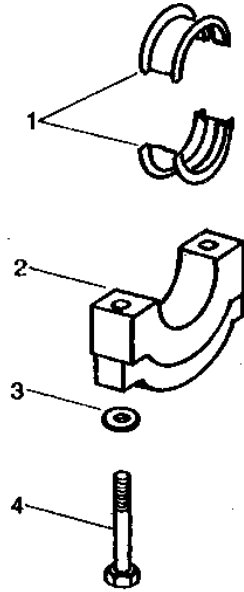
KEY	PART NO.	PART NAME	QTY	ENGINE SERIAL NO.	REMARKS
1	T26324	THRUST WASHER	2		
2	T26323	SHAFT	1		UPPER, (SUB R109863)
	T26323	SHAFT	1		LOWER, (SUB R109863, R100105, 19H3011 AND 14H865)
3	34H283	SPRING PIN	1		3/16" X 1-1/8"
4	T20034	BUSHING	1		
5	AR91660	GEAR	1		(55 TEETH) (MARKED T20029) (SUB FOR AT18009)
6	T26326	THRUST WASHER	2		(USE WITH AR91660)
	R42364	WASHER	2		(SUB R76126) (USE WITH AT24252)
7	T26327	SCREW	1		
8	RE24959	SEAL	1		(SUB FOR AT22965 OR AR92893) (SUB RE44574)
9	T26565	DOWEL PIN	1		
10	26H72	SHAFT KEY	1		1/8" X 5/8"
11	26H27	SHAFT KEY	1		5/16" X 1-1/8"
12	T20094	GEAR	1		(24 TEETH)
13	AT22562	CRANKSHAFT	1		(MARKED T23266 OR T23267) (SUB RE54130)
14	T20046	OIL SLINGER	1		
15	T23270	BUSHING	1		
16	AR67942	SEAL	1		
17	AR57194	PULLEY	1		(DIESEL) (SUB RE12821)
	R52678	SHEAVE	1		(GASOLINE) ILLUSTRATED
18	T20217	WASHER	1		
19	19H1721	CAP SCREW	1		1/2" X 1-1/2"
20	T26325	SCREW	2		
21	24H1348	WASHER	2		9/16" X 1" X 1/4"
22	T26321	BUSHING	1		
23	AT24252	GEAR	1		(45 TEETH) (MARKED T26322)
24	34H286	SPRING PIN	1		3/16" X 1-1/2"

# 1B24

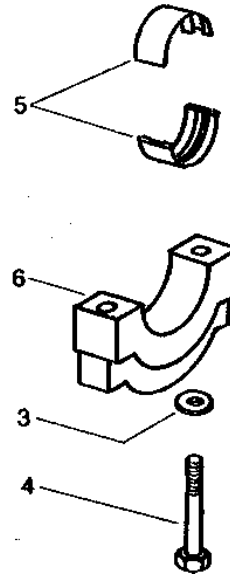
ENGINE

RP210 -UN-01JAN94

## MAIN BEARING CAPS AND BEARINGS



RP210



KEY	PART NO.	PART NAME	QTY	ENGINE SERIAL NO.	REMARKS
1	AT21139	BEARING	1	(B)	
	AT21130	BEARING	1	(A) (B) 0.05MM (.002") (NLA)	
	AT21132	BEARING	1	(A) (B) 0.25MM (.010")	
	AT21134	BEARING	1	(A) (B) 0.51MM (.020")	
	AT21136	BEARING	1	(A) (B) 0.76MM (.030")	
2	AR82295	BEARING CAP	1		(SUB FOR AT21227) (SUB R79089)
3	T20168	WASHER	14		
4	T23474	CAP SCREW	14		
5	AT21140	BEARING	6	(B)	
	AT21108	BEARING	6	(A) (B) 0.05MM (.002")	
	AT21110	BEARING	6	(A) (B) 0.25MM (.010")	
	AT21112	BEARING	6	(A) (B) 0.51MM (.020")	
	AT21114	BEARING	6	(A) (B) 0.76MM (.030")	
6	R65215	BEARING CAP	6		(SUB FOR AT21226 AND AR82294)

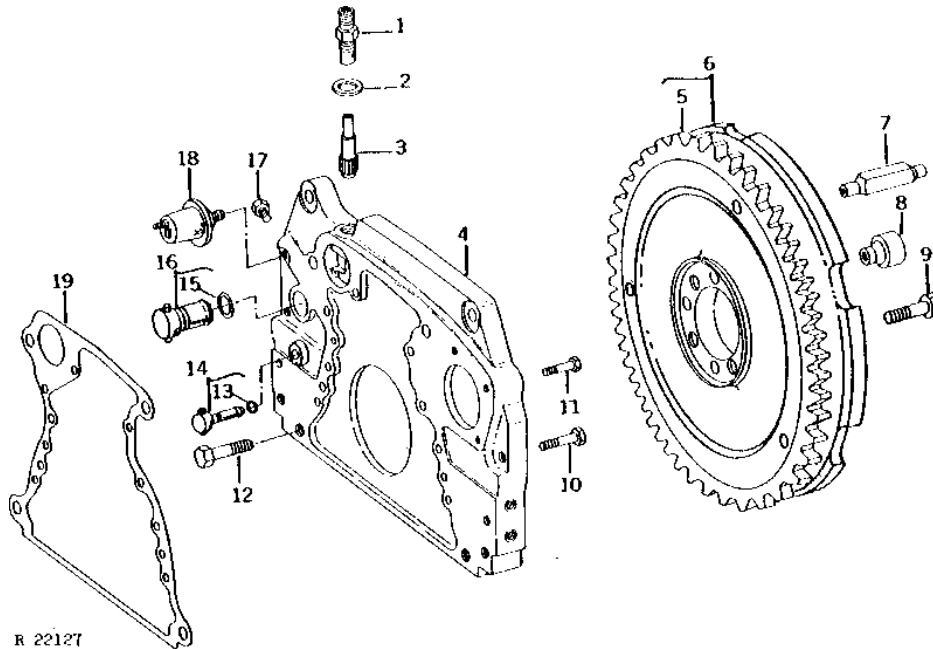
(A) UNDERSIZE  
(B) 2 HALVES

# 1B25

ENGINE

R22127 -UN-01JAN94

## FLYWHEEL HOUSING



KEY	PART NO.	PART NAME	QTY	ENGINE SERIAL NO.	REMARKS
1	T22537	FITTING	1		
2	H1058R	WASHER	1		
3	T22536	GEAR	1		
4	R51794	HOUSING	1		
5	R26054	GEAR	1	(A)	
	R28811	GEAR	1	(B)	
6	AR63898	FLYWHEEL	1	(A) (MARKED R50947) (NLA)	
	AR63897	FLYWHEEL	1	(B) (MARKED R50939) (SUB RE23945)	
7	R50263	PIN	3		
8	R50945	ADAPTER	1	(SUB RE61553)	
9	19H3299	CAP SCREW	4	1/2" X 1-1/4"	
10	19H1824	CAP SCREW	4	5/8" X 2-1/4"	
11	19H3219	CAP SCREW	8	3/8" X 1-3/8"	
12	19H2663	CAP SCREW	2	3/4" X 2-1/8"	
13	A4365R	O-RING	1		
14	AR61589	PLUG	1		
15	R27149	O-RING	1		
16	AR61533	PLUG	1		
17	15H558	PIPE PLUG	1	1/8"	
18	AR58234	SENDER	1	(SUB RE15583)	
19	R70483	GASKET	1	(SUB FOR T23596) (SUB R97351)	

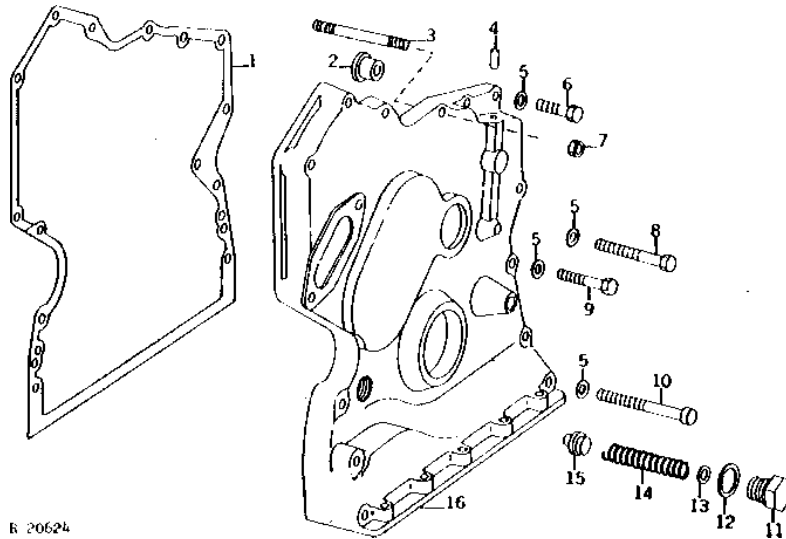
(A) GASOLINE  
(B) DIESEL

# 1C1

ENGINE

R20624 -UN-01JAN94

## TIMING GEAR COVER (GASOLINE)



R 20624

KEY	PART NO.	PART NAME	QTY	ENGINE SERIAL NO.	REMARKS
1	T20154	GASKET	1		
2	T20146	BUSHING	1		
3	T33279	STUD	2		
4	T16468	DOWEL PIN	1		
5	24M7106	WASHER	12	10 X 18 X 2.500 MM	
6	19H3219	CAP SCREW	1	3/8" X 1-3/8"	
7	14H1076	NUT	2	3/8"	
8	19H1765	CAP SCREW	1	3/8" X 1-3/4"	
9	19H1801	CAP SCREW	10	3/8" X 2"	
10	19H1733	CAP SCREW	2	3/8" X 2-1/2"	
11	T27657	FITTING PLUG	1		
12	A4827R	WASHER	1		
13	24H1290	WASHER	AR	21/64" X 3/4" X 0.035"	
14	T27658	SPRING	1		
15	R51516	VALVE	1	(SUB R83169)	
16	AT27101	COVER	1	(ORDER AT19508, T20272, T20273, 15H275, 19H1726, (3) 19H2284 AND (4) 24M7106)	

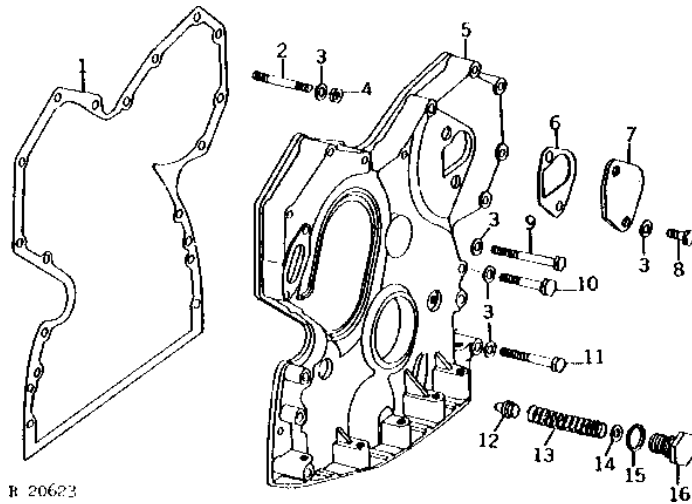


# 1C2

ENGINE

R20623 -UN-01JAN94

## TIMING GEAR COVER (DIESEL)



R 20623

KEY	PART NO.	PART NAME	QTY	ENGINE SERIAL NO.	REMARKS
1	T20155	GASKET	1		(SUB FOR R97454)
2	T33279	STUD	2		
3	24M7106	WASHER	16		10 X 18 X 2.500 MM
4	14H1076	NUT	2		3/8"
5	AR58196	COVER	1		(MARKED R52879 OR R52880) (ALSO ORDER T20272, T20273, 15H275, 19H1726, (3) 19H2284 AND (3) 24M7106)
6	R97773	GASKET	1		(SUB FOR T20364, R69260 OR R78366) (SUB R125066)
7	T20362	COVER	1		
8	19H2284	CAP SCREW	2		3/8" X 7/8"
9	19H2128	CAP SCREW	2		3/8" X 3"
10	19H1801	CAP SCREW	10		3/8" X 2"
11	19H1733	CAP SCREW	2		3/8" X 2-1/2"
12	R51516	VALVE	1		(SUB R83169)
13	T27658	SPRING	1		
14	24H1290	WASHER	AR		21/64" X 3/4" X 0.035"
15	A4827R	WASHER	1		
16	T27657	FITTING PLUG	1		

---

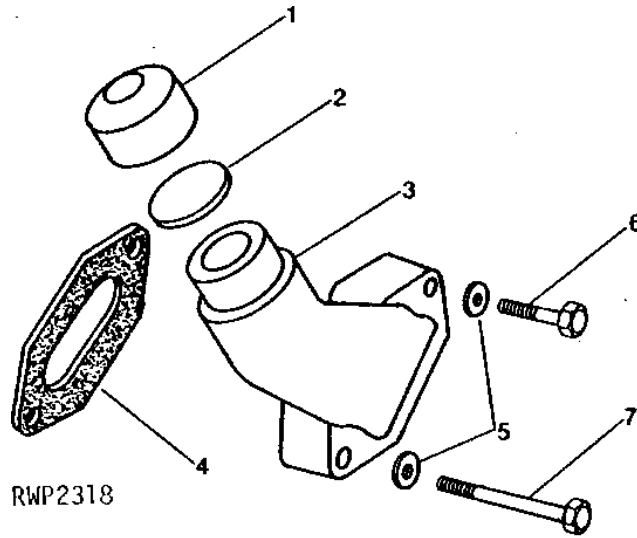
MEMORANDA

# 1C3

ENGINE

RWP2318 -UN-01JAN94

## OIL FILLER INLET



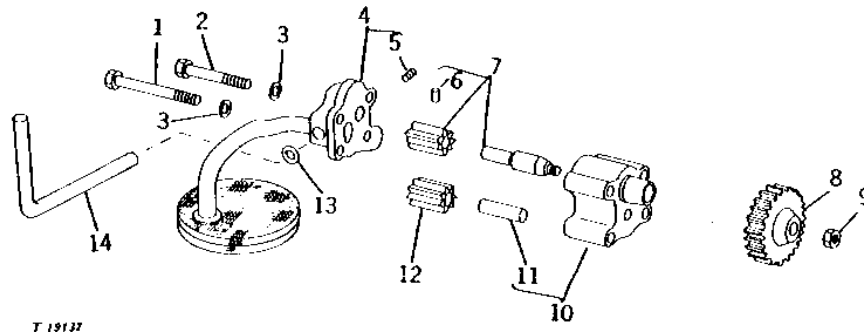
KEY	PART NO.	PART NAME	QTY	ENGINE SERIAL NO.	REMARKS
1	T20294	CAP	1		
2	T20328	GASKET	1		
3	T20335	FILLER NECK	1		
4	T20336	GASKET	1		(SUB R97352)
5	24M7106	WASHER	2		10 X 18 X 2.500 MM
6	19H2665	CAP SCREW	1		3/8" X 1-5/8"
7	19H2128	CAP SCREW	1		3/8" X 3"

# 1C4

ENGINE

LUBRICATING OIL PUMP  
(ENGINE SERIAL NO. -234438)

T19137 -UN-01JAN94



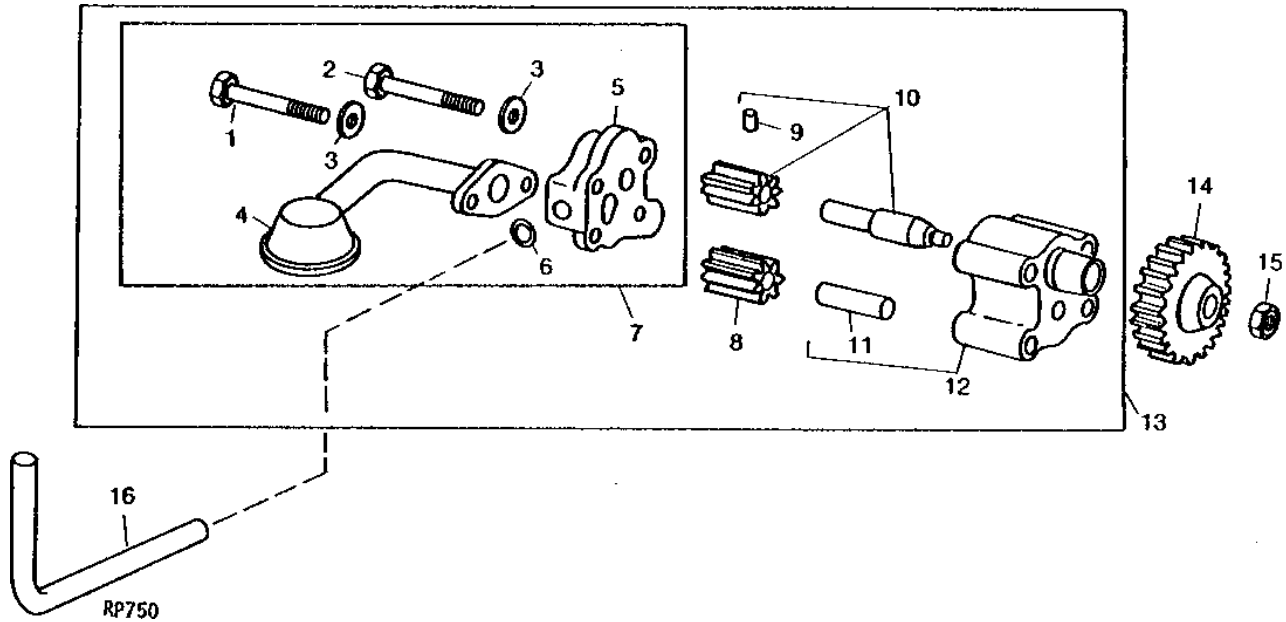
KEY	PART NO.	PART NAME	QTY	ENGINE SERIAL NO.	REMARKS
1	19H1854	CAP SCREW	1		
2	R57059	CAP SCREW	3		3/8" X 3-3/4"
3	12H304	LOCK WASHER	4		3/8"
4	AT31394	COVER	1		(SUB RE55346 AND R113752)
5	15H560	PIPE PLUG	1		1/16"
6	M3853T	GROOVE PIN	1		
7	AT18126	DRIVE SHAFT	1		
8	T20298	GEAR	1		(33 TEETH)
9	14H826	NUT	1		1/2"
10	AT32606	HOUSING	1		(MARKED T20078) (SUB RE55343 AND R113752)
11	T20091	DOWEL PIN	1		
12	T20097	GEAR	1		(7 TEETH)
13	R27166	O-RING	1		
14	T20050	OIL TUBE	1		

# 1C5

ENGINE

## LUBRICATING OIL PUMP (ENGINE SERIAL NO. 234439- )

RP750 -UN-01JAN94



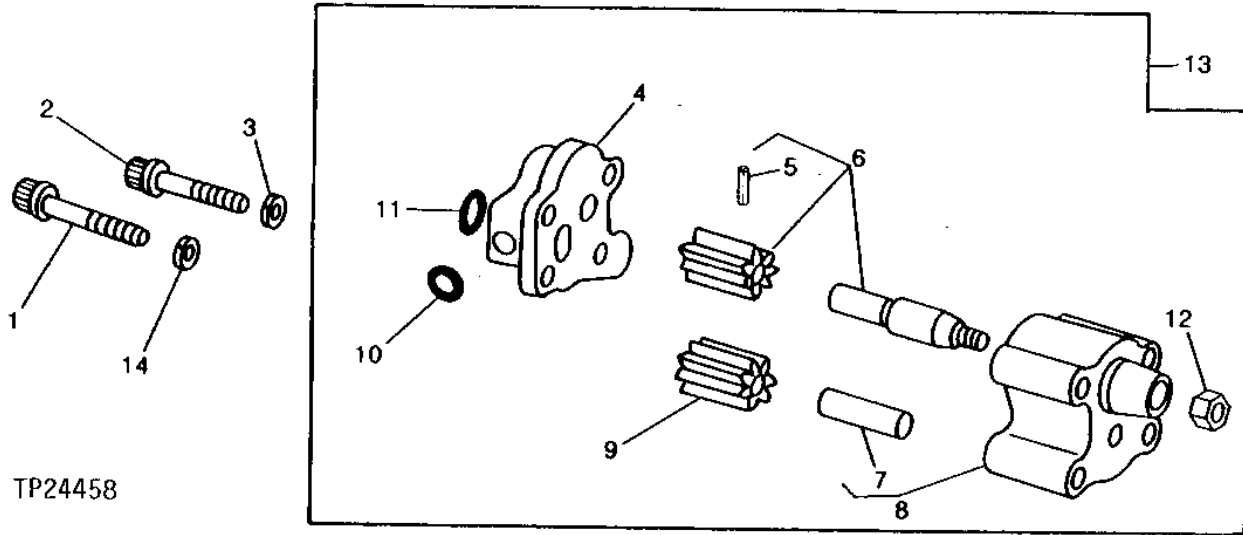
KEY	PART NO.	PART NAME	QTY	ENGINE SERIAL NO.	REMARKS
1	R59409	CAP SCREW	2	(SUB R74552 AND R74553)	
2	R57059	CAP SCREW	2		
3	12H304	LOCK WASHER	3	3/8"	
4	AR59621	OIL PUMP INTAKE	1		
	R61871	O-RING	1	(SUB FOR A4730R, THIS APPLICATION)	
5	R53382	COVER	1		
6	R74354	O-RING	1	(SUB FOR R27166, THIS APPLICATION)	
7	AR67673	KIT	1	OIL PUMP PICKUP, (SUB RE55346 AND R113752)	
8	T20097	GEAR	1	-248000	(7 TEETH) (USE WITH T20078)
	R54614	GEAR	1	248001-	(7 TEETH)
9	M3853T	GROOVE PIN	1		
10	AT18126	DRIVE SHAFT	1	-248000	(USE WITH T20018)
	AR62978	PINION	1	248001-	
11	T20091	DOWEL PIN	1		
12	AT32606	HOUSING	1	-248000	(MARKED T20078) (SUB RE55343 AND R113752)
	AR62979	HOUSING	1	248001-	(MARKED R54615) (SUB RE55343 AND R113752)
13	AR67077	OIL PUMP	1	248001-	(SUB RE55343 AND R113752)
14	T20298	GEAR	1		(33 TEETH)
15	14H826	NUT	1	1/2"	
16	T20050	OIL TUBE	1		

# 1C6

ENGINE

TP24458 -UN-01JAN94

## ENGINE OIL PUMP KIT



TP24458

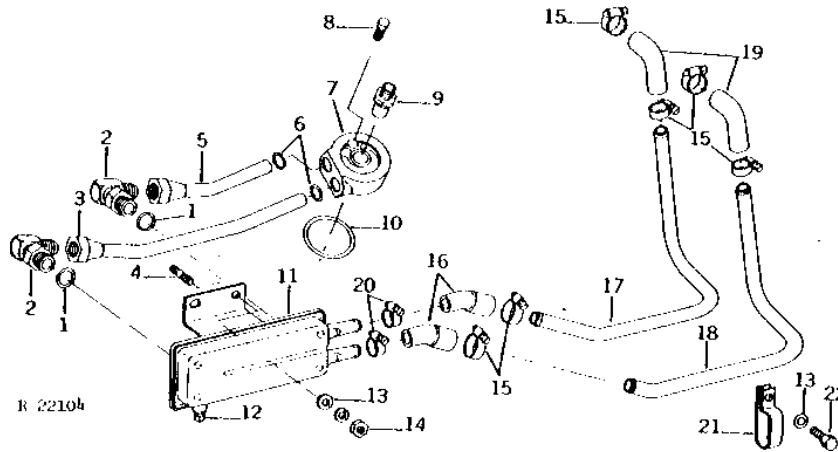
KEY	PART NO.	PART NAME	QTY	ENGINE SERIAL NO.	REMARKS
1	R74552	CAP SCREW	2		
2	R57059	CAP SCREW	2		
3	12H304	LOCK WASHER	2	3/8"	
4	R53382	COVER	1	(SUB RE55343 AND R113752)	
5	M3853T	GROOVE PIN	1		
6	AR62978	PINION	1		
7	T20091	DOWEL PIN	1		
8	AR62979	HOUSING	1	(MARKED R54615) (SUB RE55343 AND R113752)	
9	R54614	GEAR	2		
10	R74354	O-RING	1		
11	R61871	O-RING	1		
12	14H826	NUT	1	1/2"	
13	RE35685	OIL PUMP	1	(SUB FOR RE15381) (SUB RE55343 AND R113752)	
14	12H304	LOCK WASHER	2	3/8"	
	R74553	WASHER	2		

# 1C7

ENGINE

## ENGINE OIL COOLER (ENGINE SERIAL NO. -XXXXXX)

R22104 -UN-01JAN94



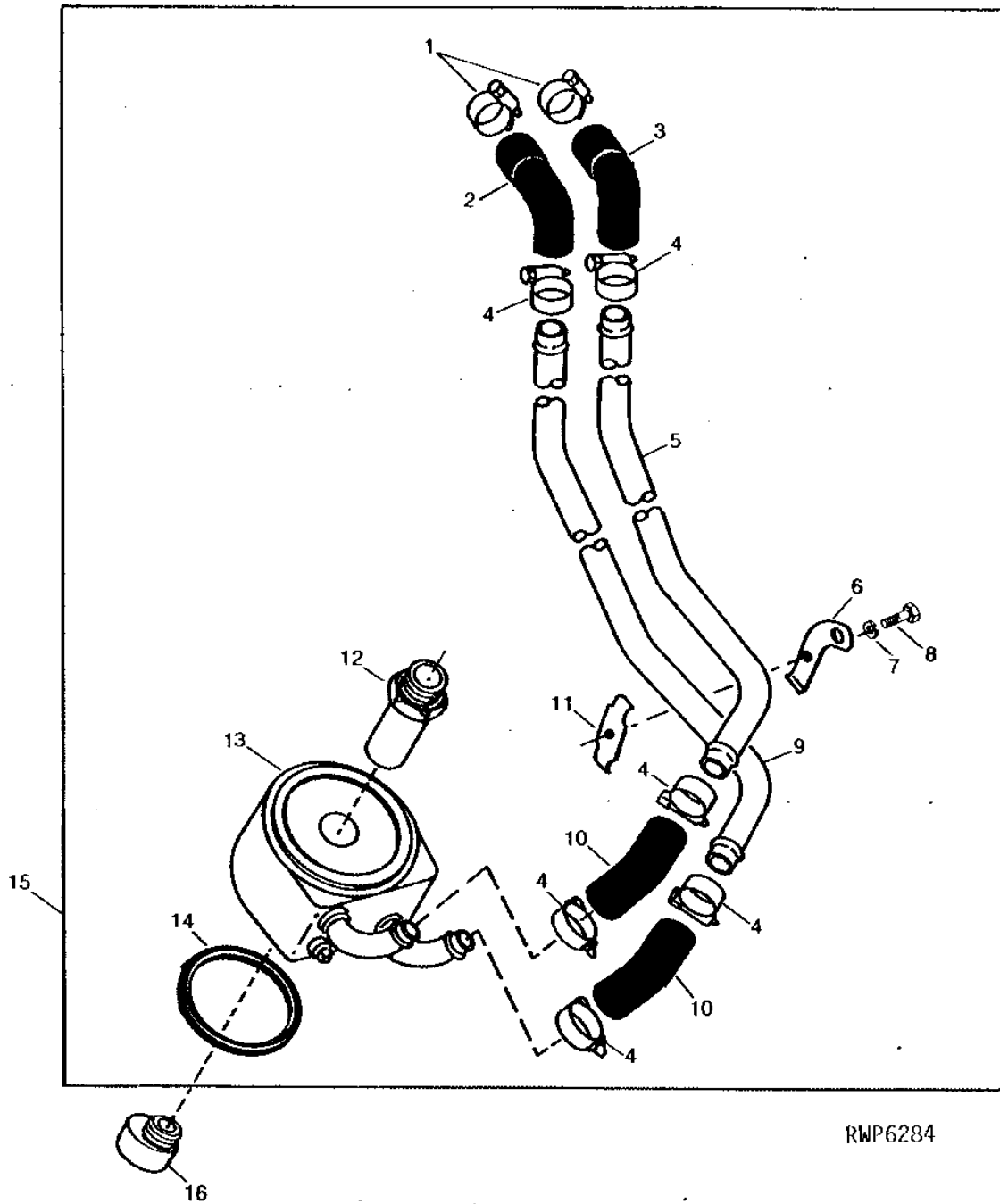
KEY	PART NO.	PART NAME	QTY	ENGINE SERIAL NO.	REMARKS
1	F3171R	O-RING	2		
2	AT32331	ELBOW FITTING	2		
3	AR61169	OIL LINE	1		
4	R32042	STUD	1		
5	AR61168	LINE	1		
6	T13119	O-RING	2		
7	R53812	ADAPTER	1		
8	AT31093	VALVE	1		
9	R53808	FITTING	1		
10	M4237T	O-RING	1		
11	AR61167	OIL COOLER	1	(SUB RE27540)	
12	15H604	PIPE PLUG	1	1/4"	
13	24M7106	WASHER	2	10 X 18 X 2.500 MM	
14	14H1076	NUT	1	3/8"	
	12H304	LOCK WASHER	1	3/8"	
15	AR21839	CLAMP	6	(SUB TY22467)	
16	R53811	HOSE	2		
17	R53806	LINE	1	(NLA)	
18	R53807	LINE	1	(NLA)	
19	R53810	HOSE	2	(SUB R114205)	
20	AR21837	CLAMP	2	(SUB TY22465)	
21	R56171	CLIP	1		
22	19H2128	CAP SCREW	1	3/8" X 3"	

# 1C8

ENGINE

ENGINE OIL COOLER  
(ENGINE SERIAL NO. XXXXXX- )

RWP6284 -UN-01JAN94



RWP6284



# 1C9

ENGINE

**ENGINE OIL COOLER - CONTINUED  
(ENGINE SERIAL NO. XXXXXX- )**

KEY	PART NO.	PART NAME	QTY	ENGINE SERIAL NO.	REMARKS
1	AR21839	CLAMP	2		(SUB TY22467)
2	R57699	HOSE	1		(A)
3	R57700	HOSE	1		(B)
4	RE32361	CLAMP	6		
5	R57698	TUBE	1		(B)
6	R55128	FLANGE	1		
7	12M7060	WASHER	1		0.209"
8	21H1312	SCREW	1		0.190" X 1"
9	R57697	TUBE	1		(A)
10	R55127	HOSE	1		(G)
	R99802	HOSE	2		(F)
11	R55129	HALF CLAMP	1		
12	T31306	THREADED NIPPLE	1		
13	RE31929	OIL COOLER	1		(SUB FOR AR64415, AR98852 OR RE10869)
	R77332	RELIEF VALVE	1		(INCLUDED IN RE10869 OR RE27540)
	AT31093	VALVE	1		(C) (D)
	AR98853	VALVE	1		(C) (E)
	R56947	DRAIN PLUG	1		(INCLUDED IN RE10869 OR RE27540)
	15M2714	DRAIN PLUG	1		(C) (E)
14	R70956	WASHER	1		(SUB FOR R55434)
	CD15227	WASHER	1		(C) (E)
15	RE27540	KIT	1		OIL COOLER REPLACEMENT, (SUB FOR AR61167)
16	T23435	THREADED NIPPLE	1		

- (A) UPPER
- (B) LOWER
- (C) NOT INCLUDED IN KIT
- (D) USE IN AR64415
- (E) USE IN AR98852
- (F) USE IN RE31929
- (G) USE IN RE10829

---

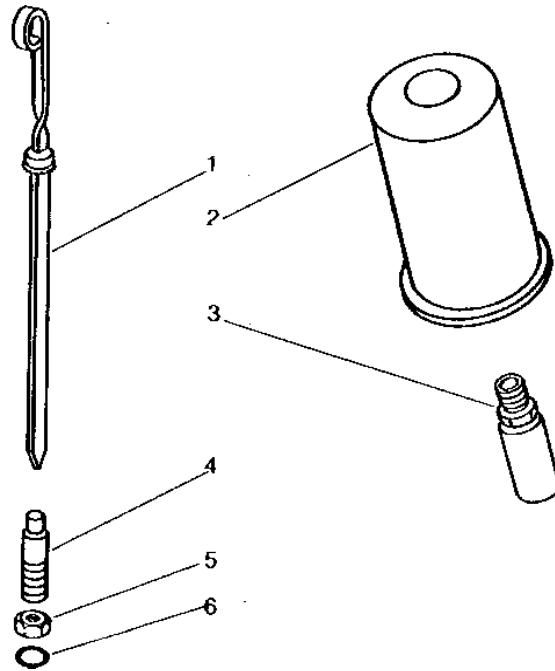
MEMORANDA

# 1C10

ENGINE

RWP6286 -UN-01JAN94

## ENGINE DIPSTICK AND OIL FILTER



RWP6286

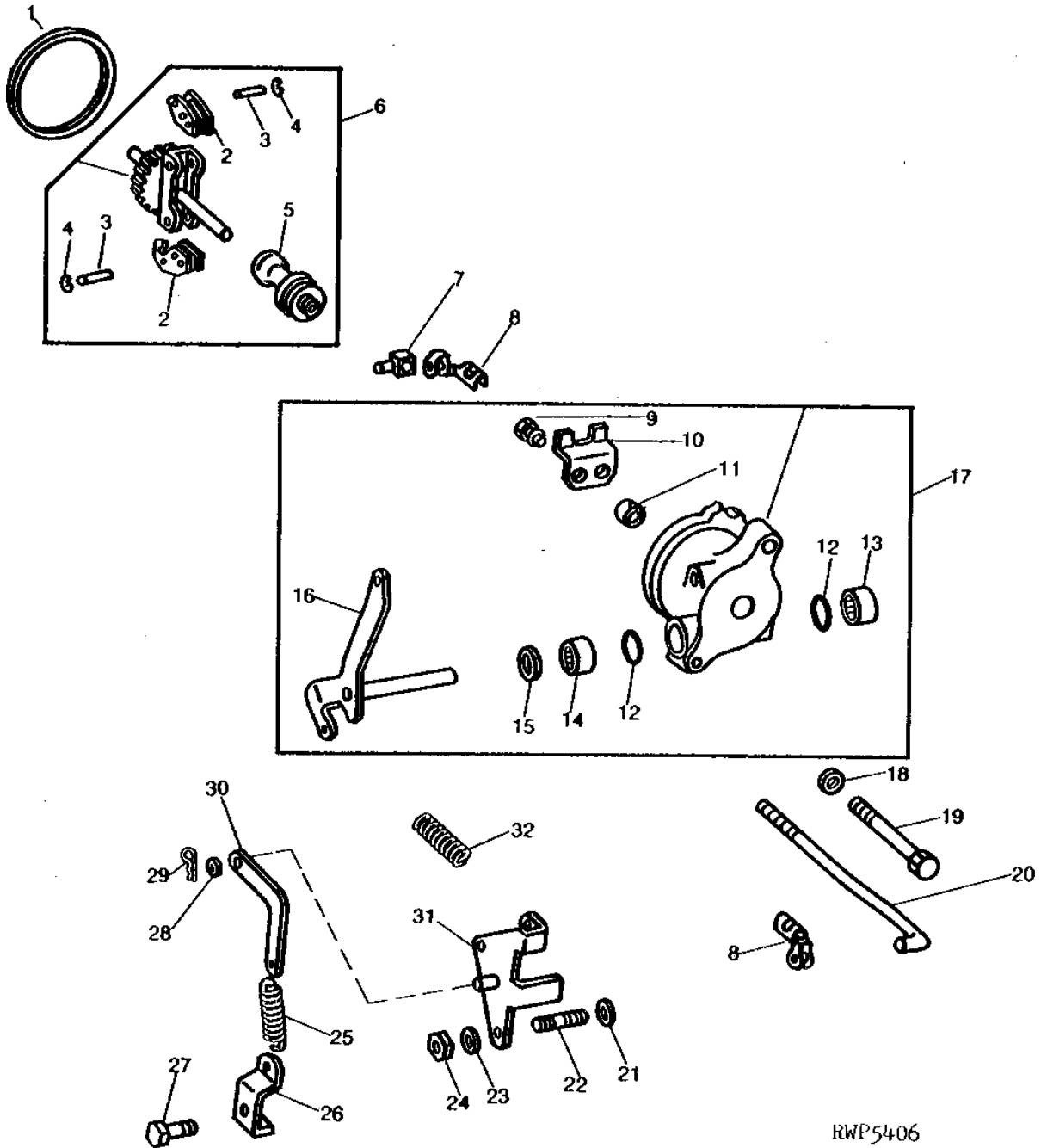
KEY	PART NO.	PART NAME	QTY	ENGINE SERIAL NO.	REMARKS
1	AT21535	DIPSTICK	1		
2	T19044	OIL FILTER	1		
3	R53808	FITTING	1	-XXXXXX	
	T31306	THREADED NIPPLE	1	XXXXXX-	(ILLUSTRATED)
4	R55302	THREADED NIPPLE	1		
5	14H826	NUT	1	1/2"	
6	R10093	O-RING	1		

# 1C11

ENGINE

## GOVERNOR ASSEMBLY (GASOLINE)

RWP5406 -UN-01JAN94



RWP5406

# 1C12

ENGINE

## GOVERNOR ASSEMBLY - CONTINUED (GASOLINE)

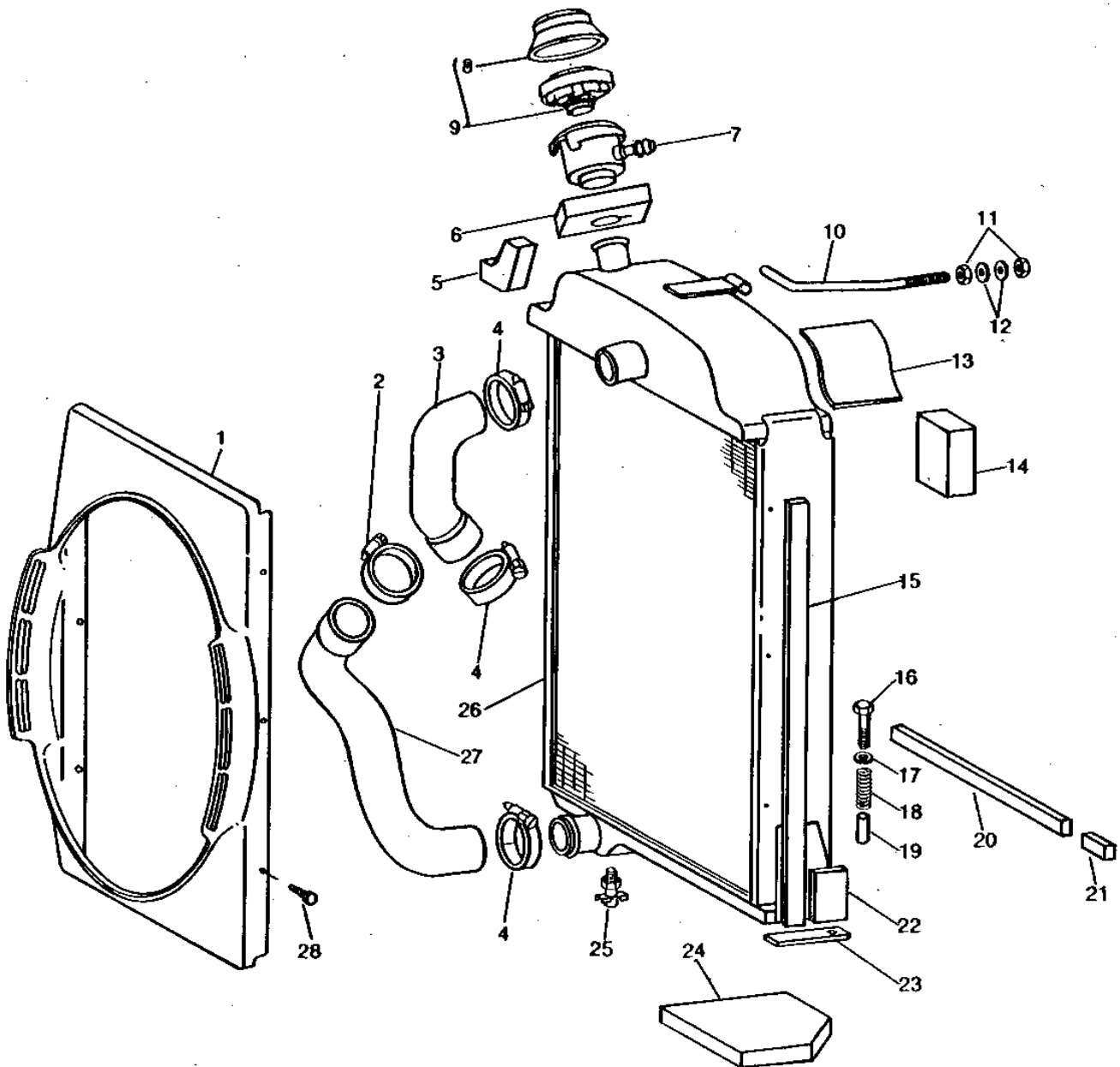
KEY	PART NO.	PART NAME	QTY	ENGINE SERIAL NO.	REMARKS
1	T20232	WASHER	1		
2	AT15604	WEIGHT	2		
3	P47892	PIN	2		
4	P47893	SNAP RING	2		
5	AT15601	BEARING	1		
6	AT18073	SHAFT	1		
7	R26500	SWIVEL	1		
8	R26501	CLIP	2		
9	T20231	SCREW	2		
10	T19996	YOKE	1		
11	T11107	BUSHING	1		
12	T20229	WASHER	2		
13	JD9810	NEEDLE BEARING	1		
14	JD8833	NEEDLE BEARING	1		
15	T20223	SEAL	1		
16	.....	ARM	1		(SUB AT21373)
17	AT21373	HOUSING	1		(MARKED T19995)
18	24M7106	WASHER	2		10 X 18 X 2.500 MM
19	19H1925	CAP SCREW	2		3/8" X 4-1/4"
20	T25030	ROD	1		
21	24H1305	WASHER	1		13/32" X 13/16" X 0.065"
22	M3636T	STUD	1		(SUB FOR R26117)
23	24M7096	WASHER	1		10.500 X 18 X 1.600 MM
24	T11234	LOCK NUT	1		
25	T23226	SPRING	1		
26	R62568	BRACKET	1		(SUB FOR T24879)
27	19H1792	CAP SCREW	1		1/2" X 1"
28	24H1286	WASHER	1		9/32" X 1/2" X 1/16"
29	11M7077	COTTER PIN	1		0.063" X 0.984"
30	T24878	ARM	1		
31	AT21225	LEVER	1		
32	T17609	SPRING	1		

# 1C13

ENGINE

RWP4918 -UN-01JAN94

## RADIATOR



RWP4918

# 1C14

ENGINE

## RADIATOR - CONTINUED

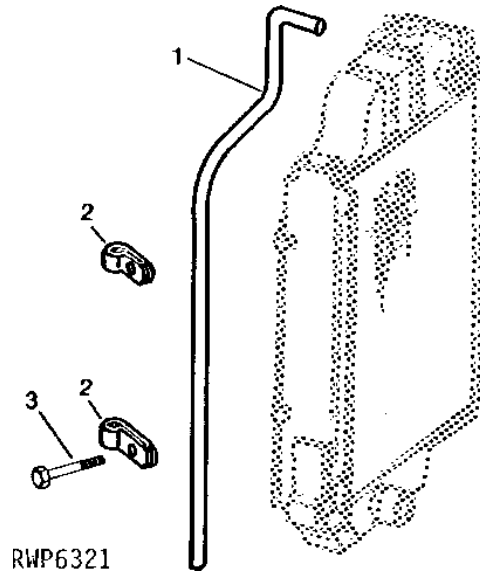
KEY	PART NO.	PART NAME	QTY	ENGINE SERIAL NO.	REMARKS
1	R53456	SHROUD	1		
2	AR21999	CLAMP	1		
3	R53549	HOSE	1		(DIESEL) (SUB TY22430)
	R53551	HOSE	1		(GASOLINE) (SUB TY22430)
4	AR21840	CLAMP	3		(SUB TY22470)
5	.....	FOAM PAD	1		25 X 25 X 127MM (1" X 1" X 5"), RADIATOR TOP TANK, L.H. (MAKE FROM R30937)
6	R28015	FOAM PAD	1		
7	RE15427	FILLER NECK	1		
8	R27209	COVER	1		
9	AR28482	CAP	1		
10	R62095	ROD	1		(SUB FOR R53232) (ALSO ORDER R72655)
	R72655	SNAP RING	1	013023-	(SUB FOR T12808)
11	14H1076	NUT	2		3/8"
12	24H1305	WASHER	2		13/32" X 13/16" X 0.065"
13	.....	FOAM PAD	2		3 X 102 X 140MM (1/8" X 4" X 5-1/2") (MAKE FROM R30597)
14	.....	FOAM PAD	1		38 X 63 X 89MM (1-1/2" X 2-1/2" X 3-1/2") (MAKE FROM R35339)
15	.....	FOAM PAD	2	-005236	13 X 25 X 559MM (1/2" X 1" X 22") RADIATOR SIDE, (MAKE FROM R30936)
	.....	FOAM PAD	2	005237-	8 X 124 X 133MM (5/16" X 4-7/8" X 5-1/4") RADIATOR SIDE, (MAKE FROM R45526)
16	19H1819	CAP SCREW	2		3/8" X 2-1/8"
17	24H1309	WASHER	2		13/32" X 1-1/16" X 0.120"
18	F2411R	SPRING	2		
19	R26417	SPACER	2		
20	.....	FOAM PAD	1		13 X 19 X 356MM (1/2" X 3/4" X 14") (MAKE FROM R30936)
21	.....	FOAM PAD	2		13 X 19 X 47MM (1/2" X 3/4" X 1-7/8") (MAKE FROM R30936)
22	R53487	ISOLATOR	2	-005236	13 X 64 X 64MM (1/2" X 2-1/2" X 2-1/2") (AIR CONDITIONING, L.H. AND R.H.) (MAKE FROM R30936)
	.....	FOAM PAD	2	005237-	13 X 25 X 76MM (1/2" X 1" X 3") (AIR CONDITIONING) (MAKE FROM R30936)
	R53490	ISOLATOR	1		64 X 44 X 44MM (2-1/2" X 1-3/4" X 1-3/4")
23	R26413	STRAP	2		
24	R53489	ISOLATOR	1	-XXXXXX	(NO LONGER AVAILABLE)
25	AT13740	DRAIN VALVE	1		
26	AR61881	RADIATOR	1		
27	R53550	HOSE	1		
28	37H79	SCREW	6		1/4" X 5/8"

# 1C15

ENGINE

RWP6321 -UN-01JAN94

## RADIATOR OVERFLOW HOSE



KEY	PART NO.	PART NAME	QTY	TRACTOR SERIAL NO.	REMARKS
1	R67035	HOSE	1		
2	T12250	CLIP	2		
3	19H1900	CAP SCREW	2	5/16" X 3/4"	

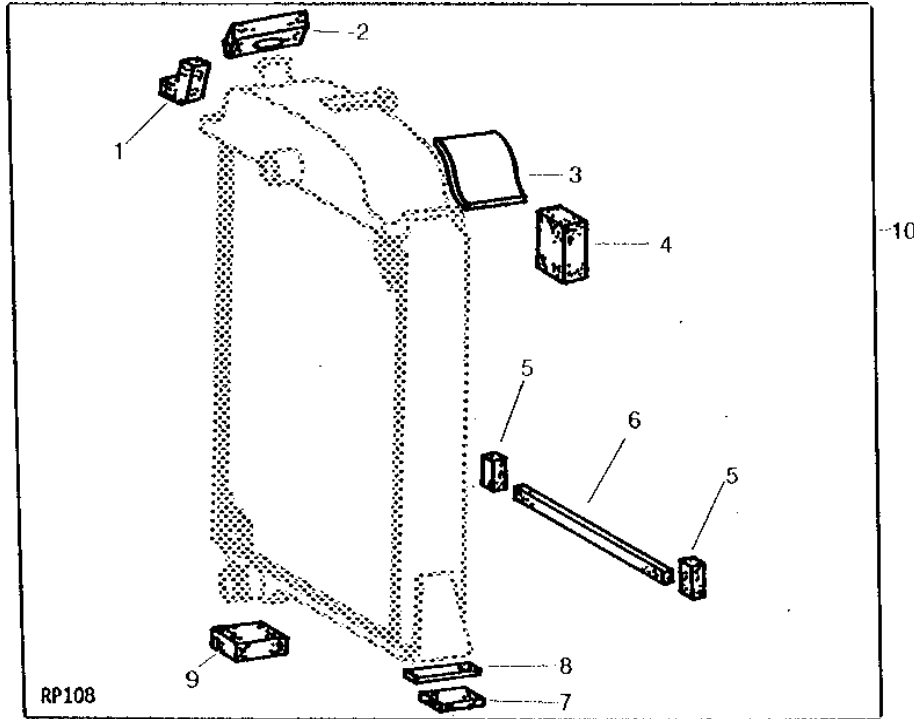


# 1C16

ENGINE

RP108 -UN-01JAN94

## RADIATOR BAFFLES AND CUSHION KIT



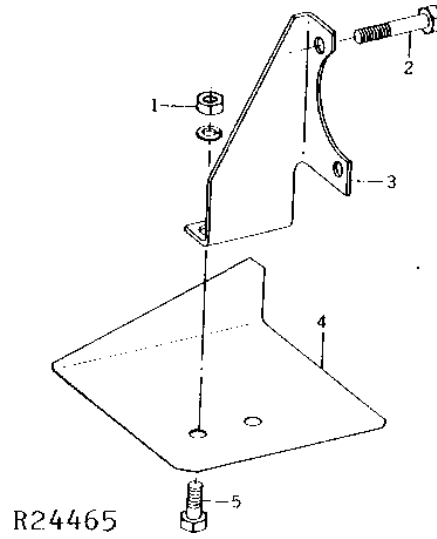
KEY	PART NO.	PART NAME	QTY	ENGINE SERIAL NO.	REMARKS
1	.....	FOAM PAD	1		25 X 25 X 127MM (1" X 1" X 5") (MAKE FROM R30937)
2	R28015	FOAM PAD	1		
3	.....	FOAM PAD	2		3 X 102 X 140MM (1/8" X 4" X 5-1/2") (MAKE FROM R21736)
4	.....	FOAM PAD	1		(MAKE FROM R35339)
5	.....	FOAM PAD	2		13 X 19 X 47MM (1/2" X 3/4" X 1-7/8") (MAKE FROM R30936)
6	.....	FOAM PAD	1		13 X 19 X 356MM (1/2" X 3/4" X 14") (MAKE FROM R30937)
7	.....	FOAM PAD	1		13 X 25 X 76MM (1/2" X 1" X 3") (MAKE FROM R30936)
8	R26413	STRAP	2		
9	R91553	FOAM PAD	1		32 X 32 X 57MM (1-1/4" X 1-1/4" X 2-1/2") (SUB FOR R64011)
10	AR91035	KIT	1		

# 1C17

ENGINE

R24465 -UN-01JAN94

## FAN BLAST DEFLECTOR



R24465

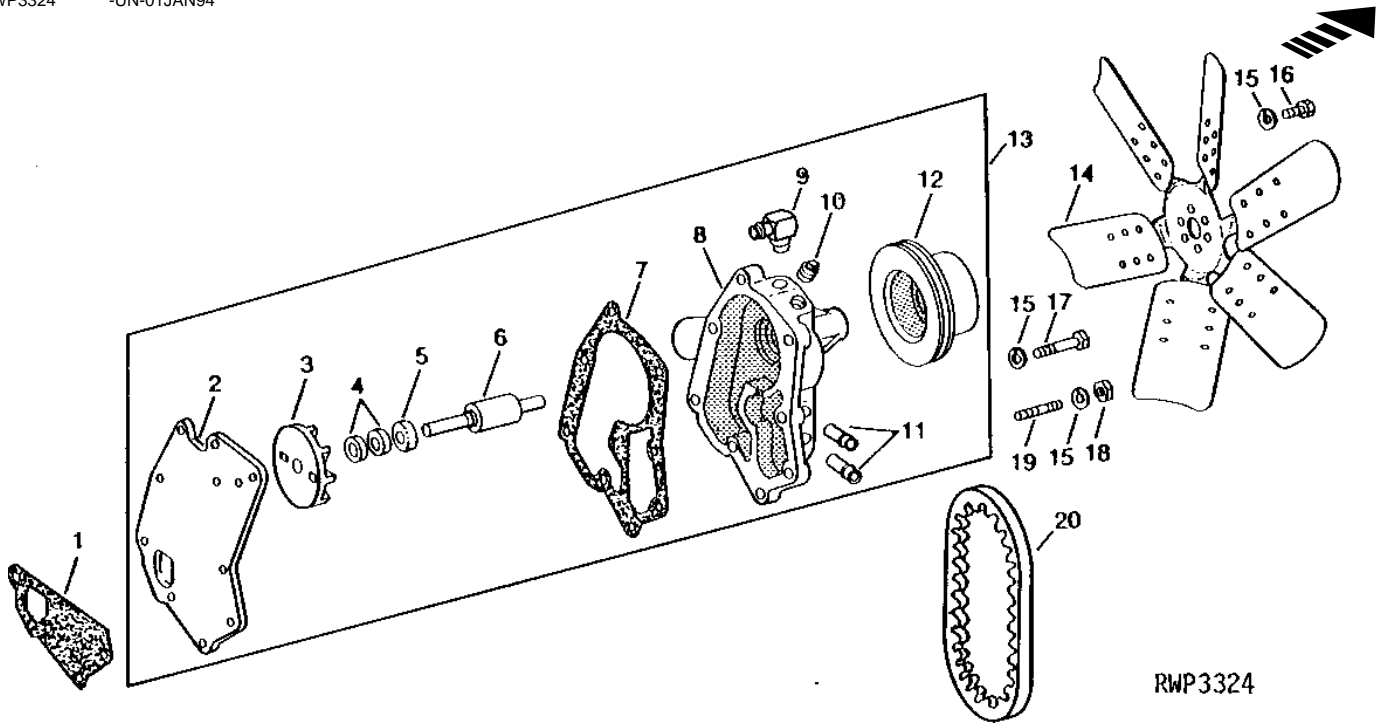
KEY	PART NO.	PART NAME	QTY	TRACTOR SERIAL NO.	REMARKS
1	14H1076	NUT	2	3/8"	
	12H304	LOCK WASHER	2	3/8"	
2	19H3181	CAP SCREW	2	3/8" X 2"	
3	R59590	BRACKET	1		
4	R59591	DEFLECTOR	1	(NLA)	
5	19H1936	CAP SCREW	2	3/8" X 3/4"	

# 1C18

ENGINE

RWP3324 -UN-01JAN94

## WATER PUMP



RWP3324

KEY	PART NO.	PART NAME	QTY	ENGINE SERIAL NO.	REMARKS
1	T20243	GASKET	1		(A)
2	R52010	COVER	1	-278122	
	R56861	COVER	1	278123-	(A)
3	R40979	IMPELLER	1		
4	AR41691	INSERT	1		
5	T27261	SEAL	1		
6	JD9448	BEARING	1		
7	T25485	GASKET	1		(A)
8	AR80114	HOUSING	1		(MARKED R52009) (INCLUDES AR26732 AND R34985)
9	AR26732	ELBOW FITTING	1		
10	15H584	PIPE PLUG	1		1/2"
11	R34985	LINE	2		
12	R52011	SHEAVE	1		
13	AR56295	WATER PUMP	1	-278122	(LESS FAN) (NLA)
	AR69709	WATER PUMP	1	278123-	(LESS FAN)
14	AR64075	FAN	1		
15	12H304	LOCK WASHER	9		3/8"
16	19H2284	CAP SCREW	4		3/8" X 7/8"
17	19H1801	CAP SCREW	4		3/8" X 2"
18	14H1076	NUT	1		3/8"
19	T25701	STUD	1		
20	R46113	BELT	1		

(A) INCLUDED IN AR67939

---

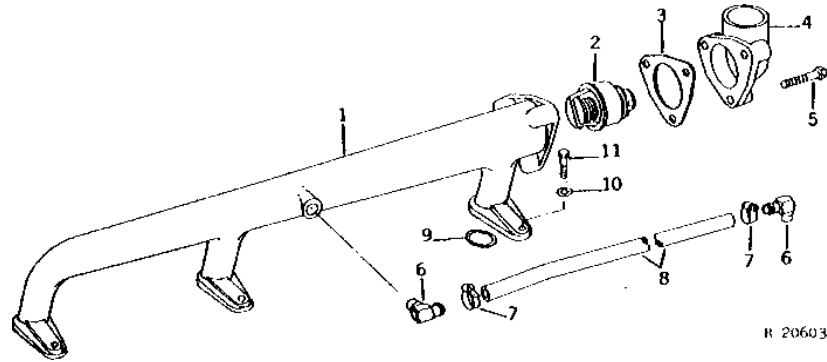
MEMORANDA

# 1C19

ENGINE

R20603 -UN-01JAN94

## WATER MANIFOLD AND THERMOSTAT



KEY	PART NO.	PART NAME	QTY	ENGINE SERIAL NO.	REMARKS
1	AR74154	MANIFOLD	1		
2	AR77411	THERMOSTAT	1		(ALSO ORDER 15H275)
3	T24932	GASKET	1		92C (195°) (SUB FOR AR70601)
4	T24934	COVER	1		
5	19H2549	CAP SCREW	3		3/8" X 1-7/8"
6	AR26732	ELBOW FITTING	2		
7	T29130	CLAMP	2		
8	T25479	HOSE	1		19 X 318MM (3/4" X 12-1/2")
9	T23002	GASKET	3		
10	T20168	WASHER	3		
11	R53219	CAP SCREW	3		

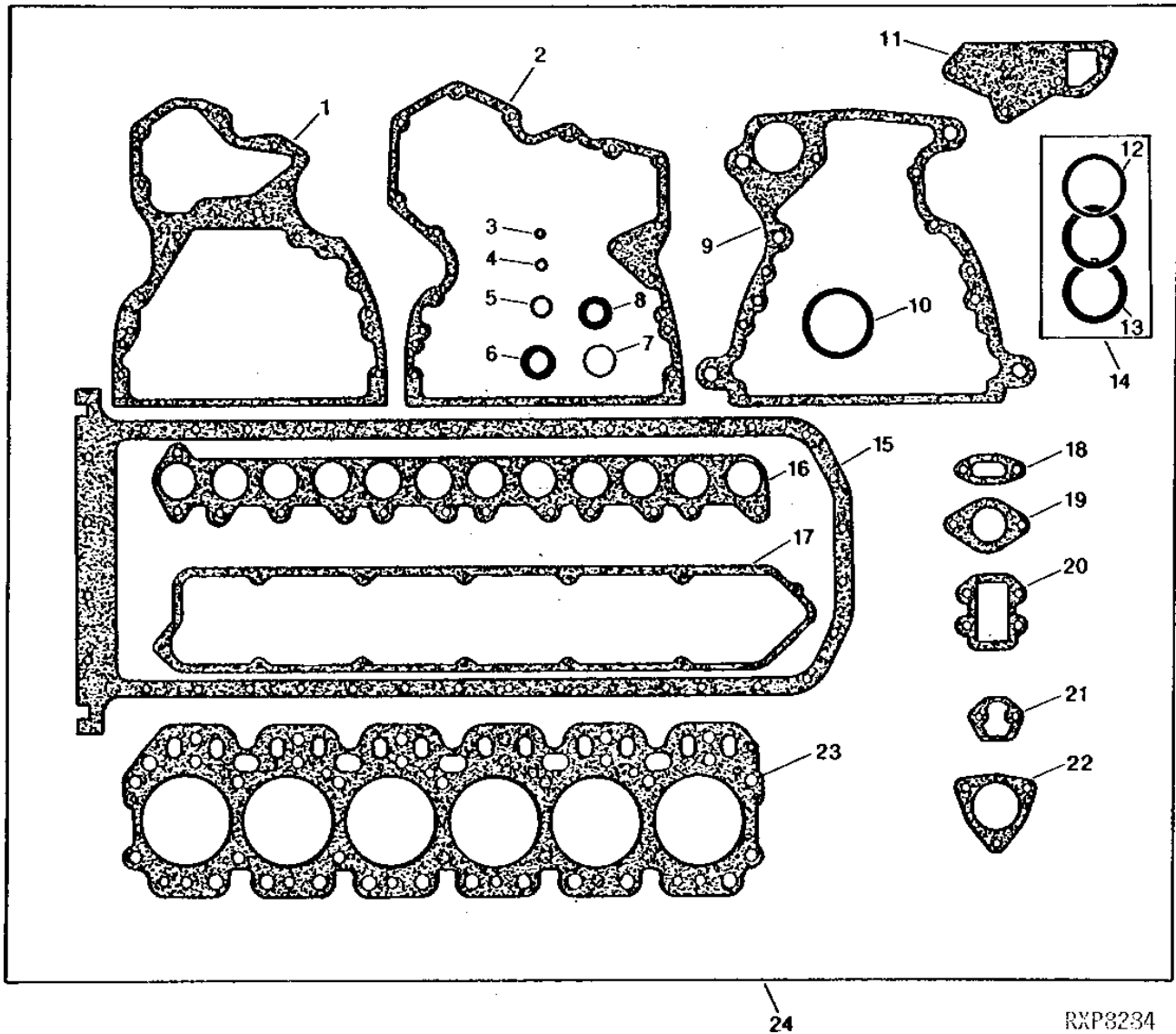
# 1C20

ENGINE

## ENGINE OVERHAUL GASKET KIT (GASOLINE)

RXP8284

-UN-01JAN94



# 1C21

ENGINE

## ENGINE OVERHAUL GASKET KIT - CONTINUED (GASOLINE)

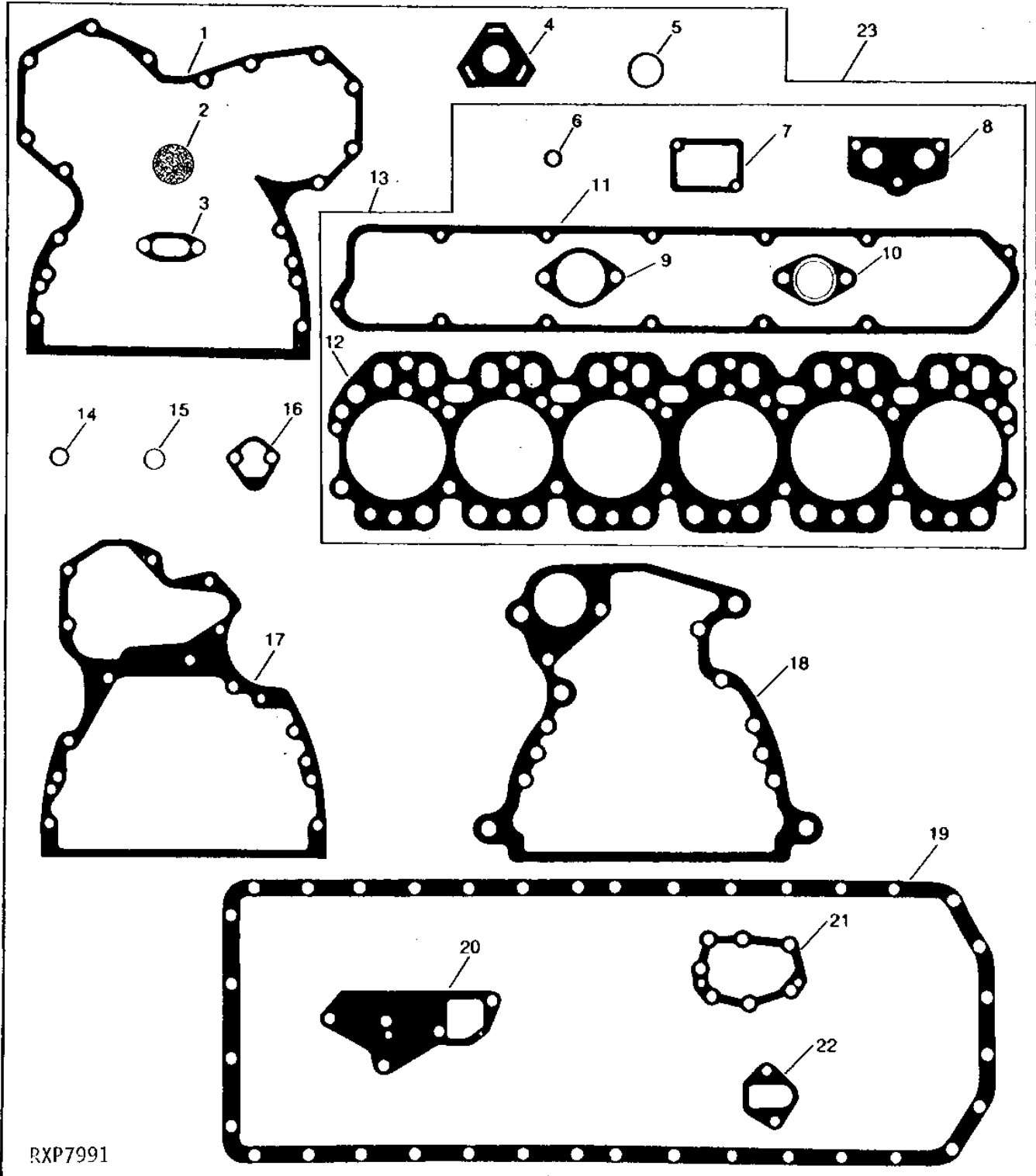
KEY	PART NO.	PART NAME	QTY	ENGINE SERIAL NO.	REMARKS
1	R90648	GASKET	1		CYLINDER BLOCK PLATE, (SUB FOR R73140)
2	T20154	GASKET	1		TIMING GEAR COVER
3	R87627	O-RING	6		INTAKE
	R87627	O-RING	6		VALVE STEM EXHAUST
4	R74354	O-RING	1		OIL PUMP OUTLET TUBE
5	R56463	O-RING	1		VENT OUTLET TUBE
6	T20112	GASKET	1		DISTRIBUTOR
7	T20328	GASKET	1		OIL FILLER CAP
8	T23002	GASKET	3		WATER OUTLET MANIFOLD
9	R97351	GASKET	1		FLYWHEEL HOUSING
10	T20232	WASHER	1		GOVERNOR HOUSING TO PLATE
11	T20243	GASKET	1		WATER PUMP TO CYLINDER BLOCK
12	R48767	PACKING	6		CYLINDER LINER UPPER
13	T32341	O-RING	6		CYLINDER LINER UPPER
14	AR71617	KIT	6		
15	R97345	GASKET	1		OIL PAN
16	R98833	GASKET	1		ENGINE MANIFOLD
17	R75728	GASKET	1		ROCKER ARM COVER
18	R97352	GASKET	1		OIL FILLER INLET
19	R98821	GASKET	1		CARBURETOR
20	R98842	GASKET	1		GASKET INTAKE TO EXHAUST MANIFOLD
21	R97350	GASKET	1		FUEL PUMP
22	T24932	GASKET	1		THERMOSTAT COVER
23	R98462	GASKET	1		CYLINDER HEAD
24	RE38567	GASKET KIT	1		(ALSO ORDER (12) AR100124) (SUB FOR AR62800, AR97185 OR AR102284)

# 1C22

ENGINE

## ENGINE OVERHAUL GASKET KIT (DIESEL)

RXP7991 -UN-01JAN94



RXP7991



# 1C23

ENGINE

## ENGINE OVERHAUL GASKET KIT - CONTINUED (DIESEL)

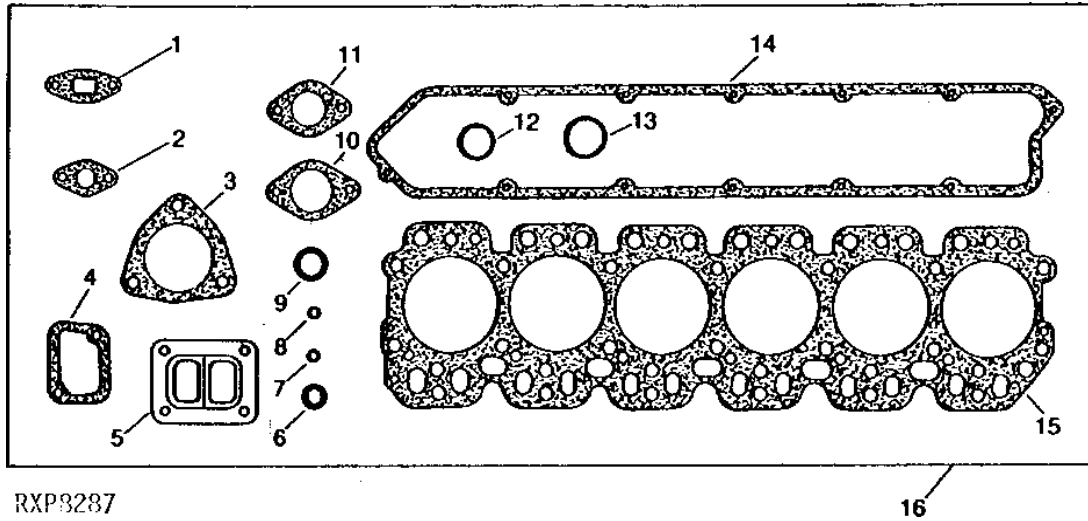
KEY	PART NO.	PART NAME	QTY	ENGINE SERIAL NO.	REMARKS
1	R119269	GASKET	1		TIMING GEAR COVER, (SUB FOR T20155 OR R97454)
2	T20328	GASKET	1		OIL FILLER CAP
3	R97352	GASKET	1		OIL FILLER INLET, (SUB FOR T20336)
4	R97354	GASKET	1		FUEL INJECTION PUMP, (SUB T24460 OR R77126)
5	R52811	O-RING	1		VENT TUBE OUTLET
6	R56461	O-RING	2		(SUB R47144)
7	R54641	GASKET	1		WATER OUTLET
8	R54638	GASKET	1		THERMOSTAT
9	R81275	GASKET	2		AIR INLET, (SUB FOR T20159)
10	R90658	GASKET	6		EXHAUST MANIFOLD, (SUB FOR T20006)
11	R75728	GASKET	1		ROCKER ARM COVER, (SUB FOR T20467 OR AR102260) (ALSO ORDER (12) AR100124)
12	R114157	GASKET	1		CYLINDER HEAD (STANDARD) (SUB FOR R64153, R59449, R80243, R91880 OR R92426)
13	RE38852	GASKET KIT	1		CYLINDER HEAD REMOVAL, (SUB FOR AR79925, RE16924 OR AR102267) (ALSO ORDER (12) AR100124)
14	R26919	WASHER	2		OIL COOLER TO OIL PAN
15	R74354	O-RING	1		OIL PUMP OUTLET TUBE
16	R97350	GASKET	1		FUEL PUMP, (SUB FOR R27285)
17	R90648	GASKET	1		CYLINDER BLOCK PLATE, (SUB FOR R73140)
18	R97351	GASKET	1		FLYWHEEL HOUSING, (SUB FOR R70483)
19	R97344	GASKET	NA		OIL PAN (FOR CAST IRON PAN) (SUB FOR R56933) (NOT USED THIS APPLICATION)
	R97345	GASKET	1		OIL PAN
20	T20243	GASKET	1		WATER PUMP COVER
21	T20273	GASKET	1		TIMING GEAR COVER OPENING COVER
22	R97773	GASKET	1		INJECTION PUMP GEAR COVER, (SUB FOR T20364, R69260 OR R78366) (SUB R125066)
23	RE38858	GASKET KIT	1		(ALSO ORDER (12) AR100124) (SUB FOR AR79928, AR97195, AR102268 OR RE16925)

# 1C24

ENGINE

## ENGINE TUNE-UP GASKET KIT (DIESEL)

RXP8287 -UN-01JAN94



RXP8287

16

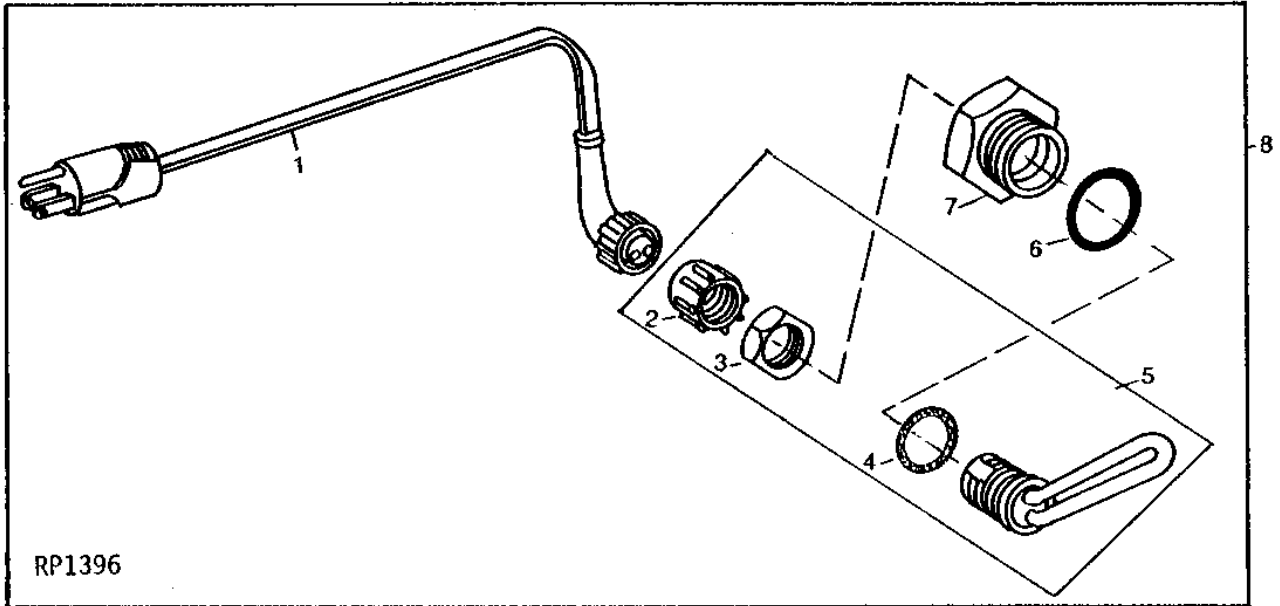
KEY	PART NO.	PART NAME	QTY	ENGINE SERIAL NO.	REMARKS
1	R105346	GASKET	1		TURBO OIL OUTLET
2	R97348	GASKET	1		
3	T24932	GASKET	1		THERMOSTAT COVER
4	R54641	GASKET	1		THERMOSTAT HOUSING
5	R89879	GASKET	1		TURBOCHARGER
6	T23002	GASKET	1		WATER OUTLET MANIFOLD
7	R87627	O-RING	6		VALVE STEM, EXHAUST
8	R87627	O-RING	6		VALVE STEM, INTAKE
9	R56463	O-RING	1		VENT TUBE
10	R81275	GASKET	1		AIR INLET
11	R90658	GASKET	6		EXHAUST MANIFOLD
12	R56461	O-RING	1		WATER PUMP BYPASS TUBE
13	R56905	O-RING	1		AIR INLET
14	R75728	GASKET	1		ROCKER ARM COVER
15	R114157	GASKET	1		CYLINDER HEAD, (SUB FOR R92426)
16	RE38852	GASKET KIT	1		(SUB FOR AR79925, AR71994, AR102267 OR RE16924) (ALSO ORDER (12) AR100124, (6) R48000 AND (6) R34764)

# 1C25

ENGINE

RP1396 -UN-01JAN94

ENGINE COOLANT HEATER  
(TRACTOR SERIAL NO. XXXXXX- )



KEY	PART NO.	PART NAME	QTY	TRACTOR SERIAL NO.	REMARKS
1	AR50411	WIRING LEAD	1		
2	R54510	CAP	1		
3	R54511	NUT	1		
4	R47693	GASKET	1		
5	AR62399	COOLANT HEATER	1		
6	U13639	O-RING	1		
7	R54123	ADAPTER	1		
8	AR62492	COOLANT HEATER	1		

---

MEMORANDA

---

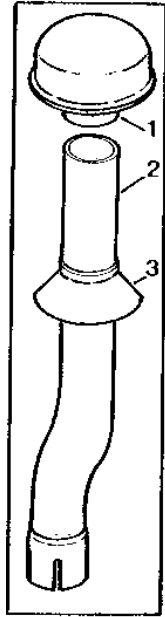
MEMORANDA

# 1D3

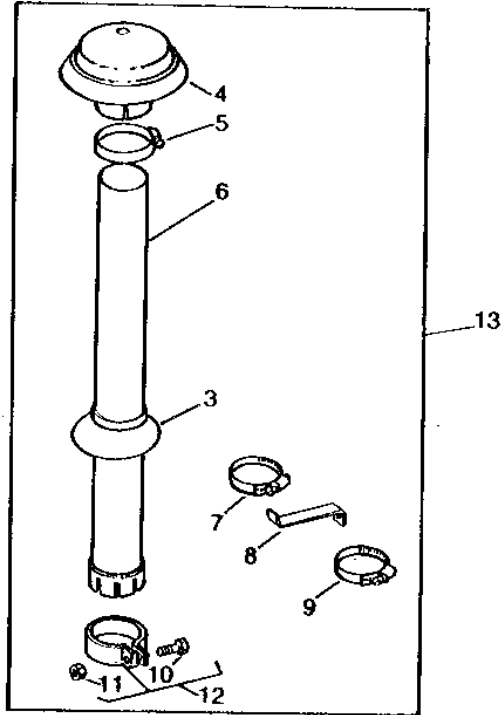
FUEL AND AIR

RWP6365 -UN-01JAN94

## AIR STACK



RWP6365



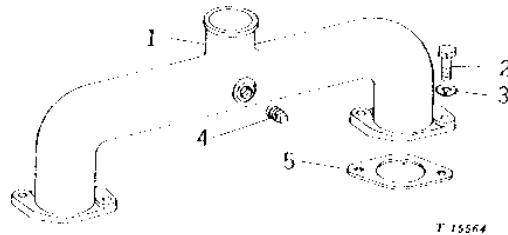
KEY	PART NO.	PART NAME	QTY	TRACTOR SERIAL NO.	REMARKS
1	AT25215	CAP	1	-XXXXXX	(SUB AR72336)
2	R50082	AIR DUCT	1	-007650	(SUB AR78485)
3	R57119	SEAL	1		(SUB FOR R28799)
4	AR72336	CAP	1	XXXXXX-	(SUB FOR AT25215)
5	AR21999	CLAMP	1		
6	AR78485	AIR INTAKE STACK	1	007651-	(SUB FOR R40529)
7	AR21999	CLAMP	1		
8	R58300	BRACE	1		
9	AR21840	CLAMP	1		(SUB TY22470)
10	19H1800	CAP SCREW	1		3/8" X 1-1/2"
11	14H1076	NUT	1		3/8"
12	AR26930	CLAMP	1		
13	AR65345	KIT	1		AIR STACK, WITH CAP AND FASTENING (ORDER COMPONENT PARTS)

# 1D4

FUEL AND AIR

T15564 -UN-01JAN94

## AIR INTAKE (DIESEL)



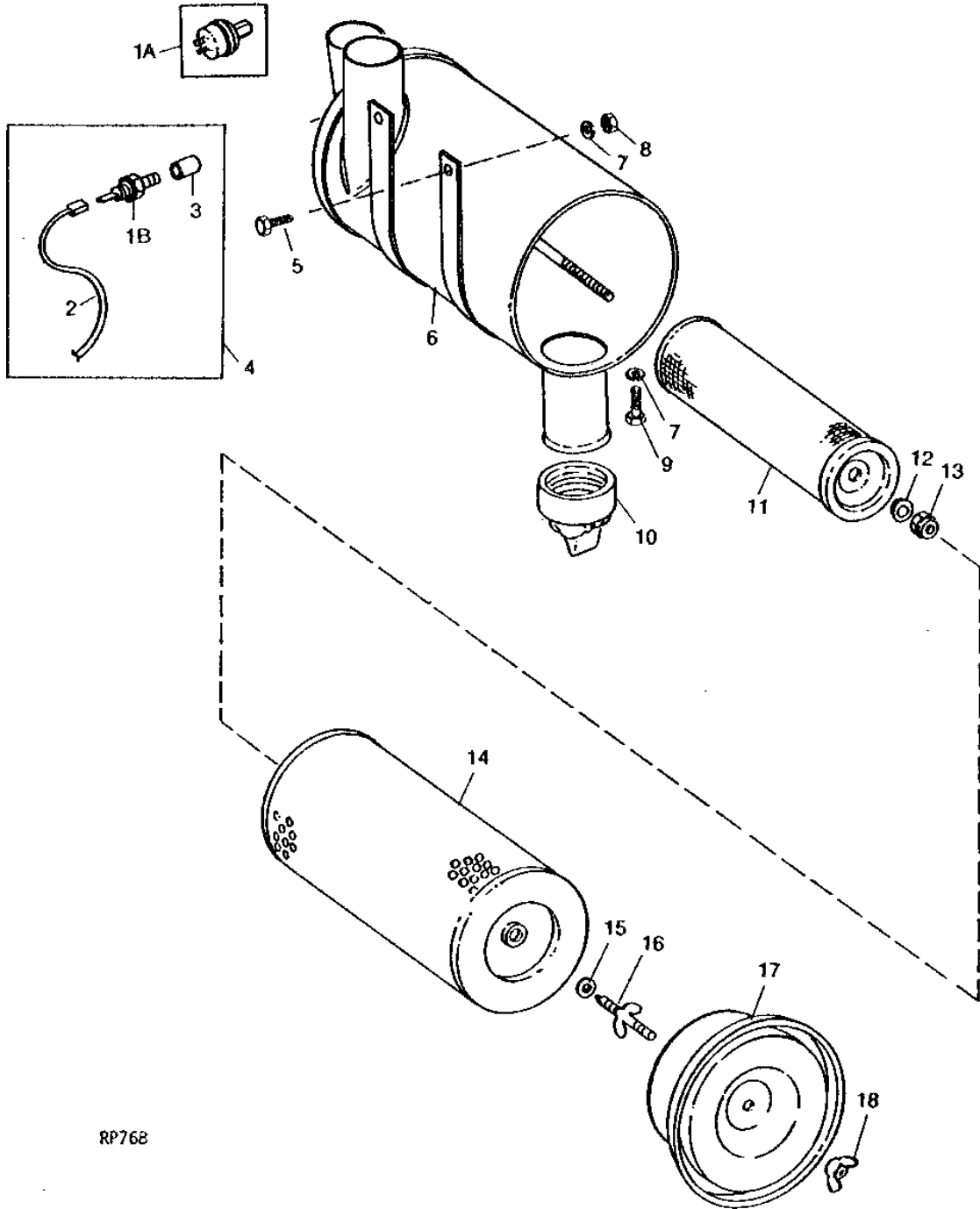
KEY	PART NO.	PART NAME	QTY	ENGINE SERIAL NO.	REMARKS
1	T27167	INTAKE MANIFOLD	1		
2	19H1732	CAP SCREW	4	3/8" X 1-1/4"	
3	12H304	LOCK WASHER	4	3/8"	
4	15H255	PIPE PLUG	1	3/8"	
5	R81275	GASKET	2	(SUB FOR T20159)	

# 1D5

FUEL AND AIR

DRY AIR CLEANER  
(TRACTOR SERIAL NO. -016586)

RP768 -UN-01JAN94



RP768



# 1D6

FUEL AND AIR

**DRY AIR CLEANER - CONTINUED**  
**(TRACTOR SERIAL NO. -016586)**

KEY	PART NO.	PART NAME	QTY	TRACTOR SERIAL NO.	REMARKS
1A	AR45184	SWITCH	1		(A)
	AR50489	SWITCH	1	-012808	(B) (SUB AR73229)
1B	RE17515	SENSOR	1	012809-	(B) (SUB FOR AL32975 OR AL24194)
2	.....	WIRING LEAD	1	012809-	330MM (13") (MAKE FROM R32007 AND (2) R32022)
3	15H73	COUPLING	1	012809-	1/8"
4	AR73229	KIT	1		VACUUM SWITCH
5	19H1134	CAP SCREW	2		3/8" X 3/4"
6	AR54335	AIR CLEANER	1	-XXXXXX	(SUB AR83397, AR83398, AR76140, AR21841, AR21999 AND R66560)
7	12H304	LOCK WASHER	4		3/8"
8	14H1076	NUT	2		3/8"
9	19H1134	CAP SCREW	2		3/8" X 3/4"
10	R53605	VALVE	1		
11	AR79942	FILTER ELEMENT	1		(SUB FOR AR54337)
12	AR52066	PACKING	1		
13	E17421	LOCK NUT	1		
14	AR79941	FILTER ELEMENT	1		(SUB FOR AR54336)
15	AR52065	PACKING	1		
16	AR52064	BOLT	1		
17	AR62308	COVER	1		
18	R48723	WING NUT	1		

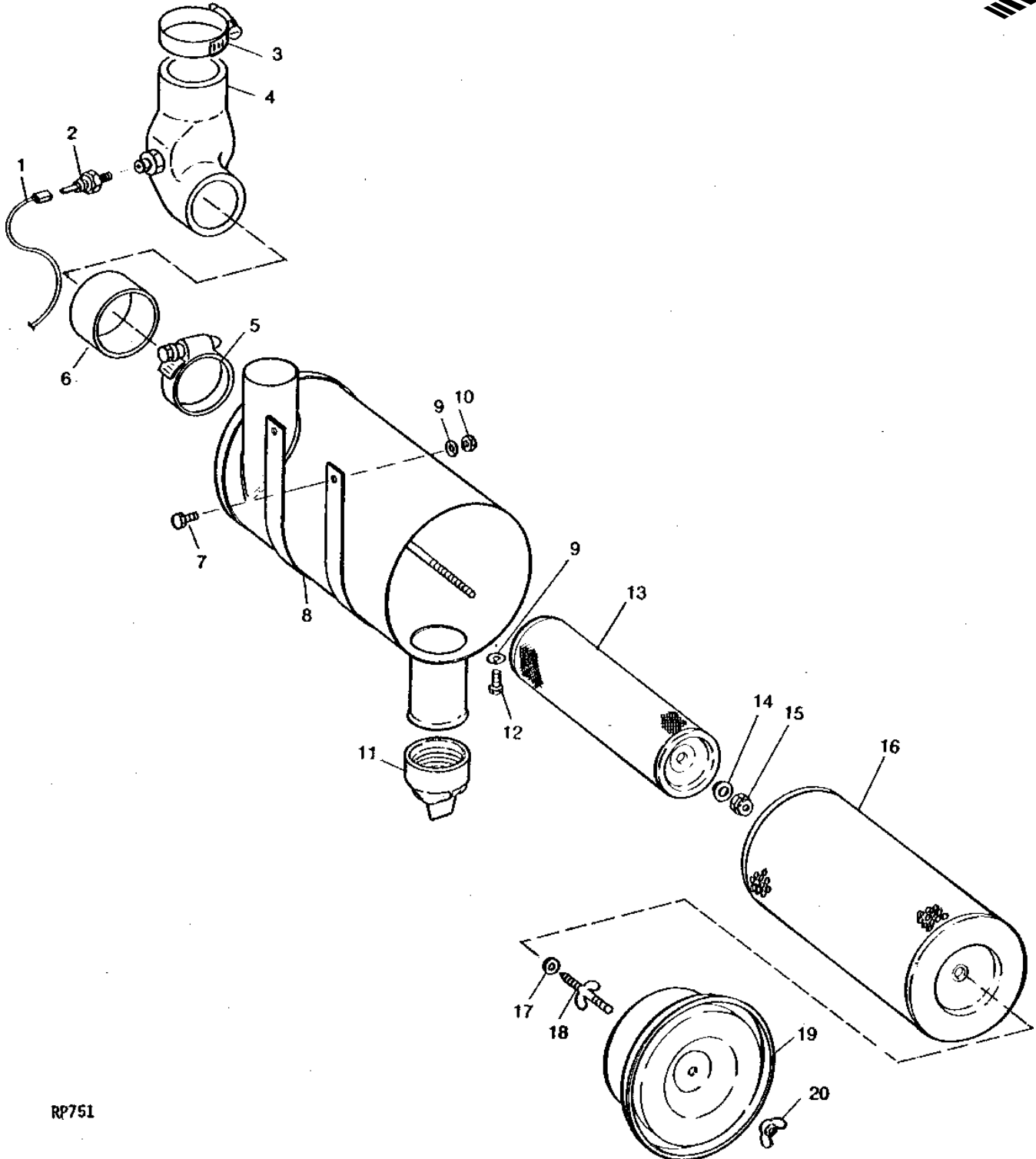
(A) GASOLINE  
(B) DIESEL

# 1D7

FUEL AND AIR

RP751 -UN-01JAN94

DRY AIR CLEANER  
(TRACTOR SERIAL NO. 016587- )



RP751

# 1D8

FUEL AND AIR

DRY AIR CLEANER - CONTINUED  
(TRACTOR SERIAL NO. 016587- )

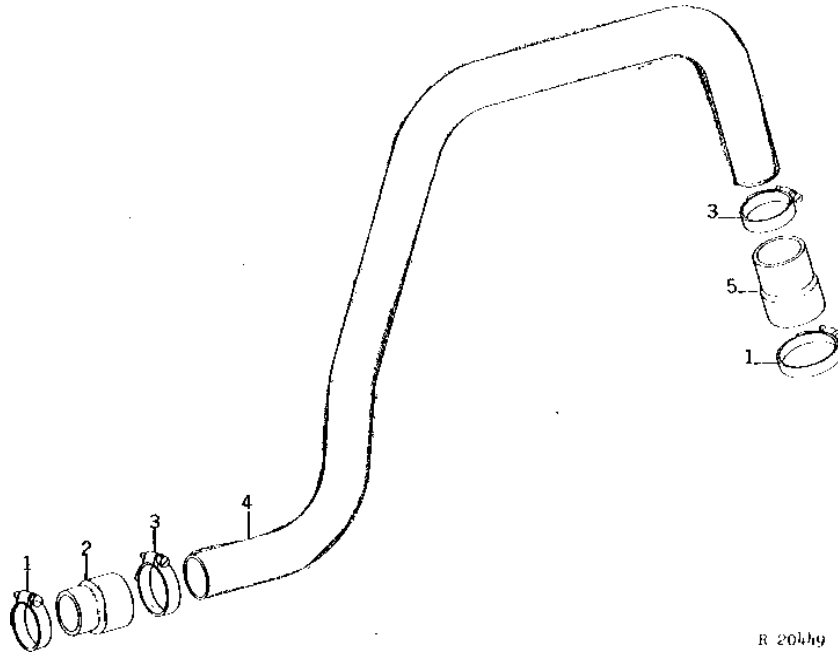
KEY	PART NO.	PART NAME	QTY	TRACTOR SERIAL NO.	REMARKS
1	.....	WIRING LEAD	1		
2	RE17515	SENSOR	1		330MM (13") (MAKE FROM R66319 AND (2) R32022)
3	AR21999	CLAMP	1		(SUB FOR AL24194 OR AL32975)
4	AR83398	HOSE	1		
5	AR21841	CLAMP	2		
6	R66560	HOSE	1		
7	19H1134	CAP SCREW	2		3/8" X 3/4"
8	AR83397	AIR CLEANER	1		
9	12H304	LOCK WASHER	4		3/8"
10	14H1076	NUT	2		3/8"
11	R53605	VALVE	1		
12	19H1134	CAP SCREW	2		3/8" X 3/4"
13	AR79942	FILTER ELEMENT	1		
14	AR52066	PACKING	1		
15	E17421	LOCK NUT	1		
16	AR79941	FILTER ELEMENT	1		
17	AR52065	PACKING	1		
18	AR52064	BOLT	1		
19	AR62308	COVER	1		
20	R48723	WING NUT	1		

# 1D9

FUEL AND AIR

## AIR INTAKE PIPE AND HOSES (GASOLINE)

R20449 -UN-01JAN94



R 20449

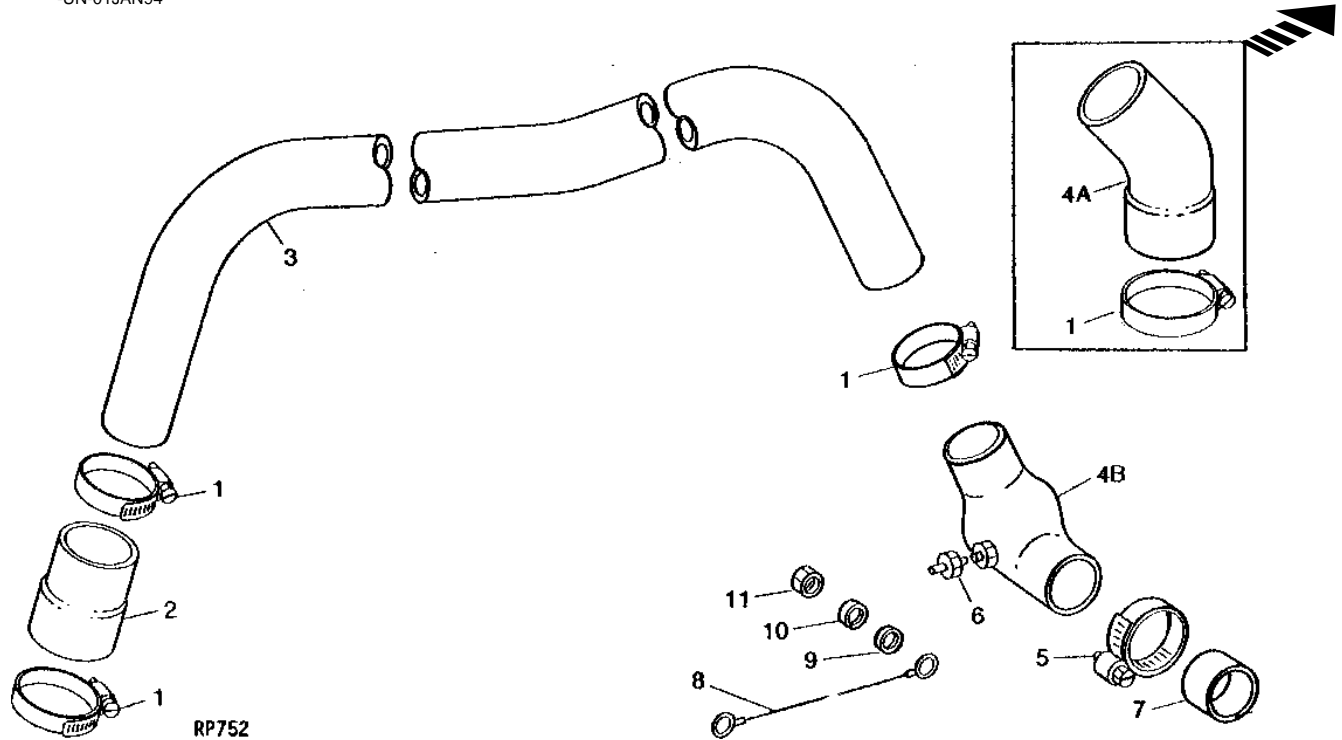
KEY	PART NO.	PART NAME	QTY	ENGINE SERIAL NO.	REMARKS
1	AR21841	CLAMP	2		
2	R52440	HOSE	1	(SUB TY22435)	
3	AR21999	CLAMP	2		
4	R51882	PIPE	1	(NLA)	
5	R51879	HOSE	1	(SUB R63696)	

# 1D10

FUEL AND AIR

## AIR INTAKE PIPE AND HOSES (DIESEL)

RP752 -UN-01JAN94



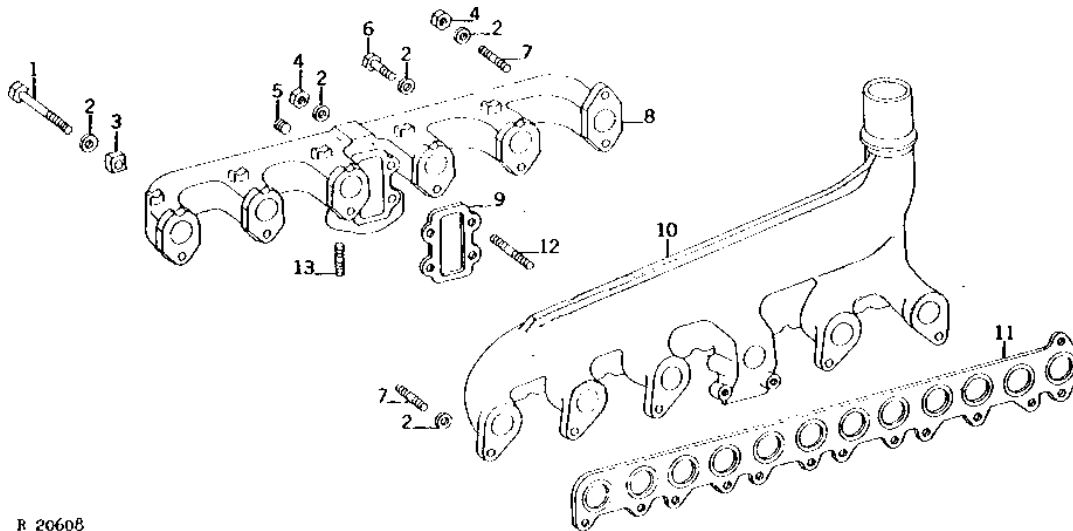
KEY	PART NO.	PART NAME	QTY	ENGINE SERIAL NO.	REMARKS
1	AR21999	CLAMP	4	-016586	
	AR21999	CLAMP	3	016587-	
2	R51879	HOSE	1		(SUB R63696)
3	R51881	PIPE	1		(NLA)
4A	R53143	HOSE	1	-016586	
4B	AR83398	HOSE	1	016587-	
5	AR21841	CLAMP	2	016587-	
6	RE17515	SENSOR	1		(SUB FOR AL24194 OR AL32975)
7	R66560	HOSE	1	016587-	
8	AR76140	WIRING LEAD	1	016587-	
9	24H1359	WASHER	1		5/8" X 7/8" X 0.060"
10	12H325	LOCK WASHER	1		7/16"
11	14H847	NUT	1		9/16"

# 1D11

FUEL AND AIR

## INTAKE AND EXHAUST MANIFOLDS (GASOLINE)

R20608 -UN-01JAN94



R 20608

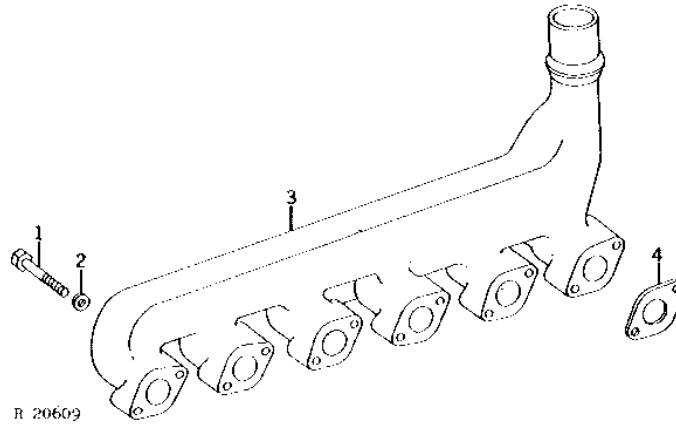
KEY	PART NO.	PART NAME	QTY	ENGINE SERIAL NO.	REMARKS
1	19H2007	CAP SCREW	5	3/8" X 4-1/2"	
2	24M7106	WASHER	21	10 X 18 X 2.500 MM	
3	T25919	CLAMP	5		
4	14H1076	NUT	6	3/8"	
5	15H638	PIPE PLUG	1	1/8"	
6	19H1732	CAP SCREW	10	3/8" X 1-1/4"	
7	M1112T	STUD	1		
8	T25430	INTAKE MANIFOLD	1		
9	T24417	GASKET	1	(SUB R98842)	
10	R52012	EXHAUST MANIFOLD	1		
11	T20079	GASKET	1	(SUB R98833)	
12	R26622	STUD	4	(SUB R10689)	
13	R32042	STUD	2		

# 1D12

FUEL AND AIR

## EXHAUST MANIFOLD (DIESEL)

R20609 -UN-01JAN94



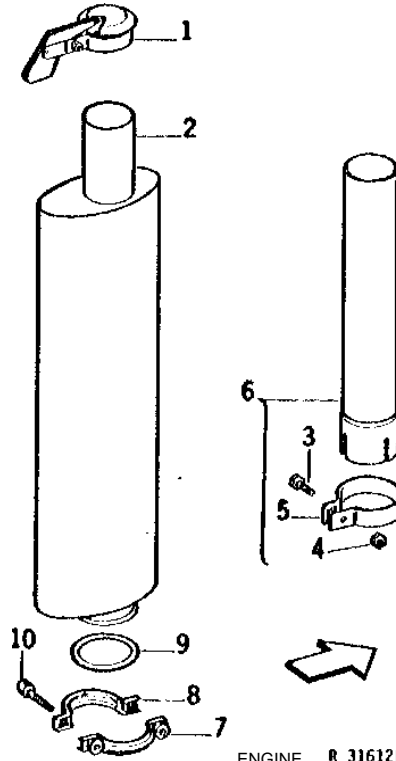
KEY	PART NO.	PART NAME	QTY	ENGINE SERIAL NO.	REMARKS
1	19H1912	CAP SCREW	6	3/8" X 3-1/2"	
	19H268	CAP SCREW	5	3/8" X 2-1/2"	
	19H988	CAP SCREW	6	3/8" X 1-1/4"	
2	24M7096	WASHER	12	10.500 X 18 X 1.600 MM	
3	T28437	EXHAUST MANIFOLD	1		
4	T20006	GASKET	6	(SUB R90658) (DO NOT MIX WITH R90658)	

# 1D13

FUEL AND AIR

R31612 -UN-01JAN94

## MUFFLER AND EXTENSION



KEY	PART NO.	PART NAME	QTY	ENGINE SERIAL NO.	REMARKS
1	AR56783	EXHAUST CAP	1		(SUB AR86596)
2	AR86595	MUFFLER	1		(SUB FOR AR41171)
3	19H1732	CAP SCREW	1		3/8" X 1-1/4"
4	14H1076	NUT	1		3/8"
5	R66684	CLAMP	1		(SUB RE54186)
6	AR86807	EXHAUST PIPE	1		806MM (31-3/4") (SUB R66683 AND RE54186)
7	AR46323	CLAMP	1		
8	R32235	CLAMP	1		
9	R31142	SEALING WASHER	1		
10	19H1849	CAP SCREW	2		5/16" X 1-1/4"

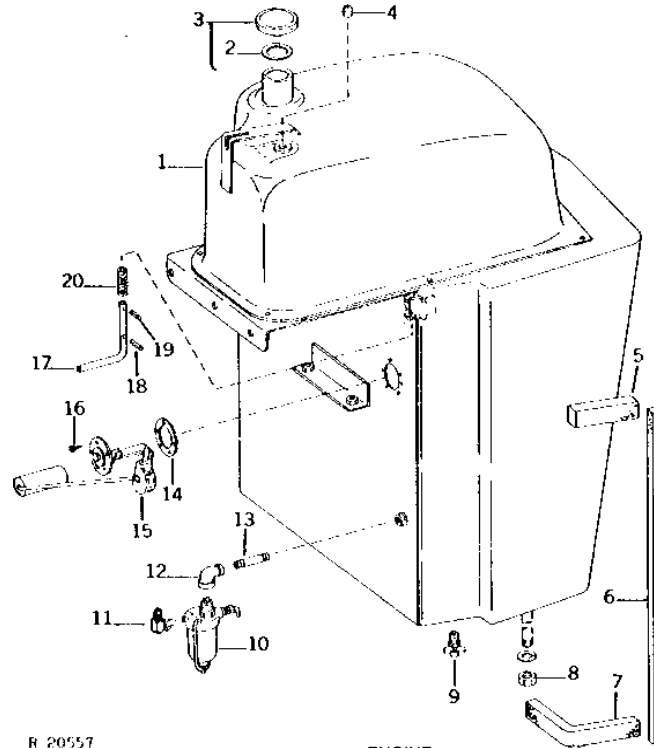


# 1D14

FUEL AND AIR

R20557 -UN-01JAN94

## FUEL TANK (GASOLINE)



R 20557

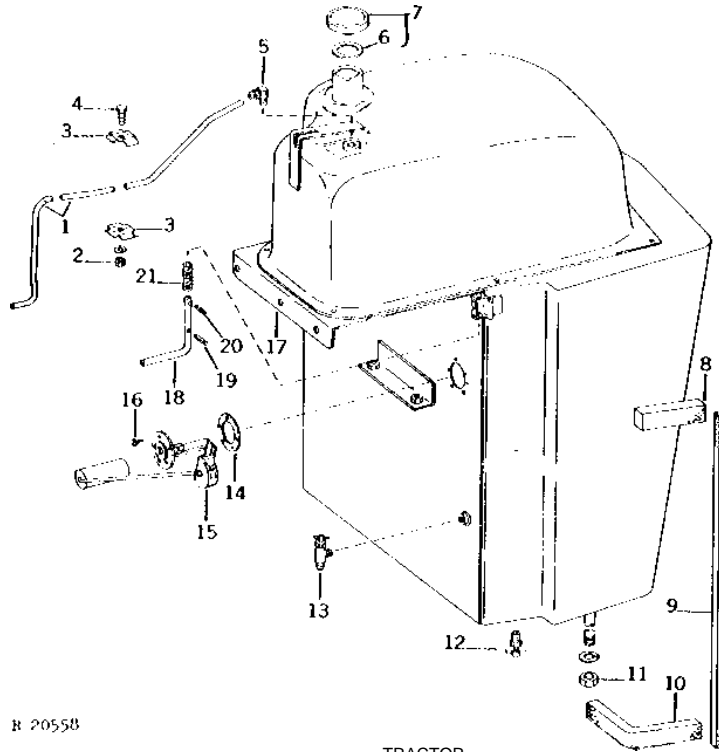
KEY	PART NO.	PART NAME	QTY	ENGINE SERIAL NO.	REMARKS
1	AR56057	FUEL TANK	1	(SUB AR81882, AR77267, AR68184, 15H620 AND (2) R49877)	
2	R39615	WASHER	1		
3	AT20911	FILLER CAP	1		
4	R55233	PIPE PLUG	1	(SUB FOR A4242R)	
5	.....	FOAM PAD	2	19 X 25 X 102MM (3/4" X 1" X 4") (MAKE FROM R30937)	
6	R91558	FOAM PAD	2	-XXXXXX 13 X 13 X 508MM (1/2" X 1/2" X 20") (SUB FOR R30877)	
7	.....	FOAM PAD	2	19 X 25 X 191MM (3/4" X 1" X 7-1/2") (MAKE FROM R47941)	
8	14H1039	NUT	4	5/8"	
	12H294	LOCK WASHER	4	5/8"	
9	AT13740	DRAIN VALVE	1		
10	AA4295R	FUEL FILTER	1	(SUB FOR AA4331R)	
11	T30738	ELBOW FITTING	1		
12	15H650	ELBOW FITTING	1	3/8" X 1/4"	
13	29H89	THREADED NIPPLE	1	1/4" X 2"	
14	R27181	GASKET	1		
15	AR73995	FUEL SENDER	1	(SUB FOR AR56614)	
	14H631	NUT	1	0.190"	
	12M7060	WASHER	1	0.209"	
16	21H981	SCREW	5	0.190" X 1/2"	
17	R50779	PIN	2		
18	34H282	SPRING PIN	2	3/16" X 1"	
19	34H387	SPRING PIN	2	3/16" X 3/4"	
20	B161R	SPRING	2		

# 1D15

FUEL AND AIR

FUEL TANK  
(DIESEL)  
(TRACTOR SERIAL NO. -006699)

R20558 -UN-01JAN94



R 20558

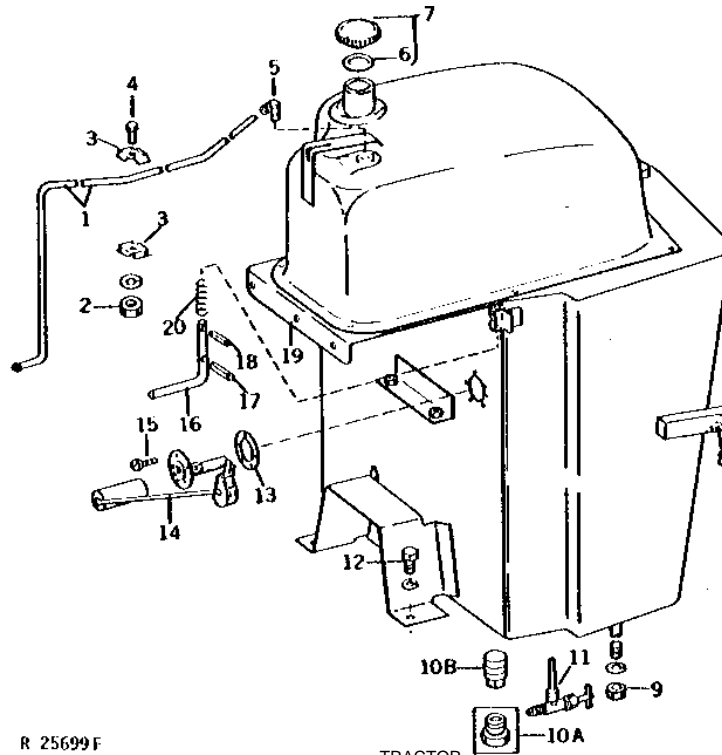
KEY	PART NO.	PART NAME	QTY	TRACTOR SERIAL NO.	REMARKS
1	R53281	OIL TUBE	1		
2	14H786	NUT	1	1/4"	
	12H302	LOCK WASHER	1	1/4"	
3	R34838	CLAMP	2		
4	19H1846	CAP SCREW	1	1/4" X 3/4"	
5	AR46281	ELBOW FITTING	1		
6	R39615	WASHER	1		
7	AT20911	FILLER CAP	1		
8	.....	FOAM PAD	2		19 X 25 X 102MM (3/4" X 1" X 4") (MAKE FROM R30937)
9	R91558	FOAM PAD	2	-XXXXXX	13 X 13 X 508MM (1" X 1" X 20") (SUB FOR R30877)
10	.....	FOAM PAD	2		19 X 25 X 20MM (3/4" X 1" X 7-1/2") (MAKE FROM R47941)
11	14H1039	NUT	4	5/8"	
	12H294	LOCK WASHER	4	5/8"	
12	AT13740	DRAIN VALVE	1		
13	AR43253	SHUT-OFF VALVE	1		
14	R27181	GASKET	1		
15	AR73995	FUEL SENDER	1		(SUB FOR AR56614)
	14H631	NUT	1	0.190"	
	12M7060	WASHER	1	0.209"	
16	21H981	SCREW	5	0.190" X 1/2"	
17	AR56057	FUEL TANK	1		(TRACTORS BUILT PRIOR TO SERIAL NO. 007860 SUB AR81882, AR77267, AR68184, 15H620 AND (2) R49877) (TRACTORS BUILT AFTER SERIAL NO. 007861 SUB AR81882, AR77267, AR69405, 15H620 AND (2) R49877)
18	R50779	PIN	2		
19	34H282	SPRING PIN	2	3/16" X 1"	
20	34H387	SPRING PIN	2	3/16" X 3/4"	
21	B161R	SPRING	2		

# 1D16

FUEL AND AIR

FUEL TANK  
(DIESEL)  
(TRACTOR SERIAL NO. 006700- )

R25699 -UN-01JAN94



R 25699F

KEY	PART NO.	PART NAME	QTY	TRACTOR SERIAL NO.	REMARKS
1	R53281	OIL TUBE	1	-007171	
	R56860	FUEL LINE	1	007172-	
2	14H786	NUT	1		1/4"
	12H302	LOCK WASHER	1		1/4"
3	R34838	CLAMP	2		
4	19H1846	CAP SCREW	1		1/4" X 3/4"
5	AR46281	ELBOW FITTING	1		
6	R39615	WASHER	1		
7	AT20911	FILLER CAP	1		
8	.....	FOAM PAD	2		13 X 25 X 76MM (1/2" X 1" X 3") (MAKE FROM R30936)
9	14H1039	NUT	2		5/8"
	12H294	LOCK WASHER	2		5/8"
10A	15H629	PIPE BUSHING	1	-013808	1" X 1/4"
10B	15H620	PIPE PLUG	1	013809-	1"
11	R34656	SHUT-OFF VALVE	1		(A)
12	19H1122	CAP SCREW	2		1/2" X 7/8"
	12H301	LOCK WASHER	2		1/2"
	24H1625	WASHER	2		17/32" X 1" X 0.120"
13	R27181	GASKET	1		
14	AR73995	FUEL SENDER	1		(SUB FOR AR56614)
	14H631	NUT	1		0.190"
	12M7060	WASHER	1		0.209"
15	21H981	SCREW	5		0.190" X 1/2"
16	R50779	PIN	2		
17	34H282	SPRING PIN	2		3/16" X 1"
18	34H387	SPRING PIN	2		3/16" X 3/4"
19	AR63974	FUEL TANK	1	-013808	(SUB AR81882, AR77268 AND 15H620)
	AR81882	FUEL TANK	1	013809-	(SUB FOR AR77269)
20	B161R	SPRING	2		
..	AR77267	KIT	1		FUEL TANK INSTALLATION, (SUB AR85152, R34656, R34766 AND R46967)

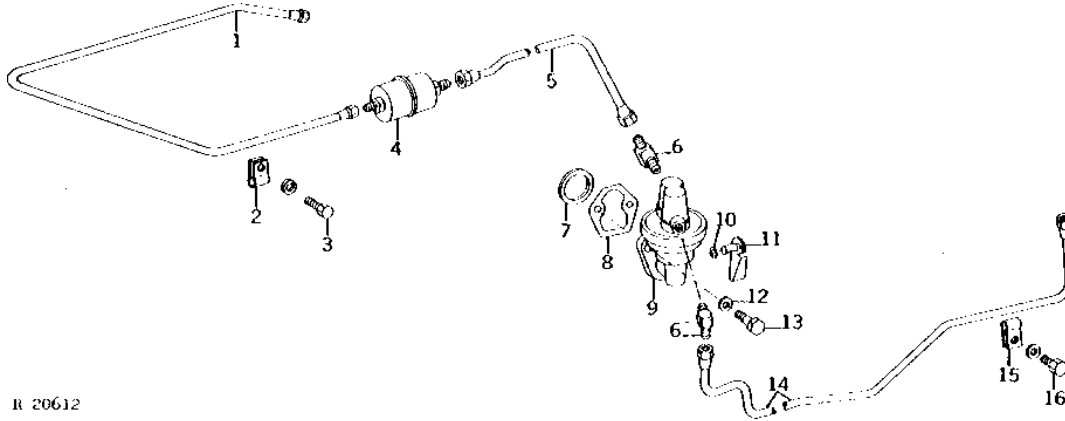
(A) INCLUDED IN AR77267

# 1D17

FUEL AND AIR

## FUEL PUMP, FUEL PIPES, AND FILTERS (GASOLINE)

R20612 -UN-01JAN94



R 20612

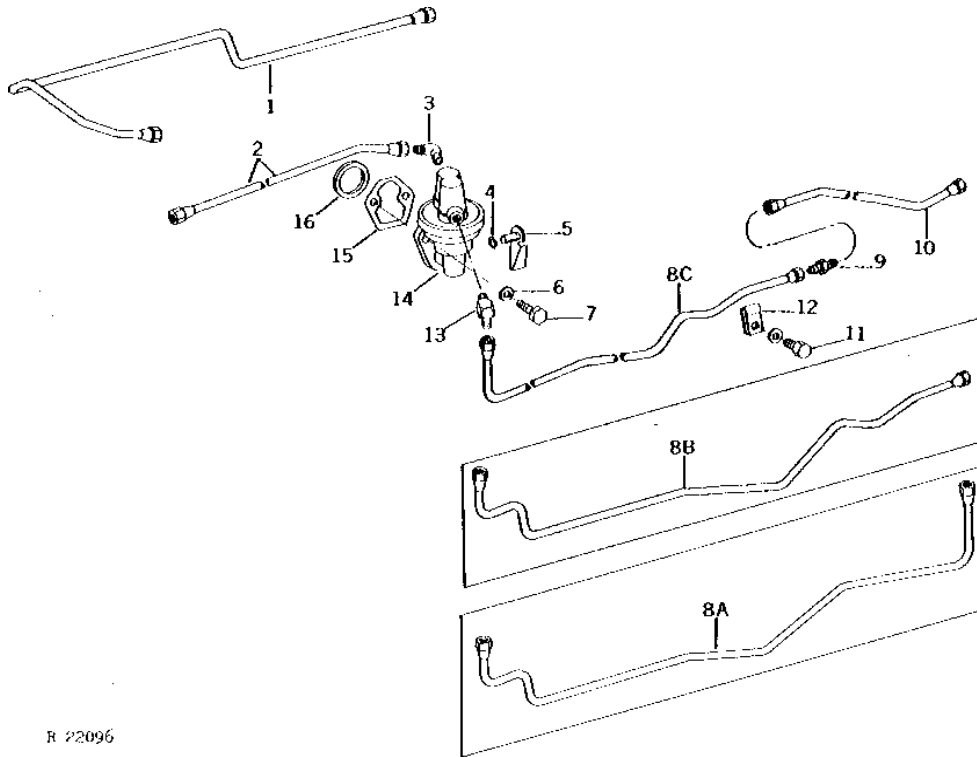
KEY	PART NO.	PART NAME	QTY	ENGINE SERIAL NO.	REMARKS
1	AR61620	FUEL LINE	1		
2	T20320	CLIP	1		
3	19H1792	CAP SCREW	1	1/2" X 1"	
	12H301	LOCK WASHER	1	1/2"	
4	AR50141	FUEL FILTER	1		
5	AR61619	FUEL LINE	1		
6	AR26674	ELBOW FITTING	2		
7	R48399	WASHER	1		
8	R97350	GASKET	1	(SUB FOR R27285)	
9	AR52158	FUEL PUMP	1	(SUB RE43274 AND R97350)	
10	A4365R	O-RING	1		
11	AR52556	LEVER	1		
12	R20498	WASHER	2		
13	19H1849	CAP SCREW	2	5/16" X 1-1/4"	
14	AR58189	FUEL LINE	1	(FUEL TANK TO FUEL PUMP)	
15	T29527	CLAMP	1	(SUB FOR T14050)	
16	19H1936	CAP SCREW	1	3/8" X 3/4"	
	12H304	LOCK WASHER	1	3/8"	

# 1D18

FUEL AND AIR

## FUEL TRANSFER PUMP AND FUEL LINE (DIESEL)

R22096 -UN-01JAN94



R 22096

KEY	PART NO.	PART NAME	QTY	TRACTOR SERIAL NO.	REMARKS
1	AR59012	FUEL LINE	1		
	R48008	ELBOW FITTING	1		
2	AR59011	FUEL LINE	1		(SUB AR67860)
3	T30738	ELBOW FITTING	1		
4	A4365R	O-RING	1		
5	AR52556	LEVER	1		
6	R20498	WASHER	2		
7	19H1849	CAP SCREW	2		5/16" X 1-1/4"
8A	AR58188	FUEL LINE	1	-006699	(TANK TO FUEL PUMP)
8B	AR68184	FUEL LINE	1	006700-007860	REAR (NLA)
8C	AR69405	FUEL LINE	1	007861-	REAR
9	R50201	FITTING	1	007861-	(A)
10	AR68181	FUEL LINE	1	007861-013808	FRONT
	AR77268	FUEL LINE	1	013809-	(A) FRONT
11	19H1936	CAP SCREW	1		3/8" X 3/4"
	12H304	LOCK WASHER	1		3/8"
12	T14264	CLAMP	1		
13	AR26674	ELBOW FITTING	1		
14	RE27667	FUEL PUMP	1		COMPLETE, (SUB FOR AR52159) (SUB RE42211) (ALSO FURNISH R97350) (SUB FOR R27285)
15	R97350	GASKET	1		
16	R48399	WASHER	1		
..	AR77267	KIT	1		FUEL TANK INSTALLATION, (SUB AR85152, R34656, R34766 AND R46967)

(A) INCLUDED IN AR77267

---

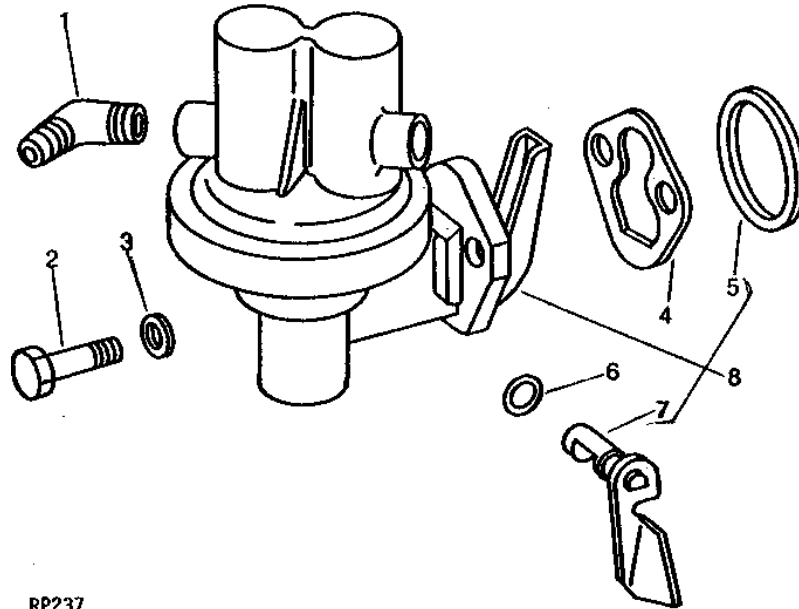
MEMORANDA

# 1D19

FUEL AND AIR

RP237 -UN-01JAN94

## FUEL TRANSFER PUMP



RP237

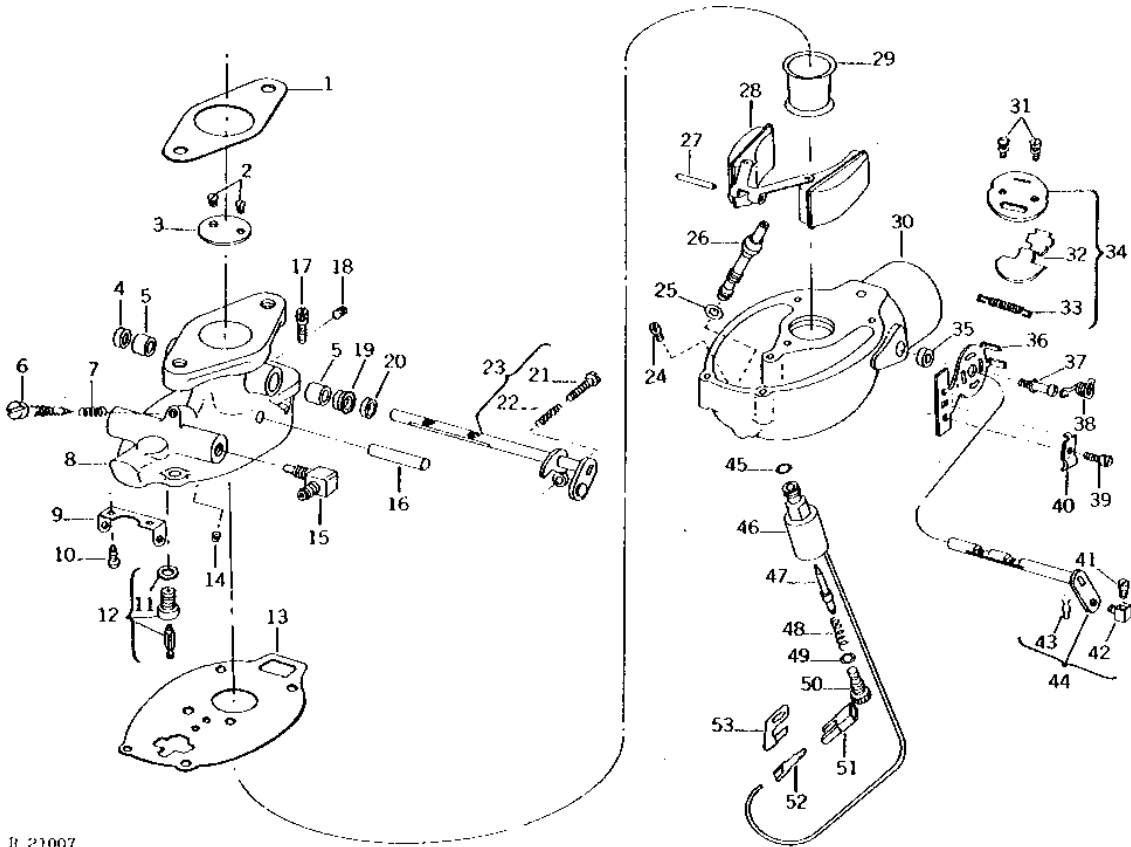
KEY	PART NO.	PART NAME	QTY	ENGINE SERIAL NO.	REMARKS
1	T30738	ELBOW FITTING	1	(INLET)	
2	19H1849	CAP SCREW	2	5/16" X 1-1/4"	
3	R20498	WASHER	2		
4	R97350	GASKET	1	(SUB FOR R27285)	
5	R48399	WASHER	1		
6	A4365R	O-RING	1	(SUB FOR R49139)	
7	AR52556	LEVER	1		
8	AR52159	FUEL PUMP	1	(DIESEL) (SUB RE42211 AND R97350)	
	AR64120	FUEL PUMP	1	(GASOLINE) (SUB RE43274 AND R97350)	

# 1D20

FUEL AND AIR

## CARBURETOR ASSEMBLY (AR59886)

R21007 -UN-01JAN94



R 21007



# 1D21

FUEL AND AIR

## CARBURETOR ASSEMBLY - CONTINUED (AR59886)

KEY	PART NO.	PART NAME	QTY	TRACTOR SERIAL NO.	REMARKS
1	T10079	GASKET	1		(SUB R98821)
2	AT25821	SCREW	2		
3	.....	ACCELERATOR	1		( H22544 NO LONGER AVAILABLE)
4	R10133	CAP	1		(B)
5	H22570	WASHER	2		
6	.....	NEEDLE	1		( H22555 NO LONGER AVAILABLE)
7	24-340	SPRING	1		(B)
8	.....	HOUSING	1		(ORDER RE39188) (SUB FOR AR59986) (NO LONGER AVAILABLE)
9	.....	BRACKET	1		( R10162 NO LONGER AVAILABLE)
10	37H99	SCREW	2		0.099" X 1/4", (SUB FOR R10087)
11	R10170	GASKET	1		(A)
12	AT31442	VALVE	1		(B)
13	H22549	GASKET	1		
14	49-285	NOZZLE	1		
15	T23528	STRAINER	1		
16	34H194	SPRING PIN	1		3/16" X 3/4"
17	15A85	SCREW	4		
18	.....	PIPE PLUG	1		( H22546 NO LONGER AVAILABLE)
19	R10115	SEAL	1		(B)
20	H22568	RETAINER	1		
21	21H977	SCREW	1		0.164" X 3/4"
22	R10104	SPRING	1		
23	AR65506	CONTROL	1		
24	T25157	NOZZLE	1		
25	H22548	GASKET	1		(A) (B)
26	T16456	NOZZLE	1		
27	R10211	SHAFT	1		(B)
28	AH11983	FLOAT	1		
29	R55913	VENTURI	1		
30	AT31438	HOUSING	1		(SUB RE39188 AND AR67706)
31	15-483	SCREW	2		(B)
32	27-121	CHOKE	1		
33	H22551	SPRING	1		
34	AH11982	CHOKE	1		
35	44-38	PACKING	1		
36	AR65505	BRACKET	1		
37	21H1299	SCREW	2		0.164" X 3/8"
38	24-A3	SPRING	1		
39	21H977	SCREW	1		0.164" X 3/4"
40	R10188	CLIP	1		
41	21H971	SCREW	1		0.164" X 5/16"
42	R55912	SWIVEL	1		
43	R10185	SPRING PIN	1		
44	AR65504	SHAFT	1		
45	R10222	GASKET	1		(A)
46	AT31440	SOLENOID	1		
47	T32505	NEEDLE	1		
48	T25152	SPRING	1		
49	R34812	O-RING	1		
50	T32554	SCREW	1		
51	T25155	CONNECTOR	1		
52	T25156	TERMINAL	1		
53	T25153	CLIP	1		
..	AR59986	CARBURETOR	1		COMPLETE, (SUB RE39188)
..	AR56087	GASKET KIT	1		
..	AR52592	KIT	1		TUNE-UP

(A) INCLUDED IN AR56087  
(B) INCLUDED IN AR52592

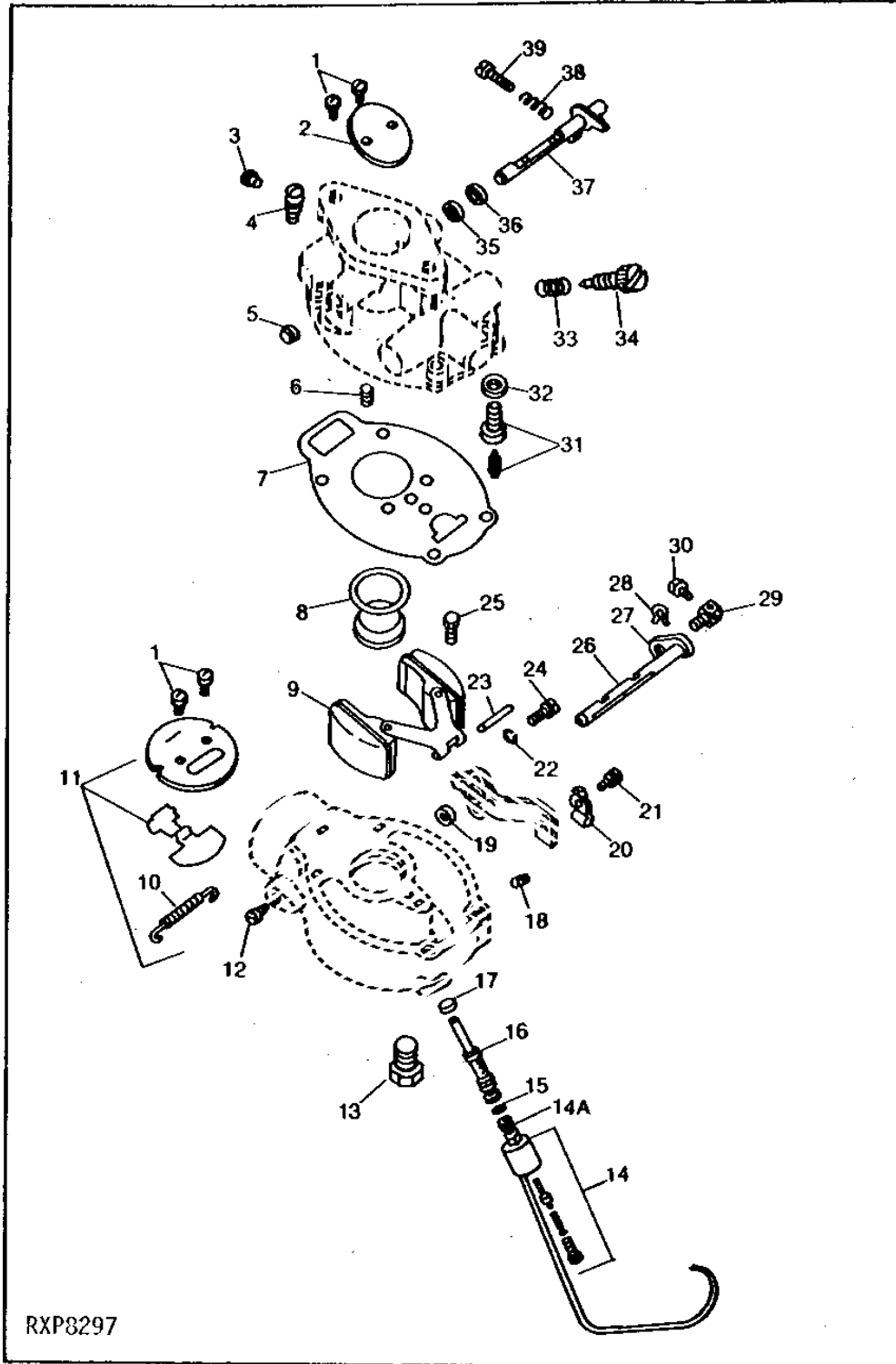
# 1D22

FUEL AND AIR

CARBURETOR  
(FACET NO. 0-14997)  
(AR102793)

RXP8297

-UN-01JAN94



# 1D23

FUEL AND AIR

**CARBURETOR - CONTINUED**  
**(FACET NO. 0-14997)**  
**(AR102793)**

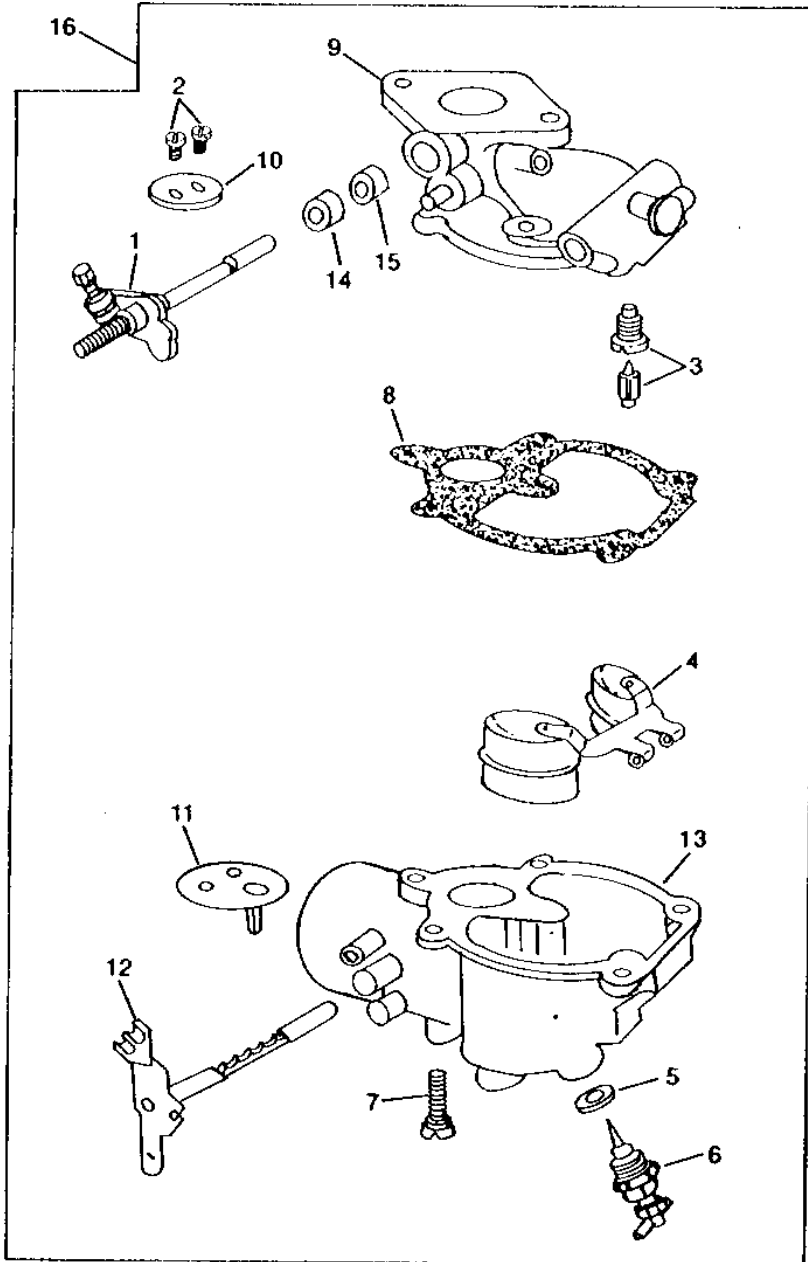
KEY	PART NO.	PART NAME	QTY	ENGINE SERIAL NO.	REMARKS
1	15-483	SCREW	4		
2	R75970	ACCELERATOR	1		
3	B17682	PLUG	1		
4	15-A85	SCREW	4		
5	R10198	CAP	1		
6	49-101L	NOZZLE	1		
7	16-A41	GASKET	1		
8	R75973	VENTURI	1		
9	30-739	FLOAT	1		
10	H22551	SPRING	1		
11	AR102785	CHOKE	1		
12	T16106	SET SCREW	1		
13	R10160	PIPE PLUG	3		
14	AT31442	VALVE	1		
	AR67706	SOLENOID	1		
15	16-47	GASKET	1		
16	R75969	NOZZLE	1		
17	16-456	GASKET	1		
18	R75972	INJECTION NOZZLE	1	(NLA)	
19	44-38	PACKING	1		
20	R10188	CLIP	1		
21	21H1299	SCREW	1	0.164" X 3/8"	
22	12M7084	LOCK WASHER	1	0.169"	
23	R10211	SHAFT	1		
24	15-A295	SCREW	2		
25	37H99	SCREW	2	0.099" X 1/4"	
26	R75967	SHAFT	1		
27	AR66031	LEVER	1		
28	R10185	SPRING PIN	1		
29	.....	SWIVEL	1	(NO LONGER AVAILABLE)	
30	21H971	SCREW	1	0.164" X 5/16"	
31	AT14476	SEAT	1		
32	R10170	GASKET	1		
33	24-340	SPRING	1		
34	43-33	NEEDLE	1	IDLE ADJUSTING	
35	44-68	PACKING	2		
36	55-261	RETAINER	2		
37	AR102792	SHAFT	1		
38	R10104	SPRING	1		
39	21H977	SCREW	1	0.164" X 3/4"	
40	AR102793	CARBURETOR	1	COMPLETE, (SUB RE39188)	
..	AR102783	KIT	1	ADAPTER, (INCLUDED IN AR102793)	
..	AR102794	KIT	1	REPAIR, (INCLUDED IN AR102793) (NLA)	
..	AR56086	GASKET KIT	1	GASKETS	

# 1D24

FUEL AND AIR

## REPLACEMENT CARBURETOR (RE39188)

TP26485 -UN-01JAN94



TP26485

# 1D25

FUEL AND AIR

## REPLACEMENT CARBURETOR (RE39188)

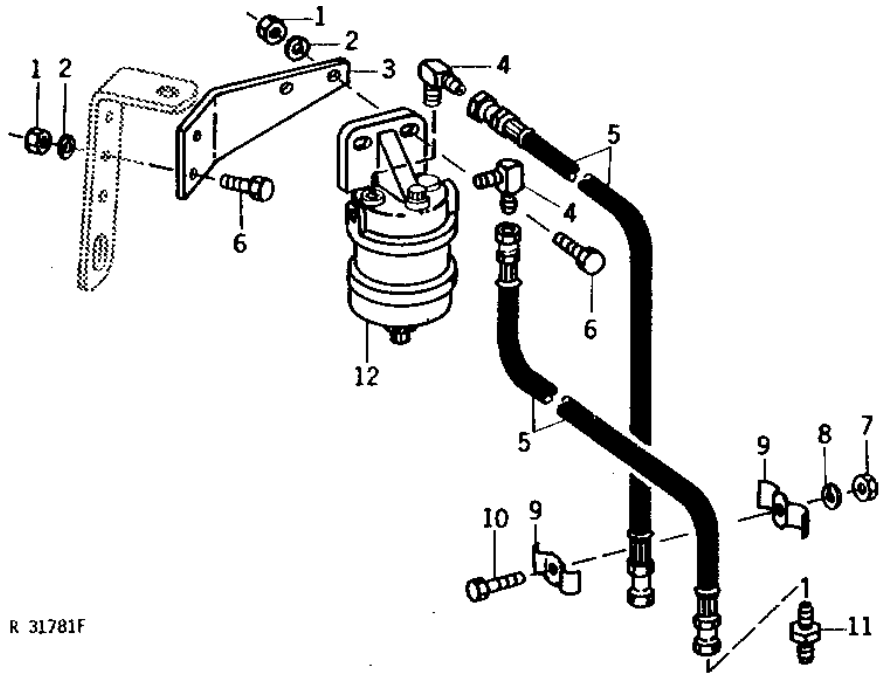
KEY	PART NO.	PART NAME	QTY	SERIAL NO.	REMARKS
1	RE19405	SHAFT	1		
2	E49903	SCREW	4		(SUB FOR E34355)
3	AH80032	VALVE	1		
4	RE19403	FLOAT	1		
5	H20925	WASHER	1		
6	RE39190	JET	1		
7	RE19407	SCREW, WITH WASHER	1		
8	.....	WASHER	1		(SUB RE39188)
9	.....	HOUSING	1		(SUB RE39188)
10	.....	COVER	1		(SUB RE39188)
11	.....	COVER	1		(SUB RE39188)
12	.....	SHAFT	1		(SUB RE39188)
13	.....	BOWL	1		(SUB RE39188)
14	.....	BUSHING	1		(SUB RE39188)
15	.....	BUSHING	1		(SUB RE39188)
16	RE39188	CARBURETOR	1		CARBURETOR, (SUB FOR AR59986 OR AR102793)
	RE39189	CARBURETOR	1		CARBURETOR REPAIR KIT

# 1E1

FUEL AND AIR

R31781 -UN-01JAN94

## WATER SEPARATOR (NOT USED IN U.S. AND CANADA)



R 31781F

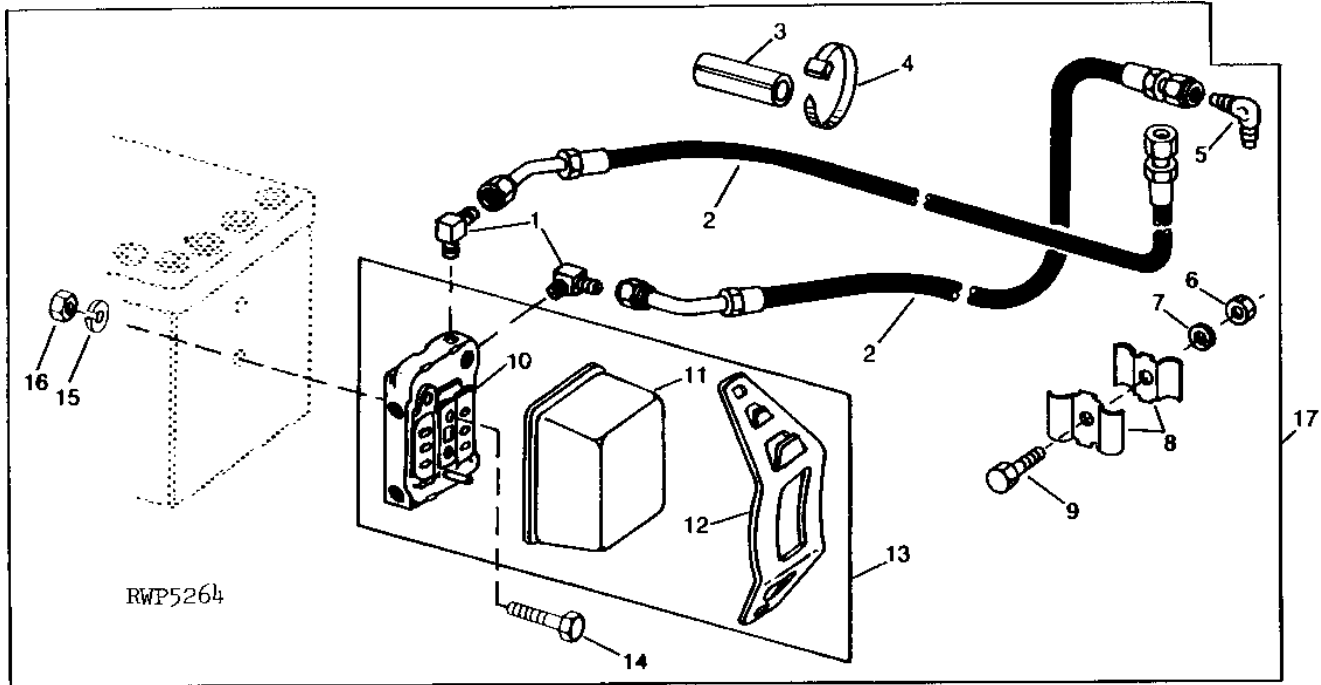
KEY	PART NO.	PART NAME	QTY	ENGINE SERIAL NO.	REMARKS
1	14H1076	NUT	4	3/8"	
2	12H304	LOCK WASHER	4	3/8"	
3	R65095	BRACKET	1	(NLA)	
4	AR26674	ELBOW FITTING	2		
5	AR47297	HYDRAULIC HOSE	2		
6	19H1800	CAP SCREW	4	3/8" X 1-1/2"	
7	14H785	NUT	1	5/16"	
8	12H303	LOCK WASHER	1	5/16"	
9	R34064	CLAMP	2		
10	19H2127	CAP SCREW	1	5/16" X 7/8"	
11	R50201	FITTING	1		
12	AR48926	SEPARATOR	1	(SUB RE17414)	
..	R44302	TIE BAND	AR		

# 1E2

FUEL AND AIR

## WATER SEPARATOR

RWP5264 -UN-18OCT94



KEY	PART NO.	PART NAME	QTY	TRACTOR SERIAL NO.	REMARKS
1	AR54591	ELBOW FITTING	2		
2	AR81856	HOSE	2		
3	R76658	HOSE	2		
4	R44302	TIE BAND	3		
5	M42827	ELBOW FITTING	1		
6	14H1076	NUT	1	3/8"	
7	12H304	LOCK WASHER	1	3/8"	
8	R34064	CLAMP	2		
9	19H1936	CAP SCREW	1	3/8" X 3/4"	
10	AR86756	BASE	1		
11	AR86755	FILTER ELEMENT	1		
12	R66821	CLAMP	1		
13	AR86754	SEPARATOR	1		
14	19H1731	CAP SCREW	2	3/8" X 1"	
15	12H304	LOCK WASHER	2	3/8"	
16	14H1076	NUT	2	3/8"	
17	RE17414	KIT	1		

---

MEMORANDA

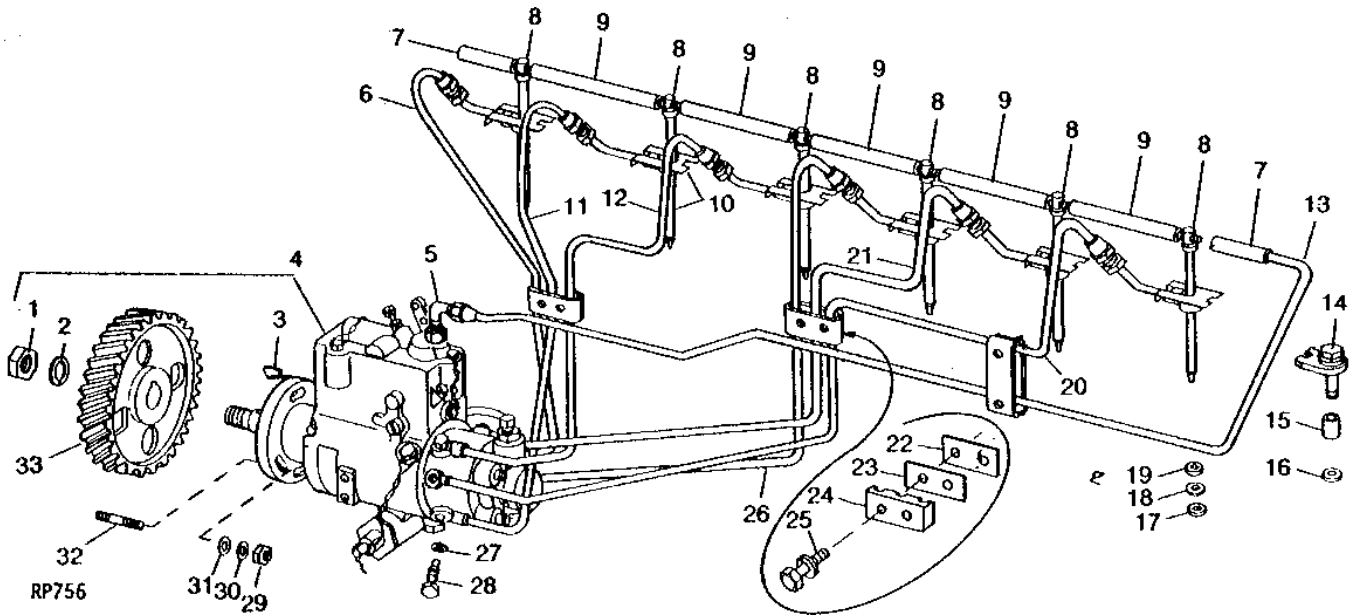


# 1E3

FUEL AND AIR

RP756 -UN-01JAN94

## FUEL INJECTION SYSTEM



KEY	PART NO.	PART NAME	QTY	ENGINE SERIAL NO.	REMARKS
1	R48599	NUT	1		
2	R48600	LOCK WASHER	1		
3	26H10	SHAFT KEY	1	5/32" X 5/8"	
4	AR61681	FUEL PUMP	1	(A) (ROOSA-MASTER NO. JDB633AJ2594)	
5	AR63166	FITTING	1		
6	AR68962	FUEL LINE	1	NO. 1, (SUB FOR AR49909)	
7	.....	HOSE	2	36MM (1.4") (MAKE FROM R68281)	
8	AT27622	CAP	6		
9	.....	HOSE	5	113MM (4.4") (MAKE FROM R68281)	
10	AR89564	INJECTION NOZZLE	6	(SUB FOR AR56290, AR73673 OR AR88239)	
11	AR68963	FUEL LINE	1	NO. 2, (SUB FOR AR49910)	
12	AR68964	FUEL LINE	1	NO. 3, (SUB FOR AR49911)	
13	AR61642	FUEL LINE	1	LEAK-OFF	
14	R34760	CLAMP	6		
15	R34761	SPACER	6		
16	24H1685	WASHER	6	11/32" X 47/64" X 0.083"	
17	R48000	WASHER	6		
18	T32252	WASHER	6		
19	R34764	WASHER	6		
20	AR68967	FUEL LINE	1	NO. 6, (SUB FOR AR49914)	
21	AR68966	FUEL LINE	1	NO. 5, (SUB FOR AR49913)	
22	R61145	STRAP	3		
23	R59298	STRAP	3		
24	R64810	CLAMP	2		
25	AR76704	SCREW	6		
26	AR68965	FUEL LINE	1	(SUB FOR AR63136)	
27	T20055	WASHER	12		
28	R26726	FITTING	6		
29	14H1076	NUT	2	3/8"	
30	12H304	LOCK WASHER	2	3/8"	
31	24M7096	WASHER	2	10.500 X 18 X 1.600 MM	
32	T20052	STUD	2		
33	R84663	GEAR	1	(48 TEETH) (SUB FOR T20165)	

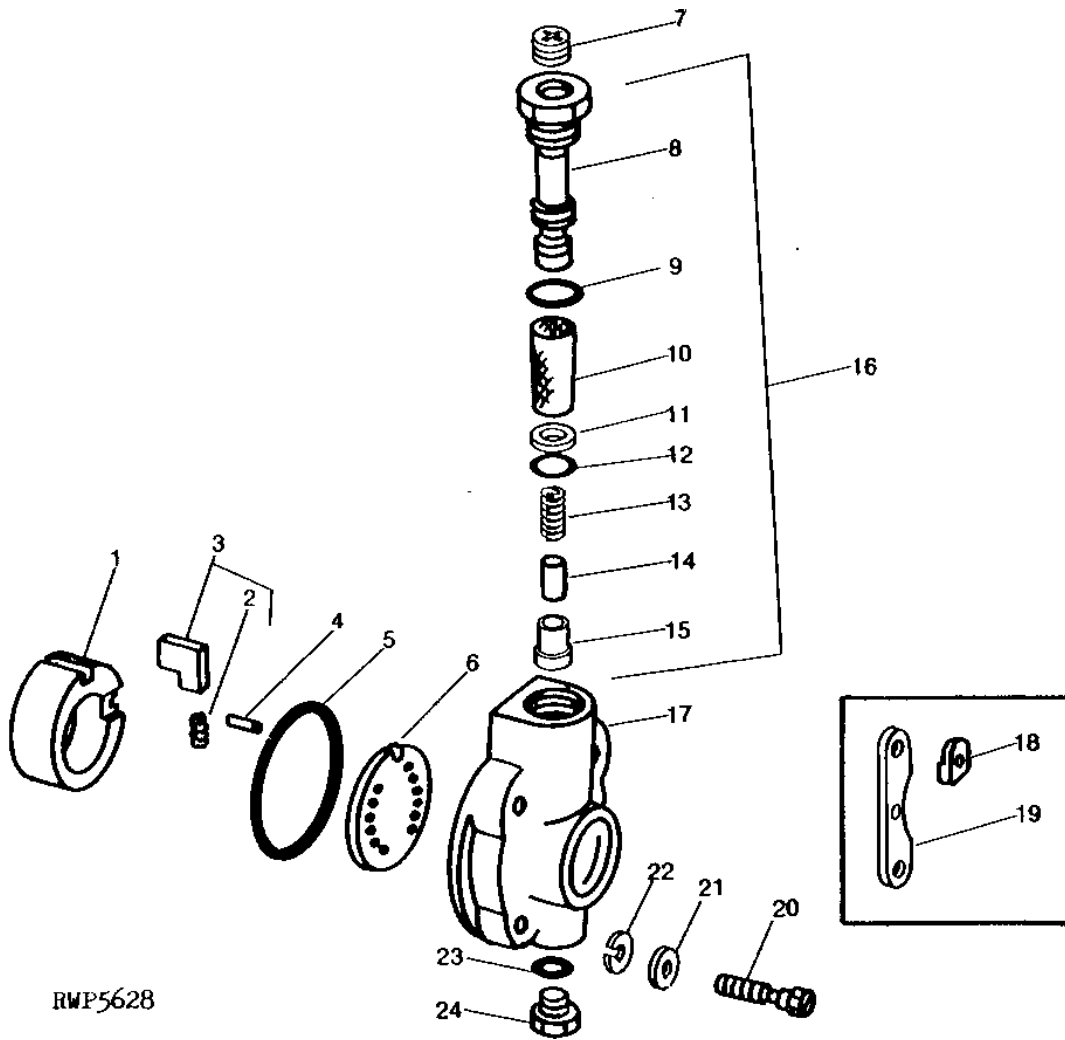
(A) SEE YOUR AUTHORIZED PUMP REPAIR STATION FOR PARTS NOT LISTED (NA).

# 1E4

FUEL AND AIR

RWP5628 -UN-01JAN94

FUEL INJECTION PUMP TRANSFER GROUP  
(ROOSA-MASTER NO. JDB633AJ2594)



RWP5628

# 1E5

FUEL AND AIR

FUEL INJECTION PUMP TRANSFER GROUP - CONTINUED  
(ROOSA-MASTER NO. JDB633AJ2594)

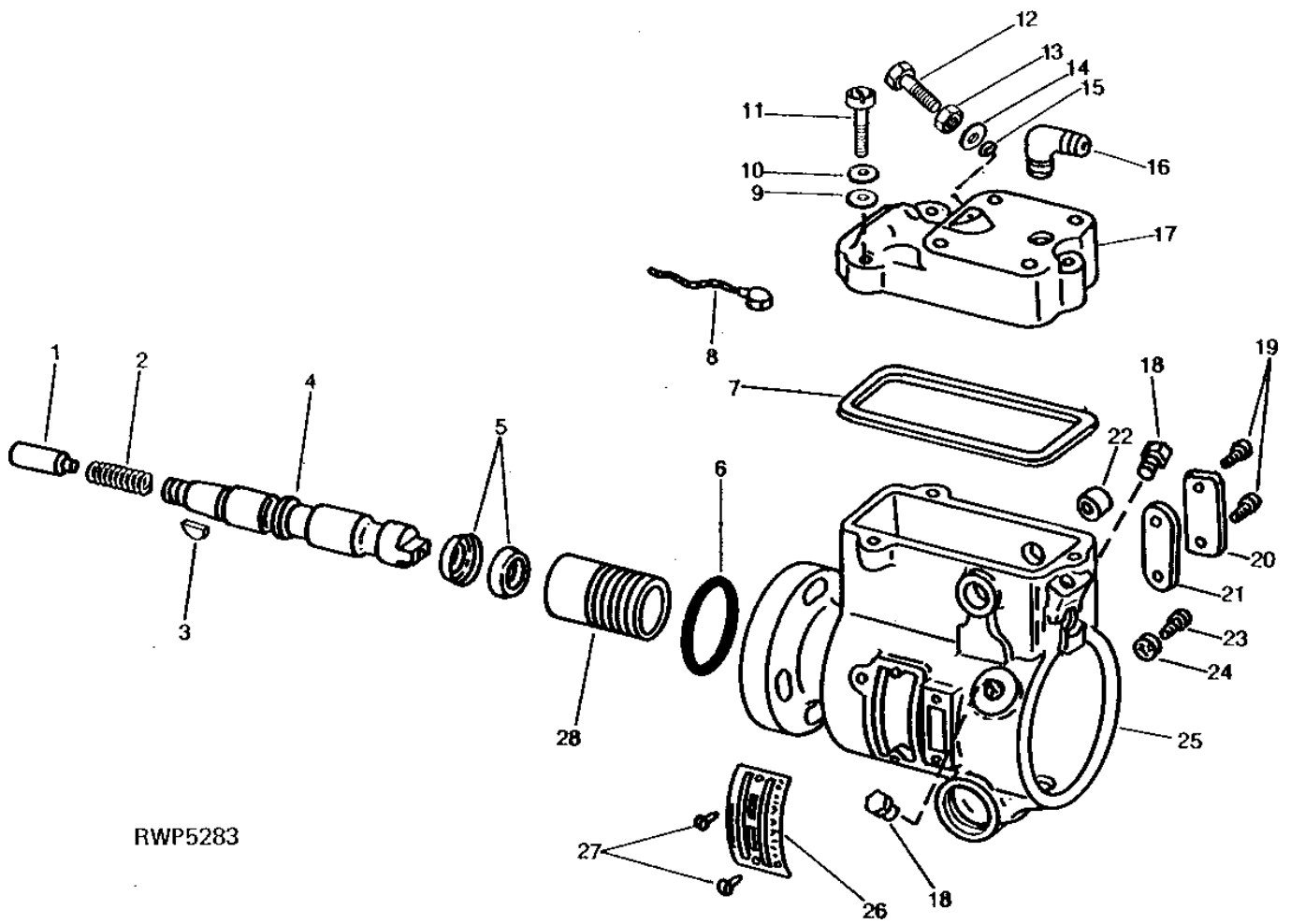
KEY	PART NO.	PART NAME	QTY	ENGINE SERIAL NO.	REMARKS
1	T26238	SLEEVE	NA		
2	R34630	SPRING	NA		
3	AR73828	KIT	NA		(SUB FOR R45045)
	AR73829	KIT	NA		
4	34H240	SPRING PIN	1		1/8" X 1/4", (SUB FOR R34638)
5	T11894	O-RING	NA		
6	R34631	PLATE	NA		
7	R34623	PLUG	NA		
8	RE21439	SLEEVE	NA		(SUB FOR R34622)
9	T11934	O-RING	1		(SUB R33259)
10	R34625	STRAINER	NA		
11	R34632	WASHER	NA		
12	T11899	O-RING	1		
13	R49209	SPRING	NA		(COLORED RED AND GREEN) (SUB FOR R34627)
14	T11900	DOWEL PIN	NA		
15	R82439	BUSHING	NA		(SUB FOR T25142)
16	AT25959	SLEEVE	NA		
17	R34624	PLATE	NA		
18	R48496	CLIP	NA		
19	R48497	STRAP	NA		
20	R48498	BOLT	NA		
21	T15715	WASHER	4		
22	12M7060	WASHER	4		0.209"
23	T26256	O-RING	1		
24	T30607	DRAIN PLUG	NA		
..	AR61681	FUEL PUMP	1		

# 1E6

FUEL AND AIR

RWP5283 -UN-01JAN94

FUEL INJECTION PUMP HOUSING AND DRIVE  
(ROOSA-MASTER NO. JDB633AT2594)



RWP5283

# 1E7

FUEL AND AIR

FUEL INJECTION PUMP HOUSING AND DRIVE - CONTINUED  
(ROOSA-MASTER NO. JDB633AT2594)

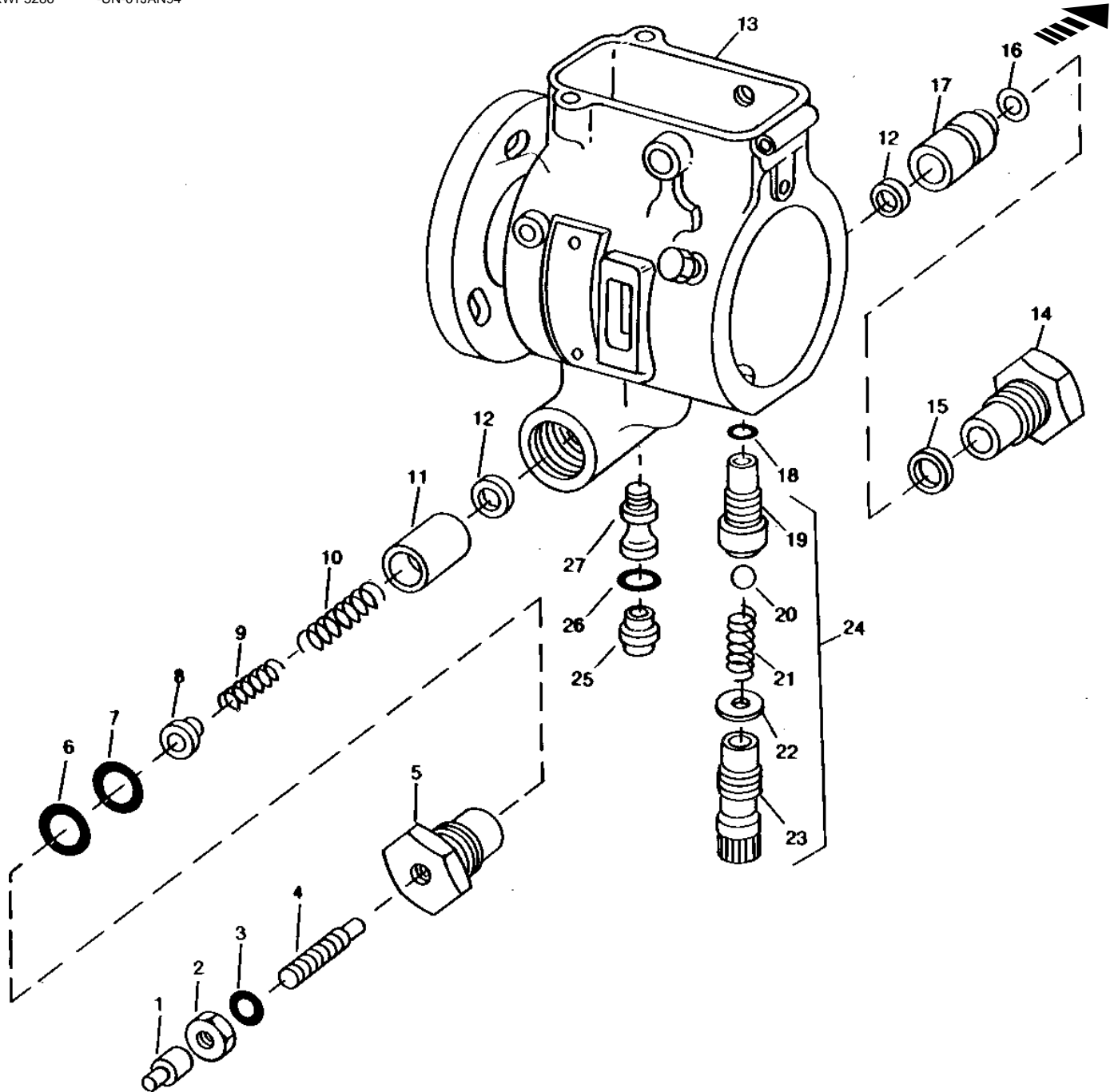
KEY	PART NO.	PART NAME	QTY	ENGINE SERIAL NO.	REMARKS
1	T19855	PIN	1		
2	R36540	SPRING	1		
3	26H10	SHAFT KEY	1		5/32" X 5/8"
4	R36538	DRIVE SHAFT	NA		
5	T11290	SEAL	2		
6	T19854	O-RING	1		
7	T11918	GASKET	1		
8	T11877	WIRE	NA		
9	T15715	WASHER	3		
10	12M7060	WASHER	3		0.209"
11	T15721	SCREW	3		
12	T17953	CAP SCREW	1		LOW IDLE
13	T11921	NUT	1		
14	T17947	WASHER	1		
15	R34812	O-RING	1		(SUB FOR T17951 AND T11906)
16	AR63166	FITTING	1		
17	R54258	COVER	NA		
18	R30714	BOLT	NA		
19	T11884	SCREW	4		
20	T11882	COVER	2		
21	T11883	GASKET	2		
22	R48493	BUSHING	NA		
23	T11930	SCREW	NA		
24	T11878	WASHER	1		
25	AR67675	HOUSING	NA		
26	T11875	IDENTIFICATION PLATE	NA		
27	T11876	SCREW	NA		
28	T19865	BUSHING	NA		
..	AR61681	FUEL PUMP	1		

# 1E8

FUEL AND AIR

## FUEL INJECTION PUMP AUTOMATIC ADVANCE GROUP (ROOSA-MASTER NO. JDB633AJ2594)

RWP5286 -UN-01JAN94



RWP5286

# 1E9

FUEL AND AIR

FUEL INJECTION PUMP AUTOMATIC ADVANCE GROUP - CONTINUED  
(ROOSA-MASTER NO. JDB633AJ2594)

KEY	PART NO.	PART NAME	QTY	ENGINE SERIAL NO.	REMARKS
1	T17117	CAP	NA		
2	T17122	NUT	NA		
3	T11915	O-RING	1		
4	T17123	SET SCREW	NA		
5	T17126	PLUG	NA		
6	T15710	O-RING	2		
7	T15710	O-RING	2		
8	T17125	GUIDE	NA		
9	R36648	SPRING	NA		(ENDS COLORED YELLOW)
10	.....	SPRING	1		(NOT USED THIS APPLICATION)
11	T17120	PISTON	NA		(SUB R74325)
12	T15705	WASHER	NA		
13	AR67675	HOUSING	NA		
14	R74310	PLUG	NA		(SUB FOR R49212)
15	R49211	WASHER	NA		
16	R34635	WASHER	NA		
17	T19863	PISTON	NA		
18	T11899	O-RING	2		
19	R48604	PLUG	1		
20	T17137	BALL	1		
21	R48601	SPRING	1		
22	R48603	WASHER	NA		(SUB AR51712)
23	R48602	SCREW	1		
24	AR51712	SCREW	NA		
25	R40707	PLUG	NA		(SUB FOR T15711)
26	T15712	O-RING	1		
27	R36646	SCREW	NA		
..	AR61681	FUEL PUMP	1		

---

MEMORANDA

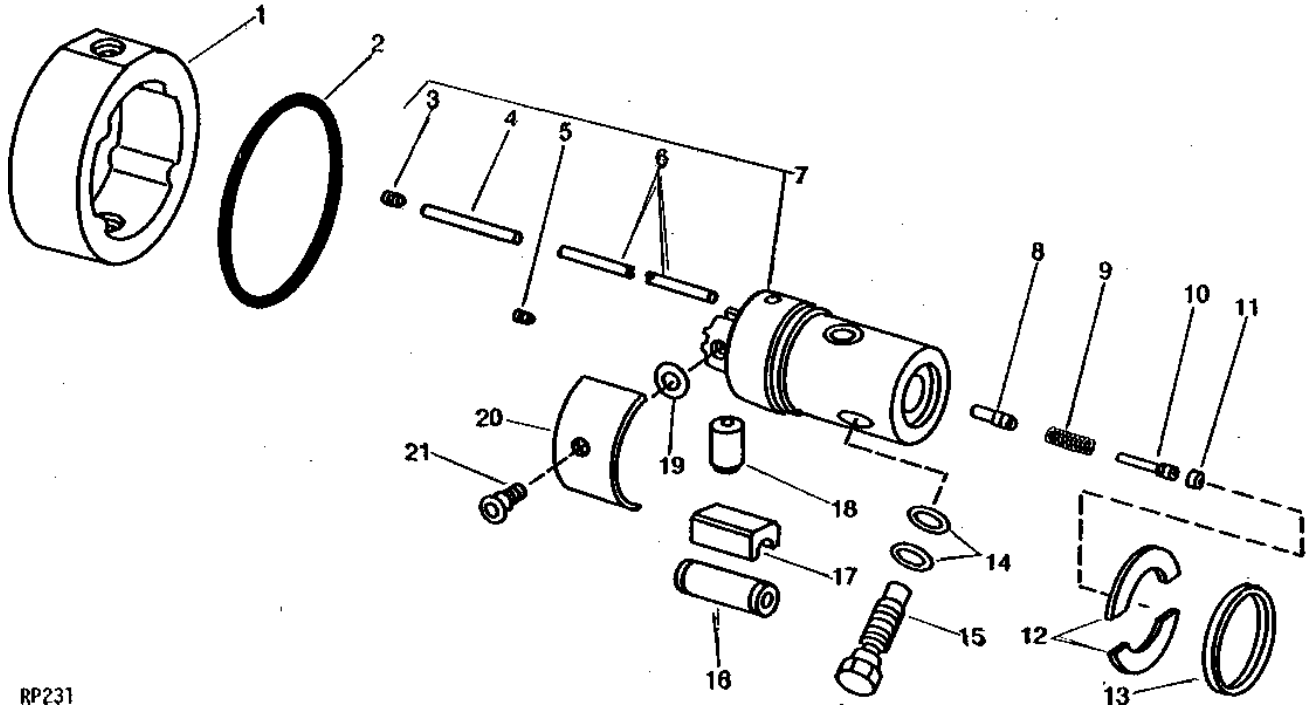


# 1E10

FUEL AND AIR

## FUEL INJECTION PUMP HEAD AND ROTOR GROUP (ROOSA-MASTER NO. JDB633AJ2594)

RP231 -UN-01JAN94



RP231

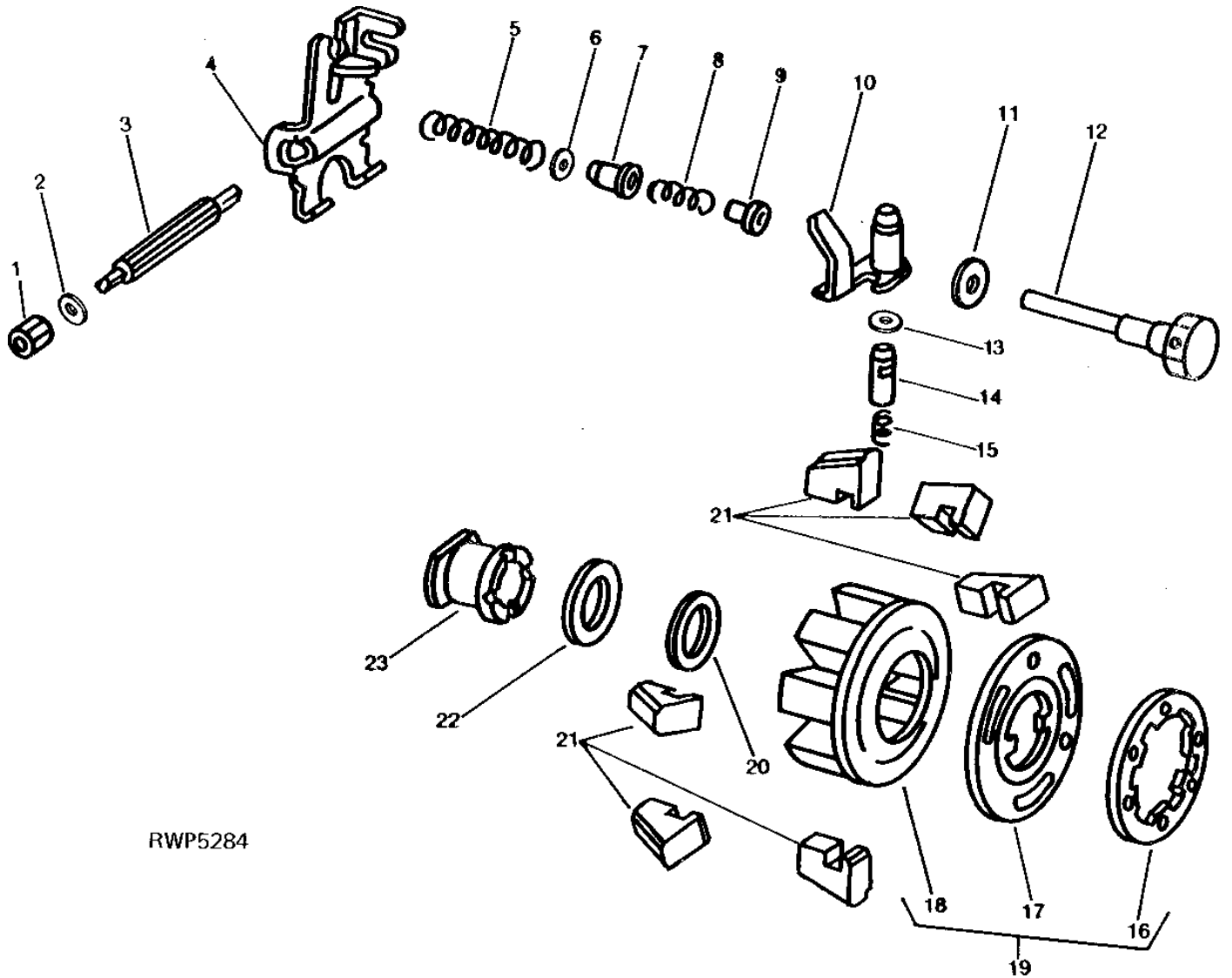
KEY	PART NO.	PART NAME	QTY	ENGINE SERIAL NO.	REMARKS
1	R48494	RING	NA		
2	T11891	O-RING	NA		
3	R30725	SCREW	NA		
4	R30726	DOWEL PIN	NA		
5	T11926	SET SCREW	NA		
6	R30727	RETAINER	NA		
7	AR51705	HYDRAULIC HEAD, AND ROTOR	NA		
8	T31129	VALVE	NA		
	R31125	VALVE	NA		(OVERSIZE)
9	R30735	SPRING	NA		
10	T26223	STOP	NA		
11	R30737	SCREW	NA		
12	T11890	RETAINER	NA		
13	T11889	SNAP RING	NA		
14	T20055	WASHER	12		
15	R26726	FITTING	6		
16	T11886	NEEDLE ROLLER	NA		
17	R56483	SHOE	NA		
18	R36547	PLUNGER	NA		ROTOR "A"
	R36548	PLUNGER	NA		ROTOR "B"
	R36549	PLUNGER	NA		ROTOR "C"
	R36550	PLUNGER	NA		ROTOR "D"
19	T31124	SHIM	NA		0.13MM (.005")
	T31125	SHIM	NA		0.15MM (.006")
	T31126	SHIM	NA		0.18MM (.007")
	T31127	SHIM	NA		0.20MM (.008")
	T31128	SHIM	NA		0.23MM (.009")
20	T11888	LEAF SPRING	NA		
	R30724	LEAF SPRING	NA		
21	T11887	SCREW	NA		
..	AR61681	FUEL PUMP	1		
..	AR34612	GASKET KIT	NA		OVERHAUL GASKET

# 1E11

FUEL AND AIR

RWP5284 -UN-01JAN94

FUEL INJECTION PUMP GOVERNOR GROUP  
(ROOSA-MASTER NO. JDB633AJ2594)



RWP5284

# 1E12

FUEL AND AIR

FUEL INJECTION PUMP GOVERNOR GROUP - CONTINUED  
(ROOSA-MASTER NO. JDB633AJ2594)

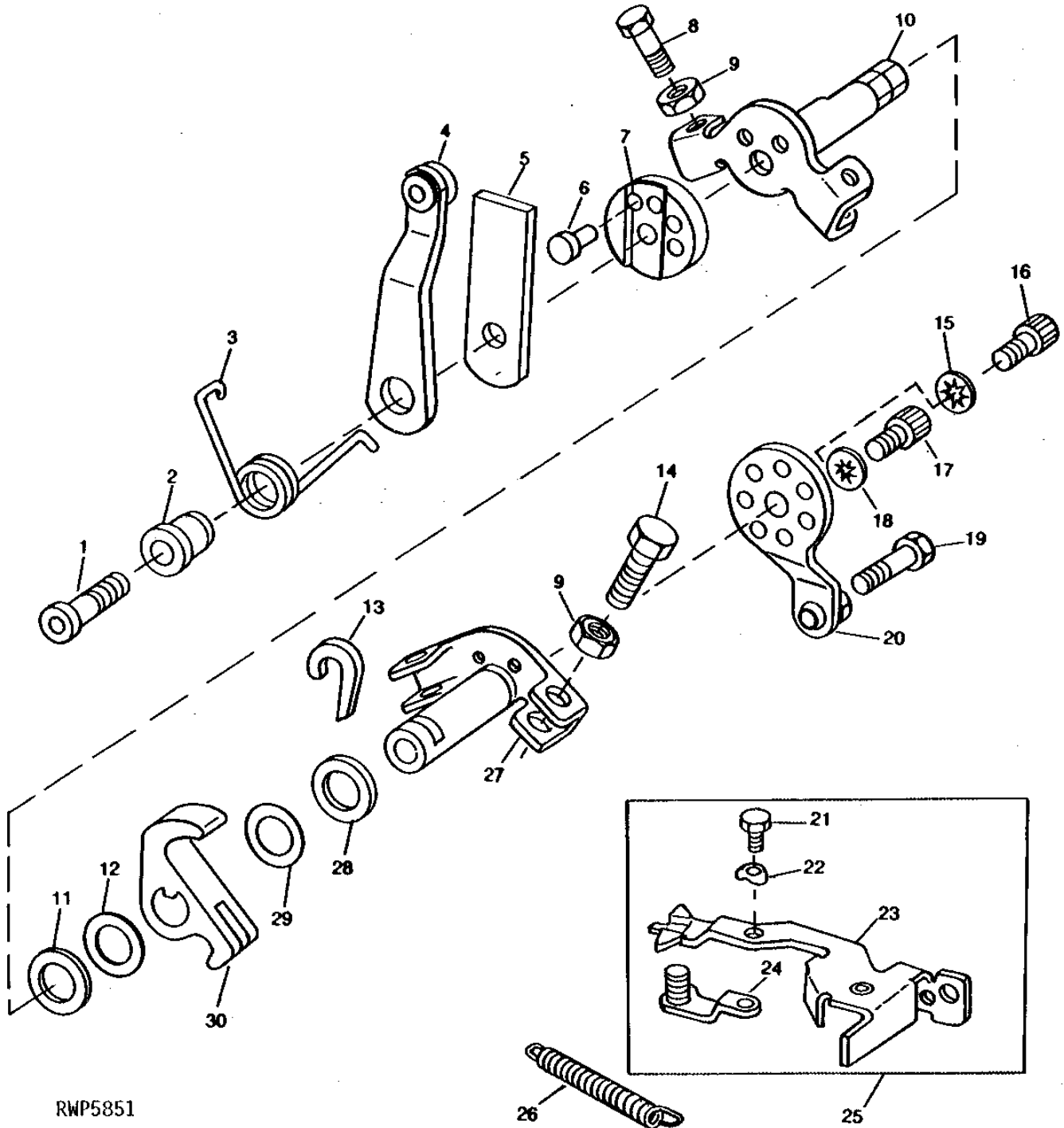
KEY	PART NO.	PART NAME	QTY	ENGINE SERIAL NO.	REMARKS
1	T11932	NUT	NA		
2	R34812	O-RING	2		
3	T11925	SHAFT	NA		
4	T16602	ARM	NA		
5	T11953	SPRING	NA		(COLORED RED AND GREEN)
	T25044	SPRING	NA		(COLORED RED AND BLACK)
6	T17952	WASHER	NA		
7	T11924	RETAINER	NA		
8	T11913	SPRING	NA		
9	T11914	GUIDE	NA		
10	R74312	ARM	NA		(SUB FOR AR30736)
11	T11943	WASHER	NA		
12	T11923	STUD	NA		
13	R30732	SHIM	NA		
14	R48500	VALVE	NA		(SUB AR91548)
15	R58422	SPRING	NA		(SUB FOR T11907)
16	R42483	RING	NA		
17	AR63213	HUB	NA		
18	AR63212	RETAINER	NA		
19	AR51959	RETAINER	NA		
20	T11931	RING	NA		
21	T11910	WEIGHT	NA		
22	T11909	WASHER	NA		
23	T16601	SLEEVE	NA		(SUB R74472)
..	AR61681	FUEL PUMP	1		

# 1E13

FUEL AND AIR

## FUEL INJECTION PUMP LINKAGE GROUP (ROOSA-MASTER JDB633AJ2594)

RWP5851 -UN-01JAN94



RWP5851

# 1E14

FUEL AND AIR

## FUEL INJECTION PUMP LINKAGE GROUP - CONTINUED (ROOSA-MASTER JDB633AJ2594)

KEY	PART NO.	PART NAME	QTY	ENGINE SERIAL NO.	REMARKS
1	T19859	SCREW	1		
2	T17950	RETAINER	1		
3	T17949	SPRING	1		
4	AR63167	CONTROL	1		
5	T19860	STRAP	1		
6	T11917	SCREW	1		
7	T19861	SPACER	1		
8	R30722	BOLT	NA		
	T11920	SCREW	NA		
9	T19862	NUT	NA		
10	R36542	SHAFT	NA		
11	T15720	WASHER	NA		
12	T11915	O-RING	1		
13	R30721	CAM	NA		
14	T11941	SCREW	2		
15	12M7060	WASHER	1	0.209"	
16	T11940	SCREW	1		
17	T11917	SCREW	1		
18	R47077	LOCK WASHER	1		
19	T11939	CAP SCREW	1		
20	AR28604	LEVER	1		
21	R30718	SCREW	NA		
22	R30719	LOCK WASHER	NA		
23	T15699	HOOK	NA		
24	AR28602	LINK	NA		
25	AT11520	HOOK	NA		
26	T11911	SPRING	NA		
27	AR63168	SHAFT	NA		
	T17946	SHAFT	NA		
28	T15720	WASHER	NA		
29	T11915	O-RING	2		
30	T11927	LEVER	NA		
	T11933	SPACER	1		
..	AR61681	FUEL PUMP	1		

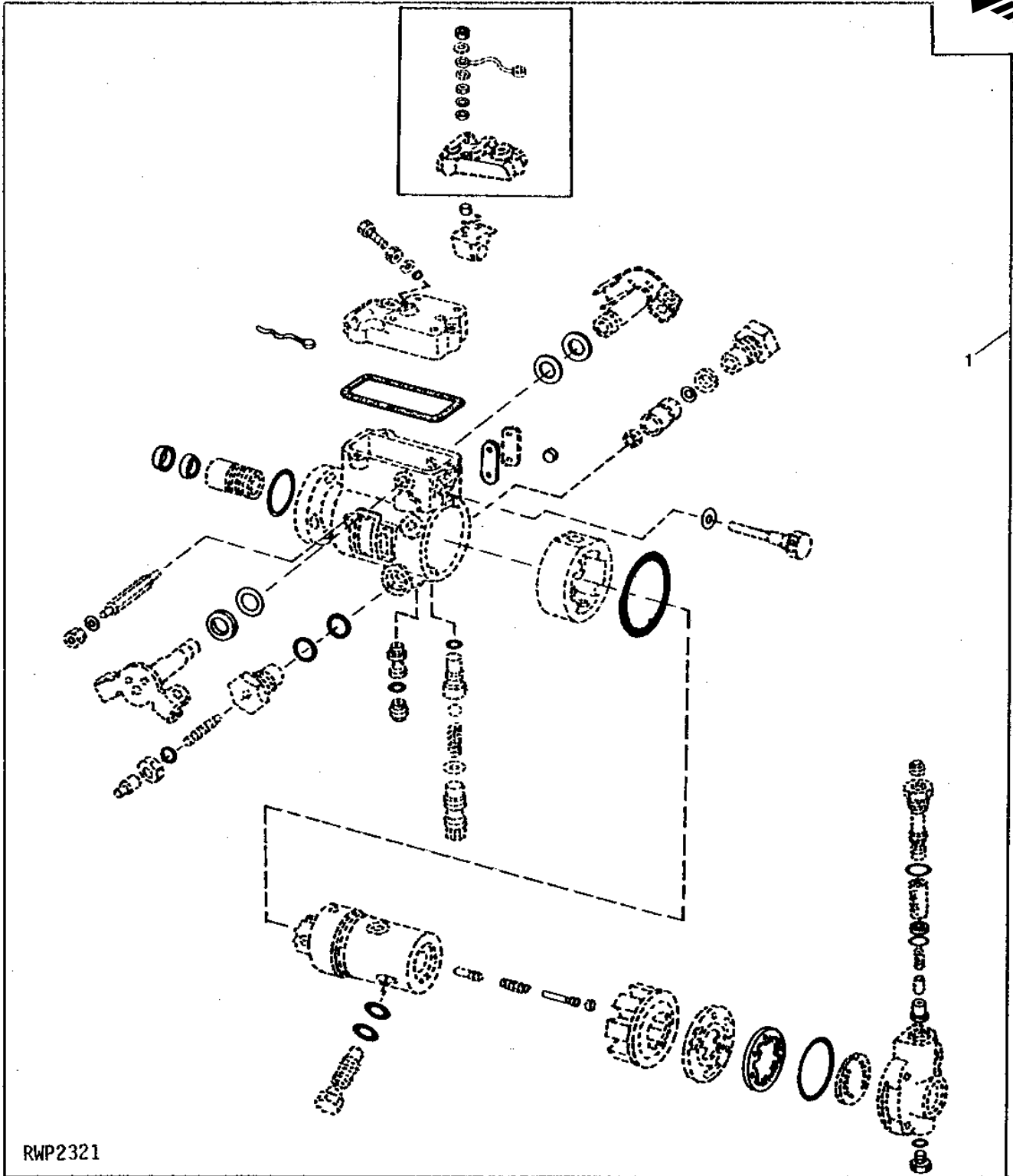
# 1E15

FUEL AND AIR

RWP2321

-UN-01JAN94

## FUEL INJECTION PUMP GASKET OVERHAUL KIT



RWP2321

# 1E16

FUEL AND AIR

---

## FUEL INJECTION PUMP GASKET OVERHAUL KIT - CONTINUED

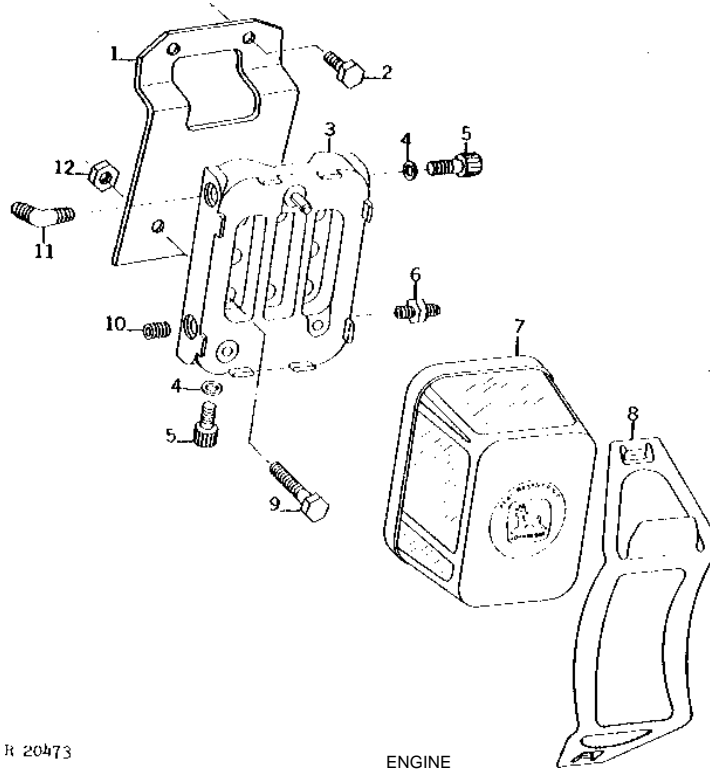
KEY	PART NO.	PART NAME	QTY	ENGINE SERIAL NO.	REMARKS
1	AR34612	GASKET KIT	NA		

# 1E17

FUEL AND AIR

R20473 -UN-01JAN94

## FUEL FILTER (DIESEL)



KEY	PART NO.	PART NAME	QTY	ENGINE SERIAL NO.	REMARKS
1	R53214	BRACKET	1		
2	19H1936	CAP SCREW	2	3/8" X 3/4"	
3	AR50040	HOUSING	1		
4	R34447	WASHER	2		
5	R48071	DRAIN PLUG	2		
6	R32136	FITTING	1		
7	AR50041	FUEL FILTER	1		
8	R66821	CLAMP	1	(SUB FOR R47358 OR R57258)	
9	19H2284	CAP SCREW	2	3/8" X 7/8"	
10	15H558	PIPE PLUG	1	1/8"	
11	M43551	ELBOW FITTING	1	(SUB FOR T24945)	
12	14H1076	NUT	2	3/8"	

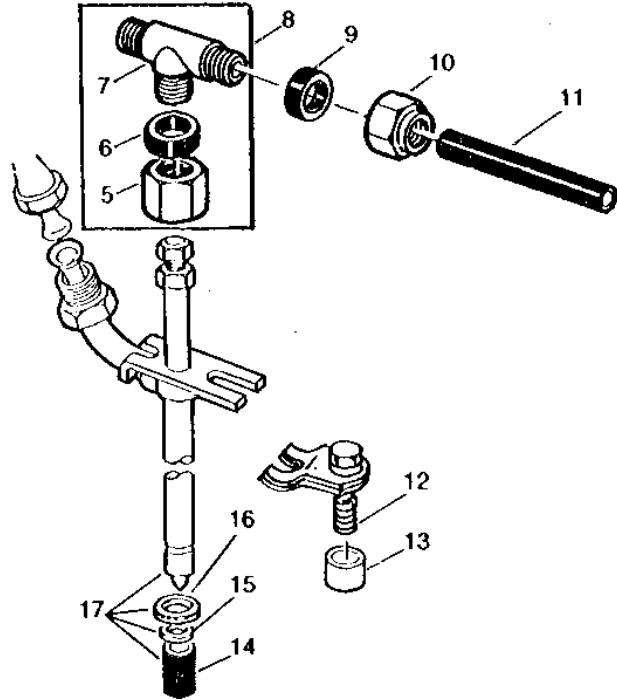
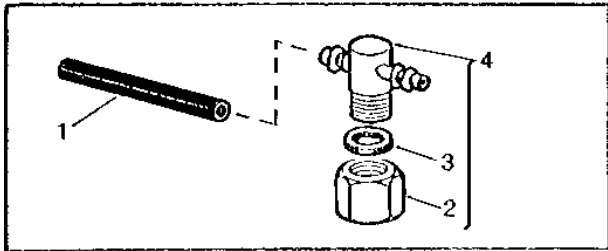


# 1E18

FUEL AND AIR

RWP5923 -UN-01JAN94

## FUEL INJECTION NOZZLE



RWP5923

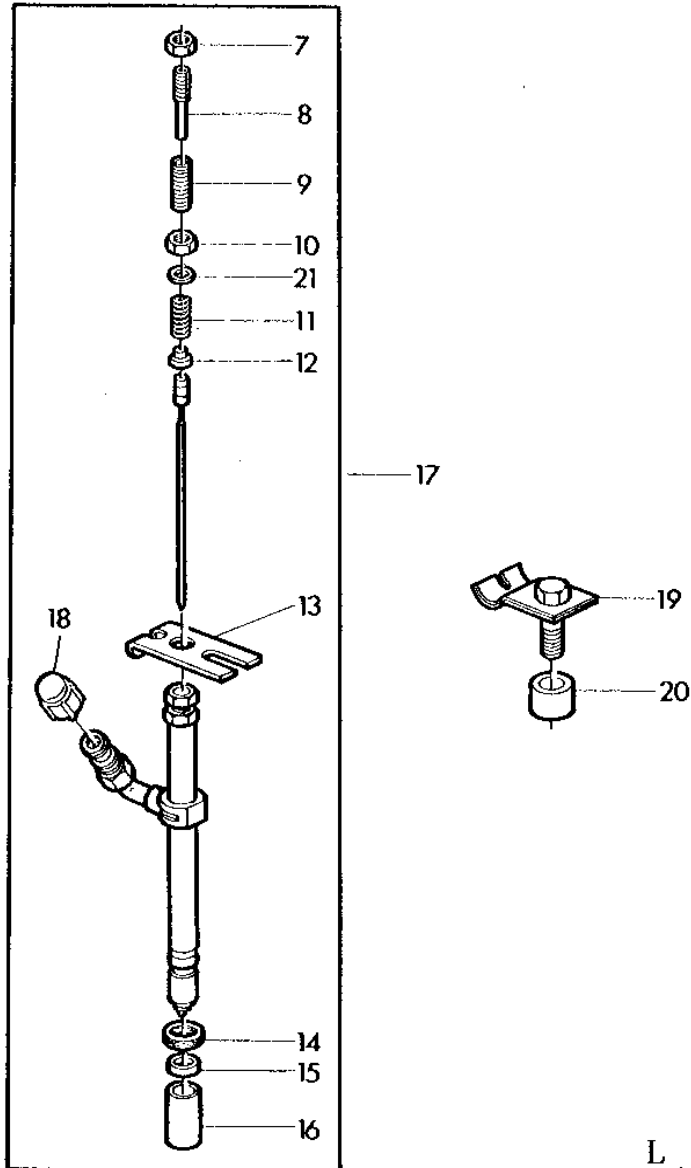
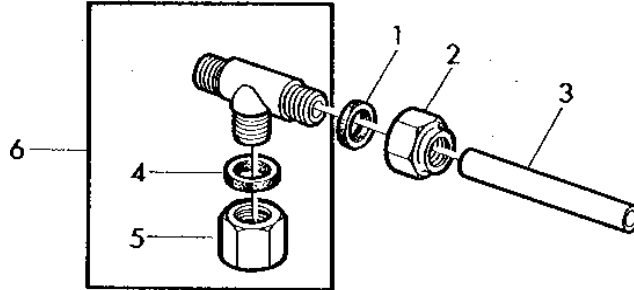
KEY	PART NO.	PART NAME	QTY	TRACTOR SERIAL NO.	REMARKS
1	.....	HOSE	1		36MM (1.40") (MAKE FROM R68281)
2	T29540	FITTING	1	-XXXXXX	(SUB R79604)
3	T29539	WASHER	1	-XXXXXX	(SUB R79605)
4	AT27622	CAP	1	-XXXXXX	
5	R79604	TUBE NUT	1	XXXXXX-	
6	R79605	WASHER	1	XXXXXX-	
7	R79606	TEE FITTING	1	XXXXXX-	
8	AR85618	CAP	1	XXXXXX-	(USE WITH AR89564) (SUB R79604, R79605 AND R79606)
9	R51936	PACKING	1	XXXXXX-	
10	R51937	TUBE NUT	1	XXXXXX-	
11	R66090	TUBE	1	XXXXXX-	
12	R34760	CLAMP	1		
13	R34761	SPACER	1		
14	T24472	PLUG	1		
15	R48000	WASHER	1		
16	R34764	WASHER	1		
	R60746	WASHER	1	XXXXXX-	(USE WITH AR73673 OR AR88239)
17	AR88239	INJECTION NOZZLE	1		(SUB FOR AR56290 OR AR73673) (SUB AR89564)
18	R67779	CLAMP	1		(SUB FOR T26870)
19	T31174	PLUG	1		(USE FOR SERVICING FUEL INJECTION NOZZLE) (NLA)

# 1E19

FUEL AND AIR

L40740 -UN-01JAN94

## FUEL INJECTION NOZZLE



L 40740

# 1E20

FUEL AND AIR

## FUEL INJECTION NOZZLE - CONTINUED

KEY	PART NO.	PART NAME	QTY	ENGINE SERIAL NO.	REMARKS
1	R51936	PACKING	1		
2	R51937	TUBE NUT	1		
3	R66090	TUBE	1		
4	T29539	WASHER	1	(SUB R79605)	
5	T29540	FITTING	1	(SUB R79604)	
6	AR85618	CAP	1	(SUB R79604, R79605 AND R79606)	
7	R47733	LOCK NUT	1		
8	R69443	SCREW	1		
9	R62984	SCREW	1		
10	R46675	NUT	1		
11	R69442	SPRING	1		
12	R62982	GUIDE	1		
13	R67779	CLAMP	1		
14	R34764	WASHER	1		
15	R48000	WASHER	1		
16	T24472	PLUG	1		
17	AR89564	INJECTION NOZZLE	1		
18	T31174	PLUG	1	(NLA)	
19	R34760	CLAMP	1		
20	R60745	SPACER	1		
21	R62981	WASHER	1		

---

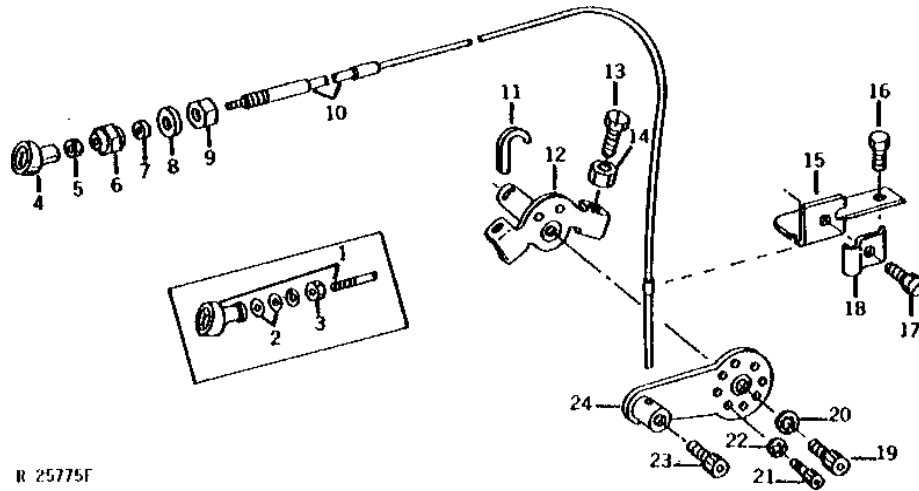
MEMORANDA

# 1E21

FUEL AND AIR

R25775 -UN-01JAN94

## FUEL INJECTION PUMP SHUT-OFF LINKAGE



R 25775F

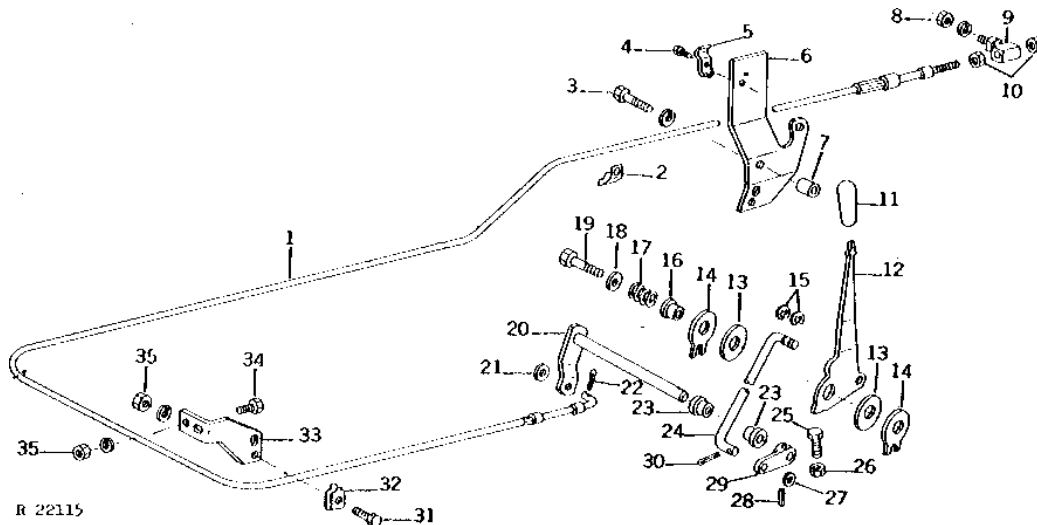
KEY	PART NO.	PART NAME	QTY	TRACTOR SERIAL NO.	REMARKS
1	AR59443	PUSH PULL CABLE	1	-014406	(SUB AR77679, R62899, R62900, R55202, 14H649, 12H303 AND 24M7096)
2	24H1299	WASHER	2	-014406	3/8" X 1-1/4" X 0.065"
3	14H774	NUT	1	-014406	3/8"
	12H304	LOCK WASHER	1	-014406	3/8"
4	R55202	KNOB	1	014407-	
5	14H649	NUT	1	014407-	1/4"
6	R62899	NUT	1	014407-	
7	R62900	WASHER	1	014407-	
8	24M7096	WASHER	1	014407-	10.500 X 18 X 1.600 MM
9	14H774	NUT	1	014407-	3/8"
10	AR77679	PUSH PULL CABLE	1	014407-	
11	R30721	CAM	NA		
12	AR63168	SHAFT	NA		
13	T11941	SCREW	2		
14	T19862	NUT	NA		
15	R53299	BRACKET	1		
16	19H3204	SCREW	2		0.190" X 5/8"
17	37H133	SCREW	1		0.164" X 5/8"
18	R53300	CLIP	1		
19	T11940	SCREW	1		
20	12M7060	WASHER	1		0.209"
21	T11917	SCREW	1		
22	R47077	LOCK WASHER	1		
23	T11939	CAP SCREW	1		
24	AR28604	LEVER	1		

# 1E22

FUEL AND AIR

## SPEED CONTROL LEVER AND LINKAGES (DIESEL) (SOUND-GARD BODY)

R22115 -UN-01JAN94



R 22115

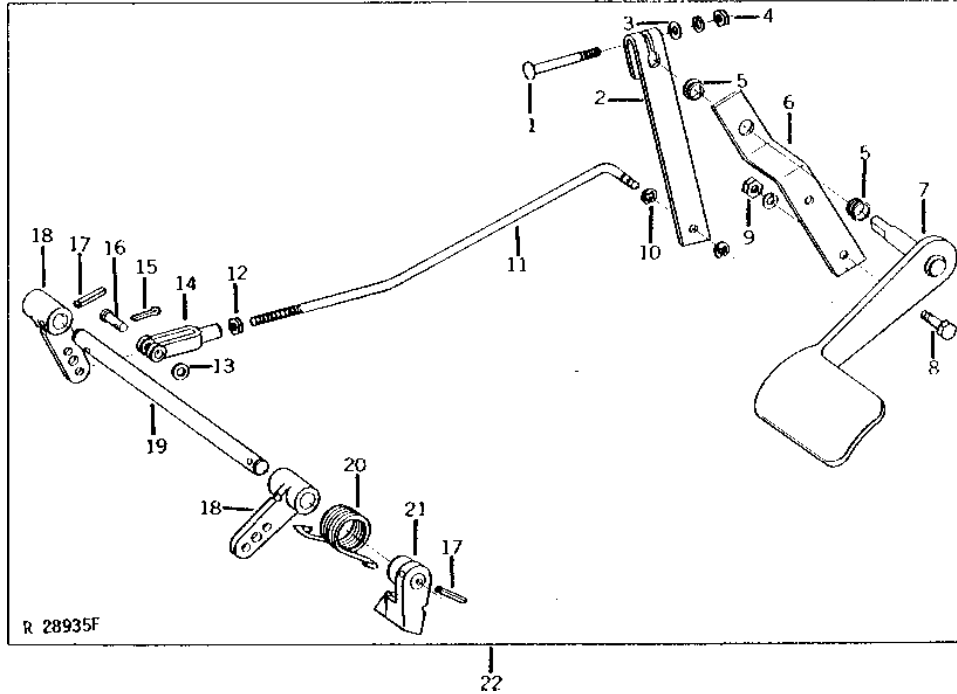
KEY	PART NO.	PART NAME	QTY	TRACTOR SERIAL NO.	REMARKS
1	AR60767	PUSH PULL CABLE	1		(SUB AR93684)
2	R53620	BRACKET	2		
3	19H2636	CAP SCREW	2		3/8" X 3-5/8"
	12H304	LOCK WASHER	2		3/8"
4	37H133	SCREW	1		0.164" X 5/8"
5	R53300	CLIP	1		
6	R56112	BRACKET	1		
7	28H1517	WASHER	1		6MM (1/4")
8	14H649	NUT	1		1/4"
	12H302	LOCK WASHER	1		1/4"
9	AH77100	BALL JOINT	1		(SUB FOR AA5302R)
10	14H850	NUT	2		1/4"
11	R50506	KNOB	1		
12	R50505	LEVER	1		
13	R39985	WASHER	2		(SUB R105814)
14	R52117	WASHER	2		
15	R72653	SNAP RING	2		(SUB FOR M2396T)
16	R50227	RETAINER	1		
17	R31271	SPRING	1		
18	24M7096	WASHER	1		10.500 X 18 X 1.600 MM
19	R41920	CAP SCREW	1		
20	AR60645	ARM	1		
21	B1664R	SHIM	1		
22	11M7077	COTTER PIN	1		0.063" X 0.984"
23	R41076	GROMMET	2		
24	R54487	ROD	1		
25	19H2915	CAP SCREW	1		5/16" X 1-1/4"
26	14H611	NUT	1		5/16"
27	34H279	SPRING PIN	2		3/16" X 13/16"
28	24H1289	WASHER	1		21/64" X 5/8" X 0.049"
29	R50225	ARM	1		
30	11M7081	COTTER PIN	1		0.098" X 0.787"
31	19H1849	CAP SCREW	1		5/16" X 1-1/4"
32	R26870	CLAMP	1		
33	R52655	BRACKET	1		
34	19H1900	CAP SCREW	2		5/16" X 3/4"
35	14H785	NUT	2		5/16"
	12H303	LOCK WASHER	2		5/16"

# 1E23

FUEL AND AIR

R28935 -UN-01JAN94

## FOOT SPEED CONTROL



KEY	PART NO.	PART NAME	QTY	TRACTOR SERIAL NO.	REMARKS
1	03H1810	BOLT	1		1/4" X 1-1/2"
2	R58507	LEVER	1		
3	24H1287	WASHER	1		9/32" X 5/8" X 0.065"
4	14H850	NUT	1		1/4"
	12H302	LOCK WASHER	1		1/4"
5	R52646	WASHER	2		
6	R58519	BRACKET	1		
7	AR92122	PEDAL	1		(SUB FOR AR70257)
8	19H1900	CAP SCREW	2		5/16" X 3/4"
9	14H785	NUT	2		5/16"
	12H303	LOCK WASHER	2		5/16"
10	R72654	SNAP RING	2		(SUB FOR R27507)
11	R66476	ROD	1		(SUB FOR R58508)
12	14H649	NUT	1		1/4"
13	B1664R	SHIM	1		
14	M3742T	YOKE	1		
15	11M7079	COTTER PIN	1		0.098" X 0.472"
16	R72660	PIN	1		(SUB FOR R662R)
17	34H279	SPRING PIN	2		3/16" X 13/16"
18	R58509	LEVER	2		
19	R58510	SHEAR PIN	1		
20	R58512	SPRING	1		
21	R58511	ARM	1		
22	AR87006	KIT	1		(A) (SUB FOR AR70252)

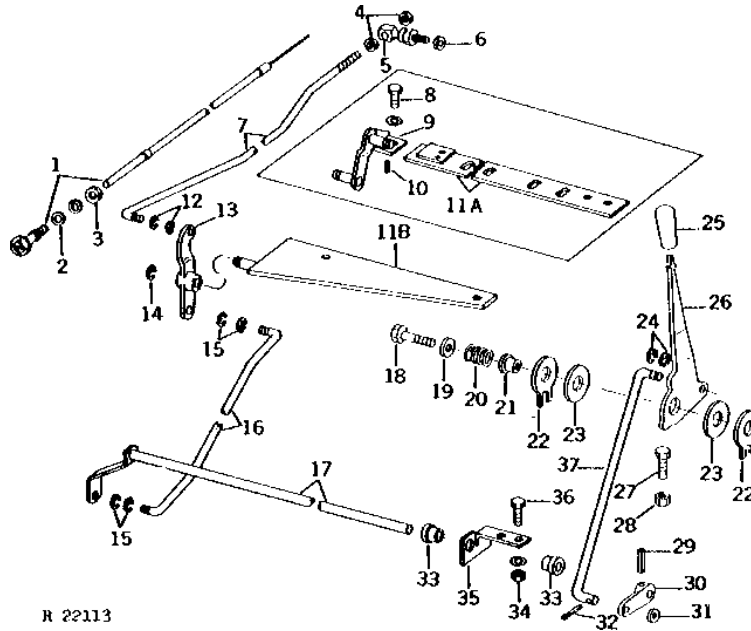
(A) FOR POWER SHIFT TRACTORS LESS SOUND-GARD BODY ALSO ORDER AR70262

# 1E24

FUEL AND AIR

R22113 -UN-01JAN94

## SPEED CONTROL LEVER AND LINKAGE (GASOLINE AND DIESEL LESS SOUND-GARD BODY)



KEY	PART NO.	PART NAME	QTY	TRACTOR SERIAL NO.	REMARKS
1	AR56686	PUSH PULL CABLE	1	(GASOLINE)	
2	24M7096	WASHER	1	10.500 X 18 X 1.600 MM	
3	14H774	NUT	1	3/8"	
	12H304	LOCK WASHER	1	3/8"	
4	14H850	NUT	2	1/4"	
5	AH77100	BALL JOINT	1	(SUB FOR AA5302R)	
6	14H850	NUT	1	1/4"	
	12H302	LOCK WASHER	1	1/4"	
7	R52399	ROD	1	(GASOLINE)	
	R52400	ROD	1	(DIESEL) (LESS SOUND-GARD BODY) (NLA)	
8	19H2021	CAP SCREW	1	-007265 3/8" X 5/8"	
	12H304	LOCK WASHER	1	-007265 3/8"	
9	AR56993	BRACKET	1	-007265	
10	34H308	SPRING PIN	1	-007265 1/4" X 1/2"	
11A	AR56643	STRAP	1	-007265	
11B	AR67728	BRACKET	1	007266-	
12	R72654	SNAP RING	2	(SUB FOR R27507)	
13	R52402	LEVER	1	(NLA)	
14	R26871	SNAP RING	1	(SUB FOR M2396T)	
15	R72653	SNAP RING	4	(SUB FOR M2396T)	
16	R53199	ROD	1		
17	AR54893	ROD	1		
18	R41920	CAP SCREW	1		
19	24M7096	WASHER	1	10.500 X 18 X 1.600 MM	
20	R31271	SPRING	1		
21	R50227	RETAINER	1		
22	R52117	WASHER	2		
23	R105814	WASHER	2	(SUB FOR R50226)	
24	R72653	SNAP RING	2	(SUB FOR M2396T)	
25	R50506	KNOB	1		



# 1E25

FUEL AND AIR

**SPEED CONTROL LEVER AND LINKAGE - CONTINUED  
(GASOLINE AND DIESEL LESS SOUND-GARD BODY)**

KEY	PART NO.	PART NAME	QTY	TRACTOR SERIAL NO.	REMARKS
26	R50505	LEVER	1		(SUB R75078)
27	19H2915	CAP SCREW	1		5/16" X 1-1/4"
28	14H611	NUT	1		5/16"
29	34H279	SPRING PIN	1		3/16" X 13/16"
30	R50225	ARM	1		
31	24H1289	WASHER	1		21/64" X 5/8" X 0.049"
32	11M7081	COTTER PIN	1		0.098" X 0.787"
33	R41076	GROMMET	2		
34	14H785	NUT	2		5/16"
	12H303	LOCK WASHER	2		5/16"
35	R50733	BRACKET	1		(NLA)
	R52817	BRACKET	1		(ROLL-GARD) (NLA)
36	19H1905	CAP SCREW	2		5/16" X 1"
37	R54487	ROD	1		(SUB FOR R51805)

---

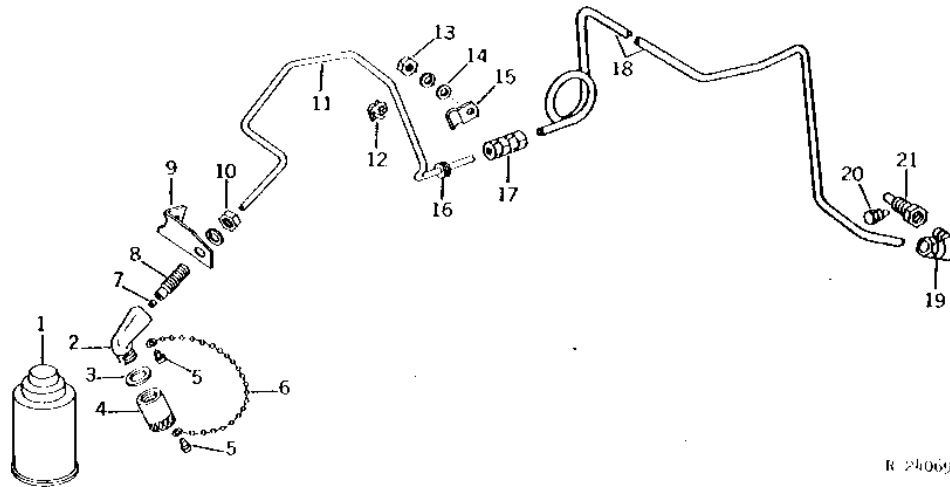
MEMORANDA

# 1F1

FUEL AND AIR

## COLD WEATHER STARTING AID (MANUALLY OPERATED)

R24069 -UN-01JAN94



R 24069

KEY	PART NO.	PART NAME	QTY	TRACTOR SERIAL NO.	REMARKS
1	RE33636	STARTING FLUID	1		(SUB FOR AR27814, RE24561 OR RE30174)
2	T22534	ADAPTER	1		(A)
3	R26149	PACKING	1		(A)
4	R32306	CAP	1		(A)
5	37H44	SCREW	2		(A) 0.151" X 3/8"
6	AR27940	LINK CHAIN	1		(A)
7	R34394	WASHER	1		(A)
8	R34395	ADAPTER	1		(A)
9	R54440	BRACKET	1		(A)
10	14H1040	NUT	1		(A) 1/2"
	12H301	LOCK WASHER	1		(A) 1/2"
11	.....	LINE	1		(A) (ORDER RE50139)
12	R59687	CLIP	2	XXXXXX-	
13	14H785	NUT	2		-XXXXXX (A) 5/16"
	12H303	LOCK WASHER	2		-XXXXXX (A) 5/16"
14	24H1136	WASHER	2		-XXXXXX (A) 11/32" X 11/16" X 0.065"
15	R55486	HALF CLAMP	2		-XXXXXX (A)
16	R27180	GROMMET	1		(A)
17	R34388	UNION FITTING	1		(A)
18	.....	TUBE	1		(A) (ORDER RE50139)
19	RE21790	ELBOW FITTING	1		(A) (SUB FOR AT25266)
20	R28583	NOZZLE	1		(A)
21	R47160	NOZZLE HOLDER	1		(A)
..	AR62487	STARTING FLUID	1		STARTING AID, (SUB RE16182)

(A) INCLUDED IN AR62487

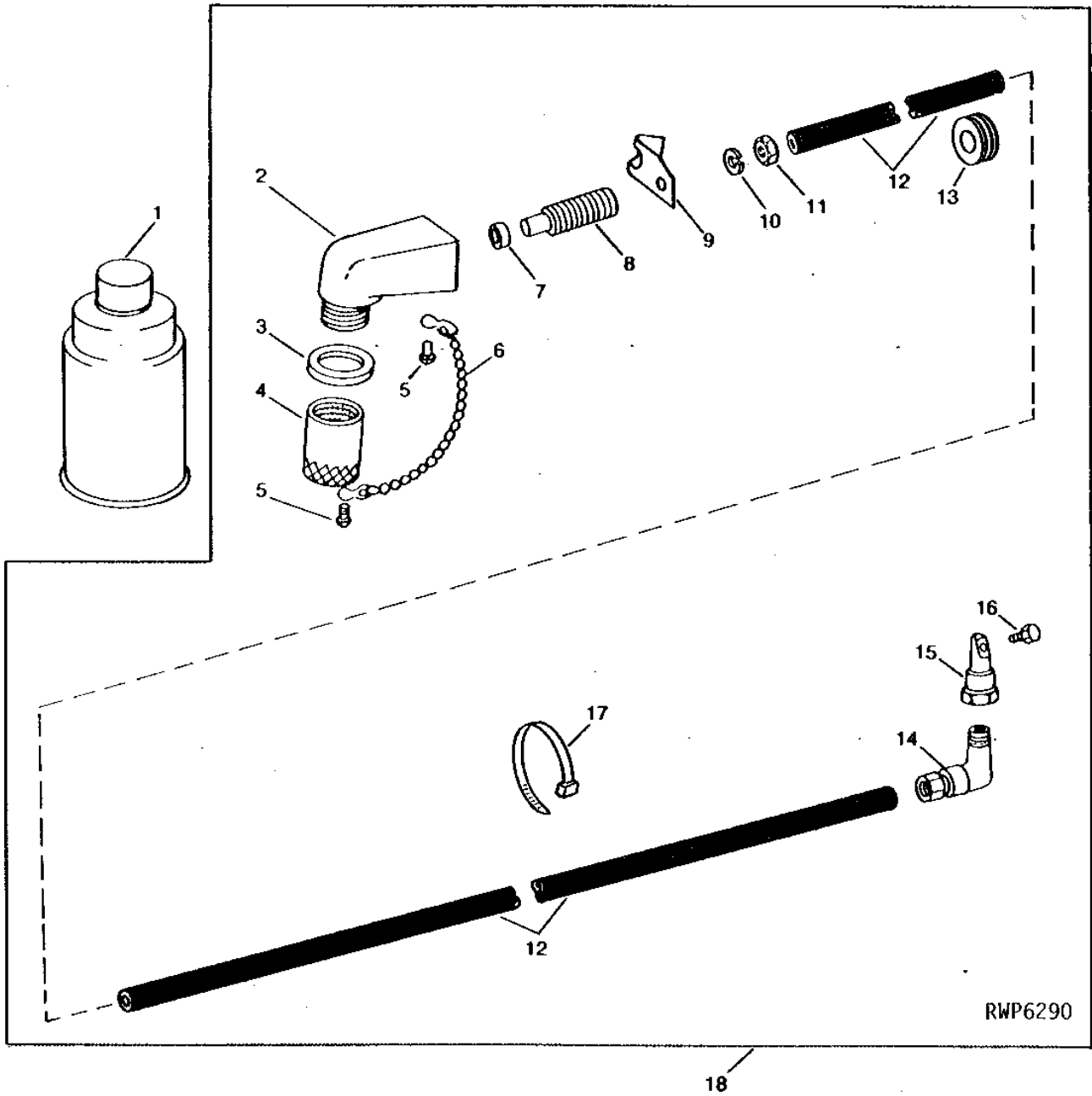
# 1F2

FUEL AND AIR

RWP6290

-UN-01JAN94

ETHER STARTING AID KIT



RWP6290

18

# 1F3

FUEL AND AIR

## ETHER STARTING AID KIT - CONTINUED

KEY	PART NO.	PART NAME	QTY	ENGINE SERIAL NO.	REMARKS
1	RE33636	STARTING FLUID	1		(SUB FOR AR27814, RE24561 OR RE30174)
2	T22534	ADAPTER	1		
3	R26149	PACKING	1		
4	R32306	CAP	1		
5	37H44	SCREW	2	0.151" X 3/8"	
6	AR27940	LINK CHAIN	1		
7	R34394	WASHER	1		
8	R34395	ADAPTER	1		
9	R54440	BRACKET	1		
10	12H301	LOCK WASHER	1	1/2"	
11	14H1040	NUT	1	1/2"	
12	.....	TUBE	1	(ORDER RE50139)	
13	R27180	GROMMET	1		
14	RE21790	ELBOW FITTING	1	(SUB FOR AT25266)	
15	R47160	NOZZLE HOLDER	1		
16	R28583	NOZZLE	1		
17	R44302	TIE BAND	4		
18	RE16182	STARTING AID	1		

---

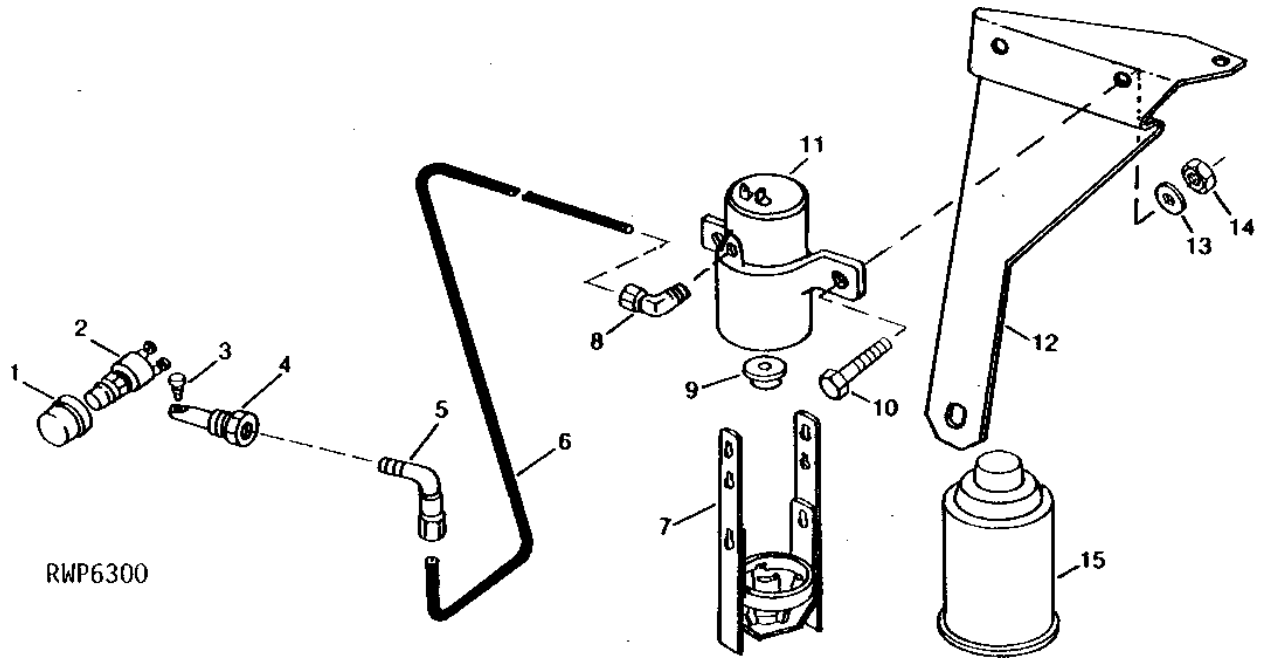
MEMORANDA

# 1F4

FUEL AND AIR

## COLD WEATHER STARTING AID (ELECTRICALLY OPERATED)

RWP6300 -UN-01JAN94



RWP6300

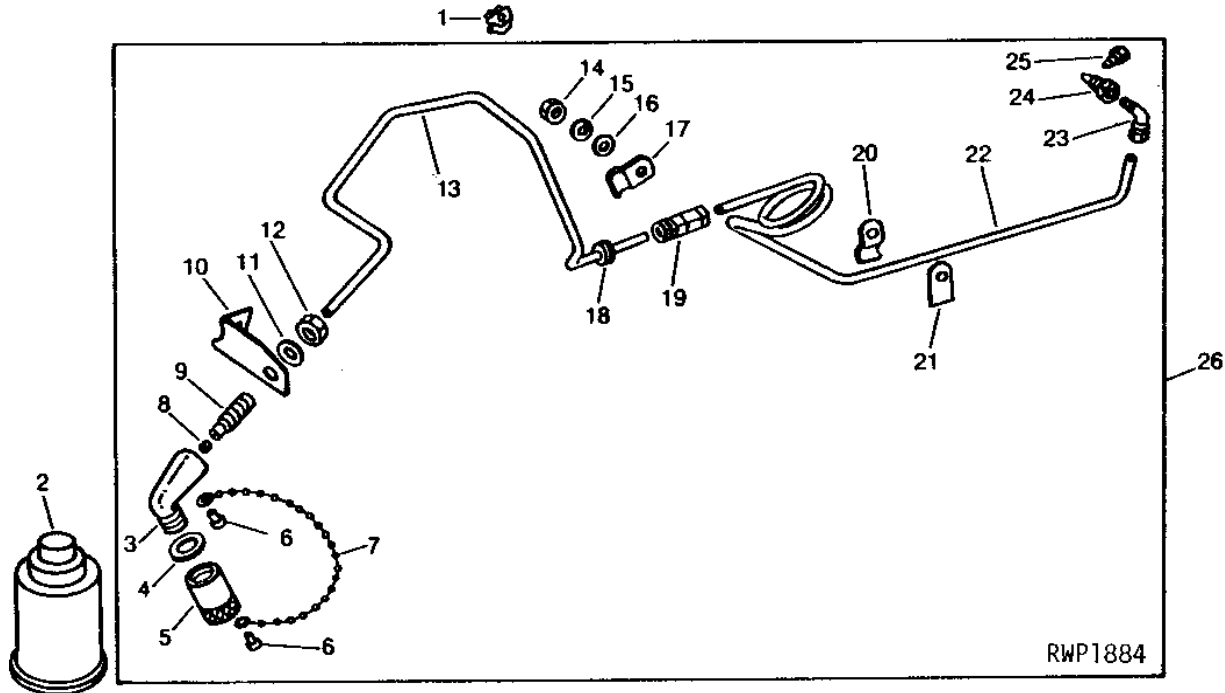
KEY	PART NO.	PART NAME	QTY	TRACTOR SERIAL NO.	REMARKS
1	T55585	CAP	1		(SUB FOR AR67950)
2	R39554	SWITCH	1		
3	R28583	NOZZLE	1		
4	R47160	NOZZLE HOLDER	1		
5	RE21790	ELBOW FITTING	1		(SUB FOR AT25266)
6	.....	TUBE	1		(ORDER RE50139)
7	AT45396	BAIL	1		(USE WITH AT39623) (SUB AT57288)
	AT57288	BAIL	1		(USE WITH AT39623) ILLUSTRATED
8	RE21790	ELBOW FITTING	1		(USE WITH AT39623) (SUB FOR AT25266)
9	T46726	GASKET	1		(USE WITH AT39623)
10	19H2127	CAP SCREW	2		5/16" X 7/8"
11	AT39623	SOLENOID	1		(SUB RE48310)
12	R56872	BRACE	1		
13	12H303	LOCK WASHER	2		5/16"
14	14H785	NUT	2		5/16"
15	RE33636	STARTING FLUID	1		(SUB FOR AR27814, RE24561 OR RE30174)

# 1F5

FUEL AND AIR

## COLD WEATHER STARTING AID (MANUALLY OPERATED)

RWP1884 -UN-18OCT94



RWP1884

KEY	PART NO.	PART NAME	QTY	TRACTOR SERIAL NO.	REMARKS
1	R59687	CLIP	2	XXXXXX-	
2	RE33636	STARTING FLUID	1		(SUB FOR AR27814, RE24561 OR RE30174)
3	T22534	ADAPTER	1		
4	R26149	PACKING	1		
5	R32306	CAP	1		
6	37H44	SCREW	2		0.151" X 3/8"
7	AR27940	LINK CHAIN	1		
8	R34394	WASHER	1		
9	R34395	ADAPTER	1		
10	R54440	BRACKET	1		
11	14H1040	NUT	1		1/2"
12	12H301	LOCK WASHER	1		1/2"
13	.....	LINE	1		(ORDER RE50139)
14	14H785	NUT	2	-XXXXXX	5/16"
15	12H303	LOCK WASHER	2	-XXXXXX	5/16"
16	24H1136	WASHER	2	-XXXXXX	11/32" X 11/16" X 0.065"
17	R55486	HALF CLAMP	2	-XXXXXX	
18	R27180	GROMMET	1		
19	R34388	UNION FITTING	1		
20	R55486	HALF CLAMP	1		
21	R27256	STRAP	1		
22	.....	LINE	1		(ORDER RE50139)
23	RE21790	ELBOW FITTING	1		(SUB FOR AT25266)
24	R47160	NOZZLE HOLDER	1		
25	R28583	NOZZLE	1		
26	AR62483	STARTING FLUID	1		(SUB AR68492)

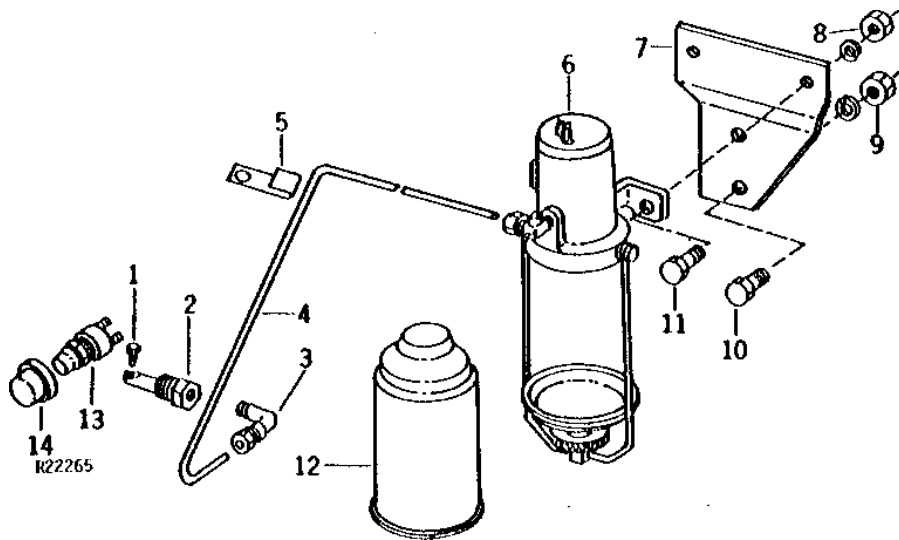


# 1F6

FUEL AND AIR

## COLD WEATHER STARTING AID (ELECTRICALLY OPERATED)

R22265 -UN-01JAN94



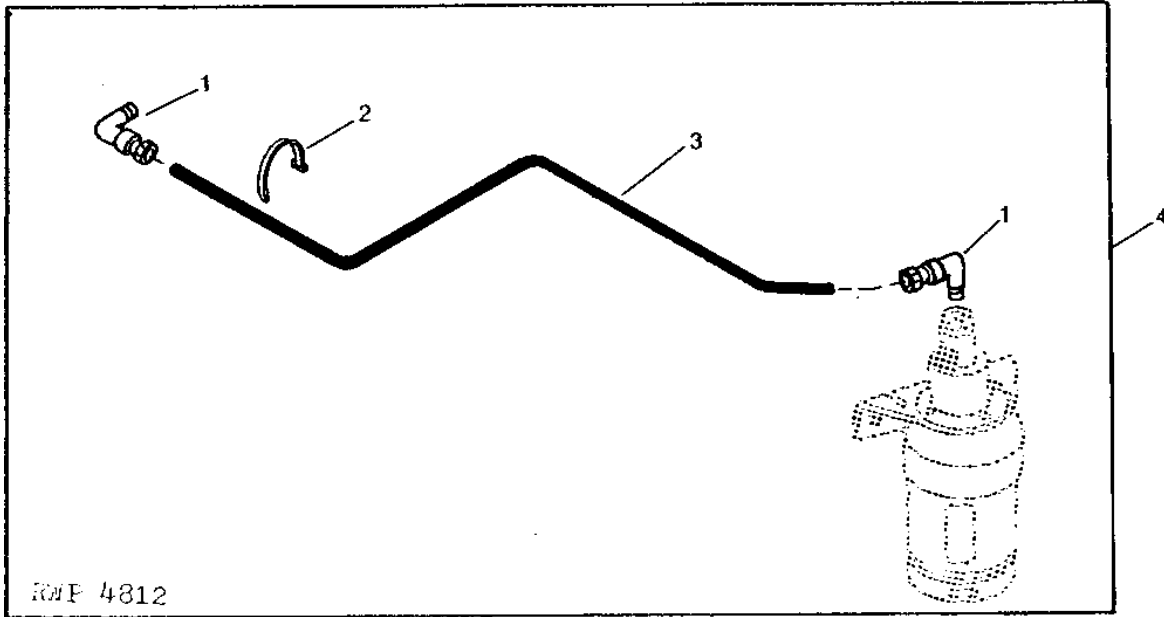
KEY	PART NO.	PART NAME	QTY	TRACTOR SERIAL NO.	REMARKS
1	R28583	NOZZLE	1		
2	R47160	NOZZLE HOLDER	1		
3	RE21790	ELBOW FITTING	1		(SUB FOR AT25266)
4	.....	TUBE	1	-021872	(ORDER RE50139)
	.....	TUBE	1	021873-	(ORDER RE50139)
5	B1986R	CLIP	1	-021872	
6	RE48310	STARTING AID SOLENOID	1		(SUB FOR AT39623)
	RE21790	ELBOW FITTING	1		(SUB FOR AT25266)
	AT45396	BAIL	1		ROUND, (SUB AT57288)
	AT57288	BAIL	1		FLAT
	T46726	GASKET	1		
	RE48321	ADAPTER	1		
7	R56873	BRACKET	1		
8	14H785	NUT	2	5/16"	
	12H303	LOCK WASHER	2	5/16"	
9	14H1076	NUT	2	3/8"	
	12H304	LOCK WASHER	2	3/8"	
10	19H1936	CAP SCREW	2	3/8" X 3/4"	
11	19H2127	CAP SCREW	2	5/16" X 7/8"	
12	RE33636	STARTING FLUID	1		(SUB FOR AR27814, RE24561 OR RE30714)
13	R39554	SWITCH	1		
14	T55585	CAP	1		(SUB FOR AR67950)
..	AR68499	KIT	1		(WIRING TO INSTALL ELECTRIC COLD WEATHER STARTING AID ON TRACTORS PRIOR TO SERIAL NO. 013000) (CONSISTS OF AR68016, AR68017, AR68019 AND AT68973) (SUB RE42401)
..	RE42401	KIT	1		(CONSISTS OF RE42399, RE42400, R32018 AND (10) R44302) (ALSO ORDER RE38391) (SUB FOR AR68499)

# 1F7

FUEL AND AIR

RWP4812 -UN-01JAN94

## STARTING FLUID TUBE KIT



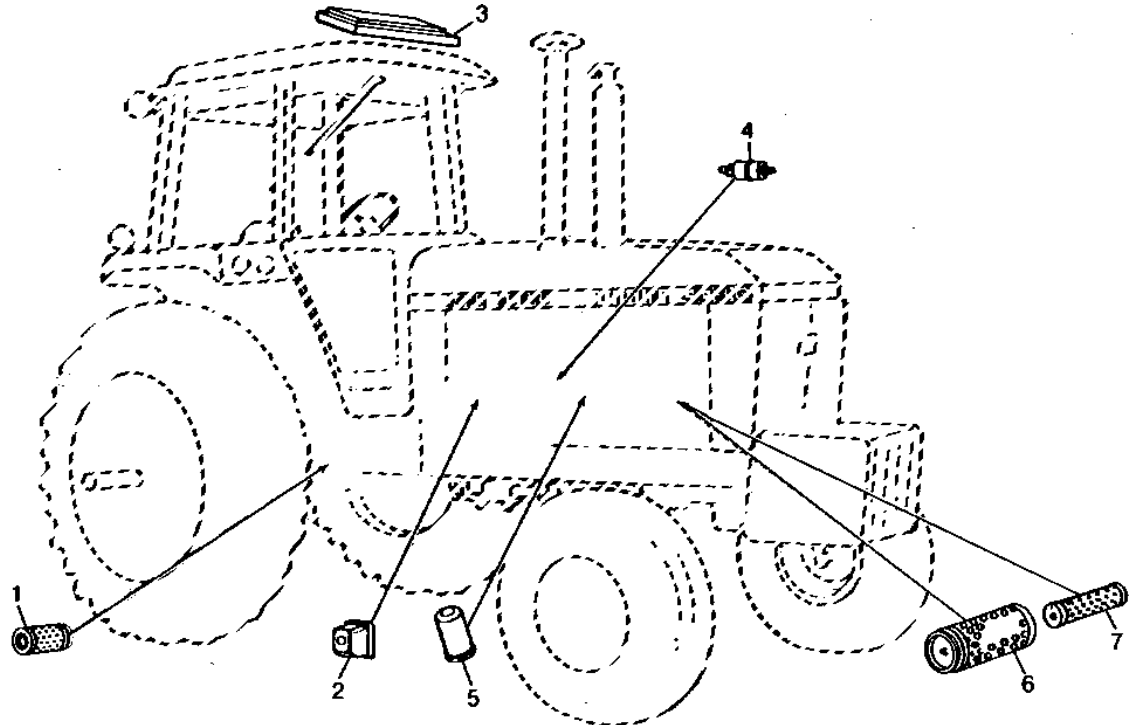
KEY	PART NO.	PART NAME	QTY	TRACTOR SERIAL NO.	REMARKS
1	RE21790	ELBOW FITTING	2		(SUB FOR AT25266)
	R34394	WASHER	1		
2	R44302	TIE BAND	5		
3	.....	TUBE	1		(ORDER RE50139)
4	RE50139	KIT	1		

# 1F8

FUEL AND AIR

RXP8298 -UN-01JAN94

## FILTERS



RXP8298

KEY	PART NO.	PART NAME	QTY	TRACTOR SERIAL NO.	REMARKS
1	AR75603	FILTER ELEMENT	1		(TRANSMISSION)
	AR98098	FILTER ELEMENT	1		(A) TRANSMISSION
2	AR50041	FUEL FILTER	1		(DIESEL) (FUEL)
3	RE12793	AIR FILTER	1		(SUB FOR AR61903)
4	AR50141	FUEL FILTER	1		(GASOLINE)
5	T19044	OIL FILTER	1		(ENGINE)
6	AR79941	FILTER ELEMENT	1		(AIR CLEANER)
7	AR79942	FILTER ELEMENT	1		(AIR CLEANER)

(A) INCREASED OIL FILTRATION

---

MEMORANDA

---

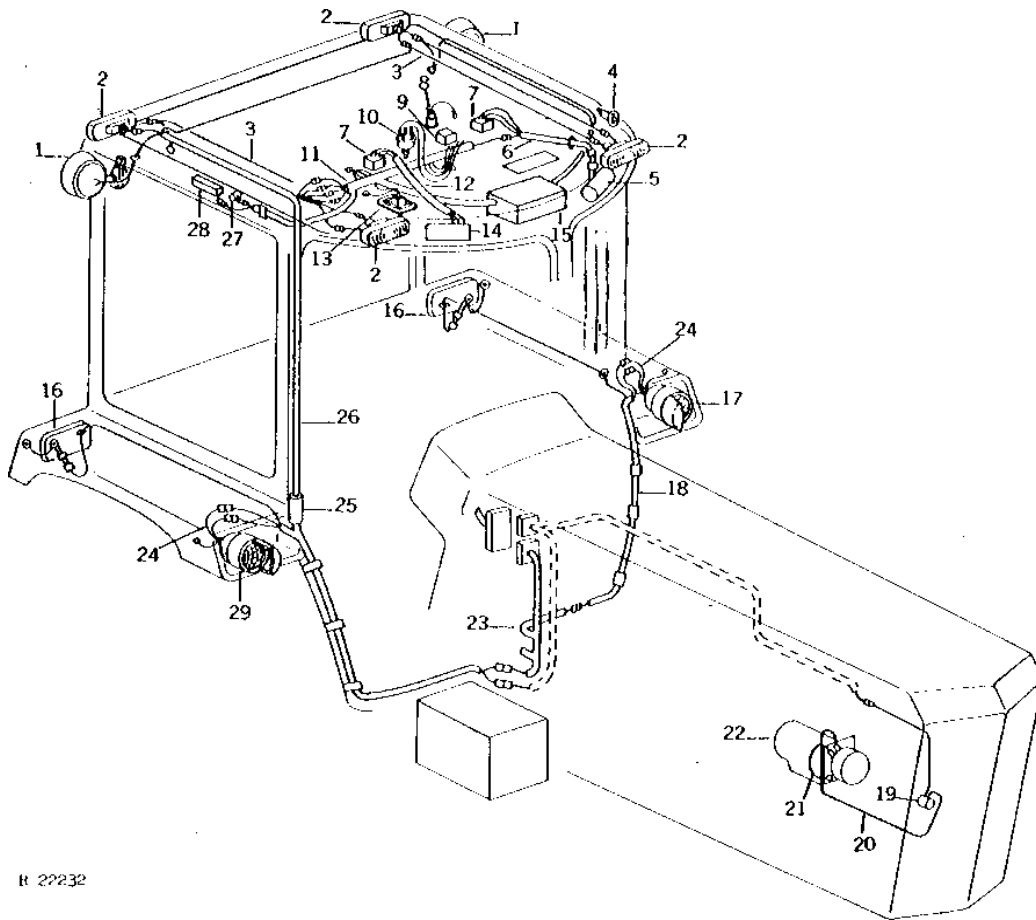
MEMORANDA

# 2B6

ELECTRICAL

R22232 -UN-01JAN94

## LAMP WIRING (ROLL-GARD AND SOUND-GARD BODY)



R 22232

# 2B7

ELECTRICAL

## LAMP WIRING - CONTINUED (ROLL-GARD AND SOUND-GARD BODY)

KEY	PART NO.	PART NAME	QTY	SG BODY SERIAL NO.	REMARKS
1	RE19075	LAMP	2		(A) HOBBS OR GUIDE, (HALOGEN)
	AR35782	LAMP	2		(B)
	A3411R	GROMMET	2		
2	AR60250	LAMP	2		
3	AR56211	WIRING HARNESS	2		GROUND
4	AR56987	DOOR LIGHT SWITCH	1		DOME LIGHT, (ALSO ORDER R81544)
	R53608	RIVET	2		
	R81544	GASKET	1		
5	RE48783	WIPER MOTOR	1		L.H. WIPER, (SUB FOR RE18943 OR AR56691)
	AR91667	SHAFT	1		(AMERICAN BOSCH AND UTC)
6	AR87340	WIPER MOTOR WIRING HARNESS	1		WIPER, (SUB FOR AR56199) (USE WITH AR56691)
	RE18944	WIPER MOTOR WIRING HARNESS	1		(USE WITH RE48783)
7	AR64992	WIPER SWITCH	2		WIPER MOTOR, (SUB FOR AR57228)
8	AH80591	DIRECTION INDICATOR	1	-049234	CONDENSER INDICATOR LAMP
9	AR59779	AC/HEAT TEMPERATURE SWITCH	1		(C) (ALSO ORDER R44165)
10	AR53155	SWITCH	1		BLOWER
11	AR62559	WIRING HARNESS	1	-019859	(D)
	AR67952	WIRING HARNESS	1	019860-049233	(D)
	AR71466	WIRING HARNESS	1	049234-	(D)
12	RE48322	WIPER MOTOR WIRING HARNESS	1		WIPER MOTOR
13	RE10761	HOUSING	1	109754-	(A) DOME, (SUB FOR AR78418)
	AR95971	HOUSING	1		DOME (REPLACEMENT SOUND-GARD BODY)
	AR59977	HOUSING	1		(B) CONSOLE LIGHT ONLY
	AR61645	CONSOLE LAMP WIRING HARNES	1		
14	RE58851	MOTOR	1		R.H. WIPER, (SUB FOR RE13280, RE53496 OR RE56380)
15	.....	RADIO	1		
16	AR78825	TAIL LAMP	1		(SUB FOR AR45099)
	R27180	GROMMET	1		
17	RE25127	DUAL BEAM LAMP	1		(A) (SUB FOR AR61326)
	AR48721	LAMP	1		(B) (SUB RE25126 R.H., AND RE25127 L.H.; THIS APPLICATION)
18	AR56668	WIRING HARNESS	1		
19	AR55214	THERMOSTAT	1	-XXXXXX	(C)
20	AR51569	WIRING LEAD	1	-XXXXXX	(C)
21	AR48957	WIRING LEAD	1		(C)
22	AR92109	COMPRESSOR	1		(C) (SUB TY6665, 19M7170, (3) 19M7163, (3) 19M7662, (3) 12M7065 AND (3) 12M7066) (R12)
	TY6665	COMPRESSOR	1		(C) (SUB FOR AR60948, AR68802, AR77343 OR AR92109) (REMANUFACTURED) (R12)
	TY6770	COMPRESSOR	1		(C) (R134A)
23	AR56198	WIRING HARNESS	1	-055914	
	AR71463	WIRING HARNESS	1	055915-	
24	.....	WIRING LEAD	2		152MM (6") (MAKE FROM R66319, R32022 AND R32023)
25	.....	HOSE	2		64MM (2-1/2") (MAKE FROM R45847)
26	AR56196	WIRING HARNESS	1	-055914	
	AR71465	WIRING HARNESS	1	055915-	(A)
	AR56197	WIRING HARNESS	1	-010945	(B)
	AR71464	WIRING HARNESS	1	010946-	(B)
	H97644	CONDUIT	1		(B) (SUB FOR R50452)
	R59306	CONDUIT	1		(A)
	R47474	CLIP	6		ROLL-GARD WIRING HARNESS
27	AR62173	HEADPHONE JACK	1		MONAURAL SOUND, (SUB FOR AR62288) (NLA)
	AR62172	HEADPHONE JACK	1		STEREOPHONIC SOUND, (SUB FOR AR62287) (NLA)
	A3411R	GROMMET	1	-XXXXXX	
28	AT101691	LAMP	1	-109753	(A) DOME, (SUB FOR AR56670)
	R36235	GROMMET	3		
29	RE25126	DUAL BEAM LAMP	1		(A) (SUB FOR AR61325)
	AR48721	LAMP	1		(B) (SUB RE25126 R.H., AND RE25127 L.H.; THIS APPLICATION)
..	AR56213	WIRING LEAD	1	-011747	(A)
..	AR72391	WIRING LEAD	1	011748-015865	(A)
..	R44302	TIE BAND	AR		
..	R32320	CLIP	AR		
..	R45211	CLAMP	1		SOUND-GARD BODY DOOR
..	R47474	CLIP	AR		(SUB FOR R45137)

(A) SOUND-GARD BODY                      (C) AIR CONDITION  
(B) ROLL-GARD                              (D) DOME, BLOWER,

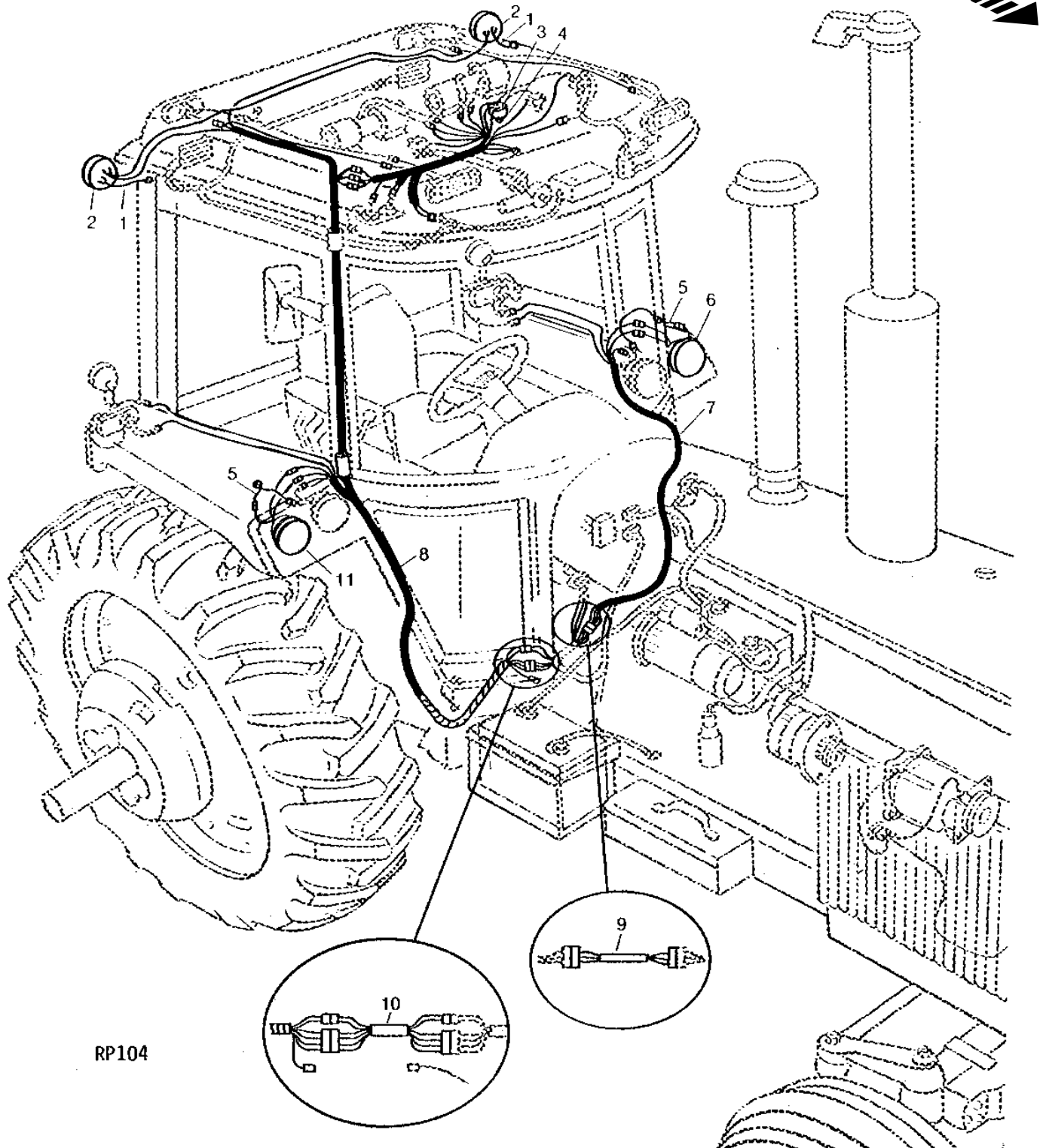
ING  
WIPER GROUND

# 2B8

ELECTRICAL

## LAMP AND SOUND-GARD WIRING (REPLACEMENT SOUND-GARD BODY OR REPLACEMENT INNER ROOF)

RP104 -UN-01JAN94





# 2B9

ELECTRICAL

LAMP AND SOUND-GARD WIRING - CONTINUED  
(REPLACEMENT SOUND-GARD BODY OR REPLACEMENT INNER ROOF)

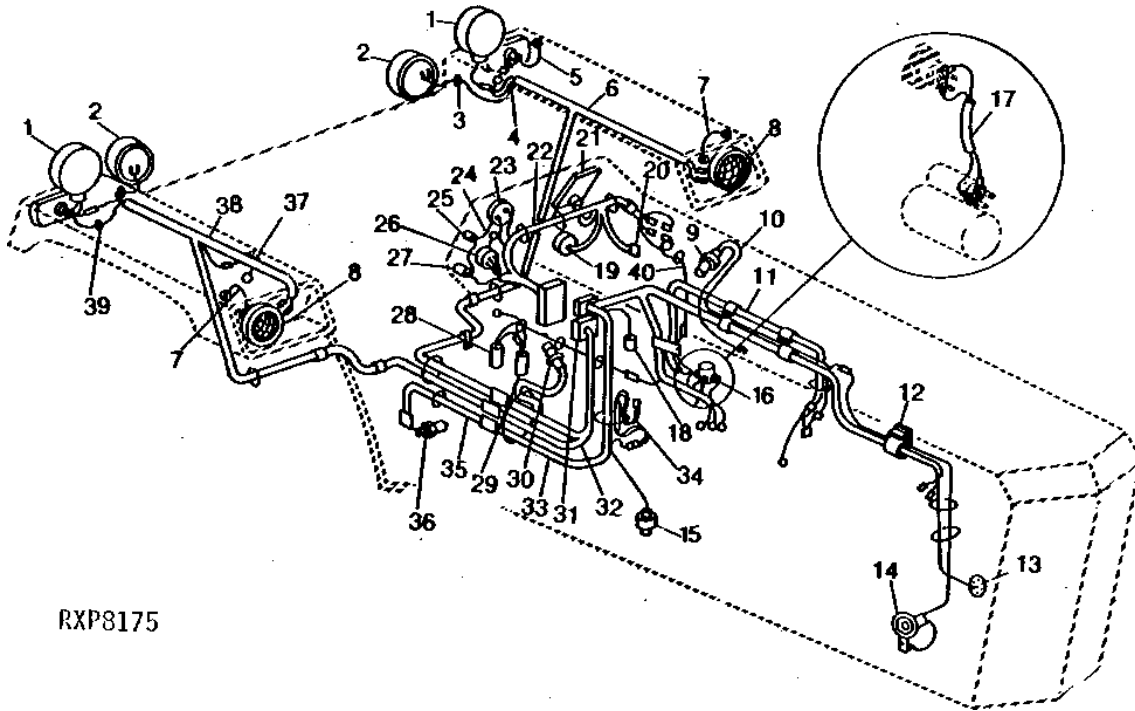
KEY	PART NO.	PART NAME	QTY	SG BODY SERIAL NO.	REMARKS
1	AR84134	WIRING LEAD	2		
2	RE19075	LAMP	2		(SUB FOR AR85261 OR RE10966)
3	AR82014	BLOWER SWITCH	1		BLOWER
4	AR82012	WIRING HARNESS	1		DOME, BLOWER, AND WIPER GROUND
5	AR84132	WIRING HARNESS	2		HEADLIGHT GROUND
6	RE25127	DUAL BEAM LAMP	1		(SUB FOR AR85264, RE10963 OR RE19082)
7	AR84126	WIRING HARNESS	1		
8	AR84129	WIRING HARNESS	1		
9	AR87527	WIRING HARNESS	1		
10	AR93887	WIRING HARNESS	1	-055913	
	AR87526	WIRING HARNESS	1	055914-	
11	RE25126	DUAL BEAM LAMP	1		(SUB FOR AR85263, RE10962 OR RE19081)

# 2B10

ELECTRICAL

RXP8175 -UN-01JAN94

## LAMP AND ENGINE WIRING



RXP8175

KEY	PART NO.	PART NAME	QTY	TRACTOR SERIAL NO.	REMARKS
1	AR38456	LAMP	2		
2	AR35782	LAMP	2		
3	R27583	GROMMET	2		
4	R32320	CLIP	1		
5	AR78825	TAIL LAMP	2		(SUB FOR AR45099)
6	AR56205	WIRING HARNESS	1		L.H. LIGHTS
7	.....	WIRING LEAD	2		152MM (6") (MAKE FROM R66319, R32022 AND R32023)
8	AR48721	LAMP	2		(12-VOLT DUAL BEAM) (LESS ROLL-GARD OR SOUND-GARD BODY)
9	T28585	TERMINAL	4		
	AR50489	SWITCH	1	-012808	VACCUM INDICATOR
	RE17515	SENSOR	1	012809-	VACCUM INDICATOR, (SUB FOR AL24194 OR AL32975)
10	.....	WIRING LEAD	1	011748-	254 MM (10") (VACCUM SWITCH GROUND) (MAKE FROM R66319, R65600, T28585, R32022 AND R32027)
11	AR56210	WIRING HARNESS	1		CHARGING CIRCUIT
	R45211	CLAMP	AR		
	R41440	GROMMET	1		
12	R50968	CONDUIT	1		
13	AR73995	FUEL SENDER	1		FUEL GAUGE, (SUB FOR AR56614)
	14H631	NUT	1		0.190"
	12M7060	WASHER	1		0.209"
14	AR73579	HORN	1		(SUB AL14896)
15	AR58234	SENDER	1		ENGINE OIL PRESSURE, (SUB RE15583)
16	AR44999	RELAY	1	-006699	(ALSO ORDER 12H303, 14H785, 12H246 AND 14H631) (SUB RE38391)
	RE38391	RELAY	1	006700-	(SUB FOR AT68973 OR AT44999)
	AR69980	WIRING HARNESS	1	011748-	(STARTING CIRCUIT RELAY TO STARTER)
18	AR58233	SENSOR	1		WATER TEMPERATURE
19	AR48724	LIGHT SWITCH	1		LIGHT
	AR83425	RECEPTACLE CONNECTOR BODY	1		

# 2B11

ELECTRICAL

## LAMP AND ENGINE WIRING - CONTINUED

KEY	PART NO.	PART NAME	QTY	TRACTOR SERIAL NO.	REMARKS
20	.....	CIRCUIT BREAKER	1		
21	AR58231	GAUGE	1	-012090	
	AR73717	INSTRUMENT CLUSTER	1	012091-	(NO LONGER AVAILABLE)
22	AR56208	WIRING HARNESS	1	-006699	(A) (SUB AR67339)
	AR67339	WIRING HARNESS	1	006700-015865	(A) (SUB AR78383 AND AR78385)
	AR67342	WIRING HARNESS	1		(LESS TURN SIGNALS)
	AR78383	WIRING HARNESS	1	015866-	
23	AR71251	TACHOMETER	1		(SYNCRO-RANGE) (SUB FOR AR60516)
	AR71252	TACHOMETER	1		(QUAD-RANGE) (SUB FOR AR60517)
24	.....	WIRING LEAD	1	-015865	38MM (1-1/2") KEY SWITCH, (MAKE FROM R66319, R32025, R32021 AND R32027)
25	AR56766	HOUSING	1		LIGHTER
26	AR58126	KEY SWITCH	1		KEY
27	AR21823	SWITCH	1		HORN
28	AR61610	PRESSURE SWITCH	1		THERMO (TRANSMISSION)
29	AR61971	TOUCH SWITCH	1		PRESSURE (TRANSMISSION)
30	AR48725	DIMMER SWITCH	1		DIMMER
31	.....	WIRING LEAD	1	011748-	254 MM (10") VACUUM SWITCH GROUND, (MAKE FROM R66319, R32022 AND R32024)
	.....	WIRING LEAD	1	011748-	1575 MM (62") ENGINE HARNESS TO TRANSMISSION PRESSURE SWITCH (QUAD-RANGE AND SYNCRO-RANGE) (MAKE FROM R66319, R32322 AND R32024)
	.....	WIRING LEAD	1	011748-	254 MM (10") ENGINE HARNESS TO TRANSMISSION PRESSURE SWITCH (POWER SHIFT) (MAKE FROM R66319, R32022 AND R32024)
	R45211	CLAMP	1		
32	AR56202	WIRING HARNESS	1	-011887	BULKHEAD
	AR71462	WIRING HARNESS	1	011888-	BULKHEAD
33	AR63866	WIRING HARNESS	1	-006699	(B) (GASOLINE) (SUB FOR AR56214) (USE WITH AR56203)
	AR63868	WIRING HARNESS	1	-006699	(B) (SUB FOR AR54619) (USE WITH AR56203)
	RE45285	WIRING HARNESS	1	006700-011747	(B) (USE WITH AR56203) (SUB FOR AR68023)
	RE42395	WIRING HARNESS	1	011748-	(B) (USE WITH RE14069) (SUB FOR AR95905, AR99520, AR99523, RE13559, RE14060, RE14062 OR RE32555)
34	AR85283	RECTIFIER	1	XXXXXX-	
35	AR56203	WIRING HARNESS	1	-011747	(C) (USE WITH AT85153 NEUTRAL START SWITCH) (USE ON AR63866, AR63868, OR AR68023)
	RE14069	WIRING HARNESS	1		(C) (USE WITH AT85153 NEUTRAL START SWITCH) (USE ON AR99520, AR99523, RE13559, RE14060, RE14062, RE32555 OR RE42395)
	RE14072	WIRING HARNESS	1	-011747	(C) (USE WITH RE12411 NEUTRAL START SWITCH)
36	RE38390	SWITCH	1		(C) NEUTRAL START, (SUB FOR AT85373, AR89691, AR99528 OR RE14070, THIS APPLICATION)
37	AR70699	LAMP	1		CONSOLE, (SUB FOR AR60251)
	R26287	O-RING	1		
	AA4927R	BULB	1		
38	AR56204	WIRING HARNESS	1		R.H. LIGHTS
39	R27180	GROMMET	2		
40	AR56213	WIRING LEAD	1	-015865	BUSSBAR TO CHARGING CIRCUIT
..	R34557	CLAMP	AR		
..	R47474	CLIP	AR		(SUB FOR R45137)
..	R44302	TIE BAND	AR		
..	AT66865	LUBRICANT	1		0.15L (5.3 OZ) TUBE, (SUB FOR AR94760)

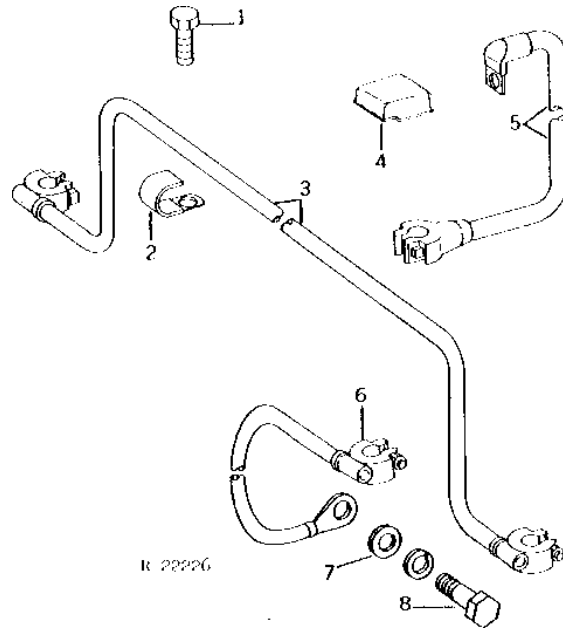
- (A) INSTRUMENT PANEL
- (B) ENGINE
- (C) NEUTRAL START

# 2B12

ELECTRICAL

## BATTERY CABLES (DIESEL)

R22226 -UN-01JAN94



KEY	PART NO.	PART NAME	QTY	TRACTOR SERIAL NO.	REMARKS
1	19H2284	CAP SCREW	1	3/8" X 7/8"	
	19H1800	CAP SCREW	1	3/8" X 1-1/2"	
2	R49921	CLAMP	1		
3	AR57099	CABLE	1	-008500 (A)	
	AR64899	CABLE	1	-008500 (B)	(SUB RE21745) (SUB FOR AR48912)
	AR69107	CABLE	1	008501-	(B) (SUB RE21745)
	AR69236	CABLE	1	008501-	(A) (BATTERY CABLE PROTECTION KIT) (ALSO ORDER AR69237)
4	R98371	COVER	1		(NEGATIVE) (SUB FOR R55176)
5	AR56949	CABLE	1	(A)	
	AR60011	CABLE	1	-013651 (B)	(SUB RE21744)
	AR47004	CABLE	1	013652-	(B)
6	AR57098	CABLE	1	-008500 (A) (C)	
	AR45975	CABLE	1	-008500 (B) (C)	(SUB AR69238)
	AR60012	CABLE	1	008501-	(B) (C) (SUB RE21740)
	AR69238	CABLE	1	008501-	(C)
7	24H1227	WASHER	1	(A) 17/32" X 13/16" X 0.060"	
	24M7096	WASHER	1	10.500 X 18 X 1.600 MM	
8	19H1792	CAP SCREW	1	1/2" X 1"	
	19H1800	CAP SCREW	1	3/8" X 1-1/2"	
	12H301	LOCK WASHER	1	1/2"	
	12H304	LOCK WASHER	1	3/8"	

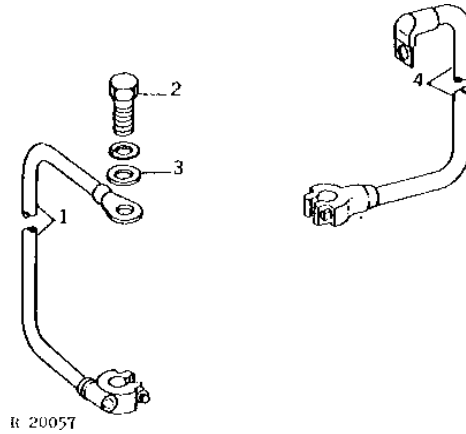
(A) ROLL-GARD AND SOUND-GARD BODY  
 (B) LESS ROLL-GARD AND SOUND-GARD BODY  
 (C) GROUND

# 2B13

ELECTRICAL

## BATTERY CABLES (GASOLINE)

R20057 -UN-01JAN94



KEY	PART NO.	PART NAME	QTY	TRACTOR SERIAL NO.	REMARKS
1	AR57098	CABLE	1	(A)	
	RE21740	CABLE	1	(B) (SUB FOR AR60012)	
2	19H1792	CAP SCREW	1	1/2" X 1"	
	12H301	LOCK WASHER	1	1/2"	
3	24H1227	WASHER	1	17/32" X 13/16" X 0.060"	
4	AR56949	CABLE	1	(A) BATTERY TO STARTING MOTOR	
	AR54614	CABLE	1	(B) BATTERY TO STARTING MOTOR	
..	R98371	COVER	1	(SUB FOR R55176)	

(A) ROLL-GARD  
(B) LESS ROLL-GARD

---

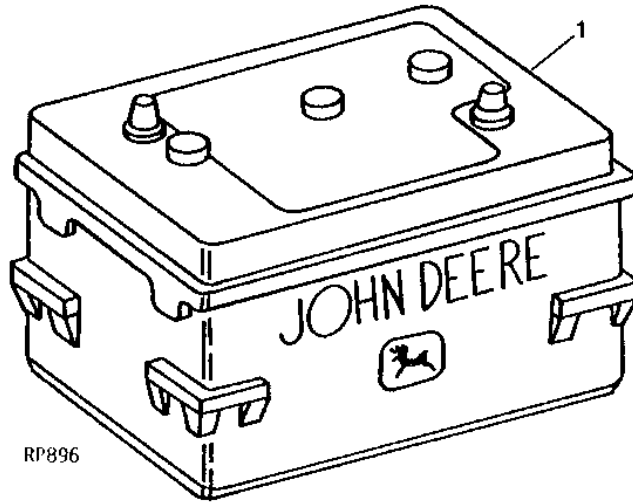
MEMORANDA

# 2B14

ELECTRICAL

RP896 -UN-01JAN94

## STORAGE BATTERY



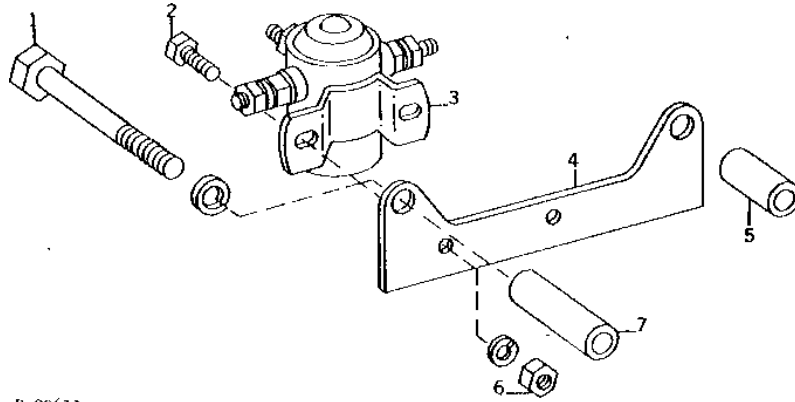
KEY	PART NO.	PART NAME	QTY	TRACTOR SERIAL NO.	REMARKS
1	TY21735	BATTERY	2		(6-VOLT) 850 COLD CRANKING AMPS AT -18°C (0°F) 280 MINUTE RESERVE CAPACITY AT 25 AMPS, (SUB FOR AR47455 OR TY6119)
	TY21736	BATTERY	1		(12-VOLT) 525 COLD CRANKING AMPS AT -18°C (0°F) 110 MINUTE RESERVE CAPACITY AT 25 AMPS, (SUB FOR AT29159 OR TY6107)
	TY21741	BATTERY	1		(12-VOLT) HEAVY-DUTY, 625 COLD CRANKING AMPS AT -18°C (0°F) 160 MINUTE RESERVE CAPACITY AT 25 AMPS, (SUB FOR AT29160 OR TY6106)

# 2B15

ELECTRICAL

STARTING CIRCUIT RELAY AND BRACKET  
(TRACTOR SERIAL NO. -006699)

R20611 -UN-01JAN94



R 20611

KEY	PART NO.	PART NAME	QTY	TRACTOR SERIAL NO.	REMARKS
1	19H2023	CAP SCREW	2	3/8" X 3-1/4"	
2	19H1227	CAP SCREW	2	1/4" X 1/2"	
3	AR44999	RELAY	1	(LESS ELECTRIC ETHER AID) (ALSO ORDER 12H303, 14H785, 12H246 AND 14H631) (SUB RE38391)	
	AT68973	RELAY	1	(ELECTRIC ETHER AID) (SUB RE38391)	
4	R53172	BRACKET	1		
5	28H2531	BUSHING	1	1/2" X 7/8"	
6	14H786	NUT	2	1/4"	
	12H302	LOCK WASHER	2	1/4"	
7	28H2618	BUSHING	1	1/2" X 2-1/8"	

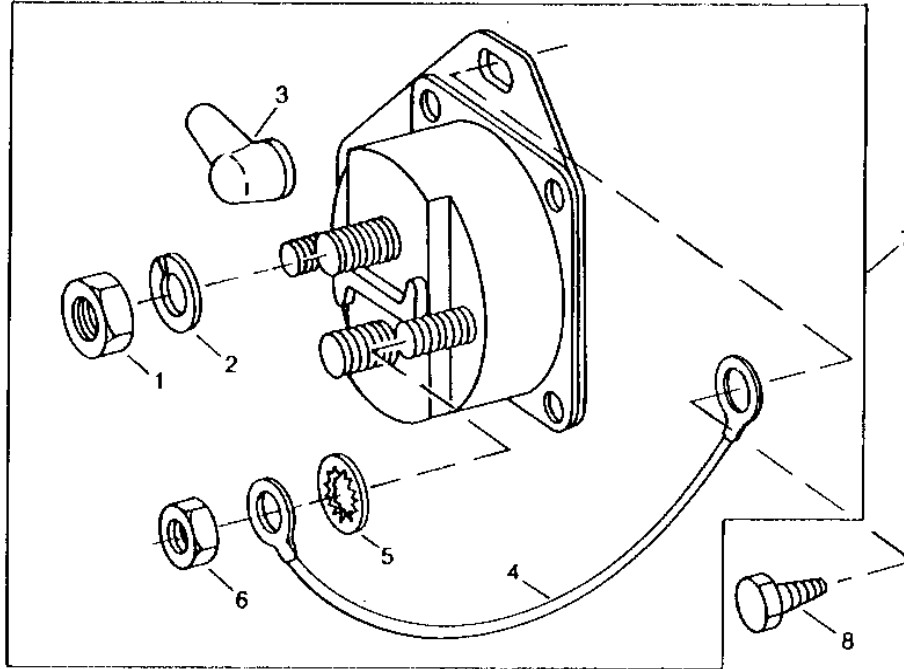


# 2B16

ELECTRICAL

RXP7387 -UN-01JAN94

## STARTING CIRCUIT RELAY (TRACTOR SERIAL NO. 006700- )



RXP7387

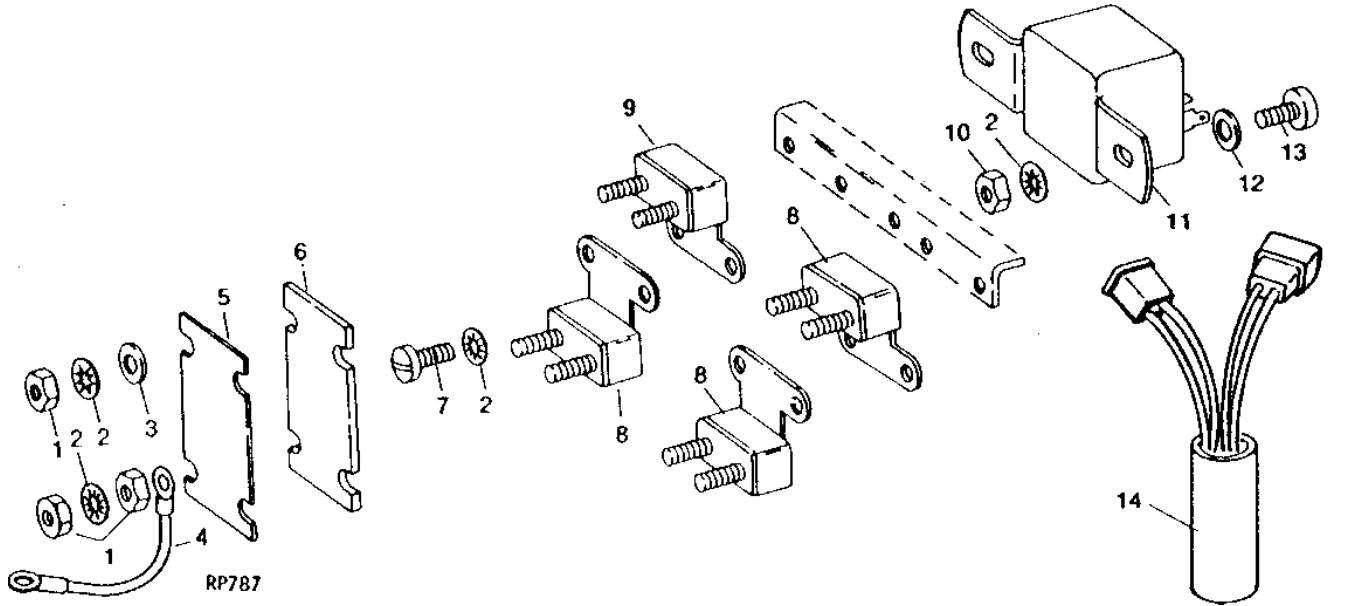
KEY	PART NO.	PART NAME	QTY	TRACTOR SERIAL NO.	REMARKS
1	14H785	NUT	2	5/16"	
2	12M7032	LOCK WASHER	2	0.331"	
3	R74993	BOOT	2		
4	.....	WIRING LEAD	1	152 MM (6") (MAKE FROM R65593, R65599 AND R32018)	
5	12H295	LOCK WASHER	2		
6	14H631	NUT	2	0.190"	
7	RE38391	KIT	1	(SUB FOR AT68973 OR AR44999) (ALSO ORDER RE41287 STARTER CIRCCUIT RELAY COVER KIT)	
8	R52938	CAP SCREW	2		

# 2B17

ELECTRICAL

## CIRCUIT BREAKERS AND WARNING LAMP FLASHER (LESS SOUND-GARD BODY) (TRACTOR SERIAL NO. -015865)

RP787 -UN-01JAN94



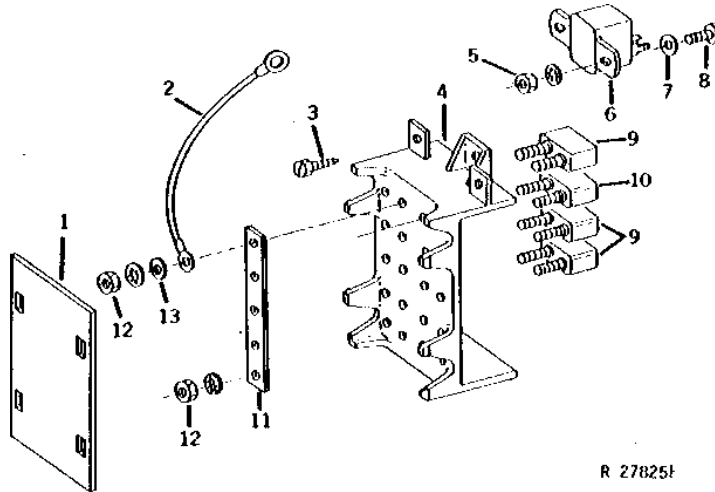
KEY	PART NO.	PART NAME	QTY	TRACTOR SERIAL NO.	REMARKS
1	14H631	NUT	5	0.190"	
2	12M7060	WASHER	11	0.209"	
3	24H1283	WASHER	3	7/32" X 1/2" X 0.049"	
4	AR72391	WIRING LEAD	1		
5	R52755	INSULATOR	1		
6	R52082	FUSE HOLDER	1		
7	21H1301	SCREW	5	0.190" X 1/2"	
8	AR28403	CIRCUIT BREAKER	3	20 AMP	
9	AR55649	CIRCUIT BREAKER	1	10 AMP	
10	14H631	NUT	2	0.190"	
11	AR48594	FLASHER	1		
12	24H1283	WASHER	2	7/32" X 1/2" X 0.049"	
13	21H1295	SCREW	2	0.190" X 5/8"	
14	AR61861	CAPACITOR	1		RADIO NOISE SUPPRESSION

# 2B18

ELECTRICAL

CIRCUIT BREAKERS AND WARNING LAMP FLASHER  
(LESS SOUND-GARD BODY)  
(TRACTOR SERIAL NO. 015866- )

R27825 -UN-01JAN94



R 27825

KEY	PART NO.	PART NAME	QTY	TRACTOR SERIAL NO.	REMARKS
1	R63462	COVER	1		
2	AR72391	WIRING LEAD	1		
3	37H84	SCREW	2		
4	R78095	SUPPORT	1		1/4" X 3/8"
5	14H631	NUT	2		(SUB FOR R63460) (SUB RE16963) 0.190"
	12H297	LOCK WASHER	2		1/4"
6	AR48594	FLASHER	1		
7	24H1283	WASHER	2		7/32" X 1/2" X 0.049"
8	21H1295	SCREW	2		0.190" X 5/8"
9	AR56671	CIRCUIT BREAKER	3		20 AMP
10	AR70052	CIRCUIT BREAKER	1		10 AMP, (IGNITION)
11	R63461	JUMPER	1		
12	14H631	NUT	8		0.190"
	12H297	LOCK WASHER	8		1/4"
	24H1283	WASHER	4		7/32" X 1/2" X 0.049"
..	R44302	TIE BAND	AR		

---

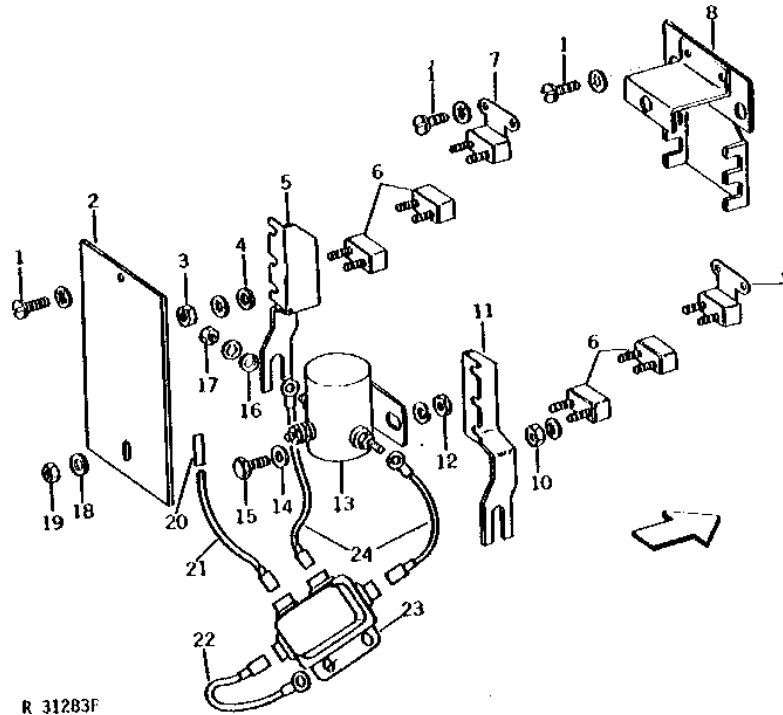
MEMORANDA

# 2B19

ELECTRICAL

CIRCUIT BREAKERS, RELAY, AND WARNING LAMP FLASHER  
(SOUND-GARD BODY)  
(TRACTOR SERIAL NO. -015865)

R31283 -UN-01JAN94



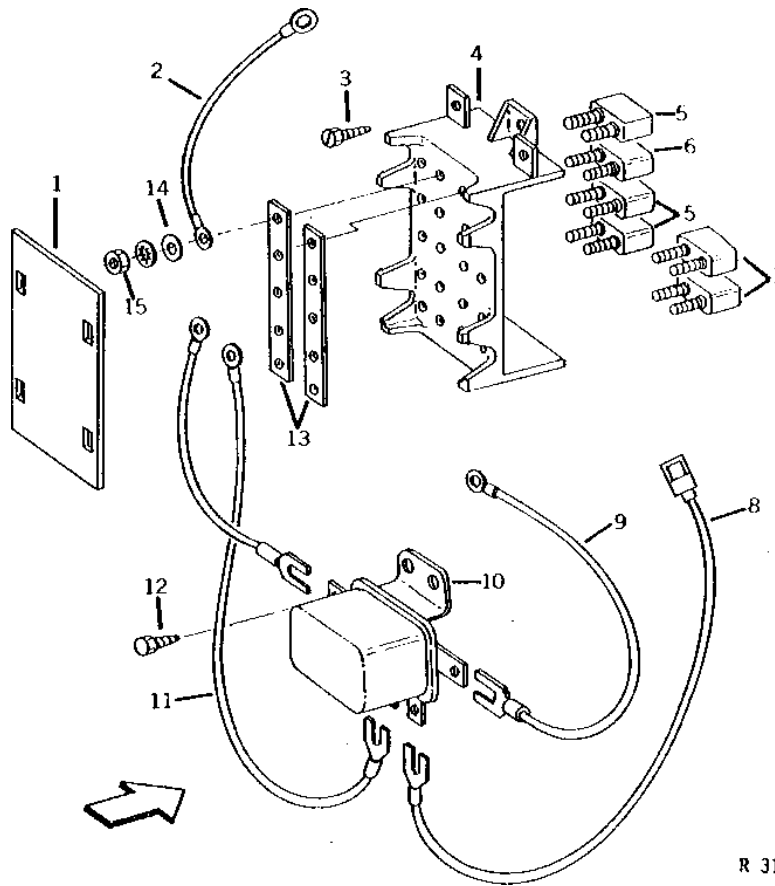
KEY	PART NO.	PART NAME	QTY	TRACTOR SERIAL NO.	REMARKS
1	21H1301	SCREW	5		0.190" X 1/2"
	12M7060	WASHER	5		0.209"
2	R52756	WASHER	1		
3	14H631	NUT	6		0.190"
	12M7060	WASHER	6		0.209"
4	24H1283	WASHER	6		7/32" X 1/2" X 0.049"
5	R50044	FUSE HOLDER	1		
6	AR56671	CIRCUIT BREAKER	4		20 AMP
7	AR55649	CIRCUIT BREAKER	1		10 AMP
8	AR58170	RETAINER	1		
9	AR56671	CIRCUIT BREAKER	1		20 AMP
10	14H631	NUT	6		0.190"
	12M7060	WASHER	6		0.209"
11	R50046	FUSE HOLDER	1		
12	14H786	NUT	2		1/4"
	12H302	LOCK WASHER	2		1/4"
13	AR54484	RELAY	1		
14	24H1287	WASHER	2	-XXXXXX	9/32" X 5/8" X 0.065"
15	19H1919	CAP SCREW	1		1/4" X 5/8"
16	24H1136	WASHER	2		11/32" X 11/16" X 0.065"
17	14H650	NUT	2		5/16"
	12H303	LOCK WASHER	2		5/16"
18	T11651	SHIM	1		
19	14H631	NUT	1		0.190"
20	R32027	CONNECTOR	1		
21	AR78392	WIRING LEAD	1		
22	AR78386	WIRING LEAD	1		
23	AE23861	RELAY	1		(SUB AH98337)
24	AR78391	WIRING LEAD	2		ACCESSORY RELAY TO BUSSBAR
..	AR56213	WIRING LEAD	1		BUSSBAR TO CHARGING CIRCUIT

# 2B20

ELECTRICAL

## CIRCUIT BREAKERS, RELAY AND WARNING LAMP FLASHER (SOUND-GARD BODY) (TRACTOR SERIAL NO. 015866- )

R31284 -UN-01JAN94



R 31284F

# 2B21

ELECTRICAL

**CIRCUIT BREAKERS, RELAY AND WARNING LAMP FLASHER - CONTINUED**  
**(SOUND-GARD BODY)**  
**(TRACTOR SERIAL NO. 015866- )**

KEY	PART NO.	PART NAME	QTY	TRACTOR SERIAL NO.	REMARKS
1	R63462	COVER	1		
2	AR72391	WIRING LEAD	1		
3	R52760	SCREW	2		
4	R78095	SUPPORT	1		(SUB FOR R63460) (SUB RE16963)
5	AR56671	CIRCUIT BREAKER	3		20 AMP
6	AR70052	CIRCUIT BREAKER	1		10 AMP (IGNITION)
7	AR56671	CIRCUIT BREAKER	2		20 AMP (CAB ACCESSORY)
	AN150015	CIRCUIT BREAKER	1		30 AMP (CAB ACCESSORY) (REPLACEMENT INNER ROOF)
8	AR78385	WIRING LEAD	1		
9	AR78386	WIRING LEAD	1		
10	AE23861	RELAY	1		(SUB AH98337)
11	AR78384	WIRING LEAD	2		
12	R52760	SCREW	2		
13	R63461	JUMPER	2		
14	24H1283	WASHER	7		7/32" X 1/2" X 0.049"
15	14H631	NUT	14		0.190"
	12M7060	WASHER	14		0.209"

---

MEMORANDA

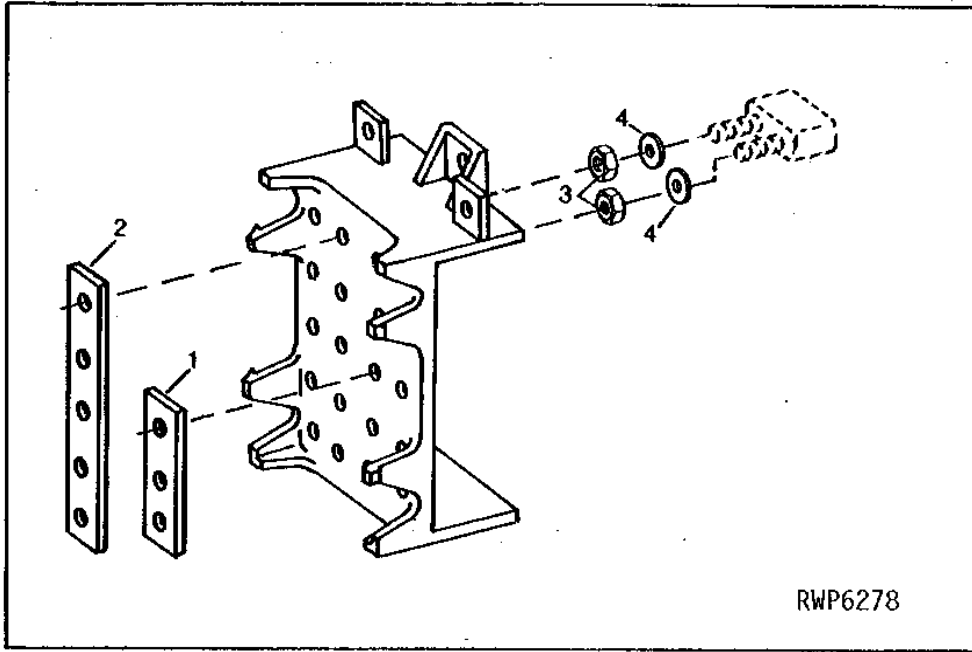


# 2B22

ELECTRICAL

RWP6278 -UN-01JAN94

## CIRCUIT BREAKER SUPPORT KIT



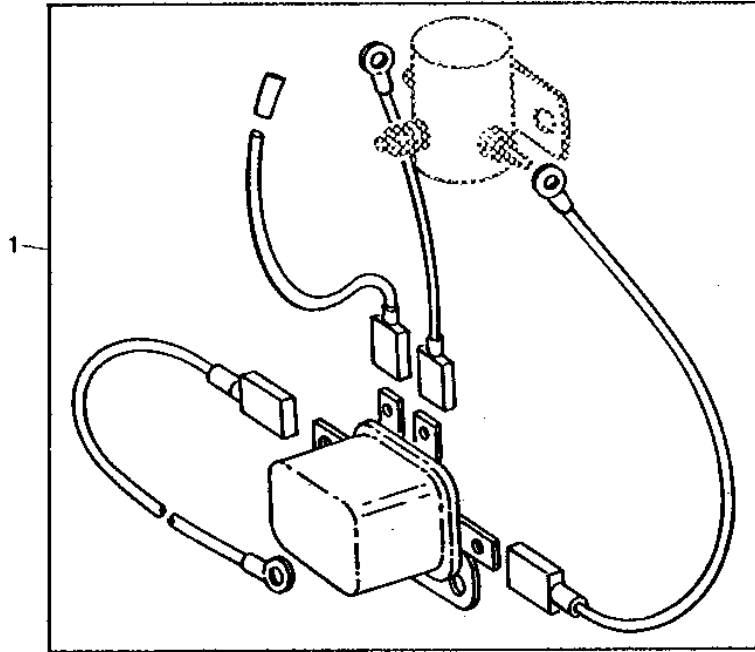
KEY	PART NO.	PART NAME	QTY	TRACTOR SERIAL NO.	REMARKS
1	R80334	STRAP	1		
2	R80335	STRAP	1		
3	14H631	NUT	20	0.190"	
4	24H1283	WASHER	20	7/32" X 1/2" X 0.049"	
5	RE16963	KIT	1		

# 2B23

ELECTRICAL

WIRING ACCESSORY RELAY KIT  
(SOUND-GARD BODY)  
(TRACTOR SERIAL NO. -015865)

RP763 -UN-01JAN94



RP763

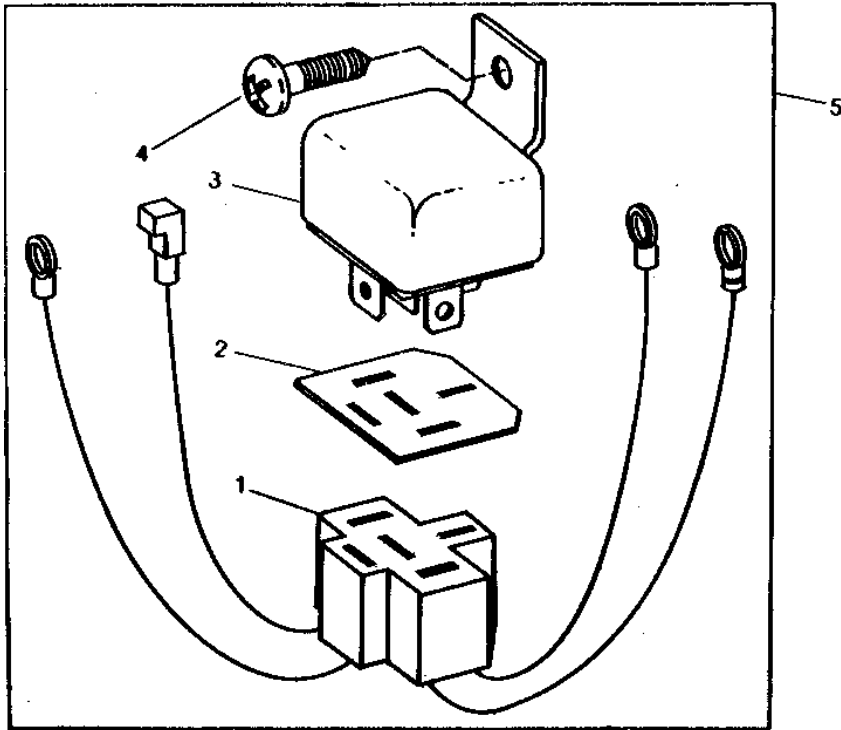
KEY	PART NO.	PART NAME	QTY	TRACTOR SERIAL NO.	REMARKS
1	AR78381	KIT	1		WIRING ACCESSORY RELAY, (SUB AR91166)

# 2B24

ELECTRICAL

WIRING ACCESSORY RELAY KIT  
(SOUND-GARD BODY)  
(TRACTOR SERIAL NO. 015866- )

RWP2586 -UN-01JAN94



RWP2586

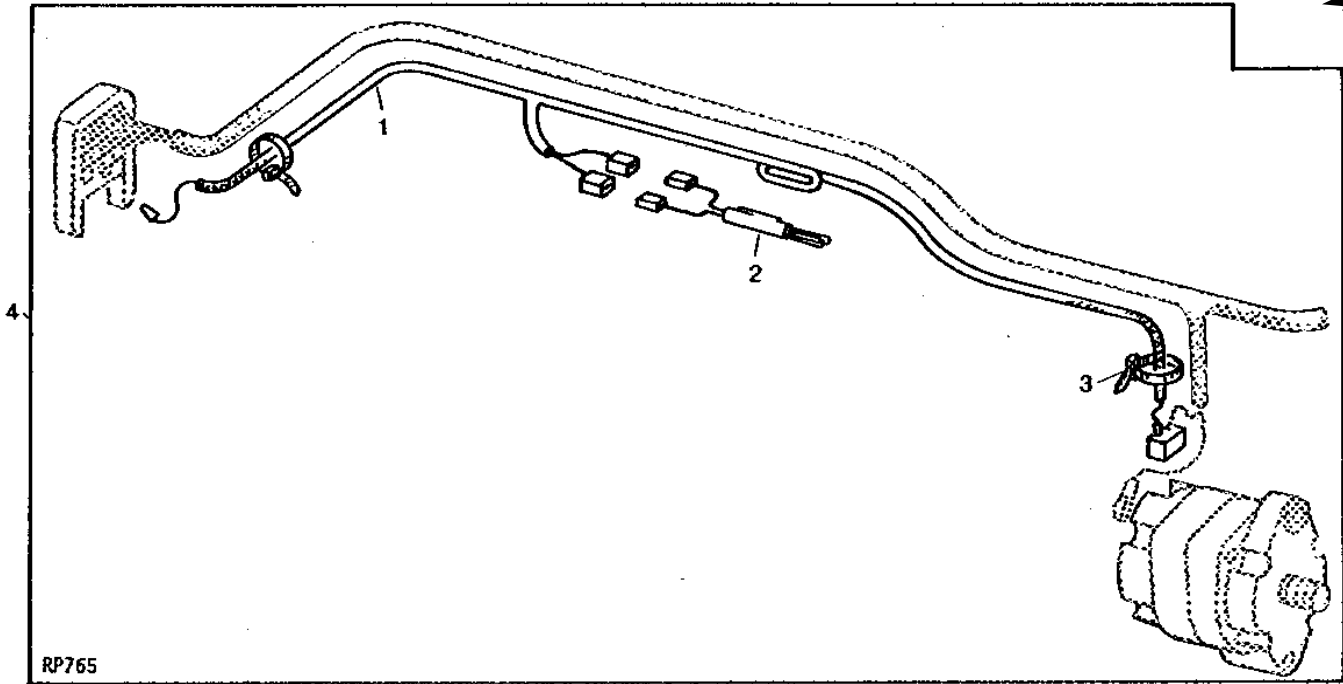
KEY	PART NO.	PART NAME	QTY	TRACTOR SERIAL NO.	REMARKS
1	AR91167	WIRING HARNESS	1		
	AR78384	WIRING LEAD	3		
	R32022	TERMINAL	2		
	R32028	TERMINAL	3		
2	R67982	COVER	1		
3	AR74411	RELAY	1		
4	37H52	SCREW	1	1/4" X 3/8"	
	19H1919	CAP SCREW	1	1/4" X 5/8"	
	12H302	LOCK WASHER	1	1/4"	
	14H786	NUT	1	1/4"	
5	AR91166	KIT	1		

# 2B25

ELECTRICAL

RP765 -UN-01JAN94

## SERVICE WIRE RESISTANCE KIT



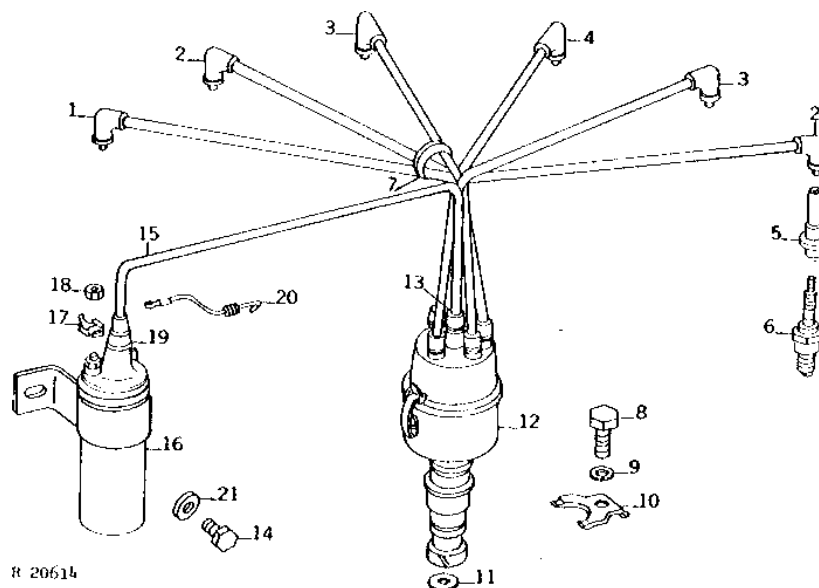
KEY	PART NO.	PART NAME	QTY	TRACTOR SERIAL NO.	REMARKS
1	AR90841	WIRING HARNESS	1		
2	AR85283	RECTIFIER	1		
3	R44302	TIE BAND	15		
4	AR90840	KIT	1		RESISTANCE WIRE SERVICE

# 2C1

ELECTRICAL

## DISTRIBUTOR, COIL, SPARK PLUGS, AND CABLES (GASOLINE)

R20614 -UN-01JAN94



R 20614

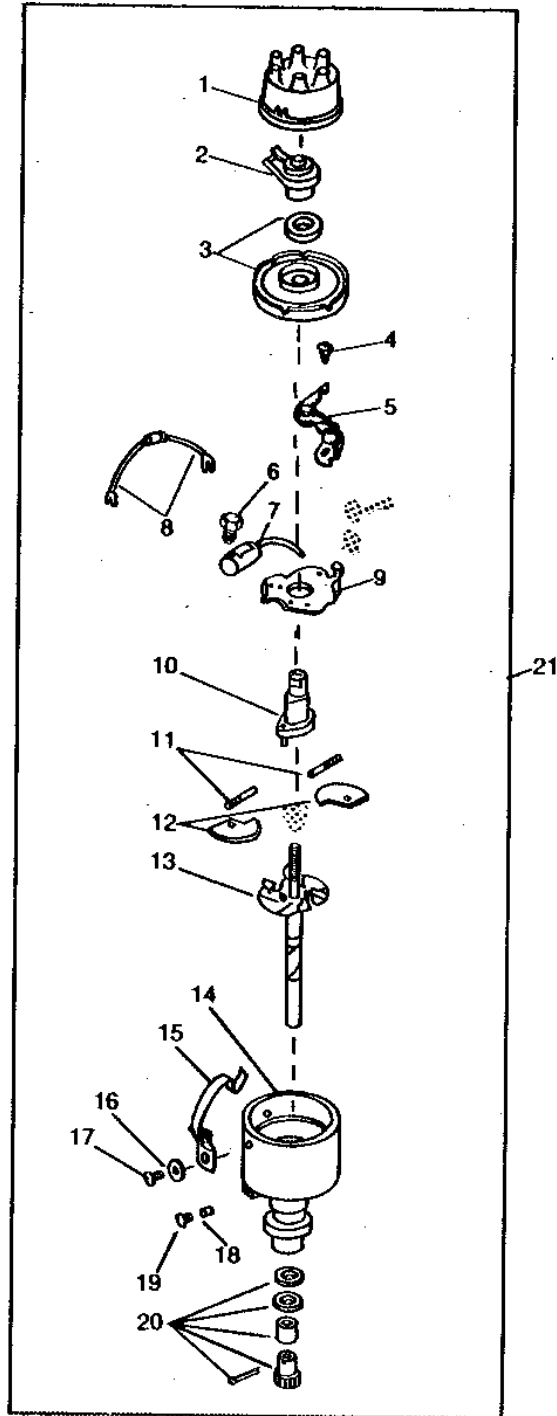
KEY	PART NO.	PART NAME	QTY	TRACTOR SERIAL NO.	REMARKS
1	.....	WIRING LEAD	1		483MM (19") (NO. 6) (MAKE FROM R32006, (2) R32013 AND (2) A3539R)
2	.....	WIRING LEAD	1		356MM (14") (NO. 1 AND 5) (MAKE FROM R32006, (2) R32013 AND (2) A3539R)
3	.....	WIRING LEAD	1		305MM (12") (NO. 2 AND 4) (MAKE FROM R32006, (2) R32012 AND (2) A3539R)
4	.....	WIRING LEAD	1		203MM (8") (NO. 3) (MAKE FROM R32006, (2) R32013 AND (2) A3539R) (SUB FOR T23430)
5	T20115	BOOT	6		
6	AT21343	SPARK PLUG	6		(AC45XL) (HEAVY-DUTY)
7	R1662R	WASHER	1		
8	19H1905	CAP SCREW	1		5/16" X 1"
9	12H303	LOCK WASHER	1		5/16"
10	T20113	CLAMP	1		
11	T20112	GASKET	1		
12	AT18286	MOUNTING PARTS	1		(PRESTOLITE NOS.IBT-6101K AND IBT-610IN) (USE WITH AT14385)
13	A3539R	TERMINAL NIPPLE	1		
14	19H1813	CAP SCREW	2		5/16" X 5/8"
15	.....	WIRING LEAD	1		227MM (9") (MAKE FROM R32006, (2) R32013 AND (2) A3539R) (SUB FOR T13428)
16	AT14385	ELECTRICAL COIL	1		(6-VOLT) (PRESTOLITE NO. 200627) (USE WITH AT18286)
17	12H246	LOCK WASHER	2		0.190"
18	14H631	NUT	2		0.190"
19	A4159R	BOOT	1		
20	AT25512	WIRING LEAD	1		COIL TO HARNESS
21	24H1243	WASHER	2		11/32" X 5/8" X 1/16"

# 2C2

ELECTRICAL

RWP4919 -UN-01JAN94

## DISTRIBUTOR (GASOLINE)



RWP4919

# 2C3

ELECTRICAL

## DISTRIBUTOR - CONTINUED (GASOLINE)

KEY	PART NO.	PART NAME	QTY	TRACTOR SERIAL NO.	REMARKS
1	AT14690	CAP	1		
2	AT14680	ROTOR	1		
3	AT14682	COVER	1		
4	21H968	SCREW	1	0.164" X 3/16"	
5	AT21062	CONTACT	1		
6	21H1132	SCREW	1	0.138" X 5/32"	
7	AT14684	VAPOR CONDENSER	1		
8	AT14686	WIRING LEAD	1		
9	AT21719	PLATE	1		
10	AT14691	PLATE	1		
11	AT24436	SPRING	1		
12	T16580	WEIGHT	2		
13	AT21995	SHAFT	1		
14	.....	IGNITION DISTRIBUTOR	1	(SUB AT18286)	
15	AT14679	CLAMP	2		
16	12H315	LOCK WASHER	2	0.164"	
17	21H971	SCREW	2	0.164" X 5/16"	
18	T24525	WICK	1	(SUB AT25575)	
19	T24524	PLUG	1	(SUB AT25575)	
20	AT21722	KIT	1	GEAR REPLACEMENT	
21	AT18286	MOUNTING PARTS	1	(USE WITH AT14385)	

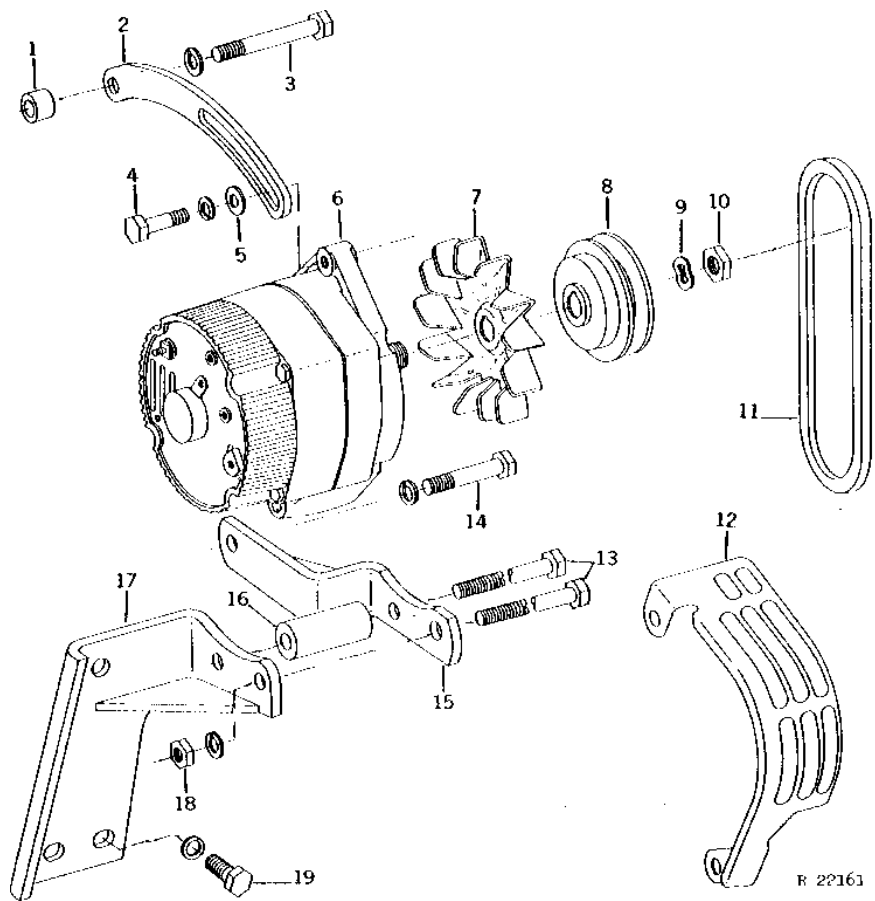
# 2C4

ELECTRICAL

R22161

-UN-01JAN94

## ALTERNATOR AND MOUNTING BRACKETS





# 2C5

ELECTRICAL

## ALTERNATOR AND MOUNTING BRACKETS - CONTINUED

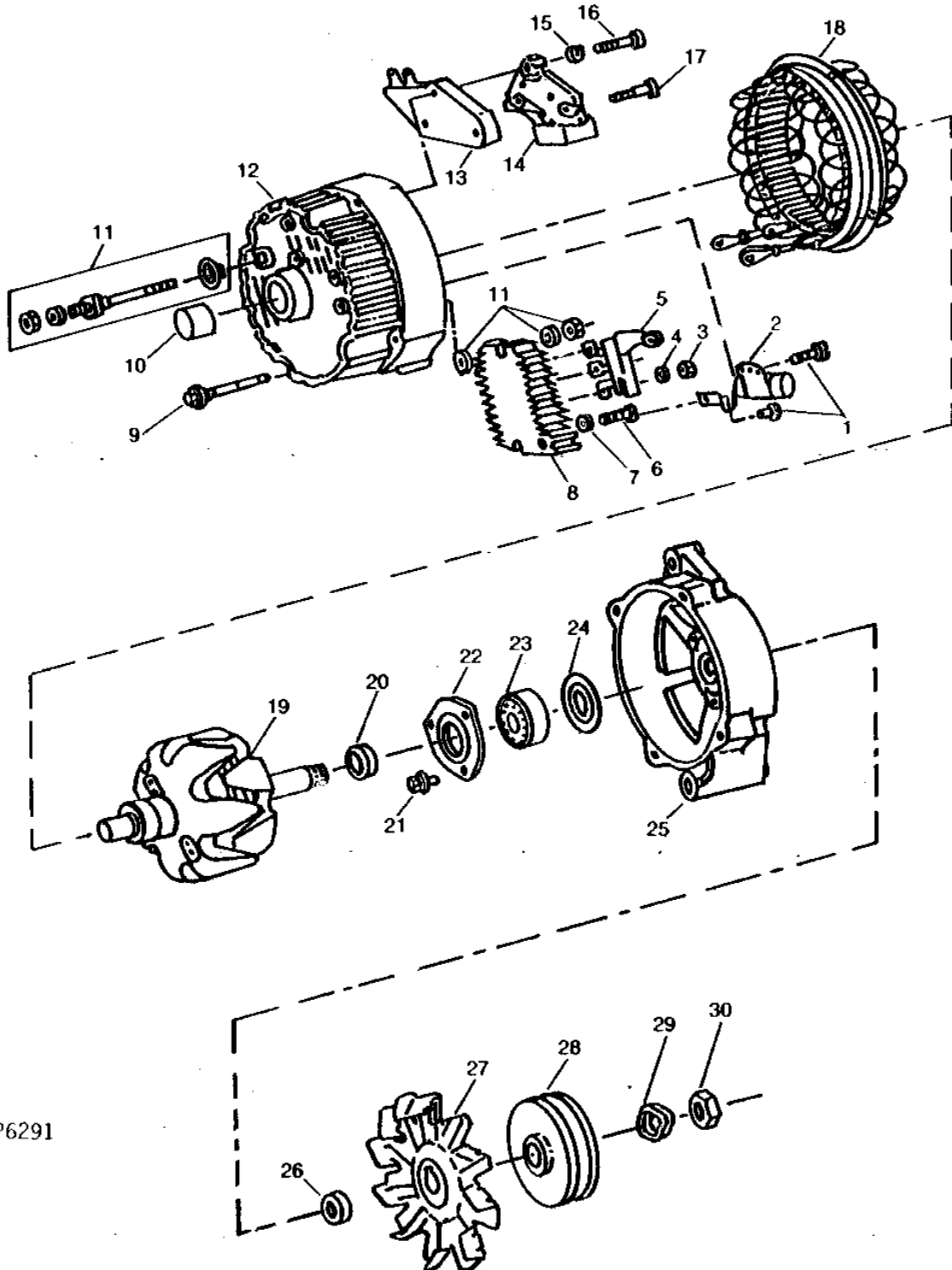
KEY	PART NO.	PART NAME	QTY	TRACTOR SERIAL NO.	REMARKS
1	28H1521	SPACER	1		3/8" X 9/16"
2	T20204	STRAP	1		
3	19H1944	CAP SCREW	1		3/8" X 2-3/4"
	12H304	LOCK WASHER	1		3/8"
4	19H1849	CAP SCREW	1		5/16" X 1-1/4"
	12H304	LOCK WASHER	1		3/8"
5	24H1292	WASHER	1		11/32" X 3/4" X 0.120"
6	AR56728	ALTERNATOR	1	-016363	(37 AMP) (DELCO-REMY NO. 1102359) (LESS SOUND-GARD BODY) (SUB RE31694, 12M7006, 12M7065, 14M7165 AND 19M7163 OR TY6772)
	AR54796	ALTERNATOR	1	-016363	(55 AMP) (DELCO-REMY NO. 1100491 (SOUND-GARD BODY) (SUB RE31694, 12M7006, 12M7065, 14M7165 AND 19M7163 OR TY6772)
	TY6772	ALTERNATOR	1		(72 AMP) (REMANUFACTURED) (SUB FOR TY6600)
	AR84306	ALTERNATOR	1	016364-	(72 AMP) (DELCO-REMY NO. 1102932) (SUB RE31694, 12M7006, 12M7065, 14M7165 AND 19M7163 OR TY6772)
	AR93446	ALTERNATOR	1		(72 AMP) (DELCO-REMY NO. 1103128) (SUB RE31694 OR TY6790)
	RE13797	ALTERNATOR	1		(72 AMP) (DELCO-REMY NO. 1105174) (SUB RE31694 OR TY6790)
	RE27109	ALTERNATOR	1		(78 AMP) (DELCO-REMY NO. 1101268) (SUB RE31694 OR TY6686)
	RE31694	ALTERNATOR	1		(78 AMP) (DELCO-REMY NO. 1101345) (SUB FOR AR56728, AR54796, AR84306, AR93446, RE13797 OR RE27109) (ALSO ORDER 14M7165, 12M7006, 12M7065 AND 19M7163)
	TY6790	ALTERNATOR	1		(90 AMP) (REMANUFACTURED) (SUB FOR TY6625)
	TY6686	ALTERNATOR	1		(78 AMP) (REMANUFACTURED)
7	R50659	FAN	1		
	R87764	FAN	1		(USE WITH RE27109 OR RE31694)
8	R52189	PULLEY	1		(SINGLE)
	R81507	PULLEY	1		(DOUBLE) (SUB FOR R52161)
9	T10745	WASHER	1		
10	R11049	NUT	1		
11	R46113	BELT	1		
12	R56012	SHIELD	1		(SUB FOR R41334 AND R55245)
13	19H2023	CAP SCREW	2		3/8" X 3-1/4"
14	19H1726	CAP SCREW	1		3/8" X 2-1/4"
	12H304	LOCK WASHER	1		3/8"
15	AR63948	BRACKET	1		
16	R55166	SPACER	1		
17	AR63978	BRACKET	1		
18	14H1076	NUT	1		3/8"
	12H304	LOCK WASHER	1		3/8"
19	19H2284	CAP SCREW	2		3/8" X 7/8"
	12H304	LOCK WASHER	2		3/8"

# 2C6

ELECTRICAL

ALTERNATOR  
(12-VOLT) (DELCO-REMY)  
(TRACTOR SERIAL NO. -016363)

RWP6291 -UN-01JAN94



RWP6291

# 2C7

ELECTRICAL

**ALTERNATOR - CONTINUED  
(12-VOLT) (DELCO-REMY)  
(TRACTOR SERIAL NO. -016363)**

KEY	PART NO.	PART NAME	QTY	TRACTOR SERIAL NO.	REMARKS
1	37H2	SCREW	2		0.164" X 5/8"
2	AR55835	CAPACITOR	1		
3	14H605	NUT	3		0.164"
4	12M7084	LOCK WASHER	3		0.169"
5	RE13798	DIODE	1		(SUB FOR AR55831)
6	21H1319	SCREW	1		0.164" X 7/8"
7	12M7084	LOCK WASHER	1		0.169"
8	AR55832	RECTIFIER	1		
9	R51535	BOLT	4		
10	AR77851	ROLLER BEARING	1		(SUB FOR AR55830)
11	AR55834	TERMINAL	1		(SUB AR93945 AND 14M7165)
12	R51529	HOUSING	1		
13	AR55827	VOLTAGE REGULATOR	1		
14	AR69269	BRUSH	1		(SUB FOR AR55833)
15	12M7084	LOCK WASHER	1		0.169"
16	R51531	SCREW	1		
17	R51530	SCREW	1		
18	AR62395	STATOR	1		(A) (37 AMP)
	AR55837	STATOR	1		(B) (55 AMP) (SUB FOR AR55829 OR AR85940)
19	RE13801	ROTOR	1		(SUB FOR AR55828 OR AR78093)
20	R51532	ECCENTRIC LOCKING COLLAR	1		
21	21H1301	SCREW	3		0.190" X 1/2"
22	R11109	PLATE	1		(SUB FOR AR55836 OR AR78755)
23	JD9449	BALL BEARING	1		(SUB FOR AT23188)
24	R51534	SHIM	1		
25	R69644	HOUSING	1		(ALSO ORDER R69645) (SUB FOR R51528)
26	R51533	ECCENTRIC LOCKING COLLAR	1		
27	R50659	FAN	1		
28	R52189	PULLEY	1		(SINGLE)
	R81507	PULLEY	1		(DOUBLE) (SUB FOR R52161)
29	T10745	WASHER	1		
30	R11049	NUT	1		
..	AR56728	ALTERNATOR	1		(A) (37 AMP) (SUB RE31694, 12M7006, 12M7065, 14M7165 AND 19M7163 OR TY6772)
..	AR54796	ALTERNATOR	1		(B) (55 AMP) (SUB RE31694, 12M7006, 12M7065, 14M7165 AND 19M7163 OR TY6772)
..	TY6772	ALTERNATOR	1		(72 AMP) (SUB FOR TY6600)
..	RE31694	ALTERNATOR	1		(78 AMP) (SUB FOR AR56728, AR54796, AR84306, AR93446, RE13797 OR RE27109) (ALSO FURNISH 14M7165, 12M7006 12M7065 AND 19M7163)
..	TY6686	ALTERNATOR	1		(78 AMP)

(A) LESS AIR CONDITIONING

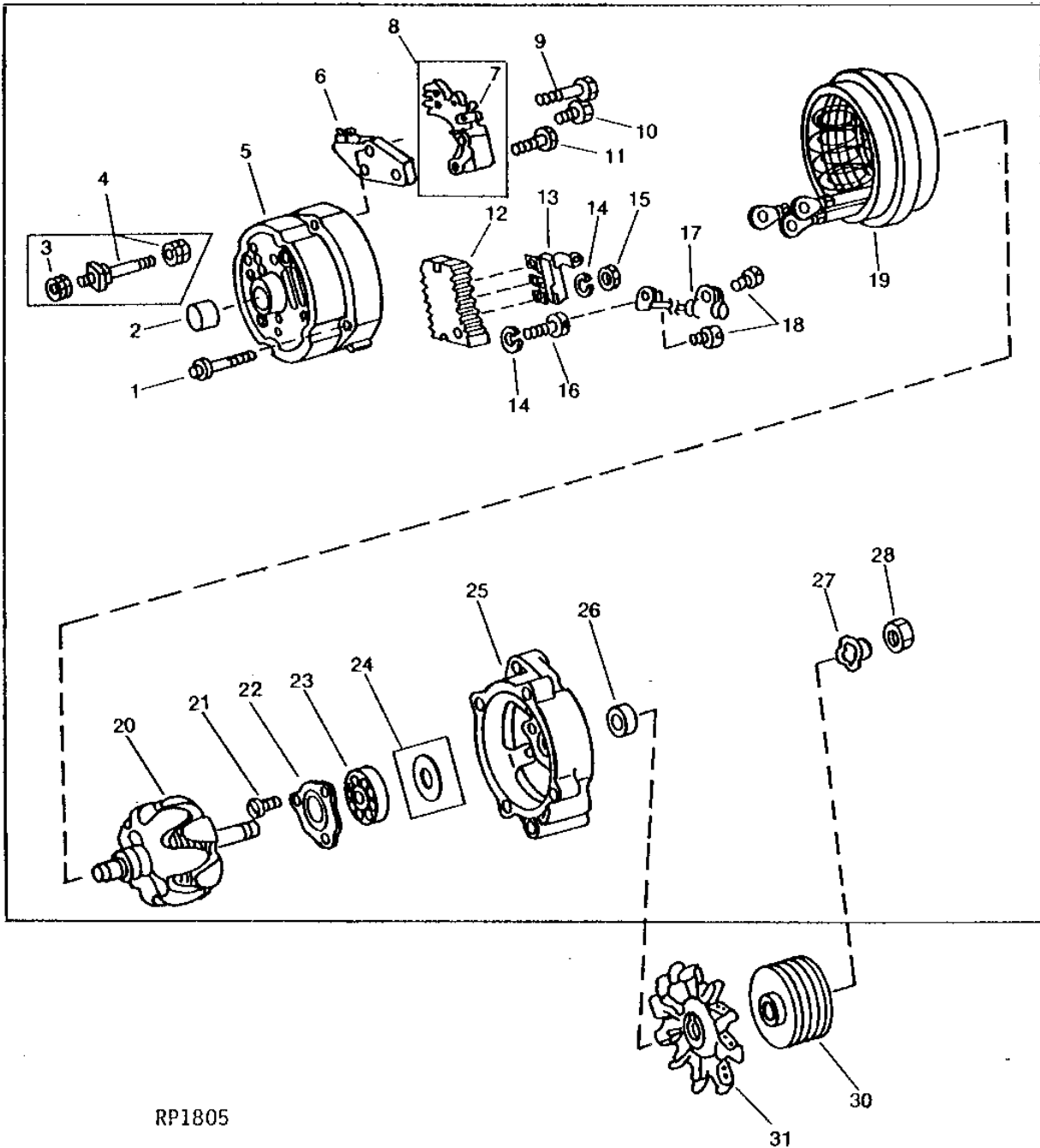
(B) AIR CONDITIONING

# 2C8

ELECTRICAL

ALTERNATOR  
(12-VOLT) (DELCO-REMY)  
(TRACTOR SERIAL NO. 016364 - )

RP1805 -UN-01JAN94



RP1805

# 2C9

ELECTRICAL

ALTERNATOR - CONTINUED  
(12-VOLT) (DELCO-REMY)  
(TRACTOR SERIAL NO. 016364- )

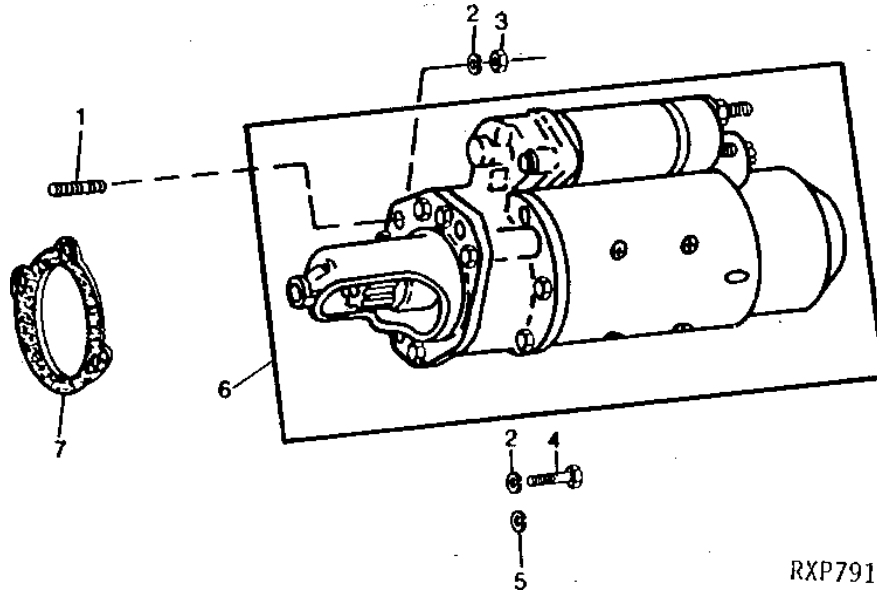
KEY	PART NO.	PART NAME	QTY	TRACTOR SERIAL NO.	REMARKS
1	R51535	BOLT	4		
2	AR77851	ROLLER BEARING	1		
3	14M7165	LOCK NUT	1	M6	
4	AR93945	TERMINAL	1		(ALSO ORDER 14M7165) (SUB FOR AR55834)
5	R71400	HOUSING	1		(SUB FOR R66301)
6	AR55827	VOLTAGE REGULATOR	1		
7	AR90058	BRUSH	2		
8	AR85941	CARBON BRUSH HOLDER	1		
9	21H1376	SCREW	1	0.164" X 1-1/4"	
10	R51530	SCREW	2		
11	R66302	SCREW	1		
12	AR55832	RECTIFIER	1	-XXXXXX	(USE WITH AR84306 OR AR93446)
	RE13799	RECTIFIER	1	XXXXXX-	(USE WITH RE13797)
13	RE13798	DIODE	1		(SUB FOR AR55831)
14	12M7084	LOCK WASHER	4	0.169"	
15	14H605	NUT	3	0.164"	
16	21H1319	SCREW	1	0.164" X 7/8"	
17	AR55835	CAPACITOR	1		
18	37H2	SCREW	2	0.164" X 5/8"	
19	AR55837	STATOR	1		(SUB FOR RE13800)
20	RE13801	ROTOR	1		(SUB FOR AR78093)
21	21H1301	SCREW	3	0.190" X 1/2"	
22	R11109	PLATE	1		(SUB FOR AR55836 OR AR78755)
23	JD9449	BALL BEARING	1		(SUB FOR AT23188)
24	R51534	SHIM	1	-XXXXXX	
25	R71399	HOUSING	1		(SUB FOR R51528 OR R69644)
26	R51533	ECCENTRIC LOCKING COLLAR	1	-XXXXXX	
	R69645	WASHER	1	XXXXXX-	
27	T10745	WASHER	1		
28	R11049	NUT	1		
29	AR84306	ALTERNATOR	1	-XXXXXX	(72 AMP) (SUB RE31694, 12M7006, 12M7065, 14M7165 AND 19M7163 OR TY6790)
	AR93446	ALTERNATOR	1	XXXXXX-	(72 AMP) (SUB RE31694 OR TY6790)
	RE13797	ALTERNATOR	1		(72 AMP) (SUB RE31694 OR TY6790)
	TY6790	ALTERNATOR	1		(90 AMP) (REMANUFACTURED) (SUB FOR TY6625)
	RE27109	ALTERNATOR	1		(78 AMP) (SUB RE31694 OR TY6686)
	RE31694	ALTERNATOR	1		(78 AMP) (SUB FOR AR56728, AR54796, AR84306, AR93446, RE13797 OR RE27109) (ALSO FURNISH 14M7165, 12M7006, 12M7065 AND 19M7163)
	TY6686	ALTERNATOR	1		(78 AMP) (REMANUFACTURED)
30	R81507	PULLEY	1		(DOUBLE) (SUB FOR R52161)
31	R50659	FAN	1		
	R87764	FAN	1		(USE WITH RE27109 OR RE31694)

# 2C10

ELECTRICAL

## STARTER MOTORS

RXP7911 -UN-01JAN94



RXP7911

KEY	PART NO.	PART NAME	QTY	TRACTOR SERIAL NO.	REMARKS
1	R56481	STUD	1	(A)	(SUB FOR M3636T)
	R114130	STUD	1	(B)	3/8" X 1-11/16", (SUB FOR R55396)
2	12H304	LOCK WASHER	3	(C)	3/8", (NOT REQUIRED WITH E55662)
3	14H1076	NUT	1	(C)	3/8", (SUB E55662, THIS APPLICATION)
4	19H3219	CAP SCREW	2	(F)	3/8" X 1-3/8"
	19H1721	CAP SCREW	3	(D)	1/2" X 1-1/2"
	19H2552	CAP SCREW	2	(E)	3/8" X 1-1/8"
	19H2552	CAP SCREW	3	(G)	3/8" X 1-1/8"
5	12H301	LOCK WASHER	3	(D)	1/2"
6	AR60085	STARTER	1	(H)	(DELCO-REMY NO. 1169147) (SUB TY6722)
	TY6722	STARTER	1	(H)	(DELCO-REMY) (REMANUFACTURED) (SUB FOR AR60085)
	AR62267	STARTER	1	(I)	(DELCO-REMY NO. 1113402) (SUB FOR AR55638) (SUB TY6710)
	AR78538	STARTER	1	(I)	(DELO-REMY NO. 111391) (SUB TY6701)
	AR77254	STARTER	1	(I)	(NIPPONDENSO NO. 028000-3290) OR 028000-3291) (SUB TY6713 OR RE41875)
	RE41875	STARTER	1	(I)	(NIPPONDENSO NO. 028000-3292) (MARKED RE13722) (SUB FOR AR77254)
	TY6701	STARTER	1	(I)	(DELCO-REMY) (REMANUFACTURED) (SUB FOR AR78538 OR TY6618)
	TY6710	STARTER	1	(I)	(DELCO-REMY) (REMANUFACTURED) (SUB FOR AR62267, TY1597 OR TY6667)
	TY6713	STARTER	1	(I)	(NIPPONDENSO) (REMANUFACTURED) (SUB FOR AR77254 OR TY6617)
7	R53108	GASKET	1		

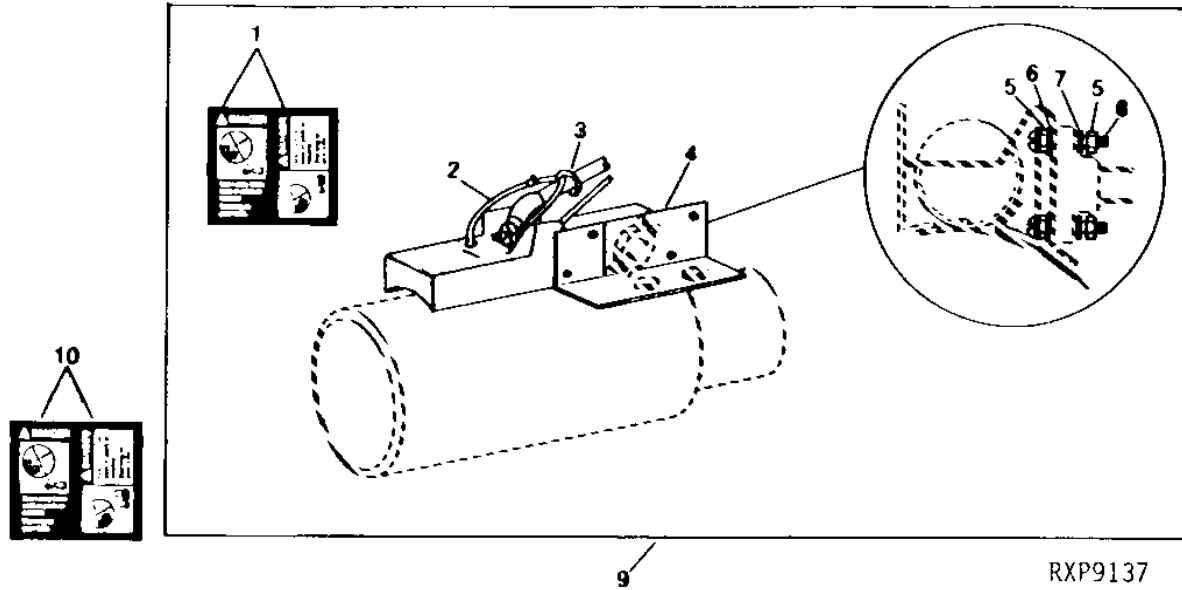
- (A) USE WITH AR62267, RE41875, TY6710 OR TY6713
- (B) USE WITH AR77254, TY6701 OR TY6713
- (C) USE WITH AR62267, AR77254, RE41875, AR60085, TY6722, TY6701, TY6710 OR TY6713
- (D) USE WITH AR78538 OR TY6701
- (E) USE WITH RE41875 OR TY6713
- (F) USE WITH AR62267, AR77254, TY6710, TY6701 OR TY6713
- (G) USE WITH AR60085 OR TY6722
- (H) GASOLINE
- (I) DIESEL

# 2C11

ELECTRICAL

## STARTER SOLENOID COVER KIT (GASOLINE) (DELCO-REMY)

RXP9137 -UN-12OCT94



RXP9137

KEY	PART NO.	PART NAME	QTY	ENGINE SERIAL NO.	REMARKS
1	T146102	WARNING LABEL	1		(ENGLISH) (SUB FOR T84409 OR T134459)
2	R76477	TIE BAND	1		
3	R44302	TIE BAND	1		
4	R45642	BRACKET	1		
5	14H631	NUT	2		
6	24H1283	WASHER	2		
7	12H246	LOCK WASHER	2		
8	21H981	SCREW	2		
9	RE39838	SHIELD	1		(A)
10	T146106	WARNING LABEL	1		(ESPANOL) (SUB FOR T84410 OR T134452)
	T146104	WARNING LABEL	1		(FRANCAIS) (SUB FOR T84411 OR T134453)
	T146515	WARNING LABEL	1		(DEUTSCH) (SUB FOR T84412 OR T134454)
	T146516	WARNING LABEL	1		(ITALIANO) (SUB FOR T84413 OR T134455)
	T146517	WARNING LABEL	1		(ENGLISH/FRANCAIS) (SUB FOR T84578 OR T134456)

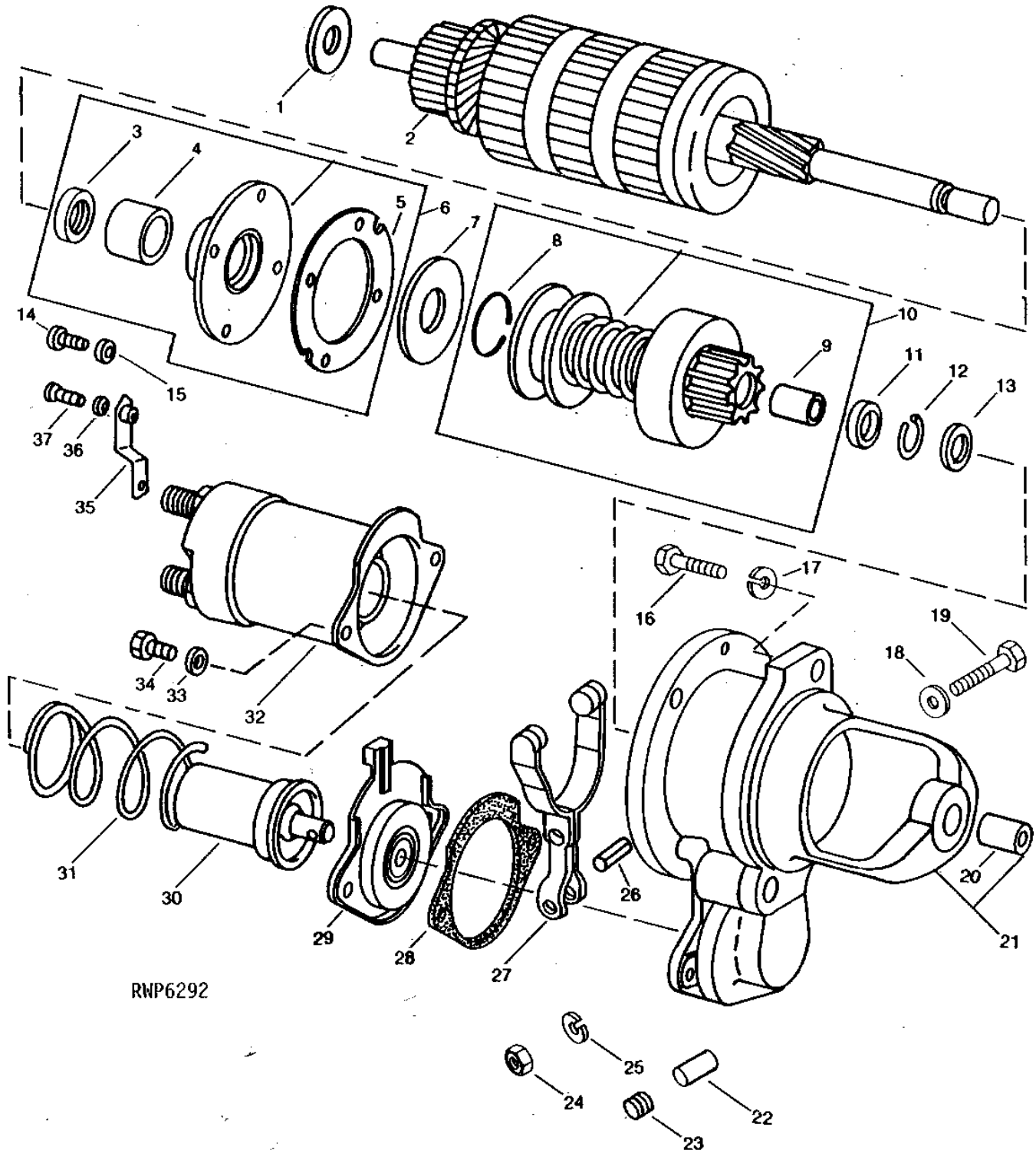
(A) USE WITH AR68005 OR TY6722

# 2C12

ELECTRICAL

## STARTER DRIVE HOUSING, SOLENOID SWITCH, AND ARMATURE (12-VOLT) (DELCO-REMY NO. 1109147) (GASOLINE) (AR60085)

RWP6292 -UN-01JAN94



RNP6292



# 2C13

ELECTRICAL

STARTER DRIVE HOUSING, SOLENOID SWITCH, AND ARMATURE - CONTINUED  
 (12-VOLT) (DELCO-REMY NO. 1109147)  
 (GASOLINE)  
 (AR60085)

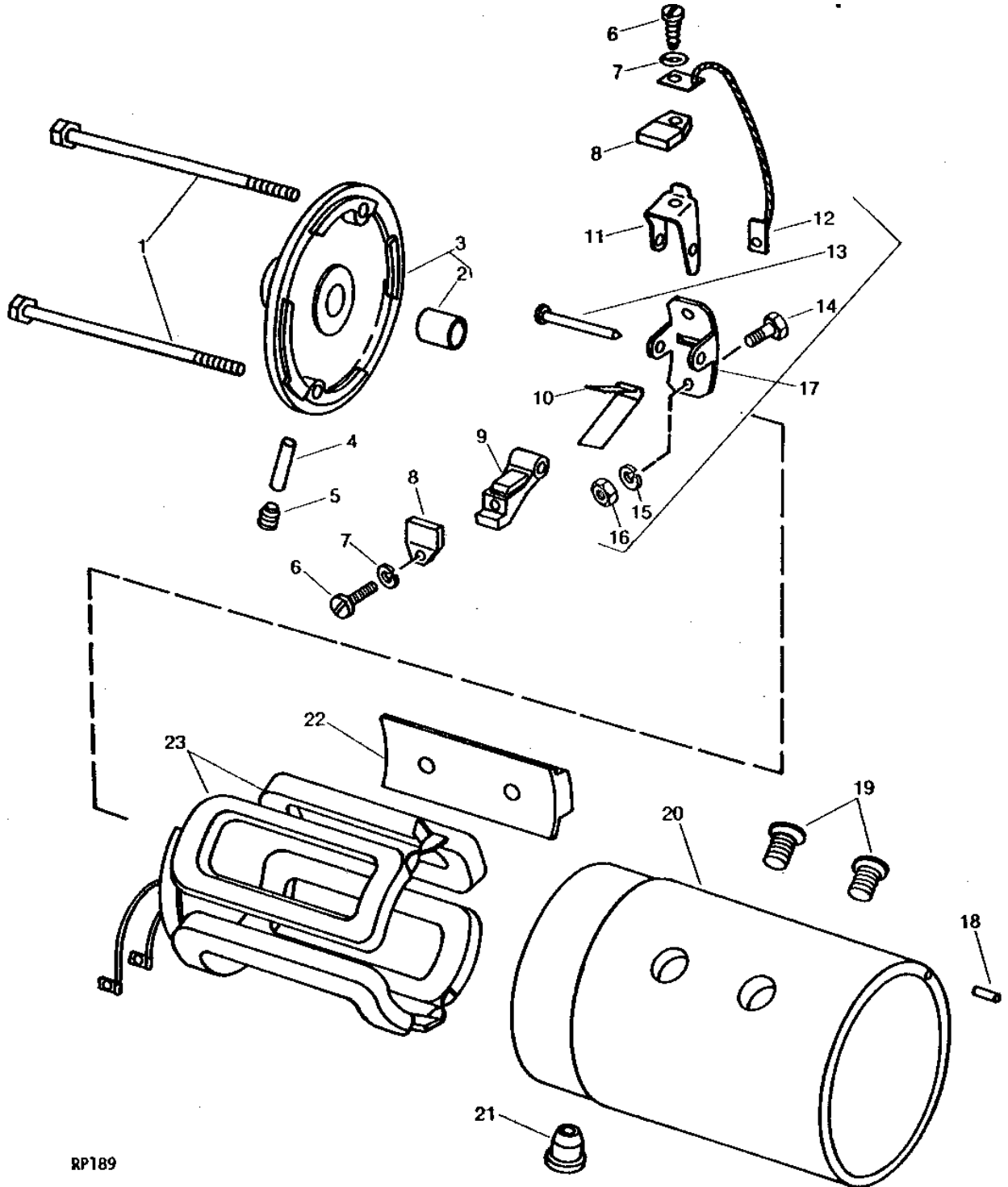
KEY	PART NO.	PART NAME	QTY	ENGINE SERIAL NO.	REMARKS
1	R11096	WASHER	1		
2	AT15138	ARMATURE	1		
3	AR62965	SEAL	1		
4	R54584	BUSHING	1		
5	R54585	GASKET	1		
6	AR62967	BEARING	1		
7	R11095	WASHER	1		
8	R11118	WIRE	1		
9	1873796	BUSHING	1		
10	AR57094	DRIVE	1		
11	R11116	SPACER	1		
12	R11117	SNAP RING	1		
13	R11080	WASHER	1		
14	21H1127	SCREW	4	0.190" X 7/16"	
15	12M7060	WASHER	4	0.209"	
16	19H2552	CAP SCREW	3	3/8" X 1-1/8"	
17	12H304	LOCK WASHER	3	3/8"	
18	AR62966	WASHER	1		
19	T11672	CAP SCREW	1		
20	T17987	BUSHING	1		
21	AR63943	HOUSING	1		
22	R40337	WICK	1		
23	15H566	PIPE PLUG	2	1/8"	
24	T11682	NUT	1		
25	12H303	LOCK WASHER	1	5/16"	
26	34H279	SPRING PIN	1	3/16" X 13/16"	
27	T18113	SHIFTER	1		
28	R53108	GASKET	1		
29	R55162	BOOT	1		
30	AT15147	PLUNGER	1		
31	T11675	SPRING	1		
32	AR68304	SOLENOID	1		(DELCO-REMY) (SUB FOR R11240)
	TY6690	SOLENOID	1		(REMANUFACTURED)
33	12H302	LOCK WASHER	2	1/4"	
34	21H1310	SCREW	2	1/4" X 1/2"	
35	R39877	BRACKET	1		
36	12M7060	WASHER	1	0.209"	
37	T19610	CAP SCREW	1		
..	AR60085	STARTER	1		(SUB TY6722)
..	TY6722	STARTER	1		(REMANUFACTURED) (SUB FOR AR60085)

# 2C14

ELECTRICAL

STARTER MAIN FRAME, COIL, AND COMMUTATOR END FRAME  
(12-VOLT) (DELCO-REMY NO. 1109147)  
(GASOLINE)  
(AR60085)

RP189 -UN-01JAN94



RP189

# 2C15

ELECTRICAL

STARTER MAIN FRAME, COIL, AND COMMUTATOR END FRAME - CONTINUED  
 (12-VOLT) (DELCO-REMY NO. 1109147)  
 (GASOLINE)  
 (AR60085)

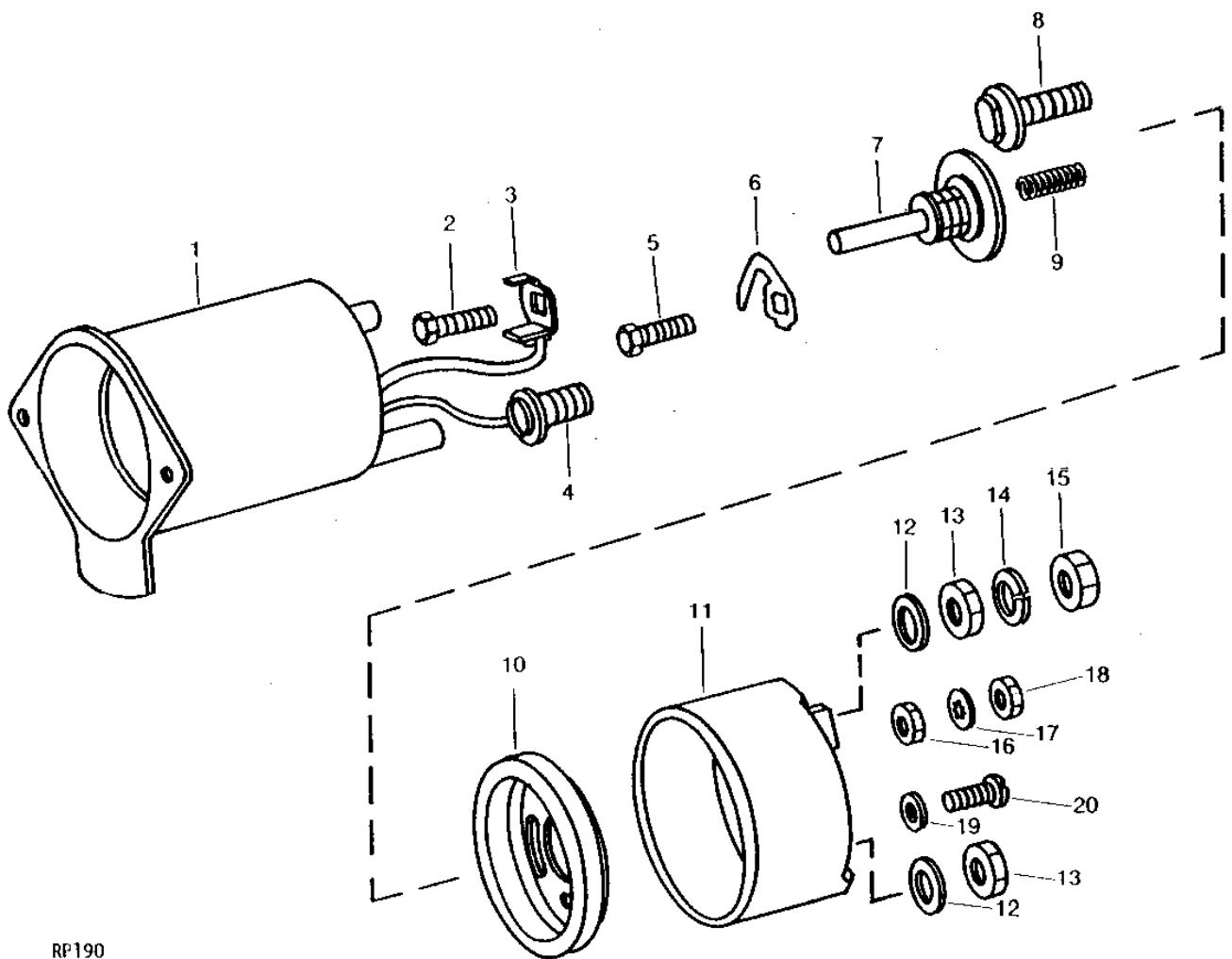
KEY	PART NO.	PART NAME	QTY	ENGINE SERIAL NO.	REMARKS
1	R11243	CAP SCREW	2		
2	R61932	BUSHING	1		(SUB FOR T11739)
3	R11238	END PLATE	1		
4	H23193	FELT	1		
5	30H9	PLUG	1	3/4"	
6	37H78	SCREW	4	0.164" X 3/4"	
7	12M7084	LOCK WASHER	4	0.169"	
8	R11239	BRUSH	4		
9	T739T	HOLDER	2		
10	T740T	SPRING	2		
11	T738T	HOLDER	2		
12	AT514T	WIRING LEAD	2		
13	T736T	PIN	2		
14	21H1301	SCREW	4	0.190" X 1/2"	
15	12H246	LOCK WASHER	4	0.190"	
16	14H778	NUT	4	0.190"	
17	AT516T	KIT	2		
	12H315	LOCK WASHER	1	0.164"	
	21H1292	SCREW	1	0.164" X 1/4"	
18	R11087	DOWEL PIN	1		
19	21H1280	SCREW	8	3/8" X 3/4"	
20	.....	FRAME	1		(ORDER TY6722)
21	R11236	GROMMET	1		
22	T11680	SHOE	4		
23	R11237	FIELD WINDING COIL	1		
	12M7060	WASHER	1	0.209"	
	21H1298	SCREW	1	0.190" X 3/8"	
..	AR60085	STARTER	1		(SUB TY6722)
..	TY6722	STARTER	1		(REMANUFACTURED) (SUB FOR AR60085)

# 2C16

ELECTRICAL

SOLENOID SWITCH  
(12-VOLT) (DELCO-REMY NO. 1109147)  
(GASOLINE)  
(AR60085)

RP190 -UN-01JAN94



RP190

# 2C17

ELECTRICAL

**SOLENOID SWITCH - CONTINUED**  
**(12-VOLT) (DELCO-REMY NO. 1109147)**  
**(GASOLINE)**  
**(AR60085)**

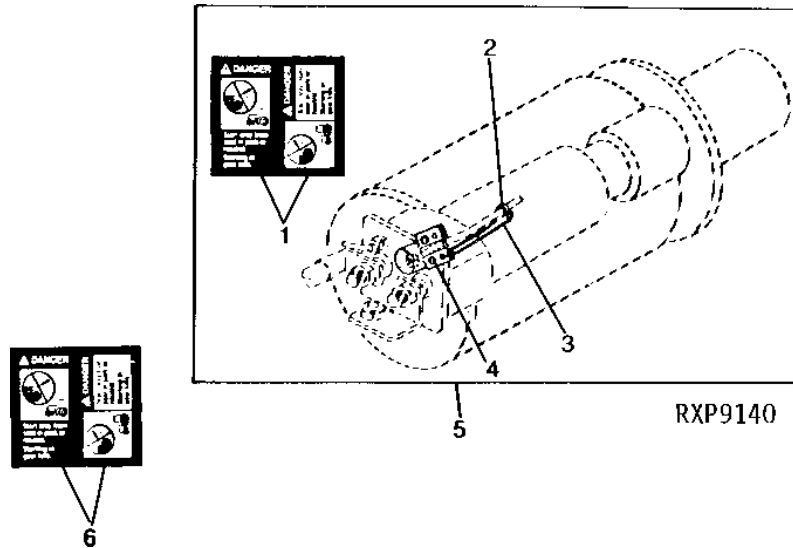
KEY	PART NO.	PART NAME	QTY	ENGINE SERIAL NO.	REMARKS
1	.....	CASE	1		(ORDER AR68304 OR TY6690)
2	T19606	STUD	1		
3	R11198	CLIP	1		(NLA)
4	T18354	SCREW	1		
5	T19606	STUD	1		
6	T19604	CONTACT	1		
7	AT15146	CONTACT	1		
8	T18105	STUD	1		
9	R11066	SPRING	1		
10	R61133	GASKET	1		(SUB FOR R49394)
11	.....	COVER	1		(ORDER AR68304 OR TY6690) (ALSO ORDER R61133) (SUB FOR R49393, R61134 OR R57452)
12	R11194	WASHER	2		
13	14H732	NUT	2	3/8"	
14	12H304	LOCK WASHER	1	3/8"	
15	14H1076	NUT	1	3/8"	
16	AR11131	NUT	2		
17	12M7084	LOCK WASHER	2	0.169"	
18	14H605	NUT	2	0.164"	
19	R11039	WASHER	2		
20	21H1298	SCREW	2	0.190" X 3/8"	
..	AR68304	SOLENOID	1		
..	TY6690	SOLENOID	1		(REMANUFACTURED)

# 2C18

ELECTRICAL

## STARTER SOLENOID COVER KIT (DIESEL) (DELCO-REMY)

RXP9140 -UN-11NOV94



KEY	PART NO.	PART NAME	QTY	TRACTOR SERIAL NO.	REMARKS
1	T146102	WARNING LABEL	1		(ENGLISH) (SUB FOR T84409 OR T134459)
2	R44302	TIE BAND	1		
3	R76477	TIE BAND	1		
4	R66117	SCREW	2		
5	RE39063	SHIELD	1		(A)
6	T146106	WARNING LABEL	1		(ESPANOL) (SUB FOR T84410 OR T134452)
	T146104	WARNING LABEL	1		(FRANCAIS) (SUB FOR T84411 OR T134453)
	T146515	WARNING LABEL	1		(DEUTSCH) (SUB FOR T84412 OR T134454)
	T146516	WARNING LABEL	1		(ITALIANO) (SUB FOR T84413 OR T134455)
	T146517	WARNING LABEL	1		(ENGLISH/FRANCAIS) (SUB FOR T84578 OR T134456)

(A) USE WITH AR55638, AR62267, AR78538, TY1597, TY6667, TY6618, TY6701, OR TY6710

---

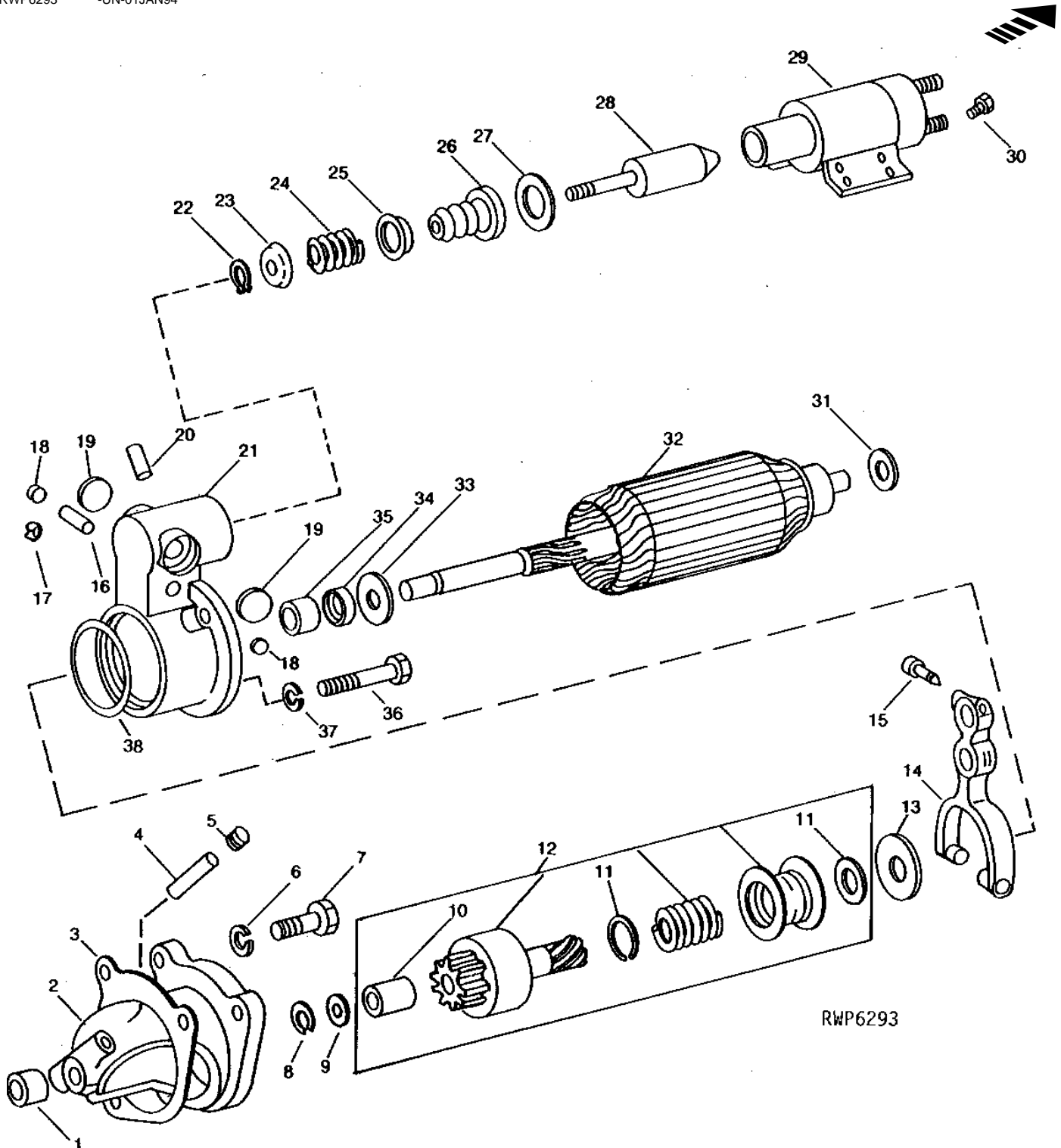
MEMORANDA

# 2C19

ELECTRICAL

STARTER DRIVE HOUSING, SOLENOID SWITCH AND ARMATURE  
(12-VOLT) (DELCO-REMY NO. 1113672 OR 1113402)  
(DIESEL)  
(AR62267)

RWP6293 -UN-01JAN94



RWP6293



# 2C20

ELECTRICAL

STARTER DRIVE HOUSING, SOLENOID SWITCH AND ARMATURE - CONTINUED  
 (12-VOLT) (DELCO-REMY NO. 1113672 OR 1113402)  
 (DIESEL)  
 (AR62267)

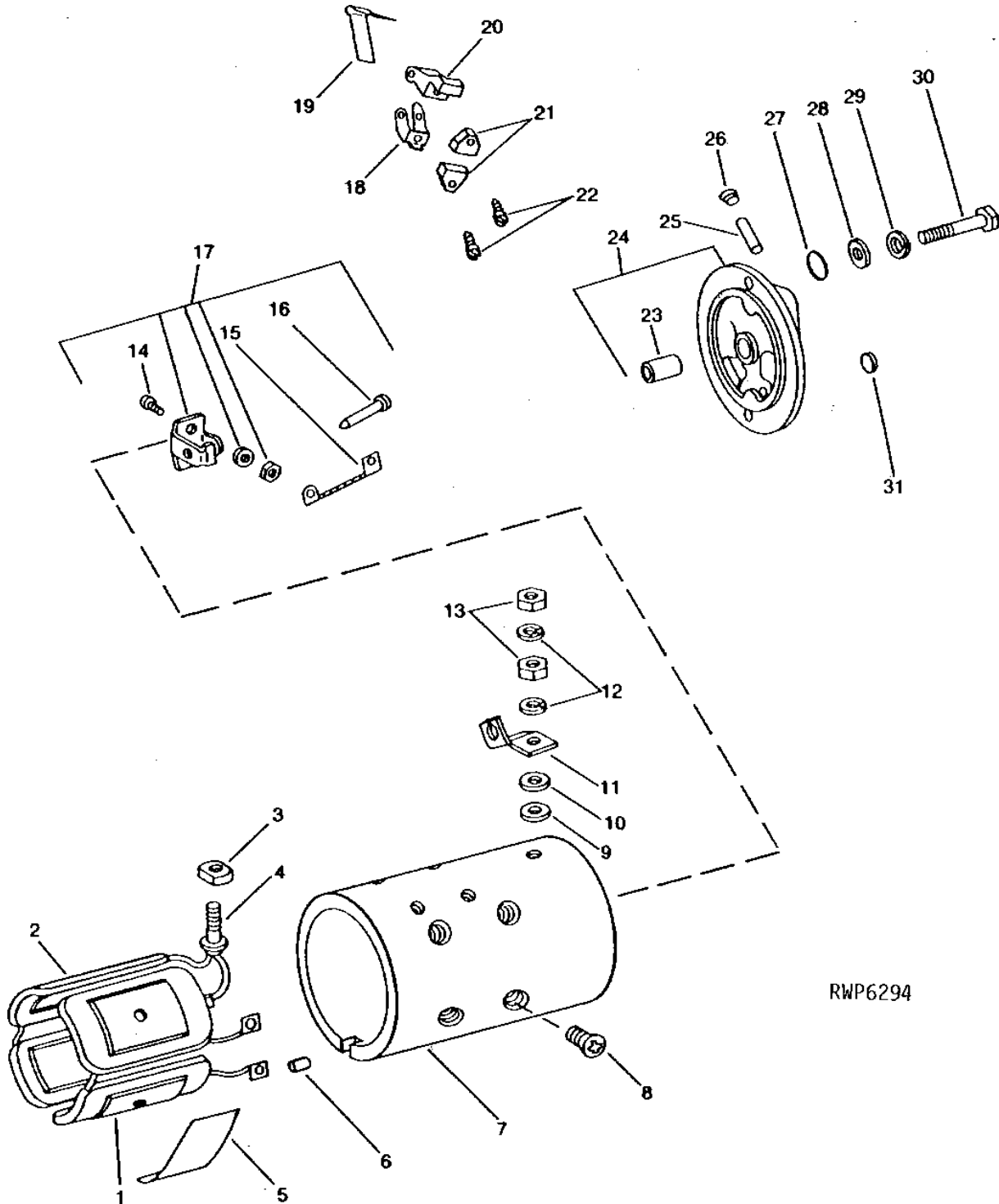
KEY	PART NO.	PART NAME	QTY	MODEL NO.	REMARKS
1	T11743	BUSHING	1		
2	AR11127	HOUSING	1		
3	R53108	GASKET	1		
4	R40337	WICK	1		
5	15H566	PIPE PLUG	1	1/8"	
6	12H304	LOCK WASHER	3	3/8", (NOT REQUIRED WITH E55662)	
	M3636T	STUD	1		
	14H1076	NUT	2	3/8"	
7	19H3219	CAP SCREW	2	3/8" X 1-3/8"	
8	R11117	SNAP RING	1		
9	R48976	STOP	1		
10	1873796	BUSHING	1		
11	R11118	WIRE	2		
12	AR88880	BENDIX DRIVE	1		(SUB FOR AR44700 OR AR76841)
13	R11095	WASHER	1		
14	AR11128	LEVER	1		
15	R11222	PIN	1		
16	R11215	DOWEL PIN	2		
17	R11223	RETAINER	1		
18	30H7	PLUG	2	5/8"	
19	30H16	PLUG	2	1-3/16"	
20	R11201	WICK	1		
	R11016	PIPE PLUG	1		
21	AR11126	HOUSING	1		
22	R11026	SNAP RING	1		
23	R11129	CAP	1		
24	R11128	SPRING	1		
25	R11126	RETAINER	1		
26	R11127	BOOT	1		
27	R11221	WASHER	1		
28	AR11132	PLUNGER	1		
29	R11292	SWITCH	1		(12-VOLT) (DELCO-REMY NO. 1115510 OR 1115540)
30	T19909	BOLT	4		
31	R11096	WASHER	1		
32	AR44698	ARMATURE	1		
33	R11291	WASHER	1		
34	AR62964	SEAL	1		
35	R11212	BUSHING	1		
36	AR62963	SCREW	4		
37	12H303	LOCK WASHER	4	5/16"	
38	R40545	GASKET	1		
..	AR62267	STARTER	1		(SUB FOR AR55638) (SUB TY6710)
..	TY6710	STARTER	1		(REMANUFACTURED) (SUB FOR AR55638, AR62267, TY1597 OR TY6667)

# 2C21

ELECTRICAL

STARTER MAIN FRAME, COIL, AND COMMUTATOR END FRAME  
(12-VOLT) (DELCO-REMY NO. 1113672 OR 1113402)  
(DIESEL)  
(AR62267)

RWP6294 -UN-01JAN94



RWP6294

# 2C22

ELECTRICAL

STARTER MAIN FRAME, COIL, AND COMMUTATOR END FRAME - CONTINUED  
 (12-VOLT) (DELCO-REMY NO. 1113672 OR 1113402)  
 (DIESEL)  
 (AR62267)

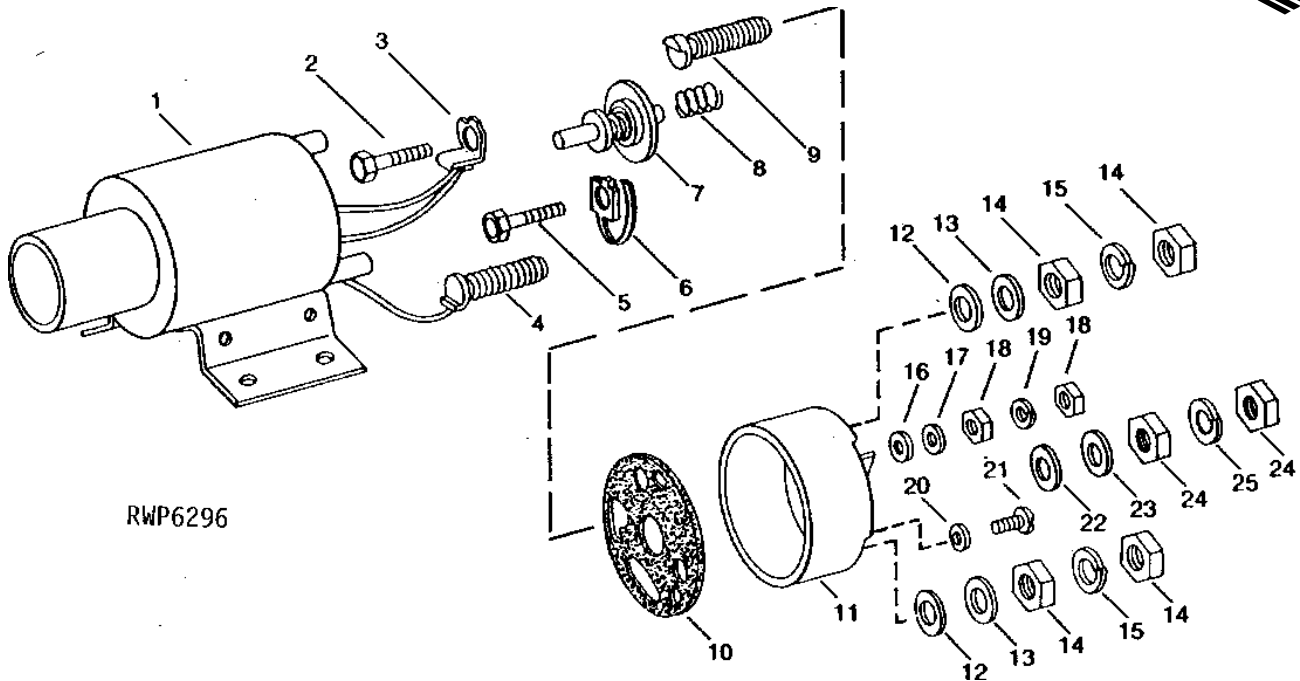
KEY	PART NO.	PART NAME	QTY	ENGINE SERIAL NO.	REMARKS
1	R11003	SHOE	4		
2	AR44699	ELECTRICAL COIL	1		
3	R11058	BUSHING	2		
4	R11059	STUD	1		
5	R11253	INSULATOR	2		
6	R11087	DOWEL PIN	1		
7	.....	FRAME	1		(ORDER TY6710)
8	21H1280	SCREW	4		3/8" X 3/4"
9	R11000	WASHER	2		
10	24M7096	WASHER	1		10.500 X 18 X 1.600 MM
11	R11296	CONNECTOR	1		
12	12H304	LOCK WASHER	2		3/8"
13	14H732	NUT	2		3/8"
14	T18098	SCREW	2		
15	AR11001	WIRING LEAD	1		
16	R11233	PIN	2		
17	AR11124	SUPPORT	2		
18	T738T	HOLDER	2		
19	R11209	SPRING	2		
20	R11290	CARBON BRUSH HOLDER	2		
21	R42574	BRUSH	4		
22	37H78	SCREW	4		0.164" X 3/4"
23	R61932	BUSHING	1		(SUB FOR T11739)
24	AR11140	FRAME	1		
25	15H566	PIPE PLUG	1		1/8"
26	R40337	WICK	1		
27	R27976	O-RING	2		
28	24H1136	WASHER	2		11/32" X 11/16" X 0.065"
29	12H303	LOCK WASHER	2		5/16"
30	R11298	BOLT	2		
31	30H9	PLUG	1		3/4"
..	AR62267	STARTER	1		(SUB FOR AR55638) (SUB TY6710)
..	TY6710	STARTER	1		(REMANUFACTURED) (SUB FOR AR55638, AR62267, TY1597 OR TY6667)

# 2C23

ELECTRICAL

**SOLENOID SWITCH**  
**(12-VOLT) (DELCO-REMY NO. 1113672 OR 1113402)**  
**(DIESEL)**  
**(AR62267)**

RWP6296 -UN-01JAN94



RWP6296

KEY	PART NO.	PART NAME	QTY	ENGINE SERIAL NO.	REMARKS
1	R11292	SWITCH	1	(A)	(DELCO-REMY NO. 1115540)
2	R11197	STUD	1		(SUB FOR T18110)
3	R11198	CLIP	1		(NLA)
4	R11293	STUD	1		
5	R11295	STUD	1		
6	R40546	CLIP	1		
7	AR11051	CONTACT	1		
8	R11066	SPRING	1		
9	T18105	STUD	1		
10	R40548	GASKET	1		
11	R11294	COVER	1		
12	T18107	WASHER	2		
13	24M7096	WASHER	1		10.500 X 18 X 1.600 MM
14	14H732	NUT	4		3/8"
15	12H304	LOCK WASHER	2		3/8"
16	T50222	WASHER	1		(SUB FOR T18106)
17	24H1283	WASHER	1		7/32" X 1/2" X 0.049"
18	14H631	NUT	2		0.190"
19	12H246	LOCK WASHER	2		0.190"
20	R11039	WASHER	2		
21	21H1298	SCREW	2		0.190" X 3/8"
22	T19607	WASHER	1		
23	24H1281	WASHER	1		5/32" X 3/8" X 0.049"
24	14H605	NUT	2		0.164"
25	12M7084	LOCK WASHER	2		0.169"

(A) USE WITH AR55638, AR62267, TY1597, TY6667 OR TY6710

---

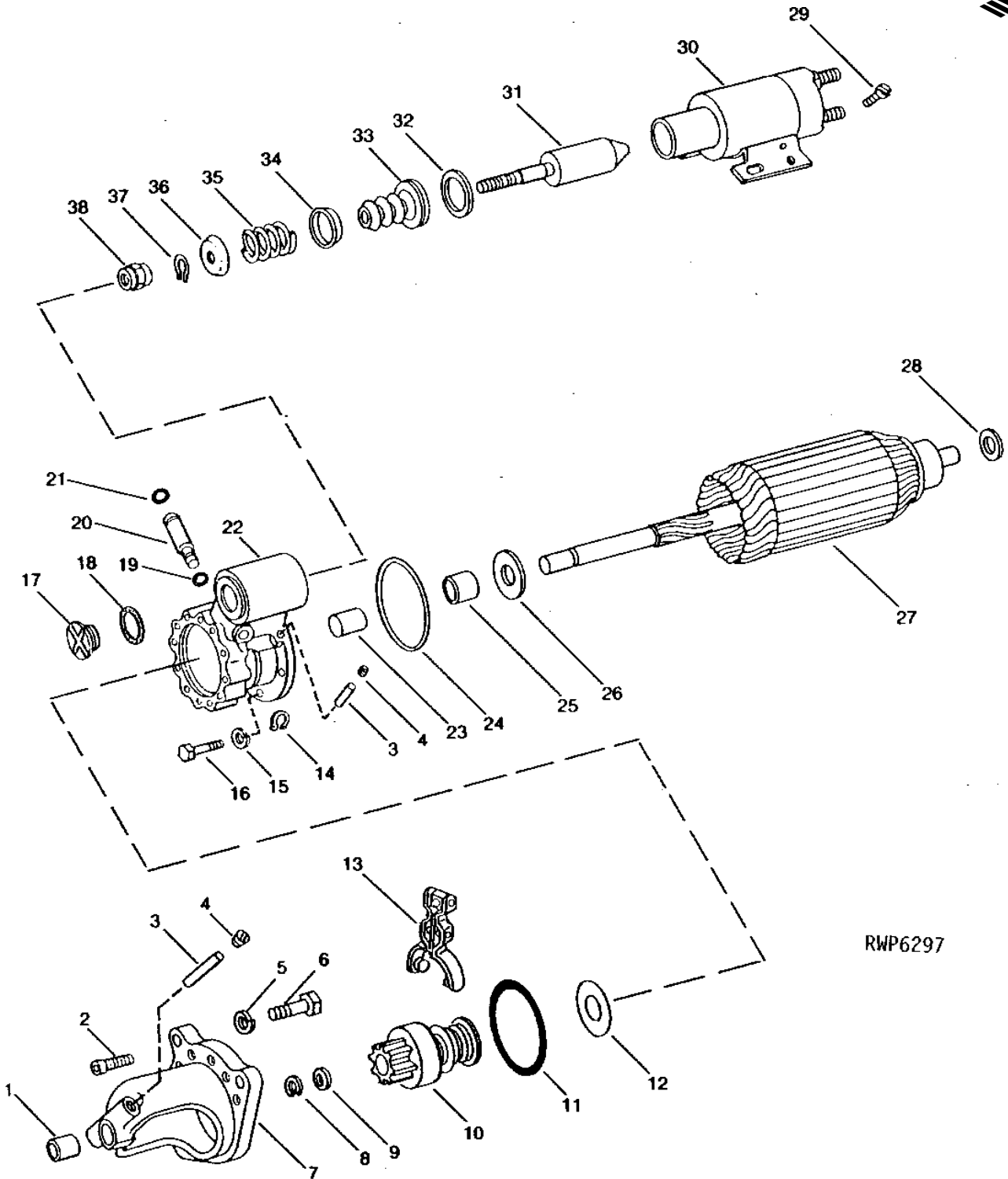
MEMORANDA

# 2C24

ELECTRICAL

STARTER, ARMATURE, DRIVE END HOUSING AND DRIVE  
(12-VOLT) (DELCO-REMY NO. 1113391)  
(DIESEL)  
(AR78538)

RWP6297 -UN-01JAN94



# 2C25

ELECTRICAL

STARTER, ARMATURE, DRIVE END HOUSING AND DRIVE - CONTINUED  
 (12-VOLT) (DELCO-REMY NO. 1113391)  
 (DIESEL)  
 (AR78538)

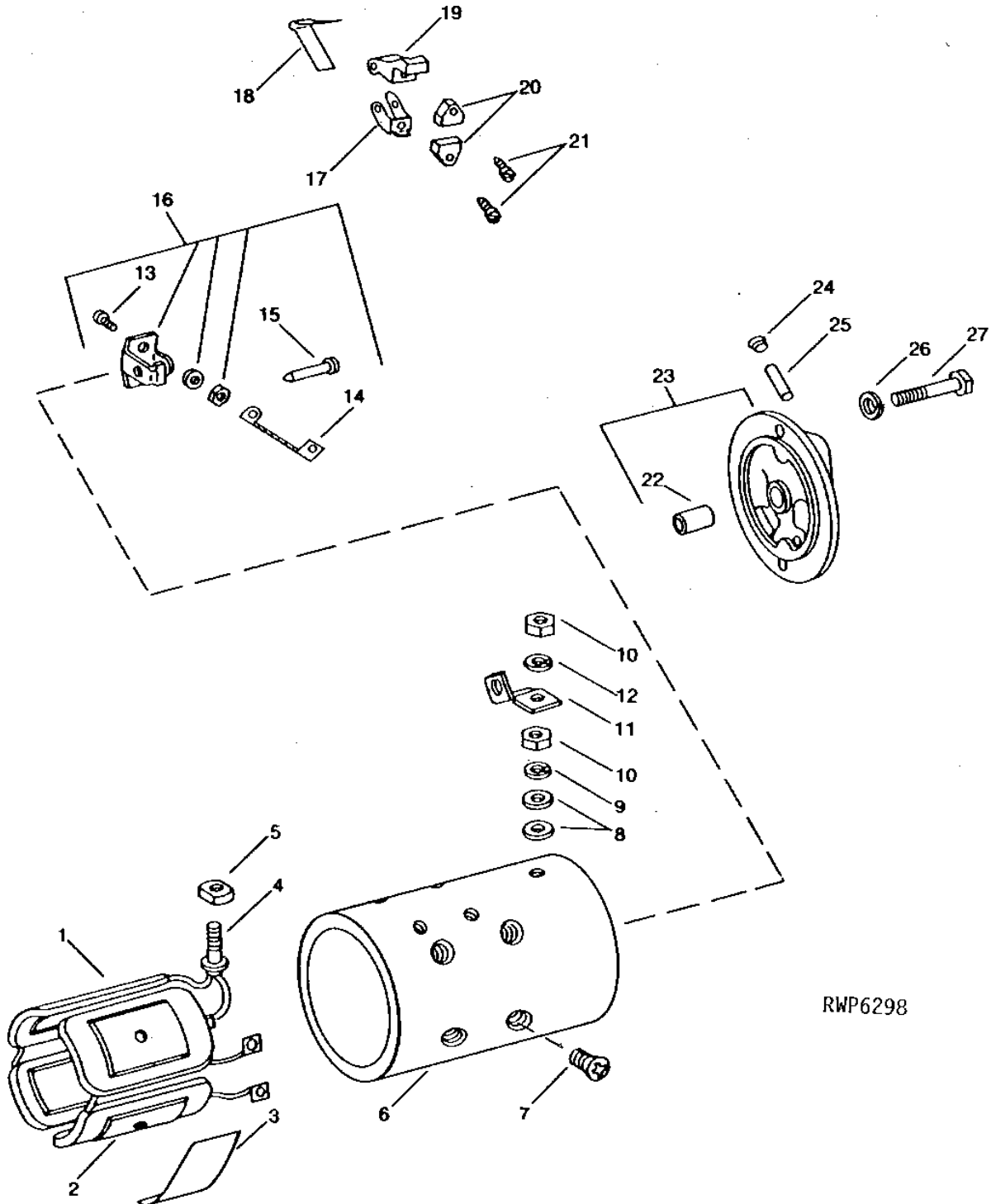
KEY	PART NO.	PART NAME	QTY	ENGINE SERIAL NO.	REMARKS
1	T11743	BUSHING	1		
2	R62674	SCREW	2		
3	R40337	WICK	2		
4	15H566	PIPE PLUG	2	1/8"	
5	12H301	LOCK WASHER	3	1/2"	
6	19H1721	CAP SCREW	3	1/2" X 1-1/2"	
7	AR77259	HOUSING	1		
8	R11117	SNAP RING	1		
9	R48976	STOP	1		
10	AR88880	BENDIX DRIVE	1		(SUB FOR AR76841)
11	R62673	O-RING	1		
12	R11095	WASHER	1		
13	AR77261	LEVER	1		
14	R11026	SNAP RING	1		
15	12H302	LOCK WASHER	5	1/4"	
16	19H3005	CAP SCREW	5	1/4" X 1"	
17	R11133	PLUG	1		
18	R11121	GASKET	1		
19	A4365R	O-RING	1		
20	R62670	SHAFT	1		
21	A3917R	O-RING	1		
22	AR77260	HOUSING	1		
23	R11212	BUSHING	1		
24	R11120	O-RING	1		
25	AR62964	SEAL	1		
26	R11291	WASHER	2		
27	AR77257	ARMATURE	1		
28	R11096	WASHER	1		
29	T19909	BOLT	4		
30	AR77255	SWITCH	1		
31	AR77256	PLUNGER	1		
32	R11138	SHIM	1		(SUB FOR R11221)
33	R11127	BOOT	1		
34	R11126	RETAINER	1		
35	R11128	SPRING	1		
36	R11129	CAP	1		
37	R11026	SNAP RING	1		
38	R62671	LOCK NUT	1		
..	AR78538	STARTER	1		(SUB FOR AR55638 OR AR62267) (SUB TY6701)
..	TY6701	STARTER	1		(REMANUFACTURED) (SUB FOR TY6618 OR AR78538)

# 2D1

ELECTRICAL

## STARTER MAIN FRAME, COIL, AND COMMUTATOR END FRAME (12-VOLT) (DELCO-REMY NO. 1113391) (DIESEL) (AR78538)

RWP6298 -UN-01JAN94





# 2D2

ELECTRICAL

STARTER MAIN FRAME, COIL, AND COMMUTATOR END FRAME - CONTINUED  
 (12-VOLT) (DELCO-REMY NO. 1113391)  
 (DIESEL)  
 (AR78538)

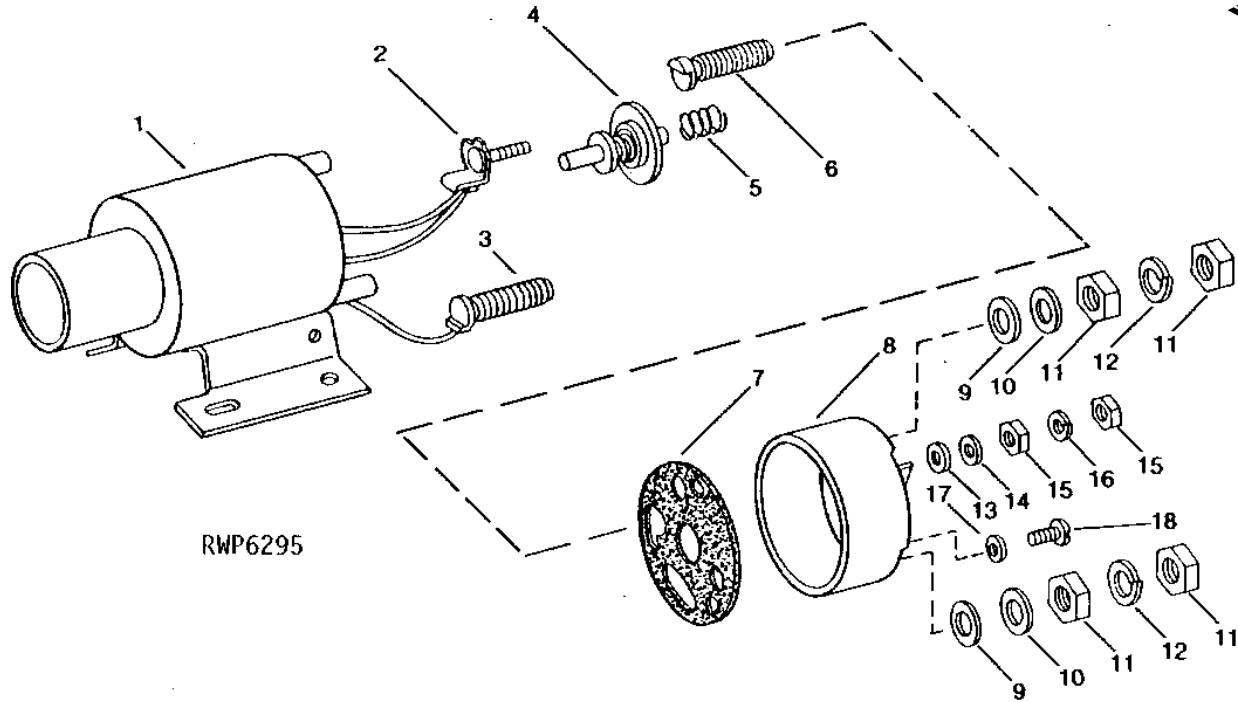
KEY	PART NO.	PART NAME	QTY	ENGINE SERIAL NO.	REMARKS
1	AR77258	FIELD WINDING COIL	1		
2	R11003	SHOE	4		
3	R62672	ISOLATOR	2		
4	R11146	SCREW	1		
5	AR40171	GROMMET	1		
6	.....	FRAME	1		(ORDER TY6701)
7	21H1280	SCREW	4		3/8" X 3/4"
8	R11011	WASHER	2		
9	811912	WASHER	2		
10	14H971	NUT	2		1/2"
11	R62669	CONNECTOR	1		
12	12H301	LOCK WASHER	1		1/2"
13	T18098	SCREW	2		
	R11250	RIVET	2		
14	AR11001	WIRING LEAD	1		
15	R61933	PIN	2		
16	AR75908	KIT	2		
17	T738T	HOLDER	2		
18	R11209	SPRING	2		
19	R11290	CARBON BRUSH HOLDER	2		
20	R42574	BRUSH	4		
21	37H78	SCREW	4		0.164" X 3/4"
22	R61932	BUSHING	1		
23	AR75905	FRAME	1		
24	15H566	PIPE PLUG	1		1/8"
25	R61934	WICK	1		
26	12H302	LOCK WASHER	4		1/4"
27	19H3005	CAP SCREW	4		1/4" X 1"
..	AR78538	STARTER	1		(SUB FOR AR56638 OR AR62267) (SUB TY6701)
..	TY6701	STARTER	1		(REMANUFACTURED) (SUB FOR TY6618 OR AR78538)

# 2D3

ELECTRICAL

**SOLENOID SWITCH  
(12-VOLT) (DELCO-REMY NO. 1113391)  
(DIESEL)  
(AR78538)**

RWP6295 -UN-01JAN94



KEY	PART NO.	PART NAME	QTY	ENGINE SERIAL NO.	REMARKS
1	AR77255	SWITCH	1		(A) (DELCO-REMY NO. 1115530)
2	R11197	STUD	2		(SUB FOR T18110)
3	R11293	STUD	1		
4	AR11051	CONTACT	1		
5	R11066	SPRING	1		
6	T18105	STUD	1		(SUB FOR R62667)
7	R40548	GASKET	1		
8	R62668	COVER	1		
9	T18107	WASHER	2		
10	24M7096	WASHER	2		10.500 X 18 X 1.600 MM
11	14H732	NUT	4		3/8"
12	12H304	LOCK WASHER	2		3/8"
13	T18106	WASHER	2		
14	24H1283	WASHER	2		7/32" X 1/2" X 0.049"
15	14H631	NUT	4		0.190"
16	12H246	LOCK WASHER	2		0.190"
17	R11039	WASHER	2		
18	21H1298	SCREW	2		0.190" X 3/8"

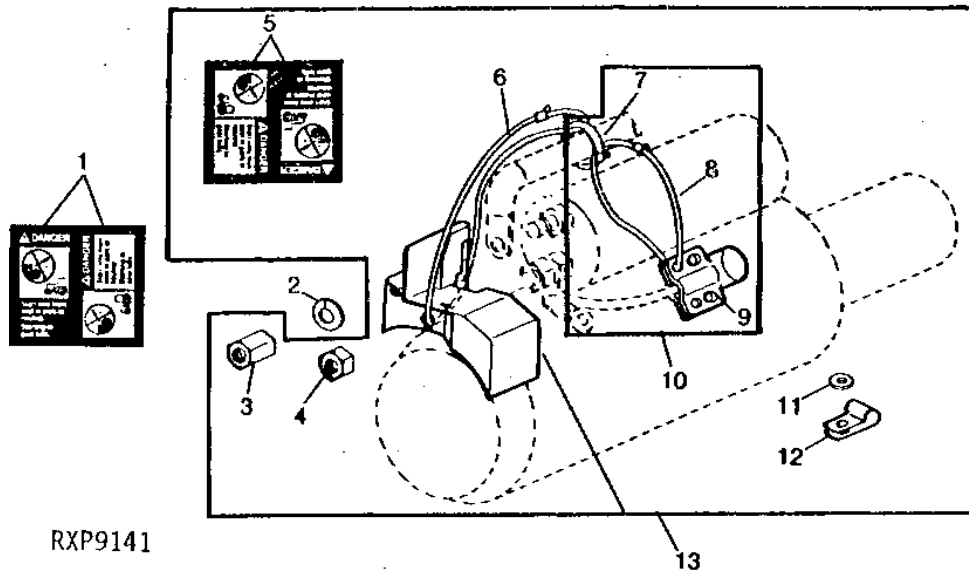
(A) USE WITH AR78538, TY6618 OR TY6701

# 2D4

ELECTRICAL

## STARTER SOLENOID COVER KIT (DIESEL) (JOHN DEERE)

RXP9141 -UN-01JAN94



RXP9141

KEY	PART NO.	PART NAME	QTY	TRACTOR SERIAL NO.	REMARKS
1	T146106	WARNING LABEL	1	(ESPAÑOL) (SUB FOR T84410 OR T134452)	
	T146104	WARNING LABEL	1	(FRANCAIS) (SUB FOR T84411 OR T134453)	
	T146515	WARNING LABEL	1	(DEUTSCH) (SUB FOR T84412 OR T134454)	
	T146516	WARNING LABEL	1	(ITALIANO) (SUB FOR T84413 OR T134455)	
	T146517	WARNING LABEL	1	(ENGLISH/FRANCAIS) (SUB FOR T84578 OR T134456)	
2	12H246	LOCK WASHER	1	0.190"	
3	R100380	NUT	1		
4	14H732	NUT	1	3/8"	
5	T146102	WARNING LABEL	1	(ENGLISH) (SUB FOR T84409 OR T134459)	
6	R76477	TIE BAND	1		
7	R44302	TIE BAND	1		
8	R76477	TIE BAND	1		
9	R66117	SCREW	2		
10	RE39063	SHIELD	1	(A)	
11	24H1289	WASHER	1		
12	R46414	CLAMP	1		
13	RE39064	SHIELD	1	(A)	

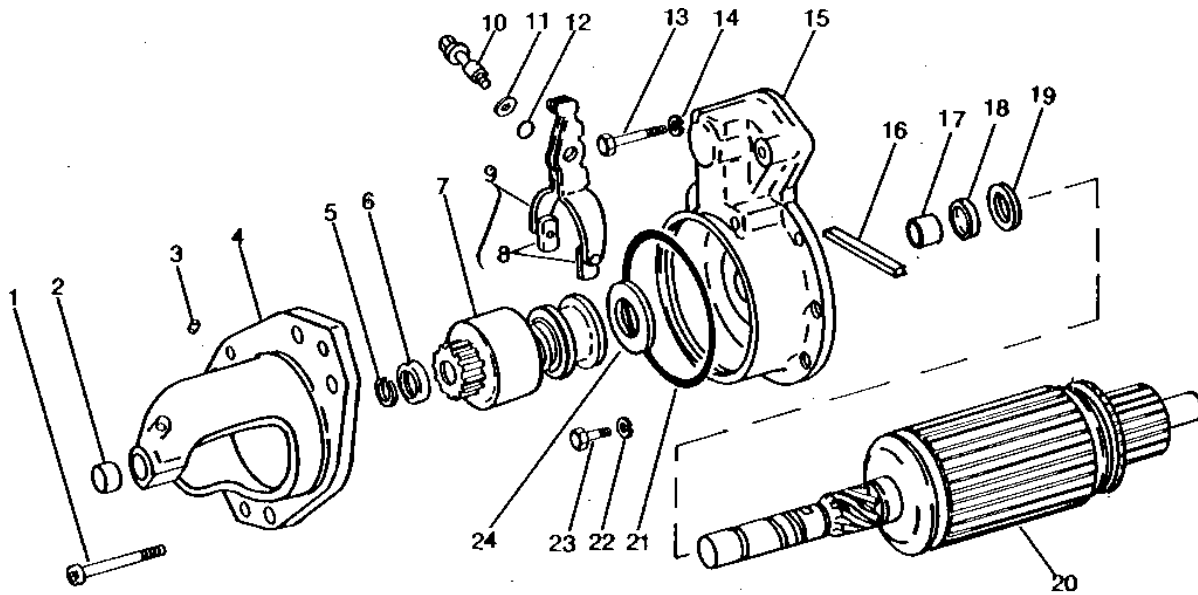
(A) USE WITH AR77254, RE41875, TY6617 OR TY6713

# 2D5

ELECTRICAL

STARTER DRIVE HOUSING AND ARMATURE  
 (12-VOLT) (JOHN DEERE) (NIPPONDENSO NO. 028000-3291 OR 028000-3292)  
 (DIESEL)  
 (AR77254 OR RE41875)

RGP1947 -UN-01JAN94



RGP1947

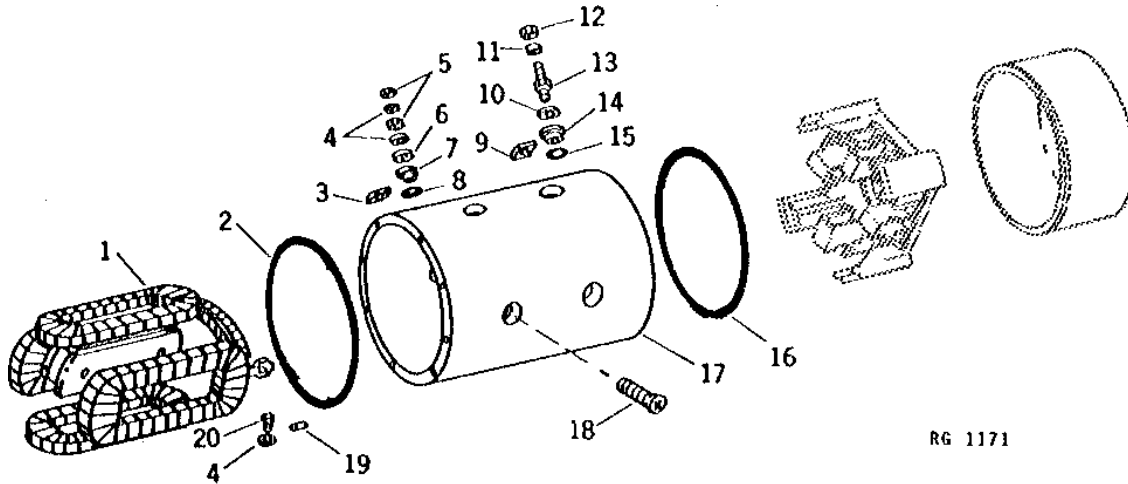
KEY	PART NO.	PART NAME	QTY	ENGINE SERIAL NO.	REMARKS
1	R50900	SCREW	6		
2	R50891	BUSHING	1		(INCLUDED W/AR54990)
3	R50892	PLUG	1		
4	AR54990	HOUSING	1		
5	R50902	SNAP RING	1		
6	R50903	STOP	1		
7	AR54992	DRIVE	1		
8	R51667	WEAR PLATE	2		
9	R50904	LEVER	1		(STARTER SERIAL NO. 11L0233 AND BELOW)
	AR67827	ARM	1		(STARTER SERIAL NO. 11L0234 AND UP)
10	R50897	SHAFT	1		
11	24H1289	WASHER	1		21/64" X 5/8" X 0.049", (USE WITH RE41875 OR TY6713)
12	R52387	O-RING	1		
13	R50893	SCREW	2		
14	12H302	LOCK WASHER	2	1/4"	
15	AR54993	HOUSING	1		(STARTER SERIAL NO. 11L0233 AND BELOW)
	AR68430	HOUSING	1		(STARTER SERIAL NO. 11L0234 AND UP)
16	R51666	WICK	1		
17	R51665	BUSHING	1		
18	AR55947	SEAL	1		
19	R50906	THRUST WASHER	1		
20	AR66778	ARMATURE	1		
21	R50901	WASHER	1		
22	12H317	LOCK WASHER	2	9/16"	
23	R51661	SCREW	2		
24	R50905	WEAR RING	1		
..	AR77254	STARTER	1		(NIPPONDENSO NO. 028000-3291) (SUB RE41875 OR TY6713)
..	RE41875	STARTER	1		(NIPPONDENSO NO. 028000-3292) (MARKED RE13722) (SUB FOR AR77254)
..	TY6713	STARTER	1		(REMANUFACTURED) (SUB FOR AR77254 OR TY6617)

# 2D6

ELECTRICAL

STARTER MAIN FRAME AND COIL  
 (12-VOLT) (JOHN DEERE) (NIPPONDENSO NO. 028000-3291 OR 028000-3292)  
 (DIESEL)  
 (AR77254 OR RE41875)

RG1171 -UN-01JAN94



RG 1171

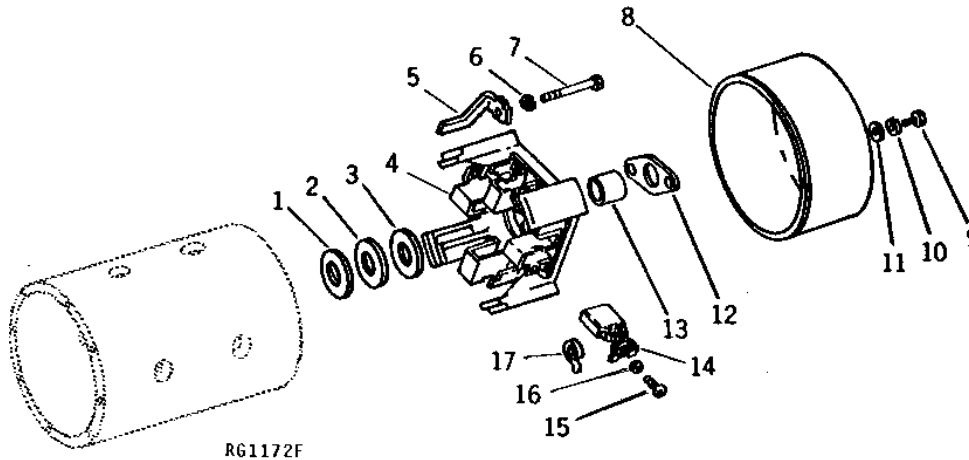
KEY	PART NO.	PART NAME	QTY	ENGINE SERIAL NO.	REMARKS
1	AR54996	FIELD WINDING COIL	1	-9U0000	
	RE13731	FIELD WINDING COIL	1	9U0001-	
2	R50913	O-RING	1		
3	R50916	WASHER	1		
4	12H246	LOCK WASHER	3	0.190"	
5	R50907	NUT	2		
6	24H1283	WASHER	1	7/32" X 1/2" X 0.049"	
7	R50914	WASHER	1		
8	R50915	O-RING	1		
9	R50920	BUSHING	1		
10	R50917	WASHER	1		
11	R50899	LOCK WASHER	1		
12	R50909	NUT	1		
13	R56802	STUD	1	(SUB FOR R52386)	
14	R50918	WASHER	1		
15	R50919	O-RING	1		
16	R50922	O-RING	1		
17	.....	FRAME	1	(ORDER RE41875 OR TY6713)	
18	R50921	SCREW	8		
19	R51664	DOWEL PIN	1		
20	R50931	SCREW	1	(SUB FOR R51663)	
..	AR77254	STARTER	1	(NIPPONDENSO NO. 028000-3291) (SUB RE41875 OR TY6713)	
..	RE41875	STARTER	1	(NIPPONDENSO NO. 028000-3292) (MARKED RE13722) (SUB FOR AR77254)	
..	TY6713	STARTER	1	(REMANUFACTURED) (SUB FOR AR77254 OR TY6617)	

# 2D7

ELECTRICAL

**STARTER COMMUTATOR END FRAME**  
**(12-VOLT) (JOHN DEERE) (NIPPONDENSO NO. 028000-3291 OR 028000-3292)**  
**(DIESEL)**  
**(AR77254 OR RE41875)**

RG1172 -UN-01JAN94



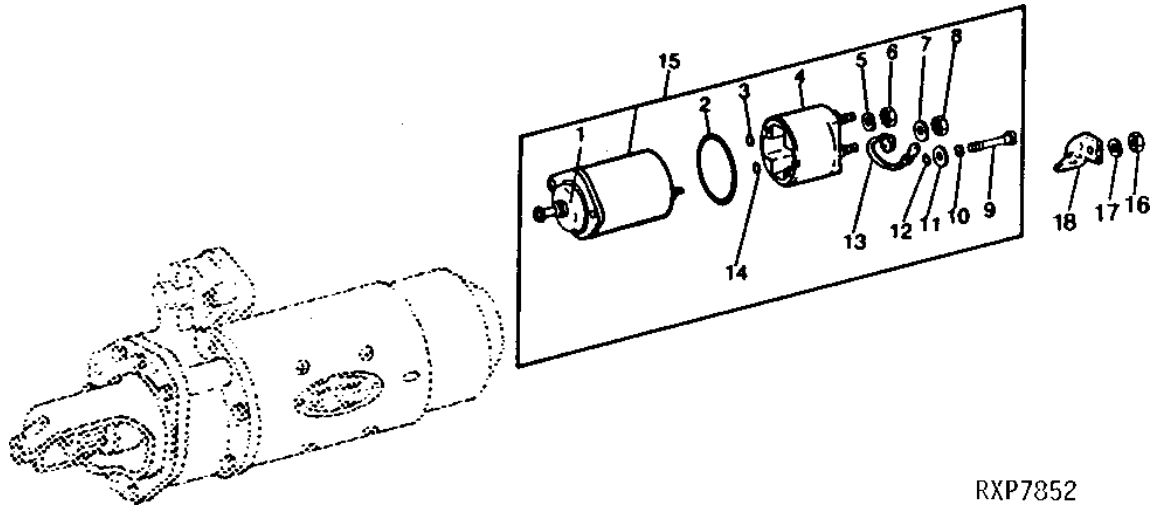
KEY	PART NO.	PART NAME	QTY	ENGINE SERIAL NO.	REMARKS
1	R50923	SHIM	AR		0.18 MM (.007") (USE WITH AR66778) (TYPE 1)
2	R50924	SHIM	AR		0.48 MM (.019") (USE WITH AR66778) (TYPE 1)
3	R50925	THRUST WASHER	1		(USE WITH AR66778) (TYPE 1)
4	AR54997	FRAME	1		
5	R51660	BRACKET	2		
6	12H317	LOCK WASHER	2	9/16"	
7	R51659	SCREW	2		
8	R50912	COVER	1		
9	R50931	SCREW	2		
10	12H246	LOCK WASHER	6	0.190"	
11	24H1283	WASHER	2	7/32" X 1/2" X 0.049"	
12	R50930	GASKET	1		
13	R50891	BUSHING	1		
14	R50927	CARBON BRUSH CONDUCTOR	4		
15	R50929	SCREW	4		
16	12H246	LOCK WASHER	4	0.190"	
17	R50928	SPRING	4		
..	AR77254	STARTER	1		(NIPPONDENSO NO. 028000-3291) (SUB RE41875 OR TY6713)
..	RE41875	STARTER	1		(NIPPONDENSO NO. 028000-3292) (MARKED RE13722) (SUB FOR AR77254)
..	TY6710	STARTER	1		(REMANUFACTURED) (SUB FOR AR77254 OR TY6617)

# 2D8

ELECTRICAL

**STARTER SOLENOID SWITCH  
(12-VOLT) (JOHN DEERE)  
(DIESEL)  
(STARTING MOTOR DATE CODE -8S2760)**

RXP7852 -UN-18OCT94



RXP7852

KEY	PART NO.	PART NAME	QTY	ENGINE SERIAL NO.	REMARKS
1	R52385	BOOT	1		
2	R51668	WASHER	1		
3	R56793	SHIM	1		(SUB FOR R51672)
4	RE13733	SWITCH	1		(SUB FOR AR55948, AR71256 OR AR90071)
5	12H303	LOCK WASHER	1		5/16"
6	R51671	NUT	1		
7	12H246	LOCK WASHER	2		0.190"
8	14H631	NUT	2		0.190"
9	R51669	SCREW	2		
10	12H302	LOCK WASHER	2		1/4"
11	24H1305	WASHER	2		13/32" X 13/16" X 0.065"
12	R50894	O-RING	1		
13	AR55949	WIRING LEAD	1		
14	R56792	WASHER	1		(SUB FOR R51670)
15	RE13732	SOLENOID	1		(A) (SUB FOR AR54991 OR AR90070) (ALSO ORDER RE39064)
16	14H732	NUT	3		3/8"
17	R50899	LOCK WASHER	3		
18	R50910	CONNECTOR	1		

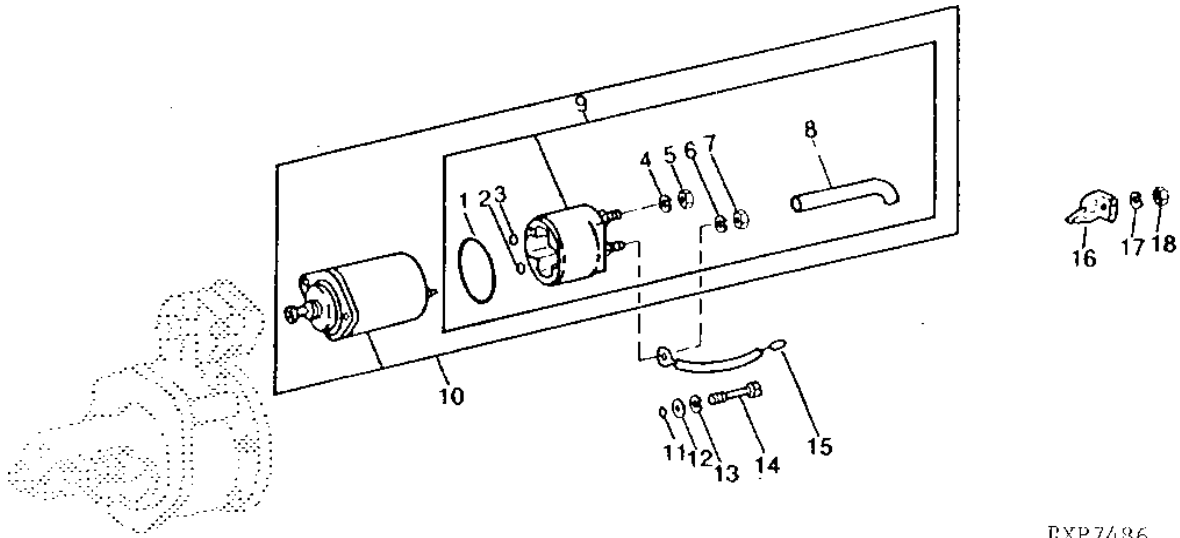
(A) USE WITH AR77254, RE41875, TY6617 OR TY6713

# 2D9

ELECTRICAL

**STARTER SOLENOID SWITCH  
(12-VOLT) (JOHN DEERE)  
(DIESEL)  
(STARTING MOTOR DATE CODE 8S2761- )**

RXP7486 -UN-01JAN94



RXP7486

KEY	PART NO.	PART NAME	QTY	ENGINE SERIAL NO.	REMARKS
1	R68224	GASKET	1		
2	R56792	WASHER	1		
3	R56793	SHIM	1		
4	12H303	LOCK WASHER	1	5/16"	
5	R51671	NUT	1		
6	12H246	LOCK WASHER	1	0.190"	
7	14H631	NUT	2	0.190"	
8	R68222	HOSE	1		
9	RE13733	SWITCH	1		(NIPPONDENSO NO. 028099-3600) (SUB FOR AR90071)
10	AR90070	SWITCH	1		(SUB RE13732)
	RE13732	SOLENOID	1		(A) (NIPPONDENSO NO. 028099-3610) (SUB FOR AR90070) (ALSO ORDER RE39064)
11	R50894	O-RING	2		
12	24H1305	WASHER	2	13/32" X 13/16" X 0.065"	
13	12H302	LOCK WASHER	2	1/4"	
14	R51669	SCREW	2		
15	RE15058	WIRE	1		(SUB FOR AR55949)
16	R50910	CONNECTOR	1		
17	R50899	LOCK WASHER	2		
18	14H732	NUT	2	3/8"	

(A) USE WITH AR77254, RE41875, TY6617 OR TY6713

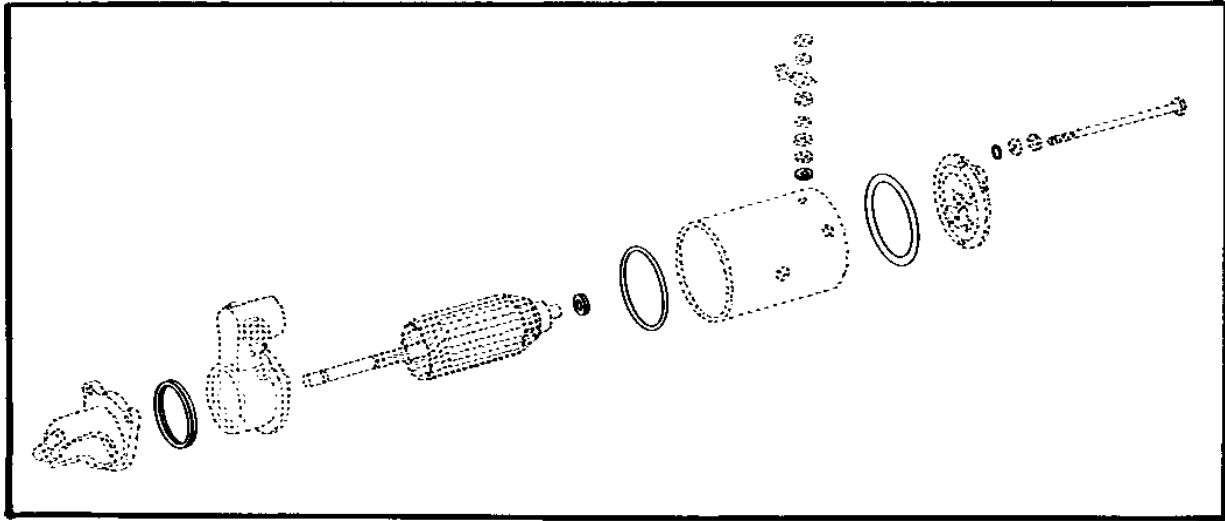


# 2D10

ELECTRICAL

## STARTING MOTOR SEALING KIT (DIESEL) (12-VOLT AND 24-VOLT)

RP1234 -UN-20NOV95



RP1234

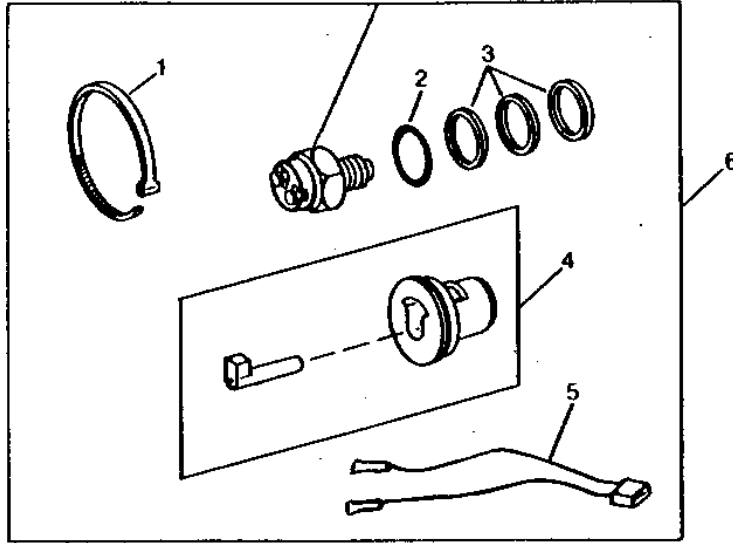
KEY	PART NO.	PART NAME	QTY	TRACTOR SERIAL NO.	REMARKS
1	AR100161	SEAL KIT	1	(A)	(SUB FOR AR40174 OR AR85407)
(A) USE WITH AR55638 OR AR62267					

# 2D11

ELECTRICAL

RXP8097 -UN-01JAN94

## NEUTRAL START SWITCH KIT



RXP8097

KEY	PART NO.	PART NAME	QTY	TRACTOR SERIAL NO.	REMARKS
1	R44302	TIE BAND	2		
2	R26448	O-RING	1		
3	T16911	SHIM	3		
4	RE37996	GAUGE	1		(NEUTRAL START SWITCH ADJ.)
5	RE14069	WIRING HARNESS	1		
6	RE38390	SWITCH	1		(SUB FOR AR89691 OR AR85153)

---

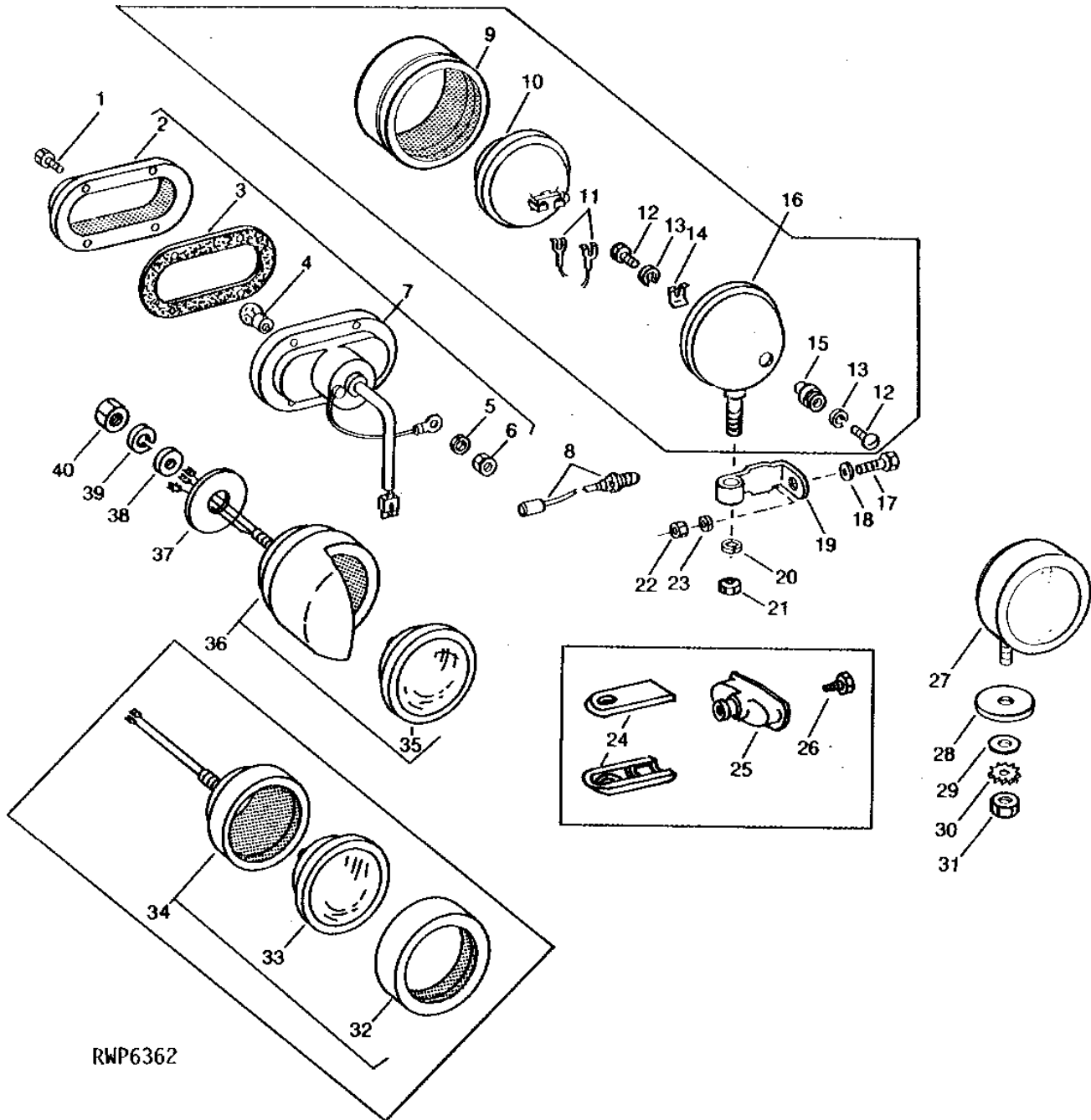
MEMORANDA

# 2D12

ELECTRICAL

## FRONT AND REAR LAMPS AND REAR LAMP BRACKETS (LESS ROLL-GARD OR SOUND-GARD BODY)

RWP6362 -UN-01JAN94



# 2D13

ELECTRICAL

FRONT AND REAR LAMPS AND REAR LAMP BRACKETS - CONTINUED  
(LESS ROLL-GARD OR SOUND-GARD BODY)

KEY	PART NO.	PART NAME	QTY	TRACTOR SERIAL NO.	REMARKS
1	R55933	SCREW	8		
2	R45936	LENS	2		
3	R45937	GASKET	2		
4	AR48041	BULB	2	(A)	
5	12M7084	LOCK WASHER	1	0.169"	
6	14H605	NUT	1	0.164"	
7	AR78825	TAIL LAMP	2	(SUB FOR AR45099)	
8	AR70699	LAMP	1	(SUB FOR AR60251)	
9	R30182	BEZEL	1	(B)	
	R31250	BEZEL	1	(C)	
10	AR21059	HEADLIGHT	1	(A)	
11	.....	WIRING LEAD	1		165 MM (6-1/2") SEALED UNIT TO TERMINAL PLATE, (MAKE FROM R66319 AND (2) R32016)
12	21H1293	SCREW	2	0.164" X 5/16"	
13	12M7084	LOCK WASHER	2	0.169"	
14	A2899R	ASSEMBLY LINE PARTS	1		
15	R30181	PLATE	1	(B)	
	AA3495R	SUPPORT	1	(C)	
16	AR35782	LAMP	2	(A)	
17	19H1792	CAP SCREW	2	011241-	1/2" X 1"
18	24H1211	WASHER	2	011241-	9/16" X 1-3/8" X 0.105"
19	R59160	BRACKET	2	011241-	
20	12H301	LOCK WASHER	2		1/2"
21	14H1040	NUT	2		1/2"
22	14H1040	NUT	2	011241-	1/2"
23	12H301	LOCK WASHER	2	011241-	1/2"
24	R27460	CLAMP	4	-011240	
25	R43662	BRACKET	2	-011240	
26	37H106	SCREW	4	-011240	3/8" X 5/8"
27	AR38456	LAMP	2		
28	R38371	WASHER	2		
29	24H1227	WASHER	2		17/32" X 13/16" X 0.060"
30	12H301	LOCK WASHER	2		1/2"
31	14H856	NUT	2		1/2"
32	R30182	BEZEL	2	(B)	
	R31250	BEZEL	2	(C)	
33	RE25125	DUAL BEAM LAMP	2		(A) (DUAL BEAM) (SUB FOR AR48723)
34	AR48721	LAMP	2		(A) (DUAL BEAM) (SUB RE25126 OR RE25127, THIS APPLICATION)
35	RE25125	DUAL BEAM LAMP	2		
36	RE25126	DUAL BEAM LAMP	1	R.H.	
	RE25127	DUAL BEAM LAMP	1	L.H.	
37	R48663	WASHER	2		
38	F2935R	WASHER	2		
39	12H301	LOCK WASHER	2		1/2"
40	14H1040	NUT	2		1/2"

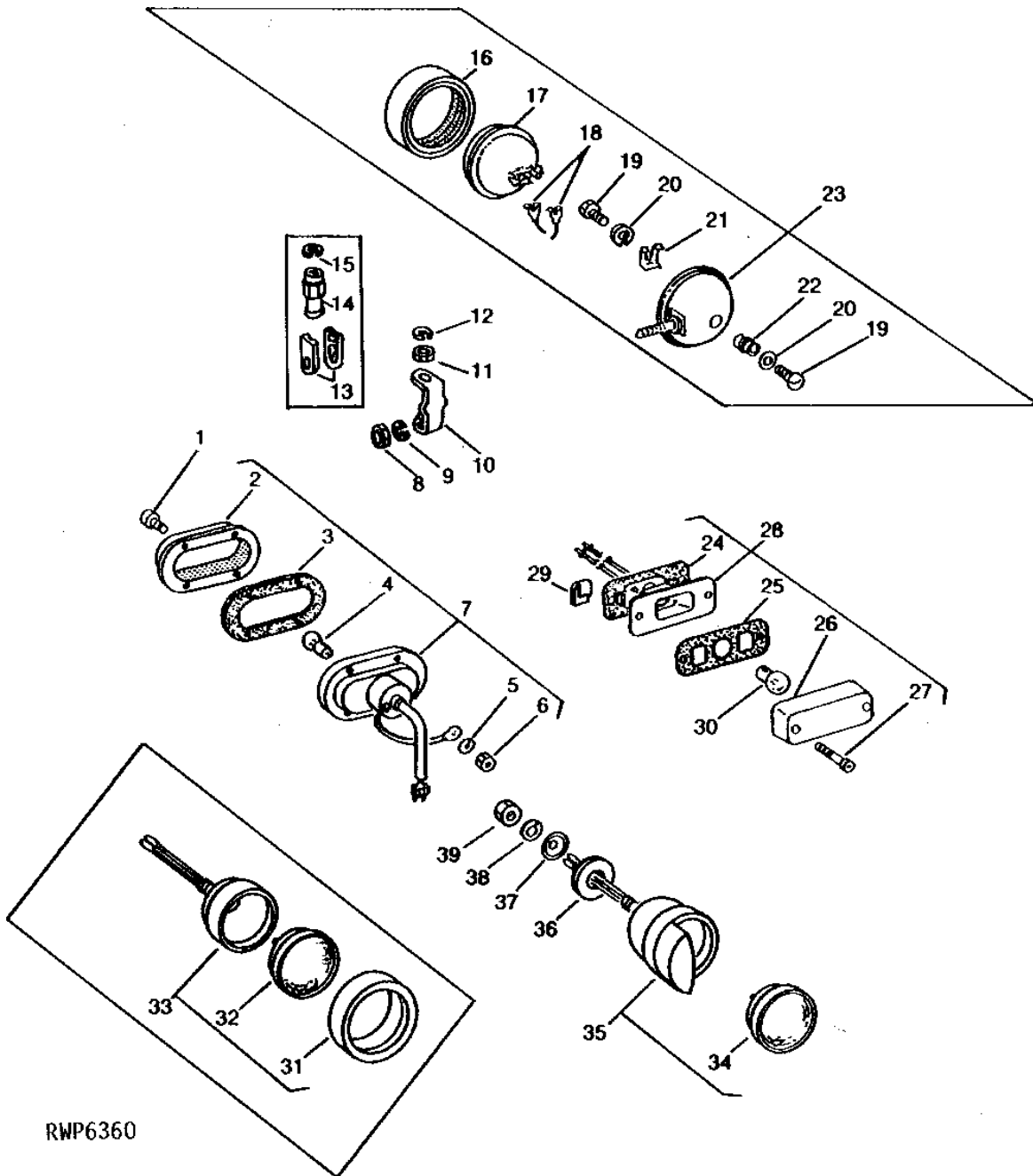
- (A) 12-VOLT
- (B) HOBBS
- (C) GUIDE

# 2D14

ELECTRICAL

## FRONT AND REAR LAMPS AND REAR LAMP BRACKETS (ROLL-GARD)

RWP6360 -UN-01JAN94



RWP6360

# 2D15

ELECTRICAL

## FRONT AND REAR LAMPS AND REAR LAMP BRACKETS - CONTINUED (ROLL-GARD)

KEY	PART NO.	PART NAME	QTY	TRACTOR SERIAL NO.	REMARKS
1	R55933	SCREW	2		
2	R45936	LENS	2		
3	R45937	GASKET	2		
4	AR48041	BULB	2		(A)
5	12M7084	LOCK WASHER	1		0.169"
6	14H605	NUT	1		0.164"
7	AR78825	TAIL LAMP	2		(SUB FOR AR45099)
8	14H1040	NUT	2		1/2"
9	12H301	LOCK WASHER	2		1/2"
10	R59160	BRACKET	2	011241-	
11	14H1040	NUT	2	011241-	1/2"
12	12H301	LOCK WASHER	2	011241-	1/2"
13	R27460	CLAMP	4	-011240	
14	R54778	NUT	2	-011240	(ALSO ORDER R32101) (SUB FOR R50810)
15	12H301	LOCK WASHER	2	-011240	1/2"
16	R30182	BEZEL	2		(B)
	R31250	BEZEL	2		(C)
17	AR21059	HEADLIGHT	2		(A)
18	.....	WIRING LEAD	2		165 MM (6-1/2") SEALED UNIT TO TERMINAL PLATE, (MAKE FROM R66319 AND (2) R32016)
19	21H1293	SCREW	4		0.164" X 5/16"
20	12M7084	LOCK WASHER	4		0.169"
21	A2899R	ASSEMBLY LINE PARTS	2		
22	R30181	PLATE	2		(B)
	AA3495R	SUPPORT	2		(C)
23	AR35782	LAMP	2		(A)
24	R61179	GASKET	4		
25	R54782	GASKET	4		
26	R54779	LENS	4		
27	R54781	SCREW	8		
28	AR60250	LAMP	4		
29	R53528	NUT	8		
30	AD2062R	BULB	4		
31	R30182	BEZEL	2		(B)
	R31250	BEZEL	2		(C)
32	RE25125	DUAL BEAM LAMP	2		(A) (DUAL BEAM) (SUB FOR AR48723)
33	AR48721	LAMP	2		(SUB RE25126 OR RE25127, THIS APPLICATION)
34	RE25125	DUAL BEAM LAMP	2		
35	RE25126	DUAL BEAM LAMP	1		R.H.
	RE25127	DUAL BEAM LAMP	1		L.H.
36	R48663	WASHER	2		
37	F2935R	WASHER	2		
38	12H301	LOCK WASHER	2		1/2"
39	14H1040	NUT	2		1/2"

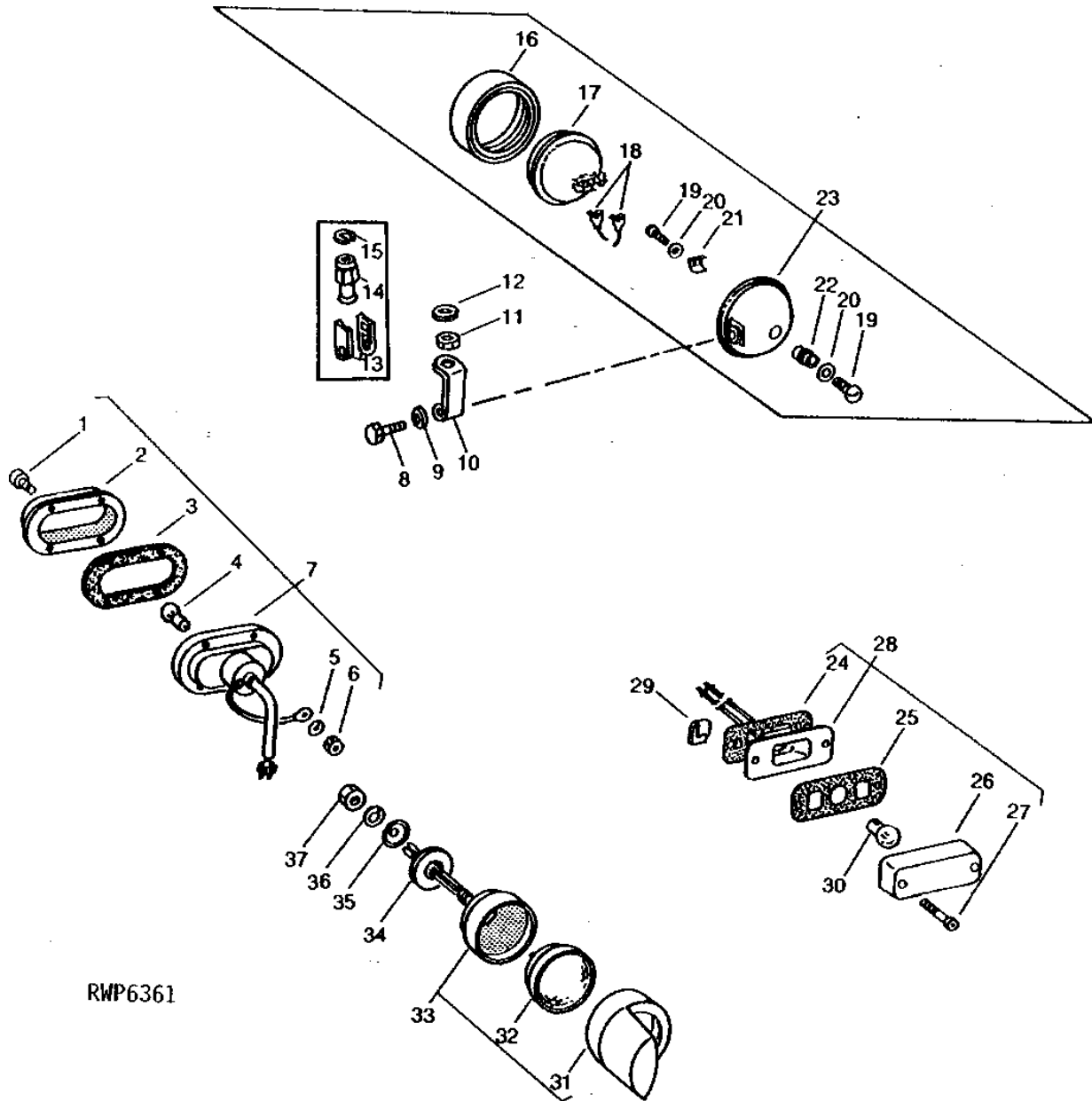
- (A) 12-VOLT
- (B) HOBBS
- (C) GUIDE

# 2D16

ELECTRICAL

## FRONT AND REAR LAMPS AND REAR LAMP BRACKETS (SOUND-GARD BODY)

RWP6361 -UN-01JAN94



RWP6361



# 2D17

ELECTRICAL

## FRONT AND REAR LAMPS AND REAR LAMP BRACKETS - CONTINUED (SOUND-GARD BODY)

KEY	PART NO.	PART NAME	QTY	SG BODY SERIAL NO.	REMARKS
1	R55933	SCREW	8		
2	R45936	LENS	2		
3	R45937	GASKET	2		
4	AR48041	BULB	2		(A)
5	12M7084	LOCK WASHER	1		0.169"
6	14H605	NUT	1		0.164"
7	AR78825	TAIL LAMP	2		(SUB FOR AR45099)
8	19H2644	CAP SCREW	2		1/2" X 2-1/2"
9	12H301	LOCK WASHER	2		1/2"
10	R59160	BRACKET	2	058747-	
11	14H1040	NUT	2	058747-	1/2"
12	12H301	LOCK WASHER	2	058747-	1/2"
13	R27460	CLAMP	4	-058746	
14	R54778	NUT	2	-058746	(ALSO ORDER R32101) (SUB FOR R50810)
15	12H301	LOCK WASHER	2	-058746	1/2"
16	R42689	BEZEL	2		(B)
	R48293	BEZEL	2		(C)
17	AR42591	HEADLIGHT	2		(A) (USE WITH AR42119)
	AR104119	HEADLIGHT	2		(A) (USE WITH RE19075)
18	.....	WIRING LEAD	2		165 MM (6-1/2") SEALED UNIT TO TERMINAL PLATE, (MAKE FROM R66319 AND (2) R32016)
19	21H1293	SCREW	4		0.164" X 5/16"
20	12M7084	LOCK WASHER	4		0.169"
21	A2899R	ASSEMBLY LINE PARTS	2		
22	R30181	PLATE	2		(B)
	AA3495R	SUPPORT	2		(C)
23	RE19075	LAMP	2		(A) (B) (C) (HALOGEN)
24	R61179	GASKET	4		
25	R54782	GASKET	4		
26	R54779	LENS	4		
27	R54781	SCREW	8		
28	AR60250	LAMP	4		
29	R53528	NUT	8		
30	AD2062R	BULB	4		
31	R54047	BEZEL	2		
32	RE25125	DUAL BEAM LAMP	2		(A) (DUAL BEAM) (SUB FOR AR48723)
33	RE25126	DUAL BEAM LAMP	1		(SUB FOR AR61325 OR AR85263)
	RE25127	DUAL BEAM LAMP	1		(SUB FOR AR61326 OR AR85264)
34	R48663	WASHER	2		
35	F2935R	WASHER	2		
36	12H301	LOCK WASHER	2		1/2"
37	14H1040	NUT	2		1/2"

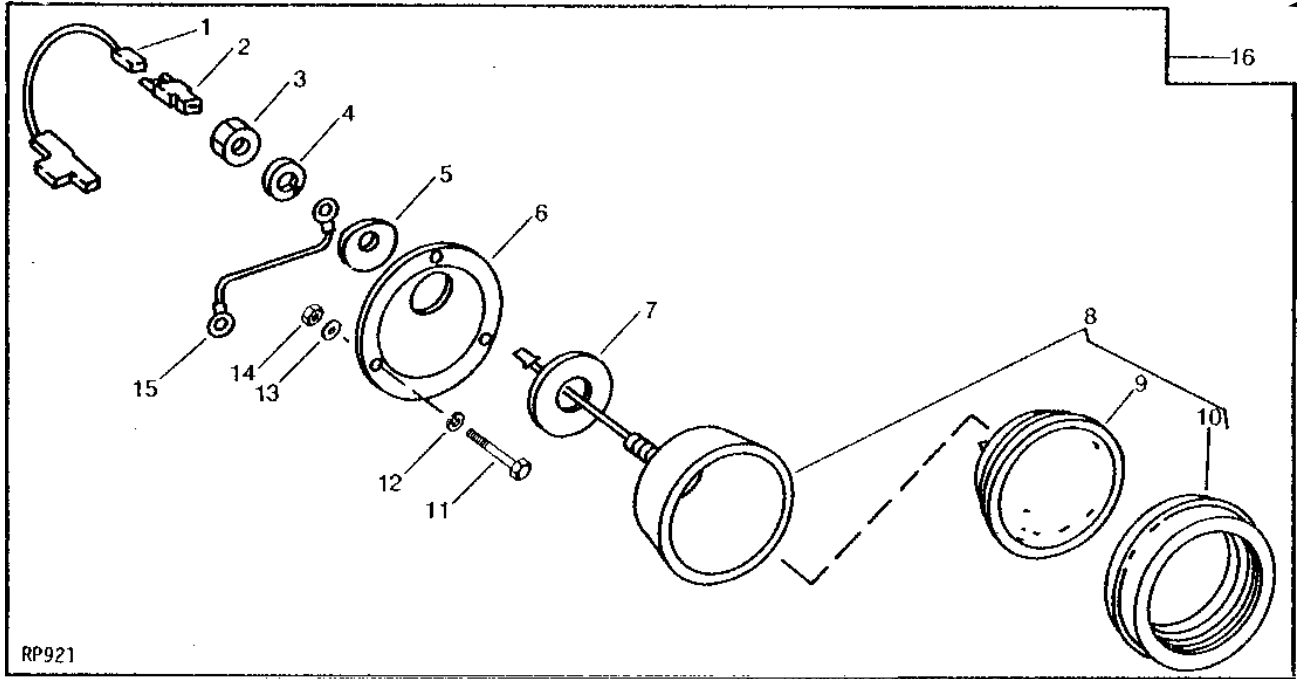
- (A) 12-VOLT
- (B) HOBBS
- (C) GUIDE

# 2D18

ELECTRICAL

RP921 -UN-01JAN94

## FLOOD LAMPS



RP921

KEY	PART NO.	PART NAME	QTY	TRACTOR SERIAL NO.	REMARKS
1	AR50834	WIRING LEAD	2		
2	T28585	TERMINAL	2		
3	14H1040	NUT	2	1/2"	
4	12H301	LOCK WASHER	2	1/2"	
5	F2935R	WASHER	2		
6	R54036	PLATE	2		
7	R48663	WASHER	2		
8	RE19080	LAMP	2	(A) (C) (HALOGEN) (SUB FOR AR48722)	
	AR61298	LAMP	2	(B) (C)	
9	AR21059	HEADLIGHT	2	(C)	
10	R30182	BEZEL	2	(A) (HOBBS)	
	R31250	BEZEL	2	(A) (GUIDE)	
	R54047	BEZEL	2	(B)	
11	21H1295	SCREW	6	0.190" X 5/8"	
12	24H1283	WASHER	6	7/32" X 1/2" X 0.049"	
13	12H246	LOCK WASHER	6	0.190"	
14	14H631	NUT	6	0.190"	
15	.....	WIRING LEAD	2	152 MM (6") FLOOD LAMP TO PANEL MOUNTING SCREW, (MADE FROM R66319, R32022 AND R32023)	
16	AR61423	LAMP	1	(A)	
	AR61417	LAMP	1	(B)	

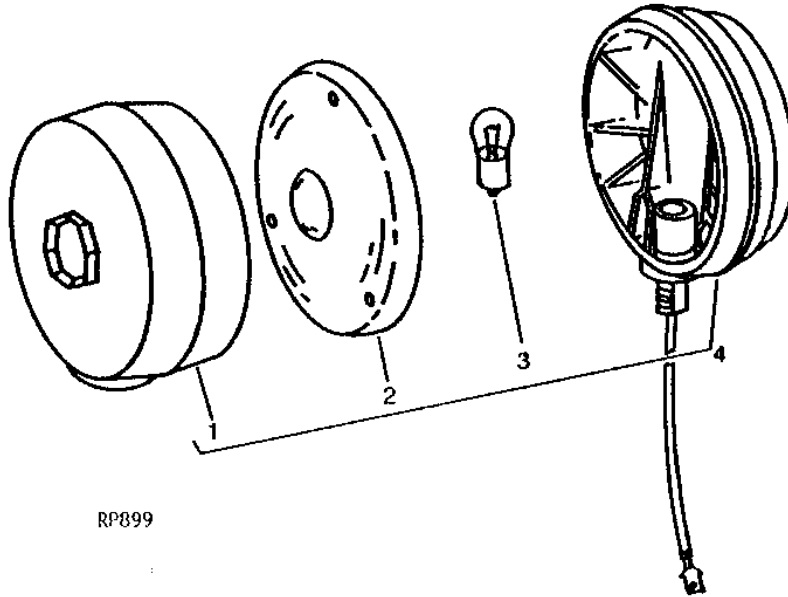
- (A) LESS SOUND-GARD BODY
- (B) SOUND-GARD BODY
- (C) 12-VOLT FLOOD

# 2D19

ELECTRICAL

RP899 -UN-01JAN94

WARNING LAMP  
(LESS ROLL-GARD OR SOUND-GARD)



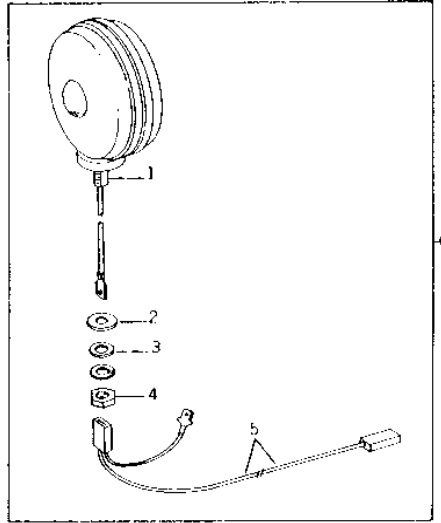
KEY	PART NO.	PART NAME	QTY	TRACTOR SERIAL NO.	REMARKS
1	AR72257	HOUSING	1		AMBER (HOBBS) (SUB AR38456)
2	R42666	LENS	1		AMBER (GUIDE)
	R42667	LENS	1		RED (GUIDE)
3	AD2062R	BULB	1		(32 C.P., 12-16 VOLT)
4	AR38456	LAMP	1		

# 2D20

ELECTRICAL

R28873 -UN-27OCT94

## TURN SIGNAL LAMPS (FIELD INSTALLATION)



R 28873F

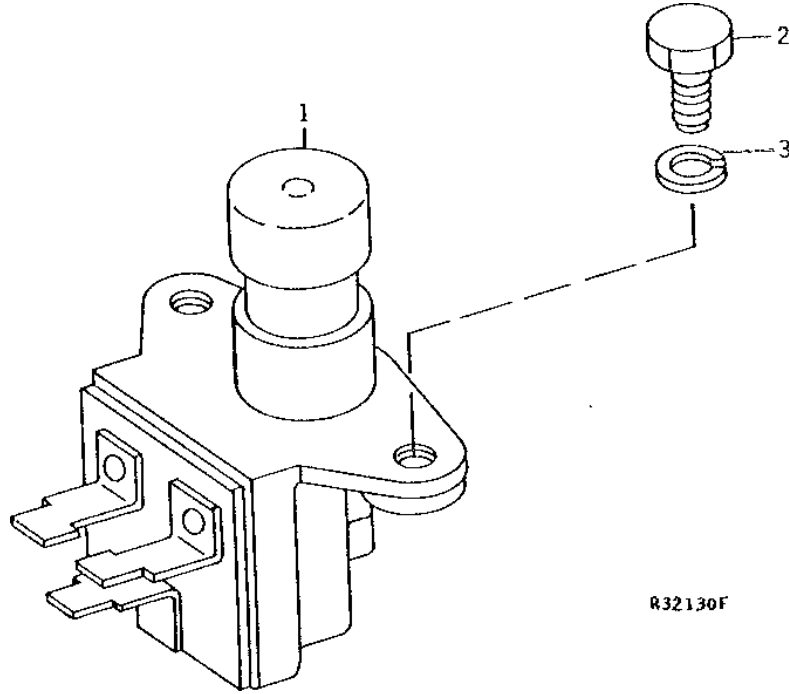
KEY	PART NO.	PART NAME	QTY	TRACTOR SERIAL NO.	REMARKS
1	AR54975	LAMP	4		
2	R38371	WASHER	2		
3	24H1227	WASHER	2	17/32" X 13/16" X 0.060"	
4	14H856	NUT	2	1/2"	
	12H292	LOCK WASHER	2	1/2"	
5	AR67343	WIRING HARNESS	2		
6	AR68275	LAMP	1	(ORDER COMPONENT PARTS)	

# 2D21

ELECTRICAL

R32130 -UN-01JAN94

## DIMMER SWITCH



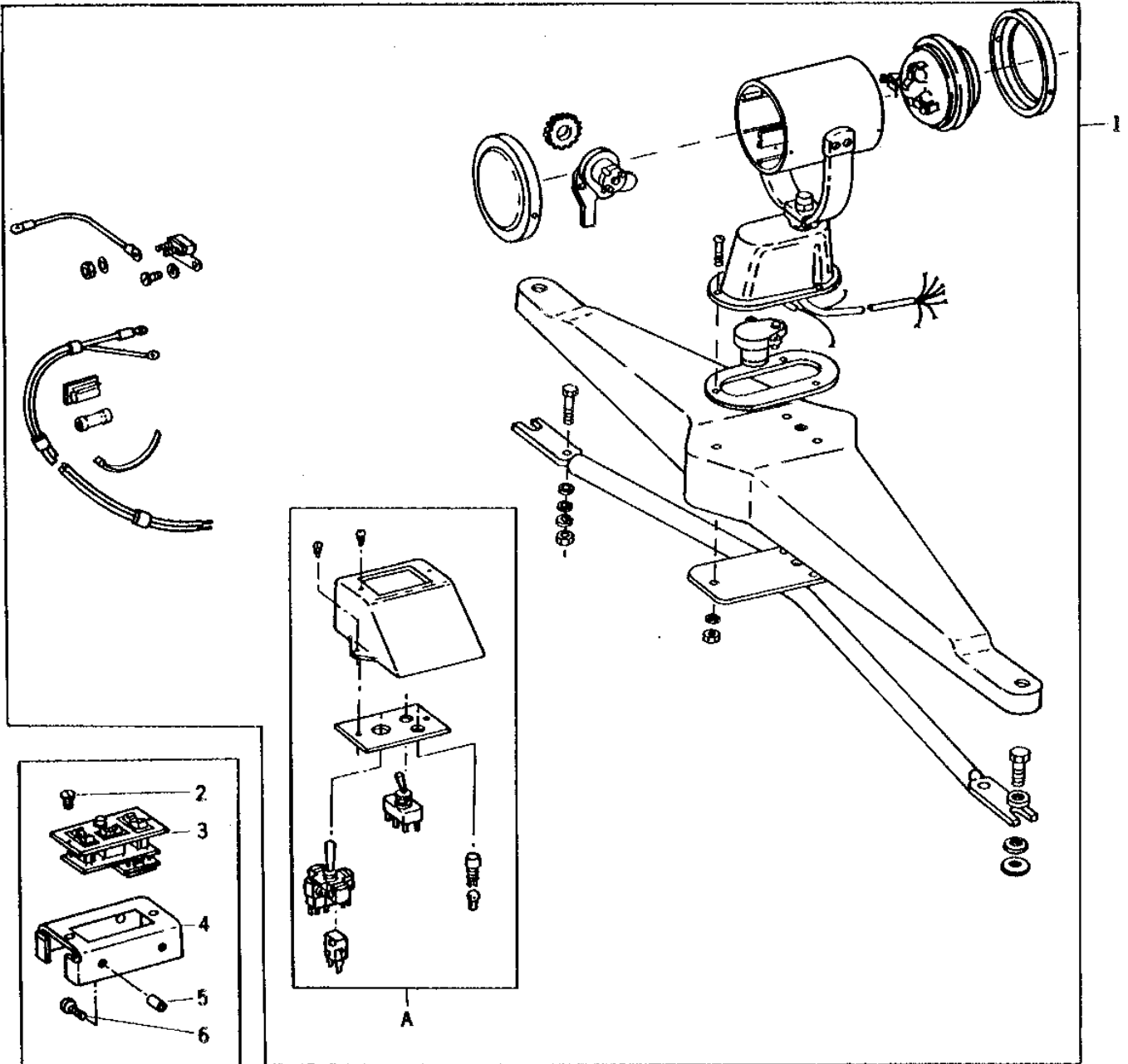
KEY	PART NO.	PART NAME	QTY	TRACTOR SERIAL NO.	REMARKS
1	AR48725	DIMMER SWITCH	1		
2	19H1919	CAP SCREW	2	1/4" X 5/8"	
3	12H302	LOCK WASHER	2	1/4"	

# 2D22

ELECTRICAL

RP769 -UN-01JAN94

ELECTRIC REMOTE CONTROLLED SPOTLIGHT



RP769  
B

# 2D23

ELECTRICAL

---

ELECTRIC REMOTE CONTROLLED SPOTLIGHT - CONTINUED

KEY	PART NO.	PART NAME	QTY	SG BODY SERIAL NO.	REMARKS
1	.....	FLOODLAMP	1		(ORDER AR73207, AR77774 AND AR78577)
2	21H1371	SCREW	2		0.112" X 1/2"
3	AR74323	SWITCH	1		(SUB AR77775, R63034 AND (2) 37H95)
4	R60427	BRACKET	1		
5	R53478	SLEEVE	2		
6	R53508	SCREW	2		

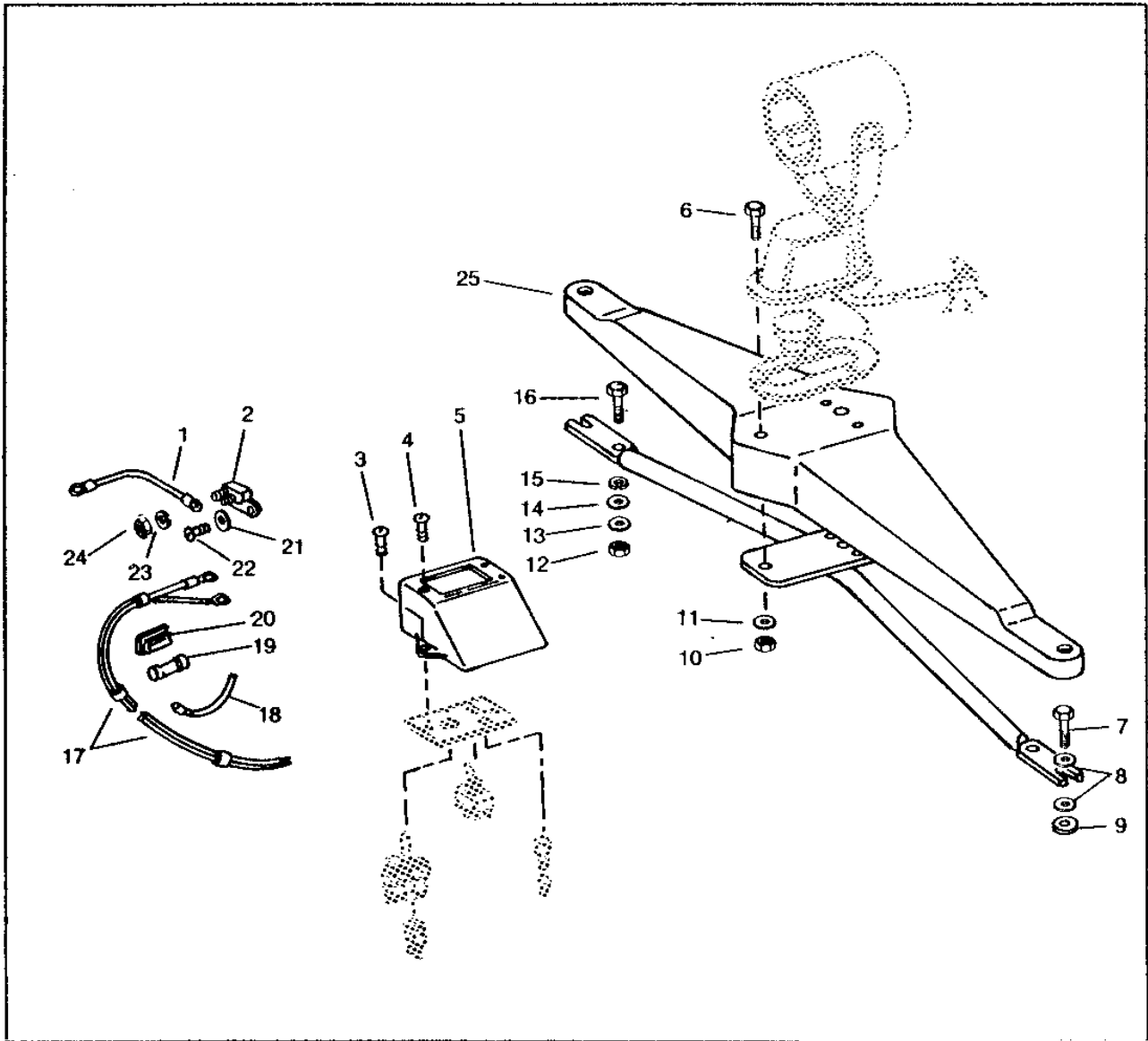
# 2D24

ELECTRICAL

RP1352

-UN-01JAN94

## REMOTE CONTROLLED SPOTLIGHT INSTALLATION KIT



26

RP1352



# 2D25

ELECTRICAL

## REMOTE CONTROLLED SPOTLIGHT INSTALLATION KIT - CONTINUED

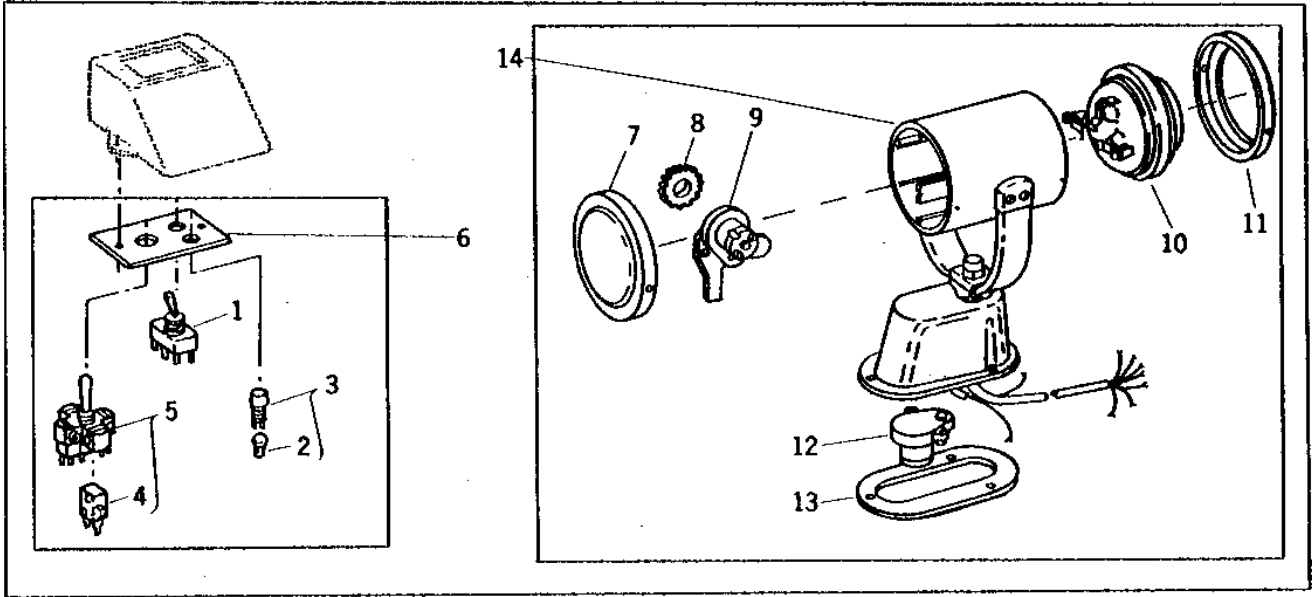
KEY	PART NO.	PART NAME	QTY	SG BODY SERIAL NO.	REMARKS
1	.....	WIRING LEAD	1		152 MM (6") CIRCUIT BREAKER, (MAKE FROM R66319 AND (2) R32018)
2	AR52302	CIRCUIT BREAKER	1		
3	37H95	SCREW	2		NO. 8 X 1/2
4	37M7100	SCREW	2		NO. 6 X 3/8
5	R63034	HOUSING	1		
6	21H1366	SCREW	3		0.164" X 1-1/4"
7	19H1833	CAP SCREW	2		5/8" X 1-1/4"
8	24H1658	WASHER	4		21/32" X 1" X 0.060"
9	24H1392	WASHER	6		25/32" X 1-3/8" X 0.120"
10	14H605	NUT	3		0.164"
11	12H315	LOCK WASHER	3		0.164"
12	14H1076	NUT	2		3/8"
13	12H304	LOCK WASHER	2		3/8"
14	24H1884	WASHER	2		13/32" X 13/16" X 0.120"
15	F2741R	PACKING	2		
16	19H1732	CAP SCREW	2		3/8" X 1-1/4"
17	AR73468	WIRING HARNESS	1		
18	R44302	TIE BAND	4		
19	R32027	CONNECTOR	2		
20	R47474	CLIP	3		
21	12M7060	WASHER	1		0.209"
22	21H1301	SCREW	1		0.190" X 1/2"
23	12M7060	WASHER	2		0.209"
24	14H631	NUT	2		0.190"
25	R63531	COVER	1		
26	AR78577	KIT	1		SPOTLIGHT INSTALLATION (FI)

# 2E1

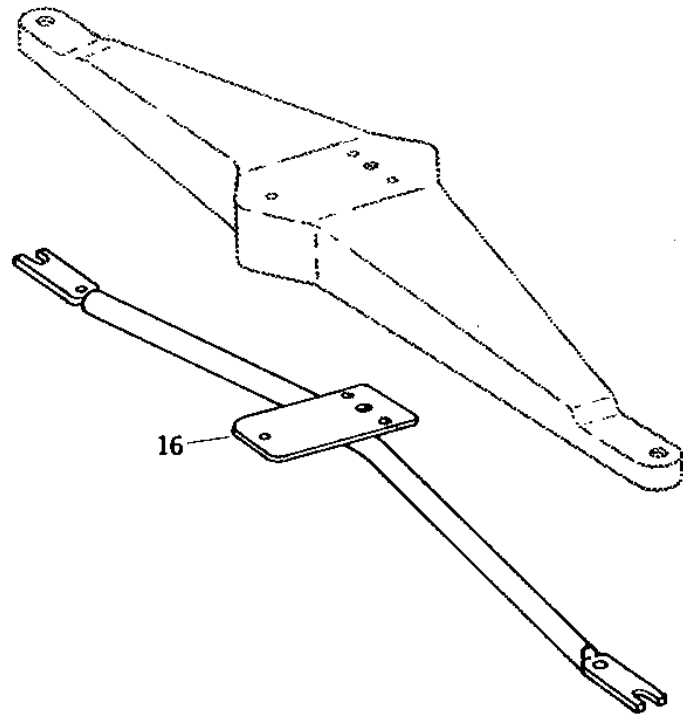
ELECTRICAL

RP771 -UN-01JAN94

REMOTE CONTROLLED SPOTLIGHT



15



RP771

# 2E2

ELECTRICAL

## REMOTE CONTROLLED SPOTLIGHT - CONTINUED

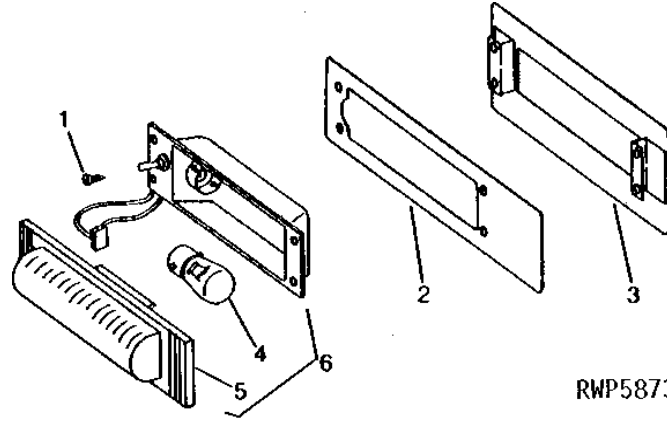
KEY	PART NO.	PART NAME	QTY	SG BODY SERIAL NO.	REMARKS
1	AR77778	SWITCH	1		
2	AR77780	BULB	1		
3	AR77779	LAMP	1		
4	AR77777	SWITCH	4		
5	AR77776	HOUSING	1		
6	AR77775	SWITCH	1		
7	R61323	COVER	1		
8	AR74325	STEERING GEAR	1		
9	AR74326	MOTOR	1		(TILT)
10	AR74322	LAMP	1		
11	R61322	BEZEL	1		
12	AR74327	MOTOR	1		(ROTATION)
13	R61321	GASKET	1		
14	AR74324	FLOODLAMP	1		
15	AR77774	FLOODLAMP	1		
16	AR73207	SUPPORT	1		

# 2E3

ELECTRICAL

RWP5873 -UN-01JAN94

DOME LIGHT  
(SOUND-GARD BODY SERIAL NO. -109753)



RWP5873

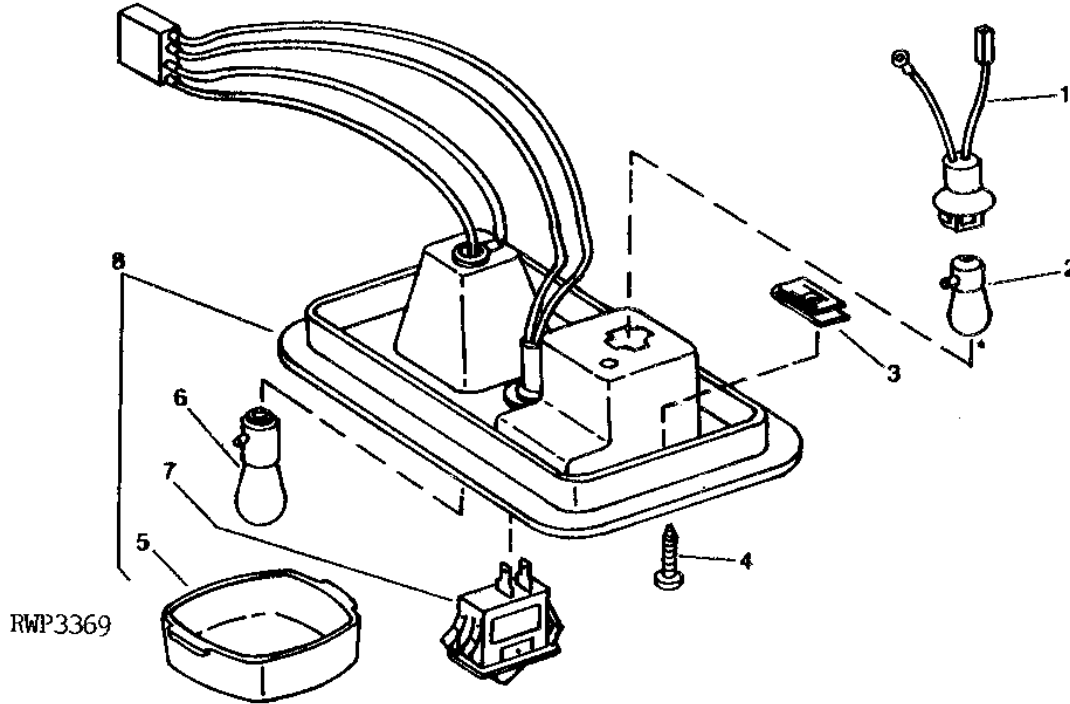
KEY	PART NO.	PART NAME	QTY	SG BODY SERIAL NO.	REMARKS
1	37H46	SCREW	4		NO. 6 X 3/8
2	R52081	PLATE	1	-007135	
	M42229	PLUG	1	-007135	(SUB FOR R32234 OR T11708)
3	R56886	PLATE	1	007136-	ILLUSTRATED
	AR56669	SUPPORT	1		
4	AR86969	BULB	1		(12-VOLT) (SUB FOR AR21739)
5	R47886	LENS	1		
6	AT101691	LAMP	1		(SUB FOR AR56670)

# 2E4

ELECTRICAL

RWP3369 -UN-01JAN94

## DOME LIGHT - CONSOLE LIGHT



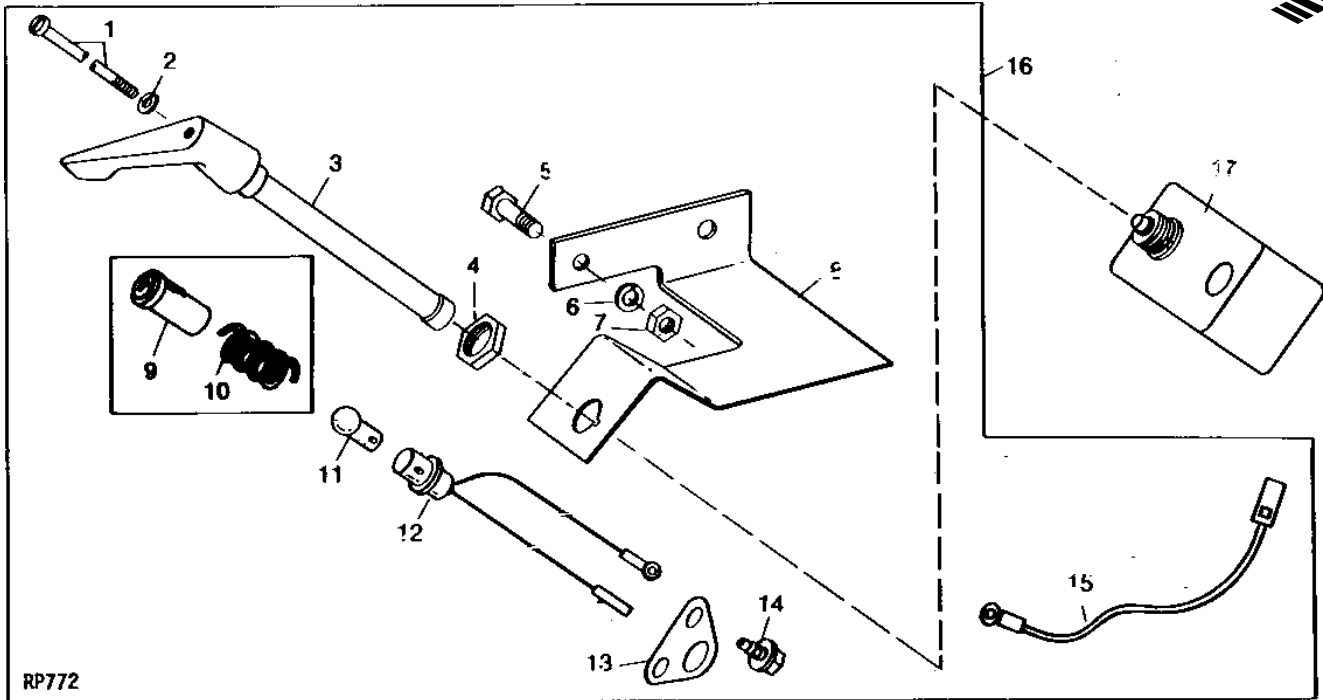
KEY	PART NO.	PART NAME	QTY	SG BODY SERIAL NO.	REMARKS
1	AR61645	CONSOLE LAMP WIRING HARNES	1	109754-	
2	AR48015	BULB	1	109754-	
3	R52130	LOCK NUT	2	109754-	
4	R50499	SCREW	2	109754-	
5	R63496	LENS	1	109754-	
6	AR86969	BULB	1	109754-	(SUB FOR AR21739)
7	AH109555	ROCKER SWITCH	1	109754-	(USE WITH RE10761 OR AR95971)
8	RE10761	HOUSING	1	109754-	(BLACK) (SOUND-GARD BODY) (SUB FOR AR78418)
	AR95971	HOUSING	1	109754-	(BROWN) (REPLACEMENT SOUND-GARD BODY)
	AR59977	HOUSING	1		(BLACK) (CONSOLE LIGHT ONLY) (FOUR POST ROLL-GARD)

# 2E5

ELECTRICAL

RP772 -UN-12OCT94

## TURN SIGNAL CONTROL AND INDICATORS



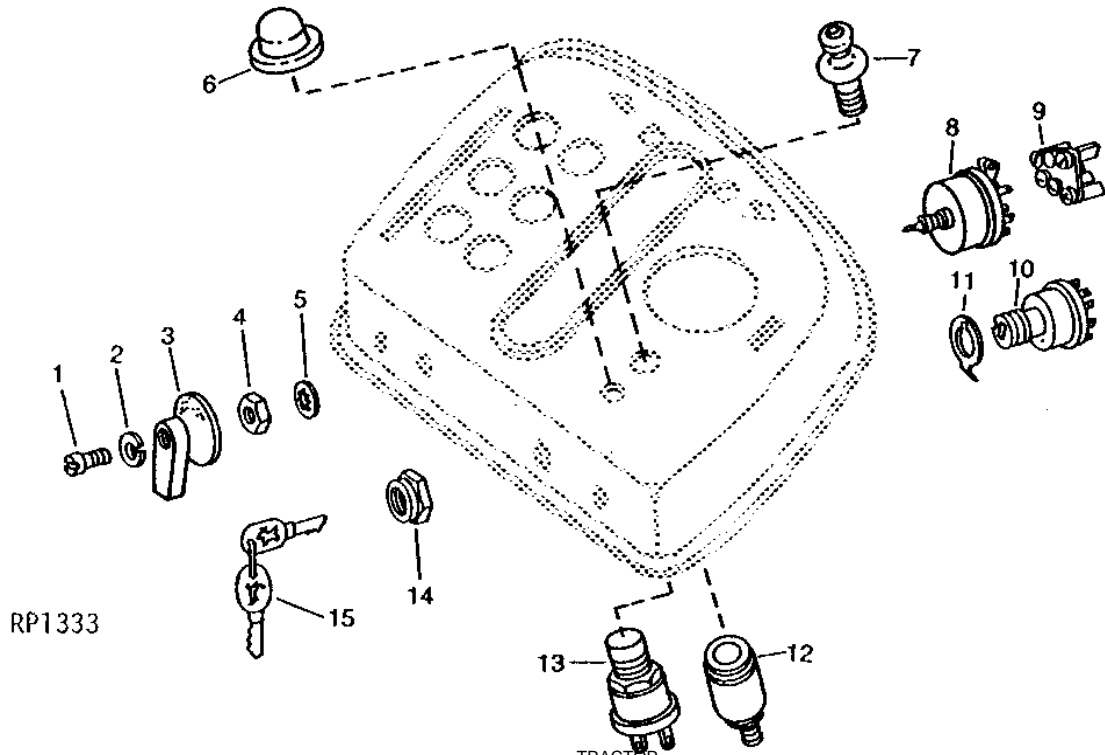
KEY	PART NO.	PART NAME	QTY	TRACTOR SERIAL NO.	REMARKS
1	R56411	SCREW	1		
2	12H233	LOCK WASHER	1	1/8"	
3	R56412	GRIP	1		
4	R56410	NUT	1		
5	19H1905	CAP SCREW	2	5/16" X 1"	
6	12H303	LOCK WASHER	2	5/16"	
7	14H785	NUT	2	5/16"	
8	R56413	BRACKET	1		
9	AR67690	LENS	2		
10	R30378	SPRING	2	-013227	
11	R56409	BULB	2		
12	AR67340	WIRING HARNESS	2	-013227	
	AR74339	WIRING HARNESS	2	013228-015865	
13	R61341	BRACKET	2	013228-	
14	R53028	CAP SCREW	3	013228-	
15	AR67341	WIRING LEAD	1	-015865	
16	AR67823	KIT	1		BRACKET, TURN SIGNAL LESS CONTROLLER
17	AR64422	TURN SIGNAL CONTROLLER	1		(SUB FOR AR67398)

# 2E6

ELECTRICAL

RP1333 -UN-01JAN94

## LIGHT AND IGNITION SWITCH



KEY	PART NO.	PART NAME	QTY	TRACTOR SERIAL NO.	REMARKS
1	21H1299	SCREW	1		0.164" X 3/8"
2	12H315	LOCK WASHER	1		0.164"
3	AR54445	KNOB	1		
4	A4655R	NUT	1		
5	12H275	LOCK WASHER	1		1/2"
6	T55501	CAP	1		
	R56264	PLUG	1		(LESS HORN)
7	AR60937	LIGHTER	1		
8	AR48724	LIGHT SWITCH	1		
9	AR83425	RECEPTACLE CONNECTOR BODY	1		
10	AR58126	KEY SWITCH	1		
11	R52725	CONNECTOR	1		
12	AR56766	HOUSING	1		
13	AR21823	SWITCH	1		
14	R44342	NUT	1		
15	AR51481	KEY	1		

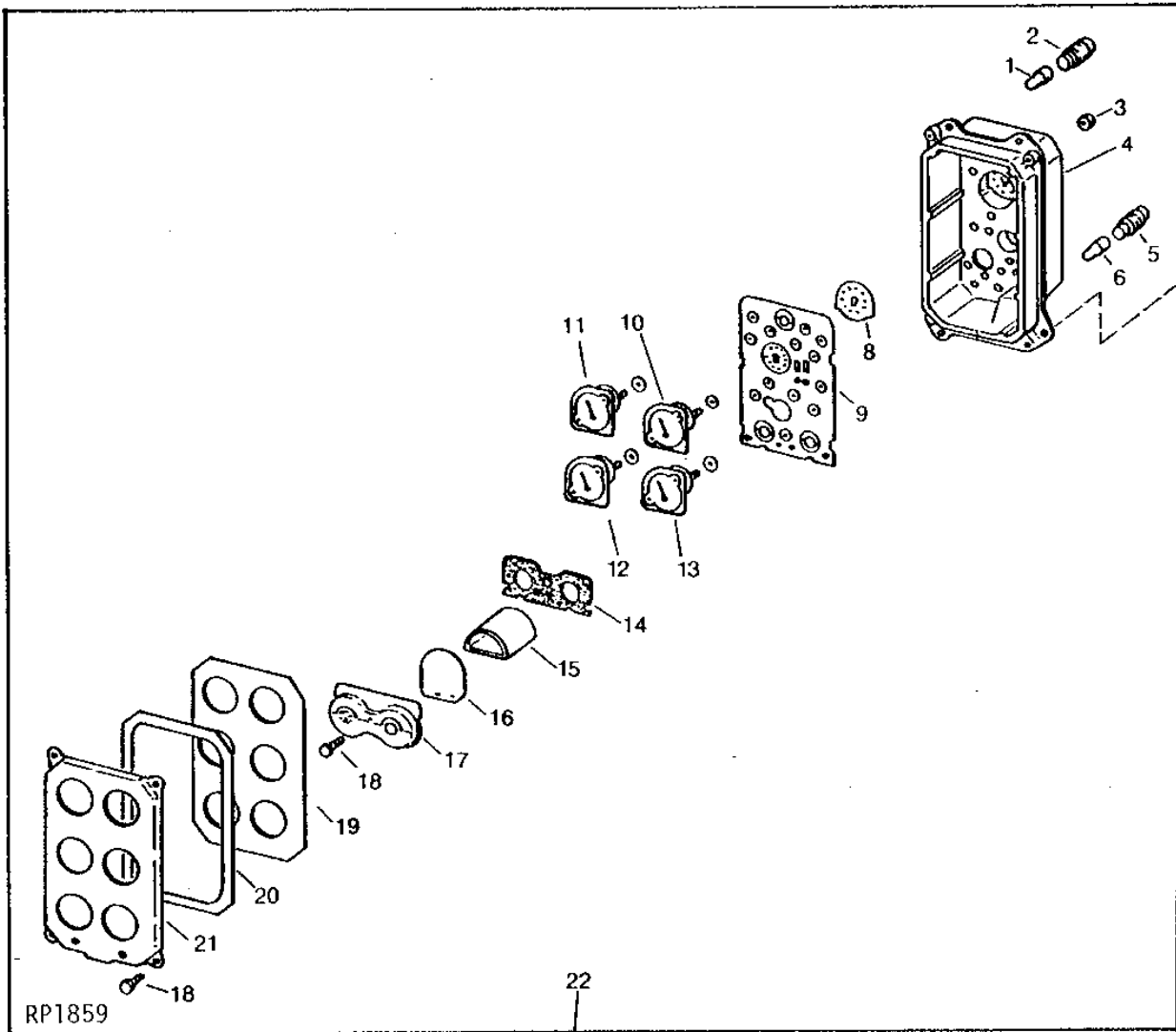
# 2E7

ELECTRICAL

RP1859

-UN-01JAN94

GAUGES AND INDICATOR LAMPS





# 2E8

ELECTRICAL

## GAUGES AND INDICATOR LAMPS - CONTINUED

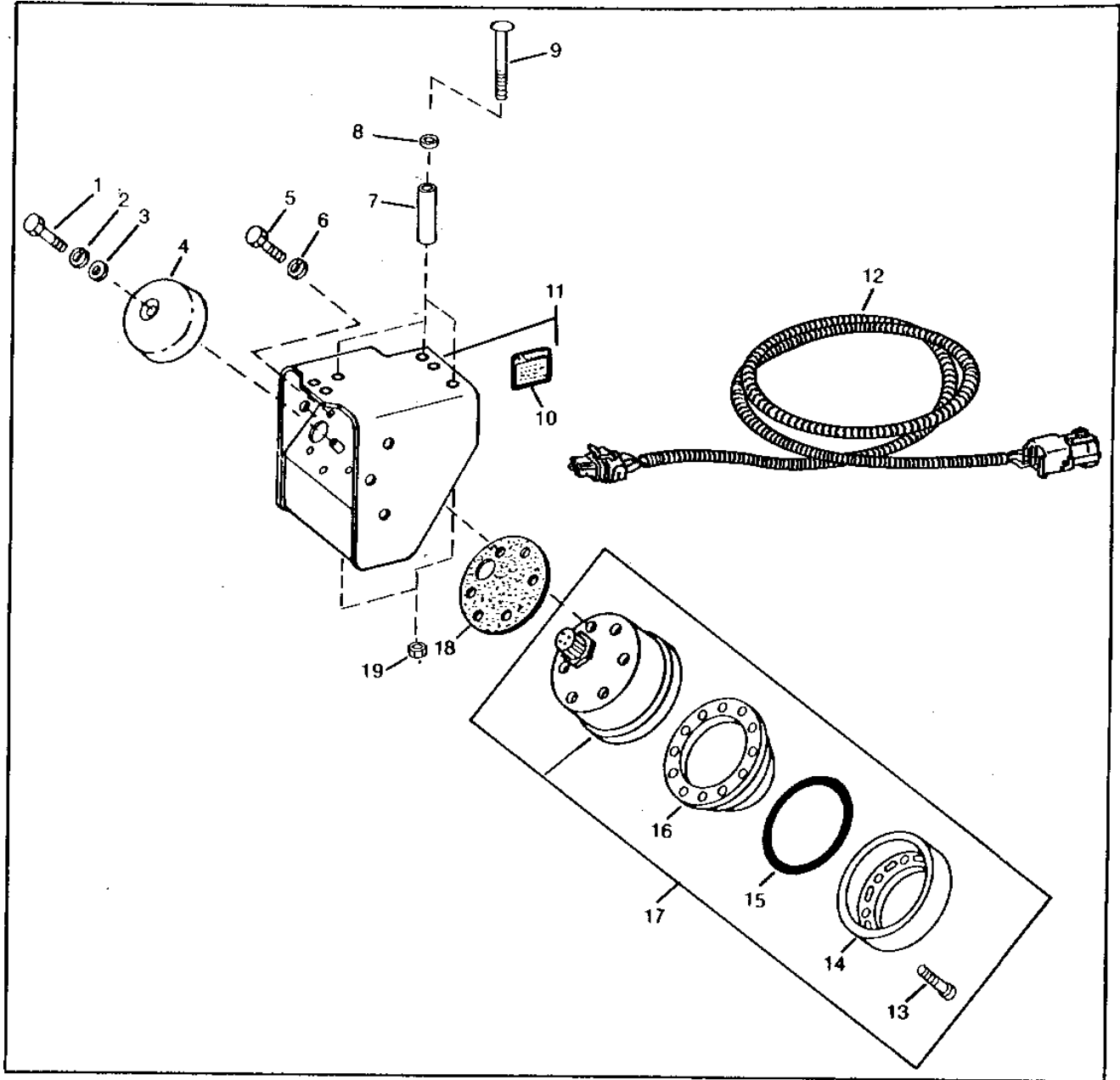
KEY	PART NO.	PART NAME	QTY	TRACTOR SERIAL NO.	REMARKS
1	AR62407	BULB	2		
2	AR62413	SOCKET	2		(BLACK)
3	14H1026	NUT	12		0.138"
4	R54518	CASE	1		
5	AR62414	SOCKET	2		(RED)
6	AR62407	BULB	2		(SUB FOR AR62406)
7	R53028	CAP SCREW	4		
8	R54520	GASKET	1		
9	AR62412	CIRCUIT BOARD	1		
10	AR73751	GAUGE	1		WATER TEMPERATURE, (SUB FOR AR62411)
11	AR62408	GAUGE	1		FUEL
12	AR62409	INSTRUMENT	1		ENGINE OIL PRESSURE
13	AR62410	VOLTMETER	1		
14	R54516	GASKET	1		
15	R54528	SLEEVE	2		
16	R54526	LENS	1		(AMBER, R.H.)
	R54527	LENS	1		(RED, L.H.)
17	R54524	LENS	1		
18	R54517	SCREW	5		
19	R54522	LENS	1		
20	R54521	GASKET	1		
21	R54523	RETAINER	1		
22	AR73717	INSTRUMENT CLUSTER	1		(SUB FOR AR58231) (ORDER COMPONENT PARTS)

# 2E9

ELECTRICAL

RXP9306 -UN-01JAN94

RADAR SENSOR



RXP9306

20

# 2E10

ELECTRICAL

## RADAR SENSOR - CONTINUED

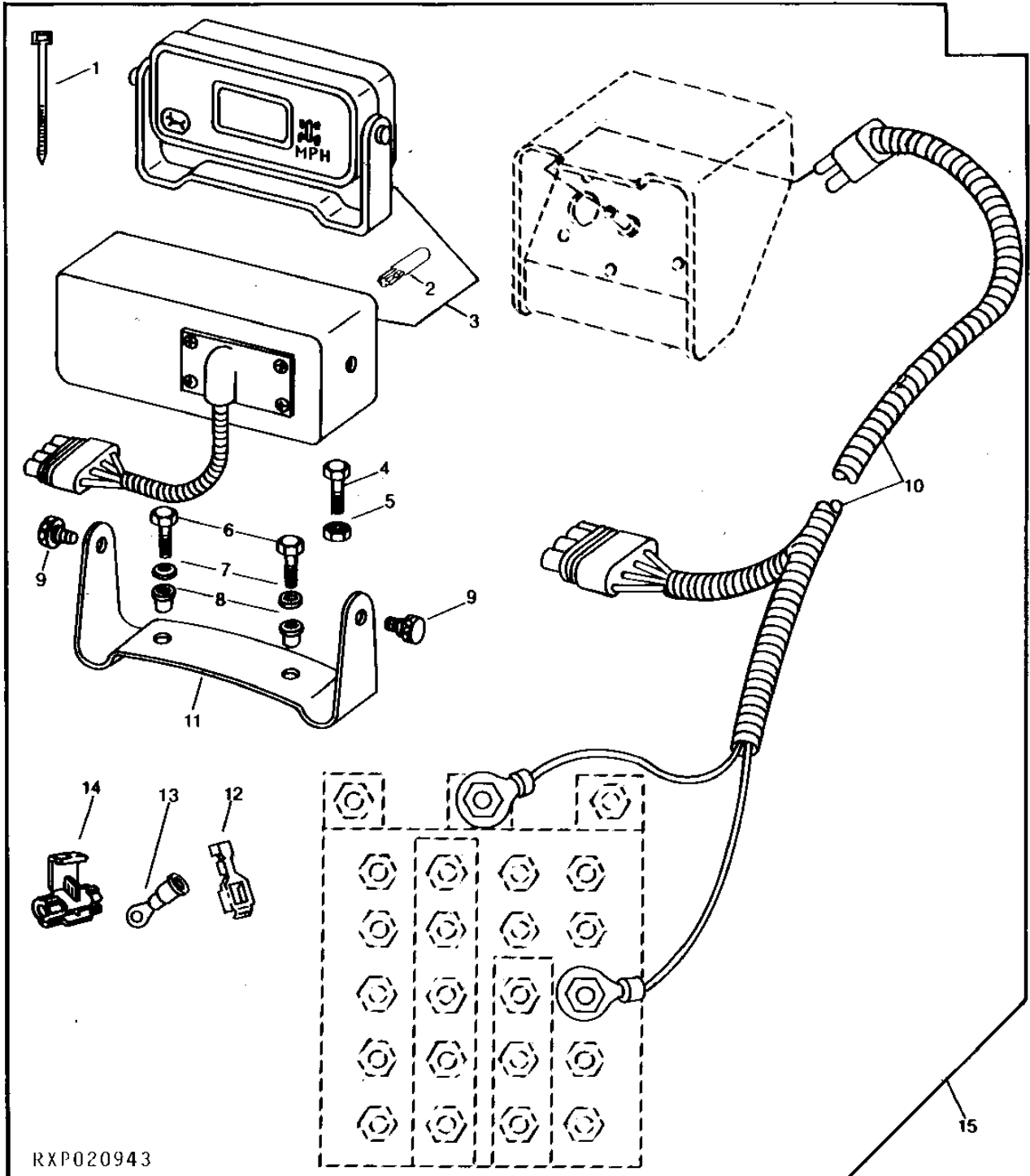
KEY	PART NO.	PART NAME	QTY	TRACTOR SERIAL NO.	REMARKS
1	19H1813	CAP SCREW	1	5/16" X 5/8"	
2	12H303	LOCK WASHER	1	5/16"	
3	24H1136	WASHER	1	11/32" X 11/16" X 0.065"	
4	R82355	SHIELD	1		
5	19H1813	CAP SCREW	6	5/16" X 5/8"	
6	12H303	LOCK WASHER	6	5/16"	
7	28H3343	BUSHING	3	0.546" X 0.840" X 5-3/8"	
8	24H1625	WASHER	2	17/32" X 1" X 0.120"	
9	03H2052	BOLT	3	1/2" X 6-1/2"	
10	R120107	LABEL	1	(ENGLISH)	
	R120106	LABEL	1	(FRENCH)	
	R105942	LABEL	1	(GERMAN)	
	R120108	LABEL	1	(SPANISH)	
	L65000	LABEL	1		
11	RE46317	BRACKET	1	(SUB FOR RE21096 OR RE38707)	
12	RE46414	WIRING HARNESS	1		
13	R82239	SCREW	12		
14	R82237	SNAP RING	1		
15	R82238	O-RING	1		
16	R82236	COVER	1		
17	RE43025	RADAR SENSOR	1	(SUB FOR RE21073)	
18	R82243	GASKET	1		
19	14H1040	NUT	3	1/2"	
20	AR111058	SENSOR	1	(SUB FOR RE21510 OR RW26466) (FI)	

# 2E11

ELECTRICAL

## PERFORMANCE TRAK II MINI-MONITOR (ANALOG TACHOMETER)

RXP020943 -UN-12OCT94



RXP020943

# 2E12

ELECTRICAL

PERFORMANCE TRAK II MINI-MONITOR - CONTINUED  
(ANALOG TACHOMETER)

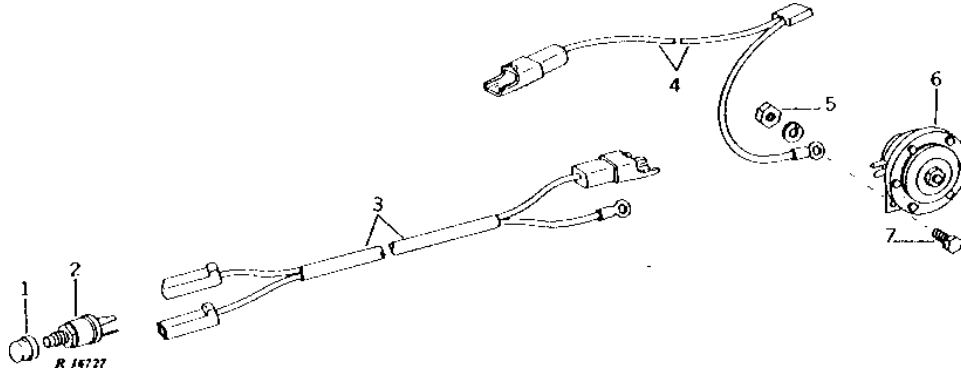
KEY	PART NO.	PART NAME	QTY	TRACTOR SERIAL NO.	REMARKS
1	R44302	TIE BAND	AR		
2	RE22589	LAMP	1		
3	RE21112	MONITOR CONSOLE	1		
4	19H1978	CAP SCREW	3	7/16" X 1-1/2"	
	12H293	LOCK WASHER	3	7/16"	
5	14H1047	NUT	3	7/16"	
	14H786	NUT	2	1/4"	
6	19H1914	CAP SCREW	2	1/4" X 1"	
7	24H1287	WASHER	4	9/32" X 5/8" X 0.065"	
8	R82423	NUT	2	RUBBER	
9	R83055	WING SCREW	2		
10	RE21113	WIRING HARNESS	1	3500MM (138")	
11	R83109	BRACKET	1		
12	U46662	TERMINAL	1		
13	R77489	TERMINAL	1		
	R84158	TERMINAL	1		
14	AR67855	CONNECTOR	3		
15	RE21738	MONITOR CONSOLE	1	(FI)	

# 2E13

ELECTRICAL

R16727 -UN-01JAN94

HORN



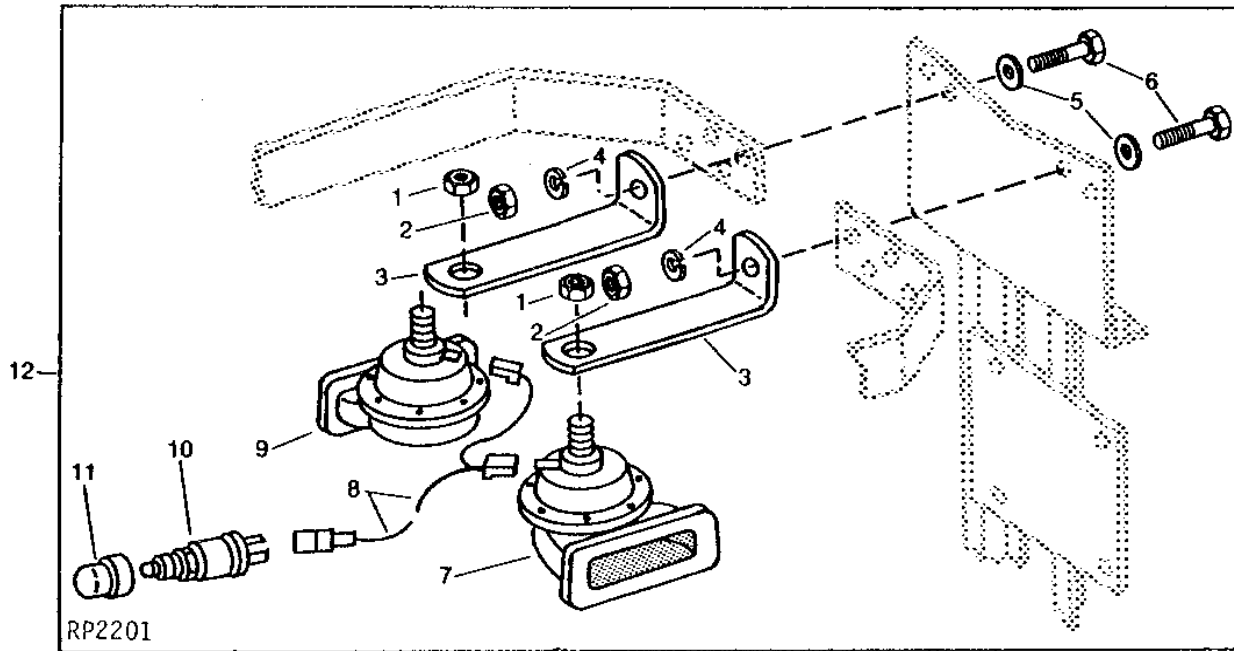
KEY	PART NO.	PART NAME	QTY	TRACTOR SERIAL NO.	REMARKS
1	T55501	CAP	1		
2	AR21823	SWITCH	1		
3	AR46730	WIRING HARNESS	1		
4	AR73580	WIRING HARNESS	1		
5	14H785	NUT	1	5/16"	
	12H303	LOCK WASHER	1	5/16"	
6	AL14896	HORN	1		(12-VOLT) (SUB FOR AR49036 OR AR73579)
7	19H1813	CAP SCREW	1	5/16" X 5/8"	
..	AR49032	HORN	1		(SUB AR102454)

# 2E14

ELECTRICAL

RP2201 -UN-01JAN94

## DUAL HORN ASSEMBLY



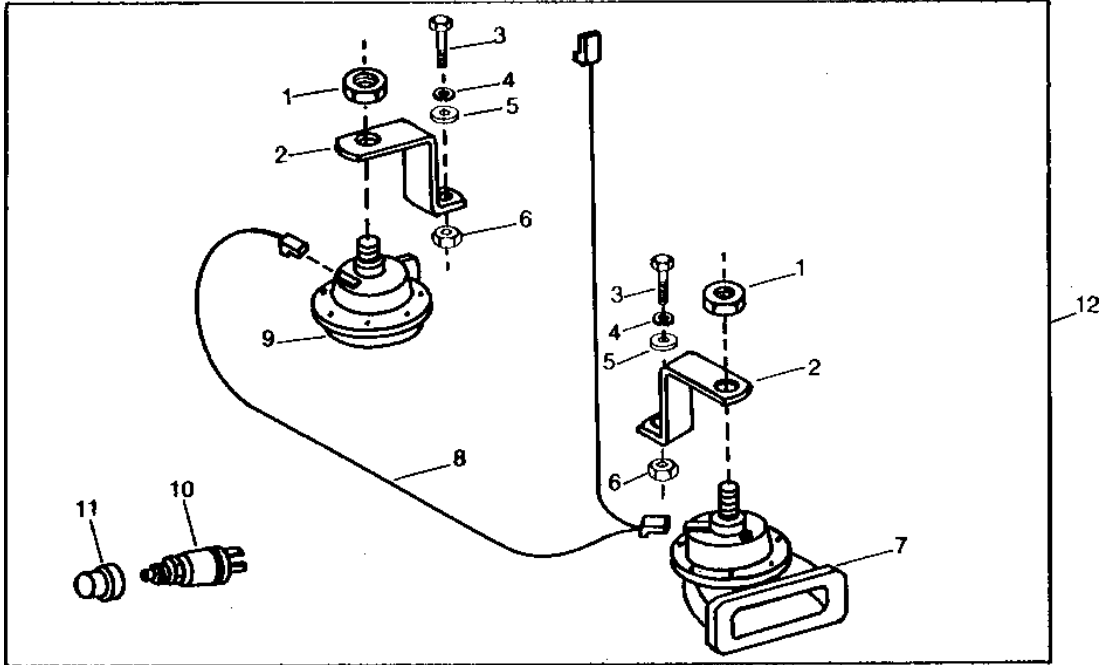
KEY	PART NO.	PART NAME	QTY	TRACTOR SERIAL NO.	REMARKS
1	R11278	NUT	2		
2	14H785	NUT	2	5/16"	
3	R64699	BRACKET	2		(ILLUSTRATED)
	R75833	BRACKET	2		
4	12H303	LOCK WASHER	2	5/16"	
5	24H1136	WASHER	2	11/32" X 11/16" X 0.065"	
6	19H1849	CAP SCREW	2	5/16" X 1-1/4"	
7	R64700	LOW NOTE HORN	1		(12-VOLT) (LOW NOTE)
8	AR85578	WIRING HARNESS	1		
9	AT39043	HIGH NOTE HORN	1		(12-VOLT) (HIGH NOTE)
10	AR21823	SWITCH	1		
11	T55501	CAP	1		
12	AR81178	HORN	1		(SUB FOR AR102454)

# 2E15

ELECTRICAL

RWP4230 -UN-01JAN94

## DUAL HORN ASSEMBLY



RWP4230

KEY	PART NO.	PART NAME	QTY	TRACTOR SERIAL NO.	REMARKS
1	R11278	NUT	2		
2	R75833	BRACKET	2		(ILLUSTRATED)
	R64699	BRACKET	2		
3	19H1849	CAP SCREW	2	5/16" X 1-1/4"	
4	12H303	LOCK WASHER	2	5/16"	
5	24H1136	WASHER	2	11/32" X 11/16" X 0.065"	
6	14H785	NUT	2	5/16"	
7	R64700	LOW NOTE HORN	1		(12-VOLT) (LOW NOTE)
8	AR85578	WIRING HARNESS	1		
9	AT39043	HIGH NOTE HORN	1		(12-VOLT) (HIGH NOTE)
10	AR20235	SWITCH	1		
11	T55501	CAP	1		
12	AR102454	HORN	1		(SUB FOR AR49032 OR AR81178) (ORDER COMPONENT PARTS)

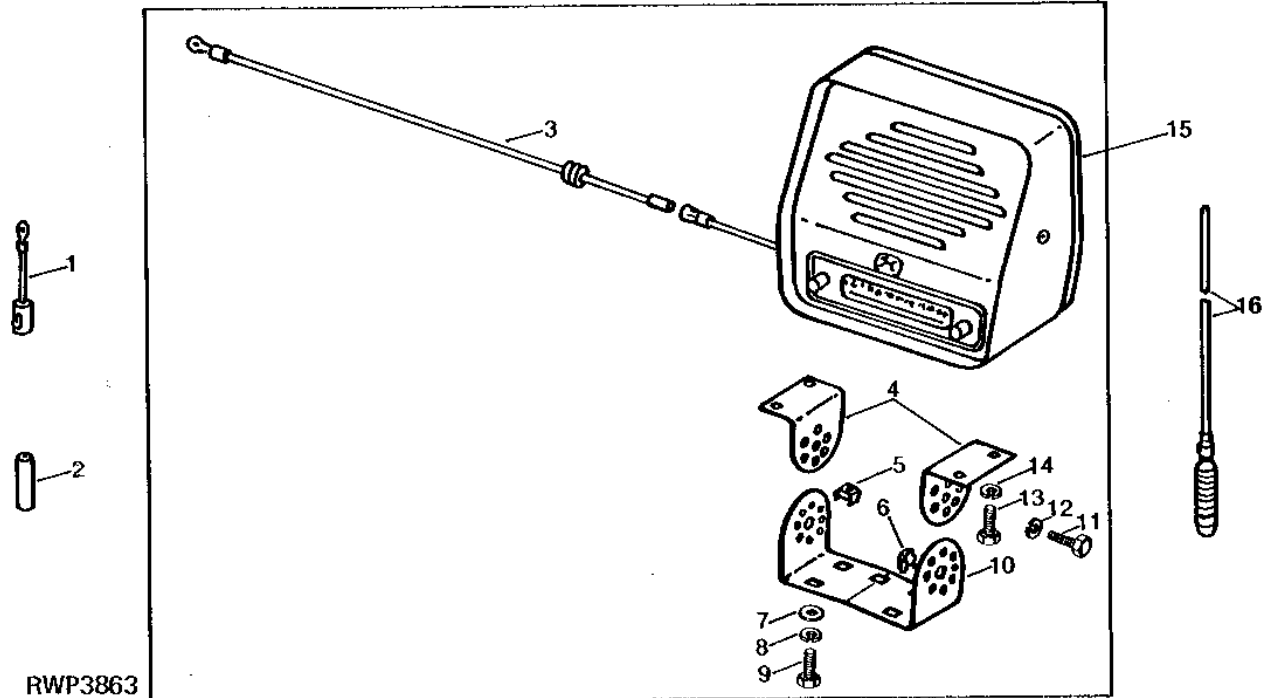


# 2E16

ELECTRICAL

RWP3863 -UN-01JAN94

RADIO  
(MOTOROLA)



RWP3863

KEY	PART NO.	PART NAME	QTY	TRACTOR SERIAL NO.	REMARKS
1	AR41758	CAPACITOR	1		
2	R42799	RESISTOR	1		
3	AR41756	WIRING LEAD	1		
4	R52408	BRACKET	2		
5	AR41951	NUT	4		
6	AR41950	NUT	2		
7	24H1294	WASHER	4	11/32" X 1-1/8" X 1/16"	
8	12M7032	LOCK WASHER	4	0.331"	
9	19H1813	CAP SCREW	4	5/16" X 5/8"	
10	R41880	BRACKET	1		
11	19H1936	CAP SCREW	2	3/8" X 3/4"	
12	12H310	LOCK WASHER	4	3/8"	
13	19H1227	CAP SCREW	4	1/4" X 1/2"	
14	12H302	LOCK WASHER	4	1/4"	
15	TY15155	RADIO	1		(A) (ALSO ORDER AR46986) (SUB FOR AR57156, AR68361 OR AR101245) (NO LONGER AVAILABLE)
16	AR46986	ANTENNA	1		(A)
..	AR62260	REINFORCEMENT	1		FOUR-POST ROLL-GARD FENDER (NO LONGER AVAILABLE)
..	AR68649	KIT	1		ANTENNA RELOCATION, FOR SOFT ENCLOSURE, (CONSISTS OF AR46985, R26936, R27983 AND M42229) (NO LONGER AVAILABLE)

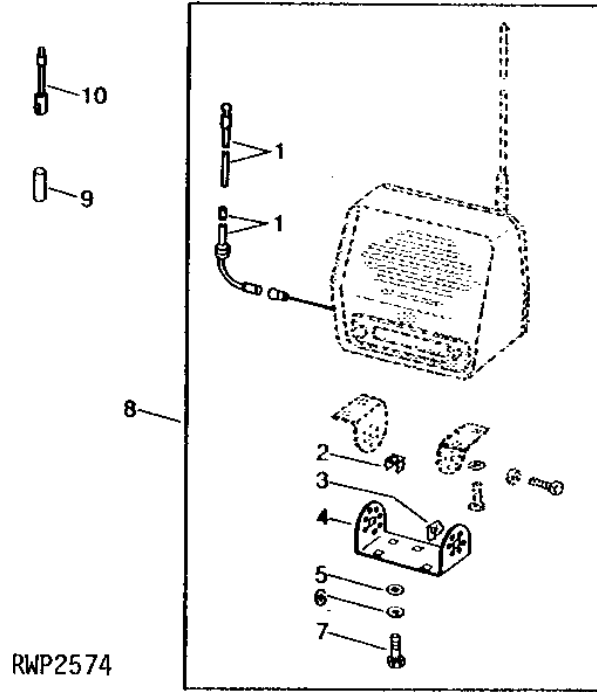
(A) CHECK AUDIOVOX DIRECT - SHIP PROGRAM GUIDE

# 2E17

ELECTRICAL

RWP2574 -UN-01JAN94

## RADIO KIT



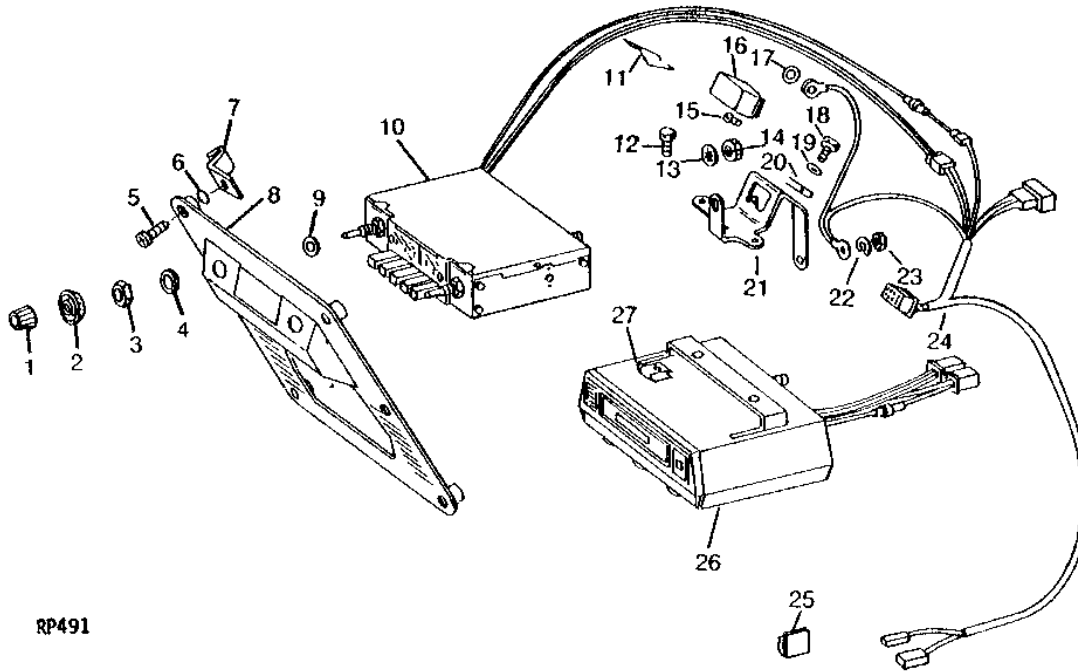
KEY	PART NO.	PART NAME	QTY	TRACTOR SERIAL NO.	REMARKS
1	AR41756	WIRING LEAD	1		
2	AR41951	NUT	3		
3	AR41950	NUT	2		
4	R41880	BRACKET	1		
5	24H1294	WASHER	3	11/32" X 1-1/8" X 1/16"	
6	12M7032	LOCK WASHER	3	0.331"	
7	19H1813	CAP SCREW	3	5/16" X 5/8"	
8	AR41754	KIT	1		MOUNTING FOR 2ND VEHICLE
9	R42799	RESISTOR	1		
10	AR41758	CAPACITOR	1		NOISE SUPPRESSOR

# 2E18

ELECTRICAL

## PUSH-BUTTON RADIO AND TAPE PLAYER (MOTOROLA)

RP491 -UN-01JAN94



KEY	PART NO.	PART NAME	QTY	SG BODY SERIAL NO.	REMARKS
1	AR70590	KNOB	2		(D-SHAFT)
	AR59627	KNOB	2		(SPLIT SHAFT) (SUB FOR AR68501)
2	R53385	KNOB	2		
3	R53386	NUT	2		
4	24H1227	WASHER	2		17/32" X 13/16" X 0.060"
5	R50499	SCREW	6		
6	R34812	O-RING	6		
7	R50974	NUT	6		
8	R53398	GRILLE	1		
9	D2491R	SHIM	2		
10	AR73146	RADIO	1		(A) AM (NLA)
	AR69588	RADIO	1		(A) AM-FM (NO LONGER AVAILABLE)
.....		WIRING LEAD	1		38 MM (1-1/2") (MAKE FROM R32007, R32021, R32025 AND R32027)
11	R53586	RETAINER	1		
12	37M7245	SCREW	2		NO. 10 X 3/8
13	12H297	LOCK WASHER	1		1/4"
14	14H786	NUT	1		1/4"
15	21H1176	SCREW	1		0.112" X 1/2"
	14H1000	NUT	1		0.112"
16	AR60054	RELAY	1		(NO LONGER AVAILABLE)
17	R34812	O-RING	1		
18	19H1948	CAP SCREW	2		1/4" X 3/4"
19	24H1288	WASHER	2		9/32" X 1" X 1/16"
20	R53677	LOCK NUT	2		
21	R53479	BRACKET	1		
	R57892	BRACKET	1		
22	12H302	LOCK WASHER	1		1/4"
23	14H786	NUT	1		1/4"
24	AR60557	WIRING HARNESS	1		
	AR69589	WIRING HARNESS	1		
25	R47474	CLIP	1		
26	AR96608	TAPE PLAYER	1		(NLA)
27	R52130	LOCK NUT	2		

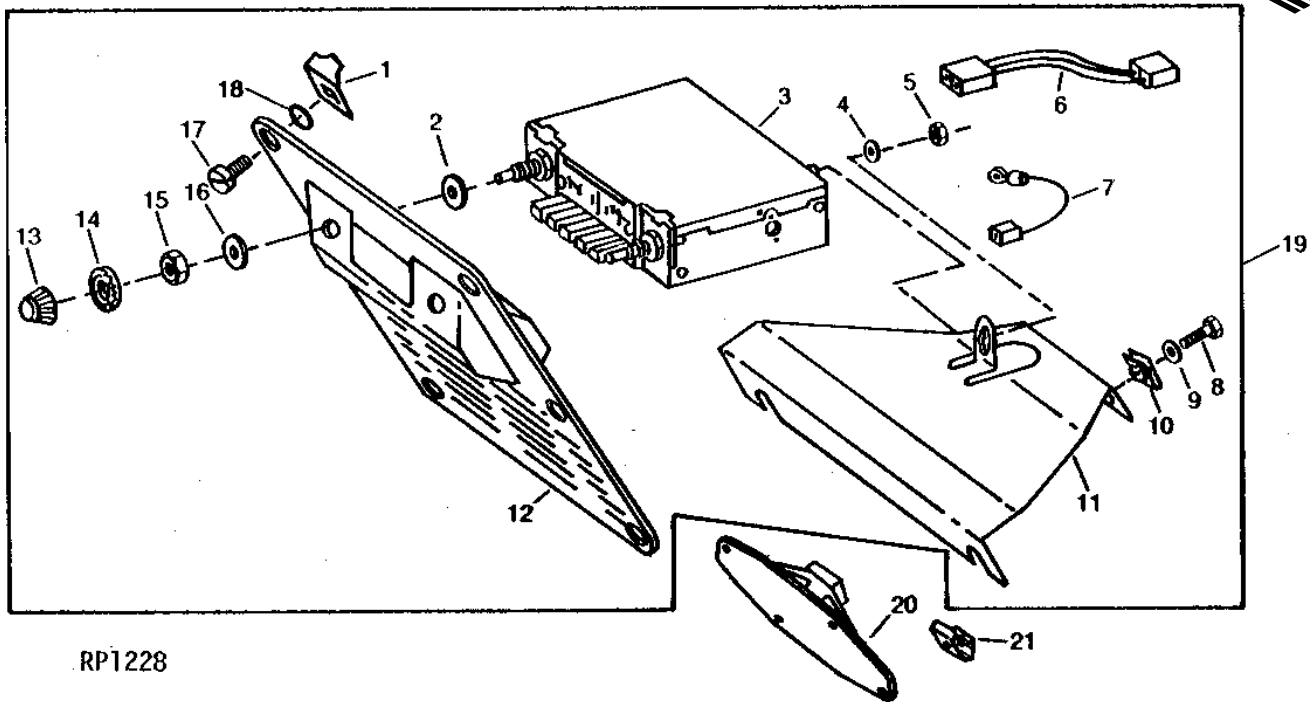
(A) CHECK AUDIOVOX DIRECT - SHIP PROGRAM GUIDE

# 2E19

ELECTRICAL

AM PUSH-BUTTON RADIO  
(MOTOROLA)  
(SOUND-GARD BODY SERIAL NO. -XXXXXX)

RP1228 -UN-01JAN94



RP1228

KEY	PART NO.	PART NAME	QTY	SG BODY SERIAL NO.	REMARKS
1	R50974	NUT	6		
2	D2491R	SHIM	2		
3	AR73146	RADIO	1		(A) (NO LONGER AVAILABLE)
4	24H1287	WASHER	1		9/32" X 5/8" X 0.065"
5	14H786	NUT	1		1/4"
6	AR73923	WIRING HARNESS	1		
7	.....	WIRING LEAD	1		152 MM (6") (MAKE FROM R66319, R32021, R32027, R65597 AND T28585)
8	19H1227	CAP SCREW	2		1/4" X 1/2"
9	24H136	WASHER	2		9/32" X 1" X 1/16"
10	R53677	LOCK NUT	2		
11	R65690	BRACKET	1		
12	R52272	GRILLE	1		
13	AR70590	KNOB	2		
14	R53385	KNOB	2		
15	R53386	NUT	2		
16	24H1227	WASHER	2		17/32" X 13/16" X 0.060"
17	R50499	SCREW	6		
18	R34812	O-RING	6		
19	TY15278	RADIO	1		(A) (SUB FOR AR73922 OR TY15163)
20	AR56774	SPEAKER	1	-XXXXXX	
21	R52273	CLIP	2	-XXXXXX	

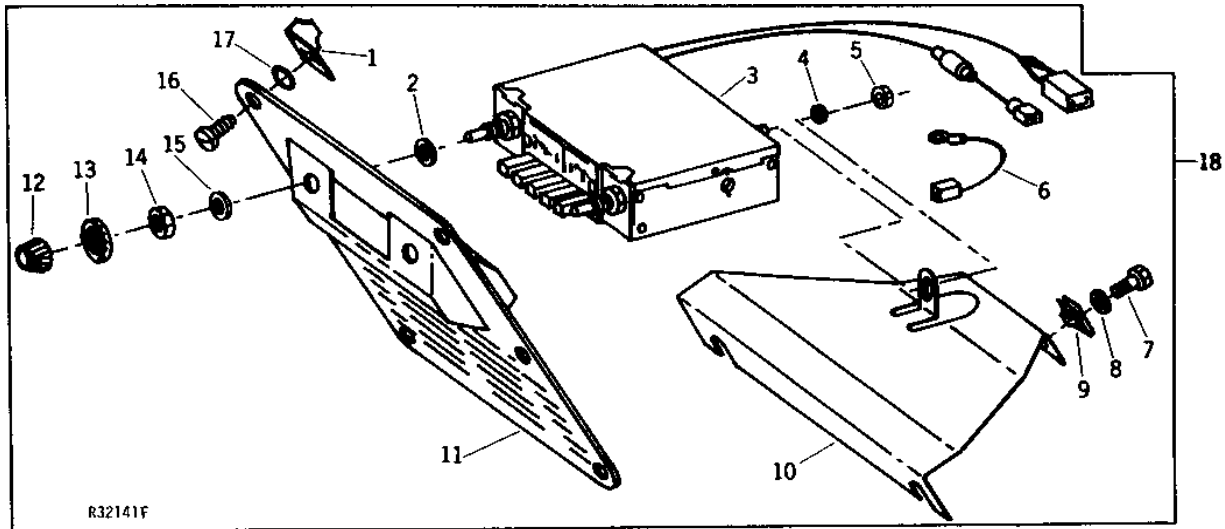
(A) CHECK AUDIOVOX DIRECT - SHIP PROGRAM GUIDE

# 2E20

ELECTRICAL

AM-FM PUSH-BUTTON RADIO  
(MOTOROLA)  
(SOUND-GARD BODY SERIAL NO. -XXXXXX)

R32141 -UN-18OCT94



KEY	PART NO.	PART NAME	QTY	SG BODY SERIAL NO.	REMARKS
1	R50974	NUT	6		
2	D2491R	SHIM	2		
3	AR69588	RADIO	1		(A) (NO LONGER AVAILABLE)
4	24H1287	WASHER	1		9/32" X 5/8" X 0.065"
5	14H786	NUT	1		1/4"
6	.....	WIRING LEAD	1		152 MM (6") (MAKE FROM R66319, R32021, R32027, R65597 AND T28585)
7	19H1227	CAP SCREW	2		1/4" X 1/2"
8	24H136	WASHER	2		9/32" X 1" X 1/16"
9	R53677	LOCK NUT	2		
10	R65689	BRACKET	1		
11	R52272	GRILLE	1		
12	AR70590	KNOB	2		
13	R53385	KNOB	2		
14	R53386	NUT	2		
15	24H1227	WASHER	2		17/32" X 13/16" X 0.060"
16	R50499	SCREW	6		
17	R34812	O-RING	6		
18	TY15279	KIT	1		(A) (SUB FOR TY15154 OR AR69585)

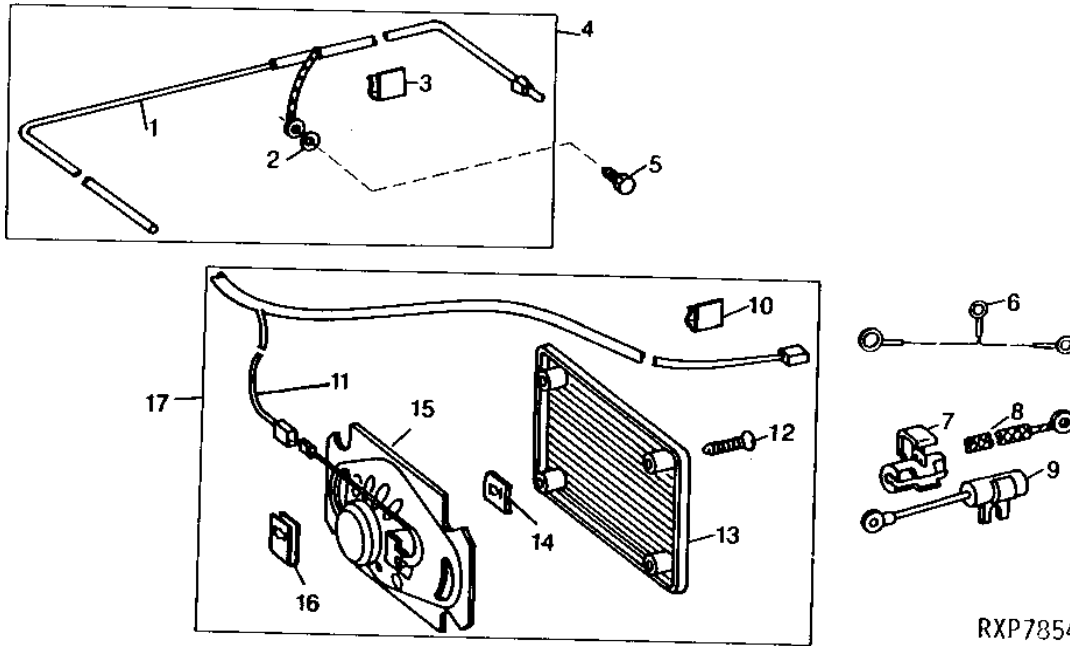
(A) CHECK AUDIOVOX DIRECT - SHIP PROGRAM GUIDE

# 2E21

ELECTRICAL

## RADIO ANTENNA AND SPEAKER (SOUND-GARD BODY SERIAL NO. -XXXXXX)

RXP7854 -UN-18OCT94



RXP7854

KEY	PART NO.	PART NAME	QTY	SG BODY SERIAL NO.	REMARKS
1	AR61608	ANTENNA	1		
2	24H1136	WASHER	1	11/32" X 11/16" X 0.065"	
3	R47474	CLIP	1		
4	AR65636	KIT	1	-XXXXXX	ANTENNA, (SUB AR61608, R47474 AND 24H1136)
5	19H1905	CAP SCREW	1		5/16" X 1"
6	AR90772	KIT	1	-XXXXXX	RADIO NOISE SUPPRESSION GROUND (DUAL BLOWER MOTOR) (SUB AR90773)
	AR90773	WIRING LEAD	1	XXXXXX-	
7	AR67855	CONNECTOR	2		
8	AR78447	GROUND CABLE	2	-XXXXXX	(DUAL BLOWER MOTOR)
	AR92396	WIRING LEAD	1	XXXXXX-	(SINGLE BLOWER MOTOR) (SUB R32018 AND R65593)
9	AR41758	CAPACITOR	2		
10	R47474	CLIP	3		
11	AR67951	WIRING HARNESS	1		
12	R67560	SCREW	8		
13	R53397	GRILLE	2	-013238	
	R34812	O-RING	8	-013238	
	R61267	GRILLE	2	013239-	
14	R61268	LOCK NUT	4		
15	AR74831	SPEAKER	2	-013238	(A) (FOUR HOLES GROUND EDGES) (ALSO ORDER (4) R31933 AND (4) R61632) (SUB FOR AR60052)
	R31933	WASHER	8	-013238	(USE WITH AR74831)
	R61632	LOCK NUT	8	-013238	(USE WITH AR74831)
	R53478	SLEEVE	8	-013238	
	RE13839	SPEAKER	2	013239-	(A) (SUB FOR AR74265)
16	R50500	NUT	8		
17	AR74832	KIT	1	-XXXXXX	SPEAKERS

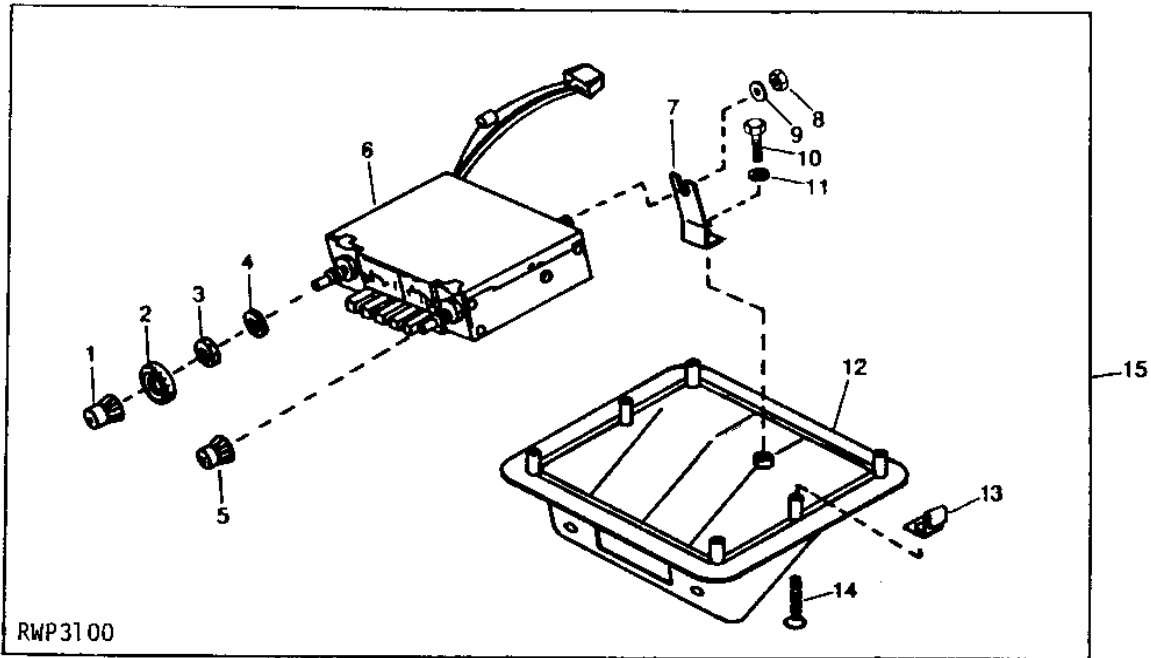
(A) CHECK AUDIOVOX DIRECT - SHIP PROGRAM GUIDE

# 2E22

ELECTRICAL

AM AND AM-FM PUSH-BUTTON RADIO  
(MOTOROLA)  
(SOUND-GARD BODY SERIAL NO. XXXXXX- )

RWP3100 -UN-23SEP94



KEY	PART NO.	PART NAME	QTY	TRACTOR SERIAL NO.	REMARKS
1	AR104573	KNOB	1		VOLUME
2	R53385	KNOB	2		
3	R53386	NUT	2		
4	24H1227	WASHER	2		17/32" X 13/16" X 0.060"
5	AR104574	KNOB	1		TUNING
6	.....	RADIO	1		(A) AM, (ORDER TY15278)
	.....	RADIO	1		(A) AM-FM, (ORDER TY15279)
	.....	RADIO	1		(A) AM-FM CASSETTE
7	R76497	BRACKET	1		
	R80480	BRACKET	1		AM-FM CASSETTE
8	14H786	NUT	1		1/4"
9	24H1287	WASHER	1		9/32" X 5/8" X 0.065"
10	21H1299	SCREW	1		0.164" X 3/8"
11	12M7084	LOCK WASHER	1		0.169", INT. TOOTH
12	R76332	GRILLE	1		
13	R50974	NUT	6		
14	R76333	SCREW	6		
15	TY15278	RADIO	1		(A) AM, (SUB FOR TY15163) (NLA)
	TY15279	KIT	1		(A) AM-FM, (SUB FOR TY15154) (NLA)
	TY15175	KIT	1		(A) AM-FM CASSETTE, (NLA)

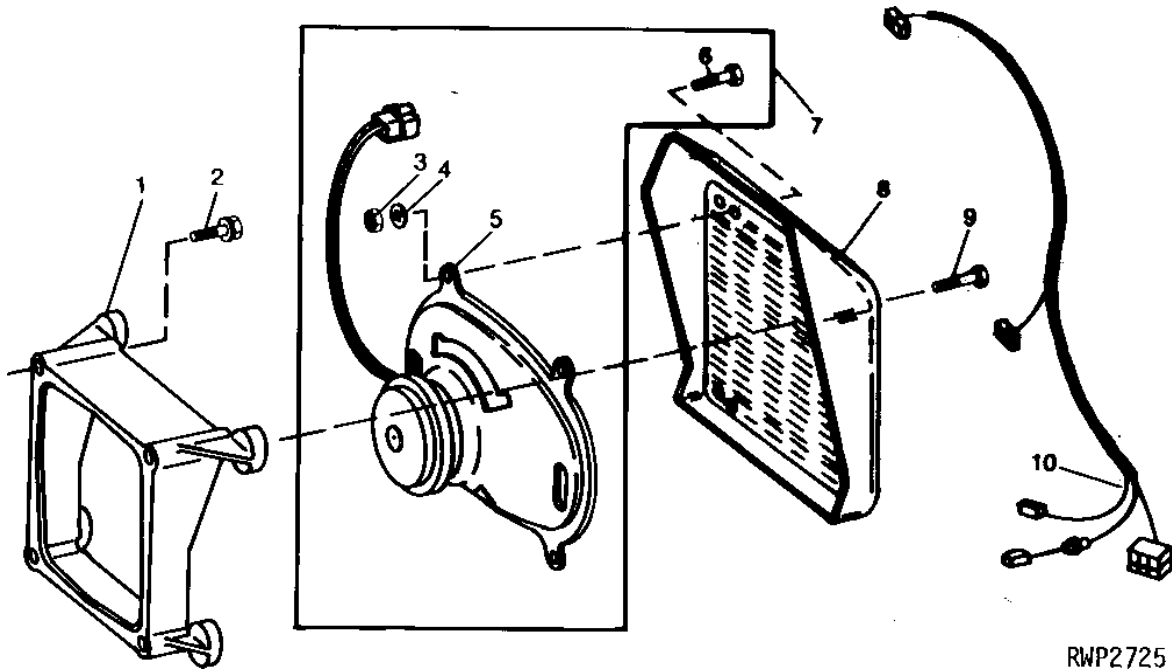
(A) CHECK AUDIOVOX DIRECT - SHIP PROGRAM GUIDE

# 2E23

ELECTRICAL

## RADIO SPEAKER KIT (SOUND-GARD BODY NO. XXXXXX- )

RWP2725 -UN-18OCT94



RWP2725

KEY	PART NO.	PART NAME	QTY	TRACTOR SERIAL NO.	REMARKS
1	R76330	ADAPTER	2		
2	37M7165	SCREW	6		
3	14H778	NUT	8		
4	12M7060	WASHER	8		
5	AR104520	SPEAKER	2		
6	R76500	SCREW	8		
7	PMJD57	SPEAKER	1		(A) (SUB FOR TY15157 OR TY15691)
8	R76329	GRILLE	2		(BLACK)
	R76331	GRILLE	2		(BROWN) (REPLACEMENT SOUND-GARD BODY)
9	R76500	SCREW	8		
10	AR103750	RADIO SPEAKER WRG HARNESS	1		(SPEAKERS TO RADIO)
	R47474	CLIP	3		

(A) CHECK AUDIOVOX DIRECT - SHIP PROGRAM GUIDE

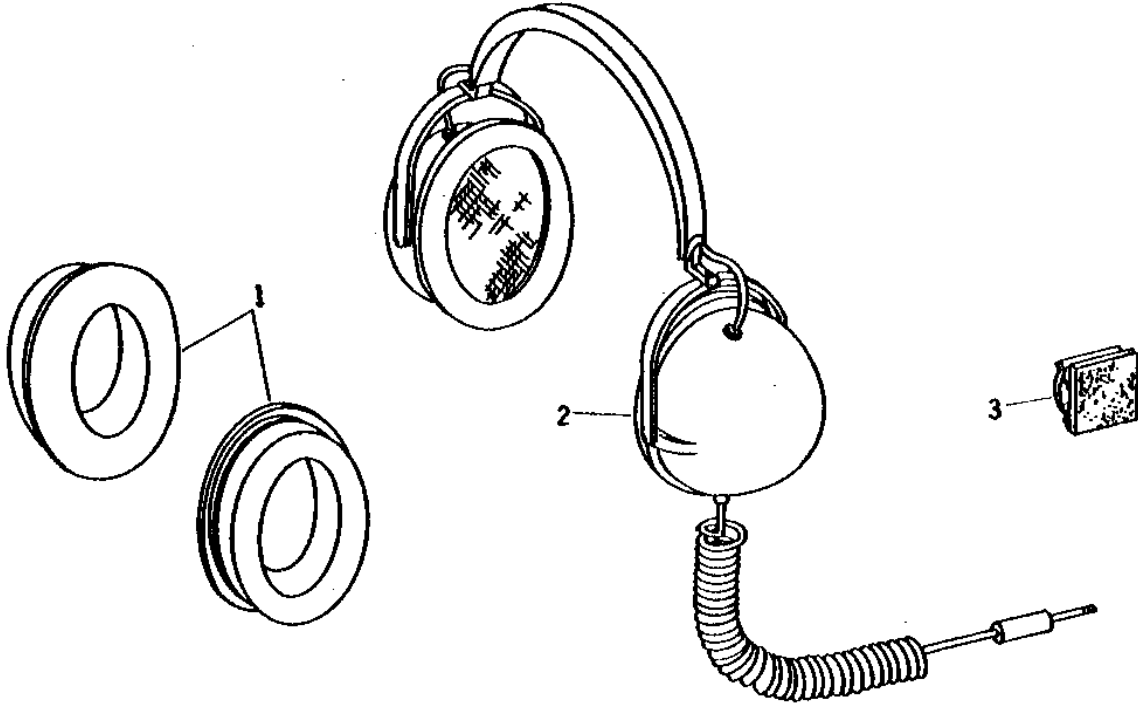


# 2E24

ELECTRICAL

R33062 -UN-01JAN94

## RADIO HEADPHONES



### R33062

KEY	PART NO.	PART NAME	QTY	SG BODY SERIAL NO.	REMARKS
1	AR73311	FOAM PAD	1		(PKG. OF 2)
2	TY15445	HEADPHONES	1		(A) (NLA)
3	R53410	CLIP	1		

(A) CHECK AUDIOVOX DIRECT - SHIP PROGRAM GUIDE

---

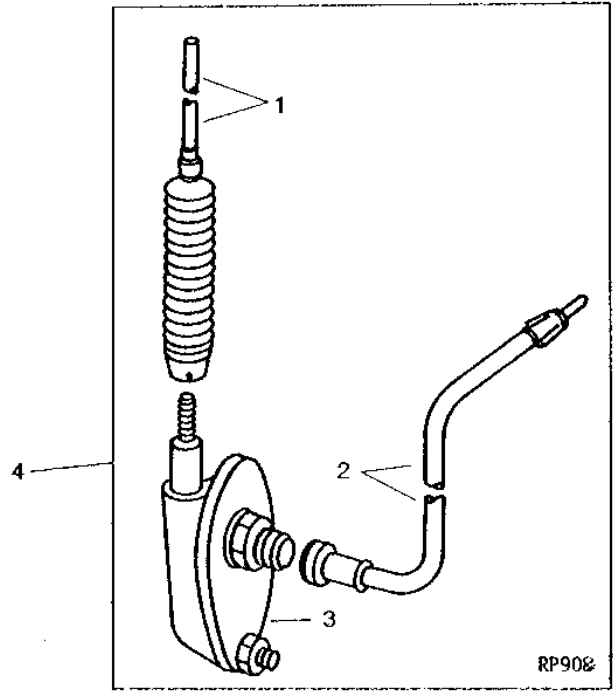
MEMORANDA

# 2E25

ELECTRICAL

RP908 -UN-01JAN94

**FENDER MOUNTED ANTENNA**  
(SOUND-GARD BODY SERIAL NO. -XXXXXX)



KEY	PART NO.	PART NAME	QTY	TRACTOR SERIAL NO.	REMARKS
1	AR46986	ANTENNA	1		
2	AR75564	WIRING LEAD	1		
3	AR46984	BASE	1		
4	AR75563	KIT	1		(A) FENDER MOUNTED ANTENNA, (SUB TY15156)

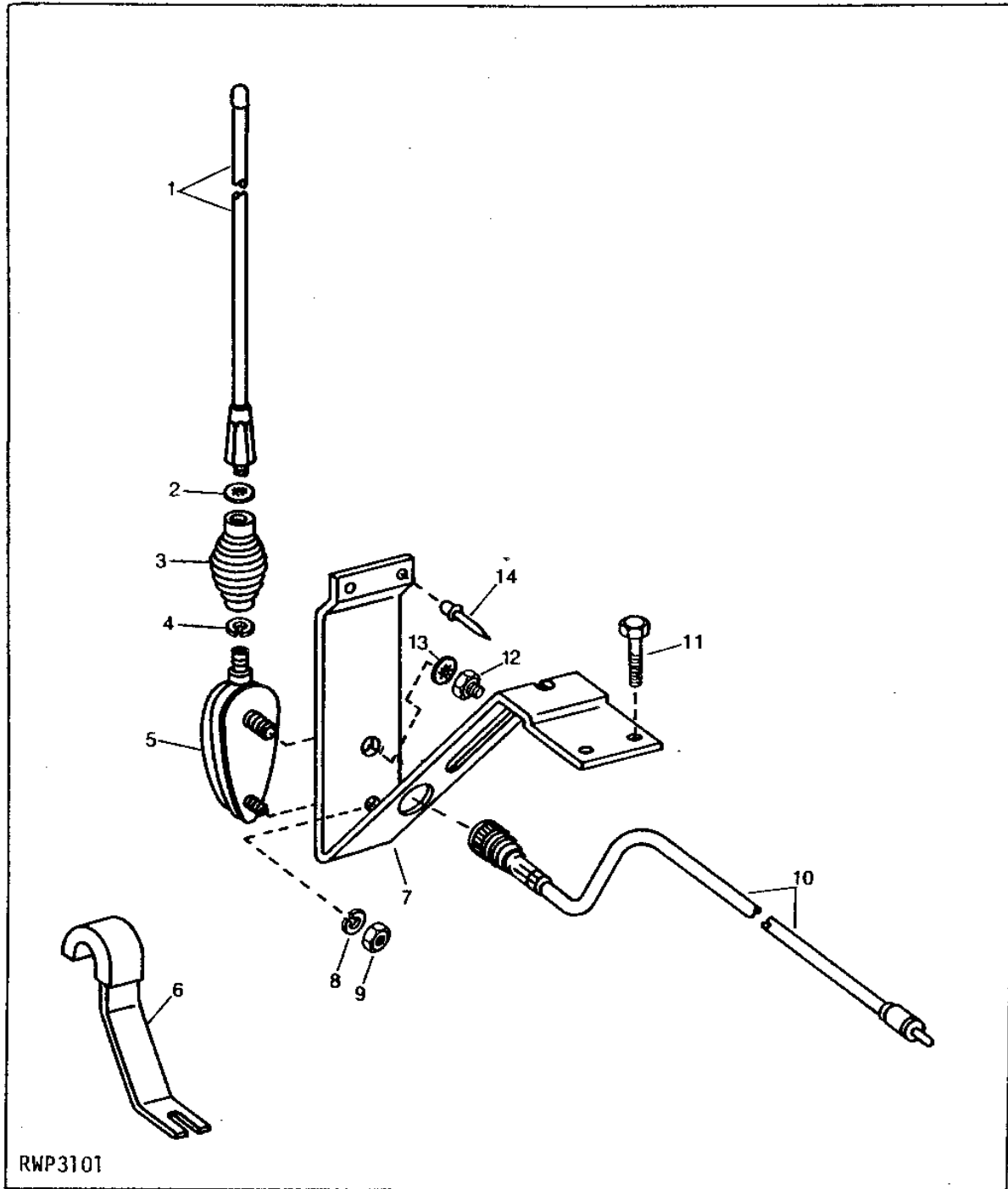
(A) CHECK AUDIOVOX DIRECT - SHIP PROGRAM GUIDE

# 2F1

ELECTRICAL

RWP3101 -UN-01JAN94

RADIO ANTENNA KIT  
(SOUND-GARD BODY SERIAL NO. XXXXXX- )



RWP3101

# 2F2

ELECTRICAL

RADIO ANTENNA KIT - CONTINUED  
(SOUND-GARD BODY SERIAL NO. XXXXXX- )

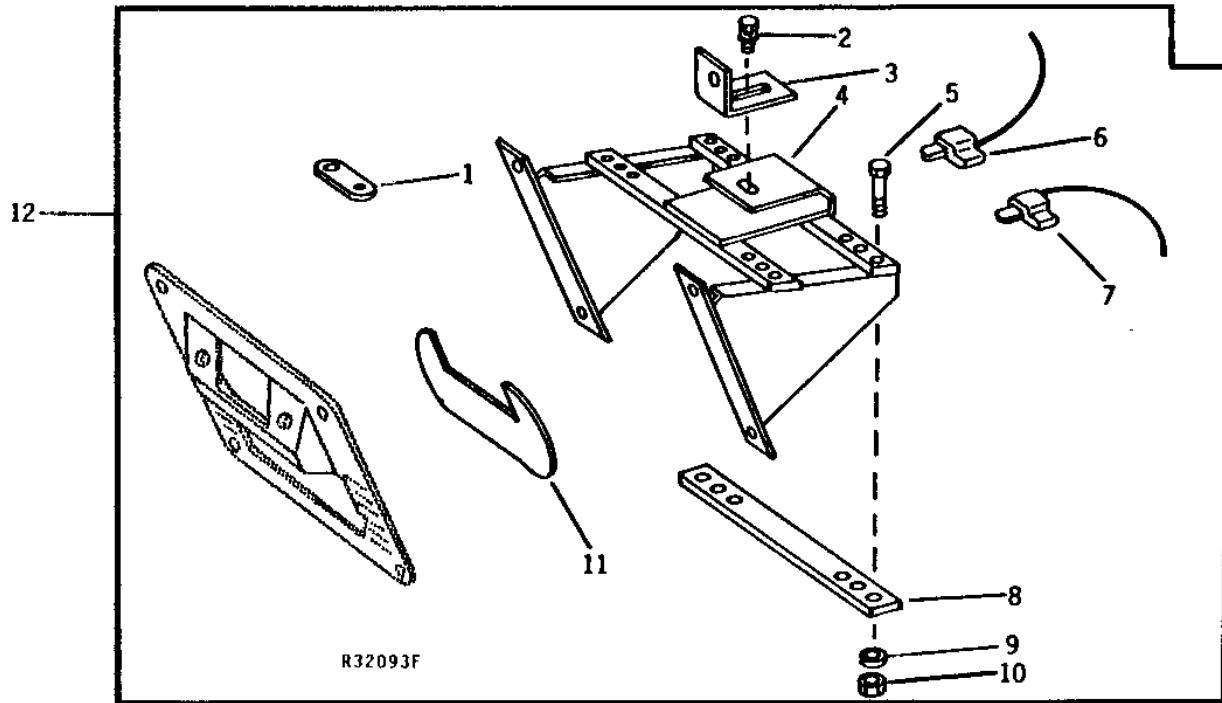
KEY	PART NO.	PART NAME	QTY	SG BODY SERIAL NO.	REMARKS
1	AR104516	ANTENNA	1		
2	12H310	LOCK WASHER	1	3/8"	
3	AR104518	SPRING	1		
4	12H302	LOCK WASHER	1	1/4"	
5	AR104517	BASE	1		
6	R76496	CLAMP	1		
7	R76495	BRACKET	1		
8	12H302	LOCK WASHER	1	1/4"	
9	14H786	NUT	1	1/4"	
10	R76694	ANTENNA CABLE	1		
11	37H27	SCREW	2	5/16" X 7/8"	
12	R76695	NUT	1		
13	12H292	LOCK WASHER	1	1/2"	
14	R55326	RIVET	2		
15	TY15156	KIT	1		

# 2F3

ELECTRICAL

R32093 -UN-01JAN94

## CB RADIO MOUNTING KIT



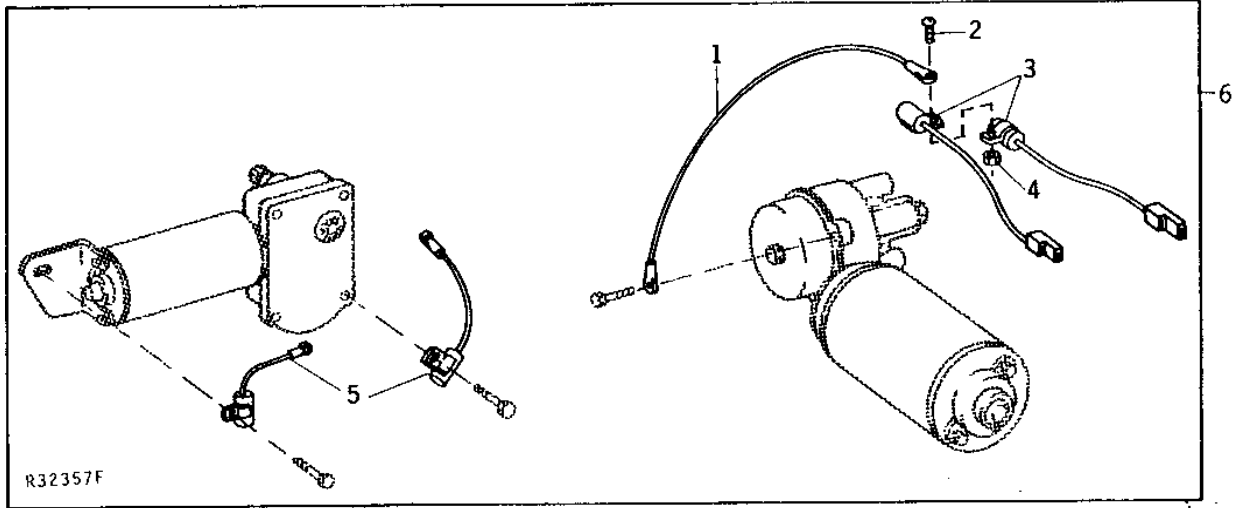
KEY	PART NO.	PART NAME	QTY	SG BODY SERIAL NO.	REMARKS
1	R65323	STRAP	1		
2	37H43	SCREW	1		NO. 8 X 3/8
3	R66658	ANGLE	1		
4	AR86552	BRACKET	1		
5	19H2336	CAP SCREW	4		1/4" X 3-1/2"
6	AR82707	WIRING LEAD	1		(NLA)
7	AR82708	WIRING LEAD	1		(NLA)
8	R66659	STRAP	1		
9	12H302	LOCK WASHER	4		1/4"
10	14H786	NUT	4		1/4"
11	R66660	INSERT	1		
12	AR86551	KIT	1		(NO LONGER AVAILABLE)

# 2F4

ELECTRICAL

R32357 -UN-01JAN94

## WIPER MOTOR SUPPRESSION KIT



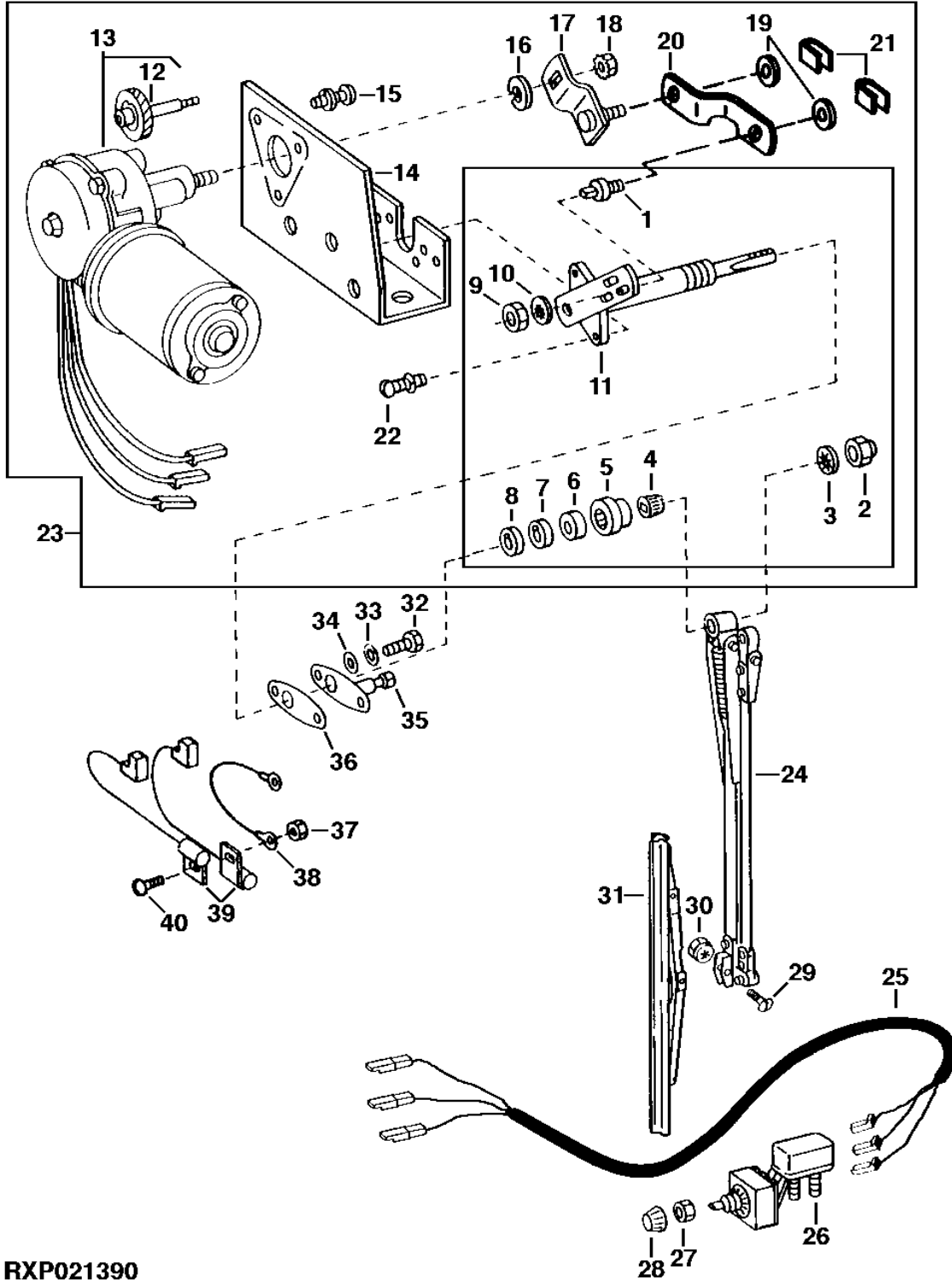
KEY	PART NO.	PART NAME	QTY	SG BODY SERIAL NO.	REMARKS
1	AR87493	WIRING LEAD	1		
2	21H1299	SCREW	1	0.164" X 3/8"	
3	AR71570	CAPACITOR	2		
4	14H605	NUT	1	0.164"	
5	AR71571	CAPACITOR	2		
6	AR71569	KIT	1		WIPER MOTOR SUPPRESSION

# 2F5

ELECTRICAL

RXP021390 -UN-29NOV95

## RIGHT-HAND WINDSHIELD WIPER AND MOTOR



RXP021390



# 2F6

ELECTRICAL

## RIGHT-HAND WINDSHIELD WIPER AND MOTOR - CONTINUED

KEY	PART NO.	PART NAME	QTY	SG BODY SERIAL NO.	REMARKS
1	U46507	PIN	1		
2	U46514	NUT	1	-103448	
	R63671	NUT	1	103449-	
3	12H303	LOCK WASHER	1		5/16"
4	U46513	NUT	1	-103448	
	R63670	WELD NUT	1	103449-	
5	U46512	CAP	1	-103448	
	R63669	CAP	1	103449-	
6	U46511	NUT	1	-103448	
	R63668	NUT	1	103449-	
7	U46510	WASHER	1	-103448	
	R63667	WASHER	1	103449-	
8	U46509	WASHER	1	-103448	
	R63666	WASHER	1	103449-	
9	14H649	NUT	1		1/4"
10	12H297	LOCK WASHER	1		1/4"
11	AR55021	SHAFT	1	-103448	(SUB AR78595)
	AR78595	SHAFT	1	103449-	(SUB FOR AR55021)
12	RE13281	GEAR	1		(SUB FOR AR75606)
13	AR59444	MOTOR	1		(A) (SUB RE58851)
14	U46515	BRACKET	1		
15	AU43854	SCREW	3		
16	U46508	WASHER	1		
17	AU43954	ARM	1		
18	AU43857	LOCK NUT	1		
19	T32255	SHIM	2		
20	AU43853	LINK	1		
21	U46506	CLIP	2		
22	AU43855	SCREW	2		
23	AR56687	MOTOR	1	-103448	(ORDER COMPONENT PARTS)
	AR78594	MOTOR	1	103449-	(ORDER COMPONENT PARTS)
24	RE36108	ARM	1		(SUB FOR AR56690)
25	AR60051	WIRING HARNESS	1		
26	AR64992	WIPER SWITCH	1		(SUB FOR AR57228)
27	R44165	LOCK NUT	1		
28	AR69370	KNOB	1		(SUB FOR AR49969)
29	R92205	SCREW	1		(SUB FOR T35441)
30	T35440	LOCK NUT	1		
31	AR56694	WINDSHIELD WIPER	1		
32	19H3287	CAP SCREW	2		1/4" X 2-5/8"
33	12H302	LOCK WASHER	2		1/4"
34	24H1286	WASHER	1		9/32" X 1/2" X 1/16"
	12H356	LOCK WASHER	1		1/4"
35	AR56688	PLATE	1	-103448	(SUB RE36215)
	RE36215	PLATE	1	103449-	(SUB FOR AR78596, AR56688 OR AU42023)
36	R63672	ADAPTER	1		(SUB FOR R50453)
37	14H605	NUT	1	-XXXXXX	0.164"
38	AR87493	WIRING LEAD	1	-XXXXXX	
39	AR71570	CAPACITOR	1		
40	21H1299	SCREW	1	-XXXXXX	0.164" X 3/8"

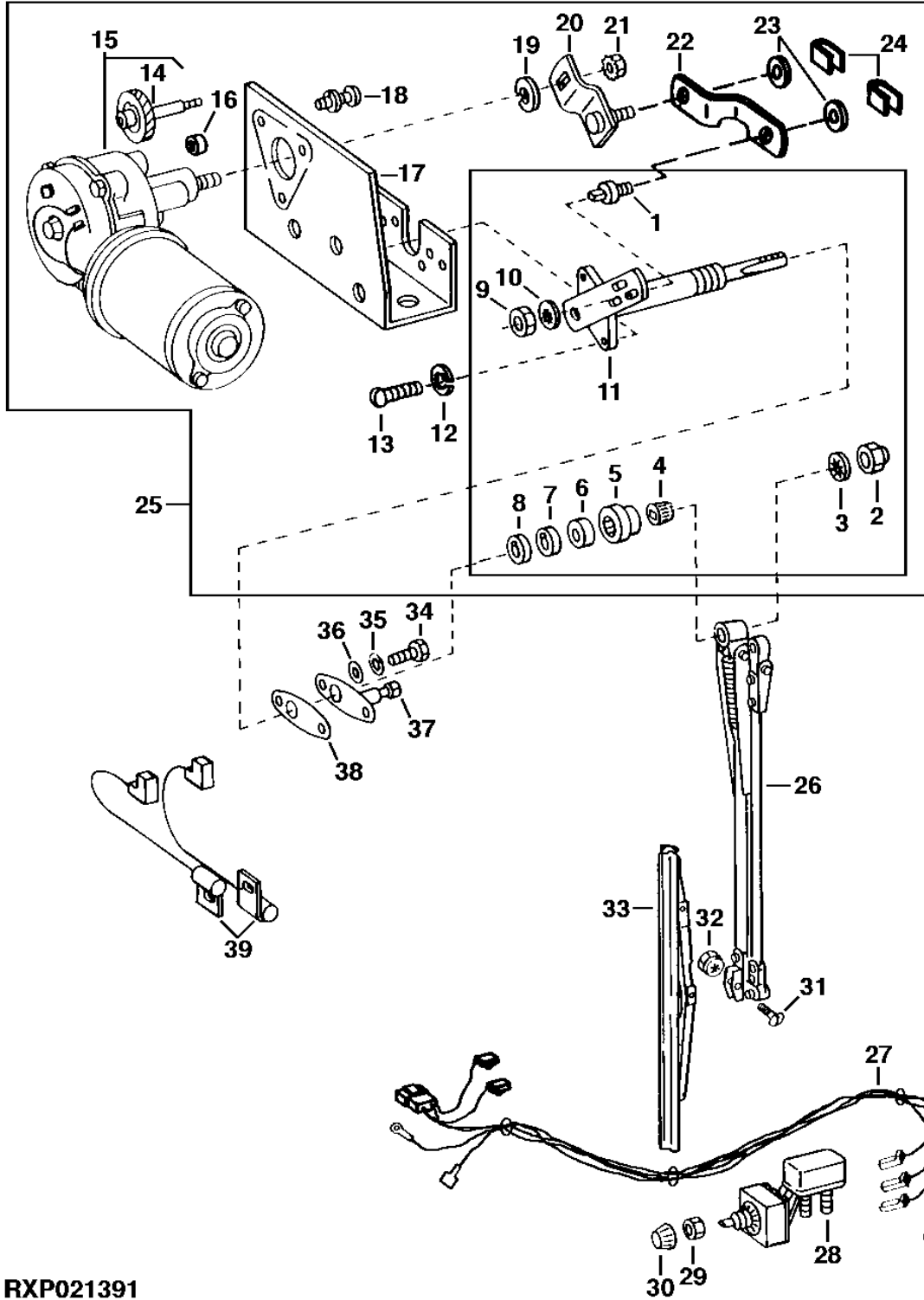
(A) WHEN RE58851 WIPER MOTOR IS INSTALLED, ALSO REPLACE AR60051 HARNESS WITH RE48322 HARNESS.

# 2F7

ELECTRICAL

RXP021391 -UN-29NOV95

## RIGHT-HAND WINDSHIELD WIPER AND MOTOR



RXP021391

# 2F8

ELECTRICAL

## RIGHT-HAND WINDSHIELD WIPER AND MOTOR - CONTINUED

KEY	PART NO.	PART NAME	QTY	TRACTOR SERIAL NO.	REMARKS
1	U46507	PIN	1		
2	R63671	NUT	1		
3	12H303	LOCK WASHER	1	5/16"	
4	R63670	WELD NUT	1		
5	R63669	CAP	1		
6	R63668	NUT	1		
7	R63667	WASHER	1		
8	R63666	WASHER	1		
9	14H649	NUT	1	1/4"	
10	12H297	LOCK WASHER	1	1/4"	
11	AR78595	SHAFT	1		
12	12H295	LOCK WASHER	2	0.190"	
13	21H1298	SCREW	2	0.190" X 3/8"	
14	RE13281	GEAR	1		
15	RE13280	MOTOR	1	(A) (SUB RE58851)	
16	R78498	WASHER	3		
17	R78995	BRACKET	1		
18	RE13283	SCREW, WITH WASHER	3		
19	U46508	WASHER	1		
20	AU43954	ARM	1	(SUB FOR RE13284 OR RE18946)	
21	AU43857	LOCK NUT	1		
22	RE13282	ARM	1		
23	T32255	SHIM	2		
24	U46506	CLIP	2	(SUB FOR R78499)	
25	RE12130	MOTOR	1	(ORDER COMPONENT PARTS)	
26	RE36108	ARM	1	(SUB FOR AR56690)	
27	RE46412	WIPER MOTOR WIRING HARNESS	1	(SUB FOR RE10995)	
28	AR64992	WIPER SWITCH	1		
29	R44165	LOCK NUT	1		
30	AR69370	KNOB	1		
31	R92205	SCREW	1		
32	T35440	LOCK NUT	1		
33	AR56694	WINDSHIELD WIPER	1		
34	19H3287	CAP SCREW	2	1/4" X 2-5/8"	
35	12H302	LOCK WASHER	2	1/4"	
36	24H1286	WASHER	1	9/32" X 1/2" X 1/16"	
	12H356	LOCK WASHER	1	1/4"	
37	RE36215	PLATE	1	(SUB FOR AR78596)	
	R97997	NUT	1	(NLA)	
38	R63672	ADAPTER	1		
39	AR71570	CAPACITOR	2		

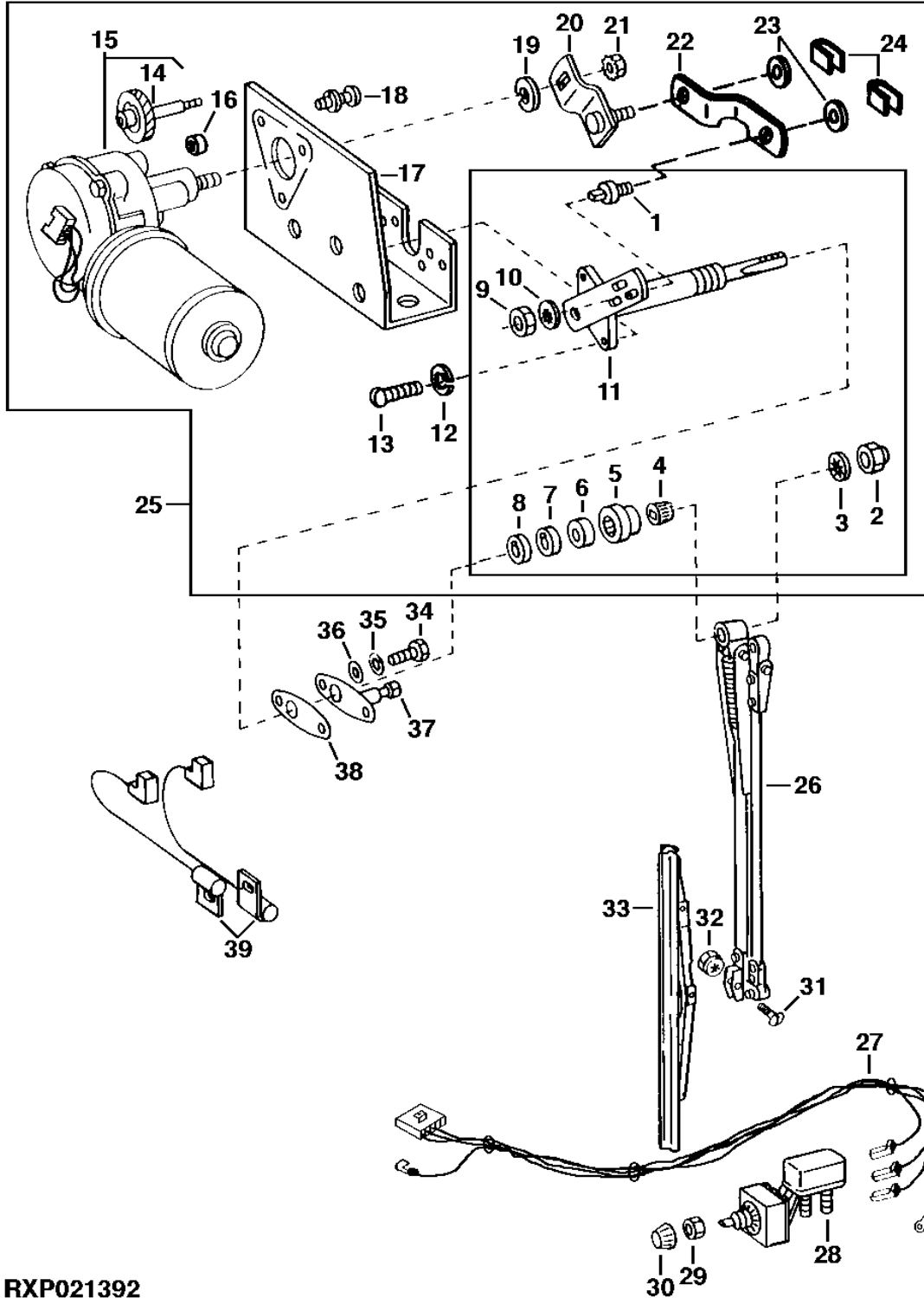
(A) WHEN RE58851 WIPER MOTOR IS INSTALLED, ALSO REPLACE RE46412 HARNESS WITH RE48322 HARNESS

# 2F9

ELECTRICAL

RXP021392 -UN-29NOV95

## RIGHT-HAND WINDSHIELD WIPER AND MOTOR



RXP021392

# 2F10

ELECTRICAL

## RIGHT-HAND WINDSHIELD WIPER AND MOTOR - CONTINUED

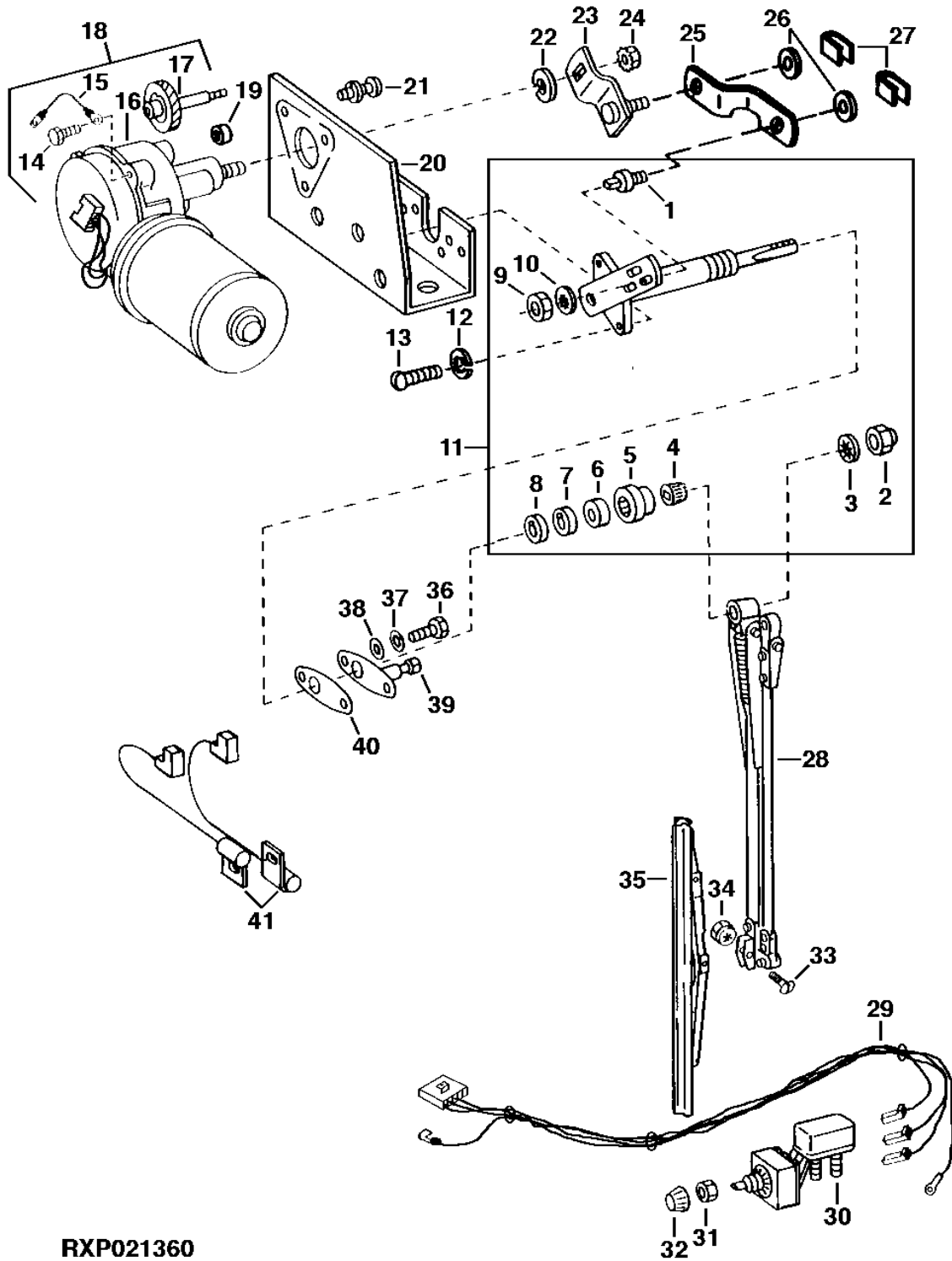
KEY	PART NO.	PART NAME	QTY	TRACTOR SERIAL NO.	REMARKS
1	U46507	PIN	1		
2	R63671	NUT	1		
3	12H303	LOCK WASHER	1	5/16"	
4	R63670	WELD NUT	1		
5	R63669	CAP	1		
6	R63668	NUT	1		
7	R63667	WASHER	1		
8	R63666	WASHER	1		
9	14H649	NUT	1	1/4"	
10	12H297	LOCK WASHER	1	1/4"	
11	AR78595	SHAFT	1		
12	12H295	LOCK WASHER	2	0.190"	
13	21H1298	SCREW	2	0.190" X 3/8"	
14	RE13281	GEAR	1		
15	RE56380	MOTOR	1	(SUB RE58851)	
16	R78498	WASHER	3		
17	R78995	BRACKET	1		
18	RE13283	SCREW, WITH WASHER	3		
19	U46508	WASHER	1		
20	AU43954	ARM	1	(SUB FOR RE13284 OR RE18946)	
21	AU43857	LOCK NUT	1		
22	R116714	ARM	1		
23	T32255	SHIM	2		
24	U46506	CLIP	2	(SUB FOR R78499)	
25	RE48784	WIPER MOTOR	1	(ORDER COMPONENT PARTS)	
26	RE36108	ARM	1	(SUB FOR AR56690)	
27	RE48322	WIPER MOTOR WIRING HARNESS	1		
28	AR64992	WIPER SWITCH	1		
29	R44165	LOCK NUT	1		
30	AR69370	KNOB	1		
31	R92205	SCREW	1		
32	T35440	LOCK NUT	1		
33	AR56694	WINDSHIELD WIPER	1		
34	19H3287	CAP SCREW	2	1/4" X 2-5/8"	
35	12H302	LOCK WASHER	2	1/4"	
36	24H1286	WASHER	1	9/32" X 1/2" X 1/16"	
	12H356	LOCK WASHER	1	1/4"	
37	RE36215	PLATE	1	(SUB FOR AR78596)	
	R97997	NUT	1	(NLA)	
38	R63672	ADAPTER	1		
39	AR71570	CAPACITOR	2		

# 2F11

ELECTRICAL

RXP021360 -UN-29NOV95

## RIGHT-HAND WINDSHIELD WIPER AND MOTOR



RXP021360

# 2F12

ELECTRICAL

## RIGHT-HAND WINDSHIELD WIPER AND MOTOR - CONTINUED

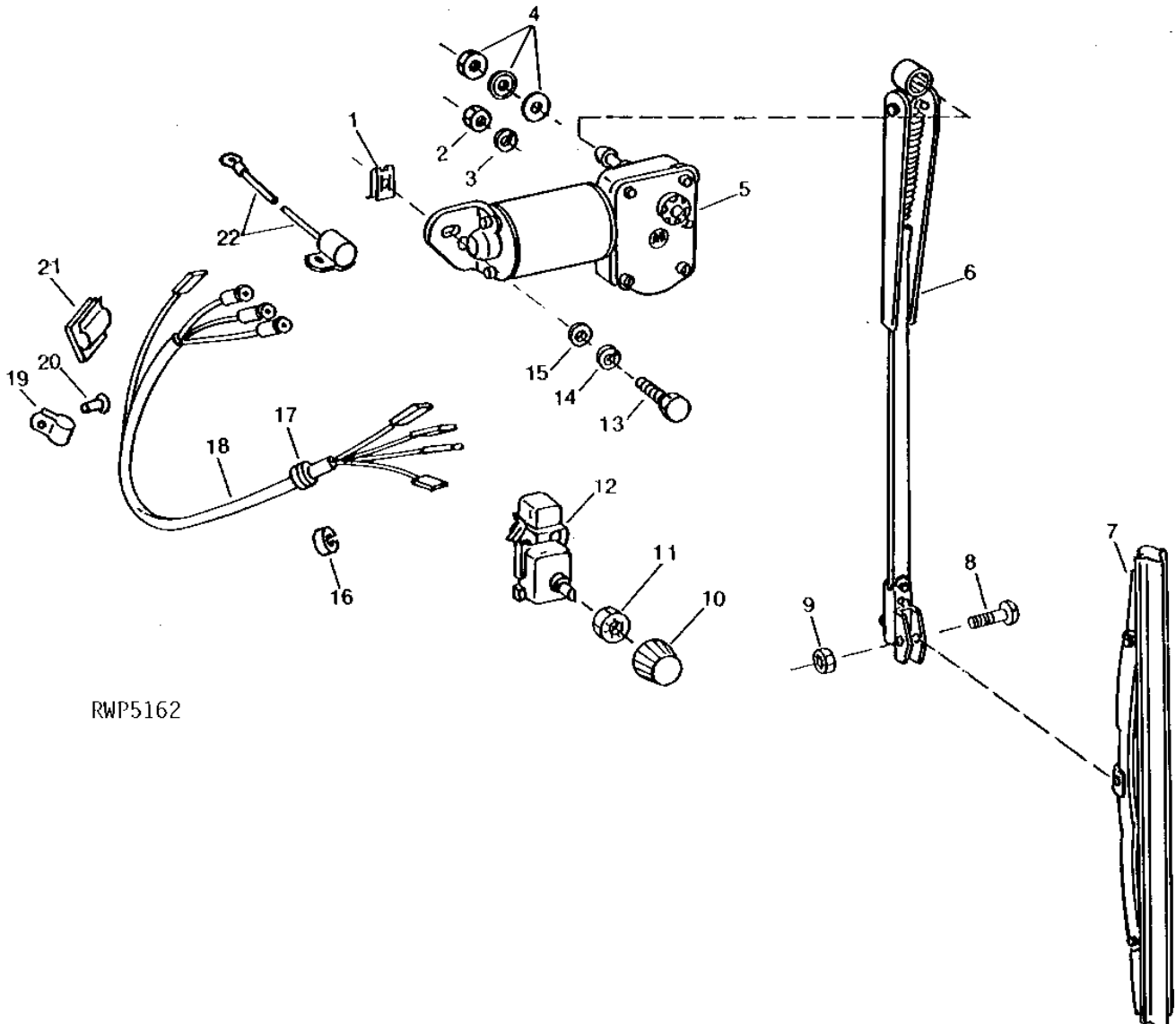
KEY	PART NO.	PART NAME	QTY	TRACTOR SERIAL NO.	REMARKS
1	U46507	PIN	1		
2	R63671	NUT	1		
3	12H303	LOCK WASHER	1	5/16"	
4	R63670	WELD NUT	1		
5	R63669	CAP	1		
6	R63668	NUT	1		
7	R63667	WASHER	1		
8	R63666	WASHER	1		
9	14H649	NUT	1	1/4"	
10	12H297	LOCK WASHER	1	1/4"	
11	AR78595	SHAFT	1		
12	12H295	LOCK WASHER	2	0.190"	
13	21H1298	SCREW	2	0.190" X 3/8"	
14	37H176	SCREW	1	0.138" X 1/4"	
15	RE61099	WIRING LEAD	1		
16	AT66481	MOTOR	1		(SUB FOR AR59444, RE13280, RE53496 OR RE56380)
17	RE13281	GEAR	1		
18	RE58851	MOTOR	1		(SUB FOR AR59444, RE13280, RE53496 OR RE56380)
19	R78498	WASHER	3		
20	R78995	BRACKET	1		
21	RE13283	SCREW, WITH WASHER	3		
22	U46508	WASHER	1		
23	AU43954	ARM	1		(SUB FOR RE13284 OR RE18946)
24	AU43857	LOCK NUT	1		
25	RE13282	ARM	1		
26	T32255	SHIM	2		
27	U46506	CLIP	2		(SUB FOR R78499)
28	RE36108	ARM	1		(SUB FOR AR56690)
29	RE48322	WIPER MOTOR WIRING HARNESS	1		
30	AR64992	WIPER SWITCH	1		
31	R44165	LOCK NUT	1		
32	AR69370	KNOB	1		
33	R92205	SCREW	1		
34	T35440	LOCK NUT	1		
35	AR56694	WINDSHIELD WIPER	1		
36	19H3287	CAP SCREW	2	1/4" X 2-5/8"	
37	12H302	LOCK WASHER	2	1/4"	
38	24H1286	WASHER	1	9/32" X 1/2" X 1/16"	
	12H356	LOCK WASHER	1	1/4"	
39	RE36215	PLATE	1		(SUB FOR AR78596)
	R97997	NUT	1		(NLA)
40	R63672	ADAPTER	1		
41	AR71570	CAPACITOR	2		

# 2F13

ELECTRICAL

RWP5162 -UN-01JAN94

LEFT-HAND WINDSHIELD WIPER AND MOTOR



RWP5162



# 2F14

ELECTRICAL

## LEFT-HAND WINDSHIELD WIPER AND MOTOR - CONTINUED

KEY	PART NO.	PART NAME	QTY	SG BODY SERIAL NO.	REMARKS
1	R52130	LOCK NUT	1		(REPLACEMENT SOUND-GARD BODY)
2	14H1026	NUT	3	0.138"	
3	12H321	WASHER	3	0.138"	
4	AR94047	BUSHING	1		SPACER
5	RE48783	WIPER MOTOR	1		(SUB FOR AR56691 OR RE18943)
	AR91667	SHAFT	1		(AMERICAN BOSCH OR UTC)
6	AR56692	ARM	1		
7	AR56694	WINDSHIELD WIPER	1		
8	T35441	SCREW	1		
9	T35440	LOCK NUT	1		
10	AR69370	KNOB	1		(SUB FOR AR49969)
11	R44165	LOCK NUT	1		
12	AR64992	WIPER SWITCH	1		(SUB FOR AR57228)
13	21H1301	SCREW	1	0.190" X 1/2"	
14	12M7060	WASHER	1	0.209"	
15	B1664R	SHIM	1		
16	R50277	CLIP	1		
17	R26941	GROMMET	1		
18	AR87340	WIPER MOTOR WIRING HARNESS	1		(SUB FOR AR56199) (USE WITH AR56691)
	RE18944	WIPER MOTOR WIRING HARNESS	1		(USE WITH RE18943 OR RE48783)
19	R70209	CLAMP	1		
20	37M7068	SCREW	1	NO. 8 X 5/8"	
21	R47474	CLIP	1		
22	AR71571	CAPACITOR	2		

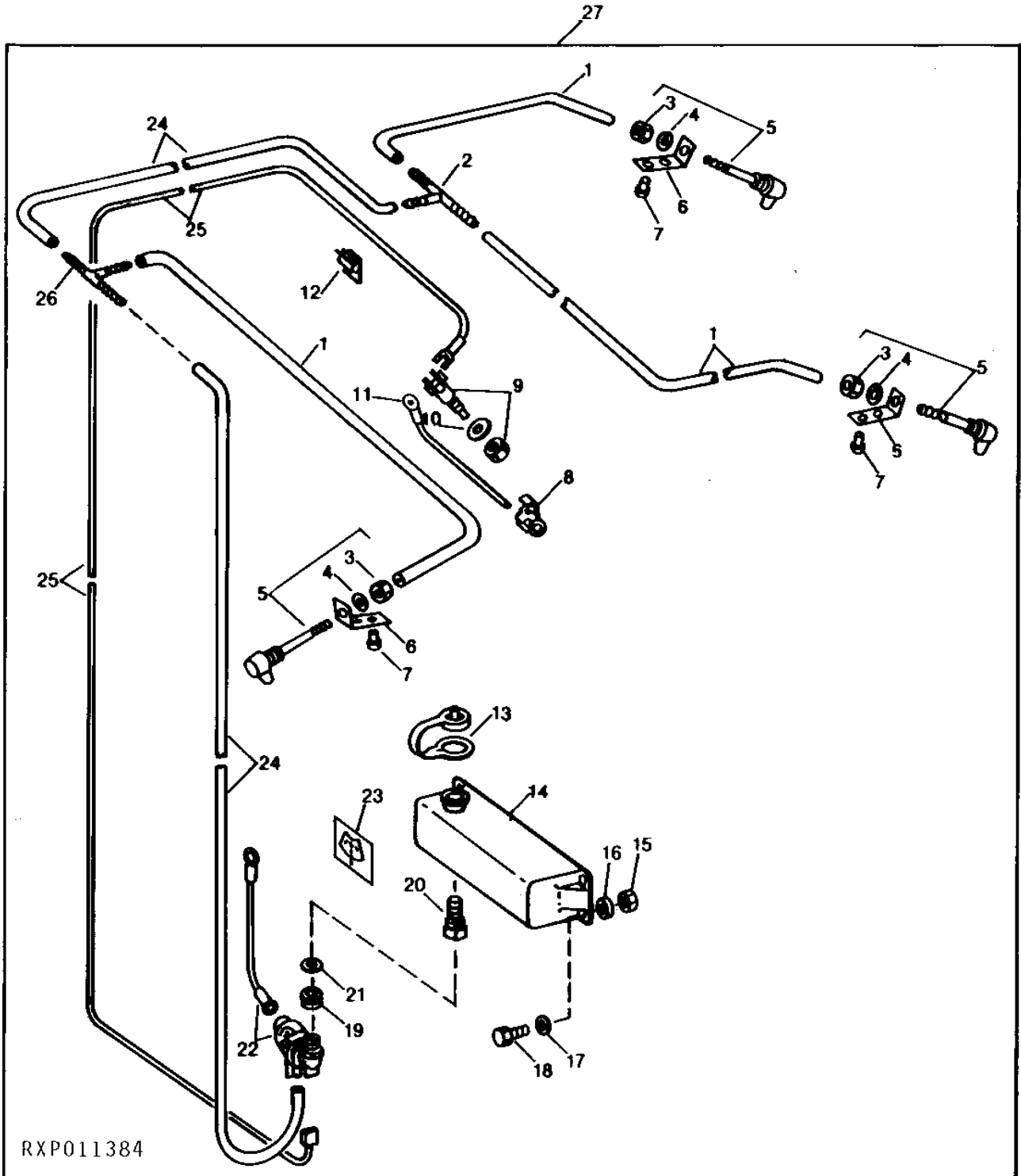
# 2F15

ELECTRICAL

## WINDSHIELD WASHER (AR79547)

RXP011384 -UN-17OCT94

45



RXP011384

# 2F16

ELECTRICAL

## WINDSHIELD WASHER - CONTINUED (AR79547)

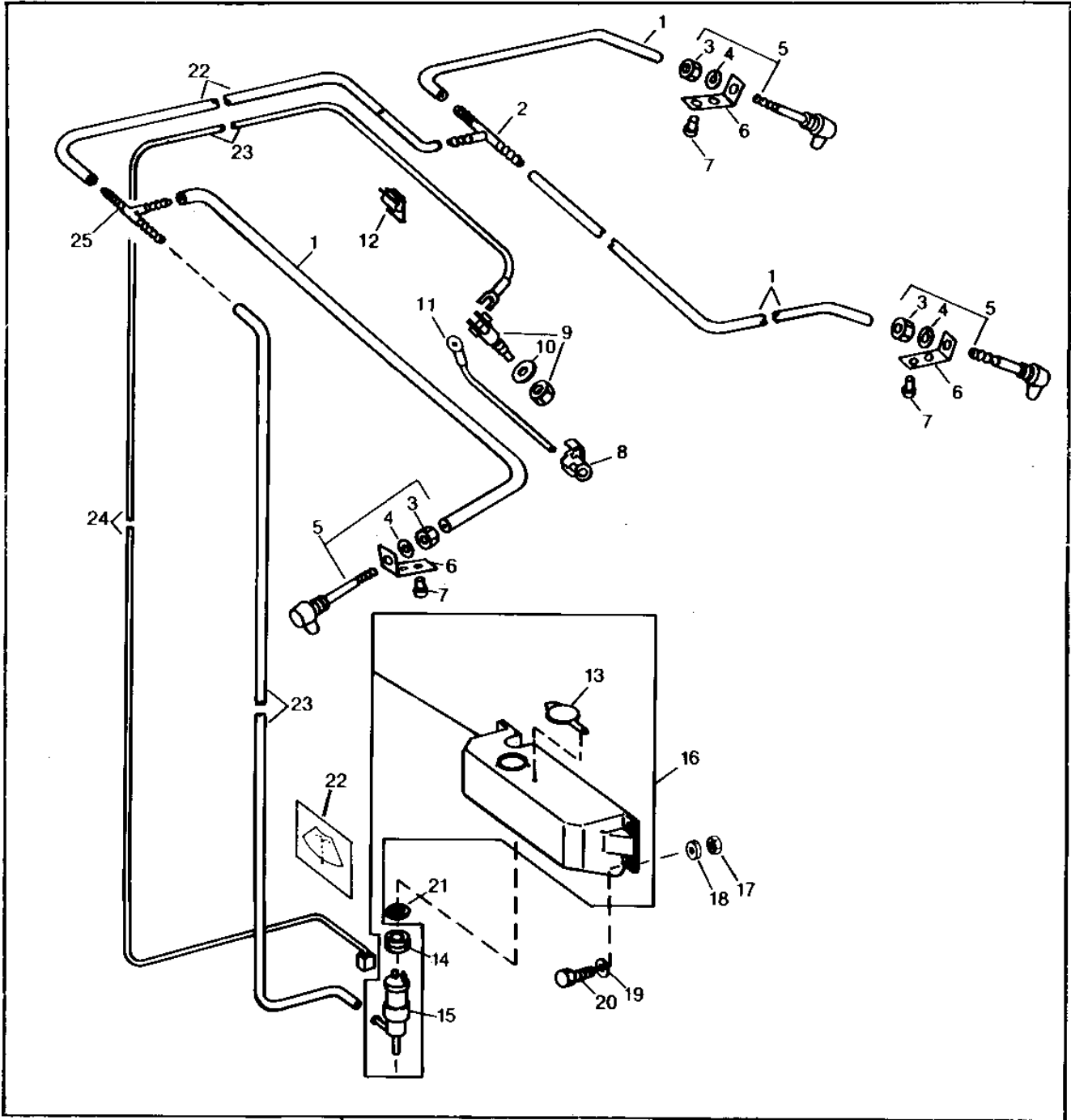
KEY	PART NO.	PART NAME	QTY	SG BODY SERIAL NO.	REMARKS
1	R54447	HOSE	1		
2	R64061	TEE FITTING	1		
3	14H650	NUT	3	5/16"	
4	12M7032	LOCK WASHER	3	0.331"	
5	AR79548	NOZZLE	3		
6	R64057	SUPPORT	3		
7	R55326	RIVET	5		
8	AR67855	CONNECTOR	1		
9	AR62294	WIPER/WASHER SWITCH	1		
10	R64063	PLATE	1		
11	AR79551	WIRING LEAD	1		
12	R47474	CLIP	3		
13	R64060	CAP	1		
14	R64056	RESERVOIR	1		
15	14H611	NUT	1	5/16"	
16	R27370	WASHER	4		
17	12H303	LOCK WASHER	1	5/16"	
18	19H1849	CAP SCREW	1	5/16" X 1-1/4"	
19	R64058	GROMMET	1		
20	AR79550	FILTER	1		
21	R64059	WASHER	1		
22	AR79549	PUMP	1		
23	R91631	LABEL	1		
24	R54445	HOSE	1		
25	AR62296	WIRING LEAD	1		
26	R64062	TEE FITTING	1		
27	<b>AR79547</b>	<b>WINDSHIELD WASHER</b>	<b>1</b>	<b>(SUB RE36818) (FI)</b>	

# 2F17

ELECTRICAL

## WINDSHIELD WASHER (RE36818)

RXP011385 -UN-17OCT94



RXP011385

# 2F18

ELECTRICAL

## WINDSHIELD WASHER - CONTINUED (RE36818)

KEY	PART NO.	PART NAME	QTY	CAB SERIAL NO.	REMARKS
1	R54447	HOSE	1		
2	R64061	TEE FITTING	1		
3	14H650	NUT	3	5/16"	
4	12M7032	LOCK WASHER	3	0.331"	
5	AR79548	NOZZLE	3		
6	R64057	SUPPORT	3		
7	R55326	RIVET	5		
8	AR67855	CONNECTOR	1		
9	AR62294	WIPER/WASHER SWITCH	1		
10	R64063	PLATE	1		
11	AR79551	WIRING LEAD	1		
12	R47474	CLIP	3		
13	L38132	FILLER CAP	1		
14	L38115	GROMMET	1		
15	AL61306	PUMP	1		(SUB FOR AL35751)
16	AL35750	WINDSHIELD WASHER	1		
17	14H611	NUT	4	5/16"	
18	R27370	WASHER	4		
19	12H303	LOCK WASHER	4	5/16"	
20	19H1849	CAP SCREW	4	5/16" X 1-1/4"	
21	R64059	WASHER	1		
22	R91631	LABEL	1		
23	R54445	HOSE	1		
24	RE36906	WIRING HARNESS	1		(INCLUDES L38135)
25	R64062	TEE FITTING	1		
26	<b>RE36818</b>	<b>WINDSHIELD WASHER</b>	<b>1</b>		<b>(SUB FOR AR79547) (FI)</b>

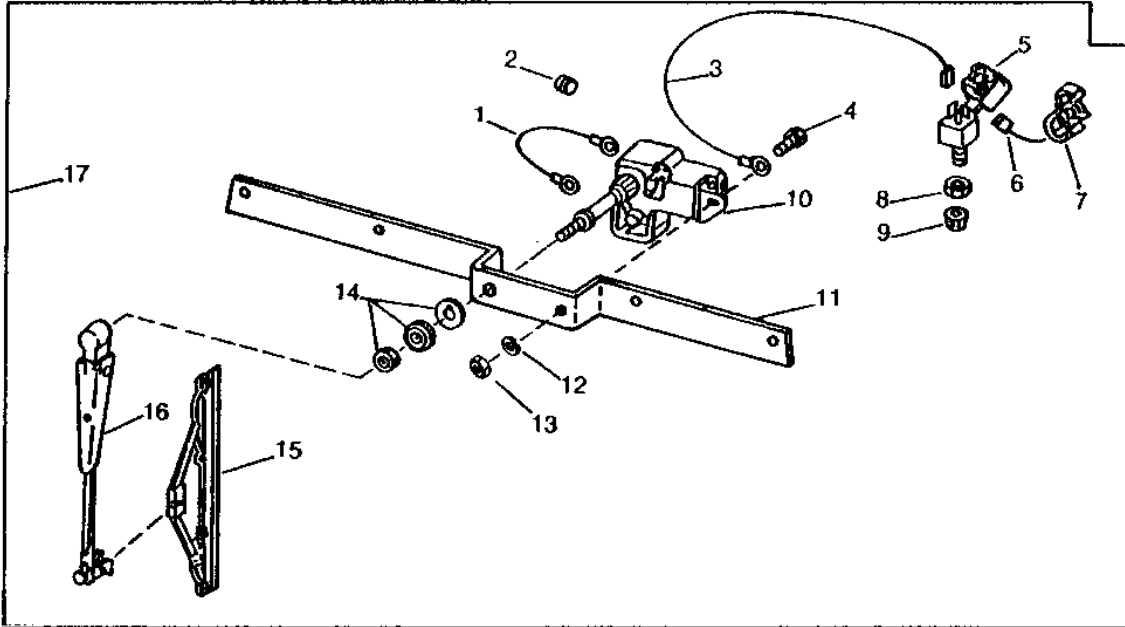
# 2F19

ELECTRICAL

RP1351

-UN-01JAN94

## REAR WINDSHIELD WIPER



RP1351

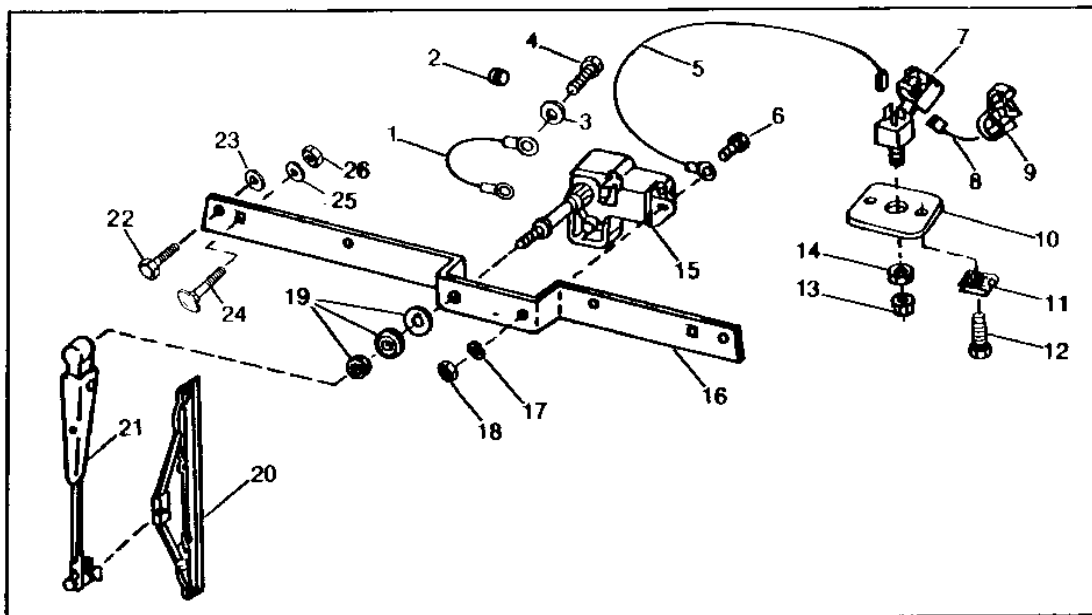
KEY	PART NO.	PART NAME	QTY	SG BODY SERIAL NO.	REMARKS
1	AR79429	WIRING LEAD	1	813MM (32")	
2	R27583	GROMMET	1		
3	AR79431	WIRING LEAD	1	2210MM (84")	
4	21H1295	SCREW	1	0.190" X 5/8"	
5	AR64992	WIPER SWITCH	1		
6	AR79430	WIRING LEAD	1		
7	AR67855	CONNECTOR	1		
8	R44165	LOCK NUT	1		
9	AR69370	KNOB	1		
10	AR79428	MOTOR	1		
11	R63983	BRACKET	1		
12	12M7060	WASHER	1	0.209"	
13	14H778	NUT	1	0.190"	
14	AR94047	BUSHING	1	SPACER	
15	AR56694	WINDSHIELD WIPER	1		
16	AR56692	ARM	1		
17	<b>AR79427</b>	<b>KIT</b>	<b>1</b>	<b>(SUB RE41817) (FI)</b>	

# 2F20

ELECTRICAL

RXP011340 -UN-27SEP94

## REAR WINDSHIELD WIPER



RXP011340

KEY	PART NO.	PART NAME	QTY	TRACTOR SERIAL NO.	REMARKS
1	AR79429	WIRING LEAD	1	813MM(32")	
2	R27583	GROMMET	1		
3	24H1283	WASHER	1	7/32" X 1/2" X 0.049"	
4	37H129	SCREW	1		
5	AR79431	WIRING LEAD	1		
6	21H1301	SCREW	1	0.190" X 1/2"	
7	AR64992	WIPER SWITCH	1		
8	AR79430	WIRING LEAD	1		
9	AR67855	CONNECTOR	1		
10	R104517	PLATE	1		
11	R52130	LOCK NUT	2		
12	R52931	SCREW	2		
13	R44165	LOCK NUT	1		
14	AR69370	KNOB	1		
15	AR79428	MOTOR	1		
16	R63983	BRACKET	1		
17	12M7060	WASHER	1	0.209"	
18	14H778	NUT	1	0.190"	
19	AR94047	BUSHING	1		
20	AR56694	WINDSHIELD WIPER	1		
21	AR56692	ARM	1		
22	21H1014	SCREW	4	1/4" X 1"	
23	24M7289	WASHER	2	9.500 X 28 X 3 MM	
24	03M7319	BOLT	2	M8 X 35	
25	24M7036	WASHER	2	9 X 16 X 1.600 MM	
26	14M7166	LOCK NUT	2	M8	
27	RE41817	KIT	1	(SUB FOR AR79427) (FI)	
..	L61115	WEATHERSTRIP	1		

---

MEMORANDA

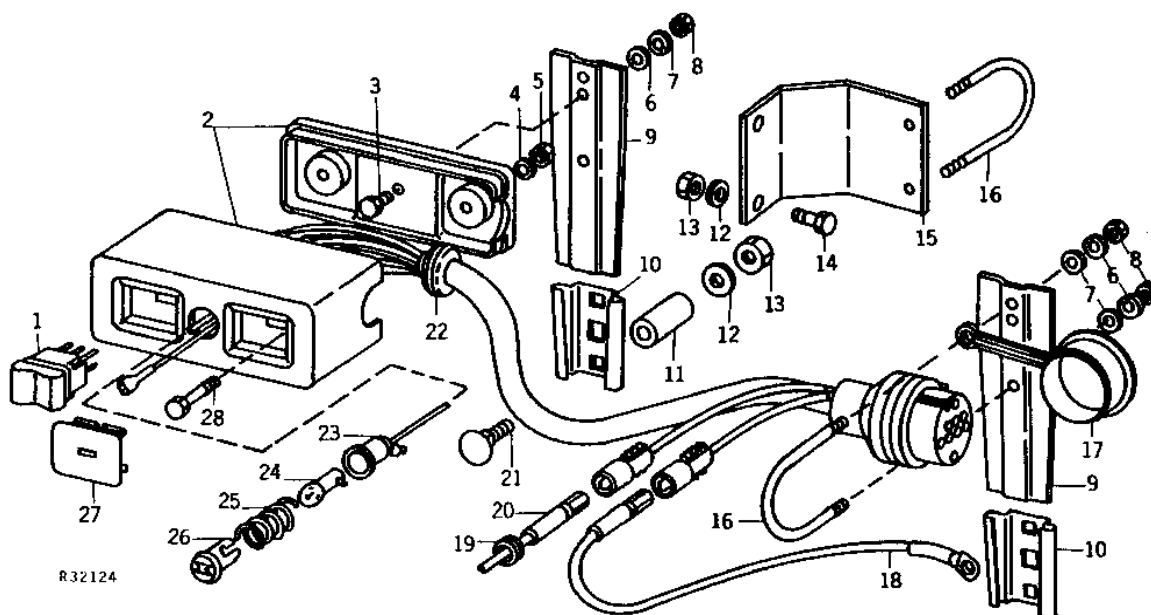


# 2F21

ELECTRICAL

R32124 -UN-01JAN94

## ELECTRICAL REMOTE CONTROL



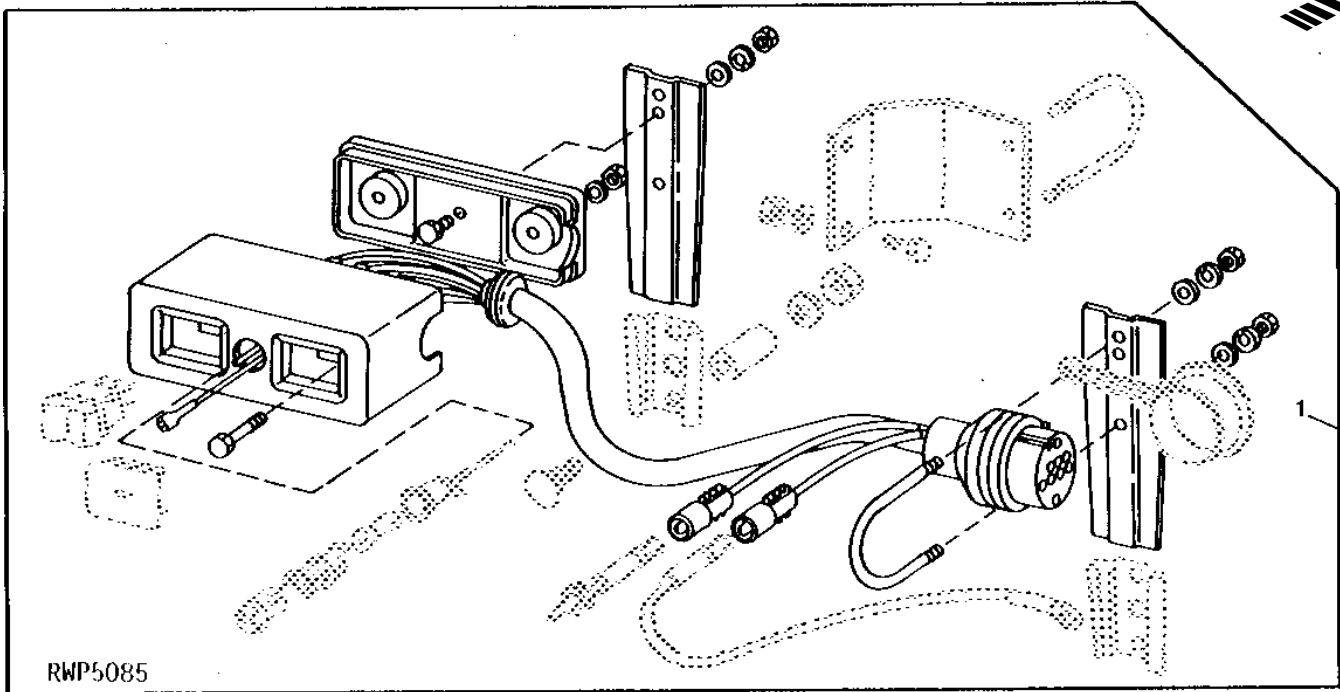
KEY	PART NO.	PART NAME	QTY	TRACTOR SERIAL NO.	REMARKS
1	AR49797	TOGGLE SWITCH	1		MOMENTARY ROCKER (FI)
	AR49798	ROCKER SWITCH	1		DETENT ROCKER (FI)
2	AR50779	WIRING HARNESS	1		(TWO SWITCH)
	AR50780	WIRING HARNESS	1		(FOUR SWITCH)
3	19H1914	CAP SCREW	1		1/4" X 1"
4	12H315	LOCK WASHER	2		0.164"
5	14H605	NUT	2		0.164"
6	24H1821	WASHER	3		9/32" X 47/64" X 1/16"
7	12H302	LOCK WASHER	3		1/4"
8	14H786	NUT	3		1/4"
9	R47861	BRACKET	AR		(2 USED, TWO SWITCH) (1 USED, FOUR SWITCH)
	R47860	BRACKET	1		(FOUR SWITCH)
10	JD126	SOCKET	2		
11	28H1495	SPACER	2		3/8" X 1"
12	24M7207	WASHER	4		8.400 X 24 X 2 MM
13	14H785	NUT	4		5/16"
14	21H1304	SCREW	2		5/16" X 3/4"
15	R54467	BRACKET	1		
16	E16050	U-BOLT	1		
17	R48048	CAP	1		
18	AR50928	WIRING LEAD	1		
19	H987R	GROMMET	4		
20	AR50927	WIRING LEAD	1		
21	03H1515	BOLT	2		5/16" X 2"
22	R36235	GROMMET	1		
23	AT44165	WIRING LEAD	1		
24	AR55694	BULB	1		
25	R30378	SPRING	1		
26	AT48673	LENS	1		
27	R48049	PLUG	1		
28	R48028	SCREW	2		
..	R48026	DECAL	1		
..	R48027	GROMMET	1		(CAB OPENING)
..	R32276	PLUG	1		(CAB OPENING)

# 2F22

ELECTRICAL

RWP5085 -UN-01JAN94

## ELECTRICAL REMOTE CONTROL KIT



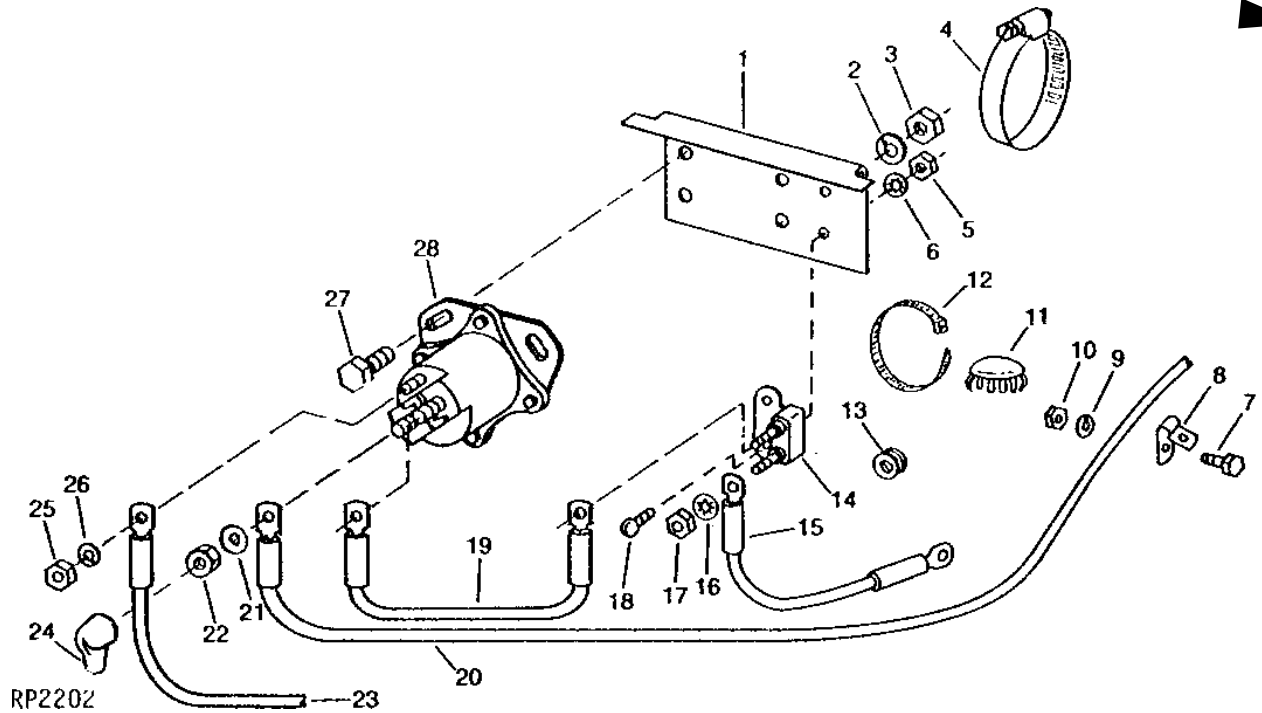
KEY	PART NO.	PART NAME	QTY	TRACTOR SERIAL NO.	REMARKS
1	AR62360	KIT	1	(TWO SWITCH) (FI)	
	.....	WIRING HARNESS	1	( AN180528 FOR USES BEYOND THE TRACTOR)	

# 2F23

ELECTRICAL

RP2202 -UN-01JAN94

## ELECTRICAL REMOTE CONTROL WIRING



KEY	PART NO.	PART NAME	QTY	TRACTOR SERIAL NO.	REMARKS
1	R69109	BRACKET	1	(SUB FOR R47859)	
2	12H297	LOCK WASHER	2	1/4"	
3	14H786	NUT	2	1/4"	
4	AR52392	CLAMP	2		
5	14H631	NUT	2	0.190"	
6	12M7060	WASHER	2	0.209"	
7	19H1731	CAP SCREW	2	3/8" X 1"	
8	T14264	CLAMP	2		
9	12H304	LOCK WASHER	2	3/8"	
10	14H732	NUT	2	3/8"	
11	R32276	PLUG	1	(CAB OPENING)	
12	R44302	TIE BAND	AR		
13	R41439	GROMMET	1		
14	AR50926	CIRCUIT BREAKER	1		
15	AR50930	WIRING LEAD	1		
16	12M7060	WASHER	2	0.209"	
17	14H631	NUT	2	0.190"	
18	21H1295	SCREW	2	0.190" X 5/8"	
19	AR50929	WIRING LEAD	1		
20	AR50927	WIRING LEAD	1		
21	12H303	LOCK WASHER	2	5/16"	
22	14H785	NUT	2	5/16"	
23	AR50931	WIRING LEAD	1		
24	R36732	BOOT	2		
25	14H631	NUT	1	0.190"	
26	12H246	LOCK WASHER	1	0.190"	
27	19H1919	CAP SCREW	2	1/4" X 5/8"	
28	RE44657	RELAY	1	(FI)	

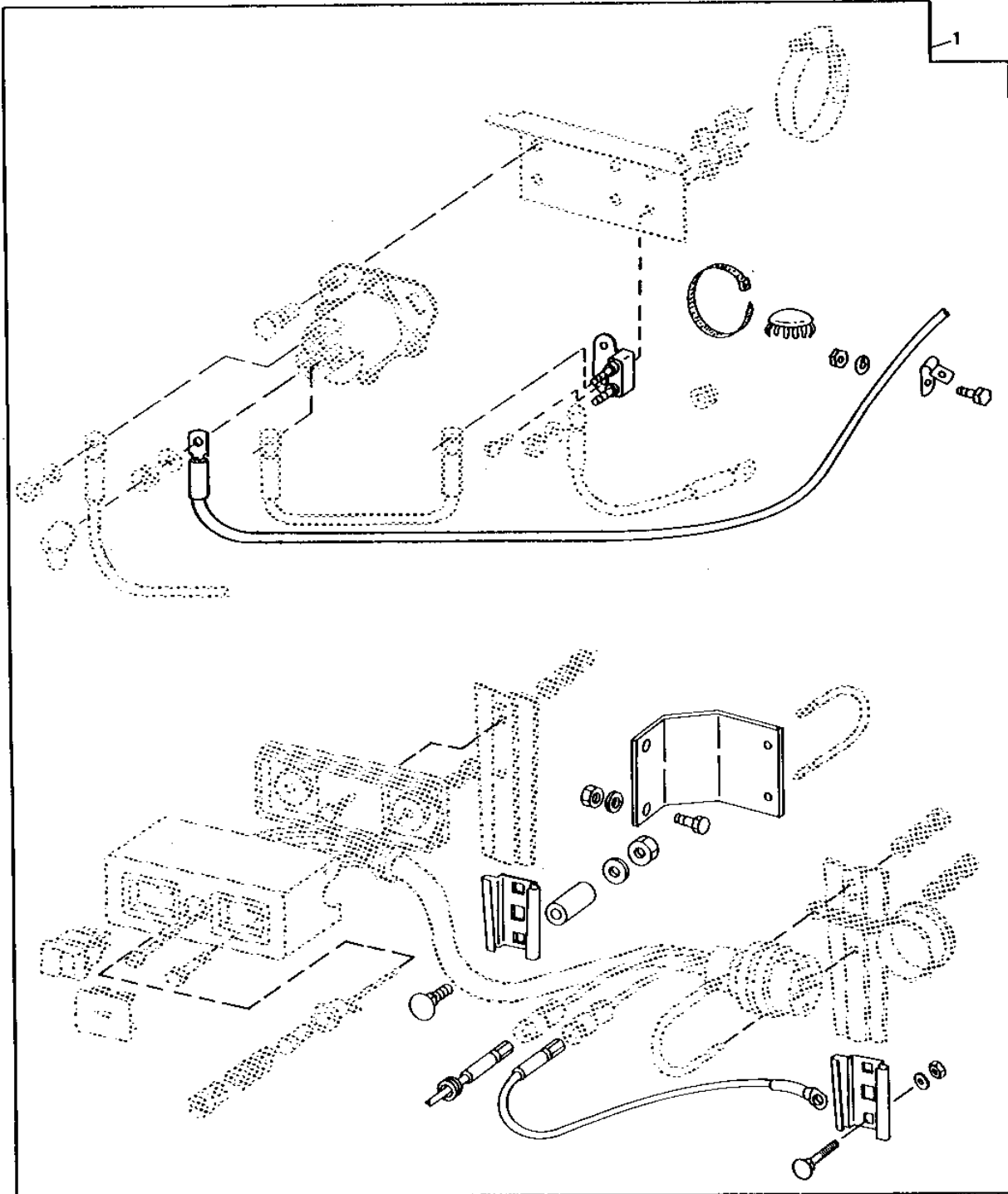
# 2F24

ELECTRICAL

RWP5666

-UN-01JAN94

ELECTRICAL REMOTE CONTROL WIRING KIT



RWP5666

# 2F25

ELECTRICAL

---

## ELECTRICAL REMOTE CONTROL WIRING KIT - CONTINUED

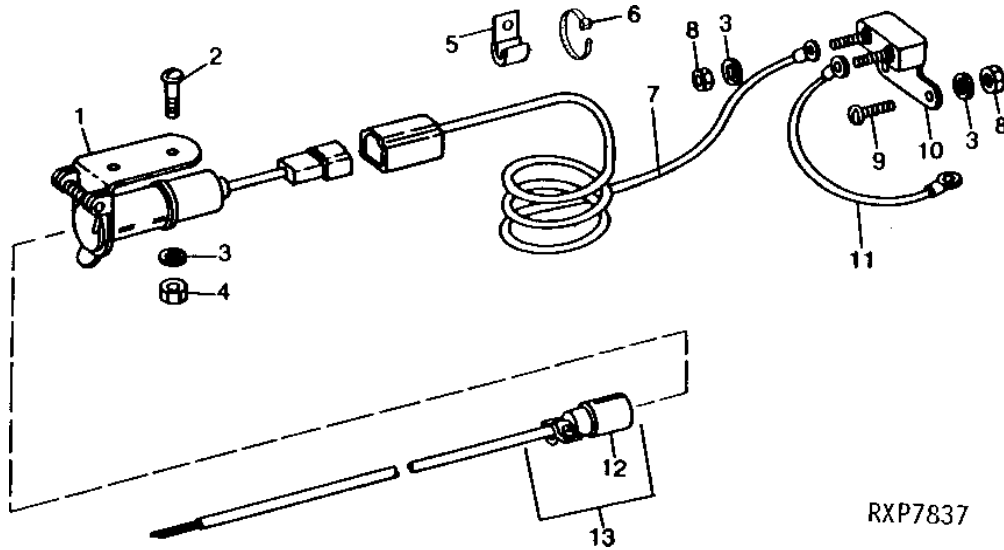
KEY	PART NO.	PART NAME	QTY	TRACTOR SERIAL NO.	REMARKS
1	RE25621	KIT	1	(SUB FOR AR62359)	

# 2G1

ELECTRICAL

RXP7837 -UN-23SEP94

## ELECTRICAL OUTLET SOCKET



RXP7837

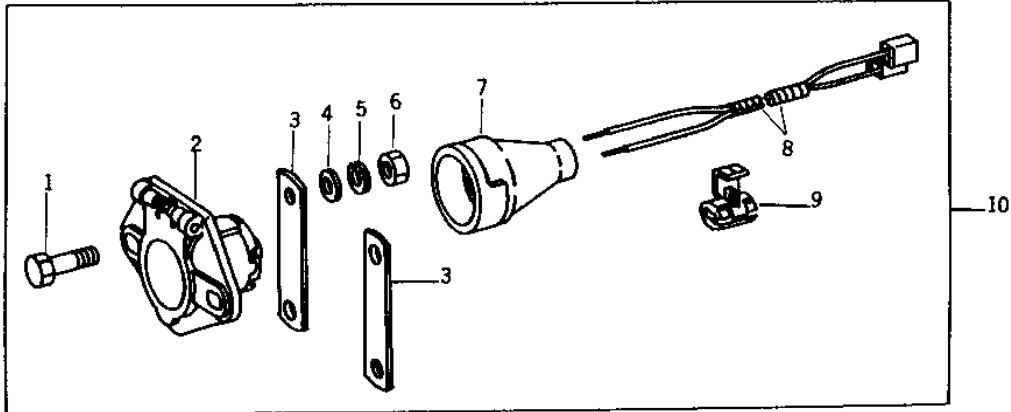
KEY	PART NO.	PART NAME	QTY	TRACTOR SERIAL NO.	REMARKS
1	AR26571	SOCKET	1		
2	21H1301	SCREW	2	0.190" X 1/2"	
3	12M7060	WASHER	6	0.209"	
4	14H778	NUT	2	0.190"	
5	T32231	CLAMP	2	(SUB FOR R55618)	
6	R44302	TIE BAND	5		
7	.....	WIRING LEAD	1	4153 MM (163-1/2") (MAKE FROM R66321, T28585, U46662, R77493 AND R77471)	
8	14H631	NUT	4	0.190"	
9	21H1295	SCREW	2	0.190" X 5/8"	
10	AR28403	CIRCUIT BREAKER	1		
11	.....	WIRING LEAD	1	152 MM (6") (MAKE FROM R66321 AND (2) R77493)	
12	AA5692R	ELECTRICAL PLUG	1		
13	AR40710	PLUG	1		

# 2G2

ELECTRICAL

R32128 -UN-01JAN94

## 7-TERMINAL ELECTRICAL OUTLET SOCKET



R32128

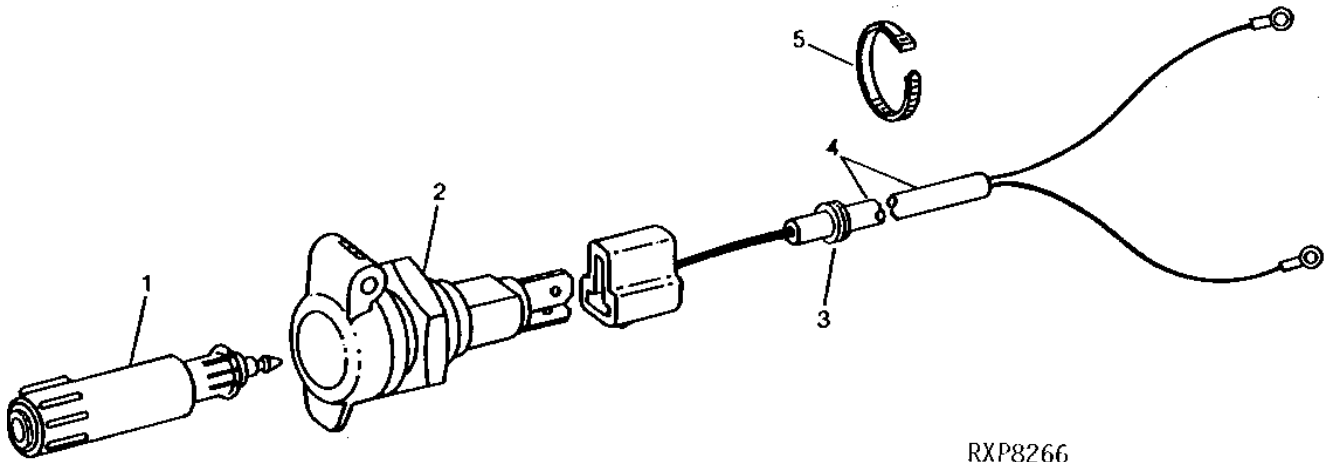
KEY	PART NO.	PART NAME	QTY	TRACTOR SERIAL NO.	REMARKS
1	19H1905	CAP SCREW	4	5/16" X 1"	
2	AR75695	SOCKET OUTLET	1		
3	R61776	STRAP	2		
4	24H1136	WASHER	4	11/32" X 11/16" X 0.065"	
5	12H303	LOCK WASHER	4	5/16"	
6	14H785	NUT	4	5/16"	
7	R61775	BOOT	1		
8	AR75696	WIRING HARNESS	1		
	.....	WIRING LEAD	1		
9	AR67855	CONNECTOR	3		
10	RE17282	KIT	1	(SUB FOR AR75694) (FI)	

# 2G3

ELECTRICAL

RXP8266 -UN-01JAN94

## CONVENIENCE ELECTRICAL OUTLET SOCKET



RXP8266

KEY	PART NO.	PART NAME	QTY	TRACTOR SERIAL NO.	REMARKS
1	RE11344	PLUG	1		
2	AL25073	SOCKET OUTLET	1		
3	A3411R	GROMMET	1		
4	RE18119	WIRING HARNESS	1		
5	R44302	TIE BAND	10		



---

MEMORANDA

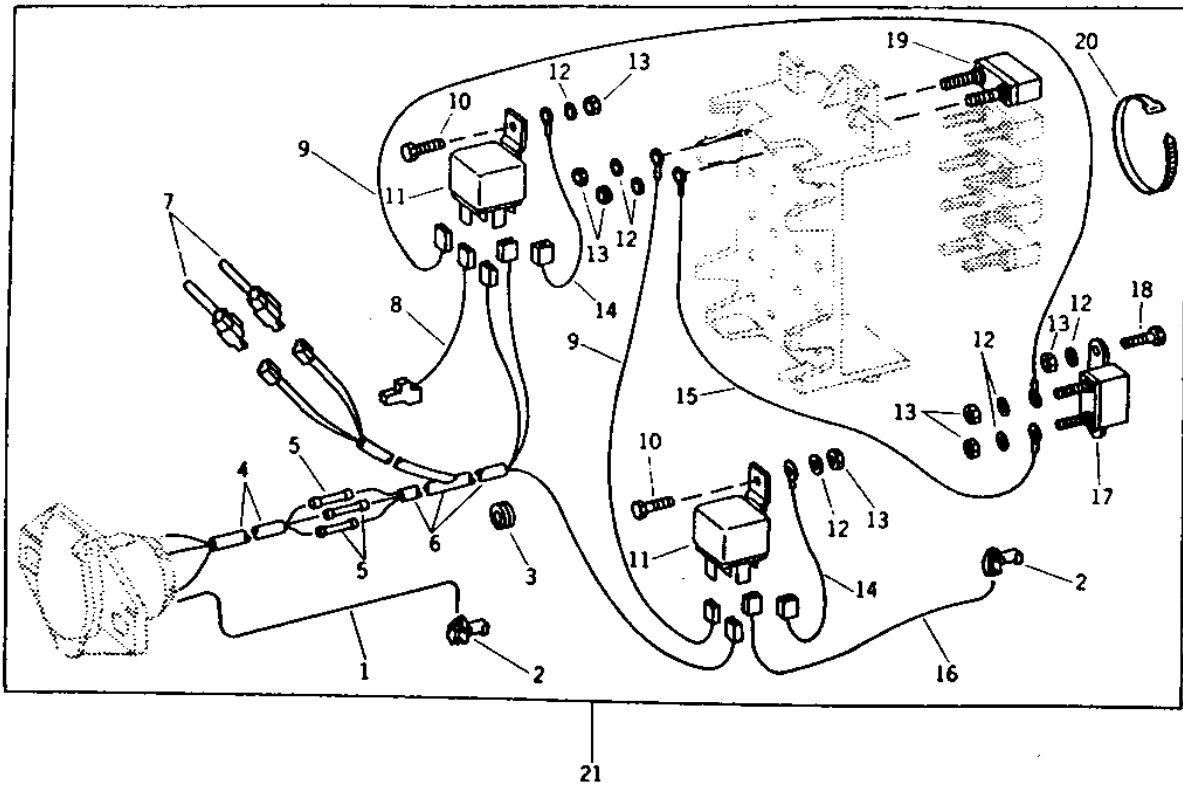
# 2G4

ELECTRICAL

R32129

-UN-07JAN91

## 7-TERMINAL SOCKET (SUPPLEMENTARY WIRING KIT)



# 2G5

ELECTRICAL

## 7-TERMINAL SOCKET - CONTINUED (SUPPLEMENTARY WIRING KIT)

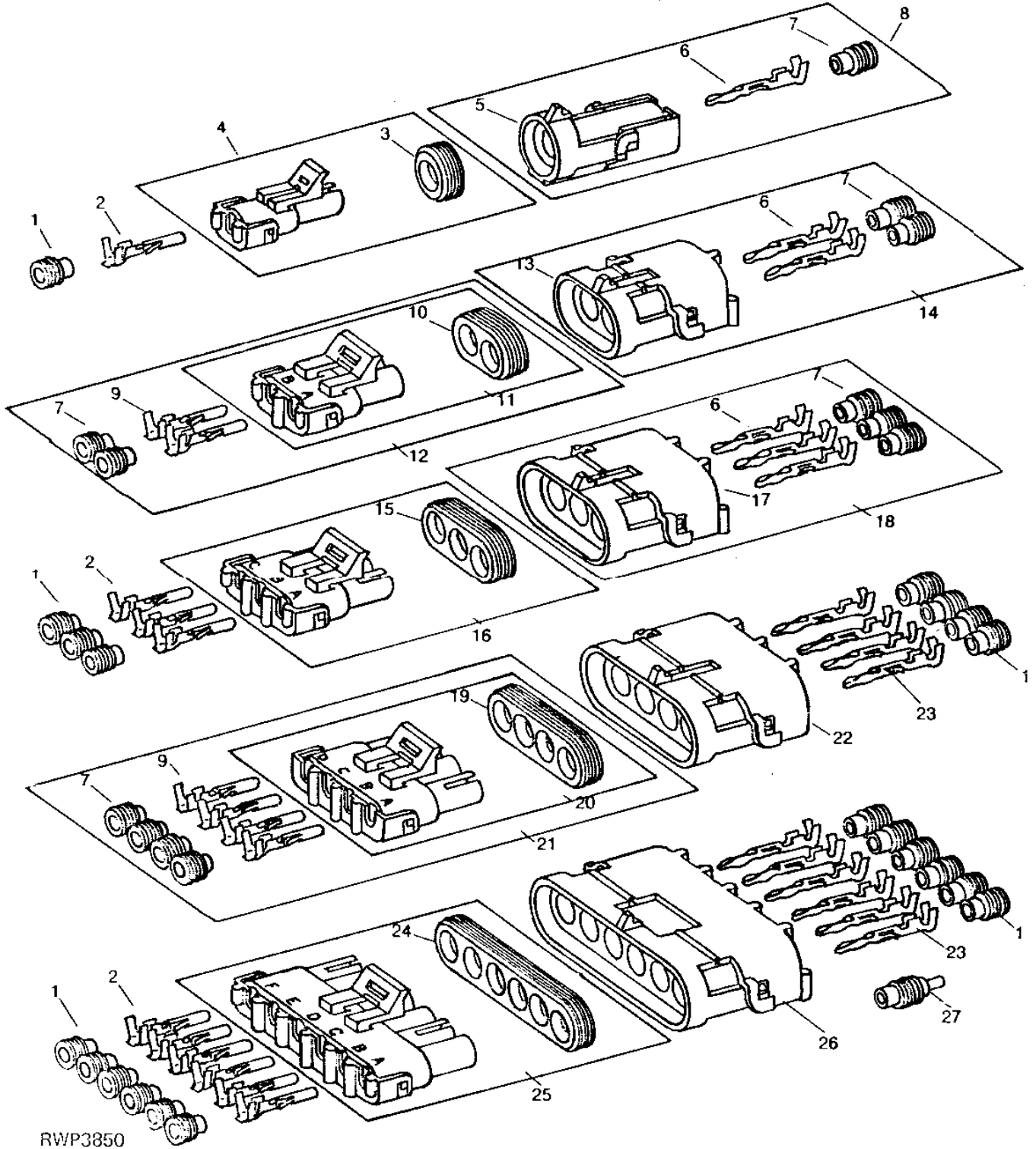
KEY	PART NO.	PART NAME	QTY	TRACTOR SERIAL NO.	REMARKS
1	.....	WIRING LEAD	1		3962 MM (156") (MAKE FROM R66319)
2	AR67855	CONNECTOR	2		
3	R40445	GROMMET	1		
4	AR82910	WIRING HARNESS	1		
5	R32027	CONNECTOR	4		
6	AR82912	WIRING HARNESS	1		
7	AR82911	WIRING LEAD	2		
8	AR50834	WIRING LEAD	1		
9	.....	WIRING LEAD	3		311 MM (12-1/4") (MAKE FROM R66319, R32018, R32027 AND R32024)
10	21H1282	SCREW	2		0.190" X 7/8"
11	AR74411	RELAY	2		
12	12M7060	WASHER	8		0.209"
13	14H631	NUT	8		0.190"
14	.....	WIRING LEAD	2		152 MM (6") (MAKE FROM R66319, R32021, R32027 AND R32025)
15	.....	WIRING LEAD	2		152 MM (6") (MAKE FROM R66319 AND (2) R32018)
16	AR82909	WIRING LEAD	1		
17	AR49352	CIRCUIT BREAKER	1		30 AMP
18	21H1295	SCREW	2		0.190" X 5/8"
19	AR28403	CIRCUIT BREAKER	1		20 AMP
20	R44302	TIE BAND	AR		
21	AR78052	KIT	1		

# 2G6

ELECTRICAL

RWP3850 -UN-01JAN94

## WEATHERPACK TERMINALS AND CONNECTORS



# 2G7

ELECTRICAL

## WEATHERPACK TERMINALS AND CONNECTORS - CONTINUED

KEY	PART NO.	PART NAME	QTY	TRACTOR SERIAL NO.	REMARKS
1	R78063	TERMINAL NIPPLE	1	(A)	(16 GA. WIRE) (GRAY)
	R78059	TERMINAL NIPPLE	1	(A)	(18 OR 20 GA. WIRE) (GREEN)
	R78062	TERMINAL NIPPLE	1	(A)	(14 GA. WIRE) (BLUE)
2	R78057	SOCKET CONTACT	1	(A)	(18 OR 20 GA. WIRE) (NO. 19)
	R78060	SOCKET CONTACT	1	(A)	(14 OR 16 GA. WIRE) (NO. 15)
3	R78047	SEAL	1	(B)	
4	RE12362	CONNECTOR	1	(C)	
5	R78052	CONNECTOR	1	(C)	
6	R78061	PIN CONTACT	1	(A)	(14 OR 16 GA. WIRE) (NO. 15)
7	R78063	TERMINAL NIPPLE	1	(A)	(16 GA. WIRE) (GRAY)
8	RE12334	CONNECTOR	1		
9	R78060	SOCKET CONTACT	1	(A)	(14 OR 16 GA. WIRE) (NO. 15)
10	R78048	TERMINAL NIPPLE	1	(B)	
11	RE12363	CONNECTOR	1	(C)	
12	RE12331	CONNECTOR	1		
13	R78053	CONNECTOR	1	(C)	
14	RE12330	CONNECTOR	1		
15	R78049	SEAL	1	(B)	
16	RE12364	CONNECTOR	1	(C)	
17	R78054	CONNECTOR	1	(C)	
18	RE12332	CONNECTOR	1		
19	R78050	SEAL	1	(B)	
20	RE12365	CONNECTOR	1	(D)	
21	RE12333	CONNECTOR	1		
22	R78055	CONNECTOR	1	(D)	
23	R78061	PIN CONTACT	1	(A)	(14 OR 16 GA. WIRE) (NO. 15)
	R78058	PIN CONTACT	1	(A)	(18 OR 20 GA. WIRE) (NO. 19)
24	R78051	SEAL	1	(B)	
25	RE12366	CONNECTOR	1	(D)	
26	R78056	CONNECTOR	1	(D)	
27	R78064	ELECTRICAL PLUG	1	(A)	

- (A) PKG. OF 40
- (B) PKG. OF 5
- (C) PKG. OF 3
- (D) PKG. OF 2

---

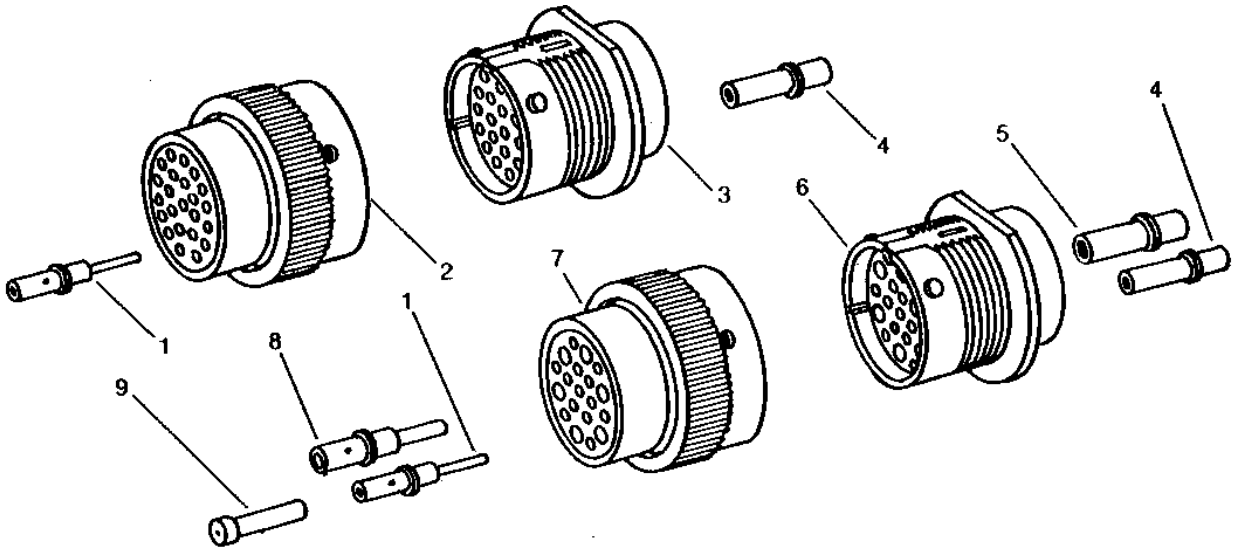
MEMORANDA

# 2G8

ELECTRICAL

RWP3855 -UN-01JAN94

## DEUTSCH TERMINALS AND CONNECTORS



RWP 3855

KEY	PART NO.	PART NAME	QTY	TRACTOR SERIAL NO.	REMARKS
1	R78066	PIN CONTACT	1		(A) (16 OR 18 GA. WIRE)
2	RE12369	ELECTRICAL PLUG	1		(23 WAY)
3	RE12370	RECEPTACLE	1		(23 WAY)
4	R78065	SOCKET CONTACT	1		(A) (16 OR 18 GA. WIRE)
5	R78067	SOCKET CONTACT	1		(A) (12 OR 14 GA. WIRE)
6	RE12368	RECEPTACLE	1		(19 WAY)
7	RE12367	ELECTRICAL PLUG	1		(19 WAY)
8	R78068	PIN CONTACT	1		(A) (12 OR 14 GA. WIRE)
9	R78069	TERMINAL NIPPLE	1		(A)

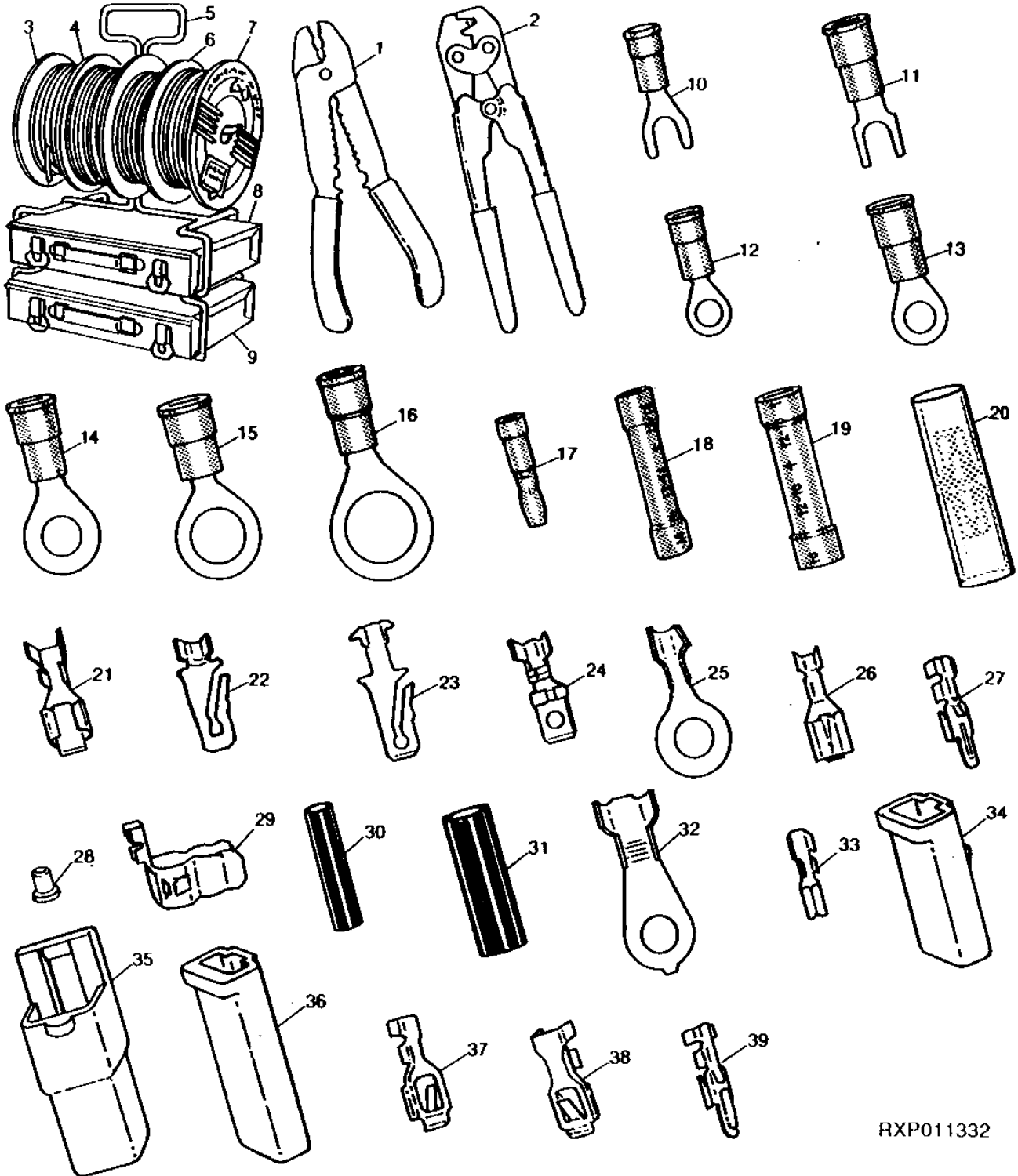
(A) PKG. OF 40

# 2G9

ELECTRICAL

RXP011332 -UN-27SEP94

## ELECTRICAL TERMINALS,CONNECTORS AND WIRING



RXP011332



# 2G10

ELECTRICAL

## ELECTRICAL TERMINALS,CONNECTORS AND WIRING - CONTINUED

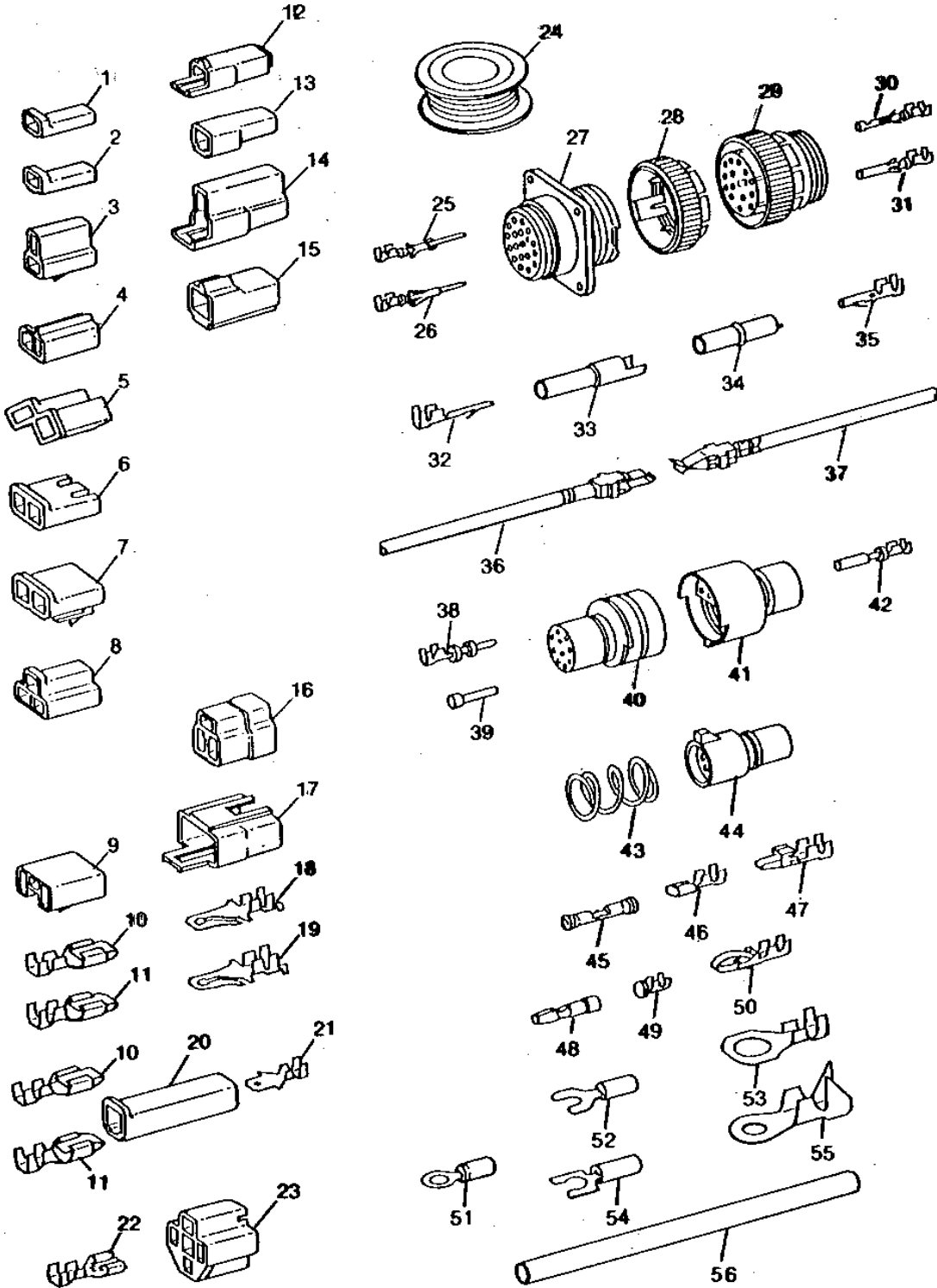
KEY	PART NO.	PART NAME	QTY	TRACTOR SERIAL NO.	REMARKS
1	R32011	TOOL	1	(NLA)	
2	R65594	TOOL	1		
3	R66319	WIRING LEAD	1	14 GA., 30.5 M (100 FT.) (1 SPOOL)	
4	R65593	WIRING LEAD	1	16 GA., 30.5 M (100 FT.) (1 SPOOL)	
5	R65608	RACK	1		
6	R66321	WIRING LEAD	1	10 GA., 15 M (50 FT.) (1 SPOOL)	
7	R66320	WIRING LEAD	1	12 GA., 30.5 M (100 FT.) (1 SPOOL)	
8	R65609	CONTAINER	1	(NLA)	
9	R65610	CONTAINER	1		
10	R32016	TERMINAL	1	14-16 GA., NO. 10 SPADE	
11	R32017	TERMINAL	1	10-12 GA., NO. 10 SPADE	
12	R32018	TERMINAL	1	14-16 GA., NO. 10 EYELET	
13	R32019	TERMINAL	1	10-12 GA., NO. 10 EYELET	
14	R32021	TERMINAL	1	10-12 GA., 1/4" EYELET	
15	R32022	TERMINAL	1	10-12 GA., 3/8" EYELET	
16	R32023	TERMINAL	1	10-12 GA., 1/2" EYELET	
17	R32026	TERMINAL	1	MALE BULLETT	
18	R32027	CONNECTOR	1	SPLICE, 14-16 GA.	
19	R32028	TERMINAL	1	SPLICE, 10-12 GA.	
20	AL2976T	CONNECTOR	1	(SUB FOR R32029) 2-WIRE BULLETT CONNECTOR	
21	R65595	TERMINAL	1	FEMALE, 10 GA.	
22	R65596	TERMINAL	1	MALE, 10 GA. OR TWO 14 GA. CABLES	
23	R65597	TERMINAL	1	MALE, 14-16 GA.	
24	R65598	TERMINAL	1	MALE, SHORT, 14-16 GA.	
25	R65599	TERMINAL	1	14-16 GA., 1/4" EYELET	
26	R65600	TERMINAL	1	FEMALE, 14-16 GA.	
27	R65601	TERMINAL	1	TWIN-LOCK, TWO 16 GA. CABLES	
28	R65602	SOCKET CONTACT	1	BULB SOCKET, 16-18 GA.	
29	R65603	TERMINAL NIPPLE	1	FUSE	
30	R65604	INSULATING SLEEVE	1	14-18 GA.	
31	R65605	INSULATING SLEEVE	1	8-12 GA.	
32	R65606	TERMINAL	1	6-8 GA., 1/4" EYELET	
33	R65607	TERMINAL	1	18-20 GA.	
34	T28583	RECEPTACLE	1	ONE CONTACT LOCK-TYPE, MALE	
35	T28585	TERMINAL	1	ONE CONTACT LOCK-TYPE, FEMALE	
36	U46370	CONNECTOR	1	CONNECTOR, ONE CONTACT SINGLE BODY, MALE	
37	U46662	TERMINAL	1	FEMALE	
38	U46663	TERMINAL	1	FEMALE	
39	U46664	TERMINAL	1	FEMALE	

# 2G11

ELECTRICAL

RXP010581 -UN-01JAN94

## ELECTRICAL CONNECTORS,TERMINALS AND WIRING



RXP010581

# 2G12

ELECTRICAL

## ELECTRICAL CONNECTORS, TERMINALS AND WIRING - CONTINUED

KEY	PART NO.	PART NAME	QTY	TRACTOR SERIAL NO.	REMARKS
1	T28583	RECEPTACLE	1	(B)	
2	M43835	FLAT CONNECTOR	1	(B)	
3	R77476	CONNECTOR	1	(A)	
4	R77477	CONNECTOR	1	(A)	
5	R77479	CONNECTOR	1	(A)	
6	R77480	CONNECTOR	1	(A)	
7	R77481	CONNECTOR	1	(A)	
8	R77482	CONNECTOR	1		
9	H104855	CONNECTOR	1		
10	U46662	TERMINAL	1	(E) (F)	
11	N115096	TERMINAL	1	(G) (SUB R65595) (PKG. OF 15)	
12	T28585	TERMINAL	1	(B)	
13	R77475	CONNECTOR	1	(B)	
14	T28586	CONNECTOR	1	(A)	
15	R77478	CONNECTOR	1	(A)	
16	R77483	CONNECTOR	1		
17	R48887	RECEPTACLE	1		
18	T34067	TERMINAL	1	(E) (F)	
19	R77484	TERMINAL	1	(G) (PKG. OF 15)	
20	U46370	CONNECTOR	1	(B)	
21	R77485	TAB	1	(C) (F)	
22	R77486	TERMINAL	1	(E) (F)	
23	R77487	CONNECTOR	1	(B)	
24	R66321	WIRING LEAD	1	15M (50 FT.) 10 GA.	
	R66320	WIRING LEAD	1	30.5M (100 FT.) 12 GA.	
	R77501	WIRE	1	30.5M (100 FT.) 14 GA.	
	R77500	WIRE	1	30.5M (100 FT.) 16 GA.	
	R77499	WIRE	1	30.5M (100 FT.) 18 GA.	
	R77498	WIRE	1	30.5M (100 FT.) 20 GA.	
25	R77462	PIN CONTACT	1	(PKG. OF 40) (20-22 OR 24 GA. WIRE)	
26	R77464	PIN CONTACT	1	(H) (PKG. OF 50)	
27	R77456	RECEPTACLE	1	(37 WAY)	
28	R77458	CONNECTOR	1	(A) (SIZE 23)	
	R77459	CONNECTOR	1	(A) (SIZE 17)	
	R77460	CONNECTOR	1	(A) (SIZE 13)	
	R77461	CONNECTOR	1	(A) (SIZE 11)	
29	R77457	ELECTRICAL PLUG	1	(37 WAY)	
30	R77463	SOCKET CONTACT	1	(PKG. OF 40) (20-22 OR 24 GA. WIRE)	
31	R77465	SOCKET CONTACT	1	(H) (PKG. OF 50)	
32	R77468	TERMINAL	1	(PKG. OF 5)	
33	R77466	CONNECTOR	1	(A)	
34	R77467	CONNECTOR	1	(A)	

(A) PKG. OF 2

(B) PKG. OF 3

(C) PKG. OF 10

(D) PKG. OF 20

(E) PKG. OF 25

(F) 14 OR 16 GA. WIRE

(G) 10 OR 12 GA. WIRE

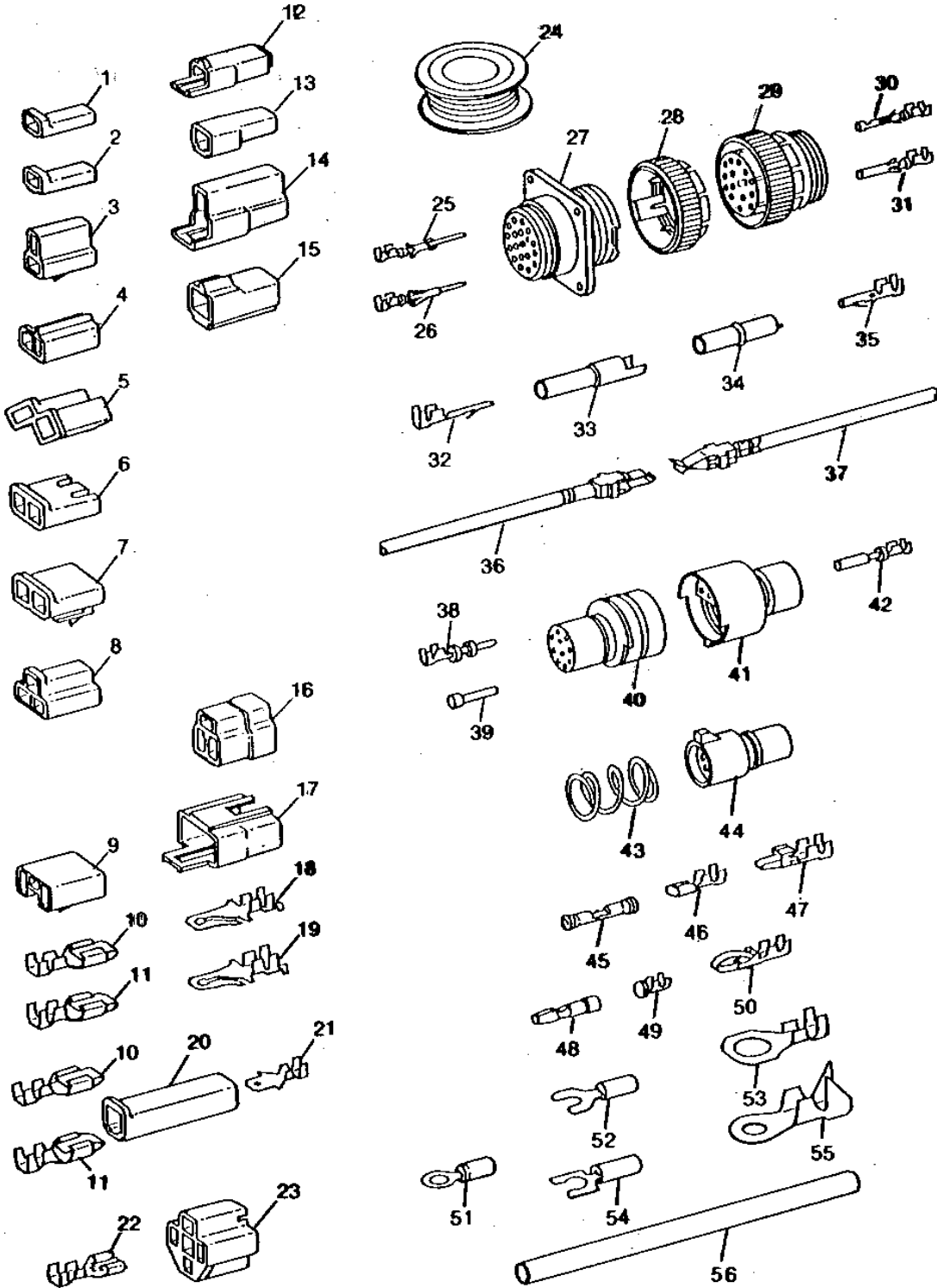
(H) 14-16 OR 18 GA. WIRE

# 2G13

ELECTRICAL

RXP010581 -UN-01JAN94

ELECTRICAL CONNECTORS, TERMINALS AND WIRING - CONTINUED



RXP010581

# 2G14

ELECTRICAL

## ELECTRICAL CONNECTORS, TERMINALS AND WIRING - CONTINUED

KEY	PART NO.	PART NAME	QTY	TRACTOR SERIAL NO.	REMARKS
35	R77469	TERMINAL	1		(PKG. OF 5)
36	RE11156	TERMINAL	1		(B) (MALE)
37	RE11157	TERMINAL	1		(B) (FEMALE)
38	R70222	PIN CONTACT	1		(D) (H)
39	R70221	ELECTRICAL PLUG	1		(E)
40	R70219	PLUG	1		(A) (10 WAY)
	R70217	PLUG	1		(A) (7 WAY)
	R70215	PLUG	1		(A) (4 WAY)
	R70213	PLUG	1		(A) (3 WAY)
41	R70211	CONNECTOR	1		(A) (2 WAY)
	R70218	RECEPTACLE	1		(A) (10 WAY)
	R70216	RECEPTACLE	1		(A) (7 WAY)
	R70214	RECEPTACLE	1		(A) (4 WAY)
	R70212	RECEPTACLE	1		(A) (3 WAY)
	R70210	RECEPTACLE	1		(A) (2 WAY)
42	AR91793	SOCKET CONTACT	1		(D)
43	R30378	SPRING	1		(C)
44	R77474	CONNECTOR	1		(A) (6 WAY)
45	R77470	TERMINAL	1		SPLICE (PKG. OF 15) (16-18-20 OR 22 GA. WIRE)
	R77471	TERMINAL	1		(C) (G) SPLICE
	R77472	TERMINAL	1		(A) SPLICE (8 GA. WIRE)
	R77473	TERMINAL	1		(A) SPLICE (6 GA. WIRE)
46	R65607	TERMINAL	1		(C) (18 OR 20 GA. WIRE)
47	U46664	TERMINAL	1		(C) (F)
48	R32026	TERMINAL	1		(D) (F)
49	R65602	SOCKET CONTACT	1		(C) (16 OR 18 GA. WIRE)
50	R70220	TERMINAL	1		(C) (18 OR 20 GA. WIRE)
51	R77489	TERMINAL	1		(D) (14-16-18 OR 20 GA. WIRE) (NO. 10 EYELET)
	R77493	TERMINAL	1		(D) (G) (NO. 10 EYELET)
	R77488	TERMINAL	1		(D) (14-16-18 OR 20 GA. WIRE) (3/8" EYELET)
	R77490	TERMINAL	1		(D) (G) (1/2" EYELET)
52	R77496	TERMINAL	1		(D) (F) (NO. 8 SPADE)
	R77495	TERMINAL	1		(D) (18 GA. WIRE) (NO. 10 SPADE)
53	R77497	TERMINAL	1		(D) (F) (NO. 6 SPADE)
54	R77491	TERMINAL	1		(D) (G) (3/8" EYELET)
	R77492	TERMINAL	1		(D) (G) (1/4" EYELET)
55	R77494	TERMINAL	1		(D) (6 OR 8 GA. WIRE) (1/4" EYELET)
56	R77502	TUBE	1		(PKG. OF 8) 3/8" (HEAT SHRINK)
	R77503	TUBE	1		(PKG. OF 8) 3/16" (HEAT SHRINK)

(A) PKG. OF 2

(B) PKG. OF 3

(C) PKG. OF 10

(D) PKG. OF 20

(E) PKG. OF 25

(F) 14 OR 16 GA. WIRE

(G) 10 OR 12 GA. WIRE

(H) 14-16 OR 18 GA. WIRE

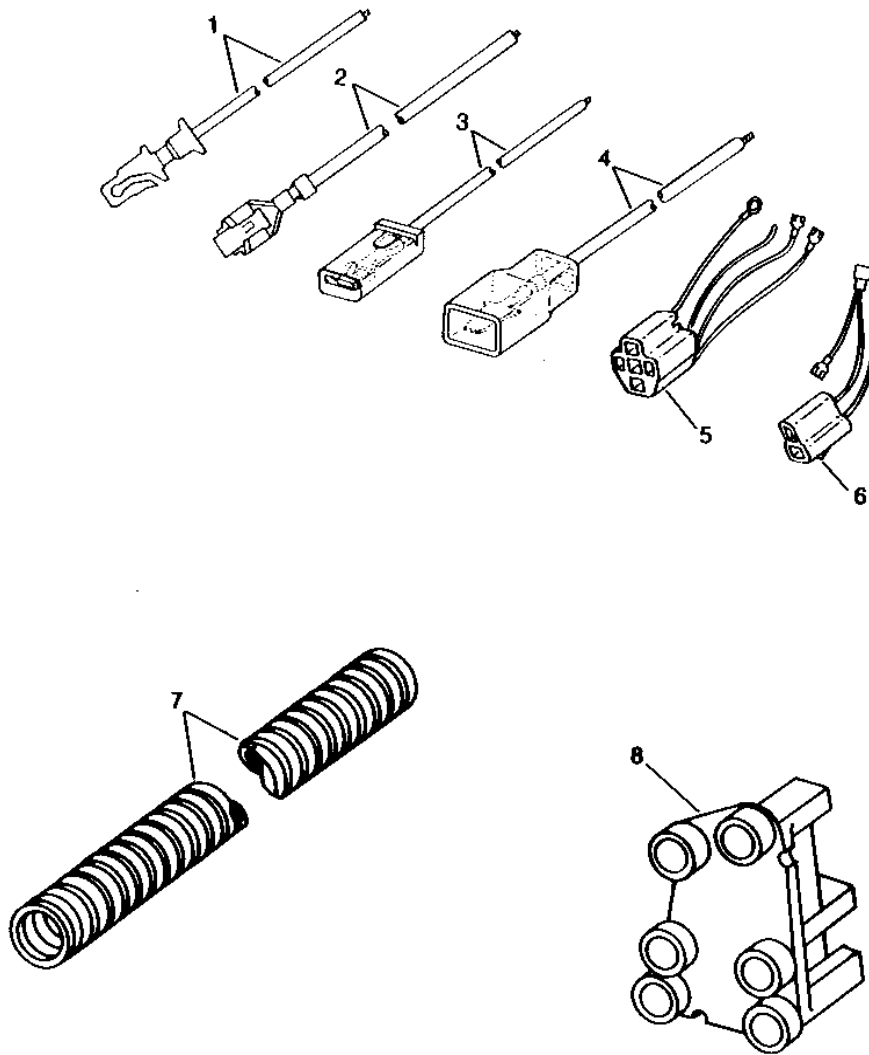
# 2G15

ELECTRICAL

RXP8619

-UN-28NOV94

## SUPPLEMENTARY TERMINALS AND CONNECTORS



# 2G16

ELECTRICAL

## SUPPLEMENTARY TERMINALS, CONNECTORS AND REPAIR CONDUIT - CONTINUED

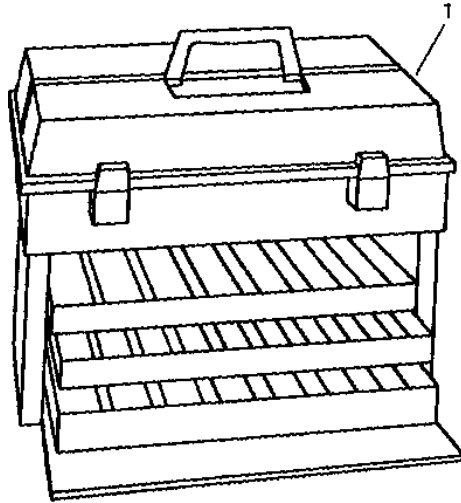
KEY	PART NO.	PART NAME	QTY	TRACTOR SERIAL NO.	REMARKS
1	AR65005	TERMINAL	1		
2	AR65006	TERMINAL	1		
3	R32024	WIRING LEAD	1		
4	R32025	WIRING LEAD	1		
5	RE21730	TERMINAL	1		
	RE21731	TERMINAL	1		
6	RE21732	TERMINAL	1		
7	R93219	CONDUIT	1		6.3 X 3048MM (1/4" X 120")
	R93220	CONDUIT	1		10.4 X 3048MM (13/32" X 120")
	R93221	CONDUIT	1		15.9 X 3048MM (5/8" X 120")
	R93222	CONDUIT	1		25.4 X 3048MM (1" X 120")
8	AR83425	RECEPTACLE CONNECTOR BODY	1		(LIGHT SWITCH)

# 2G17

ELECTRICAL

RXP010001 -UN-01JAN94

## ELECTRICAL CONNECTOR AND TERMINAL KIT



RXP010001

KEY	PART NO.	PART NAME	QTY	TRACTOR SERIAL NO.	REMARKS
1	PM797NA	KIT	1	(A)	
(A) KIT INCLUDES CONNECTORS,TERMINALS AND TOOLS					

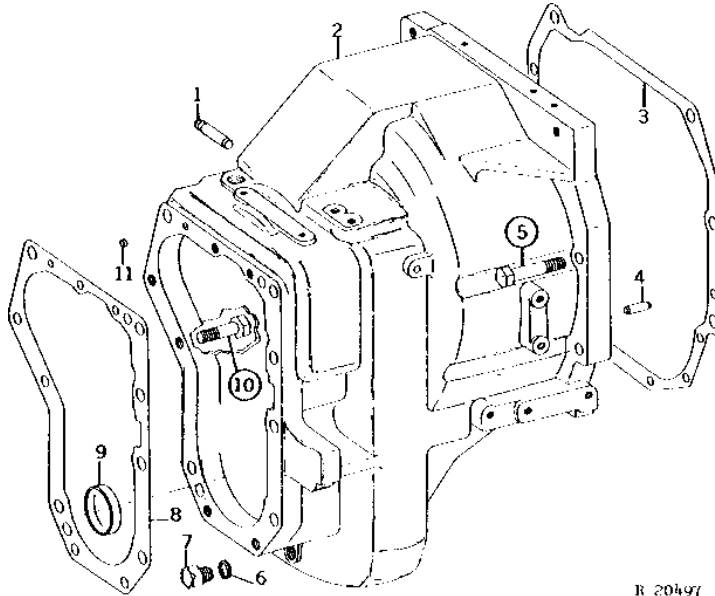


# 2G21

POWER TRAIN

R20497 -UN-01JAN94

## CLUTCH HOUSING



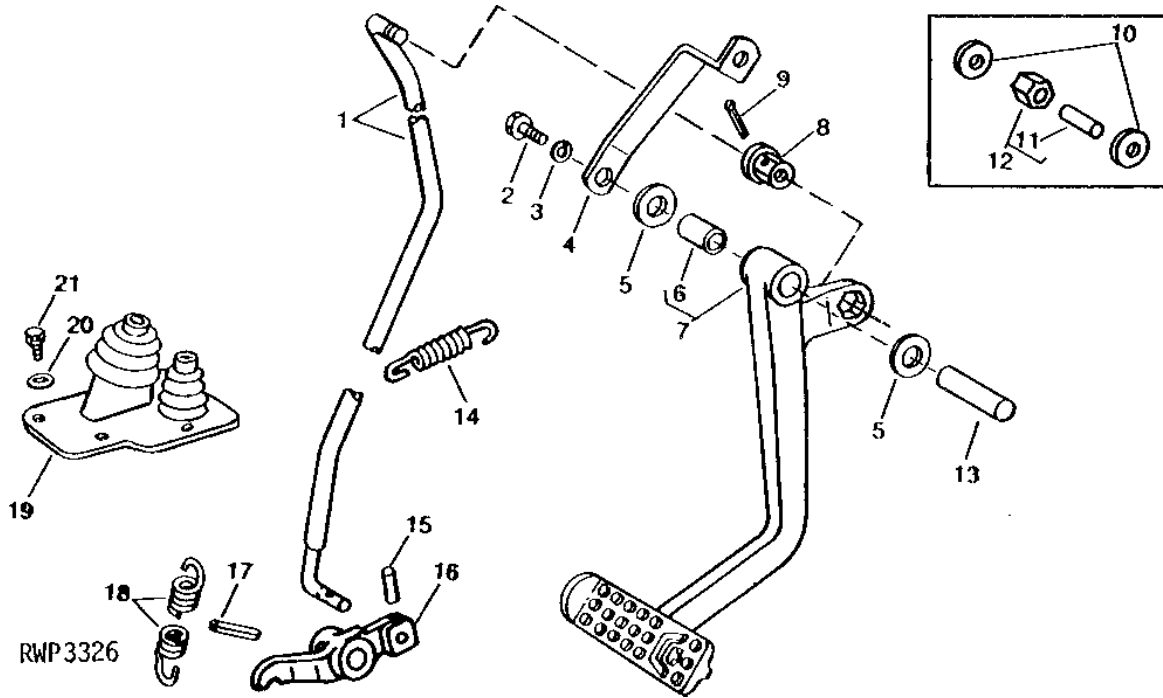
KEY	PART NO.	PART NAME	QTY	TRACTOR SERIAL NO.	REMARKS
1	R51923	PIN	1		
2	AR65206	HOUSING	1		(MARKED R50280 OR R55570) (SUB FOR AR63336) (NLA)
3	R50946	GASKET	1		
4	T26565	DOWEL PIN	2		(SUB FOR C1220R)
5	19H1425	CAP SCREW	4		3/4" X 2-3/4"
6	A4827R	WASHER	1		
7	F3128R	DRAIN PLUG	1		
8	R98918	GASKET	1		(SUB FOR R54178)
9	R50841	PLUG	1		
10	19H2600	CAP SCREW	3		3/4" X 2-5/8"
11	R51564	CAP	1		

# 2G22

POWER TRAIN

RWP3326 -UN-01JAN94

## CLUTCH PEDAL AND LINKAGE



KEY	PART NO.	PART NAME	QTY	TRACTOR SERIAL NO.	REMARKS
1	R51457	ROD	1	-011783	(SUB R62739, R62732 AND 11M7083)
	R59139	ROD	1	011784-013997	(SUB R62739, R62732 AND 11M7083)
	R62739	ROD	1	013998-	
2	19H1731	CAP SCREW	1		3/8" X 1"
3	12H304	LOCK WASHER	1		3/8"
4	R54396	STRAP	1		
5	24H1394	WASHER	2		25/32" X 1-7/16" X 0.036"
6	R51192	BUSHING	1		
7	AR54596	PEDAL	1		(MARKED R50287)
8	R59138	ADAPTER	1	011784-013997	(SUB R62732, R62739 AND 11M7083)
	R62732	ADAPTER	1	013998-	
9	11M7083	COTTER PIN	1	011784-	0.126" X 1.969"
10	24H1345	WASHER	2	-011783	17/32" X 1-3/4" X 0.060"
11	R50359	BUSHING	1	-011783	
12	AR59158	ADAPTER	1	-011783	(SUB R62732, R62739 AND 11M7083)
13	R51521	PIN	1		
14	R66331	SPRING	1		
15	11M7015	COTTER PIN	1		3.200 X 25 MM
16	R50333	ARM	1		
17	34H331	SPRING PIN	1		5/16" X 1-1/2"
18	R43684	SPRING	1		
19	AR58478	BOOT	1		(A) (SUB AR86495)
20	24H1283	WASHER	3		(A) 7/32" X 1/2" X 0.049"
21	37H49	SCREW	3		(A) NO. 10 X 1/2"

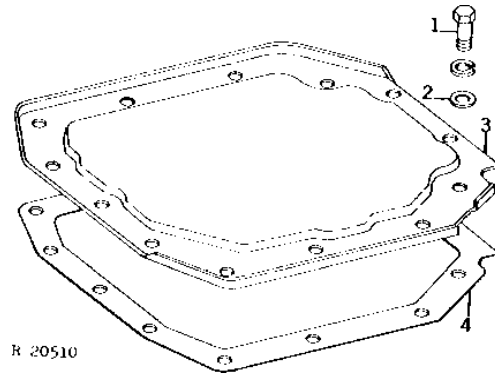
(A) SOUND-GARD BODY

# 2G23

POWER TRAIN

R20510 -UN-01JAN94

## TRANSMISSION CASE COVER



KEY	PART NO.	PART NAME	QTY	TRACTOR SERIAL NO.	REMARKS
1	19H1731	CAP SCREW	12	3/8" X 1"	
	12H304	LOCK WASHER	12	3/8"	
2	A4624R	WASHER	13		
3	R33713	COVER	1		
4	R33714	GASKET	1		

---

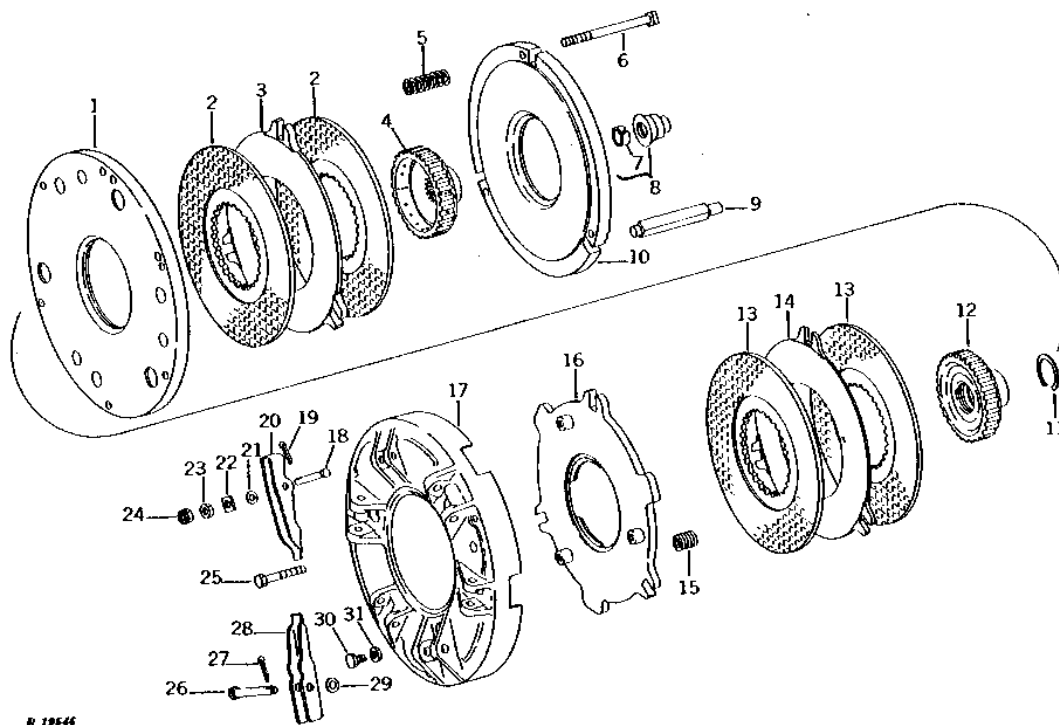
MEMORANDA

# 2G24

POWER TRAIN

R19546 -UN-01JAN94

## TRANSMISSION AND PTO CLUTCH



KEY	PART NO.	PART NAME	QTY	TRACTOR SERIAL NO.	REMARKS
1	R50341	PLATE	1		
2	AR89320	CLUTCH DISK	2		(SUB FOR AR67710) (SUB AR95827)
3	R62285	CLUTCH PLATE	1		(SUB FOR R53789 OR R59688) (SUB R112385)
4	R50346	HUB	1		
5	R62729	SPRING	3		(SUB FOR R50188)
6	R51230	BOLT	3		
7	R50189	BUSHING	1		
8	AR61553	ADAPTER	1		
9	R50263	PIN	3		
10	R57330	PLATE	1		(SUB FOR R50938 AND R56746)
11	B3118R	SNAP RING	1		(A)
12	R56854	HUB	1		(A) (SUB FOR R50123)
13	AR60082	PLATE	2		(A) (SUB RE17420)
14	R59689	CLUTCH PLATE	1	-012462	(SUB R61066) (SUB FOR R51800)
	R61066	CLUTCH PLATE	1	012463-	
15	R56960	SPRING	3		(A) (SUB FOR R52771)
16	R56961	CLUTCH PLATE	1		(A) (ALSO ORDER (3) R56960) (SUB FOR R50940)
17	R50156	COVER	1		
18	R53625	PIN	3		
19	11M7021	COTTER PIN	3		0.157" X 0.984"
20	R54530	LEVER	3		
21	24M7096	WASHER	3		10.500 X 18 X 1.600 MM
22	R58008	LOCK WASHER	3		(SUB FOR R51231)
23	14H1080	NUT	3		3/8"
24	F3220R	LOCK NUT	3		
25	R61529	SCREW	6		
26	R31132	PIN	3		
27	11M7021	COTTER PIN	3		0.157" X 0.984"
28	R57031	LEVER	3		(B)
29	24H1227	WASHER	3		(A) 17/32" X 13/16" X 0.060"
30	R78020	SELF-LOCKING SCREW	3		(A) (SUB FOR R51942 OR R56730)
31	14H934	NUT	3		(A) 7/16"

(A) NOT REQUIRED ON TRACTORS LESS PTO

(B) WHEN R57031 LEVER IS ORDERED FOR PARTS FOR TRACTORS PRIOR TO SERIAL NO. 006731, FURNISH (3) R57031, (1) R61386, AND (3) R56960.

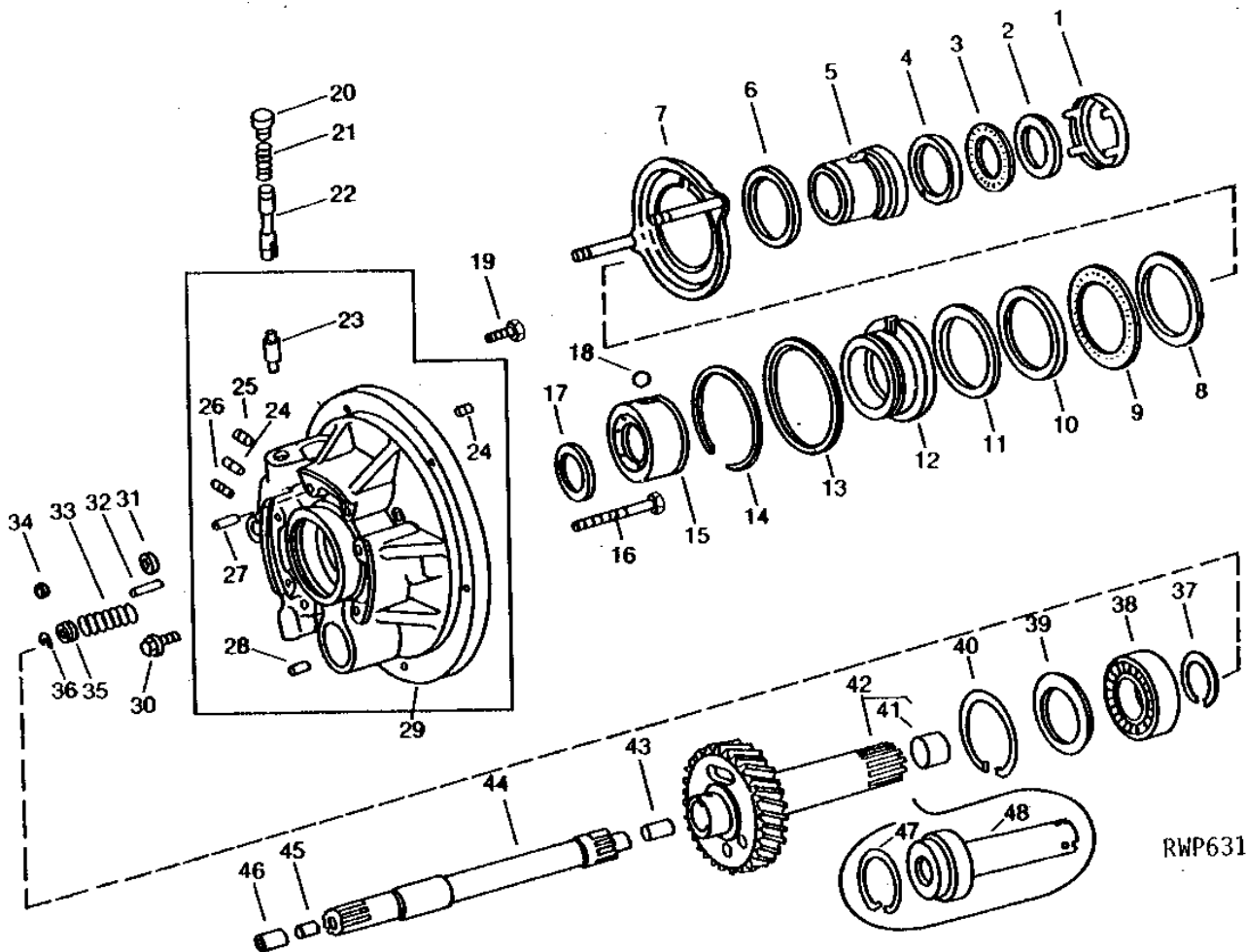
# 2H1

POWER TRAIN

RWP6317

-UN-01JAN94

## TRANSMISSION AND PTO CLUTCH OPERATING PISTON HOUSING AND PISTONS



RWP6317

# 2H2

POWER TRAIN

## TRANSMISSION AND PTO CLUTCH OPERATING PISTON HOUSING AND PISTONS - CONTINUED

KEY	PART NO.	PART NAME	QTY	TRACTOR SERIAL NO.	REMARKS
1	R51365	RETAINER	1		
2	R51340	BEARING RACE	1		
3	JD9918	BEARING	1		
4	JD9916	BEARING	1		
5	R50854	PISTON	1		
6	R52910	PACKING	1	-015808	(SUB R65549)
	R65549	WASHER	1	015809-	
7	AR56116	RETAINER	1		(A)
8	R61386	BEARING RACE	1		(A) (SUB FOR R51341)
9	JD9919	BEARING	1		(A)
10	JD9917	BEARING	1		(A)
11	R51352	WASHER	1	-013636	(A)
12	R50852	PISTON	1	-013636	(A) (SUB R62535)
	R62535	PISTON	1	013637-	
13	R52909	PACKING	1		(A)
14	R52912	SNAP RING	1		
15	R62832	SLEEVE	1		(SUB FOR R50853)
16	R51383	SELF-LOCKING SCREW	5		(B)
	R51383	SELF-LOCKING SCREW	3	006700-	(D)
17	R52911	PACKING	1	-015808	(SUB R65550)
	R65550	PACKING	1	015809-	
18	400R	BALL	1		6MM (1/4")
19	R41041	CAP SCREW	6		
20	R41155	PLUG	1		
21	R50259	SPRING	1		
22	R51351	VALVE	1	-013279	(SUB R61659 AND R61660)
	R61659	VALVE	1	013280-	
23	R53245	PISTON	1	-013279	(SUB R61660 AND R61659)
	R61660	PIN	1	013280-	
24	15H558	PIPE PLUG	6		1/8"
25	15H559	PIPE PLUG	1		1/4"
26	R21629	PIPE PLUG	1		(B) (C)
27	R26650	DOWEL PIN	1		
28	R1932R	DOWEL PIN	1		
29	AR77397	HOUSING	1		(B) (C) (MARKED R50301 OR R62742) (ALSO ORDER R61659) (SUB FOR AR61917, THIS APPLICATION)
	AR78060	HOUSING	1		(D) (MARKED R63742) (ALSO ORDER R61659) (NLA)
30	AR61146	SCREW	5		
31	R26919	WASHER	1		
32	R27145	NEEDLE ROLLER	1	-006999	
	R57442	NEEDLE ROLLER	1	007000-	
33	R50258	SPRING	2		(A)
34	R60038	PACKING	1	015106-	
35	R62955	RETAINER	2		(A) (SUB FOR R27092)
36	R26548	SNAP RING	2		(A)
37	R36295	SNAP RING	1		
38	JD8736	BALL BEARING	1		(A)
39	R52988	WASHER	1		(A)
40	R70607	SNAP RING	1		(A) (SUB FOR R53107 OR R68956)
41	R50863	BUSHING	1		(A)
42	AR54962	SHAFT	1		(A) (B) (C) (MARKED R50840) (NLA)
	AR65132	SHAFT	1	006700-	(A) (D) (MARKED R55655) (NLA)
43	R34328	BUSHING	1	006700-	(A) (D)
44	R50154	SHAFT	1		(B)
	R51002	SHAFT	1		(C) (NLA)
	AR65533	SHAFT	1	006700-	(D) (INCLUDES JD8736)
45	R39276	BUSHING	1	006700-	(D)
46	R50155	BUSHING	1		
47	R70607	SNAP RING	1		(E) (SUB FOR R53107 OR R68956)
48	AR62064	ADAPTER	1		(E) (NLA)

- (A) PTO
- (B) QUAD-RANGE
- (C) SYNCRO-RANGE
- (D) CREEPER
- (E) LESS PTO

WHEN R61386 IS ORDERED FOR PARTS FOR TRACTORS PRIOR TO SERIAL NO. 006731, ALSO FURNISH (3) R57031 AND (3) R56960.

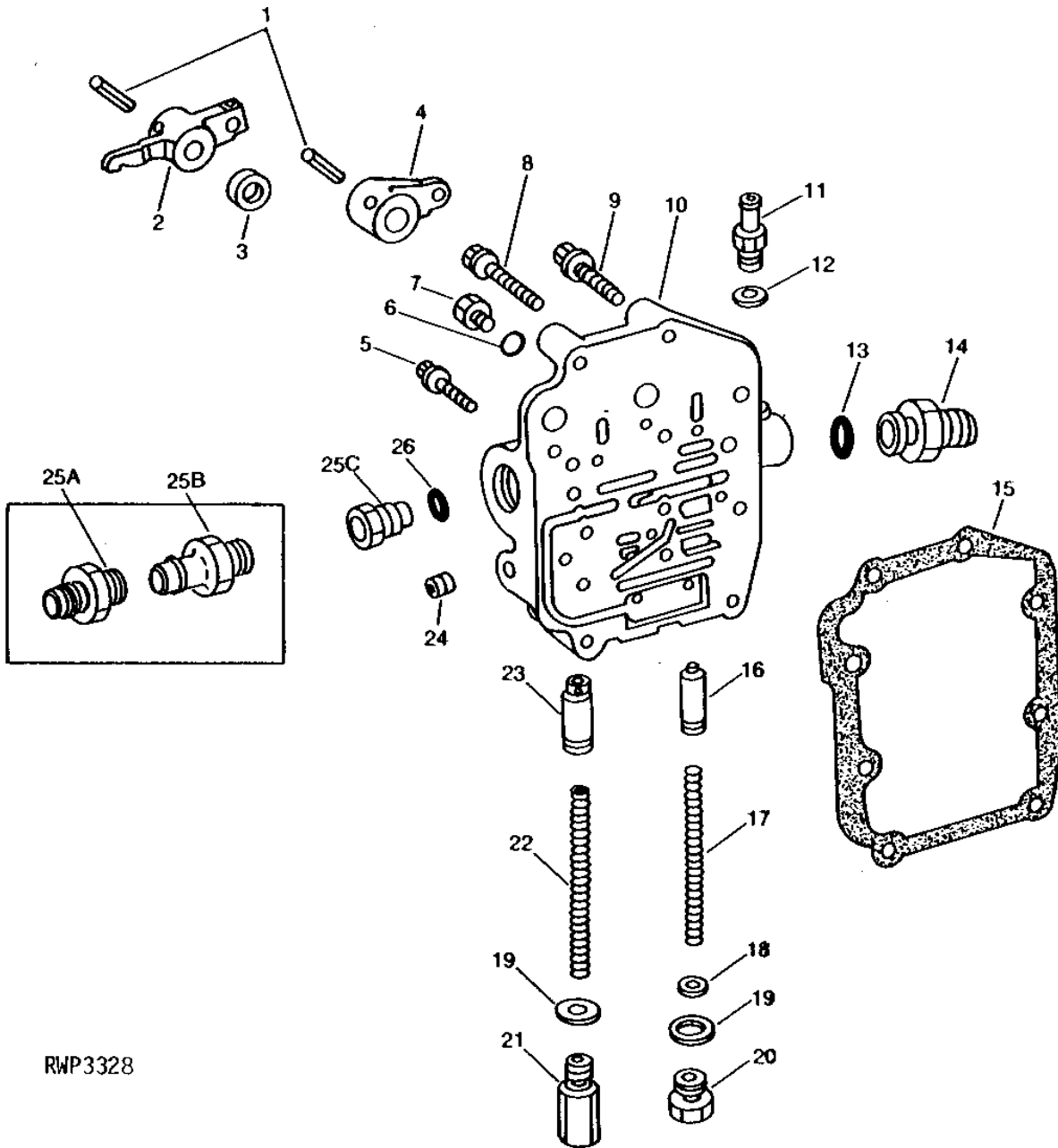
# 2H3

POWER TRAIN

RWP3328

-UN-01JAN94

## CLUTCH OIL PRESSURE REGULATING VALVE HOUSING AND VALVES



RWP3328



# 2H4

POWER TRAIN

## CLUTCH OIL PRESSURE REGULATING VALVE HOUSING AND VALVES - CONTINUED

KEY	PART NO.	PART NAME	QTY	TRACTOR SERIAL NO.	REMARKS
1	34H331	SPRING PIN	2		5/16" X 1-1/2"
2	R50333	ARM	1		
3	AF2907R	SEAL	2		
4	R50334	ARM	1		
5	R52904	SCREW	6		
6	R26286	O-RING	4		
7	R27094	DRAIN PLUG	4		
8	R52907	CAP SCREW	2	-007819	
	R52904	SCREW	2	007820-	
9	R52906	SCREW	8	-007819	
	R52906	SCREW	5	007820-	
	19H1731	CAP SCREW	3	007820-	3/8" X 1"
	24H1298	WASHER	3	007820-	3/8" X 5/8" X .030"
10	R51931	HOUSING	1	-007819	(SUB R66623, R27003, R27094, AR67010, (2) R52904, R76493, B2762R, (3) 19H1731 AND (3) 24H1298)
	R57092	HOUSING	1	007820-008839	(SUB R66623, R27003 AND R27094)
	R66623	HOUSING	1	008840-	
	R35286	CAP	1	008840-	(LESS PTO)
11	R65684	FITTING	1	008840-	(SUB FOR R55525)
12	R27003	WASHER	1	008840-	
13	F3171R	O-RING	1		
14	R27267	FITTING	1		
15	R94286	GASKET	1		(SUB FOR R52905)
16	R57559	VALVE	1		(PRESSURE REGULATING) (SUB FOR R33162, THIS APPLICATION)
17	R71867	SPRING	1		(SUB FOR R52902)
18	R33521	SHIM	AR		
19	R1742R	WASHER	2		
20	R52589	FITTING PLUG	1		
21	R51577	FITTING PLUG	1		
22	R57585	SPRING	1		(SUB FOR R51576)
23	R57560	VALVE	1		(COOLER RELIEF) (SUB FOR R54042, THIS APPLICATION)
24	R21630	PIPE PLUG	1		
25A	R27267	FITTING	1	-001115	
25B	R53540	HOSE FITTING	1	001116-007819	
25C	R76493	FITTING	1	007820-	(SUB FOR R56258)
26	F3171R	O-RING	1	-007819	
	B2762R	O-RING	1	007820-	

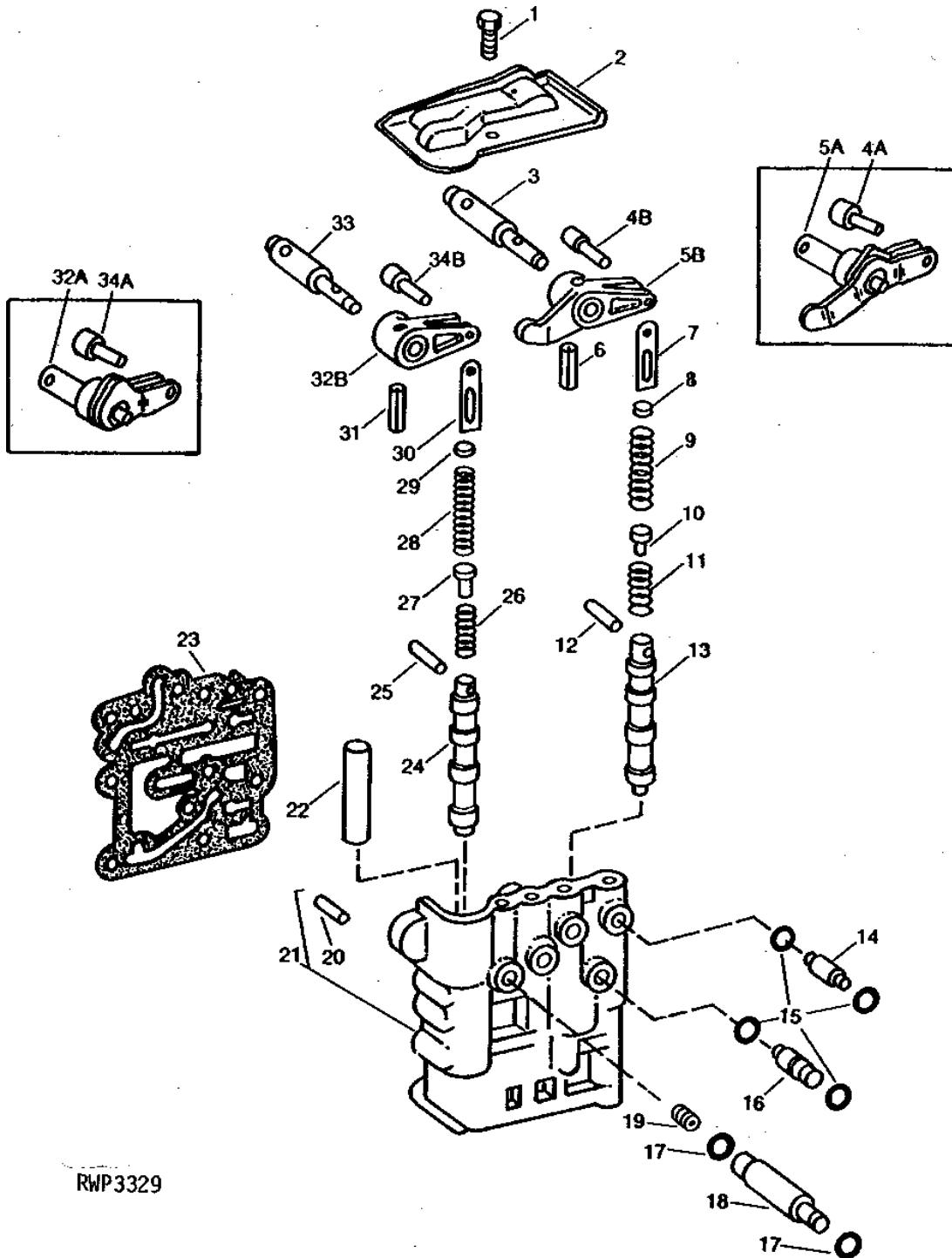
# 2H5

POWER TRAIN

RWP3329

-UN-01JAN94

## CLUTCH VALVE HOUSING AND VALVES



RWP3329

# 2H6

POWER TRAIN

## CLUTCH VALVE HOUSING AND VALVES - CONTINUED

KEY	PART NO.	PART NAME	QTY	TRACTOR SERIAL NO.	REMARKS
1	R30165	CAP SCREW	1		
2	R53268	GUARD	1		
3	R63052	SHAFT	1	012188-	(A) (ALSO ORDER R67981, R58941 AND 34H313) (SUB FOR R61939 OR R62041)
4A	R33145	PIN	1	-012187	(A)
4B	R58941	PIN	1	012188-	(A)
5A	AR54527	SHAFT	1	-012187	(A) (SUB R67981, R63052, R58941 AND 34H313)
5B	R67981	ARM	1	012188-	(A) (ALSO ORDER R63052, R58941 AND 34H313) (SUB FOR R58942 OR R62042)
6	34H328	SPRING PIN	1	012188-XXXXXX	(A) 5/16" X 1-1/8"
	34H313	SPRING PIN	1	XXXXXX-	(A) 1/4" X 1-1/8"
7	R52666	LINK	1		(A)
8	R52665	DISK	1		(A)
9	R52446	SPRING	1		(A)
10	R52448	PIN	1		(A)
11	R52447	SPRING	1		(A)
12	R53076	NEEDLE ROLLER	1		(A)
13	R51856	VALVE	1		(A) PTO CLUTCH
14	R52327	ADAPTER	3		
15	R26286	O-RING	8		
16	R52328	ADAPTER	1		
17	R26286	O-RING	2		(B)
18	R52329	ADAPTER	1		(B)
19	R21630	PIPE PLUG	1		(C)
20	R38295	NEEDLE ROLLER	2		
21	AR71960	HOUSING	1		(MARKED R51856 OR R59597) (ALSO ORDER R99386) (SUB AR102797) (SUB FOR AR61572)
	R54383	SHEAR PIN	1		(LESS PTO)
	34H268	SPRING PIN	1		5/32" X 1-1/4"
22	R52900	QUICK LOCK PIN	1		(A)
23	R99386	GASKET	1		(SUB FOR R51857 OR R59598)
24	R51856	VALVE	1	-013279	CLUTCH
	R62724	VALVE	1	013280-	CLUTCH
25	R53076	NEEDLE ROLLER	1		
26	R52447	SPRING	1	-013279	
	R63849	SPRING	1	013280-	(SUB FOR R62727)
27	R52448	PIN	1		
28	R52446	SPRING	1	-013279	
	R62726	SPRING	1	013280-	
29	R52665	DISK	1		
30	R52666	LINK	1	-013279	
	R62725	LINK	1	013280-	
31	34H328	SPRING PIN	1	012188-XXXXXX	5/16" X 1-1/8"
	34H313	SPRING PIN	1	XXXXXX-	1/4" X 1-1/8"
32A	AR54526	SHAFT	1	-012187	(SUB R63052, R62043, R58941 AND 34H313)
32B	R62043	ARM	1	012188-	(ALSO ORDER R63052, R58941 AND 34H313) (SUB FOR R58939)
33	R63052	SHAFT	1	012188-	(ALSO ORDER R62043, R58941 AND 34H313) (SUB FOR R58940 OR R62041)
34A	R33145	PIN	1	-012187	
34B	R58941	PIN	1	012188-	

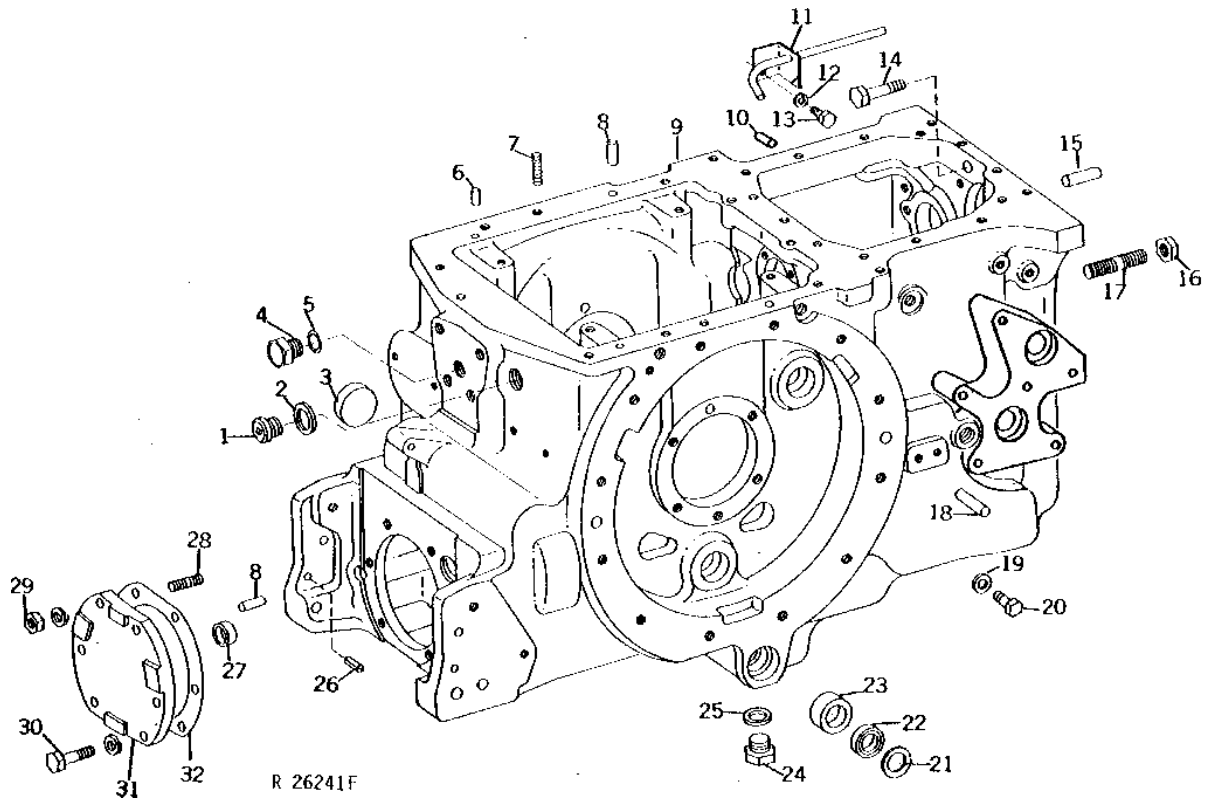
- (A) PTO
- (B) QUAD-RANGE
- (C) SYNCRO-RANGE

# 2H7

POWER TRAIN

R26241 -UN-01JAN94

## TRANSMISSION CASE



# 2H8

POWER TRAIN

## TRANSMISSION CASE - CONTINUED

KEY	PART NO.	PART NAME	QTY	TRACTOR SERIAL NO.	REMARKS
1	R27483	PLUG	1		
2	H851R	WASHER	1		
3	R38344	CAP	1		(1000 RPM PTO)
4	AR54983	FITTING PLUG	1		
5	F3171R	O-RING	1		
6	R21630	PIPE PLUG	4		
7	R32101	STUD	3		
	R465R	STUD	1		
8	R48685	DOWEL PIN	4		
9	AR63310	TRANSMISSION CASE	1	-015081	(MARKED R49850) (SUB AR77469, AR78297, 28H1878, 19H1800 AND 12H304)
	AR77469	TRANSMISSION CASE	1	015082-	(MARKED R62814) (NLA)
10	M4224T	PLUG	1		(QUAD-RANGE)
11	AR54524	TUBE	1		
12	24H1305	WASHER	1		13/32" X 13/16" X 0.065"
13	R43569	CAP SCREW	1		(SUB R72371)
14	19H2600	CAP SCREW	2		3/4" X 2-5/8"
	19H2706	CAP SCREW	2		5/8" X 2"
	19H2663	CAP SCREW	2		3/4" X 2-1/8"
	R61565	SCREW	1		
15	A776R	PIN	2		
16	14H794	NUT	3		3/4"
17	F1549R	STUD	3		
18	T26565	DOWEL PIN	4		(SUB FOR C1220R)
19	R51494	WASHER	1		(A)
20	R27218	FITTING PLUG	1		(A)
21	R28961	WASHER	2		
22	AR84791	SEAL	2		(SUB FOR AR27371 OR AR78337)
23	R27018	BUSHING	2		
24	F3128R	DRAIN PLUG	1		
25	A4827R	WASHER	1		
26	34H348	SPRING PIN	2		3/8" X 1"
27	R33498	CAP	1		(1000 RPM OR LESS PTO)
28	R32101	STUD	2		
29	14H1040	NUT	2		1/2"
	12H301	LOCK WASHER	2		1/2"
30	19H1815	CAP SCREW	4		1/2" X 1-1/4"
	12H301	LOCK WASHER	4		1/2"
31	R33489	COVER	1		(LESS PTO)
32	R33337	GASKET	1		

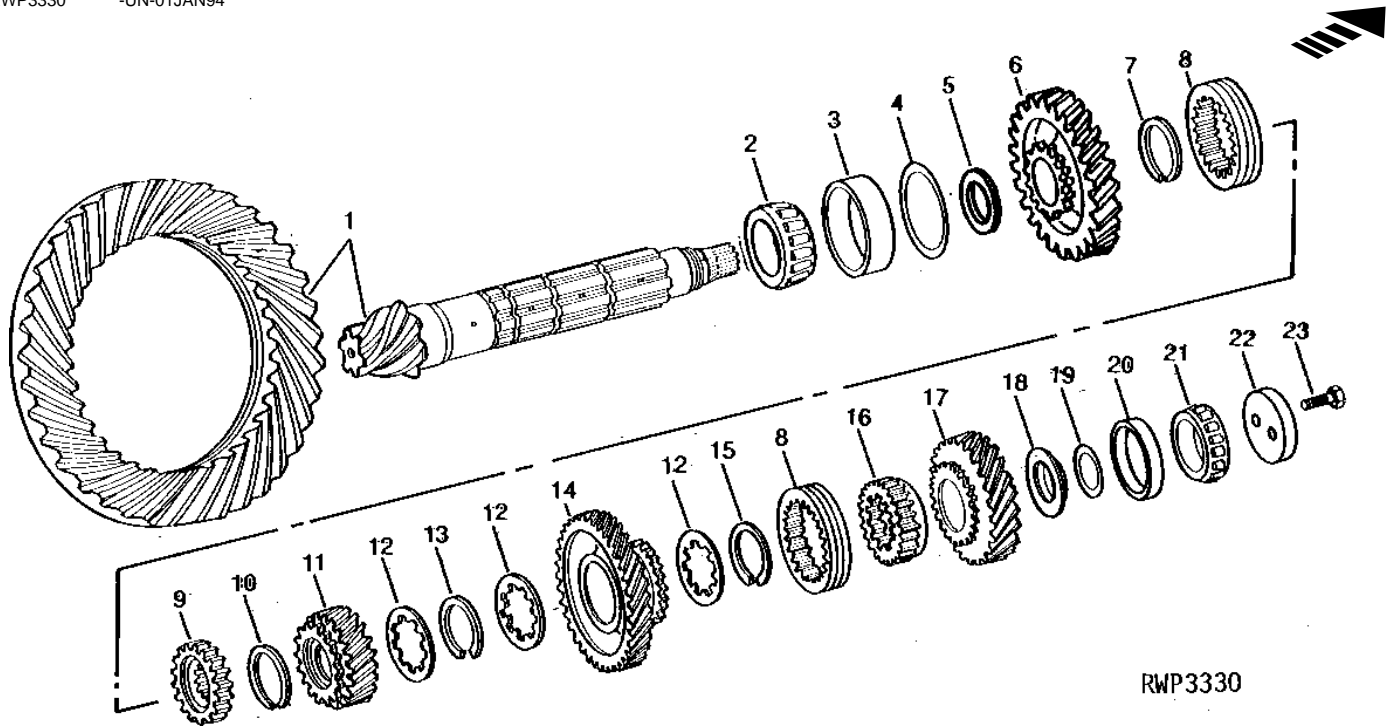
(A) LESS DIFFERENTIAL LOCK

# 2H9

POWER TRAIN

RWP3330 -UN-01JAN94

## DIFFERENTIAL DRIVE AND BEVEL PINION ASSEMBLY



RWP3330

KEY	PART NO.	PART NAME	QTY	TRACTOR SERIAL NO.	REMARKS
1	AR54964	GEAR	1		(MATCHED SET) (MARKED R34875 AND R50842) (SUB FOR AR63371) (ALSO FURNISH (2) R26227, (2) R26228, (2) T20384 AND (2) T20385)
2	JD8970	BEARING CONE	1		
3	JD8264	BEARING CUP	1		
4	R26227	SHIM	AR		
	R26228	SHIM	AR		
5	R33516	WASHER	1		
6	AR87813	GEAR	1		(B) (FIRST AND THIRD SPEED) (A-RANGE) (MARKED R33501 OR R67423) (SUB FOR AR32237)
7	R26264	SNAP RING	1		
8	T23519	SHIFT COLLAR	2		(SUB T31800)
9	R33510	GEAR	1		
10	R33474	SNAP RING	1		
11	R33511	GEAR	1		(A) (SIXTH AND EIGHTH SPEED)
	R50838	GEAR	1		(B) (D-RANGE)
12	R26253	THRUST WASHER	3		
13	R26265	SNAP RING	1		
14	R33503	GEAR	1		(A) (SECOND AND FIFTH SPEED)
	R50837	GEAR	1		(B) (B-RANGE)
15	R26266	SNAP RING	1		
16	R26255	GEAR	1		
17	R50370	GEAR	1		(A) (FOURTH AND SEVENTH SPEED)
	R50370	GEAR	1		(B) (C-RANGE)
18	R50364	WASHER	1		
19	T20384	SHIM	AR		0.08MM (.003")
	T20385	SHIM	AR		0.13MM (.005")
	T20386	SHIM	AR		0.25MM (.010")
20	JD7430	BEARING CUP	1		
21	JD8113	BEARING CONE	1		
22	R50365	PLATE	1	-007116	
	R57267	PLATE	1	007117-	
23	R57725	SCREW	2		

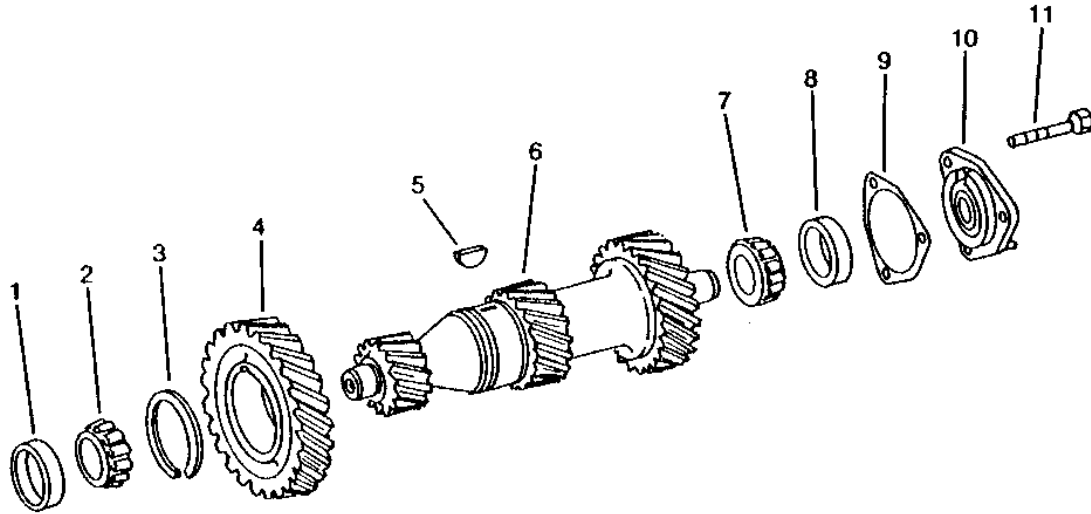
(A) SYNCRO-RANGE  
(B) QUAD-RANGE

# 2H10

POWER TRAIN

RP1342 -UN-01JAN94

## COUNTERSHAFT



RP1342

KEY	PART NO.	PART NAME	QTY	TRACTOR SERIAL NO.	REMARKS
1	JD8267	BEARING CUP	1		
2	JD8979	BEARING	1		
3	R26246	SNAP RING	1		
4	R50368	GEAR	1	(A) (SIXTH AND EIGHTH SPEED) (NLA)	
	R50839	GEAR	1	(B) (D-RANGE)	
5	26H82	SHAFT KEY	1	1/4" X 7/8"	
6	R50369	COUNTERSHAFT	1	(A)	
	R50836	COUNTERSHAFT	1	(B)	
7	JD8929	BEARING CONE	1		
8	JD8251	BEARING CUP	1		
9	R33461	SHIM	AR	0.15MM (.006")	
	R33462	SHIM	AR	0.25MM (.010")	
	R33463	SHIM	AR	0.46MM (.018")	
10	R33515	RETAINER	1		
11	R57725	SCREW	3	(SUB FOR R40835 AND R61762)	

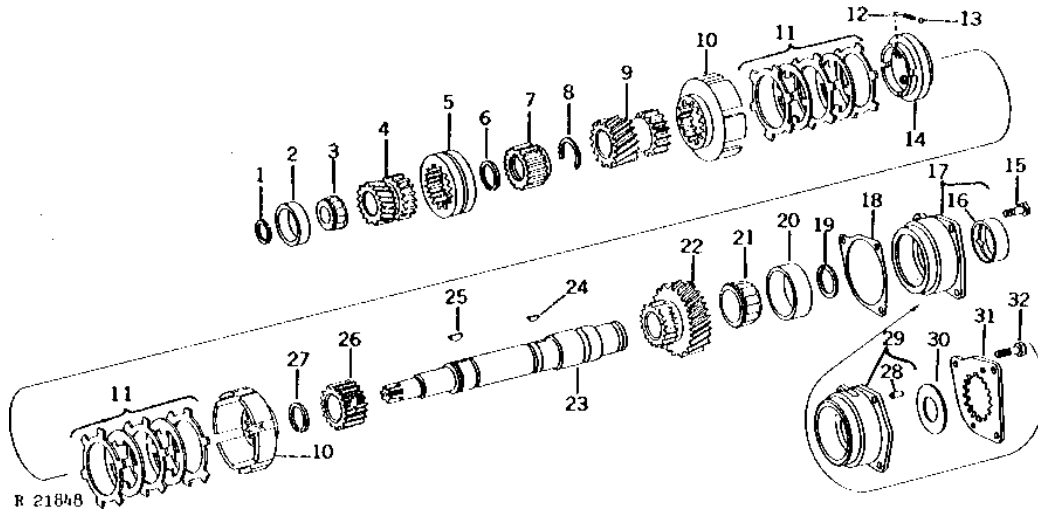
(A) SYNCRO-RANGE  
(B) QUAD-RANGE

# 2H11

POWER TRAIN

TRANSMISSION DRIVE SHAFT ASSEMBLY  
(TRACTOR SERIAL NO. -015963)

R21848 -UN-01JAN94



KEY	PART NO.	PART NAME	QTY	TRACTOR SERIAL NO.	REMARKS
1	R26220	SNAP RING	1		1.93MM (.076")
	R26221	SNAP RING	1		2.01MM (.079")
	R26222	SNAP RING	1		2.08MM (.082")
	R26223	SNAP RING	1		2.16MM (.085")
2	JD7449	BEARING CUP	1		
3	JD8190	BEARING CONE	1		
4	R62684	PINION	1		(SUB FOR R33483)
5	R67387	PINION	1		(SUB FOR R26238 OR R62992)
6	R33475	SNAP RING	1		
7	R33484	GEAR	1		
8	R33476	SNAP RING	1		
9	R59536	PINION	1		(A) (SUB FOR R50367)
	R59445	PINION	1		(B) (SUB FOR R50835)
10	R31026	DRUM	2		
11	AR44997	SYNCHRONIZER	2	-015963	(SET OF (3) DISKS WITH FACINGS AND (2) PLATES) (SUB RE37119)
	AR69154	SYNCHRONIZER	2	015964-	(SET OF (3) DISKS WITH FACINGS AND (2) PLATES) (SUB RE37119)
12	R59860	SPRING	4		
13	A4742R	BALL	4		
14	R31028	SYNCHRONIZER	1		
15	R57725	SCREW	3		(SUB FOR R40835 OR R61762)
16	R50222	BUSHING	1		(B)
17	AR54443	HOUSING	1		(B) (MARKED R53627) (NLA)
18	R33467	SHIM	AR		0.15MM (.006")
	R33468	SHIM	AR		0.25MM (.010")
	R33469	SHIM	AR		0.46MM (.018")
19	R33470	SNAP RING	1		1.93MM (.076")
	R33471	SNAP RING	1		2.01MM (.079")
	R33472	SNAP RING	1		2.08MM (.082")
	R33473	SNAP RING	1		2.16MM (.085")
20	JD7421	BEARING CUP	1		
21	JD8910	BEARING CONE	1		
22	R50366	PINION	1		
23	R52326	SHAFT	1		
24	26H77	SHAFT KEY	1		3/16" X 3/4"
25	26H77	SHAFT KEY	1		3/16" X 3/4"



# 2H12

POWER TRAIN

TRANSMISSION DRIVE SHAFT ASSEMBLY - CONTINUED  
(TRACTOR SERIAL NO. -015963)

KEY	PART NO.	PART NAME	QTY	TRACTOR SERIAL NO.	REMARKS
26	R33383	SHIFT COLLAR	1		
27	R26218	SNAP RING	1		
28	R39253	DOWEL PIN	2	006700-	(C)
29	AR64942	HOUSING	1	006700-	(C) (MARKED R55549) (NLA)
30	R55546	WASHER	1	006700-	(C)
31	R55659	PLATE	1	006700-	(C) (NLA)
32	R39305	CAP SCREW	3	006700-	(C)

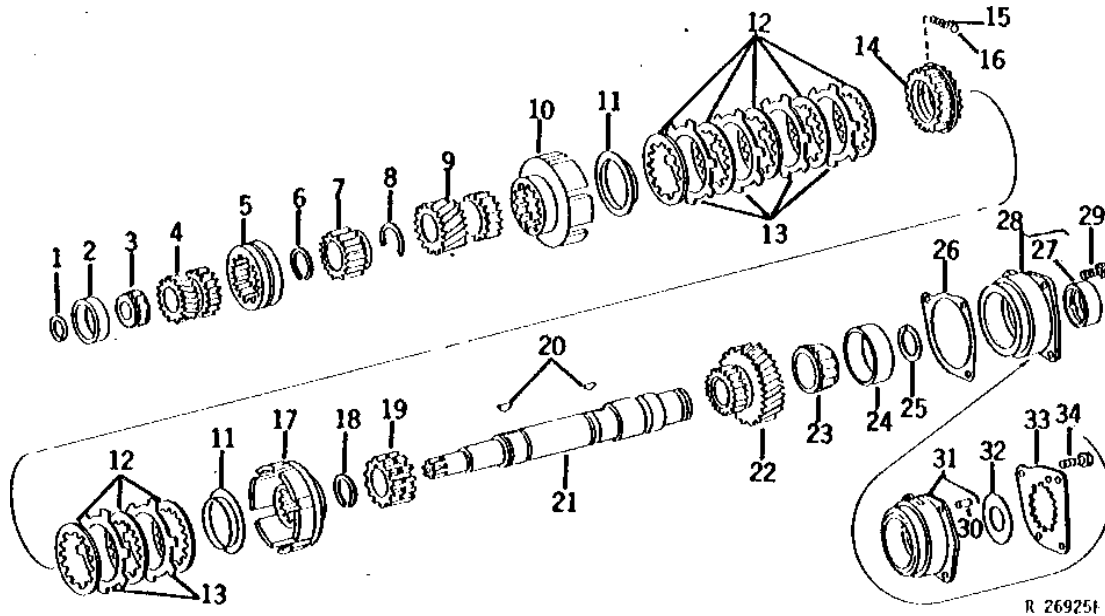
- (A) SYNCRO-RANGE
- (B) QUAD-RANGE
- (C) CREEPER

# 2H13

POWER TRAIN

## TRANSMISSION DRIVE SHAFT ASSEMBLY (TRACTOR SERIAL NO. 015964- )

R26925 -UN-01JAN94



KEY	PART NO.	PART NAME	QTY	TRACTOR SERIAL NO.	REMARKS
1	R26220	SNAP RING	1		1.9MM (.076")
	R26221	SNAP RING	1		2MM (.079")
	R26222	SNAP RING	1		2.1MM (.082")
	R26223	SNAP RING	1		2.2MM (.085")
2	JD7449	BEARING CUP	1		
3	JD8190	BEARING CONE	1		
4	R62684	PINION	1		
5	R67387	PINION	1		(SUB FOR R62992)
6	R33475	SNAP RING	1		
7	R33484	GEAR	1		
8	R33476	SNAP RING	1		
9	R59536	PINION	1		(A)
	R59445	PINION	1		(B)
10	R63073	BRAKE DRUM	1		
11	R63070	RETAINER	2		
12	RE36170	DISK, INNER SPLINE	8		(SUB FOR AR77819)
13	R63069	CLUTCH PLATE	6		
14	AR77817	SYNCHRONIZER	1		
15	R63074	SPRING	4		
16	R63075	BALL	4		6MM
17	R63072	DRUM	1		
18	R26218	SNAP RING	1		
19	R62806	SHIFT COLLAR	1		
20	26H77	SHAFT KEY	2		3/16" X 3/4"
21	R52326	SHAFT	1		
22	R50366	PINION	1		
23	JD8910	BEARING CONE	1		
24	JD7421	BEARING CUP	1		
25	R33470	SNAP RING	1		1.9MM (.076")
	R33471	SNAP RING	1		2MM (.079")
	R33472	SNAP RING	1		2.1MM (.082")
	R33473	SNAP RING	1		2.2MM (.085")
26	R33467	SHIM	AR		0.15MM (.006")
	R33468	SHIM	AR		0.25MM (.010")
	R33469	SHIM	AR		0.46MM (.018")
27	R50222	BUSHING	1		
28	AR54443	HOUSING	1		(MARKED R53627) (NLA)

# 2H14

POWER TRAIN

TRANSMISSION DRIVE SHAFT ASSEMBLY - CONTINUED  
(TRACTOR SERIAL NO. 015964- )

KEY	PART NO.	PART NAME	QTY	TRACTOR SERIAL NO.	REMARKS
29	R57725	SCREW	3		(SUB FOR R40835 OR R61762)
30	R39253	DOWEL PIN	2		(C)
31	AR64942	HOUSING	1		(C) (MARKED R55549)
32	R55546	WASHER	1		(C)
33	R55659	PLATE	1		(C)
34	R39305	CAP SCREW	3		(C)

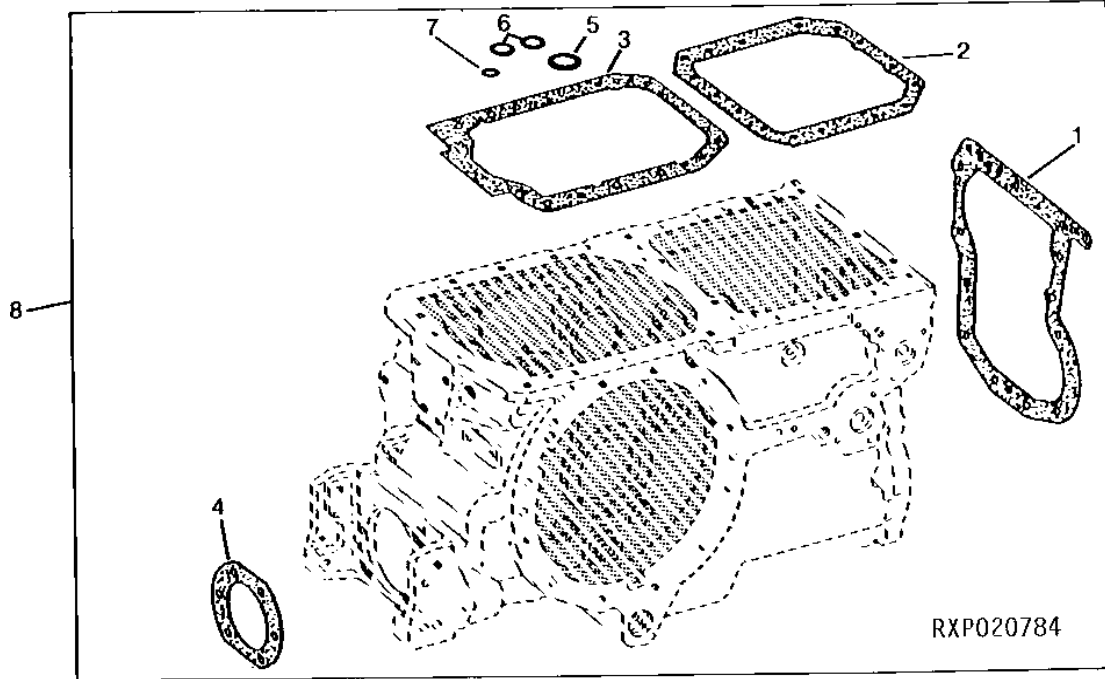
- (A) SYNCRO-RANGE
- (B) QUAD-RANGE
- (C) CREEPER

# 2H15

POWER TRAIN

RXP020784 -UN-27FEB95

## TRANSMISSION GASKET KIT (QUAD-RANGE AND SYNCRO-RANGE)



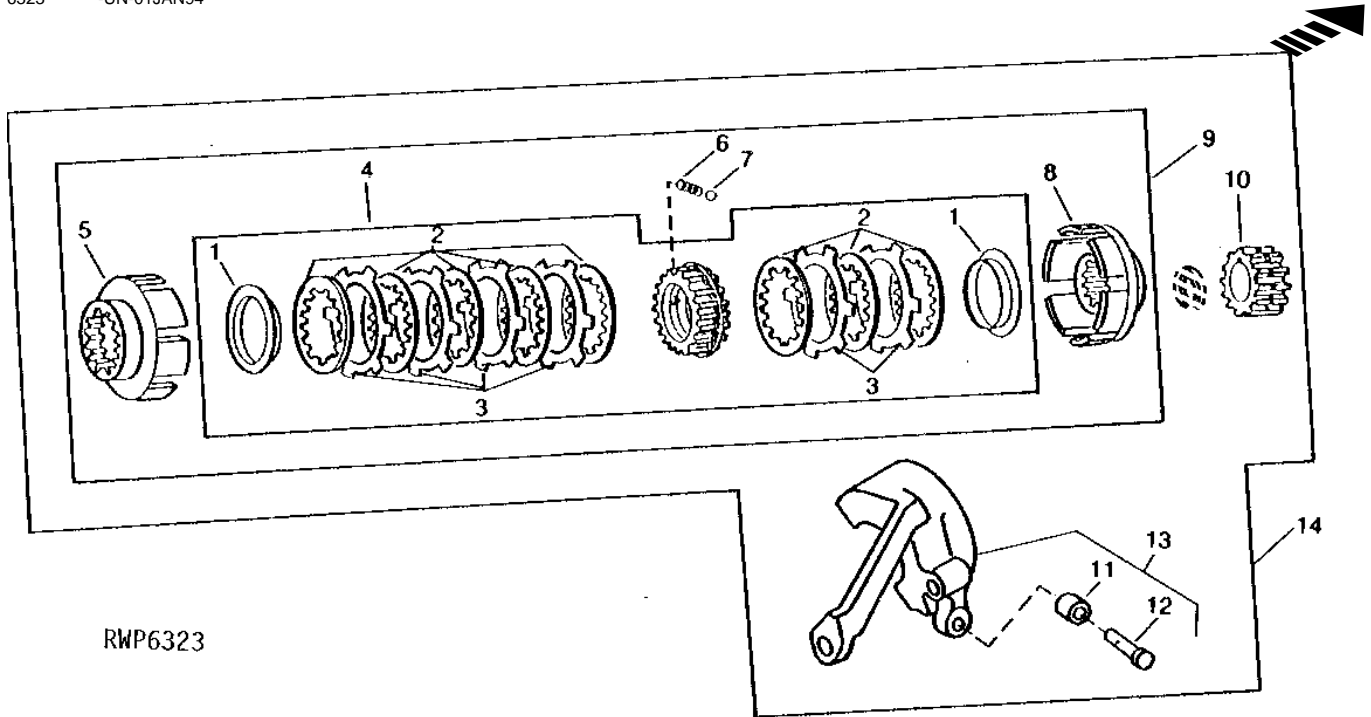
KEY	PART NO.	PART NAME	QTY	TRACTOR SERIAL NO.	REMARKS
1	R98918	GASKET	1		
2	R33714	GASKET	1		
3	R40939	GASKET	1		
4	R33337	GASKET	1		
5	R60038	PACKING	1		
6	R56462	O-RING	3		
7	A3917R	O-RING	1		
8	RE54221	GASKET KIT	1		

# 2H16

POWER TRAIN

**SYNCHRONIZER REPLACEMENT KIT  
(TRACTOR SERIAL NO. -015963)**

RWP6323 -UN-01JAN94



RWP6323

KEY	PART NO.	PART NAME	QTY	TRACTOR SERIAL NO.	REMARKS
1	R63070	RETAINER	2		
2	RE36170	DISK, INNER SPLINE	8		(SUB FOR AR77819)
3	R63069	CLUTCH PLATE	6		
4	AR77817	SYNCHRONIZER	1	(B)	
5	R63073	BRAKE DRUM	1	(A)	
6	R63074	SPRING	4		
7	R63075	BALL	4	6MM (7/32")	
8	R63072	DRUM	1	(C)	
9	AR77818	SYNCHRONIZER	1	(B)	(SUB AR77817, R63072, R63073, (4) R63074 AND R63075)
10	R62806	SHIFT COLLAR	1		
11	R26207	ROLLER	1		
12	R26206	PIN	1		
13	AR77821	SHIFTER	1		(MARKED R61563 OR R63077)
14	AR77814	KIT	1		(ALSO ORDER R61564 AND R61565)

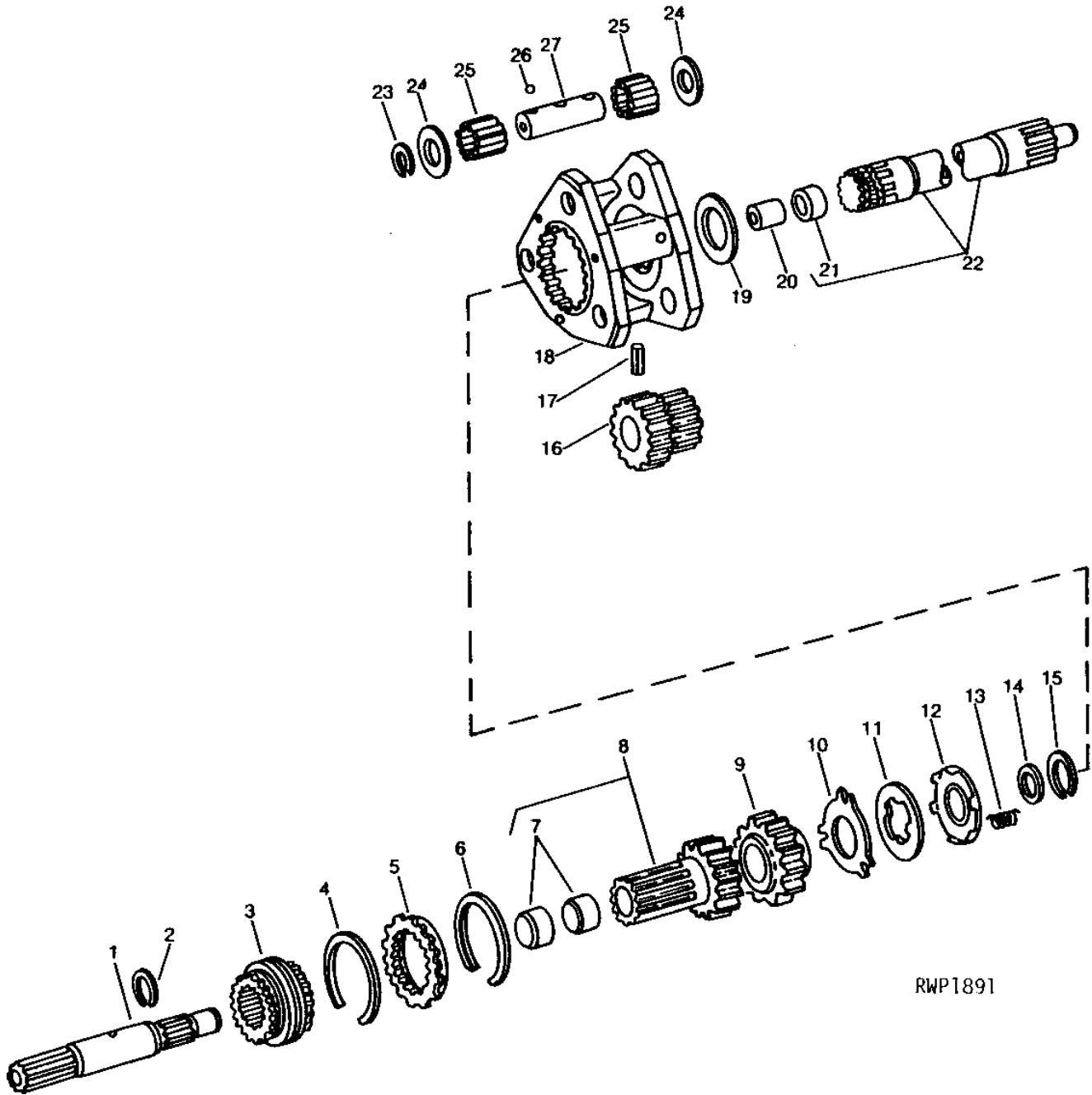
- (A) LOW RANGE
- (B) LOW RANGE AND HIGH RANGE
- (C) HIGH RANGE

# 2H17

POWER TRAIN

## PLANET PINION CARRIER, INPUT SHAFT, AND CLUTCH SHAFT (CREEPER TRANSMISSION) (TRACTOR SERIAL NO. 006700- )

RWP1891 -UN-18OCT94



RWP1891

# 2H18

POWER TRAIN

PLANET PINION CARRIER, INPUT SHAFT, AND CLUTCH SHAFT - CONTINUED  
(CREEPER TRANSMISSION)  
(TRACTOR SERIAL NO. 006700- )

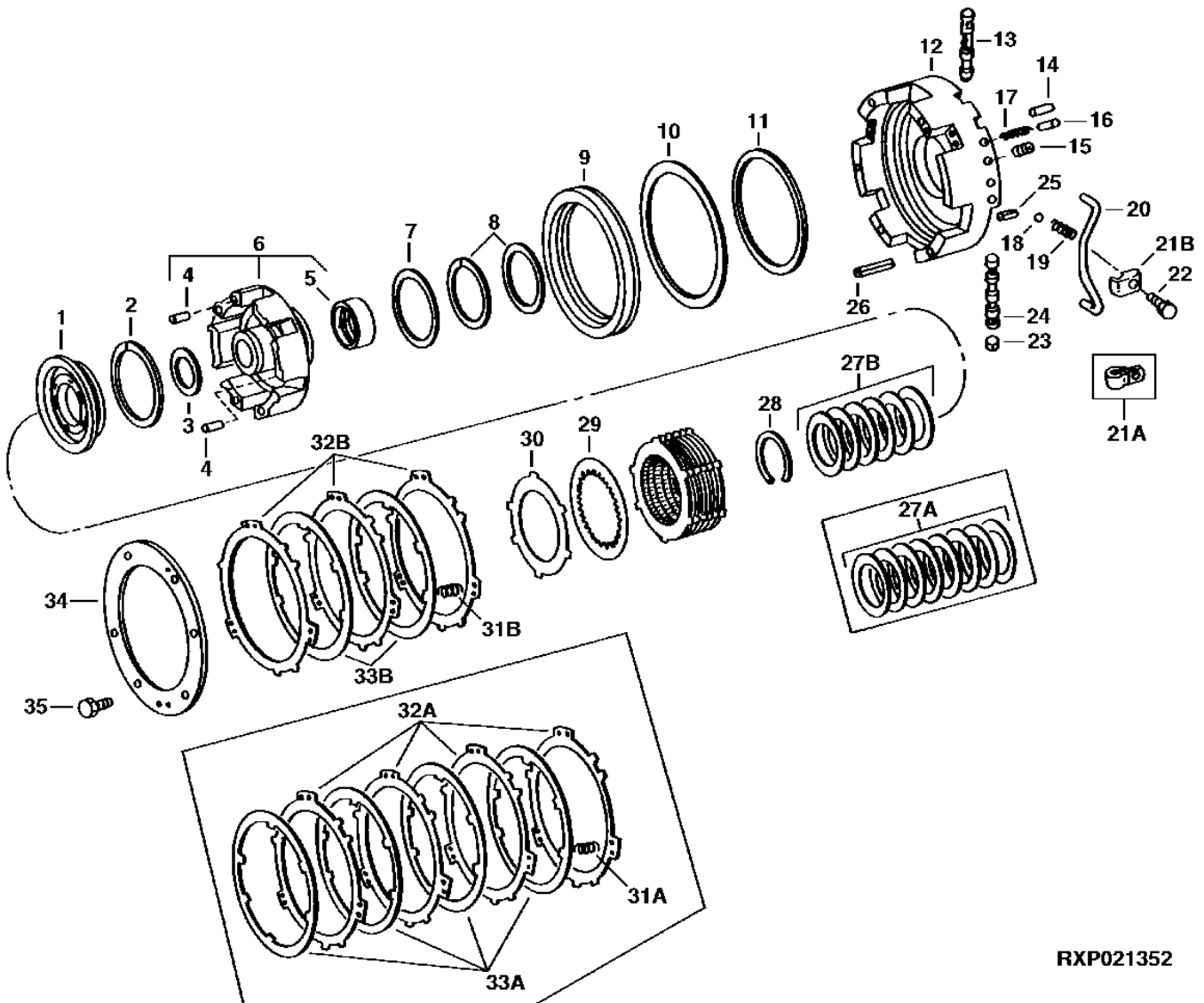
KEY	PART NO.	PART NAME	QTY	TRACTOR SERIAL NO.	REMARKS
1	R55661	SHAFT	1	(NLA)	
2	F534R	SNAP RING	1		
3	R55657	SHIFT COLLAR	1		
4	R45569	SNAP RING	1		
5	R55547	SWASH PLATE	1		
6	R35377	SNAP RING	1		
7	R43305	BUSHING	2		
8	AR65656	PINION	1	(NLA)	
9	R75130	PINION	1	(SUB FOR R55878)	
10	R55879	PLATE	1		
11	R55881	SUPPORT	1		
12	R55882	SUPPORT	1		
13	R36648	SPRING	NA		
14	R55545	WASHER	1		
15	A2597R	SNAP RING	1		
16	R58624	PLANET PINION	3		
17	34H312	SPRING PIN	3	1/4" X 1"	
18	R55877	PLANET PINION CARRIER	1		
19	R55544	WASHER	1		
20	R50155	BUSHING	1		
21	R39276	BUSHING	1		
22	AR65533	SHAFT	1		
23	T23694	SNAP RING	3		
24	R50149	WASHER	6		
25	JD9926	NEEDLE BEARING	6		
26	H871R	BALL	3		
27	AR61550	SHAFT	3		

# 2H19

POWER TRAIN

## BRAKE PISTON HOUSING AND CLUTCH DRUM (QUAD-RANGE) (TRACTOR SERIAL NO. -015105)

RXP021352 -UN-26OCT95



RXP021352



# 2H20

POWER TRAIN

**BRAKE PISTON HOUSING AND CLUTCH DRUM - CONTINUED**  
**(QUAD-RANGE)**  
**(TRACTOR SERIAL NO. -015105)**

KEY	PART NO.	PART NAME	QTY	TRACTOR SERIAL NO.	REMARKS
1	R50343	PISTON	1	-011988	
	R59470	PISTON	1	011989-	
2	R34513	RING	1		
3	R39304	WASHER	1		
4	R38295	NEEDLE ROLLER	3		
5	R50222	BUSHING	1		
6	AR80118	DRUM	1		(MARKED R64383 OR R57113) (SUB AR78253, AR78252, (6) R47074 AND (6) R57115) (SUB FOR AR54529, AR65230 OR AR68392)
7	R50349	WASHER	1		
8	R39322	RING	2		
9	R79527	PISTON	1	-011988	(SUB FOR R50342)
	R79522	PISTON	1	011989-	(SUB FOR R59469)
10	R57849	PACKING	1		(SUB FOR R51229)
11	R57558	PACKING	1		(SUB FOR R51497)
12	AR77519	HOUSING	1		(MARKED R50347, R62838 OR R65226) (ALSO ORDER AR77262, R62690 AND 34H264) (SUB FOR AR82374)
13	R53048	CONTROL VALVE	1		
14	R26650	DOWEL PIN	1		
15	R21630	PIPE PLUG	6		
	R21629	PIPE PLUG	3		
16	R490R	PIN	1		
17	R53304	SPRING	1		
18	R26552	BALL	1		8MM
19	R53052	SPRING	1		
20	R60523	OIL TUBE	1		(ALSO ORDER R60524 AND R57725) (SUB FOR R53051)
21A	T14264	CLAMP	1	-XXXXXX	(ALSO ORDER R60523 AND R57725) (SUB FOR T14264, THIS APPLICATION)
21B	R60524	CLAMP	1	XXXXXX-	
22	19H2038	CAP SCREW	1	-XXXXXX	3/8" X 1/2"
	R57725	SCREW	1	XXXXXX-	
23	R53050	PIN	1		
24	R53049	VALVE	1		
25	34H249	SPRING PIN	1		1/8" X 7/8"
26	34H188	SPRING PIN	6		5/16" X 1-3/4"
27A	R50348	DISK SPRING	8	-011988	
27B	R50348	DISK SPRING	6	011989-	
28	R39299	SNAP RING	1		
29	AR39128	DISK, INNER SPLINE	5	-011988	
	AR71561	DISK, INNER SPLINE	3	011989-	(SUB RE29816)
30	R39259	CLUTCH PLATE	6	-011988	
	R39259	CLUTCH PLATE	4	011988-	
31A	R50604	SPRING	6	-011988	
31B	R59468	SPRING	6	011989-	
32A	R50152	PLATE	4	-011988	
32B	R50152	PLATE	3	011989-	
33A	AR54528	DISK	4	-011988	(SUB RE29815)
33B	RE29815	DISK	2	011989-	(SUB FOR AR54528 OR AR71560)
34	R50153	PLATE	1		
35	R30165	CAP SCREW	6		

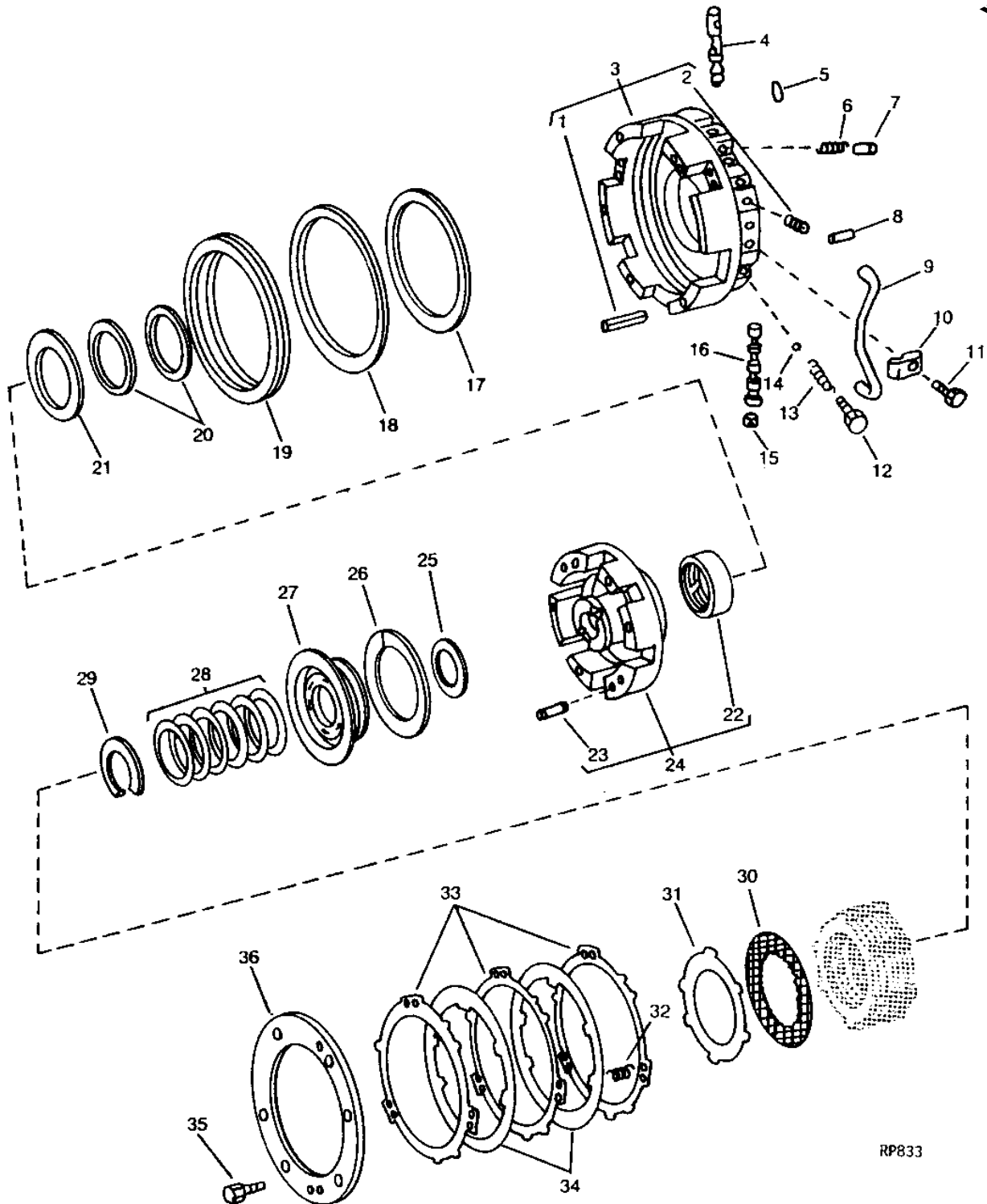
# 2H21

POWER TRAIN

## BRAKE PISTON HOUSING AND CLUTCH DRUM (QUAD-RANGE) (TRACTOR SERIAL NO. 015106- )

RP833

-UN-01JAN94



RP833

# 2H22

POWER TRAIN

**BRAKE PISTON HOUSING AND CLUTCH DRUM - CONTINUED**  
**(QUAD-RANGE)**  
**(TRACTOR SERIAL NO. 015106- )**

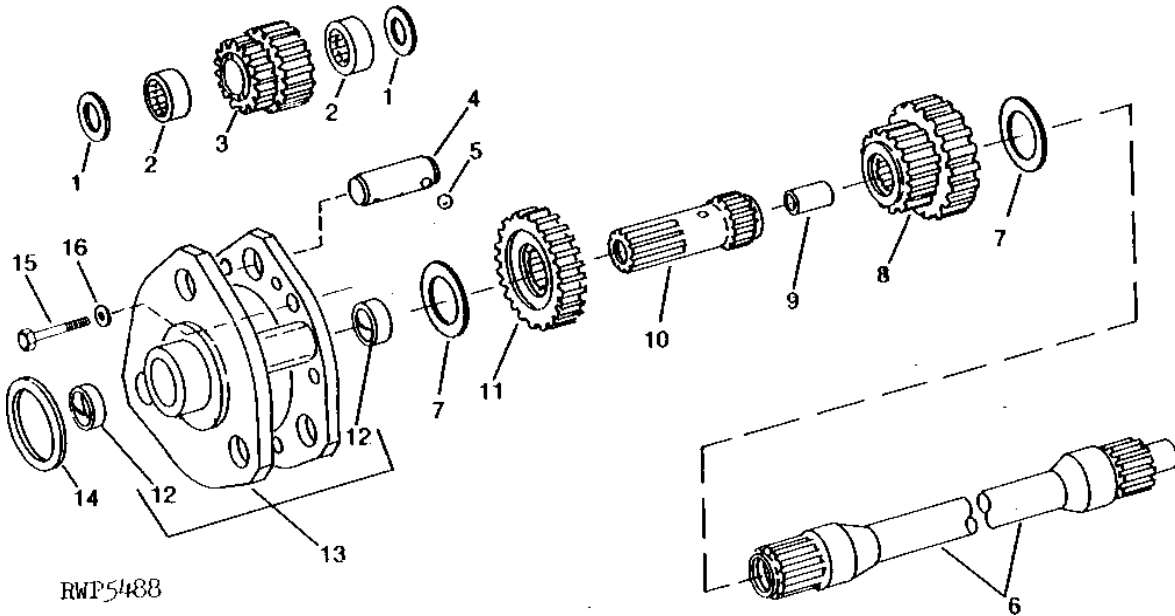
KEY	PART NO.	PART NAME	QTY	TRACTOR SERIAL NO.	REMARKS
1	34H188	SPRING PIN	6		5/16" X 1-3/4"
2	R21630	PIPE PLUG	3		
	R21629	PIPE PLUG	AR		(4 USED WITH AR77522) (5 USED WITH AR82374)
3	AR77522	HOUSING	1	-016416	(MARKED R62836) (SUB AR82372)
	AR82372	HOUSING	1	-016416	(MARKED R65224) (ALSO ORDER R65231 AND R65230) (SUB FOR AR77522)
	AR82374	HOUSING	1	016417-	(MARKED R65226) (ALSO ORDER R65232 AND R65231)
4	R65229	CONTROL VALVE	1		(SUB FOR R62840)
5	R60038	PACKING	1		
6	R62842	SPRING	1		
7	R67315	PIN	1		(SUB FOR R62843)
8	34H249	SPRING PIN	1		1/8" X 7/8"
9	R60523	OIL TUBE	1		
10	R60524	CLAMP	1		
11	R57725	SCREW	1		
12	R65231	SCREW	1	016417-	
13	R64230	SPRING	1	-016416	
	R65232	SPRING	1	016417-	
14	400R	BALL	1		6MM (1/4")
15	R53050	PIN	1		
16	R62841	VALVE	1		
17	R57558	PACKING	1		
18	R57849	PACKING	1		
19	R79522	PISTON	1		(SUB FOR R59469)
20	R39322	RING	2		
21	R50349	WASHER	1		
22	R50222	BUSHING	1		
23	R38295	NEEDLE ROLLER	3		
24	AR80118	DRUM	1		(MARKED R64383) (SUB AR78253, AR78252, (6) R47074 AND (6) R57115)
25	R39304	WASHER	1		
26	R34513	RING	1		
27	R59470	PISTON	1		
28	R50348	DISK SPRING	6		
29	R39299	SNAP RING	1		
30	AR71561	DISK, INNER SPLINE	3		(SUB RE29816)
31	R39259	CLUTCH PLATE	4		
32	R59468	SPRING	6		
33	R50152	PLATE	3		
34	RE29815	DISK	2		(SUB FOR AR54528 OR AR71560)
35	R30165	CAP SCREW	6		
36	R50153	PLATE	1		

# 2H23

POWER TRAIN

## PLANET PINION CARRIER, INPUT SHAFT, AND CLUTCH SHAFT (QUAD-RANGE)

RWP5488 -UN-01JAN94



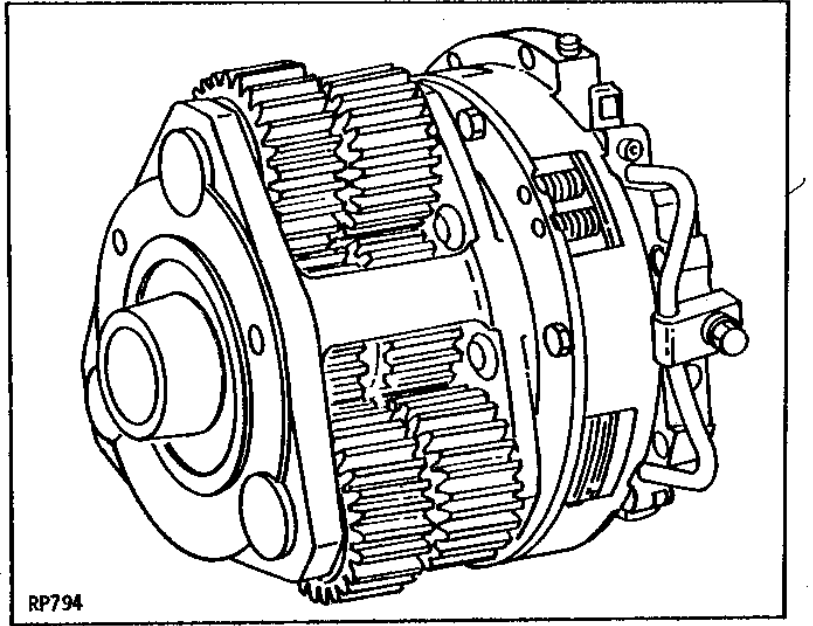
KEY	PART NO.	PART NAME	QTY	TRACTOR SERIAL NO.	REMARKS
1	R50149	WASHER	6		
2	JD9926	NEEDLE BEARING	6		
3	R58624	PLANET PINION	3		(SUB FOR R50832)
4	AR61550	SHAFT	3		
5	H871R	BALL	3		
6	R50154	SHAFT	1		
7	R33083	WASHER	2	-XXXXXX	(USE WITH AR54961 AND R50833)
8	AR81327	GEAR	1		(SUB FOR AR54961)
9	R50155	BUSHING	1		
10	R50195	SHAFT	1		
11	AR81329	PINION	1		(SUB FOR R50833)
12	R50550	BUSHING	2		
13	AR80216	PLANET PINION CARRIER	1		(MARKED R57112, R64423 OR R63335) (SUB AR78252, AR78253, (6) R47074 AND (6) R57115)
14	R51159	WASHER	1		
15	AR82509	CAP SCREW	3	-014724	(SUB FOR AR78806)
	R47074	CAP SCREW	6		(USE WITH R63335)
16	R57115	WASHER	3	-014724	
	R57115	WASHER	6		(USE WITH R63335)

# 2H24

POWER TRAIN

RP794 -UN-01JAN94

## PLANET PINION CARRIER ASSEMBLY (QUAD-RANGE)



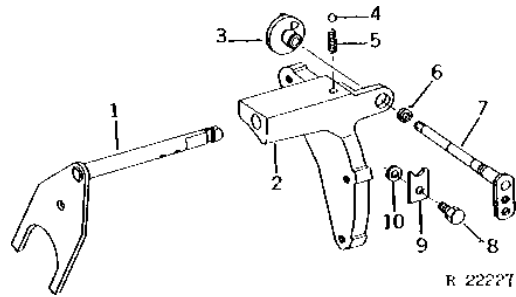
KEY	PART NO.	PART NAME	QTY	TRACTOR SERIAL NO.	REMARKS
1	AR67978	HIGH-LOW CLUTCH	1	-015081	
	AR77525	HIGH-LOW CLUTCH	1	015082-016416	(SUB AR105732)
	AR105732	HIGH-LOW CLUTCH	1	016417-	(SUB FOR AR83262)

# 2H25

POWER TRAIN

PLANETARY SHIFTER  
(SYNCRO-RANGE) (CREEPER TRANSMISSION)  
(TRACTOR SERIAL NO. 006700- )

R22227 -UN-01JAN94



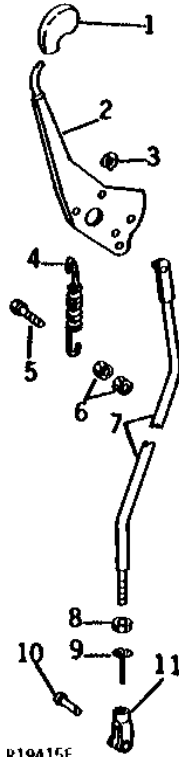
KEY	PART NO.	PART NAME	QTY	TRACTOR SERIAL NO.	REMARKS
1	AR64905	SHAFT	1	(NLA)	
2	R55551	SUPPORT	1		
3	AR64907	ARM	1	(NLA)	
4	R26552	BALL	1	8MM (5/16")	
5	T27716	SPRING	1		
6	AR26338	SEAL	1		
7	AR90949	SHAFT	1	(SUB FOR AR65234)	
8	37H27	SCREW	1	5/16" X 7/8"	
9	R55736	PLATE	1		
10	24H1289	WASHER	2	21/64" X 5/8" X 0.049"	

# 211

POWER TRAIN

R19415 -UN-01JAN94

## PTO LEVER



R19415F TRACTOR SERIAL NO.

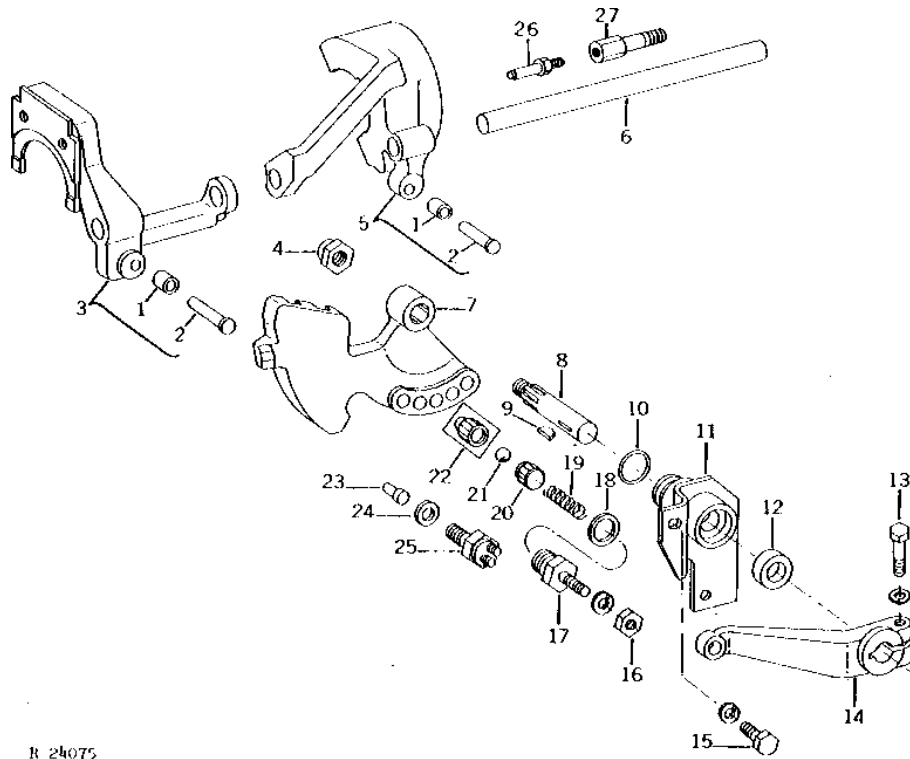
KEY	PART NO.	PART NAME	QTY	REMARKS
1	R52056	GRIP	1	
2	R52065	LEVER	1	
3	R72655	SNAP RING	1	(SUB FOR T12808)
4	R58500	SPRING	1	(SUB FOR R43538 AND R56911)
5	19H3552	CAP SCREW	1	5/16" X 1-1/2" HS, SAE 8
6	14H611	NUT	2	5/16"
7	AR61141	ROD	1	(NLA)
8	14H732	NUT	1	3/8"
9	R56199	PIN	1	(SUB FOR R53772)
10	R65563	PIN	1	
11	C284R	YOKE	1	

# 212

POWER TRAIN

R24075 -UN-01JAN94

SHIFTERS AND SHIFTER SHAFT  
(TRACTOR SERIAL NO. -015105)



R 24075



**SHIFTERS AND SHIFTER SHAFT - CONTINUED**  
(TRACTOR SERIAL NO. -015105)

KEY	PART NO.	PART NAME	QTY	TRACTOR SERIAL NO.	REMARKS
1	R26207	ROLLER	2		
2	R26206	PIN	2		
3	AR87500	SHIFTER	1		(MARKED R50362, R63907 OR R67234) (SUB FOR AR54599 OR AR79101)
4	E17421	LOCK NUT	2		
5	AR77821	SHIFTER	1		(MARKED R33444, R56956, R61563 OR R63077) (ALSO ORDER R61564 AND R61565) (SUB FOR AR32190, AR68147 OR AR74748)
6	R33449	PIN	1		
7	R67395	CAM	1		(A) (SUB FOR R50363)
	R67394	CAM	1		(B) (SUB FOR R50887)
8	R52198	SHAFT	1		
9	26H17	SHAFT KEY	1		3/16" X 7/8"
10	R29463	O-RING	1	-010514	
11	AR56755	SUPPORT	1	-010514	(NLA)
	24H1302	WASHER	AR		13/32" X 11/16" X 0.035"
12	AR389R	SEAL	1		
13	19H1800	CAP SCREW	1		3/8" X 1-1/2"
	12H304	LOCK WASHER	1		3/8"
14	R52437	ARM	1		(A)
	R52466	ARM	1		(B)
15	19H2284	CAP SCREW	1	-010514	3/8" X 7/8"
	12H304	LOCK WASHER	1	-010514	3/8"
16	14H1076	NUT	1		3/8"
	12H304	LOCK WASHER	1		3/8"
17	R58121	RETAINER	1		
18	A4827R	WASHER	1		
19	B207R	SPRING	1	-011321	
	R59378	SPRING	1	011322-	
20	T19079	RETAINER	1	011322-	
21	M886T	BALL	1	011322-	16MM (5/8")
22	R26202	PAWL	1	-011321	
23	R99556	PIN	1		(SUB FOR R33731)
24	T16911	SHIM	1		
25	RE38390	SWITCH	1		(SUB FOR R36265, AR85323, AR89691 OR AT85153)
26	R61564	SCREW	1	XXXXXX-	
27	R61565	SCREW	1	XXXXXX-	

(A) SYNCRO-RANGE

(B) QUAD-RANGE

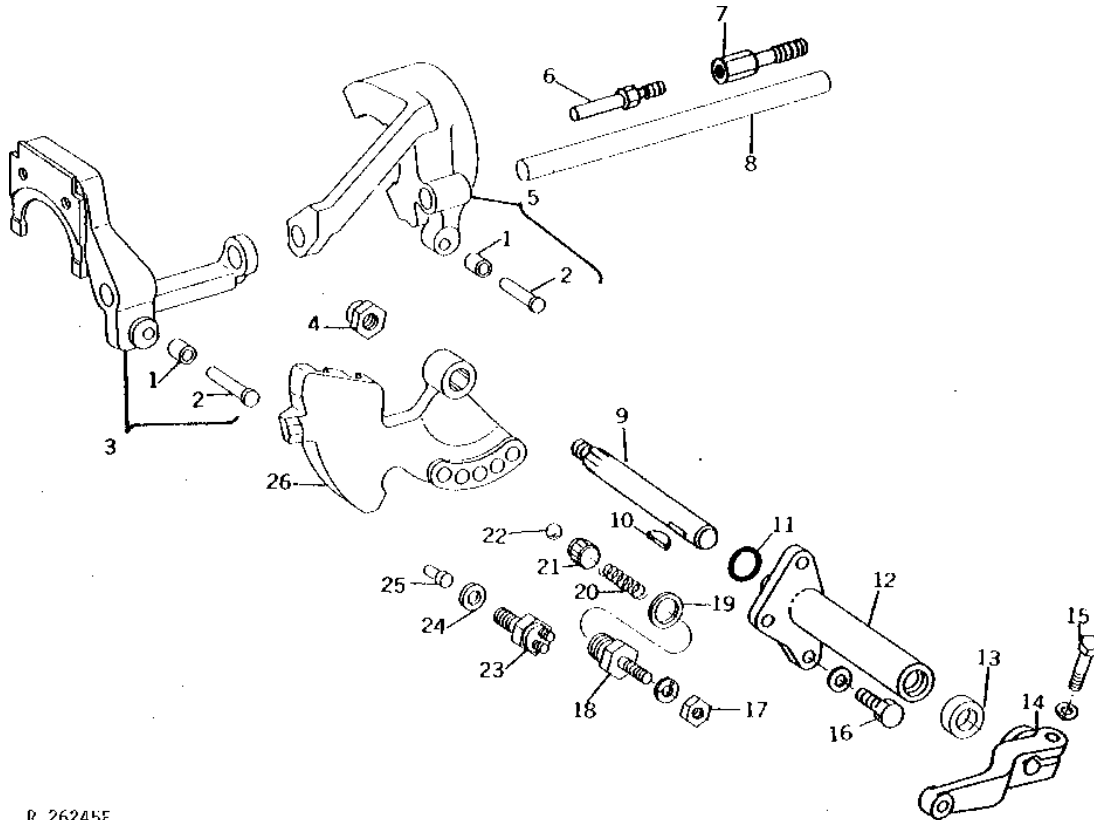
# 214

POWER TRAIN

R26245

-UN-01JAN94

## SHIFTER AND SHIFTER SHAFTS (TRACTOR SERIAL NO. 015106- )



R 26245F

# 215

POWER TRAIN

SHIFTER AND SHIFTER SHAFTS - CONTINUED  
(TRACTOR SERIAL NO. 015106- )

KEY	PART NO.	PART NAME	QTY	TRACTOR SERIAL NO.	REMARKS
1	R26207	ROLLER	2		
2	R26206	PIN	2		
3	AR87500	SHIFTER	1		(MARKED R50362, R63907 OR R67234) (SUB FOR AR54599 OR AR79101)
4	E17421	LOCK NUT	2		
5	AR77821	SHIFTER	1		(MARKED R61563 OR R63077) (SUB FOR AR74748)
6	R61564	SCREW	1		
7	R61565	SCREW	1		
8	R33449	PIN	1		
9	R62816	SHAFT	1		(NLA)
10	26H17	SHAFT KEY	1		3/16" X 7/8"
11	R29463	O-RING	1		
12	R62817	SUPPORT	1		(NLA)
13	AR389R	SEAL	1		
14	R61987	ARM	1		(A)
	R61983	ARM	1		(B)
15	19H1800	CAP SCREW	1		3/8" X 1-1/2"
	12H304	LOCK WASHER	1		3/8"
16	19H1732	CAP SCREW	2		3/8" X 1-1/4"
	12H304	LOCK WASHER	2		3/8"
17	14H1076	NUT	1		3/8"
	12H304	LOCK WASHER	1		3/8"
18	R58121	RETAINER	1		
19	A4827R	WASHER	1		
20	R59378	SPRING	1		
21	T19079	RETAINER	1		
22	M886T	BALL	1		16MM (5/8")
23	RE38390	SWITCH	1		(SUB FOR R36265, AR85323, AR89691 OR AT85153)
24	T16911	SHIM	1		
25	R99556	PIN	1		(SUB FOR R33731)
26	R67395	CAM	1		(A) (SUB FOR R50363)
	R67394	CAM	1		(B) (SUB FOR R50887)

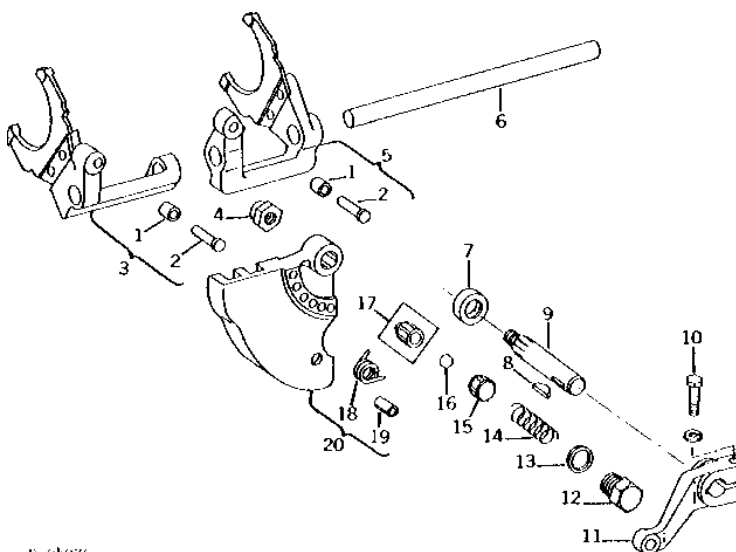
(A) SYNCRO-RANGE  
(B) QUAD-RANGE

# 216

POWER TRAIN

R24076 -UN-01JAN94

## GEAR SHIFTERS AND SHIFTER SHAFT (TRACTOR SERIAL NO. -015105)



R 24076

KEY	PART NO.	PART NAME	QTY	TRACTOR SERIAL NO.	REMARKS
1	R26207	ROLLER	2		
2	R26206	PIN	2		
3	AR32196	LEVER	1		(A) (MARKED R33451) (FIRST AND THIRD, SIXTH AND EIGHTH SPEED) (B) (A AND D-RANGE)
	AR32196	LEVER	1		
4	E17421	LOCK NUT	1		
5	AR32197	LEVER	1		(A) (MARKED R33452) (SECOND AND FIFTH, FOURTH AND SEVENTH SPEED) (B) (B AND C-RANGE)
	AR32197	LEVER	1		
6	R33449	PIN	1		
7	AR389R	SEAL	1		
8	26H17	SHAFT KEY	1		3/16" X 7/8"
9	R52418	SHAFT	1		(A)
	R52470	SHAFT	1		(B) (NLA)
10	19H1800	CAP SCREW	1		3/8" X 1-1/2"
	12H304	LOCK WASHER	1		3/8"
11	R52435	ARM	1		(A)
	R52468	ARM	1		(B)
12	R38181	FITTING	1		
13	A4827R	WASHER	1		
14	R26203	SPRING	1	-011321	
	R59378	SPRING	1	011322-	
15	T19079	RETAINER	1	011322-	
16	M886T	BALL	1	011322-	16MM (5/8")
17	R26202	PAWL	1	-011321	
18	R73444	SPRING	1		(SUB R55910, THIS APPLICATION)
19	34H365	SPRING PIN	1		1/2" X 7/8"
20	AR74078	CAM	1		(MARKED R61106, R33771, R56752 OR R58445) (SUB FOR AR32693, AR65492, AR68149 OR AR70157)

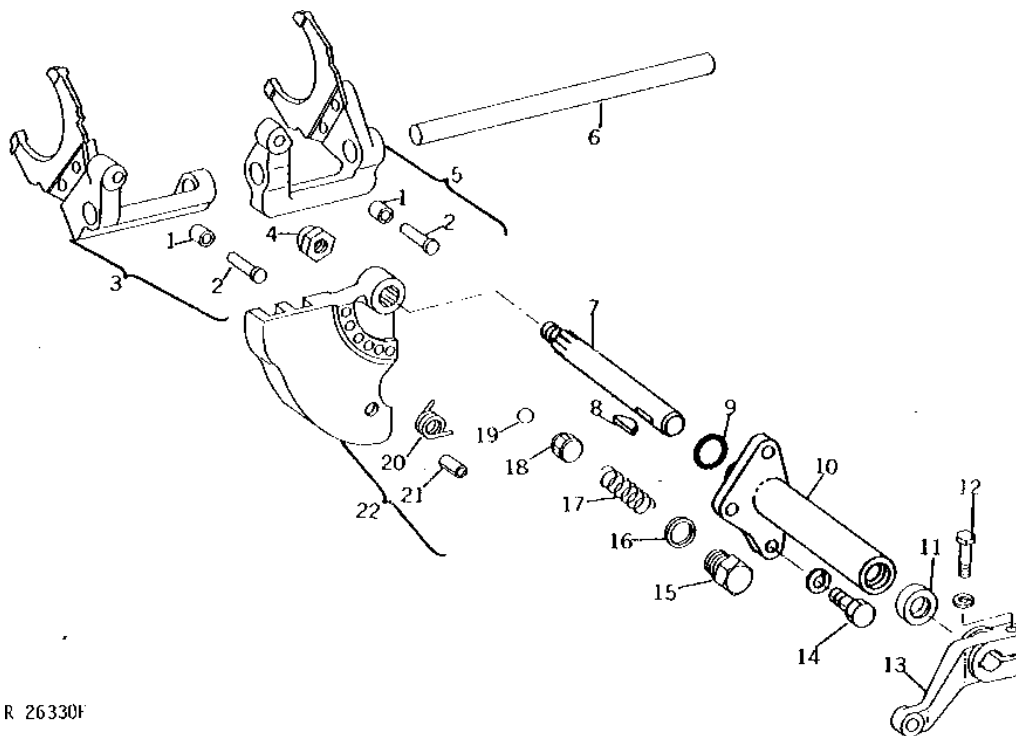
(A) SYNCRO-RANGE  
(B) QUAD-RANGE

# 217

POWER TRAIN

## GEAR SHIFTERS AND SHIFTER SHAFTS (TRACTOR SERIAL NO. 015106- )

R26330 -UN-01JAN94



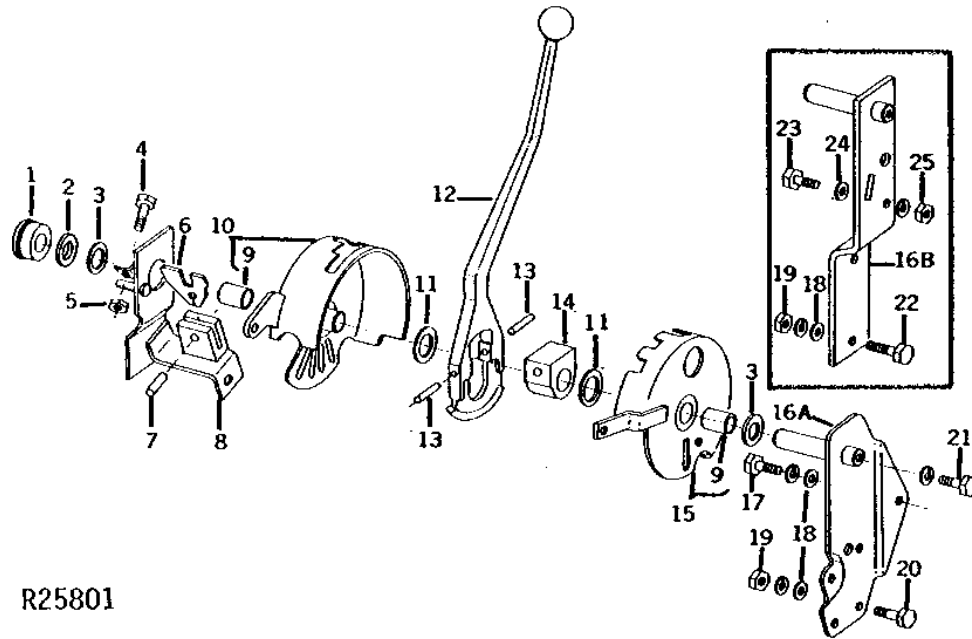
R 26330F

KEY	PART NO.	PART NAME	QTY	TRACTOR SERIAL NO.	REMARKS
1	R26207	ROLLER	2		
2	R26206	PIN	2		
3	AR32196	LEVER	1		(A) (FIRST AND THIRD, SIXTH AND EIGHTH SPEED) (MARKED R33451)
	AR32196	LEVER	1		(B) (A AND D-RANGE)
4	E17421	LOCK NUT	1		
5	AR32197	LEVER	1		(A) (SECOND AND FIFTH, FOURTH AND SEVENTH SPEED) (MARKED R33452)
	AR32197	LEVER	1		(B) (B AND C-RANGE)
6	R33449	PIN	1		
7	R61986	SHAFT	1		
8	26H17	SHAFT KEY	1		3/16" X 7/8"
9	R29463	O-RING	1		
10	R62817	SUPPORT	1		(NLA)
11	AR389R	SEAL	1		
12	19H1800	CAP SCREW	1		3/8" X 1-1/2"
	12H304	LOCK WASHER	1		3/8"
13	R62815	ARM	1		(A)
	R62818	ARM	1		(B)
14	19H1732	CAP SCREW	3		3/8" X 1-1/4"
	12H304	LOCK WASHER	3		3/8"
15	R38181	FITTING	1		
16	A4827R	WASHER	1		
17	R59378	SPRING	1		
18	T19079	RETAINER	1		
19	M886T	BALL	1		16MM (5/8")
20	R55910	SPRING	1		
21	34H265	SPRING PIN	1		5/32" X 15/16"
22	AR74078	CAM	1		(MARKED R61106)

(A) SYNCRO-RANGE  
(B) QUAD-RANGE

**TRANSMISSION SHIFTER CONTROL SUPPORT, LEVER AND LINKAGE  
(SYNCRO-RANGE)**

R25801 -UN-01JAN94



R25801

KEY	PART NO.	PART NAME	QTY	TRACTOR SERIAL NO.	REMARKS
1	R62927	SPACER	1		(ALSO ORDER 24H1422) (SUB FOR R50526 OR R56236)
2	24H1422	SHIM	AR	XXXXXX-	29/32" X 1-3/8" X .018"
3	R42127	WASHER	2		
4	19H1849	CAP SCREW	1		5/16" X 1-1/4"
5	14H611	NUT	1		5/16"
6	R52882	LATCH	1		
7	34H348	SPRING PIN	1		3/8" X 1"
8	AR62258	SUPPORT	1		(A)
	AR62259	SUPPORT	1		(B)
	R57449	PIN	1		
9	R26182	BUSHING	2		
10	AR62069	QUADRANT	1		
11	R26187	WASHER	2		
12	R55553	LEVER	1		(SUB FOR R50523)
13	34H316	SPRING PIN	2		1/4" X 1-1/2"
14	R53247	PIVOT	1		
15	AR62066	QUADRANT	1		
16A	AR56230	SUPPORT	1		(A)
16B	AR54659	SUPPORT	1		(B)
17	19H1731	CAP SCREW	2		3/8" X 1"
	12H304	LOCK WASHER	2		3/8"
18	24H1305	WASHER	2		13/32" X 13/16" X 0.065"
19	14H1076	NUT	1		3/8"
	12H304	LOCK WASHER	1		3/8"
20	19H2552	CAP SCREW	1		3/8" X 1-1/8"
21	19H1731	CAP SCREW	1		3/8" X 1"
	12H304	LOCK WASHER	1		3/8"
22	19H2128	CAP SCREW	2		3/8" X 3"
23	19H2552	CAP SCREW	1		3/8" X 1-1/8"
24	24H1305	WASHER	1		13/32" X 13/16" X 0.065"
25	14H1076	NUT	1		3/8"
	12H304	LOCK WASHER	1		3/8"

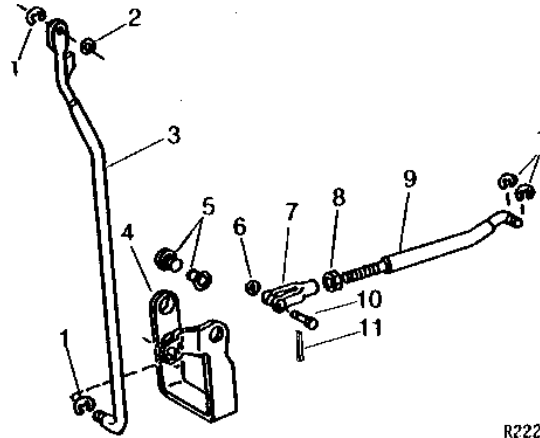
(A) SOUND-GARD BODY OR ROLL-GARD  
(B) LESS SOUND-GARD BODY OR ROLL-GARD

# 219

POWER TRAIN

**CREEPER CONTROL RODS  
(CREEPER TRANSMISSION)  
(TRACTOR SERIAL NO. 006700- )**

R22230 -UN-01JAN94



R22230

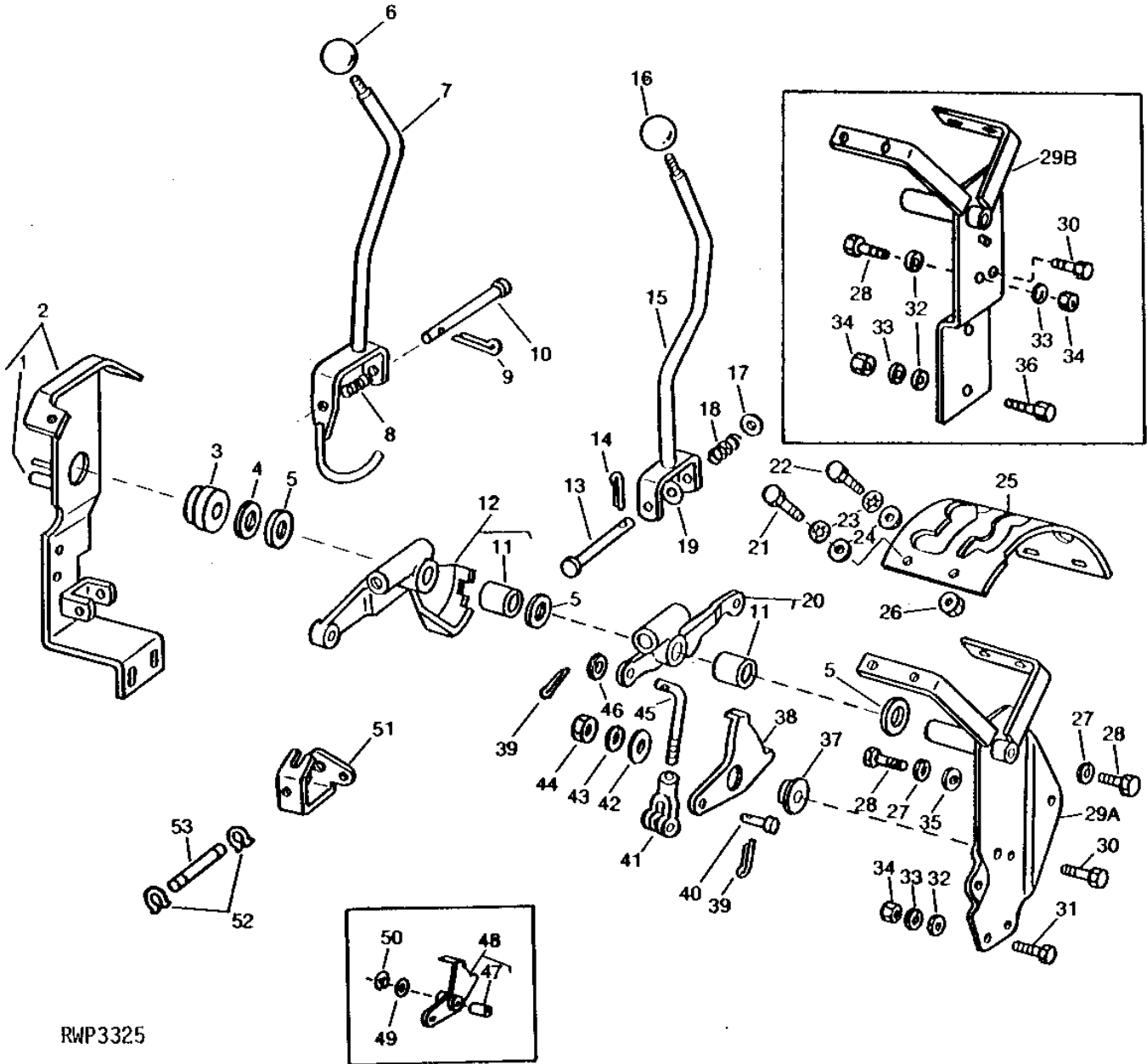
KEY	PART NO.	PART NAME	QTY	TRACTOR SERIAL NO.	REMARKS
1	R72653	SNAP RING	4	(SUB FOR M2396T)	
2	24H1292	WASHER	1	11/32" X 3/4" X 0.120"	
3	AR64914	ROD	1		
4	AR72046	LEVER	1	(SUB FOR AR65063)	
5	R52646	WASHER	2		
6	24H1287	WASHER	1	9/32" X 5/8" X 0.065"	
7	R42282	YOKE	1	(SUB R82766)	
	R82766	PIN	1	(ALSO ORDER T54033)	
8	14H882	NUT	1	5/16"	
9	R56284	SHIFTER ROD	1	(NLA)	
10	R72660	PIN	1	(SUB FOR R662R)	
11	11M7079	COTTER PIN	1	0.098" X 0.472"	

# 2110

POWER TRAIN

## TRANSMISSION SHIFTER CONTROL LEVERS, LINKAGE AND SUPPORT (QUAD-RANGE)

RWP3325 -UN-01JAN94



RWP3325



# 2111

POWER TRAIN

## TRANSMISSION SHIFTER CONTROL LEVERS, LINKAGE AND SUPPORT - CONTINUED (QUAD-RANGE)

KEY	PART NO.	PART NAME	QTY	TRACTOR SERIAL NO.	REMARKS
1	R57449	PIN	1		
2	AR61901	SUPPORT	1	-XXXXXX	(SUB AR78904, (2) 19H2020, (2) 19H1905 AND (2) 14H785)
	AR78904	SUPPORT	1	XXXXXX-	
	AR61900	SUPPORT	1	-014813	(A) (SUB AR70900, (2) 19H2020, (2) 19H1905 AND (2) 14H785)
	AR70900	SUPPORT	1	014814-XXXXXX	(A) (SUB AR81245)
	AR81245	SUPPORT	1	XXXXXX-	(A)
3	24H1422	SHIM	AR	014814-	0.018"
4	R62927	SPACER	1		(SUB FOR R50526 OR R56236) (ALSO ORDER 24H1422)
5	R42127	WASHER	3		
6	R50864	KNOB	1		
7	AR82761	GEARSHIFT LEVER	1		(SUB FOR AR57112)
8	R41147	SPRING	1		
9	R31131	PIN	1		
10	11M7021	COTTER PIN	1		0.157" X 0.984"
11	R26182	BUSHING	2		
12	AR61942	ARM	1		(MARKED R52179)
13	R53510	PIN	1		
14	11M7021	COTTER PIN	1		0.157" X 0.984"
15	AR57113	LEVER	1		
16	R53244	KNOB	1		
17	24M7096	WASHER	1		10.500 X 18 X 1.600 MM
18	R53692	SPRING	1		
19	R56712	WASHER	1		(SUB FOR R53511)
20	AR61941	ARM	1		(MARKED R52180)
21	19H1813	CAP SCREW	4	-XXXXXX	5/16" X 5/8"
	19H1813	CAP SCREW	4	-XXXXXX	5/16" X 5/8"
	19H2020	CAP SCREW	2	XXXXXX-	5/16" X 1/2"
	19H2020	CAP SCREW	2	XXXXXX-	5/16" X 1/2"
22	19H1905	CAP SCREW	2	XXXXXX-	5/16" X 1"
	19H1905	CAP SCREW	2	XXXXXX-	5/16" X 1"
23	12M7032	LOCK WASHER	4		0.331"
24	24H1292	WASHER	4		11/32" X 3/4" X 0.120"
25	R59711	GUIDE	1		(SUB FOR R52305)
26	14H785	NUT	2		5/16"
27	12H304	LOCK WASHER	3		3/8"
28	19H1731	CAP SCREW	3		3/8" X 1"
29A	AR57115	SUPPORT	1	-012461	(A) (SUB AR73577, R60668, R60670, R60671, 19H1732, 12H304 AND 14H1076)
	AR73577	SUPPORT	1	012462-	(A)
29B	AR56922	SUPPORT	1	-012461	(SUB AR73578, R60668, R60670, R60671, 19H1732, 12H304 AND 14H1076)
	AR73578	SUPPORT	1	012462-	
30	19H1732	CAP SCREW	1	012462-	3/8" X 1-1/4"
31	19H1731	CAP SCREW	2		3/8" X 1"
32	24M7096	WASHER	3		10.500 X 18 X 1.600 MM
33	12H304	LOCK WASHER	4		3/8"
34	14H1076	NUT	4		3/8"
35	24H1309	WASHER	1		13/32" X 1-1/16" X 0.120"
36	19H2128	CAP SCREW	2		3/8" X 3"
37	R60670	LOCK WASHER	1	012462-	
38	R60668	LATCH	1	012462-	
39	11M7079	COTTER PIN	2		0.098" X 0.472"
40	R72660	PIN	1		(SUB FOR R662R)
41	R42282	YOKE	1		(SUB R82766)
	R82766	PIN	1		(ALSO ORDER T54033)
42	R60671	WASHER	1	012462-	
43	12H304	LOCK WASHER	1	012462-	3/8"
44	14H1076	NUT	1	012462-	3/8"
45	R52304	HOOK BOLT	1		
46	24H1136	WASHER	1		11/32" X 11/16" X 0.065"
47	R36119	BUSHING	1	-012461	
48	AR60641	LATCH	1	-012461	(NLA)
49	24H1341	WASHER	1	-012461	17/32" X 15/16" X 0.060"
50	R26871	SNAP RING	1	-012461	
51	R55169	ARM	1		(SUB FOR R54206)
52	R72655	SNAP RING	2		(SUB FOR T12808)
53	R53213	PIN	1		

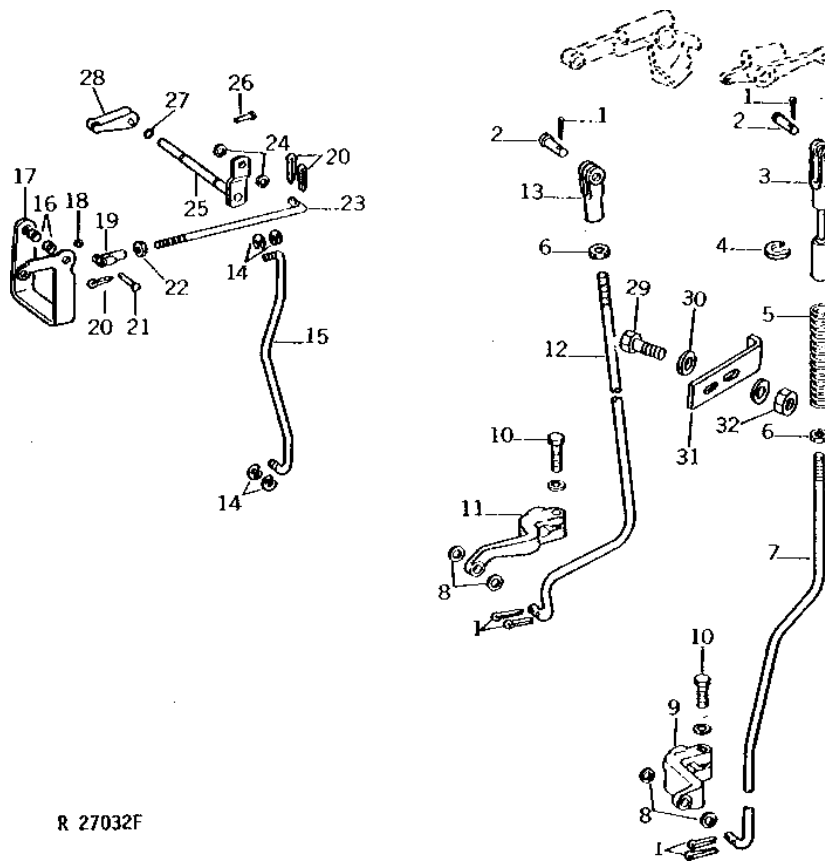
(A) SOUND-GARD BODY OR ROLL-GARD

# 2112

POWER TRAIN

## TRANSMISSION SHIFTER CONTROL RODS (QUAD-RANGE) (TRACTOR SERIAL NO. -015105)

R27032 -UN-01JAN94



R 27032F

# 2113

POWER TRAIN

TRANSMISSION SHIFTER CONTROL RODS - CONTINUED  
(QUAD-RANGE)  
(TRACTOR SERIAL NO. -015105)

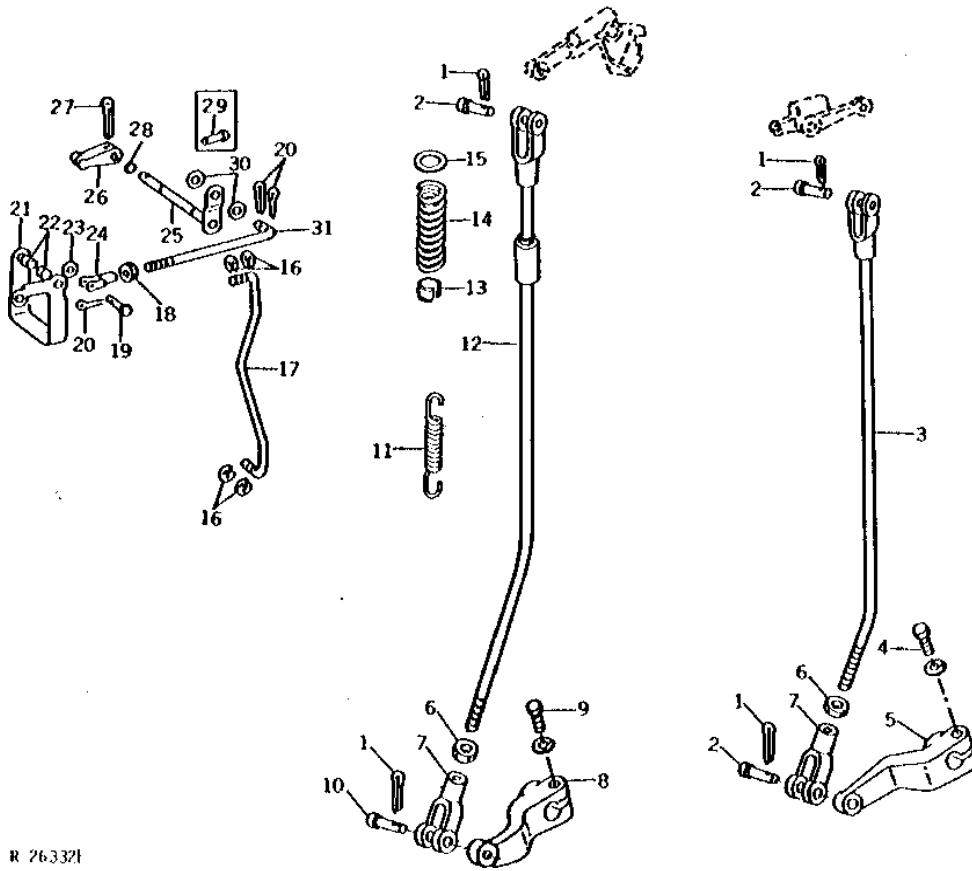
KEY	PART NO.	PART NAME	QTY	TRACTOR SERIAL NO.	REMARKS
1	11M7015	COTTER PIN	6		3.200 X 25 MM
2	R72855	PIN	2		(SUB FOR T10187)
3	AR68735	LINK	1		(SUB FOR AR58431)
4	R52958	RETAINER	1		
5	R56709	SPRING	1		(SUB FOR R52954)
6	14H856	NUT	2		1/2"
7	R52714	SHIFTER ROD	1		
8	24H1227	WASHER	4		17/32" X 13/16" X 0.060"
9	R52468	ARM	1		
10	19H1800	CAP SCREW	2		3/8" X 1-1/2"
	12H304	LOCK WASHER	2		3/8"
11	R52466	ARM	1		
12	R52711	SHIFTER ROD	1		
13	T21158	YOKE	1		
14	R72653	SNAP RING	4		(SUB FOR M2396T)
15	R52648	ROD	1		
16	R52646	WASHER	2		
17	R52645	LEVER	1		
18	24H1287	WASHER	1		9/32" X 5/8" X 0.065"
19	R42282	YOKE	1		(SUB R82766)
	R82766	PIN	1		(ALSO ORDER T54033)
20	11M7079	COTTER PIN	3		0.098" X 0.472"
21	R72660	PIN	1		(SUB FOR R662R)
22	14H882	NUT	1		5/16"
23	R52644	ROD	1		
24	24H1290	WASHER	2		21/64" X 3/4" X 0.035"
25	AR65229	SHAFT	1		(SUB AR77262, R62690 AND 34H264) (SUB FOR AR58028)
26	A4437R	PIN	1		
27	R28782	O-RING	1		
28	R53054	ARM	1		(SUB R62690, AR77262 AND 34H264)
29	19H1731	CAP SCREW	2		3/8" X 1"
30	24H1305	WASHER	2		13/32" X 13/16" X 0.065"
31	.....	STRAP	1		( R54558 NO LONGER AVAILABLE)
32	14H1076	NUT	2		3/8"
	12H304	LOCK WASHER	2		3/8"

# 2114

POWER TRAIN

## TRANSMISSION SHIFTER CONTROL RODS (QUAD-RANGE) (TRACTOR SERIAL NO. 015106- )

R26332 -UN-01JAN94



# 2115

POWER TRAIN

TRANSMISSION SHIFTER CONTROL RODS - CONTINUED  
(QUAD-RANGE)  
(TRACTOR SERIAL NO. 015106- )

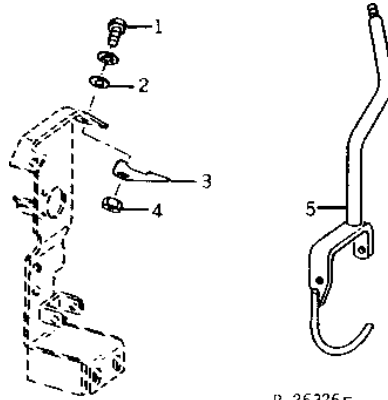
KEY	PART NO.	PART NAME	QTY	TRACTOR SERIAL NO.	REMARKS
1	11M7015	COTTER PIN	4		3.200 X 25 MM
2	R72855	PIN	3		(SUB FOR T10187)
3	AR77472	ROD	1		(NLA)
4	19H1800	CAP SCREW	1		3/8" X 1-1/2"
	12H304	LOCK WASHER	1		3/8"
5	R61983	ARM	1		
6	14H856	NUT	1		1/2"
7	T21158	YOKE	2		
8	R62818	ARM	1		
9	19H1800	CAP SCREW	1		3/8" X 1-1/2"
	12H304	LOCK WASHER	1		3/8"
10	R63927	PIN	1		
11	R56776	SPRING	1		
12	AR77473	ROD	1		
13	R52958	RETAINER	1		
14	R56709	SPRING	1		
15	R32731	WASHER	1		
16	R72653	SNAP RING	4		(SUB FOR M2396T)
17	R52648	ROD	1		
18	14H882	NUT	1		5/16"
19	R72660	PIN	1		(SUB FOR R662R)
20	11M7079	COTTER PIN	3		0.098" X 0.472"
21	R52645	LEVER	1		
22	R52646	WASHER	2		
23	24H1287	WASHER	1		9/32" X 5/8" X 0.065"
24	R42282	YOKE	1		(SUB R82766)
	R82766	PIN	1		(ALSO ORDER T54033)
25	AR65229	SHAFT	1	-015105	(SUB AR77262, R62690 AND 34H264)
	AR77262	SHAFT	1	015106-	
26	R53054	ARM	1	-015105	(SUB R62690, AR77262 AND 34H264)
	R62690	ARM	1	015106-	
27	34H264	SPRING PIN	1	015106-	5/32" X 7/8"
28	R28782	O-RING	1	015106-	
29	A4437R	PIN	1	-015105	
30	24H1290	WASHER	2		21/64" X 3/4" X 0.035"
31	R64098	HOOK BOLT	1		

# 2116

POWER TRAIN

R26326 -UN-02JAN94

SPEED SELECTOR LEVER AND STOP  
(TRACTOR SERIAL NO. 016268- )  
(NOT USED IN U.S. AND CANADA)



R 26326F

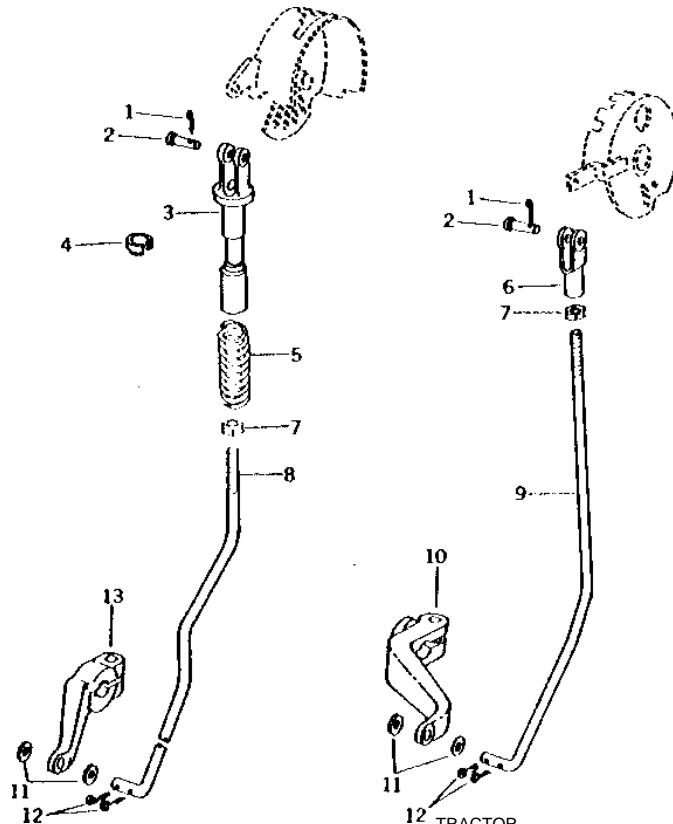
KEY	PART NO.	PART NAME	QTY	TRACTOR SERIAL NO.	REMARKS
1	19H2661	CAP SCREW	1	5/16" X 1-3/8"	
	12M7032	LOCK WASHER	1	0.331"	
2	24H1292	WASHER	1	11/32" X 3/4" X 0.120"	
3	AR79049	ARM	1		
4	14H611	NUT	1	5/16"	
5	AR83654	LEVER	1	(SUB FOR AR79048)	

# 2117

POWER TRAIN

TRANSMISSION SHIFTER CONTROL RODS  
(SYNCRO-RANGE)  
(TRACTOR SERIAL NO. -015105)

R25773 -UN-01JAN94



R25773I

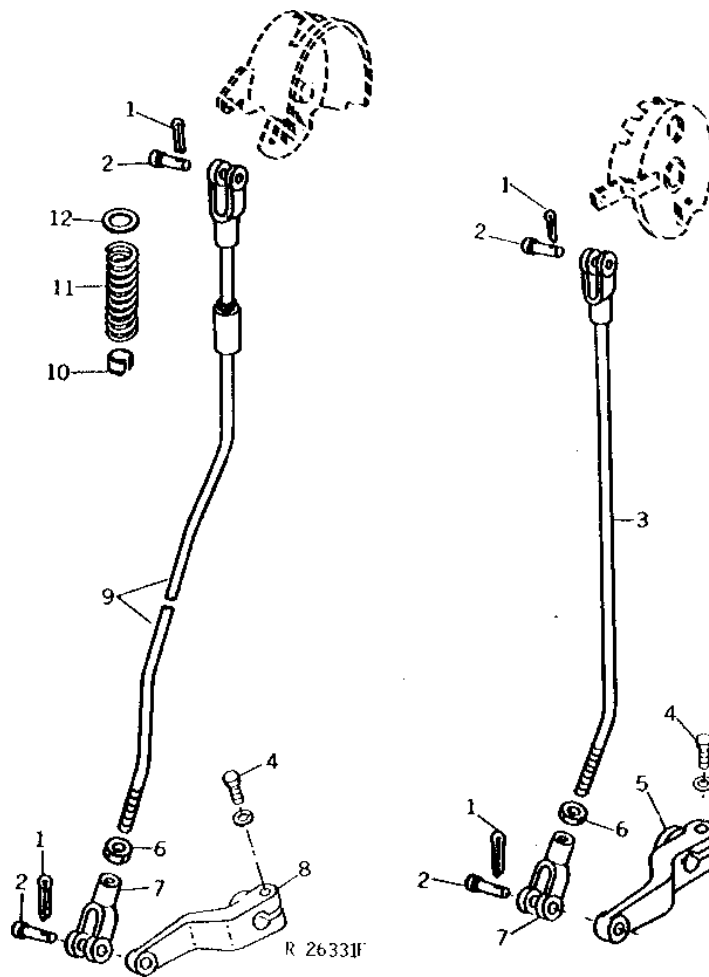
KEY	PART NO.	PART NAME	QTY	TRACTOR SERIAL NO.	REMARKS
1	11M7015	COTTER PIN	2		
2	R72855	PIN	2		3.200 X 25 MM
3	AR68735	LINK	1		(SUB FOR T10187)
4	R52958	RETAINER	1		(SUB FOR AR58431)
5	R52954	SPRING	1		
6	T21158	YOKE	1		
7	14H856	NUT	2		1/2"
8	R52478	SHIFTER ROD	1		
9	R52479	SHIFTER ROD	1		
10	R52437	ARM	1		
11	24H1227	WASHER	4		17/32" X 13/16" X 0.060"
12	11M7015	COTTER PIN	4		3.200 X 25 MM
13	R52435	ARM	1		

# 2118

POWER TRAIN

## TRANSMISSION SHIFTER CONTROL RODS (SYNCRO-RANGE) (TRACTOR SERIAL NO. 015106- )

R26331 -UN-01JAN94





# 2119

POWER TRAIN

TRANSMISSION SHIFTER CONTROL RODS - CONTINUED  
(SYNCRO-RANGE)  
(TRACTOR SERIAL NO. 015106- )

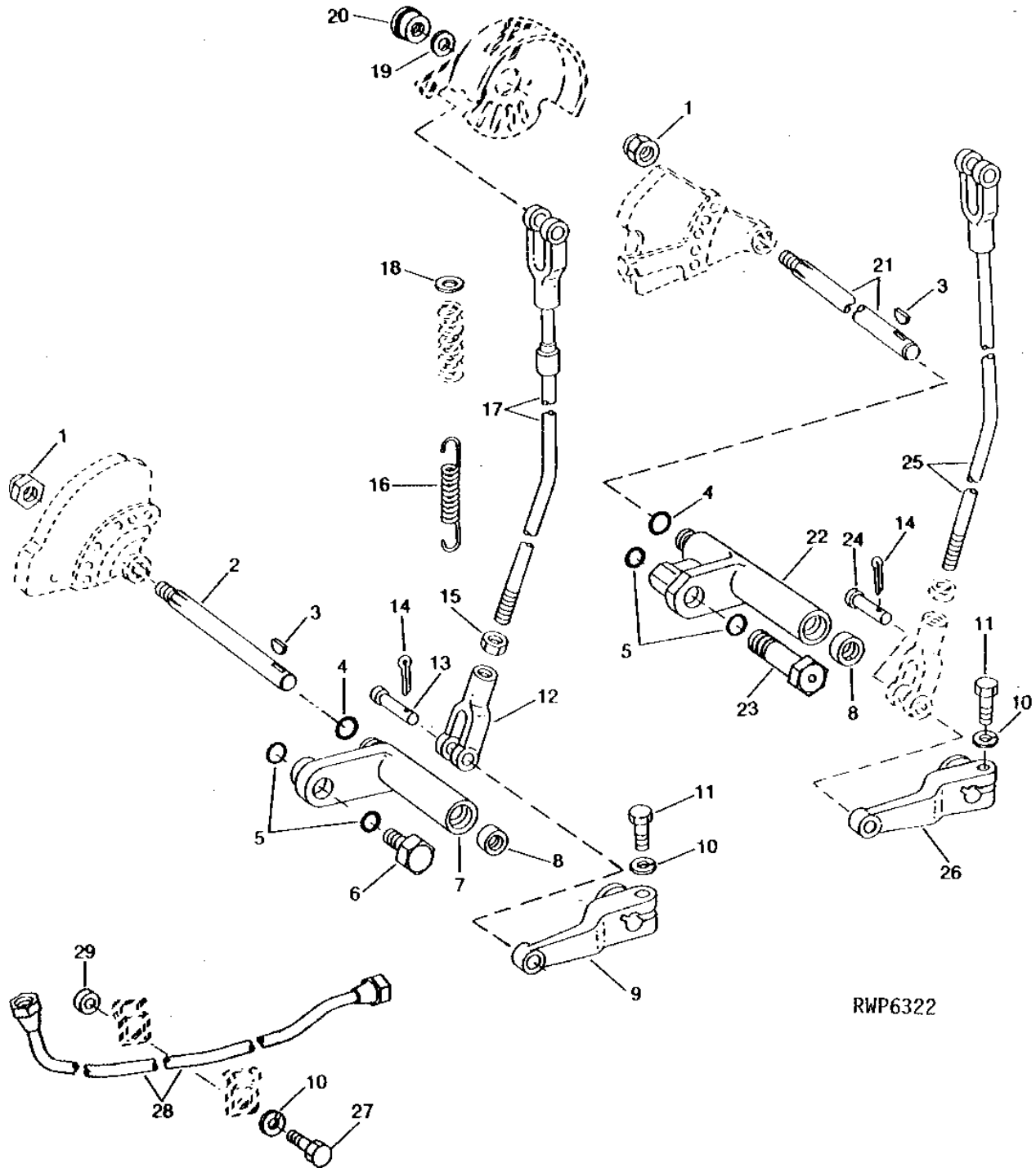
KEY	PART NO.	PART NAME	QTY	TRACTOR SERIAL NO.	REMARKS
1	11M7015	COTTER PIN	4		3.200 X 25 MM
2	R72855	PIN	4		(SUB FOR T10187)
3	AR77472	ROD	1		(NLA)
4	19H1800	CAP SCREW	2		3/8" X 1-1/2"
	12H304	LOCK WASHER	2		3/8"
5	R61987	ARM	1		
6	14H856	NUT	2		1/2"
7	T21158	YOKE	2		
8	R62815	ARM	1		
9	AR77475	ROD	1		
10	R52958	RETAINER	1		
11	R52954	SPRING	1		
12	R32731	WASHER	1		

# 2120

POWER TRAIN

RWP6322 -UN-01JAN94

## OUTBOARD SHIFTER



RWP6322

# 2121

POWER TRAIN

## OUTBOARD SHIFTER - CONTINUED

KEY	PART NO.	PART NAME	QTY	TRACTOR SERIAL NO.	REMARKS
1	E17421	LOCK NUT	2		
2	R61986	SHAFT	1		
3	26H17	SHAFT KEY	2		3/16" X 7/8"
4	R29463	O-RING	2		
5	U11326	O-RING	4		
6	R65258	PLUG	1		
7	R65256	SUPPORT	1		(NLA)
8	AR389R	SEAL	2		
9	R62815	ARM	1		(A)
	R62818	ARM	1		(B)
10	12H304	LOCK WASHER	2		3/8"
11	19H1800	CAP SCREW	2		3/8" X 1-1/2"
12	T21158	YOKE	1		
13	R72855	PIN	1		(A) (SUB FOR T10187)
	R63927	PIN	1		(B)
14	11M7015	COTTER PIN	2		3.200 X 25 MM
15	14H856	NUT	1		1/2"
16	R56776	SPRING	1		(A)
17	AR77475	ROD	1		(A) (C)
	AR77473	ROD	1		(B)
18	R32731	WASHER	1		
19	24H1422	SHIM	1		29/32" X 1-3/8" X .018"
20	R62927	SPACER	1		
21	R62816	SHAFT	1		
22	R65259	SUPPORT	1	-010514	
	R65255	SUPPORT	1	010515-	
23	R65257	PLUG	1		(NLA)
24	R72855	PIN	2		(SUB FOR T10187)
25	AR77472	ROD	1		(NLA)
26	R61987	ARM	1		(A)
	R61983	ARM	1		(B)
27	19H2128	CAP SCREW	1		3/8" X 3"
28	AR77474	HYDRAULIC LINE	1		
29	28H3381	SPACER	1		3/8" X 5/8"

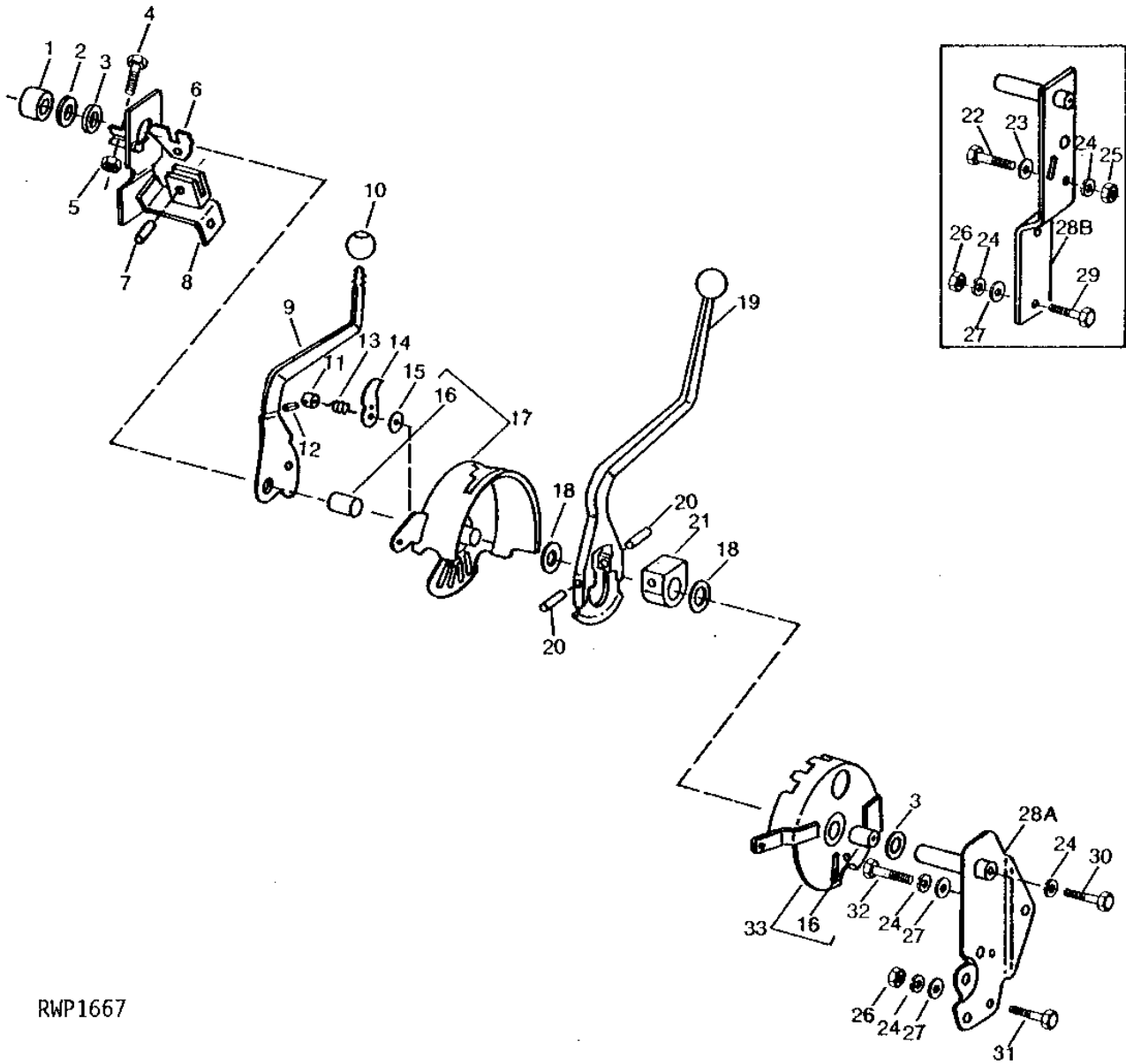
- (A) SYNCRO-RANGE
- (B) QUAD-RANGE
- (C) CREEPER

# 2122

POWER TRAIN

## TRANSMISSION SHIFTER CONTROL LEVERS, LINKAGE AND SUPPORT (SYNCRO-RANGE) (CREEPER TRANSMISSION) (TRACTOR SERIAL NO. 006700- )

RWP1667 -UN-01JAN94



RWP1667

# 2123

POWER TRAIN

TRANSMISSION SHIFTER CONTROL LEVERS, LINKAGE AND SUPPORT - CONTINUED  
(SYNCRO-RANGE) (CREEPER TRANSMISSION)  
(TRACTOR SERIAL NO. 006700- )

KEY	PART NO.	PART NAME	QTY	TRACTOR SERIAL NO.	REMARKS
1	R55554	SPACER	1		
2	24H1422	SHIM	AR	0.018"	
3	R42127	WASHER	2		
4	19H1849	CAP SCREW	1	5/16" X 1-1/4"	
5	14H611	NUT	1	5/16"	
6	R52882	LATCH	1		
7	34H348	SPRING PIN	1	3/8" X 1"	
8	AR62259	SUPPORT	1		
	AR62258	SUPPORT	1	(A)	
	R57449	PIN	1		
9	AR89782	LEVER	1	(SUB FOR AR64909)	
10	R56416	KNOB	1		
11	R55558	CAP	1		
12	34H245	SPRING PIN	1	1/8" X 5/8"	
13	R55555	SPRING	1		
14	R55556	PAWL	1		
15	24H1305	WASHER	1	13/32" X 13/16" X 0.065"	
16	R26182	BUSHING	2		
17	AR64910	QUADRANT	1		
18	R26187	WASHER	2		
19	R55553	LEVER	1		
20	34H316	SPRING PIN	2	1/4" X 1-1/2"	
21	R53247	PIVOT	1		
22	19H2552	CAP SCREW	1	3/8" X 1-1/8"	
23	24H1305	WASHER	1	13/32" X 13/16" X 0.065"	
24	12H304	LOCK WASHER	5	3/8"	
25	14H1076	NUT	1	3/8"	
26	14H1076	NUT	1	3/8"	
27	24H1305	WASHER	2	13/32" X 13/16" X 0.065"	
28A	AR56230	SUPPORT	1	(A)	
28B	AR54659	SUPPORT	1		
29	19H2128	CAP SCREW	2	3/8" X 3"	
30	19H1731	CAP SCREW	1	3/8" X 1"	
31	19H2552	CAP SCREW	1	3/8" X 1-1/8"	
32	19H1731	CAP SCREW	2	3/8" X 1"	
33	AR89779	QUADRANT	1	(SUB FOR AR64913)	

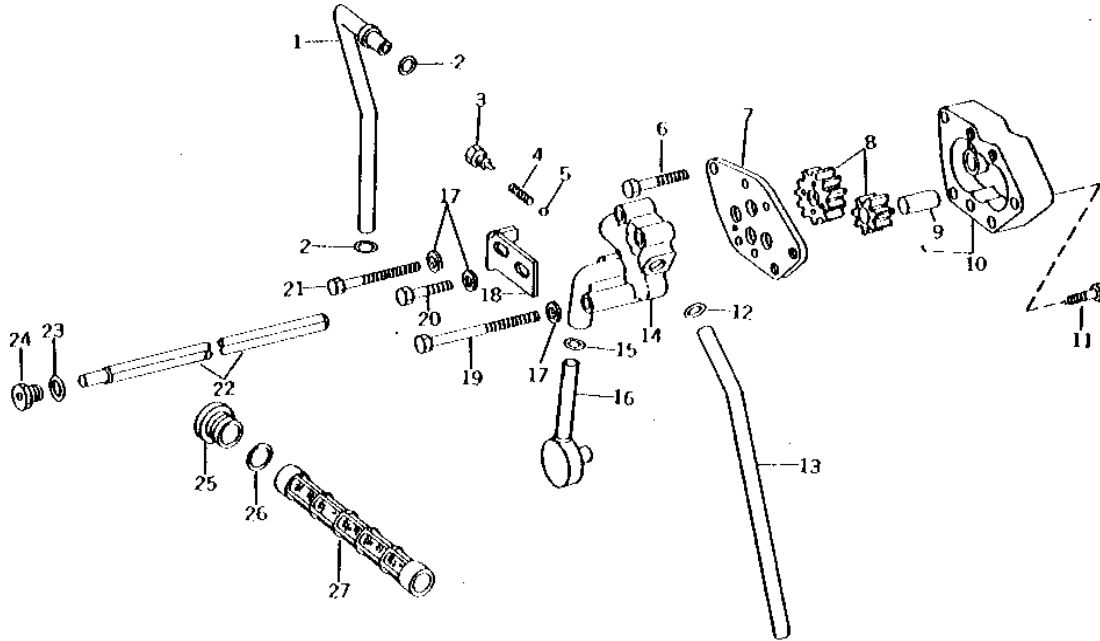
(A) SOUND-GARD BODY OR ROLL-GARD.

# 2124

POWER TRAIN

R25715 -UN-01JAN94

## TRANSMISSION OIL PUMP



R25715f

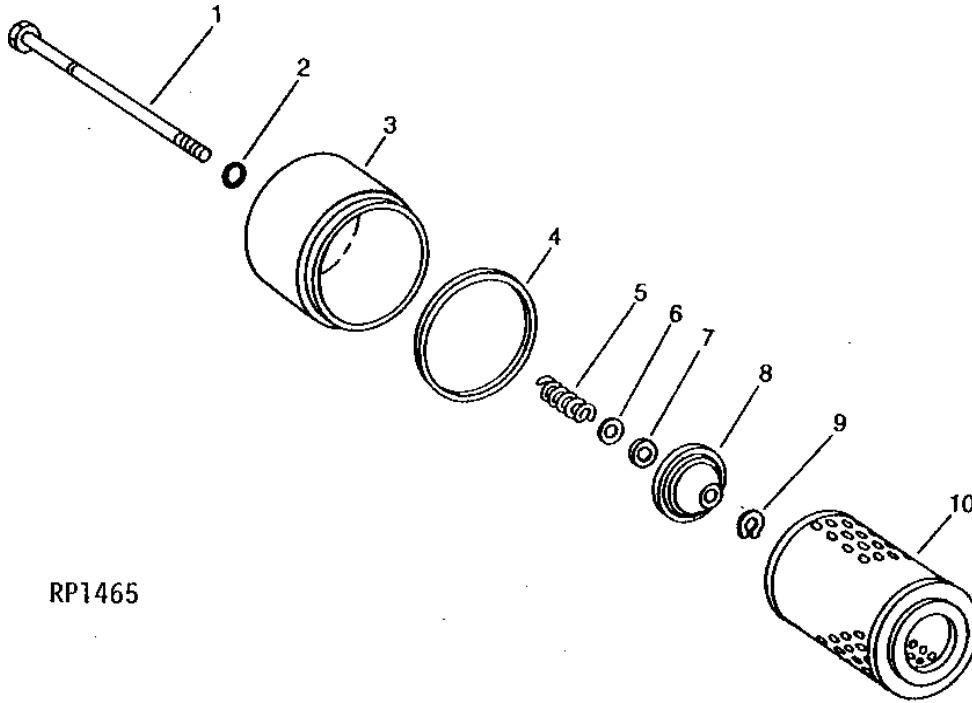
KEY	PART NO.	PART NAME	QTY	TRACTOR SERIAL NO.	REMARKS
1	AR65046	HYDRAULIC LINE	1		(ALSO ORDER R55644) (SUB FOR R51984)
2	R56462	O-RING	2		
3	AR61217	PLUG	1		
4	R48951	SPRING	1		
5	400R	BALL	1	6MM (1/4")	
6	R41007	CAP SCREW	2		
7	R51982	COVER	1		
8	AR61290	GEAR	1		
9	R51029	DOWEL PIN	1		
10	AR62937	HOUSING	1		(MARKED R51493)
11	R41006	CAP SCREW	2		
12	R56462	O-RING	1		
13	R47828	OIL TUBE	1		
14	AR61215	MANIFOLD	1		(MARKED R51983)
15	A3917R	O-RING	1		
16	AR40669	HYDRAULIC LINE	1		
17	24H1136	WASHER	3	11/32" X 11/16" X 0.065"	
18	R55644	CLAMP	1	004065-010216	(SUB R59533)
	R59533	CLAMP	1	010217-	
19	R41009	CAP SCREW	1		
20	R41007	CAP SCREW	1	-005833	
	R43252	CAP SCREW	1	005834-	(SUB FOR R56458)
21	R51030	CAP SCREW	1	-005833	
	R56459	BOLT	1	005834-010216	(SUB R51030)
	R51383	SELF-LOCKING SCREW	1	010217-	
22	R51985	PIN	1		
23	F3171R	O-RING	1		
24	AR54983	FITTING PLUG	1		
25	R40147	FITTING	1		
26	A4808R	WASHER	1		
27	R53169	SCREEN	1		NYLON
	AR26375	SCREEN	1		STEEL

# 2125

POWER TRAIN

RP1465 -UN-01JAN94

## TRANSMISSION OIL FILTER



RP1465

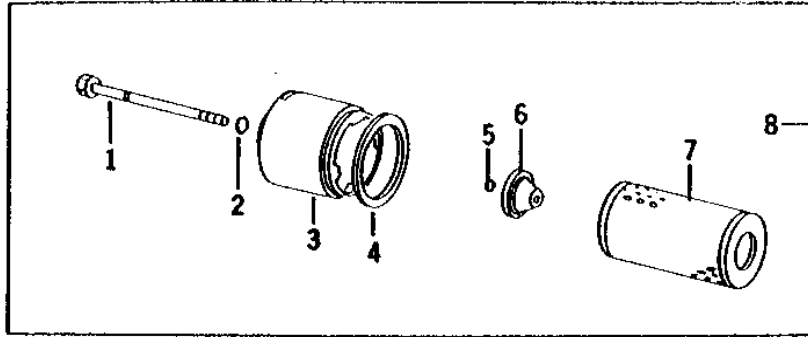
KEY	PART NO.	PART NAME	QTY	TRACTOR SERIAL NO.	REMARKS
1	R54750	CAP SCREW	1		(SUB FOR R39795)
2	R394R	O-RING	1		
3	R39796	COVER	1		
4	R34733	WASHER	1		
5	H819R	SPRING	1		
6	24H1227	WASHER	1		
7	R394R	O-RING	1		
8	R65892	RETAINER	1		(ALSO ORDER F2741R) (SUB FOR R28593)
	R28594	WASHER	1	-013770	
9	R32507	SNAP RING	1		
10	AR75603	FILTER ELEMENT	1		(SUB FOR AR28271 OR AR75601)

# 2J1

POWER TRAIN

R29363 -UN-01JAN94

## INCREASED OIL FILTRATION



R29363

KEY	PART NO.	PART NAME	QTY	TRACTOR SERIAL NO.	REMARKS
1	R65894	CAP SCREW	1		
2	R394R	O-RING	1		
3	R63093	COVER	1		
4	R34733	WASHER	1		
5	F2741R	PACKING	1		
6	R65892	RETAINER	1		
7	AR98098	FILTER ELEMENT	1		
8	AR85271	KIT	1		INCREASED OIL FILTRATION

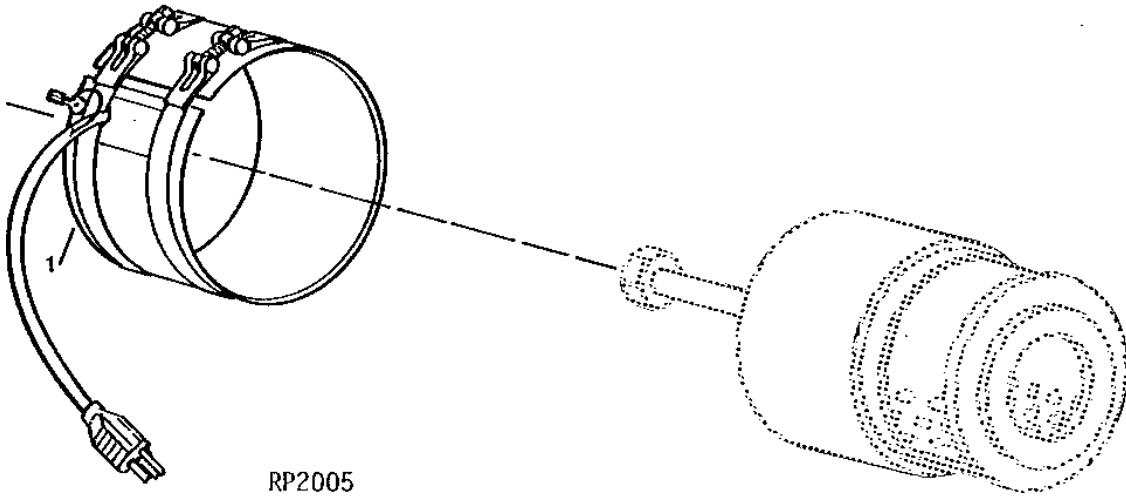


# 2J2

POWER TRAIN

RP2005 -UN-01JAN94

OIL FILTER HEATER



KEY	PART NO.	PART NAME	QTY	TRACTOR SERIAL NO.	REMARKS
1	AR98518	HEATER	1		

---

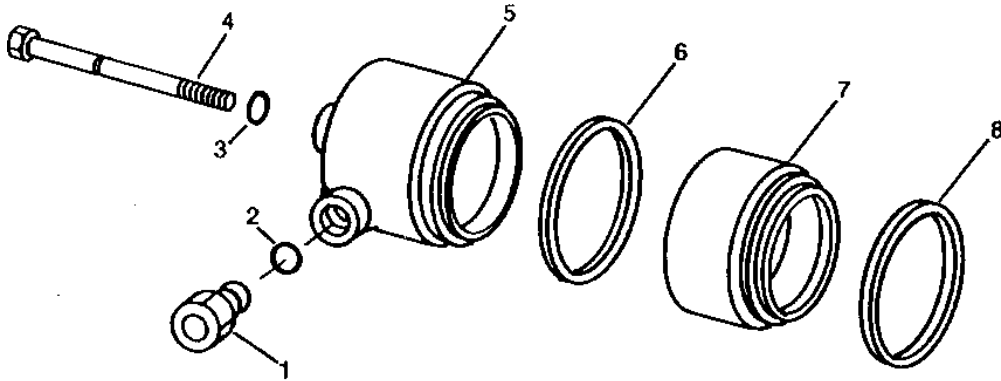
MEMORANDA

# 2J3

POWER TRAIN

RXP8644 -UN-01JAN94

## RETURN PORT COVER



RXP8644

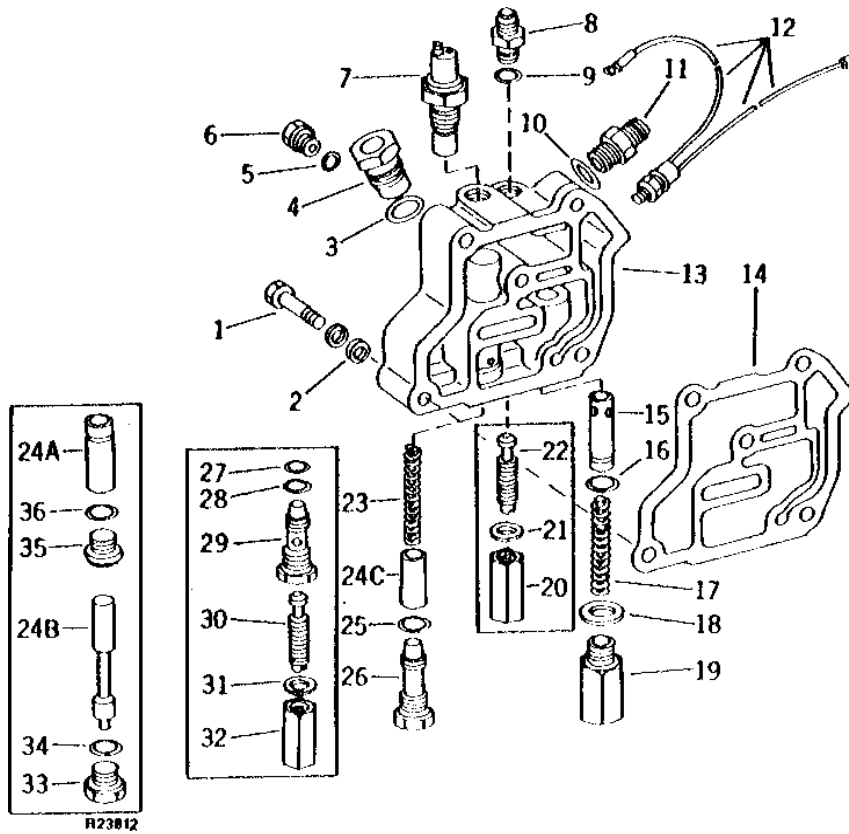
KEY	PART NO.	PART NAME	QTY	TRACTOR SERIAL NO.	REMARKS
1	R54750	CAP SCREW	1	8-1/2"	
2	Y1912	ADAPTER	1		
3	F3171R	O-RING	1		
4	R394R	O-RING	1		
5	T31170	COVER	1		
6	R34733	WASHER	1		
7	R66068	PIPE	1		

# 2J4

POWER TRAIN

R23812 -UN-01JAN94

## OIL FILTER RELIEF VALVE HOUSING



# 2J5

POWER TRAIN

## OIL FILTER RELIEF VALVE HOUSING - CONTINUED

KEY	PART NO.	PART NAME	QTY	TRACTOR SERIAL NO.	REMARKS
1	19H1828	CAP SCREW	1		7/16" X 4"
	19H2055	CAP SCREW	3		7/16" X 2-1/4"
	19H2500	CAP SCREW	1		7/16" X 1-3/8"
	12H293	LOCK WASHER	5		7/16"
2	24H1325	WASHER	5		15/32" X 59/64" X 0.065"
3	B2762R	O-RING	1		
4	R76494	FITTING	1		(SUB FOR R33610)
5	R26286	O-RING	1		
6	R27094	DRAIN PLUG	1		
7	AR61610	PRESSURE SWITCH	1		
8	R27237	FITTING	1	-005496	
	R57298	FITTING	1	005497-	(WITH HYDRAULIC THERMOSTAT BYPASS VALVE KIT)
9	R26375	O-RING	1		
10	F3171R	O-RING	1		
11	R27267	FITTING	1		
12	AR61971	TOUCH SWITCH	1		
13	R51460	HOUSING	1	-008839	(SUB AR72973)
	AR69268	HOUSING	1	008840-010769	(MARKED R57655 OR R57657) (SUB AR72973)
	AR72973	HOUSING	1	010770-012617	(MARKED R60151 OR R60152)
	AR73905	HOUSING	1	012618-	(MARKED R60401 OR R60402)
	15H624	PIPE PLUG	1		1/2"
	R39112	FITTING	1		
	R26375	O-RING	1		
14	R51461	GASKET	1	-008839	
	R63976	GASKET	1	008840-	(SUB FOR R57656)
15	R54042	VALVE	1	-008839	(SUB R57560 AND R33259, THIS APPLICATION)
	R57560	VALVE	1	008840-	
16	R33259	O-RING	1	008840-	
17	R51574	SPRING	1		
18	R1742R	WASHER	1		
19	R51577	FITTING PLUG	1		
20	F2847R	NUT	1	-008839	
21	F2846R	WASHER	1	-008839	
22	R39587	SET SCREW	1	-008839	
23	R28914	SPRING	1		
24A	R57559	VALVE	1	-008839	(SUB FOR R33162, THIS APPLICATION)
24B	R56781	VALVE	1	008840-010769	(SUB AR72894)
24C	R60092	CHECK VALVE	1	010770-	(A)
25	R26375	O-RING	1	XXXXXX-	
26	R60396	FITTING	1	XXXXXX-	
27	R28776	O-RING	1	010770-XXXXXX	(A)
28	R26375	O-RING	1	010770-XXXXXX	(A)
29	R60093	PLUG	1	010770-XXXXXX	(A)
30	R39587	SET SCREW	1	010770-XXXXXX	(A)
31	F2846R	WASHER	1	010770-XXXXXX	(A)
32	F2847R	NUT	1	010770-XXXXXX	(A)
33	R39112	FITTING	1	008840-010769	
34	R26375	O-RING	1	008840-010769	
35	R33138	FITTING	1	-008839	
36	R26375	O-RING	1	-008839	
..	AR72894	KIT	1	-XXXXXX	MANUAL BYPASS VALVE

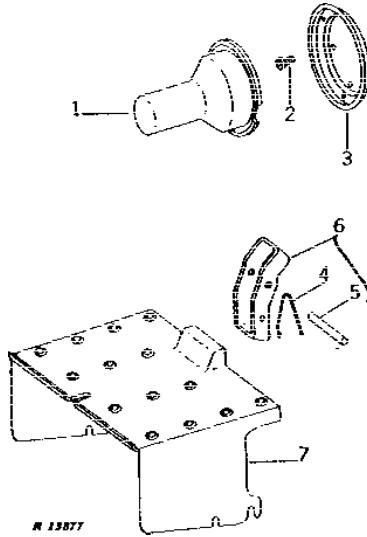
(A) INCLUDED IN AR72894

# 2J6

POWER TRAIN

R13877 -UN-01JAN94

## 540 RPM AND 1000 RPM PTO MASTER SHIELD AND REAR GUARD



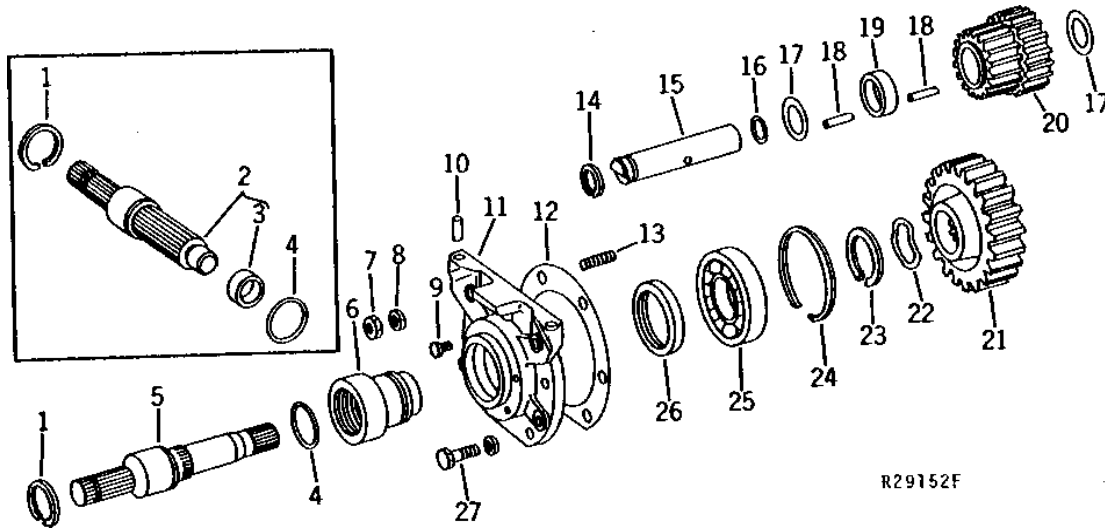
KEY	PART NO.	PART NAME	QTY	TRACTOR SERIAL NO.	REMARKS
1	AR26782	GUARD	1		
2	R27329	SCREW	2		
3	AR26707	RETAINER	1		
4	R42585	SPRING	1		
5	34H335	SPRING PIN	1	5/16" X 2-1/8"	
6	AR44712	RETAINER	1		
7	R33348	SHIELD	1		

# 2J7

POWER TRAIN

R29152 -UN-01JAN94

## 540 RPM AND 1000 RPM PTO REAR DRIVE GEAR AND SHAFTS



R29152F

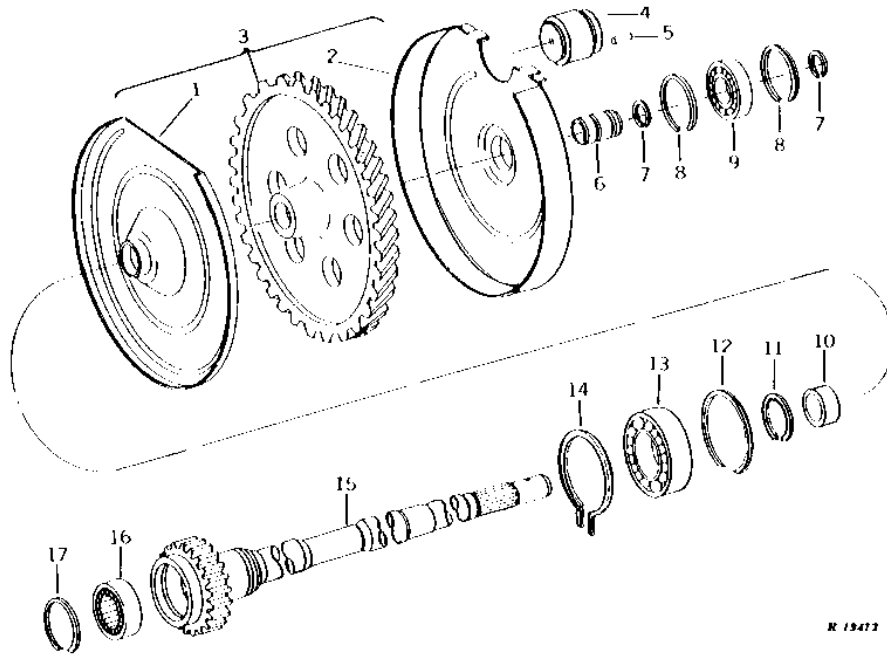
KEY	PART NO.	PART NAME	QTY	TRACTOR SERIAL NO.	REMARKS
1	R38221	SNAP RING	2		
2	AR41752	SHAFT	1	540 RPM	
3	JD7557	BEARING RACE	1		
4	P50631	O-RING	2		
5	R94130	SHAFT	1	(SUB FOR R38224 OR R80744)	1000 RPM
6	R45126	GUIDE	1		
7	14H1040	NUT	2	1/2"	
8	12H301	LOCK WASHER	2	1/2"	
9	R27329	SCREW	2		
10	34H348	SPRING PIN	2	3/8" X 1"	
11	AR38168	QUILL	1	(MARKED R38218 OR R47507) (SUB RE47805, RE13181, R106866 AND R106715)	
12	R33337	GASKET	1		
13	R32101	STUD	2		
14	R33320	SNAP RING	1		
15	R33852	COUNTERSHAFT	1		
16	R30319	O-RING	1		
17	R33853	THRUST WASHER	2		
18	R33028	NEEDLE ROLLER	48		
19	R33344	SPACER	1		
20	R33339	GEAR	1		
21	R42014	GEAR	1	540 RPM	
22	R38219	THRUST WASHER	1	540 RPM	
23	F1334R	SNAP RING	1		
24	C1919R	SNAP RING	1		
25	JD9320	BALL BEARING	1		
26	AT16431	SEAL	1	(SUB RE13181)	
27	19H1721	CAP SCREW	4	1/2" X 1-1/2"	
	12H301	LOCK WASHER	4	1/2"	

# 2J8

POWER TRAIN

R19472 -UN-01JAN94

## 540 RPM AND 1000 RPM PTO SHAFT AND DRIVE GEAR



R 19472

KEY	PART NO.	PART NAME	QTY	TRACTOR SERIAL NO.	REMARKS
1	R54169	PLATE	1		
2	AR61919	PLATE	1		
3	AR61813	GEAR	1		(MARKED R50829) (NLA)
4	AR55087	PISTON	1		(SUB RE10534)
5	R1932R	DOWEL PIN	1		
6	R51477	SLEEVE	1		
7	A364R	SNAP RING	2		
8	M3649T	SNAP RING	2		
9	JD9345	BALL BEARING	1		
10	R34328	BUSHING	1		
11	R36295	SNAP RING	1		
12	R33321	RING	1		
13	JD8537	BEARING	1		
14	R33322	SNAP RING	1		
15	AR54965	SHAFT	1		
16	JD7537	ROLLER BEARING	1		
17	F2367R	SNAP RING	1		

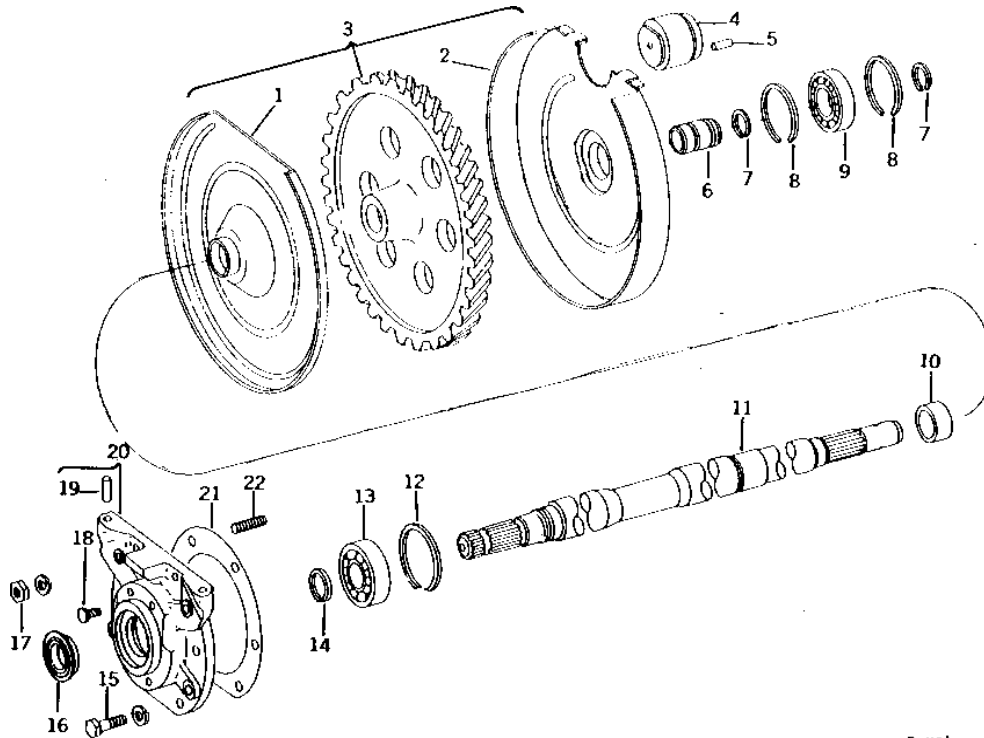


# 2J9

POWER TRAIN

R20490 -UN-01JAN94

## 1000 RPM ONLY PTO SHAFT AND DRIVE GEAR



R 20490

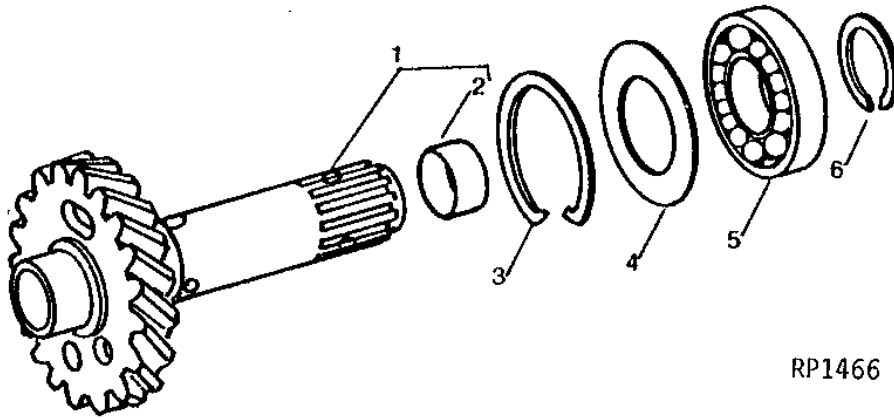
KEY	PART NO.	PART NAME	QTY	TRACTOR SERIAL NO.	REMARKS
1	R54169	PLATE	1		
2	AR61919	PLATE	1		
3	AR61813	GEAR	1		(MARKED R50829) (NLA)
4	AR55087	PISTON	1		(SUB RE10534)
5	R1932R	DOWEL PIN	1		
6	R51477	SLEEVE	1		
7	A3959R	DOWEL PIN	2		
8	M3649T	SNAP RING	2		
9	JD9345	BALL BEARING	1		
10	R34328	BUSHING	1		
11	R50844	SHAFT	1		
12	B190R	SNAP RING	1		
13	JD9345	BALL BEARING	1		
14	A364R	SNAP RING	1		
15	19H1721	CAP SCREW	4		1/2" X 1-1/2"
	12H301	LOCK WASHER	4		1/2"
16	AR55216	SEAL	1		
17	14H1040	NUT	2		1/2"
	12H301	LOCK WASHER	2		1/2"
18	R27329	SCREW	2		
19	34H348	SPRING PIN	2		3/8" X 1"
20	AR54487	QUILL	1		(MARKED R50298)
21	R33337	GASKET	1		
22	R32101	STUD	2		

# 2J10

POWER TRAIN

RP1466 -UN-01JAN94

## PTO DRIVE SHAFT AND GEAR



RP1466

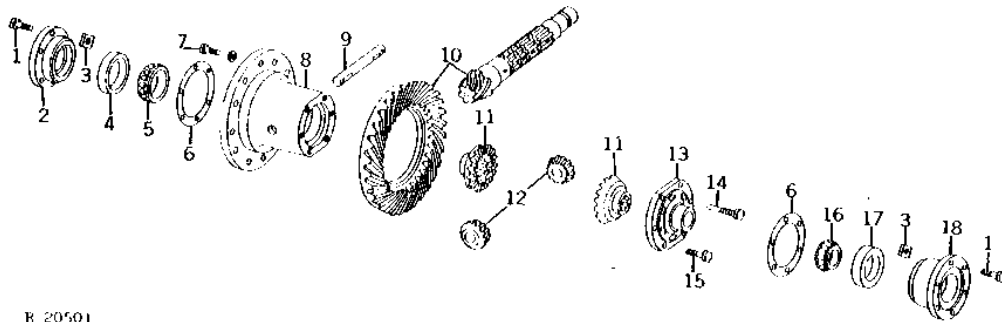
KEY	PART NO.	PART NAME	QTY	TRACTOR SERIAL NO.	REMARKS
1	AR54962	SHAFT	1		(MARKED R50840) (NLA)
2	R50863	BUSHING	1		
3	R70607	SNAP RING	1		(SUB FOR R53107 OR R68956)
4	R52988	WASHER	1		
5	JD8736	BALL BEARING	1		
6	R36295	SNAP RING	1		

# 2J11

POWER TRAIN

## DIFFERENTIAL (LESS DIFFERENTIAL LOCK)

R20501 -UN-01JAN94



R 20501

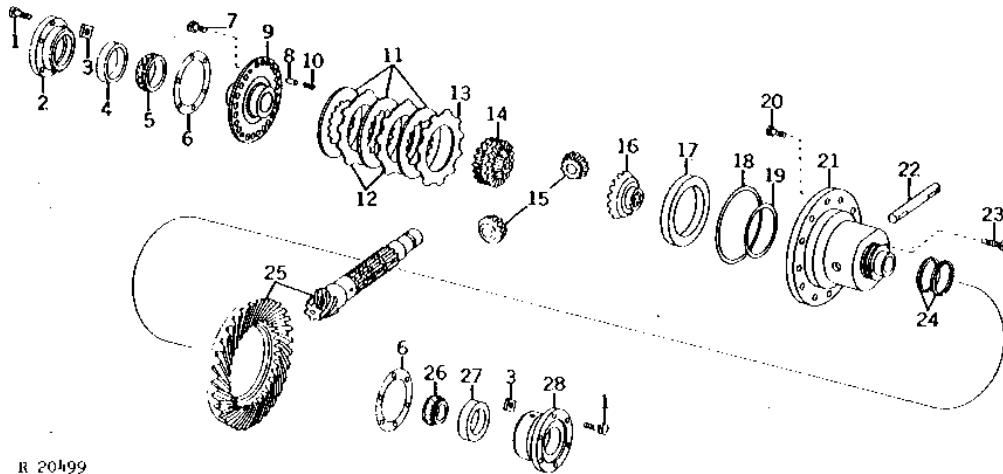
KEY	PART NO.	PART NAME	QTY	TRACTOR SERIAL NO.	REMARKS
1	R46162	SCREW	12		L.H.
2	R33493	QUILL	1		
3	14H823	NUT	2		1/2"
4	JD8259	BEARING CUP	1		
5	JD8954	BEARING CONE	1		
6	R46323	SHIM	AR		0.08MM (.003") (SUB FOR R26042)
	R46324	SHIM	AR		0.12MM (.005") (SUB FOR R26043)
7	R41048	CAP SCREW	10		
8	R33078	HOUSING	1		(SUB R44007)
9	R68347	SHAFT	1		(SUB FOR R41902)
10	AR54964	GEAR	1		(MATCHED SET) (QUAD-RANGE AND SYNCRO-RANGE) (MARKED R34875 AND R50842) (SUB FOR AR63371) (ALSO FURNISH (2) R26227, (2) R26228, (2) T20384 AND (2) T20385) (ALSO ORDER R53202) (SUB FOR R33490 OR R42445) (SUB R74868 AND R65741)
11	R60007	GEAR	2		(SUB FOR R33496)
12	R42443	PINION	2		
13	R33491	COVER	1		
14	R70236	CAP SCREW	1		(SUB FOR R41050)
15	R52634	CAP SCREW	5		(SUB FOR R41049)
16	JD8159	BEARING CONE	1		
17	JD8210	BEARING CUP	1		
18	R33492	QUILL	1		R.H.

# 2J12

POWER TRAIN

## DIFFERENTIAL (DIFFERENTIAL LOCK)

R20499 -UN-01JAN94



R 20499

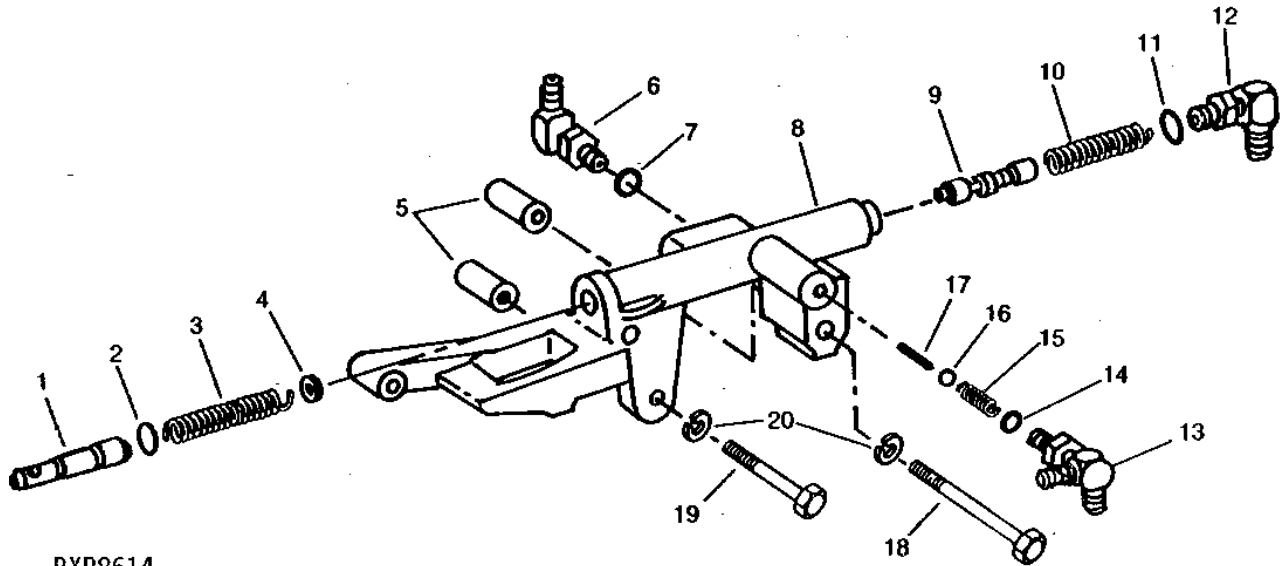
KEY	PART NO.	PART NAME	QTY	TRACTOR SERIAL NO.	REMARKS
1	R46162	SCREW	12		
2	R33493	QUILL	1	L.H.	
3	14H823	NUT	2	1/2"	
4	JD8259	BEARING CUP	1		
5	JD8954	BEARING CONE	1		
6	R46323	SHIM	AR	0.08MM (.003") (SUB FOR R26042)	
	R46324	SHIM	AR	0.12MM (.005") (SUB FOR R26043)	
7	R38614	CAP SCREW	10	(USE WITH T34236)	
8	34H297	SPRING PIN	3	7/32" X 1", (USE WITH AT33285)	
	R56504	SPRING PIN	2	(USE WITH R101055)	
9	AT33285	COVER	1	(MARKED T34236) (SUB R101055 AND (2) R56504)	
10	R34863	SPRING	3		
11	AR33974	CLUTCH DISK	3		
12	R34520	CLUTCH PLATE	2		
13	R78156	CLUTCH PLATE	1	(SUB FOR R34517)	
14	R42447	GEAR	1	(SUB R60008 AND R53202)	
15	R42443	PINION	2		
16	R42445	GEAR	1		
17	R34526	PISTON	1		
18	R41018	PACKING	1		
19	R44327	WASHER	1		
20	R41048	CAP SCREW	10		
21	AR34823	HOUSING	1	(MARKED R34806)	
22	R68347	SHAFT	1	(SUB FOR R41902)	
23	R70236	CAP SCREW	1	(SUB FOR R41050)	
24	R34513	RING	2		
25	AR54964	GEAR	1	(MATCHED SET) (MARKED R34875 AND R50842) (SUB FOR AR63371) (ALSO FURNISH (2) R26227, (2) R26228, (2) T28384 AND (2) T20385)	
26	JD8159	BEARING CONE	1		
27	JD8210	BEARING CUP	1		
28	R34529	QUILL	1	R.H.	

# 2J13

POWER TRAIN

RXP8614 -UN-01JAN94

## DIFFERENTIAL LOCK VALVE



RXP8614

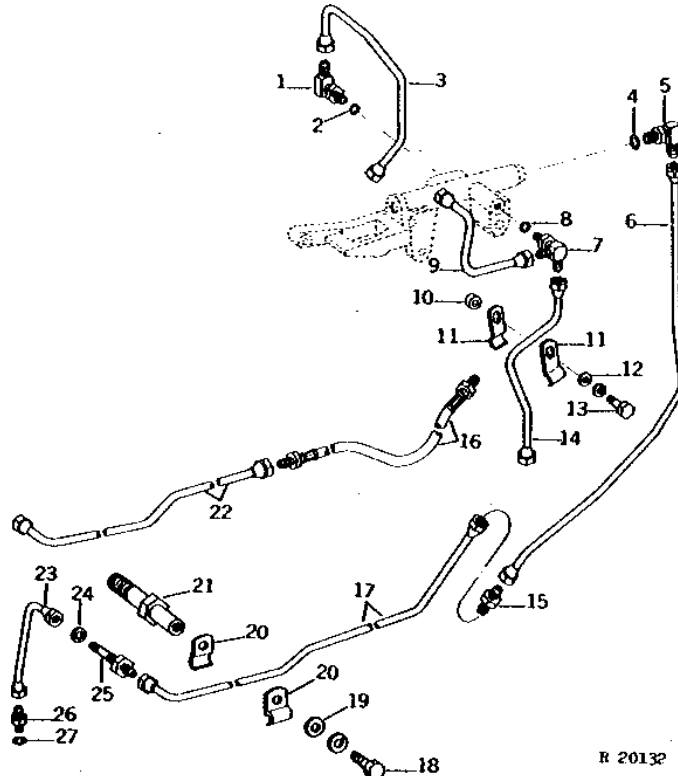
KEY	PART NO.	PART NAME	QTY	TRACTOR SERIAL NO.	REMARKS
1	R86162	PLUNGER	1		(SUB FOR R46863 OR R68648)
2	F3353R	O-RING	1		
3	R46862	SPRING	1		
4	R46901	SHIM	AR	0.50MM (.020")	
5	28H1553	SPACER	2	1/2" X 1-1/2"	
6	AT32333	ELBOW FITTING	1		
7	R26286	O-RING	1		
8	R86768	HOUSING	1		(SUB FOR R52275)
9	R74417	VALVE	1		(SUB FOR R46855) (SUB R82133 AND R82134) (ALSO ORDER R74418)
10	R31698	SPRING	1		(SUB R74418, R82133 AND R82134)
11	R26448	O-RING	1		
12	AR58184	ELBOW FITTING	1		
13	AR36097	FITTING	1		
14	R26287	O-RING	1		
15	R26373	SPRING	1		
16	400R	BALL	1	6MM (1/4")	
17	R33058	NEEDLE ROLLER	1		
18	19H3544	CAP SCREW	1	1/2" X 4-1/2"	
19	19H1820	CAP SCREW	1	1/2" X 3"	
20	12H301	LOCK WASHER	2	1/2"	

# 2J14

POWER TRAIN

R20132 -UN-01JAN94

## DIFFERENTIAL LOCK VALVE OIL PIPES



R 20132

KEY	PART NO.	PART NAME	QTY	TRACTOR SERIAL NO.	REMARKS
1	AT32333	ELBOW FITTING	1	(SUB RE56322)	
2	R26286	O-RING	1		
3	AR57227	LINE	1		
4	R26448	O-RING	1		
5	AR58184	ELBOW FITTING	1		
6	AR58288	HYDRAULIC LINE	1		
7	AR36097	FITTING	1		
8	R26287	O-RING	1		
9	AR57083	HYDRAULIC LINE	1	(A)	
10	28H1519	WASHER	1	0.493" X 0.675" X 3/8"	
11	R34933	CLAMP	2		
12	24M7096	WASHER	1	10.500 X 18 X 1.600 MM	
13	19H1731	CAP SCREW	1	3/8" X 1"	
	12H304	LOCK WASHER	1	3/8"	
14	AR57084	HYDRAULIC LINE	1	(A)	
	AR56646	HYDRAULIC LINE	1	(B)	
15	R50201	FITTING	1	(D)	
16	AR58230	HOSE	1	(C)	
17	AR58435	HYDRAULIC LINE	1	(D)	
18	19H2284	CAP SCREW	1	3/8" X 7/8"	
	12H304	LOCK WASHER	1	3/8"	
19	24M7096	WASHER	1	10.500 X 18 X 1.600 MM	
20	R57549	CLAMP	2	(SUB FOR R47687)	
21	R43370	SCREW	1		
22	AR58514	HYDRAULIC LINE	1	(C)	
23	AR42613	HYDRAULIC LINE	1		
24	R51494	WASHER	1		
25	AR34569	FITTING	1		
26	R39597	ADAPTER	1		
27	R30903	O-RING	1		

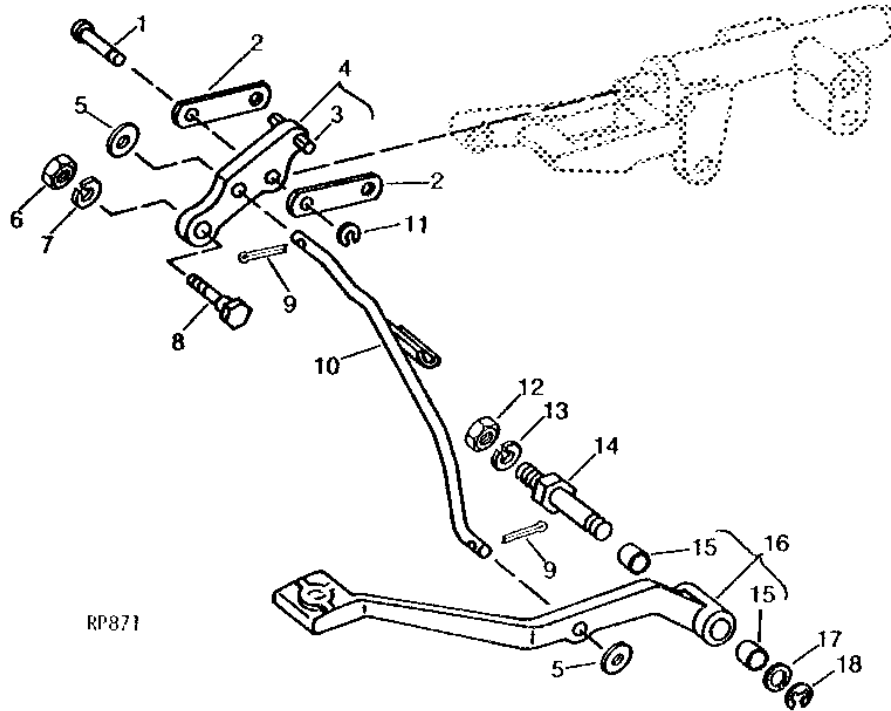
- (A) DIFFERENTIAL LOCK
- (B) LESS DIFFERENTIAL LOCK
- (C) SOUND-GARD BODY
- (D) LESS SOUND-GARD BODY

# 2J15

POWER TRAIN

RP871 -UN-01JAN94

## DIFFERENTIAL LOCK VALVE PEDAL



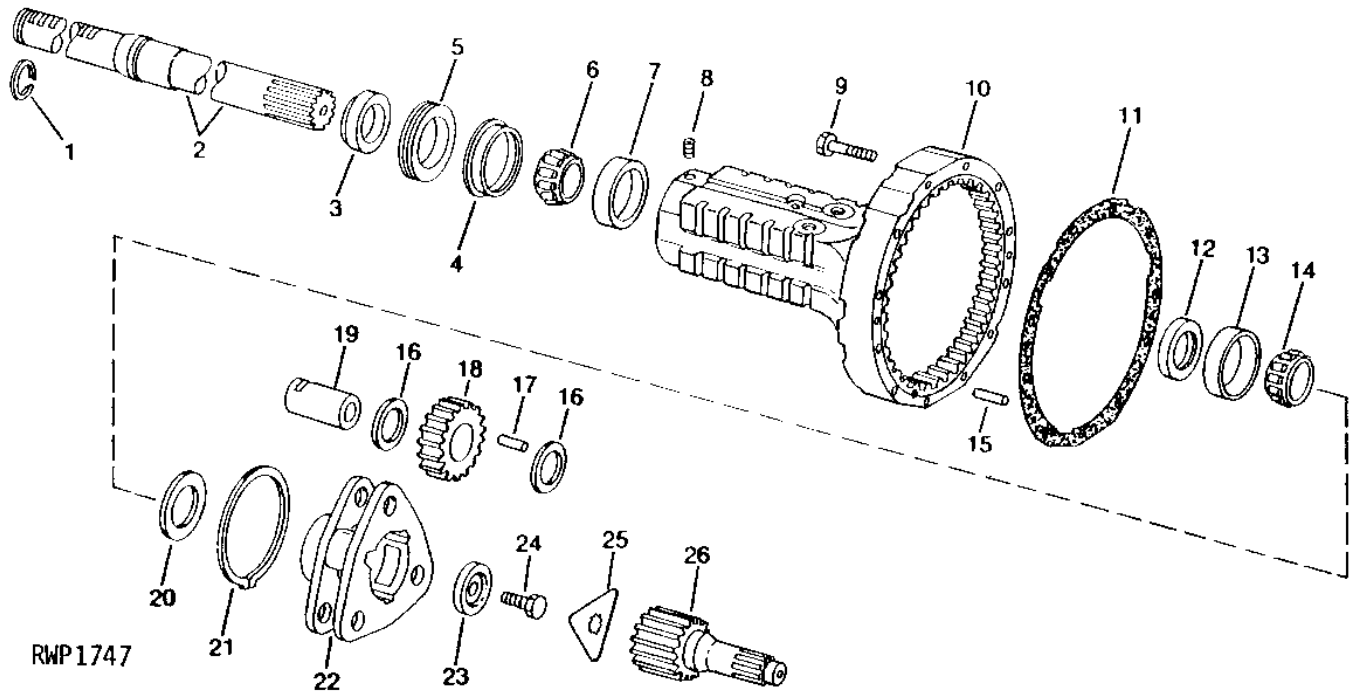
KEY	PART NO.	PART NAME	QTY	TRACTOR SERIAL NO.	REMARKS
1	R26385	PIN	2		
2	R79135	LINK	2		(SUB FOR R46902)
3	34H314	SPRING PIN	1		1/4" X 1-1/4"
4	AR58690	ARM	1		(MARKED R52276)
5	24H1302	WASHER	2		13/32" X 11/16" X 0.035"
6	14H732	NUT	1		3/8"
7	12H304	LOCK WASHER	1		3/8"
8	R52240	SCREW	1		
9	11M7081	COTTER PIN	2		0.098" X 0.787"
10	AR56105	ROD	1		
11	R26386	SNAP RING	2		
12	14H971	NUT	1		1/2"
13	12H301	LOCK WASHER	1		1/2"
14	R52241	PIN	1		
15	R50359	BUSHING	2		
16	AR56107	PEDAL	1		(MARKED R51804)
17	24H1341	WASHER	1		17/32" X 15/16" X 0.060"
18	R26871	SNAP RING	1		

# 2J16

POWER TRAIN

RWP1747 -UN-01JAN94

## PLANETARY AND REAR AXLE



KEY	PART NO.	PART NAME	QTY	TRACTOR SERIAL NO.	REMARKS
1	R53656	SNAP RING	1	(A)	
	R53657	SNAP RING	1	(B)	
2	R55490	SHAFT	1	(A) (AXLE LENGTH 32-7/8")	
	R53638	SHAFT	1	(B) (AXLE LENGTH 37-3/8")	
	R53637	SHAFT	1	(B) (AXLE LENGTH 45-3/8")	
3	R38063	BUSHING	1	(A)	
	R55428	SPACER	1	(B) (SUB FOR R28127)	
4	R57269	OIL CUP	1	(SUB FOR R28128)	
5	RE31701	SEAL	1	(ALSO ORDER R57269) (SUB FOR AR27446 OR AR52260)	
6	JD8164	BEARING CONE	1	(A)	
	JD8167	BEARING CONE	1	(B)	
7	JD8210	BEARING CUP	1	(A)	
	JD8214	BEARING CUP	1	(B)	
8	15H559	PIPE PLUG	1	1/4"	
9	19H1746	CAP SCREW	12	9/16" X 3"	
10	AR56733	HOUSING	1	(A) (C) (MARKED R52200) (SUB AR64921) (NLA)	
	AR64921	HOUSING	1	(A) (D) (MARKED R50200) (SUB FOR AR55149) (NLA)	
	AR32100	HOUSING	1	(B) (C) (MARKED R33000) (SUB AR101712)	
	AR101721	HOUSING	1	(B) (D) (MARKED R50210) (SUB FOR AR55148) (NLA)	



# 2J17

POWER TRAIN

## PLANETARY AND REAR AXLE - CONTINUED

KEY	PART NO.	PART NAME	QTY	TRACTOR SERIAL NO.	REMARKS
11	R34184	GASKET	1		
12	AR42330	SEAL	1	(A)	
	AR42005	SEAL	1	(B)	
13	JD8206	BEARING CUP	1	(A)	
	JD8207	BEARING CUP	1	(B)	
14	JD8946	BEARING CONE	1	(A)	
	JD8152	BEARING CONE	1	(B)	
15	R65543	DOWEL PIN	6	(B) (SUB FOR R33024)	
16	R33022	THRUST WASHER	6		
17	R26006	NEEDLE ROLLER	99	(A) (USE WITH R49948)	
	R33028	NEEDLE ROLLER	99	(B)	
18	R49949	PINION	3	(A) (USE WITH R49948)	
	R33032	PINION	3	(B)	
19	R49951	SHAFT	3	-004240 (A) (USE WITH R49948)	
	R33021	PINION SHAFT	3	004241- (A) (SUB R63112)	
	R63112	PINION SHAFT	3	(A) (B)	
20	R38532	SHIM	1	(A)	
	F2253R	SHIM	1	(B)	
21	R33033	SNAP RING	1		
22	R49948	PLANET PINION CARRIER	1	-004240 (A) (NLA)	
	R55491	PLANET PINION CARRIER	1	004241- (A) (NLA)	
	R52330	PLANET PINION CARRIER	1	(B) (SUB R69445)	
23	R38067	WASHER	1	-004240 (A)	
	R33877	WASHER	1	004241- (A)	
	R48449	WASHER	1	(B)	
24	R38068	CAP SCREW	1	(A)	
	R60033	CAP SCREW	1	(B) (SUB R69210) (SUB FOR R26025) (USE WITH R26026)	
25	R38069	PLATE	1	-004240 (A)	
	R26026	PLATE	1	004241- (A)	
	R26026	PLATE	1	(B)	
26	R49952	SHAFT	1	-004240 (A) (NLA)	
	R49427	SHAFT	1	004241- (A)	
	R49427	SHAFT	1	(B)	

- (A) 2-7/8" DIAMETER AXLE
- (B) 3-1/8" DIAMETER AXLE
- (C) LESS ROLL-GARD OR SOUND-GARD BODY
- (D) ROLL-GARD OR SOUND-GARD BODY

---

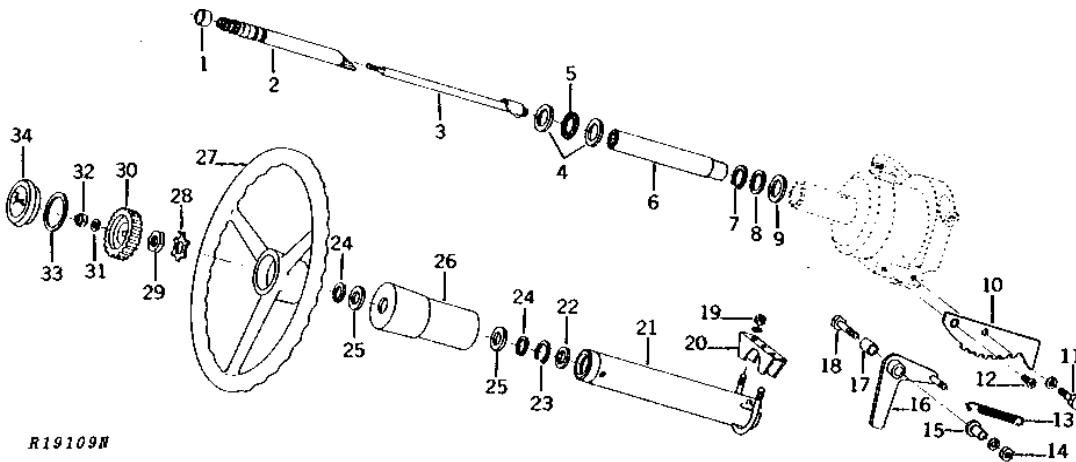
MEMORANDA

# 3B3

## STEERING AND BRAKES

### TELESCOPING STEERING (TRACTOR SERIAL NO. -008839)

R19109 -UN-01JAN94



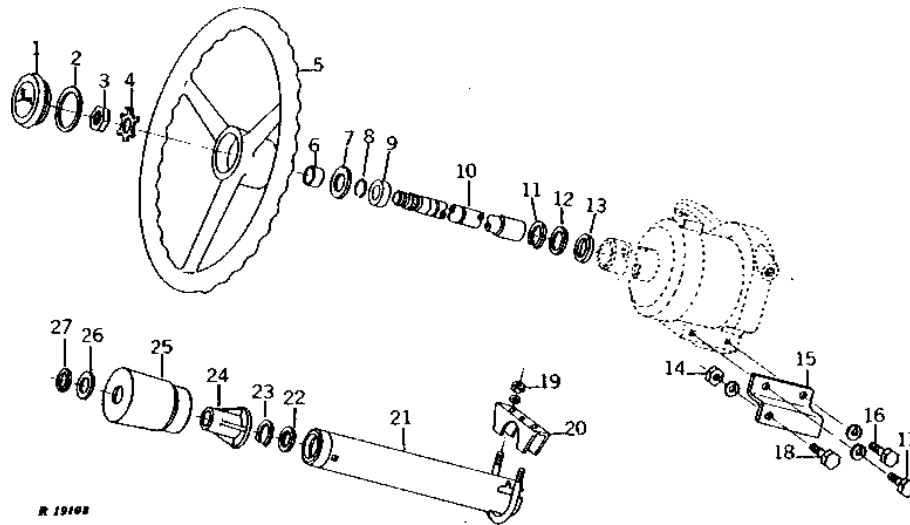
KEY	PART NO.	PART NAME	QTY	TRACTOR SERIAL NO.	REMARKS
1	R50875	BUSHING	1		
2	R50868	STEERING WHEEL SHAFT	1		(SUB R62280 AND P46402)
3	AR54808	ROD	1		
4	JD9931	THRUST BEARING	2		
5	JD8875	NEEDLE BEARING	1		
6	AR55289	COUPLING	1		
7	R54048	WEAR RING	1		
8	R54058	LOCK WASHER	1		
9	R54063	SEAL	1		
10	R51816	PLATE	1		
11	19H2552	CAP SCREW	1	3/8" X 1-1/8"	
	12H304	LOCK WASHER	1	3/8"	
12	R43663	SCREW	1		
13	M2036T	EXTENSION SPRING	1		
14	14H1076	NUT	1	3/8"	
	12H304	LOCK WASHER	1	3/8"	
15	R58614	SPACER	1		(SUB FOR R51815)
16	AR56104	LEVER	1		
17	R28035	BUSHING	1		
18	19H3181	CAP SCREW	1	3/8" X 2"	
19	14H650	NUT	2	5/16"	
	12H303	LOCK WASHER	2	5/16"	
20	R56251	SADDLE	1		(SUB FOR R53606)
21	AR76538	TUBE	1		(SUB FOR AR56060)
22	R72858	SEAL	1		(SUB FOR R32730)
23	R26933	SNAP RING	1		
24	B169R	SNAP RING	2		
25	R42629	WASHER	2		
26	R51153	SLEEVE	1		
27	T22875	STEERING WHEEL	1		
28	T17148	LOCK WASHER	1		
29	14H904	NUT	1	3/4"	
30	R91298	KNOB	1		(SUB FOR R50871)
31	12H303	LOCK WASHER	1	5/16"	
32	14H650	NUT	1	5/16"	
33	B3690R	O-RING	1		
34	R47998	CAP	1		

# 3B4

STEERING AND BRAKES

R19108 -UN-01JAN94

FIXED STEERING  
(TRACTOR SERIAL NO. -008839)



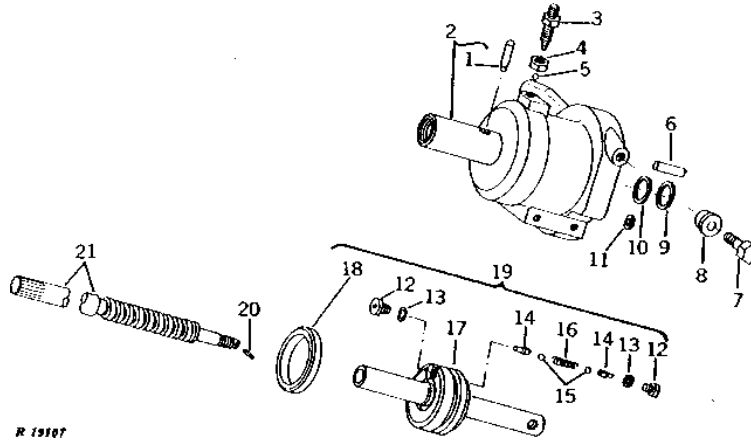
KEY	PART NO.	PART NAME	QTY	TRACTOR SERIAL NO.	REMARKS
1	R47998	CAP	1		
2	B3690R	O-RING	1		
3	14H904	NUT	1	3/4"	
4	T17148	LOCK WASHER	1		
5	T22875	STEERING WHEEL	1		
6	R50875	BUSHING	1		
7	AR58511	WASHER	1		
8	A2444R	SNAP RING	1		
9	R54616	BUSHING	1		
10	AR55162	STEERING WHEEL SHAFT	1		
11	R54048	WEAR RING	1		
12	R54058	LOCK WASHER	1		
13	R54063	SEAL	1		
14	14H1076	NUT	1	3/8"	
	12H304	LOCK WASHER	1	3/8"	
15	R51749	BRACKET	1		
16	19H1905	CAP SCREW	1	5/16" X 1"	
	12H303	LOCK WASHER	1	5/16"	
17	19H1731	CAP SCREW	1	3/8" X 1"	
	12H304	LOCK WASHER	1	3/8"	
18	19H1731	CAP SCREW	1	3/8" X 1"	
19	14H650	NUT	2	5/16"	
	12H303	LOCK WASHER	2	5/16"	
20	R56251	SADDLE	1		(SUB FOR R53606)
21	AR76538	TUBE	1		(SUB FOR AR56060)
22	R72858	SEAL	1		(SUB FOR R32730)
23	R26933	SNAP RING	1		
24	R51079	SPACER	1		
25	R51080	SLEEVE	1		
26	R42629	WASHER	1		
27	B169R	SNAP RING	1		

# 3B5

STEERING AND BRAKES

R19107 -UN-01JAN94

STEERING VALVE CYLINDER  
(TRACTOR SERIAL NO. -008839)



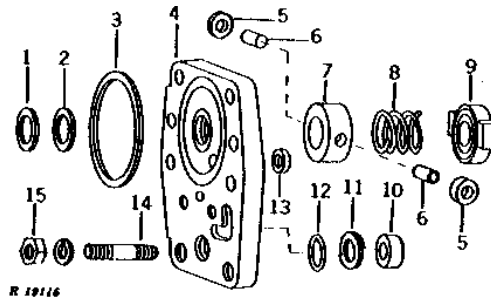
KEY	PART NO.	PART NAME	QTY	TRACTOR SERIAL NO.	REMARKS
1	R56282	PIN	1		(ALSO ORDER R56251) (SUB FOR R54100)
	R57607	PIN	1	-004478	
2	AR56007	CYLINDER	1		(MARKED R50874)
3	R27299	SCREW	1		
	AR21969	KIT	1		CAP PLUG ASSORTMENT
4	R27453	NUT	1		
5	400R	BALL	1		6MM (1/4")
6	R32186	DOWEL PIN	2		
7	19H1815	CAP SCREW	1		1/2" X 1-1/4"
8	R50712	BUSHING	2		
9	A3606R	O-RING	1		
10	R26441	BACK-UP RING	1		
11	AR67783	O-RING KIT	1		PACKING, STEERING VALVE CYLINDER TO COVER, (SUB FOR AR42009)
12	R31202	VALVE	2		
13	R26287	O-RING	2		
14	R31201	SHAFT	2		
15	H871R	BALL	2		5MM (3/16")
16	A4816R	SPRING	1		
17	AR68652	PISTON	1		(SUB AR68651)
18	R40567	WASHER	1		
19	AR30297	PISTON	1	-006805	
	AR68651	PISTON	1	006806-	
20	11M7081	COTTER PIN	1		0.098" X 0.787"
21	R34125	SHAFT	1		

# 3B6

STEERING AND BRAKES

R19116 -UN-01JAN94

STEERING VALVE CYLINDER COVER  
(TRACTOR SERIAL NO. -008839)



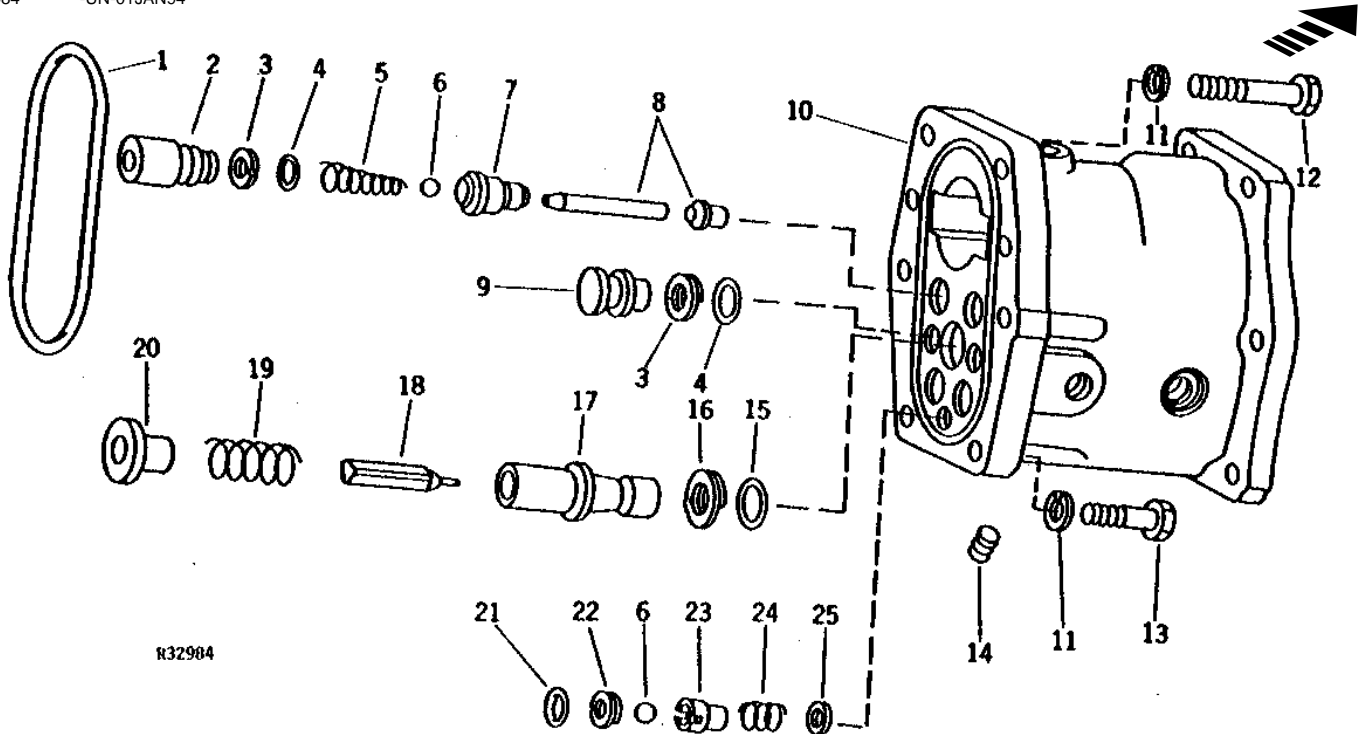
KEY	PART NO.	PART NAME	QTY	TRACTOR SERIAL NO.	REMARKS
1	A3606R	O-RING	1		
2	R26441	BACK-UP RING	1		
3	AR67783	O-RING KIT	1		(SUB FOR AR42009)
4	AR47293	COVER	1		(MARKED R44845)
5	R26755	WASHER	2		
6	R27091	PIN	2		
7	R40149	LOCKING COLLAR	1		
8	R40531	SPRING	1		
9	R27089	NUT	1		
10	R34121	PISTON	1		
11	R47694	BACK-UP RING	1		
12	R495R	O-RING	1		
13	AR67783	O-RING KIT	1		(SUB FOR AR42009)
14	R55183	STUD	2		(SUB FOR R53016)
15	14H1047	NUT	2		7/16"
	12H293	LOCK WASHER	2		7/16"

# 3B7

STEERING AND BRAKES

## STEERING VALVE AND METERING SHAFT (TRACTOR SERIAL NO. -008839)

R32984 -UN-01JAN94



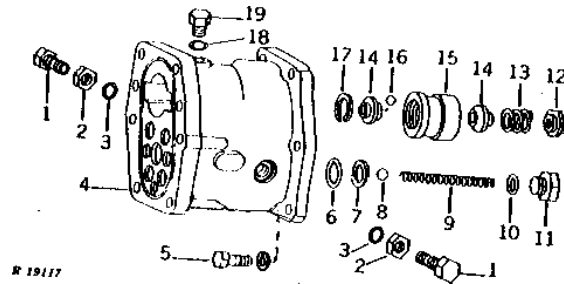
KEY	PART NO.	PART NAME	QTY	TRACTOR SERIAL NO.	REMARKS
1	R34733	WASHER	1		
2	R41724	PLUG	4		
3	R32588	BACK-UP RING	6		
4	R459R	O-RING	6		
5	R26565	SPRING	4		
6	400R	BALL	5	6MM (1/4")	
7	R28124	VALVE	4	(SUB R59083)	
8	AR49535	SHAFT	2		
	AR49536	SHAFT	2		
9	R34131	PLUG	2		
10	AR43809	HOUSING	1	(MARKED R43962 OR R45811)	
11	12H301	LOCK WASHER	6	1/2"	
12	19H1990	CAP SCREW	4	1/2" X 2-1/4"	
13	19H2993	CAP SCREW	2	1/2" X 1-1/2"	
14	15H558	PIPE PLUG	1	1/8"	
15	B2762R	O-RING	1		
16	R26546	BACK-UP RING	1		
17	R34123	VALVE SEAT	1		
18	R42661	SEAT	1		
19	R26151	SPRING	1		
20	R34122	STOP	1		
21	A4365R	O-RING	1		
22	R34129	BACK-UP RING	1		
23	R44254	GUIDE	1		
24	R44256	SPRING	1		
25	R44255	WASHER	1		

# 3B8

STEERING AND BRAKES

R19117 -UN-01JAN94

STEERING VALVE HOUSING  
(TRACTOR SERIAL NO. -008839)



KEY	PART NO.	PART NAME	QTY	TRACTOR SERIAL NO.	REMARKS
1	R40338	DRAIN PLUG	2		
2	R27296	NUT	2		
3	R26286	O-RING	2		
4	AR43809	HOUSING	1		(MARKED R43962 OR R45811)
5	19H2552	CAP SCREW	6		3/8" X 1-1/8"
	12H304	LOCK WASHER	6		3/8"
6	P48347	O-RING	1		(SUB FOR R34404, THIS APPLICATION)
7	R30323	BACK-UP RING	1		
8	R42849	BALL	1		10MM (3/8")
9	R31278	SPRING	1		
10	R26375	O-RING	1		
11	R39112	FITTING	1		
12	R40597	LOCK NUT	1		
13	R40596	SPRING	1		
14	R40595	BEARING RACE	2		
15	R40757	BUSHING	1		
16	R26552	BALL	13		8MM (5/16")
17	R26425	SNAP RING	1		
18	R26287	O-RING	1		
19	R27216	DRAIN PLUG	1		

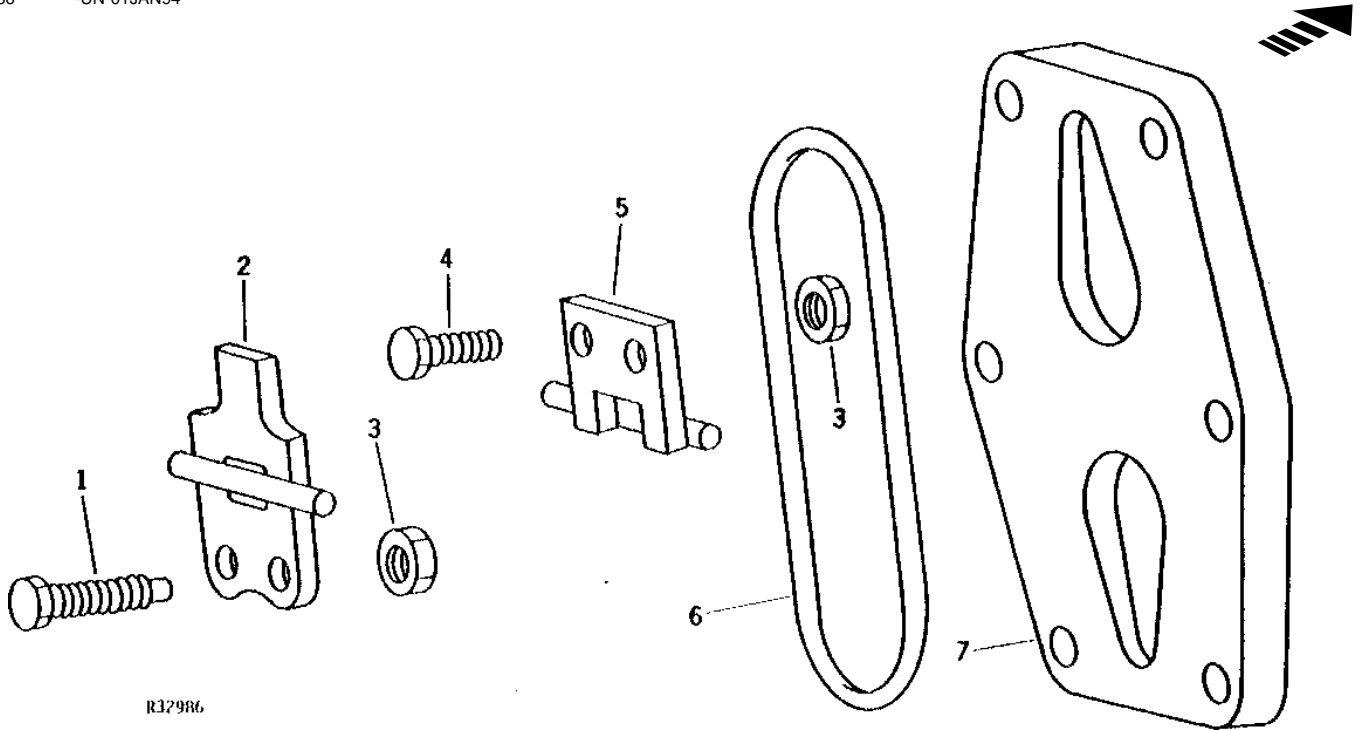


# 3B9

STEERING AND BRAKES

STEERING VALVE COVER AND VALVE OPERATING LEVERS  
(SERIAL NO. -008839)

R32986 -UN-01JAN94



R32986

KEY	PART NO.	PART NAME	QTY	TRACTOR SERIAL NO.	REMARKS
1	R26554	SET SCREW	2		
2	AR26448	LEVER	1		
3	14H649	NUT	4	1/4"	
4	R26762	BOLT	2		
5	AR26402	LEVER	1		
6	R34733	WASHER	1		
7	R51748	COVER	1		

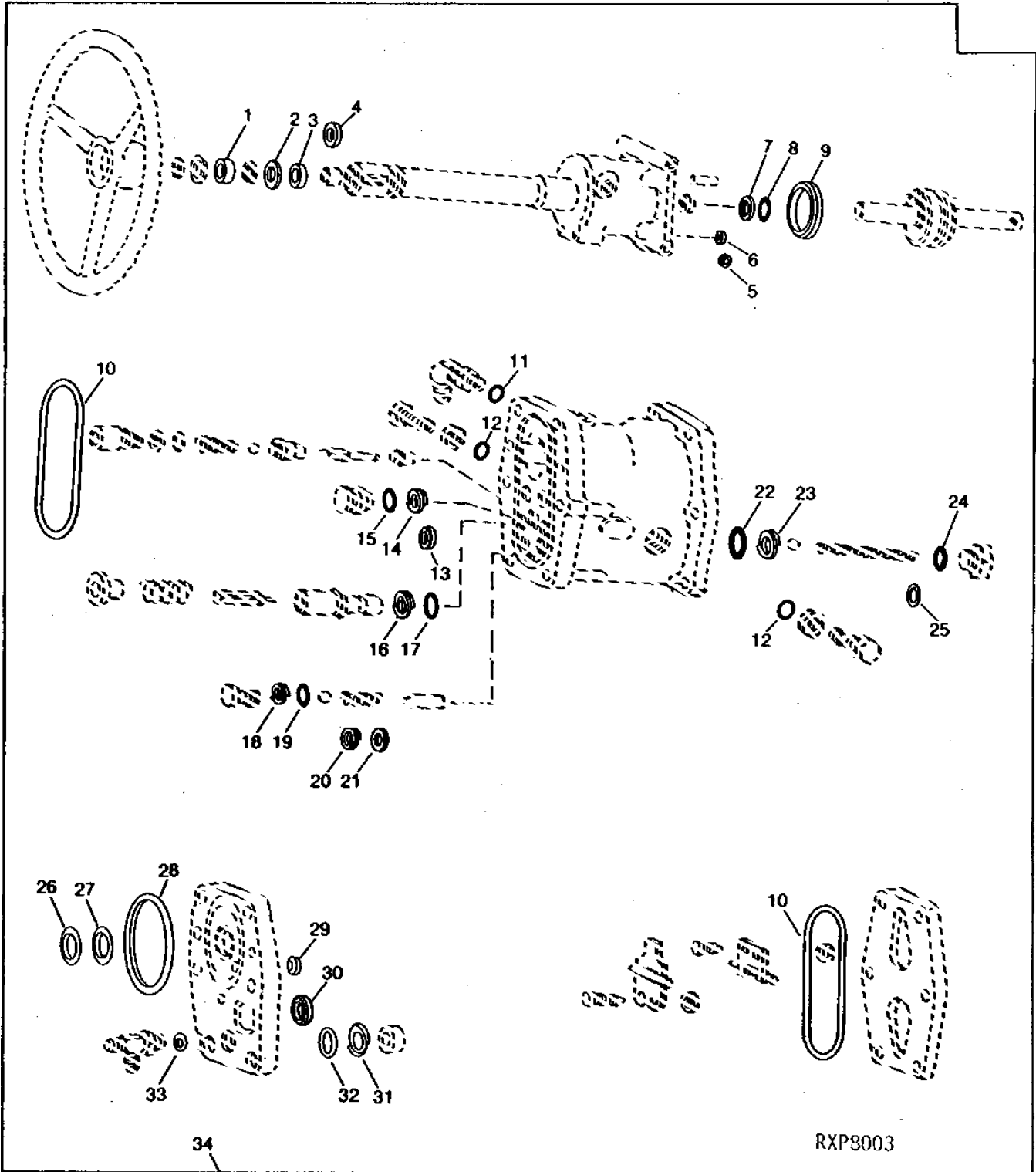
# 3B10

STEERING AND BRAKES

RXP8003

-UN-01JAN94

## STEERING VALVE CYLINDER OVERHAUL KIT



RXP8003

# 3B11

STEERING AND BRAKES

## STEERING VALVE CYLINDER OVERHAUL KIT - CONTINUED

KEY	PART NO.	PART NAME	QTY	TRACTOR SERIAL NO.	REMARKS
1	R72858	SEAL	1		
2	R32731	WASHER	1		
3	R72858	SEAL	1		
4	R54063	SEAL	1	(A)	
5	R26448	O-RING	2		
6	AR67783	O-RING KIT	1		
7	R26441	BACK-UP RING	1		
8	A3606R	O-RING	2		
9	R40567	WASHER	1		
10	R34733	WASHER	2		
11	R26286	O-RING	1		
12	R26286	O-RING	2		
13	R31488	WASHER	2	(A)	
14	R459R	O-RING	6		
15	R32588	BACK-UP RING	6		
16	R26546	BACK-UP RING	2		
17	B2762R	O-RING	2		
18	R34129	BACK-UP RING	1		
19	A4365R	O-RING	1		
20	R26551	BACK-UP RING	1	(A)	
21	R394R	O-RING	1		
22	P48347	O-RING	1		
23	R30323	BACK-UP RING	1		
24	R26375	O-RING	1		
25	R26547	WASHER	2	(A)	
26	A3606R	O-RING	2		
27	R26441	BACK-UP RING	1		
28	AR67783	O-RING KIT	1		
29	AR67783	O-RING KIT	1		
30	R31489	WASHER	1	(A)	
31	R47694	BACK-UP RING	1		
	R26485	BACK-UP RING	1	(A)	
32	R495R	O-RING	1		
33	R26286	O-RING	1		
34	AR39585	KIT	1	(A)	

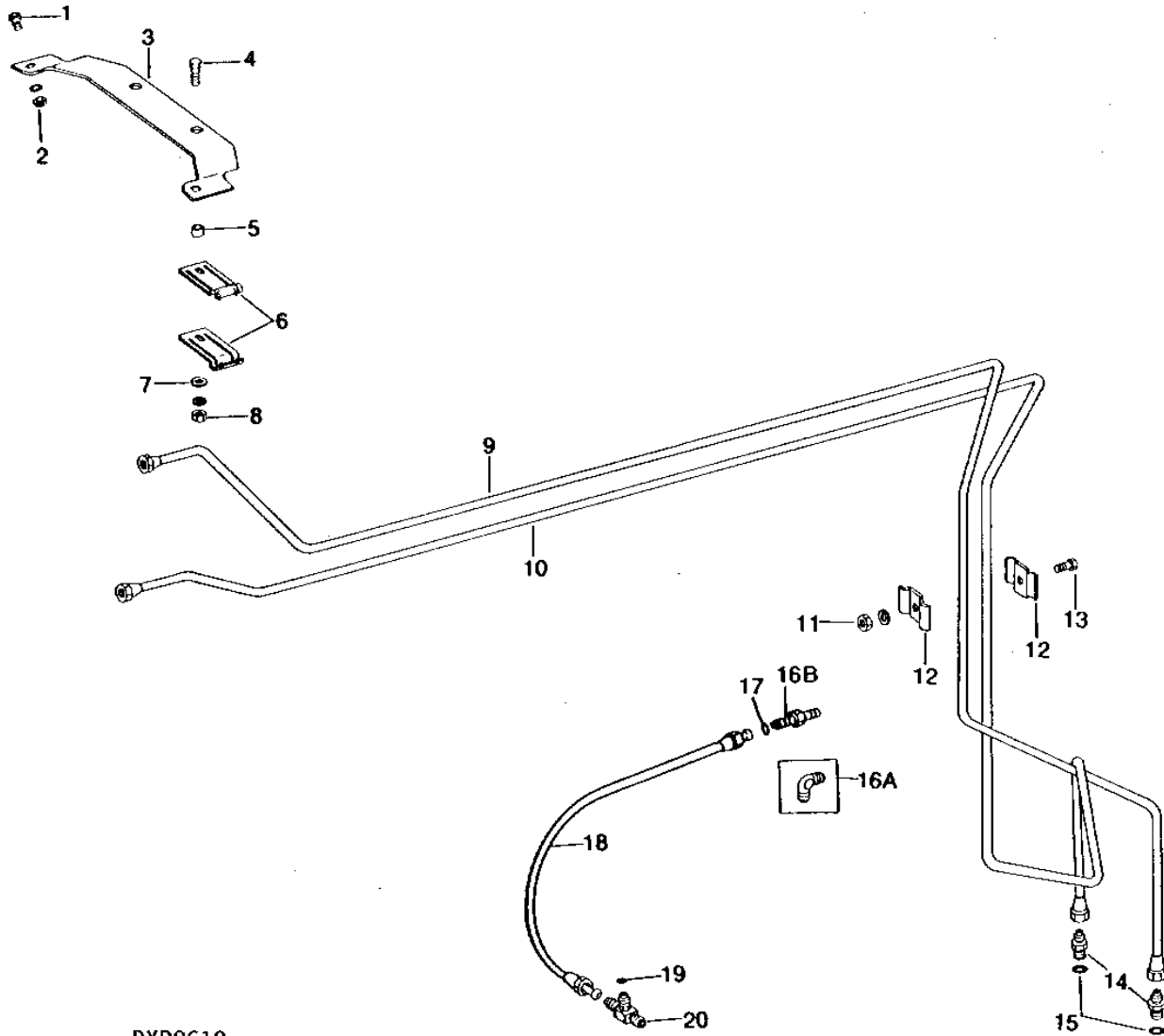
(A) EARLY DESIGN

# 3B12

STEERING AND BRAKES

RXP8610 -UN-01JAN94

STEERING VALVE TO STEERING MOTOR OIL LINES  
(TRACTOR SERIAL NO. -008839)



RXP8610

# 3B13

## STEERING AND BRAKES

### STEERING VALVE TO STEERING MOTOR OIL LINES - CONTINUED (TRACTOR SERIAL NO. -008839)

KEY	PART NO.	PART NAME	QTY	TRACTOR SERIAL NO.	REMARKS
1	19H2284	CAP SCREW	2	(A) 3/8" X 7/8"	
2	14H1076	NUT	2	(A) 3/8"	
	12H304	LOCK WASHER	2	(A) 3/8"	
3	R52076	BRACKET	1		
4	19H1732	CAP SCREW	2	3/8" X 1-1/4"	
5	28H1517	WASHER	2	0.493" X 0.675" X 1/4"	
6	R57549	CLAMP	4	(SUB FOR R50715)	
7	24M7096	WASHER	2	10.500 X 18 X 1.600 MM	
8	14H1076	NUT	2	3/8"	
	12H304	LOCK WASHER	2	3/8"	
9	AR57029	HYDRAULIC LINE	1	R.H.	
10	AR57028	HYDRAULIC LINE	1	L.H.	
11	14H1076	NUT	2	3/8"	
	12H304	LOCK WASHER	2	3/8"	
12	R27491	CLAMP	4		
13	19H2021	CAP SCREW	2	3/8" X 5/8"	
14	R27212	FITTING	2		
15	R26448	O-RING	2		
16A	AR74095	ELBOW FITTING	1	(B) (SUB FOR T28051)	
16B	R39832	ADAPTER	1	(C) (SUB FOR AR74095)	
17	R26287	O-RING	1		
18	AR56065	HYDRAULIC LINE	1	(C)	
19	R26287	O-RING	1		
20	AR56615	TEE FITTING	1		
..	AR21969	KIT	1	PLUG ASSORTMENT	

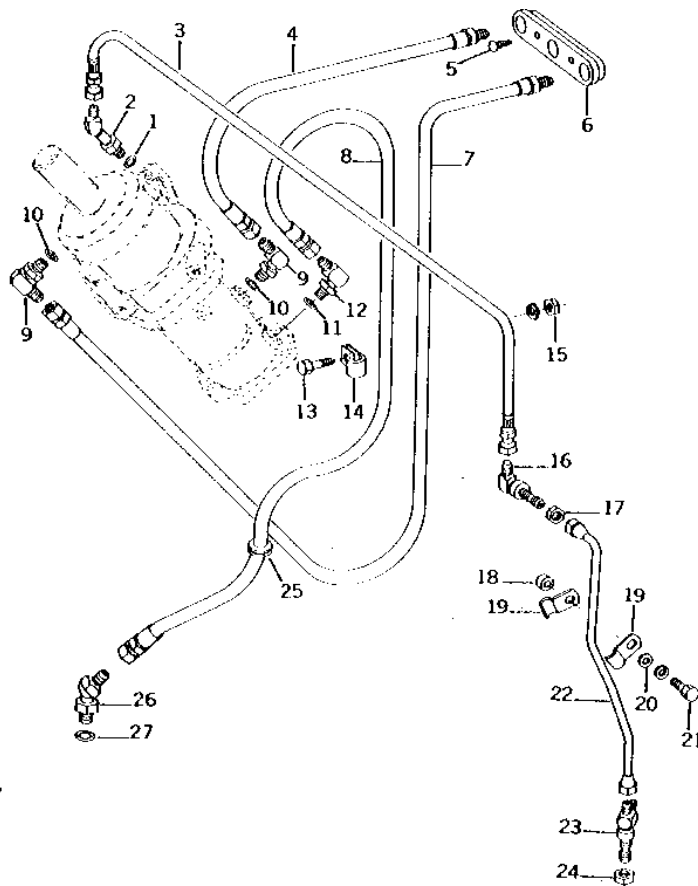
- (A) LESS SOUND-GARD BODY
- (B) CONVERTIBLE AXLE
- (C) ADJUSTABLE AXLE

# 3B14

STEERING AND BRAKES

TELESCOPING STEERING OR SOUND-GARD BODY REAR OIL LINES  
(TRACTOR SERIAL NO. -008839)

R22155 -UN-01JAN94



R 22155

# 3B15

STEERING AND BRAKES

TELESCOPING STEERING OR SOUND-GARD BODY REAR OIL LINES - CONTINUED  
(TRACTOR SERIAL NO. -008839)

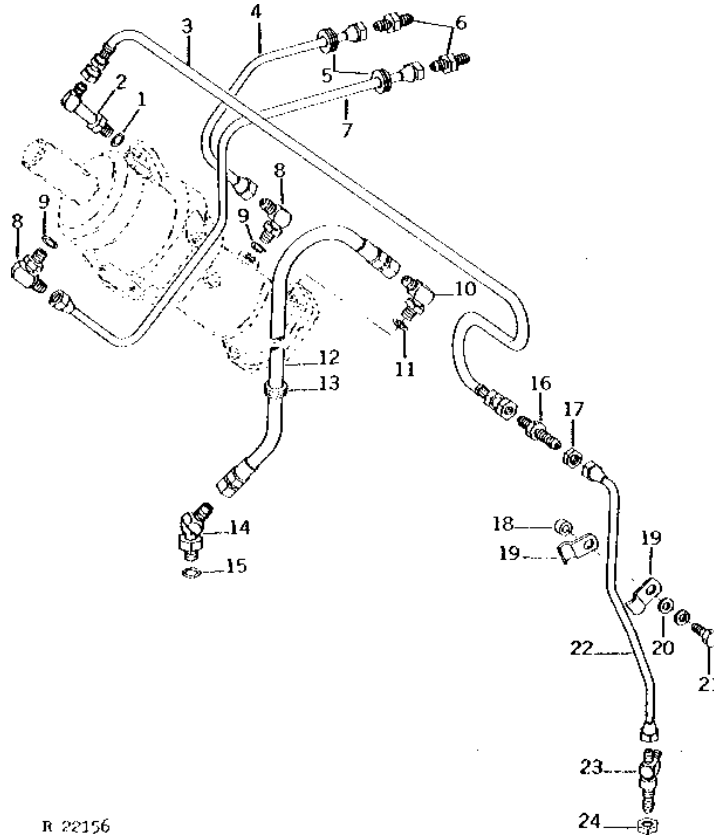
KEY	PART NO.	PART NAME	QTY	TRACTOR SERIAL NO.	REMARKS
1	R26286	O-RING	1		
2	AR56776	ELBOW FITTING	1		
3	AR61614	HYDRAULIC HOSE	1		PRESSURE
4	AR56662	HYDRAULIC HOSE	1		L.H.
5	37H27	SCREW	2		5/16" X 7/8"
6	R54158	GROMMET	1		
7	AR57027	HOSE	1		R.H.
8	AR56660	HYDRAULIC HOSE	1		RETURN
9	AT35121	ELBOW FITTING	2		
10	R26448	O-RING	2		
11	R26286	O-RING	1		
12	AT32333	ELBOW FITTING	1		
13	19H1936	CAP SCREW	1		3/8" X 3/4"
14	R46414	CLAMP	1		
15	14H1076	NUT	1		3/8"
	12H304	LOCK WASHER	1		3/8"
16	AR35981	ELBOW FITTING	1		
17	R27296	NUT	1		
18	28H1519	WASHER	1		3/8" X 2" X 3/8"
19	R34933	CLAMP	2		
20	24M7096	WASHER	1		10.500 X 18 X 1.600 MM
21	19H1731	CAP SCREW	1		3/8" X 1"
	12H304	LOCK WASHER	1		3/8"
22	AR56646	HYDRAULIC LINE	1		PRESSURE (LESS DIFFERENTIAL LOCK)
	AR57084	HYDRAULIC LINE	1		PRESSURE (DIFFERENTIAL LOCK)
23	AR64094	TEE FITTING	1		(SUB FOR AR56773)
24	R26572	NUT	1		
25	R60831	GROMMET	1		(SUB FOR R41439, THIS APPLICATION)
26	AT58895	FITTING	1		(SUB FOR AR46095)
27	R26286	O-RING	1		

# 3B16

STEERING AND BRAKES

R22156 -UN-01JAN94

## FIXED STEERING REAR OIL LINES (TRACTOR SERIAL NO. -008839)



R 22156

KEY	PART NO.	PART NAME	QTY	TRACTOR SERIAL NO.	REMARKS
1	R26286	O-RING	1		
2	AR63197	ELBOW FITTING	1		
3	AR63196	HOSE	1		PRESSURE
4	AR56667	HYDRAULIC LINE	1		L.H.
5	R27533	GROMMET	2		
6	R27095	FITTING	2		9/16"-18
7	AR56666	HYDRAULIC LINE	1		R.H.
8	AT35121	ELBOW FITTING	2		9/16"-18
9	R26448	O-RING	2		
10	AT32333	ELBOW FITTING	1		
11	R26286	O-RING	1		
12	AR56660	HYDRAULIC HOSE	1		RETURN
13	R60831	GROMMET	1		(SUB FOR R41439, THIS APPLICATION)
14	AT58895	FITTING	1		(SUB FOR AR46095)
15	R26286	O-RING	1		
16	R36040	FITTING	1		
17	R27296	NUT	1		
18	28H1519	WASHER	1		0.493" X 0.675" X 3/8"
19	R34933	CLAMP	2		
20	24M7096	WASHER	1		10.500 X 18 X 1.600 MM
21	19H1731	CAP SCREW	1		3/8" X 1"
	12H304	LOCK WASHER	1		3/8"
22	AR56646	HYDRAULIC LINE	1		PRESSURE (LESS DIFFERENTIAL LOCK)
	AR57084	HYDRAULIC LINE	1		PRESSURE (DIFFERENTIAL LOCK)
23	AR64094	TEE FITTING	1		(SUB FOR AR56773)
24	R26572	NUT	1		

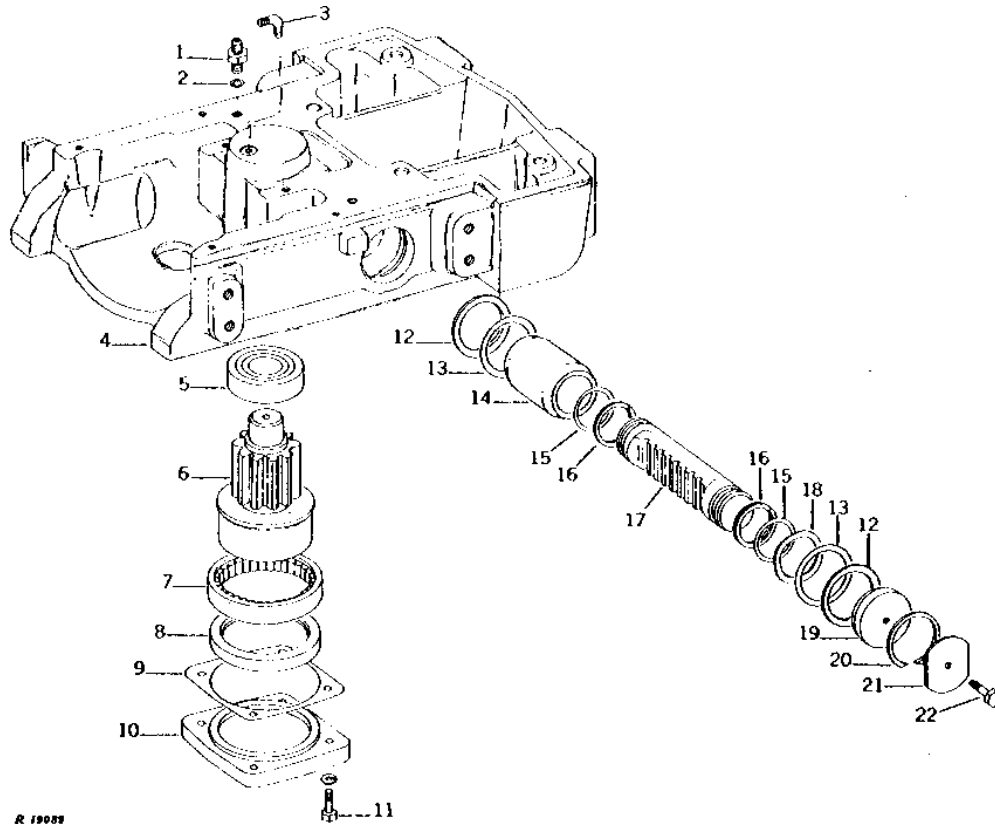


# 3B17

STEERING AND BRAKES

STEERING MOTOR  
(CONVERTIBLE FRONT AXLE)  
(TRACTOR SERIAL NO. -008839)

R19089 -UN-01JAN94



R 19089

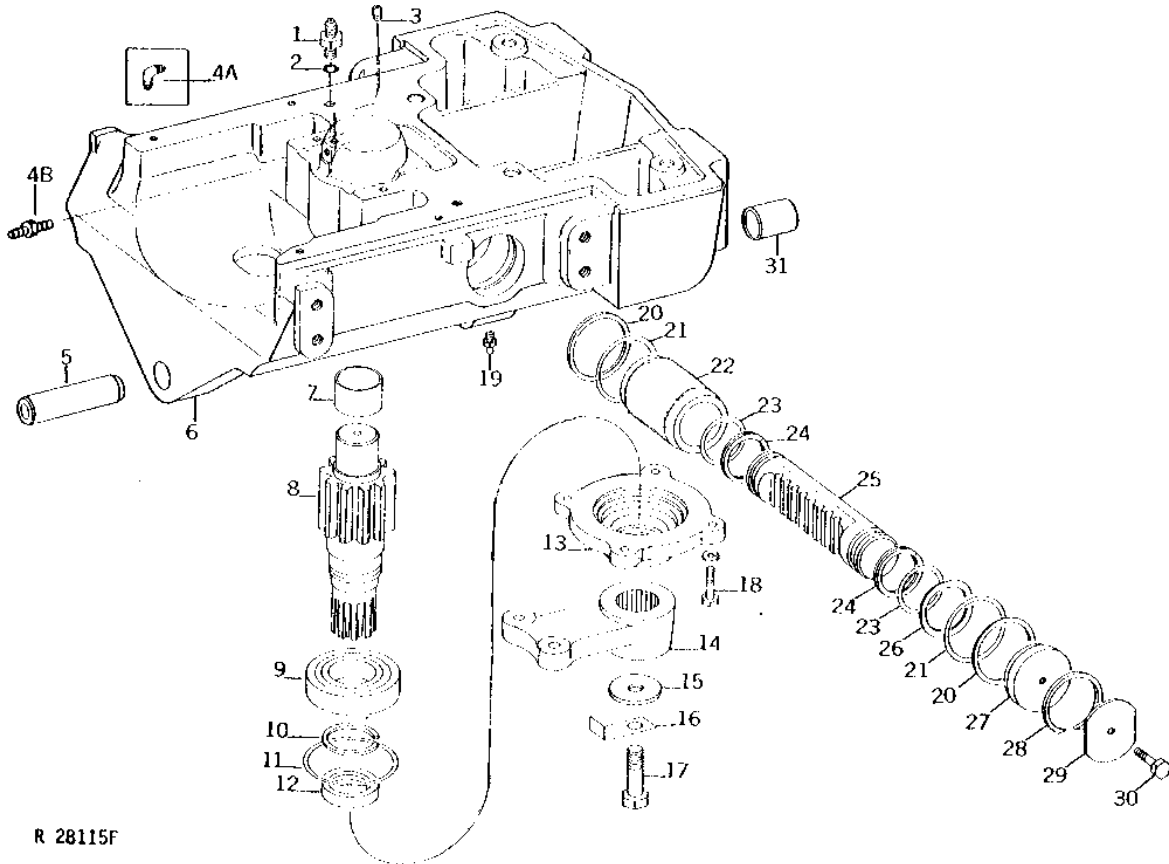
KEY	PART NO.	PART NAME	QTY	TRACTOR SERIAL NO.	REMARKS
1	R27212	FITTING	2		
2	R26448	O-RING	2		
3	AR74095	ELBOW FITTING	1		(SUB FOR T28051)
4	R66157	SUPPORT	1		(SUB FOR R49620 OR R56593) (NLA)
5	JD9439	BALL BEARING	1		
6	R51208	SPINDLE	1		
7	JD9930	ROLLER BEARING	1		
8	AR58512	SEAL	1		(SUB AR92557)
9	R100337	GASKET	1		(SUB FOR R51472)
10	R51471	QUILL	1		
11	19H2929	SCREW	4		3/8" X 1.120"
	12H304	LOCK WASHER	4		3/8"
12	R49975	BACK-UP RING	4		
13	R41721	O-RING	4		
14	R63001	SLEEVE	2		(SUB FOR R50276)
15	R65541	WASHER	2		(ALSO ORDER R65542) (SUB FOR R61909, THIS APPLICATION)
16	R65542	WASHER	2		(ALSO ORDER R66541) (SUB FOR R61910, THIS APPLICATION)
17	R50274	PISTON	1		
18	R49804	LOCK WASHER	2		
19	R68284	PLUG	2		(SUB FOR R50275)
20	R49805	SNAP RING	2		
21	R51120	WASHER	2		
22	19H1800	CAP SCREW	2		3/8" X 1-1/2"

# 3B18

STEERING AND BRAKES

STEERING MOTOR  
(ADJUSTABLE FRONT AXLE)  
(TRACTOR SERIAL NO. -008839)

R28115 -UN-01JAN94



R 28115F

# 3B19

STEERING AND BRAKES

**STEERING MOTOR - CONTINUED  
(ADJUSTABLE FRONT AXLE)  
(TRACTOR SERIAL NO. -008839)**

KEY	PART NO.	PART NAME	QTY	TRACTOR SERIAL NO.	REMARKS
1	R27212	FITTING	2		
2	R26448	O-RING	2		
3	15H558	PIPE PLUG	1	1/8"	
4A	AR74095	ELBOW FITTING	1		(SUB FOR T28051)
4B	R39832	ADAPTER	1		(SUB FOR AR74095, THIS APPLICATION)
5	R51798	BUSHING	1		
6	AR67473	SUPPORT	1		(MARKED R49600 OR R56592) (SUB FOR AR58752) (INCLUDES R51798, R28277 AND R65827) (NLA)
7	R28277	BUSHING	1		
8	R50105	SPINDLE	1		
9	JD9320	BALL BEARING	1		
10	F1334R	SNAP RING	1		
11	C11884	O-RING	1		(SUB FOR R49803)
12	AT49215	SEAL	1		(SUB FOR T19802)
13	R50104	QUILL	1		
14	R61158	STEERING ARM	1		(SUB FOR R50074)
15	R20136	WASHER	1		
16	R50075	LOCK PLATE	1		
17	19H1782	CAP SCREW	1	3/4" X 2-1/4"	
18	19H1800	CAP SCREW	4	3/8" X 1-1/2"	
	12H304	LOCK WASHER	4	3/8"	
19	JD7798	LUBRICATION FITTING	1		
20	R49975	BACK-UP RING	4		
21	R41721	O-RING	4		
22	R63001	SLEEVE	2		(SUB FOR R50276)
23	R65541	WASHER	2		(ALSO ORDER R65542) (SUB FOR R61909, THIS APPLICATION)
24	R65542	WASHER	2		(ALSO ORDER R65541) (SUB FOR R61910, THIS APPLICATION)
25	R50274	PISTON	1		
26	R49804	LOCK WASHER	2		
27	R68284	PLUG	2		(SUB FOR R50275)
28	R49805	SNAP RING	2		
29	R51120	WASHER	2		
30	19H1800	CAP SCREW	2	3/8" X 1-1/2"	
31	R65827	BUSHING	1		(SUB FOR R51376)

---

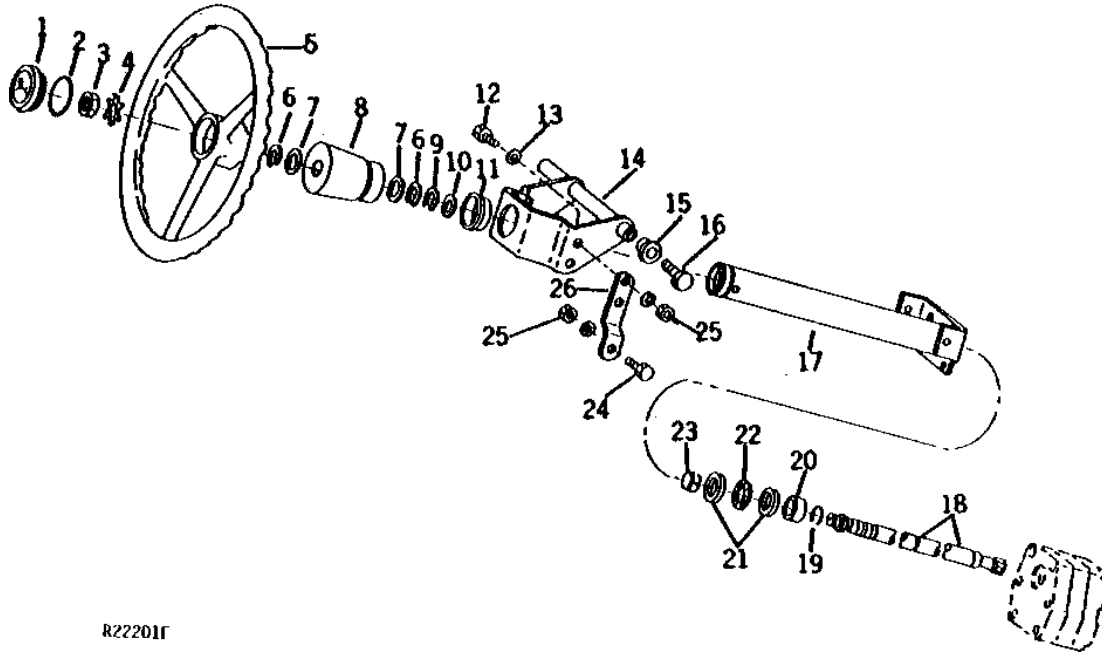
MEMORANDA

# 3B20

STEERING AND BRAKES

R22201 -UN-01JAN94

FIXED STEERING  
(TRACTOR SERIAL NO. 008840-010152)



R22201R

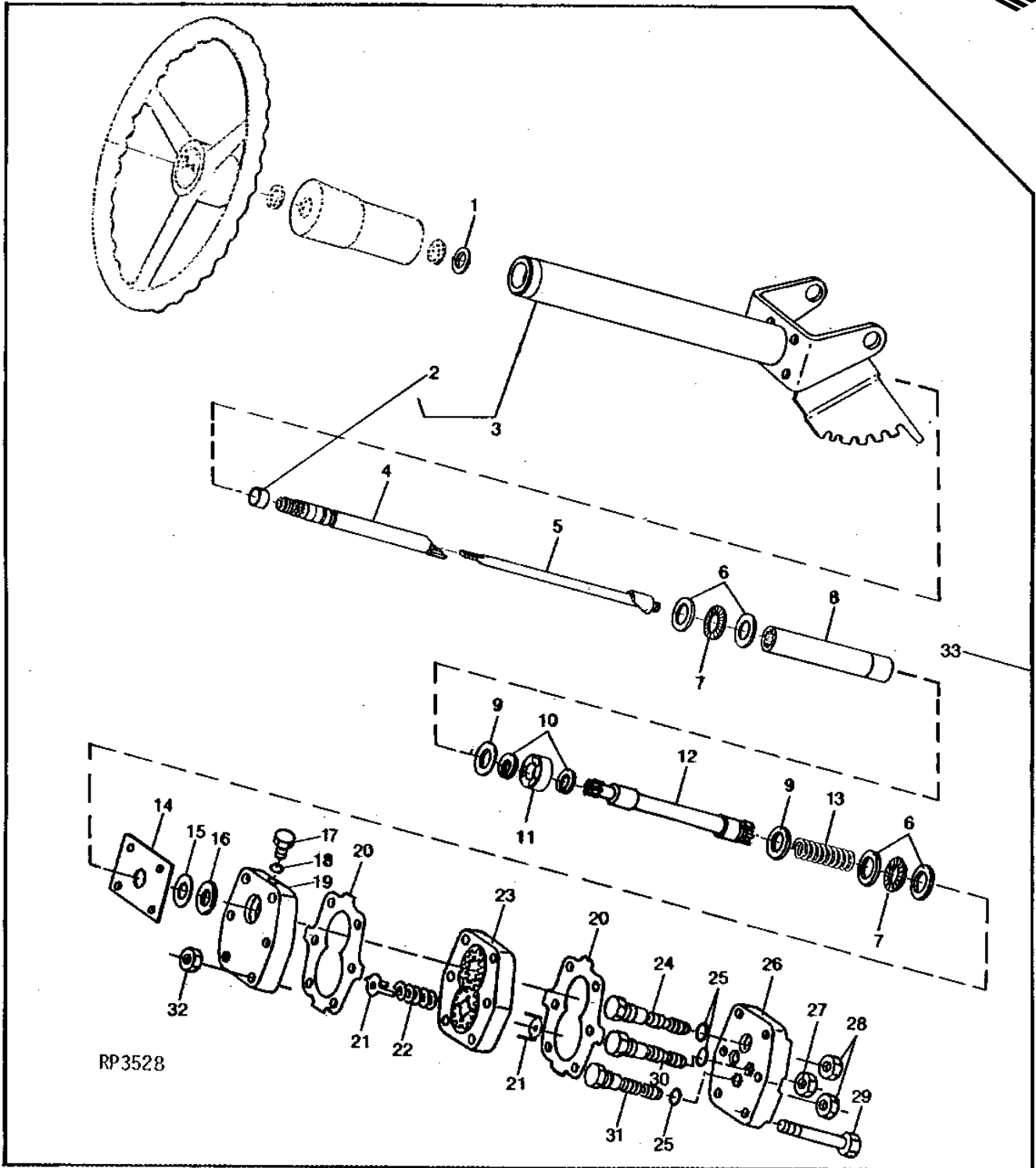
KEY	PART NO.	PART NAME	QTY	TRACTOR SERIAL NO.	REMARKS
1	R47998	CAP	1		
2	B3690R	O-RING	1		
3	14H904	NUT	1	3/4"	
4	T17148	LOCK WASHER	1		
5	T22875	STEERING WHEEL	1		
6	B169R	SNAP RING	2		
7	R42629	WASHER	2		
8	R51080	SLEEVE	1		
9	R26933	SNAP RING	1		
10	R72820	SHIM	1	(SUB FOR R32730)	
11	R55443	GROMMET	1		
12	19H1732	CAP SCREW	2	3/8" X 1-1/4"	
	19H1731	CAP SCREW	2	3/8" X 1"	
13	A147R	LOCK WASHER	1		
14	AR65211	SUPPORT	1		
15	R50712	BUSHING	1		
16	19H1815	CAP SCREW	2	1/2" X 1-1/4"	
17	AR63259	STEERING SYSTEM	1	(SUB AR81184, (2) R64704, (2) 19H1792 AND (2) R62278)	
18	R54759	STEERING WHEEL SHAFT	1		
19	A2444R	SNAP RING	1		
20	R54616	BUSHING	1		
21	JD9931	THRUST BEARING	2		
22	JD8875	NEEDLE BEARING	1		
23	R50875	BUSHING	1		
24	19H1731	CAP SCREW	2	3/8" X 1"	
25	14H1076	NUT	5	3/8"	
	12H304	LOCK WASHER	5	3/8"	
26	R55497	STRAP	1		

# 3B21

STEERING AND BRAKES

STEERING METERING PUMP, SHAFTS, BEARINGS AND SEALS  
(TRACTOR SERIAL NO. 008840- )

RP3528 -UN-01JAN94



# 3B22

STEERING AND BRAKES

STEERING METERING PUMP, SHAFTS, BEARINGS AND SEALS - CONTINUED  
(TRACTOR SERIAL NO. 008840- )

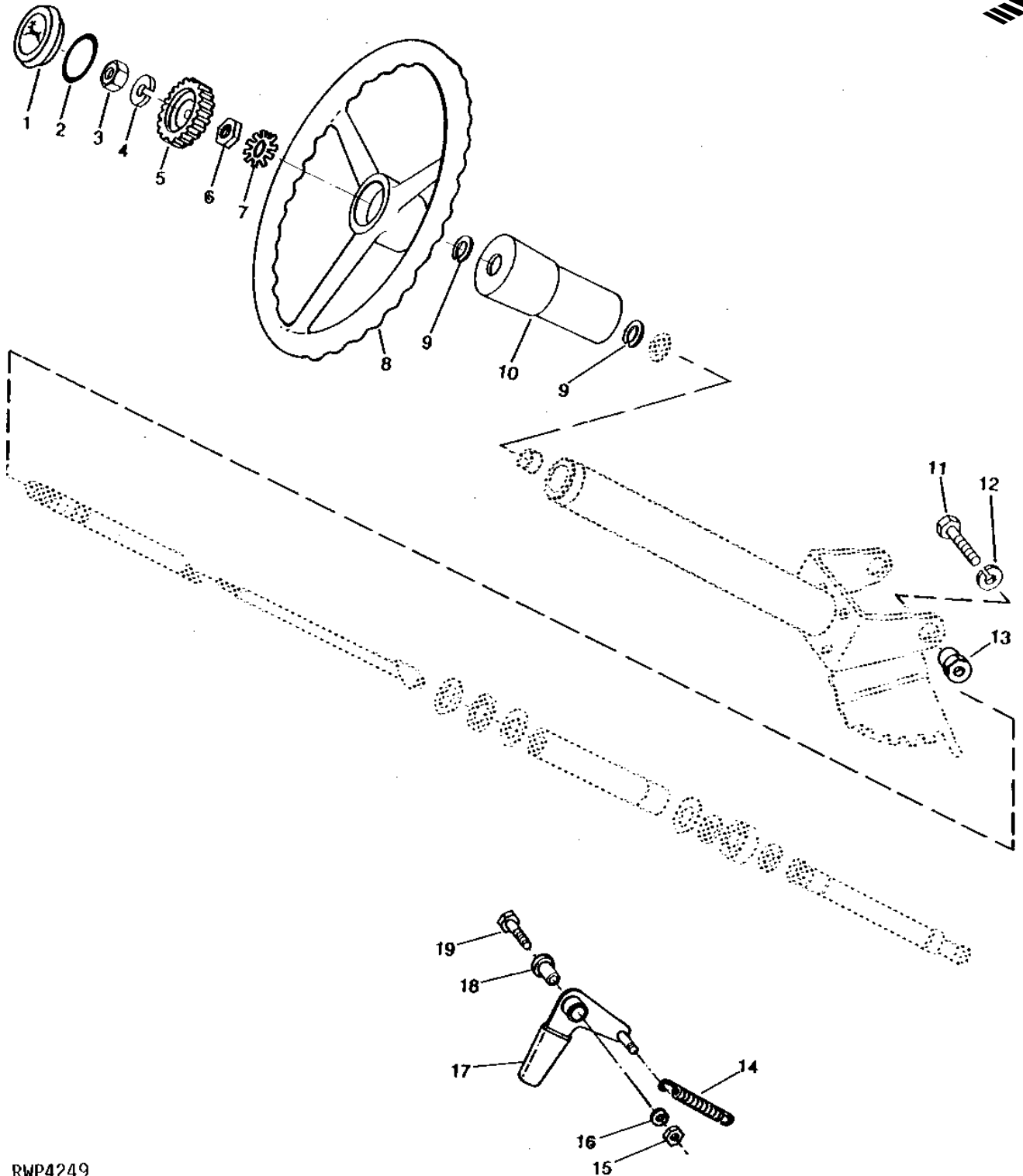
KEY	PART NO.	PART NAME	QTY	TRACTOR SERIAL NO.	REMARKS
1	R72820	SHIM	1		(SUB FOR R32730)
2	R50875	BUSHING	1		
3	AR63259	STEERING SYSTEM	1	-013956	(SUB AR81184, (2) R64704, (2) R62278 AND (2) 19H1792)
	AR76535	TUBE	1	013957-016274	(SUB AR81184, (2) R64704 AND (2) 19H1792)
	AR81184	TUBE	1	016275-	
	R55443	GROMMET	1	-016274	
	AR63258	BRACKET	1	-016274	(SUB AR81184, (2) R64704 AND (2) 19H1792)
	14H1076	NUT	2	-016274	3/8"
	12H304	LOCK WASHER	2	-016274	3/8"
4	R50868	STEERING WHEEL SHAFT	1	-013956	(SUB R62280 AND P46402)
	R62280	SHAFT	1	013957-	
5	AR54808	ROD	1		
6	JD9931	THRUST BEARING	2	-013956	
	R62278	THRUST WASHER	2	013957-	
7	JD8875	NEEDLE BEARING	1		
8	R50869	SPLINED COUPLING	1		
9	R42629	WASHER	1		
10	P46402	SNAP RING	2		
11	R55498	BUSHING	1		
12	R109986	SHAFT	1		(SUB FOR R55092)
13	R60174	SPRING	1		
14	R56645	PLATE	1		
15	R72820	SHIM	1		
16	R72858	SEAL	1		(SUB FOR R32730)
17	R27216	DRAIN PLUG	1		(SUB FOR R31631 OR R72834)
18	R26287	O-RING	1		
19	AR99334	BASE	1		(SUB FOR R54769)
20	R55243	SHIM	2		
21	R58653	PLATE	2		
22	R58654	SPRING	1		
23	AR99332	HOUSING	1		(SUB FOR AR70507)
24	R56643	FITTING	1	-014871	(SUB R65685)
	R65685	FITTING	1	014872-XXXXXX	(SUB FOR R63399)
	R68220	FITTING	1	XXXXXX-	
25	R28776	O-RING	4		
26	AR99335	COVER	1		(SUB FOR R54771)
27	R26572	NUT	2		
28	R27296	NUT	2		
29	19H2023	CAP SCREW	6		3/8" X 3-1/4"
30	R54763	FITTING	2		
31	AR67564	FITTING	1	-014871	(SUB AR85705)
	AR85705	CHECK VALVE	1	014872-XXXXXX	(SUB FOR AR78311)
	AR88771	CHECK VALVE	1	XXXXXX-	STEERING RETURN
32	14H1076	NUT	6		3/8"
33	AR89199	STEERING METERING PUMP	1		(ALSO ORDER AT35121, R27272, (2) R64704, (2) 19H1792, AR89714 AND AR86494)

# 3B23

STEERING AND BRAKES

TELESCOPING AND TILT STEERING  
(TRACTOR SERIAL NO. 008840- )

RWP4249 -UN-01JAN94



RWP4249



# 3B24

STEERING AND BRAKES

TELESCOPING AND TILT STEERING - CONTINUED  
(TRACTOR SERIAL NO. 008840- )

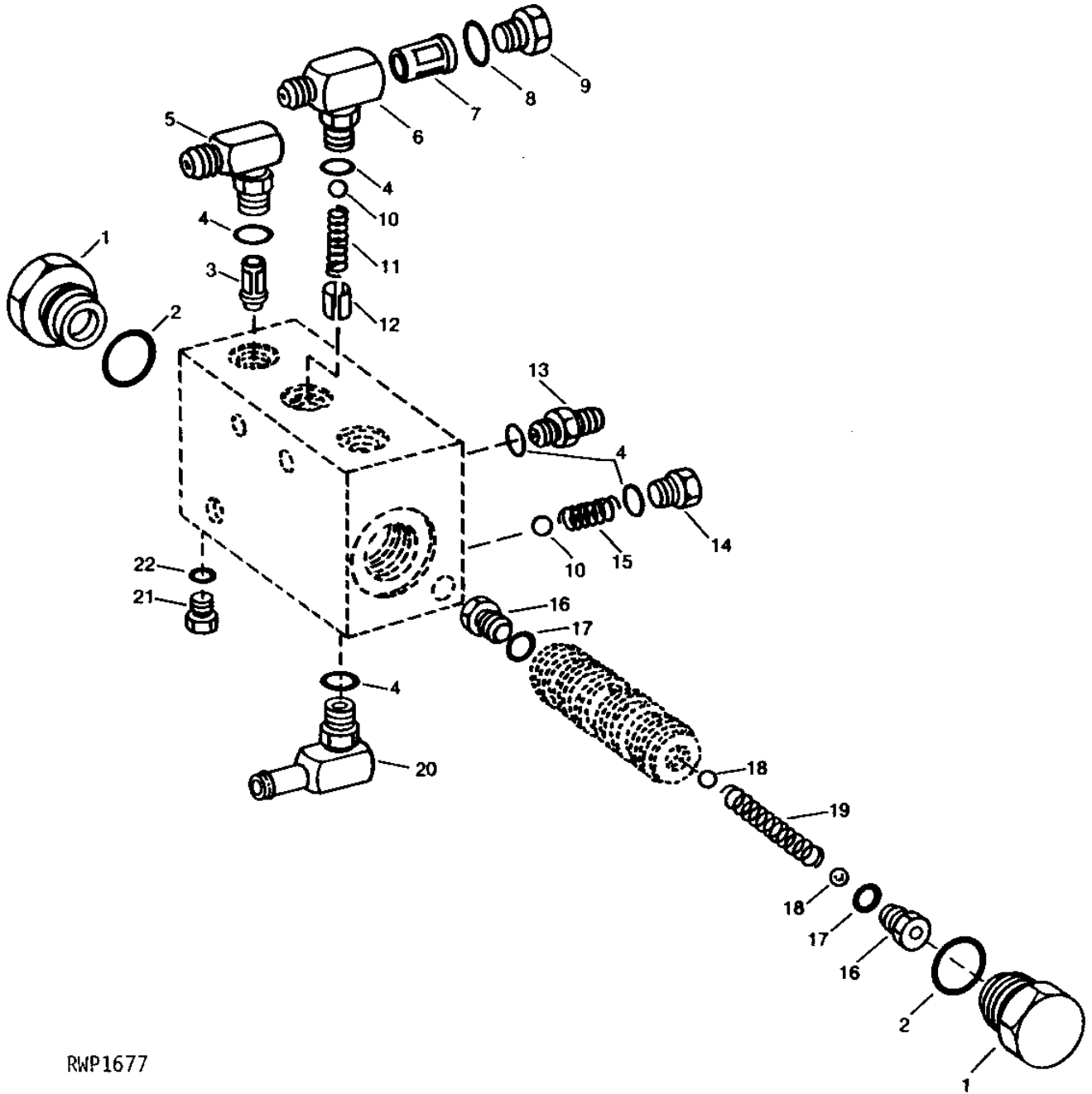
KEY	PART NO.	PART NAME	QTY	TRACTOR SERIAL NO.	REMARKS
1	R47998	CAP	1		
2	B3690R	O-RING	1		
3	14H650	NUT	1		5/16"
4	12H303	LOCK WASHER	1		5/16"
5	R91298	KNOB	1		(SUB FOR R50871)
6	14H904	NUT	1		3/4"
7	T17148	LOCK WASHER	1	XXXXXX-	
8	T22875	STEERING WHEEL	1		
9	R42629	WASHER	2	-013956	
	B169R	SNAP RING	2	-013956	
	R26933	SNAP RING	1	-013956	
	P46402	SNAP RING	2	013957-	
10	R51153	SLEEVE	1		
11	19H1731	CAP SCREW	2	-016274	3/8" X 1"
	19H1792	CAP SCREW	2	016275-	1/2" X 1"
12	A147R	LOCK WASHER	1	-016274	
	12H301	LOCK WASHER	1	XXXXXX-	1/2"
13	R50712	BUSHING	2	-016274	
	19H1815	CAP SCREW	2	-016274	1/2" X 1-1/4"
	R64704	BUSHING	2	016275-	
14	R59953	SPRING	1		
	19H1765	CAP SCREW	1	-XXXXXX	3/8" X 1-3/4"
	12H303	LOCK WASHER	1	-XXXXXX	5/16"
	14H611	NUT	2	-XXXXXX	5/16"
15	14H1076	NUT	1		3/8"
16	12H304	LOCK WASHER	1		3/8"
17	AR70442	LEVER	1		(ALSO ORDER R58614) (SUB FOR AR56104)
18	R58614	SPACER	1		(ALSO ORDER AR70442) (SUB FOR R51815)
19	19H3181	CAP SCREW	1		3/8" X 2"

# 3C1

STEERING AND BRAKES

STEERING VALVE HOUSING, PLUGS, AND CONNECTOR  
(TRACTOR SERIAL NO. 008840 - )

RWP1677 -UN-18OCT94



RWP1677

# 3C2

## STEERING AND BRAKES

### STEERING VALVE HOUSING, PLUGS, AND CONNECTOR - CONTINUED (TRACTOR SERIAL NO. 008840 - )

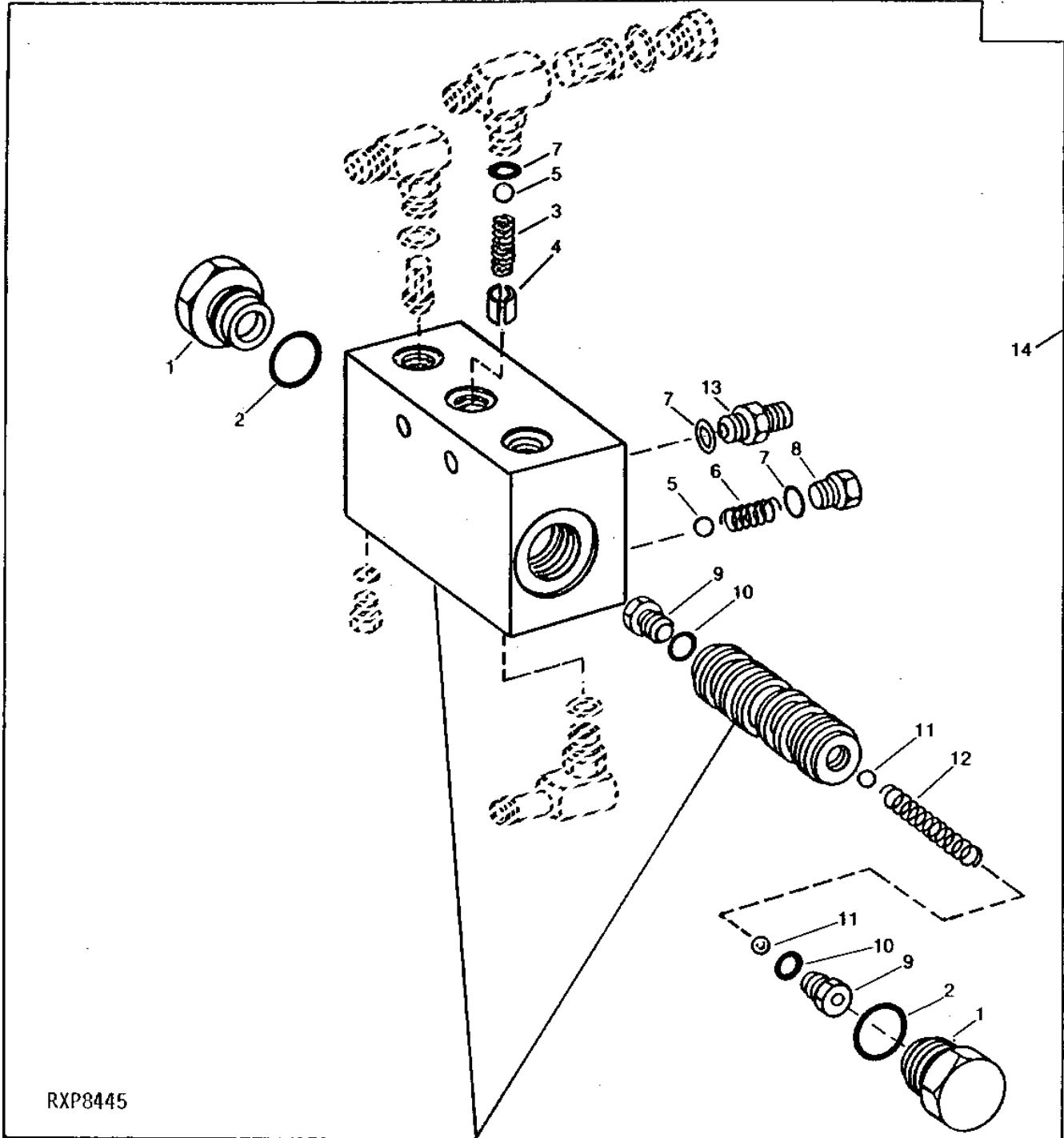
KEY	PART NO.	PART NAME	QTY	TRACTOR SERIAL NO.	REMARKS
1	R63673	FITTING	2		(SUB FOR R62622, THIS APPLICATION)
2	R29936	O-RING	2		
3	R58033	SCREEN	2		
4	R26448	O-RING	11		
5	AR69672	ELBOW FITTING	2		
6	AR67882	ELBOW FITTING	1		
7	R42684	STRAINER	1	-012284	
	R58219	FILTER	1	012285-	
8	R26375	O-RING	1		
9	R28774	FITTING	1	-012284	
	R28776	O-RING	1	-012284	
	R39112	FITTING	1	012285-	
10	R42849	BALL	3		10MM (3/8")
11	R227R	SPRING	1		
12	R55458	GUIDE	1		
13	R27212	FITTING	4		
14	R27218	FITTING PLUG	2		
15	R55789	SPRING	2		
16	R59822	VALVE SEAT	2		(SUB FOR R55163)
17	R28782	O-RING	2		
18	R26552	BALL	2		8MM (5/16")
19	R26367	SPRING	1		
20	AR64705	ELBOW FITTING	1		
21	R27216	DRAIN PLUG	2		(SUB FOR R31631, THIS APPLICATION)
22	R26287	O-RING	2		

# 3C3

STEERING AND BRAKES

RXP8445 -UN-01JAN94

STEERING VALVE BODY WITH VALVE



RXP8445

# 3C4

STEERING AND BRAKES

## STEERING VALVE BODY WITH VALVE - CONTINUED

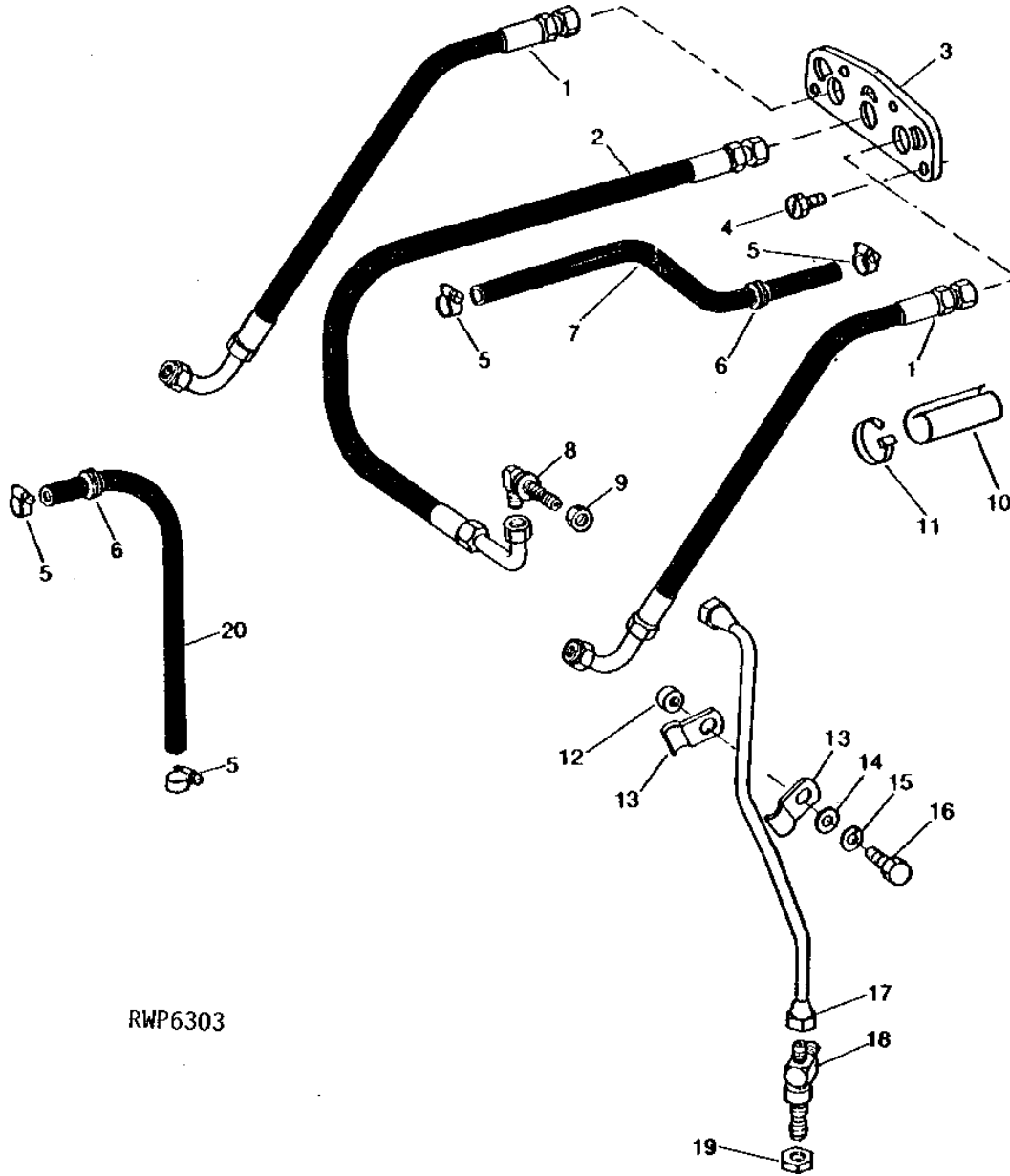
KEY	PART NO.	PART NAME	QTY	MODEL NO.	REMARKS
1	R63673	FITTING	2		
2	R29936	O-RING	2		
3	R227R	SPRING	1		
4	R55458	GUIDE	1		
5	R42849	BALL	2		10MM (3/8")
6	R55789	SPRING	2		
7	R26448	O-RING	2		
8	R27218	FITTING PLUG	2		
9	R59822	VALVE SEAT	2		
10	R28782	O-RING	2		
11	R26552	BALL	2		7MM (5/16")
12	R26367	SPRING	1		
13	R27212	FITTING	4		
14	AR90611	VALVE	1	30SV2-	(SUB FOR AR72338)

# 3C5

STEERING AND BRAKES

RWP6303 -UN-01JAN94

REAR STEERING LINES AND HOSES  
(TRACTOR SERIAL NO. 008840- )



RWP6303

# 3C6

STEERING AND BRAKES

REAR STEERING LINES AND HOSES - CONTINUED  
(TRACTOR SERIAL NO. 008840- )

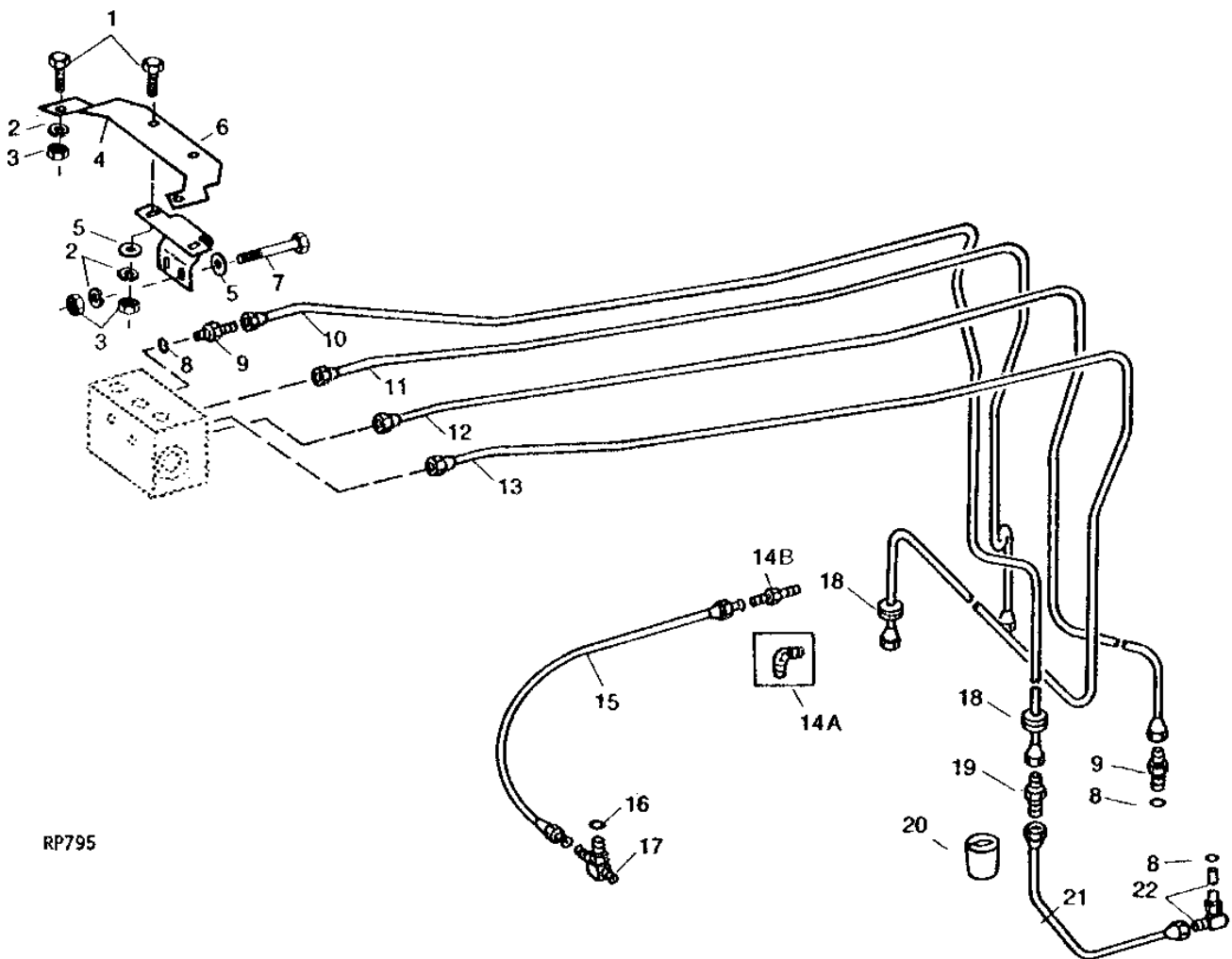
KEY	PART NO.	PART NAME	QTY	TRACTOR SERIAL NO.	REMARKS
1	AR67565	HYDRAULIC HOSE	2		
2	AR85229	HOSE	1		(SUB FOR AR67566)
3	R65849	GROMMET	1		(SUB FOR R56646)
4	37H27	SCREW	4		5/16" X 7/8"
5	AR77962	CLAMP	4		
6	R60831	GROMMET	2		
7	R55824	HYDRAULIC HOSE	1		
8	AR70866	ELBOW FITTING	1		
9	R27296	NUT	1		
10	R62880	FOAM PAD	3		(STEERING LINES TO BULKHEAD) (NO LONGER AVAILABLE)
11	R44302	TIE BAND	AR		
12	28H1519	WASHER	1		3/8" X 3/8"
13	R34933	CLAMP	2		
14	24M7096	WASHER	1		10.500 X 18 X 1.600 MM
15	12H304	LOCK WASHER	1		3/8"
16	19H1731	CAP SCREW	1		3/8" X 1"
17	AR56646	HYDRAULIC LINE	1		(LESS DIFFERENTIAL LOCK)
	AR57083	HYDRAULIC LINE	1		(DIFFERENTIAL LOCK)
18	AR64094	TEE FITTING	1		
19	R26572	NUT	1		
20	R65687	HOSE	1		(SUB FOR R57757 OR R62175)

# 3C7

STEERING AND BRAKES

## FRONT STEERING UPPER AND LOWER OIL LINES AND BRACKETS (ADJUSTABLE FRONT AXLE) (TRACTOR SERIAL NO. 008840- )

RP795 -UN-01JAN94



RP795



# 3C8

STEERING AND BRAKES

FRONT STEERING UPPER AND LOWER OIL LINES AND BRACKETS - CONTINUED  
 (ADJUSTABLE FRONT AXLE)  
 (TRACTOR SERIAL NO. 008840- )

KEY	PART NO.	PART NAME	QTY	TRACTOR SERIAL NO.	REMARKS
1	19H2284	CAP SCREW	4	(A) 3/8" X 7/8"	
	19H2284	CAP SCREW	2	3/8" X 7/8"	
2	12H304	LOCK WASHER	6	(A) 3/8"	
	12H304	LOCK WASHER	4	3/8"	
3	14H1076	NUT	6	(A) 3/8"	
	14H1076	NUT	4	3/8"	
4	R52076	BRACKET	1	(A)	
5	24H1305	WASHER	4	13/32" X 13/16" X 0.065"	
6	R56636	SUPPORT	1		
7	19H2023	CAP SCREW	2	3/8" X 3-1/4"	
8	R26448	O-RING	8		
9	R27212	FITTING	6		
10	AR67569	HYDRAULIC LINE	1		
11	AR67568	HYDRAULIC LINE	1		
12	AR67567	HYDRAULIC LINE	1		
13	AR67570	HYDRAULIC LINE	1		
14A	AR74095	ELBOW FITTING	1	(SUB FOR T28051)	
14B	R39832	ADAPTER	1	(SUB FOR AR74095, THIS APPLICATION)	
15	AR56065	HYDRAULIC LINE	1	(ADJUSTABLE FRONT AXLE)	
16	R26287	O-RING	1		
17	AR56615	TEE FITTING	1		
18	R41440	GROMMET	2		
19	R27095	FITTING	2		
20	R56664	GROMMET	2		
21	AR67571	HYDRAULIC LINE	2		
22	AR67562	ELBOW FITTING	2		

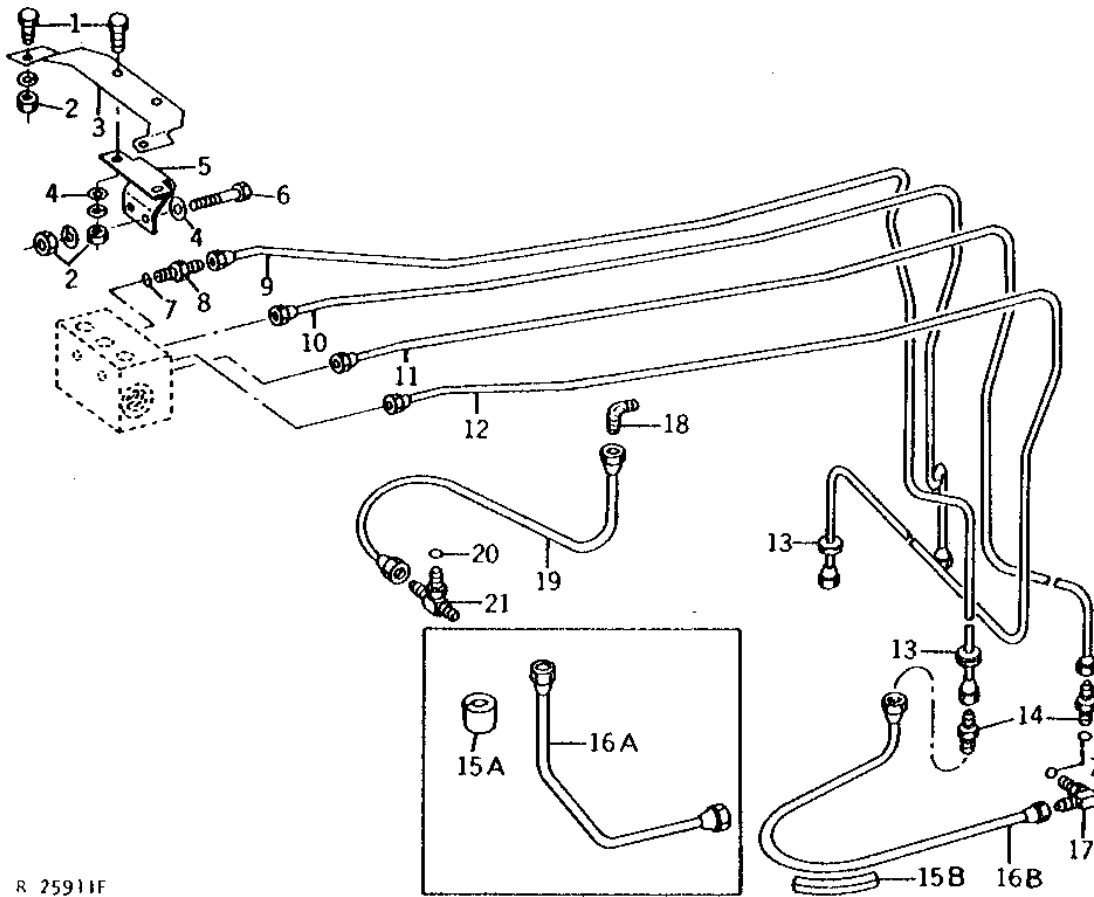
(A) LESS SOUND-GARD BODY

# 3C9

STEERING AND BRAKES

## FRONT STEERING UPPER AND LOWER OIL LINES AND BRACKETS (CONVERTIBLE FRONT AXLE) (TRACTOR SERIAL NO. 008840- )

R25911 -UN-01JAN94



R 25911F

# 3C10

STEERING AND BRAKES

FRONT STEERING UPPER AND LOWER OIL LINES AND BRACKETS - CONTINUED  
(CONVERTIBLE FRONT AXLE)  
(TRACTOR SERIAL NO. 008840- )

KEY	PART NO.	PART NAME	QTY	TRACTOR SERIAL NO.	REMARKS
1	19H2284	CAP SCREW	4		3/8" X 7/8"
	19H2284	CAP SCREW	2		3/8" X 7/8"
2	14H1076	NUT	6		3/8"
	14H1076	NUT	4		3/8"
	12H304	LOCK WASHER	6		3/8"
	12H304	LOCK WASHER	4		3/8"
3	R52076	BRACKET	1		(LESS SOUND-GARD BODY)
4	24H1305	WASHER	4		13/32" X 13/16" X 0.065"
5	R56636	SUPPORT	1		
6	19H2023	CAP SCREW	2		3/8" X 3-1/4"
7	R26448	O-RING	8		
8	R27212	FITTING	6		
9	AR67569	HYDRAULIC LINE	1		(A)
10	AR67568	HYDRAULIC LINE	1		(B)
11	AR67567	HYDRAULIC LINE	1		(B)
12	AR67570	HYDRAULIC LINE	1		(A)
13	R41440	GROMMET	2		
14	R27095	FITTING	2		
15A	R56664	GROMMET	2		
15B	R61341	BRACKET	2		
16A	AR67571	HYDRAULIC LINE	2		
16B	AR74356	HYDRAULIC LINE	1		(NLA)
	AR74357	HYDRAULIC LINE	1		
17	AR67562	ELBOW FITTING	2	-011093	
	AR26725	ELBOW FITTING	1	011094-	
18	AR74095	ELBOW FITTING	1		(SUB FOR T28051)
19	AR56065	HYDRAULIC LINE	1		
20	R26287	O-RING	1		
21	AR56615	TEE FITTING	1		
..	AR21969	KIT	1		
..	R44302	TIE BAND	AR		

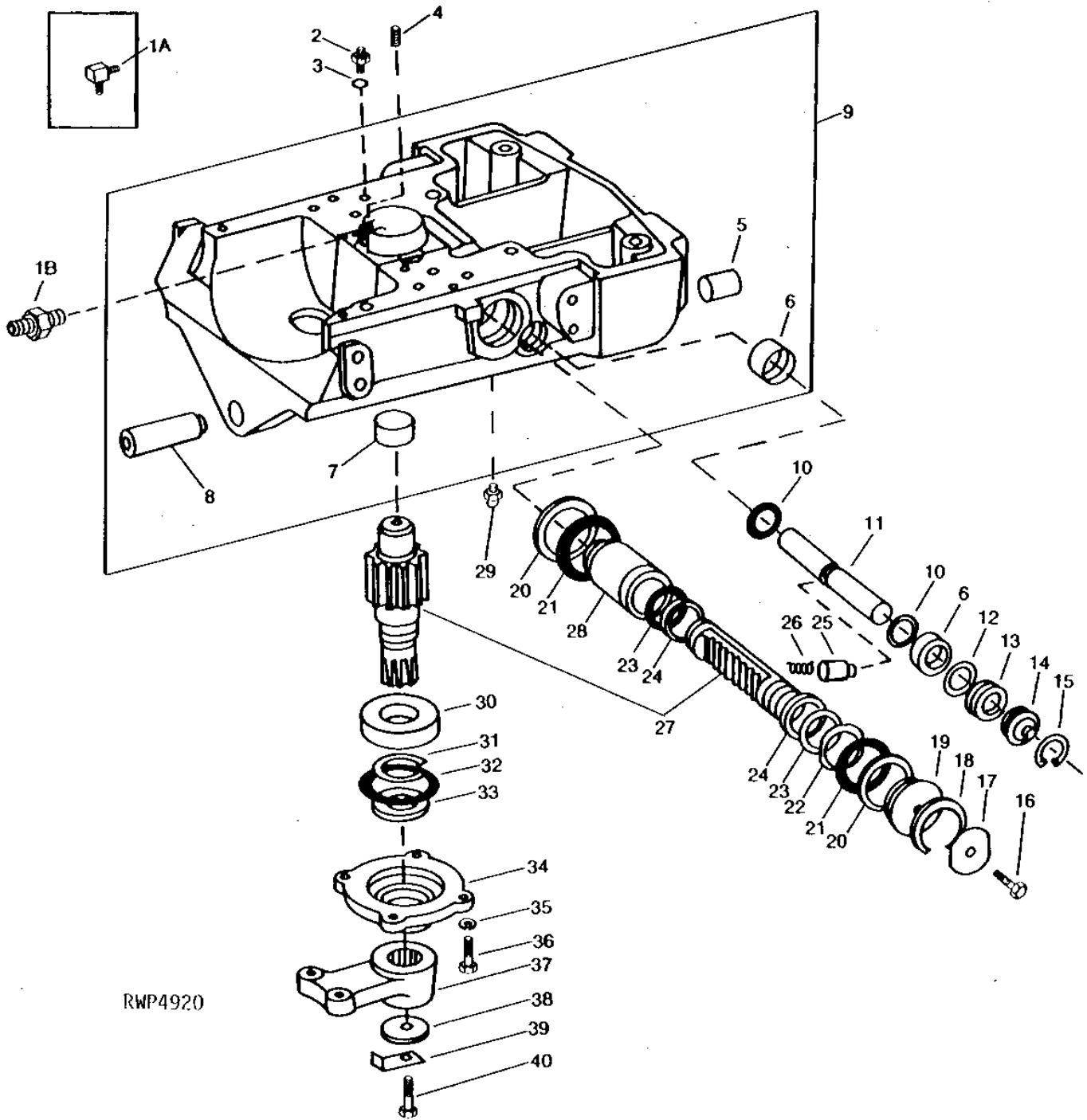
(A) FEEDBACK  
(B) PRESSURE

# 3C11

STEERING AND BRAKES

STEERING MOTOR  
(ADJUSTABLE FRONT AXLE)  
(TRACTOR SERIAL NO. 008840- )

RWP4920 -UN-01JAN94



RWP4920

# 3C12

STEERING AND BRAKES

**STEERING MOTOR - CONTINUED  
(ADJUSTABLE FRONT AXLE)  
(TRACTOR SERIAL NO. 008840- )**

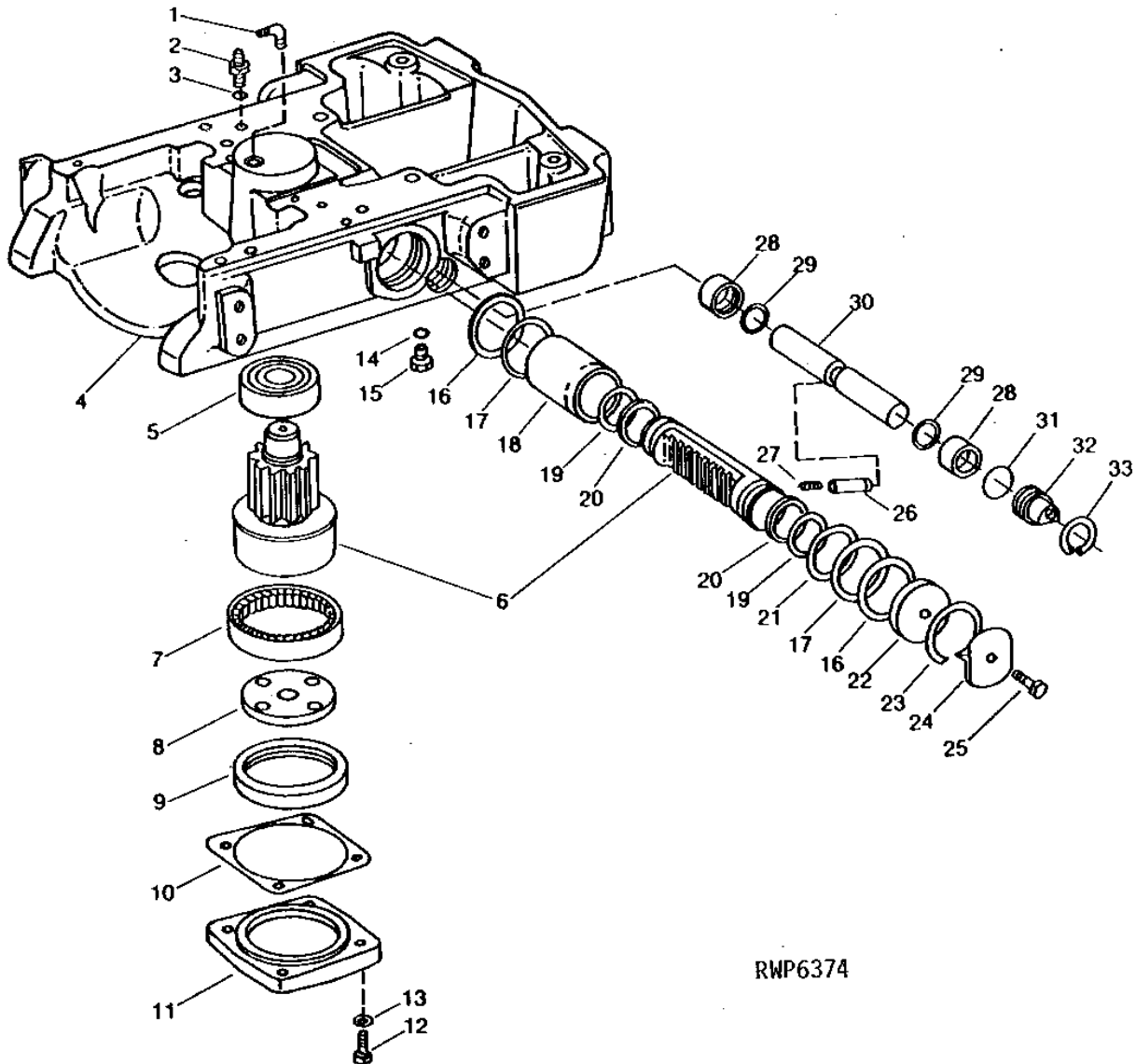
KEY	PART NO.	PART NAME	QTY	TRACTOR SERIAL NO.	REMARKS
1A	AR74095	ELBOW FITTING	1		(SUB FOR T28051)
1B	R39832	ADAPTER	1		(SUB FOR AR74095, THIS APPLICATION)
2	R27212	FITTING	2		
3	R26448	O-RING	2		
4	15H558	PIPE PLUG	1		1/8"
5	R65827	BUSHING	1		(SUB FOR R51376, THIS APPLICATION)
6	R55409	SHAFT	2	-012223	(MARKED R54810) USE WITH SUPPORT
	R61316	SLEEVE	2	012224-	(MARKED R61314, R66153 OR R67032) USE WITH SUPPORT
7	R28277	BUSHING	1		
8	R51798	BUSHING	1		
9	AR87108	SUPPORT	1		(MARKED R54810, R61314, R66153 OR R67032) (SUB AR90721) (SUB FOR AR63326)
10	U10289	O-RING	2		
11	R55196	PISTON	1		
12	R31378	O-RING	2		
13	R71095	WASHER	2		(SUB FOR R65699)
14	R61511	PLUG	2		(SUB FOR R55407)
15	R55408	WEAR RING	2		
16	19H1800	CAP SCREW	2		3/8" X 1-1/2"
17	R51120	WASHER	2		
18	R49805	SNAP RING	2		
19	R68284	PLUG	2		(SUB FOR R50275)
20	R49975	BACK-UP RING	4		
21	R41721	O-RING	4		
22	R49804	LOCK WASHER	2		
23	R65541	WASHER	2		(ALSO ORDER R65542) (SUB FOR R61909, THIS APPLICATION)
24	R65542	WASHER	2		(ALSO ORDER R65541) (SUB FOR R61910, THIS APPLICATION)
25	R69389	PIN	1		(SUB FOR R59543)
26	R41770	SPRING	1		
27	AR70457	KIT	1		(MATCHED SET)
28	R63001	SLEEVE	2		(SUB FOR R50276)
29	JD7798	LUBRICATION FITTING	1		
30	JD9320	BALL BEARING	1		
31	F1334R	SNAP RING	1		
32	C11884	O-RING	1		
33	AT49215	SEAL	1		(SUB FOR T19802)
34	R50104	QUILL	1		
35	12H304	LOCK WASHER	4		3/8"
36	19H1800	CAP SCREW	4		3/8" X 1-1/2"
37	R50074	ARM	1	-013152	(SUB R61158)
	R61158	STEERING ARM	1	013153-	
	R20136	WASHER	1		
39	R50075	LOCK PLATE	1		
40	19H1782	CAP SCREW	1		3/4" X 2-1/4"

# 3C13

STEERING AND BRAKES

STEERING MOTOR  
(CONVERTIBLE FRONT AXLE)  
(TRACTOR SERIAL NO. 008840- )

RWP6374 -UN-01JAN94



RWP6374

# 3C14

STEERING AND BRAKES

STEERING MOTOR - CONTINUED  
(CONVERTIBLE FRONT AXLE)  
(TRACTOR SERIAL NO. 008840- )

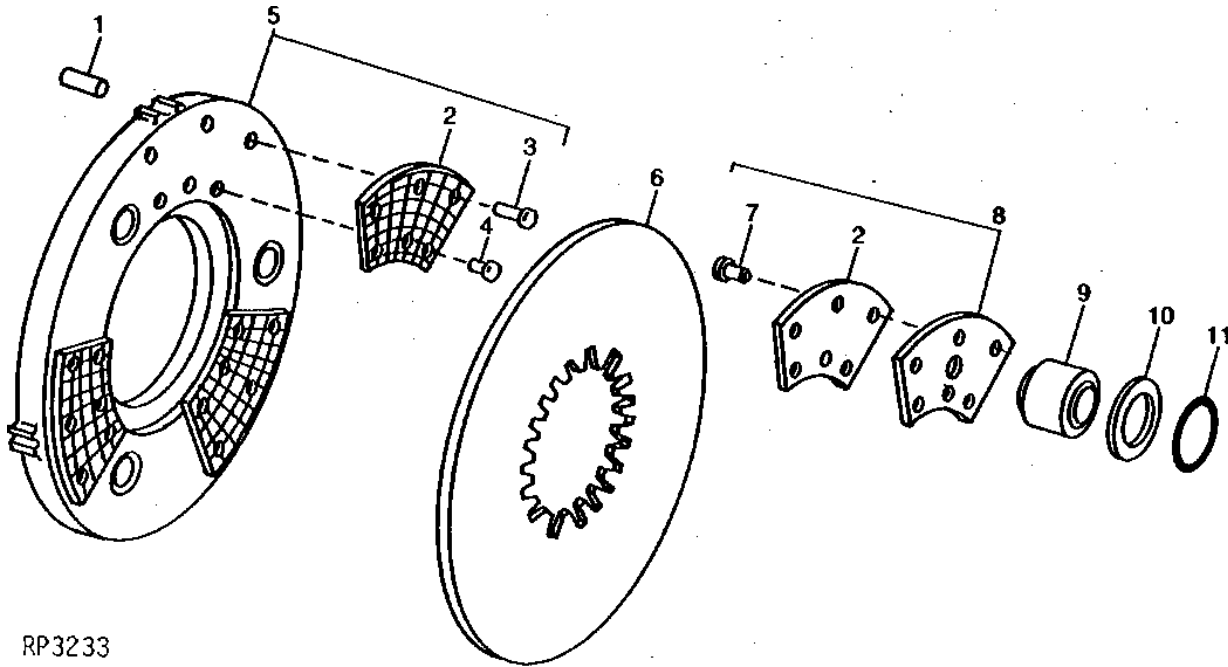
KEY	PART NO.	PART NAME	QTY	TRACTOR SERIAL NO.	REMARKS
1	AR74095	ELBOW FITTING	1		(SUB FOR T28051)
2	R27212	FITTING	2		
3	R26448	O-RING	2		
4	AR64961	SUPPORT	1		(MARKED R54820, R61315 OR R66154)
5	JD9439	BALL BEARING	1		
6	AR87604	SPINDLE	1		(MATCHED SET) (SUB FOR AR70600)
7	JD9930	ROLLER BEARING	1		
8	R67295	WASHER	1		
9	AR58512	SEAL	1		(ALSO ORDER R67295, IF NOT PREVIOUSLY INSTALLED) (SUB AR92557)
10	R100337	GASKET	1		(SUB FOR R51472)
11	R51471	QUILL	1		
12	19H2929	SCREW	4		3/8" X 1.120"
13	12H304	LOCK WASHER	4		3/8"
14	R26448	O-RING	2		
15	R27218	FITTING PLUG	2		
16	R49975	BACK-UP RING	4		
17	R41721	O-RING	4		
18	R63001	SLEEVE	2		(SUB FOR R50276)
19	R65541	WASHER	2		(ALSO ORDER R65542) (SUB FOR R61609, THIS APPLICATION)
20	R65542	WASHER	2		(ALSO ORDER R65541) (SUB FOR R61910, THIS APPLICATION)
21	R49804	LOCK WASHER	2		
22	R68284	PLUG	2		(SUB FOR R50275)
23	R49805	SNAP RING	2		
24	R51120	WASHER	2		
25	19H1800	CAP SCREW	2		3/8" X 1-1/2"
26	R69389	PIN	1		(SUB FOR R59543)
27	R41770	SPRING	1		
28	R55409	SHAFT	2	-012223	(USE WITH R54820)
	R61316	SLEEVE	2	012224-	(USE WITH R61315 OR R66154)
29	U10289	O-RING	2		
30	R55196	PISTON	1		
31	R31378	O-RING	2		
32	R61271	PLUG	2		
33	R55408	WEAR RING	2		

# 3C15

STEERING AND BRAKES

RP3233 -UN-01JAN94

## BRAKE PLATES AND FACINGS



RP3233

KEY	PART NO.	PART NAME	QTY	TRACTOR SERIAL NO.	REMARKS
1	R65543	DOWEL PIN	6		(SUB FOR R33024)
2	R90085	BRAKE SHOE	12		(SUB FOR AR28487 OR R26969) (SUB R111122)
3	D1761R	RIVET	18		
4	R708R	RIVET	18		
5	AR93366	PLATE	2	-004240	(MARKED R33813 OR R48576) (SUB RE46335, (3) RE46330 AND R52171)
	AR93366	PLATE	2	004241-	(MARKED R33813, R48576 OR R79410) (SUB FOR AR32483) (SUB RE46335, (3) RE46330 AND R78432)
6	R52171	BRAKE DISK	2	-004240	(REGULAR AXLE)
	R33816	DISK	2	004241-	(REGULAR AXLE) (SUB FOR R33815)
	R33816	DISK	2		(LONG AND EXTRA LONG AXLE) (SUB FOR R33815)
7	D1761R	RIVET	36		
8	AR32441	PLATE	6	-004240	(SUB RE46335, (3) RE46330 AND R52171)
	AR32441	PLATE	6	004241-	(SUB RE46335, (3) RE46330 AND R78432)
9	R48240	PISTON	6		
10	R26364	WASHER	6		
11	R26863	O-RING	6		

NOTE: THREE PART SUBS ARE DUE TO INTRODUCTION OF NON-ASBESTOS LININGS.

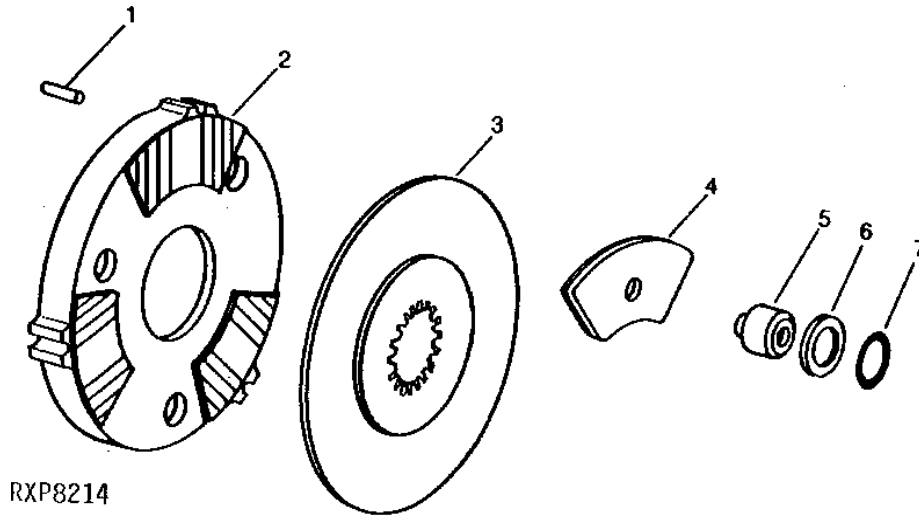


# 3C16

STEERING AND BRAKES

## BRAKE PLATES AND FACINGS

RXP8214 -UN-01JAN94



RXP8214

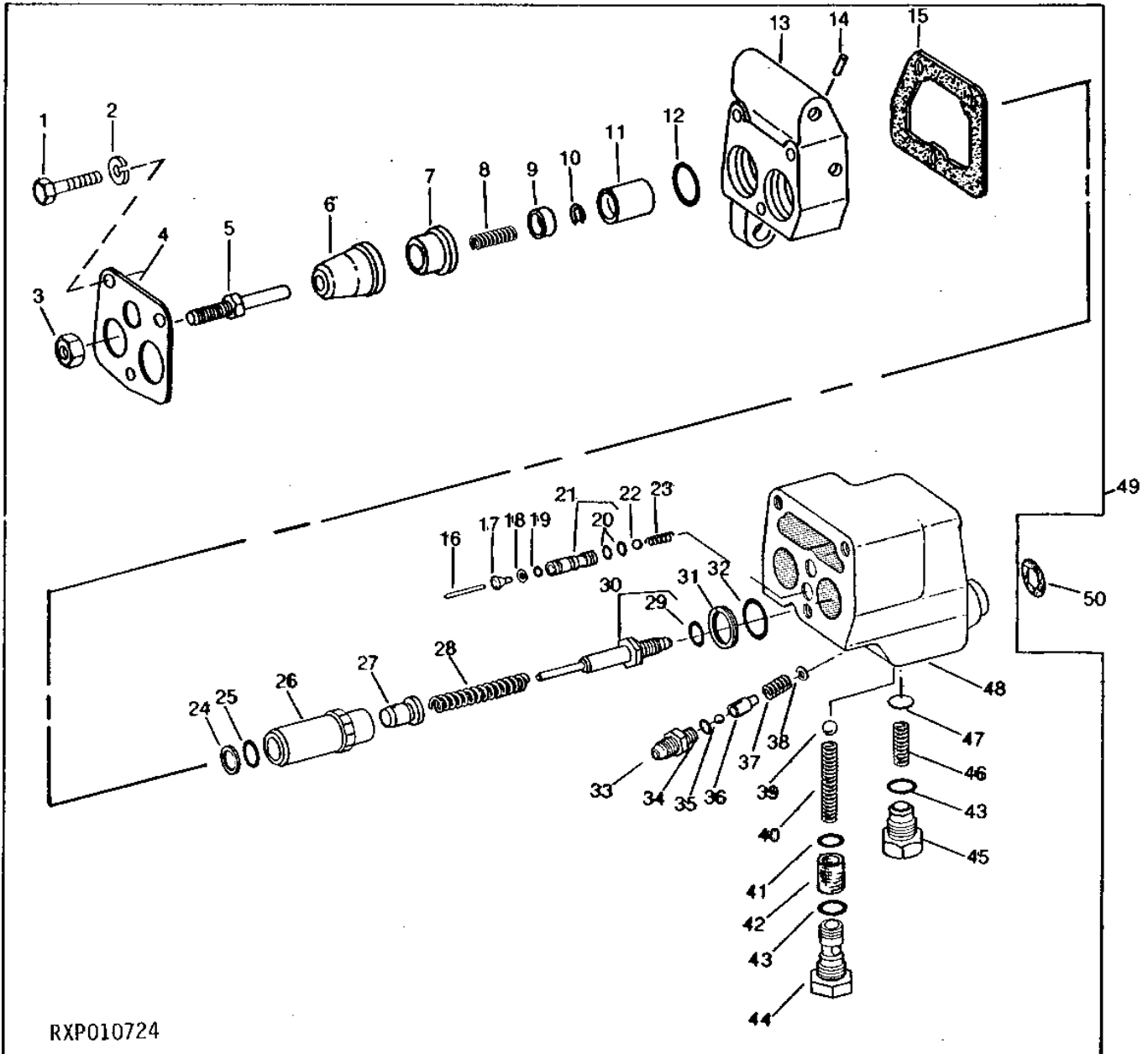
KEY	PART NO.	PART NAME	QTY	TRACTOR SERIAL NO.	REMARKS
1	R65543	DOWEL PIN	6		
2	RE32969	PLATE	2		(MARKED R79673) (SUB RE46335)
3	R52171	BRAKE DISK	2	-004240	
	R78432	BRAKE DISK	2	004241-	
4	RE36657	PLATE	6		(SUB RE46330)
5	R48240	PISTON	6		
6	R26364	WASHER	6		
7	R26863	O-RING	6		

# 3C17

STEERING AND BRAKES

RXP010724 -UN-01JAN94

## BRAKE VALVE



# 3C18

STEERING AND BRAKES

## BRAKE VALVE

KEY	PART NO.	PART NAME	QTY	TRACTOR SERIAL NO.	REMARKS
1	19H1733	CAP SCREW	3		
2	12H304	LOCK WASHER	3		3/8" X 2-1/2"
3	14H849	NUT	2		3/8"
4	R26384	RETAINER	1		7/16"
5	R52167	ROD	2		
6	R54059	BOOT	2		
7	R31459	RETAINER	2		
8	R31271	SPRING	2		
9	R52168	STOP	2		
10	R53201	SNAP RING	2		
11	R52169	GUIDE	2		
12	A3606R	O-RING	2		
13	R51848	COVER	1		
14	R31464	PIN	2		
15	R31455	GASKET	1		
16	R31467	PIN	2		
17	R31465	SLEEVE	2		
18	R31469	SHIM	2		
19	R31468	O-RING	2		
20	R30903	O-RING	4		
21	AR31016	GUIDE	2		
22	R69281	BALL	2		6 MM (1/4")
23	A4816R	SPRING	2		
24	R32092	WASHER	2		
25	R495R	O-RING	2		
26	R32091	PISTON	2		
27	R32090	PLUNGER	2		
28	R26369	SPRING	2		
29	R26286	O-RING	2		
30	AR52497	VALVE	2		
31	R27137	BACK-UP RING	2		
32	R27149	O-RING	2		
33	R36742	COUPLING	1		
34	R26287	O-RING	1		
35	R69281	BALL	1		6 MM (1/4")
36	R44254	GUIDE	1		
37	R44256	SPRING	1		
38	R44255	WASHER	1		
39	R42849	BALL	1		10 MM (3/8")
40	R26372	SPRING	1		
41	R28776	O-RING	1		
42	R42684	STRAINER	1		
43	R26375	O-RING	3		
44	R28774	FITTING	1		
45	R32702	FITTING	2		
46	R227R	SPRING	2		
47	R26376	DISK	2		
48	AR56106	HOUSING	1		(MARKED R57742) (INCL (3) 15H560)
	15H560	PIPE PLUG	3		
49	AR59280	VALVE	1		
50	R51849	SPACER	2		

---

MEMORANDA

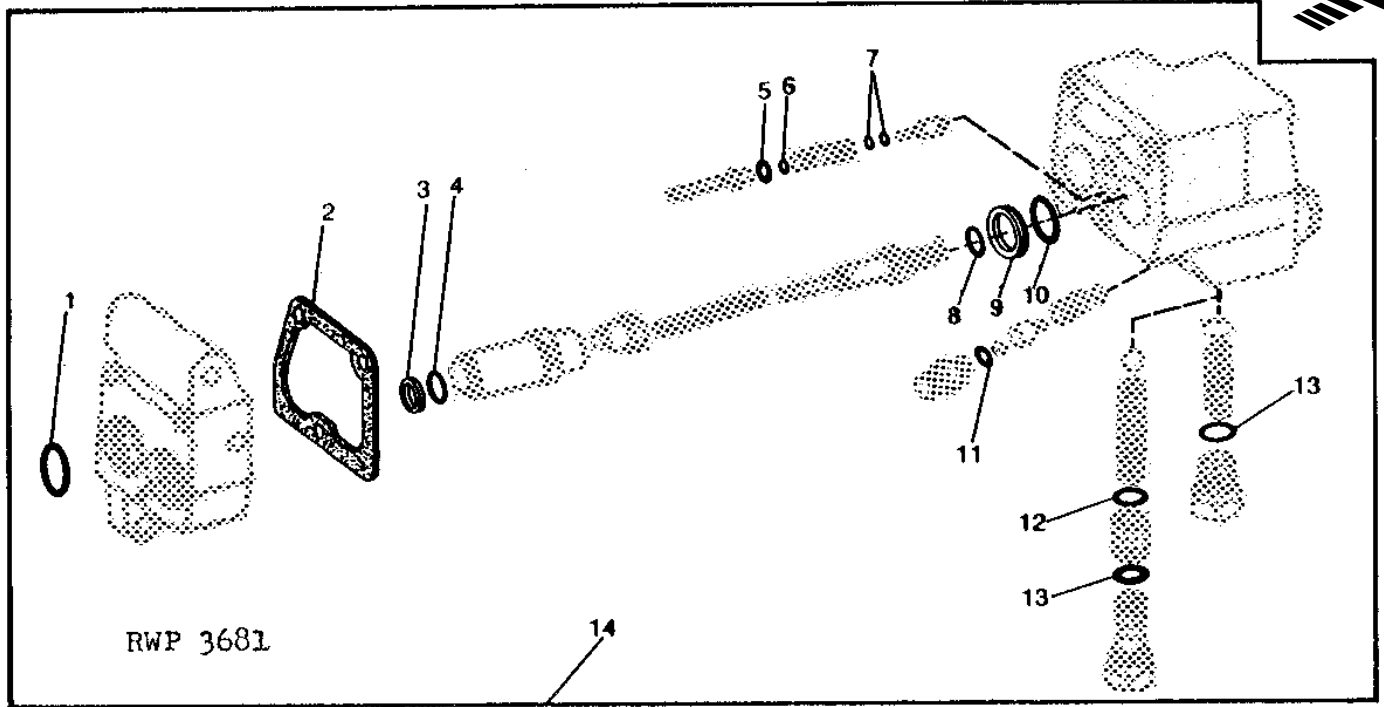
# 3C19

STEERING AND BRAKES

RWP3681

-UN-01JAN94

## BRAKE VALVE OVERHAUL KIT

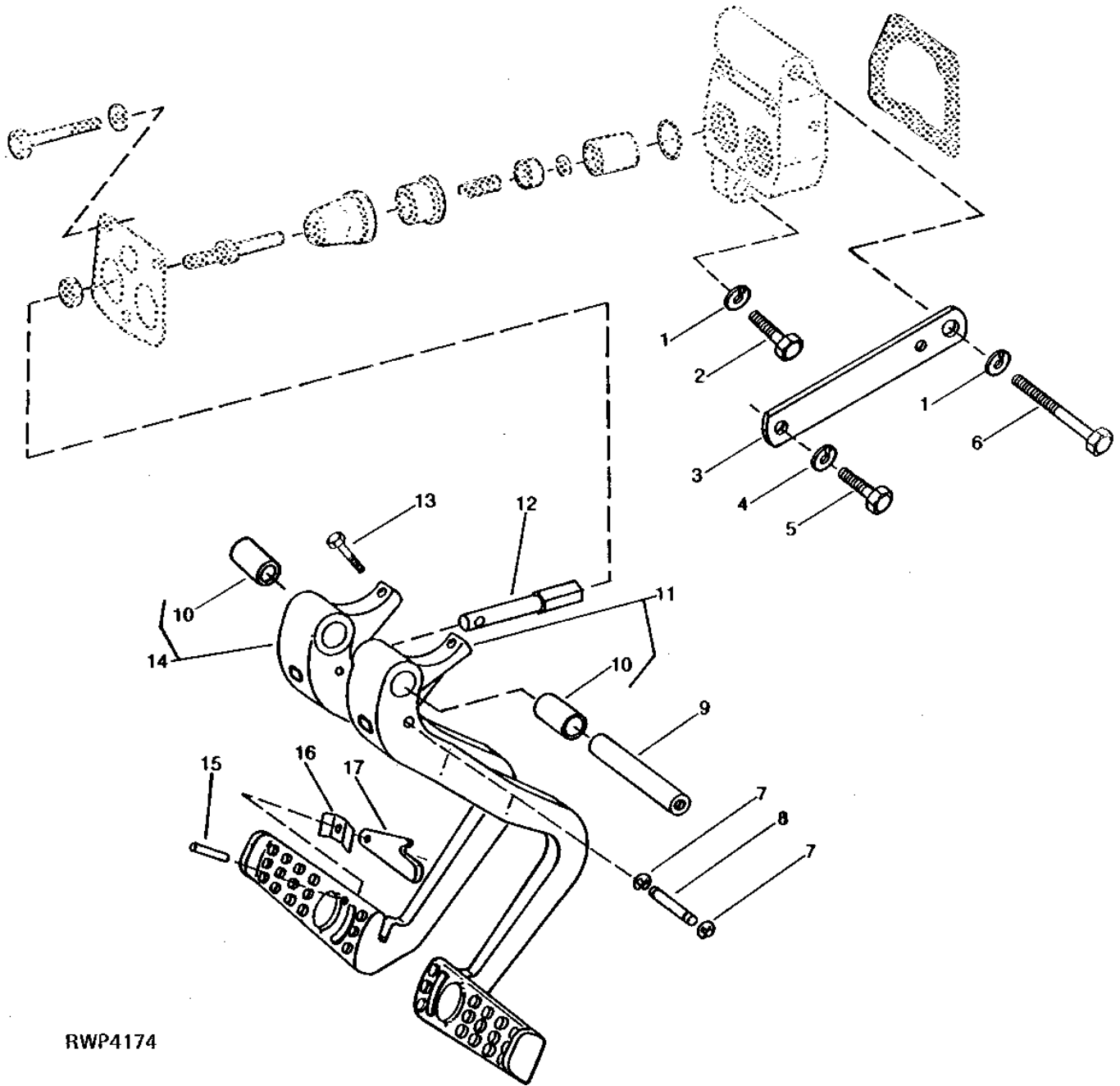


KEY	PART NO.	PART NAME	QTY	TRACTOR SERIAL NO.	REMARKS
1	A3606R	O-RING	2		
2	R31455	GASKET	1		
3	R32092	WASHER	2		
4	R495R	O-RING	2		
5	R31469	SHIM	2		
6	R31468	O-RING	2		
7	R30903	O-RING	4		
8	R26286	O-RING	2		
9	R27137	BACK-UP RING	2		
10	R27149	O-RING	2		
11	R26287	O-RING	1		
12	R28776	O-RING	1		
13	R26375	O-RING	3		
14	AR31946	KIT	1		

# 3C20

RWP4174 -UN-01JAN94

## BRAKE PEDALS



RWP4174

# 3C21

STEERING AND BRAKES

## BRAKE PEDALS - CONTINUED

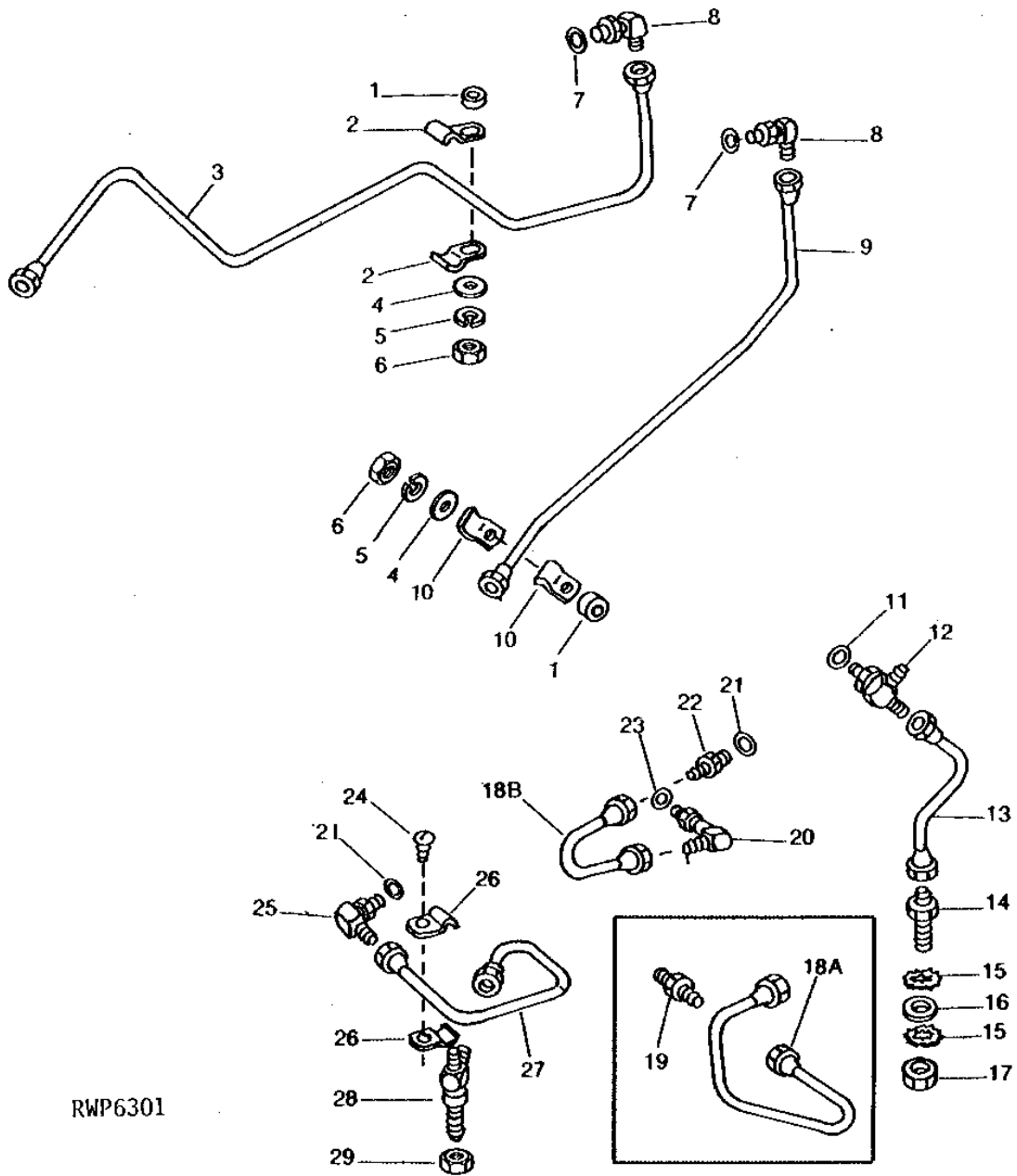
KEY	PART NO.	PART NAME	QTY	TRACTOR SERIAL NO.	REMARKS
1	12H301	LOCK WASHER	2		1/2"
2	19H1721	CAP SCREW	1		1/2" X 1-1/2"
3	R52317	STRAP	1		
4	12H304	LOCK WASHER	1		3/8"
5	19H1731	CAP SCREW	1		3/8" X 1"
6	19H2211	CAP SCREW	1		1/2" X 5"
7	R72653	SNAP RING	4		(SUB FOR M2396T)
8	R53226	PIN	2		
9	R51852	PIN	1		
10	R51192	BUSHING	2		
11	AR55671	PEDAL	1		(MARKED R51343)
12	R51853	EXTENSION	2		
13	R30165	CAP SCREW	2		(DIFFERENTIAL LOCK)
14	AR55672	PEDAL	1		(MARKED R51344)
15	34H313	SPRING PIN	1		1/4" X 1-1/8"
16	R50034	LEAF SPRING	1		
17	R50879	ARM	1		

# 3C22

STEERING AND BRAKES

RWP6301 -UN-01JAN94

## BRAKE UPPER OIL LINES





# 3C23

STEERING AND BRAKES

## BRAKE UPPER OIL LINES - CONTINUED

KEY	PART NO.	PART NAME	QTY	TRACTOR SERIAL NO.	REMARKS
1	28H1517	WASHER	3		3/8" X 1/4"
2	R57549	CLAMP	4		
3	AR56813	HYDRAULIC LINE	1		L.H.
4	24M7096	WASHER	3		10.500 X 18 X 1.600 MM
5	12H304	LOCK WASHER	3		3/8"
6	14H1076	NUT	3		3/8"
7	R26286	O-RING	2		
8	AT32333	ELBOW FITTING	1		
9	AR57019	HYDRAULIC LINE	1		R.H.
10	R42357	CLAMP	2		(B)
	R42009	CLAMP	2		(A)
11	R26287	O-RING	1		
12	AR36097	FITTING	1		(A)
	AT32336	ELBOW FITTING	1		(B)
13	AR56814	HYDRAULIC LINE	1		
14	R36040	FITTING	1		
15	12H337	LOCK WASHER	2	013853-	1/2"
16	24H1227	WASHER	1	013853-	17/32" X 13/16" X 0.060"
17	R27296	NUT	1		
18A	AR56815	OIL LINE	1	-012160	(SUB AR74310, AR35710 AND R26286)
18B	AR74310	HYDRAULIC LINE	1	012161-	
19	R27272	FITTING	1	-012160	
20	AR35710	ELBOW FITTING	1	012161-	
21	R26287	O-RING	2		
22	R36742	COUPLING	1		
23	R26286	O-RING	1		
24	37H27	SCREW	1		5/16" X 7/8"
25	AT32335	ELBOW FITTING	1		(SUB FOR AR26746)
26	R52053	CLAMP	2		
27	AR56767	HYDRAULIC LINE	1		
28	AR64094	TEE FITTING	1		(SUB FOR AR56773)
29	R26572	NUT	1		
..	R78080	TAG	1		SAFETY, ACCUMULATOR PRESSURE OIL, (SUB R120127)

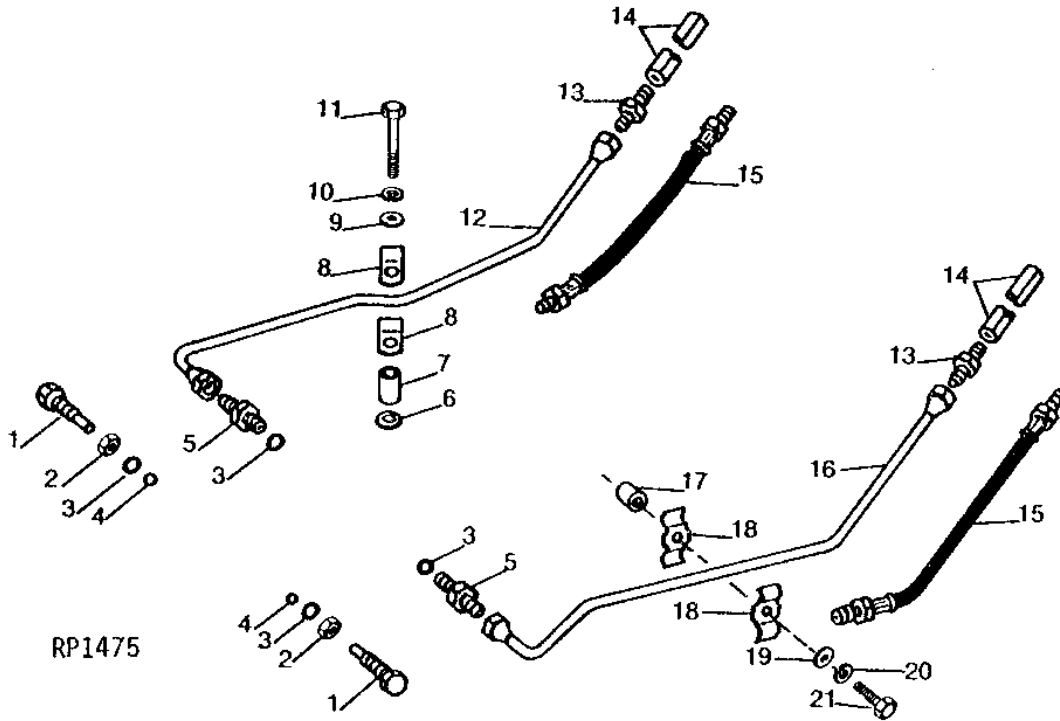
- (A) DIFFERENTIAL LOCK  
(B) LESS DIFFERENTIAL LOCK

# 3C24

STEERING AND BRAKES

RP1475 -UN-01JAN94

## BRAKE REAR OIL LINES



KEY	PART NO.	PART NAME	QTY	TRACTOR SERIAL NO.	REMARKS
1	R27906	SCREW	2		
2	R27296	NUT	2		
3	R26286	O-RING	4		
4	R42849	BALL	2	(10MM)	
5	R27272	FITTING	2		
6	A4624R	WASHER	1		
7	28H1521	SPACER	1	3/8" X 9/16"	
8	R47687	CLAMP	2		
9	24M7096	WASHER	1	10.500 X 18 X 1.600 MM	
10	12H304	LOCK WASHER	1	3/8"	
11	19H1765	CAP SCREW	1	3/8" X 1-3/4"	
12	AR58318	HYDRAULIC LINE	1	L.H.	
	AR58320	HYDRAULIC LINE	1	(A) L.H.	
13	R50201	FITTING	2		
14	.....	HOSE	2	57MM (2-1/4") (MAKE FROM R45847)	
	R44302	TIE BAND	2		
15	AR56821	OIL LINE	2	-014860 (A) (SUB AR78972)	
	AR78972	HYDRAULIC HOSE	2	014861- (A)	
16	AR58317	HYDRAULIC LINE	1	(A) (NLA)	
	AR58319	HYDRAULIC LINE	1	(A) (NLA)	
17	28H1697	SPACER	1	1/2" X 3/4"	
18	R42009	CLAMP	2	(B)	
	R57549	CLAMP	2	(C) (SUB FOR R47687)	
19	24M7096	WASHER	1	10.500 X 18 X 1.600 MM	
20	12H304	LOCK WASHER	1		
21	19H1765	CAP SCREW	1	3/8" X 1-3/4"	
	19H1726	CAP SCREW	1	(A) 3/8" X 2-1/4"	

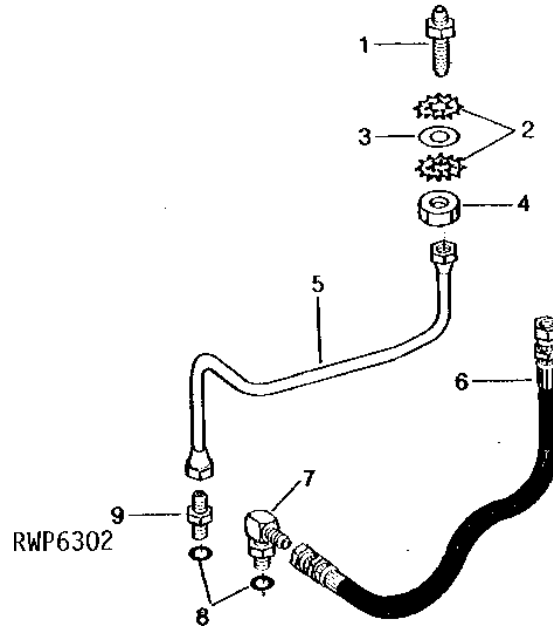
- (A) SOUND-GARD BODY
- (B) DIFFERENTIAL LOCK
- (C) LESS DIFFERENTIAL LOCK

# 3C25

STEERING AND BRAKES

RWP6302 -UN-01JAN94

## BRAKE LOWER RETURN OIL LINES



KEY	PART NO.	PART NAME	QTY	TRACTOR SERIAL NO.	REMARKS
1	R36040	FITTING	1		
2	12H337	LOCK WASHER	2	013853-	1/2"
3	24H1227	WASHER	1	013853-	(B) 17/32" X 13/16" X 0.060"
4	R27296	NUT	1		
5	AR58580	HYDRAULIC LINE	1		(NLA)
6	AR58663	HYDRAULIC HOSE	1	-013852	(A)
	AR78547	HYDRAULIC HOSE	1	013853-	(A) (SUB FOR AR76507) (SUB AR81856)
	R60831	GROMMET	1	013853-	(A)
7	AT32333	ELBOW FITTING	1		(A)
8	R26286	O-RING	1		
9	R27272	FITTING	1		

(A) SOUND-GARD BODY  
(B) LESS SOUND-GARD BODY

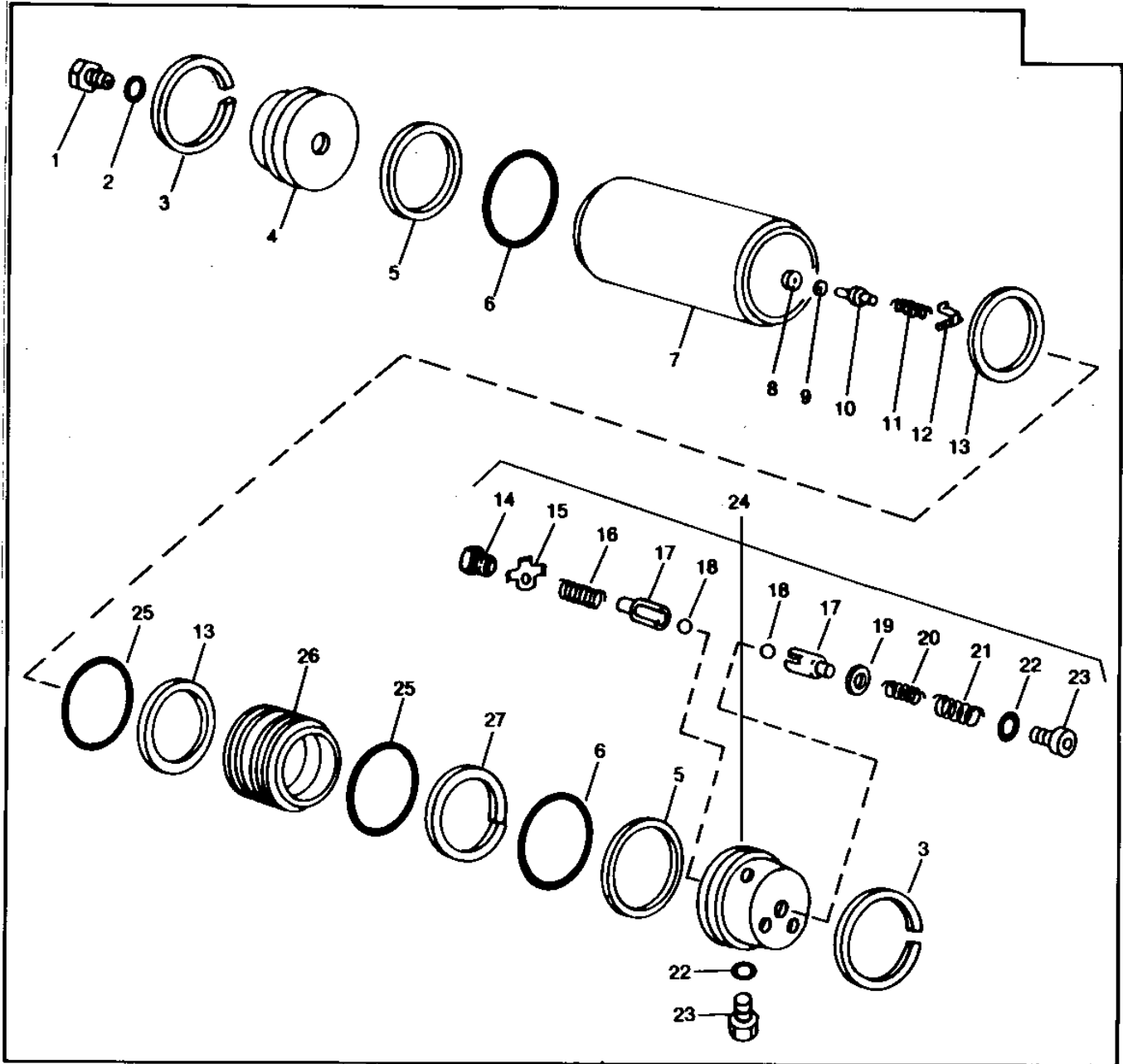
# 3D1

STEERING AND BRAKES

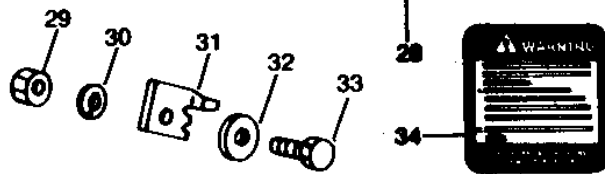
RP3888

-UN-25OCT94

## BRAKE ACCUMULATOR



RP3888



# 3D2

STEERING AND BRAKES

## BRAKE ACCUMULATOR - CONTINUED

KEY	PART NO.	PART NAME	QTY	TRACTOR SERIAL NO.	REMARKS
1	R27094	DRAIN PLUG	1		
2	R26286	O-RING	1		
3	U10136	SNAP RING	2		(USE WITH R46987)
	R78101	SNAP RING	2		(USE WITH R77867)
4	R48957	END	1		
5	R35684	BACK-UP RING	2		
6	R86192	O-RING	2		
7	R46987	HYDRAULIC CYLINDER BARREL	1		(SUB R77867 AND (2) R78101)
8	R60038	PACKING	1		
9	R47087	WASHER	1		
10	R47085	VALVE	1		
11	R47086	SPRING	1		
12	R41877	GUIDE	1		
13	L29015	BACK-UP RING	2		
14	R74022	RETAINER	1		
15	R75866	LOCK PLATE	1		
16	R44256	SPRING	1		
17	R44254	GUIDE	2		
18	400R	BALL	2		6MM (1/4")
19	R31632	SHIM	AR		
20	R47606	SPRING	1		
21	R47605	SPRING	1		
22	R26286	O-RING	2		
23	R47607	PIPE PLUG	2		
24	AR93259	CAP	1		(SUB FOR AR67781)
25	A4728R	O-RING	2		
26	R57103	PISTON	1		
27	R27649	BACK-UP RING	1		
28	RE11956	ACCUMULATOR	1		(ALSO ORDER AR74310, AR35710 AND R26286 UNLESS PREVIOUSLY INSTALLED) (ALSO ORDER R120109, R120110, R80754 OR R82337) (SUB FOR AR67778)
29	14H785	NUT	1		5/16"
30	12H303	LOCK WASHER	1		5/16"
31	R51851	CLIP	1		
32	24H1299	WASHER	1		3/8" X 1-1/4" X 0.065"
33	19H1905	CAP SCREW	1		5/16" X 1"
34	R80752	LABEL	1		(ENGLISH) (ACCUMULATOR) (SUB R120109)
	R80753	LABEL	1		(ESPAÑOL) (ACCUMULATOR) (SUB R120110)
	R80754	LABEL	1		(FRANCAIS) (ACCUMULATOR)
	R82337	LABEL	1		(DEUTSCH) (ACCUMULATOR)

---

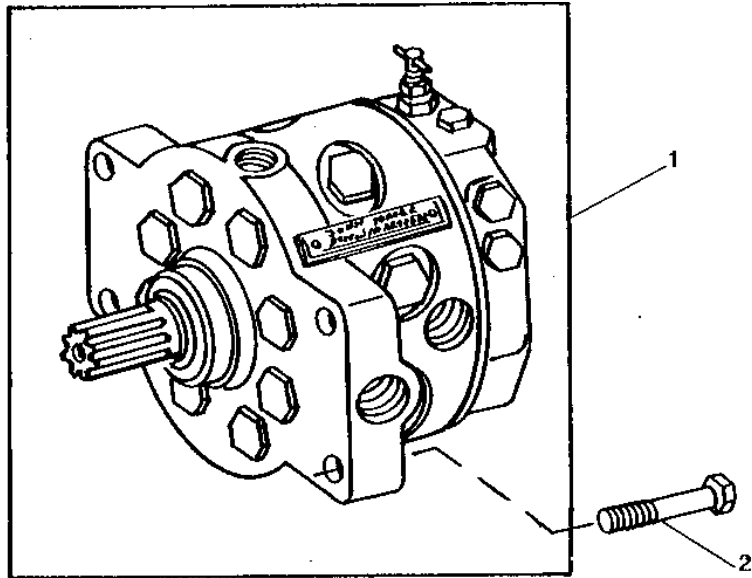
MEMORANDA

# 3D7

HYDRAULICS

RP3196 -UN-01JAN94

## REPLACEMENT HYDRAULIC PUMP ASSEMBLY



RP3196

KEY	PART NO.	PART NAME	QTY	TRACTOR SERIAL NO.	REMARKS
1	AR97872	HYDRAULIC PUMP	1		40 CM3 (2.4 IN.3) (MODEL EA1) (ALSO ORDER AT49331, R39741, P47908, U13639 AND F3171R) (SUB FOR AR39695 OR AR90459)
2	19H1990	CAP SCREW	4		1/2" X 2-1/4"

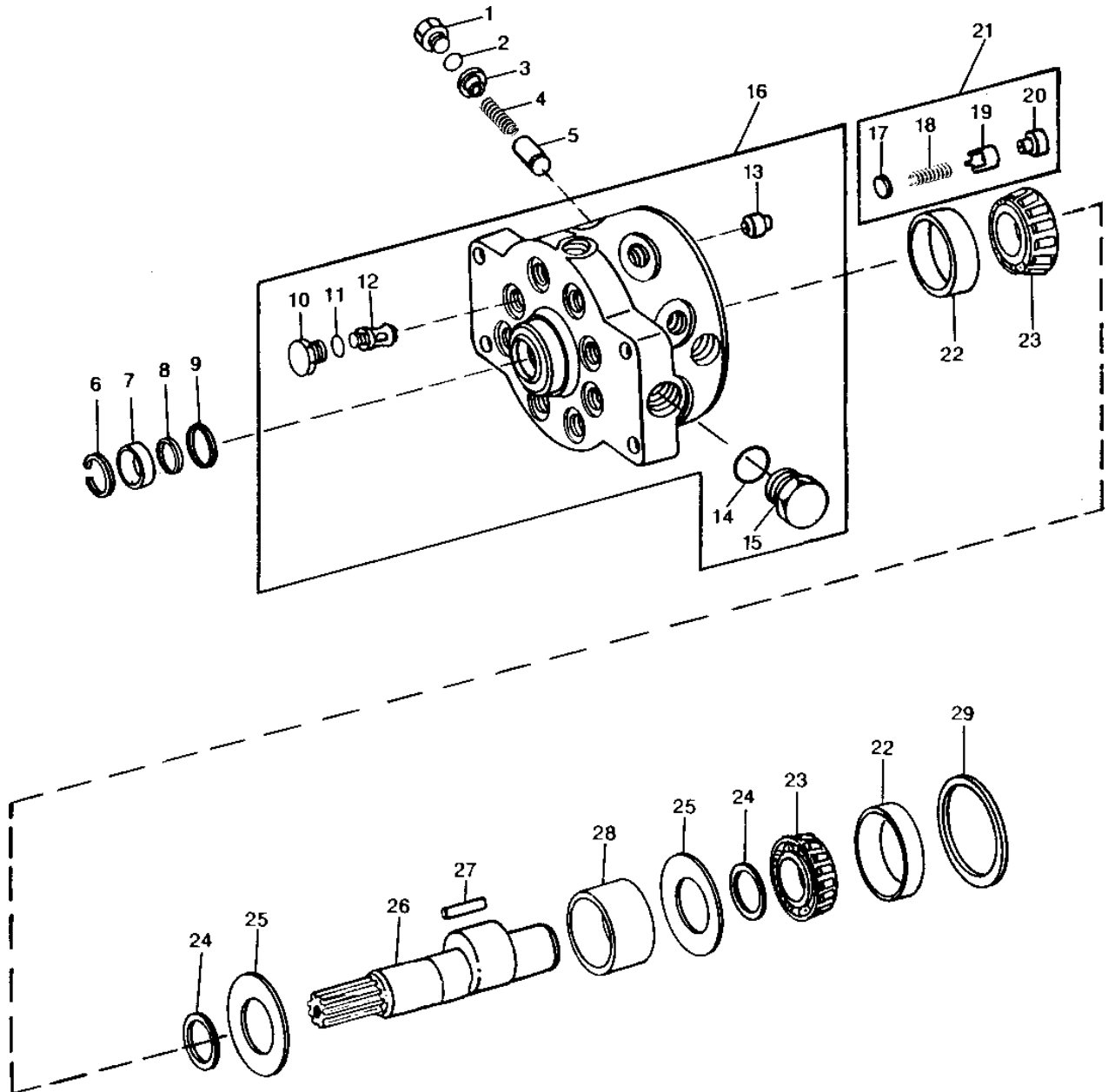
# 3D8

HYDRAULICS

RP3261

-UN-01JAN94

HYDRAULIC PUMP  
39 CM3 (2.4 IN.3)  
(PUMP LESS SERIAL PLATE)





# 3D9

HYDRAULICS

**HYDRAULIC PUMP - CONTINUED**  
**39 CM3 (2.4 IN.3)**  
**(PUMP LESS SERIAL PLATE)**

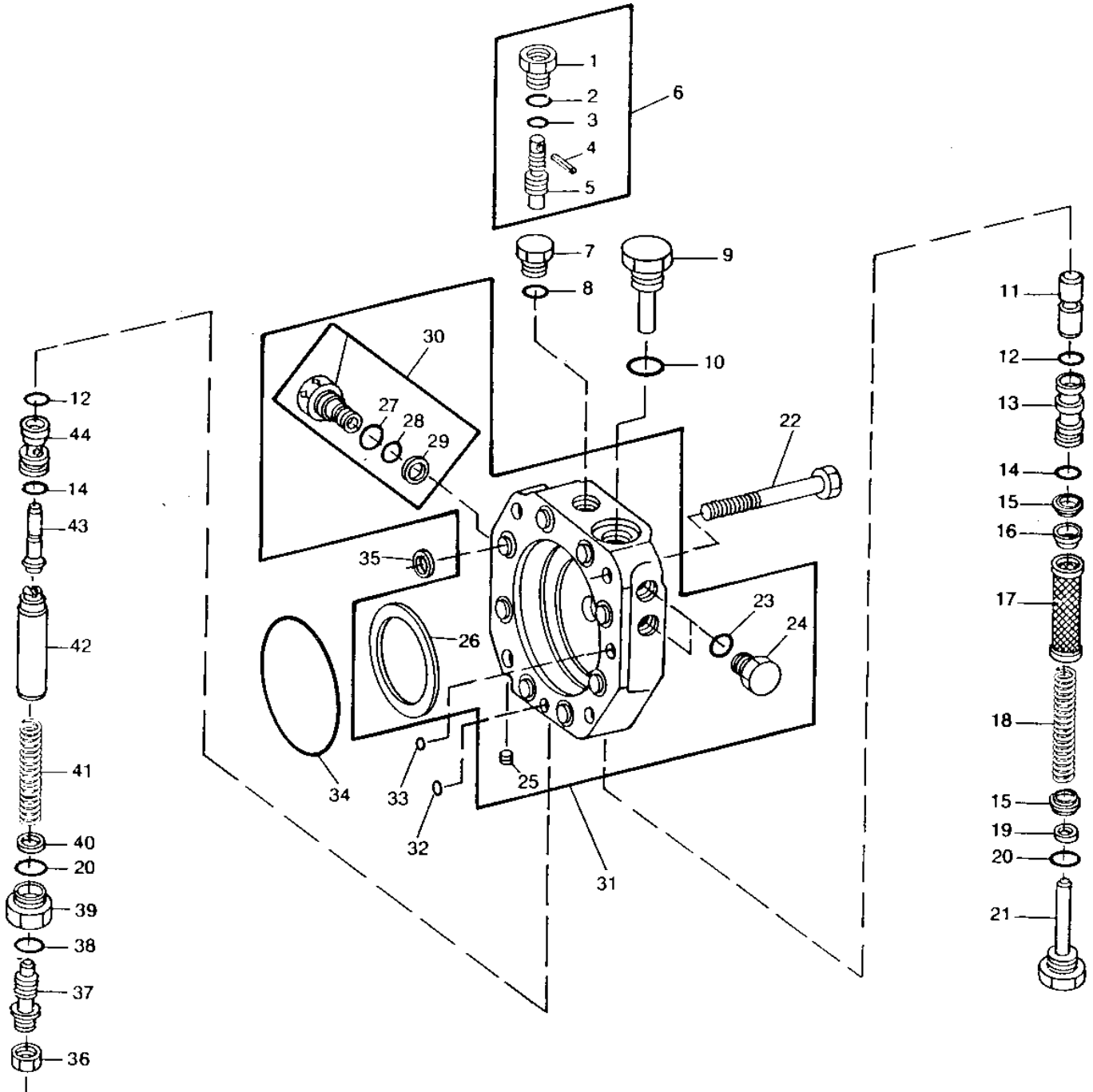
KEY	PART NO.	PART NAME	QTY	TRACTOR SERIAL NO.	REMARKS
1	R45438	FITTING	8		
2	R56463	O-RING	8		
3	AR101236	SHIELD	1		(SET OF 8) (SUB FOR R56749)
4	AR76762	SPRING	1		(SET OF 8) (SUB FOR AR55186)
5	R27150	PISTON	8		
6	R26137	SNAP RING	1		
7	RE28790	SEAL	1		(SUB FOR AR52224)
8	R56753	SHIM	1		
9	R39729	O-RING	1		
10	R78293	FITTING	8		(SUB FOR R44823)
11	R27149	O-RING	8		
12	AR53301	VALVE	8		
13	R105583	SEAT	8		
14	U13639	O-RING	1		(USE WITH R45228)
	F3171R	O-RING	1		(USE WITH R45227)
15	R39741	DRAIN PLUG	1		(USE WITH R45228)
	R27175	DRAIN PLUG	1		(USE WITH R45227)
16	AR47580	HOUSING	1		(MARKED R45227 OR R45228) (SUB AR97872) (ALSO ORDER AT49331, R39741, P47908, U13639 AND F3171R)
17	R49297	DISK	8		
18	R39228	SPRING	8		
19	R48738	GUIDE	8		
20	R83508	STOP	8		(SUB FOR R49298 OR R72886)
21	RE23382	VALVE	8		(SUB FOR AR52785 OR AR96613)
22	JD8223	BEARING CUP	2		
23	JD8192	BEARING CONE	2		
24	R34349	WASHER	2		
25	R60732	WASHER	2		(SUB FOR R42467)
26	R39843	SHAFT	1		
27	R27145	NEEDLE ROLLER	36		
28	R45874	BEARING RACE	1		
29	R27478	SHIM	AR		0.15MM (.006")
	R27479	SHIM	AR		0.25MM (.010")
..	AR39695	HYDRAULIC PUMP	1		(SUB AR97872) (ALSO ORDER AT49331, R39741, P47908, U13639 AND F3171R)
..	AR90459	HYDRAULIC PUMP	1		(SUB AR97872) (ALSO ORDER AT49331, R39741, P47908, U13639 AND F3171R) (SUB FOR AR39695)

# 3D10

HYDRAULICS

## HYDRAULIC PUMP STROKE CONTROL VALVE 39 CM<sup>3</sup> (2.4 IN.<sup>3</sup>) (PUMP LESS SERIAL PLATE)

RP3510 -UN-01JAN94



RP 3510

# 3D11

HYDRAULICS

HYDRAULIC PUMP STROKE CONTROL VALVE - CONTINUED  
 39 CM3 (2.4 IN.3)  
 (PUMP LESS SERIAL PLATE)

KEY	PART NO.	PART NAME	QTY	TRACTOR SERIAL NO.	REMARKS
1	R27475	FITTING	1		
2	R26448	O-RING	1		
3	A4365R	O-RING	1		
4	34H254	SPRING PIN	1	1/8" X 1-1/2"	
5	R27171	SCREW	1		
6	AR33249	SCREW	1		(MANUAL DESTROKE)
7	R27218	FITTING PLUG	1		(LESS MANUAL DESTROKE)
8	R26448	O-RING	1		(LESS MANUAL DESTROKE)
9	AR51745	DRAIN PLUG	1		
10	R26906	O-RING	1		
11	R27172	VALVE	1		
12	R27564	O-RING	2		
13	R70351	SLEEVE	1		(SUB FOR R27476)
14	R27166	O-RING	2		
15	R27174	PACKING	2		
16	R27167	GUIDE	1		
17	R27173	FILTER ELEMENT	1		
18	R27159	SPRING	1		
19	R27170	SHIM	AR	0.010"	
	24H1298	WASHER	AR	0.030"	
20	R56751	O-RING	2		
21	AR26646	DRAIN PLUG	1		
22	19H3520	CAP SCREW	4	1/2" X 3-1/4"	
23	R26287	O-RING	2		
24	R27216	DRAIN PLUG	2		
25	15H560	PIPE PLUG	1	1/16", (USE WITH R49071)	
26	R49072	WASHER	1	(NOT USED IN ALL APPLICATIONS)	
27	R26375	O-RING	1	(USE WITH R49071)	
28	T40308	O-RING	1	(USE WITH R49071)	
29	T57374	BACK-UP RING	1	(USE WITH R49071)	
30	AR90378	PLUG	1	(USE WITH R49071)	
31	AR38714	HOUSING	1	(MARKED R42663, R44802 OR R49071) (SUB FOR RE13611)	
32	R56755	WASHER	1	(SUB FOR A4847R)	
33	R56756	O-RING	1	(SUB FOR A3917R)	
34	R56757	O-RING	1	(SUB FOR R26621)	
35	R69279	WASHER	8	(SUB FOR R56754)	
36	14H1021	NUT	1	7/16"	
37	AR52254	SET SCREW	1		
38	R28782	O-RING	1		
39	R28781	FITTING	1		
40	R42260	WASHER	1		
41	R31781	SPRING	1		
42	R71321	GUIDE	1	(SUB FOR R32344)	
43	R70559	CONTROL VALVE	1	(SUB RE10712, R27166 AND R41057) (SUB FOR R27472 OR R65194)	
44	R69262	SLEEVE	1	(SUB RE10712, R27166 AND R41057) (SUB FOR R27471, R58499 OR R65192)	

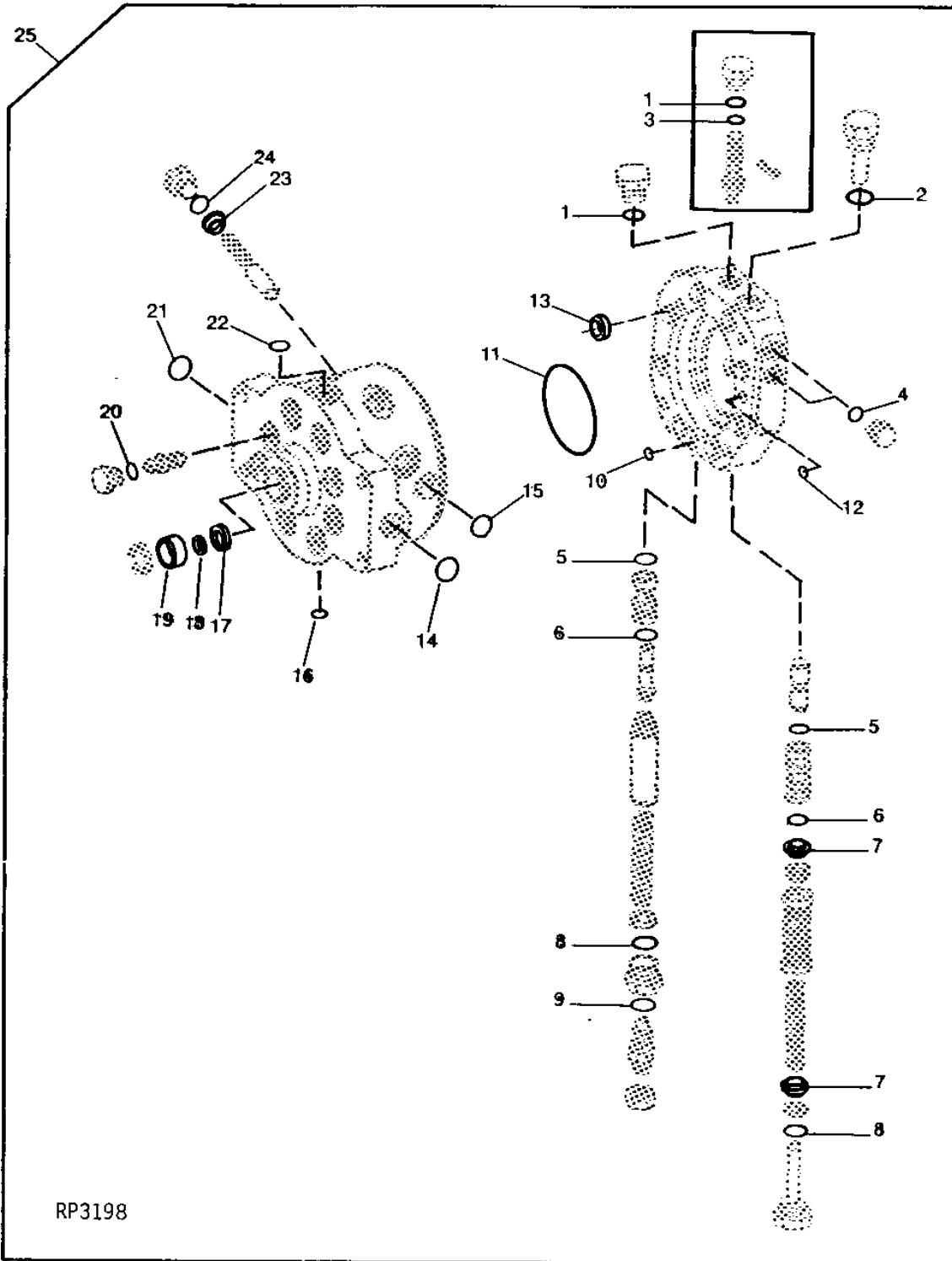
# 3D12

HYDRAULICS

## HYDRAULIC PUMP AND STROKE CONTROL VALVE OVERHAUL KIT 39 CM3 (2.4 IN.3) (PUMP LESS SERIAL PLATE)

RP3198

-UN-01JAN94



RP3198

# 3D13

HYDRAULICS

HYDRAULIC PUMP AND STROKE CONTROL VALVE OVERHAUL KIT - CONTINUED  
39 CM3 (2.4 IN.3)  
(PUMP LESS SERIAL PLATE)

KEY	PART NO.	PART NAME	QTY	TRACTOR SERIAL NO.	REMARKS
1	R26448	O-RING	2		
2	R26906	O-RING	1		
3	A4365R	O-RING	1		
4	R26287	O-RING	2		
5	R27564	O-RING	2		
6	R27166	O-RING	2		
7	R27174	PACKING	2		
8	R56751	O-RING	2		
9	R28782	O-RING	1		
10	R56755	WASHER	1		
11	R56757	O-RING	1		
12	R56756	O-RING	1	(A)	
	A4365R	O-RING	1	(A)	
13	R69279	WASHER	8		
14	U13639	O-RING	1		
15	R26906	O-RING	1		
16	R26287	O-RING	1		
17	R39729	O-RING	1		
18	R56753	SHIM	1		
19	RE28790	SEAL	1		
20	R27149	O-RING	8		
21	R56751	O-RING	1		
22	R27928	O-RING	2	(A) TOP	
	P47908	O-RING	1	(A) BOTTOM	
	R35827	WASHER	1	(A)	
23	AR101236	SHIELD	1	(SET OF 8)	
24	R56463	O-RING	8		
25	RE29103	KIT	1	(B) (SUB FOR AR67718)	

(A) UNIVERSAL KIT - APPLICATIONS WILL VARY

(B) ALSO ORDER (2) R27166 AND (2) R41057, IF STROKE CONTROL VALVE HAS BEEN REPLACED.

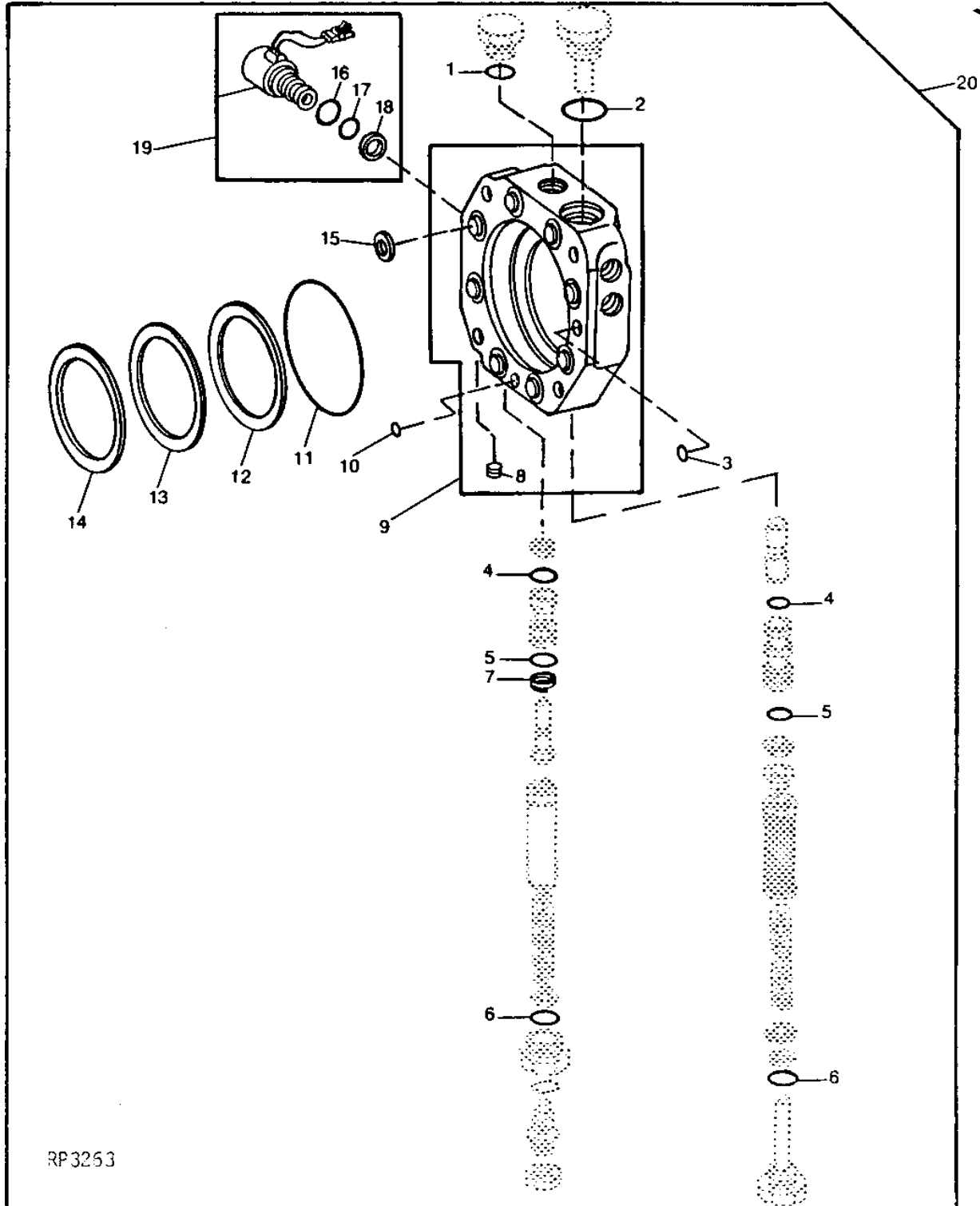
# 3D14

HYDRAULICS

## HYDRAULIC PUMP ELECTRIC DESTROKE KIT 39 CM3 (2.4 IN.3) (PUMP LESS SERIAL PLATE)

RP3263

-UN-01JAN94



RP3263

# 3D15

HYDRAULICS

HYDRAULIC PUMP ELECTRIC DESTROKE KIT - CONTINUED  
39 CM3 (2.4 IN.3)  
(PUMP LESS SERIAL PLATE)

KEY	PART NO.	PART NAME	QTY	TRACTOR SERIAL NO.	REMARKS
1	R26448	O-RING	1		
2	R26906	O-RING	1		
3	R56756	O-RING	1		
4	R27564	O-RING	2		
5	R27166	O-RING	2		
6	F3171R	O-RING	2		
7	R41057	BACK-UP RING	1		
8	15H560	PIPE PLUG	1		1/16"
9	AR52494	HOUSING	1		(MARKED R49071)
10	R56755	WASHER	1		
11	R56757	O-RING	1		
12	R27478	SHIM	2		0.15MM (.006")
13	R27479	SHIM	2		0.25MM (.010")
14	R49072	WASHER	1		(NOT USED IN ALL APPLICATIONS)
15	R69279	WASHER	8		
16	R26375	O-RING	1		
17	T40308	O-RING	1		
18	T57374	BACK-UP RING	1		
19	RE32529	SOLENOID VALVE	1		(SUB FOR RE21725)
20	RE14868	KIT	1		(A) (SUB RE40463)

(A) INCLUDES RE12330 WIRE CONNECTORS

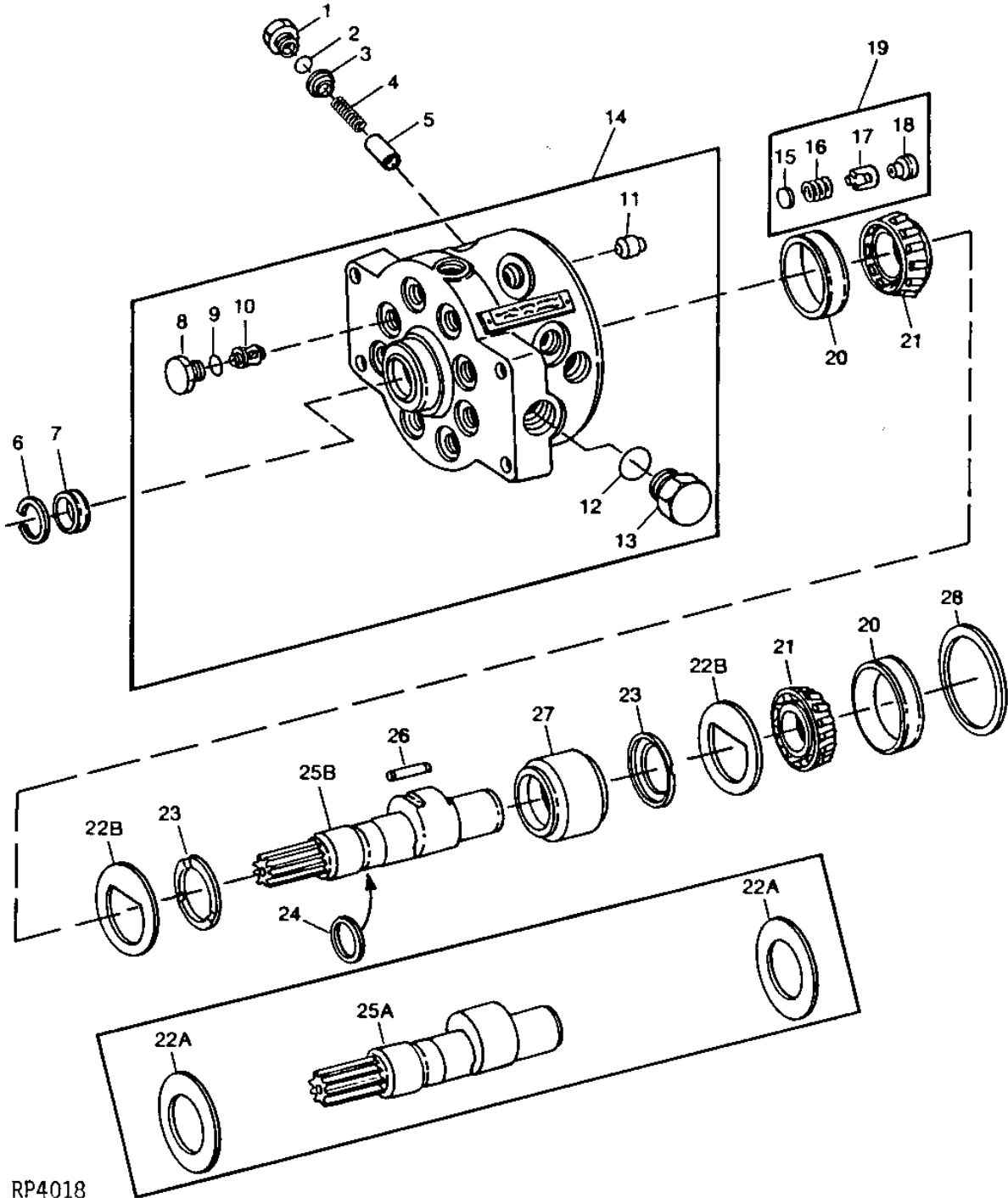
# 3D16

HYDRAULICS

HYDRAULIC PUMP - MODEL EA1  
40 CM3 (2.4 IN.3)  
(REPLACEMENT PUMP WITH SERIAL PLATE)

RP4018

-UN-18OCT94





# 3D17

HYDRAULICS

**HYDRAULIC PUMP - MODEL EA1 - CONTINUED**  
**40 CM3 (2.4 IN.3)**  
**(REPLACEMENT PUMP WITH SERIAL PLATE)**

KEY	PART NO.	PART NAME	QTY	PUMP SERIAL NO.	REMARKS
1	R45438	FITTING	8		
2	R56463	O-RING	8		
3	AR101236	SHIELD	1		(SET OF 8)
4	AR76762	SPRING	1		(SET OF 8)
5	R27150	PISTON	8		
6	R26137	SNAP RING	1		
7	RE28790	SEAL	1		(SUB FOR AR52224)
8	R78293	FITTING	8		
9	R27149	O-RING	8		
10	AR53301	VALVE	8		(INLET)
11	R105583	SEAT	8		
12	U13639	O-RING	1		
13	R39741	DRAIN PLUG	1		
14	RE11804	HOUSING	1		(MODEL PJ1) (MARKED R73741)
15	R49297	DISK	8		
16	R39228	SPRING	8		
17	R48738	GUIDE	8		
18	R83508	STOP	8		(SUB R72886)
19	RE23382	VALVE	8		(OUTLET) (SUB FOR AR96613)
20	JD8223	BEARING CUP	2		
21	JD8192	BEARING CONE	2		
22A	R77903	WASHER	2	-014818	(SUB FOR R45425)
22B	R79151	LOCK WASHER	2	014819-	(USE WITH R79150)
23	R72507	THRUST WASHER	2		
24	R77611	RING	1		(SEALING) (SUB FOR R68252 OR RE11777)
25A	R73228	SHAFT	1	-014818	(SUB R79150) (ALSO ORDER (2) R79151)
25B	R79150	SHAFT	1	014819-	
26	R45422	NEEDLE ROLLER	25		
27	R80558	BEARING RACE	1		(SUB FOR R72506)
28	R27478	SHIM	AR		0.15MM (.006")
	R27479	SHIM	AR		0.25MM (.010")
..	AR97872	HYDRAULIC PUMP	1		

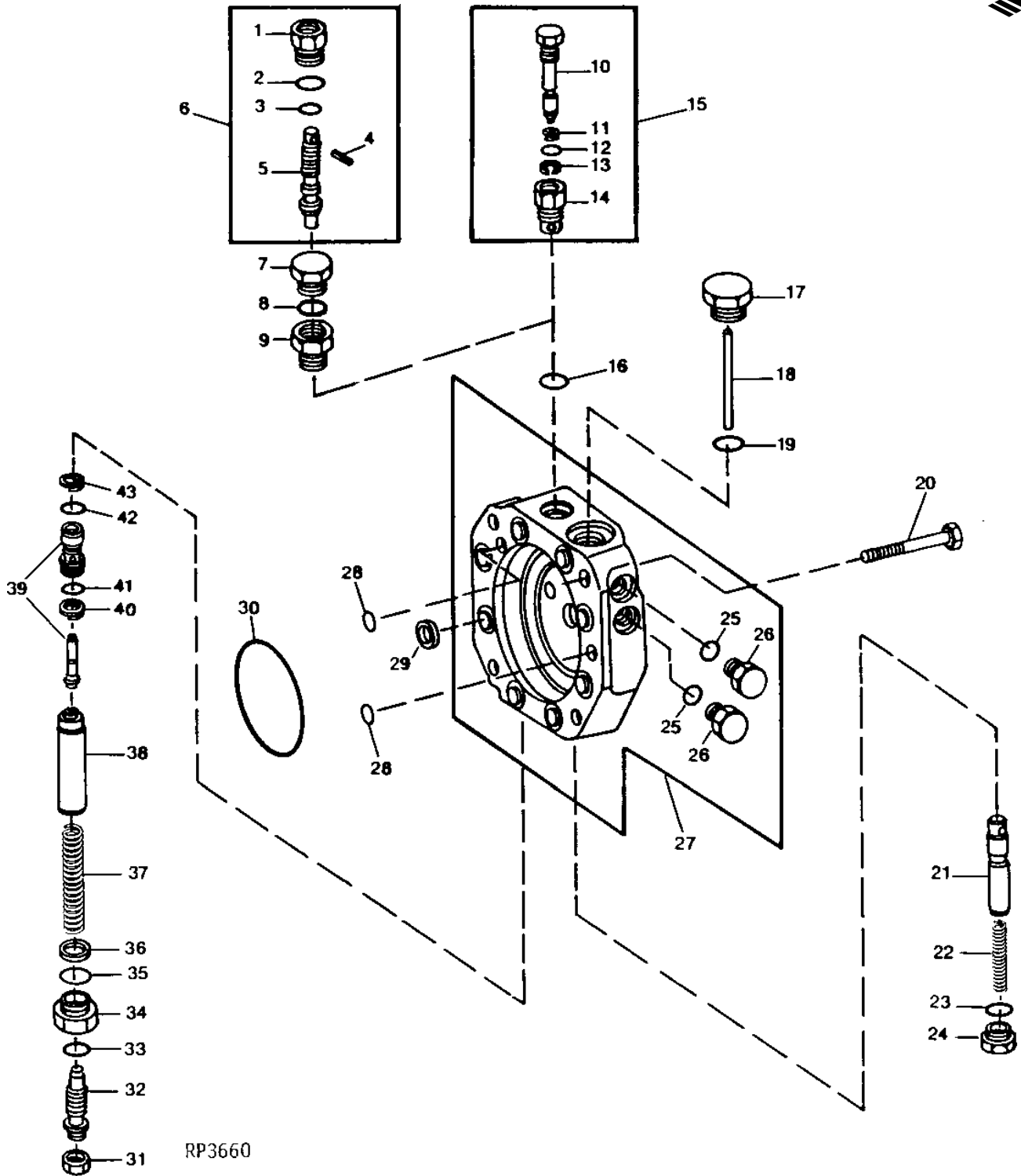
# 3D18

HYDRAULICS

HYDRAULIC PUMP STROKE CONTROL VALVE  
40 CM<sup>3</sup> (2.4 IN.<sup>3</sup>)  
(REPLACEMENT PUMP WITH SERIAL PLATE)

RP3660

-UN-14SEP94



RP3660

# 3D19

HYDRAULICS

HYDRAULIC PUMP STROKE CONTROL VALVE - CONTINUED  
 40 CM3 (2.4 IN.3)  
 (REPLACEMENT PUMP WITH SERIAL PLATE)

KEY	PART NO.	PART NAME	QTY	PUMP SERIAL NO.	REMARKS
1	R27475	FITTING	1		
2	R26448	O-RING	1		
3	A4365R	O-RING	1		
4	34H254	SPRING PIN	1	1/8" X 1-1/2"	
5	R75879	SCREW	1		
6	AR96625	SCREW	1		(A) (MANUAL DESTROKE) (OPTIONAL)
7	R27218	FITTING PLUG	1		(LESS MANUAL DESTROKE)
8	R26448	O-RING	1		(LESS MANUAL DESTROKE)
9	R70617	PIPE PLUG	1		
10	R79266	SCREW	1		
11	R36358	BACK-UP RING	1		
12	R34802	O-RING	1		
13	R79268	SNAP RING	1		
14	R79267	PLUG	1		
15	RE13271	SCREW	1		(A) (MANUAL DESTROKE) (OPTIONAL)
16	R26906	O-RING	1		
17	R75642	DRAIN PLUG	1		
18	R75564	PIN	1		
19	R56751	O-RING	1		
20	19H3520	CAP SCREW	4	1/2" X 3-1/4"	
21	R70867	VALVE	1		
22	R70868	SPRING	1		
23	R26375	O-RING	1		
24	R73736	PLUG	1		
25	R26448	O-RING	2		
26	R75376	DRAIN PLUG	2		
27	RE12470	HOUSING	1		(MARKED R77714)
28	R56755	WASHER	2		
29	R69279	WASHER	8		
30	R56757	O-RING	1		
31	14H1021	NUT	1	7/16"	
32	AR52254	SET SCREW	1		
33	R28782	O-RING	1		
34	R28781	FITTING	1		
35	F3171R	O-RING	1		
36	R42260	WASHER	1		
37	R31781	SPRING	1		
38	R71321	GUIDE	1		
39	RE10712	CONTROL VALVE	1		
40	R41057	BACK-UP RING	1		
41	R27166	O-RING	1		
42	R27564	O-RING	1		
43	R75938	WASHER	1		

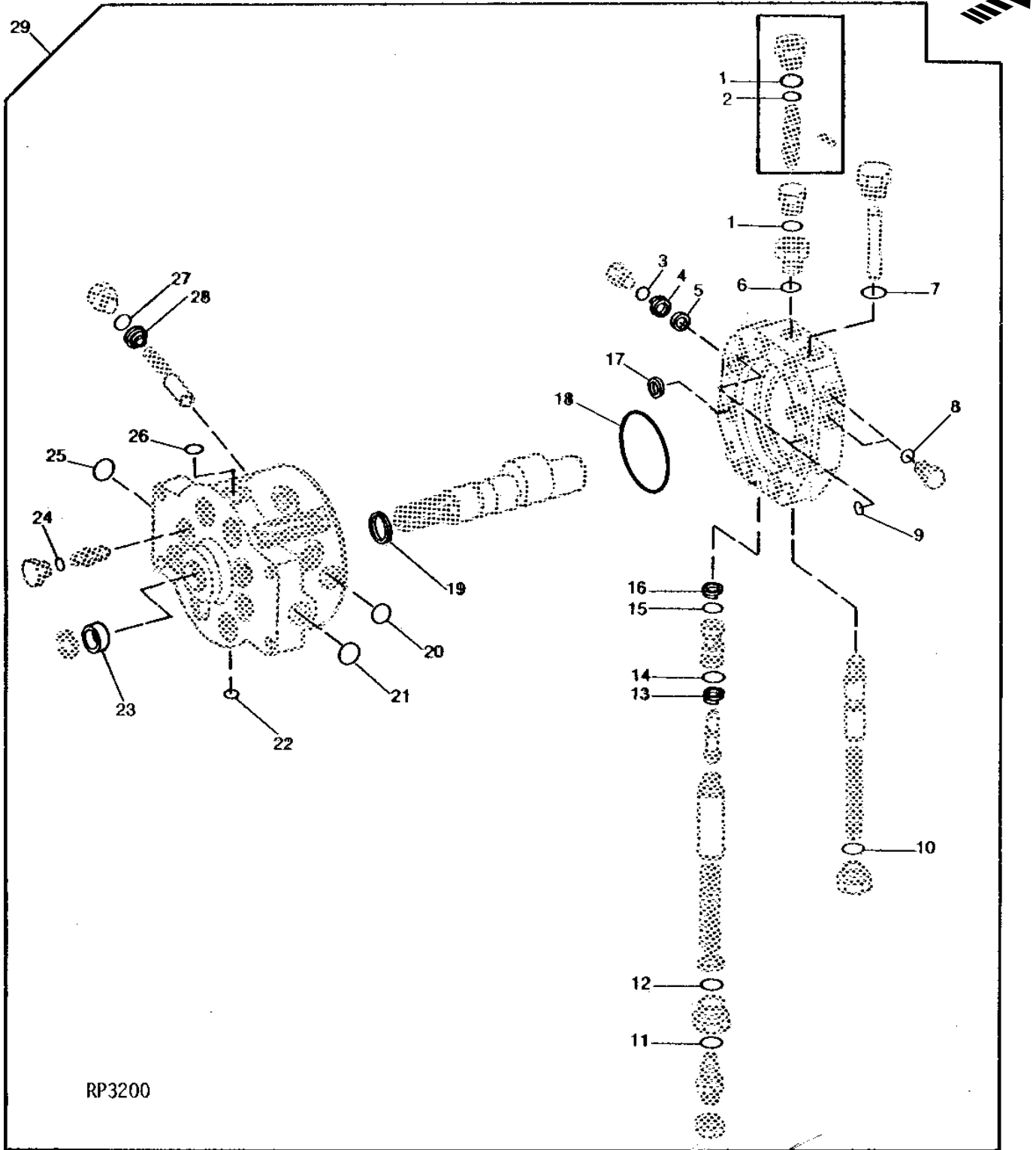
(A) DESIGNS INTERCHANGEABLE

# 3D20

HYDRAULICS

## HYDRAULIC PUMP AND STROKE CONTROL VALVE OVERHAUL KIT 40 CM3 (2.4 IN.3) (REPLACEMENT PUMP WITH SERIAL PLATE)

RP3200 -UN-01JAN94



RP3200

# 3D21

HYDRAULICS

HYDRAULIC PUMP AND STROKE CONTROL VALVE OVERHAUL KIT - CONTINUED  
 40 CM3 (2.4 IN.3)  
 (REPLACEMENT PUMP WITH SERIAL PLATE)

KEY	PART NO.	PART NAME	QTY	PUMP SERIAL NO.	REMARKS
1	R26448	O-RING	1		
2	A4365R	O-RING	1		
3	R26375	O-RING	1	(A)	
4	T40308	O-RING	1	(A)	
5	T57374	BACK-UP RING	1	(A)	
6	R26906	O-RING	1		
7	R56751	O-RING	1		
8	R26448	O-RING	2		
9	R56755	WASHER	2		
10	R26375	O-RING	1		
11	R28782	O-RING	1		
12	R56751	O-RING	1		
13	R41057	BACK-UP RING	1		
14	R27166	O-RING	1		
15	R27564	O-RING	1		
16	R75938	WASHER	1		
17	R69279	WASHER	8		
18	R56757	O-RING	1		
19	R77611	RING	1	(SEALING)	
20	R56751	O-RING	1		
21	U13639	O-RING	1	(A)	
	R56751	O-RING	1	(A)	
	R29936	O-RING	1	(A)	
22	R26287	O-RING	1		
23	RE28790	SEAL	1		
24	R27149	O-RING	8		
25	R56751	O-RING	1	(A)	
	R29936	O-RING	1	(A)	
26	R27928	O-RING	1	(A) TOP	
	P47908	O-RING	1	(A) BOTTOM	
	R26906	O-RING	1	(A)	
27	R56463	O-RING	8		
28	AR101236	SHIELD	1	(SET OF 8)	
29	RE29107	KIT	1	(SUB FOR AR96321)	

(A) UNIVERSAL KIT - APPLICATIONS WILL VARY

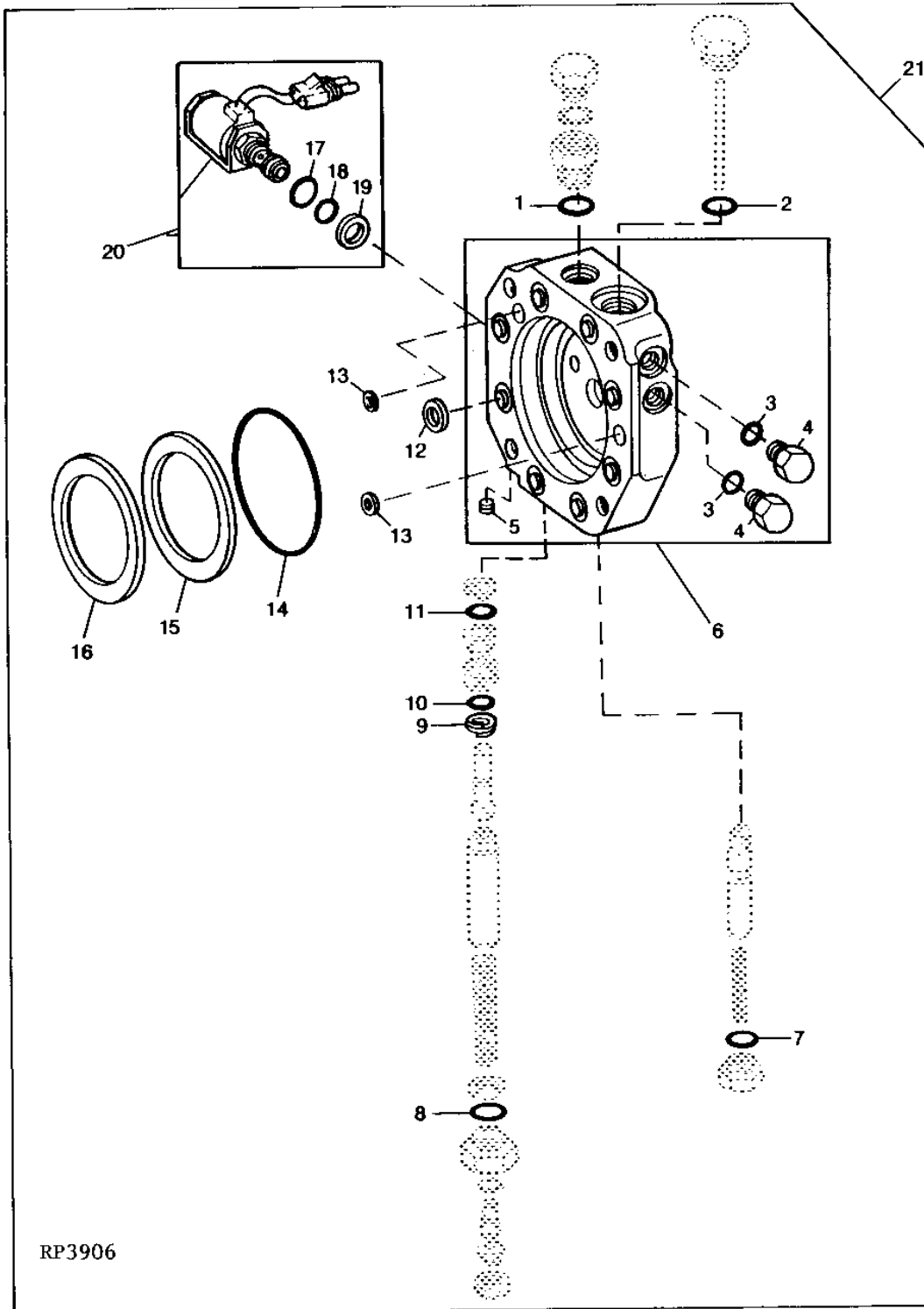
# 3D22

HYDRAULICS

## HYDRAULIC PUMP ELECTRIC DESTROKE KIT 40 CM3 (2.4 IN.3) (REPLACEMENT PUMP WITH SERIAL PLATE)

RP3906

-UN-12OCT94



# 3D23

HYDRAULICS

HYDRAULIC PUMP ELECTRIC DESTROKE KIT - CONTINUED  
40 CM3 (2.4 IN.3)  
(REPLACEMENT PUMP WITH SERIAL PLATE)

KEY	PART NO.	PART NAME	QTY	PUMP SERIAL NO.	REMARKS
1	R26906	O-RING	1		
2	R56751	O-RING	1		
3	R26448	O-RING	2		
4	R75376	PLUG	2		
5	15H560	PIPE PLUG	1	1/16"	
6	AR101632	HOUSING	1	(MARKED R77712)	
7	R26375	O-RING	1		
8	F3171R	O-RING	1		
9	R41057	BACK-UP RING	1		
10	R27166	O-RING	1		
11	R27564	O-RING	1		
12	R69279	WASHER	8		
13	R56755	WASHER	2		
14	R56757	O-RING	1		
15	R27478	SHIM	2	0.15MM (.006")	
16	R27479	SHIM	2	0.25MM (.010")	
17	R26375	O-RING	1		
18	T40308	O-RING	1		
19	T57374	BACK-UP RING	1		
20	RE32529	SOLENOID VALVE	1	(SUB FOR RE21725)	
21	RE24647	KIT	1	(A) (SUB RE40463)	

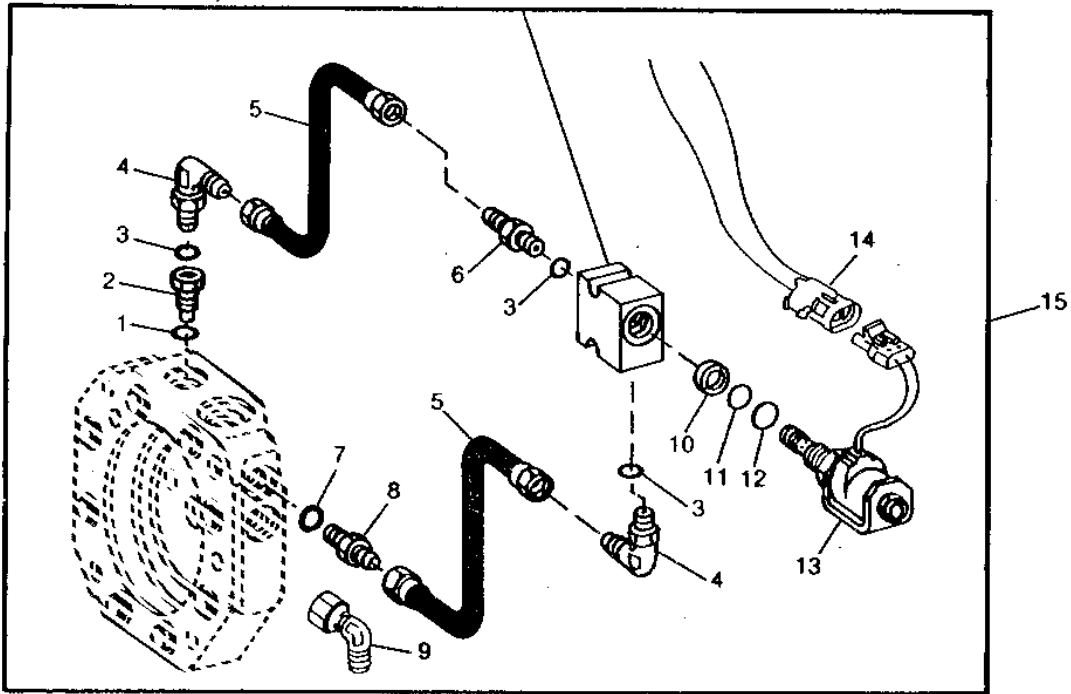
(A) INCLUDES RE12330 WIRE CONNECTORS

# 3D24

HYDRAULICS

RXP9501 -UN-01JAN94

## ELECTRIC DESTROKE SOLENOID VALVE KIT



RXP9501

KEY	PART NO.	PART NAME	QTY	PUMP SERIAL NO.	REMARKS
1	R26906	O-RING	1		
2	R70617	PIPE PLUG	1		
3	R26448	O-RING	4		
4	AT35121	ELBOW FITTING	2		
5	AN250096	HYDRAULIC HOSE	2		
6	R27212	FITTING	1		
7	R26287	O-RING	1	(A)	
	R26448	O-RING	1	(B)	
8	T43535	FITTING	1	(A)	
	Z36276	ADAPTER	1	(B)	
9	AE24616	ELBOW FITTING	AR	(USE WITH T43535 OR Z36276)	
10	T57374	BACK-UP RING	1		
11	T40308	O-RING	1		
12	R26375	O-RING	1		
13	RE32529	SOLENOID VALVE	1		
14	RE50017	WIRING HARNESS	1		
15	RE40463	KIT	1		

(A) NON-SERIALIZED PUMP  
(B) SERIALIZED PUMP



---

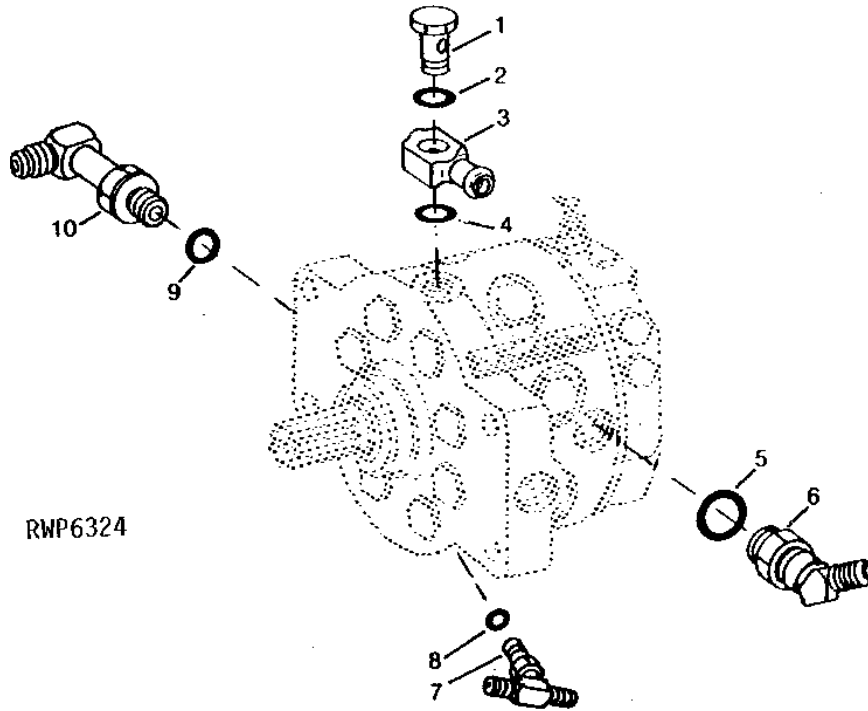
MEMORANDA

# 3D25

HYDRAULICS

RWP6324 -UN-01JAN94

## HYDRAULIC PUMP FITTINGS AND CONNECTORS



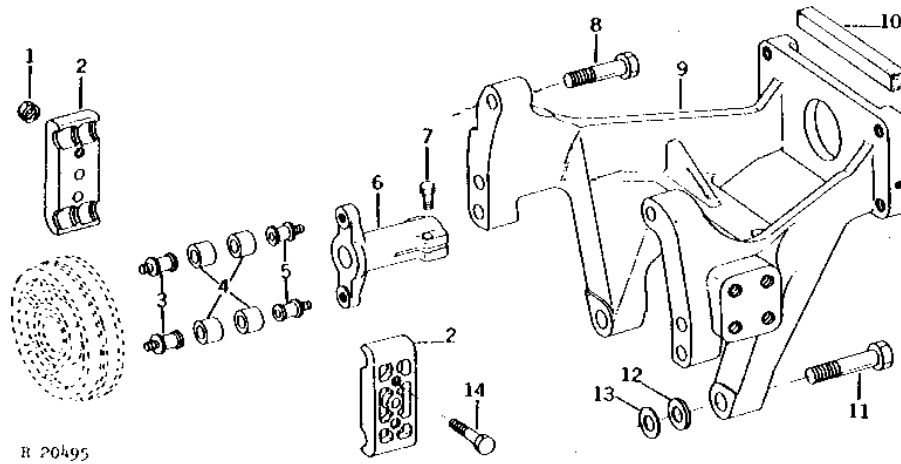
KEY	PART NO.	PART NAME	QTY	TRACTOR SERIAL NO.	REMARKS
1	R27927	HOLLOW SCREW	1		
2	R27928	O-RING	1		
3	R27926	FITTING	1		
4	R27928	O-RING	1		REPLACEMENT PUMP WITH SERIAL PLATE
	P47908	O-RING	1		
5	R26906	O-RING	1		REPLACEMENT PUMP WITH SERIAL PLATE
	F3171R	O-RING	1		
6	AT32338	FITTING	1		REPLACEMENT PUMP WITH SERIAL PLATE (SUB FOR AR26828)
	AT49331	ELBOW FITTING	1		REPLACEMENT PUMP WITH SERIAL PLATE
7	AR56615	TEE FITTING	1		
8	R26287	O-RING	1		
9	F3171R	O-RING	1		
10	AT32331	ELBOW FITTING	1		

# 3E1

HYDRAULICS

R20495 -UN-01JAN94

## HYDRAULIC PUMP DRIVE AND SUPPORT



R 20495

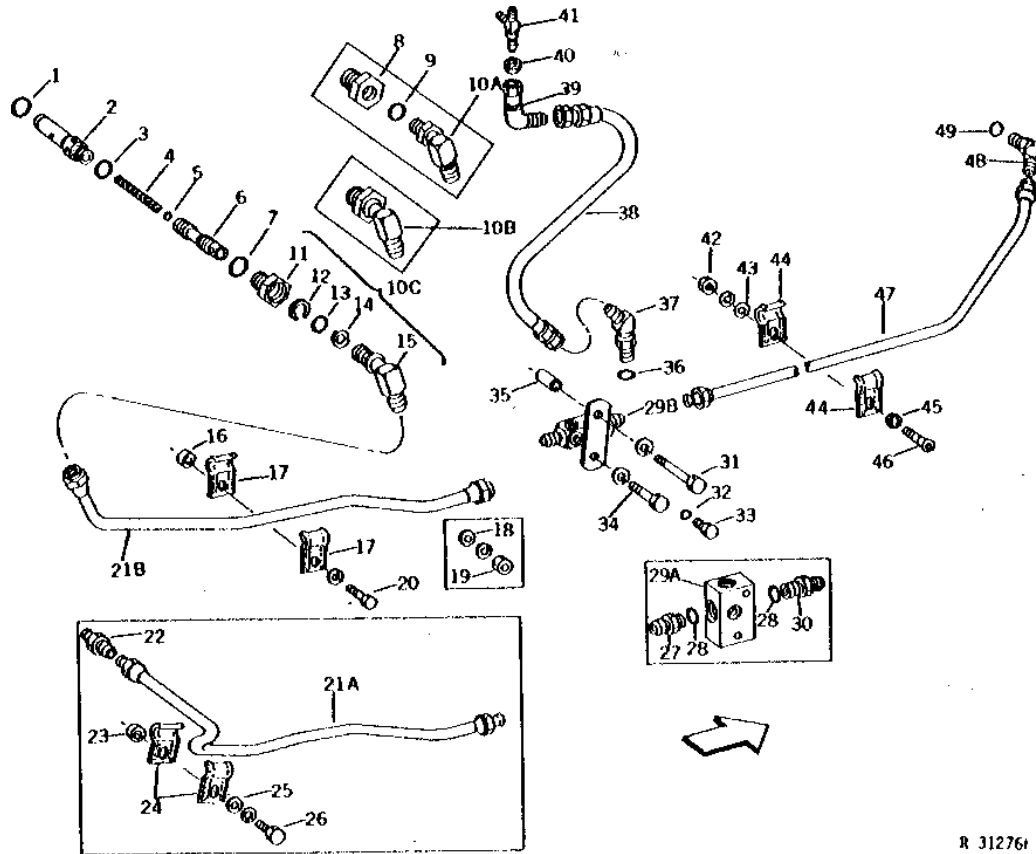
KEY	PART NO.	PART NAME	QTY	TRACTOR SERIAL NO.	REMARKS
1	M63440	LOCK NUT	2		(SUB E50102)
2	R34362	EXTERNAL HALF COUPLER	2		
3	R46345	SCREW	2		
4	R45822	BUSHING	4		(PKG OF 4) (SUB FOR AR49427)
5	R34360	SCREW	2		
6	R43829	SHAFT	1		
7	19H988	CAP SCREW	2		
8	19H1847	CAP SCREW	4		3/8" X 1-1/4"
9	R50231	SUPPORT	1		5/8" X 2-1/2"
10	.....	FOAM PAD	1		25 X 25 X 187MM (1" X 1" X 7-3/8") (MAKE FROM R30937)
11	19H1440	CAP SCREW	2		3/4" X 3"
12	B3310R	WASHER	2		
13	T29218	SHIM	AR		0.51MM (.020")
	T29219	SHIM	AR		0.10MM (.004")
14	19H2116	CAP SCREW	2		3/8" X 2-1/2"

# 3E2

HYDRAULICS

R31276 -UN-01JAN94

## HYDRAULIC OIL PRESSURE LINES AND PRESSURE CONTROL VALVE



R 31276i

KEY	PART NO.	PART NAME	QTY	TRACTOR SERIAL NO.	REMARKS
1	U15192	O-RING	1		(SUB FOR R55023)
2	R55134	HOUSING	1	001018-007671	(SUB R56741, AR74194 AND U15192) (ALSO ORDER AR66345 FOR TRACTORS PRIOR TO SERIAL NO. 003650)
	R56741	CONTROL VALVE	1	007672-	
3	U15192	O-RING	1	001018-	
4	R40072	SPRING	1		
5	24H1283	WASHER	AR		7/32" X 1/2" X 0.049"
6	AR63906	VALVE	1		
7	R29936	O-RING	1		
8	R55133	PLUG	1	001018-007671	(SUB R56741, AR74194 AND U15192)
9	R26906	O-RING	1	-007671	
10A	AR26724	ELBOW FITTING	1	003650-007671	
10B	AR67679	ELBOW FITTING	1	007672-013385	(SUB AR74194)
10C	AR74194	ELBOW FITTING	1	013386-	
11	R61259	ADAPTER	1	013386-	
12	A4275R	SNAP RING	1	013386-	
13	R21722	O-RING	1	013386-	
14	R26546	BACK-UP RING	1	013386-	
15	AR74195	ELBOW FITTING	1	013386-	
16	28H1521	SPACER	1	008187-015081	3/8" X 5/8"
	28H1526	BUSHING	1	015082-	1/2" X 1-5/16"
17	R47576	CLAMP	2	008187-	
18	24M7096	WASHER	1	008187-015081	10.500 X 18 X 1.600 MM
19	14H1076	NUT	1	008187-015081	3/8"
	12H304	LOCK WASHER	1	008187-015081	3/8"
20	19H2128	CAP SCREW	1	015082-	3/8" X 3"
	12H304	LOCK WASHER	1	015082-	3/8"

# 3E3

HYDRAULICS

## HYDRAULIC OIL PRESSURE LINES AND PRESSURE CONTROL VALVE - CONTINUED

KEY	PART NO.	PART NAME	QTY	TRACTOR SERIAL NO.	REMARKS
21A	AR58915	OIL LINE	1	-003649	(SUB AR66345, (2) R47576, 28H1521, 24M7096, 12H304, 14H1076, AR26724, AR58121 AND R26906)
21B	AR66345	HYDRAULIC LINE	1	003650-015081	(ALSO ORDER (2) R47576, 28H1521, 24M7096, 12H304, 14H1076, AND R58121 FOR TRACTORS PRIOR TO SERIAL NO. 008187)
	AR78297	HYDRAULIC LINE	1	-015081	(USE WITH R62814)
	AR77474	HYDRAULIC LINE	1	015082-	(USE WITH AR77469)
22	R27270	FITTING	1	-003649	
23	28H1517	WASHER	1	-003649	0.493" X 0.675" X 1/4"
24	R47576	CLAMP	2	-003649	
25	24M7096	WASHER	1	-003649	10.500 X 18 X 1.600 MM
26	19H2552	CAP SCREW	1	-003649	3/8" X 1-1/8"
	12H304	LOCK WASHER	1	-003649	3/8"
27	R27270	FITTING	1	-014832	
28	R26906	O-RING	2	-014832	
29A	AR53181	MANIFOLD	1	-014832	(SUB AR72834 AND 28H1496)
29B	AR72834	FITTING	1	014833-	
30	R27270	FITTING	1	-014832	
31	19H1854	CAP SCREW	1	014833-	3/8" X 3-3/4"
	12H304	LOCK WASHER	1	014833-	3/8"
32	R26287	O-RING	1		
33	R27216	DRAIN PLUG	1		(SUB FOR R31631)
34	19H1726	CAP SCREW	1		3/8" X 2-1/4"
	12H304	LOCK WASHER	1		3/8"
35	28H1496	SPACER	1	014833-	3/8" X 1-1/8"
36	R26448	O-RING	1		
37	AT38033	ELBOW FITTING	1		(A) (SUB FOR AR26722)
	AT35121	ELBOW FITTING	1		(B)
38	AR84721	HYDRAULIC HOSE	1		(A) (ALSO ORDER AE24616) (SUB FOR AR63321)
	AR61508	OIL LINE	1		(SUB AR78830, AT35121 AND R26448) (USE WITH AR70253)
39	AR67586	ELBOW FITTING	1		(SUB AE24616)
40	R26572	NUT	1		
41	AR64094	TEE FITTING	1		(SUB FOR AR56773)
42	14H1076	NUT	1		3/8"
	12H304	LOCK WASHER	1		3/8"
43	24M7096	WASHER	1		10.500 X 18 X 1.600 MM
44	R47576	CLAMP	2		
45	28H1878	SPACER	1		3/8" X 7/16"
46	R52028	CAP SCREW	1		
47	AR61147	HYDRAULIC LINE	1		
48	AT32338	FITTING	1		(SUB FOR AR26828)
	AT49331	ELBOW FITTING	1		(REPLACEMENT PUMP WITH SERIAL PLATE)
49	R26906	O-RING	1		
	F3171R	O-RING	1		(REPLACEMENT PUMP WITH SERIAL PLATE)

(A) LESS SOUND-GARD BODY

(B) SOUND-GARD BODY

---

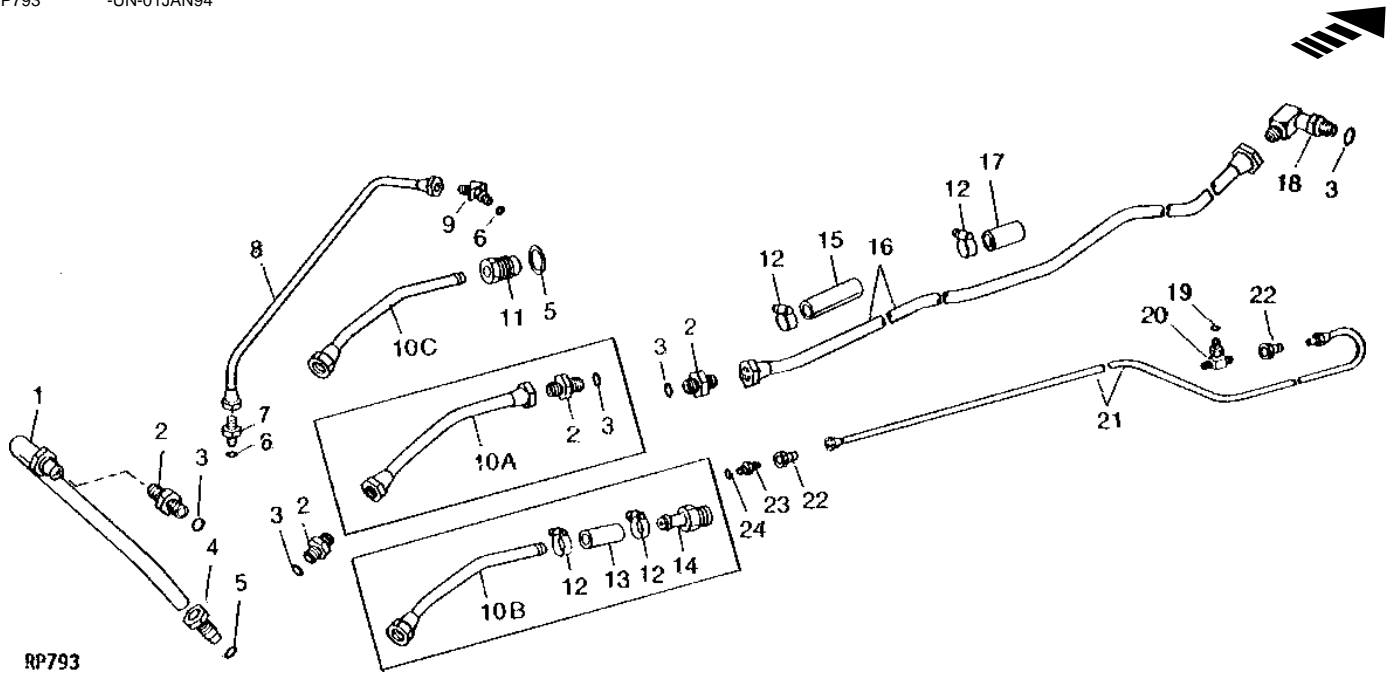
MEMORANDA

# 3E4

HYDRAULICS

RP793 -UN-01JAN94

## HYDRAULIC OIL RETURN LINES



KEY	PART NO.	PART NAME	QTY	TRACTOR SERIAL NO.	REMARKS
1	AR41124	HYDRAULIC LINE	1		
2	R27267	FITTING	4	1-1/16"-12	
	AR21969	KIT	1		CAP PLUG ASSORTMENT
3	F3171R	O-RING	4		
4	R76494	FITTING	1		(SUB FOR R33610)
5	B2762R	O-RING	2		
6	R26375	O-RING	2		
7	R27237	FITTING	1		
	R57298	FITTING	1	-005496	(HYDRAULIC THERMOSTAT BYPASS VALVE KIT)
8	AR58582	HYDRAULIC LINE	1		
9	AT32332	ELBOW FITTING	1		
10A	AR56279	OIL LINE	1	-001115	
10B	AR64095	HYDRAULIC LINE	1	001116-007819	
10C	AR67010	HYDRAULIC LINE	1	007820-	
11	R76493	FITTING	1	007820-	(SUB FOR R56258)
12	AR21839	CLAMP	4	-007819	(SUB TY22467)
13	R55256	HOSE	1	-007819	19 X 61MM (3/4" X 2-3/8")
14	R53540	HOSE FITTING	1	-007819	
15	T29317	ISOLATOR	2		
16	AR65035	HYDRAULIC LINE	1		(SUB FOR AR58584)
17	T29317	ISOLATOR	1	-XXXXXX	
18	AT32331	ELBOW FITTING	1		
19	R26287	O-RING	1		
20	AR56615	TEE FITTING	1		
21	AR87534	OIL LINE	1		(ALSO ORDER (2) R64170) (SUB FOR AR42285 OR AR79709)
	R44302	TIE BAND	2		
22	R64170	ADAPTER	2		
23	R27272	FITTING	1		
24	R26286	O-RING	1		

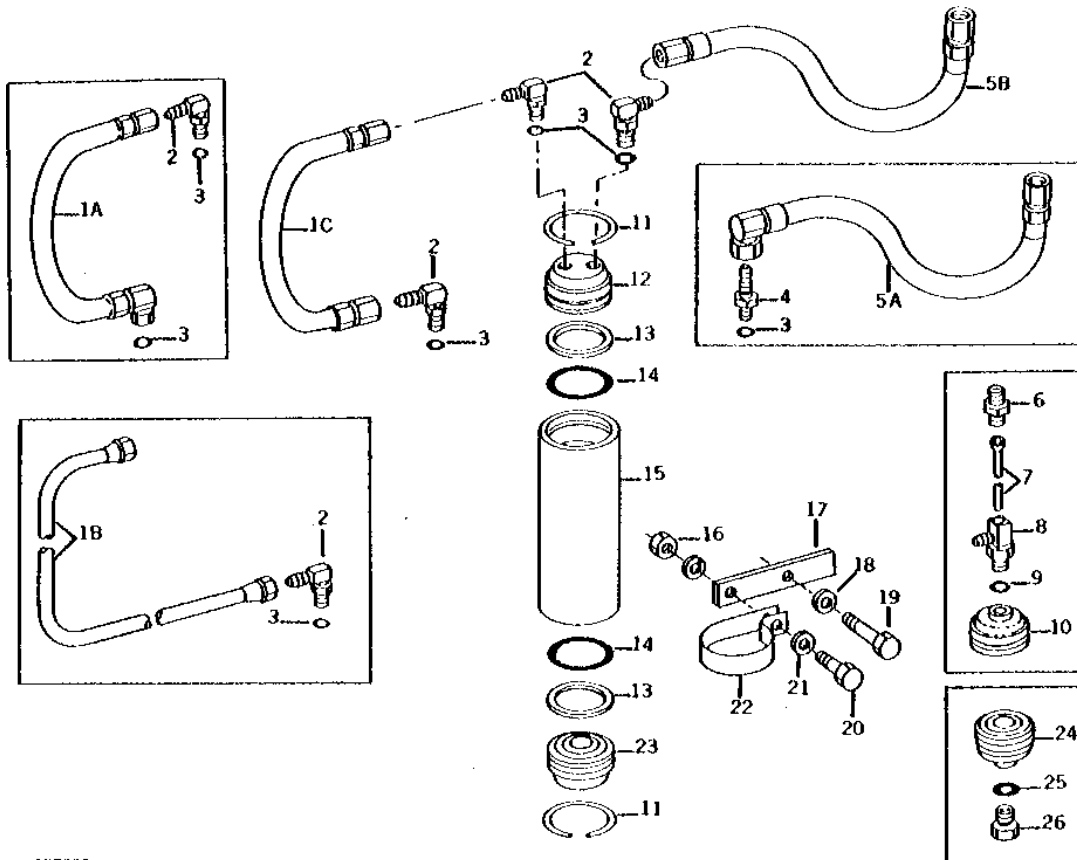
# 3E5

HYDRAULICS

HYDRAULIC OIL ATTENUATOR  
(SOUND-GARD BODY)  
(TRACTOR SERIAL NO. -008759)

R25720

-UN-01JAN94



R 25720F



# 3E6

HYDRAULICS

HYDRAULIC OIL ATTENUATOR - CONTINUED  
(SOUND-GARD BODY)  
(TRACTOR SERIAL NO. -008759)

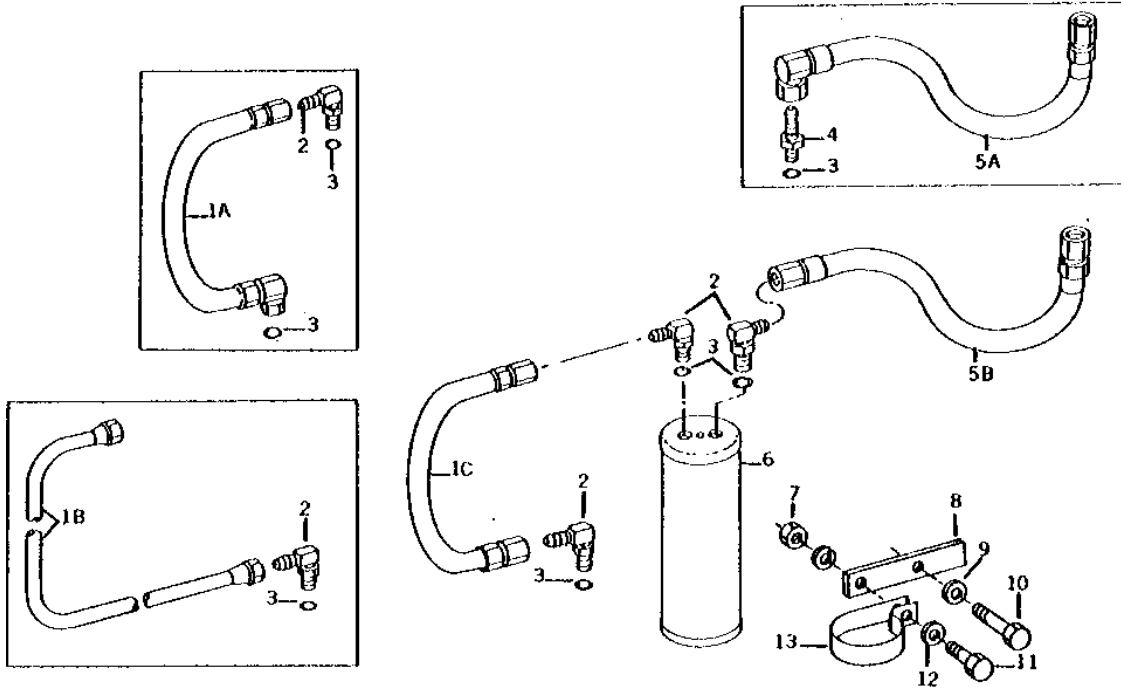
KEY	PART NO.	PART NAME	QTY	TRACTOR SERIAL NO.	REMARKS
1A	AR61507	OIL LINE	1	-XXXXXX	(SUB AR81295, THIS APPLICATION)
1B	AR77402	OIL LINE	1	XXXXXX-XXXXXX	(SUB AR78829)
1C	AR78829	HYDRAULIC HOSE	1	XXXXXX-	
	AR81295	KIT	1		(INCLUDES AR78829, AT35121 AND R26448) (SUB FOR AR77398)
2	AT35121	ELBOW FITTING	3	001167-	(SUB FOR AR26725)
3	R26448	O-RING	3	001167-	
4	R27238	FITTING	1	001167-XXXXXX	
5A	AR61508	OIL LINE	1	-XXXXXX	(SUB AR78830 AND R26448)
5B	AR78830	HYDRAULIC HOSE	1	XXXXXX-	
6	R27095	FITTING	1	-001166	
7	R53826	TUBE	1	-001166	(SUB R27238, AT35121, (2) R26448 AND R55293)
8	AR61186	TEE FITTING	1	-001166	(SUB R27238, AT35121, (2) R26448 AND R55293)
9	R26375	O-RING	1	-001166	
10	R53824	END	1	-001166	(SUB R27238, AT35121, (2) R26448 AND R55293)
11	U10136	SNAP RING	2		
12	R55293	END	1	001167-	(SUB AR75693, THIS APPLICATION)
13	R35684	BACK-UP RING	2		
14	U12331	O-RING	2		
15	R46987	HYDRAULIC CYLINDER BARREL	1		(SUB AR75693, THIS APPLICATION)
16	14H1076	NUT	1		3/8"
	12H304	LOCK WASHER	1		3/8"
17	R54082	BRACKET	1		
18	24H1305	WASHER	1		13/32" X 13/16" X 0.065"
19	19H1944	CAP SCREW	1		3/8" X 2-3/4"
20	19H1800	CAP SCREW	1		3/8" X 1-1/2"
21	24H1309	WASHER	1		13/32" X 1-1/16" X 0.120"
22	R35794	CLAMP	1		
23	AR75693	ATTENUATOR	1	001167-	(SUB FOR R55294, THIS APPLICATION)
24	R53824	END	1	-001166	(SUB AR75693)
25	R26375	O-RING	1	-001166	
26	R39112	FITTING	1	-001166	

# 3E7

HYDRAULICS

## HYDRAULIC OIL ATTENUATOR (SOUND-GARD BODY) (TRACTOR SERIAL NO. 008760- )

R25721 -UN-01JAN94



R 25721F

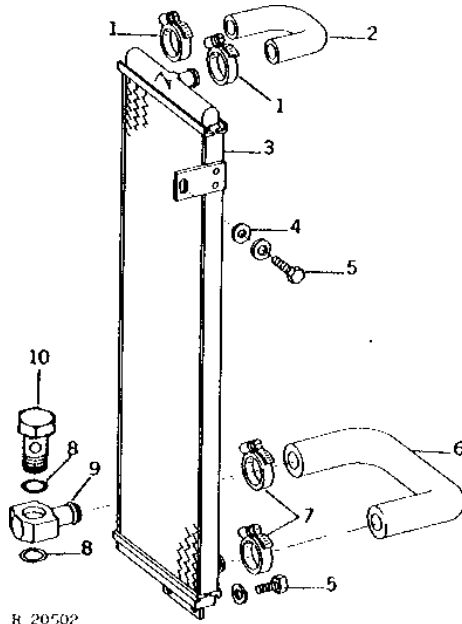
KEY	PART NO.	PART NAME	QTY	TRACTOR SERIAL NO.	REMARKS
1A	AR61507	OIL LINE	1	-XXXXXX	(SUB AR81295, THIS APPLICATION)
1B	AR77402	OIL LINE	1	XXXXXX-014999	
1C	AR78829	HYDRAULIC HOSE	1	015000-	
	AR81295	KIT	1		(INCLUDES AR78829, AT35121 AND R26448) (SUB FOR AR77398)
2	AT35121	ELBOW FITTING	3		(SUB FOR AR26725)
3	R26448	O-RING	3		
4	R27238	FITTING	1	-014835	
5A	AR61508	OIL LINE	1	-014835	(SUB AR78830, AT35121 AND R26448)
5B	AR78830	HYDRAULIC HOSE	1	014836-	
6	AR75693	ATTENUATOR	1		(SUB FOR AR68439)
7	14H1076	NUT	1		3/8"
	12H304	LOCK WASHER	1		3/8"
8	R54082	BRACKET	1		
9	24H1305	WASHER	1		13/32" X 13/16" X 0.065"
10	19H1944	CAP SCREW	1		3/8" X 2-3/4"
11	19H1800	CAP SCREW	1		3/8" X 1-1/2"
12	24H1309	WASHER	1		13/32" X 1-1/16" X 0.120"
13	R35794	CLAMP	1		

# 3E8

HYDRAULICS

R20502 -UN-01JAN94

## HYDRAULIC OIL COOLER



KEY	PART NO.	PART NAME	QTY	TRACTOR SERIAL NO.	REMARKS
1	AR21839	CLAMP	2		(SUB TY22467)
2	R53046	HOSE	1		
3	AR61887	OIL COOLER	1		(A)
	AR61888	OIL COOLER	1	-005648	(B)
	AR61887	OIL COOLER	1	005649-	(B)
	R56078	FOAM PAD	1		
4	24M7096	WASHER	1		10.500 X 18 X 1.600 MM
5	19H1936	CAP SCREW	3		3/8" X 3/4"
	12H304	LOCK WASHER	3		3/8"
6	R43642	HOSE	1		
7	AR21839	CLAMP	2		(SUB TY22467)
8	R27928	O-RING	2		
	R27928	O-RING	1		TOP (REPLACEMENT PUMP WITH SERIAL PLATE)
	P47908	O-RING	1		BOTTOM (REPLACEMENT PUMP WITH SERIAL PLATE)
9	R27926	FITTING	1		
10	R27927	HOLLOW SCREW	1		

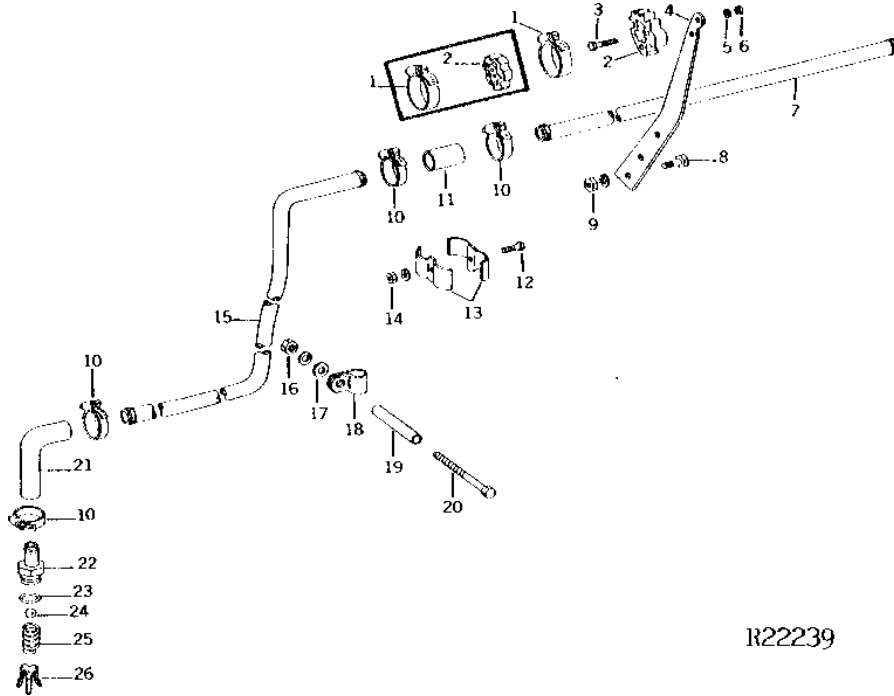
(A) LESS AIR CONDITIONING  
 (B) AIR CONDITIONING

# 3E9

HYDRAULICS

R22239 -UN-01JAN94

## HYDRAULIC OIL COOLER RETURN TUBES



R22239

KEY	PART NO.	PART NAME	QTY	TRACTOR SERIAL NO.	REMARKS
1A	AR21840	CLAMP	3	-008839	(SUB TY22470)
1B	AR21999	CLAMP	4	008840-	
2A	R50711	SPACER	3	-008839	
2B	R56672	SPACER	4	008840-	
3	19H1898	CAP SCREW	2		1/4" X 1-1/2"
4	R53105	SUPPORT	1	-007171	
	R56859	SUPPORT	1	007172-	(A)
5	24H1287	WASHER	2		9/32" X 5/8" X 0.065"
6	14H786	NUT	2		1/4"
7	R53009	TUBE	1		
8	19H1731	CAP SCREW	2	-007171	3/8" X 1"
	19H2284	CAP SCREW	2	007172-	(A) 3/8" X 7/8"
	12H304	LOCK WASHER	2	007172-	(A) 3/8"
9	14H1076	NUT	2	-007171	3/8"
	12H304	LOCK WASHER	2	-007171	3/8"
10	AR21839	CLAMP	4		(SUB TY22467)
11	.....	HOSE	1		19 X 64MM (3/4" X 2-1/2") (MAKE FROM TY22329)
12	19H1849	CAP SCREW	1		5/16" X 1-1/4"
13	F1682R	HALF CLAMP	2		(SOUND-GARD BODY)
14	14H785	NUT	1		5/16"
	12H303	LOCK WASHER	1		5/16"
15	R50708	TUBE	1		
16	14H1076	NUT	1		3/8"
	12H304	LOCK WASHER	1		3/8"
17	24M7096	WASHER	1		10.500 X 18 X 1.600 MM
18	T24959	CLAMP	1		
19	R53451	SLEEVE	1		
20	19H2228	CAP SCREW	1		3/8" X 4"
21	U42685	HOSE	1		(SUB R48766)
22	R53540	HOSE FITTING	1		
23	F3171R	O-RING	1		
24	R1818R	BALL	1		19MM (3/4")
25	A4979R	SPRING	1		
26	R53045	RETAINER	1		
..	R76477	TIE BAND	1		(SUB FOR R45440)
..	AR67939	KIT	1		COMPRESSOR DRIVE AND MOUNTING

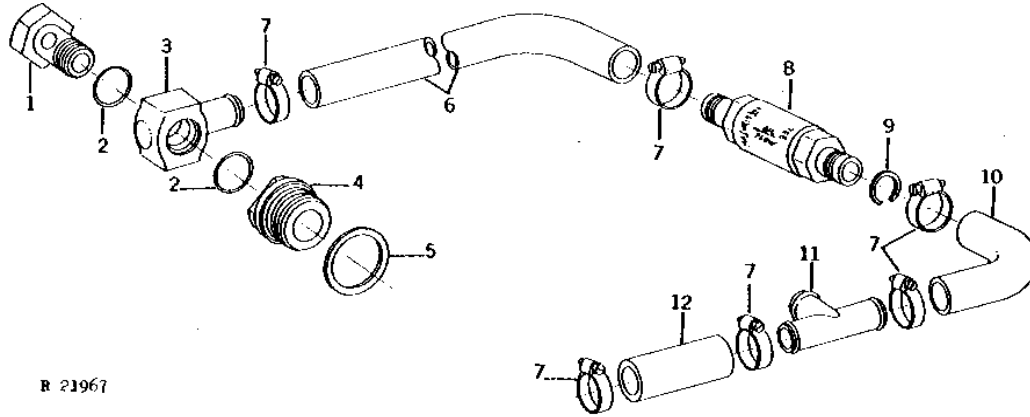
(A) INCLUDED IN AR67939

# 3E10

HYDRAULICS

**HYDRAULIC THERMOSTAT BYPASS VALVE  
(SYNCRO-RANGE TRANSMISSION)  
(TRACTOR SERIAL NO. -005496)**

R21967 -UN-01JAN94



R 21967

KEY	PART NO.	PART NAME	QTY	TRACTOR SERIAL NO.	REMARKS
1	R27927	HOLLOW SCREW	1		
2	R27928	O-RING	2		
3	R27926	FITTING	1		
4	R57299	BUSHING	1		
5	A4808R	WASHER	1		
6	.....	HOSE	1		3048MM (120") (MAKE FROM TY22329)
7	AR21839	CLAMP	6		(SUB TY22467)
8	RE54318	VALVE	1		(SUB FOR AR68787)
9	R57448	SNAP RING	1		
10	R47756	HOSE	1		
11	R61955	TEE FITTING	1		
12	.....	HOSE	1		64MM (2-1/2") (MAKE FROM TY22329)
..	R76477	TIE BAND	AR		
..	R44302	TIE BAND	AR		(SUB FOR R45440)

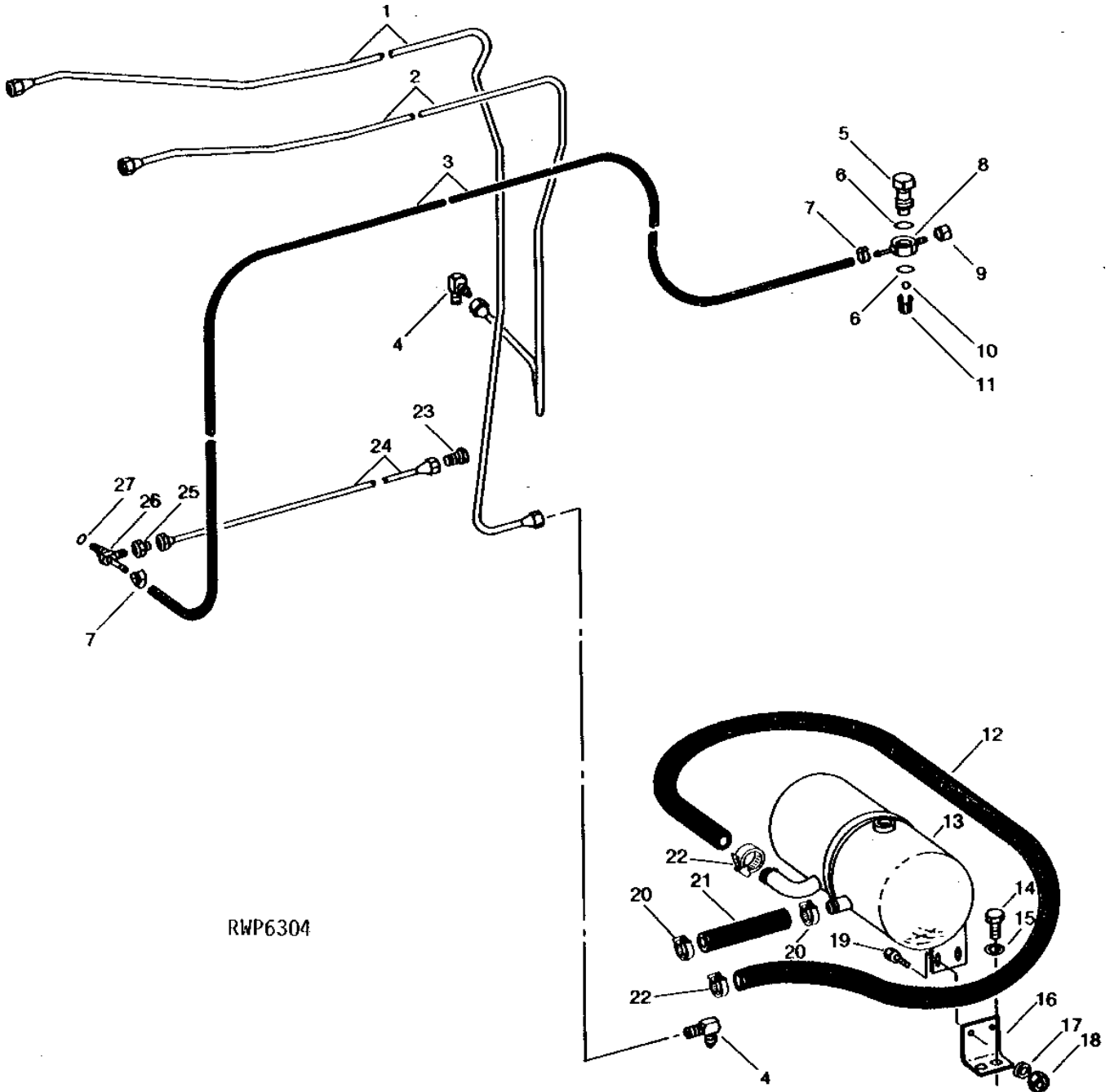
# 3E11

HYDRAULICS

RWP6304

-UN-01JAN94

## HYDRAULIC OIL RESERVOIR AND ASSOCIATED PARTS



RWP6304

# 3E12

HYDRAULICS

## HYDRAULIC OIL RESERVOIR AND ASSOCIATED PARTS - CONTINUED

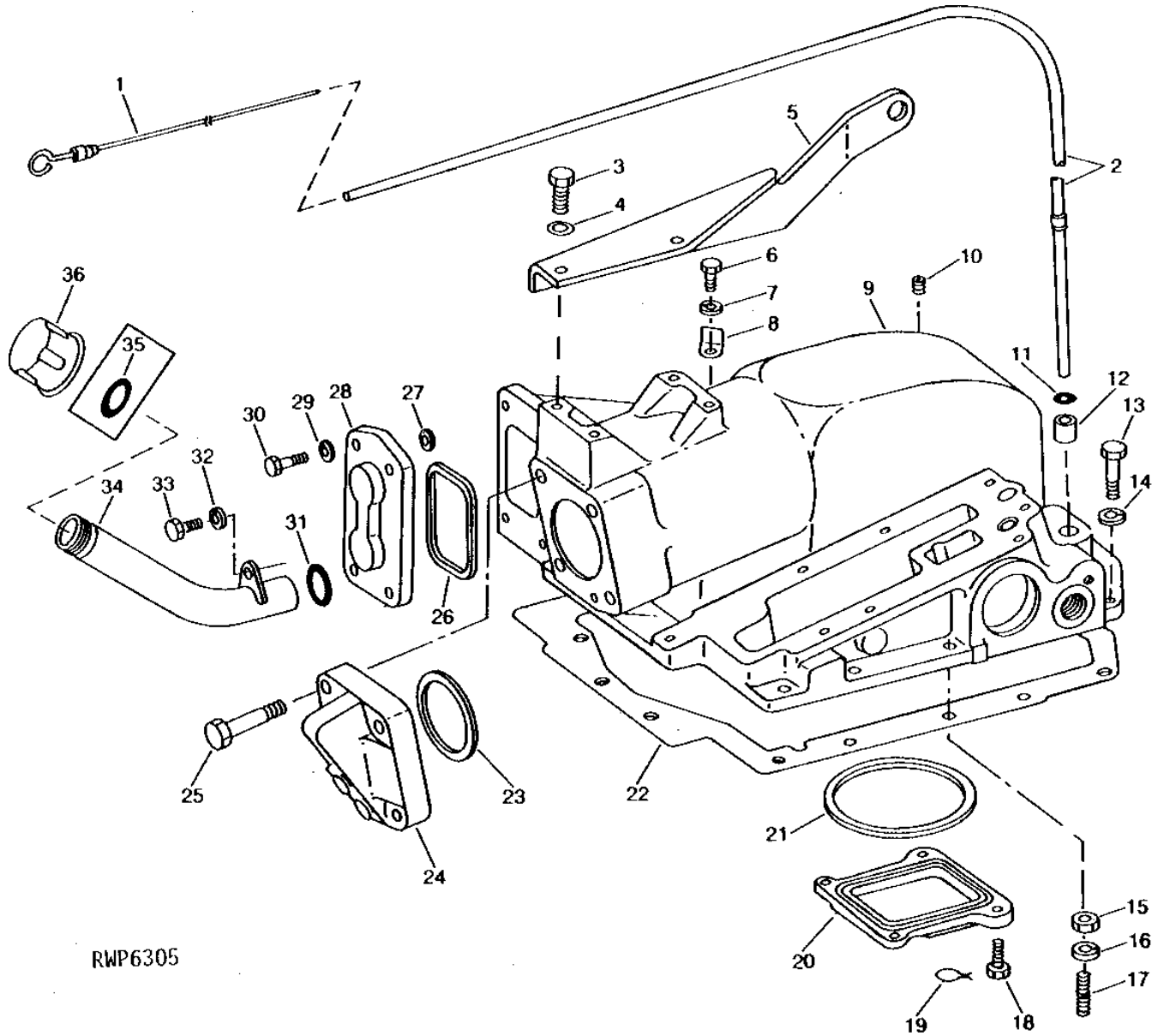
KEY	PART NO.	PART NAME	QTY	TRACTOR SERIAL NO.	REMARKS
1	AR74742	HYDRAULIC LINE	1	008840-	(NLA)
2	AR74743	HYDRAULIC LINE	1	008840-	(NLA)
3	.....	HOSE	1		3150 MM (124") (NYLON) (MAKE FROM R78325)
4	AR54386	ELBOW FITTING	2	008840-	
5	T22970	PLUG	1		
6	U11343	O-RING	2		
7	AR21836	CLAMP	2		
8	AT20983	FITTING	1		
9	R40583	FITTING	1		
10	R48084	BALL	1		
11	R39076	GUIDE	1		
12	R57300	HOSE	1		1042 MM (41") (SUB FOR R54078) (SUB TY22329)
	R55144	HOSE GUARD	1		
13	AR74733	RESERVOIR	1		
14	19H218	CAP SCREW	2	-006669	3/8" X 1"
	19H456	CAP SCREW	2	006670-	1/2" X 1-3/8"
15	24H1305	WASHER	2	-006669	13/32" X 13/16" X 0.065"
	24H1227	WASHER	2	006670-	17/32" X 13/16" X 0.060"
16	R61551	BRACKET	2		
17	12H303	LOCK WASHER	4		5/16"
18	14H785	NUT	4		5/16"
19	19H2127	CAP SCREW	4		5/16" X 7/8"
20	AR21839	CLAMP	2		(SUB TY22467)
21	.....	HOSE	1		129 MM (5-3/32") (MAKE FROM TY22329)
22	AT18904	CLAMP	2		
23	R64170	ADAPTER	1	XXXXXX-	
24	AR87535	OIL LINE	1		(NYLON) (ALSO ORDER (2) R64170) (SUB FOR AR54751 OR AR79713)
25	R64170	ADAPTER	1	XXXXXX-	
26	AR74736	TEE FITTING	1		(NLA)
27	R26287	O-RING	1		

# 3E13

HYDRAULICS

## TRANSMISSION REAR COVER (LESS ROCKSHAFT)

RWP6305 -UN-01JAN94



RWP6305



# 3E14

HYDRAULICS

## TRANSMISSION REAR COVER - CONTINUED (LESS ROCKSHAFT)

KEY	PART NO.	PART NAME	QTY	TRACTOR SERIAL NO.	REMARKS
1	AR89228	DIPSTICK	1		(SUB FOR AR54616)
2	AR56082	LINE	1		
3	19H1731	CAP SCREW	2	014956-	3/8" X 1"
4	12H304	LOCK WASHER	2	014956-	3/8"
5	R64771	RETAINER	1	014956-	(SUB FOR R63081)
6	19H1936	CAP SCREW	2		(A) 3/8" X 3/4"
7	12H304	LOCK WASHER	2		(A) 3/8"
8	T13814	CLAMP	2		(A)
	R27720	CLAMP	1		(B)
9	AR55867	COVER	1		(MARKED R50230) (NLA)
10	15H559	PIPE PLUG	2		1/4"
11	A3917R	O-RING	1		
12	R55214	BUSHING	1		(ALSO ORDER A3917R) (SUB FOR R49955)
13	19H3579	CAP SCREW	5		1/2" X 1-3/8"
	19H3544	CAP SCREW	5		1/2" X 4-1/2"
	19H1815	CAP SCREW	5		1/2" X 1-1/4"
	19H1990	CAP SCREW	5		1/2" X 2-1/4"
14	12H301	LOCK WASHER	8		1/2"
15	14H1040	NUT	4		1/2"
16	12H301	LOCK WASHER	4		1/2"
17	R32101	STUD	4		(SUB FOR R49988)
18	R57725	SCREW	4		(SUB FOR R61762)
19	.....	WIRE	2	-XXXXXX	16 GA. X 12"
20	R55079	COVER	1		
21	R26769	WASHER	1		
22	R40939	GASKET	1		
23	R34154	WASHER	1		
24	R50811	CAP	1		
25	19H1824	CAP SCREW	4		5/8" X 2-1/4"
	12H294	LOCK WASHER	4		5/8"
26	R40922	PACKING	1		
27	F2741R	PACKING	1		
28	R41446	COVER	1		
29	12H293	LOCK WASHER	4		7/16"
30	19H2500	CAP SCREW	4		7/16" X 1-3/8"
31	R30319	O-RING	1		
32	12H304	LOCK WASHER	1		3/8"
33	19H2284	CAP SCREW	1		3/8" X 7/8"
34	AR54439	TUBE	1	-016468	(SUB AL38083, RE46170, T21564 AND AR30697)
	AR83383	OIL TUBE	1	016469-	(SUB AL38083, RE46170 AND T21564)
35	R1225R	O-RING	1	-016468	
36	AR55304	CAP	1	-016468	
	AR30697	CAP	1	016469-	

- (A) SOUND-GARD BODY OR ROLL-GARD
- (B) LESS SOUND-GARD BODY OR ROLL-GARD

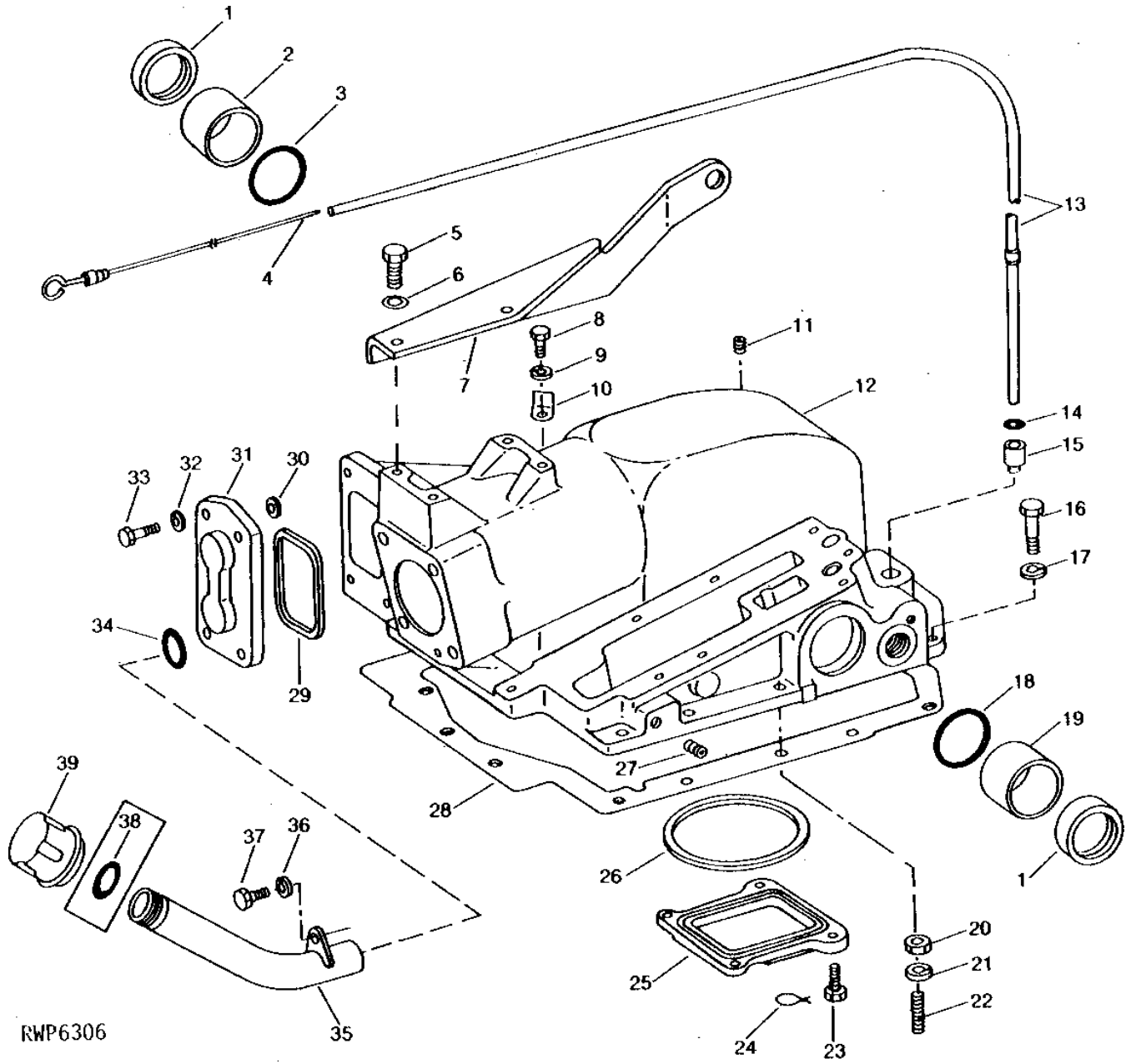
# 3E15

HYDRAULICS

RWP6306

-UN-01JAN94

## ROCKSHAFT HOUSING WITH BUSHING AND OIL SEALS



RWP6306

# 3E16

HYDRAULICS

## ROCKSHAFT HOUSING WITH BUSHING AND OIL SEALS - CONTINUED

KEY	PART NO.	PART NAME	QTY	TRACTOR SERIAL NO.	REMARKS
1	AF2643R	SEAL	2		
2	R26842	BUSHING	1		
3	A4728R	O-RING	1		
4	AR89228	DIPSTICK	1		(SUB FOR AR54616)
5	19H1731	CAP SCREW	2	014956-	3/8" X 1"
6	12H304	LOCK WASHER	2	014956-	3/8"
7	R64771	RETAINER	1	014956-	(SUB FOR R63081)
8	19H1936	CAP SCREW	2		(A) 3/8" X 3/4"
9	12H304	LOCK WASHER	2		(A) 3/8"
10	T13814	CLAMP	2		(A)
	R27720	CLAMP	1		(B)
11	15H559	PIPE PLUG	2		1/4"
12	AR55135	HOUSING	1		(MARKED R50220) (ALSO ORDER R39164 AND R26906 FOR TRACTORS PRIOR TO SERIAL NO. 013979) (NLA)
13	AR56082	LINE	1		
14	A3917R	O-RING	1		
15	R55214	BUSHING	1		(ALSO ORDER A3917R) (SUB FOR R49955)
16	19H3579	CAP SCREW	5		1/2" X 1-3/8"
	19H3544	CAP SCREW	5		1/2" X 4-1/2"
	19H1815	CAP SCREW	5		1/2" X 1-1/4"
	19H1990	CAP SCREW	5		1/2" X 2-1/4"
17	12H301	LOCK WASHER	8		1/2"
18	R26863	O-RING	1		
19	R26841	BUSHING	1		
20	14H1040	NUT	4		1/2"
21	12H301	LOCK WASHER	4		1/2"
22	R32101	STUD	4		(SUB FOR R49988)
23	R57725	SCREW	4		(SUB FOR R61762)
24	.....	WIRE	2	-XXXXXX	16 GA. X 12
25	R55079	COVER	1		
26	R26769	WASHER	1		
27	15H558	PIPE PLUG	1		1/8"
28	R40939	GASKET	1		
29	R40922	PACKING	1		(C)
30	F2741R	PACKING	1		(C)
31	R41446	COVER	1		(C)
32	12H293	LOCK WASHER	4		7/16"
33	19H2500	CAP SCREW	4		7/16" X 1-3/8"
	AR30697	CAP	1	016469-	
34	R30319	O-RING	1		
35	AR54439	TUBE	1	-016468	(SUB AL38083, RE46170, T21564 AND AR30697)
	AR83383	OIL TUBE	1	016469-	(SUB AL38083, RE46170 AND T21564)
36	12H304	LOCK WASHER	1		3/8"
37	19H2284	CAP SCREW	1		3/8" X 7/8"
38	R1225R	O-RING	1	-016468	
39	AR55304	CAP	1	-016468	
	AR30697	CAP	1	016469-	

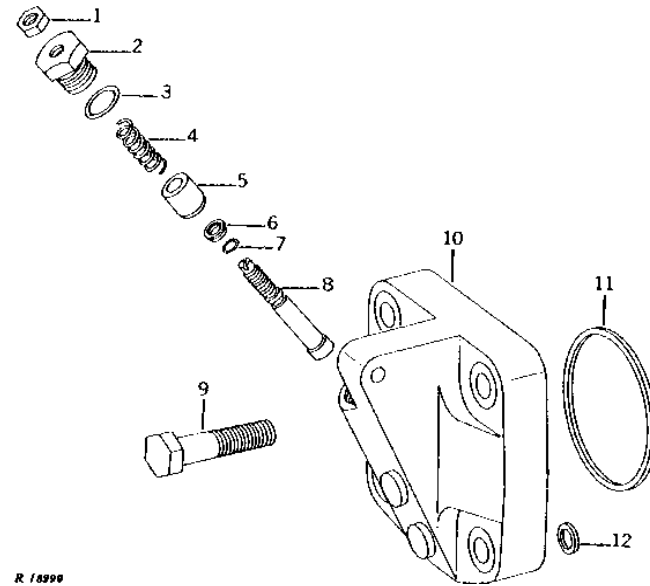
- (A) SOUND-GARD BODY OR ROLL-GARD
- (B) LESS SOUND-GARD BODY OR ROLL-GARD
- (C) LESS SELECTIVE CONTROL

# 3E17

HYDRAULICS

R18990 -UN-01JAN94

## ROCKSHAFT PISTON COVER AND THROTTLE VALVE



R 18990

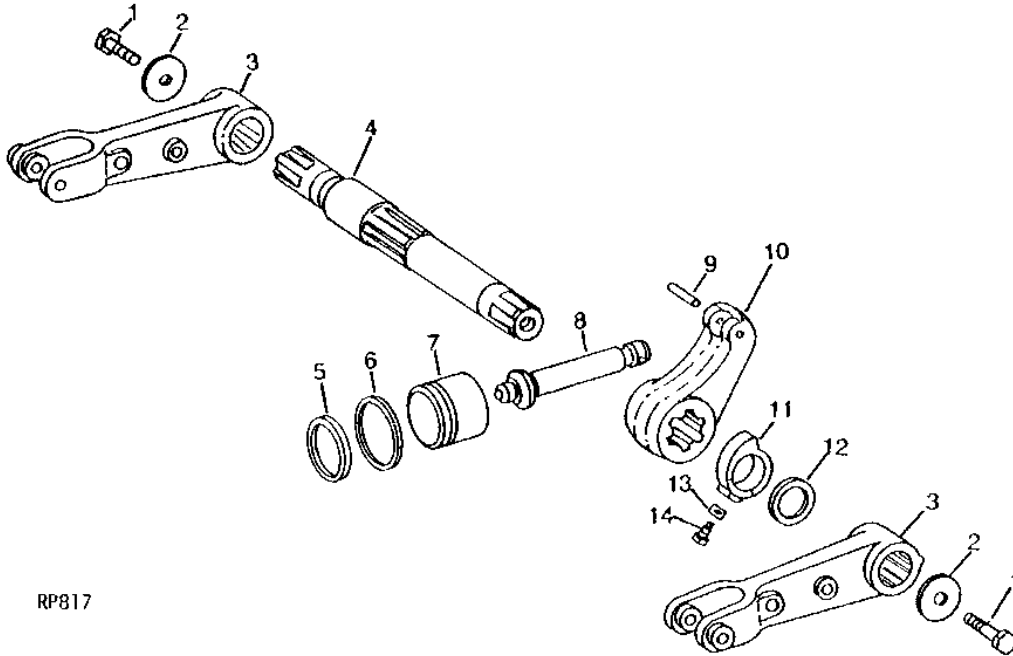
KEY	PART NO.	PART NAME	QTY	TRACTOR SERIAL NO.	REMARKS
1	14H774	NUT	1	3/8"	
2	R26458	FITTING	1		
3	R26906	O-RING	1		
4	B3686R	SPRING	1		
5	R59684	BUSHING	1	(SUB FOR R26457)	
6	R31136	BACK-UP RING	1		
7	A4365R	O-RING	1		
8	R26625	SHAFT	1		
9	19H3244	CAP SCREW	4	5/8" X 2-1/4"	
10	R49956	COVER	1		
	R50536	COVER	1	(POWER WEIGHT-TRANSFER HITCH)	
11	R65334	WASHER	1	(SUB FOR R57533)	
12	F2741R	PACKING	1		

# 3E18

HYDRAULICS

RP817 -UN-01JAN94

## ROCKSHAFT, ROCKSHAFT PISTON, AND LIFT ARMS



RP817

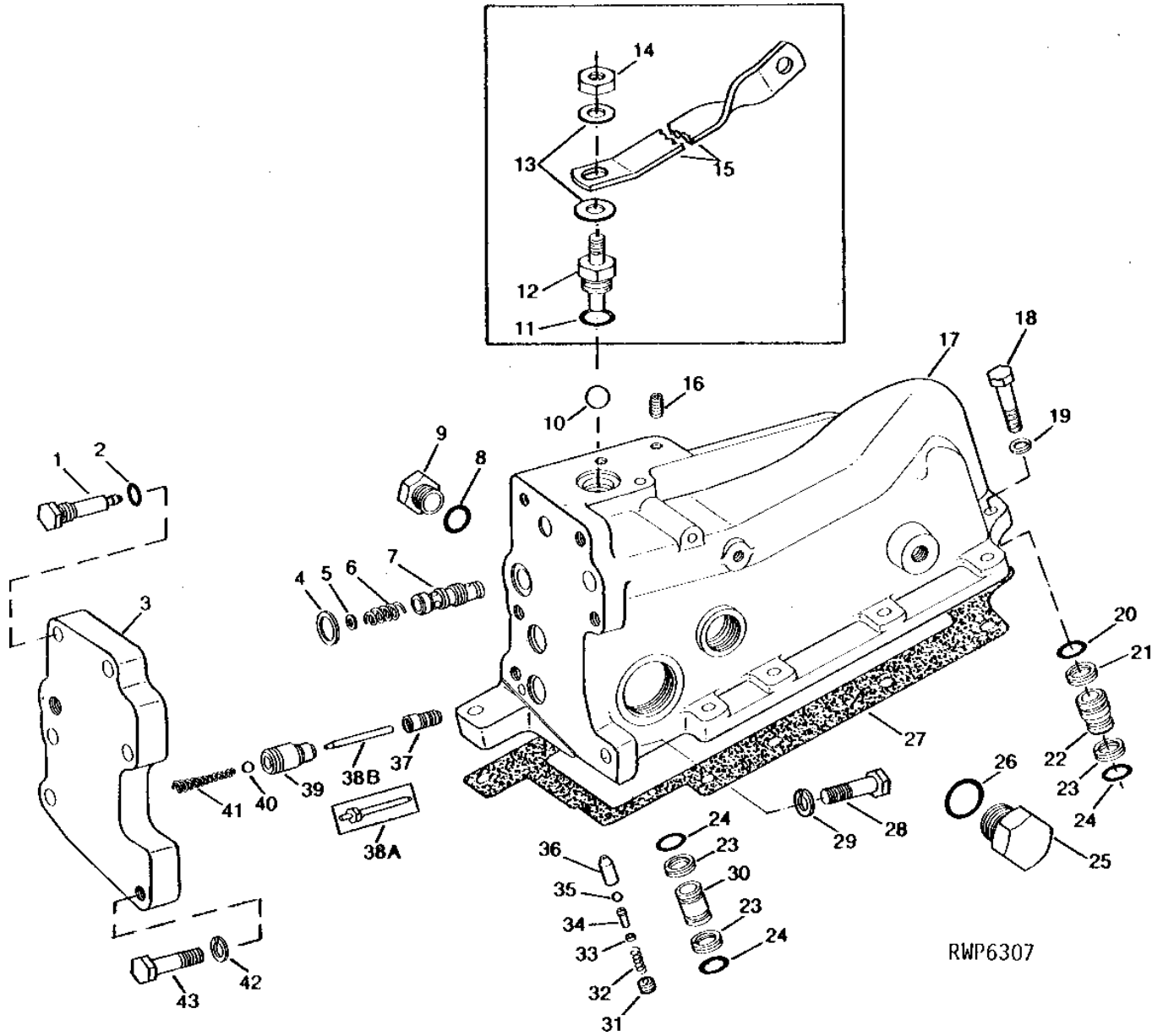
KEY	PART NO.	PART NAME	QTY	TRACTOR SERIAL NO.	REMARKS
1	19H1782	CAP SCREW	2	3/4" X 2-1/4"	
2	R64283	LOCK WASHER	2		
3	R56175	LIFT ARM	2	(SUB FOR R51130)	
4	R34487	SHAFT	1		
5	R59964	SEALING WASHER	1	(ALSO ORDER R59965) (SUB FOR R36424, THIS APPLICATION)	
6	R59965	WEAR RING	1	(ALSO ORDER R59964) (SUB FOR R34304, THIS APPLICATION)	
7	R34152	PISTON	1		
8	AR44356	ROD	1		
9	34H322	SPRING PIN	1	1/4" X 2-3/4"	
10	R42773	ARM	1		
11	R40887	CAM	1		
12	24H1602	WASHER	2	2-17/64" X 2-3/4" X 0.060"	
13	F3173R	LOCK PLATE	1		
14	R69642	CAP SCREW	1	(SUB FOR R26626)	

# 3E19

HYDRAULICS

ROCKSHAFT CONTROL VALVE HOUSING  
(MODEL NO. -10RS-2)  
(TRACTOR SERIAL NO. -012617)

RWP6307 -UN-01JAN94



# 3E20

HYDRAULICS

**ROCKSHAFT CONTROL VALVE HOUSING - CONTINUED**  
 (MODEL NO. -10RS-2)  
 (TRACTOR SERIAL NO. -012617)

KEY	PART NO.	PART NAME	QTY	SERIAL OR MODEL NO.	REMARKS
1	R40881	FITTING	1		
2	R26448	O-RING	1		
3	R50065	VALVE COVER	1	-10RS-1	(SUB R59080 AND (2) R59082)
	R59080	COVER	1	10RS-2-	
4	R26149	PACKING	5		
5	B1664R	SHIM	AR		
6	R26566	SPRING	1		
7	R51342	CONTROL VALVE	1		
8	R26375	O-RING	1		
9	R39112	FITTING	1		
10	M886T	BALL	1		16MM (5/8")
11	R26906	O-RING	1		(A)
12	AR26761	PLUG	1	-008088	(ORDER R56916)
	R56916	PLUG	1	008089-	(A)
13	R58230	LOCK WASHER	2	008089-	(A) (B)
14	14H1040	NUT	1	008089-	(A) (B) 1/2"
15	R58233	LINK	1	008089-	(A) (B)
16	15H558	PIPE PLUG	4		1/8"
17	AR54329	HOUSING	1		(MARKED AR54328) (SUB AR76340)
18	19H1732	CAP SCREW	9		3/8" X 1-1/4"
19	12H304	LOCK WASHER	9		3/8"
20	R27564	O-RING	1		
21	R45925	BACK-UP RING	1		
22	R45924	BUSHING	1		
23	R41057	BACK-UP RING	3		
24	R27166	O-RING	3		
25	R27175	DRAIN PLUG	1		
26	F3171R	O-RING	1		
27	R40896	GASKET	1		
28	19H2500	CAP SCREW	1		7/16" X 1-3/8"
29	12H293	LOCK WASHER	1		7/16"
30	R40945	VALVE	1		
31	R40894	PLUG	1		
32	R59766	SPRING	1		
33	R40895	SHIM	AR		0.25MM (.010")
34	R41777	PIN	1		
35	R41776	BALL	1		2MM (3/32")
36	R40893	VALVE SEAT INSERT	1		(SUB R61349 AND R61350)
37	AR78483	GUIDE	1		(SUB FOR AR31703)
	R31024	GUIDE	1		
38A	R44298	SHAFT	2	-10RS-1	
38B	R62336	SHAFT	2	10RS-2-	(SUB FOR R59111)
39	R28124	VALVE	2		(SUB FOR R44299) (SUB R59083)
40	400R	BALL	2		6MM (1/4")
41	R26565	SPRING	2	-10RS-1	(USE WITH R50065, R50066 AND R50067)
	R59082	SPRING	2	10RS-2-	(USE WITH R59080, R59081 AND R59084)
42	12H293	LOCK WASHER	5		7/16"
43	19H1978	CAP SCREW	5		7/16" X 1-1/2"
..	AR68809	KIT	1	-008088	(B) ROCKSHAFT CONTROL STABILIZER (NLA)

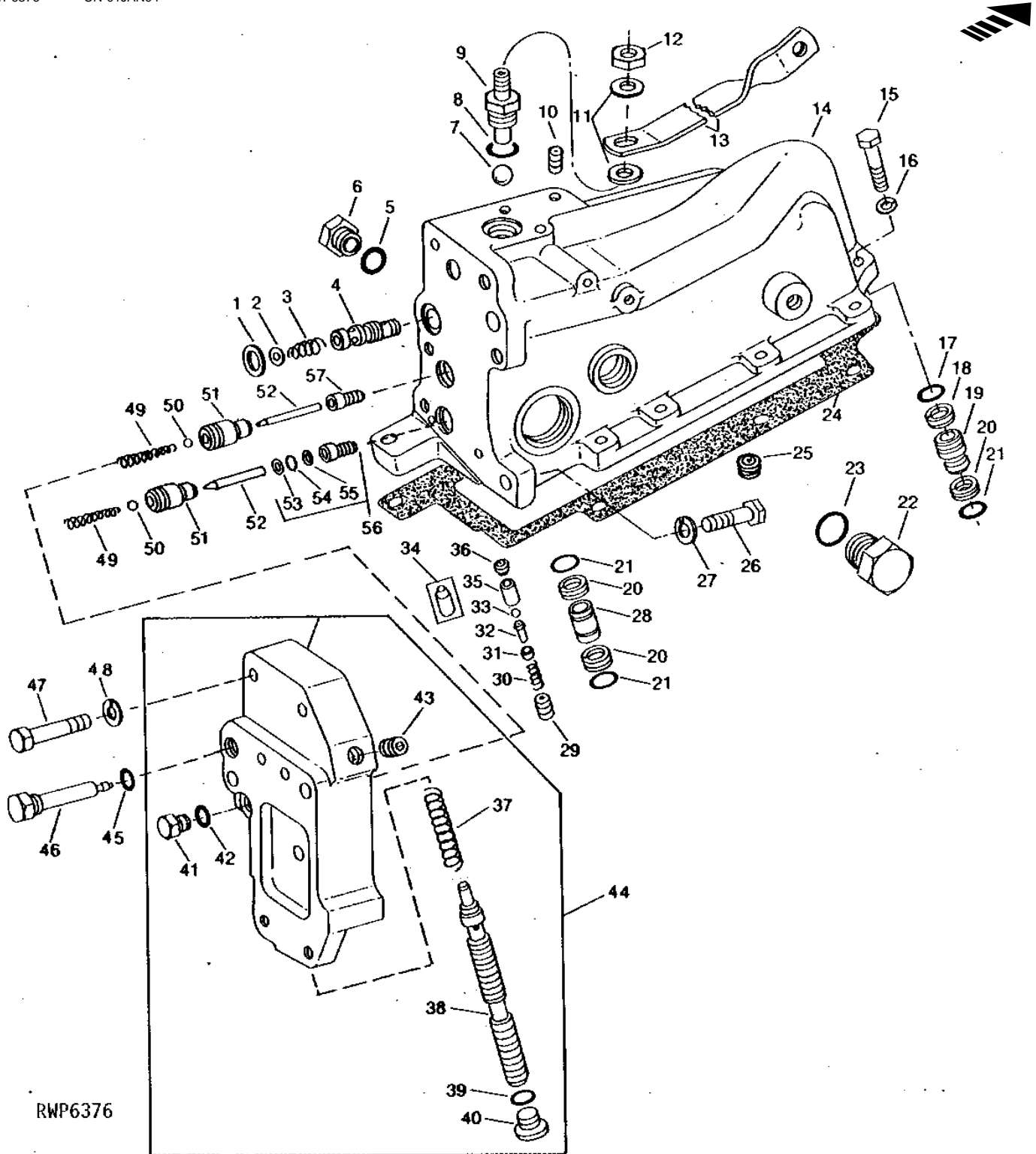
(A) INCLUDED IN AR68809  
 (B) SOUND-GARD BODY

# 3E21

HYDRAULICS

## ROCKSHAFT CONTROL VALVE HOUSING (MODEL NO. 16RS-1) (TRACTOR SERIAL NO. 012618-013978)

RWP6376 -UN-01JAN94



RWP6376



# 3E22

HYDRAULICS

ROCKSHAFT CONTROL VALVE HOUSING - CONTINUED  
(MODEL NO. 16RS-1)  
(TRACTOR SERIAL NO. 027855-031042)

KEY	PART NO.	PART NAME	QTY	TRACTOR SERIAL NO.	REMARKS
1	R26149	PACKING	5		
2	B1664R	SHIM	AR		
3	R26566	SPRING	1		
4	R51342	CONTROL VALVE	1		
	R43791	CONTROL VALVE	1		(USE WITH LIFT ASSIST CYLINDER)
5	R26375	O-RING	1		
6	R39112	FITTING	1		
7	M886T	BALL	1		
8	R26906	O-RING	1		
9	R56916	PLUG	1		
10	15H558	PIPE PLUG	4	1/8"	
11	R58230	LOCK WASHER	2	(A)	
12	14H1040	NUT	1	(A) 1/2"	
13	R58231	LINK	1	(A)	
14	AR76340	HOUSING	1		(MARKED AR76277 OR AR94165)
15	19H1732	CAP SCREW	9	3/8" X 1-1/4"	
16	12H304	LOCK WASHER	9	3/8"	
17	R27564	O-RING	1		
18	R45925	BACK-UP RING	1		
19	R45924	BUSHING	1		
20	R41057	BACK-UP RING	3		
21	R27166	O-RING	3		
22	R27175	DRAIN PLUG	1		
23	F3171R	O-RING	1		
24	R40896	GASKET	1		
25	R66895	ORIFICE	1		(USE WITH AR94165)
26	19H2500	CAP SCREW	1	7/16" X 1-3/8"	
27	12H293	LOCK WASHER	1	7/16"	
28	R40945	VALVE	1		
29	R40894	PLUG	1		
30	R59766	SPRING	1		
31	R40895	SHIM	AR	0.25MM (.010")	
32	R41777	PIN	1		
33	R41776	BALL	1		
34	R40893	VALVE SEAT INSERT	1	-029105	(SUB R61349 AND R61350)
35	R61350	BUSHING	1	029106-	
36	R61349	VALVE SEAT INSERT	1	029106-	
37	R28914	SPRING	1		
38	R60096	VALVE	1		
39	R26375	O-RING	1		
40	R33138	FITTING	1		
41	R27094	DRAIN PLUG	1		
42	R26286	O-RING	1		
43	15H558	PIPE PLUG	1	1/8"	
44	AR73899	COVER	1		(MARKED R60081 OR R60334)
45	R26448	O-RING	1		
46	R60420	PLUG	1		
47	19H1899	CAP SCREW	2	7/16" X 2"	
	19H2227	CAP SCREW	2	7/16" X 2-1/2"	
	19H2500	CAP SCREW	2	7/16" X 1-3/8"	
48	12H293	LOCK WASHER	4	7/16"	
49	R59082	SPRING	2		
50	400R	BALL	2		
51	R59083	VALVE	2		(SUB FOR R20124)
52	R62336	SHAFT	2		(SUB FOR R59111)
53	R26976	O-RING	1		
54	R26977	BACK-UP RING	1		
55	R41337	WASHER	1		
56	AR78483	GUIDE	1		(PRESSURE) (SUB FOR AR31703)
57	R31024	GUIDE	1		(RETURN)

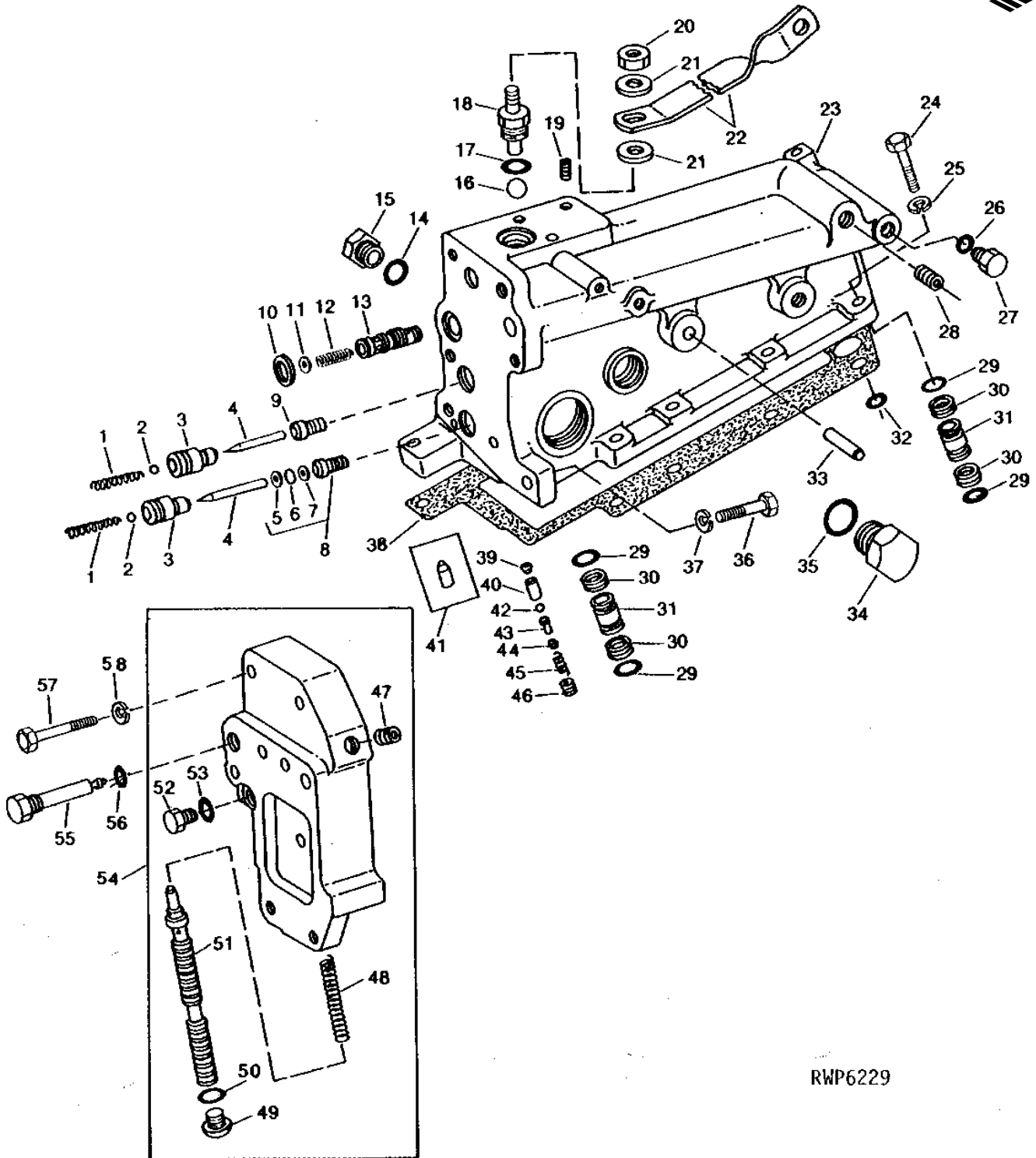
(A) SOUND-GARD BODY

# 3E23

HYDRAULICS

## ROCKSHAFT CONTROL VALVE HOUSING (MODEL NO. 16RS-2) (TRACTOR SERIAL NO. 013979- )

RWP6229 -UN-01JAN94



RWP6229

# 3E24

HYDRAULICS

ROCKSHAFT CONTROL VALVE HOUSING - CONTINUED  
(MODEL NO. 16RS-2)  
(TRACTOR SERIAL NO. 013979- )

KEY	PART NO.	PART NAME	QTY	SERIAL OR MODEL NO.	REMARKS
1	R59082	SPRING	2		
2	400R	BALL	2		6 MM (1/4")
3	R59083	VALVE	2		
4	R62336	SHAFT	2		(SUB FOR R59111)
5	R26976	O-RING	1		
6	R26977	BACK-UP RING	1		
7	R41337	WASHER	1		
8	AR78483	GUIDE	1		(SUB FOR AR31703)
9	R31024	GUIDE	1		
10	R26149	PACKING	5		
11	B1664R	SHIM	AR		
12	R26566	SPRING	1		
13	R51342	CONTROL VALVE	1		
	R43791	CONTROL VALVE	1		(LIFT ASSIST CYLINDER)
14	R26375	O-RING	1		
15	R39112	FITTING	1		
16	M886T	BALL	1		(15.87 MM)
17	R26906	O-RING	1		
18	R56916	PLUG	1		
19	15H558	PIPE PLUG	4		1/8"
20	14H1040	NUT	1		(A) 1/2"
21	R58230	LOCK WASHER	2		(A)
22	R58232	LINK	1		(A)
23	AR78507	HOUSING	1		(MARKED R63573, R66893 OR R71585)
24	19H1732	CAP SCREW	6		3/8" X 1-1/4"
	19H2128	CAP SCREW	6		3/8" X 3"
	19H2054	CAP SCREW	6		3/8" X 4-3/4"
25	12H304	LOCK WASHER	8		3/8"
26	R26448	O-RING	1		
27	R27218	FITTING PLUG	1		
28	15H571	PIPE PLUG	1		3/8"
29	R27166	O-RING	4		
30	R41057	BACK-UP RING	4		
31	R40945	VALVE	2		
32	T17882	WASHER	1		
33	R60317	GROOVE PIN	1		-XXXXXX
	R71583	DOWEL PIN	1		XXXXXX-
34	R27175	DRAIN PLUG	1		
35	F3171R	O-RING	1		
36	19H2500	CAP SCREW	1		7/16" X 1-3/8"
37	12H293	LOCK WASHER	1		7/16"
38	R67121	GASKET	1		(SUB FOR R57665)
39	R61349	VALVE SEAT INSERT	1	013085-	
40	R61350	BUSHING	1	013085-	
41	R40893	VALVE SEAT INSERT	1	-013084	(SUB R61349 AND R61350)
42	R41776	BALL	1		2 MM (3/32")
43	R41777	PIN	1		2 MM (3/32")
44	R40895	SHIM	AR		0.25 MM (.010")
45	R59766	SPRING	1		
46	R40894	PLUG	1		
47	15H558	PIPE PLUG	1		1/8"
48	R28914	SPRING	1		
49	R33138	FITTING	1		
50	R26375	O-RING	1		
51	R60096	VALVE	1		
52	R27094	DRAIN PLUG	1		
53	R26286	O-RING	1		
54	AR73899	COVER	1		(MARKED R60081 OR R60334)
55	R60420	PLUG	1		
56	R26448	O-RING	1		
57	19H1899	CAP SCREW	2		7/16" X 2"
	19H2227	CAP SCREW	2		7/16" X 2-1/2"
	19H2500	CAP SCREW	2		7/16" X 1-3/8"
58	12H293	LOCK WASHER	4		7/16"

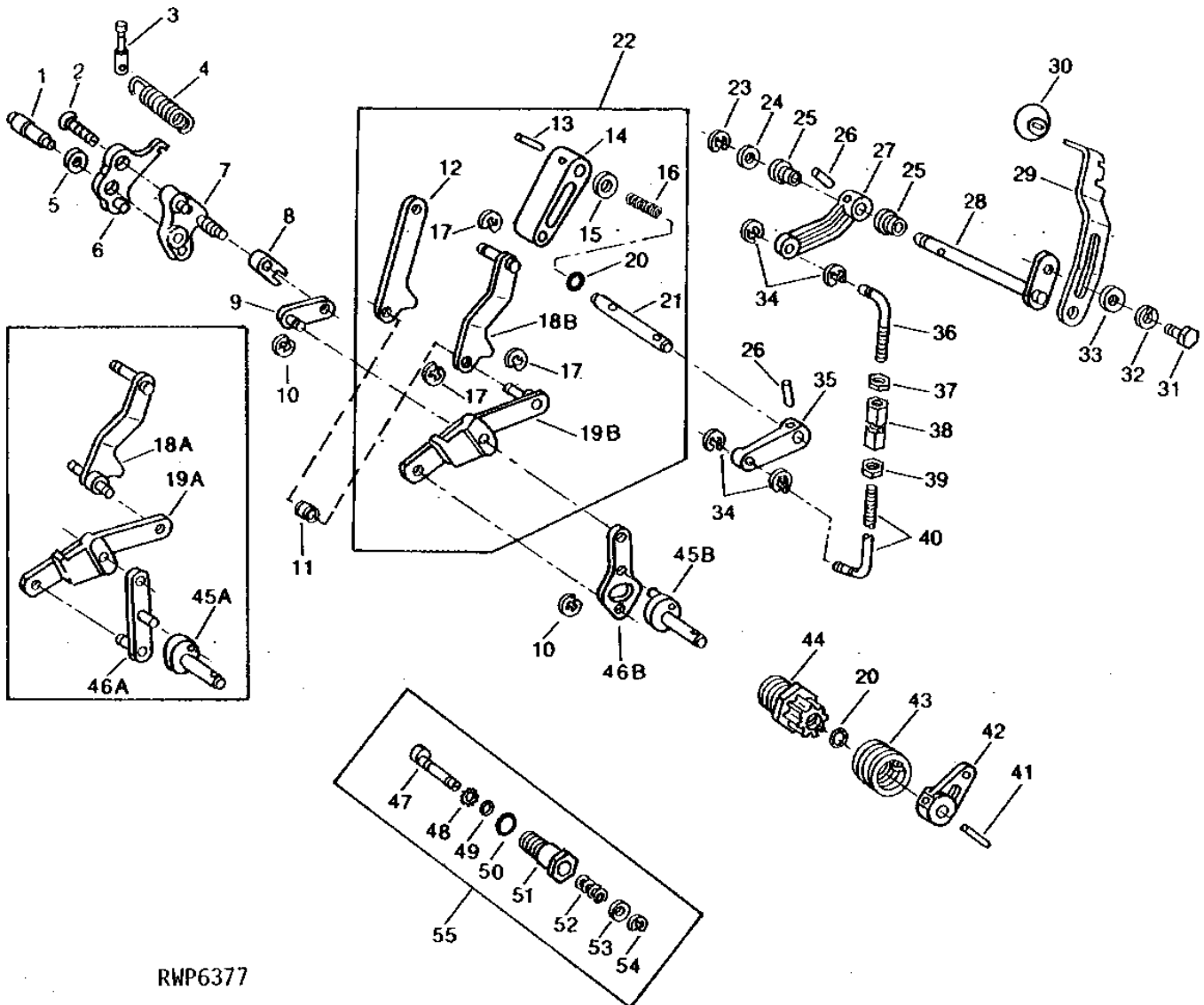
(A) SOUND-GARD BODY

# 3F1

HYDRAULICS

## ROCKSHAFT CONTROL LINKAGE AND LOAD SELECTOR CONTROL (TRACTOR SERIAL NO. -013978)

RWP6377 -UN-01JAN94



RWP6377

# 3F2

HYDRAULICS

**ROCKSHAFT CONTROL LINKAGE AND SELECTOR CONTROL - CONTINUED**  
(TRACTOR SERIAL NO. -031042)

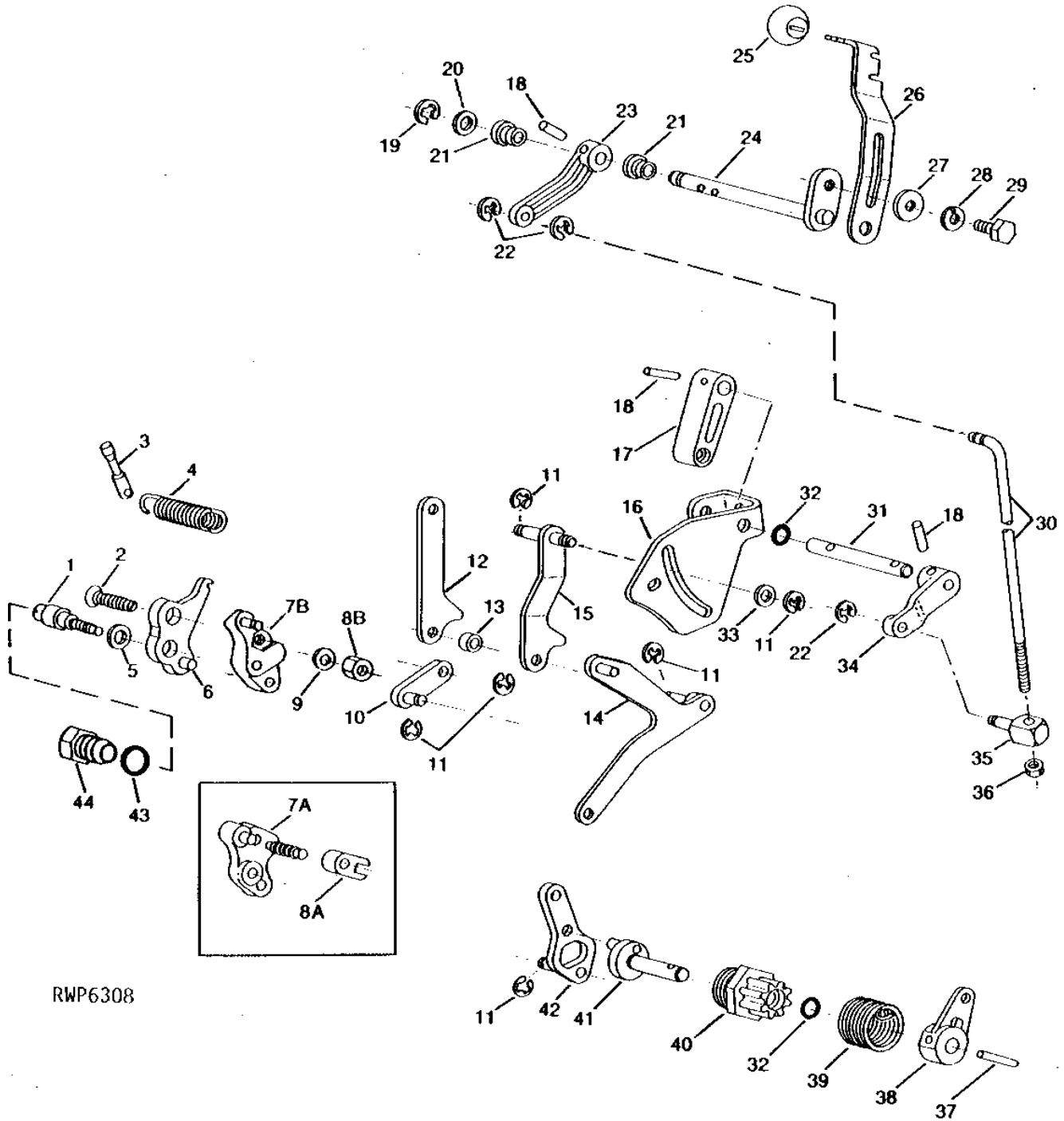
KEY	PART NO.	PART NAME	QTY	TRACTOR SERIAL NO.	REMARKS
1	R40949	SHAFT	1	-036912	(SUB R64296)
	R64296	SHAFT	1	036913-	
2	T22228	SCREW	1		
3	R41108	PIN	1	-XXXXXX	
	R66894	PIN	1	XXXXXX-	
4	R53033	SPRING	1	-XXXXXX	(SUB R60730)
	R60730	SPRING	1	XXXXXX-	
5	24H1321	SHIM	1		29/64" X 13/16" X .018"
6	AR40676	LEVER	1		
7	AR40754	LINK	1		(SUB AR81783, R64845, T519T AND R64843)
8	R40885	NUT	1		
9	AR40675	LEVER	1		
10	R72653	SNAP RING	2		(SUB FOR M2396T)
11	R41661	BUSHING	1		
12	R52828	LINK	1		
13	R56504	SPRING PIN	1		
14	R56821	ARM	1		(SUB FOR R52824)
15	24H1341	WASHER	1		17/32" X 15/16" X 0.060"
16	B423R	SPRING	1		
17	R72653	SNAP RING	3		(SUB FOR M2396T)
18A	AR58236	LINK	1	-025701	(SUB AR72294 AND AR72293)
18B	AR72294	LINK	1	025702-	
19A	AR55084	LINK	1	-025701	(SUB AR72293 AND AR72294)
19B	AR72293	LINK	1	025702-	
20	R394R	O-RING	2		(NOT INCLUDED IN AR86775)
21	R52823	SHAFT	1		
22	AR86775	KIT	1		LOAD SELECTOR CONTROL LINKAGE
23	R26871	SNAP RING	1		
24	24H1227	WASHER	1		17/32" X 13/16" X 0.060"
25	R41076	GROMMET	2		(INCLUDED IN AR68807)
26	R56504	SPRING PIN	2		
27	R40915	LEVER	1		
28	AR74767	SHAFT	1		(SUB FOR AR55625)
29	R51353	LEVER	1		
30	R49932	KNOB	1		
31	19H1813	CAP SCREW	1		5/16" X 5/8"
32	12H303	LOCK WASHER	1		5/16"
33	24H1294	WASHER	1		11/32" X 1-1/8" X 1/16"
34	R27507	SNAP RING	4		(SUB R72654)
35	R40892	LEVER	1		
36	R55140	HOOK BOLT	1		
37	14H1025	NUT	1		1/4"
38	R52422	TURNBUCKLE	1		
39	14H649	NUT	1		1/4"
40	R55142	HOOK BOLT	1		
41	34H284	SPRING PIN	1		3/16" X 1-1/4"
42	R51359	ARM	1		
43	R51747	SPRING	1		
44	R52174	QUILL	1		
45A	R54128	SHAFT	1	-025701	(SUB AR72292 AND AR79505)
45B	AR72291	SHAFT	1	025702-033719	(SUB AR79505)
	AR79505	SHAFT	1	033720-	
46A	AR40753	LINK	1	-025701	(SUB AR72292 AND AR79505)
46B	AR72292	LINK	1	025702-	
47	R55373	ECCENTRIC	1		(ALSO ORDER R55374) (SUB FOR R51028)
48	12H310	LOCK WASHER	1	-XXXXX	3/8"
49	A4365R	O-RING	1		
50	R26906	O-RING	1		
51	R55374	BUSHING	1		(ALSO ORDER R55373) (SUB FOR R51027)
52	R50559	SPRING	1		
53	24M7096	WASHER	1		10.500 X 18 X 1.600 MM
54	R72653	SNAP RING	1		(SUB FOR M2396T)
55	AR59026	BUSHING	1		
..	AR68807	KIT	1		ROCKSHAFT CONTROL STABILIZER (NLA)

# 3F3

HYDRAULICS

## ROCKSHAFT CONTROL LINKAGE AND LOAD SELECTOR CONTROL (TRACTOR SERIAL NO. 013979- )

RWP6308 -UN-01JAN94



RWP6308

# 3F4

HYDRAULICS

ROCKSHAFT CONTROL LINKAGE AND LOAD SELECTOR CONTROL - CONTINUED  
(TRACTOR SERIAL NO. 013979- )

KEY	PART NO.	PART NAME	QTY	TRACTOR SERIAL NO.	REMARKS
1	R64296	SHAFT	1	-XXXXXX	(SUB FOR R40949)
	R64843	SHAFT	1	XXXXXX-	
2	T22228	SCREW	1		
3	R41108	PIN	1		
4	R53033	SPRING	1	-XXXXXX	(SUB R60730)
	R60730	SPRING	1	XXXXXX-	
5	24H1321	SHIM	1		29/64" X 13/16" X .018"
6	AR40676	LEVER	1		
7A	AR40754	LINK	1	-XXXXXX	(SUB AR81783, R64845, T519T AND R64843)
7B	AR81783	LEVER	1	XXXXXX-	
8A	R40885	NUT	1	-XXXXXX	
8B	R64845	NUT	1	XXXXXX-	
9	T519T	WASHER	1	XXXXXX-	
10	AR40675	LEVER	1		
11	R72653	SNAP RING	6		(SUB FOR M2396T)
12	R52828	LINK	1		
13	R41661	BUSHING	1		
14	AR78646	LEVER	1		(SUB FOR AR67850)
15	AR67849	LINK	1		
16	R64013	GUIDE	1		(SUB FOR R56816)
17	R56821	ARM	1		
18	R56504	SPRING PIN	3		
19	R26871	SNAP RING	1		
20	24H1227	WASHER	1		17/32" X 13/16" X 0.060"
21	R41076	GROMMET	2		
22	R72654	SNAP RING	3		(SUB FOR R27507)
23	R40915	LEVER	1		
24	AR74767	SHAFT	1		
25	R49932	KNOB	1		
26	R51353	LEVER	1		
27	24H1294	WASHER	1		11/32" X 1-1/8" X 1/16"
28	12H303	LOCK WASHER	1		5/16"
29	19H1813	CAP SCREW	1		5/16" X 5/8"
30	R62862	BOLT	1		
31	R52823	SHAFT	1		
32	R394R	O-RING	2		
33	24H1290	WASHER	1		21/64" X 3/4" X 0.035"
34	R62859	ARM	1		
35	R62863	SWIVEL	1		
36	14H649	NUT	1		1/4"
37	34H284	SPRING PIN	1		3/16" X 1-1/4"
38	R62860	ARM	1		
39	R51747	SPRING	1		
40	R52174	QUILL	1		
41	AR72291	SHAFT	1	-XXXXXX	(SUB AR79505)
	AR79505	SHAFT	1	XXXXXX-	
42	AR72292	LINK	1		
43	R26906	O-RING	1		
44	R27474	DRAIN PLUG	1		

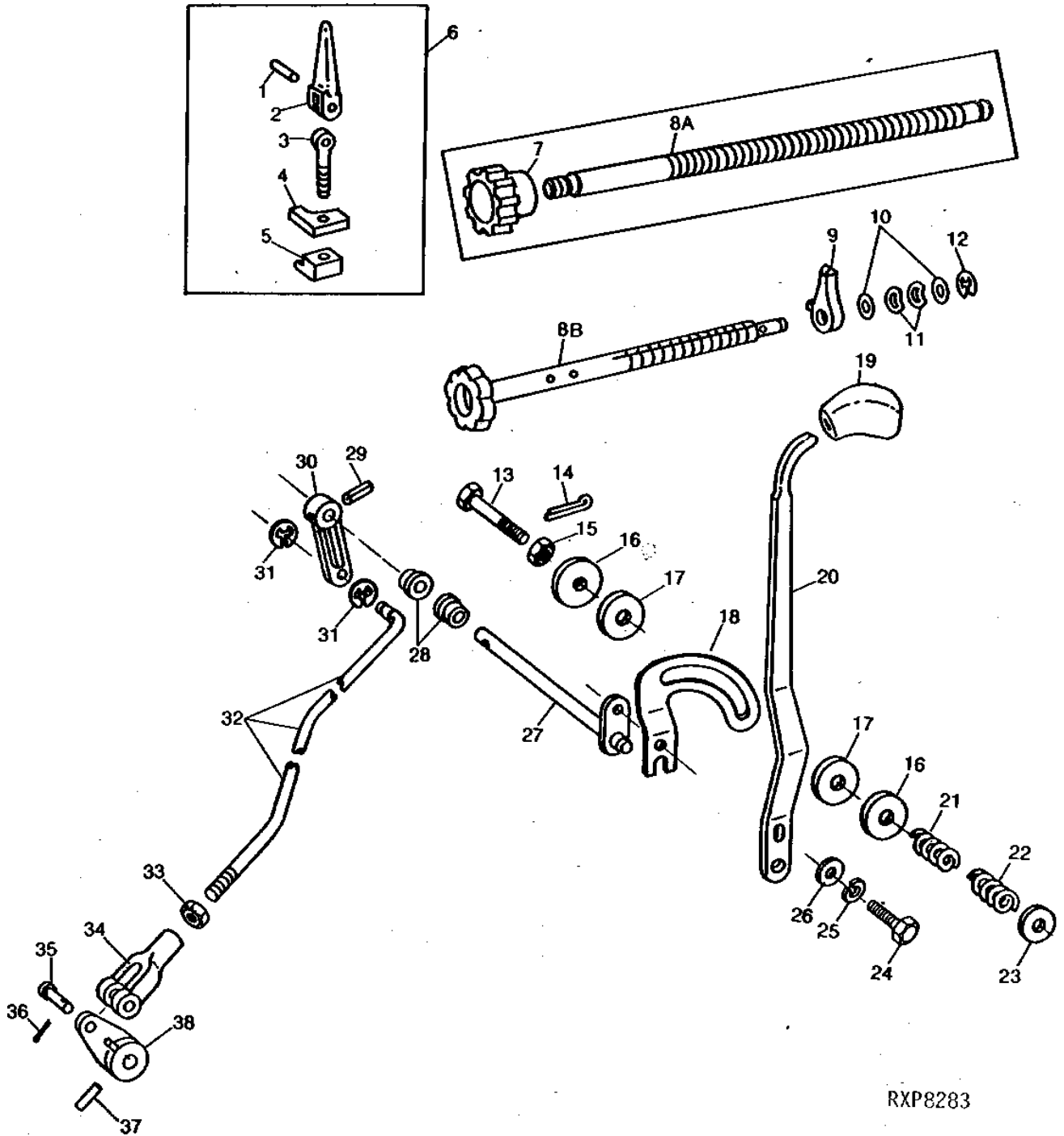
# 3F5

HYDRAULICS

RXP8283

-UN-01JAN94

## ROCKSHAFT CONTROL



RXP8283



# 3F6

HYDRAULICS

## ROCKSHAFT CONTROL VALVE LEVER AND LINKAGE - CONTINUED

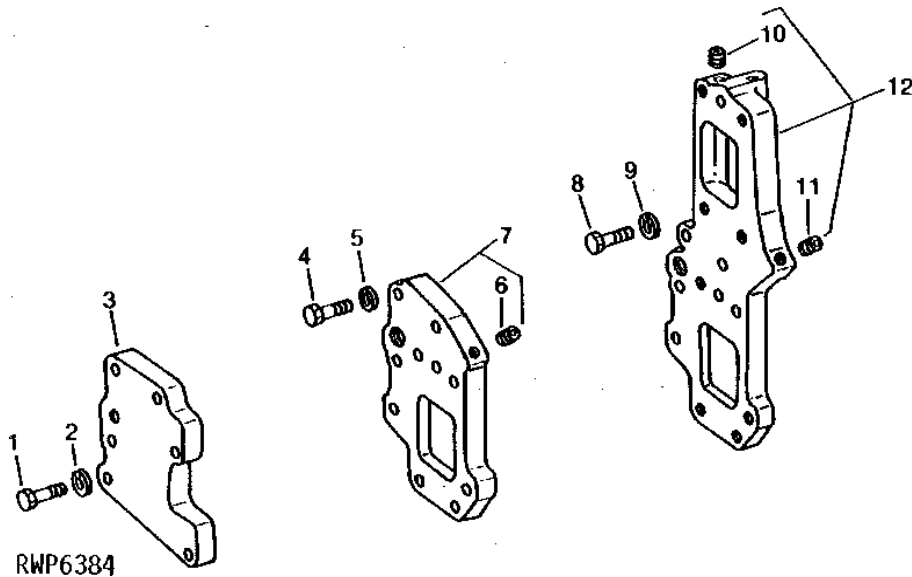
KEY	PART NO.	PART NAME	QTY	TRACTOR SERIAL NO.	REMARKS
1	34H387	SPRING PIN	1		3/16" X 3/4"
2	R34537	CAM	1		
3	R42641	EYEBOLT	1		
4	R53475	STOP	1		
5	R53476	NUT	1		
6	AR60331	STOP	1		(NLA)
7	R41385	KNOB	1	-011017	
8A	R47300	SCREW	1	-011017	(SUB R58204)
8B	R58204	SCREW	1	011018-	
9	R41386	STOP	1		
10	R47301	WASHER	2		
11	T519T	WASHER	2		
12	R26871	SNAP RING	1		
13	R49924	BOLT	1		
14	11M7059	COTTER PIN	1		3.200 X 20 MM
15	14H732	NUT	1		3/8"
16	R41968	WASHER	2		(SUB FOR AR42287)
17	AR105813	WASHER	2		(SUB FOR AR42287)
18	R49411	PLATE	1		
	R52282	PLATE	1		(SOUND-GARD BODY)
19	R51161	KNOB	1		
20	R100341	LEVER	1		(SUB FOR R51160)
21	R44313	SPRING	1		
22	R41147	SPRING	1		
23	24H1299	WASHER	1		3/8" X 1-1/4" X 0.065"
24	19H1900	CAP SCREW	1		5/16" X 3/4"
25	12H303	LOCK WASHER	1		5/16"
26	24H1136	WASHER	1		11/32" X 11/16" X 0.065"
27	AR55626	SHAFT	1		
28	R41076	GROMMET	2		
29	34H297	SPRING PIN	1		7/32" X 1"
30	R52280	ARM	1		
31	R72653	SNAP RING	2		(SUB FOR M2396T)
32	R52656	ROD	1		23" LONG
	R52281	ROD	1		13" LONG
33	14H882	NUT	1		5/16"
34	R42282	YOKE	1		(SUB T54033 AND R82766)
35	R72660	PIN	1		(SUB FOR R662R)
36	11M7079	COTTER PIN	1		0.098" X 0.472"
37	34H284	SPRING PIN	1		3/16" X 1-1/4"
38	R51359	ARM	1	-021797	
	R62860	ARM	1	021798-	

# 3F7

HYDRAULICS

RWP6384 -UN-01JAN94

## ROCKSHAFT CONTROL VALVE HOUSING COVER



RWP6384

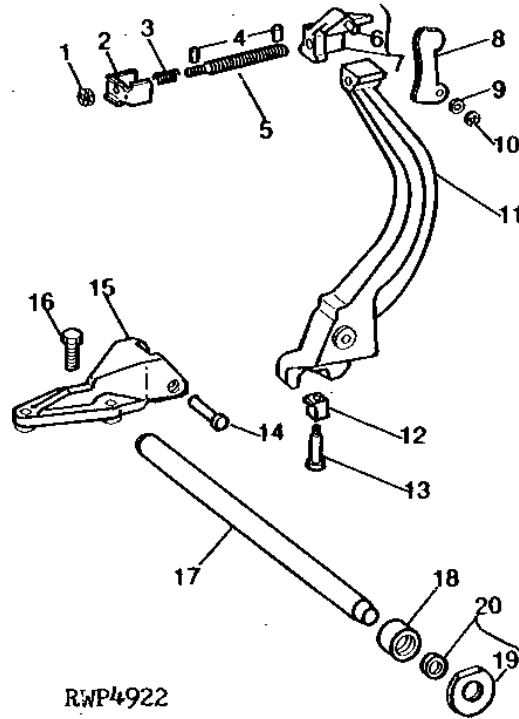
KEY	PART NO.	PART NAME	QTY	MODEL NO.	REMARKS
1	19H1978	CAP SCREW	5		7/16" X 1-1/2"
	19H2500	CAP SCREW	5		7/16" X 1-3/8"
2	12H293	LOCK WASHER	6		7/16"
3	R50065	VALVE COVER	1	-10RS-1	(SINGLE OR LESS SCV) (SUB R59080 AND (2) R59082)
	R59080	COVER	1	10RS-2-	
4	19H1978	CAP SCREW	4		7/16" X 1-1/2"
	19H2500	CAP SCREW	4		7/16" X 1-3/8"
5	12H293	LOCK WASHER	5		7/16"
6	15H559	PIPE PLUG	1		1/4"
7	AR71188	COVER	1	10RS-2-	DUAL SELECTIVE CONTROL COVER, (MARKED R50066 OR R59081) (SUB FOR AR54331) (ORDER DUAL DIRECTIONAL CONTROL VALVE KIT UNLESS PREVIOUSLY INSTALLED)
8	19H1978	CAP SCREW	4		7/16" X 1-1/2"
	19H2500	CAP SCREW	4		7/16" X 1-3/8"
9	12H293	LOCK WASHER	5		7/16"
10	15H558	PIPE PLUG	1		1/8"
11	15H559	PIPE PLUG	1		1/4"
12	AR71189	COVER	1	10RS-2-	TRIPLE SELECTIVE CONTROL COVER, (MARKED R50067 OR R59084) (SUB FOR AR54332) (ORDER TRIPLE DIRECTIONAL CONTROL VALVE KIT UNLESS PREVIOUSLY INSTALLED)

# 3F8

HYDRAULICS

RWP4922 -UN-01JAN94

## LOAD CONTROL



RWP4922

KEY	PART NO.	PART NAME	QTY	TRACTOR SERIAL NO.	REMARKS
1	14H936	NUT	1	3/8"	
2	R46443	LOCK PLATE	1		
3	F1463R	SPRING	1		
4	34H243	SPRING PIN	2	1/8" X 1/2"	
5	R26628	STUD	1		
6	R26869	PIN	1	(USE WITH R41121)	
	R64295	SPRING PIN	1	(USE WITH R62931)	
7	AR77700	EXTENSION	1	(MARKED R41121 OR R62931) (SUB FOR AR40785)	
8	R49336	CAM FOLLOWER	1		
9	24H1287	WASHER	1	9/32" X 5/8" X 0.065"	
10	R72654	SNAP RING	1	(SUB FOR R27507)	
11	R47826	ARM	1		
12	R40889	FOLLOWER	1		
13	R40891	PIN	1		
14	R41078	PIN	1		
15	R51195	SUPPORT	1		
16	T12637	SCREW	3		
17	R33883	PIN	1		
18	R27018	BUSHING	2		
19	R28961	WASHER	2		
20	AR84791	SEAL	2	(SUB FOR AR27371 OR AR78337)	

---

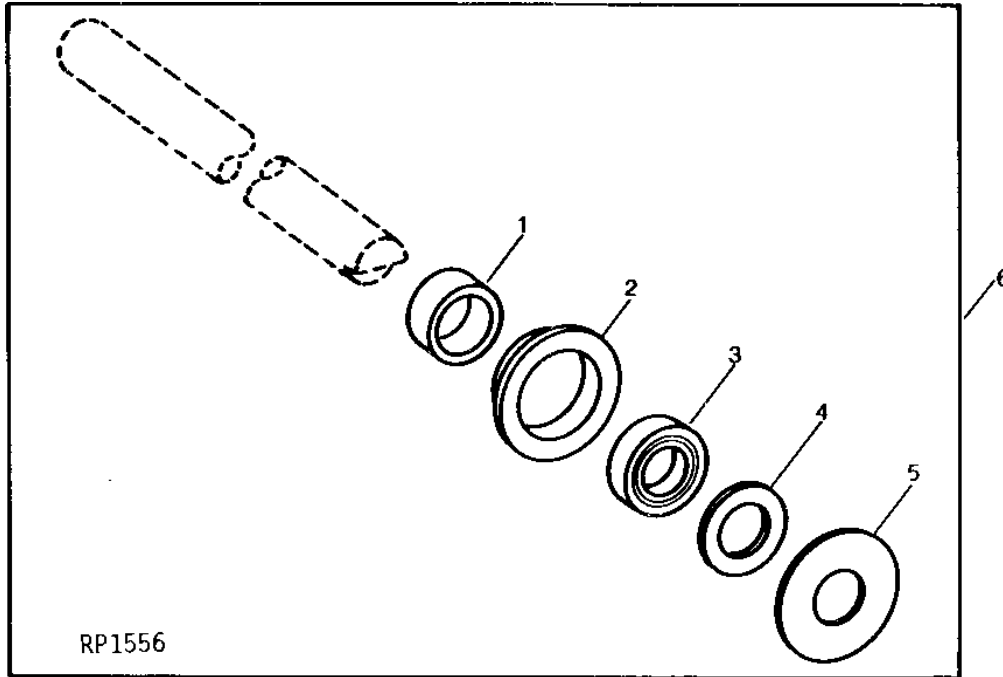
MEMORANDA

# 3F9

HYDRAULICS

RP1556 -UN-20NOV95

## LOAD CONTROL SHAFT BUSHING KIT



KEY	PART NO.	PART NAME	QTY	TRACTOR SERIAL NO.	REMARKS
1	R68424	BUSHING	2		0.8MM (.030") OVERSIZE
2	R68428	BUSHING	2		
3	AR27371	SEAL	2		(SUB AR84791)
4	R28961	WASHER	2		
5	R68425	WASHER	AR		1.22MM (.048")
	R68426	WASHER	AR		0.91MM (.036")
	R68427	WASHER	AR		1.57MM (.062")
6	AR89132	KIT	1		

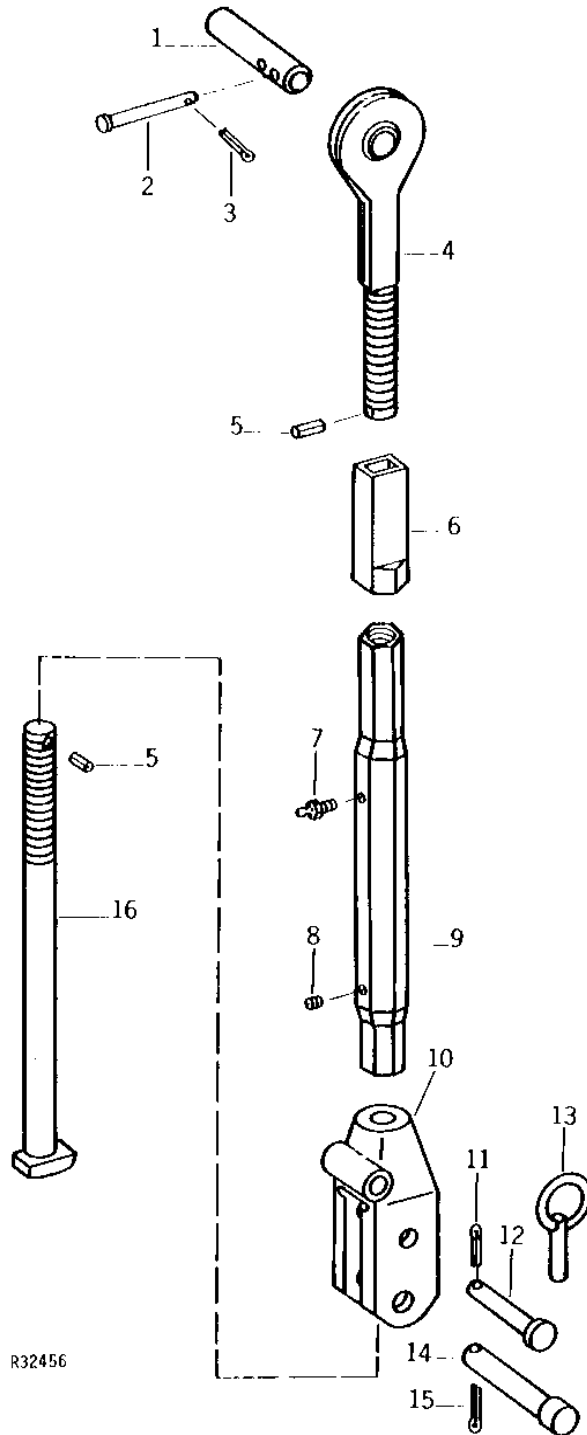
# 3F10

HYDRAULICS

R32456

-UN-01JAN94

LIFT LINK



# 3F11

HYDRAULICS

## LIFT LINK - CONTINUED

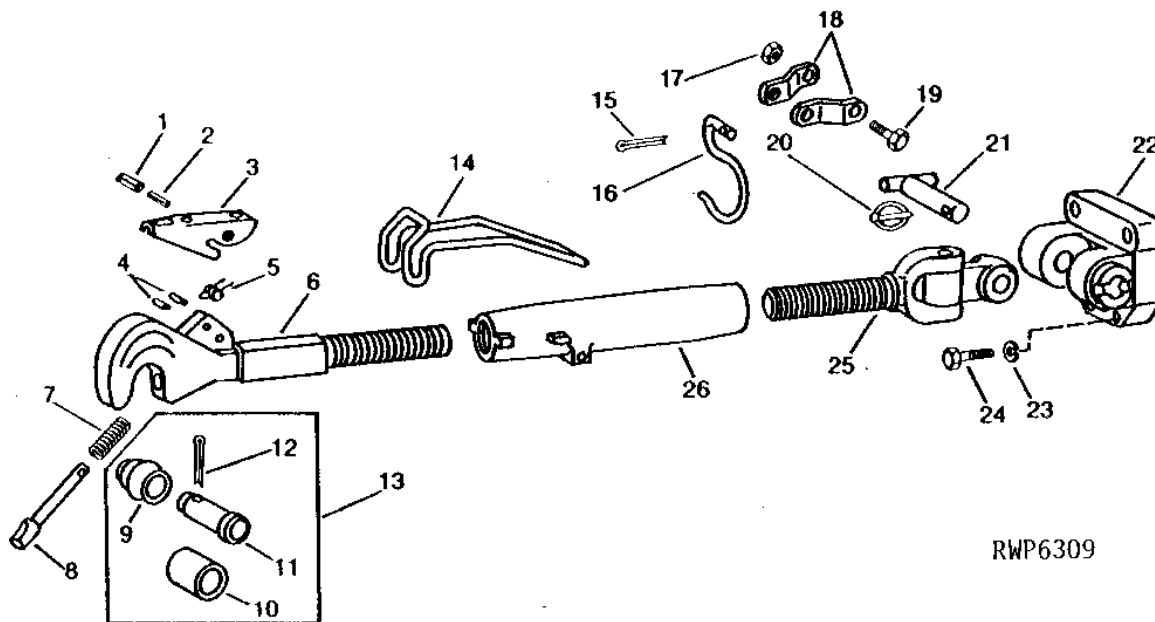
KEY	PART NO.	PART NAME	QTY	TRACTOR SERIAL NO.	REMARKS
1	R58260	PIN	2		
2	R69166	PIN	2		(ALSO ORDER 11M7059) (SUB FOR AR83396, THIS APPLICATION)
3	11M7059	COTTER PIN	2		3.200 X 20 MM
4	AR56164	END	1	-016175	(SUB AR81096)
	AR81096	EYEBOLT	1	016176-	
5	34H387	SPRING PIN	4		3/16" X 3/4"
6	R51897	ARRESTOR	2		
7	JD7759	LUBRICATION FITTING	2		
8	R21630	PIPE PLUG	2		
9	R51896	LINK BODY	2		(SUB RE49601)
10	R56931	YOKE	2		(SUB R109981)
11	11M7021	COTTER PIN	2		0.157" X 0.984"
12	T16068	PIN	2		
13	AR62149	QUICK LOCK PIN	2		
14	R54170	PIN	1	-006719	
	R56930	PIN	1	006720-	
15	11M7030	COTTER PIN	2		0.197" X 1.575"
16	R52353	LIFT LINK	2		
..	AR68071	STRAP	1		

# 3F12

HYDRAULICS

RWP6309 -UN-01JAN94

## HITCH CENTER LINK



RWP6309

KEY	PART NO.	PART NAME	QTY	TRACTOR SERIAL NO.	REMARKS
1	R56506	SPRING PIN	1		
2	34H252	SPRING PIN	1	1/8" X 1-1/4", (SUB FOR R56505)	
3	F2824R	HANDLE	1		
4	34H283	SPRING PIN	2	3/16" X 1-1/8"	
5	F2823R	SPRING	1		
6	R26813	HOOK	1		
7	F2822R	SPRING	1		
8	R53196	LATCH	1		
9	F2680R	BALL STUD	1	(A)	
	F2681R	BALL	1	(B)	
10	28H1753	BUSHING	1	(B) (SUB FOR R44917)	
	R66432	BUSHING	2	(A)	
	R66433	BUSHING	2	(A)	
11	R58262	PIN	1	(A)	
	R53296	PIN	1	(B) (SUB FOR R44918)	
12	11M7038	COTTER PIN	1	(A) 0.248" X 1.575"	
	11M7040	COTTER PIN	1	(B) 0.248" X 1.969"	
13	AF2710R	BALL	1	(A) 19MM (49/64"), I.D. (ORDER COMPONENT PARTS)	
	AF2711R	BALL	1	(B) 26MM (1-1/64"), I.D.	
14	R42495	HANDLE	1		
15	11M7059	COTTER PIN	1	3.200 X 20 MM	
16	R53762	HOOK	1	(SUB FOR R47072)	
17	14H785	NUT	2	5/16", (POWER WEIGHT TRANSFER HITCH)	
18	R40633	BRACKET	1		
19	19H1901	CAP SCREW	1	5/16" X 2"	
20	AR62151	QUICK LOCK PIN	1	(SUB M115827)	
21	AR67880	PIN	1	(SUB FOR AR39681)	
22	R39759	BRACKET	1		
23	12H294	LOCK WASHER	4	5/8"	
24	19H3244	CAP SCREW	4	5/8" X 2-1/4"	
25	AR32531	CENTER LINK END	1		
26	R47524	LINK BODY	1		

(A) CATEGORY I  
(B) CATEGORY II

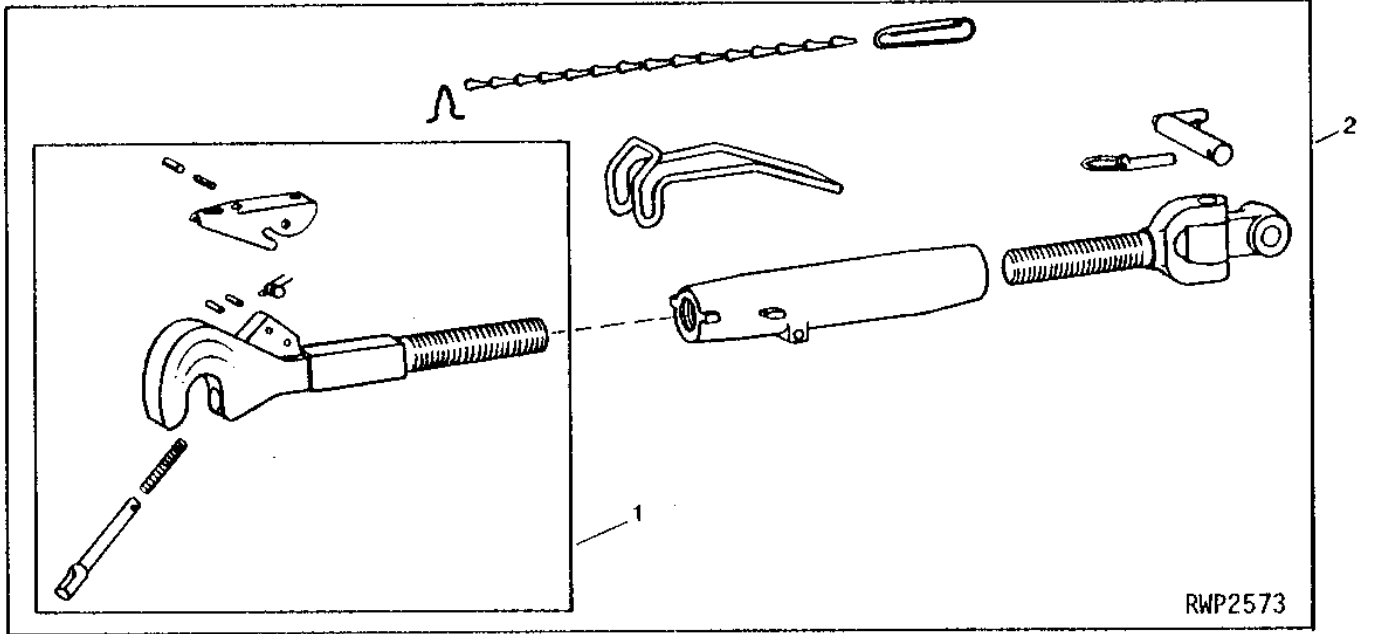


# 3F13

HYDRAULICS

RWP2573 -UN-01JAN94

## CENTER LINK KITS



KEY	PART NO.	PART NAME	QTY	TRACTOR SERIAL NO.	REMARKS
1	AR46298	HOOK	1		
2	AR34208	LINK	1		

---

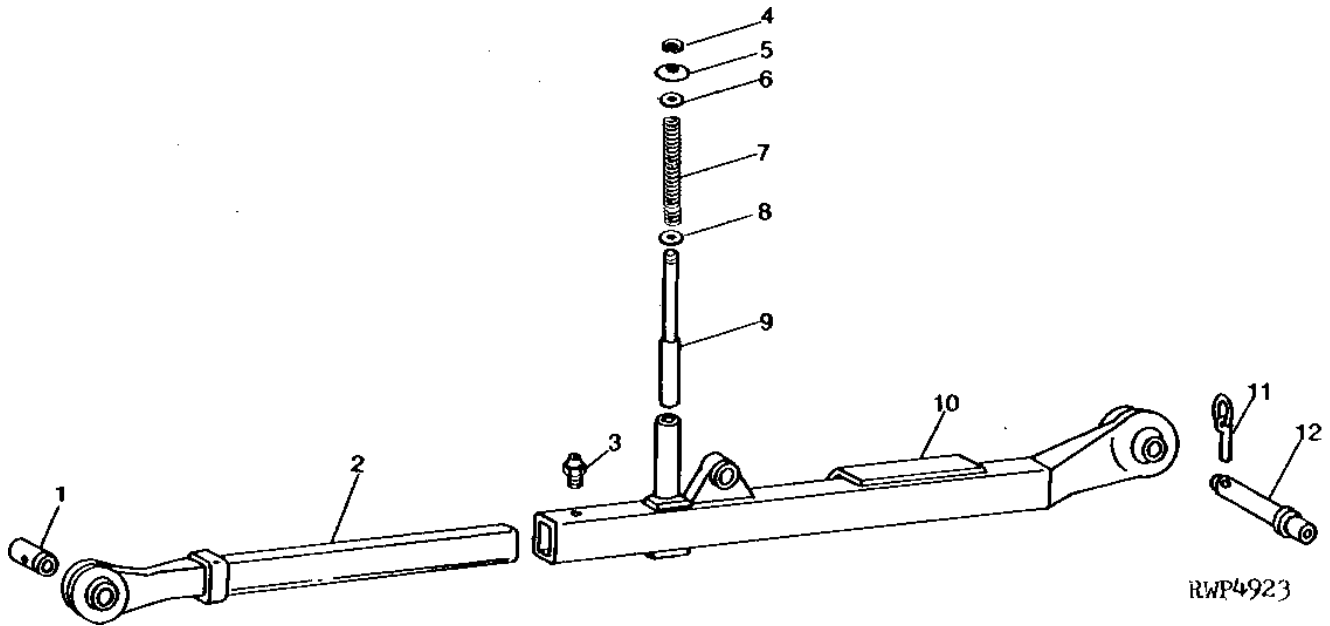
MEMORANDA

# 3F14

HYDRAULICS

RWP4923 -UN-01JAN94

## DRAFT LINKS



RWP4923

KEY	PART NO.	PART NAME	QTY	TRACTOR SERIAL NO.	REMARKS
1	R66432	BUSHING	2		CATEGORY I, (SUB FOR F2684R)
	R66433	BUSHING	2		CATEGORY II, (SUB FOR F2685R)
2	AR28570	BAR	2		
3	JD7759	LUBRICATION FITTING	2	1/8"	
4	F2208R	SNAP RING	2		
5	B2477R	WASHER	2		
6	F2694R	WASHER	2		
7	F2695R	SPRING	2		
8	24H1111	WASHER	2	17/32" X 1-1/16" X 0.090"	
9	F2693R	PIN	2		
10	AR32547	TUBE	1		R.H.
	AR32548	TUBE	1		L.H.
11	AR62151	QUICK LOCK PIN	2		(SUB M115827)
12	R58261	PIN	2		(SUB FOR R40516 AND R53562)
..	AF3147R	BAR	1		(NOT ILLUSTRATED)
..	AR68071	STRAP	1		(SUB FOR AR64845)

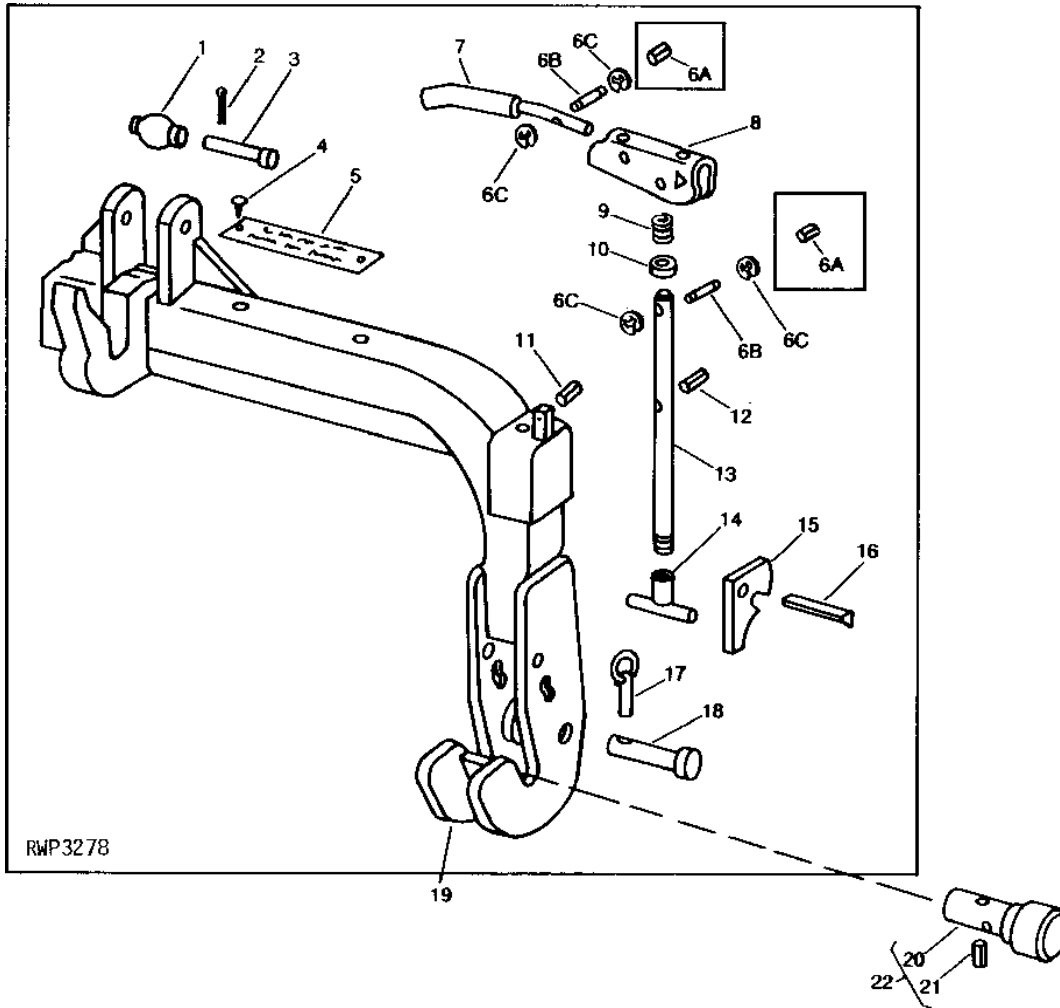
# 3F15

HYDRAULICS

RWP3278

-UN-06OCT94

REGULAR-DUTY IMPLEMENT QUICK COUPLER



# 3F16

HYDRAULICS

## REGULAR-DUTY IMPLEMENT QUICK COUPLER - CONTINUED

KEY	PART NO.	PART NAME	QTY	TRACTOR SERIAL NO.	REMARKS
1	F2681R	BALL	1		
2	11M7040	COTTER PIN	1		0.248" X 1.969"
3	R53296	PIN	1		
4	R55427	RIVET	2		(SUB R125955)
5	R56039	DECAL	1		
6A	34H311	SPRING PIN	2		1/4" X 7/8"
6B	R66901	SPRING PIN	4		
6C	R72654	SNAP RING	8		(SUB FOR R27507)
7	R48163	HANDLE	2		
8	R48164	LEVER	2		
9	R43444	SPRING	2		
10	R46890	SLEEVE	2		
11	34H311	SPRING PIN	4		1/4" X 7/8"
12	34H277	SPRING PIN	2		3/16" X 5/8"
13	R46889	STUD	2		
14	AR49206	PIN	2		
15	R46893	LATCH	2		
16	34H373	SPRING PIN	2		1/2" X 2-1/2"
17	AR62151	QUICK LOCK PIN	2		(SUB M115827)
18	R58268	PIN	2		
19	TY15269	HITCH	1		(SUB TY16042)
20	R27998	HALF SLEEVE	2		
21	R27999	SPRING PIN	2		
22	AR27093	ADAPTER	2		

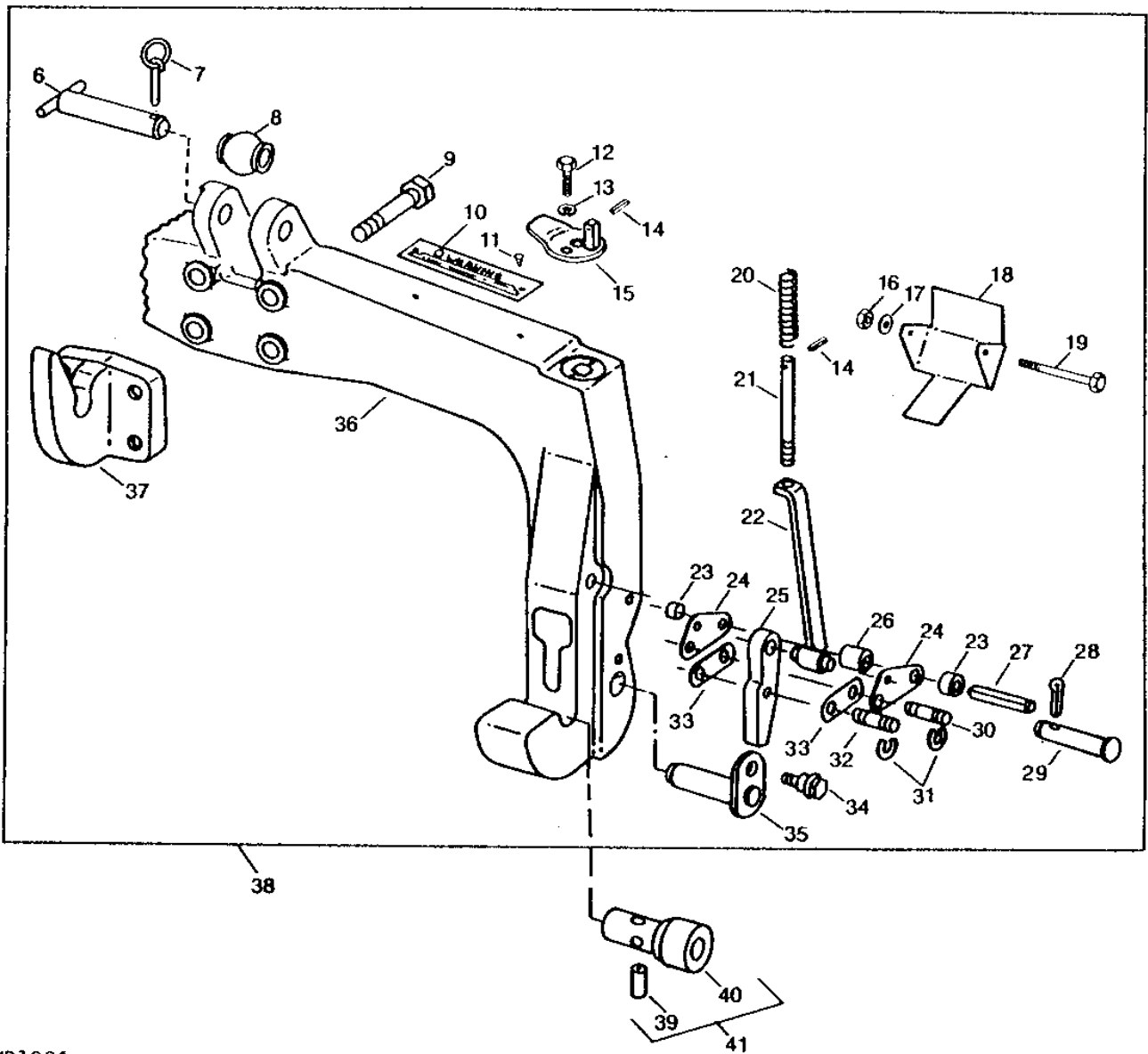
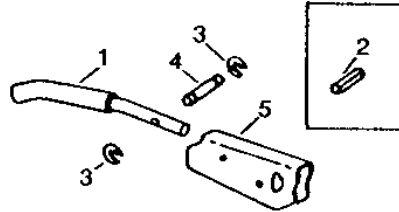
# 3F17

HYDRAULICS

RWP1904

-UN-01JAN94

## HEAVY-DUTY IMPLEMENT QUICK COUPLER



RWP1904

# 3F18

HYDRAULICS

## HEAVY-DUTY IMPLEMENT QUICK COUPLER - CONTINUED

KEY	PART NO.	PART NAME	QTY	TRACTOR SERIAL NO.	REMARKS
1	R48163	HANDLE	2		
2	34H311	SPRING PIN	2	-XXXXXX	1/4" X 7/8", (SUB R66901 AND (2) R72654)
3	R72654	SNAP RING	4	XXXXXX-	(SUB FOR R27507)
4	R66901	SPRING PIN	2	XXXXXX-	
5	R48164	LEVER	2		
6	AR67881	PIN	1		(SUB RE56991)
7	AR62151	QUICK LOCK PIN	1		(SUB M115827)
8	F2681R	BALL	1		
9	19H2026	CAP SCREW	4		3/4" X 4"
10	R83531	LABEL	1		(SUB FOR R56038) (SUB R120103)
	R83532	LABEL	1		(ESPAÑOL) (SUB FOR R56042) (SUB R120103)
	R83533	LABEL	1		(FRANCAIS) (SUB FOR R72088) (SUB R120103)
11	R55427	RIVET	2		(SUB R125955)
12	19H1731	CAP SCREW	4		3/8" X 1"
13	12H304	LOCK WASHER	4		3/8"
14	34H311	SPRING PIN	4		1/4" X 7/8"
15	AR50374	BRACKET	2		
16	14H786	NUT	2		1/4"
17	12H302	LOCK WASHER	2		1/4"
18	R53295	SHIELD	2		
19	19H2338	CAP SCREW	2		1/4" X 4-1/2"
20	R43444	SPRING	2		
21	R47578	STUD	2		
22	AR50372	BAR	1		R.H.
	AR50373	BAR	1		L.H.
23	F2206R	WASHER	4		
24	R65243	LINK	4		
25	R40424	LATCH	2		
26	28H1919	BUSHING	2		1/2" X 15/16"
27	34H377	SPRING PIN	2		1/2" X 3-1/2"
28	11M7087	COTTER PIN	2		0.157" X 1.575"
29	R63736	PIN	2		
30	R119275	PIN	2		(SUB FOR R47679)
31	F2208R	SNAP RING	8		
32	R119276	PIN	2		(SUB FOR R47678)
33	R65242	STRAP	4		
34	AR74673	CAP SCREW	2		
35	AR48111	PIN	2		
36	R47577	FRAME	1		
37	R59478	HOOK	1		
38	AR50368	QUICK COUPLER	1		(SUB TY15269)
39	R27999	SPRING PIN	2		
40	R27998	HALF SLEEVE	2		
41	AR27093	ADAPTER	1		

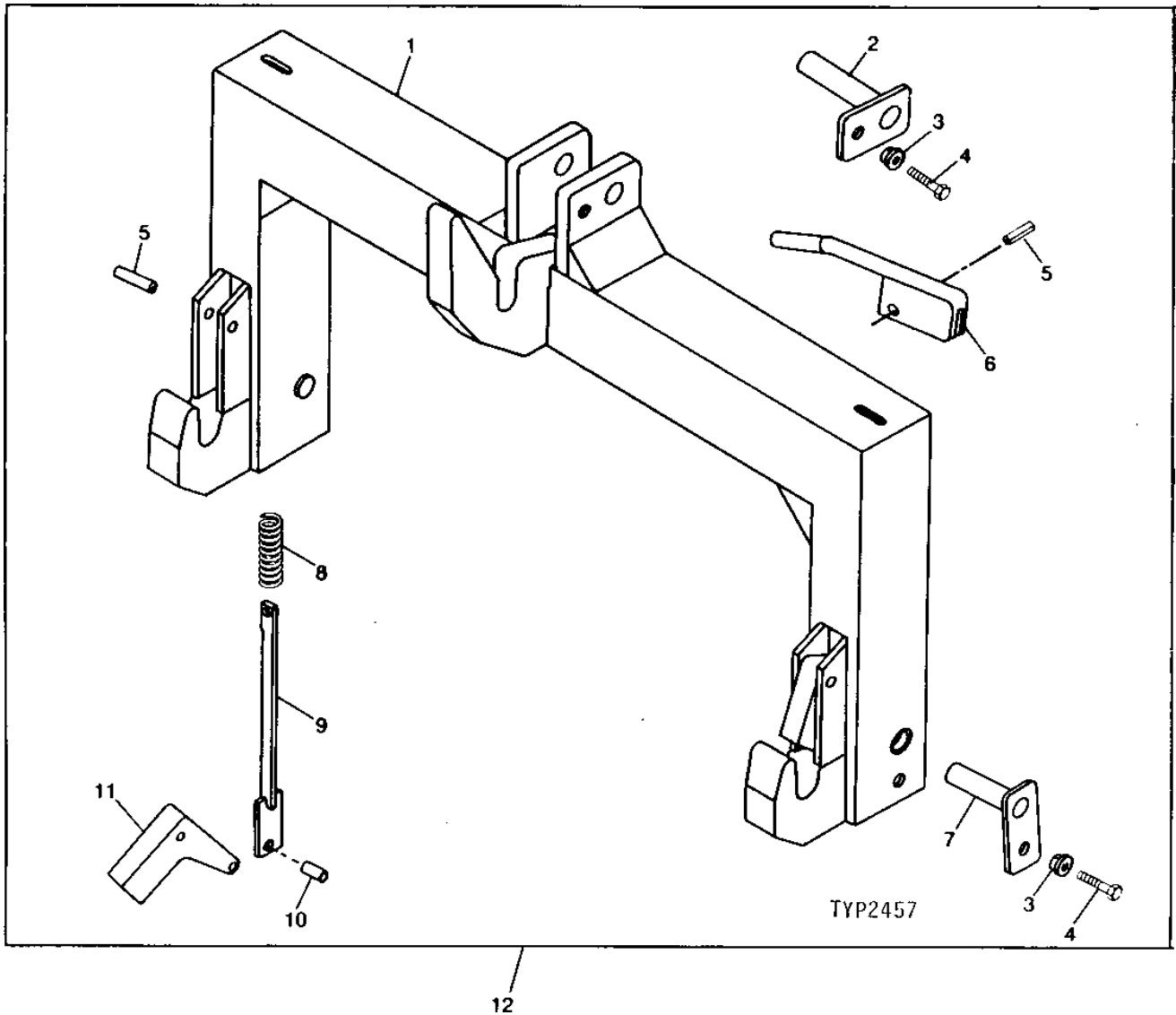
# 3F19

HYDRAULICS

TYP2457

-UN-01JAN94

## 3-POINT HITCH QUICK COUPLER





# 3F20

HYDRAULICS

## 3-POINT HITCH QUICK COUPLER - CONTINUED

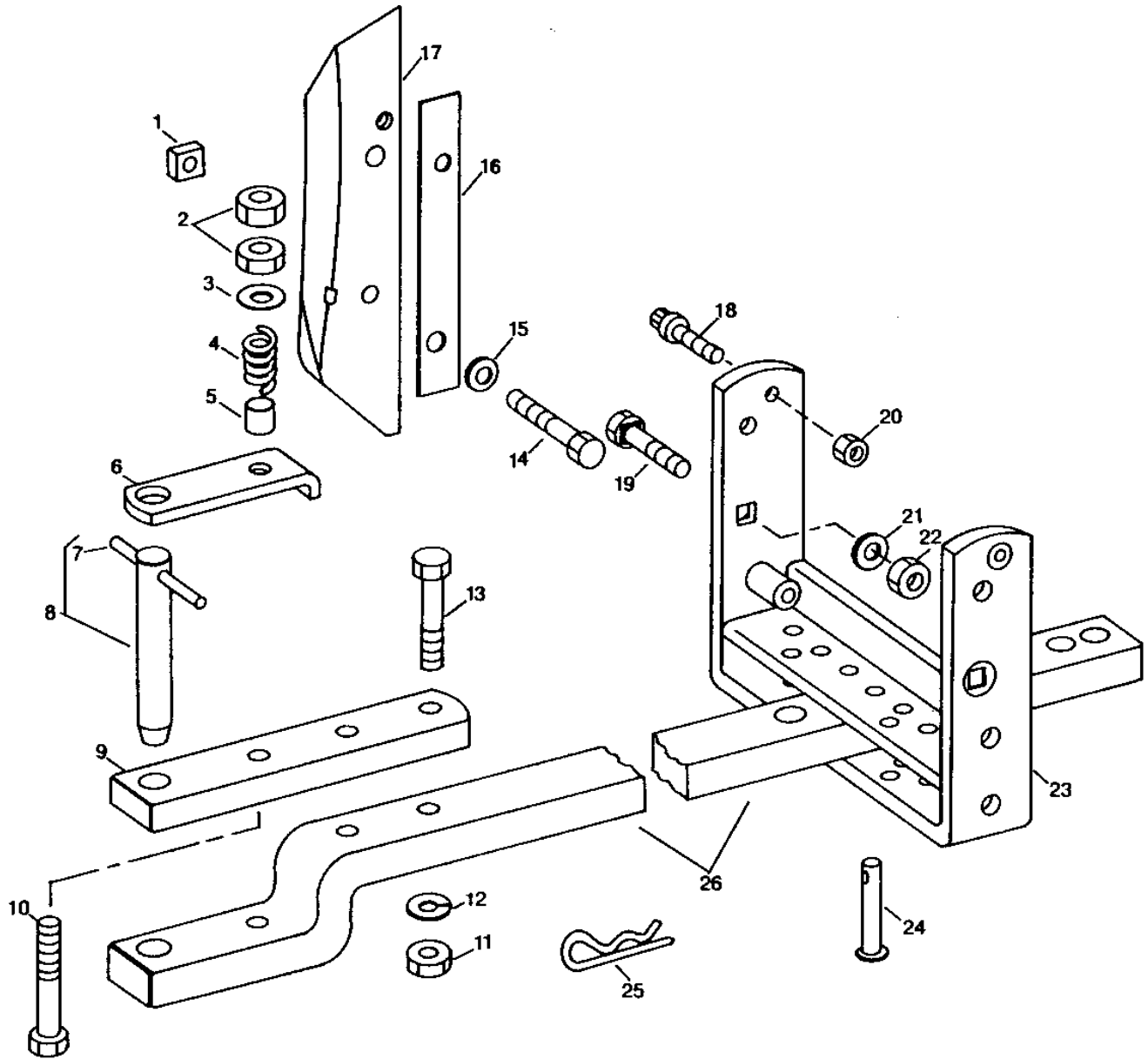
KEY	PART NO.	PART NAME	QTY	SERIAL NO. OR YEAR	REMARKS
1	.....	FRAME	1		(ORDER TY16042) (FI)
2	PT9287	PIN	1		
3	PT9290	BUSHING	3		
4	19H2632	CAP SCREW	3	1/2" X 1-1/8"	
5	34H371	SPRING PIN	4	1/2" X 2"	
6	PT9281	HANDLE	2		
7	PT9286	PIN	2		
8	PT9284	SPRING	2		
9	PT9283	BAR	2		
10	34H116	SPRING PIN	2	5/16" X 1"	
11	PT9282	LUG	2		
12	TY15269	HITCH	1		(CATEGORY II) (SUB TY16042) (FI)
..	PT9292	DECAL KIT	1		

# 3F21

HYDRAULICS

RWP1905 -UN-17OCT94

REGULAR DRAWBAR



RWP1905

# 3F22

HYDRAULICS

## REGULAR DRAWBAR - CONTINUED

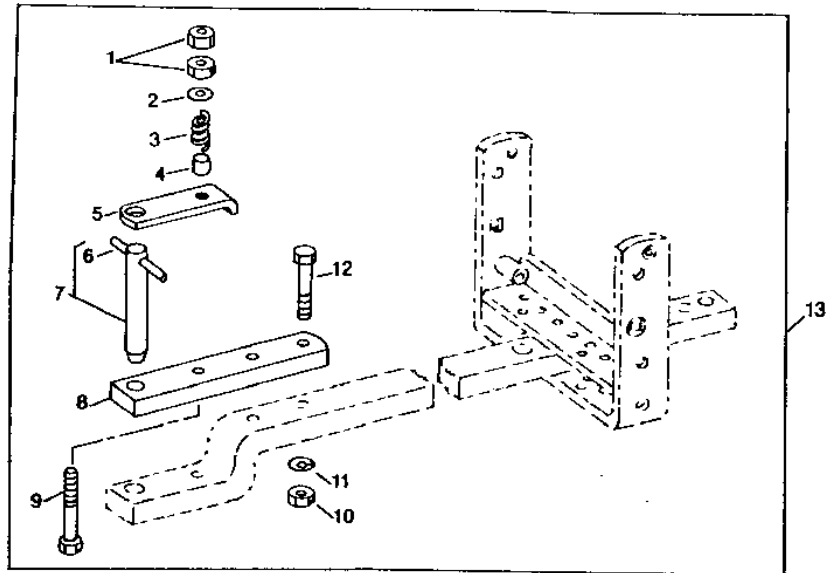
KEY	PART NO.	PART NAME	QTY	TRACTOR SERIAL NO.	REMARKS
1	14H893	NUT	2		5/8"
2	14H1039	NUT	2		5/8"
3	24H1372	WASHER	1		21/32" X 1-1/2" X 0.060"
4	F3541R	SPRING	1		
5	F3542R	BUSHING	1		
6	F3539R	RETAINER	1		
7	34H363	SPRING PIN	1		3/8" X 4"
8	AR26462	PIN	1		
9	R26584	STRAP	1		(NOT USED WITH HEAVY-DUTY)
10	19H2124	CAP SCREW	1		5/8" X 4-1/4"
11	14H794	NUT	2		3/4"
12	12H236	LOCK WASHER	2		3/4"
13	19H2113	CAP SCREW	2		3/4" X 3-1/4"
14	19H2233	CAP SCREW	2		5/8" X 3-1/2"
15	12H294	LOCK WASHER	2		5/8"
16	R65527	WASHER	2		(SUB FOR R34505)
17	R39512	SWAY BLOCK	1		R.H.
	R39513	SWAY BLOCK	1		L.H.
18	R42440	CAP SCREW	2		
19	R49106	BOLT	2		(SUB R101202)
20	14H1040	NUT	2		1/2"
21	12H294	LOCK WASHER	2		5/8"
22	14H1039	NUT	2		5/8"
23	AR32495	SUPPORT	1		
24	R33831	PIN	2	-013404	(SUB R61967 AND A3581R)
	R61967	PIN	2	013405-	
25	A3581R	SPRING LOCKING PIN	2		
26	RE20662	DRAWBAR	1		(SUB FOR R28057)
	R81576	DRAWBAR	1		(HEAVY-DUTY) (NOT DRILLED FOR STRAP)
..	AR46810	KIT	1		CONVERT REGULAR DRAWBAR TO WIDE SWING (NLA)

# 3F23

HYDRAULICS

RWP1907 -UN-06OCT94

## DRAWBAR CLEVIS PIN KIT



RWP1907

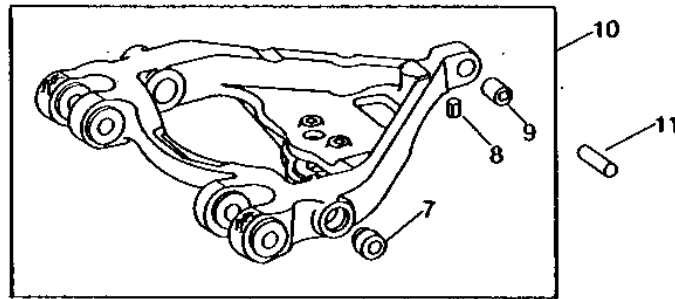
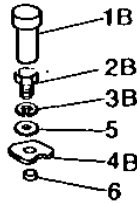
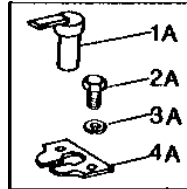
KEY	PART NO.	PART NAME	QTY	TRACTOR SERIAL NO.	REMARKS
1	14H263	NUT	2	5/8"	
2	24H1372	WASHER	1	21/32" X 1-1/2" X 0.060"	
3	F3541R	SPRING	1		
4	F3542R	BUSHING	1		
5	F3539R	RETAINER	1		
6	34H363	SPRING PIN	1	3/8" X 4"	
7	AR26462	PIN	1		
8	R26584	STRAP	1		
9	19H2124	CAP SCREW	1	5/8" X 4-1/4"	
10	14H794	NUT	2	3/4"	
11	12H236	LOCK WASHER	2	3/4"	
12	19H2113	CAP SCREW	2	3/4" X 3-1/4"	
13	AR27033	CLEVIS	1		

# 3F24

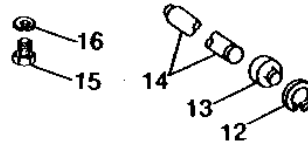
HYDRAULICS

RWP4924 -UN-01JAN94

## DRAWBAR FRONT SUPPORT



RWP4924



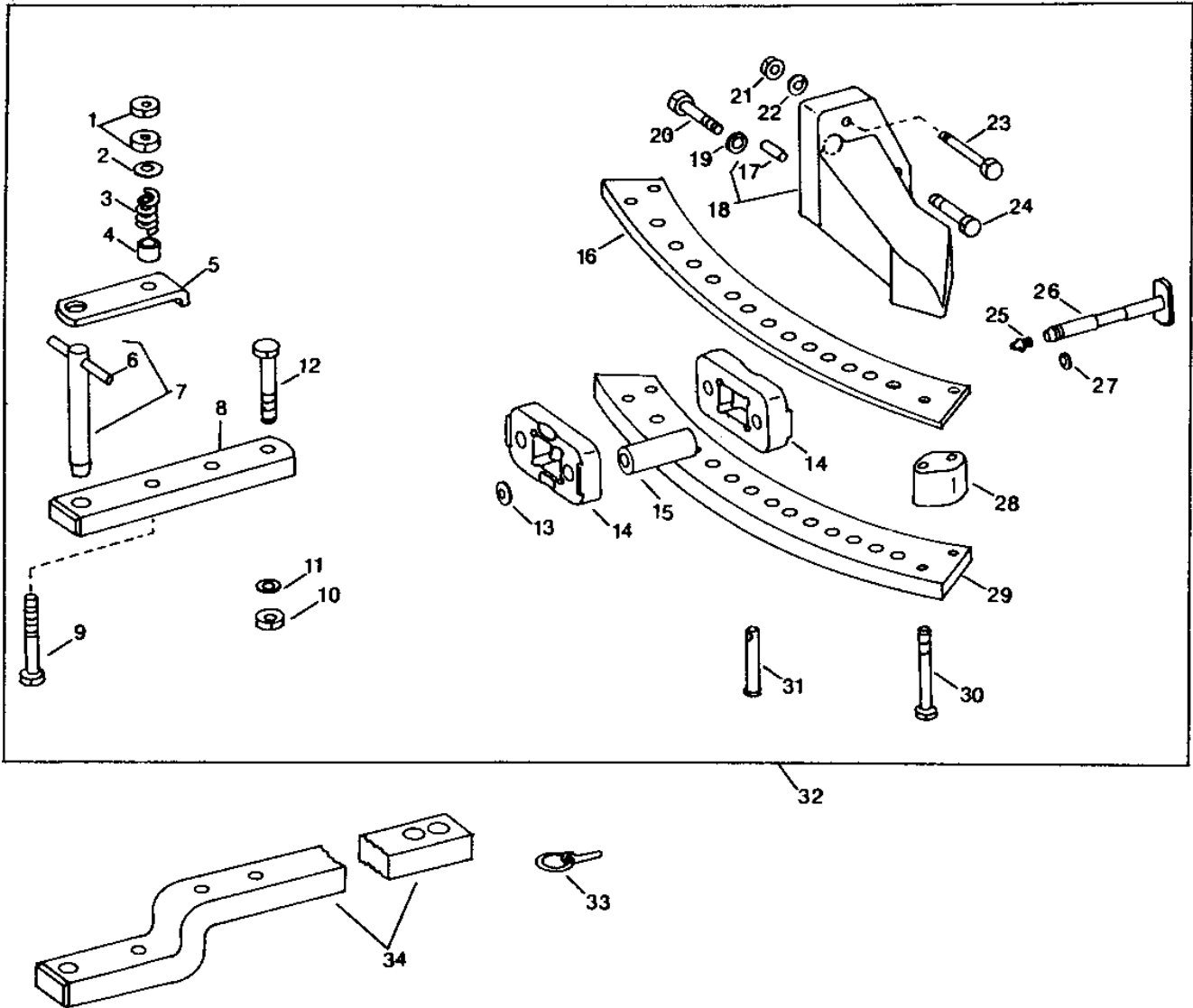
KEY	PART NO.	PART NAME	QTY	TRACTOR SERIAL NO.	REMARKS
1A	AR44189	PIN	1	-007442	
1B	R56728	DOWEL PIN	1	007443-	
2A	19H2284	CAP SCREW	2	-007442	3/8" X 7/8"
2B	19H1732	CAP SCREW	1	007443-	3/8" X 1-1/4"
3A	12H304	LOCK WASHER	1	007443-	3/8"
3B	12H304	LOCK WASHER	2	-007442	3/8"
4A	R34253	RETAINER	1	-007442	(SUB R96420, A147R, R28040, 19H1732 AND 12H304)
4B	R96420	RETAINER	1	007443-	(SUB FOR R34253 OR R56729)
5	A147R	LOCK WASHER	2	-007442	13/32" X 7/8" X 3/16"
6	R28040	WASHER	1	007443-	
7	R41088	BUSHING	2		
8	34H309	SPRING PIN	1		1/4" X 5/8"
9	R31438	BUSHING	1		
10	AR52798	SUPPORT	1		(MARKED R49338) (ALSO ORDER R56728, R96420, R28040, A147R, 12H304, AND 19H1732 IF NOT PREVIOUSLY INSTALLED)
11	R26503	DOWEL PIN	1		
12	N107859	SNAP RING	2		
13	R41763	RETAINER	2		
14	R33883	PIN	1		
15	R40928	BOLT	2		5/16" X 13/16"
16	12H303	LOCK WASHER	2		5/16"

# 3G1

HYDRAULICS

RWP1906 -UN-01JAN94

WIDE SWING DRAWBAR



RWP1906

# 3G2

HYDRAULICS

## WIDE SWING DRAWBAR - CONTINUED

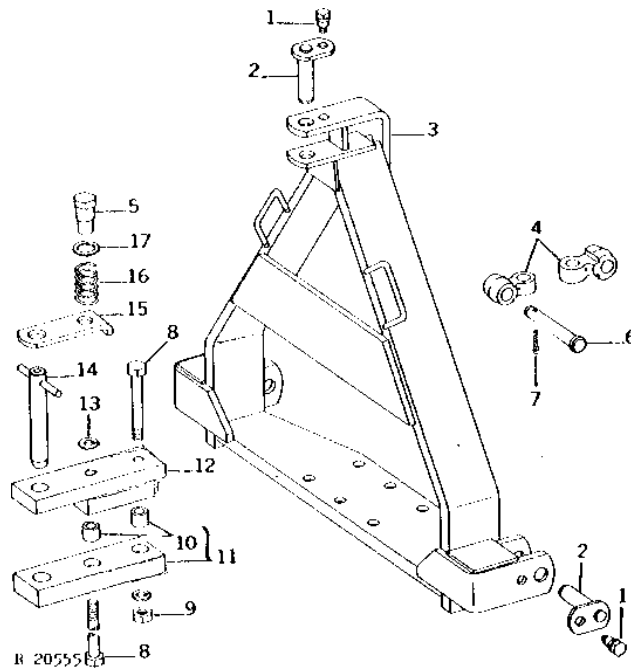
KEY	PART NO.	PART NAME	QTY	TRACTOR SERIAL NO.	REMARKS
1	14H1039	NUT	2	5/8"	
2	24H1372	WASHER	1	21/32" X 1-1/2" X 0.060"	
3	F3541R	SPRING	1		
4	F3542R	BUSHING	1		
5	F3539R	RETAINER	1		
6	34H363	SPRING PIN	1	3/8" X 4"	
7	AR26462	PIN	1		
8	R26584	STRAP	1		
9	19H2124	CAP SCREW	1	5/8" X 4-1/4"	
10	14H794	NUT	2	3/4"	
11	12H236	LOCK WASHER	2	3/4"	
12	19H3027	CAP SCREW	2	3/4" X 3-1/2"	
13	24M7353	WASHER	2	(SUB FOR R42660)	
14	R34450	HANGER	2		
15	R54141	BUSHING	2		
16	R34375	STRAP	1		
17	T25317	DOWEL PIN	2		
18	AR45104	SUPPORT	1	R.H. (MARKED R42695)	
	AR45105	SUPPORT	1	L.H. (MARKED R42696)	
19	12H294	LOCK WASHER	4	5/8"	
20	19H1890	CAP SCREW	4	5/8" X 2-3/4"	
21	14H1040	NUT	2	1/2"	
22	12H301	LOCK WASHER	2	1/2"	
23	19H1868	CAP SCREW	2	1/2" X 3-3/4"	
24	19H1847	CAP SCREW	2	5/8" X 2-1/2"	
25	JD7759	LUBRICATION FITTING	2		
26	AR61656	PIN	2		
27	R73380	SNAP RING	2	(SUB FOR A369R)	
28	R34373	SPACER	2		
29	R34376	SUPPORT	1		
30	19H2124	CAP SCREW	4	5/8" X 4-1/4"	
31	R58262	PIN	2		
32	AR46810	KIT	1	CONVERT REGULAR DRAWBAR TO WIDE SWING	
33	AR62151	QUICK LOCK PIN	2	(SUB M115827)	
34	R34448	DRAWBAR	1	(SUB RE20663)	
	R80842	DRAWBAR	1	(HEAVY-DUTY) (NOT DRILLED FOR STRAP)	

# 3G3

HYDRAULICS

R20555 -UN-01JAN94

## POWER WEIGHT TRANSFER COUPLER



KEY	PART NO.	PART NAME	QTY	TRACTOR SERIAL NO.	REMARKS
1	AR74673	CAP SCREW	3		(SUB FOR AR48110)
2	AR48111	PIN	3		
3	AR99336	COUPLING	1		
4	R44848	PIVOT	2		
5	R54065	NUT	1		(SUB R72433)
6	R58261	PIN	1		(SUB FOR R53562)
7	11M7071	COTTER PIN	1		0.315" X 1.575"
8	19H3225	CAP SCREW	2		3/4" X 6-1/2"
9	14H794	NUT	1		3/4"
	12H236	LOCK WASHER	1		3/4"
10	R35479	BUSHING	2		
11	AR47567	DRAWBAR	1		
12	AR46256	STRAP	1		
13	12H236	LOCK WASHER	1		3/4"
14	AR69988	PIN	1		(SUB FOR AR937R)
15	R54064	RETAINER	1		
16	F304R	SPRING	1		
17	24H1513	WASHER	1		1-13/32" X 2" X 0.060"

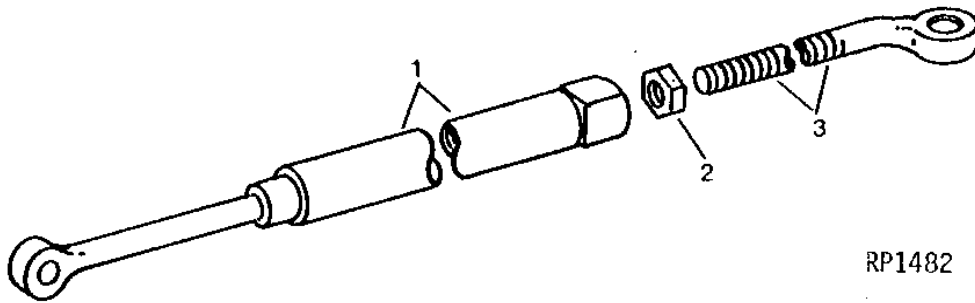


# 3G4

HYDRAULICS

RP1482 -UN-01JAN94

## POWER WEIGHT TRANSFER IMPLEMENT LINK



RP1482

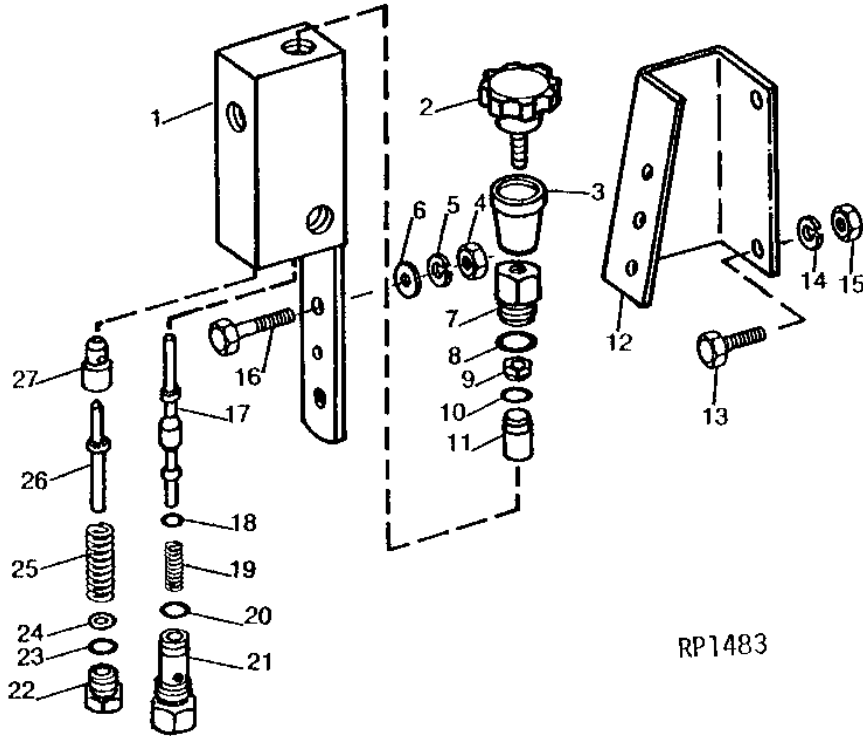
KEY	PART NO.	PART NAME	QTY	TRACTOR SERIAL NO.	REMARKS
1	AR47490	LINK	1		
2	14H887	NUT	1	1-1/8"	
3	R45447	EYEBOLT	1		

# 3G5

HYDRAULICS

RP1483 -UN-01JAN94

## POWER WEIGHT TRANSFER HITCH VALVE



RP1483

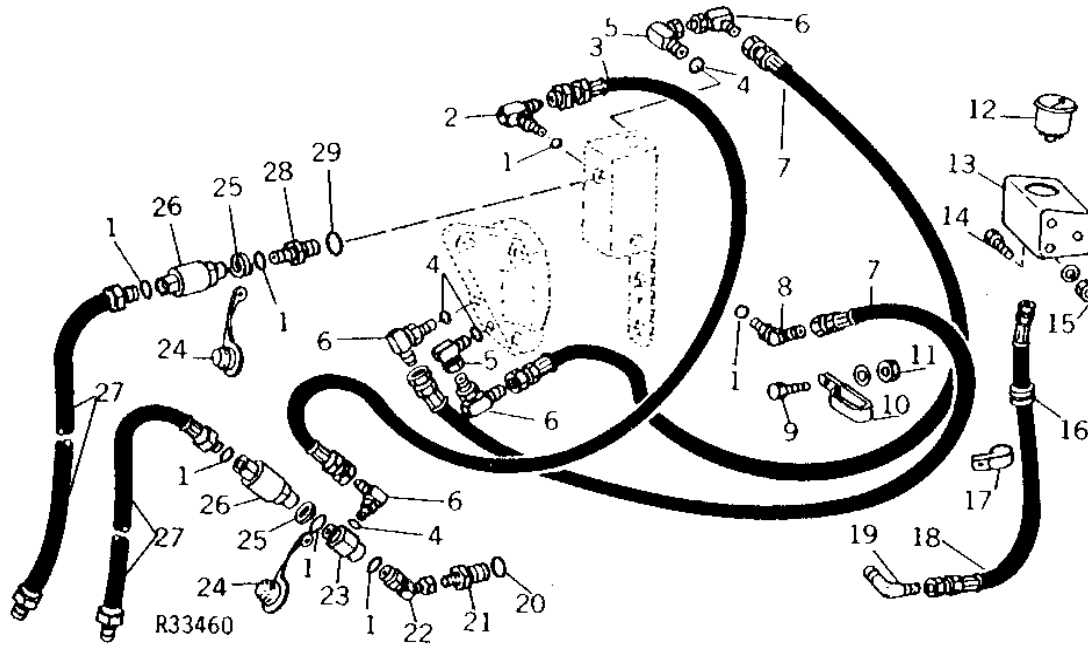
KEY	PART NO.	PART NAME	QTY	TRACTOR SERIAL NO.	REMARKS
1	AR49622	HOUSING	1		
2	AR49578	KNOB	1		
3	R54059	BOOT	1		
4	14H1076	NUT	2	3/8"	
5	12H304	LOCK WASHER	2	3/8"	
6	24H1305	WASHER	2	13/32" X 13/16" X 0.065"	
7	R47016	ADAPTER	1		
8	F3171R	O-RING	1		
9	F3220R	LOCK NUT	1		
10	R26375	O-RING	1		
11	R47018	SHAFT	1		
12	R54179	BRACKET	1		
13	19H3265	CAP SCREW	2	1/2" X 1-7/8"	
	19H1792	CAP SCREW	2	1/2" X 1", (ROLL-GARD OR SOUND-GARD BODY)	
14	12H301	LOCK WASHER	2	1/2"	
15	14H1040	NUT	2	1/2"	
16	19H218	CAP SCREW	2	3/8" X 1"	
17	R44840	VALVE	1		
18	R375R	O-RING	1		
19	R26477	SPRING	1		
20	R495R	O-RING	1		
21	R47095	PLUG	1		
22	R27474	DRAIN PLUG	1		
23	R26906	O-RING	1		
24	R45189	SHIM	AR	0.51MM (.020")	
25	R35871	SPRING	1		
26	R45215	GUIDE	1		
27	R38543	VALVE	1		

# 3G6

HYDRAULICS

R33460 -UN-01JAN94

## HYDRAULIC OIL PRESSURE GAUGE AND LINE (POWER WEIGHT TRANSFER HITCH)



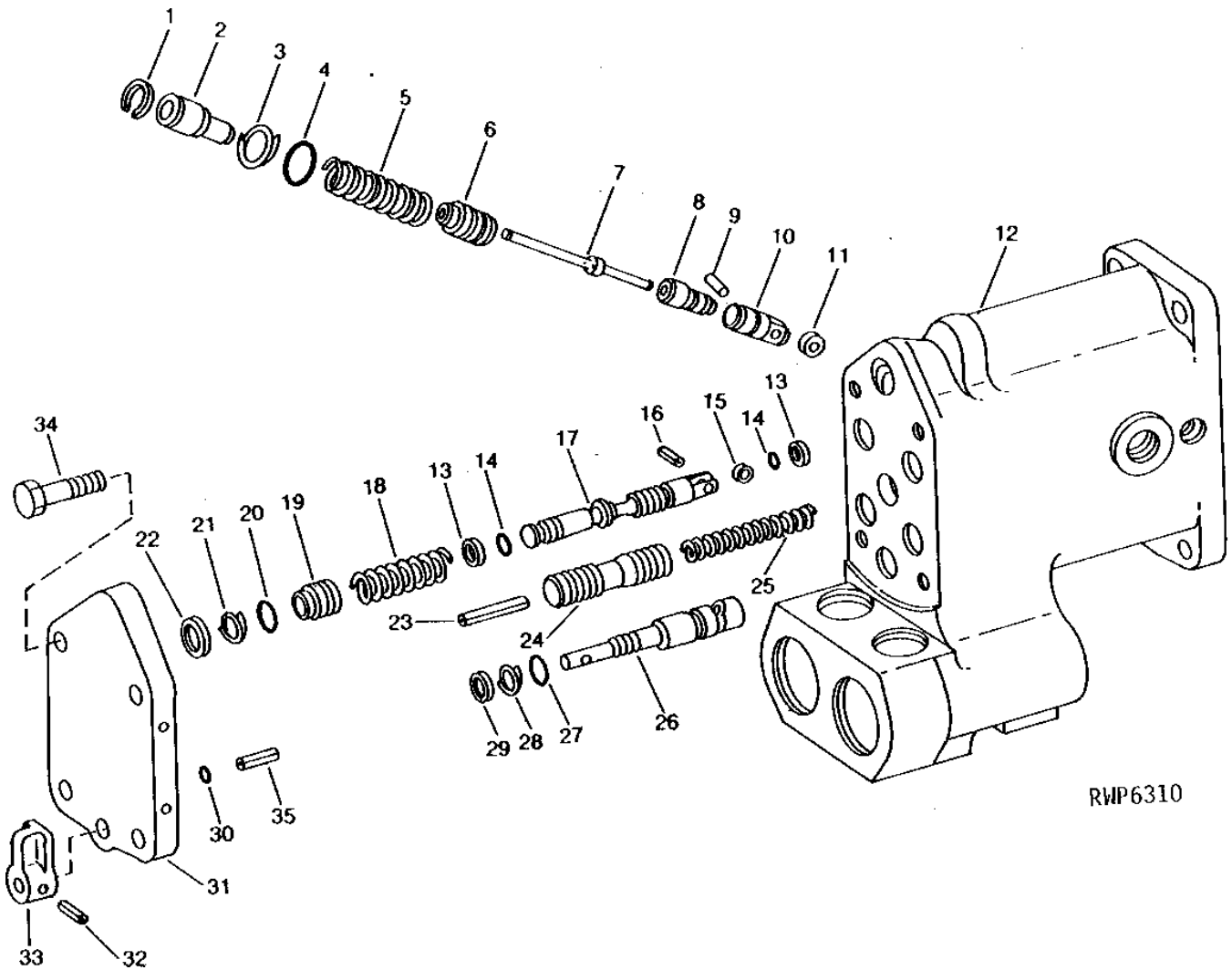
KEY	PART NO.	PART NAME	QTY	TRACTOR SERIAL NO.	REMARKS
1	R26375	O-RING	7		
2	AT32332	ELBOW FITTING	1	90°	
3	AT64802	HYDRAULIC HOSE	1	(SUB FOR AU41729)	
4	AR62297	HYDRAULIC HOSE	2	(ROLL-GARD OR SOUND-GARD BODY)	
5	R26448	O-RING	4		
6	AH75164	ELBOW FITTING	1	90° (2 USED ROLL-GARD OR SOUND-GARD BODY)	
7	AT35120	ELBOW FITTING	4	90°	(SUB FOR AU43691)
8	AR40465	HYDRAULIC HOSE	2		(ROLL-GARD OR SOUND-GARD BODY)
9	AR62297	HYDRAULIC HOSE	1		(ROLL-GARD OR SOUND-GARD BODY)
10	AR26745	ELBOW FITTING	1	45°	
11	19H444	CAP SCREW	1	1/2" X 1", (LESS SELECTIVE CONTROL)	
12	R54506	CLIP	1		
13	14H1040	NUT	1	1/2", (LESS SELECTIVE CONTROL)	
14	12H301	LOCK WASHER	1	1/2", (LESS SELECTIVE CONTROL)	
15	AR47486	PRESSURE GAUGE	1		
16	R54336	SUPPORT	1		
17	19H2036	CAP SCREW	2	1/4" X 7/8"	
18	14H786	NUT	2	1/4"	
19	12H302	LOCK WASHER	2	1/4"	
20	H80306	GROMMET	1		
21	R41439	GROMMET	1	(ROLL-GARD)	
22	R34557	CLAMP	1		
23	AR62298	HOSE	1		
24	M42829	ELBOW FITTING	1	45°	
25	H851R	WASHER	1		
26	A15532	ADAPTER	1		
27	AA14850	ELBOW FITTING	1	45°	
28	R45106	FITTING	1		
29	R32419	COVER	2		
30	R36946	SPRING	2		
31	RE15361	COUPLING	2	(SUB FOR AR31611)	
32	.....	HOSE	1	MAKE FROM BULK SUPPLY	
33	R36945	FITTING	1		
34	F3171R	O-RING	1		

# 3G7

HYDRAULICS

## SELECTIVE CONTROL VALVE HOUSING AND VALVES (TRACTOR SERIAL NO. -016505)

RWP6310 -UN-01JAN94



RWP6310

# 3G8

HYDRAULICS

SELECTIVE CONTROL VALVE HOUSING AND VALVES - CONTINUED  
(TRACTOR SERIAL NO. -016505)

KEY	PART NO.	PART NAME	QTY	TRACTOR SERIAL NO.	REMARKS
1	R46722	SNAP RING	1		
2	R55397	GUIDE	1		(ALSO ORDER R55398) (SUB FOR R48979)
3	R26546	BACK-UP RING	1		
4	B2762R	O-RING	1		
5	R41055	SPRING	1		
6	R48980	PISTON	1		
7	R55398	PIN	1		(SUB FOR R48981)
8	R48978	GUIDE	1		
9	R51411	PIN	1		
10	R51410	CAM FOLLOWER	1		
11	R51409	SPACER	1		
12	AR40827	HOUSING	1	-XXXXXX	(MARKED R40499) (SUB AR82572, R59629, R66916, R49187, R27166, R41057, (2) R65501, (2) R65502, R74695 AND R65289)
	AR82572	HOUSING	1	XXXXXX-	(MARKED R65284)
13	R26484	BACK-UP RING	6		(4 USED PRESSURE, 2 USED RETURN)
14	R65286	O-RING	6		(4 USED PRESSURE, 2 USED RETURN) (SUB FOR A3917R, THIS APPLICATION)
15	R51409	SPACER	4		
16	34H242	SPRING PIN	4		1/8" X 7/16"
17	AR86535	VALVE	4		(SUB FOR AR56120 OR AR78396)
18	R65501	SPRING	2		
	R65502	SPRING	2		(SUB FOR R44310)
19	R41156	GUIDE	4		
20	R27166	O-RING	4		
21	R41057	BACK-UP RING	4		
22	R26149	PACKING	6		
23	34H284	SPRING PIN	1		3/16" X 1-1/4"
24	R52549	SHUT-OFF VALVE	1		
25	R41549	SPRING	1		
26	R52547	VALVE	1		
	R65289	VALVE	1		(USE WITH R65284)
27	P46051	O-RING	1		ILLUSTRATED
28	R40937	BACK-UP RING	1		
29	R41339	SHIM	1		
30	R34812	O-RING	1		
31	AR40688	COVER	1		(MARKED R49708) (USE WITH AR40827, MARKED R40499)
	AR85628	COVER	1		(MARKED R59629) (SUB R59629, R66916, R49187, R27166, R41057, (2) R65501, (2) R65502 AND R74695) (USE WITH AR82572, MARKED R65284)
	R74695	WASHER	1		
	R41933	LABEL	1		
	R44315	LABEL	1		
32	34H231	SPRING PIN	1		3/32" X 3/4"
33	R41338	ARM	1		(SUB R62652)
34	19H988	CAP SCREW	4		3/8" X 1-1/4"
35	34H275	SPRING PIN	1		3/16" X 1/2"

---

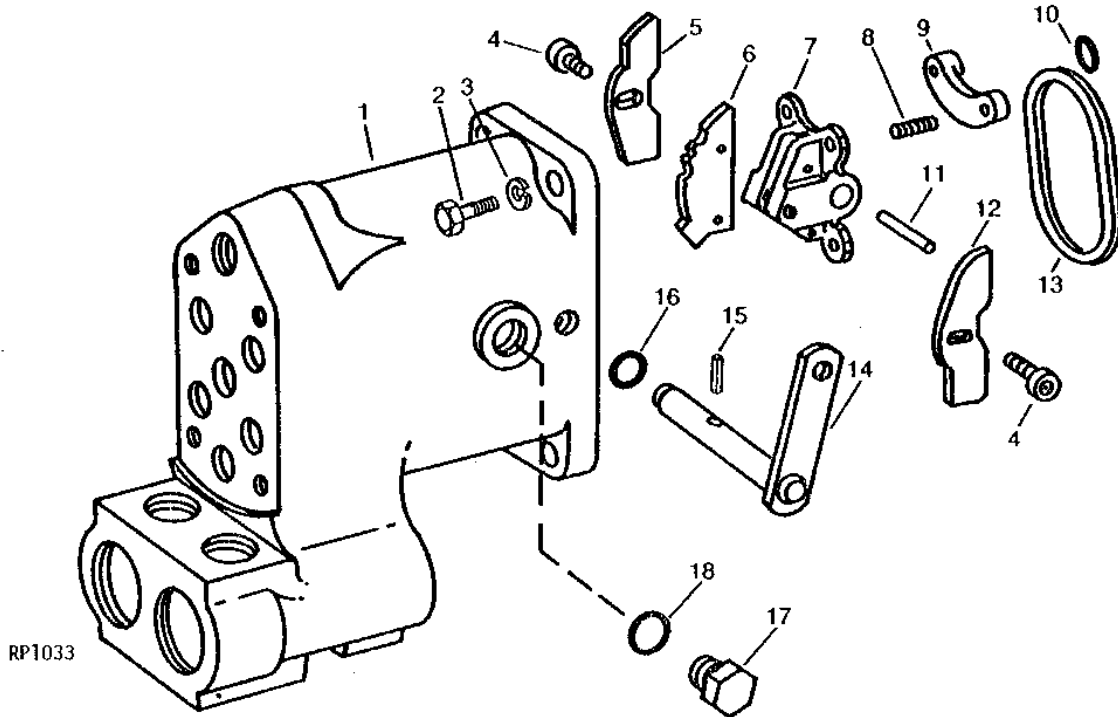
MEMORANDA

# 3G9

HYDRAULICS

## SELECTIVE CONTROL VALVE HOUSING, ROCKER, AND OPERATING CAMS (TRACTOR SERIAL NO. -016505)

RP1033 -UN-01JAN94



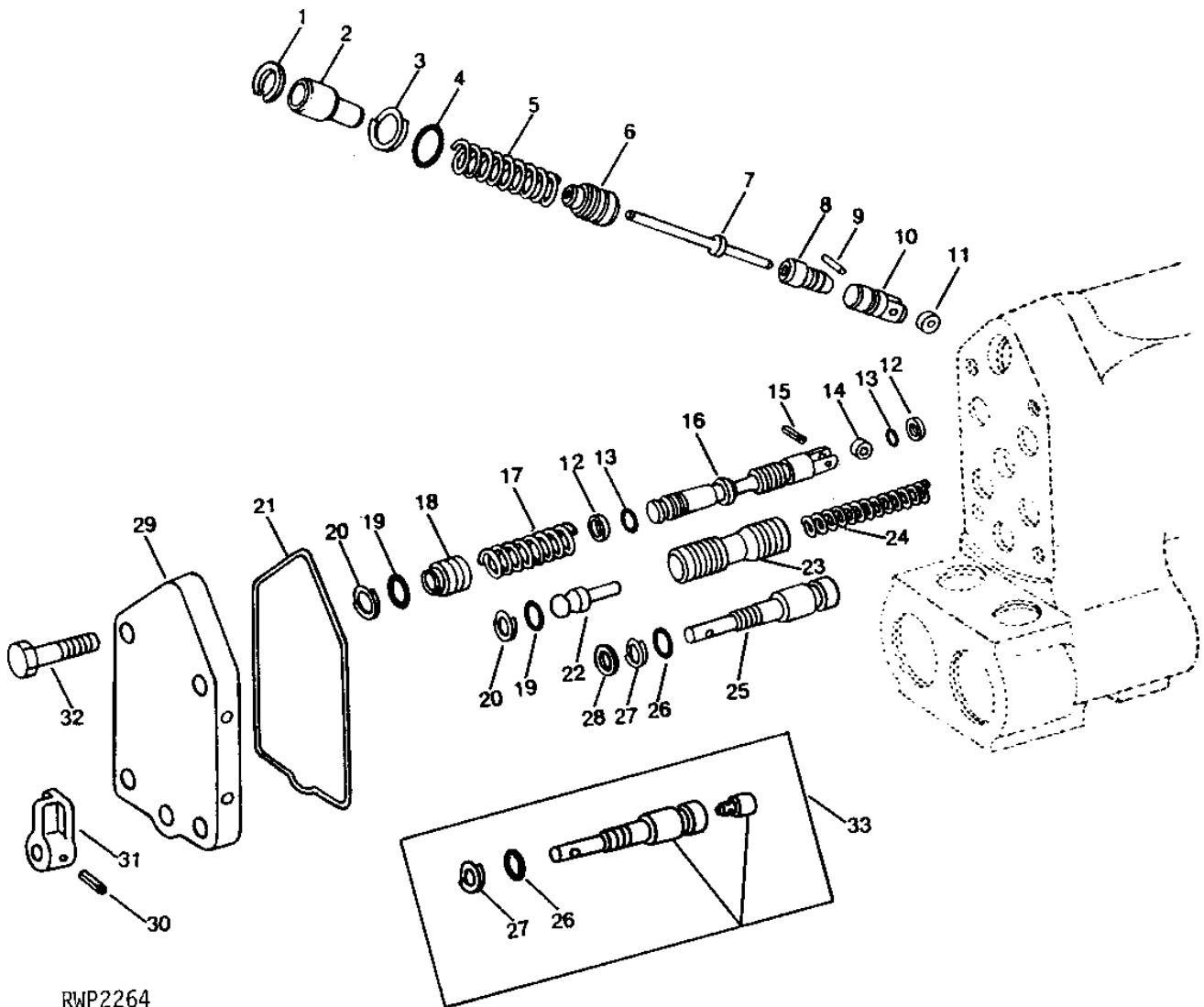
KEY	PART NO.	PART NAME	QTY	TRACTOR SERIAL NO.	REMARKS
1	AR40827	HOUSING	1	-XXXXXX	(MARKED R40499) (SUB AR82572, R59629, R66916, R49187, R27166, R41057, (2) R65501, (2) R65502, R74695 AND R65289)
2	AR82572 19H2500	HOUSING CAP SCREW	1 AR	XXXXXX- -XXXXXX	(MARKED R65284) 7/16" X 1-3/8", (4 USED SINGLE, 7 USED DUAL, 11 USED TRIPLE)
	19H2500	CAP SCREW	AR	XXXXXX-	7/16" X 1-3/8", (3 USED SINGLE, 7 USED DUAL, 11 USED TRIPLE)
	19H2055	CAP SCREW	1	-XXXXXX	7/16" X 2-1/4"
3	19H2253 12H293	CAP SCREW LOCK WASHER	1 AR	XXXXXX- -XXXXXX	7/16" X 3-1/2" 7/16", (4 USED SINGLE, 8 USED DUAL, 12 USED TRIPLE)
4	R27233	SCREW	2		
5	R51414	CAM	1		
6	R51413	CAM	1		
7	R51412	ROCKER	1		
8	22H1025	SET SCREW	4	1/4" X 7/8"	
9	R49221	RETAINER	2		
10	F2741R	PACKING	1		
11	R28744	PIN	2		
12	R51415	CAM	1		
13	R40922	PACKING	1		
14	AR54252 AR54253	ARM ARM	AR 1		(1 USED SINGLE, 2 USED DUAL) (TRIPLE)
15	34H297	SPRING PIN	1	7/32" X 1"	
16	R394R	O-RING	2		
17	R41155	PLUG	2		
18	R26375	O-RING	2		

# 3G10

HYDRAULICS

RWP2264 -UN-17OCT94

SELECTIVE CONTROL VALVES  
(TRACTOR SERIAL NO. 016506 - )



RWP2264



# 3G11

HYDRAULICS

SELECTIVE CONTROL VALVES - CONTINUED  
(TRACTOR SERIAL NO. 016506- )

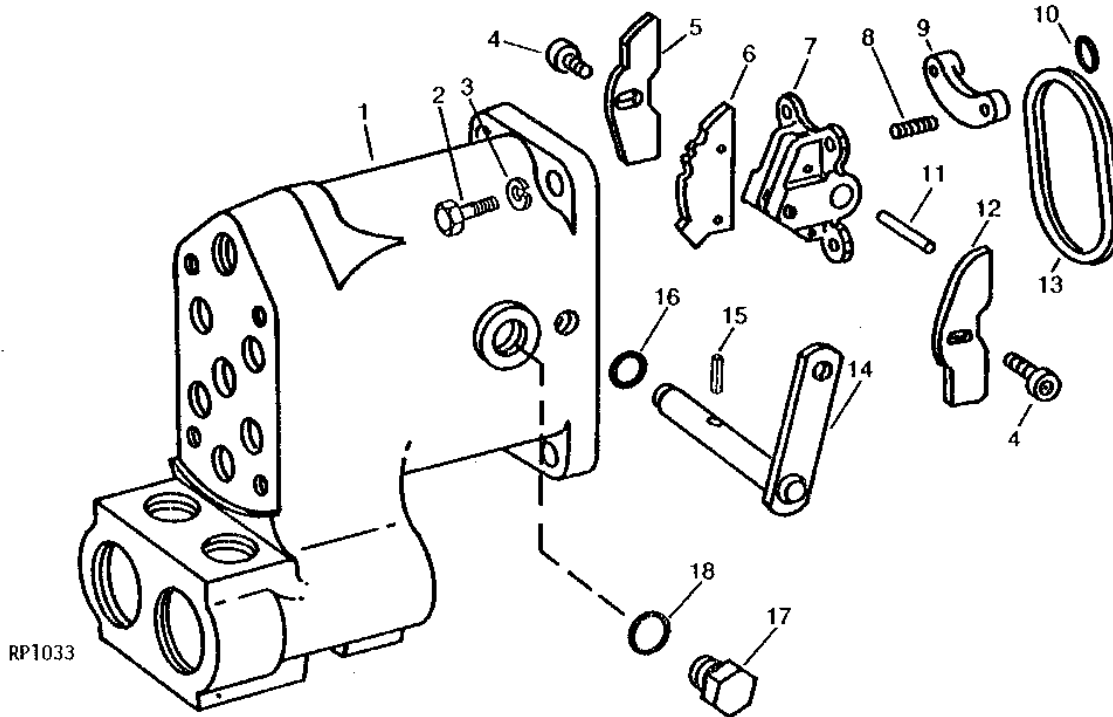
KEY	PART NO.	PART NAME	QTY	TRACTOR SERIAL NO.	REMARKS
1	R46722	SNAP RING	1		
2	R55397	GUIDE	1		
3	R26546	BACK-UP RING	1		
4	B2762R	O-RING	1		
5	R41055	SPRING	1		
6	R48980	PISTON	1		
7	R55398	PIN	1		
8	R48978	GUIDE	1		
9	R51411	PIN	1		
10	R51410	CAM FOLLOWER	1		
11	R51409	SPACER	1		
12	R26484	BACK-UP RING	6		(4 USED PRESSURE, 2 USED RETURN)
13	R65286	O-RING	6		(4 USED PRESSURE, 2 USED RETURN)
14	R51409	SPACER	4		
15	34H242	SPRING PIN	4		1/8" X 7/16"
16	AR86535	VALVE	4		(SUB FOR AR78396)
17	R65501	SPRING	2		RETURN
	R65502	SPRING	2		PRESSURE
18	R66416	BUSHING	4		
19	R27166	O-RING	5		
20	R41057	BACK-UP RING	5		
21	R74695	WASHER	1		
22	R65354	STOP	1	-001174	
	R66916	STOP	1	001175-	
23	R52549	SHUT-OFF VALVE	1		FLOW CONTROL
24	R41549	SPRING	1		
25	R65289	VALVE	1		METERING
26	P46051	O-RING	1		
27	R40937	BACK-UP RING	1		
28	R41339	SHIM	1		
29	R59629	CAP	1		
30	34H231	SPRING PIN	1		3/32" X 3/4"
31	R41338	ARM	1		(SUB R62652)
32	19H1732	CAP SCREW	4		3/8" X 1-1/4"
33	AR82573	VALVE	1		CHECK

# 3G12

HYDRAULICS

## SELECTIVE CONTROL VALVE HOUSING, ROCKER, AND OPERATING CAMS (TRACTOR SERIAL NO. 016506- )

RP1033 -UN-01JAN94



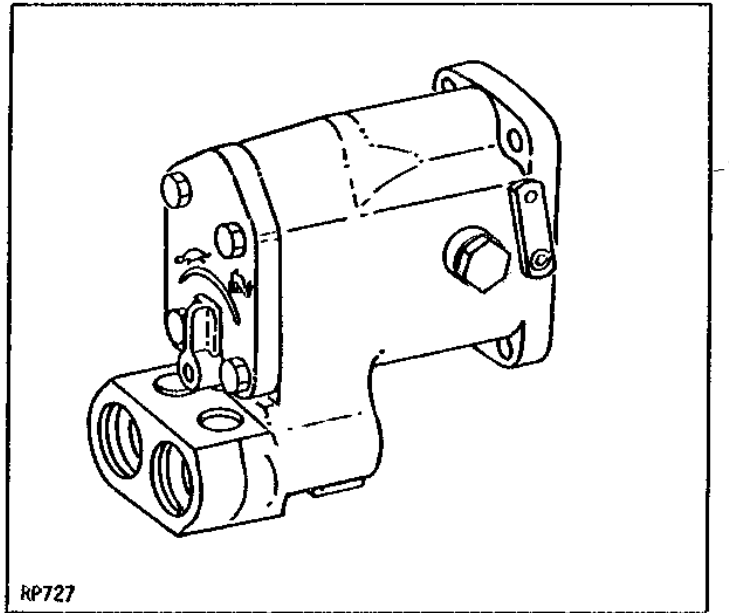
KEY	PART NO.	PART NAME	QTY	MODEL NO.	REMARKS
1	AR82572	HOUSING	1		(MARKED R65284)
2	19H2500	CAP SCREW	AR	-XXXXXX	7/16" X 1-3/8", (4 USED SINGLE, 7 USED DUAL, 11 USED TRIPLE)
	19H2500	CAP SCREW	AR	XXXXXX-	7/16" X 1-3/8", (3 USED SINGLE, 7 USED DUAL, 11 USED TRIPLE)
	19H2055	CAP SCREW	1	-XXXXXX	7/16" X 2-1/4"
	19H2253	CAP SCREW	1	XXXXXX-	7/16" X 3-1/2"
3	12H293	LOCK WASHER	AR		7/16", (4 USED SINGLE, 8 USED DUAL, 12 USED TRIPLE)
4	R27233	SCREW	2		
5	R51414	CAM	1		
6	R51413	CAM	1		
7	R51412	ROCKER	1		
8	22H1025	SET SCREW	4		1/4" X 7/8"
9	R49221	RETAINER	2		
10	F2741R	PACKING	1		
11	R28744	PIN	2		
12	R51415	CAM	1		
13	R40922	PACKING	1		
14	AR54252	ARM	1		(SINGLE AND DUAL)
	AR54253	ARM	1		(TRIPLE)
15	34H297	SPRING PIN	1		7/32" X 1"
16	R65287	O-RING	2		
17	R41155	PLUG	2		
18	R26375	O-RING	2		
..	19H339	CAP SCREW	3		7/16" X 1-3/8", (ATTACHING)

# 3G13

HYDRAULICS

RP727 -UN-01JAN94

## SELECTIVE CONTROL VALVE KITS



KEY	PART NO.	PART NAME	QTY	TRACTOR SERIAL NO.	REMARKS
1	AR65849	CONTROL	1	-012617	(A) (D)
	AR76006	CONTROL	1	-012617	(B) (D) (INCLUDES DIRECTIONAL CONTROL VALVE) (ALSO ORDER R60397) (NO LONGER AVAILABLE)
	AR65849	CONTROL	2	012618-	(B) (D)
	AR85251	CONTROL	1		(C) (D) (INCLUDES DIRECTIONAL CONTROL VALVE)
	AR82561	VALVE	1		(A) (B) (ILLUSTRATED) (MODEL 23SC3)

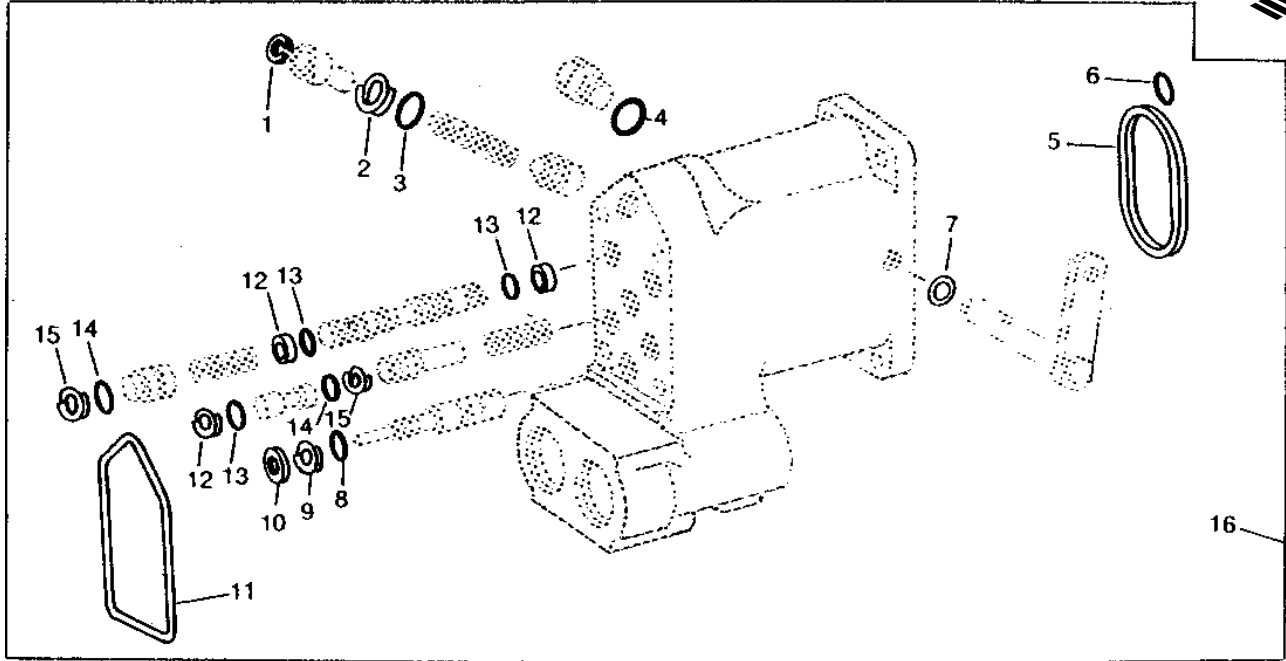
- (A) SINGLE SELECTIVE CONTROL
- (B) DUAL SELECTIVE CONTROL
- (C) TRIPLE SELECTIVE CONTROL WHEN EQUIPPED WITH DUAL
- (D) COMPLETE - INCLUDES ROD, SHAFT, LEVER AND KNOBS

# 3G14

HYDRAULICS

RWP3167 -UN-01JAN94

## SELECTIVE CONTROL VALVE OVERHAUL KIT



RWP3167

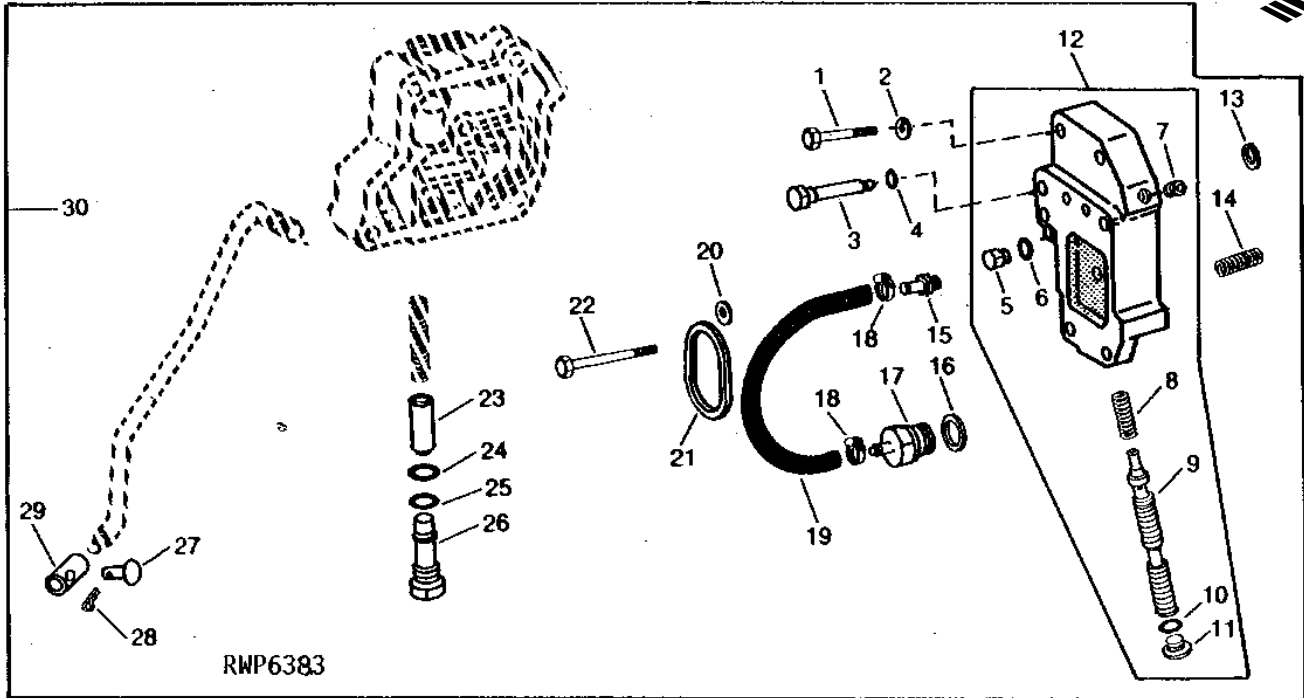
KEY	PART NO.	PART NAME	QTY	TRACTOR SERIAL NO.	REMARKS
1	R46722	SNAP RING	1		
2	R26546	BACK-UP RING	1		
3	B2762R	O-RING	1		
4	R26375	O-RING	1		
5	R40922	PACKING	1		
6	F2741R	PACKING	1		
7	R65287	O-RING	1		
8	P46051	O-RING	1		
9	R40937	BACK-UP RING	1		
10	R41339	SHIM	1		
11	R74695	WASHER	1		
12	R26484	BACK-UP RING	3		
13	R65286	O-RING	3		
14	R27166	O-RING	2		
15	R41057	BACK-UP RING	1		
16	RE10924	KIT	1	(SUB FOR AR82571)	

# 3G15

HYDRAULICS

## DIRECTIONAL CONTROL VALVE KIT (DUAL SELECTIVE CONTROL)

RWP6383 -UN-01JAN94



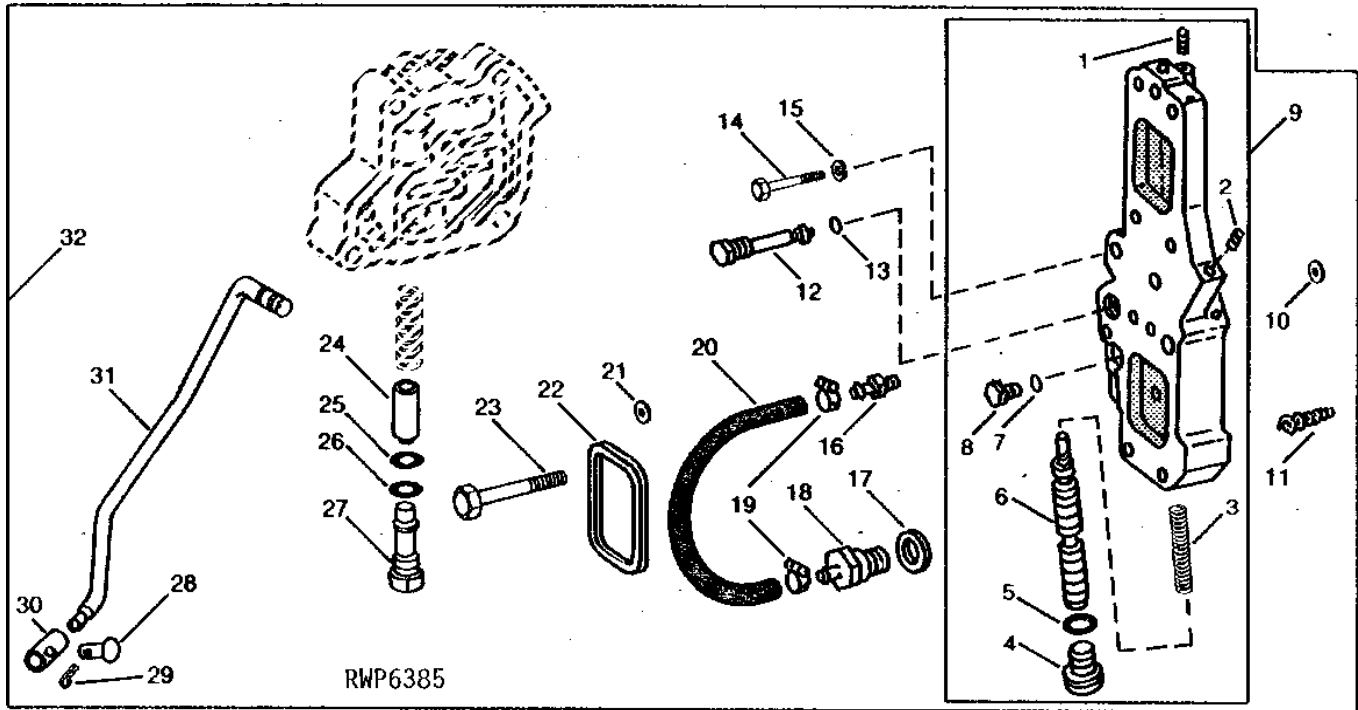
KEY	PART NO.	PART NAME	QTY	MODEL NO.	REMARKS
1	19H1899	CAP SCREW	2	7/16" X 2"	
	19H2227	CAP SCREW	1	7/16" X 2-1/2"	
2	12H293	LOCK WASHER	4	7/16"	
3	R60420	PLUG	1		
4	R26448	O-RING	1		
5	R27094	DRAIN PLUG	1		
6	R26286	O-RING	1		
7	15H558	PIPE PLUG	1	1/8"	
8	R28914	SPRING	1		
9	R60096	VALVE	1		
10	R26375	O-RING	1		
11	R33138	FITTING	1		
12	AR73899	COVER	1		(MARKED R60334)
13	R26149	PACKING	6		
14	R59082	SPRING	2		
15	R65684	FITTING	1	-012617	(SUB FOR R55525)
16	H851R	WASHER	1	-012617	
17	R60335	PLUG	1	-012617	
18	AR21836	CLAMP	2	-012617	
19	R60333	HYDRAULIC HOSE	1	-012617	
20	F2741R	PACKING	1		
21	R40922	PACKING	1		
22	19H2253	CAP SCREW	1	7/16" X 3-1/2"	
23	R60092	CHECK VALVE	1		
24	R26375	O-RING	1		
25	R28776	O-RING	1		
26	R60396	FITTING	1		
27	U11004	PIN	1		
28	11M7059	COTTER PIN	1	3.200 X 20 MM	
29	R52881	ROD	1		
30	AR73691	KIT	1	-012617	(ORDER COMPONENT PARTS)

# 3G16

HYDRAULICS

## DIRECTIONAL CONTROL VALVE KIT (TRIPLE SELECTIVE CONTROL)

RWP6385 -UN-01JAN94



# 3G17

HYDRAULICS

## DIRECTIONAL CONTROL VALVE KIT - CONTINUED (TRIPLE SELECTIVE CONTROL)

KEY	PART NO.	PART NAME	QTY	TRACTOR SERIAL NO.	REMARKS
1	15H558	PIPE PLUG	2		1/8"
2	15H559	PIPE PLUG	1		1/4"
3	R28914	SPRING	1		
4	R33138	FITTING	1		
5	R26375	O-RING	1		
6	R60096	VALVE	1		
7	R26286	O-RING	1		
8	R27094	DRAIN PLUG	1		
9	AR73897	COVER	1		(MARKED R60395)
10	R26149	PACKING	6		
11	R59082	SPRING	2		
12	R60420	PLUG	1		
13	R26448	O-RING	1		
14	19H1899	CAP SCREW	2		7/16" X 2"
	19H2227	CAP SCREW	2		7/16" X 2-1/2"
	19H2500	CAP SCREW	2		7/16" X 1-3/8"
15	12H293	LOCK WASHER	4		7/16"
16	R65684	FITTING	1	-012617	(SUB FOR R55525)
17	H851R	WASHER	1	-012617	
18	R60335	PLUG	1	-012617	
19	AR21836	CLAMP	2	-012617	
20	R60333	HYDRAULIC HOSE	1	-012617	
21	F2741R	PACKING	2		
22	R40922	PACKING	2		
23	19H2253	CAP SCREW	1		7/16" X 3-1/2"
24	R60092	CHECK VALVE	1		
25	R26375	O-RING	1		
26	R28776	O-RING	1		
27	R60396	FITTING	1		
28	U11004	PIN	1		
29	11M7059	COTTER PIN	1		3.200 X 20 MM
30	R52881	ROD	1		
31	R60398	ROD	1		
32	AR73692	KIT	1	-012617	(ORDER COMPONENT PARTS)
	AR85251	CONTROL	1		(WHEN ALREADY EQUIPPED WITH DUAL SELECTIVE CONTROL) (SUB FOR AR73900)

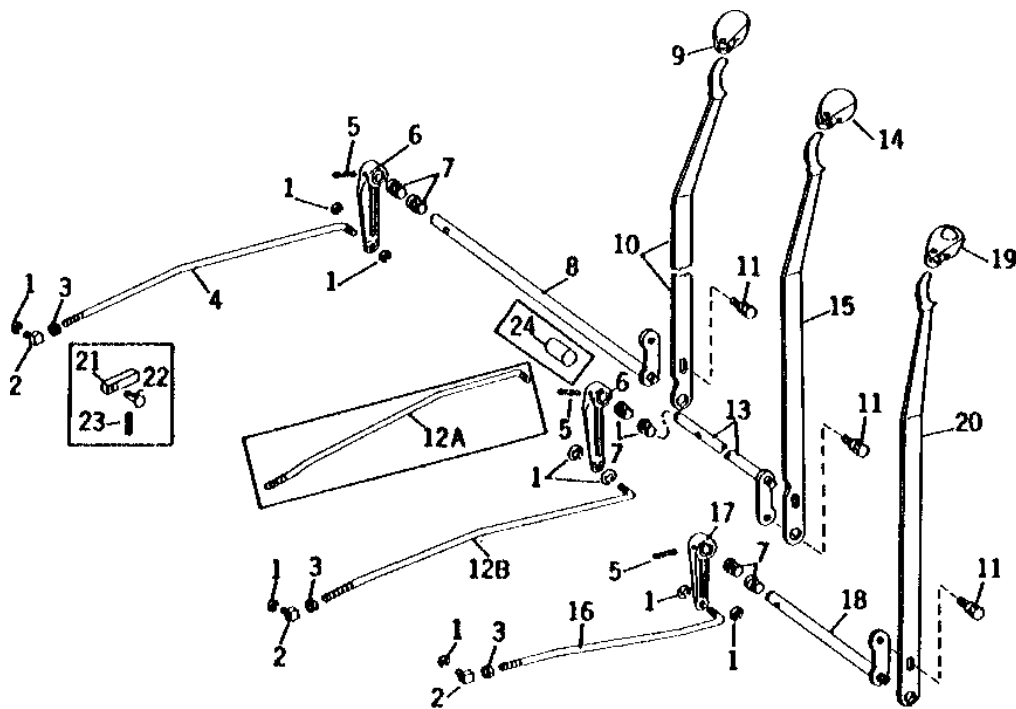
# 3G18

HYDRAULICS

R29018

-UN-01JAN94

## SELECTIVE CONTROL LEVERS AND LINKAGE



R29018F



# 3G19

HYDRAULICS

## SELECTIVE CONTROL LEVERS AND LINKAGE - CONTINUED

KEY	PART NO.	PART NAME	QTY	TRACTOR SERIAL NO.	REMARKS
1	R72653	SNAP RING	9		(SUB FOR M2396T)
2	R51370	SWIVEL	3	-XXXXXX	(SUB R79521 AND 14H882)
	R79521	SWIVEL	1	XXXXXX-	
3	14H650	NUT	1	-XXXXXX	5/16"
	14H882	NUT	2	XXXXXX-	5/16"
4	R53019	ROD	1	-012617	(B)
	R53019	ROD	1	012618-	(C)
	R50106	ROD	1		
5	34H313	SPRING PIN	3		1/4" X 1-1/8"
6	R50012	LEVER	AR		(1 USED (B), 2 USED (C))
7	R42093	GROMMET	6		(A)
8	AR54799	SHAFT	1	-012617	(B)
	AR54799	SHAFT	1	012618-	(C)
9	R52690	GRIP	1	-012617	(B)
	R52690	GRIP	1	012618-	(C)
10	R52693	LEVER	1	-012617	(B)
	R52693	LEVER	1	012618-	(C)
11	AR58652	BOLT	3		
12A	R62865	ROD	1	-012617	(C) (SUB FOR R52225)
	R60852	ROD	1	012618-013978	(B)
12B	R62862	BOLT	1	013979-	(B)
13	AR54800	SHAFT	1	-012617	(C)
	AR54800	SHAFT	1	012618-	(B)
14	R52691	GRIP	1	-012617	(C)
	R52691	GRIP	1	012618-	(B)
15	R52694	LEVER	1	-012617	(C)
	R52694	LEVER	1	012618-	(B)
16	R50669	ROD	1		(D)
	R65888	ROD	1		(D) (DIRECTIONAL CONTROL VALVE) (SUB FOR R60400)
17	R65887	ARM	1		(D) (SUB FOR R50013)
18	AR54801	SHAFT	1		(D)
19	R52692	GRIP	1		(D)
20	R52695	LEVER	1		(D)
21	R52881	ROD	1		(AUXILIARY HYDRAULIC OUTLET OR DIRECTIONAL CONTROL VALVE)
22	U11004	PIN	1		(AUXILIARY HYDRAULIC OUTLET OR DIRECTIONAL CONTROL VALVE)
23	11M7059	COTTER PIN	1		3.200 X 20 MM
24	.....	SPACER	1	-XXXXXX	(A)
..	AR68809	KIT	1		(NLA)

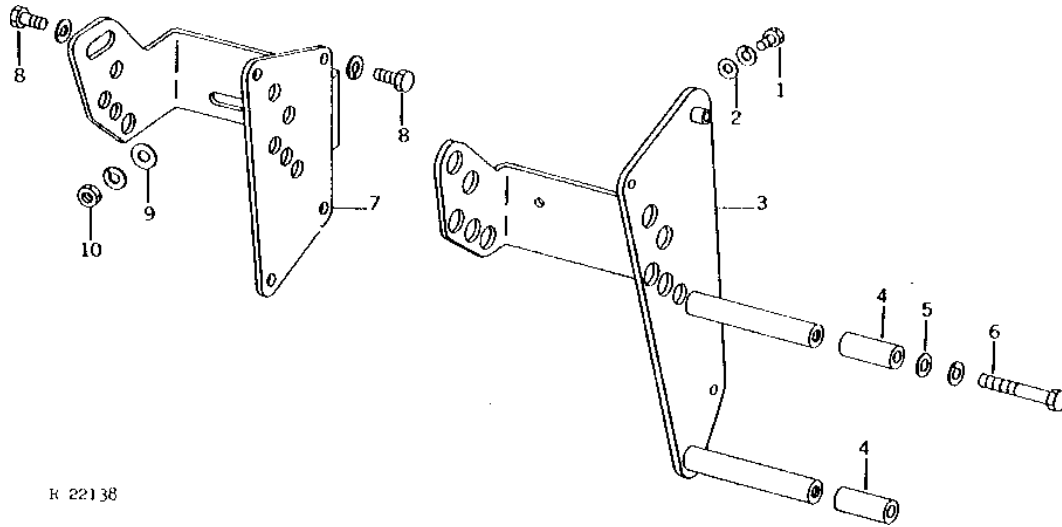
- (A) INCLUDED IN AR68809
- (B) SINGLE
- (C) DUAL
- (D) TRIPLE

# 3G20

HYDRAULICS

R22138 -UN-01JAN94

## HYDRAULIC CONTROL LEVER SUPPORT



K 22138

KEY	PART NO.	PART NAME	QTY	TRACTOR SERIAL NO.	REMARKS
1	19H2021	CAP SCREW	1		3/8" X 5/8"
	12H304	LOCK WASHER	1		3/8"
2	24H1305	WASHER	1		13/32" X 13/16" X 0.065"
3	AR56672	SUPPORT	1		(NLA)
4	28H3377	BUSHING	2		(B) 3/8" X 1-3/4"
5	24M7096	WASHER	2		(B) 10.500 X 18 X 1.600 MM
6	R53663	SELF-LOCKING SCREW	2		
	R53668	THRUST WASHER	2		
	19H268	CAP SCREW	2		(B) 3/8" X 2-1/2"
	12H304	LOCK WASHER	2		(B) 3/8"
7	AR55081	SUPPORT	1	-008088	(C) (ORDER AR68809)
	AR68010	SUPPORT	1	008089-	(A)
8	19H1936	CAP SCREW	4		(C) 3/8" X 3/4"
	12H304	LOCK WASHER	4		(C) 3/8"
9	24H1305	WASHER	1		(C) 13/32" X 13/16" X 0.065"
10	14H1076	NUT	1		(C) 3/8"
	12H304	LOCK WASHER	1		(C) 3/8"
..	AR68809	KIT	1		ROCKSHAFT CONTROL STABILIZER

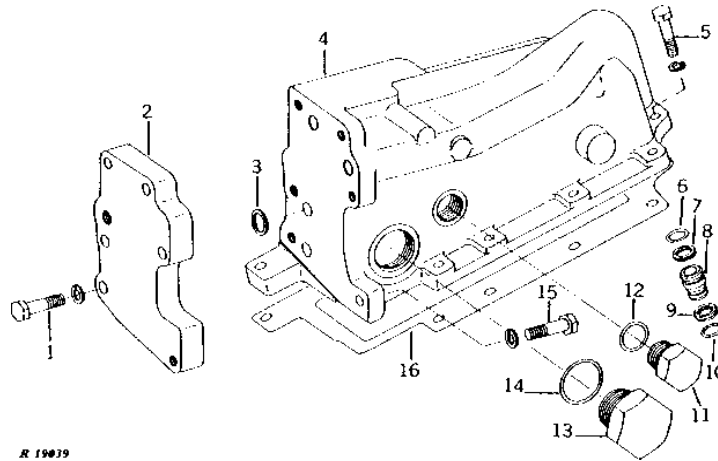
- (A) INCLUDED IN AR68809
- (B) ROLL-GARD
- (C) SOUND-GARD BODY

# 3G21

HYDRAULICS

## SELECTIVE CONTROL VALVE SUPPORT (LESS ROCKSHAFT) (TRACTOR SERIAL NO. -012617)

R19039 -UN-01JAN94



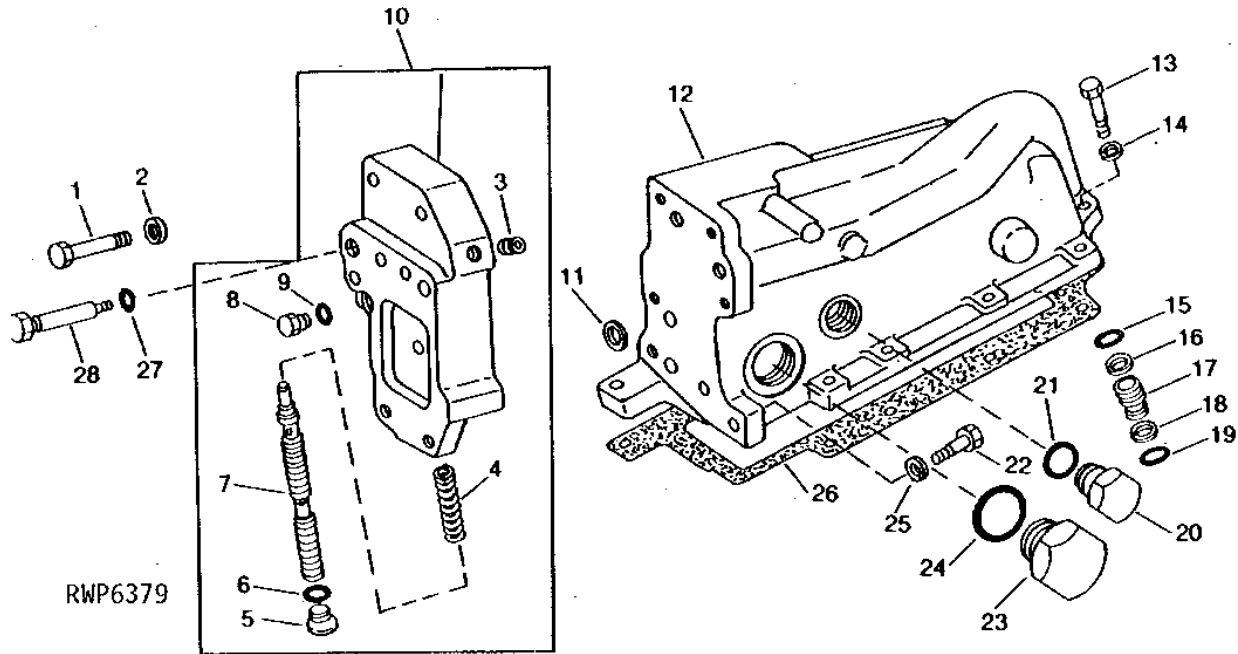
KEY	PART NO.	PART NAME	QTY	TRACTOR SERIAL NO.	REMARKS
1	19H1978	CAP SCREW	5		7/16" X 1-1/2"
	12H293	LOCK WASHER	5		7/16"
2	R50065	VALVE COVER	1	-010339	(SUB R59080 AND (2) R59082)
	R59080	COVER	1	010340-	
3	R26149	PACKING	5		
4	AR54944	SUPPORT	1		(MARKED AR54820)
5	19H1732	CAP SCREW	9		3/8" X 1-1/4"
	12H304	LOCK WASHER	9		3/8"
6	R27564	O-RING	1		
7	R45925	BACK-UP RING	1		
8	R45924	BUSHING	1		
9	R41057	BACK-UP RING	1		
10	R27166	O-RING	1		
11	R27175	DRAIN PLUG	1		
12	F3171R	O-RING	1		
13	R39741	DRAIN PLUG	1		
14	U13639	O-RING	1		
15	19H2500	CAP SCREW	1		7/16" X 1-3/8"
	12H293	LOCK WASHER	1		7/16"
16	R40896	GASKET	1		

# 3G22

HYDRAULICS

## SELECTIVE CONTROL VALVE SUPPORT (LESS ROCKSHAFT) (TRACTOR SERIAL NO. 012618-013978)

RWP6379 -UN-01JAN94



KEY	PART NO.	PART NAME	QTY	TRACTOR SERIAL NO.	REMARKS
1	19H1899	CAP SCREW	2	7/16" X 2"	
	19H2227	CAP SCREW	2	7/16" X 2-1/2"	
	19H2500	CAP SCREW	2	7/16" X 1-3/8"	
2	12H293	LOCK WASHER	4	7/16"	
3	15H558	PIPE PLUG	1	1/8"	
4	R28914	SPRING	1		
5	R33138	FITTING	1		
6	R26375	O-RING	1		
7	R60096	VALVE	1		
8	R27094	DRAIN PLUG	1		
9	R26286	O-RING	1		
10	AR73899	COVER	1		(MARKED R60081 AND R60334)
11	R26149	PACKING	5		
12	AR76279	SUPPORT	1		(MARKED AR76278 OR AR94166)
13	19H1732	CAP SCREW	9	3/8" X 1-1/4"	
14	12H304	LOCK WASHER	9	3/8"	
15	R27564	O-RING	1		
16	R45925	BACK-UP RING	1		
17	R45924	BUSHING	1		
18	R41057	BACK-UP RING	1		
19	R27166	O-RING	1		
20	R27175	DRAIN PLUG	1		
21	F3171R	O-RING	1		
22	19H2500	CAP SCREW	1	7/16" X 1-3/8"	
23	R39741	DRAIN PLUG	1		
24	U13639	O-RING	1		
25	12H293	LOCK WASHER	1	7/16"	
26	R40896	GASKET	1		
27	R26448	O-RING	1		
28	R60420	PLUG	1		

---

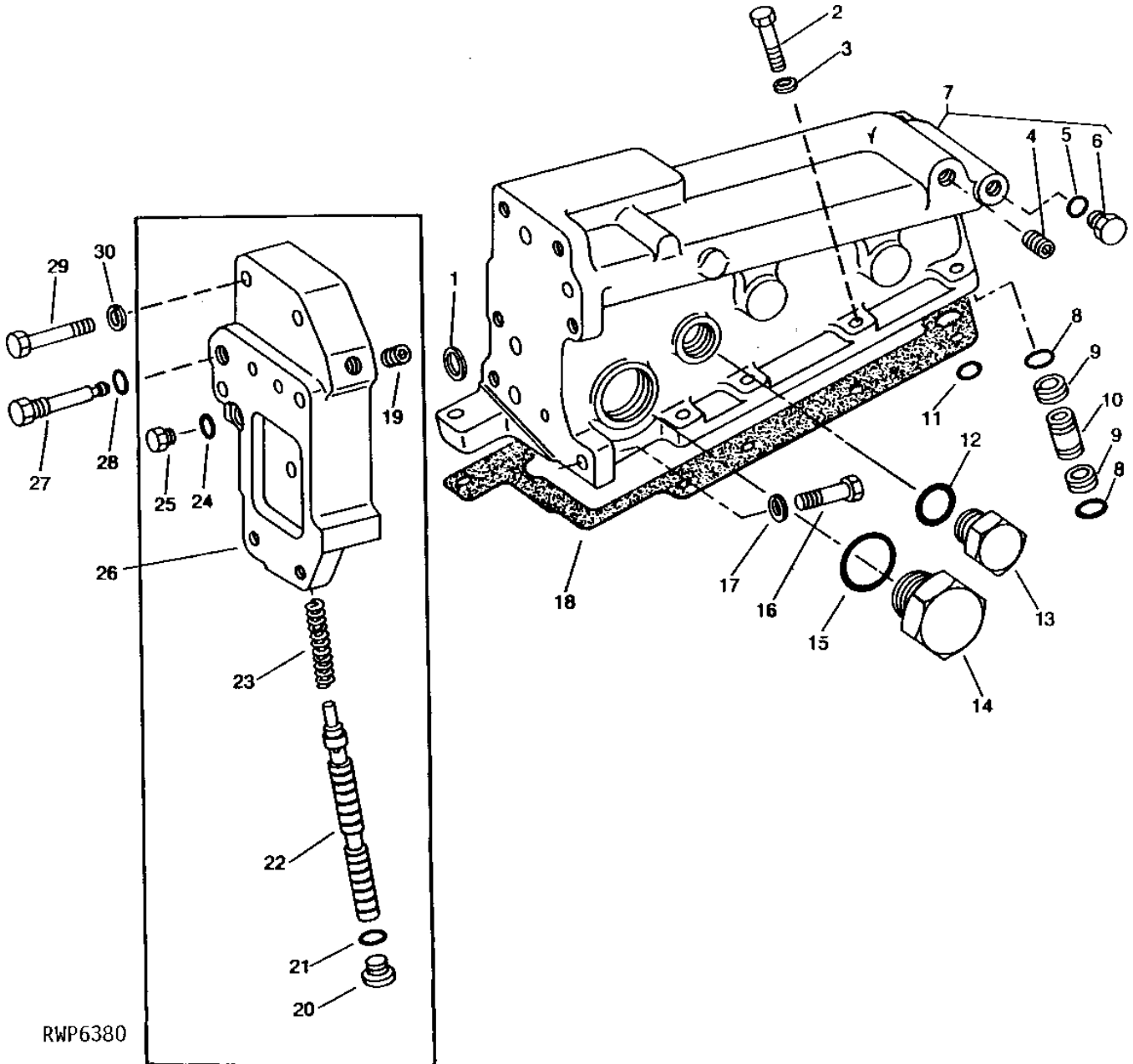
MEMORANDA

# 3G23

HYDRAULICS

## SELECTIVE CONTROL VALVE SUPPORT (LESS ROCKSHAFT) (TRACTOR SERIAL NO. 013979- )

RWP6380 -UN-17OCT94



RWP6380

# 3G24

HYDRAULICS

SELECTIVE CONTACT VALVE SUPPORT - CONTINUED  
(LESS ROCKSHAFT)  
(TRACTOR SERIAL NO. 013979- )

KEY	PART NO.	PART NAME	QTY	TRACTOR SERIAL NO.	REMARKS
1	R26149	PACKING	5		
2	19H1732	CAP SCREW	6	3/8" X 1-1/4"	
	19H2128	CAP SCREW	6	3/8" X 3"	
	19H2054	CAP SCREW	6	3/8" X 4-3/4"	
3	12H304	LOCK WASHER	8	3/8"	
4	15H571	PIPE PLUG	1	3/8"	
5	R26448	O-RING	1		
6	R27218	FITTING PLUG	1		
7	AR78509	SUPPORT	1	(MARKED R63574)	
8	R27166	O-RING	4		
9	R41057	BACK-UP RING	2		
10	R40945	VALVE	1		
11	T17882	WASHER	1	(NOT REQUIRED)	
12	F3171R	O-RING	1		
13	R27175	DRAIN PLUG	1		
14	R39741	DRAIN PLUG	1		
15	U13639	O-RING	1		
16	19H2500	CAP SCREW	1	7/16" X 1-3/8"	
17	12H293	LOCK WASHER	1	7/16"	
18	R67121	GASKET	1	(SUB FOR R57665)	
19	15H558	PIPE PLUG	1	1/8"	
20	R33138	FITTING	1		
21	R26375	O-RING	1		
22	R60096	VALVE	1		
23	R28914	SPRING	1		
24	R26286	O-RING	1		
25	R27094	DRAIN PLUG	1		
26	AR73899	COVER	1	(MARKED R60081 OR R60334)	
27	R60420	PLUG	1		
28	R26448	O-RING	1		
29	19H1899	CAP SCREW	2	7/16" X 2"	
	19H2227	CAP SCREW	2	7/16" X 2-1/2"	
	19H2500	CAP SCREW	2	7/16" X 1-3/8"	
30	12H293	LOCK WASHER	4	7/16"	

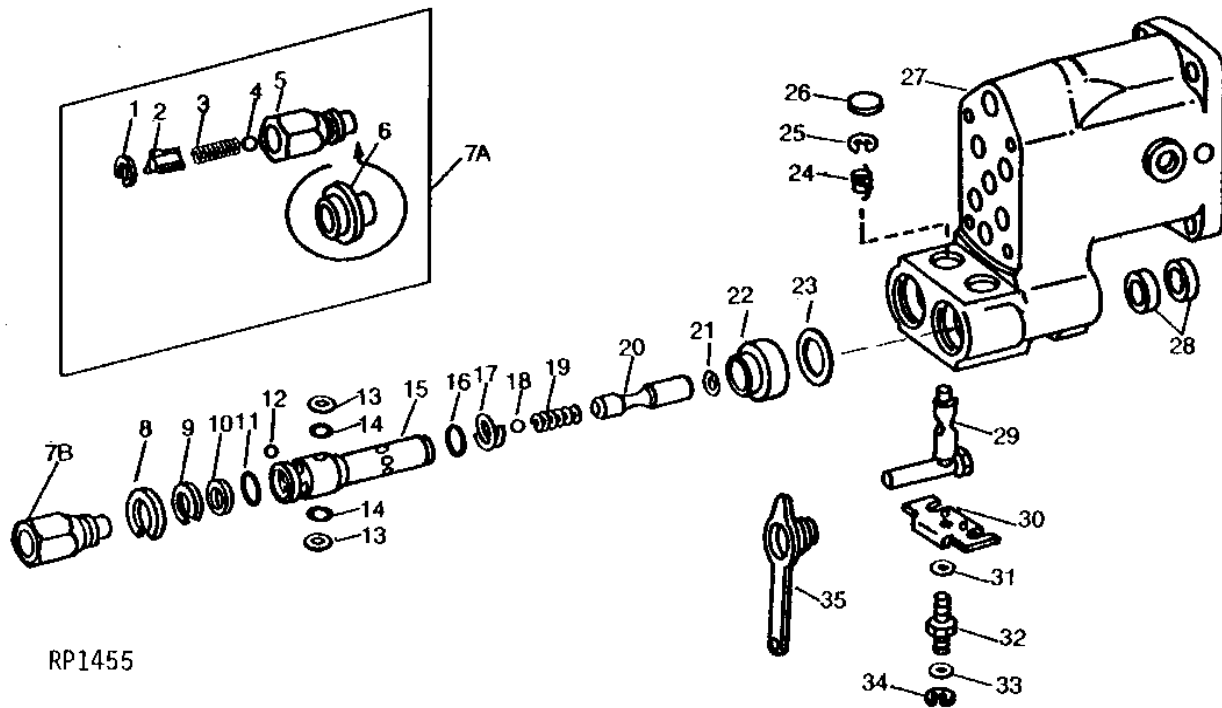
# 3H1

HYDRAULICS

RP1455

-UN-01JAN94

## BREAKAWAY COUPLER





# 3H2

HYDRAULICS

## BREAKAWAY COUPLER - CONTINUED

KEY	PART NO.	PART NAME	QTY	TRACTOR SERIAL NO.	REMARKS
1	R59633	WEAR RING	2		
2	R28085	GUIDE	2		(SUB AR93819 OR AR93820, THIS APPLICATION)
3	R28084	SPRING	2		
4	D2361R	BALL	1		13MM (1/2")
5	R27430	HYD. QUICK-CONNECT COUPLER	1		(A) (SUB AR93819)
	R45630	HYD. QUICK-CONNECT COUPLER	1		(B) (SUB AR93820)
6	R28006	CAP	2		
7A	AR30210	INTERNAL HALF COUPLER	1	-XXXXXX	(A) (SUB AR93819)
	AR47643	BREAKAWAY COUPLER	1	-XXXXXX	(B) (SUB AR93820)
7B	AR93819	HYD. QUICK-CONNECT COUPLER	1	XXXXXX-	(A)
	AR93820	FITTING	1	XXXXXX-	(B)
8	R34399	SNAP RING	2		
9	R32356	SNAP RING	2		
10	R26485	BACK-UP RING	2		
11	R59343	RING	2		
12	400R	BALL	12		6MM (1/4")
13	R26484	BACK-UP RING	4		
14	R65286	O-RING	4		
15	R34397	SOCKET OUTLET	2		
16	R375R	O-RING	2		
17	R26482	RING	2		
18	D2361R	BALL	2		13MM (1/2")
19	R28084	SPRING	2		
20	R34400	PLUG	2		
21	R26483	SNAP RING	2		
22	R34398	SLEEVE	2		
23	R56753	SHIM	2	016506-	
24	R31890	SPRING	2		
25	R72653	SNAP RING	2		(SUB FOR M2396T)
26	30H15	PLUG	2		1-1/8"
27	AR40827	HOUSING	1	-XXXXXX	(MARKED R40499) (SUB AR82572, R59629, R65289, R66916, R49187, R27166, R41057, (2) R65501, (2) R65502, R74695 AND R65289)
	AR82572	HOUSING	1	XXXXXX-	(MARKED R65284)
28	A4730R	O-RING	4	-XXXXXX	(SUB (4) R65285)
	R26480	BACK-UP RING	4	-XXXXXX	(SUB (4) R65285)
	R74530	SEAL	4	XXXXXX-	(SUB R79311) (SUB FOR R65285)
29	AR33877	LEVER	2	-016505	
	AR99100	LEVER	2	016506-	(SUB FOR AR82576)
30	R51285	PLATE	1	-014089	(SUB R61957)
	AR75958	CAM	1	014090-	(SUB R61957)
31	12H303	LOCK WASHER	1		5/16"
32	R49191	SCREW	1		
33	24H1286	WASHER	1		9/32" X 1/2" X 1/16"
34	R72654	SNAP RING	1		
35	R80324	COVER	2		

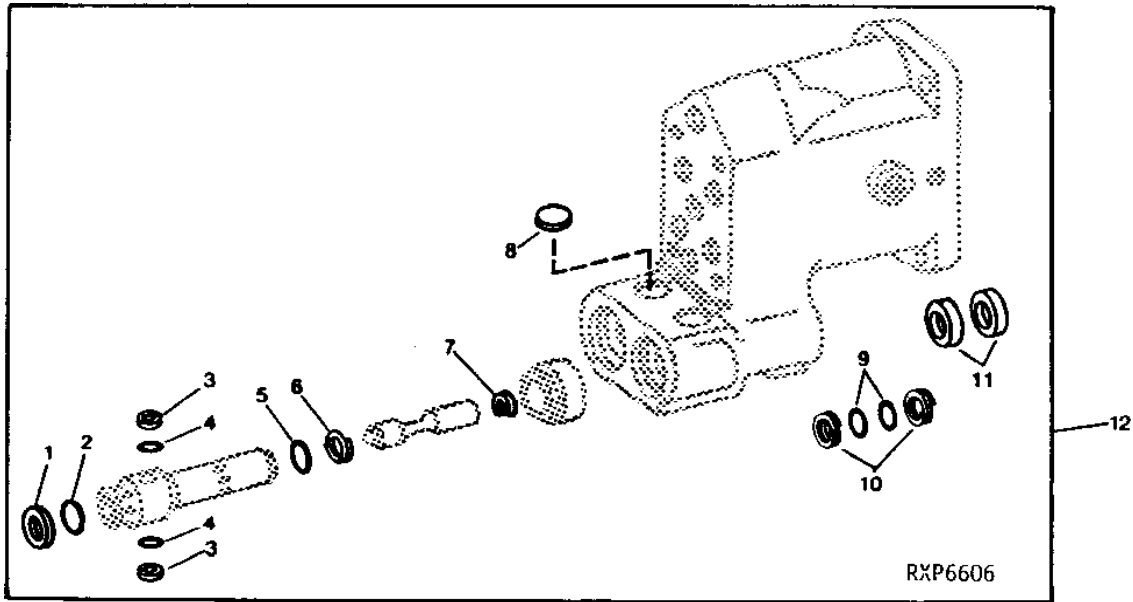
(A) PRESSURE  
(B) RETURN

# 3H3

HYDRAULICS

RXP6606 -UN-06OCT94

## BREAKAWAY COUPLER OVERHAUL KIT



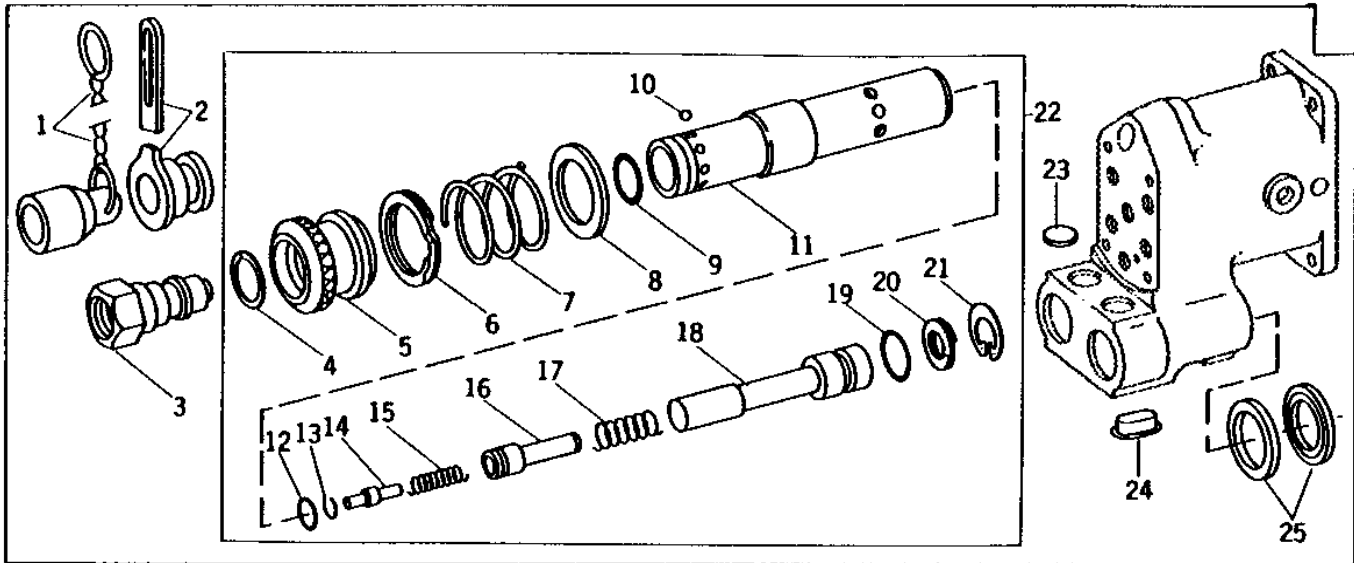
KEY	PART NO.	PART NAME	QTY	TRACTOR SERIAL NO.	REMARKS
1	R26485	BACK-UP RING	2		
2	R59343	RING	2		
3	R26484	BACK-UP RING	4		
4	R65286	O-RING	4		
5	R375R	O-RING	2		
6	R26482	RING	2		
7	R26483	SNAP RING	2		
8	30H15	PLUG	2	1-1/8"	
9	A4730R	O-RING	4	(NOT REQUIRED)	
10	R26480	BACK-UP RING	4	(NOT REQUIRED)	
11	R79311	SEAL	4	(SUB FOR R65285 AND R74530)	
12	AR82570	KIT	1	(SUB FOR AR30685)	

# 3H4

HYDRAULICS

R32186 -UN-01JAN94

ISO BREAKAWAY COUPLER  
(TRACTOR SERIAL NO. -XXXXXX)



R32186F

KEY	PART NO.	PART NAME	QTY	TRACTOR SERIAL NO.	REMARKS
1	A15898	CAP	1		
2	A15899	CAP	1		
3	AR94522	INTERNAL HALF COUPLER	1		(SUB FOR AL26973)
4	R64617	SNAP RING	1		
5	R64618	SLEEVE	1		
6	R64615	SNAP RING	1		
7	R64609	SPRING	1		
8	R64608	WASHER	1		
9	R21722	O-RING	1		
10	H871R	BALL	8		5MM (3/16")
11	R64605	EXTERNAL HALF COUPLER	1		
12	R64613	O-RING	1		
13	R64614	SNAP RING	1		
14	R64612	PIN	1		
15	R64611	SPRING	1		
16	R64610	POPPET	1		
17	R64607	SPRING	1		
18	R64606	GUIDE	1		
19	R375R	O-RING	1		
20	R26482	RING	1		
21	U15969	SNAP RING	1		
22	AR80892	BREAKAWAY COUPLER	1		(SUB RE12121, R49191, R61957, R34399 AND 12H303)
23	30H15	PLUG	1		1-1/8"
24	R64561	PLUG	1		
25	R74530	SEAL	2		(SUB FOR R65285) (SUB R79311)
26	AR80911	BREAKAWAY COUPLER	1		(SUB RE12121)

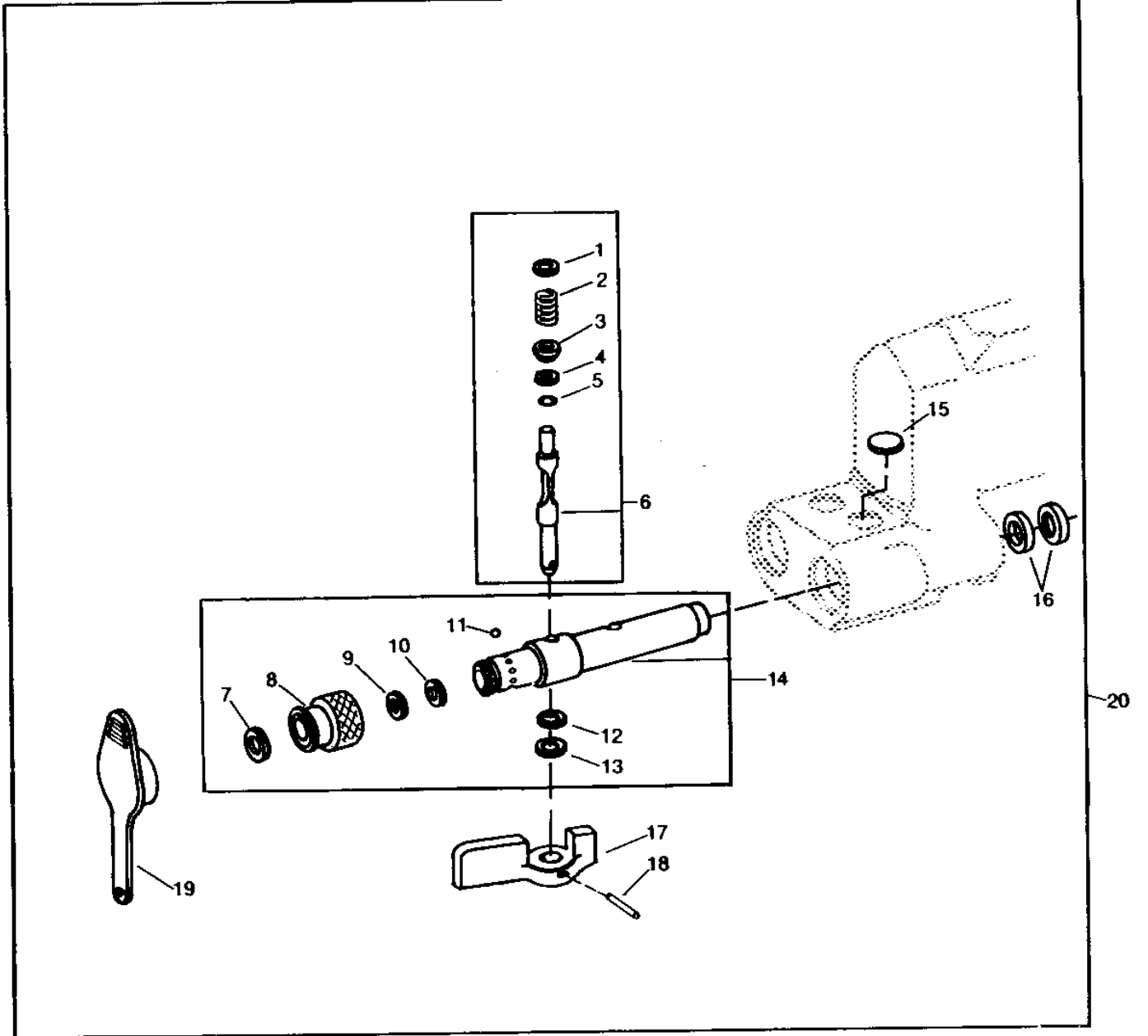
# 3H5

HYDRAULICS

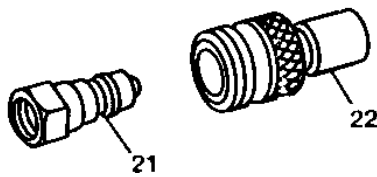
RWP4194

-UN-12OCT94

## JOHN DEERE TO ISO COUPLER CONVERSION KIT



RWP4194



# 3H6

HYDRAULICS

## JOHN DEERE TO ISO COUPLER CONVERSION KIT - CONTINUED

KEY	PART NO.	PART NAME	QTY	TRACTOR SERIAL NO.	REMARKS
1	R54242	SNAP RING	2		
2	R78767	SPRING	2		
3	R48698	WASHER	2		
4	R31136	BACK-UP RING	2		
5	R10093	O-RING	2		
6	RE13814	SHAFT	2		
7	40M4378	SNAP RING	2		
8	R78765	SLEEVE	2		
9	R71387	WASHER	2		
10	R74210	O-RING	2		
11	H871R	BALL	16		
12	P51212	O-RING	2		
13	R78766	BACK-UP RING	2		
14	RE13813	RECEPTACLE	2		
15	30H15	PLUG	2		1-1/8"
16	R74530	SEAL	2		(SUB R79311)
17	R78769	HANDLE	2		
18	34H247	SPRING PIN	2		1/8" X 3/4"
19	R78768	COVER	2		
20	RE12121	RECEIVER	1		(SUB FOR AR80911)
21	AR94522	INTERNAL HALF COUPLER	AR		(SUB FOR AL26973)
22	AL26972	EXTERNAL HALF COUPLER	AR		

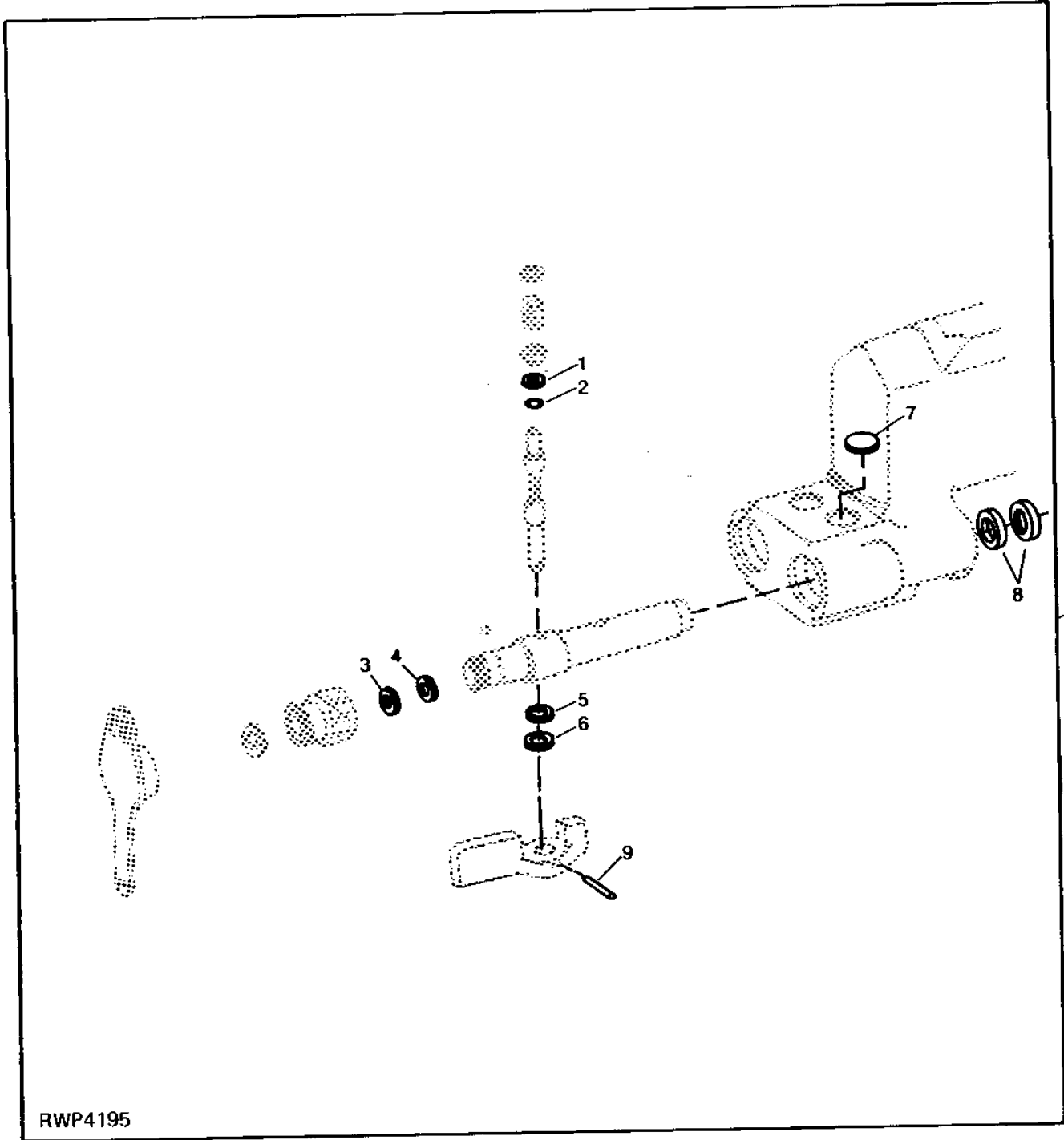
# 3H7

HYDRAULICS

RWP4195

-UN-12OCT94

ISO COUPLER OVERHAUL KIT



RWP4195

# 3H8

HYDRAULICS

## ISO COUPLER OVERHAUL KIT - CONTINUED

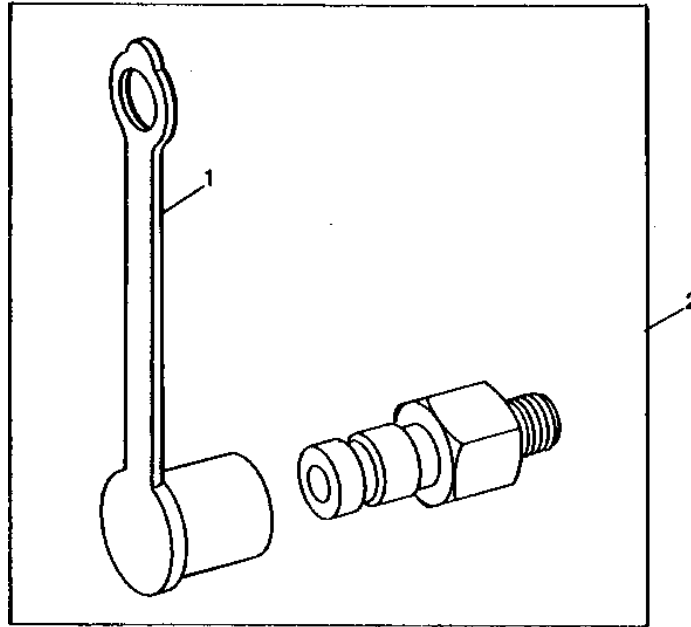
KEY	PART NO.	PART NAME	QTY	TRACTOR SERIAL NO.	REMARKS
1	R31136	BACK-UP RING	2		
2	R10093	O-RING	2		
3	R71387	WASHER	2		
4	R74210	O-RING	2		
5	P51212	O-RING	2		
6	R78766	BACK-UP RING	2		
7	30H15	PLUG	2	1-1/8"	
8	R74530	SEAL	4	(SUB R79311)	
9	34H247	SPRING PIN	2		
10	RE13815	KIT	1		

# 3H9

HYDRAULICS

RWP5202 -UN-01JAN94

## DIAGNOSTIC RECEPTACLE



RWP5202

KEY	PART NO.	PART NAME	QTY	TRACTOR SERIAL NO.	REMARKS
1	R77175	COVER	1		
2	RE13561	RECEPTACLE	1	12.7MM (1/2") PORT	
	RE13562	RECEPTACLE	1	9.525MM (3/8") PORT	

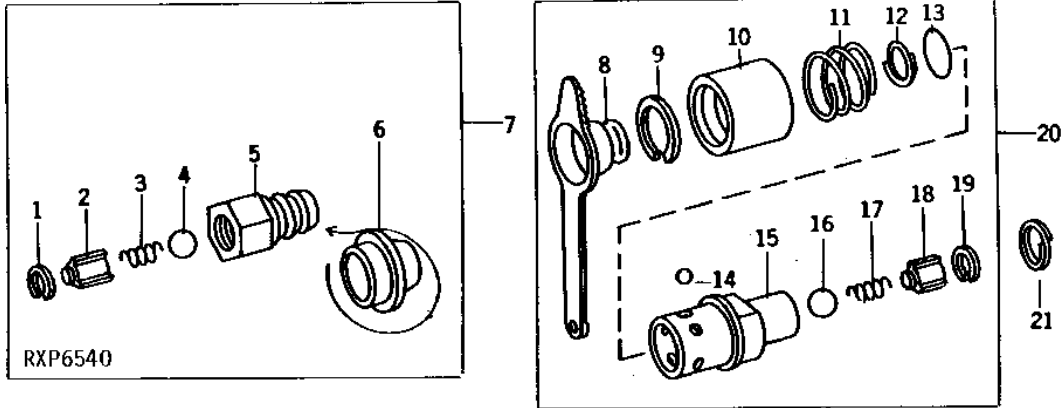


# 3H10

HYDRAULICS

RXP6540 -UN-06OCT94

## FLEXIBLE OIL LINE COUPLER



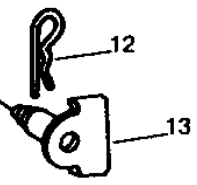
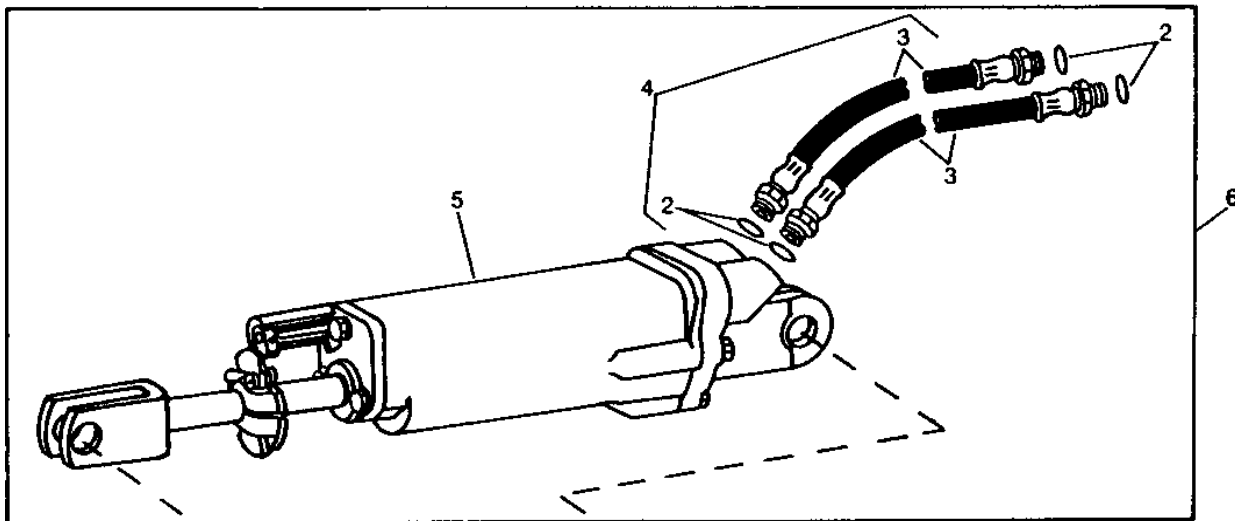
KEY	PART NO.	PART NAME	QTY	TRACTOR SERIAL NO.	REMARKS
1	R59633	WEAR RING	1		(SUB FOR R28204)
2	R28085	GUIDE	1		(SUB AR93819 OR AR93820, THIS APPLICATION)
3	R28084	SPRING	1		
4	D2361R	BALL	1		13MM (1/2")
5	R27430	HYD. QUICK-CONNECT COUPLER	1		PRESSURE, (SUB AR93819)
	R45630	HYD. QUICK-CONNECT COUPLER	1		RETURN, (SUB AR93820)
6	R28006	CAP	1		
7	AR93819	HYD. QUICK-CONNECT COUPLER	1		PRESSURE, (SUB FOR AR30210)
	AR93820	FITTING	1		RETURN, (SUB FOR AR47643)
8	R80324	COVER	1		(SUB FOR R32419)
9	R32356	SNAP RING	1		
10	R32355	SLEEVE	1		
11	R32354	SPRING	1		(SUB RE15361)
12	R26485	BACK-UP RING	1		
13	R495R	O-RING	1		
14	400R	BALL	6		6MM (1/4")
15	R32353	SOCKET OUTLET	1		
16	D2361R	BALL	1		13MM (1/2")
17	R28084	SPRING	1		
18	R28085	GUIDE	1		(SUB RE15361)
19	R59633	WEAR RING	1		(SUB FOR R28204)
20	AR47331	SOCKET OUTLET	1		(SUB RE15361)
21	R36946	SPRING	1		

# 3H11

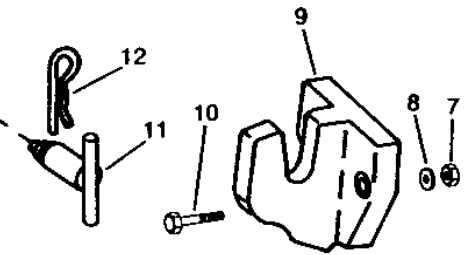
HYDRAULICS

RWP1908 -UN-17OCT94

REMOTE CYLINDER, HOSES, AND ARM  
(3" X 8" CYLINDER)



RWP1908



# 3H12

HYDRAULICS

## REMOTE CYLINDER, HOSES AND ARM - CONTINUED

KEY	PART NO.	PART NAME	QTY	TRACTOR SERIAL NO.	REMARKS
1	AR30784	TEE FITTING	1		FOR 3/8" SINGLE WIRE BRAID LINE
2	R26375	O-RING	4		
3	AR26407	HYDRAULIC HOSE	2		9.5 X 2337MM (3/8" X 92")
	R32183	HYDRAULIC HOSE	2		9.5 X 2337MM (3/8" X 92") REINFORCED
	R36795	HYDRAULIC HOSE	2		12 X 3048MM (1/2" X 120")
4	AR27440	HYDRAULIC HOSE	1		9.5 X 2337MM (3/8" X 92") (SUB (2) AR26407, (4) R26375)
	AR36158	OIL LINE	1		12 X 3048MM (1/2" X 120")
5	AR27437	CYLINDER	1		(A) 3" X 8", (NLA)
	AR35261	CYLINDER	1		(A) 3-1/2" X 8"
	AR36303	CYLINDER	1		(B) 3-1/2" X 8"
6	AR27062	CYLINDER	1		(A) 3" X 8", (SUB AR27437, (2) AR26407 AND (4) R26375)
	AR36157	CYLINDER	1		(A) 3-1/2" X 8", (SUB AR35261 AND AR36158)
	AR36301	CYLINDER	1		(B) 3-1/2" X 8", (SUB AR36303 AND AR36158)
7	14H1040	NUT	AR		1/2", (2 USED SINGLE) (4 USED DUAL)
8	12H301	LOCK WASHER	AR		1/2", (2 USED SINGLE) (4 USED DUAL)
9	R53763	ARM	AR		(1 USED SINGLE) (2 USED DUAL) (SOUND-GARD BODY)
	R54166	ARM	AR		(1 USED SINGLE) (2 USED DUAL)
10	19H1831	CAP SCREW	AR		1/2" X 2", (2 USED SINGLE) (4 USED DUAL)
11	AR47825	PIN	1		(USE WITH AR27437)
	AR47825	PIN	2		(USE WITH AR34829, AR35261 AND AR36303)
12	A3581R	SPRING LOCKING PIN	2		
13	AR71902	PIN	1		(SUB FOR AA6307R)

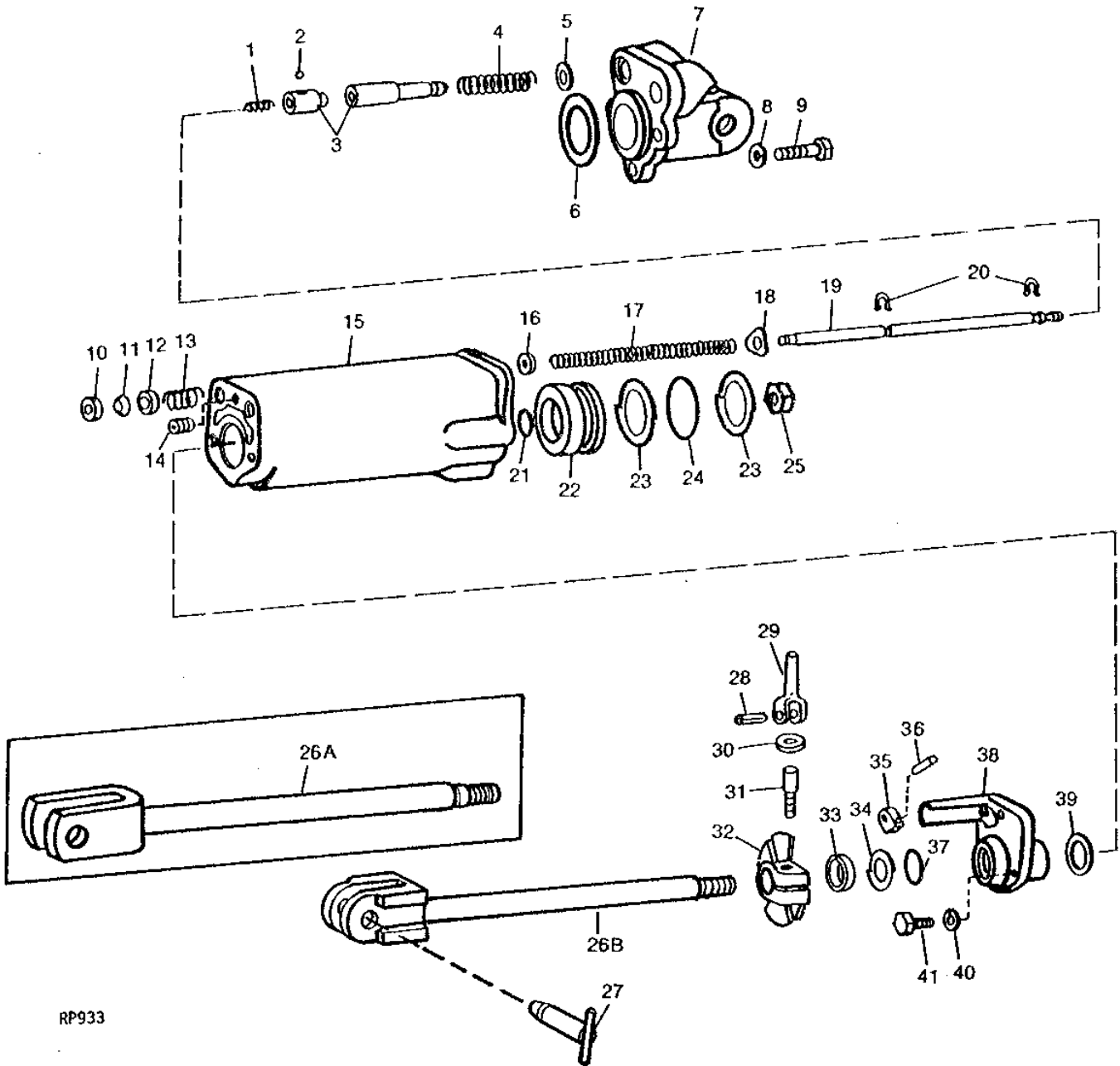
(A) HYDRAULIC STOP  
(B) MECHANICAL STOP

# 3H13

HYDRAULICS

## 3" X 8" REMOTE CYLINDER PARTS (HYDRAULIC STOP)

RP933 -UN-01JAN94



RP933

# 3H14

HYDRAULICS

## 3" X 8" REMOTE CYLINDER PARTS - CONTINUED (HYDRAULIC STOP)

KEY	PART NO.	PART NAME	QTY	TRACTOR SERIAL NO.	REMARKS
1	A4741R	SPRING	1	(A)	
2	A4742R	BALL	1	(A)	
3	AA5731R	VALVE	1	(A)	
	R39012	VALVE	1		
4	R49352	SPRING	1		
5	A4723R	WASHER	2		
6	A4722R	WASHER	1		
7	R27427	HYDRAULIC CYLINDER CAP	1		
8	12H301	LOCK WASHER	4	1/2"	
9	19H2473	CAP SCREW	4	1/2" X 1-3/4"	
10	A4746R	ADAPTER	1	FEMALE	
11	A4745R	PACKING	3		
12	A4747R	WASHER	1	MALE	
13	A4748R	SPRING ASSEMBLY	1		
14	15H624	PIPE PLUG	1	1/2"	
15	R27421	CYLINDER	1		
16	24H1301	WASHER	1	13/32" X 9/16" X 0.065"	
17	A4737R	SPRING	1		
18	R57696	WASHER	1		
19	A4736R	ROD	1		
20	A4739R	RING	2		
21	R27564	O-RING	1		
22	R44296	PISTON	1		
23	R27649	BACK-UP RING	2		
24	A4728R	O-RING	1		
25	R45620	LOCK NUT	1		
26A	AR45543	ROD	1	(SUB AR45545 AND AR47825)	
26B	AR45545	ROD	1		
27	AR47825	PIN	1		
28	34H264	SPRING PIN	1	5/32" X 7/8"	
29	A5302R	YOKE	1		
30	R57696	WASHER	1	(SUB FOR R1870R)	
31	A5301R	SCREW	1		
32	R27423	STOP	1		
33	AP19547	SEAL	1		
34	R26441	BACK-UP RING	1		
35	R27426	ARM	1		
36	25H760	GROOVE PIN	1	7/32" X 1-1/4"	
37	A3606R	O-RING	1		
38	R40218	GUIDE	1		
39	F1441R	WASHER	1		
40	12H304	LOCK WASHER	3	3/8"	
41	19H1731	CAP SCREW	3	3/8" X 1"	

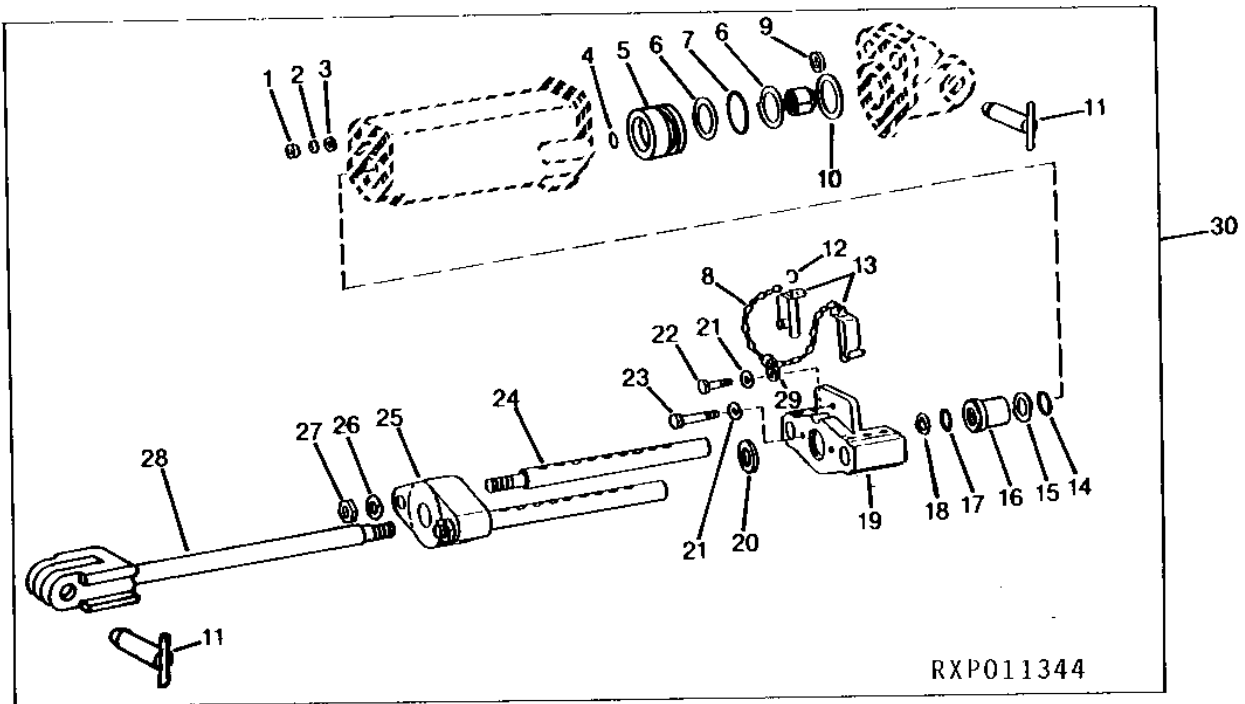
(A) FIELD OPTION

# 3H15

HYDRAULICS

RXP011344 -UN-12OCT94

REMOTE CYLINDER CONVERSION KIT  
(3" X 8" HYDRAULIC STOP TO MECHANICAL STOP)



# 3H16

HYDRAULICS

**REMOTE CYLINDER CONVERSION KIT - CONTINUED  
(3" X 8" HYDRAULIC STOP TO MECHANICAL STOP)**

KEY	PART NO.	PART NAME	QTY	TRACTOR SERIAL NO.	REMARKS
1	R34131	PLUG	1		
2	R32588	BACK-UP RING	1		
3	R56464	O-RING	1		
4	R27564	O-RING	1		
5	R44296	PISTON	1		
6	R27649	BACK-UP RING	2		
7	A4728R	O-RING	1		
8	R49193	LINK CHAIN	1		
9	A4723R	WASHER	2		
10	A4722R	WASHER	1		
11	AR47825	PIN	2		
12	D2913R	LINK	2		
13	AR68145	QUICK LOCK PIN	2		
14	R1138R	O-RING	1		
15	R34966	BACK-UP RING	1		
16	R34965	GUIDE	1		
17	A3606R	O-RING	1		
18	R26441	BACK-UP RING	1		
19	R44285	GUIDE	1		
20	AP19547	SEAL	1		
21	12H304	LOCK WASHER	3		3/8"
22	19H2552	CAP SCREW	1		3/8" X 1-1/8"
23	19H1726	CAP SCREW	2		3/8" X 2-1/4"
24	R44287	ROD	2		
25	R36952	STOP	1		
26	12H236	LOCK WASHER	2		3/4"
27	14H905	NUT	2		3/4"
28	AR45545	ROD	1		
29	T13073	CLIP	1		
30	<b>AR45535</b>	<b>KIT</b>	<b>1</b>		<b>(FI)</b>

---

MEMORANDA



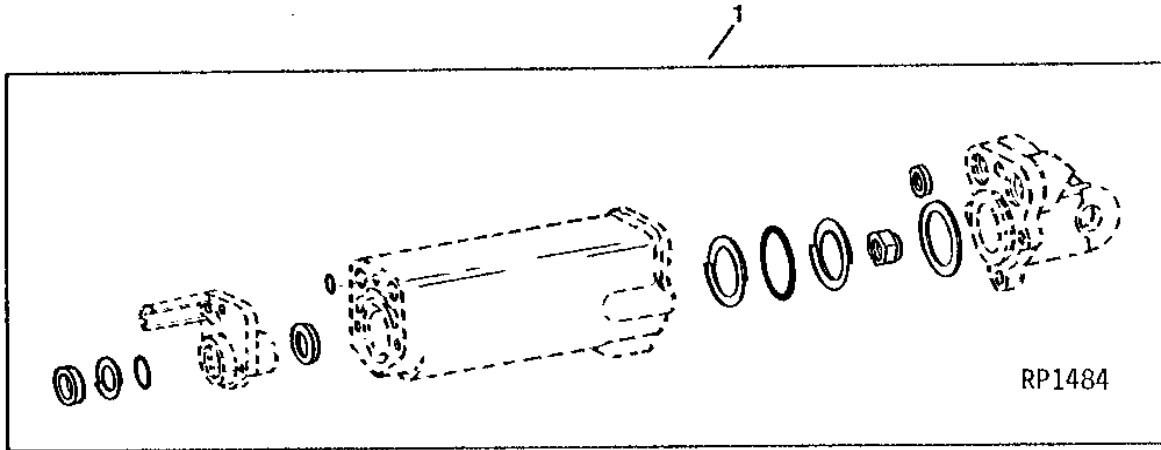
# 3H17

HYDRAULICS

RP1484

-UN-01JAN94

REMOTE CYLINDER OVERHAUL KIT  
(3" X 8" HYDRAULIC OR MECHANICAL STOP)



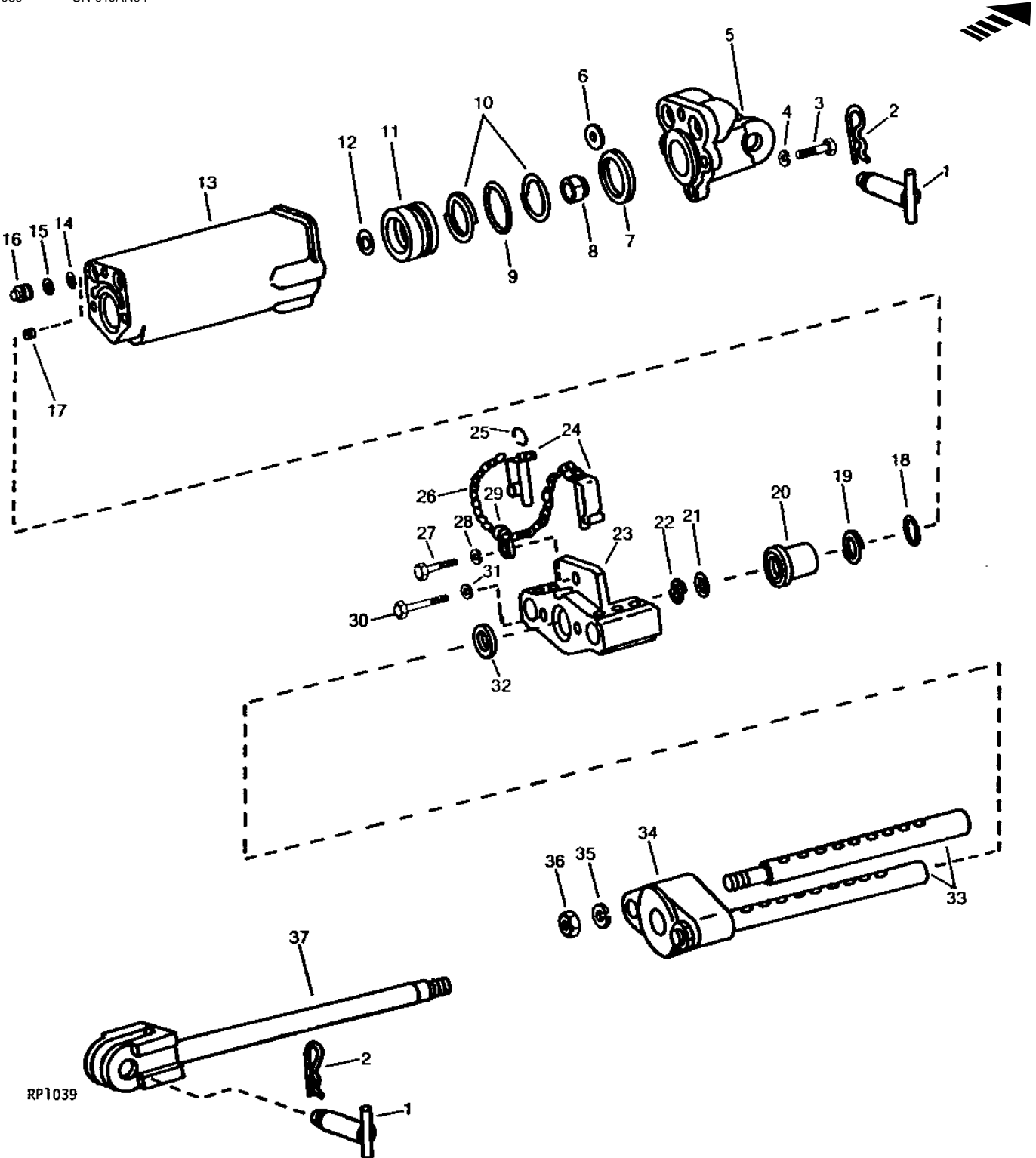
KEY	PART NO.	PART NAME	QTY	TRACTOR SERIAL NO.	REMARKS
1	AR67389	KIT	1		

# 3H18

HYDRAULICS

## 3" X 8" REMOTE CYLINDER PARTS (MECHANICAL STOP)

RP1039 -UN-01JAN94



RP1039

# 3H19

HYDRAULICS

## 3" X 8" REMOTE CYLINDER PARTS - CONTINUED (MECHANICAL STOP)

KEY	PART NO.	PART NAME	QTY	MODEL NO.	REMARKS
1	AR47825	PIN	2		
2	A3581R	SPRING LOCKING PIN	2		
3	19H2473	CAP SCREW	4		1/2" X 1-3/4"
4	12H301	LOCK WASHER	4		1/2"
5	R27427	HYDRAULIC CYLINDER CAP	1		
6	A4723R	WASHER	2		
7	A4722R	WASHER	1		
8	R45620	LOCK NUT	1		
9	A4728R	O-RING	1		
10	R27649	BACK-UP RING	2		
11	R44296	PISTON	1		
12	R27564	O-RING	1		
13	R27421	CYLINDER	1		
14	R459R	O-RING	1		
15	R32588	BACK-UP RING	1		
16	R34131	PLUG	1		
17	15H624	PIPE PLUG	1		1/2"
18	R1138R	O-RING	1		
19	R34966	BACK-UP RING	1		
20	R34965	GUIDE	1		
21	A3606R	O-RING	1		
22	R26441	BACK-UP RING	1		
23	R44285	GUIDE	1		
24	AR68145	QUICK LOCK PIN	2		(SUB FOR AR45536)
25	D2913R	LINK	2		
26	A3184R	LINK CHAIN	1		(SUB FOR A3184R)
27	19H2552	CAP SCREW	1		3/8" X 1-1/8"
28	12H304	LOCK WASHER	1		3/8"
29	T13073	CLIP	1		
30	19H1726	CAP SCREW	2		3/8" X 2-1/4"
31	12H304	LOCK WASHER	2		3/8"
32	AP19547	SEAL	1		
33	R44287	ROD	2		
34	R36952	STOP	1		
35	12H236	LOCK WASHER	2		3/4"
36	14H905	NUT	2		3/4"
37	AR45545	ROD	1		

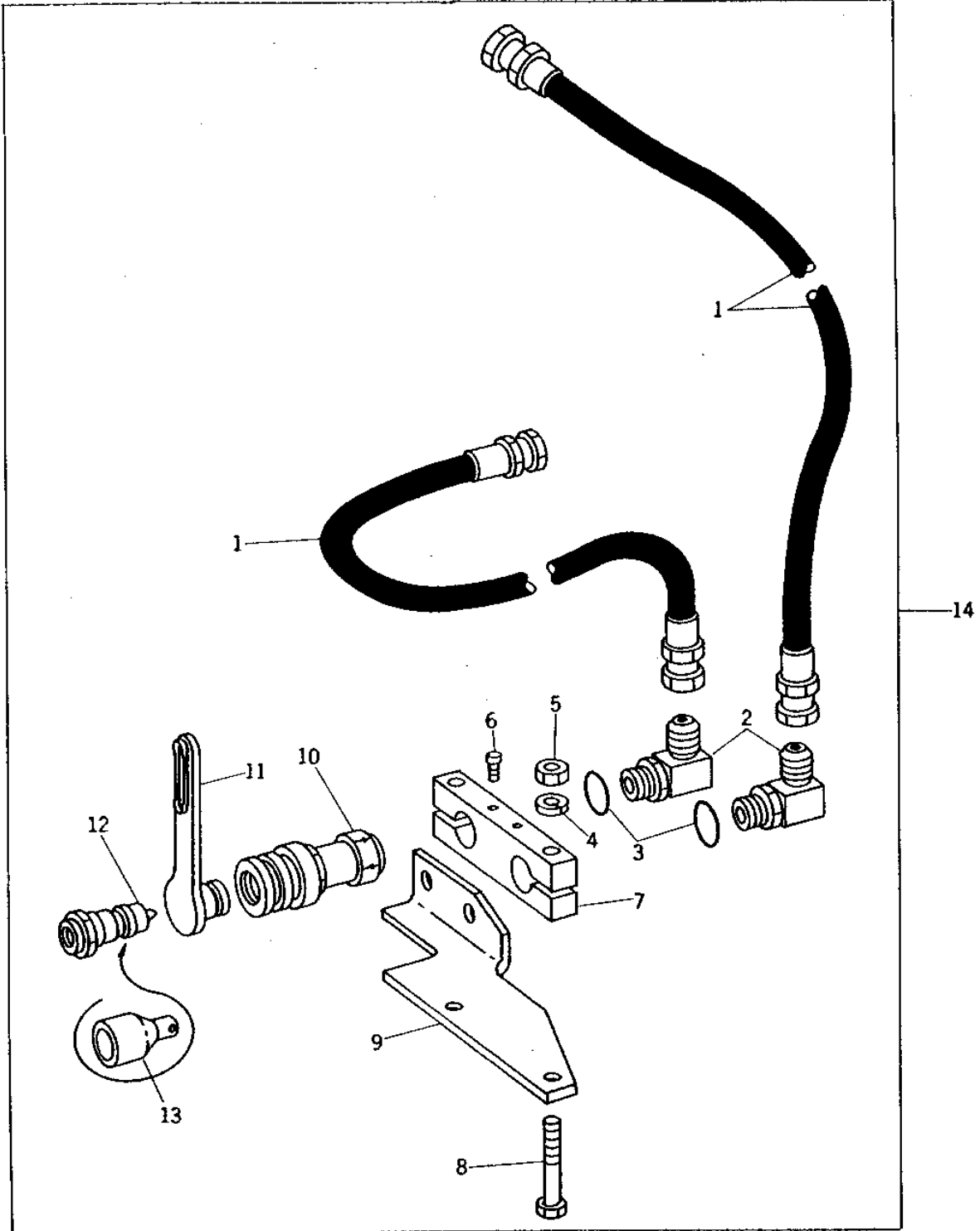
# 3H20

HYDRAULICS

R32037

-UN-01JAN94

## AUXILIARY OUTLET COUPLER KIT



R32037F

# 3H21

HYDRAULICS

## AUXILIARY OUTLET COUPLER KIT - CONTINUED

KEY	PART NO.	PART NAME	QTY	TRACTOR SERIAL NO.	REMARKS
1	AN140274	HYDRAULIC HOSE	2		
2	AT32332	ELBOW FITTING	2	90°	
3	R26375	O-RING	2		
4	12H304	LOCK WASHER	2	3/8"	
5	14H1076	NUT	2	3/8"	
6	A5748R	STUD	2		
7	R49668	BRACKET	1		
8	19H1944	CAP SCREW	2	3/8" X 2-3/4"	
9	R59154	SUPPORT	1		
10	AA15043	HYD. QUICK-CONNECT COUPLER	2		
11	A15899	CAP	2		
12	AA15042	HYD. QUICK-CONNECT COUPLER	2		
13	A15898	CAP	2		
14	AR71332	KIT	1	(ORDER COMPONENT PARTS)	

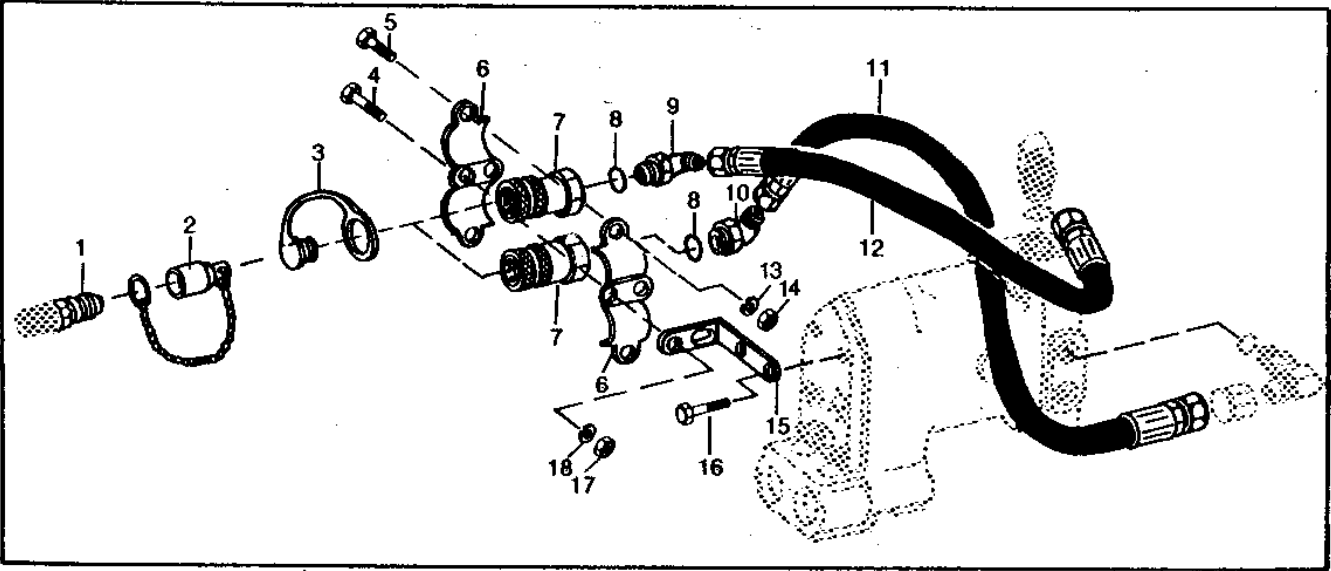
# 3H22

HYDRAULICS

RP3065

-UN-01JAN94

## AUXILIARY OUTLET COUPLER KIT



RP3065

19

KEY	PART NO.	PART NAME	QTY	TRACTOR SERIAL NO.	REMARKS
1	AR94522	INTERNAL HALF COUPLER	2		
2	A15898	CAP	2		
3	A15899	CAP	2		
4	19H1905	CAP SCREW	2	5/16" X 1"	
5	19H1948	CAP SCREW	2	1/4" X 3/4"	
6	R79043	BRACKET	2		
7	AH75167	HYD. QUICK-CONNECT COUPLER	2		(INCLUDES R21722)
	R21722	O-RING	1		
8	R26375	O-RING	2		
9	AT32332	ELBOW FITTING	1	90°	
10	AT35599	ELBOW FITTING	1	45°	
11	AT47763	HOSE	1		
12	AT47763	HOSE	1		(SUB FOR AN190895)
13	12H302	LOCK WASHER	2	1/4"	
14	14H786	NUT	2	1/4"	
15	R79044	BRACKET	1		
16	19H1800	CAP SCREW	2	3/8" X 1-1/2"	
17	14H785	NUT	2	5/16"	
18	12H303	LOCK WASHER	2	5/16"	
19	RE13724	KIT	1	(FI)	

---

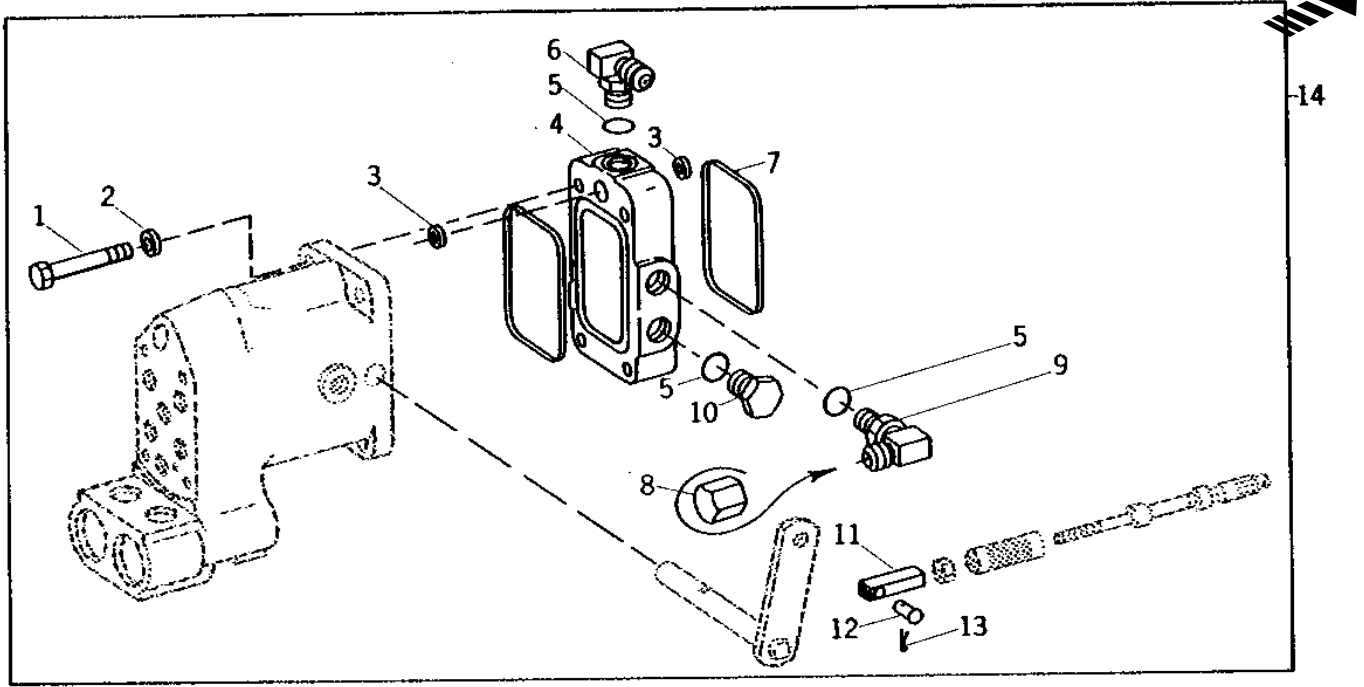
MEMORANDA

# 3H23

HYDRAULICS

RP1440 -UN-01JAN94

## AUXILIARY HYDRAULIC OUTLET KIT



### RP1440

KEY	PART NO.	PART NAME	QTY	TRACTOR SERIAL NO.	REMARKS
1	19H2106	CAP SCREW	4		
2	12H293	LOCK WASHER	4		7/16" X 2-3/4"
3	F2741R	PACKING	2		7/16"
4	R54312	MANIFOLD	1		
5	R26375	O-RING	3		
6	AR27738	ELBOW FITTING	1		90°
7	R40922	PACKING	2		
8	R31736	FITTING	2		
9	AR27699	ELBOW FITTING	1		
10	R39112	FITTING	1		90°
11	R52881	ROD	1		
12	U11004	PIN	1		
13	11M7059	COTTER PIN	1		3.200 X 20 MM
14	AR71331	KIT	1		(FI)

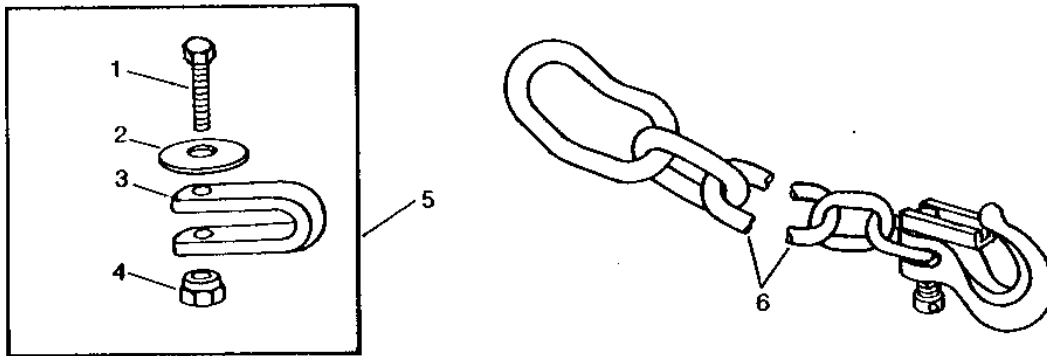


# 3H24

HYDRAULICS

RWP5796 -UN-01JAN94

## IMPLEMENT SAFETY CHAIN



RWP5796

KEY	PART NO.	PART NAME	QTY	TRACTOR SERIAL NO.	REMARKS
1	19H1768	CAP SCREW	1	(A) (B)	
	19H2084	CAP SCREW	1	(A)	
	19H2174	CAP SCREW	1	(B)	
2	R36402	WASHER	1		
3	R69408	CLEVIS	1	(A)	
	R69409	CLEVIS	1	(B)	
4	T25879	NUT	2		
5	AR90577	SAFETY CHAIN ADAPTER KIT	1		CATEGORY IV DRAWBARS
	AR90578	CHAIN KIT	1		CATEGORY II AND III DRAWBARS
6	RE26739	LINK CHAIN	1		61 LINKS 6.4MM (1/4") DIA CHAIN (6,000 LB)
	AR90581	LINK CHAIN	1		61 LINKS 6.4MM (1/4") DIA CHAIN (10,000 LB)
	AR90579	LINK CHAIN	1		42 LINKS 9.5MM (3/8") DIA CHAIN
	AR90583	LINK CHAIN	1		43 LINKS 11.1MM (7/16") DIA CHAIN
	RE26740	LINK CHAIN	1		42 LINKS 12.7MM (1/2") DIA CHAIN, (SUB AN212996)

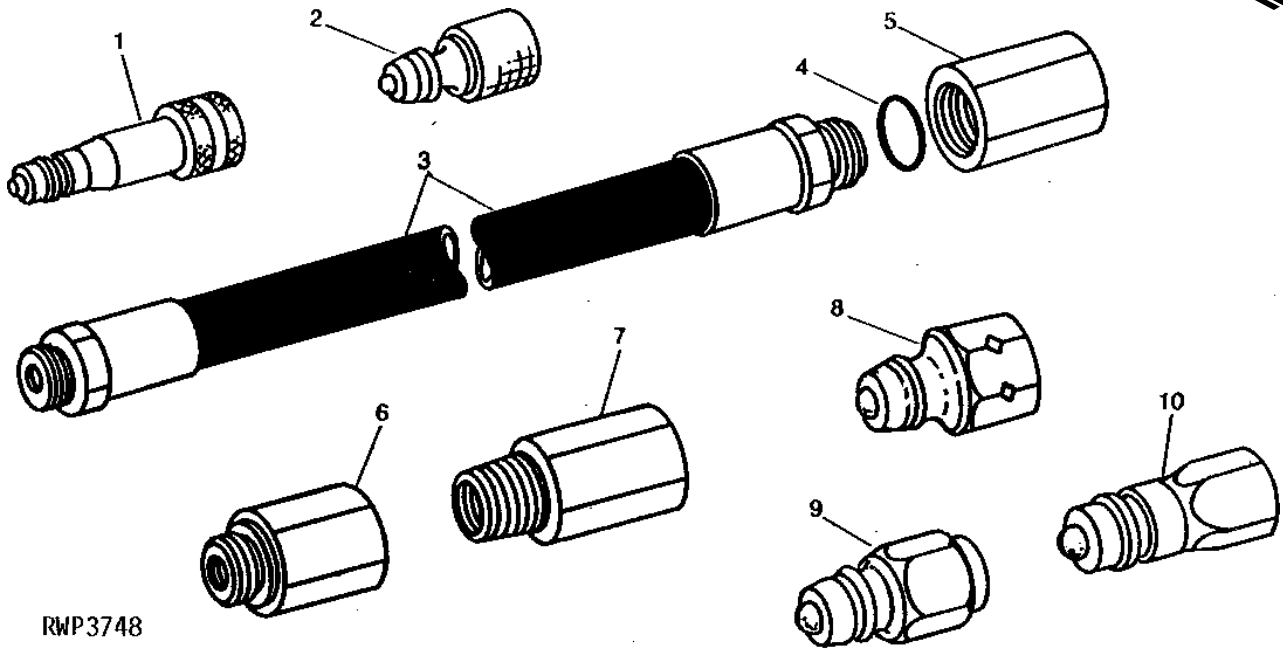
(A) INCLUDED IN AR90577  
 (B) INCLUDED IN AR90578

# 3H25

HYDRAULICS

RWP3748 -UN-01JAN94

## IMPLEMENT HYDRAULIC OIL LINES AND FITTINGS

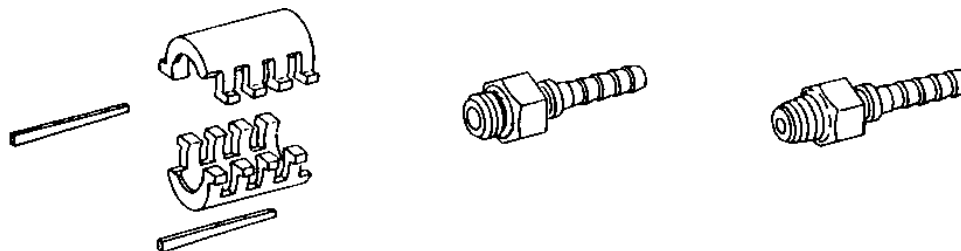


RWP3748

KEY	PART NO.	PART NAME	QTY	TRACTOR SERIAL NO.	REMARKS
1	AR98202	HYD. QUICK-CONNECT COUPLER	1	JOHN DEERE TO ISO	
	R21722	O-RING	1	(INCLUDED IN AR98202)	
	RE11457	ADAPTER	1	IHC TO ISO	
	U11647	O-RING	1	(INCLUDED IN RE11457)	
2	AR98201	HYD. QUICK-CONNECT COUPLER	1	ISO TO JOHN DEERE (FI)	
	R21722	O-RING	1	(INCLUDED IN AR98201, RE11458 AND RE11463)	
	R71387	WASHER	1	(INCLUDED IN AR98201) (FI)	
	RE11456	ADAPTER	1	IHC TO JOHN DEERE	
	RE11458	ADAPTER	1	JOHN DEERE TO IHC	
	RE11463	ADAPTER	1	ISO TO IHC	
3	AR28754	HYDRAULIC HOSE	1	10 X 610MM (3/8" X 24") (SUB TY3018)	
	AR28755	HYDRAULIC HOSE	1	10 X 914MM (3/8" X 36")	
	R36658	HYDRAULIC HOSE	1	13 X 610MM (1/2" X 24")	
	R36659	HYDRAULIC HOSE	1	13 X 914MM (1/2" X 36")	
4	R26375	O-RING	1		
5	R30815	FITTING	1	3/4" THREAD	
6	R30817	ADAPTER	1	3/4"-16UNF MALE X 1/2"-14NPT FEMALE	
7	R30816	ADAPTER	1	1/2"-14NPT MALE X 3/4"-16UNF FEMALE	
8	AR93820	FITTING	1	JOHN DEERE, 3/4"-16 UNF	
9	RE11447	FITTING	1	JOHN DEERE, 1/2"-14NPT	
10	AR94522	INTERNAL HALF COUPLER	1	ISO, 3/4"-16UNF	

RXP7733 -UN-23SEP94

## BULK FLEXIBLE OIL LINE AND REUSABLE LOK-PIN COUPLINGS



Oil Line (Length) Approx. 50 ft.)		Set of Ferrules with Pins*	Stem-Straight Thread with O-ring	Stem-Pipe Thread
R 34790	3/8" I.D. — 1 Wire	.....	AR 39635* *	R 39687
R 34791	1/2" I.D. — 1 Wire	.....	AR 39636* *	R 39688
R 34792	3/4" I.D. — 1 Wire	.....	AR 39637#	R 39689
R 34793	3/8" I.D. — 2 Wire	AR 39632	AR 39635* *	R 39687
R 34794	1/2" I.D. — 2 Wire	.....	AR 39636* *	R 39688
R 34795	3/4" I.D. — 2 Wire	.....	AR 39637#	R 39689

\* Each set of ferrules includes two R39681 pins - extra pins may be ordered, packed 20 in a package.  
 \*\*Includes R26375 O-ring.  
 # Includes F3171R O-ring.

## REUSABLE COUPLINGS (Use With Braid Flexible Oil Line)



1 WR Single Wire		2 WR Double Wire		I.D.	Thread
<i>Coupling No.</i>		<i>Coupling No.</i>			
AF 3585	R	AR 21629		3/8"	3/8" — 18 NPTF
AF 3586	R	AR 21630		1/2"	1/2" — 14 NPTF
AF 3587	R	.....		5/8"	3/4" — 14 NPTF
AF 3588	R	AR 21632		3/4"	3/4" — 14 NPTF
		AR 21634		1"	1" — 11-1/2" NPTF
R 34644		.....		3/8"	3/4" — 16 O-ring type thread
R 34646		R 34647		1/2"	3/4" — 16 O-ring type thread

## BULK SINGLE WIRE BRAID FLEXIBLE OIL LINE (Use With Reusable Coupling for Single Wire Braid Flexible Oil Line)

Part No.	I.D.	O.D.	Length
A 5776 R	1/2"	29/32"	Approx. 50 ft.
A 5777 R	5/8"	1-1/32"	Approx. 50 ft.

## BULK DOUBLE WIRE BRAID FLEXIBLE OIL LINE (Use with Reusable Coupling for Double Wire Braid Flexible Oil Line)

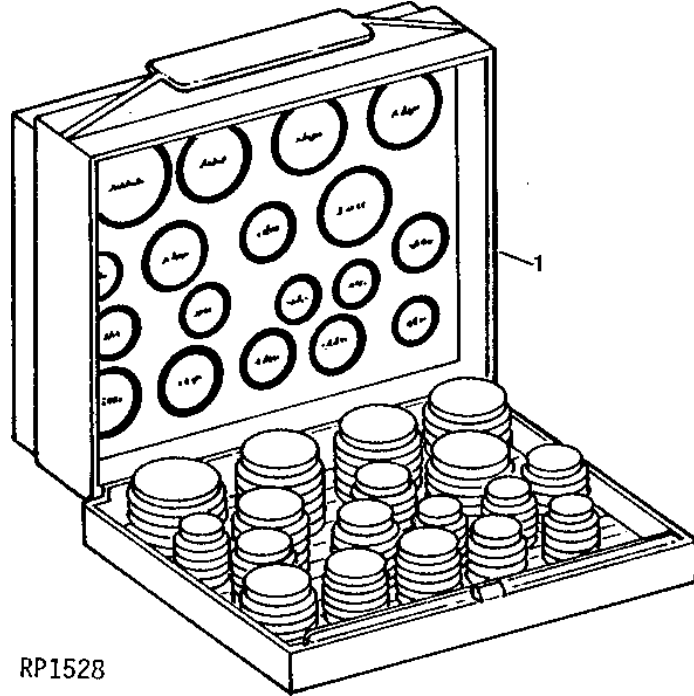
Part No.	I.D.	O.D.	Length
R 21531	3/8"	29/32"	Approx. 50 ft.
R 21532 RXP7733	1/2"	31/32"	Approx. 50 ft.

# 312

HYDRAULICS

RP1528 -UN-01JAN94

O-RING KIT



RP1528

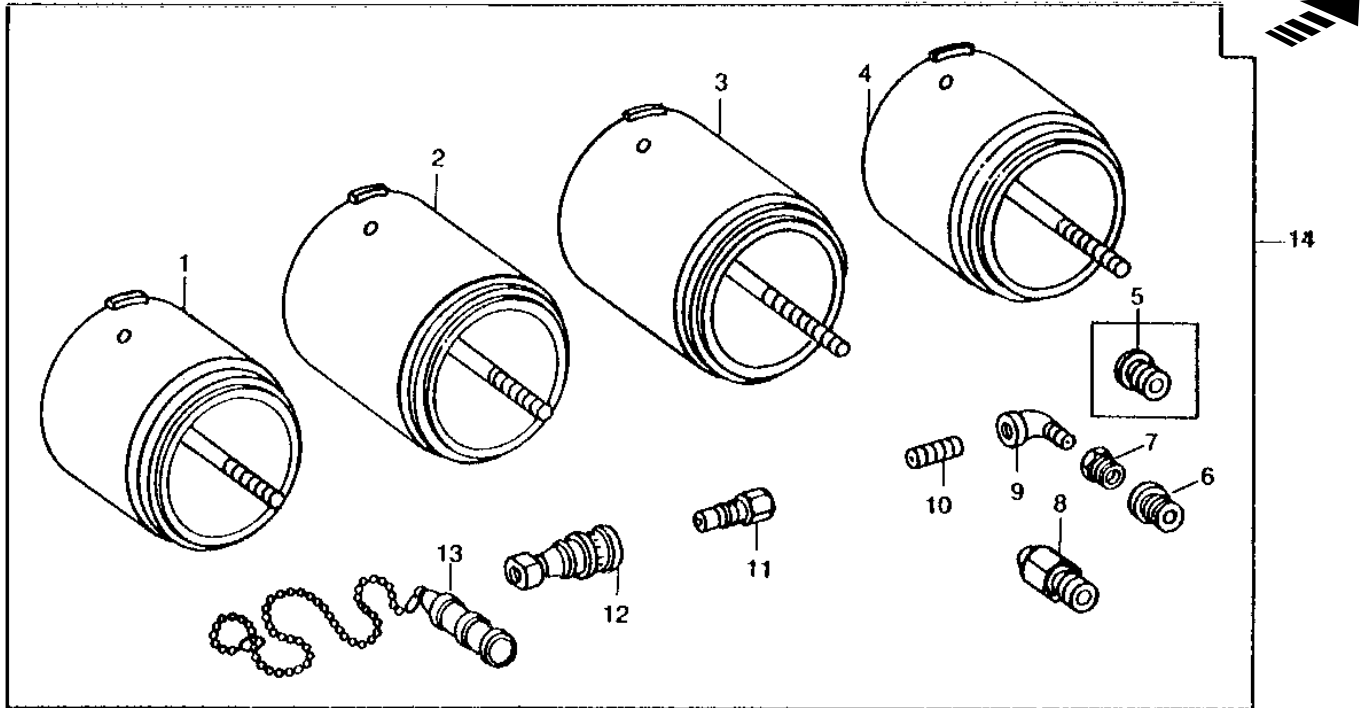
KEY	PART NO.	PART NAME	QTY	TRACTOR SERIAL NO.	REMARKS
1	AR73500	KIT	1		HYDRAULIC AIR CONDITIONING
	AT66632	KIT	1		

# 313

HYDRAULICS

RP1321 -UN-01JAN94

## HYDRAULIC OIL CLEAN-UP KIT



### RP1321

KEY	PART NO.	PART NAME	QTY	TRACTOR SERIAL NO.	REMARKS
1	AR86241	COVER	1		
2	AR86243	COVER	1		
3	AR86244	COVER	1		
4	AR86242	COVER	1		
5	R66475	ADAPTER	1	-XXXXXX	(B) (SUB R73216 AND 15H639)
6	R73216	PLUG	1	XXXXXX-	(B)
7	15H639	PIPE BUSHING	1	XXXXXX-	(B) 1/4" X 1/8"
8	R66474	ADAPTER	1		(D)
9	15H197	ELBOW FITTING	1		1/8", 90°
10	29H483	THREADED NIPPLE	2		1/8" X 3/4"
11	R66469	PLUG	2		
12	.....	COUPLING	1		(SUB AR86239)
13	R66473	COVER	2		
14	AR86239	KIT	1		

(B) QUAD-RANGE TRANSMISSION  
 (D) POWER SHIFT TRANSMISSION

# 314

HYDRAULICS

R32261 -UN-01JAN94

## TRANSMISSION AND HYDRAULIC OIL



R32261F

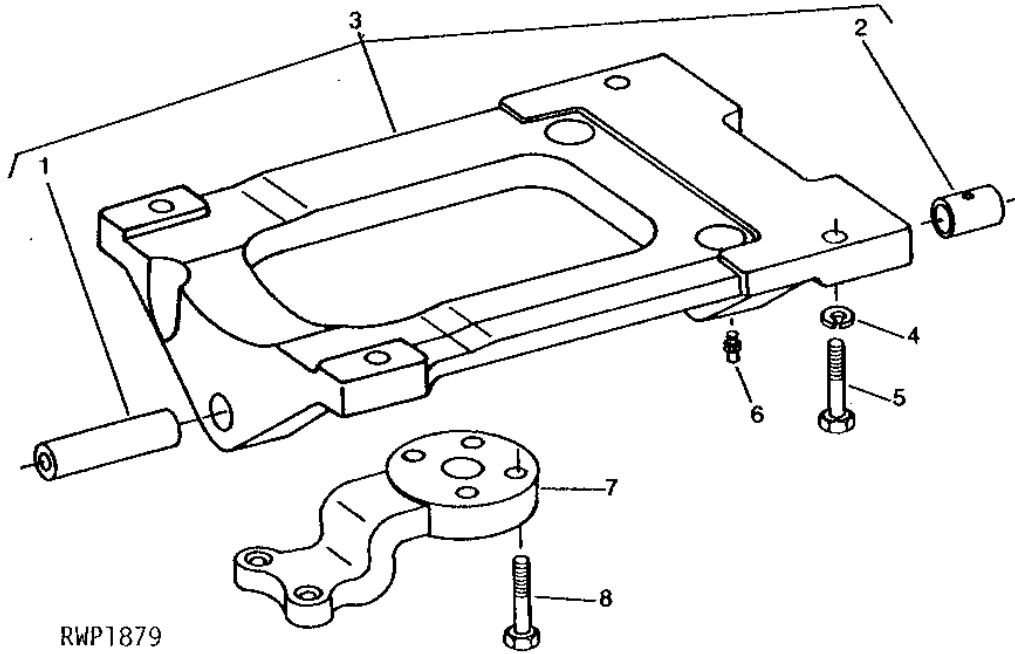
KEY	PART NO.	PART NAME	QTY	TRACTOR SERIAL NO.	REMARKS
1	AR69444	HY-GARD	1		19L (5 GAL) CAN OF JOHN DEERE HY-GARD
	AR69445	HY-GARD	1		208L (55 GAL) DRUM OF JOHN DEERE HY-GARD (EMPTY DRUMS NOT RETURNABLE)

# 4B3

WHEELS, FRONT AXLES, SHEET METAL

RWP1879 -UN-01JAN94

## FRONT AXLE PIVOT BRACKET AND STEERING GEAR ARM



KEY	PART NO.	PART NAME	QTY	TRACTOR SERIAL NO.	REMARKS
1	R51798	BUSHING	1		
2	R65827	BUSHING	1		
3	AR64967	BRACKET	1		(MARKED R55639)
4	12H236	LOCK WASHER	4		3/4"
5	19H1862	CAP SCREW	4		3/4" X 2-1/2"
6	JD7798	LUBRICATION FITTING	1		
7	R61324	STEERING ARM	1		
8	19H2663	CAP SCREW	4		3/4" X 2-1/8"

---

MEMORANDA

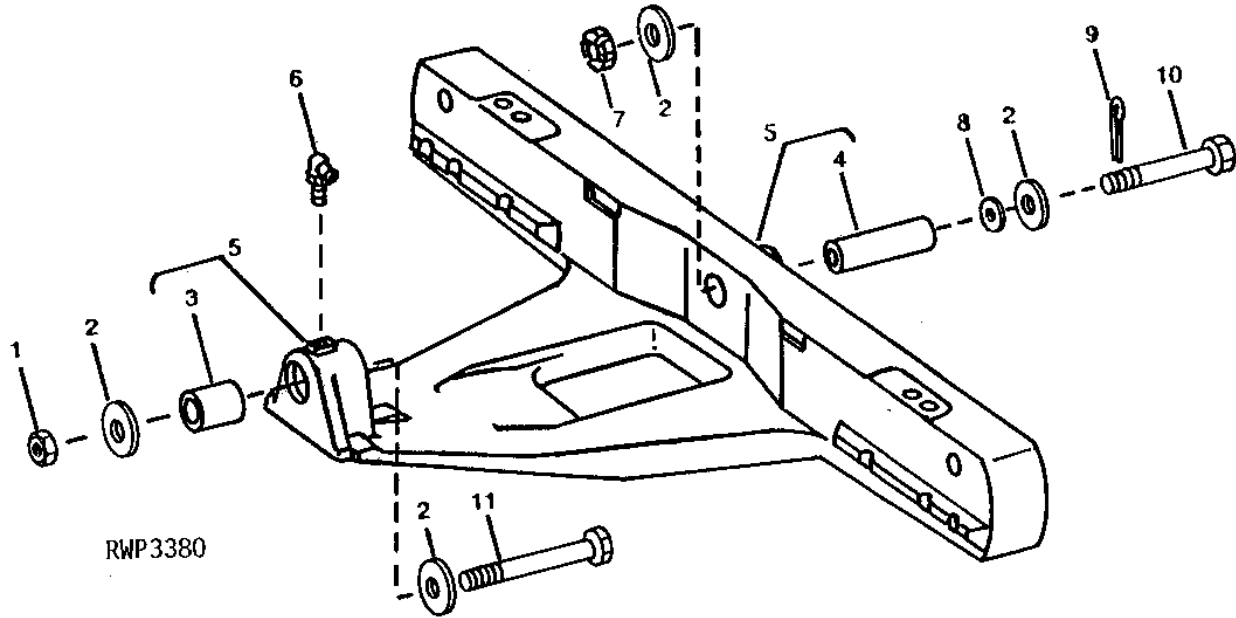


# 4B4

WHEELS, FRONT AXLES, SHEET METAL

RWP3380 -UN-01JAN94

## ADJUSTABLE TREAD FRONT AXLE



KEY	PART NO.	PART NAME	QTY	TRACTOR SERIAL NO.	REMARKS
1	14H794	NUT	1	3/4"	
2	T29211	WASHER	4	(SUB T29049)	
3	R65827	BUSHING	1		
4	T29205	BUSHING	1		
5	AR85360	FRONT AXLE	1		REGULAR, (MARKED R49559)
	AR85361	FRONT AXLE	1		NARROW, (MARKED R49597)
	AR85362	FRONT AXLE	1		WIDE, (MARKED R49563)
	AR85359	FRONT AXLE	1		(HI-CROP)
6	JD7799	LUBRICATION FITTING	1		
7	14H902	NUT	1	3/4"	
8	T25921	SHIM	AR	0.38MM (.015")	
9	11M7087	COTTER PIN	1	0.157" X 1.575"	
10	T29210	CAP SCREW	1		
11	19H1988	CAP SCREW	1	3/4" X 6"	

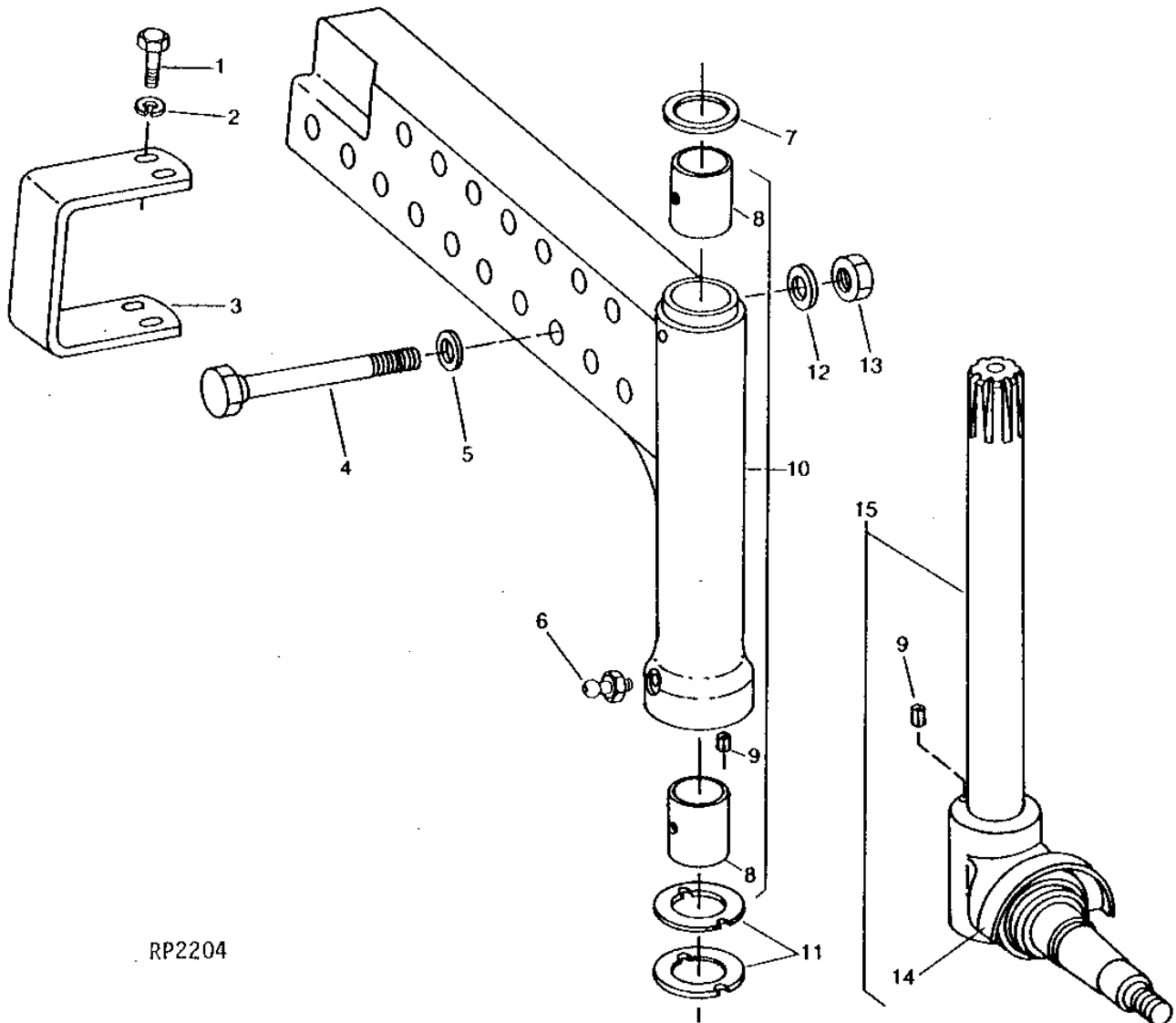
# 4B5

WHEELS, FRONT AXLES, SHEET METAL

RP2204

-UN-01JAN94

## ADJUSTABLE TREAD FRONT AXLE KNEE AND KNUCKLE



RP2204

# 4B6

WHEELS, FRONT AXLES, SHEET METAL

## ADJUSTABLE TREAD FRONT AXLE KNEE AND KNUCKLE - CONTINUED

KEY	PART NO.	PART NAME	QTY	TRACTOR SERIAL NO.	REMARKS
1	19H1731	CAP SCREW	8		3/8" X 1"
2	12H310	LOCK WASHER	8		3/8"
3	R49836	CLAMP	2		
4	R53024	CAP SCREW	2		(A) (SUB 19H3272)
	19H3210	CAP SCREW	6		(A) 3/4" X 5-1/4", (SUB FOR R53025)
	19H3612	CAP SCREW	8		(B) 3/4" X 6-1/4", (SUB FOR R53022) (ALSO ORDER 14H1058)
	19H3225	CAP SCREW	2		(C) 3/4" X 6-1/2", (SUB FOR R53020)
	19H3307	CAP SCREW	6		(C) 3/4" X 6", (SUB FOR R53021) (ALSO ORDER 14H1058)
5	24M7353	WASHER	1		(SUB FOR R42660)
6	JD7798	LUBRICATION FITTING	4		
7	R34757	SHIM	AR		(A)
	R45523	SHIM	AR		(B) (C)
8	A877R	BUSHING	4		(A)
	R49835	BUSHING	4		(B) (C)
9	34H308	SPRING PIN	4		1/4" X 1/2"
10	AR59196	AXLE	1		(A) R.H. (MARKED R49561) (NLA)
	AR59197	AXLE	1		(A) L.H. (MARKED R49562) (NLA)
	AR59198	AXLE KNEE	1		(B) R.H. (MARKED R49598)
	AR59199	AXLE KNEE	1		(B) L.H. (MARKED R49599)
	AR59212	AXLE KNEE	1		(C) R.H. (MARKED R49564)
	AR59213	AXLE KNEE	1		(C) L.H. (MARKED R49565)
11	R49837	WASHER	4		(A)
	R49838	WASHER	4		(B) (C)
12	24M7353	WASHER	16		(B) (C) (SUB FOR R42660)
13	R53026	NUT	8		(A)
	R53023	NUT	8		(B) (C) (FINE THREAD)
	14H1058	NUT	8		3/4", (COURSE)
14	R20255	DUST SHIELD	2		
15	AR53850	KNUCKLE	1		(A) (373.38MM (14.7") SPINDLE LENGTH)
	AR81954	KNUCKLE	1		(B) (C) (373.38MM (14.7") SPINDLE LENGTH) (SUB FOR AR53851 OR AR69323) (SUB RE57643, R121183 AND 19M8639) (ALSO FURNISH JD9041 AND JD9170)

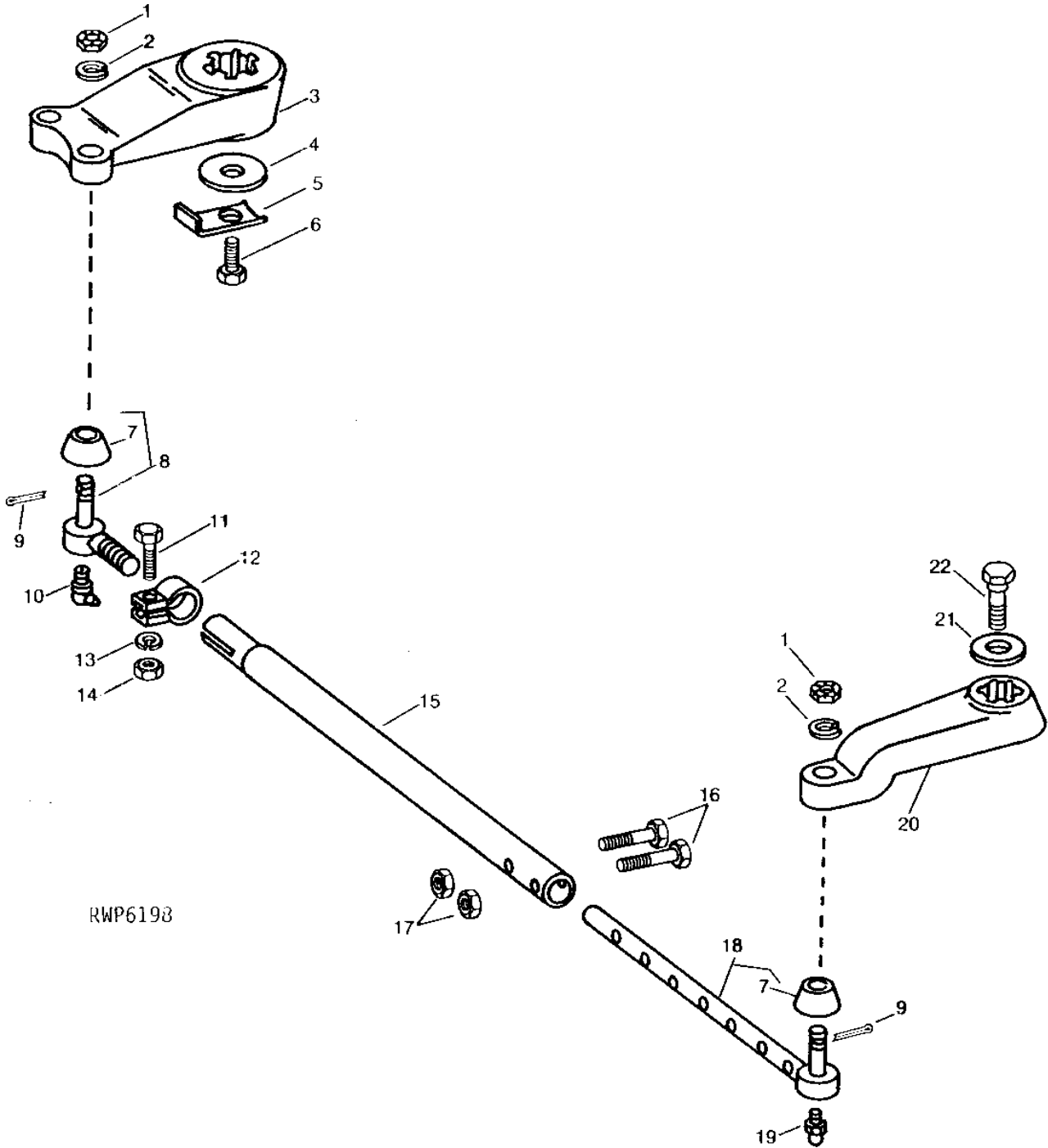
(A) REGULAR  
(B) NARROW  
(C) WIDE

# 4B7

WHEELS, FRONT AXLES, SHEET METAL

RWP6198 -UN-17NOV94

## ADJUSTABLE FRONT AXLE TIE RODS



# 4B8

WHEELS, FRONT AXLES, SHEET METAL

## ADJUSTABLE FRONT AXLE TIE RODS - CONTINUED

KEY	PART NO.	PART NAME	QTY	TRACTOR SERIAL NO.	REMARKS
1	14H918	NUT	4		5/8"
2	12H294	LOCK WASHER	4		5/8"
3	R50074	ARM	1	-013152	(SUB R61158)
	R61158	STEERING ARM	1	013153-	
4	R20136	WASHER	1		
5	R50075	LOCK PLATE	1		
6	19H1782	CAP SCREW	1		3/4" X 2-1/4"
7	R40589	COVER	4		
8	AR63588	TIE ROD END	2		
9	11M7015	COTTER PIN	4		3.200 X 25 MM
10	JD7806	LUBRICATION FITTING	2		
11	19H1802	CAP SCREW	2		7/16" X 1-7/8"
12	R28023	CLAMP	2		
13	12H293	LOCK WASHER	2		7/16"
14	14H1047	NUT	2		7/16"
15	R54963	TUBE	2		(A) 444MM (17-1/2")
	R54964	TUBE	2		(B) 394MM (15-1/2")
	R54965	TUBE	2		(C) 520MM (20-1/2")
16	19H3065	CAP SCREW	4		3/8" X 2"
17	K40003	LOCK NUT	4		
18	AR63592	TIE ROD END	2		(A) 410MM (16-1/8")
	AR63591	TIE ROD END	2		(B) 362MM (14-1/4")
	AR63593	TIE ROD END	2		(C) 477MM (18-3/4")
19	JD7797	LUBRICATION FITTING	2		
20	R49825	ARM	1	-013152	(A) R.H. (SUB R61154)
	R61154	STEERING ARM	1	013153-	(A) R.H.
	R49827	ARM	1	-013152	(B) (C) R.H. (SUB R61156)
	R61156	STEERING ARM	1	013153-	(B) (C) R.H.
	R61155	STEERING ARM	1		(A) L.H. (SUB FOR R49826)
	R61157	STEERING ARM	1		(B) (C) L.H. (SUB FOR R49828)
21	R26333	WASHER	2		
22	19H1863	CAP SCREW	2		5/8" X 3"

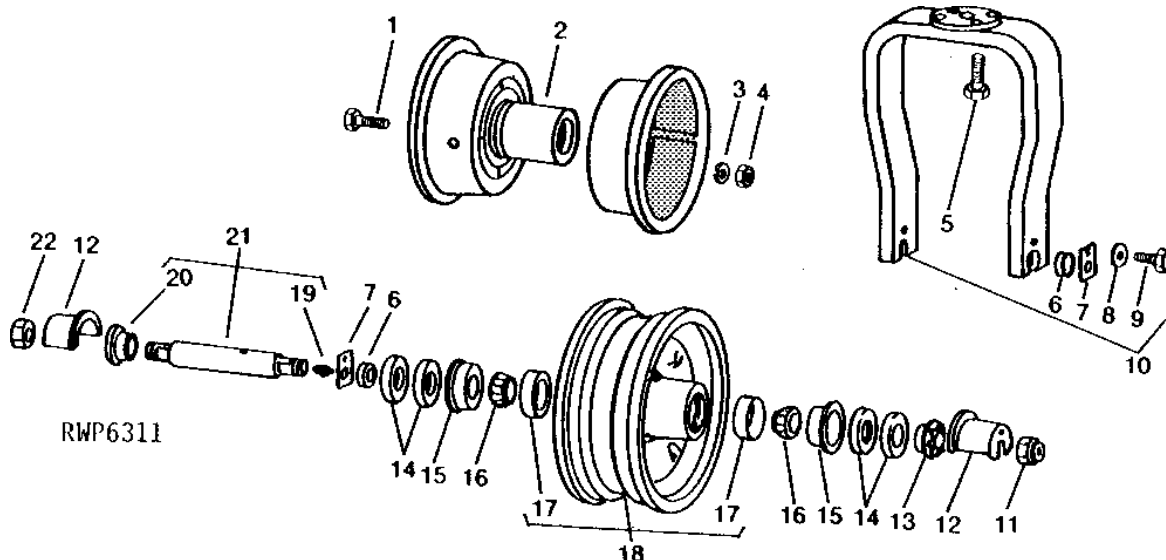
(A) REGULAR  
(B) NARROW  
(C) WIDE

# 4B9

WHEELS, FRONT AXLES, SHEET METAL

## SINGLE FRONT WHEEL (7.50-16 OR 11.00-12 TIRE)

RWP6311 -UN-01JAN94



KEY	PART NO.	PART NAME	QTY	TRACTOR SERIAL NO.	REMARKS
1	19H1824	CAP SCREW	4	5/8" X 2-1/4"	
2	R31225	HUB	1	(A)	
	R31226	RIM	1	(A)	
3	12H294	LOCK WASHER	4	5/8"	
4	14H800	NUT	4	5/8"	
5	19H2663	CAP SCREW	4	3/4" X 2-1/8"	
6	F3127R	SPACER	2		
	R20656	SPACER	2	(A) (NLA)	
7	F3126R	PLATE	2		
	R20648	STRAP	2	(A)	
8	12H304	LOCK WASHER	1	3/8"	
9	H772R	SET SCREW	1		
10	AR28242	YOKE	1		
	AR28243	YOKE	1	(A)	
11	B551R	NUT	1		
	14H1019	NUT	1	(A) 1-1/4"	
12	H773R	DUST SHIELD	2		
	R20655	DUST SHIELD	2		
13	B548R	NUT	1		
	R20653	NUT	1	(A)	
14	B90R	WASHER	4		
	R3R	WASHER	4	(A)	
15	B89R	RETAINER	2		
	R2R	RETAINER	2	(A)	
16	JD7222	BEARING CONE	2		
	JD8913	BEARING CONE	2	(A)	
17	JD7266	BEARING CUP	2		
	JD7445	BEARING CUP	2	(A)	
18	AB3686R	WHEEL	1		(MARKED B2681R) (NLA)
19	JD7759	LUBRICATION FITTING	1		
20	B2683R	BUSHING	1		
	R20654	SPACER	1	(A)	
21	AB4259R	AXLE	1		
	AR20750	FRONT AXLE	1	(A) (NLA)	
22	14H876	NUT	1	1"	
	14H975	NUT	1	(A) 1-1/4"	

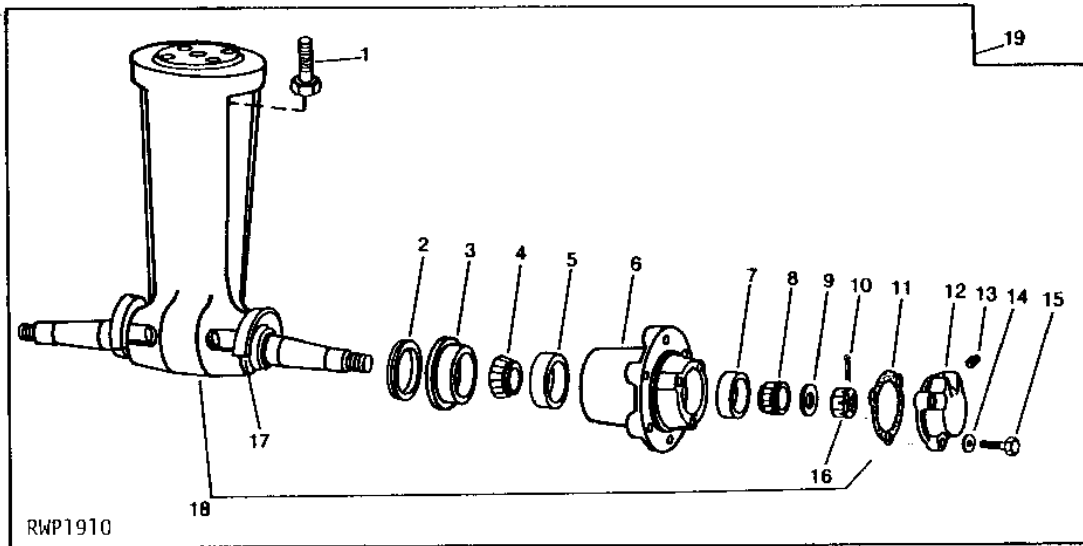
(A) PARTS FOR SINGLE FRONT WHEEL USED WITH 11.00-12 TIRE.

# 4B10

WHEELS, FRONT AXLES, SHEET METAL

## SPINDLE EXTENSION AND HUBS (DOUBLE FRONT WHEEL)

RWP1910 -UN-06OCT94



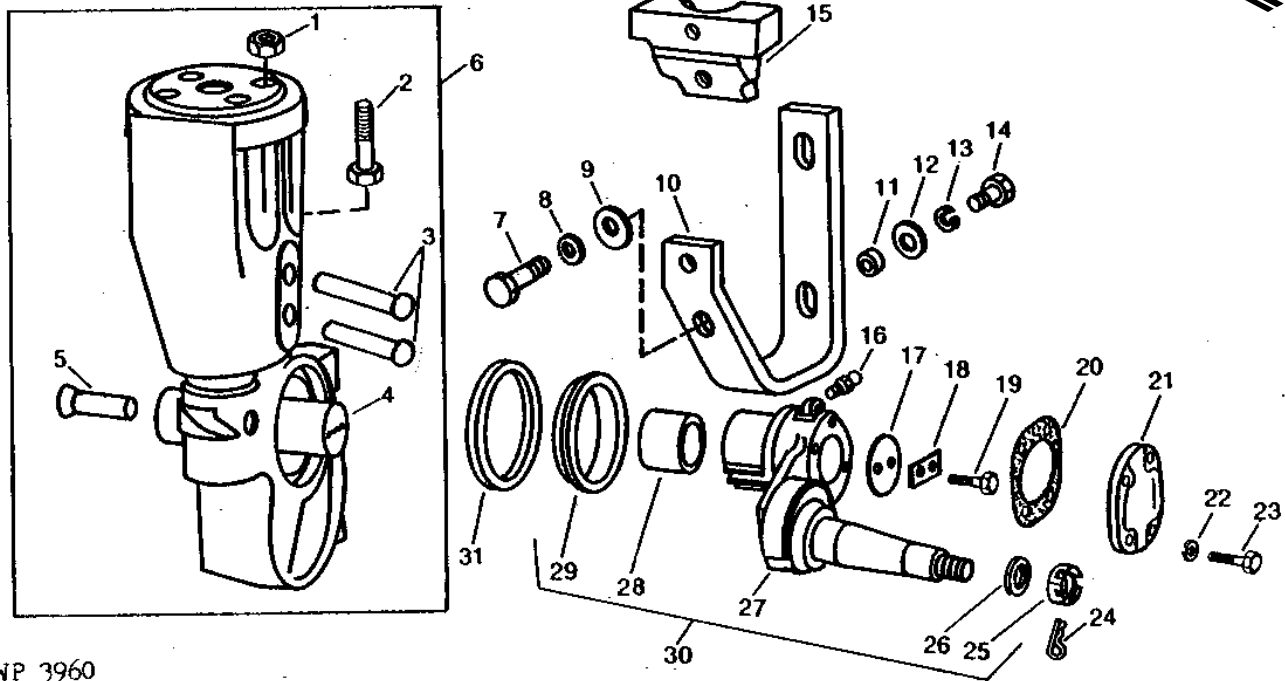
KEY	PART NO.	PART NAME	QTY	TRACTOR SERIAL NO.	REMARKS
1	19H2663	CAP SCREW	4	3/4" X 2-1/8"	
2	AR26480	SEAL	2		
3	R26632	BUSHING	2		
4	JD8913	BEARING CONE	2		
5	JD7445	BEARING CUP	2		
6	R48763	HUB	2		
7	JD8251	BEARING CUP	2		
8	JD8929	BEARING CONE	2		
9	R28575	WASHER	2	(SUB FOR A5146R)	
10	11M7030	COTTER PIN	2	0.197" X 1.575"	
11	A1556R	GASKET	2		
12	A1555R	CAP	2		
13	15H638	PIPE PLUG	2	1/8"	
14	24H1136	WASHER	6	11/32" X 11/16" X 0.065"	
15	19H2915	CAP SCREW	6	5/16" X 1-1/4"	
16	14H920	NUT	2	1"	
17	R20255	DUST SHIELD	2		
18	AR26823	EXTENSION	1	(MARKED R26860)	
19	AR27054	KNUCKLE	1		

# 4B11

WHEELS, FRONT AXLES, SHEET METAL

RWP3960 -UN-01JAN94

ROLL-O-MATIC



RWP 3960

KEY	PART NO.	PART NAME	QTY	TRACTOR SERIAL NO.	REMARKS
1	14H794	NUT	1	3/4"	
2	19H2663	CAP SCREW	4	3/4" X 2-1/8"	
3	17H760	RIVET	2	5/8" X 5"	
4	R20253	DOWEL PIN	1		
5	17H716	RIVET	1	5/8" X 4"	
6	AR28249	EXTENSION	1	(MARKED R28002)	
7	19H1708	CAP SCREW	2	5/8" X 1-3/4"	
8	12H294	LOCK WASHER	2	5/8"	
9	24H1106	WASHER	2	11/16" X 1-3/4" X 0.134"	
10	A4118R	SUPPORT	1		
11	A4119R	SPACER	2		
12	24H1211	WASHER	2	9/16" X 1-3/8" X 0.105"	
13	12H301	LOCK WASHER	2	1/2"	
14	19H2473	CAP SCREW	2	1/2" X 1-3/4"	
15	A4117R	LOCK	1		
16	JD7778	LUBRICATION FITTING	2		
17	R20260	WASHER	2		
18	R20261	PLATE	2		
19	19H1822	CAP SCREW	4	7/16" X 1"	
20	R30392	GASKET	2		
21	R30391	CAP	2		
22	12H304	LOCK WASHER	8	3/8"	
23	19H1732	CAP SCREW	8	3/8" X 1-1/4"	
24	11M7030	COTTER PIN	2	0.197" X 1.575"	
25	14H920	NUT	2	1"	
26	R28575	WASHER	2	(SUB FOR A5146R)	
27	R20255	DUST SHIELD	2		
28	R20942	BUSHING	4		
29	R20256	RETAINER	2		
30	AR27314	KNUCKLE	1	(MARKED R30387)	
	AR27315	KNUCKLE	1	(MARKED R30388)	
31	R20259	BUSHING	2		

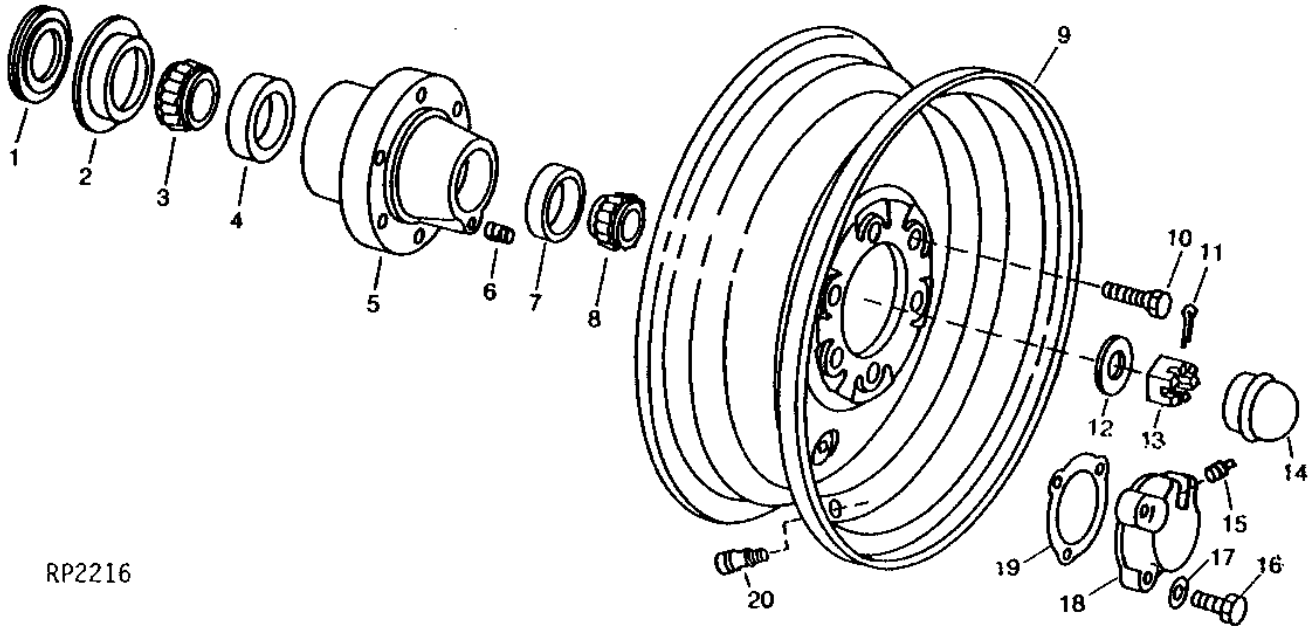


# 4B12

WHEELS, FRONT AXLES, SHEET METAL

RP2216 -UN-01JAN94

## FRONT WHEELS



RP2216

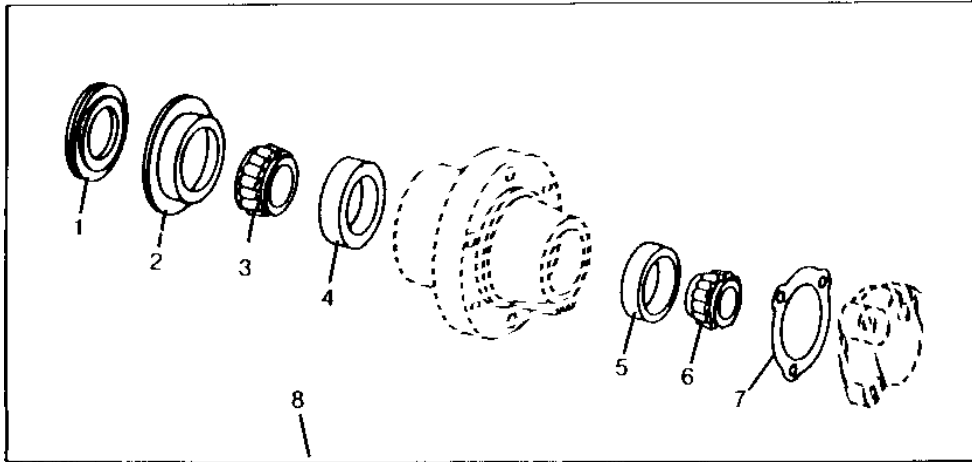
KEY	PART NO.	PART NAME	QTY	TRACTOR SERIAL NO.	REMARKS
1	AR26480	SEAL	1		
2	R26632	BUSHING	1		
3	JD8913	BEARING CONE	1		(USE WITH R48763)
	JD8969	BEARING CONE	1		(USE WITH R49839)
4	JD7445	BEARING CUP	1		(USE WITH R48763)
	JD7418	BEARING CUP	1		(USE WITH R49839)
5	R48763	HUB	1		(DOUBLE KNUCKLE)
	R49839	HUB	1		(ADJUSTABLE FRONT AXLE)
	R49841	HUB	1		(USE WITH RE17051)
6	15H638	PIPE PLUG	1		1/8"
7	JD8251	BEARING CUP	1		
8	JD8929	BEARING CONE	1		
9	JD1299	WHEEL	1		(6.00-16", 6-PLY TIRE)
	JD1091	WHEEL	1		(7.5L-15, 6-PLY OR 7.50-15", 8-PLY TIRE)
	JD3039	WHEEL	1		(7.50-16", 6-PLY TIRE) (SUB FOR JD1293)
	JD3211	WHEEL	1		(7.50-18", 6-PLY TIRE)
	JD3229	WHEEL	1		(9.5L-15", 6-PLY TIRE)
	JD3219	RIM	1		(11.00L-15", 6-PLY TIRE)
	RE17051	WHEEL	1		(8 BOLT) (7.50-16 TIRE) (USE WITH R49841)
10	JD16	WHEEL BOLT	6		
11	11M7030	COTTER PIN	1		0.197" X 1.575"
12	R28575	WASHER	1		(SUB FOR A5146R)
13	14H920	NUT	1		1"
14	R50992	CAP	1		(USE WITH R49839)
15	15H638	PIPE PLUG	1		1/8"
16	19H2915	CAP SCREW	3		5/16" X 1-1/4"
17	24H1136	WASHER	3		11/32" X 11/16" X 0.065"
18	A1555R	CAP	1		(USE WITH R48763)
19	A1556R	GASKET	1		(USE WITH R48763)
20	AM30347	TIRE VALVE STEM	1		(USE WITH TUBELESS TIRES) (SUB FOR AR55282)

# 4B13

WHEELS, FRONT AXLES, SHEET METAL

## FRONT WHEEL BEARING KIT W/R49839 AND R49841 HUB

RXP9983 -UN-18JUL95



RXP9983

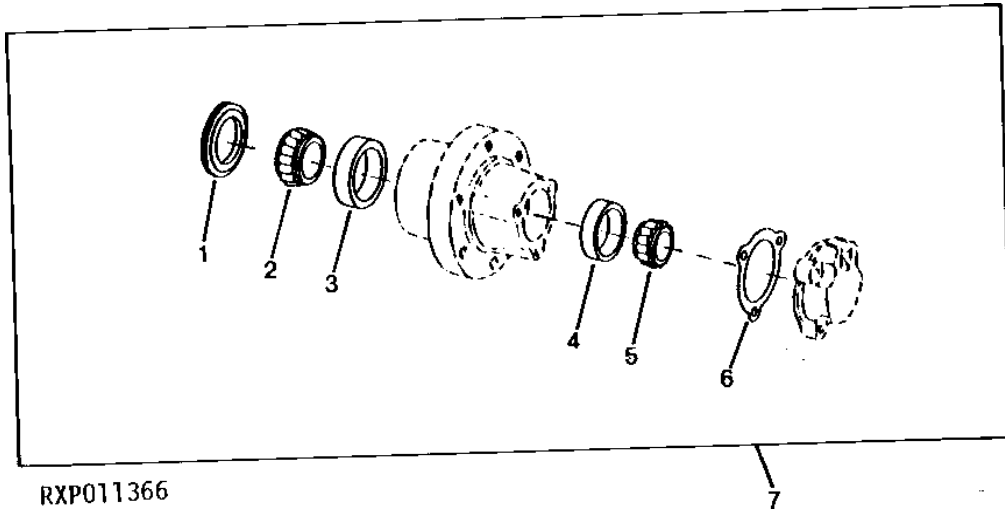
KEY	PART NO.	PART NAME	QTY	TRACTOR SERIAL NO.	REMARKS
1	AR26480	SEAL	1		
2	R26632	BUSHING	1		
3	JD8969	BEARING CONE	1		
4	JD7418	BEARING CUP	1		
5	JD8251	BEARING CUP	1		
6	JD8929	BEARING CONE	1		
7	A1556R	GASKET	1		
8	RE54819	BEARING KIT	1		

# 4B14

WHEELS, FRONT AXLES, SHEET METAL

## FRONT WHEEL BEARING KIT W/R48763 HUB

RXP011366 -UN-12OCT94



KEY	PART NO.	PART NAME	QTY	TRACTOR SERIAL NO.	REMARKS
1	AR26480	SEAL	1		
2	JD8913	BEARING CONE	1		
3	JD7445	BEARING CUP	1		
4	JD8251	BEARING CUP	1		
5	JD8929	BEARING CONE	1		
6	A1556	PART HAS SUB	1		
7	RE54814	BEARING KIT	1		(USE WITH R48763 OR R52287)

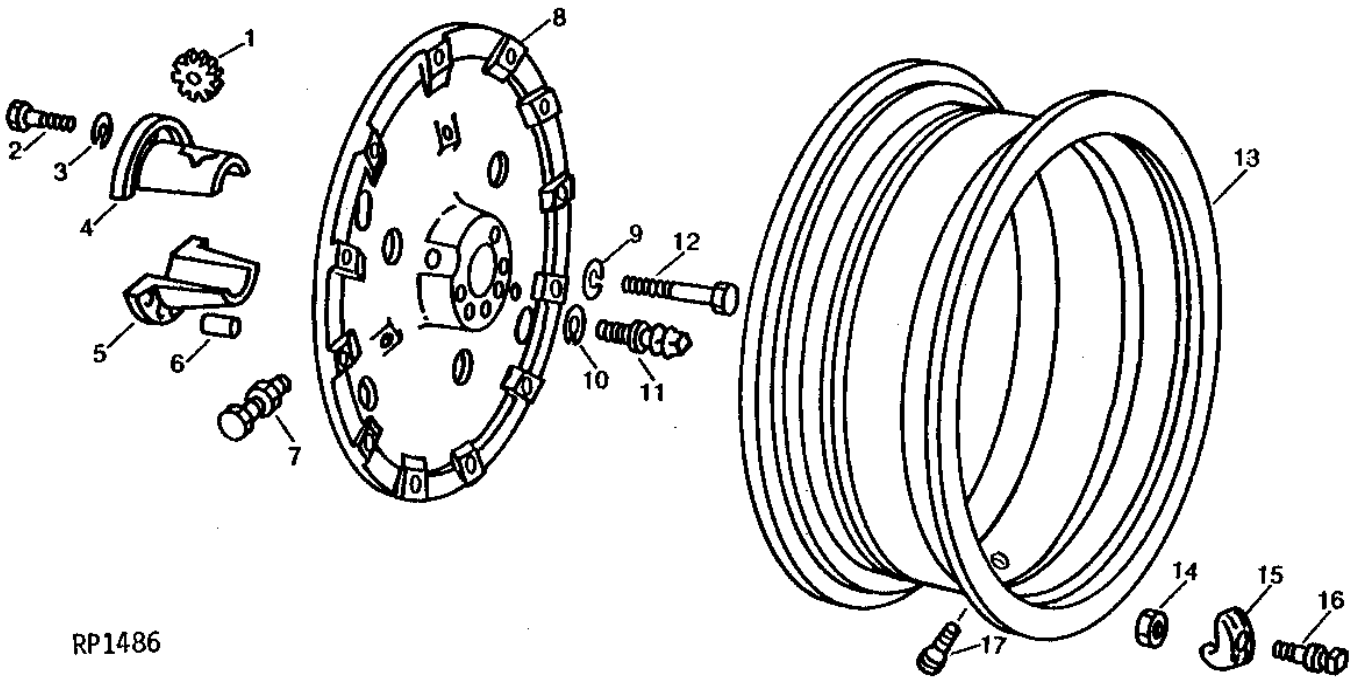
# 4B15

WHEELS, FRONT AXLES, SHEET METAL

RP1486

-UN-01JAN94

REAR WHEELS



RP1486

# 4B16

WHEELS, FRONT AXLES, SHEET METAL

## REAR WHEELS - CONTINUED

KEY	PART NO.	PART NAME	QTY	TRACTOR SERIAL NO.	REMARKS
1	A4379R	PINION	1		(USE WITH R32230)
	B3014R	PINION	1		(USE WITH R48955, R48954, R33450, R33460, R52770, R52160, R70309, F1478R AND F1500R)
2	19H2600	CAP SCREW	3		3/4" X 2-5/8"
3	12H236	LOCK WASHER	3		3/4"
4	A4384R	HALF SLEEVE	1		(USE WITH R32230)
	R33539	HALF SLEEVE	1		(USE WITH R48955, R48954, R33450, R33460, R52160 AND R70309)
	B3016R	HALF SLEEVE	1		(USE WITH F1478R, F1500R AND R52770)
5	R32224	HALF SLEEVE	1		(USE WITH R32230 OR F1500R)
	R33540	HALF SLEEVE	1		(USE WITH R48955, R33450, R33460, R52160 AND R70309)
	B3018R	SLEEVE	1		(USE WITH F1478R, F1500R AND R52770)
6	R35335	DOWEL PIN	2		
7	A4380R	PINION SHAFT	1		
8	R48955	WHEEL	1		(A) (16.9-34, 18.4-34 TIRE AND RIM)
	R32230	WHEEL	1		(A) (18.4-30 TIRE AND RIM)
	R48954	WHEEL	1		(A) (13.6-38 OR 15.5-38 TIRE AND RIM)
	F1500R	WHEEL	1		(B) (13.6-38 OR 15.5-38 TIRE AND RIM)
	R70309	WHEEL	1		(A) (C) (15.5-38 OR 16.9-38 TIRE AND RIM) (SUB FOR R33450)
	R52770	WHEEL	1		(B) (C) (16.9-34, 18.4-34 TIRE AND RIM)
	R33460	WHEEL	1		(A) (23.1-26 TIRE AND RIM)
	R52160	WHEEL	1		(A) (C) (16.9-34 OR 18.4-34 TIRE AND RIM)
	F1478R	WHEEL	1		(B) (C) (13.6-38 OR 15.5-38 TIRE AND RIM) (NLA)
9	12H245	LOCK WASHER	3		7/8"
10	A4883R	RING	2		
11	R58303	SCREW	2		(USE WITH R32230, R52770, F1478R OR F1500R)
	R33706	SCREW	2		(USE WITH R48955, R48954, R33450, R33460, R52160 OR R70309) (SUB FOR R58303)
12	19H2310	CAP SCREW	3		7/8" X 6", (USE WITH R32230, R52770, F1478R OR F1500R) (SUB FOR R34828)
	08H4419	CAP SCREW	3		7/8" X 6-1/2", (USE WITH R48955, R48954, R33450, R52160 OR R70309) (SUB FOR R34829)
13	R32232	RIM	1		(18.4-30 TIRE) (NLA)
	R31592	RIM	1		(16.9-34 TIRE)
	R31943	RIM	1		(18.4-34 TIRE)
	R31490	RIM	1		(13.6-38 TIRE)
	R31491	RIM	1		(15.5-38 TIRE)
	AP22529	RIM	1		(23.1-26 TIRE)
14	14H800	NUT	AR		5/8", (8 USED WITH F1500R, 10 USED WITH R32230, 12 USED WITH R33450, R48954, R48955, R52160, R52770, AND R70309)
					(8 USED WITH F1500R, 10 USED WITH R32230, 12 USED WITH F1478R, R33450, R48954, R48955, R52160, OR R52770)
15	A4388R	CLAMP	AR		(USE WITH R33460)
	B634R	CLAMP	9		
16	08H4694	BOLT	AR		5/8" X 4", (8 USED WITH F1500R, 10 USED WITH R32230, 12 USED WITH F1478R, R33450, R48954, R48955, R52160, R52770, AND R70309)
					(USE WITH R33460) (SUB R34801)
17	A4064R	BOLT	9		
	AT67275	TIRE VALVE STEM	1		

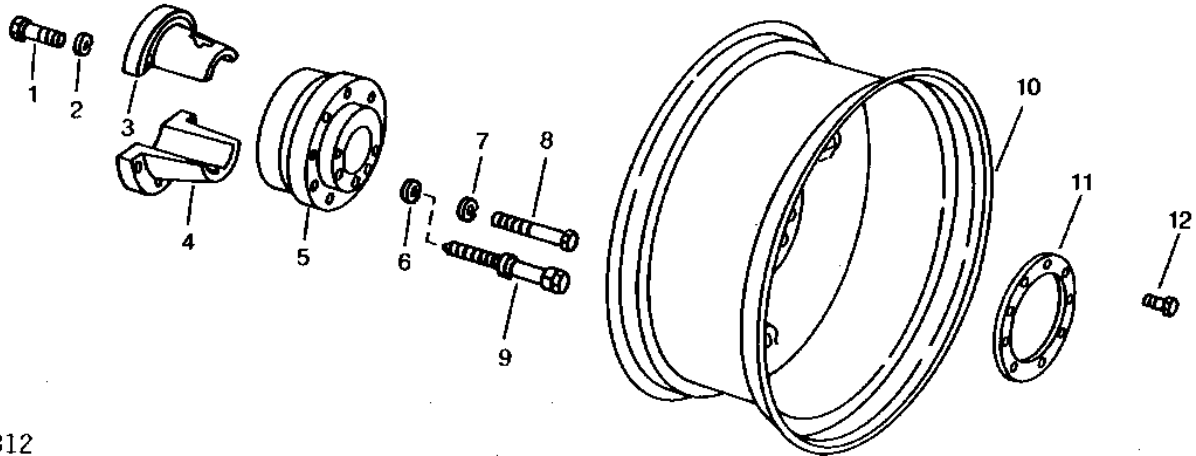
(A) 79MM (3-1/8") AXLE  
 (B) 73MM (2-7/8") AXLE  
 (C) SPECIAL OFFSET

# 4B17

WHEELS, FRONT AXLES, SHEET METAL

RWP6312 -UN-01JAN94

## DUAL REAR WHEELS



RWP6312

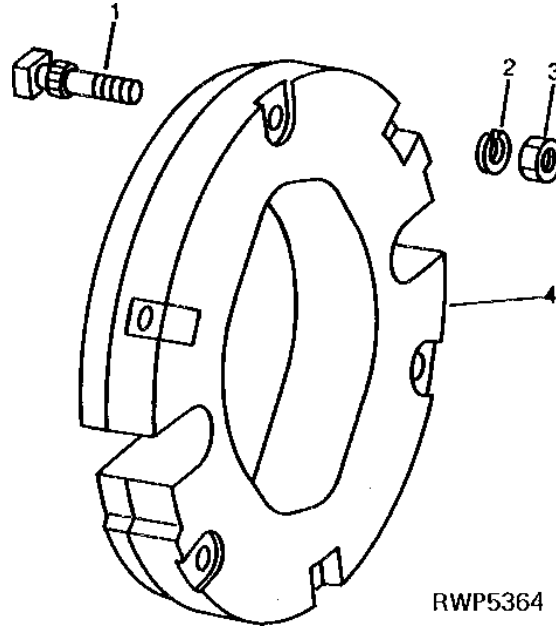
KEY	PART NO.	PART NAME	QTY	TRACTOR SERIAL NO.	REMARKS
1	19H2600	CAP SCREW	3		3/4" X 2-5/8"
2	12H236	LOCK WASHER	3		3/4"
3	A4384R	HALF SLEEVE	1		
4	R32224	HALF SLEEVE	1		
5	R28490	HUB	1		
6	A4883R	RING	2		
7	12H245	LOCK WASHER	3		7/8"
8	19H2310	CAP SCREW	3		7/8" X 6", (SUB FOR R34828)
9	R39758	SCREW	2		
10	JD3224	WHEEL	1		(18.4-34 TIRE)
	JD3019	WHEEL	1		(13.6-38 TIRE)
	JD3222	WHEEL	1		(15.5-38 TIRE)
	AR50065	WHEEL	1		(16.9-34 TIRE)
11	R54983	WHEEL RING	1		
12	JD27	SCREW	9		(USE WITH JD3019, JD3222 AND AR50065)
	19H2672	CAP SCREW	9		5/8" X 2"

# 4B18

WHEELS, FRONT AXLES, SHEET METAL

REAR WHEEL WEIGHTS  
 (FOR 30", 34" AND 38" CAST DISK WHEELS)  
 (FIRST AND ADDITIONAL WEIGHTS TO WHEEL)

RWP5364 -UN-01JAN94



RWP5364

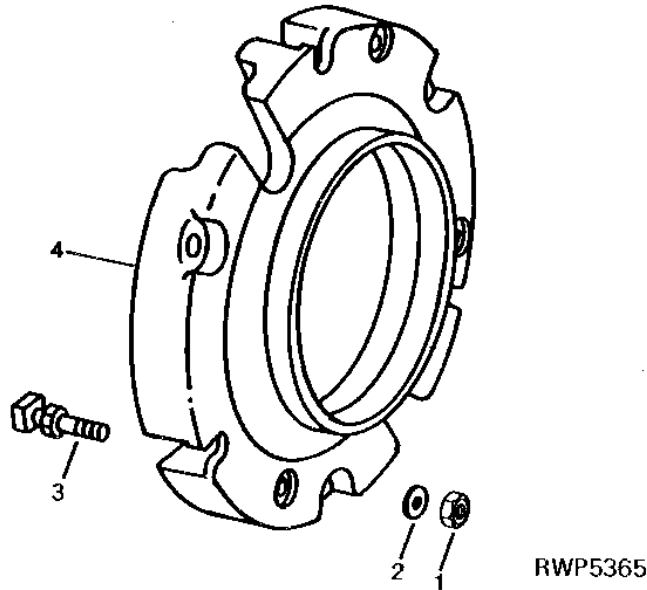
KEY	PART NO.	PART NAME	QTY	TRACTOR SERIAL NO.	REMARKS
1	R34801	BOLT	3		5/8" X 3"
	R81272	BOLT	3		5/8" X 5-1/4", (USE WITH R48954 OR R48955) (SUB FOR R67235)
2	12H294	LOCK WASHER	3		5/8"
3	14H1039	NUT	3		5/8"
4	R61524	WEIGHT	2		64KG (140 LBS) (34" AND 38" WHEELS) (NLA)
	R61727	WEIGHT	2		54KG (120 LBS) (30" WHEEL)

# 4B19

WHEELS, FRONT AXLES, SHEET METAL

REAR WHEEL WEIGHTS  
(FOR 34" AND 38" CAST DISK WHEELS)

RWP5365 -UN-01JAN94



RWP5365

KEY	PART NO.	PART NAME	QTY	TRACTOR SERIAL NO.	REMARKS
1	R34801	BOLT	3		5/8" X 3"
2	12H294	LOCK WASHER	3		5/8"
3	14H1039	NUT	3		5/8"
4	T21689	WEIGHT	1		54KG (120 LBS) (FIRST AND ADDITIONAL WEIGHTS TO WHEEL) (NLA)

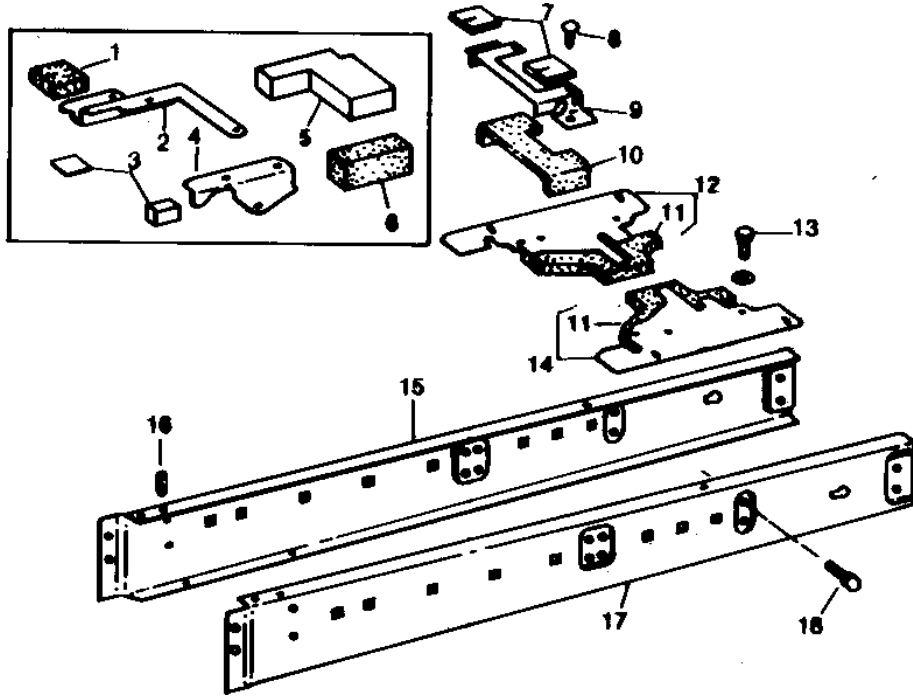


# 4B20

WHEELS, FRONT AXLES, SHEET METAL

R22225 -UN-29NOV95

## SIDE FRAME AND FRAME PLATES



R 22225

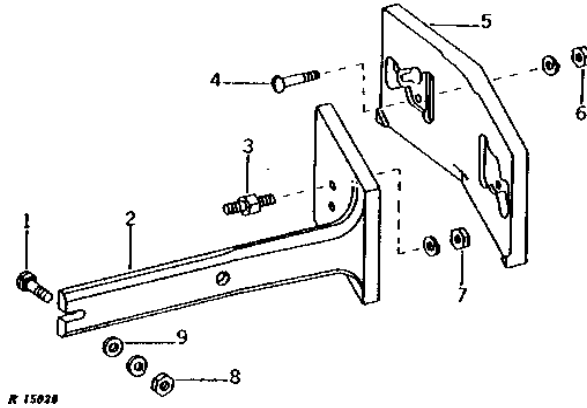
KEY	PART NO.	PART NAME	QTY	TRACTOR SERIAL NO.	REMARKS
1	R52784	FOAM PAD	1	-006699	
2	AR58201	PLATE	1	-006699	
3	R52781	ISOLATOR	2	-006699	
4	AR58200	PLATE	1	-006699	
5	R52782	ISOLATOR	1	-006699	
6	.....	FOAM PAD	1	-006699	51 X 64 X 152MM (2" X 2-1/2" X 6") (MAKE FROM R44791)
7	R55671	ISOLATOR	2	006700-	
8	37H54	SCREW	2		5/16" X 3/8", (SUB FOR R52930, THIS APPLICATION)
9	AR65077	PLATE	1	006700-	(INCLUDES (2) R55671 AND R55669)
10	R55669	FOAM PAD	1	006700-	
11	R55094	FOAM PAD	2	007372-	
12	R52726	PLATE	1	-007371	
	R56596	PLATE	2	007372-009299	(SUB AR64570)
	AR64573	PLATE	1	009300-	
13	19H1936	CAP SCREW	4		3/8" X 3/4"
	12H304	LOCK WASHER	4		3/8"
14	AR64570	PLATE	1	009300-	
15	R52702	FRAME	1		(SUB FOR R52689)
16	34H313	SPRING PIN	4		1/4" X 1-1/8"
17	R52701	FRAME	1		(SUB FOR R52688)
18	R31505	BOLT	20		

# 4B21

WHEELS, FRONT AXLES, SHEET METAL

R15028 -UN-01JAN94

## FRAME SIDE AND FRONT WEIGHTS



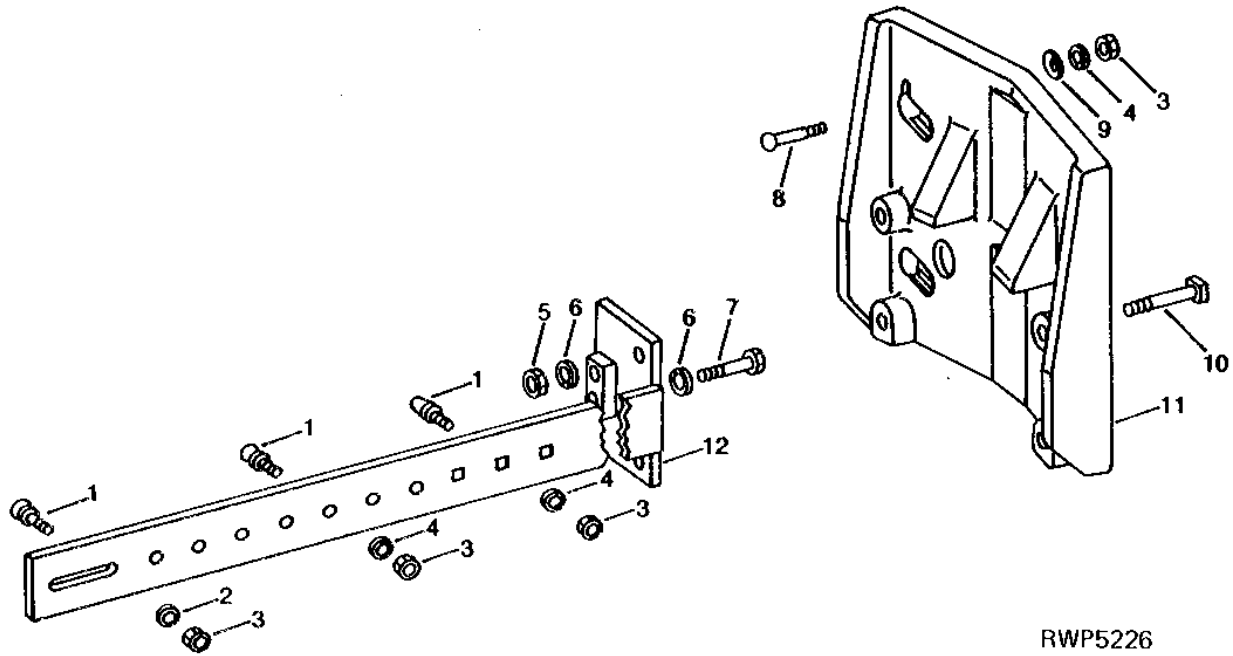
KEY	PART NO.	PART NAME	QTY	TRACTOR SERIAL NO.	REMARKS
1	03H1857	BOLT	2	5/8" X 2-3/4"	
2	R54144	WEIGHT	2	(NLA)	
3	R27645	STUD	2		
4	03H1857	BOLT	2	5/8" X 2-3/4"	
5	R27643	WEIGHT	1		
6	14H1039	NUT	2	5/8"	
	12H294	LOCK WASHER	2	5/8"	
7	14H794	NUT	2	3/4"	
	12H236	LOCK WASHER	2	3/4"	
8	14H1039	NUT	2	5/8"	
	12H294	LOCK WASHER	2	5/8"	
9	F2783R	WASHER	2		

# 4B22

WHEELS, FRONT AXLES, SHEET METAL

RWP5226 -UN-01JAN94

DOUBLE FRONT WEIGHT



RWP5226

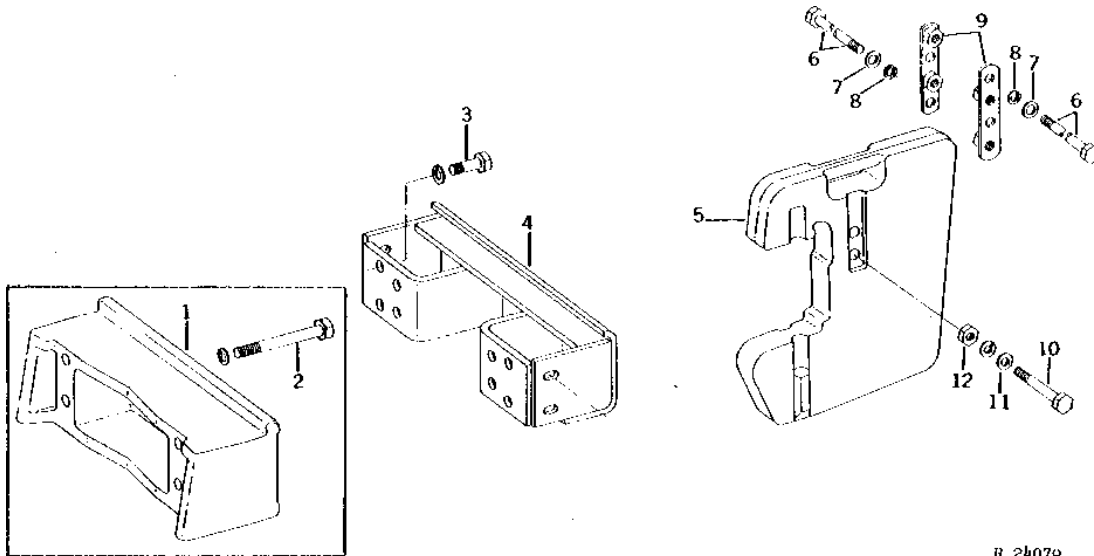
KEY	PART NO.	PART NAME	QTY	TRACTOR SERIAL NO.	REMARKS
1	03H1399	BOLT	6	5/8" X 1-3/4"	
2	24H1367	WASHER	2	21/32" X 1-1/4" X 1/4"	
3	14H1039	NUT	10	5/8"	
4	12H294	LOCK WASHER	8	5/8"	
5	14H794	NUT	4	3/4"	
6	12H236	LOCK WASHER	6	3/4"	
7	19H2725	CAP SCREW	2	3/4" X 3-3/4"	
8	03H1858	BOLT	4	5/8" X 3-1/2"	
9	R44890	NUT	4		
10	08H4222	BOLT	4	3/4" X 3-3/4"	
11	R44350	WEIGHT	1	(NLA)	
12	AR58357	SUPPORT	2	(NO LONGER AVAILABLE)	

# 4B23

WHEELS, FRONT AXLES, SHEET METAL

R24079 -UN-01JAN94

## QUIK-TATCH FRONT WEIGHTS



R 24079

KEY	PART NO.	PART NAME	QTY	TRACTOR SERIAL NO.	REMARKS
1	R53614	SUPPORT	1	-XXXXXX	(SUB AR72132, (4) 19H1768 AND (4) 12H236)
2	19H3225	CAP SCREW	4	-XXXXXX	3/4" X 6-1/2"
	12H236	LOCK WASHER	4	-XXXXXX	3/4"
3	19H1768	CAP SCREW	4	XXXXXX-	3/4" X 2"
	12H236	LOCK WASHER	4	XXXXXX-	3/4"
4	AR72132	SUPPORT	1	XXXXXX-	(ALSO ORDER B3310R, R65344 AND 19H2728)
5	R51680	WEIGHT	1		
6	R51681	CAP SCREW	2		(8 OR 10 QUIK-TATCH WEIGHTS)
	R59761	CAP SCREW	2	XXXXXX-	(14 QUIK-TATCH WEIGHTS)
7	24H1139	WASHER	2		11/16" X 1-1/4" X 0.105"
8	12H294	LOCK WASHER	2		5/8"
9	AR68801	RETAINER	2		(8, 10, OR 14 QUIK-TATCH WEIGHTS) (SUB FOR T32148)
10	19H1926	CAP SCREW	1		5/8" X 4-3/4"
	08H4260	CAP SCREW	1		5/8" X 9"
	R51681	CAP SCREW	1		(6 QUIK-TATCH WEIGHTS)
11	24H1139	WASHER	1		11/16" X 1-1/4" X 0.105"
12	14H1039	NUT	1		5/8"
	24M7241	WASHER	1		17 X 34 X 4 MM

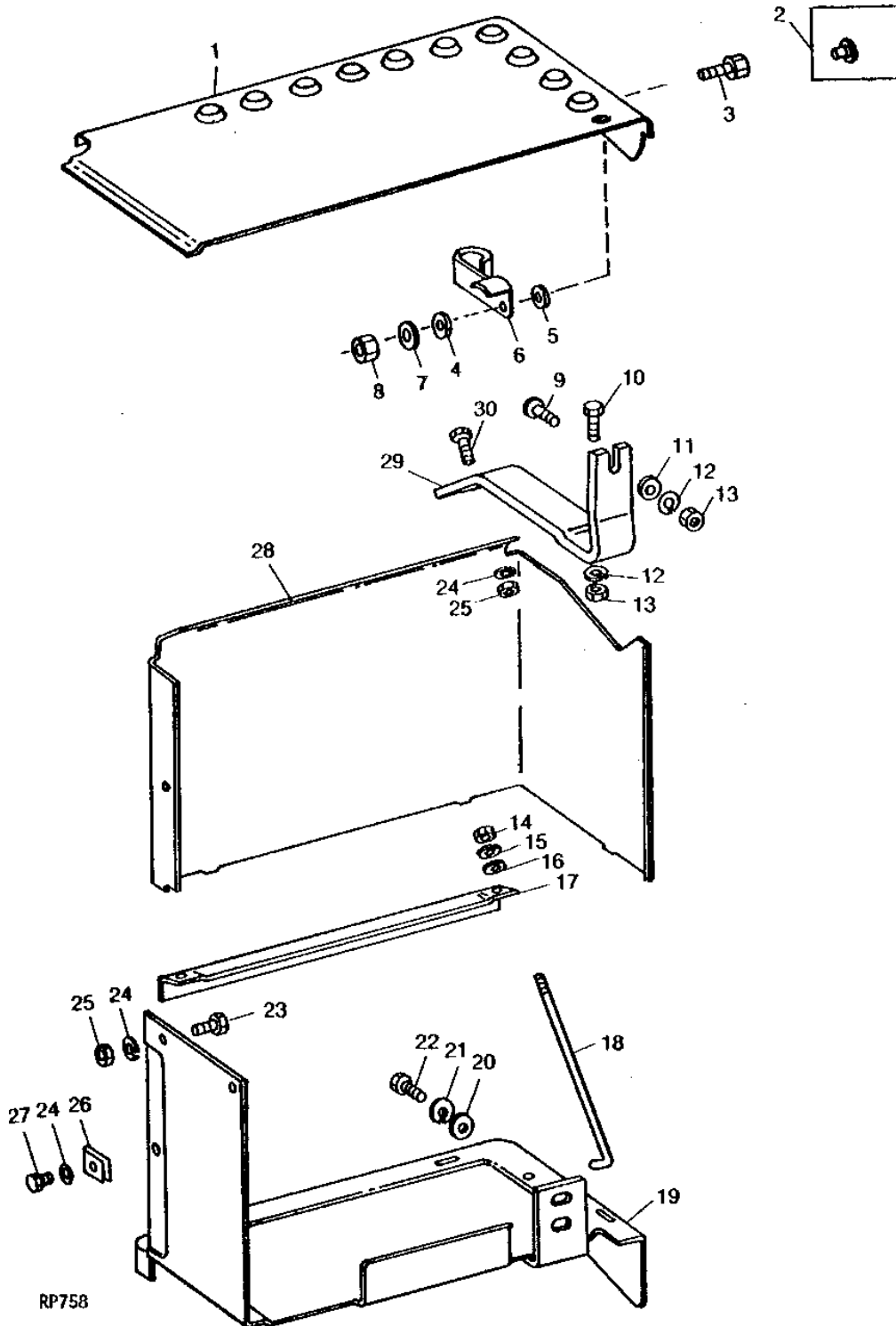
MEMORANDA

# 4B24

WHEELS, FRONT AXLES, SHEET METAL

BATTERY BOX  
(LESS ROLL-GARD)  
(GASOLINE)

RP758 -UN-01JAN94



RP758

# 4B25

WHEELS, FRONT AXLES, SHEET METAL

**BATTERY BOX - CONTINUED  
(LESS ROLL-GARD)  
(GASOLINE)**

KEY	PART NO.	PART NAME	QTY	TRACTOR SERIAL NO.	REMARKS
1	AR54875	EXTENSION	1	-016644	(SUB R65924)
	R65924	EXTENSION	1	016645-	
2	R27345	RIVET	1	-016644	
3	R54697	GANG BOLT	1	016645-	
4	24H1822	WASHER	1	016645-	11/32" X 7/8" X 1/16"
5	R65925	SHIM	1	016645-	
6	R50725	LATCH	1		
7	R40685	WASHER	1	016645-	
8	BP12232	LOCK NUT	1	016645-	
9	03H2070	BOLT	1		3/8" X 1-1/8"
10	19H1731	CAP SCREW	1		3/8" X 1"
11	24H1305	WASHER	1		13/32" X 13/16" X 0.065"
12	12H304	LOCK WASHER	2		3/8"
13	14H1076	NUT	2		3/8"
14	14H786	NUT	2		1/4"
15	12H302	LOCK WASHER	2		1/4"
16	24H1287	WASHER	2		9/32" X 5/8" X 0.065"
17	AR78504	CLAMP	1		
18	R50819	BOLT	2		
19	AR54959	BASE	1		
20	24H1341	WASHER	1		17/32" X 15/16" X 0.060"
21	12H301	LOCK WASHER	1		1/2"
22	19H1815	CAP SCREW	1		1/2" X 1-1/4"
23	19H1900	CAP SCREW	2		5/16" X 3/4"
24	12H303	LOCK WASHER	4		5/16"
25	14H785	NUT	3		5/16"
26	AR54482	NUT	1		
27	19H2020	CAP SCREW	1		5/16" X 1/2"
28	R65927	HOUSING	1		(SUB FOR R50821)
29	R51653	SUPPORT	1		
30	19H1905	CAP SCREW	1		5/16" X 1"

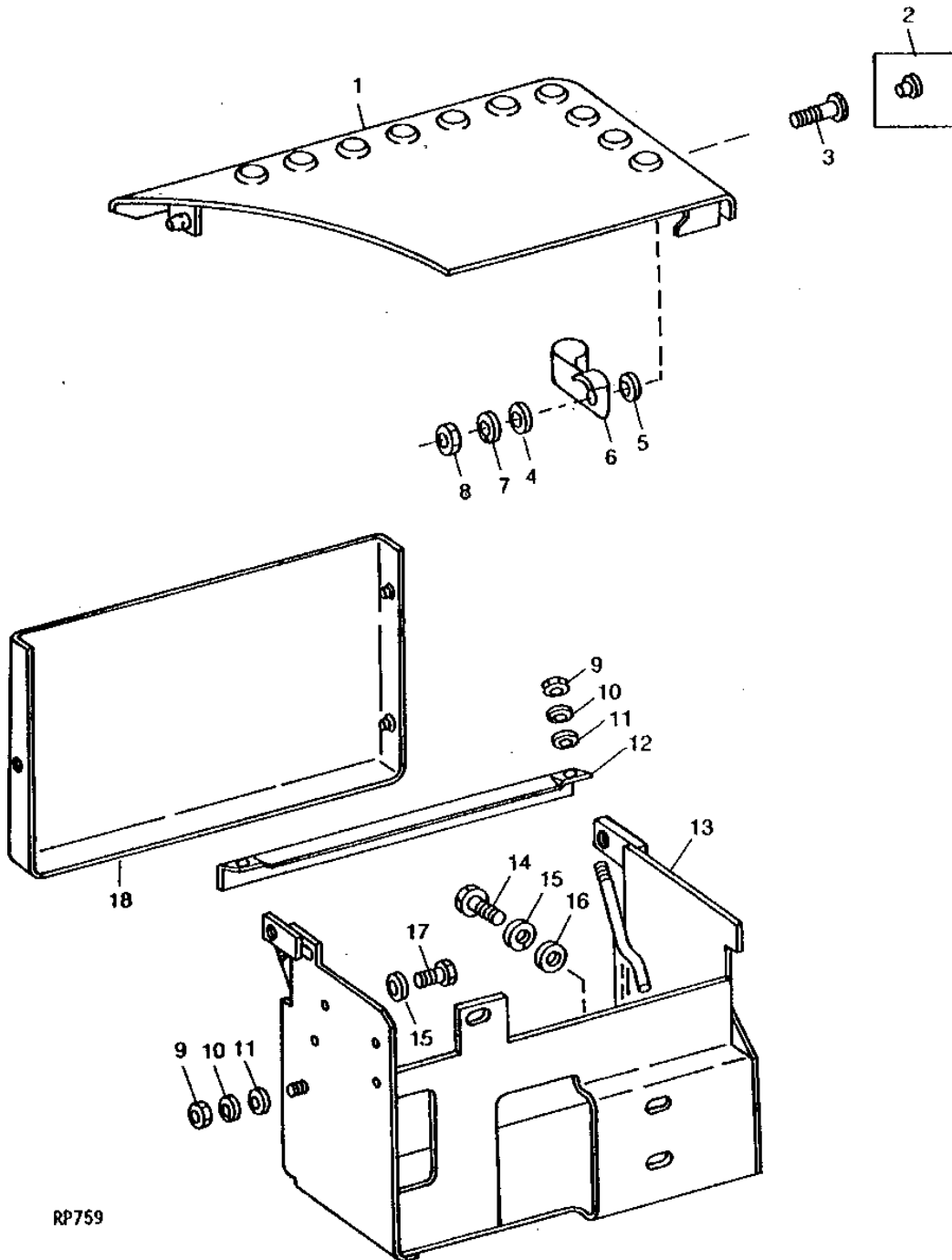
# 4C1

WHEELS, FRONT AXLES, SHEET METAL

BATTERY BOX  
(ROLL-GARD)  
(GASOLINE)

RP759

-UN-01JAN94



RP759



# 4C2

WHEELS, FRONT AXLES, SHEET METAL

**BATTERY BOX - CONTINUED  
(ROLL-GARD)  
(GASOLINE)**

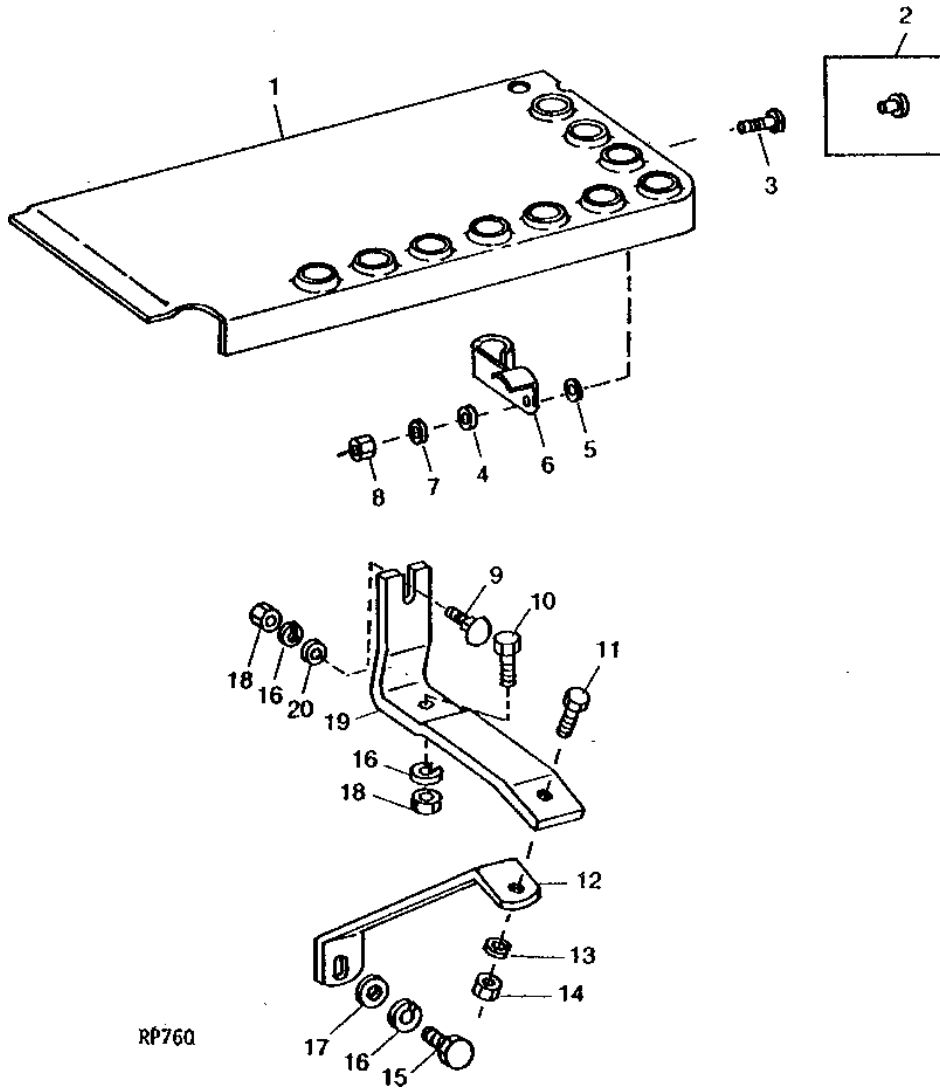
KEY	PART NO.	PART NAME	QTY	TRACTOR SERIAL NO.	REMARKS
1	AR65025	COVER	1	-016644	L.H. (SUB AR85336, R54697, R65925, R40685, 24H1822, T16414 AND R50724) (SUB FOR AR54257 OR AR64347)
	AR85336	COVER	1	016645-	L.H.
2	R27345	RIVET	1	-016644	
3	R54697	GANG BOLT	1	016645-	
4	24H1822	WASHER	1	016645-	11/32" X 7/8" X 1/16"
5	R65925	SHIM	1	016645-	
6	R50725	LATCH	1		
7	R40685	WASHER	1	016645-	
8	BP12232	LOCK NUT	1	016645-	
9	14H786	NUT	3		1/4"
10	12H302	LOCK WASHER	3		1/4"
11	24H1287	WASHER	3		9/32" X 5/8" X 0.065"
12	AR78504	CLAMP	1		
13	AR71164	BOX	1		L.H. (ALSO ORDER (2) R59069) (SUB AR73983) (SUB FOR AR65044)
	R59069	ROD	2	XXXXXX-	
14	19H1731	CAP SCREW	2		3/8" X 1"
15	12H304	LOCK WASHER	4		3/8"
16	24M7096	WASHER	2		10.500 X 18 X 1.600 MM
17	19H2021	CAP SCREW	2		3/8" X 5/8"
18	R57971	COVER	1		(SUB FOR AR56012)

# 4C3

WHEELS, FRONT AXLES, SHEET METAL

## PLATFORM EXTENSION WITH SUPPORTS (GASOLINE)

RP760 -UN-01JAN94



RP760

# 4C4

WHEELS, FRONT AXLES, SHEET METAL

## PLATFORM EXTENSION WITH SUPPORTS - CONTINUED (GASOLINE)

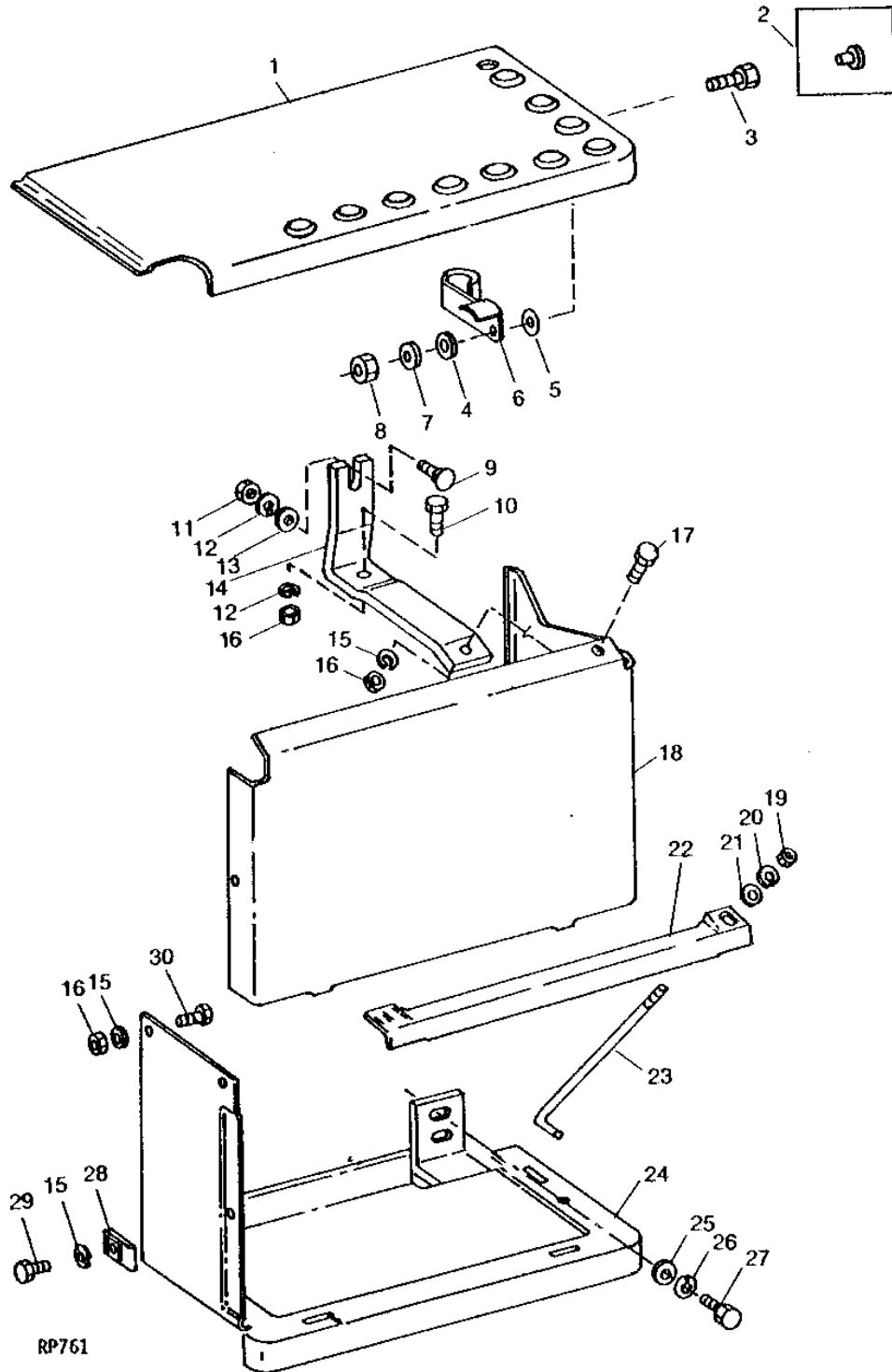
KEY	PART NO.	PART NAME	QTY	TRACTOR SERIAL NO.	REMARKS
1	AR54874	EXTENSION	1	-016644	R.H. (SUB R65923)
	R65923	EXTENSION	1	016645-	R.H.
2	R27345	RIVET	1	-016644	
3	R54697	GANG BOLT	1	016645-	
4	24H1822	WASHER	1	016645-	11/32" X 7/8" X 1/16"
5	R65925	SHIM	1	016645-	
6	R50724	LATCH	1		
7	R40685	WASHER	1	016645-	
8	BP12232	LOCK NUT	1	016645-	
9	03H2070	BOLT	1		3/8" X 1-1/8"
10	19H1731	CAP SCREW	1		3/8" X 1"
11	19H118	CAP SCREW	1		5/16" X 1"
12	R52560	BRACE	1		
13	12H303	LOCK WASHER	1		5/16"
14	14H785	NUT	1		5/16"
15	19H1815	CAP SCREW	1		1/2" X 1-1/4"
16	12H304	LOCK WASHER	3		3/8"
17	24H1341	WASHER	1		17/32" X 15/16" X 0.060"
18	14H1076	NUT	2		3/8"
19	R51653	SUPPORT	1		
20	24H1305	WASHER	1		13/32" X 13/16" X 0.065"

# 4C5

WHEELS, FRONT AXLES, SHEET METAL

## BATTERY BOX (LESS SOUND-GARD BODY OR ROLL-GARD) (DIESEL)

RP761 -UN-01JAN94



RP761

# 4C6

WHEELS, FRONT AXLES, SHEET METAL

**BATTERY BOX - CONTINUED  
(LESS SOUND-GARD BODY OR ROLL-GARD)  
(DIESEL)**

KEY	PART NO.	PART NAME	QTY	TRACTOR SERIAL NO.	REMARKS
1	AR54874	EXTENSION	1	-016644	R.H. (SUB R65923)
	AR54875	EXTENSION	1	-016644	L.H. (SUB R65924)
	R65923	EXTENSION	1	016645-	R.H.
	R65924	EXTENSION	1	016645-	L.H.
2	R27345	RIVET	1	-016644	
3	R54697	GANG BOLT	2	016645-	
4	24H1822	WASHER	2	016645-	11/32" X 7/8" X 1/16"
5	R65925	SHIM	2	016645-	
6	R50724	LATCH	1		R.H.
	R50725	LATCH	1		L.H.
7	R40685	WASHER	2	016645-	
8	BP12232	LOCK NUT	2	016645-	
9	03H2070	BOLT	2		3/8" X 1-1/8"
10	19H1731	CAP SCREW	2		3/8" X 1"
11	14H1076	NUT	4		3/8"
12	12H304	LOCK WASHER	4		3/8"
13	24H1305	WASHER	2		13/32" X 13/16" X 0.065"
14	R51653	SUPPORT	2		
15	12H303	LOCK WASHER	8		5/16"
16	14H785	NUT	6		5/16"
17	19H1905	CAP SCREW	2		5/16" X 1"
18	R50820	HOUSING	1	-016644	R.H. (SUB R65926)
	R50821	HOUSING	1	-016644	L.H. (SUB R65927)
	R65926	HOUSING	1	016645-	R.H. (SUB FOR R50820)
	R65927	HOUSING	1	016645-	L.H. (SUB FOR R50821)
19	14H786	NUT	4		1/4"
20	12H302	LOCK WASHER	4		1/4"
21	24H1287	WASHER	4		9/32" X 5/8" X 0.065"
22	AR78504	CLAMP	2		
23	R50819	BOLT	4		
24	AR54958	BASE	1		R.H.
	AR54959	BASE	1		L.H.
25	24H1341	WASHER	2		17/32" X 15/16" X 0.060"
26	12H301	LOCK WASHER	2		1/2"
27	19H1815	CAP SCREW	2		1/2" X 1-1/4"
28	AR54482	NUT	2		
29	19H2020	CAP SCREW	2		5/16" X 1/2"
30	19H1900	CAP SCREW	4		5/16" X 3/4"

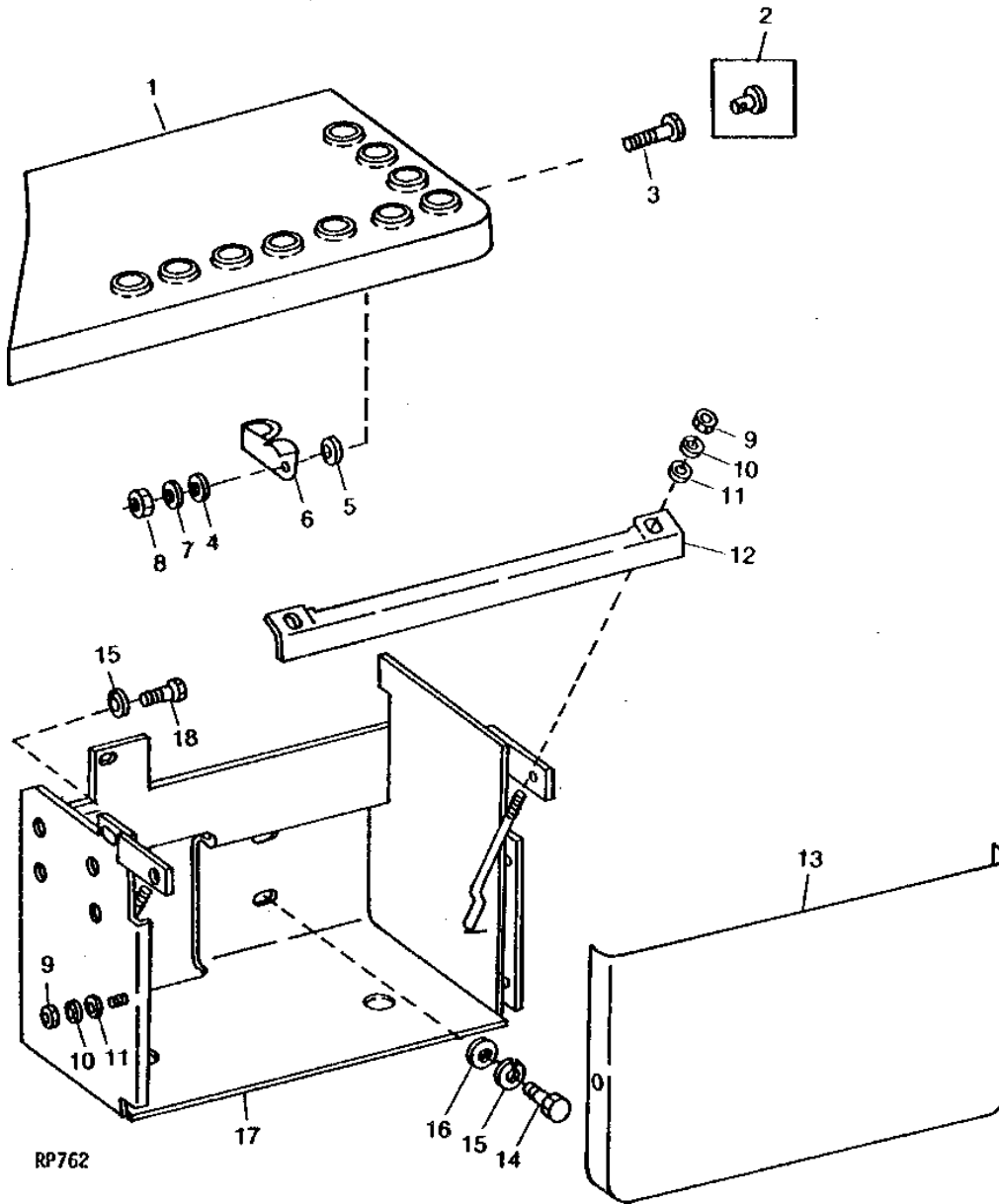
# 4C7

WHEELS, FRONT AXLES, SHEET METAL

## BATTERY BOX (ROLL-GARD AND SOUND-GARD BODY) (DIESEL)

RP762

-UN-01JAN94



RP762

# 4C8

WHEELS, FRONT AXLES, SHEET METAL

**BATTERY BOX - CONTINUED  
(ROLL-GARD AND SOUND-GARD BODY)  
(DIESEL)**

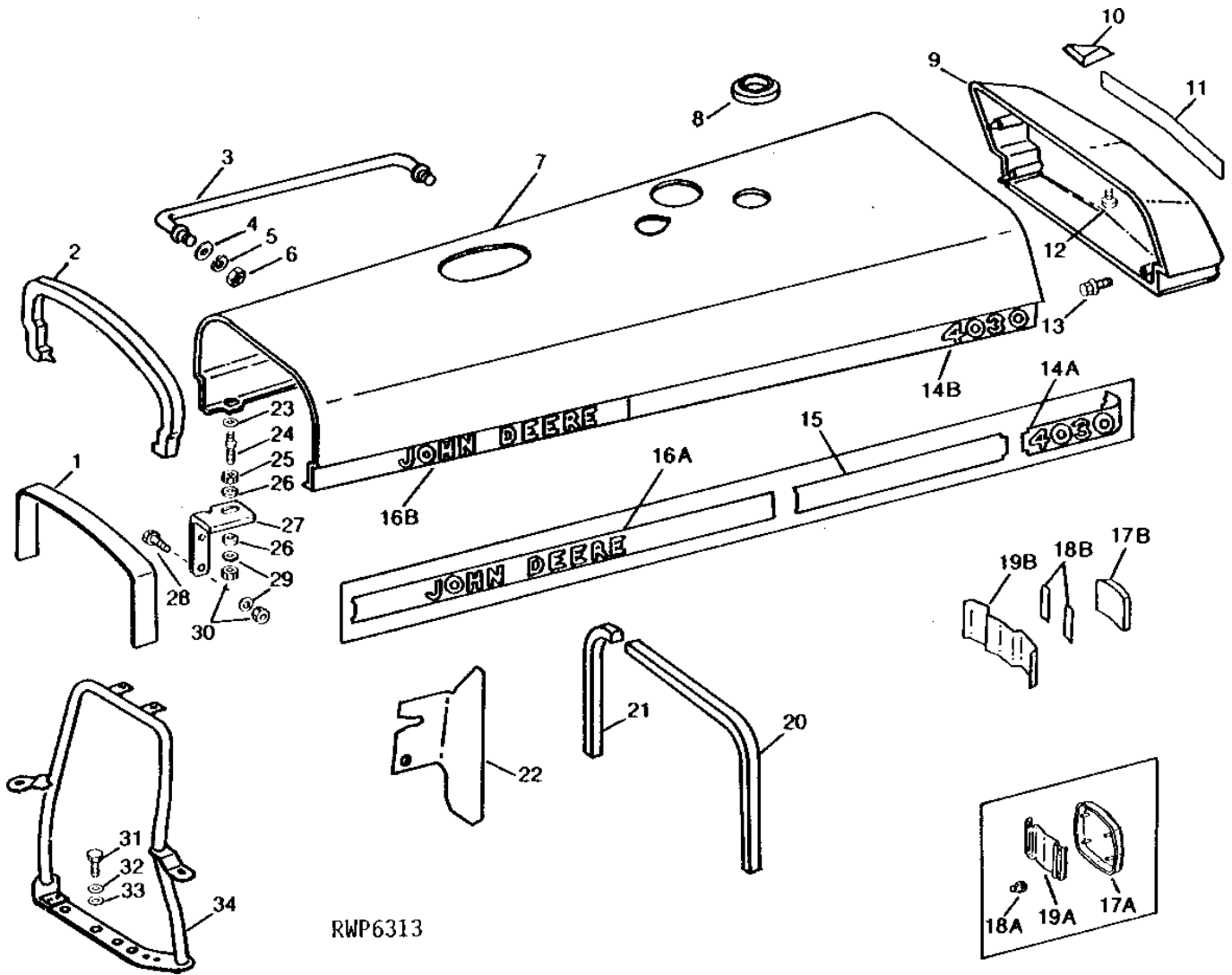
KEY	PART NO.	PART NAME	QTY	TRACTOR SERIAL NO.	REMARKS
1	AR65024	COVER	1	-016644	R.H. (SUB AR85335) (SUB FOR AR54259)
	AR65025	COVER	1	-016644	L.H. (SUB AR85336, R54697, R65925, R40685, 24H1822, T16414 AND R50724)
	AR85335	COVER	1	016645-	R.H.
	AR85336	COVER	1	016645-	L.H.
2	R27345	RIVET	1	-016644	
3	R54697	GANG BOLT	2	016645-	
4	24H1822	WASHER	2	016645-	11/32" X 7/8" X 1/16"
5	R65925	SHIM	2	016645-	
6	R50724	LATCH	1		R.H.
	R50725	LATCH	1		L.H.
7	R40685	WASHER	2	016645-	
8	BP12232	LOCK NUT	2	016645-	
9	14H786	NUT	6		1/4"
10	12H302	LOCK WASHER	6		1/4"
11	24H1287	WASHER	6		9/32" X 5/8" X 0.065"
12	AR78504	CLAMP	2		
13	R57970	COVER	1		R.H. (SUB FOR AR56011)
	R57971	COVER	1		L.H. (SUB FOR AR56012)
14	19H1731	CAP SCREW	4		3/8" X 1"
15	12H304	LOCK WASHER	8		3/8"
16	24H1305	WASHER	1		13/32" X 13/16" X 0.065"
17	AR71163	BOX	1		R.H. (ALSO ORDER (2) R59069) (SUB AR73982) (SUB FOR AR54255, AR64348, AR65022 AND AR65043)
	AR71164	BOX	1		L.H. (ALSO ORDER (2) R59069) (SUB AR73983) (SUB FOR AR55254, AR64349, AR65023 AND AR65044)
	R59069	ROD	4	XXXXXX-	
18	19H1936	CAP SCREW	4		3/8" X 3/4"

# 4C9

WHEELS, FRONT AXLES, SHEET METAL

RWP6313 -UN-01JAN94

HOOD, SUPPORTS, AND BAFFLES





# 4C10

WHEELS, FRONT AXLES, SHEET METAL

## HOOD, SUPPORTS, AND BAFFLES - CONTINUED

KEY	PART NO.	PART NAME	QTY	TRACTOR SERIAL NO.	REMARKS
1	.....	FOAM PAD	1		(A) 13 X 51 X 375MM (1/2" X 2" X 14-3/4") (MAKE FROM R34688)
2	R56493	FOAM PAD	1		(SUB FOR R52995 AND R54612)
3	R57135	HANDLE	1		(ALSO ORDER (2) 12H304, (2) 14H1076 AND (2) 24H1306) (SUB FOR R53209)
4	24H1306	WASHER	2		13/32" X 1" X 0.035"
5	12H304	LOCK WASHER	2		3/8"
6	14H1076	NUT	2		3/8"
7	AR56062	HOOD	1		
	AR68407	HOOD	1		(AIR STACK) (ALSO ORDER R57119) (SUB FOR AR56061) (NLA)
8	R39613	GROMMET	1		
9	R52362	EXTENSION	1		
10	L40919	MOLDING	1		(SUB FOR R50736 OR R73259) (ALSO FURNISH L41919)
11	R63413	DECAL	1	014066-	
12	37H49	SCREW	2		NO. 10 X 1/2"
13	R52760	SCREW	6		
14A	R53702	LABEL	1	-014065	(SUB R63407, R63418, R63408, R63419 AND R63413)
14B	R63418	LABEL	1	014066-	R.H.
	R63419	LABEL	1	014066-	L.H.
15	R53703	LABEL	2	-014065	(SUB R63407, R63418, R63408, R63419 AND R63413)
16A	R53704	LABEL	1	-014065	R.H. (SUB R63407, R63418, R63408, R63419 AND R63413)
	R53705	LABEL	1	-014065	L.H. (SUB R63407, R63418, R63408, R63419 AND R63413)
16B	R63407	LABEL	1	014066-	R.H.
	R63408	LABEL	1	014066-	L.H.
17A	AR77663	MEDALLION	1	-XXXXXX	(SUB R82804 AND (2) R63933) (SUB FOR R53602)
17B	R67028	MEDALLION	1	XXXXXX-	(SUB R82804) (SUB FOR R62896)
18A	R53611	CLIP	4	-XXXXXX	
18B	R63933	TAPE	1	XXXXXX-	
19A	AR60518	BRACKET	1	-XXXXXX	
19B	AR79161	BRACKET	1	XXXXXX-	
20	.....	FOAM PAD	1		25 X 25 X 584MM (1" X 1" X 23") (MAKE FROM R30937)
21	.....	FOAM PAD	1		25 X 25 318MM (1" X 1" X 12-1/2") (MAKE FROM R30937)
22	R54167	DEFLECTOR	1		(B)
23	24H1122	WASHER	2		3/8" X 7/8" X 0.083"
24	R50199	SCREW	2		
25	14H732	NUT	2		3/8"
26	24H1305	WASHER	6		13/32" X 13/16" X 0.065"
27	R52996	BRACKET	1		(C) R.H.
	R52997	BRACKET	1		(C) L.H.
28	19H1134	CAP SCREW	4		(C) 3/8" X 3/4"
29	12H304	LOCK WASHER	5		3/8"
30	14H1076	NUT	5		3/8"
31	19H1134	CAP SCREW	3		3/8" X 3/4"
32	12H304	LOCK WASHER	4		3/8"
33	24H1305	WASHER	2		13/32" X 13/16" X 0.065"
34	AR54338	SUPPORT	1		(A)

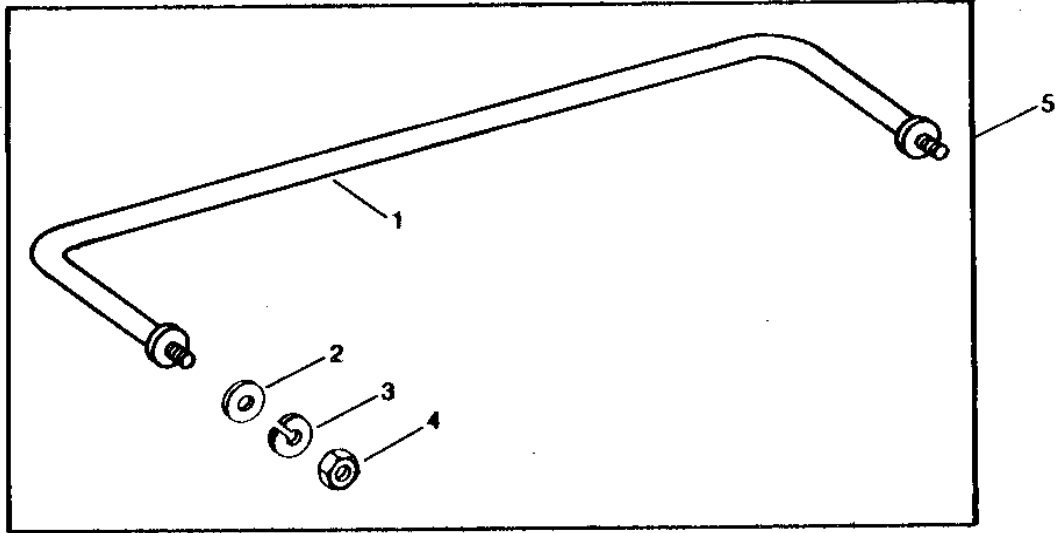
- (A) SOUND-GARD BODY
- (B) ROLL-GARD
- (C) LESS SOUND-GARD BODY

# 4C11

WHEELS, FRONT AXLES, SHEET METAL

RWP4191 -UN-01JAN94

## FRONT HOOD HANDLE KIT



RWP 4191

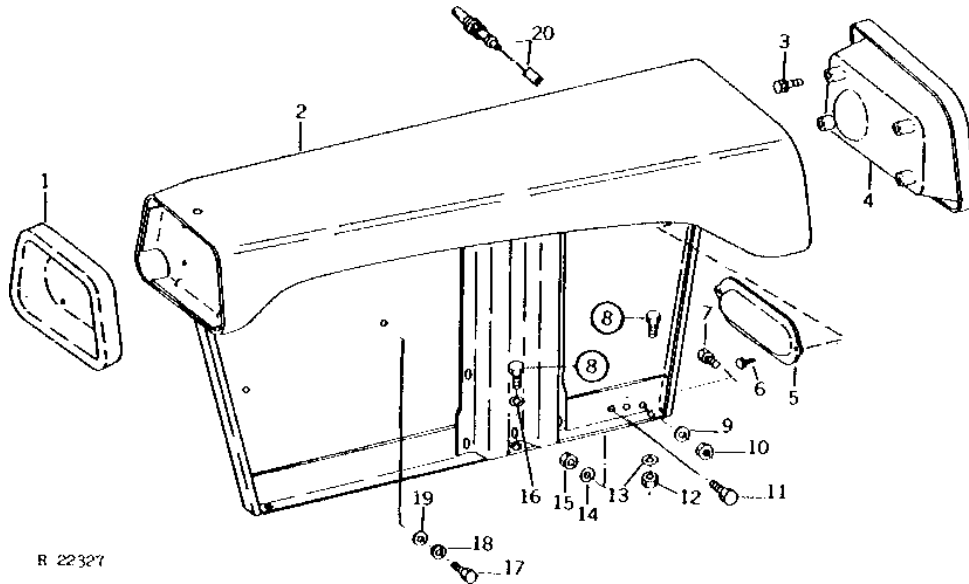
KEY	PART NO.	PART NAME	QTY	TRACTOR SERIAL NO.	REMARKS
1	R78991	HANDLE	1		
2	24H1306	WASHER	2	13/32" X 1" X 0.035"	
3	12H304	LOCK WASHER	2	3/8"	
4	14H1076	NUT	2	3/8"	
5	RE15118	KIT	1	(NLA)	

# 4C12

WHEELS, FRONT AXLES, SHEET METAL

R22327 -UN-01JAN94

## FENDERS



R 22327

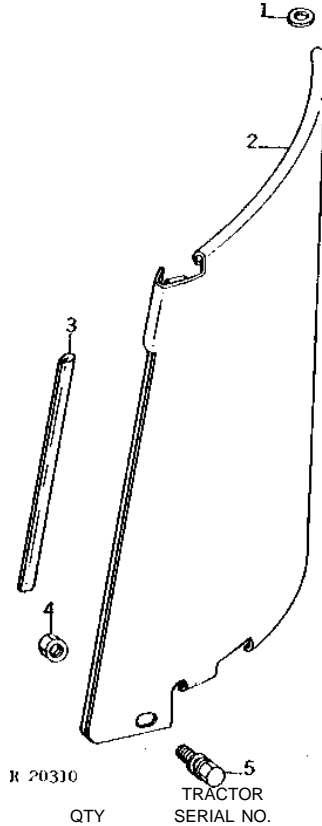
KEY	PART NO.	PART NAME	QTY	TRACTOR SERIAL NO.	REMARKS
1	R52561	SHIELD	1	R.H.	
	R52562	SHIELD	1	L.H.	
2	AR54627	FENDER	1	R.H.	
	AR60623	FENDER	1	L.H. (ALSO ORDER (2) M42229) (SUB FOR AR54628)	
3	AR58652	BOLT	8		
4	AR57235	PANEL	1	R.H. (SUB (4) R81698 AND R81699)	
	AR53988	PANEL	1	L.H. (SUB (4) R81698 AND R81700)	
5	R53233	COVER	2		
6	R52938	CAP SCREW	4		
7	R53663	SELF-LOCKING SCREW	3	L.H.	
8	R53663	SELF-LOCKING SCREW	4		
9	R53668	THRUST WASHER	AR	(1 USED R.H., 2 USED L.H.)	
10	R53670	WELD NUT	AR	(1 USED R.H., 2 USED L.H.)	
11	19H1800	CAP SCREW	2	3/8" X 1-1/2" R.H. (SUB FOR R56014)	
12	R53670	WELD NUT	4		
13	R53668	THRUST WASHER	4		
14	R53668	THRUST WASHER	2	R.H.	
15	R53670	WELD NUT	2	R.H.	
16	R53665	WASHER	1		
17	R53663	SELF-LOCKING SCREW	2	R.H.	
18	R53668	THRUST WASHER	2	R.H.	
19	R53665	WASHER	2	R.H.	
20	AR70699	LAMP	1	(SUB FOR AR60251)	

# 4C13

WHEELS, FRONT AXLES, SHEET METAL

R20310 -UN-01JAN94

## OPERATOR SHIELD



KEY	PART NO.	PART NAME	QTY	TRACTOR SERIAL NO.	REMARKS
1	R53667	LOCK WASHER	2		
2	AR62268	SHIELD	1		R.H.
	AR62264	SHIELD	1		(A) R.H.
	AR62269	SHIELD	1		L.H.
	AR62265	SHIELD	1		(A) L.H.
3	R28122	ISOLATOR	1		
4	R53671	WELD NUT	2		
5	AR58652	BOLT	2		
	37H54	SCREW	2		5/16" X 3/8"
	19H3239	CAP SCREW	2		(A) 3/8" X 1-1/4"

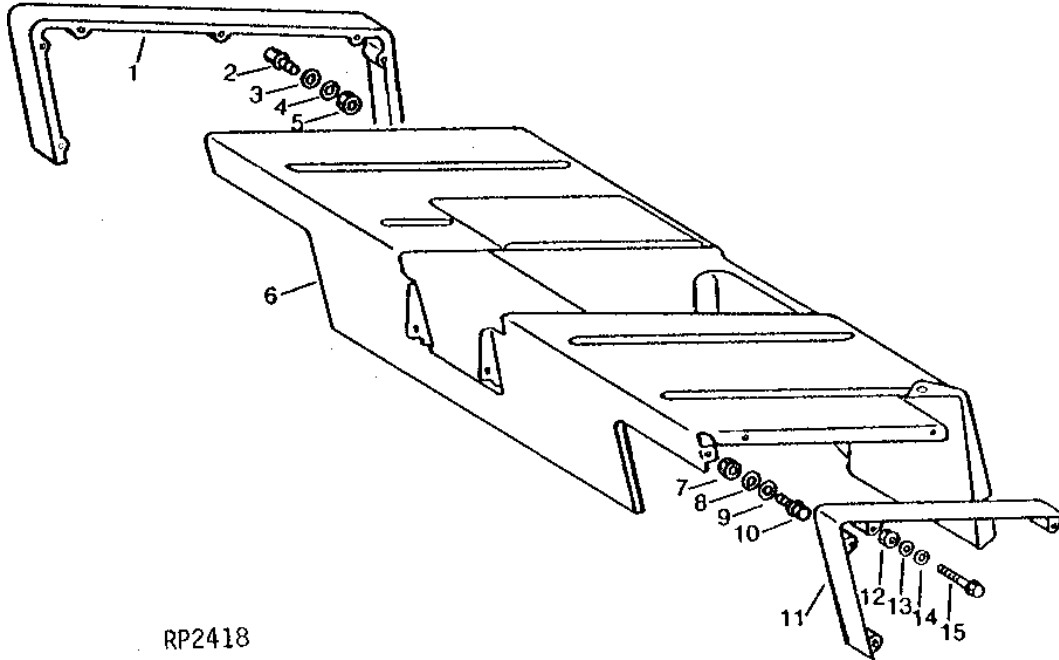
(A) ROLL-GARD

# 4C14

WHEELS, FRONT AXLES, SHEET METAL

RP2418 -UN-01JAN94

## REAR OPERATOR SHIELD



RP2418

KEY	PART NO.	PART NAME	QTY	TRACTOR SERIAL NO.	REMARKS
1	R49984	ADAPTER	1		
2	AR58652	BOLT	4	(B)	
	R53662	SELF-LOCKING SCREW	2	(B)	
3	R53667	LOCK WASHER	2	(B)	
4	R53668	THRUST WASHER	2	(B)	
5	14H785	NUT	6	(B) 5/16"	
6	AR85591	SHIELD	1	(A) (SUB FOR AR63571, AR56288, AR72217 AND AR81653)	
	AR85592	SHIELD	1	(B) (SUB FOR AR63570, AR55212, AR72218 AND AR81654)	
7	14H785	NUT	3	(B) 5/16"	
8	R53668	THRUST WASHER	2	(B)	
9	R53665	WASHER	2	(B)	
10	AR58652	BOLT	3	(B)	
	R53663	SELF-LOCKING SCREW	3	(B)	
11	R49983	ADAPTER	1	(SUB R66290)	
12	14H785	NUT	11	(A) 5/16"	
13	12H303	LOCK WASHER	11	(A) 5/16"	
14	R53667	LOCK WASHER	11	(A) 11/32" X 11/16" X 0.060"	
15	R53743	SELF-LOCKING SCREW	11	(A)	

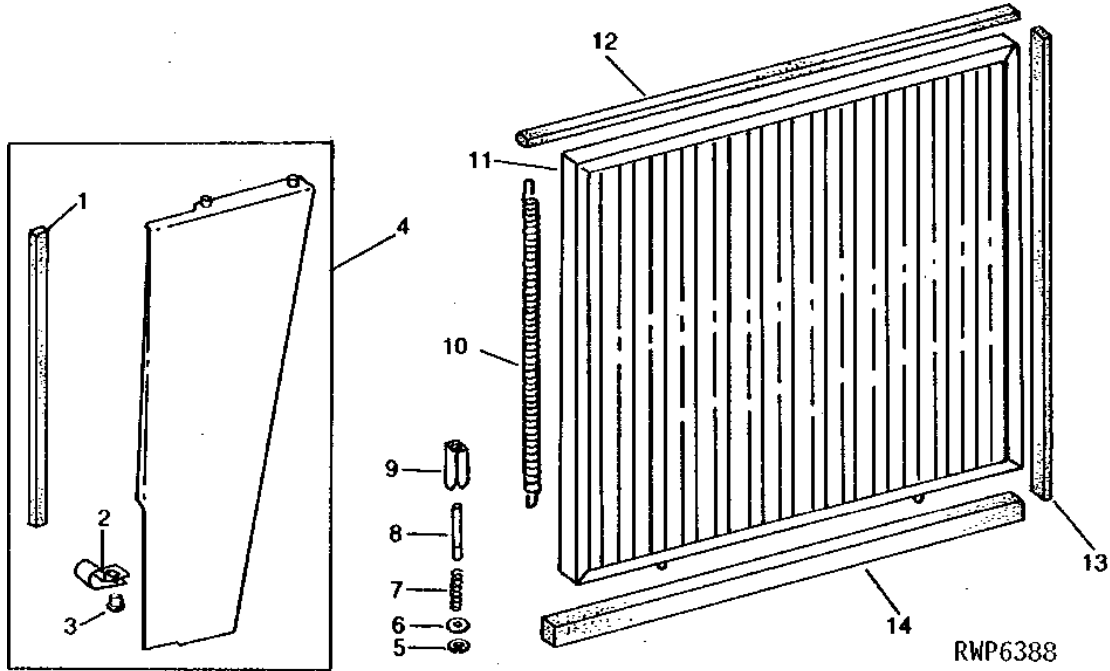
(A) ROLL-GARD  
(B) LESS ROLL-GARD

# 4C15

WHEELS, FRONT AXLES, SHEET METAL

RWP6388 -UN-01JAN94

## SIDE SHIELDS AND GRILLES



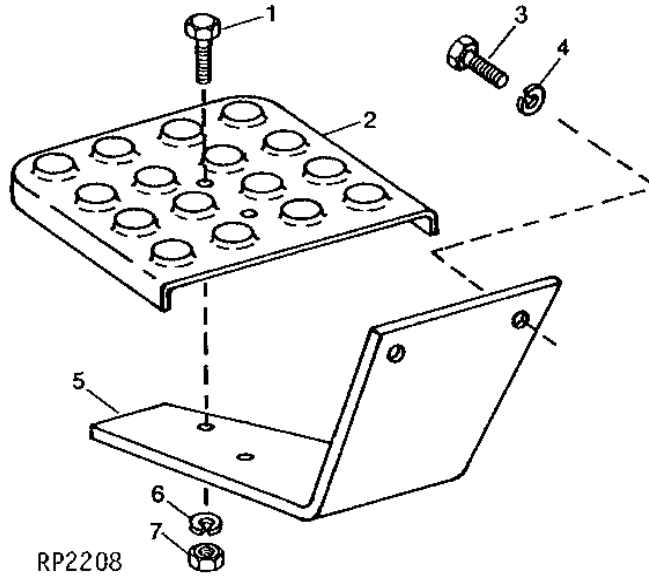
KEY	PART NO.	PART NAME	QTY	TRACTOR SERIAL NO.	REMARKS
1	.....	FOAM PAD	1		13 X 25 X 381MM (1/2" X 1" X 15") (MAKE FROM R30936)
2	R60644	CLIP	2	XXXXXX-	
3	16H630	RIVET	2	XXXXXX-	1/4" X 3/8"
4	AR59701	SHIELD	1		R.H.
	AR59702	SHIELD	1		L.H.
5	R72654	SNAP RING	2	-XXXXXX	(SUB FOR R27507)
6	24H1286	WASHER	2	-XXXXXX	9/32" X 1/2" X 1/16"
7	R45582	SPRING	2	-XXXXXX	
8	R50207	PIN	2	-XXXXXX	(SUB R60644)
9	R60644	CLIP	2	-XXXXXX	
10	R35769	SPRING	2		
11	AR65458	GRILLE	2		(SUB FOR AR55022)
12	.....	FOAM PAD	2	005237-	8 X 17 X 562MM (5/16" X 11/16" X 22-1/8") (MAKE FROM R21676)
13	.....	FOAM PAD	4	005237-	8 X 17 X 492MM (5/16" X 11/16" X 19-3/8") (MAKE FROM R21676)
14	.....	FOAM PAD	2	005237-	25 X 25 X 530MM (1" X 1" X 20-7/8") (MAKE FROM R30937)

# 4C16

WHEELS, FRONT AXLES, SHEET METAL

RP2208 -UN-01JAN94

LEFT-HAND STEP  
(LESS ROLL-GARD OR SOUND-GARD BODY)



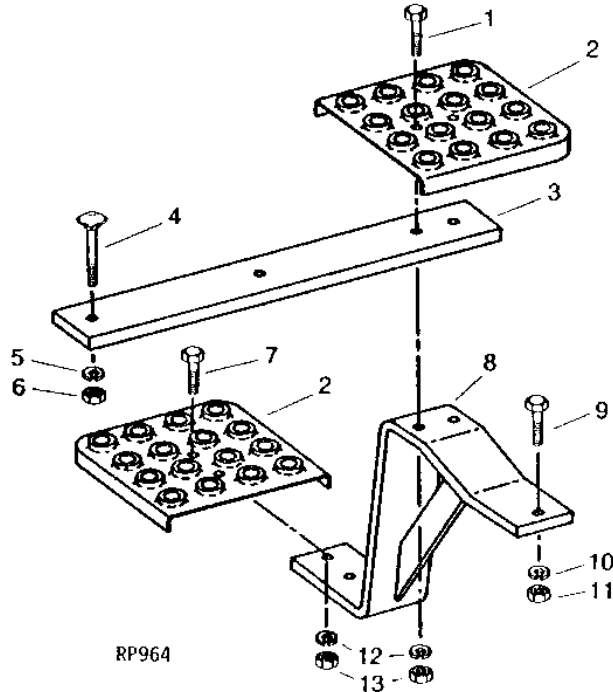
KEY	PART NO.	PART NAME	QTY	TRACTOR SERIAL NO.	REMARKS
1	19H1732	CAP SCREW	2	3/8" X 1-1/4"	
2	R84943	STEP	1	(SUB FOR R51109)	
3	19H456	CAP SCREW	2	1/2" X 1-3/8"	
4	12H301	LOCK WASHER	2	1/2"	
5	R51555	SUPPORT	1		
6	12H304	LOCK WASHER	2	3/8"	
7	14H1076	NUT	2	3/8"	

# 4C17

WHEELS, FRONT AXLES, SHEET METAL

RP964 -UN-01JAN94

## LEFT-HAND STEP (ROLL-GARD OR SOUND-GARD BODY)



RP964

KEY	PART NO.	PART NAME	QTY	TRACTOR SERIAL NO.	REMARKS
1	19H2791	CAP SCREW	2	3/8" X 1-3/4"	
2	R84943	STEP	2	(SUB FOR R51109)	
3	R52090	SUPPORT	1		
4	03H1731	BOLT	2	1/2" X 1-1/2"	
5	12H301	LOCK WASHER	2	1/2"	
6	14H1040	NUT	2	1/2"	
7	19H1732	CAP SCREW	2	3/8" X 1-1/4"	
8	R56991	SUPPORT	1	(SUB FOR AR58186)	
9	19H1721	CAP SCREW	1	1/2" X 1-1/2"	
10	12H301	LOCK WASHER	1	1/2"	
11	14H1040	NUT	1	1/2"	
12	12H304	LOCK WASHER	4	3/8"	
13	14H1076	NUT	4	3/8"	

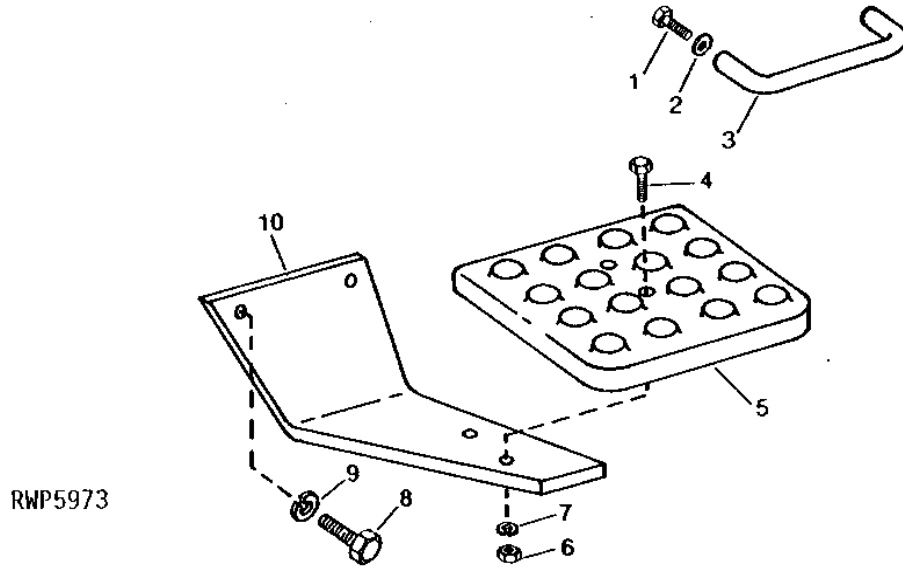


# 4C18

WHEELS, FRONT AXLES, SHEET METAL

RWP5973 -UN-01JAN94

## RIGHT-HAND STEP AND MOUNTING HANDLE



KEY	PART NO.	PART NAME	QTY	TRACTOR SERIAL NO.	REMARKS
1	19H1936	CAP SCREW	2	3/8" X 3/4"	
2	24H1305	WASHER	2	13/32" X 13/16" X 0.065"	
3	R31618	HANDLE	1		
4	19H1731	CAP SCREW	2	3/8" X 1"	
5	R84943	STEP	1	(SUB FOR R51109)	
6	14H1076	NUT	2	3/8"	
7	12H304	LOCK WASHER	2	3/8"	
8	19H456	CAP SCREW	2	1/2" X 1-3/8"	
9	12H301	LOCK WASHER	2	1/2"	
10	R51554	SUPPORT	1		

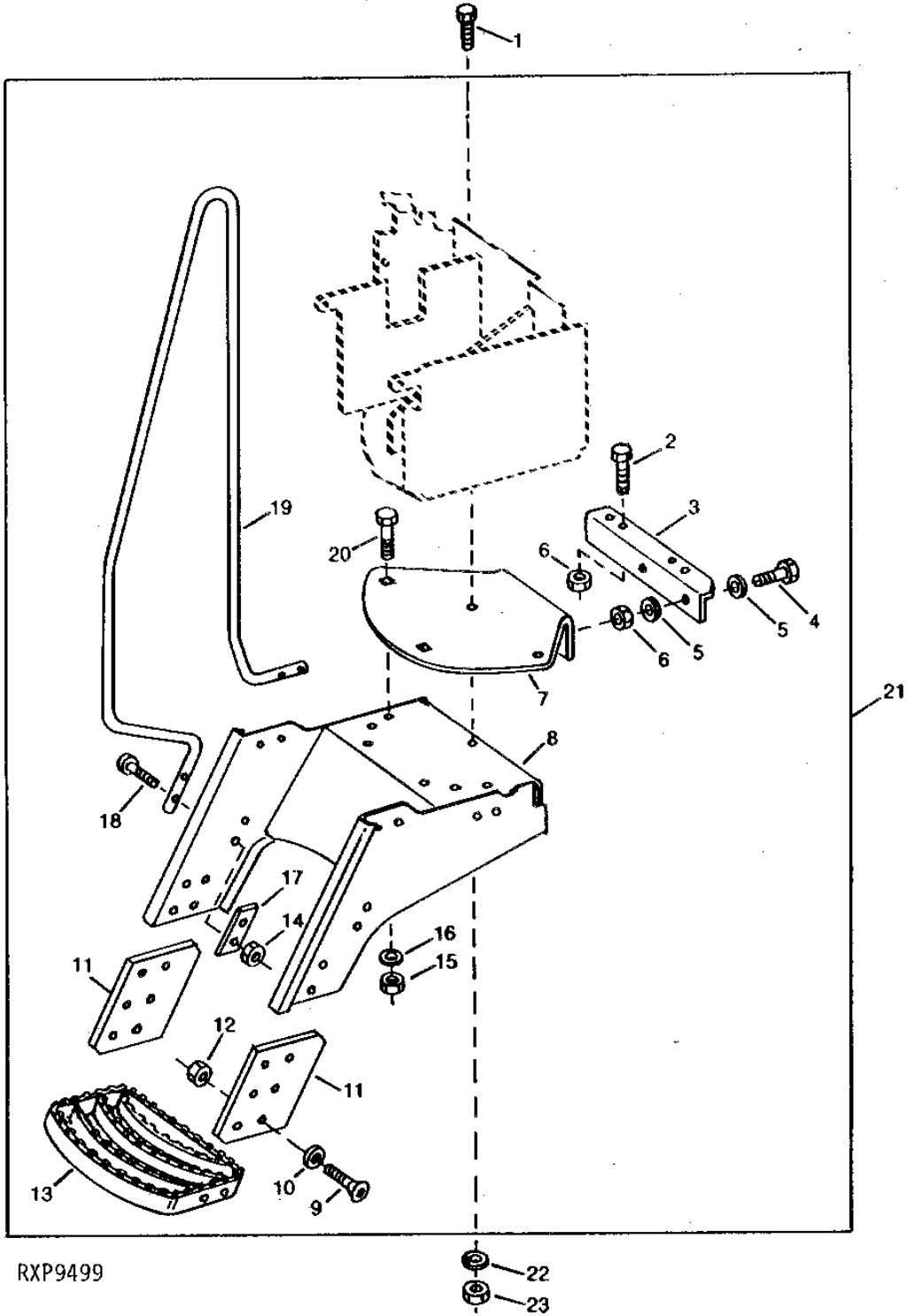
# 4C19

WHEELS, FRONT AXLES, SHEET METAL

RXP9499

-UN-01JAN94

STEPS KIT (AFTER-MARKET)



# 4C20

WHEELS, FRONT AXLES, SHEET METAL

## STEPS KIT (AFTER-MARKET)-CONTINUED

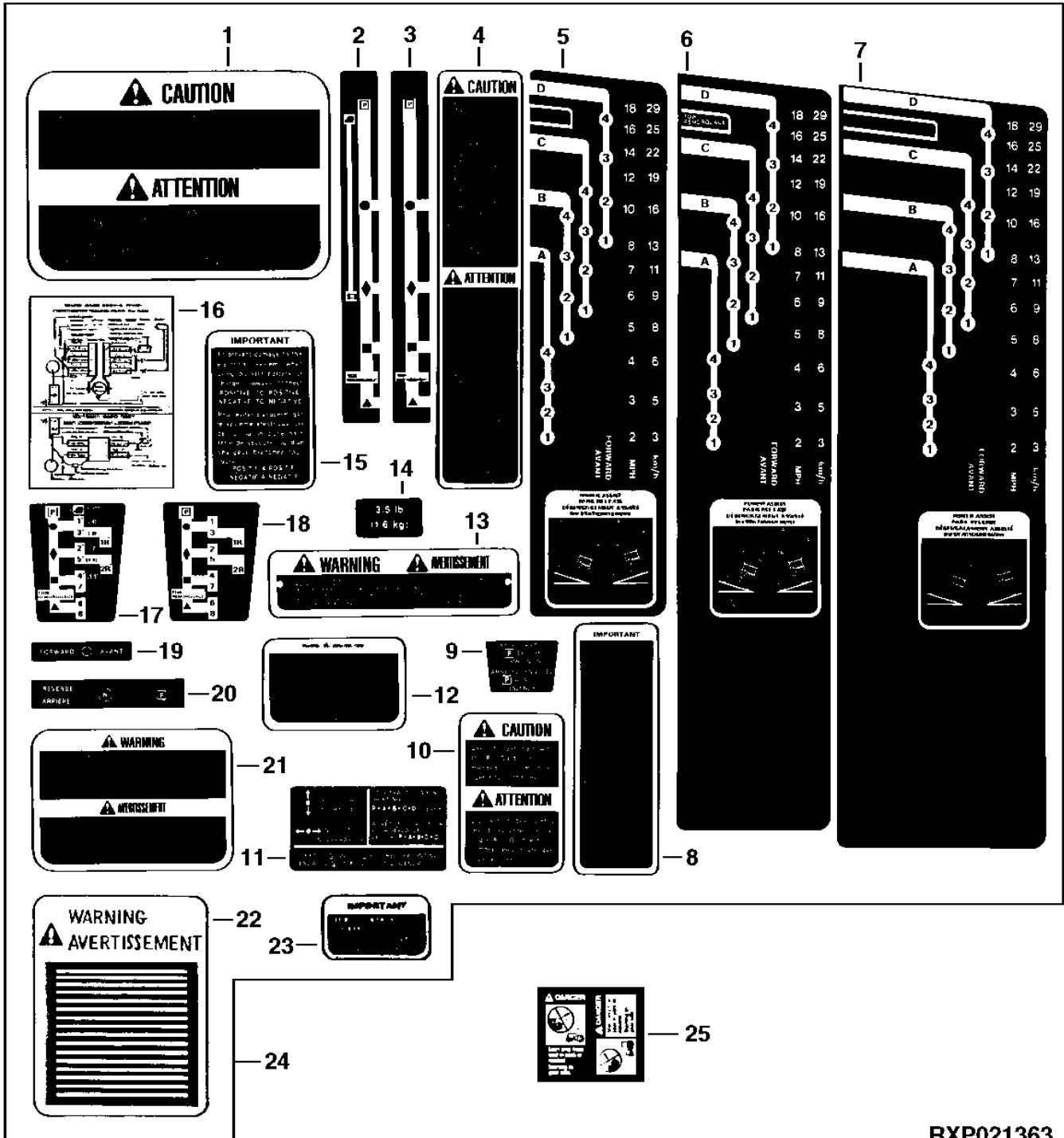
KEY	PART NO.	PART NAME	QTY	TRACTOR SERIAL NO.	REMARKS
1	03H1492	BOLT	2		1/2" X 2"
2	19H2898	CAP SCREW	4		1/2" X 1-1/4"
3	R117017	ANGLE	1		
4	19H2898	CAP SCREW	2		1/2" X 1-1/4"
5	24H1254	WASHER	4		17/32" X 1-1/8" X 0.105"
6	14H1040	NUT	4		1/2"
7	R120464	PLATE	1		
8	RE48040	SUPPORT	1		
9	19H1731	CAP SCREW	16		3/8" X 1"
10	24H1305	WASHER	16		13/32" X 13/16" X 0.065"
11	R112919	PLATE	2		
12	14H1076	NUT	16		3/8"
13	RE49428	STEP	3		
14	K40003	LOCK NUT	4		
15	14H1040	NUT	2		1/2"
16	24H1254	WASHER	2		17/32" X 1-1/8" X 0.105"
17	R113614	STRAP	2		
18	03H1558	BOLT	3		3/8" X 1-1/2"
19	R116468	HANDLE	1		
20	03H1522	BOLT	2		1/2" X 1-1/4"
21	RE61690	KIT	1		
22	12H301	LOCK WASHER	2		1/2"
23	14H1040	NUT	2		

# 4C21

WHEELS, FRONT AXLES, SHEET METAL

BI-LINGUAL DECAL SET  
(ENGLISH AND FRENCH)  
(NOT USED IN U.S.)

RXP021363 -UN-06NOV95



RXP021363

# 4C22

WHEELS, FRONT AXLES, SHEET METAL

**BI-LINGUAL DECAL SET - CONTINUED  
(ENGLISH AND FRENCH)  
(NOT USED IN U.S.)**

KEY	PART NO.	PART NAME	QTY	TRACTOR SERIAL NO.	REMARKS
1	R70072	LABEL	1		SAFETY, (SUB R117680)
2	R66017	LABEL	1		
3	R66009	LABEL	1		
4	R81088	LABEL	1		SAFETY, (SUB FOR R70085)
5	R74912	LABEL	1		(SUB FOR R66021) SAFETY
6	R74901	LABEL	1		(SOUND-GARD BODY) (SUB FOR R66620)
	R74907	LABEL	1		(ROLL-GARD) (SUB FOR R66619)
7	R74901	LABEL	1		(SOUND-GARD BODY) (SUB FOR R66006)
	R74907	LABEL	1		(ROLL-GARD) (SUB FOR R66005)
	R74912	LABEL	1		(LESS SOUND-GARD BODY OR ROLL-GARD) (SUB FOR R66021)
8	R70086	LABEL	1		INSTRUCTION
9	R66024	LABEL	1		PARK
10	R66015	DECAL	1		(ROLL-GARD)
11	R66013	LABEL	1		SHIFT
12	R66010	LABEL	1	-XXXXXX	DRY AIR
13	R66019	DECAL	1		SAFETY
14	R66018	LABEL	1		COMPRESSOR
15	.....	LABEL	1		BATTERY (NO LONGER AVAILABLE)
16	R66011	LABEL	1		WIRING
17	R66016	LABEL	1		
18	R66008	LABEL	1		
19	R66023	LABEL	1		
20	R66022	LABEL	1		
21	R66004	LABEL	1		PTO, (SUB R120112)
22	R83319	LABEL	1		(ROPS WARNING) (SUB R120125)
23	R71311	LABEL	1		
24	AR85633	KIT	1		(CANADA) (SUB AR104079) (NO LONGER AVAILABLE)
	AR85451	KIT	1		(CANADA) SLOW SPEED OVERLOAD
25	T146102	WARNING LABEL	1		(ENGLISH) BY-PASS START, (SUB FOR T84409 OR T134459)
	T146104	WARNING LABEL	1		(FRANCAIS) (SUB FOR T84411 OR T134453)
	T146515	WARNING LABEL	1		(DEUTSCH) (SUB FOR T84412 OR T134454)
	T146516	WARNING LABEL	1		(ITALIANO) (SUB FOR T84413 OR T134455)
	T146106	WARNING LABEL	1		(ESPANOL) (SUB FOR T84410 OR T134452)
	T146517	WARNING LABEL	1		(ENGLISH/FRANCAIS) (SUB FOR T84578 OR T134456)

# 4C23

WHEELS, FRONT AXLES, SHEET METAL

RXP021364 -UN-06NOV95

## DECAL REFINISHING KIT

The image displays a decal refinishing kit for a tractor, organized into several sections:

- Top Left:** A large gear shift pattern decal (21) with gear positions labeled A, B, C, D, 1-8, 2R, 1R, and 29-25. It includes a 'TOW' position and a 'POWER ASSIST PARK RELEASE' section at the bottom.
- Top Center:** A gear shift pattern decal (14) with positions 4, 3, 2, 1, 2R, 1R and letters D, C, B, A, P.
- Top Right:** A vertical gear shift pattern decal (13) with positions 4, 3, 2, 1, 2R, 1R and letters D, C, B, A, P.
- Middle Left:** Two rectangular decal items (1 and 2) labeled 'REVERSE' and 'FORWARD' with gear symbols.
- Middle Center:** A rectangular decal (12) with a 'WARNING' symbol and text: 'USE CLUTCH STOP TRACTOR WHEN SHIFTING NO CLUTCH P·A·B·C·D LEVER SHIFT TO N AND TO P BEFORE DISMOUNTING'.
- Middle Right:** A vertical gear shift pattern decal (15) with positions 8, 7, 6, 5, 4, 3, 2, 1 and letters D, C, B, A, P.
- Bottom Left:** A large 'CAUTION' decal (4) with multiple lines of text. Below it is a 'CAUTION' decal (8) with a warning symbol and text.
- Bottom Center:** An 'IMPORTANT' decal (9) with text: 'To prevent damage to its electrical system when using booster battery or charger always connect NEGATIVE TO NEGATIVE'. Below it is another 'IMPORTANT' decal (6) with text: 'CLUTCH PEDAL: KEEP TRAVEL 2-6 INCH MAXIMUM WITH ENGINE RUNNING AT FAST IDLE. SEE OPERATORS MANUAL FOR ADJUSTING INSTRUCTIONS'.
- Bottom Right:** A 'WARNING' decal (16) with a warning symbol and text. Below it is a 'DRY AIR CLEANER' decal (18) with text: '1. Do not operate with a clogged, dirt clogged, or dirty air cleaner. 2. When the light on the instrument panel glows or when the light is flashing, check the air cleaner. 3. Stop the tractor before cleaning the air cleaner. 4. Wash the air cleaner in clean water. 5. Replace the primary air filter if it is damaged or if it is clogged with dirt. 6. Do not use a vacuum or other means to clean the air cleaner. 7. Do not use a compressed air stream to clean the air cleaner. DO NOT USE AIR.' Below that is another 'WARNING' decal (23) with a warning symbol and text.
- Other Decals:** Decal 10: 'STOP - SHIFT TO P BEFORE DISMOUNTING'. Decal 11: A gear shift pattern with positions 1-8, 2R, 1R and letters D, C, B, A, P. Decal 17: A diagram of a tractor's front axle assembly. Decal 19: A diagram of a tractor's front axle assembly. Decal 20: A diagram of a tractor's front axle assembly. Decal 22: A 'CAUTION' decal with a warning symbol and text.

RXP021364

# 4C24

WHEELS, FRONT AXLES, SHEET METAL

## DECAL SET - CONTINUED

KEY	PART NO.	PART NAME	QTY	TRACTOR SERIAL NO.	REMARKS
1	R55291	LABEL	1	(A)	(SUB FOR R53485)
2	R55290	LABEL	1	(A)	(SUB FOR R53484)
3	R64726	LABEL	1		(LESS SOUND-GARD BODY OR ROLL-GARD) (SUB R74909) (SUB FOR R53503, R56200 AND R63109)
4	R87529	LABEL	1		(B) (LESS SOUND-GARD BODY OR ROLL-GARD) (SUB R76341) (SUB FOR R51821)
5	R63465	LABEL	1		(SUB FOR R54039)
6	R34483	LABEL	1	(A)	
7	.....	LABEL	1		BATTERY (NO LONGER AVAILABLE)
8	R87527	LABEL	1		(SUB FOR R55286)
9	R67041	LABEL	1		(SUB FOR R54034 OR R55284)
10	R55287	LABEL	1	(A)	(SUB FOR R53483)
11	R55289	LABEL	1	(B)	(SUB FOR R53194)
	R55940	LABEL	1	(C)	
12	R83103	LABEL	1		PTO, (SUB FOR R64391) (SUB R120111)
13	R62957	LABEL	1	XXXXXX-	
14	R55292	LABEL	1	-XXXXXX	HI-LOW
	R62956	LABEL	1	XXXXXX-	
15	R55288	LABEL	1		(B) (SUB FOR R53195)
	R55941	LABEL	1		(C)
16	R83316	LABEL	1		ROPS WARNING, (SUB R120124)
17	R44315	LABEL	1		
18	R56902	LABEL	1	-XXXXXX	(SUB FOR R48632)
19	R53482	LABEL	1	(A)	
20	R41933	LABEL	1		
21	AR63586	LABEL	1		
22	T146102	WARNING LABEL	1		(ENGLISH) BY-PASS START, (SUB FOR T84409 OR T134459)
	T146106	WARNING LABEL	1		(ESPAÑOL) (SUB FOR T84410 OR T134452)
	T146104	WARNING LABEL	1		(FRANCAIS) (SUB FOR T84411 OR T134453)
	T146515	WARNING LABEL	1		(DEUTSCH) (SUB FOR T84412 OR T134454)
	T146516	WARNING LABEL	1		(ITALIANO) (SUB FOR T84413 OR T134455)
	T146517	WARNING LABEL	1		(ENGLISH/FRANCAIS) (SUB FOR T84578 OR T134456)
23	R80752	LABEL	1		ACCUMULATOR (ENGLISH) (SUB R120109)
	R80753	LABEL	1		ACCUMULATOR (ESPAÑOL) (SUB R120110)
	R80754	LABEL	1		ACCUMULATOR (FRANCAIS)
	R82337	LABEL	1		ACCUMULATOR (DEUTSCH)
..	R74903	PLATE	1		GROUND SPEED CHART (ROLL-GARD) (SUB FOR R53505, R58037 OR R63107)
..	R63108	PLATE	1		GROUND SPEED CHART (SOUND-GARD BODY) (SUB FOR R53506 AND R58038)

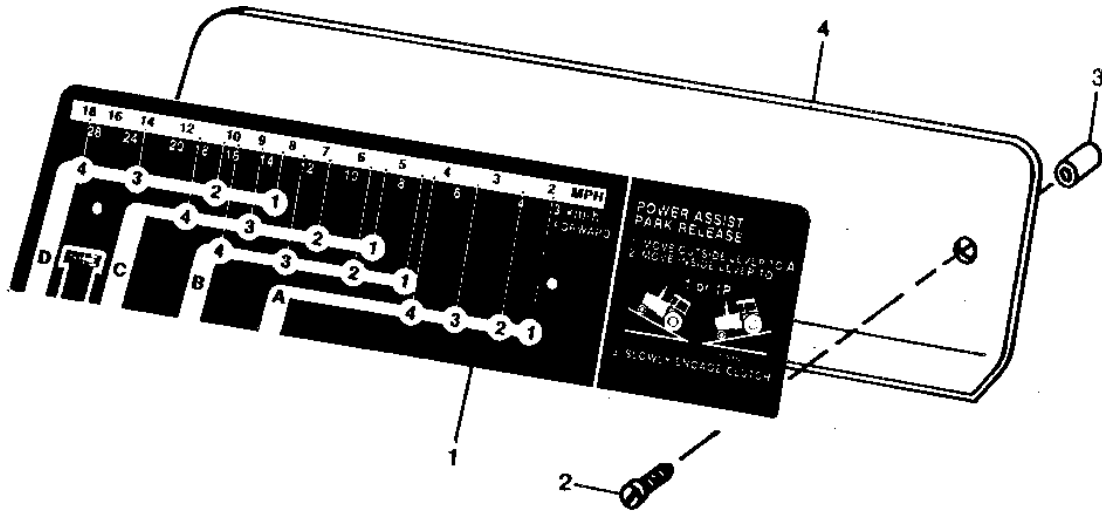
- (A) POWER SHIFT
- (B) SYNCHRO-RANGE
- (C) CREEPER

# 4C25

WHEELS, FRONT AXLES, SHEET METAL

RWP2734 -UN-01JAN94

## GROUND SPEED CHART



**RWP 2734**

KEY	PART NO.	PART NAME	QTY	TRACTOR SERIAL NO.	REMARKS
1	R74904	LABEL	1	(A) (D) (SUB R74898)	
	R74898	LABEL	1	(B) (D)	
	R74909	LABEL	1	(C) (D)	
	R74899	LABEL	1	(A) (E) (SUB FOR R74905)	
	R74899	LABEL	1	(B) (E)	
	R74910	LABEL	1	(C) (E)	
	R74906	LABEL	1	(A) FRENCH	
	R74900	LABEL	1	(B) FRENCH	
	R74907	LABEL	1	(A) (F)	
	R74901	LABEL	1	(B) (F)	
	R74912	LABEL	1	(C) (F)	
	2	R53508	SCREW	3	(B)
37H196		SCREW	3	(A) (SUB FOR R52708)	
3	R53478	SLEEVE	3	(B)	
	R74903	PLATE	1	(A) (ALSO ORDER LABEL) (SUB FOR R65305) (SUB R74897)	
	R74897	PLATE	1	(B) (ALSO ORDER LABEL) (SUB FOR R65304)	

- (A) ROLL-GARD
- (B) SOUND-GARD BODY
- (C) LESS SOUND-GARD BODY AND ROLL-GARD
- (D) ENGLISH
- (E) SPANISH
- (F) BI-LINGUAL

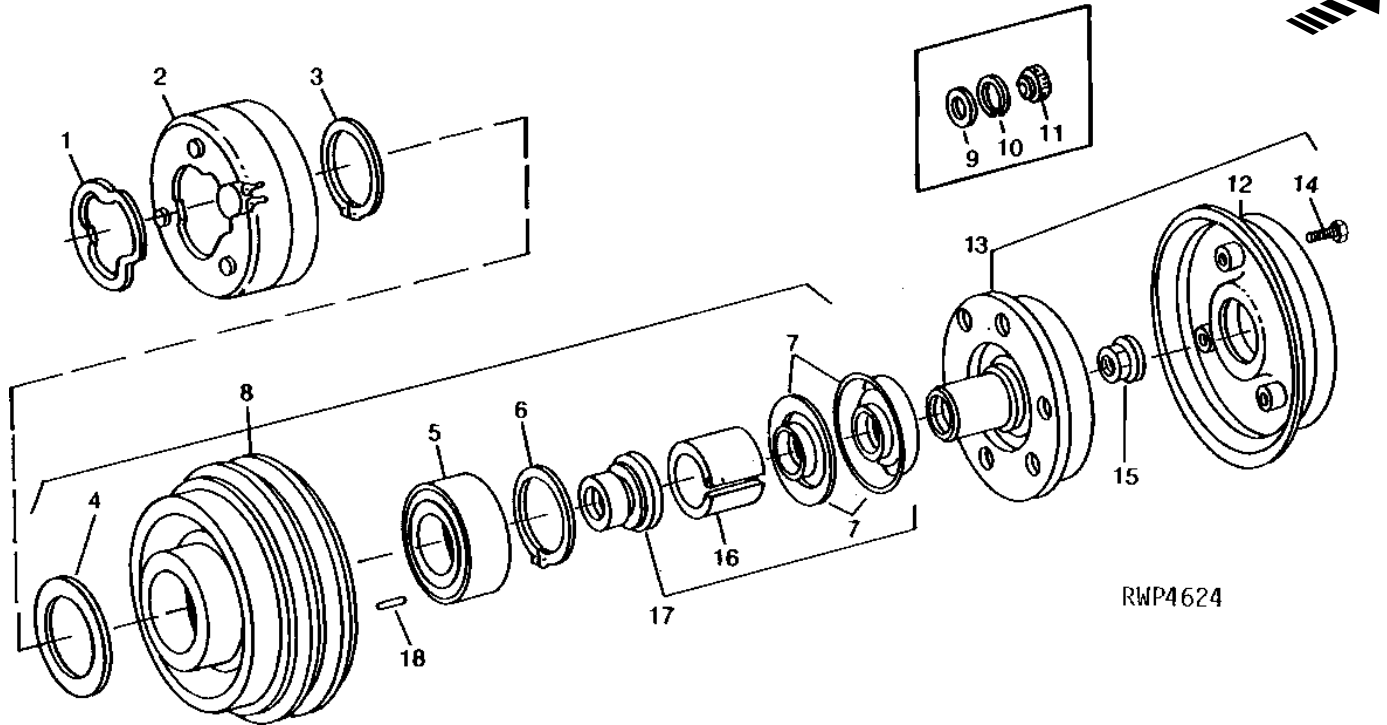


# 4D4

OPERATOR'S STATION

RWP4624 -UN-01JAN94

## COMPRESSOR COIL, CLUTCH, AND PULLEY



RWP4624

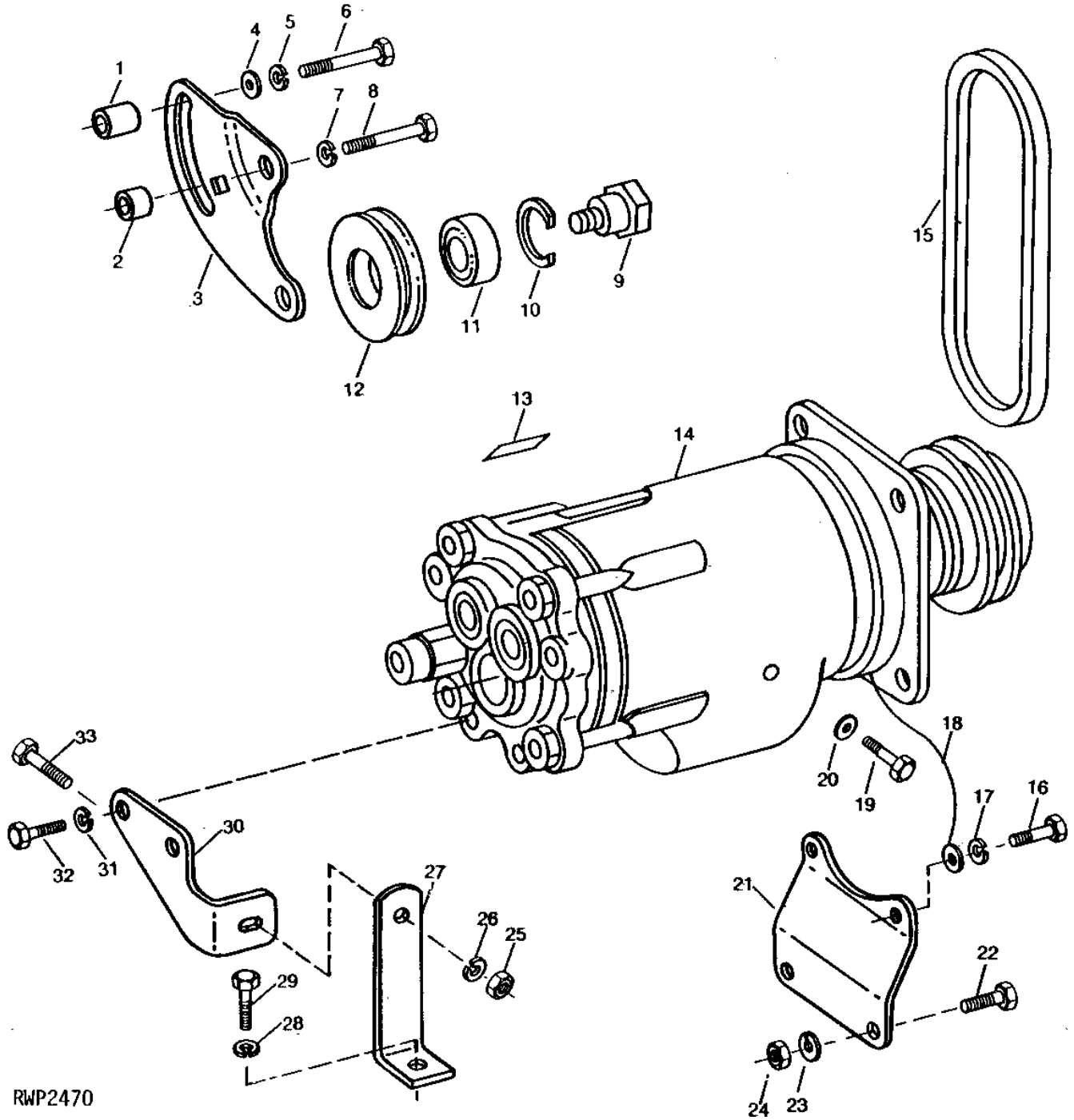
KEY	PART NO.	PART NAME	QTY	TRACTOR SERIAL NO.	REMARKS
1	R56246	GASKET	1		(ALSO ORDER AR71289)
2	AR49803	ELECTRICAL COIL	1		(ALSO ORDER AR71289)
3	R47224	SNAP RING	1		(ALSO ORDER AR71289)
4	R54766	WASHER	1		(ALSO ORDER AR71289)
5	AR71288	BALL BEARING	1		
6	R47226	SNAP RING	1		(ALSO ORDER AR71289)
7	AR71289	SHIELD	1		
8	AR71287	PULLEY	1		
9	R47230	WASHER	1	-XXXXXX	(SUB R69297, THIS APPLICATION)
10	R47231	SNAP RING	1	-XXXXXX	(SUB R69297)
11	R47232	NUT	1	-XXXXXX	(SUB R69297)
12	AR71290	COVER	1		
13	AR71286	CLUTCH	1		
14	37H32	SCREW	3		0.190" X 3/8"
15	R69297	FLANGE NUT	1	XXXXXX-	
16	R47227	SEAL	1		(ALSO ORDER AR71289)
17	AR71285	KIT	1		SEAL
18	R47229	SHAFT KEY	1		

# 4D5

OPERATOR'S STATION

## COMPRESSOR, MOUNTING BRACKETS AND IDLER PULLEY (TRACTOR SERIAL NO. -007171)

RWP2470 -UN-01JAN94



RWP2470

# 4D6

OPERATOR'S STATION

**COMPRESSOR, MOUNTING BRACKETS AND IDLER PULLEY - CONTINUED**  
(TRACTOR SERIAL NO. -007171)

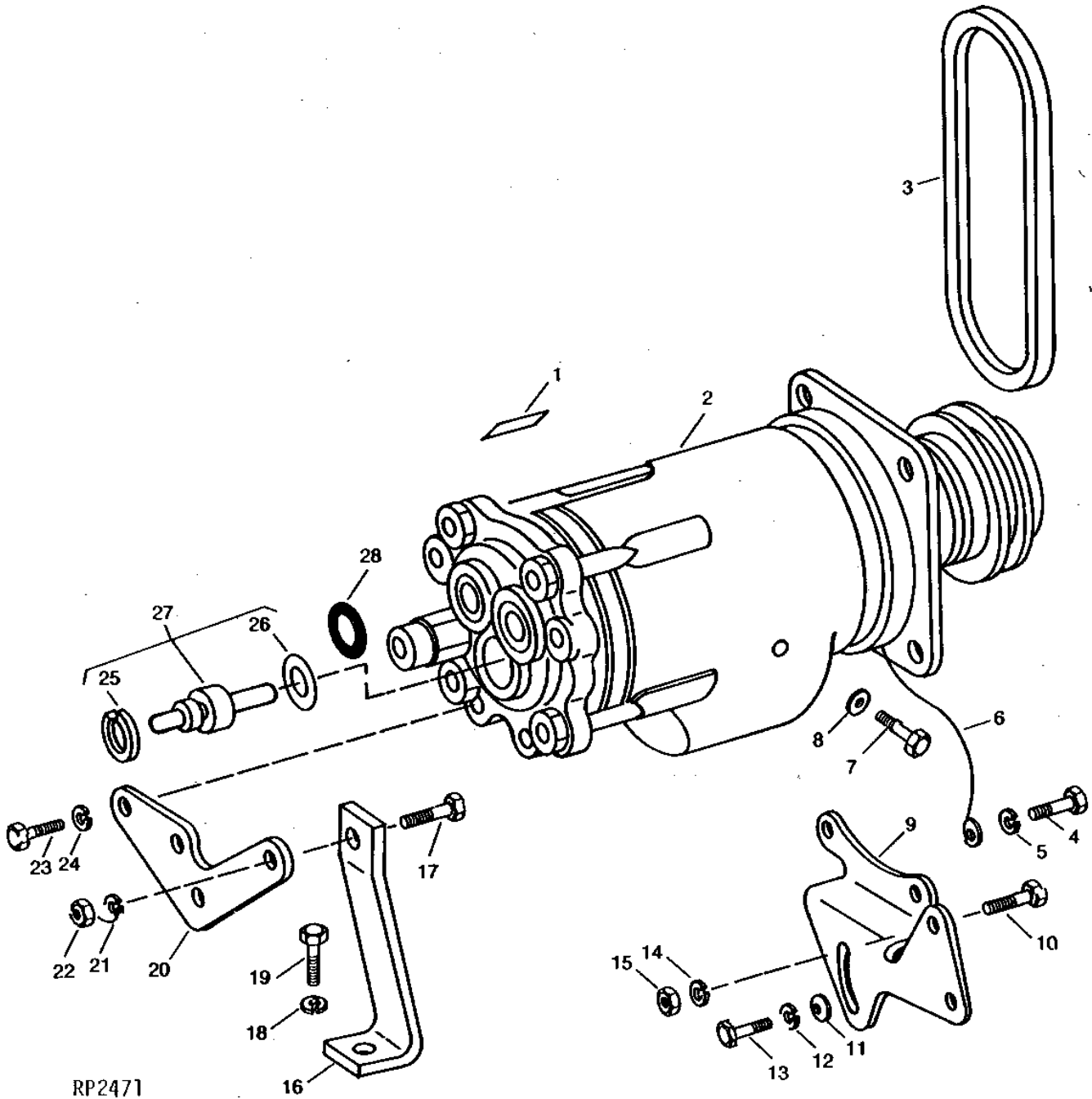
KEY	PART NO.	PART NAME	QTY	TRACTOR SERIAL NO.	REMARKS
1	28H1522	SPACER	1		3/8" X 11/16"
2	28H1518	WASHER	1		3/8" X 5/16"
3	AR59661	BRACKET	1		
4	24H1305	WASHER	1		13/32" X 13/16" X 0.065"
5	12H304	LOCK WASHER	1		3/8"
6	19H2128	CAP SCREW	1		3/8" X 3"
7	12H304	LOCK WASHER	1		3/8"
8	19H2553	CAP SCREW	1		3/8" X 2-5/8"
9	R53257	BOLT	1		
10	D398R	SNAP RING	1		
11	JD7142	BALL BEARING	1		
12	R53255	IDLER	1		
13	R42822	LABEL	1		
14	AR77343	COMPRESSOR	1	-XXXXXX	(SUB AR92109, 19M7170, (3) 19M7163, (2) 19M7662, (3) 12M7065 AND (3) 12M7066) (SUB FOR AR60948 OR AR68802)
	AR92109	COMPRESSOR	1	XXXXXX-	(SUB TY6665)
	TY6665	COMPRESSOR	1		(REMANUFACTURED)
15	R53258	BELT	1		
16	19H2529	CAP SCREW	2	-XXXXXX	5/16" X 1"
	19M7163	CAP SCREW	2	XXXXXX-	M8 X 25
	12M7065	LOCK WASHER	2	XXXXXX-	M8
17	12H303	LOCK WASHER	2	-XXXXXX	5/16"
18	AR48957	WIRING LEAD	1		
19	R47233	PLUG	1		
20	R47234	WASHER	1		
21	R55277	BRACKET	1		(SUB FOR R53252)
22	19H1731	CAP SCREW	1		3/8" X 1"
	19H1732	CAP SCREW	1		3/8" X 1-1/4"
23	12H304	LOCK WASHER	2		3/8"
24	14H1076	NUT	2		3/8"
25	14H1040	NUT	1		1/2"
26	12H301	LOCK WASHER	1		1/2"
27	R53254	SUPPORT	1		
28	12H301	LOCK WASHER	1		1/2"
29	19H1815	CAP SCREW	1		1/2" X 1-1/4"
30	R53253	BRACKET	1		(NLA)
31	12H304	LOCK WASHER	2	-XXXXXX	3/8"
32	19H1731	CAP SCREW	2	-XXXXXX	3/8" X 1"
	19M7662	CAP SCREW	2	XXXXXX-	M10 X 30
	12M7066	LOCK WASHER	2	XXXXXX-	10M
33	19H1815	CAP SCREW	1		1/2" X 1-1/4"
..	AR67939	KIT	1	004529-007171	COMPRESSOR DRIVE AND MOUNTING
..	TY6384	OIL	1		0.9L (1 QT.) (SUB FOR R49856)

# 4D7

OPERATOR'S STATION

RP2471 -UN-01JAN94

COMPRESSOR AND MOUNTING BRACKETS  
(TRACTOR SERIAL NO. 007172- )



# 4D8

OPERATOR'S STATION

**COMPRESSOR AND MOUNTING BRACKETS - CONTINUED**  
(TRACTOR SERIAL NO. 007172 - )

KEY	PART NO.	PART NAME	QTY	TRACTOR SERIAL NO.	REMARKS
1	R42822	LABEL	1		
2	AR77343	COMPRESSOR	1	-XXXXXX	(SUB AR92109, 19M7170, (3) 19M7163, (2) 19M7662, (3) 12M7065 AND (3) 12M7066) (SUB FOR AR68802)
	AR92109	COMPRESSOR	1	XXXXXX-	(SUB TY6665)
	TY6665	COMPRESSOR	1		(REMANUFACTURED)
3	R56858	BELT	1		(A)
4	19H2529	CAP SCREW	2	-XXXXXX	5/16" X 1"
	19M7163	CAP SCREW	2	XXXXXX-	M8 X 25
5	12H303	LOCK WASHER	2	-XXXXXX	5/16"
	12M7065	LOCK WASHER	2	XXXXXX-	M8
6	AR48957	WIRING LEAD	1		
7	R47233	PLUG	1		
8	R47234	WASHER	1		
9	R56855	SUPPORT	1		(A)
10	19H1732	CAP SCREW	1		(A) 3/8" X 1-1/4"
11	24H1309	WASHER	1		(A) 13/32" X 1-1/16" X 0.120"
12	12H304	LOCK WASHER	1		(A) 3/8"
13	19H2284	CAP SCREW	1		(A) 3/8" X 7/8"
14	12H304	LOCK WASHER	1		(A) 3/8"
15	14H1076	NUT	1		(A) 3/8"
16	R56857	SUPPORT	1		(A)
17	19H1732	CAP SCREW	1		(A) 3/8" X 1-1/4"
18	12H301	LOCK WASHER	1		1/2"
19	19H1815	CAP SCREW	1		1/2" X 1-1/4"
20	R56856	BRACKET	1	-013938	(A)
	R62716	SUPPORT	1	013939-	(ALSO ORDER R67225)
21	12H304	LOCK WASHER	1		(A) 3/8"
22	14H1076	NUT	1		(A) 3/8"
23	19H1731	CAP SCREW	2	-XXXXXX	3/8" X 1"
	19M7662	CAP SCREW	2	XXXXXX-	M10 X 30
24	12H304	LOCK WASHER	2	-XXXXXX	3/8"
	12M7066	LOCK WASHER	2	XXXXXX-	M10
25	R63571	SNAP RING	1	013939-	
26	32240	O-RING	1	013939-	
27	AR78501	KIT	1	013939-	SUPERHEAT ASSEMBLY
28	R47235	O-RING	2		(SUB R74210)
..	TY6384	OIL	1		(SUB FOR R49856) 0.9L (1 QT.)
..	AR67939	KIT	1	004529-007171	COMPRESSOR DRIVE AND MOUNTING

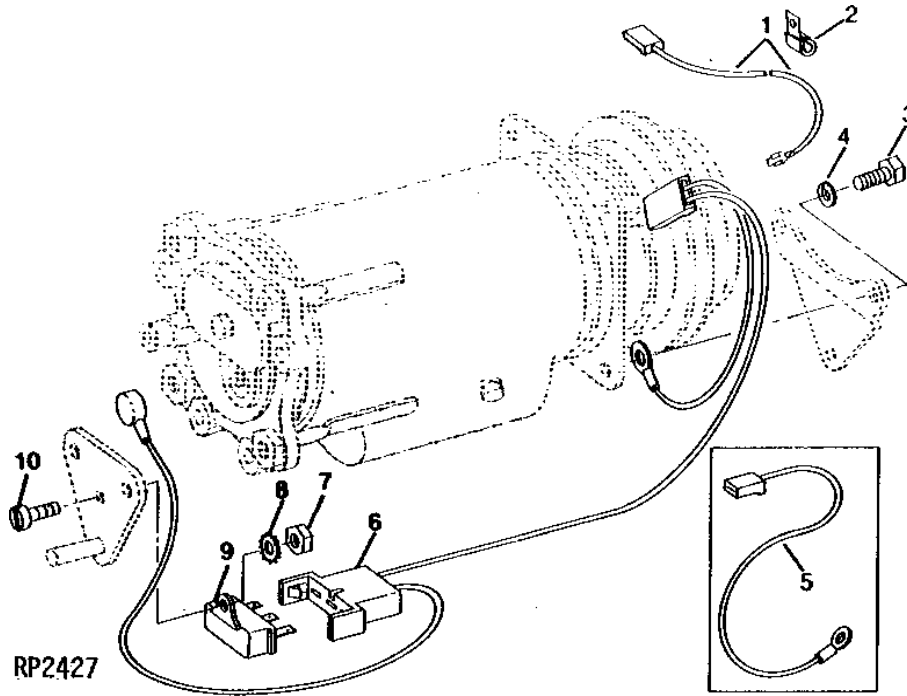
(A) INCLUDED IN AR67939

# 4D9

OPERATOR'S STATION

RP2427 -UN-01JAN94

## AIR COMPRESSOR WIRING HARNESS



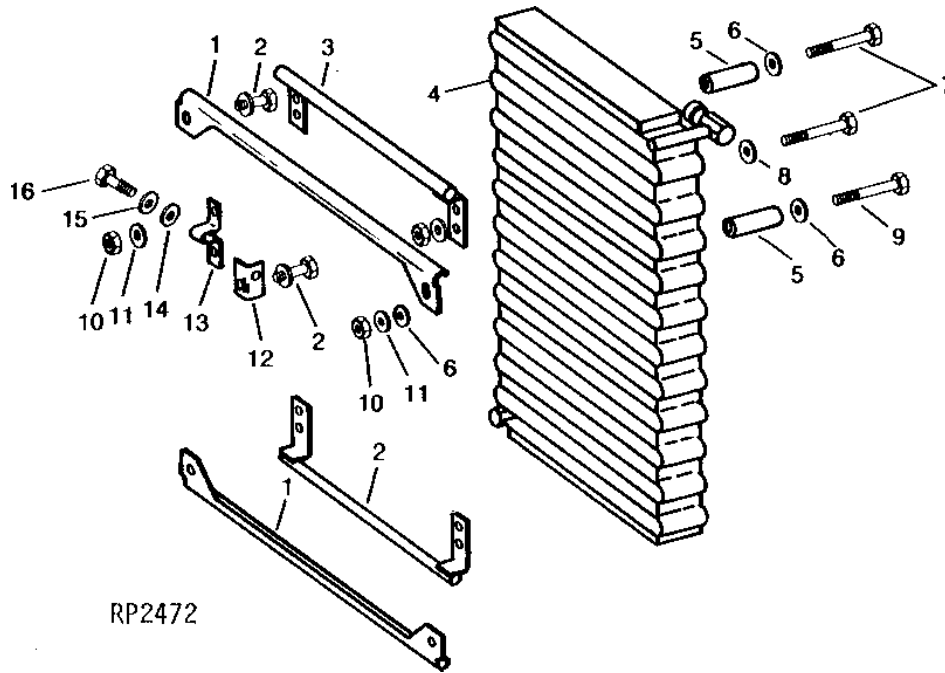
KEY	PART NO.	PART NAME	QTY	TRACTOR SERIAL NO.	REMARKS
1	AR51569	WIRING LEAD	1	-XXXXXX	
	AR69977	WIRING LEAD	1	XXXXXX-013938	
	AR77346	WIRING LEAD	1	013939-	
2	T32231	CLAMP	1		(SUB FOR T15737)
3	19H2529	CAP SCREW	3		5/16" X 1"
4	12H303	LOCK WASHER	3		5/16"
5	AR48957	WIRING LEAD	1	-013938	
6	AR77345	WIRING HARNESS	1	013939-	
7	14H631	NUT	1	013939-	0.190"
8	12M7060	WASHER	1	013939-	0.209"
9	AR77344	FUSE	1	013939-	
10	21H1295	SCREW	1	013939-	0.190" X 5/8"

# 4D10

OPERATOR'S STATION

RP2472 -UN-01JAN94

## CONDENSER AND MOUNTING BRACKETS



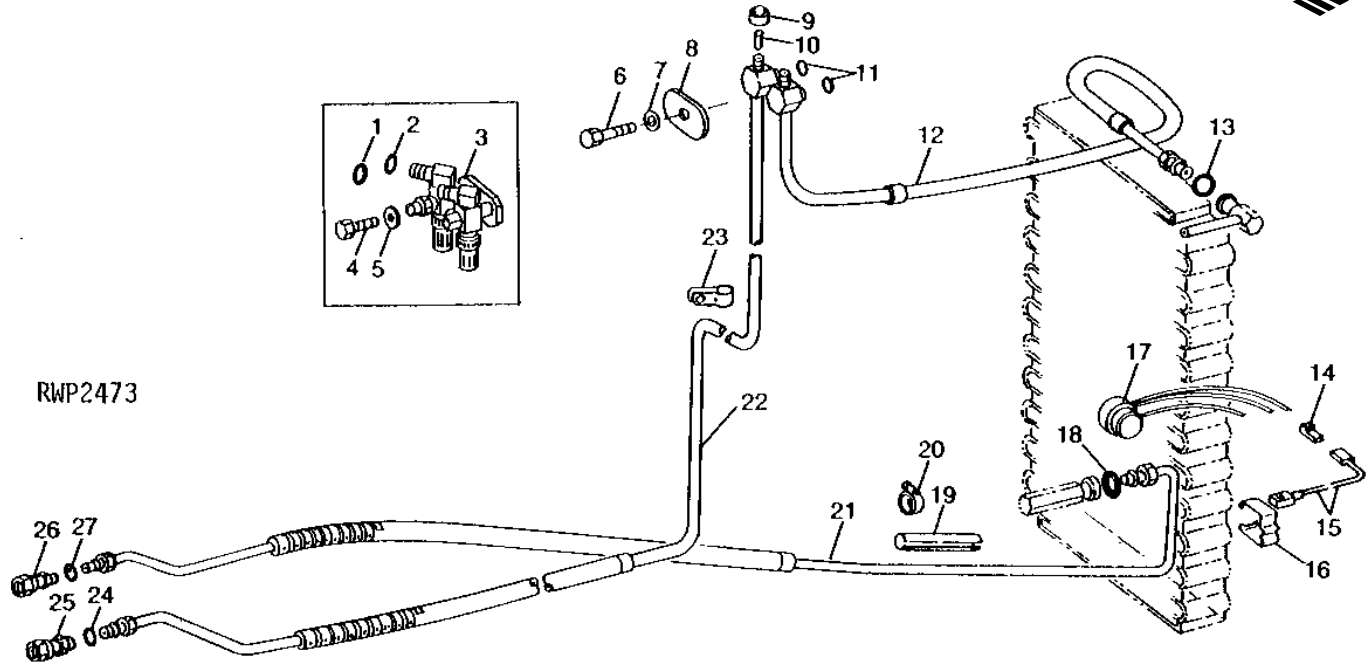
KEY	PART NO.	PART NAME	QTY	TRACTOR SERIAL NO.	REMARKS
1	R53615	BRACKET	2		
2	AR58652	BOLT	5		
3	AR60938	CHUTE	2	-005648	
	AR65789	CHUTE	2	005649-	
4	AR61889	VAPOR CONDENSER	1	-005648	
	AR65854	VAPOR CONDENSER	1	005649-	
5	R53619	SLEEVE	7		(SUB FOR R53767 AND R53618)
6	24H1292	WASHER	4		11/32" X 3/4" X 0.120"
	24H1294	WASHER	8		11/32" X 1-1/8" X 1/16"
7	19H1904	CAP SCREW	6		5/16" X 3"
8	24H1309	WASHER	4		13/32" X 1-1/16" X 0.120"
9	19H1907	CAP SCREW	1		5/16" X 2-3/4"
10	14H785	NUT	7		5/16"
11	12H303	LOCK WASHER	7		5/16"
12	R53768	STOP	1		
13	R53766	BRACKET	1		
14	24H1136	WASHER	1		11/32" X 11/16" X 0.065"
15	12H303	LOCK WASHER	1		5/16"
16	19H1849	CAP SCREW	1		5/16" X 1-1/4"

# 4D11

OPERATOR'S STATION

RWP2473 -UN-01JAN94

## SERVICE VALVE AND CONDENSER PIPES



KEY	PART NO.	PART NAME	QTY	TRACTOR SERIAL NO.	REMARKS
1	R33259	O-RING	1	-013680	(SUB FOR U11646)
2	P51212	O-RING	2	-013680	
3	AR58283	VALVE	1	-013680	
4	19H1938	CAP SCREW	1	-013680	3/8" X 13/16"
5	12H304 24H1884	LOCK WASHER WASHER	1	-013680	3/8"
6	19H2959	CAP SCREW	1	013681-	3/8" X 2"
7	24H1884	WASHER	1	013681-	13/32" X 13/16" X 0.120"
8	R60171	STRAP	1	013681-	
9	R60172	NUT	2	013681-	
10	R60170	VALVE	2	013681-	
11	R47235	O-RING	2		(SUB R74210)
12	AR59783	HOSE	1	-013680	(SUB RE57315)
	AR75565	LINE	1	013681-	(ILLUSTRATED) (SUB RE57325)
13	P51212	O-RING	1		
14	T28583	RECEPTACLE	3		
15	AR51569	WIRING LEAD	1	-049347	
	AR69977	WIRING LEAD	1	049348-	
16	R56453	CLIP	1	-049347	
17	AR55214	THERMOSTAT	1	-049347	
18	R10093	O-RING	1		
19	R53626	CUSHION	1		(NO LONGER AVAILABLE)
20	AR21839	CLAMP	1		
21	AR60592	LINE	1	-003891	
	AR58284	LINE	1	003892-004528	(SUB RE57313)
	.....	ISOLATOR	1	003892-004528	(MAKE FROM R30596)
	R44302	TIE BAND	1	003892-004528	
	AR65753	HOSE	1	004529-	(SUB RE57321)
	R65436	SHIELD	1		
22	AR68804	LINE	1	-004528	(SUB FOR AR59784) (SUB RE65913)
	AR65751	HOSE	1	004529-007171	
	AR67935	HOSE	1	007172-013680	(SUB RE57322)
	AR75566	LINE	1	013681-	(ILLUSTRATED) (SUB RE57326)
	R65436	SHIELD	1		



# 4D12

OPERATOR'S STATION

## SERVICE VALVE AND CONDENSER PIPES - CONTINUED

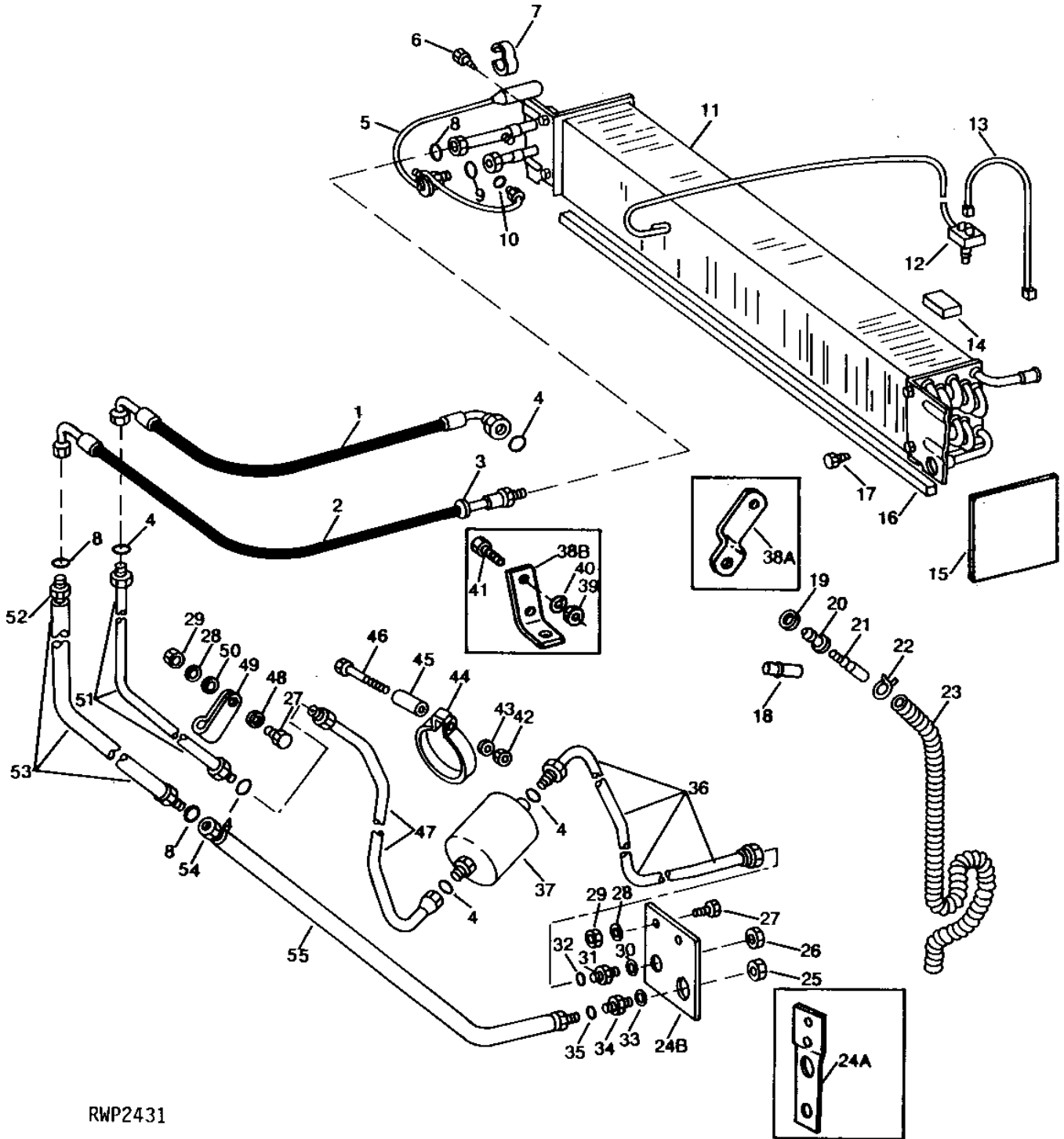
KEY	PART NO.	PART NAME	QTY	TRACTOR SERIAL NO.	REMARKS
23	R54102	HALF CLAMP	1		
24	B15646	O-RING	1		
25	AR58287	EXTERNAL HALF COUPLER	1		
26	AH21763	EXTERNAL HALF COUPLER	1		(SUB FOR AR58285)
27	P50883	RING	1		
..	R76477	TIE BAND	AR		(SUB FOR R45440)
..	AT66632	KIT	1		AIR CONDITIONING O-RING

# 4D13

OPERATOR'S STATION

RWP2431 -UN-01JAN94

## EVAPORATOR AND REAR PIPES



# 4D14

OPERATOR'S STATION

## EVAPORATOR AND REAR PIPES - CONTINUED

KEY	PART NO.	PART NAME	QTY	SG BODY SERIAL NO.	REMARKS
1	AR58282	HOSE	1		(B) (SUB RE57312)
	AR83521	HOSE	1		(A) (SUB RE55554)
2	AR58277	HOSE	1		(C)
3	R50456	GROMMET	1		
	R65476	GROMMET	1		(A)
4	R10093	O-RING	5		
5	AH140818	VALVE	1		(SUB AH140818)
6	37M7245	SCREW	2	106795-	NO. 10 X 3/8"
7	R66645	CLIP	2		(SUB FOR R50480)
8	R33259	O-RING	3		(SUB FOR U11646)
9	P51212	O-RING	1		
10	R34812	O-RING	1		
11	AR58152	EVAPORATOR	1	-076140	
	AR88076	EVAPORATOR	1	076141-	(A) (SUB FOR AR79362, AR85245 OR AR73463)
12	AR59779	AC/HEAT TEMPERATURE SWITCH	1		(ALSO ORDER R44165) THERMOSTAT
13	.....	WIRING LEAD	1		76MM (3") (MAKE FROM R66319 AND (2) R32028)
14	R52133	FOAM PAD	2		
15	R52128	FOAM PAD	2	-076140	
16	R50696	ISOLATOR	1		
17	37H49	SCREW	6	-106794	NO. 10 X 1/2"
	37H49	SCREW	3	106795-	NO. 10 X 1/2"
18	R50693	TUBE	2	-XXXXXX	
19	F2741R	PACKING	2	XXXXXX-	
20	R60263	BUSHING	2	XXXXXX-	
21	R60264	HOSE	2	XXXXXX-	
22	R69319	CLAMP	2		
23	H97644	CONDUIT	2		(SUB FOR R50452)
24A	R52320	BRACKET	1	-004528	
24B	R56005	BRACKET	1	004529-	
25	R52998	NUT	1		(C)
26	R53000	NUT	1		(B)
27	19H1731	CAP SCREW	4		3/8" X 1"
28	12H304	LOCK WASHER	4		3/8", (SUB FOR R53668)
29	14H1076	NUT	4		3/8", (SUB FOR R53670)
30	R57637	WASHER	1		(B)
31	AH21762	INTERNAL HALF COUPLER	1		(SUB FOR AR58148)
32	P50883	RING	1		
33	R57636	WASHER	1		(B)
34	AR58147	INTERNAL HALF COUPLER	1		(C)
35	B15646	O-RING	1		
36	AR59781	LINE	1	-004528	(B)
	AR65754	LINE	1	004529-	(B) (SUB RE37063)
37	AR74486	RECEIVER	1		(SUB FOR AR59780) (SUB RE49169)
38A	R53421	SUPPORT	1	-004528	
38B	R56006	SUPPORT	1	004529-041056	
39	R53670	WELD NUT	1	-041056	
40	R53668	THRUST WASHER	1	-041056	
41	R53663	SELF-LOCKING SCREW	1	-041056	
42	14H1076	NUT	1		3/8", (SUB FOR R53670)
43	12H304	LOCK WASHER	1		3/8", (SUB FOR R53668)
44	R53422	CLAMP	1		(SUB 99M7102)
45	28H3380	SPACER	1	041057-	3/8" X 1-5/8"
46	19H1800	CAP SCREW	1	-041056	3/8" X 1-1/2"
	19H1912	CAP SCREW	1	041057-	3/8" X 3-1/2"
47	AR58280	LINE	1	-004528	(B)
	AR65756	LINE	1	004529-	(B)
48	A4231R	WASHER	2		(SUB FOR A2764R)
49	R51891	CLAMP	1		(B)
	R51892	CLAMP	1		(C)
50	24H1884	WASHER	2		13/32" X 13/16" X 0.120"
51	AR58281	LINE	1		(B)
52	AR58278	LINE	1		(C)
53	R77896	INSULATOR	1		(SUB FOR R53098 OR R55823)
54	AR58279	LINE	1	-004528	(C) (D)
	AR65755	LINE	1	004529-	(C) (D)
55	R79350	INSULATOR	1		(SUB FOR R53098 AND R54783)
..	R57003	TAPE	1		(9.14 M) ROLL, (SUB TY15709)
..	AT66632	KIT	1		AIR CONDITIONING O-RING
..	AR71722	CLAMP	1		AIR CONDITIONING CLAMPS AND HARDWARE

(A) REPLACEMENT SGB OR REPLACEMENT INNER  
(C) RETURN

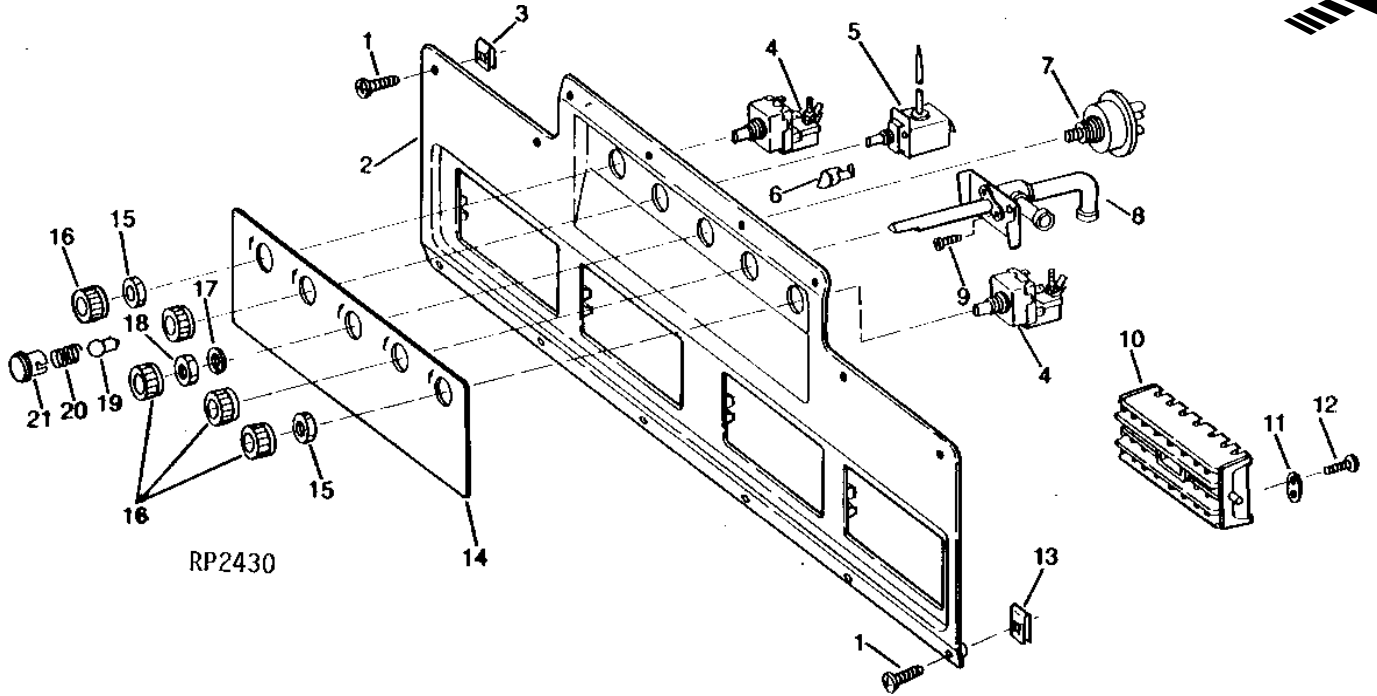
(B) PRESSURE  
(D) TRACTOR SERIAL NUMBER

# 4D15

OPERATOR'S STATION

RP2430 -UN-01JAN94

## AIR LOUVER AND PANEL



KEY	PART NO.	PART NAME	QTY	SG BODY SERIAL NO.	REMARKS
1	R50499	SCREW	14	-049347	
	R81456	SCREW	14	049348-	
2	R50589	BEZEL	1	-049347	(SUB AH118028)
	R58003	PANEL	1	049348-	(SUB AH118028)
	H121828	BEZEL	1		(INCLUDED IN AH118028)
3	R52130	LOCK NUT	8		(REAR)
4	AR64992	WIPER SWITCH	2		(SUB FOR AR57228)
5	AR59779	AC/HEAT TEMPERATURE SWITCH	1		(ALSO ORDER R44165)
6	AH80591	DIRECTION INDICATOR	1	-049347	(B)
7	AR53155	SWITCH	1		
8	AR70418	REGULATOR	1		(SUB FOR AR54523) (SUB AR100056 AND TY22399)
9	37H98	SCREW	2		NO. 10 X 7/8"
10	AR56699	LOUVER	4	-049347	
	AR69697	LOUVER	4	049348-	
	AR93533	AIR DUCT	8		(USE WITH H121828) (INCLUDED IN AH118028)
11	R50455	SLAT	8	-049347	
12	A4997R	SCREW	16	-049347	
13	R50500	NUT	6		(FRONT)
14	R52237	LABEL	1	-049347	(A)
	R72398	LABEL	1	049348-	(A) (SUB FOR R59221) (ORDER R87574)
	R52236	LABEL	1		(A)
	R52235	LABEL	1		(A)
	R52234	LABEL	1		(A)
15	R44165	LOCK NUT	2		
16	AR69370	KNOB	5		(SUB FOR AR49969)
17	12H292	LOCK WASHER	1		1/2"
18	A4655R	NUT	1		
19	AH61036	LAMP	1	-049347	(B)
20	R30378	SPRING	1	-049347	(B)
21	AT34928	LENS	1	-049347	(B) (SUB FOR AR60653)

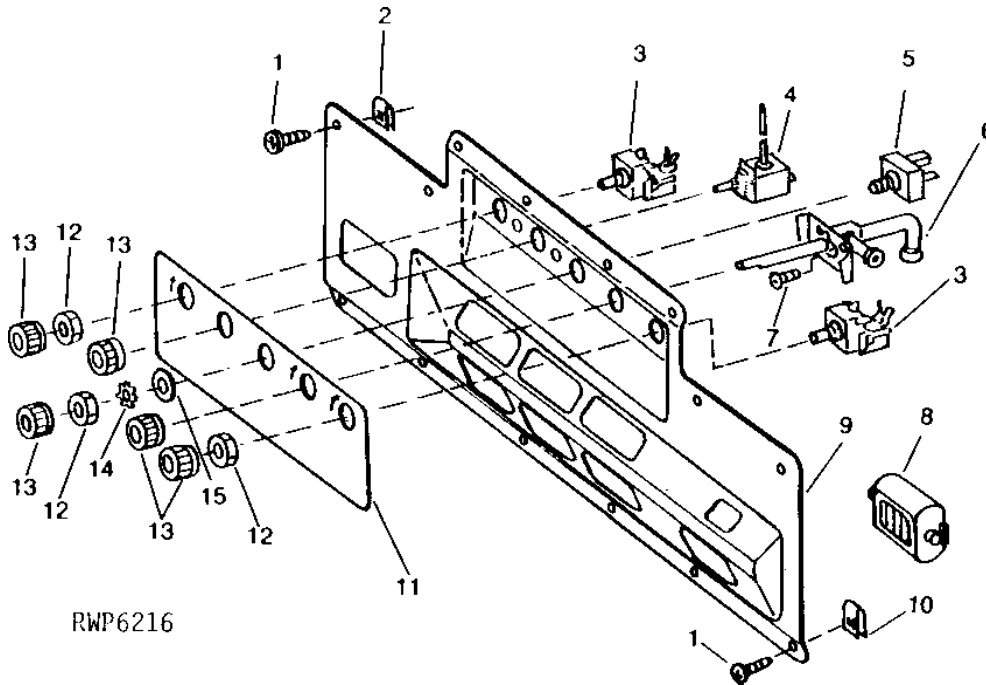
(A) BLOWER, WIPERS, HEATER, AIR CONDITIONING  
 (B) CONDENSER RESTRICTOR INDICATOR

# 4D16

OPERATOR'S STATION

RWP6216 -UN-17NOV94

## AIR LOUVER AND PANEL (REPLACEMENT SOUND-GARD BODY OR REPLACEMENT INNER ROOF)



RWP6216

KEY	PART NO.	PART NAME	QTY	SG BODY SERIAL NO.	REMARKS
1	R81456	SCREW	14		
2	R52130	LOCK NUT	8		
3	AR64992	WIPER SWITCH	2		WIPERS
4	AR59779	AC/HEAT TEMPERATURE SWITCH	1		COOLING TEMPERATURE CONTROL, (ALSO ORDER R44165)
5	AR82014	BLOWER SWITCH	1		BLOWER
6	AR100056	CONTROL VALVE	1		HEATER CONTROL
7	37H98	SCREW	2		
8	AR93533	AIR DUCT	8		(BLACK)
	AR95969	AIR DUCT	8		(BROWN)
9	AH118028	BEZEL	1	-XXXXXX	
	R79307	PANEL	1	XXXXXX-	(LESS DIGITAL CLOCK)
	R79307	PANEL	1		(BROWN)
10	R50500	NUT	6		
11	R72398	LABEL	1		(A) (ENGLISH) (REPLACEMENT INNER ROOF) (ORDER R87574)
	R87574	LABEL	1		(A) SYMBOLS
12	R44165	LOCK NUT	3		
13	AR69370	KNOB	5		
14	12H325	LOCK WASHER	1		7/16"
15	24H1325	WASHER	1		15/32" X 59/64" X 0.065"

(A) BLOWER, WIPERS, HEATER, AIR CONDITIONING

---

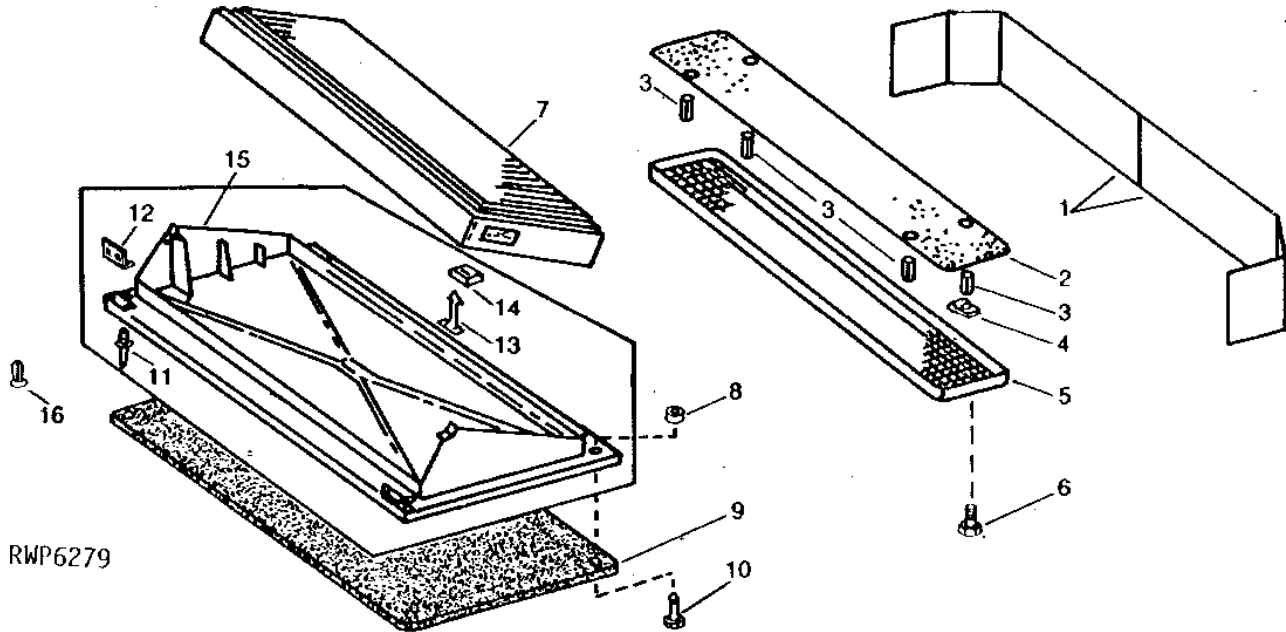
MEMORANDA

# 4D17

OPERATOR'S STATION

RWP6279 -UN-01JAN94

## PRESSURIZER FILTERS



KEY	PART NO.	PART NAME	QTY	SG BODY SERIAL NO.	REMARKS
1	R52127	FOAM PAD	2	-075970	
	R60560	INSULATOR	2	075971-	
2	R60846	FILTER ELEMENT	1	071118-	(SUB FOR R50481)
3	R66418	SPACER	4		
4	R50279	NUT	4		
5	R60845	FRAME	1		(BLACK) (SUB FOR AR55083)
	R72487	FRAME	1		(BROWN) (REPLACEMENT SOUND-GARD BODY)
6	R53678	SCREW	4		
7	RE12793	AIR FILTER	1		(SUB FOR AR61903)
8	R72653	SNAP RING	2		(SUB FOR R43661, THIS APPLICATION)
9	AR58153	PANEL	1		
	AR83435	PANEL	1		(BLACK) (REPLACEMENT SOUND-GARD BODY)
	RE13288	PANEL	1		(BROWN) (REPLACEMENT SOUND-GARD BODY)
10	AR54437	KNOB	2		
	AR83434	KNOB	2		(REPLACEMENT SOUND-GARD BODY)
11	R54477	RIVET	6		
12	R51015	HANGER	2		
13	R51023	CATCH	1		
14	.....	FOAM PAD	1		13 X 25 X 51MM (1/2" X 1" X 2") (MAKE FROM R30936)
15	AR61222	DOOR	1		
16	R54748	STUD	6		
	R65505	STUD	6	-XXXXXX	(REPLACEMENT SOUND-GARD BODY)

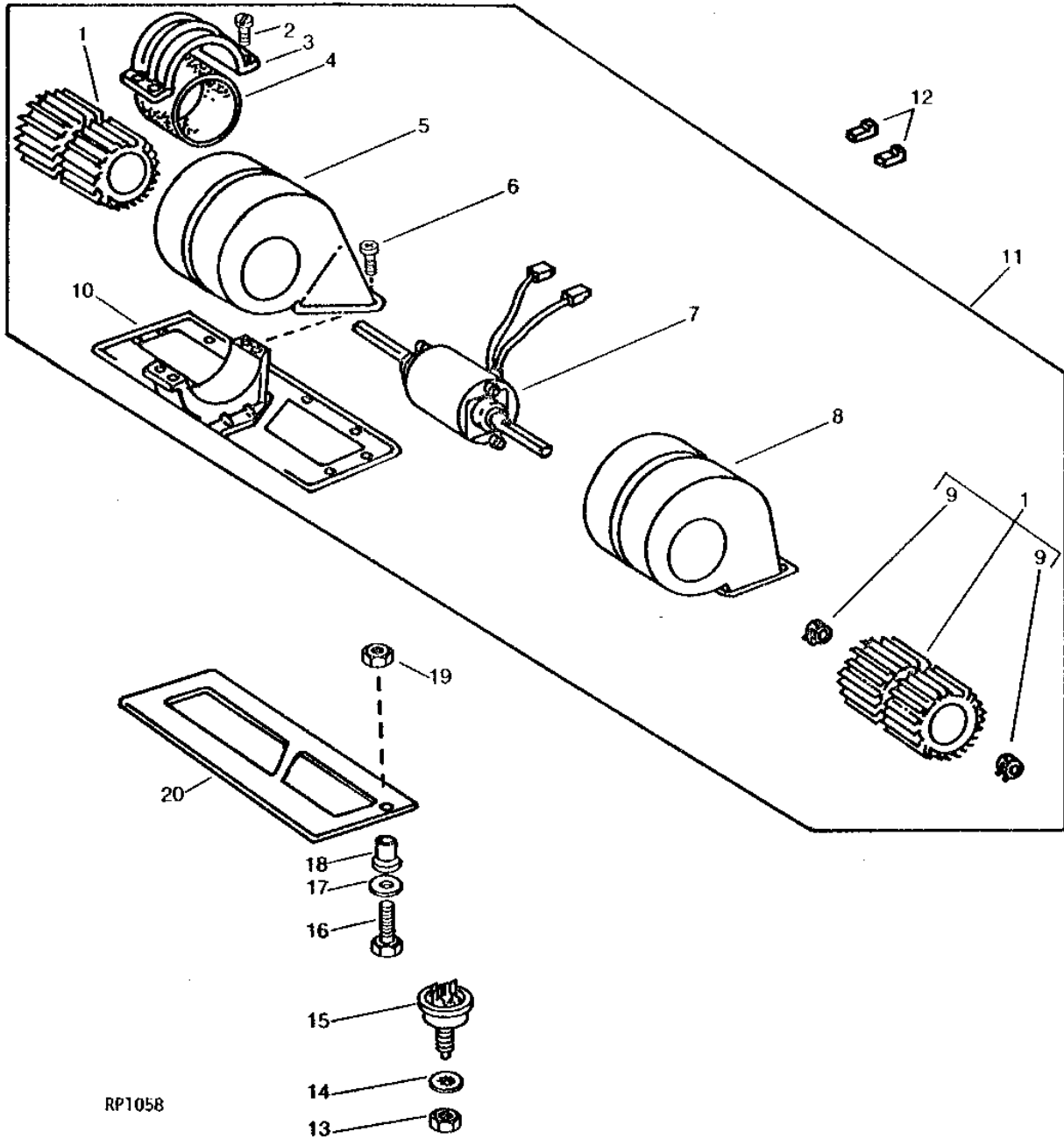
# 4D18

OPERATOR'S STATION

RP1058

-UN-01JAN94

PRESSURIZER BLOWER  
(SOUND-GARD BODY SERIAL NO. -167883)





# 4D19

OPERATOR'S STATION

**PRESSURIZER BLOWER - CONTINUED**  
**(SOUND-GARD BODY SERIAL NO. -167883)**

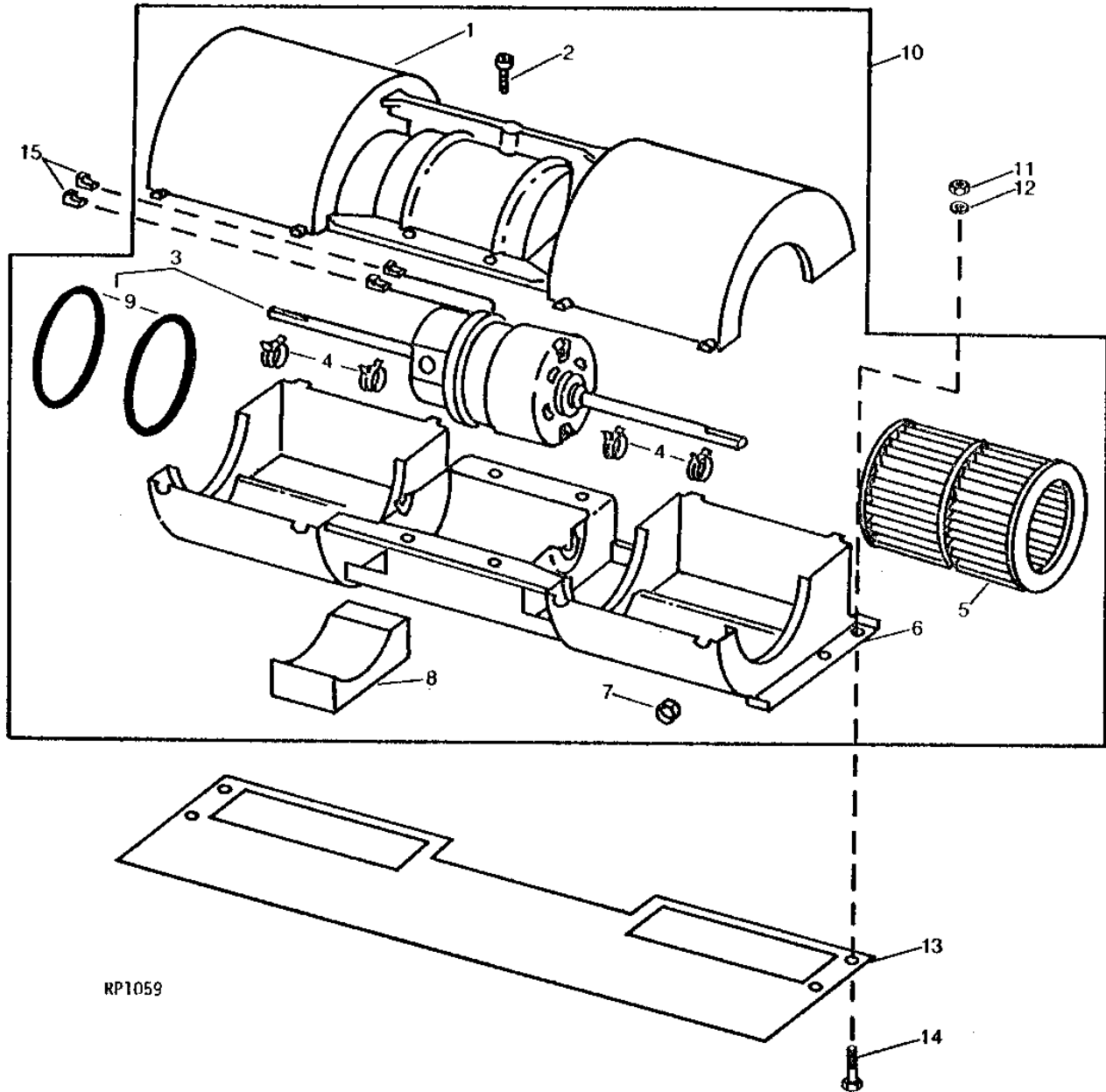
KEY	PART NO.	PART NAME	QTY	SG BODY SERIAL NO.	REMARKS
1	AR66028	IMPELLER	2		(PER MOTOR)
2	R66117	SCREW	4		(PER MOTOR)
3	R59450	RETAINER	1		(PER MOTOR)
4	R57606	CUSHION	1		(PER MOTOR)
5	AR69011	HOUSING	2		
6	37H127	SCREW	4		0.138" X 5/16"
7	AR62497	MOTOR	2		
8	AR69012	HOUSING	2		
9	R56101	CLIP	4		(PER MOTOR)
10	AR74020	BASE	2		(SUB FOR AR68974)
11	AR74019	BLOWER	1		(SUB FOR AR68973)
12	T28583	RECEPTACLE	4		
13	A4655R	NUT	1		
14	12H292	LOCK WASHER	1		1/2"
15	AR53155	SWITCH	1		
	.....	WIRING LEAD	1		178MM (7") (MAKE FROM R65593, (2) R65600 AND (2) R65604)
16	21H1376	SCREW	10		0.164" X 1-1/4"
17	B1085R	WASHER	10		
18	R59841	SLEEVE	10		
19	T19977	LOCK NUT	10		
20	R59840	FOAM PAD	2		

# 4D20

OPERATOR'S STATION

PRESSURIZER BLOWER  
(REPLACEMENT SOUND-GARD BODY)  
(SOUND-GARD BODY SERIAL NO. -XXXXXX)

RP1059 -UN-01JAN94



RP1059

# 4D21

OPERATOR'S STATION

**PRESSURIZER BLOWER - CONTINUED  
(REPLACEMENT SOUND-GARD BODY)  
(SOUND-GARD BODY SERIAL NO. -XXXXXX)**

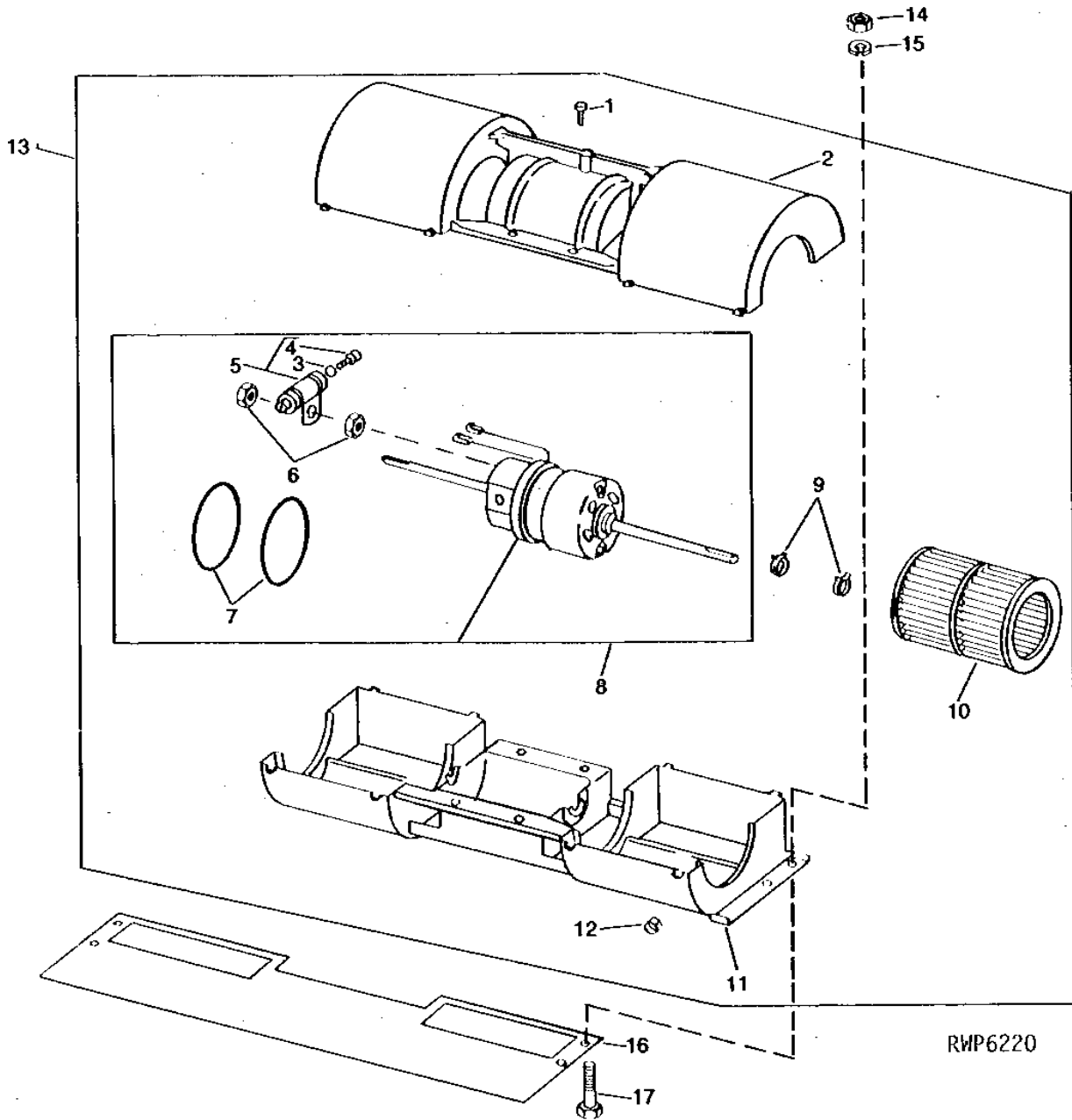
KEY	PART NO.	PART NAME	QTY	SG BODY SERIAL NO.	REMARKS
1	R65147	HOUSING	1		(SUB R77618)
2	37M7073	SCREW	4		
3	AR82005	MOTOR	1		(SUB RE25160)
4	R56101	CLIP	4		
5	R81111	IMPELLER	2		(SUB FOR R65832)
6	R65148	HOUSING	1		(SUB R77619)
7	R67054	RING	8		
8	R65150	FILTER	1		
9	F1430R	O-RING	2		(.21" THICK)
	R85234	RING	2		(.31" THICK)
10	AR82006	BLOWER	1		(SUB RE10998)
11	14H786	NUT	4		1/4"
12	12H297	LOCK WASHER	4		1/4"
13	R69301	INSULATOR	1		(SUB FOR R66283)
14	19H1948	CAP SCREW	4		1/4" X 3/4"
15	T28583	RECEPTACLE	2		

# 4D22

OPERATOR'S STATION

PRESSURIZER BLOWER  
(REPLACEMENT SOUND-GARD BODY OR REPLACEMENT INNER ROOF)  
(SOUND-GARD BODY SERIAL NO. XXXXXX- )

RWP6220 -UN-01JAN94



# 4D23

OPERATOR'S STATION

**PRESSURIZER BLOWER - CONTINUED**  
**(REPLACEMENT SOUND-GARD BODY OR REPLACEMENT INNER ROOF)**  
**(SOUND-GARD BODY SERIAL NO. XXXXXX- )**

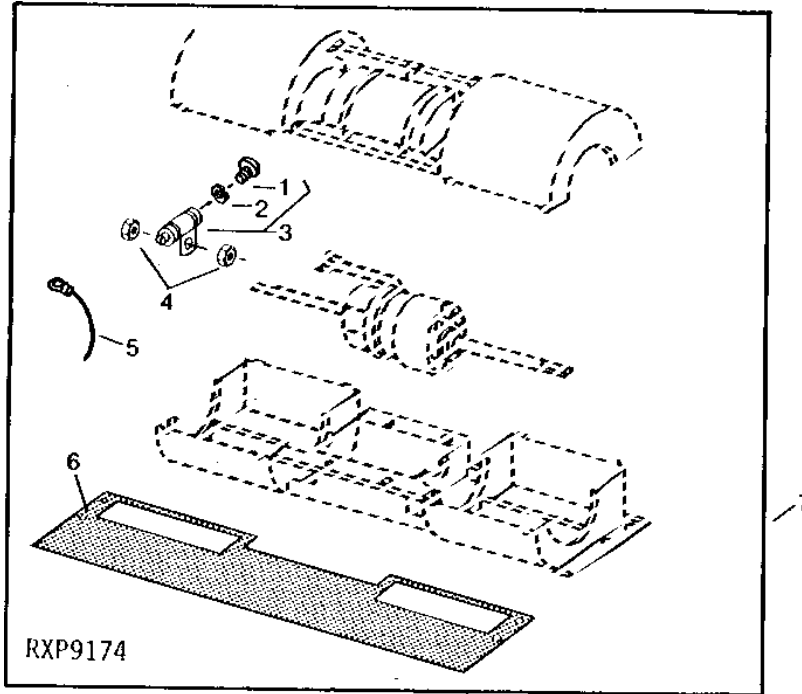
KEY	PART NO.	PART NAME	QTY	SG BODY SERIAL NO.	REMARKS
1	37M7073	SCREW	4		
2	R77618	HOUSING	1		
3	12H246	LOCK WASHER	2	0.190"	
4	21H1327	SCREW	2	0.190" X 1/4"	
5	RE10134	CAPACITOR	1		
6	14H631	NUT	2	0.190"	
7	F1430R	O-RING	2	(.21" THICK)	
	R85234	RING	2	(.31" THICK)	
8	AR82005	MOTOR	1	(SUB RE25160)	
9	R56101	CLIP	4		
10	R81111	IMPELLER	2	(SUB FOR R65832)	
11	R77619	HOUSING	1		
12	R67054	RING	8		
13	RE10998	BLOWER	1		
14	14H786	NUT	4	1/4"	
15	12H297	LOCK WASHER	4	1/4"	
16	R69301	INSULATOR	1		
17	19H1948	CAP SCREW	4	1/4" X 3/4"	

# 4D24

OPERATOR'S STATION

RXP9174 -UN-01JAN94

**BLOWER MOTOR FILTER CAPACITOR KIT  
(SOUND-GARD BODY SERIAL NO. XXXXXX- )**



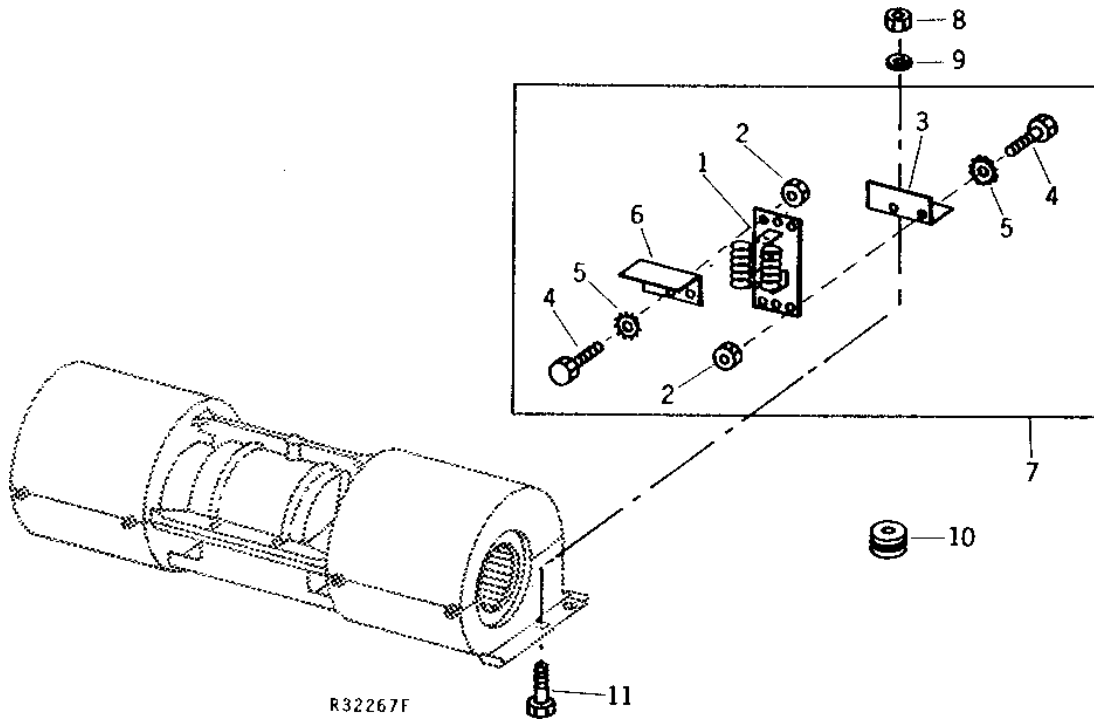
KEY	PART NO.	PART NAME	QTY	SG BODY SERIAL NO.	REMARKS
1	21H1327	SCREW	2	0.190" X 1/4"	
2	12H246	LOCK WASHER	2	0.190"	
3	RE10134	CAPACITOR	1		
4	14H631	NUT	2	0.190"	
5	R32018	TERMINAL	4		
6	R69301	INSULATOR	1		
7	RE10133	KIT	1		

# 4D25

OPERATOR'S STATION

R32267 -UN-01JAN94

## BLOWER MOTOR RESISTOR (REPLACEMENT SOUND-GARD BODY OR REPLACEMENT INNER ROOF)



R32267F

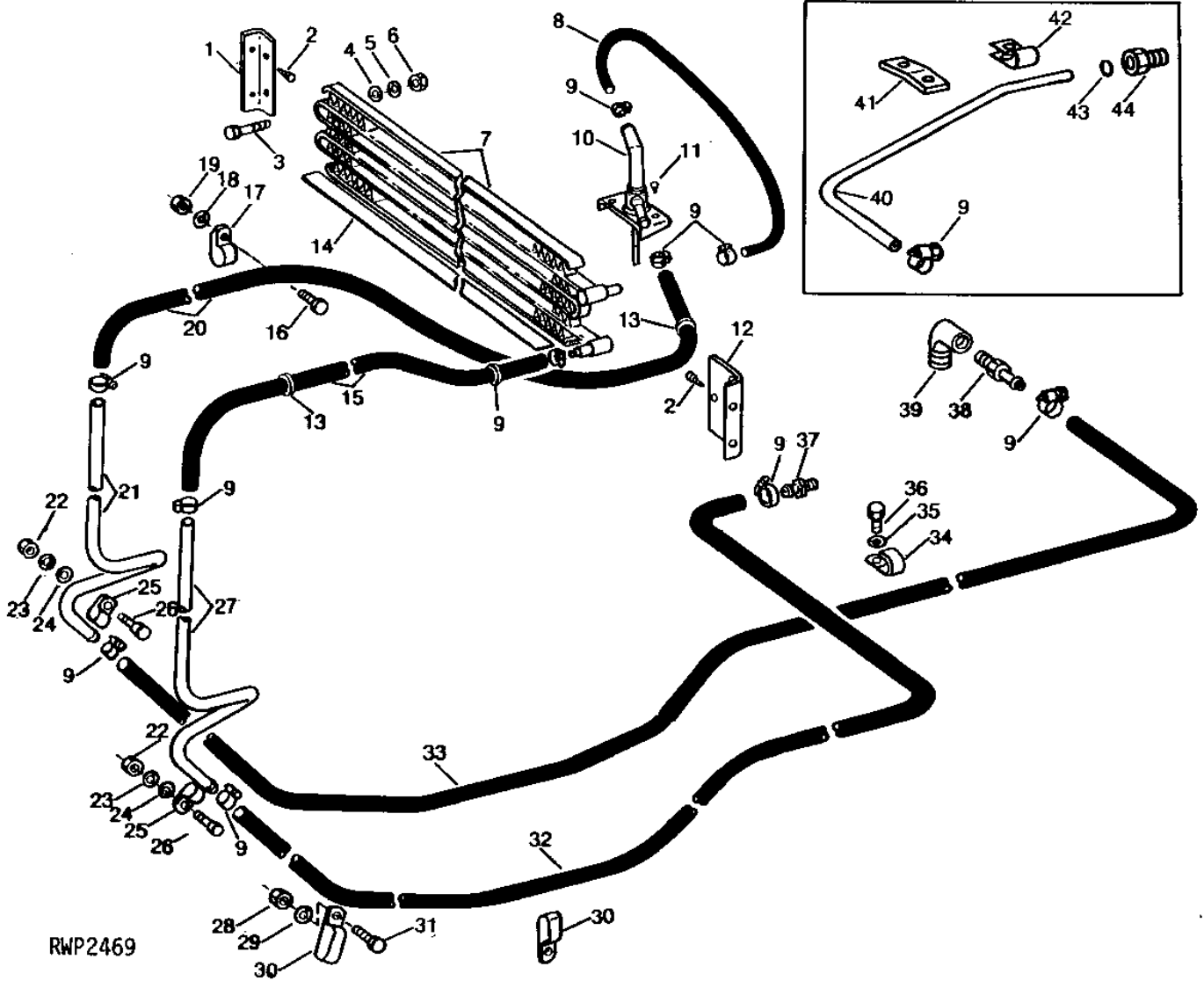
KEY	PART NO.	PART NAME	QTY	SG BODY SERIAL NO.	REMARKS
1	AR90771	RESISTOR	1		
2	14H631	NUT	4	0.190"	
3	R69521	BASE	1		
4	19H3204	SCREW	4	0.190" X 5/8"	
5	12M7060	WASHER	4	0.209"	
6	R69522	DEFLECTOR	1		
7	AR90770	RESISTOR	1		
8	14H786	NUT	1	1/4"	
9	12H297	LOCK WASHER	1	1/4"	
10	R65476	GROMMET	1		
11	19H1948	CAP SCREW	1	1/4" X 3/4"	

# 4E1

OPERATOR'S STATION

RWP2469 -UN-01JAN94

HEATER





# 4E2

OPERATOR'S STATION

## HEATER - CONTINUED

KEY	PART NO.	PART NAME	QTY	SG BODY SERIAL NO.	REMARKS
1	R60561	BRACKET	1	076141-	
2	37M7245	SCREW	4	076141-	NO. 10 X 3/8"
3	19H2831	CAP SCREW	3		(A) 5/16" X 1-1/2"
4	24H1291	WASHER	3		(A) 21/64" X 1-15/32" X 7/64"
5	12H303	LOCK WASHER	3		(A) 5/16"
6	14H785	NUT	3		(A) 5/16"
7	AR49965	CORE	1		(A) (LESS AIR CONDITIONING)
	AR88076	EVAPORATOR	1	076141-	(B) (AIR CONDITIONING) (SUB FOR AR85245 AND AR73465)
8	.....	HOSE	1		787MM (31") CORE TO VALVE, (MAKE FROM TY22399)
9	AR21837	CLAMP	10		(SUB TY22465)
10	AR100056	CONTROL VALVE	1		(A) (SUB FOR AR100056, AR54523 OR AR70418)
11	37H98	SCREW	2		(A) NO. 10 X 7/8"
12	R60562	BRACKET	1	076141-	
13	R50456	GROMMET	3		(A)
	R65475	GROMMET	3		(B)
	R72040	GROMMET	3		(B)
14	R47468	ISOLATOR	1		
15	R69747	HOSE	1		
16	19H2021	CAP SCREW	1		(A) 3/8" X 5/8"
17	R40791	CLAMP	1		(A)
18	12H304	LOCK WASHER	1		(A) 3/8"
19	14H1076	NUT	1		(A) 3/8"
20	R69748	HOSE	1		
21	R50461	OIL TUBE	1		(A)
22	R53670	WELD NUT	2		(A)
23	R53668	THRUST WASHER	2		(A)
24	24H1884	WASHER	2		(A) 13/32" X 13/16" X 0.120"
25	R51892	CLAMP	2		(A)
26	19H1731	CAP SCREW	2		(A) 3/8" X 1"
27	R50462	OIL TUBE	1		(A)
28	14H1076	NUT	1		(A) 3/8"
29	12H304	LOCK WASHER	1		(A) 3/8"
30	R50454	CLAMP	2		(A)
31	19H1731	CAP SCREW	1		(A) 3/8" X 1"
32	.....	HOSE	1		1.98M (78") SUPPLY, (MAKE FROM TY22399)
33	.....	HOSE	1		3.27M (126") RETURN, (MAKE FROM TY22399)
34	R46667	CLAMP	1	077823-	
35	12H304	LOCK WASHER	1	077823-	3/8"
36	19H1936	CAP SCREW	1	077823-	3/8" X 3/4"
37	R41071	FITTING	1	077823-	
38	R41985	FITTING	1		
39	15H627	ELBOW FITTING	1		
40	R52814	OIL TUBE	1	-077822	
41	R54468	SUPPORT	1	-077822	
42	R46414	CLAMP	1	-077822	
43	R375R	O-RING	1	-077822	
44	R53239	ADAPTER	1	-077822	
..	R44302	TIE BAND	AR	077823-	
..	AR65051	KIT	1		(CAB PARTS TO INSTALL HEATER) (NO LONGER AVAILABLE)

(A) INCLUDED IN AR65051

(B) REPLACEMENT SOUND-GARD OR REPLACEMENT INNER ROOF

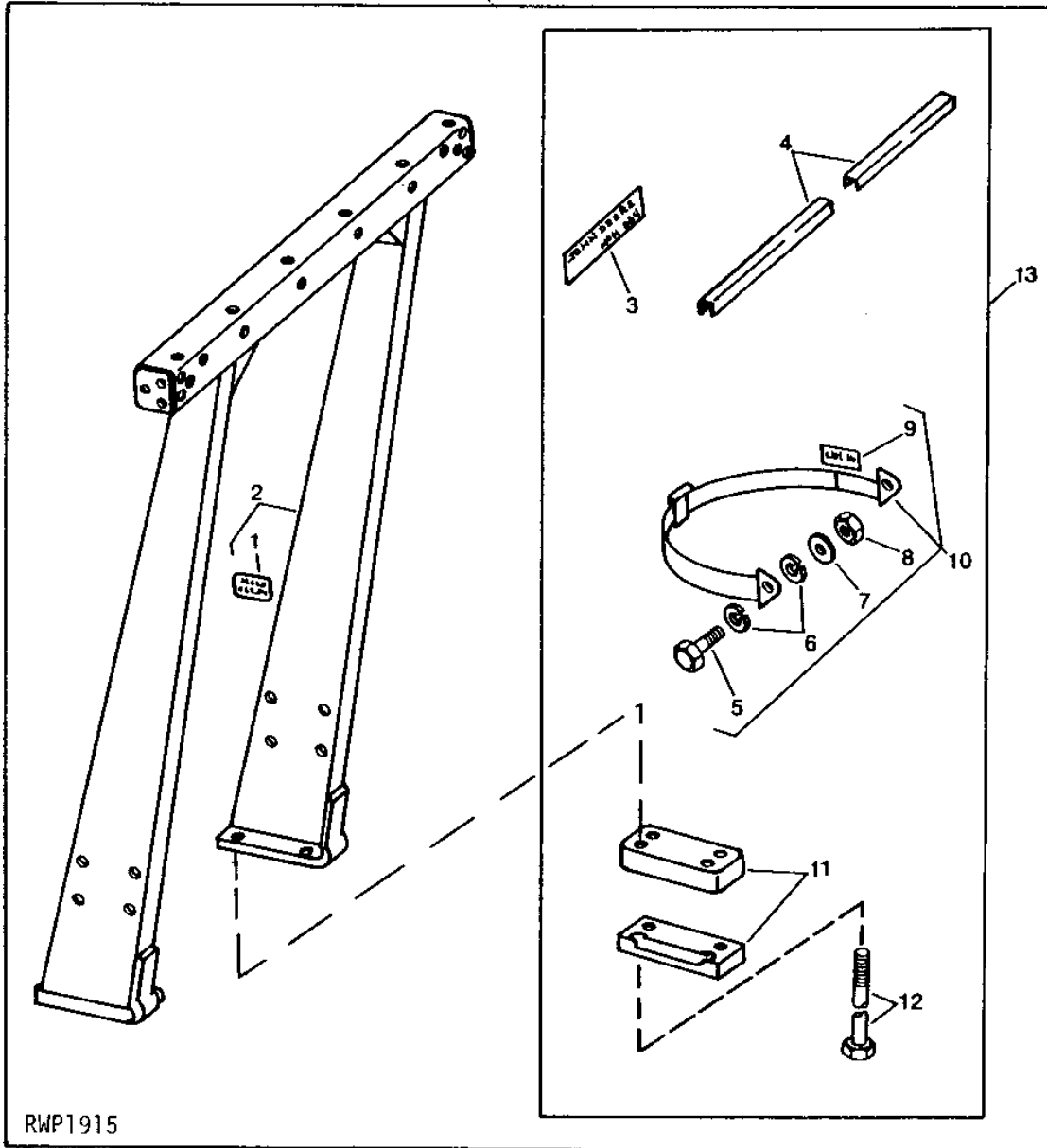
# 4E3

OPERATOR'S STATION

RWP1915

-UN-17OCT94

## TWO-POST ROLL-GARD AND SEAT BELT



# 4E4

OPERATOR'S STATION

## TWO-POST ROLL-GARD AND SEAT BELT - CONTINUED

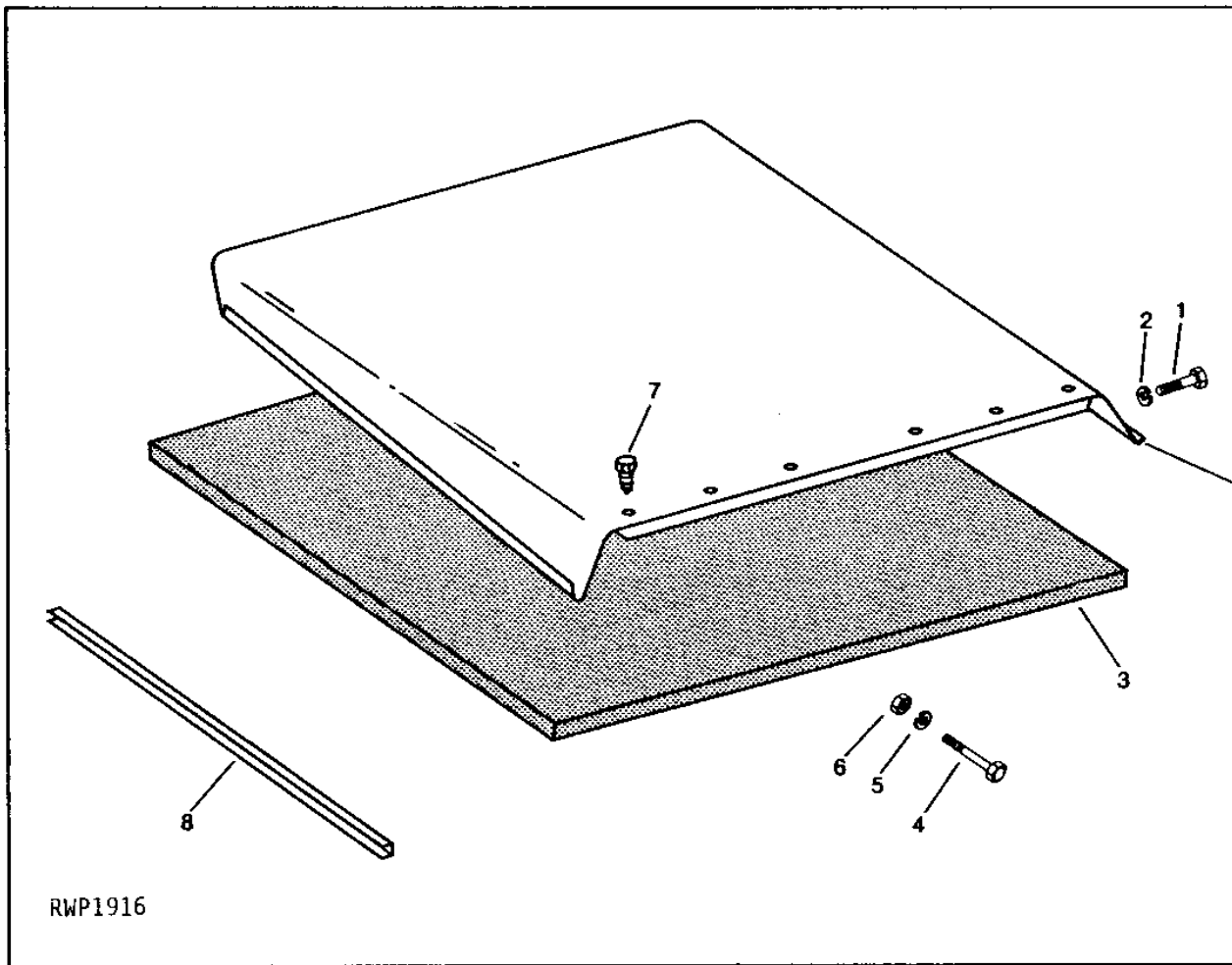
KEY	PART NO.	PART NAME	QTY	TRACTOR SERIAL NO.	REMARKS
1	R87527	LABEL	1		(SUB FOR R41781)
2	AR51417	ROPS	1		
3	R47292	LABEL	1		
4	AR93828	MOLDING	1		
5	R41778	BOLT	2		
6	12H293	LOCK WASHER	4		7/16"
7	24H1226	WASHER	2		1/2" X 1-1/4" X 0.083"
8	14H807	NUT	2		7/16"
9	R81424	LABEL	1		
10	AR41761	SEAT BELT	1		
	AT38518	SEAT BELT	1		
11	R41355	PLATE	4		
12	R42439	BOLT	8		
13	AR95821	SEAT BELT	1		
14	AR62534	ROLL-GARD	1		
..	R120128	LABEL	1		

# 4E5

OPERATOR'S STATION

RWP1916 -UN-01JAN94

CANOPY  
(TWO-POST ROLL-GARD)



# 4E6

OPERATOR'S STATION

**CANOPY - CONTINUED  
(TWO-POST ROLL-GARD)**

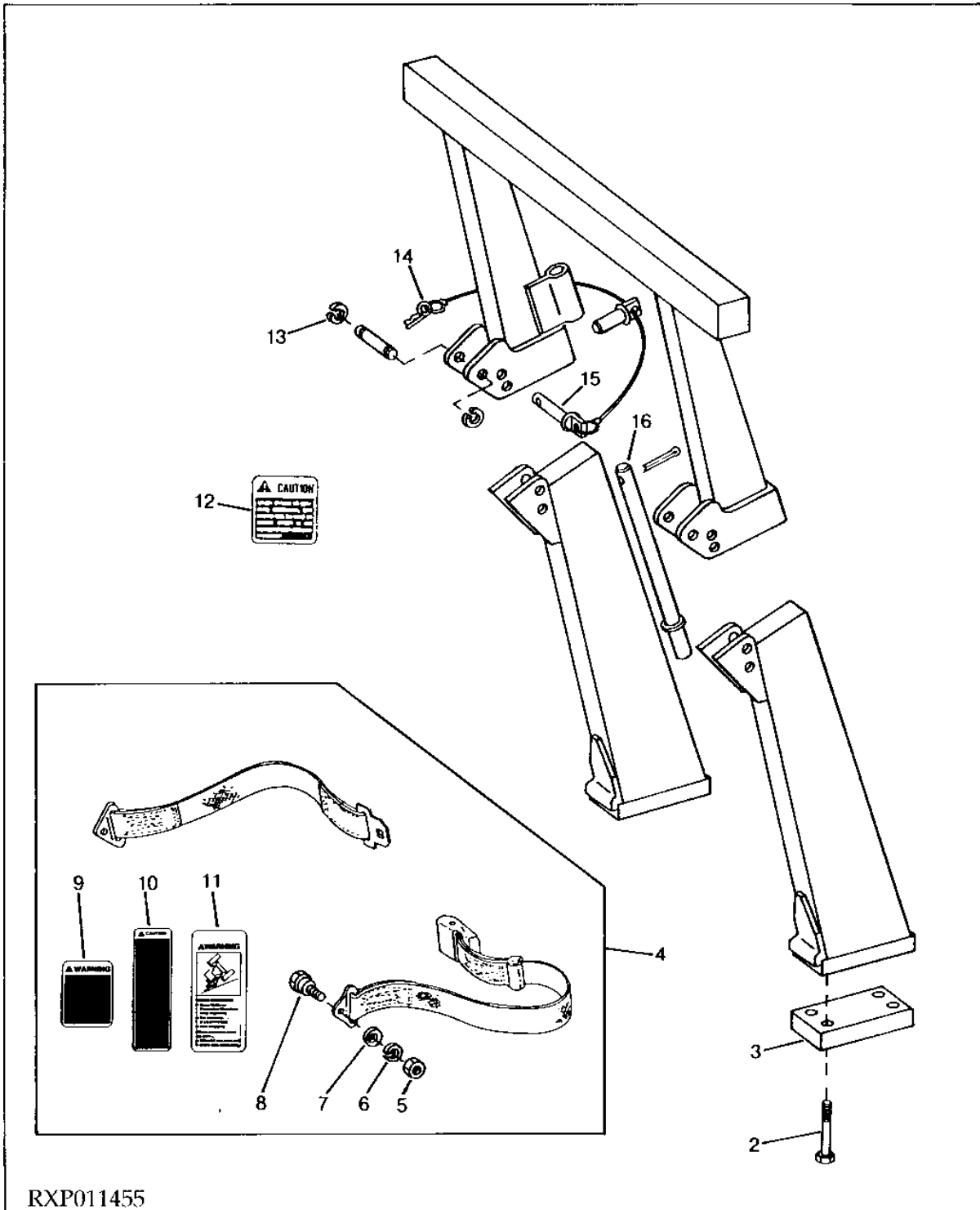
KEY	PART NO.	PART NAME	QTY	TRACTOR SERIAL NO.	REMARKS
1	19H1731	CAP SCREW	6		3/8" X 1"
2	12H304	LOCK WASHER	6		3/8"
3	R47197	FOAM PAD	1		
4	19H2054	CAP SCREW	6		3/8" X 4-3/4"
5	12H304	LOCK WASHER	6		3/8"
6	14H1076	NUT	6		3/8"
7	37H27	SCREW	10		5/16" X 7/8"
8	R41358	ISOLATOR	2		
9	AR51452	CANOPY	1		

# 4E7

OPERATOR'S STATION

ROPS W/SEAT BELT  
(NO HI-CROP)

RXP011455 -UN-12DEC94



# 4E8

OPERATOR'S STATION

ROPS W/SEAT BELT - CONTINUED  
(NO HI-CROP)

KEY	PART NO.	PART NAME	QTY	CAB SERIAL NO.	REMARKS
1	RE58262	ROLL-GARD	1	(FI)	
2	R42439	BOLT	8		
3	R41355	PLATE	2		
4	AR41762	BELT	1	(FI)	
5	14H807	NUT	2	7/16"	
6	12H293	LOCK WASHER	2	7/16"	
7	24H1226	WASHER	2	1/2" X 1-1/4" X 0.083"	
8	R41778	BOLT	2		
9	R117491	DECAL	1		
10	R120124	LABEL	1		
11	R120128	LABEL	1		
12	R81424	LABEL	1		
13	40M7195	SNAP RING	4		
14	99M7080	SPRING LOCKING PIN	1		
15	RE58679	HINGE	2		
16	RE58612	ROD	2		
..	37M7131	SCREW	1		

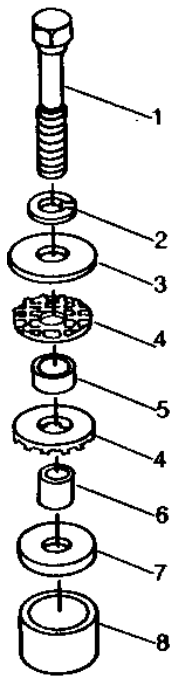
# 4E9

OPERATOR'S STATION

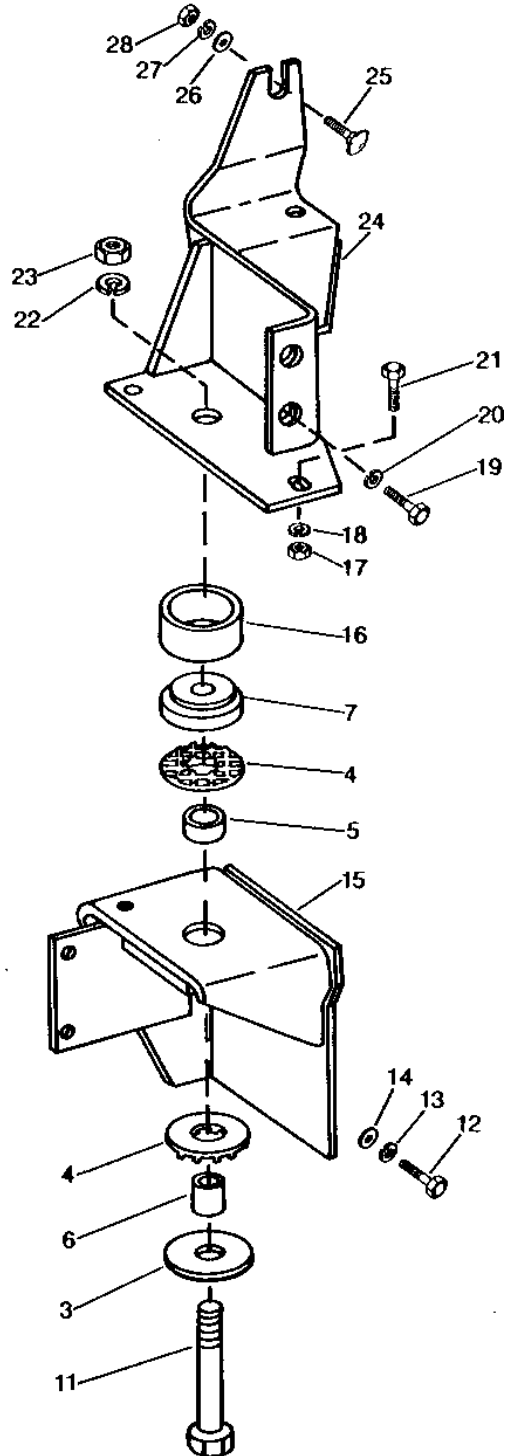
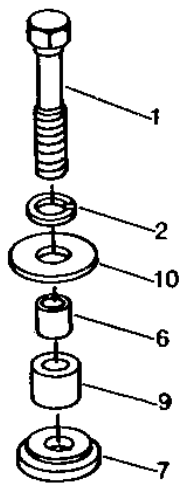
RP2464

-UN-01JAN94

## FOUR-POST ROLL-GARD MOUNTING



RP2464





# 4E10

OPERATOR'S STATION

## FOUR-POST ROLL-GARD MOUNTING - CONTINUED

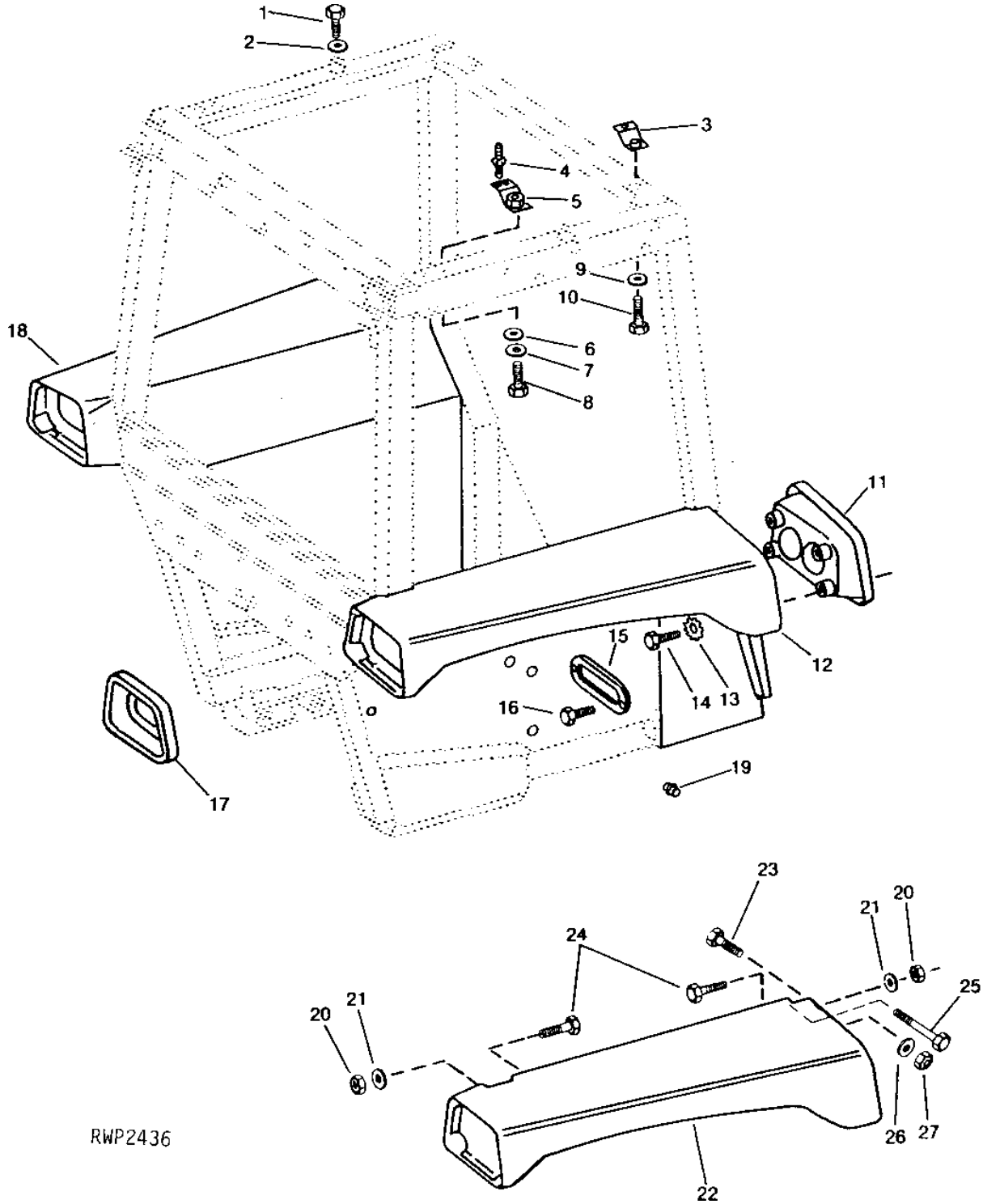
KEY	PART NO.	PART NAME	QTY	TRACTOR SERIAL NO.	REMARKS
1	R54745	SELF-LOCKING SCREW	4		(SUB FOR R50438)
2	12H236	LOCK WASHER	4		3/4"
3	R20136	WASHER	4		
4	R54201	WASHER	12		
5	R54204	HALF SLEEVE	4		
6	R51929	BUSHING	6		
7	R62665	BUSHING	6		(ALSO ORDER R62666) (SUB FOR R50247 OR R58282, THIS APPLICATION)
8	R54202	SLEEVE	2		
9	R62666	SPACER	2		(ALSO ORDER R62665) (SUB FOR R52424)
10	R54124	WASHER	2		
11	19H2725	CAP SCREW	2		3/4" X 3-3/4"
12	19H3299	CAP SCREW	2		1/2" X 1-1/4"
13	12H301	LOCK WASHER	2		1/2"
14	R42408	WASHER	2		
15	AR70847	BRACKET	1		R.H. (SUB FOR AR54417)
	AR70848	BRACKET	1		L.H. (ALSO ORDER (2) 19H3299, (2) 12H301 AND (2) R42408) (SUB FOR AR61940)
16	R54203	SLEEVE	2		(NLA)
17	14H1040	NUT	2		1/2"
18	12H301	LOCK WASHER	2		1/2"
19	19H1815	CAP SCREW	2		1/2" X 1-1/4"
20	12H301	LOCK WASHER	2		1/2"
21	19H1815	CAP SCREW	2		1/2" X 1-1/4"
22	12H236	LOCK WASHER	2		3/4"
23	14H794	NUT	2		3/4"
24	AR72480	BRACKET	1		R.H. (SUB FOR AR55331) (SUB AR84566)
	AR72479	BRACKET	1		L.H. (SUB FOR AR55332)
25	03H2070	BOLT	2		3/8" X 1-1/8"
26	24H1305	WASHER	2		13/32" X 13/16" X 0.065"
27	12H304	LOCK WASHER	2		3/8"
28	14H1076	NUT	2		3/8"

# 4E11

OPERATOR'S STATION

RWP2436 -UN-16NOV94

FOUR-POST ROLL-GARD BODY



# 4E12

OPERATOR'S STATION

## FOUR-POST ROLL-GARD BODY - CONTINUED

KEY	PART NO.	PART NAME	QTY	TRACTOR SERIAL NO.	REMARKS
1	19H2367	CAP SCREW	2		5/8" X 3/4"
2	24H1106	WASHER	2		11/16" X 1-3/4" X 0.134"
3	AR54894	BRACKET	2		
4	R55326	RIVET	8		
5	AR54896	BRACKET	2		
6	24H1822	WASHER	4		11/32" X 7/8" X 1/16"
7	12H303	LOCK WASHER	4		5/16"
8	19H2127	CAP SCREW	4		5/16" X 7/8"
9	12H297	LOCK WASHER	4		1/4"
10	21H1303	SCREW	4		1/4" X 3/4"
11	AR57235	PANEL	1		R.H. (SUB (4) R81698 AND R81699)
	AR53988	PANEL	1		L.H. (SUB (4) R81698 AND R81700)
12	AR61223	FENDER	1	-XXXXXX	
	R50788	BRACE	1	-XXXXXX	FRONT
	R51699	BRACE	1	-XXXXXX	REAR
13	12M7032	LOCK WASHER	2		0.331"
14	AR58652	BOLT	8		
15	R53233	COVER	2		
16	R52938	CAP SCREW	4		
17	R52561	SHIELD	1		R.H.
	R52562	SHIELD	1		L.H.
18	AR61224	FENDER	1	-XXXXXX	
	R50789	BRACE	1	-XXXXXX	FRONT
	R51700	BRACE	1	-XXXXXX	REAR
19	R52233	PLUG	1		
20	14H1040	NUT	10	XXXXXX-	1/2"
21	24H1305	WASHER	10	XXXXXX-	13/32" X 13/16" X 0.065"
22	RE11221	FENDER	1	XXXXXX-	R.H. (SUB FOR AR89290)
	RE11222	FENDER	1	XXXXXX-	L.H. (SUB FOR AR89291)
23	03H1540	BOLT	6	XXXXXX-	5/16" X 3/4"
24	19H1731	CAP SCREW	10	XXXXXX-	3/8" X 1"
25	19H1900	CAP SCREW	4	XXXXXX-	5/16" X 3/4"
26	24H1136	WASHER	6	XXXXXX-	11/32" X 11/16" X 0.065"
27	14H785	NUT	6	XXXXXX-	5/16"
..	19H1900	CAP SCREW	2		(A) 5/16" X 3/4"
..	12H303	LOCK WASHER	2		(A) 5/16"
..	19H1800	CAP SCREW	2		(A) 3/8" X 1-1/2"
..	14H1076	NUT	2		(A) 3/8"
..	12H304	LOCK WASHER	2		(A) 3/8"

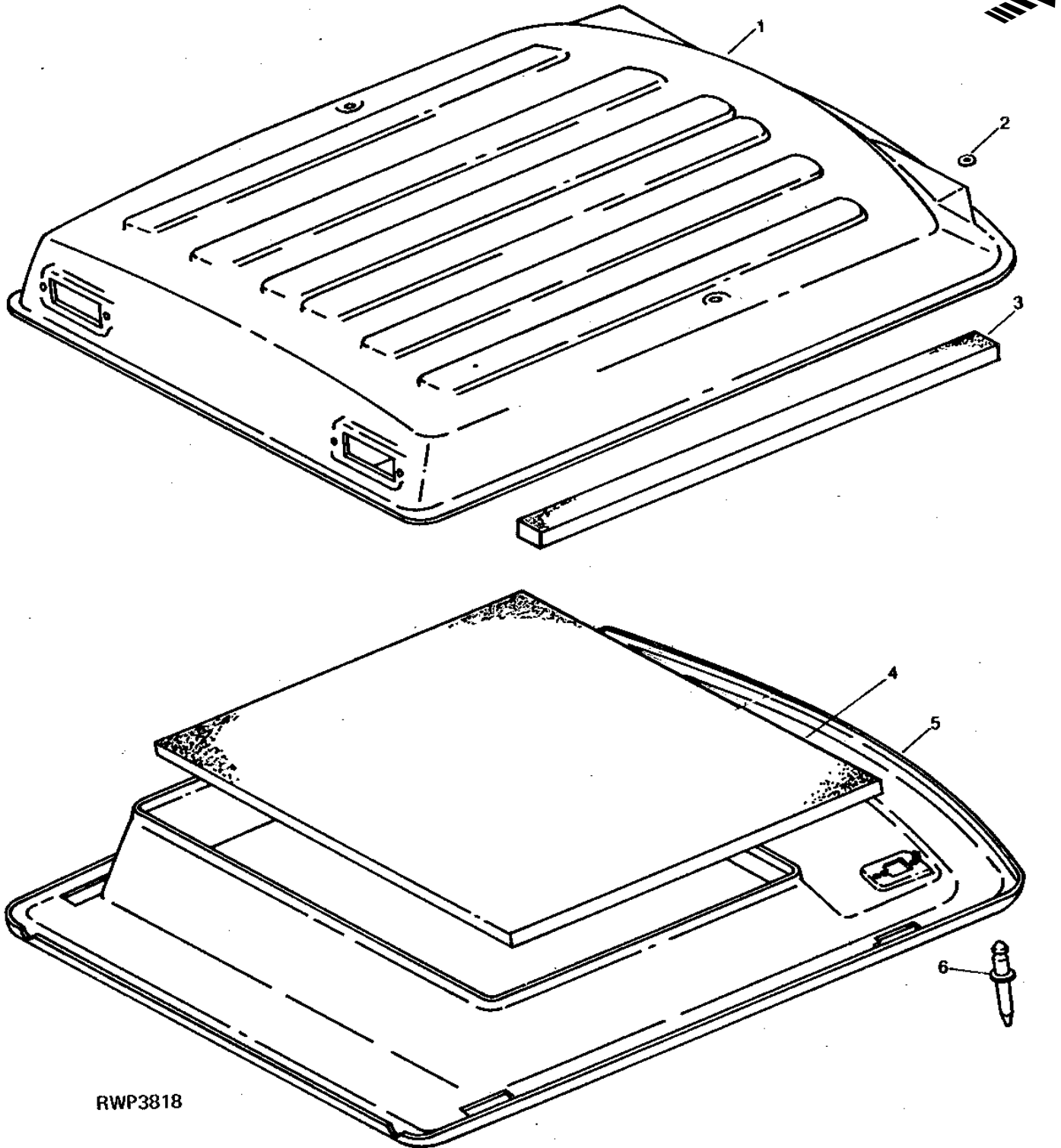
(A) FLOOR TO CONTROL SUPPORT

# 4E13

OPERATOR'S STATION

RWP3818 -UN-01JAN94

FOUR-POST ROLL-GARD CANOPY



RWP3818

# 4E14

OPERATOR'S STATION

---

## FOUR-POST ROLL-GARD CANOPY - CONTINUED

KEY	PART NO.	PART NAME	QTY	SG BODY SERIAL NO.	REMARKS
1	AR56167	CANOPY	1		
2	R52119	WASHER	32		
3	R52149	WEATHERSTRIP	6		
4	R49930	FOAM PAD	1		
5	R50624	PANEL	1		
6	R52118	RIVET	32		

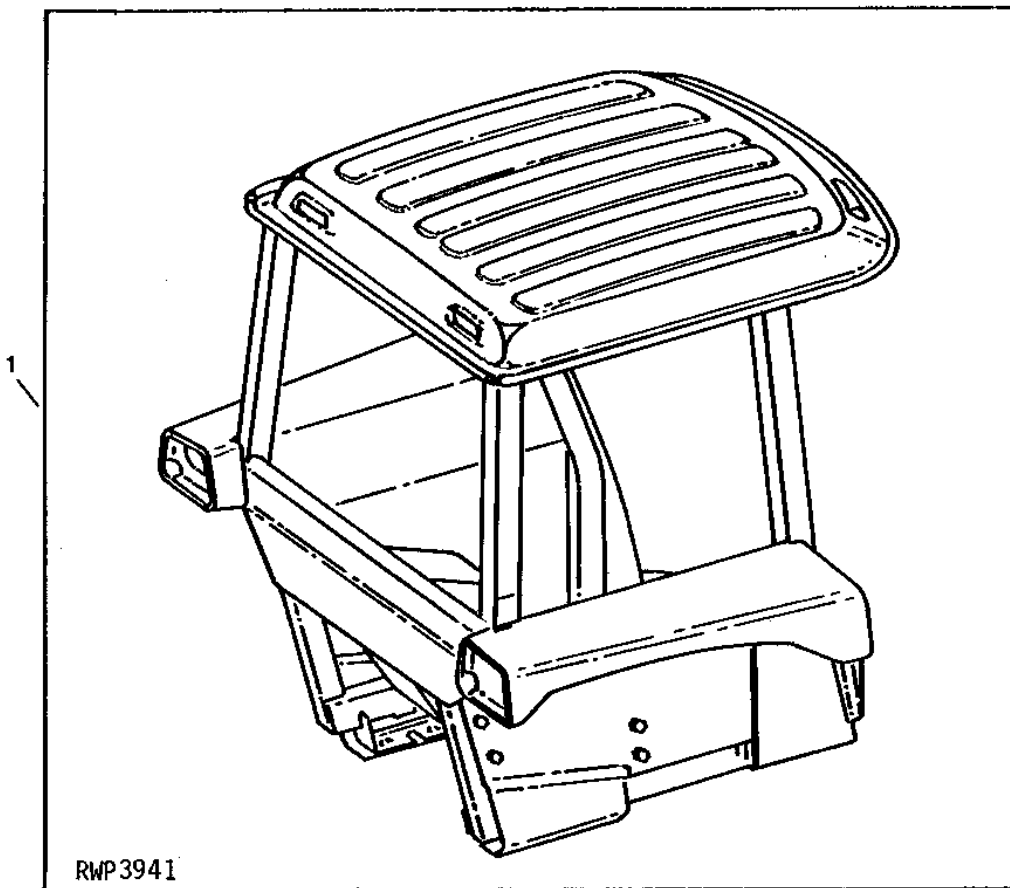
# 4E15

OPERATOR'S STATION

RWP3941

-UN-01JAN94

FOUR-POST ROLL-GARD WITH CANOPY FOR REPLACEMENT



# 4E16

OPERATOR'S STATION

---

FOUR-POST ROLL-GARD WITH CANOPY FOR REPLACEMENT - CONTINUED

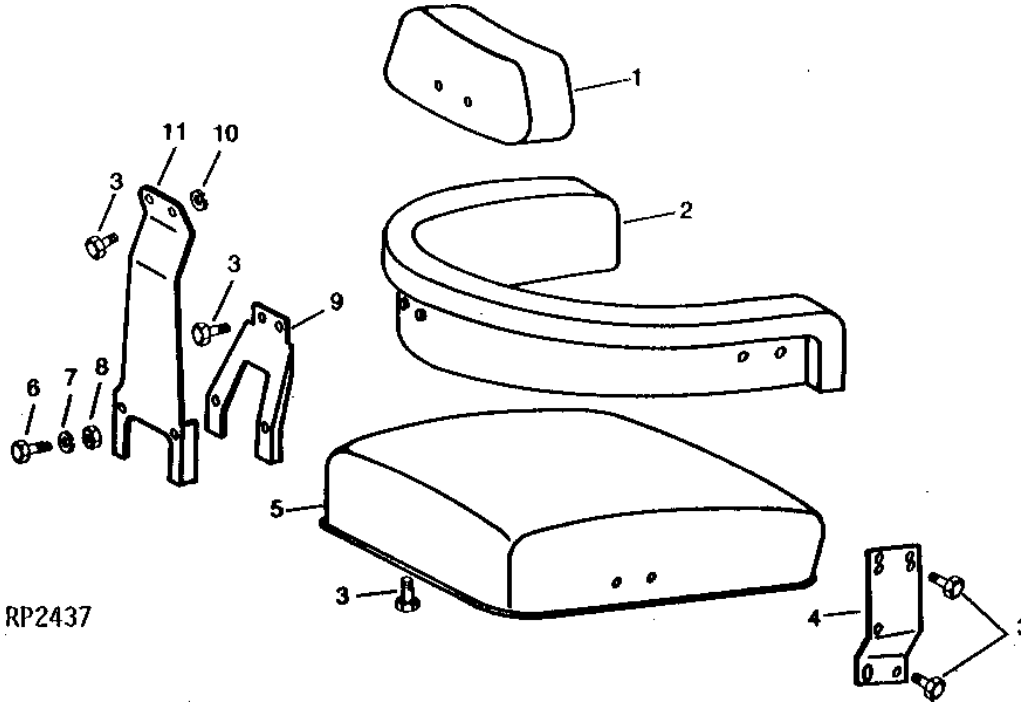
KEY	PART NO.	PART NAME	QTY	TRACTOR SERIAL NO.	REMARKS
1	AR94710	ROLL-GARD	1		(NO CONSOLE, NO SEAT)

# 4E17

OPERATOR'S STATION

RP2437 -UN-01JAN94

## DELUXE SEAT



RP2437

KEY	PART NO.	PART NAME	QTY	TRACTOR SERIAL NO.	REMARKS
1	R34267	SEAT BACK	1	(A)	
	AR59676	CUSHION	1	(B)	
	R34619	CUSHION COVER	1	(A)	
2	AR59680	ARMREST	1	(A)	
	AR59677	ARMREST	1	(B)	
	R34620	CUSHION COVER	1	(A)	
3	19H1813	CAP SCREW	16	5/16" X 5/8"	
	AR58652	BOLT	AR	(4 USED SOUND-GARD BODY, 12 USED LESS SOUND-GARD BODY)	
4	R57274	SUPPORT	1		R.H. (SUB FOR R41937)
	R41938	SUPPORT	1	-007844	L.H. (SUB R57275)
	R57275	SUPPORT	1	007845-	L.H.
5	AR44763	CUSHION	1	(A)	
	AR69761	CUSHION	1	(B)	
	R34618	CUSHION COVER	1	(A)	
6	19H1905	CAP SCREW	2	5/16" X 1"	
7	12H303	LOCK WASHER	2	5/16"	
8	14H785	NUT	2	5/16"	
9	R27785	SUPPORT	1		
10	24H448	WASHER	2	25/32" X 1-1/8" X 0.090"	
11	R34272	SUPPORT	1		
..	AR41761	SEAT BELT	1	51MM (2") (ROLL-GARD OR SOUND-GARD BODY)	
..	AT38518	SEAT BELT	1	76MM (3") (ROLL-GARD OR SOUND-GARD BODY)	

(A) YELLOW  
(B) BROWN

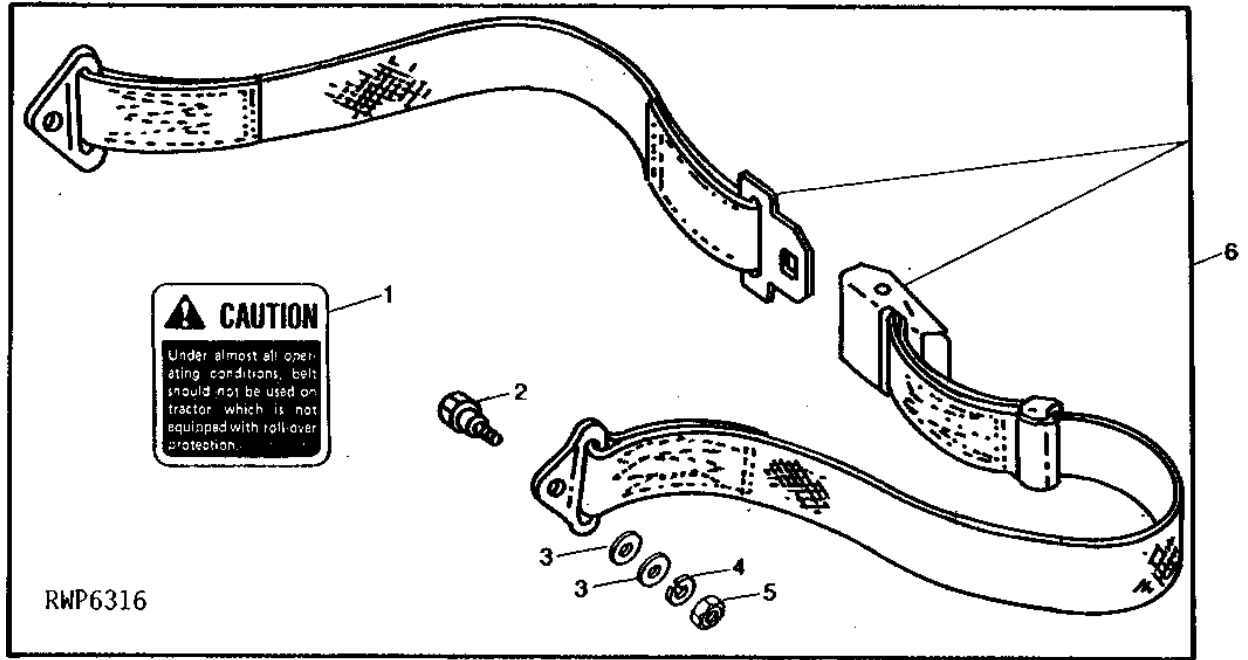


# 4E18

OPERATOR'S STATION

RWP6316 -UN-01JAN94

## SEAT BELT (ROLL-GARD)



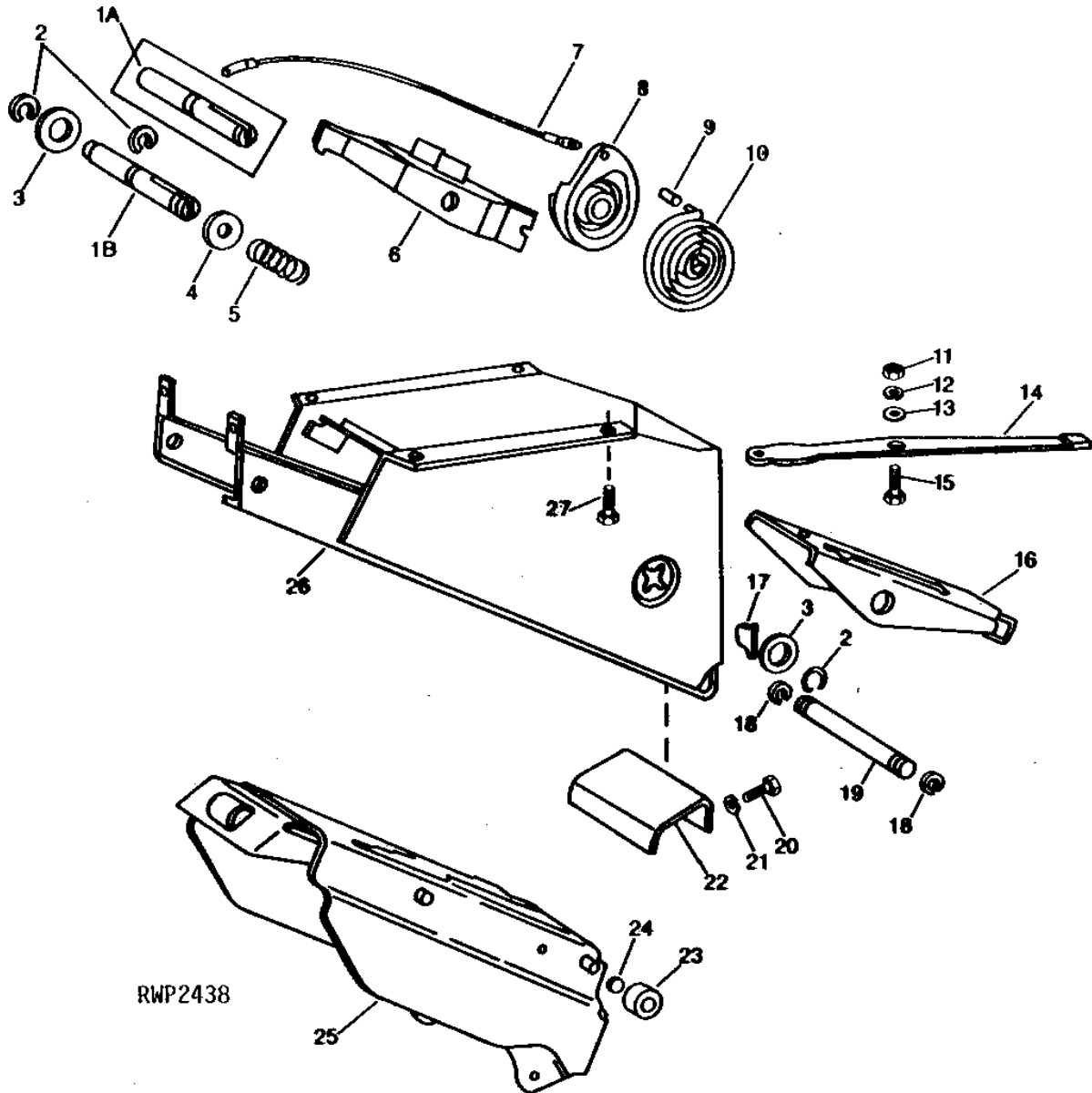
KEY	PART NO.	PART NAME	QTY	TRACTOR SERIAL NO.	REMARKS
1	R81424	LABEL	1		CAUTION
2	R41778	BOLT	2		
3	24H1226	WASHER	4		1/2" X 1-1/4" X 0.083"
4	12H293	LOCK WASHER	2		7/16"
5	14H807	NUT	2		7/16"
6	AR41761	SEAT BELT	1		

# 4E19

OPERATOR'S STATION

RWP2438 -UN-01JAN94

DELUXE SEAT SUPPORT



RWP2438

# 4E20

OPERATOR'S STATION

## DELUXE SEAT SUPPORT - CONTINUED

KEY	PART NO.	PART NAME	QTY	TRACTOR SERIAL NO.	REMARKS
1A	R26874	SHAFT	1	-006754	
1B	R57572	PIN	1	006755-	
2	R73380	SNAP RING	3		(SUB FOR A369R)
3	24H1384	WASHER	2		49/64" X 1-1/16" X 0.036"
4	24H1384	WASHER	1		49/64" X 1-1/16" X 0.036"
5	A4744R	SPRING	1		
6	R26828	LATCH	1		
7	AR26403	CABLE	1		(SUB R78257)
8	R26432	REEL	1		
9	34H282	SPRING PIN	1		3/16" X 1"
10	R31260	SPRING	1		
11	14H786	NUT	1		1/4"
12	12H302	LOCK WASHER	1		1/4"
13	24H1287	WASHER	1		9/32" X 5/8" X 0.065"
14	R27439	LEVER	1		
15	R26431	SCREW	1		
16	R26830	HANDLE	1		
17	R26434	LATCH	1		
18	R26871	SNAP RING	2		
19	R26829	PIN	1		
20	19H1900	CAP SCREW	2		-XXXXXX (A) 5/16" X 3/4"
21	12H303	LOCK WASHER	2		-XXXXXX (A) 5/16"
22	AR54598	STOP	1		-XXXXXX (A)
23	R26436	ROLLER	4		
24	R26872	SHIM	1		0.25MM (.010")
	R26873	SHIM	1		0.51MM (.020")
25	AR53927	FRAME	1		
26	AR68728	SUPPORT	1		(SUB FOR AR54261 OR AR65883)
27	19H1813	CAP SCREW	4		

(A) SOUND-GARD BODY AND ROLL-GARD

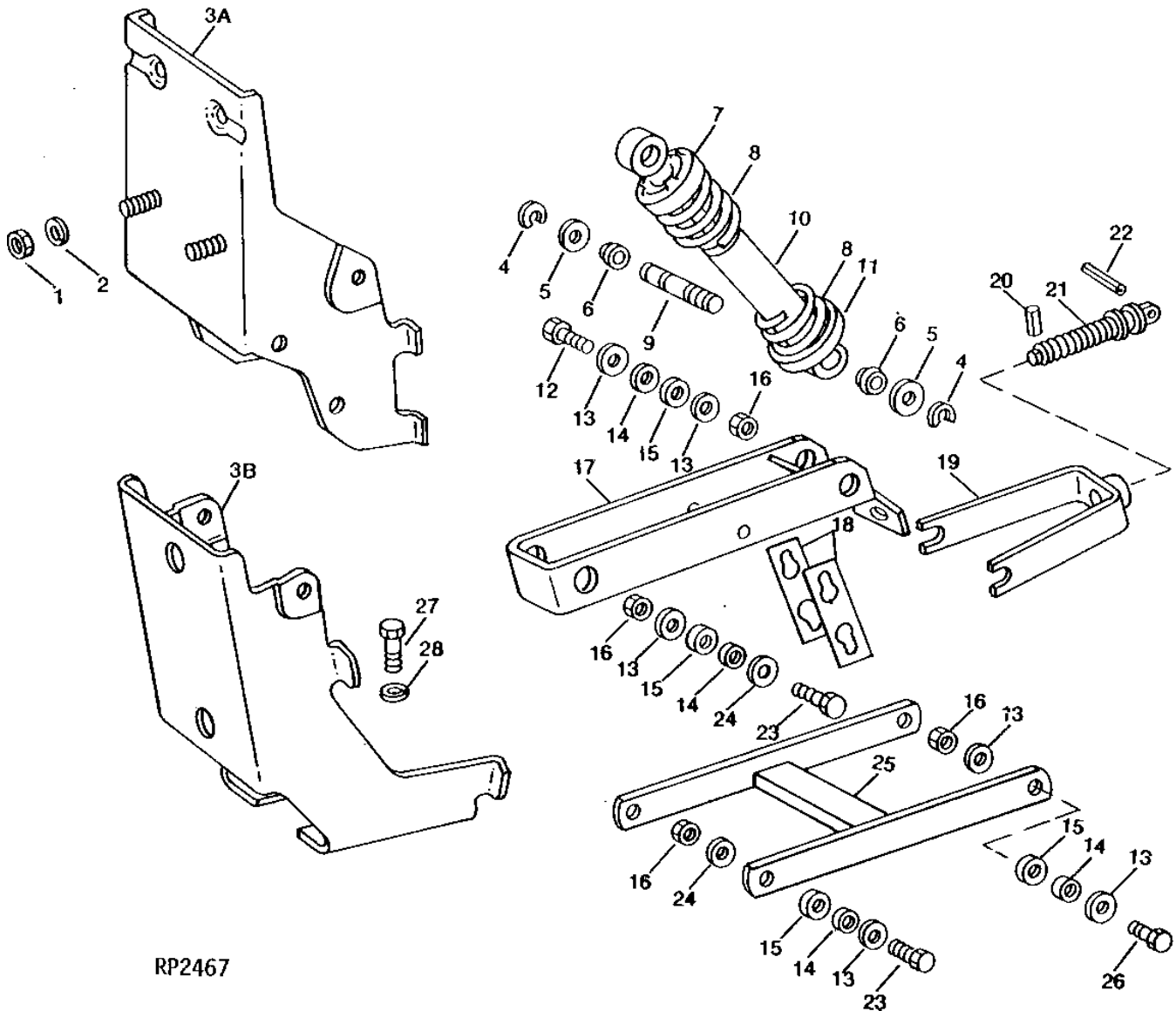
# 4E21

OPERATOR'S STATION

RP2467

-UN-01JAN94

## DELUXE SEAT SUSPENSION



RP2467

# 4E22

OPERATOR'S STATION

## DELUXE SEAT SUSPENSION - CONTINUED

KEY	PART NO.	PART NAME	QTY	TRACTOR SERIAL NO.	REMARKS
1	14H1040	NUT	4	1/2"	
2	12H301	LOCK WASHER	4	1/2"	
3A	AR68727	SUPPORT	1		(ROLL-GARD OR SOUND-GARD BODY)
3B	AR69240	SUPPORT	1		
4	F2863R	SNAP RING	2		
5	R1836R	WASHER	2		
6	R26832	BUSHING	2		
7	R27442	CAP	1		
8	R26877	SPRING	1		
9	R26876	SHAFT	1		
10	AR71976	ABSORBER	1		(SUB FOR AR26529 AND AR69854) (SUB RE62234)
11	R26879	CAP	1		
12	19H2552	CAP SCREW	2		3/8" X 1-1/8"
13	R27441	WASHER	10		
14	R51649	BEARING RACE	8		
15	R51648	WASHER	8		
16	M63440	LOCK NUT	8		(SUB E50102)
17	AR60029	ARM	1		(SUB FOR AR36048)
18	R26878	LINK	2		
19	AR69272	FORK	1		(SUB FOR AR53926)
20	34H247	SPRING PIN	1		
21	R57623	SCREW	1		(SUB FOR R27121)
22	34H323	SPRING PIN	1		1/4" X 3"
23	19H1800	CAP SCREW	2		3/8" X 1-1/2"
24	R53436	WASHER	4		
25	AR69266	LINK	1		(SUB FOR AR60030)
26	19H2552	CAP SCREW	4		3/8" X 1-1/8"
27	19H1731	CAP SCREW	4		3/8" X 1"
28	12H304	LOCK WASHER	4		3/8"

---

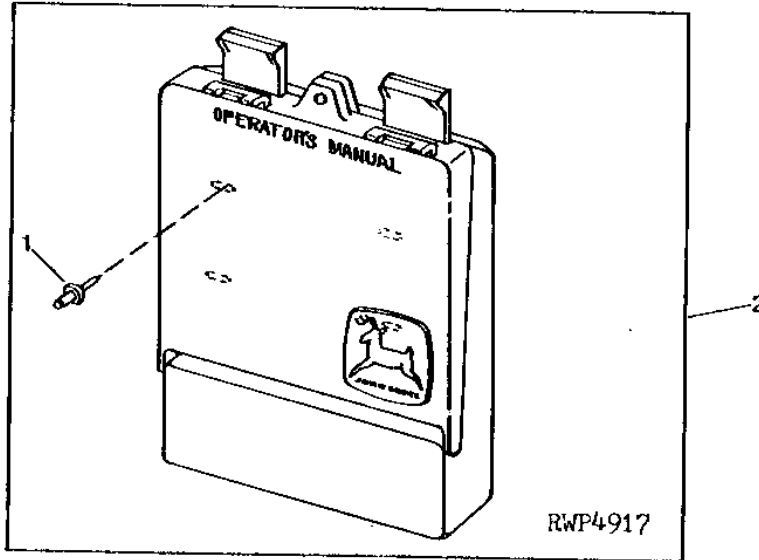
MEMORANDA

# 4E23

OPERATOR'S STATION

RWP4917 -UN-01JAN94

OPERATOR'S MANUAL HOLDER  
(LESS SOUND-GARD BODY)



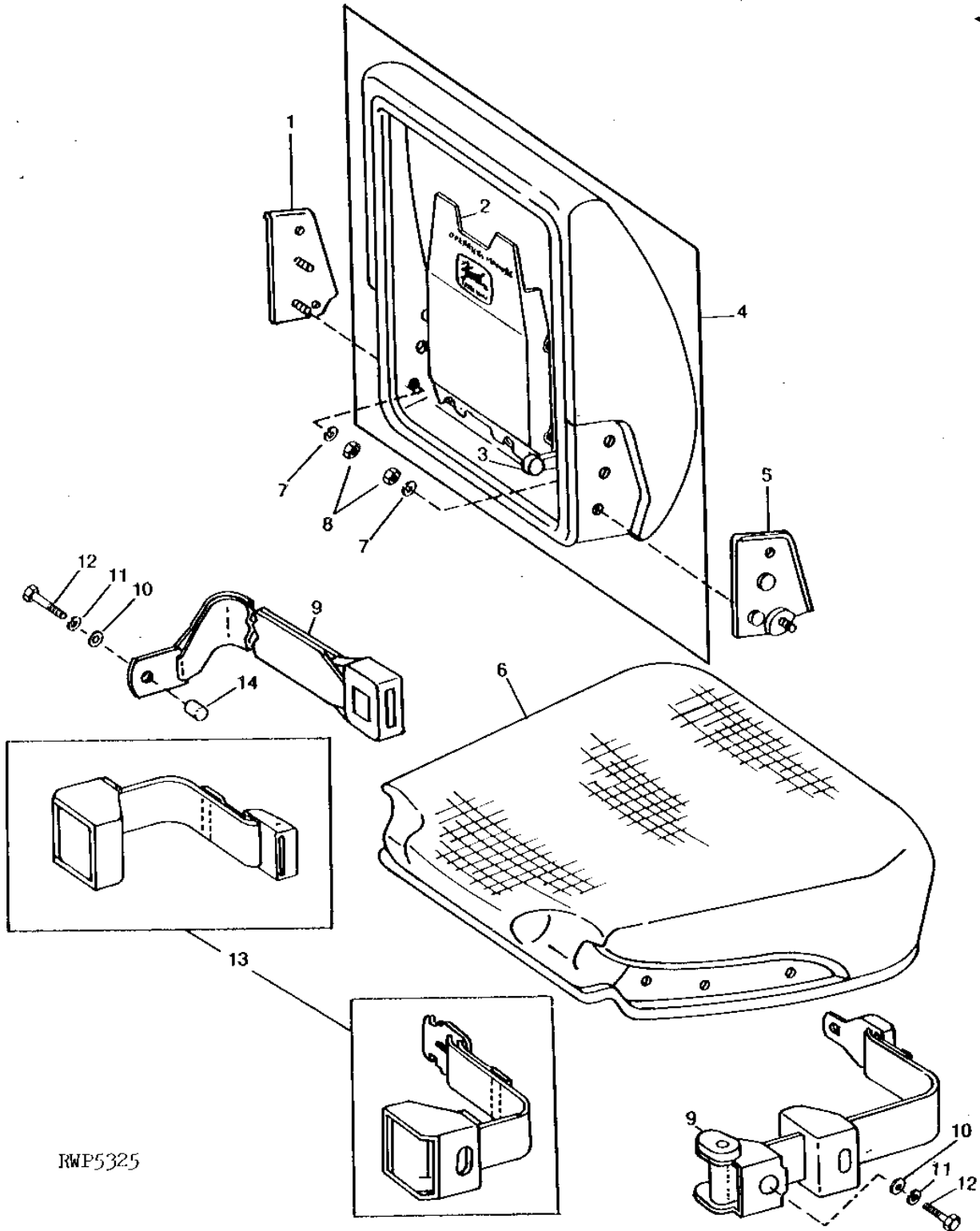
KEY	PART NO.	PART NAME	QTY	TRACTOR SERIAL NO.	REMARKS
1	R77914	RIVET	4		
2	AT104505	KIT	1	(SUB FOR RE14245) (SUB RE14246 AND R79033)	

# 4E24

OPERATOR'S STATION

RWP5325 -UN-01JAN94

## SEAT CUSHIONS AND SEAT BELT (SOUND-GARD BODY)



RWP5325



# 4E25

OPERATOR'S STATION

## SEAT CUSHIONS AND SEAT BELT - CONTINUED (SOUND-GARD BODY)

KEY	PART NO.	PART NAME	QTY	SG BODY SERIAL NO.	REMARKS
1	AR71109	PLATE	1		
2	RE13541	KIT	1		OPERATOR'S MANUAL HOLDER
3	R41387	KNOB	1		
4	AR71107	CUSHION	1		(SUB RE12049)
5	AR71108	PLATE	1		
6	AR76515	CUSHION	1		(PERSONAL-POSTURE SEAT)
	AR82944	CUSHION	1		(HYDRACUSHIONED SEAT)
7	R53668	THRUST WASHER	4		
8	R53670	WELD NUT	4		
9	RE19989	SEAT BELT	1		
10	24M7044	WASHER	2		13 X 20 X 2 MM
11	R59897	LOCK WASHER	2		
12	R59030	CAP SCREW	2		
13	AR71111	SEAT BELT	1		
14	R81560	CAP	1		(USE WITH RE19989)

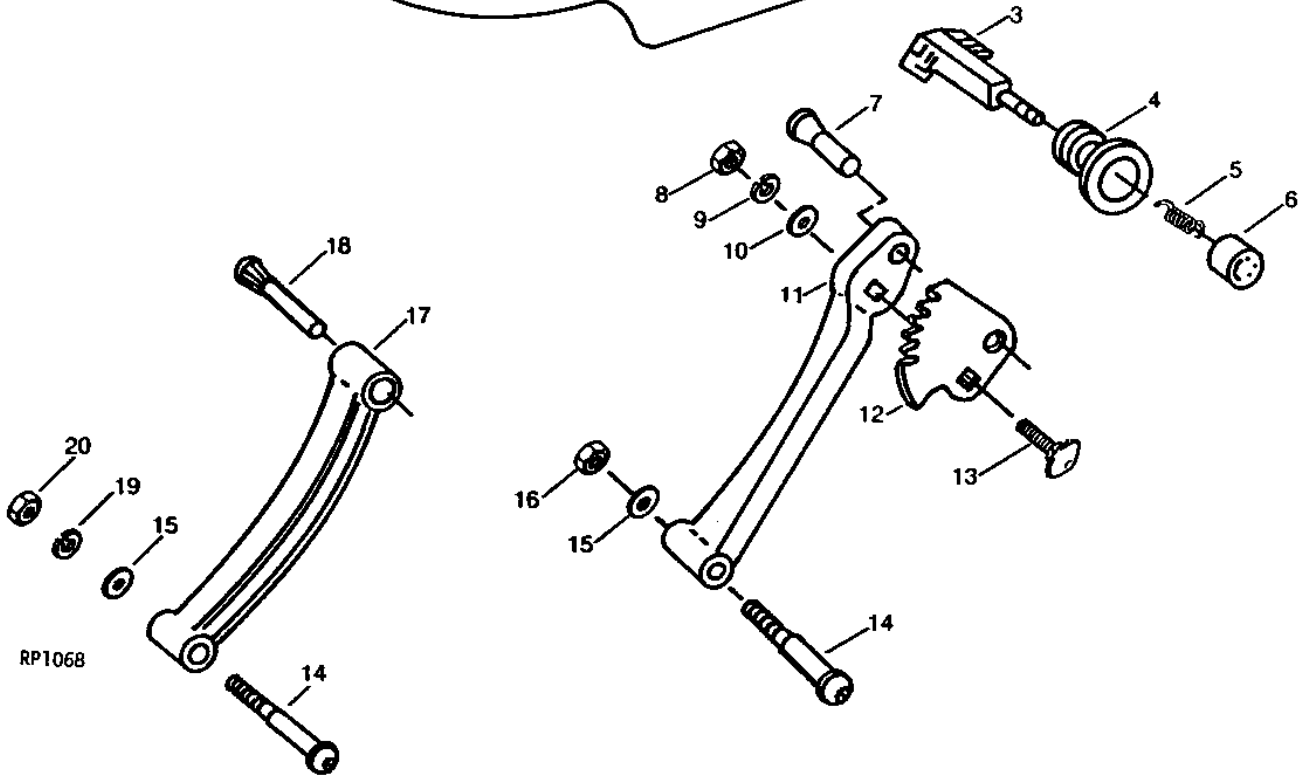
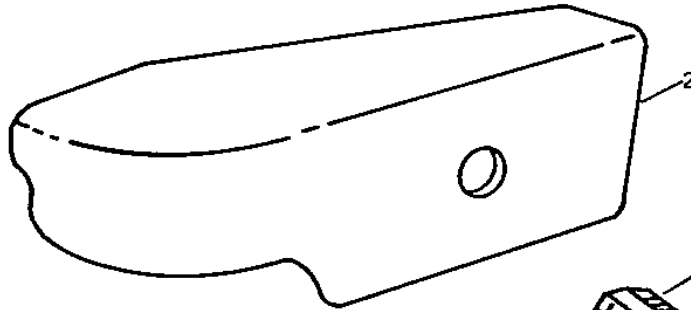
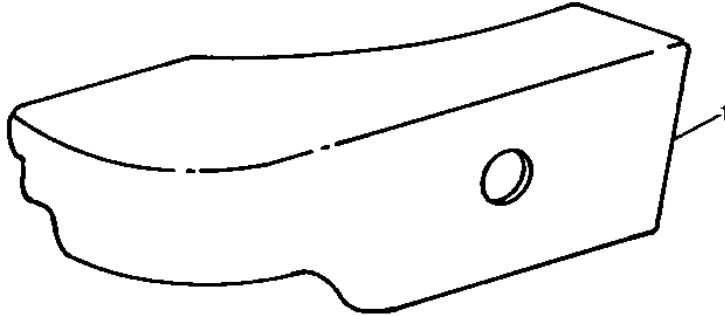
# 4F1

OPERATOR'S STATION

RP1068

-UN-01JAN94

## ARMREST (SOUND-GARD BODY)



RP1068

# 4F2

OPERATOR'S STATION

## ARMREST - CONTINUED (SOUND-GARD BODY)

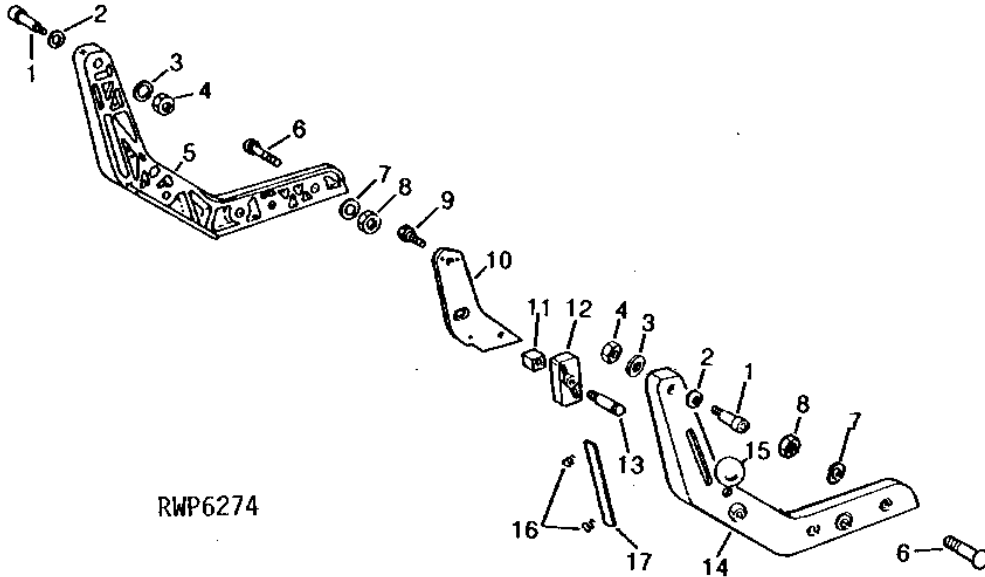
KEY	PART NO.	PART NAME	QTY	SG BODY SERIAL NO.	REMARKS
1	R59280	CUSHION	1		R.H.
	R59025	CUSHION	1		L.H.
2	R58817	ARMREST	1		R.H.
	R58816	ARMREST	1		L.H.
3	R59320	SHAFT KEY	1		R.H.
	R59070	SHAFT KEY	1		L.H.
4	R59028	BUSHING	2		
5	A4741R	SPRING	2		
6	R59029	KNOB	2		
7	R59183	PIN	1		R.H.
	R59021	PIN	1		L.H.
8	14H732	NUT	2		3/8"
9	12H304	LOCK WASHER	2		3/8"
10	24H1302	WASHER	2		13/32" X 11/16" X 0.035"
11	R59020	LINK	2		
12	R61862	PLATE	2		
13	03H2275	BOLT	1		3/8" X 5/8", L.H.
	10H1025	BOLT	1		3/8" X 3/4", R.H.
14	R59022	SCREW	4		
15	R27441	WASHER	4		
16	R53670	WELD NUT	2		
17	R59013	LINK	2		
18	R59023	PIN	2		
19	R53668	THRUST WASHER	2		
20	R53670	WELD NUT	2		

# 4F3

OPERATOR'S STATION

## SEAT BACKREST SUPPORTS (SOUND-GARD BODY)

RWP6274 -UN-01JAN94



RWP6274

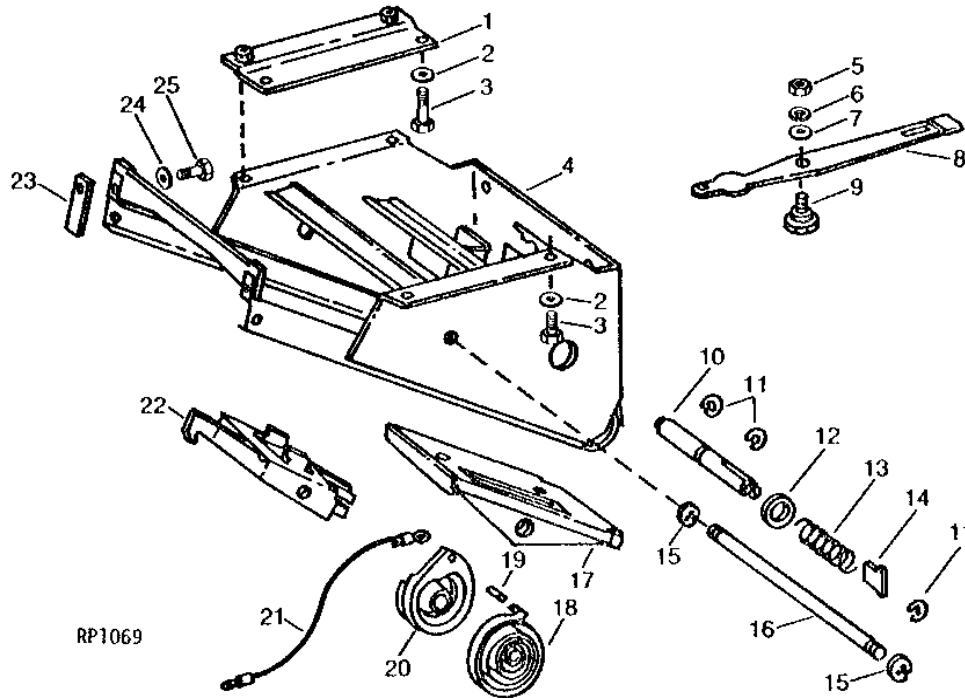
KEY	PART NO.	PART NAME	QTY	SG BODY SERIAL NO.	REMARKS
1	R59019	SCREW	2		
2	T519T	WASHER	2		
3	R53665	WASHER	2		(ALSO ORDER K40003)
4	K40003	LOCK NUT	2		(ALSO ORDER 24H1136)
5	R89143	SUPPORT	1		(SUB FOR R58814)
6	R59015	GANG BOLT	4		
7	R53665	WASHER	4		(ALSO ORDER K40003)
8	K40003	LOCK NUT	4		(ALSO ORDER 24H1136)
9	37H196	SCREW	3		(SUB FOR R52708)
10	R59011	PLATE	1		
11	R59018	BUSHING	1		
12	R59010	ADJUSTER	1		(SUB R105581)
13	R59012	WELD STUD	1		
14	R89142	SUPPORT	1		(SUB FOR R58813)
15	R60458	KNOB	1		
16	R31890	SPRING	2		
17	R59009	REINFORCEMENT	1		

# 4F4

OPERATOR'S STATION

RP1069 -UN-01JAN94

## SEAT SUPPORT AND LATCH (PERSONAL-POSTURE SEAT) (SOUND-GARD BODY)



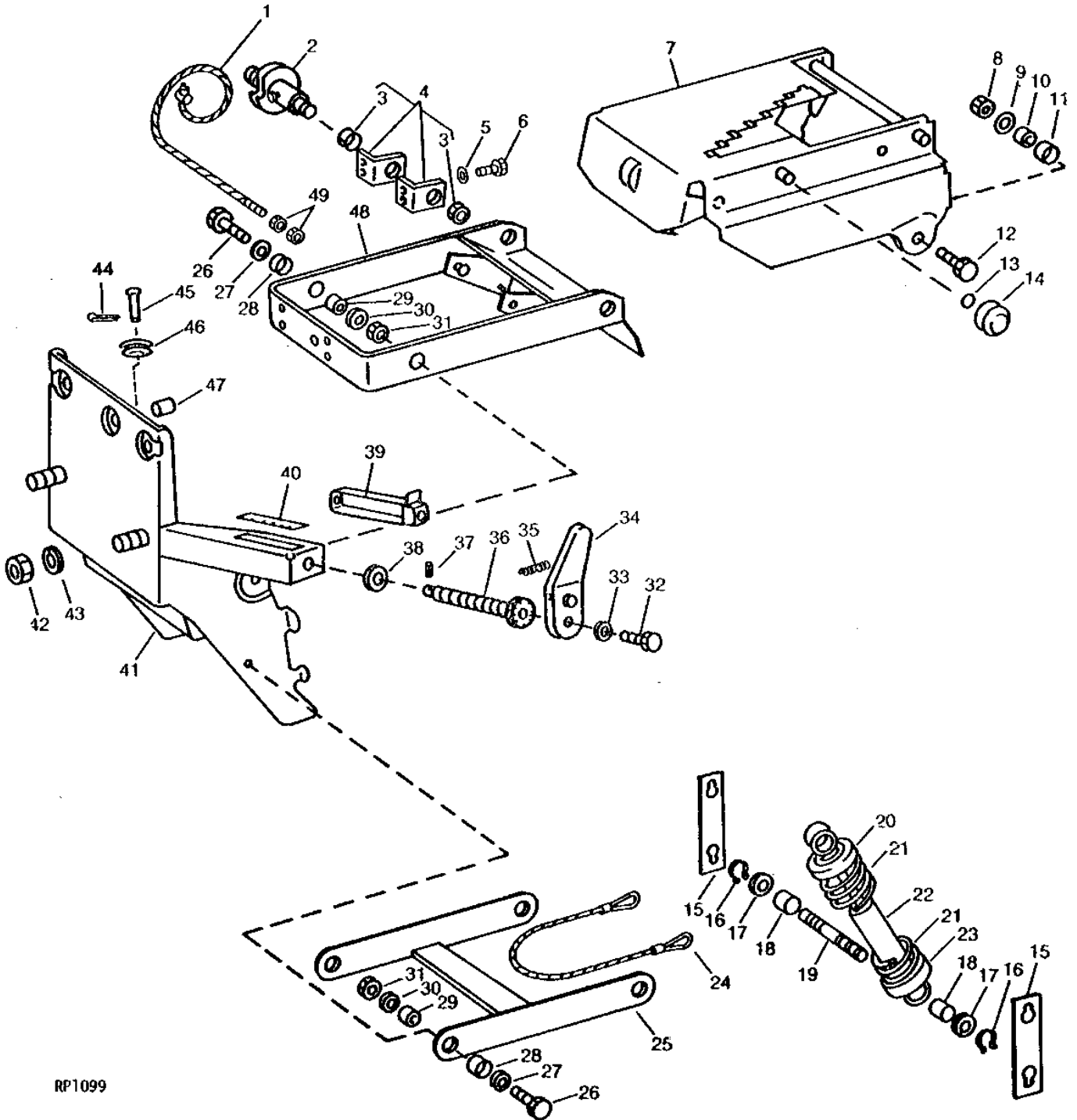
KEY	PART NO.	PART NAME	QTY	SG BODY SERIAL NO.	REMARKS
1	AR72055	ADAPTER	1		
2	19H1813	CAP SCREW	6	5/16" X 5/8"	
3	12H303	LOCK WASHER	6	5/16"	
4	AR71095	SUPPORT	1		
5	14H786	NUT	1	1/4"	
6	12H302	LOCK WASHER	1	1/4"	
7	24H1287	WASHER	1	9/32" X 5/8" X 0.065"	
8	R27439	LEVER	1		
9	R26431	SCREW	1		
10	R57572	PIN	1		
11	R73380	SNAP RING	3	(SUB FOR A369R)	
12	24H1384	WASHER	1	49/64" X 1-1/16" X 0.036"	
13	A4744R	SPRING	1		
14	R26434	LATCH	1		
15	R26871	SNAP RING	2		
16	R58999	PIN	1		
17	R26830	HANDLE	1		
18	R31260	SPRING	1		
19	34H282	SPRING PIN	1	3/16" X 1"	
20	R26432	REEL	1		
21	AR26403	CABLE	1	(SUB R78257)	
22	R26828	LATCH	1		
23	R61286	STOP	2		
24	12H303	LOCK WASHER	2	5/16"	
25	R53662	SELF-LOCKING SCREW	2		

# 4F5

OPERATOR'S STATION

## SEAT SUSPENSION (PERSONAL-POSTURE SEAT) (SOUND-GARD BODY)

RP1099 -UN-01JAN94



RP1099

# 4F6

OPERATOR'S STATION

**SEAT SUSPENSION - CONTINUED  
(PERSONAL-POSTURE SEAT)  
(SOUND-GARD BODY)**

KEY	PART NO.	PART NAME	QTY	SG BODY SERIAL NO.	REMARKS
1	AR72840	CABLE	1		
2	AR72842	REEL	1		
3	R51648	WASHER	2		
4	AR72848	BRACKET	2		
5	12H303	LOCK WASHER	4	5/16"	
6	19H2127	CAP SCREW	4	5/16" X 7/8"	
7	AR71099	FRAME	1		
8	M63440	LOCK NUT	4	(SUB E50102)	
9	R27441	WASHER	4		
10	R51649	BEARING RACE	4		
11	R51648	WASHER	4		
12	19H2552	CAP SCREW	4	3/8" X 1-1/8"	
13	R26872	SHIM	AR	0.25MM (.010")	
	R26873	SHIM	AR	0.51MM (.020")	
14	R26436	ROLLER	4		
15	R60024	LINK	2		
16	F2863R	SNAP RING	2		
17	R1836R	WASHER	2		
18	R26832	BUSHING	2		
19	R60025	SHAFT	1		
20	R27442	CAP	1		
21	R60319	SPRING	1		
22	AR71976	ABSORBER	1	(SUB RE62234)	
23	R26879	CAP	1		
24	AR72841	CABLE	1		
25	AR88527	LINK	1	(SUB FOR AR71098)	
26	19H1800	CAP SCREW	4	3/8" X 1-1/2"	
27	R27441	WASHER	4		
28	R51648	WASHER	4		
29	R51649	BEARING RACE	4		
30	R53436	WASHER	4		
31	M63440	LOCK NUT	4	(SUB E50102)	
32	R43569	CAP SCREW	1	(SUB R72371)	
33	24H1305	WASHER	1	13/32" X 13/16" X 0.065"	
34	AR73562	LEVER	1		
35	R60657	SPRING	1		
36	AR73561	SCREW	1		
37	34H228	SPRING PIN	1	3/32" X 9/16"	
38	R60021	WASHER	1		
39	AR72838	FORK	1		
40	R65442	LABEL	1	(SUB FOR R60173)	
41	AR72056	SUPPORT	1		
42	14H1040	NUT	4	1/2"	
43	12H301	LOCK WASHER	4	1/2"	
44	11M7081	COTTER PIN	1	0.098" X 0.787"	
45	R31044	PIN	1		
46	R60019	PULLEY	1		
47	R59792	CAP	1		
48	AR71097	ARM	1		
49	14H850	NUT	2	1/4"	

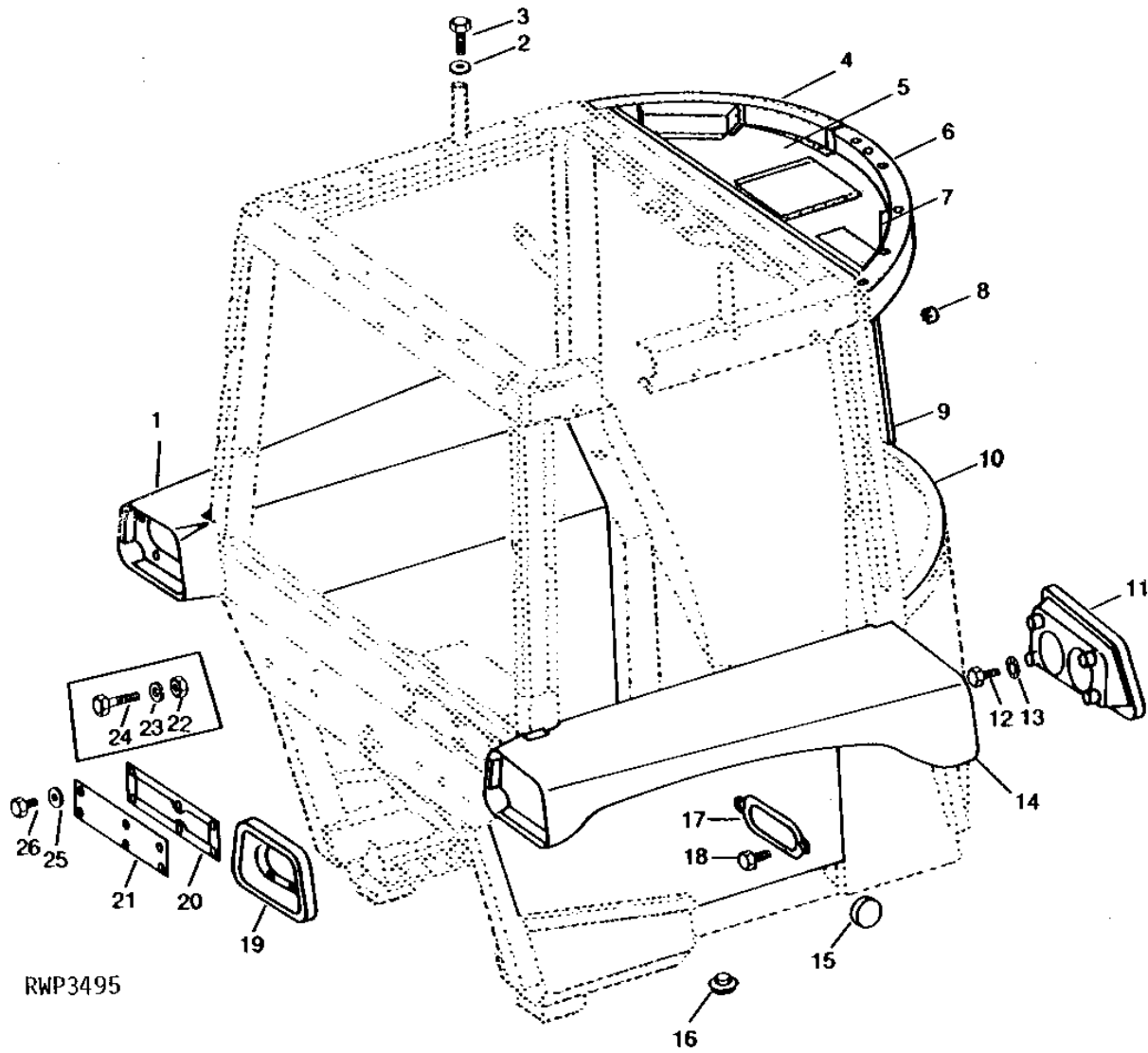
# 4F7

OPERATOR'S STATION

RWP3495

-UN-01JAN94

## SOUND-GARD BODY





# 4F8

OPERATOR'S STATION

## SOUND-GARD BODY - CONTINUED

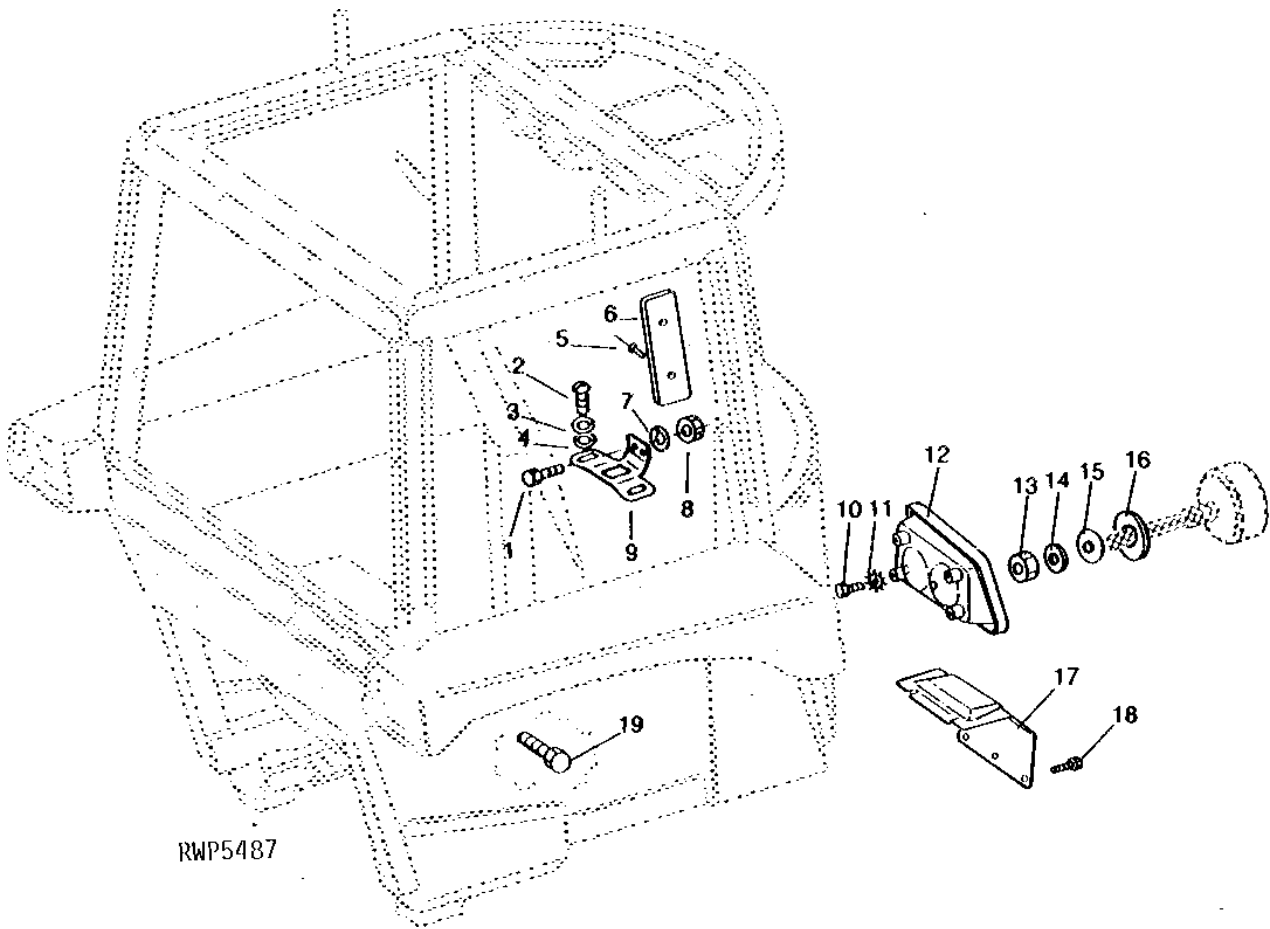
KEY	PART NO.	PART NAME	QTY	SG BODY SERIAL NO.	REMARKS
1	RE15078	FENDER	1		(ALSO ORDER M42229) (SUB FOR AR56953 AND AR77112)
	R50789	BRACE	1		
	R51700	BRACE	1		
2	24H1106	WASHER	2		11/16" X 1-3/4" X 0.134"
3	19H2367	CAP SCREW	2		5/8" X 3/4"
4	AR54673	FRAME	1		
5	R50740	PANEL	1		
6	R50446	CAB ROOF FRAME	1		
7	R59910	BRACKET	1		(SUB FOR AR55973)
8	R28473	PLUG	2		(LESS R.H. MIRROR)
9	R50445	SUPPORT	1		
10	R50449	PANEL	1		R.H.
	R51704	PANEL	1		L.H.
	R50443	BRACE	1		(SUB R65506)
	R53099	SUPPORT	1		
11	AR57235	PANEL	1		R.H. (SUB (4) R81698 AND R81699)
	AR53988	PANEL	1		L.H. (SUB (4) R81698 AND R81700)
12	AR58652	BOLT	8		
13	12M7032	LOCK WASHER	2		0.331"
14	RE15077	FENDER	1		(ALSO ORDER M42229) (SUB FOR AR61225 AND AR77111)
	R50788	BRACE	1		
	R51699	BRACE	1		
15	R52233	PLUG	1		
16	R67363	PLUG	1		
17	R53233	COVER	2		
18	R52938	CAP SCREW	2		
19	R52561	SHIELD	1		R.H.
	R52562	SHIELD	1		L.H.
20	R50470	GASKET	1		
21	R50469	COVER	1		
22	14H785	NUT	6		-XXXXXX 5/16"
23	12H303	LOCK WASHER	6		-XXXXXX 5/16"
24	19H1900	CAP SCREW	6		-XXXXXX 5/16" X 3/4"
25	12H303	LOCK WASHER	6		XXXXXX- 5/16"
26	37H27	SCREW	6		XXXXXX- 5/16" X 7/8"
..	AR55840	ASHTRAY	1		(SUB (2) R53678, R62545, R62546 AND R77404)
..	R52233	PLUG	AR		(2 USED LESS AIR CONDITIONING, 3 USED LESS HEATER)
..	AR69003	GROMMET	1		
..	R52698	PLUG	2		
..	R32289	GROMMET	1		-094331
..	R52233	PLUG	1		094332-
..	R46663	SEALING TRIM	1		
..	R53745	TAPE	1		

# 4F9

OPERATOR'S STATION

RWP5487 -UN-01JAN94

SEAT COVER AND HEADLIGHT PANEL  
(REPLACEMENT SOUND-GARD BODY)



RWP5487

# 4F10

OPERATOR'S STATION

SEAT COVER AND HEADLIGHT PANEL - CONTINUED  
(REPLACEMENT SOUND-GARD BODY)

KEY	PART NO.	PART NAME	QTY	TRACTOR SERIAL NO.	REMARKS
1	19H2127	CAP SCREW	2		5/16" X 7/8"
2	03H1540	BOLT	2		5/16" X 3/4"
3	12H303	LOCK WASHER	2		5/16"
4	R53668	THRUST WASHER	2		
5	R66087	RIVET	2		
6	R66383	PLATE	1		
7	12H303	LOCK WASHER	2		5/16"
8	14H785	NUT	2		5/16"
9	R65508	BRACKET	1		
10	AR58652	BOLT	8		
11	12M7032	LOCK WASHER	2		0.331"
12	AR84969	SHIELD	1		R.H. (SUB R81696 AND (4) R81698)
	AR84970	SHIELD	1		L.H.
13	14H809	NUT	2		1/2", (NLA)
14	12H301	LOCK WASHER	2		1/2"
15	F2935R	WASHER	2		
16	R48663	WASHER	2		
17	L40528	COVER	1		(SUB FOR R63839)
18	R52937	CAP SCREW	5		
19	19H1731	CAP SCREW	1		3/8" X 1"

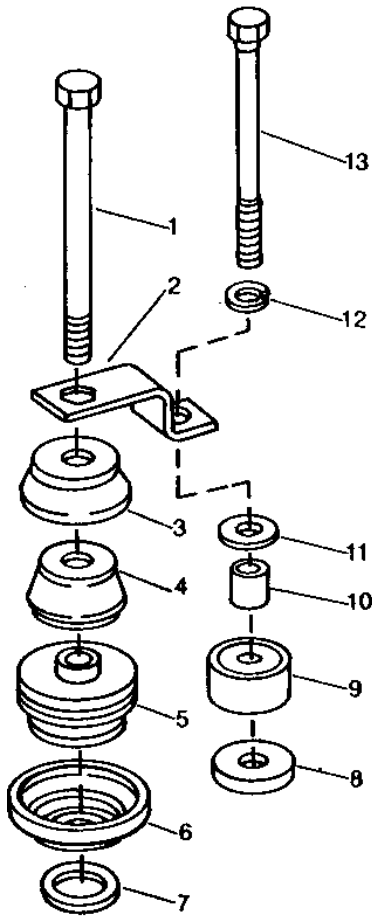
# 4F11

OPERATOR'S STATION

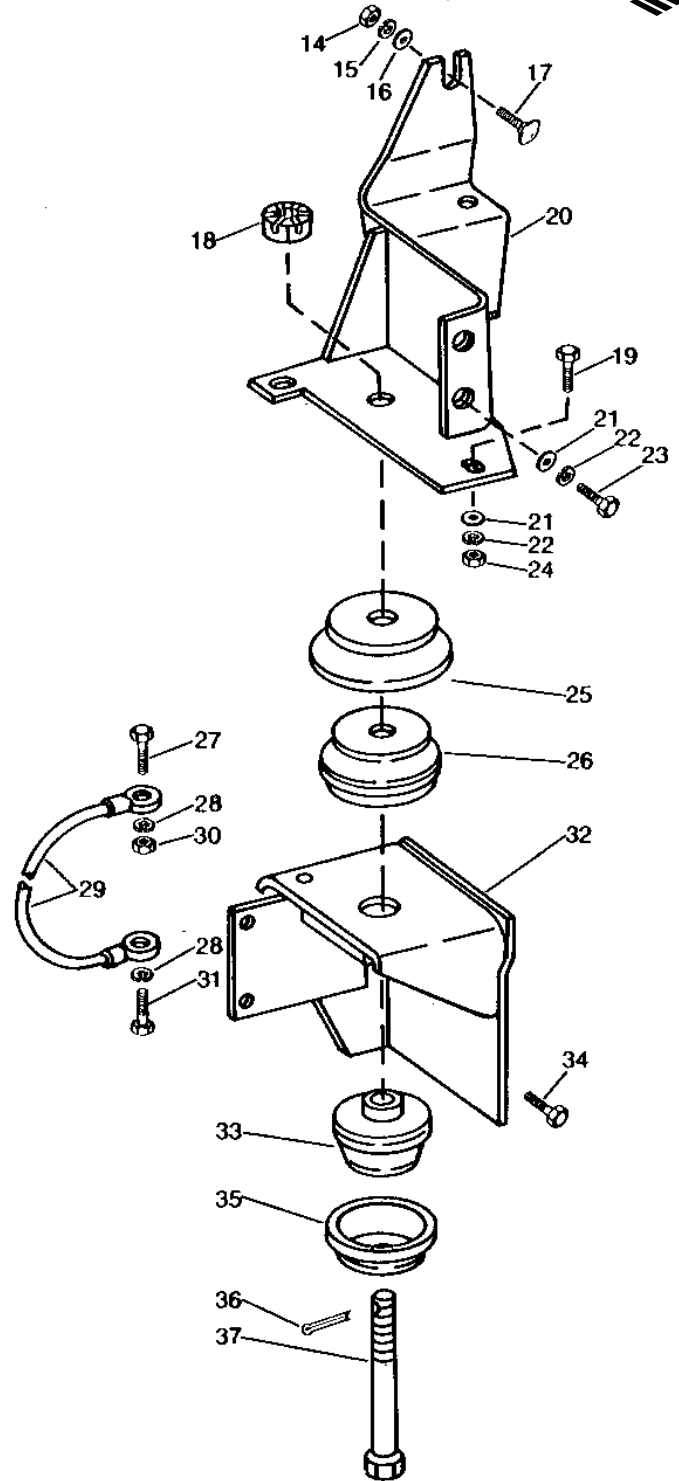
RP2468

-UN-01JAN94

## SOUND-GARD BODY MOUNTING



RP2468



# 4F12

OPERATOR'S STATION

## SOUND-GARD BODY MOUNTING - CONTINUED

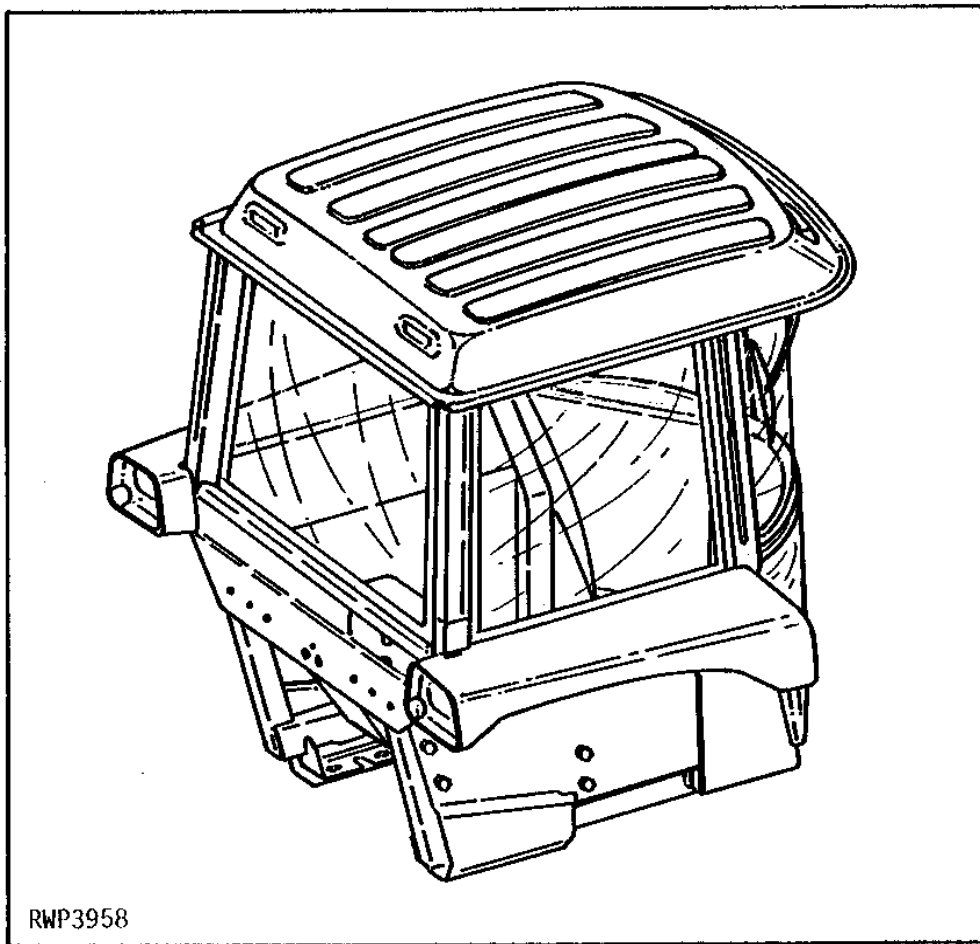
KEY	PART NO.	PART NAME	QTY	TRACTOR SERIAL NO.	REMARKS
1	R54741	CAP SCREW	2		(SUB FOR R50880)
2	R50244	PLATE	2		
3	R53708	CAP	2		(SUB FOR R53708)
4	AR59872	ISOLATOR	2		
5	AR58397	ISOLATOR	2		
6	R53710	CAP	2		(SUB FOR R59863)
7	R55915	WASHER	2		
8	R50247	ADAPTER	2		
9	R52424	STOP	2		
10	AR70862	ISOLATOR	2		(SUB FOR R51929)
11	R54124	WASHER	2		
12	12H236	LOCK WASHER	2		3/4"
13	R54745	SELF-LOCKING SCREW	2		(SUB FOR R50438)
14	14H1076	NUT	2		3/8"
15	12H304	LOCK WASHER	2		3/8"
16	24H1305	WASHER	2		13/32" X 13/16" X 0.065"
17	03H2070	BOLT	2		3/8" X 1-1/8"
18	14H1034	NUT	2		3/4"
19	19H1792	CAP SCREW	2		1/2" X 1"
20	AR72480	BRACKET	1		R.H. (SUB FOR AR55331) (SUB AR84566)
	AR72479	BRACKET	1		L.H. (SUB FOR AR55332)
21	24H1211	WASHER	6		9/16" X 1-3/8" X 0.105"
22	12H301	LOCK WASHER	6		1/2"
23	19H1792	CAP SCREW	4		1/2" X 1"
24	14H1040	NUT	2		1/2"
25	R53709	CAP	2		(SUB FOR R53709)
26	AR58397	ISOLATOR	2		
27	19H1731	CAP SCREW	1		3/8" X 1"
28	12H304	LOCK WASHER	2		3/8"
29	AR56758	WIRING LEAD	1		
30	14H1076	NUT	1		3/8"
31	19H2021	CAP SCREW	1		3/8" X 5/8"
	12H304	LOCK WASHER	1		3/8"
32	AR70845	BRACKET	1		R.H. (ALSO ORDER (2) 19H3299, (2) 12H1301 AND (2) R42408) (SUB FOR AR54417)
	AR70846	BRACKET	1		L.H. (ALSO ORDER (2) 19H3299, (2) 12H1301 AND (2) R42408) (SUB FOR AR54418)
33	AR59872	ISOLATOR	2		
34	R52524	SCREW	4	-011964	
	19H3299	CAP SCREW	4	011965-	1/2" X 1-1/4"
	12H301	LOCK WASHER	4	011965-	1/2"
	R42408	WASHER	4	011965-	
35	R53708	CAP	2		(SUB FOR R59865)
36	11M7030	COTTER PIN	2	-011964	0.197" X 1.575"
37	R54742	CAP SCREW	2	-011964	(SUB FOR R50437) (SUB R59866)
	24H1392	WASHER	2	011965-011964	25/32" X 1-3/8" X 0.120"
	R59866	CAP SCREW	2	011965-	

# 4F13

OPERATOR'S STATION

SOUND-GARD BODY FOR REPLACEMENT  
(BASIC UNIT)

RWP3958 -UN-01JAN94



# 4F14

OPERATOR'S STATION

---

**SOUND-GARD BODY FOR REPLACEMENT - CONTINUED  
(BASIC UNIT)**

KEY	PART NO.	PART NAME	QTY	TRACTOR SERIAL NO.	REMARKS
1	.....	SOUND-GARD BODY	1		(A) (INCLUDES HEATER, AIR CONDITIONING, UPHOLSTERY, WINDOW GLASS, WIPERS, LIGHTS, AND FENDERS)

(A) ORDER THROUGH BRANCH SERVICE MANAGER OR COMPLETE GOODS MANAGER

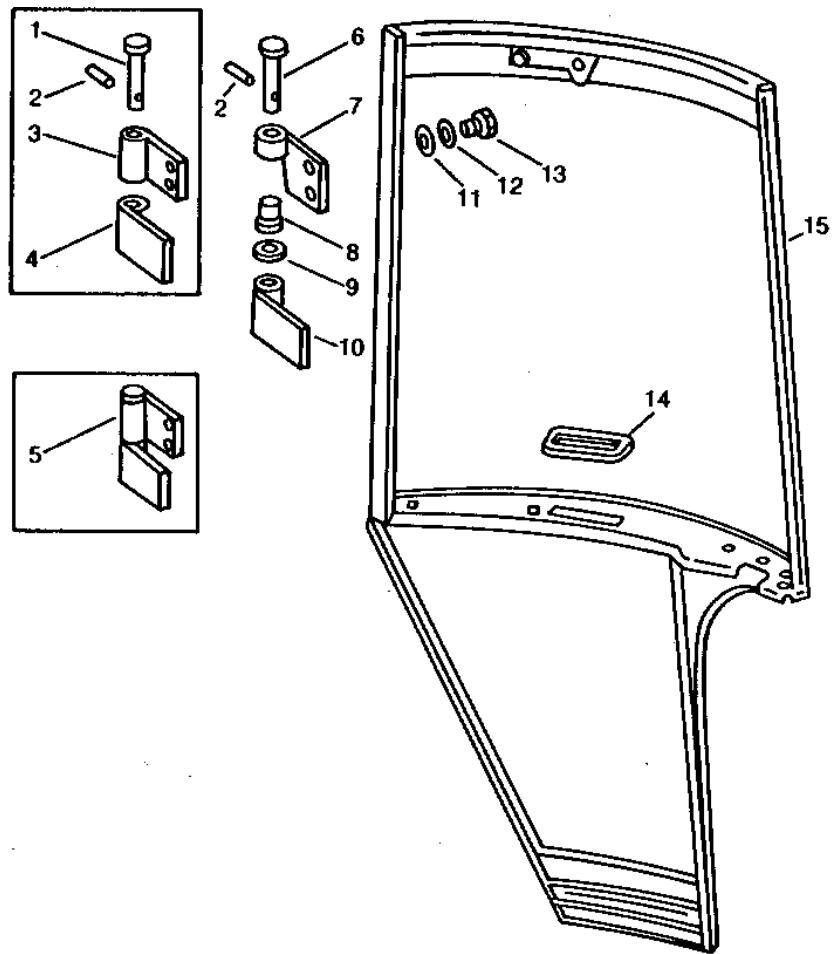
# 4F15

OPERATOR'S STATION

RXP8641

-UN-01JAN94

## SOUND-GARD BODY DOORS



RXP8641



# 4F16

OPERATOR'S STATION

## SOUND-GARD BODY DOORS - CONTINUED

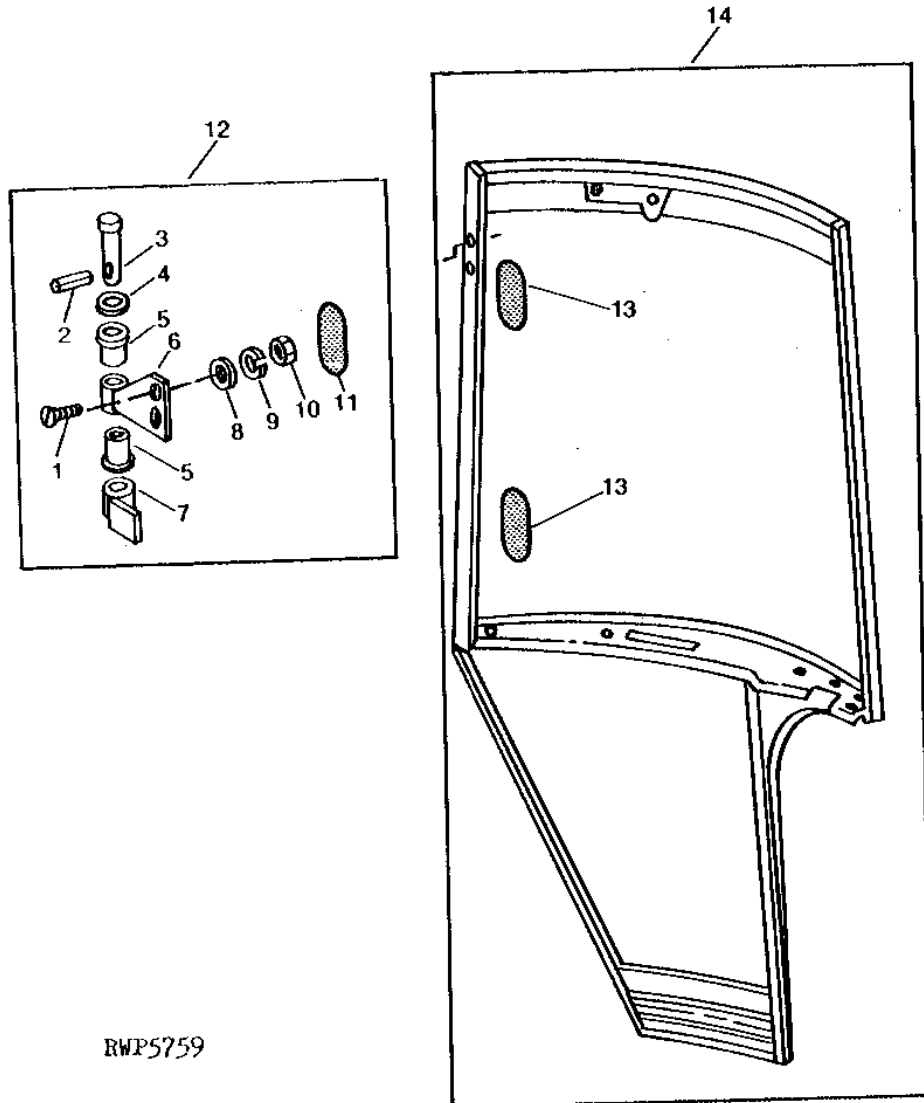
KEY	PART NO.	PART NAME	QTY	SG BODY SERIAL NO.	REMARKS
1	R63019	PIN	2	-097657	(SUB FOR R51127)
2	34H247	SPRING PIN	2	-097657	1/8" X 3/4"
3	.....	HINGE	2	-097657	(SUB AR77443) (DOOR HALF)
4	.....	HINGE	2	-097657	(SUB AR77443) (BODY HALF)
5	AR77443	HINGE	1	097658-097657	(SUB AR86997, RE16546, R65570, R68459, 24H1302 AND 34H247)
6	R68459	PIN	2	XXXXXX-	(SUB FOR R66930)
7	AR86997	HINGE	2	XXXXXX-	(DOOR HALF)
8	R65570	BUSHING	2	XXXXXX-	
9	24H1302	WASHER	2	XXXXXX-	13/32" X 11/16" X 0.035"
10	AR77445	HINGE	2	XXXXXX-	(SUB RE16546) (BODY HALF)
11	24H1305	WASHER	4		13/32" X 13/16" X 0.065"
12	12H303	LOCK WASHER	4		5/16"
13	19H1900	CAP SCREW	4		5/16" X 3/4"
14	R20759	GROMMET	1		
15	AR89232	DOOR	1		(ALSO ORDER AR73257 AND R60469) (SUB FOR AR54897 OR AR73256) (SUB AR103636, AR103633 AND RE22994)

# 4F17

OPERATOR'S STATION

SOUND-GARD BODY DOOR KITS  
(AUTOMOTIVE DOOR LATCH)  
(SOUND-GARD BODY SERIAL NO. XXXXXX- )

RWP5759 -UN-01JAN94



RWP5759

# 4F18

OPERATOR'S STATION

**SOUND-GARD BODY DOOR KITS - CONTINUED**  
**(AUTOMOTIVE DOOR LATCH)**  
**(SOUND-GARD BODY SERIAL NO. XXXXXX - )**

KEY	PART NO.	PART NAME	QTY	SG BODY SERIAL NO.	REMARKS
1	21H1226	SCREW	4	5/16" X 7/8"	
2	34H247	SPRING PIN	2	1/8" X 3/4"	
3	R63019	PIN	2		
4	24H1302	WASHER	2	13/32" X 11/16" X 0.035"	
5	R65570	BUSHING	4		
6	RE11778	HINGE	2	(SUB RE16547)	
7	AR77445	HINGE	2	(SUB RE16546)	
8	24M7149	WASHER	4	10.500 X 30 X 2.500 MM	
9	12H303	LOCK WASHER	4	5/16"	
10	14H785	NUT	4	5/16"	
11	R81207	COVER	2	(SUB FOR R68461)	
12	AR103633	KIT	1		
13	R81207	COVER	3		
14	AR103636	KIT	1		

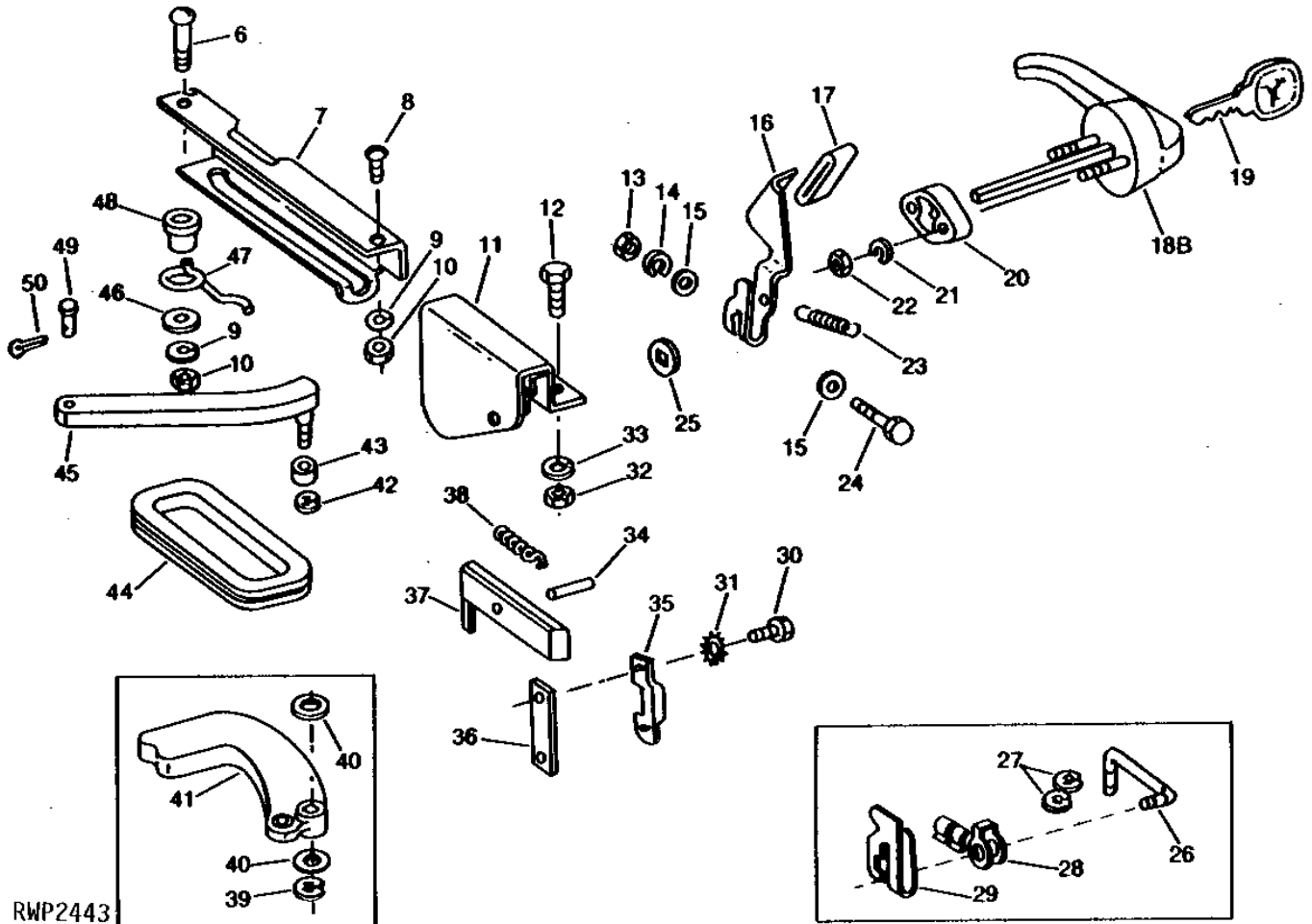
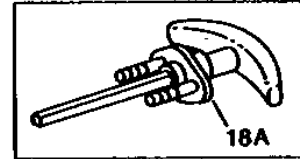
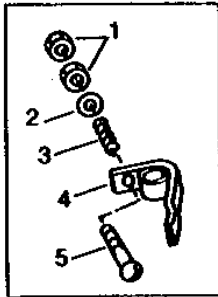
# 4F19

OPERATOR'S STATION

RWP2443

-UN-01JAN94

DOOR HANDLE AND LATCH  
(SOUND-GARD BODY SERIAL NO. -XXXXXX)



RWP2443

# 4F20

OPERATOR'S STATION

**DOOR HANDLE AND LATCH - CONTINUED**  
**(SOUND-GARD BODY SERIAL NO. -XXXXXX)**

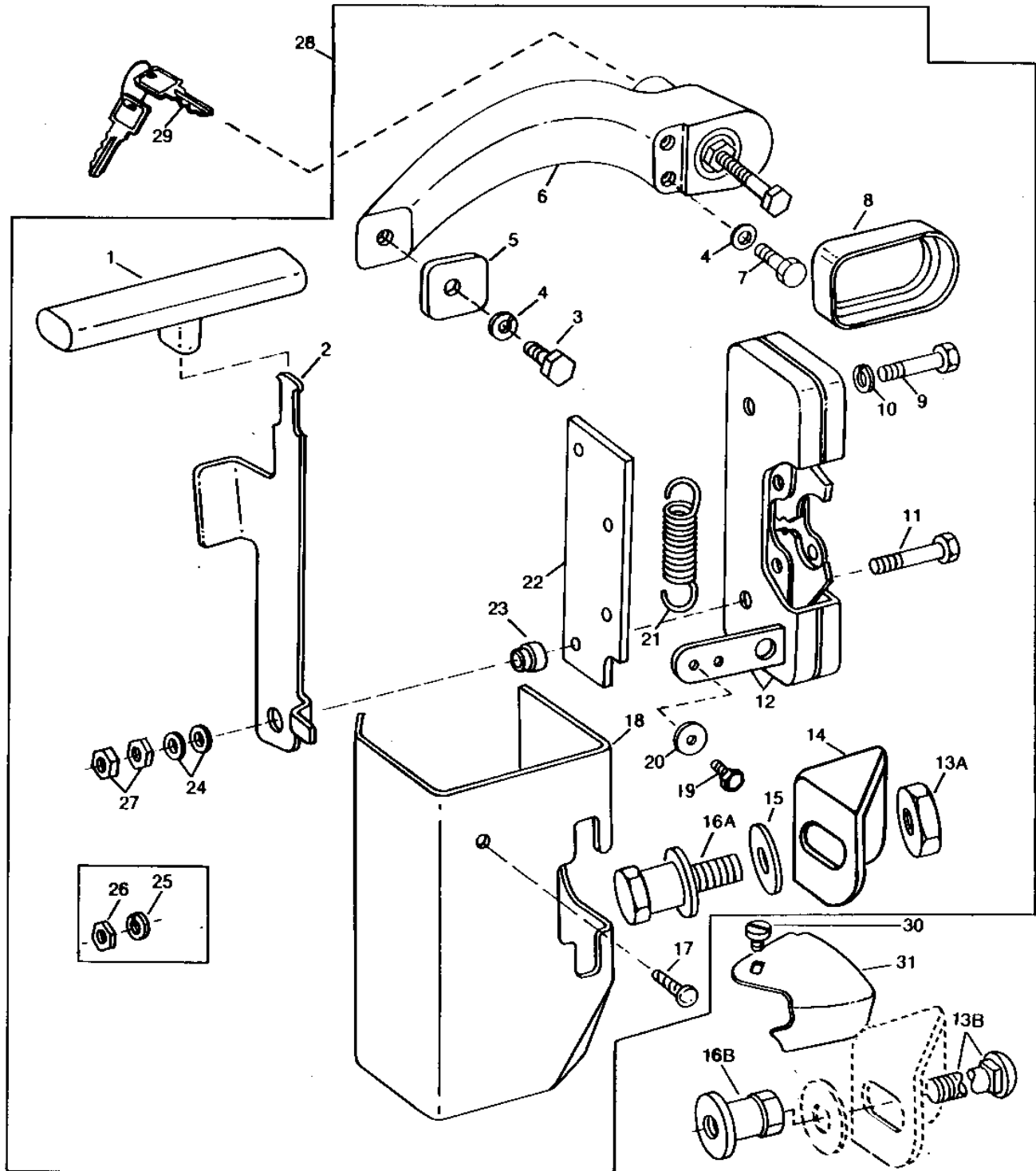
KEY	PART NO.	PART NAME	QTY	SG BODY SERIAL NO.	REMARKS
1	14H608	NUT	2	-014473	0.216"
2	24H1286	WASHER	1	-014473	9/32" X 1/2" X 1/16"
3	R47605	SPRING	1	-014473	
4	AR59638	LATCH	1	-014473	
5	21H1374	SCREW	1	-014473	0.216" X 1-7/8"
6	R54697	GANG BOLT	1		
7	AR77227	STOP	1		(ALSO ORDER R62635, R62636 AND 24H1822) (SUB FOR AR56680)
8	R54798	GANG BOLT	1		
9	12H303	LOCK WASHER	2		5/16"
10	14H785	NUT	2		5/16"
11	AR56678	HOUSING	1	-014473	(SUB AR73257 AND R60469)
	AR73257	SUPPORT	1	014474-	
12	R54057	SCREW	3		
13	14H785	NUT	1		5/16"
14	12H303	LOCK WASHER	1		5/16"
15	24H1136	WASHER	2		11/32" X 11/16" X 0.065"
16	R60469	HANDLE	1	014474-	
17	R60964	GRIP	1	014474-	
18A	AR67784	HANDLE	1	-014473	(SUB FOR AR58396) (SUB AR78804 AND R63760)
18B	AR78804	HANDLE	1	014474-	
19	AR51481	KEY	1		
20	R52863	SPACER	1	-014473	(SUB R63760 AND AR78804)
	R63760	SPACER	1	014474-	
21	12H296	WASHER	2		0.216"
22	14H608	NUT	2		0.216"
23	R52097	SPRING	1		
24	19H2831	CAP SCREW	1		5/16" X 1-1/2"
25	R52098	BUSHING	1		
	R63387	WASHER	1		(REPLACEMENT SGB)
26	R52100	PIN	1	-014473	
27	R72654	SNAP RING	3	-014473	
28	R26524	CLIP	1	-014473	
29	R52099	ARM	1	-014473	
30	R54057	SCREW	2		
31	12H356	LOCK WASHER	2		1/4"
32	14H786	NUT	3		1/4"
33	12H302	LOCK WASHER	3		1/4"
34	34H312	SPRING PIN	1		1/4" X 1"
35	R52108	PLATE	1		
36	R52109	ADJUSTING STRAP	1		
37	AR56676	LATCH	1		
38	R52097	SPRING	1		
39	R26871	SNAP RING	1	-014473	
40	D2865R	WASHER	2	-014473	(SUB 24H1111)
41	R52101	HANDLE	1	-014473	(SUB R60469 AND AR73257)
42	R72653	SNAP RING	1		
43	R52516	BUSHING	1		
44	R20759	GROMMET	1		
45	AR58242	STOP	1		
46	24H1289	WASHER	1	-014473	21/64" X 5/8" X 0.049"
	24H1822	WASHER	1	014474-	11/32" X 7/8" X 1/16"
47	R62636	SPRING	1	014474-	
48	R53393	SLEEVE	1	-014473	
	R62635	SLEEVE	1	014474-	
49	R52107	PIN	1		
50	11M7077	COTTER PIN	1		0.063" X 0.984"

# 4F21

OPERATOR'S STATION

RXP8520 -UN-01JAN94

DOOR HANDLE AND LATCH  
(BODY SERIAL NO. XXXXXX-XXXXXX)



RXP8520

# 4F22

OPERATOR'S STATION

**DOOR HANDLE AND LATCH - CONTINUED**  
**(BODY SERIAL NO. XXXXXX-XXXXXX)**

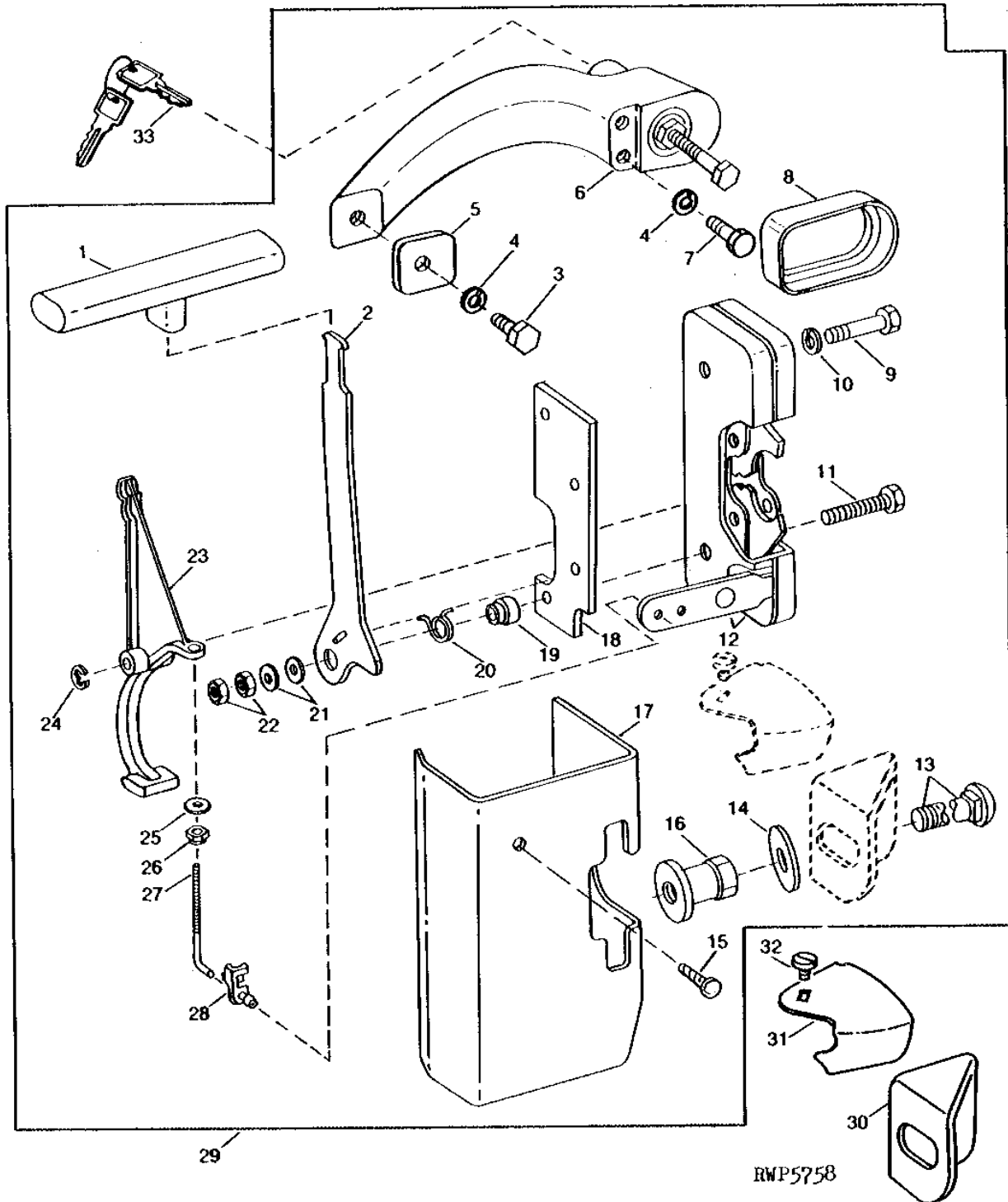
KEY	PART NO.	PART NAME	QTY	SG BODY SERIAL NO.	REMARKS
1	R70271	KNOB	1		
2	R75869	HANDLE	1		INNER, (SUB R78552)
3	19M6614	CAP SCREW	1		M6 X 12
4	12H302	LOCK WASHER	3		1/4"
5	R70275	SPACER	1		
6	AR91895	HANDLE	1		OUTER
7	19M7077	CAP SCREW	2		M6 X 20
8	R70274	SPACER	1		
9	19H1791	CAP SCREW	3		1/4" X 1-1/4"
10	12H297	LOCK WASHER	4		1/4"
11	19H1738	CAP SCREW	1		1/4" X 2"
12	AR91893	LATCH	1		(SUB RE50874)
13A	14H849	NUT	1	-XXXXXX	7/16"
13B	03M7191	BOLT	1	XXXXXX-	M10 X 25
14	R70277	SUPPORT	1		DOOR LATCH STRIKER SUPPORT, (SUB FOR RE13693)
15	24H1309	WASHER	1		13/32" X 1-1/16" X 0.120"
	24H1219	WASHER	1		7/16" X 1" X 0.083"
16A	AR91896	STRIKER	1	-XXXXXX	
16B	R82272	STRIKER	1	XXXXXX-	
17	37H196	SCREW	2		(SUB FOR R52708)
18	R82456	COVER	1		(SUB FOR R70273)
19	R52938	CAP SCREW	1	-XXXXXX	
20	24M7100	WASHER	1	-XXXXXX	6.600 X 22 X 2 MM
21	R31877	SPRING	1		
22	R70269	PLATE	1		(SUB R82455)
23	R75870	SPACER	1		(SUB R82482)
24	24H1287	WASHER	1		9/32" X 5/8" X 0.065"
25	12H297	LOCK WASHER	1	-XXXXXX	1/4"
26	14H786	NUT	1	-XXXXXX	1/4"
27	14H850	NUT	2	XXXXXX-	1/4"
28	AR103634	KIT	1		(SUB RE22994)
29	AR51481	KEY	1		
30	R79877	SCREW	1	XXXXXX-	
31	R81540	SHIELD	1	XXXXXX-	

# 4F23

OPERATOR'S STATION

DOOR HANDLE AND LATCH  
(SOUND-GARD BODY SERIAL NO. XXXXXX- )

RWP5758 -UN-01JAN94





# 4F24

OPERATOR'S STATION

DOOR HANDLE AND LATCH - CONTINUED  
(SOUND-GARD BODY SERIAL NO. XXXXXX- )

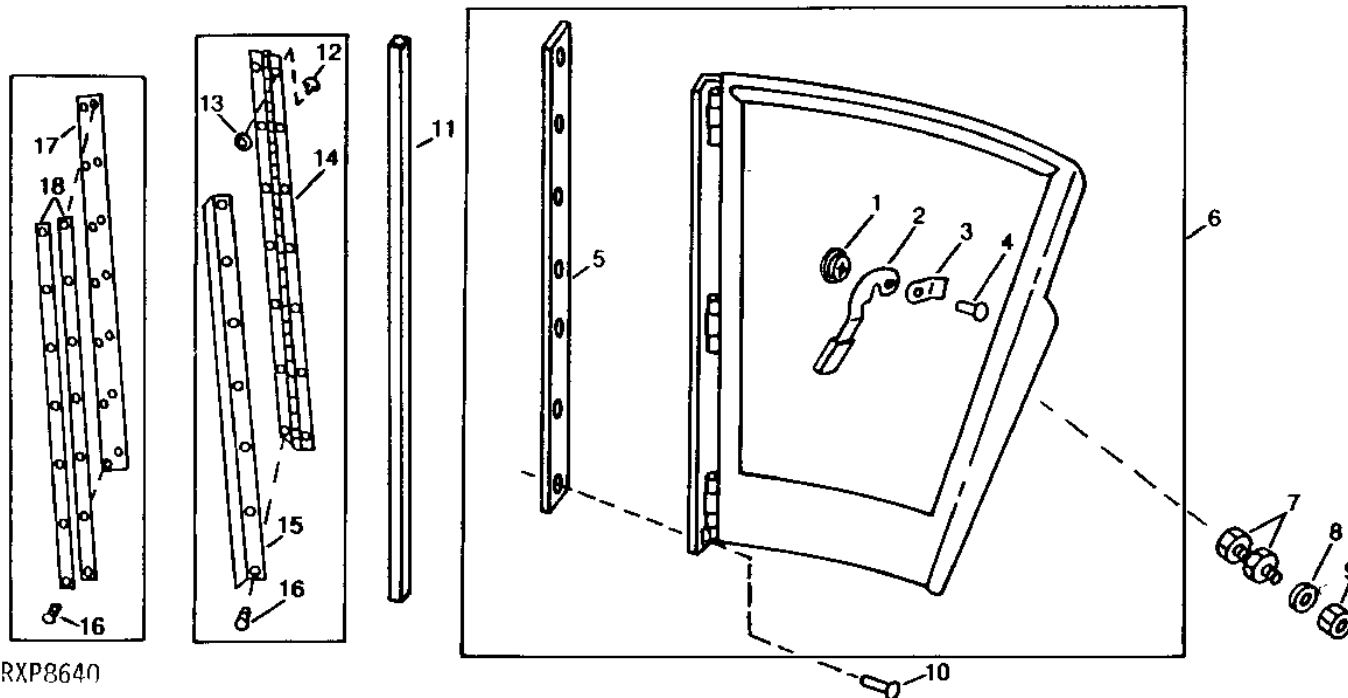
KEY	PART NO.	PART NAME	QTY	SG BODY SERIAL NO.	REMARKS
1	R70271	KNOB	1		
2	R82447	HANDLE	1		
3	19M6614	CAP SCREW	1	M6 X 12	
4	12H302	LOCK WASHER	3	1/4"	
5	R70275	SPACER	1		
6	AR91895	HANDLE	1		
7	19M7077	CAP SCREW	2	M6 X 20	
8	R70274	SPACER	1		
9	19H1791	CAP SCREW	3	1/4" X 1-1/4"	
10	12H297	LOCK WASHER	3	1/4"	
11	19H1738	CAP SCREW	1	1/4" X 2"	
12	AR91893	LATCH	1	(SUB RE50874)	
13	03M7191	BOLT	1	M10 X 25	
14	24H1254	WASHER	1	17/32" X 1-1/8" X 0.105"	
15	37H196	SCREW	2	(SUB FOR R52708, THIS APPLICATION)	
16	R82272	STRIKER	1		
17	R82456	COVER	1		
18	R82455	PLATE	1		
19	R82482	BUSHING	1		
20	R82448	SPRING	1		
21	24H1287	WASHER	2	9/32" X 5/8" X 0.065"	
22	14H850	NUT	2	1/4"	
23	R82442	BELLCRANK	1		
24	R72654	SNAP RING	1		
25	24H1286	WASHER	1	9/32" X 1/2" X 1/16"	
26	U45916	LOCK NUT	1		
27	R82444	HOOK BOLT	1		
28	R82445	RETAINER	1		
29	RE22994	KIT	1		
30	RE13693	SUPPORT	1		
31	R81540	SHIELD	1		
32	R79877	SCREW	1		
33	AR51481	KEY	1		

# 4F25

OPERATOR'S STATION

## SOUND-GARD BODY SERVICE DOOR

RXP8640 -UN-01JAN94



RXP8640

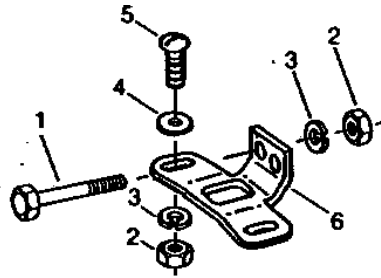
KEY	PART NO.	PART NAME	QTY	SG BODY SERIAL NO.	REMARKS
1	R70235	RETAINER	1		
2	R52942	LATCH	1		(SUB R96654 AND L55210)
3	R52943	ANGLE	1		
4	45M7071	PIN	1		8 X 14 MM
5	R61938	SHIELD	1	082543-XXXXXX	(SUB RE14480)
	R67486	SEAL	1	XXXXXX-	
6	RE14480	KIT	1		(SUB FOR AR75909 OR AR80764)
	R77019	SCREW	1		(SUB FOR R52948)
8	24H1822	WASHER	1		11/32" X 7/8" X 1/16"
9	14H785	NUT	1		5/16"
10	37H196	SCREW	7	082543-	
11	.....	MOLDING	1	082543-	21 X 813MM (13/16" X 32") (MAKE FROM RE15998) (SUB FOR R52606 OR R52549)
12	R52118	RIVET	7	-023026	
	37H196	SCREW	7	023027-082542	
13	R52119	WASHER	7	-082542	
14	AR60556	HINGE	1	023027-082542	
15	R59806	PLATE	1	023027-082542	
16	R54427	QUADRANT	7	-023026	(NO LONGER AVAILABLE)
17	R53609	SEAL	1	-023026	
18	R52945	PLATE	2	-023026	

# 4G1

OPERATOR'S STATION

RXP8281 -UN-01JAN94

## CONTROL SUPPORT BRACKET KIT (AUTOMOTIVE DOOR LATCH)



RXP8281

KEY	PART NO.	PART NAME	QTY	SG BODY SERIAL NO.	REMARKS
1	19H2127	CAP SCREW	2	5/16" X 7/8"	
2	14H785	NUT	4	5/16"	
3	12H303	LOCK WASHER	4	5/16"	
4	R53663	SELF-LOCKING SCREW	2		
5	03H1540	BOLT	2	5/16" X 3/4"	
6	R65508	BRACKET	1		

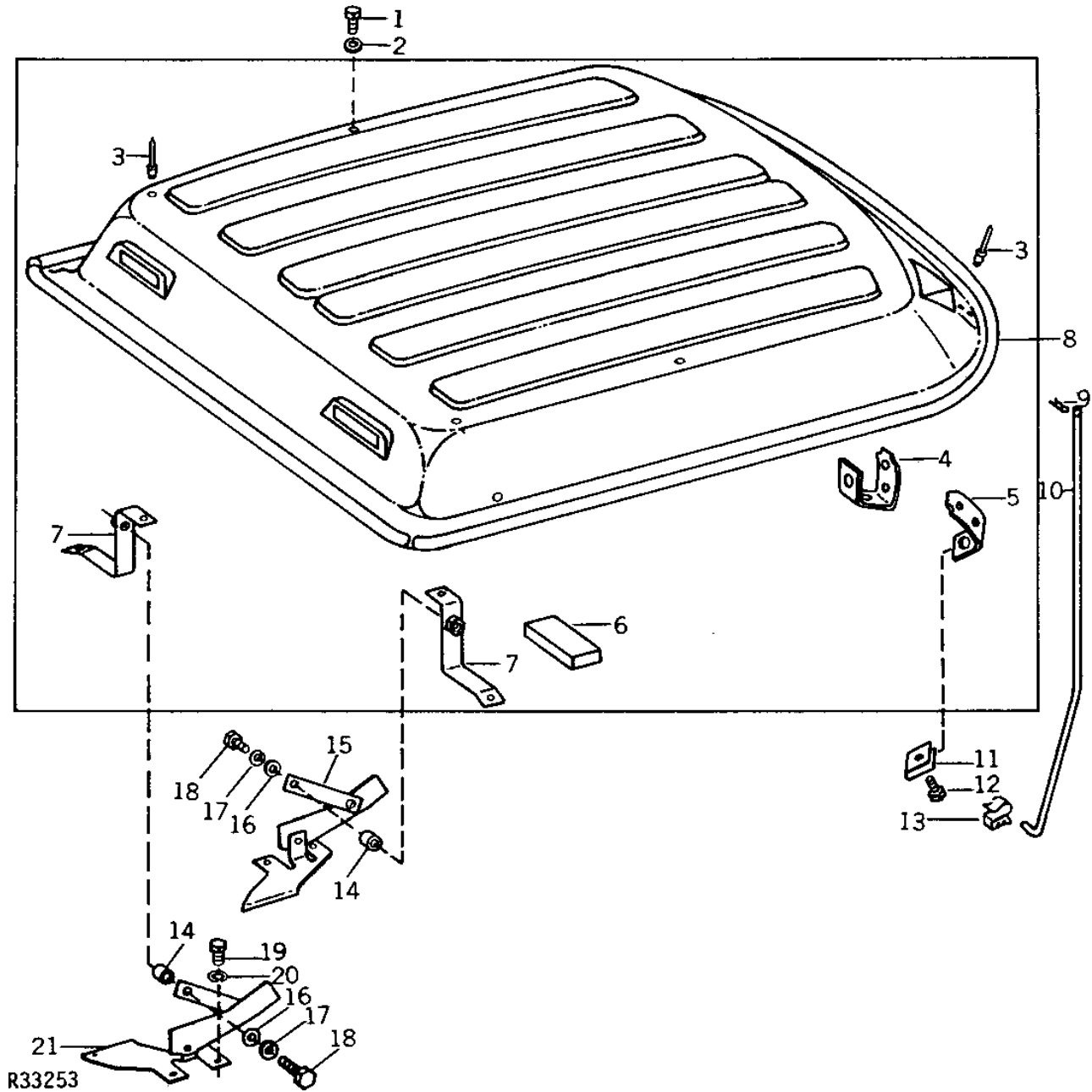
# 4G2

OPERATOR'S STATION

R33253

-UN-01JAN94

## SOUND-GARD BODY ROOF (REPLACEMENT SOUND-GARD BODY OR REPLACEMENT INNER ROOF)



# 4G3

OPERATOR'S STATION

**SOUND-GARD BODY ROOF - CONTINUED  
(REPLACEMENT SOUND-GARD BODY OR REPLACEMENT INNER ROOF)**

KEY	PART NO.	PART NAME	QTY	SG BODY SERIAL NO.	REMARKS
1	19H2367	CAP SCREW	2	5/8" X 3/4"	
2	24H1106	WASHER	2	11/16" X 1-3/4" X 0.134"	
3	R55326	RIVET	10		
4	R51011	BRACKET	1		
5	R54529	BRACKET	2		
6	R74058	ISOLATOR	1	19 X 38 X 724MM (3/4" X 1-1/2" X 28")	
7	RE11000	BRACKET	2	(SUB FOR AR67980)	
8	AR74143	ROOF	1		
9	R46528	SPRING LOCKING PIN	1		
10	R65473	ROD	1		
11	R50198	NUT	3		
12	R55426	SCREW	3		
13	R69320	CLAMP	1		
14	R51590	WASHER	2		
15	AR55881	SUPPORT	1		
16	R67694	WASHER	2	(SUB FOR A5659R)	
17	12H303	LOCK WASHER	2	5/16"	
18	19H1900	CAP SCREW	2	5/16" X 3/4"	
19	19H1849	CAP SCREW	4	5/16" X 1-1/4"	
20	12H303	LOCK WASHER	4	5/16"	
21	AR55882	SUPPORT	1		

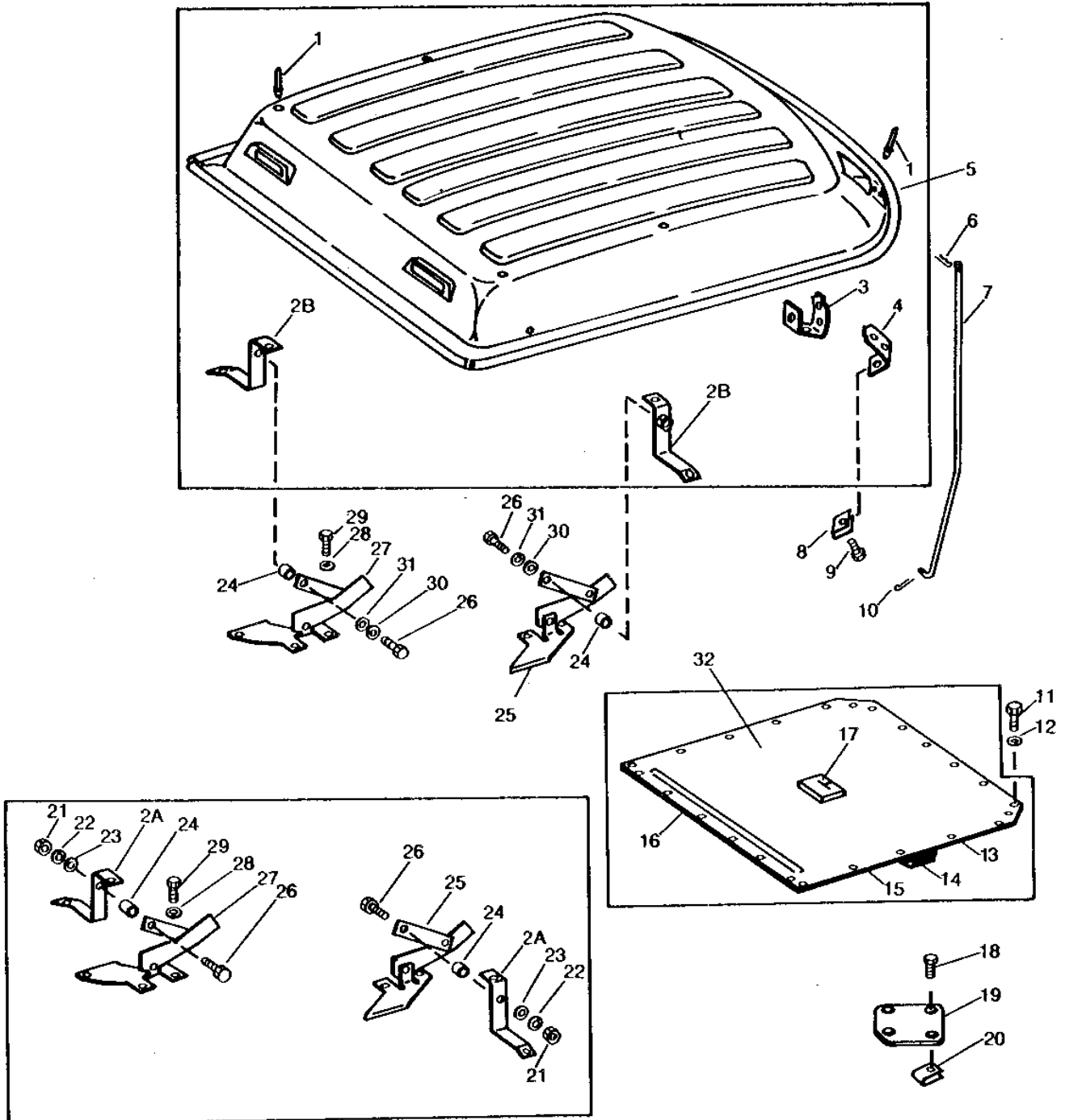
# 4G4

OPERATOR'S STATION

RWP5490

-UN-01JAN94

## PRESSURIZER COVER AND SOUND-GARD BODY ROOF



RWP5490

# 4G5

OPERATOR'S STATION

PRESSURIZER COVER AND SOUND-GARD BODY ROOF - CONTINUED

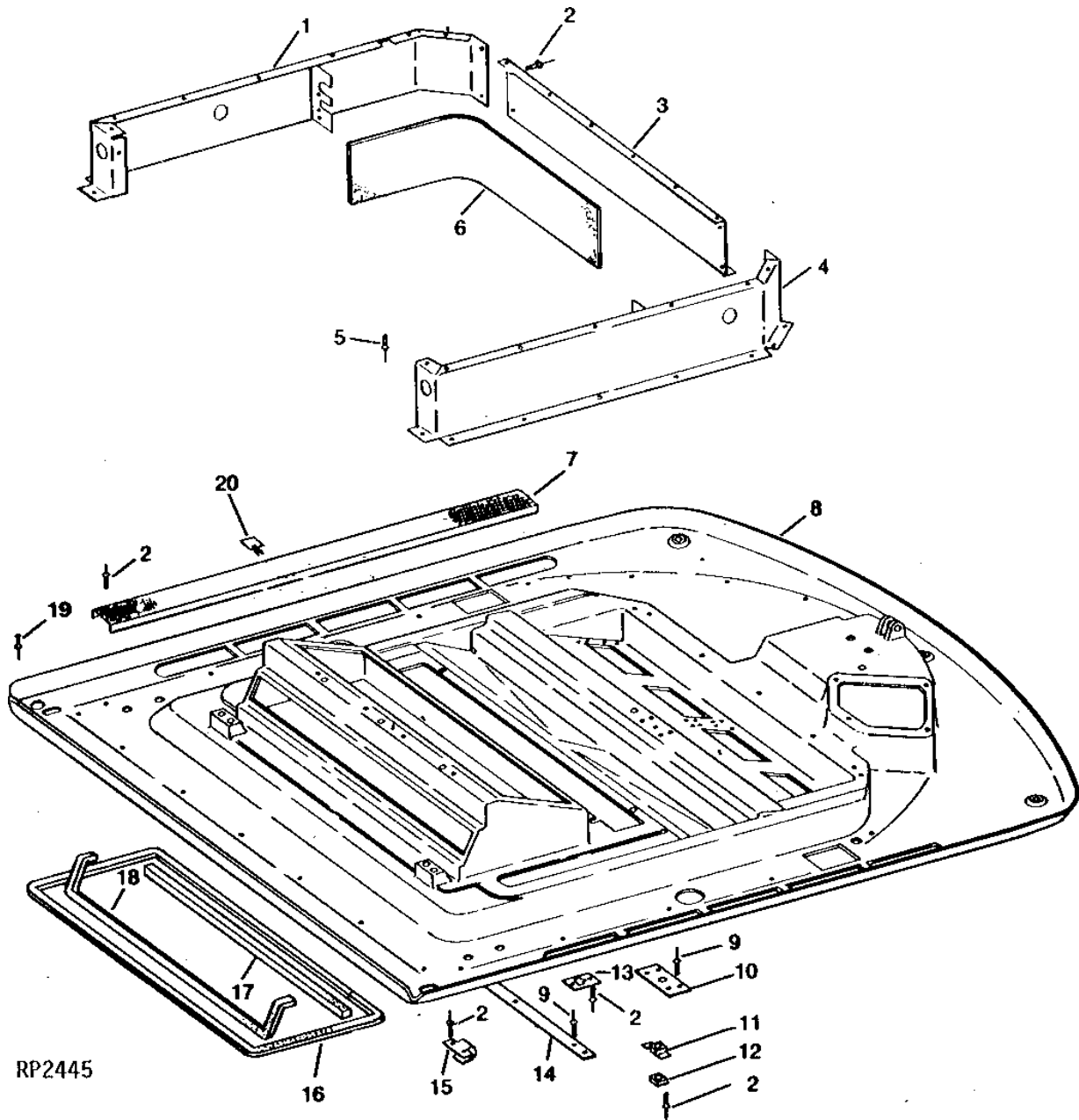
KEY	PART NO.	PART NAME	QTY	SG BODY SERIAL NO.	REMARKS
1	R55326	RIVET	8		(SUB FOR R50217)
2A	RE11000	BRACKET	2		(SUB FOR R51012 OR AR67980)
2B	RE11000	BRACKET	2		(SUB FOR AR67980)
3	R51011	BRACKET	1		
4	R54529	BRACKET	2		
5	AR74143	ROOF	1		R.H. (SUB FOR AR56682)
6	A5067R	SPRING LOCKING PIN	1		
7	R51589	ROD	1		
8	R50198	NUT	3		
9	R55426	SCREW	3		(SUB FOR R50501)
10	11M7082	COTTER PIN	1		2.500 X 25 MM
11	R52937	CAP SCREW	24		
12	12H356	LOCK WASHER	24		1/4"
13	R52132	INSULATOR	1		
14	R52149	WEATHERSTRIP	1		
15	R50459	INSULATOR	2		
16	R50460	INSULATOR	1		
17	R45397	INSULATOR	1		
18	R52937	CAP SCREW	4		
19	R50272	COVER	1		
20	R53677	LOCK NUT	4		
21	14H785	NUT	2		5/16"
22	12H303	LOCK WASHER	2		5/16"
23	R67694	WASHER	2		(SUB FOR A5659R)
24	R51590	WASHER	2		
25	AR55881	SUPPORT	1		
26	19H1900	CAP SCREW	2		5/16" X 3/4"
27	AR55882	SUPPORT	1		L.H.
28	12H303	LOCK WASHER	4		5/16"
29	19H1905	CAP SCREW	4		5/16" X 1"
30	R67694	WASHER	2		(SUB FOR A5659R)
31	12H303	LOCK WASHER	2		5/16"
32	AR56697	COVER	1	-076140	
	AR73464	COVER	1	076141-	

# 4G6

OPERATOR'S STATION

RP2445 -UN-01JAN94

INNER ROOF



RP2445



# 4G7

OPERATOR'S STATION

## INNER ROOF - CONTINUED

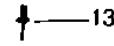
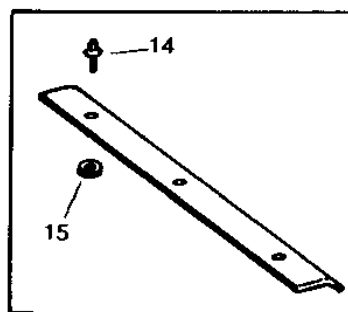
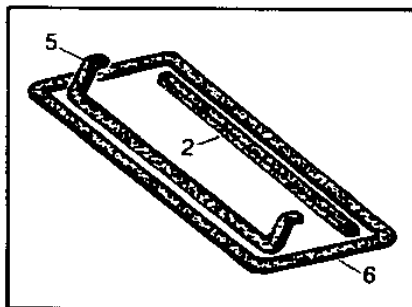
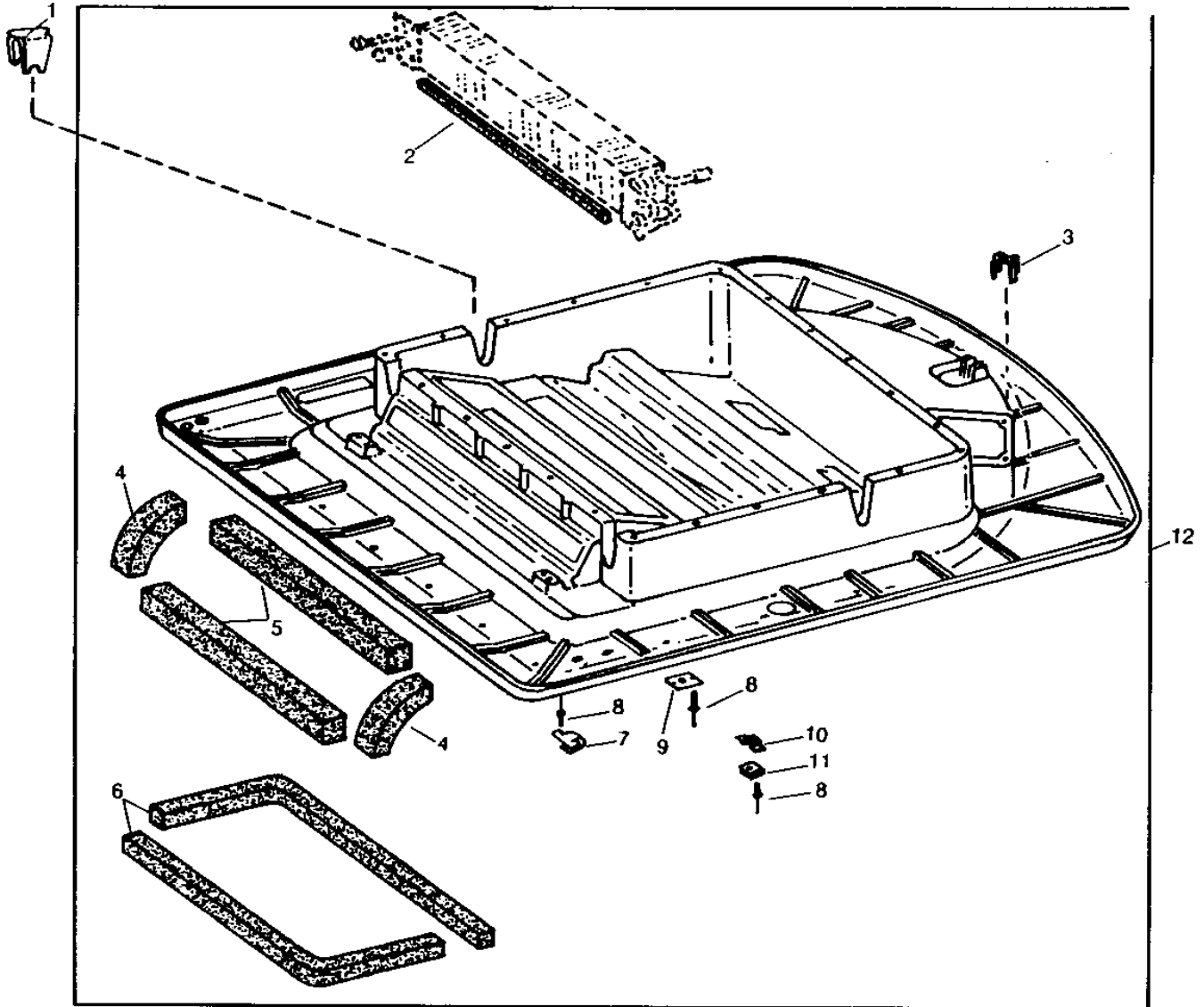
KEY	PART NO.	PART NAME	QTY	SG BODY SERIAL NO.	REMARKS
1	AR56093	PANEL	1	-076140	L.H.
	AR73466	PANEL	1	076141-106794	L.H.
	R63956	PANEL	1	106795-	L.H.
2	R55326	RIVET	14		(SUB FOR R50217)
	R53608	RIVET	12	XXXXXX-	
3	R51371	PANEL	1		
4	AR55648	PANEL	1	-076140	R.H.
	AR73465	PANEL	1	076141-	R.H.
5	R55326	RIVET	23		
6	R52127	FOAM PAD	2	-076140	
	R60560	INSULATOR	2	076141-	
7	R50457	SCREEN	2		
8	AR55646	ROOF	1	-106794	(SUB RE18180)
	AR79361	ROOF	1	106795-	(SUB RE18180)
9	R50689	RIVET	15	-XXXXXX	
	R50689	RIVET	7	XXXXXX-	
10	R50690	PLATE	1		
	R50688	PLATE	4	-XXXXXX	
11	R50692	RETAINER	2		
12	14H818	NUT	2		5/16"
13	R50694	PLATE	1		
14	R50691	STRIP	1		
15	R50695	HANGER	2		
16	R50698	ISOLATOR	2		
17	R74058	ISOLATOR	1		(SUB FOR R50697, THIS APPLICATION)
18	R50696	ISOLATOR	1		
19	R68332	RIVET	20		
20	R56952	CLIP	12	-XXXXXX	
..	RE18180	ROOF	1		(ASSEMBLY INCLUDES PRESSURIZER CORE, EVAPORATOR, BLOWER, BLOWER MOTOR RESISTOR, BLOWER SWITCH, SUPPORT ROD, CONNECTING LINES AND WIRING HARNESS)

# 4G8

OPERATOR'S STATION

## INNER ROOF (REPLACEMENT SOUND-GARD BODY OR REPLACEMENT INNER ROOF)

RWP4343 -UN-01JAN94



RWP4343

# 4G9

OPERATOR'S STATION

INNER ROOF - CONTINUED  
(REPLACEMENT SOUND-GARD BODY OR REPLACEMENT INNER ROOF)

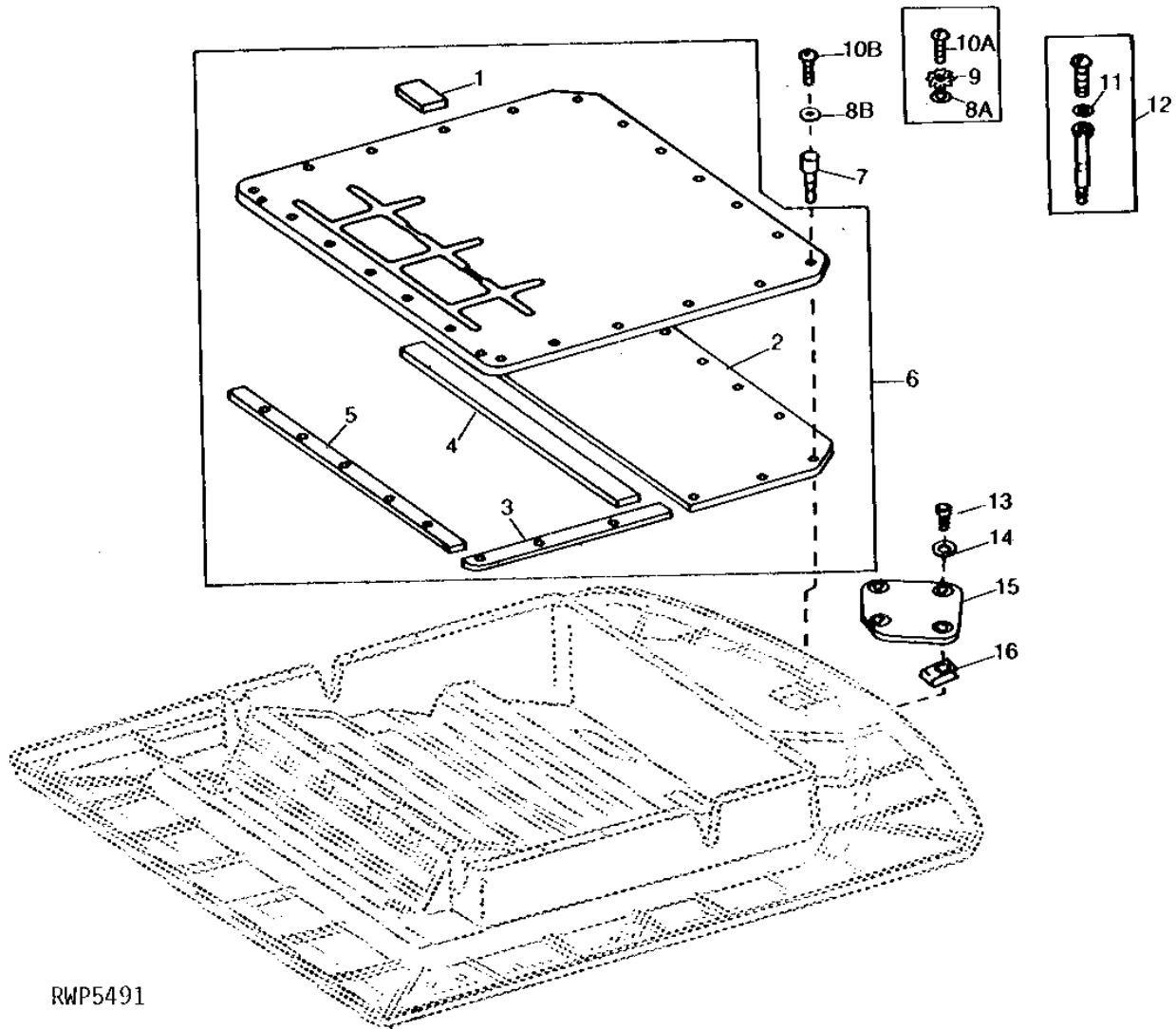
KEY	PART NO.	PART NAME	QTY	SG BODY SERIAL NO.	REMARKS
1	R65472	PANEL	4		
2	R50696	ISOLATOR	2	-XXXXXX	
	R50696	ISOLATOR	2	XXXXXX-	
3	R71523	NUT	26	-XXXXXX	
4	R77665	FOAM PAD	2	XXXXXX-	
5	R50697	ISOLATOR	1	-XXXXXX	
	R50697	ISOLATOR	2	XXXXXX-	
6	R50698	ISOLATOR	2		
7	R50695	HANGER	2		
8	R55326	RIVET	10		
9	R65471	WEAR PLATE	1		
10	R50692	RETAINER	2		
11	14H818	NUT	2		5/16"
12	AR94105	ROOF	1		(SUB RE18658 AND (26) R80979)
13	R68332	RIVET	20	-XXXXXX	(REPLACEMENT SOUND-GARD BODY)
	R80979	BOLT	26		(REPLACEMENT INNER ROOF)
14	R55326	RIVET	3		
15	24H1283	WASHER	3		7/32" X 1/2" X 0.049"
16	AR91315	KIT	1		BAFFLE
..	R46663	SEALING TRIM	AR		
..	AR49923	ADHESIVE	1		552G (19.5 OZ)

# 4G10

OPERATOR'S STATION

## PRESSURIZER COVER (REPLACEMENT SOUND-GARD BODY OR REPLACEMENT INNER ROOF)

RWP5491 -UN-01JAN94



RWP5491

# 4G11

OPERATOR'S STATION

**PRESSURIZER COVER - CONTINUED  
(REPLACEMENT SOUND-GARD BODY OR REPLACEMENT INNER ROOF)**

KEY	PART NO.	PART NAME	QTY	SG BODY SERIAL NO.	REMARKS
1	R45397	INSULATOR	1		
2	R65465	FOAM PAD	1		(ALSO ORDER R83066)
3	R65467	SEAL	2		(SUB R83066)
4	R52149	WEATHERSTRIP	1		
5	R65466	SEAL	1		(SUB R83066, THIS APPLICATION)
6	AR83516	COVER	1		
7	R71523	NUT	22	-XXXXXX	
8A	24H1287	WASHER	22	-XXXXXX	9/32" X 5/8" X 0.065"
8B	24H1284	WASHER	22	XXXXXX-	7/32" X 7/8" X 0.065"
9	12H256	LOCK WASHER	22	-XXXXXX	7/16"
10A	21H1410	SCREW	22	-XXXXXX	1/4" X 1"
10B	R50641	SCREW	22	XXXXXX-XXXXXX	
	R80979	BOLT	22	XXXXXX-	
11	24H1282	WASHER	AR	-XXXXXX	5/32" X 3/4" X 0.120"
12	AR94073	ANCHOR	AR		(PKG OF 6)
13	R50641	SCREW	4	-XXXXXX	
	R80979	BOLT	4	XXXXXX-	
14	24H1284	WASHER	4	XXXXXX-	7/32" X 7/8" X 0.065"
15	R50272	COVER	1		
16	R53677	LOCK NUT	4		
..	R53745	TAPE	AR		(140 FT)
..	AR49923	ADHESIVE	1		552G (19.5 OZ.)

---

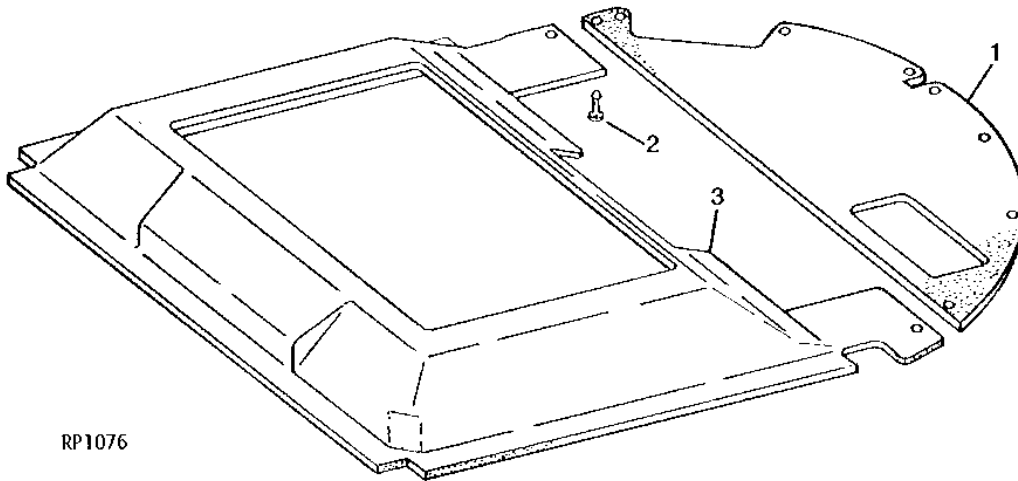
MEMORANDA

# 4G12

OPERATOR'S STATION

RP1076 -UN-01JAN94

## SOUND-GARD BODY HEADLINER



RP1076

KEY	PART NO.	PART NAME	QTY	SG BODY SERIAL NO.	REMARKS
1	AR56683	HEADLINER	1	-109753	
	AR78419	HEADLINER	1	109754-	
	RE33754	HEADLINER	1		(A) (BROWN) (SUB FOR AR97385)
2	R54748	STUD	10		
	R73317	STUD	10		(A) (BROWN)
3	AR70126	HEADLINER	1	-109753	(SUB FOR AR56684)
	AR78421	HEADLINER	1	109754-	
	AR84261	HEADLINER	1		(A) (BLACK)
	RE10595	HEADLINER	1		(A) (BROWN)

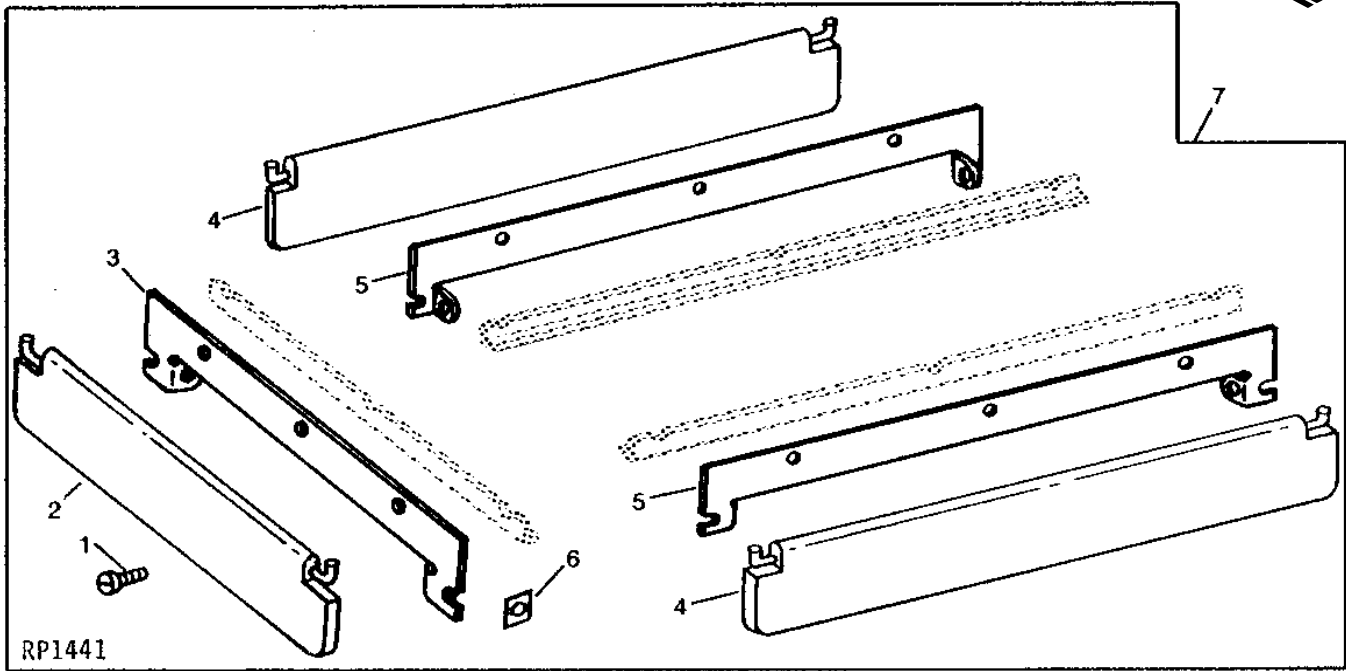
(A) REPLACEMENT SOUND-GARD BODY

# 4G13

OPERATOR'S STATION

RP1441 -UN-01JAN94

## SIDE AND REAR SUN VISOR



KEY	PART NO.	PART NAME	QTY	SG BODY SERIAL NO.	REMARKS
1	21H1210	SCREW	9		1/4" X 3/4"
2	AR89670	SUN VISOR	1		
3	R68793	PLATE	1		
4	AR89669	SUN VISOR	2		
5	R68791	PLATE	2		
6	R68792	RETAINER	6		
7	AR89666	SUN VISOR	1		(NLA)

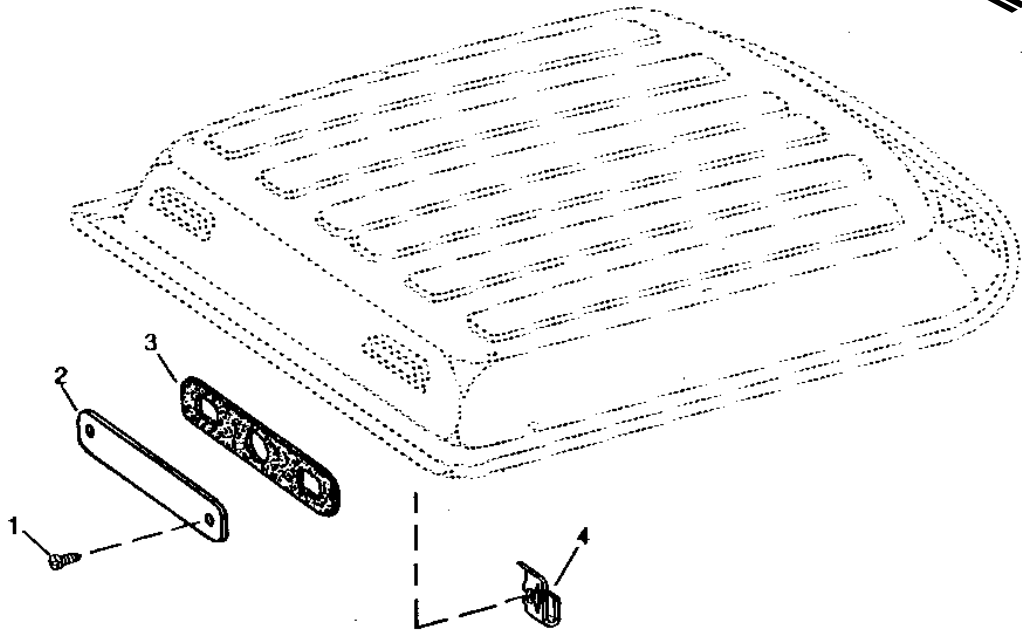


# 4G14

OPERATOR'S STATION

## SOUND-GARD BODY ROOF WARNING LAMP OPENING COVER (NOT USED IN U.S. AND CANADA)

RWP4374 -UN-01JAN94



RWP 4374

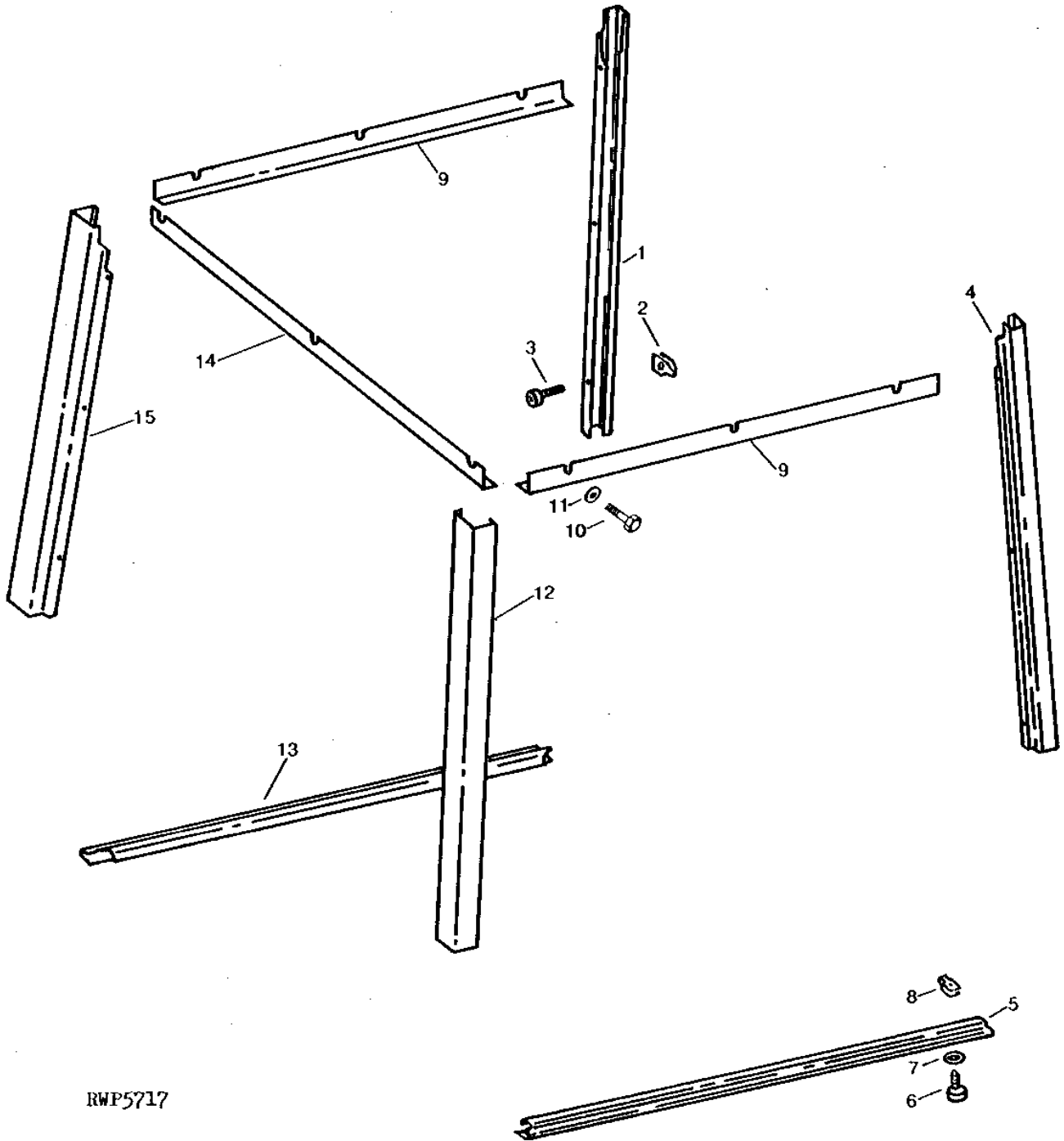
KEY	PART NO.	PART NAME	QTY	SG BODY SERIAL NO.	REMARKS
1	37H95	SCREW	8		
2	L30328	SHEET	4		
3	R61179	GASKET	4		
4	R99350	NUT	8		(SUB FOR R53528, THIS APPLICATION)

# 4G15

OPERATOR'S STATION

RWP5717 -UN-01JAN94

SOUND-GARD BODY METAL TRIM



RWP5717

# 4G16

OPERATOR'S STATION

## SOUND-GARD BODY METAL TRIM - CONTINUED

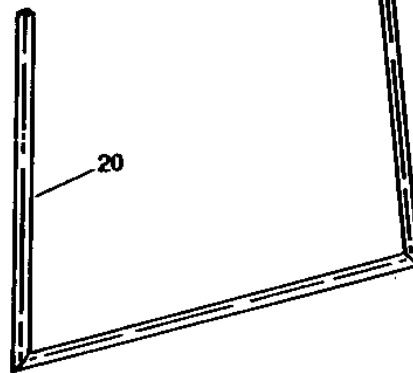
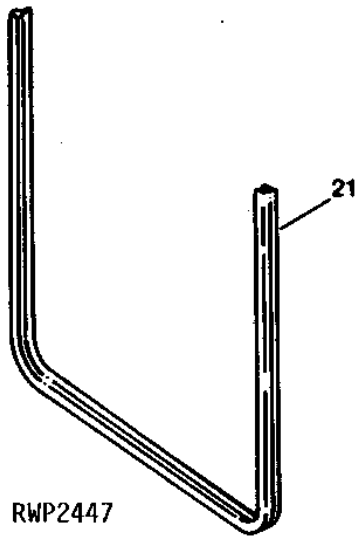
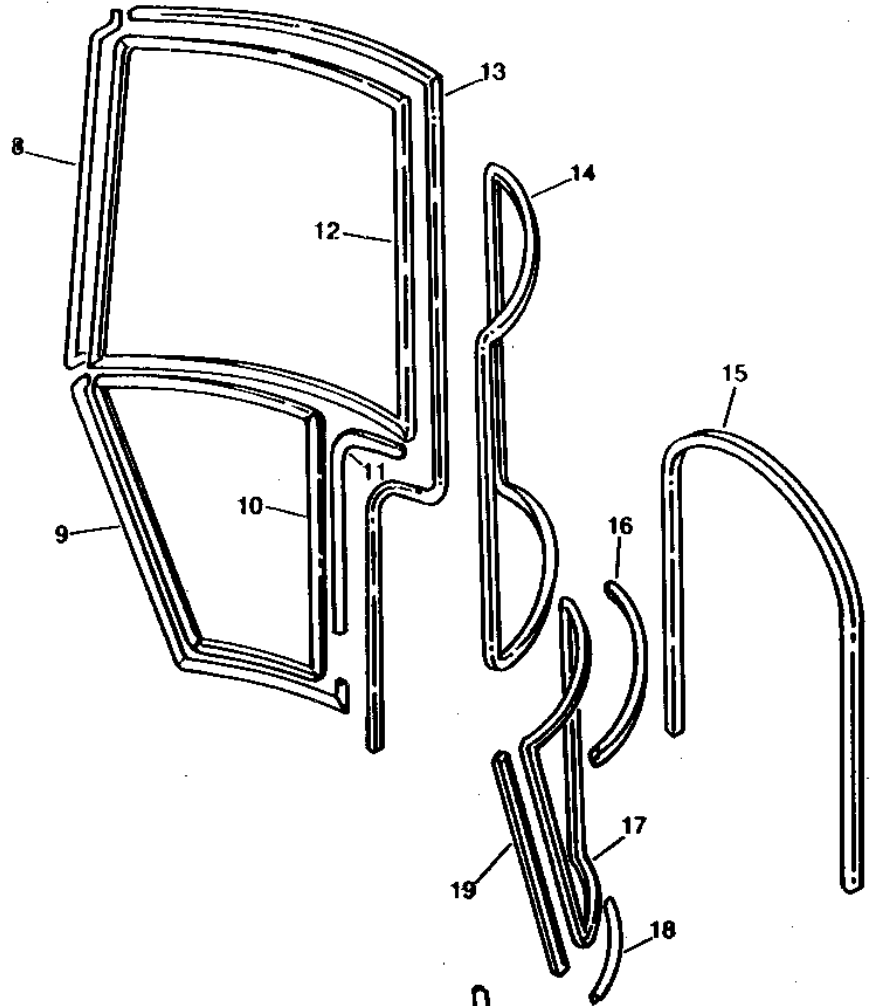
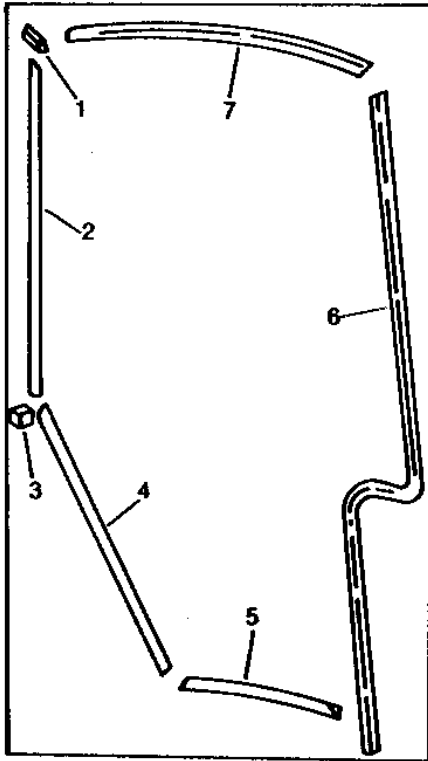
KEY	PART NO.	PART NAME	QTY	SG BODY SERIAL NO.	REMARKS
1	R52637	MOLDING	1		
2	R52640	NUT	18	-XXXXX	
3	37H196	SCREW	18		(SUB FOR R52708)
4	R52636	MOLDING	1		
5	R52513	MOLDING	1		
6	AR58652	BOLT	6		
7	R50719	SHIM	9		
8	AW20941	NUT	6		
9	R65907	MOLDING	2		(SUB FOR R50213)
10	R52938	CAP SCREW	9		
11	R50719	SHIM	9		
12	R52638	MOLDING	1		
13	R52514	MOLDING	1		
14	R65906	MOLDING	1		(SUB FOR R50209)
15	R52639	MOLDING	1		

# 4G17

OPERATOR'S STATION

RWP2447 -UN-01JAN94

SOUND-GARD BODY GLASS SEALS AND MOLDINGS



RWP2447

# 4G18

OPERATOR'S STATION

## SOUND-GARD BODY GLASS SEALS AND MOLDINGS - CONTINUED

KEY	PART NO.	PART NAME	QTY	SG BODY SERIAL NO.	REMARKS
1	.....	MOLDING	1	-XXXXXX	(ORDER AR85558, AR85559, RE22488 AND R68460)
2	.....	MOLDING	1	-XXXXXX	(ORDER AR85558, AR85559, RE22488 AND R68460)
3	.....	MOLDING	1	-XXXXXX	(ORDER AR85558, AR85559, RE22488 AND R68460)
4	.....	MOLDING	1	-XXXXXX	(ORDER AR85558, AR85559, RE22488 AND R68460)
5	.....	MOLDING	1	-XXXXXX	(ORDER AR85558, AR85559, RE22488 AND R68460)
6	.....	MOLDING	1	-XXXXXX	(ORDER AR85558, AR85559, RE22488 AND R68460)
7	.....	MOLDING	1	-XXXXXX	(ORDER AR85558, AR85559, RE22488 AND R68460)
8	AR85559	WEATHERSTRIP	1	XXXXXX-	
9	RE22488	SEALING TRIM	1	XXXXXX-	(SUB FOR AR85560)
10	R52113	WEATHERSTRIP	1	-XXXXXX	2108MM (83") (SUB L40413)
	L40413	WEATHERSTRIP	1	XXXXXX-	
11	AR93828	MOLDING	1		743MM (29-1/4") (SUB RE17519, THIS APPLICATION)
12	R52114	WEATHERSTRIP	1	-XXXXXX	2972MM (117") (SUB L40414)
	L40414	WEATHERSTRIP	1	XXXXXX-	
13	AR85558	MOLDING	1	XXXXXX-	
14	L40412	WEATHERSTRIP	1	XXXXXX-	(SUB FOR R52112)
15	R50541	SEAL	1		1664MM (65-1/2")
16	R83716	WEATHERSTRIP	1		610MM (24") (SUB FOR R75761)
17	R52115	WEATHERSTRIP	1	-XXXXXX	2110MM (83-1/16") R.H. (SUB L40415)
	L40415	WEATHERSTRIP	1	XXXXXX-	
18	.....	SEAL	1		338MM (13-5/16") (MAKE FROM R50541)
19	R58341	BARRIER	1		752MM (29-5/8") (SUB FOR R52590)
20	AR86111	WEATHERSTRIP	2		
21	RE29728	SEAL	1		3048MM (120") (SUB FOR R52936 OR AR86110)
..	AR85792	ADHESIVE	1		.1L (5 OZ)

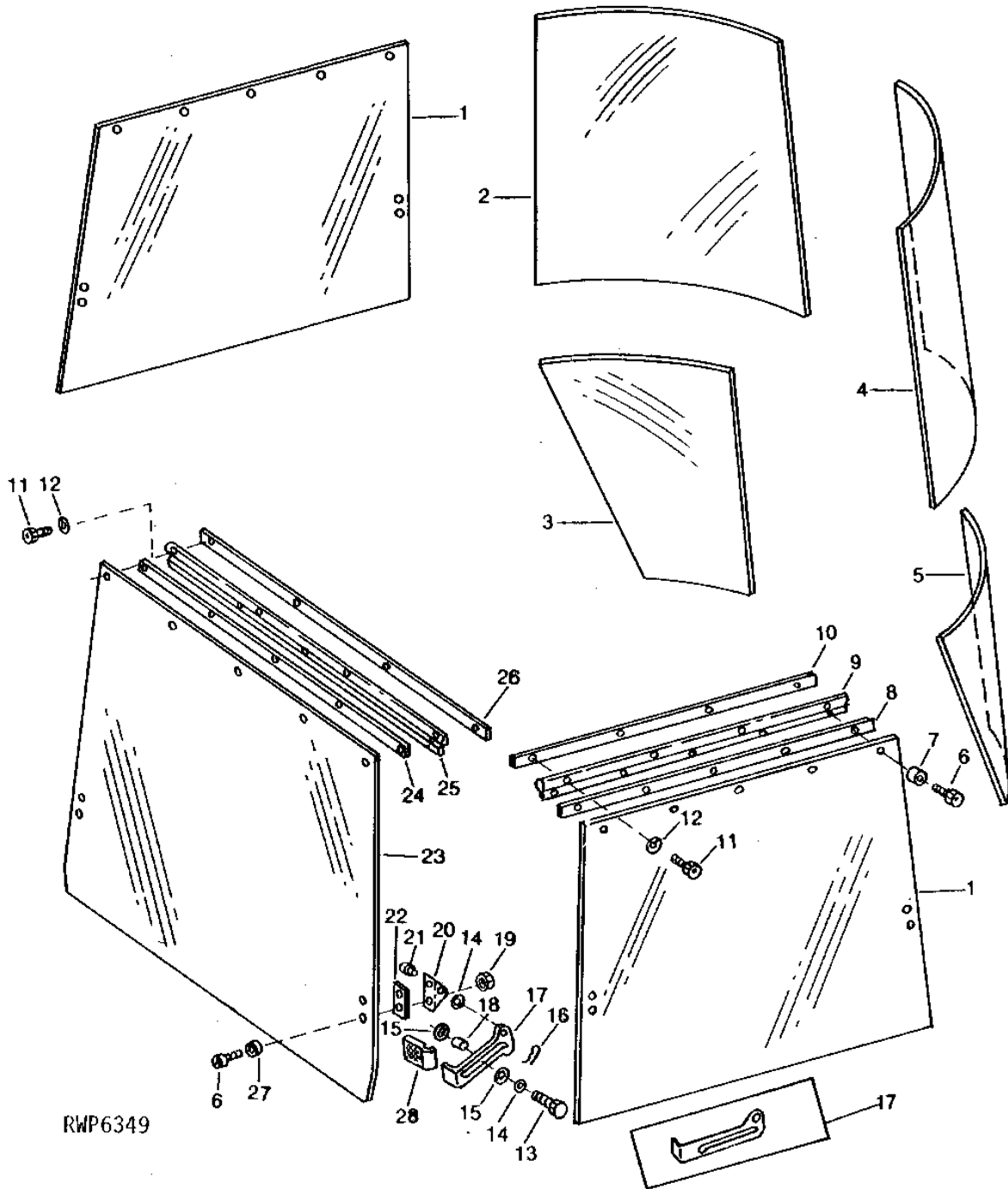
# 4G19

OPERATOR'S STATION

RWP6349

-UN-01JAN94

SOUND-GARD BODY GLASS WITH MOLDING, STRAPS AND LATCHES



RWP6349

# 4G20

OPERATOR'S STATION

## SOUND-GARD BODY GLASS WITH MOLDING, STRAPS, AND LATCHES - CONTINUED

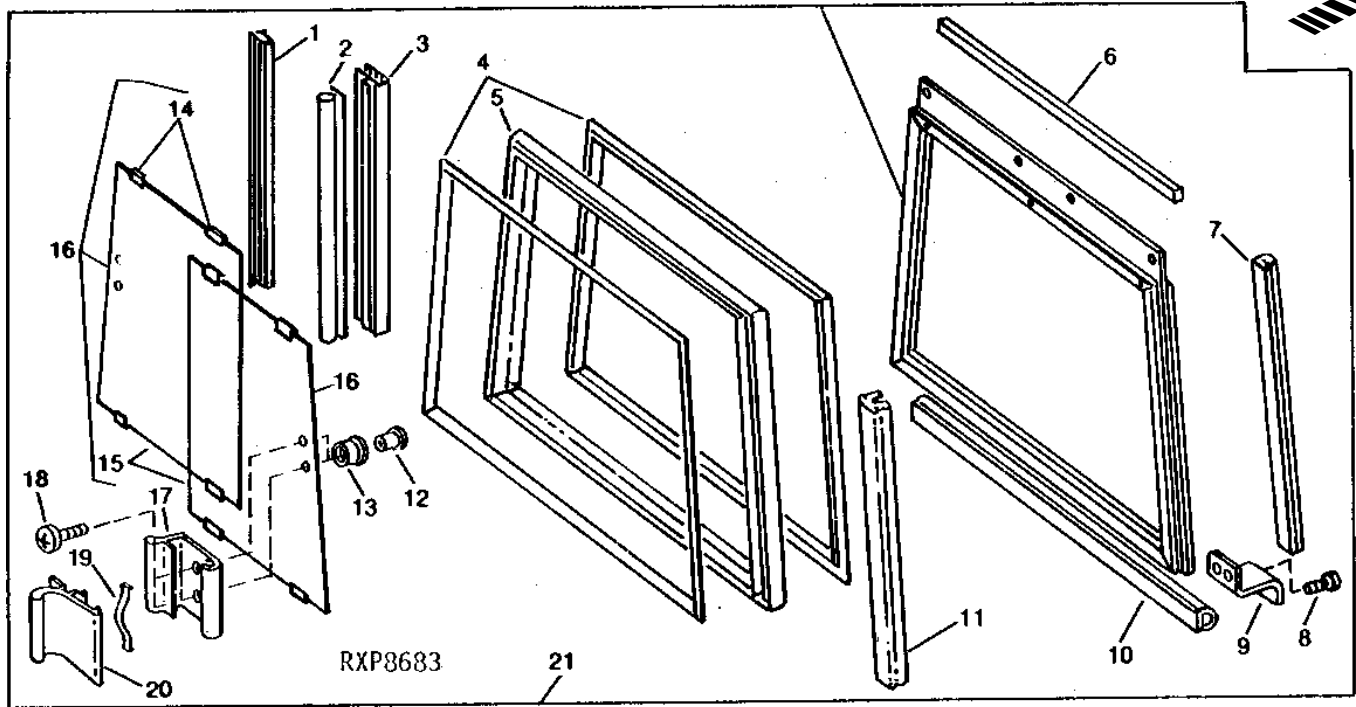
KEY	PART NO.	PART NAME	QTY	SG BODY SERIAL NO.	REMARKS
1	R50757	WINDOWPANE	2		
2	R50755	WINDOWPANE	1		
3	R50756	WINDOWPANE	1		
4	R50753	WINDOWPANE	1		
5	R50754	WINDOWPANE	1		
6	R50641	SCREW	27		
7	R78425	BUSHING	15		
8	R50643	STRAP	2		
9	R68936	MOLDING	2		
10	R50638	STRAP	2		
11	R94384	SCREW	12		(SUB FOR R80987)
12	12H297	LOCK WASHER	12		1/4" (NO LONGER REQUIRED)
13	AR58338	SCREW	6	-006780	
	R50719	SHIM	6	-006780	
	R56317	CAP SCREW	6	006781-	
14	R52862	SPRING WASHER	12		
15	R52921	WASHER	12		
16	R50647	SPRING LOCKING PIN	6		
17	RE27441	LATCH	3		L.H. REAR, (SUB FOR R50649)
	RE27442	LATCH	3		R.H. REAR, (SUB FOR R50650)
18	R52922	WASHER	6		
19	R52952	NUT	12		
	12H297	LOCK WASHER	12		1/4"
20	R50734	ANGLE	6		
21	R50645	PIN	6		
22	R50648	STRAP	6		
23	R50758	WINDOWPANE	1		(ALSO ORDER RE29728)
24	R50644	STRAP	1		
25	R50735	MOLDING	1		
26	R50640	STRAP	1		
27	R50642	WASHER	12		
28	L55211	GRIP	6		
..	AR85792	ADHESIVE	1		.1L (5 OZ)

# 4G21

OPERATOR'S STATION

RXP8683 -UN-01JAN94

## REAR SLIDING WINDOW KIT



KEY	PART NO.	PART NAME	QTY	TRACTOR SERIAL NO.	REMARKS
1	R67566	CHANNEL	1		
2	R67565	SEAL	1		
3	R67570	STRIP	1		
4	R67563	SEAL	1		
5	R67562	SEAL	2		
6	R67568	ISOLATOR	3		
7	R67564	SEAL	2		
8	21H1301	SCREW	3	0.190" X 1/2"	
9	R67571	CLIP	3		
10	R67569	SEAL	1		
11	R81186	SEAL	1		
12	R72316	BUSHING	4		
13	R72315	WASHER	4		
14	R99573	GUIDE	2		
15	R99574	SHOE	2		
16	AR87997	WINDOWPANE	2		
17	R72312	BASE	2		
18	21H1315	SCREW	4	0.164" X 3/4"	
19	R72314	CLIP	2		
20	R72313	LATCH	2		
21	RE22863	WINDOWPANE	1	(SUB FOR AR85878) (FI)	

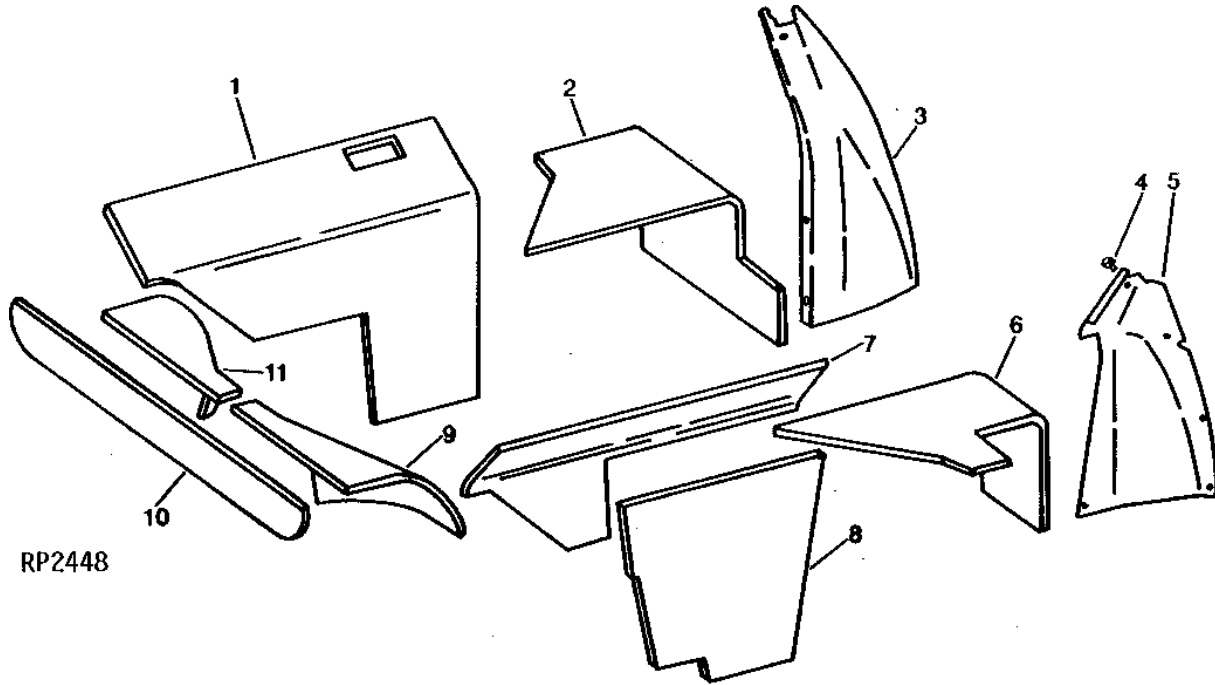


# 4G22

OPERATOR'S STATION

RP2448 -UN-01JAN94

## SOUND-GARD BODY UPHOLSTERY



RP2448

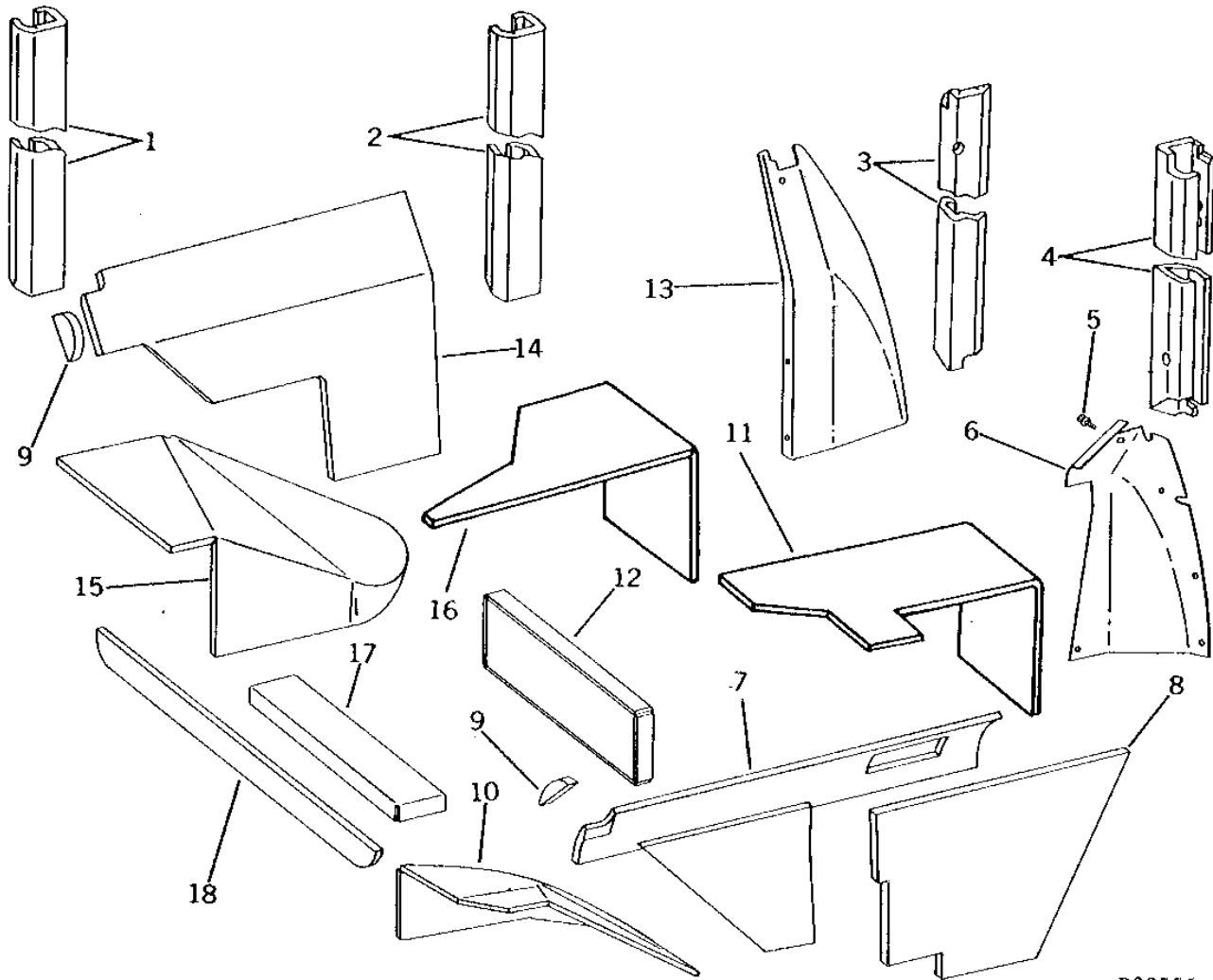
KEY	PART NO.	PART NAME	QTY	SG BODY SERIAL NO.	REMARKS
1	R62544	FOAM PAD	1		(SUB FOR R53634)
2	R53633	FOAM PAD	1	-XXXXXX	
	R59555	FOAM PAD	1	XXXXXX-	
3	R52707	PANEL	1		
4	R52937	CAP SCREW	10		
5	R52706	PANEL	1		
6	R53630	FOAM PAD	1	-XXXXXX	
	R59554	FOAM PAD	1	XXXXXX-	
7	R53631	FOAM PAD	1		
8	R53470	BARRIER	1		
9	R53629	FOAM PAD	1	-XXXXXX	
	R59552	FOAM PAD	1	XXXXXX-	
10	R52687	BARRIER	1		
11	R53632	FOAM PAD	1	-XXXXXX	
	R59553	FOAM PAD	1	XXXXXX-	
..	AR49923	ADHESIVE	1		552G (19.5 OZ.)

# 4G23

OPERATOR'S STATION

SOUND-GARD BODY UPHOLSTERY  
(REPLACEMENT SOUND-GARD BODY)  
(BLACK UPHOLSTERY)

R33556 -UN-01JAN94



R33556

# 4G24

OPERATOR'S STATION

**SOUND-GARD BODY UPHOLSTERY - CONTINUED  
(REPLACEMENT SOUND-GARD BODY)  
(BLACK UPHOLSTERY)**

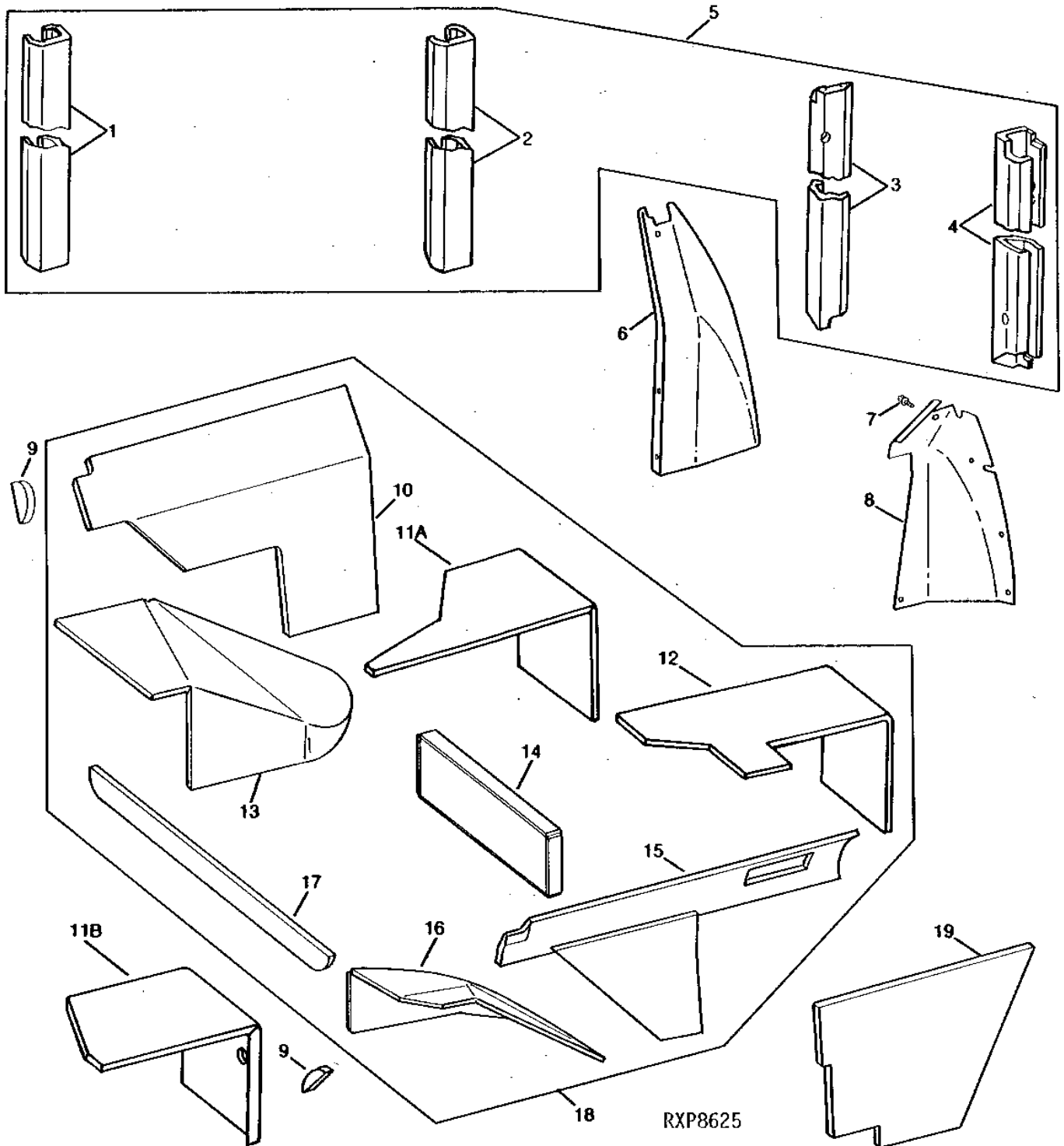
KEY	PART NO.	PART NAME	QTY	TRACTOR SERIAL NO.	REMARKS
1	AR89829	ACOUSTICAL UPHOLSTERY	1		
2	AR89828	ACOUSTICAL UPHOLSTERY	1		
3	AR89827	ACOUSTICAL UPHOLSTERY	1		
4	RE23101	ACOUSTICAL UPHOLSTERY	1		(SUB FOR AR89826 OR RE19451)
5	R52937	CAP SCREW	10		
6	R65301	PANEL	1		
7	R68360	PAD	1		
8	R53470	BARRIER	1		
9	R65844	FOAM PAD	1		(SUB FOR R68359)
10	AR89021	FOAM PAD	1		
11	R68362	FOAM PAD	1		
12	R68365	FOAM PAD	1		(PERSONAL-POSTURE SEAT)
13	R65302	PANEL	1		
14	R68361	FOAM PAD	1		
15	AR89022	FOAM PAD	1		
16	R68366	PAD	1		(PERSONAL-POSTURE SEAT)
17	R68364	FOAM PAD	1		
18	R52687	BARRIER	1		
..	AR49923	ADHESIVE	1		552G (19.5 OZ.)
..	RE48531	ACOUSTICAL UPHOLSTERY	1		(BELTLINE REFURBISHING KIT) (SUB RE57259, R68365, R68366 W/MECH SEAT) (SUB RE57259 W/O MECH SEAT)
..	RE48532	ACOUSTICAL UPHOLSTERY	1		(POST KIT)

# 4H1

OPERATOR'S STATION

SOUND-GARD BODY UPHOLSTERY  
(REPLACEMENT SOUND-GARD BODY)  
(BROWN UPHOLSTERY)

RXP8625 -UN-01JAN94



# 4H2

OPERATOR'S STATION

## SOUND-GARD BODY UPHOLSTERY - CONTINUED

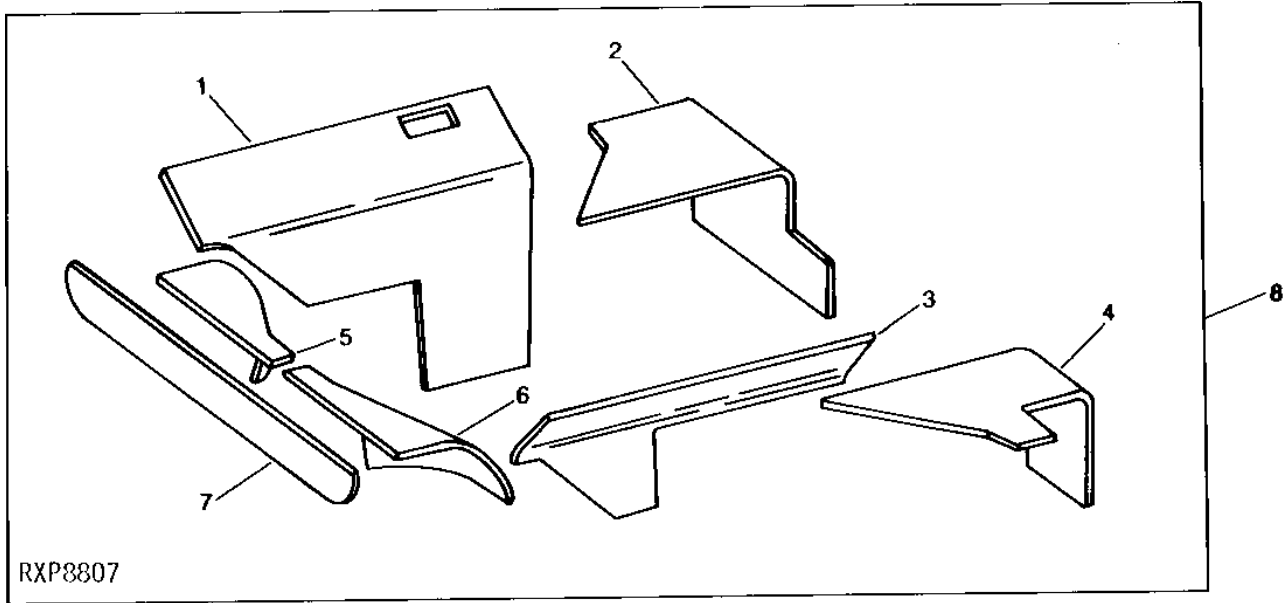
KEY	PART NO.	PART NAME	QTY	TRACTOR SERIAL NO.	REMARKS
1	AR94485	ACOUSTICAL UPHOLSTERY	1		L.H. REAR, (ORDER RE47961)
2	AR95490	ACOUSTICAL UPHOLSTERY	1		L.H. FRONT, (ORDER RE47961)
3	AR94486	ACOUSTICAL UPHOLSTERY	1		R.H. REAR, (ORDER RE47961)
4	RE23099	ACOUSTICAL UPHOLSTERY	1		R.H. FRONT, (SUB FOR AR95489 OR RE19449) (ORDER RE47961)
5	RE47961	ACOUSTICAL UPHOLSTERY	1		(POST KIT) (BROWN)
6	R78168	PANEL	1		L.H. (ROLL-GARD) (BROWN)
	R74799	PANEL	1		L.H. (ROLL-GARD) (BLACK)
7	R52937	CAP SCREW	5		L.H.
	R73317	STUD	5	-007749	R.H.
	R52937	CAP SCREW	5	007750-	R.H.
	R73317	STUD	5	-005640	R.H.
	R52937	CAP SCREW	5	005641-	R.H.
8	AR95493	PANEL	1	-007749	R.H. (SUB R80323)
	R80323	PANEL	1	007750-	R.H.
	AR95493	PANEL	1	-005640	R.H. (SUB R80323)
	R80323	PANEL	1	005641-	R.H.
	R74798	PANEL	1		R.H. (ROLL-GARD)
9	R65844	FOAM PAD	2		(SUB FOR R68359)
10	R72882	ACOUSTICAL UPHOLSTERY	1		
11A	R73278	PAD	1		(PERSONAL-POSTURE SEAT)
11B	R72883	FOAM PAD	1		(HYDRACUSHIONED SEAT)
12	R73320	ACOUSTICAL UPHOLSTERY	1		
13	R73313	ACOUSTICAL UPHOLSTERY	1		L.H. UPPER REAR
	R73314	ACOUSTICAL UPHOLSTERY	1		L.H. LOWER REAR
14	R72884	PAD	1		(PERSONAL-POSTURE SEAT) (NOT USED WITH GRAMMER SEAT SUSPENSION)
15	R87481	PAD	1		
	R76318	PAD	1		(NOT INCLUDED IN KIT)
16	R73187	ACOUSTICAL UPHOLSTERY	1		R.H. UPPER REAR
	R73188	ACOUSTICAL UPHOLSTERY	1		R.H. LOWER REAR
17	R75965	ACOUSTICAL UPHOLSTERY	1		
18	RE47051	ACOUSTICAL UPHOLSTERY	1		(SGB KIT) (BROWN)
19	R76317	ACOUSTICAL UPHOLSTERY	1		
..	RE48532	ACOUSTICAL UPHOLSTERY	1		(POST KIT) (BLACK)
..	RE48531	ACOUSTICAL UPHOLSTERY	1		(SGB KIT) (BLACK)
..	AR49923	ADHESIVE	1		552G (19.5 OZ)

# 4H3

OPERATOR'S STATION

## SOUND-GARD BODY UPHOLSTERY KIT (BLACK)

RXP8807 -UN-29NOV95



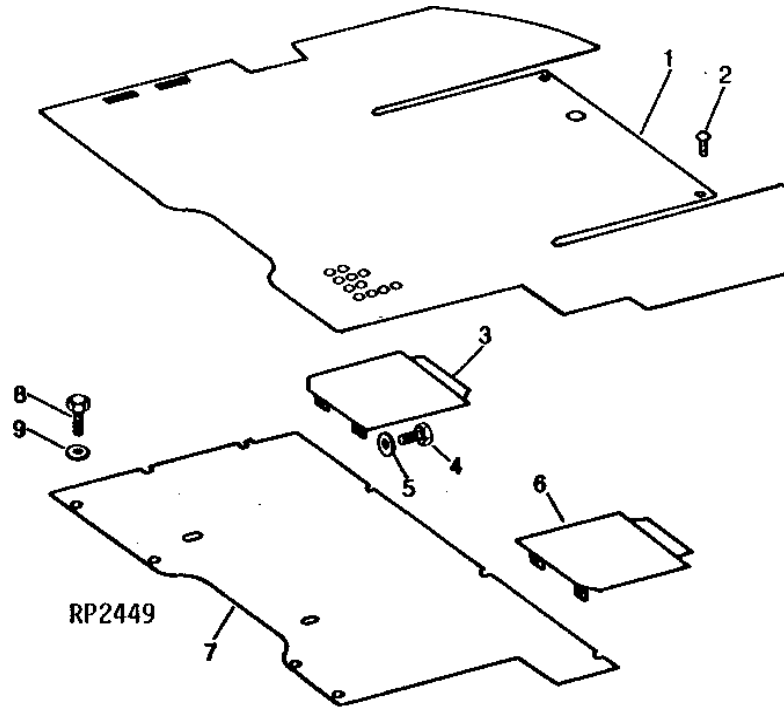
KEY	PART NO.	PART NAME	QTY	SG BODY SERIAL NO.	REMARKS
1	R62544	FOAM PAD	1		(SUB FOR R53634)
2	R53633	FOAM PAD	1		
3	R53631	FOAM PAD	1		
4	R53630	FOAM PAD	1		
5	R52687	BARRIER	1		
6	R53629	FOAM PAD	1		
7	R52687	BARRIER	1		
8	RE52944	ACOUSTICAL UPHOLSTERY	1	-063623	(BLACK)
	RE52946	ACOUSTICAL UPHOLSTERY	1	063624-	(SUB RE57259)
..	AR49923	ADHESIVE	1		140.0 CC (6.5 OZ) PRESSURIZED CAN

# 4H4

OPERATOR'S STATION

## PLATFORM AND MAT (ROLL-GARD AND SOUND-GARD BODY)

RP2449 -UN-01JAN94



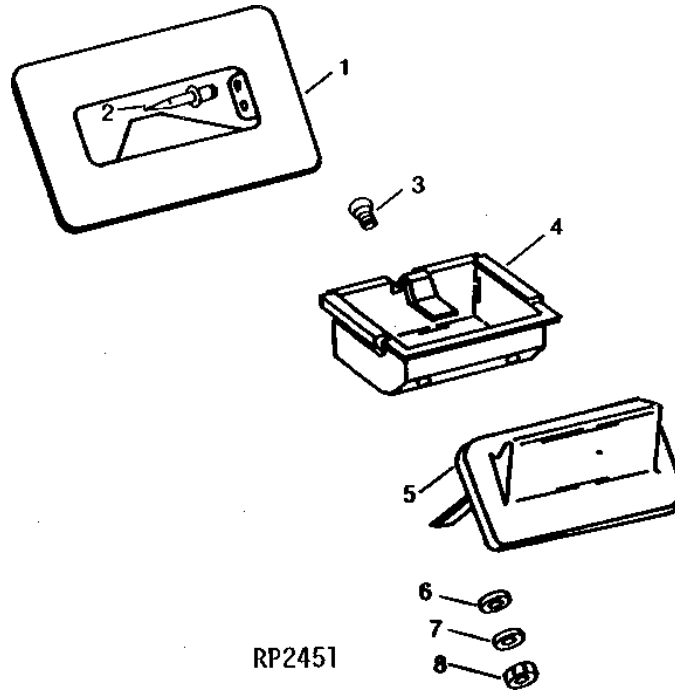
KEY	PART NO.	PART NAME	QTY	TRACTOR SERIAL NO.	REMARKS
1	R50762	MAT	1		ROLL-GARD
	R50761	MAT	1		SOUND-GARD BODY
2	R51548	STUD	2		
3	AR54624	PANEL	1	-004802	
	R56090	COVER	1	004803-	
4	19H1900	CAP SCREW	4		5/16" X 3/4"
	12H303	LOCK WASHER	4		5/16"
5	AR54623	PANEL	1	-004802	
6	R56089	COVER	1	004803-	
7	R65695	PLATFORM	1		(SUB FOR R50587)
	R50196	PANEL	1		
8	19H1813	CAP SCREW	8		5/16" X 5/8"
9	24H1822	WASHER	8		11/32" X 7/8" X 1/16"
..	R53745	TAPE	1		55M (180 FT)
..	R46663	SEALING TRIM	1		18M (60 FT)

# 4H5

OPERATOR'S STATION

ASH TRAY  
(SOUND-GARD BODY SERIAL NO. -090602)

RP2451 -UN-01JAN94



RP2451

KEY	PART NO.	PART NAME	QTY	SG BODY SERIAL NO.	REMARKS
1	R52368	BEZEL	1		
2	.....	RIVET	4		
3	21H1301	SCREW	2	0.190" X 1/2"	
4	AR55823	ASHTRAY	1	(SUB R62545, R62546, R77404 AND (2) R53678)	
5	R51517	COVER	1	(NLA)	
6	24H1283	WASHER	2	7/32" X 1/2" X 0.049"	
7	12M7060	WASHER	2	0.209"	
8	14H778	NUT	2	0.190"	

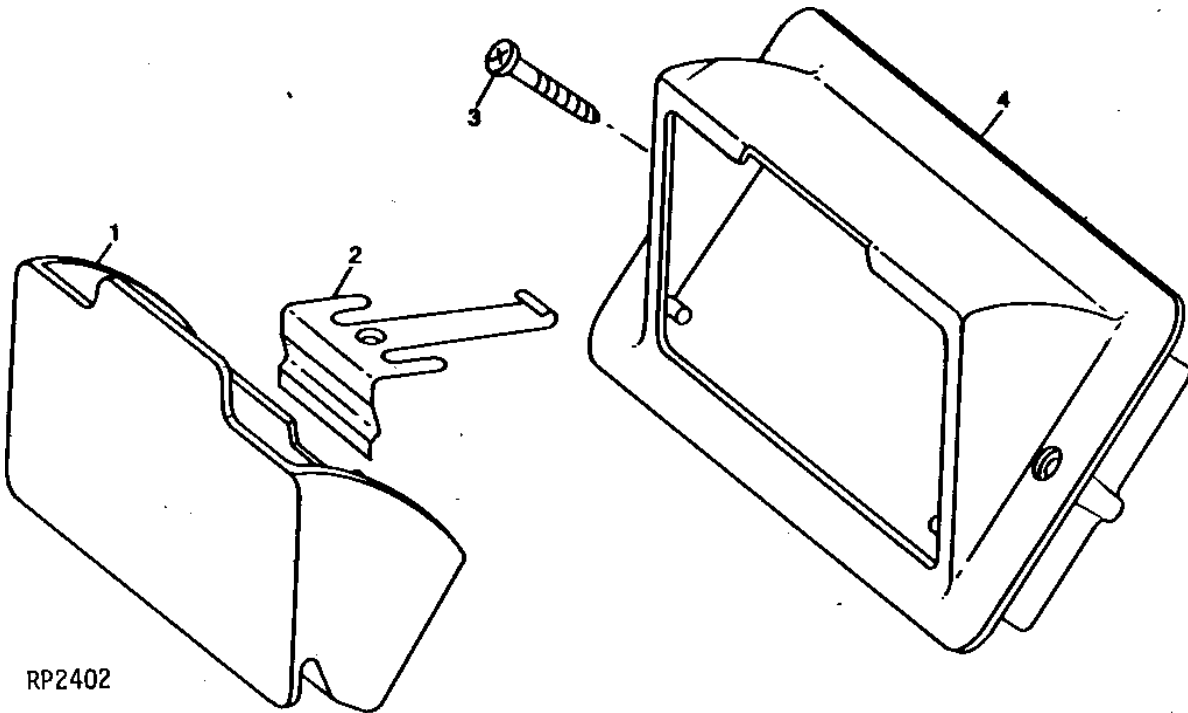


# 4H6

OPERATOR'S STATION

RP2402 -UN-25OCT94

ASH TRAY  
(SOUND-GARD BODY SERIAL NO. 090603- )



RP2402

KEY	PART NO.	PART NAME	QTY	SG BODY SERIAL NO.	REMARKS
1	R62545	ASHTRAY	1		
2	R62547	SPRING	1		
3	37M7140	SCREW	2		
4	R62546	ASHTRAY	1		

---

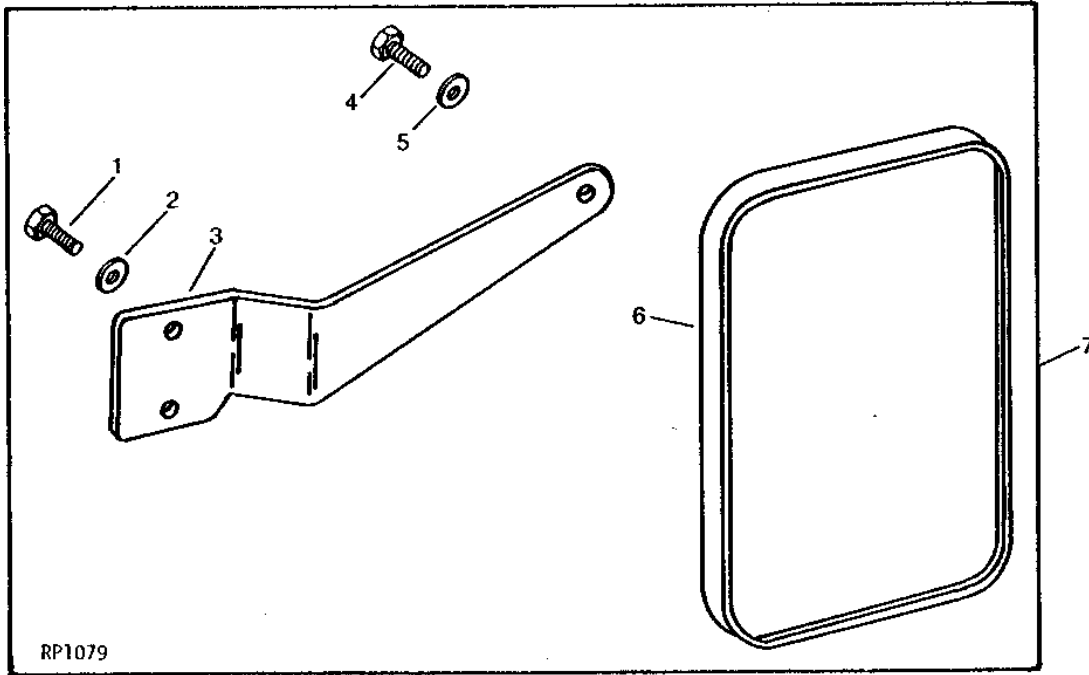
MEMORANDA

# 4H7

OPERATOR'S STATION

RP1079 -UN-01JAN94

## REAR VIEW MIRROR



KEY	PART NO.	PART NAME	QTY	SG BODY SERIAL NO.	REMARKS
1	37H57	SCREW	2	5/16" X 3/4"	
2	R53667	LOCK WASHER	2		
3	R53477	BRACKET	1		
4	19H2651	CAP SCREW	1	1/4" X 3/4"	
5	12H297	LOCK WASHER	2	1/4"	
6	AR89137	REAR VIEW MIRROR	1		
7	AR65048	KIT	1	R.H. (NLA)	

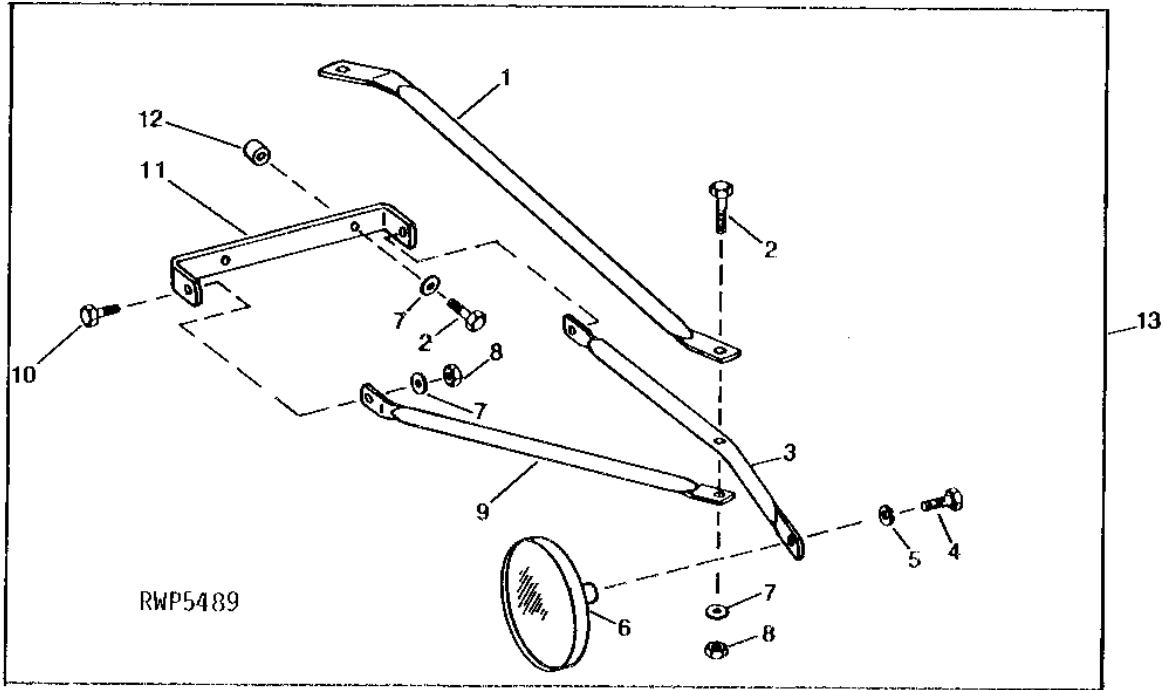
# 4H8

OPERATOR'S STATION

RWP5489

-UN-01JAN94

## OUTSIDE REAR VIEW MIRROR



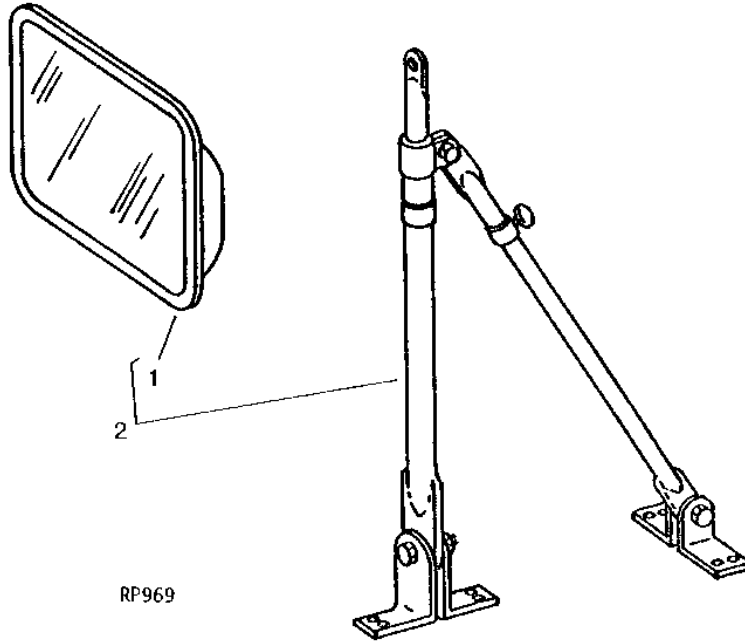
KEY	PART NO.	PART NAME	QTY	TRACTOR SERIAL NO.	REMARKS
1	R81874	ARM	1		
2	19H1898	CAP SCREW	3	1/4" X 1-1/2"	
3	R81873	ARM	1		
4	19H1919	CAP SCREW	1	1/4" X 5/8"	
5	12H302	LOCK WASHER	1	1/4"	
6	AH99408	REAR VIEW MIRROR	1		
7	24H1287	WASHER	5	9/32" X 5/8" X 0.065"	
8	14H786	NUT	3	1/4"	
9	R81875	ARM	1		
10	19H1948	CAP SCREW	2	1/4" X 3/4"	
11	R81872	BRACKET	1		
12	28H1509	WASHER	2	0.269" X 0.405" X 3/8"	
13	RE20352	REAR VIEW MIRROR	1	(NLA)	

# 4H9

OPERATOR'S STATION

RP969 -UN-01JAN94

## REAR VIEW MIRROR



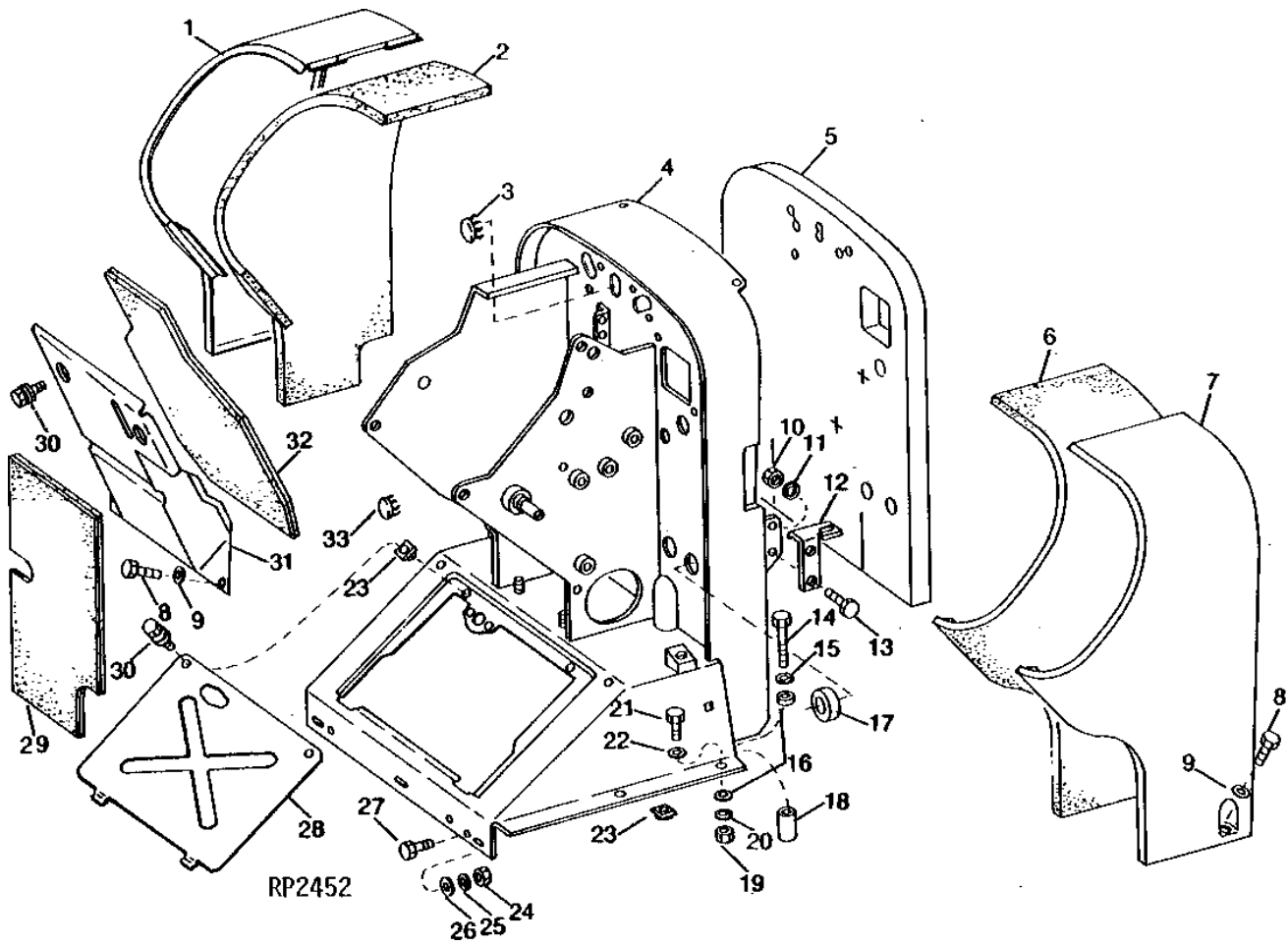
KEY	PART NO.	PART NAME	QTY	TRACTOR SERIAL NO.	REMARKS
1	AR89137	REAR VIEW MIRROR	1	(SUB FOR AR44255)	
2	AR44254	REAR VIEW MIRROR	1	(SUB AH85483, AR89137 AND H78354)	

# 4H10

OPERATOR'S STATION

RP2452 -UN-01JAN94

CONTROL SUPPORT, COVER, AND COWL



# 4H11

OPERATOR'S STATION

## CONTROL SUPPORT, COVER, AND COWL - CONTINUED

KEY	PART NO.	PART NAME	QTY	TRACTOR SERIAL NO.	REMARKS
1	R65775	COWL	1		L.H. (ALSO ORDER R65774) (SUB FOR R52520)
2	R53473	FOAM PAD	1		(A) L.H.
3	R36590	PLUG	1		
4	AR87158	SUPPORT	1		(SUB FOR AR62973, AR66272 OR AR87187)
	R44720	PLUG	1		(LESS STARTING AID)
5	R56852	ISOLATOR	1		(SUB FOR R51959)
6	R53473	FOAM PAD	1		(A) (SUB FOR R53472)
7	R65774	COWL	1		(ALSO ORDER R65775) (SUB FOR R52519)
8	19H1905	CAP SCREW	2		5/16" X 1"
9	24H1136	WASHER	2		11/32" X 11/16" X 0.065"
10	14H1076	NUT	4		(B) 3/8"
11	12H304	LOCK WASHER	4		(B) 3/8"
12	R52996	BRACKET	1		(B) R.H.
	R52997	BRACKET	1		(B) L.H.
13	19H1936	CAP SCREW	4		3/8" X 3/4"
14	19H1733	CAP SCREW	2		3/8" X 2-1/2"
15	12H304	LOCK WASHER	2		3/8"
16	24H1305	WASHER	4		13/32" X 13/16" X 0.065"
17	R51849	SPACER	3		
18	R51439	SPACER	2	-004932	(B)
	R56139	BUSHING	2	004933-	(B)
19	14H1076	NUT	2		3/8"
20	12H304	LOCK WASHER	2		3/8"
21	19H1732	CAP SCREW	2		3/8" X 1-1/4"
22	24H1884	WASHER	2		13/32" X 13/16" X 0.120"
23	AR54482	NUT	2		
24	14H1076	NUT	2		3/8"
25	12H304	LOCK WASHER	2		3/8"
26	24H1305	WASHER	2		13/32" X 13/16" X 0.065"
27	19H2284	CAP SCREW	2		3/8" X 7/8"
28	R51438	COVER	1		
29	R56853	FOAM PAD	1	027635-	(SUB FOR R54140)
30	AR58652	BOLT	6		
31	R62590	COVER	1		(SUB FOR R51780)
32	R53474	ISOLATOR	1		(A)
33	R36590	PLUG	1		(LESS DIFFERENTIAL LOCK)

(A) SOUND-GARD BODY  
(B) LESS SOUND-GARD BODY

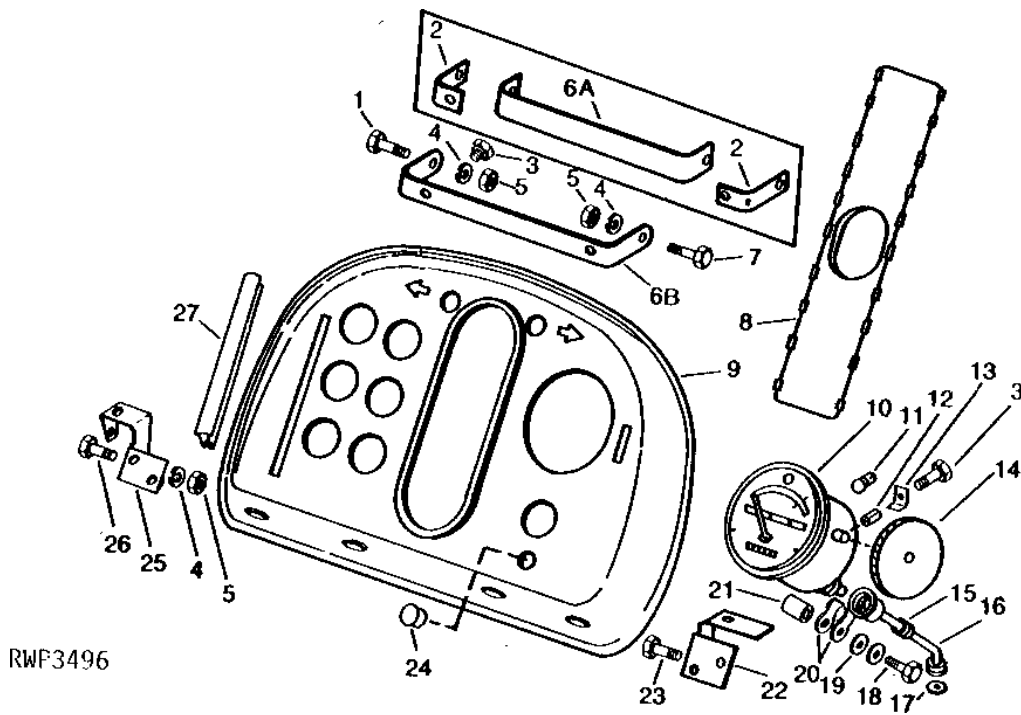
# 4H12

OPERATOR'S STATION

RWP3496

-UN-01JAN94

## INSTRUMENT PANEL





# 4H13

OPERATOR'S STATION

## INSTRUMENT PANEL - CONTINUED

KEY	PART NO.	PART NAME	QTY	TRACTOR SERIAL NO.	REMARKS
1	19H1732	CAP SCREW	1		3/8" X 1-1/4"
2	R53028	CAP SCREW	8		
3	12H304	LOCK WASHER	3		3/8"
4	14H1076	NUT	3		3/8"
5	R51182	BRACKET	2	-XXXXXX	(SUB R78386)
6A	R57263	BRACKET	1	-XXXXXX	(SUB FOR R52089) (SUB R78386)
6B	R78386	BRACKET	1	XXXXXX-	(SUB FOR R51182, R52089 OR R57263)
7	19H1731	CAP SCREW	1		3/8" X 1"
8	R52953	SHIELD	1		
9	R50476	INSTRUMENT PANEL	1	-006699	(A) ((C) SUB R61339, (2) AR74339, (2) R61341, R56112, AND (3) R53028) ((D) SUB R61339 AND R56112)
	R55993	INSTRUMENT PANEL	1	006700-013227	(A) ((C) SUB R61339, (2) R61341, AND (3) R53028) ((D) SUB R61339 AND R56112)
	R61339	INSTRUMENT PANEL	1	013228-	(A)
	R50477	INSTRUMENT PANEL	1	-006699	(B) ((E) SUB R55991 AND R56112) ((F) SUB R55991, R56112, AND R53123) ((G) SUB R55991, AR66343, R55486, R27256, AND 28H1526)
	R55991	INSTRUMENT PANEL	1	006700-	(B)
10	AR71251	TACHOMETER	1		(SYNCRO-RANGE) (SUB FOR AR60516)
	AR71252	TACHOMETER	1		(QUAD-RANGE) (SUB FOR AR60517)
11	AR56675	BULB	2		
12	34H231	SPRING PIN	1		3/32" X 3/4"
13	R52088	ANGLE	4		
14	R50652	COVER	1		
15	R41440	GROMMET	1	-006699	(SUB R55990)
	R55990	GROMMET	1	006700-	
16	AR60877	DRIVE SHAFT	1		
	AR62312	CABLE	1		
17	B3285R	WASHER	1		
18	19H1875	CAP SCREW	1		5/16" X 1-3/4"
19	12H303	LOCK WASHER	1		5/16"
20	24H1136	WASHER	1		11/32" X 11/16" X 0.065"
21	T24168	CLAMP	2		
22	28H1697	SPACER	1		3/8" X 3/4"
23	AR102538	BRACKET	1		(SUB FOR AR58653) (SUB R75887 AND R50198)
24	19H246	CAP SCREW	1		3/8" X 1-3/4"
25	R56264	PLUG	3	006700-XXXXXX	
	R56264	PLUG	1	XXXXXX-	
26	AR58654	BRACKET	1		(SUB R50198 AND R53079)
27	R53742	BARRIER	1		(LESS PTO) (NLA)

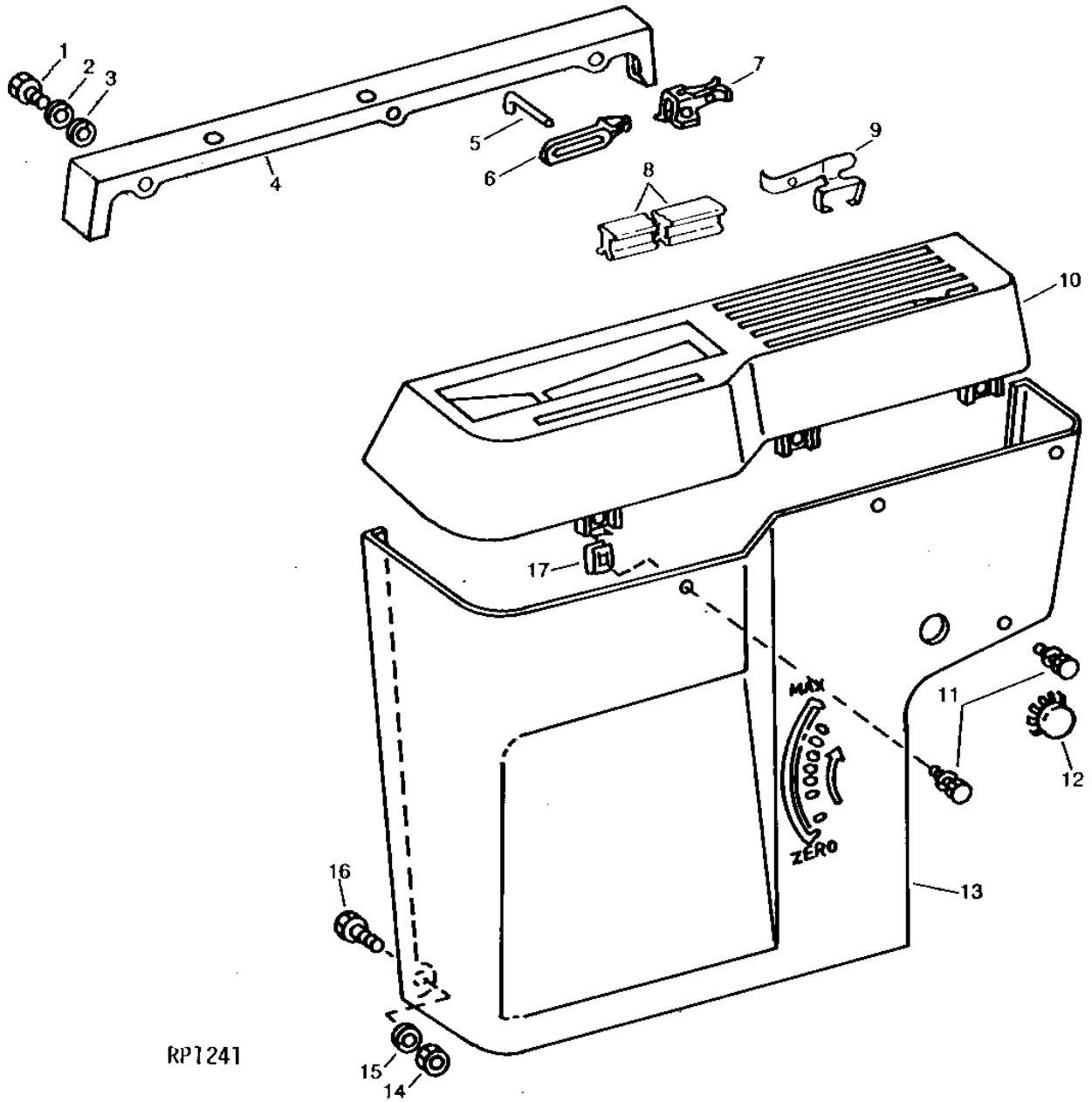
- (A) TELESCOPING STEERING
- (B) FIXED STEERING
- (C) TURN SIGNALS
- (D) LESS TURN SIGNALS
- (E) DIESEL SOUND-GARD BODY
- (F) DIESEL LESS SOUND-GARD BODY
- (G) GASOLINE

# 4H14

OPERATOR'S STATION

RP1241 -UN-01JAN94

CONTROL CONSOLE



# 4H15

OPERATOR'S STATION

## CONTROL CONSOLE - CONTINUED

KEY	PART NO.	PART NAME	QTY	TRACTOR SERIAL NO.	REMARKS
1	AR58652	BOLT	3	(F)	
	R82123	SCREW	3	(B) (F) (USE WITH R82124)	
	R53743	SELF-LOCKING SCREW	3	(A)	
	R82121	SCREW	3	(A) (B) (USE WITH R82124)	
2	12H303	LOCK WASHER	3	(A) 5/16"	
3	R53667	LOCK WASHER	3	(A)	
4	R89652	SUPPORT	1	(A) (SUB FOR R50936)	
5	R51677	NEEDLE ROLLER	1		
6	R56479	STOP	1	(SUB FOR R50670)	
7	R52667	LEVER	1	(SUB FOR AR59805)	
8	R54533	STOP	1	(SUB FOR AR62598)	
9	AR93210	SPRING	1	(USE WITH MODEL 85 FIELD CULTIVATOR)	
10	R82124	GUIDE	1	(B) (F) (SUB FOR R51867) (ALSO ORDER R82123)	
	R82124	GUIDE	1	(A) (B) (SUB FOR R51867 OR R74391) (ALSO ORDER (3) R82121)	
	R74272	GUIDE	1	(C) (SUB FOR R51868) (SUB R82122, (3) R82121, R62956 AND R58204)	
11	AR58652	BOLT	5		
12	R34444	PLUG	1		
13	R51009	COVER	1	(F)	
	R51010	COVER	1	(D)	
	R51008	COVER	1	(E)	
14	14H785	NUT	1	(E) 5/16"	
15	12H303	LOCK WASHER	1	5/16"	
16	19H1900	CAP SCREW	1	5/16" X 3/4"	
17	R50198	NUT	4		

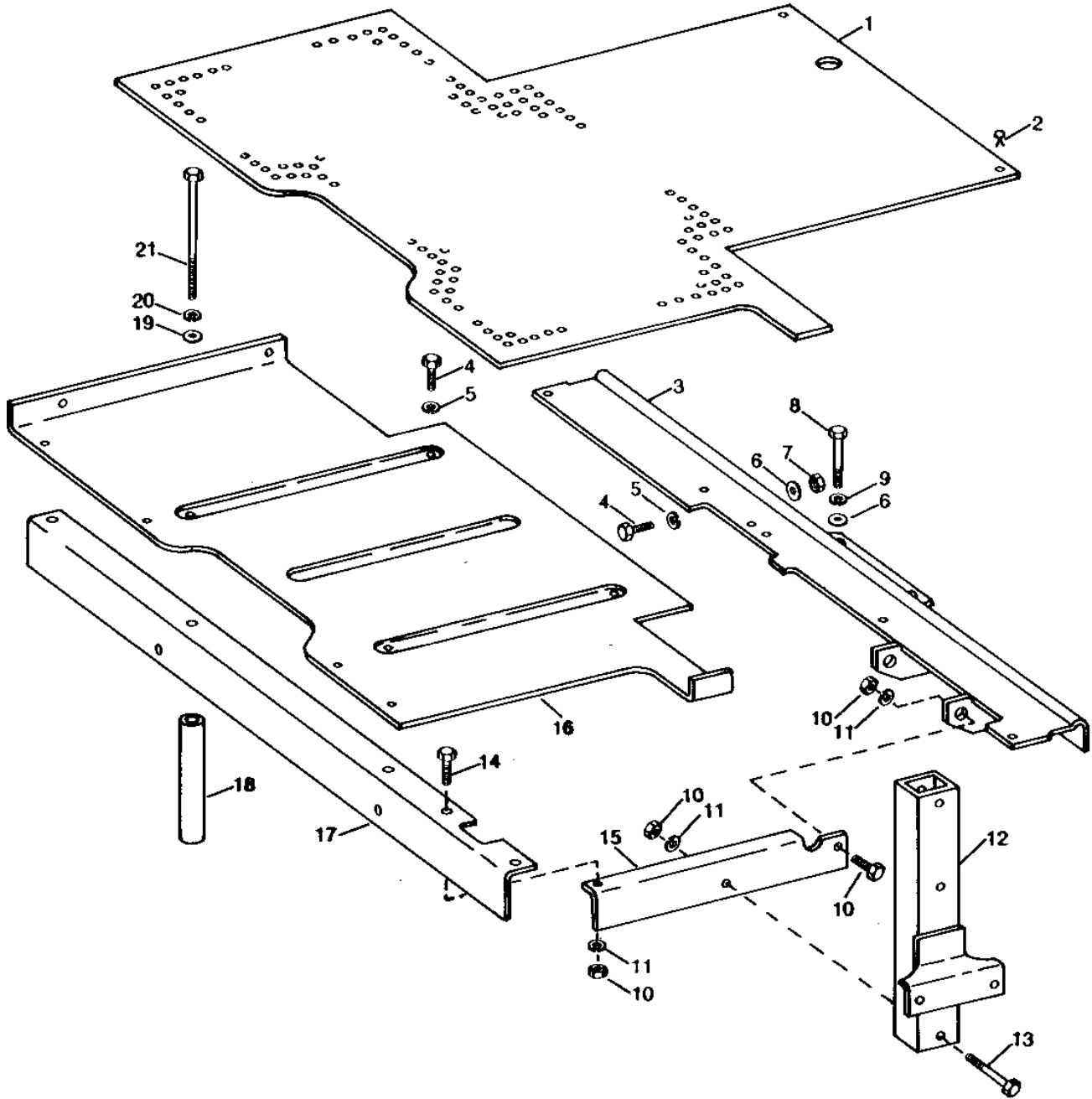
- (A) ROLL-GARD OR SOUND-GARD BODY
- (B) SYNCRO-RANGE
- (C) QUAD-RANGE
- (D) ROLL-GARD
- (E) SOUND-GARD BODY
- (F) LESS ROLL-GARD OR SOUND-GARD BODY

# 4H16

OPERATOR'S STATION

RWP2425 -UN-01JAN94

PLATFORM AND CONSOLE SUPPORT



RWP2425

# 4H17

OPERATOR'S STATION

## PLATFORM AND CONSOLE SUPPORT - CONTINUED

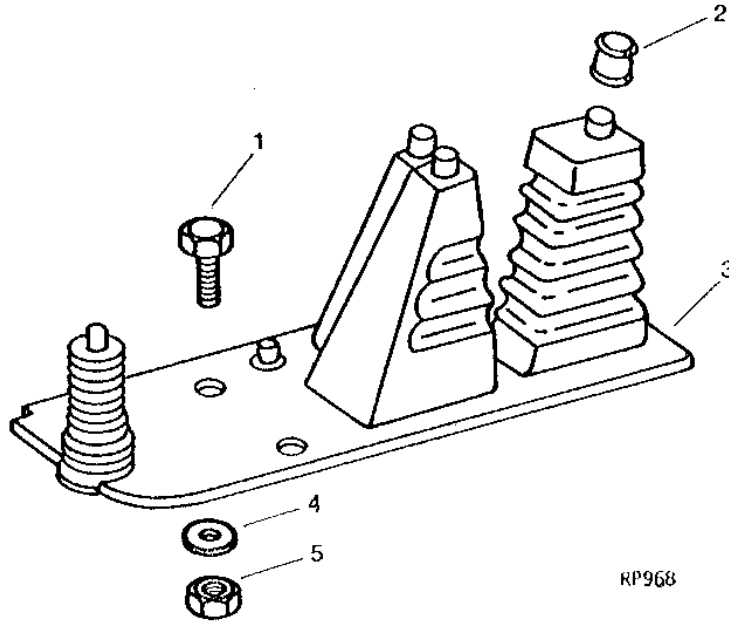
KEY	PART NO.	PART NAME	QTY	TRACTOR SERIAL NO.	REMARKS
1	R53694	MAT	1		
2	R51548	STUD	2		
3	AR55328	SUPPORT	1		
4	19H2284	CAP SCREW	4	3/8" X 7/8"	
5	12H304	LOCK WASHER	4	3/8"	
6	24H1305	WASHER	4	13/32" X 13/16" X 0.065"	
7	14H1076	NUT	2	3/8"	
8	19H1800	CAP SCREW	2	3/8" X 1-1/2"	
9	12H304	LOCK WASHER	2	3/8"	
10	R53670	WELD NUT	3		
11	R53663	SELF-LOCKING SCREW	3		
12	AR54700	SUPPORT	1		
13	19H1944	CAP SCREW	1	3/8" X 2-3/4"	
14	19H1731	CAP SCREW	2	3/8" X 1"	
15	R50591	BRACKET	1		
16	R65696	PLATFORM	1	(SUB FOR R50588)	
17	R51212	SUPPORT	1		
18	28H3323	BUSHING	2	3/8" X 3-25/32"	
19	24M7096	WASHER	2	10.500 X 18 X 1.600 MM	
20	12H304	LOCK WASHER	2	3/8"	
21	19H1925	CAP SCREW	2	3/8" X 4-1/4"	

# 4H18

OPERATOR'S STATION

RP968 -UN-01JAN94

## SHIFTER ROD BOOT



RP968

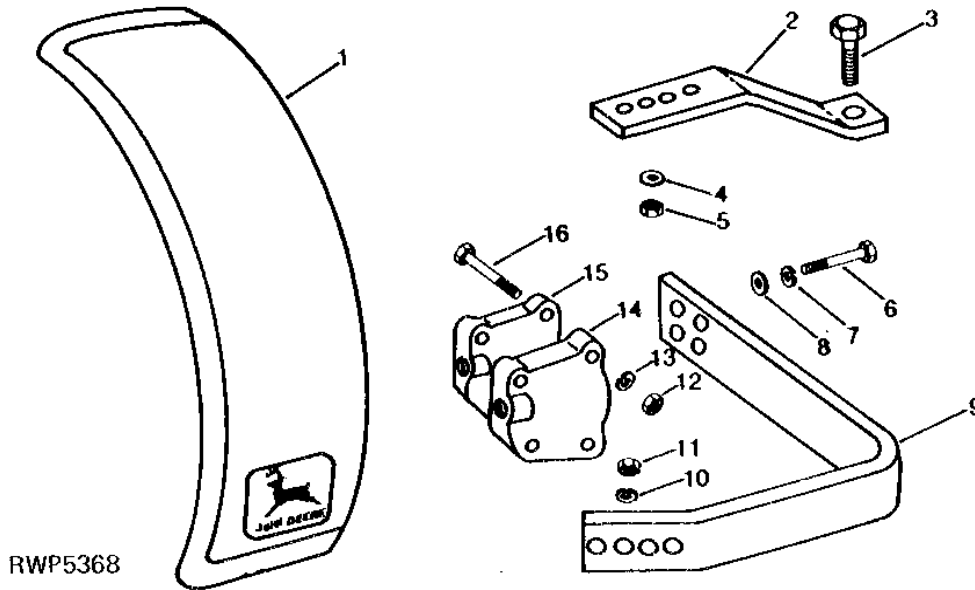
KEY	PART NO.	PART NAME	QTY	SG BODY SERIAL NO.	REMARKS
1	19H1900	CAP SCREW	2	5/16" X 3/4"	
2	R57936	BUSHING	1		
	R45537	GROMMET	2	(HI-LO)	
3	AR58655	BOOT	1	(QUAD-RANGE) (SUB FOR AR58485)	
	AR78239	BOOT	1	(SYNCRO-RANGE) (SUB RE12512 AND R32239) (SUB FOR AR64908)	
4	24H1136	WASHER	2	11/32" X 11/16" X 0.065"	
5	14H785	NUT	2	5/16"	

# 4H19

OPERATOR'S STATION

RWP5368 -UN-01JAN94

## FRONT FENDERS



RWP5368

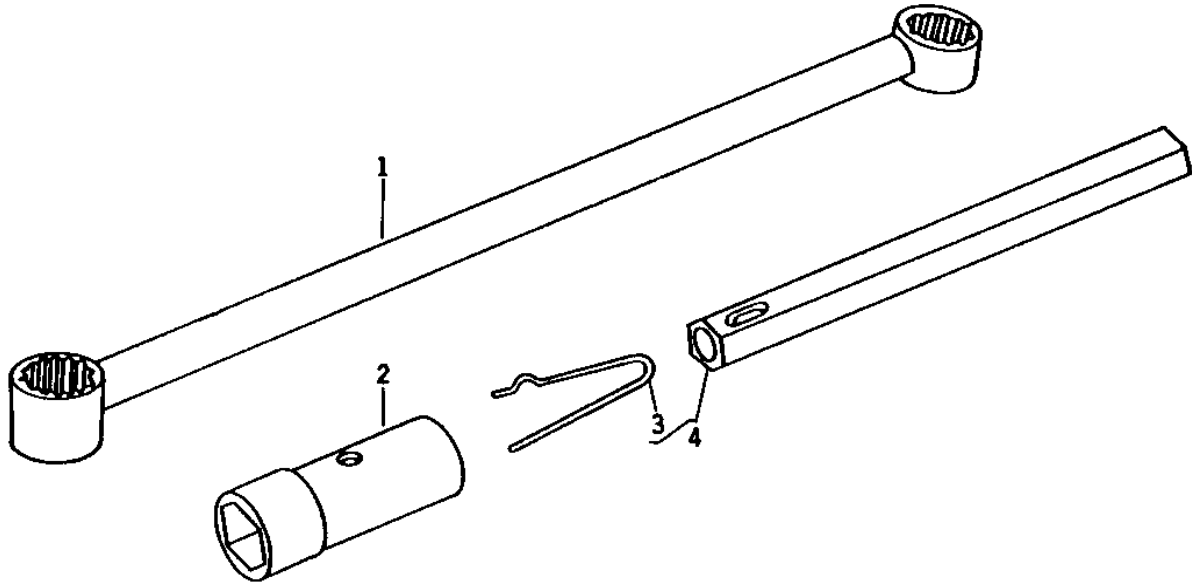
KEY	PART NO.	PART NAME	QTY	TRACTOR SERIAL NO.	REMARKS
1	AR86405	FENDER	2		(10.00 X 16, 11L X 15, 9.5L X 15, 7.5L X 15, 7.50 X 16, 6.00 X 16, 7.50 X 18, 7.50 X 20 TIRES)
2	AR86406	FENDER	2		(11.00 X 16, 14L X 16, 9.50 X 20 TIRES)
	R66530	SUPPORT	2		(10.00 X 16, 11L X 15, 9.5L X 15, 7.5L X 15, 7.50 X 16, 6.00 X 16, 7.50 X 18, 7.50 X 20 TIRES)
	R66536	SUPPORT	2		(11.00 X 16, 14L X 16, 9.50 X 20 TIRES)
3	19H2072	CAP SCREW	2		5/8" X 3-1/4"
4	12H304	LOCK WASHER	4		3/8"
5	14H1076	NUT	4		3/8"
6	19H1721	CAP SCREW	4		1/2" X 1-1/2"
7	12H301	LOCK WASHER	4		1/2"
8	24H1625	WASHER	4		17/32" X 1" X 0.120"
9	R66531	SUPPORT	2		(10.00 X 16, 11L X 15, 9.5L X 15, 7.5L X 15, 7.50 X 16, 6.00 X 16, 7.50 X 18, 7.50 X 20 TIRES)
	R66537	SUPPORT	2		(11.00 X 16, 14L X 16, 9.50 X 20 TIRES)
10	12H304	LOCK WASHER	4		3/8"
11	14H1076	NUT	4		3/8"
12	14H1076	NUT	8		3/8"
13	12H304	LOCK WASHER	8		3/8"
14	R66528	BRACKET	2		(R.H. FRONT, L.H. REAR)
15	R66529	BRACKET	2		(R.H. REAR, L.H. FRONT)
16	19H2345	CAP SCREW	8		3/8" X 5-1/2"

# 4H20

OPERATOR'S STATION

R32260 -UN-12OCT94

## TOOLS



R32260F

KEY	PART NO.	PART NAME	QTY	TRACTOR SERIAL NO.	REMARKS
1	R34827	WRENCH	1		
2	AR39683	WRENCH	1		
3	R39739	SPRING LOCKING PIN	1		
4	AR39682	EXTENSION	1		

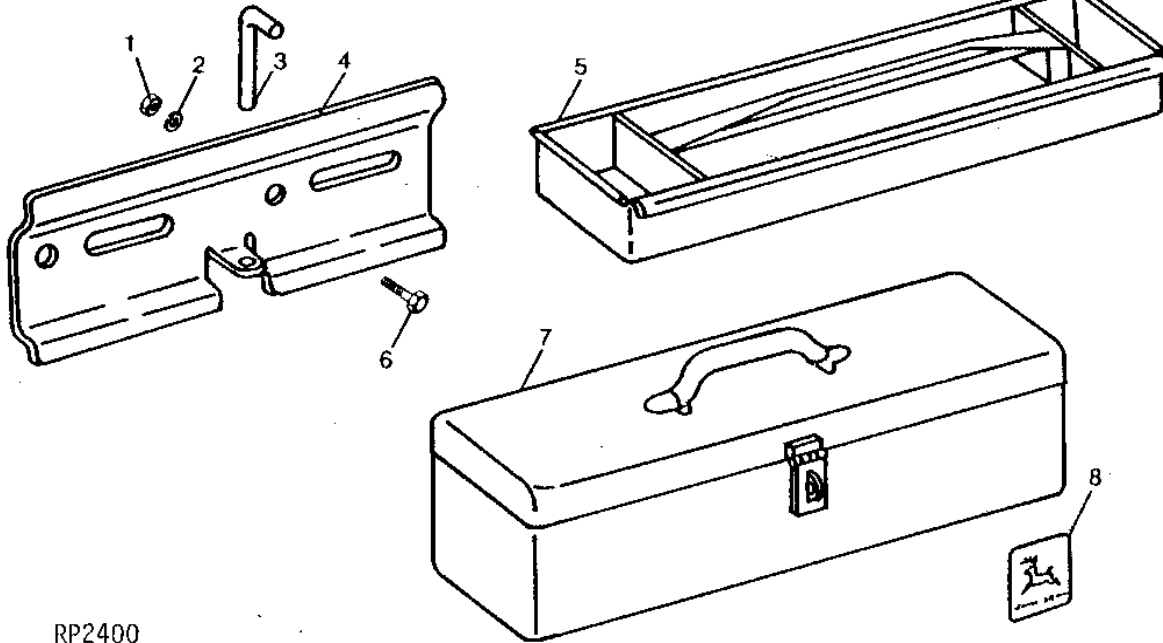


# 4H21

OPERATOR'S STATION

RP2400 -UN-01JAN94

## TOOLBOX AND SUPPORTS



RP2400

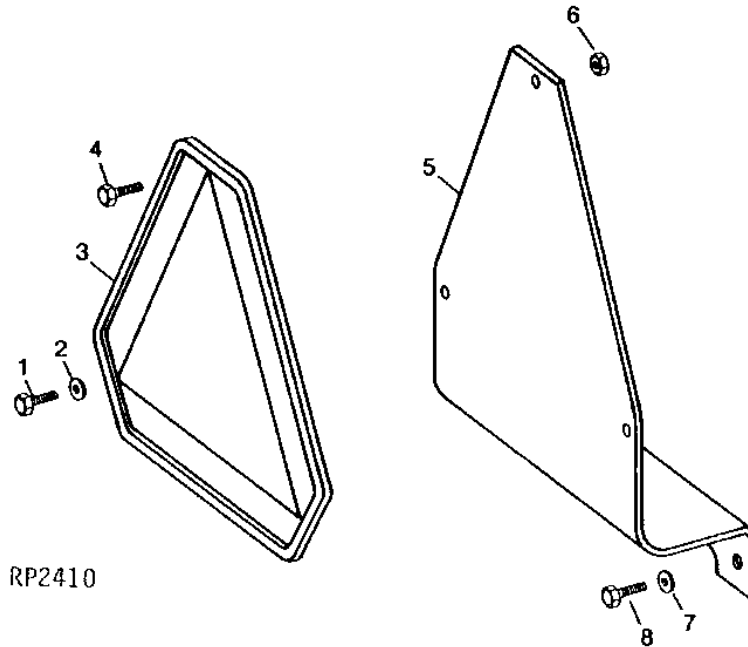
KEY	PART NO.	PART NAME	QTY	TRACTOR SERIAL NO.	REMARKS
1	14H1039	NUT	2	5/8"	
2	24H1363	WASHER	2	41/64" X 1-1/16" X 0.105"	
3	T23027	PIN	1		
4	L39119	BRACKET	1		
5	AT22073	HOLDER	1		
6	19H1833	CAP SCREW	2	5/8" X 1-1/4"	
7	AT22070	TOOLBOX	1		WITH TRAY (FI)
	M399T	PIN	1		(HINGE ROD)
8	JD5272	LABEL	1	-XXXXXX	
	JD5602	LABEL	1	XXXXXX-XXXXXX	
..	RE53839	KIT	1		(FI)

# 4H22

OPERATOR'S STATION

RP2410 -UN-01JAN94

## SLOW MOVING VEHICLE EMBLEM



RP2410

KEY	PART NO.	PART NAME	QTY	TRACTOR SERIAL NO.	REMARKS
1	37H132	SCREW	2	(A) 0.216" X 3/4"	
2	B1664R	SHIM	2	(A)	
3	TY2615	SMV EMBLEM	1		
4	19H1948	CAP SCREW	3	1/4" X 3/4"	
5	R53828	BRACKET	1	(B)	
6	14H786	NUT	3	1/4"	
7	12H304	LOCK WASHER	2	3/8"	
8	19H1849	CAP SCREW	1	5/16" X 1-1/4"	

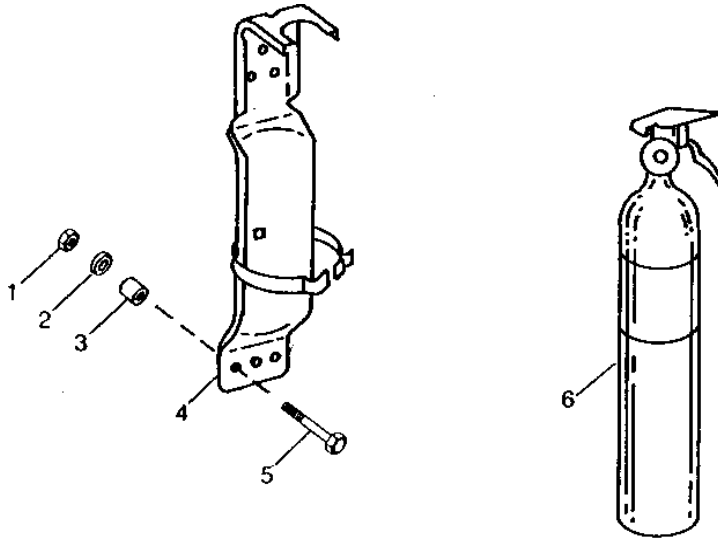
(A) ROLL-GARD OR SOUND-GARD BODY  
 (B) LESS ROLL-GARD OR SOUND-GARD BODY

# 4H23

OPERATOR'S STATION

RWP2787 -UN-01JAN94

## FIRE EXTINGUISHER



### RWP2787

KEY	PART NO.	PART NAME	QTY	TRACTOR SERIAL NO.	REMARKS
1	14H786	NUT	2	1/4"	
2	24H1287	WASHER	2	9/32" X 5/8" X 0.065"	
3	28H1914	BUSHING	2	0.364" X 0.540" X 7/8"	
4	AT75387	BRACKET	1	(SUB FOR AT62019)	
5	21H1035	SCREW	2	1/4" X 1-1/2"	
6	AT141924	FIRE EXTINGUISHER	1	(SUB FOR AT81764)	

# 4H24

OPERATOR'S STATION

R32259 -UN-01JAN94

LOCTITE SEALANT



R32259F

KEY	PART NO.	PART NAME	QTY	TRACTOR SERIAL NO.	REMARKS
1	TY9371	ADHESIVE	1		(TUBE OF 6CC)

# 1J23

4030 TRACTOR

## NUMERICAL INDEX

PART NO.	GRID	KEY	PAGE	PART NO.	GRID	KEY	PAGE	PART NO.	GRID	KEY	PAGE
AA14850	3G6	22	70 - 73	AL38083	3E14	34	70 - 33	AR11001	2C22	15	40 - 47
AA15042	3H21	12	70 - 111	AL38083	3E16	35	70 - 35	AR11001	2D2	14	40 - 53
AA15043	3H21	10	70 - 111	AL61306	2F18	15	40 - 115B	AR11051	2C23	7	40 - 48
AA3495R	2D13	15	40 - 65	AM30347	4B12	20	80 - 11	AR11051	2D3	4	40 - 54
AA3495R	2D15	22	40 - 67	AN140274	3H21	1	70 - 111	AR111058	2E10	20	40 - 87
AA3495R	2D17	22	40 - 69	AN150015	2B21	7	40 - 19	AR11124	2C22	17	40 - 47
AA4295R	1D14	10	30 - 13	AN180528	2F22	1	40 - 118	AR11126	2C20	21	40 - 45
AA4331R	1D14	10	30 - 13	AN190895	3H22	12	70 - 111A	AR11127	2C20	2	40 - 45
AA4927R	2B11	37	40 - 7	AN212996	3H24	6	70 - 113	AR11128	2C20	14	40 - 45
AA5302R	1E22	9	30 - 46	AN250096	3D24	5	70 - 17A	AR11131	2C17	16	40 - 41
AA5302R	1E24	5	30 - 48	AP19547	3H14	33	70 - 105	AR11132	2C20	28	40 - 45
AA5692R	2G1	12	40 - 122	AP19547	3H16	20	70 - 106A	AR11140	2C22	24	40 - 47
AA5731R	3H14	3	70 - 105	AP19547	3H19	32	70 - 109	AR20235	2E15	10	40 - 92
AA6307R	3H12	13	70 - 103	AP22529	4B16	13	80 - 13	AR20750	4B9	21	80 - 8
AB3686R	4B9	18	80 - 8	AR100056	4D15	8	90 - 12	AR21059	2D13	10	40 - 65
AB4259R	4B9	21	80 - 8	AR100056	4E16	6	90 - 13	AR21059	2D15	17	40 - 67
AD2062R	2D15	30	40 - 67	AR100056	4E2	10	90 - 25	AR21059	2D18	9	40 - 70
AD2062R	2D17	30	40 - 69	AR100124	1B6	6	20 - 5	AR21739	2E3	4	40 - 80
AD2062R	2D19	3	40 - 71	AR100124	1C21	24	20 - 47	AR21739	2E4	6	40 - 81
AE23861	2B19	23	40 - 17	AR100124	1C23	11	20 - 49	AR21823	2B11	27	40 - 7
AE23861	2B21	10	40 - 19	AR100124	1C23	13	20 - 49	AR21823	2E6	13	40 - 83
AE24616	3D24	9	70 - 17A	AR100124	1C23	23	20 - 49	AR21823	2E13	2	40 - 90
AE24616	3E3	38	70 - 21	AR100124	1C24	16	20 - 50	AR21823	2E14	10	40 - 91
AE24616	3E3	39	70 - 21	AR100161	2D10	1	40 - 61	AR21836	3E12	7	70 - 31
AF2643R	3E16	1	70 - 35	AR101236	3D9	3	70 - 3	AR21836	3G15	18	70 - 83
AF2710R	3F12	13	70 - 56	AR101236	3D13	23	70 - 7	AR21836	3G17	19	70 - 85
AF2711R	3F12	13	70 - 56	AR101236	3D17	3	70 - 11	AR21837	1C7	20	20 - 31
AF2907R	2H4	3	50 - 9	AR101236	3D21	28	70 - 15	AR21837	4E2	9	90 - 25
AF3147R	3F14	..	70 - 59	AR101245	2E16	15	40 - 93	AR21839	1C7	15	20 - 31
AH109555	2E4	7	40 - 81	AR101632	3D23	6	70 - 17	AR21839	1C9	1	20 - 33
AH118028	4D15	2	90 - 12	AR101712	2J16	10	50 - 70	AR21839	3E4	12	70 - 23
AH118028	4D15	10	90 - 12	AR101721	2J16	10	50 - 70	AR21839	3E8	1	70 - 27
AH118028	4D16	9	90 - 13	AR102260	1C23	11	20 - 49	AR21839	3E8	7	70 - 27
AH11982	1D21	34	30 - 21	AR102267	1C23	13	20 - 49	AR21839	3E9	10	70 - 28
AH11983	1D21	28	30 - 21	AR102267	1C24	16	20 - 50	AR21839	3E10	7	70 - 29
AH140818	4D14	5	90 - 11	AR102268	1C23	23	20 - 49	AR21839	3E12	20	70 - 31
AH21762	4D14	31	90 - 11	AR102284	1C21	24	20 - 47	AR21839	4D11	20	90 - 8
AH21763	4D12	26	90 - 9	AR102454	2E13	..	40 - 90	AR21840	1C14	4	20 - 39
AH61036	4D15	19	90 - 12	AR102454	2E14	12	40 - 91	AR21840	1D3	9	30 - 2
AH75164	3G6	5	70 - 73	AR102454	2E15	12	40 - 92	AR21840	3E9	1A	70 - 28
AH75167	3H22	7	70 - 111A	AR102538	4H13	23	90 - 111	AR21841	1D6	6	30 - 5
AH77100	1E22	9	30 - 46	AR102783	1D23	..	30 - 21B	AR21841	1D8	5	30 - 7
AH77100	1E24	5	30 - 48	AR102785	1D23	11	30 - 21B	AR21841	1D9	1	30 - 8
AH80032	1D25	3	30 - 21D	AR102792	1D23	37	30 - 21B	AR21841	1D10	5	30 - 9
AH80591	2B7	8	40 - 3	AR102793	1D23	40	30 - 21B	AR21969	3B5	3	60 - 3
AH80591	4D15	6	90 - 12	AR102793	1D23	..	30 - 21B	AR21969	3B13	..	60 - 11
AH85483	4H9	2	90 - 107	AR102793	1D25	16	30 - 21D	AR21969	3C10	..	60 - 33
AH98337	2B19	23	40 - 17	AR102794	1D23	..	30 - 21B	AR21969	3E4	2	70 - 23
AH98337	2B21	10	40 - 19	AR102797	2H6	21	50 - 11	AR21999	1C14	2	20 - 39
AH99408	4H8	6	90 - 106	AR103633	4F16	15	90 - 63	AR21999	1D3	5	30 - 2
AL14896	2B10	14	40 - 6	AR103633	4F18	12	90 - 65	AR21999	1D3	7	30 - 2
AL14896	2E13	6	40 - 90	AR103634	4F22	28	90 - 69	AR21999	1D6	6	30 - 5
AL24194	1D6	1B	30 - 5	AR103636	4F16	15	90 - 63	AR21999	1D8	3	30 - 7
AL24194	1D8	2	30 - 7	AR103636	4F18	14	90 - 65	AR21999	1D9	3	30 - 8
AL24194	1D10	6	30 - 9	AR103750	2E23	10	40 - 100	AR21999	1D10	1	30 - 9
AL24194	2B10	9	40 - 6	AR103769	1B8	5	20 - 7	AR21999	3E9	1B	70 - 28
AL25073	2G3	2	40 - 124	AR103811	1B6	5	20 - 5	AR26338	2H25	6	50 - 30
AL26972	3H6	22	70 - 97	AR104079	4C22	24	80 - 43	AR26375	2I24	27	50 - 54
AL26973	3H4	3	70 - 95	AR104119	2D17	17	40 - 69	AR26402	3B9	5	60 - 7
AL26973	3H6	21	70 - 97	AR104516	2F2	1	40 - 105	AR26403	4E20	7	90 - 41
AL2976T	2G10	20	40 - 133	AR104517	2F2	5	40 - 105	AR26403	4F4	21	90 - 51
AL32975	1D6	1B	30 - 5	AR104518	2F2	3	40 - 105	AR26407	3H12	3	70 - 103
AL32975	1D8	2	30 - 7	AR104520	2E23	5	40 - 100	AR26407	3H12	4	70 - 103
AL32975	1D10	6	30 - 9	AR104573	2E22	1	40 - 99	AR26407	3H12	6	70 - 103
AL32975	2B10	9	40 - 6	AR104574	2E22	5	40 - 99	AR26448	3B9	2	60 - 7
AL35750	2F18	16	40 - 115B	AR105732	2H24	1	50 - 29	AR26462	3F22	8	70 - 65
AL35751	2F18	15	40 - 115B	AR105813	3F6	17	70 - 49	AR26462	3F23	7	70 - 66

# 1J24

4030 TRACTOR

## NUMERICAL INDEX - CONTINUED

PART NO.	GRID	KEY	PAGE	PART NO.	GRID	KEY	PAGE	PART NO.	GRID	KEY	PAGE
AR26462	3G2	7	70 - 69	AR28754	3H25	3	70 - 114	AR38456	2D19	1	40 - 71
AR26480	4B10	2	80 - 9	AR28755	3H25	3	70 - 114	AR38456	2D19	4	40 - 71
AR26480	4B12	1	80 - 11	AR30210	3H2	7A	70 - 93	AR38714	3D11	31	70 - 5
AR26480	4B13	1	80 - 11A	AR30210	3H10	7	70 - 101	AR389R	2I3	12	50 - 33
AR26480	4B14	1	80 - 11B	AR30297	3B5	19	60 - 3	AR389R	2I5	13	50 - 35
AR26529	4E22	10	90 - 43	AR30685	3H3	12	70 - 94	AR389R	2I6	7	50 - 36
AR26571	2G1	1	40 - 122	AR30697	3E14	34	70 - 33	AR389R	2I7	11	50 - 37
AR26646	3D11	21	70 - 5	AR30697	3E14	36	70 - 33	AR389R	2I21	8	50 - 51
AR26674	1D17	6	30 - 16	AR30697	3E16	33	70 - 35	AR39128	2H20	29	50 - 25
AR26674	1D18	13	30 - 17	AR30697	3E16	35	70 - 35	AR39585	3B11	34	60 - 9
AR26674	1E1	4	30 - 22	AR30697	3E16	39	70 - 35	AR39681	3F12	21	70 - 56
AR26707	2J6	3	50 - 60	AR30736	1E12	10	30 - 35	AR39682	4H20	4	90 - 118
AR26722	3E3	37	70 - 21	AR30784	3H12	1	70 - 103	AR39683	4H20	2	90 - 118
AR26724	3E2	10A	70 - 20	AR31016	3C18	21	60 - 41	AR39695	3D7	1	70 - 1
AR26724	3E3	21A	70 - 21	AR31611	3G6	26	70 - 73	AR39695	3D9	..	70 - 3
AR26725	3C10	17	60 - 33	AR31703	3E20	37	70 - 39	AR40171	2D2	5	40 - 53
AR26725	3E6	2	70 - 25	AR31703	3E22	56	70 - 41	AR40174	2D10	1	40 - 61
AR26725	3E7	2	70 - 26	AR31703	3E24	8	70 - 43	AR40465	3G6	7	70 - 73
AR26732	1C18	8	20 - 43	AR31946	3C19	14	60 - 43	AR40669	2I24	16	50 - 54
AR26732	1C18	9	20 - 43	AR32100	2J16	10	50 - 70	AR40675	3F2	9	70 - 45
AR26732	1C19	6	20 - 45	AR32190	2I3	5	50 - 33	AR40675	3F4	10	70 - 47
AR26745	3G6	8	70 - 73	AR32196	2I6	3	50 - 36	AR40676	3F2	6	70 - 45
AR26746	3C23	25	60 - 47	AR32196	2I7	3	50 - 37	AR40676	3F4	6	70 - 47
AR26761	3E20	12	70 - 39	AR32197	2I6	5	50 - 36	AR40688	3G8	31	70 - 75
AR26782	2J6	1	50 - 60	AR32197	2I7	5	50 - 37	AR40710	2G1	13	40 - 122
AR26823	4B10	18	80 - 9	AR32237	2H9	6	50 - 14	AR40753	3F2	46A	70 - 45
AR26828	3D25	6	70 - 18	AR32441	3C15	8	60 - 38	AR40754	3F2	7	70 - 45
AR26828	3E3	48	70 - 21	AR32483	3C15	5	60 - 38	AR40754	3F4	7A	70 - 47
AR26930	1D3	12	30 - 2	AR32495	3F22	23	70 - 65	AR40785	3F8	7	70 - 51
AR27033	3F23	13	70 - 66	AR32531	3F12	25	70 - 56	AR40827	3G8	12	70 - 75
AR27054	4B10	19	80 - 9	AR32547	3F14	10	70 - 59	AR40827	3G8	31	70 - 75
AR27062	3H12	6	70 - 103	AR32548	3F14	10	70 - 59	AR40827	3G9	1	70 - 77
AR27093	3F16	22	70 - 61	AR32693	2I6	20	50 - 36	AR40827	3H2	27	70 - 93
AR27093	3F18	41	70 - 63	AR33249	3D11	6	70 - 5	AR41124	3E4	1	70 - 23
AR27314	4B11	30	80 - 10	AR33877	3H2	29	70 - 93	AR41171	1D13	2	30 - 12
AR27315	4B11	30	80 - 10	AR33974	2J12	11	50 - 66	AR41691	1C18	4	20 - 43
AR27371	2H8	22	50 - 13	AR34208	3F13	2	70 - 57	AR41752	2J7	2	50 - 61
AR27371	3F8	20	70 - 51	AR34569	2J14	25	50 - 68	AR41754	2E17	8	40 - 94
AR27371	3F9	3	70 - 53	AR34612	1E10	..	30 - 33	AR41756	2E16	3	40 - 93
AR27437	3H12	5	70 - 103	AR34612	1E16	1	30 - 39	AR41756	2E17	1	40 - 94
AR27437	3H12	6	70 - 103	AR34823	2J12	21	50 - 66	AR41758	2E16	1	40 - 93
AR27437	3H12	11	70 - 103	AR34829	3H12	11	70 - 103	AR41758	2E17	10	40 - 94
AR27440	3H12	4	70 - 103	AR35261	3H12	5	70 - 103	AR41758	2E21	9	40 - 98
AR27446	2J16	5	50 - 70	AR35261	3H12	6	70 - 103	AR41761	4E4	10	90 - 27
AR27699	3H23	9	70 - 112	AR35261	3H12	11	70 - 103	AR41761	4E17	..	90 - 38
AR27738	3H23	6	70 - 112	AR35710	3C23	18A	60 - 47	AR41761	4E18	6	90 - 39
AR27814	1F1	1	30 - 51	AR35710	3C23	20	60 - 47	AR41762	4E8	4	90 - 29B
AR27814	1F3	1	30 - 53	AR35710	3D2	28	60 - 51	AR41785	1B4	..	20 - 2
AR27814	1F4	15	30 - 55	AR35782	2B7	1	40 - 3	AR41950	2E16	6	40 - 93
AR27814	1F5	2	30 - 56	AR35782	2B10	2	40 - 6	AR41950	2E17	3	40 - 94
AR27814	1F6	12	30 - 57	AR35782	2D13	16	40 - 65	AR41951	2E16	5	40 - 93
AR27940	1F1	6	30 - 51	AR35782	2D15	23	40 - 67	AR41951	2E17	2	40 - 94
AR27940	1F3	6	30 - 53	AR35981	3B15	16	60 - 13	AR42005	2J17	12	50 - 71
AR27940	1F5	7	30 - 56	AR36048	4E22	17	90 - 43	AR42009	3B5	11	60 - 3
AR28242	4B9	10	80 - 8	AR36097	2J13	13	50 - 67	AR42009	3B6	3	60 - 4
AR28243	4B9	10	80 - 8	AR36097	2J14	7	50 - 68	AR42009	3B6	13	60 - 4
AR28249	4B11	6	80 - 10	AR36097	3C23	12	60 - 47	AR42119	2D17	17	40 - 69
AR28271	2I25	10	50 - 55	AR36157	3H12	6	70 - 103	AR42285	3E4	21	70 - 23
AR28403	2B17	8	40 - 14	AR36158	3H12	4	70 - 103	AR42287	3F6	16	70 - 49
AR28403	2G1	10	40 - 122	AR36158	3H12	6	70 - 103	AR42287	3F6	17	70 - 49
AR28403	2G5	19	40 - 127	AR36301	3H12	6	70 - 103	AR42330	2J17	12	50 - 71
AR28482	1C14	9	20 - 39	AR36303	3H12	5	70 - 103	AR42591	2D17	17	40 - 69
AR28487	3C15	2	60 - 38	AR36303	3H12	6	70 - 103	AR42613	2J14	23	50 - 68
AR28570	3F14	2	70 - 59	AR36303	3H12	11	70 - 103	AR43253	1D15	13	30 - 14
AR28602	1E14	24	30 - 37	AR38168	2J7	11	50 - 61	AR43809	3B7	10	60 - 5
AR28604	1E14	20	30 - 37	AR38456	2B10	1	40 - 6	AR43809	3B8	4	60 - 6
AR28604	1E21	24	30 - 45	AR38456	2D13	27	40 - 65	AR44189	3F24	1A	70 - 67

# 1J25

4030 TRACTOR

## NUMERICAL INDEX - CONTINUED

PART NO.	GRID	KEY	PAGE	PART NO.	GRID	KEY	PAGE	PART NO.	GRID	KEY	PAGE
AR44254	4H9	2	90 - 107	AR48111	3G3	2	70 - 70	AR50834	2G5	8	40 - 127
AR44255	4H9	1	90 - 107	AR48594	2B17	11	40 - 14	AR50926	2F23	14	40 - 119
AR44356	3E18	8	70 - 37	AR48594	2B18	6	40 - 15	AR50927	2F21	20	40 - 117
AR44402	1B4	1	20 - 2	AR48721	2B7	17	40 - 3	AR50927	2F23	20	40 - 119
AR44698	2C20	32	40 - 45	AR48721	2B7	29	40 - 3	AR50928	2F21	18	40 - 117
AR44699	2C22	2	40 - 47	AR48721	2B10	8	40 - 6	AR50929	2F23	19	40 - 119
AR44700	2C20	12	40 - 45	AR48721	2D13	34	40 - 65	AR50930	2F23	15	40 - 119
AR44712	2J6	6	50 - 60	AR48721	2D15	33	40 - 67	AR50931	2F23	23	40 - 119
AR44763	4E17	5	90 - 38	AR48722	2D18	8	40 - 70	AR51417	4E4	2	90 - 27
AR44997	2H11	11	50 - 16	AR48723	2D13	33	40 - 65	AR51452	4E6	9	90 - 29
AR44999	2B10	16	40 - 6	AR48723	2D15	32	40 - 67	AR51481	2E6	15	40 - 83
AR44999	2B15	3	40 - 12	AR48723	2D17	32	40 - 69	AR51481	4F20	19	90 - 67
AR44999	2B16	7	40 - 13	AR48724	2B10	19	40 - 6	AR51481	4F22	29	90 - 69
AR45099	2B7	16	40 - 3	AR48724	2E6	8	40 - 83	AR51481	4F24	33	90 - 71
AR45099	2B10	5	40 - 6	AR48725	2B11	30	40 - 7	AR51569	2B7	20	40 - 3
AR45099	2D13	7	40 - 65	AR48725	2D21	1	40 - 73	AR51569	4D9	1	90 - 6
AR45099	2D15	7	40 - 67	AR48912	2B12	3	40 - 8	AR51569	4D11	15	90 - 8
AR45099	2D17	7	40 - 69	AR48926	1E1	12	30 - 22	AR51705	1E10	7	30 - 33
AR45104	3G2	18	70 - 69	AR48957	2B7	21	40 - 3	AR51712	1E9	22	30 - 31
AR45105	3G2	18	70 - 69	AR48957	4D6	18	90 - 3	AR51712	1E9	24	30 - 31
AR45184	1D6	1A	30 - 5	AR48957	4D8	6	90 - 5	AR51745	3D11	9	70 - 5
AR45530	1B6	5	20 - 5	AR48957	4D9	5	90 - 6	AR51959	1E12	19	30 - 35
AR45535	3H16	30	70 - 106A	AR49032	2E13	..	40 - 90	AR52064	1D6	16	30 - 5
AR45536	3H19	24	70 - 109	AR49032	2E15	12	40 - 92	AR52064	1D8	18	30 - 7
AR45543	3H14	26A	70 - 105	AR49036	2E13	6	40 - 90	AR52065	1D6	15	30 - 5
AR45545	3H14	26A	70 - 105	AR49206	3F16	14	70 - 61	AR52065	1D8	17	30 - 7
AR45545	3H14	26B	70 - 105	AR49352	2G5	17	40 - 127	AR52066	1D6	12	30 - 5
AR45545	3H16	28	70 - 106A	AR49427	3E1	4	70 - 19	AR52066	1D8	14	30 - 7
AR45545	3H19	37	70 - 109	AR49535	3B7	8	60 - 5	AR52158	1D17	9	30 - 16
AR45975	2B12	6	40 - 8	AR49536	3B7	8	60 - 5	AR52159	1D18	14	30 - 17
AR46095	3B15	26	60 - 13	AR49578	3G5	2	70 - 72	AR52159	1D19	8	30 - 19
AR46095	3B16	14	60 - 14	AR49622	3G5	1	70 - 72	AR52224	3D9	7	70 - 3
AR46256	3G3	12	70 - 70	AR49797	2F21	1	40 - 117	AR52224	3D17	7	70 - 11
AR46281	1D15	5	30 - 14	AR49798	2F21	1	40 - 117	AR52254	3D11	37	70 - 5
AR46281	1D16	5	30 - 15	AR49803	4D4	2	90 - 1	AR52254	3D19	32	70 - 13
AR46298	3F13	1	70 - 57	AR49909	1E3	6	30 - 25	AR52260	2J16	5	50 - 70
AR46323	1D13	7	30 - 12	AR49910	1E3	11	30 - 25	AR52302	2D25	2	40 - 77
AR46730	2E13	3	40 - 90	AR49911	1E3	12	30 - 25	AR52392	2F23	4	40 - 119
AR46810	3F22	..	70 - 65	AR49913	1E3	21	30 - 25	AR52494	3D15	9	70 - 9
AR46810	3G2	32	70 - 69	AR49914	1E3	20	30 - 25	AR52497	3C18	30	60 - 41
AR46984	2E25	3	40 - 103	AR49923	4G9	..	90 - 81	AR52556	1D17	11	30 - 16
AR46985	2E16	..	40 - 93	AR49923	4G11	..	90 - 83	AR52556	1D18	5	30 - 17
AR46986	2E16	15	40 - 93	AR49923	4G22	..	90 - 95	AR52556	1D19	7	30 - 19
AR46986	2E16	16	40 - 93	AR49923	4G24	..	90 - 97	AR52592	1D21	..	30 - 21
AR46986	2E25	1	40 - 103	AR49923	4H2	..	90 - 99	AR52785	3D9	21	70 - 3
AR47004	2B12	5	40 - 8	AR49923	4H3	..	90 - 100	AR52798	3F24	10	70 - 67
AR47293	3B6	4	60 - 4	AR49965	4E2	7	90 - 25	AR53155	2B7	10	40 - 3
AR47297	1E1	5	30 - 22	AR49969	2F6	28	40 - 109	AR53155	4D15	7	90 - 12
AR47331	3H10	20	70 - 101	AR49969	2F14	10	40 - 113	AR53155	4D19	15	90 - 17
AR47455	2B14	1	40 - 11	AR49969	4D15	16	90 - 12	AR53181	3E3	29A	70 - 21
AR47486	3G6	12	70 - 73	AR50040	1E17	3	30 - 40	AR53301	3D9	12	70 - 3
AR47490	3G4	1	70 - 71	AR50041	1E17	7	30 - 40	AR53301	3D17	10	70 - 11
AR47567	3G3	11	70 - 70	AR50041	1F8	2	30 - 59	AR53850	4B6	15	80 - 5
AR47580	3D9	16	70 - 3	AR50065	4B17	10	80 - 14	AR53851	4B6	15	80 - 5
AR47643	3H2	7A	70 - 93	AR50065	4B17	12	80 - 14	AR53926	4E22	19	90 - 43
AR47643	3H10	7	70 - 101	AR50141	1D17	4	30 - 16	AR53927	4E20	25	90 - 41
AR47825	3H12	11	70 - 103	AR50141	1F8	4	30 - 59	AR53988	4C12	4	80 - 35
AR47825	3H14	26A	70 - 105	AR50368	3F18	38	70 - 63	AR53988	4E12	11	90 - 33
AR47825	3H14	27	70 - 105	AR50372	3F18	22	70 - 63	AR53988	4F8	11	90 - 55
AR47825	3H16	11	70 - 106A	AR50373	3F18	22	70 - 63	AR54252	3G9	14	70 - 77
AR47825	3H19	1	70 - 109	AR50374	3F18	15	70 - 63	AR54252	3G12	14	70 - 80
AR48015	2E4	2	40 - 81	AR50411	1C25	1	20 - 51	AR54253	3G9	14	70 - 77
AR48041	2D13	4	40 - 65	AR50489	1D6	1A	30 - 5	AR54253	3G12	14	70 - 80
AR48041	2D15	4	40 - 67	AR50489	2B10	9	40 - 6	AR54255	4C8	17	80 - 31
AR48041	2D17	4	40 - 69	AR50779	2F21	2	40 - 117	AR54257	4C2	1	80 - 25
AR48110	3G3	1	70 - 70	AR50780	2F21	2	40 - 117	AR54259	4C8	1	80 - 31
AR48111	3F18	35	70 - 63	AR50834	2D18	1	40 - 70	AR54261	4E20	26	90 - 41

# 1K1

4030 TRACTOR

## NUMERICAL INDEX - CONTINUED

PART NO.	GRID	KEY	PAGE	PART NO.	GRID	KEY	PAGE	PART NO.	GRID	KEY	PAGE
AR54328	3E20	17	70 - 39	AR54894	4E12	3	90 - 33	AR55759	1B18	8	20 - 15
AR54329	3E20	17	70 - 39	AR54896	4E12	5	90 - 33	AR55759	1B20	1	20 - 18
AR54331	3F7	7	70 - 50	AR54897	4F16	15	90 - 63	AR55759	1B21	1	20 - 19
AR54332	3F7	12	70 - 50	AR54944	3G21	4	70 - 89	AR55823	4H5	4	90 - 102
AR54335	1D6	6	30 - 5	AR54958	4C6	24	80 - 29	AR55827	2C7	13	40 - 31
AR54336	1D6	14	30 - 5	AR54959	4B25	19	80 - 23	AR55827	2C9	6	40 - 33
AR54337	1D6	11	30 - 5	AR54959	4C6	24	80 - 29	AR55828	2C7	19	40 - 31
AR54338	4C10	34	80 - 33	AR54961	2H23	7	50 - 28	AR55829	2C7	18	40 - 31
AR54386	3E12	4	70 - 31	AR54961	2H23	8	50 - 28	AR55830	2C7	10	40 - 31
AR54417	4E10	15	90 - 31	AR54962	2H2	42	50 - 7	AR55831	2C7	5	40 - 31
AR54417	4F12	32	90 - 59	AR54962	2J10	1	50 - 64	AR55831	2C9	13	40 - 33
AR54418	4F12	32	90 - 59	AR54964	2H9	1	50 - 14	AR55832	2C7	8	40 - 31
AR54437	4D17	10	90 - 15	AR54964	2J11	10	50 - 65	AR55832	2C9	12	40 - 33
AR54439	3E14	34	70 - 33	AR54964	2J12	25	50 - 66	AR55833	2C7	14	40 - 31
AR54439	3E16	35	70 - 35	AR54965	2J8	15	50 - 62	AR55834	2C7	11	40 - 31
AR54443	2H11	17	50 - 16	AR54975	2D20	1	40 - 72	AR55834	2C9	4	40 - 33
AR54443	2H13	28	50 - 18	AR54983	2H8	4	50 - 13	AR55835	2C7	2	40 - 31
AR54445	2E6	3	40 - 83	AR54983	2I24	24	50 - 54	AR55835	2C9	17	40 - 33
AR54482	4B25	26	80 - 23	AR54990	2D5	4	40 - 56	AR55836	2C7	22	40 - 31
AR54482	4C6	28	80 - 29	AR54991	2D8	15	40 - 59	AR55836	2C9	22	40 - 33
AR54482	4H11	23	90 - 109	AR54992	2D5	7	40 - 56	AR55837	2C7	18	40 - 31
AR54484	2B19	13	40 - 17	AR54993	2D5	15	40 - 56	AR55837	2C9	19	40 - 33
AR54487	2J9	20	50 - 63	AR54996	2D6	1	40 - 57	AR55840	4F8	..	90 - 55
AR54523	4D15	8	90 - 12	AR54997	2D7	4	40 - 58	AR55867	3E14	9	70 - 33
AR54523	4E2	10	90 - 25	AR55021	2F6	11	40 - 109	AR55881	4G3	15	90 - 75
AR54524	2H8	11	50 - 13	AR55022	4C15	11	80 - 38	AR55881	4G5	25	90 - 77
AR54526	2H6	32A	50 - 11	AR55081	3G20	7	70 - 88	AR55882	4G3	21	90 - 75
AR54527	2H6	5A	50 - 11	AR55083	4D17	5	90 - 15	AR55882	4G5	27	90 - 77
AR54528	2H20	33A	50 - 25	AR55084	3F2	19A	70 - 45	AR55947	2D5	18	40 - 56
AR54528	2H20	33B	50 - 25	AR55087	2J8	4	50 - 62	AR55948	2D8	4	40 - 59
AR54528	2H22	34	50 - 27	AR55087	2J9	4	50 - 63	AR55949	2D8	13	40 - 59
AR54529	2H20	6	50 - 25	AR55135	3E16	12	70 - 35	AR55949	2D9	15	40 - 60
AR54591	1E2	1	30 - 23	AR55148	2J16	10	50 - 70	AR55973	4F8	7	90 - 55
AR54596	2G22	7	50 - 2	AR55149	2J16	10	50 - 70	AR55978	1B18	5	20 - 15
AR54598	4E20	22	90 - 41	AR55162	3B4	10	60 - 2	AR55984	1B18	7	20 - 15
AR54599	2I3	3	50 - 33	AR55186	3D9	4	70 - 3	AR55984	1B21	2	20 - 19
AR54599	2I5	3	50 - 35	AR55212	4C14	6	80 - 37	AR55984	1B21	5	20 - 19
AR54614	2B13	4	40 - 9	AR55214	2B7	19	40 - 3	AR56007	3B5	2	60 - 3
AR54616	3E14	1	70 - 33	AR55214	4D11	17	90 - 8	AR56011	4C8	13	80 - 31
AR54616	3E16	4	70 - 35	AR55216	2J9	16	50 - 63	AR56012	4C2	18	80 - 25
AR54619	2B11	33	40 - 7	AR55254	4C8	17	80 - 31	AR56012	4C8	13	80 - 31
AR54623	4H4	5	90 - 101	AR55282	4B12	20	80 - 11	AR56057	1D14	1	30 - 13
AR54624	4H4	3	90 - 101	AR55289	3B3	6	60 - 1	AR56057	1D15	17	30 - 14
AR54627	4C12	2	80 - 35	AR55304	3E14	36	70 - 33	AR56060	3B3	21	60 - 1
AR54628	4C12	2	80 - 35	AR55304	3E16	39	70 - 35	AR56060	3B4	21	60 - 2
AR54659	2I8	16B	50 - 38	AR55328	4H17	3	90 - 115	AR56061	4C10	7	80 - 33
AR54659	2I23	28B	50 - 53	AR55331	4E10	24	90 - 31	AR56062	4C10	7	80 - 33
AR54673	4F8	4	90 - 55	AR55331	4F12	20	90 - 59	AR56065	3B13	18	60 - 11
AR54700	4H17	12	90 - 115	AR55332	4E10	24	90 - 31	AR56065	3C8	15	60 - 31
AR54747	1B16	3	20 - 13	AR55332	4F12	20	90 - 59	AR56065	3C10	19	60 - 33
AR54748	1B16	3	20 - 13	AR55625	3F2	28	70 - 45	AR56082	3E14	2	70 - 33
AR54749	1B4	4	20 - 2	AR55626	3F6	27	70 - 49	AR56082	3E16	13	70 - 35
AR54751	3E12	24	70 - 31	AR55638	2C10	6	40 - 34	AR56086	1D23	..	30 - 21B
AR54796	2C5	6	40 - 29	AR55638	2C18	..	40 - 42	AR56087	1D21	..	30 - 21
AR54796	2C7	..	40 - 31	AR55638	2C20	..	40 - 45	AR56093	4G7	1	90 - 79
AR54796	2C9	29	40 - 33	AR55638	2C22	..	40 - 47	AR56104	3B3	16	60 - 1
AR54799	3G19	8	70 - 87	AR55638	2C23	..	40 - 48	AR56104	3B24	17	60 - 23
AR54800	3G19	13	70 - 87	AR55638	2C25	..	40 - 51	AR56105	2J15	10	50 - 69
AR54801	3G19	18	70 - 87	AR55638	2D10	..	40 - 61	AR56106	3C18	48	60 - 41
AR54808	3B3	3	60 - 1	AR55646	4G7	8	90 - 79	AR56107	2J15	16	50 - 69
AR54808	3B22	5	60 - 21	AR55648	4G7	4	90 - 79	AR56116	2H2	7	50 - 7
AR54820	3G21	4	70 - 89	AR55649	2B17	9	40 - 14	AR56120	3G8	17	70 - 75
AR54874	4C4	1	80 - 27	AR55671	2B19	7	40 - 17	AR56164	3F11	4	70 - 55
AR54874	4C6	1	80 - 29	AR55672	3C21	11	60 - 45	AR56167	4E14	1	90 - 35
AR54875	4B25	1	80 - 23	AR55694	3C21	14	60 - 45	AR56196	2B7	26	40 - 3
AR54875	4C6	1	80 - 29	AR55758	2F21	24	40 - 117	AR56197	2B7	26	40 - 3
AR54893	1E24	17	30 - 48		1B18	8	20 - 15	AR56198	2B7	23	40 - 3



# 1K2

4030 TRACTOR

## NUMERICAL INDEX - CONTINUED

PART NO.	GRID	KEY	PAGE	PART NO.	GRID	KEY	PAGE	PART NO.	GRID	KEY	PAGE
AR56199	2B7	6	40 - 3	AR56691	2F14	5	40 - 113	AR58121	3E3	21A	70 - 21
AR56199	2F14	18	40 - 113	AR56691	2F14	18	40 - 113	AR58126	2B11	26	40 - 7
AR56202	2B11	32	40 - 7	AR56692	2F14	6	40 - 113	AR58126	2E6	10	40 - 83
AR56203	2B11	33	40 - 7	AR56692	2F19	16	40 - 116	AR58147	4D14	34	90 - 11
AR56203	2B11	35	40 - 7	AR56692	2F20	21	40 - 116A	AR58148	4D14	31	90 - 11
AR56204	2B11	38	40 - 7	AR56694	2F6	31	40 - 109	AR58152	4D14	11	90 - 11
AR56205	2B10	6	40 - 6	AR56694	2F8	33	40 - 111	AR58153	4D17	9	90 - 15
AR56208	2B11	22	40 - 7	AR56694	2F10	33	40 - 111B	AR58170	2B19	8	40 - 17
AR56210	2B10	11	40 - 6	AR56694	2F12	35	40 - 111D	AR58184	2J13	12	50 - 67
AR56211	2B7	3	40 - 3	AR56694	2F14	7	40 - 113	AR58184	2J14	5	50 - 68
AR56213	2B7	..	40 - 3	AR56694	2F19	15	40 - 116	AR58186	4C17	8	80 - 40
AR56213	2B11	40	40 - 7	AR56694	2F20	20	40 - 116A	AR58188	1D18	8A	30 - 17
AR56213	2B19	..	40 - 17	AR56697	4G5	32	90 - 77	AR58189	1D17	14	30 - 16
AR56214	2B11	33	40 - 7	AR56699	4D15	10	90 - 12	AR58196	1C2	5	20 - 25
AR56230	2I8	16A	50 - 38	AR56728	2C5	6	40 - 29	AR58200	4B20	4	80 - 17
AR56230	2I23	28A	50 - 53	AR56728	2C7	..	40 - 31	AR58201	4B20	2	80 - 17
AR56279	3E4	10A	70 - 23	AR56728	2C9	29	40 - 33	AR58230	2J14	16	50 - 68
AR56288	4C14	6	80 - 37	AR56733	2J16	10	50 - 70	AR58231	2B11	21	40 - 7
AR56290	1E3	10	30 - 25	AR56755	2I3	11	50 - 33	AR58231	2E8	22	40 - 85
AR56290	1E18	17	30 - 41	AR56758	4F12	29	90 - 59	AR58233	1B5	3	20 - 3
AR56295	1C18	13	20 - 43	AR56766	2B11	25	40 - 7	AR58233	2B10	18	40 - 6
AR56614	1D14	15	30 - 13	AR56766	2E6	12	40 - 83	AR58234	1B25	18	20 - 23
AR56614	1D15	15	30 - 14	AR56767	3C23	27	60 - 47	AR58234	2B10	15	40 - 6
AR56614	1D16	14	30 - 15	AR56773	3B15	23	60 - 13	AR58236	3F2	18A	70 - 45
AR56614	2B10	13	40 - 6	AR56773	3B16	23	60 - 14	AR58242	4F20	45	90 - 67
AR56615	3B13	20	60 - 11	AR56773	3C23	28	60 - 47	AR58277	4D14	2	90 - 11
AR56615	3C8	17	60 - 31	AR56773	3E3	41	70 - 21	AR58278	4D14	52	90 - 11
AR56615	3C10	21	60 - 33	AR56774	2E19	20	40 - 96	AR58279	4D14	54	90 - 11
AR56615	3C25	7	70 - 18	AR56776	3B15	2	60 - 13	AR58280	4D14	47	90 - 11
AR56615	3E4	20	70 - 23	AR56783	1D13	1	30 - 12	AR58281	4D14	51	90 - 11
AR56638	2D2	..	40 - 53	AR56813	3C23	3	60 - 47	AR58282	4D14	1	90 - 11
AR56643	1E24	11A	30 - 48	AR56814	3C23	13	60 - 47	AR58283	4D11	3	90 - 8
AR56646	2J14	14	50 - 68	AR56815	3C23	18A	60 - 47	AR58284	4D11	21	90 - 8
AR56646	3B15	22	60 - 13	AR56821	3C24	15	60 - 48	AR58285	4D12	26	90 - 9
AR56646	3B16	22	60 - 14	AR56922	2I11	29B	50 - 41	AR58287	4D12	25	90 - 9
AR56646	3C6	17	60 - 29	AR56949	2B12	5	40 - 8	AR58288	2J14	6	50 - 68
AR56660	3B15	8	60 - 13	AR56949	2B13	4	40 - 9	AR58317	3C24	16	60 - 48
AR56660	3B16	12	60 - 14	AR56953	4F8	1	90 - 55	AR58318	3C24	12	60 - 48
AR56662	3B15	4	60 - 13	AR56987	2B7	4	40 - 3	AR58319	3C24	16	60 - 48
AR56666	3B16	7	60 - 14	AR56993	1E24	9	30 - 48	AR58320	3C24	12	60 - 48
AR56667	3B16	4	60 - 14	AR57019	3C23	9	60 - 47	AR58338	4G20	13	90 - 93
AR56668	2B7	18	40 - 3	AR57027	3B15	7	60 - 13	AR58357	4B22	12	80 - 19
AR56669	2E3	3	40 - 80	AR57028	3B13	10	60 - 11	AR58396	4F20	18A	90 - 67
AR56670	2B7	28	40 - 3	AR57029	3B13	9	60 - 11	AR58397	4F12	5	90 - 59
AR56670	2E3	6	40 - 80	AR57083	2J14	9	50 - 68	AR58397	4F12	26	90 - 59
AR56671	2B18	9	40 - 15	AR57083	3C6	17	60 - 29	AR58431	2I13	3	50 - 43
AR56671	2B19	6	40 - 17	AR57084	2J14	14	50 - 68	AR58431	2I17	3	50 - 47
AR56671	2B19	9	40 - 17	AR57084	3B15	22	60 - 13	AR58435	2J14	17	50 - 68
AR56671	2B21	5	40 - 19	AR57084	3B16	22	60 - 14	AR58478	2G22	19	50 - 2
AR56671	2B21	7	40 - 19	AR57094	2C13	10	40 - 37	AR58485	4H18	3	90 - 116
AR56672	3G20	3	70 - 88	AR57098	2B12	6	40 - 8	AR58511	3B4	7	60 - 2
AR56675	4H13	11	90 - 111	AR57098	2B13	1	40 - 9	AR58512	3B17	8	60 - 15
AR56676	4F20	37	90 - 67	AR57099	2B12	3	40 - 8	AR58512	3C14	9	60 - 37
AR56678	4F20	11	90 - 67	AR57112	2I11	7	50 - 41	AR58514	2J14	22	50 - 68
AR56680	4F20	7	90 - 67	AR57113	2I11	15	50 - 41	AR58580	3C25	5	60 - 49
AR56682	4G5	5	90 - 77	AR57115	2I11	29A	50 - 41	AR58582	3E4	8	70 - 23
AR56683	4G12	1	90 - 85	AR57156	2E16	15	40 - 93	AR58584	3E4	16	70 - 23
AR56684	4G12	3	90 - 85	AR57194	1B23	17	20 - 21	AR58652	3G19	11	70 - 87
AR56686	1E24	1	30 - 48	AR57227	2J14	3	50 - 68	AR58652	4C12	3	80 - 35
AR56687	2F6	23	40 - 109	AR57228	2B7	7	40 - 3	AR58652	4C13	5	80 - 36
AR56688	2F6	35	40 - 109	AR57228	2F6	26	40 - 109	AR58652	4C14	2	80 - 37
AR56690	2F6	24	40 - 109	AR57228	2F14	12	40 - 113	AR58652	4C14	10	80 - 37
AR56690	2F8	26	40 - 111	AR57228	4D15	4	90 - 12	AR58652	4D10	2	90 - 7
AR56690	2F10	26	40 - 111B	AR57235	4C12	4	80 - 35	AR58652	4E12	14	90 - 33
AR56690	2F12	28	40 - 111D	AR57235	4E12	11	90 - 33	AR58652	4E17	3	90 - 38
AR56691	2B7	5	40 - 3	AR57235	4F8	11	90 - 55	AR58652	4F8	12	90 - 55
AR56691	2B7	6	40 - 3	AR58028	2I13	25	50 - 43	AR58652	4F10	10	90 - 57

# 1K3

4030 TRACTOR

## NUMERICAL INDEX - CONTINUED

PART NO.	GRID	KEY	PAGE	PART NO.	GRID	KEY	PAGE	PART NO.	GRID	KEY	PAGE
AR58652	4G16	6	90 - 89	AR60250	2D17	28	40 - 69	AR61681	1E3	4	30 - 25
AR58652	4H11	30	90 - 109	AR60251	2B11	37	40 - 7	AR61681	1E5	..	30 - 27
AR58652	4H15	1	90 - 113	AR60251	2D13	8	40 - 65	AR61681	1E7	..	30 - 29
AR58652	4H15	11	90 - 113	AR60251	4C12	20	80 - 35	AR61681	1E9	..	30 - 31
AR58653	4H13	23	90 - 111	AR60331	3F6	6	70 - 49	AR61681	1E10	..	30 - 33
AR58654	4H13	26	90 - 111	AR60516	2B11	23	40 - 7	AR61681	1E12	..	30 - 35
AR58655	4H18	3	90 - 116	AR60516	4H13	10	90 - 111	AR61681	1E14	..	30 - 37
AR58663	3C25	6	60 - 49	AR60517	2B11	23	40 - 7	AR61813	2J8	3	50 - 62
AR58690	2J15	4	50 - 69	AR60517	4H13	10	90 - 111	AR61813	2J9	3	50 - 63
AR58752	3B19	6	60 - 17	AR60518	4C10	19A	80 - 33	AR61861	2B17	14	40 - 14
AR58915	3E3	21A	70 - 21	AR60556	4F25	14	90 - 72	AR61881	1C14	26	20 - 39
AR59011	1D18	2	30 - 17	AR60557	2E18	24	40 - 95	AR61887	3E8	3	70 - 27
AR59012	1D18	1	30 - 17	AR60592	4D11	21	90 - 8	AR61888	3E8	3	70 - 27
AR59026	3F2	55	70 - 45	AR60623	4C12	2	80 - 35	AR61889	4D10	4	90 - 7
AR59158	2G22	12	50 - 2	AR60641	2I11	48	50 - 41	AR61900	2I11	2	50 - 41
AR59196	4B6	10	80 - 5	AR60645	1E22	20	30 - 46	AR61901	2I11	2	50 - 41
AR59197	4B6	10	80 - 5	AR60653	4D15	21	90 - 12	AR61903	1F8	3	30 - 59
AR59198	4B6	10	80 - 5	AR60767	1E22	1	30 - 46	AR61903	4D17	7	90 - 15
AR59199	4B6	10	80 - 5	AR60877	4H13	16	90 - 111	AR61917	2H2	29	50 - 7
AR59212	4B6	10	80 - 5	AR60937	2E6	7	40 - 83	AR61919	2J8	2	50 - 62
AR59213	4B6	10	80 - 5	AR60938	4D10	3	90 - 7	AR61919	2J9	2	50 - 63
AR59280	3C18	49	60 - 41	AR60948	2B7	22	40 - 3	AR61940	4E10	15	90 - 31
AR59443	1E21	1	30 - 45	AR60948	4D6	14	90 - 3	AR61941	2I11	20	50 - 41
AR59444	2F6	13	40 - 109	AR61141	2I1	7	50 - 31	AR61942	2I11	12	50 - 41
AR59444	2F12	16	40 - 111D	AR61146	2H2	30	50 - 7	AR61971	2B11	29	40 - 7
AR59444	2F12	18	40 - 111D	AR61147	3E3	47	70 - 21	AR61971	2J5	12	50 - 59
AR59621	1C5	4	20 - 29	AR61167	1C7	11	20 - 31	AR62064	2H2	48	50 - 7
AR59627	2E18	1	40 - 95	AR61167	1C9	15	20 - 33	AR62066	2I8	15	50 - 38
AR59638	4F20	4	90 - 67	AR61168	1C7	5	20 - 31	AR62069	2I8	10	50 - 38
AR59661	4D6	3	90 - 3	AR61169	1C7	3	20 - 31	AR62149	3F11	13	70 - 55
AR59676	4E17	1	90 - 38	AR61186	3E6	8	70 - 25	AR62151	3F12	20	70 - 56
AR59677	4E17	2	90 - 38	AR61215	2I24	14	50 - 54	AR62151	3F14	11	70 - 59
AR59680	4E17	2	90 - 38	AR61217	2I24	3	50 - 54	AR62151	3F16	17	70 - 61
AR59701	4C15	4	80 - 38	AR61222	4D17	15	90 - 15	AR62151	3F18	7	70 - 63
AR59702	4C15	4	80 - 38	AR61223	4E12	12	90 - 33	AR62151	3G2	33	70 - 69
AR59779	2B7	9	40 - 3	AR61224	4E12	18	90 - 33	AR62172	2B7	27	40 - 3
AR59779	4D14	12	90 - 11	AR61225	4F8	14	90 - 55	AR62173	2B7	27	40 - 3
AR59779	4D15	5	90 - 12	AR61290	2I24	8	50 - 54	AR62258	2I8	8	50 - 38
AR59779	4D16	4	90 - 13	AR61298	2D18	8	40 - 70	AR62258	2I23	8	50 - 53
AR59780	4D14	37	90 - 11	AR61325	2B7	29	40 - 3	AR62259	2I8	8	50 - 38
AR59781	4D14	36	90 - 11	AR61325	2D17	33	40 - 69	AR62259	2I23	8	50 - 53
AR59783	4D11	12	90 - 8	AR61326	2B7	17	40 - 3	AR62260	2E16	..	40 - 93
AR59784	4D11	22	90 - 8	AR61326	2D17	33	40 - 69	AR62264	4C13	2	80 - 36
AR59805	4H15	7	90 - 113	AR61417	2D18	16	40 - 70	AR62265	4C13	2	80 - 36
AR59872	4F12	4	90 - 59	AR61423	2D18	16	40 - 70	AR62267	2C10	6	40 - 34
AR59872	4F12	33	90 - 59	AR61507	3E6	1A	70 - 25	AR62267	2C10	..	40 - 34
AR59977	2B7	13	40 - 3	AR61507	3E7	1A	70 - 26	AR62267	2C18	..	40 - 42
AR59977	2E4	8	40 - 81	AR61508	3E3	38	70 - 21	AR62267	2C20	..	40 - 45
AR59986	1D21	8	30 - 21	AR61508	3E6	5A	70 - 25	AR62267	2C22	..	40 - 47
AR59986	1D21	..	30 - 21	AR61508	3E7	5A	70 - 26	AR62267	2C23	..	40 - 48
AR59986	1D25	16	30 - 21D	AR61533	1B25	16	20 - 23	AR62267	2C25	..	40 - 51
AR60011	2B12	5	40 - 8	AR61550	2H18	27	50 - 23	AR62267	2D2	..	40 - 53
AR60012	2B12	6	40 - 8	AR61550	2H23	4	50 - 28	AR62267	2D10	..	40 - 61
AR60012	2B13	1	40 - 9	AR61553	2G24	8	50 - 5	AR62268	4C13	2	80 - 36
AR60029	4E22	17	90 - 43	AR61572	2H6	21	50 - 11	AR62269	4C13	2	80 - 36
AR60030	4E22	25	90 - 43	AR61589	1B25	14	20 - 23	AR62287	2B7	27	40 - 3
AR60051	2F6	25	40 - 109	AR61608	2E21	1	40 - 98	AR62288	2B7	27	40 - 3
AR60051	2F6	..	40 - 109	AR61608	2E21	4	40 - 98	AR62294	2F16	9	40 - 115
AR60052	2E21	15	40 - 98	AR61610	2B11	28	40 - 7	AR62294	2F18	9	40 - 115B
AR60054	2E18	16	40 - 95	AR61610	2J5	7	50 - 59	AR62296	2F16	25	40 - 115
AR60082	2G24	13	50 - 5	AR61614	3B15	3	60 - 13	AR62297	3G6	3	70 - 73
AR60085	2C10	6	40 - 34	AR61619	1D17	5	30 - 16	AR62297	3G6	7	70 - 73
AR60085	2C10	..	40 - 34	AR61620	1D17	1	30 - 16	AR62298	3G6	18	70 - 73
AR60085	2C13	..	40 - 37	AR61642	1E3	13	30 - 25	AR62308	1D6	17	30 - 5
AR60085	2C15	..	40 - 39	AR61645	2B7	13	40 - 3	AR62308	1D8	19	30 - 7
AR60250	2B7	2	40 - 3	AR61645	2E4	1	40 - 81	AR62312	4H13	16	90 - 111
AR60250	2D15	28	40 - 67	AR61656	3G2	26	70 - 69	AR62359	2F25	1	40 - 121

# 1K4

4030 TRACTOR

## NUMERICAL INDEX - CONTINUED

PART NO.	GRID	KEY	PAGE	PART NO.	GRID	KEY	PAGE	PART NO.	GRID	KEY	PAGE
AR62360	2F22	1	40 - 118	AR63866	2B11	33	40 - 7	AR65046	2I24	1	50 - 54
AR62395	2C7	18	40 - 31	AR63866	2B11	35	40 - 7	AR65048	4H7	7	90 - 105
AR62399	1C25	5	20 - 51	AR63868	2B11	33	40 - 7	AR65051	4E2	..	90 - 25
AR62406	2E8	6	40 - 85	AR63868	2B11	35	40 - 7	AR65063	2I9	4	50 - 39
AR62407	2E8	1	40 - 85	AR63897	1B25	6	20 - 23	AR65070	1B16	3	20 - 13
AR62407	2E8	6	40 - 85	AR63898	1B25	6	20 - 23	AR65071	1B16	3	20 - 13
AR62408	2E8	11	40 - 85	AR63906	3E2	6	70 - 20	AR65077	4B20	9	80 - 17
AR62409	2E8	12	40 - 85	AR63943	2C13	21	40 - 37	AR65132	2H2	42	50 - 7
AR62410	2E8	13	40 - 85	AR63948	2C5	15	40 - 29	AR65206	2G21	2	50 - 1
AR62411	2E8	10	40 - 85	AR63974	1D16	19	30 - 15	AR65211	3B20	14	60 - 19
AR62412	2E8	9	40 - 85	AR63978	2C5	17	40 - 29	AR65229	2I13	25	50 - 43
AR62413	2E8	2	40 - 85	AR63979	1B3	1	20 - 1	AR65229	2I15	25	50 - 45
AR62414	2E8	5	40 - 85	AR64075	1C18	14	20 - 43	AR65230	2H20	6	50 - 25
AR62483	1F5	26	30 - 56	AR64094	3B15	23	60 - 13	AR65234	2H25	7	50 - 30
AR62487	1F1	..	30 - 51	AR64094	3B16	23	60 - 14	AR65345	1D3	13	30 - 2
AR62492	1C25	8	20 - 51	AR64094	3C6	18	60 - 29	AR65458	4C15	11	80 - 38
AR62497	4D19	7	90 - 17	AR64094	3C23	28	60 - 47	AR65492	2I6	20	50 - 36
AR62534	4E4	14	90 - 27	AR64094	3E3	41	70 - 21	AR65504	1D21	44	30 - 21
AR62559	2B7	11	40 - 3	AR64095	3E4	10B	70 - 23	AR65505	1D21	36	30 - 21
AR62598	4H15	8	90 - 113	AR64120	1D19	8	30 - 19	AR65506	1D21	23	30 - 21
AR62800	1C21	24	20 - 47	AR64347	4C2	1	80 - 25	AR65533	2H2	44	50 - 7
AR62801	1B10	..	20 - 9	AR64348	4C8	17	80 - 31	AR65533	2H18	22	50 - 23
AR62801	1B12	1	20 - 11	AR64349	4C8	17	80 - 31	AR65596	1B5	10	20 - 3
AR62802	1B12	1	20 - 11	AR64406	1B10	16	20 - 9	AR65636	2E21	4	40 - 98
AR62806	1B10	16	20 - 9	AR64408	1B10	..	20 - 9	AR65656	2H18	8	50 - 23
AR62937	2I24	10	50 - 54	AR64415	1C9	13	20 - 33	AR65751	4D11	22	90 - 8
AR62963	2C20	36	40 - 45	AR64415	1C9	..	20 - 33	AR65753	4D11	21	90 - 8
AR62964	2C20	34	40 - 45	AR64422	2E5	17	40 - 82	AR65754	4D14	36	90 - 11
AR62964	2C25	25	40 - 51	AR64570	4B20	12	80 - 17	AR65755	4D14	54	90 - 11
AR62965	2C13	3	40 - 37	AR64570	4B20	14	80 - 17	AR65756	4D14	47	90 - 11
AR62966	2C13	18	40 - 37	AR64573	4B20	12	80 - 17	AR65789	4D10	3	90 - 7
AR62967	2C13	6	40 - 37	AR64705	3C2	20	60 - 25	AR65849	3G13	1	70 - 81
AR62973	4H11	4	90 - 109	AR64845	3F14	..	70 - 59	AR65854	4D10	4	90 - 7
AR62978	1C5	10	20 - 29	AR64899	2B12	3	40 - 8	AR65883	4E20	26	90 - 41
AR62978	1C6	6	20 - 30	AR64905	2H25	1	50 - 30	AR66028	4D19	1	90 - 17
AR62979	1C5	12	20 - 29	AR64907	2H25	3	50 - 30	AR66031	1D23	27	30 - 21B
AR62979	1C6	8	20 - 30	AR64908	4H18	3	90 - 116	AR66272	4H11	4	90 - 109
AR63136	1E3	26	30 - 25	AR64909	2I23	9	50 - 53	AR66343	4H13	9	90 - 111
AR63166	1E3	5	30 - 25	AR64910	2I23	17	50 - 53	AR66345	3E2	2	70 - 20
AR63166	1E7	16	30 - 29	AR64913	2I23	33	50 - 53	AR66345	3E3	21A	70 - 21
AR63167	1E14	4	30 - 37	AR64914	2I9	3	50 - 39	AR66345	3E3	21B	70 - 21
AR63168	1E14	27	30 - 37	AR64921	2J16	10	50 - 70	AR66778	2D5	20	40 - 56
AR63168	1E21	12	30 - 45	AR64942	2H12	29	50 - 17	AR66778	2D7	1	40 - 58
AR63196	3B16	3	60 - 14	AR64942	2H14	31	50 - 19	AR66778	2D7	2	40 - 58
AR63197	3B16	2	60 - 14	AR64961	3C14	4	60 - 37	AR66778	2D7	3	40 - 58
AR63212	1E12	18	30 - 35	AR64967	4B3	3	80 - 1	AR67010	2H4	10	50 - 9
AR63213	1E12	17	30 - 35	AR64992	2B7	7	40 - 3	AR67010	3E4	10C	70 - 23
AR63218	1B3	1	20 - 1	AR64992	2F6	26	40 - 109	AR67077	1C5	13	20 - 29
AR63219	1B3	1	20 - 1	AR64992	2F8	28	40 - 111	AR67339	2B11	22	40 - 7
AR63222	1B3	1	20 - 1	AR64992	2F10	28	40 - 111B	AR67340	2E5	12	40 - 82
AR63258	3B22	3	60 - 21	AR64992	2F12	30	40 - 111D	AR67341	2E5	15	40 - 82
AR63259	3B20	17	60 - 19	AR64992	2F14	12	40 - 113	AR67342	2B11	22	40 - 7
AR63259	3B22	3	60 - 21	AR64992	2F19	5	40 - 116	AR67343	2D20	5	40 - 72
AR63310	2H8	9	50 - 13	AR64992	2F20	7	40 - 116A	AR67389	3H17	1	70 - 107
AR63321	3E3	38	70 - 21	AR64992	4D15	4	90 - 12	AR67398	2E5	17	40 - 82
AR63326	3C12	9	60 - 35	AR64992	4D16	3	90 - 13	AR67473	3B19	6	60 - 17
AR63336	2G21	2	50 - 1	AR65005	2G16	1	40 - 139	AR67562	3C8	22	60 - 31
AR63371	2H9	1	50 - 14	AR65006	2G16	2	40 - 139	AR67562	3C10	17	60 - 33
AR63371	2J11	10	50 - 65	AR65022	4C8	17	80 - 31	AR67564	3B22	31	60 - 21
AR63371	2J12	25	50 - 66	AR65023	4C8	17	80 - 31	AR67565	3C6	1	60 - 29
AR63570	4C14	6	80 - 37	AR65024	4C8	1	80 - 31	AR67566	3C6	2	60 - 29
AR63571	4C14	6	80 - 37	AR65025	4C2	1	80 - 25	AR67567	3C8	12	60 - 31
AR63586	4C24	21	80 - 45	AR65025	4C8	1	80 - 31	AR67567	3C10	11	60 - 33
AR63588	4B8	8	80 - 7	AR65035	3E4	16	70 - 23	AR67568	3C8	11	60 - 31
AR63591	4B8	18	80 - 7	AR65043	4C8	17	80 - 31	AR67568	3C10	10	60 - 33
AR63592	4B8	18	80 - 7	AR65044	4C2	13	80 - 25	AR67569	3C8	10	60 - 31
AR63593	4B8	18	80 - 7	AR65044	4C8	17	80 - 31	AR67569	3C10	9	60 - 33

# 1K5

4030 TRACTOR

## NUMERICAL INDEX - CONTINUED

PART NO.	GRID	KEY	PAGE	PART NO.	GRID	KEY	PAGE	PART NO.	GRID	KEY	PAGE
AR67570	3C8	13	60 - 31	AR68181	1D18	10	30 - 17	AR69370	2F19	9	40 - 116
AR67570	3C10	12	60 - 33	AR68184	1D14	1	30 - 13	AR69370	2F20	14	40 - 116A
AR67571	3C8	21	60 - 31	AR68184	1D15	17	30 - 14	AR69370	4D15	16	90 - 12
AR67571	3C10	16A	60 - 33	AR68184	1D18	8B	30 - 17	AR69370	4D16	13	90 - 13
AR67586	3E3	39	70 - 21	AR68275	2D20	6	40 - 72	AR69405	1D15	17	30 - 14
AR67673	1C5	7	20 - 29	AR68304	2C13	32	40 - 37	AR69405	1D18	8C	30 - 17
AR67675	1E7	25	30 - 29	AR68304	2C17	1	40 - 41	AR69444	3I4	1	70 - 118
AR67675	1E9	13	30 - 31	AR68304	2C17	11	40 - 41	AR69445	3I4	1	70 - 118
AR67679	3E2	10B	70 - 20	AR68304	2C17	..	40 - 41	AR69585	2E20	18	40 - 97
AR67690	2E5	9	40 - 82	AR68361	2E16	15	40 - 93	AR69588	2E18	10	40 - 95
AR67706	1D21	30	30 - 21	AR68392	2H20	6	50 - 25	AR69588	2E20	3	40 - 97
AR67706	1D23	14	30 - 21B	AR68407	4C10	7	80 - 33	AR69589	2E18	24	40 - 95
AR67710	2G24	2	50 - 5	AR68430	2D5	15	40 - 56	AR69672	3C2	5	60 - 25
AR67718	3D13	25	70 - 7	AR68439	3E7	6	70 - 26	AR69697	4D15	10	90 - 12
AR67728	1E24	11B	30 - 48	AR68492	1F5	26	30 - 56	AR69709	1C18	13	20 - 43
AR67778	3D2	28	60 - 51	AR68499	1F6	..	30 - 57	AR69761	4E17	5	90 - 38
AR67781	3D2	24	60 - 51	AR68501	2E18	1	40 - 95	AR69854	4E22	10	90 - 43
AR67783	3B5	11	60 - 3	AR68649	2E16	..	40 - 93	AR69977	4D9	1	90 - 6
AR67783	3B6	3	60 - 4	AR68651	3B5	17	60 - 3	AR69977	4D11	15	90 - 8
AR67783	3B6	13	60 - 4	AR68651	3B5	19	60 - 3	AR69980	2B10	17	40 - 6
AR67783	3B11	6	60 - 9	AR68652	3B5	17	60 - 3	AR69988	3G3	14	70 - 70
AR67783	3B11	28	60 - 9	AR68727	4E22	3A	90 - 43	AR70052	2B18	10	40 - 15
AR67783	3B11	29	60 - 9	AR68728	4E20	26	90 - 41	AR70052	2B21	6	40 - 19
AR67784	4F20	18A	90 - 67	AR68735	2I13	3	50 - 43	AR70126	4G12	3	90 - 85
AR67823	2E5	16	40 - 82	AR68735	2I17	3	50 - 47	AR70157	2I6	20	50 - 36
AR67827	2D5	9	40 - 56	AR68787	3E10	8	70 - 29	AR70252	1E23	22	30 - 47
AR67849	3F4	15	70 - 47	AR68801	4B23	9	80 - 20	AR70253	3E3	38	70 - 21
AR67850	3F4	14	70 - 47	AR68802	2B7	22	40 - 3	AR70257	1E23	7	30 - 47
AR67855	2E12	14	40 - 89	AR68802	4D6	14	90 - 3	AR70418	4D15	8	90 - 12
AR67855	2E21	7	40 - 98	AR68802	4D8	2	90 - 5	AR70418	4E2	10	90 - 25
AR67855	2F16	8	40 - 115	AR68804	4D11	22	90 - 8	AR70442	3B24	17	60 - 23
AR67855	2F18	8	40 - 115B	AR68807	3F2	25	70 - 45	AR70442	3B24	18	60 - 23
AR67855	2F19	7	40 - 116	AR68807	3F2	..	70 - 45	AR70457	3C12	27	60 - 35
AR67855	2F20	9	40 - 116A	AR68809	3E20	..	70 - 39	AR70507	3B22	23	60 - 21
AR67855	2G2	9	40 - 123	AR68809	3E20	..	70 - 39	AR70590	2E18	1	40 - 95
AR67855	2G5	2	40 - 127	AR68809	3G19	..	70 - 87	AR70590	2E19	13	40 - 96
AR67860	1D18	2	30 - 17	AR68809	3G19	..	70 - 87	AR70590	2E20	12	40 - 97
AR67880	3F12	21	70 - 56	AR68809	3G20	7	70 - 88	AR70600	3C14	6	60 - 37
AR67881	3F18	6	70 - 63	AR68809	3G20	..	70 - 88	AR70601	1C19	2	20 - 45
AR67882	3C2	6	60 - 25	AR68809	3G20	..	70 - 88	AR70633	1B18	8	20 - 15
AR67935	4D11	22	90 - 8	AR68962	1E3	6	30 - 25	AR70633	1B19	1	20 - 17
AR67939	3E9	..	70 - 28	AR68963	1E3	11	30 - 25	AR70633	1B19	3	20 - 17
AR67939	3E9	..	70 - 28	AR68964	1E3	12	30 - 25	AR70699	2B11	37	40 - 7
AR67939	4D6	..	90 - 3	AR68965	1E3	26	30 - 25	AR70699	2D13	8	40 - 65
AR67939	4D8	..	90 - 5	AR68966	1E3	21	30 - 25	AR70699	4C12	20	80 - 35
AR67942	1B23	16	20 - 21	AR68967	1E3	20	30 - 25	AR70845	4F12	32	90 - 59
AR67950	1F4	1	30 - 55	AR68973	4D19	11	90 - 17	AR70846	4F12	32	90 - 59
AR67950	1F6	14	30 - 57	AR68974	4D19	10	90 - 17	AR70847	4E10	15	90 - 31
AR67951	2E21	11	40 - 98	AR69003	4F8	..	90 - 55	AR70848	4E10	15	90 - 31
AR67952	2B7	11	40 - 3	AR69011	4D19	5	90 - 17	AR70862	4F12	10	90 - 59
AR67978	2H24	1	50 - 29	AR69012	4D19	8	90 - 17	AR70866	3C6	8	60 - 29
AR67980	4G3	7	90 - 75	AR69107	2B12	3	40 - 8	AR70900	2I11	2	50 - 41
AR67980	4G5	2A	90 - 77	AR69154	2H11	11	50 - 16	AR71095	4F4	4	90 - 51
AR67980	4G5	2B	90 - 77	AR69236	2B12	3	40 - 8	AR71097	4F6	48	90 - 53
AR68005	2C11	..	40 - 35	AR69237	2B12	3	40 - 8	AR71098	4F6	25	90 - 53
AR68010	3G20	7	70 - 88	AR69238	2B12	6	40 - 8	AR71099	4F6	7	90 - 53
AR68016	1F6	..	30 - 57	AR69240	4E22	3B	90 - 43	AR71107	4E25	4	90 - 47
AR68017	1F6	..	30 - 57	AR69266	4E22	25	90 - 43	AR71108	4E25	5	90 - 47
AR68019	1F6	..	30 - 57	AR69268	2J5	13	50 - 59	AR71109	4E25	1	90 - 47
AR68023	2B11	33	40 - 7	AR69269	2C7	14	40 - 31	AR71111	4E25	13	90 - 47
AR68023	2B11	35	40 - 7	AR69272	4E22	19	90 - 43	AR71163	4C8	17	80 - 31
AR68071	3F11	..	70 - 55	AR69323	4B6	15	80 - 5	AR71164	4C2	13	80 - 25
AR68071	3F14	..	70 - 59	AR69370	2F6	28	40 - 109	AR71164	4C8	17	80 - 31
AR68145	3H16	13	70 - 106A	AR69370	2F8	30	40 - 111	AR71188	3F7	7	70 - 50
AR68145	3H19	24	70 - 109	AR69370	2F10	30	40 - 111B	AR71189	3F7	12	70 - 50
AR68147	2I3	5	50 - 33	AR69370	2F12	32	40 - 111D	AR71251	2B11	23	40 - 7
AR68149	2I6	20	50 - 36	AR69370	2F14	10	40 - 113	AR71251	4H13	10	90 - 111

# 1K6

4030 TRACTOR

## NUMERICAL INDEX - CONTINUED

PART NO.	GRID	KEY	PAGE	PART NO.	GRID	KEY	PAGE	PART NO.	GRID	KEY	PAGE
AR71252	2B11	23	40 - 7	AR72294	3F2	18B	70 - 45	AR73923	2E19	6	40 - 96
AR71252	4H13	10	90 - 111	AR72294	3F2	19A	70 - 45	AR73982	4C8	17	80 - 31
AR71256	2D8	4	40 - 59	AR72336	1D3	1	30 - 2	AR73983	4C2	13	80 - 25
AR71285	4D4	17	90 - 1	AR72336	1D3	4	30 - 2	AR73983	4C8	17	80 - 31
AR71286	4D4	13	90 - 1	AR72338	3C4	14	60 - 27	AR73995	1D14	15	30 - 13
AR71287	4D4	8	90 - 1	AR72391	2B7	..	40 - 3	AR73995	1D15	15	30 - 14
AR71288	4D4	5	90 - 1	AR72391	2B17	4	40 - 14	AR73995	1D16	14	30 - 15
AR71289	4D4	1	90 - 1	AR72391	2B18	2	40 - 15	AR73995	2B10	13	40 - 6
AR71289	4D4	2	90 - 1	AR72391	2B21	2	40 - 19	AR74019	4D19	11	90 - 17
AR71289	4D4	3	90 - 1	AR72479	4E10	24	90 - 31	AR74020	4D19	10	90 - 17
AR71289	4D4	4	90 - 1	AR72479	4F12	20	90 - 59	AR74078	2I6	20	50 - 36
AR71289	4D4	6	90 - 1	AR72480	4E10	24	90 - 31	AR74078	2I7	22	50 - 37
AR71289	4D4	7	90 - 1	AR72480	4F12	20	90 - 59	AR74095	3B13	16A	60 - 11
AR71289	4D4	16	90 - 1	AR72834	3E3	29A	70 - 21	AR74095	3B13	16B	60 - 11
AR71290	4D4	12	90 - 1	AR72834	3E3	29B	70 - 21	AR74095	3B17	3	60 - 15
AR71331	3H23	14	70 - 112	AR72838	4F6	39	90 - 53	AR74095	3B19	4A	60 - 17
AR71332	3H21	14	70 - 111	AR72840	4F6	1	90 - 53	AR74095	3B19	4B	60 - 17
AR71462	2B11	32	40 - 7	AR72841	4F6	24	90 - 53	AR74095	3C8	14A	60 - 31
AR71463	2B7	23	40 - 3	AR72842	4F6	2	90 - 53	AR74095	3C8	14B	60 - 31
AR71464	2B7	26	40 - 3	AR72848	4F6	4	90 - 53	AR74095	3C10	18	60 - 33
AR71465	2B7	26	40 - 3	AR72894	2J5	24B	50 - 59	AR74095	3C12	1A	60 - 35
AR71466	2B7	11	40 - 3	AR72894	2J5	..	50 - 59	AR74095	3C12	1B	60 - 35
AR71560	2H20	33B	50 - 25	AR72973	2J5	13	50 - 59	AR74095	3C14	1	60 - 37
AR71560	2H22	34	50 - 27	AR73146	2E18	10	40 - 95	AR74143	4G3	8	90 - 75
AR71561	2H20	29	50 - 25	AR73146	2E19	3	40 - 96	AR74143	4G5	5	90 - 77
AR71561	2H22	30	50 - 27	AR73207	2D23	1	40 - 75	AR74154	1C19	1	20 - 45
AR71569	2F4	6	40 - 107	AR73207	2E2	16	40 - 79	AR74194	3E2	2	70 - 20
AR71570	2F4	3	40 - 107	AR73229	1D6	1A	30 - 5	AR74194	3E2	8	70 - 20
AR71570	2F6	39	40 - 109	AR73229	1D6	4	30 - 5	AR74194	3E2	10B	70 - 20
AR71570	2F8	39	40 - 111	AR73256	4F16	15	90 - 63	AR74194	3E2	10C	70 - 20
AR71570	2F10	39	40 - 111B	AR73257	4F16	15	90 - 63	AR74195	3E2	15	70 - 20
AR71570	2F12	41	40 - 111D	AR73257	4F20	11	90 - 67	AR74265	2E21	15	40 - 98
AR71571	2F4	5	40 - 107	AR73257	4F20	41	90 - 67	AR74310	3C23	18A	60 - 47
AR71571	2F14	22	40 - 113	AR73311	2E24	1	40 - 101	AR74310	3C23	18B	60 - 47
AR71592	1B21	5	20 - 19	AR73463	4D14	11	90 - 11	AR74310	3D2	28	60 - 51
AR71593	1B20	5	20 - 18	AR73464	4G5	32	90 - 77	AR74322	2E2	10	40 - 79
AR71595	1B19	5	20 - 17	AR73465	4E2	7	90 - 25	AR74323	2D23	3	40 - 75
AR71617	1B16	3	20 - 13	AR73465	4G7	4	90 - 79	AR74324	2E2	14	40 - 79
AR71617	1B19	4	20 - 17	AR73466	4G7	1	90 - 79	AR74325	2E2	8	40 - 79
AR71617	1C21	14	20 - 47	AR73468	2D25	17	40 - 77	AR74326	2E2	9	40 - 79
AR71618	1B16	3	20 - 13	AR73500	3I2	1	70 - 116	AR74327	2E2	12	40 - 79
AR71618	1B20	4	20 - 18	AR73561	4F6	36	90 - 53	AR74339	2E5	12	40 - 82
AR71618	1B21	4	20 - 19	AR73562	4F6	34	90 - 53	AR74339	4H13	9	90 - 111
AR71722	4D14	..	90 - 11	AR73577	2I11	29A	50 - 41	AR74356	3C10	16B	60 - 33
AR71902	3H12	13	70 - 103	AR73578	2I11	29B	50 - 41	AR74357	3C10	16B	60 - 33
AR71960	2H6	21	50 - 11	AR73579	2B10	14	40 - 6	AR74411	2B24	3	40 - 23
AR71976	4E22	10	90 - 43	AR73579	2E13	6	40 - 90	AR74411	2G5	11	40 - 127
AR71976	4F6	22	90 - 53	AR73580	2E13	4	40 - 90	AR74486	4D14	37	90 - 11
AR71994	1C24	16	20 - 50	AR73673	1E3	10	30 - 25	AR74673	3F18	34	70 - 63
AR72046	2I9	4	50 - 39	AR73673	1E18	16	30 - 41	AR74673	3G3	1	70 - 70
AR72055	4F4	1	90 - 51	AR73673	1E18	17	30 - 41	AR74733	3E12	13	70 - 31
AR72056	4F6	41	90 - 53	AR73691	3G15	30	70 - 83	AR74736	3E12	26	70 - 31
AR72132	4B23	1	80 - 20	AR73692	3G17	32	70 - 85	AR74742	3E12	1	70 - 31
AR72132	4B23	4	80 - 20	AR73717	2B11	21	40 - 7	AR74743	3E12	2	70 - 31
AR72217	4C14	6	80 - 37	AR73717	2E8	22	40 - 85	AR74748	2I3	5	50 - 33
AR72218	4C14	6	80 - 37	AR73751	2E8	10	40 - 85	AR74748	2I5	5	50 - 35
AR72257	2D19	1	40 - 71	AR73828	1E5	3	30 - 27	AR74767	3F2	28	70 - 45
AR72291	3F2	45B	70 - 45	AR73829	1E5	3	30 - 27	AR74767	3F4	24	70 - 47
AR72291	3F4	41	70 - 47	AR73897	3G17	9	70 - 85	AR74831	2E21	15	40 - 98
AR72292	3F2	45A	70 - 45	AR73899	3E22	44	70 - 41	AR74832	2E21	17	40 - 98
AR72292	3F2	46A	70 - 45	AR73899	3E24	54	70 - 43	AR75563	2E25	4	40 - 103
AR72292	3F2	46B	70 - 45	AR73899	3G15	12	70 - 83	AR75564	2E25	2	40 - 103
AR72292	3F4	42	70 - 47	AR73899	3G22	10	70 - 90	AR75565	4D11	12	90 - 8
AR72293	3F2	18A	70 - 45	AR73899	3G24	26	70 - 91B	AR75566	4D11	22	90 - 8
AR72293	3F2	19A	70 - 45	AR73900	3G17	32	70 - 85	AR75601	2I25	10	50 - 55
AR72293	3F2	19B	70 - 45	AR73905	2J5	13	50 - 59	AR75603	1F8	1	30 - 59
AR72294	3F2	18A	70 - 45	AR73922	2E19	19	40 - 96	AR75603	2I25	10	50 - 55

# 1K7

4030 TRACTOR

## NUMERICAL INDEX - CONTINUED

PART NO.	GRID	KEY	PAGE	PART NO.	GRID	KEY	PAGE	PART NO.	GRID	KEY	PAGE
AR75606	2F6	12	40 - 109	AR77345	4D9	6	90 - 6	AR78253	2H22	24	50 - 27
AR75693	3E6	12	70 - 25	AR77346	4D9	1	90 - 6	AR78253	2H23	13	50 - 28
AR75693	3E6	15	70 - 25	AR77397	2H2	29	50 - 7	AR78297	2H8	9	50 - 13
AR75693	3E6	23	70 - 25	AR77398	3E6	1C	70 - 25	AR78297	3E3	21B	70 - 21
AR75693	3E6	24	70 - 25	AR77398	3E7	1C	70 - 26	AR78310	1B18	7	20 - 15
AR75693	3E7	6	70 - 26	AR77402	3E6	1B	70 - 25	AR78310	1B20	2	20 - 18
AR75694	2G2	10	40 - 123	AR77402	3E7	1B	70 - 26	AR78310	1B20	5	20 - 18
AR75695	2G2	2	40 - 123	AR77411	1C19	2	20 - 45	AR78311	3B22	31	60 - 21
AR75696	2G2	8	40 - 123	AR77443	4F16	3	90 - 63	AR78337	2H8	22	50 - 13
AR75905	2D2	23	40 - 53	AR77443	4F16	4	90 - 63	AR78337	3F8	20	70 - 51
AR75908	2D2	16	40 - 53	AR77443	4F16	5	90 - 63	AR78381	2B23	1	40 - 22
AR75909	4F25	6	90 - 72	AR77445	4F16	10	90 - 63	AR78383	2B11	22	40 - 7
AR75958	3H2	30	70 - 93	AR77445	4F18	7	90 - 65	AR78384	2B21	11	40 - 19
AR76006	3G13	1	70 - 81	AR77469	2H8	9	50 - 13	AR78384	2B24	1	40 - 23
AR76140	1D6	6	30 - 5	AR77469	3E3	21B	70 - 21	AR78385	2B11	22	40 - 7
AR76140	1D10	8	30 - 9	AR77472	2115	3	50 - 45	AR78385	2B21	8	40 - 19
AR76277	3E22	14	70 - 41	AR77472	2119	3	50 - 49	AR78386	2B19	22	40 - 17
AR76278	3G22	12	70 - 90	AR77472	2121	25	50 - 51	AR78386	2B21	9	40 - 19
AR76279	3G22	12	70 - 90	AR77473	2115	12	50 - 45	AR78391	2B19	24	40 - 17
AR76340	3E20	17	70 - 39	AR77473	2121	17	50 - 51	AR78392	2B19	21	40 - 17
AR76340	3E22	14	70 - 41	AR77474	2121	28	50 - 51	AR78396	3G8	17	70 - 75
AR76507	3C25	6	60 - 49	AR77474	3E3	21B	70 - 21	AR78396	3G11	16	70 - 79
AR76515	4E25	6	90 - 47	AR77475	2119	9	50 - 49	AR78418	2B7	13	40 - 3
AR76535	3B22	3	60 - 21	AR77475	2121	17	50 - 51	AR78418	2E4	8	40 - 81
AR76538	3B3	21	60 - 1	AR77519	2H20	12	50 - 25	AR78419	4G12	1	90 - 85
AR76538	3B4	21	60 - 2	AR77522	2H22	2	50 - 27	AR78421	4G12	3	90 - 85
AR76704	1E3	25	30 - 25	AR77522	2H22	3	50 - 27	AR78447	2E21	8	40 - 98
AR76762	3D9	4	70 - 3	AR77525	2H24	1	50 - 29	AR78483	3E20	37	70 - 39
AR76762	3D17	4	70 - 11	AR77663	4C10	17A	80 - 33	AR78483	3E22	56	70 - 41
AR76841	2C20	12	40 - 45	AR77679	1E21	1	30 - 45	AR78483	3E24	8	70 - 43
AR76841	2C25	10	40 - 51	AR77679	1E21	10	30 - 45	AR78485	1D3	2	30 - 2
AR77111	4F8	14	90 - 55	AR77700	3F8	7	70 - 51	AR78485	1D3	6	30 - 2
AR77112	4F8	1	90 - 55	AR77762	1B18	7	20 - 15	AR78501	4D8	27	90 - 5
AR77227	4F20	7	90 - 67	AR77762	1B21	2	20 - 19	AR78504	4B25	17	80 - 23
AR77254	2C10	6	40 - 34	AR77762	1B21	5	20 - 19	AR78504	4C2	12	80 - 25
AR77254	2C10	..	40 - 34	AR77774	2D23	1	40 - 75	AR78504	4C6	22	80 - 29
AR77254	2D4	..	40 - 55	AR77774	2E2	15	40 - 79	AR78504	4C8	12	80 - 31
AR77254	2D5	..	40 - 56	AR77775	2D23	3	40 - 75	AR78507	3E24	23	70 - 43
AR77254	2D6	..	40 - 57	AR77775	2E2	6	40 - 79	AR78509	3G24	7	70 - 91B
AR77254	2D7	..	40 - 58	AR77776	2E2	5	40 - 79	AR78538	2C10	6	40 - 34
AR77254	2D8	..	40 - 59	AR77777	2E2	4	40 - 79	AR78538	2C10	..	40 - 34
AR77254	2D9	..	40 - 60	AR77778	2E2	1	40 - 79	AR78538	2C18	..	40 - 42
AR77255	2C25	30	40 - 51	AR77779	2E2	3	40 - 79	AR78538	2C25	..	40 - 51
AR77255	2D3	1	40 - 54	AR77780	2E2	2	40 - 79	AR78538	2D2	..	40 - 53
AR77256	2C25	31	40 - 51	AR77814	2H16	14	50 - 21	AR78538	2D3	..	40 - 54
AR77257	2C25	27	40 - 51	AR77817	2H13	14	50 - 18	AR78547	3C25	6	60 - 49
AR77258	2D2	1	40 - 53	AR77817	2H16	4	50 - 21	AR78577	2D23	1	40 - 75
AR77259	2C25	7	40 - 51	AR77817	2H16	9	50 - 21	AR78577	2D25	26	40 - 77
AR77260	2C25	22	40 - 51	AR77818	2H16	9	50 - 21	AR78594	2F6	23	40 - 109
AR77261	2C25	13	40 - 51	AR77819	2H13	12	50 - 18	AR78595	2F6	11	40 - 109
AR77262	2H20	12	50 - 25	AR77819	2H16	2	50 - 21	AR78595	2F8	11	40 - 111
AR77262	2113	25	50 - 43	AR77821	2H16	13	50 - 21	AR78595	2F10	11	40 - 111B
AR77262	2113	28	50 - 43	AR77821	213	5	50 - 33	AR78595	2F12	11	40 - 111D
AR77262	2115	25	50 - 45	AR77821	215	5	50 - 35	AR78596	2F6	35	40 - 109
AR77262	2115	26	50 - 45	AR77851	2C7	10	40 - 31	AR78596	2F8	37	40 - 111
AR77267	1D14	1	30 - 13	AR77851	2C9	2	40 - 33	AR78596	2F10	37	40 - 111B
AR77267	1D15	17	30 - 14	AR77962	3C6	5	60 - 29	AR78596	2F12	39	40 - 111D
AR77267	1D16	..	30 - 15	AR78041	1B21	5	20 - 19	AR78646	3F4	14	70 - 47
AR77267	1D18	..	30 - 17	AR78052	2G5	21	40 - 127	AR78755	2C7	22	40 - 31
AR77267	1D18	..	30 - 17	AR78060	2H2	29	50 - 7	AR78755	2C9	22	40 - 33
AR77268	1D16	19	30 - 15	AR78093	2C7	19	40 - 31	AR78804	4F20	18A	90 - 67
AR77268	1D18	10	30 - 17	AR78093	2C9	20	40 - 33	AR78804	4F20	18B	90 - 67
AR77269	1D16	19	30 - 15	AR78239	4H18	3	90 - 116	AR78804	4F20	20	90 - 67
AR77343	2B7	22	40 - 3	AR78252	2H20	6	50 - 25	AR78806	2H23	15	50 - 28
AR77343	4D6	14	90 - 3	AR78252	2H22	24	50 - 27	AR78825	2B7	16	40 - 3
AR77343	4D8	2	90 - 5	AR78252	2H23	13	50 - 28	AR78825	2B10	5	40 - 6
AR77344	4D9	9	90 - 6	AR78253	2H20	6	50 - 25	AR78825	2D13	7	40 - 65

# 1K8

4030 TRACTOR

## NUMERICAL INDEX - CONTINUED

PART NO.	GRID	KEY	PAGE	PART NO.	GRID	KEY	PAGE	PART NO.	GRID	KEY	PAGE
AR78825	2D15	7	40 - 67	AR81295	3E6	1C	70 - 25	AR84134	2B9	1	40 - 5
AR78825	2D17	7	40 - 69	AR81295	3E7	1A	70 - 26	AR84261	4G12	3	90 - 85
AR78829	3E6	1B	70 - 25	AR81295	3E7	1C	70 - 26	AR84306	2C5	6	40 - 29
AR78829	3E6	1C	70 - 25	AR81327	2H23	8	50 - 28	AR84306	2C7	..	40 - 31
AR78829	3E7	1C	70 - 26	AR81329	2H23	11	50 - 28	AR84306	2C9	12	40 - 33
AR78830	3E3	38	70 - 21	AR81653	4C14	6	80 - 37	AR84306	2C9	29	40 - 33
AR78830	3E6	5A	70 - 25	AR81654	4C14	6	80 - 37	AR84566	4E10	24	90 - 31
AR78830	3E6	5B	70 - 25	AR81783	3F2	7	70 - 45	AR84566	4F12	20	90 - 59
AR78830	3E7	5A	70 - 26	AR81783	3F4	7A	70 - 47	AR84721	3E3	38	70 - 21
AR78830	3E7	5B	70 - 26	AR81783	3F4	7B	70 - 47	AR84791	2H8	22	50 - 13
AR78904	2I11	2	50 - 41	AR81856	1E2	2	30 - 23	AR84791	3F8	20	70 - 51
AR78972	3C24	15	60 - 48	AR81856	3C25	6	60 - 49	AR84791	3F9	3	70 - 53
AR79048	2I16	5	50 - 46	AR81882	1D14	1	30 - 13	AR84969	4F10	12	90 - 57
AR79049	2I16	3	50 - 46	AR81882	1D15	17	30 - 14	AR84970	4F10	12	90 - 57
AR79101	2I3	3	50 - 33	AR81882	1D16	19	30 - 15	AR85152	1D16	..	30 - 15
AR79101	2I5	3	50 - 35	AR81954	4B6	15	80 - 5	AR85152	1D18	..	30 - 17
AR79161	4C10	19B	80 - 33	AR82005	4D21	3	90 - 19	AR85153	2D11	6	40 - 62
AR79361	4G7	8	90 - 79	AR82005	4D23	8	90 - 21	AR85229	3C6	2	60 - 29
AR79362	4D14	11	90 - 11	AR82006	4D21	10	90 - 19	AR85245	4D14	11	90 - 11
AR79427	2F19	17	40 - 116	AR82012	2B9	4	40 - 5	AR85245	4E2	7	90 - 25
AR79427	2F20	27	40 - 116A	AR82014	2B9	3	40 - 5	AR85251	3G13	1	70 - 81
AR79428	2F19	10	40 - 116	AR82014	4D16	5	90 - 13	AR85251	3G17	32	70 - 85
AR79428	2F20	15	40 - 116A	AR82294	1B24	6	20 - 22	AR85261	2B9	2	40 - 5
AR79429	2F19	1	40 - 116	AR82295	1B24	2	20 - 22	AR85263	2B9	11	40 - 5
AR79429	2F20	1	40 - 116A	AR82372	2H22	3	50 - 27	AR85263	2D17	33	40 - 69
AR79430	2F19	6	40 - 116	AR82374	2H20	12	50 - 25	AR85264	2B9	6	40 - 5
AR79430	2F20	8	40 - 116A	AR82374	2H22	2	50 - 27	AR85264	2D17	33	40 - 69
AR79431	2F19	3	40 - 116	AR82374	2H22	3	50 - 27	AR85271	2J1	8	50 - 56
AR79431	2F20	5	40 - 116A	AR82509	2H23	15	50 - 28	AR85283	2B11	34	40 - 7
AR79505	3F2	45A	70 - 45	AR82561	3G13	1	70 - 81	AR85283	2B25	2	40 - 24
AR79505	3F2	45B	70 - 45	AR82570	3H3	12	70 - 94	AR85323	2I3	25	50 - 33
AR79505	3F2	46A	70 - 45	AR82571	3G14	16	70 - 82	AR85323	2I5	23	50 - 35
AR79505	3F4	41	70 - 47	AR82572	3G8	12	70 - 75	AR85335	4C8	1	80 - 31
AR79547	2F16	27	40 - 115	AR82572	3G8	31	70 - 75	AR85336	4C2	1	80 - 25
AR79547	2F18	26	40 - 115B	AR82572	3G9	1	70 - 77	AR85336	4C8	1	80 - 31
AR79548	2F16	5	40 - 115	AR82572	3G12	1	70 - 80	AR85359	4B4	5	80 - 3
AR79548	2F18	5	40 - 115B	AR82572	3H2	27	70 - 93	AR85360	4B4	5	80 - 3
AR79549	2F16	22	40 - 115	AR82573	3G11	33	70 - 79	AR85361	4B4	5	80 - 3
AR79550	2F16	20	40 - 115	AR82576	3H2	29	70 - 93	AR85362	4B4	5	80 - 3
AR79551	2F16	11	40 - 115	AR82707	2F3	6	40 - 106	AR85407	2D10	1	40 - 61
AR79551	2F18	11	40 - 115B	AR82708	2F3	7	40 - 106	AR85451	4C22	24	80 - 43
AR79709	3E4	21	70 - 23	AR82761	2I11	7	50 - 41	AR85558	4G18	1	90 - 91
AR79713	3E12	24	70 - 31	AR82909	2G5	16	40 - 127	AR85558	4G18	2	90 - 91
AR79925	1C23	13	20 - 49	AR82910	2G5	4	40 - 127	AR85558	4G18	3	90 - 91
AR79925	1C24	16	20 - 50	AR82911	2G5	7	40 - 127	AR85558	4G18	4	90 - 91
AR79928	1C23	23	20 - 49	AR82912	2G5	6	40 - 127	AR85558	4G18	5	90 - 91
AR79941	1D6	14	30 - 5	AR82944	4E25	6	90 - 47	AR85558	4G18	6	90 - 91
AR79941	1D8	16	30 - 7	AR83262	2H24	1	50 - 29	AR85558	4G18	7	90 - 91
AR79941	1F8	6	30 - 59	AR83383	3E14	34	70 - 33	AR85558	4G18	13	90 - 91
AR79942	1D6	11	30 - 5	AR83383	3E16	35	70 - 35	AR85559	4G18	1	90 - 91
AR79942	1D8	13	30 - 7	AR83396	3F11	2	70 - 55	AR85559	4G18	2	90 - 91
AR79942	1F8	7	30 - 59	AR83397	1D6	6	30 - 5	AR85559	4G18	3	90 - 91
AR80114	1C18	8	20 - 43	AR83397	1D8	8	30 - 7	AR85559	4G18	4	90 - 91
AR80118	2H20	6	50 - 25	AR83398	1D6	6	30 - 5	AR85559	4G18	5	90 - 91
AR80118	2H22	24	50 - 27	AR83398	1D8	4	30 - 7	AR85559	4G18	6	90 - 91
AR80216	2H23	13	50 - 28	AR83398	1D10	4B	30 - 9	AR85559	4G18	7	90 - 91
AR80764	4F25	6	90 - 72	AR83425	2B10	19	40 - 6	AR85559	4G18	8	90 - 91
AR80892	3H4	22	70 - 95	AR83425	2E6	9	40 - 83	AR85560	4G18	9	90 - 91
AR80911	3H4	26	70 - 95	AR83425	2G16	8	40 - 139	AR85578	2E14	8	40 - 91
AR80911	3H6	20	70 - 97	AR83434	4D17	10	90 - 15	AR85578	2E15	8	40 - 92
AR81096	3F11	4	70 - 55	AR83435	4D17	9	90 - 15	AR85591	4C14	6	80 - 37
AR81178	2E14	12	40 - 91	AR83516	4G11	6	90 - 83	AR85592	4C14	6	80 - 37
AR81178	2E15	12	40 - 92	AR83521	4D14	1	90 - 11	AR85618	1E18	8	30 - 41
AR81184	3B20	17	60 - 19	AR83654	2I16	5	50 - 46	AR85618	1E20	6	30 - 43
AR81184	3B22	3	60 - 21	AR84126	2B9	7	40 - 5	AR85628	3G8	31	70 - 75
AR81245	2I11	2	50 - 41	AR84129	2B9	8	40 - 5	AR85633	4C22	24	80 - 43
AR81295	3E6	1A	70 - 25	AR84132	2B9	5	40 - 5	AR85705	3B22	31	60 - 21

# 1K9

4030 TRACTOR

## NUMERICAL INDEX - CONTINUED

PART NO.	GRID	KEY	PAGE	PART NO.	GRID	KEY	PAGE	PART NO.	GRID	KEY	PAGE
AR85792	4G18	..	90 - 91	AR89228	3E16	4	70 - 35	AR92396	2E21	8	40 - 98
AR85792	4G20	..	90 - 93	AR89232	4F16	15	90 - 63	AR92557	3B17	8	60 - 15
AR85878	4G21	21	90 - 94	AR89290	4E12	22	90 - 33	AR92557	3C14	9	60 - 37
AR85940	2C7	18	40 - 31	AR89291	4E12	22	90 - 33	AR92893	1B23	8	20 - 21
AR85941	2C9	8	40 - 33	AR89320	2G24	2	50 - 5	AR93210	4H15	9	90 - 113
AR86110	4G18	21	90 - 91	AR89564	1E3	10	30 - 25	AR93259	3D2	24	60 - 51
AR86111	4G18	20	90 - 91	AR89564	1E18	8	30 - 41	AR93366	3C15	5	60 - 38
AR86239	3I3	12	70 - 117	AR89564	1E18	17	30 - 41	AR93446	2C5	6	40 - 29
AR86239	3I3	14	70 - 117	AR89564	1E20	17	30 - 43	AR93446	2C7	..	40 - 31
AR86241	3I3	1	70 - 117	AR89666	4G13	7	90 - 86	AR93446	2C9	12	40 - 33
AR86242	3I3	4	70 - 117	AR89669	4G13	4	90 - 86	AR93446	2C9	29	40 - 33
AR86243	3I3	2	70 - 117	AR89670	4G13	2	90 - 86	AR93533	4D15	10	90 - 12
AR86244	3I3	3	70 - 117	AR89691	2B11	36	40 - 7	AR93533	4D16	8	90 - 13
AR86405	4H19	1	90 - 117	AR89691	2D11	6	40 - 62	AR93684	1E22	1	30 - 46
AR86406	4H19	1	90 - 117	AR89691	2I3	25	50 - 33	AR937R	3G3	14	70 - 70
AR86494	3B22	33	60 - 21	AR89691	2I5	23	50 - 35	AR93819	3H2	2	70 - 93
AR86495	2G22	19	50 - 2	AR89714	3B22	33	60 - 21	AR93819	3H2	5	70 - 93
AR86535	3G8	17	70 - 75	AR89779	2I23	33	50 - 53	AR93819	3H2	7A	70 - 93
AR86535	3G11	16	70 - 79	AR89782	2I23	9	50 - 53	AR93819	3H2	7B	70 - 93
AR86551	2F3	12	40 - 106	AR89826	4G24	4	90 - 97	AR93819	3H10	2	70 - 101
AR86552	2F3	4	40 - 106	AR89827	4G24	3	90 - 97	AR93819	3H10	5	70 - 101
AR86595	1D13	2	30 - 12	AR89828	4G24	2	90 - 97	AR93819	3H10	7	70 - 101
AR86596	1D13	1	30 - 12	AR89829	4G24	1	90 - 97	AR93820	3H2	2	70 - 93
AR86754	1E2	13	30 - 23	AR90058	2C9	7	40 - 33	AR93820	3H2	5	70 - 93
AR86755	1E2	11	30 - 23	AR90070	2D8	15	40 - 59	AR93820	3H2	7A	70 - 93
AR86756	1E2	10	30 - 23	AR90070	2D9	10	40 - 60	AR93820	3H2	7B	70 - 93
AR86775	3F2	20	70 - 45	AR90071	2D8	4	40 - 59	AR93820	3H10	2	70 - 101
AR86775	3F2	22	70 - 45	AR90071	2D9	9	40 - 60	AR93820	3H10	5	70 - 101
AR86807	1D13	6	30 - 12	AR90071	2D9	9	40 - 60	AR93820	3H10	7	70 - 101
AR86969	2E3	4	40 - 80	AR90378	3D11	30	70 - 5	AR93820	3H10	7	70 - 101
AR86969	2E4	6	40 - 81	AR90459	3D7	1	70 - 1	AR93820	3H25	8	70 - 114
AR86997	4F16	5	90 - 63	AR90459	3D9	..	70 - 3	AR93828	4E4	4	90 - 27
AR86997	4F16	7	90 - 63	AR90577	3H24	5	70 - 113	AR93828	4G18	11	90 - 91
AR87006	1E23	22	30 - 47	AR90577	3H24	..	70 - 113	AR93887	2B9	10	40 - 5
AR87108	3C12	9	60 - 35	AR90578	3H24	5	70 - 113	AR93945	2C7	11	40 - 31
AR87158	4H11	4	90 - 109	AR90578	3H24	..	70 - 113	AR93945	2C9	4	40 - 33
AR87187	4H11	4	90 - 109	AR90579	3H24	6	70 - 113	AR94047	2F14	4	40 - 113
AR87340	2B7	6	40 - 3	AR90581	3H24	6	70 - 113	AR94047	2F19	14	40 - 116
AR87340	2F14	18	40 - 113	AR90583	3H24	6	70 - 113	AR94047	2F20	19	40 - 116A
AR87493	2F4	1	40 - 107	AR90611	3C4	14	60 - 27	AR94073	4G11	12	90 - 83
AR87493	2F6	38	40 - 109	AR90721	3C12	9	60 - 35	AR94105	4G9	12	90 - 81
AR87500	2I3	3	50 - 33	AR90770	4D25	7	90 - 23	AR94165	3E22	14	70 - 41
AR87500	2I5	3	50 - 35	AR90771	4D25	1	90 - 23	AR94165	3E22	25	70 - 41
AR87526	2B9	10	40 - 5	AR90772	2E21	6	40 - 98	AR94166	3G22	12	70 - 90
AR87527	2B9	9	40 - 5	AR90773	2E21	6	40 - 98	AR94485	4H2	1	90 - 99
AR87534	3E4	21	70 - 23	AR90840	2B25	4	40 - 24	AR94486	4H2	3	90 - 99
AR87535	3E12	24	70 - 31	AR90841	2B25	1	40 - 24	AR94522	3H4	3	70 - 95
AR87604	3C14	6	60 - 37	AR90949	2H25	7	50 - 30	AR94522	3H6	21	70 - 97
AR87813	2H9	6	50 - 14	AR91035	1C16	10	20 - 41	AR94522	3H22	1	70 - 111A
AR87997	4G21	16	90 - 94	AR91166	2B23	1	40 - 22	AR94522	3H25	10	70 - 114
AR88076	4D14	11	90 - 11	AR91166	2B24	5	40 - 23	AR94710	4E16	1	90 - 37
AR88076	4E2	7	90 - 25	AR91167	2B24	1	40 - 23	AR94760	2B11	..	40 - 7
AR88239	1E3	10	30 - 25	AR91315	4G9	16	90 - 81	AR95489	4H2	4	90 - 99
AR88239	1E18	16	30 - 41	AR91548	1E12	14	30 - 35	AR95490	4H2	2	90 - 99
AR88239	1E18	17	30 - 41	AR91660	1B23	5	20 - 21	AR95493	4H2	8	90 - 99
AR88527	4F6	25	90 - 53	AR91660	1B23	6	20 - 21	AR95821	4E4	13	90 - 27
AR88771	3B22	31	60 - 21	AR91667	2B7	5	40 - 3	AR95827	2G24	2	50 - 5
AR88880	2C20	12	40 - 45	AR91667	2F14	5	40 - 113	AR95905	2B11	33	40 - 7
AR88880	2C25	10	40 - 51	AR91793	2G14	42	40 - 137	AR95969	4D16	8	90 - 13
AR89021	4G24	10	90 - 97	AR91893	4F22	12	90 - 69	AR95971	2B7	13	40 - 3
AR89022	4G24	15	90 - 97	AR91893	4F24	12	90 - 71	AR95971	2E4	7	40 - 81
AR89132	3F9	6	70 - 53	AR91895	4F22	6	90 - 69	AR95971	2E4	8	40 - 81
AR89137	4H7	6	90 - 105	AR91895	4F24	6	90 - 71	AR96321	3D21	29	70 - 15
AR89137	4H9	1	90 - 107	AR91896	4F22	16A	90 - 69	AR96608	2E18	26	40 - 95
AR89137	4H9	2	90 - 107	AR92109	2B7	22	40 - 3	AR96613	3D9	21	70 - 3
AR89199	3B22	33	60 - 21	AR92109	4D6	14	90 - 3	AR96613	3D17	19	70 - 11
AR89228	3E14	1	70 - 33	AR92109	4D8	2	90 - 5	AR96625	3D19	6	70 - 13
				AR92122	1E23	7	30 - 47	AR97027	1B10	16	20 - 9



# 1K10

4030 TRACTOR

## NUMERICAL INDEX - CONTINUED

PART NO.	GRID	KEY	PAGE	PART NO.	GRID	KEY	PAGE	PART NO.	GRID	KEY	PAGE
AR97040	1B10	..	20 - 9	AT18286	2C3	21	40 - 27	AT27622	1E18	4	30 - 41
AR97040	1B12	1	20 - 11	AT18904	3E12	22	70 - 31	AT29159	2B14	1	40 - 11
AR97060	1B10	..	20 - 9	AT19508	1C1	16	20 - 24	AT29160	2B14	1	40 - 11
AR97060	1B12	1	20 - 11	AT20180	1B5	10	20 - 3	AT31093	1C7	8	20 - 31
AR97061	1B10	..	20 - 9	AT20911	1D14	3	30 - 13	AT31093	1C9	13	20 - 33
AR97093	1B10	16	20 - 9	AT20911	1D15	7	30 - 14	AT31250	1B8	5	20 - 7
AR97139	1B12	1	20 - 11	AT20911	1D16	7	30 - 15	AT31394	1C4	4	20 - 28
AR97185	1C21	24	20 - 47	AT20983	3E12	8	70 - 31	AT31438	1D21	30	30 - 21
AR97195	1C23	23	20 - 49	AT21062	2C3	5	40 - 27	AT31440	1D21	46	30 - 21
AR97385	4G12	1	90 - 85	AT21108	1B24	5	20 - 22	AT31442	1D21	12	30 - 21
AR97872	3D7	1	70 - 1	AT21110	1B24	5	20 - 22	AT31442	1D23	14	30 - 21B
AR97872	3D9	16	70 - 3	AT21112	1B24	5	20 - 22	AT32331	1C7	2	20 - 31
AR97872	3D9	..	70 - 3	AT21114	1B24	5	20 - 22	AT32331	3D25	10	70 - 18
AR97872	3D17	..	70 - 11	AT21122	1B18	3	20 - 15	AT32331	3E4	18	70 - 23
AR98098	1F8	1	30 - 59	AT21124	1B18	3	20 - 15	AT32332	3E4	9	70 - 23
AR98098	2J1	7	50 - 56	AT21126	1B18	3	20 - 15	AT32332	3G6	2	70 - 73
AR98201	3H25	2	70 - 114	AT21128	1B18	3	20 - 15	AT32332	3H21	2	70 - 111
AR98202	3H25	1	70 - 114	AT21130	1B24	1	20 - 22	AT32332	3H22	9	70 - 111A
AR98518	2J2	1	50 - 56A	AT21132	1B24	1	20 - 22	AT32333	2J13	6	50 - 67
AR98852	1C9	13	20 - 33	AT21134	1B24	1	20 - 22	AT32333	2J14	1	50 - 68
AR98852	1C9	..	20 - 33	AT21136	1B24	1	20 - 22	AT32333	3B15	12	60 - 13
AR98853	1C9	13	20 - 33	AT21138	1B18	3	20 - 15	AT32333	3B16	10	60 - 14
AR99100	3H2	29	70 - 93	AT21139	1B24	1	20 - 22	AT32333	3C23	8	60 - 47
AR99332	3B22	23	60 - 21	AT21140	1B24	5	20 - 22	AT32333	3C25	7	60 - 49
AR99334	3B22	19	60 - 21	AT21191	1B9	2	20 - 8	AT32335	3C23	25	60 - 47
AR99335	3B22	26	60 - 21	AT21191	1B9	5	20 - 8	AT32336	3C23	12	60 - 47
AR99336	3G3	3	70 - 70	AT21225	1C12	31	20 - 37	AT32338	3D25	6	70 - 18
AR99520	2B11	33	40 - 7	AT21226	1B24	6	20 - 22	AT32338	3E3	48	70 - 21
AR99520	2B11	35	40 - 7	AT21227	1B24	2	20 - 22	AT32606	1C4	10	20 - 28
AR99523	2B11	33	40 - 7	AT21343	2C1	6	40 - 25	AT32606	1C5	12	20 - 29
AR99523	2B11	35	40 - 7	AT21373	1C12	16	20 - 37	AT33285	2J12	8	50 - 66
AR99528	2B11	36	40 - 7	AT21373	1C12	17	20 - 37	AT33285	2J12	9	50 - 66
AT101691	2B7	28	40 - 3	AT21535	1C10	1	20 - 35	AT34928	4D15	21	90 - 12
AT101691	2E3	6	40 - 80	AT21679	1B6	4	20 - 5	AT35120	3G6	6	70 - 73
AT104505	4E23	2	90 - 45	AT21719	2C3	9	40 - 27	AT35121	3B15	9	60 - 13
AT11520	1E14	25	30 - 37	AT21722	2C3	20	40 - 27	AT35121	3B16	8	60 - 14
AT13740	1B10	18	20 - 9	AT21995	2C3	13	40 - 27	AT35121	3B22	33	60 - 21
AT13740	1C14	25	20 - 39	AT22070	4H21	7	90 - 119	AT35121	3D24	4	70 - 17A
AT13740	1D14	9	30 - 13	AT22073	4H21	5	90 - 119	AT35121	3E3	37	70 - 21
AT13740	1D15	12	30 - 14	AT22562	1B23	13	20 - 21	AT35121	3E3	38	70 - 21
AT141924	4H23	6	90 - 121	AT22919	1B9	2	20 - 8	AT35121	3E6	1C	70 - 25
AT14385	2C1	12	40 - 25	AT22919	1B9	5	20 - 8	AT35121	3E6	2	70 - 25
AT14385	2C1	16	40 - 25	AT22965	1B23	8	20 - 21	AT35121	3E6	7	70 - 25
AT14385	2C3	21	40 - 27	AT23188	2C7	23	40 - 31	AT35121	3E6	8	70 - 25
AT14476	1D23	31	30 - 21B	AT23188	2C9	23	40 - 33	AT35121	3E6	10	70 - 25
AT146114	1B14	1	20 - 11B	AT24252	1B23	6	20 - 21	AT35121	3E7	1C	70 - 26
AT14679	2C3	15	40 - 27	AT24252	1B23	23	20 - 21	AT35121	3E7	2	70 - 26
AT14680	2C3	2	40 - 27	AT24436	2C3	11	40 - 27	AT35121	3E7	5A	70 - 26
AT14682	2C3	3	40 - 27	AT25185	1B8	22	20 - 7	AT35599	3H22	10	70 - 111A
AT14684	2C3	7	40 - 27	AT25185	1B8	23	20 - 7	AT38033	3E3	37	70 - 21
AT14686	2C3	8	40 - 27	AT25215	1D3	1	30 - 2	AT38518	4E4	10	90 - 27
AT14690	2C3	1	40 - 27	AT25215	1D3	4	30 - 2	AT38518	4E17	..	90 - 38
AT14691	2C3	10	40 - 27	AT25266	1F1	19	30 - 51	AT39043	2E14	9	40 - 91
AT15138	2C13	2	40 - 37	AT25266	1F3	14	30 - 53	AT39043	2E15	9	40 - 92
AT15146	2C17	7	40 - 41	AT25266	1F4	5	30 - 55	AT39623	1F4	7	30 - 55
AT15147	2C13	30	40 - 37	AT25266	1F4	8	30 - 55	AT39623	1F4	8	30 - 55
AT15601	1C12	5	20 - 37	AT25266	1F5	23	30 - 56	AT39623	1F4	9	30 - 55
AT15604	1C12	2	20 - 37	AT25266	1F6	3	30 - 57	AT39623	1F4	11	30 - 55
AT16431	2J7	26	50 - 61	AT25266	1F6	6	30 - 57	AT39623	1F6	6	30 - 57
AT18005	1B18	5	20 - 15	AT25266	1F7	1	30 - 58	AT44165	2F21	23	40 - 117
AT18009	1B23	5	20 - 21	AT25512	2C1	20	40 - 25	AT44999	2B10	16	40 - 6
AT18073	1C12	6	20 - 37	AT25575	2C3	18	40 - 27	AT45396	1F4	7	30 - 55
AT18126	1C4	7	20 - 28	AT25575	2C3	19	40 - 27	AT45396	1F6	6	30 - 57
AT18126	1C5	10	20 - 29	AT25821	1D21	2	30 - 21	AT47763	3H22	11	70 - 111A
AT18286	2C1	12	40 - 25	AT25959	1E5	16	30 - 27	AT47763	3H22	12	70 - 111A
AT18286	2C1	16	40 - 25	AT27101	1C1	16	20 - 24	AT48673	2F21	26	40 - 117
AT18286	2C3	14	40 - 27	AT27622	1E3	8	30 - 25	AT49215	3B19	12	60 - 17

# 1K11

4030 TRACTOR

## NUMERICAL INDEX - CONTINUED

PART NO.	GRID	KEY	PAGE	PART NO.	GRID	KEY	PAGE	PART NO.	GRID	KEY	PAGE
AT49215	3C12	33	60 - 35	A2899R	2D13	14	40 - 65	A4384R	4B17	3	80 - 14
AT49331	3D7	1	70 - 1	A2899R	2D15	21	40 - 67	A4388R	4B16	15	80 - 13
AT49331	3D9	16	70 - 3	A2899R	2D17	21	40 - 69	A4437R	2I13	26	50 - 43
AT49331	3D9	..	70 - 3	A3184R	3H19	26	70 - 109	A4437R	2I15	29	50 - 45
AT49331	3D25	6	70 - 18	A3411R	2B7	1	40 - 3	A4624R	2G23	2	50 - 3
AT49331	3E3	48	70 - 21	A3411R	2B7	27	40 - 3	A4624R	3C24	6	60 - 48
AT514T	2C15	12	40 - 39	A3411R	2G3	3	40 - 124	A4655R	2E6	4	40 - 83
AT516T	2C15	17	40 - 39	A3539R	2C1	1	40 - 25	A4655R	4D15	18	90 - 12
AT57288	1F4	7	30 - 55	A3539R	2C1	2	40 - 25	A4655R	4D19	13	90 - 17
AT57288	1F6	6	30 - 57	A3539R	2C1	3	40 - 25	A4722R	3H14	6	70 - 105
AT58895	3B15	26	60 - 13	A3539R	2C1	4	40 - 25	A4722R	3H16	10	70 - 106A
AT58895	3B16	14	60 - 14	A3539R	2C1	13	40 - 25	A4722R	3H19	7	70 - 109
AT62019	4H23	4	90 - 121	A3539R	2C1	15	40 - 25	A4723R	3H14	5	70 - 105
AT64802	3G6	3	70 - 73	A3581R	3F22	24	70 - 65	A4723R	3H16	9	70 - 106A
AT66481	2F12	16	40 - 111D	A3581R	3F22	25	70 - 65	A4723R	3H19	6	70 - 109
AT66632	3I2	1	70 - 116	A3581R	3H12	12	70 - 103	A4728R	3D2	25	60 - 51
AT66632	4D12	..	90 - 9	A3581R	3H19	2	70 - 109	A4728R	3E16	3	70 - 35
AT66632	4D14	..	90 - 11	A3606R	3B5	9	60 - 3	A4728R	3H14	24	70 - 105
AT66865	2B11	..	40 - 7	A3606R	3B6	1	60 - 4	A4728R	3H16	7	70 - 106A
AT67275	4B16	17	80 - 13	A3606R	3B11	8	60 - 9	A4728R	3H19	9	70 - 109
AT68973	1F6	..	30 - 57	A3606R	3B11	26	60 - 9	A4730R	1C5	4	20 - 29
AT68973	2B10	16	40 - 6	A3606R	3C18	12	60 - 41	A4730R	3H2	28	70 - 93
AT68973	2B15	3	40 - 12	A3606R	3C19	1	60 - 43	A4730R	3H3	9	70 - 94
AT68973	2B16	7	40 - 13	A3606R	3H14	37	70 - 105	A4736R	3H14	19	70 - 105
AT75387	4H23	4	90 - 121	A3606R	3H16	17	70 - 106A	A4737R	3H14	17	70 - 105
AT81764	4H23	6	90 - 121	A3606R	3H19	21	70 - 109	A4739R	3H14	20	70 - 105
AT85153	2B11	35	40 - 7	A364R	2J8	7	50 - 62	A4741R	3H14	1	70 - 105
AT85153	2I3	25	50 - 33	A364R	2J9	14	50 - 63	A4741R	4F2	5	90 - 49
AT85153	2I5	23	50 - 35	A369R	3G2	27	70 - 69	A4742R	2H11	13	50 - 16
AT85373	2B11	36	40 - 7	A369R	4E20	2	90 - 41	A4742R	3H14	2	70 - 105
AU41729	3G6	3	70 - 73	A369R	4F4	11	90 - 51	A4744R	4E20	5	90 - 41
AU42023	2F6	35	40 - 109	A3910R	1B5	9	20 - 3	A4744R	4F4	13	90 - 51
AU43691	3G6	5	70 - 73	A3917R	2C25	21	40 - 51	A4745R	3H14	11	70 - 105
AU43853	2F6	20	40 - 109	A3917R	2H15	7	50 - 20	A4746R	3H14	10	70 - 105
AU43854	2F6	15	40 - 109	A3917R	2I24	15	50 - 54	A4747R	3H14	12	70 - 105
AU43855	2F6	22	40 - 109	A3917R	3D11	33	70 - 5	A4748R	3H14	13	70 - 105
AU43857	2F6	18	40 - 109	A3917R	3E14	11	70 - 33	A4808R	2I24	26	50 - 54
AU43857	2F8	21	40 - 111	A3917R	3E14	12	70 - 33	A4808R	3E10	5	70 - 29
AU43857	2F10	21	40 - 111B	A3917R	3E16	14	70 - 35	A4816R	3B5	16	60 - 3
AU43857	2F12	24	40 - 111D	A3917R	3E16	15	70 - 35	A4816R	3C18	23	60 - 41
AU43954	2F6	17	40 - 109	A3917R	3G8	14	70 - 75	A4827R	1C1	12	20 - 24
AU43954	2F8	20	40 - 111	A3959R	2J9	7	50 - 63	A4827R	1C2	15	20 - 25
AU43954	2F10	20	40 - 111B	A4064R	4B16	16	80 - 13	A4827R	2G21	6	50 - 1
AU43954	2F12	23	40 - 111D	A4117R	4B11	15	80 - 10	A4827R	2H8	25	50 - 13
AW20941	4G16	8	90 - 89	A4118R	4B11	10	80 - 10	A4827R	2I3	18	50 - 33
A147R	3B20	13	60 - 19	A4119R	4B11	11	80 - 10	A4827R	2I5	19	50 - 35
A147R	3B24	12	60 - 23	A4159R	2C1	19	40 - 25	A4827R	2I6	13	50 - 36
A147R	3F24	4A	70 - 67	A4231R	4D14	48	90 - 11	A4827R	2I7	16	50 - 37
A147R	3F24	5	70 - 67	A4242R	1D14	4	30 - 13	A4847R	3D11	32	70 - 5
A147R	3F24	10	70 - 67	A4275R	3E2	12	70 - 20	A4883R	4B16	10	80 - 13
A15532	3G6	21	70 - 73	A4365R	1B25	13	20 - 23	A4883R	4B17	6	80 - 14
A1555R	4B10	12	80 - 9	A4365R	1D17	10	30 - 16	A4979R	3E9	25	70 - 28
A1555R	4B12	18	80 - 11	A4365R	1D18	4	30 - 17	A4997R	4D15	12	90 - 12
A1556	4B14	6	80 - 11B	A4365R	1D19	6	30 - 19	A5067R	4G5	6	90 - 77
A1556R	4B10	11	80 - 9	A4365R	2C25	19	40 - 51	A5146R	4B10	9	80 - 9
A1556R	4B12	19	80 - 11	A4365R	3B7	21	60 - 5	A5146R	4B11	26	80 - 10
A1556R	4B13	7	80 - 11A	A4365R	3B11	19	60 - 9	A5146R	4B12	12	80 - 11
A15898	3H4	1	70 - 95	A4365R	3D11	3	70 - 5	A5301R	3H14	31	70 - 105
A15898	3H21	13	70 - 111	A4365R	3D13	3	70 - 7	A5302R	3H14	29	70 - 105
A15898	3H22	2	70 - 111A	A4365R	3D13	12	70 - 7	A5659R	4G3	16	90 - 75
A15899	3H4	2	70 - 95	A4365R	3D19	3	70 - 13	A5659R	4G5	23	90 - 77
A15899	3H21	11	70 - 111	A4365R	3D21	2	70 - 15	A5659R	4G5	30	90 - 77
A15899	3H22	3	70 - 111A	A4365R	3E17	7	70 - 36	A5748R	3H21	6	70 - 111
A2444R	3B4	8	60 - 2	A4365R	3F2	49	70 - 45	A776R	2H8	15	50 - 13
A2444R	3B20	19	60 - 19	A4379R	4B16	1	80 - 13	A877R	4B6	8	80 - 5
A2597R	2H18	15	50 - 23	A4380R	4B16	7	80 - 13	BP12232	4B25	8	80 - 23
A2764R	4D14	48	90 - 11	A4384R	4B16	4	80 - 13	BP12232	4C2	8	80 - 25

# 1K12

4030 TRACTOR

## NUMERICAL INDEX - CONTINUED

PART NO.	GRID	KEY	PAGE	PART NO.	GRID	KEY	PAGE	PART NO.	GRID	KEY	PAGE
BP12232	4C4	8	80 - 27	D2491R	2E18	9	40 - 95	F2741R	3E14	27	70 - 33
BP12232	4C6	8	80 - 29	D2491R	2E19	2	40 - 96	F2741R	3E16	30	70 - 35
BP12232	4C8	8	80 - 31	D2491R	2E20	2	40 - 97	F2741R	3E17	12	70 - 36
B1085R	4D19	17	90 - 17	D2865R	4F20	40	90 - 67	F2741R	3G9	10	70 - 77
B15646	4D12	24	90 - 9	D2913R	3H16	12	70 - 106A	F2741R	3G12	10	70 - 80
B15646	4D14	35	90 - 11	D2913R	3H19	25	70 - 109	F2741R	3G14	6	70 - 82
B161R	1D14	20	30 - 13	D398R	4D6	10	90 - 3	F2741R	3G15	20	70 - 83
B161R	1D15	21	30 - 14	E16050	2F21	16	40 - 117	F2741R	3G17	21	70 - 85
B161R	1D16	20	30 - 15	E17421	1D6	13	30 - 5	F2741R	3H23	3	70 - 112
B1664R	1E22	21	30 - 46	E17421	1D8	15	30 - 7	F2741R	4D14	19	90 - 11
B1664R	1E23	13	30 - 47	E17421	2I3	4	50 - 33	F2783R	4B21	9	80 - 18
B1664R	2F14	15	40 - 113	E17421	2I5	4	50 - 35	F2822R	3F12	7	70 - 56
B1664R	3E20	5	70 - 39	E17421	2I6	4	50 - 36	F2823R	3F12	5	70 - 56
B1664R	3E22	2	70 - 41	E17421	2I7	4	50 - 37	F2824R	3F12	3	70 - 56
B1664R	3E24	11	70 - 43	E17421	2I21	1	50 - 51	F2846R	2J5	21	50 - 59
B1664R	4H22	2	90 - 120	E34355	1D25	2	30 - 21D	F2846R	2J5	31	50 - 59
B169R	3B3	24	60 - 1	E49903	1D25	2	30 - 21D	F2847R	2J5	20	50 - 59
B169R	3B4	27	60 - 2	E50102	3E1	1	70 - 19	F2847R	2J5	32	50 - 59
B169R	3B20	6	60 - 19	E50102	4E22	16	90 - 43	F2863R	4E22	4	90 - 43
B169R	3B24	9	60 - 23	E50102	4F6	8	90 - 53	F2863R	4F6	16	90 - 53
B17682	1D23	3	30 - 21B	E50102	4F6	31	90 - 53	F2935R	2D13	38	40 - 65
B190R	2J9	12	50 - 63	E55662	2C10	3	40 - 34	F2935R	2D15	37	40 - 67
B1986R	1F6	5	30 - 57	E55662	2C20	6	40 - 45	F2935R	2D17	35	40 - 69
B207R	2I3	19	50 - 33	F1334R	2J7	23	50 - 61	F2935R	2D18	5	40 - 70
B2477R	3F14	5	70 - 59	F1334R	3B19	10	60 - 17	F2935R	4F10	15	90 - 57
B2681R	4B9	18	80 - 8	F1334R	3C12	31	60 - 35	F304R	3G3	16	70 - 70
B2683R	4B9	20	80 - 8	F1430R	4D21	9	90 - 19	F3126R	4B9	7	80 - 8
B2762R	2H4	10	50 - 9	F1430R	4D23	7	90 - 21	F3127R	4B9	6	80 - 8
B2762R	2H4	26	50 - 9	F1441R	3H14	39	70 - 105	F3128R	2G21	7	50 - 1
B2762R	2J5	3	50 - 59	F1463R	3F8	3	70 - 51	F3128R	2H8	24	50 - 13
B2762R	3B7	15	60 - 5	F1478R	4B16	1	80 - 13	F3171R	1C7	1	20 - 31
B2762R	3B11	17	60 - 9	F1478R	4B16	4	80 - 13	F3171R	2H4	13	50 - 9
B2762R	3E4	5	70 - 23	F1478R	4B16	5	80 - 13	F3171R	2H4	26	50 - 9
B2762R	3G8	4	70 - 75	F1478R	4B16	8	80 - 13	F3171R	2H8	5	50 - 13
B2762R	3G11	4	70 - 79	F1478R	4B16	11	80 - 13	F3171R	2I24	23	50 - 54
B2762R	3G14	3	70 - 82	F1478R	4B16	12	80 - 13	F3171R	2J3	3	50 - 57
B3014R	4B16	1	80 - 13	F1478R	4B16	15	80 - 13	F3171R	2J5	10	50 - 59
B3016R	4B16	4	80 - 13	F1478R	4B16	16	80 - 13	F3171R	3D7	1	70 - 1
B3018R	4B16	5	80 - 13	F1500R	4B16	1	80 - 13	F3171R	3D9	14	70 - 3
B3118R	2G24	11	50 - 5	F1500R	4B16	4	80 - 13	F3171R	3D9	16	70 - 3
B3285R	4H13	17	90 - 111	F1500R	4B16	5	80 - 13	F3171R	3D9	..	70 - 3
B3310R	3E1	12	70 - 19	F1500R	4B16	8	80 - 13	F3171R	3D15	6	70 - 9
B3310R	4B23	4	80 - 20	F1500R	4B16	11	80 - 13	F3171R	3D19	35	70 - 13
B3686R	3E17	4	70 - 36	F1500R	4B16	12	80 - 13	F3171R	3D23	8	70 - 17
B3690R	3B3	33	60 - 1	F1500R	4B16	14	80 - 13	F3171R	3D25	5	70 - 18
B3690R	3B4	2	60 - 2	F1500R	4B16	15	80 - 13	F3171R	3D25	9	70 - 18
B3690R	3B20	2	60 - 19	F1500R	4B16	16	80 - 13	F3171R	3E3	49	70 - 21
B3690R	3B24	2	60 - 23	F1549R	2H8	17	50 - 13	F3171R	3E4	3	70 - 23
B423R	3F2	16	70 - 45	F1682R	3E9	13	70 - 28	F3171R	3E9	23	70 - 28
B548R	4B9	13	80 - 8	F2206R	3F18	23	70 - 63	F3171R	3E20	26	70 - 39
B551R	4B9	11	80 - 8	F2208R	3F14	4	70 - 59	F3171R	3E22	23	70 - 41
B634R	4B16	15	80 - 13	F2208R	3F18	31	70 - 63	F3171R	3E24	35	70 - 43
B89R	4B9	15	80 - 8	F2253R	2J17	20	50 - 71	F3171R	3G5	8	70 - 72
B90R	4B9	14	80 - 8	F2367R	2J8	17	50 - 62	F3171R	3G6	29	70 - 73
CD15227	1C9	14	20 - 33	F2411R	1C14	18	20 - 39	F3171R	3G21	12	70 - 89
C11884	3B19	11	60 - 17	F2680R	3F12	9	70 - 56	F3171R	3G22	21	70 - 90
C11884	3C12	32	60 - 35	F2681R	3F12	9	70 - 56	F3171R	3G24	12	70 - 91B
C1220R	2G21	4	50 - 1	F2681R	3F16	1	70 - 61	F3173R	3E18	13	70 - 37
C1220R	2H8	18	50 - 13	F2681R	3F18	8	70 - 63	F3220R	2G24	24	50 - 5
C1919R	2J7	24	50 - 61	F2684R	3F14	1	70 - 59	F3220R	3G5	9	70 - 72
C284R	2I1	11	50 - 31	F2685R	3F14	1	70 - 59	F3353R	2J13	2	50 - 67
D1761R	3C15	3	60 - 38	F2693R	3F14	9	70 - 59	F3539R	3F22	6	70 - 65
D1761R	3C15	7	60 - 38	F2694R	3F14	6	70 - 59	F3539R	3F23	5	70 - 66
D2361R	3H2	4	70 - 93	F2695R	3F14	7	70 - 59	F3539R	3G2	5	70 - 69
D2361R	3H2	18	70 - 93	F2741R	2D25	15	40 - 77	F3541R	3F22	4	70 - 65
D2361R	3H10	4	70 - 101	F2741R	2I25	8	50 - 55	F3541R	3F23	3	70 - 66
D2361R	3H10	16	70 - 101	F2741R	2J1	5	50 - 56	F3541R	3G2	3	70 - 69

# 1K13

4030 TRACTOR

## NUMERICAL INDEX - CONTINUED

PART NO.	GRID	KEY	PAGE	PART NO.	GRID	KEY	PAGE	PART NO.	GRID	KEY	PAGE
F3542R	3F22	5	70 - 65	JD7537	2J8	16	50 - 62	JD9041	4B6	15	80 - 5
F3542R	3F23	4	70 - 66	JD7557	2J7	3	50 - 61	JD9170	4B6	15	80 - 5
F3542R	3G2	4	70 - 69	JD7759	3F11	7	70 - 55	JD9320	2J7	25	50 - 61
F534R	2H18	2	50 - 23	JD7759	3F14	3	70 - 59	JD9320	3B19	9	60 - 17
H104855	2G12	9	40 - 135	JD7759	3G2	25	70 - 69	JD9320	3C12	30	60 - 35
H1058R	1B25	2	20 - 23	JD7759	4B9	19	80 - 8	JD9345	2J8	9	50 - 62
H121828	4D15	2	90 - 12	JD7778	4B11	16	80 - 10	JD9345	2J9	9	50 - 63
H121828	4D15	10	90 - 12	JD7797	4B8	19	80 - 7	JD9345	2J9	13	50 - 63
H20925	1D25	5	30 - 21D	JD7798	3B19	19	60 - 17	JD9439	3B17	5	60 - 15
H22544	1D21	3	30 - 21	JD7798	3C12	29	60 - 35	JD9439	3C14	5	60 - 37
H22546	1D21	18	30 - 21	JD7798	4B3	6	80 - 1	JD9448	1C18	6	20 - 43
H22548	1D21	25	30 - 21	JD7798	4B6	6	80 - 5	JD9449	2C7	23	40 - 31
H22549	1D21	13	30 - 21	JD7799	4B4	6	80 - 3	JD9449	2C9	23	40 - 33
H22551	1D21	33	30 - 21	JD7806	4B8	10	80 - 7	JD9810	1C12	13	20 - 37
H22551	1D23	10	30 - 21B	JD8113	2H9	21	50 - 14	JD9916	2H2	4	50 - 7
H22555	1D21	6	30 - 21	JD8152	2J17	14	50 - 71	JD9917	2H2	10	50 - 7
H22568	1D21	20	30 - 21	JD8159	2J11	16	50 - 65	JD9918	2H2	3	50 - 7
H22570	1D21	5	30 - 21	JD8159	2J12	26	50 - 66	JD9919	2H2	9	50 - 7
H23193	2C15	4	40 - 39	JD8164	2J16	6	50 - 70	JD9926	2H18	25	50 - 23
H772R	4B9	9	80 - 8	JD8167	2J16	6	50 - 70	JD9926	2H23	2	50 - 28
H773R	4B9	12	80 - 8	JD8190	2H11	3	50 - 16	JD9930	3B17	7	60 - 15
H78354	4H9	2	90 - 107	JD8190	2H13	3	50 - 18	JD9930	3C14	7	60 - 37
H80306	3G6	16	70 - 73	JD8192	3D9	23	70 - 3	JD9931	3B3	4	60 - 1
H819R	2I25	5	50 - 55	JD8192	3D17	21	70 - 11	JD9931	3B20	21	60 - 19
H851R	2H8	2	50 - 13	JD8206	2J17	13	50 - 71	JD9931	3B22	6	60 - 21
H851R	3G6	20	70 - 73	JD8207	2J17	13	50 - 71	K40003	4B8	17	80 - 7
H851R	3G15	16	70 - 83	JD8210	2J11	17	50 - 65	K40003	4C20	14	80 - 41B
H851R	3G17	17	70 - 85	JD8210	2J12	27	50 - 66	K40003	4F3	3	90 - 50
H871R	2H18	26	50 - 23	JD8210	2J16	7	50 - 70	K40003	4F3	4	90 - 50
H871R	2H23	5	50 - 28	JD8214	2J16	7	50 - 70	K40003	4F3	7	90 - 50
H871R	3B5	15	60 - 3	JD8223	3D9	22	70 - 3	K40003	4F3	8	90 - 50
H871R	3H4	10	70 - 95	JD8223	3D17	20	70 - 11	L29015	3D2	13	60 - 51
H871R	3H6	11	70 - 97	JD8251	2H10	8	50 - 15	L30328	4G14	2	90 - 87
H97644	2B7	26	40 - 3	JD8251	4B10	7	80 - 9	L38115	2F18	14	40 - 115B
H97644	4D14	23	90 - 11	JD8251	4B12	7	80 - 11	L38132	2F18	13	40 - 115B
H987R	2F21	19	40 - 117	JD8251	4B13	5	80 - 11A	L38135	2F18	24	40 - 115B
JD1091	4B12	9	80 - 11	JD8251	4B14	4	80 - 11B	L39119	4H21	4	90 - 119
JD126	2F21	10	40 - 117	JD8259	2J11	4	50 - 65	L40412	4G18	14	90 - 91
JD1293	4B12	9	80 - 11	JD8259	2J12	4	50 - 66	L40413	4G18	10	90 - 91
JD1299	4B12	9	80 - 11	JD8264	2H9	3	50 - 14	L40414	4G18	12	90 - 91
JD16	4B12	10	80 - 11	JD8267	2H10	1	50 - 15	L40415	4G18	17	90 - 91
JD27	4B17	12	80 - 14	JD8537	2J8	13	50 - 62	L40528	4F10	17	90 - 57
JD3019	4B17	10	80 - 14	JD8736	2H2	38	50 - 7	L40919	4C10	10	80 - 33
JD3019	4B17	12	80 - 14	JD8736	2H2	44	50 - 7	L41919	4C10	10	80 - 33
JD3039	4B12	9	80 - 11	JD8736	2J10	5	50 - 64	L55210	4F25	2	90 - 72
JD3211	4B12	9	80 - 11	JD8833	1C12	14	20 - 37	L55211	4G20	28	90 - 93
JD3219	4B12	9	80 - 11	JD8875	3B3	5	60 - 1	L61115	2F20	..	40 - 116A
JD3222	4B17	10	80 - 14	JD8875	3B20	22	60 - 19	L65000	2E10	10	40 - 87
JD3222	4B17	12	80 - 14	JD8875	3B22	7	60 - 21	M1112T	1D11	7	30 - 10
JD3224	4B17	10	80 - 14	JD8910	2H11	21	50 - 16	M115827	3F12	20	70 - 56
JD3229	4B12	9	80 - 11	JD8910	2H13	23	50 - 18	M115827	3F14	11	70 - 59
JD5272	4H21	8	90 - 119	JD8913	4B9	16	80 - 8	M115827	3F16	17	70 - 61
JD5602	4H21	8	90 - 119	JD8913	4B10	4	80 - 9	M115827	3F18	7	70 - 63
JD7142	4D6	11	90 - 3	JD8913	4B12	3	80 - 11	M115827	3G2	33	70 - 69
JD7222	4B9	16	80 - 8	JD8913	4B14	2	80 - 11B	M1746T	1B15	5	20 - 12
JD7266	4B9	17	80 - 8	JD8929	2H10	7	50 - 15	M2036T	3B3	13	60 - 1
JD7418	4B12	4	80 - 11	JD8929	4B10	8	80 - 9	M2396T	1E22	15	30 - 46
JD7418	4B13	4	80 - 11A	JD8929	4B12	8	80 - 11	M2396T	1E24	15	30 - 48
JD7421	2H11	20	50 - 16	JD8929	4B13	6	80 - 11A	M2396T	1E24	24	30 - 48
JD7421	2H13	24	50 - 18	JD8929	4B14	5	80 - 11B	M2396T	2I9	1	50 - 39
JD7430	2H9	20	50 - 14	JD8946	2J17	14	50 - 71	M2396T	2I13	14	50 - 43
JD7445	4B9	17	80 - 8	JD8954	2J11	5	50 - 65	M2396T	2I15	16	50 - 45
JD7445	4B10	5	80 - 9	JD8954	2J12	5	50 - 66	M2396T	3C21	7	60 - 45
JD7445	4B12	4	80 - 11	JD8969	4B12	3	80 - 11	M2396T	3F2	10	70 - 45
JD7445	4B14	3	80 - 11B	JD8969	4B13	3	80 - 11A	M2396T	3F2	17	70 - 45
JD7449	2H11	2	50 - 16	JD8970	2H9	2	50 - 14	M2396T	3F2	54	70 - 45
JD7449	2H13	2	50 - 18	JD8979	2H10	2	50 - 15	M2396T	3F4	11	70 - 47

# 1K14

4030 TRACTOR

## NUMERICAL INDEX - CONTINUED

PART NO.	GRID	KEY	PAGE	PART NO.	GRID	KEY	PAGE	PART NO.	GRID	KEY	PAGE
M2396T	3F6	31	70 - 49	P50631	2J7	4	50 - 61	RE12370	2G8	3	40 - 131
M2396T	3G19	1	70 - 87	P50883	4D12	27	90 - 9	RE12411	2B11	35	40 - 7
M2396T	3H2	25	70 - 93	P50883	4D14	32	90 - 11	RE12470	3D19	27	70 - 13
M3636T	1C12	22	20 - 37	P51212	3H6	12	70 - 97	RE12512	4H18	3	90 - 116
M3636T	2C10	1	40 - 34	P51212	3H8	5	70 - 99	RE12793	1F8	3	30 - 59
M3636T	2C20	6	40 - 45	P51212	4D11	2	90 - 8	RE12793	4D17	7	90 - 15
M3649T	2J8	8	50 - 62	P51212	4D11	13	90 - 8	RE12821	1B23	17	20 - 21
M3649T	2J9	8	50 - 63	P51212	4D14	9	90 - 11	RE13181	2J7	11	50 - 61
M3742T	1E23	14	30 - 47	RE10133	4D24	7	90 - 22	RE13181	2J7	26	50 - 61
M3853T	1C4	6	20 - 28	RE10134	4D23	5	90 - 21	RE13271	3D19	15	70 - 13
M3853T	1C5	9	20 - 29	RE10134	4D24	3	90 - 22	RE13280	2B7	14	40 - 3
M3853T	1C6	5	20 - 30	RE10534	2J8	4	50 - 62	RE13280	2F8	15	40 - 111
M399T	4H21	7	90 - 119	RE10534	2J9	4	50 - 63	RE13280	2F12	16	40 - 111D
M41029	1B18	1	20 - 15	RE10595	4G12	3	90 - 85	RE13280	2F12	18	40 - 111D
M42229	2E3	2	40 - 80	RE10712	3D11	43	70 - 5	RE13281	2F6	12	40 - 109
M42229	2E16	..	40 - 93	RE10712	3D11	44	70 - 5	RE13281	2F8	14	40 - 111
M42229	4C12	2	80 - 35	RE10712	3D19	39	70 - 13	RE13281	2F10	14	40 - 111B
M42229	4F8	1	90 - 55	RE10761	2B7	13	40 - 3	RE13281	2F12	17	40 - 111D
M42229	4F8	14	90 - 55	RE10761	2E4	7	40 - 81	RE13282	2F8	22	40 - 111
M4224T	2H8	10	50 - 13	RE10761	2E4	8	40 - 81	RE13282	2F12	25	40 - 111D
M4237T	1C7	10	20 - 31	RE10829	1C9	..	20 - 33	RE13283	2F8	18	40 - 111
M42827	1E2	5	30 - 23	RE10869	1C9	13	20 - 33	RE13283	2F10	18	40 - 111B
M42829	3G6	19	70 - 73	RE10924	3G14	16	70 - 82	RE13283	2F12	21	40 - 111D
M43551	1E17	11	30 - 40	RE10962	2B9	11	40 - 5	RE13284	2F8	20	40 - 111
M43835	2G12	2	40 - 135	RE10963	2B9	6	40 - 5	RE13284	2F10	20	40 - 111B
M63440	3E1	1	70 - 19	RE10966	2B9	2	40 - 5	RE13284	2F12	23	40 - 111D
M63440	4E22	16	90 - 43	RE10995	2F8	27	40 - 111	RE13288	4D17	9	90 - 15
M63440	4F6	8	90 - 53	RE10998	4D21	10	90 - 19	RE13541	4E25	2	90 - 47
M63440	4F6	31	90 - 53	RE10998	4D23	13	90 - 21	RE13559	2B11	33	40 - 7
M886T	2I3	21	50 - 33	RE11000	4G3	7	90 - 75	RE13559	2B11	35	40 - 7
M886T	2I5	22	50 - 35	RE11000	4G5	2A	90 - 77	RE13561	3H9	2	70 - 100
M886T	2I6	16	50 - 36	RE11000	4G5	2B	90 - 77	RE13562	3H9	2	70 - 100
M886T	2I7	19	50 - 37	RE11156	2G14	36	40 - 137	RE13611	3D11	31	70 - 5
M886T	3E20	10	70 - 39	RE11157	2G14	37	40 - 137	RE13693	4F22	14	90 - 69
M886T	3E22	7	70 - 41	RE11221	4E12	22	90 - 33	RE13693	4F24	30	90 - 71
M886T	3E24	16	70 - 43	RE11222	4E12	22	90 - 33	RE13722	2C10	6	40 - 34
N102039	1B5	9	20 - 3	RE11344	2G3	1	40 - 124	RE13722	2D5	..	40 - 56
N107859	3F24	12	70 - 67	RE11410	1B8	11	20 - 7	RE13722	2D6	..	40 - 57
N115096	2G12	11	40 - 135	RE11410	1B8	12	20 - 7	RE13722	2D7	..	40 - 58
PMJD57	2E23	7	40 - 100	RE11447	3H25	9	70 - 114	RE13724	3H22	19	70 - 111A
PM797NA	2G17	1	40 - 140	RE11456	3H25	2	70 - 114	RE13731	2D6	1	40 - 57
PT9281	3F20	6	70 - 63B	RE11457	3H25	1	70 - 114	RE13732	2D8	15	40 - 59
PT9282	3F20	11	70 - 63B	RE11458	3H25	2	70 - 114	RE13732	2D9	10	40 - 60
PT9283	3F20	9	70 - 63B	RE11463	3H25	2	70 - 114	RE13733	2D8	4	40 - 59
PT9284	3F20	8	70 - 63B	RE11777	3D17	24	70 - 11	RE13733	2D9	9	40 - 60
PT9286	3F20	7	70 - 63B	RE11778	4F18	6	90 - 65	RE13797	2C5	6	40 - 29
PT9287	3F20	2	70 - 63B	RE11804	3D17	14	70 - 11	RE13797	2C7	..	40 - 31
PT9290	3F20	3	70 - 63B	RE11956	3D2	28	60 - 51	RE13797	2C9	12	40 - 33
PT9292	3F20	..	70 - 63B	RE12049	4E25	4	90 - 47	RE13797	2C9	29	40 - 33
P46051	3G8	27	70 - 75	RE12121	3H4	22	70 - 95	RE13798	2C7	5	40 - 31
P46051	3G11	26	70 - 79	RE12121	3H4	26	70 - 95	RE13798	2C9	13	40 - 33
P46051	3G14	8	70 - 82	RE12121	3H6	20	70 - 97	RE13799	2C9	12	40 - 33
P46402	3B3	2	60 - 1	RE12130	2F8	25	40 - 111	RE13800	2C9	19	40 - 33
P46402	3B22	4	60 - 21	RE12330	2G7	14	40 - 129	RE13801	2C7	19	40 - 31
P46402	3B22	10	60 - 21	RE12330	3D23	..	70 - 17	RE13801	2C9	20	40 - 33
P46402	3B24	9	60 - 23	RE12331	2G7	12	40 - 129	RE13813	3H6	14	70 - 97
P47892	1C12	3	20 - 37	RE12332	2G7	18	40 - 129	RE13814	3H6	6	70 - 97
P47893	1C12	4	20 - 37	RE12333	2G7	21	40 - 129	RE13815	3H8	10	70 - 99
P47908	3D7	1	70 - 1	RE12334	2G7	8	40 - 129	RE13839	2E21	15	40 - 98
P47908	3D9	16	70 - 3	RE12362	2G7	4	40 - 129	RE14060	2B11	33	40 - 7
P47908	3D9	..	70 - 3	RE12363	2G7	11	40 - 129	RE14060	2B11	35	40 - 7
P47908	3D13	22	70 - 7	RE12364	2G7	16	40 - 129	RE14062	2B11	33	40 - 7
P47908	3D21	26	70 - 15	RE12365	2G7	20	40 - 129	RE14062	2B11	35	40 - 7
P47908	3D25	4	70 - 18	RE12366	2G7	25	40 - 129	RE14069	2B11	33	40 - 7
P47908	3E8	8	70 - 27	RE12367	2G8	7	40 - 131	RE14069	2B11	35	40 - 7
P48347	3B8	6	60 - 6	RE12368	2G8	6	40 - 131	RE14069	2D11	5	40 - 62
P48347	3B11	22	60 - 9	RE12369	2G8	2	40 - 131	RE14070	2B11	36	40 - 7

# 1K15

4030 TRACTOR

## NUMERICAL INDEX - CONTINUED

PART NO.	GRID	KEY	PAGE	PART NO.	GRID	KEY	PAGE	PART NO.	GRID	KEY	PAGE
RE14072	2B11	35	40 - 7	RE19449	4H2	4	90 - 99	RE25126	2B7	17	40 - 3
RE14245	4E23	2	90 - 45	RE19451	4G24	4	90 - 97	RE25126	2B7	29	40 - 3
RE14246	4E23	2	90 - 45	RE19872	1B10	16	20 - 9	RE25126	2B9	11	40 - 5
RE14480	4F25	5	90 - 72	RE19873	1B10	..	20 - 9	RE25126	2D13	34	40 - 65
RE14480	4F25	6	90 - 72	RE19873	1B12	1	20 - 11	RE25126	2D13	36	40 - 65
RE14868	3D15	20	70 - 9	RE19883	1B12	1	20 - 11	RE25126	2D15	33	40 - 67
RE15058	2D9	15	40 - 60	RE19989	4E25	9	90 - 47	RE25126	2D15	35	40 - 67
RE15077	4F8	14	90 - 55	RE19989	4E25	14	90 - 47	RE25126	2D17	33	40 - 69
RE15078	4F8	1	90 - 55	RE20352	4H8	13	90 - 106	RE25127	2B7	17	40 - 3
RE15118	4C11	5	80 - 34	RE20662	3F22	26	70 - 65	RE25127	2B7	29	40 - 3
RE15361	3G6	26	70 - 73	RE20663	3G2	34	70 - 69	RE25127	2B9	6	40 - 5
RE15361	3H10	11	70 - 101	RE21073	2E10	17	40 - 87	RE25127	2D13	34	40 - 65
RE15361	3H10	18	70 - 101	RE21076	1B18	4	20 - 15	RE25127	2D13	36	40 - 65
RE15361	3H10	20	70 - 101	RE21076	1B18	5	20 - 15	RE25127	2D15	33	40 - 67
RE15381	1B10	..	20 - 9	RE21096	2E10	11	40 - 87	RE25127	2D15	35	40 - 67
RE15381	1B12	1	20 - 11	RE21112	2E12	3	40 - 89	RE25127	2D17	33	40 - 69
RE15381	1C6	13	20 - 30	RE21113	2E12	10	40 - 89	RE25160	4D21	3	90 - 19
RE15427	1C14	7	20 - 39	RE21439	1E5	8	30 - 27	RE25160	4D23	8	90 - 21
RE15583	1B25	18	20 - 23	RE21510	2E10	20	40 - 87	RE25621	2F25	1	40 - 121
RE15583	2B10	15	40 - 6	RE21725	3D15	19	70 - 9	RE26739	3H24	6	70 - 113
RE15998	4F25	11	90 - 72	RE21725	3D23	20	70 - 17	RE26740	3H24	6	70 - 113
RE16182	1F1	..	30 - 51	RE21730	2G16	5	40 - 139	RE27109	2C5	6	40 - 29
RE16182	1F3	18	30 - 53	RE21731	2G16	5	40 - 139	RE27109	2C5	7	40 - 29
RE16546	4F16	5	90 - 63	RE21732	2G16	6	40 - 139	RE27109	2C7	..	40 - 31
RE16546	4F16	10	90 - 63	RE21738	2E12	15	40 - 89	RE27109	2C9	29	40 - 33
RE16546	4F18	7	90 - 65	RE21740	2B12	6	40 - 8	RE27109	2C9	31	40 - 33
RE16547	4F18	6	90 - 65	RE21740	2B13	1	40 - 9	RE27441	4G20	17	90 - 93
RE16924	1C23	13	20 - 49	RE21744	2B12	5	40 - 8	RE27442	4G20	17	90 - 93
RE16924	1C24	16	20 - 50	RE21745	2B12	3	40 - 8	RE27540	1C7	11	20 - 31
RE16925	1C23	23	20 - 49	RE21790	1F1	19	30 - 51	RE27540	1C9	13	20 - 33
RE16963	2B18	4	40 - 15	RE21790	1F3	14	30 - 53	RE27540	1C9	15	20 - 33
RE16963	2B21	4	40 - 19	RE21790	1F4	5	30 - 55	RE27667	1D18	14	30 - 17
RE16963	2B22	5	40 - 21	RE21790	1F4	8	30 - 55	RE28790	3D9	7	70 - 3
RE17051	4B12	5	80 - 11	RE21790	1F5	23	30 - 56	RE28790	3D13	19	70 - 7
RE17051	4B12	9	80 - 11	RE21790	1F6	3	30 - 57	RE28790	3D17	7	70 - 11
RE17282	2G2	10	40 - 123	RE21790	1F6	6	30 - 57	RE28790	3D21	23	70 - 15
RE17414	1E1	12	30 - 22	RE21790	1F7	1	30 - 58	RE28790	3D13	25	70 - 7
RE17414	1E2	17	30 - 23	RE22488	4G18	1	90 - 91	RE29107	3D21	29	70 - 15
RE17420	2G24	13	50 - 5	RE22488	4G18	2	90 - 91	RE29728	4G18	21	90 - 91
RE17515	1D6	1B	30 - 5	RE22488	4G18	3	90 - 91	RE29728	4G20	23	90 - 93
RE17515	1D8	2	30 - 7	RE22488	4G18	4	90 - 91	RE29815	2H20	33A	50 - 25
RE17515	1D10	6	30 - 9	RE22488	4G18	5	90 - 91	RE29815	2H20	33B	50 - 25
RE17515	2B10	9	40 - 6	RE22488	4G18	6	90 - 91	RE29815	2H22	34	50 - 27
RE17519	4G18	11	90 - 91	RE22488	4G18	7	90 - 91	RE29816	2H20	29	50 - 25
RE18119	2G3	4	40 - 124	RE22488	4G18	9	90 - 91	RE29816	2H22	30	50 - 27
RE18180	4G7	8	90 - 79	RE22589	2E12	2	40 - 89	RE29816	1F1	1	30 - 51
RE18180	4G7	..	90 - 79	RE22863	4G21	21	90 - 94	RE30174	1F3	1	30 - 53
RE18658	4G9	12	90 - 81	RE22994	4F16	15	90 - 63	RE30174	1F4	15	30 - 55
RE18943	2B7	5	40 - 3	RE22994	4F22	28	90 - 69	RE30174	1F5	2	30 - 56
RE18943	2F14	5	40 - 113	RE22994	4F24	29	90 - 71	RE30714	1F6	12	30 - 57
RE18943	2F14	18	40 - 113	RE23099	4H2	4	90 - 99	RE31694	2C5	6	40 - 29
RE18944	2B7	6	40 - 3	RE23101	4G24	4	90 - 97	RE31694	2C5	7	40 - 29
RE18944	2F14	18	40 - 113	RE23382	3D9	21	70 - 3	RE31694	2C7	..	40 - 31
RE18946	2F8	20	40 - 111	RE23382	3D17	19	70 - 11	RE31694	2C9	29	40 - 33
RE18946	2F10	20	40 - 111B	RE23945	1B25	6	20 - 23	RE31694	2C9	31	40 - 33
RE18946	2F12	23	40 - 111D	RE24561	1F1	1	30 - 51	RE31701	2J16	5	50 - 70
RE19031	1B8	5	20 - 7	RE24561	1F3	1	30 - 53	RE31929	1C9	13	20 - 33
RE19075	2B7	1	40 - 3	RE24561	1F4	15	30 - 55	RE31929	1C9	..	20 - 33
RE19075	2B9	2	40 - 5	RE24561	1F5	2	30 - 56	RE31973	1B8	5	20 - 7
RE19075	2D17	17	40 - 69	RE24561	1F6	12	30 - 57	RE32361	1C9	4	20 - 33
RE19075	2D17	23	40 - 69	RE24647	3D23	21	70 - 17	RE32529	3D15	19	70 - 9
RE19080	2D18	8	40 - 70	RE24959	1B23	8	20 - 21	RE32529	3D23	20	70 - 17
RE19081	2B9	11	40 - 5	RE25125	2D13	33	40 - 65	RE32529	3D24	13	70 - 17A
RE19082	2B9	6	40 - 5	RE25125	2D13	35	40 - 65	RE32555	2B11	33	40 - 7
RE19403	1D25	4	30 - 21D	RE25125	2D15	32	40 - 67	RE32555	2B11	35	40 - 7
RE19405	1D25	1	30 - 21D	RE25125	2D15	34	40 - 67	RE32969	3C16	2	60 - 39
RE19407	1D25	7	30 - 21D	RE25125	2D17	32	40 - 69	RE33636	1F1	1	30 - 51

# 1K16

4030 TRACTOR

## NUMERICAL INDEX - CONTINUED

PART NO.	GRID	KEY	PAGE	PART NO.	GRID	KEY	PAGE	PART NO.	GRID	KEY	PAGE
RE33636	1F3	1	30-53	RE41875	2D5	..	40-56	RE50874	4F22	12	90-69
RE33636	1F4	15	30-55	RE41875	2D6	17	40-57	RE50874	4F24	12	90-71
RE33636	1F5	2	30-56	RE41875	2D6	..	40-57	RE52944	4H3	8	90-100
RE33636	1F6	12	30-57	RE41875	2D7	..	40-58	RE52946	4H3	8	90-100
RE33754	4G12	1	90-85	RE41875	2D8	..	40-59	RE53265	1B18	7	20-15
RE35685	1C6	13	20-30	RE41875	2D9	..	40-60	RE53265	1B20	2	20-18
RE36108	2F6	24	40-109	RE42211	1D18	14	30-17	RE53496	2B7	14	40-3
RE36108	2F8	26	40-111	RE42211	1D19	8	30-19	RE53496	2F12	16	40-111D
RE36108	2F10	26	40-111B	RE42395	2B11	33	40-7	RE53496	2F12	18	40-111D
RE36108	2F12	28	40-111D	RE42395	2B11	35	40-7	RE53839	4H21	..	90-119
RE36170	2H13	12	50-18	RE42399	1F6	..	30-57	RE54130	1B23	13	20-21
RE36170	2H16	2	50-21	RE42400	1F6	..	30-57	RE54186	1D13	5	30-12
RE36215	2F6	35	40-109	RE42401	1F6	..	30-57	RE54186	1D13	6	30-12
RE36215	2F8	37	40-111	RE43025	2E10	17	40-87	RE54221	2H15	8	50-20
RE36215	2F10	37	40-111B	RE43274	1D17	9	30-16	RE54318	3E10	8	70-29
RE36215	2F12	39	40-111D	RE43274	1D19	8	30-19	RE54814	4B14	7	80-11B
RE36657	3C16	4	60-39	RE44574	1B23	8	20-21	RE54819	4B13	8	80-11A
RE36818	2F16	27	40-115	RE44657	2F23	28	40-119	RE55343	1C4	10	20-28
RE36818	2F18	26	40-115B	RE45285	2B11	33	40-7	RE55343	1C5	12	20-29
RE36906	2F18	24	40-115B	RE46170	3E14	34	70-33	RE55343	1C5	13	20-29
RE37063	4D14	36	90-11	RE46170	3E16	35	70-35	RE55343	1C6	4	20-30
RE37119	2H11	11	50-16	RE46317	2E10	11	40-87	RE55343	1C6	8	20-30
RE37996	2D11	4	40-62	RE46330	3C15	5	60-38	RE55343	1C6	13	20-30
RE38390	2B11	36	40-7	RE46330	3C15	8	60-38	RE55346	1C4	4	20-28
RE38390	2D11	6	40-62	RE46330	3C16	4	60-39	RE55346	1C5	7	20-29
RE38390	2I3	25	50-33	RE46335	3C15	5	60-38	RE55554	4D14	1	90-11
RE38390	2I5	23	50-35	RE46335	3C15	8	60-38	RE56305	1B5	10	20-3
RE38391	1F6	..	30-57	RE46335	3C16	2	60-39	RE56322	2J14	1	50-68
RE38391	2B10	16	40-6	RE46412	2F8	27	40-111	RE56353	1B10	..	20-9
RE38391	2B15	3	40-12	RE46414	2E10	12	40-87	RE56353	1B12	1	20-11
RE38391	2B16	7	40-13	RE47051	4H2	18	90-99	RE56380	2B7	14	40-3
RE38567	1C21	24	20-47	RE47805	2J7	11	50-61	RE56380	2F10	15	40-111B
RE38707	2E10	11	40-87	RE47961	4H2	1	90-99	RE56380	2F12	16	40-111D
RE38852	1C23	13	20-49	RE47961	4H2	2	90-99	RE56380	2F12	18	40-111D
RE38852	1C24	16	20-50	RE47961	4H2	3	90-99	RE56991	3F18	6	70-63
RE38858	1C23	23	20-49	RE47961	4H2	4	90-99	RE57259	4G24	..	90-97
RE39063	2C18	5	40-42	RE47961	4H2	5	90-99	RE57259	4H3	8	90-100
RE39063	2D4	10	40-55	RE48040	4C20	8	80-41B	RE57312	4D14	1	90-11
RE39064	2D4	13	40-55	RE48310	1F4	11	30-55	RE57313	4D11	21	90-8
RE39064	2D8	15	40-59	RE48310	1F6	6	30-57	RE57315	4D11	12	90-8
RE39064	2D9	10	40-60	RE48321	1F6	6	30-57	RE57321	4D11	21	90-8
RE39188	1D21	8	30-21	RE48322	2B7	12	40-3	RE57322	4D11	22	90-8
RE39188	1D21	30	30-21	RE48322	2F6	..	40-109	RE57325	4D11	12	90-8
RE39188	1D21	..	30-21	RE48322	2F10	27	40-111B	RE57326	4D11	22	90-8
RE39188	1D23	40	30-21B	RE48322	2F12	29	40-111D	RE57643	4B6	15	80-5
RE39188	1D25	8	30-21D	RE48531	4G24	..	90-97	RE58262	4E8	1	90-29B
RE39188	1D25	9	30-21D	RE48531	4H2	..	90-99	RE58612	4E8	16	90-29B
RE39188	1D25	10	30-21D	RE48532	4G24	..	90-97	RE58679	4E8	15	90-29B
RE39188	1D25	11	30-21D	RE48532	4H2	..	90-99	RE58851	2B7	14	40-3
RE39188	1D25	12	30-21D	RE48783	2B7	5	40-3	RE58851	2F6	13	40-109
RE39188	1D25	13	30-21D	RE48783	2B7	6	40-3	RE58851	2F6	..	40-109
RE39188	1D25	14	30-21D	RE48783	2F14	5	40-113	RE58851	2F8	15	40-111
RE39188	1D25	15	30-21D	RE48783	2F14	18	40-113	RE58851	2F10	15	40-111B
RE39188	1D25	16	30-21D	RE48784	2F10	25	40-111B	RE58851	2F12	18	40-111D
RE39189	1D25	16	30-21D	RE49169	4D14	37	90-11	RE61099	2F12	15	40-111D
RE39190	1D25	6	30-21D	RE49428	4C20	13	80-41B	RE61553	1B25	8	20-23
RE39838	2C11	9	40-35	RE49601	3F11	9	70-55	RE61611	1B14	1	20-11B
RE40463	3D15	20	70-9	RE50017	3D24	14	70-17A	RE61643	1B10	16	20-9
RE40463	3D23	21	70-17	RE50139	1F1	11	30-51	RE61690	4C20	21	80-41B
RE40463	3D24	15	70-17A	RE50139	1F1	18	30-51	RE62234	4E22	10	90-43
RE41287	2B16	7	40-13	RE50139	1F3	12	30-53	RE62234	4F6	22	90-53
RE41817	2F19	17	40-116	RE50139	1F4	6	30-55	RE65913	4D11	22	90-8
RE41817	2F20	27	40-116A	RE50139	1F5	13	30-56	RW26466	2E10	20	40-87
RE41875	2C10	6	40-34	RE50139	1F5	22	30-56	R100105	1B23	2	20-21
RE41875	2C10	..	40-34	RE50139	1F6	4	30-57	R100337	3B17	9	60-15
RE41875	2D4	..	40-55	RE50139	1F7	3	30-58	R100337	3C14	10	60-37
RE41875	2D5	11	40-56	RE50139	1F7	4	30-58	R100341	3F6	20	70-49

# 1K17

4030 TRACTOR

## NUMERICAL INDEX - CONTINUED

PART NO.	GRID	KEY	PAGE	PART NO.	GRID	KEY	PAGE	PART NO.	GRID	KEY	PAGE
R100380	2D4	3	40-55	R11096	2C25	28	40-51	R113752	1C5	12	20-29
R10087	1D21	10	30-21	R11109	2C7	22	40-31	R113752	1C5	13	20-29
R10093	1C10	6	20-35	R11109	2C9	22	40-33	R113752	1C6	4	20-30
R10093	3H6	5	70-97	R111122	3C15	2	60-38	R113752	1C6	8	20-30
R10093	3H8	2	70-99	R11116	2C13	11	40-37	R113752	1C6	13	20-30
R10093	4D11	18	90-8	R11117	2C13	12	40-37	R1138R	3H16	14	70-106A
R10093	4D14	4	90-11	R11117	2C20	8	40-45	R1138R	3H19	18	70-109
R10104	1D21	22	30-21	R11117	2C25	8	40-51	R114130	2C10	1	40-34
R10104	1D23	38	30-21B	R11118	2C13	8	40-37	R114157	1B5	11	20-3
R101055	2J12	8	50-66	R11118	2C20	11	40-45	R114157	1B10	16	20-9
R101055	2J12	9	50-66	R11120	2C25	24	40-51	R114157	1C23	12	20-49
R10115	1D21	19	30-21	R11121	2C25	18	40-51	R114157	1C24	15	20-50
R101202	3F22	19	70-65	R11126	2C20	25	40-45	R114205	1C7	19	20-31
R10133	1D21	4	30-21	R11126	2C25	34	40-51	R116468	4C20	19	80-41B
R10160	1D23	13	30-21B	R11127	2C20	26	40-45	R116714	2F10	22	40-111B
R10162	1D21	9	30-21	R11127	2C25	33	40-51	R117017	4C20	3	80-41B
R10170	1D21	11	30-21	R11128	2C20	24	40-45	R117491	4E8	9	90-29B
R10170	1D23	32	30-21B	R11128	2C25	35	40-51	R117680	4C22	1	80-43
R10185	1D21	43	30-21	R11129	2C20	23	40-45	R119269	1C23	1	20-49
R10185	1D23	28	30-21B	R11129	2C25	36	40-51	R119275	3F18	30	70-63
R10188	1D21	40	30-21	R11133	2C25	17	40-51	R119276	3F18	32	70-63
R10188	1D23	20	30-21B	R11138	2C25	32	40-51	R120103	3F18	10	70-63
R10198	1D23	5	30-21B	R11146	2D2	4	40-53	R120106	2E10	10	40-87
R10211	1D21	27	30-21	R11194	2C17	12	40-41	R120107	2E10	10	40-87
R10211	1D23	23	30-21B	R11197	2C23	2	40-48	R120108	2E10	10	40-87
R10222	1D21	45	30-21	R11197	2D3	2	40-54	R120109	3D2	28	60-51
R104517	2F20	10	40-116A	R11198	2C17	3	40-41	R120109	3D2	34	60-51
R105346	1C24	1	20-50	R11198	2C23	3	40-48	R120109	4C24	23	80-45
R105581	4F3	12	90-50	R11201	2C20	20	40-45	R120110	3D2	28	60-51
R105583	3D9	13	70-3	R11209	2C22	19	40-47	R120110	3D2	34	60-51
R105583	3D17	11	70-11	R11209	2D2	18	40-53	R120110	4C24	23	80-45
R105814	1E22	13	30-46	R11212	2C20	35	40-45	R120111	4C24	12	80-45
R105814	1E24	23	30-48	R11212	2C25	23	40-51	R120112	4C22	21	80-43
R105942	2E10	10	40-87	R11215	2C20	16	40-45	R120124	4C24	16	80-45
R106715	2J7	11	50-61	R11221	2C20	27	40-45	R120124	4E8	10	90-29B
R106866	2J7	11	50-61	R11221	2C25	32	40-51	R120125	4C22	22	80-43
R10689	1D11	12	30-10	R11222	2C20	15	40-45	R120127	3C23	..	60-47
R109863	1B23	2	20-21	R11223	2C20	17	40-45	R120128	4E4	..	90-27
R109981	3F11	10	70-55	R11233	2C22	16	40-47	R120128	4E8	11	90-29B
R109986	3B22	12	60-21	R11236	2C15	21	40-39	R120464	4C20	7	80-41B
R11000	2C22	9	40-47	R11237	2C15	23	40-39	R121183	4B6	15	80-5
R11003	2C22	1	40-47	R11238	2C15	3	40-39	R1225R	3E14	35	70-33
R11003	2D2	2	40-53	R112385	2G24	3	50-5	R1225R	3E16	38	70-35
R11011	2D2	8	40-53	R11239	2C15	8	40-39	R125066	1C2	6	20-25
R11016	2C20	20	40-45	R11240	2C13	32	40-37	R125066	1C23	22	20-49
R11026	2C20	22	40-45	R11243	2C15	1	40-39	R125754	1B18	2	20-15
R11026	2C25	14	40-51	R11250	2D2	13	40-53	R125955	3F16	4	70-61
R11026	2C25	37	40-51	R11253	2C22	5	40-47	R125955	3F18	11	70-63
R11039	2C17	19	40-41	R11278	2E14	1	40-91	R1662R	2C1	7	40-25
R11039	2C23	20	40-48	R11278	2E15	1	40-92	R1742R	2H4	19	50-9
R11039	2D3	17	40-54	R11290	2C22	20	40-47	R1742R	2J5	18	50-59
R11049	2C5	10	40-29	R11290	2D2	19	40-53	R1818R	3E9	24	70-28
R11049	2C7	30	40-31	R11291	2C20	33	40-45	R1836R	4E22	5	90-43
R11049	2C9	28	40-33	R11291	2C25	26	40-51	R1836R	4F6	17	90-53
R11058	2C22	3	40-47	R112919	4C20	11	80-41B	R1870R	3H14	30	70-105
R11059	2C22	4	40-47	R11292	2C20	29	40-45	R1932R	2H2	28	50-7
R11066	2C17	9	40-41	R11292	2C23	1	40-48	R1932R	2J8	5	50-62
R11066	2C23	8	40-48	R11293	2C23	4	40-48	R1932R	2J9	5	50-63
R11066	2D3	5	40-54	R11293	2D3	3	40-54	R2R	4B9	15	80-8
R11080	2C13	13	40-37	R11294	2C23	11	40-48	R20124	3E22	51	70-41
R11087	2C15	18	40-39	R11295	2C23	5	40-48	R20136	3B19	15	60-17
R11087	2C22	6	40-47	R11296	2C22	11	40-47	R20136	3C12	38	60-35
R11095	2C13	7	40-37	R11298	2C22	30	40-47	R20136	4B8	4	80-7
R11095	2C20	13	40-45	R113614	4C20	17	80-41B	R20136	4E10	3	90-31
R11095	2C25	12	40-51	R113752	1C4	4	20-28	R20253	4B11	4	80-10
R11096	2C13	1	40-37	R113752	1C4	10	20-28	R20255	4B6	14	80-5
R11096	2C20	31	40-45	R113752	1C5	7	20-29	R20255	4B10	17	80-9



# 1K18

4030 TRACTOR

## NUMERICAL INDEX - CONTINUED

PART NO.	GRID	KEY	PAGE	PART NO.	GRID	KEY	PAGE	PART NO.	GRID	KEY	PAGE
R20255	4B11	27	80 - 10	R26187	2I23	18	50 - 53	R26286	3E22	42	70 - 41
R20256	4B11	29	80 - 10	R26202	2I3	22	50 - 33	R26286	3E24	53	70 - 43
R20259	4B11	31	80 - 10	R26202	2I6	17	50 - 36	R26286	3G15	6	70 - 83
R20260	4B11	17	80 - 10	R26203	2I6	14	50 - 36	R26286	3G17	7	70 - 85
R20261	4B11	18	80 - 10	R26206	2H16	12	50 - 21	R26286	3G22	9	70 - 90
R20467	1B6	6	20 - 5	R26206	2I3	2	50 - 33	R26286	3G24	24	70 - 91B
R20498	1D17	12	30 - 16	R26206	2I5	2	50 - 35	R26287	2B11	37	40 - 7
R20498	1D18	6	30 - 17	R26206	2I6	2	50 - 36	R26287	2J13	14	50 - 67
R20498	1D19	3	30 - 19	R26206	2I7	2	50 - 37	R26287	2J14	8	50 - 68
R20648	4B9	7	80 - 8	R26207	2H16	11	50 - 21	R26287	3B5	13	60 - 3
R20653	4B9	13	80 - 8	R26207	2I3	1	50 - 33	R26287	3B8	18	60 - 6
R20654	4B9	20	80 - 8	R26207	2I5	1	50 - 35	R26287	3B13	17	60 - 11
R20655	4B9	12	80 - 8	R26207	2I6	1	50 - 36	R26287	3B13	19	60 - 11
R20656	4B9	6	80 - 8	R26207	2I7	1	50 - 37	R26287	3B22	18	60 - 21
R20759	4F16	14	90 - 63	R26218	2H12	27	50 - 17	R26287	3C2	22	60 - 25
R20759	4F20	44	90 - 67	R26218	2H13	18	50 - 18	R26287	3C8	16	60 - 31
R20942	4B11	28	80 - 10	R26220	2H11	1	50 - 16	R26287	3C10	20	60 - 33
R21629	2H2	26	50 - 7	R26220	2H13	1	50 - 18	R26287	3C18	34	60 - 41
R21629	2H20	15	50 - 25	R26221	2H11	1	50 - 16	R26287	3C19	11	60 - 43
R21629	2H22	2	50 - 27	R26221	2H13	1	50 - 18	R26287	3C23	11	60 - 47
R21630	2H4	24	50 - 9	R26222	2H11	1	50 - 16	R26287	3C23	21	60 - 47
R21630	2H6	19	50 - 11	R26222	2H13	1	50 - 18	R26287	3D11	23	70 - 5
R21630	2H8	6	50 - 13	R26223	2H11	1	50 - 16	R26287	3D13	4	70 - 7
R21630	2H20	15	50 - 25	R26223	2H13	1	50 - 18	R26287	3D13	16	70 - 7
R21630	2H22	2	50 - 27	R26227	2H9	1	50 - 14	R26287	3D21	22	70 - 15
R21630	3F11	8	70 - 55	R26227	2H9	4	50 - 14	R26287	3D24	7	70 - 17A
R21676	4C15	12	80 - 38	R26227	2J11	10	50 - 65	R26287	3D25	8	70 - 18
R21676	4C15	13	80 - 38	R26227	2J12	25	50 - 66	R26287	3E3	32	70 - 21
R21722	3E2	13	70 - 20	R26228	2H9	1	50 - 14	R26287	3E4	19	70 - 23
R21722	3H4	9	70 - 95	R26228	2H9	4	50 - 14	R26287	3E12	27	70 - 31
R21722	3H22	7	70 - 111A	R26228	2J11	10	50 - 65	R26333	4B8	21	80 - 7
R21722	3H25	1	70 - 114	R26228	2J12	25	50 - 66	R26364	3C15	10	60 - 38
R21722	3H25	2	70 - 114	R26238	2H11	5	50 - 16	R26364	3C16	6	60 - 39
R21736	1C16	3	20 - 41	R26241	1B10	2	20 - 9	R26367	3C2	19	60 - 25
R227R	3C2	11	60 - 25	R26246	2H10	3	50 - 15	R26367	3C4	12	60 - 27
R227R	3C4	3	60 - 27	R26253	2H9	12	50 - 14	R26369	3C18	28	60 - 41
R227R	3C18	46	60 - 41	R26255	2H9	16	50 - 14	R26372	3C18	40	60 - 41
R26006	2J17	17	50 - 71	R26264	2H9	7	50 - 14	R26373	2J13	15	50 - 67
R26025	2J17	24	50 - 71	R26265	2H9	13	50 - 14	R26375	2J5	9	50 - 59
R26026	2J17	24	50 - 71	R26266	2H9	15	50 - 14	R26375	2J5	13	50 - 59
R26026	2J17	25	50 - 71	R26286	2H4	6	50 - 9	R26375	2J5	25	50 - 59
R26042	2J11	6	50 - 65	R26286	2H6	15	50 - 11	R26375	2J5	28	50 - 59
R26042	2J12	6	50 - 66	R26286	2H6	17	50 - 11	R26375	2J5	34	50 - 59
R26043	2J11	6	50 - 65	R26286	2J5	5	50 - 59	R26375	2J5	36	50 - 59
R26043	2J12	6	50 - 66	R26286	2J13	7	50 - 67	R26375	3B8	10	60 - 6
R26054	1B25	5	20 - 23	R26286	2J14	2	50 - 68	R26375	3B11	24	60 - 9
R26117	1C12	22	20 - 37	R26286	3B8	3	60 - 6	R26375	3C2	8	60 - 25
R26125	1B8	13	20 - 7	R26286	3B11	11	60 - 9	R26375	3C18	43	60 - 41
R26137	3D9	6	70 - 3	R26286	3B11	12	60 - 9	R26375	3C19	13	60 - 43
R26137	3D17	6	70 - 11	R26286	3B11	33	60 - 9	R26375	3D11	27	70 - 5
R26149	1F1	3	30 - 51	R26286	3B15	1	60 - 13	R26375	3D15	16	70 - 9
R26149	1F3	3	30 - 53	R26286	3B15	11	60 - 13	R26375	3D19	23	70 - 13
R26149	1F5	4	30 - 56	R26286	3B15	27	60 - 13	R26375	3D21	3	70 - 15
R26149	3E20	4	70 - 39	R26286	3B16	1	60 - 14	R26375	3D21	10	70 - 15
R26149	3E22	1	70 - 41	R26286	3B16	11	60 - 14	R26375	3D23	7	70 - 17
R26149	3E24	10	70 - 43	R26286	3B16	11	60 - 14	R26375	3D23	17	70 - 17
R26149	3G8	22	70 - 75	R26286	3B16	15	60 - 14	R26375	3D23	17	70 - 17
R26149	3G15	13	70 - 83	R26286	3C18	29	60 - 41	R26375	3D24	12	70 - 17A
R26149	3G17	10	70 - 85	R26286	3C19	8	60 - 43	R26375	3E4	6	70 - 23
R26149	3G21	3	70 - 89	R26286	3C23	7	60 - 47	R26375	3E6	9	70 - 25
R26149	3G21	3	70 - 89	R26286	3C23	18A	60 - 47	R26375	3E6	25	70 - 25
R26149	3G22	11	70 - 90	R26286	3C23	23	60 - 47	R26375	3E20	8	70 - 39
R26149	3G24	1	70 - 91B	R26286	3C23	23	60 - 47	R26375	3E22	5	70 - 41
R26151	3B7	19	60 - 5	R26286	3C24	3	60 - 48	R26375	3E22	39	70 - 41
R26182	2I8	9	50 - 38	R26286	3C25	8	60 - 49	R26375	3E24	14	70 - 43
R26182	2I11	11	50 - 41	R26286	3D2	2	60 - 51	R26375	3E24	50	70 - 43
R26182	2I23	16	50 - 53	R26286	3D2	22	60 - 51	R26375	3G5	10	70 - 72
R26187	2I8	11	50 - 38	R26286	3D2	28	60 - 51	R26375	3G6	1	70 - 73
				R26286	3E4	24	70 - 23				

# 1K19

4030 TRACTOR

## NUMERICAL INDEX - CONTINUED

PART NO.	GRID	KEY	PAGE	PART NO.	GRID	KEY	PAGE	PART NO.	GRID	KEY	PAGE
R26375	3G9	18	70 - 77	R26448	3E3	36	70 - 21	R26572	3B22	27	60 - 21
R26375	3G12	18	70 - 80	R26448	3E3	38	70 - 21	R26572	3C6	19	60 - 29
R26375	3G14	4	70 - 82	R26448	3E6	1C	70 - 25	R26572	3C23	29	60 - 47
R26375	3G15	10	70 - 83	R26448	3E6	3	70 - 25	R26572	3E3	40	70 - 21
R26375	3G15	24	70 - 83	R26448	3E6	5A	70 - 25	R26584	3F22	9	70 - 65
R26375	3G17	5	70 - 85	R26448	3E6	7	70 - 25	R26584	3F23	8	70 - 66
R26375	3G17	25	70 - 85	R26448	3E6	8	70 - 25	R26584	3G2	8	70 - 69
R26375	3G22	6	70 - 90	R26448	3E6	10	70 - 25	R26621	3D11	34	70 - 5
R26375	3G24	21	70 - 91B	R26448	3E7	1C	70 - 26	R26622	1D11	12	30 - 10
R26375	3H12	2	70 - 103	R26448	3E7	3	70 - 26	R26625	3E17	8	70 - 36
R26375	3H12	4	70 - 103	R26448	3E7	5A	70 - 26	R26626	3E18	14	70 - 37
R26375	3H12	6	70 - 103	R26448	3E20	2	70 - 39	R26628	3F8	5	70 - 51
R26375	3H21	3	70 - 111	R26448	3E22	45	70 - 41	R26632	4B10	3	80 - 9
R26375	3H22	8	70 - 111A	R26448	3E24	26	70 - 43	R26632	4B12	2	80 - 11
R26375	3H23	5	70 - 112	R26448	3E24	56	70 - 43	R26632	4B13	2	80 - 11A
R26375	3H25	4	70 - 114	R26448	3G6	4	70 - 73	R26650	1B10	9	20 - 9
R26376	3C18	47	60 - 41	R26448	3G15	4	70 - 83	R26650	2H2	27	50 - 7
R26384	3C18	4	60 - 41	R26448	3G17	13	70 - 85	R26650	2H20	14	50 - 25
R26385	2J15	1	50 - 69	R26448	3G22	27	70 - 90	R26726	1E3	28	30 - 25
R26386	2J15	11	50 - 69	R26448	3G24	5	70 - 91B	R26726	1E10	15	30 - 33
R26413	1C14	23	20 - 39	R26448	3G24	28	70 - 91B	R26755	3B6	5	60 - 4
R26413	1C16	8	20 - 41	R26457	3E17	5	70 - 36	R26762	3B9	4	60 - 7
R26417	1C14	19	20 - 39	R26458	3E17	2	70 - 36	R26769	3E14	21	70 - 33
R26425	3B8	17	60 - 6	R26477	3G5	19	70 - 72	R26769	3E16	26	70 - 35
R26431	4E20	15	90 - 41	R26480	3H2	28	70 - 93	R26813	3F12	6	70 - 56
R26431	4F4	9	90 - 51	R26480	3H3	10	70 - 94	R26828	4E20	6	90 - 41
R26432	4E20	8	90 - 41	R26482	3H2	17	70 - 93	R26828	4F4	22	90 - 51
R26432	4F4	20	90 - 51	R26482	3H3	6	70 - 94	R26829	4E20	19	90 - 41
R26434	4E20	17	90 - 41	R26482	3H4	20	70 - 95	R26830	4E20	16	90 - 41
R26434	4F4	14	90 - 51	R26483	3H2	21	70 - 93	R26830	4F4	17	90 - 51
R26436	4E20	23	90 - 41	R26483	3H3	7	70 - 94	R26832	4E22	6	90 - 43
R26436	4F6	14	90 - 53	R26484	3G8	13	70 - 75	R26832	4F6	18	90 - 53
R26441	3B5	10	60 - 3	R26484	3G11	12	70 - 79	R26841	3E16	19	70 - 35
R26441	3B6	2	60 - 4	R26484	3G14	12	70 - 82	R26842	3E16	2	70 - 35
R26441	3B11	7	60 - 9	R26484	3H2	13	70 - 93	R26860	4B10	18	80 - 9
R26441	3B11	27	60 - 9	R26484	3H3	3	70 - 94	R26863	3C15	11	60 - 38
R26441	3H14	34	70 - 105	R26485	3B11	31	60 - 9	R26863	3C16	7	60 - 39
R26441	3H16	18	70 - 106A	R26485	3H2	10	70 - 93	R26863	3E16	18	70 - 35
R26441	3H19	22	70 - 109	R26485	3H3	1	70 - 94	R26869	3F8	6	70 - 51
R26448	2D11	2	40 - 62	R26485	3H10	12	70 - 101	R26870	1E22	32	30 - 46
R26448	2J13	11	50 - 67	R26493	1B10	8	20 - 9	R26871	1E24	14	30 - 48
R26448	2J14	4	50 - 68	R26500	1C12	7	20 - 37	R26871	2111	50	50 - 41
R26448	3B11	5	60 - 9	R26501	1C12	8	20 - 37	R26871	2J15	18	50 - 69
R26448	3B13	15	60 - 11	R26503	3F24	11	70 - 67	R26871	3F2	23	70 - 45
R26448	3B15	10	60 - 13	R26524	4F20	28	90 - 67	R26871	3F4	19	70 - 47
R26448	3B16	9	60 - 14	R26546	3B7	16	60 - 5	R26871	3F6	12	70 - 49
R26448	3B17	2	60 - 15	R26546	3B11	16	60 - 9	R26871	4E20	18	90 - 41
R26448	3B19	2	60 - 17	R26546	3E2	14	70 - 20	R26871	4F4	15	90 - 51
R26448	3C2	4	60 - 25	R26546	3G8	3	70 - 75	R26871	4F20	39	90 - 67
R26448	3C4	7	60 - 27	R26546	3G11	3	70 - 79	R26872	4E20	24	90 - 41
R26448	3C8	8	60 - 31	R26546	3G14	2	70 - 82	R26872	4F6	13	90 - 53
R26448	3C10	7	60 - 33	R26547	3B11	25	60 - 9	R26873	4E20	24	90 - 41
R26448	3C12	3	60 - 35	R26548	2H2	36	50 - 7	R26873	4F6	13	90 - 53
R26448	3C14	3	60 - 37	R26551	3B11	20	60 - 9	R26874	4E20	1A	90 - 41
R26448	3C14	14	60 - 37	R26552	2H20	18	50 - 25	R26876	4E22	9	90 - 43
R26448	3D11	2	70 - 5	R26552	2H25	4	50 - 30	R26877	4E22	8	90 - 43
R26448	3D11	8	70 - 5	R26552	3B8	16	60 - 6	R26878	4E22	18	90 - 43
R26448	3D13	1	70 - 7	R26552	3C2	18	60 - 25	R26879	4E22	11	90 - 43
R26448	3D15	1	70 - 9	R26552	3C4	11	60 - 27	R26879	4F6	23	90 - 53
R26448	3D19	2	70 - 13	R26554	3B9	1	60 - 7	R26906	3D11	10	70 - 5
R26448	3D19	8	70 - 13	R26556	3B7	5	60 - 5	R26906	3D13	2	70 - 7
R26448	3D19	25	70 - 13	R26565	3E20	41	70 - 39	R26906	3D13	15	70 - 7
R26448	3D21	1	70 - 15	R26566	3E20	6	70 - 39	R26906	3D15	2	70 - 9
R26448	3D21	8	70 - 15	R26566	3E22	3	70 - 41	R26906	3D19	16	70 - 13
R26448	3D23	3	70 - 17	R26566	3E24	12	70 - 43	R26906	3D21	6	70 - 15
R26448	3D24	3	70 - 17A	R26572	3B15	24	60 - 13	R26906	3D21	26	70 - 15
R26448	3D24	7	70 - 17A	R26572	3B16	24	60 - 14	R26906	3D23	1	70 - 17

# 1K20

4030 TRACTOR

## NUMERICAL INDEX - CONTINUED

PART NO.	GRID	KEY	PAGE	PART NO.	GRID	KEY	PAGE	PART NO.	GRID	KEY	PAGE
R26906	3D24	1	70 - 17A	R27166	3D11	44	70 - 5	R27237	2J5	8	50 - 59
R26906	3D25	5	70 - 18	R27166	3D13	6	70 - 7	R27237	3E4	7	70 - 23
R26906	3E2	9	70 - 20	R27166	3D15	5	70 - 9	R27238	3E6	4	70 - 25
R26906	3E3	21A	70 - 21	R27166	3D19	41	70 - 13	R27238	3E6	7	70 - 25
R26906	3E3	28	70 - 21	R27166	3D21	14	70 - 15	R27238	3E6	8	70 - 25
R26906	3E3	49	70 - 21	R27166	3D23	10	70 - 17	R27238	3E6	10	70 - 25
R26906	3E16	12	70 - 35	R27166	3E20	24	70 - 39	R27238	3E7	4	70 - 26
R26906	3E17	3	70 - 36	R27166	3E22	21	70 - 41	R27256	1F5	21	30 - 56
R26906	3E20	11	70 - 39	R27166	3E24	29	70 - 43	R27256	4H13	9	90 - 111
R26906	3E22	8	70 - 41	R27166	3G8	12	70 - 75	R27267	2H4	14	50 - 9
R26906	3E24	17	70 - 43	R27166	3G8	20	70 - 75	R27267	2H4	25A	50 - 9
R26906	3F2	50	70 - 45	R27166	3G8	31	70 - 75	R27267	2J5	11	50 - 59
R26906	3F4	43	70 - 47	R27166	3G9	1	70 - 77	R27267	3E4	2	70 - 23
R26906	3G5	23	70 - 72	R27166	3G11	19	70 - 79	R27270	3E3	22	70 - 21
R26919	1C23	14	20 - 49	R27166	3G14	14	70 - 82	R27270	3E3	27	70 - 21
R26919	2H2	31	50 - 7	R27166	3G21	10	70 - 89	R27270	3E3	30	70 - 21
R26933	3B3	23	60 - 1	R27166	3G22	19	70 - 90	R27272	3B22	33	60 - 21
R26933	3B4	23	60 - 2	R27166	3G24	8	70 - 91B	R27272	3C23	19	60 - 47
R26933	3B20	9	60 - 19	R27166	3H2	27	70 - 93	R27272	3C24	5	60 - 48
R26933	3B24	9	60 - 23	R27167	3D11	16	70 - 5	R27272	3C25	9	60 - 49
R26936	2E16	..	40 - 93	R27170	3D11	19	70 - 5	R27272	3E4	23	70 - 23
R26941	2F14	17	40 - 113	R27171	3D11	5	70 - 5	R27285	1C23	16	20 - 49
R26969	3C15	2	60 - 38	R27172	3D11	11	70 - 5	R27285	1D17	8	30 - 16
R26976	3E22	53	70 - 41	R27173	3D11	17	70 - 5	R27285	1D18	15	30 - 17
R26976	3E24	5	70 - 43	R27174	3D11	15	70 - 5	R27285	1D19	4	30 - 19
R26977	3E22	54	70 - 41	R27174	3D13	7	70 - 7	R27296	3B8	2	60 - 6
R26977	3E24	6	70 - 43	R27175	3D9	15	70 - 3	R27296	3B15	17	60 - 13
R27003	2H4	10	50 - 9	R27175	3E20	25	70 - 39	R27296	3B16	17	60 - 14
R27003	2H4	12	50 - 9	R27175	3E22	22	70 - 41	R27296	3B22	28	60 - 21
R27018	2H8	23	50 - 13	R27175	3E24	34	70 - 43	R27296	3C6	9	60 - 29
R27018	3F8	18	70 - 51	R27175	3G21	11	70 - 89	R27296	3C23	17	60 - 47
R27089	3B6	9	60 - 4	R27175	3G22	20	70 - 90	R27296	3C24	2	60 - 48
R27091	3B6	6	60 - 4	R27175	3G24	13	70 - 91B	R27296	3C25	4	60 - 49
R27092	2H2	35	50 - 7	R27180	1F1	16	30 - 51	R27299	3B5	3	60 - 3
R27094	2H4	7	50 - 9	R27180	1F3	13	30 - 53	R27329	2J6	2	50 - 60
R27094	2H4	10	50 - 9	R27180	1F5	18	30 - 56	R27329	2J7	9	50 - 61
R27094	2J5	6	50 - 59	R27180	2B7	16	40 - 3	R27329	2J9	18	50 - 63
R27094	3D2	1	60 - 51	R27180	2B11	39	40 - 7	R27345	4B25	2	80 - 23
R27094	3E22	41	70 - 41	R27181	1D14	14	30 - 13	R27345	4C2	2	80 - 25
R27094	3E24	52	70 - 43	R27181	1D15	14	30 - 14	R27345	4C4	2	80 - 27
R27094	3G15	5	70 - 83	R27181	1D16	13	30 - 15	R27345	4C6	2	80 - 29
R27094	3G17	8	70 - 85	R27209	1C14	8	20 - 39	R27345	4C8	2	80 - 31
R27094	3G22	8	70 - 90	R27212	3B13	14	60 - 11	R27370	2F16	16	40 - 115
R27094	3G24	25	70 - 91B	R27212	3B17	1	60 - 15	R27370	2F18	18	40 - 115B
R27095	3B16	6	60 - 14	R27212	3B19	1	60 - 17	R27421	3H14	15	70 - 105
R27095	3C8	19	60 - 31	R27212	3C2	13	60 - 25	R27421	3H19	13	70 - 109
R27095	3C10	14	60 - 33	R27212	3C4	13	60 - 27	R27423	3H14	32	70 - 105
R27095	3E6	6	70 - 25	R27212	3C8	9	60 - 31	R27426	3H14	35	70 - 105
R27121	4E22	21	90 - 43	R27212	3C10	8	60 - 33	R27427	3H14	7	70 - 105
R27137	3C18	31	60 - 41	R27212	3C12	2	60 - 35	R27427	3H19	5	70 - 109
R27137	3C19	9	60 - 43	R27212	3C14	2	60 - 37	R27430	3H2	5	70 - 93
R27145	2H2	32	50 - 7	R27212	3D24	6	70 - 17A	R27430	3H10	5	70 - 101
R27145	3D9	27	70 - 3	R27216	3B8	19	60 - 6	R27439	4E20	14	90 - 41
R27149	1B25	15	20 - 23	R27216	3B22	17	60 - 21	R27439	4F4	8	90 - 51
R27149	3C18	32	60 - 41	R27216	3C2	21	60 - 25	R27441	4E22	13	90 - 43
R27149	3C19	10	60 - 43	R27216	3D11	24	70 - 5	R27441	4F2	15	90 - 49
R27149	3D9	11	70 - 3	R27216	3E3	33	70 - 21	R27441	4F6	9	90 - 53
R27149	3D13	20	70 - 7	R27218	2H8	20	50 - 13	R27441	4F6	27	90 - 53
R27149	3D17	9	70 - 11	R27218	3C2	14	60 - 25	R27442	4E22	7	90 - 43
R27149	3D21	24	70 - 15	R27218	3C4	8	60 - 27	R27442	4F6	20	90 - 53
R27150	3D9	5	70 - 3	R27218	3C14	15	60 - 37	R27453	3B5	4	60 - 3
R27150	3D17	5	70 - 11	R27218	3D11	7	70 - 5	R27460	2D13	24	40 - 65
R27159	3D11	18	70 - 5	R27218	3D19	7	70 - 13	R27460	2D15	13	40 - 67
R27166	1C4	13	20 - 28	R27218	3E24	27	70 - 43	R27460	2D17	13	40 - 69
R27166	1C5	6	20 - 29	R27218	3G24	6	70 - 91B	R27471	3D11	44	70 - 5
R27166	3D11	14	70 - 5	R27233	3G9	4	70 - 77	R27472	3D11	43	70 - 5
R27166	3D11	43	70 - 5	R27233	3G12	4	70 - 80	R27474	3F4	44	70 - 47

# 1K21

4030 TRACTOR

## NUMERICAL INDEX - CONTINUED

PART NO.	GRID	KEY	PAGE	PART NO.	GRID	KEY	PAGE	PART NO.	GRID	KEY	PAGE
R27474	3G5	22	70 - 72	R27999	3F16	21	70 - 61	R28914	3E24	48	70 - 43
R27475	3D11	1	70 - 5	R27999	3F18	39	70 - 63	R28914	3G15	8	70 - 83
R27475	3D19	1	70 - 13	R28002	4B11	6	80 - 10	R28914	3G17	3	70 - 85
R27476	3D11	13	70 - 5	R28006	3H2	6	70 - 93	R28914	3G22	4	70 - 90
R27478	3D9	29	70 - 3	R28006	3H10	6	70 - 101	R28914	3G24	23	70 - 91B
R27478	3D15	12	70 - 9	R28015	1C14	6	20 - 39	R28961	2H8	21	50 - 13
R27478	3D17	28	70 - 11	R28015	1C16	2	20 - 41	R28961	3F8	19	70 - 51
R27478	3D23	15	70 - 17	R28023	4B8	12	80 - 7	R28961	3F9	4	70 - 53
R27479	3D9	29	70 - 3	R28035	3B3	17	60 - 1	R29463	2I3	10	50 - 33
R27479	3D15	13	70 - 9	R28040	3F24	4A	70 - 67	R29463	2I5	11	50 - 35
R27479	3D17	28	70 - 11	R28040	3F24	6	70 - 67	R29463	2I7	9	50 - 37
R27479	3D23	16	70 - 17	R28040	3F24	10	70 - 67	R29463	2I21	4	50 - 51
R27483	2H8	1	50 - 13	R28057	3F22	26	70 - 65	R29936	3C2	2	60 - 25
R27491	3B13	12	60 - 11	R28084	3H2	3	70 - 93	R29936	3C4	2	60 - 27
R27507	1E23	10	30 - 47	R28084	3H2	19	70 - 93	R29936	3D21	21	70 - 15
R27507	1E24	12	30 - 48	R28084	3H10	3	70 - 101	R29936	3D21	25	70 - 15
R27507	3F2	34	70 - 45	R28084	3H10	17	70 - 101	R29936	3E2	7	70 - 20
R27507	3F4	22	70 - 47	R28085	3H2	2	70 - 93	R3R	4B9	14	80 - 8
R27507	3F8	10	70 - 51	R28085	3H10	2	70 - 101	R30165	2H6	1	50 - 11
R27507	3F16	6C	70 - 61	R28085	3H10	18	70 - 101	R30165	2H20	35	50 - 25
R27507	3F18	3	70 - 63	R28122	4C13	3	80 - 36	R30165	2H22	35	50 - 27
R27507	4C15	5	80 - 38	R28124	3B7	7	60 - 5	R30165	3C21	13	60 - 45
R27531	1B6	3	20 - 5	R28124	3E20	39	70 - 39	R30181	2D13	15	40 - 65
R27533	3B16	5	60 - 14	R28127	2J16	3	50 - 70	R30181	2D15	22	40 - 67
R27564	3D11	12	70 - 5	R28128	2J16	4	50 - 70	R30181	2D17	22	40 - 69
R27564	3D13	5	70 - 7	R28204	3H10	1	70 - 101	R30182	2D13	9	40 - 65
R27564	3D15	4	70 - 9	R28204	3H10	19	70 - 101	R30182	2D13	32	40 - 65
R27564	3D19	42	70 - 13	R28277	3B19	6	60 - 17	R30182	2D15	16	40 - 67
R27564	3D21	15	70 - 15	R28277	3B19	7	60 - 17	R30182	2D15	31	40 - 67
R27564	3D23	11	70 - 17	R28277	3C12	7	60 - 35	R30182	2D18	10	40 - 70
R27564	3E20	20	70 - 39	R28473	4F8	8	90 - 55	R30319	2J7	16	50 - 61
R27564	3E22	17	70 - 41	R28490	4B17	5	80 - 14	R30319	3E14	31	70 - 33
R27564	3G21	6	70 - 89	R28575	4B10	9	80 - 9	R30319	3E16	34	70 - 35
R27564	3G22	15	70 - 90	R28575	4B11	26	80 - 10	R30323	3B8	7	60 - 6
R27564	3H14	21	70 - 105	R28575	4B12	12	80 - 11	R30323	3B11	23	60 - 9
R27564	3H16	4	70 - 106A	R28583	1F1	20	30 - 51	R30378	2E5	10	40 - 82
R27564	3H19	12	70 - 109	R28583	1F3	16	30 - 53	R30378	2F21	25	40 - 117
R27583	2B10	3	40 - 6	R28583	1F4	3	30 - 55	R30378	2G14	43	40 - 137
R27583	2F19	2	40 - 116	R28583	1F5	25	30 - 56	R30378	4D15	20	90 - 12
R27583	2F20	2	40 - 116A	R28583	1F6	1	30 - 57	R30387	4B11	30	80 - 10
R27643	4B21	5	80 - 18	R28593	2I25	8	50 - 55	R30388	4B11	30	80 - 10
R27645	4B21	3	80 - 18	R28594	2I25	8	50 - 55	R30391	4B11	21	80 - 10
R27649	3D2	27	60 - 51	R28744	3G9	11	70 - 77	R30392	4B11	20	80 - 10
R27649	3H14	23	70 - 105	R28744	3G12	11	70 - 80	R30596	4D11	21	90 - 8
R27649	3H16	6	70 - 106A	R28774	3C2	9	60 - 25	R30597	1C14	13	20 - 39
R27649	3H19	10	70 - 109	R28774	3C18	44	60 - 41	R30714	1E7	18	30 - 29
R27720	3E14	8	70 - 33	R28776	2J5	27	50 - 59	R30718	1E14	21	30 - 37
R27720	3E16	10	70 - 35	R28776	3B22	25	60 - 21	R30719	1E14	22	30 - 37
R27785	4E17	9	90 - 38	R28776	3C2	9	60 - 25	R30721	1E14	13	30 - 37
R27906	3C24	1	60 - 48	R28776	3C18	41	60 - 41	R30721	1E21	11	30 - 45
R27926	3D25	3	70 - 18	R28776	3C19	12	60 - 43	R30722	1E14	8	30 - 37
R27926	3E8	9	70 - 27	R28776	3G15	25	70 - 83	R30724	1E10	20	30 - 33
R27926	3E10	3	70 - 29	R28776	3G17	26	70 - 85	R30725	1E10	3	30 - 33
R27927	3D25	1	70 - 18	R28781	3D11	39	70 - 5	R30726	1E10	4	30 - 33
R27927	3E8	10	70 - 27	R28781	3D19	34	70 - 13	R30727	1E10	6	30 - 33
R27927	3E10	1	70 - 29	R28782	2I13	27	50 - 43	R30732	1E12	13	30 - 35
R27928	3D13	22	70 - 7	R28782	2I15	28	50 - 45	R30735	1E10	9	30 - 33
R27928	3D21	26	70 - 15	R28782	3C2	17	60 - 25	R30737	1E10	11	30 - 33
R27928	3D25	2	70 - 18	R28782	3C4	10	60 - 27	R30815	3H25	5	70 - 114
R27928	3D25	4	70 - 18	R28782	3D11	38	70 - 5	R30816	3H25	7	70 - 114
R27928	3E8	8	70 - 27	R28782	3D13	9	70 - 7	R30817	3H25	6	70 - 114
R27928	3E10	2	70 - 29	R28782	3D19	33	70 - 13	R30877	1D14	6	30 - 13
R27976	1B8	11	20 - 7	R28782	3D21	11	70 - 15	R30877	1D15	9	30 - 14
R27976	2C22	27	40 - 47	R28799	1D3	3	30 - 2	R30903	2J14	27	50 - 68
R27983	2E16	..	40 - 93	R28811	1B25	5	20 - 23	R30903	3C18	20	60 - 41
R27998	3F16	20	70 - 61	R28914	2J5	23	50 - 59	R30903	3C19	7	60 - 43
R27998	3F18	40	70 - 63	R28914	3E22	37	70 - 41	R30936	1C14	15	20 - 39

# 1K22

4030 TRACTOR

## NUMERICAL INDEX - CONTINUED

PART NO.	GRID	KEY	PAGE	PART NO.	GRID	KEY	PAGE	PART NO.	GRID	KEY	PAGE
R30936	1C14	20	20 - 39	R31631	3E3	33	70 - 21	R32027	2B11	24	40 - 7
R30936	1C14	21	20 - 39	R31632	3D2	19	60 - 51	R32027	2B19	20	40 - 17
R30936	1C14	22	20 - 39	R31698	2J13	10	50 - 67	R32027	2D25	19	40 - 77
R30936	1C16	5	20 - 41	R31736	3H23	8	70 - 112	R32027	2E18	10	40 - 95
R30936	1C16	7	20 - 41	R31781	3D11	41	70 - 5	R32027	2E19	7	40 - 96
R30936	1D16	8	30 - 15	R31781	3D19	37	70 - 13	R32027	2E20	6	40 - 97
R30936	4C15	1	80 - 38	R31877	4F22	21	90 - 69	R32027	2G5	5	40 - 127
R30936	4D17	14	90 - 15	R31890	3H2	24	70 - 93	R32027	2G5	9	40 - 127
R30937	1C14	5	20 - 39	R31890	4F3	16	90 - 50	R32027	2G5	14	40 - 127
R30937	1C16	1	20 - 41	R31933	2E21	15	40 - 98	R32027	2G10	18	40 - 133
R30937	1C16	6	20 - 41	R31943	4B16	13	80 - 13	R32028	2B24	1	40 - 23
R30937	1D14	5	30 - 13	R32006	2C1	1	40 - 25	R32028	2G10	19	40 - 133
R30937	1D15	8	30 - 14	R32006	2C1	2	40 - 25	R32028	4D14	13	90 - 11
R30937	3E1	10	70 - 19	R32006	2C1	3	40 - 25	R32029	2G10	20	40 - 133
R30937	4C10	20	80 - 33	R32006	2C1	4	40 - 25	R32042	1C7	4	20 - 31
R30937	4C10	21	80 - 33	R32006	2C1	15	40 - 25	R32042	1D11	13	30 - 10
R30937	4C15	14	80 - 38	R32007	1D6	2	30 - 5	R32090	3C18	27	60 - 41
R31024	3E20	37	70 - 39	R32007	2E18	10	40 - 95	R32091	3C18	26	60 - 41
R31024	3E22	57	70 - 41	R32011	2G10	1	40 - 133	R32092	3C18	24	60 - 41
R31024	3E24	9	70 - 43	R32012	2C1	3	40 - 25	R32092	3C19	3	60 - 43
R31026	2H11	10	50 - 16	R32013	2C1	1	40 - 25	R32101	2D15	14	40 - 67
R31028	2H11	14	50 - 16	R32013	2C1	2	40 - 25	R32101	2D17	14	40 - 69
R31044	4F6	45	90 - 53	R32013	2C1	4	40 - 25	R32101	2H8	7	50 - 13
R31125	1E10	8	30 - 33	R32013	2C1	15	40 - 25	R32101	2H8	28	50 - 13
R31131	2I11	9	50 - 41	R32016	2D13	11	40 - 65	R32101	2J7	13	50 - 61
R31132	2G24	26	50 - 5	R32016	2D15	18	40 - 67	R32101	2J9	22	50 - 63
R31136	3E17	6	70 - 36	R32016	2D17	18	40 - 69	R32101	3E14	17	70 - 33
R31136	3H6	4	70 - 97	R32016	2G10	10	40 - 133	R32101	3E16	22	70 - 35
R31136	3H8	1	70 - 99	R32017	2G10	11	40 - 133	R32136	1E17	6	30 - 40
R31142	1D13	9	30 - 12	R32018	1F6	..	30 - 57	R32183	3H12	3	70 - 103
R31201	3B5	14	60 - 3	R32018	2B16	4	40 - 13	R32186	3B5	6	60 - 3
R31202	3B5	12	60 - 3	R32018	2D25	1	40 - 77	R32224	4B16	5	80 - 13
R31225	4B9	2	80 - 8	R32018	2E21	8	40 - 98	R32224	4B17	4	80 - 14
R31226	4B9	2	80 - 8	R32018	2G5	9	40 - 127	R32230	4B16	1	80 - 13
R31250	2D13	9	40 - 65	R32018	2G5	15	40 - 127	R32230	4B16	4	80 - 13
R31250	2D13	32	40 - 65	R32018	2G10	12	40 - 133	R32230	4B16	5	80 - 13
R31250	2D15	16	40 - 67	R32018	4D24	5	90 - 22	R32230	4B16	8	80 - 13
R31250	2D15	31	40 - 67	R32019	2G10	13	40 - 133	R32230	4B16	11	80 - 13
R31250	2D18	10	40 - 70	R32021	2B11	24	40 - 7	R32230	4B16	12	80 - 13
R31260	4E20	10	90 - 41	R32021	2E18	10	40 - 95	R32230	4B16	14	80 - 13
R31260	4F4	18	90 - 51	R32021	2E19	7	40 - 96	R32230	4B16	15	80 - 13
R31271	1E22	17	30 - 46	R32021	2E20	6	40 - 97	R32230	4B16	16	80 - 13
R31271	1E24	20	30 - 48	R32021	2G5	14	40 - 127	R32232	4B16	13	80 - 13
R31271	3C18	8	60 - 41	R32021	2G10	14	40 - 133	R32234	2E3	2	40 - 80
R31278	3B8	9	60 - 6	R32022	1D6	2	30 - 5	R32235	1D13	8	30 - 12
R31378	3C12	12	60 - 35	R32022	1D8	1	30 - 7	R32239	4H18	3	90 - 116
R31378	3C14	31	60 - 37	R32022	2B7	24	40 - 3	R32276	2F21	..	40 - 117
R31438	3F24	9	70 - 67	R32022	2B10	7	40 - 6	R32276	2F23	11	40 - 119
R31455	3C18	15	60 - 41	R32022	2B10	10	40 - 6	R32289	4F8	..	90 - 55
R31455	3C19	2	60 - 43	R32022	2B11	31	40 - 7	R32306	1F1	4	30 - 51
R31459	3C18	7	60 - 41	R32022	2B24	1	40 - 23	R32306	1F3	4	30 - 53
R31464	3C18	14	60 - 41	R32022	2D18	15	40 - 70	R32306	1F5	5	30 - 56
R31465	3C18	17	60 - 41	R32022	2G10	15	40 - 133	R32320	2B7	..	40 - 3
R31467	3C18	16	60 - 41	R32023	2B7	24	40 - 3	R32320	2B10	4	40 - 6
R31468	3C18	19	60 - 41	R32023	2B10	7	40 - 6	R32322	2B11	31	40 - 7
R31468	3C19	6	60 - 43	R32023	2D18	15	40 - 70	R32344	3D11	42	70 - 5
R31469	3C18	18	60 - 41	R32023	2G10	16	40 - 133	R32353	3H10	15	70 - 101
R31469	3C19	5	60 - 43	R32024	2B11	31	40 - 7	R32354	3H10	11	70 - 101
R31488	3B11	13	60 - 9	R32024	2G5	9	40 - 127	R32355	3H10	10	70 - 101
R31489	3B11	30	60 - 9	R32024	2G16	3	40 - 139	R32356	3H2	9	70 - 93
R31490	4B16	13	80 - 13	R32025	2B11	24	40 - 7	R32356	3H10	9	70 - 101
R31491	4B16	13	80 - 13	R32025	2E18	10	40 - 95	R32419	3G6	24	70 - 73
R31505	4B20	18	80 - 17	R32025	2G5	14	40 - 127	R32419	3H10	8	70 - 101
R31592	4B16	13	80 - 13	R32025	2G16	4	40 - 139	R32507	2I25	9	50 - 55
R31618	4C18	3	80 - 41	R32026	2G10	17	40 - 133	R32588	3B7	3	60 - 5
R31631	3B22	17	60 - 21	R32026	2G14	48	40 - 137	R32588	3B11	15	60 - 9
R31631	3C2	21	60 - 25	R32027	2B10	10	40 - 6	R32588	3H16	2	70 - 106A

# 1K23

4030 TRACTOR

## NUMERICAL INDEX - CONTINUED

PART NO.	GRID	KEY	PAGE	PART NO.	GRID	KEY	PAGE	PART NO.	GRID	KEY	PAGE
R32588	3H19	15	70 - 109	R33452	2I7	5	50 - 37	R33883	3F24	14	70 - 67
R32702	3C18	45	60 - 41	R33460	4B16	1	80 - 13	R34064	1E1	9	30 - 22
R32730	3B3	22	60 - 1	R33460	4B16	4	80 - 13	R34064	1E2	8	30 - 23
R32730	3B4	22	60 - 2	R33460	4B16	5	80 - 13	R34121	3B6	10	60 - 4
R32730	3B20	10	60 - 19	R33460	4B16	8	80 - 13	R34122	3B7	20	60 - 5
R32730	3B22	1	60 - 21	R33460	4B16	11	80 - 13	R34123	3B7	17	60 - 5
R32730	3B22	16	60 - 21	R33460	4B16	15	80 - 13	R34125	3B5	21	60 - 3
R32731	2I15	15	50 - 45	R33460	4B16	16	80 - 13	R34129	3B7	22	60 - 5
R32731	2I19	12	50 - 49	R33461	2H10	9	50 - 15	R34129	3B11	18	60 - 9
R32731	2I21	18	50 - 51	R33462	2H10	9	50 - 15	R34131	3B7	9	60 - 5
R32731	3B11	2	60 - 9	R33463	2H10	9	50 - 15	R34131	3H16	1	70 - 106A
R33000	2J16	10	50 - 70	R33467	2H11	18	50 - 16	R34131	3H19	16	70 - 109
R33021	2J17	19	50 - 71	R33467	2H13	26	50 - 18	R34152	3E18	7	70 - 37
R33022	2J17	16	50 - 71	R33468	2H11	18	50 - 16	R34154	3E14	23	70 - 33
R33024	2J17	15	50 - 71	R33468	2H13	26	50 - 18	R34184	2J17	11	50 - 71
R33024	3C15	1	60 - 38	R33469	2H11	18	50 - 16	R34253	3F24	4A	70 - 67
R33028	2J7	18	50 - 61	R33469	2H13	26	50 - 18	R34253	3F24	4B	70 - 67
R33028	2J17	17	50 - 71	R33470	2H11	19	50 - 16	R34267	4E17	1	90 - 38
R33032	2J17	18	50 - 71	R33470	2H13	25	50 - 18	R34272	4E17	11	90 - 38
R33033	2J17	21	50 - 71	R33470	2H11	19	50 - 16	R34304	3E18	6	70 - 37
R33058	2J13	17	50 - 67	R33471	2H13	25	50 - 18	R34328	2H2	43	50 - 7
R33078	2J11	8	50 - 65	R33472	2H11	19	50 - 16	R34328	2J8	10	50 - 62
R33083	2H23	7	50 - 28	R33472	2H13	25	50 - 18	R34328	2J9	10	50 - 63
R33138	2J5	35	50 - 59	R33473	2H11	19	50 - 16	R34349	3D9	24	70 - 3
R33138	3E22	40	70 - 41	R33473	2H13	25	50 - 18	R34360	3E1	5	70 - 19
R33138	3E24	49	70 - 43	R33474	2H9	10	50 - 14	R34362	3E1	2	70 - 19
R33138	3G15	11	70 - 83	R33475	2H11	6	50 - 16	R34373	3G2	28	70 - 69
R33138	3G17	4	70 - 85	R33475	2H13	6	50 - 18	R34375	3G2	16	70 - 69
R33138	3G22	5	70 - 90	R33476	2H11	8	50 - 16	R34376	3G2	29	70 - 69
R33138	3G24	20	70 - 91B	R33476	2H13	8	50 - 18	R34388	1F1	17	30 - 51
R33145	2H6	4A	50 - 11	R33483	2H11	4	50 - 16	R34388	1F5	19	30 - 56
R33145	2H6	34A	50 - 11	R33484	2H11	7	50 - 16	R34394	1F1	7	30 - 51
R33162	2H4	16	50 - 9	R33484	2H13	7	50 - 18	R34394	1F3	7	30 - 53
R33162	2J5	24A	50 - 59	R33489	2H8	31	50 - 13	R34394	1F5	8	30 - 56
R33259	1E5	9	30 - 27	R33490	2J11	11	50 - 65	R34394	1F7	1	30 - 58
R33259	2J5	15	50 - 59	R33491	2J11	13	50 - 65	R34395	1F1	8	30 - 51
R33259	2J5	16	50 - 59	R33492	2J11	18	50 - 65	R34395	1F3	8	30 - 53
R33259	4D11	1	90 - 8	R33493	2J11	2	50 - 65	R34395	1F5	9	30 - 56
R33259	4D14	8	90 - 11	R33493	2J12	2	50 - 66	R34397	3H2	15	70 - 93
R33320	2J7	14	50 - 61	R33496	2J11	12	50 - 65	R34398	3H2	22	70 - 93
R33321	2J8	12	50 - 62	R33498	2H8	27	50 - 13	R34399	3H2	8	70 - 93
R33322	2J8	14	50 - 62	R33501	2H9	6	50 - 14	R34399	3H4	22	70 - 95
R33337	2H8	32	50 - 13	R33503	2H9	14	50 - 14	R34400	3H2	20	70 - 93
R33337	2H15	4	50 - 20	R33510	2H9	9	50 - 14	R34404	3B8	6	60 - 6
R33337	2J7	12	50 - 61	R33511	2H9	11	50 - 14	R34444	4H15	12	90 - 113
R33337	2J9	21	50 - 63	R33515	2H10	10	50 - 15	R34447	1E17	4	30 - 40
R33339	2J7	20	50 - 61	R33516	2H9	5	50 - 14	R34448	3G2	34	70 - 69
R33344	2J7	19	50 - 61	R33521	2H4	18	50 - 9	R34450	3G2	14	70 - 69
R33348	2J6	7	50 - 60	R33539	4B16	4	80 - 13	R34483	4C24	6	80 - 45
R33383	2H12	26	50 - 17	R33540	4B16	5	80 - 13	R34487	3E18	4	70 - 37
R33444	2I3	5	50 - 33	R33610	2J5	4	50 - 59	R34505	3F22	16	70 - 65
R33449	2I3	6	50 - 33	R33610	3E4	4	70 - 23	R34513	2H20	2	50 - 25
R33449	2I5	8	50 - 35	R33706	4B16	11	80 - 13	R34513	2H22	26	50 - 27
R33449	2I6	6	50 - 36	R33713	2G23	3	50 - 3	R34513	2J12	24	50 - 66
R33449	2I7	6	50 - 37	R33714	2G23	4	50 - 3	R34517	2J12	13	50 - 66
R33450	4B16	1	80 - 13	R33714	2H15	2	50 - 20	R34520	2J12	12	50 - 66
R33450	4B16	4	80 - 13	R33731	2I3	23	50 - 33	R34526	2J12	17	50 - 66
R33450	4B16	5	80 - 13	R33771	2I5	25	50 - 35	R34529	2J12	28	50 - 66
R33450	4B16	8	80 - 13	R33813	2I6	20	50 - 36	R34537	3F6	2	70 - 49
R33450	4B16	11	80 - 13	R33815	3C15	5	60 - 38	R34557	2B11	..	40 - 7
R33450	4B16	12	80 - 13	R33815	3C15	6	60 - 38	R34557	3G6	17	70 - 73
R33450	4B16	14	80 - 13	R33816	3C15	6	60 - 38	R34618	4E17	5	90 - 38
R33450	4B16	15	80 - 13	R33831	3F22	24	70 - 65	R34619	4E17	1	90 - 38
R33450	4B16	16	80 - 13	R33852	2J7	15	50 - 61	R34620	4E17	2	90 - 38
R33451	2I6	3	50 - 36	R33853	2J7	17	50 - 61	R34622	1E5	8	30 - 27
R33451	2I7	3	50 - 37	R33877	2J17	23	50 - 71	R34623	1E5	7	30 - 27
R33452	2I6	5	50 - 36	R33883	3F8	17	70 - 51	R34624	1E5	17	30 - 27

# 1K24

4030 TRACTOR

## NUMERICAL INDEX - CONTINUED

PART NO.	GRID	KEY	PAGE	PART NO.	GRID	KEY	PAGE	PART NO.	GRID	KEY	PAGE
R34625	1E5	10	30 - 27	R35339	1C16	4	20 - 41	R38371	2D20	2	40 - 72
R34627	1E5	13	30 - 27	R35377	2H18	6	50 - 23	R38532	2J17	20	50 - 71
R34630	1E5	2	30 - 27	R35479	3G3	10	70 - 70	R38543	3G5	27	70 - 72
R34631	1E5	6	30 - 27	R35684	3D2	5	60 - 51	R38614	2J12	7	50 - 66
R34632	1E5	11	30 - 27	R35684	3E6	13	70 - 25	R39012	3H14	3	70 - 105
R34635	1E9	16	30 - 31	R35769	4C15	10	80 - 38	R39076	3E12	11	70 - 31
R34638	1E5	4	30 - 27	R35794	3E6	22	70 - 25	R39112	2J5	13	50 - 59
R34656	1D16	11	30 - 15	R35794	3E7	13	70 - 26	R39112	2J5	33	50 - 59
R34656	1D16	..	30 - 15	R35827	3D13	22	70 - 7	R39112	3B8	11	60 - 6
R34656	1D18	..	30 - 17	R35871	3G5	25	70 - 72	R39112	3C2	9	60 - 25
R34688	4C10	1	80 - 33	R36040	3B16	16	60 - 14	R39112	3E6	26	70 - 25
R34733	2I25	4	50 - 55	R36040	3C23	14	60 - 47	R39112	3E20	9	70 - 39
R34733	2J1	4	50 - 56	R36040	3C25	1	60 - 49	R39112	3E22	6	70 - 41
R34733	2J3	6	50 - 57	R36119	2I11	47	50 - 41	R39112	3E24	15	70 - 43
R34733	3B7	1	60 - 5	R36235	2B7	28	40 - 3	R39112	3H23	10	70 - 112
R34733	3B9	6	60 - 7	R36235	2F21	22	40 - 117	R39164	3E16	12	70 - 35
R34733	3B11	10	60 - 9	R36265	2I3	25	50 - 33	R39228	3D9	18	70 - 3
R34757	4B6	7	80 - 5	R36265	2I5	23	50 - 35	R39228	3D17	16	70 - 11
R34760	1E3	14	30 - 25	R36295	2H2	37	50 - 7	R39253	2H12	28	50 - 17
R34760	1E18	12	30 - 41	R36295	2J8	11	50 - 62	R39253	2H14	30	50 - 19
R34760	1E20	19	30 - 43	R36295	2J10	6	50 - 64	R39259	2H20	30	50 - 25
R34761	1E3	15	30 - 25	R36358	3D19	11	70 - 13	R39259	2H22	31	50 - 27
R34761	1E18	13	30 - 41	R36402	3H24	2	70 - 113	R39276	2H2	45	50 - 7
R34764	1C24	16	20 - 50	R36424	3E18	5	70 - 37	R39276	2H18	21	50 - 23
R34764	1E3	19	30 - 25	R36538	1E7	4	30 - 29	R39299	2H20	28	50 - 25
R34764	1E18	16	30 - 41	R36540	1E7	2	30 - 29	R39299	2H22	29	50 - 27
R34764	1E20	14	30 - 43	R36542	1E14	10	30 - 37	R39304	2H20	3	50 - 25
R34766	1D16	..	30 - 15	R36547	1E10	18	30 - 33	R39304	2H22	25	50 - 27
R34766	1D18	..	30 - 17	R36548	1E10	18	30 - 33	R39305	2H12	32	50 - 17
R34801	4B16	16	80 - 13	R36549	1E10	18	30 - 33	R39305	2H14	34	50 - 19
R34801	4B18	1	80 - 15	R36550	1E10	18	30 - 33	R39322	2H20	8	50 - 25
R34801	4B19	1	80 - 16	R36590	4H11	3	90 - 109	R39322	2H22	20	50 - 27
R34802	3D19	12	70 - 13	R36590	4H11	33	90 - 109	R394R	2I25	2	50 - 55
R34806	2J12	21	50 - 66	R36646	1E9	27	30 - 31	R394R	2I25	7	50 - 55
R34812	1D21	49	30 - 21	R36648	1E9	9	30 - 31	R394R	2J1	2	50 - 56
R34812	1E7	15	30 - 29	R36648	2H18	13	50 - 23	R394R	2J3	4	50 - 57
R34812	1E12	2	30 - 35	R36658	3H25	3	70 - 114	R394R	3B11	21	60 - 9
R34812	2E18	6	40 - 95	R36659	3H25	3	70 - 114	R394R	3F2	20	70 - 45
R34812	2E18	17	40 - 95	R36732	2F23	24	40 - 119	R394R	3F4	32	70 - 47
R34812	2E19	18	40 - 96	R36742	3C18	33	60 - 41	R394R	3G9	16	70 - 77
R34812	2E20	17	40 - 97	R36742	3C23	22	60 - 47	R39512	3F22	17	70 - 65
R34812	2E21	13	40 - 98	R36795	3H12	3	70 - 103	R39513	3F22	17	70 - 65
R34812	3G8	30	70 - 75	R36945	3G6	28	70 - 73	R39554	1F4	2	30 - 55
R34812	4D14	10	90 - 11	R36946	3G6	25	70 - 73	R39554	1F6	13	30 - 57
R34827	4H20	1	90 - 118	R36946	3H10	21	70 - 101	R39587	2J5	22	50 - 59
R34828	4B16	12	80 - 13	R36952	3H16	25	70 - 106A	R39587	2J5	30	50 - 59
R34828	4B17	8	80 - 14	R36952	3H19	34	70 - 109	R39597	2J14	26	50 - 68
R34829	4B16	12	80 - 13	R375R	3G5	18	70 - 72	R39613	4C10	8	80 - 33
R34838	1D15	3	30 - 14	R375R	3H2	16	70 - 93	R39615	1D14	2	30 - 13
R34838	1D16	3	30 - 15	R375R	3H3	5	70 - 94	R39615	1D15	6	30 - 14
R34863	2J12	10	50 - 66	R375R	3H4	19	70 - 95	R39615	1D16	6	30 - 15
R34875	2H9	1	50 - 14	R375R	4E2	43	90 - 25	R39729	3D9	9	70 - 3
R34875	2J11	10	50 - 65	R38063	2J16	3	50 - 70	R39729	3D13	17	70 - 7
R34875	2J12	25	50 - 66	R38067	2J17	23	50 - 71	R39739	4H20	3	90 - 118
R34933	2J14	11	50 - 68	R38068	2J17	24	50 - 71	R39741	1B10	4	20 - 9
R34933	3B15	19	60 - 13	R38069	2J17	25	50 - 71	R39741	3D7	1	70 - 1
R34933	3B16	19	60 - 14	R38181	2I6	12	50 - 36	R39741	3D9	15	70 - 3
R34933	3C6	13	60 - 29	R38181	2I7	15	50 - 37	R39741	3D9	16	70 - 3
R34965	3H16	16	70 - 106A	R38218	2J7	11	50 - 61	R39741	3D9	..	70 - 3
R34965	3H19	20	70 - 109	R38219	2J7	22	50 - 61	R39741	3D17	13	70 - 11
R34966	3H16	15	70 - 106A	R38221	2J7	1	50 - 61	R39741	3G21	13	70 - 89
R34966	3H19	19	70 - 109	R38224	2J7	5	50 - 61	R39741	3G22	23	70 - 90
R34985	1C18	8	20 - 43	R38295	2H6	20	50 - 11	R39741	3G24	14	70 - 91B
R34985	1C18	11	20 - 43	R38295	2H20	4	50 - 25	R39758	4B17	9	80 - 14
R35286	2H4	10	50 - 9	R38295	2H22	23	50 - 27	R39759	3F12	22	70 - 56
R35335	4B16	6	80 - 13	R38344	2H8	3	50 - 13	R39795	2I25	1	50 - 55
R35339	1C14	14	20 - 39	R38371	2D13	28	40 - 65	R39796	2I25	3	50 - 55

# 1K25

4030 TRACTOR

## NUMERICAL INDEX - CONTINUED

PART NO.	GRID	KEY	PAGE	PART NO.	GRID	KEY	PAGE	PART NO.	GRID	KEY	PAGE
R39832	3B13	16B	60 - 11	R40896	3E22	24	70 - 41	R41108	3F2	3	70 - 45
R39832	3B19	4B	60 - 17	R40896	3G21	16	70 - 89	R41108	3F4	3	70 - 47
R39832	3C8	14B	60 - 31	R40896	3G22	26	70 - 90	R41121	3F8	6	70 - 51
R39832	3C12	1B	60 - 35	R40915	3F2	27	70 - 45	R41121	3F8	7	70 - 51
R39843	3D9	26	70 - 3	R40915	3F4	23	70 - 47	R41147	2I11	8	50 - 41
R39877	2C13	35	40 - 37	R40922	3E14	26	70 - 33	R41147	3F6	22	70 - 49
R39985	1E22	13	30 - 46	R40922	3E16	29	70 - 35	R41155	2H2	20	50 - 7
R40072	3E2	4	70 - 20	R40922	3G9	13	70 - 77	R41155	3G9	17	70 - 77
R40147	2I24	25	50 - 54	R40922	3G12	13	70 - 80	R41155	3G12	17	70 - 80
R40149	3B6	7	60 - 4	R40922	3G14	5	70 - 82	R41156	3G8	19	70 - 75
R40218	3H14	38	70 - 105	R40922	3G15	21	70 - 83	R41334	2C5	12	40 - 29
R40337	2C13	22	40 - 37	R40922	3G17	22	70 - 85	R41337	3E22	55	70 - 41
R40337	2C20	4	40 - 45	R40922	3H23	7	70 - 112	R41337	3E24	7	70 - 43
R40337	2C22	26	40 - 47	R40928	3F24	15	70 - 67	R41338	3G8	33	70 - 75
R40337	2C25	3	40 - 51	R40937	3G8	28	70 - 75	R41338	3G11	31	70 - 79
R40338	3B8	1	60 - 6	R40937	3G11	27	70 - 79	R41339	3G8	29	70 - 75
R40424	3F18	25	70 - 63	R40937	3G14	9	70 - 82	R41339	3G11	28	70 - 79
R40445	2G5	3	40 - 127	R40939	2H15	3	50 - 20	R41339	3G14	10	70 - 82
R40499	3G8	12	70 - 75	R40939	3E14	22	70 - 33	R41355	4E4	11	90 - 27
R40499	3G8	31	70 - 75	R40939	3E16	28	70 - 35	R41355	4E8	3	90 - 29B
R40499	3G9	1	70 - 77	R40945	3E20	30	70 - 39	R41358	4E6	8	90 - 29
R40499	3H2	27	70 - 93	R40945	3E22	28	70 - 41	R41385	3F6	7	70 - 49
R40516	3F14	12	70 - 59	R40945	3E24	31	70 - 43	R41386	3F6	9	70 - 49
R40529	1D3	6	30 - 2	R40945	3G24	10	70 - 91B	R41387	4E25	3	90 - 47
R40531	3B6	8	60 - 4	R40949	3F2	1	70 - 45	R41439	2F23	13	40 - 119
R40545	2C20	38	40 - 45	R40949	3F4	1	70 - 47	R41439	3B15	25	60 - 13
R40546	2C23	6	40 - 48	R40979	1C18	3	20 - 43	R41439	3B16	13	60 - 14
R40548	2C23	10	40 - 48	R41006	2I24	11	50 - 54	R41439	3G6	16	70 - 73
R40548	2D3	7	40 - 54	R41007	2I24	6	50 - 54	R41440	2B10	11	40 - 6
R40567	3B5	18	60 - 3	R41007	2I24	20	50 - 54	R41440	3C8	18	60 - 31
R40567	3B11	9	60 - 9	R41009	2I24	19	50 - 54	R41440	3C10	13	60 - 33
R40583	3E12	9	70 - 31	R41018	2J12	18	50 - 66	R41440	4H13	15	90 - 111
R40589	4B8	7	80 - 7	R41041	2H2	19	50 - 7	R41446	3E14	28	70 - 33
R40595	3B8	14	60 - 6	R41048	2J11	7	50 - 65	R41446	3E16	31	70 - 35
R40596	3B8	13	60 - 6	R41048	2J12	20	50 - 66	R41549	3G8	25	70 - 75
R40597	3B8	12	60 - 6	R41049	2J11	15	50 - 65	R41549	3G11	24	70 - 79
R40633	3F12	18	70 - 56	R41050	2J11	14	50 - 65	R41661	3F2	11	70 - 45
R40685	4B25	7	80 - 23	R41050	2J12	23	50 - 66	R41661	3F4	13	70 - 47
R40685	4C2	1	80 - 25	R41055	3G8	5	70 - 75	R41721	3B17	13	60 - 15
R40685	4C2	7	80 - 25	R41055	3G11	5	70 - 79	R41721	3B19	21	60 - 17
R40685	4C4	7	80 - 27	R41057	3D11	43	70 - 5	R41721	3C12	21	60 - 35
R40685	4C6	7	80 - 29	R41057	3D11	44	70 - 5	R41721	3C14	17	60 - 37
R40685	4C8	1	80 - 31	R41057	3D15	7	70 - 9	R41724	3B7	2	60 - 5
R40685	4C8	7	80 - 31	R41057	3D19	40	70 - 13	R41763	3F24	13	70 - 67
R40707	1E9	25	30 - 31	R41057	3D21	13	70 - 15	R41770	3C12	26	60 - 35
R40757	3B8	15	60 - 6	R41057	3D23	9	70 - 17	R41770	3C14	27	60 - 37
R40791	4E2	17	90 - 25	R41057	3E20	23	70 - 39	R41776	3E20	35	70 - 39
R40835	2H10	11	50 - 15	R41057	3E22	20	70 - 41	R41776	3E22	33	70 - 41
R40835	2H11	15	50 - 16	R41057	3E24	30	70 - 43	R41776	3E24	42	70 - 43
R40835	2H14	29	50 - 19	R41057	3G8	12	70 - 75	R41777	3E20	34	70 - 39
R40881	3E20	1	70 - 39	R41057	3G8	21	70 - 75	R41777	3E22	32	70 - 41
R40885	3F2	8	70 - 45	R41057	3G8	31	70 - 75	R41777	3E24	43	70 - 43
R40885	3F4	8A	70 - 47	R41057	3G9	1	70 - 77	R41778	4E4	5	90 - 27
R40887	3E18	11	70 - 37	R41057	3G11	20	70 - 79	R41778	4E8	8	90 - 29B
R40889	3F8	12	70 - 51	R41057	3G14	15	70 - 82	R41778	4E18	2	90 - 39
R40891	3F8	13	70 - 51	R41057	3G21	9	70 - 89	R41781	4E4	1	90 - 27
R40892	3F2	35	70 - 45	R41057	3G22	18	70 - 90	R41877	3D2	12	60 - 51
R40893	3E20	36	70 - 39	R41057	3G24	9	70 - 91B	R41880	2E16	10	40 - 93
R40893	3E22	34	70 - 41	R41057	3H2	27	70 - 93	R41880	2E17	4	40 - 94
R40893	3E24	41	70 - 43	R41071	4E2	37	90 - 25	R41902	2J11	9	50 - 65
R40894	3E20	31	70 - 39	R41076	1E22	23	30 - 46	R41902	2J12	22	50 - 66
R40894	3E22	29	70 - 41	R41076	1E25	33	30 - 49	R41920	1E22	19	30 - 46
R40894	3E24	46	70 - 43	R41076	3F2	25	70 - 45	R41920	1E24	18	30 - 48
R40895	3E20	33	70 - 39	R41076	3F4	21	70 - 47	R41933	3G8	31	70 - 75
R40895	3E22	31	70 - 41	R41076	3F6	28	70 - 49	R41933	4C24	20	80 - 45
R40895	3E24	44	70 - 43	R41078	3F8	14	70 - 51	R41937	4E17	4	90 - 38
R40896	3E20	27	70 - 39	R41088	3F24	7	70 - 67	R41938	4E17	4	90 - 38



# 1L1

4030 TRACTOR

## NUMERICAL INDEX - CONTINUED

PART NO.	GRID	KEY	PAGE	PART NO.	GRID	KEY	PAGE	PART NO.	GRID	KEY	PAGE
R41968	3F6	16	70 - 49	R43444	3F16	9	70 - 61	R44302	3C24	14	60 - 48
R41985	4E2	38	90 - 25	R43444	3F18	20	70 - 63	R44302	3E4	21	70 - 23
R42009	3C23	10	60 - 47	R43538	2I1	4	50 - 31	R44302	3E10	..	70 - 29
R42009	3C24	18	60 - 48	R43569	2H8	13	50 - 13	R44302	4D11	21	90 - 8
R42014	2J7	21	50 - 61	R43569	4F6	32	90 - 53	R44302	4E2	..	90 - 25
R42093	3G19	7	70 - 87	R43642	3E8	6	70 - 27	R44310	3G8	18	70 - 75
R42127	2I8	3	50 - 38	R43661	4D17	8	90 - 15	R44313	3F6	21	70 - 49
R42127	2I11	5	50 - 41	R43662	2D13	25	40 - 65	R44315	3G8	31	70 - 75
R42127	2I23	3	50 - 53	R43663	3B3	12	60 - 1	R44315	4C24	17	80 - 45
R42260	3D11	40	70 - 5	R43684	2G22	18	50 - 2	R44327	2J12	19	50 - 66
R42260	3D19	36	70 - 13	R43791	3E22	4	70 - 41	R44342	2E6	14	40 - 83
R42282	2I9	7	50 - 39	R43791	3E24	13	70 - 43	R44350	4B22	11	80 - 19
R42282	2I11	41	50 - 41	R43829	3E1	6	70 - 19	R44720	4H11	4	90 - 109
R42282	2I13	19	50 - 43	R43962	3B7	10	60 - 5	R44791	4B20	6	80 - 17
R42282	2I15	24	50 - 45	R43962	3B8	4	60 - 6	R44802	3D11	31	70 - 5
R42282	3F6	34	70 - 49	R44007	2J11	8	50 - 65	R44823	3D9	10	70 - 3
R42357	3C23	10	60 - 47	R44165	2B7	9	40 - 3	R44840	3G5	17	70 - 72
R42364	1B23	6	20 - 21	R44165	2F6	27	40 - 109	R44845	3B6	4	60 - 4
R42408	4E10	14	90 - 31	R44165	2F8	29	40 - 111	R44848	3G3	4	70 - 70
R42408	4E10	15	90 - 31	R44165	2F10	29	40 - 111B	R44890	4B22	9	80 - 19
R42408	4F12	32	90 - 59	R44165	2F12	31	40 - 111D	R44917	3F12	10	70 - 56
R42408	4F12	34	90 - 59	R44165	2F14	11	40 - 113	R44918	3F12	11	70 - 56
R42439	4E4	12	90 - 27	R44165	2F19	8	40 - 116	R45045	1E5	3	30 - 27
R42439	4E8	2	90 - 29B	R44165	2F20	13	40 - 116A	R45106	3G6	23	70 - 73
R42440	3F22	18	70 - 65	R44165	4D14	12	90 - 11	R45126	2J7	6	50 - 61
R42443	2J11	12	50 - 65	R44165	4D15	5	90 - 12	R45137	2B7	..	40 - 3
R42443	2J12	15	50 - 66	R44165	4D15	15	90 - 12	R45137	2B11	..	40 - 7
R42445	2J11	11	50 - 65	R44165	4D16	4	90 - 13	R45189	3G5	24	70 - 72
R42445	2J12	16	50 - 66	R44165	4D16	12	90 - 13	R45211	2B7	..	40 - 3
R42447	2J12	14	50 - 66	R44254	3B7	23	60 - 5	R45211	2B10	11	40 - 6
R42467	3D9	25	70 - 3	R44254	3C18	36	60 - 41	R45211	2B11	31	40 - 7
R42483	1E12	16	30 - 35	R44254	3D2	17	60 - 51	R45215	3G5	26	70 - 72
R42495	3F12	14	70 - 56	R44255	3B7	25	60 - 5	R45227	3D9	14	70 - 3
R42574	2C22	21	40 - 47	R44255	3C18	38	60 - 41	R45227	3D9	15	70 - 3
R42574	2D2	20	40 - 53	R44256	3B7	24	60 - 5	R45227	3D9	16	70 - 3
R42585	2J6	4	50 - 60	R44256	3C18	37	60 - 41	R45228	3D9	14	70 - 3
R42629	3B3	25	60 - 1	R44256	3D2	16	60 - 51	R45228	3D9	15	70 - 3
R42629	3B4	26	60 - 2	R44285	3H16	19	70 - 106A	R45228	3D9	16	70 - 3
R42629	3B20	7	60 - 19	R44285	3H19	23	70 - 109	R45397	4G5	17	90 - 77
R42629	3B22	9	60 - 21	R44287	3H16	24	70 - 106A	R45397	4G11	1	90 - 83
R42629	3B24	9	60 - 23	R44287	3H19	33	70 - 109	R45422	3D17	26	70 - 11
R42641	3F6	3	70 - 49	R44296	3H14	22	70 - 105	R45425	3D17	22A	70 - 11
R42660	3G2	13	70 - 69	R44296	3H16	5	70 - 106A	R45438	3D9	1	70 - 3
R42660	4B6	5	80 - 5	R44296	3H19	11	70 - 109	R45438	3D17	1	70 - 11
R42660	4B6	12	80 - 5	R44298	3E20	38A	70 - 39	R45440	3E9	..	70 - 28
R42661	3B7	18	60 - 5	R44299	3E20	39	70 - 39	R45440	3E10	..	70 - 29
R42663	3D11	31	70 - 5	R44302	1E1	..	30 - 22	R45440	4D12	..	90 - 9
R42666	2D19	2	40 - 71	R44302	1E2	4	30 - 23	R45447	3G4	3	70 - 71
R42667	2D19	2	40 - 71	R44302	1F3	17	30 - 53	R45523	4B6	7	80 - 5
R42684	3C2	7	60 - 25	R44302	1F6	..	30 - 57	R45526	1C14	15	20 - 39
R42684	3C18	42	60 - 41	R44302	1F7	2	30 - 58	R45537	4H18	2	90 - 116
R42689	2D17	16	40 - 69	R44302	2B7	..	40 - 3	R45569	2H18	4	50 - 23
R42695	3G2	18	70 - 69	R44302	2B11	..	40 - 7	R45582	4C15	7	80 - 38
R42696	3G2	18	70 - 69	R44302	2B18	..	40 - 15	R45620	3H14	25	70 - 105
R42773	3E18	10	70 - 37	R44302	2B25	3	40 - 24	R45620	3H19	8	70 - 109
R42799	2E16	2	40 - 93	R44302	2C11	3	40 - 35	R45630	3H2	5	70 - 93
R42799	2E17	9	40 - 94	R44302	2C18	2	40 - 42	R45630	3H10	5	70 - 101
R42822	4D6	13	90 - 3	R44302	2D4	7	40 - 55	R45642	2C11	4	40 - 35
R42822	4D8	1	90 - 5	R44302	2D11	1	40 - 62	R45811	3B7	10	60 - 5
R42849	3B8	8	60 - 6	R44302	2D25	18	40 - 77	R45811	3B8	4	60 - 6
R42849	3C2	10	60 - 25	R44302	2E12	1	40 - 89	R45822	3E1	4	70 - 19
R42849	3C4	5	60 - 27	R44302	2F23	12	40 - 119	R45847	2B7	25	40 - 3
R42849	3C18	39	60 - 41	R44302	2G1	6	40 - 122	R45847	3C24	14	60 - 48
R42849	3C24	4	60 - 48	R44302	2G3	5	40 - 124	R45874	3D9	28	70 - 3
R43252	2I24	20	50 - 54	R44302	2G5	20	40 - 127	R459R	3B7	4	60 - 5
R43305	2H18	7	50 - 23	R44302	2G6	11	60 - 29	R459R	3B11	14	60 - 9
R43370	2J14	21	50 - 68	R44302	3C10	..	60 - 33	R459R	3H19	14	70 - 109

# 1L2

4030 TRACTOR

## NUMERICAL INDEX - CONTINUED

PART NO.	GRID	KEY	PAGE	PART NO.	GRID	KEY	PAGE	PART NO.	GRID	KEY	PAGE
R45924	3E20	22	70 - 39	R47160	1F4	4	30 - 55	R47998	3B4	1	60 - 2
R45924	3E22	19	70 - 41	R47160	1F5	24	30 - 56	R47998	3B20	1	60 - 19
R45924	3G21	8	70 - 89	R47160	1F6	2	30 - 57	R47998	3B24	1	60 - 23
R45924	3G22	17	70 - 90	R47197	4E6	3	90 - 29	R48000	1C24	16	20 - 50
R45925	3E20	21	70 - 39	R47224	4D4	3	90 - 1	R48000	1E3	17	30 - 25
R45925	3E22	18	70 - 41	R47226	4D4	6	90 - 1	R48000	1E18	15	30 - 41
R45925	3G21	7	70 - 89	R47227	4D4	16	90 - 1	R48000	1E20	15	30 - 43
R45925	3G22	16	70 - 90	R47229	4D4	18	90 - 1	R48008	1D18	1	30 - 17
R45936	2D13	2	40 - 65	R47230	4D4	9	90 - 1	R48026	2F21	..	40 - 117
R45936	2D15	2	40 - 67	R47231	4D4	10	90 - 1	R48027	2F21	..	40 - 117
R45936	2D17	2	40 - 69	R47232	4D4	11	90 - 1	R48028	2F21	28	40 - 117
R45937	2D13	3	40 - 65	R47233	4D6	19	90 - 3	R48048	2F21	17	40 - 117
R45937	2D15	3	40 - 67	R47233	4D8	7	90 - 5	R48049	2F21	27	40 - 117
R45937	2D17	3	40 - 69	R47234	4D6	20	90 - 3	R48071	1E17	5	30 - 40
R46113	1C18	20	20 - 43	R47234	4D8	8	90 - 5	R48084	3E12	10	70 - 31
R46113	2C5	11	40 - 29	R47235	4D8	28	90 - 5	R48163	3F16	7	70 - 61
R46162	2J11	1	50 - 65	R47235	4D11	11	90 - 8	R48163	3F18	1	70 - 63
R46162	2J12	1	50 - 66	R47283	1B9	5	20 - 8	R48164	3F16	8	70 - 61
R46323	2J11	6	50 - 65	R47292	4E4	3	90 - 27	R48164	3F18	5	70 - 63
R46323	2J12	6	50 - 66	R47300	3F6	8A	70 - 49	R48240	3C15	9	60 - 38
R46324	2J11	6	50 - 65	R47301	3F6	10	70 - 49	R48240	3C16	5	60 - 39
R46324	2J12	6	50 - 66	R47358	1E17	8	30 - 40	R48293	2D17	16	40 - 69
R46345	3E1	3	70 - 19	R47468	4E2	14	90 - 25	R48399	1D17	7	30 - 16
R46414	2D4	12	40 - 55	R47474	2B7	26	40 - 3	R48399	1D18	16	30 - 17
R46414	3B15	14	60 - 13	R47474	2B7	..	40 - 3	R48399	1D19	5	30 - 19
R46414	4E2	42	90 - 25	R47474	2B11	..	40 - 7	R48449	2J17	23	50 - 71
R46443	3F8	2	70 - 51	R47474	2D25	20	40 - 77	R48493	1E7	22	30 - 29
R465R	2H8	7	50 - 13	R47474	2E18	25	40 - 95	R48494	1E10	1	30 - 33
R46528	4G3	9	90 - 75	R47474	2E21	3	40 - 98	R48496	1E5	18	30 - 27
R46625	1B10	16	20 - 9	R47474	2E21	4	40 - 98	R48497	1E5	19	30 - 27
R46663	4F8	..	90 - 55	R47474	2E21	10	40 - 98	R48498	1E5	20	30 - 27
R46663	4G9	..	90 - 81	R47474	2E23	10	40 - 100	R48500	1E12	14	30 - 35
R46663	4H4	..	90 - 101	R47474	2F14	21	40 - 113	R48576	3C15	5	60 - 38
R46667	4E2	34	90 - 25	R47474	2F16	12	40 - 115	R48599	1E3	1	30 - 25
R46675	1E20	10	30 - 43	R47474	2F18	12	40 - 115B	R48600	1E3	2	30 - 25
R46722	3G8	1	70 - 75	R47507	2J7	11	50 - 61	R48601	1E9	21	30 - 31
R46722	3G11	1	70 - 79	R47524	3F12	26	70 - 56	R48602	1E9	23	30 - 31
R46722	3G14	1	70 - 82	R47576	3E2	17	70 - 20	R48603	1E9	22	30 - 31
R46855	2J13	9	50 - 67	R47576	3E3	21A	70 - 21	R48604	1E9	19	30 - 31
R46862	2J13	3	50 - 67	R47576	3E3	21B	70 - 21	R48632	4C24	18	80 - 45
R46863	2J13	1	50 - 67	R47576	3E3	24	70 - 21	R48663	2D13	37	40 - 65
R46889	3F16	13	70 - 61	R47576	3E3	44	70 - 21	R48663	2D15	36	40 - 67
R46890	3F16	10	70 - 61	R47577	3F18	36	70 - 63	R48663	2D17	34	40 - 69
R46893	3F16	15	70 - 61	R47578	3F18	21	70 - 63	R48663	2D18	7	40 - 70
R46901	2J13	4	50 - 67	R47605	3D2	21	60 - 51	R48663	4F10	16	90 - 57
R46902	2J15	2	50 - 69	R47605	4F20	3	90 - 67	R48685	1B10	1	20 - 9
R46967	1D16	..	30 - 15	R47606	3D2	20	60 - 51	R48685	2H8	8	50 - 13
R46967	1D18	..	30 - 17	R47607	3D2	23	60 - 51	R48698	3H6	3	70 - 97
R46987	3D2	3	60 - 51	R47678	3F18	32	70 - 63	R48723	1D6	18	30 - 5
R46987	3D2	7	60 - 51	R47679	3F18	30	70 - 63	R48723	1D8	20	30 - 7
R46987	3E6	15	70 - 25	R47687	2J14	20	50 - 68	R48738	3D9	19	70 - 3
R47016	3G5	7	70 - 72	R47687	3C24	8	60 - 48	R48738	3D17	17	70 - 11
R47018	3G5	11	70 - 72	R47687	3C24	18	60 - 48	R48763	4B10	6	80 - 9
R47072	3F12	16	70 - 56	R47693	1C25	4	20 - 51	R48763	4B12	3	80 - 11
R47074	2H20	6	50 - 25	R47694	3B6	11	60 - 4	R48763	4B12	4	80 - 11
R47074	2H22	24	50 - 27	R47694	3B11	31	60 - 9	R48763	4B12	5	80 - 11
R47074	2H23	13	50 - 28	R47733	1E20	7	30 - 43	R48763	4B12	18	80 - 11
R47074	2H23	15	50 - 28	R47756	3E10	10	70 - 29	R48763	4B12	19	80 - 11
R47077	1E14	18	30 - 37	R47826	3F8	11	70 - 51	R48763	4B14	7	80 - 11B
R47077	1E21	22	30 - 45	R47828	2I24	13	50 - 54	R48766	3E9	21	70 - 28
R47085	3D2	10	60 - 51	R47859	2F23	1	40 - 119	R48767	1B16	2	20 - 13
R47086	3D2	11	60 - 51	R47860	2F21	9	40 - 117	R48767	1C21	12	20 - 47
R47087	3D2	9	60 - 51	R47861	2F21	9	40 - 117	R48768	1B16	2	20 - 13
R47095	3G5	21	70 - 72	R47886	2E3	5	40 - 80	R48887	2G12	17	40 - 135
R47144	1C23	6	20 - 49	R47941	1D14	7	30 - 13	R48951	2I24	4	50 - 54
R47160	1F1	21	30 - 51	R47941	1D15	10	30 - 14	R48954	4B16	1	80 - 13
R47160	1F3	15	30 - 53	R47998	3B3	34	60 - 1	R48954	4B16	4	80 - 13

# 1L3

4030 TRACTOR

## NUMERICAL INDEX - CONTINUED

PART NO.	GRID	KEY	PAGE	PART NO.	GRID	KEY	PAGE	PART NO.	GRID	KEY	PAGE
R48954	4B16	8	80 - 13	R49559	4B4	5	80 - 3	R50044	2B19	5	40 - 17
R48954	4B16	11	80 - 13	R49561	4B6	10	80 - 5	R50046	2B19	11	40 - 17
R48954	4B16	12	80 - 13	R49562	4B6	10	80 - 5	R50065	3E20	3	70 - 39
R48954	4B16	14	80 - 13	R49563	4B4	5	80 - 3	R50065	3E20	41	70 - 39
R48954	4B16	15	80 - 13	R49564	4B6	10	80 - 5	R50065	3F7	3	70 - 50
R48954	4B16	16	80 - 13	R49565	4B6	10	80 - 5	R50065	3G21	2	70 - 89
R48954	4B18	1	80 - 15	R49597	4B4	5	80 - 3	R50066	3E20	41	70 - 39
R48955	4B16	1	80 - 13	R49598	4B6	10	80 - 5	R50066	3F7	7	70 - 50
R48955	4B16	4	80 - 13	R49599	4B6	10	80 - 5	R50067	3E20	41	70 - 39
R48955	4B16	5	80 - 13	R49600	3B19	6	60 - 17	R50067	3F7	12	70 - 50
R48955	4B16	8	80 - 13	R49620	3B17	4	60 - 15	R50074	3B19	14	60 - 17
R48955	4B16	11	80 - 13	R49668	3H21	7	70 - 111	R50074	3C12	37	60 - 35
R48955	4B16	12	80 - 13	R49708	3G8	31	70 - 75	R50074	4B8	3	80 - 7
R48955	4B16	14	80 - 13	R49803	3B19	11	60 - 17	R50075	3B19	16	60 - 17
R48955	4B16	15	80 - 13	R49804	3B17	18	60 - 15	R50075	3C12	39	60 - 35
R48955	4B16	16	80 - 13	R49804	3B19	26	60 - 17	R50075	4B8	5	80 - 7
R48955	4B18	1	80 - 15	R49804	3C12	22	60 - 35	R50082	1D3	2	30 - 2
R48957	3D2	4	60 - 51	R49804	3C14	21	60 - 37	R50104	3B19	13	60 - 17
R48976	2C20	9	40 - 45	R49805	3B17	20	60 - 15	R50104	3C12	34	60 - 35
R48976	2C25	9	40 - 51	R49805	3B19	28	60 - 17	R50105	3B19	8	60 - 17
R48978	3G8	8	70 - 75	R49805	3C12	18	60 - 35	R50106	3G19	4	70 - 87
R48978	3G11	8	70 - 79	R49805	3C14	23	60 - 37	R50123	2G24	12	50 - 5
R48979	3G8	2	70 - 75	R49825	4B8	20	80 - 7	R50149	2H18	24	50 - 23
R48980	3G8	6	70 - 75	R49826	4B8	20	80 - 7	R50149	2H23	1	50 - 28
R48980	3G11	6	70 - 79	R49827	4B8	20	80 - 7	R50152	2H20	32A	50 - 25
R48981	3G8	7	70 - 75	R49828	4B8	20	80 - 7	R50152	2H20	32B	50 - 25
R490R	2H20	16	50 - 25	R49835	4B6	8	80 - 5	R50152	2H22	33	50 - 27
R49071	3D11	25	70 - 5	R49836	4B6	3	80 - 5	R50153	2H20	34	50 - 25
R49071	3D11	27	70 - 5	R49837	4B6	11	80 - 5	R50153	2H22	36	50 - 27
R49071	3D11	28	70 - 5	R49838	4B6	11	80 - 5	R50154	2H2	44	50 - 7
R49071	3D11	29	70 - 5	R49839	4B12	3	80 - 11	R50154	2H23	6	50 - 28
R49071	3D11	30	70 - 5	R49839	4B12	4	80 - 11	R50155	2H2	46	50 - 7
R49071	3D11	31	70 - 5	R49839	4B12	5	80 - 11	R50155	2H18	20	50 - 23
R49071	3D15	9	70 - 9	R49839	4B12	14	80 - 11	R50155	2H23	9	50 - 28
R49072	3D11	26	70 - 5	R49841	4B12	5	80 - 11	R50156	2G24	17	50 - 5
R49072	3D15	14	70 - 9	R49841	4B12	9	80 - 11	R50188	2G24	5	50 - 5
R49106	3F22	19	70 - 65	R49850	2H8	9	50 - 13	R50189	2G24	7	50 - 5
R49139	1D19	6	30 - 19	R49856	4D6	..	90 - 3	R50195	2H23	10	50 - 28
R49187	3G8	12	70 - 75	R49856	4D8	..	90 - 5	R50196	4H4	7	90 - 101
R49187	3G8	31	70 - 75	R49877	1D14	1	30 - 13	R50198	4G3	11	90 - 75
R49187	3G9	1	70 - 77	R49877	1D15	17	30 - 14	R50198	4G5	8	90 - 77
R49187	3H2	27	70 - 93	R49921	2B12	2	40 - 8	R50198	4H13	23	90 - 111
R49191	3H2	32	70 - 93	R49924	3F6	13	70 - 49	R50198	4H13	26	90 - 111
R49191	3H4	22	70 - 95	R49930	4E14	4	90 - 35	R50198	4H15	17	90 - 113
R49193	3H16	8	70 - 106A	R49932	3F2	30	70 - 45	R50199	4C10	24	80 - 33
R49209	1E5	13	30 - 27	R49932	3F4	25	70 - 47	R50200	2J16	10	50 - 70
R49211	1E9	15	30 - 31	R49948	2J17	17	50 - 71	R50201	1D18	9	30 - 17
R49212	1E9	14	30 - 31	R49948	2J17	18	50 - 71	R50201	1E1	11	30 - 22
R49221	3G9	9	70 - 77	R49948	2J17	19	50 - 71	R50201	2J14	15	50 - 68
R49221	3G12	9	70 - 80	R49948	2J17	22	50 - 71	R50201	3C24	13	60 - 48
R49297	3D9	17	70 - 3	R49949	2J17	18	50 - 71	R50207	4C15	8	80 - 38
R49297	3D17	15	70 - 11	R49951	2J17	19	50 - 71	R50209	4G16	14	90 - 89
R49298	3D9	20	70 - 3	R49952	2J17	26	50 - 71	R50210	2J16	10	50 - 70
R49336	3F8	8	70 - 51	R49955	3E14	12	70 - 33	R50213	4G16	9	90 - 89
R49338	3F24	10	70 - 67	R49955	3E16	15	70 - 35	R50217	4G5	1	90 - 77
R49352	3H14	4	70 - 105	R49956	3E17	10	70 - 36	R50217	4G7	2	90 - 79
R49393	2C17	11	40 - 41	R49975	3B17	12	60 - 15	R50220	3E16	12	70 - 35
R49394	2C17	10	40 - 41	R49975	3B19	20	60 - 17	R50222	2H11	16	50 - 16
R49411	3F6	18	70 - 49	R49975	3C12	20	60 - 35	R50222	2H13	27	50 - 18
R49427	2J17	26	50 - 71	R49975	3C14	16	60 - 37	R50222	2H20	5	50 - 25
R495R	1B6	7	20 - 5	R49983	4C14	11	80 - 37	R50222	2H22	22	50 - 27
R495R	3B6	12	60 - 4	R49984	4C14	1	80 - 37	R50225	1E22	29	30 - 46
R495R	3B11	32	60 - 9	R49988	3E14	17	70 - 33	R50225	1E25	30	30 - 49
R495R	3C18	25	60 - 41	R49988	3E16	22	70 - 35	R50226	1E24	23	30 - 48
R495R	3C19	4	60 - 43	R50012	3G19	6	70 - 87	R50227	1E22	16	30 - 46
R495R	3G5	20	70 - 72	R50013	3G19	17	70 - 87	R50227	1E24	21	30 - 48
R495R	3H10	13	70 - 101	R50034	3C21	16	60 - 45	R50230	3E14	9	70 - 33

# 1L4

4030 TRACTOR

## NUMERICAL INDEX - CONTINUED

PART NO.	GRID	KEY	PAGE	PART NO.	GRID	KEY	PAGE	PART NO.	GRID	KEY	PAGE
R50231	3E1	9	70 - 19	R50457	4G7	7	90 - 79	R50696	4D14	16	90 - 11
R50244	4F12	2	90 - 59	R50459	4G5	15	90 - 77	R50696	4G7	18	90 - 79
R50247	4E10	7	90 - 31	R50460	4G5	16	90 - 77	R50696	4G9	2	90 - 81
R50247	4F12	8	90 - 59	R50461	4E2	21	90 - 25	R50697	4G7	17	90 - 79
R50258	2H2	33	50 - 7	R50462	4E2	27	90 - 25	R50697	4G9	5	90 - 81
R50259	2H2	21	50 - 7	R50469	4F8	21	90 - 55	R50698	4G7	16	90 - 79
R50263	1B25	7	20 - 23	R50470	4F8	20	90 - 55	R50698	4G9	6	90 - 81
R50263	2G24	9	50 - 5	R50476	4H13	9	90 - 111	R50708	3E9	15	70 - 28
R50272	4G5	19	90 - 77	R50477	4H13	9	90 - 111	R50711	3E9	2A	70 - 28
R50272	4G11	15	90 - 83	R50480	4D14	7	90 - 11	R50712	3B5	8	60 - 3
R50274	3B17	17	60 - 15	R50481	4D17	2	90 - 15	R50712	3B20	15	60 - 19
R50274	3B19	25	60 - 17	R50481	4D17	2	90 - 15	R50712	3B24	13	60 - 23
R50275	3B17	19	60 - 15	R50499	2E4	4	40 - 81	R50712	3B13	6	60 - 11
R50275	3B19	27	60 - 17	R50499	2E18	5	40 - 95	R50715	3B13	6	60 - 11
R50275	3C12	19	60 - 35	R50499	2E19	17	40 - 96	R50719	4G16	7	90 - 89
R50275	3C14	22	60 - 37	R50499	2E20	16	40 - 97	R50719	4G16	11	90 - 89
R50276	3B17	14	60 - 15	R50499	4D15	1	90 - 12	R50719	4G20	13	90 - 93
R50276	3B19	22	60 - 17	R50500	2E21	16	40 - 98	R50724	4C2	1	80 - 25
R50276	3C12	28	60 - 35	R50500	4D15	13	90 - 12	R50724	4C4	6	80 - 27
R50276	3C12	28	60 - 35	R50500	4D16	10	90 - 13	R50724	4C6	6	80 - 29
R50276	3C14	18	60 - 37	R50501	4G5	9	90 - 77	R50724	4C8	1	80 - 31
R50277	2F14	16	40 - 113	R50505	1E22	12	30 - 46	R50724	4C8	6	80 - 31
R50279	4D17	4	90 - 15	R50505	1E25	26	30 - 49	R50725	4B25	6	80 - 23
R50280	2G21	2	50 - 1	R50506	1E22	11	30 - 46	R50725	4C2	6	80 - 25
R50287	2G22	7	50 - 2	R50506	1E24	25	30 - 48	R50725	4C6	6	80 - 29
R50298	2J9	20	50 - 63	R50523	2I8	12	50 - 38	R50725	4C8	6	80 - 31
R50301	2H2	29	50 - 7	R50526	2I8	1	50 - 38	R50733	1E25	35	30 - 49
R50333	2G22	16	50 - 2	R50526	2I11	4	50 - 41	R50734	4G20	20	90 - 93
R50333	2H4	2	50 - 9	R50536	3E17	10	70 - 36	R50735	4G20	25	90 - 93
R50334	2H4	4	50 - 9	R50541	4G18	15	90 - 91	R50736	4C10	10	80 - 33
R50341	2G24	1	50 - 5	R50541	4G18	18	90 - 91	R50740	4F8	5	90 - 55
R50342	2H20	9	50 - 25	R50550	2H23	12	50 - 28	R50753	4G20	4	90 - 93
R50343	2H20	1	50 - 25	R50559	3F2	52	70 - 45	R50754	4G20	5	90 - 93
R50346	2G24	4	50 - 5	R50587	4H4	7	90 - 101	R50755	4G20	2	90 - 93
R50347	2H20	12	50 - 25	R50588	4H17	16	90 - 115	R50756	4G20	3	90 - 93
R50348	2H20	27A	50 - 25	R50589	4D15	2	90 - 12	R50757	4G20	1	90 - 93
R50348	2H20	27B	50 - 25	R50591	4H17	15	90 - 115	R50758	4G20	23	90 - 93
R50348	2H22	28	50 - 27	R50604	2H20	31A	50 - 25	R50761	4H4	1	90 - 101
R50349	2H20	7	50 - 25	R50624	4E14	5	90 - 35	R50762	4H4	1	90 - 101
R50349	2H22	21	50 - 27	R50638	4G20	10	90 - 93	R50779	1D14	17	30 - 13
R50359	2G22	11	50 - 2	R50640	4G20	26	90 - 93	R50779	1D15	18	30 - 14
R50359	2J15	15	50 - 69	R50641	4G11	10B	90 - 83	R50779	1D16	16	30 - 15
R50362	2I3	3	50 - 33	R50641	4G11	13	90 - 83	R50788	4E12	12	90 - 33
R50362	2I5	3	50 - 35	R50641	4G20	6	90 - 93	R50788	4F8	14	90 - 55
R50363	2I3	7	50 - 33	R50642	4G20	27	90 - 93	R50789	4E12	18	90 - 33
R50363	2I5	26	50 - 35	R50643	4G20	8	90 - 93	R50789	4F8	1	90 - 55
R50364	2H9	18	50 - 14	R50644	4G20	24	90 - 93	R50810	2D15	14	40 - 67
R50365	2H9	22	50 - 14	R50645	4G20	21	90 - 93	R50810	2D17	14	40 - 69
R50366	2H11	22	50 - 16	R50647	4G20	16	90 - 93	R50811	3E14	24	70 - 33
R50366	2H13	22	50 - 18	R50648	4G20	22	90 - 93	R50819	4B25	18	80 - 23
R50367	2H11	9	50 - 16	R50649	4G20	17	90 - 93	R50819	4C6	23	80 - 29
R50368	2H10	4	50 - 15	R50650	4G20	17	90 - 93	R50820	4C6	18	80 - 29
R50369	2H10	6	50 - 15	R50652	4H13	14	90 - 111	R50821	4B25	28	80 - 23
R50370	2H9	17	50 - 14	R50659	2C5	7	40 - 29	R50821	4C6	18	80 - 29
R50437	4F12	37	90 - 59	R50659	2C7	27	40 - 31	R50829	2J8	3	50 - 62
R50438	4E10	1	90 - 31	R50659	2C9	31	40 - 33	R50829	2J9	3	50 - 63
R50438	4F12	13	90 - 59	R50669	3G19	16	70 - 87	R50832	2H23	3	50 - 28
R50443	4F8	10	90 - 55	R50670	4H15	6	90 - 113	R50833	2H23	7	50 - 28
R50445	4F8	9	90 - 55	R50688	4G7	10	90 - 79	R50833	2H23	11	50 - 28
R50446	4F8	6	90 - 55	R50689	4G7	9	90 - 79	R50835	2H11	9	50 - 16
R50449	4F8	10	90 - 55	R50690	4G7	10	90 - 79	R50836	2H10	6	50 - 15
R50452	2B7	26	40 - 3	R50691	4G7	14	90 - 79	R50837	2H9	14	50 - 14
R50452	4D14	23	90 - 11	R50692	4G7	11	90 - 79	R50838	2H9	11	50 - 14
R50453	2F6	36	40 - 109	R50692	4G9	10	90 - 81	R50839	2H10	4	50 - 15
R50454	4E2	30	90 - 25	R50693	4D14	18	90 - 11	R50840	2H2	42	50 - 7
R50455	4D15	11	90 - 12	R50694	4G7	13	90 - 79	R50840	2J10	1	50 - 64
R50456	4D14	3	90 - 11	R50695	4G7	15	90 - 79	R50841	2G21	9	50 - 1
R50456	4E2	13	90 - 25	R50695	4G9	7	90 - 81	R50842	2H9	1	50 - 14

# 1L5

4030 TRACTOR

## NUMERICAL INDEX - CONTINUED

PART NO.	GRID	KEY	PAGE	PART NO.	GRID	KEY	PAGE	PART NO.	GRID	KEY	PAGE
R50842	2J11	10	50 - 65	R50940	2G24	16	50 - 5	R51371	4G7	3	90 - 79
R50842	2J12	25	50 - 66	R50945	1B25	8	20 - 23	R51376	3B19	31	60 - 17
R50844	2J9	11	50 - 63	R50946	2G21	3	50 - 1	R51376	3C12	5	60 - 35
R50852	2H2	12	50 - 7	R50947	1B25	6	20 - 23	R51383	2H2	16	50 - 7
R50853	2H2	15	50 - 7	R50968	2B10	12	40 - 6	R51383	2I24	21	50 - 54
R50854	2H2	5	50 - 7	R50974	2E18	7	40 - 95	R51409	3G8	11	70 - 75
R50863	2H2	41	50 - 7	R50974	2E19	1	40 - 96	R51409	3G8	15	70 - 75
R50863	2J10	2	50 - 64	R50974	2E20	1	40 - 97	R51409	3G11	11	70 - 79
R50864	2I11	6	50 - 41	R50974	2E22	13	40 - 99	R51409	3G11	14	70 - 79
R50868	3B3	2	60 - 1	R50992	4B12	14	80 - 11	R51410	3G8	10	70 - 75
R50868	3B22	4	60 - 21	R51002	2H2	44	50 - 7	R51410	3G11	10	70 - 79
R50869	3B22	8	60 - 21	R51008	4H15	13	90 - 113	R51411	3G8	9	70 - 75
R50871	3B3	30	60 - 1	R51009	4H15	13	90 - 113	R51411	3G11	9	70 - 79
R50871	3B24	5	60 - 23	R51010	4H15	13	90 - 113	R51412	3G9	7	70 - 77
R50874	3B5	2	60 - 3	R51011	4G3	4	90 - 75	R51412	3G12	7	70 - 80
R50875	3B3	1	60 - 1	R51011	4G5	3	90 - 77	R51413	3G9	6	70 - 77
R50875	3B4	6	60 - 2	R51012	4G5	2A	90 - 77	R51413	3G12	6	70 - 80
R50875	3B20	23	60 - 19	R51015	4D17	12	90 - 15	R51414	3G9	5	70 - 77
R50875	3B22	2	60 - 21	R51023	4D17	13	90 - 15	R51414	3G12	5	70 - 80
R50879	3C21	17	60 - 45	R51027	3F2	51	70 - 45	R51415	3G9	12	70 - 77
R50880	4F12	1	90 - 59	R51028	3F2	47	70 - 45	R51415	3G12	12	70 - 80
R50887	2I3	7	50 - 33	R51029	2I24	9	50 - 54	R51438	4H11	28	90 - 109
R50887	2I5	26	50 - 35	R51030	2I24	21	50 - 54	R51439	4H11	18	90 - 109
R50891	2D5	2	40 - 56	R51079	3B4	24	60 - 2	R51451	1B18	7	20 - 15
R50891	2D7	13	40 - 58	R51080	3B4	25	60 - 2	R51457	2G22	1	50 - 2
R50892	2D5	3	40 - 56	R51080	3B20	8	60 - 19	R51460	2J5	13	50 - 59
R50893	2D5	13	40 - 56	R51109	4C16	2	80 - 39	R51461	2J5	14	50 - 59
R50894	2D8	12	40 - 59	R51109	4C17	2	80 - 40	R51471	3B17	10	60 - 15
R50894	2D9	11	40 - 60	R51109	4C18	5	80 - 41	R51471	3C14	11	60 - 37
R50897	2D5	10	40 - 56	R51112	1B18	1	20 - 15	R51472	3B17	9	60 - 15
R50899	2D6	11	40 - 57	R51120	3B17	21	60 - 15	R51472	3C14	10	60 - 37
R50899	2D8	17	40 - 59	R51120	3B19	29	60 - 17	R51477	2J8	6	50 - 62
R50899	2D9	17	40 - 60	R51120	3C12	17	60 - 35	R51477	2J9	6	50 - 63
R50900	2D5	1	40 - 56	R51120	3C14	24	60 - 37	R51493	2I24	10	50 - 54
R50901	2D5	21	40 - 56	R51127	4F16	1	90 - 63	R51494	2H8	19	50 - 13
R50902	2D5	5	40 - 56	R51130	3E18	3	70 - 37	R51494	2J14	24	50 - 68
R50903	2D5	6	40 - 56	R51153	3B3	26	60 - 1	R51497	2H20	11	50 - 25
R50904	2D5	9	40 - 56	R51153	3B24	10	60 - 23	R51516	1C1	15	20 - 24
R50905	2D5	24	40 - 56	R51159	2H23	14	50 - 28	R51516	1C2	12	20 - 25
R50906	2D5	19	40 - 56	R51160	3F6	20	70 - 49	R51517	4H5	5	90 - 102
R50907	2D6	5	40 - 57	R51161	3F6	19	70 - 49	R51521	2G22	13	50 - 2
R50909	2D6	12	40 - 57	R51182	4H13	5	90 - 111	R51528	2C7	25	40 - 31
R50910	2D8	18	40 - 59	R51182	4H13	6B	90 - 111	R51528	2C9	25	40 - 33
R50910	2D9	16	40 - 60	R51192	2G22	6	50 - 2	R51529	2C7	12	40 - 31
R50912	2D7	8	40 - 58	R51192	3C21	10	60 - 45	R51530	2C7	17	40 - 31
R50913	2D6	2	40 - 57	R51195	3F8	15	70 - 51	R51530	2C9	10	40 - 33
R50914	2D6	7	40 - 57	R51208	3B17	6	60 - 15	R51531	2C7	16	40 - 31
R50915	2D6	8	40 - 57	R51212	4H17	17	90 - 115	R51532	2C7	20	40 - 31
R50916	2D6	3	40 - 57	R51229	2H20	10	50 - 25	R51533	2C7	26	40 - 31
R50917	2D6	10	40 - 57	R51230	2G24	6	50 - 5	R51533	2C9	26	40 - 33
R50918	2D6	14	40 - 57	R51231	2G24	22	50 - 5	R51534	2C7	24	40 - 31
R50919	2D6	15	40 - 57	R51285	3H2	30	70 - 93	R51534	2C9	24	40 - 33
R50920	2D6	9	40 - 57	R51340	2H2	2	50 - 7	R51535	2C7	9	40 - 31
R50921	2D6	18	40 - 57	R51341	2H2	8	50 - 7	R51535	2C9	1	40 - 33
R50922	2D6	16	40 - 57	R51342	3E20	7	70 - 39	R51548	4H4	2	90 - 101
R50923	2D7	1	40 - 58	R51342	3E22	4	70 - 41	R51548	4H17	2	90 - 115
R50924	2D7	2	40 - 58	R51342	3E24	13	70 - 43	R51554	4C18	10	80 - 41
R50925	2D7	3	40 - 58	R51343	3C21	11	60 - 45	R51555	4C16	5	80 - 39
R50927	2D7	14	40 - 58	R51344	3C21	14	60 - 45	R51564	2G21	11	50 - 1
R50928	2D7	17	40 - 58	R51351	2H2	22	50 - 7	R51574	2J5	17	50 - 59
R50929	2D7	15	40 - 58	R51352	2H2	11	50 - 7	R51576	2H4	22	50 - 9
R50930	2D7	12	40 - 58	R51353	3F2	29	70 - 45	R51577	2H4	21	50 - 9
R50931	2D6	20	40 - 57	R51353	3F4	26	70 - 47	R51577	2J5	19	50 - 59
R50931	2D7	9	40 - 58	R51359	3F2	42	70 - 45	R51589	4G5	7	90 - 77
R50936	4H15	4	90 - 113	R51359	3F6	38	70 - 49	R51590	4G3	14	90 - 75
R50938	2G24	10	50 - 5	R51365	2H2	1	50 - 7	R51590	4G5	24	90 - 77
R50939	1B25	6	20 - 23	R51370	3G19	2	70 - 87	R51648	4E22	15	90 - 43

# 1L6

4030 TRACTOR

## NUMERICAL INDEX - CONTINUED

PART NO.	GRID	KEY	PAGE	PART NO.	GRID	KEY	PAGE	PART NO.	GRID	KEY	PAGE
R51648	4F6	3	90 - 53	R51891	4D14	49	90 - 11	R52149	4G5	14	90 - 77
R51648	4F6	11	90 - 53	R51892	4D14	49	90 - 11	R52149	4G11	4	90 - 83
R51648	4F6	28	90 - 53	R51892	4E2	25	90 - 25	R52152	1B15	2	20 - 12
R51649	4E22	14	90 - 43	R51896	3F11	9	70 - 55	R52153	1B15	1	20 - 12
R51649	4F6	10	90 - 53	R51897	3F11	6	70 - 55	R52160	4B16	1	80 - 13
R51649	4F6	29	90 - 53	R51923	2G21	1	50 - 1	R52160	4B16	4	80 - 13
R51653	4B25	29	80 - 23	R51929	4E10	6	90 - 31	R52160	4B16	5	80 - 13
R51653	4C4	19	80 - 27	R51929	4F12	10	90 - 59	R52160	4B16	8	80 - 13
R51653	4C6	14	80 - 29	R51931	2H4	10	50 - 9	R52160	4B16	11	80 - 13
R51659	2D7	7	40 - 58	R51936	1E18	9	30 - 41	R52160	4B16	12	80 - 13
R51660	2D7	5	40 - 58	R51936	1E20	1	30 - 43	R52160	4B16	14	80 - 13
R51661	2D5	23	40 - 56	R51937	1E18	10	30 - 41	R52160	4B16	15	80 - 13
R51663	2D6	20	40 - 57	R51937	1E20	2	30 - 43	R52160	4B16	16	80 - 13
R51664	2D6	19	40 - 57	R51942	2G24	30	50 - 5	R52161	2C5	8	40 - 29
R51665	2D5	17	40 - 56	R51959	4H11	5	90 - 109	R52161	2C7	28	40 - 31
R51666	2D5	16	40 - 56	R51982	2I24	7	50 - 54	R52161	2C9	30	40 - 33
R51667	2D5	8	40 - 56	R51983	2I24	14	50 - 54	R52167	3C18	5	60 - 41
R51668	2D8	2	40 - 59	R51984	2I24	1	50 - 54	R52168	3C18	9	60 - 41
R51669	2D8	9	40 - 59	R51985	2I24	22	50 - 54	R52169	3C18	11	60 - 41
R51669	2D9	14	40 - 60	R52009	1C18	8	20 - 43	R52171	3C15	5	60 - 38
R51670	2D8	14	40 - 59	R52010	1C18	2	20 - 43	R52171	3C15	6	60 - 38
R51671	2D8	6	40 - 59	R52011	1C18	12	20 - 43	R52171	3C15	8	60 - 38
R51671	2D9	5	40 - 60	R52012	1D11	10	30 - 10	R52171	3C16	3	60 - 39
R51672	2D8	3	40 - 59	R52028	3E3	46	70 - 21	R52174	3F2	44	70 - 45
R51677	4H15	5	90 - 113	R52053	3C23	26	60 - 47	R52174	3F4	40	70 - 47
R51680	4B23	5	80 - 20	R52056	2I1	1	50 - 31	R52179	2I11	12	50 - 41
R51681	4B23	6	80 - 20	R52065	2I1	2	50 - 31	R52180	2I11	20	50 - 41
R51681	4B23	10	80 - 20	R52076	3B13	3	60 - 11	R52189	2C5	8	40 - 29
R51699	4E12	12	90 - 33	R52076	3C8	4	60 - 31	R52189	2C7	28	40 - 31
R51699	4F8	14	90 - 55	R52076	3C10	3	60 - 33	R52198	2I3	8	50 - 33
R51700	4E12	18	90 - 33	R52081	2E3	2	40 - 80	R52200	2J16	10	50 - 70
R51700	4F8	1	90 - 55	R52082	2B17	6	40 - 14	R52225	3G19	12A	70 - 87
R51704	4F8	10	90 - 55	R52088	4H13	13	90 - 111	R52233	4E12	19	90 - 33
R51731	1B18	2	20 - 15	R52089	4H13	6A	90 - 111	R52233	4F8	15	90 - 55
R51747	3F2	43	70 - 45	R52089	4H13	6B	90 - 111	R52233	4F8	..	90 - 55
R51747	3F4	39	70 - 47	R52090	4C17	3	80 - 40	R52234	4D15	14	90 - 12
R51748	3B9	7	60 - 7	R52097	4F20	23	90 - 67	R52235	4D15	14	90 - 12
R51749	3B4	15	60 - 2	R52097	4F20	38	90 - 67	R52236	4D15	14	90 - 12
R51780	4H11	31	90 - 109	R52098	4F20	25	90 - 67	R52237	4D15	14	90 - 12
R51794	1B25	4	20 - 23	R52099	4F20	29	90 - 67	R52240	2J15	8	50 - 69
R51798	3B19	5	60 - 17	R52100	4F20	26	90 - 67	R52241	2J15	14	50 - 69
R51798	3B19	6	60 - 17	R52101	4F20	41	90 - 67	R52251	1B8	15	20 - 7
R51798	3C12	8	60 - 35	R52107	4F20	49	90 - 67	R52252	1B8	17	20 - 7
R51798	4B3	1	80 - 1	R52108	4F20	35	90 - 67	R52272	2E19	12	40 - 96
R51800	2G24	14	50 - 5	R52109	4F20	36	90 - 67	R52272	2E20	11	40 - 97
R51804	2J15	16	50 - 69	R52112	4G18	14	90 - 91	R52273	2E19	21	40 - 96
R51805	1E25	37	30 - 49	R52113	4G18	10	90 - 91	R52275	2J13	8	50 - 67
R51815	3B3	15	60 - 1	R52114	4G18	12	90 - 91	R52276	2J15	4	50 - 69
R51815	3B24	18	60 - 23	R52115	4G18	17	90 - 91	R52280	3F6	30	70 - 49
R51816	3B3	10	60 - 1	R52117	1E22	14	30 - 46	R52281	3F6	32	70 - 49
R51821	4C24	4	80 - 45	R52117	1E24	22	30 - 48	R52282	3F6	18	70 - 49
R51848	3C18	13	60 - 41	R52118	4E14	6	90 - 35	R52287	4B14	7	80 - 11B
R51849	3C18	50	60 - 41	R52118	4F25	12	90 - 72	R52304	2I11	45	50 - 41
R51849	4H11	17	90 - 109	R52119	4E14	2	90 - 35	R52305	2I11	25	50 - 41
R51851	3D2	31	60 - 51	R52119	4F25	13	90 - 72	R52317	3C21	3	60 - 45
R51852	3C21	9	60 - 45	R52127	4D17	1	90 - 15	R52320	4D14	24A	90 - 11
R51853	3C21	12	60 - 45	R52127	4G7	6	90 - 79	R52326	2H11	23	50 - 16
R51855	2H6	21	50 - 11	R52128	4D14	15	90 - 11	R52326	2H13	21	50 - 18
R51856	2H6	13	50 - 11	R52130	2E4	3	40 - 81	R52327	2H6	14	50 - 11
R51856	2H6	24	50 - 11	R52130	2E18	27	40 - 95	R52328	2H6	16	50 - 11
R51857	2H6	23	50 - 11	R52130	2F14	1	40 - 113	R52329	2H6	18	50 - 11
R51867	4H15	10	90 - 113	R52130	2F20	11	40 - 116A	R52330	2J17	22	50 - 71
R51868	4H15	10	90 - 113	R52130	4D15	3	90 - 12	R52353	3F11	16	70 - 55
R51879	1D9	5	30 - 8	R52130	4D16	2	90 - 13	R52362	4C10	9	80 - 33
R51879	1D10	2	30 - 9	R52132	4G5	13	90 - 77	R52368	4H5	1	90 - 102
R51881	1D10	3	30 - 9	R52133	4D14	14	90 - 11	R52385	2D8	1	40 - 59
R51882	1D9	4	30 - 8	R52149	4E14	3	90 - 35	R52386	2D6	13	40 - 57

# 1L7

4030 TRACTOR

## NUMERICAL INDEX - CONTINUED

PART NO.	GRID	KEY	PAGE	PART NO.	GRID	KEY	PAGE	PART NO.	GRID	KEY	PAGE
R52387	2D5	12	40 - 56	R52666	2H6	30	50 - 11	R52902	2H4	17	50 - 9
R52399	1E24	7	30 - 48	R52667	4H15	7	90 - 113	R52904	2H4	5	50 - 9
R52400	1E24	7	30 - 48	R52678	1B23	17	20 - 21	R52904	2H4	8	50 - 9
R52402	1E24	13	30 - 48	R52687	4G22	10	90 - 95	R52904	2H4	10	50 - 9
R52408	2E16	4	40 - 93	R52687	4G24	18	90 - 97	R52905	2H4	15	50 - 9
R52418	2I6	9	50 - 36	R52687	4H3	5	90 - 100	R52906	2H4	9	50 - 9
R52422	3F2	38	70 - 45	R52687	4H3	7	90 - 100	R52907	2H4	8	50 - 9
R52424	4E10	9	90 - 31	R52688	4B20	17	80 - 17	R52909	2H2	13	50 - 7
R52424	4F12	9	90 - 59	R52689	4B20	15	80 - 17	R52910	2H2	6	50 - 7
R52435	2I6	11	50 - 36	R52690	3G19	9	70 - 87	R52911	2H2	17	50 - 7
R52435	2I17	13	50 - 47	R52691	3G19	14	70 - 87	R52912	2H2	14	50 - 7
R52437	2I3	14	50 - 33	R52692	3G19	19	70 - 87	R52921	4G20	15	90 - 93
R52437	2I17	10	50 - 47	R52693	3G19	10	70 - 87	R52922	4G20	18	90 - 93
R52440	1D9	2	30 - 8	R52694	3G19	15	70 - 87	R52930	4B20	8	80 - 17
R52446	2H6	9	50 - 11	R52695	3G19	20	70 - 87	R52931	2F20	12	40 - 116A
R52446	2H6	28	50 - 11	R52698	4F8	..	90 - 55	R52936	4G18	21	90 - 91
R52447	2H6	11	50 - 11	R52701	4B20	17	80 - 17	R52937	4F10	18	90 - 57
R52447	2H6	26	50 - 11	R52702	4B20	15	80 - 17	R52937	4G5	11	90 - 77
R52448	2H6	10	50 - 11	R52706	4G22	5	90 - 95	R52937	4G5	18	90 - 77
R52448	2H6	27	50 - 11	R52707	4G22	3	90 - 95	R52937	4G22	4	90 - 95
R52466	2I3	14	50 - 33	R52708	4C25	2	80 - 46	R52937	4G24	5	90 - 97
R52466	2I13	11	50 - 43	R52708	4F3	9	90 - 50	R52937	4H2	7	90 - 99
R52468	2I6	11	50 - 36	R52708	4F22	17	90 - 69	R52938	2B16	8	40 - 13
R52468	2I13	9	50 - 43	R52708	4F24	15	90 - 71	R52938	4C12	6	80 - 35
R52470	2I6	9	50 - 36	R52708	4G16	3	90 - 89	R52938	4E12	16	90 - 33
R52478	2I17	8	50 - 47	R52711	2I13	12	50 - 43	R52938	4F8	18	90 - 55
R52479	2I17	9	50 - 47	R52714	2I13	7	50 - 43	R52938	4F22	19	90 - 69
R52513	4G16	5	90 - 89	R52725	2E6	11	40 - 83	R52938	4G16	10	90 - 89
R52514	4G16	13	90 - 89	R52726	4B20	12	80 - 17	R52942	4F25	2	90 - 72
R52516	4F20	43	90 - 67	R52755	2B17	5	40 - 14	R52943	4F25	3	90 - 72
R52519	4H11	7	90 - 109	R52756	2B19	2	40 - 17	R52945	4F25	18	90 - 72
R52520	4H11	1	90 - 109	R52760	2B21	3	40 - 19	R52948	4F25	7	90 - 72
R52524	4F12	34	90 - 59	R52760	2B21	12	40 - 19	R52952	4G20	19	90 - 93
R52547	3G8	26	70 - 75	R52760	4C10	13	80 - 33	R52953	4H13	8	90 - 111
R52549	3G8	24	70 - 75	R52770	4B16	1	80 - 13	R52954	2I13	5	50 - 43
R52549	3G11	23	70 - 79	R52770	4B16	4	80 - 13	R52954	2I17	5	50 - 47
R52549	4F25	11	90 - 72	R52770	4B16	5	80 - 13	R52954	2I19	11	50 - 49
R52560	4C4	12	80 - 27	R52770	4B16	8	80 - 13	R52958	2I13	4	50 - 43
R52561	4C12	1	80 - 35	R52770	4B16	11	80 - 13	R52958	2I15	13	50 - 45
R52561	4E12	17	90 - 33	R52770	4B16	12	80 - 13	R52958	2I17	4	50 - 47
R52561	4F8	19	90 - 55	R52770	4B16	14	80 - 13	R52958	2I19	10	50 - 49
R52562	4C12	1	80 - 35	R52770	4B16	15	80 - 13	R52988	2H2	39	50 - 7
R52562	4E12	17	90 - 33	R52770	4B16	16	80 - 13	R52988	2J10	4	50 - 64
R52562	4F8	19	90 - 55	R52771	2G24	15	50 - 5	R52995	4C10	2	80 - 33
R52589	2H4	20	50 - 9	R52781	4B20	3	80 - 17	R52996	4C10	27	80 - 33
R52590	4G18	19	90 - 91	R52782	4B20	5	80 - 17	R52996	4H11	12	90 - 109
R52606	4F25	11	90 - 72	R52784	4B20	1	80 - 17	R52997	4C10	27	80 - 33
R52634	2J11	15	50 - 65	R52791	1B5	11	20 - 3	R52997	4H11	12	90 - 109
R52636	4G16	4	90 - 89	R52811	1C23	5	20 - 49	R52998	4D14	25	90 - 11
R52637	4G16	1	90 - 89	R52814	4E2	40	90 - 25	R53000	4D14	26	90 - 11
R52638	4G16	12	90 - 89	R52817	1E25	35	30 - 49	R53009	3E9	7	70 - 28
R52639	4G16	15	90 - 89	R52823	3F2	21	70 - 45	R53016	3B6	14	60 - 4
R52640	4G16	2	90 - 89	R52823	3F4	31	70 - 47	R53019	3G19	4	70 - 87
R52644	2I13	23	50 - 43	R52824	3F2	14	70 - 45	R53020	4B6	4	80 - 5
R52645	2I13	17	50 - 43	R52828	3F2	12	70 - 45	R53021	4B6	4	80 - 5
R52645	2I15	21	50 - 45	R52828	3F4	12	70 - 47	R53022	4B6	4	80 - 5
R52646	1E23	5	30 - 47	R52862	4G20	14	90 - 93	R53023	4B6	13	80 - 5
R52646	2I9	5	50 - 39	R52863	4F20	20	90 - 67	R53024	4B6	4	80 - 5
R52646	2I13	16	50 - 43	R52879	1C2	5	20 - 25	R53025	4B6	4	80 - 5
R52646	2I15	22	50 - 45	R52880	1C2	5	20 - 25	R53026	4B6	13	80 - 5
R52648	2I13	15	50 - 43	R52881	3G15	29	70 - 83	R53028	2E5	14	40 - 82
R52648	2I15	17	50 - 45	R52881	3G17	30	70 - 85	R53028	2E8	7	40 - 85
R52655	1E22	33	30 - 46	R52881	3G19	21	70 - 87	R53028	4H13	2	90 - 111
R52656	3F6	32	70 - 49	R52881	3H23	11	70 - 112	R53028	4H13	9	90 - 111
R52665	2H6	8	50 - 11	R52882	2I8	6	50 - 38	R53033	3F2	4	70 - 45
R52665	2H6	29	50 - 11	R52882	2I23	6	50 - 53	R53033	3F4	4	70 - 47
R52666	2H6	7	50 - 11	R52900	2H6	22	50 - 11	R53045	3E9	26	70 - 28

# 1L8

4030 TRACTOR

## NUMERICAL INDEX - CONTINUED

PART NO.	GRID	KEY	PAGE	PART NO.	GRID	KEY	PAGE	PART NO.	GRID	KEY	PAGE
R53046	3E8	2	70 - 27	R53382	1C6	4	20 - 30	R53614	4B23	1	80 - 20
R53048	2H20	13	50 - 25	R53385	2E18	2	40 - 95	R53615	4D10	1	90 - 7
R53049	2H20	24	50 - 25	R53385	2E19	14	40 - 96	R53618	4D10	5	90 - 7
R53050	2H20	23	50 - 25	R53385	2E20	13	40 - 97	R53619	4D10	5	90 - 7
R53050	2H22	15	50 - 27	R53385	2E22	2	40 - 99	R53620	1E22	2	30 - 46
R53051	2H20	20	50 - 25	R53386	2E18	3	40 - 95	R53625	2G24	18	50 - 5
R53052	2H20	19	50 - 25	R53386	2E19	15	40 - 96	R53626	4D11	19	90 - 8
R53054	2I13	28	50 - 43	R53386	2E20	14	40 - 97	R53627	2H11	17	50 - 16
R53054	2I15	26	50 - 45	R53386	2E22	3	40 - 99	R53627	2H13	28	50 - 18
R53076	2H6	12	50 - 11	R53393	4F20	48	90 - 67	R53629	4G22	9	90 - 95
R53076	2H6	25	50 - 11	R53397	2E21	13	40 - 98	R53629	4H3	6	90 - 100
R53079	4H13	26	90 - 111	R53398	2E18	8	40 - 95	R53630	4G22	6	90 - 95
R53098	4D14	53	90 - 11	R53410	2E24	3	40 - 101	R53630	4H3	4	90 - 100
R53098	4D14	55	90 - 11	R53421	4D14	38A	90 - 11	R53631	4G22	7	90 - 95
R53099	4F8	10	90 - 55	R53422	4D14	44	90 - 11	R53631	4H3	3	90 - 100
R53105	3E9	4	70 - 28	R53436	4E22	24	90 - 43	R53632	4G22	11	90 - 95
R53107	2H2	40	50 - 7	R53436	4F6	30	90 - 53	R53633	4G22	2	90 - 95
R53107	2H2	47	50 - 7	R53451	3E9	19	70 - 28	R53633	4H3	2	90 - 100
R53107	2J10	3	50 - 64	R53456	1C14	1	20 - 39	R53634	4G22	1	90 - 95
R53108	2C10	7	40 - 34	R53470	4G22	8	90 - 95	R53634	4H3	1	90 - 100
R53108	2C13	28	40 - 37	R53470	4G24	8	90 - 97	R53637	2J16	2	50 - 70
R53108	2C20	3	40 - 45	R53472	4H11	6	90 - 109	R53638	2J16	2	50 - 70
R53123	4H13	9	90 - 111	R53473	4H11	2	90 - 109	R53656	2J16	1	50 - 70
R53143	1D10	4A	30 - 9	R53473	4H11	6	90 - 109	R53657	2J16	1	50 - 70
R53169	2I24	27	50 - 54	R53474	4H11	32	90 - 109	R53662	4C14	2	80 - 37
R53172	2B15	4	40 - 12	R53475	3F6	4	70 - 49	R53662	4F4	25	90 - 51
R53194	4C24	11	80 - 45	R53476	3F6	5	70 - 49	R53663	3G20	6	70 - 88
R53195	4C24	15	80 - 45	R53477	4H7	3	90 - 105	R53663	4C12	7	80 - 35
R53196	3F12	8	70 - 56	R53478	2D23	5	40 - 75	R53663	4C12	8	80 - 35
R53199	1E24	16	30 - 48	R53478	2E21	15	40 - 98	R53663	4C12	17	80 - 35
R53201	3C18	10	60 - 41	R53478	4C25	3	80 - 46	R53663	4C14	10	80 - 37
R53202	2J11	11	50 - 65	R53479	2E18	21	40 - 95	R53663	4D14	41	90 - 11
R53202	2J12	14	50 - 66	R53482	4C24	19	80 - 45	R53663	4G1	4	90 - 73
R53209	4C10	3	80 - 33	R53483	4C24	10	80 - 45	R53663	4H17	11	90 - 115
R53213	2I11	53	50 - 41	R53484	4C24	2	80 - 45	R53665	4C12	16	80 - 35
R53214	1E17	1	30 - 40	R53485	4C24	1	80 - 45	R53665	4C12	19	80 - 35
R53219	1C19	11	20 - 45	R53487	1C14	22	20 - 39	R53665	4C14	9	80 - 37
R53220	1B5	10	20 - 3	R53489	1C14	24	20 - 39	R53665	4F3	3	90 - 50
R53223	1B5	4	20 - 3	R53490	1C14	22	20 - 39	R53665	4F3	7	90 - 50
R53226	3C21	8	60 - 45	R53503	4C24	3	80 - 45	R53667	4C13	1	80 - 36
R53232	1C14	10	20 - 39	R53505	4C24	..	80 - 45	R53667	4C14	3	80 - 37
R53233	4C12	5	80 - 35	R53506	4C24	..	80 - 45	R53667	4C14	14	80 - 37
R53233	4E12	15	90 - 33	R53508	2D23	6	40 - 75	R53667	4H7	2	90 - 105
R53233	4F8	17	90 - 55	R53508	4C25	2	80 - 46	R53667	4H15	3	90 - 113
R53239	4E2	44	90 - 25	R53510	2I11	13	50 - 41	R53668	3G20	6	70 - 88
R53244	2I11	16	50 - 41	R53511	2I11	19	50 - 41	R53668	4C12	9	80 - 35
R53245	2H2	23	50 - 7	R53528	2D15	29	40 - 67	R53668	4C12	13	80 - 35
R53247	2I8	14	50 - 38	R53528	2D17	29	40 - 69	R53668	4C12	14	80 - 35
R53247	2I23	21	50 - 53	R53528	4G14	4	90 - 87	R53668	4C12	18	80 - 35
R53251	1B6	1	20 - 5	R53540	2H4	25B	50 - 9	R53668	4C14	4	80 - 37
R53252	4D6	21	90 - 3	R53540	3E4	14	70 - 23	R53668	4C14	8	80 - 37
R53253	4D6	30	90 - 3	R53540	3E9	22	70 - 28	R53668	4D14	28	90 - 11
R53254	4D6	27	90 - 3	R53549	1C14	3	20 - 39	R53668	4D14	40	90 - 11
R53255	4D6	12	90 - 3	R53550	1C14	27	20 - 39	R53668	4D14	43	90 - 11
R53257	4D6	9	90 - 3	R53551	1C14	3	20 - 39	R53668	4E2	23	90 - 25
R53258	4D6	15	90 - 3	R53562	3F14	12	70 - 59	R53668	4E25	7	90 - 47
R53268	2H6	2	50 - 11	R53562	3G3	6	70 - 70	R53668	4F2	19	90 - 49
R53281	1D15	1	30 - 14	R53586	2E18	11	40 - 95	R53668	4F10	4	90 - 57
R53281	1D16	1	30 - 15	R53602	4C10	17A	80 - 33	R53670	4C12	10	80 - 35
R53295	3F18	18	70 - 63	R53605	1D6	10	30 - 5	R53670	4C12	12	80 - 35
R53296	3F12	11	70 - 56	R53605	1D8	11	30 - 7	R53670	4C12	15	80 - 35
R53296	3F16	3	70 - 61	R53606	3B3	20	60 - 1	R53670	4D14	29	90 - 11
R53299	1E21	15	30 - 45	R53606	3B4	20	60 - 2	R53670	4D14	39	90 - 11
R53300	1E21	18	30 - 45	R53608	2B7	4	40 - 3	R53670	4D14	42	90 - 11
R53300	1E22	5	30 - 46	R53608	4G7	2	90 - 79	R53670	4E2	22	90 - 25
R53304	2H20	17	50 - 25	R53609	4F25	17	90 - 72	R53670	4E25	8	90 - 47
R53382	1C5	5	20 - 29	R53611	4C10	18A	80 - 33	R53670	4F2	16	90 - 49



# 1L9

4030 TRACTOR

## NUMERICAL INDEX - CONTINUED

PART NO.	GRID	KEY	PAGE	PART NO.	GRID	KEY	PAGE	PART NO.	GRID	KEY	PAGE
R53670	4F2	20	90 - 49	R54082	3E7	8	70 - 26	R54614	1C5	8	20 - 29
R53670	4H17	10	90 - 115	R54100	3B5	1	60 - 3	R54614	1C6	9	20 - 30
R53671	4C13	4	80 - 36	R54102	4D12	23	90 - 9	R54615	1C5	12	20 - 29
R53677	2E18	20	40 - 95	R54123	1C25	7	20 - 51	R54615	1C6	8	20 - 30
R53677	2E19	10	40 - 96	R54124	4E10	10	90 - 31	R54616	3B4	9	60 - 2
R53677	2E20	9	40 - 97	R54124	4F12	11	90 - 59	R54616	3B20	20	60 - 19
R53677	4G5	20	90 - 77	R54128	3F2	45A	70 - 45	R54638	1C23	8	20 - 49
R53677	4G11	16	90 - 83	R54140	4H11	29	90 - 109	R54641	1B5	8	20 - 3
R53678	4D17	6	90 - 15	R54141	3G2	15	70 - 69	R54641	1C23	7	20 - 49
R53678	4F8	..	90 - 55	R54144	4B21	2	80 - 18	R54641	1C24	4	20 - 50
R53678	4H5	4	90 - 102	R54158	3B15	6	60 - 13	R54697	4B25	3	80 - 23
R53692	2I11	18	50 - 41	R54166	3H12	9	70 - 103	R54697	4C2	1	80 - 25
R53694	4H17	1	90 - 115	R54167	4C10	22	80 - 33	R54697	4C2	3	80 - 25
R53702	4C10	14A	80 - 33	R54169	2J8	1	50 - 62	R54697	4C4	3	80 - 27
R53703	4C10	15	80 - 33	R54169	2J9	1	50 - 63	R54697	4C6	3	80 - 29
R53704	4C10	16A	80 - 33	R54170	3F11	14	70 - 55	R54697	4C8	1	80 - 31
R53705	4C10	16A	80 - 33	R54178	2G21	8	50 - 1	R54697	4C8	3	80 - 31
R53708	4F12	3	90 - 59	R54179	3G5	12	70 - 72	R54697	4F20	6	90 - 67
R53708	4F12	35	90 - 59	R54201	4E10	4	90 - 31	R54741	4F12	1	90 - 59
R53709	4F12	25	90 - 59	R54202	4E10	8	90 - 31	R54742	4F12	37	90 - 59
R53710	4F12	6	90 - 59	R54203	4E10	16	90 - 31	R54745	4E10	1	90 - 31
R53742	4H13	27	90 - 111	R54204	4E10	5	90 - 31	R54745	4F12	13	90 - 59
R53743	4C14	15	80 - 37	R54206	2I11	51	50 - 41	R54748	4D17	16	90 - 15
R53743	4H15	1	90 - 113	R54242	3H6	1	70 - 97	R54748	4G12	2	90 - 85
R53745	4F8	..	90 - 55	R54258	1E7	17	30 - 29	R54750	2I25	1	50 - 55
R53745	4G11	..	90 - 83	R54312	3H23	4	70 - 112	R54750	2J3	1	50 - 57
R53745	4H4	..	90 - 101	R54336	3G6	13	70 - 73	R54759	3B20	18	60 - 19
R53762	3F12	16	70 - 56	R54380	1B10	20	20 - 9	R54763	3B22	30	60 - 21
R53763	3H12	9	70 - 103	R54383	2H6	21	50 - 11	R54766	4D4	4	90 - 1
R53766	4D10	13	90 - 7	R54396	2G22	4	50 - 2	R54769	3B22	19	60 - 21
R53767	4D10	5	90 - 7	R54427	4F25	16	90 - 72	R54771	3B22	26	60 - 21
R53768	4D10	12	90 - 7	R54440	1F1	9	30 - 51	R54778	2D15	14	40 - 67
R53772	2I1	9	50 - 31	R54440	1F3	9	30 - 53	R54778	2D17	14	40 - 69
R53789	2G24	3	50 - 5	R54440	1F5	10	30 - 56	R54779	2D15	26	40 - 67
R53806	1C7	17	20 - 31	R54445	2F16	24	40 - 115	R54779	2D17	26	40 - 69
R53807	1C7	18	20 - 31	R54445	2F18	23	40 - 115B	R54781	2D15	27	40 - 67
R53808	1C7	9	20 - 31	R54447	2F16	1	40 - 115	R54781	2D17	27	40 - 69
R53808	1C10	3	20 - 35	R54447	2F18	1	40 - 115B	R54782	2D15	25	40 - 67
R53810	1C7	19	20 - 31	R54467	2F21	15	40 - 117	R54782	2D17	25	40 - 69
R53811	1C7	16	20 - 31	R54468	4E2	41	90 - 25	R54783	4D14	55	90 - 11
R53812	1C7	7	20 - 31	R54477	4D17	11	90 - 15	R54798	4F20	8	90 - 67
R53824	3E6	10	70 - 25	R54487	1E22	24	30 - 46	R54802	1B10	11	20 - 9
R53824	3E6	24	70 - 25	R54487	1E25	37	30 - 49	R54810	3C12	6	60 - 35
R53826	3E6	7	70 - 25	R54506	3G6	10	70 - 73	R54810	3C12	9	60 - 35
R53828	4H22	5	90 - 120	R54510	1C25	2	20 - 51	R54820	3C14	4	60 - 37
R54034	4C24	9	80 - 45	R54511	1C25	3	20 - 51	R54820	3C14	28	60 - 37
R54036	2D18	6	40 - 70	R54516	2E8	14	40 - 85	R54963	4B8	15	80 - 7
R54039	4C24	5	80 - 45	R54517	2E8	18	40 - 85	R54964	4B8	15	80 - 7
R54042	2H4	23	50 - 9	R54518	2E8	4	40 - 85	R54965	4B8	15	80 - 7
R54042	2J5	15	50 - 59	R54520	2E8	8	40 - 85	R54983	4B17	11	80 - 14
R54047	2D17	31	40 - 69	R54521	2E8	20	40 - 85	R54986	1B8	1	20 - 7
R54047	2D18	10	40 - 70	R54522	2E8	19	40 - 85	R54986	1B8	2	20 - 7
R54048	3B3	7	60 - 1	R54523	2E8	21	40 - 85	R55023	3E2	1	70 - 20
R54048	3B4	11	60 - 2	R54524	2E8	17	40 - 85	R55036	1B10	16	20 - 9
R54057	4F20	12	90 - 67	R54526	2E8	16	40 - 85	R55037	1B10	16	20 - 9
R54057	4F20	30	90 - 67	R54527	2E8	16	40 - 85	R55079	3E14	20	70 - 33
R54058	3B3	8	60 - 1	R54528	2E8	15	40 - 85	R55079	3E16	25	70 - 35
R54058	3B4	12	60 - 2	R54529	4G3	5	90 - 75	R55085	1B9	5	20 - 8
R54059	3C18	6	60 - 41	R54529	4G5	4	90 - 77	R55092	3B22	12	60 - 21
R54059	3G5	3	70 - 72	R54530	2G24	20	50 - 5	R55094	4B20	11	80 - 17
R54063	3B3	9	60 - 1	R54533	4H15	8	90 - 113	R55127	1C9	10	20 - 33
R54063	3B4	13	60 - 2	R54558	2I13	31	50 - 43	R55128	1C9	6	20 - 33
R54063	3B11	4	60 - 9	R54565	1B8	1	20 - 7	R55129	1C9	11	20 - 33
R54064	3G3	15	70 - 70	R54565	1B8	2	20 - 7	R55133	3E2	8	70 - 20
R54065	3G3	5	70 - 70	R54584	2C13	4	40 - 37	R55134	3E2	2	70 - 20
R54078	3E12	12	70 - 31	R54585	2C13	5	40 - 37	R55140	3F2	36	70 - 45
R54082	3E6	17	70 - 25	R54612	4C10	2	80 - 33	R55142	3F2	40	70 - 45

# 1L10

4030 TRACTOR

## NUMERICAL INDEX - CONTINUED

PART NO.	GRID	KEY	PAGE	PART NO.	GRID	KEY	PAGE	PART NO.	GRID	KEY	PAGE
R55144	3E12	12	70 - 31	R55458	3C4	4	60 - 27	R56012	2C5	12	40 - 29
R55162	2C13	29	40 - 37	R55486	1F1	15	30 - 51	R56014	4C12	11	80 - 35
R55163	3C2	16	60 - 25	R55486	1F5	17	30 - 56	R56038	3F18	10	70 - 63
R55166	2C5	16	40 - 29	R55486	4H13	9	90 - 111	R56039	3F16	5	70 - 61
R55169	2I11	51	50 - 41	R55490	2J16	2	50 - 70	R56042	3F18	10	70 - 63
R55176	2B12	4	40 - 8	R55491	2J17	22	50 - 71	R56078	3E8	3	70 - 27
R55176	2B13	..	40 - 9	R55497	3B20	26	60 - 19	R56089	4H4	6	90 - 101
R55183	3B6	14	60 - 4	R55498	3B22	11	60 - 21	R56090	4H4	3	90 - 101
R55196	3C12	11	60 - 35	R55525	2H4	11	50 - 9	R56101	4D19	9	90 - 17
R55196	3C14	30	60 - 37	R55525	3G15	15	70 - 83	R56101	4D21	4	90 - 19
R55202	1E21	1	30 - 45	R55525	3G17	16	70 - 85	R56101	4D23	9	90 - 21
R55202	1E21	4	30 - 45	R55544	2H18	19	50 - 23	R56112	1E22	6	30 - 46
R55214	3E14	12	70 - 33	R55545	2H18	14	50 - 23	R56112	4H13	9	90 - 111
R55214	3E16	15	70 - 35	R55546	2H12	30	50 - 17	R56139	4H11	18	90 - 109
R55233	1D14	4	30 - 13	R55546	2H14	32	50 - 19	R56171	1C7	21	20 - 31
R55243	3B22	20	60 - 21	R55547	2H18	5	50 - 23	R56175	3E18	3	70 - 37
R55245	2C5	12	40 - 29	R55549	2H12	29	50 - 17	R56199	2I1	9	50 - 31
R55256	3E4	13	70 - 23	R55549	2H14	31	50 - 19	R56200	4C24	3	80 - 45
R55277	4D6	21	90 - 3	R55551	2H25	2	50 - 30	R56236	2I8	1	50 - 38
R55284	4C24	9	80 - 45	R55553	2I8	12	50 - 38	R56236	2I11	4	50 - 41
R55286	4C24	8	80 - 45	R55553	2I23	19	50 - 53	R56246	4D4	1	90 - 1
R55287	4C24	10	80 - 45	R55554	2I23	1	50 - 53	R56251	3B3	20	60 - 1
R55288	4C24	15	80 - 45	R55555	2I23	13	50 - 53	R56251	3B4	20	60 - 2
R55289	4C24	11	80 - 45	R55556	2I23	14	50 - 53	R56251	3B5	1	60 - 3
R55290	4C24	2	80 - 45	R55558	2I23	11	50 - 53	R56258	2H4	25C	50 - 9
R55291	4C24	1	80 - 45	R55570	2G21	2	50 - 1	R56258	3E4	11	70 - 23
R55292	4C24	14	80 - 45	R55618	2G1	5	40 - 122	R56264	2E6	6	40 - 83
R55293	3E6	7	70 - 25	R55639	4B3	3	80 - 1	R56264	4H13	25	90 - 111
R55293	3E6	8	70 - 25	R55644	2I24	1	50 - 54	R56282	3B5	1	60 - 3
R55293	3E6	10	70 - 25	R55644	2I24	18	50 - 54	R56284	2I9	9	50 - 39
R55293	3E6	12	70 - 25	R55647	1B18	6	20 - 15	R56317	4G20	13	90 - 93
R55294	3E6	23	70 - 25	R55655	2H2	42	50 - 7	R56409	2E5	11	40 - 82
R55302	1C10	4	20 - 35	R55657	2H18	3	50 - 23	R56410	2E5	4	40 - 82
R55326	2F2	14	40 - 105	R55659	2H12	31	50 - 17	R56411	2E5	1	40 - 82
R55326	2F16	7	40 - 115	R55659	2H14	33	50 - 19	R56412	2E5	3	40 - 82
R55326	2F18	7	40 - 115B	R55661	2H18	1	50 - 23	R56413	2E5	8	40 - 82
R55326	4E12	4	90 - 33	R55669	4B20	9	80 - 17	R56416	2I23	10	50 - 53
R55326	4G3	3	90 - 75	R55669	4B20	10	80 - 17	R56453	4D11	16	90 - 8
R55326	4G5	1	90 - 77	R55671	4B20	7	80 - 17	R56458	2I24	20	50 - 54
R55326	4G7	2	90 - 79	R55671	4B20	9	80 - 17	R56459	2I24	21	50 - 54
R55326	4G7	5	90 - 79	R55736	2H25	9	50 - 30	R56461	1C23	6	20 - 49
R55326	4G9	8	90 - 81	R55789	3C2	15	60 - 25	R56461	1C24	12	20 - 50
R55326	4G9	14	90 - 81	R55789	3C4	6	60 - 27	R56462	2H15	6	50 - 20
R55373	3F2	47	70 - 45	R55823	4D14	53	90 - 11	R56462	2I24	2	50 - 54
R55373	3F2	51	70 - 45	R55824	3C6	7	60 - 29	R56462	2I24	12	50 - 54
R55374	3F2	47	70 - 45	R55877	2H18	18	50 - 23	R56463	1C21	5	20 - 47
R55374	3F2	51	70 - 45	R55878	2H18	9	50 - 23	R56463	1C24	9	20 - 50
R55396	2C10	1	40 - 34	R55879	2H18	10	50 - 23	R56463	3D9	2	70 - 3
R55397	3G8	2	70 - 75	R55881	2H18	11	50 - 23	R56463	3D13	24	70 - 7
R55397	3G11	2	70 - 79	R55882	2H18	12	50 - 23	R56463	3D17	2	70 - 11
R55398	3G8	2	70 - 75	R55910	2I7	20	50 - 37	R56463	3D21	27	70 - 15
R55398	3G8	7	70 - 75	R55912	1D21	42	30 - 21	R56464	3H16	3	70 - 106A
R55398	3G11	7	70 - 79	R55913	1D21	29	30 - 21	R56479	4H15	6	90 - 113
R55407	3C12	14	60 - 35	R55915	4F12	7	90 - 59	R56481	2C10	1	40 - 34
R55408	3C12	15	60 - 35	R55933	2D13	1	40 - 65	R56483	1E10	17	30 - 33
R55408	3C14	33	60 - 37	R55933	2D15	1	40 - 67	R56493	4C10	2	80 - 33
R55409	3C12	6	60 - 35	R55933	2D17	1	40 - 69	R56504	2J12	8	50 - 66
R55409	3C14	28	60 - 37	R55940	4C24	11	80 - 45	R56504	2J12	9	50 - 66
R55426	4G3	12	90 - 75	R55940	4C24	15	80 - 45	R56504	3F2	13	70 - 45
R55426	4G5	9	90 - 77	R55941	4C24	15	80 - 45	R56504	3F2	26	70 - 45
R55427	3F16	4	70 - 61	R55950	1B5	10	20 - 3	R56504	3F4	18	70 - 47
R55427	3F18	11	70 - 63	R55990	4H13	15	90 - 111	R56505	3F12	2	70 - 56
R55428	2J16	3	50 - 70	R55991	4H13	9	90 - 111	R56506	3F12	1	70 - 56
R55434	1C9	14	20 - 33	R55993	4H13	9	90 - 111	R56592	3B19	6	60 - 17
R55443	3B20	11	60 - 19	R56005	4D14	24B	90 - 11	R56593	3B17	4	60 - 15
R55443	3B22	3	60 - 21	R56006	4D14	38B	90 - 11	R56596	4B20	12	80 - 17
R55458	3C2	12	60 - 25					R56636	3C8	6	60 - 31

# 1L11

4030 TRACTOR

## NUMERICAL INDEX - CONTINUED

PART NO.	GRID	KEY	PAGE	PART NO.	GRID	KEY	PAGE	PART NO.	GRID	KEY	PAGE
R56636	3C10	5	60 - 33	R56857	4D8	16	90 - 5	R57449	2I23	8	50 - 53
R56643	3B22	24	60 - 21	R56858	4D8	3	90 - 5	R57452	2C17	11	40 - 41
R56645	3B22	14	60 - 21	R56859	3E9	4	70 - 28	R57533	3E17	11	70 - 36
R56646	3C6	3	60 - 29	R56860	1D16	1	30 - 15	R57549	2J14	20	50 - 68
R56664	3C8	20	60 - 31	R56861	1C18	2	20 - 43	R57549	3B13	6	60 - 11
R56664	3C10	15A	60 - 33	R56872	1F4	12	30 - 55	R57549	3C23	2	60 - 47
R56672	3E9	2B	70 - 28	R56873	1F6	7	30 - 57	R57549	3C24	18	60 - 48
R56709	2I13	5	50 - 43	R56886	2E3	2	40 - 80	R57558	2H20	11	50 - 25
R56709	2I15	14	50 - 45	R56902	4C24	18	80 - 45	R57558	2H22	17	50 - 27
R56712	2I11	19	50 - 41	R56905	1C24	13	20 - 50	R57559	2H4	16	50 - 9
R56725	1B5	7	20 - 3	R56911	2I1	4	50 - 31	R57559	2J5	24A	50 - 59
R56728	3F24	1B	70 - 67	R56916	3E20	12	70 - 39	R57560	2H4	23	50 - 9
R56728	3F24	10	70 - 67	R56916	3E22	9	70 - 41	R57560	2J5	15	50 - 59
R56729	3F24	4B	70 - 67	R56916	3E24	18	70 - 43	R57572	4E20	1B	90 - 41
R56730	2G24	30	50 - 5	R56930	3F11	14	70 - 55	R57572	4F4	10	90 - 51
R56736	1B9	5	20 - 8	R56931	3F11	10	70 - 55	R57582	1B16	1	20 - 13
R56737	1B9	5	20 - 8	R56933	1C23	19	20 - 49	R57585	2H4	22	50 - 9
R56741	3E2	2	70 - 20	R56947	1C9	13	20 - 33	R57606	4D19	4	90 - 17
R56741	3E2	8	70 - 20	R56952	4G7	20	90 - 79	R57607	3B5	1	60 - 3
R56746	2G24	10	50 - 5	R56956	2I3	5	50 - 33	R57623	4E22	21	90 - 43
R56749	3D9	3	70 - 3	R56960	2G24	15	50 - 5	R57636	4D14	33	90 - 11
R56751	3D11	20	70 - 5	R56960	2G24	16	50 - 5	R57637	4D14	30	90 - 11
R56751	3D13	8	70 - 7	R56960	2G24	..	50 - 5	R57655	2J5	13	50 - 59
R56751	3D13	21	70 - 7	R56960	2H2	..	50 - 7	R57656	2J5	14	50 - 59
R56751	3D19	19	70 - 13	R56961	2G24	16	50 - 5	R57657	2J5	13	50 - 59
R56751	3D21	7	70 - 15	R56991	4C17	8	80 - 40	R57665	3E24	38	70 - 43
R56751	3D21	12	70 - 15	R57003	4D14	..	90 - 11	R57665	3G24	18	70 - 91B
R56751	3D21	20	70 - 15	R57031	2G24	28	50 - 5	R57696	3H14	18	70 - 105
R56751	3D21	21	70 - 15	R57031	2G24	..	50 - 5	R57696	3H14	30	70 - 105
R56751	3D21	25	70 - 15	R57031	2H2	..	50 - 7	R57697	1C9	9	20 - 33
R56751	3D23	2	70 - 17	R57059	1C4	2	20 - 28	R57698	1C9	5	20 - 33
R56752	2I6	20	50 - 36	R57059	1C5	2	20 - 29	R57699	1C9	2	20 - 33
R56753	3D9	8	70 - 3	R57059	1C6	2	20 - 30	R57700	1C9	3	20 - 33
R56753	3D13	18	70 - 7	R57092	2H4	10	50 - 9	R57725	2H9	23	50 - 14
R56753	3H2	23	70 - 93	R57103	3D2	26	60 - 51	R57725	2H10	11	50 - 15
R56754	3D11	35	70 - 5	R57112	2H23	13	50 - 28	R57725	2H11	15	50 - 16
R56755	3D11	32	70 - 5	R57113	2H20	6	50 - 25	R57725	2H14	29	50 - 19
R56755	3D13	10	70 - 7	R57115	2H20	6	50 - 25	R57725	2H20	20	50 - 25
R56755	3D15	10	70 - 9	R57115	2H22	24	50 - 27	R57725	2H20	21A	50 - 25
R56755	3D19	28	70 - 13	R57115	2H23	13	50 - 28	R57725	2H20	22	50 - 25
R56755	3D21	9	70 - 15	R57115	2H23	16	50 - 28	R57725	2H22	11	50 - 27
R56755	3D23	13	70 - 17	R57119	1D3	3	30 - 2	R57725	3E14	18	70 - 33
R56756	3D11	33	70 - 5	R57119	4C10	7	80 - 33	R57725	3E16	23	70 - 35
R56756	3D13	12	70 - 7	R57135	4C10	3	80 - 33	R57742	3C18	48	60 - 41
R56756	3D15	3	70 - 9	R57258	1E17	8	30 - 40	R57757	3C6	20	60 - 29
R56757	3D11	34	70 - 5	R57263	4H13	6A	90 - 111	R57849	2H20	10	50 - 25
R56757	3D13	11	70 - 7	R57263	4H13	6B	90 - 111	R57849	2H22	18	50 - 27
R56757	3D15	11	70 - 9	R57267	2H9	22	50 - 14	R57892	2E18	21	40 - 95
R56757	3D19	30	70 - 13	R57269	2J16	4	50 - 70	R57936	4H18	2	90 - 116
R56757	3D21	18	70 - 15	R57269	2J16	5	50 - 70	R57970	4C8	13	80 - 31
R56757	3D23	14	70 - 17	R57274	4E17	4	90 - 38	R57971	4C2	18	80 - 25
R56776	2I15	11	50 - 45	R57275	4E17	4	90 - 38	R57971	4C8	13	80 - 31
R56776	2I21	16	50 - 51	R57298	2J5	8	50 - 59	R58003	4D15	2	90 - 12
R56781	2J5	24B	50 - 59	R57298	3E4	7	70 - 23	R58008	2G24	22	50 - 5
R56792	2D8	14	40 - 59	R57299	3E10	4	70 - 29	R58033	3C2	3	60 - 25
R56792	2D9	2	40 - 60	R57300	3E12	12	70 - 31	R58037	4C24	..	80 - 45
R56793	2D8	3	40 - 59	R57330	2G24	10	50 - 5	R58038	4C24	..	80 - 45
R56793	2D9	3	40 - 60	R57332	1B8	15	20 - 7	R58121	2I3	17	50 - 33
R56802	2D6	13	40 - 57	R57333	1B8	17	20 - 7	R58121	2I5	18	50 - 35
R56816	3F4	16	70 - 47	R57334	1B8	15	20 - 7	R58121	3E3	21B	70 - 21
R56821	3F2	14	70 - 45	R57335	1B8	17	20 - 7	R58204	3F6	8A	70 - 49
R56821	3F4	17	70 - 47	R57336	1B8	15	20 - 7	R58204	3F6	8B	70 - 49
R56852	4H11	5	90 - 109	R57337	1B8	17	20 - 7	R58204	4H15	10	90 - 113
R56853	4H11	29	90 - 109	R57442	2H2	32	50 - 7	R58219	3C2	7	60 - 25
R56854	2G24	12	50 - 5	R57448	3E10	9	70 - 29	R58230	3E20	13	70 - 39
R56855	4D8	9	90 - 5	R57449	2I8	8	50 - 38	R58230	3E22	11	70 - 41
R56856	4D8	20	90 - 5		2I11	1	50 - 41	R58230	3E24	21	70 - 43

# 1L12

4030 TRACTOR

## NUMERICAL INDEX - CONTINUED

PART NO.	GRID	KEY	PAGE	PART NO.	GRID	KEY	PAGE	PART NO.	GRID	KEY	PAGE
R58231	3E22	13	70 - 41	R59080	3E20	41	70 - 39	R59629	3G8	31	70 - 75
R58232	3E24	22	70 - 43	R59080	3F7	3	70 - 50	R59629	3G9	1	70 - 77
R58233	3E20	15	70 - 39	R59080	3G21	2	70 - 89	R59629	3G11	29	70 - 79
R58260	3F11	1	70 - 55	R59081	3E20	41	70 - 39	R59629	3H2	27	70 - 93
R58261	3F14	12	70 - 59	R59081	3F7	7	70 - 50	R59633	3H2	1	70 - 93
R58261	3G3	6	70 - 70	R59082	3E20	3	70 - 39	R59633	3H10	1	70 - 101
R58262	3F12	11	70 - 56	R59082	3E20	41	70 - 39	R59633	3H10	19	70 - 101
R58262	3G2	31	70 - 69	R59082	3E22	49	70 - 41	R59684	3E17	5	70 - 36
R58268	3F16	18	70 - 61	R59082	3E24	1	70 - 43	R59687	1F1	12	30 - 51
R58282	4E10	7	90 - 31	R59082	3F7	3	70 - 50	R59687	1F5	1	30 - 56
R58300	1D3	8	30 - 2	R59082	3G15	14	70 - 83	R59688	2G24	3	50 - 5
R58303	4B16	11	80 - 13	R59082	3G17	11	70 - 85	R59689	2G24	14	50 - 5
R58341	4G18	19	90 - 91	R59082	3G21	2	70 - 89	R59711	2I11	25	50 - 41
R58422	1E12	15	30 - 35	R59083	3B7	7	60 - 5	R59761	4B23	6	80 - 20
R58445	2I6	20	50 - 36	R59083	3E20	39	70 - 39	R59766	3E20	32	70 - 39
R58499	3D11	44	70 - 5	R59083	3E22	51	70 - 41	R59766	3E22	30	70 - 41
R58500	2I1	4	50 - 31	R59083	3E24	3	70 - 43	R59766	3E24	45	70 - 43
R58507	1E23	2	30 - 47	R59084	3E20	41	70 - 39	R59792	4F6	47	90 - 53
R58508	1E23	11	30 - 47	R59084	3F7	12	70 - 50	R59806	4F25	15	90 - 72
R58509	1E23	18	30 - 47	R59111	3E20	38B	70 - 39	R59822	3C2	16	60 - 25
R58510	1E23	19	30 - 47	R59111	3E22	52	70 - 41	R59822	3C4	9	60 - 27
R58511	1E23	21	30 - 47	R59111	3E24	4	70 - 43	R59840	4D19	20	90 - 17
R58512	1E23	20	30 - 47	R59138	2G22	8	50 - 2	R59841	4D19	18	90 - 17
R58519	1E23	6	30 - 47	R59139	2G22	1	50 - 2	R59860	2H11	12	50 - 16
R58614	3B3	15	60 - 1	R59154	3H21	9	70 - 111	R59863	4F12	6	90 - 59
R58614	3B24	17	60 - 23	R59160	2D13	19	40 - 65	R59865	4F12	35	90 - 59
R58614	3B24	18	60 - 23	R59160	2D15	10	40 - 67	R59866	4F12	37	90 - 59
R58624	2H18	16	50 - 23	R59160	2D17	10	40 - 69	R59897	4E25	11	90 - 47
R58624	2H23	3	50 - 28	R59183	4F2	7	90 - 49	R59910	4F8	7	90 - 55
R58653	3B22	21	60 - 21	R59221	4D15	14	90 - 12	R59953	3B24	14	60 - 23
R58654	3B22	22	60 - 21	R59280	4F2	1	90 - 49	R59964	3E18	5	70 - 37
R58813	4F3	14	90 - 50	R59298	1E3	23	30 - 25	R59964	3E18	6	70 - 37
R58814	4F3	5	90 - 50	R59306	2B7	26	40 - 3	R59965	3E18	5	70 - 37
R58816	4F2	2	90 - 49	R59320	4F2	3	90 - 49	R59965	3E18	6	70 - 37
R58817	4F2	2	90 - 49	R59343	3H2	11	70 - 93	R60007	2J11	11	50 - 65
R58939	2H6	32B	50 - 11	R59343	3H3	2	70 - 94	R60008	2J12	14	50 - 66
R58940	2H6	33	50 - 11	R59378	2I3	19	50 - 33	R60019	4F6	46	90 - 53
R58941	2H6	3	50 - 11	R59378	2I5	20	50 - 35	R60021	4F6	38	90 - 53
R58941	2H6	4B	50 - 11	R59378	2I6	14	50 - 36	R60024	4F6	15	90 - 53
R58941	2H6	5A	50 - 11	R59378	2I7	17	50 - 37	R60025	4F6	19	90 - 53
R58941	2H6	5B	50 - 11	R59409	1C5	1	20 - 29	R60033	2J17	24	50 - 71
R58941	2H6	32A	50 - 11	R59445	2H11	9	50 - 16	R60038	2H2	34	50 - 7
R58941	2H6	32B	50 - 11	R59445	2H13	9	50 - 18	R60038	2H15	5	50 - 20
R58941	2H6	33	50 - 11	R59449	1B5	11	20 - 3	R60038	2H22	5	50 - 27
R58941	2H6	34B	50 - 11	R59449	1C23	12	20 - 49	R60038	3D2	8	60 - 51
R58942	2H6	5B	50 - 11	R59450	4D19	3	90 - 17	R60081	3E22	44	70 - 41
R58999	4F4	16	90 - 51	R59468	2H20	31B	50 - 25	R60081	3E24	54	70 - 43
R59009	4F3	17	90 - 50	R59468	2H22	32	50 - 27	R60081	3G22	10	70 - 90
R59010	4F3	12	90 - 50	R59469	2H20	9	50 - 25	R60081	3G24	26	70 - 91B
R59011	4F3	10	90 - 50	R59469	2H22	19	50 - 27	R60092	2J5	24C	50 - 59
R59012	4F3	13	90 - 50	R59470	2H20	1	50 - 25	R60092	3G15	23	70 - 83
R59013	4F2	17	90 - 49	R59470	2H22	27	50 - 27	R60092	3G17	24	70 - 85
R59015	4F3	6	90 - 50	R59478	3F18	37	70 - 63	R60093	2J5	29	50 - 59
R59018	4F3	11	90 - 50	R59533	2I24	18	50 - 54	R60096	3E22	38	70 - 41
R59019	4F3	1	90 - 50	R59536	2H11	9	50 - 16	R60096	3E24	51	70 - 43
R59020	4F2	11	90 - 49	R59536	2H13	9	50 - 18	R60096	3G15	9	70 - 83
R59021	4F2	7	90 - 49	R59543	3C12	25	60 - 35	R60096	3G17	6	70 - 85
R59022	4F2	14	90 - 49	R59543	3C14	26	60 - 37	R60096	3G22	7	70 - 90
R59023	4F2	18	90 - 49	R59552	4G22	9	90 - 95	R60096	3G24	22	70 - 91B
R59025	4F2	1	90 - 49	R59553	4G22	11	90 - 95	R60151	2J5	13	50 - 59
R59028	4F2	4	90 - 49	R59554	4G22	6	90 - 95	R60152	2J5	13	50 - 59
R59029	4F2	6	90 - 49	R59555	4G22	2	90 - 95	R60170	4D11	10	90 - 8
R59030	4E25	12	90 - 47	R59590	1C17	3	20 - 42	R60171	4D11	8	90 - 8
R59069	4C2	13	80 - 25	R59591	1C17	4	20 - 42	R60172	4D11	9	90 - 8
R59069	4C8	17	80 - 31	R59597	2H6	21	50 - 11	R60173	4F6	40	90 - 53
R59070	4F2	3	90 - 49	R59598	2H6	23	50 - 11	R60174	3B22	13	60 - 21
R59080	3E20	3	70 - 39	R59629	3G8	12	70 - 75	R60263	4D14	20	90 - 11

# 1L13

4030 TRACTOR

## NUMERICAL INDEX - CONTINUED

PART NO.	GRID	KEY	PAGE	PART NO.	GRID	KEY	PAGE	PART NO.	GRID	KEY	PAGE
R60264	4D14	21	90 - 11	R60852	3G19	12A	70 - 87	R61609	3C14	19	60 - 37
R60317	3E24	33	70 - 43	R60964	4F20	17	90 - 67	R61632	2E21	15	40 - 98
R60319	4F6	21	90 - 53	R61066	2G24	14	50 - 5	R61659	2H2	22	50 - 7
R60333	3G15	19	70 - 83	R61106	2I6	20	50 - 36	R61659	2H2	23	50 - 7
R60333	3G17	20	70 - 85	R61106	2I7	22	50 - 37	R61659	2H2	29	50 - 7
R60334	3E22	44	70 - 41	R61133	2C17	10	40 - 41	R61660	2H2	22	50 - 7
R60334	3E24	54	70 - 43	R61133	2C17	11	40 - 41	R61660	2H2	23	50 - 7
R60334	3G15	12	70 - 83	R61134	2C17	11	40 - 41	R61727	4B18	4	80 - 15
R60334	3G22	10	70 - 90	R61145	1E3	22	30 - 25	R61762	2H10	11	50 - 15
R60334	3G24	26	70 - 91B	R61154	4B8	20	80 - 7	R61762	2H11	15	50 - 16
R60335	3G15	17	70 - 83	R61155	4B8	20	80 - 7	R61762	2H14	29	50 - 19
R60335	3G17	18	70 - 85	R61156	4B8	20	80 - 7	R61762	3E14	18	70 - 33
R60395	3G17	9	70 - 85	R61157	4B8	20	80 - 7	R61762	3E16	23	70 - 35
R60396	2J5	26	50 - 59	R61158	3B19	14	60 - 17	R61775	2G2	7	40 - 123
R60396	3G15	26	70 - 83	R61158	3C12	37	60 - 35	R61776	2G2	3	40 - 123
R60396	3G17	27	70 - 85	R61158	4B8	3	80 - 7	R61862	4F2	12	90 - 49
R60397	3G13	1	70 - 81	R61179	2D15	24	40 - 67	R61871	1C5	4	20 - 29
R60398	3G17	31	70 - 85	R61179	2D17	24	40 - 69	R61871	1C6	11	20 - 30
R60400	3G19	16	70 - 87	R61179	4G14	3	90 - 87	R61909	3B17	15	60 - 15
R60401	2J5	13	50 - 59	R61259	3E2	11	70 - 20	R61909	3B19	23	60 - 17
R60402	2J5	13	50 - 59	R61267	2E21	13	40 - 98	R61909	3C12	23	60 - 35
R60420	3E22	46	70 - 41	R61268	2E21	14	40 - 98	R61910	3B17	16	60 - 15
R60420	3E24	55	70 - 43	R61271	3C14	32	60 - 37	R61910	3B19	24	60 - 17
R60420	3G15	3	70 - 83	R61286	4F4	23	90 - 51	R61910	3C12	24	60 - 35
R60420	3G17	12	70 - 85	R61314	3C12	6	60 - 35	R61910	3C14	20	60 - 37
R60420	3G22	28	70 - 90	R61314	3C12	9	60 - 35	R61932	2C15	2	40 - 39
R60420	3G24	27	70 - 91B	R61315	3C14	4	60 - 37	R61932	2C22	23	40 - 47
R60427	2D23	4	40 - 75	R61315	3C14	28	60 - 37	R61932	2D2	22	40 - 53
R60458	4F3	15	90 - 50	R61316	3C12	6	60 - 35	R61933	2D2	15	40 - 53
R60469	4F16	15	90 - 63	R61316	3C14	28	60 - 37	R61934	2D2	25	40 - 53
R60469	4F20	11	90 - 67	R61321	2E2	13	40 - 79	R61938	4F25	5	90 - 72
R60469	4F20	16	90 - 67	R61322	2E2	11	40 - 79	R61939	2H6	3	50 - 11
R60469	4F20	41	90 - 67	R61323	2E2	7	40 - 79	R61955	3E10	11	70 - 29
R60523	2H20	20	50 - 25	R61324	4B3	7	80 - 1	R61957	3H2	30	70 - 93
R60523	2H20	21A	50 - 25	R61339	4H13	9	90 - 111	R61957	3H4	22	70 - 95
R60523	2H22	9	50 - 27	R61341	2E5	13	40 - 82	R61967	3F22	24	70 - 65
R60524	2H20	20	50 - 25	R61341	3C10	15B	60 - 33	R61983	2I5	14	50 - 35
R60524	2H20	21B	50 - 25	R61341	4H13	9	90 - 111	R61983	2I15	5	50 - 45
R60524	2H22	10	50 - 27	R61349	3E20	36	70 - 39	R61983	2I21	26	50 - 51
R60560	4D17	1	90 - 15	R61349	3E22	34	70 - 41	R61986	2I7	7	50 - 37
R60560	4G7	6	90 - 79	R61349	3E22	36	70 - 41	R61986	2I21	2	50 - 51
R60561	4E2	1	90 - 25	R61349	3E24	39	70 - 43	R61987	2I5	14	50 - 35
R60562	4E2	12	90 - 25	R61349	3E24	41	70 - 43	R61987	2I19	5	50 - 49
R60644	4C15	2	80 - 38	R61350	3E20	36	70 - 39	R61987	2I21	26	50 - 51
R60644	4C15	8	80 - 38	R61350	3E22	34	70 - 41	R62041	2H6	3	50 - 11
R60644	4C15	9	80 - 38	R61350	3E22	35	70 - 41	R62041	2H6	33	50 - 11
R60657	4F6	35	90 - 53	R61350	3E24	40	70 - 43	R62042	2H6	5B	50 - 11
R60668	2I11	29A	50 - 41	R61350	3E24	41	70 - 43	R62043	2H6	32A	50 - 11
R60668	2I11	29B	50 - 41	R61386	2G24	..	50 - 5	R62043	2H6	32B	50 - 11
R60668	2I11	38	50 - 41	R61386	2H2	8	50 - 7	R62043	2H6	33	50 - 11
R60670	2I11	29A	50 - 41	R61386	2H2	..	50 - 7	R62095	1C14	10	20 - 39
R60670	2I11	29B	50 - 41	R61511	3C12	14	60 - 35	R62175	3C6	20	60 - 29
R60670	2I11	37	50 - 41	R61524	4B18	4	80 - 15	R62278	3B20	17	60 - 19
R60671	2I11	29A	50 - 41	R61529	2G24	25	50 - 5	R62278	3B22	3	60 - 21
R60671	2I11	29B	50 - 41	R61551	3E12	16	70 - 31	R62278	3B22	6	60 - 21
R60671	2I11	42	50 - 41	R61563	2H16	13	50 - 21	R62280	3B3	2	60 - 1
R60730	3F2	4	70 - 45	R61563	2I3	5	50 - 33	R62280	3B22	4	60 - 21
R60730	3F4	4	70 - 47	R61563	2I5	5	50 - 35	R62285	2G24	3	50 - 5
R60732	3D9	25	70 - 3	R61564	2H16	14	50 - 21	R62336	3E20	38B	70 - 39
R60745	1E20	20	30 - 43	R61564	2I3	5	50 - 33	R62336	3E22	52	70 - 41
R60746	1E18	16	30 - 41	R61564	2I3	26	50 - 33	R62336	3E24	4	70 - 43
R60831	3B15	25	60 - 13	R61564	2I5	6	50 - 35	R62535	2H2	12	50 - 7
R60831	3B16	13	60 - 14	R61565	2H8	14	50 - 13	R62544	4G22	1	90 - 95
R60831	3C6	6	60 - 29	R61565	2H16	14	50 - 21	R62544	4H3	1	90 - 100
R60831	3C25	6	60 - 49	R61565	2I3	5	50 - 33	R62545	4F8	..	90 - 55
R60845	4D17	5	90 - 15	R61565	2I3	27	50 - 33	R62545	4H5	4	90 - 102
R60846	4D17	2	90 - 15	R61565	2I5	7	50 - 35	R62545	4H6	1	90 - 103

# 1L14

4030 TRACTOR

## NUMERICAL INDEX - CONTINUED

PART NO.	GRID	KEY	PAGE	PART NO.	GRID	KEY	PAGE	PART NO.	GRID	KEY	PAGE
R62546	4F8	..	90 - 55	R62860	3F4	38	70 - 47	R63335	2H23	15	50 - 28
R62546	4H5	4	90 - 102	R62860	3F6	38	70 - 49	R63335	2H23	16	50 - 28
R62546	4H6	4	90 - 103	R62862	3F4	30	70 - 47	R63387	4F20	25	90 - 67
R62547	4H6	2	90 - 103	R62862	3G19	12B	70 - 87	R63399	3B22	24	60 - 21
R62568	1C12	26	20 - 37	R62863	3F4	35	70 - 47	R63407	4C10	14A	80 - 33
R62590	4H11	31	90 - 109	R62865	3G19	12A	70 - 87	R63407	4C10	15	80 - 33
R62622	3C2	1	60 - 25	R62880	3C6	10	60 - 29	R63407	4C10	16A	80 - 33
R62635	4F20	7	90 - 67	R62896	4C10	17B	80 - 33	R63407	4C10	16B	80 - 33
R62635	4F20	48	90 - 67	R62899	1E21	1	30 - 45	R63408	4C10	14A	80 - 33
R62636	4F20	7	90 - 67	R62899	1E21	6	30 - 45	R63408	4C10	15	80 - 33
R62636	4F20	47	90 - 67	R62900	1E21	1	30 - 45	R63408	4C10	16A	80 - 33
R62652	3G8	33	70 - 75	R62900	1E21	7	30 - 45	R63408	4C10	16B	80 - 33
R62652	3G11	31	70 - 79	R62927	2I8	1	50 - 38	R63413	4C10	11	80 - 33
R62665	4E10	7	90 - 31	R62927	2I11	4	50 - 41	R63413	4C10	14A	80 - 33
R62665	4E10	9	90 - 31	R62927	2I21	20	50 - 51	R63413	4C10	15	80 - 33
R62666	4E10	7	90 - 31	R62931	3F8	6	70 - 51	R63413	4C10	16A	80 - 33
R62666	4E10	9	90 - 31	R62931	3F8	7	70 - 51	R63418	4C10	14A	80 - 33
R62667	2D3	6	40 - 54	R62955	2H2	35	50 - 7	R63418	4C10	14B	80 - 33
R62668	2D3	8	40 - 54	R62956	4C24	14	80 - 45	R63418	4C10	15	80 - 33
R62669	2D2	11	40 - 53	R62956	4H15	10	90 - 113	R63418	4C10	16A	80 - 33
R62670	2C25	20	40 - 51	R62957	4C24	13	80 - 45	R63419	4C10	14A	80 - 33
R62671	2C25	38	40 - 51	R62981	1E20	21	30 - 43	R63419	4C10	14B	80 - 33
R62672	2D2	3	40 - 53	R62982	1E20	12	30 - 43	R63419	4C10	15	80 - 33
R62673	2C25	11	40 - 51	R62984	1E20	9	30 - 43	R63419	4C10	16A	80 - 33
R62674	2C25	2	40 - 51	R62992	2H11	5	50 - 16	R63460	2B18	4	40 - 15
R62684	2H11	4	50 - 16	R62992	2H13	5	50 - 18	R63460	2B21	4	40 - 19
R62684	2H13	4	50 - 18	R63001	3B17	14	60 - 15	R63461	2B18	11	40 - 15
R62690	2H20	12	50 - 25	R63001	3B19	22	60 - 17	R63461	2B21	13	40 - 19
R62690	2I13	25	50 - 43	R63001	3C12	28	60 - 35	R63462	2B18	1	40 - 15
R62690	2I13	28	50 - 43	R63001	3C14	18	60 - 37	R63462	2B21	1	40 - 19
R62690	2I15	25	50 - 45	R63019	4F16	1	90 - 63	R63465	4C24	5	80 - 45
R62690	2I15	26	50 - 45	R63019	4F18	3	90 - 65	R63496	2E4	5	40 - 81
R62716	4D8	20	90 - 5	R63034	2D23	3	40 - 75	R63531	2D25	25	40 - 77
R62724	2H6	24	50 - 11	R63034	2D25	5	40 - 77	R63571	4D8	25	90 - 5
R62725	2H6	30	50 - 11	R63052	2H6	3	50 - 11	R63573	3E24	23	70 - 43
R62726	2H6	28	50 - 11	R63052	2H6	5A	50 - 11	R63574	3G24	7	70 - 91B
R62727	2H6	26	50 - 11	R63052	2H6	5B	50 - 11	R63666	2F6	8	40 - 109
R62729	2G24	5	50 - 5	R63052	2H6	32A	50 - 11	R63666	2F8	8	40 - 111
R62732	2G22	1	50 - 2	R63052	2H6	32B	50 - 11	R63666	2F10	8	40 - 111B
R62732	2G22	8	50 - 2	R63052	2H6	33	50 - 11	R63666	2F12	8	40 - 111D
R62732	2G22	12	50 - 2	R63069	2H13	13	50 - 18	R63667	2F6	7	40 - 109
R62739	2G22	1	50 - 2	R63069	2H16	3	50 - 21	R63667	2F8	7	40 - 111
R62739	2G22	8	50 - 2	R63070	2H13	11	50 - 18	R63667	2F10	7	40 - 111B
R62739	2G22	12	50 - 2	R63070	2H16	1	50 - 21	R63667	2F12	7	40 - 111D
R62742	2H2	29	50 - 7	R63070	2H13	17	50 - 18	R63668	2F6	6	40 - 109
R62806	2H13	19	50 - 18	R63072	2H16	8	50 - 21	R63668	2F8	6	40 - 111
R62806	2H16	10	50 - 21	R63072	2H16	9	50 - 21	R63668	2F10	6	40 - 111B
R62814	2H8	9	50 - 13	R63072	2H16	9	50 - 21	R63668	2F12	6	40 - 111D
R62814	3E3	21B	70 - 21	R63073	2H13	10	50 - 18	R63668	2F12	6	40 - 111D
R62815	2I7	13	50 - 37	R63073	2H16	5	50 - 21	R63669	2F6	5	40 - 109
R62815	2I19	8	50 - 49	R63073	2H16	9	50 - 21	R63669	2F8	5	40 - 111
R62815	2I21	9	50 - 51	R63074	2H13	15	50 - 18	R63669	2F10	5	40 - 111B
R62816	2I5	9	50 - 35	R63074	2H16	6	50 - 21	R63669	2F12	5	40 - 111D
R62816	2I21	21	50 - 51	R63074	2H16	9	50 - 21	R63670	2F6	4	40 - 109
R62817	2I5	12	50 - 35	R63075	2H13	16	50 - 18	R63670	2F8	4	40 - 111
R62817	2I7	10	50 - 37	R63075	2H16	7	50 - 21	R63670	2F10	4	40 - 111B
R62818	2I7	13	50 - 37	R63075	2H16	9	50 - 21	R63670	2F12	4	40 - 111D
R62818	2I15	8	50 - 45	R63077	2H16	13	50 - 21	R63671	2F6	2	40 - 109
R62818	2I21	9	50 - 51	R63077	2I3	5	50 - 33	R63671	2F8	2	40 - 111
R62832	2H2	15	50 - 7	R63077	2I5	5	50 - 35	R63671	2F10	2	40 - 111B
R62836	2H22	3	50 - 27	R63081	3E14	5	70 - 33	R63671	2F12	2	40 - 111D
R62838	2H20	12	50 - 25	R63081	3E16	7	70 - 35	R63672	2F6	36	40 - 109
R62840	2H22	4	50 - 27	R63093	2J1	3	50 - 56	R63672	2F8	38	40 - 111
R62841	2H22	16	50 - 27	R63107	4C24	..	80 - 45	R63672	2F10	38	40 - 111B
R62842	2H22	6	50 - 27	R63108	4C24	..	80 - 45	R63672	2F12	40	40 - 111D
R62843	2H22	7	50 - 27	R63109	4C24	3	80 - 45	R63673	3C2	1	60 - 25
R62859	3F4	34	70 - 47	R63112	2J17	19	50 - 71	R63673	3C4	1	60 - 27
				R63335	2H23	13	50 - 28	R63696	1D9	5	30 - 8

# 1L15

4030 TRACTOR

## NUMERICAL INDEX - CONTINUED

PART NO.	GRID	KEY	PAGE	PART NO.	GRID	KEY	PAGE	PART NO.	GRID	KEY	PAGE
R63696	1D10	2	30 - 9	R64704	3B20	17	60 - 19	R65436	4D11	21	90 - 8
R63736	3F18	29	70 - 63	R64704	3B22	3	60 - 21	R65436	4D11	22	90 - 8
R63742	2H2	29	50 - 7	R64704	3B22	33	60 - 21	R65442	4F6	40	90 - 53
R63760	4F20	18A	90 - 67	R64704	3B24	13	60 - 23	R65465	4G11	2	90 - 83
R63760	4F20	20	90 - 67	R64726	4C24	3	80 - 45	R65466	4G11	5	90 - 83
R63839	4F10	17	90 - 57	R64771	3E14	5	70 - 33	R65467	4G11	3	90 - 83
R63849	2H6	26	50 - 11	R64771	3E16	7	70 - 35	R65471	4G9	9	90 - 81
R63907	2I3	3	50 - 33	R64810	1E3	24	30 - 25	R65472	4G9	1	90 - 81
R63907	2I5	3	50 - 35	R64843	3F2	7	70 - 45	R65473	4G3	10	90 - 75
R63927	2I15	10	50 - 45	R64843	3F4	1	70 - 47	R65475	4E2	13	90 - 25
R63927	2I21	13	50 - 51	R64843	3F4	7A	70 - 47	R65476	4D14	3	90 - 11
R63933	4C10	17A	80 - 33	R64845	3F2	7	70 - 45	R65476	4D25	10	90 - 23
R63933	4C10	18B	80 - 33	R64845	3F4	7A	70 - 47	R65501	3G8	12	70 - 75
R63956	4G7	1	90 - 79	R64845	3F4	8B	70 - 47	R65501	3G8	18	70 - 75
R63976	2J5	14	50 - 59	R65095	1E1	3	30 - 22	R65501	3G8	31	70 - 75
R63983	2F19	11	40 - 116	R65147	4D21	1	90 - 19	R65501	3G9	1	70 - 77
R63983	2F20	16	40 - 116A	R65148	4D21	6	90 - 19	R65501	3G11	17	70 - 79
R64011	1C16	9	20 - 41	R65150	4D21	8	90 - 19	R65501	3H2	27	70 - 93
R64013	3F4	16	70 - 47	R65192	3D11	44	70 - 5	R65502	3G8	12	70 - 75
R64056	2F16	14	40 - 115	R65194	3D11	43	70 - 5	R65502	3G8	18	70 - 75
R64057	2F16	6	40 - 115	R65215	1B10	14	20 - 9	R65502	3G8	31	70 - 75
R64057	2F18	6	40 - 115B	R65215	1B24	6	20 - 22	R65502	3G9	1	70 - 77
R64058	2F16	19	40 - 115	R65224	2H22	3	50 - 27	R65502	3G11	17	70 - 79
R64059	2F16	21	40 - 115	R65226	2H20	12	50 - 25	R65502	3H2	27	70 - 93
R64059	2F18	21	40 - 115B	R65226	2H22	3	50 - 27	R65505	4D17	16	90 - 15
R64060	2F16	13	40 - 115	R65229	2H22	4	50 - 27	R65506	4F8	10	90 - 55
R64061	2F16	2	40 - 115	R65230	2H22	3	50 - 27	R65508	4F10	9	90 - 57
R64061	2F18	2	40 - 115B	R65231	2H22	3	50 - 27	R65508	4G1	6	90 - 73
R64062	2F16	26	40 - 115	R65231	2H22	12	50 - 27	R65527	3F22	16	70 - 65
R64062	2F18	25	40 - 115B	R65232	2H22	3	50 - 27	R65541	3B17	15	60 - 15
R64063	2F16	10	40 - 115	R65232	2H22	13	50 - 27	R65541	3B19	23	60 - 17
R64063	2F18	10	40 - 115B	R65242	3F18	33	70 - 63	R65541	3B19	24	60 - 17
R64098	2I15	31	50 - 45	R65243	3F18	24	70 - 63	R65541	3C12	23	60 - 35
R64153	1B5	11	20 - 3	R65255	2I21	22	50 - 51	R65541	3C12	24	60 - 35
R64153	1C23	12	20 - 49	R65256	2I21	7	50 - 51	R65541	3C14	19	60 - 37
R64170	3E4	21	70 - 23	R65257	2I21	23	50 - 51	R65541	3C14	20	60 - 37
R64170	3E4	22	70 - 23	R65258	2I21	6	50 - 51	R65541	3B17	15	60 - 15
R64170	3E12	23	70 - 31	R65259	2I21	22	50 - 51	R65542	3B17	16	60 - 15
R64170	3E12	24	70 - 31	R65284	3G8	12	70 - 75	R65542	3B19	23	60 - 17
R64170	3E12	25	70 - 31	R65284	3G8	26	70 - 75	R65542	3B19	24	60 - 17
R64230	2H22	13	50 - 27	R65284	3G8	31	70 - 75	R65542	3C12	23	60 - 35
R64283	3E18	2	70 - 37	R65284	3G9	1	70 - 77	R65542	3C12	24	60 - 35
R64295	3F8	6	70 - 51	R65284	3G12	1	70 - 80	R65542	3C14	19	60 - 37
R64296	3F2	1	70 - 45	R65284	3H2	27	70 - 93	R65542	3C14	20	60 - 37
R64296	3F4	1	70 - 47	R65285	3H2	28	70 - 93	R65543	2J17	15	50 - 71
R64383	2H20	6	50 - 25	R65285	3H3	11	70 - 94	R65543	3C15	1	60 - 38
R64383	2H22	24	50 - 27	R65285	3H4	25	70 - 95	R65543	3C16	1	60 - 39
R64391	4C24	12	80 - 45	R65286	3G8	14	70 - 75	R65549	2H2	6	50 - 7
R64423	2H23	13	50 - 28	R65286	3G11	13	70 - 79	R65550	2H2	17	50 - 7
R64561	3H4	24	70 - 95	R65286	3G14	13	70 - 82	R65563	2I1	10	50 - 31
R64605	3H4	11	70 - 95	R65286	3H2	14	70 - 93	R65570	4F16	5	90 - 63
R64606	3H4	18	70 - 95	R65286	3H3	4	70 - 94	R65570	4F16	8	90 - 63
R64607	3H4	17	70 - 95	R65287	3G12	16	70 - 80	R65570	4F18	5	90 - 65
R64608	3H4	8	70 - 95	R65287	3G14	7	70 - 82	R65593	2B16	4	40 - 13
R64609	3H4	7	70 - 95	R65289	3G8	12	70 - 75	R65593	2E21	8	40 - 98
R64610	3H4	16	70 - 95	R65289	3G8	26	70 - 75	R65593	2G10	4	40 - 133
R64611	3H4	15	70 - 95	R65289	3G9	1	70 - 77	R65593	4D19	15	90 - 17
R64612	3H4	14	70 - 95	R65289	3G11	25	70 - 79	R65594	2G10	2	40 - 133
R64613	3H4	12	70 - 95	R65289	3H2	27	70 - 93	R65595	2G10	21	40 - 133
R64614	3H4	13	70 - 95	R65301	4G24	6	90 - 97	R65595	2G12	11	40 - 135
R64615	3H4	6	70 - 95	R65302	4G24	13	90 - 97	R65596	2G10	22	40 - 133
R64617	3H4	4	70 - 95	R65304	4C25	4	80 - 46	R65597	2E19	7	40 - 96
R64618	3H4	5	70 - 95	R65305	4C25	4	80 - 46	R65597	2E20	6	40 - 97
R64699	2E14	3	40 - 91	R65323	2F3	1	40 - 106	R65597	2G10	23	40 - 133
R64699	2E15	2	40 - 92	R65334	3E17	11	70 - 36	R65598	2G10	24	40 - 133
R64700	2E14	7	40 - 91	R65344	4B23	4	80 - 20	R65599	2B16	4	40 - 13
R64700	2E15	7	40 - 92	R65354	3G11	22	70 - 79	R65599	2G10	25	40 - 133

# 1L16

4030 TRACTOR

## NUMERICAL INDEX - CONTINUED

PART NO.	GRID	KEY	PAGE	PART NO.	GRID	KEY	PAGE	PART NO.	GRID	KEY	PAGE
R65600	2B10	10	40 - 6	R66010	4C22	12	80 - 43	R66433	3F14	1	70 - 59
R65600	2G10	26	40 - 133	R66011	4C22	16	80 - 43	R66469	3I3	11	70 - 117
R65600	4D19	15	90 - 17	R66013	4C22	11	80 - 43	R66473	3I3	13	70 - 117
R65601	2G10	27	40 - 133	R66015	4C22	10	80 - 43	R66474	3I3	8	70 - 117
R65602	2G10	28	40 - 133	R66016	4C22	17	80 - 43	R66475	3I3	5	70 - 117
R65602	2G14	49	40 - 137	R66017	4C22	2	80 - 43	R66476	1E23	11	30 - 47
R65603	2G10	29	40 - 133	R66018	4C22	14	80 - 43	R66528	4H19	14	90 - 117
R65604	2G10	30	40 - 133	R66019	4C22	13	80 - 43	R66529	4H19	15	90 - 117
R65604	4D19	15	90 - 17	R66021	4C22	5	80 - 43	R66530	4H19	2	90 - 117
R65605	2G10	31	40 - 133	R66021	4C22	7	80 - 43	R66531	4H19	9	90 - 117
R65606	2G10	32	40 - 133	R66022	4C22	20	80 - 43	R66536	4H19	2	90 - 117
R65607	2G10	33	40 - 133	R66023	4C22	19	80 - 43	R66537	4H19	9	90 - 117
R65607	2G14	46	40 - 137	R66024	4C22	9	80 - 43	R66541	3B17	16	60 - 15
R65608	2G10	5	40 - 133	R66068	2J3	7	50 - 57	R66560	1D6	6	30 - 5
R65609	2G10	8	40 - 133	R66087	4F10	5	90 - 57	R66560	1D8	6	30 - 7
R65610	2G10	9	40 - 133	R66090	1E18	11	30 - 41	R66560	1D10	7	30 - 9
R65684	2H4	11	50 - 9	R66090	1E20	3	30 - 43	R66619	4C22	6	80 - 43
R65684	3G15	15	70 - 83	R66117	2C18	4	40 - 42	R66620	4C22	6	80 - 43
R65684	3G17	16	70 - 85	R66117	2D4	9	40 - 55	R66623	2H4	10	50 - 9
R65685	3B22	24	60 - 21	R66117	4D19	2	90 - 17	R66645	4D14	7	90 - 11
R65687	3C6	20	60 - 29	R66153	3C12	6	60 - 35	R66658	2F3	3	40 - 106
R65689	2E20	10	40 - 97	R66153	3C12	9	60 - 35	R66659	2F3	8	40 - 106
R65690	2E19	11	40 - 96	R66154	3C14	4	60 - 37	R66660	2F3	11	40 - 106
R65695	4H4	7	90 - 101	R66154	3C14	28	60 - 37	R66683	1D13	6	30 - 12
R65696	4H17	16	90 - 115	R66157	3B17	4	60 - 15	R66684	1D13	5	30 - 12
R65699	3C12	13	60 - 35	R662R	1E23	16	30 - 47	R66821	1E2	12	30 - 23
R65741	2J11	11	50 - 65	R662R	2I9	10	50 - 39	R66821	1E17	8	30 - 40
R65774	4H11	1	90 - 109	R662R	2I11	40	50 - 41	R66893	3E24	23	70 - 43
R65774	4H11	7	90 - 109	R662R	2I13	21	50 - 43	R66894	3F2	3	70 - 45
R65775	4H11	1	90 - 109	R662R	2I15	19	50 - 45	R66895	3E22	25	70 - 41
R65775	4H11	7	90 - 109	R662R	3F6	35	70 - 49	R66901	3F16	6B	70 - 61
R65827	3B19	6	60 - 17	R66283	4D21	13	90 - 19	R66901	3F18	2	70 - 63
R65827	3B19	31	60 - 17	R66290	4C14	11	80 - 37	R66901	3F18	4	70 - 63
R65827	3C12	5	60 - 35	R66301	2C9	5	40 - 33	R66916	3G8	12	70 - 75
R65827	4B3	2	80 - 1	R66302	2C9	11	40 - 33	R66916	3G8	31	70 - 75
R65827	4B4	3	80 - 3	R66319	1D8	1	30 - 7	R66916	3G9	1	70 - 77
R65832	4D21	5	90 - 19	R66319	2B7	24	40 - 3	R66916	3G11	22	70 - 79
R65832	4D23	10	90 - 21	R66319	2B10	7	40 - 6	R66916	3H2	27	70 - 93
R65844	4G24	9	90 - 97	R66319	2B10	10	40 - 6	R66930	4F16	6	90 - 63
R65844	4H2	9	90 - 99	R66319	2B11	24	40 - 7	R67028	4C10	17B	80 - 33
R65849	3C6	3	60 - 29	R66319	2B11	31	40 - 7	R67032	3C12	6	60 - 35
R65887	3G19	17	70 - 87	R66319	2D13	11	40 - 65	R67032	3C12	9	60 - 35
R65888	3G19	16	70 - 87	R66319	2D15	18	40 - 67	R67035	1C15	1	20 - 40
R65892	2I25	8	50 - 55	R66319	2D17	18	40 - 69	R67041	4C24	9	80 - 45
R65892	2J1	6	50 - 56	R66319	2D18	15	40 - 70	R67054	4D21	7	90 - 19
R65894	2J1	1	50 - 56	R66319	2D25	1	40 - 77	R67054	4D23	12	90 - 21
R65906	4G16	14	90 - 89	R66319	2E19	7	40 - 96	R67121	3E24	38	70 - 43
R65907	4G16	9	90 - 89	R66319	2E20	6	40 - 97	R67121	3G24	18	70 - 91B
R65923	4C4	1	80 - 27	R66319	2G5	1	40 - 127	R67225	4D8	20	90 - 5
R65923	4C6	1	80 - 29	R66319	2G5	9	40 - 127	R67234	2I3	3	50 - 33
R65924	4B25	1	80 - 23	R66319	2G5	14	40 - 127	R67234	2I5	3	50 - 35
R65924	4C6	1	80 - 29	R66319	2G5	15	40 - 127	R67235	4B18	1	80 - 15
R65925	4B25	5	80 - 23	R66319	2G10	3	40 - 133	R67295	3C14	8	60 - 37
R65925	4C2	1	80 - 25	R66319	4D14	13	90 - 11	R67295	3C14	9	60 - 37
R65925	4C2	5	80 - 25	R66320	2G10	7	40 - 133	R67315	2H22	7	50 - 27
R65925	4C4	5	80 - 27	R66320	2G12	24	40 - 135	R67363	4F8	16	90 - 55
R65925	4C6	5	80 - 29	R66321	2G1	7	40 - 122	R67387	2H11	5	50 - 16
R65925	4C8	1	80 - 31	R66321	2G1	11	40 - 122	R67387	2H13	5	50 - 18
R65925	4C8	5	80 - 31	R66321	2G10	6	40 - 133	R67394	2I3	7	50 - 33
R65926	4C6	18	80 - 29	R66321	2G12	24	40 - 135	R67394	2I5	26	50 - 35
R65927	4B25	28	80 - 23	R66331	2G22	14	50 - 2	R67395	2I3	7	50 - 33
R65927	4C6	18	80 - 29	R66383	4F10	6	90 - 57	R67395	2I5	26	50 - 35
R66004	4C22	21	80 - 43	R66416	3G11	18	70 - 79	R67423	2H9	6	50 - 14
R66005	4C22	7	80 - 43	R66418	4D17	3	90 - 15	R67486	4F25	5	90 - 72
R66006	4C22	7	80 - 43	R66432	3F12	10	70 - 56	R67560	2E21	12	40 - 98
R66008	4C22	18	80 - 43	R66432	3F14	1	70 - 59	R67562	4G21	5	90 - 94
R66009	4C22	3	80 - 43	R66433	3F12	10	70 - 56	R67563	4G21	4	90 - 94



# 1L17

4030 TRACTOR

## NUMERICAL INDEX - CONTINUED

PART NO.	GRID	KEY	PAGE	PART NO.	GRID	KEY	PAGE	PART NO.	GRID	KEY	PAGE
R67564	4G21	7	90 - 94	R69260	1C2	6	20 - 25	R70309	4B16	5	80 - 13
R67565	4G21	2	90 - 94	R69260	1C23	22	20 - 49	R70309	4B16	8	80 - 13
R67566	4G21	1	90 - 94	R69262	3D11	44	70 - 5	R70309	4B16	11	80 - 13
R67568	4G21	6	90 - 94	R69279	3D11	35	70 - 5	R70309	4B16	12	80 - 13
R67569	4G21	10	90 - 94	R69279	3D13	13	70 - 7	R70309	4B16	14	80 - 13
R67570	4G21	3	90 - 94	R69279	3D15	15	70 - 9	R70309	4B16	16	80 - 13
R67571	4G21	9	90 - 94	R69279	3D19	29	70 - 13	R70351	3D11	13	70 - 5
R67694	4G3	16	90 - 75	R69279	3D21	17	70 - 15	R70483	1B25	19	20 - 23
R67694	4G5	23	90 - 77	R69279	3D23	12	70 - 17	R70483	1C23	18	20 - 49
R67694	4G5	30	90 - 77	R69281	3C18	22	60 - 41	R70559	3D11	43	70 - 5
R67779	1E18	18	30 - 41	R69281	3C18	35	60 - 41	R70607	2H2	40	50 - 7
R67779	1E20	13	30 - 43	R69297	4D4	9	90 - 1	R70607	2H2	47	50 - 7
R67981	2H6	3	50 - 11	R69297	4D4	10	90 - 1	R70607	2J10	3	50 - 64
R67981	2H6	5A	50 - 11	R69297	4D4	11	90 - 1	R70617	3D19	9	70 - 13
R67981	2H6	5B	50 - 11	R69297	4D4	15	90 - 1	R70617	3D24	2	70 - 17A
R67982	2B24	2	40 - 23	R69301	4D21	13	90 - 19	R708R	3C15	4	60 - 38
R68220	3B22	24	60 - 21	R69301	4D23	16	90 - 21	R70867	3D19	21	70 - 13
R68222	2D9	8	40 - 60	R69301	4D24	6	90 - 22	R70868	3D19	22	70 - 13
R68224	2D9	1	40 - 60	R69319	4D14	22	90 - 11	R70956	1C9	14	20 - 33
R68252	3D17	24	70 - 11	R69320	4G3	13	90 - 75	R71095	3C12	13	60 - 35
R68281	1E3	7	30 - 25	R69389	3C12	25	60 - 35	R71311	4C22	23	80 - 43
R68281	1E3	9	30 - 25	R69389	3C14	26	60 - 37	R71321	3D11	42	70 - 5
R68281	1E18	1	30 - 41	R69408	3H24	3	70 - 113	R71321	3D19	38	70 - 13
R68284	3B17	19	60 - 15	R69409	3H24	3	70 - 113	R71387	3H6	9	70 - 97
R68284	3B19	27	60 - 17	R69442	1E20	11	30 - 43	R71387	3H8	3	70 - 99
R68284	3C12	19	60 - 35	R69443	1E20	8	30 - 43	R71387	3H25	2	70 - 114
R68284	3C14	22	60 - 37	R69445	2J17	22	50 - 71	R71399	2C9	25	40 - 33
R68332	4G7	19	90 - 79	R69521	4D25	3	90 - 23	R71400	2C9	5	40 - 33
R68332	4G9	13	90 - 81	R69522	4D25	6	90 - 23	R71523	4G9	3	90 - 81
R68347	2J11	9	50 - 65	R69642	3E18	14	70 - 37	R71523	4G11	7	90 - 83
R68347	2J12	22	50 - 66	R69644	2C7	25	40 - 31	R71583	3E24	33	70 - 43
R68359	4G24	9	90 - 97	R69644	2C9	25	40 - 33	R71585	3E24	23	70 - 43
R68359	4H2	9	90 - 99	R69645	2C7	25	40 - 31	R71867	2H4	17	50 - 9
R68360	4G24	7	90 - 97	R69645	2C9	26	40 - 33	R72040	4E2	13	90 - 25
R68361	4G24	14	90 - 97	R69747	4E2	15	90 - 25	R72088	3F18	10	70 - 63
R68362	4G24	11	90 - 97	R69748	4E2	20	90 - 25	R72312	4G21	17	90 - 94
R68364	4G24	17	90 - 97	R70072	4C22	1	80 - 43	R72313	4G21	20	90 - 94
R68365	4G24	12	90 - 97	R70085	4C22	4	80 - 43	R72314	4G21	19	90 - 94
R68365	4G24	..	90 - 97	R70086	4C22	8	80 - 43	R72315	4G21	13	90 - 94
R68366	4G24	16	90 - 97	R70209	2F14	19	40 - 113	R72316	4G21	12	90 - 94
R68366	4G24	..	90 - 97	R70210	2G14	41	40 - 137	R72371	2H8	13	50 - 13
R68424	3F9	1	70 - 53	R70211	2G14	40	40 - 137	R72371	4F6	32	90 - 53
R68425	3F9	5	70 - 53	R70212	2G14	41	40 - 137	R72398	4D15	14	90 - 12
R68426	3F9	5	70 - 53	R70213	2G14	40	40 - 137	R72398	4D16	11	90 - 13
R68427	3F9	5	70 - 53	R70214	2G14	41	40 - 137	R72433	3G3	5	70 - 70
R68428	3F9	2	70 - 53	R70215	2G14	40	40 - 137	R72487	4D17	5	90 - 15
R68459	4F16	5	90 - 63	R70216	2G14	41	40 - 137	R72506	3D17	27	70 - 11
R68459	4F16	6	90 - 63	R70217	2G14	40	40 - 137	R72507	3D17	23	70 - 11
R68460	4G18	1	90 - 91	R70218	2G14	41	40 - 137	R72653	1E22	15	30 - 46
R68460	4G18	2	90 - 91	R70219	2G14	40	40 - 137	R72653	1E24	15	30 - 48
R68460	4G18	3	90 - 91	R70220	2G14	50	40 - 137	R72653	1E24	24	30 - 48
R68460	4G18	4	90 - 91	R70221	2G14	39	40 - 137	R72653	2I9	1	50 - 39
R68460	4G18	5	90 - 91	R70222	2G14	38	40 - 137	R72653	2I13	14	50 - 43
R68460	4G18	6	90 - 91	R70235	4F25	1	90 - 72	R72653	2I15	16	50 - 45
R68460	4G18	7	90 - 91	R70236	2J11	14	50 - 65	R72653	3C21	7	60 - 45
R68461	4F18	11	90 - 65	R70236	2J12	23	50 - 66	R72653	3F2	10	70 - 45
R68648	2J13	1	50 - 67	R70269	4F22	22	90 - 69	R72653	3F2	17	70 - 45
R68791	4G13	5	90 - 86	R70271	4F22	1	90 - 69	R72653	3F2	54	70 - 45
R68792	4G13	6	90 - 86	R70271	4F24	1	90 - 71	R72653	3F4	11	70 - 47
R68793	4G13	3	90 - 86	R70273	4F22	18	90 - 69	R72653	3F6	31	70 - 49
R68936	4G20	9	90 - 93	R70274	4F22	8	90 - 69	R72653	3G19	1	70 - 87
R68956	2H2	40	50 - 7	R70274	4F24	8	90 - 71	R72653	3H2	25	70 - 93
R68956	2H2	47	50 - 7	R70275	4F22	5	90 - 69	R72653	4D17	8	90 - 15
R68956	2J10	3	50 - 64	R70275	4F24	5	90 - 71	R72653	4F20	42	90 - 67
R69109	2F23	1	40 - 119	R70277	4F22	14	90 - 69	R72654	1E23	10	30 - 47
R69166	3F11	2	70 - 55	R70309	4B16	1	80 - 13	R72654	1E24	12	30 - 48
R69210	2J17	24	50 - 71	R70309	4B16	4	80 - 13	R72654	3F2	34	70 - 45

# 1L18

4030 TRACTOR

## NUMERICAL INDEX - CONTINUED

PART NO.	GRID	KEY	PAGE	PART NO.	GRID	KEY	PAGE	PART NO.	GRID	KEY	PAGE
R72654	3F4	22	70 - 47	R74210	3H8	4	70 - 99	R75833	2E14	3	40 - 91
R72654	3F8	10	70 - 51	R74210	4D8	28	90 - 5	R75833	2E15	2	40 - 92
R72654	3F16	6C	70 - 61	R74210	4D11	11	90 - 8	R75866	3D2	15	60 - 51
R72654	3F18	2	70 - 63	R74272	4H15	10	90 - 113	R75869	4F22	2	90 - 69
R72654	3F18	3	70 - 63	R74310	1E9	14	30 - 31	R75870	4F22	23	90 - 69
R72654	3H2	34	70 - 93	R74312	1E12	10	30 - 35	R75879	3D19	5	70 - 13
R72654	4C15	5	80 - 38	R74325	1E9	11	30 - 31	R75887	4H13	23	90 - 111
R72654	4F20	27	90 - 67	R74354	1C5	6	20 - 29	R75938	3D19	43	70 - 13
R72654	4F24	24	90 - 71	R74354	1C6	10	20 - 30	R75938	3D21	16	70 - 15
R72655	1C14	10	20 - 39	R74354	1C21	4	20 - 47	R75965	4H2	17	90 - 99
R72655	2I1	3	50 - 31	R74354	1C23	15	20 - 49	R75967	1D23	26	30 - 21B
R72655	2I11	52	50 - 41	R74391	4H15	10	90 - 113	R75969	1D23	16	30 - 21B
R72660	1E23	16	30 - 47	R74417	2J13	9	50 - 67	R75970	1D23	2	30 - 21B
R72660	2I9	10	50 - 39	R74418	2J13	9	50 - 67	R75972	1D23	18	30 - 21B
R72660	2I11	40	50 - 41	R74418	2J13	10	50 - 67	R75973	1D23	8	30 - 21B
R72660	2I13	21	50 - 43	R74472	1E12	23	30 - 35	R76126	1B23	6	20 - 21
R72660	2I15	19	50 - 45	R74530	3H2	28	70 - 93	R76317	4H2	19	90 - 99
R72660	3F6	35	70 - 49	R74530	3H3	11	70 - 94	R76318	4H2	15	90 - 99
R72820	3B20	10	60 - 19	R74530	3H4	25	70 - 95	R76329	2E23	8	40 - 100
R72820	3B22	1	60 - 21	R74530	3H6	16	70 - 97	R76330	2E23	1	40 - 100
R72820	3B22	15	60 - 21	R74530	3H8	8	70 - 99	R76331	2E23	8	40 - 100
R72834	3B22	17	60 - 21	R74552	1C5	1	20 - 29	R76332	2E22	12	40 - 99
R72855	2I13	2	50 - 43	R74552	1C6	1	20 - 30	R76333	2E22	14	40 - 99
R72855	2I15	2	50 - 45	R74553	1C5	1	20 - 29	R76341	4C24	4	80 - 45
R72855	2I17	2	50 - 47	R74553	1C6	14	20 - 30	R76477	2C11	2	40 - 35
R72855	2I19	2	50 - 49	R74695	3G8	12	70 - 75	R76477	2C18	3	40 - 42
R72855	2I21	13	50 - 51	R74695	3G8	31	70 - 75	R76477	2D4	6	40 - 55
R72855	2I21	24	50 - 51	R74695	3G9	1	70 - 77	R76477	2D4	8	40 - 55
R72858	3B3	22	60 - 1	R74695	3G11	21	70 - 79	R76477	3E9	..	70 - 28
R72858	3B4	22	60 - 2	R74695	3G14	11	70 - 82	R76477	3E10	..	70 - 29
R72858	3B11	1	60 - 9	R74695	3H2	27	70 - 93	R76477	4D12	..	90 - 9
R72858	3B11	3	60 - 9	R74798	4H2	8	90 - 99	R76493	2H4	10	50 - 9
R72858	3B22	16	60 - 21	R74799	4H2	6	90 - 99	R76493	2H4	25C	50 - 9
R72882	4H2	10	90 - 99	R74868	2J11	11	50 - 65	R76493	3E4	11	70 - 23
R72883	4H2	11B	90 - 99	R74897	4C25	4	80 - 46	R76494	2J5	4	50 - 59
R72884	4H2	14	90 - 99	R74898	4C25	1	80 - 46	R76494	3E4	4	70 - 23
R72886	3D9	20	70 - 3	R74899	4C25	1	80 - 46	R76495	2F2	7	40 - 105
R72886	3D17	18	70 - 11	R74900	4C25	1	80 - 46	R76496	2F2	6	40 - 105
R72968	1B10	16	20 - 9	R74901	4C22	6	80 - 43	R76497	2E22	7	40 - 99
R72969	1B10	16	20 - 9	R74901	4C22	7	80 - 43	R76500	2E23	6	40 - 100
R73139	1B10	16	20 - 9	R74901	4C25	1	80 - 46	R76500	2E23	9	40 - 100
R73140	1B9	1	20 - 8	R74903	4C24	..	80 - 45	R76658	1E2	3	30 - 23
R73140	1C21	1	20 - 47	R74903	4C25	4	80 - 46	R76694	2F2	10	40 - 105
R73140	1C23	17	20 - 49	R74904	4C25	1	80 - 46	R76695	2F2	12	40 - 105
R73187	4H2	16	90 - 99	R74905	4C25	1	80 - 46	R77019	4F25	7	90 - 72
R73188	4H2	16	90 - 99	R74906	4C25	1	80 - 46	R77126	1C23	4	20 - 49
R73216	3I3	5	70 - 117	R74907	4C22	6	80 - 43	R77175	3H9	1	70 - 100
R73216	3I3	6	70 - 117	R74907	4C22	7	80 - 43	R77332	1C9	13	20 - 33
R73228	3D17	25A	70 - 11	R74907	4C25	1	80 - 46	R77404	4F8	..	90 - 55
R73259	4C10	10	80 - 33	R74909	4C24	3	80 - 45	R77404	4H5	4	90 - 102
R73278	4H2	11A	90 - 99	R74909	4C25	1	80 - 46	R77456	2G12	27	40 - 135
R73313	4H2	13	90 - 99	R74910	4C25	1	80 - 46	R77457	2G12	29	40 - 135
R73314	4H2	13	90 - 99	R74912	4C22	5	80 - 43	R77458	2G12	28	40 - 135
R73317	4G12	2	90 - 85	R74912	4C22	7	80 - 43	R77459	2G12	28	40 - 135
R73317	4H2	7	90 - 99	R74912	4C25	1	80 - 46	R77460	2G12	28	40 - 135
R73320	4H2	12	90 - 99	R74993	2B16	3	40 - 13	R77461	2G12	28	40 - 135
R73380	3G2	27	70 - 69	R75078	1E25	26	30 - 49	R77462	2G12	25	40 - 135
R73380	4E20	2	90 - 41	R75130	2H18	9	50 - 23	R77463	2G12	30	40 - 135
R73380	4F4	11	90 - 51	R75376	3D19	26	70 - 13	R77464	2G12	26	40 - 135
R73444	2I6	18	50 - 36	R75376	3D23	4	70 - 17	R77465	2G12	31	40 - 135
R73736	3D19	24	70 - 13	R75564	3D19	18	70 - 13	R77466	2G12	33	40 - 135
R73741	3D17	14	70 - 11	R75642	3D19	17	70 - 13	R77467	2G12	34	40 - 135
R74022	3D2	14	60 - 51	R75728	1B6	6	20 - 5	R77468	2G12	32	40 - 135
R74058	4G3	6	90 - 75	R75728	1C21	17	20 - 47	R77469	2G14	35	40 - 137
R74058	4G7	17	90 - 79	R75728	1C23	11	20 - 49	R77470	2G14	45	40 - 137
R74194	1B18	4	20 - 15	R75728	1C24	14	20 - 50	R77471	2G1	7	40 - 122
R74210	3H6	10	70 - 97	R75761	4G18	16	90 - 91	R77471	2G14	45	40 - 137

# 1L19

4030 TRACTOR

## NUMERICAL INDEX - CONTINUED

PART NO.	GRID	KEY	PAGE	PART NO.	GRID	KEY	PAGE	PART NO.	GRID	KEY	PAGE
R77472	2G14	45	40 - 137	R78062	2G7	1	40 - 129	R79350	4D14	55	90 - 11
R77473	2G14	45	40 - 137	R78063	2G7	1	40 - 129	R79410	3C15	5	60 - 38
R77474	2G14	44	40 - 137	R78063	2G7	7	40 - 129	R79521	3G19	2	70 - 87
R77475	2G12	13	40 - 135	R78064	2G7	27	40 - 129	R79522	2H20	9	50 - 25
R77476	2G12	3	40 - 135	R78065	2G8	4	40 - 131	R79522	2H22	19	50 - 27
R77477	2G12	4	40 - 135	R78066	2G8	1	40 - 131	R79527	2H20	9	50 - 25
R77478	2G12	15	40 - 135	R78067	2G8	5	40 - 131	R79604	1E18	2	30 - 41
R77479	2G12	5	40 - 135	R78068	2G8	8	40 - 131	R79604	1E18	5	30 - 41
R77480	2G12	6	40 - 135	R78069	2G8	9	40 - 131	R79604	1E18	8	30 - 41
R77481	2G12	7	40 - 135	R78080	3C23	..	60 - 47	R79604	1E20	5	30 - 43
R77482	2G12	8	40 - 135	R78095	2B18	4	40 - 15	R79604	1E20	6	30 - 43
R77483	2G12	16	40 - 135	R78095	2B21	4	40 - 19	R79605	1E18	3	30 - 41
R77484	2G12	19	40 - 135	R78101	3D2	3	60 - 51	R79605	1E18	6	30 - 41
R77485	2G12	21	40 - 135	R78101	3D2	7	60 - 51	R79605	1E18	8	30 - 41
R77486	2G12	22	40 - 135	R78156	2J12	13	50 - 66	R79605	1E20	4	30 - 43
R77487	2G12	23	40 - 135	R78168	4H2	6	90 - 99	R79605	1E20	6	30 - 43
R77488	2G14	51	40 - 137	R78257	4E20	7	90 - 41	R79606	1E18	7	30 - 41
R77489	2E12	13	40 - 89	R78257	4F4	21	90 - 51	R79606	1E18	8	30 - 41
R77489	2G14	51	40 - 137	R78293	3D9	10	70 - 3	R79606	1E20	6	30 - 43
R77490	2G14	51	40 - 137	R78293	3D17	8	70 - 11	R79623	1B8	15	20 - 7
R77491	2G14	54	40 - 137	R78325	3E12	3	70 - 31	R79624	1B8	17	20 - 7
R77492	2G14	54	40 - 137	R78366	1C2	6	20 - 25	R79625	1B8	17	20 - 7
R77493	2G1	7	40 - 122	R78366	1C23	22	20 - 49	R79626	1B8	17	20 - 7
R77493	2G1	11	40 - 122	R78386	4H13	5	90 - 111	R79627	1B8	17	20 - 7
R77493	2G14	51	40 - 137	R78386	4H13	6A	90 - 111	R79628	1B8	15	20 - 7
R77494	2G14	55	40 - 137	R78386	4H13	6B	90 - 111	R79629	1B8	15	20 - 7
R77495	2G14	52	40 - 137	R78425	4G20	7	90 - 93	R79630	1B8	15	20 - 7
R77496	2G14	52	40 - 137	R78432	3C15	5	60 - 38	R79673	3C16	2	60 - 39
R77497	2G14	53	40 - 137	R78432	3C15	8	60 - 38	R79877	4F22	30	90 - 69
R77498	2G12	24	40 - 135	R78432	3C16	3	60 - 39	R79877	4F24	32	90 - 71
R77499	2G12	24	40 - 135	R78498	2F8	16	40 - 111	R80033	1B18	4	20 - 15
R77500	2G12	24	40 - 135	R78498	2F10	16	40 - 111B	R80243	1B5	11	20 - 3
R77501	2G12	24	40 - 135	R78498	2F12	19	40 - 111D	R80243	1C23	12	20 - 49
R77502	2G14	56	40 - 137	R78499	2F8	24	40 - 111	R80323	4H2	8	90 - 99
R77503	2G14	56	40 - 137	R78499	2F10	24	40 - 111B	R80324	3H2	35	70 - 93
R77611	3D17	24	70 - 11	R78499	2F12	27	40 - 111D	R80324	3H10	8	70 - 101
R77611	3D21	19	70 - 15	R78552	4F22	2	90 - 69	R80334	2B22	1	40 - 21
R77618	4D21	1	90 - 19	R78765	3H6	8	70 - 97	R80335	2B22	2	40 - 21
R77618	4D23	2	90 - 21	R78766	3H6	13	70 - 97	R80405	1B10	16	20 - 9
R77619	4D21	6	90 - 19	R78766	3H8	6	70 - 99	R80480	2E22	7	40 - 99
R77619	4D23	11	90 - 21	R78767	3H6	2	70 - 97	R80558	3D17	27	70 - 11
R77665	4G9	4	90 - 81	R78768	3H6	19	70 - 97	R80744	2J7	5	50 - 61
R77712	3D23	6	70 - 17	R78769	3H6	17	70 - 97	R80752	3D2	34	60 - 51
R77714	3D19	27	70 - 13	R78991	4C11	1	80 - 34	R80752	4C24	23	80 - 45
R77867	3D2	3	60 - 51	R78995	2F8	17	40 - 111	R80753	3D2	34	60 - 51
R77867	3D2	7	60 - 51	R78995	2F10	17	40 - 111B	R80753	4C24	23	80 - 45
R77896	4D14	53	90 - 11	R78995	2F12	20	40 - 111D	R80754	3D2	28	60 - 51
R77903	3D17	22A	70 - 11	R79033	4E23	2	90 - 45	R80754	3D2	34	60 - 51
R77914	4E23	1	90 - 45	R79043	3H22	6	70 - 111A	R80754	4C24	23	80 - 45
R78020	2G24	30	50 - 5	R79044	3H22	15	70 - 111A	R80842	3G2	34	70 - 69
R78047	2G7	3	40 - 129	R79089	1B10	15	20 - 9	R80979	4G9	12	90 - 81
R78048	2G7	10	40 - 129	R79089	1B24	2	20 - 22	R80979	4G9	13	90 - 81
R78049	2G7	15	40 - 129	R79135	2J15	2	50 - 69	R80979	4G11	10B	90 - 83
R78050	2G7	19	40 - 129	R79150	3D17	22B	70 - 11	R80979	4G11	13	90 - 83
R78051	2G7	24	40 - 129	R79150	3D17	25A	70 - 11	R80987	4G20	11	90 - 93
R78052	2G7	5	40 - 129	R79150	3D17	25B	70 - 11	R81088	4C22	4	80 - 43
R78053	2G7	13	40 - 129	R79151	3D17	22B	70 - 11	R81111	4D21	5	90 - 19
R78054	2G7	17	40 - 129	R79151	3D17	25A	70 - 11	R81111	4D23	10	90 - 21
R78055	2G7	22	40 - 129	R79266	3D19	10	70 - 13	R81186	4G21	11	90 - 94
R78056	2G7	26	40 - 129	R79267	3D19	14	70 - 13	R81207	4F18	11	90 - 65
R78057	2G7	2	40 - 129	R79268	3D19	13	70 - 13	R81207	4F18	13	90 - 65
R78058	2G7	23	40 - 129	R79307	4D16	9	90 - 13	R81272	4B18	1	80 - 15
R78059	2G7	1	40 - 129	R79311	3H2	28	70 - 93	R81275	1C23	9	20 - 49
R78060	2G7	2	40 - 129	R79311	3H3	11	70 - 94	R81275	1C24	10	20 - 50
R78060	2G7	9	40 - 129	R79311	3H4	25	70 - 95	R81275	1D4	5	30 - 3
R78061	2G7	6	40 - 129	R79311	3H6	16	70 - 97	R81424	4E4	9	90 - 27
R78061	2G7	23	40 - 129	R79311	3H8	8	70 - 99	R81424	4E8	12	90 - 29B



# 1L21

4030 TRACTOR

## NUMERICAL INDEX - CONTINUED

PART NO.	GRID	KEY	PAGE	PART NO.	GRID	KEY	PAGE	PART NO.	GRID	KEY	PAGE
TY15156	2E25	4	40-103	TY6298	1B3	1	20-1	TY6713	2D5	..	40-56
TY15156	2F2	15	40-105	TY6300	1B3	1	20-1	TY6713	2D6	17	40-57
TY15157	2E23	7	40-100	TY6301	1B3	1	20-1	TY6713	2D6	..	40-57
TY15163	2E19	19	40-96	TY6311	1B3	1	20-1	TY6713	2D7	..	40-58
TY15163	2E22	15	40-99	TY6312	1B3	1	20-1	TY6713	2D8	..	40-59
TY15175	2E22	15	40-99	TY6313	1B3	1	20-1	TY6713	2D9	..	40-60
TY15269	3F16	19	70-61	TY6359	1B3	1	20-1	TY6722	2C10	6	40-34
TY15269	3F18	38	70-63	TY6360	1B3	1	20-1	TY6722	2C10	..	40-34
TY15269	3F20	12	70-63B	TY6361	1B3	1	20-1	TY6722	2C11	..	40-35
TY15278	2E19	19	40-96	TY6384	4D6	..	90-3	TY6722	2C13	..	40-37
TY15278	2E22	6	40-99	TY6384	4D8	..	90-5	TY6722	2C15	20	40-39
TY15278	2E22	15	40-99	TY6389	1B3	2	20-1	TY6722	2C15	..	40-39
TY15279	2E20	18	40-97	TY6390	1B3	2	20-1	TY6770	2B7	22	40-3
TY15279	2E22	6	40-99	TY6391	1B3	2	20-1	TY6772	2C5	6	40-29
TY15279	2E22	15	40-99	TY6392	1B3	2	20-1	TY6772	2C7	..	40-31
TY15445	2E24	2	40-101	TY6393	1B3	2	20-1	TY6790	2C5	6	40-29
TY15691	2E23	7	40-100	TY6394	1B3	2	20-1	TY6790	2C9	29	40-33
TY15709	4D14	..	90-11	TY6600	2C5	6	40-29	TY9371	4H24	1	90-122
TY1597	2C10	6	40-34	TY6600	2C7	..	40-31	T10079	1D21	1	30-21
TY1597	2C18	..	40-42	TY6617	2C10	6	40-34	T10187	2I13	2	50-43
TY1597	2C20	..	40-45	TY6617	2D4	..	40-55	T10187	2I15	2	50-45
TY1597	2C22	..	40-47	TY6617	2D5	..	40-56	T10187	2I17	2	50-47
TY1597	2C23	..	40-48	TY6617	2D6	..	40-57	T10187	2I19	2	50-49
TY16004	1B4	2	20-2	TY6617	2D7	..	40-58	T10187	2I21	13	50-51
TY16005	1B4	3	20-2	TY6617	2D8	..	40-59	T10187	2I21	24	50-51
TY16042	3F16	19	70-61	TY6617	2D9	..	40-60	T10745	2C5	9	40-29
TY16042	3F20	1	70-63B	TY6618	2C10	6	40-34	T10745	2C7	29	40-31
TY16042	3F20	12	70-63B	TY6618	2C18	..	40-42	T10745	2C9	27	40-33
TY21735	2B14	1	40-11	TY6618	2C25	..	40-51	T11107	1C12	11	20-37
TY21736	2B14	1	40-11	TY6618	2D2	..	40-53	T11234	1C12	24	20-37
TY21741	2B14	1	40-11	TY6618	2D3	..	40-54	T11290	1E7	5	30-29
TY22007	1B3	2	20-1	TY6625	2C5	6	40-29	T11651	2B19	18	40-17
TY22008	1B3	2	20-1	TY6625	2C9	29	40-33	T11672	2C13	19	40-37
TY22009	1B3	1	20-1	TY6665	2B7	22	40-3	T11675	2C13	31	40-37
TY22010	1B3	2	20-1	TY6665	4D6	14	90-3	T11680	2C15	22	40-39
TY22011	1B3	2	20-1	TY6665	4D8	2	90-5	T11682	2C13	24	40-37
TY22329	3E9	11	70-28	TY6667	2C10	6	40-34	T11708	2E3	2	40-80
TY22329	3E10	6	70-29	TY6667	2C18	..	40-42	T11739	2C15	2	40-39
TY22329	3E10	12	70-29	TY6667	2C20	..	40-45	T11739	2C22	23	40-47
TY22329	3E12	12	70-31	TY6667	2C22	..	40-47	T11743	2C20	1	40-45
TY22329	3E12	21	70-31	TY6667	2C23	..	40-48	T11743	2C25	1	40-51
TY22399	4D15	8	90-12	TY6686	2C5	6	40-29	T11875	1E7	26	30-29
TY22399	4E2	8	90-25	TY6686	2C7	..	40-31	T11876	1E7	27	30-29
TY22399	4E2	32	90-25	TY6686	2C9	29	40-33	T11877	1E7	8	30-29
TY22399	4E2	33	90-25	TY6690	2C13	32	40-37	T11878	1E7	24	30-29
TY22430	1C14	3	20-39	TY6690	2C17	1	40-41	T11882	1E7	20	30-29
TY22435	1D9	2	30-8	TY6690	2C17	11	40-41	T11883	1E7	21	30-29
TY22465	1C7	20	20-31	TY6690	2C17	..	40-41	T11884	1E7	19	30-29
TY22465	4E2	9	90-25	TY6701	2C10	6	40-34	T11886	1E10	16	30-33
TY22467	1C7	15	20-31	TY6701	2C10	..	40-34	T11887	1E10	21	30-33
TY22467	1C9	1	20-33	TY6701	2C18	..	40-42	T11888	1E10	20	30-33
TY22467	3E4	12	70-23	TY6701	2C25	..	40-51	T11889	1E10	13	30-33
TY22467	3E8	1	70-27	TY6701	2D2	6	40-53	T11890	1E10	12	30-33
TY22467	3E8	7	70-27	TY6701	2D2	..	40-53	T11891	1E10	2	30-33
TY22467	3E9	10	70-28	TY6701	2D3	..	40-54	T11894	1E5	5	30-27
TY22467	3E10	7	70-29	TY6710	2C10	6	40-34	T11899	1E5	12	30-27
TY22467	3E12	20	70-31	TY6710	2C10	..	40-34	T11899	1E9	18	30-31
TY22470	1C14	4	20-39	TY6710	2C18	..	40-42	T11900	1E5	14	30-27
TY22470	1D3	9	30-2	TY6710	2C20	..	40-45	T11906	1E7	15	30-29
TY22470	3E9	1A	70-28	TY6710	2C22	7	40-47	T11907	1E12	15	30-35
TY2615	4H22	3	90-120	TY6710	2C22	..	40-47	T11909	1E12	22	30-35
TY3018	3H25	3	70-114	TY6710	2C23	..	40-48	T11910	1E12	21	30-35
TY6106	2B14	1	40-11	TY6710	2D7	..	40-58	T11911	1E14	26	30-37
TY6107	2B14	1	40-11	TY6713	2C10	6	40-34	T11913	1E12	8	30-35
TY6119	2B14	1	40-11	TY6713	2C10	..	40-34	T11914	1E12	9	30-35
TY6280	1B3	1	20-1	TY6713	2D4	..	40-55	T11915	1E9	3	30-31
TY6297	1B3	1	20-1	TY6713	2D5	11	40-56	T11915	1E14	12	30-37

# 1L22

4030 TRACTOR

## NUMERICAL INDEX - CONTINUED

PART NO.	GRID	KEY	PAGE	PART NO.	GRID	KEY	PAGE	PART NO.	GRID	KEY	PAGE
T11915	1E14	29	30 - 37	T14050	1D17	15	30 - 16	T17148	3B20	4	60 - 19
T11917	1E14	6	30 - 37	T14264	1D18	12	30 - 17	T17148	3B24	7	60 - 23
T11917	1E14	17	30 - 37	T14264	2F23	8	40 - 119	T17609	1C12	32	20 - 37
T11917	1E21	21	30 - 45	T14264	2H20	21A	50 - 25	T17882	3E24	32	70 - 43
T11918	1E7	7	30 - 29	T146102	2C11	1	40 - 35	T17882	3G24	11	70 - 91B
T11920	1E14	8	30 - 37	T146102	2C18	1	40 - 42	T17946	1E14	27	30 - 37
T11921	1E7	13	30 - 29	T146102	2D4	5	40 - 55	T17947	1E7	14	30 - 29
T11923	1E12	12	30 - 35	T146102	4C22	25	80 - 43	T17949	1E14	3	30 - 37
T11924	1E12	7	30 - 35	T146102	4C24	22	80 - 45	T17950	1E14	2	30 - 37
T11925	1E12	3	30 - 35	T146104	2C11	10	40 - 35	T17951	1E7	15	30 - 29
T11926	1E10	5	30 - 33	T146104	2C18	6	40 - 42	T17952	1E12	6	30 - 35
T11927	1E14	30	30 - 37	T146104	2D4	1	40 - 55	T17953	1E7	12	30 - 29
T11930	1E7	23	30 - 29	T146104	4C22	25	80 - 43	T17987	2C13	20	40 - 37
T11931	1E12	20	30 - 35	T146104	4C24	22	80 - 45	T18098	2C22	14	40 - 47
T11932	1E12	1	30 - 35	T146106	2C11	10	40 - 35	T18098	2D2	13	40 - 53
T11933	1E14	30	30 - 37	T146106	2C18	6	40 - 42	T18105	2C17	8	40 - 41
T11934	1E5	9	30 - 27	T146106	2D4	1	40 - 55	T18105	2C23	9	40 - 48
T11939	1E14	19	30 - 37	T146106	4C22	25	80 - 43	T18105	2D3	6	40 - 54
T11939	1E21	23	30 - 45	T146106	4C24	22	80 - 45	T18106	2C23	16	40 - 48
T11940	1E14	16	30 - 37	T146515	2C11	10	40 - 35	T18106	2D3	13	40 - 54
T11940	1E21	19	30 - 45	T146515	2C18	6	40 - 42	T18107	2C23	12	40 - 48
T11941	1E14	14	30 - 37	T146515	2D4	1	40 - 55	T18107	2D3	9	40 - 54
T11941	1E21	13	30 - 45	T146515	4C22	25	80 - 43	T18110	2C23	2	40 - 48
T11943	1E12	11	30 - 35	T146515	4C24	22	80 - 45	T18110	2D3	2	40 - 54
T11953	1E12	5	30 - 35	T146516	2C11	10	40 - 35	T18113	2C13	27	40 - 37
T12250	1C15	2	20 - 40	T146516	2C18	6	40 - 42	T18354	2C17	4	40 - 41
T12637	3F8	16	70 - 51	T146516	2D4	1	40 - 55	T18838	1B18	2	20 - 15
T12808	1C14	10	20 - 39	T146516	4C22	25	80 - 43	T18891	1B10	7	20 - 9
T12808	2I1	3	50 - 31	T146516	4C24	22	80 - 45	T19044	1C10	2	20 - 35
T12808	2I11	52	50 - 41	T146517	2C11	10	40 - 35	T19044	1F8	5	30 - 59
T13073	3H16	29	70 - 106A	T146517	2C18	6	40 - 42	T19079	2I3	20	50 - 33
T13073	3H19	29	70 - 109	T146517	2D4	1	40 - 55	T19079	2I5	21	50 - 35
T13119	1C7	6	20 - 31	T146517	4C22	25	80 - 43	T19079	2I6	15	50 - 36
T13213	1B15	6	20 - 12	T146517	4C24	22	80 - 45	T19079	2I7	18	50 - 37
T13428	2C1	15	40 - 25	T15699	1E14	23	30 - 37	T19604	2C17	6	40 - 41
T134452	2C11	10	40 - 35	T15705	1E9	12	30 - 31	T19606	2C17	2	40 - 41
T134452	2C18	6	40 - 42	T15710	1E9	6	30 - 31	T19606	2C17	5	40 - 41
T134452	2D4	1	40 - 55	T15710	1E9	7	30 - 31	T19607	2C23	22	40 - 48
T134452	4C22	25	80 - 43	T15711	1E9	25	30 - 31	T19610	2C13	37	40 - 37
T134452	4C24	22	80 - 45	T15712	1E9	26	30 - 31	T19802	3B19	12	60 - 17
T134453	2C11	10	40 - 35	T15715	1E5	21	30 - 27	T19802	3C12	33	60 - 35
T134453	2C18	6	40 - 42	T15715	1E7	9	30 - 29	T19854	1E7	6	30 - 29
T134453	2D4	1	40 - 55	T15720	1E14	11	30 - 37	T19855	1E7	1	30 - 29
T134453	4C22	25	80 - 43	T15720	1E14	28	30 - 37	T19859	1E14	1	30 - 37
T134453	4C24	22	80 - 45	T15721	1E7	11	30 - 29	T19860	1E14	5	30 - 37
T134454	2C11	10	40 - 35	T15737	4D9	2	90 - 6	T19861	1E14	7	30 - 37
T134454	2C18	6	40 - 42	T16068	3F11	12	70 - 55	T19862	1E14	9	30 - 37
T134454	2D4	1	40 - 55	T16106	1D23	12	30 - 21B	T19862	1E21	14	30 - 45
T134454	4C22	25	80 - 43	T16414	4C2	1	80 - 25	T19863	1E9	17	30 - 31
T134454	4C24	22	80 - 45	T16414	4C8	1	80 - 31	T19865	1E7	28	30 - 29
T134455	2C11	10	40 - 35	T16456	1D21	26	30 - 21	T19909	2C20	30	40 - 45
T134455	2C18	6	40 - 42	T16468	1C1	4	20 - 24	T19909	2C25	29	40 - 51
T134455	2D4	1	40 - 55	T16580	2C3	12	40 - 27	T19977	4D19	19	90 - 17
T134455	4C22	25	80 - 43	T16601	1E12	23	30 - 35	T19995	1C12	17	20 - 37
T134455	4C24	22	80 - 45	T16602	1E12	4	30 - 35	T19996	1C12	10	20 - 37
T134456	2C11	10	40 - 35	T16911	2D11	3	40 - 62	T20006	1C23	10	20 - 49
T134456	2C18	6	40 - 42	T16911	2I3	24	50 - 33	T20006	1D12	4	30 - 11
T134456	2D4	1	40 - 55	T16911	2I5	24	50 - 35	T20009	1B18	4	20 - 15
T134456	4C22	25	80 - 43	T17117	1E9	1	30 - 31	T20018	1C5	10	20 - 29
T134456	4C24	22	80 - 45	T17120	1E9	11	30 - 31	T20029	1B23	5	20 - 21
T134459	2C11	1	40 - 35	T17122	1E9	2	30 - 31	T20034	1B23	4	20 - 21
T134459	2C18	1	40 - 42	T17123	1E9	4	30 - 31	T20046	1B23	14	20 - 21
T134459	2D4	5	40 - 55	T17125	1E9	8	30 - 31	T20050	1C4	14	20 - 28
T134459	4C22	25	80 - 43	T17126	1E9	5	30 - 31	T20050	1C5	16	20 - 29
T134459	4C24	22	80 - 45	T17137	1E9	20	30 - 31	T20052	1E3	32	30 - 25
T13814	3E14	8	70 - 33	T17148	3B3	28	60 - 1	T20055	1E3	27	30 - 25
T13814	3E16	10	70 - 35	T17148	3B4	4	60 - 2	T20055	1E10	14	30 - 33

# 1L23

4030 TRACTOR

## NUMERICAL INDEX - CONTINUED

PART NO.	GRID	KEY	PAGE	PART NO.	GRID	KEY	PAGE	PART NO.	GRID	KEY	PAGE
T20070	1B8	18	20 - 7	T20362	1C2	7	20 - 25	T24460	1C23	4	20 - 49
T20072	1B8	20	20 - 7	T20364	1C2	6	20 - 25	T24472	1E18	14	30 - 41
T20073	1B8	16	20 - 7	T20364	1C23	22	20 - 49	T24472	1E20	16	30 - 43
T20077	1B8	10	20 - 7	T20384	2H9	1	50 - 14	T24524	2C3	19	40 - 27
T20078	1C4	10	20 - 28	T20384	2H9	19	50 - 14	T24525	2C3	18	40 - 27
T20078	1C5	8	20 - 29	T20384	2J11	10	50 - 65	T24878	1C12	30	20 - 37
T20078	1C5	12	20 - 29	T20385	2H9	1	50 - 14	T24879	1C12	26	20 - 37
T20079	1D11	11	30 - 10	T20385	2H9	19	50 - 14	T24891	1B18	7	20 - 15
T20091	1C4	11	20 - 28	T20385	2J11	10	50 - 65	T24891	1B19	2	20 - 17
T20091	1C5	11	20 - 29	T20385	2J12	25	50 - 66	T24891	1B19	5	20 - 17
T20091	1C6	7	20 - 30	T20386	2H9	19	50 - 14	T24932	1C19	3	20 - 45
T20094	1B23	12	20 - 21	T20464	1B8	23	20 - 7	T24932	1C21	22	20 - 47
T20097	1C4	12	20 - 28	T20465	1B8	1	20 - 7	T24932	1C24	3	20 - 50
T20097	1C5	8	20 - 29	T20465	1B8	2	20 - 7	T24934	1C19	4	20 - 45
T20112	1C21	6	20 - 47	T20467	1C23	11	20 - 49	T24945	1E17	11	30 - 40
T20112	2C1	11	40 - 25	T20471	1B5	10	20 - 3	T24959	3E9	18	70 - 28
T20113	2C1	10	40 - 25	T21158	2I13	13	50 - 43	T24965	1B9	1	20 - 8
T20115	2C1	5	40 - 25	T21158	2I15	7	50 - 45	T25030	1C12	20	20 - 37
T20129	1B8	9	20 - 7	T21158	2I17	6	50 - 47	T25044	1E12	5	30 - 35
T20146	1C1	2	20 - 24	T21158	2I19	7	50 - 49	T25142	1E5	15	30 - 27
T20154	1C1	1	20 - 24	T21158	2I21	12	50 - 51	T25152	1D21	48	30 - 21
T20154	1C21	2	20 - 47	T21564	3E14	34	70 - 33	T25153	1D21	53	30 - 21
T20155	1C2	1	20 - 25	T21564	3E16	35	70 - 35	T25155	1D21	51	30 - 21
T20155	1C23	1	20 - 49	T21689	4B19	4	80 - 16	T25156	1D21	52	30 - 21
T20159	1C23	9	20 - 49	T22228	3F2	2	70 - 45	T25157	1D21	24	30 - 21
T20159	1D4	5	30 - 3	T22228	3F4	2	70 - 47	T25317	3G2	17	70 - 69
T20165	1E3	33	30 - 25	T22534	1F1	2	30 - 51	T25430	1D11	8	30 - 10
T20166	1B9	4	20 - 8	T22534	1F3	2	30 - 53	T25466	1B8	15	20 - 7
T20168	1B5	5	20 - 3	T22534	1F5	3	30 - 56	T25467	1B8	17	20 - 7
T20168	1B10	13	20 - 9	T22535	1B8	22	20 - 7	T25479	1C19	8	20 - 45
T20168	1B24	3	20 - 22	T22536	1B25	3	20 - 23	T25485	1C18	7	20 - 43
T20168	1C19	10	20 - 45	T22537	1B25	1	20 - 23	T25701	1C18	19	20 - 43
T20169	1B8	11	20 - 7	T22875	3B3	27	60 - 1	T25879	3H24	4	70 - 113
T20176	1B8	11	20 - 7	T22875	3B4	5	60 - 2	T25919	1D11	3	30 - 10
T20176	1B8	12	20 - 7	T22875	3B20	5	60 - 19	T25921	4B4	8	80 - 3
T20182	1B5	4	20 - 3	T22875	3B24	8	60 - 23	T26149	1B18	2	20 - 15
T20184	1B5	4	20 - 3	T22893	1B8	14	20 - 7	T26175	1B8	15	20 - 7
T20204	2C5	2	40 - 29	T22970	3E12	5	70 - 31	T26176	1B8	15	20 - 7
T20217	1B23	18	20 - 21	T23002	1C19	9	20 - 45	T26177	1B8	15	20 - 7
T20223	1C12	15	20 - 37	T23002	1C21	8	20 - 47	T26178	1B8	17	20 - 7
T20229	1C12	12	20 - 37	T23002	1C24	6	20 - 50	T26179	1B8	17	20 - 7
T20231	1C12	9	20 - 37	T23027	4H21	3	90 - 119	T26180	1B8	17	20 - 7
T20232	1C12	1	20 - 37	T23087	1B5	4	20 - 3	T26223	1E10	10	30 - 33
T20232	1C21	10	20 - 47	T23226	1C12	25	20 - 37	T26238	1E5	1	30 - 27
T20243	1C18	1	20 - 43	T23266	1B23	13	20 - 21	T26256	1E5	23	30 - 27
T20243	1C21	11	20 - 47	T23267	1B23	13	20 - 21	T26321	1B23	22	20 - 21
T20243	1C23	20	20 - 49	T23270	1B23	15	20 - 21	T26322	1B23	23	20 - 21
T20272	1C1	16	20 - 24	T23430	2C1	4	40 - 25	T26323	1B23	2	20 - 21
T20272	1C2	5	20 - 25	T23435	1B10	10	20 - 9	T26324	1B23	1	20 - 21
T20273	1C1	16	20 - 24	T23435	1C9	16	20 - 33	T26325	1B23	20	20 - 21
T20273	1C2	5	20 - 25	T23469	1B8	1	20 - 7	T26326	1B23	6	20 - 21
T20273	1C23	21	20 - 49	T23471	1B18	6	20 - 15	T26327	1B23	7	20 - 21
T20287	1B8	12	20 - 7	T23474	1B10	12	20 - 9	T26565	1B23	9	20 - 21
T20294	1C3	1	20 - 27	T23474	1B24	4	20 - 22	T26565	2G21	4	50 - 1
T20298	1C4	8	20 - 28	T23519	2H9	8	50 - 14	T26565	2H8	18	50 - 13
T20298	1C5	14	20 - 29	T23528	1D21	15	30 - 21	T26870	1E18	18	30 - 41
T20310	1B8	14	20 - 7	T23546	1B8	15	20 - 7	T27167	1D4	1	30 - 3
T20314	1B8	4	20 - 7	T23547	1B8	15	20 - 7	T27261	1C18	5	20 - 43
T20315	1B8	8	20 - 7	T23548	1B8	15	20 - 7	T27657	1C1	11	20 - 24
T20316	1B8	3	20 - 7	T23549	1B8	17	20 - 7	T27657	1C2	16	20 - 25
T20320	1D17	2	30 - 16	T23550	1B8	17	20 - 7	T27658	1C1	14	20 - 24
T20328	1C3	2	20 - 27	T23551	1B8	17	20 - 7	T27658	1C2	13	20 - 25
T20328	1C21	7	20 - 47	T23594	1B8	7	20 - 7	T27716	2H25	5	50 - 30
T20328	1C23	2	20 - 49	T23596	1B25	19	20 - 23	T28041	1B8	21	20 - 7
T20335	1C3	3	20 - 27	T23694	2H18	23	50 - 23	T28051	3B13	16A	60 - 11
T20336	1C3	4	20 - 27	T24168	4H13	21	90 - 111	T28051	3B17	3	60 - 15
T20336	1C23	3	20 - 49	T24417	1D11	9	30 - 10	T28051	3B19	4A	60 - 17

# 1L24

4030 TRACTOR

## NUMERICAL INDEX - CONTINUED

PART NO.	GRID	KEY	PAGE	PART NO.	GRID	KEY	PAGE	PART NO.	GRID	KEY	PAGE
T28051	3C8	14A	60 - 31	T33279	1C1	3	20 - 24	T84412	4C22	25	80 - 43
T28051	3C10	18	60 - 33	T33279	1C2	2	20 - 25	T84412	4C24	22	80 - 45
T28051	3C12	1A	60 - 35	T34067	2G12	18	40 - 135	T84413	2C11	10	40 - 35
T28051	3C14	1	60 - 37	T34236	2J12	7	50 - 66	T84413	2C18	6	40 - 42
T28384	2J12	25	50 - 66	T34236	2J12	9	50 - 66	T84413	2D4	1	40 - 55
T28437	1D12	3	30 - 11	T35440	2F6	30	40 - 109	T84413	4C22	25	80 - 43
T28583	2G10	34	40 - 133	T35440	2F8	32	40 - 111	T84413	4C24	22	80 - 45
T28583	2G12	1	40 - 135	T35440	2F10	32	40 - 111B	T84578	2C11	10	40 - 35
T28583	4D11	14	90 - 8	T35440	2F12	34	40 - 111D	T84578	2C18	6	40 - 42
T28583	4D19	12	90 - 17	T35440	2F14	9	40 - 113	T84578	2D4	1	40 - 55
T28583	4D21	15	90 - 19	T35441	2F6	29	40 - 109	T84578	4C22	25	80 - 43
T28585	2B10	8	40 - 6	T35441	2F14	8	40 - 113	T84578	4C24	22	80 - 45
T28585	2B10	10	40 - 6	T40308	3D11	28	70 - 5	U10136	3D2	3	60 - 51
T28585	2D18	2	40 - 70	T40308	3D15	17	70 - 9	U10136	3E6	11	70 - 25
T28585	2E19	7	40 - 96	T40308	3D21	4	70 - 15	U10289	3C12	10	60 - 35
T28585	2E20	6	40 - 97	T40308	3D23	18	70 - 17	U10289	3C14	29	60 - 37
T28585	2G1	7	40 - 122	T40308	3D24	11	70 - 17A	U11004	3G15	27	70 - 83
T28585	2G10	35	40 - 133	T43535	3D24	8	70 - 17A	U11004	3G17	28	70 - 85
T28585	2G12	12	40 - 135	T43535	3D24	9	70 - 17A	U11004	3G19	22	70 - 87
T28586	2G12	14	40 - 135	T46726	1F4	9	30 - 55	U11004	3H23	12	70 - 112
T29049	4B4	2	80 - 3	T46726	1F6	6	30 - 57	U11326	2I21	5	50 - 51
T29130	1C19	7	20 - 45	T50222	2C23	16	40 - 48	U11343	3E12	6	70 - 31
T29205	4B4	4	80 - 3	T519T	3F2	7	70 - 45	U11646	4D11	1	90 - 8
T29210	4B4	10	80 - 3	T519T	3F4	7A	70 - 47	U11646	4D14	8	90 - 11
T29211	4B4	2	80 - 3	T519T	3F4	9	70 - 47	U11647	3H25	1	70 - 114
T29218	3E1	13	70 - 19	T519T	3F6	11	70 - 49	U12331	3E6	14	70 - 25
T29219	3E1	13	70 - 19	T519T	4F3	2	90 - 50	U13639	1B10	3	20 - 9
T29317	3E4	15	70 - 23	T54033	2I9	7	50 - 39	U13639	1C25	6	20 - 51
T29317	3E4	17	70 - 23	T54033	2I11	41	50 - 41	U13639	3D7	1	70 - 1
T29527	1D17	15	30 - 16	T54033	2I13	19	50 - 43	U13639	3D9	14	70 - 3
T29539	1E18	3	30 - 41	T54033	2I15	24	50 - 45	U13639	3D9	16	70 - 3
T29539	1E20	4	30 - 43	T54033	3F6	34	70 - 49	U13639	3D9	...	70 - 3
T29540	1E18	2	30 - 41	T55501	2E6	6	40 - 83	U13639	3D13	14	70 - 7
T29540	1E20	5	30 - 43	T55501	2E13	1	40 - 90	U13639	3D17	12	70 - 11
T30607	1E5	24	30 - 27	T55501	2E14	11	40 - 91	U13639	3D21	21	70 - 15
T30738	1D14	11	30 - 13	T55501	2E15	11	40 - 92	U13639	3G21	14	70 - 89
T30738	1D18	3	30 - 17	T55585	1F4	1	30 - 55	U13639	3G22	24	70 - 90
T30738	1D19	1	30 - 19	T55585	1F6	14	30 - 57	U13639	3G24	15	70 - 91B
T31124	1E10	19	30 - 33	T57374	3D11	29	70 - 5	U15192	3E2	1	70 - 20
T31125	1E10	19	30 - 33	T57374	3D15	18	70 - 9	U15192	3E2	2	70 - 20
T31126	1E10	19	30 - 33	T57374	3D21	5	70 - 15	U15192	3E2	3	70 - 20
T31127	1E10	19	30 - 33	T57374	3D23	19	70 - 17	U15192	3E2	8	70 - 20
T31128	1E10	19	30 - 33	T57374	3D24	10	70 - 17A	U15969	3H4	21	70 - 95
T31129	1E10	8	30 - 33	T736T	2C15	13	40 - 39	U16538	1B18	1	20 - 15
T31170	2J3	5	50 - 57	T738T	2C15	11	40 - 39	U42685	3E9	21	70 - 28
T31174	1E18	19	30 - 41	T738T	2C22	18	40 - 47	U45916	4F24	26	90 - 71
T31174	1E20	18	30 - 43	T738T	2D2	17	40 - 53	U46370	2G10	36	40 - 133
T31306	1C9	12	20 - 33	T739T	2C15	9	40 - 39	U46370	2G12	20	40 - 135
T31306	1C10	3	20 - 35	T740T	2C15	10	40 - 39	U46506	2F6	21	40 - 109
T31800	2H9	8	50 - 14	T84409	2C11	1	40 - 35	U46506	2F8	24	40 - 111
T32148	4B23	9	80 - 20	T84409	2C18	1	40 - 42	U46506	2F10	24	40 - 111B
T32231	2G1	5	40 - 122	T84409	2D4	5	40 - 55	U46506	2F12	27	40 - 111D
T32231	4D9	2	90 - 6	T84409	4C22	25	80 - 43	U46507	2F6	1	40 - 109
T32252	1E3	18	30 - 25	T84409	4C24	22	80 - 45	U46507	2F8	1	40 - 111
T32255	2F6	19	40 - 109	T84410	2C11	10	40 - 35	U46507	2F10	1	40 - 111B
T32255	2F8	23	40 - 111	T84410	2C18	6	40 - 42	U46507	2F12	1	40 - 111D
T32255	2F10	23	40 - 111B	T84410	2D4	1	40 - 55	U46508	2F6	16	40 - 109
T32255	2F12	26	40 - 111D	T84410	4C22	25	80 - 43	U46508	2F8	19	40 - 111
T32340	1B16	1	20 - 13	T84410	4C24	22	80 - 45	U46508	2F10	19	40 - 111B
T32340	1B19	3	20 - 17	T84411	2C11	10	40 - 35	U46508	2F12	22	40 - 111D
T32341	1C21	13	20 - 47	T84411	2C18	6	40 - 42	U46509	2F6	8	40 - 109
T32343	1B16	1	20 - 13	T84411	2D4	1	40 - 55	U46510	2F6	7	40 - 109
T32343	1B20	3	20 - 18	T84411	4C22	25	80 - 43	U46511	2F6	6	40 - 109
T32343	1B21	3	20 - 19	T84411	4C24	22	80 - 45	U46512	2F6	5	40 - 109
T32505	1D21	47	30 - 21	T84412	2C11	10	40 - 35	U46513	2F6	4	40 - 109
T32554	1D21	50	30 - 21	T84412	2C18	6	40 - 42	U46514	2F6	2	40 - 109
T33279	1B10	6	20 - 9	T84412	2D4	1	40 - 55	U46515	2F6	14	40 - 109



# 1L25

4030 TRACTOR

## NUMERICAL INDEX - CONTINUED

PART NO.	GRID	KEY	PAGE	PART NO.	GRID	KEY	PAGE	PART NO.	GRID	KEY	PAGE
U46662	2E12	12	40-89								
U46662	2G1	7	40-122								
U46662	2G10	37	40-133								
U46662	2G12	10	40-135								
U46663	2G10	38	40-133								
U46664	2G10	39	40-133								
U46664	2G14	47	40-137								
Y1912	2J3	2	50-57								
Z36276	3D24	8	70-17A								
Z36276	3D24	9	70-17A								
15-A295	1D23	24	30-21B								
15-A85	1D23	4	30-21B								
15-483	1D21	31	30-21								
15-483	1D23	1	30-21B								
15A85	1D21	17	30-21								
16-A41	1D23	7	30-21B								
16-456	1D23	17	30-21B								
16-47	1D23	15	30-21B								
1873796	2C13	9	40-37								
1873796	2C20	10	40-45								
24-A3	1D21	38	30-21								
24-340	1D21	7	30-21								
24-340	1D23	33	30-21B								
27-121	1D21	32	30-21								
30-739	1D23	9	30-21B								
32240	4D8	26	90-5								
400R	2H2	18	50-7								
400R	2H22	14	50-27								
400R	2I24	5	50-54								
400R	2J13	16	50-67								
400R	3B5	5	60-3								
400R	3B7	6	60-5								
400R	3D2	18	60-51								
400R	3E20	40	70-39								
400R	3E22	50	70-41								
400R	3E24	2	70-43								
400R	3H2	12	70-93								
400R	3H10	14	70-101								
43-33	1D23	34	30-21B								
44-38	1D21	35	30-21								
44-38	1D23	19	30-21B								
44-68	1D23	35	30-21B								
49-101L	1D23	6	30-21B								
49-285	1D21	14	30-21								
55-261	1D23	36	30-21B								
811912	2D2	9	40-53								