

# 1A2

4230 TRACTOR

RWP3898 -UN-01JAN94



*JOHN DEERE 4230 TRACTOR*

*(SPECIFICATIONS AND DESIGN SUBJECT TO CHANGE WITHOUT NOTICE)*

*COPYRIGHT (C) 1996. DEERE & COMPANY, MOLINE, ILLINOIS. ALL RIGHTS RESERVED.*

# 1A3

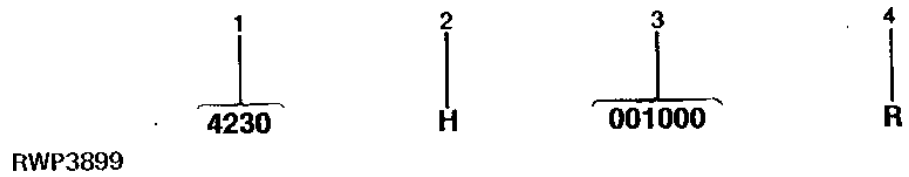
4230 TRACTOR

## SERIAL NUMBERS

EACH 4230 TRACTOR HAS THE FOLLOWING SERIAL NUMBER PLATES: BASIC TRACTOR, ENGINE, SHORT BLOCK, ROLL-GARD, AND SOUND-GARD BODY.

### TRACTOR SERIAL NUMBER

RWP3899 -UN-01JAN94



1. DESIGNATES TRACTOR MODEL
2. DESIGNATES TRANSMISSION TYPE

4230  
H - QUAD-RANGE  
P - POWER SHIFT  
W - SYNCRO-RANGE  
C - CREEPER

3. DESIGNATES TRACTOR SERIAL NUMBER
4. DESIGNATES TRACTOR MANUFACTURER

R - JOHN DEERE TRACTOR WORKS

RWP3900 -UN-01JAN94



THE BASIC TRACTOR SERIAL NUMBER PLATE IS LOCATED AT THE REAR OF THE TRANSMISSION CASE.

# 1A4

4230 TRACTOR

## ENGINE SERIAL NUMBER

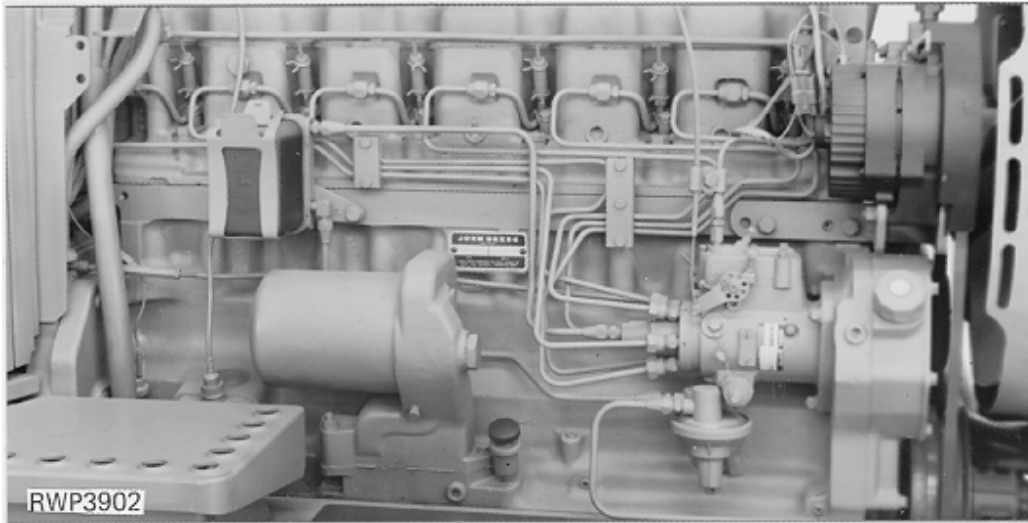
RWP3901 -UN-01JAN94

1 2 3 4 5 6 7  
6 404 D R- 12 000000 R

RWP3901

- |   |                              |
|---|------------------------------|
| 1. DESIGNATES NUMBER OF CYLINDERS       | 6                            |
| 2. DESIGNATES CUBIC INCH DISPLACEMENT   | 404                          |
| 3. DESIGNATES TYPE OF AIR INTAKE SYSTEM | D - NATURALLY ASPIRATED      |
| 4. DESIGNATES FACTORY USER              | R - JOHN DEERE TRACTOR WORKS |
| 5. DESIGNATES VERSION                   | 12 - TWELFTH                 |
| 6. DESIGNATES ENGINE SERIAL NUMBER      | 000000                       |
| 7. DESIGNATES ENGINE MANUFACTURER       | R - JOHN DEERE TRACTOR WORKS |

RWP3902 -UN-01JAN94



THE ENGINE SERIAL NUMBER PLATE IS LOCATED ON THE RIGHT-HAND SIDE OF THE ENGINE BEHIND THE INJECTION PUMP.

# 1A5

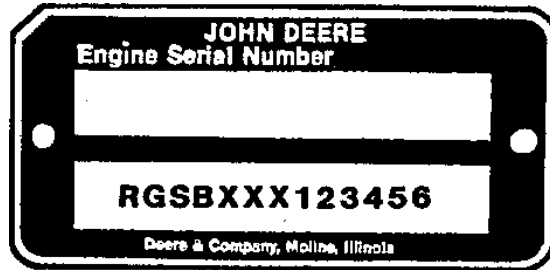
4230 TRACTOR

## SHORT BLOCK SERIAL NUMBER PLATE

(DIESEL)

(S.B.S.N. -RGSB404882600)

RGP2856 -UN-01JAN94



RGP2856

A SHORT BLOCK SERIAL NUMBER PLATE PLUS 2-37H44 DRIVE SCREWS ARE USED TO ATTACH TO REPLACEMENT SHORT BLOCK ASSEMBLIES. THIS NUMBER WILL BE REFERRED TO WHEN NEW PARTS AFFECT THE SHORT BLOCK ASSEMBLY. THE PREVIOUS ENGINE SERIAL NUMBER SHOULD BE STAMPED INTO THE BLANK SPACE PROVIDED, AS A REFERENCE FOR YOUR DEALER.

- |                                       |                            |
|---------------------------------------|----------------------------|
| 1. DESIGNATES ENGINE MANUFACTURER     | RG - WATERLOO ENGINE WORKS |
| 2. DESIGNATES REPLACEMENT SHORT BLOCK | SB                         |
| 3. DESIGNATES LITERS                  | 404                        |
| 4. DESIGNATES THE PRODUCTION DATE     | 8826                       |
| 5. DESIGNATES COMPONENT SEQUENCE      | 00                         |

SERIAL NUMBER NOW STAMPED INTO CASTING OF BLOCK NEAR PREVIOUS SERIAL NUMBER PLATE.

EXAMPLE: RE534850295

- |                              |         |
|------------------------------|---------|
| 1. DESIGNATES PART NUMBER    | RE53485 |
| 2. DESIGNATES MONTH PACKAGED | 02      |
| 3. DESIGNATES YEAR PACKAGED  | 95      |



# 1A6

4230 TRACTOR

## SOUND-GARD BODY OR ROLL-GARD SERIAL NUMBER

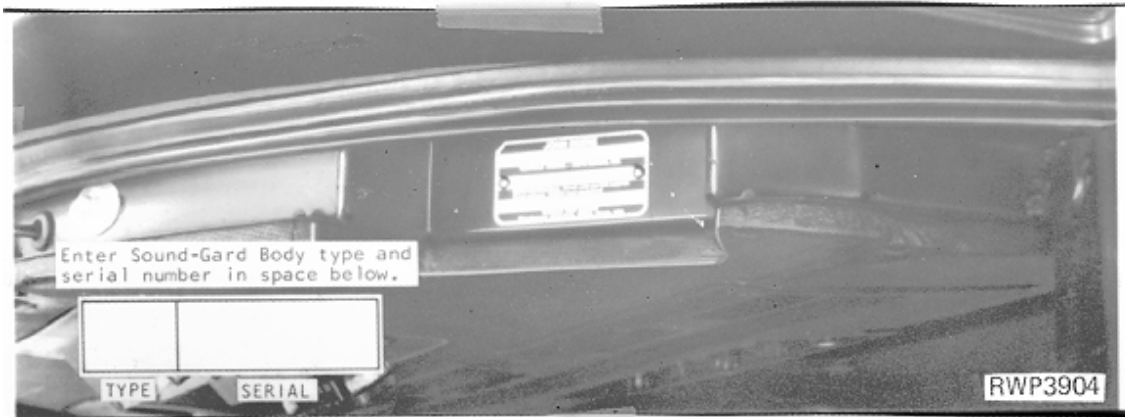
RWP3903 -UN-01JAN94



RWP3903

1. DESIGNATES TYPE  
SG - SOUND-GARD BODY  
RG - ROLL-GARD
2. DESIGNATES VERSION  
1 - FIRST
3. DESIGNATES SERIAL NUMBER
4. DESIGNATES SOUND-GARD BODY MANUFACTURER - JOHN DEERE TRACTOR WORKS

RWP3904 -UN-01JAN94



THE SOUND-GARD BODY SERIAL NUMBER PLATE IS LOCATED ON THE WINDSHIELD WIPER MOTOR ACCESS DOOR HEADER.

THE ROLL-GARD SERIAL NUMBER PLATE IS LOCATED ON THE RIGHT-HAND FRONT POST.

# 1A7

4230 TRACTOR

## SERIAL NUMBER LISTING INFORMATION

SERIAL NUMBER INFORMATION IS LISTED TO SHOW ON WHICH MACHINES EACH PART CAN BE USED; FOR EXAMPLE:

- THE PART CAN BE USED ON ALL MACHINES.
- 000000- THE PART CAN BE USED ON ALL MACHINES BEGINNING WITH THE SERIAL NUMBER LISTED.
- 000000 THE PART CAN BE USED ON ALL MACHINES UP TO AND INCLUDING THE SERIAL NUMBER LISTED.
- 000000-000000 THE PART CAN BE USED ON ALL MACHINES BETWEEN AND INCLUDING THE SERIAL NUMBERS LISTED.
  
- 15BV1- WHEN A MODEL NUMBER BEGINS WITH 15BV, 14HA, 15PP, 25SC, 2RC, 4RC, 15RS, 3CY, 2SP, OR 31SV, IT REFERS TO THE MODEL NUMBER OF THE BRAKE VALVE, HYDRAULIC ACCUMULATOR, HYDRAULIC PUMP, REMOTE CYLINDER SELECTIVE CONTROL VALVE FOR NO ROCKSHAFT, REMOTE CYLINDER SELECTIVE CONTROL VALVES, REMOTE CYLINDERS, REMOTE CYLINDERS WITH MECHANICAL STOPS, ROCKSHAFT CONTROL VALVE, STEERING CYLINDER, STEERING METERING PUMP, OR STEERING VALVE.

WHEN XXXXXX'S ARE LISTED IN PLACE OF A SERIAL NUMBER, A SERIAL NUMBER CHANGE WAS MADE BUT THE EXACT SERIAL NUMBER WAS NOT AVAILABLE WHEN THE CATALOG WAS PRODUCED.

## MODEL NUMBERS

THE FOLLOWING COMPONENTS HAVE MODEL NUMBERS:

BRAKE VALVE .....	12BV1
DIFFERENTIAL LOCK VALVE .....	11DL1
HYDRAULIC ACCUMULATOR .....	14HA1
HYDRAULIC PUMP (50 CM3) (3 IN3) .....	1PPA
HYDRAULIC PUMP (65 CM3) (4 IN3) .....	8PP4
POWER WEIGHT TRANSFER CONTROL VALVE .....	1DC2
REMOTE CYLINDER SELECTIVE CONTROL VALVE - SINGLE .....	23SC1
REMOTE CYLINDER SELECTIVE CONTROL VALVE - DUAL .....	23SC2
REMOTE CYLINDER SELECTIVE CONTROL VALVE - TRIPLE .....	24SC1
REMOTE CYLINDER (76 X 203MM (3" X 8")) .....	1RC3
REMOTE CYLINDER WITH MECHANICAL STOP (76 X 203MM (3" X 8")) .....	3RC2
ROCKSHAFT CONTROL VALVE .....	10RS1
STEERING CYLINDER .....	3CY1
STEERING METERING PUMP .....	2SP1
STEERING VALVE .....	14SV1

EACH OF THE ABOVE COMPONENTS HAS A MODEL NUMBER. WHEN THE DESIGN OF ONE OF THESE COMPONENTS IS CHANGED, THE MODEL NUMBER FOR THE NEWLY DESIGNED COMPONENT IS CHANGED.

## DIRECTION ARROW

ARROWS ARE USED WITH ILLUSTRATIONS TO INDICATE THE FRONT OF THE UNIT. "RIGHT-HAND" AND "LEFT-HAND" SIDES ARE DETERMINED BY FACING IN THE DIRECTION OF MACHINE FORWARD TRAVEL.

## BOX-ENCLOSED ILLUSTRATIONS

A KEY NUMBER, SHOWN IN THE PARTS LIST, IS ASSIGNED TO A BOX ENCLOSING ALL PARTS SOLD AS A SERVICE ASSEMBLY.

## BOLT AND CAP SCREW STRENGTH IDENTIFICATION

U.S. CUSTOMARY DIMENSIONED PRODUCT: BOLTS AND CAP SCREWS REQUIRED TO HAVE HIGH-STRENGTH QUALITIES EQUIVALENT TO SAE GRADE 8 ARE IDENTIFIED THROUGHOUT THIS CATALOG BY THE DESCRIPTION HS SAE 8. ALL STANDARD BOLTS AND CAP SCREWS ARE SAE GRADE 5 OR LOWER.

METRIC DIMENSIONED PRODUCT: BOLTS AND CAP SCREWS REQUIRED TO HAVE HIGH-STRENGTH QUALITIES EQUIVALENT TO PROPERTY CLASS 10.9 ARE IDENTIFIED THROUGHOUT THIS CATALOG BY THE DESCRIPTION HS 10.9. ALL STANDARD BOLTS AND CAP SCREWS ARE PROPERTY CLASS 8.8 OR LOWER.

## JDM REMANUFACTURED COMPONENTS

THE SERVICE PARTS LISTED IN THIS CATALOG ARE INTENDED FOR THE REPAIR OF ORIGINAL EQUIPMENT COMPONENTS. ALTHOUGH MOST SERVICE PARTS MAY BE USED TO REPAIR REMANUFACTURED COMPONENTS, THE REMANUFACTURING PROCESS MAY CHANGE PARTS SUFFICIENTLY SO THAT SERVICE PARTS ARE INADEQUATE OR NOT USABLE.

## TRADEMARKS

THROUGHOUT THIS PARTS CATALOG, YOU WILL FIND THE FOLLOWING DEERE AND COMPANY TRADEMARKS:

HYDRACUSHIONED™  
INTELLITRAK®  
PERSONAL-POSTURE™  
QUAD-RANGE™  
PERFORMANCE TRAK™ II

ROLL-GARD®  
SOUND-GARD®  
TORQ-GARD PLUS 50®  
HY-GARD®  
QUIK-TATCH®

## CHANGE INDICATOR LINE (MICROFICHE CATALOGS ONLY)

CHANGES AFFECTING THE ORDERING OF PARTS ARE IDENTIFIED BY VERTICAL LINES MARKED IN THE LEFT-HAND MARGIN OF REVISED PARTS LISTING IMAGES. A LINE IS ALSO AT THE LEFT-HAND EDGE OF THE SAME PART NUMBER IN THE NUMERICAL INDEX TO SHOW THE LOCATION OF REVISED INFORMATION.

# 1A9

4230 TRACTOR

---

## QUANTITY COLUMN OR REMARKS COLUMN

GENERALLY THE QUANTITY SHOWN IS FOR THE ENTIRE TRACTOR AT ANY GIVEN LOCATION. THERE ARE EXCEPTIONS AS IN WHEEL HARDWARE WHERE ONLY ENOUGH IS SHOWN FOR ONE WHEEL.

THE FOLLOWING ABBREVIATIONS ARE USED IN THE REMARKS COLUMN:

NLR - NO LONGER REQUIRED

NA - NOT APPLICABLE

NLA - NO LONGER AVAILABLE

**FI - FIELD INSTALLED**

**CA - CONVENIENCE ASSEMBLY**

CA AND FI ARE OPTIONS THAT MUST BE ORDERED DIRECT FROM THE PRODUCING FACTORY.

# 1A10

4230 TRACTOR

---

## SECTION INDEX

GENERAL INFORMATION .....	10
ENGINE .....	20
FUEL AND AIR .....	30
ELECTRICAL .....	40
POWER TRAIN .....	50
STEERING AND BRAKES .....	60
HYDRAULICS .....	70
WHEELS, FRONT AXLES, SHEET METAL .....	80
OPERATOR'S STATION .....	90
NUMERICAL INDEX .....	95

# 1A11

4230 TRACTOR

## ALPHABETICAL INDEX

GRID		PAGE	GRID		PAGE
	<b>A</b>				
6F13	ABSORBER, SHOCK, SEAT SUPPORT.....	90-44	3D11	ARM, SHIFTER.....	50-54
6F24	ABSORBER, SHOCK, SEAT SUPPORT (PERSONAL- POSTURE).....	90-56	3C20	ARM, SHIFTER (QRT AND SRT).....	50-36
4D8	ACCUMULATOR, BRAKE.....	60-48	3C21	ARM, SHIFTER (QRT AND SRT).....	50-37
5E19	ADAPTER, IMPLEMENT QUICK COUPLER.....	70-88	3D13	ARM, SPEED CHANGE LEVER (QRT).....	50-56
1E7	ADAPTER, STARTING AID (ELECTRIC).....	30-15	6B15	ARM, STEERING (ADJUSTABLE FRONT AXLE).....	80-12
1E10	ADAPTER, STARTING AID (ELECTRIC).....	30-15D	6B20	ARM, STEERING (ADJUSTABLE) (LOW PROFILE).....	80-17
6I19	ADHESIVE.....	90-132	6B19	ARM, STEERING (FIXED) (LOW PROFILE).....	80-16
6B6	ADJUSTABLE TREAD FRONT AXLE.....	80-2	6B17	ARM, STEERING (PFWD).....	80-14
6B7	ADJUSTABLE TREAD FRONT AXLE (PFWD).....	80-3	6B5	ARM, STEERING GEAR.....	80-1
6E7	AIR CIRCULATION PRESSURIZER BLOWER (SGB).....	90-14	2G7	ARM, WINDSHIELD WIPER.....	40-105C
6E9	AIR CIRCULATION PRESSURIZER BLOWER (SGB).....	90-16	2G9	ARM, WINDSHIELD WIPER.....	40-105E
1D20	AIR CLEANER CLEANING GUN, DRY.....	30-1	2D17	ARMATURE, STARTER (DELCO-REMY) (DIESEL).....	40-56
1F13	AIR CLEANER FILTER.....	30-44	2D5	ARMATURE, STARTER (GASOLINE).....	40-46
1D21	AIR CLEANER, DRY.....	30-2	2D23	ARMATURE, STARTER (JOHN DEERE) (DIESEL).....	40-57A
2B14	AIR COMPRESSOR WIRING.....	40-8	6F20	ARMREST (PERSONAL-POSTURE).....	90-52
5C9	AIR CONDITIONING CONDENSER.....	70-27	3C22	ARMS, SHIFTER SHAFT (QRT AND SRT).....	50-38
6D24	AIR CONDITIONING EVAPORATOR.....	90-6	3C24	ARMS, SHIFTER SHAFT (QRT AND SRT).....	50-41
6D22	AIR CONDITIONING LINES.....	90-4	6H24	ASH TRAY, SOUND-GARD BODY.....	90-110
5H13	AIR CONDITIONING O-RING KIT.....	70-155	6H25	ASH TRAY, SOUND-GARD BODY.....	90-111
6D24	AIR CONDITIONING RECEIVER-DEHYDRATOR.....	90-6	1B20	ASSEMBLY, COMPLETE BLOCK (DIESEL ONLY).....	20-15A
6E3	AIR CONDITIONING RETROFIT KIT.....	90-10	5C19	ATTENUATOR, HYDRAULIC OIL.....	70-38
6D22	AIR CONDITIONING THERMOSTAT.....	90-4	5C21	ATTENUATOR, HYDRAULIC OIL.....	70-41
6D24	AIR CONDITIONING THERMOSTAT SWITCH.....	90-6	2G25	AUXILIARY ELECTRICAL OUTLET, 7-TERMINAL.....	40-119
1D25	AIR INTAKE PIPE (DIESEL).....	30-7	5G12	AUXILIARY HYDRAULIC OUTLET KIT.....	70-129
1D24	AIR INTAKE PIPE (GASOLINE).....	30-6	5G13	AUXILIARY OUTLET COUPLER KIT.....	70-130
6E2	AIR LOUVER.....	90-9	6B10	AXLE KNEE, FRONT (ADJUSTABLE TREAD).....	80-6
6E2	AIR LOUVER PANEL.....	90-9	6B10	AXLE KNUCKLE, FRONT (ADJUSTABLE TREAD).....	80-6
6E1	AIR LOUVER, SOUND-GARD BODY.....	90-8	6B6	AXLE, ADJUSTABLE TREAD FRONT.....	80-2
1D23	AIR STACK.....	30-5	6B7	AXLE, ADJUSTABLE TREAD FRONT (PFWD).....	80-3
2C23	ALTERNATOR.....	40-42	6B9	AXLE, FIXED TREAD FRONT (LOW PROFILE).....	80-5
2C20	ALTERNATOR (DIESEL).....	40-38	6C2	AXLE, FRONT.....	80-22
2C19	ALTERNATOR (GASOLINE).....	40-37	3G17	AXLE, REAR.....	50-132
2C20	ALTERNATOR BELT (DIESEL).....	40-38			
2D1	ALTERNATOR KIT.....	40-43A		<b>B</b>	
2C22	ALTERNATOR MOUNTING BRACKET (DIESEL).....	40-41	6D3	BAFFLE, HOOD.....	80-50
2C19	ALTERNATOR MOUNTING BRACKET (GASOLINE).....	40-37	1D3	BAFFLES, RADIATOR, KIT.....	20-46
2C23	ALTERNATOR PULLEY.....	40-42	5E16	BALL, IMPLEMENT HITCH.....	70-85
2D1	ALTERNATOR PULLEY.....	40-43A	5E17	BALL, IMPLEMENT HITCH.....	70-86
2C20	ALTERNATOR PULLEY (DIESEL).....	40-38	5E11	BAR, IMPLEMENT HITCH.....	70-80
2C19	ALTERNATOR PULLEY (GASOLINE).....	40-37	5E12	BAR, IMPLEMENT HITCH.....	70-81
2C23	ALTERNATOR REGULATOR.....	40-42	5E14	BAR, IMPLEMENT HITCH (HI-CROP).....	70-83
2F11	AM FENDER MOUNT RADIO.....	40-87A	2B19	BATTERY.....	40-13
2F17	AM RADIO.....	40-93	6C22	BATTERY BOX (DIESEL) (LESS RG OR SGB).....	80-44
2F17	AM-FM PUSH-BUTTON RADIO.....	40-93	6C24	BATTERY BOX (DIESEL) (ROLL-GARD OR SGB).....	80-46
2F16	AM-FM PUSH-BUTTON RADIO (MOTOROLA).....	40-91	6C18	BATTERY BOX (GAS) (ROLL-GARD).....	80-40
2F11	AM-FM STEREO FENDER MOUNT RADIO.....	40-87A	6C16	BATTERY BOX (GASOLINE).....	80-38
2F20	ANTENNA BRACKET, CB RADIO.....	40-96	2B18	BATTERY CABLES (DIESEL).....	40-11
2F23	ANTENNA KIT, RADIO.....	40-100	2B17	BATTERY CABLES (GASOLINE).....	40-10
2F11	ANTENNA, FENDER MOUNT RADIO.....	40-87A	1C10	BEARING KIT, UNDERSIZED MAIN BEARING CRANKSHAFT (LATE DESIGN) (DIESEL).....	20-26D
2F22	ANTENNA, FENDER MOUNTED.....	40-99	1C14	BEARINGS, MAIN.....	20-30
2F18	ANTENNA, RADIO KIT.....	40-94	1C14	BEARINGS, MAIN THRUST.....	20-30
3G10	ANTI-FRICTION DIFFERENTIAL KIT.....	50-124	6D19	BELT, COMPRESSOR.....	90-1
3G12	ANTI-FRICTION NO LOCK DIFFERENTIAL KIT.....	50-126	1D5	BELT, FAN.....	20-48
3D9	ARM, CONTROL VALVE OPERATING (QRT).....	50-52	2C20	BELT, FAN AND ALTERNATOR DRIVE (DIESEL).....	40-38
3F15	ARM, CONTROL VALVE, TRANSMISSION (PST).....	50-102	6E20	BELT, SEAL (W/O HI CROP).....	90-27A
5C24	ARM, LIFT.....	70-44	6F18	BELT, SEAT (SOUND-GARD BODY).....	90-50
5D8	ARM, LOAD CONTROL (POWER SHIFT).....	70-53	6E18	BELT, SEAT, ROLL-GARD (HI-CROP).....	90-26
5D7	ARM, LOAD CONTROL (SRT AND QRT).....	70-52	6E16	BELT, SEAT, TWO-POST ROLL-GARD.....	90-24
5G20	ARM, REMOTE CYLINDER TRANSPORT.....	70-138	2C19	BELTS, FAN (GASOLINE).....	40-37
1B13	ARM, ROCKER.....	20-8	3C1	BEVEL GEAR, DIFFERENTIAL (QRT).....	50-17
5C24	ARM, ROCKSHAFT CRANK.....	70-44	3B25	BEVEL GEAR, DIFFERENTIAL (SRT).....	50-16
5D17	ARM, ROCKSHAFT LIFT.....	70-62	3C1	BEVEL PINION, DIFFERENTIAL (QRT).....	50-17
5G17	ARM, SELECTIVE CONTROL LEVER.....	70-134	3B25	BEVEL PINION, DIFFERENTIAL (SRT).....	50-16
3D13	ARM, SELECTOR LEVER (QRT).....	50-56			

# 1A12

4230 TRACTOR

## ALPHABETICAL INDEX - CONTINUED

GRID	PAGE	GRID	PAGE
6E2	BEZEL, AIR LOUVER .....	4D6	BRAKE VALVE HOUSING COVER .....
6D13	BI-LINGUAL DECAL SET .....	4D1	BRAKE VALVE OVERHAUL KIT .....
2G7	BLADE, WINDSHIELD WIPER .....	3F2	BRAKE, FIRST PLANETARY (PST) .....
2G9	BLADE, WINDSHIELD WIPER .....	3E24	BRAKE, PLANETARY (PST) .....
2G5	BLADE, WIPER .....	3F1	BRAKE, SECOND PLANETARY (PST) .....
1B20	BLOCK ASSEMBLY, COMPLETE (DIESEL ONLY) .....	3E25	BRAKE, THIRD PLANETARY (PST) .....
1B22	BLOCK, CYLINDER (DIESEL) .....	5G15	BRAKE, TRAILER .....
1B18	BLOCK, CYLINDER (GASOLINE) .....	5G2	BREAKAWAY COUPLER .....
1B24	BLOCK, ENGINE SHORT (DIESEL) .....	5G3	BREAKAWAY COUPLER .....
3H8	BLOCK, MOTOR CYLINDER (PFWD) .....	5G7	BREAKAWAY COUPLER (ISO CONVERSION KIT) .....
5F2	BLOCK, SWAY CONTROL .....	5G6	BREAKAWAY COUPLER (ISO) .....
3C4	BLOCKER, TRANSMISSION (SRT) .....	5G5	BREAKAWAY COUPLER OVERHAUL KIT .....
3C2	BLOCKERS, TRANSMISSION (SRT) .....	2C5	BREAKER, CIRCUIT .....
6E11	BLOWER MOTOR FILTER CAPACITOR KIT .....	2C7	BREAKER, CIRCUIT .....
6E12	BLOWER MOTOR RESISTOR .....	2B24	BREAKER, CIRCUIT (PFWD) .....
6E2	BLOWER SWITCH .....	2G19	BREAKER, CIRCUIT, REMOTE CONTROL .....
6E5	BLOWER, PRESSURIZER .....	2G22	BREAKER, ELECTRICAL OUTLET CIRCUIT .....
6E7	BLOWER, PRESSURIZER (REPLACEMENT SGB) .....	1C7	BRG KIT, US CONNECTING ROD JOURNAL AND (EARLIEST DESIGN) (DIESEL) .....
6E9	BLOWER, PRESSURIZER (REPLACEMENT SGB) .....	1C8	BRG KIT, US MAIN BRG CRANKSHAFT (EARLY DESIGN) (DIESEL) .....
6G3	BODY, REPLACEMENT SOUND-GARD .....	1B14	BUSHING, CAMSHAFT .....
1B8	BOLTS, CYLINDER HEAD .....	1B15	BUSHING, CAMSHAFT (DIESEL) .....
3E6	BOOT, CLUTCH PEDAL (PST) .....	2B24	BUSSBAR, CIRCUIT BREAKER (PFWD) .....
3B10	BOOT, CLUTCH PEDAL (QRT AND SRT) .....	2D11	BYPASS STARTER LABEL .....
3D11	BOOT, SHIFTER ROD .....	1C20	BYPASS VALVE, OIL COOLER (DIESEL) .....
6I6	BOOT, SHIFTER ROD .....	2D22	BYPASS, STARTER LABEL .....
6C22	BOX, BATTERY (DIESEL) (LESS RG OR SGB) .....	<b>C</b>	
6C24	BOX, BATTERY (DIESEL) (ROLL-GARD OR SGB) .....	1F13	CAB FILTER .....
6C18	BOX, BATTERY (GAS) (ROLL-GARD) .....	2B18	CABLE, BATTERY (DIESEL) .....
6C16	BOX, BATTERY (GASOLINE) .....	2B17	CABLE, BATTERY (GASOLINE) .....
6I15	BOX, TOOL .....	1F8	CABLE, CHOKE (GASOLINE) .....
6C20	BRACE, PLATFORM EXTENSION (GASOLINE) .....	6I9	CABLE, SPEED-HOUR METER .....
6G20	BRACKET KIT, CONTROL SUPPORT .....	3F19	CABLES, PUSH-PULL, SHIFTER (PST) .....
2C22	BRACKET, ALTERNATOR MOUNTING (DIESEL) .....	2C14	CABLES, SPARK PLUG .....
2C19	BRACKET, ALTERNATOR MOUNTING (GASOLINE) .....	3C22	CAM, SHIFTER (QRT AND SRT) .....
2F20	BRACKET, CB RADIO ANTENNA .....	3C24	CAM, SHIFTER (QRT AND SRT) .....
2F20	BRACKET, CB RADIO MOUNTING .....	1B15	CAMSHAFT (DIESEL) .....
3H9	BRACKET, CONTROL VALVE (PFWD) .....	1B14	CAMSHAFT (GASOLINE) .....
6B5	BRACKET, FRONT AXLE PIVOT .....	1B15	CAMSHAFT BUSHING (DIESEL) .....
6E24	BRACKET, MOUNTING, ROLL-GARD .....	1B14	CAMSHAFT BUSHING (GASOLINE) .....
6G7	BRACKET, MOUNTING, SOUND-GARD BODY .....	1B15	CAMSHAFT GEAR (DIESEL) .....
6B8	BRACKET, PIVOT, FRONT AXLE HOUSING (LOW PROFILE) .....	1B14	CAMSHAFT GEAR (GASOLINE) .....
6B21	BRACKET, PIVOT, RADIUS ROD (HI-CROP) .....	6F3	CANOPY, FOUR-POST ROLL-GARD .....
2E9	BRACKET, REAR LAMP (ROLL-GARD) .....	6E22	CANOPY, ROLL-GARD, TWO-POST .....
2E11	BRACKET, REAR LAMP (SGB) .....	1D23	CAP, AIR STACK .....
2B22	BRACKET, ROTARY SWITCH (PFWD) .....	1E13	CAP, FUEL FILTER (DIESEL) .....
6H1	BRACKET, SOUND-GARD BODY ROOF .....	1E11	CAP, FUEL FILTER (GASOLINE) .....
2G7	BRACKET, WINDSHIELD WIPER .....	6E9	CAPACITOR, BLOWER MOTOR FILTER .....
2G9	BRACKET, WINDSHIELD WIPER .....	1E21	CARBURETOR .....
2E7	BRACKET, REAR LAMP (LESS ROLL-GARD OR SGB) .....	1E22	CARBURETOR .....
6D19	BRACKETS, COMPRESSOR MOUNTING .....	3H4	CARRIER, FIRST PLANET PINION (PFWD) .....
4D8	BRAKE ACCUMULATOR .....	3G17	CARRIER, PLANET PINION .....
4C21	BRAKE DISK .....	3C12	CARRIER, PLANET PINION (CRT AND SRT) .....
4C21	BRAKE FACING .....	3F3	CARRIER, PLANET PINION (PST) .....
4D3	BRAKE OIL LINES .....	3C14	CARRIER, PLANET PINION (QRT) .....
4D6	BRAKE PEDALS .....	3E20	CASE, TRANSMISSION (PST) .....
3H1	BRAKE PISTON HOUSING (PFWD) .....	3B21	CASE, TRANSMISSION (QRT AND SRT) .....
3C16	BRAKE PISTON HOUSING (QRT) .....	6C4	CAST DISK WHEELS .....
3C18	BRAKE PISTON HOUSING (QRT) .....	2F20	CB RADIO MOUNTING KIT .....
3H7	BRAKE PISTON SEAL KIT (PFWD) .....	5E15	CENTER LINK SUPPORT (HI-CROP) .....
4C19	BRAKE PLATE .....	5E16	CENTER LINK, HITCH .....
4C21	BRAKE PLATE .....	5E17	CENTER LINK, HITCH .....
3H3	BRAKE PLATES (PFWD) .....	6D15	CHART, GROUND SPEED .....
4D2	BRAKE REAR OIL LINES .....		
4D5	BRAKE RETURN OIL LINES .....		
4C22	BRAKE VALVE .....		
4C24	BRAKE VALVE .....		

# 1A13

4230 TRACTOR

## ALPHABETICAL INDEX - CONTINUED

GRID		PAGE	GRID		PAGE
1F8	CHOKE CABLE (GASOLINE) .....	30-38	1C12	CONNECTING RODS (GASOLINE) .....	20-28
2F2	CIGAR LIGHTER .....	40-83	2H13	CONNECTORS, ELECTRICAL, DEUTSCH.....	40-132
2C5	CIRCUIT BREAKER .....	40-24	2H5	CONNECTORS, ELECTRICAL, SUPPLEMENTARY .....	40-124
2C7	CIRCUIT BREAKER AND RELAY .....	40-26	2H11	CONNECTORS, ELECTRICAL, WEATHERPACK .....	40-130
2C9	CIRCUIT BREAKER SUPPORT KIT .....	40-27B	2H3	CONNECTORS,ELECTRICAL .....	40-122
2G22	CIRCUIT BREAKER, ELECTRICAL OUTLET .....	40-116	2H7	CONNECTORS,ELECTRICAL .....	40-126
2C3	CIRCUIT BREAKERS .....	40-22	2H9	CONNECTORS,ELECTRICAL .....	40-128
2C4	CIRCUIT BREAKERS AND RELAY .....	40-23	2E25	CONSOLE LIGHT HOUSING, FOUR POST ROLL-GA RD.....	40-81
2B24	CIRCUIT BREAKERS AND RELAY (PFWD) .....	40-18	2E25	CONSOLE LIGHT, FOUR POST ROLL-GARD.....	40-81
5H12	CLEAN-UP HYDRAULIC OIL KIT .....	70-154	6H22	CONSOLE SUPPORT .....	90-108
1D20	CLEANING GUN, DRY AIR CLEANER.....	30-1	6I7	CONSOLE, CONTROL.....	90-120
5F8	CLEVIS PIN, DRAWBAR .....	70-100	2H3	CONTAINER,ELECTRICAL PARTS.....	40-122
3C25	CLUTCH CONTROL, TRANSMISSION (SRT) .....	50-42	6I7	CONTROL CONSOLE .....	90-120
3B11	CLUTCH DISK (QRT AND SRT) .....	50-3	5D11	CONTROL LINKAGE, ROCKSHAFT .....	70-56
3E10	CLUTCH DRIVE SHAFT .....	50-78	3D5	CONTROL RODS (CRT) .....	50-48
3E9	CLUTCH DRIVE SHAFT (PST) .....	50-77	6I4	CONTROL SUPPORT .....	90-116
3E10	CLUTCH DRUM .....	50-78	6G20	CONTROL SUPPORT BRACKET KIT.....	90-79
3C16	CLUTCH DRUM (QRT) .....	50-32	3H10	CONTROL VALVE (PFWD) .....	50-152
3C18	CLUTCH DRUM (QRT) .....	50-34	3H9	CONTROL VALVE BRACKET (PFWD).....	50-151
3E4	CLUTCH HOUSING (PST).....	50-72	5D3	CONTROL VALVE HOUSING, ROCKSHAFT.....	70-48
3B9	CLUTCH HOUSING (QRT AND SRT).....	50-1	3D9	CONTROL VALVE OPERATING SHAFT (QRT).....	50-52
3E9	CLUTCH OIL MANIFOLD (PST) .....	50-77	3H13	CONTROL VALVE OVERHAUL KIT (PFWD) .....	50-154
3B15	CLUTCH OIL PRESSURE VALVE HOUSING (QRT AND SRT).....	50-6	6E2	CONTROL VALVE, HEATER.....	90-9
3B12	CLUTCH OPERATING PISTON (QRT AND SRT) .....	50-5	3F15	CONTROL VALVES, TRANSMISSION (PST).....	50-102
3E6	CLUTCH PEDAL (PST) .....	50-74	1F12	CONTROL, FOOT SPEED.....	30-42
3B10	CLUTCH PEDAL (QRT AND SRT) .....	50-2	5D8	CONTROL, LOAD (POWER SHIFT) .....	70-53
3B10	CLUTCH PEDAL BOOT (QRT AND SRT) .....	50-2	5D7	CONTROL, LOAD (SRT AND QRT) .....	70-52
3E10	CLUTCH PLATES .....	50-78	5D11	CONTROL, LOAD SELECTOR .....	70-56
3B13	CLUTCH SHAFT.....	50-5A	3F17	CONTROL, TRANSMISSION SHIFTER (PST) .....	50-104
3C12	CLUTCH SHAFT (CRT AND SRT) .....	50-28	3F19	CONTROL, TRANSMISSION SHIFTER (PST) .....	50-106
3B12	CLUTCH SHAFT (QRT AND SRT) .....	50-5	3D13	CONTROL, TRANSMISSION SHIFTER (QRT).....	50-56
3C14	CLUTCH SHAFT (QRT) .....	50-30	3C25	CONTROL, TRANSMISSION SHIFTER (SRT).....	50-42
3B17	CLUTCH VALVE (QRT AND SRT) .....	50-8	2F1	CONTROL, TURN SIGNAL .....	40-82
3E6	CLUTCH VALVE HOUSING (PST) .....	50-74	5D5	CONTROL, VALVE HOUSING, ROCKSHAFT .....	70-50
3B17	CLUTCH VALVE HOUSING (QRT AND SRT) .....	50-8	5H7	CONVERSION KIT, REMOTE CYLINDER .....	70-150
3E12	CLUTCH VALVE HOUSING PRESSURE SWITCH (PST).....	50-80	5H9	CONVERSION KIT, REMOTE CYLINDER (3-1/2" X 8") .....	70-151
3C15	CLUTCH, HI-LO .....	50-31	1B7	COOLANT CONDITIONER.....	20-2
3E11	CLUTCH, PTO (PST) .....	50-79	1C25	COOLANT HEATER,ENGINE (LATE DESIGN) (8440) .....	20-43
3B11	CLUTCH, PTO (QRT AND SRT) .....	50-3	1C24	COOLER, ENGINE OIL (DIESEL) .....	20-41
2C14	COIL, IGNITION .....	40-32	1C23	COOLER, ENGINE OIL (GASOLINE) .....	20-40
2D24	COIL, STARTER (JOHN DEERE) (DIESEL).....	40-57B	5C8	COOLER, HYDRAULIC OIL.....	70-26
1E7	COLD WEATHER STARTING AID (ELECTRIC).....	30-15	5C9	COOLER, HYDRAULIC OIL.....	70-27
1E10	COLD WEATHER STARTING AID (ELECTRIC).....	30-15D	6E2	COOLING TEMPERATURE SWITCH .....	90-9
1E6	COLD WEATHER STARTING AID (MANUAL) .....	30-14	3B24	COUNTERSHAFT, TRANSMISSION (QRT AND SRT) .....	50-15
3C6	COLLAR, SYNCHRONIZER DRIVE (QRT).....	50-22	5G9	COUPLER OVERHAUL KIT (ISO).....	70-126
3C8	COLLAR, SYNCHRONIZER DRIVE (QRT).....	50-24	5G2	COUPLER, BREAKAWAY .....	70-119
4B24	COLUMN, STEERING WHEEL .....	60-20	5G3	COUPLER, BREAKAWAY .....	70-120
4C1	COLUMN, STEERING WHEEL (FIXED STEERING) .....	60-22	5G7	COUPLER, BREAKAWAY (ISO CONVERSION KIT) .....	70-124
2D7	COMMUTATOR END FRAME (GASOLINE) .....	40-48	5G6	COUPLER, BREAKAWAY (ISO) .....	70-123
2D25	COMMUTATOR END FRAME, STARTER (JOHN DEERE) (DIESEL) .....	40-57C	5G11	COUPLER, FLEXIBLE OIL LINE .....	70-128
1B20	COMPLETE BLOCK ASSEMBLY (DIESEL ONLY) .....	20-15A	5E19	COUPLER, IMPLEMENT QUICK .....	70-88
6D20	COMPRESSOR.....	90-2	5E21	COUPLER, IMPLEMENT QUICK (HEAVY-DUTY) .....	70-90
6D19	COMPRESSOR BELT .....	90-1	5G7	COUPLER, ISO CONVERSION KIT .....	70-124
6D20	COMPRESSOR CLUTCH.....	90-2	5B8	COUPLER, MAIN PUMP DRIVE .....	70-2
6D20	COMPRESSOR COIL.....	90-2	5F10	COUPLER, POWER WEIGHT TRANSFER .....	70-102
6D20	COMPRESSOR PULLEY .....	90-2	5E23	COUPLER, QUICK, THREE-POINT HITCH .....	70-91A
2C16	CONDENSER .....	40-34	5H14	COUPLINGS, REUSABLE .....	70-156
6D22	CONDENSER LINES .....	90-4	4D6	COVER, BRAKE VALVE HOUSING .....	60-46
6D23	CONDENSER LINES .....	90-5	5F15	COVER, CONTROL VALVE HOUSING.....	70-107A
5C9	CONDENSER, AIR CONDITIONING .....	70-27	5G1	COVER, DUST (DIAGNOSTIC RECEPTACLE) .....	70-118
1B7	CONDITIONER, COOLANT .....	20-2	5G2	COVER, DUST, BREAKAWAY COUPLER .....	70-119
2H5	CONDUIT .....	40-124	5G3	COVER, DUST, BREAKAWAY COUPLER .....	70-120
1C13	CONNECTING RODS (DIESEL) .....	20-29	5G11	COVER, DUST, BREAKAWAY COUPLER .....	70-128
			1E4	COVER, EXHAUST MUFFLER .....	30-12



# 1A14

4230 TRACTOR

## ALPHABETICAL INDEX - CONTINUED

<i>GRID</i>		<i>PAGE</i>	<i>GRID</i>		<i>PAGE</i>
1E5	COVER, EXHAUST MUFFLER (LOW PROFILE).....	30-13	1D6	DEFLECTOR, FAN BLAST (DIESEL) .....	20-49
6H5	COVER, PRESSURIZER (REPLACEMENT).....	90-88	6F10	DELUXE SEAT .....	90-41
3D23	COVER, RETURN PORT.....	50-66	6F11	DELUXE SEAT SUPPORT .....	90-42
1B11	COVER, ROCKER ARM .....	20-6	6F13	DELUXE SEAT SUSPENSION .....	90-44
5D1	COVER, ROCKSHAFT CONTROL VALVE .....	70-46	2H13	DEUTSCH TERMINALS AND CONNECTORS.....	40-132
5F14	COVER, ROCKSHAFT CONTROL VALVE HOUSING.....	70-107	5G1	DIAGNOSTIC RECEPTACLE.....	70-118
5F15	COVER, ROCKSHAFT CONTROL VALVE HOUSING.....	70-107A	3G4	DIFFERENTIAL (PST) .....	50-117
5C22	COVER, ROCKSHAFT HOUSING.....	70-42	3G7	DIFFERENTIAL (PST) .....	50-120
5C25	COVER, ROCKSHAFT PISTON .....	70-45	3G3	DIFFERENTIAL (QRT AND SRT) .....	50-116
5D23	COVER, ROCKSHAFT PISTON .....	70-68	3G5	DIFFERENTIAL (QRT AND SRT) .....	50-118
5F14	COVER, SELECTIVE CONTROL .....	70-107	3F7	DIFFERENTIAL DRIVE SHAFT (PST) .....	50-96
2D22	COVER, STARTER SOLENOID (JOHN DEERE).....	40-57	3C1	DIFFERENTIAL DRIVE SHAFT (QRT) .....	50-17
4B11	COVER, STEERING VALVE .....	60-7	3B25	DIFFERENTIAL DRIVE SHAFT (SRT) .....	50-16
4B8	COVER, STEERING VALVE CYLINDER .....	60-4	3G9	DIFFERENTIAL LOCK RELEASE LINK .....	50-123
4B14	COVER, STEERING VALVE CYLINDER .....	60-10	3G14	DIFFERENTIAL LOCK VALVE.....	50-129
1C18	COVER, TIMING GEAR (DIESEL) .....	20-35	3G9	DIFFERENTIAL LOCK VALVE PEDAL .....	50-123
1C17	COVER, TIMING GEAR (GASOLINE).....	20-34	2E23	DIMMER SWITCH .....	40-79
3E21	COVER, TRANSMISSION CASE (PST) .....	50-87	1B22	DIPSTICK, ENGINE OIL (DIESEL) .....	20-16
3B23	COVER, TRANSMISSION CASE (QRT AND SRT) .....	50-14	1B18	DIPSTICK, ENGINE OIL (GASOLINE) .....	20-14
3F15	COVER, TRANSMISSION CONTROL VALVE (PST).....	50-102	5C22	DIPSTICK, TRANSMISSION .....	70-42
5E3	COVER, TRANSMISSION, REAR .....	70-72	5E3	DIPSTICK, TRANSMISSION .....	70-72
6I4	COWL .....	90-116	3H10	DIRECTIONAL CONTROL VALVE (PFWD) .....	50-152
5C24	CRANK, ROCKSHAFT ARM .....	70-44	5F15	DIRECTIONAL VALVE .....	70-107A
1C5	CRANKSHAFT .....	20-24	3F5	DISCONNECT, TRANSMISSION (PST) .....	50-94
1C5	CRANKSHAFT DAMPER.....	20-24	4C21	DISK, BRAKE .....	60-37A
1C9	CRANKSHAFT KIT, UNDERSIZE (CONNECTING ROD JOURNAL) (LATE DESIGN) (DIESEL) .....	20-26C	3B11	DISK, CLUTCH (QRT AND SRT) .....	50-3
1C16	CRANKSHAFT OIL SEAL .....	20-32	3E24	DISK, PLANETARY CLUTCH (PST) .....	50-88
1C16	CRANKSHAFT OIL SEAL HOUSING .....	20-32	3B11	DISK, PTO CLUTCH (QRT AND SRT) .....	50-3
1C5	CRANKSHAFT PULLEY.....	20-24	3E8	DISK, TORSIONAL DAMPER (PST) .....	50-76
1C6	CRANKSHAFT, REPLACEMENT (DIESEL ONLY).....	20-25	3C6	DISK, TRANSMISSION SYNCHRONIZER (QRT).....	50-22
1C11	CRANKSHAFT, UNDERSIZE MAIN BEARING (DIESEL).....	20-27	3C8	DISK, TRANSMISSION SYNCHRONIZER (QRT).....	50-24
6F10	CUSHION, SEAT .....	90-41	3C2	DISK, TRANSMISSION SYNCHRONIZER (SRT).....	50-18
1B22	CYLINDER BLOCK (DIESEL) .....	20-16	3C4	DISK, TRANSMISSION SYNCHRONIZER (SRT).....	50-20
1B18	CYLINDER BLOCK (GASOLINE) .....	20-14	2C14	DISTRIBUTOR .....	40-32
1B8	CYLINDER HEAD.....	20-2B	2C16	DISTRIBUTOR .....	40-34
1B8	CYLINDER HEAD BOLTS .....	20-2B	2E24	DOME LIGHT .....	40-80
1B8	CYLINDER HEAD GASKET.....	20-2B	2E25	DOME LIGHT .....	40-81
1D13	CYLINDER HEAD GASKET KIT (DIESEL) .....	20-56	6G14	DOOR HANDLE, SOUND-GARD BODY.....	90-72
5H10	CYLINDER HOSE IDENTIFICATION KIT .....	70-152	6G16	DOOR HANDLE, SOUND-GARD BODY.....	90-74
1C13	CYLINDER LINER (DIESEL) .....	20-29	6G18	DOOR HANDLE, SOUND-GARD BODY (LATE DESIGN) ....	90-76
1B7	CYLINDER LINER PACKING LUBRICANT.....	20-2	6G11	DOOR KIT, SOUND-GARD BODY .....	90-68
1C12	CYLINDER LINERS (GASOLINE) .....	20-28	6G9	DOOR, SERVICE, SOUND-GARD BODY.....	90-66
5D21	CYLINDER, DUAL LIFT ASSIST, KIT.....	70-66	6G13	DOOR, SOUND-GARD BODY SERVICE .....	90-71
5D17	CYLINDER, LIFT ASSIST .....	70-62	6G9	DOORS, SOUND-GARD BODY.....	90-66
5E1	CYLINDER, LIFT ASSIST, PIPES .....	70-70	6C12	DOUBLE FRONT WEIGHT .....	80-33
5E25	CYLINDER, REMOTE .....	70-92	5E14	DRAFT LINK SUPPORT (HI-CROP) .....	70-83
5G20	CYLINDER, REMOTE .....	70-138	5E14	DRAFT LINKS (HI-CROP) .....	70-83
5H3	CYLINDER, REMOTE (3-1/2" X 8" HYD.).....	70-146	5E11	DRAFT LINKS, HITCH.....	70-80
5H1	CYLINDER, REMOTE (3-1/2" X 8" MECH.) .....	70-144	5E12	DRAFT LINKS, HITCH.....	70-81
5G24	CYLINDER, REMOTE (3" X 8" HYD.).....	70-142	5F7	DRAWBAR (HI-CROP).....	70-99
5G22	CYLINDER, REMOTE (3" X 8" MECH.) .....	70-140	5F9	DRAWBAR CLEVIS PIN (HI-CROP) .....	70-101
5D19	CYLINDER, SINGLE LIFT ASSIST, KIT .....	70-64	5F8	DRAWBAR CLEVIS PIN KIT .....	70-100
4B7	CYLINDER, STEERING VALVE .....	60-3	5F1	DRAWBAR FRONT SUPPORT .....	70-93
			5F10	DRAWBAR PIN (POWER WEIGHT TRANSFER HITCH) ....	70-102
			5F7	DRAWBAR SUPPORT (HI-CROP) .....	70-99
			5F2	DRAWBAR, REGULAR .....	70-94
			5F4	DRAWBAR, WIDE SWING.....	70-96
			1C6	DRIVE GEAR, OIL PUMP (DIESEL ONLY) .....	20-25
			3E1	DRIVE GEAR, PTO (QRT AND SRT) .....	50-69
			3E3	DRIVE GEAR, PTO (QRT AND SRT).....	50-71
			3G20	DRIVE SHAFT (HI-CROP) .....	50-136
			3G20	DRIVE SHAFT HOUSING (HI-CROP) .....	50-136
			3E11	DRIVE SHAFT, CLUTCH (PST).....	50-79
			3G5	DRIVE SHAFT, DIFFERENTIAL (QRT AND SRT) .....	50-118
			3F7	DRIVE SHAFT, DIFFERENTIAL (PST) .....	50-96
			3G4	DRIVE SHAFT, DIFFERENTIAL (PST) .....	50-117
			3G7	DRIVE SHAFT, DIFFERENTIAL (PST) .....	50-120

### D

1C6	DAMPER KEY (DIESEL ONLY).....	20-25
1C5	DAMPER, CRANKSHAFT .....	20-24
3E8	DAMPER, TORSIONAL (PST).....	50-76
6I9	DASH ASSEMBLY .....	90-122
6I9	DASH SUPPORT .....	90-122
6D13	DECAL SET, BI-LINGUAL .....	80-58
6D11	DECALS .....	80-56
6D3	DECALS, HOOD.....	80-50

# 1A15

4230 TRACTOR

## ALPHABETICAL INDEX - CONTINUED

<i>GRID</i>		<i>PAGE</i>	<i>GRID</i>		<i>PAGE</i>
3G3	DRIVE SHAFT, DIFFERENTIAL (QRT AND SRT) .....	50-116	6B15	END, TIE ROD (ADJUSTABLE FRONT AXLE) .....	80-12
3E3	DRIVE SHAFT, PTO (QRT AND SRT) .....	50-71	6B20	END, TIE ROD (ADJUSTABLE) (LOW PROFILE) .....	80-17
3C4	DRIVE SHAFT, TRANSMISSION (SRT) .....	50-20	6B19	END, TIE ROD (FIXED) (LOW PROFILE) .....	80-16
5B8	DRIVE, HYDRAULIC PUMP.....	70-2	6B17	END, TIE ROD (PFWD).....	80-14
1B17	DRIVE, TACHOMETER (DIESEL) .....	20-13	1C25	ENGINE COOLANT HEATER (LATE DESIGN) (8440) .....	20-43
1B16	DRIVE, TACHOMETER (GASOLINE) .....	20-12	1F13	ENGINE FILTER .....	30-44
3E10	DRUM, CLUTCH.....	50-78	1D11	ENGINE GASKET KITS (GASOLINE) .....	20-54
3E11	DRUM, CLUTCH (PST) .....	50-79	1B6	ENGINE OIL .....	20-1
3C16	DRUM, CLUTCH (QRT) .....	50-32	1C24	ENGINE OIL COOLER (DIESEL) .....	20-41
3C18	DRUM, HI-LO CLUTCH (QRT) .....	50-34	1C23	ENGINE OIL COOLER (GASOLINE).....	20-40
3E24	DRUM, PLANETARY CLUTCH (PST) .....	50-88	1B22	ENGINE OIL DIPSTICK (DIESEL) .....	20-16
3C6	DRUM, SYNCHRONIZER (QRT) .....	50-22	1B18	ENGINE OIL DIPSTICK (GASOLINE) .....	20-14
3C8	DRUM, SYNCHRONIZER (QRT) .....	50-24	1C22	ENGINE OIL FILTER (DIESEL) .....	20-39
3C2	DRUM, SYNCHRONIZER (SRT) .....	50-18	1C21	ENGINE OIL FILTER (GASOLINE) .....	20-38
3C4	DRUM, SYNCHRONIZER (SRT) .....	50-20	1B22	ENGINE OIL PRESSURE SENDER (DIESEL) .....	20-16
2E22	DUAL HORN .....	40-78	1B18	ENGINE OIL PRESSURE SENDER (GASOLINE) .....	20-14
2E21	DUAL HORN ASSEMBLY .....	40-77	1C20	ENGINE OIL PUMP (DIESEL).....	20-37
6C6	DUAL REAR WHEELS.....	80-27	1C19	ENGINE OIL PUMP (GASOLINE) .....	20-36
5G2	DUST COVER, BREAKAWAY COUPLER.....	70-119	1D15	ENGINE OVERHAUL KIT (DIESEL ONLY) .....	20-58
5G3	DUST COVER, BREAKAWAY COUPLER.....	70-120	1D13	ENGINE REBUILD GASKET KIT (DIESEL) .....	20-56
5G11	DUST COVER, BREAKAWAY COUPLER.....	70-128	1B24	ENGINE SHORT BLOCK (DIESEL) .....	20-18
<b>E</b>					
5C3	ELECTRIC DESTROKE SOLENOID .....	70-21A	1D17	ENGINE UNDERHAUL KIT (DIESEL ONLY) .....	20-60
2E22	ELECTRIC HORN.....	40-78	1B7	ENGINE VALVE STGEM LUBRICANT .....	20-2
2E14	ELECTRIC REMOTE CONTROLLED SPOTLIGHT .....	40-70	1B11	ENGINE VENTILATOR TUBE .....	20-6
2H14	ELECTRICAL CONNECTOR AND TERMINAL KIT .....	40-133	2B16	ETHER SOLENOID WIRING HARNESS.....	40-9A
2H3	ELECTRICAL CONNECTORS .....	40-122	1E9	ETHER STARTING AID KIT (MANUAL) .....	30-15B
2H7	ELECTRICAL CONNECTORS .....	40-126	2B16	ETHER SWITCH WIRING HARNESS .....	40-9A
2H9	ELECTRICAL CONNECTORS .....	40-128	6D24	EVAPORATOR, AIR CONDITIONING .....	90-6
2H13	ELECTRICAL CONNECTORS, DEUTSCH .....	40-132	1E2	EXHAUST MANIFOLD (DIESEL).....	30-9
2H5	ELECTRICAL CONNECTORS, SUPPLEMENTARY .....	40-124	1E3	EXHAUST MANIFOLD (DIESEL).....	30-11
2H3	ELECTRICAL CRIMPING TOOL .....	40-122	1E1	EXHAUST MANIFOLD (GASOLINE) .....	30-8
2G22	ELECTRICAL OUTLET CIRCUIT BREAKER .....	40-116	1E2	EXHAUST MANIFOLD GASKETS (DIESEL).....	30-9
2G22	ELECTRICAL OUTLET PLUG .....	40-116	1E5	EXHAUST PIPE (LOW PROFILE) .....	30-13
2G22	ELECTRICAL OUTLET SOCKET .....	40-116	1B13	EXHAUST VALVES .....	20-8
2G23	ELECTRICAL OUTLET SOCKET .....	40-117	1E4	EXTENSION, MUFFLER .....	30-12
2G24	ELECTRICAL OUTLET SOCKET (SGB).....	40-118	6B23	EXTENSION, SPINDLE FRONT WHEEL .....	80-20
2G25	ELECTRICAL OUTLET SOCKET, 7-TERMINAL.....	40-119	6B22	EXTENSION, SPINDLE, FRONT WHEEL.....	80-19
2H3	ELECTRICAL PARTS CONTAINER .....	40-122	6I14	EXTINGUISHER, FIRE.....	90-127
2G17	ELECTRICAL REMOTE CONTROL .....	40-110	<b>F</b>		
2G18	ELECTRICAL REMOTE CONTROL KIT .....	40-111	4C21	FACING, BRAKE .....	60-37A
2G19	ELECTRICAL REMOTE CONTROL WIRING .....	40-113	4C19	FACING, BRAKE PLATE .....	60-36
2G20	ELECTRICAL REMOTE CONTROL WIRING KIT.....	40-114	1D5	FAN .....	20-48
2B20	ELECTRICAL SWITCHES AND WIRING (PFWD) .....	40-14	1D5	FAN BELT .....	20-48
2B21	ELECTRICAL SWITCHES AND WIRING (PFWD) .....	40-15	2C20	FAN BELT (DIESEL) .....	40-38
2H3	ELECTRICAL TERMINALS .....	40-122	2C19	FAN BELTS (GASOLINE) .....	40-37
2H7	ELECTRICAL TERMINALS .....	40-126	1D6	FAN BLAST DEFLECTOR (DIESEL).....	20-49
2H9	ELECTRICAL TERMINALS .....	40-128	1D8	FAN PULLEY (DIESEL) .....	20-51
2H11	ELECTRICAL TERMINALS AND CONNECTORS, WEATHERPACK .....	40-130	1D7	FAN PULLEY (GASOLINE) .....	20-50
2H13	ELECTRICAL TERMINALS, DEUTSCH.....	40-132	1D1	FAN SHROUD .....	20-44
2H5	ELECTRICAL TERMINALS, SUPPLEMENTARY .....	40-124	2F22	FENDER MOUNTED ANTENNA .....	40-99
2H14	ELECTRICAL TOOLS.....	40-133	6F7	FENDER SKIRT (HI-CROP).....	90-38
2H3	ELECTRICAL WIRING .....	40-122	6F1	FENDER, FOUR-POST ROLL-GARD .....	90-32
2H7	ELECTRICAL WIRING .....	40-126	6G1	FENDER, SOUND-GARD BODY .....	90-58
2H9	ELECTRICAL WIRING .....	40-128	6F7	FENDERS .....	90-38
1D21	ELEMENT, DRY AIR CLEANER .....	30-2	6D2	FENDERS, FRONT .....	80-49
3D20	ELEMENT, OIL FILTER, TRANSMISSION (QRT AND SRT).....	50-63	6E11	FILTER CAPACITOR KIT, BLOWER MOTOR .....	90-18
6I17	EMBLEM, SLOW MOVING VEHICLE .....	90-130	3D23	FILTER COVER, OIL .....	50-66
4B24	EMBLEM, STEERING WHEEL .....	60-20	3F23	FILTER KIT, TRANSMISSION OIL (PST) .....	50-111
6I18	EMBLEM, SLOW MOVING VEHICLE (LOW PROFILE) .....	90-131	3D19	FILTER KIT, TRANSMISSION OIL (QRT).....	50-62
2D25	END FRAME, STARTER COMMUTATOR (JOHN DEERE) (DIESEL) .....	40-57C	1F13	FILTER, AIR CLEANER .....	30-44
			1F13	FILTER, CAB .....	30-44
			1F13	FILTER, ENGINE .....	30-44



# 1A17

4230 TRACTOR

## ALPHABETICAL INDEX - CONTINUED

GRID		PAGE	GRID		PAGE
2B17	GROUND CABLE, BATTERY (GASOLINE) .....	40-10	3E18	HOUSING, CLUTCH REGULATING VALVE (PST) .....	50-85A
6D15	GROUND SPEED CHART .....	80-60	3B17	HOUSING, CLUTCH VALVE (QRT AND SRT).....	50-8
3F24	GUARD, PTO SHAFT (PST) .....	50-112	2E25	HOUSING, CONSOLE LIGHT, FOUR POST ROLL-G ARD .....	40-81
3D24	GUARD, REAR PTO (QRT AND SRT).....	50-67	1C16	HOUSING, CRANKSHAFT OIL SEAL .....	20-32
1D20	GUN, DRY AIR CLEANER CLEANING.....	30-1	3G14	HOUSING, DIFFERENTIAL LOCK VALVE .....	50-129
<b>H</b>					
6G14	HANDLE, DOOR, SOUND-GARD BODY .....	90-72	3G20	HOUSING, DRIVE SHAFT (HI-CROP) .....	50-136
6G16	HANDLE, DOOR, SOUND-GARD BODY .....	90-74	3G22	HOUSING, FINAL DRIVE GEAR (HI-CROP) .....	50-138
6D3	HANDLE, MOUNTING .....	80-50	6B8	HOUSING, FRONT AXLE (LOW PROFILE) .....	80-4
6D5	HANDLE, MOUNTING .....	80-52	3H1	HOUSING, MOTOR (PFWD) .....	50-142
6G18	HANDLE,DOOR,SOUND-GARD BODY(LATE DESIGN) ....	90-76	6B12	HOUSING, MOTOR (PFWD) .....	80-8
2B14	HARNES, WIRING .....	40-8	3D21	HOUSING, OIL FILTER RELIEF VALVE (QRT AND SRT).....	50-64
2B12	HARNES, WIRING (REPLACEMENT SGB) .....	40-6	3H1	HOUSING, PLANET BRAKE PISTON (PFWD).....	50-142
2B10	HARNES, WIRING (ROLL-GARD AND SOUND-GARD BODY).....	40-4	3H3	HOUSING, PLANETARY (PFWD) .....	50-144
1B8	HEAD, CYLINDER .....	20-2B	3B15	HOUSING, PRESSURE REGULATING VALVE (QRT AND SRT).....	50-6
6F3	HEADLINER, ROLL-GARD CANOPY .....	90-34	3G17	HOUSING, REAR AXLE.....	50-132
6H7	HEADLINER, SOUND-GARD BODY .....	90-91	5C22	HOUSING, ROCKSHAFT .....	70-42
2F21	HEADPHONES, RADIO .....	40-97	5D1	HOUSING, ROCKSHAFT CONTROL VALVE .....	70-46
6E2	HEATER CONTROL VALVE .....	90-9	5D3	HOUSING, ROCKSHAFT CONTROL VALVE .....	70-48
6E13	HEATER INSTALLATION KIT .....	90-20	5D5	HOUSING, ROCKSHAFT CONTROL VALVE .....	70-50
6E15	HEATER SUPPLY LINE .....	90-23	5F19	HOUSING, SELECTIVE CONTROL VALVE .....	70-110
3H22	HEATER, OIL FILTER .....	50-164	5F21	HOUSING, SELECTIVE CONTROL VALVE .....	70-112
6E13	HEATER, SOUND-GARD BODY .....	90-20	5F23	HOUSING, SELECTIVE CONTROL VALVE .....	70-115
1C25	HEATER,ENGINE COOLANT (LATE DESIGN) (8440) .....	20-43	5G2	HOUSING, SELECTIVE CONTROL VALVE .....	70-119
3C15	HI-LO CLUTCH.....	50-31	5G3	HOUSING, SELECTIVE CONTROL VALVE .....	70-120
6G11	HINGE KIT, SOUND-GARD BODY DOOR .....	90-68	2D23	HOUSING, STARTER DRIVE (JOHN DEERE) (DIESEL).....	40-57A
6G9	HINGE, DOOR, SOUND-GARD BODY .....	90-66	4B20	HOUSING, STEERING MOTOR .....	60-16
5E16	HITCH CENTER LINK .....	70-85	4C15	HOUSING, STEERING MOTOR .....	60-32
5E17	HITCH CENTER LINK .....	70-86	4B10	HOUSING, STEERING VALVE .....	60-6
5E15	HITCH DRAFT CENTER LINK SUPPORT(HI-CROP) .....	70-84	4C5	HOUSING, STEERING VALVE .....	60-24
5E11	HITCH DRAFT LINKS .....	70-80	3E6	HOUSING, TRANSMISSION CLUTCH VALVE (PST) .....	50-74
5E12	HITCH DRAFT LINKS .....	70-81	3F11	HOUSING, TRANSMISSION CONTROL VALVE (PST).....	50-100
5E14	HITCH DRAFT LINKS (HI-CROP) .....	70-83	1D10	HOUSINGS, THERMOSTAT (DIESEL) .....	20-53
5E9	HITCH LIFT LINKS.....	70-78	1D9	HOUSINGS, THERMOSTAT (GASOLINE) .....	20-52
5E21	HITCH QUICK COUPLER,IMPLEMENT (HEAVY-DUTY) .....	70-90	6B22	HUB, FRONT WHEEL .....	80-19
6F9	HOLDER, OPERATOR'S MANUAL .....	90-40	6B24	HUB, FRONT WHEEL .....	80-21
6D3	HOOD .....	80-50	6C2	HUB, FRONT WHEEL .....	80-22
6D3	HOOD BAFFLE.....	80-50	3H1	HUB, FRONT WHEEL (PFWD) .....	50-142
6D3	HOOD EXTENSION .....	80-50	6C6	HUB, REAR WHEEL .....	80-27
6D3	HOOD ORNAMENT .....	80-50	5G19	HYDRAULIC CONTROL LEVER SUPPORT .....	70-137
6D3	HOOD, REAR SUPPORT.....	80-50	5G1	HYDRAULIC DIAGNOSTIC RECEPTACLE .....	70-118
2E20	HORN .....	40-76	1E19	HYDRAULIC HOSE, WATER SEPARATOR .....	30-24
2E21	HORN ASSEMBLY, DUAL .....	40-77	3G24	HYDRAULIC LINE SHIELD (PFWD) .....	50-140
2E22	HORN SWITCH .....	40-78	5C19	HYDRAULIC OIL ATTENUATOR.....	70-38
2E22	HORN, ELECTRIC .....	40-78	5C21	HYDRAULIC OIL ATTENUATOR.....	70-41
5H10	HOSE IDENTIFICATION KIT, REMOTE CYLINDER .....	70-152	5H12	HYDRAULIC OIL CLEAN-UP KIT .....	70-154
1D25	HOSE, AIR INTAKE (DIESEL).....	30-7	5C8	HYDRAULIC OIL COOLER .....	70-26
1D24	HOSE, AIR INTAKE (GASOLINE).....	30-6	5C9	HYDRAULIC OIL COOLER .....	70-27
1D1	HOSE, RADIATOR .....	20-44	3H19	HYDRAULIC OIL DRAIN LINES (PFWD) .....	50-161
5G20	HOSE, REMOTE CYLINDER.....	70-138	3F21	HYDRAULIC OIL FILTER (PST) .....	50-108
5H14	HOSE, REMOTE CYLINDER.....	70-156	5F13	HYDRAULIC OIL LINES.....	70-105
6E13	HOSES, HEATER, SOUND-GARD BODY .....	90-20	3H16	HYDRAULIC OIL LINES (PFWD) .....	50-157
5E25	HOSES, REMOTE CYLINDER .....	70-92	3H17	HYDRAULIC OIL LINES (PFWD) .....	50-158
3G21	HOUSING COVER,FINAL DRIVE GEAR (HI-CROP) .....	50-137	5H11	HYDRAULIC OIL LINES, IMPLEMENT .....	70-153
3E24	HOUSING, BRAKE PISTON (PST) .....	50-88	5C6	HYDRAULIC OIL MANIFOLD .....	70-24
3C16	HOUSING, BRAKE PISTON (QRT).....	50-32	5F13	HYDRAULIC OIL PRESSURE GAUGE.....	70-105
3C18	HOUSING, BRAKE PISTON (QRT).....	50-34	5C6	HYDRAULIC OIL PRESSURE PIPES .....	70-24
3E4	HOUSING, CLUTCH (PST) .....	50-72	5C15	HYDRAULIC OIL RESERVOIR .....	70-34
3B9	HOUSING, CLUTCH (QRT AND SRT) .....	50-1	5B10	HYDRAULIC PUMP .....	70-4
3E9	HOUSING, CLUTCH OIL PUMP (PST).....	50-77	5B12	HYDRAULIC PUMP (POWER FRONT WHEEL DRIVE) ....	70-6
3E16	HOUSING, CLUTCH REGULATING VALVE (PST) .....	50-84	5B9	HYDRAULIC PUMP ASSEMBLY, REPLACEMENT .....	70-3
			5C18	HYDRAULIC PUMP DRAIN LINE (PST).....	70-37
			5C17	HYDRAULIC PUMP DRAIN LINE (QRT AND SRT).....	70-36

# 1A18

4230 TRACTOR

## ALPHABETICAL INDEX - CONTINUED

<i>GRID</i>		<i>PAGE</i>	<i>GRID</i>		<i>PAGE</i>
5B8	HYDRAULIC PUMP DRIVE .....	70-2	6E11	KIT, BLOWER MOTOR FILTER CAPACITOR .....	90-18
5B16	HYDRAULIC PUMP ELECTRIC DESTROKE KIT.....	70-10	3H7	KIT, BRAKE PISTON SEAL (PFWD) .....	50-149
5C1	HYDRAULIC PUMP ELECTRIC DESTROKE KIT.....	70-20	4D1	KIT, BRAKE VALVE OVERHAUL .....	60-40
5C3	HYDRAULIC PUMP ELECTRIC-DESTROKE KIT.....	70-21A	5G5	KIT, BREAKAWAY COUPLER OVERHAUL .....	70-122
5B18	HYDRAULIC PUMP OVERHAUL KIT .....	70-12	2C9	KIT, CIRCUIT BREAKER SUPPORT.....	40-27B
5C4	HYDRAULIC PUMP OVERHAUL KIT .....	70-22	5F8	KIT, CLEVIS, DRAWBAR PIN .....	70-100
5B22	HYDRAULIC PUMP REPLACEMENT (PFWD) (4 IN.3) .....	70-16	6D20	KIT, COMPRESSOR SHAFT SEAL.....	90-2
5B20	HYDRAULIC PUMP REPLACEMENT (3 IN.3) .....	70-14	3H13	KIT, CONTROL VALVE OVERHAUL (PFWD) .....	50-154
5B14	HYDRAULIC PUMP STROKE CONTROL VALVE .....	70-8	2G24	KIT, CONVENIENCE ELECTRICAL OUTLET SOCKET .....	40-118
5B24	HYDRAULIC PUMP STROKE CONTROL VALVE .....	70-18	5H9	KIT, CONVERSION, REMOTE CYLINDER (3-1/2" X 8") .....	70-151
5C12	HYDRAULIC RETURN OIL PIPES .....	70-30	5H10	KIT, CYLINDER HOSE IDENTIFICATION.....	70-152
5C18	HYDRAULIC RETURN OIL PIPES (PST) .....	70-37	6D13	KIT, DECAL, BI-LINGUAL .....	80-58
5C17	HYDRAULIC RETURN OIL PIPES (QRT AND SRT).....	70-36	5F17	KIT, DIRECTIONAL CONTROL VALVE (DUAL).....	70-108
5C14	HYDRAULIC THERMOSTAT BYPASS VALVE.....	70-33	5F18	KIT, DIRECTIONAL CONTROL VALVE (TRIPLE) .....	70-109
<b>I</b>					
2F2	IGNITION AND STARTER SWITCH .....	40-83	5D17	KIT, DUAL LIFT ASSIST CYLINDER .....	70-62
2C14	IGNITION COIL.....	40-32	2G18	KIT, ELECTRICAL REMOTE CONTROL .....	40-111
5H11	IMPLEMENT HYDRAULIC OIL LINES .....	70-153	2G20	KIT, ELECTRICAL REMOTE CONTROL WIRING .....	40-114
5F11	IMPLEMENT LINK .....	70-103	1E9	KIT, ETHER STARTING AID (MANUAL) .....	30-15B
5E19	IMPLEMENT QUICK COUPLER .....	70-88	3G19	KIT, FINAL DRIVE .....	50-135
5E21	IMPLEMENT QUICK COUPLER (HEAVY-DUTY).....	70-90	2E13	KIT, FLOOD LAMP.....	40-69
2E6	IMPLEMENT WARNING LAMP KIT .....	40-61A	3B19	KIT, GASKET .....	50-10
5D15	INCREASED ROCKSHAFT LIFT POWER KIT .....	70-60	6E13	KIT, HEATER INSTALLATION.....	90-20
2F3	INDICATOR LAMPS .....	40-84	6G11	KIT, HINGE, SOUND-GARD BODY DOOR .....	90-68
1F5	INJECTION NOZZLE, FUEL .....	30-35	5H12	KIT, HYDRAULIC OIL CLEAN-UP.....	70-154
1F6	INJECTION NOZZLE, FUEL .....	30-36	5C1	KIT, HYDRAULIC PUMP ELECTRIC DESTORKE .....	70-20
6H3	INNER ROOF, SOUND-GARD BODY.....	90-86	5B16	KIT, HYDRAULIC PUMP ELECTRIC DESTROKE .....	70-10
3C12	INPUT SHAFT (CRT AND SRT) .....	50-28	5C3	KIT, HYDRAULIC PUMP ELECTRIC DESTROKE .....	70-21A
1B8	INSERTS, VALVE .....	20-2B	5B18	KIT, HYDRAULIC PUMP OVERHAUL.....	70-12
2E16	INSTALLATION KIT, SPOTLIGHT .....	40-72	5C4	KIT, HYDRAULIC PUMP OVERHAUL.....	70-22
6I9	INSTRUMENT PANEL AND INSTRUMENTS .....	90-122	2E6	KIT, IMPLEMENT WARNING LAMP .....	40-61A
1E2	INTAKE MANIFOLD (DIESEL).....	30-9	3D17	KIT, INCREASED CAPACITY OIL PUMP (QRT) .....	50-60
1E3	INTAKE MANIFOLD (DIESEL).....	30-11	3F23	KIT, INCREASED OIL FILTRATION (PST) .....	50-111
1E1	INTAKE MANIFOLD (GASOLINE) .....	30-8	3D19	KIT, INCREASED OIL FILTRATION (QRT) .....	50-62
1E3	INTAKE MANIFOLD GASKET (DIESEL).....	30-11	5D15	KIT, INCREASED ROCKSHAFT LIFT POWER .....	70-60
1D25	INTAKE PIPE (DIESEL) .....	30-7	5D21	KIT, LIFT ASSIST CYLINDER, DUAL .....	70-66
1B13	INTAKE VALVES .....	20-8	5D19	KIT, LIFT ASSIST CYLINDER, SINGLE .....	70-64
3F21	INTAKE, TRANSMISSION OIL PUMP (PST) .....	50-108	3H5	KIT, MANIFOLD AND PIVOT PIN SEAL (PFWD) .....	50-146
5G7	ISO COUPLER CONVERSION KIT.....	70-124	3E16	KIT, MANUAL BYPASS VALVE (PST) .....	50-84
5G9	ISO COUPLER OVERHAUL KIT .....	70-126	3D21	KIT, MANUAL BYPASS VALVE (QRT AND SRT) .....	50-64
5G7	ISO COUPLER RECEPTACLE .....	70-124	2C18	KIT, NEUTRAL START SWITCH.....	40-36
<b>J</b>					
5G7	JOHN DEERE TO ISO COUPLER CONVERSION .....	70-124	5H13	KIT, O-RING, HYDRAULIC .....	70-155
<b>K</b>					
2F2	KEY SWITCH .....	40-83	3D11	KIT, OUTBOARD SHIFTER .....	50-54
1C6	KEY, DAMPER (DIESEL ONLY) .....	20-25	5F25	KIT, OVERHAUL, SELECTIVE CONTROL VALVE .....	70-117
6D9	KIT (STEPS) .....	80-55A	3H20	KIT, PFWD IMPROVEMENT .....	50-162
5H13	KIT, AIR CONDITIONING O-RING .....	70-155	1C13	KIT, PISTON LINER (DIESEL) .....	20-29
6D24	KIT, AIR CONDITIONING O-RING .....	90-6	1D3	KIT, RADIATOR BAFFLES .....	20-46
6E3	KIT, AIR CONDITIONING RETROFIT.....	90-10	1D4	KIT, RADIATOR OVERFLOW .....	20-47
2F15	KIT, AM RADIO (MOTOROLA) .....	40-90	2F18	KIT, RADIO ANTENNA.....	40-94
2F16	KIT, AM-FM PUSH-BUTTON RADIO (MOTOROLA) .....	40-91	2F10	KIT, RADIO MOUNTING .....	40-87
3G10	KIT, ANTI-FRICTION DIFFERENTIAL .....	50-124	2F18	KIT, RADIO NOISE SUPPRESSION .....	40-94
3G12	KIT, ANTI-FRICTION NO LOCK DIFFERENTIAL.....	50-126	2F19	KIT, RADIO SPEAKER.....	40-95
2G25	KIT, AUXILIARY ELECTRICAL OUTLET SOCKET .....	40-119	5H7	KIT, REMOTE CYLINDER CONVERSION .....	70-150
5G12	KIT, AUXILIARY HYDRAULIC OUTLET .....	70-129	5D1	KIT, ROCKSHAFT CONTROL STABILIZER .....	70-46
5G13	KIT, AUXILIARY OUTLET COUPLER .....	70-130	5D9	KIT, ROCKSHAFT CONTROL STABILIZER .....	70-54
			5G19	KIT, ROCKSHAFT CONTROL STABILIZER .....	70-137
			5C22	KIT, SCV CONTROL LEVER STABILIZER.....	70-42
			5E3	KIT, SCV CONTROL VALVE LEVER STABILIZER .....	70-72
			5F24	KIT, SELECTIVE CONTROL VALVE.....	70-116
			2B15	KIT, SERVICE WIRE RESISTANCE .....	40-9
			5D17	KIT, SINGLE LIFT ASSIST CYLINDER.....	70-62
			6G11	KIT, SOUND-GARD BODY DOOR .....	90-68
			2F18	KIT, SPEAKER .....	40-94
			2E16	KIT, SPOTLIGHT INSTALLATION.....	40-72
			2D11	KIT, STARTER SOLENOID COVER (DELCO-REMY) .....	40-52
			2B16	KIT, STARTING AID WIRING .....	40-9A

# 1A19

4230 TRACTOR

## ALPHABETICAL INDEX - CONTINUED

GRID		PAGE	GRID		PAGE
1E8	KIT, STARTING FLUID TUBE .....	30-15A	4B11	LEVER, STEERING VALVE .....	60-7
2E3	KIT, STARTING MOTOR SEALING .....	40-59	3F5	LEVER, TRANSMISSION DISCONNECT SHIFTER (PST).....	50-94
4C3	KIT, STEERING METERING PUMP .....	60-23A	3F17	LEVER,TRANSMISSION SHIFTER CONTROL (PST) .....	50-104
4B12	KIT, STEERING VALVE CYLINDER OVERHAUL .....	60-8	5G17	LEVERS, SELECTIVE CONTROL .....	70-134
4B9	KIT, STEERING VALVE OVERHAUL .....	60-5	5D17	LIFT ASSIST CYLINDER .....	70-62
5B14	KIT, STROKE CONTROL VALVE SHUT-OFF .....	70-8	5E1	LIFT ASSIST CYLINDER PIPES .....	70-70
5B24	KIT, STROKE CONTROL VALVE SHUT-OFF .....	70-18	5D19	LIFT ASSIST CYLINDER, SINGLE, KIT .....	70-64
2H1	KIT, SUPPLEMENTARY WIRING (7-TERMINAL).....	40-120	5D23	LIFT ASSIST VALVE .....	70-68
3C22	KIT, SYNCHRONIZER REPAIR (QRT AND SRT) .....	50-38	5D21	LIFT ASSIST, DUAL, KIT .....	70-66
3C6	KIT, SYNCHRONIZER REPAIR (QRT) .....	50-22	5E9	LIFT LINK, HITCH .....	70-78
3C8	KIT, SYNCHRONIZER REPAIR (QRT) .....	50-24	1B10	LIFT STRAPS .....	20-4
3C4	KIT, SYNCHRONIZER REPAIR (SRT) .....	50-20	2E24	LIGHT, DOME.....	40-80
3F13	KIT, TRANSMISSION CONTROL VALVE .....	50-101A	2E25	LIGHT, DOME.....	40-81
3B19	KIT, TRANSMISSION REPAIR .....	50-10	2F2	LIGHTER, CIGAR .....	40-83
1D17	KIT, UNDERHAUL ENGINE (DIESEL ONLY) .....	20-60	5C18	LINE, HYDRAULIC PUMP SEAL DRAIN (PST) .....	70-37
2C10	KIT, WIRING ACCESSORY RELAY .....	40-28	5E1	LINE, LIFT ASSIST CYLINDER.....	70-70
2H14	KIT,ELECTRICAL CONNECTOR AND TERMINAL.....	40-133	5C17	LINE,HYDRAULIC PUMP SEAL DRAIN (QRT/SRT) .....	70-36
5H6	KIT,REMOTE CYLINDER OVERHAUL (3-1/2"X8").....	70-149	1C13	LINER, CYLINDER (DIESEL).....	20-29
2D4	KIT,STARTER SOLENOID COVER.....	40-45	1C13	LINER, SHIM (DIESEL) .....	20-29
6B10	KNEE, FRONT AXLE (ADJUSTABLE TREAD).....	80-6	1C12	LINERS, CYLINDER (GASOLINE).....	20-28
6B14	KNEE, FRONT AXLE (LOW PROFILE).....	80-11	6D24	LINES, AIR CONDITIONING .....	90-6
6B12	KNEE, FRONT AXLE (PFWD).....	80-8	4D3	LINES, BRAKE OIL .....	60-42
3B20	KNOB, PTO LEVER (QRT AND SRT) .....	50-11	4D2	LINES, BRAKE REAR OIL.....	60-41
6B10	KNUCKLE, FRONT AXLE (ADJUSTABLE TREAD) .....	80-6	4D5	LINES, BRAKE RETURN OIL .....	60-45
6B14	KNUCKLE, FRONT AXLE (LOW PROFILE) .....	80-11	6D22	LINES, COMPRESSOR .....	90-4
6B23	KNUCKLE, ROLL-O-MATIC .....	80-20	6D23	LINES, CONDENSER.....	90-5
			3H19	LINES, DRAIN, HYDRAULIC OIL (PFWD) .....	50-161
	<b>L</b>		1E17	LINES, FUEL (DIESEL) .....	30-22
2D11	LABEL, BYPASS STARTER .....	40-52	1E15	LINES, FUEL (GASOLINE) .....	30-20
2D22	LABEL, BYPASS STARTER .....	40-57	1E23	LINES, FUEL INJECTION .....	30-28
2D4	LABEL,STARTER SOLENOID START .....	40-45	1F1	LINES, FUEL INJECTION .....	30-30
6D11	LABELS.....	80-56	6E13	LINES, HEATER, SOUND-GARD BODY .....	90-20
6D13	LABELS, BI-LINGUAL .....	80-58	5C12	LINES, OIL COOLER RETURN.....	70-30
6D15	LABELS, GROUND SPEED.....	80-60	5C10	LINES, OIL, COOLER RETURN .....	70-28
2E9	LAMP BRACKET, REAR (ROLL-GARD).....	40-64	3D15	LINES, OIL, DIFFERENTIAL DRIVE SHAFT (QRT AND SRT) .....	50-58
2E11	LAMP BRACKET, REAR (SGB) .....	40-66	3G15	LINES, OIL, DIFFERENTIAL LOCK VALVE .....	50-130
6F7	LAMP, CONSOLE.....	90-38	3H16	LINES, OIL, HYDRAULIC (PFWD) .....	50-157
2E13	LAMP, FLOOD .....	40-69	3H17	LINES, OIL, HYDRAULIC (PFWD) .....	50-158
2B10	LAMP, FRONT .....	40-4	5H11	LINES, OIL, IMPLEMENT HYDRAULIC .....	70-153
2F3	LAMP, INDICATOR .....	40-84	4B14	LINES, OIL, STEERING.....	60-10
2B10	LAMP, REAR .....	40-4	4C9	LINES, OIL, STEERING.....	60-26
2B10	LAMP, WARNING.....	40-4	4C13	LINES, OIL, STEERING.....	60-30
2E5	LAMP, WARNING (LESS RG OR SGB) .....	40-61	5F13	LINES, POWER WEIGHT TRANSFER .....	70-105
2E7	LAMPS (LESS ROLL-GARD OR SGB) .....	40-62	4C11	LINES, STEERING OIL .....	60-28
2B12	LAMPS (REPLACEMENT SGB) .....	40-6	4B16	LINES, STEERING OIL (FIXED STEERING) .....	60-12
2E9	LAMPS (ROLL-GARD) .....	40-64	4B18	LINES, STEERING OIL (TELESCOPING).....	60-14
2E11	LAMPS (SOUND-GARD BODY) .....	40-66	3G9	LINK, DIFFERENTIAL LOCK RELEASE .....	50-123
2B8	LAMPS, FRONT, REAR AND WARNING .....	40-2	5E14	LINK, DRAFT (HI-CROP) .....	70-83
6G14	LATCH, DOOR, SOUND-GARD BODY.....	90-72	5E15	LINK, DRAFT (HI-CROP) .....	70-84
6F23	LATCH, SEAT (PERSONAL-POSTURE).....	90-55	5E11	LINK, DRAFT, HITCH.....	70-80
6G16	LATCH, SOUND-GARD BODY DOOR .....	90-74	5E12	LINK, DRAFT, HITCH.....	70-81
6G18	LATCH,SOUND-GARD BODY DOOR (LATE DESIGN) .....	90-76	5E17	LINK, HITCH CENTER.....	70-86
3D4	LEVER AND STOP, SPEED SELECTOR .....	50-47	5F11	LINK, IMPLEMENT.....	70-103
3D1	LEVER, GEAR SHIFT (SRT AND CRT) .....	50-43	1F3	LINKAGE, FUEL INJECTION PUMP FITTINGS .....	30-32
3C25	LEVER, GEAR SHIFT (SRT) .....	50-42	5D9	LINKAGE, ROCKSHAFT CONTROL .....	70-54
3D13	LEVER, GEARSHIFT (QRT) .....	50-56	1F10	LINKAGE, SPEED CONTROL (DIESEL).....	30-40
5D9	LEVER, LOAD SELECTOR CONTROL.....	70-54	1F8	LINKAGE, SPEED CONTROL (GASOLINE) .....	30-38
5D11	LEVER, LOAD SELECTOR CONTROL.....	70-56	5D8	LOAD CONTROL (POWER SHIFT) .....	70-53
3E14	LEVER, PTO (PST) .....	50-82	5D7	LOAD CONTROL (SRT AND QRT).....	70-52
3B20	LEVER, PTO CLUTCH (QRT AND SRT) .....	50-11	5D9	LOAD SELECTOR CONTROL.....	70-54
3D13	LEVER, RANGE SELECTOR (QRT) .....	50-56	5D11	LOAD SELECTOR CONTROL.....	70-56
5D13	LEVER, ROCKSHAFT CONTROL LEVER .....	70-58	1B20	LONGBLOCK, COMPLETE BLOCK ASSEMBLY (DIESEL ONLY) .....	20-15A
1F10	LEVER, SPEED CONTROL (DIESEL) .....	30-40	6E2	LOUVER, AIR .....	90-9
1F8	LEVER, SPEED CONTROL (GASOLINE).....	30-38	6E1	LOUVER, AIR, SOUND-GARD BODY.....	90-8
3D13	LEVER, SPEED RANGE (QRT) .....	50-56			

# 1A20

4230 TRACTOR

## ALPHABETICAL INDEX - CONTINUED

GRID	PAGE	GRID	PAGE
1B7	LUBRICANT, CYLINDER LINER PACKING .....		
1B7	LUBRICANT, ENGINE VALVE STEM .....		
<b>M</b>			
1C14	MAIN BEARINGS .....		
2D14	MAIN FRAME, STARTER (DELCO-REMY) (DIESEL).....		
2D19	MAIN FRAME, STARTER (DELCO-REMY) (DIESEL).....		
2D24	MAIN FRAME, STARTER (JOHN DEERE) (DIESEL).....		
1C14	MAIN THRUST BEARINGS .....		
3H5	MANIFOLD AND PIVOT PIN SEAL KIT (PFWD) .....		
1E2	MANIFOLD, EXHAUST (DIESEL) .....		
1E3	MANIFOLD, EXHAUST (DIESEL) .....		
1E1	MANIFOLD, EXHAUST (GASOLINE) .....		
1E2	MANIFOLD, INTAKE (DIESEL) .....		
1E3	MANIFOLD, INTAKE (DIESEL) .....		
1E1	MANIFOLD, INTAKE (GASOLINE) .....		
1D10	MANIFOLD, WATER OUTLET (DIESEL) .....		
1D9	MANIFOLD, WATER OUTLET (GASOLINE).....		
3G25	MANIFOLD, WHEEL (PFWD) .....		
3E16	MANUAL BYPASS VALVE KIT (PST).....		
3D21	MANUAL BYPASS VALVE KIT (QRT AND SRT).....		
6D3	MEDALLION .....		
4C2	METERING PUMP, STEERING .....		
4B9	METERING SHAFT, STEERING VALVE .....		
5F19	METERING VALVE (SCV).....		
2F7	MINI-MONITOR, PERFORMANCE TRAK II .....		
6I3	MIRROR, OUTSIDE REAR VIEW .....		
6I1	MIRROR, REAR VIEW.....		
6I2	MIRROR, REAR VIEW.....		
6H10	MOLDING, SOUND-GARD BODY .....		
2F7	MONITOR, MINI (PERFORMANCE TRAK II) .....		
3H8	MOTOR CYLINDER BLOCK (PFWD) .....		
3H1	MOTOR HOUSING (PFWD).....		
6E9	MOTOR, PRESSURIZER BLOWER (REPLACEMENT SGB) .....		
6E7	MOTOR, PRESSURIZER BLOWER (SGB).....		
2D3	MOTOR, STARTING .....		
4B20	MOTOR, STEERING .....		
4B22	MOTOR, STEERING .....		
4C15	MOTOR, STEERING .....		
4C17	MOTOR, STEERING .....		
2G7	MOTOR, WINDSHIELD WIPER .....		
2G9	MOTOR, WINDSHIELD WIPER .....		
2G1	MOTOR, WINDSHIELD WIPER (L.H.) .....		
2G3	MOTOR, WINDSHIELD WIPER (R.H.) .....		
2G5	MOTOR, WINDSHIELD WIPER, R.H. ....		
2G16	MOTOR, REAR WINDSHIELD WIPER.....		
2F15	MOTOROLA RADIO .....		
6G5	MOUNT, SOUND-GARD BODY.....		
2C22	MOUNTING BRACKET, ALTERNATOR (DIESEL) .....		
6G7	MOUNTING BRACKET, SOUND-GARD BODY .....		
6D19	MOUNTING BRACKETS, COMPRESSOR .....		
6D3	MOUNTING HANDLE.....		
2F20	MOUNTING KIT, CB RADIO .....		
2F10	MOUNTING KIT, RADIO .....		
6E24	MOUNTING, FOUR-POST ROLL-GARD .....		
6G7	MOUNTING, SOUND-GARD BODY .....		
1E4	MUFFLER .....		
1E5	MUFFLER (LOW PROFILE).....		
<b>N</b>			
2C18	NEURTAL START SWITCH KIT .....		
3F11	NEUTRAL START SWITCH (PST) .....		
3C20	NEUTRAL START SWITCH (QRT AND SRT) .....		
3C22	NEUTRAL START SWITCH (QRT AND SRT) .....		
2G15	NOISE SUPPRESSION KIT, WIPER MOTOR .....		
1F5	NOZZLE, FUEL INJECTION .....		
1F6	NOZZLE, FUEL INJECTION .....		
1E23	NOZZLES, FUEL INJECTION .....		
1F1	NOZZLES, FUEL INJECTION .....		
<b>O</b>			
5H13	O-RING AIR CONDITIONING KIT .....		
5H13	O-RING PACKING KIT.....		
1C20	OIL COOLER BYPASS VALVE (DIESEL).....		
3B15	OIL COOLER RELIEF VALVE (QRT AND SRT) .....		
1C24	OIL COOLER, ENGINE (DIESEL) .....		
1C23	OIL COOLER, ENGINE (GASOLINE) .....		
5C8	OIL COOLER, HYDRAULIC.....		
5C9	OIL COOLER, HYDRAULIC.....		
3H19	OIL DRAIN PIPES (PFWD) .....		
1C22	OIL FILTER BYPASS VALVE (DIESEL).....		
3H22	OIL FILTER HEATER.....		
3D21	OIL FILTER RELIEF VALVE (QRT AND SRT).....		
3D23	OIL FILTER RETURN PORT COVER.....		
1C22	OIL FILTER, ENGINE (DIESEL) .....		
1C21	OIL FILTER, ENGINE (GASOLINE) .....		
3F23	OIL FILTRATION KIT, INCREASED (PST) .....		
3D19	OIL FILTRATION KIT, TRANSMISSION (QRT) .....		
4D2	OIL LINES, BRAKE REAR.....		
3D15	OIL LINES, DIFFERENTIAL DRIVE SHAFT (QRT AND SRT) .....		
3G15	OIL LINES, DIFFERENTIAL LOCK VALVE.....		
3H16	OIL LINES, HYDRAULIC (PFWD) .....		
3H17	OIL LINES, HYDRAULIC (PFWD) .....		
5H11	OIL LINES, HYDRAULIC, IMPLEMENT .....		
4C13	OIL LINES, STEERING .....		
4B16	OIL LINES, STEERING (FIXED STEERING) .....		
4B18	OIL LINES, STEERING (TELESCOPING).....		
1C1	OIL PAN .....		
1C3	OIL PAN (HI-CROP) (DIESEL) .....		
1C1	OIL PAN GASKET .....		
1C2	OIL PAN REPLACEMENT KIT .....		
1C4	OIL PAN REPLACEMENT KIT (HI-CROP) (DIESEL).....		
5C6	OIL PIPES, HYDRAULIC SYSTEM .....		
5C10	OIL PIPES, HYDRAULIC SYSTEM .....		
5C12	OIL PIPES, HYDRAULIC SYSTEM .....		
5C18	OIL PIPES, HYDRAULIC SYSTEM (PST).....		
4B14	OIL PIPES, STEERING .....		
4C9	OIL PIPES, STEERING .....		
5C17	OIL PIPES, HYDRAULIC SYSTEM (QRT AND SRT) .....		
2F3	OIL PRESSURE GAUGE .....		
1C22	OIL PRESSURE REGULATING VALVE (DIESEL).....		
1B16	OIL PRESSURE REGULATOR (GASOLINE) .....		
1C6	OIL PUMP DRIVE GEAR (DIESEL ONLY) .....		
1C20	OIL PUMP, ENGINE (DIESEL) .....		
1C19	OIL PUMP, ENGINE (GASOLINE) .....		
3D15	OIL PUMP, TRANSMISSION (QRT AND SRT) .....		
3D17	OIL PUMP, TRANSMISSION (QRT) .....		
3E9	OIL PUMP, TRANSMISSION CLUTCH (PST) .....		
1C16	OIL SEAL, CRANKSHAFT .....		

# 1A21

4230 TRACTOR

## ALPHABETICAL INDEX - CONTINUED

GRID		PAGE	GRID		PAGE
1B6	OIL, ENGINE .....	20-1	3C16	PISTON, BRAKE (QRT) .....	50-32
3H19	OIL, HYDRAULIC, DRAIN LINES (PFWD) .....	50-161	3C18	PISTON, BRAKE (QRT) .....	50-34
5C15	OIL, HYDRAULIC, RESERVOIR .....	70-34	3F11	PISTON, CLUTCH OIL ACCUMULATOR (PST) .....	50-100
5B7	OIL, TRANSMISSION AND HYDRAULIC .....	70-1	3B12	PISTON, CLUTCH OPERATING (QRT AND SRT) .....	50-5
6I13	OPERATOR SHIELD .....	90-126	1C13	PISTON, ENGINE (DIESEL) .....	20-29
6F9	OPERATOR'S MANUAL HOLDER .....	90-40	1C12	PISTON, ENGINE (GASOLINE) .....	20-28
6D3	ORNAMENT, HOOD .....	80-50	3E10	PISTON, HIGH RANGE CLUTCH .....	50-78
3D11	OUTBOARD SHIFTER KIT .....	50-54	3E10	PISTON, LOW RANGE CLUTCH .....	50-78
5G12	OUTLET KIT, HYDRAULIC, AUXILIARY .....	70-129	3E24	PISTON, PLANETARY CLUTCH (PST) .....	50-88
1D4	OVERFLOW KIT, RADIATOR .....	20-47	5C24	PISTON, ROCKSHAFT .....	70-44
5G5	OVERHAUL KIT, BREAKAWAY COUPLER .....	70-122	4B20	PISTON, STEERING MOTOR .....	60-16
3H13	OVERHAUL KIT, CONTROL VALVE (PFWD) .....	50-154	4C15	PISTON, STEERING MOTOR .....	60-32
1D15	OVERHAUL KIT, ENGINE (DIESEL ONLY) .....	20-58	4B7	PISTON, STEERING VALVE .....	60-3
5B18	OVERHAUL KIT, HYDRAULIC PUMP .....	70-12	3B12	PISTON, PTO CLUTCH OPERATING (QRT AND SRT) .....	50-5
5C4	OVERHAUL KIT, HYDRAULIC PUMP .....	70-22	6B5	PIVOT BRACKET, FRONT AXLE .....	80-1
5G9	OVERHAUL KIT, ISO COUPLER .....	70-126	6B8	PIVOT BRACKET, FRONT AXLE HOUSING (LOW PROFILE) .....	80-4
5H5	OVERHAUL KIT, REMOTE CYLINDER .....	70-148	3G17	PLANET PINION CARRIER .....	50-132
5F25	OVERHAUL KIT, SELECTIVE CONTROL VALVE .....	70-117	3C12	PLANET PINION CARRIER (CRT AND SRT) .....	50-28
5H6	OVERHAUL KIT, REMOTE CYLINDER (3-1/2"X8") .....	70-149	3H4	PLANET PINION CARRIER (PFWD) .....	50-145
			3C14	PLANET PINION CARRIER (QRT) .....	50-30
			3H4	PLANET PINION, FIRST (PFWD) .....	50-145
			3F2	PLANETARY BRAKE, FIRST (PST) .....	50-91
			3F1	PLANETARY BRAKE, SECOND (PST) .....	50-90
			3E25	PLANETARY BRAKE, THIRD (PST) .....	50-89
			3E24	PLANETARY BRAKES AND CLUTCH (PST) .....	50-88
			3F3	PLANETARY CARRIER ASSEMBLY (PST) .....	50-92
			3H3	PLANETARY HOUSING (PFWD) .....	50-144
			3D6	PLANETARY SHIFTER (CRT) .....	50-49
			3C15	PLANETARY, QUAD-RANGE .....	50-31
			3F4	PLANETARY, TRANSMISSION (PST) .....	50-93
			4C19	PLATE, BRAKE .....	60-36
			4C21	PLATE, BRAKE .....	60-37A
			3H3	PLATE, BRAKE (PFWD) .....	50-144
			3E10	PLATE, CLUTCH .....	50-78
			3E11	PLATE, CLUTCH (PST) .....	50-79
			3E8	PLATE, CLUTCH PRESSURE (PST) .....	50-76
			6C9	PLATE, FRAME .....	80-30
			6D15	PLATE, GROUND SPEED .....	80-60
			3E24	PLATE, SEPARATOR, PLANETARY BRAKE (PST) .....	50-88
			3C6	PLATE, SYNCHRONIZER (QRT) .....	50-22
			3C8	PLATE, SYNCHRONIZER (QRT) .....	50-24
			3C2	PLATE, SYNCHRONIZER (SRT) .....	50-18
			3C4	PLATE, SYNCHRONIZER (SRT) .....	50-20
			6H21	PLATFORM .....	90-107
			6H22	PLATFORM .....	90-108
			6C20	PLATFORM EXTENSION (GASOLINE) .....	80-42
			6H21	PLATFORM MAT .....	90-107
			6H22	PLATFORM MAT .....	90-108
			2C14	PLUGS, SPARK .....	40-32
			3H20	POWER FRONT WHEEL DRIVE IMPROVEMENT KIT .....	50-162
			3E4	POWER SHIFT CLUTCH HOUSING .....	50-72
			5F10	POWER WEIGHT TRANSFER COUPLER .....	70-102
			5F12	POWER WEIGHT TRANSFER VALVE .....	70-104
			5C6	PRESSURE CONTROL VALVE .....	70-24
			3E12	PRESSURE SWITCH, CLUTCH VALVE (PST) .....	50-80
			6E5	PRESSURIZER BLOWER .....	90-12
			6E7	PRESSURIZER BLOWER (REPLACEMENT SGB) .....	90-14
			6E9	PRESSURIZER BLOWER (REPLACEMENT SGB) .....	90-16
			6H5	PRESSURIZER COVER (REPLACEMENT) .....	90-88
			6E4	PRESSURIZER FILTERS .....	90-11
			6G23	PRESSURIZER PANEL, ROOF .....	90-82
			3E11	PTO CLUTCH (PST) .....	50-79
			3B11	PTO CLUTCH (QRT AND SRT) .....	50-3
			3E11	PTO CLUTCH HUB (PST) .....	50-79
			3B20	PTO CLUTCH LEVER LINKAGE (QRT AND SRT) .....	50-11
			3B12	PTO CLUTCH OPERATING PISTON (QRT AND SRT) .....	50-5

### P

1B7	PACKING, LUBRICANT, CYLINDER LINER .....	20-2
1C1	PAN, OIL .....	20-20
1C3	PAN, OIL (HI-CROP) (DIESEL) .....	20-22
6E2	PANEL, AIR LOUVER .....	90-9
6I9	PANEL, INSTRUMENT .....	90-122
6D1	PANEL, SIDE .....	80-48
3F9	PAWL, TRANSMISSION LOCK (PST) .....	50-98
4D6	PEDAL, BRAKE .....	60-46
3E6	PEDAL, CLUTCH (PST) .....	50-74
3B10	PEDAL, CLUTCH (QRT AND SRT) .....	50-2
3G9	PEDAL, DIFFERENTIAL LOCK VALVE .....	50-123
1F12	PEDAL, FOOT SPEED CONTROL .....	30-42
6F24	PERSONAL-POSTURE SEAT SUSPENSION .....	90-56
5F1	PIN, DRAWBAR .....	70-93
5F7	PIN, DRAWBAR (HI-CROP) .....	70-99
5F9	PIN, DRAWBAR (HI-CROP) .....	70-101
5F2	PIN, DRAWBAR (REGULAR) .....	70-94
5F4	PIN, DRAWBAR (WIDE SWING) .....	70-96
5F10	PIN, DRAWBAR (POWER WEIGHT TRANSFER HITCH) .....	70-102
3C1	PINION, BEVEL, DIFFERENTIAL (QRT) .....	50-17
3B25	PINION, BEVEL, DIFFERENTIAL (SRT) .....	50-16
3C2	PINION, HIGH RANGE (SRT) .....	50-18
3C2	PINION, LOW RANGE (SRT) .....	50-18
3G17	PINION, PLANET .....	50-132
3C14	PINION, PLANET (QRT) .....	50-30
1D25	PIPE, AIR INTAKE (DIESEL) .....	30-7
1D24	PIPE, AIR INTAKE (GASOLINE) .....	30-6
5E1	PIPES, LIFT ASSIST CYLINDER .....	70-70
3H19	PIPES, OIL DRAIN (PFWD) .....	50-161
5C10	PIPES, OIL, COOLER RETURN .....	70-28
5C12	PIPES, OIL, COOLER RETURN .....	70-30
3H16	PIPES, OIL, HYDRAULIC (PFWD) .....	50-157
5C21	PIPES, OIL, HYDRAULIC RETURN .....	70-41
5C18	PIPES, OIL, HYDRAULIC RETURN (PST) .....	70-37
5C6	PIPES, OIL, MAIN HYDRAULIC .....	70-24
5D9	PIPES, OIL, MAIN HYDRAULIC .....	70-54
4B14	PIPES, OIL, STEERING .....	60-10
4C9	PIPES, OIL, STEERING .....	60-26
4C13	PIPES, OIL, STEERING .....	60-30
1C13	PISTON LINER KIT (DIESEL) .....	20-29
1C13	PISTON RINGS (DIESEL) .....	20-29
1C12	PISTON RINGS (GASOLINE) .....	20-28
4D8	PISTON, ACCUMULATOR .....	60-48





# 1A23

4230 TRACTOR

## ALPHABETICAL INDEX - CONTINUED

GRID		PAGE	GRID		PAGE
5H10	REMOTE CYLINDER HOSE IDENTIFICATION KIT .....	70-152	6B23	ROLL-O-MATIC.....	80-20
5E25	REMOTE CYLINDER HOSES .....	70-92	6G23	ROOF PRESSURIZER PANEL .....	90-82
5H5	REMOTE CYLINDER OVERHAUL KIT .....	70-148	6G23	ROOF, INNER, SOUND-GARD BODY .....	90-82
5H6	REMOTE CYLINDER OVERHAUL KIT(3-1/2"X8") .....	70-149	6H1	ROOF, SOUND-GARD BODY .....	90-84
5G22	REMOTE CYLINDER PARTS (3" X 8" MECH.) .....	70-140	6H3	ROOF, SOUND-GARD BODY INNER.....	90-86
3C10	REPAIR KIT, SYNCHRONIZER .....	50-26	6E20	ROPS W/SEAT BELT(W/O HI-CROP) .....	90-27A
1C6	REPLACEMENT CRANKSHAFT (DIESEL ONLY) .....	20-25	2B22	ROTARY SWITCHES (PFWD).....	40-16
5B9	REPLACEMENT HYDRAULIC PUMP ASSEMBLY.....	70-3	2C1	ROTARY SWITCHES AND BRACKET (PFWD) .....	40-20
1C2	REPLACEMENT KIT, OIL PAN .....	20-21			
1C4	REPLACEMENT KIT, OIL PAN (HI-CROP) (DIESEL).....	20-23		<b>S</b>	
3H15	REPLACEMENT RELIEF VALVE .....	50-156	3D15	SCREEN, TRANSMISSION OIL PUMP INTAKE (QRT AND SRT) .....	50-58
6F5	REPLACEMENT ROLL-GARD.....	90-36	1C16	SEAL, CRANKSHAFT OIL .....	20-32
6G3	REPLACEMENT SOUND-GARD BODY (BASIC) .....	90-60	1C18	SEAL, FRONT OIL (DIESEL).....	20-35
5C15	RESERVOIR, HYDRAULIC OIL.....	70-34	1C17	SEAL, FRONT OIL (GASOLINE).....	20-34
6E12	RESISTOR, BLOWER MOTOR .....	90-19	6I19	SEALANT .....	90-132
3D23	RETURN PORT COVER .....	50-66	2E3	SEALING KIT, STARTING MOTOR .....	40-59
1C13	RINGS, PISTON (DIESEL).....	20-29	6H10	SEALS, SOUND-GARD BODY GLASS.....	90-94
1C12	RINGS, PISTON (GASOLINE).....	20-28	6F20	SEAT ARMREST (PERSONAL-POSTURE) .....	90-52
1B11	ROCKER ARM COVER .....	20-6	6F15	SEAT BACK CUSHION (LOW PROFILE) .....	90-47
1B13	ROCKER ARM SHAFT.....	20-8	6F22	SEAT BACKREST SUPPORT (PERSONAL-POSTURE) .....	90-54
1B13	ROCKER ARMS .....	20-8	6F18	SEAT BELT (SOUND-GARD BODY).....	90-50
5C24	ROCKSHAFT .....	70-44	6E20	SEAT BELT (W/O HI CROP).....	90-27A
5D9	ROCKSHAFT CONTROL LINKAGE .....	70-54	6E18	SEAT BELT, ROLL-GARD (HI-CROP) .....	90-26
5G19	ROCKSHAFT CONTROL STABILIZER .....	70-137	6E16	SEAT BELT, TWO-POST ROLL-GARD.....	90-24
5D1	ROCKSHAFT CONTROL VALVE HOUSING .....	70-46	6F10	SEAT CUSHION .....	90-41
5D3	ROCKSHAFT CONTROL VALVE HOUSING .....	70-48	6F15	SEAT CUSHION (LOW PROFILE) .....	90-47
5D5	ROCKSHAFT CONTROL VALVE HOUSING .....	70-50	6F18	SEAT CUSHIONS (SOUND-GARD BODY).....	90-50
5F14	ROCKSHAFT CONTROL VALVE HOUSING COVER .....	70-107	6F16	SEAT FRAME (LOW PROFILE) .....	90-48
5D13	ROCKSHAFT CONTROL VALVE LEVER.....	70-58	6F23	SEAT SUPPORT (PERSONAL-POSTURE) .....	90-55
5D13	ROCKSHAFT CONTROL VALVE LINKAGE .....	70-58	6F11	SEAT SUPPORT, DELUXE .....	90-42
5C24	ROCKSHAFT CRANK ARM.....	70-44	6F16	SEAT SUSPENSION (LOW PROFILE) .....	90-48
5C22	ROCKSHAFT HOUSING .....	70-42	6F24	SEAT SUSPENSION (PERSONAL-POSTURE) .....	90-56
5C22	ROCKSHAFT HOUSING COVER, BOTTOM .....	70-42	6F13	SEAT SUSPENSION, DELUXE .....	90-44
5D17	ROCKSHAFT LIFT ARM .....	70-62	6F10	SEAT, DELUXE .....	90-41
5C24	ROCKSHAFT LIFT ARMS .....	70-44	5F14	SELECTIVE CONTROL COVER .....	70-107
5D15	ROCKSHAFT LIFT POWER KIT, INCREASED .....	70-60	5G17	SELECTIVE CONTROL LEVERS .....	70-134
5D11	ROCKSHAFT LINKAGE AND CONTROL .....	70-56	5F19	SELECTIVE CONTROL VALVE.....	70-110
5C24	ROCKSHAFT PISTON .....	70-44	5F21	SELECTIVE CONTROL VALVE.....	70-112
5C25	ROCKSHAFT PISTON COVER .....	70-45	5F23	SELECTIVE CONTROL VALVE.....	70-115
5C18	ROCKSHAFT, OIL PIPES, RETURN (PST) .....	70-37	5G2	SELECTIVE CONTROL VALVE HOUSING .....	70-119
5C17	ROCKSHAFT,OIL PIPES,RETURN (QRT AND SRT).....	70-36	5G3	SELECTIVE CONTROL VALVE HOUSING .....	70-120
3E6	ROD, CLUTCH OPERATING (PST) .....	50-74	5F24	SELECTIVE CONTROL VALVE KIT .....	70-116
3D9	ROD, CONTROL VALVE OPERATING (QRT) .....	50-52	5F25	SELECTIVE CONTROL VALVE OVERHAUL KIT.....	70-117
3D11	ROD, SHIFTER.....	50-54	5E5	SELECTIVE CONTROL VALVE SUPPORT .....	70-74
3D2	ROD, SPEED CHANGE SHIFTER (SRT) .....	50-44	5E6	SELECTIVE CONTROL VALVE SUPPORT .....	70-75
6B15	ROD, TIE (ADJUSTABLE FRONT AXLE).....	80-12	5E7	SELECTIVE CONTROL VALVE SUPPORT .....	70-76
6B20	ROD, TIE (ADJUSTABLE) (LOW PROFILE).....	80-17	1B22	SENDER, ENGINE OIL PRESSURE (DIESEL) .....	20-16
6B19	ROD, TIE (FIXED) (LOW PROFILE) .....	80-16	1B18	SENDER, ENGINE OIL PRESSURE (GASOLINE).....	20-14
3D7	ROD, TRANSMISSION SHIFTER CONTROL (QRT) .....	50-50	1E11	SENDER, FUEL GAUGE (GASOLINE) .....	30-16
3D9	ROD, TRANSMISSION SHIFTER CONTROL (QRT) .....	50-52	1B8	SENDER, TEMPERATURE GAUGE .....	20-2B
3D2	ROD, TRANSMISSION SHIFTER CONTROL (SRT) .....	50-44	3E16	SENDER, TEMPERATURE GAUGE (PST).....	50-84
3D3	ROD, TRANSMISSION SHIFTER CONTROL (SRT) .....	50-45	2F5	SENSOR, RADAR .....	40-85A
1C13	RODS, CONNECTING (DIESEL).....	20-29	3E10	SEPARATOR PLATE, CLUTCH .....	50-78
1C12	RODS, CONNECTING (GASOLINE) .....	20-28	1E18	SEPARATOR, WATER.....	30-23
3D5	RODS, CONTROL (CRT).....	50-48	1E19	SEPARATOR, WATER.....	30-24
6B21	RODS, RADIUS (HI-CROP).....	80-18	6G9	SERVICE DOOR, SOUND-GARD BODY .....	90-66
6E20	ROLL-GARD (W/O HI CROP) .....	90-27A	6G13	SERVICE DOOR, SOUND-GARD BODY .....	90-71
6F3	ROLL-GARD CANOPY, FOUR-POST .....	90-34	2B15	SERVICE WIRE RESISTANCE KIT .....	40-9
6E22	ROLL-GARD CANOPY, TWO-POST.....	90-28	6D11	SET, DECAL.....	80-56
6F1	ROLL-GARD FENDER, FOUR-POST .....	90-32	3B13	SHAFT, CLUTCH .....	50-5A
6E24	ROLL-GARD MOUNTING, FOUR-POST.....	90-31	3C12	SHAFT, CLUTCH (CRT AND SRT).....	50-28
6F5	ROLL-GARD WITH CANOPY (REPLACEMENT) .....	90-36	3B12	SHAFT, CLUTCH (QRT AND SRT).....	50-5
6F1	ROLL-GARD, FOUR-POST .....	90-32	3C14	SHAFT, CLUTCH (QRT) .....	50-30
6E16	ROLL-GARD, TWO-POST .....	90-24	3E10	SHAFT, CLUTCH DRIVE .....	50-78
6E18	ROLL-GARD, TWO-POST (HI-CROP).....	90-26			
6F5	ROLL-GARD, 4-POST (REPLACEMENT) .....	90-36			

# 1A24

4230 TRACTOR

## ALPHABETICAL INDEX - CONTINUED

<i>GRID</i>		<i>PAGE</i>	<i>GRID</i>		<i>PAGE</i>
3E9	SHAFT, CLUTCH DRIVE (PST).....	50-77	6C2	SINGLE FRONT WHEEL.....	80-22
3D9	SHAFT, CONTROL VALVE OPERATING (QRT).....	50-52	6F7	SKIRT, FENDER (HI-CROP).....	90-38
3C1	SHAFT, DRIVE, DIFFERENTIAL (QRT).....	50-17	6H19	SLIDING WINDOW, REAR.....	90-105
3B25	SHAFT, DRIVE, DIFFERENTIAL (SRT).....	50-16	6I17	SLOW MOVING VEHICLE EMBLEM.....	90-130
3G17	SHAFT, FINAL DRIVE.....	50-132	6I18	SLOW MOVING VEHICLE EMBLEM (LOW PROFILE).....	90-131
3C12	SHAFT, INPUT (CRT AND SRT).....	50-28	2G22	SOCKET, ELECTRICAL OUTLET.....	40-116
4B9	SHAFT, METERING, STEERING VALVE.....	60-5	2G23	SOCKET, ELECTRICAL OUTLET.....	40-117
3G17	SHAFT, PLANET PINION.....	50-132	2G25	SOCKET, ELECTRICAL OUTLET, 7-TERMINAL.....	40-119
3F25	SHAFT, PTO (PST).....	50-113	2G24	SOCKET, CONVENIENCE ELECTRICAL OUTLET (SGB).....	40-118
3E2	SHAFT, PTO (QRT AND SRT).....	50-70	3H12	SOLENOID (PFWD).....	50-153
3B13	SHAFT, PTO DRIVE.....	50-5A	2D12	SOLENOID SWITCH (DELCO-REMY) (DIESEL).....	40-54
3E11	SHAFT, PTO DRIVE (PST).....	50-79	2D16	SOLENOID SWITCH (DIESEL).....	40-54D
3G1	SHAFT, PTO DRIVE (PST).....	50-114	2D21	SOLENOID SWITCH (DIESEL).....	40-56D
3G2	SHAFT, PTO DRIVE (PST).....	50-115	2D5	SOLENOID SWITCH (GASOLINE).....	40-46
3B12	SHAFT, PTO DRIVE (QRT AND SRT).....	50-5	2D9	SOLENOID SWITCH (GASOLINE).....	40-50
3D25	SHAFT, PTO DRIVE (QRT AND SRT).....	50-68	2E1	SOLENOID SWITCH, STARTER (JOHN DEERE).....	40-57D
3E1	SHAFT, PTO DRIVE (QRT AND SRT).....	50-69	2E2	SOLENOID SWITCH, STARTER (JOHN DEERE).....	40-58
3E3	SHAFT, PTO DRIVE (QRT AND SRT).....	50-71	5C3	SOLENOID, DESTROKE (ELECTRIC).....	70-21A
3G17	SHAFT, REAR AXLE.....	50-132	6G1	SOUND-GARD BODY.....	90-58
3G23	SHAFT, REAR AXLE (HI-CROP).....	50-139	6G3	SOUND-GARD BODY (REPLACEMENT).....	90-60
3F6	SHAFT, REDUCTION GEAR (PST).....	50-95	6E1	SOUND-GARD BODY AIR LOUVER.....	90-8
1B13	SHAFT, ROCKER ARM.....	20-8	6E2	SOUND-GARD BODY AIR LOUVER PANEL.....	90-9
3C20	SHAFT, SHIFTER (QRT AND SRT).....	50-36	6H24	SOUND-GARD BODY ASH TRAY.....	90-110
3C21	SHAFT, SHIFTER (QRT AND SRT).....	50-37	6H25	SOUND-GARD BODY ASH TRAY.....	90-111
4C3	SHAFT, STEERING.....	60-23A	6G14	SOUND-GARD BODY DOOR HANDLE.....	90-72
4B24	SHAFT, STEERING WHEEL.....	60-20	6G16	SOUND-GARD BODY DOOR HANDLE.....	90-74
3C6	SHAFT, TRANSMISSION DRIVE (QRT).....	50-22	6G18	SOUND-GARD BODY DOOR HANDLE (LATE DESIGN)....	90-76
3C8	SHAFT, TRANSMISSION DRIVE (QRT).....	50-24	6G9	SOUND-GARD BODY DOORS.....	90-66
3C2	SHAFT, TRANSMISSION DRIVE (SRT).....	50-18	6E2	SOUND-GARD BODY ENVIRONMENT CONTROLS.....	90-9
3C4	SHAFT, TRANSMISSION DRIVE (SRT).....	50-20	6H12	SOUND-GARD BODY GLASS.....	90-96
3C22	SHAFTS, TRANSMISSION SHIFTER (QRT AND SRT).....	50-38	6H10	SOUND-GARD BODY GLASS SEALS.....	90-94
3C24	SHAFTS, TRANSMISSION SHIFTER (QRT AND SRT).....	50-41	6H7	SOUND-GARD BODY HEADLINER.....	90-91
3G24	SHIELD, HYDRAULIC LINES (PFWD).....	50-140	6E13	SOUND-GARD BODY HEATER AND HOSES.....	90-20
6I13	SHIELD, OPERATOR.....	90-126	6G23	SOUND-GARD BODY INNER ROOF.....	90-82
3F24	SHIELD, PTO MASTER (PST).....	50-112	6H3	SOUND-GARD BODY INNER ROOF.....	90-86
3D24	SHIELD, PTO MASTER (QRT AND SRT).....	50-67	2B10	SOUND-GARD BODY LAMPS.....	40-4
6I11	SHIELD, REAR OPERATOR.....	90-124	6H21	SOUND-GARD BODY MAT, FLOOR.....	90-107
6I12	SHIELD, REAR OPERATOR (LESS SGB).....	90-125	6H8	SOUND-GARD BODY METAL TRIM.....	90-92
6D1	SHIELD, SIDE.....	80-48	6H10	SOUND-GARD BODY MOLDING.....	90-94
6I6	SHIFT ROD BOOT.....	90-119	6H12	SOUND-GARD BODY MOLDING.....	90-96
3F10	SHIFT VALVE, TRANSMISSION (PST).....	50-99	6G5	SOUND-GARD BODY MOUNTING.....	90-62
3D11	SHIFTER ARM.....	50-54	6E1	SOUND-GARD BODY PANEL, CONTROL.....	90-8
3C21	SHIFTER ARM (QRT AND SRT).....	50-37	6E7	SOUND-GARD BODY PRESSURIZER BLOWER.....	90-14
3C24	SHIFTER CAM SHAFT SUPPORT (QRT AND SRT).....	50-41	6E4	SOUND-GARD BODY PRESSURIZER FILTERS.....	90-11
3F19	SHIFTER CONTROLS (PST).....	50-106	6G21	SOUND-GARD BODY ROOF.....	90-80
3C21	SHIFTER GEAR (QRT AND SRT).....	50-37	6H1	SOUND-GARD BODY ROOF.....	90-84
3D13	SHIFTER LEVER SUPPORT (QRT).....	50-56	6G13	SOUND-GARD BODY SERVICE DOOR.....	90-71
3D1	SHIFTER QUADRANT SUPPORT (SRT AND CRT).....	50-43	6I6	SOUND-GARD BODY SHIFTER BOOT.....	90-119
3D11	SHIFTER ROD.....	50-54	6H14	SOUND-GARD BODY UPHOLSTERY.....	90-99
3C20	SHIFTER SHAFT (QRT AND SRT).....	50-36	6H15	SOUND-GARD BODY UPHOLSTERY (BLACK).....	90-100
3C21	SHIFTER SHAFT (QRT AND SRT).....	50-37	6H17	SOUND-GARD BODY UPHOLSTERY (BROWN).....	90-102
3C22	SHIFTER SHAFTS (QRT AND SRT).....	50-38	2C14	SPARK PLUG CABLES.....	40-32
3C24	SHIFTER SHAFTS (QRT AND SRT).....	50-41	2C14	SPARK PLUGS.....	40-32
3D6	SHIFTER, PLANETARY (CRT).....	50-49	2F18	SPEAKER KIT.....	40-94
3F5	SHIFTER, TRANSMISSION DISCONNECT (PST).....	50-94	2F19	SPEAKER KIT, RADIO.....	40-95
1C13	SHIM, LINER (DIESEL).....	20-29	1F10	SPEED CONTROL LINKAGE (DIESEL).....	30-40
6F13	SHOCK ABSORBER, SEAT.....	90-44	1F8	SPEED CONTROL LINKAGE (GASOLINE).....	30-38
6F16	SHOCK ABSORBER, SEAT (LOW PROFILE).....	90-48	3D4	SPEED SELECTOR LEVER AND STOP.....	50-47
6F24	SHOCK ABSORBER, SEAT (PERSONAL-POSTURE).....	90-56	6I9	SPEED-HOUR METER.....	90-122
1B24	SHORT BLOCK, ENGINE (DIESEL).....	20-18	6B22	SPINDLE EXTENSION, FRONT WHEEL.....	80-19
1D1	SHROUD, FAN.....	20-44	4B20	SPINDLE, STEERING MOTOR.....	60-16
6C9	SIDE FRAME.....	80-30	4C15	SPINDLE, STEERING MOTOR.....	60-32
6D1	SIDE PANEL.....	80-48	2E16	SPOTLIGHT INSTALLATION KIT.....	40-72
6H20	SIDE SUN VISOR.....	90-106	2E14	SPOTLIGHT, ELECTRIC REMOTE CONTROL.....	40-70
6C11	SIDE WEIGHTS.....	80-32	2E18	SPOTLIGHT, REMOTE CONTROL.....	40-74
			2D3	STARTER.....	40-44

# 1A25

4230 TRACTOR

## ALPHABETICAL INDEX - CONTINUED

<i>GRID</i>		<i>PAGE</i>	<i>GRID</i>		<i>PAGE</i>
2D12	STARTER (DELCO-REMY) (DIESEL)	40-54	4B24	STEERING WHEEL	60-20
2D5	STARTER (GASOLINE)	40-46	4B6	STEERING WHEEL (FIXED STEERING)	60-2
2D23	STARTER ARMATURE (JOHN DEERE) (DIESEL)	40-57A	4B24	STEERING WHEEL EMBLEM	60-20
2D7	STARTER COIL (GASOLINE)	40-48	4B5	STEERING, TELESCOPING	60-1
2D24	STARTER COIL (JOHN DEERE) (DIESEL)	40-57B	4B24	STEERING, TELESCOPING	60-20
2D25	STARTER COMMUTATOR END FRAME (JOHN DEERE) (DIESEL)	40-57C	6D8	STEP (HI-CROP)	80-55
2D17	STARTER DRIVE HOUSING (DELCO-REMY) (DIESEL)	40-56	6D7	STEP, LEFT-HAND (LESS ROLL-GARD OR SGB)	80-54
2D23	STARTER DRIVE HOUSING (JOHN DEERE) (DIESEL)	40-57A	6D6	STEP, LEFT-HAND (ROLL-GARD OR SGB)	80-53
1C5	STARTER GEAR	20-24	6D5	STEP, RIGHT-HAND	80-52
2D17	STARTER GEAR (DELCO-REMY) (DIESEL)	40-56	6D9	STEPS (KIT)	80-55A
2D19	STARTER MAIN FRAME (DELCO-REMY) (DIESEL)	40-56B	5D13	STOP, ROCKSHAFT CONTROL LEVER	70-58
2D14	STARTER MAIN FRAME (DELCO-REMY) (DIESEL)	40-54B	1B10	STRAP, LIFT	20-4
2D24	STARTER MAIN FRAME (JOHN DEERE) (DIESEL)	40-57B	5B14	STROKE CONTROL VALVE SHUT-OFF KIT	70-8
2D7	STARTER MAINFRAME (GASOLINE)	40-48	5B24	STROKE CONTROL VALVE SHUT-OFF KIT	70-18
2D22	STARTER SOLENOID COVER (JOHN DEERE)	40-57	5B14	STROKE CONTROL VALVE, HYDRAULIC PUMP	70-8
2D4	STARTER SOLENOID COVER KIT	40-45	5B24	STROKE CONTROL VALVE, HYDRAULIC PUMP	70-18
2D11	STARTER SOLENOID COVER KIT (DELCO-REMY)	40-52	6H20	SUN VISOR	90-106
2D4	STARTER SOLENOID SAFTEY START LABEL	40-45	2G25	SUPPLEMENTARY OUTLET, 7-TERMINAL	40-119
2D21	STARTER SOLENOID SWITCH (DIESEL)	40-56D	2H5	SUPPLEMENTARY TERMINALS AND CONNECTORS	40-124
2E1	STARTER SOLENOID SWITCH (JOHN DEERE)	40-57D	2H1	SUPPLEMENTARY WIRING KIT, 7-TERMINAL	40-120
2E2	STARTER SOLENOID SWITCH (JOHN DEERE)	40-58	2C9	SUPPORT KIT, CIRCUIT BREAKER	40-27B
1E7	STARTING AID (ELECTRIC)	30-15	6H22	SUPPORT, CONSOLE	90-108
1E9	STARTING AID KIT, ETHER (MANUAL)	30-15B	6I4	SUPPORT, CONTROL	90-116
2B16	STARTING AID WIRING KIT	40-9A	6F11	SUPPORT, DELUXE SEAT	90-42
1E6	STARTING AID, COLD WEATHER (MANUAL)	30-14	5E14	SUPPORT, DRAFT LINK (HI-CROP)	70-83
2C12	STARTING CIRCUIT RELAY	40-30	5F7	SUPPORT, DRAWBAR (HI-CROP)	70-99
2C13	STARTING CIRCUIT RELAY	40-31	5F1	SUPPORT, DRAWBAR FRONT	70-93
1E7	STARTING FLUID (ELECTRIC)	30-15	4B20	SUPPORT, FRONT	60-16
1E10	STARTING FLUID (ELECTRIC)	30-15D	4B22	SUPPORT, FRONT	60-18
1E6	STARTING FLUID (MANUAL)	30-14	4C15	SUPPORT, FRONT	60-32
1E8	STARTING FLUID TUBE KIT	30-15A	4C17	SUPPORT, FRONT	60-34
2D3	STARTING MOTOR	40-44	6C13	SUPPORT, FRONT WEIGHT	80-34
2E3	STARTING MOTOR SEALING KIT	40-59	3C25	SUPPORT, GEAR SHIFT QUADRANT (SRT)	50-42
6B15	STEERING ARM (ADJUSTABLE FRONT AXLE)	80-12	6D3	SUPPORT, HOOD REAR	80-50
6B20	STEERING ARM (ADJUSTABLE) (LOW PROFILE)	80-17	5G19	SUPPORT, HYDRAULIC CONTROL LEVER	70-137
6B19	STEERING ARM (FIXED) (LOW PROFILE)	80-16	5B8	SUPPORT, HYDRAULIC PUMP DRIVE	70-2
6B17	STEERING ARM (PFWD)	80-14	5D17	SUPPORT, LIFT ASSIST CYLINDER	70-62
4C1	STEERING COLUMN (FIXED STEERING)	60-22	6F23	SUPPORT, SEAT (PERSONAL-POSTURE)	90-55
6B5	STEERING GEAR ARM	80-1	6F13	SUPPORT, SEAT SUSPENSION	90-44
4C3	STEERING METERING PUMP KIT	60-23A	5E5	SUPPORT, SELECTIVE CONTROL VALVE	70-74
4B20	STEERING MOTOR	60-16	5E6	SUPPORT, SELECTIVE CONTROL VALVE	70-75
4B22	STEERING MOTOR	60-18	5E7	SUPPORT, SELECTIVE CONTROL VALVE	70-76
4C15	STEERING MOTOR	60-32	3D13	SUPPORT, SHIFT LEVER (QRT)	50-56
4C17	STEERING MOTOR	60-34	3C24	SUPPORT, SHIFTER CAM SHAFT (QRT AND SRT)	50-41
4C11	STEERING OIL LINES	60-28	3D1	SUPPORT, SHIFTER QUADRANT (SRT AND CRT)	50-43
4B14	STEERING OIL PIPES	60-10	2E4	SUPPORT, WARNING LAMP (LOW PROFILE)	40-60
4C9	STEERING OIL PIPES	60-26	5E15	SUPPORT, HITCH DRAFT CENTER LINK (HI-CROP)	70-84
4C13	STEERING OIL PIPES	60-30	6F22	SUPPORT, SEAT BACKREST (PERSONAL-POSTURE)	90-54
4C3	STEERING SHAFTS	60-23A	6F13	SUSPENSION, DELUXE SEAT	90-44
4B9	STEERING VALVE ASSEMBLY	60-5	6F16	SUSPENSION, SEAT (LOW PROFILE)	90-48
4C7	STEERING VALVE BODY	60-25A	5F2	SWAY CONTROL BLOCKS	70-94
4B11	STEERING VALVE COVER	60-7	6E2	SWITCH, BLOWER	90-9
4B7	STEERING VALVE CYLINDER	60-3	3E12	SWITCH, CLUTCH VALVE PRESSURE (PST)	50-80
4B8	STEERING VALVE CYLINDER COVER	60-4	6E2	SWITCH, COOLING TEMPERATURE	90-9
4B12	STEERING VALVE CYLINDER OVERHAUL KIT	60-8	2E23	SWITCH, DIMMER	40-79
4B10	STEERING VALVE HOUSING	60-6	2E22	SWITCH, HORN	40-78
4C5	STEERING VALVE HOUSING	60-24	2F2	SWITCH, IGNITION	40-83
4B11	STEERING VALVE OPERATING LEVER	60-7	2F2	SWITCH, KEY	40-83
4B7	STEERING VALVE PISTON	60-3	3F11	SWITCH, NEUTRAL START (PST)	50-100
4B5	STEERING WHEEL	60-1	3C22	SWITCH, NEUTRAL START (QRT AND SRT)	50-38
			2C1	SWITCH, ROTARY AND BRACKET (PFWD)	40-20
			2D12	SWITCH, SOLENOID (DELCO-REMY) (DIESEL)	40-54
			2D16	SWITCH, SOLENOID (DIESEL)	40-54D
			2D21	SWITCH, SOLENOID (DIESEL)	40-56D
			2D5	SWITCH, SOLENOID (GASOLINE)	40-46
			2D9	SWITCH, SOLENOID (GASOLINE)	40-50
			2E1	SWITCH, STARTER SOLENOID (JOHN DEERE)	40-57D

# 1B1

4230 TRACTOR

## ALPHABETICAL INDEX - CONTINUED

<i>GRID</i>		<i>PAGE</i>	<i>GRID</i>		<i>PAGE</i>
2E2	SWITCH, STARTER SOLENOID (JOHN DEERE) .....	40-58	3C8	TRANSMISSION DRIVE SHAFT (QRT) .....	50-24
1D21	SWITCH, VACUUM INDICATOR .....	30-2	3C2	TRANSMISSION DRIVE SHAFT (SRT).....	50-18
6E2	SWITCH, WIPER .....	90-9	3C4	TRANSMISSION DRIVE SHAFT (SRT).....	50-20
2B22	SWITCHES, ROTARY (PFWD) .....	40-16	1F13	TRANSMISSION FILTER .....	30-44
3C10	SYNCHRONIZER REPAIR KIT .....	50-26	3F6	TRANSMISSION GEAR REDUCTION (PST) .....	50-95
3C22	SYNCHRONIZER REPAIR KIT (QRT AND SRT).....	50-38	3F9	TRANSMISSION LOCK (PST).....	50-98
3C6	SYNCHRONIZER REPAIR KIT (QRT) .....	50-22	3D19	TRANSMISSION OIL FILTRATION KIT (QRT).....	50-62
3C8	SYNCHRONIZER REPAIR KIT (QRT) .....	50-24	3H22	TRANSMISSION OIL HEATER .....	50-164
3C4	SYNCHRONIZER REPAIR KIT (SRT).....	50-20	3D15	TRANSMISSION OIL PUMP (QRT AND SRT).....	50-58
<b>T</b>					
1B17	TACHOMETER DRIVE (DIESEL) .....	20-13	3D17	TRANSMISSION OIL PUMP (QRT).....	50-60
1B16	TACHOMETER DRIVE (GASOLINE).....	20-12	3F21	TRANSMISSION OIL PUMP INTAKE (PST).....	50-108
1E13	TANK, FUEL (DIESEL).....	30-18	3F4	TRANSMISSION PLANETARY (PST) .....	50-93
1E11	TANK, FUEL (GASOLINE).....	30-16	3C25	TRANSMISSION SHIFT CONTROL (SRT) .....	50-42
2F13	TAPE PLAYER AND RADIO (MOTOROLA) .....	40-88	3F10	TRANSMISSION SHIFT VALVE (PST) .....	50-99
2F14	TAPE PLAYER, BOMAN .....	40-89	3F17	TRANSMISSION SHIFTER CONTROL (PST).....	50-104
4B5	TELESCOPING STEERING .....	60-1	3D13	TRANSMISSION SHIFTER CONTROL (QRT).....	50-56
1B8	TEMPERATURE GAUGE SENDER .....	20-2B	3F19	TRANSMISSION SHIFTER CONTROL CABLES(PST) .....	50-106
3E16	TEMPERATURE GAUGE SENDER (PST) .....	50-84	3D5	TRANSMISSION SHIFTER CONTROL ROD (CRT).....	50-48
2H13	TERMINALS, ELECTRICAL, DEUTSCH .....	40-132	3D7	TRANSMISSION SHIFTER CONTROL ROD (QRT).....	50-50
2H5	TERMINALS, ELECTRICAL, SUPPLEMENTARY .....	40-124	3D9	TRANSMISSION SHIFTER CONTROL ROD (QRT).....	50-52
2H11	TERMINALS, ELECTRICAL, WEATHERPACK .....	40-130	3D2	TRANSMISSION SHIFTER CONTROL ROD (SRT).....	50-44
2H3	TERMINALS,ELECTRICAL.....	40-122	3D3	TRANSMISSION SHIFTER CONTROL ROD (SRT).....	50-45
2H7	TERMINALS,ELECTRICAL.....	40-126	6H8	TRIM, METAL, SOUND-GARD BODY.....	90-92
2H9	TERMINALS,ELECTRICAL.....	40-128	1E8	TUBE KIT, STARTING FLUID .....	30-15A
1D10	THERMOSTAT HOUSINGS (DIESEL) .....	20-53	1B11	TUBE, ENGINE VENTILATOR.....	20-6
1D9	THERMOSTAT HOUSINGS (GASOLINE).....	20-52	2F1	TURN SIGNAL CONTROL.....	40-82
6E2	THERMOSTAT SWITCH, SOUND-GARD BODY .....	90-9	<b>U</b>		
1D10	THERMOSTATS (DIESEL).....	20-53	1D17	UNDERHAUL KIT, ENGINE (DIESEL ONLY).....	20-60
1D9	THERMOSTATS (GASOLINE).....	20-52	1C9	UNDERSIZE CRANKSHAFT KIT (CONNECTING ROD JOURNAL) (LATE DESIGN) (DIESEL) .....	20-26C
5E23	THREE-POINT HITCH QUICK COUPLER .....	70-91A	1C11	UNDERSIZE MAIN BEARING CRANKSHAFT (DIESEL).....	20-27
6B20	TIE RODS (ADJUSTABLE) (LOW PROFILE) .....	80-17	1C10	UNDERSIZE MAIN BEARING CRANKSHAFT AND BEARING KIT (LATE DESIGN) (DIESEL) .....	20-26D
6B15	TIE RODS (AJUSTABLE FRONT AXLE) .....	80-12	6H14	UPHOLSTERY, SOUND-GARD BODY .....	90-99
6B19	TIE RODS (FIXED) (LOW PROFILE) .....	80-16	6H15	UPHOLSTERY, SOUND-GARD BODY (BLACK) .....	90-100
6B17	TIE RODS (PFWD).....	80-14	6H17	UPHOLSTERY, SOUND-GARD BODY (BROWN) .....	90-102
1C18	TIMING GEAR COVER (DIESEL) .....	20-35	1C7	US CONNECTING ROD JOURNAL CRKSHFT AND BRG KIT (EARLIEST DESIGN)(DIESEL) .....	20-26
1C17	TIMING GEAR COVER (GASOLINE) .....	20-34	1C8	US MAIN BRG CRANKSHAFT AND BRG KIT KIT (EARLY DESIGN) (DIESEL).....	20-26B
1C18	TIMING GEAR COVER GASKET (DIESEL) .....	20-35	<b>V</b>		
6I15	TOOLBOX.....	90-128	1D21	VACUUM INDICATOR SWITCH .....	30-2
6I16	TOOLS .....	90-129	4C7	VALVE BODY, STEERING .....	60-25A
3E8	TORSIONAL DAMPER (PST) .....	50-76	1B8	VALVE INSERTS .....	20-2B
5G15	TRAILER BRAKE .....	70-132	5F18	VALVE KIT, DIRECTIONAL CONTROL (TRIPLE) .....	70-109
5B7	TRANSMISSION AND HYDRAULIC OIL.....	70-1	6B24	VALVE STEM .....	80-21
3E20	TRANSMISSION CASE (PST).....	50-86	1B7	VALVE STEM LUBRICANT, ENGINE .....	20-2
3B21	TRANSMISSION CASE (QRT AND SRT).....	50-12	4C22	VALVE, BRAKE .....	60-38
3E21	TRANSMISSION CASE COVER (PST).....	50-87	4C24	VALVE, BRAKE .....	60-39A
3B23	TRANSMISSION CASE COVER (QRT AND SRT).....	50-14	3D21	VALVE, CHECK, OIL FILTER RELIEF VALVE (QRT AND SRT) .....	50-64
3E10	TRANSMISSION CLUTCH PACK .....	50-78	3B17	VALVE, CLUTCH (QRT AND SRT).....	50-8
3E11	TRANSMISSION CLUTCH PACK (PST).....	50-79	3B15	VALVE, CLUTCH OIL PRESSURE REGULATING (QRT AND SRT) .....	50-6
3E18	TRANSMISSION CLUTCH REGULATING VALVE .....	50-85A	3H10	VALVE, CONTROL (PFWD).....	50-152
3E15	TRANSMISSION CLUTCH REGULATING VALVE (PST).....	50-83	3G14	VALVE, DIFFERENTIAL LOCK .....	50-129
3E16	TRANSMISSION CLUTCH REGULATING VALVE (PST).....	50-84	5F15	VALVE, DIRECTIONAL .....	70-107A
3E12	TRANSMISSION CLUTCH VALVE (PST).....	50-80	5D3	VALVE, DIRECTIONAL CONTROL .....	70-48
3F11	TRANSMISSION CONTROL VALVE HOUSING (PST).....	50-100	5D5	VALVE, DIRECTIONAL CONTROL .....	70-50
3F13	TRANSMISSION CONTROL VALVE KIT .....	50-101A	5E6	VALVE, DIRECTIONAL CONTROL .....	70-75
3F15	TRANSMISSION CONTROL VALVES (PST) .....	50-102			
3B24	TRANSMISSION COUNTERSHAFT (QRT AND SRT).....	50-15			
5E3	TRANSMISSION COVER, REAR .....	70-72			
3F5	TRANSMISSION DISCONNECT SHIFTER LEVER (PST).....	50-94			
3C6	TRANSMISSION DRIVE SHAFT (QRT) .....	50-22			

# 1B2

4230 TRACTOR

## ALPHABETICAL INDEX - CONTINUED

GRID		PAGE	GRID		PAGE
5E7	VALVE, DIRECTIONAL CONTROL .....	70-76	6C11	WEIGHT, FRONT .....	80-32
5F17	VALVE, DIRECTIONAL CONTROL (DUAL) .....	70-108	6C12	WEIGHT, FRONT .....	80-33
5F19	VALVE, FLOW CONTROL (SCV) .....	70-110	6C13	WEIGHT, FRONT .....	80-34
5D23	VALVE, LIFT ASSIST LOWERING .....	70-68	6C7	WEIGHT, REAR WHEEL .....	80-28
5F19	VALVE, METERING (SCV) .....	70-110	6C8	WEIGHT, REAR WHEEL (34" OR 38" DISK) .....	80-29
1C20	VALVE, OIL COOLER BYPASS (DIESEL) .....	20-37	6C11	WEIGHT, SIDE .....	80-32
3B15	VALVE, OIL COOLER RELIEF (QRT AND SRT) .....	50-6	6C14	WEIGHTS, FRONT .....	80-35
3D21	VALVE, OIL COOLER RELIEF (QRT AND SRT) .....	50-64	6C15	WEIGHTS, FRONT .....	80-37
1C22	VALVE, OIL FILTER BYPASS (DIESEL).....	20-39	3H1	WHEEL HUB (PFWD) .....	50-142
1C22	VALVE, OIL PRESSURE REGULATING (DIESEL).....	20-39	6B24	WHEEL HUB, FRONT .....	80-21
5F12	VALVE, POWER WEIGHT TRANSFER .....	70-104	3G25	WHEEL MANIFOLD (PFWD) .....	50-141
5C6	VALVE, PRESSURE CONTROL .....	70-24	6C8	WHEEL WEIGHT, REAR (34" OR 38" DISK) .....	80-29
5D23	VALVE, PRESSURE RELIEF, ROCKSHAFT .....	70-68	6C3	WHEEL, DRIVE (PFWD) .....	80-23
3H20	VALVE, REGENERATIVE CHECK (PFWD) .....	50-162	6C2	WHEEL, SINGLE FRONT .....	80-22
3H15	VALVE, RELIEF .....	50-156	4B5	WHEEL, STEERING .....	60-1
5D1	VALVE, ROCKSHAFT CONTROL .....	70-46	4B24	WHEEL, STEERING .....	60-20
5D3	VALVE, ROCKSHAFT CONTROL .....	70-48	4B6	WHEEL, STEERING (FIXED STEERING).....	60-2
5D5	VALVE, ROCKSHAFT CONTROL .....	70-50	4C1	WHEEL, STEERING (FIXED STEERING).....	60-22
5F19	VALVE, SELECTIVE CONTROL .....	70-110	6B24	WHEELS, FRONT .....	80-21
5F21	VALVE, SELECTIVE CONTROL .....	70-112	6C4	WHEELS, REAR .....	80-24
5F23	VALVE, SELECTIVE CONTROL .....	70-115	6C6	WHEELS, REAR DUAL .....	80-27
5G2	VALVE, SELECTIVE CONTROL .....	70-119	5F4	WIDE SWING DRAWBAR .....	70-96
5G3	VALVE, SELECTIVE CONTROL .....	70-120	6H19	WINDOW, REAR SLIDING .....	90-105
6D23	VALVE, SERVICE, AIR CONDITIONING .....	90-5	2G13	WINDSHIELD WASHER .....	40-107A
3H12	VALVE, SOLENOID (PFWD) .....	50-153	2G13	WINDSHIELD WASHER PUMP .....	40-107A
4B9	VALVE, STEERING .....	60-5	2G1	WINDSHIELD WIPER AND MOTOR (L.H.) .....	40-102
4C5	VALVE, STEERING .....	60-24	2G7	WINDSHIELD WIPER ARM .....	40-105C
5C14	VALVE, THERMOSTAT BYPASS .....	70-33	2G9	WINDSHIELD WIPER ARM .....	40-105E
5D23	VALVE, THROTTLE, ROCKSHAFT .....	70-68	2G7	WINDSHIELD WIPER BLADE .....	40-105C
3E12	VALVE, TRANSMISSION CLUTCH (PST) .....	50-80	2G9	WINDSHIELD WIPER BLADE .....	40-105E
3E18	VALVE, TRANSMISSION CLUTCH REGULATING .....	50-85A	2G7	WINDSHIELD WIPER MOTOR .....	40-105C
3E15	VALVE, TRANSMISSION CLUTCH REGULATING (PST).....	50-83	2G9	WINDSHIELD WIPER MOTOR .....	40-105E
3E16	VALVE, TRANSMISSION CLUTCH REGULATING (PST).....	50-84	2G3	WINDSHIELD WIPER MOTOR (R.H.).....	40-104
3F11	VALVE, TRANSMISSION CONTROL (PST) .....	50-100	2G7	WINDSHIELD WIPER WIRING HARNESS .....	40-105C
3F10	VALVE, TRANSMISSION SHIFT (PST).....	50-99	2G9	WINDSHIELD WIPER WIRING HARNESS .....	40-105E
1B13	VALVES, EXHAUST .....	20-8	2G5	WINDSHIELD WIPER, R.H. ....	40-105A
1B13	VALVES, INTAKE .....	20-8	2G16	WINDSHIELD WIPER, REAR .....	40-109
6H20	VISOR, SUN .....	90-106	2G5	WIPER BLADE .....	40-105A
			2G15	WIPER MOTOR SUPPRESSION KIT .....	40-108
			6E2	WIPER SWITCH .....	90-9
			2G1	WIPER, WINDSHIELD (L.H.) .....	40-102
			2G5	WIPER, WINDSHIELD, R.H. ....	40-105A
			2G16	WIPER, REAR WINDSHIELD .....	40-109
			2C10	WIRING ACCESSORY RELAY KIT .....	40-28
			2C11	WIRING ACCESSORY RELAY KIT .....	40-29
			2B20	WIRING AND ELECTRICAL SWITCHES (PFWD) .....	40-14
			2B21	WIRING AND ELECTRICAL SWITCHES (PFWD) .....	40-15
			2B12	WIRING HARNESS (REPLACEMENT SGB).....	40-6
			2B10	WIRING HARNESS (ROLL-GARD AND SOUND-GARD BODY).....	40-4
			2B16	WIRING HARNESS, ETHER SOLENOID .....	40-9A
			2B16	WIRING HARNESS, ETHER SWITCH .....	40-9A
			2F7	WIRING HARNESS, MINI-MONITOR (PERFORMANCE TRAK II).....	40-85C
			2G7	WIRING HARNESS, WINDSHIELD WIPER .....	40-105C
			2G9	WIRING HARNESS, WINDSHIELD WIPER .....	40-105E
			2G20	WIRING KIT, ELECTRICAL REMOTE CONTROL .....	40-114
			2H1	WIRING KIT, SUPPLEMENTARY (7-TERMINAL).....	40-120
			2B14	WIRING, AIR COMPRESSOR .....	40-8
			2G25	WIRING, ELECTRICAL OUTLET, 7-TERMINAL .....	40-119
			2G19	WIRING, ELECTRICAL REMOTE CONTROL.....	40-113
			2B8	WIRING, LAMP .....	40-2

### W

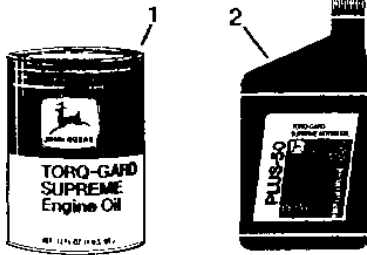
2B8	WARNING LAMP .....	40-2
2B10	WARNING LAMP .....	40-4
2E5	WARNING LAMP (LESS RG OR SGB) .....	40-61
2C3	WARNING LAMP FLASHER .....	40-22
2C4	WARNING LAMP FLASHER .....	40-23
2C5	WARNING LAMP FLASHER .....	40-24
2C7	WARNING LAMP FLASHER .....	40-26
2B24	WARNING LAMP FLASHER (PFWD) .....	40-18
2E6	WARNING LAMP KIT, IMPLEMENT .....	40-61A
2E4	WARNING LAMP SUPPORT (LOW PROFILE) .....	40-60
1D10	WATER OUTLET MANIFOLD (DIESEL) .....	20-53
1D9	WATER OUTLET MANIFOLD (GASOLINE) .....	20-52
1D8	WATER PUMP (DIESEL) .....	20-51
1D7	WATER PUMP (GASOLINE) .....	20-50
1D8	WATER PUMP GASKET (DIESEL) .....	20-51
1D7	WATER PUMP GASKET (GASOLINE) .....	20-50
1E18	WATER SEPARATOR .....	30-23
1E19	WATER SEPARATOR .....	30-24
2F3	WATER TEMPERATURE GAUGE.....	40-84
2H11	WEATHERPACK CONNECTORS .....	40-130
2H11	WEATHERPACK TERMINALS.....	40-130

# 1B6

ENGINE

RGP3291 -UN-01JAN94

## TORQ-GARD SUPREME AND PLUS-50 ENGINE OIL



RGP 3291

KEY	PART NO.	PART NAME	QTY	ENGINE SERIAL NO.	REMARKS
1	TY6359	OIL	1	(SAE 5W/30), 0.9 L (1 QUART) CAN	
	TY6360	OIL	1	(SAE 5W/30), 19 L (5 GALLON) CAN	
	TY6361	OIL	1	(SAE 5W/30), 208 L (55 GALLON) DRUM	
	TY6364	OIL	1	(SAE 10W/30), 0.9 L (1 QUART) (BREAKIN)	
	TY6297	OIL	1	(SAE 15W/40), 0.9 L (1 QUART) CAN	
	TY6298	OIL	1	(SAE 15W/40), 19 L (5 GALLON) CAN	
	TY6300	OIL	1	(SAE 15W/40), 114 L (30 GALLON) DRUM	
	TY6301	OIL	1	(SAE 15W/40), 208 L (55 GALLON) DRUM	
	TY6311	OIL	1	(SAE 10W), 0.9 L (1 QUART) CAN	
	TY22009	OIL	1	(SAE 10), 3.8 L (1 GALLON)	
	TY6312	OIL	1	(SAE 10W), 19 L (5 GALLON) CAN	
TY6313	OIL	1	(SAE 10W), 208 L (55 GALLON) DRUM		
AR63979	OIL	1	(SAE 30), 0.2 L (1 HALF PINT) CAN		
AR63218	OIL	1	(SAE 30), 0.9 L (1 QUART) CAN		
AR63219	OIL	1	(SAE 30), 19 L (5 GALLON) CAN		
TY6280	OIL	1	(SAE 30), 114 L (30 GALLON) DRUM		
AR63222	OIL	1	(SAE 30), 208 L (55 GALLON) DRUM		
2	TY6389	OIL	1	(SAE 15W/40), 0.9 L (1 QUART)	
	TY22008	OIL	1	(SAE 15W/40), 3.8 L (1 GALLON)	
	TY6390	OIL	1	(SAE 15W/40), 19 L (5 GALLON)	
	TY22010	OIL	1	(SAE 15W/40), 113.6 L (30 GALLON)	
	TY6391	OIL	1	(SAE 15W/40), 208 L (55 GALLON)	
	TY6392	OIL	1	(SAE 30), 0.9 L (1 QUART)	
	TY22007	OIL	1	(SAE 30), 3.8 L (1 GALLON)	
	TY6393	OIL	1	(SAE 30), 19 L (5 GALLON)	
	TY22011	OIL	1	(SAE 30), 113.6 L (30 GALLON)	
	TY6394	OIL	1	(SAE 30), 208 L (55 GALLON)	

### KITS (NOT ILLUSTRATED) ENGINE

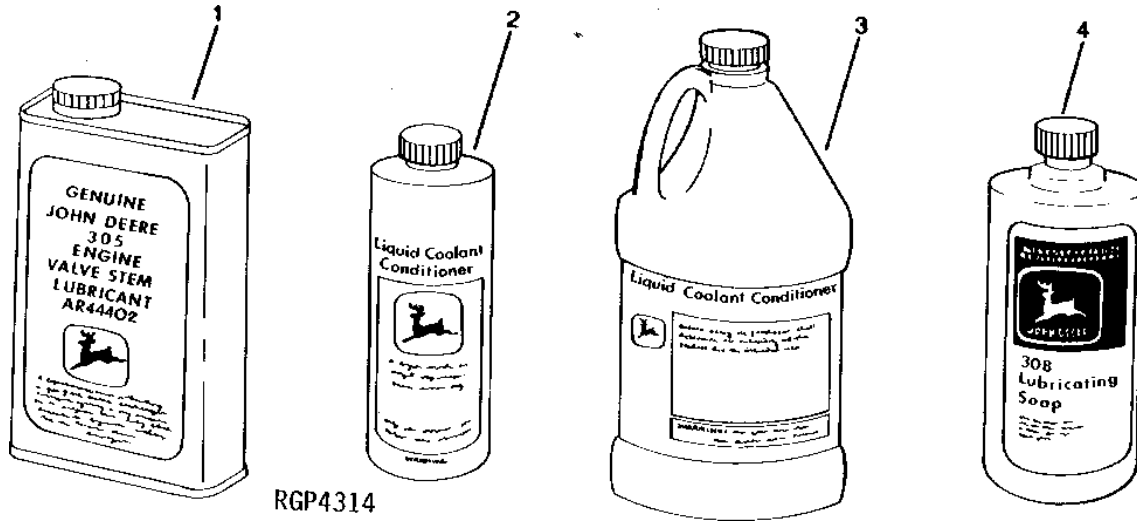
KEY	PART NO.	PART NAME	QTY	ENGINE SERIAL NO.	REMARKS
..	AR41785	KIT	1		CONTAINS 0.9 L (1 QT.) CAN OF INTERNAL CORROSION INHIBITOR, 1 ROLL OF TAPE, AND 6 PLASTIC BAGS (OFF-SEASON STORAGE)
..	AR41870	RUST INHIBITOR	1		0.9 L (1 QT.) CAN, (SUB AR41785)
..	AR21969	KIT	1		(DUST CAP/COVER KIT)

# 1B7

ENGINE

RGP4314 -UN-01JAN94

## COOLANT CONDITIONER AND ENGINE PART LUBRICANTS



### VALVE STEM LUBRICANT

KEY	PART NO.	PART NAME	QTY	SERIAL NO.	REMARKS
1	AR44402	OIL	1		0.9 L (1 QT.)

### COOLANT CONDITIONER

KEY	PART NO.	PART NAME	QTY	SERIAL NO.	REMARKS
2	RE23182	ENGINE COOLANT CONDITIONER	1		0.473 L (16 OZ.) (PHOSPHATE - FREE) (SUB FOR T19566 OR RE12842) (SUB TY16004)
	TY16004	ENGINE COOLANT CONDITIONER	1		0.472 L (16 OZ.)
3	RE35992	ENGINE COOLANT CONDITIONER	1		3.8 L (1 GAL.) (PHOSPHATE - FREE) (SUB TY16005)
..	TY16005	ENGINE COOLANT CONDITIONER	1		1.9 L (1/2 GAL.)

### CYLINDER LINER PACKING LUBRICANT

KEY	PART NO.	PART NAME	QTY	ENGINE SERIAL NO.	REMARKS
4	AR54749	LUBRICANT	1		0.9 L (1 QT.)



---

MEMORANDA

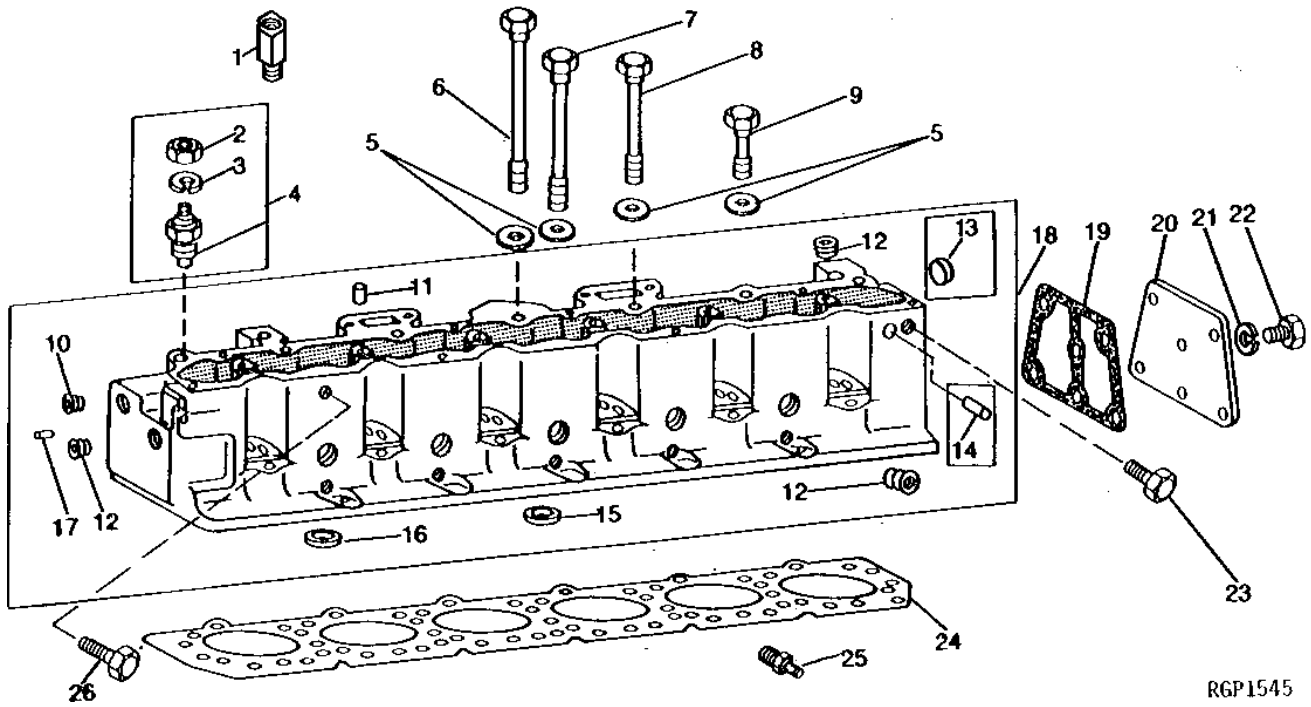
# 1B8

ENGINE

RGP1545

-UN-01JAN94

## CYLINDER HEAD



RGP1545

# 1B9

ENGINE

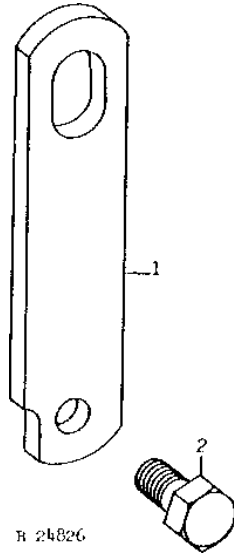
CYLINDER HEAD - CONTINUED					
KEY	PART NO.	PART NAME	QTY	ENGINE SERIAL NO.	REMARKS
1	R41285	ADAPTER	1		(GASOLINE)
2	14H631	NUT	1		0.190"
3	12H295	LOCK WASHER	1		0.190"
4	AR58233	SENSOR	1		(TEMPERATURE)
5	R76126	WASHER	26		(SUB FOR R42364) (USE WITH R62418, R62419, R62420, R62421 OR R45161 ONLY, APPL)
6	R62420	SCREW	7		(SUB FOR R45194) (SUB R88045)
	R88045	SCREW	7		
7	R62419	SCREW	8		(SUB FOR R45193) (SUB R88044)
	R88044	SCREW	8		
8	R62418	SCREW	5		(SUB FOR R45192) (USE WITH R49470, R49650, R59850 OR R72128) (SUB R88043)
	R62418	SCREW	11		(USE WITH R87558) (SUB R88043)
	R88043	SCREW	5		(USE WITH R49470, R49650, R59850 OR R72128)
	R88043	SCREW	11		(USE WITH R87558)
9	R45161	CAP SCREW	6		(GASOLINE)
	R62421	SCREW	6		(SUB FOR R45195) (USE WITH R49470, R49650, R59850 OR R72128) (SUB R88042) (DIESEL)
	R88042	SCREW	6		(USE WITH R49470, R49650, R59850 OR R72128) (DIESEL)
10	15H624	PIPE PLUG	5		1/2", (SUB FOR AR72319)
11	34H387	SPRING PIN	1		3/16" X 3/4"
12	15H624	PIPE PLUG	12		1/2"
13	30H37	PLUG	1		1", (NLA)
14	.....	DOWEL PIN	1		(NO LONGER USED)
15	R43681	VALVE SEAT INSERT	AR		(EXHAUST) (DIESEL)
	R43683	VALVE SEAT INSERT	AR		0.25MM (.010") OS (EXHAUST) (DIESEL)
	R34593	VALVE SEAT INSERT	AR		0.25MM (.010") OS (EXHAUST) (GASOLINE)
16	R43680	VALVE SEAT INSERT	AR		(INTAKE) (DIESEL)
	R43682	VALVE SEAT INSERT	AR		0.25MM (.010) OS (INTAKE) (DIESEL)
17	F1743R	DOWEL PIN	1	-XXXXXX	
	AT107509	PLUG	1	XXXXXX-	
18	AR48182	CYLINDER HEAD	1		(MARKED R46080) (GASOLINE) (NLA)
	AR81617	CYLINDER HEAD	1	-499999	(MARKED R53200) (SUB FOR AR58984) (DIESEL)
	AR72249	CYLINDER HEAD	1	500000-532429	(MARKED R59849) (SUB AR85231, (6) R43883, (6) R43679 AND (6) RE11410) (DIESEL)
	AR85231	CYLINDER HEAD	1	532430-	(MARKED R64730) (SUB FOR AR81616) (DIESEL)
19	R43595	GASKET	1		(DIESEL)
20	R51347	COVER	1		(DIESEL)
21	12H331	LOCK WASHER	6		3/8"
22	19H2284	CAP SCREW	6		3/8" X 7/8"
23	R45692	CAP SCREW	1		
24	R41609	GASKET	1		(GASOLINE)
	R48291	GASKET	1		(MARKED R48291) (DIESEL) (THIN)
	R53438	GASKET	1		(MARKED R53438) (DIESEL) (THICK)
25	R41071	FITTING	1		(GASOLINE)
26	R45693	CAP SCREW	2		

# 1B10

ENGINE

R24826 -UN-01JAN94

LIFT STRAP



KEY	PART NO.	PART NAME	QTY	ENGINE SERIAL NO.	REMARKS
1	R61497	STRAP	2		
2	R45693	CAP SCREW	2		

---

MEMORANDA

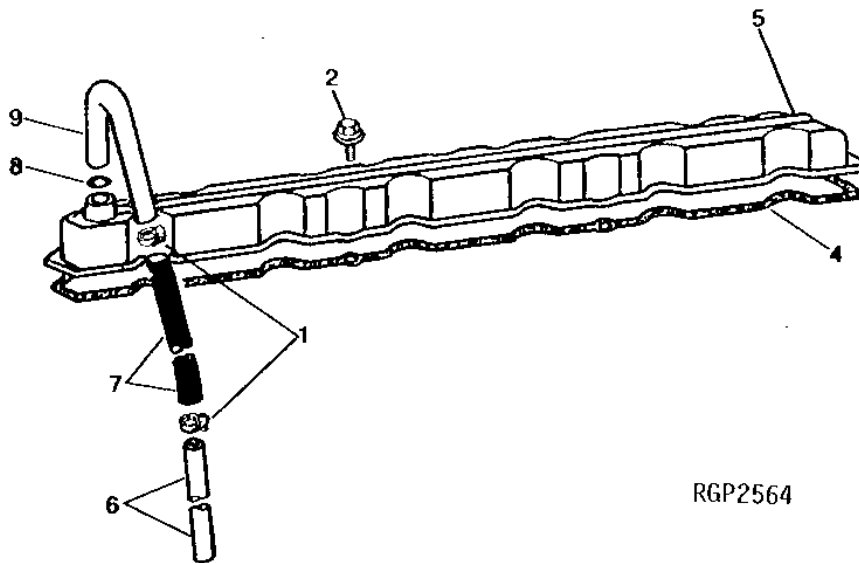
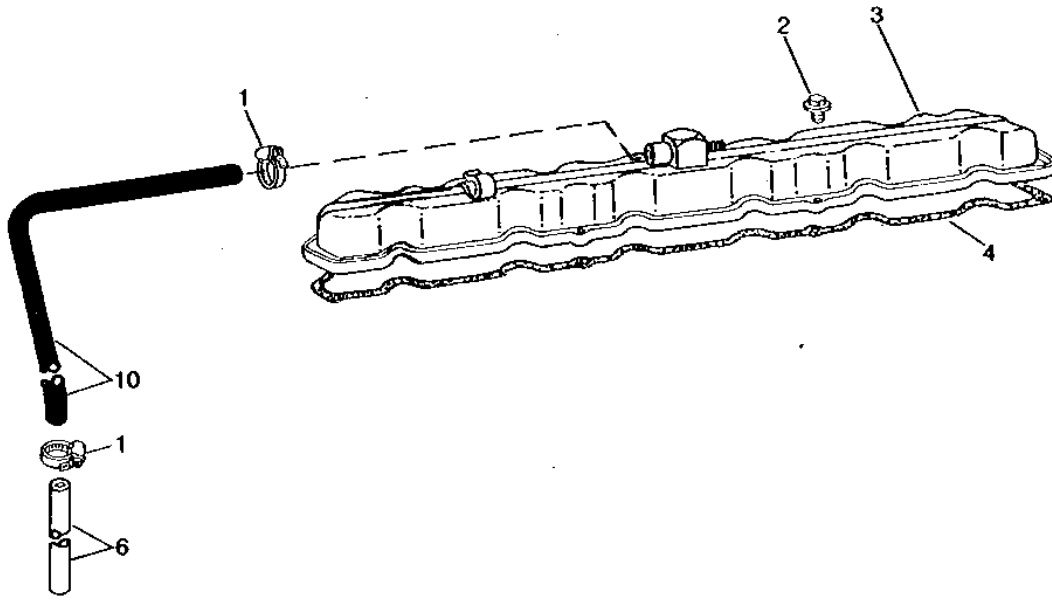
# 1B11

ENGINE

RGP2564

-UN-01JAN94

## ROCKER ARM COVER AND VENTILATOR TUBE



RGP2564

# 1B12

ENGINE

## ROCKER ARM COVER AND VENTILATOR TUBE - CONTINUED

KEY	PART NO.	PART NAME	QTY	ENGINE SERIAL NO.	REMARKS
1	TY22467	CLAMP	2		(SUB FOR AR21839)
2	AR103811	SCREW, WITH WASHER	8		(SUB FOR AR45530)
3	RE37448	COVER	1	432313-	(A) (SUB FOR AR73677 OR AR93172)
4	R49866	GASKET	1		(SUB FOR R32593)
5	AR26516	COVER	1	-432312	
6	R50388	TUBE	1		
7	R50389	HOSE	1	-432312	
8	R495R	O-RING	1	-432312	
9	R50387	LINE	1	-432312	
10	R99793	HOSE	1	432313-	(A) (SUB FOR R60753) (SUB TY22450)
	TY22450	BULK HOSE	AR		(BULK)

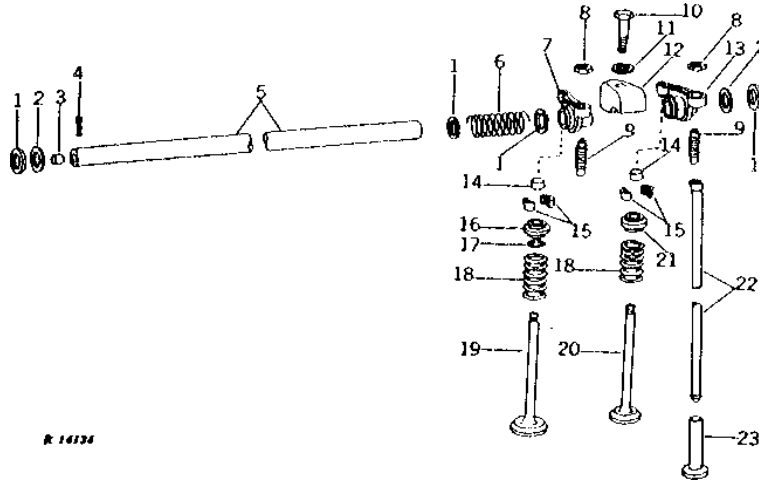
(A) CONTAINED IN AR73676 KIT (ENGINE SERIAL NO. -432312)

# 1B13

ENGINE

R14124 -UN-01JAN94

## ROCKER ARMS, SHAFT, AND VALVES



KEY	PART NO.	PART NAME	QTY	ENGINE SERIAL NO.	REMARKS
1	R71208	WASHER	10		0.768" X 1.024" X 0.036"
2	R26081	WASHER	2		
3	R27529	PLUG	2		(USE WITH AR26444)
	R54565	PLUG	2		(A) (USE WITH R54564 OR R60650)
4	11M7082	COTTER PIN	2		2.500 X 25 MM
5	R70826	ROCKER ARM SHAFT	1		(A) (ALSO ORDER (2) R54565) (SUB FOR AR26444, R54564 OR R60650)
6	R26079	SPRING	5		
7	AR54905	ROCKER ARM	6		
8	14H846	NUT	12		3/8"
9	R27443	SET SCREW	12		
10	19H1740	CAP SCREW	6		7/16" X 1-3/4"
11	R26559	WASHER	6		
12	R26748	CLAMP	6		
13	AR54904	ROCKER ARM	6		
14	T20129	CAP	12		(DIESEL)
15	T20077	RETAINER	24		
16	R41415	CAP	6		INTAKE (GASOLINE)
	R41412	CAP	6	-532429	INTAKE (DIESEL)
	AR41006	ROTATOR	6	532430-578705	INTAKE (SUB R11410, APPL)
	AR91950	ROTATOR	6	578706-	INTAKE, (SUB RE11410)
17	R27976	O-RING	6		(GASOLINE)
	R87627	O-RING	6		(SUB FOR R27976, APPL) (DIESEL)
18	R26125	SPRING	12		
19	R41414	INTAKE VALVE	6		STD (GASOLINE)
	R42149	INTAKE VALVE	6		0.08MM (.003") OS (GASOLINE) (NLA)
	R42150	INTAKE VALVE	6		0.38MM (.015") OS (GASOLINE) (NLA)
	R42151	INTAKE VALVE	6		0.76MM (.030") OS (GASOLINE) (NLA)
	R43883	INTAKE VALVE	6		STD (DIESEL)
	R45003	INTAKE VALVE	6		0.08MM (.003") OS (DIESEL)
	R45004	INTAKE VALVE	6		0.38MM (.015") OS (DIESEL)
	R45005	INTAKE VALVE	6		0.76MM (.030") OS (DIESEL)
20	R41413	EXHAUST VALVE	6		STD (GASOLINE)
	R42152	EXHAUST VALVE	6		0.08MM (.003") OS (GASOLINE) (NLA)
	R42153	EXHAUST VALVE	6		0.38MM (.015") OS (GASOLINE) (NLA)
	R42154	EXHAUST VALVE	6		0.76MM (.030") OS (GASOLINE) (NLA)
	R43679	EXHAUST VALVE	6		STD (DIESEL)
	R43787	EXHAUST VALVE	6		0.08MM (.003") OS (DIESEL)
	R43788	EXHAUST VALVE	6		0.38MM (.015") OS (DIESEL)
	R43789	EXHAUST VALVE	6		0.76MM (.030") OS (DIESEL)
21	T20287	ROTATOR	6		EXHAUST (GASOLINE)
	RE11410	ROTATOR	6		EXHAUST (DIESEL) (SUB FOR AR41006)
22	AR40679	PUSH ROD	12		(GASOLINE)
	R85027	PUSH ROD	12		(SUB FOR AR40680) (DIESEL)
23	R52773	CAM FOLLOWER	12		

(A) CONTAINED IN AR73676 KIT (ENGINE SERIAL NO. -432312)



---

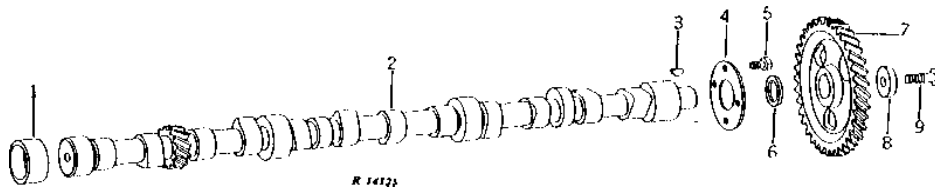
MEMORANDA

# 1B14

ENGINE

## CAMSHAFT AND GEAR (GASOLINE)

R14125 -UN-01JAN94



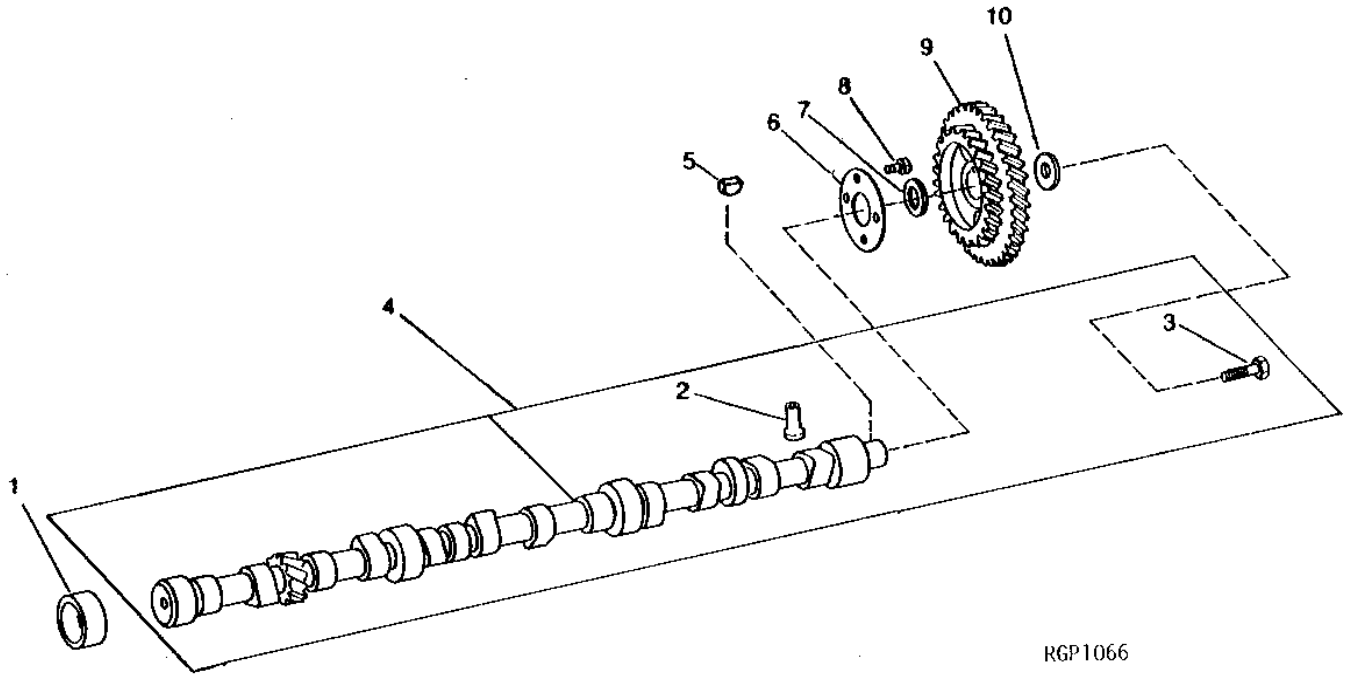
KEY	PART NO.	PART NAME	QTY	ENGINE SERIAL NO.	REMARKS
1	R46903	BUSHING	4		
2	RE15727	CAMSHAFT	1		(MARKED R42352, R43677, R57289, R59420, R61150 OR R71531) (SUB FOR AR44394, AR63280, AR69270, AR71709, AR74144 OR AR100384, APPL) (WITH (12) R52773) (USED WITH VERTICAL INJECTION PUMPS)
3	26H72	SHAFT KEY	1		1/8" X 5/8"
4	R42355	THRUST WASHER	1		
5	19H1813	CAP SCREW	4		5/16" X 5/8"
6	R42356	WASHER	1		
7	AR43594	GEAR	1		(MARKED R42354 OR R43742)
8	R35256	WASHER	1		
9	19H1721	CAP SCREW	1		1/2" X 1-1/2"
	R93238	CAP SCREW	1		12.700 X 50.800 MM (1/2" X 2") (USE WITH R71531) (SUB FOR R79850, APPL)

# 1B15

ENGINE

## CAMSHAFT AND GEAR (DIESEL)

RGP1066 -UN-01JAN94



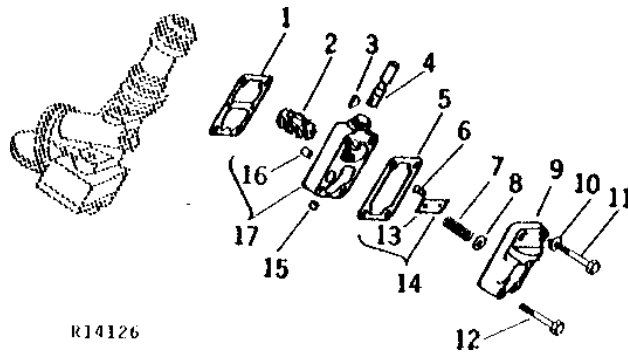
KEY	PART NO.	PART NAME	QTY	ENGINE SERIAL NO.	REMARKS
1	R46903	BUSHING	4		
2	R52773	CAM FOLLOWER	12		
3	19H1721	CAP SCREW	1		1/2" X 1-1/2", (USE WITH R42352, R43677, R57289 OR R59420)
	19H1777	CAP SCREW	1		1/2" X 1-3/4", (USE WITH R61150, R64086 OR R65565)
	R79850	CAP SCREW	1		12.700 X 50.800 MM (1/2" X 2") (USE WITH R71531 OR R71530)
4	RE15727	CAMSHAFT	1	-335823	(MARKED R42352, R43677, R57289, R59420, R61150 OR R71531) (SUB FOR AR63280, AR74144 OR AR100384, APPL) (USED WITH VERTICAL INJECTION PUMPS)
	AR100386	CAMSHAFT	1	335824-	(MARKED R65565 OR R71530) (SUB FOR AR84064)
5	26H72	SHAFT KEY	1		1/8" X 5/8"
6	R42355	THRUST WASHER	1		
7	R42356	WASHER	1		
8	19H1813	CAP SCREW	4		5/16" X 5/8"
9	AR87700	GEAR	1		(SUB FOR AR55487, AR88965 OR AR88905, APPL)
10	R35256	WASHER	1		

# 1B16

ENGINE

## OIL PRESSURE REGULATOR AND TACHOMETER DRIVE (GASOLINE)

R14126 -UN-01JAN94



R14126

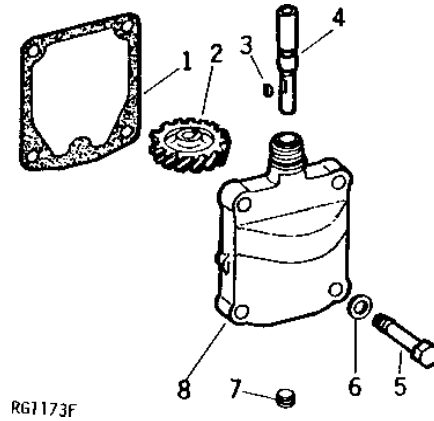
KEY	PART NO.	PART NAME	QTY	ENGINE SERIAL NO.	REMARKS
1	R44853	GASKET	1		(SUB FOR R62410, APPL)
2	R32426	GEAR	1		(NOT INCLUDED W/ AR45953)
3	26H3	SHAFT KEY	1		3/32" X 3/8"
4	R26172	SHAFT	1		
5	R26173	GASKET	1		
6	16H644	RIVET	1		1/4" X 1/2"
7	R26169	SPRING	1		
8	24H1303	WASHER	AR		13/32" X 11/16" X 0.065"
9	AR41108	HOUSING	1		(MARKED R41452)
10	24H1303	WASHER	3		13/32" X 11/16" X 0.065"
11	19H2549	CAP SCREW	3		3/8" X 1-7/8"
12	R41453	BOLT	1		(SUB 19H2733 AND 24H1303)
13	D2425R	PIN	1		
14	AB3453R	LEAF SPRING	1		
15	15H559	PIPE PLUG	1		1/4"
16	F1743R	DOWEL PIN	2		(NOT INCLUDED W/ AR45953)
17	AR45953	HOUSING	1		(NOT W/ F1743 OR R32426) (MARKED AR45953) (SUB FOR AR45952)

# 1B17

ENGINE

## TACHOMETER DRIVE (DIESEL)

RG1173 -UN-01JAN94



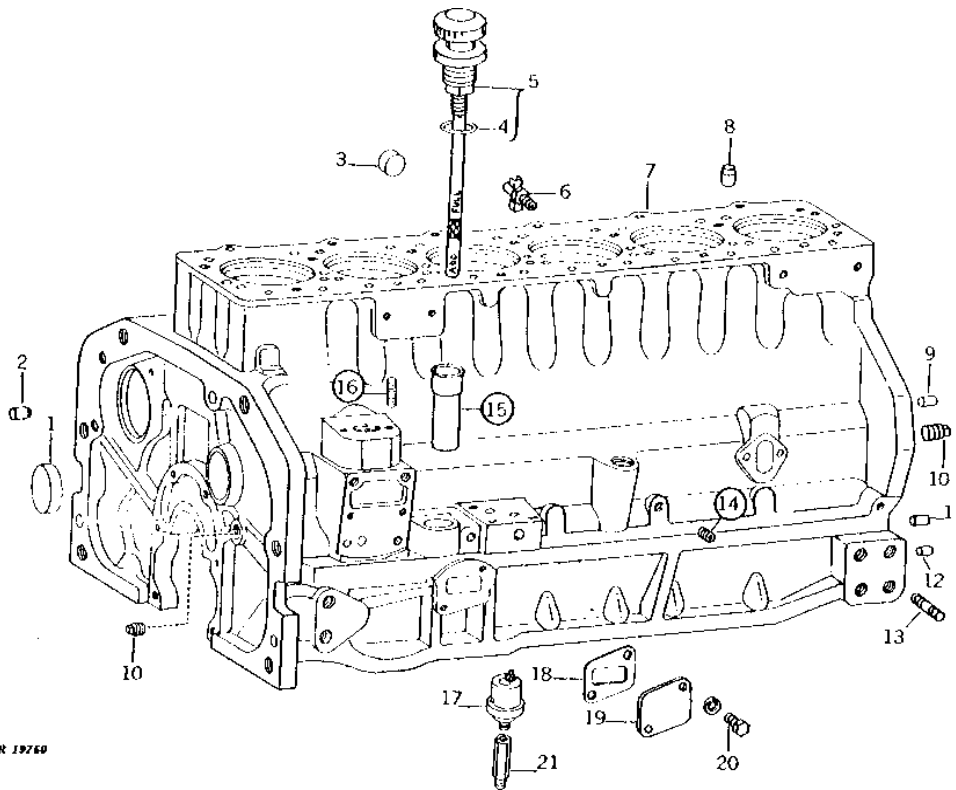
KEY	PART NO.	PART NAME	QTY	ENGINE SERIAL NO.	REMARKS
1	R62410	GASKET	1		
2	R32426	GEAR	1		
3	26H3	SHAFT KEY	1	3/32" X 3/8"	
4	R26172	SHAFT	1		
5	19H1732	CAP SCREW	4	3/8" X 1-1/4"	
6	24M7096	WASHER	4	10.500 X 18 X 1.600 MM	
7	15H559	PIPE PLUG	1	1/4"	
8	R43851	HOUSING	1	(SUB FOR AR43652)	

# 1B18

ENGINE

## CYLINDER BLOCK (GASOLINE)

R19760 -UN-01JAN94



R 19760

# 1B19

ENGINE

## CYLINDER BLOCK - CONTINUED (GASOLINE)

KEY	PART NO.	PART NAME	QTY	ENGINE SERIAL NO.	REMARKS
1	R26115	CAP	1	(A) (B)	
2	R43634	DOWEL PIN	1	(A) (B)	
3	AR80294	PLUG	1	(A) (B) (SUB AR80294)	
4	A4730R	O-RING	2		
5	AR40750	DIPSTICK	1	(A)	
6	AT13740	DRAIN VALVE	1		
7	AR53324	CYLINDER BLOCK	1	(NLA) (MARKED R49520 OR R49530) (SUB FOR AR53323)	
8	R42340	BUSHING	2	(A) (B)	
9	R39253	DOWEL PIN	1	(A) (B)	
10	15H624	PIPE PLUG	2	(A) (B) 1/2", (SUB FOR AR72319)	
11	R1612R	DOWEL PIN	2	(A) (B)	
12	F1743R	DOWEL PIN	2	(A)	
13	R48755	STUD	2	(A) (B) (NLA)	
14	R104592	PIPE PLUG	6	(A) (SUB FOR R21630, APPL)	
15	R41070	TUBE	1	(A) (B)	
16	M3636T	STUD	2		
17	RE15583	ENGINE OIL PRESSURE SENDER	1		OIL PRESSURE, (SUB FOR AR58234)
18	R46192	GASKET	1		
19	R26825	COVER	1		
20	19H2284	CAP SCREW	2	3/8" X 7/8"	
	12H304	LOCK WASHER	2	3/8"	
21	R53014	FITTING	1		
..	AR63935	SHORT BLOCK ASSEMBLY	1	(NLA)	
..	R57158	BEARING CAP	3	(A) (B) MAIN	
..	R57159	BEARING CAP	1	(A) (B) MAIN THRUST	
..	T15539	BOLT	8	(A) (B)	
..	R46903	BUSHING	4	(A) (B)	
..	H826R	DOWEL PIN	1	(A) (B) (OIL PUMP HOUSING)	
..	R21630	PIPE PLUG	5	(B) (OIL LEAD HOLES)	
..	R55396	STUD	1	(A) (B) (STARTING MOTOR)	
..	R56481	STUD	2	(A) (B) (DISTRIBUTOR MOUNTING)	
..	R104592	PIPE PLUG	1	(B) (OIL LEAD HOLE)	
..	F3171R	O-RING	1	(A)	
..	R27175	DRAIN PLUG	1	(A)	
..	R45654	ADAPTER	1	(A) (NLA)	
..	15H666	PIPE PLUG	1	(A) 3/8"	

(A) INCLUDED WITH AR53324

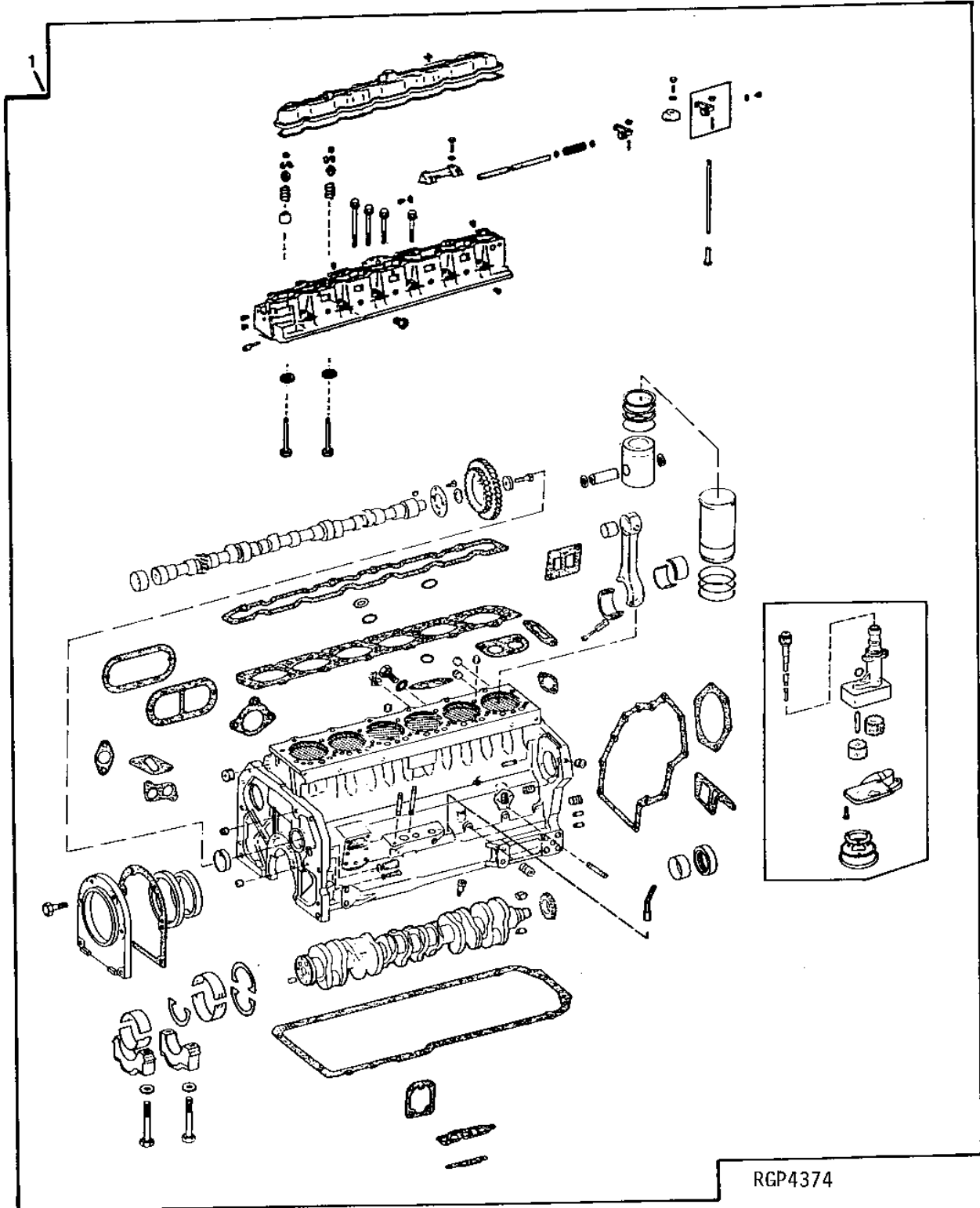
(B) INCLUDED WITH AR53323

# 1B20

ENGINE

## COMPLETE BLOCK ASSEMBLY (DIESEL ONLY)

RGP4374 -UN-21SEP94



RGP4374



# 1B21

ENGINE

---

**COMPLETE BLOCK ASSEMBLY - CONTINUED  
(DIESEL ONLY)**

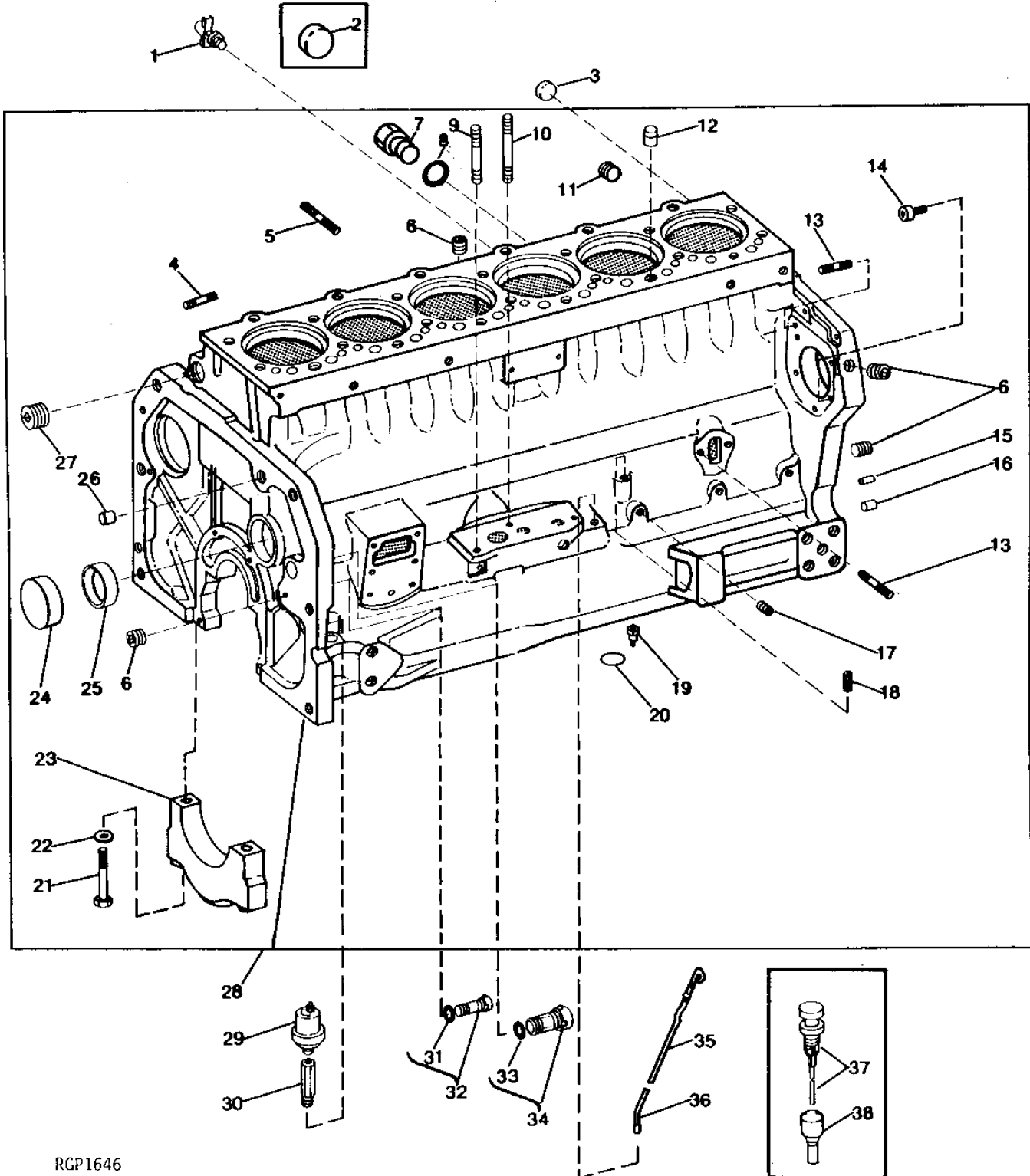
KEY	PART NO.	PART NAME	QTY	ENGINE SERIAL NO.	REMARKS
1	RG23076	COMPLETE BLOCK ASSEMBLY	1		(ALSO ORDER AR100478) (CONTAINS PISTONS MARKED AR58704 OR AR54552)

# 1B22

ENGINE

RGP1646 -UN-18OCT94

## CYLINDER BLOCK (DIESEL)



RGP1646

# 1B23

ENGINE

## CYLINDER BLOCK - CONTINUED (DIESEL)

KEY	PART NO.	PART NAME	QTY	ENGINE SERIAL NO.	REMARKS
1	AT13740	DRAIN VALVE	1		
2	AR80294	PLUG	1		(LESS COOLANT HEATER)
3	R27036	CAP	1		(LESS HEATER)
4	R55396	STUD	1		3/8" X 1-11/16"
5	R51284	STUD	2		
6	15H624	PIPE PLUG	5		1/2" 1/2", (SUB FOR AR72319)
7	R54123	ADAPTER	1		(USE WITH R72128)
8	U13639	O-RING	1		(USE WITH R72128)
9	R106859	STUD	1		3/8" X 3", (SUB FOR F3646R OR R26622)
10	R55395	STUD	1		3/8" X 3-5/8"
11	15H665	PIPE PLUG	1		3/4" 3/4", (SUB FOR AR72318)
12	R42340	BUSHING	2		
13	R48755	STUD	5		5/16" X 1-1/2"
14	22H843	SET SCREW	4		3/8" X 7/16", (SUB FOR R56544)
15	R1612R	DOWEL PIN	2		
16	F1743R	DOWEL PIN	2		
17	R104592	PIPE PLUG	5		(SUB FOR R21630, APPL)
18	R104592	PIPE PLUG	1		
19	R43621	ORIFICE	6		
20	R71732	O-RING	1		(SUB FOR R50378)
21	R42365	BOLT	14		(USE WITH R59850 OR R72128)
	T15539	BOLT	14		(USE WITH R49470 OR R49650)
22	R70268	WASHER	14		(SUB FOR R42363)
23	R57158	BEARING CAP	6		(MAIN)
	R57159	BEARING CAP	1		(MAIN THRUST)
24	R26115	CAP	1		
25	R46903	BUSHING	4		
26	R43634	DOWEL PIN	1		
27	15H562	PIPE PLUG	1		1" 1", (SUB FOR AR78522)
28	AR63271	CYLINDER BLOCK	1		(A) (MARKED R49470, R49650 OR R59850) (SUB RE28308, (6) R88043, R54123 AND U13639) (ALSO ORDER AR54557)
	AR94840	CYLINDER BLOCK	1		(A) (MARKED R72128) (SUB RE28308 AND (6) R88043)
	RE28308	CYLINDER BLOCK	1		(MARKED R87558) (SUB FOR AR63271 OR AR94840)
29	RE15583	ENGINE OIL PRESSURE SENDER	1		(OIL PRESSURE) (SUB FOR AR58234)
30	R53014	FITTING	1		
31	A4365R	O-RING	1		
32	AR61589	PLUG	1		
33	R27149	O-RING	1		
34	AR61533	PLUG	1		
35	AR100478	DIPSTICK	1	500000-	
36	AR71850	DIPSTICK TUBE	1	500000-	
37	AR58986	DIPSTICK	1	-499999	
38	AR54557	TUBE	1	-499999	
..	30H17	PLUG	1		(TOP OF TACHOMETER PAD) (APPL)

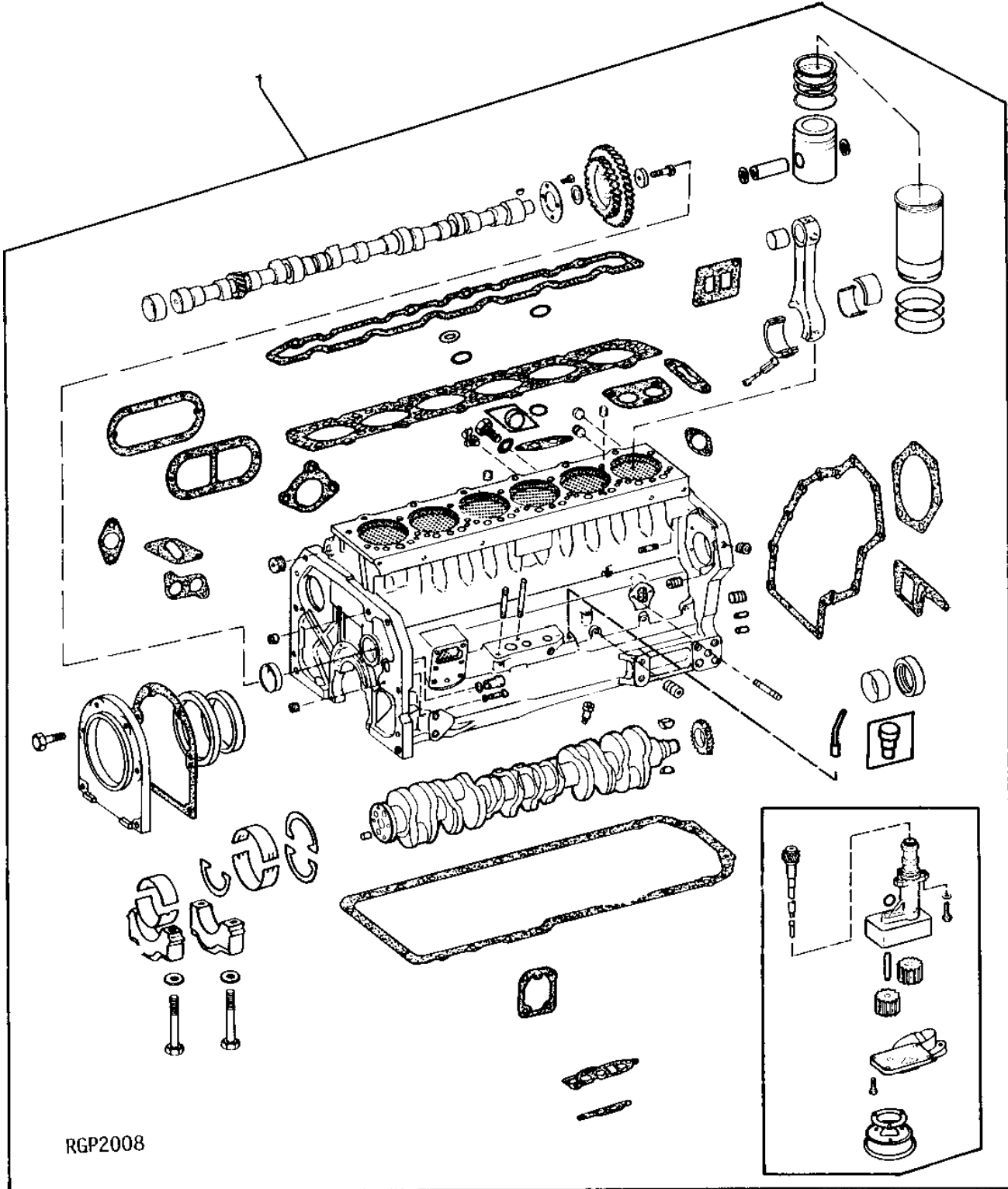
(A) UNLESS PREVIOUSLY INSTALLED, ALSO ORDER RE51829, R46414, AND R48384.

# 1B24

ENGINE

## ENGINE SHORT BLOCK (DIESEL)

RGP2008 -UN-01JAN94



RGP2008

# 1B25

ENGINE

**ENGINE SHORT BLOCK - CONTINUED  
(DIESEL)**

KEY	PART NO.	PART NAME	QTY	ENGINE SERIAL NO.	REMARKS
1	RE13467	SHORT BLOCK ASSEMBLY	1		(A) (B) (MARKED R49470, R49650, R59850 OR R72128) (SUB FOR AR63934, AR71121 OR AR94823) (ALSO ORDER AR77489, AR100478, R54123 AND U13639) (SUB RE28292 AND (6) R88043)
	RE53488	SHORT BLOCK ASSEMBLY	1		(B) (MARKED R87558) (SUB FOR RE13467 OR RE28292)

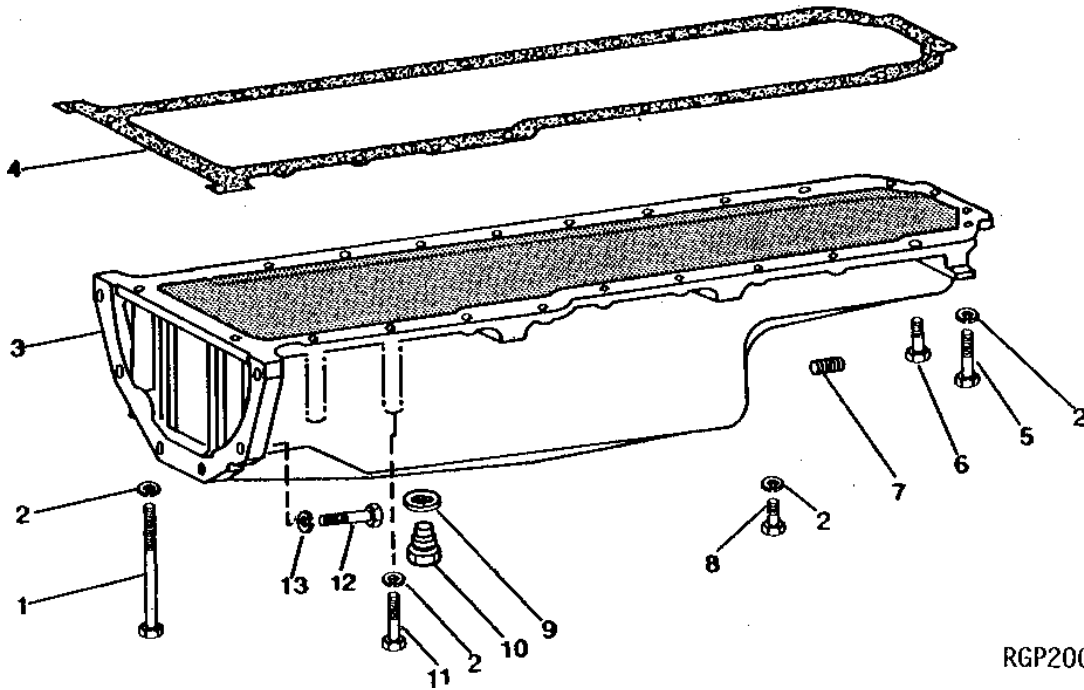
(A) UNLESS PREVIOUSLY INSTALLED, ALSO ORDER RE51829, R46414 AND R48384.  
(B) OIL PUMP NOT INCLUDED

# 1C1

ENGINE

RGP2003 -UN-01JAN94

## OIL PAN



RGP2003

KEY	PART NO.	PART NAME	QTY	ENGINE SERIAL NO.	REMARKS
1	19H2205	CAP SCREW	2	3/8" X 6"	
2	12H304	LOCK WASHER	22	3/8"	
3	R62008	OIL PAN	1	(A) (SUB AR94565) (SUB FOR R53138)	
	R53741	OIL PAN	1	(B) (SUB FOR AR63193) (ALSO ORDER (4) D2420R)	
4	R71918	GASKET	1	(NLA)	(SUB FOR R53282)
5	19H1765	CAP SCREW	2	(A) 3/8" X 1-3/4"	
6	R27693	SCREW	2		
7	15H564	PIPE PLUG	1	(B) 3/4"	
8	19H2552	CAP SCREW	16	(A) 3/8" X 1-1/8"	
	19H2552	CAP SCREW	20	(B) 3/8" X 1-1/8"	
9	A4827R	WASHER	1		
10	R26727	DRAIN PLUG	1	(SUB FOR R51944)	
11	19H2104	CAP SCREW	2	(A) 3/8" X 5"	
12	19H1777	CAP SCREW	6	1/2" X 1-3/4"	
13	12H301	LOCK WASHER	6	1/2"	

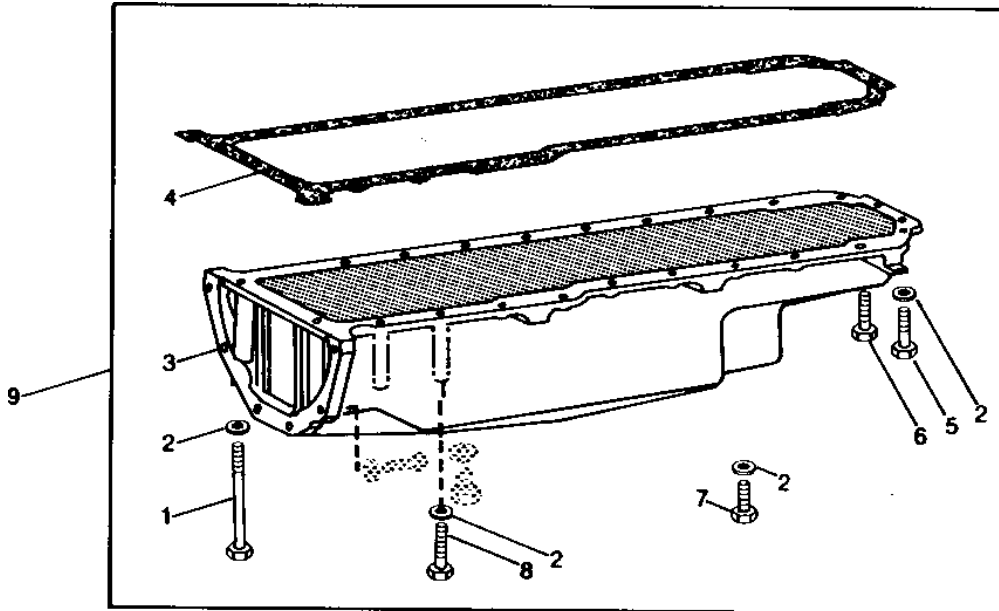
(A) DIESEL  
(B) GASOLINE

# 1C2

ENGINE

RGP2169 -UN-18OCT94

## OIL PAN REPLACEMENT



RGP2169

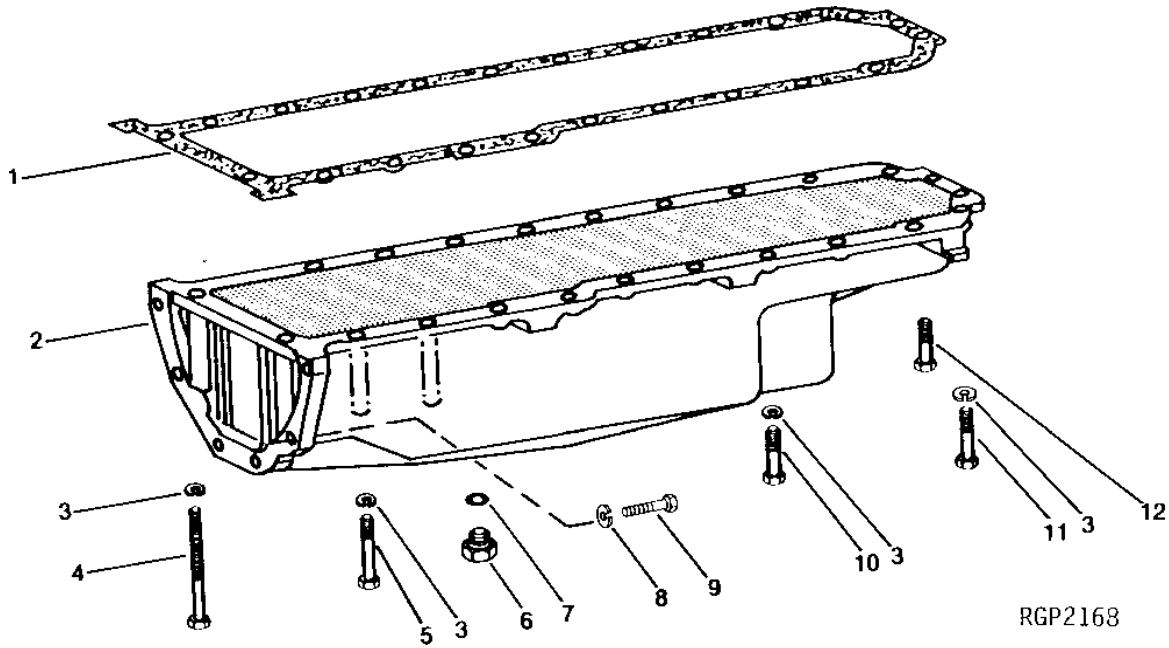
KEY	PART NO.	PART NAME	QTY	ENGINE SERIAL NO.	REMARKS
1	19H3562	CAP SCREW	2	3/8" X 6-1/8"	
2	12H304	LOCK WASHER	22	3/8"	
3	.....	OIL PAN	1	(MARKED R71916) (SUB AR94565)	
4	R71918	GASKET	1		
5	19H3485	CAP SCREW	2	3/8" X 2"	
6	R73445	SCREW	2		
7	19H3267	CAP SCREW	16	3/8" X 1-5/8"	
8	19H3504	CAP SCREW	2	3/8" X 5-3/8"	
9	AR94565	KIT	1		

# 1C3

ENGINE

## OIL PAN (HI-CROP) (DIESEL)

RGP2168 -UN-02JAN94



RGP2168

KEY	PART NO.	PART NAME	QTY	ENGINE SERIAL NO.	REMARKS
1	R71918	GASKET	1		(SUB FOR R53282)
2	R72353	OIL PAN	1		(SUB AR95818)
3	12H304	LOCK WASHER	22		3/8"
4	19H2205	CAP SCREW	2		3/8" X 6"
5	19H2104	CAP SCREW	2		3/8" X 5"
6	R26727	DRAIN PLUG	1		(SUB FOR R51944)
7	A4827R	WASHER	1		
8	12H301	LOCK WASHER	6		1/2"
9	19H2473	CAP SCREW	6		1/2" X 1-3/4"
10	19H2552	CAP SCREW	16		3/8" X 1-1/8"
11	19H1765	CAP SCREW	2		3/8" X 1-3/4"
12	R27693	SCREW	2		

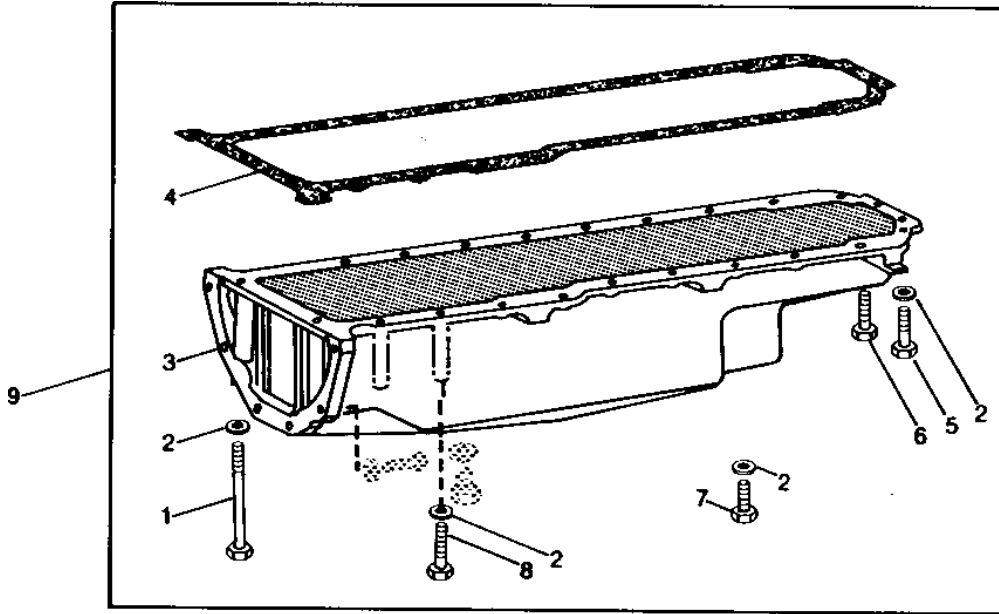


# 1C4

ENGINE

## OIL PAN REPLACEMENT (HI-CROP) (DIESEL)

RGP2169 -UN-18OCT94



RGP2169

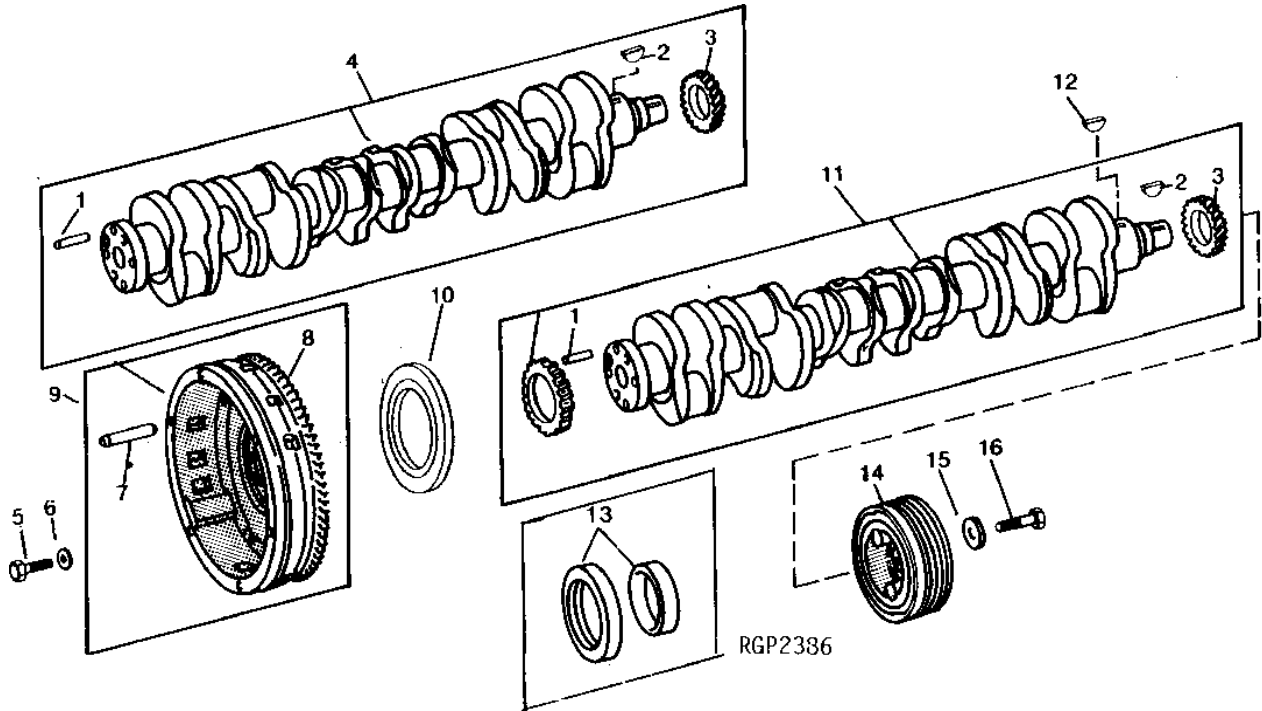
KEY	PART NO.	PART NAME	QTY	ENGINE SERIAL NO.	REMARKS
1	19H3041	CAP SCREW	2	3/8" X 6"	
2	12H304	LOCK WASHER	22	3/8"	
3	.....	OIL PAN	1	(SUB AR95818)	
4	R71918	GASKET	1		
5	19H3485	CAP SCREW	2	3/8" X 2"	
6	R73445	SCREW	2		
7	19H2633	CAP SCREW	16	3/8" X 1-1/2"	
8	19H3478	CAP SCREW	2	3/8" X 5-1/4"	
9	AR95818	KIT	1	(SUB FOR R51650, R72353 OR R76952)	

# 1C5

ENGINE

RGP2386 -UN-18OCT94

## CRANKSHAFT AND FLYWHEEL



KEY	PART NO.	PART NAME	QTY	ENGINE SERIAL NO.	REMARKS
1	R41934	DOWEL PIN	1		
	22H821	SET SCREW	2	432295-	1/2" X 1/2", (SUB FOR R61292)
2	R120752	KEY	1		
3	R26049	GEAR	1		(USE WITH R56934 OR R63451)
4	AR40486	CRANKSHAFT	1		(MARKED R40730) (GASOLINE) (NLA)
	AR68094	CRANKSHAFT	1	-432294	STD (DIESEL) (MARKED R40740 OR R56934) (SUB FOR AR40487) (SUB RE53422)
5	19H3385	CAP SCREW	4	-386307	1/2" X 1-1/8"
	R41049	CAP SCREW	6	386308-	(A) (DIESEL)
	R41049	CAP SCREW	6		(B) (C) (GASOLINE) (DIESEL)
6	T23891	WASHER	6		
7	R50263	PIN	3		(B) (C) (GASOLINE) (DIESEL)
	R32192	DOWEL PIN	3	-386307	(A) (DIESEL)
	R56719	QUICK LOCK PIN	3	386308-	(A) (DIESEL)
8	R26054	GEAR	1		(GASOLINE)
	R28811	GEAR	1		(DIESEL)
9	.....	FLYWHEEL	1		(MARKED R50626) (GASOLINE) ( AR60608 NLA)
	AR81668	FLYWHEEL	1		(B) (C) (MARKED R50262 OR R64812) (SUB FOR AR60292) (DIESEL)
	.....	FLYWHEEL	1	-386307	(A) (MARKED R51721) (DIESEL) ( AR60293 NLA)
	AR67640	FLYWHEEL	1	386308-XXXXXX	(A) (MARKED R56718) (SUB AR76095) (DIESEL)
	AR76095	FLYWHEEL	1	XXXXXX-	(A) (MARKED R61951) (DIESEL)
10	RE22764	SEAL	1		(SUB FOR RE17352 OR RE14953)
11	AR96189	CRANKSHAFT	1	432295-	STD (DIESEL) (MARKED R56979 OR R63451) (SUB FOR AR74624) (SUB RE53422)
	RE42671	CRANKSHAFT	1		(MARKED RE42675) (SUB FOR AR96189) (SUB RE53422)
12	26H85	SHAFT KEY	1		1/4" X 1"
13	AR63095	SEAL	1		(SUB RE22764) (SUB FOR AR49650)
14	AR57241	PULLEY, WITH DAMPENER	1		(DIESEL) (ILLUSTRATED)
	R53031	PULLEY	1		(GASOLINE)
15	R26333	WASHER	1		21/32" X 2-1/4" X 3/8"
16	19H1734	CAP SCREW	1		5/8" X 2"

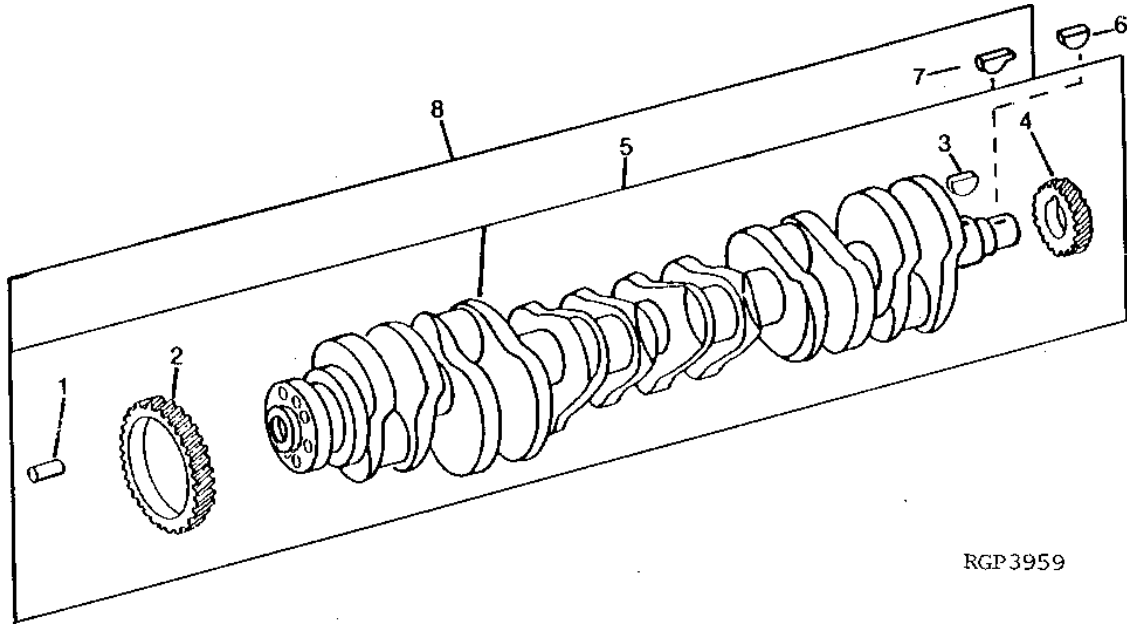
- (A) POWER SHIFT TRANSMISSION
- (B) SYNCRO-RANGE TRANSMISSION
- (C) QUAD-RANGE TRANSMISSION

# 1C6

ENGINE

## REPLACEMENT CRANKSHAFT (DIESEL ONLY)

RGP3959 -UN-01JAN94



RGP 3959

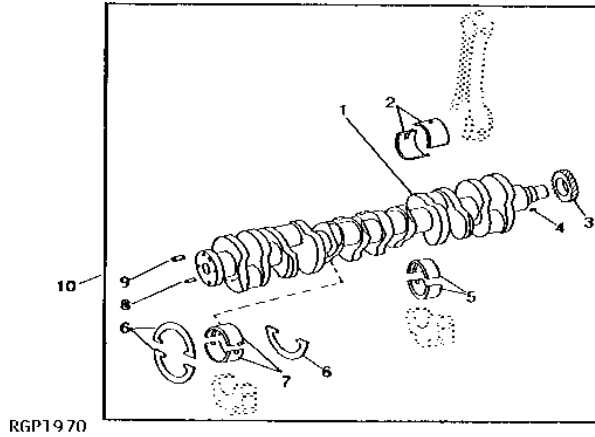
KEY	PART NO.	PART NAME	QTY	ENGINE SERIAL NO.	REMARKS
1	R41934	DOWEL PIN	1		
2	R63326	GEAR	1		(NOT USED THIS APPLICATION)
3	R120752	KEY	1		
4	R26049	GEAR	1		(USE WITH R40740, R47419, R56979 OR R63451)
	R105488	GEAR	1		(USE WITH RE42675 OR RE53203)
5	AR96189	CRANKSHAFT	1		(MARKED R63451) (SUB RE53422)
	RE42671	CRANKSHAFT	1		(MARKED RE42675) (SUB RE53422)
6	26H85	SHAFT KEY	1		1/4" X 1", (USE WITH R63451, R40740, R56979 OR R56934)
7	R116311	KEY	1		(USE WITH RE53203 OR RE53423)
8	RE53422	CRANKSHAFT	1		(MARKED RE53203)

# 1C7

ENGINE

## UNDERSIZE CONNECTING ROD JOURNAL CRANKSHAFT AND BEARING KIT (EARLIEST DESIGN) (DIESEL)

RGP1970 -UN-01JAN94



KEY	PART NO.	PART NAME	QTY	ENGINE SERIAL NO.	REMARKS
1	.....	CRANKSHAFT	1	(SUB RE53424)	
2	AR46396	BEARING	AR	0.25 MM (.010") US (PKG (2) R44926)	
3	R26049	GEAR	1		
4	R120752	KEY	1		
5	AR74816	BEARING	AR	0.25 MM (.010") US (PKG R61609 AND R60473)	
6	AR77747	THRUST WASHER	1	(PKG (3) R62986)	
7	AR77750	THRUST BEARING	1	0.25 MM (.010") US (PKG R63003 AND R63007)	
8	22H821	SET SCREW	2	1/2" X 1/2", (SUB FOR R61292)	
9	R41934	DOWEL PIN	1		
10	RE12434	CRANKSHAFT	1	(MARKED R78102) (SUB RE53424) (SUB FOR AR86529)	

---

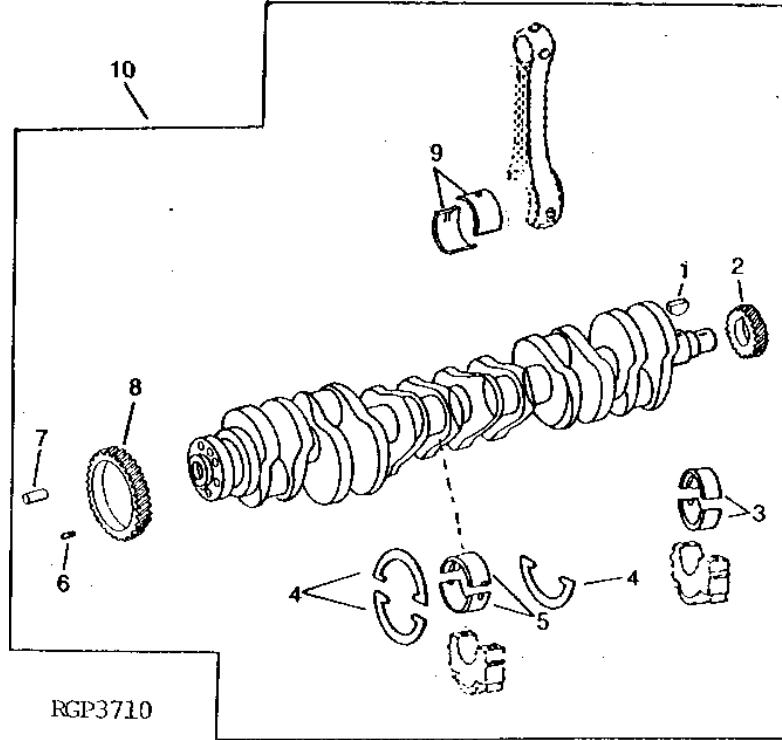
MEMORANDA

# 1C8

ENGINE

## UNDERSIZE MAIN BEARING CRANKSHAFT AND BEARING KIT (EARLY DESIGN) (DIESEL)

RGP3710 -UN-01JAN94



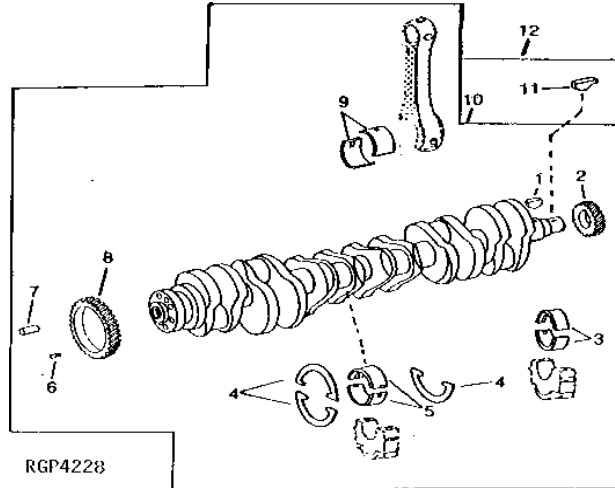
KEY	PART NO.	PART NAME	QTY	ENGINE SERIAL NO.	REMARKS
1	R120752	KEY	1		1/8" X 0.625", (USE WITH R105488)
2	R105488	GEAR	1		(USE WITH RE42678, APPL)
3	AR74816	BEARING	6		0.25MM (.010") US. (PKG R61909 AND R60473)
4	AR77753	THRUST WASHER	1		0.18MM (.007") OS FLANGE (PKG (2) R63010 AND R62986)
5	AR77750	THRUST BEARING	1		0.25MM (.010") US. (PKG R63003 AND R63007)
6	22H821	SET SCREW	2		1/2" X 1/2"
7	R41934	DOWEL PIN	1		
8	R63326	GEAR	1		
9	AR45723	BEARING	6		STD (PKG (2) R44378)
10	RE42672	CRANKSHAFT	1		0.25MM (.010") US. (MARKED RE42678) (SUB RE53425)

# 1C9

ENGINE

## UNDERSIZE CONNECTING ROD JOURNAL CRANKSHAFT AND BEARING KIT (LATE DESIGN) (DIESEL)

RGP4228 -UN-01JAN94



KEY	PART NO.	PART NAME	QTY	ENGINE SERIAL NO.	REMARKS
1	R120752	KEY	1		
2	R105488	GEAR	1		(USE WITH RE42679 OR RE53205, APPL)
3	AR74814	BEARING	6		STD (PKG R57584 AND R61289)
4	AR77747	THRUST WASHER	1		STD (PKG (3) R62986)
5	AR77748	THRUST BEARING	1		STD (PKG R62987 AND R62988)
6	22H821	SET SCREW	2		1/2" X 1/2"
7	R41934	DOWEL PIN	1		
8	R63326	GEAR	1		
9	AR46396	BEARING	6		0.25MM (.010") US (PKG (2) R44926)
10	RE42673	CRANKSHAFT	1		0.25MM (.010") US, (MARKED RE42679) (SUB FOR RE12434) (SUB RE53424)
11	R116311	KEY	1		(USE WITH RE53205, APPL)
12	RE53424	CRANKSHAFT	1		(A) 0.25MM (.010") US, (MARKED RE53205) (SUB FOR RE12434 OR RE42673)

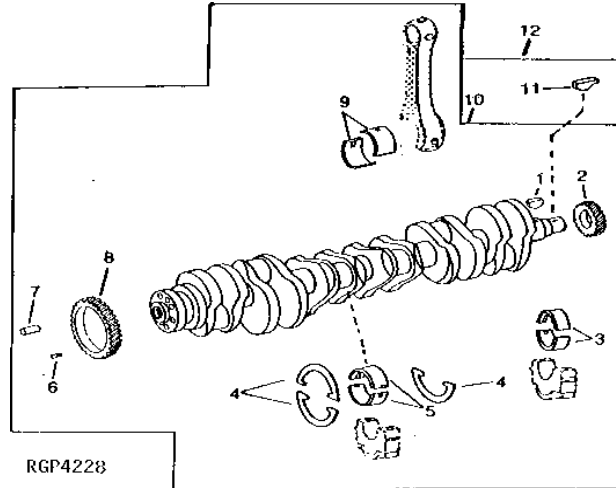
(A) RE53425 MAY BE USED IF RE53424 IS NOT AVAILABLE

# 1C10

ENGINE

## UNDERSIZE MAIN BEARING CRANKSHAFT AND BEARING KIT (LATE DESIGN) (DIESEL)

RGP4228 -UN-01JAN94



KEY	PART NO.	PART NAME	QTY	ENGINE SERIAL NO.	REMARKS
1	R120752	KEY	1		
2	R105488	GEAR	1		(USE WITH RE42678 OR RE53204, APPL)
3	AR74816	BEARING	6		0.25MM (.010") US. (PKG R61909 AND R60473)
4	AR77753	THRUST WASHER	1		0.18MM (.007") OS FLANGE (PKG (2) R63010 AND R62986)
5	AR77750	THRUST BEARING	1		0.25MM (.010") US. (PKG R63003 AND R63007)
6	22H821	SET SCREW	2		1/2" X 1/2"
7	R41934	DOWEL PIN	1		
8	R63326	GEAR	1		
9	AR45723	BEARING	6		STD (PKG (2) R44378)
10	RE42672	CRANKSHAFT	1		0.25MM (.010") US. (MARKED RE42678) (SUB FOR RE36416) (SUB RE53425)
11	R116311	KEY	1		(USE WITH RE53204, APPL)
12	RE53425	CRANKSHAFT	1		(A) (MARKED RE53204) (SUB FOR RE36416 OR RE42672)

(A) RE53424 MAY BE USED IF RE53425 IS NOT AVAILABLE

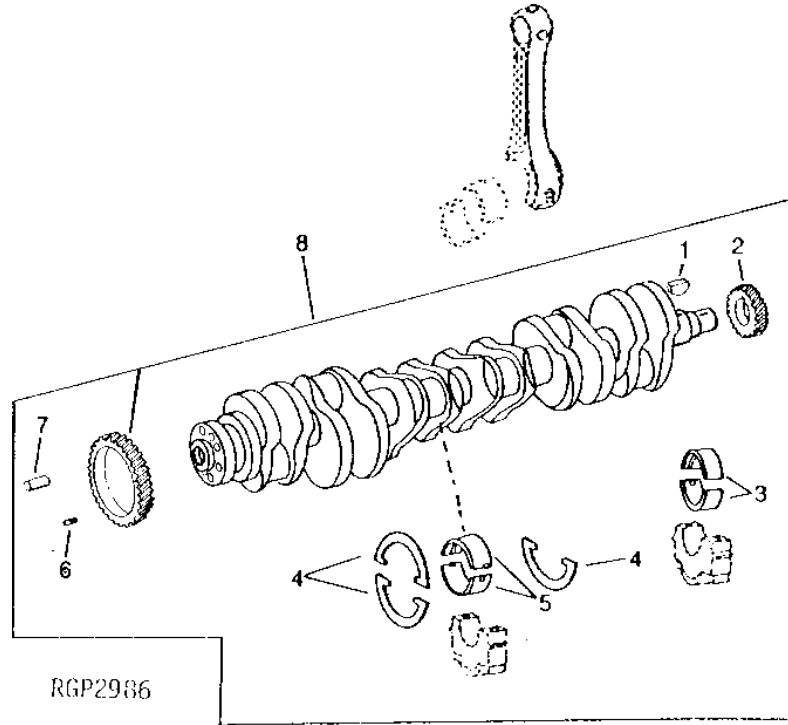


# 1C11

ENGINE

## UNDERSIZE MAIN BEARING CRANKSHAFT AND BEARING KIT (DIESEL)

RGP2986 -UN-01JAN94



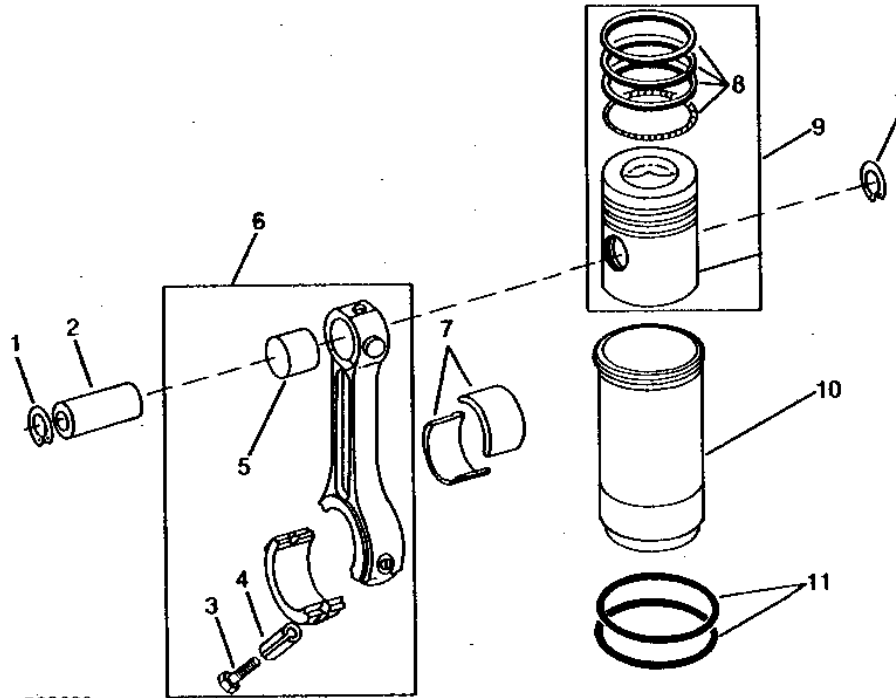
KEY	PART NO.	PART NAME	QTY	ENGINE SERIAL NO.	REMARKS
1	R120752	KEY	1		
2	R26049	GEAR	1		(USE WITH R96460, APPL)
3	AR74816	BEARING	6		0.25MM (.010") US. (PKG R61909 AND R60473)
4	AR77753	THRUST WASHER	1		0.18MM (.007") OS FLANGE (PKGC (2) R63010 AND R62986)
5	AR77750	THRUST BEARING	1		0.25MM (.010") US. (PKG R63003 AND R63007)
6	22H821	SET SCREW	2		1/2" X 1/2"
7	R41934	DOWEL PIN	1		
8	RE36416	CRANKSHAFT	1		0.25MM (.010") US. (MARKED R96460) (SUB FOR RE33622) (SUB RE53425)

# 1C12

ENGINE

## PISTONS, RINGS, LINERS AND CONNECTING RODS (GASOLINE)

RGP389 -UN-01JAN94



RGP389

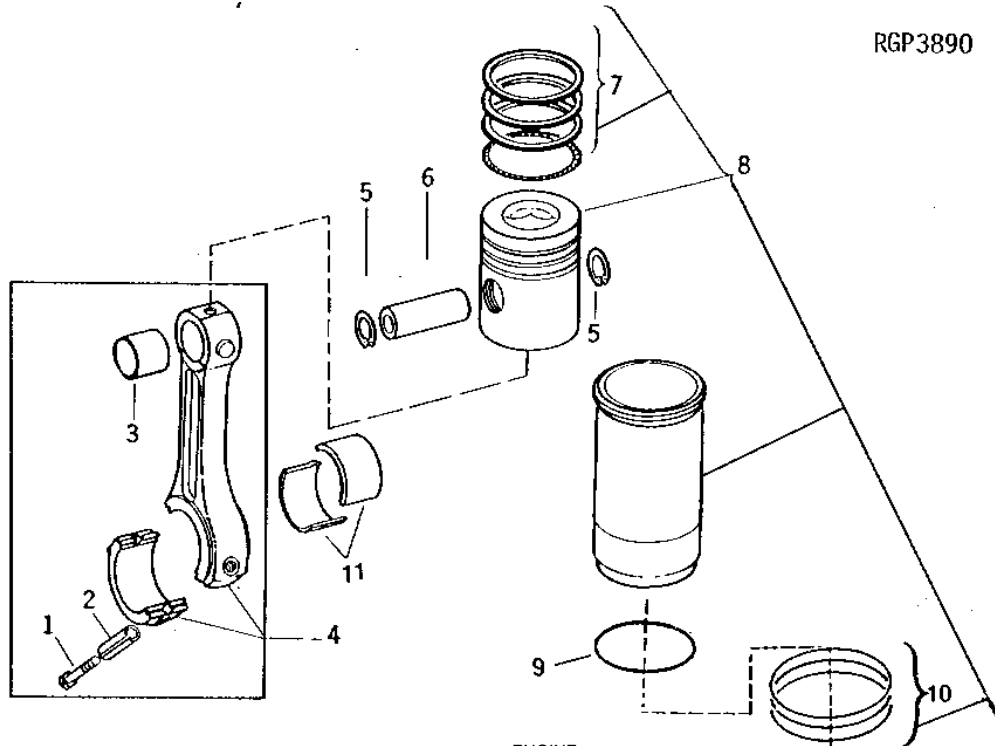
KEY	PART NO.	PART NAME	QTY	ENGINE SERIAL NO.	REMARKS
1	R41707	SNAP RING	12		
2	R26088	PISTON PIN	6		
	R28970	PISTON PIN	6		0.08 MM (.003") OS, (MARKED YELLOW) (NLA)
	R28971	PISTON PIN	6		0.13 MM (.005") OS, (MARKED RED)
3	R66454	CAP SCREW	12		(SUB FOR R26323 OR R53289)
4	R53291	SLEEVE	6		(USE WITH RODS MARKED R53284 OR R58879)
5	R30929	BUSHING	6		
6	AR86982	CONNECTING ROD	6		(MARKED R42257, R53284, R58879 OR R66924) (SUB FOR AR70909)
7	AR45723	BEARING	AR		STD (PKG (2) R44378)
	AR46395	BEARING	AR		0.05 MM (.002") US, (PKG (2) R44925)
	AR46396	BEARING	AR		0.25 MM (.010") US, (PKG (2) R44926)
	AR46397	BEARING	AR		0.51 MM (.020") US, (PKG (2) R44927)
	AR46398	BEARING	AR		0.76 MM (.030") US, (PKG (2) R44928)
8	AR54879	PISTON RING	6		(SUB FOR AR42612)
9	AR54878	PISTON	6		(MARKED R40795 OR R47863) (SUB FOR AR42608)
10	R40614	CYLINDER LINER	6		
11	AR70645	O-RING KIT	6		(SET OF 2)
..	R116253	SHIM	AR		0.050MM (.002")

# 1C13

ENGINE

## PISTON, RINGS, LINERS AND CONNECTING RODS (DIESEL)

RGP3890 -UN-01JAN94



KEY	PART NO.	PART NAME	QTY	ENGINE SERIAL NO.	REMARKS
1	R66452	CAP SCREW	12		(SUB FOR R26325 OR R53290)
2	R53292	SLEEVE	12		
3	R30939	BUSHING	6		
4	AR86981	CONNECTING ROD	6		(MARKED R26047, R56513, R58880 OR R66923) (SUB FOR AR26328 OR AR70910)
5	H80753	SNAP RING	12		
6	R44161	PISTON PIN	6	STD	
	R44162	PISTON PIN	AR	0.07 MM (.003") OS (MARKED YELLOW)	
	R44163	PISTON PIN	AR	0.12 MM (.005") OS (MARKED RED)	
7	AR65502	PISTON RING	6		(SUB FOR AR61601) (USE WITH RE23163 PISTON)
8	AR66459	PISTON-LINER KIT	1		(SUB (6) RE23160, AR63940, (6) AR65507 AND R71918)
	RE23160	KIT	6		(MARKED AR58770, RE41868, RE23163 OR RE41869) (SUB FOR AR61600, AR65501 OR AR65602)
9	R116253	SHIM	AR		0.050MM (.002")
10	AR65507	O-RING KIT	AR		(SUB FOR AR53443) (SET OF 3)
11	AR45723	BEARING	AR		STD (PKG (2) R44378)
	AR46395	BEARING	AR		0.05 MM (.002") US (PKG (2) R44925)
	AR46396	BEARING	AR		0.25 MM (.010") US (PKG (2) R44926)
	AR46397	BEARING	AR		0.51 MM (.020") US (PKG (2) R44927)
	AR46398	BEARING	AR		0.76 MM (.030") US (PKG (2) R44928)

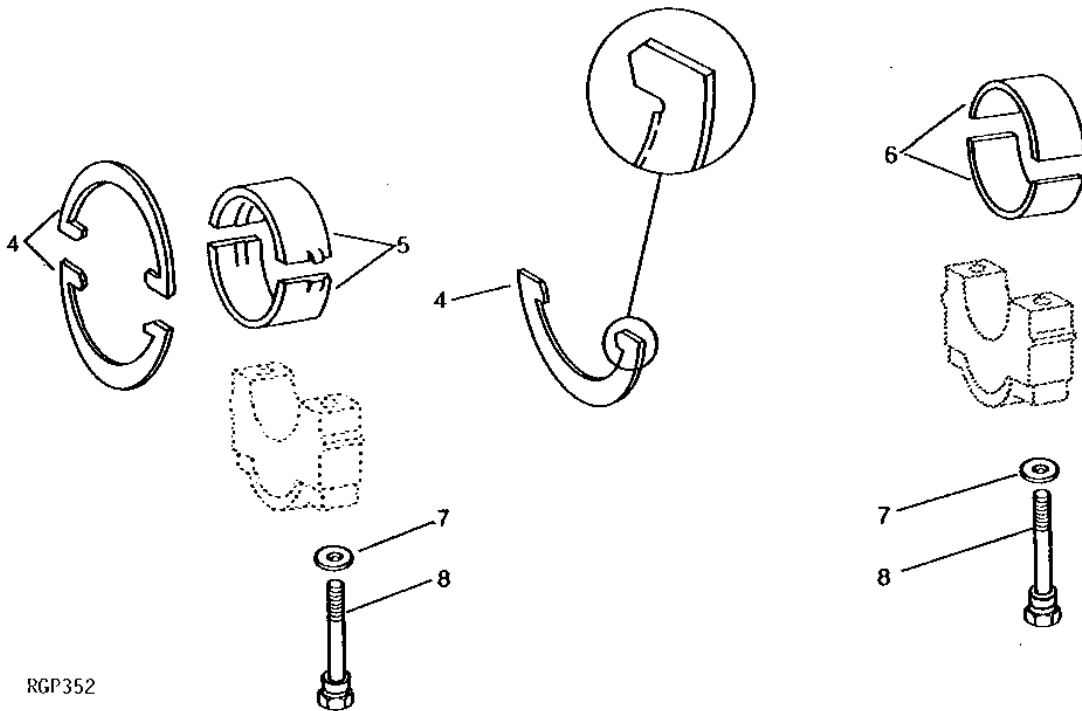
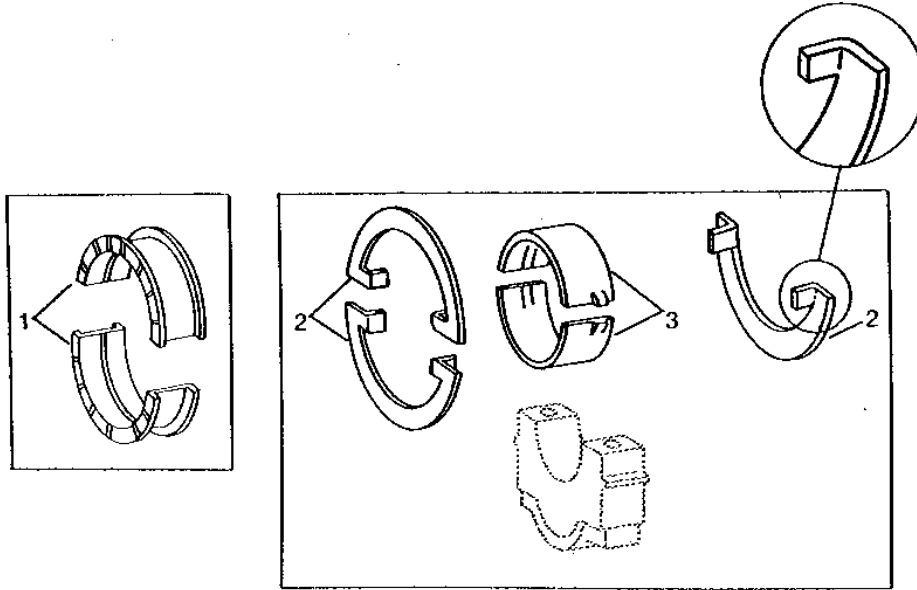
# 1C14

ENGINE

RGP352

-UN-01JAN94

## MAIN AND MAIN THRUST BEARINGS



RGP352

# 1C15

ENGINE

## MAIN AND MAIN THRUST BEARINGS - CONTINUED

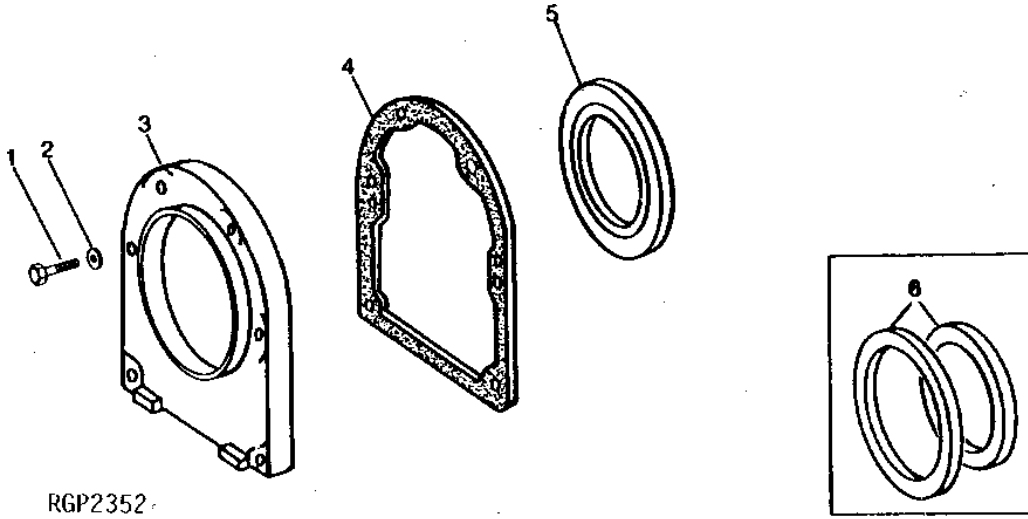
KEY	PART NO.	PART NAME	QTY	ENGINE SERIAL NO.	REMARKS
1	AR65235	THRUST BEARING	1	-XXXXXX	STD (PKG R55596 AND R55597) (SUB AR77748 AND AR77747 OR AR77753) (SUB FOR AR44624 OR AR48940)
	AR65236	THRUST BEARING	1	-XXXXXX	0.05 MM (.002") US (PKG R55737 AND R55738) (SUB AR77749 AND AR77747 OR AR77753) (SUB FOR AR46403 OR AR49232)
	AR65237	THRUST BEARING	1	-XXXXXX	0.25 MM (.010") US (PKG R55739 AND R55740) (SUB AR77750 AND AR77747 OR AR77753) (SUB FOR AR46404 OR AR49233)
	AR65238	THRUST BEARING	1	-XXXXXX	0.51 MM (.020") US (PKG R55741 AND R55742) (SUB AR77751 AND AR77747 OR AR77753) (SUB FOR AR46405 OR AR49234)
	AR65239	THRUST BEARING	1	-XXXXXX	0.76 MM (.030") US (PKG R55743 AND R55744) (SUB AR77752 AND AR77747 OR AR77753) (SUB FOR AR46406 OR AR49235)
	AR65240	THRUST BEARING	1	-XXXXXX	0.25 MM (.010") US W/0.18 MM (.007") OS FLANGE (PKG R55745 AND R55746) (SUB AR77750 AND AR77753) (SUB FOR AR46407 OR AR49236)
2	AR73275	THRUST WASHER	1	XXXXXX-XXXXXX	STD (PKG (3) R57778) (SUB AR77747)
	AR73276	THRUST WASHER	1	XXXXXX-XXXXXX	0.18 MM (.007") OS FLANGE (PKG (3) R60484) (SUB AR77753)
3	AR72998	THRUST BEARING	1	XXXXXX-XXXXXX	STD (PKG R57779 AND R57780) (SUB AR77748 AND AR77747 OR AR77753)
	AR73271	THRUST BEARING	1	XXXXXX-XXXXXX	0.05 MM (.002") US (PKG R60476 AND R60477) (SUB AR77749 AND AR77747 OR AR77753)
	AR73272	THRUST BEARING	1	XXXXXX-XXXXXX	0.25 MM (.010") US (PKG R60478 AND R60479) (SUB AR77750 AND AR77747 OR AR77753)
	AR73273	THRUST BEARING	1	XXXXXX-XXXXXX	0.51 MM (.020") US (PKG R60480 AND R60481) (SUB AR77751 AND AR77747 OR AR77753)
	AR73274	THRUST BEARING	1	XXXXXX-XXXXXX	0.76 MM (.030") US (PKG R60482 AND R60483) (SUB AR77752 AND AR77747 OR AR77753)
4	AR77747	THRUST WASHER	1	444688-	STD (PKG (3) R62986)
	AR77753	THRUST WASHER	1	444688-	0.18 MM (.007") OS FLANGE (PKG (2) R63010 AND R62986)
5	AR77748	THRUST BEARING	1	444688-	STD (PKG R62987 AND R62988)
	AR77749	THRUST BEARING	1	444688-	0.05 MM (.002") US (PKG R63002 AND R63006)
	AR77750	THRUST BEARING	1	444688-	0.25 MM (.010") US (PKG R63003 AND R63007)
	AR77751	THRUST BEARING	1	444688-	0.51 MM (.020") US (PKG R63004 AND R63008)
	AR77752	THRUST BEARING	1	444688-	0.76 MM (.030") US (PKG R63005 AND R63009)
6	AR74814	BEARING	AR		STD (PKG R61289 AND R57584) (SUB FOR AR44625)
	AR74815	BEARING	AR		0.05 MM (.002") US (PKG R61608 AND R60472) (SUB FOR AR46399)
	AR74816	BEARING	AR		0.25 MM (.010") US (PKG R61609 AND R60473) (SUB FOR AR46400)
	AR74817	BEARING	AR		0.51 MM (.020") US (PKG R61610 AND R60474) (SUB FOR AR46401)
	AR74818	BEARING	AR		0.76 MM (.030") US (PKG R61611 AND R60475) (SUB FOR AR46402)
7	R70268	WASHER	14		(USE W/BLOCK MARKED R59850 OR R72128) (SUB FOR R42363)
8	T15539	BOLT	14		(USE W/BLOCK MARKED R49650 OR R49470)
	R42365	BOLT	14		(USE W/BLOCK MARKED R59850 OR R72128)

# 1C16

ENGINE

RGP2352 -UN-01JAN94

## CRANKSHAFT OIL SEAL AND HOUSING



KEY	PART NO.	PART NAME	QTY	ENGINE SERIAL NO.	REMARKS
1	R47074	CAP SCREW	6		
2	T27860	WASHER	6		11/32" X 11/16" X 0.065"
3	R125027	HOUSING	1		(SUB FOR R41406, R78124 OR R115050) (ALSO ORDER (6) T27860)
4	R26058	GASKET	1		
5	RE22764	SEAL	1		(SUB FOR RE14953 OR RE17352)
6	AR63095	SEAL	1		(SUB RE22764)

---

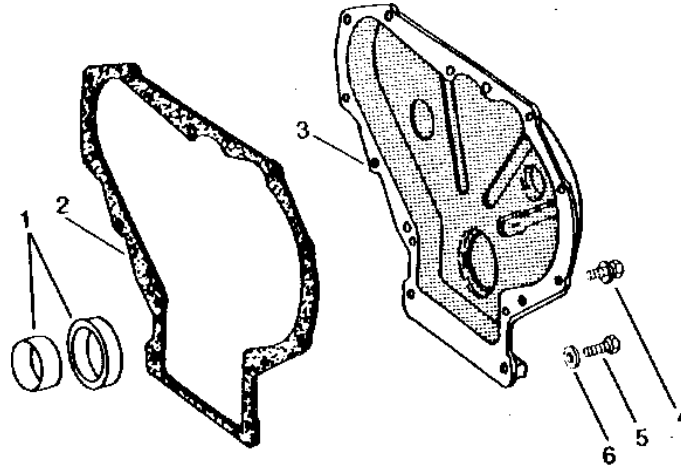
MEMORANDA

# 1C17

ENGINE

## TIMING GEAR COVER AND FRONT OIL SEAL (GASOLINE)

RGP2648 -UN-01JAN94



RGP2648

KEY	PART NO.	PART NAME	QTY	ENGINE SERIAL NO.	REMARKS
1	AR49025	SEAL	1		
2	R26084	GASKET	1		
3	AR69984	COVER	1	(SUB FOR AR58573)	
4	AR27703	SCREW	11		
5	19H2661	CAP SCREW	2	5/16" X 1-3/8"	
6	12H303	LOCK WASHER	2	5/16"	

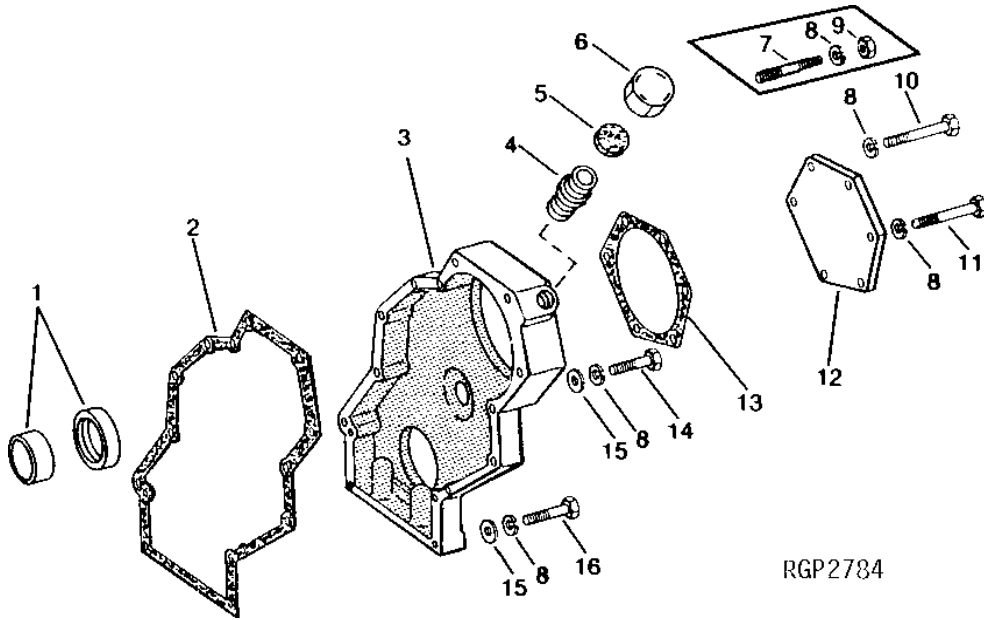


# 1C18

ENGINE

RGP2784 -UN-14SEP94

## TIMING GEAR COVER (DIESEL)



RGP2784

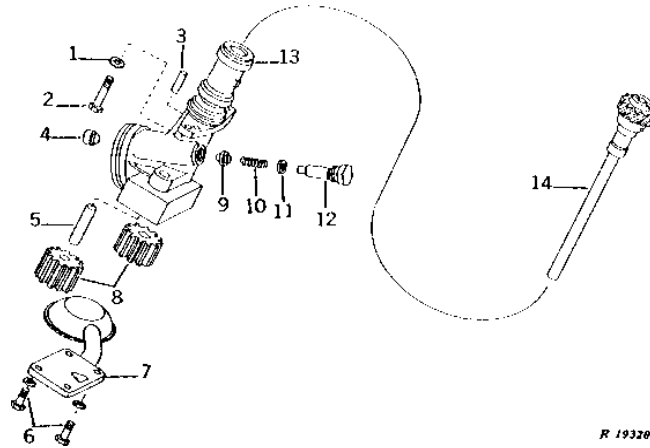
KEY	PART NO.	PART NAME	QTY	ENGINE SERIAL NO.	REMARKS
1	AR49025	SEAL	1		
2	R50353	GASKET	1		
3	R50352	COVER	1		
4	R50354	THREADED NIPPLE	1		
5	T20328	GASKET	1		
6	T20294	CAP	1		
7	R50355	STUD	1	(SUB 19H1905 AND 12H303, APPL)	
8	12H303	LOCK WASHER	9	5/16"	
	12H303	LOCK WASHER	5	5/16", ACCESS COVER (NO LONGER REQUIRED)	
9	14H785	NUT	1	5/16"	
10	19H1905	CAP SCREW	1	5/16" X 1"	
11	19H1907	CAP SCREW	5	5/16" X 2-3/4"	
12	R50393	COVER	1		
13	R50390	GASKET	1		
14	19H2713	CAP SCREW	6	5/16" X 1-7/8"	
15	24H1136	WASHER	8	11/32" X 11/16" X 0.065"	
16	19H3552	CAP SCREW	2	5/16" X 1-1/2"	

# 1C19

ENGINE

## ENGINE OIL PUMP (GASOLINE)

R19320 -UN-01JAN94



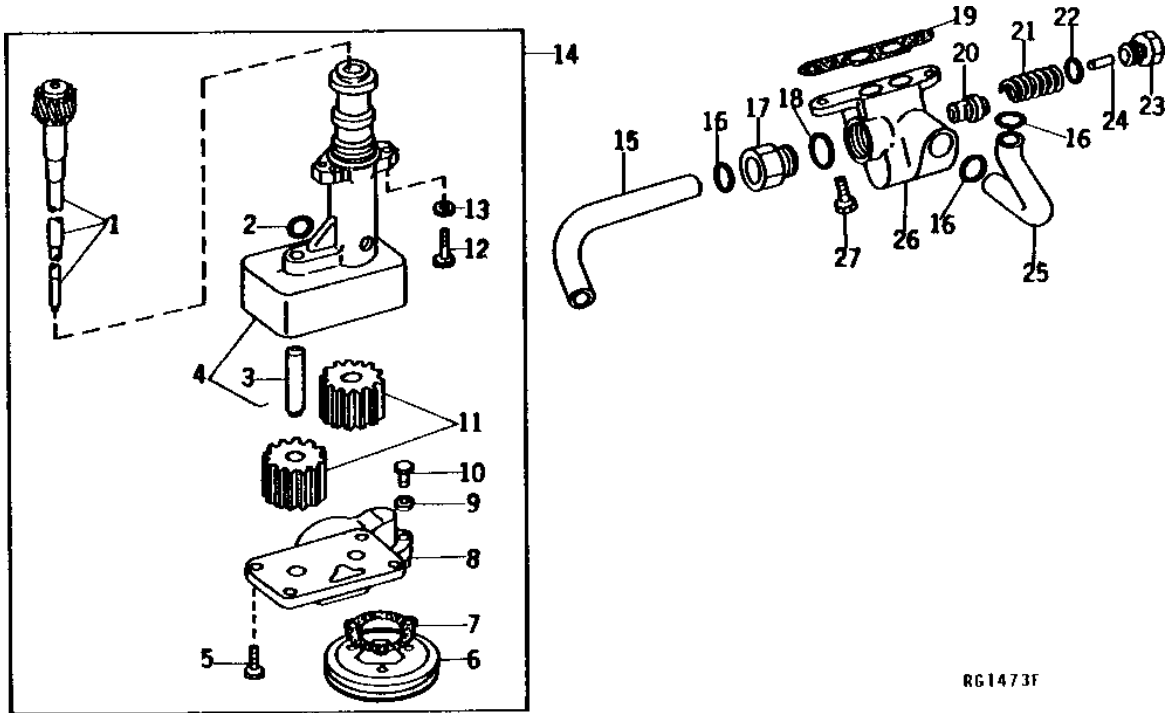
KEY	PART NO.	PART NAME	QTY	ENGINE SERIAL NO.	REMARKS
1	M72490	WASHER	2		(SUB FOR R42729)
2	R38614	CAP SCREW	2		(SUB FOR R56609)
	R41920	CAP SCREW	2		
3	H826R	DOWEL PIN	1		
4	R26493	BUSHING	1		
5	R26144	SHAFT	1		
6	19H1900	CAP SCREW	4	5/16" X 3/4"	
	12H303	LOCK WASHER	4	5/16"	
7	AR55866	OIL PUMP INTAKE	1		
8	AR36694	GEAR	1		
9	R26152	VALVE	1		
10	R36715	SPRING	1		
11	H294R	WASHER	1		
12	R26153	FITTING	1		
13	AR68309	HOUSING	1		(MARKED R27919 OR R56603) (SUB FOR AR27232)
	AR67467	HOUSING	1		(SUB AR67467, (2) R41920 AND (2) M72490)
14	AR31684	GEAR	1		(MARKED R56603)
..	AR53102	OIL PUMP	1		

# 1C20

ENGINE

## ENGINE OIL PUMP AND OIL COOLER BYPASS VALVE (DIESEL)

RG1473 -UN-18OCT94



RG1473F

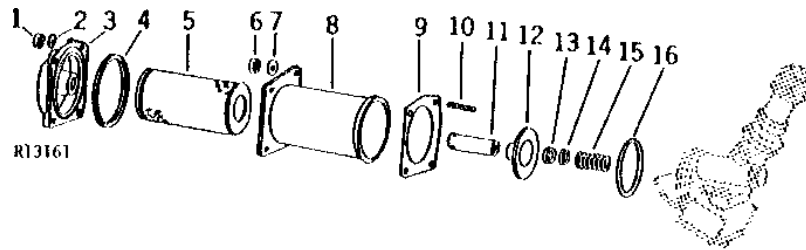
KEY	PART NO.	PART NAME	QTY	ENGINE SERIAL NO.	REMARKS
1	R64568	GEAR	1		(SUB FOR R45133)
2	R71732	O-RING	1		(SUB FOR R50378)
3	R42390	SHAFT	1		
4	AR69108	HOUSING	1		(MARKED R50377, R56607, R59033 OR R57556) (SUB FOR AR54559, AR68313, AR71122 OR AR77494)
5	R46567	CAP SCREW	4		
6	AR56639	OIL PUMP INTAKE	1		
7	R52049	GASKET	1		
8	R60754	COVER	1		
9	12H303	LOCK WASHER	3	5/16"	
10	19H1905	CAP SCREW	3	5/16" X 1"	
11	AR71123	GEAR	1		
12	19H1800	CAP SCREW	2	-XXXXX 3/8" X 1-1/2"	
	R38614	CAP SCREW	2	XXXXXX-	(SUB FOR R56609)
13	M72490	WASHER	2		(SUB FOR R42729)
14	AR77489	OIL PUMP	1		(SUB FOR AR54558, AR71115 OR AR75893)
15	R50381	OIL TUBE	1		
16	R71732	O-RING	3		(SUB FOR R50378)
17	R65683	FITTING	1		(SUB FOR R50379)
18	U13639	O-RING	1		
19	R65055	GASKET	1		
20	R49464	VALVE	1		
21	R26151	SPRING	1		
22	U17409	O-RING	1		
23	R49465	DRAIN PLUG	1		
24	34H313	SPRING PIN	1	1/4" X 1-1/8"	
25	R50386	OIL TUBE	1		
26	R50384	HOUSING	1		
27	R40236	CAP SCREW	2		

# 1C21

ENGINE

## ENGINE OIL FILTER (GASOLINE)

R13161 -UN-01JAN94



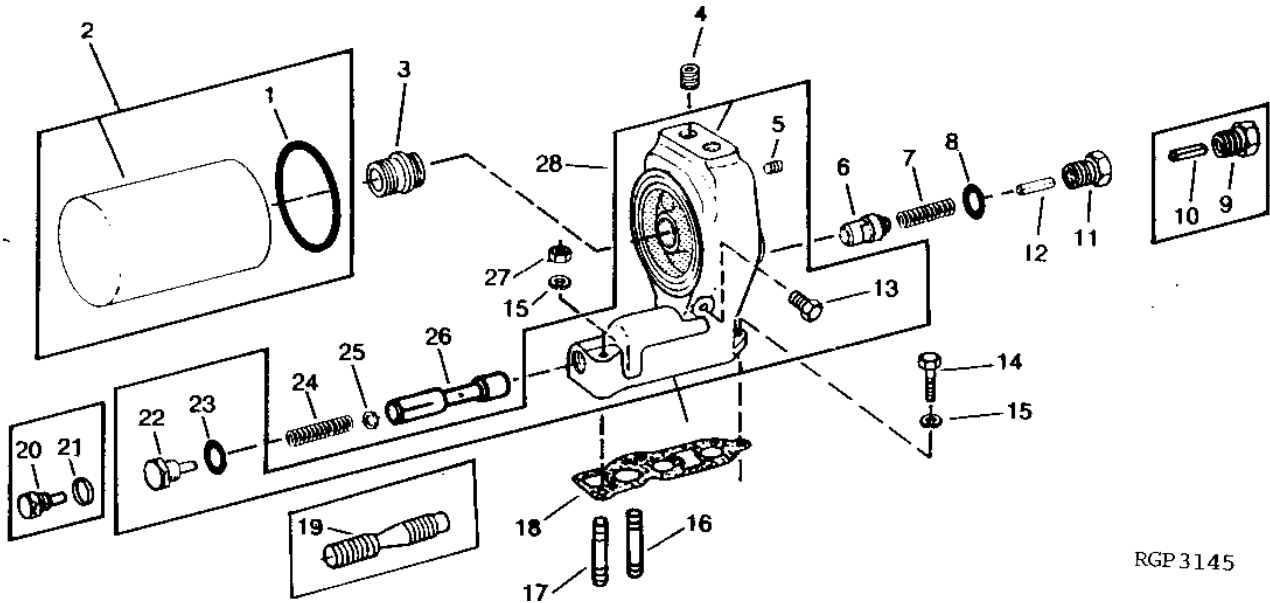
KEY	PART NO.	PART NAME	QTY	ENGINE SERIAL NO.	REMARKS
1	E55662	FLANGE NUT	4		
2	24H1301	WASHER	4		13/32" X 9/16" X 0.065"
3	R42054	COVER	1		
4	B3586R	WASHER	1		
5	AR26350	OIL FILTER	1		(SUB FOR AR28100)
6	14H732	NUT	2		3/8"
7	24H1652	WASHER	2		13/32" X 11/16" X 7/64"
8	R26166	HOUSING	1		
9	R26354	GASKET	1		
10	D2420R	STUD	4		
11	R26146	TUBE	1		
12	R26147	PLATE	1		
13	R26149	PACKING	1		
14	24H1388	WASHER	1		25/32" X 15/16" X 0.036"
15	R26151	SPRING	1		
16	R26163	O-RING	1		

# 1C22

ENGINE

## ENGINE OIL FILTER (DIESEL)

RGP3145 -UN-01JAN94



RGP3145

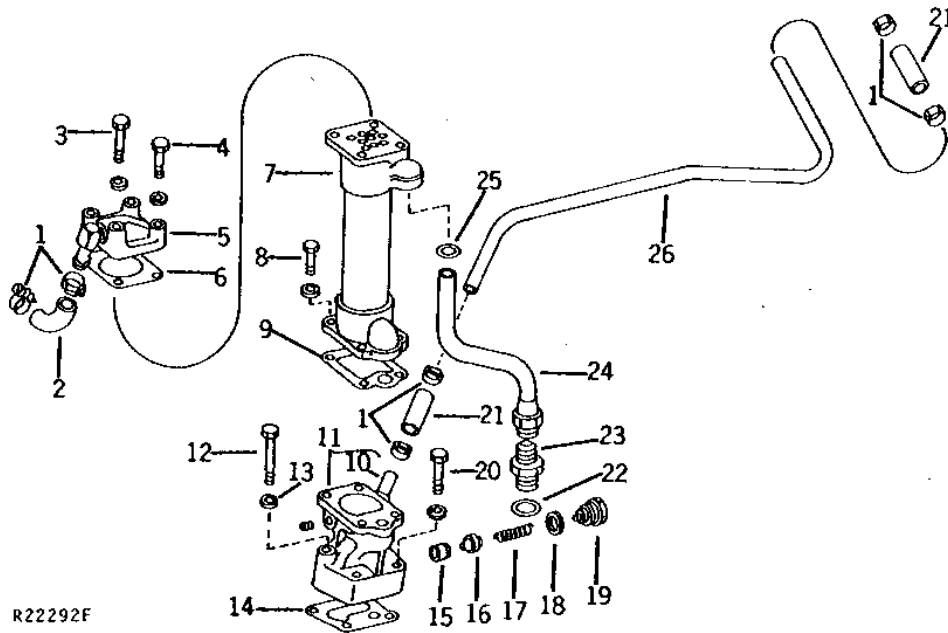
KEY	PART NO.	PART NAME	QTY	ENGINE SERIAL NO.	REMARKS
1	R43660	PACKING	1		(USE WITH AR43261, AR98329 OR RE57394)
2	AR43634	OIL FILTER	1		(MARKED AR43261 OR AR43634)
3	R43429	FITTING	1		(USE WITH AR43261 OR AR43634) (1-1/2 - 16UN)
4	15H665	PIPE PLUG	2		3/4"
5	R104592	PIPE PLUG	1		
6	R49464	VALVE	1		
7	R26151	SPRING	1		
8	U17409	O-RING	1		
9	R71483	DRAIN PLUG	1		(SUB R49465) (ALSO ORDER 34H313)
10	34H393	PIN	1		7/16" X 1-1/8", (USE WITH R71483)
11	R49465	DRAIN PLUG	1		(USE WITH 34H313) (SUB FOR R71483)
12	34H313	SPRING PIN	1		1/4" X 1-1/8", (USE WITH R49465)
13	R55233	PIPE PLUG	1		
14	19H1732	CAP SCREW	1		3/8" X 1-1/4"
15	12H304	LOCK WASHER	3		3/8", (NOT REQUIRED W/ E55662)
16	R106859	STUD	1		(SUB FOR F3646R OR R26622)
17	R55395	STUD	1		
18	R43774	GASKET	1		
19	R77003	VALVE	1		(SUB FOR R43428) (USE WITH R62110, R67409 OR R71484)
20	RE10834	DRAIN PLUG	1		(USE WITH R62110 OR R67409) (SUB FOR R43425)
21	R43424	WASHER	1		(USE WITH R62110 OR R67409)
22	AR105510	DRAIN PLUG	1		(USE WITH R71484)
23	U17409	O-RING	1		(USE WITH R71484)
24	R43548	SPRING	1		
25	U40750	WASHER	AR		
26	R84947	VALVE	1		(USE WITH R84946)
27	E55662	FLANGE NUT	2		
28	AR76582	HOUSING	1		(MARKED R62110 OR R67409) (SUB RE24706) (ALSO ORDER R84947)
	AR89499	HOUSING	1		(MARKED R67409) (SUB RE24706) (ALSO ORDER R84947)
	AR94084	HOUSING	1		(MARKED R71484) (SUB RE24706) (ALSO ORDER R84947)
	RE24706	HOUSING	1		(MARKED R84946)

# 1C23

ENGINE

## ENGINE OIL COOLER (GASOLINE)

R22292 -UN-01JAN94



R22292F

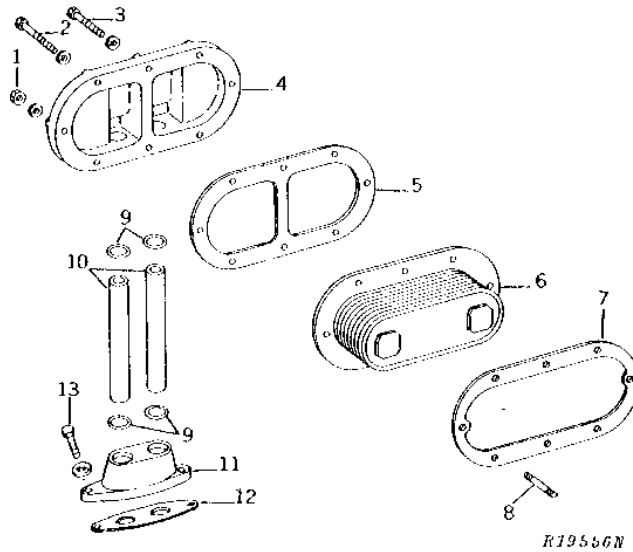
KEY	PART NO.	PART NAME	QTY	ENGINE SERIAL NO.	REMARKS
1	TY22467	CLAMP	6		(SUB FOR AR21837 OR AR21839)
2	R44065	HOSE	1		
3	19H1901	CAP SCREW	1	5/16" X 2"	
4	12H303	LOCK WASHER	1	5/16"	
	19H3552	CAP SCREW	3	5/16" X 1-1/2"	
	12H303	LOCK WASHER	3	5/16"	
5	.....	CAP	1		( AR45292 NLA) (MARKED R32122)
6	R32123	GASKET	1		
7	AR32694	OIL COOLER	1		
8	19H2127	CAP SCREW	4	5/16" X 7/8"	
	12H303	LOCK WASHER	4	5/16"	
9	R34109	GASKET	1		
10	R27548	TUBE	1		
11	AR32695	HOUSING	1		(MARKED R34108)
12	19H268	CAP SCREW	1	3/8" X 2-1/2"	
13	12H304	LOCK WASHER	1	3/8"	
	15H559	PIPE PLUG	1	1/4"	
14	R34110	GASKET	1		
15	R26493	BUSHING	1		
16	R26152	VALVE	1		
17	A354R	SPRING	1		
18	H294R	WASHER	1		
19	R27949	DRAIN PLUG	1		
20	19H3181	CAP SCREW	2	3/8" X 2"	
	12H304	LOCK WASHER	2	3/8"	
21	R20922	HOSE	2	64MM (2-1/2")	
22	F3171R	O-RING	1		
23	R27267	FITTING	1		
24	AR32696	OIL LINE	1		
25	B2762R	O-RING	1		
26	R44067	LINE	1		(NLA)

# 1C24

ENGINE

## ENGINE OIL COOLER (DIESEL)

R19556 -UN-01JAN94



KEY	PART NO.	PART NAME	QTY	ENGINE SERIAL NO.	REMARKS
1	14H785	NUT	2	5/16"	
	12H303	LOCK WASHER	2	5/16"	
2	19H1913	CAP SCREW	1	5/16" X 2-1/4"	
	12H303	LOCK WASHER	1	5/16"	
3	19H3552	CAP SCREW	5	5/16" X 1-1/2"	
	12H303	LOCK WASHER	5	5/16"	
4	R51283	COVER	1		
5	R50419	GASKET	1		
6	AR55394	OIL COOLER	1		
7	AR58952	GASKET	1		
8	R51284	STUD	2		
9	R47153	O-RING	4		(SUB FOR R50420, APPL)
10	R51053	OIL TUBE	2		
11	R50423	ADAPTER	1		
12	R50424	GASKET	1		
13	19H3239	CAP SCREW	2	3/8" X 1-1/4"	
	12H304	LOCK WASHER	2	3/8"	

---

MEMORANDA

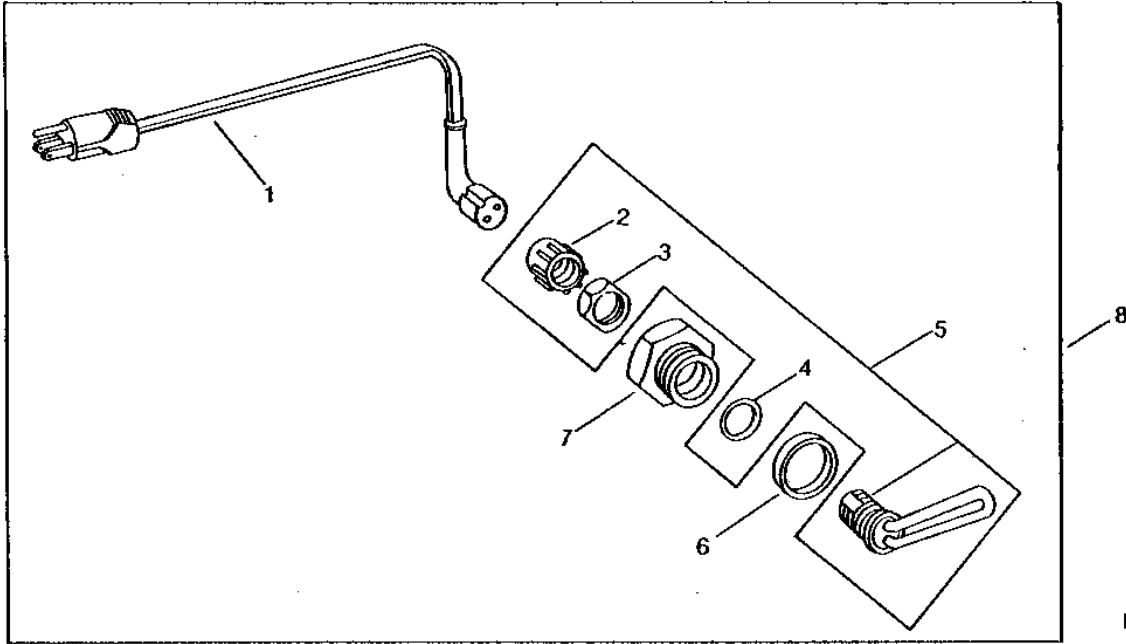


# 1C25

ENGINE

## ENGINE COOLANT HEATER (ENGINE SERIAL NO. 161133- )

RGP546 -UN-01JAN94



RGP546

KEY	PART NO.	PART NAME	QTY	ENGINE SERIAL NO.	REMARKS
1	AR50411	WIRING LEAD	1		
2	R54510	CAP	1		
3	R54511	NUT	1		
4	R47693	GASKET	1		
5	AR62399	COOLANT HEATER	1		
6	U13639	O-RING	1		
7	R54123	ADAPTER	1		
8	AR62492	COOLANT HEATER	1		

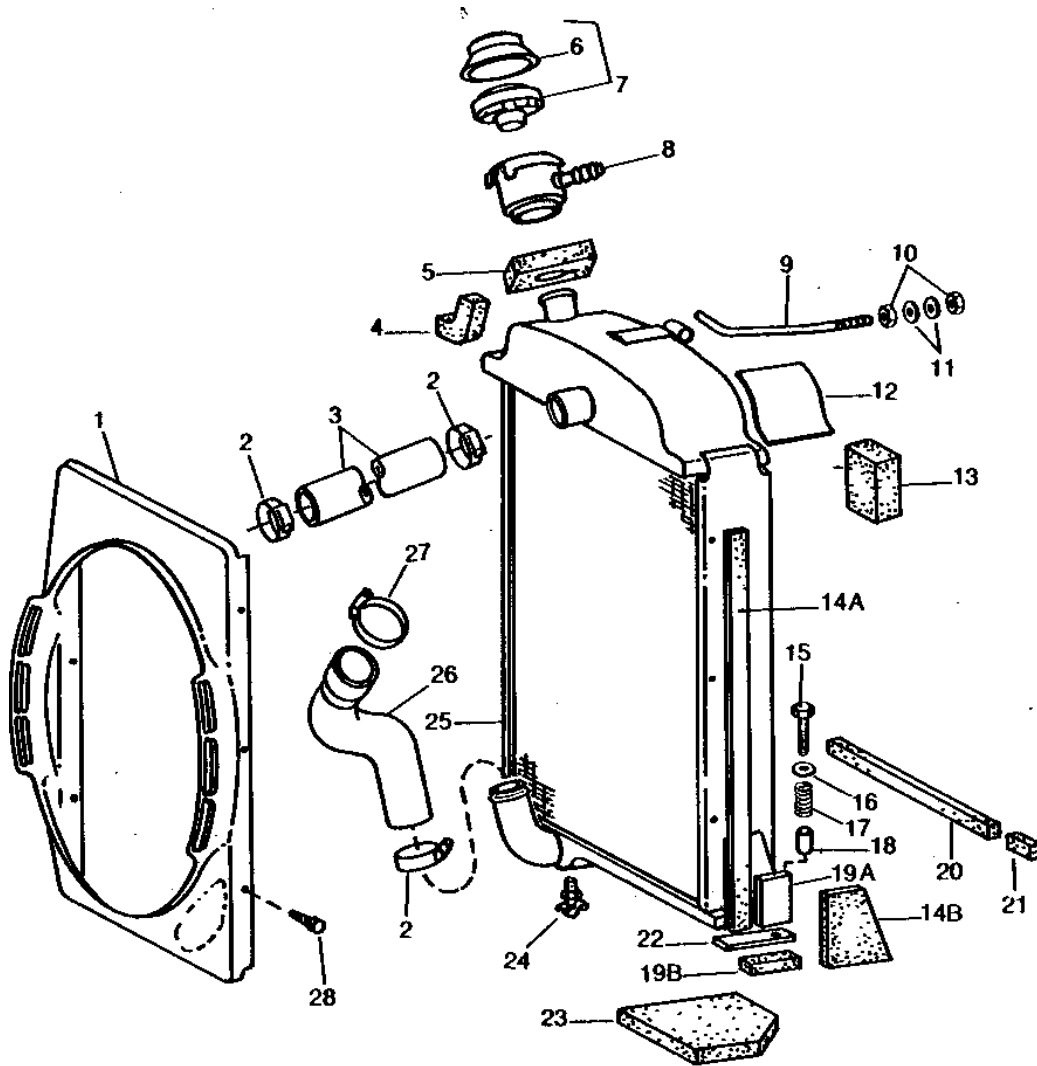
# 1D1

ENGINE

RWP4593

-UN-01JAN94

RADIATOR



RWP4593

# 1D2

ENGINE

## RADIATOR - CONTINUED

KEY	PART NO.	PART NAME	QTY	TRACTOR SERIAL NO.	REMARKS
1	R72856	SHROUD	1		(SUB FOR R53455 OR R64842)
2	TY22470	CLAMP	3		(SUB FOR AR21840)
3	R53231	HOSE	1		51 X 432MM (2" X 17") (MAKE FROM TY22336)
4	.....	FOAM PAD	1		25 X 25 X 127MM (1" X 1" X 5") (MAKE FROM R30937)
5	R28015	FOAM PAD	1		
6	R27209	COVER	1		
7	AR28482	CAP	1		
8	RE15427	FILLER NECK	1		
9	R62095	ROD	1		(ALSO ORDER R72655) (SUB FOR R53232)
	R72655	SNAP RING	1	XXXXXX-	(SUB FOR T12808)
10	14H1076	NUT	2		3/8"
11	24H1305	WASHER	2		13/32" X 13/16" X 0.065"
12	.....	FOAM PAD	2		3 X 102 X 140MM (1/8" X 4" X 5-1/2") (MAKE FROM R30597)
13	.....	FOAM PAD	1		38 X 89 X 64MM (1-1/2" X 3-1/2" X 2-1/2") (MAKE FROM R35339)
14A	.....	FOAM PAD	2	-XXXXXX	13 X 25 X 584MM (1/2" X 1" X 23") (MAKE FROM R30936)
14B	.....	FOAM PAD	2	XXXXXX-	8 X 124 X 133MM (5/16" X 4-7/8" X 5-1/4") (MAKE FROM R45526)
15	19H1819	CAP SCREW	2		3/8" X 2-1/8"
16	24H1309	WASHER	2		13/32" X 1-1/16" X 0.120"
17	F2411R	SPRING	2		
18	R26417	SPACER	2		
19A	R53673	FOAM PAD	AR	-XXXXXX	13 X 44 X 64MM (1/2" X 1-3/4" X 2-1/2") (2 USED (A), L.H. AND R.H.) (1 USED (C) OR (D)) (NOT AVAILABLE)
19B	.....	FOAM PAD	AR	XXXXXX-	13 X 25 X 76MM (1/2" X 1" X 3") (MAKE FROM R30936) (2 USED (A), L.H. AND R.H.) (1 USED (C) OR (D))
	R53490	ISOLATOR	1		64 X 44 X 44MM (2-1/2" X 1-3/4" X 1-3/4")
20	.....	FOAM PAD	1		13 X 19 X 356MM (1/2" X 3/4" X 14") (MAKE FROM R30936)
21	.....	FOAM PAD	2		13 X 19 X 48MM (1/2" X 3/4" X 1-7/8") (MAKE FROM R30936)
22	R26413	STRAP	2		
23	.....	FOAM PAD	1		(NOT REQUIRED)
24	AT13740	DRAIN VALVE	1		
25	AR63663	RADIATOR	1		(A) (D) (SUB FOR AR61882) (SUB AR61883)
	AR61880	RADIATOR	1		(B) (D)
	AR61883	RADIATOR	1		(A) (C) (D)
26	R53141	HOSE	1		(D) (B)
	R53142	HOSE	1		(A)
	R54534	HOSE	1		(C)
27	AR21999	CLAMP	1		(D)
28	37H79	SCREW	6		1/4" X 5/8"

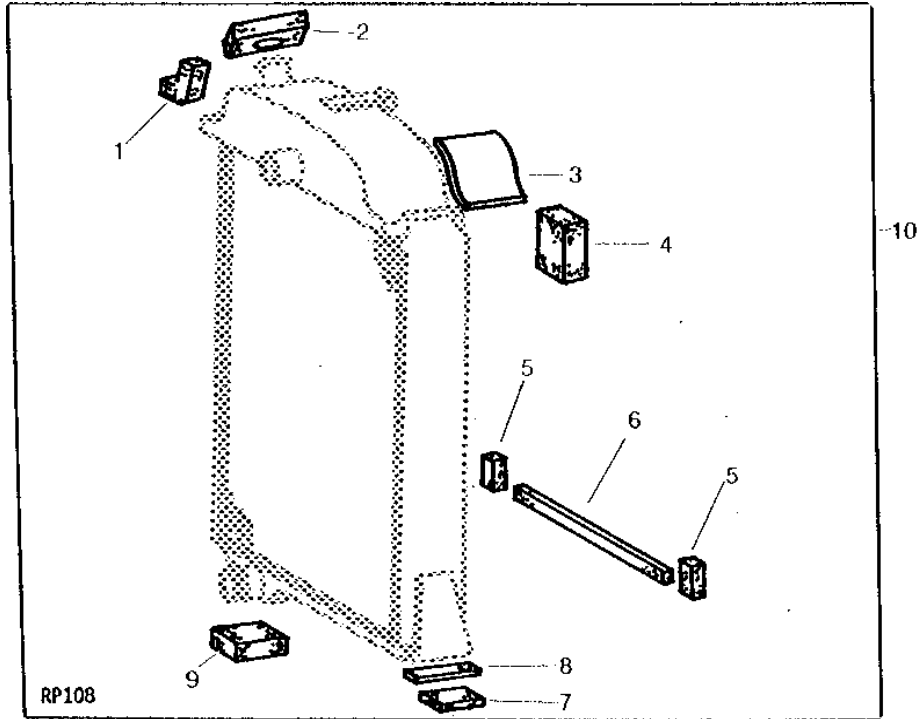
- (A) AIR CONDITIONING
- (B) LESS AIR CONDITIONING
- (C) GASOLINE
- (D) DIESEL

# 1D3

ENGINE

RP108 -UN-01JAN94

## RADIATOR BAFFLES AND CUSHION KIT



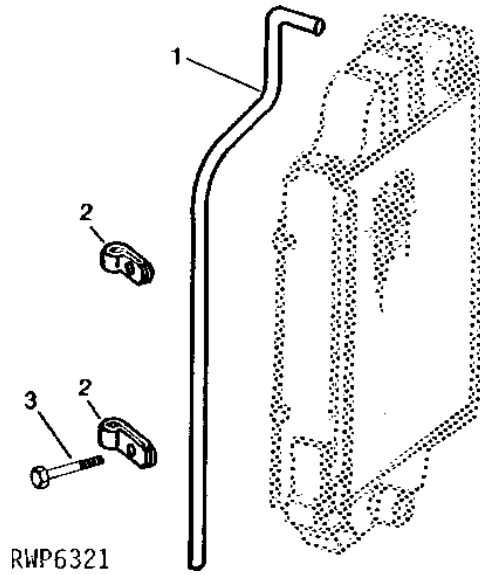
KEY	PART NO.	PART NAME	QTY	TRACTOR SERIAL NO.	REMARKS
1	.....	FOAM PAD	1		25 X 25 X 127MM (1" X 1" X 5") (MAKE FROM R30937)
2	R28015	FOAM PAD	1		
3	.....	FOAM PAD	2		3 X 102 X 140MM (1/8" X 4" X 5-1/2") (MAKE FROM R21736)
4	.....	FOAM PAD	1		38 X 89 X 64MM (1-1/2" X 3-1/2" X 2-1/2") (MAKE FROM R35339)
5	.....	FOAM PAD	2		13 X 19 X 47MM (1/2" X 3.4" X 1-7/8") (MAKE FROM R30936)
6	.....	FOAM PAD	1		13 X 19 X 356MM (1/2" X 3.4" X 14") (MAKE FROM R30937)
7	.....	FOAM PAD	1		13 X 25 X 76MM (1/2" X 1" X 3") (MAKE FROM R30936)
8	R26413	STRAP	2		
9	.....	FOAM PAD	1		32 X 32 X 57MM (1-1/4" X 1-1/4" X 2-1/2") (MAKE FROM R91553)
10	AR91035	KIT	1		

# 1D4

ENGINE

RWP6321 -UN-01JAN94

## RADIATOR OVERFLOW KIT



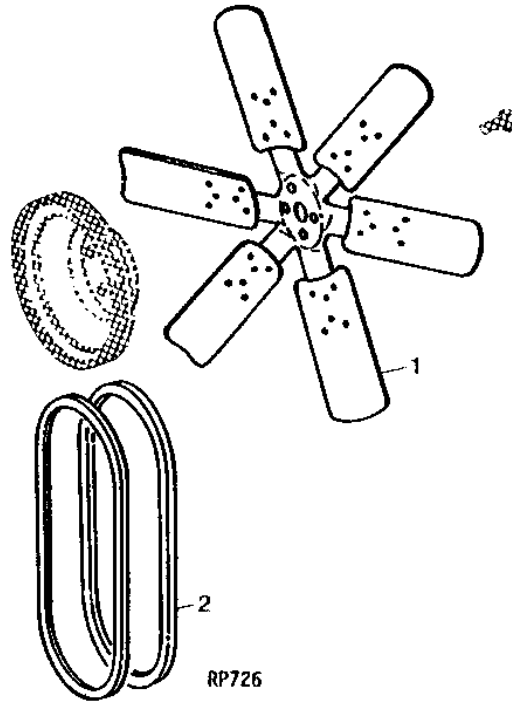
KEY	PART NO.	PART NAME	QTY	TRACTOR SERIAL NO.	REMARKS
1	R67035	HOSE	1		
2	T12250	CLIP	2		
3	19H1900	CAP SCREW	1	5/16" X 3/4"	

# 1D5

ENGINE

RP726 -UN-01JAN94

FAN



KEY	PART NO.	PART NAME	QTY	TRACTOR SERIAL NO.	REMARKS
1	AR64075	FAN	1	(A)	
	AR34451	FAN	1	(B)	(B) (LESS AIR CONDITIONING)
	AR64075	FAN	1	(B)	(B) (AIR CONDITIONING)
2	R41681	BELT	1	(A)	
	R52603	BELT	1	(B)	

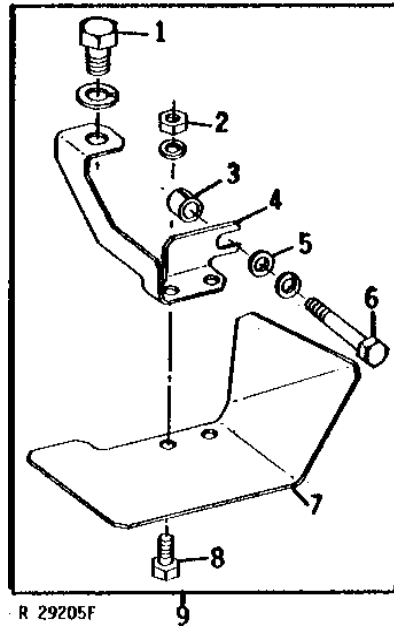
(A) GASOLINE  
(B) DIESEL

# 1D6

ENGINE

## FAN BLAST DEFLECTOR (DIESEL)

R29205 -UN-01JAN94



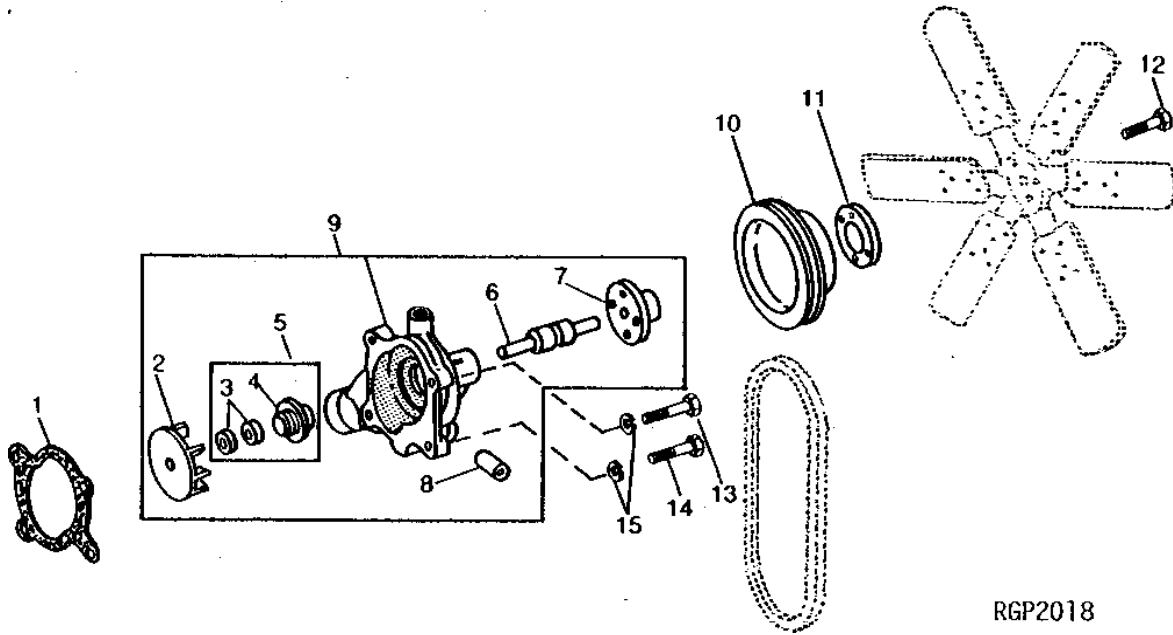
KEY	PART NO.	PART NAME	QTY	ENGINE SERIAL NO.	REMARKS
1	19H2367	CAP SCREW	1	5/8" X 3/4"	
	12H294	LOCK WASHER	1	5/8"	
2	E55662	FLANGE NUT	2		
	12H304	LOCK WASHER	2	3/8", (NOT REQUIRED W/ E55662)	
3	28H1878	SPACER	1	0.493" X 0.675" X 7/16"	
4	R57534	BRACKET	1		
5	24H1303	WASHER	1	13/32" X 11/16" X 0.065"	
6	19H2639	CAP SCREW	1	3/8" X 3-3/8"	
	12H304	LOCK WASHER	1	3/8"	
7	R57535	DEFLECTOR	1		
8	19H1936	CAP SCREW	2	3/8" X 3/4"	
9	AR69080	DEFLECTOR	1		

# 1D7

ENGINE

RGP2018 -UN-01JAN94

## WATER PUMP (GASOLINE)



RGP2018

KEY	PART NO.	PART NAME	QTY	ENGINE SERIAL NO.	REMARKS
1	R26331	GASKET	1		
2	R41321	IMPELLER	1		
3	AR41691	INSERT	1		(SUB AR62933, APPL)
4	RE62290	SEAL	1		(SUB FOR AR62935)
5	AR62933	SEAL KIT	1		(SUB FOR AR40698)
6	JD9355	BEARING	1		
7	R40662	HUB	1		
8	R27548	TUBE	1		
9	AR45330	WATER PUMP	1		(MARKED R44116)
10	R40211	PULLEY	1		(SUB FOR AR40148)
11	R53574	SPACER	1		
12	19H1726	CAP SCREW	4	3/8" X 2-1/4"	
13	19H3181	CAP SCREW	1	3/8" X 2"	
14	19H1800	CAP SCREW	3	3/8" X 1-1/2"	
15	12H304	LOCK WASHER	4	3/8"	

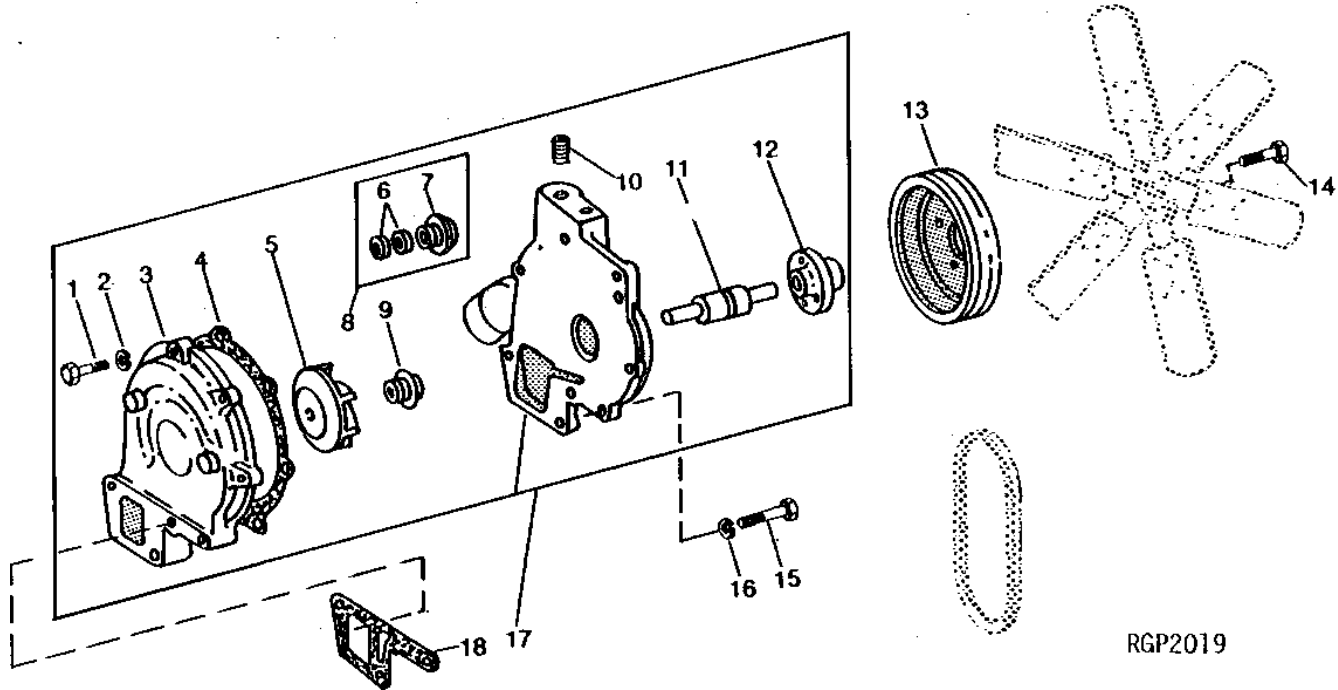


# 1D8

ENGINE

## WATER PUMP (DIESEL)

RGP2019 -UN-01JAN94



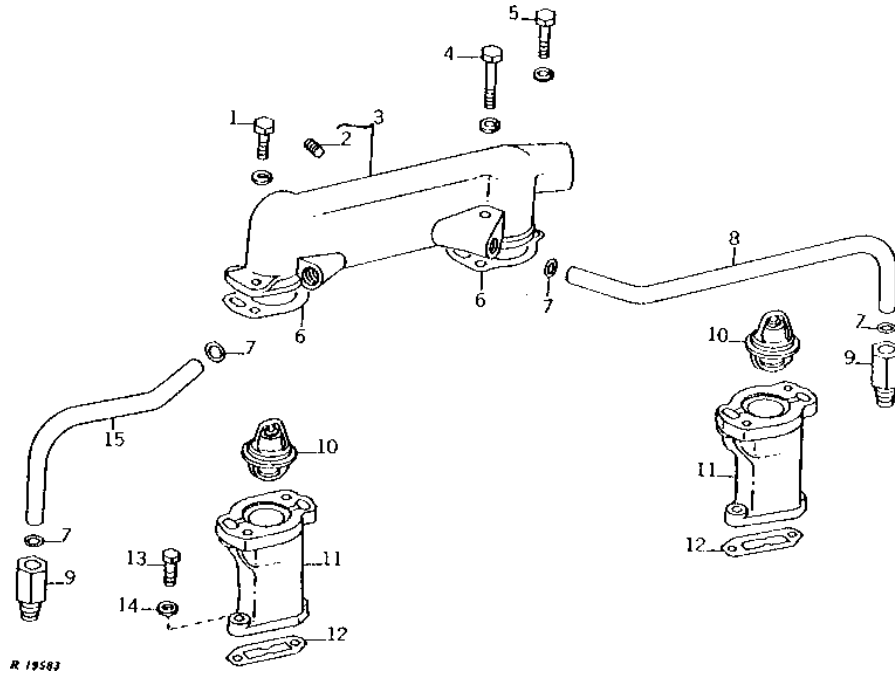
KEY	PART NO.	PART NAME	QTY	ENGINE SERIAL NO.	REMARKS
1	19H1875	CAP SCREW	4	5/16" X 1-3/4"	
2	12H303	LOCK WASHER	4	5/16"	
3	R50409	HOUSING	1		
4	R50410	GASKET	1		
5	R51682	IMPELLER	1		
6	AR41691	INSERT	1	(SUB AR101549, APPL)	
7	T27261	SEAL	1	(SUB AR101549, APPL)	
8	AR62934	SEAL	1	(SUB AR101549, APPL)	
9	AR101549	SEAL KIT	1		
10	15H666	PIPE PLUG	1	3/8"	
11	JD9257	BALL BEARING	1		
12	R53437	HUB	1		
13	R52591	PULLEY	1	(SUB FOR AR71627)	
14	19H2284	CAP SCREW	4	3/8" X 7/8"	
15	19H1944	CAP SCREW	4	3/8" X 2-3/4"	
16	12H304	LOCK WASHER	4	3/8"	
17	AR98549	WATER PUMP	1	(MARKED R51683) (SUB FOR AR55961)	
	TY6759	WATER PUMP	1	REMANUFACTURED	
18	R42406	GASKET	1		

# 1D9

ENGINE

## WATER OUTLET MANIFOLD AND THERMOSTAT HOUSINGS (GASOLINE)

R19583 -UN-01JAN94



R 19583

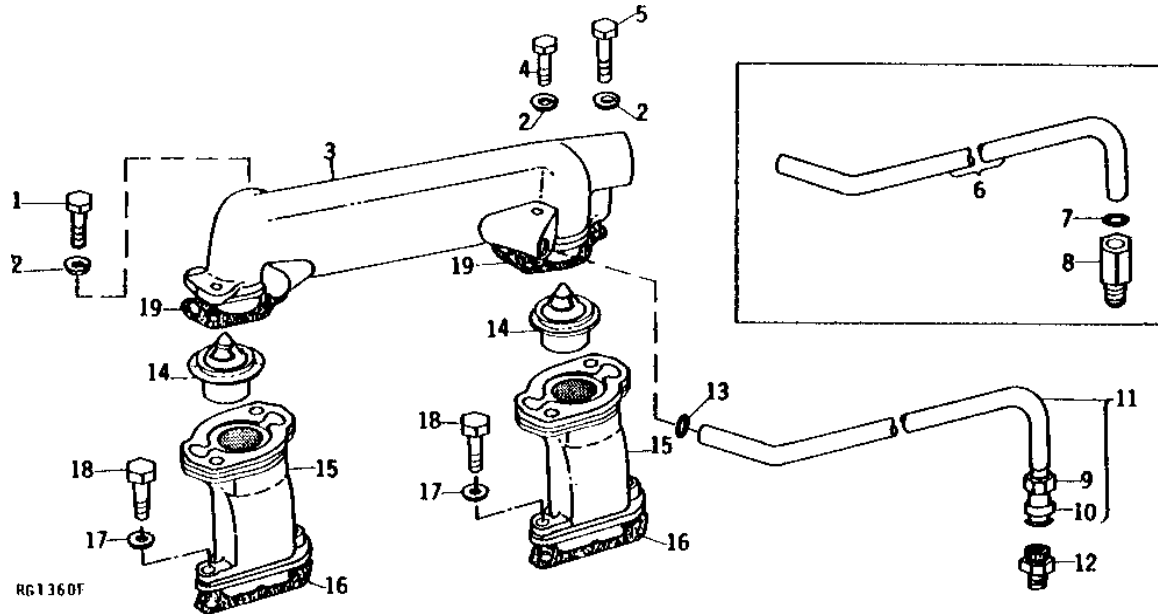
KEY	PART NO.	PART NAME	QTY	ENGINE SERIAL NO.	REMARKS
1	19H1732	CAP SCREW	2	3/8" X 1-1/4"	
	12H304	LOCK WASHER	2	3/8"	
2	15H559	PIPE PLUG	1	1/4"	
3	AR40910	MANIFOLD	1	(MARKED R41789 OR R41293) (NLA) SUB R41293 AND 15H559)	
	R41293	MANIFOLD	1	(NLA)	
4	19H1801	CAP SCREW	1	3/8" X 2"	
	12H304	LOCK WASHER	1	3/8"	
5	19H1765	CAP SCREW	1	3/8" X 1-3/4"	
6	R42694	GASKET	2		
7	T13119	O-RING	4		
8	R41286	LINE	1		
9	R41285	ADAPTER	2		
10	R36847	THERMOSTAT	2	71°C-82°C (160°-180°F)	
11	AR44840	HOUSING	2	(MARKED R42664)	
12	R88397	GASKET	2	(SUB FOR R42693)	
13	19H1732	CAP SCREW	4	3/8" X 1-1/4"	
14	24H1303	WASHER	4	13/32" X 11/16" X 0.065"	
15	R41287	LINE	1		

# 1D10

ENGINE

## WATER OUTLET MANIFOLD AND THERMOSTAT HOUSINGS (DIESEL)

RG1360 -UN-27OCT94



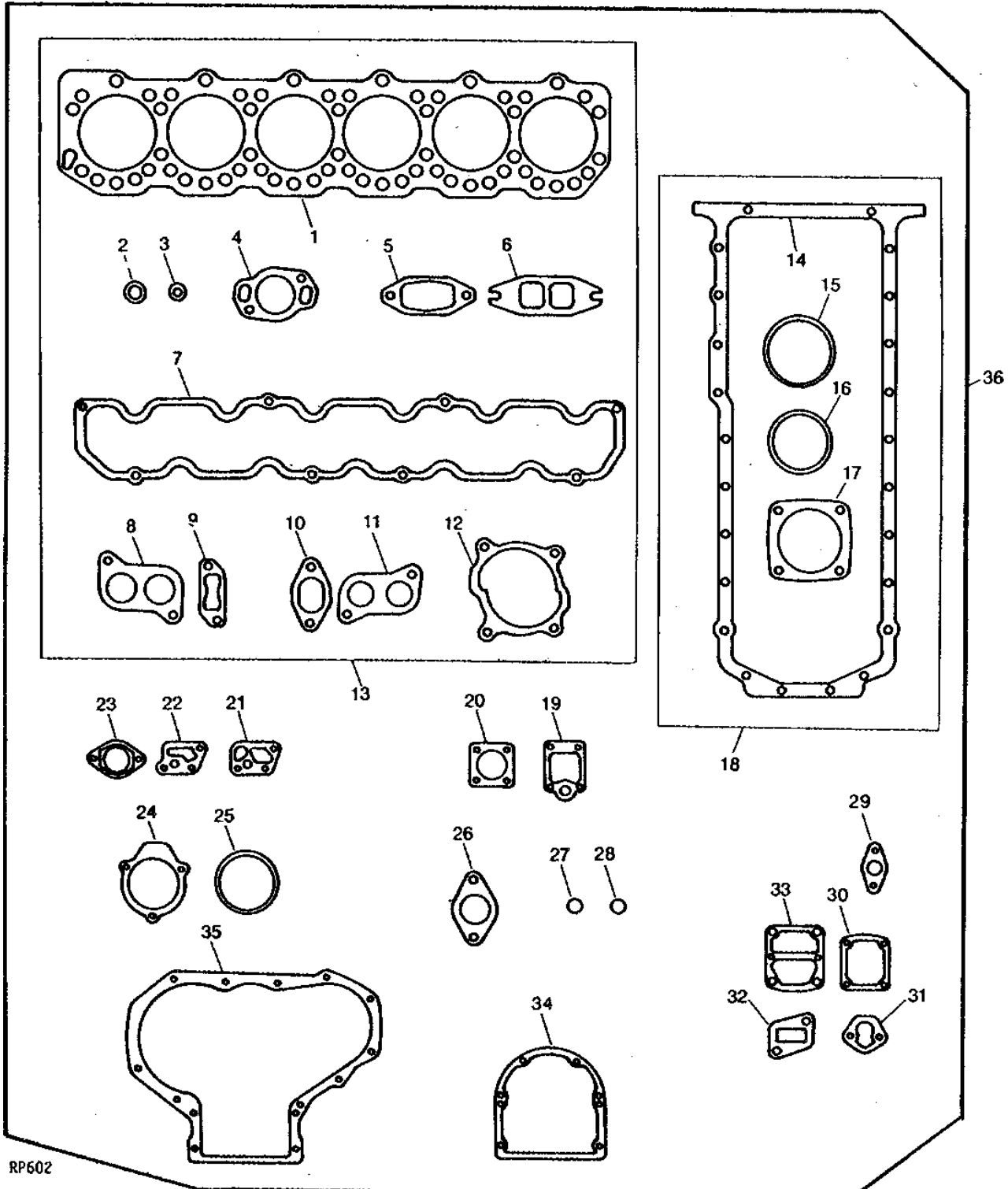
KEY	PART NO.	PART NAME	QTY	ENGINE SERIAL NO.	REMARKS
1	19H1732	CAP SCREW	2	3/8" X 1-1/4"	
2	12H304	LOCK WASHER	4	3/8"	
3	R52509	MANIFOLD	1		
4	19H1801	CAP SCREW	1	3/8" X 2"	
5	19H1765	CAP SCREW	1	3/8" X 1-3/4"	
6	R51440	TUBE	1		(SUB AR84395 AND R65706)
7	R72328	O-RING	1		(SUB FOR R43780)
8	R41285	ADAPTER	1		
9	R65708	FITTING	1	1/2"	
10	R65707	SLEEVE	1		
11	AR84395	LINE	1		
12	R65706	FITTING	1		
13	R72328	O-RING	1		(SUB FOR R43780)
14	R36846	THERMOSTAT	2		(DIESEL) (SUB FOR R43780)
	R36847	THERMOSTAT	2		(GASOLINE)
15	AR44840	HOUSING	2		(MARKED R42664)
16	R88397	GASKET	2		(SUB FOR R42693)
17	24M7096	WASHER	4	10.500 X 18 X 1.600 MM	
18	19H1732	CAP SCREW	4	3/8" X 1-1/4"	
19	R42694	GASKET	2		

# 1D11

ENGINE

## ENGINE GASKET KITS (GASOLINE)

RP602 -UN-01JAN94



RP602

# 1D12

ENGINE

## ENGINE GASKET KIT - CONTINUED (GASOLINE)

KEY	PART NO.	PART NAME	QTY	ENGINE SERIAL NO.	REMARKS
1	R41609	GASKET	1		
2	R495R	O-RING	1		
3	R27976	O-RING	6		
4	R42694	GASKET	2		
5	R27574	GASKET	1		
6	R26296	GASKET	1		
7	R49866	GASKET	1		(SUB FOR R26356 OR R32593)
8	R26291	GASKET	3		
9	R88397	GASKET	2		(SUB FOR R42693)
10	R83021	GASKET	2		(SUB FOR R44374) OUTER
11	R83020	GASKET	2		(SUB FOR R44373) INNER
12	R26331	GASKET	1		
13	AR53627	GASKET	1		(SUB FOR R44036)
14	R71918	GASKET	1		(SUB FOR R42424 OR R53282)
15	B3586R	WASHER	1		
16	R26163	O-RING	1		
17	R26354	GASKET	1		
18	AR30547	GASKET KIT	1		
19	R34109	GASKET	1		
20	R32123	GASKET	1		
21	R34753	GASKET	1		
22	R34110	GASKET	1		
23	R41855	GASKET	1		
24	R31340	GASKET	1		(SUB FOR R32593)
25	R40777	WASHER	1		
26	R26499	GASKET	1		
27	B2762R	O-RING	1		
28	T13119	O-RING	4		
29	R26738	GASKET	1		
30	R26173	GASKET	1		
31	R97350	GASKET	1		(SUB FOR R27285)
32	R46192	GASKET	1		(SUB FOR R26826)
33	R44853	GASKET	1		
34	R26058	GASKET	1		
35	R26084	GASKET	1		
36	AR63939	GASKET	1		(SUB FOR AR53628)
..	R53108	GASKET	1		

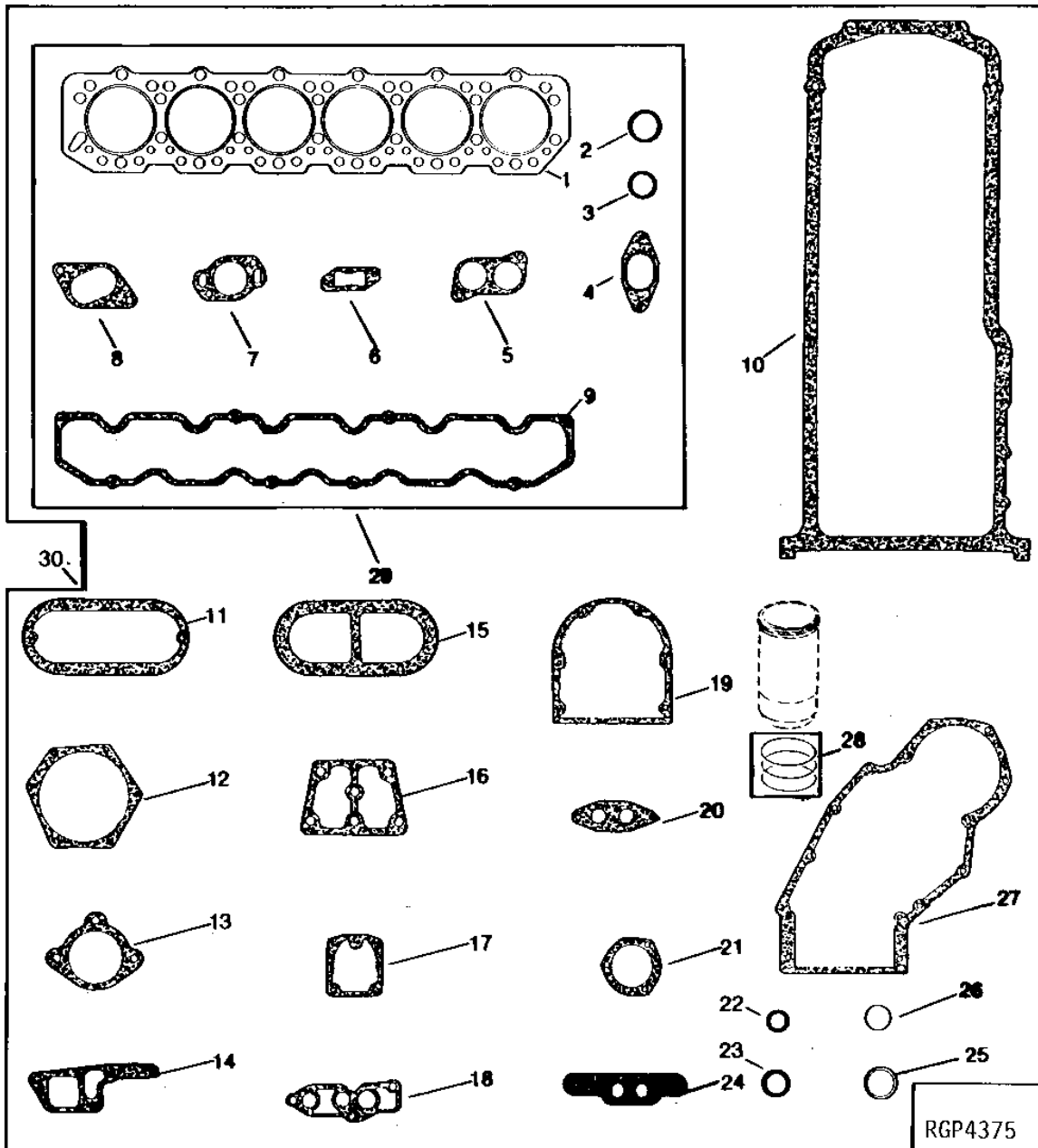
# 1D13

ENGINE

RGP4375

-UN-21SEP94

## ENGINE GASKET KITS (DIESEL)



RGP4375

# 1D14

ENGINE

## ENGINE GASKET KITS - CONTINUED (DIESEL)

KEY	PART NO.	PART NAME	QTY	ENGINE SERIAL NO.	REMARKS
1	R53438	GASKET	1		(MARKED R53438) (GRAY) (THICK)
2	R495R	O-RING	1		
3	R72328	O-RING	2		(SUB FOR R43780)
4	R83021	GASKET	2		(SUB FOR R44374)
5	R83020	GASKET	2		(SUB FOR R44373)
6	R88397	GASKET	2		(SUB FOR R42693)
7	R42694	GASKET	2		
8	R26297	GASKET	3		
9	R49866	GASKET	1		(SUB FOR R32593)
10	R71918	GASKET	1		(SUB FOR R53282)
11	AR58952	GASKET	1		(INCLUDES R50417)
12	R50390	GASKET	1		
13	R53108	GASKET	1		
14	R42406	GASKET	1		
15	R50419	GASKET	1		
16	R43595	GASKET	1		
17	R62410	GASKET	1		
18	R43774	GASKET	1		
19	R26058	GASKET	1		
20	R50424	GASKET	1		
21	R52049	GASKET	1		
22	R47153	O-RING	4		(SUB FOR R50420, APPL)
23	R71732	O-RING	4		(SUB FOR R50378)
24	R65055	GASKET	1		
25	R48399	WASHER	1		
26	T20328	GASKET	1		
27	R50353	GASKET	1		
28	AR65507	O-RING KIT	6		(NO LONGER INCLUDED)
29	AR63940	GASKET KIT	1		CYLINDER HEAD
30	AR63938	GASKET KIT	1		ENGINE REBUILD, (ALSO ORDER R65055)

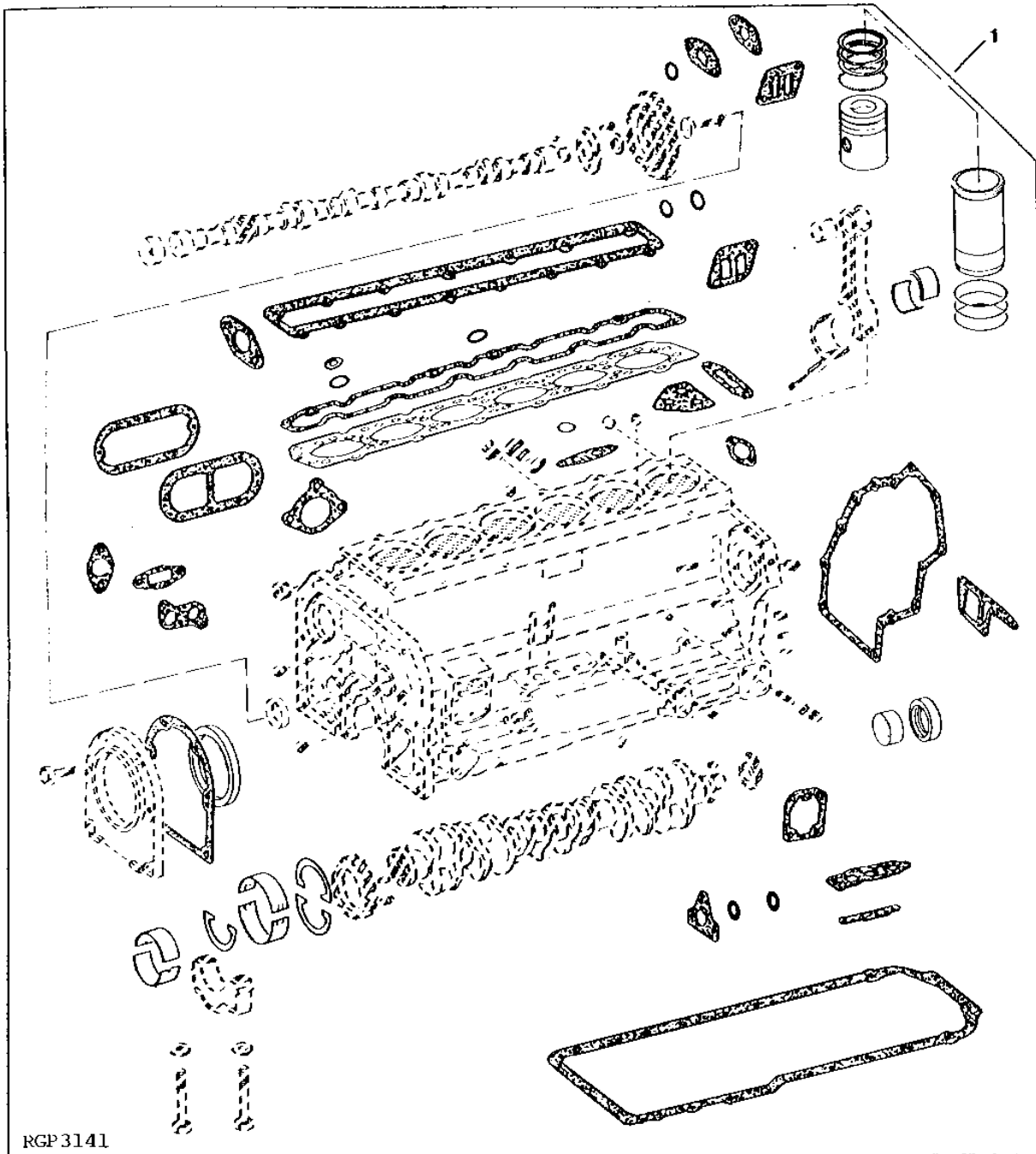
# 1D15

ENGINE

RGP3141

-UN-01JAN94

## ENGINE OVERHAUL KIT (DIESEL ONLY)



RGP 3141



# 1D16

ENGINE

---

**ENGINE OVERHAUL KIT - CONTINUED  
(DIESEL ONLY)**

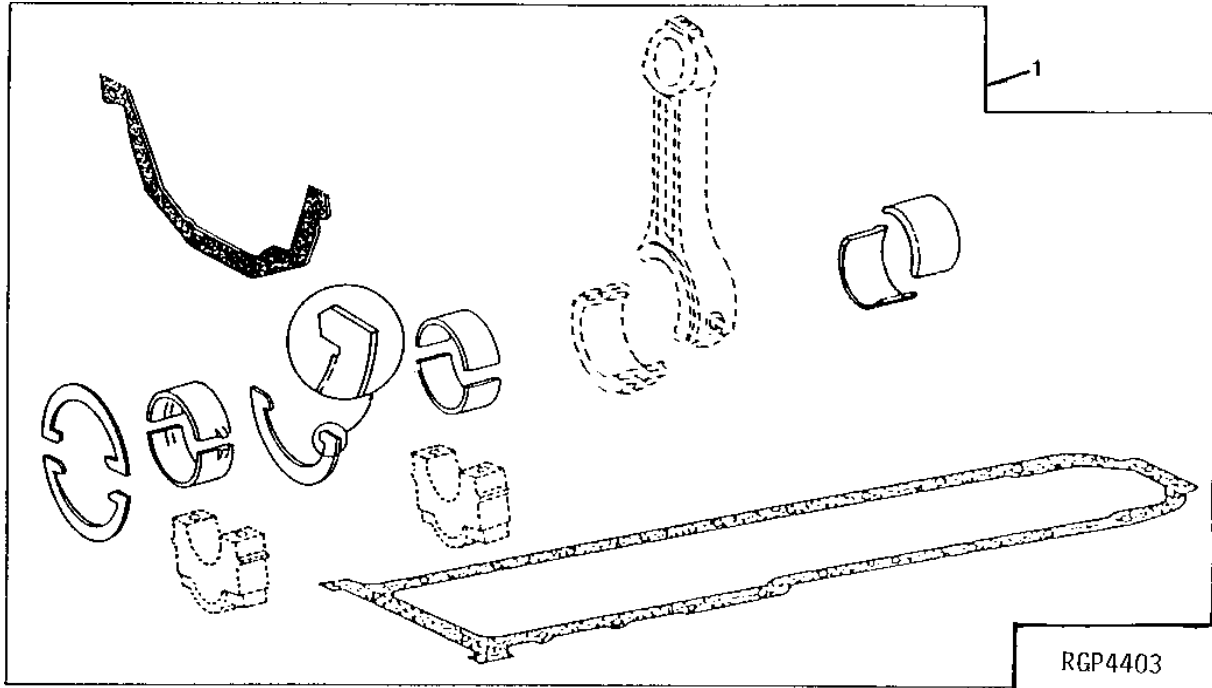
KEY	PART NO.	PART NAME	QTY	ENGINE SERIAL NO.	REMARKS
1	RG23429	ENGINE OVERHAUL KIT	1		(CONTAINS (6) RE23160 PISTON LINERS, GASKET KIT, STD BEARINGS, FRONT/REAR SEALS AND SNAP RINGS) (ALSO ORDER (12) R66452 ROD BOLTS) (SUB FOR RG17897)
	RG23437	ENGINE OVERHAUL KIT	1		(.010" US MAIN BEARING KIT) (CONTAINS (6) RE23160 PISTON LINERS, GASKET KIT, US BEARINGS, FRONT/REAR SEALS AND SNAP RINGS) (ALSO ORDER (12) R66452 ROD BOLTS) (SUB FOR RG22860)

# 1D17

ENGINE

## ENGINE UNDERHAUL KIT (DIESEL ONLY)

RGP4403 -UN-14DEC94



KEY	PART NO.	PART NAME	QTY	ENGINE SERIAL NO.	REMARKS
1	RG23427	KIT	1	(A) (SUB FOR RG22790)	

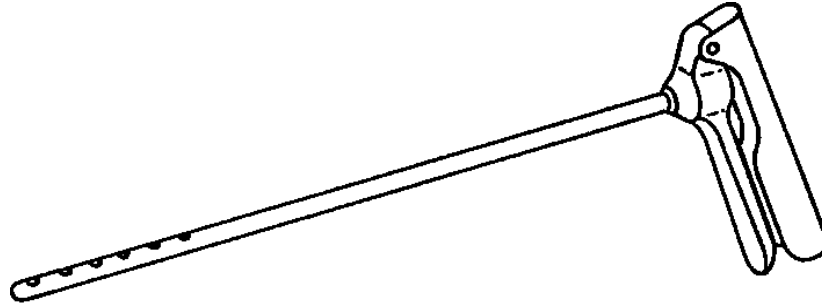
(A) USE WITH BLOCK MARKED R40620, R40930, R40940, R45950, R47020, R47110, R47170, R48440, R49550, R49650, R59850, R72128 OR R87558.

# 1D20

FUEL AND AIR

RP474 -UN-01JAN94

## DRY AIR CLEANER ELEMENT CLEANING GUN



RP474

KEY	PART NO.	PART NAME	QTY	TRACTOR SERIAL NO.	REMARKS
..	AR62377	SPRAY GUN	1		(MARKED R42726) (SUB AR62322) (NO LONGER AVAILABLE)
..	R36757	AIR CLEANER	1		(NLA)

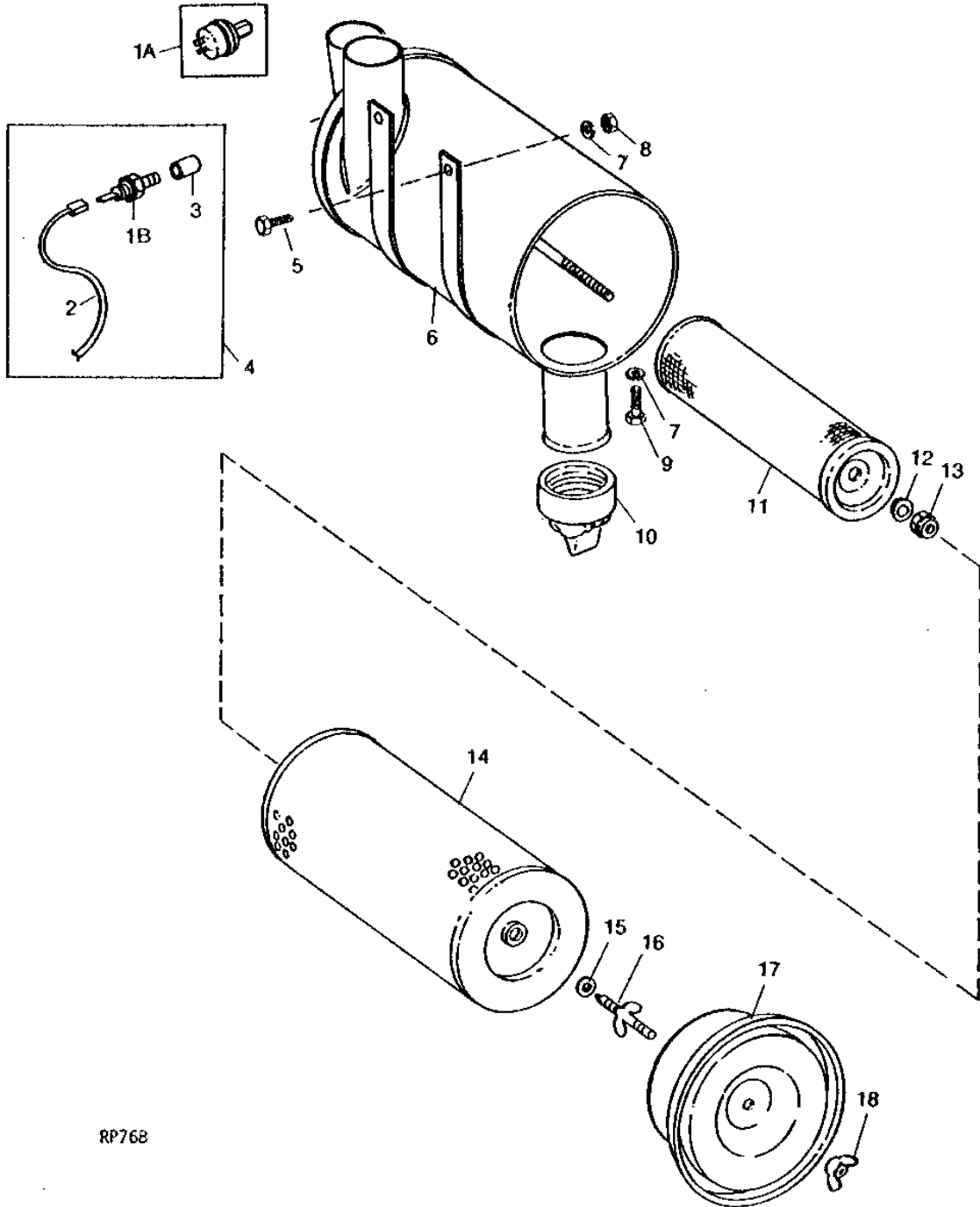
# 1D21

FUEL AND AIR

RP768

-UN-01JAN94

DRY AIR CLEANER



RP768

# 1D22

FUEL AND AIR

## DRY AIR CLEANER - CONTINUED

KEY	PART NO.	PART NAME	QTY	TRACTOR SERIAL NO.	REMARKS
1A	AR45184	SWITCH	1		(GASOLINE)
	AR50489	SWITCH	1	-028423	(DIESEL) (SUB AR73229)
1B	RE17515	SENSOR	1	028424-	(DIESEL) (SUB FOR AL24194 OR AL32975)
2	.....	WIRING LEAD	1	028424-	330 MM (13") (MAKE FROM R32007 AND (2) R32022)
3	15H73	COUPLING	1	028424-	1/8"
4	AR73229	KIT	1		VACUUM SWITCH
5	19H1134	CAP SCREW	2		3/8" X 3/4"
6	AR54335	AIR CLEANER	1	-XXXXXX	(SUB AR83397, AR83398, AR76140 AND AR21841)
	AR83397	AIR CLEANER	1	XXXXXX-	(ALSO ORDER AR83398 AND AR76140)
7	12H304	LOCK WASHER	4		3/8"
8	14H1076	NUT	2		3/8"
9	19H1134	CAP SCREW	2		3/8" X 3/4"
10	R53605	VALVE	1		
11	AR79942	FILTER ELEMENT	1		(SUB FOR AR54337)
12	AR52066	PACKING	1		
13	E17421	LOCK NUT	1		
14	AR79941	FILTER ELEMENT	1		(SUB FOR AR54336)
15	AR52065	PACKING	1		
16	AR52064	BOLT	1		
17	AR62308	COVER	1		
18	R48723	WING NUT	1		

---

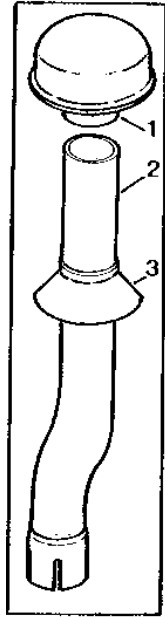
MEMORANDA

# 1D23

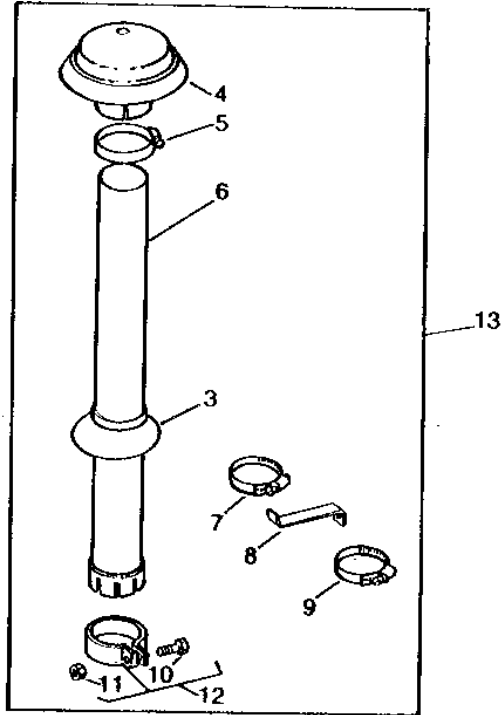
FUEL AND AIR

RWP6365 -UN-01JAN94

## AIR STACK



RWP6365



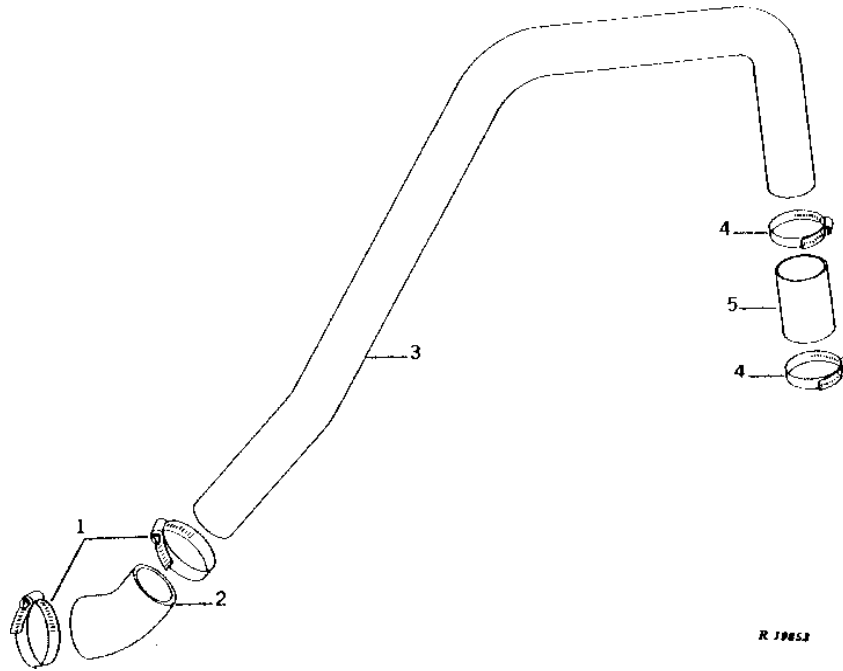
KEY	PART NO.	PART NAME	QTY	TRACTOR SERIAL NO.	REMARKS
1	AT25215	CAP	1	-026417	(SUB AR72336 AND AR21999)
2	R50082	AIR DUCT	1	-026417	(SUB AR78485)
3	R57119	SEAL	1		(SUB FOR R28799)
4	AR72336	CAP	1	026418-	
5	AR21999	CLAMP	1		
6	AR78485	AIR INTAKE STACK	1	026418-	(SUB FOR R40529)
7	AR21999	CLAMP	1		
8	R55021	BRACE	1	-015844	(NLA)
	R58300	BRACE	1	015845-	
9	TY22470	CLAMP	1		(SUB FOR AR21840)
10	19H1800	CAP SCREW	1		3/8" X 1-1/2"
11	14H1076	NUT	1		3/8"
12	AR26930	CLAMP	1		
13	AR65345	AIR DUCT	1		(ORDER COMPONENT PARTS)

# 1D24

FUEL AND AIR

## AIR INTAKE PIPE AND HOSES (GASOLINE)

R19853 -UN-01JAN94



KEY	PART NO.	PART NAME	QTY	TRACTOR SERIAL NO.	REMARKS
1	AR21841	CLAMP	2	(SUB TY22473)	
2	R50081	HOSE	1	(NLA)	
3	R50079	PIPE	1		
4	AR21999	CLAMP	2		
5	TY22341	BULK HOSE	1	(SUB FOR R50076)	

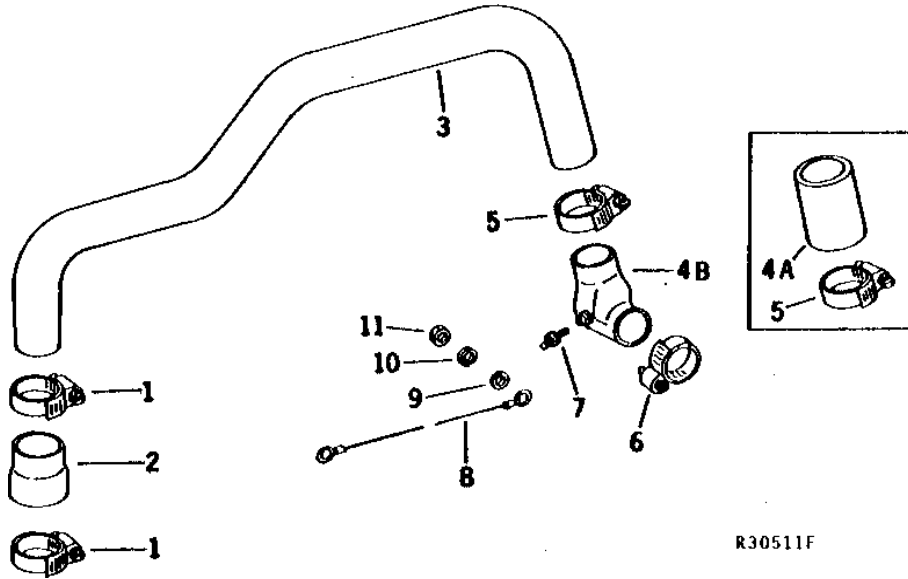


# 1D25

FUEL AND AIR

## AIR INTAKE PIPE AND HOSES (DIESEL)

R30511 -UN-01JAN94



R30511F

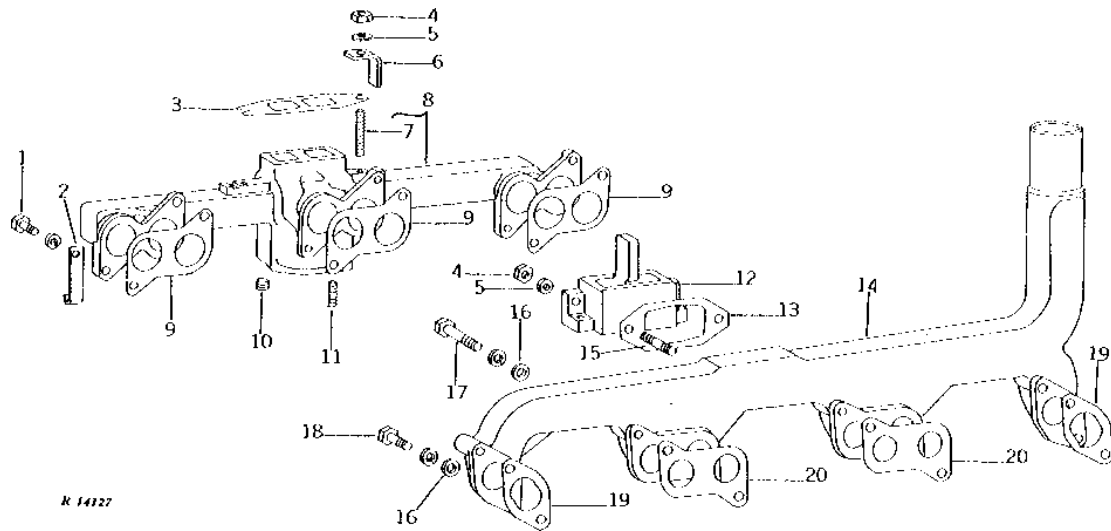
KEY	PART NO.	PART NAME	QTY	TRACTOR SERIAL NO.	REMARKS
1	AR62936	CLAMP	2		
2	R50078	HOSE	1		
3	R50077	AIR INTAKE STACK	1		
4A	TY22341	BULK HOSE	1	-XXXXXX	(SUB FOR R50076)
4B	AR83398	HOSE	1	XXXXXX-	
5	AR21999	CLAMP	2	-XXXXXX	
	AR21999	CLAMP	1	XXXXXX-	
6	AR21841	CLAMP	1	XXXXXX-	
7	RE17515	SENSOR	1		(SUB FOR AL24194 OR AL32975)
8	AR76140	WIRING LEAD	1	XXXXXX-	
9	24H1359	WASHER	1		5/8" X 7/8" X 0.060"
10	12H325	LOCK WASHER	1		7/16"
11	14H847	NUT	1		9/16"

# 1E1

FUEL AND AIR

R14127 -UN-01JAN94

## MANIFOLDS (GASOLINE)



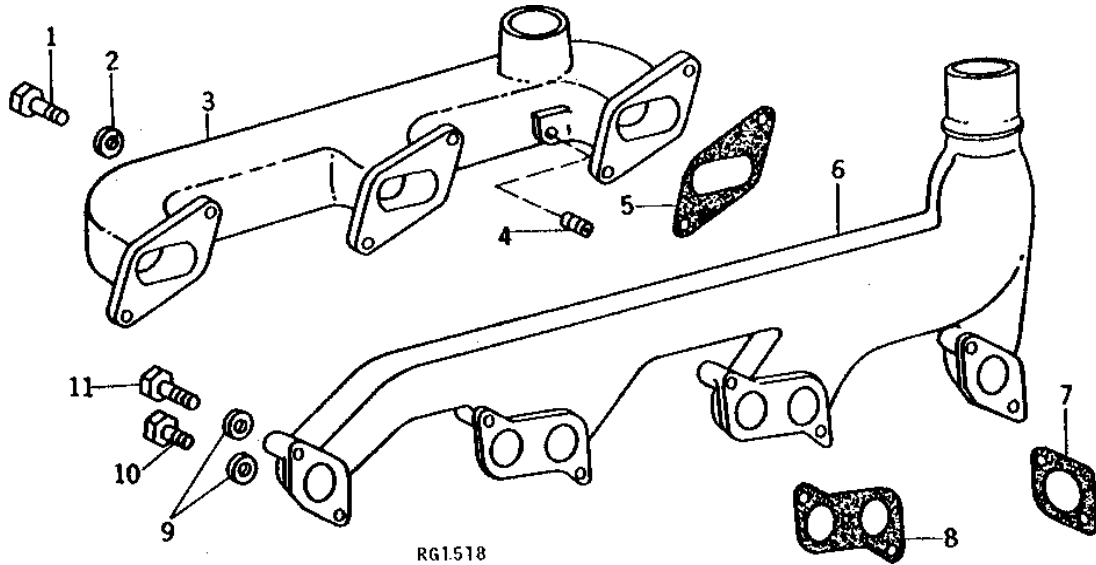
KEY	PART NO.	PART NAME	QTY	ENGINE SERIAL NO.	REMARKS
1	19H1732	CAP SCREW	6		3/8" X 1-1/4"
	12H304	LOCK WASHER	6		3/8"
2	R28789	CLIP	1		
3	R26296	GASKET	1		
4	A4646R	NUT	4		
5	24M7096	WASHER	4		10.500 X 18 X 1.600 MM
6	R27575	ANGLE	2		
7	R699R	STUD	2		
8	AR28062	INTAKE MANIFOLD	1		(MARKED R26967) (SUB R26967, (2) R32042, (2) R699R, (2) 15H624 AND R104592)
9	R26291	GASKET	3		
10	R104592	PIPE PLUG	1		
	15H624	PIPE PLUG	2		1/2"
11	R56481	STUD	2		(SUB FOR M3636T)
12	R39878	VALVE	1		
13	R27574	GASKET	1		
14	AR28061	EXHAUST MANIFOLD	1		(MARKED R26358) (SUB R26358 AND (2) R20443)
15	R20443	STUD	2		
16	24M7096	WASHER	8		10.500 X 18 X 1.600 MM
17	19H2128	CAP SCREW	4		3/8" X 3"
	12H304	LOCK WASHER	4		3/8"
18	19H246	CAP SCREW	4		3/8" X 1-3/4"
	12H304	LOCK WASHER	4		3/8"
19	R83021	GASKET	2		(SUB FOR R44374)
20	R83020	GASKET	2		(SUB FOR R44373)

# 1E2

FUEL AND AIR

RG1518 -UN-01JAN94

## MANIFOLDS (DIESEL)



KEY	PART NO.	PART NAME	QTY	ENGINE SERIAL NO.	REMARKS
1	19H1732	CAP SCREW	6	3/8" X 1-1/4"	
2	12H304	LOCK WASHER	6	3/8"	
3	R46411	INTAKE MANIFOLD	1		
4	15H666	PIPE PLUG	1	3/8", (LESS STARTING AID)	
5	R26297	GASKET	3		
6	R26362	EXHAUST MANIFOLD	2		
7	R83021	GASKET	2	(SUB FOR R44374)	
8	R83020	GASKET	2	(SUB FOR R44373)	
9	R63845	WASHER	8		
10	19H1765	CAP SCREW	4	3/8" X 1-3/4"	
11	19H2128	CAP SCREW	4	3/8" X 3"	

---

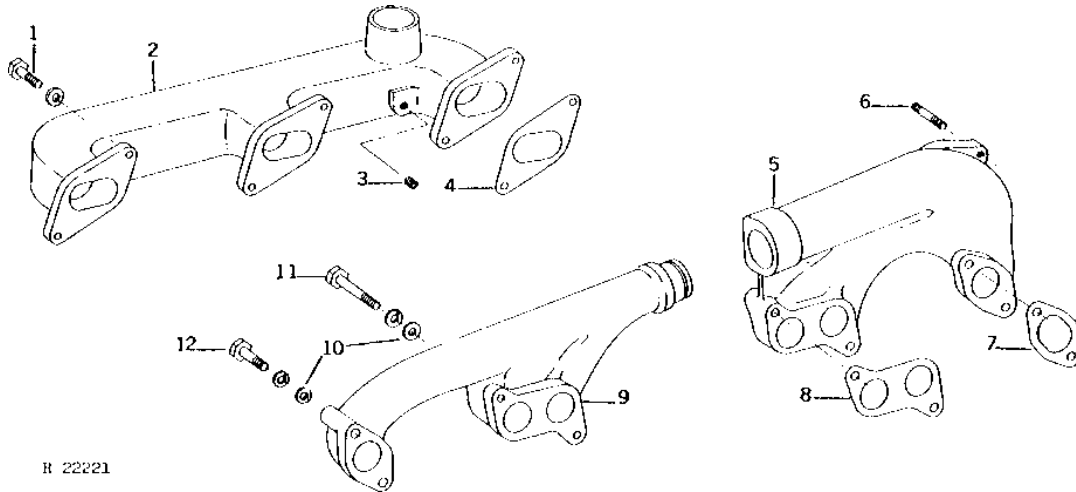
MEMORANDA

# 1E3

FUEL AND AIR

## MANIFOLD (LOW-PROFILE) (DIESEL)

R22221 -UN-01JAN94



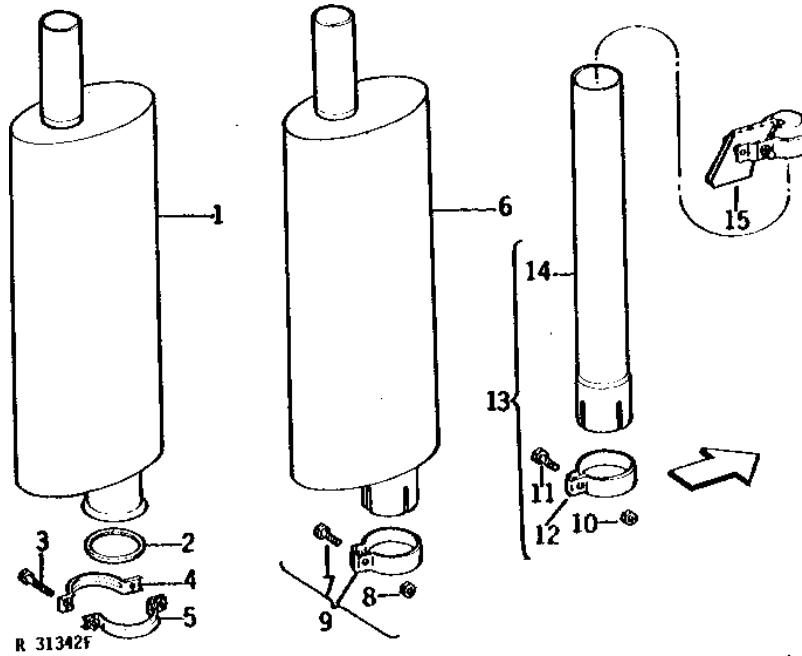
KEY	PART NO.	PART NAME	QTY	ENGINE SERIAL NO.	REMARKS
1	19H1732	CAP SCREW	6		3/8" X 1-1/4"
	12H304	LOCK WASHER	6		3/8"
2	R46411	INTAKE MANIFOLD	1		
3	15H666	PIPE PLUG	1		3/8", (LESS STARTING AID)
4	R26297	GASKET	3		
5	.....	EXHAUST MANIFOLD	1		( R54412 NLA)
6	R699R	STUD	3		
7	R83021	GASKET	2		(SUB FOR R44374)
8	R83020	GASKET	2		(SUB FOR R44373)
9	R43167	EXHAUST MANIFOLD	1		
10	24H1303	WASHER	8		13/32" X 11/16" X 0.065"
11	19H2128	CAP SCREW	4		3/8" X 3"
	12H304	LOCK WASHER	4		3/8"
12	19H1765	CAP SCREW	4		3/8" X 1-3/4"
	12H304	LOCK WASHER	4		3/8"

# 1E4

FUEL AND AIR

R31342 -UN-01JAN94

## MUFFLER, COVER AND EXTENSION



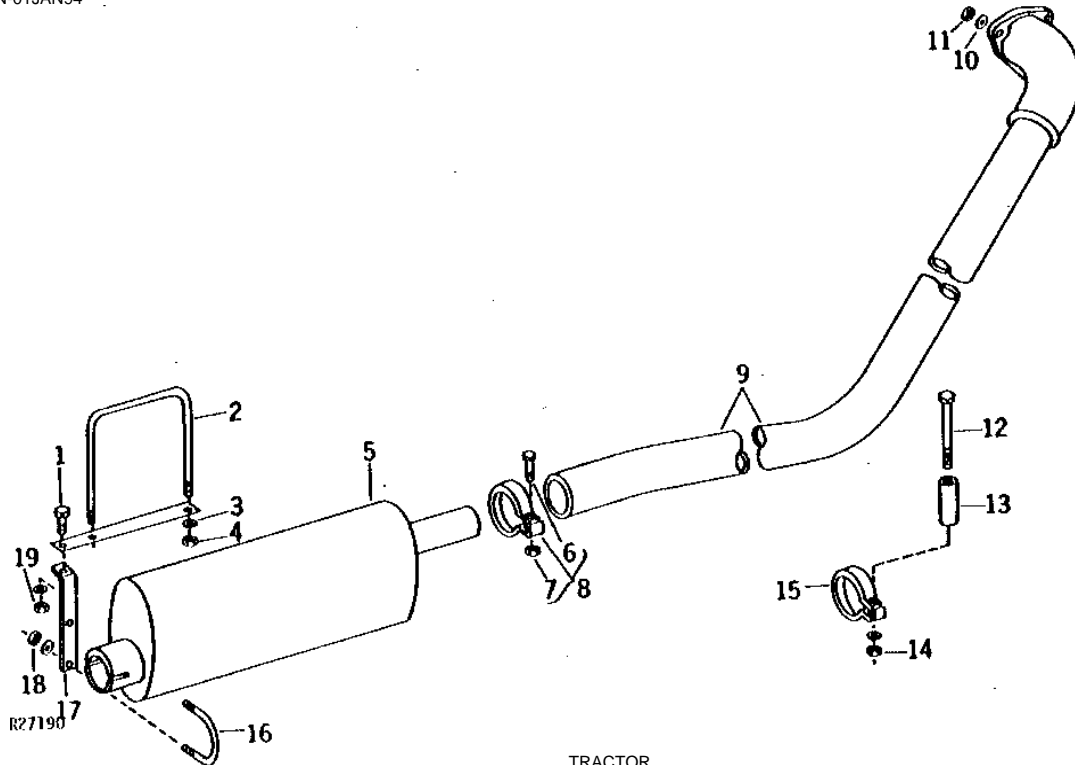
KEY	PART NO.	PART NAME	QTY	TRACTOR SERIAL NO.	REMARKS
1	AR86595	MUFFLER	1		(DIESEL) (SUB FOR AR41171)
2	R31142	SEALING WASHER	1		
3	19H1849	CAP SCREW	2		5/16" X 1-1/4"
4	R32235	CLAMP	1		
5	AR46323	CLAMP	1		
6	AR41172	MUFFLER	1		(GASOLINE)
7	19H1800	CAP SCREW	1		3/8" X 1-1/2"
8	14H1076	NUT	1		3/8"
9	AR26905	CLAMP	1		
10	14H1076	NUT	1		3/8"
11	19H1732	CAP SCREW	1		3/8" X 1-1/4"
12	R66684	CLAMP	1		
13	AR86807	EXHAUST PIPE	1		(SUB R66683 AND RE54186)
14	.....	EXTENSION	1		(ORDER R66683)
15	AR56783	EXHAUST CAP	1		(SUB AR86596)

# 1E5

FUEL AND AIR

## REAR MUFFLER AND EXHAUST PIPE (LOW PROFILE)

R27190 -UN-01JAN94



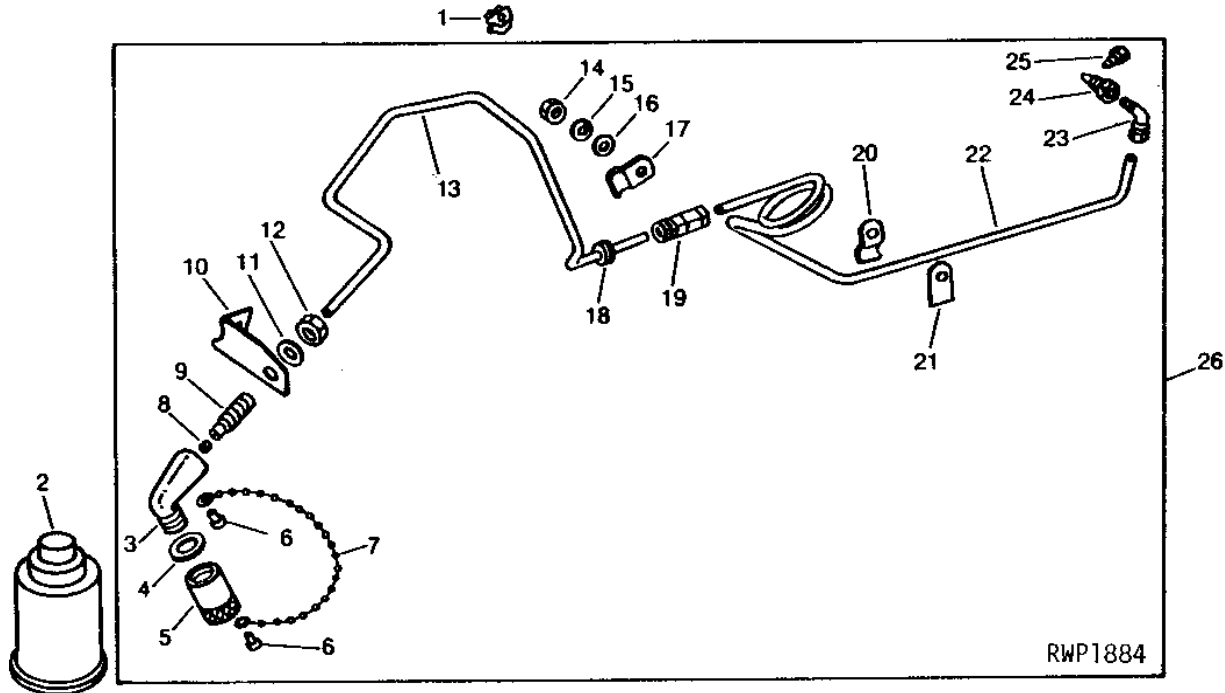
KEY	PART NO.	PART NAME	QTY	TRACTOR SERIAL NO.	REMARKS
1	19H1731	CAP SCREW	1	3/8" X 1"	
2	R28482	U-BOLT	1		
3	R32704	STRAP	1		
4	14H1076	NUT	2	3/8"	
	12H304	LOCK WASHER	2	3/8"	
5	AR41172	MUFFLER	1		
6	19H1800	CAP SCREW	1	3/8" X 1-1/2"	
7	14H1076	NUT	1	3/8"	
8	AR26905	CLAMP	1		
9	AR62273	EXHAUST PIPE	1	(NLA)	
10	14H1076	NUT	3	3/8"	
11	24M7096	WASHER	3	10.500 X 18 X 1.600 MM	
12	19H1854	CAP SCREW	1	3/8" X 3-3/4"	
13	28H1635	SPACER	1	3/8" X 2-1/8"	
14	14H1076	NUT	1	3/8" HS, SAE 8	
	12H304	LOCK WASHER	1	3/8"	
15	AR26906	CLAMP	1		
16	R31754	U-BOLT	1		
17	R52835	HANGER	1		
18	14H785	NUT	2	5/16"	
	12H303	LOCK WASHER	2	5/16"	
19	14H1076	NUT	1	3/8"	
	12H304	LOCK WASHER	1	3/8"	

# 1E6

FUEL AND AIR

## COLD WEATHER STARTING AID (MANUALLY OPERATED)

RWP1884 -UN-18OCT94



RWP1884

KEY	PART NO.	PART NAME	QTY	TRACTOR SERIAL NO.	REMARKS
1	R59687	CLIP	2	XXXXXX-	
2	RE33636	STARTING FLUID	1		(SUB FOR AR27814, RE24561 OR RE30174)
3	T22534	ADAPTER	1		
4	R26149	PACKING	1		
5	R32306	CAP	1		
6	37H44	SCREW	2		0.151" X 3/8"
7	AR27940	LINK CHAIN	1		
8	R34394	WASHER	1		
9	R34395	ADAPTER	1		
10	R54440	BRACKET	1		
11	14H1040	NUT	1		1/2"
12	12H301	LOCK WASHER	1		1/2"
13	.....	LINE	1		(ORDER RE16151)
14	14H785	NUT	2	-XXXXXX	5/16"
15	12H303	LOCK WASHER	2	-XXXXXX	5/16"
16	24H1136	WASHER	2	-XXXXXX	11/32" X 11/16" X 0.065"
17	R55486	HALF CLAMP	2	-XXXXXX	
18	R27180	GROMMET	1		
19	R34388	UNION FITTING	1		
20	R55486	HALF CLAMP	1		
21	R27256	STRAP	1		
22	.....	LINE	1		(ORDER RE16151)
23	RE21790	ELBOW FITTING	1		(SUB FOR AT25266)
24	R47160	NOZZLE HOLDER	1		
25	R28583	NOZZLE	1		
26	AR62483	STARTING FLUID	1		(SUB AR68492)

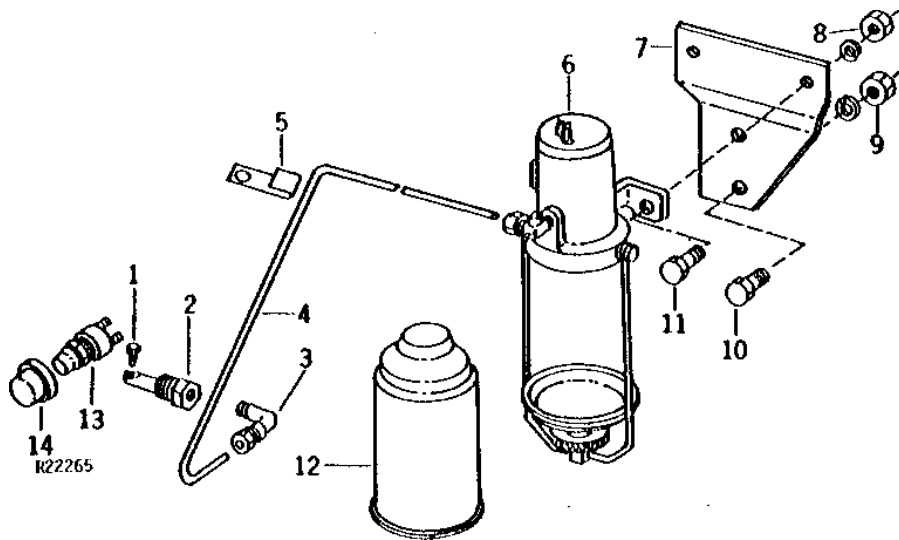


# 1E7

FUEL AND AIR

## COLD WEATHER STARTING AID (ELECTRICALLY OPERATED)

R22265 -UN-01JAN94



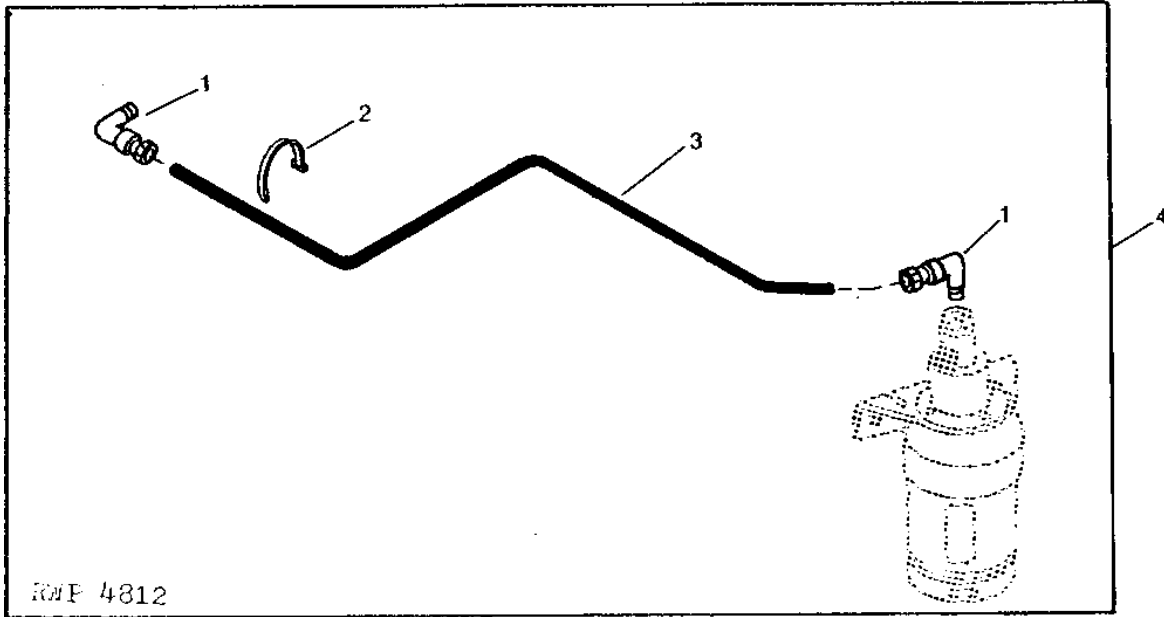
KEY	PART NO.	PART NAME	QTY	TRACTOR SERIAL NO.	REMARKS
1	R28583	NOZZLE	1		
2	R47160	NOZZLE HOLDER	1		
3	RE21790	ELBOW FITTING	1		(SUB FOR AT25266)
4	.....	TUBE	1	-021872	(ORDER RE16151)
	.....	TUBE	1	021873-	(ORDER RE16151)
5	B1986R	CLIP	1	-021872	
6	RE48310	STARTING AID SOLENOID	1		(SUB FOR AT39623)
	RE21790	ELBOW FITTING	1		(SUB FOR AT25266)
	AT45396	BAIL	1		ROUND, (SUB AT57288)
	AT57288	BAIL	1		FLAT
	T46726	GASKET	1		
7	R56873	BRACKET	1		
8	14H785	NUT	2	5/16"	
	12H303	LOCK WASHER	2	5/16"	
9	14H1076	NUT	2	3/8"	
	12H304	LOCK WASHER	2	3/8"	
10	19H1936	CAP SCREW	2	3/8" X 3/4"	
11	19H2127	CAP SCREW	2	5/16" X 7/8"	
12	RE33636	STARTING FLUID	1		(SUB FOR AR27814, RE24561 OR RE30714)
13	R39554	SWITCH	1		
14	T55585	CAP	1		(SUB FOR AR67950)
..	AR68499	KIT	1		(WIRING TO INSTALL ELECTRIC COLD WEATHER STARTING AID ON TRACTORS PRIOR TO SERIAL NO. 013000) (CONSISTS OF AR68016, AR68017, AR68019 AND AT68973) (SUB RE42401)
..	RE42401	KIT	1		(CONSISTS OF RE42399, RE42400, R32018 AND (10) R44302) (ALSO ORDER RE38391) (SUB FOR AR68499)

# 1E8

FUEL AND AIR

RWP4812 -UN-01JAN94

## STARTING FLUID TUBE KIT



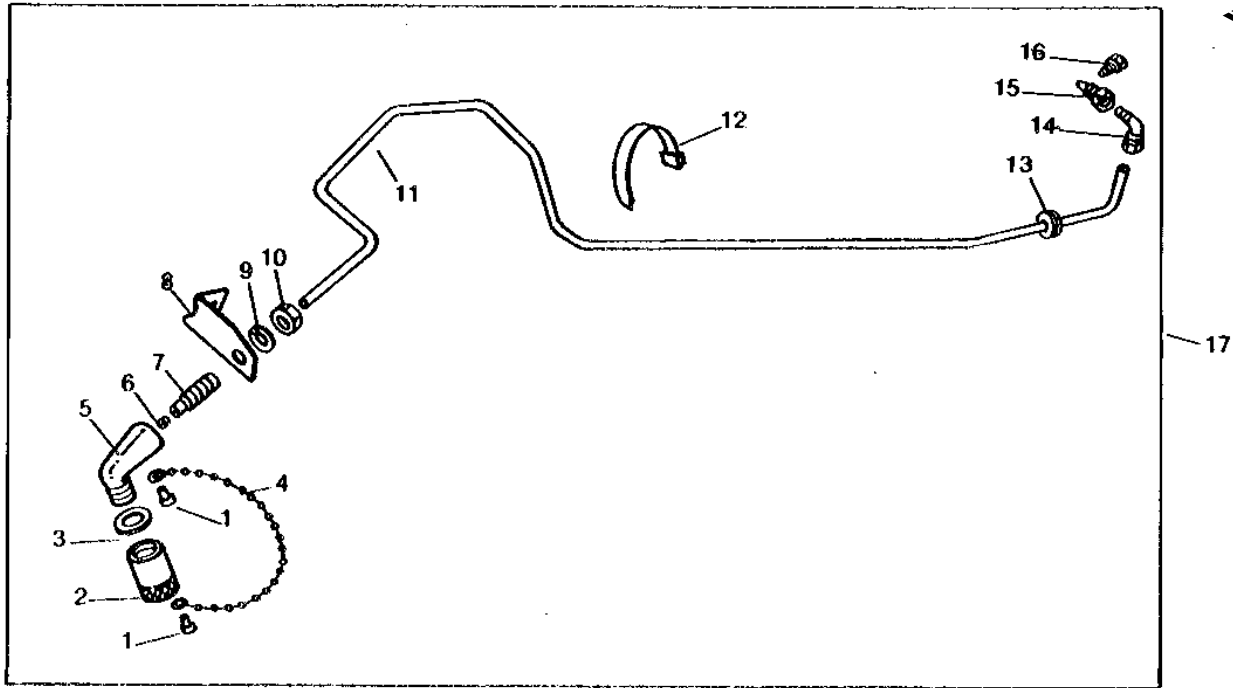
KEY	PART NO.	PART NAME	QTY	TRACTOR SERIAL NO.	REMARKS
1	RE21790	ELBOW FITTING	2		(SUB FOR AT25266)
2	R44302	TIE BAND	5		
3	.....	TUBE	1		(ORDER RE16151)
4	RE16151	KIT	1		

# 1E9

FUEL AND AIR

## ETHER STARTING AID KIT (MANUAL)

RWP5158 -UN-01JAN94



RWP5158

KEY	PART NO.	PART NAME	QTY	TRACTOR SERIAL NO.	REMARKS
1	37H44	SCREW	2	0.151" X 3/8"	
2	R32306	CAP	1		
3	R26149	PACKING	1		
4	AR27940	LINK CHAIN	1		
5	T22534	ADAPTER	1		
6	R34394	WASHER	1		
7	R34395	ADAPTER	1		
8	R54440	BRACKET	1		
9	12H301	LOCK WASHER	1	1/2"	
10	14H1040	NUT	1	1/2"	
11	.....	TUBE	1	(ORDER RE16151)	
12	R44302	TIE BAND	4		
13	R27180	GROMMET	1		
14	RE21790	ELBOW FITTING	1	(SUB FOR AT25266)	
15	R47160	NOZZLE HOLDER	1		
16	R28583	NOZZLE	1		
17	RE16182	KIT	1		

---

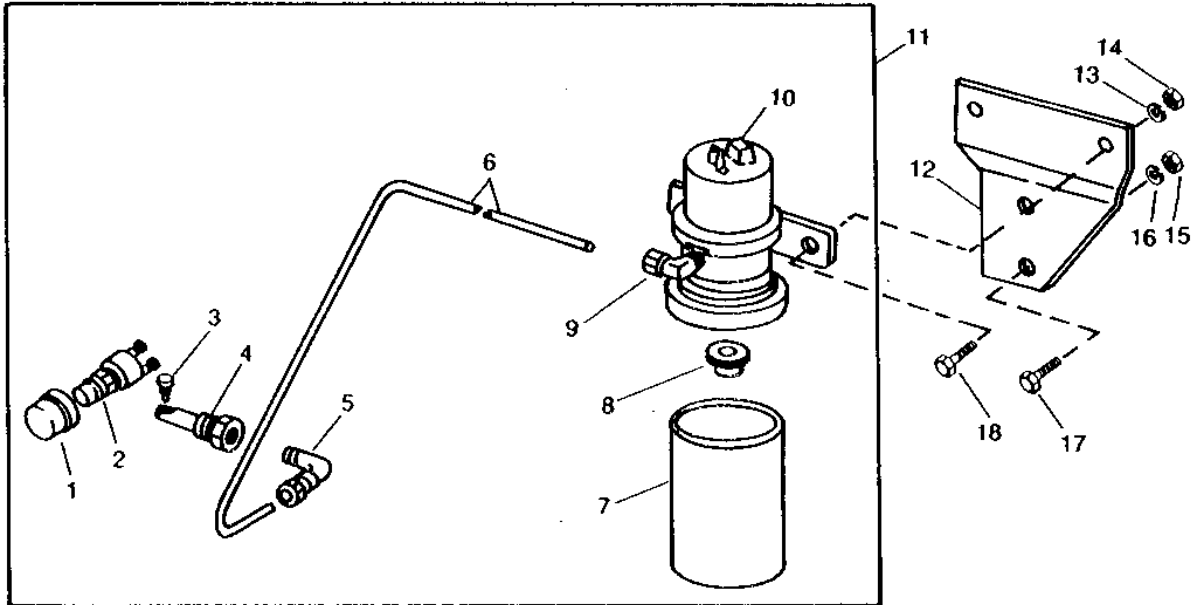
MEMORANDA

# 1E10

FUEL AND AIR

RWP5272 -UN-01JAN94

## COLD WEATHER STARTING AID (ELECTRIC)



RWP5272

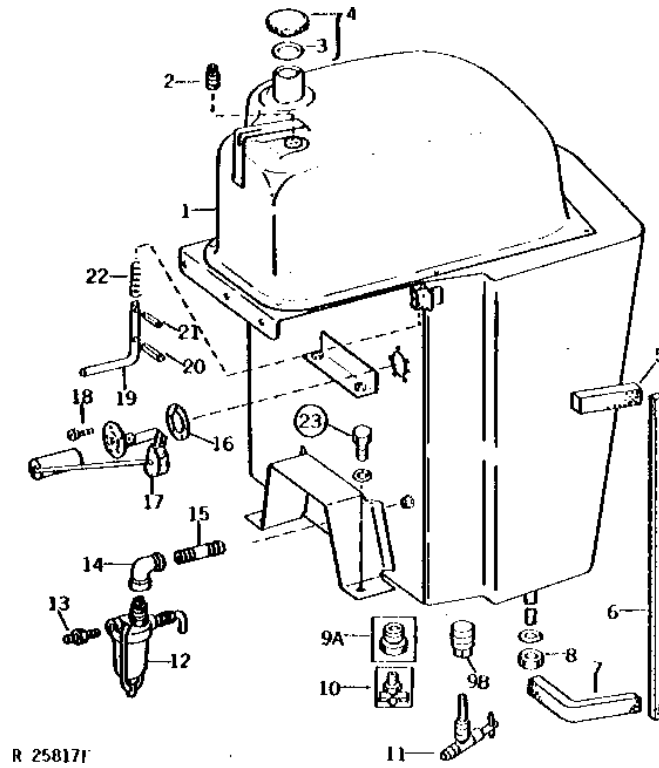
KEY	PART NO.	PART NAME	QTY	TRACTOR SERIAL NO.	REMARKS
1	T55585	CAP	1		
2	R39554	SWITCH	1		
3	R28583	NOZZLE	1		
4	R47160	NOZZLE HOLDER	1		
5	RE21790	ELBOW FITTING	1		(SUB FOR AT25266)
6	.....	TUBE	1		(ORDER RE16151)
7	AT57288	BAIL	1	-XXXXXX	
	R73498	CONTAINER	1	XXXXXX-	
8	T46726	GASKET	1	-XXXXXX	
	T13119	O-RING	1	XXXXXX-	
9	RE21790	ELBOW FITTING	1		(SUB FOR AT25266)
10	AT39623	SOLENOID	1	-XXXXXX	(SUB RE48310)
	AR97514	STARTING AID SOLENOID	1	XXXXXX-	(SUB FOR AR97515) (SUB RE48310)
11	AR68492	STARTING AID	1		(ALSO ORDER RE42401 WIRING HARNESS KIT)
12	R56873	BRACKET	1		
13	12H303	LOCK WASHER	2	5/16"	
14	14H785	NUT	2	5/16"	
15	14H1076	NUT	2	3/8"	
16	12H304	LOCK WASHER	2	3/8"	
17	19H1936	CAP SCREW	2	3/8" X 3/4"	
18	19H2127	CAP SCREW	2	5/16" X 7/8"	
..	R44302	TIE BAND	AR		

# 1E11

FUEL AND AIR

R25817 -UN-01JAN94

FUEL TANK  
(GASOLINE)



R 25817I

# 1E12

FUEL AND AIR

## FUEL TANK - CONTINUED (GASOLINE)

KEY	PART NO.	PART NAME	QTY	TRACTOR SERIAL NO.	REMARKS
1	AR53873	FUEL TANK	1	-015214	(SUB AR81883, AR77267, AR68183, 15H620 AND (2) R49877)
	AR63887	FUEL TANK	1	015215-030805	(SUB AR81883, AR77268 AND 15H620)
	AR77270	FUEL TANK	1	030806-041570	(SUB AR81883)
	AR81883	FUEL TANK	1	041571-	
2	R55233	PIPE PLUG	1		(SUB FOR A4242R)
3	R39615	WASHER	1		
4	AT20911	FILLER CAP	1		
5	.....	FOAM PAD	2		19 X 25 X 98MM (3/4" X 1" X 3-7/8") (MAKE FROM R30937)
6	.....	FOAM PAD	2		13 X 13 X 533MM (1/2" X 1/2" X 21") (MAKE FROM R91558)
7	.....	FOAM PAD	2		19 X 25 X 210MM (3/4" X 1" X 8-1/4") (MAKE FROM R30937)
8	14H1039	NUT	4	-015214	5/8"
	12H294	LOCK WASHER	4	-015214	5/8"
	14H1039	NUT	2	015215-	5/8"
	12H294	LOCK WASHER	2	015215-	5/8"
9A	15H629	PIPE BUSHING	1	-030805	1" X 1/4"
9B	15H620	PIPE PLUG	1	030806-	1"
10	AT13740	DRAIN VALVE	1		
11	R34656	SHUT-OFF VALVE	1	015215-	
12	AA4331R	FUEL FILTER	1		(SUB AA4295R)
13	R27346	FITTING	1		
14	15H650	ELBOW FITTING	1		90°
15	29H89	THREADED NIPPLE	1		1/4" X 2"
16	R27181	GASKET	1		
17	AR56614	SENDER	1	-026519	(SUB AR73995)
	AR73995	FUEL SENDER	1	026520-	
	14H631	NUT	1	026520-	0.190"
	12M7060	WASHER	1	026520-	0.209"
18	21H981	SCREW	5		0.190" X 1/2"
19	R50779	PIN	2		
20	34H282	SPRING PIN	2		3/16" X 1"
21	34H387	SPRING PIN	2		3/16" X 3/4"
22	B161R	SPRING	2		
23	19H3530	CAP SCREW	2		1/2" X 7/8"
	12H301	LOCK WASHER	2		1/2"
	24H1625	WASHER	2		17/32" X 1" X 0.120"
..	AR77267	KIT	1	-030805	FUEL TANK INSTALLATION

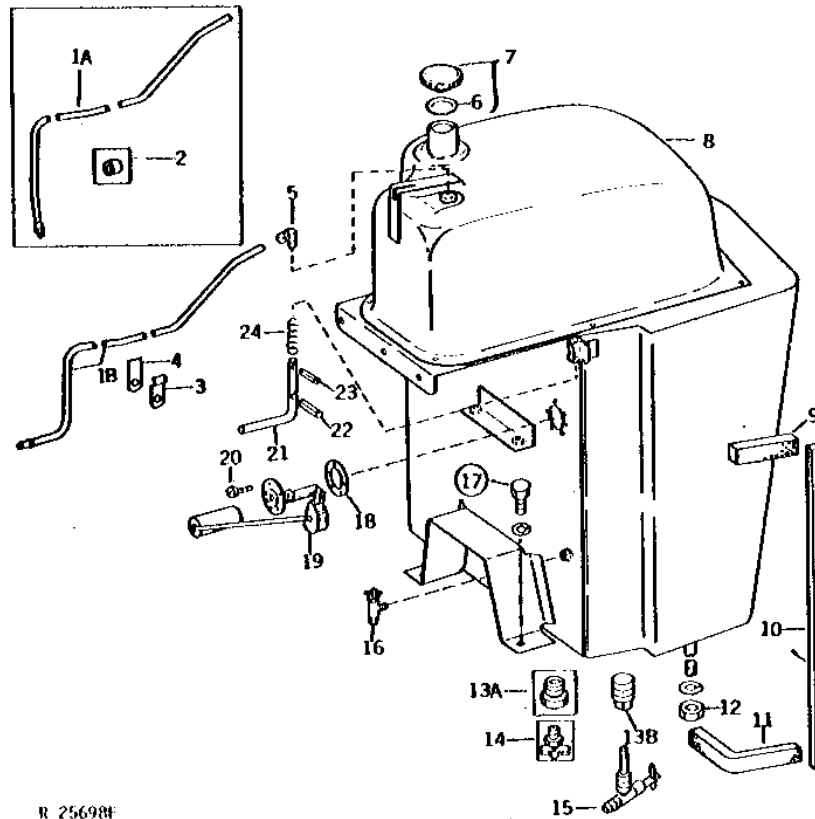
# 1E13

FUEL AND AIR

R25698

-UN-01JAN94

FUEL TANK  
(DIESEL)



R 25698F



# 1E14

FUEL AND AIR

## FUEL TANK - CONTINUED (DIESEL)

KEY	PART NO.	PART NAME	QTY	TRACTOR SERIAL NO.	REMARKS
1A	AR58276	FUEL LINE	1	-032003	
1B	R62788	OIL TUBE	1	032004-	
2	R28677	SLEEVE	1	-019558	
3	R55662	HALF CLAMP	1	032004-	
4	R55663	STRAP	1	032004-	
5	AR46281	ELBOW FITTING	1		
6	R39615	WASHER	1		
7	AT20911	FILLER CAP	1		
8	AR53873	FUEL TANK	1	-015214	(SUB AR81883, AR77267, AR68183, 15H620 AND (2) R49877)
	AR63887	FUEL TANK	1	015215-030805	(SUB AR81883, AR77268 AND 15H620)
	AR77270	FUEL TANK	1	030806-041570	(SUB AR81883)
	AR81883	FUEL TANK	1	041571-	
9	.....	FOAM PAD	2	-009092	19 X 25 X 98MM (3/4" X 1" X 3-7/8") (MAKE FROM R30937)
	.....	FOAM PAD	2	009093-	13 X 25 X 76MM (1/2" X 1" X 3") (MAKE FROM R30936)
10	.....	FOAM PAD	2	-009092	13 X 13 X 533MM (1/2" X 1/2" X 21") (MAKE FROM R91558)
11	.....	FOAM PAD	2	-009092	19 X 25 X 210MM (3/4" X 1" X 8-1/4") (MAKE FROM R30937)
	.....	FOAM PAD	2	009093-	19 X 25 X 191MM (3/4" X 1" X 7-1/2") (MAKE FROM R30937)
12	14H1039	NUT	4	-015214	5/8"
	12H294	LOCK WASHER	4	-015214	5/8"
	14H1039	NUT	2	015215-	5/8"
	12H294	LOCK WASHER	2	015215-	5/8"
13A	15H629	PIPE BUSHING	1	-030805	1" X 1/4"
13B	15H620	PIPE PLUG	1	030806-	1"
14	AT13740	DRAIN VALVE	1	-015215	
15	R34656	SHUT-OFF VALVE	1	015215-	(A)
16	AR43253	SHUT-OFF VALVE	1	-015214	
17	19H3530	CAP SCREW	2	015215-	1/2" X 7/8"
	12H301	LOCK WASHER	2	015215-	1/2"
	24H1625	WASHER	2	015215-	17/32" X 1" X 0.120"
18	R27181	GASKET	1		
19	AR56614	SENDER	1	-026519	(SUB AR73995)
	AR73995	FUEL SENDER	1	026520-	
	14H631	NUT	1	026520-	0.190"
	12M7060	WASHER	1	026520-	0.209"
20	21H981	SCREW	5		0.190" X 1/2"
21	R50779	PIN	2		
22	34H282	SPRING PIN	2		3/16" X 1"
23	34H387	SPRING PIN	2		3/16" X 3/4"
24	B161R	SPRING	2		
..	AR77267	KIT	1	-030805	FUEL TANK INSTALLATION

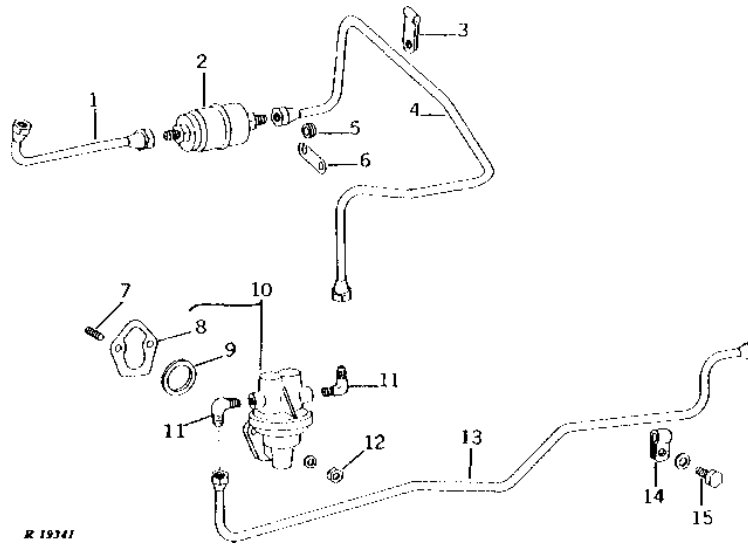
(A) CONTAINED IN AR77267

# 1E15

FUEL AND AIR

## FUEL PUMP, LINES AND FILTER (GASOLINE)

R19341 -UN-01JAN94



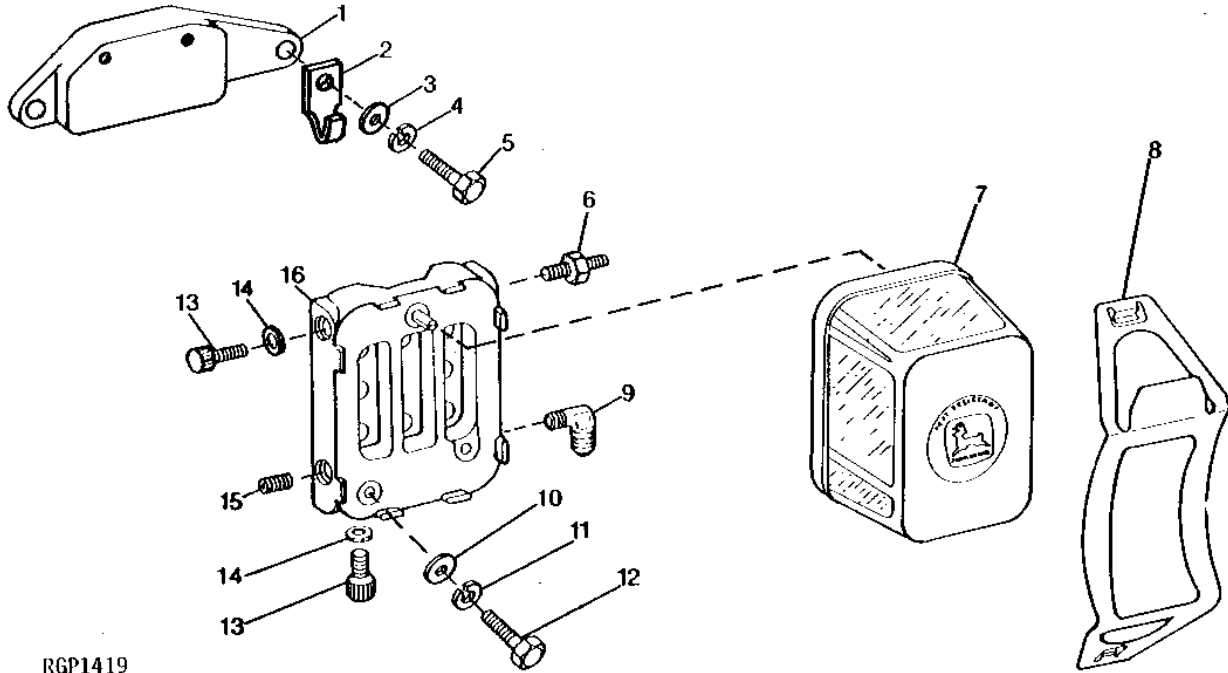
KEY	PART NO.	PART NAME	QTY	ENGINE SERIAL NO.	REMARKS
1	AR60095	FUEL LINE	1	(NLA)	
2	AR50141	FUEL FILTER	1		
3	R27284	CLIP	1		
4	AR50140	FUEL LINE	1		
5	R26409	GROMMET	1		
6	R47421	CLIP	1		
7	R48755	STUD	2		
8	R97350	GASKET	1	(SUB FOR R27285)	
9	R48399	WASHER	1		
10	RE43274	FUEL PUMP	1	(SUB FOR AR52158, AR64120 OR RE36905) (ALSO ORDER R97350)	
11	T30738	ELBOW FITTING	2		
12	14H785	NUT	2	5/16"	
	12H303	LOCK WASHER	2	5/16"	
13	AR54421	FUEL LINE	1	(NLA)	
14	T14050	CLIP	1		
15	19H1936	CAP SCREW	1	3/8" X 3/4"	
	12H304	LOCK WASHER	1	3/8"	

# 1E16

FUEL AND AIR

## FUEL FILTER (DIESEL)

RGP1419 -UN-01JAN94



RGP1419

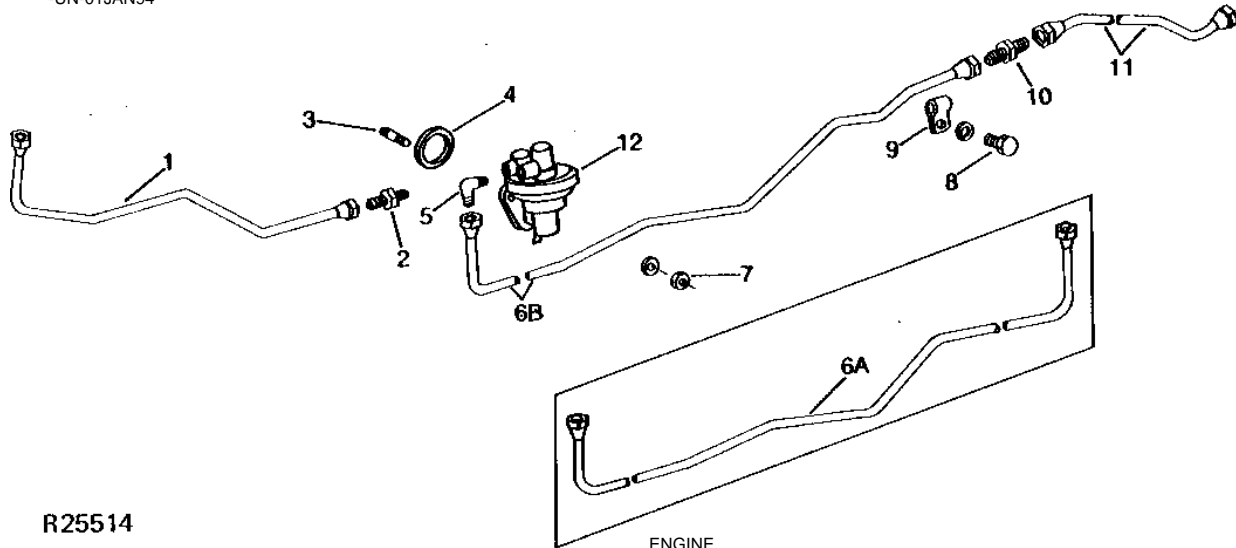
KEY	PART NO.	PART NAME	QTY	ENGINE SERIAL NO.	REMARKS
1	R47433	SUPPORT	1		
2	R53302	BRACKET	1		
3	24M7044	WASHER	2		
4	12H293	LOCK WASHER	2	7/16"	
5	19H2964	CAP SCREW	2	7/16" X 1-1/8"	
6	R27346	FITTING	1		
7	AR50041	FUEL FILTER	1		
8	R66821	CLAMP	1		(SUB FOR R47358 OR R57258)
9	T30738	ELBOW FITTING	2		
10	24H1289	WASHER	1	21/64" X 5/8" X 0.049"	
11	12H303	LOCK WASHER	2	5/16"	
12	19H1905	CAP SCREW	2	5/16" X 1"	
13	R48071	DRAIN PLUG	2		
14	R34447	WASHER	2		
15	15H558	PIPE PLUG	1	1/8"	
16	AR50040	HOUSING	1		

# 1E17

FUEL AND AIR

## FUEL PUMP AND LINES (DIESEL)

R25514 -UN-01JAN94



R25514

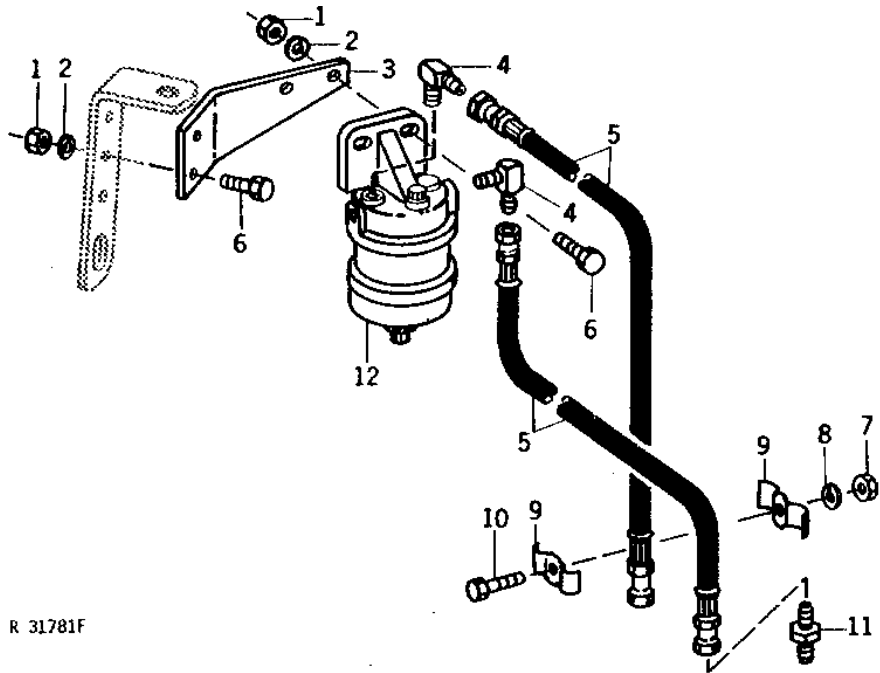
KEY	PART NO.	PART NAME	QTY	ENGINE SERIAL NO.	REMARKS
1	AR57265	FUEL LINE	1		
2	R27346	FITTING	1		
3	R48755	STUD	2		
4	R48399	WASHER	1		
5	T30738	ELBOW FITTING	1		
6A	AR59139	FUEL LINE	1	-015214	
6B	AR68183	FUEL LINE	1	015215-	
7	14H1090	NUT	2		3/8"
	12H303	LOCK WASHER	2		5/16"
8	19H1936	CAP SCREW	1		3/8" X 3/4"
	12H304	LOCK WASHER	1		3/8"
9	T14050	CLIP	1		
10	R50201	FITTING	1	015215-	
11	AR68181	FUEL LINE	1	015215-030805	
	AR77268	FUEL LINE	1	030806-	
12	AR57264	FUEL PUMP	1		

# 1E18

FUEL AND AIR

R31781 -UN-01JAN94

WATER SEPARATOR  
(NOT USED IN U.S. AND CANADA)



R 31781F

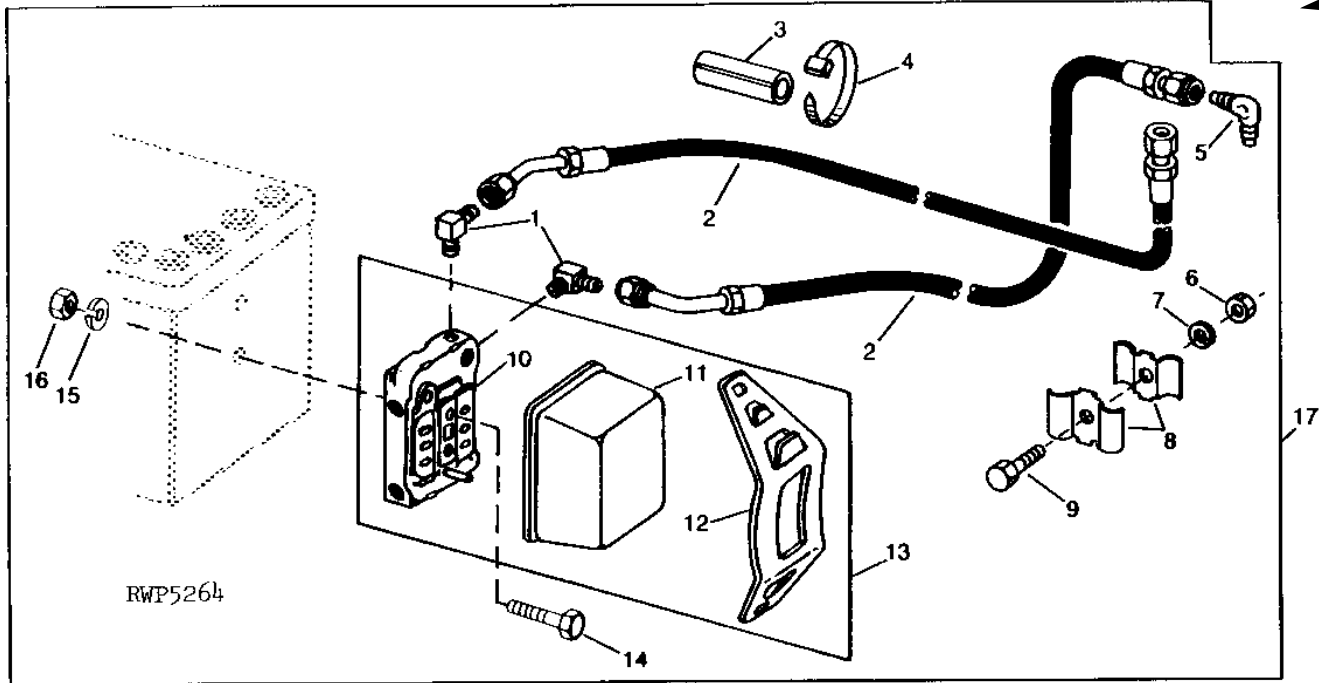
KEY	PART NO.	PART NAME	QTY	TRACTOR SERIAL NO.	REMARKS
1	14H1076	NUT	4	3/8"	
2	12H304	LOCK WASHER	4	3/8"	
3	R65095	BRACKET	1		
4	AR26674	ELBOW FITTING	2		
5	AR47297	HYDRAULIC HOSE	2		
6	19H1800	CAP SCREW	4	3/8" X 1-1/2"	
7	14H785	NUT	1	5/16"	
8	12H303	LOCK WASHER	1	5/16"	
9	R34064	CLAMP	2		
10	19H2127	CAP SCREW	1	5/16" X 7/8"	
11	R50201	FITTING	1		
12	AR48926	SEPARATOR	1		
..	R44302	TIE BAND	AR		

# 1E19

FUEL AND AIR

RWP5264 -UN-18OCT94

## WATER SEPARATOR



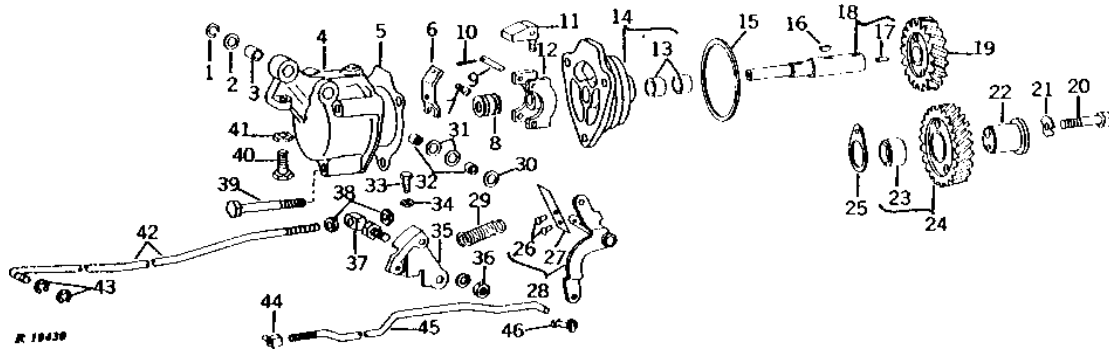
KEY	PART NO.	PART NAME	QTY	TRACTOR SERIAL NO.	REMARKS
1	AR54591	ELBOW FITTING	2		
2	AR81856	HOSE	2		
3	R76658	HOSE	2		
4	R44302	TIE BAND	3		
5	M42827	ELBOW FITTING	1		
6	14H1076	NUT	1	3/8"	
7	12H304	LOCK WASHER	1	3/8"	
8	R34064	CLAMP	2		
9	19H1936	CAP SCREW	1	3/8" X 3/4"	
10	AR86756	BASE	1		
11	AR86755	FILTER ELEMENT	1		
12	R66821	CLAMP	1		
13	AR86754	SEPARATOR	1		
14	19H1731	CAP SCREW	2	3/8" X 1"	
15	12H304	LOCK WASHER	2	3/8"	
16	14H1076	NUT	2	3/8"	
17	RE17414	KIT	1		

# 1E20

FUEL AND AIR

## GOVERNOR (GASOLINE)

R19430 -UN-01JAN94



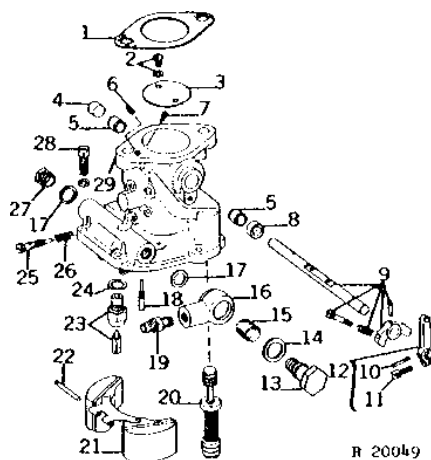
KEY	PART NO.	PART NAME	QTY	ENGINE SERIAL NO.	REMARKS
1	R26517	SNAP RING	1		
2	24H1325	WASHER	1	15/32" X 59/64" X 0.065"	
3	R27922	BUSHING	1		
4	AR45297	HOUSING	1		(MARKED R44078) (SUB AR45299, R20423 AND R26127)
5	R31340	GASKET	1		
6	R26129	LEVER	1		
7	AR28756	SCREW	2	(SUB 19H1227 AND 12H356)	
8	AL2691T	THRUST BEARING	1	(SUB AL2769T AND L4299T)	
9	R27205	PIN	2		
10	11M7086	COTTER PIN	2	0.098" X 1.969"	
11	AR26421	WEIGHT	2		
12	R26131	CRADLE	1		
13	R30713	BUSHING	2		
14	AR45306	HOUSING	1		(MARKED R44083)
15	R40776	WASHER	1		
16	26H70	SHAFT KEY	2	1/8" X 1/2"	
17	B2641R	DOWEL PIN	1		
18	AR26420	SHAFT	1		
19	R26138	GEAR	1		
20	19H1819	CAP SCREW	1	3/8" X 2-1/8"	
21	R26403	LOCK PLATE	1		
22	R26401	SHAFT	1		
23	R30712	BUSHING	1		
24	AR26389	GEAR	1		(MARKED R26399)
25	R26402	WASHER	1		
26	16H97	RIVET	2	1/8" X 3/8"	
27	R42624	STRAP	1		
28	AR44848	ARM	1		
29	R26518	SPRING	1		
30	AR26338	SEAL	1		
31	24H1227	WASHER	2	17/32" X 13/16" X 0.060"	
32	JD8862	NEEDLE BEARING	2		
33	19H1914	CAP SCREW	1	1/4" X 1"	
34	14H850	NUT	1	1/4"	
35	AR59651	ARM	1		
36	14H649	NUT	1	1/4"	
	12H302	LOCK WASHER	1	1/4"	
37	AH77100	BALL JOINT	1		(SUB FOR AA5302R)
38	14H850	NUT	2	1/4"	
	24H1287	WASHER	2	9/32" X 5/8" X 0.065"	
39	R31542	BOLT	3		
40	19H2831	CAP SCREW	1	5/16" X 1-1/2"	
41	14H611	NUT	1	5/16"	
42	R53399	ROD	1		
43	R72654	SNAP RING	2		(SUB FOR R27507)
44	R26500	SWIVEL	1		
45	R44900	ROD	1		(NLA)
46	R26501	CLIP	1		

# 1E21

FUEL AND AIR

## UPPER CARBURETOR, FLOAT, AND THROTTLE SHAFT (ZENITH)

R20049 -UN-01JAN94



KEY	PART NO.	PART NAME	QTY	ENGINE SERIAL NO.	REMARKS
1	R26499	GASKET	1		
2	AR49512	SCREW	2	(A)	
3	R47024	PLATE	1	(A)	
4	R54787	PLUG	1	(A)	
5	AR63293	NEEDLE BEARING	2	(A)	
6	H81550	SCREW	1	(A)	
7	R13005	JET	1	(A) (SUB AR13003)	
8	R47021	SEAL	1		
9	AR63295	SHAFT	1	(A)	
10	H21031	PIN	1	(A) (SUB FOR R47031)	
11	H21048	SCREW	1	(A)	
12	AR49515	LEVER	1	(A)	
13	R47026	RETAINER	1	(A)	
14	R47028	WASHER	1	(A)	
15	R47027	SCREEN	1	(A)	
16	R47025	HOUSING	1	(A)	
17	H21058	WASHER	2		
18	R13044	NOZZLE	1		
19	R47023	FITTING	1	(A)	
20	AR49527	PUMP	1	(A)	
21	AR49513	FLOAT	1		
22	R47029	SHAFT	1	(A)	
23	AR63294	VALVE	1	(A)	
24	R47043	WASHER	1	(A)	
.....		WASHER	1	( R56395 NLA)	
25	H20954	NEEDLE	1		
26	H20923	SPRING	1	(A)	
27	H31660	FITTING	1	(A)	
28	AR49514	SCREW	6	(A)	
29	.....	HOUSING	1	(SUB AR60383)	
..	AR60383	CARBURETOR	1	(A)	

(A) NO LONGER AVAILABLE

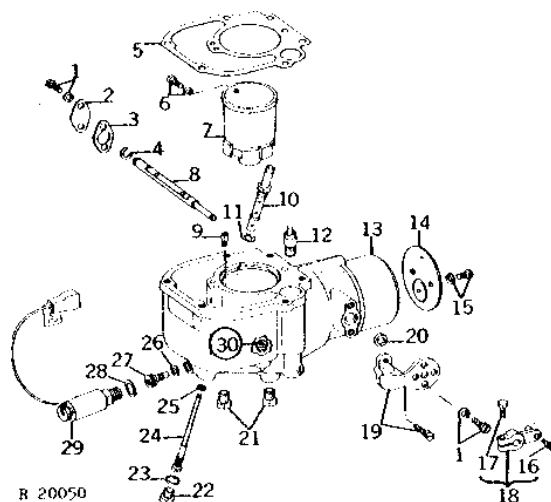


# 1E22

FUEL AND AIR

## LOWER CARBURETOR, VENTURI AND CHOKE SHAFT (ZENITH)

R20050 -UN-01JAN94



KEY	PART NO.	PART NAME	QTY	ENGINE SERIAL NO.	REMARKS
1	AR49521	SCREW	4	(A)	
2	R47036	PLATE	1	(A)	
3	R47037	GASKET	1	(A)	
4	R47035	WASHER	1	(A)	
5	R47030	GASKET	1	(A)	
6	AR49524	SCREW	1	(A)	
7	R54788	VENTURI	1	(A)	
8	R47034	SHAFT	1	(A)	
9	R54790	VENT	1	(A)	
10	R54789	NOZZLE	1	(A)	
11	H20925	WASHER	1		
12	AR49526	VALVE	1	(A)	
13	.....	HOUSING	1	(SUB AR60383)	
14	AR49522	PLATE	1	(A)	
15	AR49512	SCREW	2	(A)	
16	E10121	SCREW	1	(A)	
17	H21048	SCREW	1	(A)	
18	AR49519	LEVER	1	(A)	
19	AR49520	BRACKET	1	(A)	
20	R47033	WASHER	1	(A)	
21	.....	PIPE PLUG	2	( R47038 NLA)	
22	H21008	FITTING	1		
23	H20925	WASHER	1		
24	AR49525	NOZZLE	1	(A)	
25	H20926	WASHER	1		
26	H20927	WASHER	1		
27	R13024	JET	1		
28	H21058	WASHER	1		
29	AR49523	SOLENOID	1		
30	AR49518	VALVE	1		
..	AR60383	CARBURETOR	1	(A)	

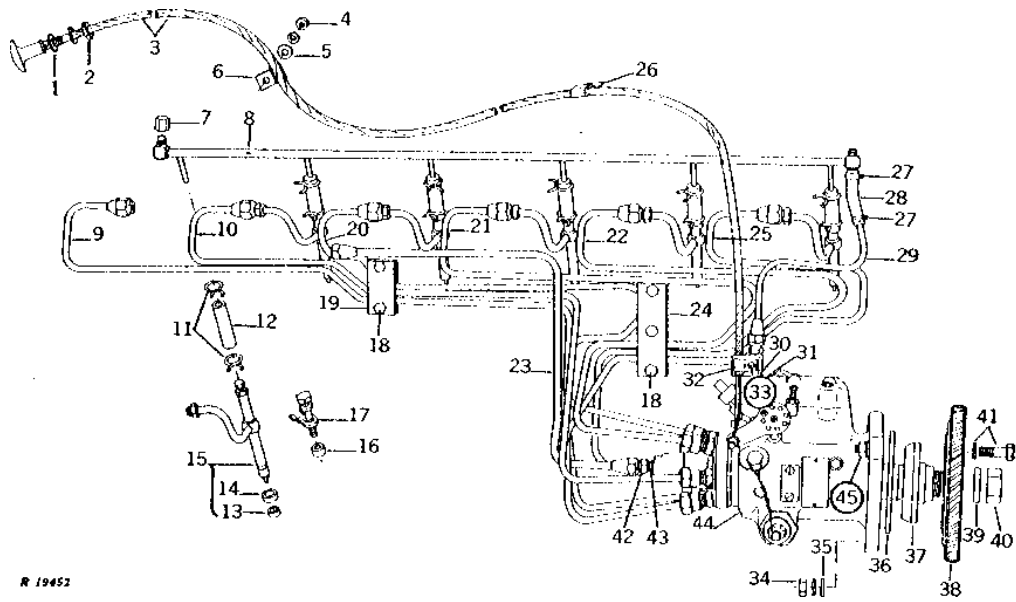
(A) NO LONGER AVAILABLE

# 1E23

FUEL AND AIR

## FUEL INJECTION PUMP, NOZZLES AND FUEL LINES (ENGINE SERIAL NO. -499999)

R19452 -UN-01JAN94



R 19452

# 1E24

FUEL AND AIR

FUEL INJECTION PUMP, NOZZLES AND FUEL LINES - CONTINUED  
(ENGINE SERIAL NO. -499999)

KEY	PART NO.	PART NAME	QTY	ENGINE SERIAL NO.	REMARKS
1	24H1303	WASHER	1		13/32" X 11/16" X 0.065"
2	14H774	NUT	1		3/8"
	12H304	LOCK WASHER	1		3/8"
3	AR61973	PUSH PULL CABLE	1	-012999	
	AR65796	PUSH PULL CABLE	1	013000-031707	(SUB AR77679, R62899, R62900, R55202, 12H304, 14H649 AND 24H1303)
	AR77679	PUSH PULL CABLE	1	031708-	(SUB FOR AR65796 OR AR77678) (ALSO ORDER R62899, R62900, R55202, 12H304, 14H649 AND 24H1303)
4	14H1090	NUT	2	-012999	3/8"
	12H303	LOCK WASHER	2	-012999	5/16"
5	24H1136	WASHER	2	-012999	11/32" X 11/16" X 0.065"
6	R20497	CLAMP	2		
7	R31147	FITTING	1		
8	AR57262	FUEL LINE	1		
9	AR57260	FUEL LINE	1		NO. 6
10	AR57259	FUEL LINE	1		NO. 5
11	R34766	CLAMP	12		
12	R34765	BOOT	6		
13	R48000	WASHER	6		
14	R60746	WASHER	6		(SUB FOR R34764, APPL)
15	.....	INJECTION NOZZLE	6		(SUB AR50781)
16	R34761	SPACER	6		
17	R34760	CLAMP	6		
18	19H1914	CAP SCREW	5		1/4" X 1"
19	R26728	STRAP	1		(SUB FOR R34785)
	R26789	STRAP	1		(SUB FOR R34786)
	R26790	CUSHION	1		(SUB FOR R34787)
20	AR57258	FUEL LINE	1		NO. 4
21	AR57257	FUEL LINE	1		NO. 3
22	AR57256	FUEL LINE	1		NO. 2
23	AR57254	FUEL LINE	1		
24	R48358	STRAP	1		
	R48360	STRAP	1		
	R48359	CUSHION	1		
25	AR57255	FUEL LINE	1		NO. 1
26	R28789	CLIP	1		
27	AR21836	CLAMP	2		
28	TY22418	BULK HOSE	1		67 MM (2-5/8") (SUB FOR R32639)
29	AR57263	FUEL LINE	1		
	R35352	FITTING	1		
30	R53299	BRACKET	1		
31	19H3204	SCREW	2		0.190" X 5/8"
	12H246	LOCK WASHER	2		0.190"
32	R53300	CLIP	1		
33	21H1319	SCREW	1		0.164" X 7/8"
34	14H1090	NUT	3		3/8"
35	24H1292	WASHER	3		11/32" X 3/4" X 0.120"
36	R54229	SEAL	1		
37	R54250	HUB	1		
38	R68274	GEAR	1		(SUB FOR AR55487, AR88965 OR AR88905, APPL)
39	R54228	WASHER	1		
40	14H866	NUT	1		5/8", (SUB FOR R54233)
41	19H3336	CAP SCREW	3		3/8" X 7/8", (SUB FOR AR59115)
	R63845	WASHER	3		
42	R27272	FITTING	1		
43	R26286	O-RING	1		
44	AR57253	FUEL INJECTION PUMP	1		(A) (ROOSA-MASTER NO. DM2633ME2870) (SUB FOR ROOSA-MASTER NOS. DM2633JN2580 AND DM2633JN2589) (SUB FOR AR58979)
45	14H1090	NUT	3		3/8"
	12H303	LOCK WASHER	3		5/16"
	24H1292	WASHER	3		11/32" X 3/4" X 0.120"

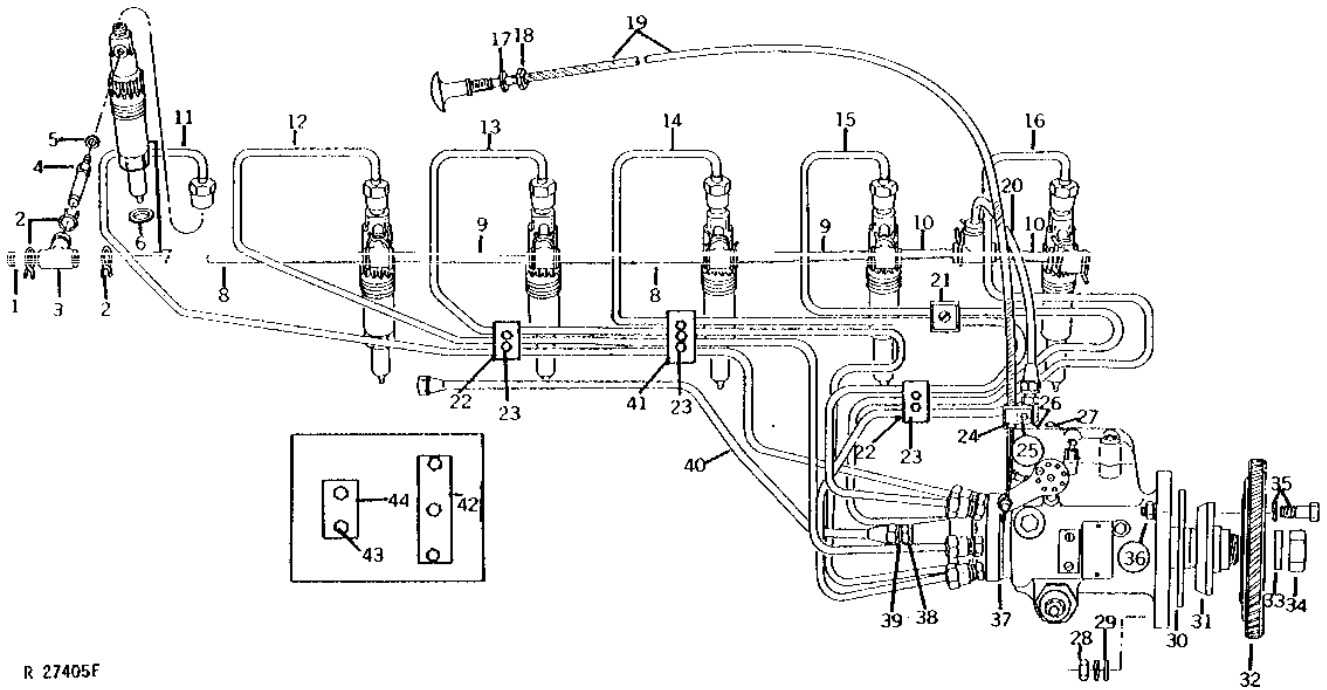
(A) "SEE YOUR AUTHORIZED PUMP REPAIR STATION FOR PARTS NOT LISTED."

# 1F1

FUEL AND AIR

## FUEL INJECTION PUMP, NOZZLES AND FUEL LINES (ENGINE SERIAL NO. 500000- )

R27405 -UN-01JAN94



R 27405F

# 1F2

FUEL AND AIR

## FUEL INJECTION PUMP, NOZZLES AND FUEL LINES - CONTINUED (ENGINE SERIAL NO. 50000- )

KEY	PART NO.	PART NAME	QTY	ENGINE SERIAL NO.	REMARKS
1	16H644	RIVET	1		1/4" X 1/2"
2	R34766	CLAMP	21		
3	T23425	BOOT	7		
4	R59293	FITTING	6		(SUB (6) R87082 AND (6) R77551)
	R87082	FITTING	6		(SUB FOR R83558) (ALSO ORDER R77551)
5	R59294	WASHER	6		(USE WITH R59293 OR R83558)
	R77551	O-RING	6		(VITON)
6	R64840	WASHER	6		(SUB FOR R59104)
7	.....	INJECTION NOZZLE	6		(SUB AR79686) (USE WITH AR73524)
	.....	INJECTION NOZZLE	6		(SUB AR85541) (USE WITH AR94199)
8	R60877	LINE	2		
9	R60876	FUEL LINE	2		
10	R62245	FUEL LINE	2		
11	AR70658	FUEL LINE	1		NO. 6
12	AR70657	FUEL LINE	1		NO. 5
13	AR70656	FUEL LINE	1		NO. 4
14	AR70655	FUEL LINE	1		NO. 3
15	AR70654	FUEL LINE	1		NO. 2
16	AR70653	FUEL LINE	1		NO. 1
17	24H1303	WASHER	1		13/32" X 11/16" X 0.065"
18	14H774	NUT	1		3/8"
	12H304	LOCK WASHER	1		3/8"
19	AR65796	PUSH PULL CABLE	1		(SUB AR77679, R62899, R62900, R55202, 12H304, 14H649 AND 24H1303)
20	AR76885	FUEL LINE	1		
	R35352	FITTING	1		
21	R58186	CLAMP	2		
	R61144	STRAP	1		
	R59305	STRAP	1		
	21H1312	SCREW	1	-XXXXXX	0.190" X 1"
	21H1463	CAP SCREW	1	XXXXXX-	0.190" X 7/8"
	12H246	LOCK WASHER	1		0.190"
22	R59297	HALF CLAMP	4	XXXXXX-	
	R59298	STRAP	2	XXXXXX-	
	R61145	STRAP	2	XXXXXX-	
23	19H3351	CAP SCREW	7	XXXXXX-	0.190" X 7/8"
24	R53300	CLIP	1		
25	21H1319	SCREW	1		0.164" X 7/8"
26	R53299	BRACKET	1		
27	19H3204	SCREW	2		0.190" X 5/8"
	12H246	LOCK WASHER	2		0.190"
28	14H1090	NUT	3		3/8"
29	24H1292	WASHER	3		11/32" X 3/4" X 0.120"
30	R54229	SEAL	1		
31	R54250	HUB	1		
32	R68274	GEAR	1		(SUB FOR AR55487, AR88965 OR AR88905)
33	R54228	WASHER	1		
34	14H866	NUT	1		5/8", (SUB FOR R54233)
35	AR59115	SELF-LOCKING SCREW	3		(SUB 19H3336 AND R63845)
	19H3336	CAP SCREW	3		3/8" X 7/8"
	R63845	WASHER	3		
36	14H1090	NUT	3		3/8"
	12H303	LOCK WASHER	3		5/16"
	24H1292	WASHER	3		11/32" X 3/4" X 0.120"
37	AR73524	FUEL INJECTION PUMP	1		(A) (ROOSA-MASTER NO. DM4629ME2982)
	AR94199	FUEL INJECTION PUMP	1		(A) (ROOSA-MASTER NO. DM4629ME3805) (NLA)
38	R26286	O-RING	1		
39	R27272	FITTING	1		
40	AR74344	FUEL LINE	1		
41	R59299	CLAMP	2	XXXXXX-	
	R59300	STRAP	1	XXXXXX-	
	R61146	STRAP	1	XXXXXX-	
42	R48358	STRAP	1	-XXXXXX	
	R48360	STRAP	1	-XXXXXX	
	R48359	CUSHION	1	-XXXXXX	
43	19H1914	CAP SCREW	5	-XXXXXX	1/4" X 1"
44	R26728	STRAP	1	-XXXXXX	
	R26789	STRAP	1	-XXXXXX	
	R26790	CUSHION	1	-XXXXXX	

(A) "SEE YOUR AUTHORIZED PUMP REPAIR STATION FOR PARTS NOT LISTED."

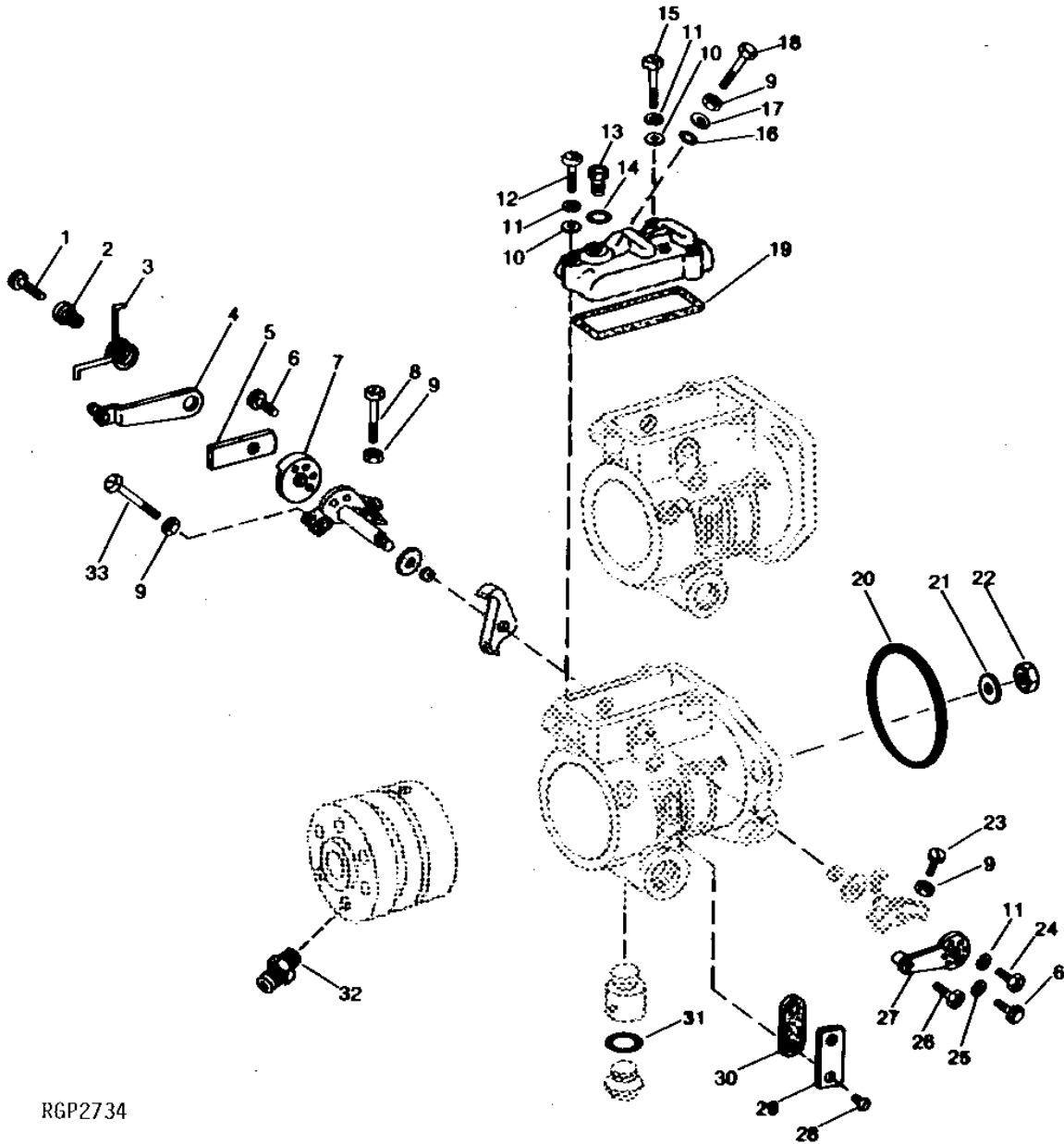
# 1F3

FUEL AND AIR

RGP2734

-UN-18OCT94

## FUEL INJECTION PUMP FITTINGS AND LINKAGE



RGP2734

# 1F4

FUEL AND AIR

## FUEL INJECTION PUMP FITTINGS AND LINKAGE - CONTINUED

KEY	PART NO.	PART NAME	QTY	ENGINE SERIAL NO.	REMARKS
1	R70513	SCREW	1		
2	T17950	RETAINER	1		
3	T17949	SPRING	1		
4	AR51718	LEVER	1		
	.....	LEVER	NA		
	.....	LEVER	NA		
5	T19860	STRAP	1		
6	T11917	SCREW	1		
7	T19861	SPACER	1		
8	T11941	SCREW	1		SLOW IDLE
9	T11921	NUT	5		
10	T15715	WASHER	3		
11	12M7060	WASHER	5		
12	T15721	SCREW	1		
13	R36535	CHECK VALVE	1		
	.....	CHECK VALVE	NA		
14	.....	SNAP RING	NA		
15	R71851	SCREW	2		
16	.....	SNAP RING	NA		
17	.....	WASHER	NA		
18	.....	CAP SCREW	NA		SLOW IDLE
19	T11918	GASKET	1		
20	R54229	SEAL	1		
	.....	WASHER	NA		
21	R54228	WASHER	1		
22	14H866	NUT	1		5/8"
23	T15702	SCREW	1		
24	T11940	SCREW	1		
25	12M7084	LOCK WASHER	1	-499999	0.169"
	R47077	LOCK WASHER	1	500000-	
26	T11939	CAP SCREW	1		
27	AR28604	LEVER	1		
28	R54260	SCREW	2		
29	T11882	COVER	1		
30	T11883	GASKET	1		
31	T15712	O-RING	1		
32	R57137	FITTING	6	-499999	
	R63345	UNION FITTING	6	500000-	
33	T11920	SCREW	1		FAST IDLE

---

MEMORANDA

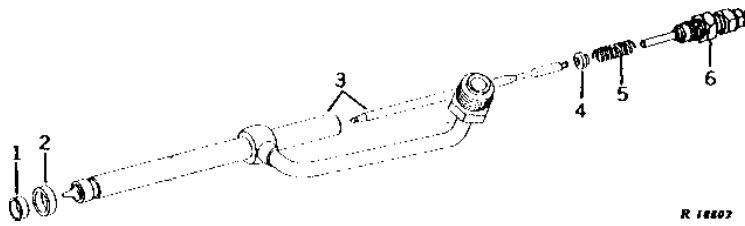


# 1F5

FUEL AND AIR

FUEL INJECTION NOZZLE  
(9.52 MM)  
(ENGINE SERIAL NO. -499999)

R18802 -UN-01JAN94



R 18802

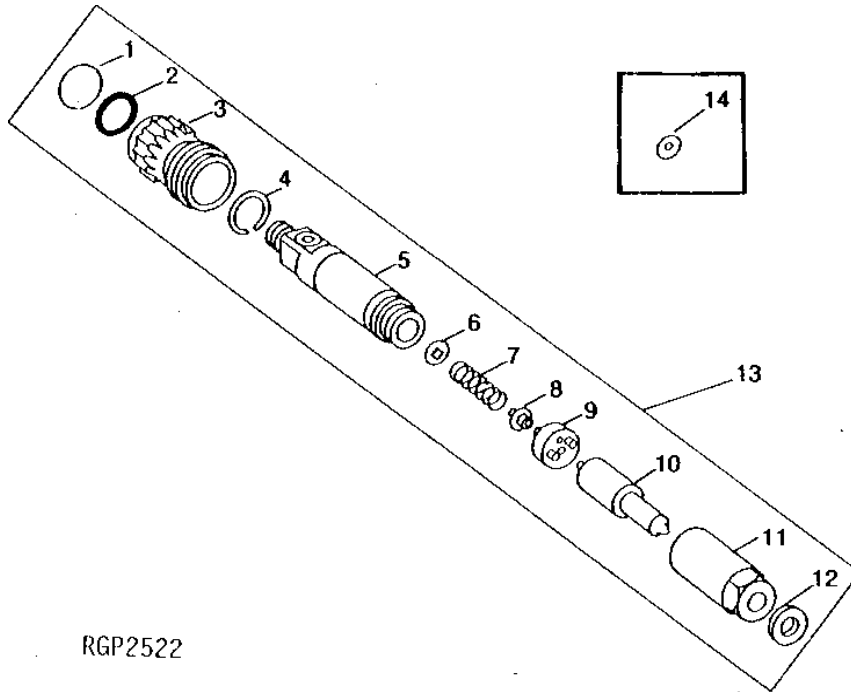
KEY	PART NO.	PART NAME	QTY	ENGINE SERIAL NO.	REMARKS
1	R48000	WASHER	1		
2	R60746	WASHER	1		
3	AR50781	NOZZLE	1		(SUB FOR R34764, APPL) (ROOSA MASTER NO. 18767)
4	R39886	GUIDE	1		
5	R47731	SPRING	1		
6	AR52720	SCREW	1		

# 1F6

FUEL AND AIR

FUEL INJECTION NOZZLE  
(ENGINE SERIAL NO. 500000- )

RGP2522 -UN-01JAN94



RGP2522

# 1F7

FUEL AND AIR

FUEL INJECTION NOZZLE - CONTINUED  
(ENGINE SERIAL NO. 50000- )

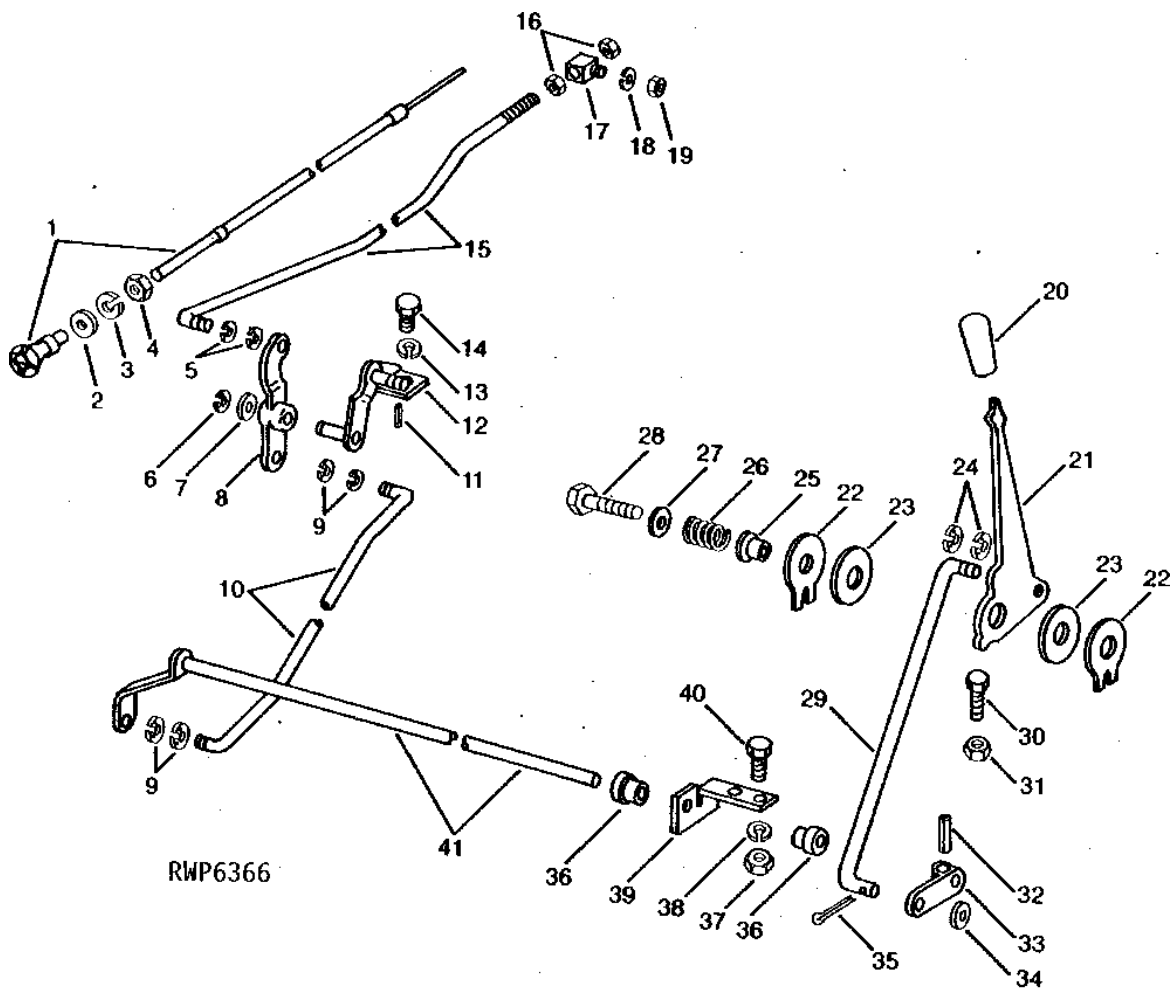
KEY	PART NO.	PART NAME	QTY	ENGINE SERIAL NO.	REMARKS
1	R60277	SNAP RING	1		
2	R51603	O-RING	1		
3	R60279	NUT	1		
4	R60278	SNAP RING	1		
5	R60272	NOZZLE HOLDER	1		(SUB AR79686 OR AR85541)
6	R83720	WASHER	1		1.02 MM (.0402")
	R83721	WASHER	1		1.08 MM (.0425")
	R83722	WASHER	1		1.12 MM (.0441")
	R83723	WASHER	1		1.18 MM (.0465")
	R83724	WASHER	1		1.22 MM (.0480")
	R83725	WASHER	1		1.28 MM (.0504")
	R83726	WASHER	1		1.30 MM (.0512")
	R83727	WASHER	1		1.38 MM (.0543")
	R83728	WASHER	1		1.42 MM (.0559")
	R83729	WASHER	1		1.48 MM (.0583")
	R83730	WASHER	1		1.50 MM (.0591")
	R83731	WASHER	1		1.58 MM (.0622")
	R83732	WASHER	1		1.60 MM (.0630")
	R83733	WASHER	1		1.68 MM (.0661")
	R83734	WASHER	1		1.70 MM (.0669")
	R83735	WASHER	1		1.78 MM (.0701")
	R83736	WASHER	1		1.82 MM (.0717")
	R83737	WASHER	1		1.88 MM (.0740")
	R83738	WASHER	1		1.90 MM (.0748")
	R83739	WASHER	1		1.98 MM (.0780")
7	R60273	SPRING	1		
8	R60274	SEAT	1		
9	R60275	PLATE	1		
10	AR79685	NOZZLE	1		(5 X 0.25) (USE WITH AR73524)
	AR86888	NOZZLE	1		(4 X 0.275) (USE WITH AR94199)
11	R60276	NUT	1		
12	R64840	WASHER	1		
13	AR79686	INJECTION NOZZLE	6		(USE WITH AR73524)
	AR85541	INJECTION NOZZLE	6		(USE WITH AR94199)
14	R60280	WASHER	1		0.99 MM (.039") (SUB R83720)
	R60281	WASHER	1		1.04 MM (.041") (SUB R83721)
	R60282	WASHER	1		1.09 MM (.043") (SUB R83722)
	R60283	WASHER	1		1.14 MM (.045") (SUB R83723)
	R60284	WASHER	1		1.19 MM (.047") (SUB R83724)
	R60285	WASHER	1		1.24 MM (.049") (SUB R83725)
	R60286	WASHER	1		1.29 MM (.051") (SUB R83726)
	R60287	WASHER	1		1.34 MM (.053") (SUB R83727)
	R60288	WASHER	1		1.39 MM (.055") (SUB R83728)
	R60289	WASHER	1		1.44 MM (.057") (SUB R83729)
	R60290	WASHER	1		1.49 MM (.059") (SUB R83730)
	R60291	WASHER	1		1.54 MM (.061") (SUB R83731)
	R60292	WASHER	1		1.60 MM (.063") (SUB R83732)
	R60293	WASHER	1		1.65 MM (.065") (SUB R83733)
	R60294	WASHER	1		1.70 MM (.067") (SUB R83734)
	R60295	WASHER	1		1.75 MM (.069") (SUB R83735)
	R60296	WASHER	1		1.80 MM (.071") (SUB R83736)
	R60297	WASHER	1		1.85 MM (.073") (SUB R83737)
	R60298	WASHER	1		1.90 MM (.075") (SUB R83738)
	R60299	WASHER	1		1.95 MM (.077") (SUB R83739)

# 1F8

FUEL AND AIR

## SPEED CONTROL LEVER AND LINKAGE (GASOLINE)

RWP6366 -UN-01JAN94



# 1F9

FUEL AND AIR

## SPEED CONTROL LEVER AND LINKAGE - CONTINUED (GASOLINE)

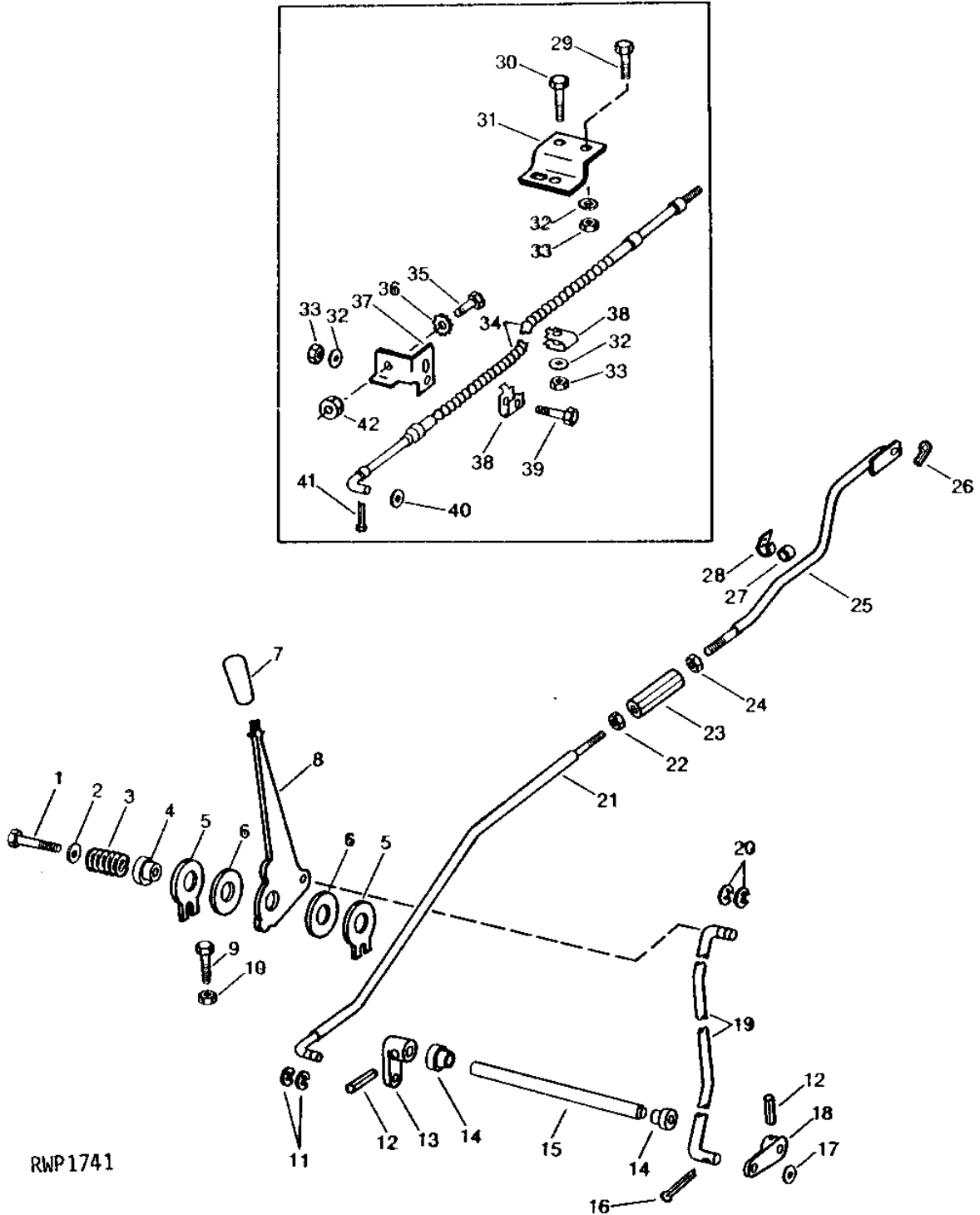
KEY	PART NO.	PART NAME	QTY	TRACTOR SERIAL NO.	REMARKS
1	AR56686	PUSH PULL CABLE	1		
2	24M7096	WASHER	1	10.500 X 18 X 1.600 MM	
3	12H304	LOCK WASHER	1	3/8"	
4	14H774	NUT	1	3/8"	
5	R72654	SNAP RING	2	(SUB FOR R27507)	
6	R26871	SNAP RING	1		
7	24H1341	WASHER	1	17/32" X 15/16" X 0.060"	
8	R53402	LEVER	1		
9	R72653	SNAP RING	4	(SUB FOR M2396T)	
10	R53400	ROD	1	(NLA)	
11	34H308	SPRING PIN	1	1/4" X 1/2"	
12	AR59659	BRACKET	1		
13	12H304	LOCK WASHER	1	3/8"	
14	19H2021	CAP SCREW	1	3/8" X 5/8"	
15	R53399	ROD	1		
16	14H850	NUT	2	1/4"	
	24H1287	WASHER	2	9/32" X 5/8" X 0.065"	
17	AH77100	BALL JOINT	1	(SUB FOR AA5302R)	
18	12H302	LOCK WASHER	1	1/4"	
19	14H649	NUT	1	1/4"	
20	R50506	KNOB	1		
21	R50505	LEVER	1	(SUB R75078)	
22	R52117	WASHER	2		
23	R50226	WASHER	2	(SUB FOR R39985, THIS APPLICATION) (SUB R105814)	
24	R72653	SNAP RING	2	(SUB FOR M2396T)	
25	R50227	RETAINER	1		
26	R31271	SPRING	1		
27	24M7096	WASHER	1	10.500 X 18 X 1.600 MM	
28	R41920	CAP SCREW	1		
29	R54487	ROD	1		
30	19H2915	CAP SCREW	1	5/16" X 1-1/4"	
31	14H611	NUT	1	5/16"	
32	34H279	SPRING PIN	1	3/16" X 13/16"	
33	R50225	ARM	1		
34	24H1289	WASHER	1	21/64" X 5/8" X 0.049"	
35	11M7021	COTTER PIN	1	0.157" X 0.984"	
36	R41076	GROMMET	2		
37	14H785	NUT	2	5/16"	
38	12H303	LOCK WASHER	2	5/16"	
39	R50733	BRACKET	1	(NLA)	
	R52817	BRACKET	1	(ROLL-GARD) (NLA)	
40	19H118	CAP SCREW	2	5/16" X 1"	
41	AR54893	ROD	1		

# 1F10

FUEL AND AIR

## SPEED CONTROL LEVER AND LINKAGES (DIESEL)

RWP1741 -UN-01JAN94



RWP1741

# 1F11

FUEL AND AIR

## SPEED CONTROL LEVER AND LINKAGES - CONTINUED (DIESEL)

KEY	PART NO.	PART NAME	QTY	TRACTOR SERIAL NO.	REMARKS
1	R41920	CAP SCREW	1		
2	24M7096	WASHER	1	10.500 X 18 X 1.600 MM	
3	R31271	SPRING	1		
4	R50227	RETAINER	1		
5	R52117	WASHER	2		
6	R50226	WASHER	2		(SUB FOR R39985, THIS APPLICATION) (SUB R105814)
7	R50506	KNOB	1		
8	R50505	LEVER	1		(SUB R75078)
9	19H2915	CAP SCREW	1	5/16" X 1-1/4"	
10	14H611	NUT	1	5/16"	
11	R72654	SNAP RING	2		(SUB FOR R27507)
12	34H279	SPRING PIN	2	3/16" X 13/16"	
13	R51930	ARM	1		
14	R41076	GROMMET	2		
15	R50219	PIN	1		
16	11M7021	COTTER PIN	1	0.157" X 0.984"	
17	24H1289	WASHER	1	21/64" X 5/8" X 0.049"	
18	R50225	ARM	1		
19	R54487	ROD	1		
	R54424	ROD	1		(LOW PROFILE)
20	R72653	SNAP RING	2		(A) (SUB FOR M2394T)
21	R52563	ROD	1		
22	14H649	NUT	1	1/4"	
23	R52422	TURNBUCKLE	1		
24	14H1025	NUT	1	1/4"	
25	AR58183	SHIFTER ROD	1		
26	R47646	SPRING LOCKING PIN	1		
27	R45537	GROMMET	1		
28	R53302	BRACKET	1		
29	19H1813	CAP SCREW	2	(A) 5/16" X 5/8"	
30	19H1849	CAP SCREW	1	(A) 5/16" X 1-1/4"	
31	R53301	BRACKET	1	(A)	
32	12H303	LOCK WASHER	4	(A) 5/16"	
33	14H785	NUT	4	(A) 5/16"	
34	RE53286	PUSH PULL CABLE	1		(A) (SUB FOR AR56685, THIS APPLICATION)
35	19H2038	CAP SCREW	1	(A) 3/8" X 1/2"	
36	12H310	LOCK WASHER	1	(A) 3/8"	
37	R51784	BRACKET	1	(A)	
38	R26870	CLAMP	2	(A)	
39	19H1849	CAP SCREW	1	(A) 5/16" X 1-1/4"	
40	B1664R	SHIM	1	(A)	
41	11M7077	COTTER PIN	1	(A) 1.600 X 25 MM	

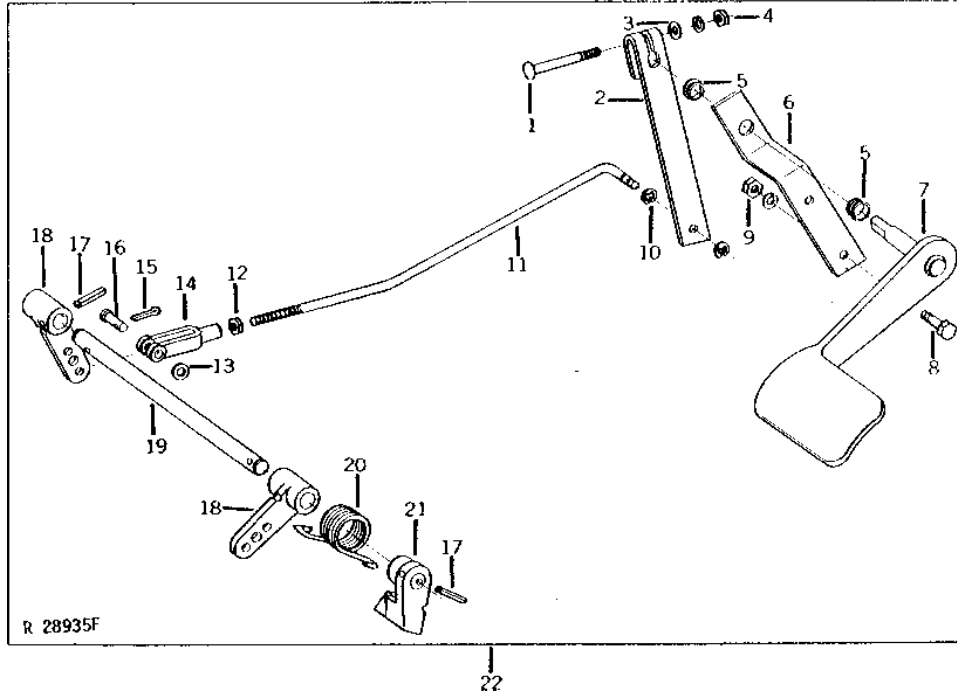
(A) SOUND-GARD BODY

# 1F12

FUEL AND AIR

R28935 -UN-01JAN94

## FOOT SPEED CONTROL



KEY	PART NO.	PART NAME	QTY	TRACTOR SERIAL NO.	REMARKS
1	03H1810	BOLT	1	1/4" X 1-1/2"	
2	R58507	LEVER	1		
3	24H1287	WASHER	1	9/32" X 5/8" X 0.065"	
4	14H850	NUT	1	1/4"	
	12H302	LOCK WASHER	1	1/4"	
5	R52646	WASHER	2		
6	R58519	BRACKET	1		
7	AR92122	PEDAL	1	(SUB FOR AR70257)	
8	19H1900	CAP SCREW	2	5/16" X 3/4"	
9	14H785	NUT	2	5/16"	
	12H303	LOCK WASHER	2	5/16"	
10	R72654	SNAP RING	2	(SUB FOR R27507)	
11	R66476	ROD	1	(SUB FOR R58508)	
12	14H649	NUT	1	1/4"	
13	B1664R	SHIM	1		
14	M3742T	YOKE	1		
15	11M7079	COTTER PIN	1	0.098" X 0.472"	
16	R72660	PIN	1	(SUB FOR R662R)	
17	34H279	SPRING PIN	2	3/16" X 13/16"	
18	R58509	LEVER	2		
19	R58510	SHEAR PIN	1		
20	R58512	SPRING	1		
21	R58511	ARM	1		
22	AR87006	KIT	1	(A) (SUB FOR AR70252) (NLA) (FI)	

(A) FOR POWER SHIFT LESS SOUND-GARD BODY ALSO ORDER AR70262



---

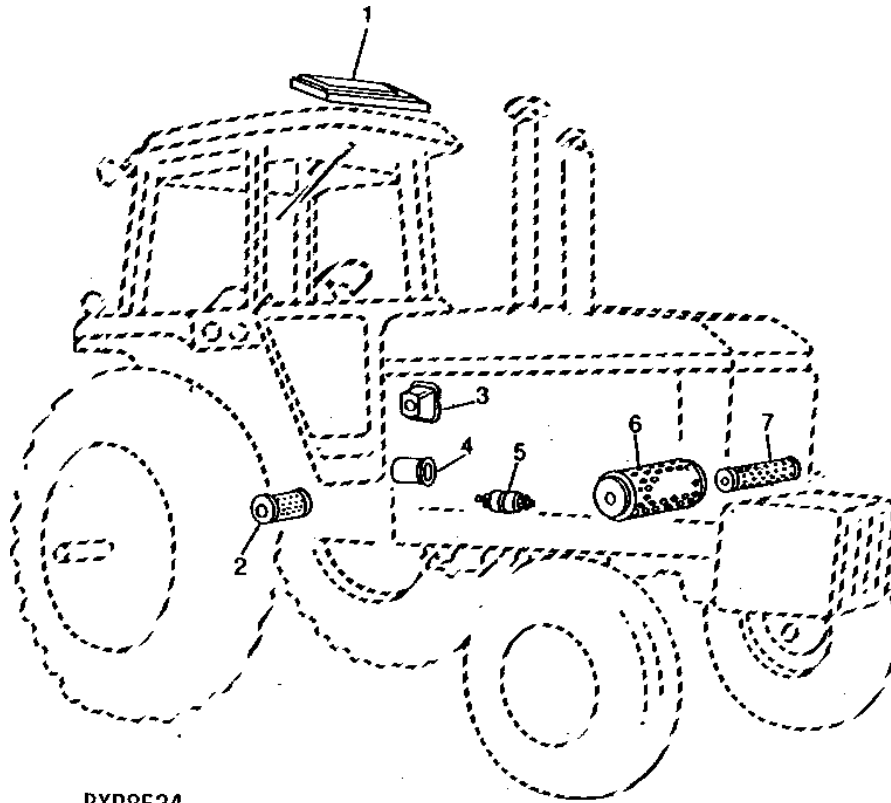
MEMORANDA

# 1F13

FUEL AND AIR

RXP8524 -UN-01JAN94

FILTERS



RXP8524

# 1F14

FUEL AND AIR

## FILTERS - CONTINUED

KEY	PART NO.	PART NAME	QTY	TRACTOR SERIAL NO.	REMARKS
1	AR61903	AIR FILTER	1		(CAB)
2	AR75603	FILTER ELEMENT	1		QUAD RANGE & SYNCRO TRANSMISSION
	AR75603	FILTER ELEMENT	1	-028079	(A) QUAD RANGE & SYNCRO TRANSMISSION
	AR98098	FILTER ELEMENT	1	028080-	(A) QUAD RANGE & SYNCRO TRANSMISSION
	AR75603	FILTER ELEMENT	2		POWER TRANSMISSION
	AR75603	FILTER ELEMENT	2	-026769	(A) POWER TRANSMISSION
	AR98098	FILTER ELEMENT	2	026770-	(A) POWER TRANSMISSION
3	AR50041	FUEL FILTER	1		(DIESEL)
4	AR43634	OIL FILTER	1		ENGINE (DIESEL)
	AR26350	OIL FILTER	1		ENGINE (GASOLINE)
5	AR50141	FUEL FILTER	1		(GASOLINE)
6	AR79941	FILTER ELEMENT	1		AIR CLEANER
7	AR79942	FILTER ELEMENT	1		AIR CLEANER

(A) POWER FRONT WHEEL DRIVE

---

MEMORANDA

---

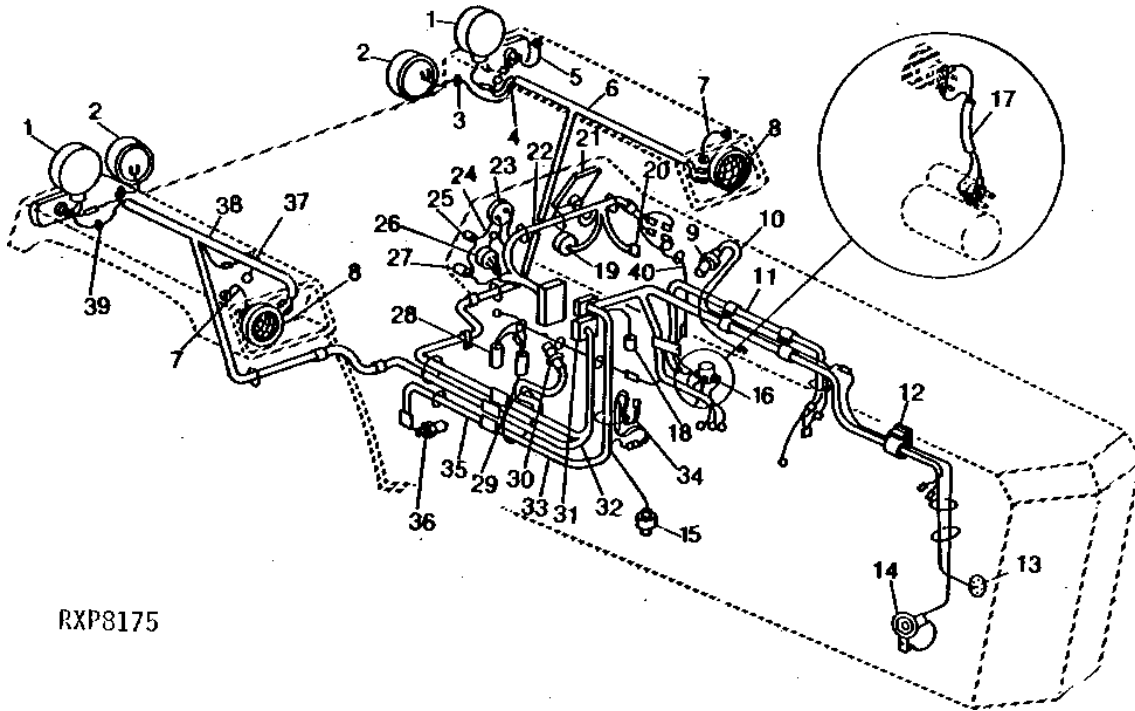
MEMORANDA

# 2B8

ELECTRICAL

RXP8175 -UN-01JAN94

## LAMPS, LAMP AND ENGINE WIRING



RXP8175

KEY	PART NO.	PART NAME	QTY	TRACTOR SERIAL NO.	REMARKS
1	AR38456	LAMP	2		
2	AR35782	LAMP	2		(12-VOLT)
3	R27583	GROMMET	2		
4	R32320	CLIP	1		
5	AR78825	TAIL LAMP	2		(SUB FOR AR45099)
6	AR56205	WIRING HARNESS	1		L.H. LIGHTS
7	.....	WIRING LEAD	2		152 MM (6") GROUND, (MAKE FROM R66319, R32022 AND R32023)
8	AR48721	LAMP	2		(12-VOLT DUAL BEAM) (LESS ROLL-GARD OR SOUND-GARD BODY) (SUB RE25126 OR RE25127, THIS APPLICATION)
	T28585	TERMINAL	4		
9	AR50489	SWITCH	1	-028423	VACUUM INDICATOR
	RE17515	SENSOR	1	028424-	VACUUM INDICATOR, (SUB FOR AL24194 OR AL32975)
10	.....	WIRING LEAD	1	026122-	254 MM (10") (VACCUM SWITCH GROUND) (MAKE FROM R66319, R65600, T28585, R32022 AND R32027)
11	AR56210	WIRING HARNESS	1	-026121	CHARGING CIRCUIT
	R45211	CLAMP	AR		
	R41440	GROMMET	1		
12	R50968	CONDUIT	1		
13	AR73995	FUEL SENDER	1	026520-	(ALSO ORDER 12M7060 AND 14H631) (SUB FOR AR56614)
14	AL14896	HORN	1	-XXXXXX	(SUB FOR AR49036 OR AR73579)
15	RE15583	ENGINE OIL PRESSURE SENDER	1		ENGINE OIL PRESSURE, (SUB FOR AR58234)
16	AR44999	RELAY	1	-012999	STARTING CIRCUIT RELAY, (SUB FOR AM53945 OR AM52191) (ALSO ORDER (2) 12H303, (2) 14H785, 12H246 AND 14H631) (SUB RE38391)
	RE38391	RELAY	1	013000-	STARTING CIRCUIT, (SUB FOR AT68973, AT40955, AR44999, AM53945 OR AM52191)
17	AR69980	WIRING HARNESS	1	026122-	(STARTING CIRCUIT RELAY TO STARTER)
18	AR58233	SENSOR	1		
19	AR48724	LIGHT SWITCH	1		
	AR83425	RECEPTACLE CONNECTOR BODY	1		

# 2B9

ELECTRICAL

## LAMPS, LAMP AND ENGINE WIRING - CONTINUED

KEY	PART NO.	PART NAME	QTY	TRACTOR SERIAL NO.	REMARKS
20	.....	JUMPER	1		BUSSBAR
21	AR73717	INSTRUMENT CLUSTER	1		(SUB FOR AR58231) (NLA)
22	AR56208	WIRING HARNESS	1	-012999	INSTRUMENT PANEL, (SUB AR67339)
	AR61933	WIRING HARNESS	1	-012999	(A)
	AR67339	WIRING HARNESS	1	013000-037209	INSTRUMENT PANEL, (SUB AR78383 AND AR78385)
	AR78383	WIRING HARNESS	1	037210-	
	AR67342	WIRING HARNESS	1		(LESS TURN SIGNALS)
23	AR60513	TACHOMETER	1		(E)
	AR60515	TACHOMETER	1		(F)
	AR60514	TACHOMETER	1		(G)
24	.....	WIRING LEAD	1		38 MM (1-1/2") KEY SWITCH, (MAKE FROM R66319, R65697, T28583, R32021 AND R32027)
25	AR56766	HOUSING	1		CIGAR LIGHTER
26	AR58126	KEY SWITCH	1		KEY
27	AR21823	SWITCH	1		HORN
28	AR61610	PRESSURE SWITCH	1		THERMO (TRANSMISSION)
29	RE14191	TOGGLE SWITCH	1		PRESSURE, (SUB FOR AR61970)
	R56226	BLADE	1		
	T28585	TERMINAL	1		
30	AR48725	DIMMER SWITCH	1		DIMMER
31	.....	WIRING LEAD	1		(C) 254 MM (10") FUEL SHUT-OFF, (MAKE FROM R66319, R65600, T28585, R65597, T28583 AND R32027)
	.....	WIRING LEAD	1	026122-	254 MM (10") VACUUM SWITCH GROUND, (MAKE FROM R66319, R32022, R65600, T28585 AND R32027)
	.....	WIRING LEAD	1	026122-	(G) 254 MM (10") ENGINE HARNESS TO TRANSMISSION PRESSURE SWITCH, (MAKE FROM R66319, R32022, R65600, T28585 AND R32027)
	AR69982	WIRING LEAD	1	026122-	(A) (E) (F) TRANSMISSION TEMPERATURE SWITCH
	R45211	CLAMP	1		
32	AR56202	WIRING HARNESS	1	-026436	BULKHEAD
	AR71462	WIRING HARNESS	1	026437-	BULKHEAD
33	AR63867	WIRING HARNESS	1	-012999	(B) (C) (SUB FOR AR56201) (USE WITH AR56203)
	AR63868	WIRING HARNESS	1	-012999	(B) (D) (SUB FOR AR54619) (USE WITH AR56203)
	AR63870	WIRING HARNESS	1	-012999	(A) (B) (SUB FOR AR62011) (USE WITH AR56203)
	AR63871	WIRING HARNESS	1		(A) (B) (C) (SUB FOR AR62010) (USE WITH AR56203)
	RE45285	WIRING HARNESS	1	013000-026121	(B) (USE WITH AR56203) (SUB FOR AR68023)
	RE42395	WIRING HARNESS	1	026122-	(B) (USE WITH RE14069) (SUB FOR AR95905, AR99520, AR99523, RE13559, RE14060, RE14062 OR RE32555) (ALSO ORDER AR85283)
34	AR85283	RECTIFIER	1	XXXXXX-	DIODE LEAD
35	AR56203	WIRING HARNESS	1	-026121	(USE ON AR63867, AR63868, AR63870, AR63871 OR AR68023) (USE WITH AT85153)
	RE14069	WIRING HARNESS	1		(USE ON AR99520, AR99523, RE13559, RE14060, RE14062, RE32555 OR RE42395) (USE WITH AT85153)
	RE14072	WIRING HARNESS	1	-026121	(USE WITH RE12411)
36	RE38390	SWITCH	1		NEUTRAL START SWITCH, (SUB FOR AT85373, AR89691, AR99528 OR RE14070, THIS APPLICATION)
37	AR70699	LAMP	1		CONSOLE, (SUB FOR AR60251)
	R26287	O-RING	1		
	AA4927R	BULB	1		
38	AR56204	WIRING HARNESS	1		R.H. LIGHTS
39	R27180	GROMMET	2		
40	AR56213	WIRING LEAD	1	-026121	(BUSSBAR TO CHARGING CIRCUIT)
..	R34557	CLAMP	AR		(FENDER HARNESS TO BULKHEAD)
..	R47474	CLIP	AR		(SUB FOR R45137)
..	R44302	TIE BAND	AR		
..	AT66865	LUBRICANT	1		0.15L (5.3 OZ) TUBE, (SUB FOR AR94760)

(A) POWER FRONT WHEEL DRIVE  
 (D) DIESEL  
 (G) POWER SHIFT TRANSMISSION

(B) ENGINE  
 (E) SYNCRO-RANGE TRANSMISSION

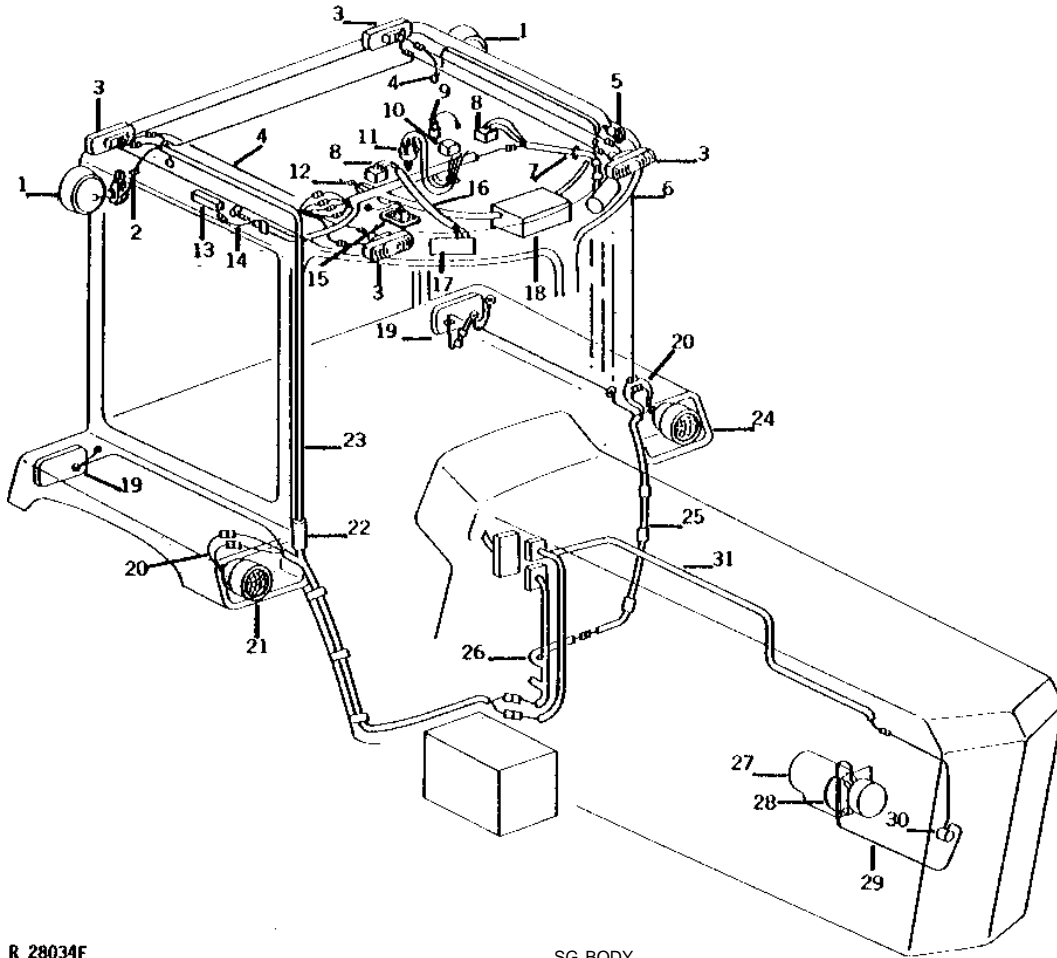
(C) GASOLINE  
 (F) QUAD-RANGE TRANSMISSION

# 2B10

ELECTRICAL

R28034 -UN-01JAN94

## WIRING HARNESS (ROLL-GARD AND SOUND-GARD BODY)



R 28034F

KEY	PART NO.	PART NAME	QTY	SG BODY SERIAL NO.	REMARKS
1	RE19075	LAMP	2		(A) (12-VOLT) (HALOGEN) (HOBBS OR GUIDE)
	AR35782	LAMP	2		(B) (12-VOLT)
	A3411R	GROMMET	2		
3	AR60250	LAMP	2		WARNING
4	AR56211	WIRING HARNESS	2		GROUND
5	AR56987	DOOR LIGHT SWITCH	1		DOME LIGHT, (ALSO ORDER R81544)
	R53608	RIVET	2		
	R81544	GASKET	1		
6	RE48783	WIPER MOTOR	1		L.H. WINDSHIELD WIPER, (SUB FOR AR56691 OR RE18943) (ALSO FURNISH T24167)
	AR91667	SHAFT	1		(AMERICAN BOSCH AND UTC)
7	AR87340	WIPER MOTOR WIRING HARNESS	1		WIPER, (SUB FOR AR56199) (USE WITH AR56691)
	RE18944	WIPER MOTOR WIRING HARNESS	1		(USE WITH RE18943 OR RE48783)
8	AR64992	WIPER SWITCH	2		WIPER MOTOR, (SUB FOR AR57228)
9	AH80591	DIRECTION INDICATOR	1	-049234	CONDENSER INDICATOR LAMP
10	AR59779	AC/HEAT TEMPERATURE SWITCH	1		(C)
11	AR53155	SWITCH	1		BLOWER
12	AR62559	WIRING HARNESS	1	-019859	(D)
	AR67952	WIRING HARNESS	1	019860-049298	(D)
	AR71466	WIRING HARNESS	1	049299-	(D)
13	AR56670	LAMP	1	-109536	(A) DOME, (SUB AT101691)
	RE10761	HOUSING	1	109537-	(A) DOME LAMP, (SUB FOR AR78418)
	R36235	GROMMET	3		
14	AR62173	HEADPHONE JACK	1	-XXXXXX	(MONAURAL SOUND) (SUB FOR AR62288) (NLA)
	AR62172	HEADPHONE JACK	1	-XXXXXX	(STEREOPHONIC SOUND) (SUB FOR AR62287) (NLA)
	A3411R	GROMMET	1	-XXXXXX	



# 2B11

ELECTRICAL

## WIRING HARNESS - CONTINUED (ROLL-GARD AND SOUND-GARD BODY)

KEY	PART NO.	PART NAME	QTY	SG BODY SERIAL NO.	REMARKS
15	RE10761	HOUSING	1		(A) DOME, (SUB FOR AR78418)
	AR95571	HOUSING	1		DOME (REPLACEMENT SOUND-GARD BODY)
	AR59977	HOUSING	1		(B) CONSOLE LIGHT ONLY
	AR61645	CONSOLE LAMP WIRING HARNES	1		CONSOLE LAMP
16	RE48322	WIPER MOTOR WIRING HARNESS	1		
17	RE58851	MOTOR	1		R.H. WINDSHIELD WIPER, (SUB FOR RE13280, RE53496 OR RE56380)
18	.....	RADIO	1		
19	AR78825	TAIL LAMP	2		(SUB FOR AR45099)
	R27180	GROMMET	2		
20	.....	WIRING LEAD	2		152 MM (6") LAMP GROUND, (MAKE FROM R66319, R65597, T28583 AND R32023)
21	RE25126	DUAL BEAM LAMP	1		(A) (12-VOLT DUAL BEAM) (SUB FOR AR61325)
	AR48721	LAMP	1		(B) (12-VOLT DUAL BEAM) (SUB RE25126, RH, OR RE25127, LH, THIS APPLICATION)
22	.....	HOSE	2		64MM (2-1/4") (MAKE FROM R45847)
23	AR56196	WIRING HARNESS	1	-056143	(A)
	AR71465	WIRING HARNESS	1	056144-	(A)
	AR56197	WIRING HARNESS	1	-011346	(B)
	AR71464	WIRING HARNESS	1	011347-	(B)
	H97644	CONDUIT	1		(B) (SUB FOR R50452)
	R59306	CONDUIT	1		(A)
	T28949	CLAMP	2		
	R47576	CLAMP	1		
	R47474	CLIP	6		(B)
24	RE25127	DUAL BEAM LAMP	1		(A) (12-VOLT DUAL BEAM) (SUB FOR AR61326)
	AR48721	LAMP	1		(B) (12-VOLT DUAL BEAM) (SUB RE25126, RH, OR RE25127, LH, THIS APPLICATION)
25	AR56668	WIRING HARNESS	1		
	R47576	CLAMP	1		
26	AR56198	WIRING HARNESS	1	-056143	
	AR71463	WIRING HARNESS	1	056144-	
27	AR77343	COMPRESSOR	1	-XXXXXX	(C) (R12) (SUB FOR AR60948 OR AR68802) (SUB TY6665, 19M7170, (3) 19M7163, (2) 19M7662, (3) 12M7065 AND (3) 12M7066)
	AR92109	COMPRESSOR	1	XXXXXX-	(C) (R12) (SUB TY6665, 19M7170, (3) 19M7163, (2) 19M7662, (3) 12M7065 AND (3) 12M7066)
	TY6665	COMPRESSOR	1		(C) (REMANUFACTURED) (R12) (SUB FOR AR60948, AR68802, AR77343 OR AR92109)
	TY6770	COMPRESSOR	1		(C) (REMANUFACTURED) (R134A)
28	AR48957	WIRING LEAD	1		(C)
29	AR51569	WIRING LEAD	1	-049298	(C)
	AR69977	WIRING LEAD	1	049299-	(C)
30	AR55214	THERMOSTAT	1	-049298	(C)
31	AR68863	WIRING HARNESS	1	-012999	(E) (SUB FOR AR54619) (USE WITH AR56203)
	AR63870	WIRING HARNESS	1	-012999	(E) (POWER FRONT WHEEL DRIVE) (SUB FOR AR62011) (USE WITH AR56203) (NLA)
	RE45285	WIRING HARNESS	1	013000-026121	(E) (SUB FOR AR68023) (USE WITH AR56203)
	RE42395	WIRING HARNESS	1	026122-	(E) (ALSO ORDER RE38390 AND RE14069) (SUB FOR AR95905, AR99520, AR99523, RE13559, RE14060, RE14062 OR RE32555)
..	AR56213	WIRING LEAD	1	-026121	(A) BUSSBAR TO CHARGE CIRCUIT
..	AR72391	WIRING LEAD	1	026122-	(A) BUSSBAR TO START RELAY
..	R44302	TIE BAND	AR		
..	R32320	CLIP	AR		WIRING TO FENDER
..	R34557	CLAMP	1		(SOUND-GARD BODY DOOR)
..	R47474	CLIP	AR		ADHESIVE, (SUB FOR R45137)
..	AR69356	FUEL INJECTION PUMP	1		(A) (B) (WIRING PROTECTION)

(A) SOUND-GARD BODY  
(D) DOME, BLOWER & WIPER GROUND

(B) ROLL-GARD  
(E) ENGINE

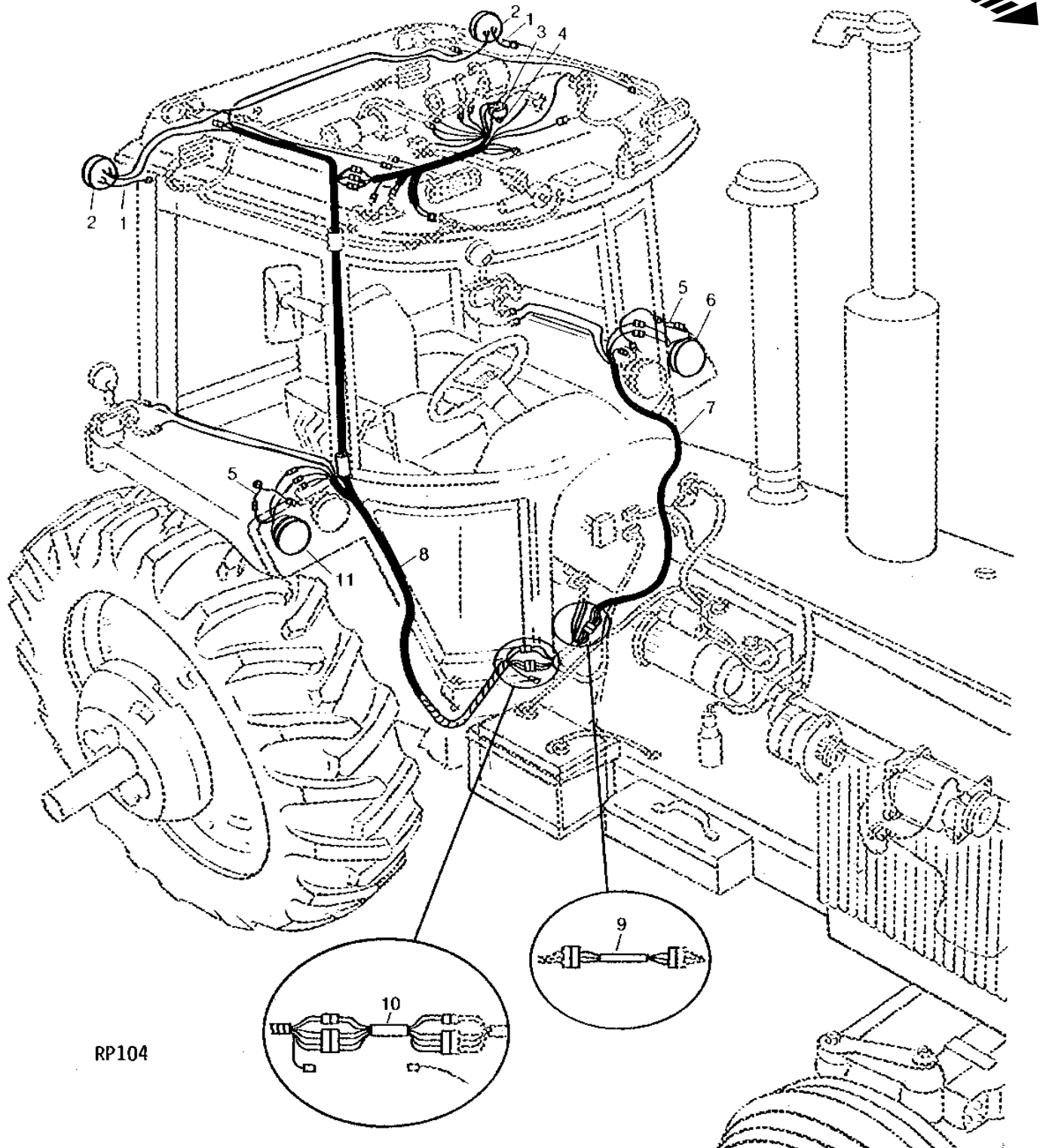
(C) AIR CONDITIONING

# 2B12

ELECTRICAL

## LAMP AND SOUND-GARD BODY WIRING (REPLACEMENT SOUND-GARD BODY OR REPLACEMENT INNER ROOF)

RP104 -UN-01JAN94



# 2B13

ELECTRICAL

LAMP AND SOUND-GARD BODY WIRING - CONTINUED  
(REPLACEMENT SOUND-GARD BODY OR REPLACEMENT INNER ROOF)

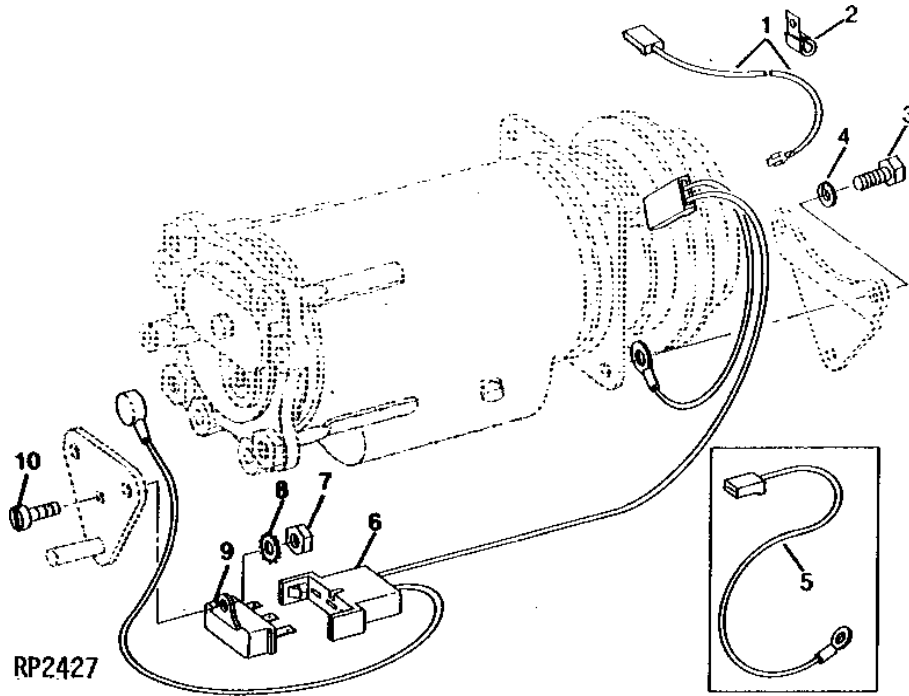
KEY	PART NO.	PART NAME	QTY	TRACTOR SERIAL NO.	REMARKS
1	AR84134	WIRING LEAD	2		
2	RE19075	LAMP	2		(SUB FOR AR85261 OR RE10966)
3	AR82014	BLOWER SWITCH	1		BLOWER
4	AR82012	WIRING HARNESS	1		DOME, BLOWER AND WIPER GROUND
5	AR84132	WIRING HARNESS	2		HEADLIGHT GROUND
6	RE25127	DUAL BEAM LAMP	1		(SUB FOR RE10963, AR85264 OR RE19082)
7	AR84126	WIRING HARNESS	1		
8	AR84129	WIRING HARNESS	1		
9	AR87527	WIRING HARNESS	1		L.H. BULKHEAD TO CAB
10	AR93887	WIRING HARNESS	1	-055913	R.H. BULKHEAD TO CAB
	AR87526	WIRING HARNESS	1	055914-	R.H. BULKHEAD TO CAB
11	RE25126	DUAL BEAM LAMP	1		(SUB FOR AR85263, RE10962 OR RE19081)

# 2B14

ELECTRICAL

RP2427 -UN-01JAN94

## AIR COMPRESSOR WIRING HARNESS



RP2427

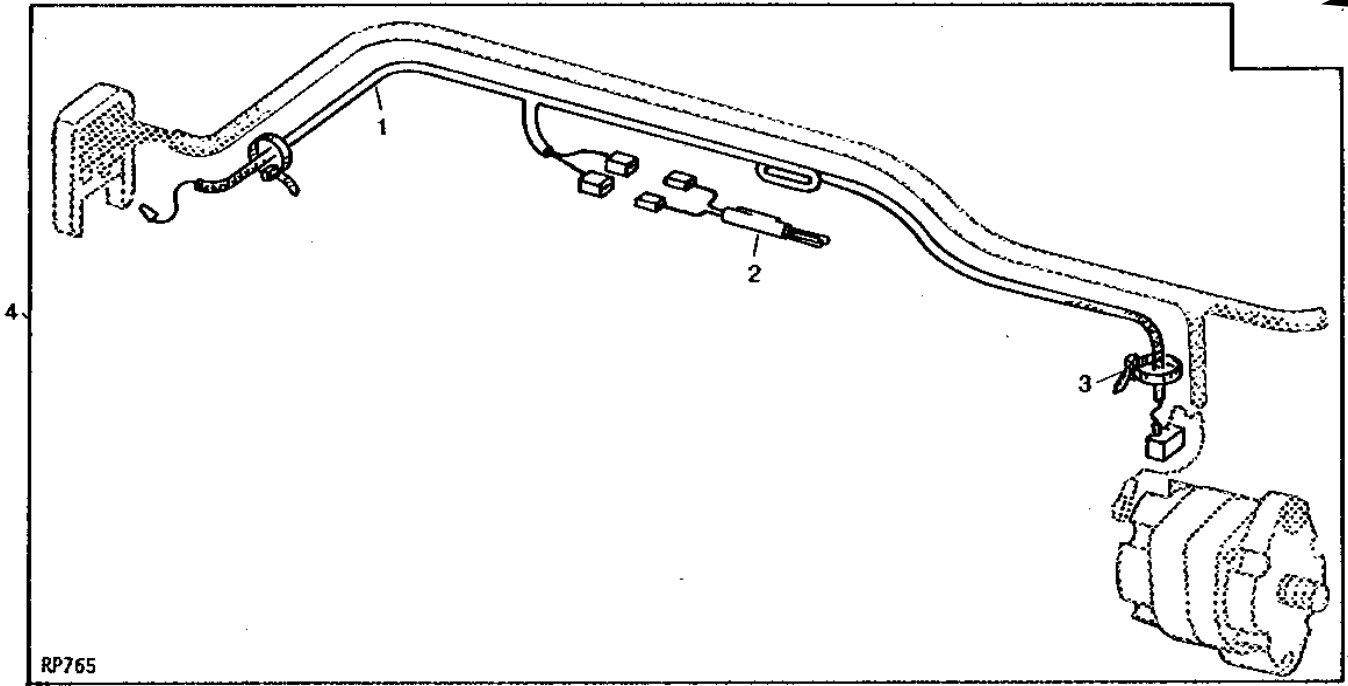
KEY	PART NO.	PART NAME	QTY	TRACTOR SERIAL NO.	REMARKS
1	AR51569	WIRING LEAD	1	-XXXXXX	
	AR69977	WIRING LEAD	1	XXXXXX-013938	
	AR77346	WIRING LEAD	1	013939-	
2	T32231	CLAMP	1		(SUB FOR T15737)
3	19H2529	CAP SCREW	3		5/16" X 1"
4	12H303	LOCK WASHER	3		5/16"
5	AR48957	WIRING LEAD	1	-013938	
6	AR77345	WIRING HARNESS	1	013939-	
7	14H631	NUT	1	013939-	0.190"
8	12M7060	WASHER	1	013939-	0.209"
9	AR77344	FUSE	1	013939-	
10	21H1295	SCREW	1	013939-	0.190" X 5/8"

# 2B15

ELECTRICAL

RP765 -UN-01JAN94

## SERVICE WIRE RESISTANCE KIT



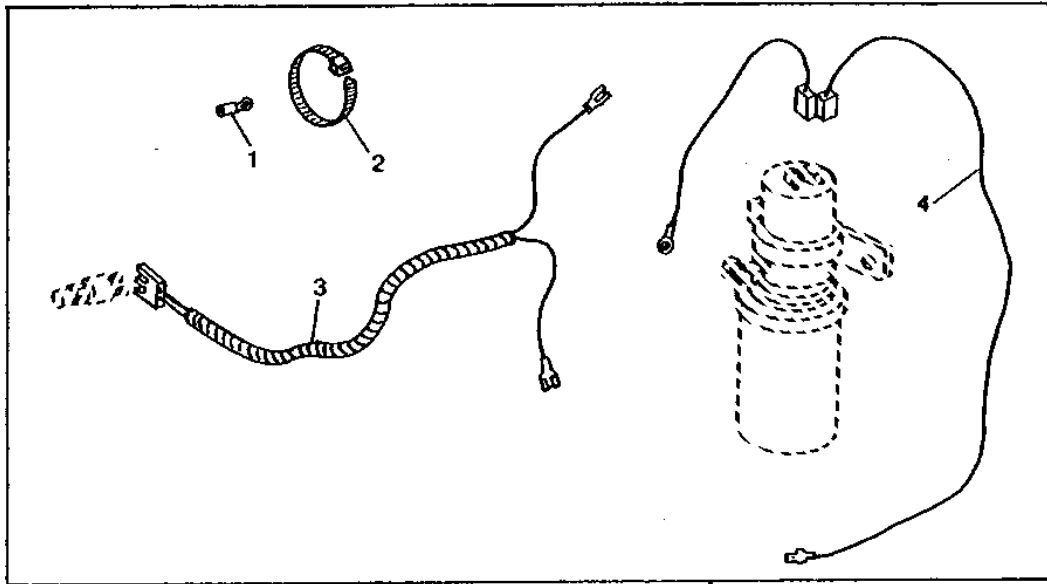
KEY	PART NO.	PART NAME	QTY	TRACTOR SERIAL NO.	REMARKS
1	AR90841	WIRING HARNESS	1		
2	AR85283	RECTIFIER	1		
3	R44302	TIE BAND	15		
4	AR90840	KIT	1		

# 2B16

ELECTRICAL

## ELECTRIC ETHER SOLENOID WIRING HARNESS

RXP8525 -UN-01JAN94



RXP8525

5

KEY	PART NO.	PART NAME	QTY	TRACTOR SERIAL NO.	REMARKS
1	R32018	TERMINAL	1		
2	R44302	TIE BAND	10		
3	RE42399	WIRING HARNESS	1		
4	RE42400	WIRING HARNESS	1	(A)	
5	RE42401	KIT	1	(B) (SUB FOR AR68016, AR68017, AR68019 OR AR68499)	

(A) ( -12,999) ADD RE42400 WIRING HARNESS TO AR63866, AR63867, AR63868, AR63869, AR63870, AR63871 OR AR63872

(B) ( -12,999) ADD RE42401 WIRING HARNESS TO ENGINE HARNESS CONNECTIONS WITHOUT ELECTRIC ETHER AID, AR63866, AR63867, AR63868, AR63869, AR63870, AR63871 OR AR63872

---

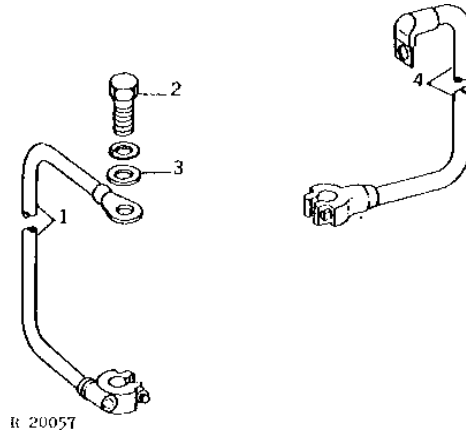
MEMORANDA

# 2B17

ELECTRICAL

R20057 -UN-01JAN94

## BATTERY CABLES (GASOLINE)



KEY	PART NO.	PART NAME	QTY	TRACTOR SERIAL NO.	REMARKS
1	AR57098	CABLE	1	(A)	
	RE21740	CABLE	1	(B)	(SUB FOR AR60012)
2	19H444	CAP SCREW	1	(A)	1/2" X 1"
	12H301	LOCK WASHER	1	(A)	1/2"
3	24H1227	WASHER	1	(A)	17/32" X 13/16" X 0.060"
4	AR56949	CABLE	1	(A)	BATTERY TO STARTING MOTOR
	AR54614	CABLE	1	(B)	BATTERY TO STARTING MOTOR
..	R98371	COVER	1	(B)	(SUB FOR R55176)

(A) ROLL-GARD  
(B) LESS ROLL-GARD

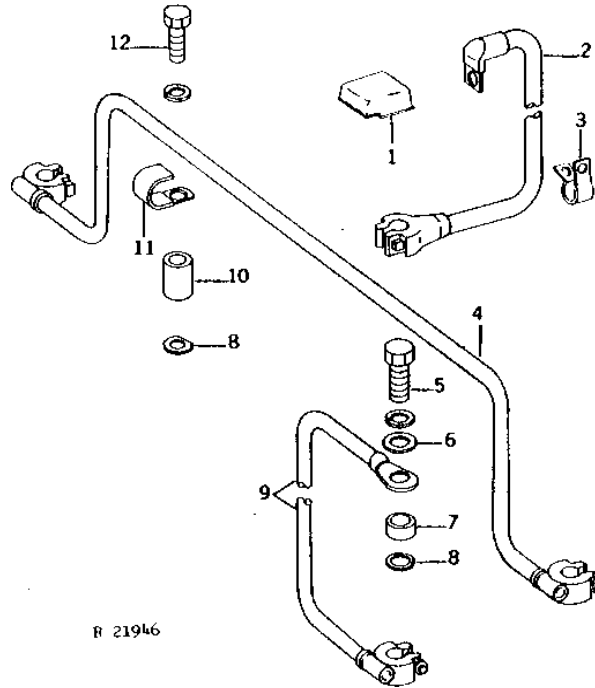


# 2B18

ELECTRICAL

R21946 -UN-01JAN94

## BATTERY CABLES (DIESEL)



KEY	PART NO.	PART NAME	QTY	TRACTOR SERIAL NO.	REMARKS
1	R98371	COVER	1	(SUB FOR R55176)	
2	AR56949	CABLE	1	(A) TO STARTING MOTOR	
	AR60011	CABLE	1	(B) TO STARTING MOTOR	
	R45440	TIE BAND	1	(A) (SUB R76477)	
3	R46414	CLAMP	1		
4	AR57099	CABLE	1	(A)	
	AR48912	CABLE	1	(LOW PROFILE) (SUB RE21745, THIS APPLICATION)	
	AR48912	CABLE	1	-005015 (B) (SUB RE21745, THIS APPLICATION)	
	AR64899	CABLE	1	005016-018127 (B) (SUB RE21745)	
	RE21745	CABLE	1	018128- (B) (SUB FOR AR64899, AR48912 OR AR69107)	
5	19H1792	CAP SCREW	1	(A) 1/2" X 1"	
	19H1800	CAP SCREW	1	-005015 (B) 3/8" X 1-1/2"	
	19H1731	CAP SCREW	1	005016- (B) 3/8" X 1"	
	12H301	LOCK WASHER	1	(A) 1/2"	
	12H304	LOCK WASHER	1	(B) 3/8"	
6	24H1227	WASHER	1	(A) 17/32" X 13/16" X 0.060"	
	24M7096	WASHER	1	(B) 10.500 X 18 X 1.600 MM	
7	28H1517	WASHER	1	-005015 (B) 0.493" X 0.675" X 1/4"	
8	A4624R	WASHER	2	(B)	
9	AR57098	CABLE	1	-018127 (A) GROUND	
	AR69238	CABLE	1	-018127 (B) GROUND, (SUB FOR AR45975)	
	RE21740	CABLE	1	018128- GROUND, (SUB FOR AR60012)	
10	28H1495	SPACER	1	-005015 (B) 3/8" X 1"	
11	R45211	CLAMP	1	-005015 (A)	
	R73292	CLAMP	1	005016- (A) (SUB FOR R46622)	
	R46414	CLAMP	1	-005015 (B)	
	R49921	CLAMP	1	005016- (B)	
12	19H2284	CAP SCREW	1	(A) 3/8" X 7/8"	
	19H1800	CAP SCREW	1	(B) 3/8" X 1-1/2"	
	12H304	LOCK WASHER	1	3/8"	

(A) ROLL-GARD OR SOUND-GARD BODY  
(B) LESS ROLL-GARD OR SOUND-GARD BODY

---

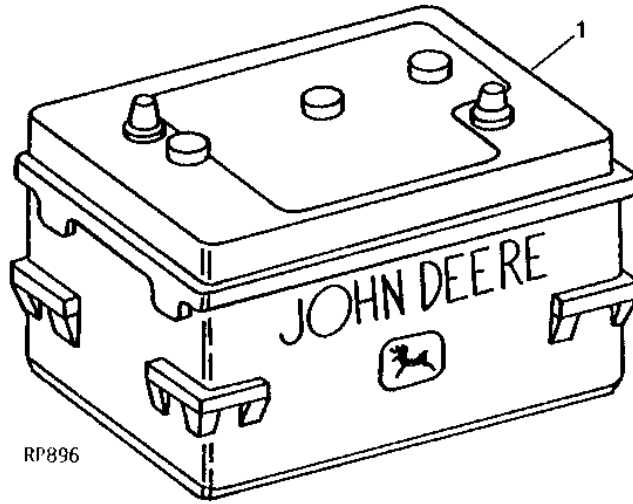
MEMORANDA

# 2B19

ELECTRICAL

RP896 -UN-01JAN94

## BATTERY



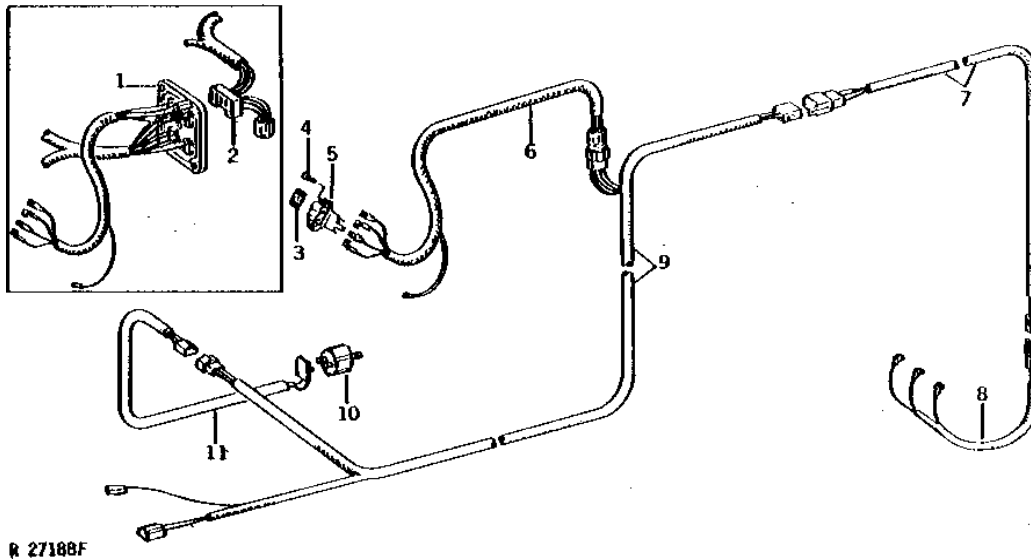
KEY	PART NO.	PART NAME	QTY	TRACTOR SERIAL NO.	REMARKS
1	TY21735	BATTERY	2		(6-VOLT) 850 COLD CRANKING AMPS AT -18°C (0°F) 280 MINUTE RESERVE CAPACITY AT 25 AMPS, (SUB FOR AR47455 OR TY6119) (DIESEL)
	TY21736	BATTERY	1		(12-VOLT) 525 COLD CRANKING AMPS AT -18°C (0°F) 110 MINUTE RESERVE CAPACITY AT 25 AMPS, (SUB FOR AT29159 OR TY6107) (GASOLINE)
	TY21741	BATTERY	1		(12-VOLT) HEAVY-DUTY, 625 COLD CRANKING AMPS AT -18°C (0°F) 160 MINUTE RESERVE CAPACITY AT 25 AMPS, (SUB FOR AT29160 OR TY6106) (GASOLINE)

# 2B20

ELECTRICAL

## ELECTRICAL SWITCHES AND WIRING (SYNCRO-RANGE AND QUAD-RANGE) (POWER FRONT WHEEL DRIVE)

R27188 -UN-01JAN94



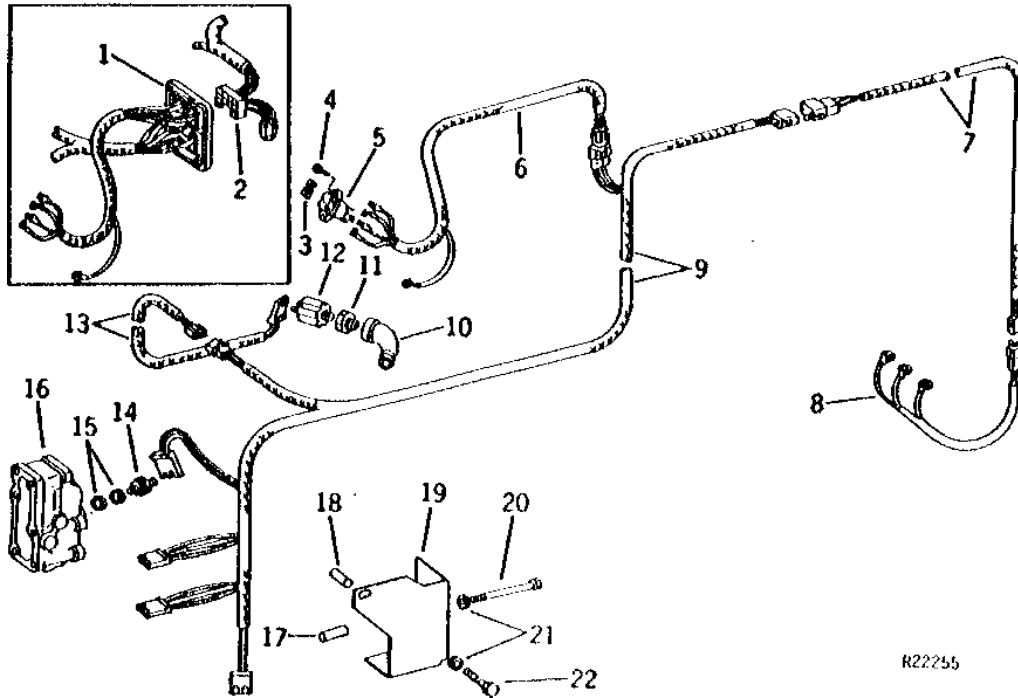
KEY	PART NO.	PART NAME	QTY	TRACTOR SERIAL NO.	REMARKS
1	AR61933	WIRING HARNESS	1	-012999	(INSTRUMENT PANEL)
2	AR63870	WIRING HARNESS	1	-012999	ENGINE, (DIESEL) (NLA)
	AR63871	WIRING HARNESS	1		ENGINE, (GASOLINE)
3	R54035	LABEL	1		
4	R54388	SCREW	2		
5	AR61984	TOGGLE SWITCH	1		
6	AR68012	WIRING HARNESS	1	013000-	(DIESEL)
7	AR49298	WIRING HARNESS	1		(CONTROL VALVE, REAR)
8	AR45734	WIRING HARNESS	1		(CONTROL VALVE, FRONT)
9	AR65372	WIRING HARNESS	1		(ROTARY SWITCH TO CONTROL VALVE)
10	AL67715	BRAKE LIGHT SWITCH	1		PRESSURE, (ALSO ORDER JD7838) (SUB FOR AR51372, AR85759, AR86974 OR AL27809)
11	AR85760	WIRING HARNESS	1		(ALSO ORDER AL67715) (SUB FOR AR62238)
..	R44302	TIE BAND	AR		

# 2B21

ELECTRICAL

## ELECTRICAL SWITCHES AND WIRING (POWER SHIFT) (POWER FRONT WHEEL DRIVE)

R22255 -UN-01JAN94



R22255

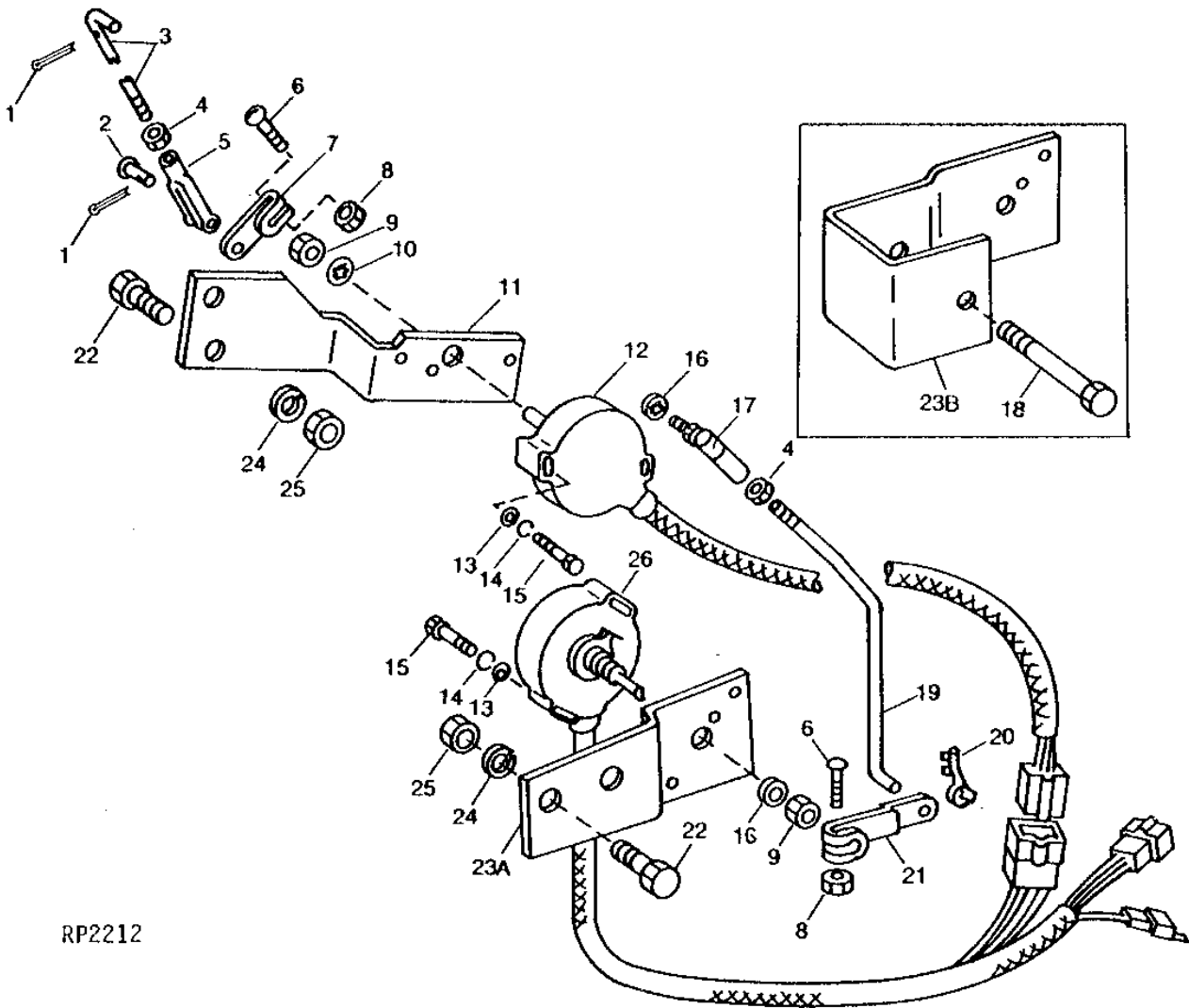
KEY	PART NO.	PART NAME	QTY	TRACTOR SERIAL NO.	REMARKS
1	AR61933	WIRING HARNESS	1	-012999	(INSTRUMENT PANEL)
2	AR63870	WIRING HARNESS	1	-012999	(ENGINE) (DIESEL) (NLA)
	AR63871	WIRING HARNESS	1		(ENGINE) (GASOLINE)
3	R54035	LABEL	1		
4	R54388	SCREW	2		
5	AR61984	TOGGLE SWITCH	1		
6	AR68012	WIRING HARNESS	1	013000-	(DIESEL) (TOGGLE SWITCH)
7	AR49298	WIRING HARNESS	1		(CONTROL VALVE, REAR)
8	AR45734	WIRING HARNESS	1		(CONTROL VALVE, FRONT)
9	AR62155	WIRING HARNESS	1		(CONTROL VALVE HOUSING SWITCH)
10	15H613	ELBOW FITTING	1		1/4"
11	15H639	PIPE BUSHING	1		1/4" X 1/8"
12	AL67715	BRAKE LIGHT SWITCH	1		CLUTCH VALVE HOUSING, (ALSO ORDER JD7838) (SUB FOR AR51372, AR85759 OR AL27809)
13	AR85760	WIRING HARNESS	1		(ALSO ORDER AL67715) (SUB FOR AR62238)
14	RE38390	SWITCH	4		(NEUTRAL START) (SUB FOR R36265, AR85323 OR AR89691)
15	T16911	SHIM	8		
16	RE21305	COVER	1		(CONTROL VALVE HOUSING) (MARKED R82331) (WHEN RE21305 IS NO LONGER AVAILABLE SUB R82331, R26287, (5) R26448, R27216 AND R27218) (SUB FOR R42989, AR52180 OR AR95904)
17	28H1532	SPACER	2		3/8" X 2"
18	28H1685	SPACER	1		3/8" X 1-11/16", (NLA)
19	R54343	SHIELD	1		
20	19H2345	CAP SCREW	2		3/8" X 5-1/2"
	12H304	LOCK WASHER	2		3/8"
21	24M7096	WASHER	1		10.500 X 18 X 1.600 MM
22	19H2104	CAP SCREW	1		3/8" X 5"
..	R44302	TIE BAND	AR		

# 2B22

ELECTRICAL

## ROTARY SWITCHES AND BRACKETS (SYNCRO-RANGE) (POWER FRONT WHEEL DRIVE)

RP2212 -UN-01JAN94



RP2212

# 2B23

ELECTRICAL

ROTARY SWITCHES AND BRACKETS - CONTINUED  
(SYNCRO-RANGE)  
(POWER FRONT WHEEL DRIVE)

KEY	PART NO.	PART NAME	QTY	TRACTOR SERIAL NO.	REMARKS
1	11M7077	COTTER PIN	2		1.600 X 25 MM
2	L985T	PIN	1		
3	R54489	BOLT	1		
4	14H631	NUT	2		0.190"
5	L987T	YOKE	1		
6	21H1315	SCREW	2		0.164" X 3/4"
7	R42985	ARM	1		(SPEED)
8	T19977	LOCK NUT	2		
9	R44025	NUT	2		
10	12H310	LOCK WASHER	2		3/8"
11	R59943	BRACKET	1		(SUB FOR R54398)
12	AR72381	SWITCH	1		(SPEED) (SUB FOR AR61936)
13	24H1281	WASHER	4		5/32" X 3/8" X 0.049"
14	12H321	WASHER	4		0.138"
15	21H1348	SCREW	4		0.138" X 1-1/8"
16	12H246	LOCK WASHER	1		0.190"
17	AR45316	BALL JOINT	1		
18	19H2023	CAP SCREW	1		(B) 3/8" X 3-1/4"
19	R54403	ROD	1		
20	R42984	CLIP	1		
21	AR62698	ARM	1		(RANGE)
22	19H1731	CAP SCREW	2		3/8" X 1"
23A	R59942	BRACKET	1		(A) (SUB FOR R54399)
23B	R59944	BRACKET	1		(B) (SUB FOR R54402)
24	12H304	LOCK WASHER	4		3/8"
25	14H1076	NUT	4		3/8"
26	AR72380	SWITCH	1		(RANGE) (SUB FOR AR65371 OR AR61934)

(A) 4-POST ROLL-GARD OR SOUND-GARD BODY

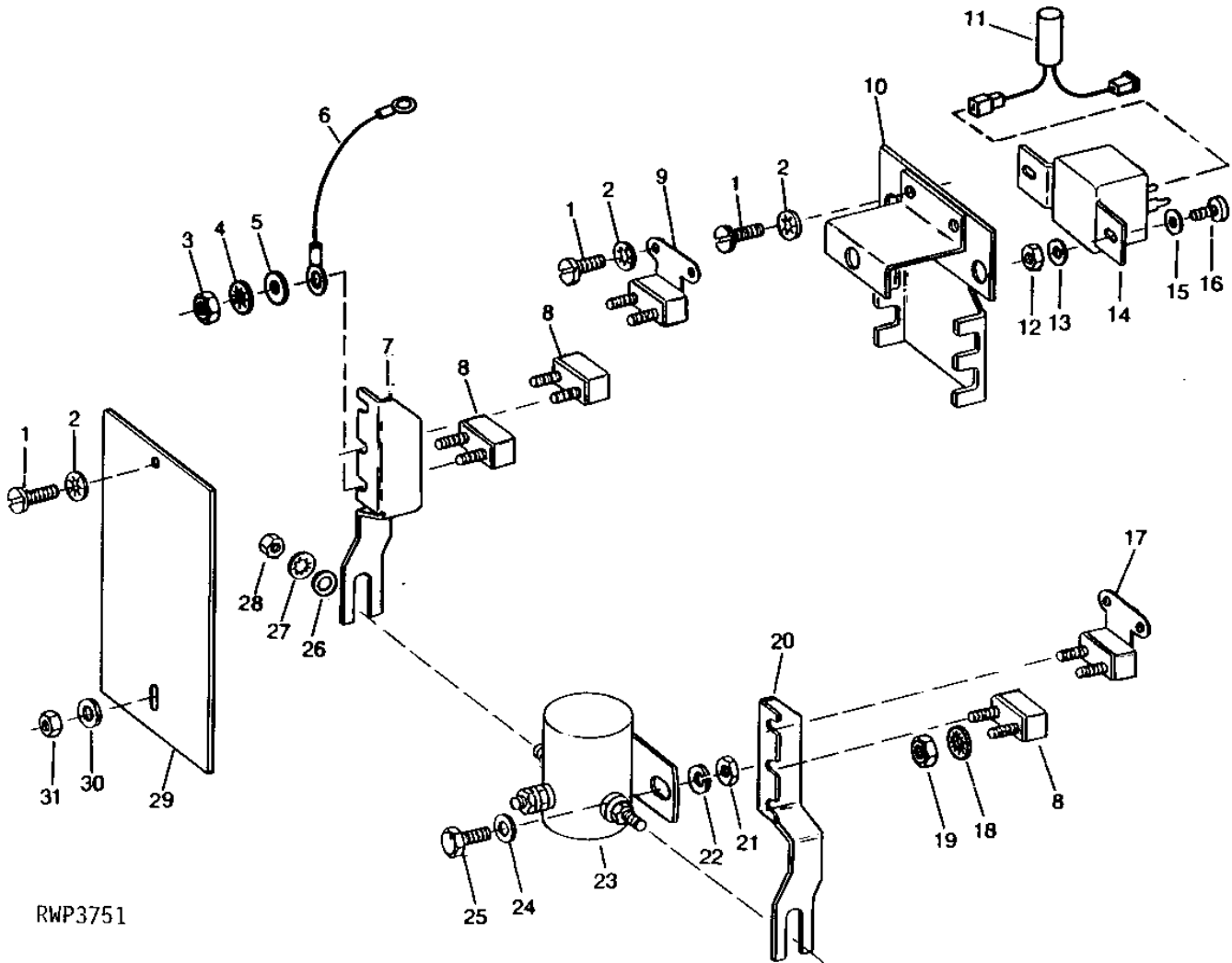
(B) LESS 4-POST ROLL-GARD OR SOUND-GARD BODY

# 2B24

ELECTRICAL

## CIRCUIT BREAKERS, RELAY, AND WARNING LAMP FLASHER (LESS SOUND-GARD BODY) (POWER FRONT WHEEL DRIVE)

RWP3751 -UN-01JAN94



RWP3751



# 2B25

ELECTRICAL

**CIRCUIT BREAKERS, RELAY, AND WARNING LAMP FLASHER - CONTINUED  
(LESS SOUND-GARD BODY)  
(POWER FRONT WHEEL DRIVE)**

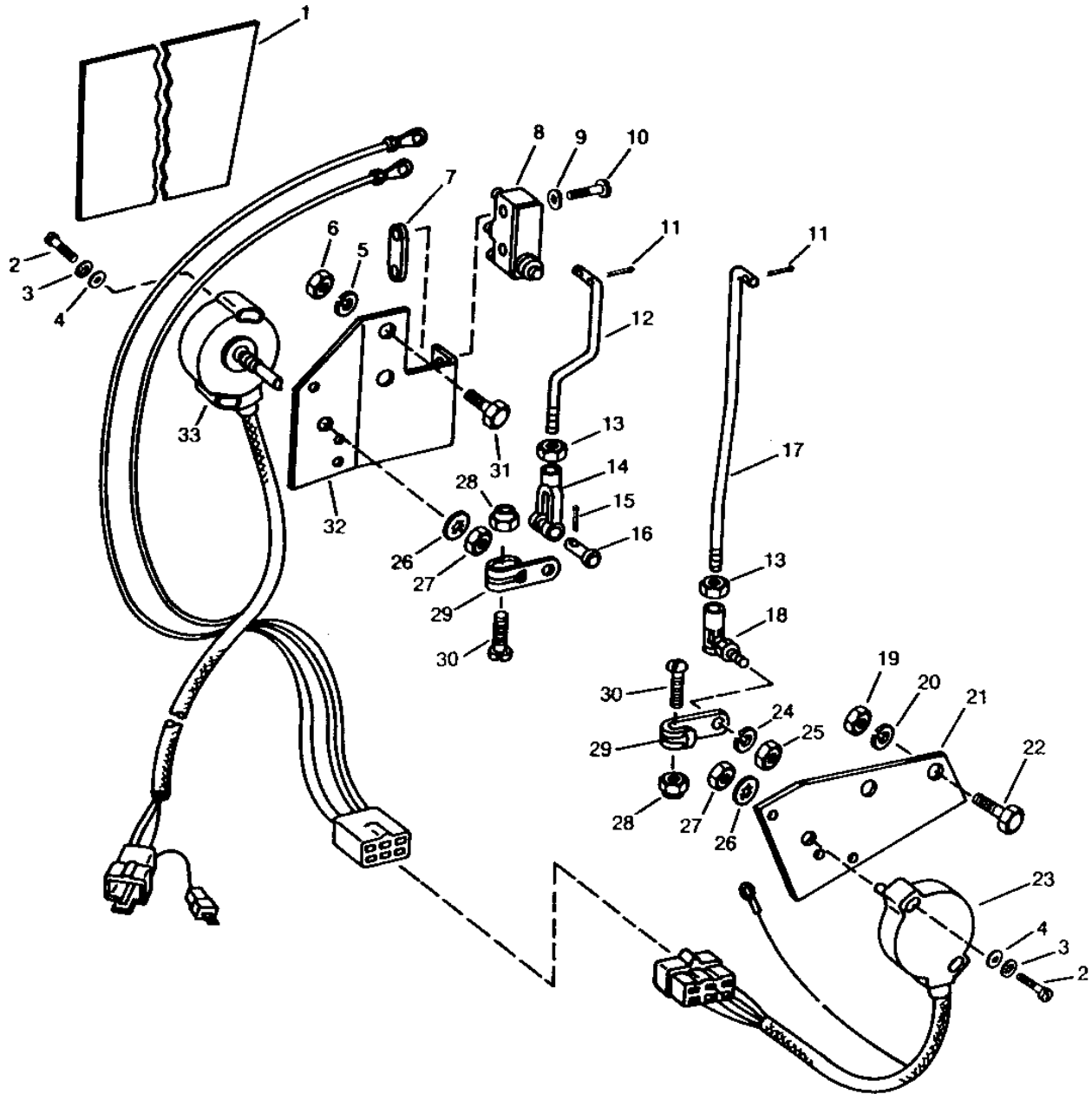
KEY	PART NO.	PART NAME	QTY	TRACTOR SERIAL NO.	REMARKS
1	21H1301	SCREW	5		0.190" X 1/2"
2	12M7060	WASHER	5		0.209"
3	14H631	NUT	6		0.190"
4	12M7060	WASHER	6		0.209"
5	B1085R	WASHER	6		
6	AR56213	WIRING LEAD	1	-026121	BUSSBAR TO CHARGING CIRCUIT HARNESS
	AR72391	WIRING LEAD	1	026122-	BUSSBAR TO STARTER RELAY
7	R50044	FUSE HOLDER	1		
8	AR56671	CIRCUIT BREAKER	3	-025245	20 AMP
	AR56671	CIRCUIT BREAKER	2	025246-	10 AMP
	AR70052	CIRCUIT BREAKER	1	025246-	10 AMP
9	AR55649	CIRCUIT BREAKER	1		10 AMP
10	AR58170	RETAINER	1		
11	AR61861	CAPACITOR	1		RADIO NOISE SUPPRESSOR
12	14H631	NUT	2		0.190"
13	12M7060	WASHER	2		0.209"
14	AR48594	FLASHER	1		
15	24H1283	WASHER	2		7/32" X 1/2" X 0.049"
16	21H1295	SCREW	2		0.190" X 5/8"
17	AR28403	CIRCUIT BREAKER	1		20 AMP
18	12M7060	WASHER	6		0.209"
19	14H631	NUT	6		0.190"
20	R50046	FUSE HOLDER	1		
21	14H786	NUT	2		1/4"
22	12H302	LOCK WASHER	2		1/4"
23	AR54484	RELAY	1		(SUB AR91166, THIS APPLICATION)
24	24H1287	WASHER	1		9/32" X 5/8" X 0.065"
25	19H1919	CAP SCREW	1		1/4" X 5/8"
26	24H1136	WASHER	2		11/32" X 11/16" X 0.065"
27	12H303	LOCK WASHER	2		5/16"
28	14H650	NUT	2		5/16"
29	R52756	WASHER	1		
30	T11651	SHIM	1		
31	14H631	NUT	1		0.190"

# 2C1

ELECTRICAL

## ROTARY SWITCHES AND BRACKETS (QUAD-RANGE) (POWER FRONT WHEEL DRIVE)

RP881 -UN-16NOV94



RP881

# 2C2

ELECTRICAL

ROTARY SWITCHES AND BRACKETS - CONTINUED  
(QUAD-RANGE)  
(POWER FRONT WHEEL DRIVE)

KEY	PART NO.	PART NAME	QTY	TRACTOR SERIAL NO.	REMARKS
1	R52982	ISOLATOR	1		
2	21H1348	SCREW	4	0.138" X 1-1/8"	
3	12H321	WASHER	4	0.138"	
4	24H1281	WASHER	4	5/32" X 3/8" X 0.049"	
5	12H304	LOCK WASHER	2	3/8"	
6	14H1076	NUT	2	3/8"	
7	R44016	STRAP	1		
8	AR62072	SWITCH	1		
9	12H321	WASHER	2	0.138"	
10	21H1348	SCREW	2	0.138" X 1-1/8"	
11	11M7079	COTTER PIN	2	0.098" X 0.472"	
12	R54207	ROD	1	SPEED CHANGE	
13	14H631	NUT	2	0.190"	
14	L987T	YOKE	1		
15	11M7077	COTTER PIN	1	1.600 X 25 MM	
16	L985T	PIN	1		
17	R54208	ROD	1	SPEED RANGE	
18	AR45316	BALL JOINT	1		
19	14H1076	NUT	2	3/8"	
20	12H304	LOCK WASHER	2	3/8"	
21	R59946	BRACKET	1	(A) (SUB FOR R54572) (ILLUSTRATED)	
	R59947	BRACKET	1	(B) (SUB FOR R54573)	
22	19H2552	CAP SCREW	2	(A) 3/8" X 1-1/8"	
	19H2023	CAP SCREW	2	(B) 3/8" X 3-1/4"	
23	AR72383	SWITCH	1	(SPEED) (SUB FOR AR61987) (SUB AR81190)	
24	12H246	LOCK WASHER	1	0.190"	
25	14H631	NUT	1	0.190"	
26	12H310	LOCK WASHER	2	3/8"	
27	R44025	NUT	2		
28	T19977	LOCK NUT	2		
29	R42985	ARM	2		
30	21H1315	SCREW	2	0.164" X 3/4"	
31	19H1731	CAP SCREW	2	3/8" X 1"	
32	R59945	BRACKET	1	(SUB FOR R54571)	
33	AR81189	SWITCH	1	(RANGE) (ALSO ORDER R59945, (2) 21H1348, (2) 24H1280 AND (2) 12H321) (SUB FOR AR65370 OR AR72382)	

(A) 4-POST ROLL-GARD OR SOUND-GARD BODY

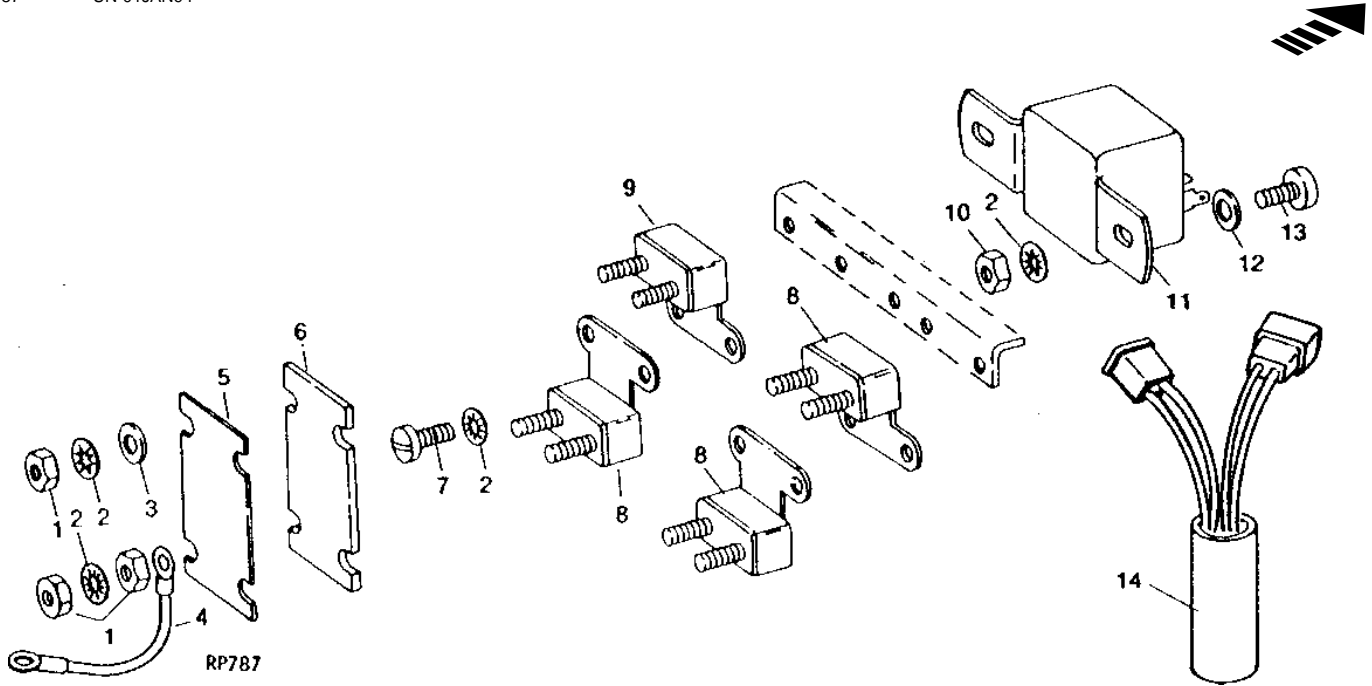
(B) LESS 4-POST ROLL-GARD OR SOUND-GARD BODY

# 2C3

ELECTRICAL

## CIRCUIT BREAKERS AND WARNING LAMP FLASHER (LESS SOUND-GARD BODY) (TRACTOR SERIAL NO. -037209)

RP787 -UN-01JAN94



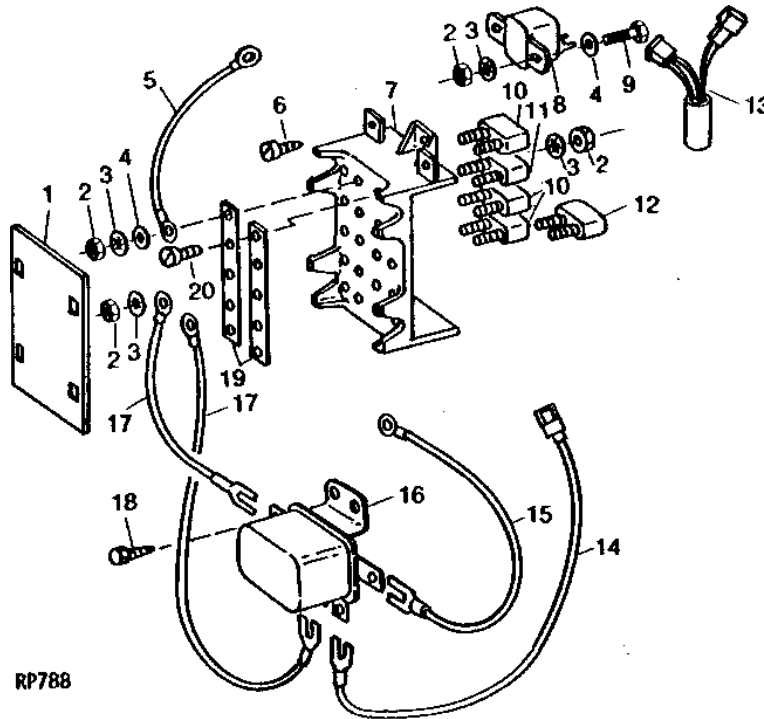
KEY	PART NO.	PART NAME	QTY	TRACTOR SERIAL NO.	REMARKS
1	14H631	NUT	5	0.190"	
2	12M7060	WASHER	11	0.209"	
3	24H1283	WASHER	3	7/32" X 1/2" X 0.049"	
4	AR72391	WIRING LEAD	1		(BUSSBAR TO STARTER RELAY)
5	R52755	INSULATOR	1		
6	R52082	FUSE HOLDER	1		
7	21H1301	SCREW	5	0.190" X 1/2"	
8	AR28403	CIRCUIT BREAKER	3	(20 AMP)	
9	AR55649	CIRCUIT BREAKER	1	(10 AMP)	
10	14H631	NUT	2	0.190"	
11	AR48594	FLASHER	1		(LESS TURN SIGNALS)
	AR41694	WIRING LEAD	1		(LESS FLASHER OPERATION) (NLA)
12	24H1283	WASHER	2	7/32" X 1/2" X 0.049"	
13	21H1295	SCREW	2	0.190" X 5/8"	
14	AR61861	CAPACITOR	1		RADIO NOISE SUPPRESSION

# 2C4

ELECTRICAL

## CIRCUIT BREAKERS, RELAY AND WARNING LAMP FLASHER (LESS SOUND-GARD BODY) (TRACTOR SERIAL NO. 037210- )

RP788 -UN-01JAN94



RP788

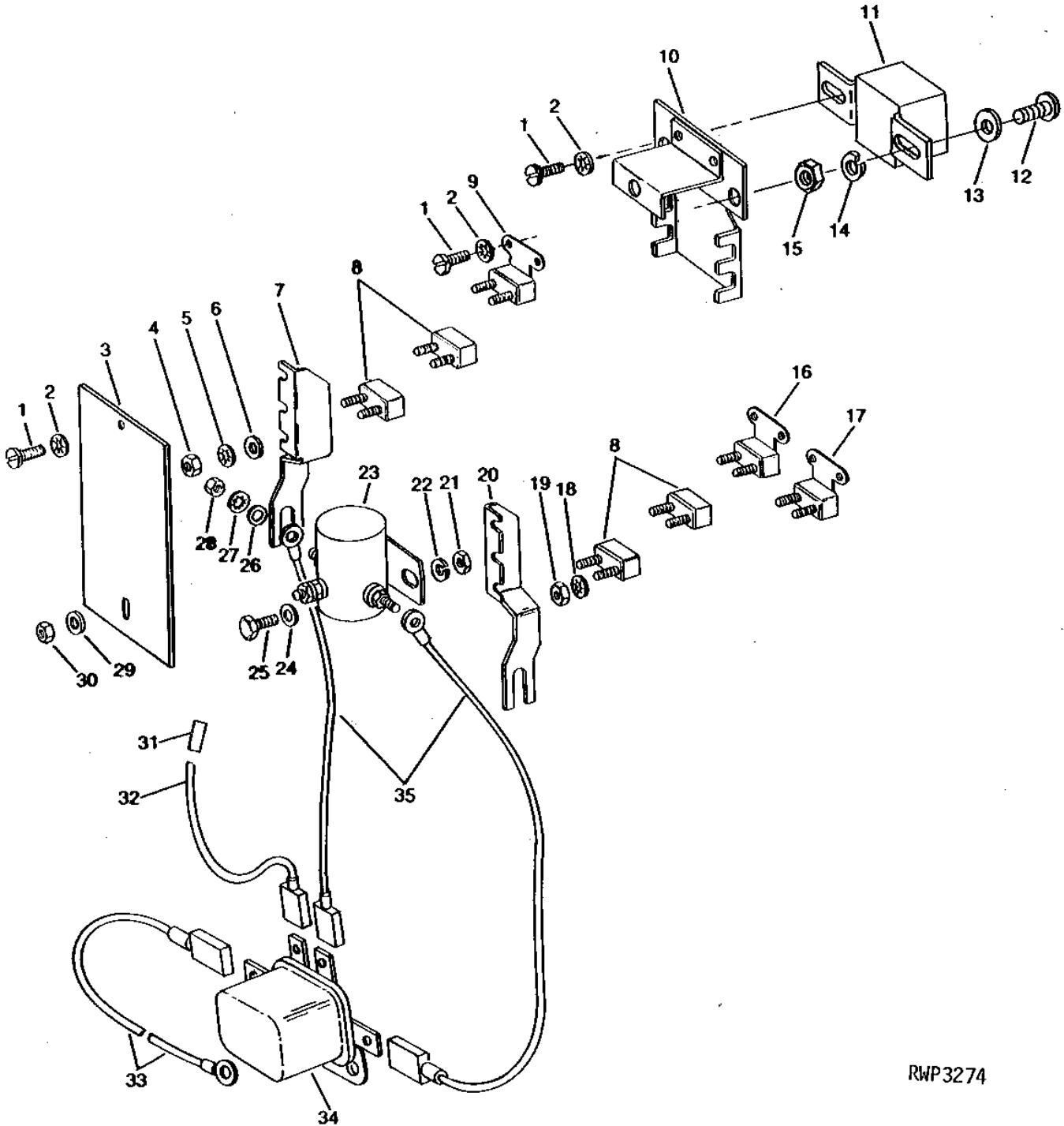
KEY	PART NO.	PART NAME	QTY	TRACTOR SERIAL NO.	REMARKS
1	R63462	COVER	1		
2	14H631	NUT	10	0.190"	
3	12H297	LOCK WASHER	10	1/4"	
4	24H1283	WASHER	6	7/32" X 1/2" X 0.049"	
5	AR72391	WIRING LEAD	1		BUSSBAR TO STARTER RELAY
6	37H84	SCREW	2	1/4" X 3/8"	
7	R78095	SUPPORT	1		(SUB FOR R63460) (SUB RE16963)
8	AR48594	FLASHER	1		
9	21H1295	SCREW	2	0.190" X 5/8"	
10	AR56671	CIRCUIT BREAKER	3	(20 AMP)	
11	AR70052	CIRCUIT BREAKER	1	(10 AMP) (IGNITION)	
12	AR70052	CIRCUIT BREAKER	1	(10 AMP) (POWER FRONT WHEEL DRIVE)	
13	AR61861	CAPACITOR	1		RADIO NOISE SUPPRESSION
14	AR78385	WIRING LEAD	1		ACCESSORY RELAY TO INSTRUMENT PANEL HARNESS
15	AR78386	WIRING LEAD	1		ACCESSORY RELAY
16	AH98337	RELAY	1		(SUB FOR AE23861)
17	AR78384	WIRING LEAD	2		BUSSBAR TO ACCESSORY RELAY
18	R52760	SCREW	4		
19	R63461	JUMPER	1		(2 USED, POWER FRONT WHEEL DRIVE)
20	21H1295	SCREW	1	0.190" X 5/8"	

# 2C5

ELECTRICAL

## CIRCUIT BREAKERS, RELAY, AND WARNING LAMP FLASHER (SOUND-GARD BODY) (TRACTOR SERIAL NO. -037209)

RWP3274 -UN-01JAN94



RWP3274

# 2C6

ELECTRICAL

**CIRCUIT BREAKERS, RELAY, AND WARNING LAMP FLASHER - CONTINUED**  
**(SOUND-GARD BODY)**  
**(TRACTOR SERIAL NO. -037209)**

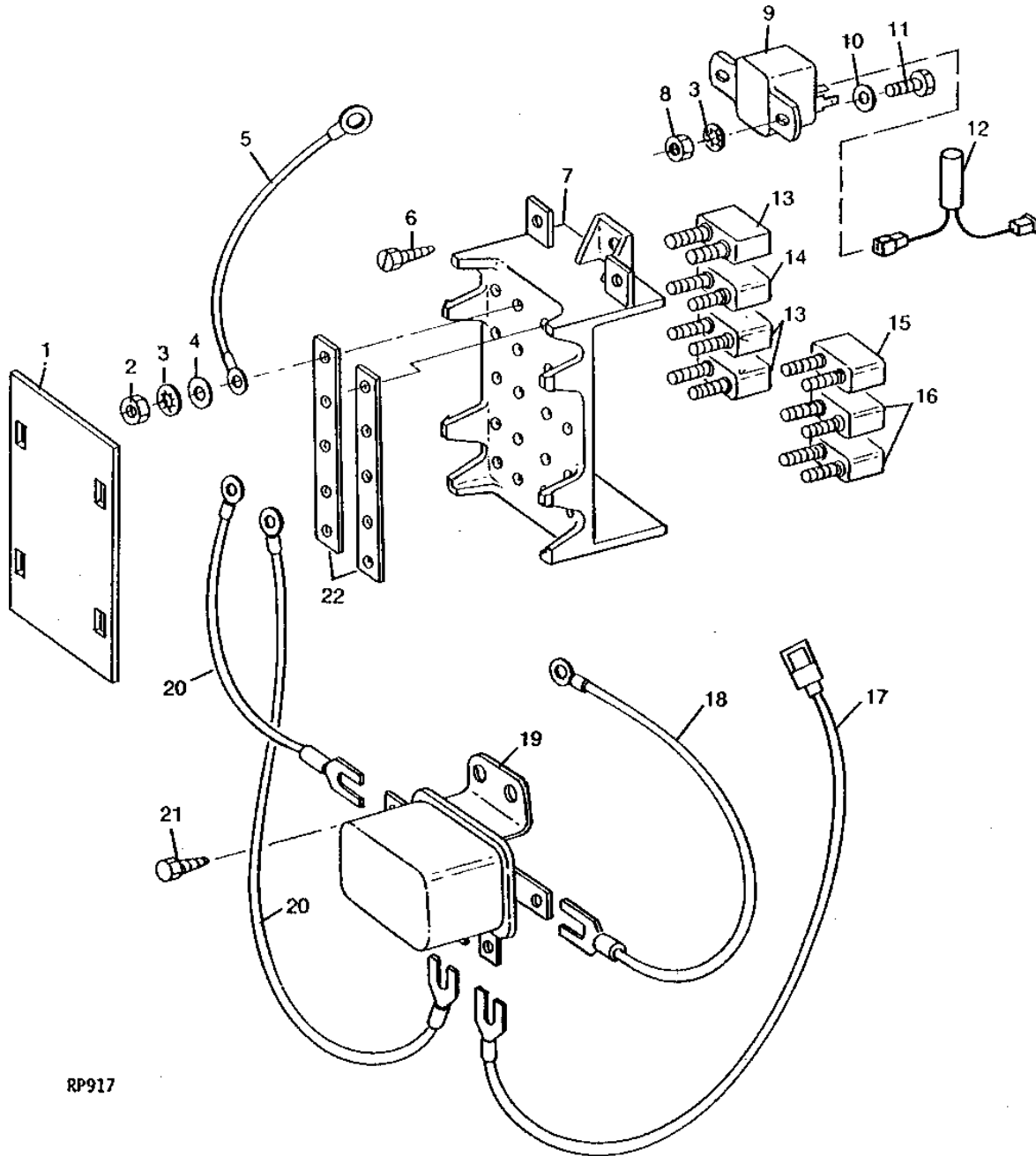
KEY	PART NO.	PART NAME	QTY	TRACTOR SERIAL NO.	REMARKS
1	21H1301	SCREW	5		0.190" X 1/2"
2	12M7060	WASHER	5		0.209"
3	R52756	WASHER	1		
4	14H631	NUT	6		0.190"
5	12M7060	WASHER	6		0.209"
6	24H1283	WASHER	6		7/32" X 1/2" X 0.049"
7	R50044	FUSE HOLDER	1		
8	AR56671	CIRCUIT BREAKER	4		(20 AMP)
9	AR55649	CIRCUIT BREAKER	1		(10 AMP)
10	AR58170	RETAINER	1		
11	AR48594	FLASHER	1		
12	21H1295	SCREW	2		0.190" X 5/8"
13	24H1283	WASHER	2		7/32" X 1/2" X 0.049"
14	12M7060	WASHER	2		0.209"
15	14H631	NUT	2		0.190"
16	AR28403	CIRCUIT BREAKER	1		(20 AMP)
17	AR28403	CIRCUIT BREAKER	1	-025172	(20 AMP) (POWER FRONT WHEEL DRIVE)
	AR55649	CIRCUIT BREAKER	1	025173-	(10 AMP) (POWER FRONT WHEEL DRIVE)
18	12M7060	WASHER	6		0.209"
19	14H631	NUT	6		0.190"
20	R50046	FUSE HOLDER	1		
21	14H786	NUT	2		1/4"
22	12H302	LOCK WASHER	2		1/4"
23	AR54484	RELAY	1		(SUB AR91166, THIS APPLICATION)
24	24H1287	WASHER	2		9/32" X 5/8" X 0.065"
25	19H1919	CAP SCREW	1		1/4" X 5/8"
26	24H1136	WASHER	2		11/32" X 11/16" X 0.065"
27	12H303	LOCK WASHER	2		5/16"
28	14H650	NUT	2		5/16"
29	T11651	SHIM	1		
30	14H631	NUT	1		0.190"
31	R32027	CONNECTOR	1		
32	AR78392	WIRING LEAD	1		RELAY COIL
33	AR78386	WIRING LEAD	1		RELAY GROUND
34	AH98337	RELAY	1		(SUB FOR AE23861)
35	AR78391	WIRING LEAD	2		RELAY TO BUSSBAR
..	AR56213	WIRING LEAD	1	-026121	BUSSBAR TO CHARGING CIRCUIT HARNESS
..	AR72391	WIRING LEAD	1	026122-	BUSSBAR TO STARTER RELAY
..	AR72381	SWITCH	1		WIRING ACCESSORY RELAY, (SUB AR91166)

# 2C7

ELECTRICAL

## CIRCUIT BREAKER, RELAY AND WARNING LAMP FLASHER (SOUND-GARD BODY) (TRACTOR SERIAL NO. 037210- )

RP917 -UN-01JAN94



RP917



# 2C8

ELECTRICAL

**CIRCUIT BREAKER, RELAY AND WARNING LAMP FLASHER - CONTINUED**  
**(SOUND-GARD BODY)**  
**(TRACTOR SERIAL NO. 037210- )**

KEY	PART NO.	PART NAME	QTY	TRACTOR SERIAL NO.	REMARKS
1	R63462	COVER	1		
2	14H631	NUT	14	0.190"	
3	12M7060	WASHER	16	0.209"	
4	24H1283	WASHER	7	7/32" X 1/2" X 0.049"	
5	AR72391	WIRING LEAD	1		TO STARTER RELAY
6	R52760	SCREW	2		
7	R78095	SUPPORT	1		(SUB RE16963)
8	14H631	NUT	2	0.190"	
9	AR48594	FLASHER	1		
10	24H1283	WASHER	2	7/32" X 1/2" X 0.049"	
11	21H1295	SCREW	2	0.190" X 5/8"	
12	AR61861	CAPACITOR	1		(TRACTOR LESS TURN SIGNALS)
13	AR56671	CIRCUIT BREAKER	3	20 AMP	
14	AR70052	CIRCUIT BREAKER	1	10 AMP, (IGNITION)	
15	AR70052	CIRCUIT BREAKER	1	10 AMP, (POWER FRONT WHEEL DRIVE)	
16	AR56671	CIRCUIT BREAKER	2	20 AMP, (CAB ACCESSORY)	
	AN150015	CIRCUIT BREAKER	1	30 AMP, (CAB ACCESSORY) (REPLACEMENT INNER ROOF)	
17	AR78385	WIRING LEAD	1		
18	AR78386	WIRING LEAD	1		
19	AH98337	RELAY	1		(SUB FOR AE23861)
20	AR78384	WIRING LEAD	2		
21	R52760	SCREW	2		
22	R63461	JUMPER	2		
..	R44302	TIE BAND	AR		

---

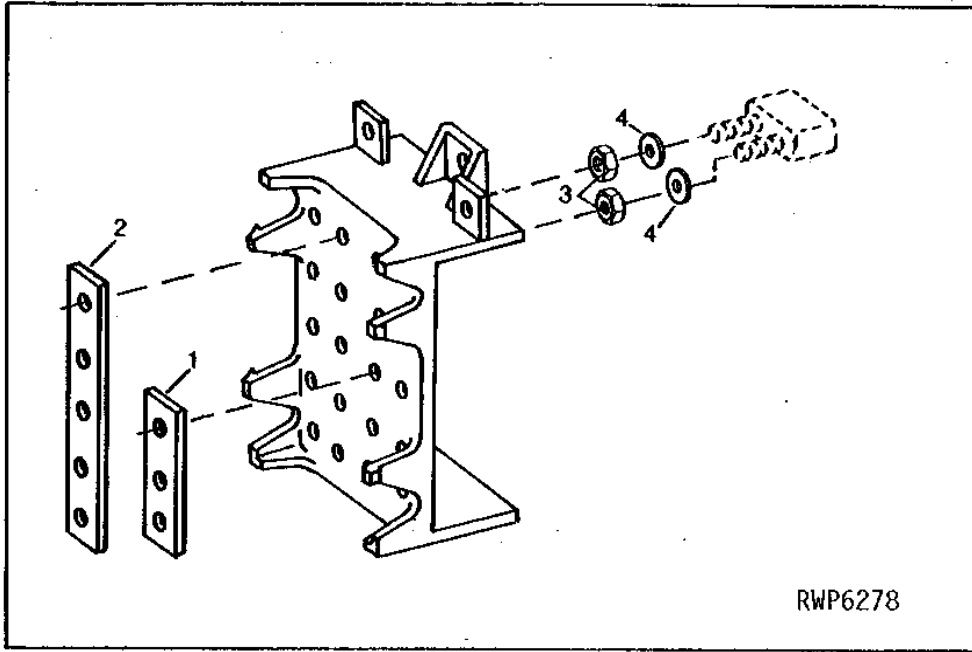
MEMORANDA

# 2C9

ELECTRICAL

RWP6278 -UN-01JAN94

## CIRCUIT BREAKER SUPPORT KIT



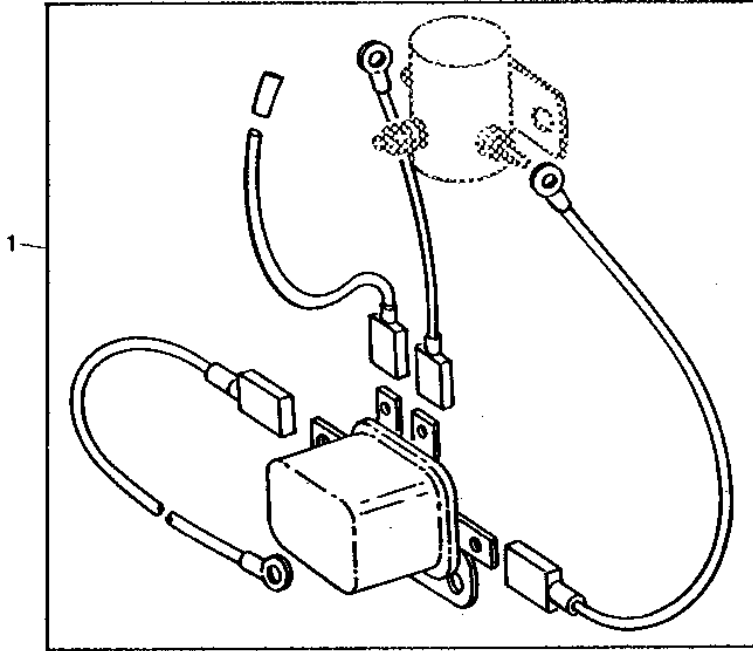
KEY	PART NO.	PART NAME	QTY	TRACTOR SERIAL NO.	REMARKS
1	R80334	STRAP	1		
2	R80335	STRAP	1		
3	14H631	NUT	20	0.190"	
4	24H1283	WASHER	20	7/32" X 1/2" X 0.049"	
5	RE16963	KIT	1		

# 2C10

ELECTRICAL

RP763 -UN-01JAN94

## WIRING ACCESSORY RELAY KIT



RP763

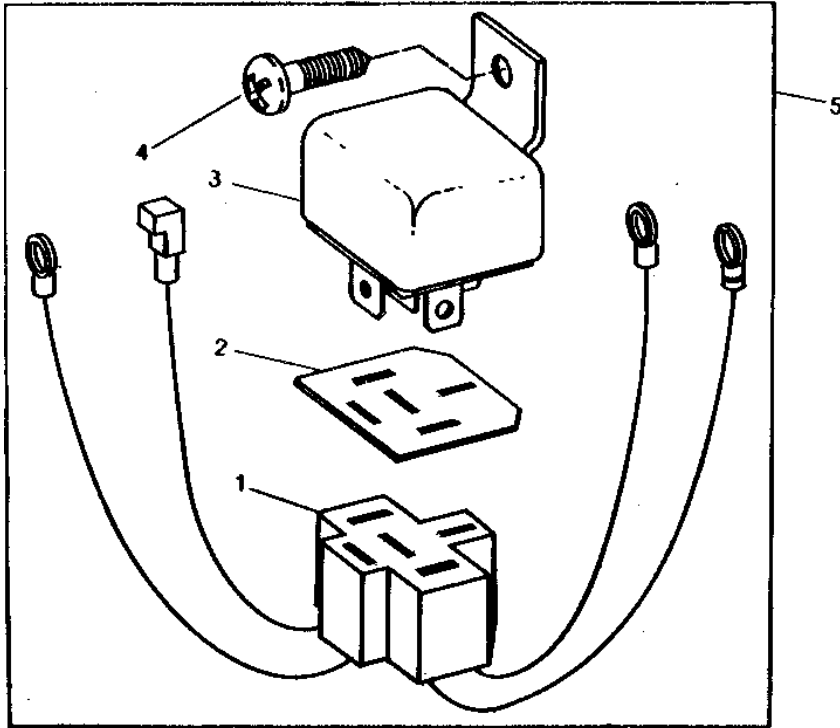
KEY	PART NO.	PART NAME	QTY	TRACTOR SERIAL NO.	REMARKS
1	AR78381	KIT	1	(SUB AR91166)	

# 2C11

ELECTRICAL

RWP2586 -UN-01JAN94

## WIRING ACCESSORY RELAY KIT



RWP2586

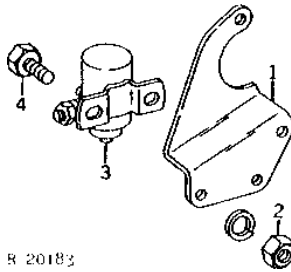
KEY	PART NO.	PART NAME	QTY	TRACTOR SERIAL NO.	REMARKS
1	AR91167	WIRING HARNESS	1		
	AR78384	WIRING LEAD	3		
	R32022	TERMINAL	2		
	R32028	TERMINAL	3		
2	R67982	COVER	1		
3	AR74411	RELAY	1		
4	37H52	SCREW	1	1/4" X 3/8"	
	19H1919	CAP SCREW	1	1/4" X 5/8"	
	12H302	LOCK WASHER	1	1/4"	
	14H786	NUT	1	1/4"	
5	AR91166	KIT	1	(SUB FOR AR78381)	

# 2C12

ELECTRICAL

R20183 -UN-01JAN94

STARTING CIRCUIT RELAY AND BRACKET  
(TRACTOR SERIAL NO. -012999)



R 20183

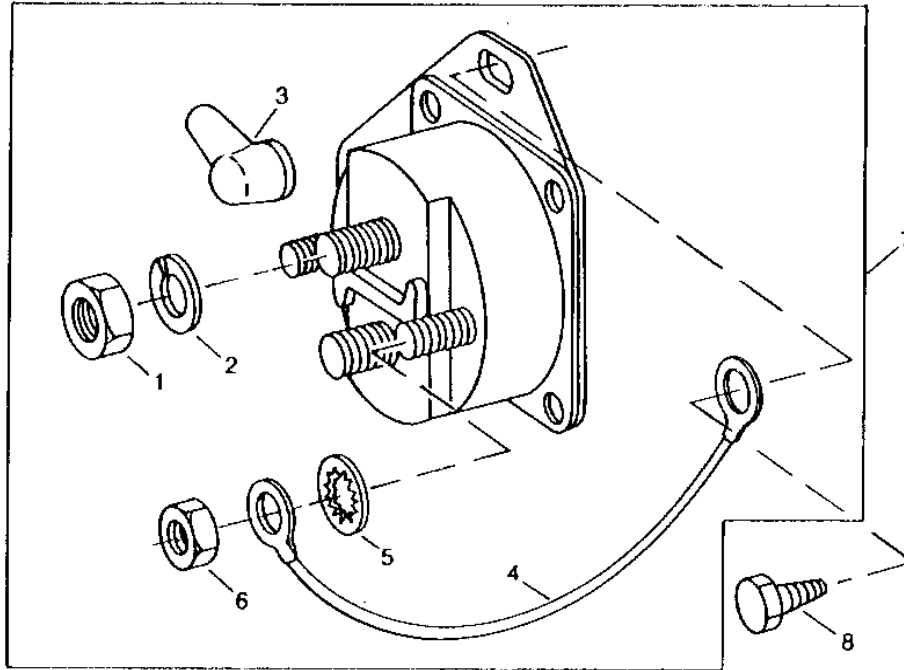
KEY	PART NO.	PART NAME	QTY	TRACTOR SERIAL NO.	REMARKS
1	R51204	BRACKET	1	-XXXXX	
2	14H786	NUT	2	1/4"	
	12H302	LOCK WASHER	2	1/4"	
3	AR44999	RELAY	1	(SUB RE38391) (ALSO ORDER (2) 12H303, (2) 14H785, 12H246 AND 14H631)	
	AT68973	RELAY	1	(SUB RE38391)	
4	19H1227	CAP SCREW	2	1/4" X 1/2"	

# 2C13

ELECTRICAL

RXP7387 -UN-01JAN94

## STARTING CIRCUIT RELAY



RXP7387

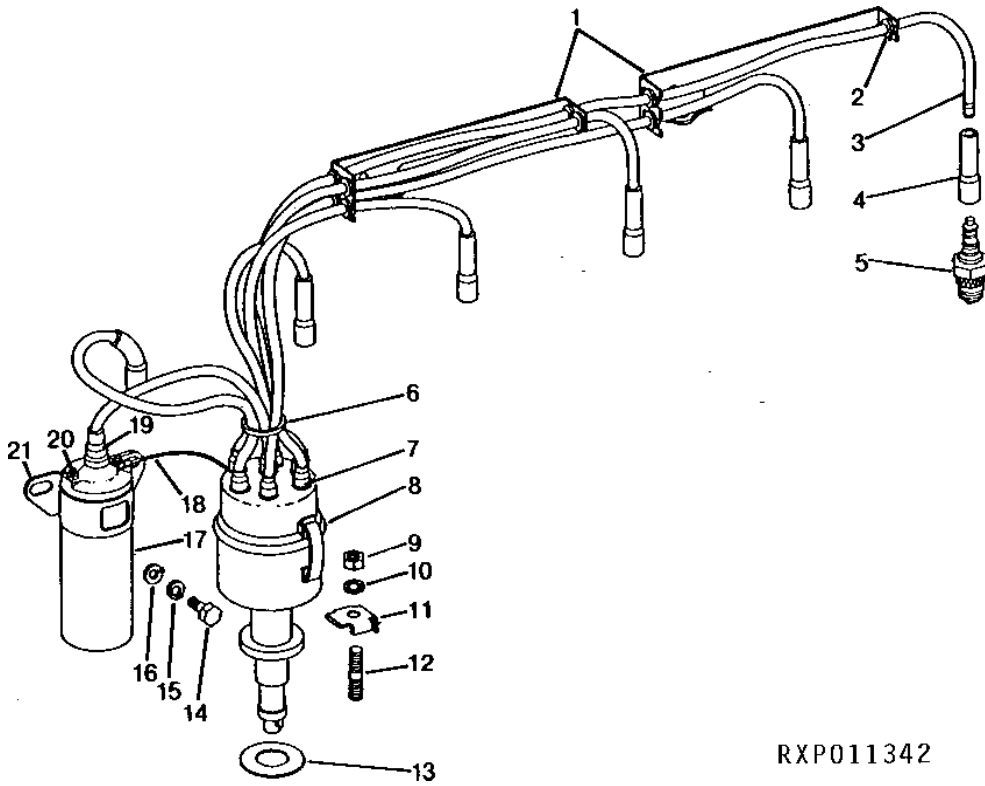
KEY	PART NO.	PART NAME	QTY	TRACTOR SERIAL NO.	REMARKS
1	14H785	NUT	2	5/16"	
2	12M7032	LOCK WASHER	2	0.331"	
3	R74993	BOOT	2		
4	.....	WIRING LEAD	1	152MM (6") (MAKE FROM LENGTH OF R65593, R65590 AND R32018)	
5	12M7060	WASHER	2	0.209"	
6	14H631	NUT	2	0.190"	
7	RE38391	KIT	1	(SUB FOR AT68973 OR AR44999) (ALSO ORDER RE41287 STARTER CIRCCUIT RELAY COVER KIT)	
8	R52938	CAP SCREW	2		

# 2C14

ELECTRICAL

RXP011342 -UN-12OCT94

DISTRIBUTOR, COIL, SPARK PLUG CABLES, AND SPARK PLUGS



RXP011342



# 2C15

ELECTRICAL

## DISTRIBUTOR, COIL, SPARK PLUG CABLES, AND SPARK PLUGS - CONTINUED

KEY	PART NO.	PART NAME	QTY	ENGINE SERIAL NO.	REMARKS
1	R26862	BRACKET	2		(NLA)
2	R26409	GROMMET	9		
3	AR50271	CABLE	1		(SUB FOR AR26624) (SET OF 7)
	AR46275	CABLE	1		(SUB AR46276, AR46277, AR46278, AR46279, AR46280 AND R44302) (SET OF 6) SPARK PLUG CABLES (RADIO NOISE SUPPRESSION)
	AR46273	CABLE	1		(SUB AR46276 AND A5188R) (IGNITION SECONDARY) (MAY BE CUT TO LENGTH)
4	R26861	BOOT	6		
5	AA4053R	SPARK PLUG	6		(CHAMPION)(GASOLINE)
	AR26543	SPARK PLUG	6		(AC)(GASOLINE)(NLA)
	TY21725	SPARK PLUG	6		(SUB FOR AR14019, AR14021, TY6073 OR TY6074)
	AR26544	SPARK PLUG	6		(PRESTOLITE)(GASOLINE/LP-GAS)
	AR26545	SPARK PLUG	6		(CHAMPION)(LP-GAS)
6	R1662R	WASHER	1		(AC)(LP-GAS)(NLA)
	R44302	TIE BAND	1		
7	A3539R	TERMINAL NIPPLE	7		
8	AR11146	IGNITION DISTRIBUTOR	1		(A) (B) (SUB TY15857) (DELCO-REMY NO.112624)
	AR47947	IGNITION DISTRIBUTOR	1		(A) (B) (SUB TY15857) (DELCO-REMY NO. 112466)
	TY15857	IGNITION DISTRIBUTOR	1		(A) (B) (SUB FOR AR11146, AR11162 OR AR47947)
9	E55662	FLANGE NUT	2		3/8"
10	12H304	LOCK WASHER	2		3/8", (NOT REQUIRED WITH E55662)
11	A4157R	CLAMP	2		(NLA)
12	R56481	STUD	2		3/8" X 1-1/2", (SUB FOR M3636T)
13	F2632R	GASKET	1		(A) (PKG. OF 2)
14	19H1813	CAP SCREW	2		5/16" X 5/8"
15	12H303	LOCK WASHER	2		5/16"
16	24H1136	WASHER	2		11/32" X 11/16" X 0.065"
17	AR46064	ELECTRICAL COIL	1		(6-VOLT) (SUB FOR AM373T)
18	R11269	WIRING LEAD	1		(SUB TY15857)
19	A4159R	BOOT	1		(NLA)
20	14H631	NUT	2		0.190"
	12H246	LOCK WASHER	2		0.190"
21	R73142	BRACKET	1		

(A) REFER TO PARTS MARKETING BULLETIN AG91-26 AUG. 08,1991

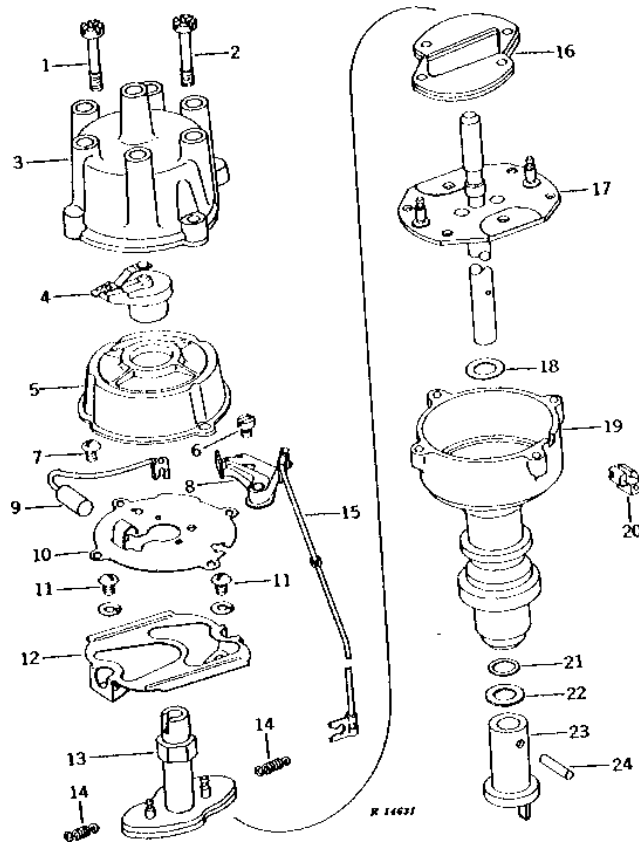
(B) RETURN CUSTOMERS CORE TO SUPPLIER FOR REMANUFACTURED

# 2C16

ELECTRICAL

R14631 -UN-01JAN94

DISTRIBUTOR



# 2C17

ELECTRICAL

## DISTRIBUTOR - CONTINUED

KEY	PART NO.	PART NAME	QTY	ENGINE SERIAL NO.	REMARKS
1	21H1319	SCREW	1	0.164" X 7/8"	
2	21H1282	SCREW	1	0.190" X 7/8"	
3	R11271	DISTRIBUTOR CAP	1		
4	R11260	ROTOR	1		
5	R11264	COVER	1	(A) (B) (NLA)	
6	T19088	SCREW	1		
7	21H1299	SCREW	2	0.164" X 3/8"	
8	AR44864	CONTACT	1	(HEAVY-DUTY)	
9	AT14468	CAPACITOR	1	(A) (B) (NLA)	
10	R11263	PLATE	1		
11	21H1292	SCREW	2	0.164" X 1/4"	
	12H315	LOCK WASHER	2	0.164"	
12	R11268	PLATE	1	(A) (B) (NLA)	
13	R11272	CAM	1		
14	1904292	SPRING	2		
15	R11269	WIRING LEAD	1	(A) (B) (NLA)	
16	1881371	WEIGHT	4	(A) (B) ADVANCE (NLA)	
17	R11261	PLATE	1	(A) (B) (NLA)	
18	R68625	WASHER	1	(SUB FOR 811912)	
19	R11256	HOUSING	1	(A) (B) (NLA)	
20	R11270	GROMMET	1	(A) (B) (NLA)	
21	810074	WASHER	AR	(A) (B) (NLA)	
22	R68625	WASHER	1	(SUB FOR 811912)	
23	1909273	COUPLING	1		
24	34H279	SPRING PIN	1	3/16" X 13/16"	
..	AR11146	IGNITION DISTRIBUTOR	1	(A) (B) (DELCO-REMY NO. 1112624) (SUB TY15857)	
..	AR47947	IGNITION DISTRIBUTOR	1	(A) (B) (DELCO-REMY NO. 1112466) (SUB TY15857)	
..	TY15857	IGNITION DISTRIBUTOR	1	(A) (B) (REMANUFACTURED) (SUB FOR AR11146, AR11162 OR AR47947)	

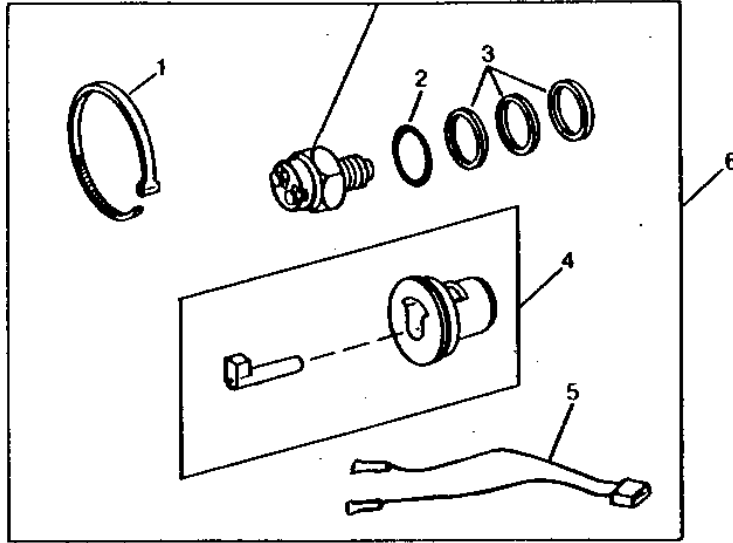
(A) REFER TO PARTS MARKETING BULLETIN AG91-26 AUG. 08, 1991  
 (B) RETURN CUSTOMERS CORE TO SUPPLIERS FOR REMANUFACTURED.

# 2C18

ELECTRICAL

RXP8097 -UN-01JAN94

## NEUTRAL START SWITCH KIT



RXP8097

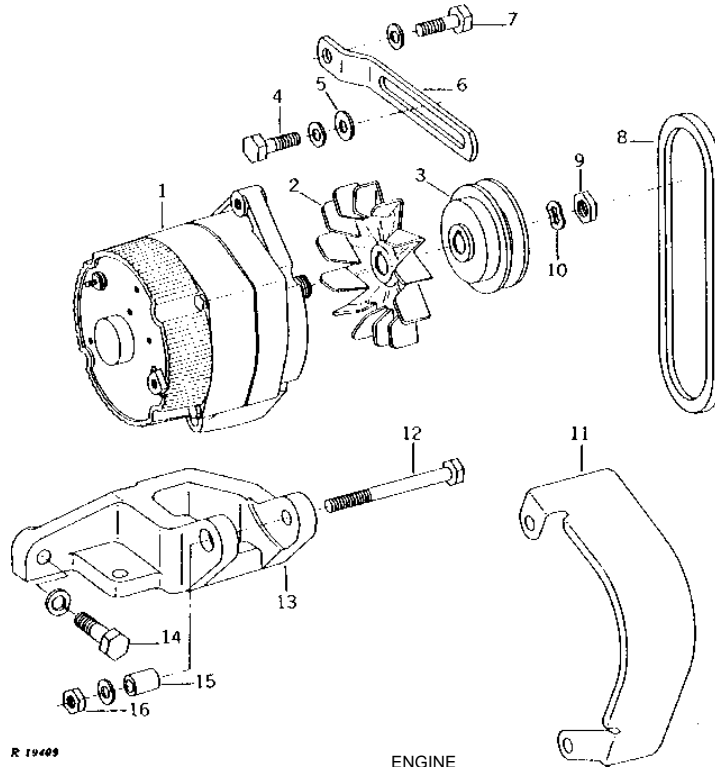
KEY	PART NO.	PART NAME	QTY	TRACTOR SERIAL NO.	REMARKS
1	R44302	TIE BAND	2		
2	R26448	O-RING	1		
3	T16911	SHIM	3		
4	RE37996	GAUGE	1		(NEUTRAL START SWITCH ADJ.)
5	RE14069	WIRING HARNESS	1		
6	RE38390	SWITCH	1		(SUB FOR AR89691 OR AR85153)

# 2C19

ELECTRICAL

## ALTERNATOR AND MOUNTING BRACKET (GASOLINE)

R19409 -UN-01JAN94



KEY	PART NO.	PART NAME	QTY	ENGINE SERIAL NO.	REMARKS
1	RE31694	ALTERNATOR	1		(78 AMP) (DELCO-REMY NO. 1101345), (ALSO FURNISH 14M7165, 12M7006, 12M7065 AND 19M7163) (SUB FOR AR56728, AR84306, RE13797 OR RE27109)
	TY6790	ALTERNATOR	1		(A) (78 AMP) (REMANUFACTURED) (SUB FOR TY6625)
	TY6686	ALTERNATOR	1		(B) (78 AMP) (REMANUFACTURED)
	TY6772	ALTERNATOR	1		(C) (72 AMP) (REMANUFACTURED) (SUB FOR TY6600)
2	R50659	FAN	1		
	R87764	FAN	1		(USE WITH RE27109 OR RE31694)
3	R11189	PULLEY	1		
4	19H1905	CAP SCREW	1	5/16" X 1"	
	12H303	LOCK WASHER	1	5/16"	
5	24H1292	WASHER	1	11/32" X 3/4" X 0.120"	
6	R40953	STRAP	1		
7	19H1900	CAP SCREW	1	5/16" X 3/4"	
	12H303	LOCK WASHER	1	5/16"	
8	R41681	BELT	1		
9	R11049	NUT	1		
10	T10745	WASHER	1		
11	R56012	SHIELD	1		(SUB FOR R41334 OR R55245)
12	19H1854	CAP SCREW	1	3/8" X 3-3/4"	
13	R40952	BRACKET	1		
14	19H2500	CAP SCREW	2	7/16" X 1-3/8"	
	12H293	LOCK WASHER	2	7/16"	
15	R45377	SPACER	1		
16	14H1076	NUT	1	3/8"	
	12H304	LOCK WASHER	1	3/8"	
..	AR76059	DEFLECTOR	1		(NOT REQUIRED WITH E55662)

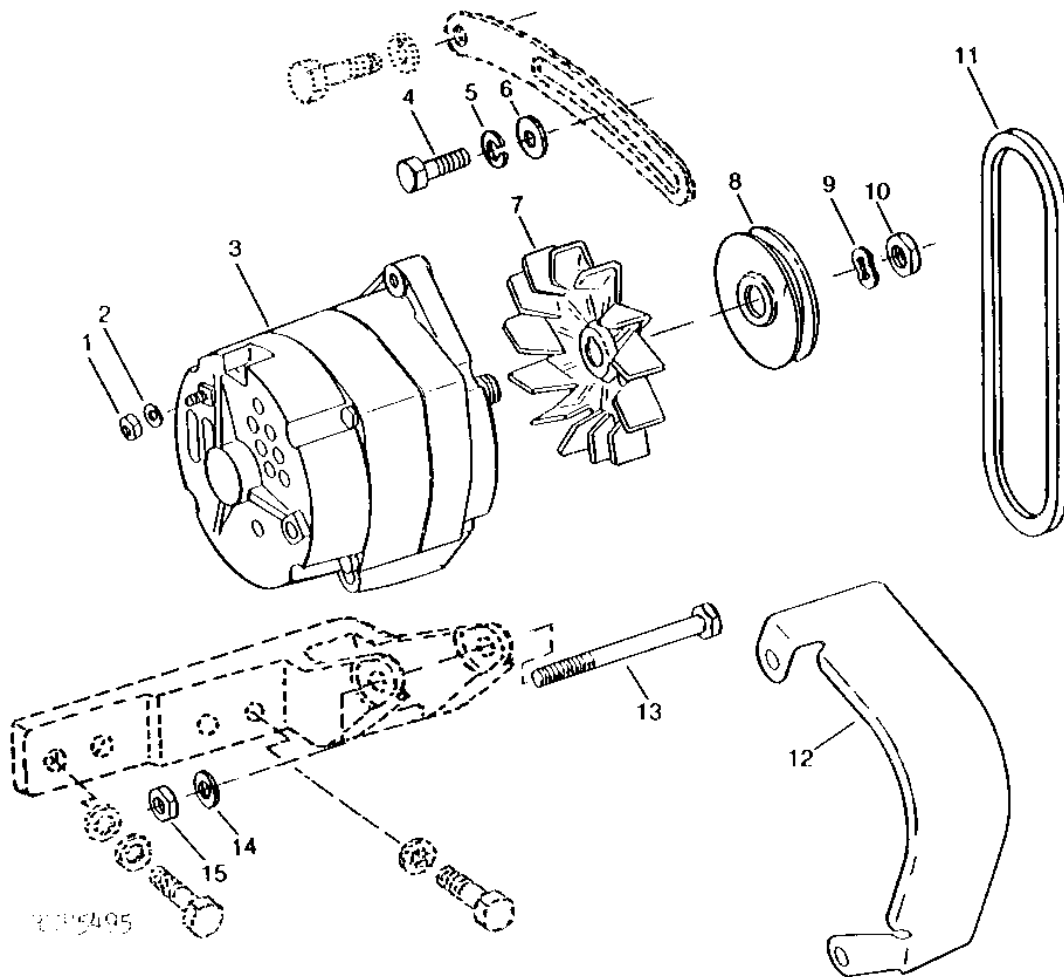
- (A) REMANUFACTURED ALTERNATOR FOR AR93446, AR84306 OR RE13797  
 (B) REMANUFACTURED ALTERNATOR FOR RE27109 OR RE31694  
 (C) REMANUFACTURED ALTERNATOR FOR AR56728

# 2C20

ELECTRICAL

## ALTERNATOR AND MOUNTING BRACKETS (DIESEL)

RWP5495 -UN-01JAN94



# 2C21

ELECTRICAL

## ALTERNATOR AND MOUNTING BRACKETS - CONTINUED (DIESEL)

KEY	PART NO.	PART NAME	QTY	TRACTOR SERIAL NO.	REMARKS
1	14M7165	LOCK NUT	1		M6
2	12H296	WASHER	1		
3	AR56728	ALTERNATOR	1	-039567	(37 AMP) (DELCO-REMY NO. 1102359) (LESS SOUND-GARD BODY) (SUB RE31694, 14M7165, 12M7006, 12M7065 AND 19M7163 OR TY6772)
	AR54796	ALTERNATOR	1	-039567	(55 AMP) (DELCO-REMY NO. 110491) (SOUND-GARD BODY) (SUB RE31694, 14M7165, 12M7006, 12M7065 AND 19M7163 OR TY6772)
	AR84306	ALTERNATOR	1	039568-	(72 AMP) (DELCO-REMY NO. 1102932) (SUB RE31694, 14M7165, 12M7006, 12M7065 AND 19M7163 OR TY6790)
	AR93446	ALTERNATOR	1		(72 AMP) (DELCO-REMY NO. 1103128) (SUB RE31694 OR TY6790)
	RE13797	ALTERNATOR	1		(72 AMP) (DELCO-REMY NO. 1105174) (SUB TY6790)
	RE27109	ALTERNATOR	1		(78 AMP) (DELCO-REMY NO. 1101268) (SUB RE31694 AND TY6686)
	RE31694	ALTERNATOR	1		(78 AMP) (SUB FOR AR56728, AR54796, AR84306, AR93446, RE13797 OR RE27109) (ALSO FURNISH 14M7165, 12M7006, 12M7065 AND 19M7163)
	TY6772	ALTERNATOR	1		(A) (72 AMP) (REMANUFACTURED) (SUB FOR TY6600)
	TY6790	ALTERNATOR	1		(B) (90 AMP) (REMANUFACTURED) (SUB FOR TY6625)
	TY6686	ALTERNATOR	1		(C) (78 AMP) (REMANUFACTURED)
4	19H2117	CAP SCREW	1		5/16" X 1-1/8"
5	12H303	LOCK WASHER	1		5/16"
6	R56397	WASHER	2		
7	R50659	FAN	1		
	R87764	FAN	1		(USE WITH RE27109 OR RE31694)
8	R52159	PULLEY	1		
9	T10745	WASHER	1		
10	R11049	NUT	1		
11	R70871	BELT	1		(SUB FOR R52603 OR R52604)
12	R56012	SHIELD	1		(SUB FOR R41334 OR R55245)
13	19H2023	CAP SCREW	1		3/8" X 3-1/4"
14	12H304	LOCK WASHER	1		3/8"
15	14H1076	NUT	1		3/8"
..	AR76059	DEFLECTOR	1		

- (A) REMANUFACTURED ALTERNATOR FOR AR56728 OR AR54796  
 (B) REMANUFACTURED ALTERNATOR FOR AR93446, AR84306 OR RE13797  
 (C) REMANUFACTURED ALTERNATOR FOR RE27109 OR RE31694

---

MEMORANDA

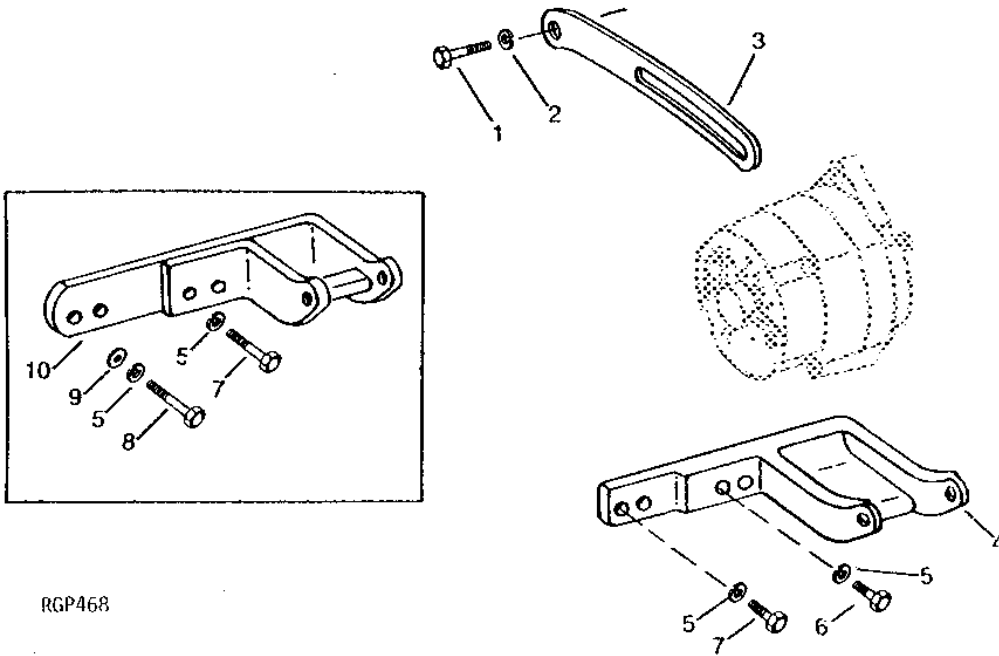


# 2C22

ELECTRICAL

RGP468 -UN-01JAN94

## ALTERNATOR MOUNTING BRACKET (DIESEL)



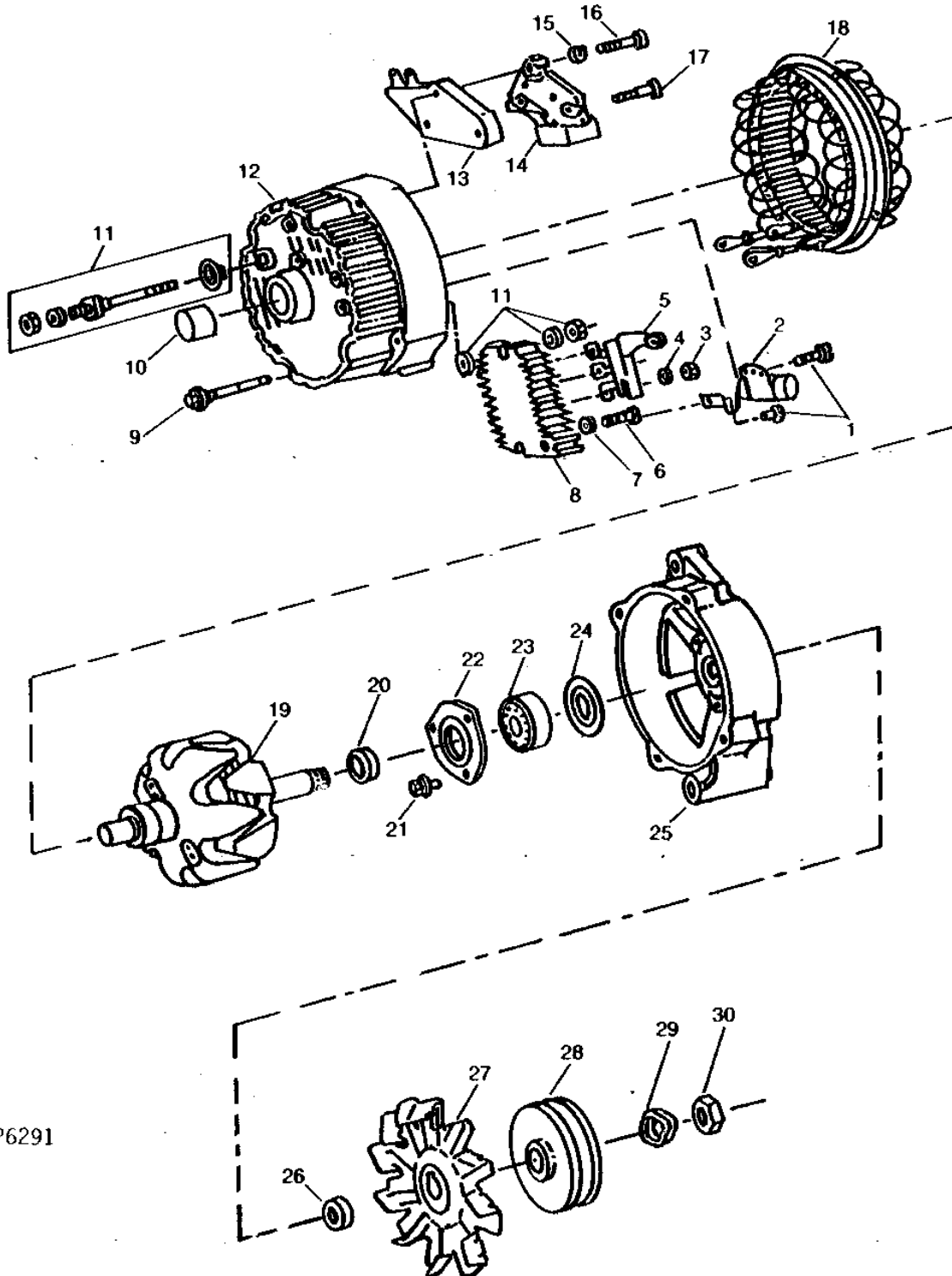
KEY	PART NO.	PART NAME	QTY	ENGINE SERIAL NO.	REMARKS
1	19H2284	CAP SCREW	1	3/8" X 7/8"	
2	12H304	LOCK WASHER	1	3/8"	
3	R71250	STRAP	1	(SUB FOR R43603)	
4	R70870	BRACKET	1		
5	12H293	LOCK WASHER	2	7/16"	
6	19H1978	CAP SCREW	1	7/16" X 1-1/2"	
7	19H2964	CAP SCREW	1	7/16" X 1-1/8"	
8	19H2500	CAP SCREW	1	7/16" X 1-3/8"	
9	24M7044	WASHER	1	13 X 20 X 2 MM	
10	AR56010	BRACKET	1	(SUB R70870 AND 19H1978)	

# 2C23

ELECTRICAL

ALTERNATOR  
(12-VOLT) (DELCO-REMY)  
(TRACTOR SERIAL NO. -039567)

RWP6291 -UN-01JAN94



RWP6291

THIS PARTS LISTING IS CONTINUED

# 2C24

ELECTRICAL

ALTERNATOR - CONTINUED  
(12-VOLT) (DELCO-REMY)  
(TRACTOR SERIAL NO. -039567)

KEY	PART NO.	PART NAME	QTY	TRACTOR SERIAL NO.	REMARKS
1	37H2	SCREW	2		0.164" X 5/8"
2	AR55835	CAPACITOR	1		
3	14H605	NUT	3		0.164"
4	12M7084	LOCK WASHER	3		0.169"
5	RE13798	DIODE	1		(SUB FOR AR55831)
6	21H1319	SCREW	1		0.164" X 7/8"
7	12M7084	LOCK WASHER	1		0.169"
8	AR55832	RECTIFIER	1		
9	R51535	BOLT	4		
10	AR77851	ROLLER BEARING	1		(SUB FOR AR55830)
11	AR55834	TERMINAL	1		(SUB AR93945 AND 14M7165)
12	R51529	HOUSING	1		
13	AR55827	VOLTAGE REGULATOR	1		
14	AR69269	BRUSH	1		(SUB FOR AR55833)
15	12M7084	LOCK WASHER	1		0.169"
16	R51531	SCREW	1		
17	R51530	SCREW	1		
18	AR62395	STATOR	1		(A) (37 AMP)
	AR55837	STATOR	1		(B) (55 AMP) (SUB FOR AR55829 OR AR85940)
19	RE13801	ROTOR	1		(SUB FOR AR55828 OR AR78093)
20	R51532	ECCENTRIC LOCKING COLLAR	1		
21	21H1301	SCREW	3		0.190" X 1/2"
22	R11109	PLATE	1		(SUB FOR AR55836 OR AR78755)
23	JD9449	BALL BEARING	1		(SUB FOR AT23188)
24	R51534	SHIM	1		
25	R71399	HOUSING	1		(ALSO ORDER R69645) (SUB FOR R51528 OR R69644)
26	R51533	ECCENTRIC LOCKING COLLAR	1		
27	R50659	FAN	1		
28	R52189	PULLEY	1		(SINGLE)
	R81507	PULLEY	1		(DOUBLE) (SUB FOR R52161)
29	T10745	WASHER	1		
30	R11049	NUT	1		
..	AR56728	ALTERNATOR	1		(A) (37 AMP) (SUB RE31694, 12M7006, 12M7065, 14M7165 AND 19M7163 OR TY6772)
..	AR54796	ALTERNATOR	1		(B) (55 AMP) (SUB RE31694, 12M7006, 12M7065, 14M7165 AND 19M7163 OR TY6772)
..	TY6772	ALTERNATOR	1		(72 AMP) (SUB FOR TY6600)
..	RE31694	ALTERNATOR	1		(78 AMP) (SUB FOR AR56728, AR54796, AR84306, AR93446, RE13797 OR RE27109) (ALSO FURNISH 14M7165, 12M7006 12M7065 AND 19M7163)
..	TY6686	ALTERNATOR	1		(78 AMP) (REMANUFACTURED)

(A) LESS AIR CONDITIONING

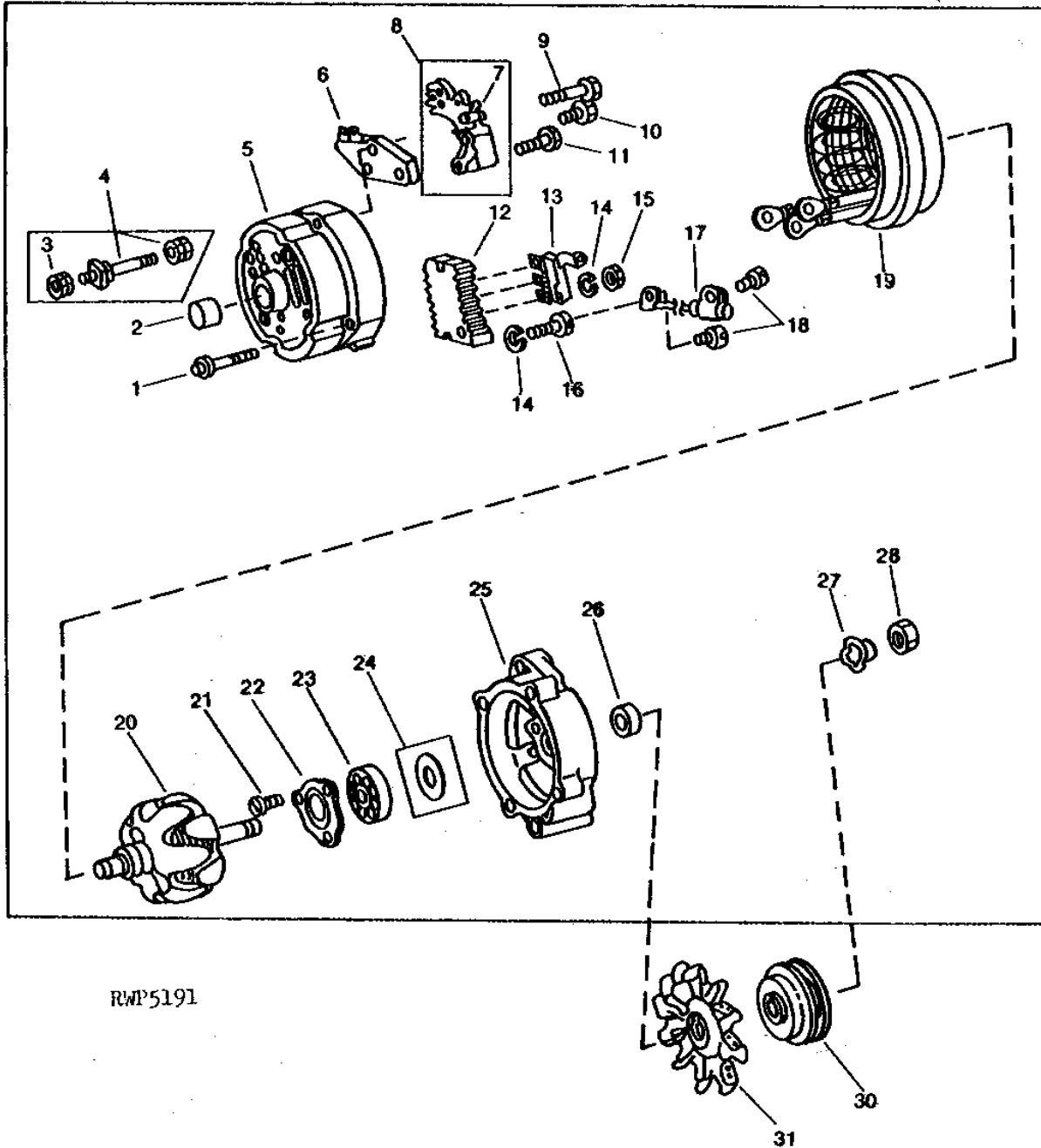
(B) AIR CONDITIONING

# 2D1

ELECTRICAL

ALTERNATOR  
(12-VOLT) (DELCO-REMY)  
(TRACTOR SERIAL NO. 039568- )

RWP5191 -UN-01JAN94



# 2D2

ELECTRICAL

ALTERNATOR - CONTINUED  
(12-VOLT) (DELCO-REMY)  
(TRACTOR SERIAL NO. 039568- )

KEY	PART NO.	PART NAME	QTY	TRACTOR SERIAL NO.	REMARKS
1	R51535	BOLT	4		
2	AR77851	ROLLER BEARING	1		
3	14M7165	LOCK NUT	1		M6. (SUB FOR R71248)
4	AR93945	TERMINAL	1		(ALSO ORDER 14M7165) (SUB FOR AR55834)
5	R71400	HOUSING	1		(SUB FOR R66301)
6	AR55827	VOLTAGE REGULATOR	1		
7	AR90058	BRUSH	2		
8	AR85941	CARBON BRUSH HOLDER	1		
9	21H1376	SCREW	1		0.164" X 1-1/4"
10	R51530	SCREW	2		
11	R66302	SCREW	1		
12	AR55832	RECTIFIER	1		-XXXXXX (USE WITH AR84306 OR AR93446)
	RE13799	RECTIFIER	1	XXXXXX-	(USE WITH RE13797)
13	RE13798	DIODE	1		(SUB FOR AR55831)
14	12M7084	LOCK WASHER	4		4.300 MM
15	14H605	NUT	3		0.164"
16	21H1319	SCREW	1		0.164" X 7/8"
17	AR55835	CAPACITOR	1		
18	37H2	SCREW	2		0.164" X 5/8"
19	AR55837	STATOR	1		(SUB FOR RE13800)
20	RE13801	ROTOR	1		(SUB FOR AR78093)
21	21H1301	SCREW	3		0.190" X 1/2"
22	R11109	PLATE	1		(SUB FOR AR55836 OR AR78755)
23	JD9449	BALL BEARING	1		(SUB FOR AT23188)
24	R51534	SHIM	1		-XXXXXX
25	R71399	HOUSING	1		(SUB FOR R51528 OR R69644)
26	R51533	ECCENTRIC LOCKING COLLAR	1		-XXXXXX
	R69645	WASHER	1	XXXXXX-	
27	T10745	WASHER	1		
28	R11049	NUT	1		
29	AR84306	ALTERNATOR	1		(72 AMP) (SUB RE31694, 14M7165, 12M7006, 12M7065 AND 19M7163 OR TY6790)
	AR93446	ALTERNATOR	1		(72 AMP) (SUB RE31694 OR TY6790)
	RE13797	ALTERNATOR	1		(72 AMP) (SUB RE31694 OR TY6790)
	RE27109	ALTERNATOR	1		(78 AMP) (SUB RE31694 OR TY6686)
	RE31694	ALTERNATOR	1		(78 AMP) (SUB FOR AR56728, AR54728, AR84306, AR93446, RE13797 OR RE27109) (ALSO FURNISH 14M7165, 12M7006, 12M7065 AND 19M7163)
	TY6772	ALTERNATOR	1		(A) (72 AMP) (REMANUFACTURED) (SUB FOR TY6600)
	TY6790	ALTERNATOR	1		(B) (72 AMP) (REMANUFACTURED) (SUB FOR TY6625)
	TY6686	ALTERNATOR	1		(C) (78 AMP) (REMANUFACTURED)
30	R52159	PULLEY	1		(DIESEL)
	R11189	PULLEY	1		(GASOLINE)
31	R50659	FAN	1		
	R87764	FAN	1		(USE WITH RE27109 OR RE31694)

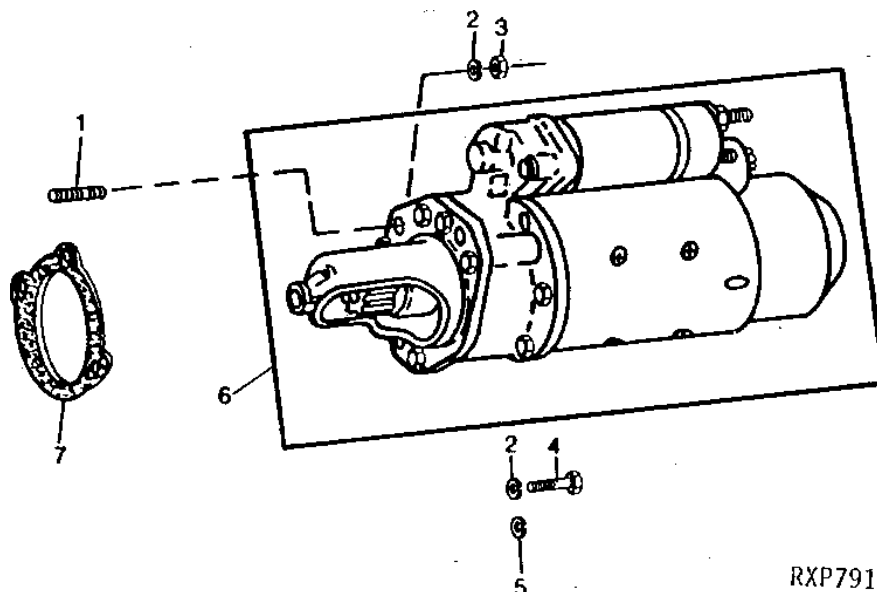
- (A) REMANUFACTURED ALTERNATOR FOR AR54796 OR AR56728
- (B) REMANUFACTURED ALTERNATOR FOR AR84306, AR93446 OR RE13797
- (C) REMANUFACTURED ALTERNATOR FOR RE27109 OR RE31694

# 2D3

ELECTRICAL

RXP7911 -UN-01JAN94

## STARTER MOTORS



RXP7911

KEY	PART NO.	PART NAME	QTY	TRACTOR SERIAL NO.	REMARKS
1	R56481	STUD	1	(A)	(SUB FOR M3636T)
	R114130	STUD	1	(B)	3/8" X 1-11/16", (SUB FOR R55396)
2	12H304	LOCK WASHER	3	(C)	3/8", (NOT REQUIRED WITH E55662)
3	E55662	FLANGE NUT	1	(C)	
4	19H3219	CAP SCREW	2	(F)	3/8" X 1-3/8"
	19H1721	CAP SCREW	3	(D)	1/2" X 1-1/2"
	19H2552	CAP SCREW	2	(E)	3/8" X 1-1/8"
	19H2552	CAP SCREW	3	(G)	3/8" X 1-1/8"
5	12H301	LOCK WASHER	3	(D)	1/2"
6	AR60085	STARTER	1	(H)	(DELCO-REMY NO. 1169147) (SUB TY6722)
	TY6722	STARTER	1	(H)	(DELCO-REMY) (REMANUFACTURED) (SUB FOR AR60085)
	AR62267	STARTER	1	(I)	(DELCO-REMY NO. 1113402) (SUB FOR AR55638) (SUB TY6710)
	AR78538	STARTER	1	(I)	(DELO-REMY NO. 111391) (SUB TY6701)
	AR77254	STARTER	1	(I)	(NIPPONDENSO NO. 028000-3290) OR 028000-3291) (SUB TY6713 OR RE41875)
	RE41875	STARTER	1	(I)	(NIPPONDENSO NO. 028000-3292) (MARKED RE13722) (SUB FOR AR77254)
	TY6701	STARTER	1	(I)	(DELCO-REMY) (REMANUFACTURED) (SUB FOR AR78538 OR TY6618)
	TY6710	STARTER	1	(I)	(DELCO-REMY) (REMANUFACTURED) (SUB FOR AR62267, TY1597 OR TY6667)
	TY6713	STARTER	1	(I)	(NIPPONDENSO) (REMANUFACTURED) (SUB FOR AR77254 OR TY6617)
7	R53108	GASKET	1		

(A) USE WITH AR62267, RE41875, TY6710 OR TY6713

(B) USE WITH AR77254, TY6701 OR TY6713

(C) USE WITH AR62267, AR77254, RE41875, AR60085, TY6722, TY6701, TY6710 OR TY6713

(D) USE WITH AR78538 OR TY6701

(E) USE WITH RE41875 OR TY6713

(F) USE WITH AR62267, AR77254, TY6710, TY6701 OR TY6713

(G) USE WITH AR60085 OR TY6722

(H) GASOLINE

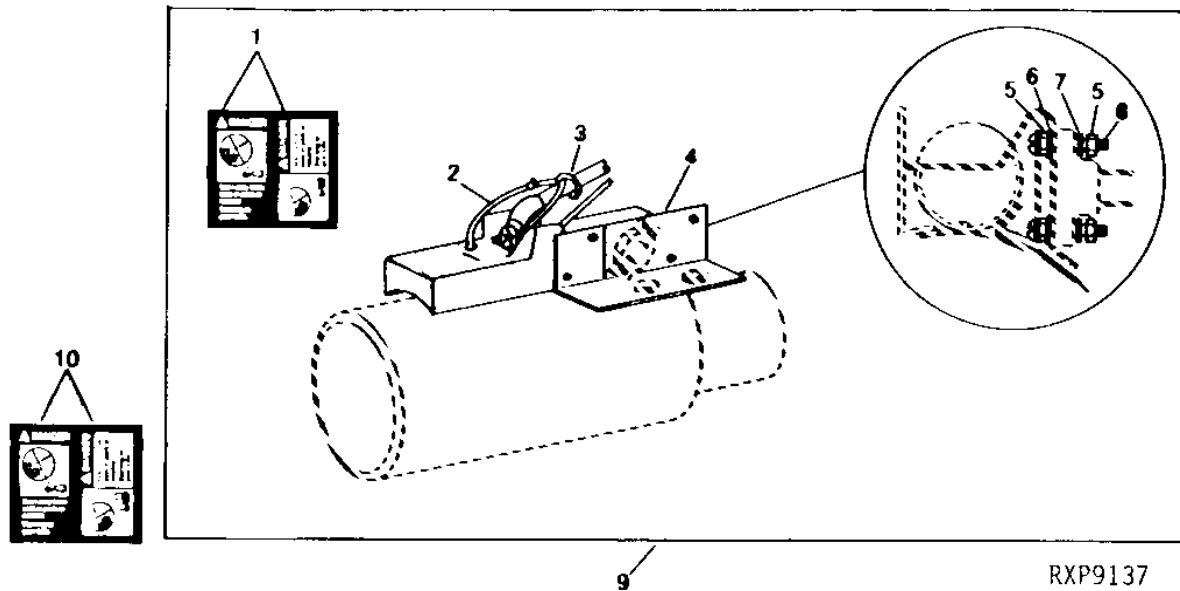
(I) DIESEL

# 2D4

ELECTRICAL

## STARTER SOLENOID COVER KIT (GASOLINE) (DELCO-REMY)

RXP9137 -UN-12OCT94



RXP9137

KEY	PART NO.	PART NAME	QTY	ENGINE SERIAL NO.	REMARKS
1	T146102	WARNING LABEL	1		(ENGLISH) (SUB FOR T84409 OR T134459)
2	R76477	TIE BAND	1		
3	R44302	TIE BAND	1		
4	R45642	BRACKET	1		
5	14H631	NUT	2		
6	24H1283	WASHER	2		
7	12H246	LOCK WASHER	2		
8	21H981	SCREW	2		
9	RE39838	SHIELD	1		(A)
10	T146106	WARNING LABEL	1		(ESPANOL) (SUB FOR T84410 OR T134452)
	T146104	WARNING LABEL	1		(FRANCAIS) (SUB FOR T84411 OR T134453)
	T146515	WARNING LABEL	1		(DEUTSCH) (SUB FOR T84412 OR T134454)
	T146516	WARNING LABEL	1		(ITALIANO) (SUB FOR T84413 OR T134455)
	T146517	WARNING LABEL	1		(ENGLISH/FRANCAIS) (SUB FOR T84578 OR T134456)

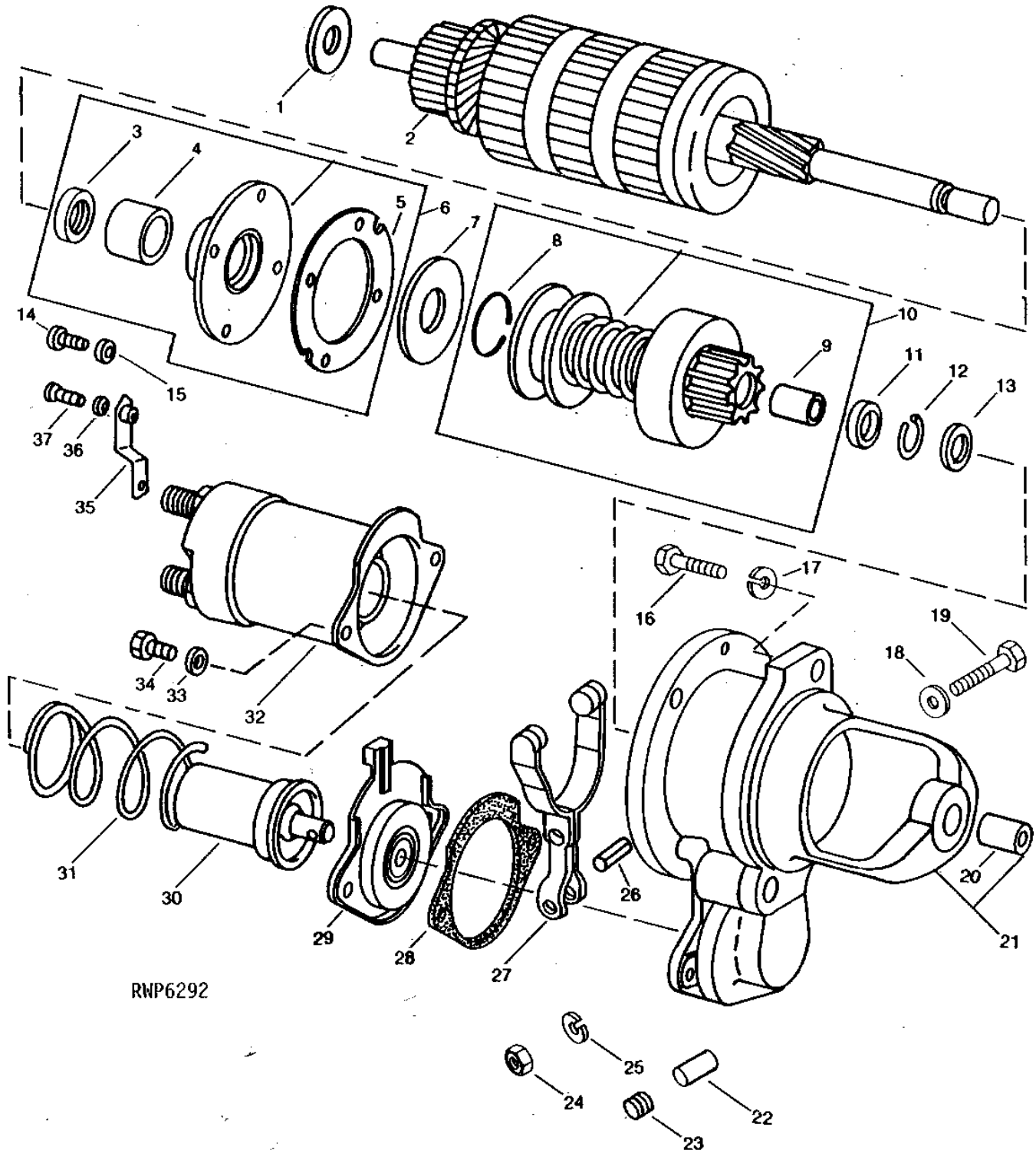
(A) USE WITH AR68005 OR TY6722

# 2D5

ELECTRICAL

## STARTER DRIVE HOUSING, SOLENOID SWITCH, AND ARMATURE (12-VOLT) (DELCO-REMY NO. 1109147) (GASOLINE) (AR60085)

RWP6292 -UN-01JAN94



RNP6292



# 2D6

ELECTRICAL

STARTER DRIVE HOUSING, SOLENOID SWITCH, AND ARMATURE - CONTINUED  
 (12-VOLT) (DELCO-REMY NO. 1109147)  
 (GASOLINE)  
 (AR60085)

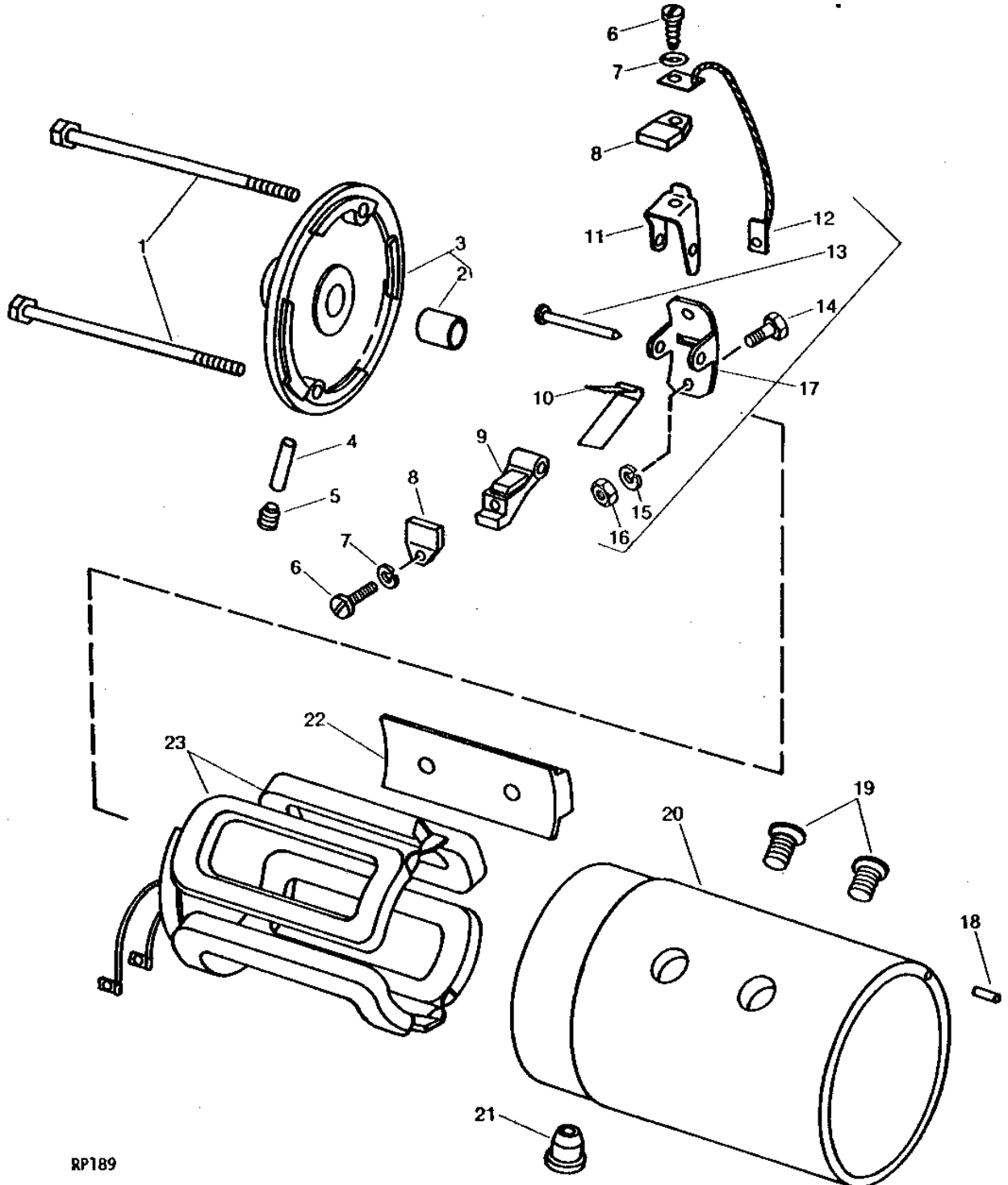
KEY	PART NO.	PART NAME	QTY	ENGINE SERIAL NO.	REMARKS
1	R11096	WASHER	1		
2	AT15138	ARMATURE	1		
3	AR62965	SEAL	1		
4	R54584	BUSHING	1		
5	R54585	GASKET	1		
6	AR62967	BEARING	1		
7	R11095	WASHER	1		
8	R11118	WIRE	1		
9	1873796	BUSHING	1		
10	AR57094	DRIVE	1		
11	R11116	SPACER	1		
12	R11117	SNAP RING	1		
13	R11080	WASHER	1		
14	21H1127	SCREW	4	0.190" X 7/16"	
15	12M7060	WASHER	4	0.209"	
16	19H2552	CAP SCREW	3	3/8" X 1-1/8"	
17	12H304	LOCK WASHER	3	3/8"	
18	AR62966	WASHER	1		
19	T11672	CAP SCREW	1		
20	T17987	BUSHING	1		
21	AR63943	HOUSING	1		
22	R40337	WICK	1		
23	15H566	PIPE PLUG	2	1/8"	
24	T11682	NUT	1		
25	12H303	LOCK WASHER	1	5/16"	
26	34H279	SPRING PIN	1	3/16" X 13/16"	
27	T18113	SHIFTER	1		
28	R53108	GASKET	1		
29	R55162	BOOT	1		
30	AT15147	PLUNGER	1		
31	T11675	SPRING	1		
32	AR68304	SOLENOID	1	(DELCO-REMY) (SUB FOR R11240)	
	TY6690	SOLENOID	1	(REMANUFACTURED)	
33	12H302	LOCK WASHER	2	1/4"	
34	21H1310	SCREW	2	1/4" X 1/2"	
35	R39877	BRACKET	1		
36	12M7060	WASHER	1	0.209"	
37	T19610	CAP SCREW	1		
..	AR60085	STARTER	1	(SUB TY6722)	
..	TY6722	STARTER	1	(REMANUFACTURED) (SUB FOR AR60085)	

# 2D7

ELECTRICAL

STARTER MAIN FRAME, COIL, AND COMMUTATOR END FRAME  
(12-VOLT) (DELCO-REMY NO. 1109147)  
(GASOLINE)  
(AR60085)

RP189 -UN-01JAN94



RP189

# 2D8

ELECTRICAL

STARTER MAIN FRAME, COIL, AND COMMUTATOR END FRAME - CONTINUED  
 (12-VOLT) (DELCO-REMY NO. 1109147)  
 (GASOLINE)  
 (AR60085)

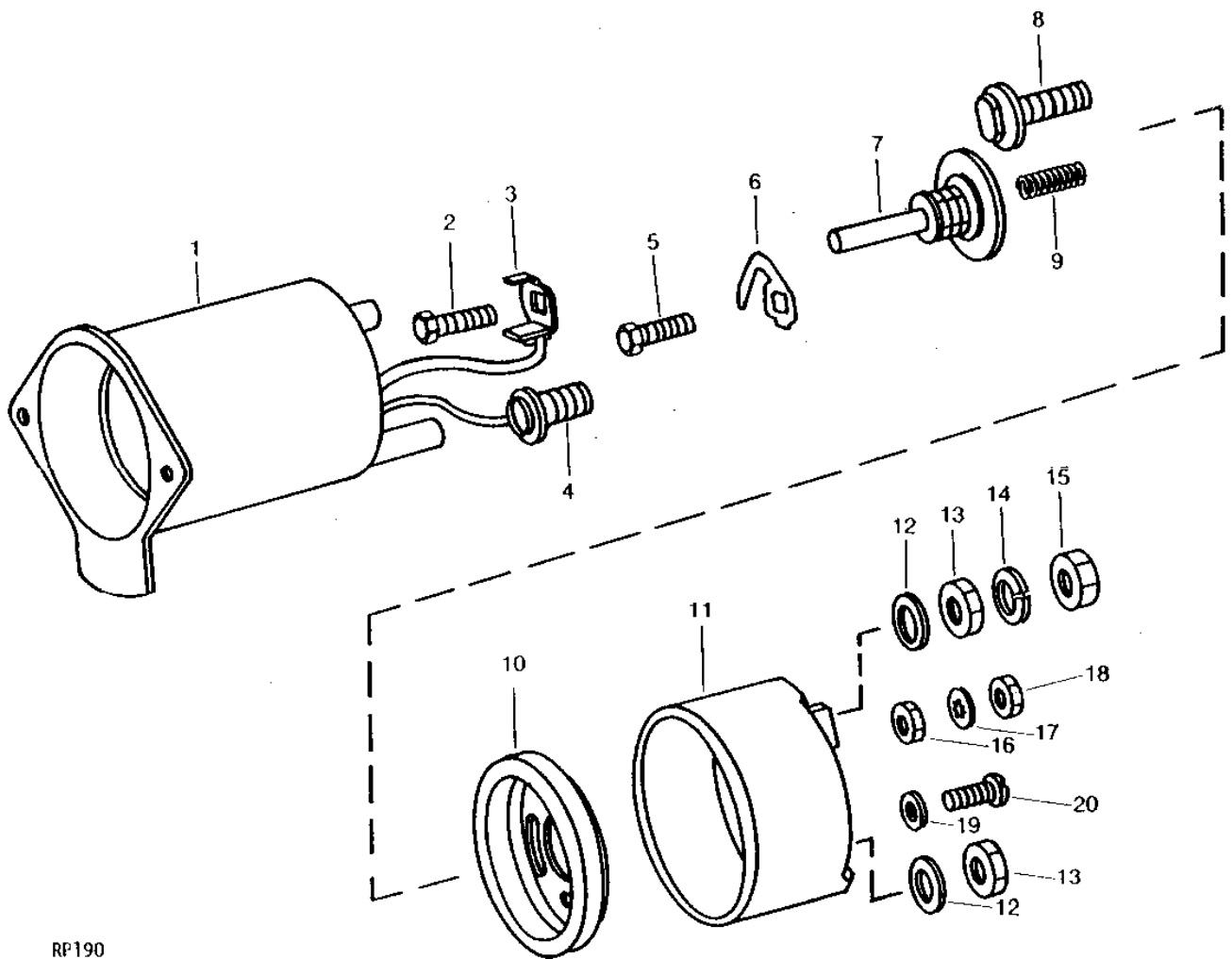
KEY	PART NO.	PART NAME	QTY	ENGINE SERIAL NO.	REMARKS
1	R11243	CAP SCREW	2		
2	R61932	BUSHING	1		(SUB FOR T11739)
3	R11238	END PLATE	1		
4	H23193	FELT	1		
5	30H9	PLUG	1		3/4"
6	37H78	SCREW	4		0.164" X 3/4"
7	12M7084	LOCK WASHER	4		4.300 MM
8	R11239	BRUSH	4		
9	T739T	HOLDER	2		
10	T740T	SPRING	2		
11	T738T	HOLDER	2		
12	AT514T	WIRING LEAD	2		
13	T736T	PIN	2		
14	21H1301	SCREW	4		0.190" X 1/2"
15	12H246	LOCK WASHER	4		0.190"
16	14H778	NUT	4		0.190"
17	AT516T	KIT	2		
	12H315	LOCK WASHER	1		0.164"
	21H1292	SCREW	1		0.164" X 1/4"
18	R11087	DOWEL PIN	1		
19	21H1280	SCREW	8		3/8" X 3/4"
20	.....	FRAME	1		(ORDER TY6722)
21	R11236	GROMMET	1		
22	T11680	SHOE	4		
23	R11237	FIELD WINDING COIL	1		
	12M7060	WASHER	1		0.209"
	21H1298	SCREW	1		0.190" X 3/8"
..	AR60085	STARTER	1		(SUB TY6722)
..	TY6722	STARTER	1		(REMANUFACTURED) (SUB FOR AR60085)

# 2D9

ELECTRICAL

SOLENOID SWITCH  
(12-VOLT) (DELCO-REMY NO. 1109147)  
(GASOLINE)

RP190 -UN-01JAN94



RP190

# 2D10

ELECTRICAL

**SOLENOID SWITCH - CONTINUED**  
**(12-VOLT) (DELCO-REMY NO. 1109147)**  
**(GASOLINE)**

KEY	PART NO.	PART NAME	QTY	ENGINE SERIAL NO.	REMARKS
1	.....	CASE	1		(ORDER AR68304 OR TY6690)
2	T19606	STUD	1		
3	R11198	CLIP	1		(NLA)
4	T18354	SCREW	1		
5	T19606	STUD	1		
6	T19604	CONTACT	1		
7	AT15146	CONTACT	1		
8	T18105	STUD	1		
9	R11066	SPRING	1		
10	R61133	GASKET	1		(SUB FOR R49394)
11	.....	COVER	1		(ORDER AR68304 OR TY6690) (ALSO ORDER R61133) (SUB FOR R49393, R61134 OR R57452)
12	R11194	WASHER	2		
13	14H732	NUT	2		3/8"
14	12H304	LOCK WASHER	1		3/8"
15	14H1076	NUT	1		3/8"
16	AR11131	NUT	2		
17	12M7084	LOCK WASHER	2		4.300 MM
18	14H605	NUT	2		0.164"
19	R11039	WASHER	2		
20	21H1298	SCREW	2		0.190" X 3/8"
..	AR68304	SOLENOID	1		(A)
..	TY6690	SOLENOID	1		(A) (REMANUFACTURED)

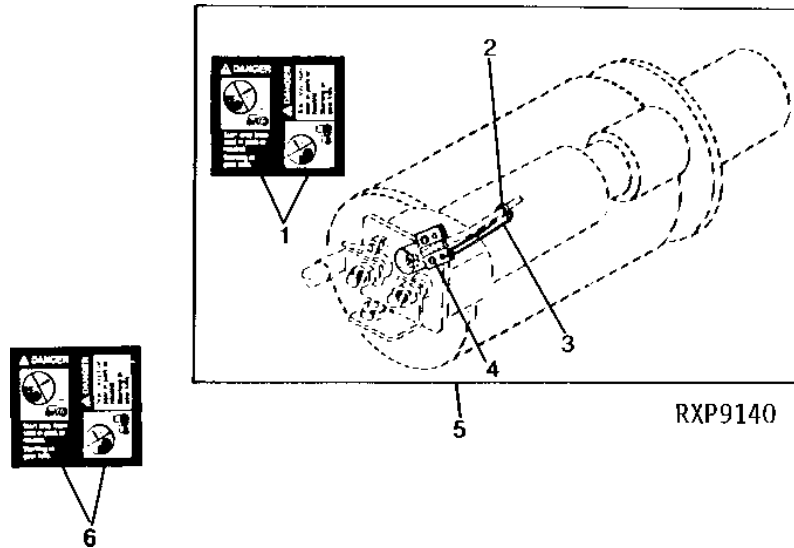
(A) USE WITH AR60085

# 2D11

ELECTRICAL

## STARTER SOLENOID COVER KIT (DIESEL) (DELCO-REMY)

RXP9140 -UN-11NOV94



KEY	PART NO.	PART NAME	QTY	TRACTOR SERIAL NO.	REMARKS
1	T146102	WARNING LABEL	1		(ENGLISH) (SUB FOR T84409 OR T134459)
2	R44302	TIE BAND	1		
3	R76477	TIE BAND	1		
4	R66117	SCREW	2		
5	RE39063	SHIELD	1		(A)
6	T146106	WARNING LABEL	1		(ESPANOL) (SUB FOR T84410 OR T134452)
	T146104	WARNING LABEL	1		(FRANCAIS) (SUB FOR T84411 OR T134453)
	T146515	WARNING LABEL	1		(DEUTSCH) (SUB FOR T84412 OR T134454)
	T146516	WARNING LABEL	1		(ITALIANO) (SUB FOR T84413 OR T134455)
	T146517	WARNING LABEL	1		(ENGLISH/FRANCAIS) (SUB FOR T84578 OR T134456)

(A) USE WITH AR55638, AR62267, AR78538, TY1597, TY6667, TY6618, TY6701, OR TY6710

---

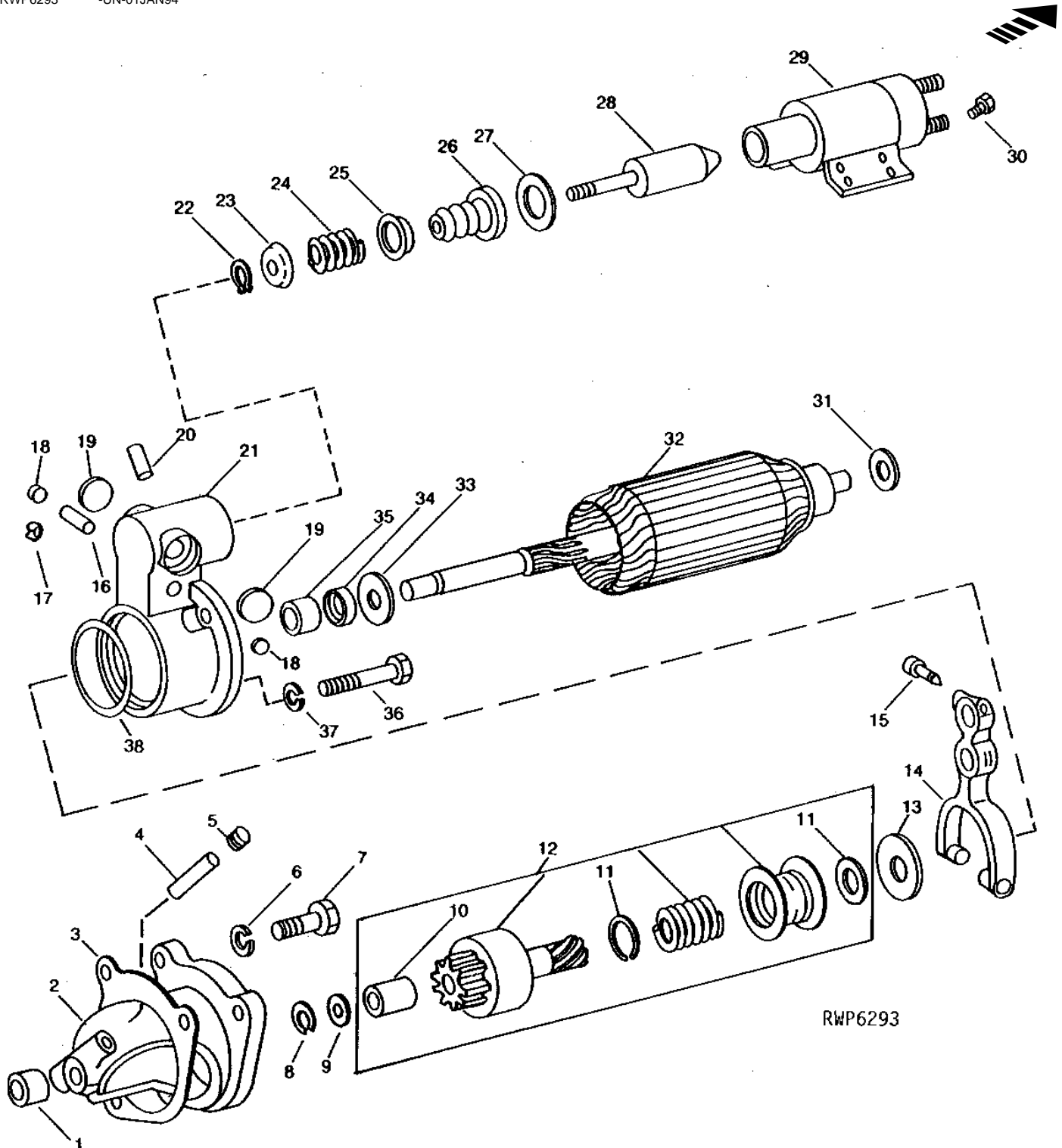
MEMORANDA

# 2D12

ELECTRICAL

STARTER DRIVE HOUSING, SOLENOID SWITCH AND ARMATURE  
(12-VOLT) (DELCO-REMY NO. 1113672 OR 1113402)  
(DIESEL)  
(AR62267)

RWP6293 -UN-01JAN94





# 2D13

ELECTRICAL

STARTER DRIVE HOUSING, SOLENOID SWITCH AND ARMATURE - CONTINUED  
 (12-VOLT) (DELCO-REMY NO. 1113672 OR 1113402)  
 (DIESEL)  
 (AR62267)

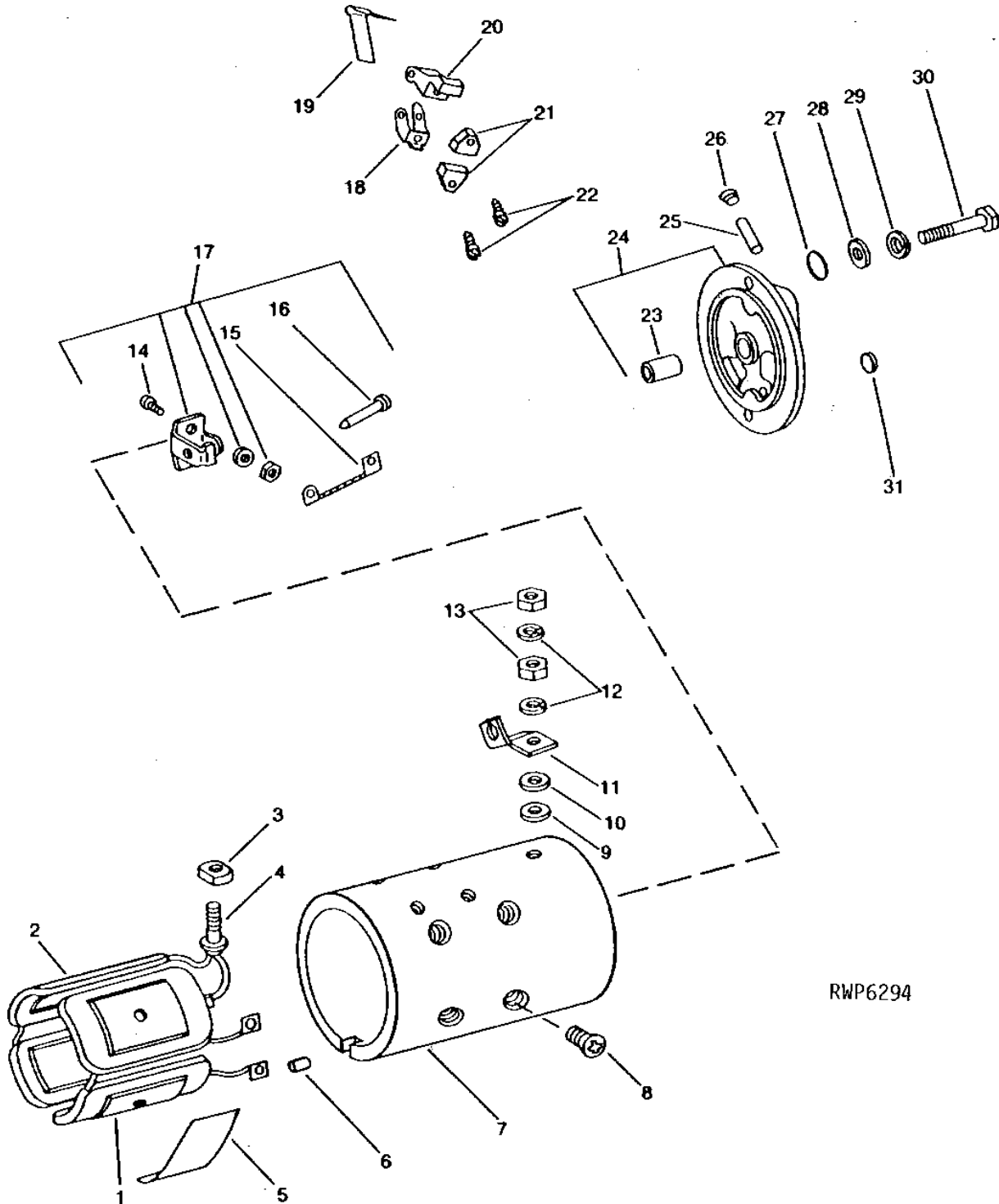
KEY	PART NO.	PART NAME	QTY	MODEL NO.	REMARKS
1	T11743	BUSHING	1		
2	AR11127	HOUSING	1		
3	R53108	GASKET	1		
4	R40337	WICK	1		
5	15H566	PIPE PLUG	1	1/8"	
6	12H304	LOCK WASHER	3	3/8", (NOT REQUIRED WITH E55662)	
	M3636T	STUD	1		
	14H1076	NUT	2	3/8"	
7	19H3219	CAP SCREW	2	3/8" X 1-3/8"	
8	R11117	SNAP RING	1		
9	R48976	STOP	1		
10	1873796	BUSHING	1		
11	R11118	WIRE	2		
12	AR88880	BENDIX DRIVE	1		(SUB FOR AR44700 OR AR76841)
13	R11095	WASHER	1		
14	AR11128	LEVER	1		
15	R11222	PIN	1		
16	R11215	DOWEL PIN	2		
17	R11223	RETAINER	1		
18	30H7	PLUG	2	5/8"	
19	30H16	PLUG	2	1-3/16"	
20	R11201	WICK	1		
	R11016	PIPE PLUG	1		
21	AR11126	HOUSING	1		
22	R11026	SNAP RING	1		
23	R11129	CAP	1		
24	R11128	SPRING	1		
25	R11126	RETAINER	1		
26	R11127	BOOT	1		
27	R11221	WASHER	1		
28	AR11132	PLUNGER	1		
29	R11292	SWITCH	1		(12-VOLT) (DELCO-REMY NO. 1115510 OR 1115540)
30	T19909	BOLT	4		
31	R11096	WASHER	1		
32	AR44698	ARMATURE	1		
33	R11291	WASHER	1		
34	AR62964	SEAL	1		
35	R11212	BUSHING	1		
36	AR62963	SCREW	4		
37	12H303	LOCK WASHER	4	5/16"	
38	R40545	GASKET	1		
..	AR62267	STARTER	1		(SUB FOR AR55638) (SUB TY6710)
..	TY6710	STARTER	1		(REMANUFACTURED) (SUB FOR AR55638, AR62267, TY1597 OR TY6667)

# 2D14

ELECTRICAL

STARTER MAIN FRAME, COIL, AND COMMUTATOR END FRAME  
(12-VOLT) (DELCO-REMY NO. 1113672 OR 1113402)  
(DIESEL)  
(AR62267)

RWP6294 -UN-01JAN94



RWP6294

# 2D15

ELECTRICAL

STARTER MAIN FRAME, COIL, AND COMMUTATOR END FRAME - CONTINUED  
 (12-VOLT) (DELCO-REMY NO. 1113672 OR 1113402)  
 (DIESEL)  
 (AR62267)

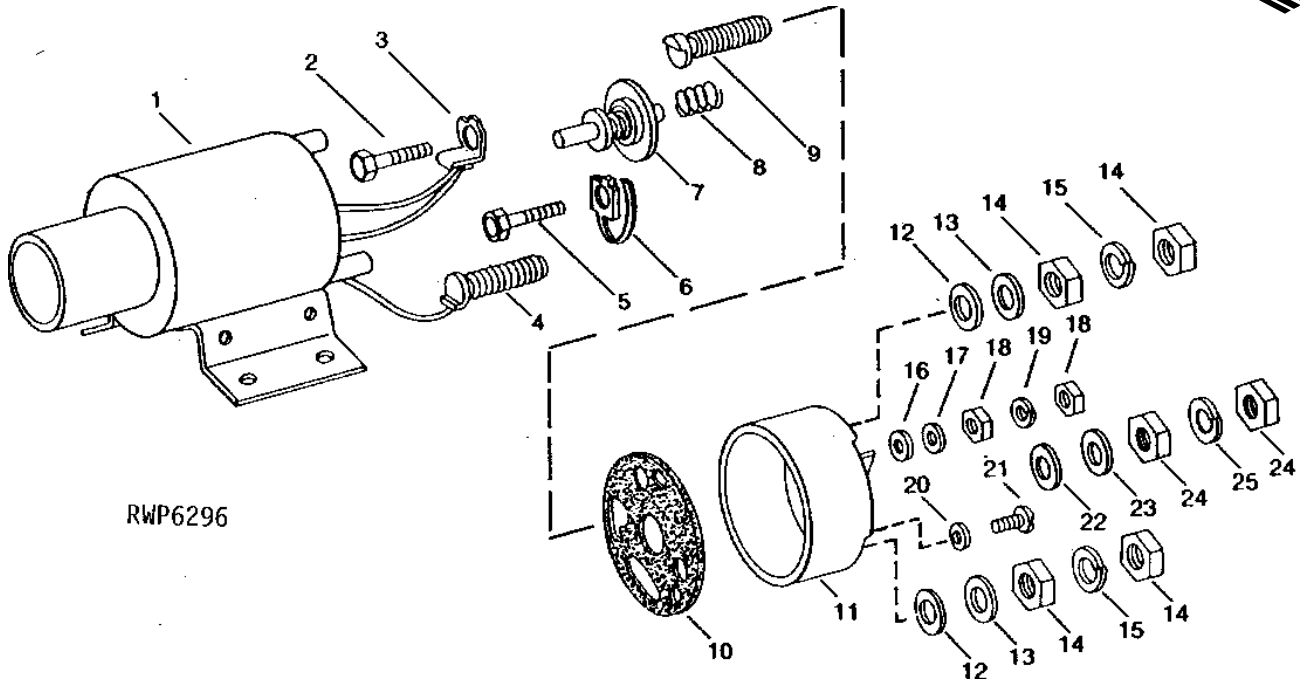
KEY	PART NO.	PART NAME	QTY	ENGINE SERIAL NO.	REMARKS
1	R11003	SHOE	4		
2	AR44699	ELECTRICAL COIL	1		
3	R11058	BUSHING	2		
4	R11059	STUD	1		
5	R11253	INSULATOR	2		
6	R11087	DOWEL PIN	1		
7	.....	FRAME	1		(ORDER TY6710)
8	21H1280	SCREW	4		3/8" X 3/4"
9	R11000	WASHER	2		
10	24M7096	WASHER	1		10.500 X 18 X 1.600 MM
11	R11296	CONNECTOR	1		
12	12H304	LOCK WASHER	2		3/8"
13	14H732	NUT	2		3/8"
14	T18098	SCREW	2		
15	AR11001	WIRING LEAD	1		
16	R11233	PIN	2		
17	AR11124	SUPPORT	2		
18	T738T	HOLDER	2		
19	R11209	SPRING	2		
20	R11290	CARBON BRUSH HOLDER	2		
21	R42574	BRUSH	4		
22	37H78	SCREW	4		0.164" X 3/4"
23	R61932	BUSHING	1		(SUB FOR T11739)
24	AR11140	FRAME	1		
25	15H566	PIPE PLUG	1		1/8"
26	R40337	WICK	1		
27	R27976	O-RING	2		
28	24H1136	WASHER	2		11/32" X 11/16" X 0.065"
29	12H303	LOCK WASHER	2		5/16"
30	R11298	BOLT	2		
31	30H9	PLUG	1		3/4"
..	AR62267	STARTER	1		(SUB FOR AR55638) (SUB TY6710)
..	TY6710	STARTER	1		(REMANUFACTURED) (SUB FOR AR55638, AR62267, TY1597 OR TY6667)

# 2D16

ELECTRICAL

**SOLENOID SWITCH  
(12-VOLT) (DELCO-REMY NO. 1113672 OR 1113402)  
(DIESEL)**

RWP6296 -UN-01JAN94



RWP6296

KEY	PART NO.	PART NAME	QTY	ENGINE SERIAL NO.	REMARKS
1	.....	CASE	1		(ORDER R11292)
2	R11197	STUD	1		(SUB FOR T18110)
3	R11198	CLIP	1		(NLA)
4	R11293	STUD	1		
5	R11295	STUD	1		
6	R40546	CLIP	1		
7	AR11051	CONTACT	1		
8	R11066	SPRING	1		
9	T18105	STUD	1		
10	R40548	GASKET	1		
11	R11294	COVER	1		
12	T18107	WASHER	2		
13	24M7096	WASHER	1	10.500 X 18 X 1.600 MM	
14	14H732	NUT	4	3/8"	
15	12H304	LOCK WASHER	2	3/8"	
16	T50222	WASHER	1	(SUB FOR T18106)	
17	24H1283	WASHER	1	7/32" X 1/2" X 0.049"	
18	14H631	NUT	2	0.190"	
19	12H246	LOCK WASHER	2	0.190"	
20	R11039	WASHER	2		
21	21H1298	SCREW	2	0.190" X 3/8"	
22	T19607	WASHER	1		
23	24H1281	WASHER	1	5/32" X 3/8" X 0.049"	
24	14H605	NUT	2	0.164"	
25	12M7084	LOCK WASHER	2	4.300 MM	
..	R11292	SWITCH	1	(A) (DELCO-REMY NO. 1115510 OR 1115540)	

(A) USE WITH AR55638, AR62267, TY1597, TY6667 OR TY6710

---

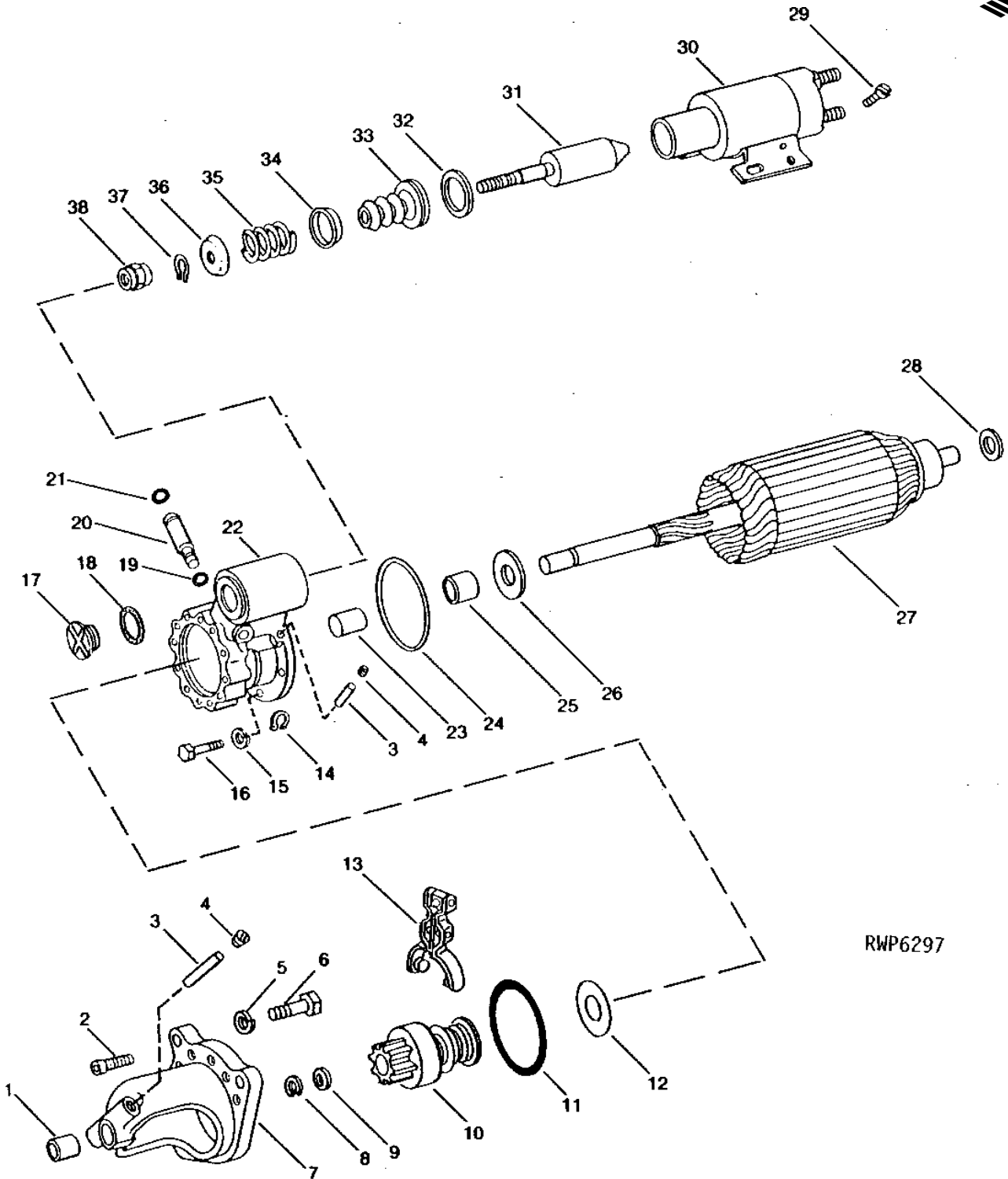
MEMORANDA

# 2D17

ELECTRICAL

STARTER, ARMATURE, DRIVE END HOUSING AND DRIVE  
(12-VOLT) (DELCO-REMY NO. 1113391)  
(DIESEL)  
(AR78538)

RWP6297 -UN-01JAN94



RWP6297

# 2D18

ELECTRICAL

STARTER, ARMATURE, DRIVE END HOUSING AND DRIVE - CONTINUED  
 (12-VOLT) (DELCO-REMY NO. 1113391)  
 (DIESEL)  
 (AR78538)

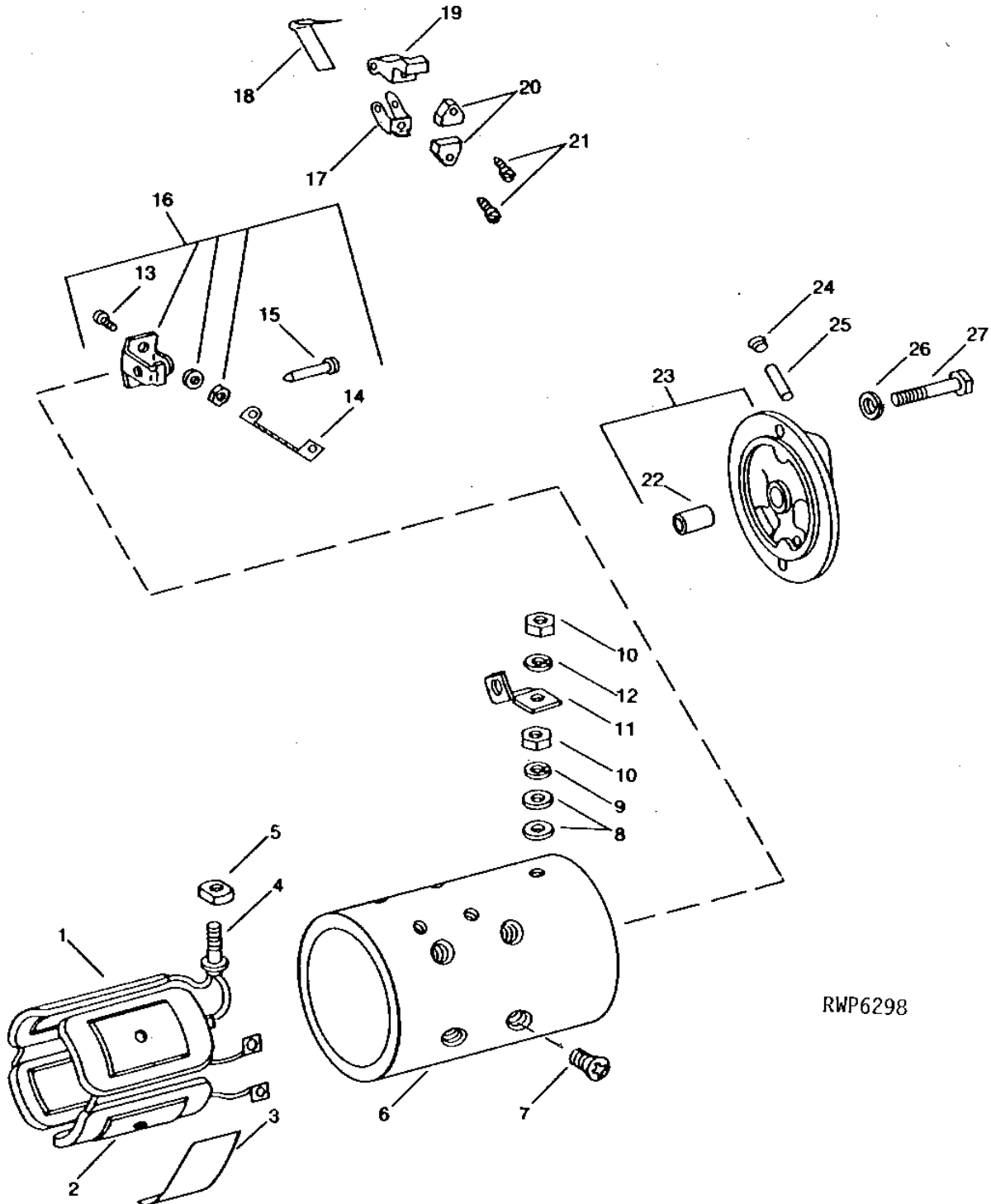
KEY	PART NO.	PART NAME	QTY	ENGINE SERIAL NO.	REMARKS
1	T11743	BUSHING	1		
2	R62674	SCREW	2		
3	R40337	WICK	2		
4	15H566	PIPE PLUG	2	1/8"	
5	12H301	LOCK WASHER	3	1/2"	
6	19H1721	CAP SCREW	3	1/2" X 1-1/2"	
7	AR77259	HOUSING	1		
8	R11117	SNAP RING	1		
9	R48976	STOP	1		
10	AR88880	BENDIX DRIVE	1		(SUB FOR AR76841)
11	R62673	O-RING	1		
12	R11095	WASHER	1		
13	AR77261	LEVER	1		
14	R11026	SNAP RING	1		
15	12H302	LOCK WASHER	5	1/4"	
16	19H3005	CAP SCREW	5	1/4" X 1"	
17	R11133	PLUG	1		
18	R11121	GASKET	1		
19	A4365R	O-RING	1		
20	R62670	SHAFT	1		
21	A3917R	O-RING	1		
22	AR77260	HOUSING	1		
23	R11212	BUSHING	1		
24	R11120	O-RING	1		
25	AR62964	SEAL	1		
26	R11291	WASHER	2		
27	AR77257	ARMATURE	1		
28	R11096	WASHER	1		
29	T19909	BOLT	4		
30	AR77255	SWITCH	1		
31	AR77256	PLUNGER	1		
32	R11221	WASHER	1		(SUB R11138)
33	R11127	BOOT	1		
34	R11126	RETAINER	1		
35	R11128	SPRING	1		
36	R11129	CAP	1		
37	R11026	SNAP RING	1		
38	R62671	LOCK NUT	1		
..	AR78538	STARTER	1		(SUB TY6701) (SUB FOR AR55638 OR AR62267)
..	TY6701	STARTER	1		(REMANUFACTURED) (SUB FOR TY6618 OR AR78538)

# 2D19

ELECTRICAL

STARTER MAIN FRAME, COIL, AND COMMUTATOR END FRAME  
(12-VOLT) (DELCO-REMY NO. 1113391)  
(DIESEL)  
(AR78538)

RWP6298 -UN-01JAN94



RWP6298



# 2D20

ELECTRICAL

STARTER MAIN FRAME, COIL, AND COMMUTATOR END FRAME - CONTINUED  
 (12-VOLT) (DELCO-REMY NO. 1113391)  
 (DIESEL)  
 (AR78538)

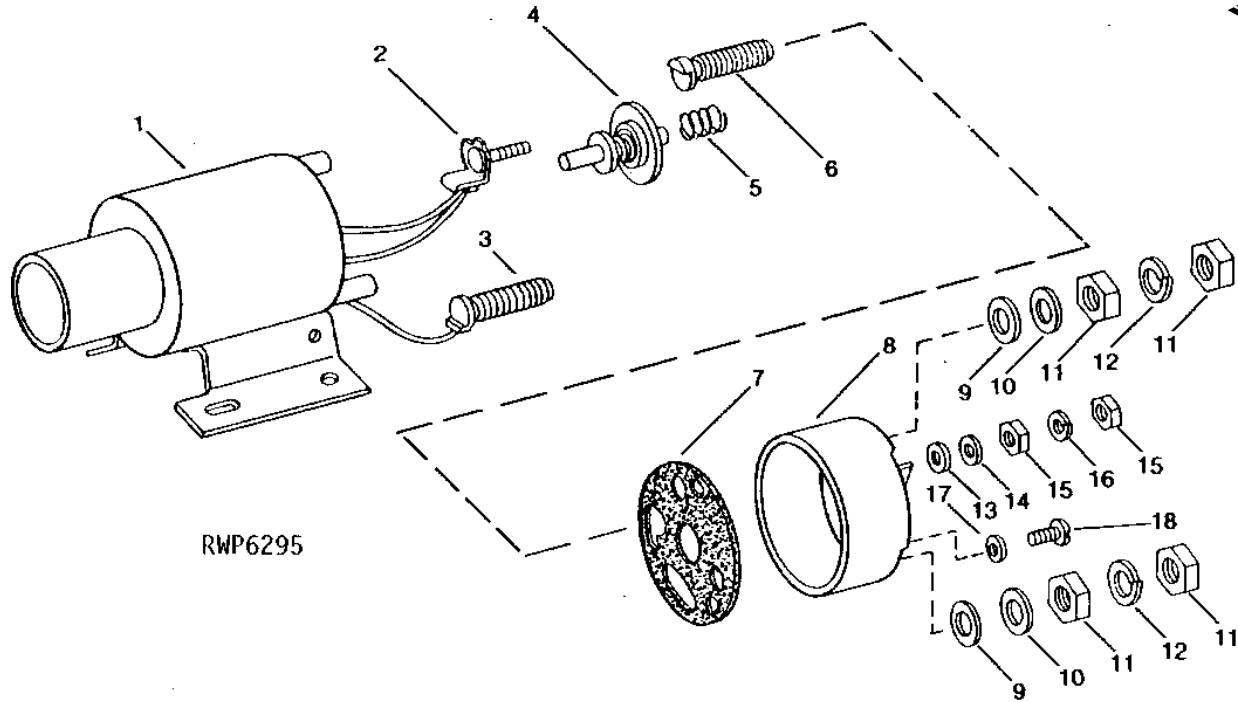
KEY	PART NO.	PART NAME	QTY	ENGINE SERIAL NO.	REMARKS
1	AR77258	FIELD WINDING COIL	1		
2	R11003	SHOE	4		
3	R62672	ISOLATOR	2		
4	R11146	SCREW	1		
5	AR40171	GROMMET	1		
6	.....	FRAME	1		(ORDER TY6701)
7	21H1280	SCREW	4		3/8" X 3/4"
8	R11011	WASHER	2		
9	811912	WASHER	2		
10	14H971	NUT	2		1/2"
11	R62669	CONNECTOR	1		
12	12H301	LOCK WASHER	1		1/2"
13	T18098	SCREW	2		
	R11250	RIVET	2		
14	AR11001	WIRING LEAD	1		
15	R61933	PIN	2		
16	AR75908	KIT	2		
17	T738T	HOLDER	2		
18	R11209	SPRING	2		
19	R11290	CARBON BRUSH HOLDER	2		
20	R42574	BRUSH	4		
21	37H78	SCREW	4		0.164" X 3/4"
22	R61932	BUSHING	1		
23	AR75905	FRAME	1		
24	15H566	PIPE PLUG	1		1/8"
25	R61934	WICK	1		
26	12H302	LOCK WASHER	4		1/4"
27	19H3005	CAP SCREW	4		1/4" X 1"
..	AR78538	STARTER	1		(SUB TY6701) (SUB FOR AR56638 OR AR62267)
..	TY6701	STARTER	1		(REMANUFACTURED) (SUB FOR TY6618 OR AR78538)

# 2D21

ELECTRICAL

**SOLENOID SWITCH  
(12-VOLT) (DELCO-REMY NO. 1113391)  
(DIESEL)  
(AR78538)**

RWP6295 -UN-01JAN94



KEY	PART NO.	PART NAME	QTY	ENGINE SERIAL NO.	REMARKS
1	.....	CASE	1		(SUB AR77255)
2	R11197	STUD	2		(SUB FOR T18110)
3	R11293	STUD	1		
4	AR11051	CONTACT	1		
5	R11066	SPRING	1		
6	T18105	STUD	1		(SUB FOR R62667)
7	R40548	GASKET	1		
8	R62668	COVER	1		
9	T18107	WASHER	2		
10	24M7096	WASHER	2		10.500 X 18 X 1.600 MM
11	14H732	NUT	4		3/8"
12	12H304	LOCK WASHER	2		3/8"
13	T18106	WASHER	2		
14	24H1283	WASHER	2		7/32" X 1/2" X 0.049"
15	14H631	NUT	4		0.190"
16	12H246	LOCK WASHER	2		0.190"
17	R11039	WASHER	2		
18	21H1298	SCREW	2		0.190" X 3/8"
..	AR77255	SWITCH	1		(A) (12-VOLT) (DELCO-REMY NO. 1115530)

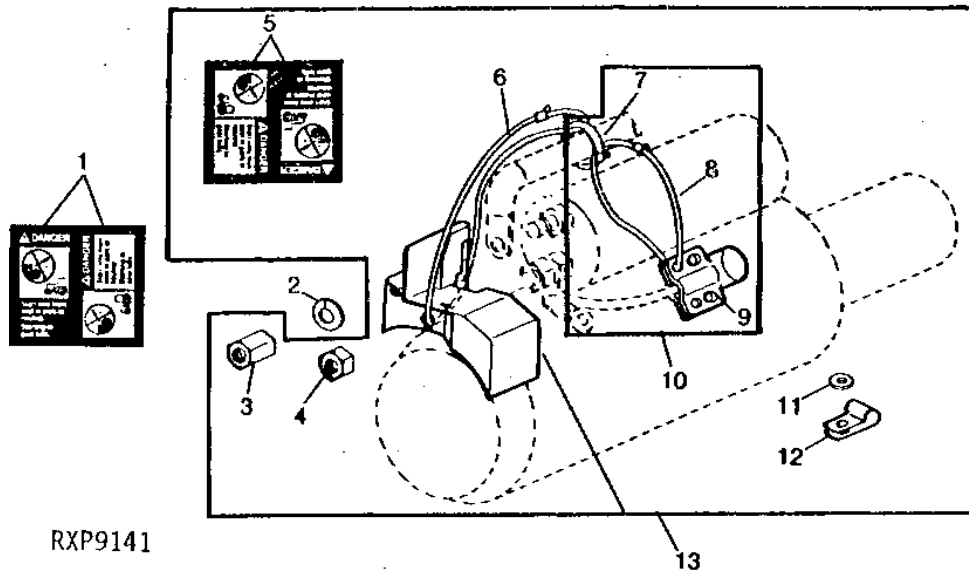
(A) USE WITH AR78538, TY6618 OR TY6701

# 2D22

ELECTRICAL

## STARTER SOLENOID COVER KIT (DIESEL) (JOHN DEERE)

RXP9141 -UN-01JAN94



RXP9141

KEY	PART NO.	PART NAME	QTY	TRACTOR SERIAL NO.	REMARKS
1	T146106	WARNING LABEL	1	(ESPAÑOL) (SUB FOR T84410 OR T134452)	
	T146104	WARNING LABEL	1	(FRANCAIS) (SUB FOR T84411 OR T134453)	
	T146515	WARNING LABEL	1	(DEUTSCH) (SUB FOR T84412 OR T134454)	
	T146516	WARNING LABEL	1	(ITALIANO) (SUB FOR T84413 OR T134455)	
	T146517	WARNING LABEL	1	(ENGLISH/FRANCAIS) (SUB FOR T84578 OR T134456)	
2	12H246	LOCK WASHER	1	0.190"	
3	R100380	NUT	1		
4	14H732	NUT	1	3/8"	
5	T146102	WARNING LABEL	1	(ENGLISH) (SUB FOR T84409 OR T134459)	
6	R76477	TIE BAND	1		
7	R44302	TIE BAND	1		
8	R76477	TIE BAND	1		
9	R66117	SCREW	2		
10	RE39063	SHIELD	1	(A)	
11	24H1289	WASHER	1		
12	R46414	CLAMP	1		
13	RE39064	SHIELD	1	(A)	

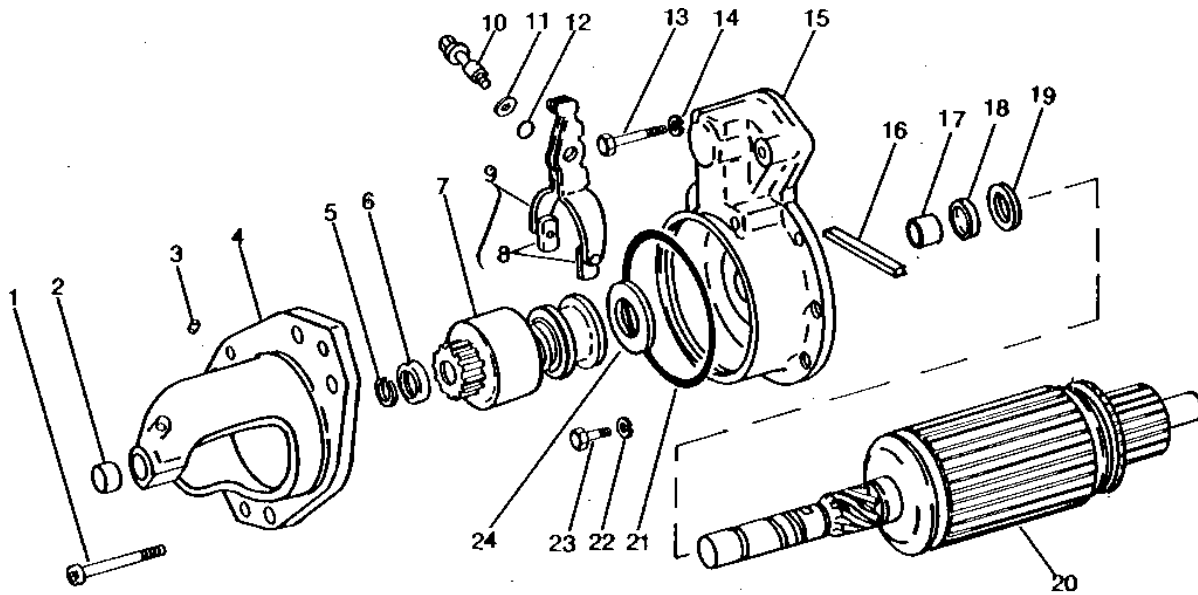
(A) USE WITH AR77254, RE41875, TY6617 OR TY6713

# 2D23

ELECTRICAL

STARTER DRIVE HOUSING AND ARMATURE  
 (12-VOLT) (JOHN DEERE) (NIPPONDENSO NO. 028000-3291 OR 028000-3292)  
 (DIESEL)  
 (AR77254 OR RE41875)

RGP1947 -UN-01JAN94



RGP1947

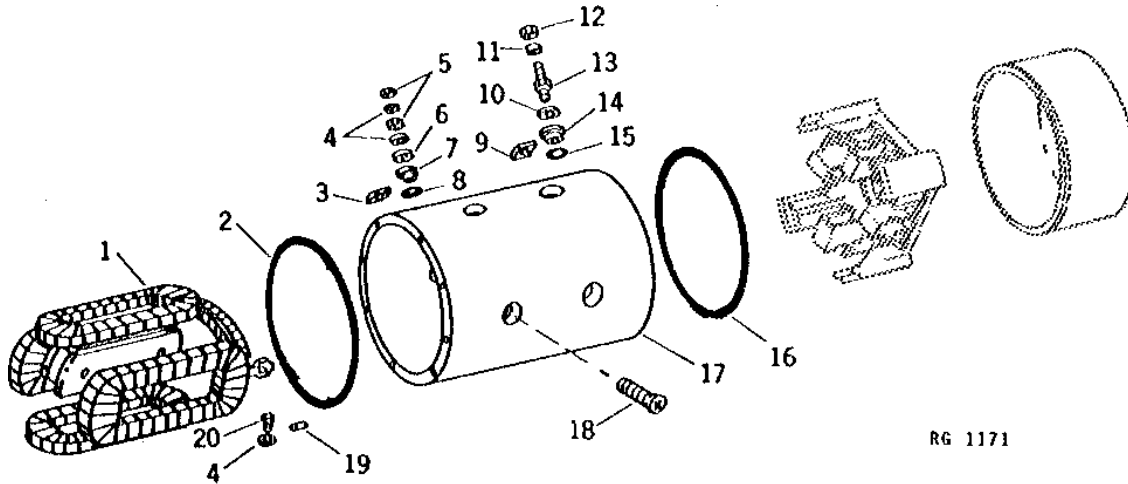
KEY	PART NO.	PART NAME	QTY	STARTER SERIAL NO.	REMARKS
1	R50900	SCREW	6		
2	R50891	BUSHING	1		(INCLUDED W/AR54990)
3	R50892	PLUG	1		
4	AR54990	HOUSING	1		(INCLUDES R50891)
5	R50902	SNAP RING	1		
6	R50903	STOP	1		
7	AR54992	DRIVE	1		
8	R51667	WEAR PLATE	2		
9	R50904	LEVER	1	-11L233	(USE WITH AR54993) (SUB AR67827 AND AR68430)
	AR67827	ARM	1	11L234-	(USE WITH HOUSING MARKED -J-)
10	R50897	SHAFT	1		
11	24H1289	WASHER	1		21/64" X 5/8" X 0.049", (USE WITH RE41875 OR TY6713)
12	R52387	O-RING	1		
13	R50893	SCREW	2		
14	12H302	LOCK WASHER	2		1/4"
15	AR54993	HOUSING	1	-11L233	(SUB AR68430 AND AR67827)
	AR68430	HOUSING	1	11L234-	(MARKED -J-) (INCLUDES AR55947, R51665 AND R51666)
16	R51666	WICK	1		
17	R51665	BUSHING	1		
18	AR55947	SEAL	1		
19	R50906	THRUST WASHER	1		
20	AR66778	ARMATURE	1		(SUB FOR AR54994)
21	R50901	WASHER	1		
22	12H317	LOCK WASHER	2		9/16"
23	R51661	SCREW	2		
24	R50905	WEAR RING	1		
..	AR77254	STARTER	1		(NIPPONDENSO NO. 028000-3291) (SUB RE41875 OR TY6713)
..	RE41875	STARTER	1		(NIPPONDENSO NO. 028000-3292) (MARKED RE13722) (SUB FOR AR77254)
..	TY6713	STARTER	1		(REMANUFACTURED) (SUB FOR AR77254 OR TY6617)

# 2D24

ELECTRICAL

STARTER MAIN FRAME AND COIL  
 (12-VOLT) (JOHN DEERE) (NIPPONDENSO NO. 028000-3291 OR 028000-3292)  
 (DIESEL)  
 (AR77254 OR RE41875)

RG1171 -UN-01JAN94



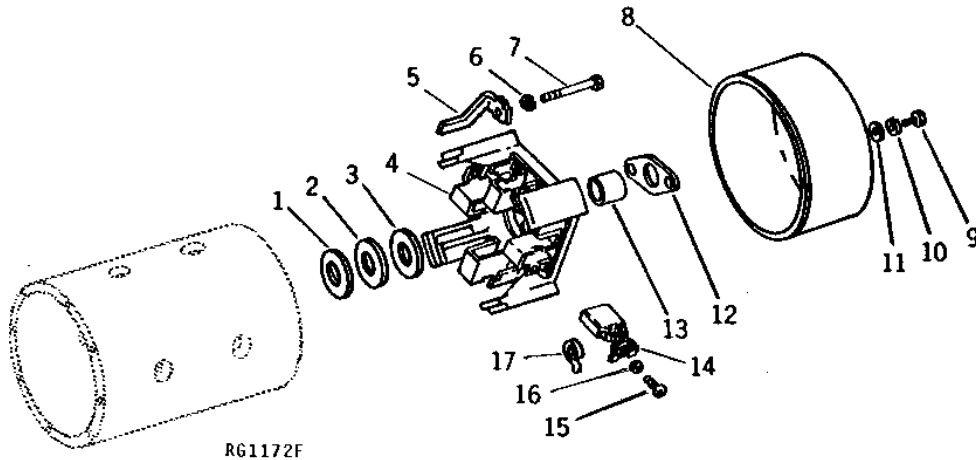
KEY	PART NO.	PART NAME	QTY	STARTER SERIAL NO.	REMARKS
1	AR54996	FIELD WINDING COIL	1	-9U0000	
	RE13731	FIELD WINDING COIL	1	9U0001-	
2	R50913	O-RING	1		
3	R50916	WASHER	1		
4	12H246	LOCK WASHER	3	0.190"	
5	R50907	NUT	2		
6	24H1283	WASHER	1	7/32" X 1/2" X 0.049"	
7	R50914	WASHER	1		
8	R50915	O-RING	1		
9	R50920	BUSHING	1		
10	R50917	WASHER	1		
11	R50899	LOCK WASHER	1		
12	R50909	NUT	1		
13	R56802	STUD	1	(SUB FOR R52386)	
14	R50918	WASHER	1		
15	R50919	O-RING	1		
16	R50922	O-RING	1		
17	.....	FRAME	1	(ORDER RE41875 OR TY6713)	
18	R50921	SCREW	8		
19	R51664	DOWEL PIN	1		
20	R50931	SCREW	1	(SUB FOR R51663)	
..	AR77254	STARTER	1	(NIPPONDENSO NO. 028000-3291) (SUB RE41875 OR TY6713)	
..	RE41875	STARTER	1	(NIPPONDENSO NO. 028000-3292) (MARKED RE13722) (SUB FOR AR77254)	
..	TY6713	STARTER	1	(REMANUFACTURED) (SUB FOR AR77254 OR TY6617)	

# 2D25

ELECTRICAL

**STARTER COMMUTATOR END FRAME**  
**(12-VOLT) (JOHN DEERE) (NIPPONDENSO NO. 028000-3291 OR 028000-3292)**  
**(DIESEL)**  
**(AR77254 OR RE41875)**

RG1172 -UN-01JAN94



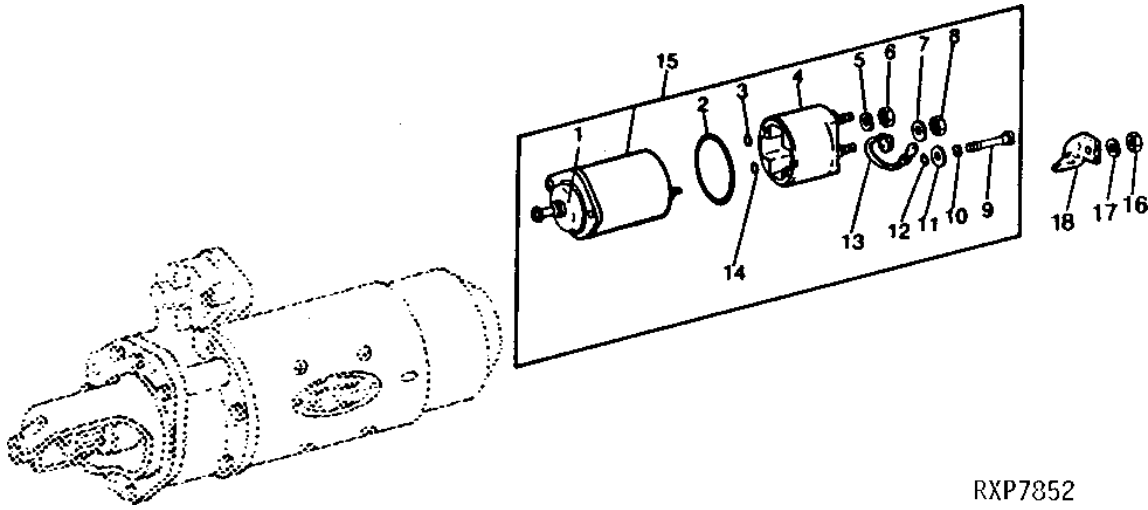
KEY	PART NO.	PART NAME	QTY	ENGINE SERIAL NO.	REMARKS
1	R50923	SHIM	AR		0.18 MM (.007") (USE WITH AR66778) (TYPE 1)
2	R50924	SHIM	AR		0.48 MM (.019") (USE WITH AR66778) (TYPE 1)
3	R50925	THRUST WASHER	1		(USE WITH AR66778) (TYPE 1)
4	AR54997	FRAME	1		
5	R51660	BRACKET	2		
6	12H317	LOCK WASHER	2	9/16"	
7	R51659	SCREW	2		
8	R50912	COVER	1		
9	R50931	SCREW	2		
10	12H246	LOCK WASHER	6	0.190"	
11	24H1283	WASHER	2	7/32" X 1/2" X 0.049"	
12	R50930	GASKET	1		
13	R50891	BUSHING	1		
14	R50927	CARBON BRUSH CONDUCTOR	4		
15	R50929	SCREW	4		
16	12H246	LOCK WASHER	4	0.190"	
17	R50928	SPRING	4		
..	AR77254	STARTER	1		(NIPPONDENSO NO. 028000-3291) (SUB RE41875 OR TY6713)
..	RE41875	STARTER	1		(NIPPONDENSO NO. 028000-3292) (MARKED RE13722) (SUB FOR AR77254)
..	TY6713	STARTER	1		(REMANUFACTURED) (SUB FOR AR77254 OR TY6617)

# 2E1

ELECTRICAL

**STARTER SOLENOID SWITCH  
(12-VOLT) (JOHN DEERE)  
(DIESEL)  
(STARTING MOTOR DATE CODE -8S2760)**

RXP7852 -UN-18OCT94



RXP7852

KEY	PART NO.	PART NAME	QTY	ENGINE SERIAL NO.	REMARKS
1	R52385	BOOT	1		
2	R51668	WASHER	1		
3	R56793	SHIM	1		(SUB FOR R51672)
4	RE13733	SWITCH	1		(SUB FOR AR55948, AR71256 OR AR90071)
5	12H303	LOCK WASHER	1		5/16"
6	R51671	NUT	1		
7	12H246	LOCK WASHER	2		0.190"
8	14H631	NUT	2		0.190"
9	R51669	SCREW	2		
10	12H302	LOCK WASHER	2		1/4"
11	24H1305	WASHER	2		13/32" X 13/16" X 0.065"
12	R50894	O-RING	1		
13	AR55949	WIRING LEAD	1		(SUB RE15058)
14	R56792	WASHER	1		(SUB FOR R51670)
15	RE13732	SOLENOID	1		(A) (SUB FOR AR54991 OR AR90070) (ALSO ORDER RE39064)
16	14H732	NUT	3		3/8"
17	R50899	LOCK WASHER	3		
18	R50910	CONNECTOR	1		

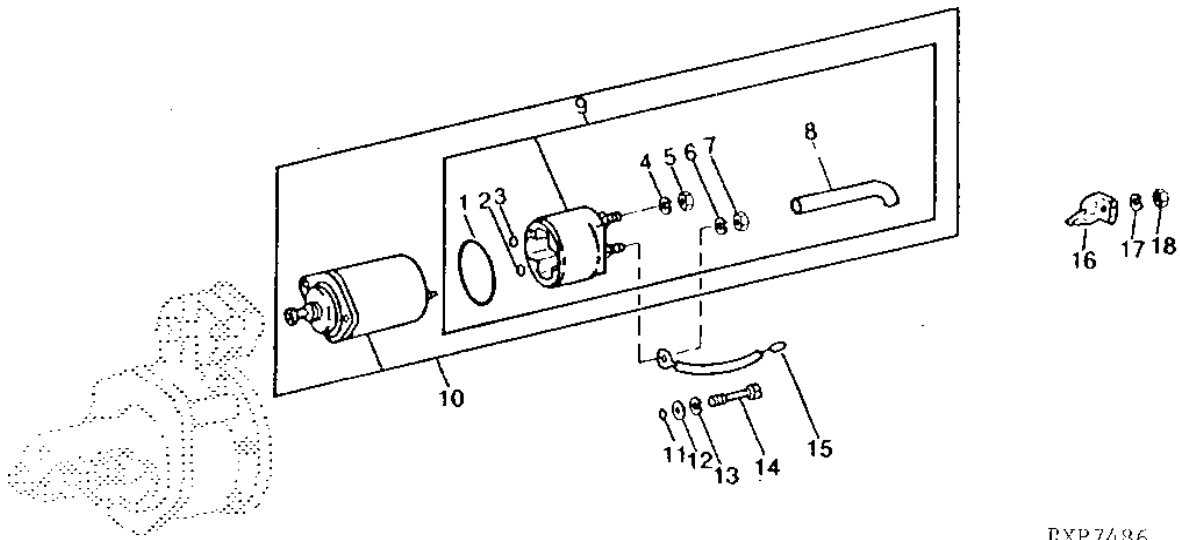
(A) USE WITH AR77254, RE41875, TY6617 OR TY6713

# 2E2

ELECTRICAL

**STARTER SOLENOID SWITCH  
(12-VOLT) (JOHN DEERE)  
(DIESEL)  
(STARTING MOTOR DATE CODE 8S2761- )**

RXP7486 -UN-01JAN94



RXP7486

KEY	PART NO.	PART NAME	QTY	ENGINE SERIAL NO.	REMARKS
1	R68224	GASKET	1		
2	R56792	WASHER	1		
3	R56793	SHIM	1		
4	12H303	LOCK WASHER	1	5/16"	
5	R51671	NUT	1		
6	12H246	LOCK WASHER	1	0.190"	
7	14H631	NUT	2	0.190"	
8	R68222	HOSE	1		
9	RE13733	SWITCH	1		(NIPPONDENSO NO. 028099-3600) (SUB FOR AR90071)
10	AR90070	SWITCH	1		(SUB RE13732)
	RE13732	SOLENOID	1		(A) (NIPPONDENSO NO. 028099-3610) (SUB FOR AR90070) (ALSO ORDER RE39064)
11	R50894	O-RING	2		
12	24H1305	WASHER	2	13/32" X 13/16" X 0.065"	
13	12H302	LOCK WASHER	2	1/4"	
14	R51669	SCREW	2		
15	RE15058	WIRE	1		(SUB FOR AR55949)
16	R50910	CONNECTOR	1		
17	R50899	LOCK WASHER	2		
18	14H732	NUT	2	3/8"	

(A) USE WITH AR77254, RE41875, TY6617 OR TY6713



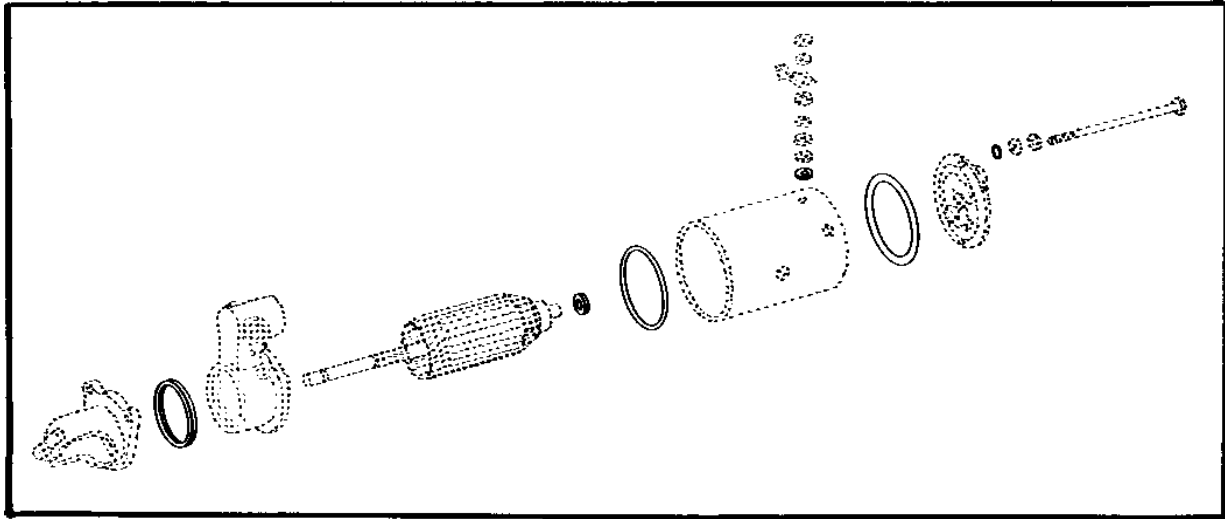
# 2E3

ELECTRICAL

RP1234

-UN-20NOV95

## STARTING MOTOR SEALING KIT (12-VOLT AND 24-VOLT)



RP1234

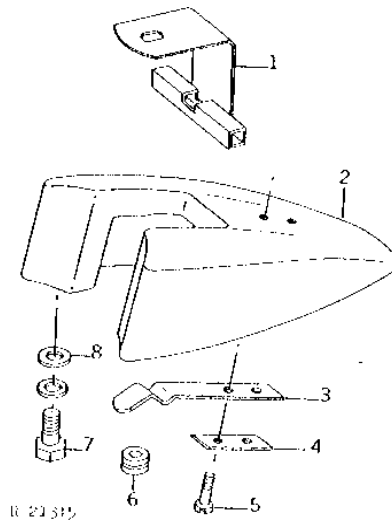
KEY	PART NO.	PART NAME	QTY	TRACTOR SERIAL NO.	REMARKS
1	AR100161	SEAL KIT	1	(A)	(SUB FOR AR40174 OR AR85407)
		(A) USE WITH AR55638 OR AR62267			

# 2E4

ELECTRICAL

R21315 -UN-01JAN94

## WARNING LAMP SUPPORT (LOW PROFILE)



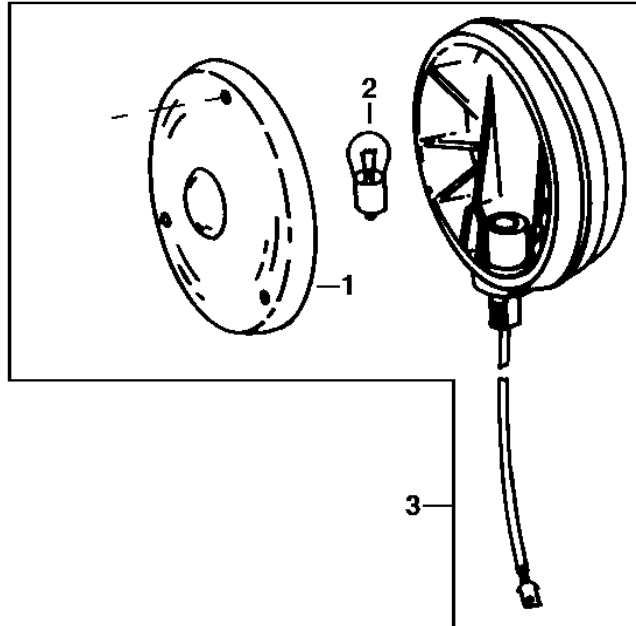
KEY	PART NO.	PART NAME	QTY	TRACTOR SERIAL NO.	REMARKS
1	AT27425	BRACKET	1		
2	R52916	SUPPORT	1		
3	T10379	CLAMP	2		
4	T10381	STRAP	2		
5	21H1345	SCREW	4	0.164" X 5/8"	
6	R26409	GROMMET	1		
7	19H2021	CAP SCREW	3	3/8" X 5/8"	
	12H304	LOCK WASHER	3	3/8"	
8	24H1305	WASHER	3	13/32" X 13/16" X 0.065"	

# 2E5

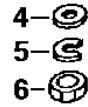
ELECTRICAL

RXP021418 -UN-24JAN96

## WARNING LAMP (LESS ROLL-GARD OR SOUND-GARD BODY)



### RXP021418



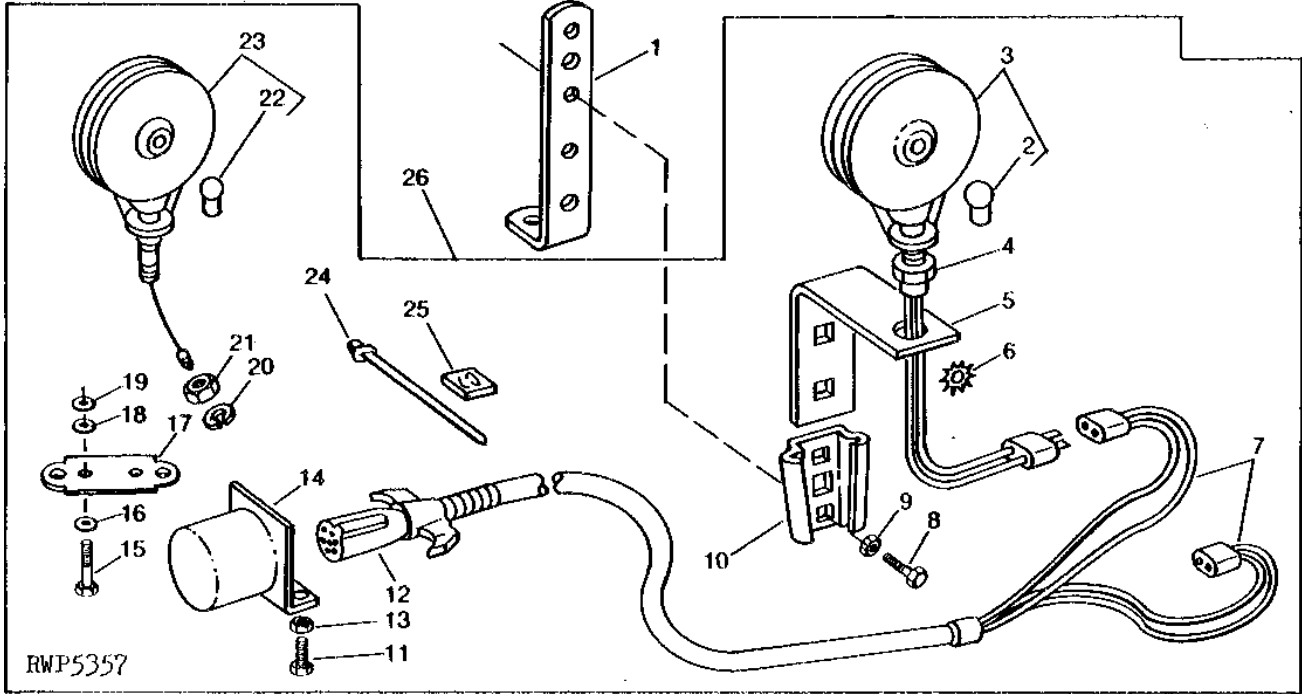
KEY	PART NO.	PART NAME	QTY	TRACTOR SERIAL NO.	REMARKS
1	R42666	LENS	2		(GUIDE) AMBER
	R42667	LENS	1		(GUIDE) RED (OPTION)
2	AD2062R	BULB	1		(12-16 VOLT)
3	AR38456	LAMP	1		(SUB FOR AR72257)
4	R47831	WASHER	1		
5	12H292	LOCK WASHER	1		1/2"
6	14H856	NUT	1		1/2"

# 2E6

ELECTRICAL

RWP5357 -UN-01JAN94

## IMPLEMENT WARNING LAMP KIT



KEY	PART NO.	PART NAME	QTY	TRACTOR SERIAL NO.	REMARKS
1	A39716	BRACKET	2		
2	AD2062R	BULB	2		
3	AA34967	LAMP	2		
	A48331	LENS	2		
4	12H301	LOCK WASHER	2	1/2"	
	14H856	NUT	2	1/2"	
5	PT18180	BRACKET	2		(SUB FOR PT1624 OR PT9319)
6	PT9390	WASHER	1		
7	PT9318	WIRING HARNESS	1		(SUB FOR PT1294)
8	37H57	SCREW	5	5/16" X 3/4"	
9	14H785	NUT	5	5/16"	
10	JD126	SOCKET	2		
11	37H3	SCREW	2	1/4" X 5/8"	
12	AH93625	PLUG	1		
13	14H786	NUT	2	1/4"	
14	PT1296	BRACKET	1		
15	37H57	SCREW	5	5/16" X 3/4"	
16	24H1822	WASHER	1	11/32" X 7/8" X 1/16"	
17	PT9320	BRACKET	1		(SUB PT18181)
18	24H1822	WASHER	1	11/32" X 7/8" X 1/16"	
19	14H788	NUT	5	3/8"	
20	12H301	LOCK WASHER	1	1/2"	
21	14H856	NUT	1	1/2"	
22	AR48041	BULB	1		
23	AA34968	TAIL LAMP	1		
	A48332	LENS	1		
24	R44302	TIE BAND	AR		
25	AT55441	BASE	AR		(SUB FOR PT1297 OR PT9321)
26	TY16055	KIT	1		(SUB TY9305 OR TY15263) (FI)
..	AA32178	WIRING LEAD	1		ACCESSORY

---

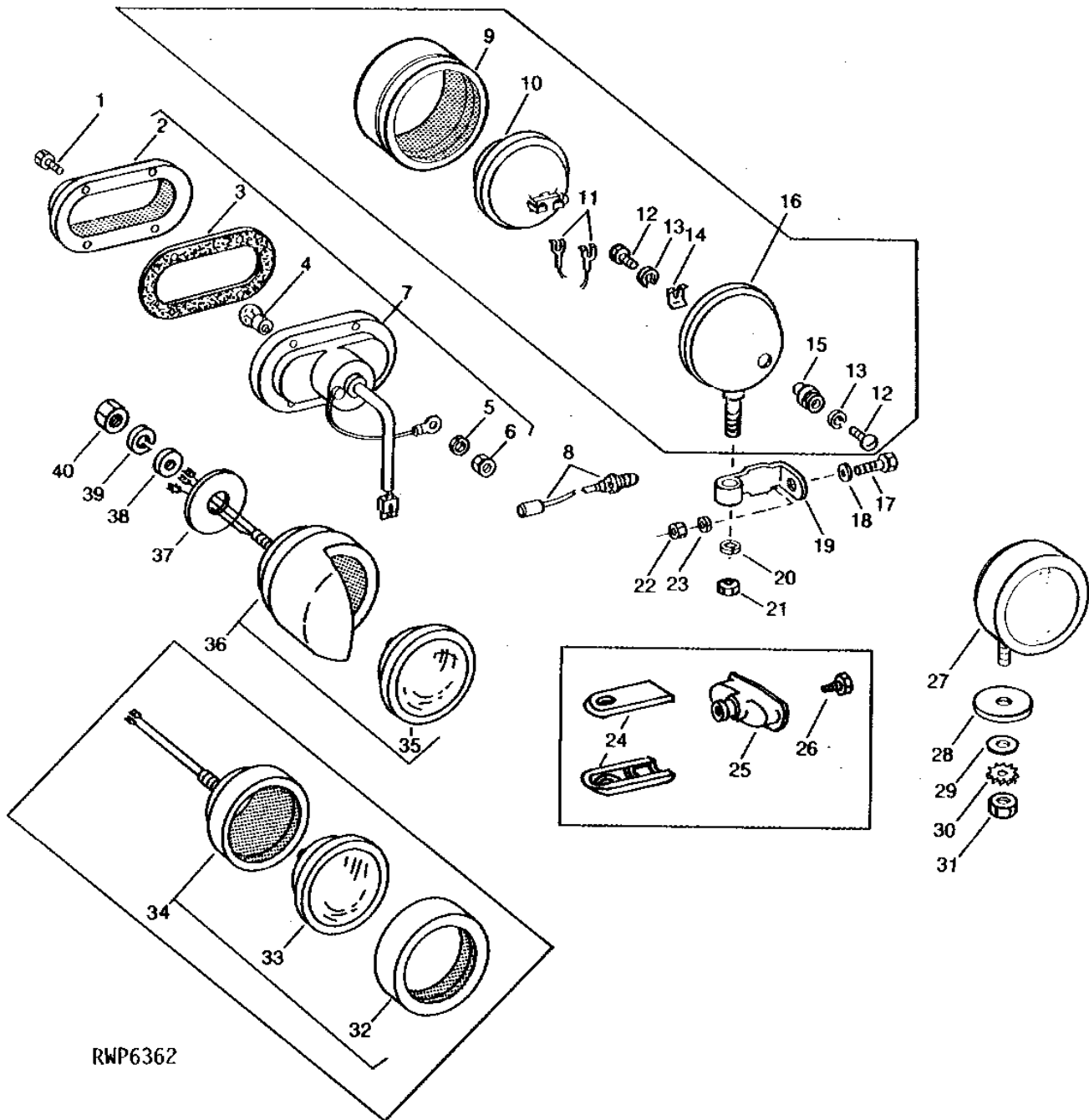
MEMORANDA

# 2E7

ELECTRICAL

## FRONT AND REAR LAMPS AND REAR LAMP BRACKETS (LESS ROLL-GARD OR SOUND-GARD BODY)

RWP6362 -UN-01JAN94



# 2E8

ELECTRICAL

FRONT AND REAR LAMPS AND REAR LAMP BRACKETS - CONTINUED  
(LESS ROLL-GARD OR SOUND-GARD BODY)

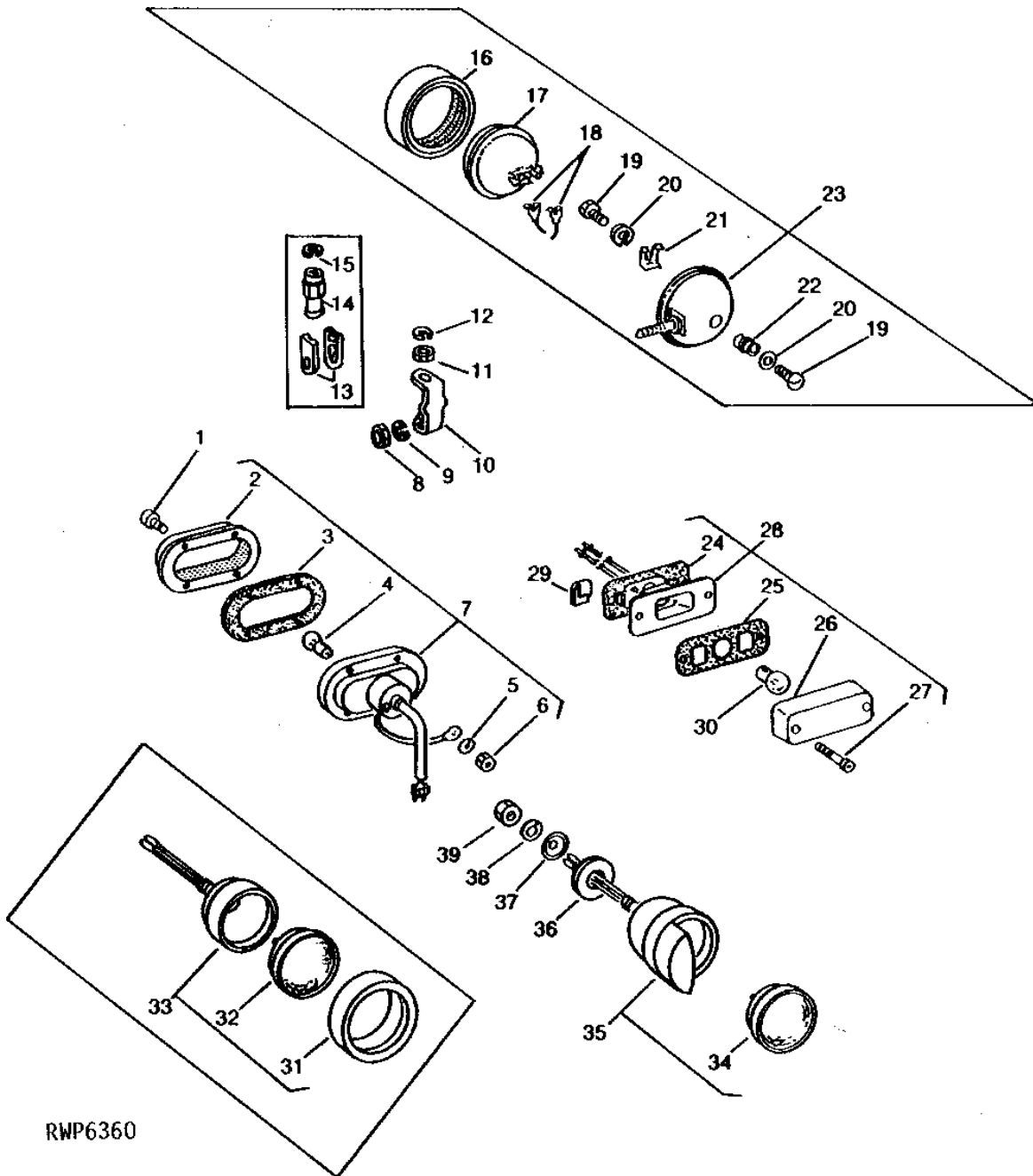
KEY	PART NO.	PART NAME	QTY	TRACTOR SERIAL NO.	REMARKS
1	R55933	SCREW	8		
2	R45936	LENS	2		
3	R45937	GASKET	2		
4	AR48041	BULB	2		(12-VOLT)
5	12M7084	LOCK WASHER	1		4.300 MM
6	14H605	NUT	1		0.164"
7	AR78825	TAIL LAMP	2		(SUB FOR AR45099)
8	AR70699	LAMP	1		(SUB FOR AR60251)
9	R30182	BEZEL	2		(HOBBS)
	R31250	BEZEL	2		(GUIDE)
10	AR21059	HEADLIGHT	2		(12-VOLT)
11	.....	WIRING LEAD	2		165 MM (6-1/2") (SEALED UNIT TO TERMINAL PLATE) (MAKE FROM R66319 AND (2) R32016)
12	21H1293	SCREW	4		0.164" X 5/16"
13	12M7084	LOCK WASHER	4		4.300 MM
14	A2899R	ASSEMBLY LINE PARTS	2		
15	R30181	PLATE	2		(HOBBS)
	AA3495R	SUPPORT	2		(GUIDE)
16	AR35782	LAMP	2		(12-VOLT) (SUB RE27099)
17	19H1792	CAP SCREW	2	024899-	1/2" X 1"
18	24H1211	WASHER	2	024899-	9/16" X 1-3/8" X 0.105"
19	R59160	BRACKET	2	024899-	
20	12H301	LOCK WASHER	2		1/2"
21	14H1040	NUT	2		1/2"
22	14H1040	NUT	2	024899-	1/2"
23	12H301	LOCK WASHER	2	024899-	1/2"
24	R27460	CLAMP	4	-024898	
25	R43662	BRACKET	2	-024898	
26	37H106	SCREW	4	-024898	3/8" X 5/8"
27	AR38456	LAMP	2		
28	R38371	WASHER	2		
29	24H1227	WASHER	2		17/32" X 13/16" X 0.060"
30	12H301	LOCK WASHER	2		1/2"
31	14H856	NUT	2		1/2"
32	R30182	BEZEL	2		(HOBBS)
	R31250	BEZEL	2		(GUIDE)
33	RE25125	DUAL BEAM LAMP	2		(12-VOLT DUAL BEAM) (SUB FOR AR48723)
34	AR48721	LAMP	2		(12-VOLT DUAL BEAM) (SUB RE25126 (R.H.) OR RE25127 (L.H.), THIS APPLICATION)
35	RE25125	DUAL BEAM LAMP	2		
36	RE25126	DUAL BEAM LAMP	1		R.H.
	RE25127	DUAL BEAM LAMP	1		L.H.
37	R48663	WASHER	2		
38	F2935R	WASHER	2		
39	12H301	LOCK WASHER	2		1/2"
40	14H1040	NUT	2		1/2"

# 2E9

ELECTRICAL

## FRONT AND REAR LAMPS AND REAR LAMP BRACKETS (ROLL-GARD)

RWP6360 -UN-01JAN94



RWP6360



# 2E10

ELECTRICAL

## FRONT AND REAR LAMPS AND REAR LAMP BRACKETS - CONTINUED (ROLL-GARD)

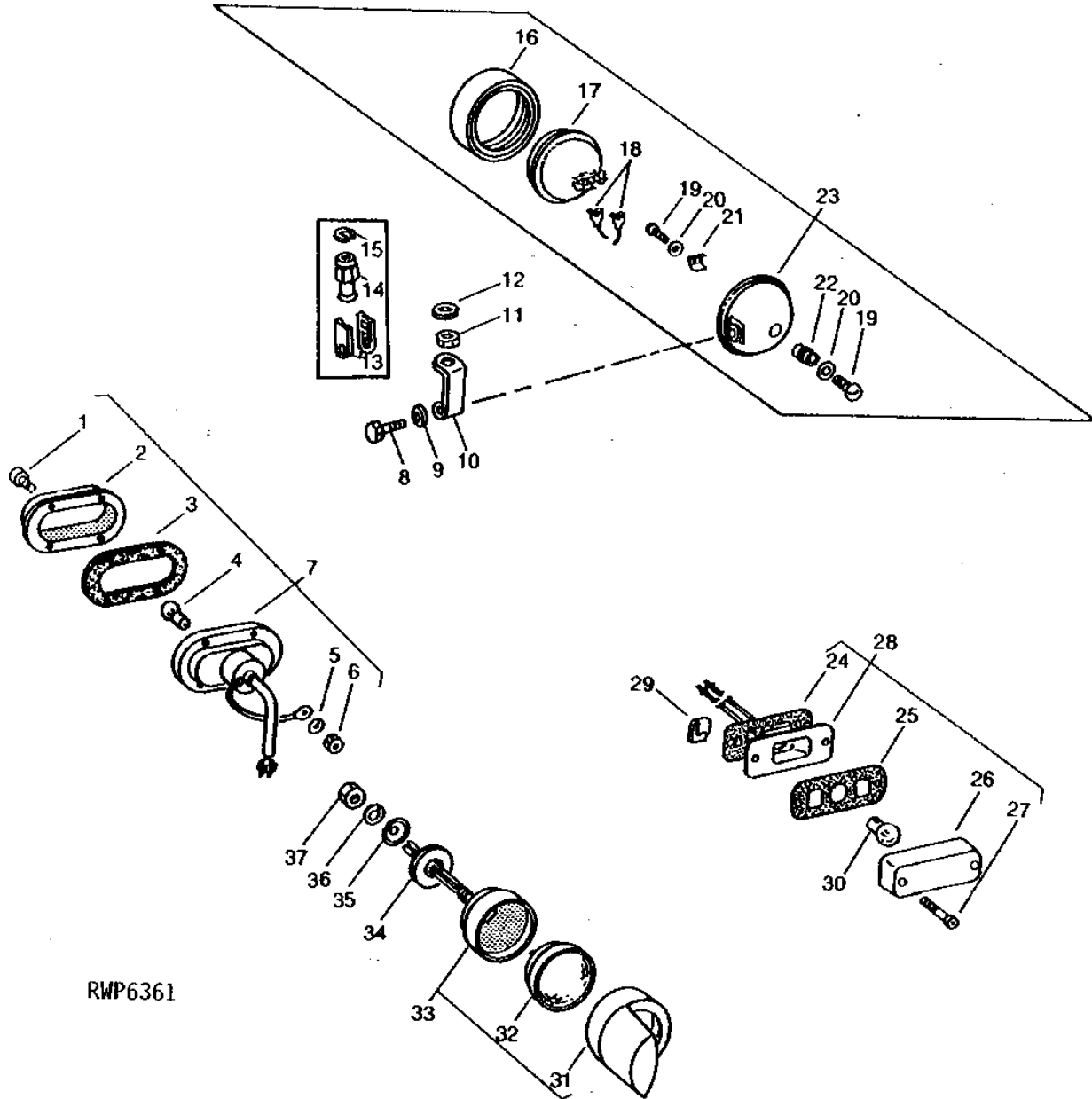
KEY	PART NO.	PART NAME	QTY	TRACTOR SERIAL NO.	REMARKS
1	R55933	SCREW	2		
2	R45936	LENS	2		
3	R45937	GASKET	2		
4	AR48041	BULB	2		(12-VOLT)
5	12M7084	LOCK WASHER	1		4.300 MM
6	14H605	NUT	1		0.164"
7	AR78825	TAIL LAMP	2		(SUB FOR AR45099)
8	14H1040	NUT	2		1/2"
9	12H301	LOCK WASHER	2		1/2"
10	R59160	BRACKET	2	058913-	
11	14H1040	NUT	2	058913-	1/2"
12	12H301	LOCK WASHER	2	058913-	1/2"
13	R27460	CLAMP	4	-058912	
14	R54778	NUT	2	-058912	(ALSO ORDER R32101) (SUB FOR R50810)
15	12H301	LOCK WASHER	2	-058912	1/2"
16	R30182	BEZEL	2		(HOBBS)
	R31250	BEZEL	2		(GUIDE)
17	AR21059	HEADLIGHT	2		(12-VOLT)
18	.....	WIRING LEAD	2		165 MM (6-1/2") (MAKE FROM R66319 AND (2) R32016) SEAL UNIT TO TERMINAL PLATE
19	21H1293	SCREW	4		0.164" X 5/16"
20	12M7084	LOCK WASHER	4		4.300 MM
21	A2899R	ASSEMBLY LINE PARTS	2		
22	R30181	PLATE	2		(HOBBS)
	AA3495R	SUPPORT	2		(GUIDE)
23	AR35782	LAMP	2		(12-VOLT)
24	R54782	GASKET	4		
25	R61179	GASKET	4		
26	R54779	LENS	4		
27	R54781	SCREW	8		
28	AR60250	LAMP	4		
29	R99350	NUT	8		(SUB FOR R53528, THIS APPLICATION)
30	AD2062R	BULB	4		12-16 VOLT
31	R30182	BEZEL	2		(HOBBS)
	R31250	BEZEL	2		(GUIDE)
32	RE25125	DUAL BEAM LAMP	2		(12-VOLT DUAL BEAM) (SUB FOR AR48723)
33	AR48721	LAMP	2		(SUB RE25126 (R.H.) OR RE25127 (L.H.), THIS APPLICATION)
34	RE25125	DUAL BEAM LAMP	2		
35	RE25126	DUAL BEAM LAMP	1		R.H.
	RE25127	DUAL BEAM LAMP	1		L.H.
36	R48663	WASHER	2		
37	F2935R	WASHER	2		
38	12H301	LOCK WASHER	2		1/2"
39	14H1040	NUT	2		1/2"

# 2E11

ELECTRICAL

## FRONT AND REAR LAMPS AND REAR LAMP BRACKETS (SOUND-GARD BODY)

RWP6361 -UN-01JAN94



RWP6361

# 2E12

ELECTRICAL

## FRONT AND REAR LAMPS AND REAR LAMP BRACKETS - CONTINUED (SOUND-GARD BODY)

KEY	PART NO.	PART NAME	QTY	TRACTOR SERIAL NO.	REMARKS
1	R55933	SCREW	8		
2	R45936	LENS	2		
3	R45937	GASKET	2		
4	AR48041	BULB	2		(12-VOLT)
5	12M7084	LOCK WASHER	1		4.300 MM
6	14H605	NUT	1		0.164"
7	AR78825	TAIL LAMP	2		(SUB FOR AR45099)
8	19H2644	CAP SCREW	2		1/2" X 2-1/2"
9	12H301	LOCK WASHER	2		1/2"
10	R59160	BRACKET	2	058913-	
11	14H1040	NUT	2	058913-	1/2"
12	12H301	LOCK WASHER	2	058913-	1/2"
13	R27460	CLAMP	4	-058912	
14	R54778	NUT	2	-058912	(ALSO ORDER R32101) (SUB FOR R50810)
15	12H301	LOCK WASHER	2	-058912	1/2"
16	R42689	BEZEL	2		(HOBBS)
	R48293	BEZEL	2		(GUIDE)
17	AR42591	HEADLIGHT	2		(12-VOLT) (USE WITH AR42119)
	AR104119	HEADLIGHT	2		(12-VOLT) (HALOGEN) (USE WITH RE19075)
18	.....	WIRING LEAD	2		165 MM (6-1/2") (SEALED UNIT TO TERMINAL PLATE) (MAKE FROM R66319 AND (2) R32016)
19	21H1293	SCREW	4		0.164" X 5/16"
20	12M7084	LOCK WASHER	4		4.300 MM
21	A2899R	ASSEMBLY LINE PARTS	2		
22	R30181	PLATE	2		(HOBBS)
	AA3495R	SUPPORT	2		(GUIDE)
23	RE19075	LAMP	2		(12-VOLT) (HOBBS OR GUIDE) (HALOGEN)
24	R54782	GASKET	4		
25	R61179	GASKET	4		
26	R54779	LENS	4		
27	R54781	SCREW	8		
28	AR60250	LAMP	4		
29	R99350	NUT	8		(SUB FOR R53528, THIS APPLICATION)
30	AD2062R	BULB	4		(12-16 VOLT)
31	R54047	BEZEL	2		
32	RE25125	DUAL BEAM LAMP	2		(12-VOLT DUAL BEAM) (SUB FOR AR48723)
33	RE25126	DUAL BEAM LAMP	1		R.H. (FENDER, OUTER) (SUB FOR AR61325, AR85263, RE10962 OR RE19081)
	RE25127	DUAL BEAM LAMP	1		L.H. (FENDER, OUTER) (SUB FOR AR61326, RE10963, AR85264 OR RE19082)
34	R48663	WASHER	2		
35	F2935R	WASHER	2		
36	12H301	LOCK WASHER	2		1/2"
37	14H1040	NUT	2		1/2"

---

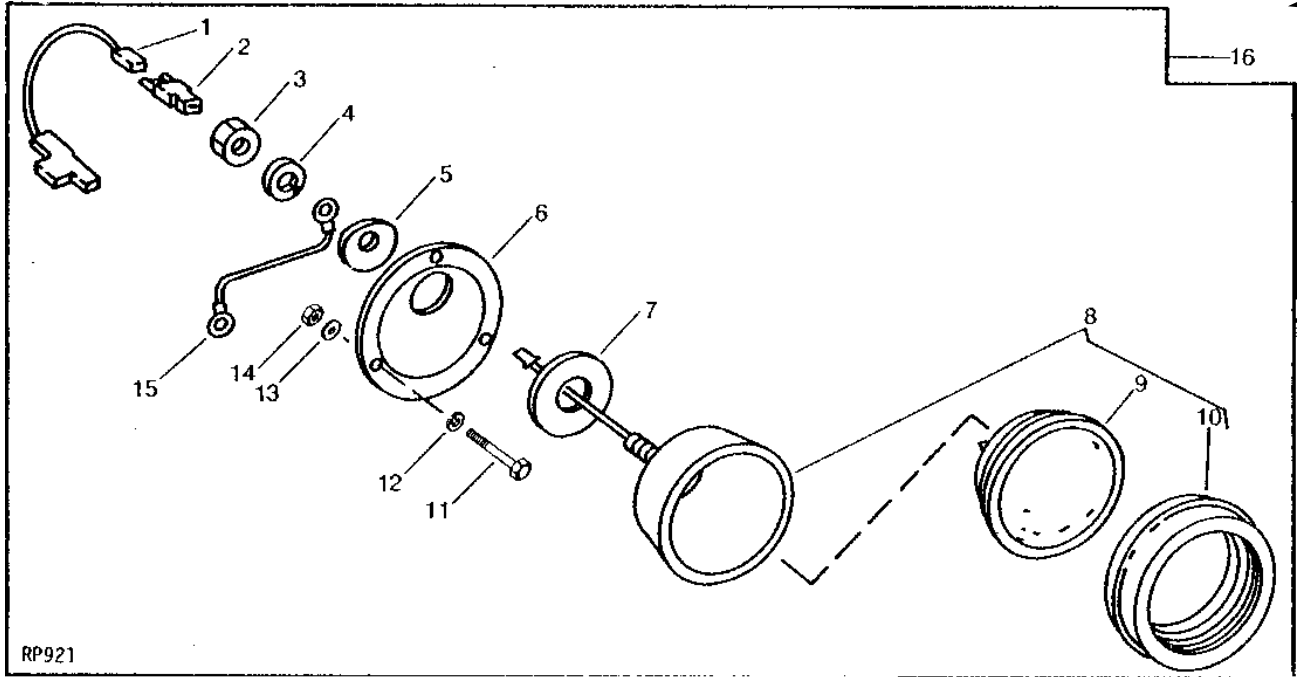
MEMORANDA

# 2E13

ELECTRICAL

RP921 -UN-01JAN94

## FLOOD LAMPS



KEY	PART NO.	PART NAME	QTY	TRACTOR SERIAL NO.	REMARKS
1	AR50834	WIRING LEAD	2		
2	T28585	TERMINAL	2		
3	14H1040	NUT	2	1/2"	
4	12H301	LOCK WASHER	2	1/2"	
5	F2935R	WASHER	2		
6	R54036	PLATE	2		
7	R48663	WASHER	2		
8	RE19080	LAMP	2	(A) (C) (12-VOLT) (HALOGEN) (SUB FOR AR48722)	
	AR61298	LAMP	2	(B) (C) (12-VOLT FLOOD)	
9	AR21059	HEADLIGHT	2	(C) (12-VOLT FLOOD)	
10	R30182	BEZEL	2	(A) (HOBBS)	
	R31250	BEZEL	2	(A) (GUIDE)	
	R54047	BEZEL	2	(B)	
11	21H1295	SCREW	6	0.190" X 5/8"	
12	24H1283	WASHER	6	7/32" X 1/2" X 0.049"	
13	12H246	LOCK WASHER	6	0.190"	
14	14H631	NUT	6	0.190"	
15	.....	WIRING LEAD	2	152 MM (6") (FLOOD LAMP TO PANEL MOUNTING SCREW) (MAKE FROM R66319, R32022 AND R32023)	
16	AR61423	LAMP	1	(A)	
	AR61417	LAMP	1	(B)	

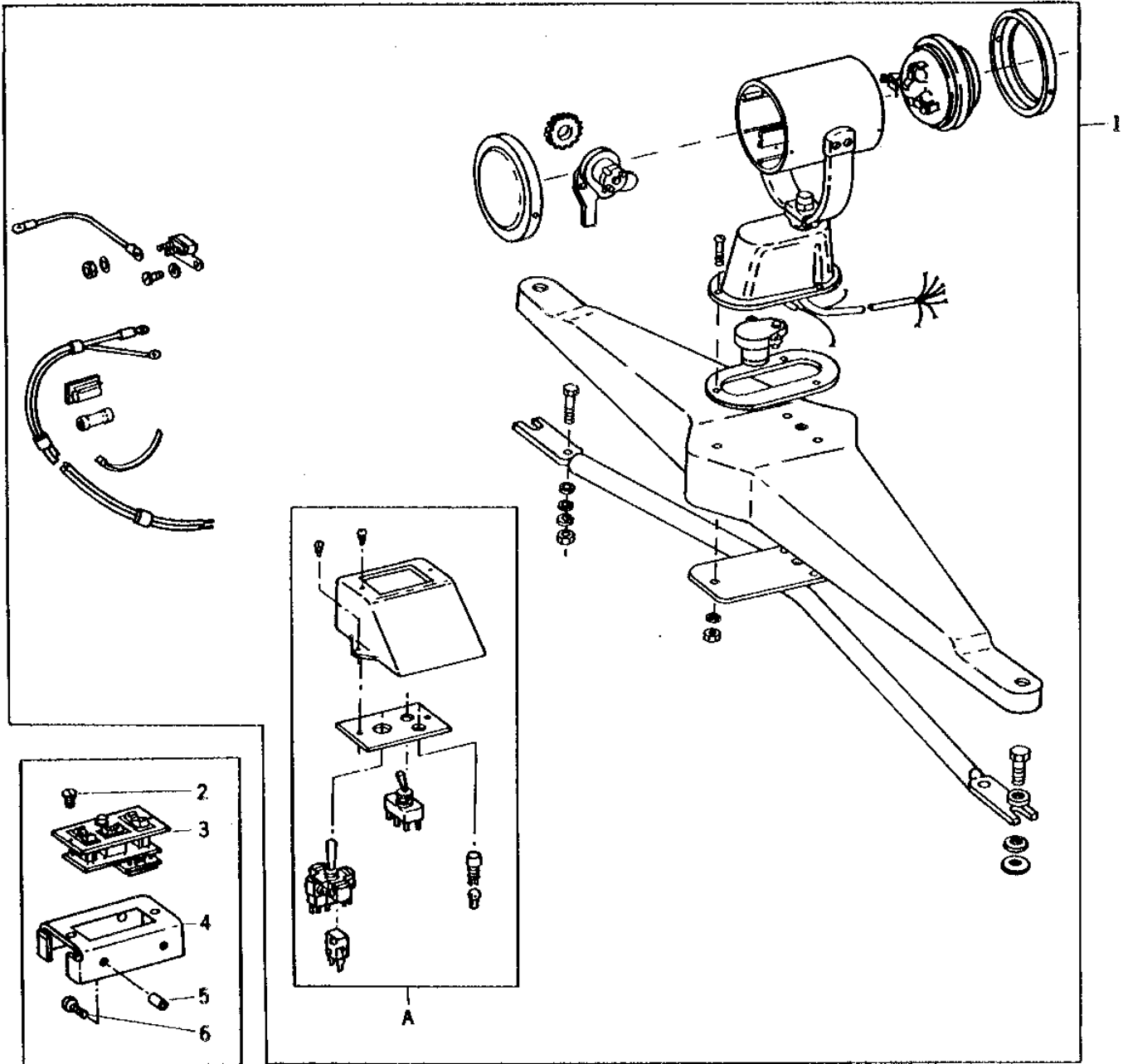
- (A) LESS SOUND-GARD BODY
- (B) SOUND-GARD BODY
- (C) 12-VOLT FLOOD

# 2E14

ELECTRICAL

RP769 -UN-01JAN94

ELECTRIC REMOTE CONTROLLED SPOTLIGHT



RP769

# 2E15

ELECTRICAL

---

ELECTRIC REMOTE CONTROLLED SPOTLIGHT - CONTINUED

KEY	PART NO.	PART NAME	QTY	TRACTOR SERIAL NO.	REMARKS
1	.....	KIT	1		(ORDER AR73207, AR77774 AND AR78577)
2	21H1371	SCREW	2		0.112" X 1/2"
3	AR74323	SWITCH	1		(SUB AR77775, R63034 AND (2) 37H95)
4	R60427	BRACKET	1		
5	R53478	SLEEVE	2		
6	R53508	SCREW	2		

NOTE: A AND B ARE ALTERNATE DESIGNS.

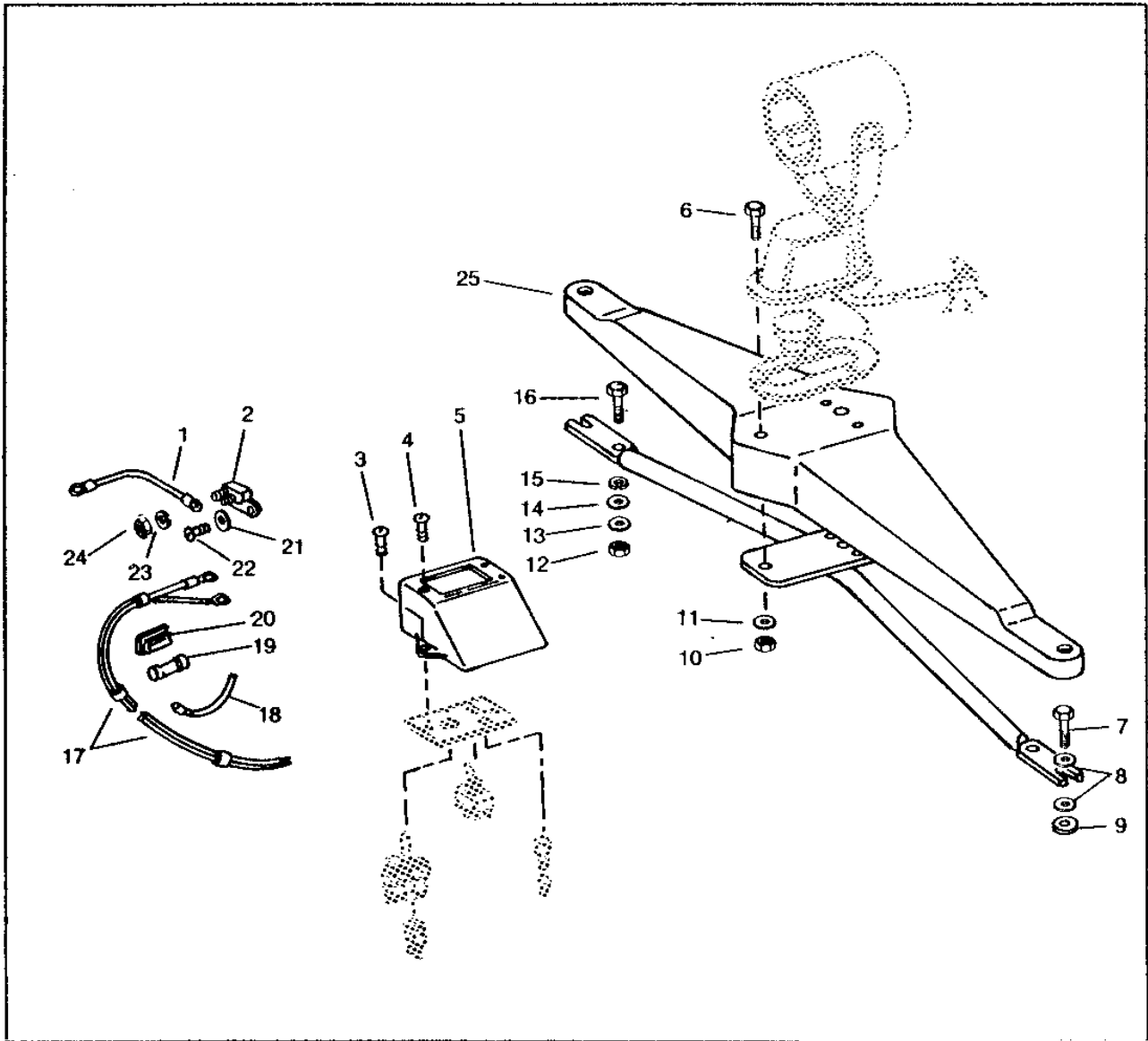
# 2E16

ELECTRICAL

RP1352

-UN-01JAN94

## REMOTE CONTROLLED SPOTLIGHT INSTALLATION KIT



26

RP1352



# 2E17

ELECTRICAL

## REMOTE CONTROLLED SPOTLIGHT INSTALLATION KIT - CONTINUED

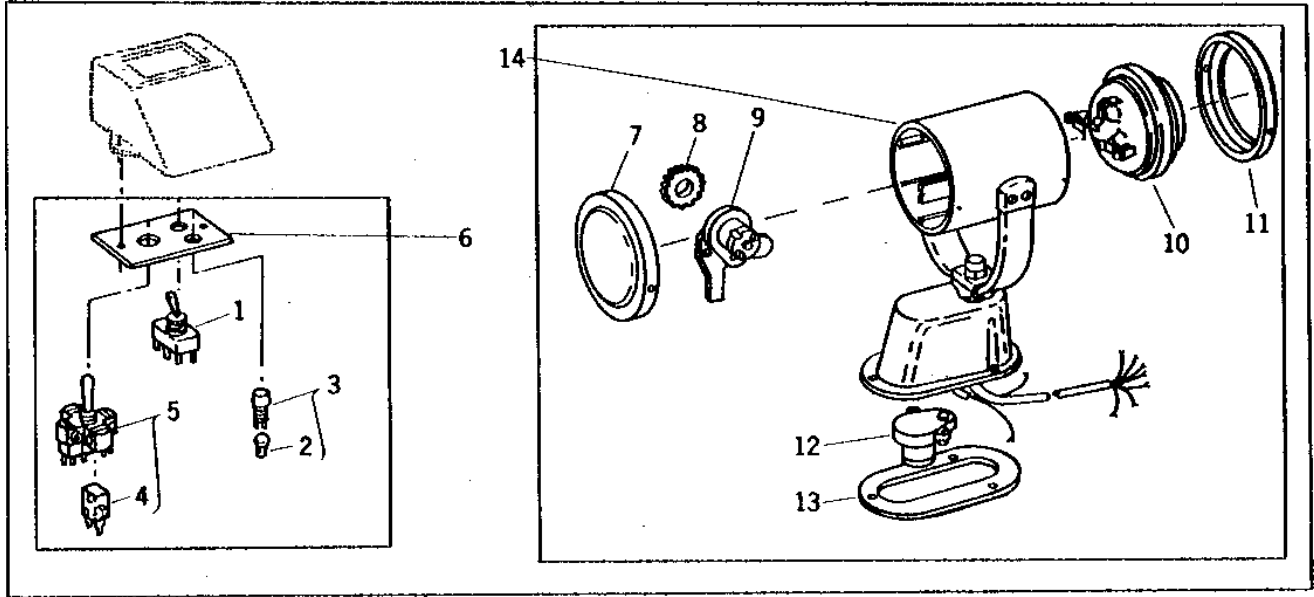
KEY	PART NO.	PART NAME	QTY	TRACTOR SERIAL NO.	REMARKS
1	.....	WIRING LEAD	1		152 MM (6") (MAKE FROM R66319 AND (2) R32018) CIRCUIT BREAKER
2	AR52302	CIRCUIT BREAKER	1		
3	37H95	SCREW	2		NO. 8 X 1/2"
4	37H46	SCREW	2		NO. 6 X 3/8"
5	R63034	HOUSING	1		
6	21H1366	SCREW	3		0.164" X 1-1/4"
7	19H1833	CAP SCREW	2		5/8" X 1-1/4"
8	24H1658	WASHER	4		21/32" X 1" X 0.060"
9	24H1392	WASHER	6		25/32" X 1-3/8" X 0.120"
10	14H605	NUT	3		0.164"
11	12H315	LOCK WASHER	3		0.164"
12	14H1076	NUT	2		3/8"
13	12H304	LOCK WASHER	2		3/8"
14	24H1884	WASHER	2		13/32" X 13/16" X 0.120"
15	F2741R	PACKING	2		
16	19H1732	CAP SCREW	2		3/8" X 1-1/4"
17	AR73468	WIRING HARNESS	1		
18	R44302	TIE BAND	4		
19	R32027	CONNECTOR	2		
20	R47474	CLIP	3		
21	21H1301	SCREW	1		0.190" X 1/2"
22	12M7060	WASHER	1		0.209"
23	12M7060	WASHER	2		0.209"
24	14H631	NUT	2		0.190"
25	R63531	COVER	1		
26	AR78577	KIT	1		SPOTLIGHT INSTALLATION (FI)

# 2E18

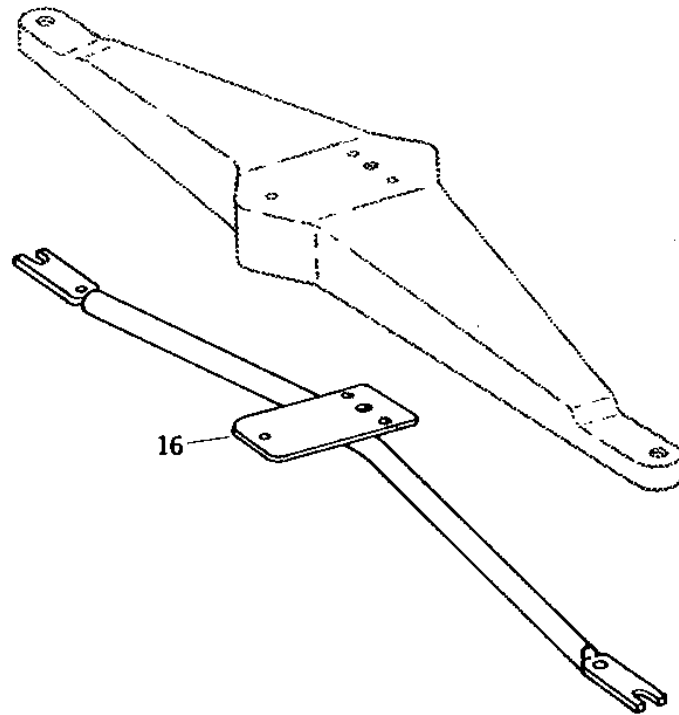
ELECTRICAL

RP771 -UN-01JAN94

REMOTE CONTROLLED SPOTLIGHT



15



16

RP771

# 2E19

ELECTRICAL

## REMOTE CONTROLLED SPOTLIGHT - CONTINUED

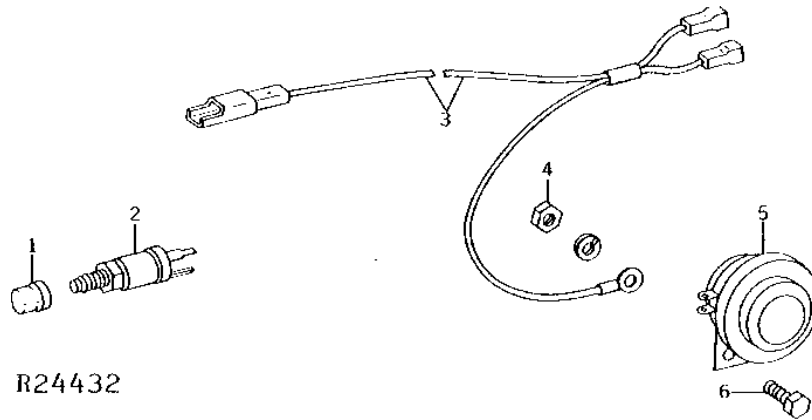
KEY	PART NO.	PART NAME	QTY	TRACTOR SERIAL NO.	REMARKS
1	AR77778	SWITCH	1		
2	AR77780	BULB	1		
3	AR77779	LAMP	1		
4	AR77777	SWITCH	4		
5	AR77776	HOUSING	1		
6	AR77775	SWITCH	1		
7	R61323	COVER	1		
8	AR74325	STEERING GEAR	1		
9	AR74326	MOTOR	1		(TILT)
10	AR74322	LAMP	1		
11	R61322	BEZEL	1		
12	AR74327	MOTOR	1		(ROTATION)
13	R61321	GASKET	1		
14	AR74324	FLOODLAMP	1		
15	AR77774	FLOODLAMP	1		
16	AR73207	SUPPORT	1		

# 2E20

ELECTRICAL

R24432 -UN-01JAN94

HORN



R24432

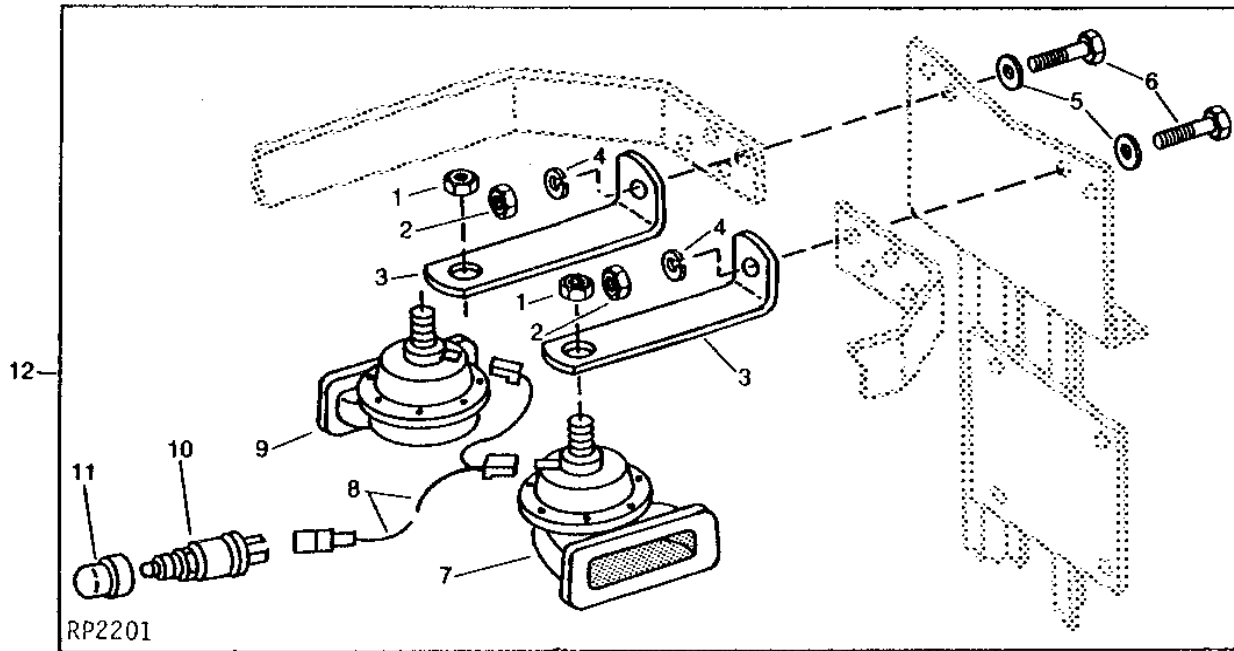
KEY	PART NO.	PART NAME	QTY	TRACTOR SERIAL NO.	REMARKS
1	T55501	CAP	1		
2	AR21823	SWITCH	1		
3	AR73580	WIRING HARNESS	1		(SUB FOR AR49038 OR AR77702)
4	14H785	NUT	1	5/16"	
	12H303	LOCK WASHER	1	5/16"	
5	AL14896	HORN	1		(SUB FOR AR49036 OR AR73579) (12-VOLT)
6	19H1813	CAP SCREW	1	5/16" X 5/8"	
..	AR49032	HORN	1		(SUB AR102454)

# 2E21

ELECTRICAL

RP2201 -UN-01JAN94

## DUAL HORN ASSEMBLY



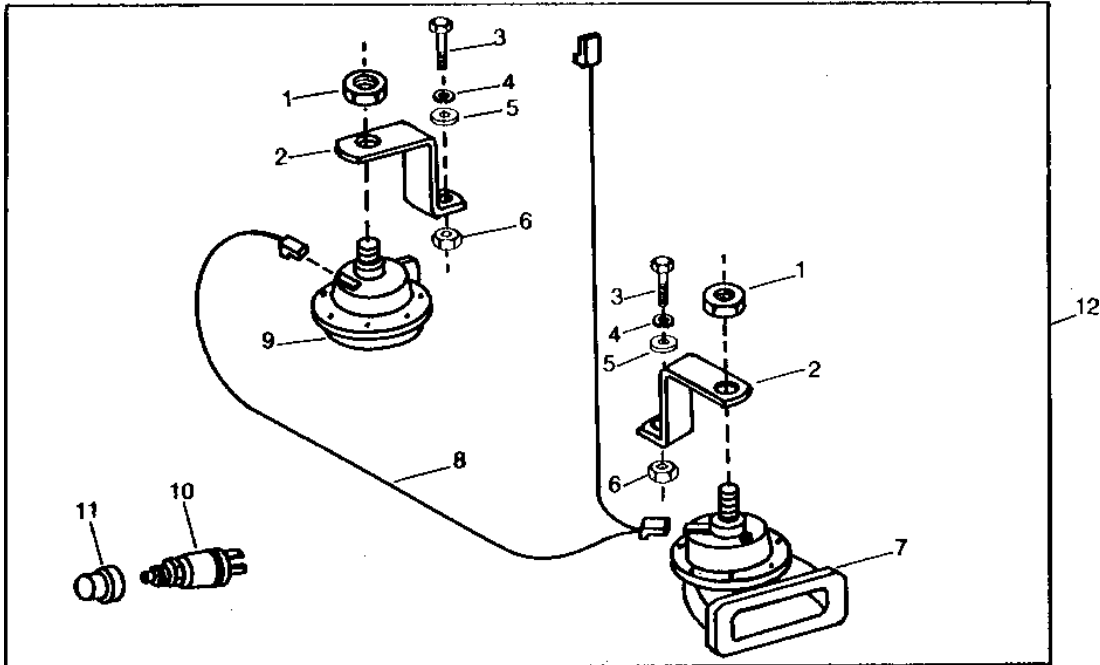
KEY	PART NO.	PART NAME	QTY	TRACTOR SERIAL NO.	REMARKS
1	R11278	NUT	2		
2	14H785	NUT	2	5/16"	
3	R66069	BRACKET	2	(ILLUSTRATED)	
	R75833	BRACKET	2	(SUB FOR R66069)	
4	12H303	LOCK WASHER	2	5/16"	
5	24H1136	WASHER	2	11/32" X 11/16" X 0.065"	
6	19H1849	CAP SCREW	2	5/16" X 1-1/4"	
7	R64700	LOW NOTE HORN	1	(12-VOLT) (LOW NOTE)	
8	AR85578	WIRING HARNESS	1		
9	AT39043	HIGH NOTE HORN	1	(12-VOLT) (HIGH NOTE)	
10	AR21823	SWITCH	1		
11	T55501	CAP	1		
12	AR81178	HORN	1	(SUB AR102454)	

# 2E22

ELECTRICAL

RWP4230 -UN-01JAN94

## DUAL HORN ASSEMBLY



RWP4230

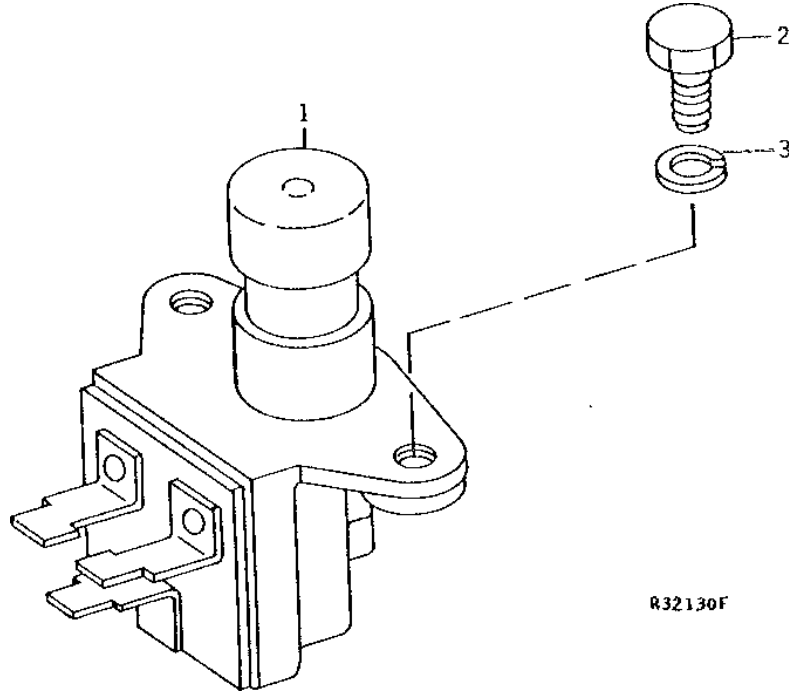
KEY	PART NO.	PART NAME	QTY	TRACTOR SERIAL NO.	REMARKS
1	R11278	NUT	2		
2	R75833	BRACKET	2		(ILLUSTRATED)
	R64699	BRACKET	2		
3	19H1849	CAP SCREW	2	5/16" X 1-1/4"	
4	12H303	LOCK WASHER	2	5/16"	
5	24H1136	WASHER	2	11/32" X 11/16" X 0.065"	
6	14H785	NUT	2	5/16"	
7	R64700	LOW NOTE HORN	1		(12-VOLT) (LOW NOTE)
8	AR85578	WIRING HARNESS	1		
9	AT39043	HIGH NOTE HORN	1		(12-VOLT) (HIGH NOTE)
10	AR20235	SWITCH	1		
11	T55501	CAP	1		
12	AR102454	HORN	1		(SUB FOR AR49032 OR AR81178) (ORDER COMPONENT PARTS)

# 2E23

ELECTRICAL

R32130 -UN-01JAN94

DIMMER SWITCH



R32130F

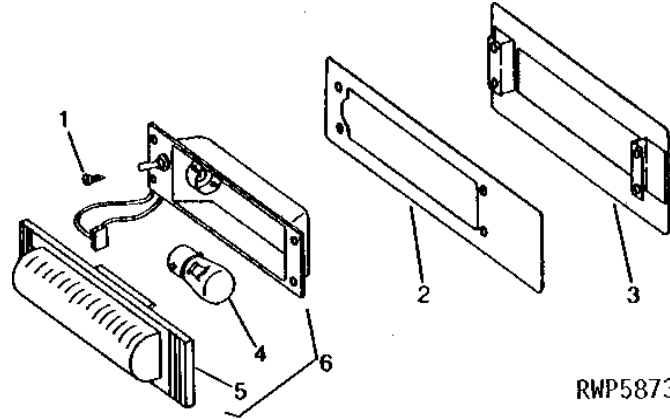
KEY	PART NO.	PART NAME	QTY	TRACTOR SERIAL NO.	REMARKS
1	AR48725	DIMMER SWITCH	1		
2	19H1919	CAP SCREW	2	1/4" X 5/8"	
3	12H302	LOCK WASHER	2	1/4"	

# 2E24

ELECTRICAL

RWP5873 -UN-01JAN94

DOME LIGHT  
(SOUND-GARD BODY SERIAL NO. -109536)



RWP5873

KEY	PART NO.	PART NAME	QTY	TRACTOR SERIAL NO.	REMARKS
1	37H46	SCREW	4		
2	R52081	PLATE	1	-007135	NO. 6 X 3/8"
	R56886	PLATE	1	007136-	(SUB R56886)
	T11708	PLUG	1	-007135	
3	AR56669	SUPPORT	1		
4	AR86969	BULB	1		(12-VOLT) (SUB FOR AR21739)
5	R47886	LENS	1		
6	AT101691	LAMP	1		(SUB FOR AR56670)

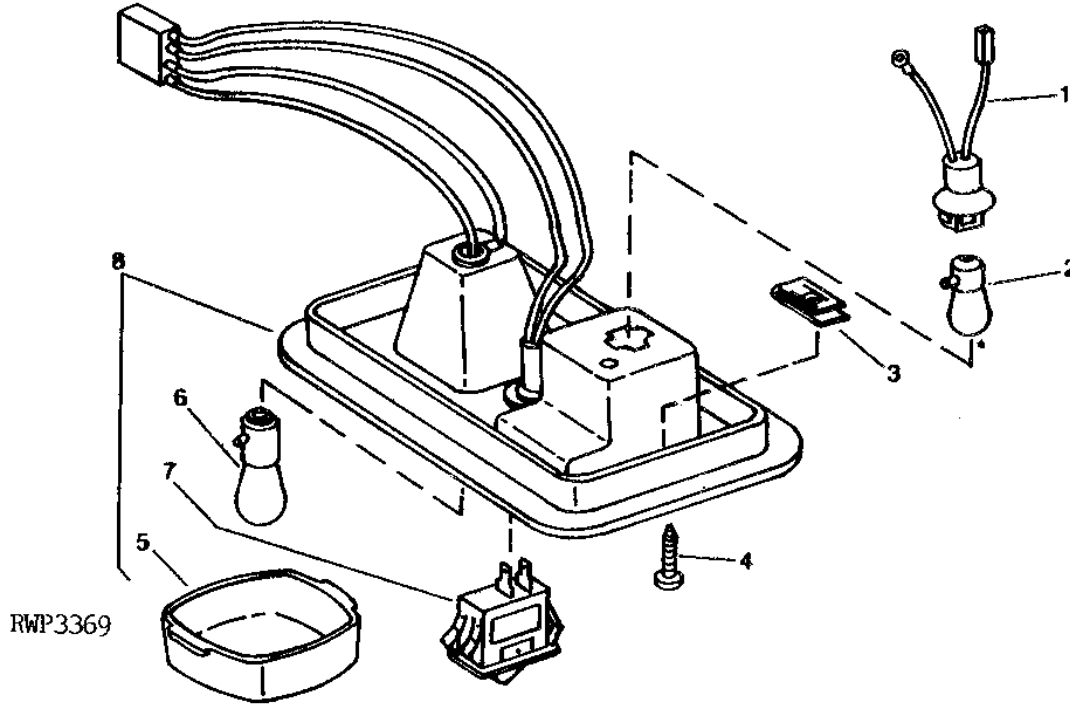


# 2E25

ELECTRICAL

RWP3369 -UN-01JAN94

## DOME LIGHT - CONSOLE LIGHT



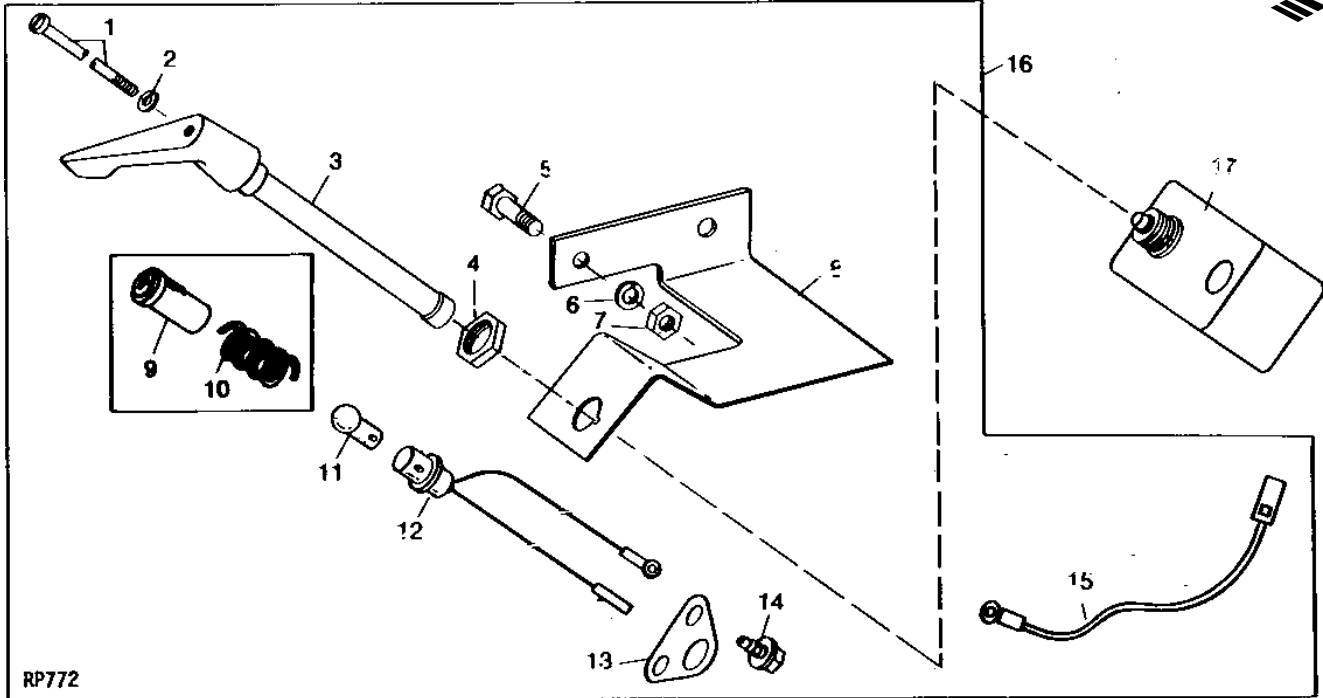
KEY	PART NO.	PART NAME	QTY	SG BODY SERIAL NO.	REMARKS
1	AR61645	CONSOLE LAMP WIRING HARNES	1	109537-	
2	AR48015	BULB	1	109537-	
3	R52130	LOCK NUT	2	109537-	
4	37H203	SCREW	2	109537-	(SUB FOR R50499)
5	R63496	LENS	1	109537-	
6	AR86969	BULB	1	109537-	(12-VOLT) 15 C.P. (SUB FOR AR21739)
7	AH109555	ROCKER SWITCH	1	109537-	
8	RE10761	HOUSING	1	109537-	(BLACK) (SOUND-GARD BODY) (SUB FOR AR78418)
	AR95971	HOUSING	1	109537-	(BROWN) (REPLACEMENT SOUND-GARD BODY)
	AR59977	HOUSING	1		(BLACK) (CONSOLE LIGHT ONLY) (FOUR POST ROLL-GARD)

# 2F1

ELECTRICAL

RP772 -UN-12OCT94

## TURN SIGNAL CONTROL AND INDICATORS



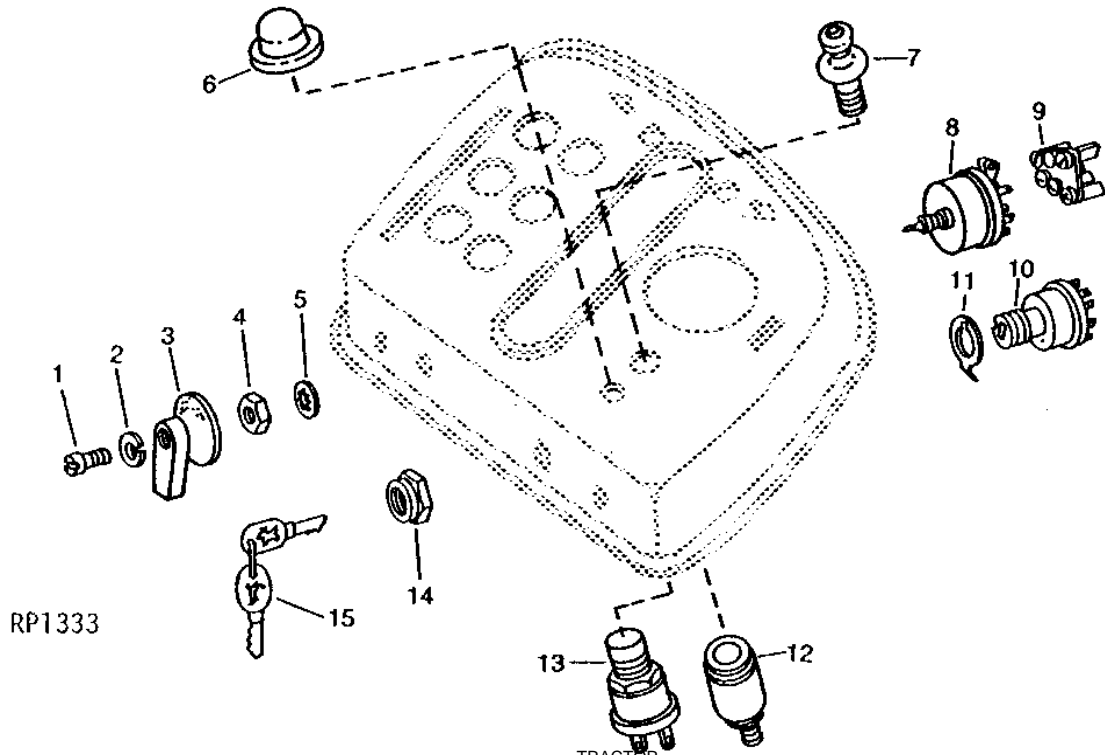
KEY	PART NO.	PART NAME	QTY	TRACTOR SERIAL NO.	REMARKS
1	R56411	SCREW	1		
2	12H233	LOCK WASHER	1	1/8"	
3	R56412	GRIP	1		
4	R56410	NUT	1		
5	19H1905	CAP SCREW	2	5/16" X 1"	
6	12H303	LOCK WASHER	2	5/16"	
7	14H785	NUT	2	5/16"	
8	R56413	BRACKET	1		
9	AR67690	LENS	2	-029429	
10	R30378	SPRING	2	-029429	
11	R56409	BULB	2		
12	AR67340	WIRING HARNESS	2	-029429	
	AR74339	WIRING HARNESS	2	029430-037209	
13	R61341	BRACKET	2	029430-	
14	R53028	CAP SCREW	3	029430-	
15	AR67341	WIRING LEAD	1	-037209	
16	AR67823	BRACKET	1		TURN SIGNAL, LESS CONTROLLER
17	AR64422	TURN SIGNAL CONTROLLER	1		(SUB FOR AR67398)

# 2F2

ELECTRICAL

RP1333 -UN-01JAN94

## LIGHT AND IGNITION SWITCH



KEY	PART NO.	PART NAME	QTY	TRACTOR SERIAL NO.	REMARKS
1	21H1299	SCREW	1	0.164" X 3/8"	
2	12H315	LOCK WASHER	1	0.164"	
3	AR54445	KNOB	1		
4	A4655R	NUT	1		
5	12H292	LOCK WASHER	1	1/2"	
6	T55501	CAP	1		
	R56264	PLUG	1	(LESS HORN)	
7	AR60937	LIGHTER	1		
8	AR48724	LIGHT SWITCH	1		
9	AR83425	RECEPTACLE CONNECTOR BODY	1		
10	AR58126	KEY SWITCH	1		
11	R52725	CONNECTOR	1		
12	AR56766	HOUSING	1		
13	AR21823	SWITCH	1		
14	R44342	NUT	1		
15	AR51481	KEY	1		

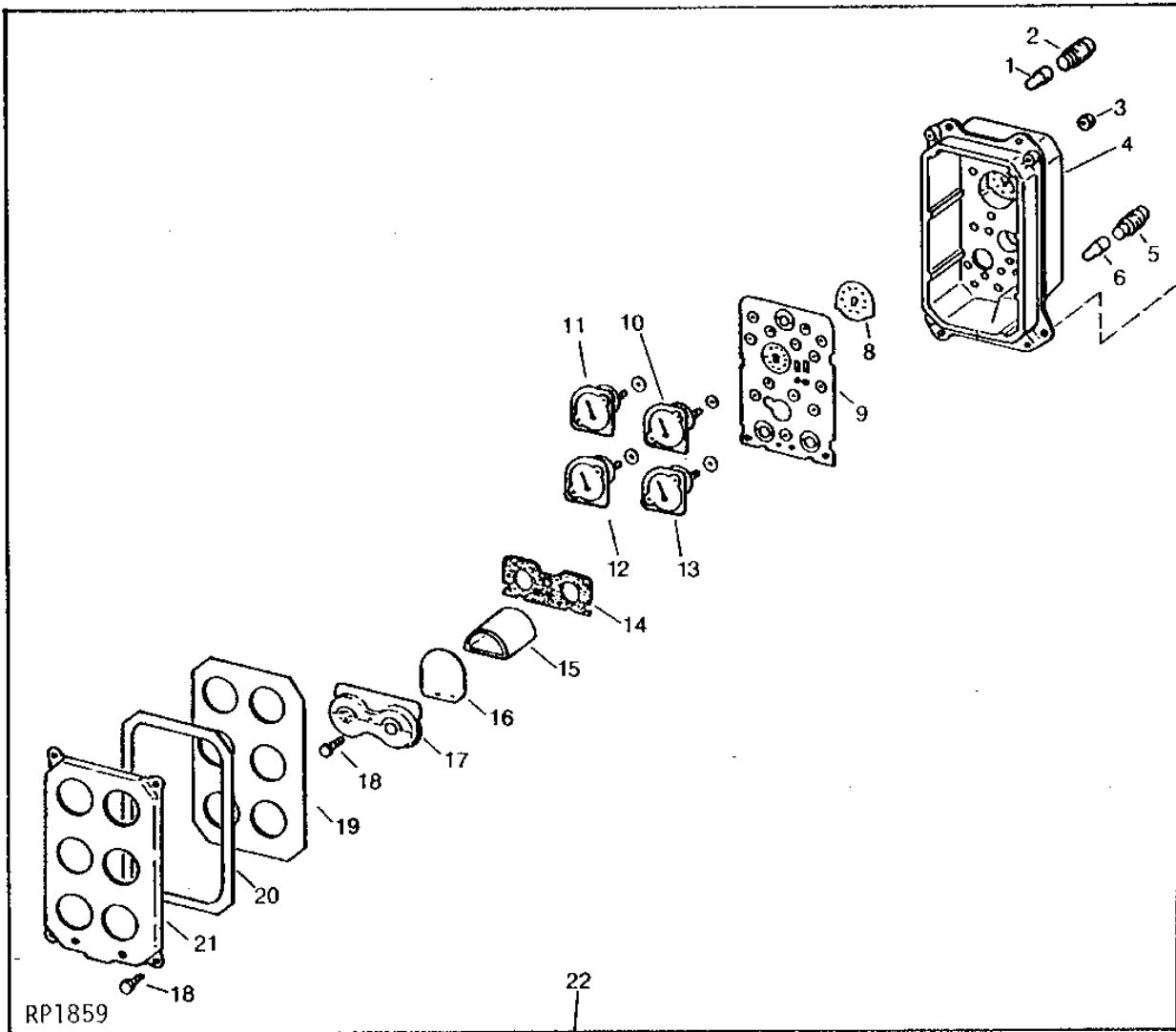
# 2F3

ELECTRICAL

RP1859

-UN-01JAN94

GAUGES AND INDICATOR LAMPS



RP1859

22

# 2F4

ELECTRICAL

## GUAGES AND INDICATOR LAMPS - CONTINUED

KEY	PART NO.	PART NAME	QTY	TRACTOR SERIAL NO.	REMARKS
1	AR62407	BULB	2		
2	AR62413	SOCKET	2		(BLACK)
3	14H1026	NUT	12		0.138"
4	R54518	CASE	1		
5	AR62414	SOCKET	AR		(RED) (1 USED SRT WITH REGULAR CLUTCH) (2 USED PST, QRT OR SRT WITH PERMA-CLUTCH AND POWER FRONT WHEEL DRIVE)
6	AR62407	BULB	AR		(SUB FOR AR62406) (1 USED SRT WITH REGULAR CLUTCH) (2 USED PST, QRT OR SRT WITH PERMA-CLUTCH AND POWER FRONT WHEEL DRIVE)
7	R53028	CAP SCREW	4		
8	R54520	GASKET	1		
9	AR62412	CIRCUIT BOARD	1		
10	AR73751	GAUGE	1		WATER TEMPERATURE, (SUB FOR AR62411)
11	AR62408	GAUGE	1		FUEL
12	AR62409	INSTRUMENT	1		OIL PRESSURE
13	AR62410	VOLTMETER	1		
14	R54516	GASKET	1		
15	R54528	SLEEVE	2		
16	R54526	LENS	1		AMBER
	R54527	LENS	1		RED
17	R54524	LENS	1		
18	R54517	SCREW	5		
19	R54522	LENS	1		
20	R54521	GASKET	1		
21	R54523	RETAINER	1		
22	AR73717	INSTRUMENT CLUSTER	1		(SUB FOR AR58231) (ORDER COMPONENT PARTS)

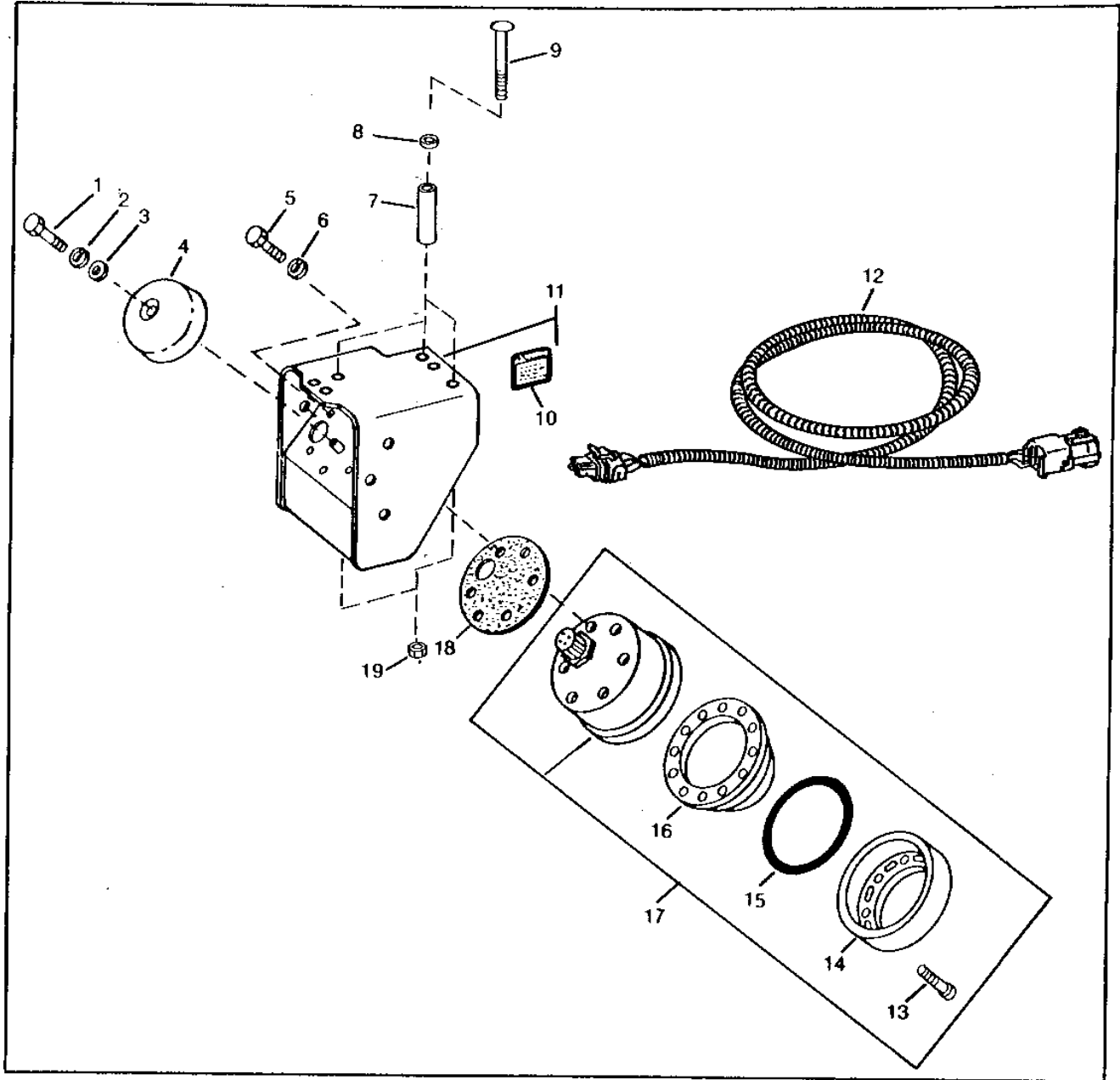
SRT - SYNCRO-RANGE TRANSMISSION  
 QRT - QUAD-RANGE TRANSMISSION  
 PST - POWER SHIFT TRANSMISSION

# 2F5

ELECTRICAL

RXP9306 -UN-01JAN94

RADAR SENSOR



RXP9306

20

# 2F6

ELECTRICAL

## RADAR SENSOR - CONTINUED

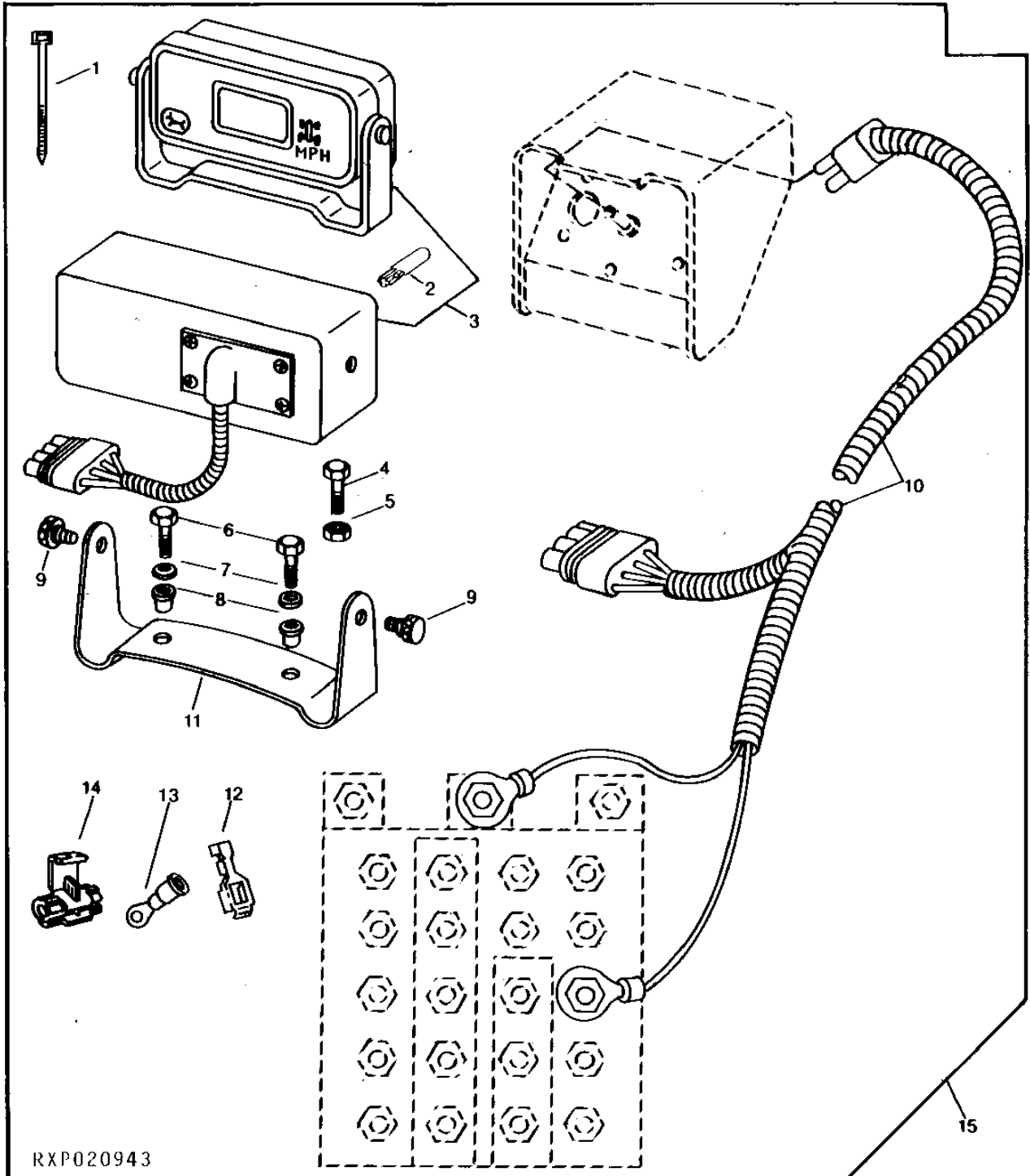
KEY	PART NO.	PART NAME	QTY	TRACTOR SERIAL NO.	REMARKS
1	19H1813	CAP SCREW	1		5/16" X 5/8"
2	12H303	LOCK WASHER	1		5/16"
3	24H1136	WASHER	1		11/32" X 11/16" X 0.065"
4	R82355	SHIELD	1		
5	19H1813	CAP SCREW	6		5/16" X 5/8"
6	12H303	LOCK WASHER	6		5/16"
7	28H3343	BUSHING	3		0.546" X 0.840" X 5-3/8"
8	24H1625	WASHER	2		17/32" X 1" X 0.120"
9	03H2052	BOLT	3		1/2" X 6-1/2"
10	R120107	LABEL	1		(ENGLISH)
	R120106	LABEL	1		(FRANCAIS)
	R105942	LABEL	1		(DEUTSCH)
	R120108	LABEL	1		(ESPANOL)
	L65000	LABEL	1		
11	RE46317	BRACKET	1		(SUB FOR RE21096 OR RE38707)
12	RE46414	WIRING HARNESS	1		
13	R82239	SCREW	12		
14	R82237	SNAP RING	1		
15	R82238	O-RING	1		
16	R82236	COVER	1		
17	RE43025	RADAR SENSOR	1		(SUB FOR RE21073)
18	R82243	GASKET	1		
19	14H1040	NUT	3		1/2"
20	AR111058	SENSOR	1		(SUB FOR RE21510 OR RW26466) (FI)

# 2F7

ELECTRICAL

## PERFORMANCE TRAK II MINI-MONITOR (ANALOG TACHOMETER)

RXP020943 -UN-12OCT94



RXP020943



# 2F8

ELECTRICAL

PERFORMANCE TRAK II MINI-MONITOR - CONTINUED  
(ANALOG TACHOMETER)

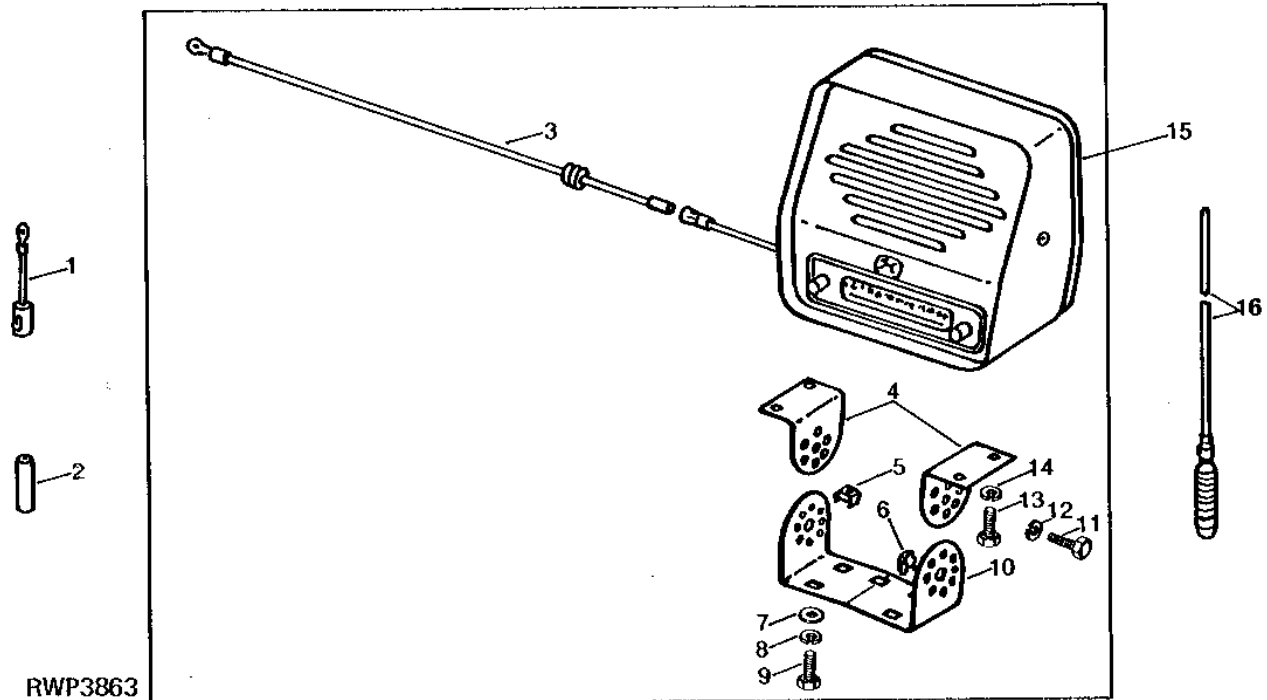
KEY	PART NO.	PART NAME	QTY	TRACTOR SERIAL NO.	REMARKS
1	R44302	TIE BAND	AR		
2	RE22589	LAMP	1		
3	RE21112	MONITOR CONSOLE	1		
4	19H1978	CAP SCREW	3	7/16" X 1-1/2"	
	12H293	LOCK WASHER	3	7/16"	
5	14H1047	NUT	3	7/16"	
	14H786	NUT	2	1/4"	
6	19H1914	CAP SCREW	2	1/4" X 1"	
7	24H1287	WASHER	4	9/32" X 5/8" X 0.065"	
8	R82423	NUT	2	RUBBER	
9	R83055	WING SCREW	2		
10	RE21113	WIRING HARNESS	1	3500MM (138")	
11	R83109	BRACKET	1		
12	U46662	TERMINAL	1		
13	R77489	TERMINAL	1		
	R84158	TERMINAL	1		
14	AR67855	CONNECTOR	3		
15	RE21738	MONITOR CONSOLE	1	(FI)	

# 2F9

ELECTRICAL

RWP3863 -UN-01JAN94

RADIO  
(MOTOROLA)



RWP3863

KEY	PART NO.	PART NAME	QTY	TRACTOR SERIAL NO.	REMARKS
1	AR41758	CAPACITOR	1		
2	R42799	RESISTOR	1		
3	AR41756	WIRING LEAD	1		
4	R52408	BRACKET	2		
5	AR41951	NUT	4		
6	AR41950	NUT	2		
7	24H1294	WASHER	4	11/32" X 1-1/8" X 1/16"	
8	12M7032	LOCK WASHER	4	0.331"	
9	19H1813	CAP SCREW	4	5/16" X 5/8"	
10	R41880	BRACKET	1		
11	19H1936	CAP SCREW	2	3/8" X 3/4"	
12	12H310	LOCK WASHER	4	3/8"	
13	19H1227	CAP SCREW	4	1/4" X 1/2"	
14	12H302	LOCK WASHER	4	1/4"	
15	TY15276	RADIO	1		(A) (ALSO ORDER AR46986) (SUB FOR AR57156, AR68361, AR101245 OR TY15155)
16	AR46986	ANTENNA	1		
..	AR62260	REINFORCEMENT	1		(A) FOUR-POST ROLL-GARD FENDER (NO LONGER AVAILABLE)
..	AR68649	KIT	1		ANTENNA RELOCATION, FOR SOFT ENCLOSURE, (CONSISTS OF AR46985, R26936, R27983 AND M42229) (NO LONGER AVAILABLE)

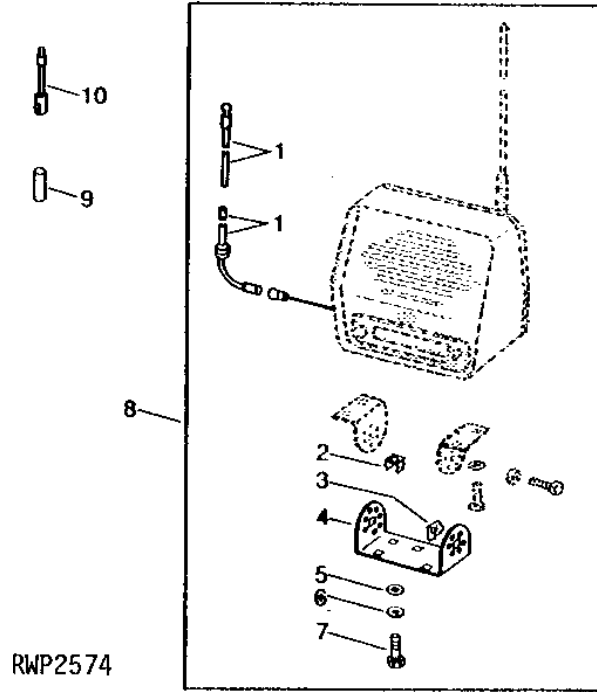
(A) CHECK AUDIOVOX DIRECT - SHIP PROGRAM GUIDE

# 2F10

ELECTRICAL

RWP2574 -UN-01JAN94

## RADIO MOUNTING KIT



KEY	PART NO.	PART NAME	QTY	TRACTOR SERIAL NO.	REMARKS
1	AR41756	WIRING LEAD	1		
2	AR41951	NUT	3		
3	AR41950	NUT	2		
4	R41880	BRACKET	1		
5	24H1294	WASHER	3	11/32" X 1-1/8" X 1/16"	
6	12M7032	LOCK WASHER	3	0.331"	
7	19H1813	CAP SCREW	3	5/16" X 5/8"	
8	AR41754	KIT	1		(FOR 2ND VEHICLE RADIO APPLICATION)
9	R42799	RESISTOR	1		
10	AR41758	CAPACITOR	1		NOISE SUPPRESSOR

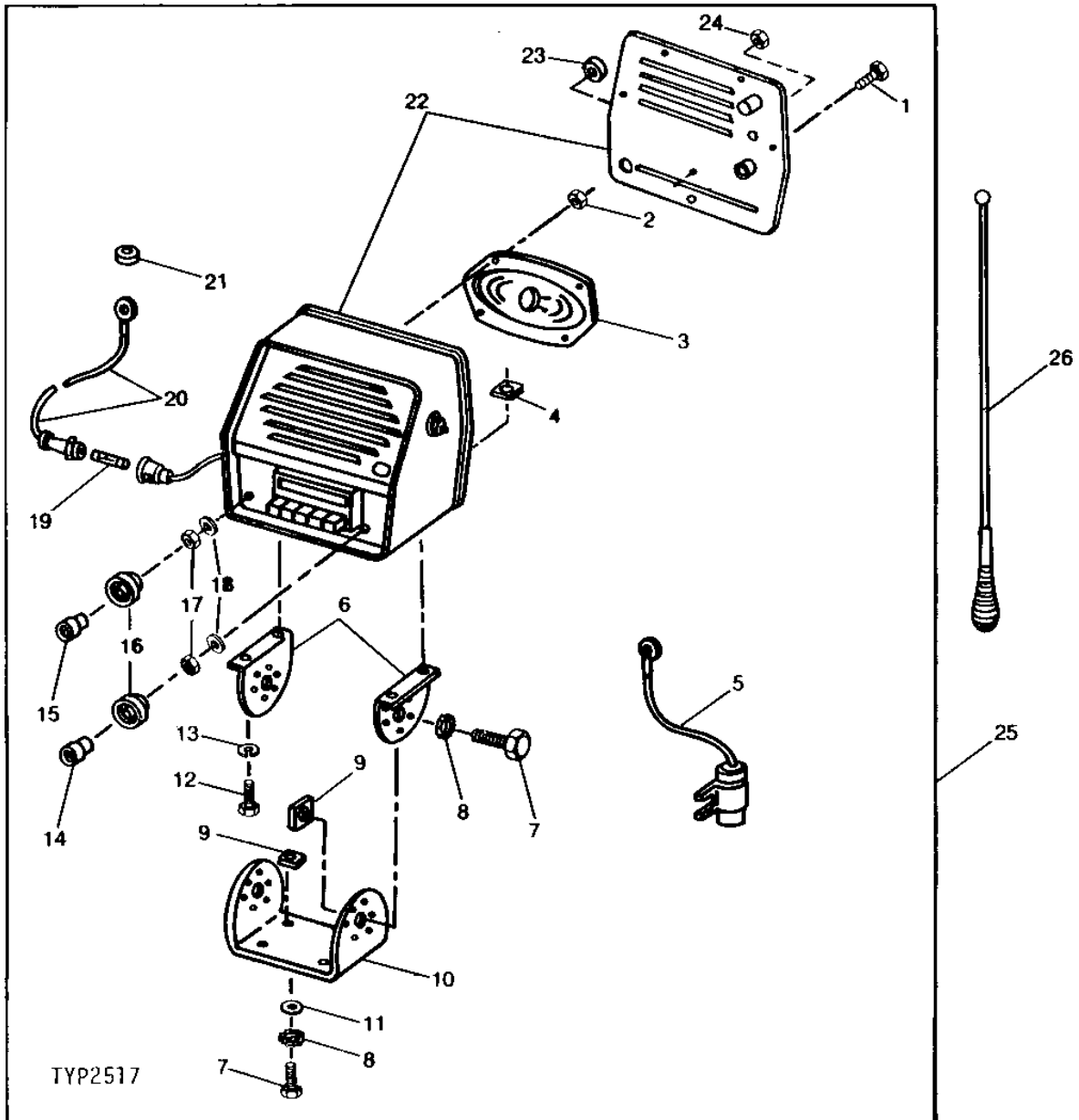
# 2F11

ELECTRICAL

TYP2517

-UN-18OCT94

## AUDIOVOX FENDER MOUNT RADIO AND ANTENNA



# 2F12

ELECTRICAL

## AUDIOVOX FENDER MOUNT RADIO AND ANTENNA - CONTINUED

KEY	PART NO.	PART NAME	QTY	TRACTOR SERIAL NO.	REMARKS
1	21H1311	SCREW	5		5/16" X 1/2"
2	M63431	LOCK NUT	4		(NLA)
3	PT10342	SPEAKER	1		(USE WITH TY15276) (NLA)
	PT10343	SPEAKER	2		(USE WITH TY15277) (NLA)
4	PT10344	NUT	4		1/4 - 20
5	AR41758	CAPACITOR	1		
6	R52408	BRACKET	2		
7	19H1813	CAP SCREW	6		5/16" X 5/8"
8	12M7032	LOCK WASHER	6		0.331"
9	AR41951	NUT	6		
10	PT10341	BRACKET	1		
11	24H1294	WASHER	4		11/32" X 1-1/8" X 1/16"
12	19H1227	CAP SCREW	4		1/4" X 1/2"
13	12H297	LOCK WASHER	4		1/4"
14	PT9852	KNOB	1		VOLUME
15	PT9851	KNOB	1		TUNING
16	PT9853	KNOB	2		TONE AND BALANCE
17	R53386	NUT	2		1/2", (SUB PT11382)
	PT11382	NUT	2		
18	24H1227	WASHER	2		17/32" X 13/16" X 0.060", (SUB PT11383)
	PT11383	WASHER	2		
19	.....	FUSE	1		
20	AR41756	WIRING LEAD	1		
21	M1895T	GROMMET	1		
22	.....	RADIO	1		(INCLUDED IN TY15276 AND TY15277) (NLA)
23	PT10345	GROMMET	1		
24	M40333	LOCK NUT	1		M6
25	TY15276	RADIO	1		(A) AM RADIO (NLA)
	TY15277	RADIO	1		(A) AM-FM STEREO RADIO (NLA)
26	AR46986	ANTENNA	1		

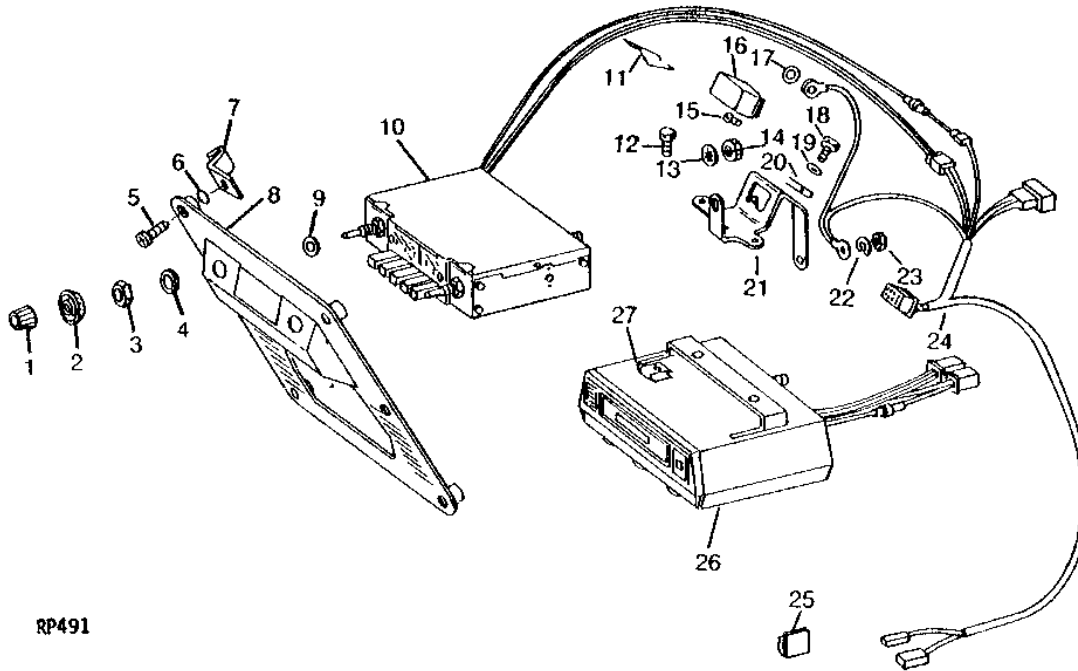
(A) CHECK AUDIOVOX DIRECT - SHIP PROGRAM GUIDE

# 2F13

ELECTRICAL

## PUSH-BUTTON RADIO AND TAPE PLAYER (MOTOROLA)

RP491 -UN-01JAN94



RP491

KEY	PART NO.	PART NAME	QTY	TRACTOR SERIAL NO.	REMARKS
1	AR70590	KNOB	2	(D-SHAFT)	
	AR59627	KNOB	2	(SPLIT SHAFT) (SUB FOR AR68501)	
2	R53385	KNOB	2		
3	R53386	NUT	2		
4	24H1227	WASHER	2	17/32" X 13/16" X 0.060"	
5	37H203	SCREW	6	(SUB FOR R50499)	
6	R34812	O-RING	6		
7	R50974	NUT	6		
8	R53398	GRILLE	1		
9	D2491R	SHIM	2		
10	AR73146	RADIO	1	(A) AM RADIO (NLA)	
	AR69588	RADIO	1	(A) AM-FM RADIO (NLA)	
.....		WIRING LEAD	1	38 MM (1-1/2") RADIO GROUND, (MAKE FROM R66319, R32021, R32027 AND R32025)	
11	R53586	RETAINER	1		
12	37M7245	SCREW	2	NO. 10 X 3/8"	
13	12H297	LOCK WASHER	1	1/4"	
14	14H786	NUT	1	1/4"	
15	21H1176	SCREW	1	0.112" X 1/2"	
	14H1000	NUT	1	0.112"	
16	AR60054	RELAY	1	(NLA)	
17	R34812	O-RING	1		
18	19H1948	CAP SCREW	2	1/4" X 3/4"	
19	24H1288	WASHER	2	9/32" X 1" X 1/16"	
20	R53677	LOCK NUT	2		
21	R53479	BRACKET	1	AM RADIO AND TAPE PLAYER	
	R57892	BRACKET	1	AM-FM RADIO AND TAPE PLAYER	
22	12H302	LOCK WASHER	1	1/4"	
23	14H786	NUT	1	1/4"	
24	AR60557	WIRING HARNESS	1	AM RADIO AND TAPE PLAYER	
	AR69589	WIRING HARNESS	1	AM-FM RADIO AND TAPE PLAYER	
25	R47474	CLIP	1		
26	AR96608	KIT	1	(SUB FOR AR60053) (NLA)	
27	R52130	LOCK NUT	2		

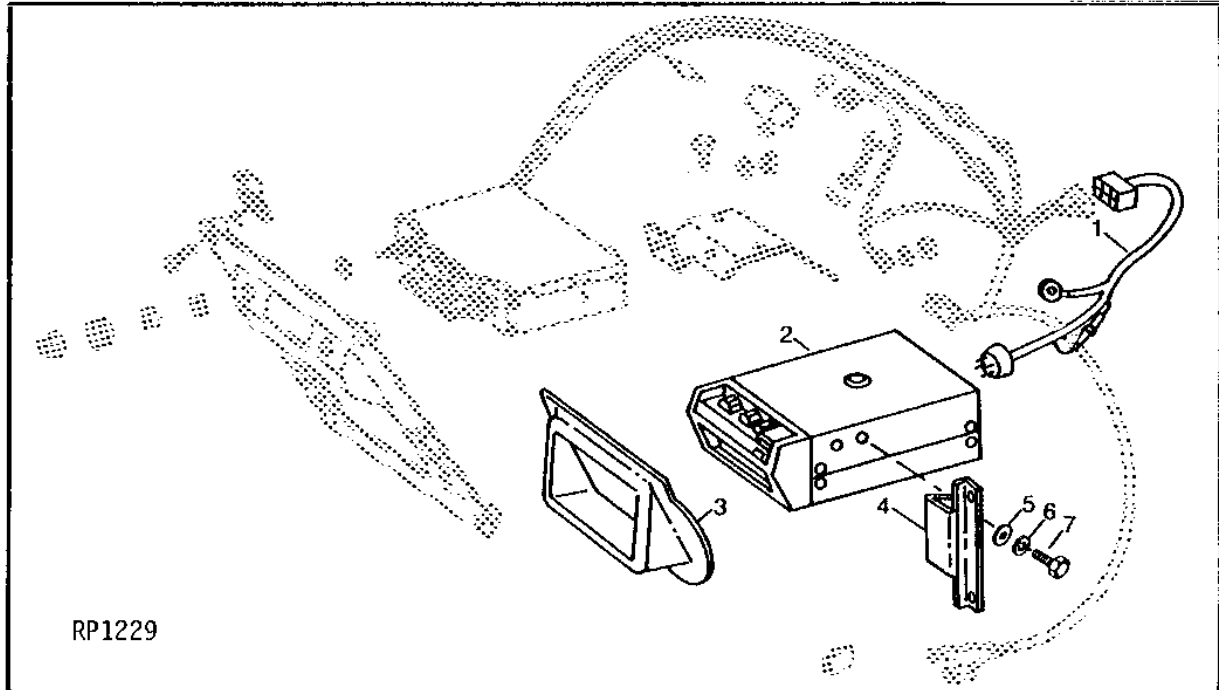
(A) CHECK AUDIOVOX DIRECT - SHIP PROGRAM GUIDE

# 2F14

ELECTRICAL

## BOWMAN TAPE PLAYER KIT (MOTOROLA)

RP1229 -UN-01JAN94



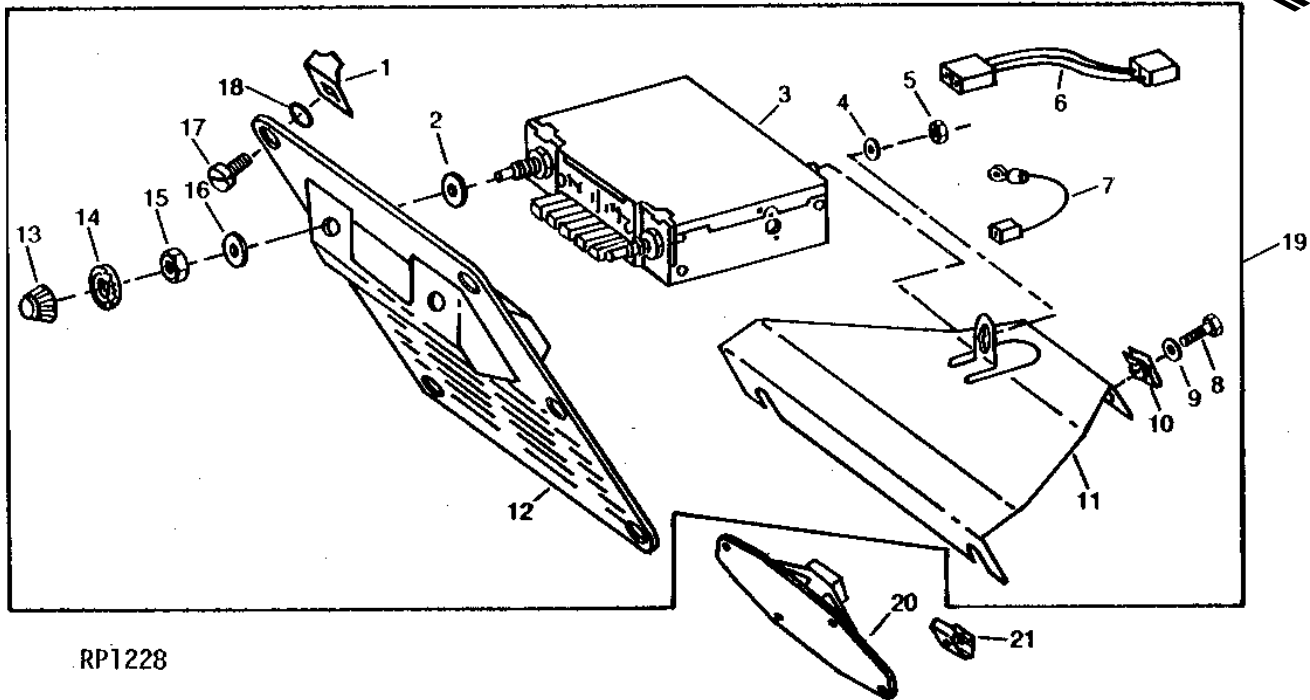
KEY	PART NO.	PART NAME	QTY	TRACTOR SERIAL NO.	REMARKS
1	AR89561	WIRING HARNESS	1	(NLA)	
2	AR93211	TAPE PLAYER	1	(NLA)	
3	R66206	COVER	1		
4	R66205	BRACKET	2		
5	24M7117	WASHER	2	4.300 X 9 X 0.800 MM	
6	12M7063	LOCK WASHER	2	M4	
7	19M7598	CAP SCREW	2	M4 X 10	
8	AR96608	KIT	1	(NLA)	

# 2F15

ELECTRICAL

AM PUSH-BUTTON RADIO  
(MOTOROLA)  
(SOUND-GARD BODY SERIAL NO. - XXXXXX)

RP1228 -UN-01JAN94



RP1228

KEY	PART NO.	PART NAME	QTY	SG BODY SERIAL NO.	REMARKS
1	R50974	NUT	6		
2	D2491R	SHIM	2		
3	AR73146	RADIO	1	(A) (NLA)	
4	24H1287	WASHER	1		
5	14H786	NUT	1		
6	AR73923	WIRING HARNESS	1		
7	.....	WIRING LEAD	1		152 MM (6") GROUND, (MAKE FROM R66319, R32021, R32027, R65597 AND T28585)
8	19H1227	CAP SCREW	2		1/4" X 1/2"
9	24H136	WASHER	2		9/32" X 1" X 1/16"
10	R53677	LOCK NUT	2		
11	R65690	BRACKET	1		
12	R52272	GRILLE	1		
13	AR70590	KNOB	2		
14	R53385	KNOB	2		
15	R53386	NUT	2		
16	24H1227	WASHER	2		17/32" X 13/16" X 0.060"
17	37H203	SCREW	6		(SUB FOR R50499)
18	R34812	O-RING	6		
19	TY15278	RADIO	1	(A) (SUB FOR AR73922 OR TY15163)	
20	AR56774	SPEAKER	1	-XXXXXX	
21	R52273	CLIP	4	-XXXXXX	

(A) CHECK AUDIOVOX DIRECT - SHIP PROGRAM GUIDE

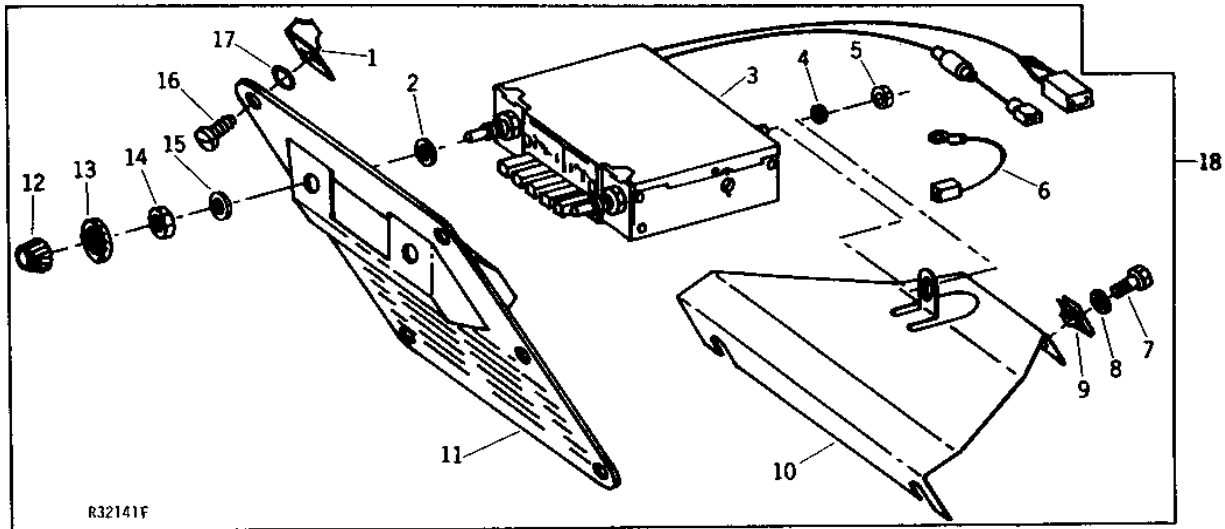


# 2F16

ELECTRICAL

AM-FM PUSH-BUTTON RADIO  
(MOTOROLA)  
(SOUND-GARD BODY SERIAL NUMBER - XXXXXX)

R32141 -UN-18OCT94



KEY	PART NO.	PART NAME	QTY	SG BODY SERIAL NO.	REMARKS
1	R50974	NUT	6		
2	D2491R	SHIM	2		
3	AR69588	RADIO	1	(A) (NLA)	
4	24H1287	WASHER	1	9/32" X 5/8" X 0.065"	
5	14H786	NUT	1	1/4"	
6	.....	WIRING LEAD	1	152 MM (6") GROUND, (MAKE FROM R66319, R32021, R32027, R65597 AND T28585)	
7	19H1227	CAP SCREW	2	1/4" X 1/2"	
8	24H136	WASHER	2	9/32" X 1" X 1/16"	
9	R53677	LOCK NUT	2		
10	R65689	BRACKET	1		
11	R52272	GRILLE	1		
12	AR70590	KNOB	2		
13	R53385	KNOB	2		
14	R53386	NUT	2		
15	24H1227	WASHER	2	17/32" X 13/16" X 0.060"	
16	37H203	SCREW	6	(SUB FOR R50499)	
17	R34812	O-RING	6		
18	TY15279	KIT	1	(SUB FOR AR69585 OR TY15154)	

(A) CHECK AUDIOVOX DIRECT - SHIP PROGRAM GUIDE

---

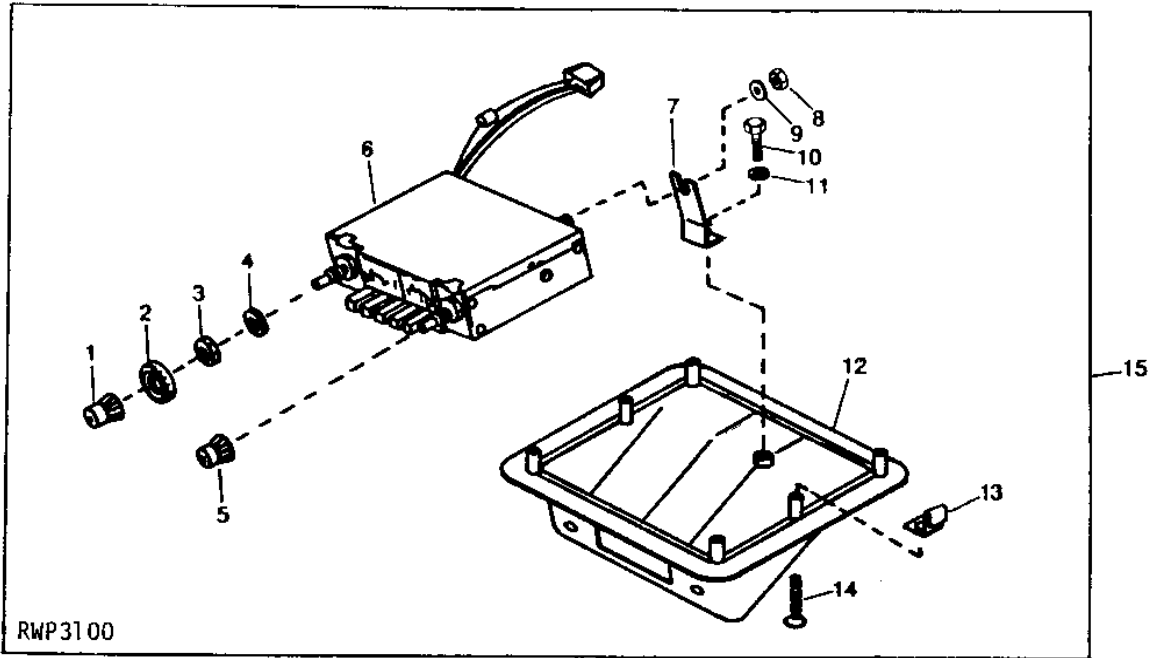
MEMORANDA

# 2F17

ELECTRICAL

AM AND AM-FM PUSH-BUTTON RADIO  
(SOUND-GARD BODY SERIAL NO. XXXXXX- )

RWP3100 -UN-23SEP94



KEY	PART NO.	PART NAME	QTY	TRACTOR SERIAL NO.	REMARKS
1	AR104573	KNOB	1		VOLUME
2	R53385	KNOB	2		
3	R53386	NUT	2		
4	24H1227	WASHER	2		17/32" X 13/16" X 0.060"
5	AR104574	KNOB	1		TUNING
6	.....	RADIO	1		(A) AM, (ORDER TY15278)
	.....	RADIO	1		(A) AM-FM, (ORDER TY15279)
7	R76497	BRACKET	1	-XXXXXX	
	R85786	BRACKET	1	XXXXXX-	
	R85787	PLATE	1	XXXXXX-	
8	14H786	NUT	1		1/4"
9	24H1287	WASHER	1		9/32" X 5/8" X 0.065"
10	21H1299	SCREW	1	-XXXXXX	0.164" X 3/8"
	21H1465	SCREW	1	XXXXXX-	0.164" X 3/8"
11	12M7084	LOCK WASHER	1		0.169"
12	R76334	GRILLE	1		
13	R50974	NUT	6		
14	R76333	SCREW	6		
15	TY15278	RADIO	1		(A) AM (AUDIOVOX) (SUB FOR TY15163)
	TY15279	KIT	1		(A) AM-FM (AUDIOVOX) (SUB FOR TY15154)

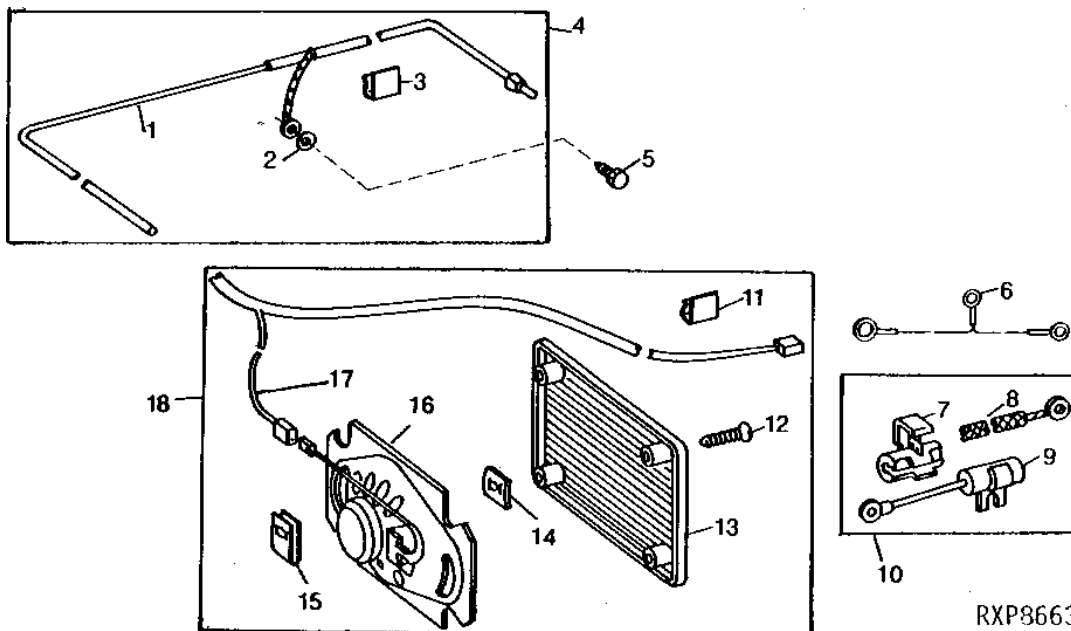
(A) CHECK AUDIOVOX DIRECT - SHIP PROGRAM GUIDE

# 2F18

ELECTRICAL

## RADIO ANTENNA AND SPEAKER (SOUND-GARD BODY SERIAL NO. -XXXXXX)

RXP8663 -UN-01JAN94



RXP8663

KEY	PART NO.	PART NAME	QTY	TRACTOR SERIAL NO.	REMARKS
1	AR61608	ANTENNA	1		
2	24H1136	WASHER	1		11/32" X 11/16" X 0.065"
3	R47474	CLIP	1		
4	AR65636	KIT	1		(SUB AR61608, R47474 AND 24H1136)
5	19H1905	CAP SCREW	1		5/16" X 1"
6	AR90773	WIRING LEAD	1	-XXXXXX	RADIO NOISE SUPPRESSION GROUND (DUAL BLOWER MOTOR) (SUB FOR AR90772)
7	AR67855	CONNECTOR	2		
8	AR78447	GROUND CABLE	2	-XXXXXX	(DUAL BLOWER MOTOR)
	AR92396	WIRING LEAD	1	XXXXXX-	(SINGLE BLOWER MOTOR) (SUB R32018 AND R65593)
9	AR41758	CAPACITOR	2		
10	AR78446	KIT	1	-XXXXXX	RADIO NOISE SUPPRESSION (DUAL BLOWER MOTOR)
	RE10133	KIT	1	XXXXXX-	(ALSO ORDER AR90773) RADIO NOISE SUPPRESSION (SINGLE BLOWER MOTOR) (SUB FOR AR92395)
11	R47474	CLIP	3		
12	R67560	SCREW	8		
13	R53397	GRILLE	2	-029472	
	R34812	O-RING	8	-029472	
	R61267	GRILLE	2	029473-	
14	R61268	LOCK NUT	4		
15	R50500	NUT	8		(SUB TY15691)
16	AR74831	SPEAKER	2	-029472	(A) (ALSO ORDER (4) R31933 AND (4) R61632) (SUB FOR AR60052) (FOUR HOLES GROUND EDGES)
	R31933	WASHER	8	-029472	(USE WITH AR74831)
	R61632	LOCK NUT	8	-029472	(USE WITH AR74831)
	R53478	SLEEVE	8	-029472	
	RE13839	SPEAKER	2	029473-	(A) (SUB FOR AR74265)
17	AR67951	WIRING HARNESS	1		
18	AR74832	KIT	1		
..	AR62287	HEADPHONE JACK	1	-079599	(STEREOPHONIC) (SUB AR62172)
..	AR62288	HEADPHONE JACK	1	-079599	(MONAURAL) (SUB AR62173)

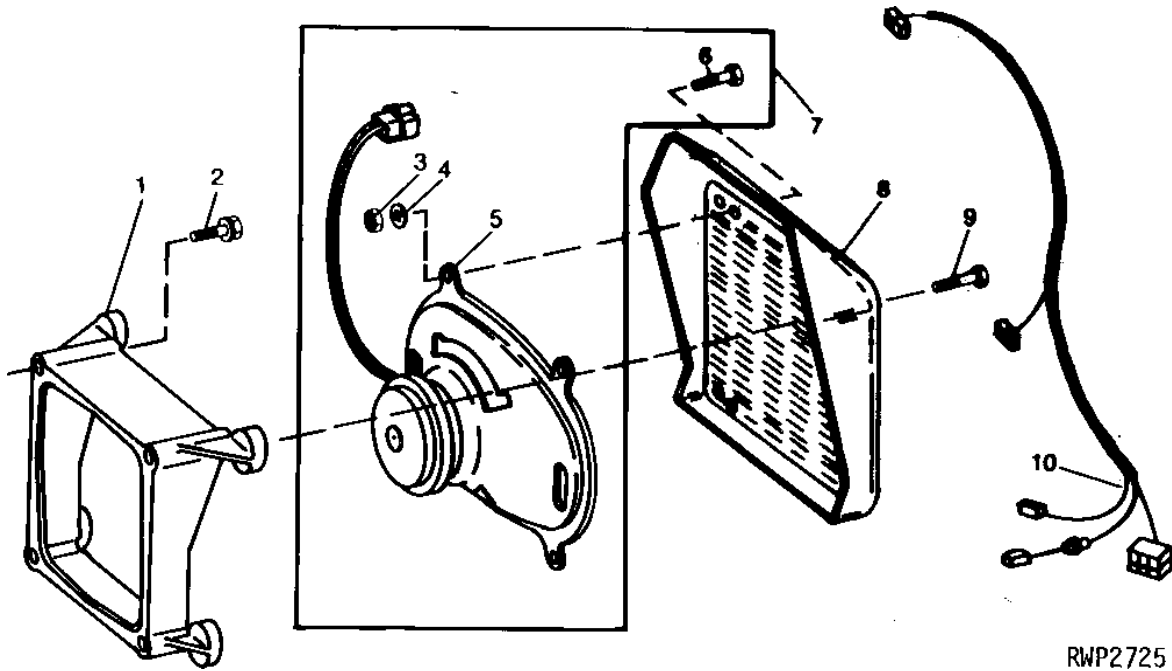
(A) CHECK AUDIOVOX DIRECT - SHIP PROGRAM GUIDE

# 2F19

ELECTRICAL

## RADIO SPEAKER KIT (SOUND-GARD BODY NO. XXXXXX- )

RWP2725 -UN-18OCT94



RWP2725

KEY	PART NO.	PART NAME	QTY	TRACTOR SERIAL NO.	REMARKS
1	R76330	ADAPTER	2		
2	37M7165	SCREW	8		
3	14H778	NUT	8		
4	12M7060	WASHER	8		
5	AR104520	SPEAKER	2		
6	R76500	SCREW	8		
7	PMJD57	SPEAKER	1		(A) (SUB FOR TY15157 OR TY15691)
8	R76329	GRILLE	2		(BLACK)
	R76331	GRILLE	2		(BROWN) (REPLACEMENT SOUND-GARD BODY)
9	R76500	SCREW	8		
10	AR103750	RADIO SPEAKER WRG HARNESS	1		(SPEAKERS TO RADIO)
	R47474	CLIP	3		

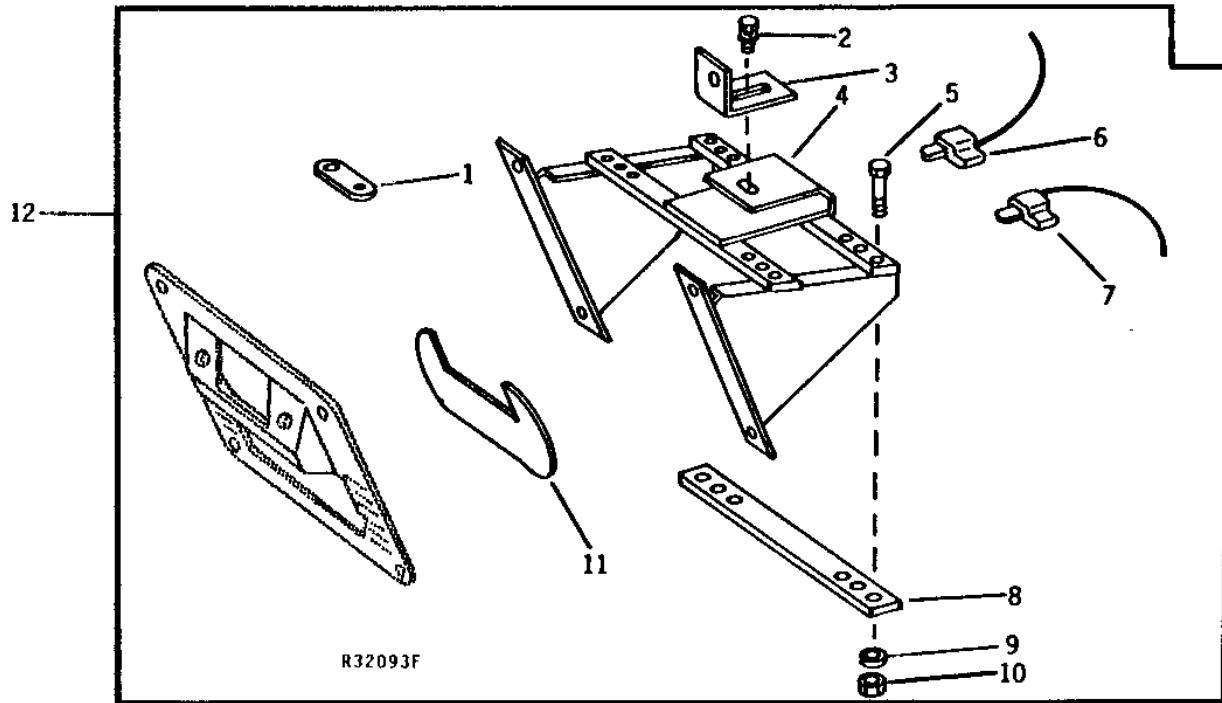
(A) CHECK AUDIOVOX DIRECT - SHIP PROGRAM GUIDE

# 2F20

ELECTRICAL

R32093 -UN-01JAN94

## CB RADIO MOUNTING KIT



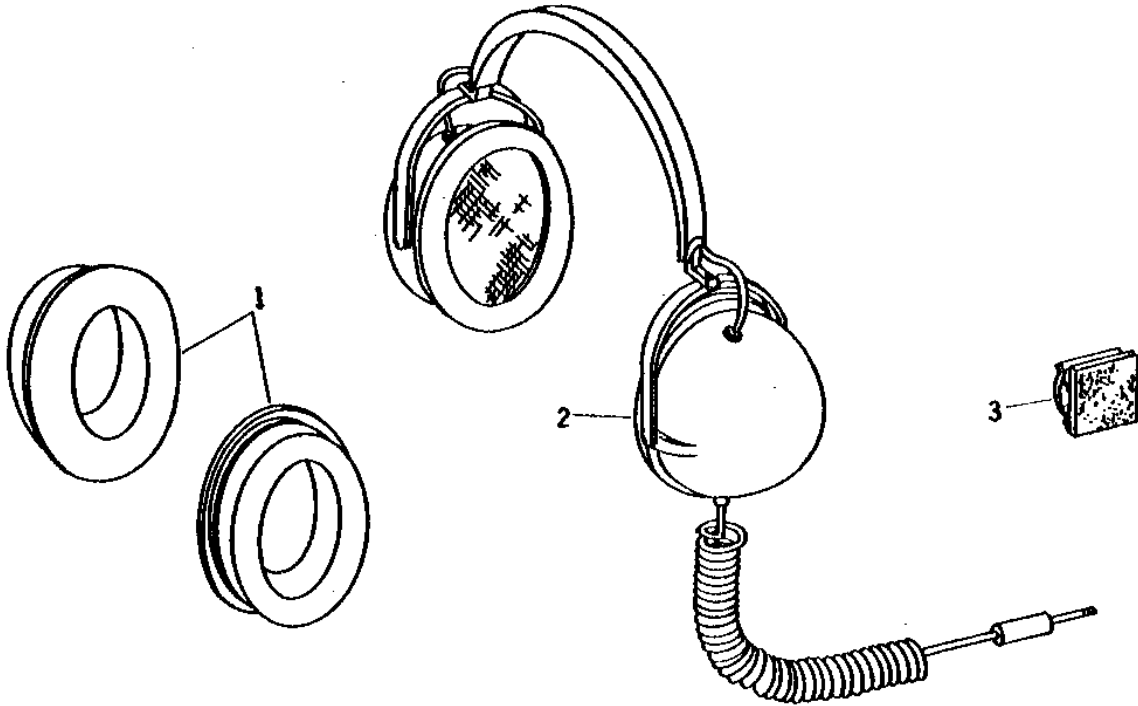
KEY	PART NO.	PART NAME	QTY	TRACTOR SERIAL NO.	REMARKS
1	R65323	STRAP	1		
2	37H43	SCREW	1		NO. 8 X 3/8"
3	R66658	ANGLE	1		
4	AR86552	BRACKET	1		
5	19H2336	CAP SCREW	4		1/4" X 3-1/2"
6	AR82707	WIRING LEAD	1		(NLA)
7	AR82708	WIRING LEAD	1		(NLA)
8	R66659	STRAP	1		
9	12H302	LOCK WASHER	4		1/4"
10	14H786	NUT	4		1/4"
11	R66660	INSERT	1		
12	AR86551	KIT	1		(NLA)

# 2F21

ELECTRICAL

R33062 -UN-01JAN94

## RADIO HEADPHONES



**R33062**

KEY	PART NO.	PART NAME	QTY	TRACTOR SERIAL NO.	REMARKS
1	AR73311	FOAM PAD	1		(PKG OF 2)
2	TY15445	HEADPHONES	1		(A) (NLA)
3	R53410	CLIP	1		

(A) CHECK AUDIOVOX DIRECT - SHIP PROGRAM GUIDE

---

MEMORANDA

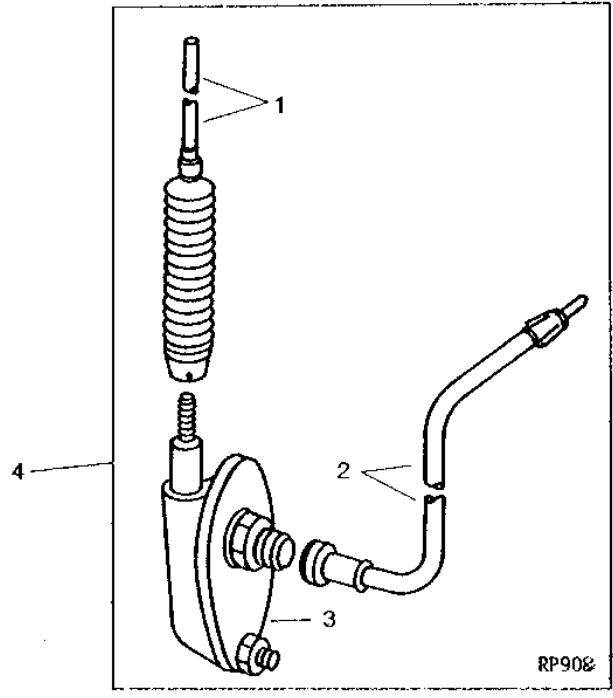


# 2F22

ELECTRICAL

RP908 -UN-01JAN94

FENDER MOUNTED ANTENNA  
(SOUND-GARD BODY SERIAL NO. -XXXXXX)



KEY	PART NO.	PART NAME	QTY	TRACTOR SERIAL NO.	REMARKS
1	AR46986	ANTENNA	1		
2	AR75564	WIRING LEAD	1		
3	AR46984	BASE	1		
4	AR75563	KIT	1	(A) (SUB TY15156)	

(A) CHECK AUDIOVOX DIRECT - SHIP PROGRAM GUIDE

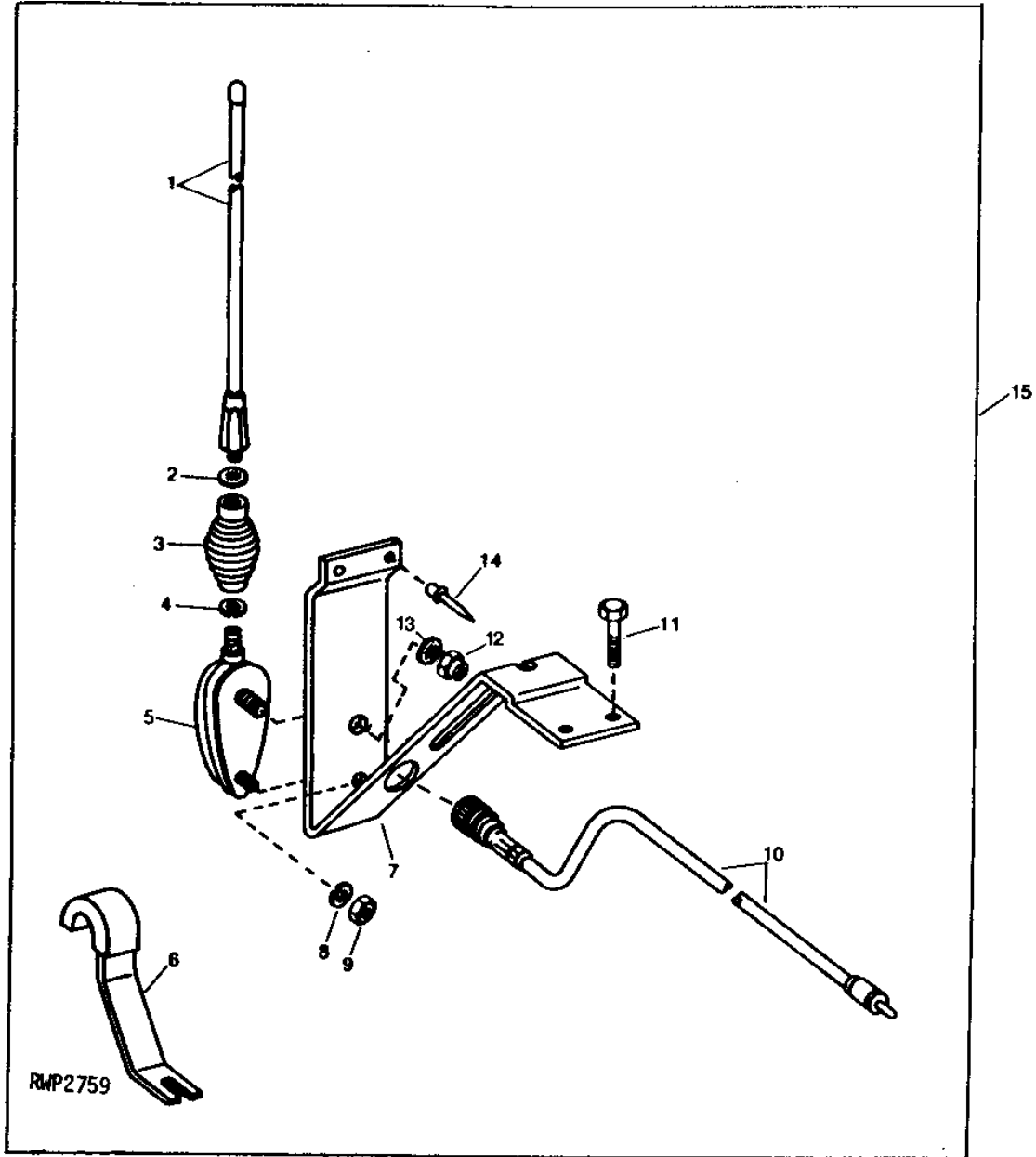
# 2F23

ELECTRICAL

RWP2759

-UN-23NOV94

RADIO ANTENNA KIT  
(SOUND-GARD BODY SERIAL NO. XXXXXX- )



RWP2759

# 2F24

ELECTRICAL

RADIO ANTENNA KIT - CONTINUED  
(SOUND-GARD BODY SERIAL NO. XXXXXX- )

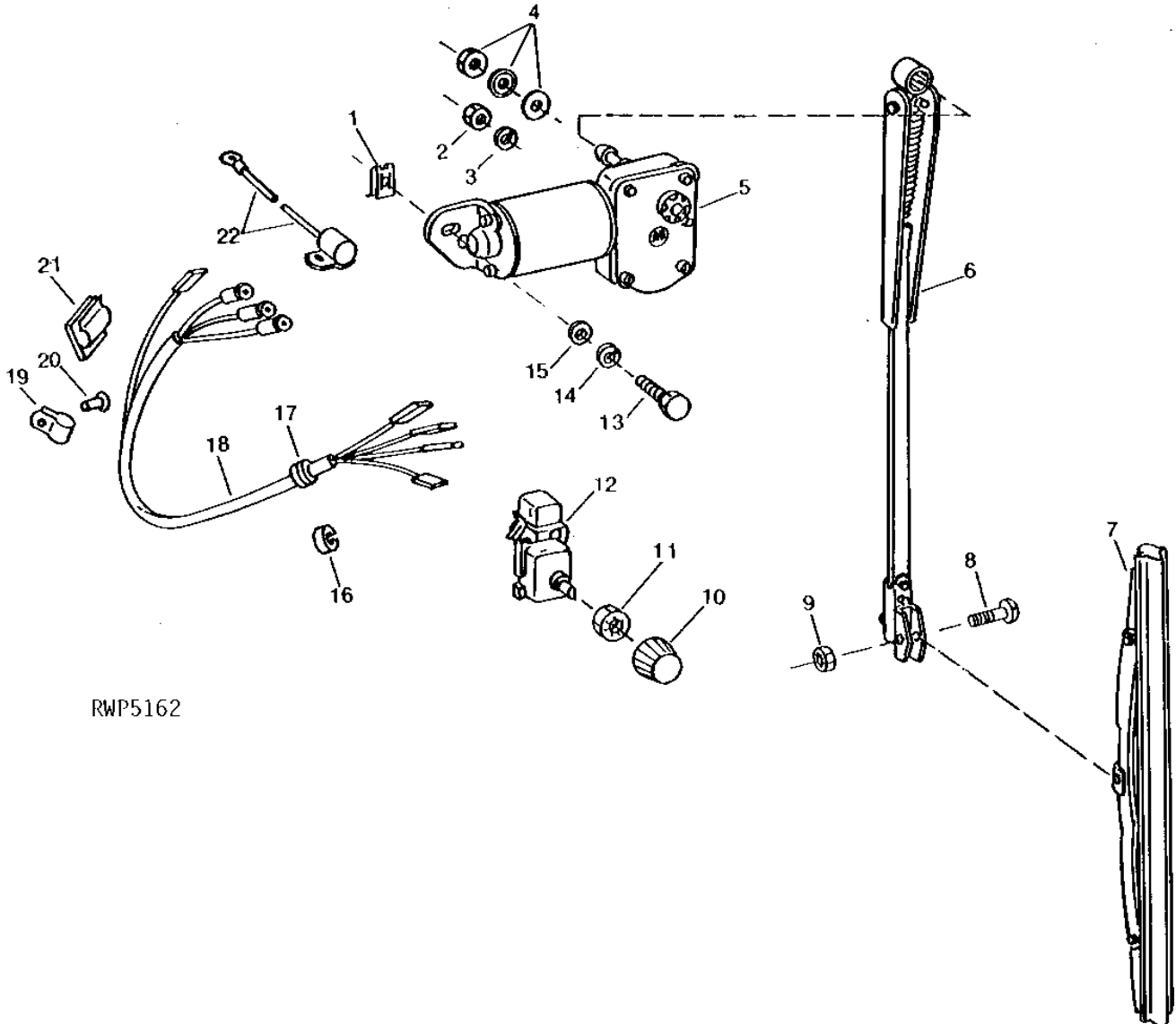
KEY	PART NO.	PART NAME	QTY	TRACTOR SERIAL NO.	REMARKS
1	AR104516	ANTENNA	1		
2	12H310	LOCK WASHER	1	3/8"	
3	AR104518	SPRING	1		
4	12H302	LOCK WASHER	1	1/4"	
5	AR104517	BASE	1		
6	R76496	CLAMP	1		
7	R76495	BRACKET	1		
8	12H302	LOCK WASHER	1	1/4"	
9	14H786	NUT	1	1/4"	
10	R76694	ANTENNA CABLE	1		
11	37H27	SCREW	2	5/16" X 7/8"	
12	R76695	NUT	1		
13	12H292	LOCK WASHER	1	1/2"	
14	R55326	RIVET	2		
15	TY15156	KIT	1		

# 2G1

ELECTRICAL

RWP5162 -UN-01JAN94

## LEFT-HAND WINDSHIELD WIPER AND MOTOR



RWP5162

# 2G2

ELECTRICAL

## LEFT-HAND WINDSHIELD WIPER AND MOTOR - CONTINUED

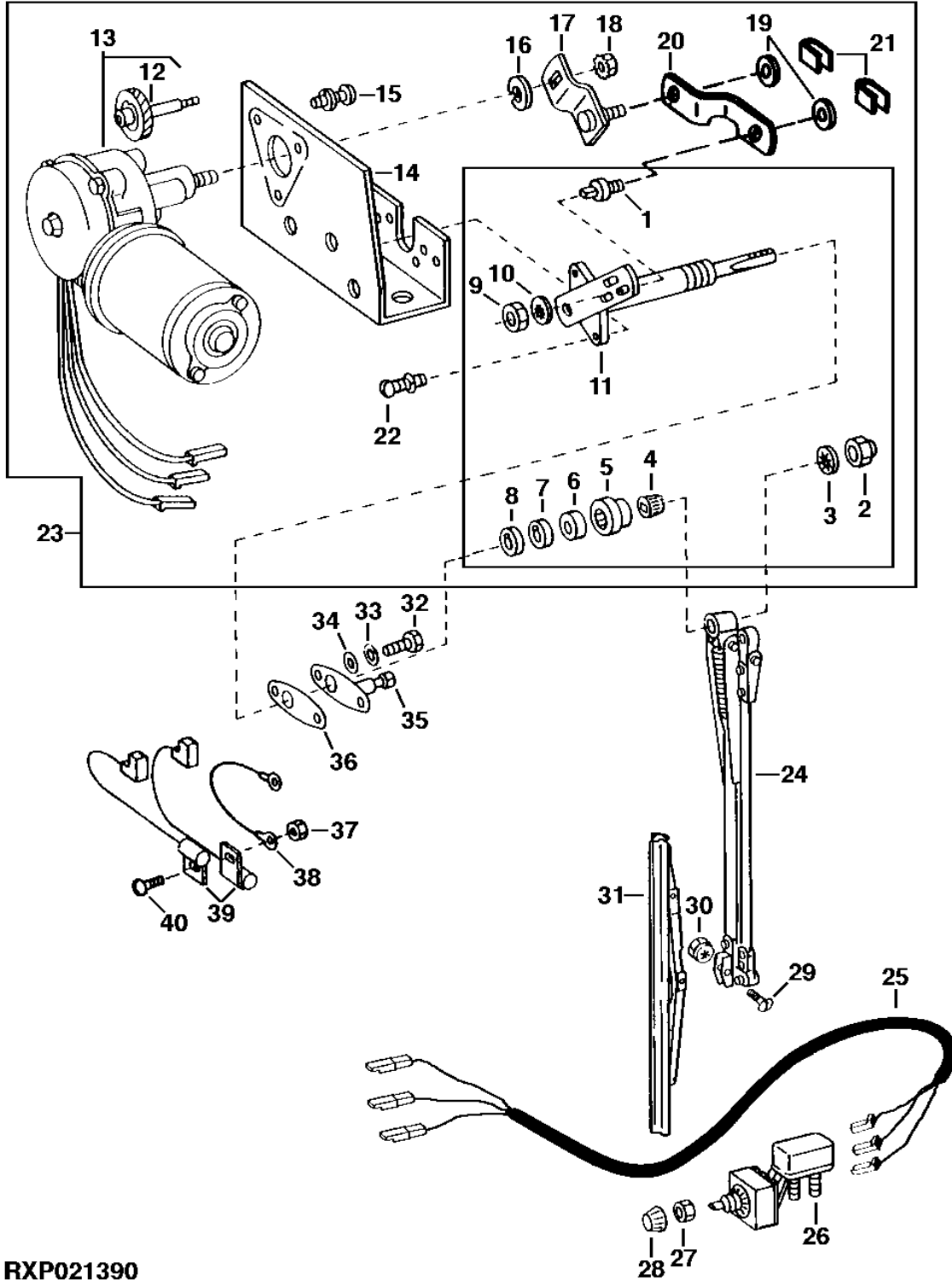
KEY	PART NO.	PART NAME	QTY	SG BODY SERIAL NO.	REMARKS
1	R52130	LOCK NUT	1		(REPLACEMENT SOUND-GARD BODY)
2	14H1026	NUT	3	0.138"	
3	12H321	WASHER	3	0.138"	
4	AR94047	BUSHING	1		SPACER
5	RE48783	WIPER MOTOR	1		(SUB FOR AR56691 OR RE18943)
	AR91667	SHAFT	1		(AMERICAN BOSCH OR UTC)
6	AR56692	ARM	1		
7	AR56694	WINDSHIELD WIPER	1		
8	T35441	SCREW	1		
9	T35440	LOCK NUT	1		
10	AR69370	KNOB	1		(SUB FOR AR49969)
11	R44165	LOCK NUT	1		
12	AR64992	WIPER SWITCH	1		(SUB FOR AR57228)
13	21H1301	SCREW	1	0.190" X 1/2"	
14	12M7060	WASHER	1	0.209"	
15	B1664R	SHIM	1		
16	R50277	CLIP	1		
17	A3411R	GROMMET	1		
18	AR87340	WIPER MOTOR WIRING HARNESS	1		(SUB FOR AR56199) (USE WITH AR56691)
	RE18944	WIPER MOTOR WIRING HARNESS	1		(USE WITH RE18943 OR RE48783)
19	R70209	CLAMP	1		
20	37M7068	SCREW	1		
21	R47474	CLIP	1		
22	AR71571	CAPACITOR	2		

# 2G3

ELECTRICAL

RXP021390 -UN-29NOV95

## RIGHT-HAND WINDSHIELD WIPER AND MOTOR



RXP021390

# 2G4

ELECTRICAL

## RIGHT-HAND WINDSHIELD WIPER AND MOTOR - CONTINUED

KEY	PART NO.	PART NAME	QTY	SG BODY SERIAL NO.	REMARKS
1	U46507	PIN	1		
2	U46514	NUT	1	-104034	
	R63671	NUT	1	104035-	
3	12H303	LOCK WASHER	1		5/16"
4	U46513	NUT	1	-104034	
	R63670	WELD NUT	1	104035-	
5	U46512	CAP	1	-104034	
	R63669	CAP	1	104035-	
6	U46511	NUT	1	-104034	
	R63668	NUT	1	104035-	
7	U46510	WASHER	1	-104034	
	R63667	WASHER	1	104035-	
8	U46509	WASHER	1	-104034	
	R63666	WASHER	1	104035-	
9	14H649	NUT	1		1/4"
10	12H297	LOCK WASHER	1		1/4"
11	AR55021	SHAFT	1	-104034	(SUB AR78595)
	AR78595	SHAFT	1	104035-	(SUB FOR AR55021)
12	RE13281	GEAR	1		(SUB FOR AR75606)
13	AR59444	MOTOR	1		(A) (SUB RE58851)
14	U46515	BRACKET	1		
15	AU43854	SCREW	3		
16	U46508	WASHER	1		
17	AU43954	ARM	1		
18	AU43857	LOCK NUT	1		
19	T32255	SHIM	2		
20	AU43853	LINK	1		
21	U46506	CLIP	2		(SUB FOR R78499)
22	AU43855	SCREW	2		(SUB 21H1298 AND 12M7060)
23	AR56687	MOTOR	1	-104034	(ORDER COMPONENT PARTS)
	AR78594	MOTOR	1	104035-	(ORDER COMPONENT PARTS)
24	RE36108	ARM	1		(SUB FOR AR56690)
25	AR60051	WIRING HARNESS	1		
26	AR64992	WIPER SWITCH	1		(SUB FOR AR57228)
27	R44165	LOCK NUT	1		
28	AR69370	KNOB	1		(SUB FOR AR49969)
29	AR56694	WINDSHIELD WIPER	1		
30	T35440	LOCK NUT	1		
31	T35441	SCREW	1		(SUB R92205, THIS APPLICATION)
32	19H3287	CAP SCREW	2		1/4" X 2-5/8"
33	12H302	LOCK WASHER	2		1/4"
34	24H1286	WASHER	1		9/32" X 1/2" X 1/16" L.H.
	12H356	LOCK WASHER	1		1/4" R.H.
35	AR56688	PLATE	1	-104034	(SUB RE36215)
	RE36215	PLATE	1	104035-	(SUB FOR AR78596, AR56688 OR AU42023)
	R97997	NUT	1		(USE WITH RE36215) (NLA)
36	R63672	ADAPTER	1		(SUB FOR R50453)
37	14H605	NUT	1		0.164"
38	AR87493	WIRING LEAD	1		
39	AR71570	CAPACITOR	2		
40	21H1299	SCREW	1		0.164" X 3/8"

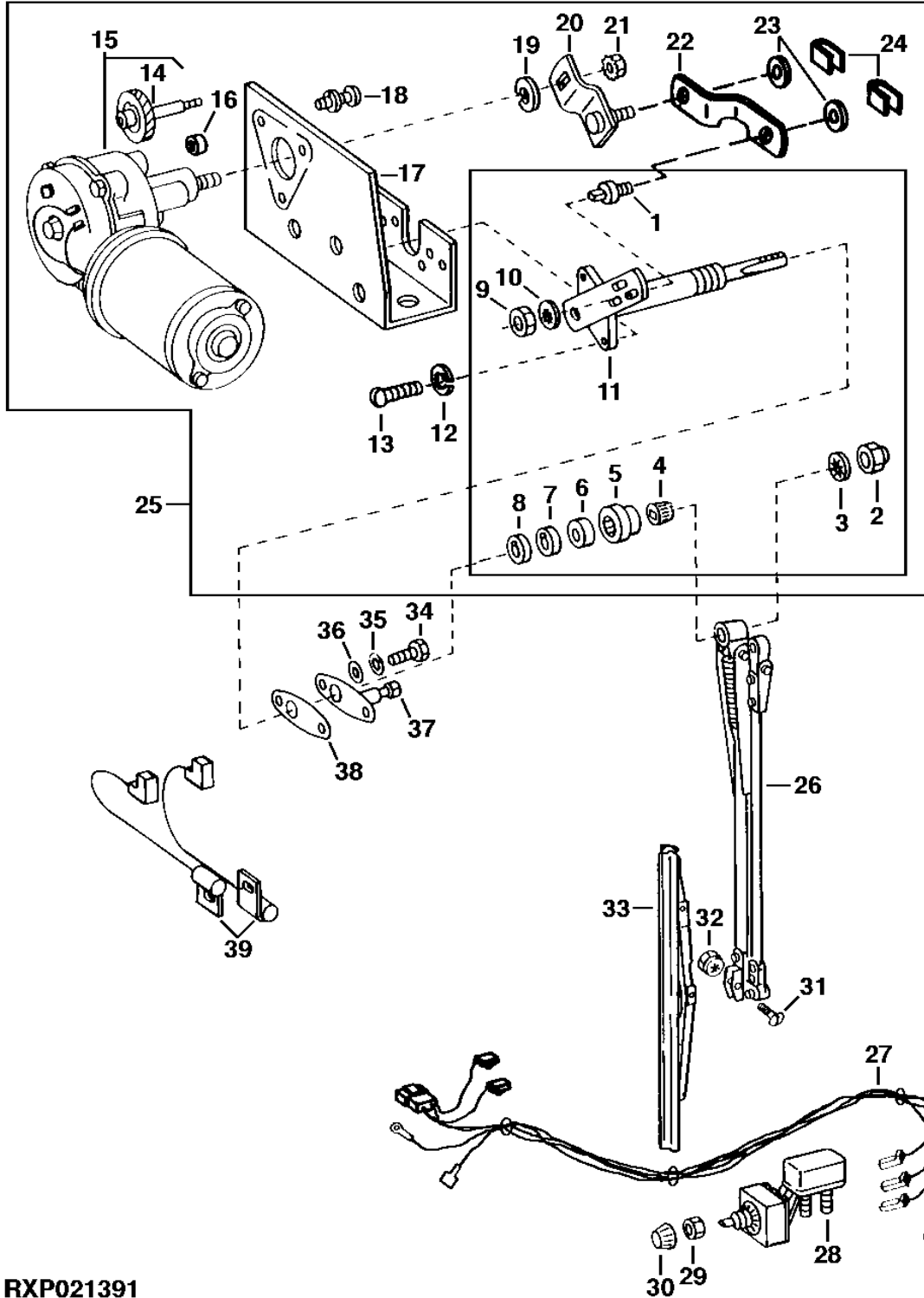
(A) WHEN RE58851 WIPER MOTOR IS INSTALLED. ALSO REPLACE AR60051 HARNESS WITH RE48322 HARNESS

# 2G5

ELECTRICAL

RXP021391 -UN-29NOV95

## RIGHT-HAND WINDSHIELD WIPER AND MOTOR



RXP021391



# 2G6

ELECTRICAL

## RIGHT-HAND WINDSHIELD WIPER AND MOTOR - CONTINUED

KEY	PART NO.	PART NAME	QTY	TRACTOR SERIAL NO.	REMARKS
1	U46507	PIN	1		
2	R63671	NUT	1		
3	12H303	LOCK WASHER	1	5/16"	
4	R63670	WELD NUT	1		
5	R63669	CAP	1		
6	R63668	NUT	1		
7	R63667	WASHER	1		
8	R63666	WASHER	1		
9	14H649	NUT	1	1/4"	
10	12H297	LOCK WASHER	1	1/4"	
11	AR78595	SHAFT	1		
12	12H295	LOCK WASHER	2	0.190"	
13	21H1298	SCREW	2	0.190" X 3/8"	
14	RE13281	GEAR	1		
15	RE13280	MOTOR	1	(A) (SUB RE58851)	
16	R78498	WASHER	3		
17	R78995	BRACKET	1		
18	RE13283	SCREW, WITH WASHER	3		
19	U46508	WASHER	1		
20	AU43954	ARM	1	(SUB FOR RE13284 OR RE18946)	
21	AU43857	LOCK NUT	1		
22	RE13282	ARM	1		
23	T32255	SHIM	2		
24	U46506	CLIP	2	(SUB FOR R78499)	
25	RE12130	MOTOR	1	(ORDER COMPONENT PARTS)	
26	RE36108	ARM	1	(SUB FOR AR56690)	
27	RE46412	WIPER MOTOR WIRING HARNESS	1	(SUB FOR RE10995)	
28	AR64992	WIPER SWITCH	1		
29	R44165	LOCK NUT	1		
30	AR69370	KNOB	1		
31	R92205	SCREW	1		
32	T35440	LOCK NUT	1		
33	AR56694	WINDSHIELD WIPER	1		
34	19H3287	CAP SCREW	2	1/4" X 2-5/8"	
35	12H302	LOCK WASHER	2	1/4"	
36	24H1286	WASHER	1	9/32" X 1/2" X 1/16"	
	12H356	LOCK WASHER	1	1/4"	
37	RE36215	PLATE	1	(SUB FOR AR78596)	
	R97997	NUT	1	(NLA)	
38	R63672	ADAPTER	1		
39	AR71570	CAPACITOR	2		

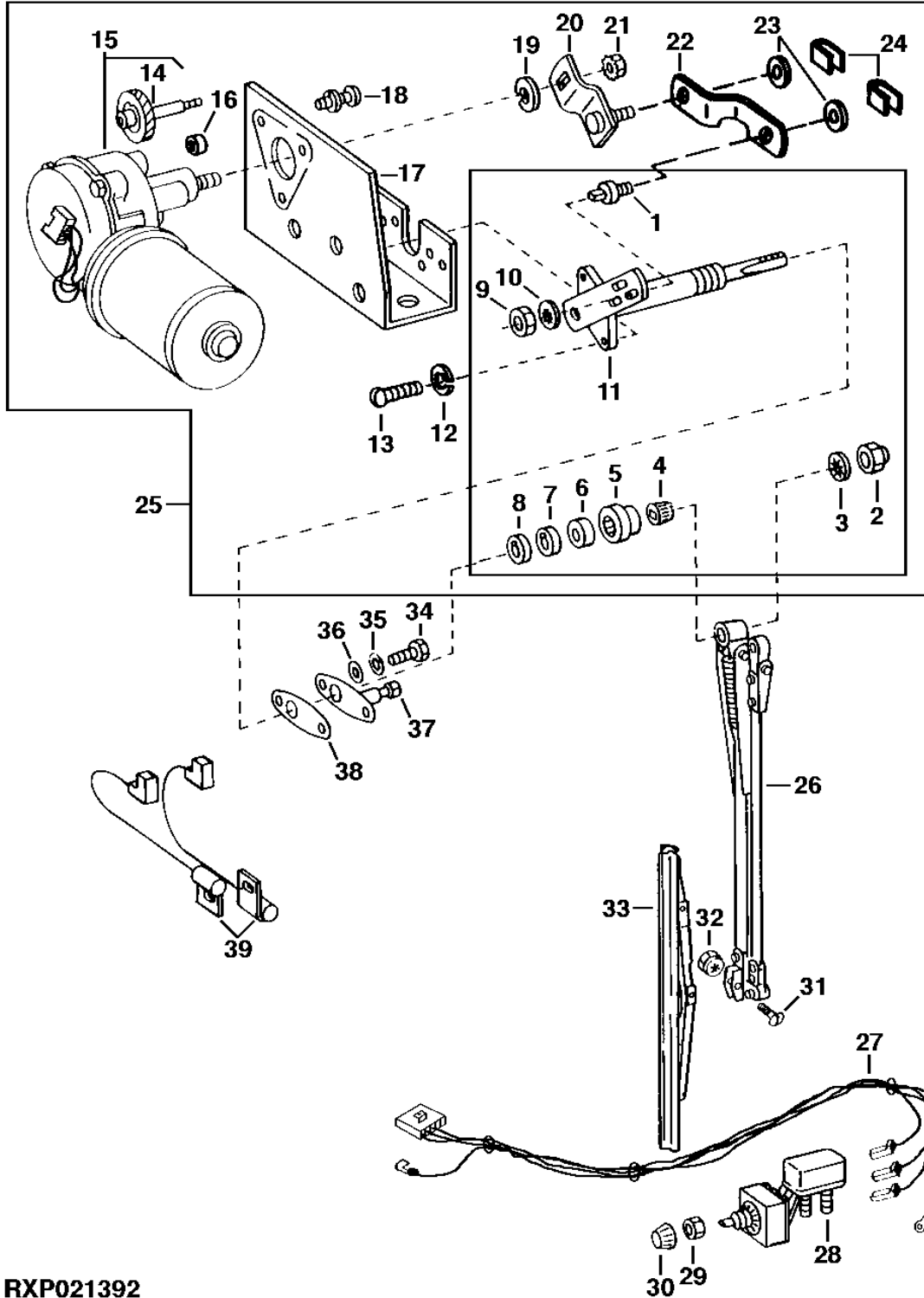
(A) WHEN RE58851 WIPER MOTOR IS INSTALLED, ALSO REPLACE RE46412 HARNESS WITH RE48322 HARNESS

# 2G7

ELECTRICAL

RXP021392 -UN-29NOV95

## RIGHT-HAND WINDSHIELD WIPER AND MOTOR



RXP021392

# 2G8

ELECTRICAL

## RIGHT-HAND WINDSHIELD WIPER AND MOTOR - CONTINUED

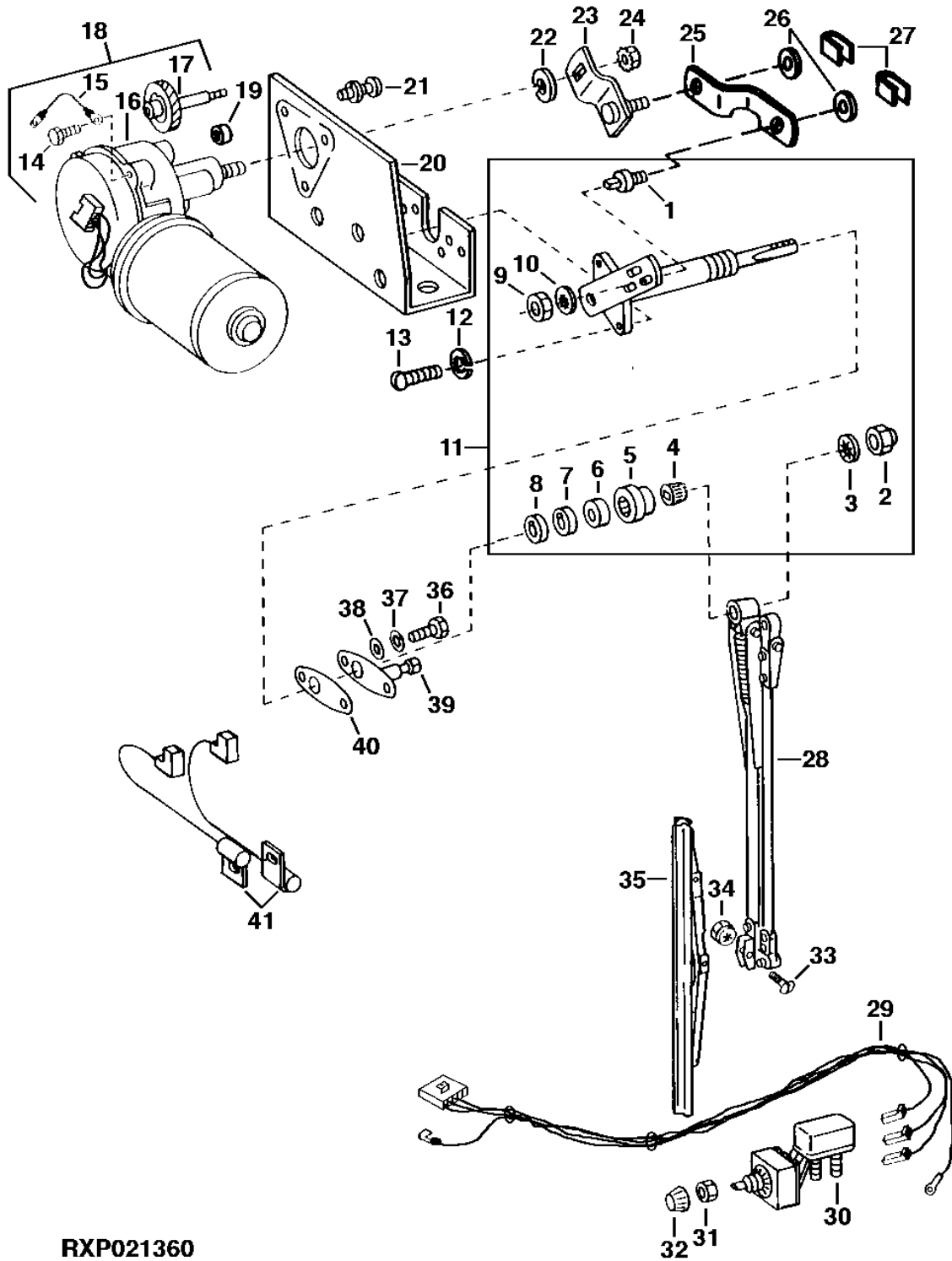
KEY	PART NO.	PART NAME	QTY	TRACTOR SERIAL NO.	REMARKS
1	U46507	PIN	1		
2	R63671	NUT	1		
3	12H303	LOCK WASHER	1	5/16"	
4	R63670	WELD NUT	1		
5	R63669	CAP	1		
6	R63668	NUT	1		
7	R63667	WASHER	1		
8	R63666	WASHER	1		
9	14H649	NUT	1	1/4"	
10	12H297	LOCK WASHER	1	1/4"	
11	AR78595	SHAFT	1		
12	12H295	LOCK WASHER	2	0.190"	
13	21H1298	SCREW	2	0.190" X 3/8"	
14	RE13281	GEAR	1		
15	RE56380	MOTOR	1	(SUB RE58851)	
16	R78498	WASHER	3		
17	R78995	BRACKET	1		
18	RE13283	SCREW, WITH WASHER	3		
19	U46508	WASHER	1		
20	AU43954	ARM	1	(SUB FOR RE13284 OR RE18946)	
21	AU43857	LOCK NUT	1		
22	R116714	ARM	1		
23	T32255	SHIM	2		
24	U46506	CLIP	2	(SUB FOR R78499)	
25	RE48784	WIPER MOTOR	1	(ORDER COMPONENT PARTS)	
26	RE36108	ARM	1	(SUB FOR AR56690)	
27	RE48322	WIPER MOTOR WIRING HARNESS	1		
28	AR64992	WIPER SWITCH	1		
29	R44165	LOCK NUT	1		
30	AR69370	KNOB	1		
31	R92205	SCREW	1		
32	T35440	LOCK NUT	1		
33	AR56694	WINDSHIELD WIPER	1		
34	19H3287	CAP SCREW	2	1/4" X 2-5/8"	
35	12H302	LOCK WASHER	2	1/4"	
36	24H1286	WASHER	1	9/32" X 1/2" X 1/16"	
	12H356	LOCK WASHER	1	1/4"	
37	RE36215	PLATE	1	(SUB FOR AR78596)	
	R97997	NUT	1	(NLA)	
38	R63672	ADAPTER	1		
39	AR71570	CAPACITOR	2		

# 2G9

ELECTRICAL

RXP021360 -UN-29NOV95

## RIGHT-HAND WINDSHIELD WIPER AND MOTOR



RXP021360

# 2G10

ELECTRICAL

## RIGHT-HAND WINDSHIELD WIPER AND MOTOR - CONTINUED

KEY	PART NO.	PART NAME	QTY	TRACTOR SERIAL NO.	REMARKS
1	U46507	PIN	1		
2	R63671	NUT	1		
3	12H303	LOCK WASHER	1	5/16"	
4	R63670	WELD NUT	1		
5	R63669	CAP	1		
6	R63668	NUT	1		
7	R63667	WASHER	1		
8	R63666	WASHER	1		
9	14H649	NUT	1	1/4"	
10	12H297	LOCK WASHER	1	1/4"	
11	AR78595	SHAFT	1		
12	12H295	LOCK WASHER	2	0.190"	
13	21H1298	SCREW	2	0.190" X 3/8"	
14	37H176	SCREW	1	0.138" X 1/4"	
15	RE61099	WIRING LEAD	1		
16	AT66481	MOTOR	1		(SUB FOR AR59444, RE13280, RE53496 OR RE56380)
17	RE13281	GEAR	1		
18	RE58851	MOTOR	1		(SUB FOR AR59444, RE13280, RE53496 OR RE56380)
19	R78498	WASHER	3		
20	R78995	BRACKET	1		
21	RE13283	SCREW, WITH WASHER	3		
22	U46508	WASHER	1		
23	AU43954	ARM	1		(SUB FOR RE13284 OR RE18946)
24	AU43857	LOCK NUT	1		
25	RE13282	ARM	1		
26	T32255	SHIM	2		
27	U46506	CLIP	2		(SUB FOR R78499)
28	RE36108	ARM	1		(SUB FOR AR56690)
29	RE48322	WIPER MOTOR WIRING HARNESS	1		
30	AR64992	WIPER SWITCH	1		
31	R44165	LOCK NUT	1		
32	AR69370	KNOB	1		
33	R92205	SCREW	1		
34	T35440	LOCK NUT	1		
35	AR56694	WINDSHIELD WIPER	1		
36	19H3287	CAP SCREW	2	1/4" X 2-5/8"	
37	12H302	LOCK WASHER	2	1/4"	
38	24H1286	WASHER	1	9/32" X 1/2" X 1/16"	
	12H356	LOCK WASHER	1	1/4"	
39	RE36215	PLATE	1		(SUB FOR AR78596)
	R97997	NUT	1		(NLA)
40	R63672	ADAPTER	1		
41	AR71570	CAPACITOR	2		

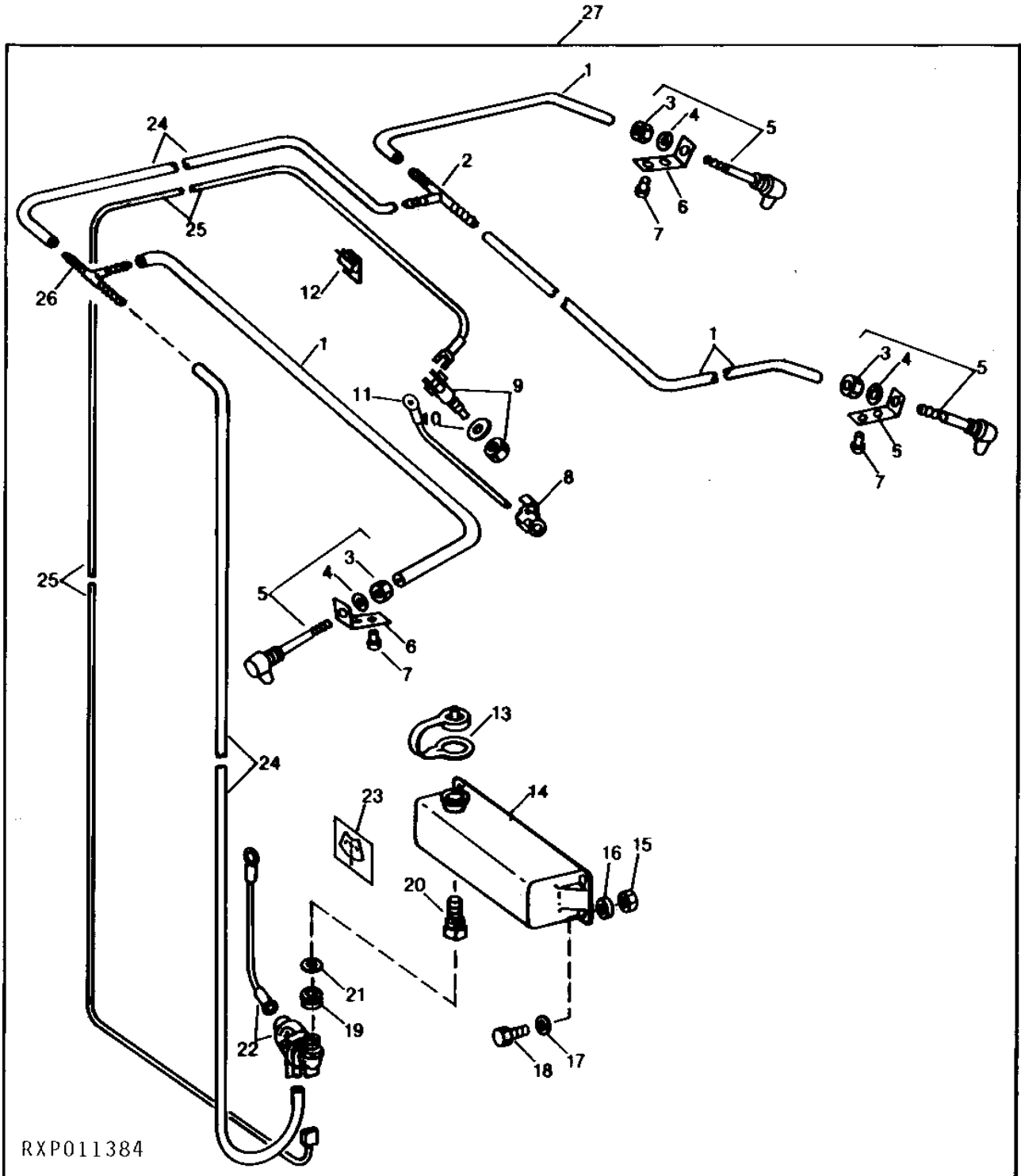
# 2G11

ELECTRICAL

## WINDSHIELD WASHER (AR79547)

RXP011384 -UN-17OCT94

45



RXP011384

# 2G12

ELECTRICAL

## WINDSHIELD WASHER - CONTINUED (AR79547)

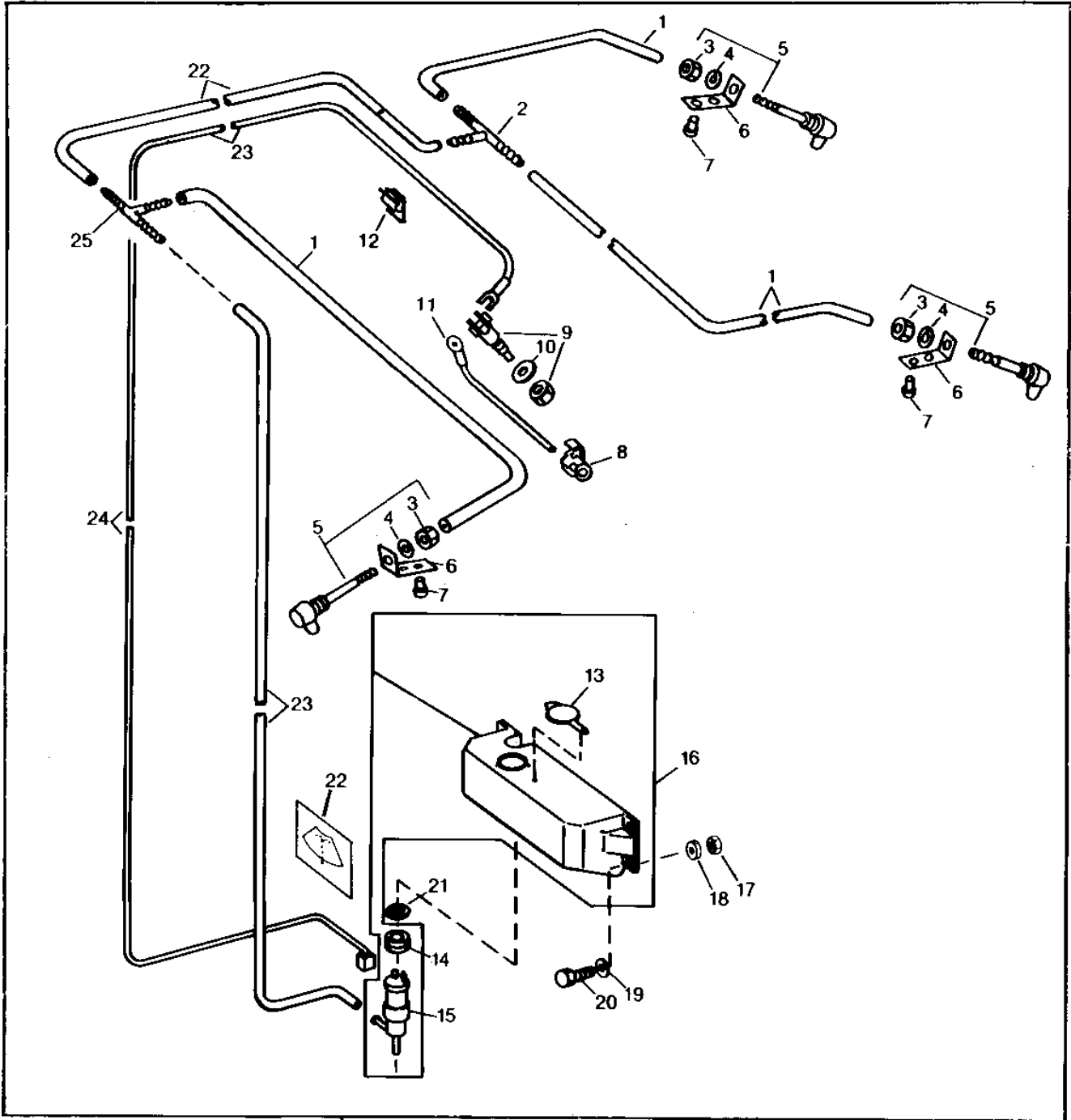
KEY	PART NO.	PART NAME	QTY	SG BODY SERIAL NO.	REMARKS
1	R54447	HOSE	1		
2	R64061	TEE FITTING	1		
3	14H650	NUT	3	5/16"	
4	12M7032	LOCK WASHER	3	0.331"	
5	AR79548	NOZZLE	3		
6	R64057	SUPPORT	3		
7	R55326	RIVET	5		
8	AR67855	CONNECTOR	1		
9	AR62294	WIPER/WASHER SWITCH	1		
10	R64063	PLATE	1		
11	AR79551	WIRING LEAD	1		
12	R47474	CLIP	3		
13	R64060	CAP	1		
14	R64056	RESERVOIR	1		
15	14H611	NUT	1	5/16"	
16	R27370	WASHER	4		
17	12H303	LOCK WASHER	1	5/16"	
18	19H1849	CAP SCREW	1	5/16" X 1-1/4"	
19	R64058	GROMMET	1		
20	AR79550	FILTER	1		
21	R64059	WASHER	1		
22	AR79549	PUMP	1		
23	R91631	LABEL	1		
24	R54445	HOSE	1		
25	AR62296	WIRING LEAD	1		
26	R64062	TEE FITTING	1		
27	<b>AR79547</b>	<b>WINDSHIELD WASHER</b>	<b>1</b>	<b>(SUB RE36818) (FI)</b>	

# 2G13

ELECTRICAL

## WINDSHIELD WASHER (RE36818)

RXP011385 -UN-17OCT94



RXP011385



# 2G14

ELECTRICAL

**WINDSHIELD WASHER - CONTINUED  
(RE36818)**

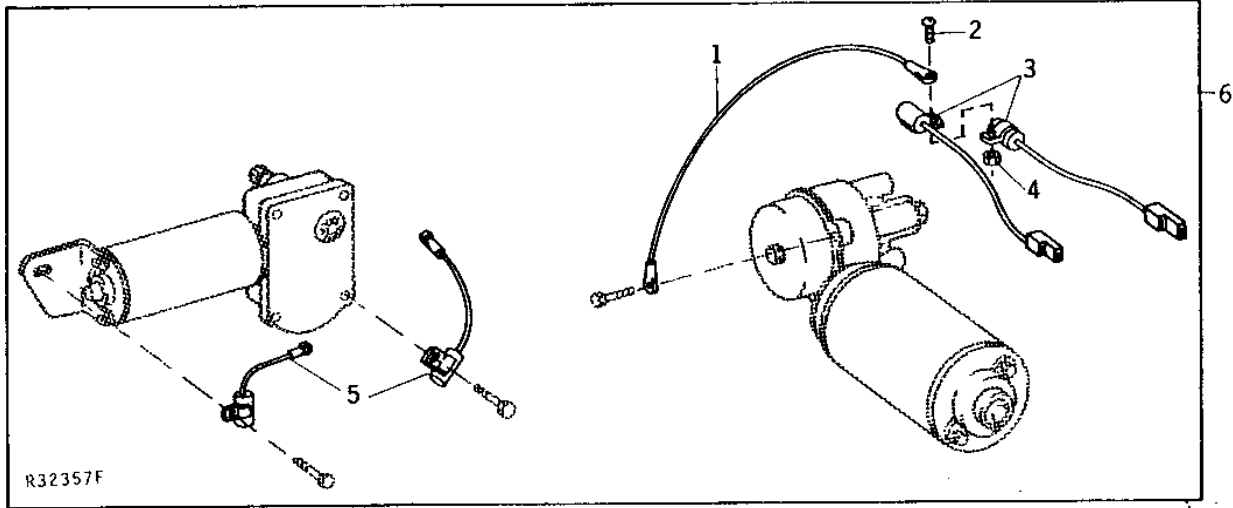
KEY	PART NO.	PART NAME	QTY	CAB SERIAL NO.	REMARKS
1	R54447	HOSE	1		
2	R64061	TEE FITTING	1		
3	14H650	NUT	3	5/16"	
4	12M7032	LOCK WASHER	3	0.331"	
5	AR79548	NOZZLE	3		
6	R64057	SUPPORT	3		
7	R55326	RIVET	5		
8	AR67855	CONNECTOR	1		
9	AR62294	WIPER/WASHER SWITCH	1		
10	R64063	PLATE	1		
11	AR79551	WIRING LEAD	1		
12	R47474	CLIP	3		
13	L38132	FILLER CAP	1		
14	L38115	GROMMET	1		
15	AL61306	PUMP	1		(SUB FOR AL35751)
16	AL35750	WINDSHIELD WASHER	1		
17	14H611	NUT	4	5/16"	
18	R27370	WASHER	4		
19	12H303	LOCK WASHER	4	5/16"	
20	19H1849	CAP SCREW	4	5/16" X 1-1/4"	
21	R64059	WASHER	1		
22	R91631	LABEL	1		
23	R54445	HOSE	1		
24	RE36906	WIRING HARNESS	1		(INCLUDES L38135)
25	R64062	TEE FITTING	1		
26	<b>RE36818</b>	<b>WINDSHIELD WASHER</b>	<b>1</b>		<b>(SUB FOR AR79547) (FI)</b>

# 2G15

ELECTRICAL

R32357 -UN-01JAN94

## WIPER MOTOR SUPPRESSION KIT



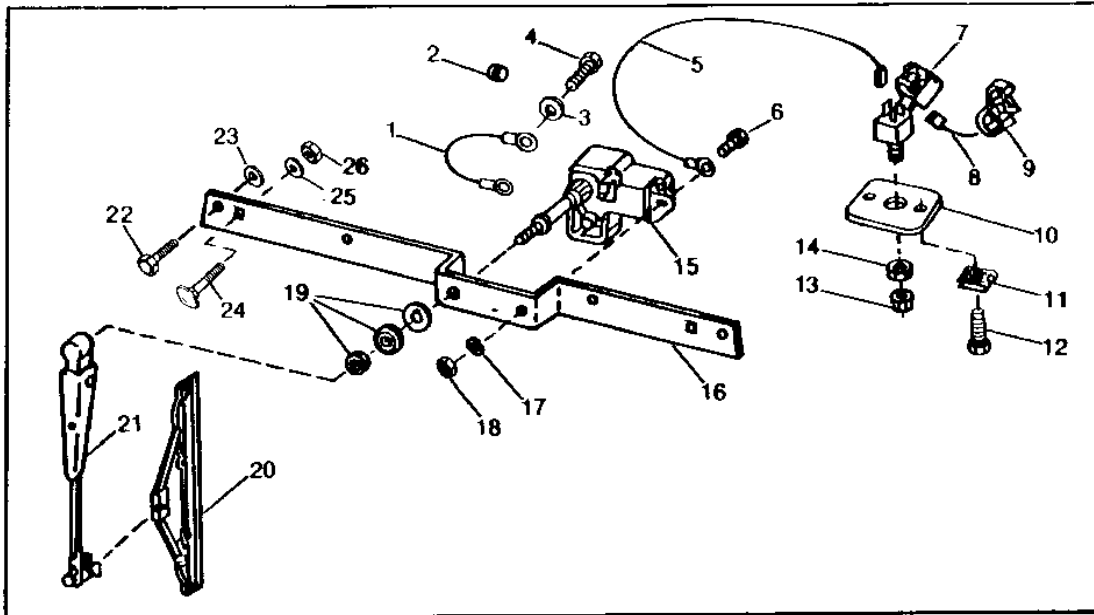
KEY	PART NO.	PART NAME	QTY	TRACTOR SERIAL NO.	REMARKS
1	AR87493	WIRING LEAD	1		
2	21H1299	SCREW	1	0.164" X 3/8"	
3	AR71570	CAPACITOR	2		
4	14H605	NUT	1	0.164"	
5	AR71571	CAPACITOR	2		
6	AR71569	KIT	1		

# 2G16

ELECTRICAL

RXP011340 -UN-27SEP94

## REAR WINDSHIELD WIPER



27

RXP011340

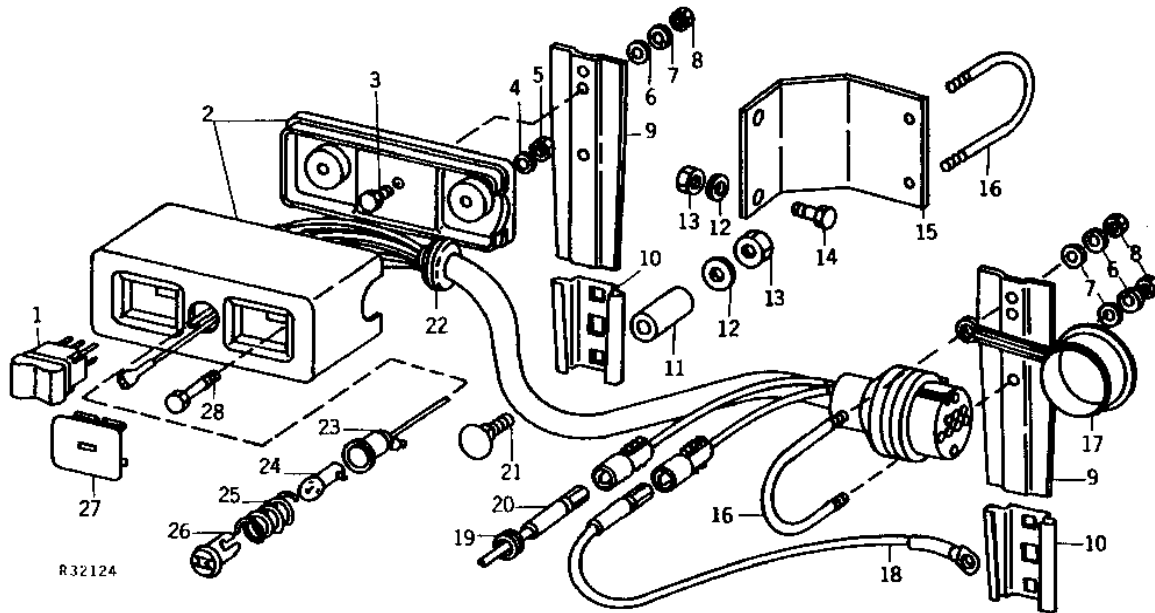
KEY	PART NO.	PART NAME	QTY	TRACTOR SERIAL NO.	REMARKS
1	AR79429	WIRING LEAD	1	813MM(32")	
2	R27583	GROMMET	1		
3	24H1283	WASHER	1	7/32" X 1/2" X 0.049"	
4	37H129	SCREW	1		
5	AR79431	WIRING LEAD	1		
6	21H1301	SCREW	1	0.190" X 1/2"	
7	AR64992	WIPER SWITCH	1		
8	AR79430	WIRING LEAD	1		
9	AR67855	CONNECTOR	1		
10	R104517	PLATE	1		
11	R52130	LOCK NUT	2		
12	R52931	SCREW	2		
13	R44165	LOCK NUT	1		
14	AR69370	KNOB	1		
15	AR79428	MOTOR	1		
16	R63983	BRACKET	1		
17	12M7060	WASHER	1	0.209"	
18	14H778	NUT	1	0.190"	
19	AR94047	BUSHING	1		
20	AR56694	WINDSHIELD WIPER	1		
21	AR56692	ARM	1		
22	21H1014	SCREW	4	1/4" X 1"	
23	24M7289	WASHER	2	9.500 X 28 X 3 MM	
24	03M7319	BOLT	2	M8 X 35	
25	24M7036	WASHER	2	9 X 16 X 1.600 MM	
26	14M7166	LOCK NUT	2	M8	
27	RE41817	KIT	1	(SUB FOR AR79427) (FI)	
..	L61115	WEATHERSTRIP	1		

# 2G17

ELECTRICAL

R32124 -UN-01JAN94

## ELECTRICAL REMOTE CONTROL



R32124

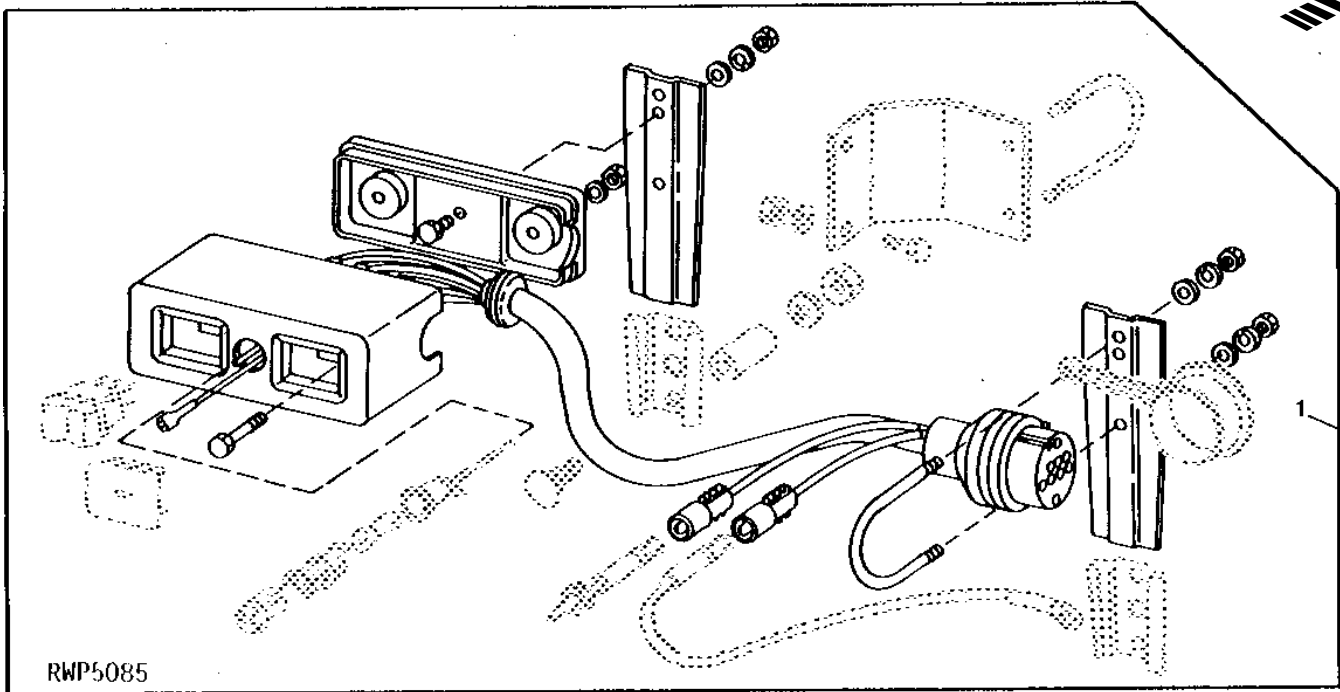
KEY	PART NO.	PART NAME	QTY	TRACTOR SERIAL NO.	REMARKS
1	AR49797	TOGGLE SWITCH	1		MOMENTARY ROCKER (FI)
	AR49798	ROCKER SWITCH	1		DETENT ROCKER (FI)
2	AR50779	WIRING HARNESS	1		TWO SWITCH
	AR50780	WIRING HARNESS	1		FOUR SWITCH
3	19H1914	CAP SCREW	1		1/4" X 1"
4	12H315	LOCK WASHER	2		0.164"
5	14H605	NUT	2		0.164"
6	24H1821	WASHER	3		9/32" X 47/64" X 1/16"
7	12H302	LOCK WASHER	3		1/4"
8	14H786	NUT	3		1/4"
9	R47861	BRACKET	AR		(2 USED, TWO SWITCH) (1 USED, FOUR SWITCH)
	R47860	BRACKET	1		FOUR SWITCH
10	JD126	SOCKET	2		
11	28H1495	SPACER	2		3/8" X 1"
12	24M7207	WASHER	4		8.400 X 24 X 2 MM
13	14H785	NUT	4		5/16"
14	21H1304	SCREW	2		5/16" X 3/4"
15	R54467	BRACKET	1		
16	E16050	U-BOLT	1		
17	R48048	CAP	1		
18	AR50928	WIRING LEAD	1		
19	H987R	GROMMET	4		
20	AR50927	WIRING LEAD	1		
21	03H1515	BOLT	2		5/16" X 2"
22	R36235	GROMMET	1		
23	AT44165	WIRING LEAD	1		
24	AR55694	BULB	1		
25	R30378	SPRING	1		
26	AT48673	LENS	1		
27	R48049	PLUG	1		
28	R48028	SCREW	2		
..	R48026	DECAL	1		
..	R48027	GROMMET	1		(CAB OPENING)
..	R32276	PLUG	1		(CAB OPENING)

# 2G18

ELECTRICAL

RWP5085 -UN-01JAN94

## ELECTRICAL REMOTE CONTROL KIT



KEY	PART NO.	PART NAME	QTY	TRACTOR SERIAL NO.	REMARKS
1	AR62360	KIT	1	(TWO SWITCH) (FI)	
	.....	WIRING HARNESS	1	( AN180528 FOR USES BEYOND THE TRACTOR)	

---

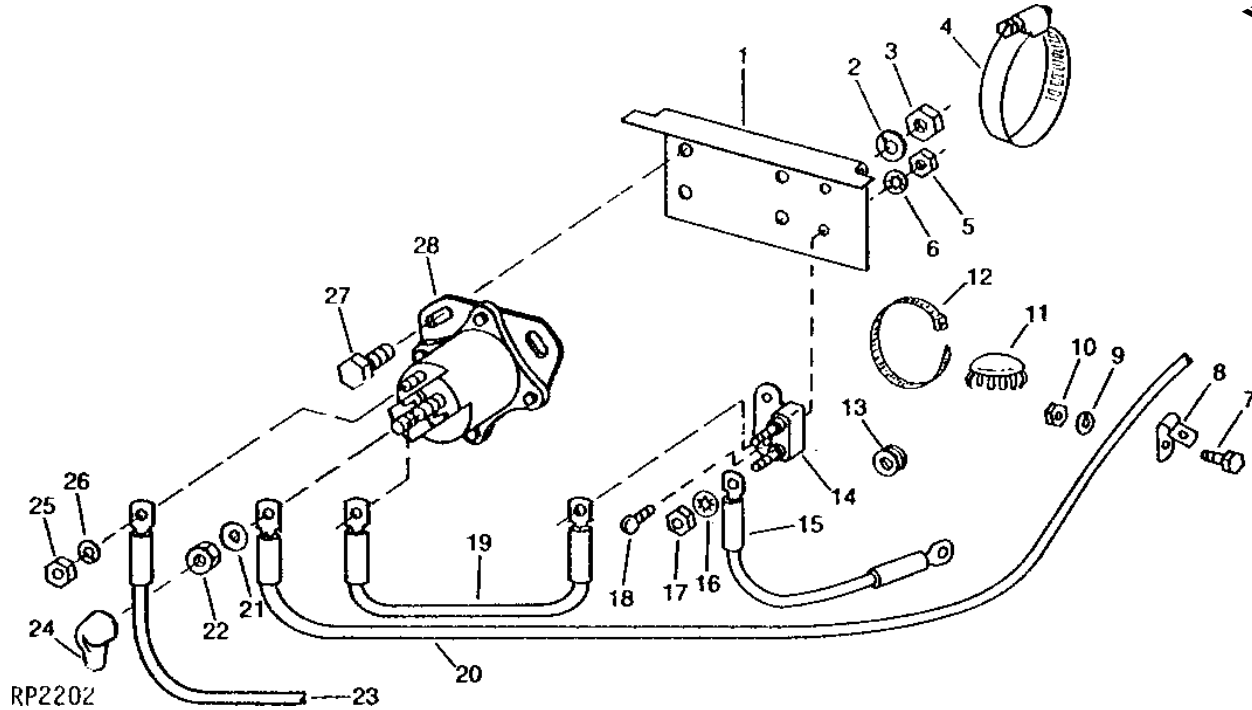
MEMORANDA

# 2G19

ELECTRICAL

RP2202 -UN-01JAN94

## ELECTRICAL REMOTE CONTROL WIRING



KEY	PART NO.	PART NAME	QTY	TRACTOR SERIAL NO.	REMARKS
1	R69109	BRACKET	1	(SUB FOR R47859)	
2	12H297	LOCK WASHER	2	1/4"	
3	14H786	NUT	2	1/4"	
4	AR52392	CLAMP	2		
5	14H631	NUT	4	0.190"	
6	12H246	LOCK WASHER	2	0.190"	
7	19H1731	CAP SCREW	2	3/8" X 1"	
8	T14264	CLAMP	2		
9	12H304	LOCK WASHER	2	3/8"	
10	14H732	NUT	2	3/8"	
11	R32276	PLUG	1	(CAB OPENING)	
12	R44302	TIE BAND	AR		
13	R41439	GROMMET	1	(USED FOR BANDING)	
14	AR50926	CIRCUIT BREAKER	1		
15	AR50930	WIRING LEAD	1		
16	12M7060	WASHER	2	0.209"	
17	14H631	NUT	2	0.190"	
18	21H1295	SCREW	2	0.190" X 5/8"	
19	AR50929	WIRING LEAD	1		
20	AR50927	WIRING LEAD	1		
21	12H303	LOCK WASHER	2	5/16"	
22	14H785	NUT	2	5/16"	
23	AR50931	WIRING LEAD	1	(TO IGNITION SWITCH)	
24	R36732	BOOT	2		
25	14H631	NUT	1	0.190"	
26	12H246	LOCK WASHER	1	0.190"	
27	19H1919	CAP SCREW	2	1/4" X 5/8"	
28	AR44657	RELAY	1	(FI)	

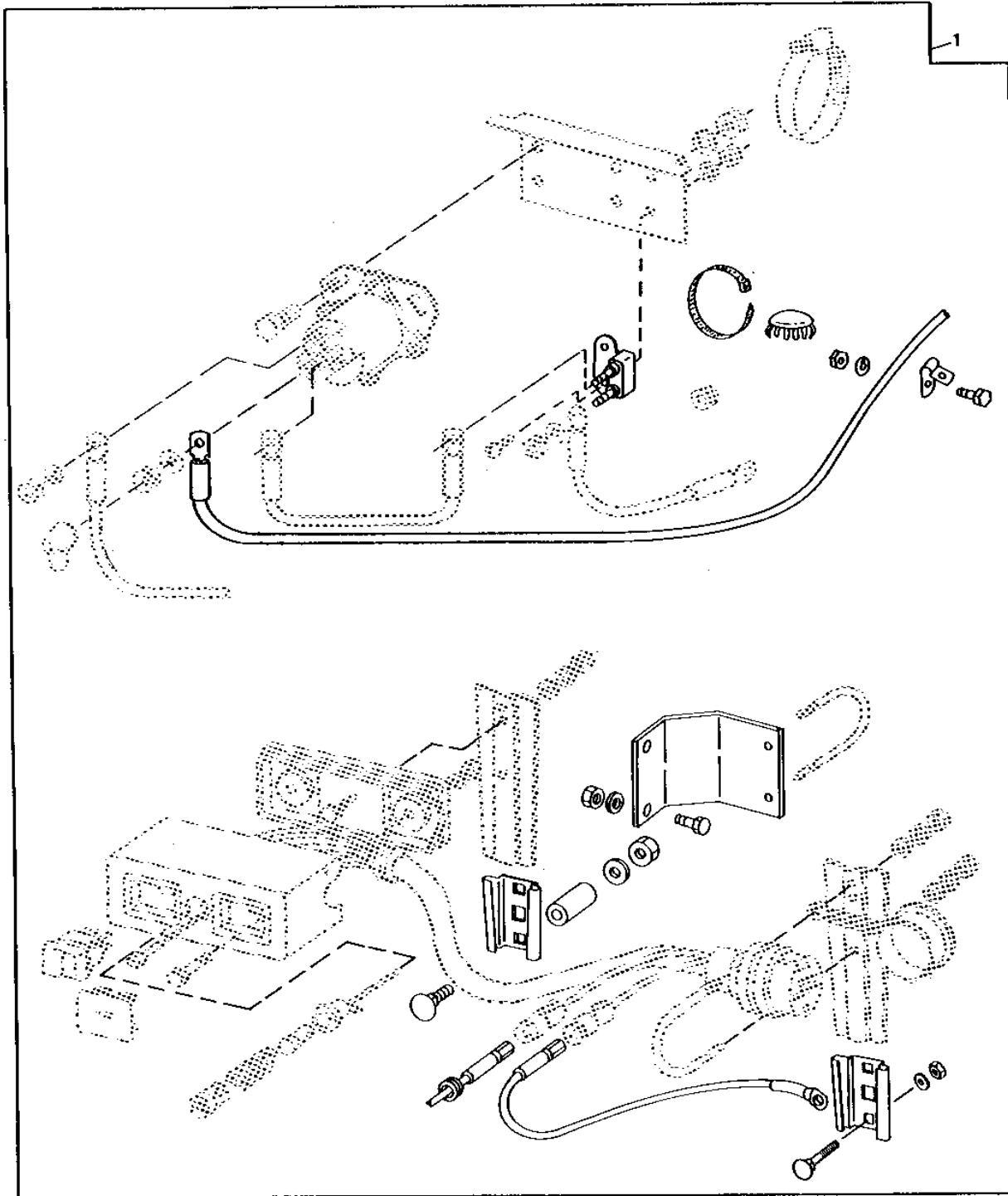
# 2G20

ELECTRICAL

RWP5666

-UN-01JAN94

## ELECTRICAL REMOTE CONTROL WIRING KIT



RWP5666



# 2G21

ELECTRICAL

---

## ELECTRICAL REMOTE CONTROL WIRING KIT - CONTINUED

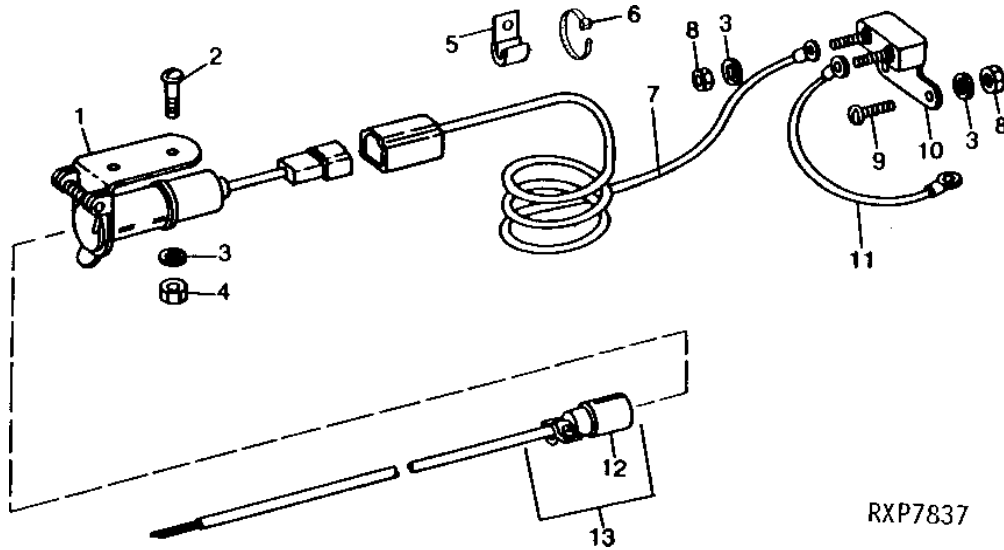
KEY	PART NO.	PART NAME	QTY	TRACTOR SERIAL NO.	REMARKS
1	RE25621	KIT	1	(SUB FOR AR62359)	

# 2G22

ELECTRICAL

RXP7837 -UN-23SEP94

## ELECTRICAL OUTLET SOCKET



RXP7837

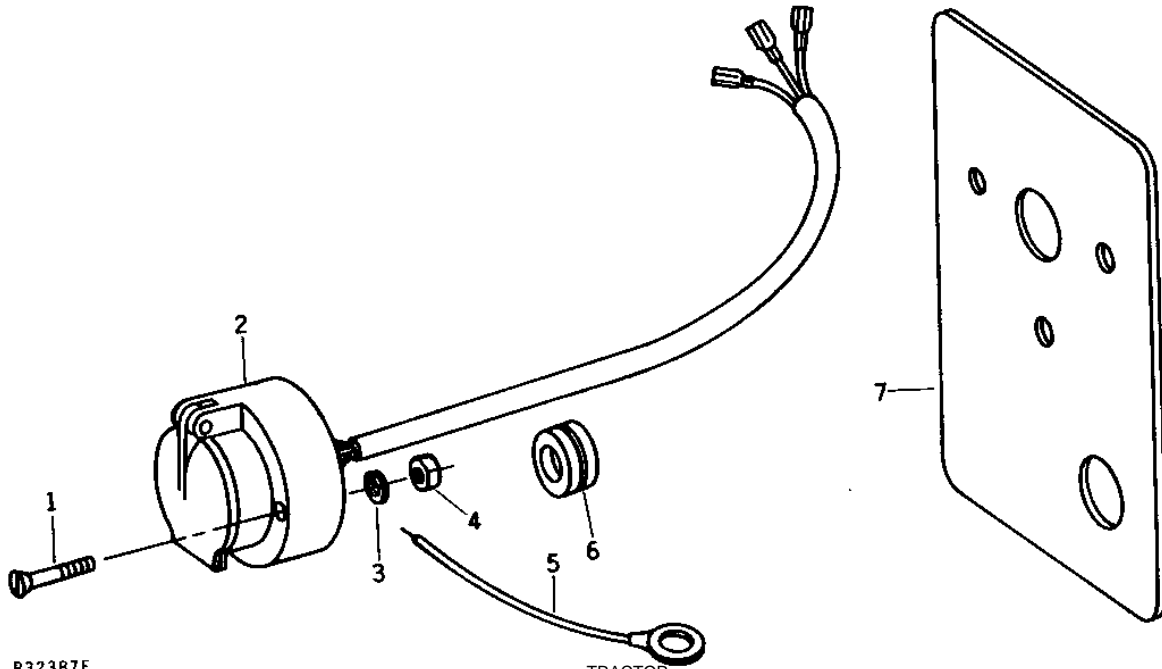
KEY	PART NO.	PART NAME	QTY	TRACTOR SERIAL NO.	REMARKS
1	AR26571	SOCKET	1		
2	21H1301	SCREW	2		0.190" X 1/2"
3	12M7060	WASHER	6		0.209"
4	14H778	NUT	2		0.190"
5	T32231	CLAMP	2		(SUB FOR R55618)
6	R44302	TIE BAND	5		
7	.....	WIRING LEAD	1		4153 MM (163-1/2") (MAKE FROM R66321, T28585, U46662, R77493 AND R77471)
8	14H631	NUT	4		0.190"
9	21H1295	SCREW	2		0.190" X 5/8"
10	AR28403	CIRCUIT BREAKER	1		
11	.....	WIRING LEAD	1		152 MM (6") (MAKE FROM R66321 AND (2) R77493)
12	AA5692R	ELECTRICAL PLUG	1		
13	AR40710	PLUG	1		

# 2G23

ELECTRICAL

R32387 -UN-01JAN94

ELECTRICAL OUTLET SOCKET  
(NOT USED IN U.S. AND CANADA)



R32387F

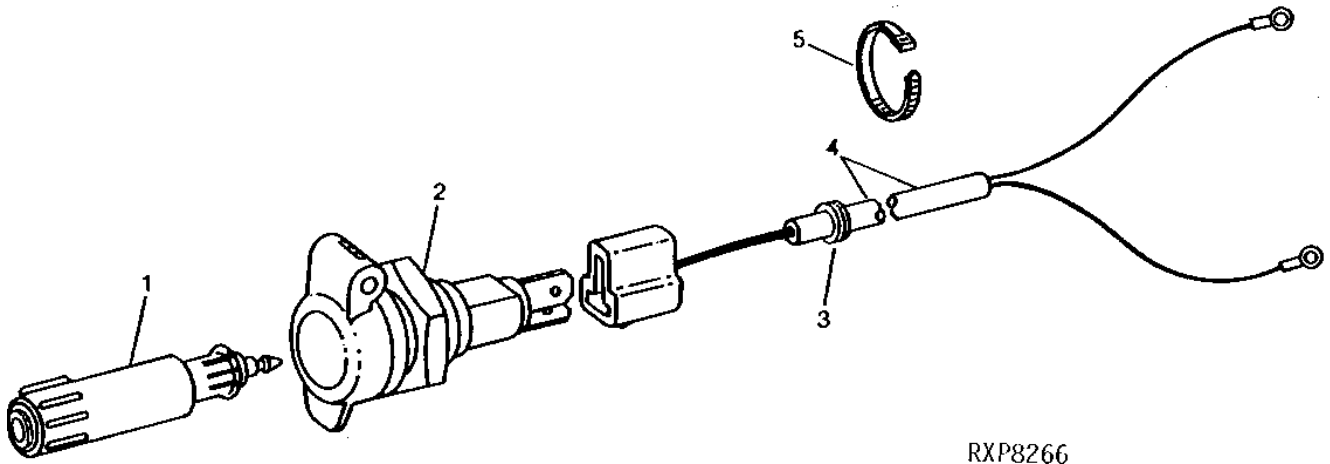
KEY	PART NO.	PART NAME	QTY	TRACTOR SERIAL NO.	REMARKS
1	21H1356	SCREW	3	0.190" X 1-1/4"	
2	L83677	SOCKET OUTLET	1		
3	12H246	LOCK WASHER	3	0.190"	
4	14H778	NUT	3	0.190"	
5	AL17099	WIRING LEAD	1		
6	R40445	GROMMET	1		
7	L32092	BRACKET	1	(NLA)	

# 2G24

ELECTRICAL

RXP8266 -UN-01JAN94

## CONVENIENCE ELECTRICAL OUTLET SOCKET KIT



RXP8266

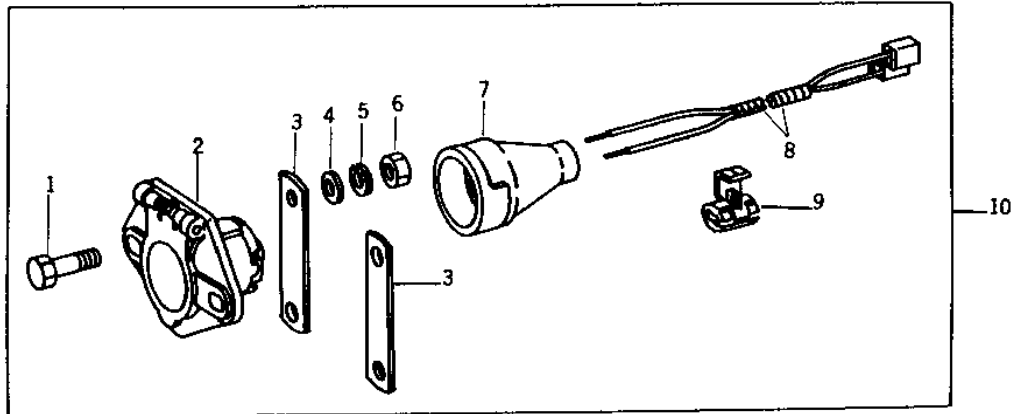
KEY	PART NO.	PART NAME	QTY	TRACTOR SERIAL NO.	REMARKS
1	RE11344	PLUG	1		
2	AL25073	SOCKET OUTLET	1		
3	A3411R	GROMMET	1		
4	RE18119	WIRING HARNESS	1		
5	R44302	TIE BAND	10		

# 2G25

ELECTRICAL

R32128 -UN-01JAN94

## 7-TERMINAL ELECTRICAL OUTLET SOCKET



R32128

KEY	PART NO.	PART NAME	QTY	TRACTOR SERIAL NO.	REMARKS
1	19H1905	CAP SCREW	4	5/16" X 1"	
2	AR75695	SOCKET OUTLET	1		
3	R61776	STRAP	2		
4	24H1136	WASHER	4	11/32" X 11/16" X 0.065"	
5	12H303	LOCK WASHER	4	5/16"	
6	14H785	NUT	2	5/16"	
7	R61775	BOOT	1		
8	AR75696	WIRING HARNESS	1		
	.....	WIRING LEAD	1		(TAIL LAMP) (MAKE FROM RE11154)
9	AR67855	CONNECTOR	5		
10	RE17282	KIT	1		(SUB FOR AR75694) (FI)

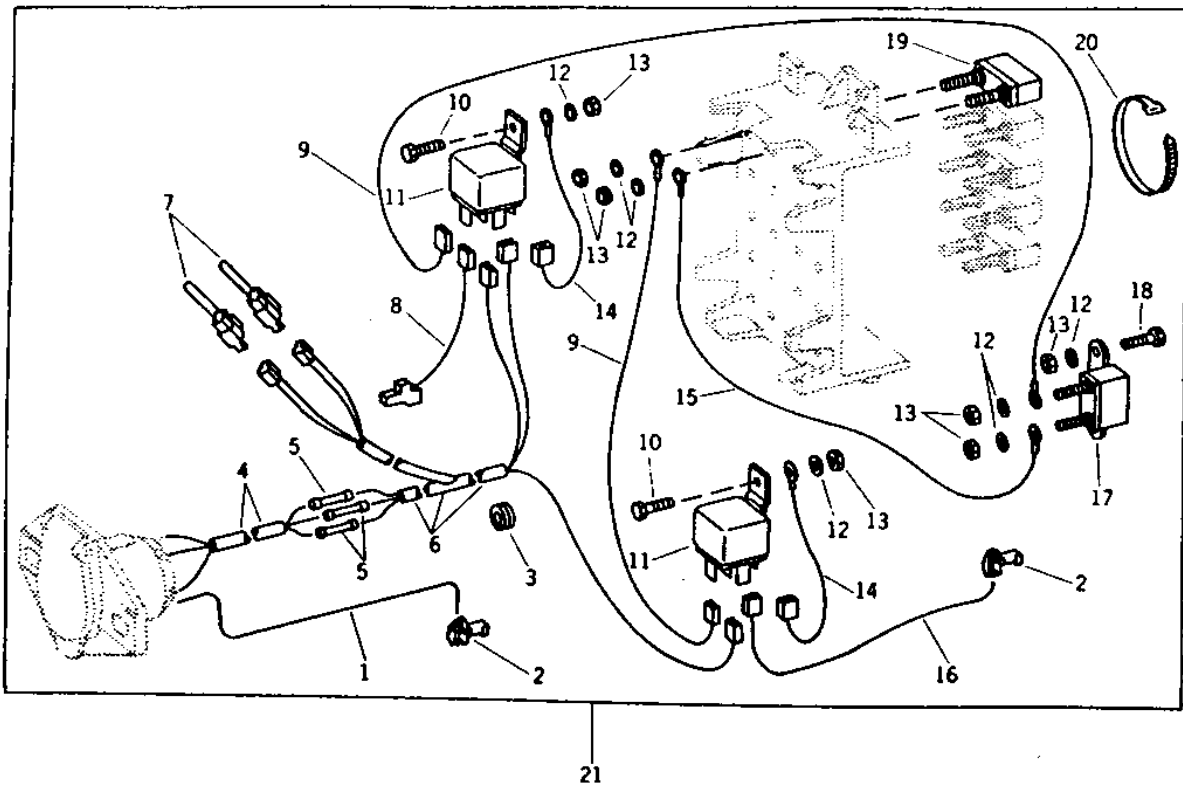
# 2H1

ELECTRICAL

R32129

-UN-07JAN91

## 7-TERMINAL SOCKET SUPPLEMENTARY WIRING KIT



# 2H2

ELECTRICAL

## 7-TERMINAL SOCKET SUPPLEMENTARY WIRING KIT - CONTINUED

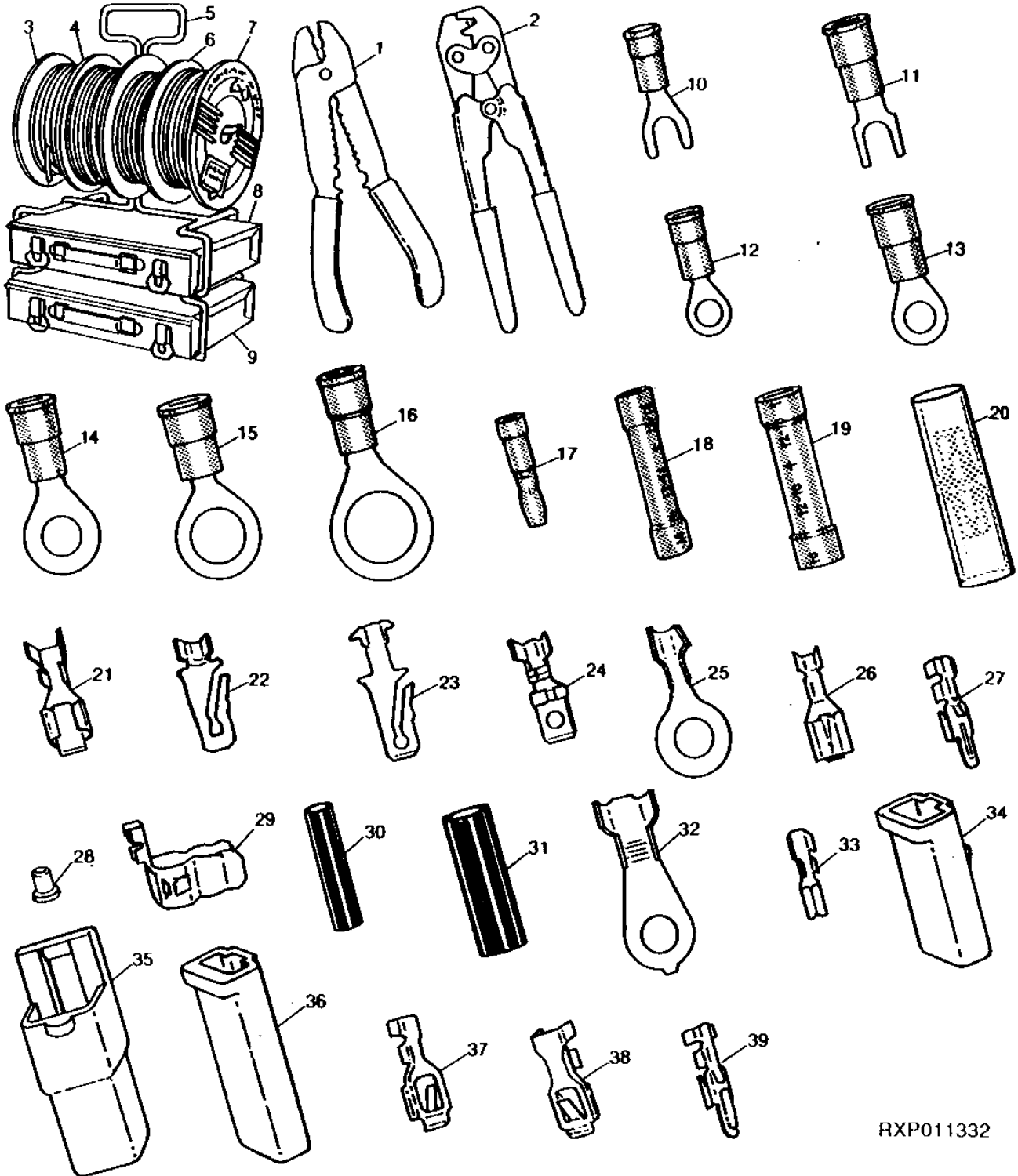
KEY	PART NO.	PART NAME	QTY	TRACTOR SERIAL NO.	REMARKS
1	.....	WIRING LEAD	1		3962 MM (156") (MAKE FROM R66319)
2	AR67855	CONNECTOR	2		
3	R40445	GROMMET	1		
4	AR82910	WIRING HARNESS	1		
5	R32027	CONNECTOR	4		
6	AR82912	WIRING HARNESS	1		
7	AR82911	WIRING LEAD	2		
8	AR50834	WIRING LEAD	1		
9	.....	WIRING LEAD	3		311 MM (12-1/4") (MAKE FROM R66319, R32018, R32027 AND R32024)
10	21H1282	SCREW	2		0.190" X 7/8"
11	AR74411	RELAY	2		
12	12M7060	WASHER	8		0.209"
13	14H631	NUT	8		0.190"
14	.....	WIRING LEAD	2		152 MM (6") (MAKE FROM R66319, R32021, R32027 AND R32025)
15	.....	WIRING LEAD	2		152 MM (6") (MAKE FROM R66319 AND (2) R32018)
16	AR82909	WIRING LEAD	1		
17	AR49352	CIRCUIT BREAKER	1		(30 AMP)
18	21H1295	SCREW	2		0.190" X 5/8"
19	AR28403	CIRCUIT BREAKER	1		(20 AMP)
20	R44302	TIE BAND	AR		
21	AR78052	KIT	1		

# 2H3

ELECTRICAL

RXP011332 -UN-27SEP94

## ELECTRICAL TERMINALS,CONNECTORS AND WIRING



RXP011332



# 2H4

ELECTRICAL

## ELECTRICAL TERMINALS,CONNECTORS AND WIRING - CONTINUED

KEY	PART NO.	PART NAME	QTY	TRACTOR SERIAL NO.	REMARKS
1	R32011	TOOL	1	(NLA)	
2	R65594	TOOL	1		
3	R66319	WIRING LEAD	1	14 GA., 30.5 M (100 FT.) (1 SPOOL)	
4	R65593	WIRING LEAD	1	16 GA., 30.5 M (100 FT.) (1 SPOOL)	
5	R65608	RACK	1		
6	R66321	WIRING LEAD	1	10 GA., 15 M (50 FT.) (1 SPOOL)	
7	R66320	WIRING LEAD	1	12 GA., 30.5 M (100 FT.) (1 SPOOL)	
8	R65609	CONTAINER	1	(NLA)	
9	R65610	CONTAINER	1		
10	R32016	TERMINAL	1	14-16 GA., NO. 10 SPADE	
11	R32017	TERMINAL	1	10-12 GA., NO. 10 SPADE	
12	R32018	TERMINAL	1	14-16 GA., NO. 10 EYELET	
13	R32019	TERMINAL	1	10-12 GA., NO. 10 EYELET	
14	R32021	TERMINAL	1	10-12 GA., 1/4" EYELET	
15	R32022	TERMINAL	1	10-12 GA., 3/8" EYELET	
16	R32023	TERMINAL	1	10-12 GA., 1/2" EYELET	
17	R32026	TERMINAL	1	MALE BULLETT	
18	R32027	CONNECTOR	1	SPLICE, 14-16 GA.	
19	R32028	TERMINAL	1	SPLICE, 10-12 GA.	
20	AL2976T	CONNECTOR	1	(SUB FOR R32029) 2-WIRE BULLETT CONNECTOR	
21	R65595	TERMINAL	1	FEMALE, 10 GA.	
22	R65596	TERMINAL	1	MALE, 10 GA. OR TWO 14 GA. CABLES	
23	R65597	TERMINAL	1	MALE, 14-16 GA.	
24	R65598	TERMINAL	1	MALE, SHORT, 14-16 GA.	
25	R65599	TERMINAL	1	14-16 GA., 1/4" EYELET	
26	R65600	TERMINAL	1	FEMALE, 14-16 GA.	
27	R65601	TERMINAL	1	TWIN-LOCK, TWO 16 GA. CABLES	
28	R65602	SOCKET CONTACT	1	BULB SOCKET, 16-18 GA.	
29	R65603	TERMINAL NIPPLE	1	FUSE	
30	R65604	INSULATING SLEEVE	1	14-18 GA.	
31	R65605	INSULATING SLEEVE	1	8-12 GA.	
32	R65606	TERMINAL	1	6-8 GA., 1/4" EYELET	
33	R65607	TERMINAL	1	18-20 GA.	
34	T28583	RECEPTACLE	1	ONE CONTACT LOCK-TYPE, MALE	
35	T28585	TERMINAL	1	ONE CONTACT LOCK-TYPE, FEMALE	
36	U46370	CONNECTOR	1	CONNECTOR, ONE CONTACT SINGLE BODY, MALE	
37	U46662	TERMINAL	1	FEMALE	
38	U46663	TERMINAL	1	FEMALE	
39	U46664	TERMINAL	1	FEMALE	

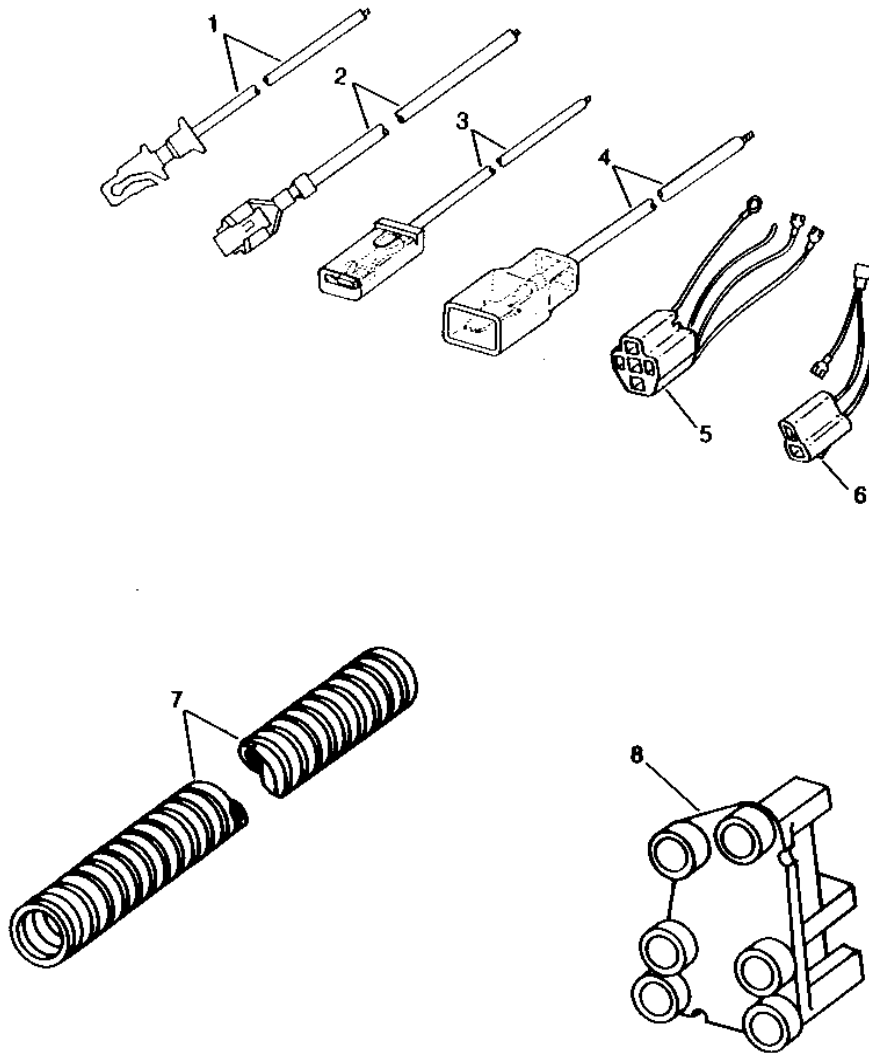
# 2H5

ELECTRICAL

RXP8619

-UN-28NOV94

## SUPPLEMENTARY TERMINALS AND CONNECTORS



# 2H6

ELECTRICAL

## SUPPLEMENTARY TERMINALS AND CONNECTORS - CONTINUED

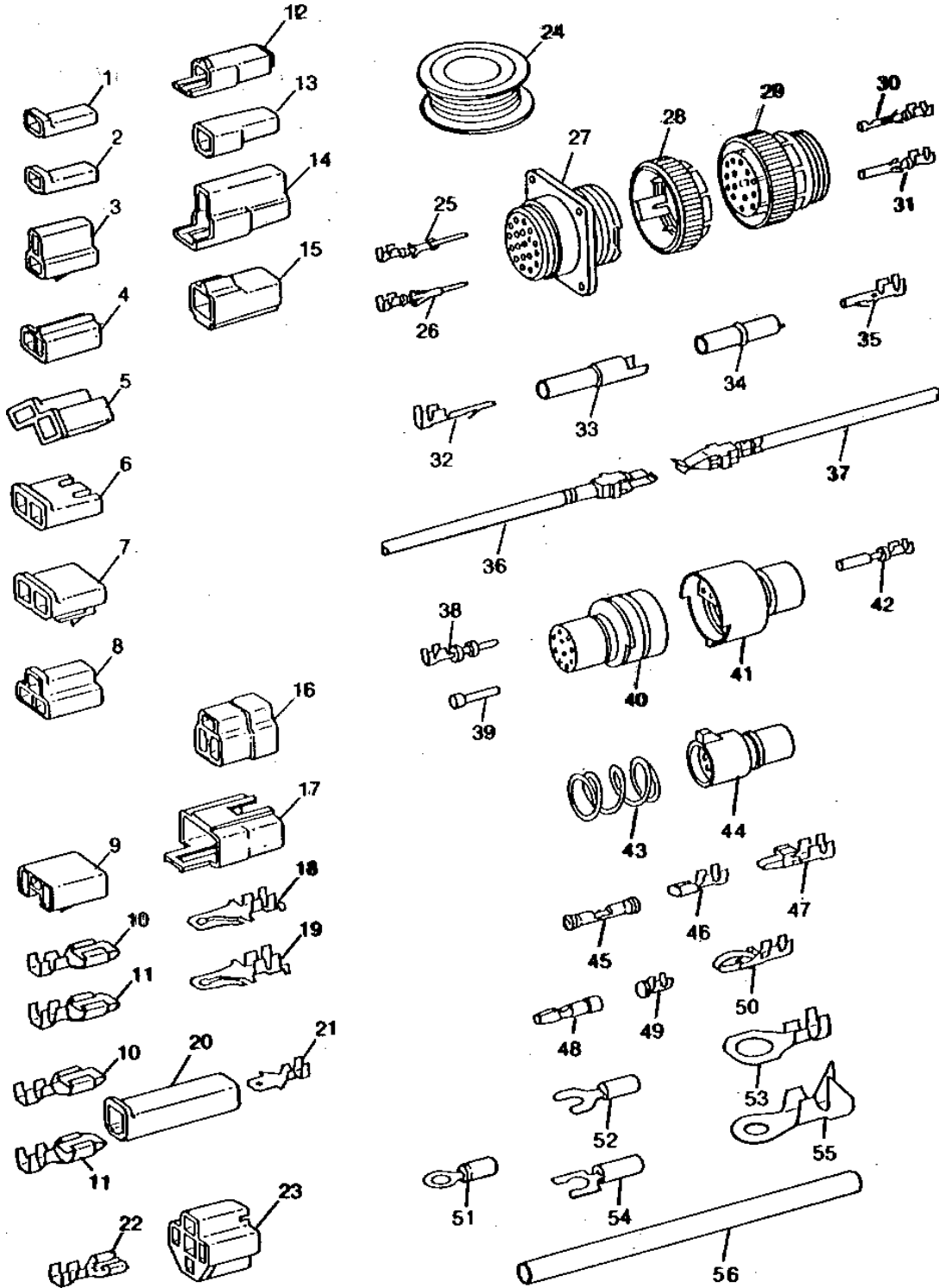
KEY	PART NO.	PART NAME	QTY	TRACTOR SERIAL NO.	REMARKS
1	AR65005	TERMINAL	1		
2	AR65006	TERMINAL	1		
3	R32024	WIRING LEAD	1		
4	R32025	WIRING LEAD	1		
5	RE21730	TERMINAL	1		
	RE21731	TERMINAL	1		
6	RE21732	TERMINAL	1		
7	R93219	CONDUIT	1		6.3 X 3048 MM (1/4" X 120")
	R93220	CONDUIT	1		10.4 X 3048 MM (13/32" X 120")
	R93221	CONDUIT	1		15.9 X 3048 MM (5/8" X 120")
	R93222	CONDUIT	1		25.4 X 3048 MM (1" X 120")
8	AR83425	RECEPTACLE CONNECTOR BODY	1		(LIGHT SWITCH)

# 2H7

ELECTRICAL

RXP010581 -UN-01JAN94

## ELECTRICAL CONNECTORS, TERMINALS AND WIRING



RXP010581

# 2H8

ELECTRICAL

## ELECTRICAL CONNECTORS, TERMINALS AND WIRING - CONTINUED

KEY	PART NO.	PART NAME	QTY	TRACTOR SERIAL NO.	REMARKS
1	T28583	RECEPTACLE	1	(B)	
2	M43835	FLAT CONNECTOR	1	(B)	
3	R77476	CONNECTOR	1	(A)	
4	R77477	CONNECTOR	1	(A)	
5	R77479	CONNECTOR	1	(A)	
6	R77480	CONNECTOR	1	(A)	
7	R77481	CONNECTOR	1	(A)	
8	R77482	CONNECTOR	1		
9	H104855	CONNECTOR	1		
10	U46662	TERMINAL	1	(E) (F)	
11	N115096	TERMINAL	1	(G) (SUB R65595) (PKG. OF 15)	
12	T28585	TERMINAL	1	(B)	
13	R77475	CONNECTOR	1	(B)	
14	T28586	CONNECTOR	1	(A)	
15	R77478	CONNECTOR	1	(A)	
16	R77483	CONNECTOR	1		
17	R48887	RECEPTACLE	1		
18	T34067	TERMINAL	1	(E) (F)	
19	R77484	TERMINAL	1	(G) (PKG. OF 15)	
20	U46370	CONNECTOR	1	(B)	
21	R77485	TAB	1	(C) (F)	
22	R77486	TERMINAL	1	(E) (F)	
23	R77487	CONNECTOR	1	(B)	
24	R66321	WIRING LEAD	1	15M (50 FT.) 10 GA.	
	R66320	WIRING LEAD	1	30.5M (100 FT.) 12 GA.	
	R77501	WIRE	1	30.5M (100 FT.) 14 GA.	
	R77500	WIRE	1	30.5M (100 FT.) 16 GA.	
	R77499	WIRE	1	30.5M (100 FT.) 18 GA.	
	R77498	WIRE	1	30.5M (100 FT.) 20 GA.	
25	R77462	PIN CONTACT	1	(PKG. OF 40) (20-22 OR 24 GA. WIRE)	
26	R77464	PIN CONTACT	1	(H) (PKG. OF 50)	
27	R77456	RECEPTACLE	1	(37 WAY)	
28	R77458	CONNECTOR	1	(A) (SIZE 23)	
	R77459	CONNECTOR	1	(A) (SIZE 17)	
	R77460	CONNECTOR	1	(A) (SIZE 13)	
	R77461	CONNECTOR	1	(A) (SIZE 11)	
29	R77457	ELECTRICAL PLUG	1	(37 WAY)	
30	R77463	SOCKET CONTACT	1	(PKG. OF 40) (20-22 OR 24 GA. WIRE)	
31	R77465	SOCKET CONTACT	1	(H) (PKG. OF 50)	
32	R77468	TERMINAL	1	(PKG. OF 5)	
33	R77466	CONNECTOR	1	(A)	
34	R77467	CONNECTOR	1	(A)	

(A) PKG. OF 2

(B) PKG. OF 3

(C) PKG. OF 10

(D) PKG. OF 20

(E) PKG. OF 25

(F) 14 OR 16 GA. WIRE

(G) 10 OR 12 GA. WIRE

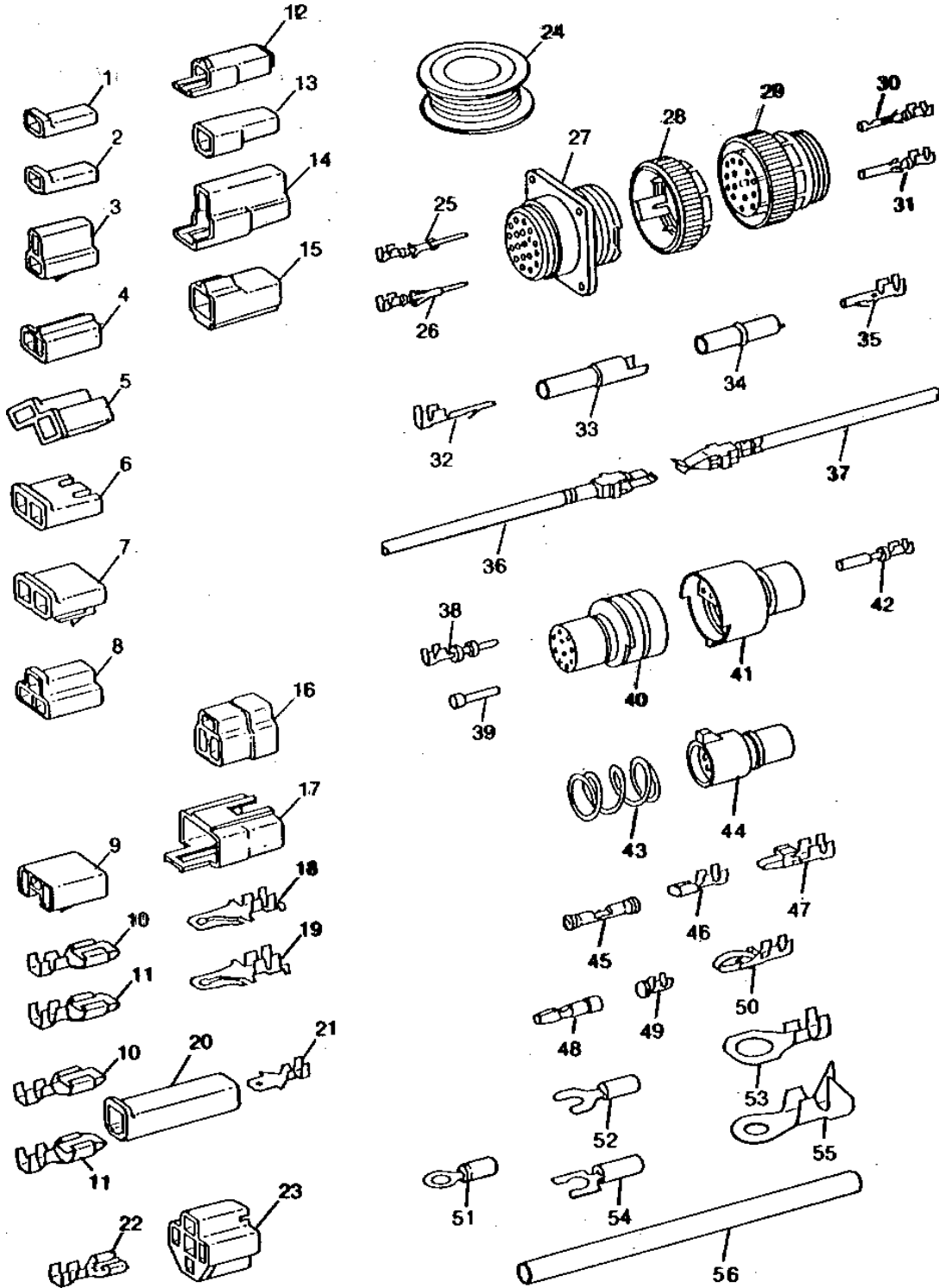
(H) 14-16 OR 18 GA. WIRE

# 2H9

ELECTRICAL

RXP010581 -UN-01JAN94

## ELECTRICAL CONNECTORS, TERMINALS AND WIRING - CONTINUED



RXP010581

# 2H10

ELECTRICAL

## ELECTRICAL CONNECTORS, TERMINALS AND WIRING - CONTINUED

KEY	PART NO.	PART NAME	QTY	TRACTOR SERIAL NO.	REMARKS
35	R77469	TERMINAL	1		(PKG. OF 5)
36	RE11156	TERMINAL	1		(B) (MALE)
37	RE11157	TERMINAL	1		(B) (FEMALE)
38	R70222	PIN CONTACT	1		(D) (H)
39	R70221	ELECTRICAL PLUG	1		(E)
40	R70219	PLUG	1		(A) (10 WAY)
	R70217	PLUG	1		(A) (7 WAY)
	R70215	PLUG	1		(A) (4 WAY)
	R70213	PLUG	1		(A) (3 WAY)
41	R70211	CONNECTOR	1		(A) (2 WAY)
	R70218	RECEPTACLE	1		(A) (10 WAY)
	R70216	RECEPTACLE	1		(A) (7 WAY)
	R70214	RECEPTACLE	1		(A) (4 WAY)
	R70212	RECEPTACLE	1		(A) (3 WAY)
	R70210	RECEPTACLE	1		(A) (2 WAY)
42	AR91793	SOCKET CONTACT	1		(D)
43	R30378	SPRING	1		(C)
44	R77474	CONNECTOR	1		(A) (6 WAY)
45	R77470	TERMINAL	1		SPLICE (PKG. OF 15) (16-18-20 OR 22 GA. WIRE)
	R77471	TERMINAL	1		(C) (G) SPLICE
	R77472	TERMINAL	1		(A) SPLICE (8 GA. WIRE)
	R77473	TERMINAL	1		(A) SPLICE (6 GA. WIRE)
46	R65607	TERMINAL	1		(C) (18 OR 20 GA. WIRE)
47	U46664	TERMINAL	1		(C) (F)
48	R32026	TERMINAL	1		(D) (F)
49	R65602	SOCKET CONTACT	1		(C) (16 OR 18 GA. WIRE)
50	R70220	TERMINAL	1		(C) (18 OR 20 GA. WIRE)
51	R77489	TERMINAL	1		(D) (14-16-18 OR 20 GA. WIRE) (NO. 10 EYELET)
	R77493	TERMINAL	1		(D) (G) (NO. 10 EYELET)
	R77488	TERMINAL	1		(D) (14-16-18 OR 20 GA. WIRE) (3/8" EYELET)
	R77490	TERMINAL	1		(D) (G) (1/2" EYELET)
52	R77496	TERMINAL	1		(D) (F) (NO. 8 SPADE)
	R77495	TERMINAL	1		(D) (18 GA. WIRE) (NO. 10 SPADE)
53	R77497	TERMINAL	1		(D) (F) (NO. 6 SPADE)
54	R77491	TERMINAL	1		(D) (G) (3/8" EYELET)
	R77492	TERMINAL	1		(D) (G) (1/4" EYELET)
55	R77494	TERMINAL	1		(D) (6 OR 8 GA. WIRE) (1/4" EYELET)
56	R77502	TUBE	1		(PKG. OF 8) 3/8" (HEAT SHRINK)
	R77503	TUBE	1		(PKG. OF 8) 3/16" (HEAT SHRINK)

(A) PKG. OF 2

(B) PKG. OF 3

(C) PKG. OF 10

(D) PKG. OF 20

(E) PKG. OF 25

(F) 14 OR 16 GA. WIRE

(G) 10 OR 12 GA. WIRE

(H) 14-16 OR 18 GA. WIRE

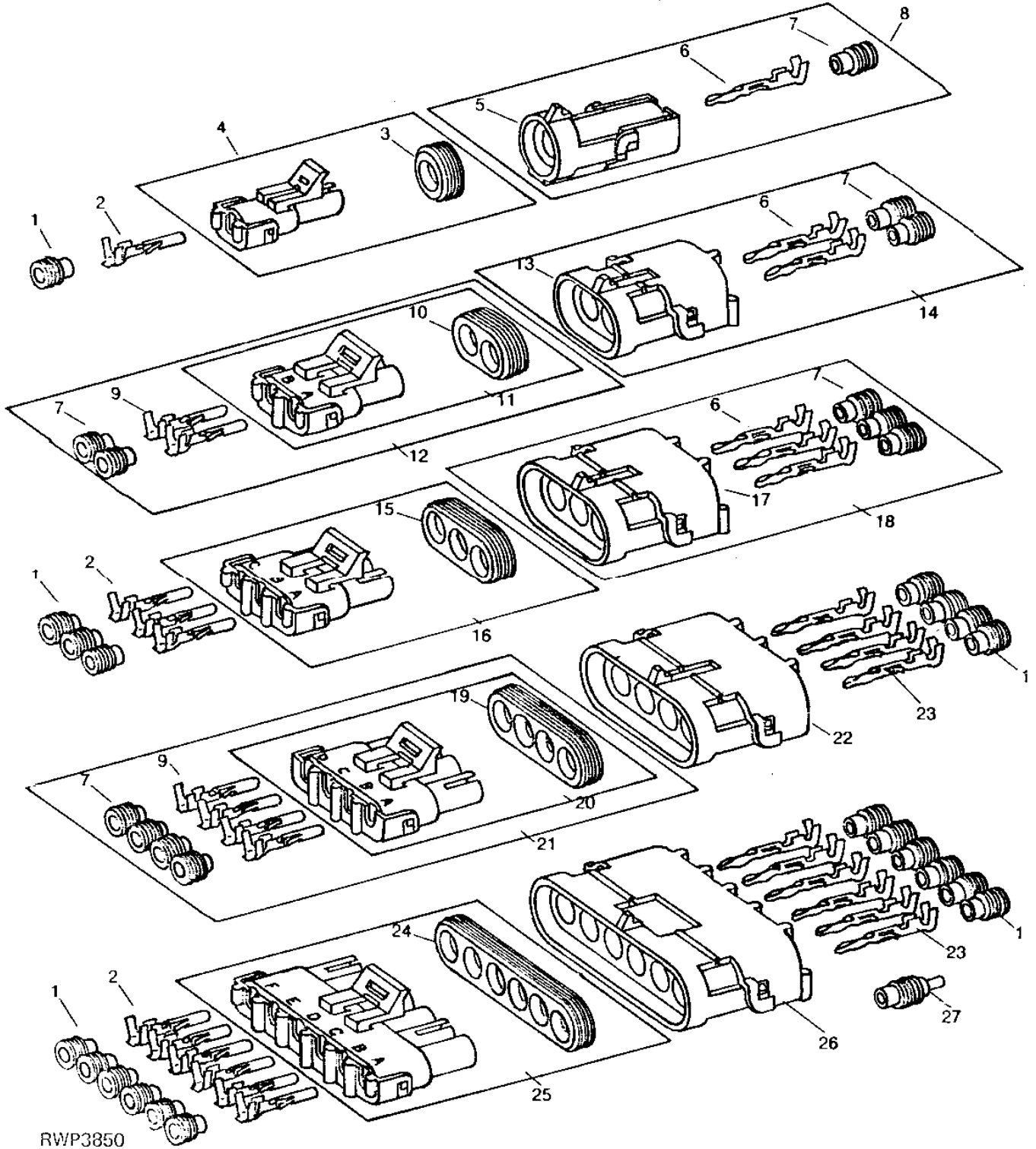
# 2H11

ELECTRICAL

RWP3850

-UN-01JAN94

## WEATHERPACK TERMINALS AND CONNECTORS





# 2H12

ELECTRICAL

## WEATHERPACK TERMINALS AND CONNECTORS - CONTINUED

KEY	PART NO.	PART NAME	QTY	TRACTOR SERIAL NO.	REMARKS
1	R78063	TERMINAL NIPPLE	1	(A)	(16 GA. WIRE) (GRAY)
	R78059	TERMINAL NIPPLE	1	(A)	(18 OR 20 GA. WIRE) (GREEN)
	R78062	TERMINAL NIPPLE	1	(A)	(14 GA. WIRE) (BLUE)
2	R78057	SOCKET CONTACT	1	(A)	(18 OR 20 GA. WIRE) (NO. 19)
	R78060	SOCKET CONTACT	1	(A)	(14 OR 16 GA. WIRE) (NO. 15)
3	R78047	SEAL	1	(B)	
4	RE12362	CONNECTOR	1	(C)	
5	R78052	CONNECTOR	1	(C)	
6	R78061	PIN CONTACT	1	(A)	(14 OR 16 GA. WIRE) (NO. 15)
7	R78063	TERMINAL NIPPLE	1	(A)	(16 GA. WIRE) (GRAY)
8	RE12334	CONNECTOR	1		
9	R78060	SOCKET CONTACT	1	(A)	(14 OR 16 GA. WIRE) (NO. 15)
10	R78048	TERMINAL NIPPLE	1	(B)	
11	RE12363	CONNECTOR	1	(C)	
12	RE12331	CONNECTOR	1		
13	R78053	CONNECTOR	1	(C)	
14	RE12330	CONNECTOR	1		
15	R78049	SEAL	1	(B)	
16	RE12364	CONNECTOR	1	(C)	
17	R78054	CONNECTOR	1	(C)	
18	RE12332	CONNECTOR	1		
19	R78050	SEAL	1	(B)	
20	RE12365	CONNECTOR	1	(D)	
21	RE12333	CONNECTOR	1		
22	R78055	CONNECTOR	1	(D)	
23	R78061	PIN CONTACT	1	(A)	(14 OR 16 GA. WIRE) (NO. 15)
	R78058	PIN CONTACT	1	(A)	(18 OR 20 GA. WIRE) (NO. 19)
24	R78051	SEAL	1	(B)	
25	RE12366	CONNECTOR	1	(D)	
26	R78056	CONNECTOR	1	(D)	
27	R78064	ELECTRICAL PLUG	1	(A)	

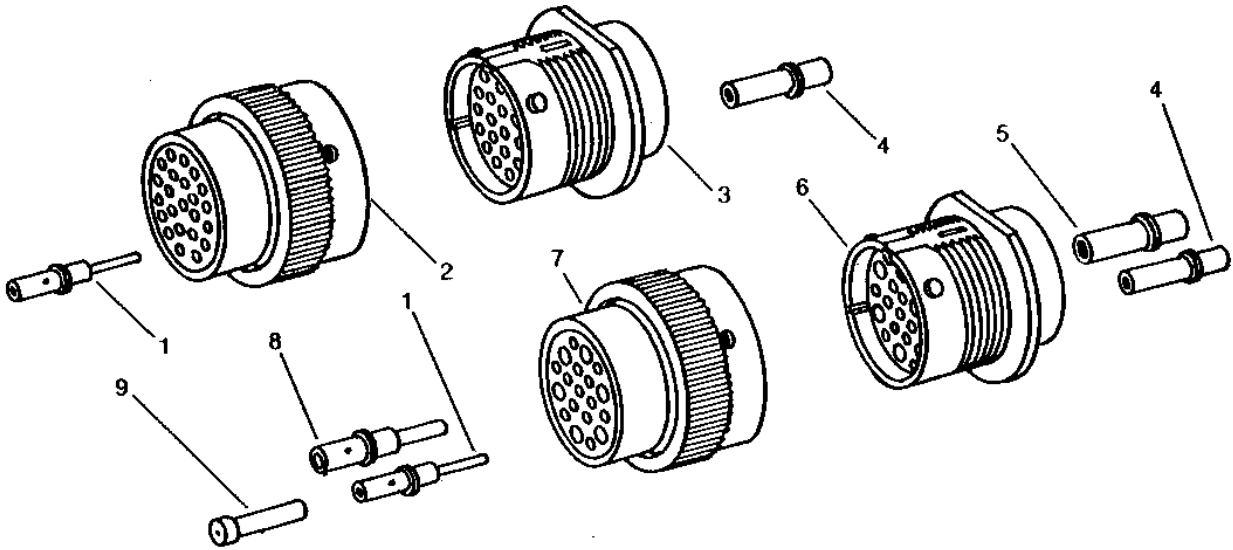
- (A) PKG. OF 40
- (B) PKG. OF 5
- (C) PKG. OF 3
- (D) PKG. OF 2

# 2H13

ELECTRICAL

RWP3855 -UN-01JAN94

## DEUTSCH TERMINALS AND CONNECTORS



RWP 3855

KEY	PART NO.	PART NAME	QTY	TRACTOR SERIAL NO.	REMARKS
1	R78066	PIN CONTACT	1	(A)	(16 OR 18 GA. WIRE)
2	RE12369	ELECTRICAL PLUG	1		(23 WAY)
3	RE12370	RECEPTACLE	1		(23 WAY)
4	R78065	SOCKET CONTACT	1	(A)	(16 OR 18 GA. WIRE)
5	R78067	SOCKET CONTACT	1	(A)	(12 OR 14 GA. WIRE)
6	RE12368	RECEPTACLE	1		(19 WAY)
7	RE12367	ELECTRICAL PLUG	1		(19 WAY)
8	R78068	PIN CONTACT	1	(A)	(12 OR 14 GA. WIRE)
9	R78069	TERMINAL NIPPLE	1	(A)	

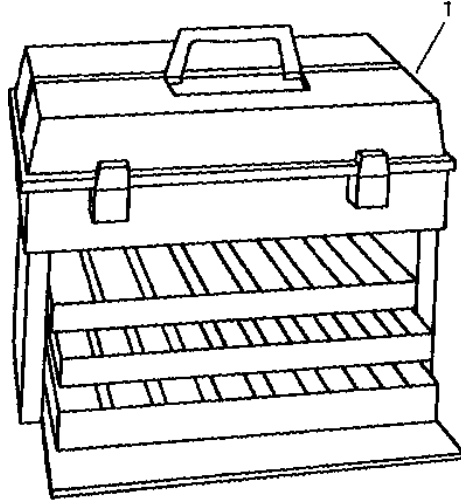
(A) PKG. OF 40

# 2H14

ELECTRICAL

RXP010001 -UN-01JAN94

## ELECTRICAL CONNECTOR AND TERMINAL KIT



RXP010001

KEY	PART NO.	PART NAME	QTY	TRACTOR SERIAL NO.	REMARKS
1	PM797NA	KIT	1	(A)	
(A) KIT INCLUDES CONNECTORS,TERMINALS AND TOOLS					

---

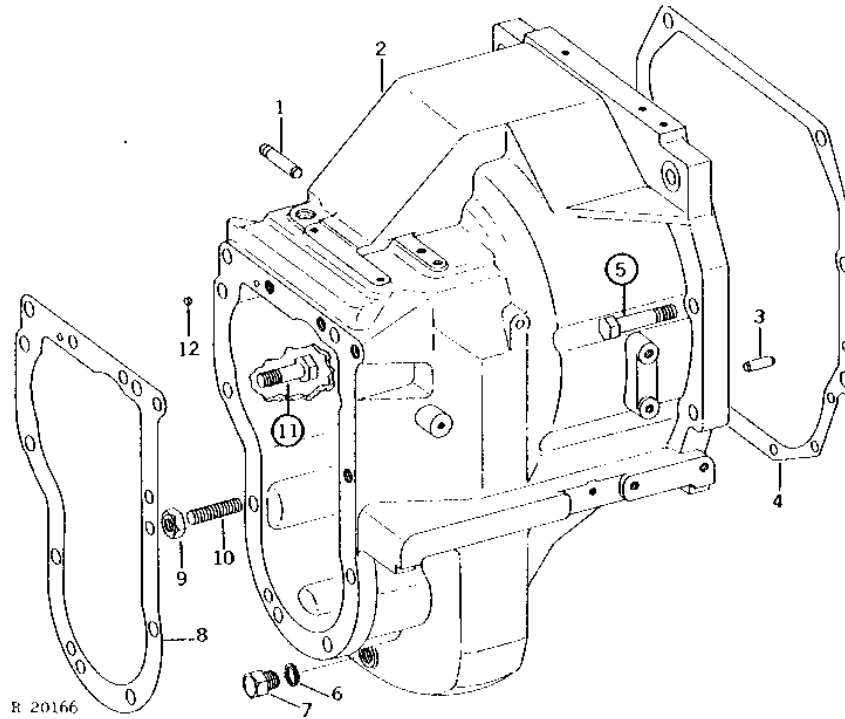
MEMORANDA

# 3B9

POWER TRAIN

R20166 -UN-01JAN94

## CLUTCH HOUSING (QUAD-RANGE AND SYNCRO-RANGE)



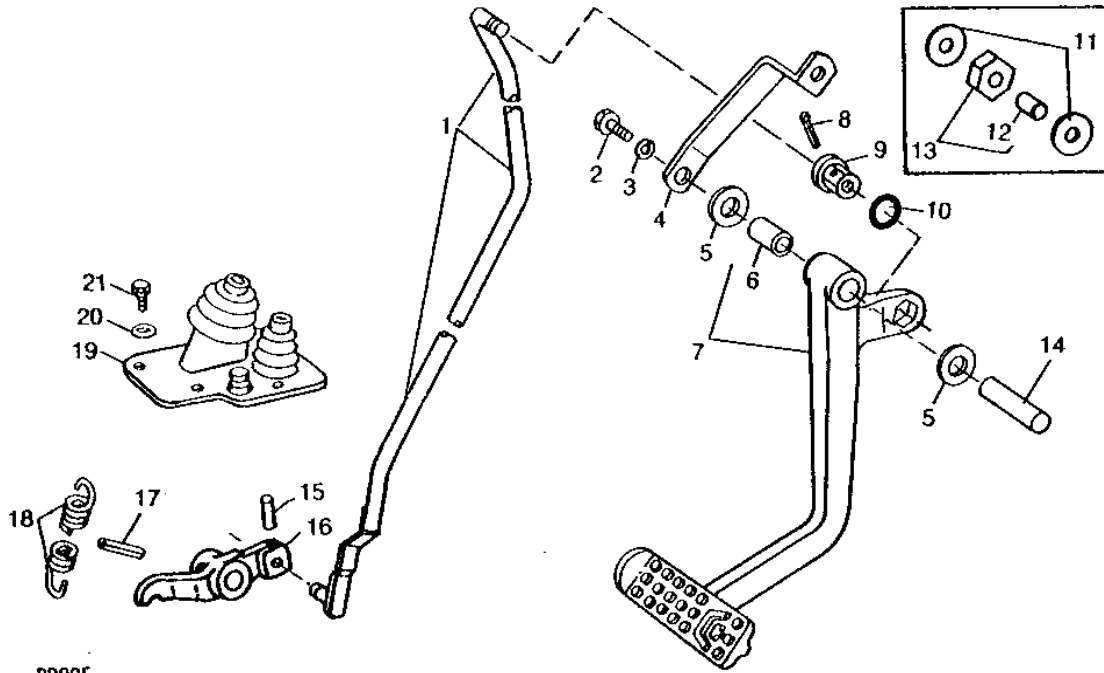
KEY	PART NO.	PART NAME	QTY	TRACTOR SERIAL NO.	REMARKS
1	R51923	PIN	1		
2	AR63334	HOUSING	1	-013046	(MARKED R50270) (SUB AR65205)
	AR79744	HOUSING	1	013047-	(MARKED R55560 OR R64146) (SUB FOR AR65205)
3	T26565	DOWEL PIN	2		(SUB FOR C1220R)
4	R50335	GASKET	1		
5	19H1425	CAP SCREW	6		3/4" X 2-3/4"
6	A4827R	WASHER	1		
7	F3128R	DRAIN PLUG	1		
8	R64326	GASKET	1		(SUB FOR R47082)
9	14H794	NUT	2		3/4"
10	F1549R	STUD	2		
11	19H1782	CAP SCREW	4		3/4" X 2-1/4"
	19H1715	CAP SCREW	2		3/4" X 3"
12	R51563	CAP	1		

# 3B10

POWER TRAIN

RP905 -UN-01JAN94

## CLUTCH PEDAL AND LINKAGE (QUAD-RANGE AND SYNCRO-RANGE)



RP905

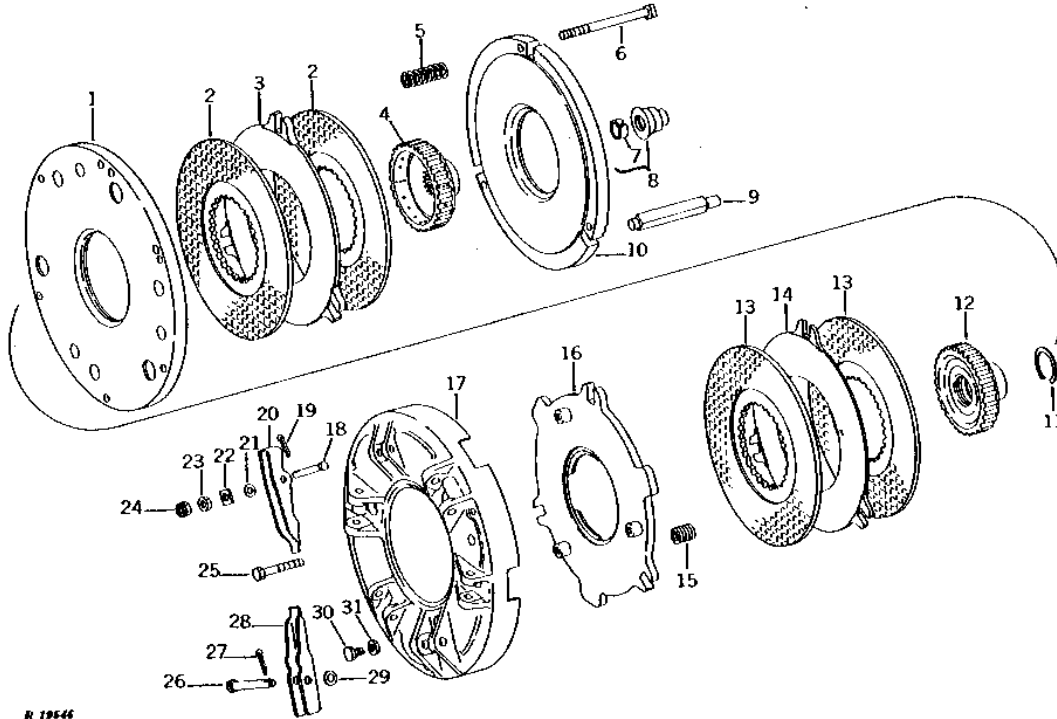
KEY	PART NO.	PART NAME	QTY	TRACTOR SERIAL NO.	REMARKS
1	R51455	ROD	1	-027119	(SUB R62738, R62732 AND 11M7083)
	R59141	ROD	1	027120-031179	(SUB R62738, R62732 AND 11M7083)
	R62738	ROD	1	031180-	
2	19H1731	CAP SCREW	1		3/8" X 1"
3	12H304	LOCK WASHER	1		3/8"
4	R54396	STRAP	1		
5	24H1394	WASHER	2		25/32" X 1-7/16" X 0.036"
6	R51192	BUSHING	1		
7	AR54596	PEDAL	1		(MARKED R50287)
8	11M7083	COTTER PIN	1	027120-	0.126" X 1.969"
9	R59138	ADAPTER	1	027120-031179	(SUB R62732, R62738 AND 11M7083, THIS APPLICATION)
	R62732	ADAPTER	1	031180-	
10	H21957	O-RING	1		
11	24H1345	WASHER	2	-027119	17/32" X 1-3/4" X 0.060"
12	R50359	BUSHING	1	-027119	
13	AR59158	ADAPTER	1	-027119	(SUB R62732, R62738 AND 11M7083, THIS APPLICATION)
14	R51521	PIN	1		
15	11M7015	COTTER PIN	1		3.200 X 25 MM
16	R50333	ARM	1		
17	34H331	SPRING PIN	1		5/16" X 1-1/2"
18	R43684	SPRING	1		
19	AR58478	BOOT	1		(SOUND-GARD BODY) (SUB AR86495)
20	24H1283	WASHER	3		7/32" X 1/2" X 0.049"
21	37H49	SCREW	3		NO. 10 X 1/2"

# 3B11

POWER TRAIN

R19546 -UN-01JAN94

## TRANSMISSION AND PTO CLUTCH (QUAD-RANGE AND SYNCRO-RANGE)



R 19546

KEY	PART NO.	PART NAME	QTY	TRACTOR SERIAL NO.	REMARKS
1	R50341	PLATE	1		
2	AR89320	CLUTCH DISK	2		(SUB FOR AR67710 OR AR73712) (SUB AR95827)
3	R62285	CLUTCH PLATE	1		(SUB FOR R53789 OR R59688)
4	R50346	HUB	1		
5	R50188	SPRING	3	-029307	(SUB R62729)
	R62729	SPRING	3	029308-	
6	R51230	BOLT	3		5-1/2" LONG
	R49579	BOLT	3		4-1/2" LONG
7	R50189	BUSHING	1		(SUB RE10713)
8	AR54728	ADAPTER	1		(SUB RE10713)
9	R50263	PIN	3		
10	R57330	PLATE	1		(SUB FOR R50938 OR R56746)
11	B3118R	SNAP RING	1		(A)
12	R56854	HUB	1		(A) (SUB FOR R50123)
13	AR60082	PLATE	2		(A) (SUB RE17420)
14	R59689	CLUTCH PLATE	1	-027565	(A) (SUB FOR R51800) (SUB R61066)
	R61066	CLUTCH PLATE	1	027566-	(A)
15	R56960	SPRING	3		(A) (SUB FOR R52771)
16	R56961	CLUTCH PLATE	1		(A) (ALSO ORDER (3) R56960) (SUB FOR R50940)
17	R50156	COVER	1		
18	R53625	PIN	3		
19	11M7021	COTTER PIN	3		0.157" X 0.984"
20	R54530	LEVER	3		
21	24M7096	WASHER	3		10.500 X 18 X 1.600 MM
22	R58008	LOCK WASHER	3		(SUB FOR R51231)
23	14H1080	NUT	3		3/8"
24	F3220R	LOCK NUT	3		
25	R61529	SCREW	6		
26	R31132	PIN	3		(A)
27	11M7021	COTTER PIN	3		(A) 0.157" X 0.984"
28	R57031	LEVER	3	-013245	(A) (ALSO ORDER R61386 AND (3) R56960) (SUB FOR R53439)
	R57031	LEVER	3	013246-	(A)
29	24H1227	WASHER	3		(A) 17/32" X 13/16" X 0.060"
30	R78020	SELF-LOCKING SCREW	3		(A) (SUB FOR R51942 OR R56730)
31	14H934	NUT	3		(A) 7/16"

(A) PTO

---

MEMORANDA

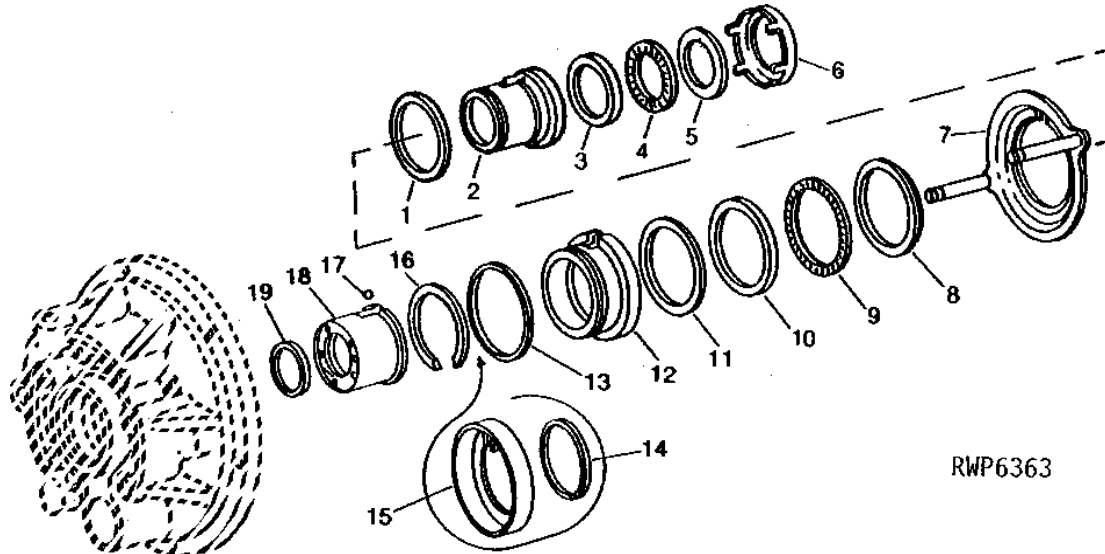


# 3B12

POWER TRAIN

## TRANSMISSION AND PTO CLUTCH OPERATING PISTON (QUAD-RANGE AND SYNCRO-RANGE)

RWP6363 -UN-01JAN94



RWP6363

KEY	PART NO.	PART NAME	QTY	TRACTOR SERIAL NO.	REMARKS
1	R52910	PACKING	1	-029294	(SUB R65549)
	R58588	WASHER	1	029295-037681	(SUB R65551)
	R65551	PACKING	1	037682-	
2	R50854	PISTON	1	-029294	
	R61400	PISTON	1	029295-	
3	JD9916	BEARING	1		
4	JD9918	BEARING	1		
5	R51340	BEARING RACE	1		
6	R51365	RETAINER	1		
7	AR56116	RETAINER	1		(A)
8	R51341	BEARING RACE	1	-017809	(A) (B) (SUB R61386) (ALSO ORDER (3) R57031 AND (3) R56960)
	R51341	BEARING RACE	1	017810-029294	(A) (B) (SUB R61386)
	R61386	BEARING RACE	1	029295-	
9	JD9919	BEARING	1		(A)
10	JD9917	BEARING	1		(A)
11	R51352	WASHER	1	-029294	(A) (NOT USED WITH R62535)
12	R50852	PISTON	1	-029294	(A) (SUB R62535)
	R61398	PISTON	1	029295-	(SUB R65431) (ALSO ORDER R65432)
13	R52909	PACKING	1	-029294	(A) (USE WITH R50852)
	R67067	PACKING	1	029295-	(SUB FOR R58587)
	R65432	PACKING	1		(USE WITH R65431)
14	.....	RING	1		(NOT REQUIRED)
15	.....	RING	1		(NOT REQUIRED)
16	R52912	SNAP RING	1	-029294	
17	400R	BALL	1	-029294	6MM (1/4")
18	R50853	SUPPORT	1	-029294	(SUB R62832)
	R62833	SLEEVE	1	029295-	(SUB FOR R61399)
19	R65550	PACKING	1		(SUB FOR R52911)

(A) PTO  
(B) QUAD-RANGE TRANSMISSION

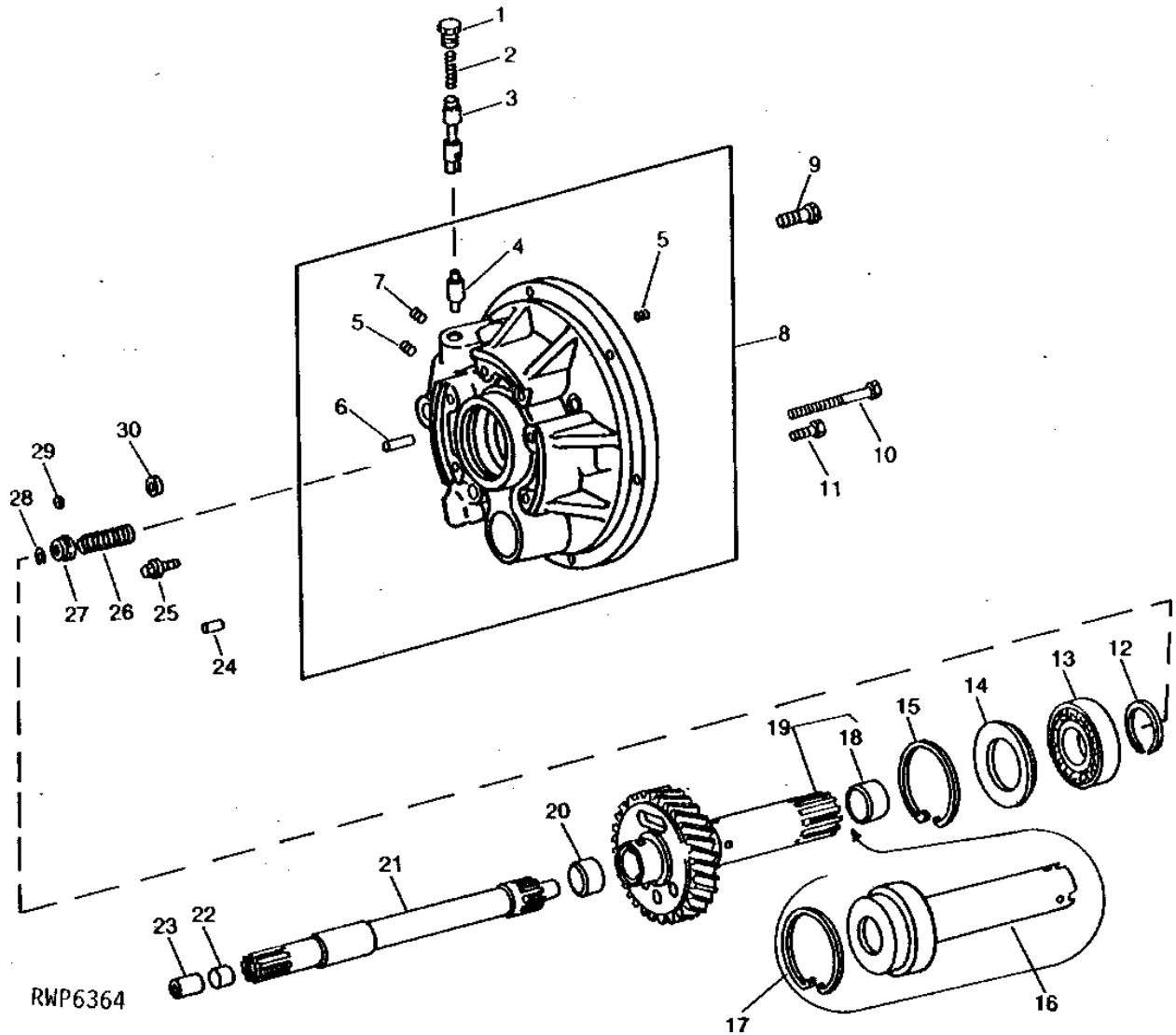
# 3B13

POWER TRAIN

RWP6364

-UN-01JAN94

## TRANSMISSION AND PTO CLUTCH OPERATING PISTON HOUSING



# 3B14

POWER TRAIN

## TRANSMISSION AND PTO CLUTCH OPERATING PISTON HOUSING - CONTINUED

KEY	PART NO.	PART NAME	QTY	TRACTOR SERIAL NO.	REMARKS
1	R41155	PLUG	1		
2	R50259	SPRING	1		
3	R61659	VALVE	1		(ALSO ORDER R61660) (SUB FOR R51351)
4	R61660	PIN	1		(ALSO ORDER R61659) (SUB FOR R53245)
5	15H558	PIPE PLUG	AR		1/8"
6	R57442	NEEDLE ROLLER	1		
7	15H559	PIPE PLUG	1		1/4"
8	AR61917	HOUSING	1	-029294	(B) (C) (MARKED R50301 OR R62742) (SUB AR77397 AND R61659, THIS APPLICATION)
	AR77396	HOUSING	1	029295-	(B) (C) (MARKED R61397 OR R62744) (SUB RE10531 AND RE20724)
	R21629	PIPE PLUG	1	029295-	(B) (C)
	AR61917	HOUSING	1	-029400	(D) (MARKED R50301 OR R63742) (SUB AR78060 AND R61659, THIS APPLICATION)
	RE10530	HOUSING	1	029401-	(D) (MARKED R63744) (ALSO FURNISH RE20724) (SUB R63744, R1932, (3) R42849, (5) 15H558, 15H559 AND R55425) (SUB FOR AR78059)
9	R41041	CAP SCREW	4		
10	R51383	SELF-LOCKING SCREW	5		(B)
	R51383	SELF-LOCKING SCREW	3	013000-	(D)
11	R41041	CAP SCREW	2		
12	R36295	SNAP RING	1		
13	JD8735	BALL BEARING	1		(A)
14	R52988	WASHER	1		(A)
15	R70607	SNAP RING	1		(A) (SUB FOR R53107 OR R68956)
16	AR62064	ADAPTER	1		(LESS PTO)
17	R70607	SNAP RING	1		(LESS PTO) (SUB FOR R53107 OR R68956)
18	R50863	BUSHING	1		(A)
19	AR54963	DRIVE SHAFT	1		(A) (B) (C) (MARKED R50861)
	AR65131	DRIVE SHAFT	1	013000-	(A) (MARKED R55655) (INCLUDES R34328 AND R50863)
20	R34328	BUSHING	1	013000-	(A) (D)
21	R50154	SHAFT	1		(B)
	R50625	SHAFT	1		(C)
	AR65533	SHAFT	1	013000-	(D) (INCLUDES R39276)
22	R39276	BUSHING	1	013000-	(D)
23	R50155	BUSHING	1		
24	R1932R	DOWEL PIN	1		
25	AR61146	SCREW	5		
26	R50258	SPRING	2		(A)
27	R62955	RETAINER	2		(A)
28	R26548	SNAP RING	2		(A)
29	R60038	PACKING	1	034664-	
30	R26919	WASHER	1		

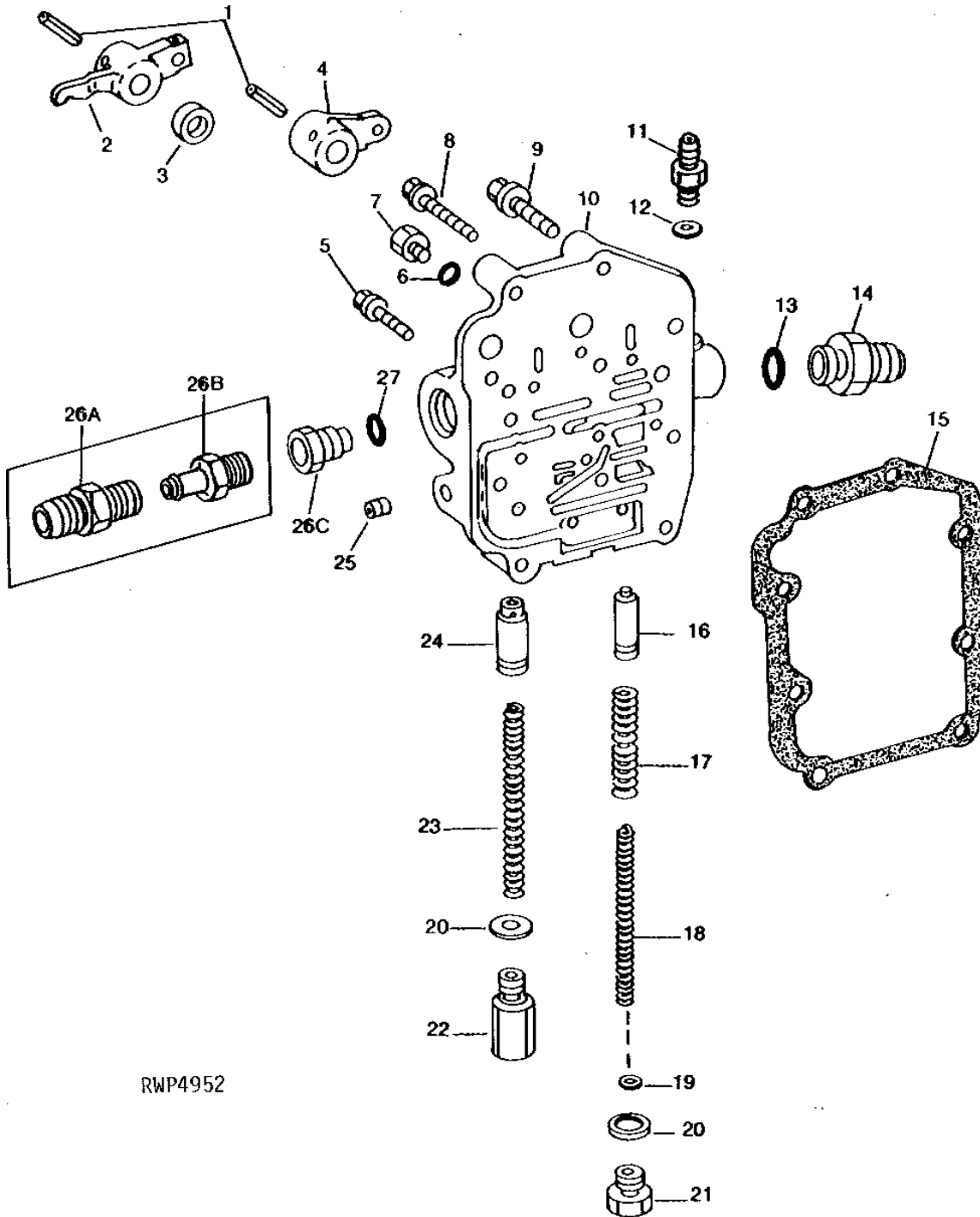
- (A) PTO
- (B) QUAD-RANGE TRANSMISSION
- (C) SYNCRO-RANGE TRANSMISSION
- (D) CREEPER TRANSMISSION

# 3B15

POWER TRAIN

## CLUTCH OIL PRESSURE REGULATING VALVE HOUSING AND VALVES (QUAD-RANGE AND SYNCRO-RANGE)

RWP4952 -UN-01JAN94



RWP4952

# 3B16

POWER TRAIN

CLUTCH OIL PRESSURE REGULATING VALVE HOUSING AND VALVES - CONTINUED  
(QUAD-RANGE AND SYNCRO-RANGE)

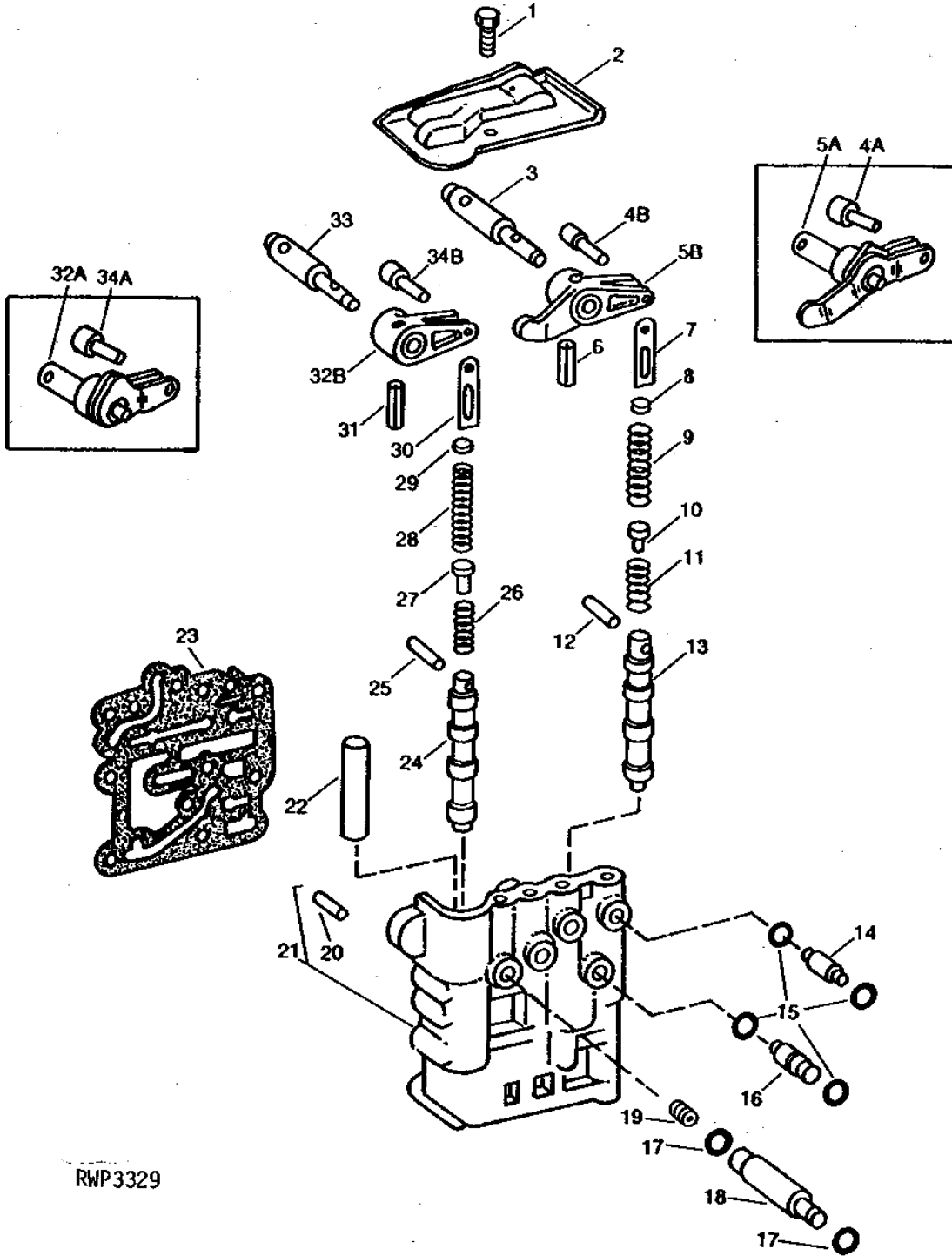
KEY	PART NO.	PART NAME	QTY	TRACTOR SERIAL NO.	REMARKS
1	34H331	SPRING PIN	2		5/16" X 1-1/2"
2	R50333	ARM	1		
3	AF2907R	SEAL	2		
4	R50334	ARM	1		
5	R52904	SCREW	6		
6	R26286	O-RING	4		
7	R27094	DRAIN PLUG	4		
8	R52907	CAP SCREW	2	-016467	
	R52904	SCREW	2	016468-	
9	R52906	SCREW	8	-016467	
	R52906	SCREW	5	016468-	
	19H1731	CAP SCREW	3	016468-	3/8" X 1"
	24H1298	WASHER	3	016468-	3/8" X 5/8" X .030"
10	R51931	HOUSING	1	-016467	(SUB R66623, R27003, R27094, AR67011, (2) R52904, R76493, B2762R, (3) 19H1731 AND (3) 24H1298)
	R57092	HOUSING	1	016468-019558	(SUB R66623, R27003 AND R27094)
	R66623	HOUSING	1	019559-	(SUB FOR R57743)
	R35286	CAP	1		(LESS PTO)
11	R65684	FITTING	1	019559-	(SUB FOR R55525)
12	R27003	WASHER	1	019559-	
13	F3171R	O-RING	1		
14	R27267	FITTING	1		
15	R94286	GASKET	1		(SUB FOR R52905)
16	R57559	VALVE	1		(ALSO ORDER R33259) (SUB FOR R33162)
17	R52903	SPRING	1		
18	R52902	SPRING	1		(SUB R71867)
19	R33521	SHIM	AR		
20	R1742R	WASHER	2		
21	R52589	FITTING PLUG	1		
22	R51577	FITTING PLUG	1		
23	R57585	SPRING	1		(SUB FOR R51576)
24	R57560	VALVE	1		(ALSO ORDER R33259) (SUB FOR R54042)
25	15H558	PIPE PLUG	1		1/8", (SUB FOR R21630)
26A	R27267	FITTING	1	-001612	
26B	R53540	HOSE FITTING	1	001613-016467	
26C	R76493	FITTING	1	016468-	(SUB FOR R56258)
27	F3171R	O-RING	1	-016467	
	B2762R	O-RING	1	016468-	

# 3B17

POWER TRAIN

RWP3329 -UN-01JAN94

## CLUTCH VALVE HOUSING AND VALVES (QUAD-RANGE AND SYNCRO-RANGE)



RWP3329

# 3B18

POWER TRAIN

## CLUTCH VALVE HOUSING AND VALVES - CONTINUED (QUAD-RANGE AND SYNCRO-RANGE)

KEY	PART NO.	PART NAME	QTY	TRACTOR SERIAL NO.	REMARKS
1	R30165	CAP SCREW	1		
2	R53268	GUARD	1		
3	R63052	SHAFT	1	026969-	(A) (ALSO ORDER R62042, R58941 AND 34H313) (SUB FOR R61939 OR R62041)
4A	R33145	PIN	1	-026968	(A)
4B	R58941	PIN	1	026969-	(A)
5A	AR54527	SHAFT	1	-026968	(A) (SUB R62042, R63052, R58941 AND 34H313)
5B	R67981	ARM	1	026969-	(A) (ALSO ORDER R63052, R58941 AND 34H313) (SUB FOR R58942 OR R62042)
6	34H328	SPRING PIN	1	026969-XXXXXX	(A) 5/16" X 1-1/8"
	34H313	SPRING PIN	1	XXXXXX-	(A) 1/4" X 1-1/8"
7	R52666	LINK	1		(A)
8	R52665	DISK	1		(A)
9	R52446	SPRING	1		(A)
10	R52448	PIN	1		(A)
11	R52447	SPRING	1		(A)
12	R53076	NEEDLE ROLLER	1		(A)
13	R51856	VALVE	1		(A)
14	R52327	ADAPTER	3		
15	R26286	O-RING	8		
16	R52328	ADAPTER	1		
17	R26286	O-RING	2		(QUAD-RANGE)
18	R52329	ADAPTER	1		(QUAD-RANGE)
19	15H558	PIPE PLUG	1		1/8", (SUB FOR R21630) (SYNCRO-RANGE)
20	R38295	NEEDLE ROLLER	2		
21	AR102797	HOUSING	1		(MARKED R51855, R59597 OR R73809) (ALSO ORDER R99386) (SUB FOR AR61572 OR AR71960)
	R54383	SHEAR PIN	1		(LESS PTO)
	34H268	SPRING PIN	1		5/32" X 1-1/4", (LESS PTO)
22	R52900	QUICK LOCK PIN	1		(A)
23	R99386	GASKET	1		(SUB FOR R51857 OR R59598)
24	R51856	VALVE	1	-029294	
	R62724	VALVE	1	029295-	
25	R53076	NEEDLE ROLLER	1		
26	R52447	SPRING	1	-029294	
	R63849	SPRING	1	029295-	(SUB FOR R62727)
27	R52448	PIN	1		
28	R52446	SPRING	1	-029294	
	R62726	SPRING	1	029295-	
29	R52665	DISK	1		
30	R52666	LINK	1	-029294	
	R62725	LINK	1	029295-	
31	34H328	SPRING PIN	1	026969-XXXXXX	5/16" X 1-1/8"
	34H313	SPRING PIN	1	XXXXXX-	1/4" X 1-1/8"
32A	AR54526	SHAFT	1	-026968	(SUB R62043, R63052, R58941 AND 34H313)
32B	R62043	ARM	1	026969-	(ALSO ORDER R63052, R58941 AND 34H313) (SUB FOR R58939)
33	R63052	SHAFT	1	026969-	(ALSO ORDER R62043, R58941 AND 34H313) (SUB FOR R58940 OR R62041)
34A	R33145	PIN	1	-026968	
34B	R58941	PIN	1	026969-	

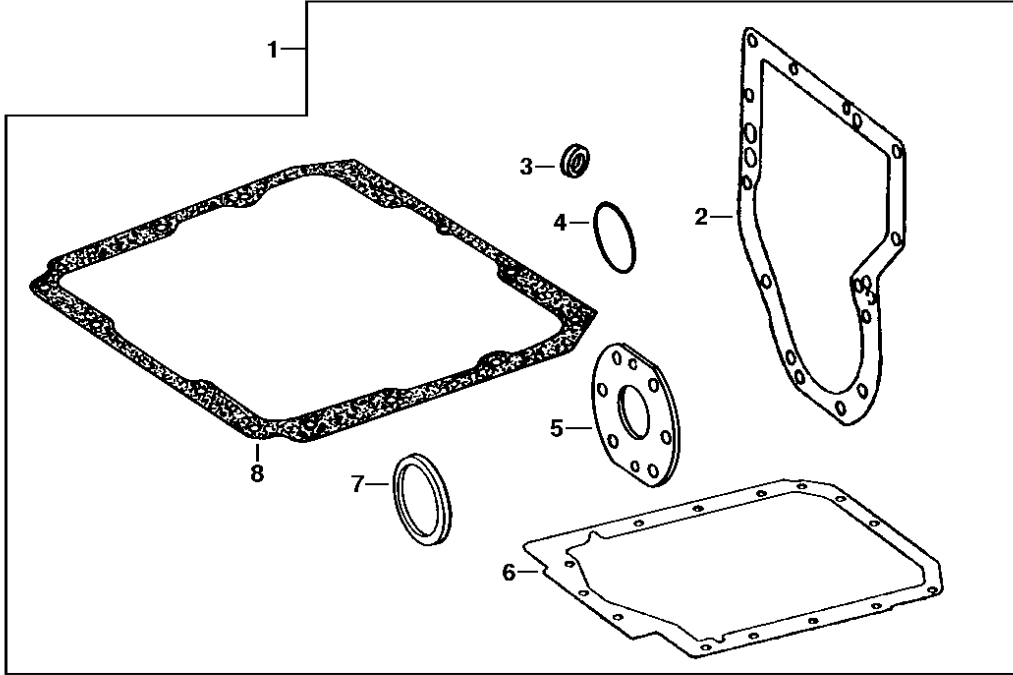
(A) PTO

# 3B19

POWER TRAIN

RXP021431 -UN-25JAN96

## GASKET TRANSMISSION REPAIR KIT



**RXP021431**

KEY	PART NO.	PART NAME	QTY	TRACTOR SERIAL NO.	REMARKS
1	RE54222	GASKET KIT	1		
2	R99292	GASKET	1		
3	A3917	O-RING	1		
4	R60038	PACKING	1		
5	R33337	GASKET	1		
6	R92411	GASKET	1		
7	R56462	O-RING	3		
8	R33425	GASKET	1		

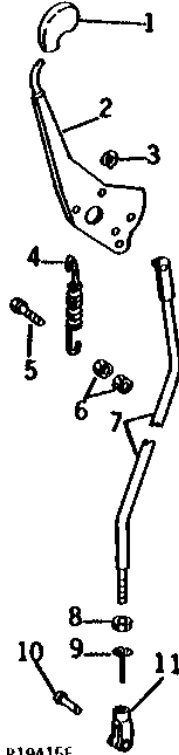


# 3B20

POWER TRAIN

R19415 -UN-01JAN94

## PTO LEVER (QUAD-RANGE AND SYNCRO-RANGE)



KEY	PART NO.	PART NAME	QTY	TRACTOR SERIAL NO.	REMARKS
1	R52056	GRIP	1		
2	R52065	LEVER	1		
3	R72655	SNAP RING	1		(SUB FOR T12808)
4	R58500	SPRING	1		(SUB FOR R56911)
5	19H3552	CAP SCREW	1		5/16" X 1-1/2"
6	14H611	NUT	2		5/16"
7	AR61142	ROD	1		(SUB R70881)
8	14H732	NUT	1		3/8"
9	R56199	PIN	1		(SUB FOR R53772)
10	R65563	PIN	1		(SUB FOR C1067R)
11	C284R	YOKE	1		

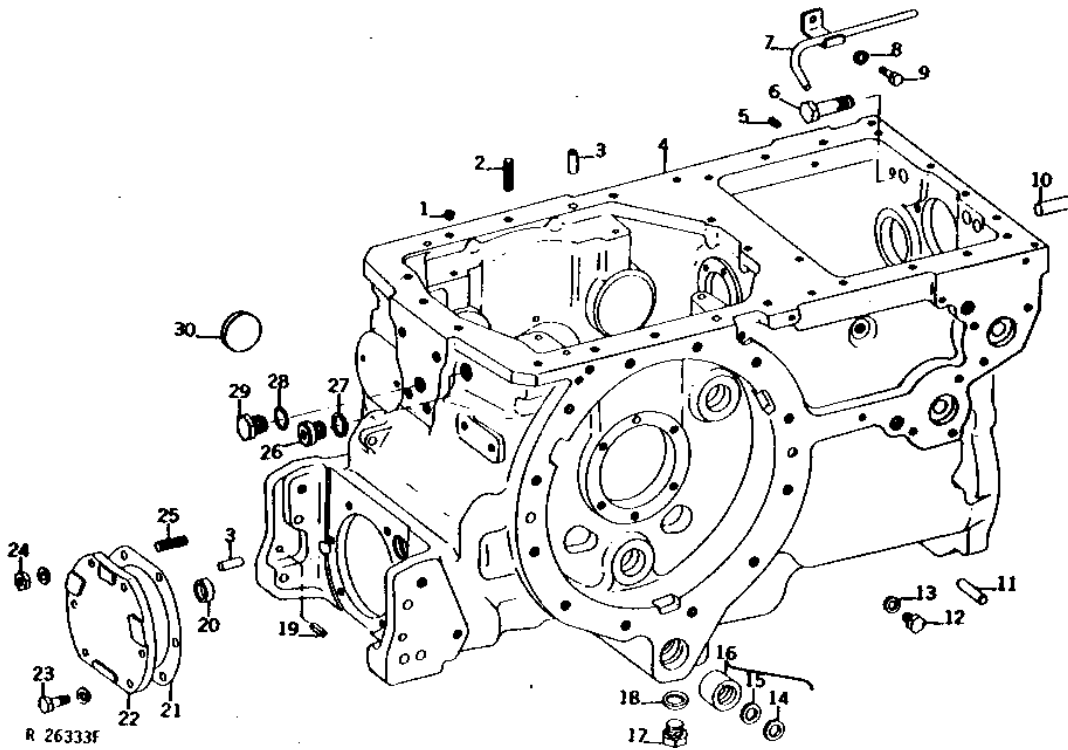
# 3B21

POWER TRAIN

R26333

-UN-01JAN94

## TRANSMISSION CASE (QUAD-RANGE AND SYNCRO-RANGE)



R 26333F

# 3B22

POWER TRAIN

## TRANSMISSION CASE - CONTINUED (QUAD-RANGE AND SYNCRO-RANGE)

KEY	PART NO.	PART NAME	QTY	TRACTOR SERIAL NO.	REMARKS
1	15H558	PIPE PLUG	4		1/8", (SUB FOR R21630)
2	R49988	STUD	4		(SUB R32101)
3	R48685	DOWEL PIN	4		
4	AR63308	TRANSMISSION CASE	1	-034792	(A) (MARKED R49820) (SUB AR77476 AND AR66847)
	AR77476	TRANSMISSION CASE	1	034793-	(A) (MARKED R61976)
	AR63309	TRANSMISSION CASE	1	-034495	(B) (MARKED R49830 OR R56360) (SUB AR88096 AND AR66847)
	AR77477	CASE	1	034496-	(B) (MARKED R61975 OR R58800) (SUB AR88096)
	22H821	SET SCREW	1		1/2" X 1/2", (USE WITH R56360)
5	M4224T	PLUG	1		(B)
6	19H2600	CAP SCREW	1		3/4" X 2-5/8"
	19H1988	CAP SCREW	1		3/4" X 6"
	19H2663	CAP SCREW	1		3/4" X 2-1/8"
	T21397	WASHER	2		
7	AR48755	TUBE	1		
8	24H1305	WASHER	1		13/32" X 13/16" X 0.065"
9	R43569	CAP SCREW	1		(SUB R72371)
10	A776R	PIN	2		
11	T25317	DOWEL PIN	4		
12	R27218	FITTING PLUG	1		(C)
13	T16911	SHIM	1		(C)
14	R53177	WASHER	2		
15	R53180	O-RING	2		
16	AR54481	BUSHING	2		(SUB FOR AR85459)
	R54785	BUSHING	2		0.51MM (.020") OVERSIZE, (USE WITH CASE MARKED "OS20")
17	F3128R	DRAIN PLUG	1		
18	A4827R	WASHER	1		
19	34H348	SPRING PIN	2		3/8" X 1"
20	R33498	CAP	1		(D) (E)
21	R33337	GASKET	1		
22	R33489	COVER	1		(E)
23	19H1815	CAP SCREW	4		1/2" X 1-1/4"
	12H301	LOCK WASHER	4		1/2"
24	14H1040	NUT	2		1/2"
	12H301	LOCK WASHER	2		1/2"
25	R32101	STUD	2		
26	R27483	PLUG	1		
27	H851R	WASHER	1		
28	F3171R	O-RING	1		
29	AR54983	FITTING PLUG	1		
	AR72101	FITTING PLUG	1		(USE WITH R58800)
30	R38344	CAP	1		(D)

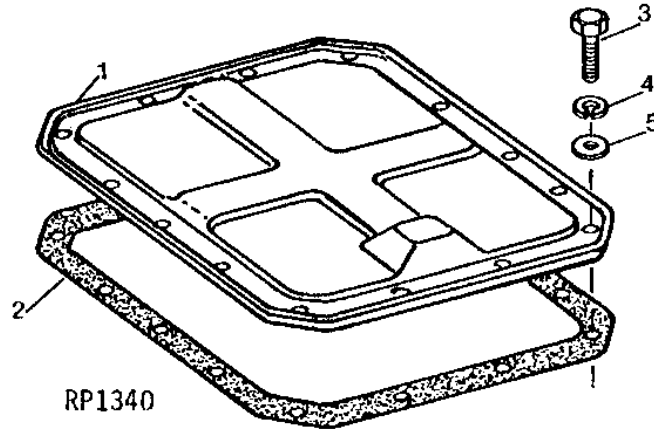
- (A) SYNCRO-RANGE TRANSMISSION
- (B) QUAD-RANGE TRANSMISSION
- (C) LESS DIFFERENTIAL LOCK
- (D) 1000 RPM PTO
- (E) LESS PTO

# 3B23

POWER TRAIN

RP1340 -UN-01JAN94

## TRANSMISSION CASE COVER (QUAD-RANGE AND SYNCRO-RANGE)



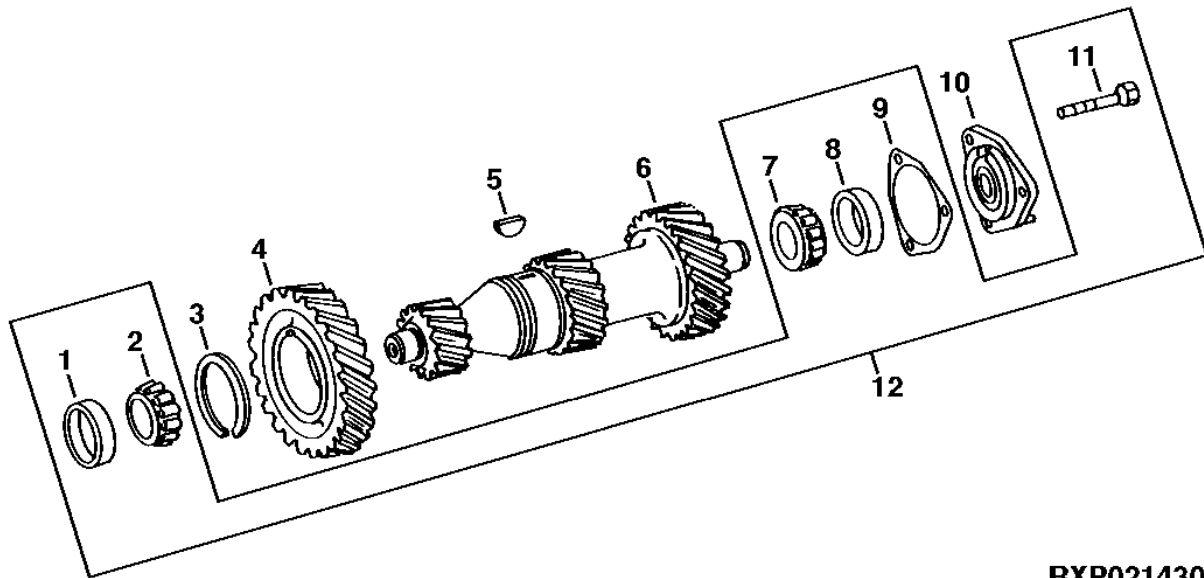
KEY	PART NO.	PART NAME	QTY	TRACTOR SERIAL NO.	REMARKS
1	R33424	COVER	1		
2	R33425	GASKET	1		
3	19H1731	CAP SCREW	11	3/8" X 1"	
4	19H1801	CAP SCREW	11	3/8" X 2"	
4	A4624R	WASHER	12		
5	A4624R	WASHER	12		

# 3B24

POWER TRAIN

RXP021430 -UN-24JAN96

## COUNTERSHAFT (QUAD-RANGE AND SYNCRO-RANGE)



**RXP021430**

KEY	PART NO.	PART NAME	QTY	TRACTOR SERIAL NO.	REMARKS
1	JD8257	BEARING CUP	1		
2	AR94761	BEARING CONE	1		(SUB FOR JD8947)
3	H631R	SNAP RING	1		(SUB FOR R26210)
4	R51921	GEAR	1		(A) (SIXTH AND EIGHTH SPEED)
	R50338	GEAR	1		(B) (D-RANGE)
5	26H89	SHAFT KEY	1		1/4" X 1-1/8"
6	R50268	COUNTERSHAFT	1		(A)
	R67221	COUNTERSHAFT	1		(B) (SUB FOR R50336)
7	JD8198	BEARING CONE	1		
8	JD9111	BEARING CUP	1		
9	R46394	SHIM	AR		0.15MM (.006")
	R46395	SHIM	AR		0.25MM (.010")
	R46396	SHIM	AR		0.46MM (.018")
10	R50285	QUILL	1		
11	R57725	SCREW	3		(SUB FOR R40835)
12	AR116200	SHAFT	1		

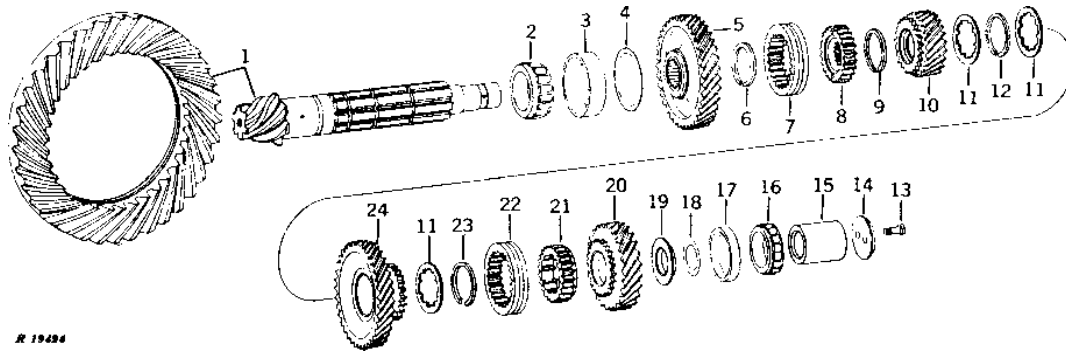
(A) SYNCRO-RANGE TRANSMISSION  
(B) QUAD-RANGE TRANSMISSION

# 3B25

POWER TRAIN

## DIFFERENTIAL DRIVE AND BEVEL PINION ASSEMBLY (SYNCRO-RANGE)

R19494 -UN-25SEP95



R 19494

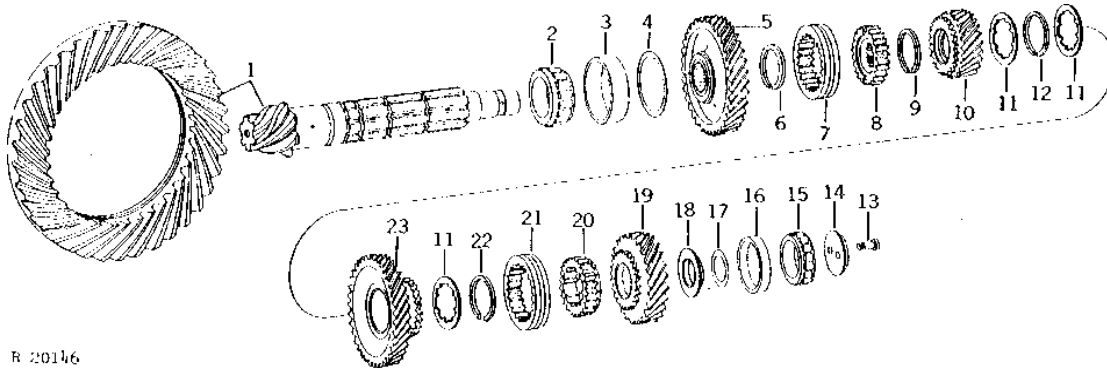
KEY	PART NO.	PART NAME	QTY	TRACTOR SERIAL NO.	REMARKS
1	AR54984	GEAR	1		(MARKED R33062 AND R50888) (MATCHED SET) (ALSO ORDER (2) R33410, (2) R33411, (2) R33413 AND (2) R33414) (SUB FOR AR63367)
2	JD8977	BEARING CONE	1		
3	JD8266	BEARING CUP	1		
4	R33410	SHIM	AR		0.08MM (.003")
	R33411	SHIM	AR		0.13MM (.005")
	R33412	SHIM	AR		0.25MM (.010")
5	AR32168	GEAR	1		(MARKED R33367)
6	R46400	SNAP RING	1		
7	R26066	SHIFT COLLAR	1		
8	R33387	GEAR	1		
9	R46401	SNAP RING	1		
10	R33388	GEAR	1		(SIXTH AND EIGHTH SPEED)
11	R26068	WASHER	3		
12	R46402	SNAP RING	1		
13	R57725	SCREW	2		(SUB FOR R40835)
14	R57267	PLATE	1		(SUB FOR R50282)
15	.....	BUSHING	1		(NOT REQUIRED)
16	JD8980	BEARING CONE	1		
17	JD7430	BEARING CUP	1		
18	R33413	SHIM	AR		0.08MM (.003")
	R33414	SHIM	AR		0.13MM (.005")
	R33415	SHIM	AR		0.25MM (.010")
19	R33386	THRUST WASHER	1		(SUB R69214)
20	R33370	GEAR	1		(FOURTH AND SEVENTH SPEED)
21	R46435	GEAR	1		
22	R26066	SHIFT COLLAR	1		
23	R46403	SNAP RING	1		
24	R33369	GEAR	1		(SECOND AND FIFTH SPEED)

# 3C1

POWER TRAIN

## DIFFERENTIAL DRIVE AND BEVEL PINION ASSEMBLY (QUAD-RANGE)

R20146 -UN-01JAN94



R 20146

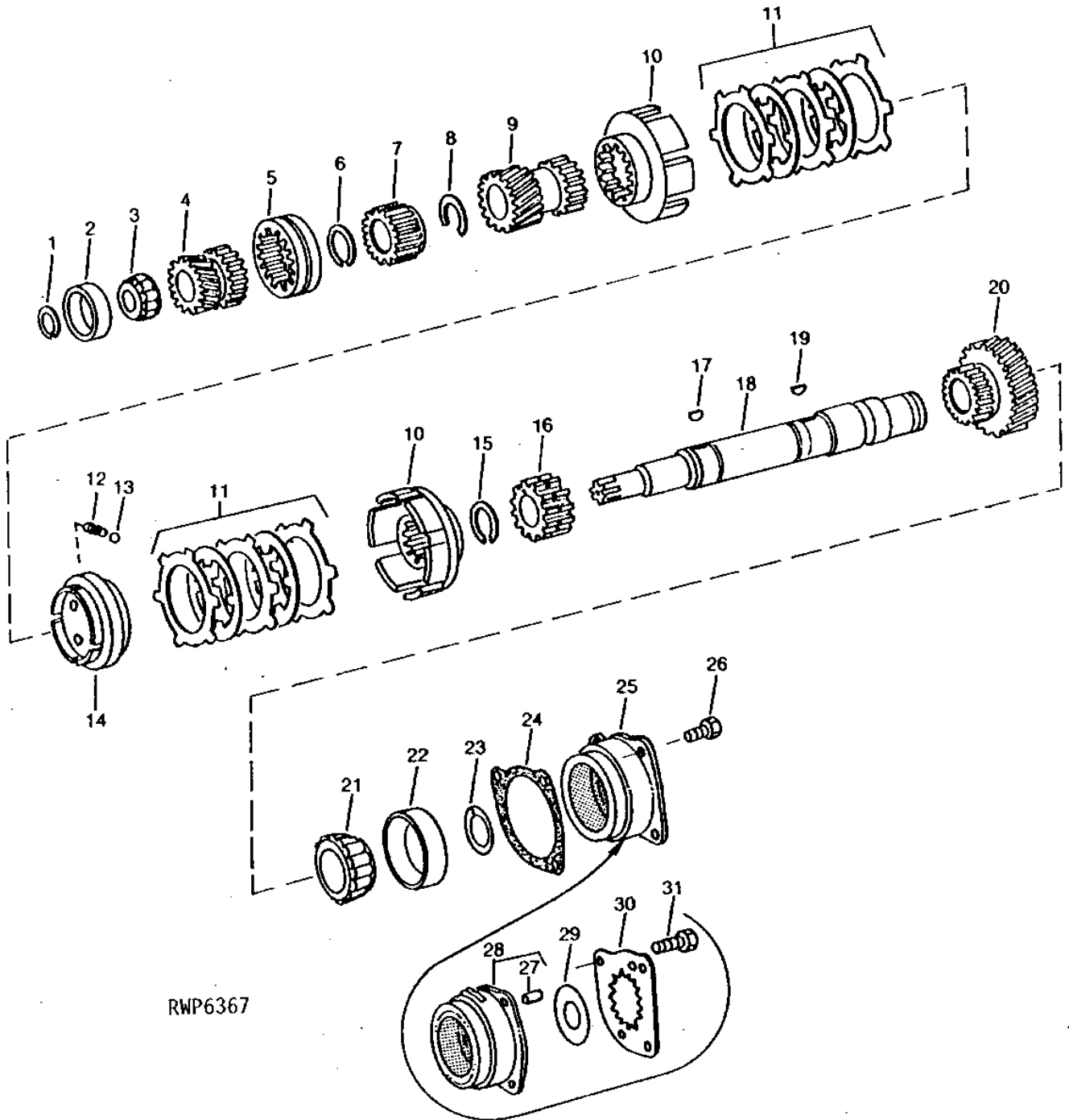
KEY	PART NO.	PART NAME	QTY	TRACTOR SERIAL NO.	REMARKS
1	AR63369	BEVEL GEAR DRIVE	1	-XXXXXX	(MARKED R33062 AND R50533) (SUB AR94183, R71558 AND (2) R63303) (MATCHED SET)
	AR94183	BEVEL GEAR DRIVE	1	XXXXXX-	(MARKED R33062 AND R71557) (MATCHED SET)
2	JD9046	BEARING CONE	1		
3	JD9112	BEARING CUP	1		
4	R46397	SHIM	AR		0.08MM (.003")
	R46398	SHIM	AR		0.13MM (.005")
	R46399	SHIM	AR		0.25MM (.010")
5	AR93240	GEAR	1		(A-RANGE) (MARKED R46116, R67219 OR R70966) (SUB FOR AR48217 OR AR87486)
6	R46400	SNAP RING	1		
7	R46439	SHIFT COLLAR	1		
8	R46436	GEAR	1		
9	R46401	SNAP RING	1		
10	R50339	GEAR	1		(D-RANGE)
11	R26068	WASHER	3		
12	R46402	SNAP RING	1		
13	R57725	SCREW	2	-XXXXXX	(SUB FOR R40835)
	R63303	CAP SCREW	2	XXXXXX-	
14	R57267	PLATE	1	-XXXXXX	(SUB FOR R50282)
	R71558	PLATE	1	XXXXXX-	
15	JD8980	BEARING CONE	1		
16	JD7430	BEARING CUP	1		
17	R33413	SHIM	AR		0.08MM (.003")
	R33414	SHIM	AR		0.13MM (.005")
	R33415	SHIM	AR		0.25MM (.010")
18	R33386	THRUST WASHER	1		(SUB R69214)
19	R46118	GEAR	1		(C-RANGE)
20	R46435	GEAR	1		
21	R26066	SHIFT COLLAR	1		
22	R46403	SNAP RING	1		
23	R50337	GEAR	1		(B-RANGE)

# 3C2

POWER TRAIN

## TRANSMISSION DRIVE SHAFT ASSEMBLY (SYNCRO-RANGE) (TRACTOR SERIAL NO. -037595)

RWP6367 -UN-01JAN94



RWP6367



# 3C3

POWER TRAIN

**TRANSMISSION DRIVE SHAFT ASSEMBLY - CONTINUED**  
**(SYNCRO-RANGE)**  
**(TRACTOR SERIAL NO. -037595)**

KEY	PART NO.	PART NAME	QTY	TRACTOR SERIAL NO.	REMARKS
1	R26220	SNAP RING	1		1.93MM (.076")
	R26221	SNAP RING	1		2.01MM (.079")
	R26222	SNAP RING	1		2.08MM (.082")
	R26223	SNAP RING	1		2.16MM (.085")
2	JD7291	BEARING CUP	1		
3	JD8978	BEARING CONE	1		
4	R65342	PINION	1		(REVERSE RANGE) (SUB FOR R44638 OR R62989)
5	R67387	SHIFT COLLAR	1		(RANGE) (SUB FOR R26238 OR R62992)
6	R26218	SNAP RING	1		
7	R33711	SHIFT COLLAR	1		(REVERSE RANGE)
8	R33405	SNAP RING	1		
9	R59641	PINION	1		(LOW RANGE) (SUB FOR R51518)
10	R31026	DRUM	2		
11	RE37119	DISK	2		(SUB FOR AR44997, AR48673 OR AR69154) (SET OF 3 DISKS, WITH FACINGS, AND 2 PLATES)
12	R59860	SPRING	4		(SUB FOR R27730)
13	A4742R	BALL	4		
14	R31028	SYNCHRONIZER	1		
15	R26218	SNAP RING	1		
16	R33383	SHIFT COLLAR	1		
17	26H77	SHAFT KEY	1		3/16" X 3/4"
18	R52325	SHAFT	1		
19	26H77	SHAFT KEY	1		3/16" X 3/4"
20	R41218	PINION	1		(HIGH RANGE)
21	JD8919	BEARING CONE	1		
22	JD8223	BEARING CUP	1		
23	R26214	SNAP RING	1		1.93MM (.076") (SUB R49430)
	R26215	SNAP RING	1		2.01MM (.079") (SUB R49431)
	R26216	SNAP RING	1		2.08MM (.082") (SUB R49432)
	R26217	SNAP RING	1		2.16MM (.085") (SUB R49433)
24	R26233	SHIM	AR		0.15MM (.006")
	R26234	SHIM	AR		0.25MM (.010")
25	R51797	HOUSING	1		
26	R57725	SCREW	3		(SUB FOR R40835)
27	R39253	DOWEL PIN	2	013000-	(A)
28	AR64943	HOUSING	1	013000-	(A) (MARKED R55552)
29	R55546	WASHER	1	013000-	(A)
30	R55658	PLATE	1	013000-	(A)
31	R41041	CAP SCREW	3	013000-	(A)
..	AR77815	KIT	1	-XXXXXX	SYNCHRONIZER REPAIR

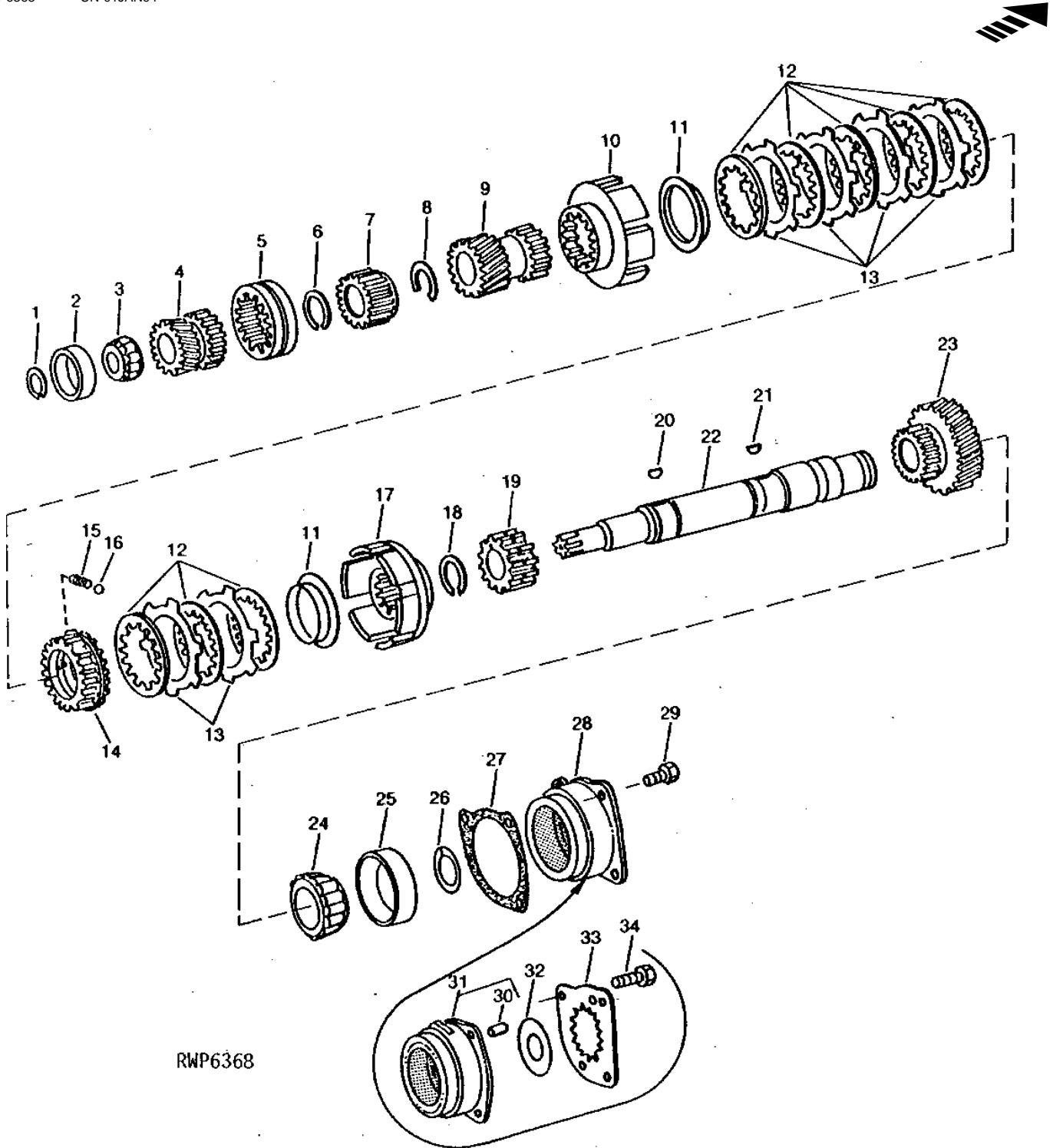
(A) CREEPER TRANSMISSION

# 3C4

POWER TRAIN

## TRANSMISSION DRIVE SHAFT ASSEMBLY (SYNCRO-RANGE) (TRACTOR SERIAL NO. 037596- )

RWP6368 -UN-01JAN94



# 3C5

POWER TRAIN

TRANSMISSION DRIVE SHAFT ASSEMBLY - CONTINUED  
(SYNCRO-RANGE)  
(TRACTOR SERIAL NO. 037596- )

KEY	PART NO.	PART NAME	QTY	TRACTOR SERIAL NO.	REMARKS
1	R26220	SNAP RING	1		1.9MM (.076")
	R26221	SNAP RING	1		2.0MM (.079")
	R26222	SNAP RING	1		2.1MM (.082")
	R26223	SNAP RING	1		2.2MM (.085")
2	JD7291	BEARING CUP	1		
3	JD8978	BEARING CONE	1		
4	R65342	PINION	1		(REVERSE RANGE) (SUB FOR R62989)
5	R67387	SHIFT COLLAR	1		(RANGE) (SUB FOR R62992)
6	R26218	SNAP RING	1		
7	R33711	SHIFT COLLAR	1		(REVERSE RANGE)
8	R33405	SNAP RING	1		
9	R59641	PINION	1		(LOW RANGE)
10	R63073	BRAKE DRUM	1		
11	R63070	RETAINER	2		
12	RE36170	DISK, INNER SPLINE	8		(SUB FOR AR77819)
13	R63069	CLUTCH PLATE	6		
14	AR77817	SYNCHRONIZER	1		
15	R63074	SPRING	4		
16	R63075	BALL	4		
17	R63072	DRUM	1		
18	R26218	SNAP RING	1		
19	R62806	SHIFT COLLAR	1		
20	26H77	SHAFT KEY	1		3/16" X 3/4"
21	26H77	SHAFT KEY	1		3/16" X 3/4"
22	R52325	SHAFT	1		
23	R41218	PINION	1		(HIGH RANGE)
24	JD8919	BEARING CONE	1		
25	JD8223	BEARING CUP	1		
26	R26214	SNAP RING	1		1.9MM (.076") (SUB R49430)
	R26215	SNAP RING	1		2.0MM (.079") (SUB R49431)
	R26216	SNAP RING	1		2.1MM (.082") (SUB R49432)
	R26217	SNAP RING	1		2.2MM (.085") (SUB R49433)
27	R26233	SHIM	AR		0.15MM (.006")
	R26234	SHIM	AR		0.25MM (.010")
28	R51797	HOUSING	1		
29	R57725	SCREW	3		
30	R39253	DOWEL PIN	2		(A)
31	AR64943	HOUSING	1		(A) (MARKED R55552)
32	R55546	WASHER	1		(A)
33	R55658	PLATE	1		(A)
34	R41041	CAP SCREW	3		(A)
..	AR77815	KIT	1	-XXXXXX	SYNCHRONIZER REPAIR

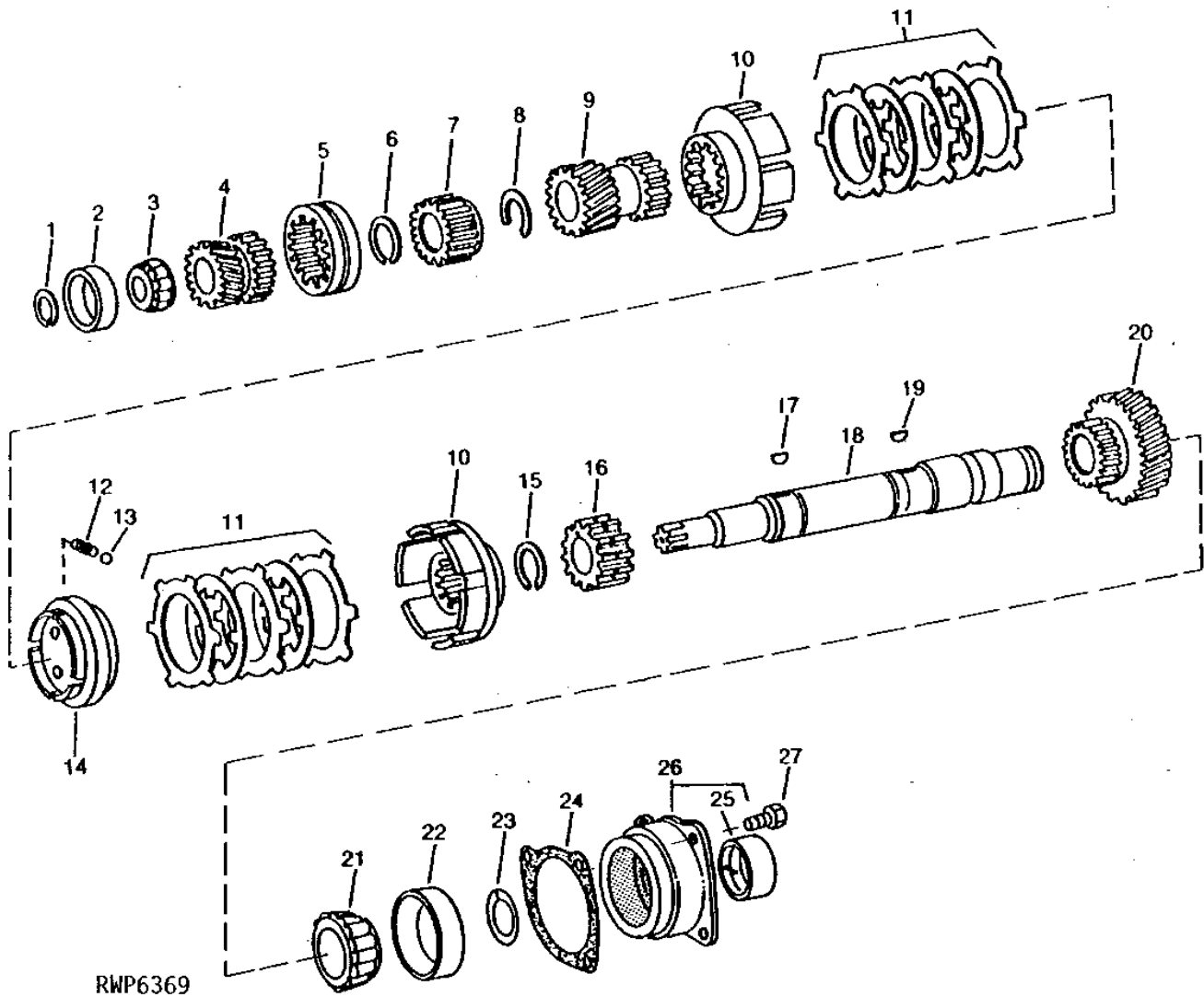
(A) CREEPER TRANSMISSION

# 3C6

POWER TRAIN

## TRANSMISSION DRIVE SHAFT ASSEMBLY (QUAD-RANGE) (TRACTOR SERIAL NO. -037595)

RWP6369 -UN-01JAN94



RWP6369

# 3C7

POWER TRAIN

TRANSMISSION DRIVE SHAFT ASSEMBLY - CONTINUED  
(QUAD-RANGE)  
(TRACTOR SERIAL NO. -037595)

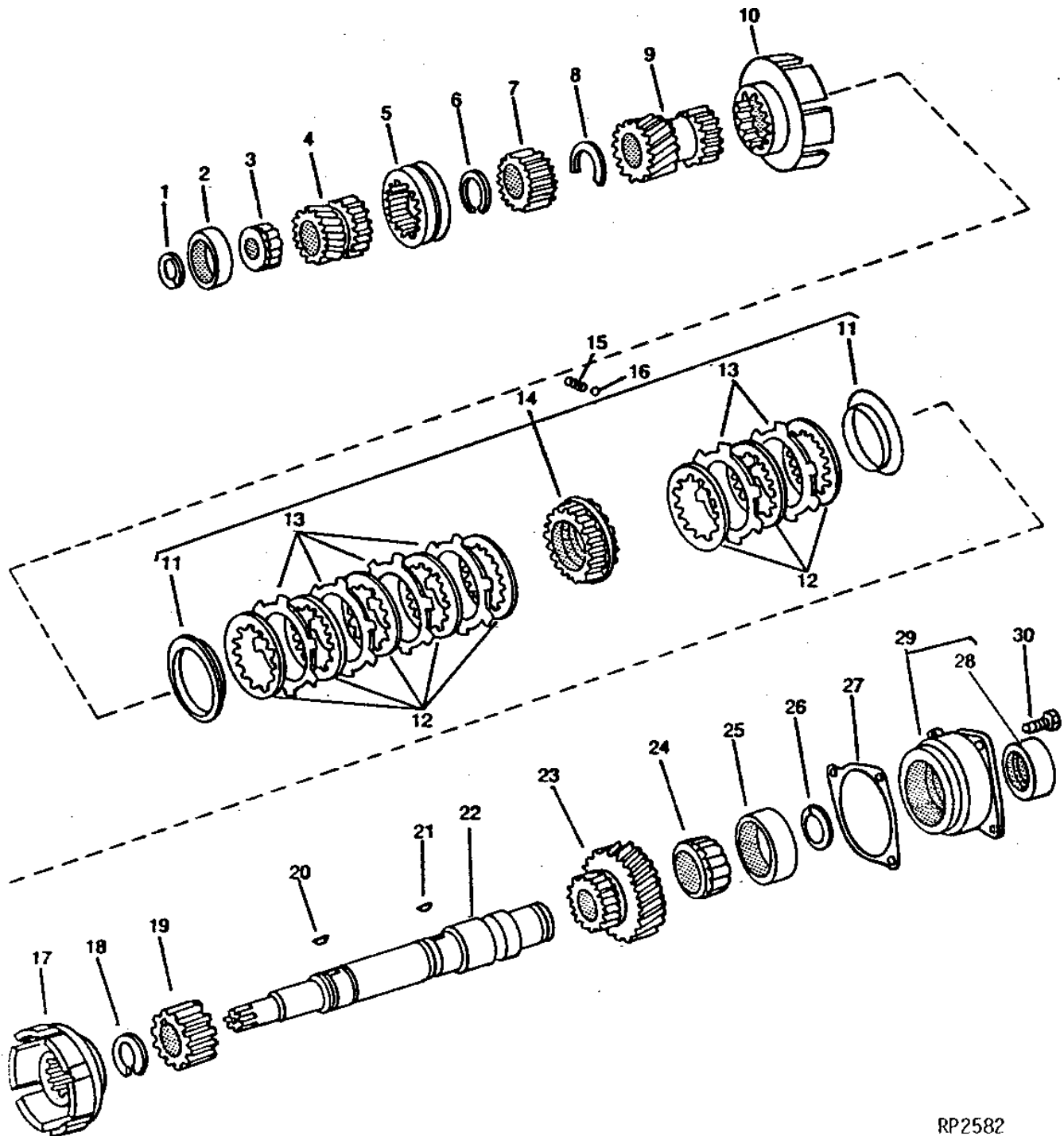
KEY	PART NO.	PART NAME	QTY	TRACTOR SERIAL NO.	REMARKS
1	R35164	SNAP RING	1		1.93MM (.076")
	R35165	SNAP RING	1		2.01MM (.079")
	R35166	SNAP RING	1		2.08MM (.082")
	R35167	SNAP RING	1		2.16MM (.085")
2	JD8291	BEARING CUP	1		
3	JD7232	BEARING CONE	1		
4	R63974	PINION	1		(REVERSE RANGE) (SUB FOR R46124)
5	R62993	SHIFT COLLAR	1		(REVERSE) (SUB FOR R46438)
6	R26218	SNAP RING	1		
7	R50603	SHIFT COLLAR	1		(REVERSE RANGE)
8	R46405	SNAP RING	1		
9	R59829	PINION	1		(LOW RANGE) (SUB FOR R50340)
10	R31026	DRUM	2		
11	RE37119	DISK	2		(SUB FOR AR48673 OR AR69154) (SET OF 3 DISKS WITH FACINGS AND 2 PLATES)
12	R59860	SPRING	4		(SUB FOR R27730)
13	A4742R	BALL	4		
14	R31028	SYNCHRONIZER	1		
15	R46404	SNAP RING	1		
16	R50602	SHIFT COLLAR	1		
17	26H74	SHAFT KEY	2		3/16" X 5/8"
18	R50843	SHAFT	1		
19	26H77	SHAFT KEY	2		3/16" X 3/4"
20	R46119	PINION	1		(HIGH RANGE)
21	JD9047	BEARING CONE	1		
22	JD8236	BEARING CUP	1		
23	R26214	SNAP RING	1		1.93MM (.076") (SUB R49430)
	R26215	SNAP RING	1		2.01MM (.079") (SUB R49431)
	R26216	SNAP RING	1		2.08MM (.082") (SUB R49432)
	R26217	SNAP RING	1		2.16MM (.085") (SUB R49433)
24	R26233	SHIM	AR		0.15MM (.006")
	R26234	SHIM	AR		0.25MM (.010")
25	R50222	BUSHING	1		
26	AR54442	HOUSING	1		(MARKED R50221)
27	R57725	SCREW	3		(SUB FOR R40835)
..	AR77816	KIT	1	-XXXXXX	SYNCHRONIZER REPAIR

# 3C8

POWER TRAIN

## TRANSMISSION DRIVE SHAFT ASSEMBLY (QUAD-RANGE) (TRACTOR SERIAL NO. 037596- )

RP2582 -UN-01JAN94



RP2582

# 3C9

POWER TRAIN

TRANSMISSION DRIVE SHAFT ASSEMBLY - CONTINUED  
(QUAD-RANGE)  
(TRACTOR SERIAL NO. 037596- )

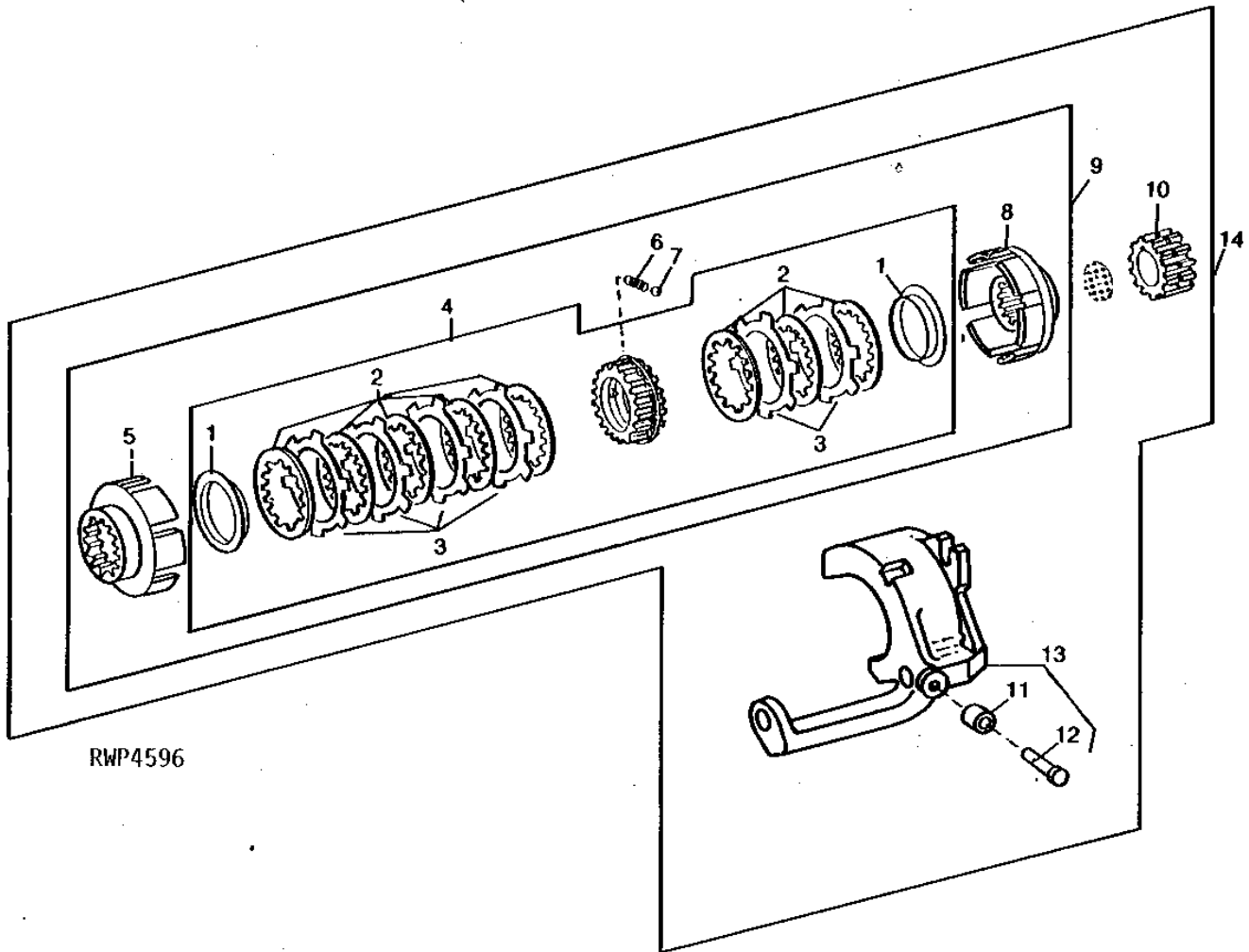
KEY	PART NO.	PART NAME	QTY	TRACTOR SERIAL NO.	REMARKS
1	R35164	SNAP RING	1		1.9MM (.076")
	R35165	SNAP RING	1		2.0MM (.079")
	R35166	SNAP RING	1		2.1MM (.082")
	R35167	SNAP RING	1		2.2MM (.085")
2	JD8291	BEARING CUP	1		
3	JD7232	BEARING CONE	1		
4	R63974	PINION	1		(REVERSE RANGE)
5	R62993	SHIFT COLLAR	1		(REVERSE)
6	R26218	SNAP RING	1		
7	R50603	SHIFT COLLAR	1		(REVERSE RANGE)
8	R46405	SNAP RING	1		
9	R59829	PINION	1		(LOW RANGE)
10	R63073	BRAKE DRUM	1		
11	R63070	RETAINER	2		
12	RE36170	DISK, INNER SPLINE	8		(SUB FOR AR77819)
13	R63069	CLUTCH PLATE	6		
14	AR77817	SYNCHRONIZER	1		
15	R63074	SPRING	4		
16	R63075	BALL	4		
17	R63072	DRUM	1		
18	R46404	SNAP RING	1		
19	R62807	SHIFT COLLAR	1		
20	26H74	SHAFT KEY	2		3/16" X 5/8"
21	26H77	SHAFT KEY	2		3/16" X 3/4"
22	R50843	SHAFT	1		
23	R46119	PINION	1		(HIGH RANGE)
24	JD9047	BEARING CONE	1		
25	JD8236	BEARING CUP	1		
26	R26214	SNAP RING	1		1.9MM (.076") (SUB R49430)
	R26215	SNAP RING	1		2.0MM (.079") (SUB R49431)
	R26216	SNAP RING	1		2.1MM (.082") (SUB R49432)
	R26217	SNAP RING	1		2.2MM (.085") (SUB R49433)
27	R26233	SHIM	AR		0.15MM (.006")
	R26234	SHIM	AR		0.25MM (.010")
28	R50222	BUSHING	1		
29	AR54442	HOUSING	1		(MARKED R50221)
30	R57725	SCREW	3		
..	AR77816	KIT	1	-XXXXXX	SYNCHRONIZER REPAIR

# 3C10

POWER TRAIN

RWP4596 -UN-01JAN94

SYNCHRONIZER REPAIR KIT  
(TRACTOR SERIAL NO. -XXXXXX)





# 3C11

POWER TRAIN

**SYNCHRONIZER REPAIR KIT - CONTINUED**  
(TRACTOR SERIAL NO. -XXXXXX)

KEY	PART NO.	PART NAME	QTY	TRACTOR SERIAL NO.	REMARKS
1	R63070	RETAINER	2		
2	RE36170	DISK, INNER SPLINE	8		(SUB FOR AR77819)
3	R63069	CLUTCH PLATE	6		
4	AR77817	SYNCHRONIZER	1	(A)	
5	R63073	BRAKE DRUM	1		
6	R63074	SPRING	4		
7	R63075	BALL	4	6MM (7/32")	
8	R63072	DRUM	1	(B)	
9	AR77818	SYNCHRONIZER	1	(A)	(ORDER COMPONENT PARTS AR77817, R63072, R63073, (4) R63074 AND R63075)
10	R62806	SHIFT COLLAR	1	(INCLUDED IN AR77815)	
	R62807	SHIFT COLLAR	1	(INCLUDED IN AR77816)	
11	R26207	ROLLER	1		
12	R26206	PIN	1		
13	AR77820	SHIFTER	1	(A)	(MARKED R63076)
14	AR77815	KIT	1	(C)	(ALSO ORDER R61567 AND 19H1988)
	AR77816	KIT	1	(D)	

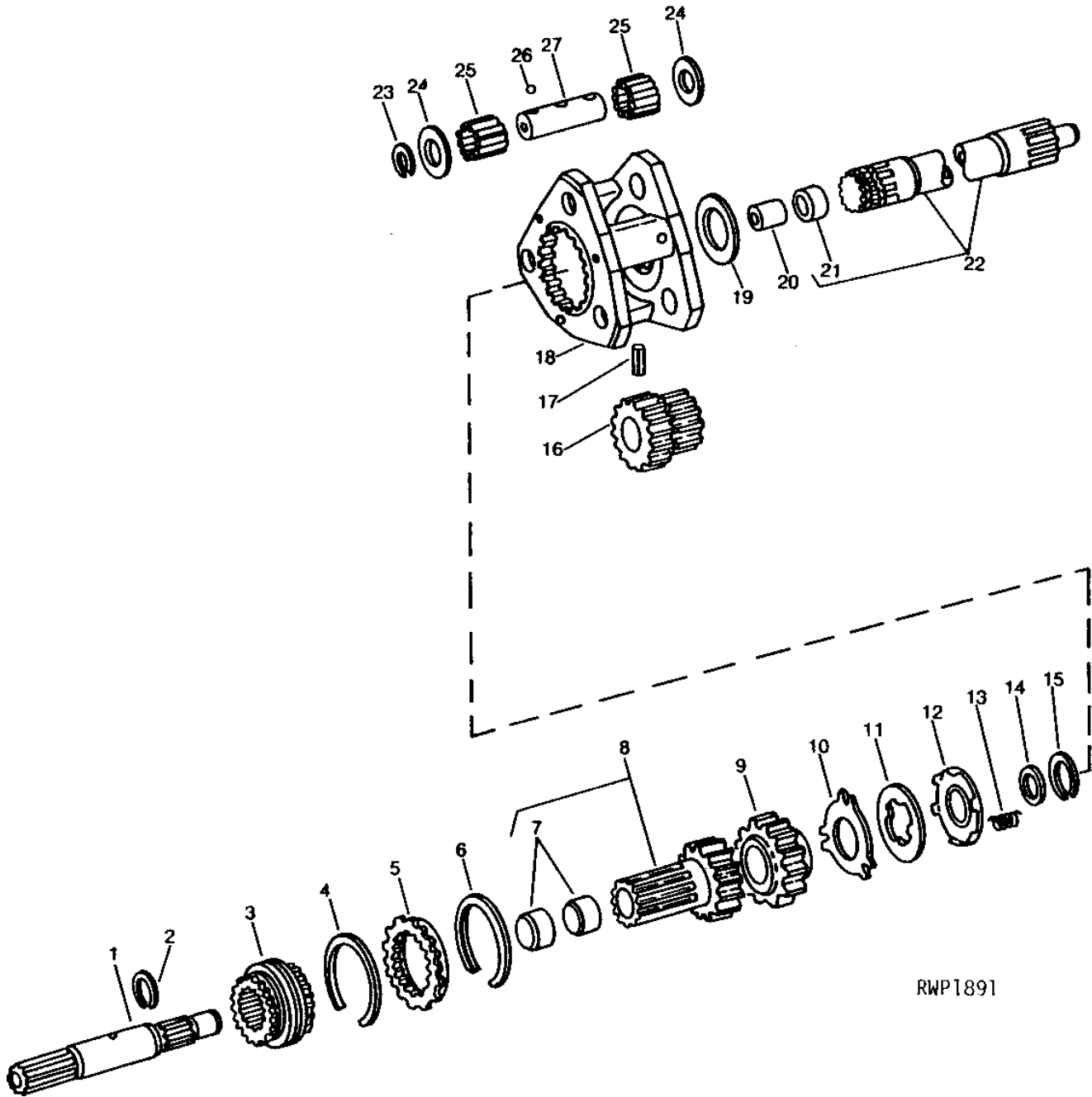
- (A) LOW-RANGE AND HIGH RANGE
- (B) HIGH RANGE
- (C) SYNCRO-RANGE TRANSMISSION
- (D) QUAD-RANGE TRANSMISSION

# 3C12

POWER TRAIN

## PLANET PINION CARRIER AND INPUT AND CLUTCH SHAFTS (CREEPER AND SYNCRO-RANGE) (TRACTOR SERIAL NO. 013000- )

RWP1891 -UN-18OCT94



RWP1891

# 3C13

POWER TRAIN

PLANET PINION CARRIER AND INPUT AND CLUTCH SHAFTS - CONTINUED  
(CREEPER AND SYNCRO-RANGE)  
(TRACTOR SERIAL NO. 013000- )

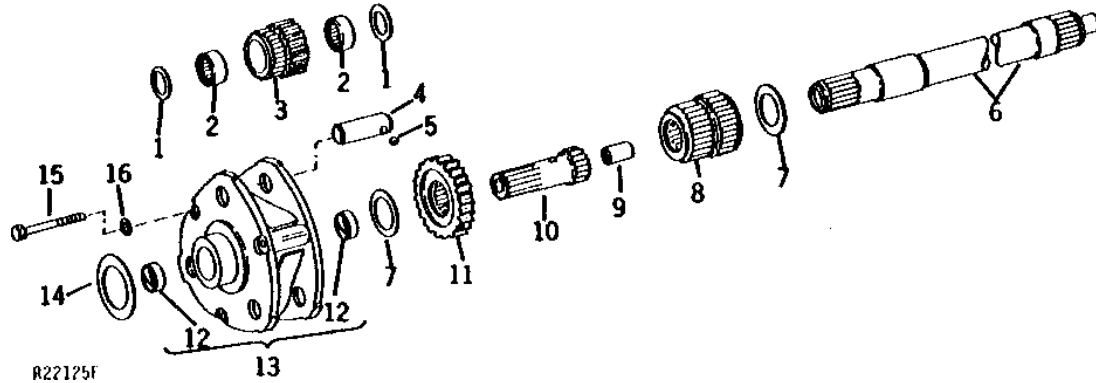
KEY	PART NO.	PART NAME	QTY	TRACTOR SERIAL NO.	REMARKS
1	R55660	SHAFT	1		
2	F534R	SNAP RING	1		
3	R55657	SHIFT COLLAR	1		
4	R45569	SNAP RING	1		
5	R55547	SWASH PLATE	1		
6	R35377	SNAP RING	1		
7	R43305	BUSHING	2		
8	AR65656	PINION	1		
9	R75130	PINION	1		(SUB R55878)
10	R55879	PLATE	1		
11	R55881	SUPPORT	1		
12	R55882	SUPPORT	1		
13	R36648	SPRING	6		
14	R55545	WASHER	1		
15	A2597R	SNAP RING	1		
16	R58624	PLANET PINION	3		(SUB FOR R50832)
17	34H312	SPRING PIN	3		1/4" X 1"
18	R55877	PLANET PINION CARRIER	1		
19	R55544	WASHER	1		
20	R50155	BUSHING	1		
21	R39276	BUSHING	1		
22	AR65533	SHAFT	1		
23	T23694	SNAP RING	3		(SUB FOR R55654)
24	R50149	WASHER	6		
25	JD9926	NEEDLE BEARING	6		
26	H871R	BALL	3		5MM (3/16")
27	AR61550	SHAFT	3		

# 3C14

POWER TRAIN

## PLANET PINION CARRIER AND INPUT AND CLUTCH SHAFTS (QUAD-RANGE)

R22125 -UN-01JAN94



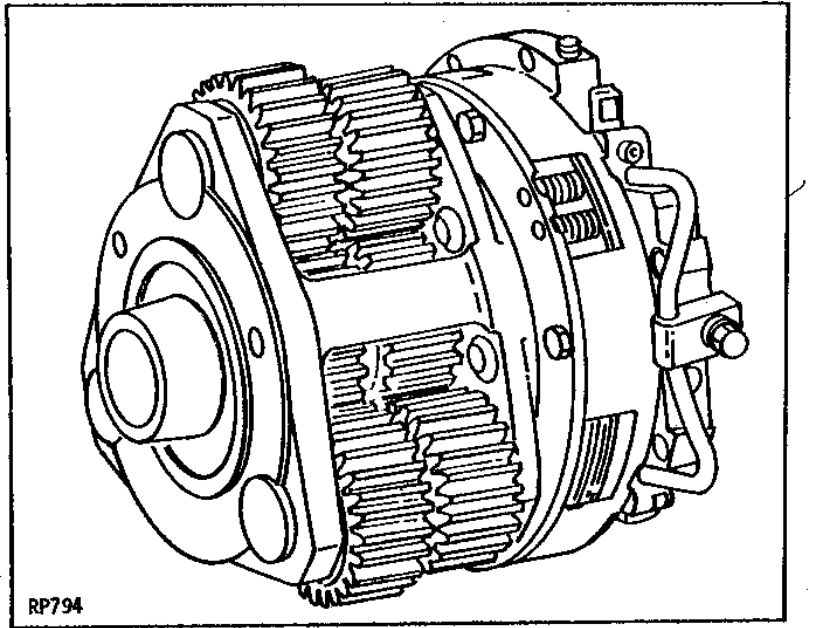
KEY	PART NO.	PART NAME	QTY	TRACTOR SERIAL NO.	REMARKS
1	R50149	WASHER	6		
2	JD9926	NEEDLE BEARING	6		
3	R58624	PLANET PINION	3		(SUB FOR R50832)
4	AR61550	SHAFT	3		
5	H871R	BALL	3		
6	R50154	SHAFT	1		
7	R33083	WASHER	2	-XXXXXX	(USE WITH AR54961 AND AR50833)
8	AR81327	GEAR	1		(SUB FOR AR54961)
9	R50155	BUSHING	1		
10	R50831	SHAFT	1		
11	AR81329	PINION	1		(SUB FOR R50833)
12	R50550	BUSHING	2		
13	AR68391	PLANET PINION CARRIER	1	-033322	(MARKED R57112) (ALSO ORDER (3) AR82509) (SUB FOR AR54677) (SUB AR78252, AR78253, (6) R47074 AND (6) R57115)
	AR80216	PLANET PINION CARRIER	1	033323-	(MARKED R64423) (SUB AR78252, AR78253, (6) R47074 AND (6) R57115)
14	R51159	WASHER	1		
15	19H3300	CAP SCREW	3	-033322	5/16" X 3-3/4" HS, SAE 8, (SUB AR82509)
	AR78806	CAP SCREW	3	033323-	(SUB AR82509)
	R47074	CAP SCREW	6		(USE WITH R63335)
16	R57115	WASHER	3	-033322	
	R57115	WASHER	6		(USE WITH R63335)

# 3C15

POWER TRAIN

RP794 -UN-01JAN94

QUAD-RANGE ASSEMBLY



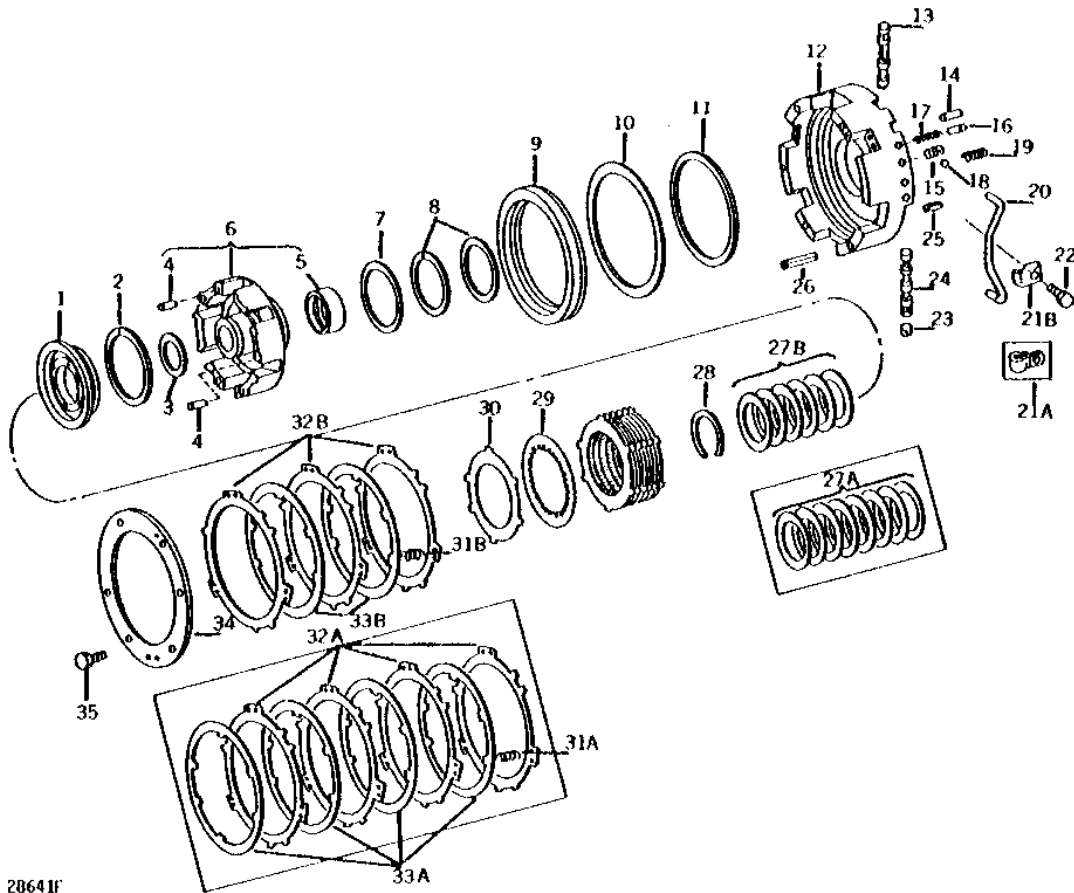
KEY	PART NO.	PART NAME	QTY	TRACTOR SERIAL NO.	REMARKS
1	AR67978	HIGH-LOW CLUTCH	1	-034663	(ALSO ORDER AR77262, R62690 AND 34H264)
	AR77525	HIGH-LOW CLUTCH	1	034664-039805	(SUB AR105732)
	AR105732	HIGH-LOW CLUTCH	1	039806-	(SUB FOR AR82380 OR AR83262)

# 3C16

POWER TRAIN

## BRAKE PISTON HOUSING AND CLUTCH DRUM (QUAD-RANGE) (TRACTOR SERIAL NO. -034663)

R28641 -UN-01JAN94



# 3C17

POWER TRAIN

**BRAKE PISTON HOUSING AND CLUTCH DRUM - CONTINUED**  
**(QUAD-RANGE)**  
**(TRACTOR SERIAL NO. -034663)**

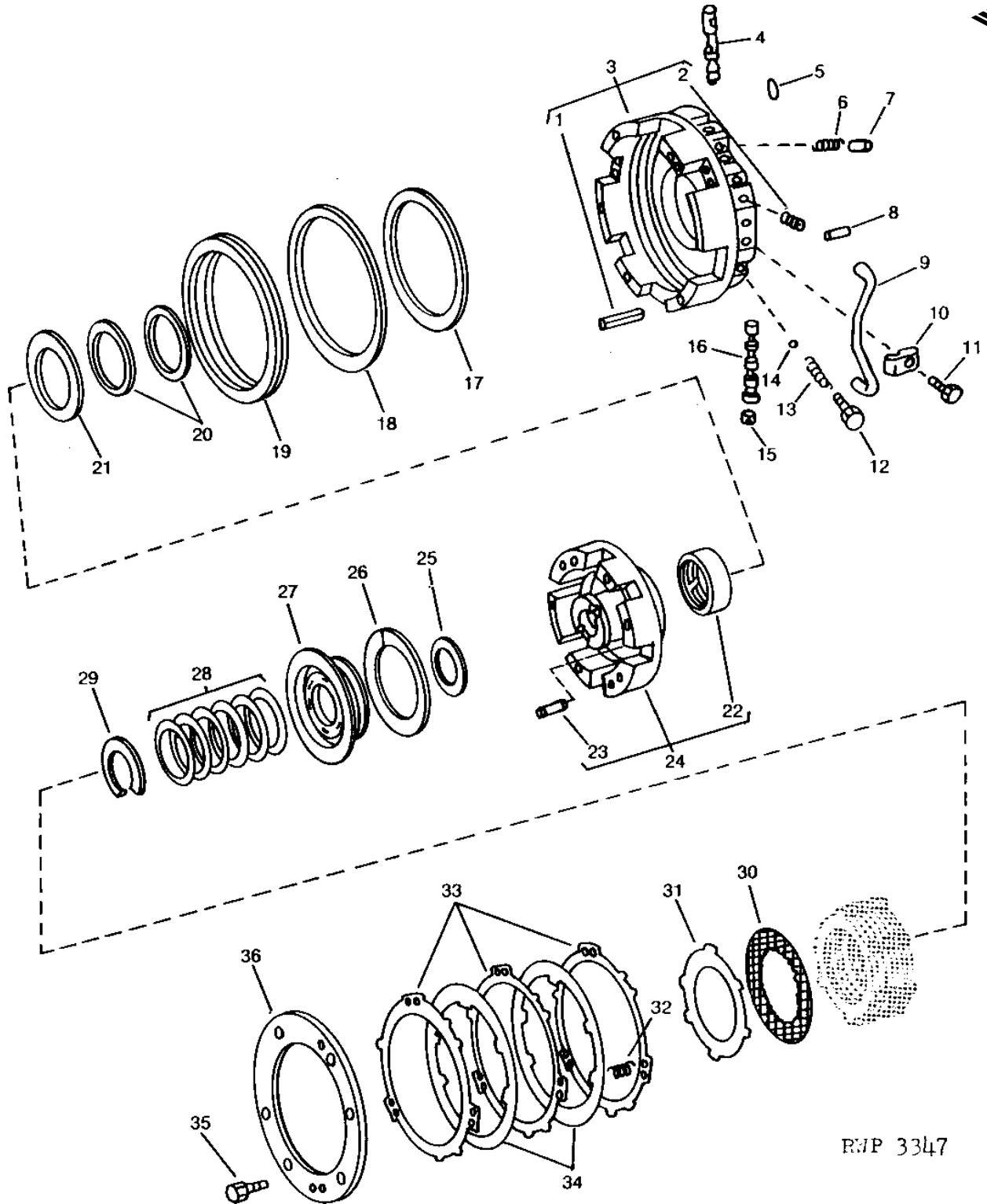
KEY	PART NO.	PART NAME	QTY	TRACTOR SERIAL NO.	REMARKS
1	R50343	PISTON	1	-026633	
	R59470	PISTON	1	026634-	
2	R34513	RING	1		
3	R39304	WASHER	1		
4	R38295	NEEDLE ROLLER	3		
5	R50222	BUSHING	1		
6	AR80118	DRUM	1		(MARKED R64383) (SUB FOR AR54529, AR65230 OR AR68392) (SUB AR78253, AR78252, (6) R47074 AND (6) R57115) (ALSO ORDER R59470, R79522, (6) R50348, (3) AR83798, (4) R39259, (6) R59468, (3) R50152 AND (2) RE29815 PRIOR TO SERIAL NO. 026634)
7	R50349	WASHER	1		
8	R39322	RING	2		
9	R50342	PISTON	1	-026633	(SUB R79527)
	R59469	PISTON	1	026634-	(SUB R79522)
10	R57849	PACKING	1		(SUB FOR R51229)
11	R57558	PACKING	1		(SUB FOR R51497)
12	AR61551	HOUSING	1		(MARKED R50347) (SUB AR82374, AR77262, R62690 AND 34H264)
	AR82374	HOUSING	1		(MARKED R62838 OR R65226) (ALSO ORDER AR77262, R62690 AND 34H264) (SUB FOR AR77519)
13	R53048	CONTROL VALVE	1		
14	R26650	DOWEL PIN	1		
15	R21630	PIPE PLUG	6		
	R21629	PIPE PLUG	3		
16	R490R	PIN	1		
17	R53304	SPRING	1		
18	R26552	BALL	1		
19	R53052	SPRING	1		
20	R53051	TUBE	1	-027723	(SUB R60523, R60524 AND R57725)
	R60523	OIL TUBE	1	027724-	
21A	T14264	CLAMP	1	-027723	
21B	R60524	CLAMP	1	027724-	
22	19H2038	CAP SCREW	1	-027723	3/8" X 1/2"
	R57725	SCREW	1	027724-	
23	R53050	PIN	1		
24	R53049	VALVE	1		
25	34H249	SPRING PIN	1		1/8" X 7/8"
26	34H188	SPRING PIN	6		5/16" X 1-3/4"
27A	R50348	DISK SPRING	8	-026633	
27B	R50348	DISK SPRING	6	026634-	
28	R39299	SNAP RING	1		
29	AR39128	DISK, INNER SPLINE	5	-026633	
	RE29816	DISK	3	026634-	(SUB FOR AR71561 OR AR83798)
30	R39259	CLUTCH PLATE	6	-026633	
	R39259	CLUTCH PLATE	4	026634-	
31A	R50604	SPRING	4	-026633	
31B	R59468	SPRING	6	026634-	
32A	R50152	PLATE	4	-026633	
32B	R50152	PLATE	3	026634-	
33A	AR54528	DISK	4	-026633	(SUB RE29815)
33B	RE29815	DISK	2	026634-	
34	R50153	PLATE	1		
35	R30165	CAP SCREW	6		

# 3C18

POWER TRAIN

## BRAKE PISTON HOUSING AND CLUTCH DRUM (QUAD-RANGE) (TRACTOR SERIAL NO. 034664- )

RWP3347 -UN-19OCT94



RWP 3347



# 3C19

POWER TRAIN

**BRAKE PISTON HOUSING AND CLUTCH DRUM - CONTINUED**  
**(QUAD-RANGE)**  
**(TRACTOR SERIAL NO. 034664- )**

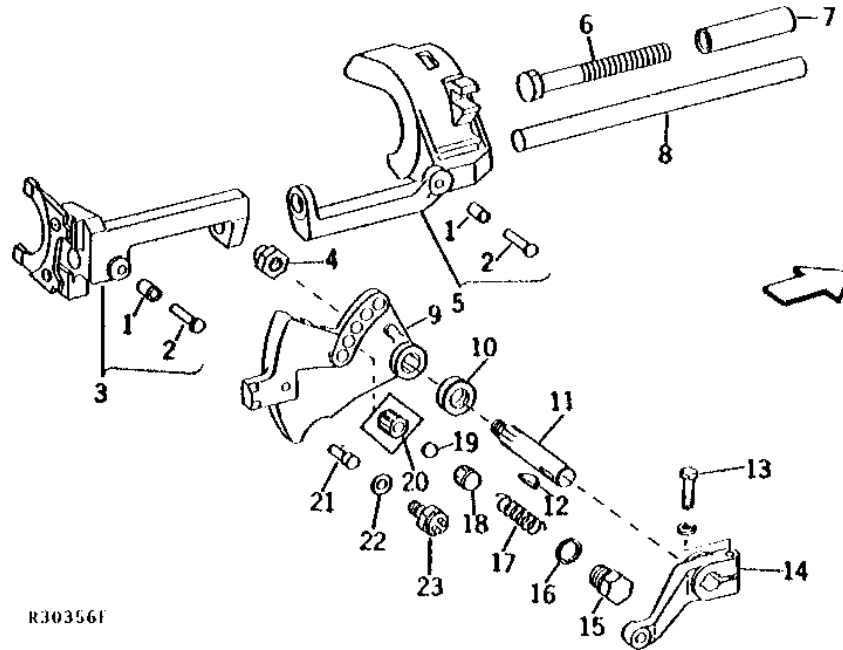
KEY	PART NO.	PART NAME	QTY	TRACTOR SERIAL NO.	REMARKS
1	34H188	SPRING PIN	6		5/16" X 1-3/4"
2	R21630	PIPE PLUG	3		(USE WITH R62836, R62838 OR R65226)
	R21629	PIPE PLUG	AR		(4 USED WITH R62836, 6 USED WITH R62838 AND 5 USED WITH R65226)
3	AR77522	HOUSING	1	-039805	(MARKED R62836) (ALSO ORDER R65231 AND R65230) (SUB AR82372, R65231 AND R65232)
	AR82372	HOUSING	1	039806-	(MARKED R65226) (ALSO ORDER R65232 AND R65231)
4	R65229	CONTROL VALVE	1		(SUB FOR R62840)
5	R60038	PACKING	1		
6	R62842	SPRING	1		
7	R67315	PIN	1		(SUB FOR R62843)
8	34H249	SPRING PIN	1		1/8" X 7/8"
	R26650	DOWEL PIN	1		
9	R60523	OIL TUBE	1		
10	R60524	CLAMP	1		
11	R57725	SCREW	1		
12	R65231	SCREW	1	039806-	
13	R65230	SPRING	1	-039805	
	R65232	SPRING	1	039806-	
14	400R	BALL	1		
15	R53050	PIN	1		
16	R62841	VALVE	1		
17	R57558	PACKING	1		
18	R57849	PACKING	1		
19	R59469	PISTON	1		(SUB R79522)
20	R39322	RING	2		
21	R50349	WASHER	1		
22	R50222	BUSHING	1		
23	R38295	NEEDLE ROLLER	3		
24	AR80118	DRUM	1		(MARKED R64383 OR R63334) (SUB AR78253, AR78252, (6) R47074 AND (6) R57115)
25	R39304	WASHER	1		
26	R34513	RING	1		
27	R59470	PISTON	1		
28	R50348	DISK SPRING	6		
29	R39299	SNAP RING	1		
30	RE29816	DISK	3		(SUB FOR AR71561 OR AR83798)
31	R39259	CLUTCH PLATE	4		
32	R59468	SPRING	6		
33	R50152	PLATE	3		
34	RE29815	DISK	2		(SUB FOR AR71560)
35	R30165	CAP SCREW	6		
36	R50153	PLATE	1		

# 3C20

POWER TRAIN

## SHIFTERS AND SHIFTER SHAFT (QUAD-RANGE AND SYNCRO-RANGE) (TRACTOR SERIAL NO. -034463)

R30356 -UN-01JAN94



R30356F

KEY	PART NO.	PART NAME	QTY	TRACTOR SERIAL NO.	REMARKS
1	R26207	ROLLER	2		
2	R26206	PIN	2		
3	AR46768	LEVER	1		(MARKED R44995) (INCLUDES L4288, R30997 AND (2) 16H1370)
4	E17421	LOCK NUT	1		
5	AR74749	SHIFTER	1		(MARKED R33393 OR R61566) (ALSO ORDER R61567 AND 19H1988) (SUB FOR AR32175) (SUB AR77820)
6	19H1988	CAP SCREW	1	029295-	3/4" X 6"
7	R61567	SPACER	1	029295-	
8	R33730	DOWEL PIN	1		
9	R44996	CAM	1		(A) (SUB R71970)
	R50824	CAM	1		(B) (SUB R71971)
10	AR389R	SEAL	1		
11	R52523	SHAFT	1		
12	26H17	SHAFT KEY	1		3/16" X 7/8"
13	19H1800	CAP SCREW	1		3/8" X 1-1/2"
	12H304	LOCK WASHER	1		3/8"
14	R52437	ARM	1		(A)
	R52466	ARM	1		(B)
15	R38181	FITTING	1		
16	A4827R	WASHER	1		
17	B207R	SPRING	1		-025142
	R59635	SPRING	1		025143-XXXXXX
	R51865	SPRING	1		XXXXXX-
18	T19079	RETAINER	1		025143-
19	M886T	BALL	1		025143-
20	R26202	PAWL	1		-025142
21	R99556	PIN	1		(SUB FOR R33731)
22	T16911	SHIM	AR		
23	RE38390	SWITCH	1		(SUB FOR R36265, AR85323 OR AR89691)
..	AR116201	LEVER	1		(INCLUDES AR389, AR46768, A4827, E17421, M886, R29462, R61567, T19079 AND 19H1988)

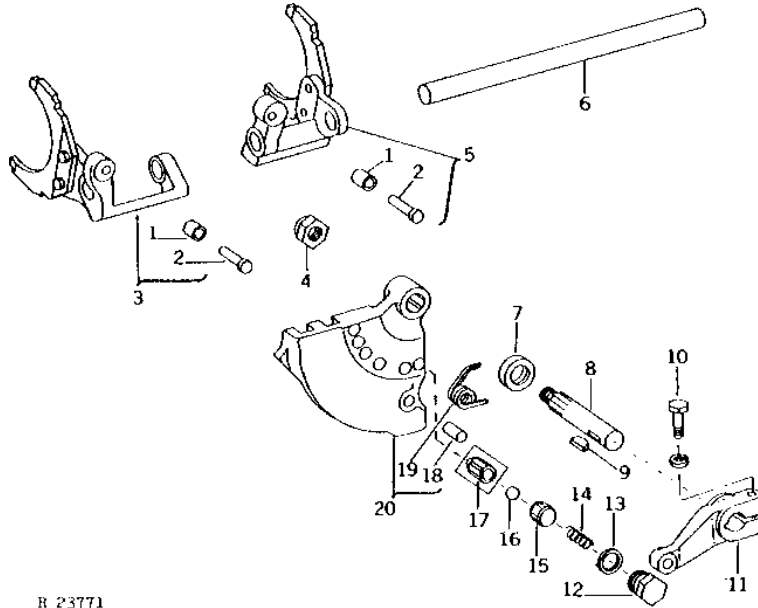
(A) SYNCRO-RANGE TRANSMISSION  
(B) QUAD-RANGE TRANSMISSION

# 3C21

POWER TRAIN

**GEAR SHIFTERS AND SHIFTER SHAFT  
(QUAD-RANGE AND SYNCRO-RANGE)  
(TRACTOR SERIAL NO. -034663)**

R23771 -UN-01JAN94



R 23771

KEY	PART NO.	PART NAME	QTY	TRACTOR SERIAL NO.	REMARKS
1	R26207	ROLLER	2		
2	R26206	PIN	2		
3	AR32179	LEVER	1		(A) (MARKED R33398) (FIRST AND THIRD, SIXTH AND EIGHTH SPEED)
	AR73157	LEVER	1		(B) (MARKED R46464 OR R60336) (SUB FOR AR48668) (A AND D-RANGE)
4	E17421	LOCK NUT	1		
5	AR32180	SHIFTER	1		(A) (MARKED R33399) (SECOND AND FIFTH, FOURTH AND SEVENTH SPEED)
	AR32180	SHIFTER	1		(B) (MARKED R33399) (B AND C-RANGE)
6	R33730	DOWEL PIN	1		
7	AR389R	SEAL	1		
8	R52763	SHAFT	1		(A) (NLA)
	R52469	SHAFT	1		(B)
	26H17	SHAFT KEY	1		3/16" X 7/8"
10	19H1800	CAP SCREW	1		3/8" X 1-1/2"
	12H304	LOCK WASHER	1		3/8"
11	R52435	ARM	1		(A)
	R52468	ARM	1		(B)
12	R38181	FITTING	1		
13	A4827R	WASHER	1		
14	R26203	SPRING	1	-025142	
	R59378	SPRING	1	025143-	
15	T19079	RETAINER	1	025143-	
16	M886T	BALL	1	025143-	
17	R26202	PAWL	1	-025142	
18	34H365	SPRING PIN	1		1/2" X 7/8"
19	R109478	SPRING	1		(SUB FOR R27243, R73444 OR R55910)
20	AR74079	CAM	1		(MARKED R33400, R61107 OR R74252) (SUB FOR AR32692, AR65493 OR AR99412) (SUB RE46990)

(A) SYNCRO-RANGE TRANSMISSION  
(B) QUAD-RANGE TRANSMISSION

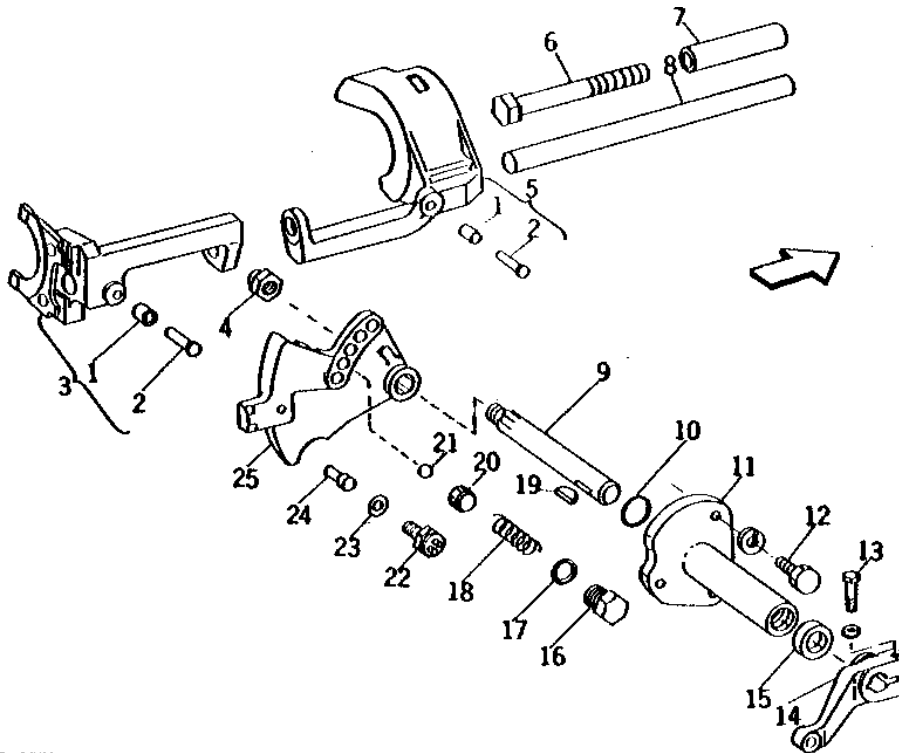
# 3C22

POWER TRAIN

SHIFTERS AND SHIFTER SHAFTS  
(QUAD-RANGE AND SYNCRO-RANGE)  
(TRACTOR SERIAL NO. 034664- )

R30599

-UN-01JAN94



R 30599F

# 3C23

POWER TRAIN

**SHIFTERS AND SHIFTER SHAFTS - CONTINUED**  
**(QUAD-RANGE AND SYNCRO-RANGE)**  
**(TRACTOR SERIAL NO. 034664- )**

KEY	PART NO.	PART NAME	QTY	TRACTOR SERIAL NO.	REMARKS
1	R26207	ROLLER	2		
2	R26206	PIN	2		
3	AR46768	LEVER	1		(MARKED R46995)
4	E17421	LOCK NUT	1		
5	AR74749	SHIFTER	1	-XXXXXX	(MARKED R61566) (SUB AR77820)
	AR77820	SHIFTER	1	XXXXXX-	(MARKED R63076)
6	19H1988	CAP SCREW	1		3/4" X 6"
7	R61567	SPACER	1		
8	R33730	DOWEL PIN	1		
9	R61986	SHAFT	1		
10	R29463	O-RING	1		
11	R61985	SUPPORT	2		
12	19H1732	CAP SCREW	6		3/8" X 1-1/4"
	12H304	LOCK WASHER	6		3/8"
13	19H1800	CAP SCREW	1		3/8" X 1-1/2"
	12H304	LOCK WASHER	1		3/8"
14	R61987	ARM	1		(A)
	R61983	ARM	1		(B)
15	AR389R	SEAL	1		
16	R38181	FITTING	1		
17	A4827R	WASHER	1		
18	R51865	SPRING	1		
19	26H17	SHAFT KEY	1		3/16" X 7/8"
20	T19079	RETAINER	1		
21	M886T	BALL	1		
22	RE38390	SWITCH	1		(SUB FOR R36265, AR85323 OR AR89691)
23	T16911	SHIM	AR		
24	R99556	PIN	1		(SUB FOR R33731)
25	R44996	CAM	1		(A) (SUB R71970)
	R50824	CAM	1		(B) (SUB R71971)
..	AR77815	KIT	1	-XXXXXX	(A) SYNCHRONIZER REPAIR
..	AR77816	KIT	1	-XXXXXX	(B) SYNCHRONIZER REPAIR

(A) SYNCRO-RANGE TRANSMISSION

(B) QUAD-RANGE TRANSMISSION

---

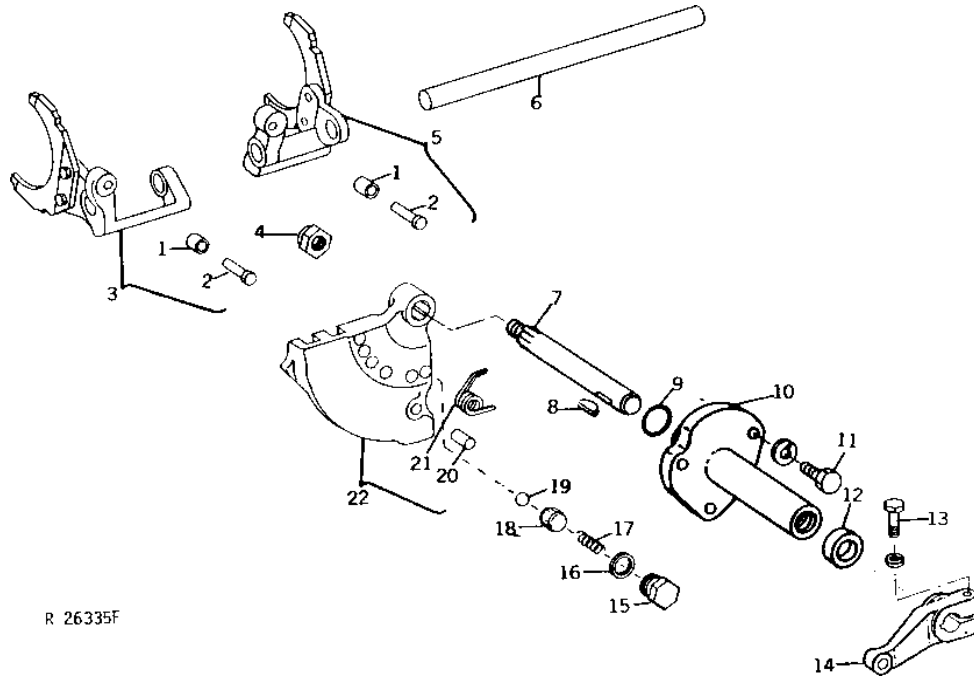
MEMORANDA

# 3C24

POWER TRAIN

R26335 -UN-02JAN94

## GEAR SHIFTERS AND SHIFTER SHAFTS (QUAD-RANGE AND SYNCRO-RANGE) (TRACTOR SERIAL NO. 034664- )



R 26335F

KEY	PART NO.	PART NAME	QTY	TRACTOR SERIAL NO.	REMARKS
1	R26207	ROLLER	2		
2	R26206	PIN	2		
3	AR32179	LEVER	1		(A) (MARKED R33398) (FIRST AND THIRD, SIXTH AND EIGHTH SPEED)
	AR73157	LEVER	1		(B) (MARKED R60336) (A AND D-RANGE)
4	E17421	LOCK NUT	1		
5	AR32180	SHIFTER	1		(A) (MARKED R33399) (SECOND AND FIFTH, FOURTH AND SEVENTH SPEED)
	AR32180	SHIFTER	1		(B) (MARKED R33399) (B AND C-RANGE)
6	R33730	DOWEL PIN	1		
7	R61986	SHAFT	1		
8	26H17	SHAFT KEY	1		3/16" X 7/8"
9	R29463	O-RING	1		
10	R61985	SUPPORT	2		
11	19H1732	CAP SCREW	6		3/8" X 1-1/4"
	12H304	LOCK WASHER	6		3/8"
12	AR389R	SEAL	1		
13	19H1800	CAP SCREW	1		3/8" X 1-1/2"
	12H304	LOCK WASHER	1		3/8"
14	R61988	ARM	1		(A)
	R61984	ARM	1		(B)
15	R38181	FITTING	1		
16	A4827R	WASHER	1		
17	R59378	SPRING	1		
18	T19079	RETAINER	1		
19	M886T	BALL	1		
20	34H365	SPRING PIN	1		1/2" X 7/8"
21	R109478	SPRING	1		(SUB FOR R55910)
22	AR74079	CAM	1		(MARKED R61107)

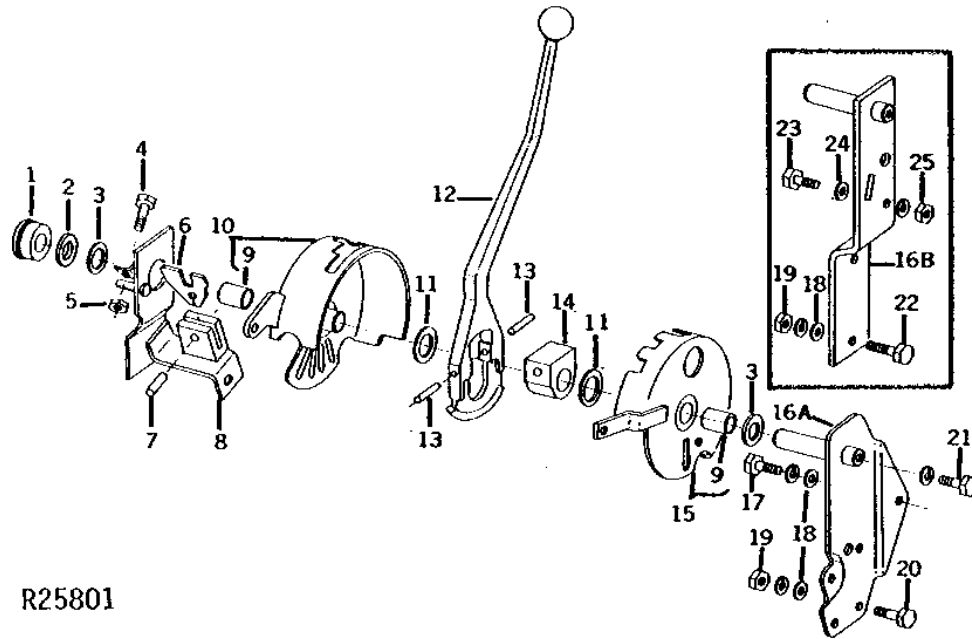
(A) SYNCRO-RANGE TRANSMISSION  
(B) QUAD-RANGE TRANSMISSION

# 3C25

POWER TRAIN

## TRANSMISSION SHIFTER CONTROL SUPPORT, LEVER, AND LINKAGE (SYNCRO-RANGE)

R25801 -UN-01JAN94



R25801

KEY	PART NO.	PART NAME	QTY	TRACTOR SERIAL NO.	REMARKS
1	R62927	SPACER	1		(ALSO ORDER 24H1422) (SUB FOR R50526 OR R56236)
2	24H1422	SHIM	AR	XXXXXX-	29/32" X 1-3/8" X .018"
3	R42127	WASHER	2		
4	19H2117	CAP SCREW	1		5/16" X 1-1/8"
5	14H611	NUT	1		5/16"
6	R52882	LATCH	1		
7	34H348	SPRING PIN	1		3/8" X 1"
8	AR62258	SUPPORT	1		(A)
	AR62259	SUPPORT	1		(B)
	R57449	PIN	1		
9	R26182	BUSHING	2		
10	AR62069	QUADRANT	1		
11	R26187	WASHER	2		
12	R55553	LEVER	1		(SUB FOR R50523) (SUB R70535 AND R50864)
13	34H316	SPRING PIN	2		1/4" X 1-1/2"
14	R53247	PIVOT	1		
15	AR62066	QUADRANT	1		
16A	AR56230	SUPPORT	1		(A)
16B	AR54659	SUPPORT	1		(B)
17	19H1731	CAP SCREW	2		3/8" X 1"
	12H304	LOCK WASHER	2		3/8"
18	24H1305	WASHER	2		13/32" X 13/16" X 0.065"
19	14H1076	NUT	1		3/8"
	12H304	LOCK WASHER	1		3/8"
20	19H2552	CAP SCREW	1		3/8" X 1-1/8"
21	19H1731	CAP SCREW	1		3/8" X 1"
	12H304	LOCK WASHER	1		3/8"
22	19H2128	CAP SCREW	2		3/8" X 3"
23	19H2552	CAP SCREW	1		3/8" X 1-1/8"
24	24H1305	WASHER	1		13/32" X 13/16" X 0.065"
25	14H1076	NUT	1		3/8"
	12H304	LOCK WASHER	1		3/8"

(A) SOUND-GARD BODY OR ROLL-GARD  
(B) LESS SOUND-GARD BODY OR ROLL-GARD

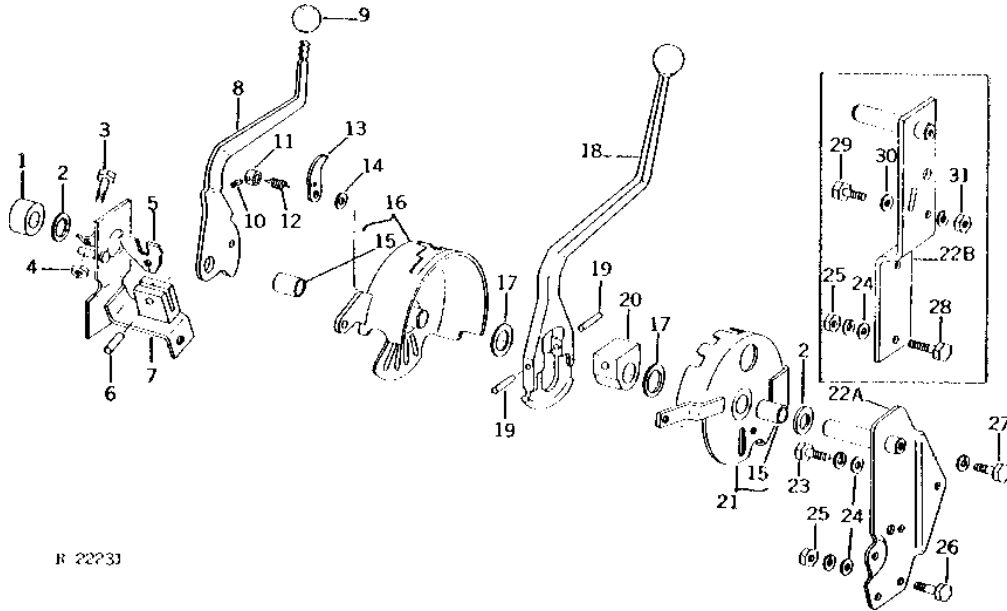


# 3D1

POWER TRAIN

## TRANSMISSION SHIFTER CONTROL LEVERS, LINKAGE AND SUPPORT (SYNCRO-RANGE AND CREEPER) (TRACTOR SERIAL NO. 013000- )

R22231 -UN-01JAN94



R 22231

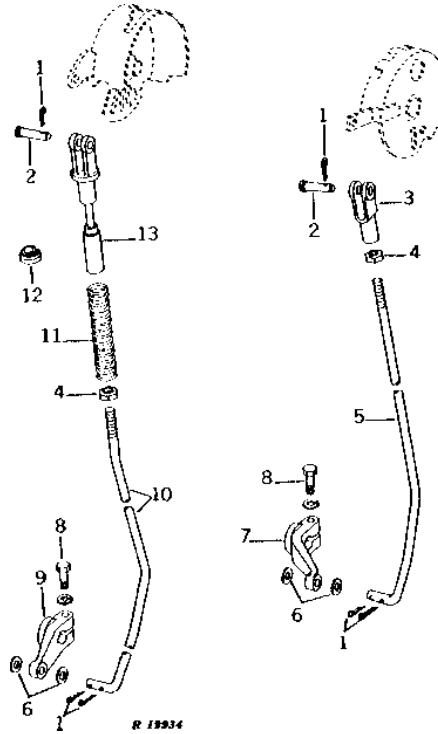
KEY	PART NO.	PART NAME	QTY	TRACTOR SERIAL NO.	REMARKS
1	R55554	SPACER	1		
2	R42127	WASHER	2		
3	19H2117	CAP SCREW	1	5/16" X 1-1/8"	
4	14H611	NUT	1	5/16"	
5	R52882	LATCH	1		
6	34H348	SPRING PIN	1	3/8" X 1"	
7	AR62259	SUPPORT	1		
	AR62258	SUPPORT	1		(SOUND-GARD BODY OR ROLL-GARD)
	R57449	PIN	1		
8	AR89782	LEVER	1		(SUB FOR AR64909)
9	R56416	KNOB	1		
10	34H245	SPRING PIN	1	1/8" X 5/8"	
11	R55558	CAP	1		
12	R55555	SPRING	1		
13	R55556	PAWL	1		
14	24H1305	WASHER	1	13/32" X 13/16" X 0.065"	
15	R26182	BUSHING	2		
16	AR64910	QUADRANT	1		(SUB AR89776 AND AR89782)
17	R26187	WASHER	2		
18	R55553	LEVER	1		(SUB R70535 AND R50864)
19	34H316	SPRING PIN	2	1/4" X 1-1/2"	
20	R53247	PIVOT	1		
21	AR64913	QUADRANT	1		(SUB AR89779)
22A	AR56230	SUPPORT	1		(SOUND-GARD BODY OR ROLL-GARD)
22B	AR54659	SUPPORT	1		
23	19H1731	CAP SCREW	2	3/8" X 1"	
	12H304	LOCK WASHER	2	3/8"	
24	24H1305	WASHER	2	13/32" X 13/16" X 0.065"	
25	14H1076	NUT	1	3/8"	
	12H304	LOCK WASHER	1	3/8"	
26	19H2552	CAP SCREW	1	3/8" X 1-1/8"	
27	19H1731	CAP SCREW	1	3/8" X 1"	
	12H304	LOCK WASHER	1	3/8"	
28	19H2128	CAP SCREW	2	3/8" X 3"	
29	19H2552	CAP SCREW	1	3/8" X 1-1/8"	
30	24H1305	WASHER	1	13/32" X 13/16" X 0.065"	
31	14H1076	NUT	1	3/8"	
	12H304	LOCK WASHER	1	3/8"	

# 3D2

POWER TRAIN

## TRANSMISSION SHIFTER CONTROL RODS (SYNCRO-RANGE) (TRACTOR SERIAL NO. -034792)

R19934 -UN-01JAN94



R 19934

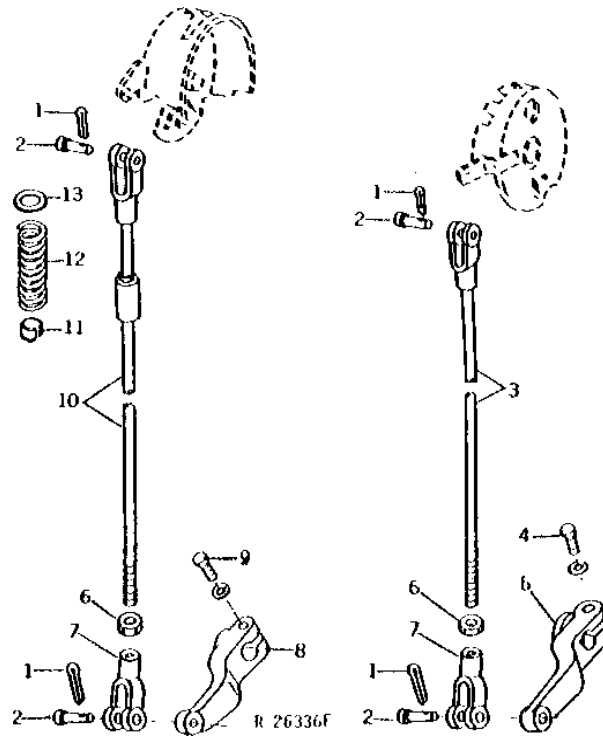
KEY	PART NO.	PART NAME	QTY	TRACTOR SERIAL NO.	REMARKS
1	11M7015	COTTER PIN	6		
2	R72855	PIN	2		3.200 X 25 MM (SUB FOR T10187)
3	T21158	YOKE	1		
4	14H856	NUT	2		1/2"
5	R52055	SHIFTER ROD	1		
	R54422	SHIFTER ROD	1		(LOW PROFILE)
6	D2491R	SHIM	4		
7	R52437	ARM	1		
8	19H1800	CAP SCREW	2		3/8" X 1-1/2"
	12H304	LOCK WASHER	2		3/8"
9	R52435	ARM	1		
10	R52054	ROD	1		
	R54423	SHIFTER ROD	1		(LOW PROFILE)
11	R56709	SPRING	1		(SUB FOR R52954)
12	R52958	RETAINER	1		
13	AR68735	LINK	1		(ALSO ORDER R32731) (SUB FOR AR58431)

# 3D3

POWER TRAIN

## TRANSMISSION SHIFTER CONTROL RODS (SYNCRO-RANGE) (TRACTOR SERIAL NO. 034793- )

R26336 -UN-01JAN94



KEY	PART NO.	PART NAME	QTY	TRACTOR SERIAL NO.	REMARKS
1	11M7015	COTTER PIN	4	3.200 X 25 MM	
2	R72855	PIN	4	(SUB FOR T10187)	
3	AR75976	ROD	1		
4	AR75974	ROD	1	(LOW PROFILE)	
	19H1800	CAP SCREW	1	3/8" X 1-1/2"	
	12H304	LOCK WASHER	1	3/8"	
5	R61987	ARM	1		
6	14H856	NUT	2	1/2"	
7	T21158	YOKE	2		
8	R61988	ARM	1		
	19H1800	CAP SCREW	1	3/8" X 1-1/2"	
	12H304	LOCK WASHER	1	3/8"	
10	AR75977	ROD	1	(SUB AR94111)	
	AR75975	ROD	1	(LOW PROFILE) (NO LONGER AVAILABLE)	
11	R52958	RETAINER	1		
12	R56709	SPRING	1		
13	R32731	WASHER	1		

---

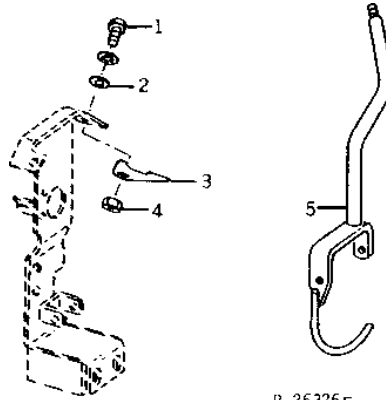
MEMORANDA

# 3D4

POWER TRAIN

**SPEED SELECTOR LEVER AND STOP  
(NOT USED IN U.S. AND CANADA)  
(TRACTOR SERIAL NO. 039149- )**

R26326 -UN-02JAN94



R 26326F

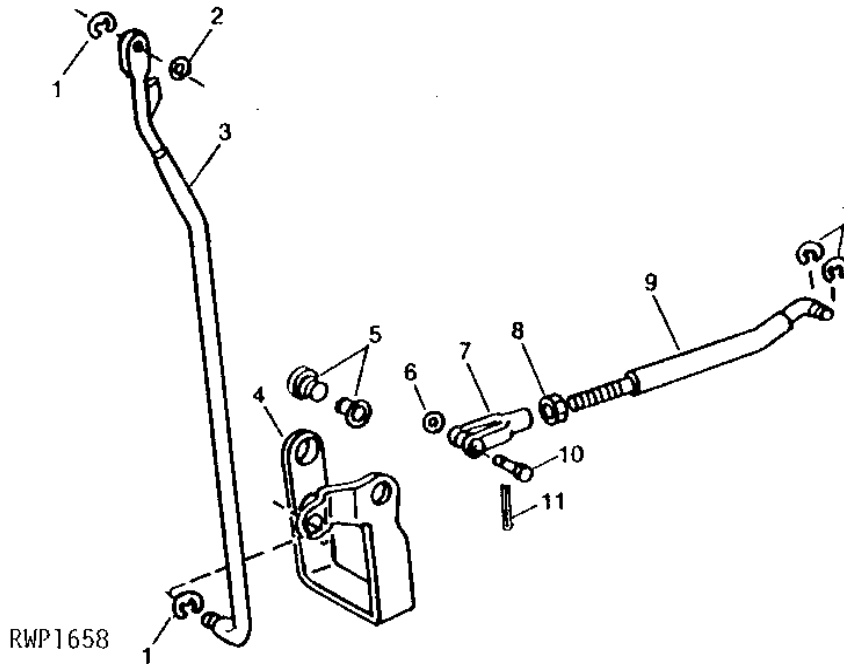
KEY	PART NO.	PART NAME	QTY	TRACTOR SERIAL NO.	REMARKS
1	19H2661	CAP SCREW	1	5/16" X 1-3/8"	
	12M7032	LOCK WASHER	1	0.331"	
2	24H1292	WASHER	1	11/32" X 3/4" X 0.120"	
3	AR98801	ARM	1	(SUB FOR AR79049)	
4	14H611	NUT	1	5/16"	
5	AR83654	LEVER	1	(SUB FOR AR79048)	

# 3D5

POWER TRAIN

## TRANSMISSION SHIFTER CONTROL RODS (CREEPER TRANSMISSION) (TRACTOR SERIAL NO. 013000- )

RWP1658 -UN-01JAN94



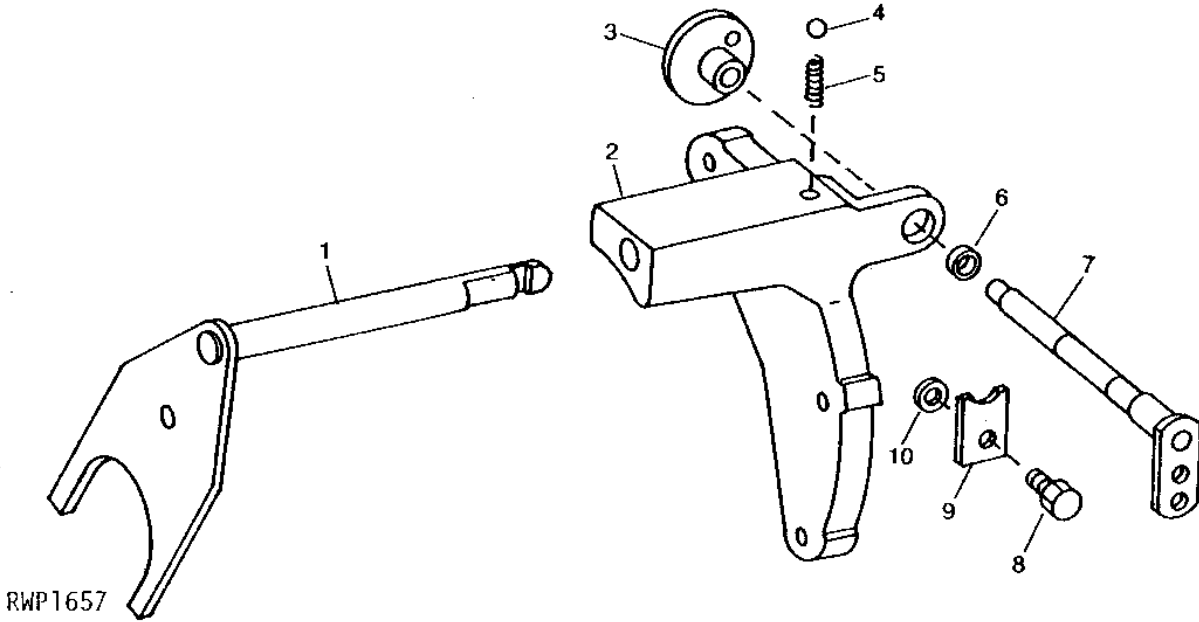
KEY	PART NO.	PART NAME	QTY	TRACTOR SERIAL NO.	REMARKS
1	R72653	SNAP RING	4		(SUB FOR M2396T)
2	24H1292	WASHER	1		11/32" X 3/4" X 0.120"
3	AR64914	ROD	1		
4	AR72046	LEVER	1		(SUB FOR AR65063)
5	R52646	WASHER	2		
6	24H1287	WASHER	1		9/32" X 5/8" X 0.065"
7	R42282	YOKE	1		(SUB T54033 AND R82766)
8	14H882	NUT	1		5/16"
9	R55557	SHIFTER ROD	1		
10	R72660	PIN	1		(SUB FOR R662R)
11	11M7079	COTTER PIN	1		0.098" X 0.472"

# 3D6

POWER TRAIN

PLANETARY SHIFTER  
(CREEPER TRANSMISSION)  
(TRACTOR SERIAL NO. 013000- )

RWP1657 -UN-01JAN94



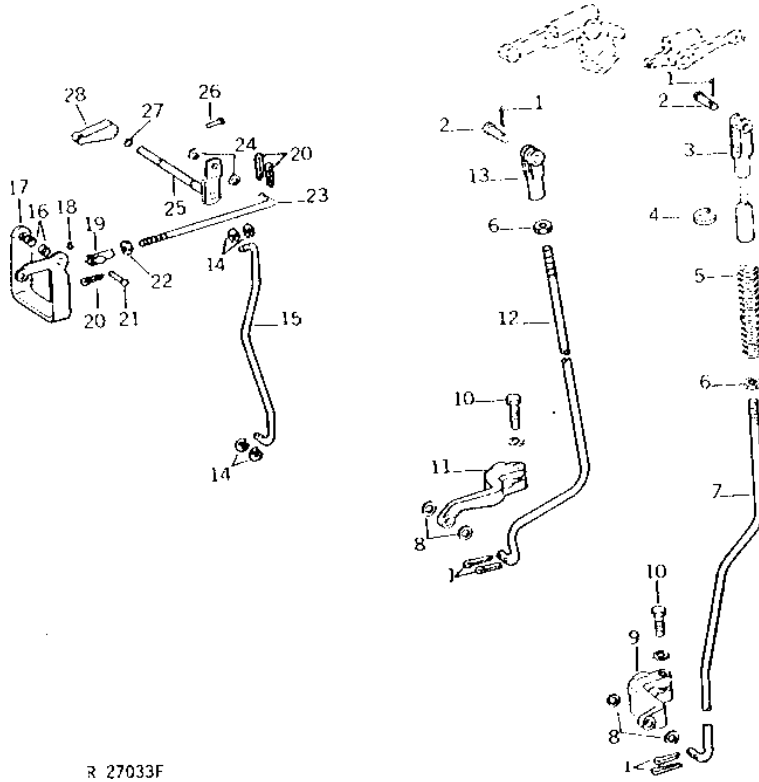
KEY	PART NO.	PART NAME	QTY	TRACTOR SERIAL NO.	REMARKS
1	AR64904	SHIFTER	1		
2	R55550	SUPPORT	1		
3	AR64906	ARM	1		
4	R26552	BALL	1		
5	T27716	SPRING	1		
6	AR26338	SEAL	1		
7	AR65234	SHAFT	1	(SUB AR90949)	
8	37H27	SCREW	1	5/16" X 7/8"	
9	R55736	PLATE	1		
10	24H1289	WASHER	2	21/64" X 5/8" X 0.049"	

# 3D7

POWER TRAIN

## TRANSMISSION SHIFTER CONTROL RODS (QUAD-RANGE) (TRACTOR SERIAL NO. -034663)

R27033 -UN-01JAN94



R 27033F



# 3D8

POWER TRAIN

TRANSMISSION SHIFTER CONTROL RODS - CONTINUED  
(QUAD-RANGE)  
(TRACTOR SERIAL NO. -034663)

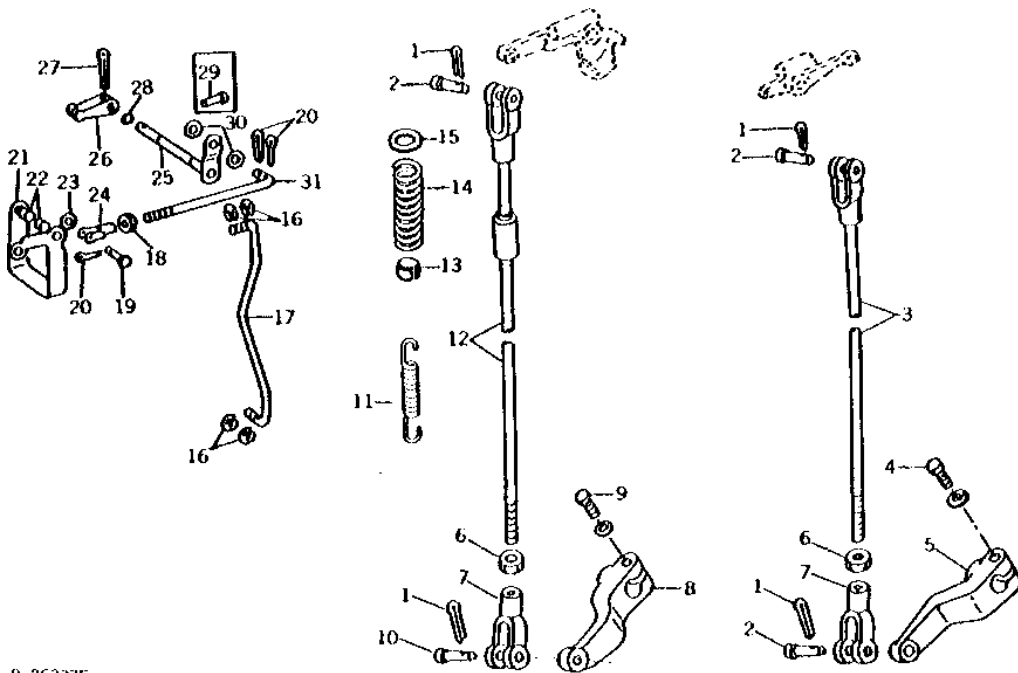
KEY	PART NO.	PART NAME	QTY	TRACTOR SERIAL NO.	REMARKS
1	11M7015	COTTER PIN	6		3.200 X 25 MM
2	R72855	PIN	2		(SUB FOR T10187)
3	AR68735	LINK	1		(ALSO ORDER R32731) (SUB FOR AR58431)
4	R52958	RETAINER	1		
5	R56709	SPRING	1		(SUB FOR R52954)
6	14H856	NUT	2		1/2"
7	R52715	SHIFTER ROD	1		(RANGE)
	R54434	SHIFTER ROD	1		(RANGE) (LOW-PROFILE)
8	24H1227	WASHER	4		17/32" X 13/16" X 0.060"
9	R52468	ARM	1		(RANGE SHIFTER)
10	19H1800	CAP SCREW	2		3/8" X 1-1/2"
	12H304	LOCK WASHER	2		3/8"
11	R52466	ARM	1		(SPEED SHIFTER)
12	R52712	SHIFTER ROD	1		(SPEED)
	R54435	SHIFTER ROD	1		(SPEED) (LOW-PROFILE)
13	T21158	YOKE	1		
14	R72653	SNAP RING	4		(SUB FOR M2396T)
15	R52648	ROD	1		
16	R52646	WASHER	2		
17	R52645	LEVER	1		
18	24H1287	WASHER	1		9/32" X 5/8" X 0.065"
19	R42282	YOKE	1		(SUB T54033 AND R82766)
20	11M7079	COTTER PIN	3		0.098" X 0.472"
21	R72660	PIN	1		(SUB FOR R662R)
22	14H882	NUT	1		5/16"
23	R52644	ROD	1		
24	24H1290	WASHER	2		21/64" X 3/4" X 0.035"
25	AR65229	SHAFT	1		(SUB FOR AR58028) (SUB AR77262, R62690 AND 34H264)
26	A4437R	PIN	1		
27	R28782	O-RING	1		
28	R53054	ARM	1		(SUB R62690, AR77262 AND 34H264)

# 3D9

POWER TRAIN

## TRANSMISSION SHIFTER CONTROL RODS (QUAD-RANGE) (TRACTOR SERIAL NO. 034664- )

R26337 -UN-01JAN94



R 26337F

# 3D10

POWER TRAIN

TRANSMISSION SHIFTER CONTROL RODS - CONTINUED  
(QUAD-RANGE)  
(TRACTOR SERIAL NO. 034664- )

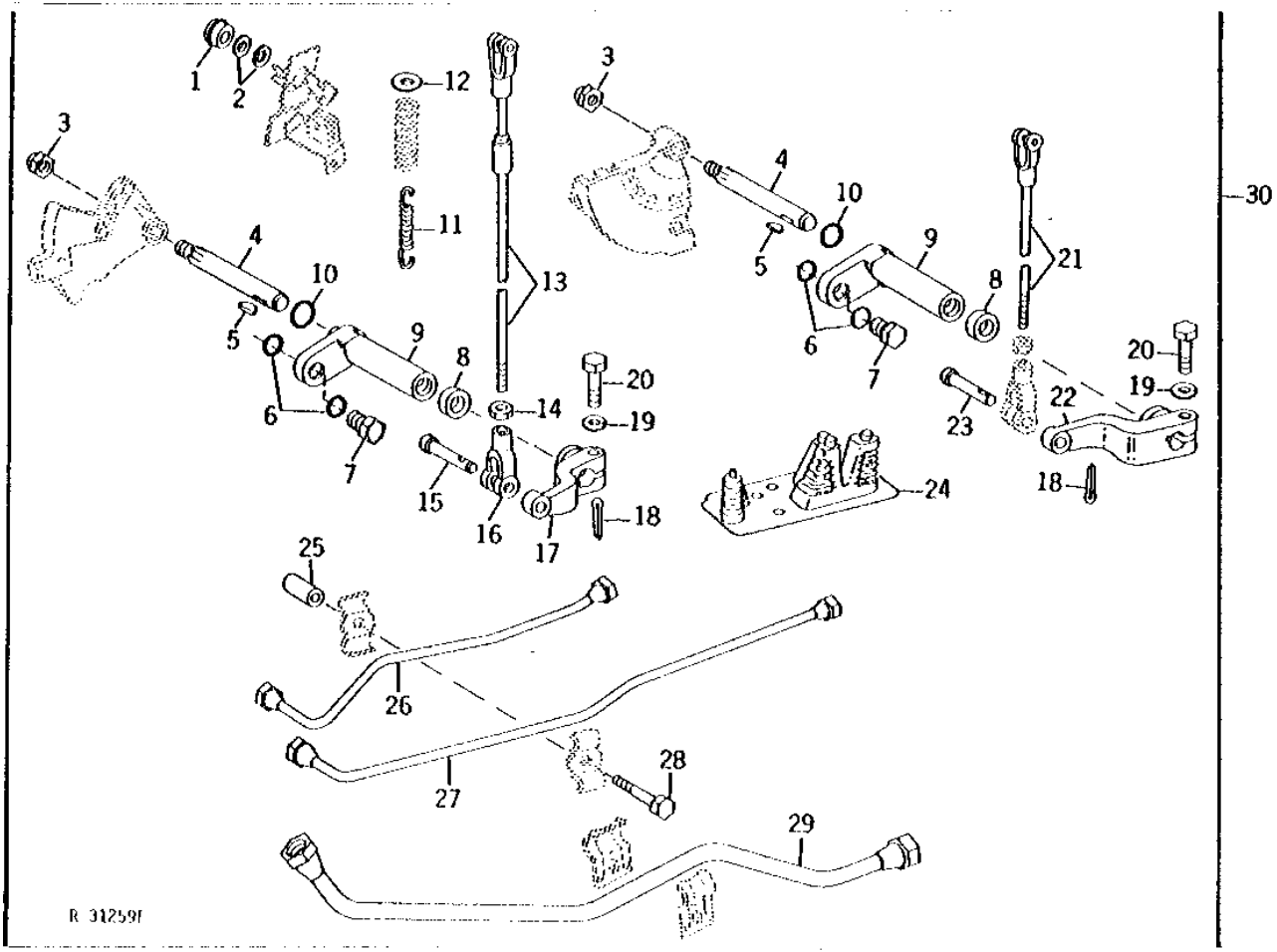
KEY	PART NO.	PART NAME	QTY	TRACTOR SERIAL NO.	REMARKS
1	11M7015	COTTER PIN	4		3.200 X 25 MM
2	R72855	PIN	3		(SUB FOR T10187)
3	AR75976	ROD	1		
4	AR75974	ROD	1		(LOW-PROFILE)
	19H1800	CAP SCREW	1		3/8" X 1-1/2"
	12H304	LOCK WASHER	1		3/8"
5	R61983	ARM	1		
6	14H856	NUT	2		1/2"
7	T21158	YOKE	2		
8	R61984	ARM	1		
9	19H1800	CAP SCREW	1		3/8" X 1-1/2"
	12H304	LOCK WASHER	1		3/8"
10	R73433	PIN	1		(SUB FOR R63927)
11	R56776	SPRING	1		
12	AR75977	ROD	1		(SUB AR94111)
	AR75975	ROD	1		(LOW-PROFILE) (NO LONGER AVAILABLE)
13	R52958	RETAINER	1		
14	R56709	SPRING	1		
15	R32731	WASHER	1		
16	R72653	SNAP RING	4		(SUB FOR M2396T)
17	R52648	ROD	1		
18	14H882	NUT	1		5/16"
19	R72660	PIN	1		(SUB FOR R662R)
20	11M7079	COTTER PIN	3		0.098" X 0.472"
21	R52645	LEVER	1		
22	R52646	WASHER	2		
23	24H1287	WASHER	1		9/32" X 5/8" X 0.065"
24	R42282	YOKE	1		(SUB T54033 AND R82766)
25	AR65229	SHAFT	1	-034663	(SUB AR77262, R62690 AND 34H264)
	AR77262	SHAFT	1	034664-	
26	R53054	ARM	1	-034663	(SUB R62690, AR77262 AND 34H264)
	R62690	ARM	1	034664-	
27	34H264	SPRING PIN	1	034664-	5/32" X 7/8"
28	R28782	O-RING	1		
29	A4437R	PIN	1		
30	24H1290	WASHER	2		21/64" X 3/4" X 0.035"
31	R64098	HOOK BOLT	1		

# 3D11

POWER TRAIN

R31259 -UN-01JAN94

OUTBOARD SHIFTER KIT  
(TRACTOR SERIAL NO. -034664)



# 3D12

POWER TRAIN

**OUTBOARD SHIFTER KIT - CONTINUED**  
(TRACTOR SERIAL NO. -034664)

KEY	PART NO.	PART NAME	QTY	TRACTOR SERIAL NO.	REMARKS
1	R62927	SPACER	1		(LESS CREEPER)
2	24H1422	SHIM	AR		7/8" X 1-3/8" X .018", (LESS CREEPER)
3	E17421	LOCK NUT	2		
4	R61986	SHAFT	2		
5	26H17	SHAFT KEY	2		3/16" X 7/8"
6	U11326	O-RING	4		
7	R65261	PLUG	2		
8	AR389R	SEAL	1		
9	R65260	SUPPORT	2		
10	R29463	O-RING	2		
11	R56776	SPRING	1		(A)
12	R32731	WASHER	1		
13	AR75973	ROD	1		(SUB AR94112)
14	14H856	NUT	1		1/2"
15	R73433	PIN	1		(SUB FOR R63927)
16	T21158	YOKE	1		
17	R61984	ARM	1		(A)
	R61988	ARM	1		(B) (C)
18	11M7015	COTTER PIN	2		3.200 X 25 MM
19	12H304	LOCK WASHER	2		3/8"
20	19H1800	CAP SCREW	2		3/8" X 1-1/2"
21	AR75972	ROD	1		
22	R61983	ARM	1		(A)
	R61987	ARM	1		(B) (C)
23	R72855	PIN	2		(SUB FOR T10187)
24	AR78239	BOOT	1		(B) (C) (SUB RE12512 AND R32239)
25	28H1497	BUSHING	1		3/8" X 1-1/2"
26	AR82458	HYDRAULIC LINE	1		(E)
	AR82460	HYDRAULIC LINE	1		(D)
27	AR82462	HYDRAULIC LINE	1		(E)
	AR82464	HYDRAULIC LINE	1		(D)
28	19H1733	CAP SCREW	1		3/8" X 2-1/2"
29	AR75978	HYDRAULIC LINE	1		
30	AR82453	SHIFTER	1		(A)
	AR82454	SHIFTER	1		(B) (C)

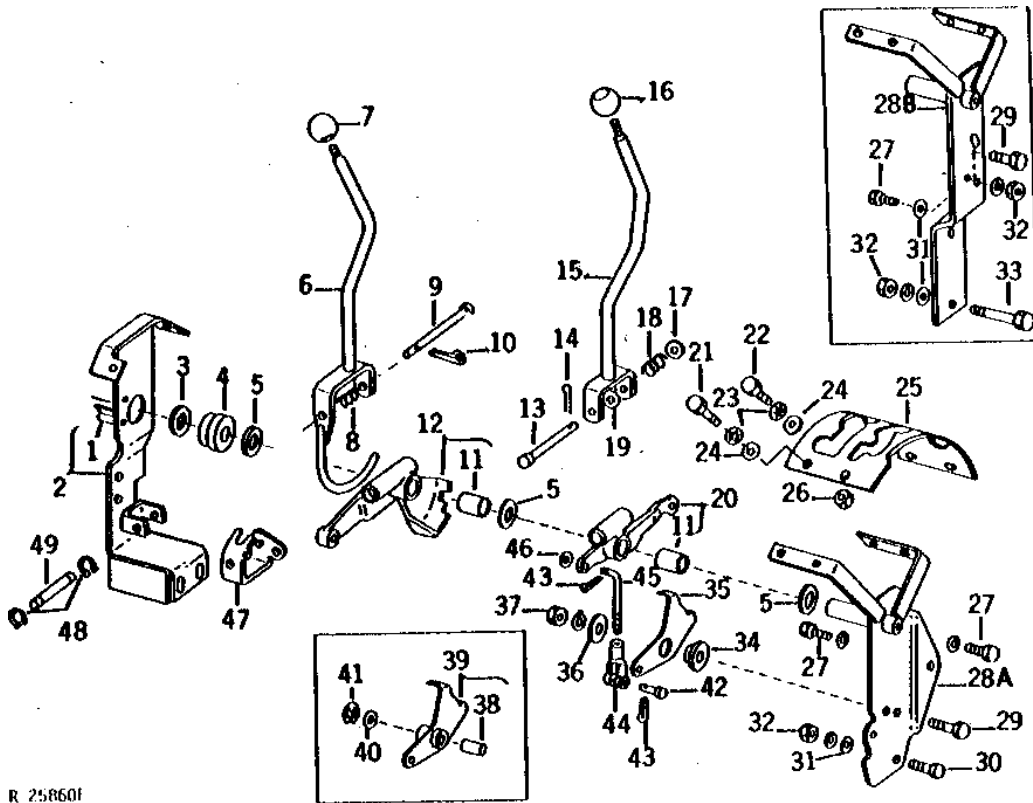
- (A) QUAD-RANGE TRANSMISSION
- (B) SYNCRO-RANGE TRANSMISSION
- (C) CREEPER TRANSMISSION
- (D) SOUND-GARD BODY
- (E) LESS SOUND-GARD BODY

# 3D13

POWER TRAIN

## TRANSMISSION SHIFTER CONTROL LEVERS, LINKAGE AND SUPPORT (QUAD-RANGE)

R25860 -UN-01JAN94



R 25860f

# 3D14

POWER TRAIN

## TRANSMISSION SHIFTER CONTROL LEVERS, LINKAGE AND SUPPORT - CONTINUED (QUAD-RANGE)

KEY	PART NO.	PART NAME	QTY	TRACTOR SERIAL NO.	REMARKS
1	R57449	PIN	1		
2	AR61901	SUPPORT	1	-036603	(SUB AR78904, (2) 19H2020, (2) 19H1905 AND (2) 14H785)
	AR78904	SUPPORT	1	036604-	
	AR61900	SUPPORT	1	-033619	(A) (SUB AR70900, (2) 19H2020, (2) 19H1905 AND (2) 14H785)
	AR70900	SUPPORT	1	033620-034519	(A) (SUB AR81245)
	AR81245	SUPPORT	1	034520-	(A) (SUB RE33519)
3	24H1422	SHIM	AR	034520-	29/32" X 1-3/8" X .018"
4	R62927	SPACER	1		(ALSO ORDER 24H1422) (SUB FOR R50526 OR R56236)
5	R42127	WASHER	3		
6	AR88536	LEVER	1		(SUB FOR AR57112 OR AR82761)
7	R50864	KNOB	1		
8	R41147	SPRING	1		
9	R31131	PIN	1		
10	11M7021	COTTER PIN	1		0.157" X 0.984"
11	R26182	BUSHING	2		
12	AR61942	ARM	1		(MARKED R52179)
13	R53510	PIN	1		
14	11M7021	COTTER PIN	1		0.157" X 0.984"
15	AR57113	LEVER	1		
16	R53244	KNOB	1		
17	24M7096	WASHER	1		10.500 X 18 X 1.600 MM
18	R53692	SPRING	1		
19	R56712	WASHER	1		(SUB FOR R53511)
20	AR61941	ARM	1		(MARKED R52180)
21	19H1813	CAP SCREW	4	-036603	5/16" X 5/8"
	19H1813	CAP SCREW	4	-033619	(A) 5/16" X 5/8"
	19H2020	CAP SCREW	2	036604-	5/16" X 1/2"
	19H2020	CAP SCREW	2	033620-	(A) 5/16" X 1/2"
22	19H1905	CAP SCREW	2	036604-	5/16" X 1"
	19H1905	CAP SCREW	2	033620-	(A) 5/16" X 1"
23	12M7032	LOCK WASHER	4		0.331"
24	24H1292	WASHER	4		11/32" X 3/4" X 0.120"
25	R59711	GUIDE	1		(SUB FOR R52305)
26	14H785	NUT	2		5/16"
27	19H1731	CAP SCREW	3		3/8" X 1"
	12H304	LOCK WASHER	3		3/8"
28A	AR57115	SUPPORT	1	-027533	(A) (SUB AR73577, R60668, R60670, R60671, 19H1732, 12H304 AND 14H1076)
	AR73577	SUPPORT	1	027534-	(A)
28B	AR56922	SUPPORT	1	-027533	(SUB AR73578, R60668, R60670 AND R60671)
	AR73578	SUPPORT	1	027534-	
29	19H1732	CAP SCREW	1	027534-	3/8" X 1-1/4"
30	19H1731	CAP SCREW	2		3/8" X 1"
31	24M7096	WASHER	3		10.500 X 18 X 1.600 MM
32	14H1076	NUT	4		3/8"
	12H304	LOCK WASHER	4		3/8"
33	19H2128	CAP SCREW	2		3/8" X 3"
34	R60670	LOCK WASHER	1	027534-	
35	R60668	LATCH	1	027534-	
36	R60671	WASHER	1	027534-	
37	14H1076	NUT	1	027534-	3/8"
	12H304	LOCK WASHER	1	027534-	3/8"
38	R36119	BUSHING	1	-027533	
39	AR60641	LATCH	1	-027533	(NLA)
40	24H1341	WASHER	1	-027533	17/32" X 15/16" X 0.060"
41	R26871	SNAP RING	1	-027533	
42	R72660	PIN	1		(SUB FOR R662R)
43	11M7079	COTTER PIN	2		0.098" X 0.472"
44	R42282	YOKE	1		(SUB T54033 AND R82766)
45	R52304	HOOK BOLT	1		
46	24H1136	WASHER	1		11/32" X 11/16" X 0.065"
47	R55169	ARM	1		(SUB FOR R54206)
48	R72655	SNAP RING	2		(SUB FOR T12808)
49	R53213	PIN	1		

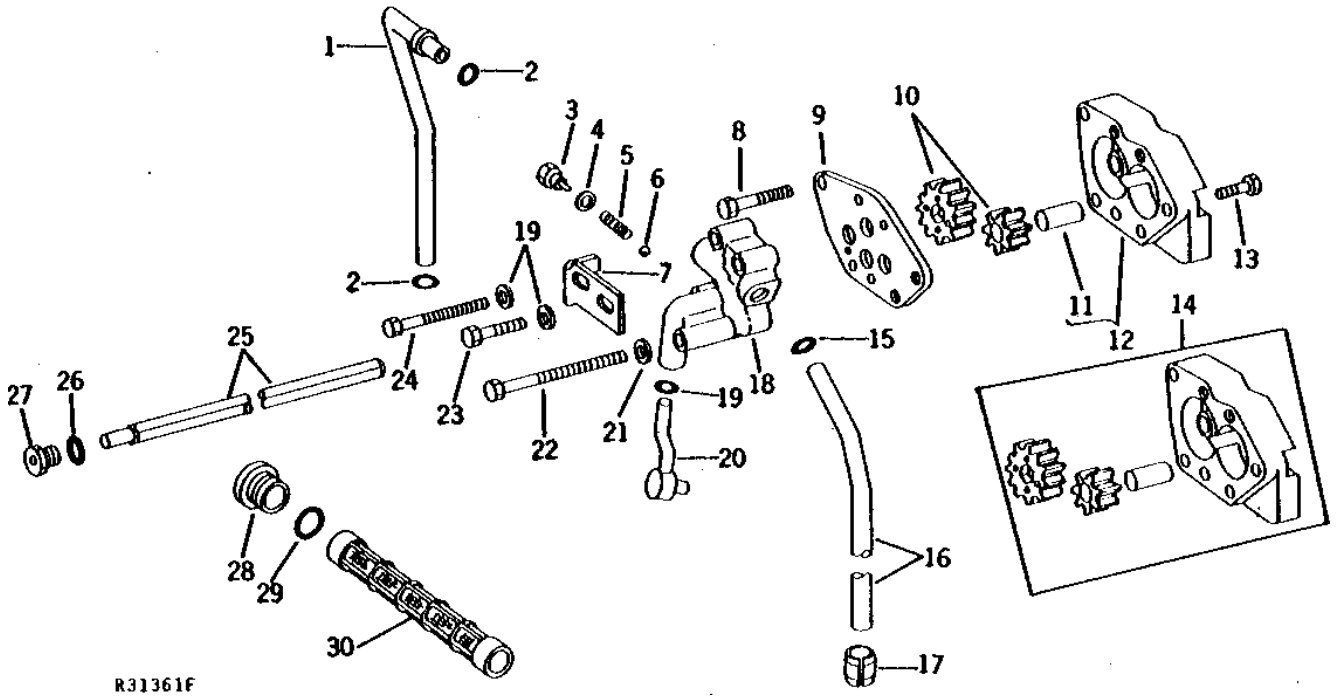
(A) SOUND-GARD BODY OR ROLL-GARD

# 3D15

POWER TRAIN

R31361 -UN-01JAN94

TRANSMISSION OIL PUMP  
(QUAD-RANGE AND SYNCRO-RANGE)





# 3D16

POWER TRAIN

## TRANSMISSION OIL PUMP - CONTINUED (QUAD-RANGE AND SYNCRO-RANGE)

KEY	PART NO.	PART NAME	QTY	TRACTOR SERIAL NO.	REMARKS
1	R50848	TUBE	1	-006174	(SUB AR65045, R59533, R43252 AND R51383)
	AR65045	HYDRAULIC LINE	1	006175-	
2	R56462	O-RING	2		
3	AR61217	PLUG	1		
4	R51981	WASHER	AR		
5	R48951	SPRING	1		
6	400R	BALL	1		
7	R55644	CLAMP	1	006175-022267	(SUB R59533, R43252 AND R51383, THIS APPLICATION)
	R59533	CLAMP	1	022268-	
8	R43252	CAP SCREW	2		
9	R50847	COVER	1		(A)
	R51982	COVER	1		(B)
10	AR61290	GEAR	1		(USE WITH R50846 OR R51148)
11	R51029	DOWEL PIN	1		
12	AR62939	HOUSING	1		(A) (MARKED R50846) (SUB AR78652, AR78653 AND RE20918)
	AR62938	HOUSING	1		(B) (MARKED R51148)
13	R41006	CAP SCREW	2		
14	AR85538	HOUSING	1		(A) (MARKED R63709 OR R82163) (INCREASED CAPACITY) (SUB AR78652, AR78653 AND RE20918)
15	R56462	O-RING	1		
16	R47812	HYDRAULIC LINE	1		(A)
	R40831	HYDRAULIC LINE	1		(B)
17	R65847	BUSHING	1		(USE WITH R58800)
18	AR61216	MANIFOLD	1		(A) (MARKED R51674)
	AR61215	MANIFOLD	1		(B) (MARKED R51983)
19	A3917R	O-RING	1		
20	AR50631	HYDRAULIC LINE	1		(A)
	AR40669	HYDRAULIC LINE	1		(B)
21	24H1136	WASHER	3		11/32" X 11/16" X 0.065"
22	R43256	CAP SCREW	1		
23	R43252	CAP SCREW	1		(SUB FOR R56458)
24	R51030	CAP SCREW	1	-022267	(SUB FOR R56459)
	R51383	SELF-LOCKING SCREW	1	022268-	
25	R50825	SHAFT	1		
26	F3171R	O-RING	1		
27	AR72101	FITTING PLUG	1		(USE WITH CAST R58800 ONLY)
	AR54983	FITTING PLUG	1		
28	R40147	FITTING	1		(SUB A4806R)
29	A4808R	WASHER	1		
30	R53169	SCREEN	1		(NYLON)
	AR26375	SCREEN	1		(STEEL)

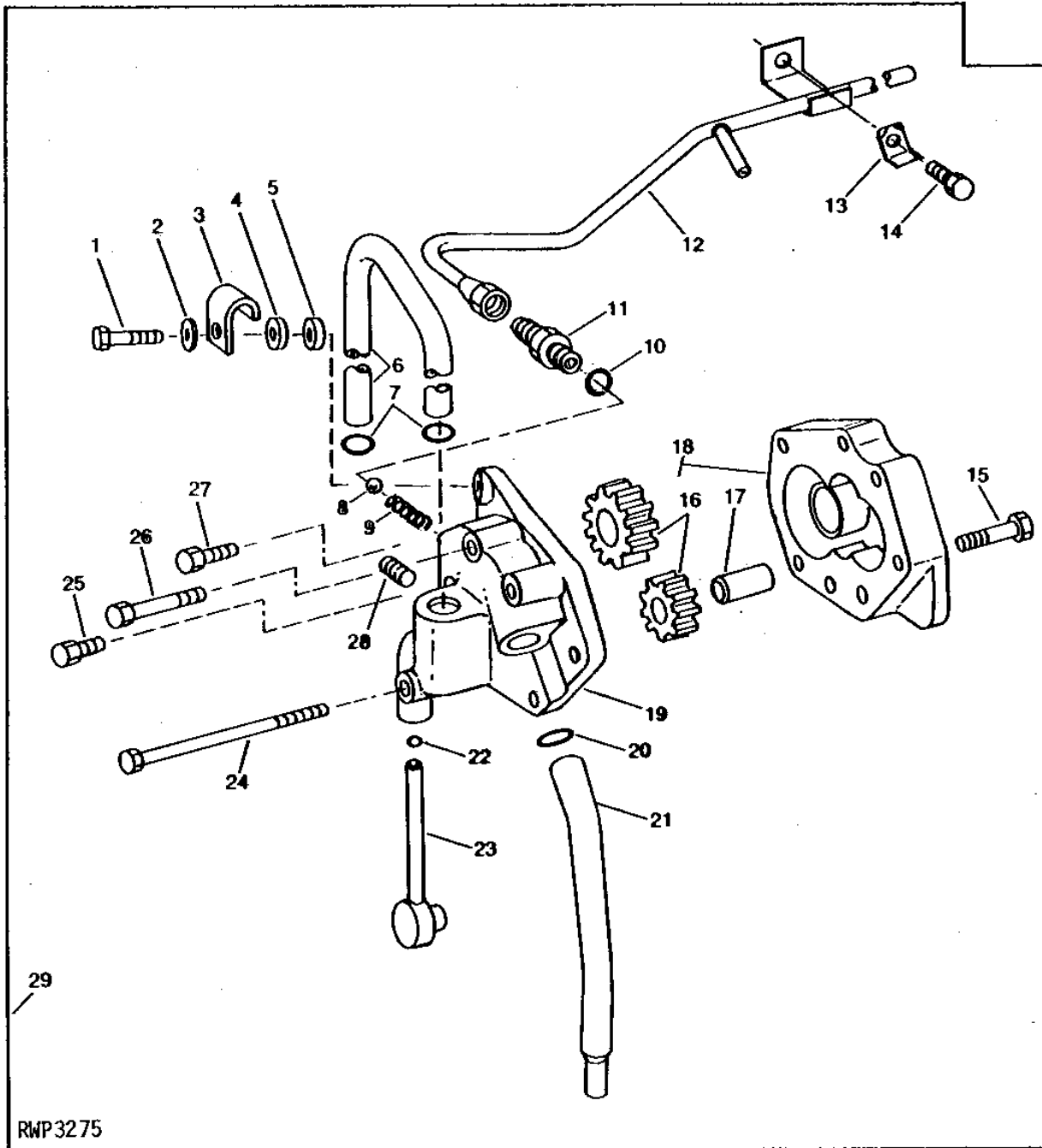
(A) QUAD-RANGE TRANSMISSION  
(B) SYNCRO-RANGE TRANSMISSION

# 3D17

POWER TRAIN

RWP3275 -UN-01JAN94

TRANSMISSION OIL PUMP  
(INCREASED CAPACITY)  
(QUAD-RANGE)



# 3D18

POWER TRAIN

TRANSMISSION OIL PUMP - CONTINUED  
(INCREASED CAPACITY)  
(QUAD-RANGE)

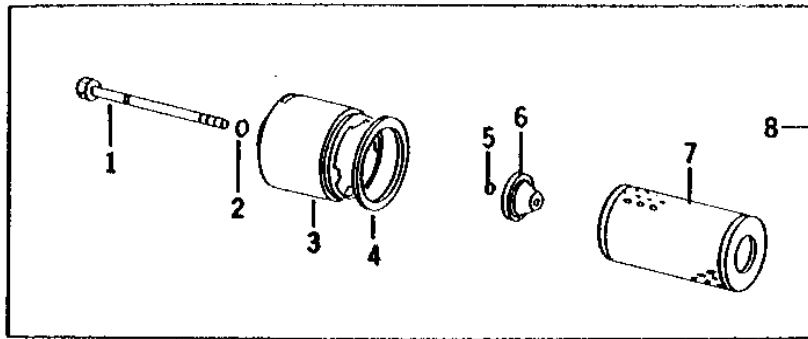
KEY	PART NO.	PART NAME	QTY	TRACTOR SERIAL NO.	REMARKS
1	R41041	CAP SCREW	1		
2	24H1305	WASHER	1		13/32" X 13/16" X 0.065"
3	R66061	HALF CLAMP	1		
4	24H1653	WASHER	1		13/32" X 1-1/4" X 0.120"
5	R48792	WASHER	1		
6	R61477	OIL TUBE	1		
7	R56462	O-RING	2		
8	R42849	BALL	1		
9	R227R	SPRING	1		
10	R26448	O-RING	1		
11	R63469	FITTING	1		
12	AR78366	HYDRAULIC LINE	1		
13	R30959	LOCK PLATE	1		
14	19H2021	CAP SCREW	1		3/8" X 5/8"
15	R41006	CAP SCREW	2		
16	.....	GEAR	1		(ORDER AR85538)
17	.....	DOWEL PIN	1		(ORDER AR85538)
18	AR85538	HOUSING	1		(MARKED R63709 OR R82163) (SUB AR78652, AR78653 AND RE20918)
19	R61475	MANIFOLD	1		
20	R47144	O-RING	1		
21	R71048	OIL TUBE	1		
22	A3917R	O-RING	1		
23	AR40669	HYDRAULIC LINE	1		
24	R43256	CAP SCREW	1		
25	R41007	CAP SCREW	1		
26	R51383	SELF-LOCKING SCREW	2		
27	R43252	CAP SCREW	1		
28	15H558	PIPE PLUG	3		1/8"
29	AR93313	KIT	1		

# 3D19

POWER TRAIN

R29363 -UN-01JAN94

## INCREASED OIL FILTRATION KIT (QUAD-RANGE)



R29363

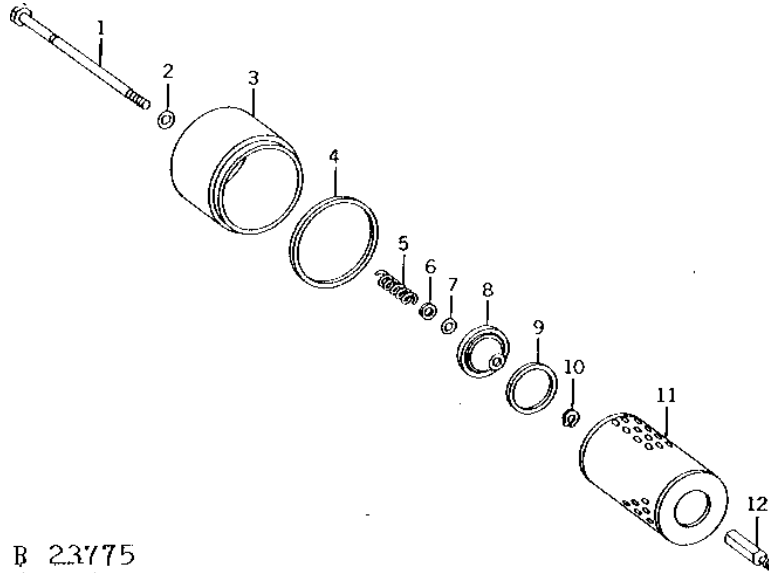
KEY	PART NO.	PART NAME	QTY	TRACTOR SERIAL NO.	REMARKS
1	R65894	CAP SCREW	1		
2	R394R	O-RING	1		
3	R63093	COVER	1		
4	R34733	WASHER	1		
5	F2741R	PACKING	1		
6	R65892	RETAINER	1		
7	AR98098	FILTER ELEMENT	1	(SUB FOR AR70636, AR70506 OR AR94510)	
8	AR85271	KIT	1		

# 3D20

POWER TRAIN

R23775 -UN-01JAN94

## TRANSMISSION OIL FILTER (QUAD-RANGE AND SYNCRO-RANGE)



B 23775

KEY	PART NO.	PART NAME	QTY	TRACTOR SERIAL NO.	REMARKS
1	R54750	CAP SCREW	1		(SUB FOR R39795) 8-1/2" LONG
	R65894	CAP SCREW	1	028080-	(A) 11" LONG
2	R394R	O-RING	1		
3	R39796	COVER	1		
	R39796	COVER	1	-028079	(A)
	R63093	COVER	1	028080-	(A) (SUB FOR R51654)
4	R34733	WASHER	1		
5	H819R	SPRING	1		
6	24H1227	WASHER	1		17/32" X 13/16" X 0.060"
7	R394R	O-RING	1		
8	R65892	RETAINER	1		(SUB FOR R28593)
9	R28594	WASHER	1	-031023	
	R28594	WASHER	1	-028079	(A)
10	R32507	SNAP RING	1		
11	AR75603	FILTER ELEMENT	1		(ALSO ORDER R34733) (SUB FOR AR28271 OR AR75601) (PKG. OF 2)
	AR75603	FILTER ELEMENT	1	-028079	(A) (ALSO ORDER R34733) (SUB FOR AR28271 OR AR75601) (PKG. OF 2)
	AR70506	FILTER ELEMENT	1	028080-	(A) (SUB AR98098)
12	R58765	SCREW	1	028080-XXXXXX	(A) (SUB R65894)

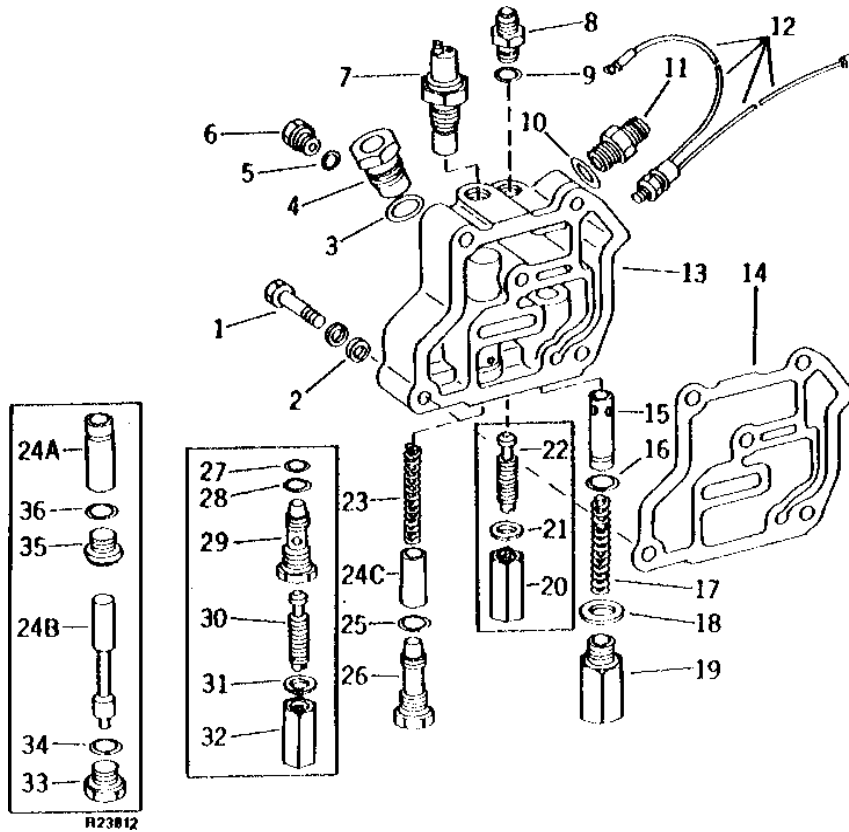
(A) POWER FRONT WHEEL DRIVE

# 3D21

POWER TRAIN

R23812 -UN-01JAN94

## OIL FILTER RELIEF VALVE HOUSING (QUAD-RANGE AND SYNCRO-RANGE)



# 3D22

POWER TRAIN

## OIL FILTER RELIEF VALVE HOUSING - CONTINUED (QUAD-RANGE AND SYNCRO-RANGE)

KEY	PART NO.	PART NAME	QTY	TRACTOR SERIAL NO.	REMARKS
1	19H1828	CAP SCREW	1	7/16" X 4"	
	19H2055	CAP SCREW	3	7/16" X 2-1/4"	
	19H2500	CAP SCREW	1	7/16" X 1-3/8"	
	12H293	LOCK WASHER	5	7/16"	
2	24H1325	WASHER	5	15/32" X 59/64" X 0.065"	
3	B2762R	O-RING	1		
4	R76494	FITTING	1		(SUB FOR R33610)
5	R26286	O-RING	1		
6	R27094	DRAIN PLUG	1		
7	AR61610	PRESSURE SWITCH	1		
8	R27237	FITTING	1		
	R57298	FITTING	1	-010102	(HYDRAULIC THERMOSTAT BYPASS VALVE KIT)
9	R26375	O-RING	1		
10	F3171R	O-RING	1		
11	R27267	FITTING	1		
12	RE14191	TOGGLE SWITCH	1		(SUB FOR AR61970)
	R56226	BLADE	1		
	T28585	TERMINAL	1		
13	R51460	HOUSING	1	-019558	(SUB AR72973)
	R53114	HOUSING	1	-019558	(POWER FRONT WHEEL DRIVE) (SUB AR72973)
	AR69268	HOUSING	1	019559-023762	(MARKED R57655 OR R57657) (SUB AR72973)
	AR72973	HOUSING	1	023763-027854	(MARKED R60151 OR R60152)
	AR73905	HOUSING	1	027855-	(MARKED R60401 OR R60402)
	15H624	PIPE PLUG	1		1/2"
	R39112	FITTING	1		
	R26375	O-RING	1		
14	R51461	GASKET	1	-019558	
	R100338	GASKET	1	019559-	(SUB FOR R57656)
15	R54042	VALVE	1	-019558	(SUB R57560 AND R33259, THIS APPLICATION)
	R57560	VALVE	1	019559-	
16	R33259	O-RING	1	019559-	
17	R51574	SPRING	1		
18	R1742R	WASHER	1		
19	R51577	FITTING PLUG	1		
20	F2847R	NUT	1	-019558	
21	F2846R	WASHER	1	-019558	
22	R39587	SET SCREW	1	-019558	
23	R28914	SPRING	1		
24A	R57559	VALVE	1	-019558	(ALSO ORDER R33259) (SUB FOR R33162, THIS APPLICATION)
24B	R56781	VALVE	1	019559-023762	(SUB AR72894)
24C	R60092	CHECK VALVE	1	023763-	(A)
25	R26375	O-RING	1	027855-	
26	R60396	FITTING	1	027855-	
27	R28776	O-RING	1	023763-027854	(A)
28	R26375	O-RING	1	023763-027854	(A)
29	R60093	PLUG	1	023763-027854	(A)
30	R39587	SET SCREW	1	023763-027854	(A)
31	F2846R	WASHER	1	023763-027854	(A)
32	F2847R	NUT	1	023763-027854	(A)
33	R39112	FITTING	1	019559-023762	
34	R26375	O-RING	1	019559-023762	
35	R33138	FITTING	1	-019558	
36	R26375	O-RING	1	-019558	
..	AR72894	KIT	1	-027854	MANUAL BYPASS VALVE

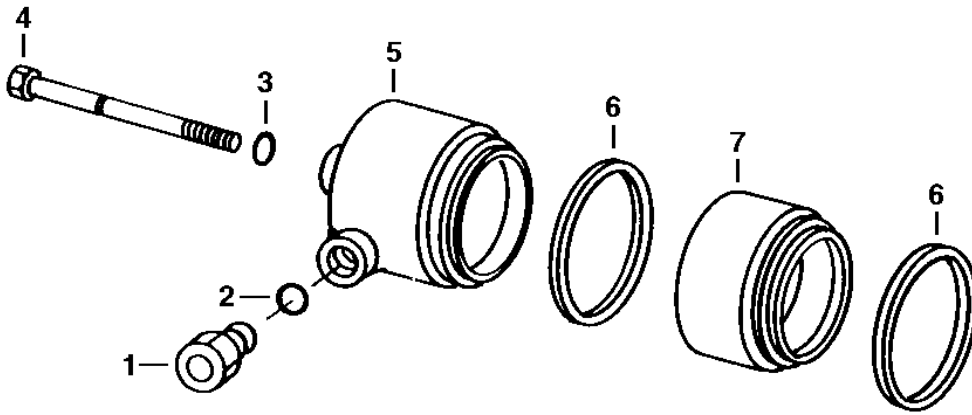
(A) INCLUDED IN AR72894

# 3D23

POWER TRAIN

RXP021362 -UN-06NOV95

## RETURN PORT COVER



**RXP021362**

KEY	PART NO.	PART NAME	QTY	TRACTOR SERIAL NO.	REMARKS
1	Y1912C	ADAPTER	1		
2	F3171R	O-RING	1		
3	R394R	O-RING	1		
4	R54750	CAP SCREW	1	8-1/2" LONG	
5	T31170	COVER	1		
6	R34733	WASHER	2		
7	R66068	PIPE	1		

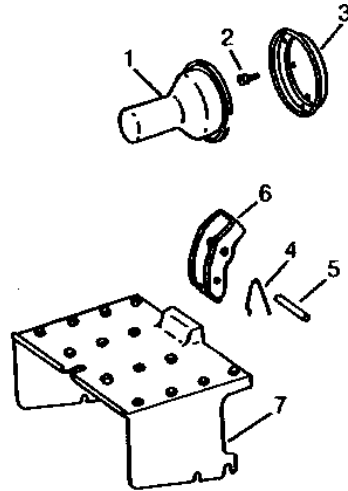


# 3D24

POWER TRAIN

## 540 AND 1000 RPM PTO MASTER SHIELD AND REAR GUARD (QUAD-RANGE AND SYNCRO-RANGE)

RXP8623 -UN-01JAN94



RXP8623

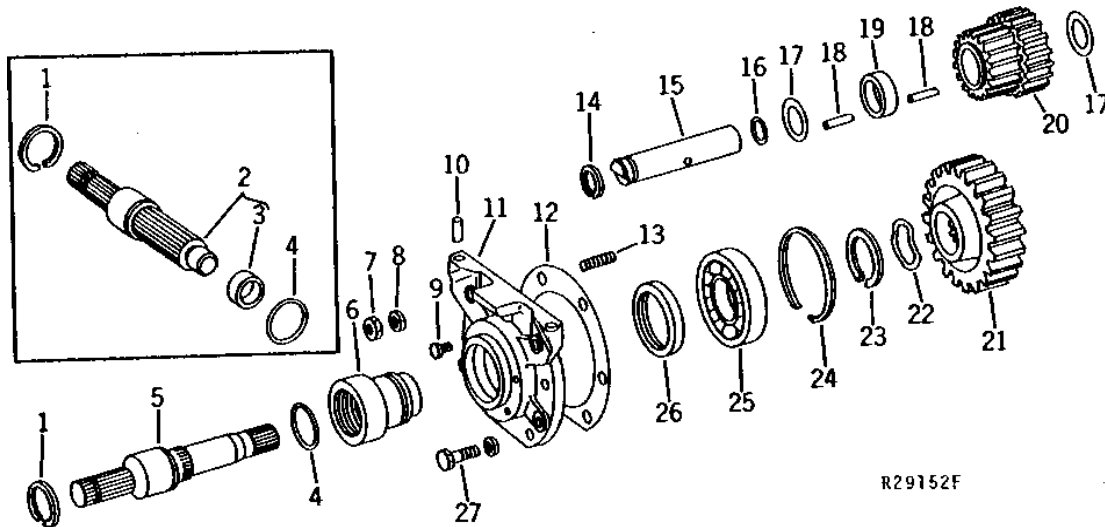
KEY	PART NO.	PART NAME	QTY	TRACTOR SERIAL NO.	REMARKS
1	AR26782	GUARD	1		
2	R27329	SCREW	2		
3	AR26707	RETAINER	1		
4	R42585	SPRING	1		
5	34H335	SPRING PIN	1	5/16" X 2-1/8"	
6	R42584	RETAINER	1	(ALSO ORDER R42585 AND 34H335) (SUB FOR AR44713)	
7	R33348	SHIELD	1		

# 3D25

POWER TRAIN

## 540 AND 1000 RPM PTO REAR DRIVE GEAR AND SHAFTS (QUAD-RANGE AND SYNCRO-RANGE)

R29152 -UN-01JAN94



R29152F

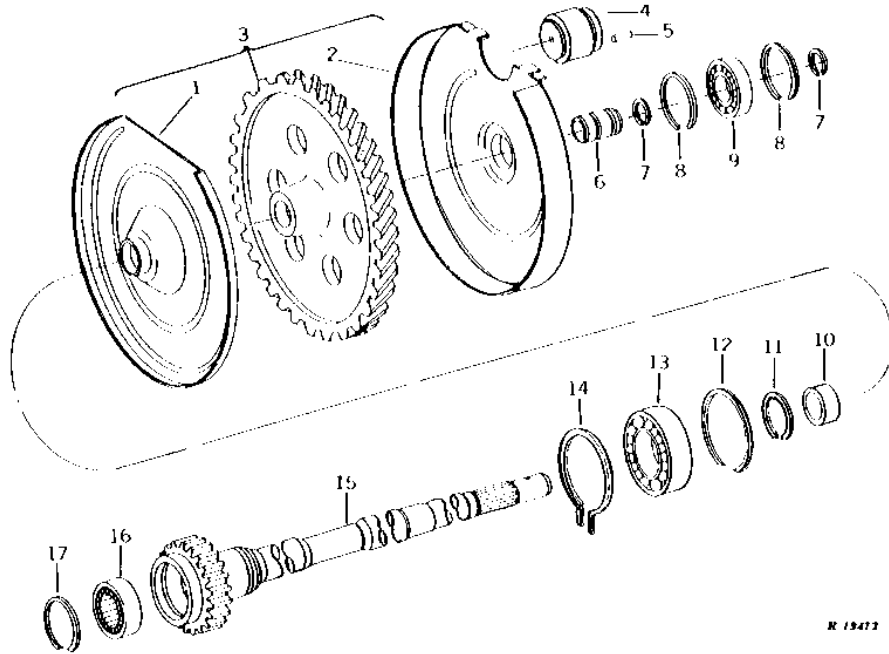
KEY	PART NO.	PART NAME	QTY	TRACTOR SERIAL NO.	REMARKS
1	R38221	SNAP RING	2		
2	AR41752	SHAFT	1	(540 RPM)	
3	JD7557	BEARING RACE	1		
4	P50631	O-RING	2		
5	R38224	SHAFT	1	(1000 RPM)	
6	R45126	GUIDE	1		
7	14H1040	NUT	2	1/2"	
8	12H301	LOCK WASHER	2	1/2"	
9	R27329	SCREW	2		
10	34H348	SPRING PIN	2	3/8" X 1"	
11	AR38168	QUILL	1	(MARKED R38218 OR R47507) (SUB RE47805, RE13181, R106866 AND R106715) (INCLUDES R27329)	
12	R33337	GASKET	1		
13	R32101	STUD	2		
14	R33320	SNAP RING	1		
15	R33852	COUNTERSHAFT	1		
16	R30319	O-RING	1		
17	R33853	THRUST WASHER	2		
18	R33028	NEEDLE ROLLER	48		
19	R33344	SPACER	1		
20	R33339	GEAR	1		
21	R42014	GEAR	1	(540 RPM)	
22	R38219	THRUST WASHER	1	(540 RPM)	
23	F1334R	SNAP RING	1		
24	C1919R	SNAP RING	1		
25	JD9320	BALL BEARING	1		
26	AT16431	SEAL	1	(SUB RE13181)	
27	19H1721	CAP SCREW	4	1/2" X 1-1/2"	
	12H301	LOCK WASHER	4	1/2"	

# 3E1

POWER TRAIN

## 540 AND 1000 RPM PTO SHAFT AND DRIVE GEAR (QUAD-RANGE AND SYNCRO-RANGE)

R19472 -UN-01JAN94



R 19472

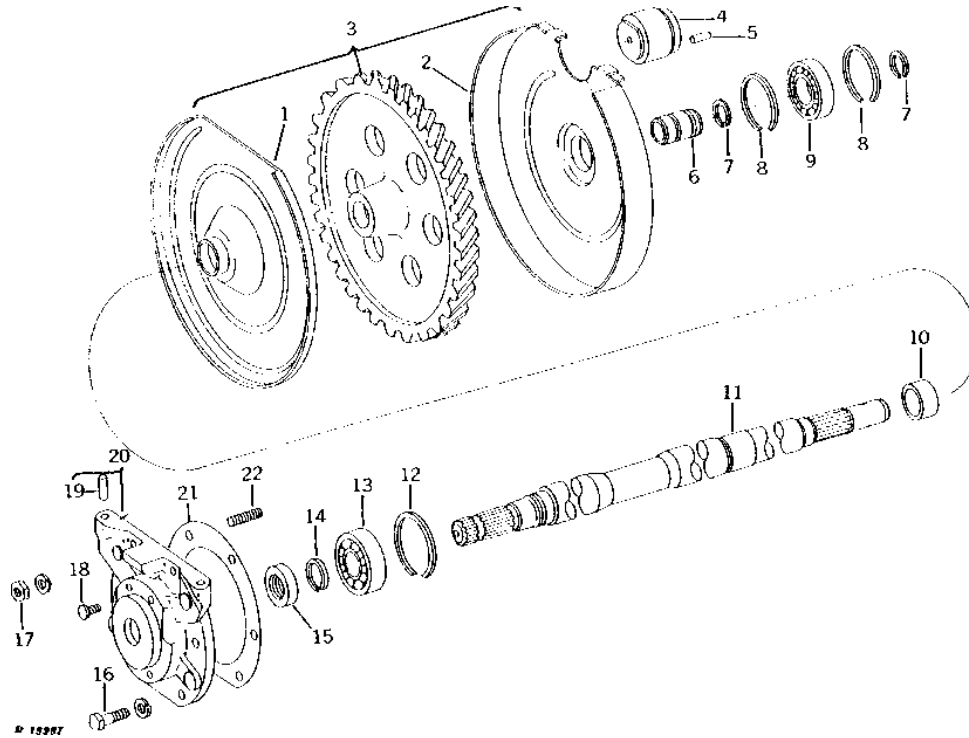
KEY	PART NO.	PART NAME	QTY	TRACTOR SERIAL NO.	REMARKS
1	R54156	PLATE	1		
2	AR61920	PLATE	1		
3	AR61680	GEAR	1		(MARKED R50828)
4	RE20724	PISTON	1		(SUB FOR RE10534 OR AR55087)
5	R1932R	DOWEL PIN	1		
6	R51477	SLEEVE	1		
7	A364R	SNAP RING	2		
8	M3649T	SNAP RING	2		
9	JD9345	BALL BEARING	1		
10	R34328	BUSHING	1		
11	R36295	SNAP RING	1		
12	R33321	RING	1		(SUB BP13615)
13	JD8537	BEARING	1		
14	R33322	SNAP RING	1		
15	AR54960	SHAFT	1		
16	JD7537	ROLLER BEARING	1		
17	F2367R	SNAP RING	1		

# 3E2

POWER TRAIN

R19987 -UN-01JAN94

## 1000 RPM PTO SHAFT AND DRIVE GEAR (QUAD-RANGE AND SYNCRO-RANGE)



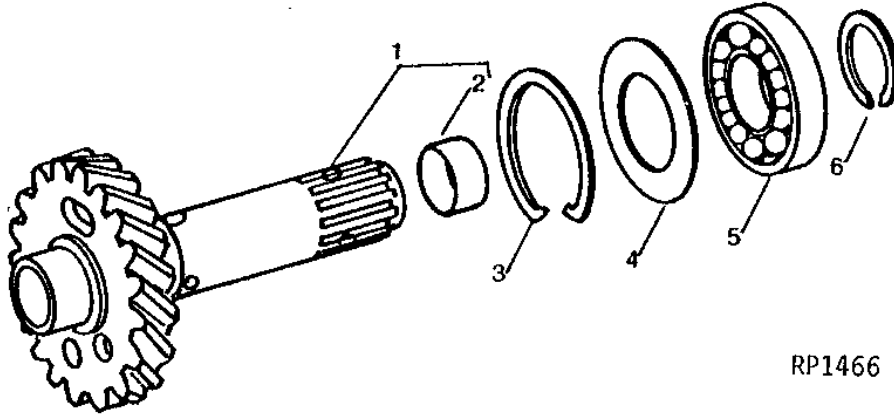
KEY	PART NO.	PART NAME	QTY	TRACTOR SERIAL NO.	REMARKS
1	R54156	PLATE	1		
2	AR61920	PLATE	1		
3	AR61680	GEAR	1		(MARKED R50828)
4	RE20724	PISTON	1		(SUB FOR RE10534 OR AR55087)
5	R1932R	DOWEL PIN	1		
6	R51477	SLEEVE	1		
7	A364R	SNAP RING	2		
8	M3649T	SNAP RING	2		
9	JD7191	BALL BEARING	1		
10	R34328	BUSHING	1		
11	R50826	SHAFT	1		
12	B190R	SNAP RING	1		
13	JD9345	BALL BEARING	1		
14	A364R	SNAP RING	1		
15	AT344T	SEAL	1		(USE WITH R33487 OR R47508)
	AR55216	SEAL	1		(USE WITH R50298)
16	19H1721	CAP SCREW	4		1/2" X 1-1/2"
	12H301	LOCK WASHER	4		1/2"
17	14H1040	NUT	2		1/2"
	12H301	LOCK WASHER	2		1/2"
18	R27329	SCREW	2		
19	34H348	SPRING PIN	2		3/8" X 1"
20	AR54487	QUILL	1		(MARKED R33847, R47508 OR R50298) (ALSO ORDER AR55216) (SUB FOR AR32440)
21	R33337	GASKET	1		
22	R32101	STUD	2		

# 3E3

POWER TRAIN

RP1466 -UN-01JAN94

## PTO DRIVE SHAFT AND GEAR (QUAD-RANGE AND SYNCRO-RANGE)



RP1466

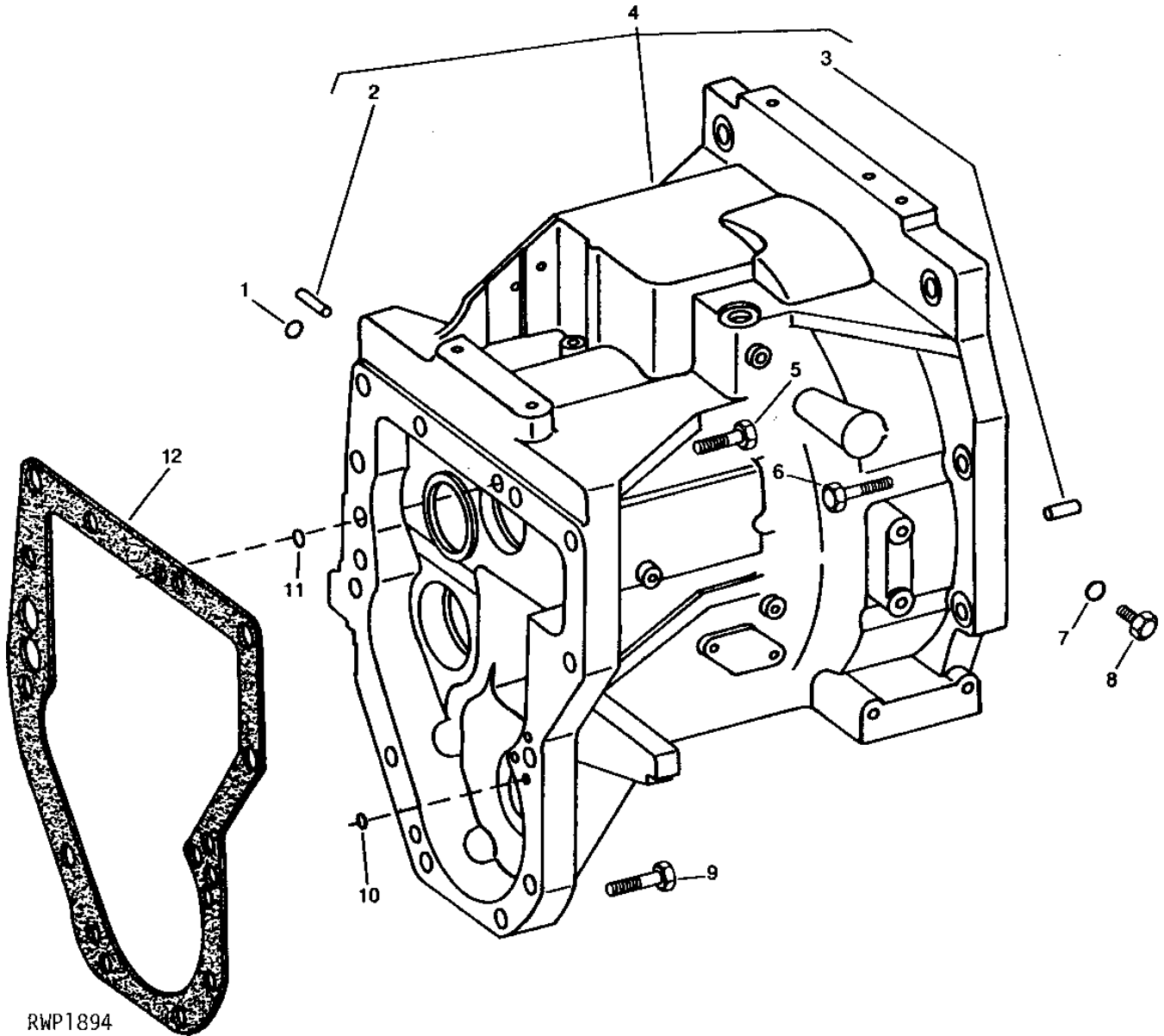
KEY	PART NO.	PART NAME	QTY	TRACTOR SERIAL NO.	REMARKS
1	AR54963	DRIVE SHAFT	1		(MARKED R50861)
2	R50863	BUSHING	1		
3	R70607	SNAP RING	1		(SUB FOR R53107 OR R68956)
4	R52988	WASHER	1		
5	JD8735	BALL BEARING	1		
6	R36295	SNAP RING	1		

# 3E4

POWER TRAIN

RWP1894 -UN-18OCT94

CLUTCH HOUSING  
(POWER SHIFT)



# 3E5

POWER TRAIN

## CLUTCH HOUSING - CONTINUED (POWER SHIFT)

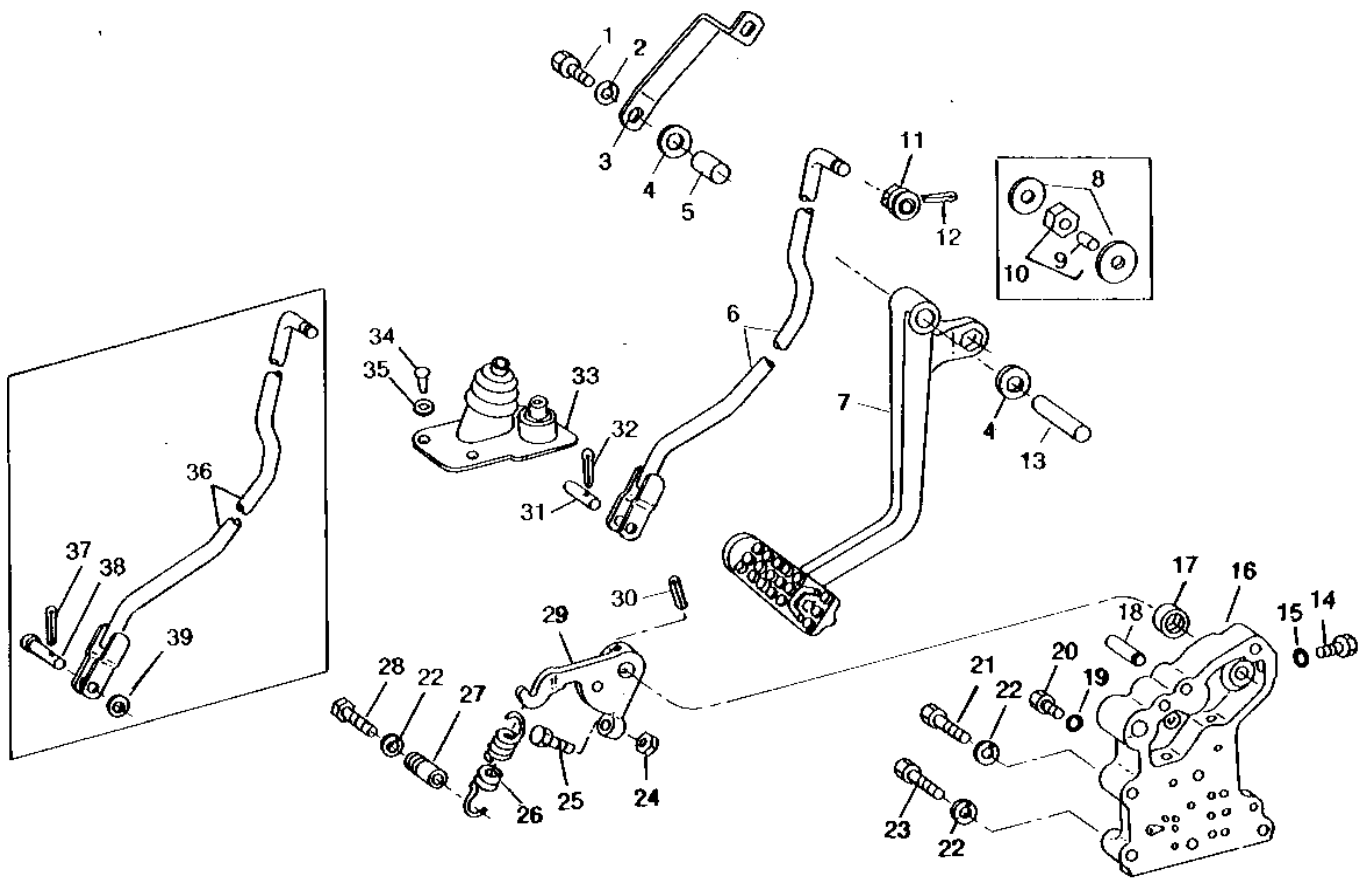
KEY	PART NO.	PART NAME	QTY	TRACTOR SERIAL NO.	REMARKS
1	A3917R	O-RING	1		
2	R1612R	DOWEL PIN	2		
3	T26565	DOWEL PIN	2		(SUB FOR C1220R)
4	AR63333	HOUSING	1		(MARKED R50180)
5	19H1890	CAP SCREW	2		5/8" X 2-3/4"
6	19H1707	CAP SCREW	6		3/4" X 2-3/4"
7	R26286	O-RING	1		
8	R27094	DRAIN PLUG	1		
9	19H1707	CAP SCREW	7		3/4" X 2-3/4"
	19H2113	CAP SCREW	2		3/4" X 3-1/4"
	19H3210	CAP SCREW	1		3/4" X 5-1/4"
10	R459R	O-RING	3		
11	A4730R	O-RING	2		
12	R100632	GASKET	1		(SUB FOR R33519)

# 3E6

POWER TRAIN

## CLUTCH PEDAL AND LINKAGE (POWER SHIFT)

RP789 -UN-01JAN94



RP789



# 3E7

POWER TRAIN

## CLUTCH PEDAL AND LINKAGE - CONTINUED (POWER SHIFT)

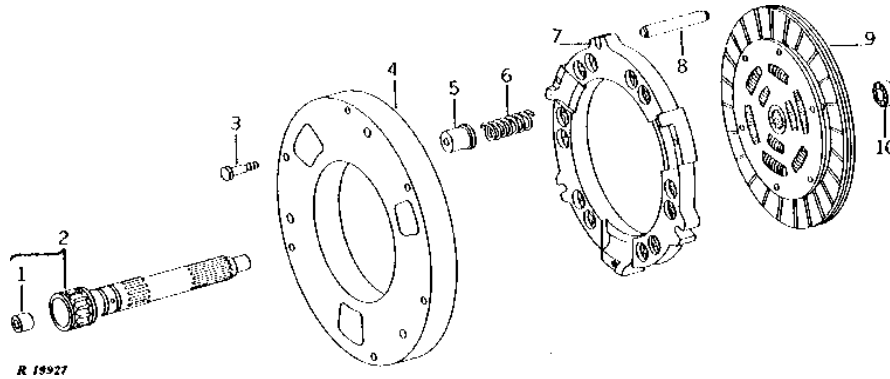
KEY	PART NO.	PART NAME	QTY	TRACTOR SERIAL NO.	REMARKS
1	19H1731	CAP SCREW	1		3/8" X 1"
2	12H304	LOCK WASHER	1		3/8"
3	R54396	STRAP	1		
4	24H1394	WASHER	2		25/32" X 1-7/16" X 0.036"
5	R51192	BUSHING	1		
6	AR82032	ROD	1	038217-	
7	AR54596	PEDAL	1		(MARKED R50287)
8	24H1345	WASHER	2	-027119	17/32" X 1-3/4" X 0.060"
9	R50359	BUSHING	1	-027119	
10	AR59158	ADAPTER	1	-027119	(SUB R62732, 11M7083, AR82032, R64826 AND 11M7021, THIS APPLICATION)
11	R59138	ADAPTER	1	027120-031179	(SUB R62732, AR82032, R64826 AND 11M7021, THIS APPLICATION)
	R62732	ADAPTER	1	031180-	
12	11M7083	COTTER PIN	1	027120-	0.126" X 1.969"
13	R51521	PIN	1		
14	R27218	FITTING PLUG	1		
15	R26448	O-RING	1		
16	AR45381	HOUSING	1		(MARKED R41151 OR R44164) (SUB AR88040 AND 15H558)
	15H559	PIPE PLUG	1		1/4"
17	AF2907R	SEAL	1		
18	B3595R	DOWEL PIN	2		
19	R26286	O-RING	3		
20	R27094	DRAIN PLUG	3		
21	19H2055	CAP SCREW	5		7/16" X 2-1/4"
22	12H293	LOCK WASHER	7		7/16"
23	19H2227	CAP SCREW	2		7/16" X 2-1/2"
24	14H732	NUT	1		3/8"
25	19H1732	CAP SCREW	1		3/8" X 1-1/4"
26	R73719	SPRING	1		(SUB FOR R51522)
27	R52140	SPACER	1		
28	19H2058	CAP SCREW	1		7/16" X 3-3/4"
29	R51520	ARM	1		
30	34H188	SPRING PIN	1		5/16" X 1-3/4"
31	R64826	PIN	1	038217-	
32	11M7021	COTTER PIN	1	038217-	0.157" X 0.984"
33	AR58478	BOOT	1		(SOUND-GARD BODY) (SUB AR86495)
34	37H49	SCREW	3		NO. 10 X 1/2"
35	24H1283	WASHER	3		7/32" X 1/2" X 0.049"
36	AR60873	ROD	1	-027119	(SUB AR82032, R64826, R62732 AND 11M7083)
	AR71278	ROD	1	027120-031179	(SUB AR82032 AND R64826)
	AR77393	ROD	1	031180-038216	(SUB AR82032 AND R64826)
37	11M7015	COTTER PIN	1	-038216	3.200 X 25 MM
38	B178R	PIN	1	-038216	
39	24H1325	WASHER	1	-038216	15/32" X 59/64" X 0.065"

# 3E8

POWER TRAIN

R19927 -UN-01JAN94

## TORSIONAL DAMPER (POWER SHIFT)



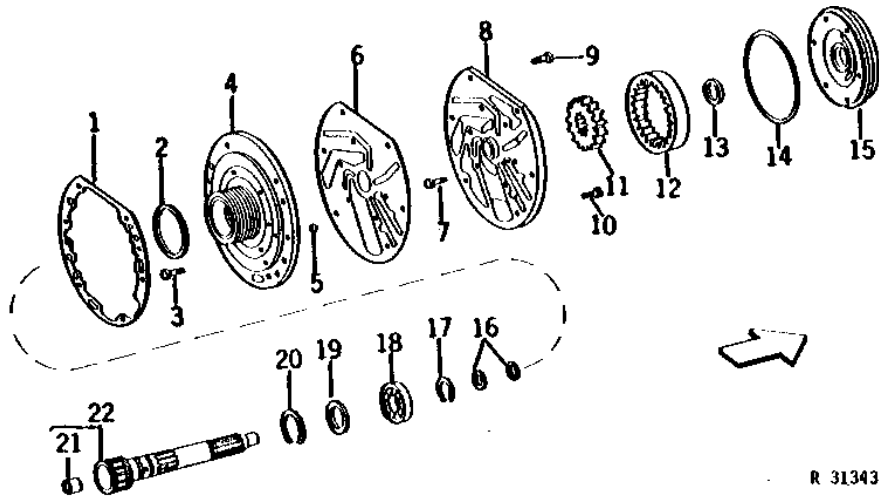
KEY	PART NO.	PART NAME	QTY	TRACTOR SERIAL NO.	REMARKS
1	R33168	BUSHING	1		
2	AR56920	SHAFT	1		
3	R49527	CAP SCREW	6	-016358	
4	R57725	SCREW	6	016359-	(SUB FOR R40835)
	R42110	COVER	1	-016358	(ILLUSTRATED)
	R56721	COVER	1	016359-	
5	R33135	BUSHING	12	-016358	
	R27033	BUSHING	9	016359-	
6	R42058	SPRING	12	-016358	
	R56722	SPRING	9	016359-	
7	R46807	CLUTCH PLATE	1	-016358	(ILLUSTRATED)
	R56720	CLUTCH PLATE	1	016359-	(SUB R76731 AND (3) R76732)
8	R32192	DOWEL PIN	3	-016358	
	R56719	QUICK LOCK PIN	3	016359-	
9	RE29608	CLUTCH DISK	1		(SUB FOR AR55655)
10	JD9449	BALL BEARING	1		(SUB FOR JD9281)

# 3E9

POWER TRAIN

## TRANSMISSION CLUTCH OIL PUMP AND MANIFOLD (POWER SHIFT)

R31343 -UN-01JAN94



R 31343F

KEY	PART NO.	PART NAME	QTY	TRACTOR SERIAL NO.	REMARKS
1	R100231	GASKET	1		(SUB FOR R51048 OR R69309)
2	R43752	RING	4	(A)	
3	R41035	CAP SCREW	6	(A)	
4	R52173	MANIFOLD	1	(A)	
5	R42849	BALL	2	(A)	
6	R70249	GASKET	1	(A)	(SUB FOR R51043 OR R69310)
7	19H1900	CAP SCREW	1	(A)	5/16" X 3/4"
8	AR56823	HOUSING	1	(A)	(MARKED R52172)
9	T31783	BOLT	8		
10	R41041	CAP SCREW	2	(A)	(SUB FOR T31784)
11	R48176	GEAR	1	(A)	
12	R46451	GEAR	1	(A)	
13	R34650	SEAL	1	(A)	
14	R39876	PACKING	1	(A)	
15	AR67030	HOUSING	1	(A)	(MARKED R48174 OR R56454) (ALSO ORDER R34650) (SUB FOR AR51190)
16	R26753	RING	2	(A)	
17	F2370R	SNAP RING	1	(A)	
18	JD7145	BALL BEARING	1	(A)	
19	R34295	THRUST WASHER	1	(A)	
20	A3815R	SNAP RING	1	(A)	
21	R33168	BUSHING	1	(A)	
22	AR56920	SHAFT	1	(A)	
..	AR59237	CLUTCH	1		

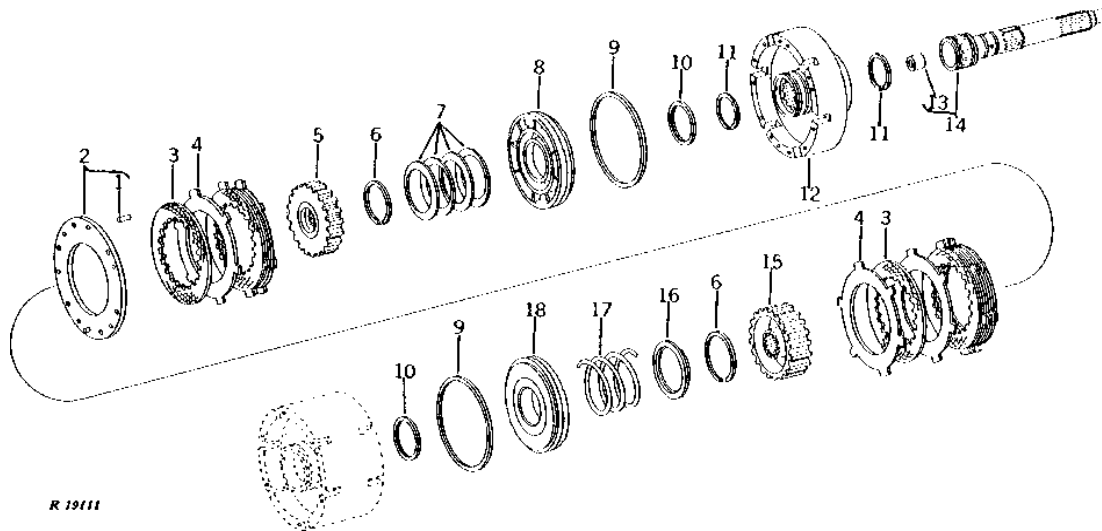
(A) INCLUDED IN AR59237

# 3E10

POWER TRAIN

## TRANSMISSION CLUTCH PACK (FRONT) (POWER SHIFT)

R19111 -UN-01JAN94



KEY	PART NO.	PART NAME	QTY	TRACTOR SERIAL NO.	REMARKS
1	R30587	DOWEL PIN	2		(A)
2	AR32136	PLATE	1	-026427	(A)
	AR46233	PLATE	1	026428-	(A) (MARKED R44812)
3	RE27995	CLUTCH DISK	8		(A) (SUB FOR R31404 OR RE23000)
4	R46391	CLUTCH PLATE	8		
5	R33183	HUB	1	-026427	(SUB AR103337)
	AR71824	HUB	1	026428-	(A) (MARKED R59497) (SUB AR103337)
6	R33247	SNAP RING	2		(A)
7	R67840	DISK SPRING	4		(A) (SUB FOR R33518)
8	R42850	PISTON	1		(A)
9	R41166	SEAL	2		(A)
10	R33246	SEAL	2		(A)
11	R33169	SNAP RING	2		(A)
12	R45622	DRUM	1	-026427	(SUB R59494)
	R59494	DRUM	1	026428-	(A)
13	R33168	BUSHING	1		
14	AR56920	SHAFT	1		
15	R33184	HUB	1	-026427	(SUB AR103336)
	AR71823	HUB	1	026428-	(A) (MARKED R59496) (SUB AR103336)
16	R33114	BUSHING	1		(A)
17	R66612	SPRING	1		(A) (SUB FOR R31359)
18	R41039	PISTON	1		(A)
..	AR59237	CLUTCH	1		

(A) INCLUDED IN AR59237

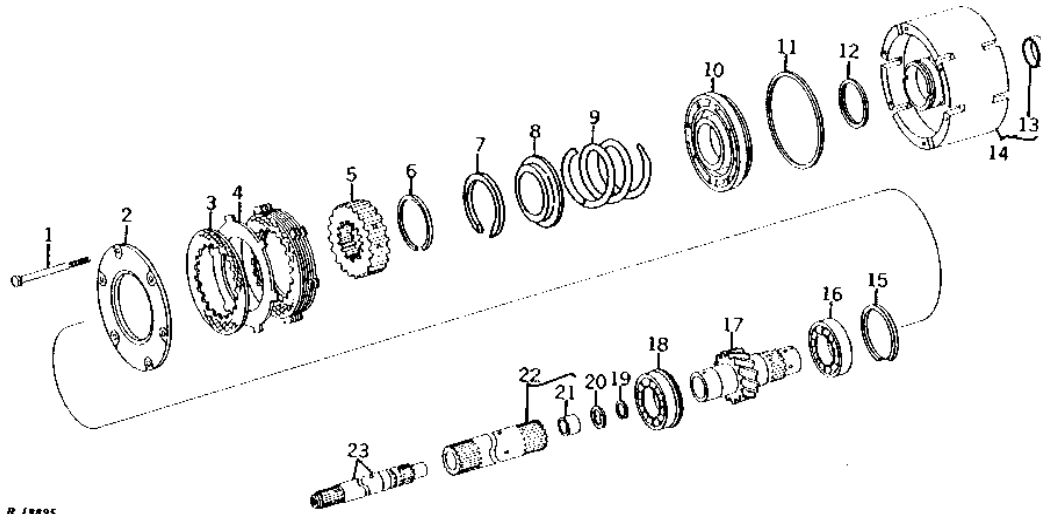
NOTE: WHEN SUBBING RE27995 YOU MUST USE ALL FLAT PLATES (R46391)

# 3E11

POWER TRAIN

## TRANSMISSION CLUTCH PACK (REAR) (POWER SHIFT)

R19895 -UN-01JAN94



R 19895

KEY	PART NO.	PART NAME	QTY	TRACTOR SERIAL NO.	REMARKS
1	19H2704	CAP SCREW	6	(A) 5/16" X 5-1/4", HS, SAE 8	
2	R33188	PLATE	1	(A)	
3	RE27995	CLUTCH DISK	4	-028120	(A) (SUB FOR RE23000 OR R31404)
4	AR94516	DISK, INNER SPLINE	3	028121-	(A) (SUB FOR AR69611)
	R46391	CLUTCH PLATE	4	-028120	(A)
	R57345	CLUTCH PLATE	3	028121-	(A) (SUB FOR R32313 OR R39325)
5	R41043	HUB	1	(A)	
6	R33520	SNAP RING	1	(A)	
7	R33247	SNAP RING	1	(A)	
8	R33114	BUSHING	1	(A)	
9	R66612	SPRING	1	(A)	(A) (SUB FOR R31359)
10	R41039	PISTON	1	-028120	
	R59954	PISTON	1	028121-	(A)
11	R41166	SEAL	1	(A)	
12	R33246	SEAL	1	(A)	
13	R33073	BUSHING	1	(A)	
14	AR32115	DRUM	1	-026427	(MARKED R33072) (SUB AR71822)
	AR71822	DRUM	1	026428-	(A) (MARKED R59495)
15	F1373R	SNAP RING	1		
16	JD8644	BALL BEARING	1		
17	R52249	SHAFT	1		
18	JD8645	BALL BEARING	1		
19	R26643	SNAP RING	1		
20	R33118	THRUST WASHER	1		
21	R33109	BUSHING	1		
22	AR56919	SHAFT	1		
23	R52142	SHAFT	1		
..	AR59237	CLUTCH	1		

(A) INCLUDED IN AR59237

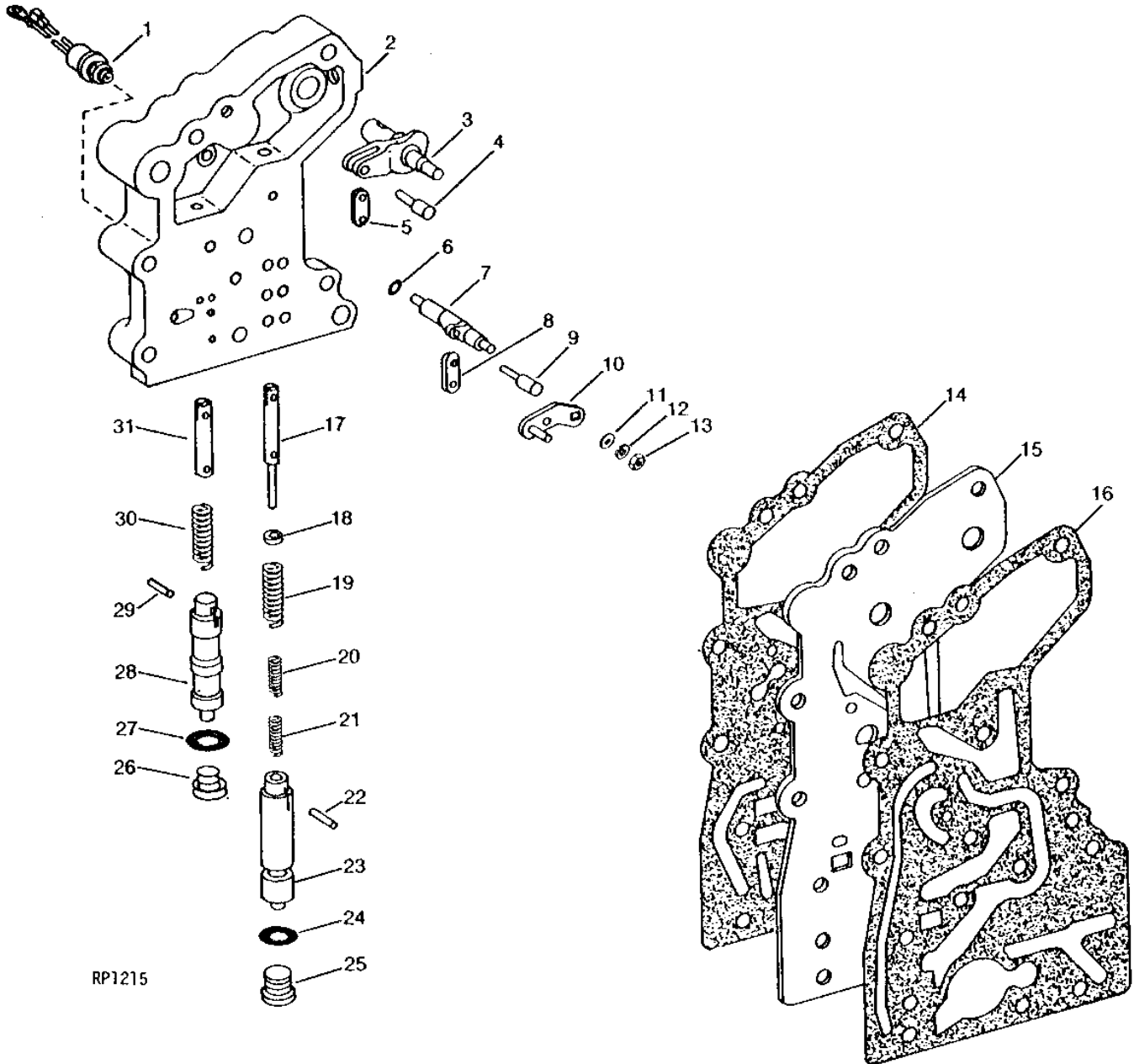
NOTE: WHEN SUBBING RE27995 YOU MUST USE ALL FLAT PLATES (R46391)

# 3E12

POWER TRAIN

## TRANSMISSION AND PTO CLUTCH VALVES AND GASKETS (POWER SHIFT)

RP1215 -UN-01JAN94



# 3E13

POWER TRAIN

## TRANSMISSION AND PTO CLUTCH VALVES AND GASKETS - CONTINUED (POWER SHIFT)

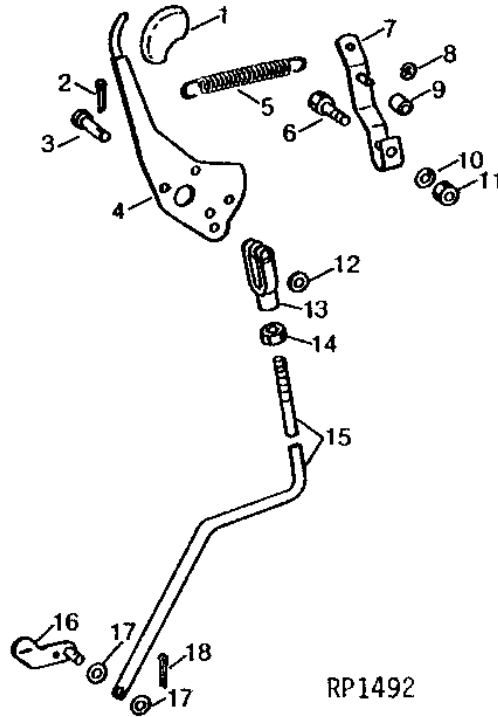
KEY	PART NO.	PART NAME	QTY	TRACTOR SERIAL NO.	REMARKS
1	RE14191	TOGGLE SWITCH	1		(SUB FOR AR61970)
	R56226	BLADE	1		
	T28585	TERMINAL	1		
2	AR45381	HOUSING	1		(MARKED R41151 OR R44164) (SUB AR88040 AND 15H558)
3	AR55824	SHAFT	1		
4	R33145	PIN	2		
5	R28401	LINK	1		
6	A3917R	O-RING	1		
7	AR61609	SHAFT	1		(SUB AR98146)
8	R28401	LINK	1		
9	R33145	PIN	2		
10	AR56056	ARM	1		
11	24H1292	WASHER	1		11/32" X 3/4" X 0.120"
12	12H302	LOCK WASHER	1		1/4"
13	14H786	NUT	1		1/4"
14	R98926	GASKET	1	-019558	(SUB FOR R51573)
	R99381	GASKET	1	019559-	(SUB FOR R56826 OR T67028)
15	R51575	CLUTCH PLATE	1		(SUB R56829)
	R56829	PLATE	1		
	R94331	GASKET	1		(SUB FOR R46815 OR T67029)
17	R33137	SHAFT	1		
18	R33521	SHIM	1		0.76MM (.030")
19	R33173	SPRING	1		
20	R33174	SPRING	1		
21	R33175	SPRING	1		
22	34H245	SPRING PIN	1		1/8" X 5/8"
23	R33136	VALVE	1		
24	R26375	O-RING	1		
25	R33138	FITTING	1		
26	R33138	FITTING	1		
27	R26375	O-RING	1		
28	R47509	VALVE	1		
29	34H260	SPRING PIN	1		5/32" X 5/8"
30	R31725	SPRING	1		
31	R41503	SHAFT	1		

# 3E14

POWER TRAIN

RP1492 -UN-01JAN94

## PTO LEVER (POWER SHIFT)



RP1492

KEY	PART NO.	PART NAME	QTY	TRACTOR SERIAL NO.	REMARKS
1	R52056	GRIP	1		
2	11M7081	COTTER PIN	1		
3	R65563	PIN	1		0.098" X 0.787" (SUB FOR C1067R)
4	R52065	LEVER	1		
5	R29301	SPRING	1		
6	R51808	CAP SCREW, AND NUT	1		
7	AR56055	LINK	1		
8	R72653	SNAP RING	1		(SUB FOR M2396T)
9	R51809	HALF SLEEVE	1		
10	12H304	LOCK WASHER	1		3/8"
11	14H1076	NUT	1		3/8"
12	24H1309	WASHER	1		13/32" X 1-1/16" X 0.120"
13	L324T	YOKE	1		
14	14H774	NUT	1		3/8"
15	R52829	ROD	1		
16	AR56056	ARM	1		
17	24H1286	WASHER	2		9/32" X 1/2" X 1/16"
18	11H272	COTTER PIN	1		1/16" X 2"

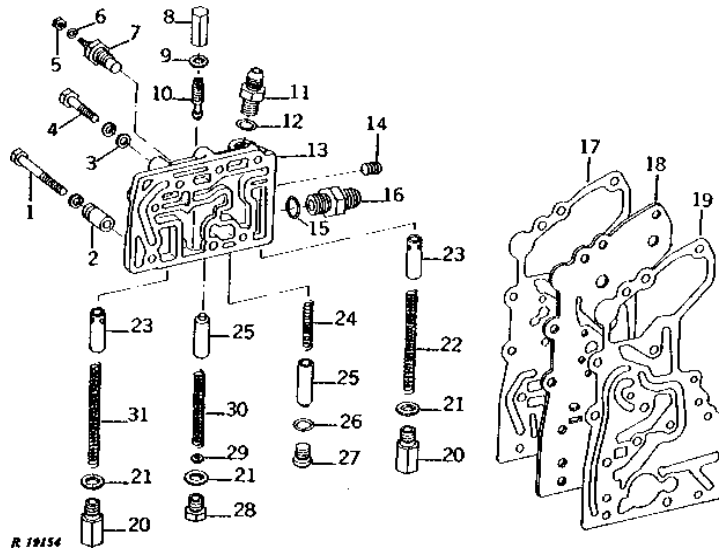


# 3E15

POWER TRAIN

## TRANSMISSION CLUTCH REGULATING VALVE (POWER SHIFT) (TRACTOR SERIAL NO. -019558)

R19154 -UN-01JAN94



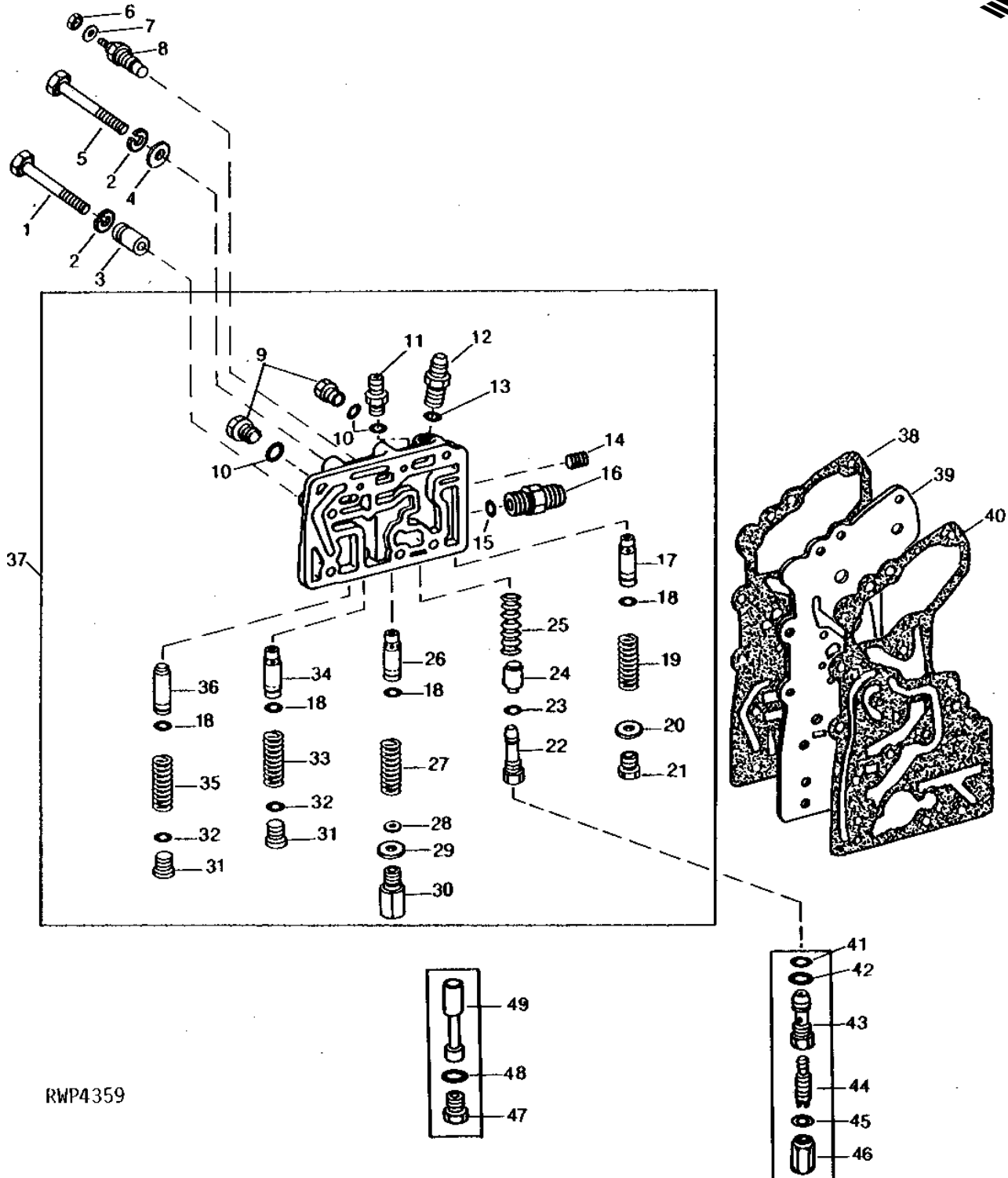
KEY	PART NO.	PART NAME	QTY	TRACTOR SERIAL NO.	REMARKS
1	19H2058	CAP SCREW	1	7/16" X 3-3/4"	
	12H293	LOCK WASHER	1	7/16"	
2	R52140	SPACER	1		
3	24H1325	WASHER	6	15/32" X 59/64" X 0.065"	
4	19H2055	CAP SCREW	2	7/16" X 2-1/4"	
	19H1978	CAP SCREW	2	7/16" X 1-1/2"	
	19H2347	CAP SCREW	2	7/16" X 3"	
	19H1828	CAP SCREW	2	7/16" X 4"	
	12H293	LOCK WASHER	6	7/16"	
5	14H631	NUT	1	0.190"	
6	24H1283	WASHER	1	7/32" X 1/2" X 0.049"	
7	AR61610	PRESSURE SWITCH	1		
8	F2847R	NUT	1		
9	F2846R	WASHER	1		
10	R39587	SET SCREW	1		
11	R27270	FITTING	1		
12	R26906	O-RING	1		
13	R54335	HOUSING	1		(MARKED R51572) (SUB AT58342) (ALSO ORDER R56829 AND R99381)
14	15H571	PIPE PLUG	1	3/8"	
15	F3171R	O-RING	1		
16	R27267	FITTING	1		
17	R98926	GASKET	1		(SUB FOR R51573)
18	R56829	PLATE	1		(SUB FOR R51575)
19	R94331	GASKET	1		(SUB FOR R46815 OR T67029)
20	R51577	FITTING PLUG	2		
21	R1742R	WASHER	3		
22	R57585	SPRING	1		(SUB FOR R51576)
23	R54042	VALVE	2		(SUB R33259 AND R57560)
24	R28914	SPRING	1		
25	R33162	VALVE	2		(SUB R33259 AND R57559)
26	R26375	O-RING	1		
27	R33138	FITTING	1		
28	R52589	FITTING PLUG	1		
29	R33521	SHIM	AR	0.76MM (.030")	
30	R41850	SPRING	1		
31	R51574	SPRING	1		

# 3E16

POWER TRAIN

## TRANSMISSION CLUTCH REGULATING VALVE (POWER SHIFT) (TRACTOR SERIAL NO. 019559- )

RWP4359 -UN-01JAN94



RWP4359

# 3E17

POWER TRAIN

TRANSMISSION CLUTCH REGULATING VALVE - CONTINUED  
(POWER SHIFT)  
(TRACTOR SERIAL NO. 019559- )

KEY	PART NO.	PART NAME	QTY	TRACTOR SERIAL NO.	REMARKS
1	19H2058	CAP SCREW	1		7/16" X 3-3/4"
2	12H293	LOCK WASHER	1		7/16"
3	R52140	SPACER	1		
4	24H1325	WASHER	6		15/32" X 59/64" X 0.065"
5	19H2055	CAP SCREW	3		7/16" X 2-1/4"
	19H1978	CAP SCREW	3		7/16" X 1-1/2"
	19H2347	CAP SCREW	3		7/16" X 3"
	19H1828	CAP SCREW	3		7/16" X 4"
	12H293	LOCK WASHER	6		7/16"
6	14H631	NUT	1		0.190"
7	24H1283	WASHER	1		7/32" X 1/2" X 0.049"
8	AR61610	PRESSURE SWITCH	1		
9	R27094	DRAIN PLUG	2	-019558	
10	R26286	O-RING	3		
11	R55525	FITTING	1	019559-	(SUB R65684)
12	R27270	FITTING	1		
13	R26906	O-RING	1		
14	15H571	PIPE PLUG	1		3/8"
15	F3171R	O-RING	1		
16	R27267	FITTING	1		
17	R63980	VALVE	1		(SUB FOR R63196, R56785 OR R61371)
18	R28776	O-RING	4		
19	R56782	SPRING	1		
20	R1742R	WASHER	1		
21	R52589	FITTING PLUG	1		
22	R60396	FITTING	1	027855-	
23	R26375	O-RING	1	027855-	
24	R60092	CHECK VALVE	1	023763-	(A)
25	R28914	SPRING	1		
26	R63980	VALVE	1		(SUB FOR R56783 OR R61371)
27	R56352	SPRING	1		(SUB T60314)
28	R56351	SHIM	AR		0.76MM (.030")
29	R1742R	WASHER	1		
30	R51577	FITTING PLUG	1		
31	R33138	FITTING	2		
32	R26375	O-RING	2		
33	R56783	SPRING	1		(SUB R39133)
34	R63980	VALVE	1		(SUB FOR R56783 OR R61371)
35	R56784	SPRING	1		
36	R63980	VALVE	1		(SUB FOR R56785 OR R61371)
37	AR78102	HOUSING	1	-027854	(MARKED R56778, R60153 OR R63195) (SUB FOR AR68437 OR AR68436) (SUB AT58342)
	AR78100	HOUSING	1	027855-	(MARKED R60154, R63193 OR R63979) (SUB FOR AR74305, AR78099, AR82534 OR AR89394) (SUB AT58342)
38	R99381	GASKET	1		(SUB FOR R56826 OR T67028)
39	R56829	PLATE	1		
40	R94331	GASKET	1		(SUB FOR R46815 OR T67029)
41	R28776	O-RING	1	023763-027854	(A)
42	R26375	O-RING	1	023763-027854	(A)
43	R60093	PLUG	1	023763-027854	(A)
44	R39587	SET SCREW	1	023763-027854	(A)
45	F2846R	WASHER	1	023763-027854	(A)
46	F2847R	NUT	1	023763-027854	(A)
47	R39112	FITTING	1	-023762	
48	R26375	O-RING	1	-023762	
49	R56781	VALVE	1	-023762	(SUB AR72894)
..	AR72894	KIT	1	-027854	MANUAL BYPASS VALVE

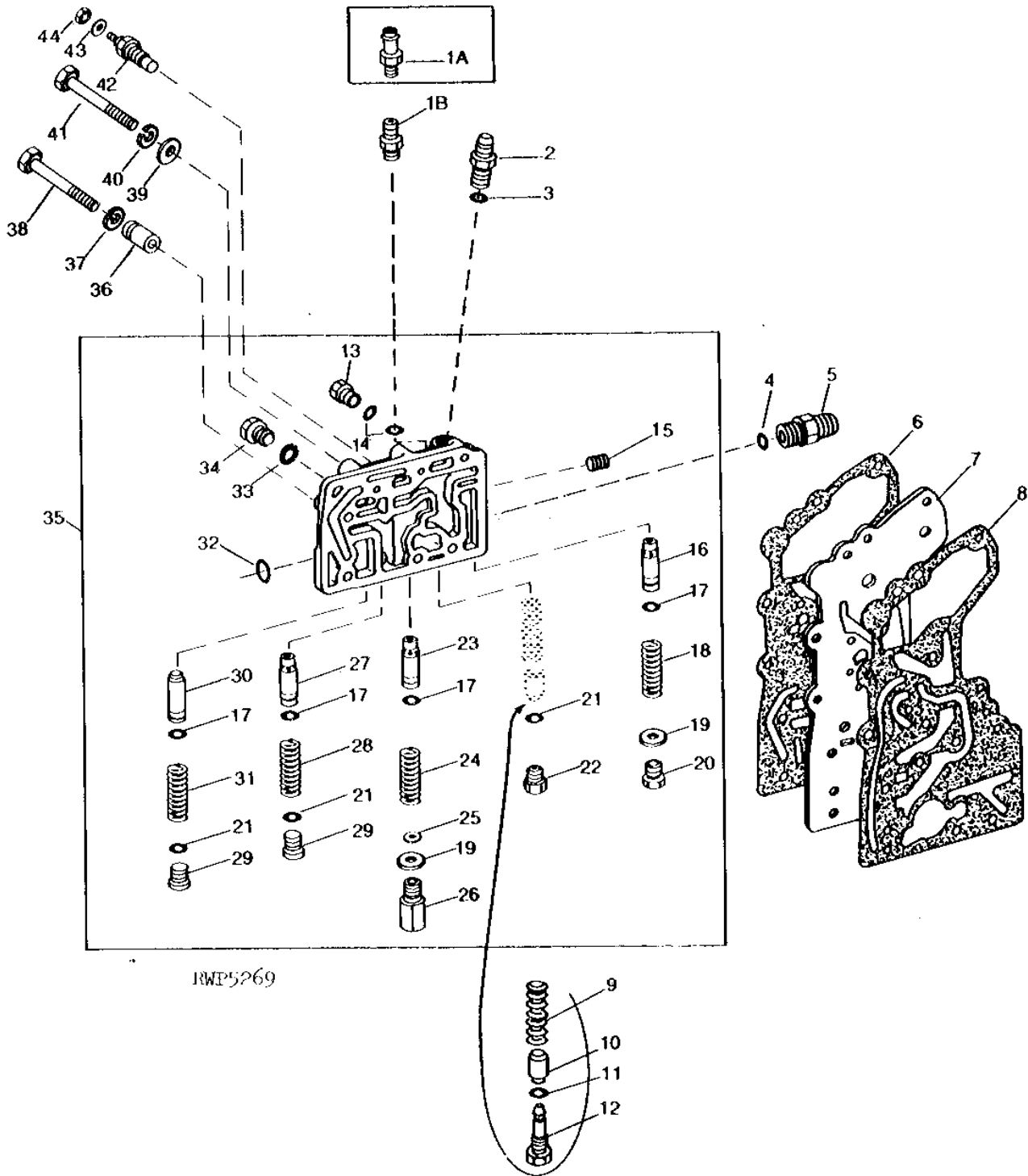
(A) INCLUDED IN AR72894

# 3E18

POWER TRAIN

## TRANSMISSION CLUTCH REGULATING VALVE (POWER SHIFT)

RWP5269 -UN-01JAN94



RWP5269

# 3E19

POWER TRAIN

## TRANSMISSION CLUTCH REGULATING VALVE - CONTINUED (POWER SHIFT)

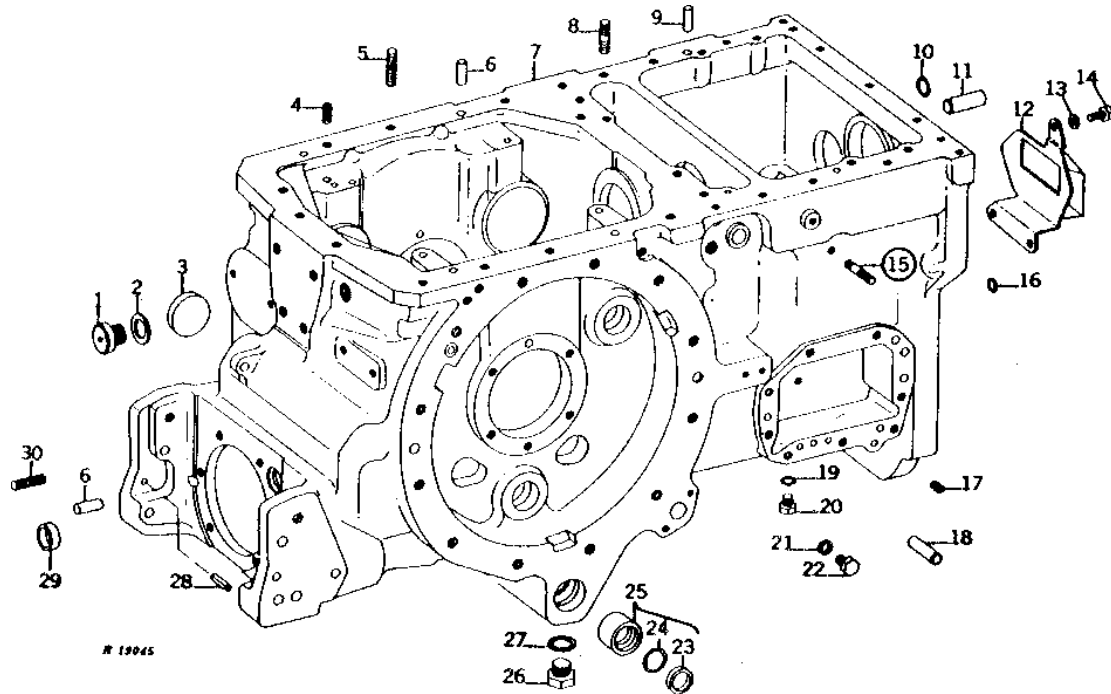
KEY	PART NO.	PART NAME	QTY	TRACTOR SERIAL NO.	REMARKS
1A	R65684	FITTING	1		
1B	R27272	FITTING	1		
2	R27270	FITTING	1		
3	R26906	O-RING	1		
4	F3171R	O-RING	1		
5	R27267	FITTING	1		
6	R99381	GASKET	1		(SUB FOR R56826 OR T67028 OR R92483)
7	R56829	PLATE	1		
8	R94331	GASKET	1		(SUB FOR R46815 OR T67029)
9	F3322R	SPRING	1		
10	R60092	CHECK VALVE	1		CHECK
11	R26375	O-RING	1		
12	R60396	FITTING	1		
13	R27094	DRAIN PLUG	1		
14	R26286	O-RING	2		
15	15H571	PIPE PLUG	1		3/8"
16	R63980	VALVE	1		OIL COOLER RELIEF VALVE
17	R28776	O-RING	4		
18	R56782	SPRING	1		
19	R1742R	WASHER	2		
20	R52589	FITTING PLUG	1		
21	R26375	O-RING	3		
22	R39112	FITTING	1		
23	R63980	VALVE	1		PRESSURE
24	T60314	SPRING	1		
25	R33521	SHIM	AR		0.76MM (.030")
26	R51577	FITTING PLUG	1		
27	R63980	VALVE	1		TRANSMISSION LUBE OIL
28	R39133	SPRING	1		
29	R33138	FITTING	2		
30	R56785	RELIEF VALVE	1		OIL FILTER BYPASS
31	R56784	SPRING	1		
32	B2762R	O-RING	1		
33	R26286	O-RING	1		
34	R27094	DRAIN PLUG	1		
35	AT58342	VALVE	1		(MARKED R63979) (SUB FOR AR82534, AR89394 OR AR78100)
36	R52140	SPACER	1		
37	12H293	LOCK WASHER	1		7/16"
38	19H2058	CAP SCREW	1		7/16" X 3-3/4"
39	24H1325	WASHER	6		15/32" X 59/64" X 0.065"
40	12H293	LOCK WASHER	6		7/16"
41	19H2055	CAP SCREW	3		7/16" X 2-1/4"
	19H1978	CAP SCREW	3		7/16" X 1-1/2"
	19H2347	CAP SCREW	3		7/16" X 3"
	19H1828	CAP SCREW	3		7/16" X 4"
42	AR61610	PRESSURE SWITCH	1		TEMPERATURE GAUGE
43	24H1283	WASHER	1		7/32" X 1/2" X 0.049"
44	14H631	NUT	1		0.190"

# 3E20

POWER TRAIN

R19045 -UN-01JAN94

## TRANSMISSION CASE (POWER SHIFT)



R 19045

KEY	PART NO.	PART NAME	QTY	TRACTOR SERIAL NO.	REMARKS
1	R27483	PLUG	1		
2	H851R	WASHER	1		
3	R38344	CAP	1	(A)	
4	R21630	PIPE PLUG	1		
5	R49988	STUD	4	(SUB R32101)	
6	R48685	DOWEL PIN	4		
7	AR63322	TRANSMISSION CASE	1	(MARKED R50170) (NLA)	
8	R32042	STUD	3		
9	R33703	DOWEL PIN	2		
10	A4730R	O-RING	2		
11	A776R	PIN	2		
12	AR79552	ISOLATOR	1	(SUB FOR AR59619)	
13	24H1292	WASHER	3	11/32" X 3/4" X 0.120"	
14	R30165	CAP SCREW	3		
15	R27612	STUD	1		
16	R459R	O-RING	3		
17	15H559	PIPE PLUG	5	1/4"	
18	R54380	DOWEL PIN	4	(SUB FOR T25317)	
19	R26286	O-RING	2		
20	R27094	DRAIN PLUG	2		
21	T16911	SHIM	1	(B)	
22	R27218	FITTING PLUG	1	(B)	
23	R53177	WASHER	2		
24	R53180	O-RING	2		
25	AR54481	BUSHING	2	(SUB FOR AR85459)	
	R54785	BUSHING	2	0.51MM (.020") OVERSIZE (USE WITH CASE MARKED "OS20")	
26	F3128R	DRAIN PLUG	1		
27	A4827R	WASHER	1		
28	34H348	SPRING PIN	2	3/8" X 1"	
29	R33498	CAP	1	(A)	
30	R32101	STUD	2		

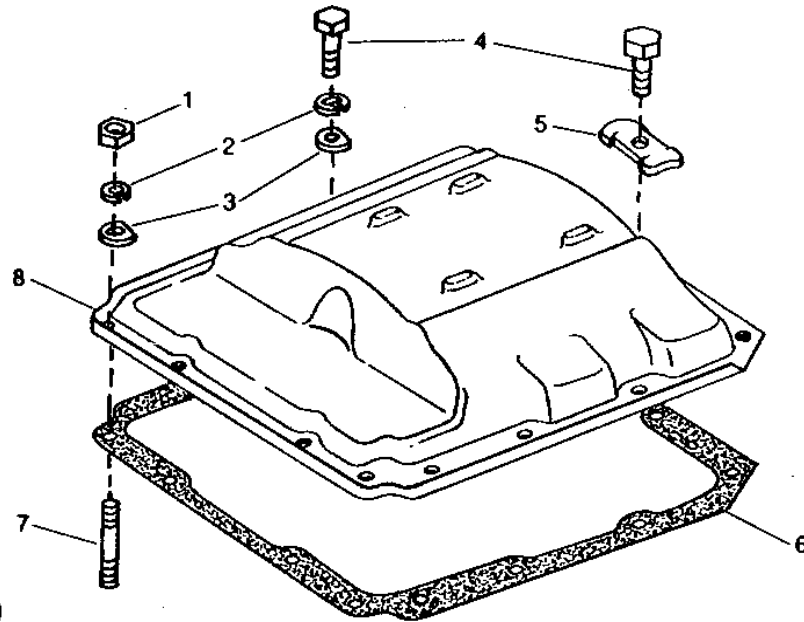
(A) 1000 RPM PTO  
(B) LESS DIFFERENTIAL LOCK

# 3E21

POWER TRAIN

## TRANSMISSION CASE COVER (POWER SHIFT)

RXP8620 -UN-01JAN94



RXP8620

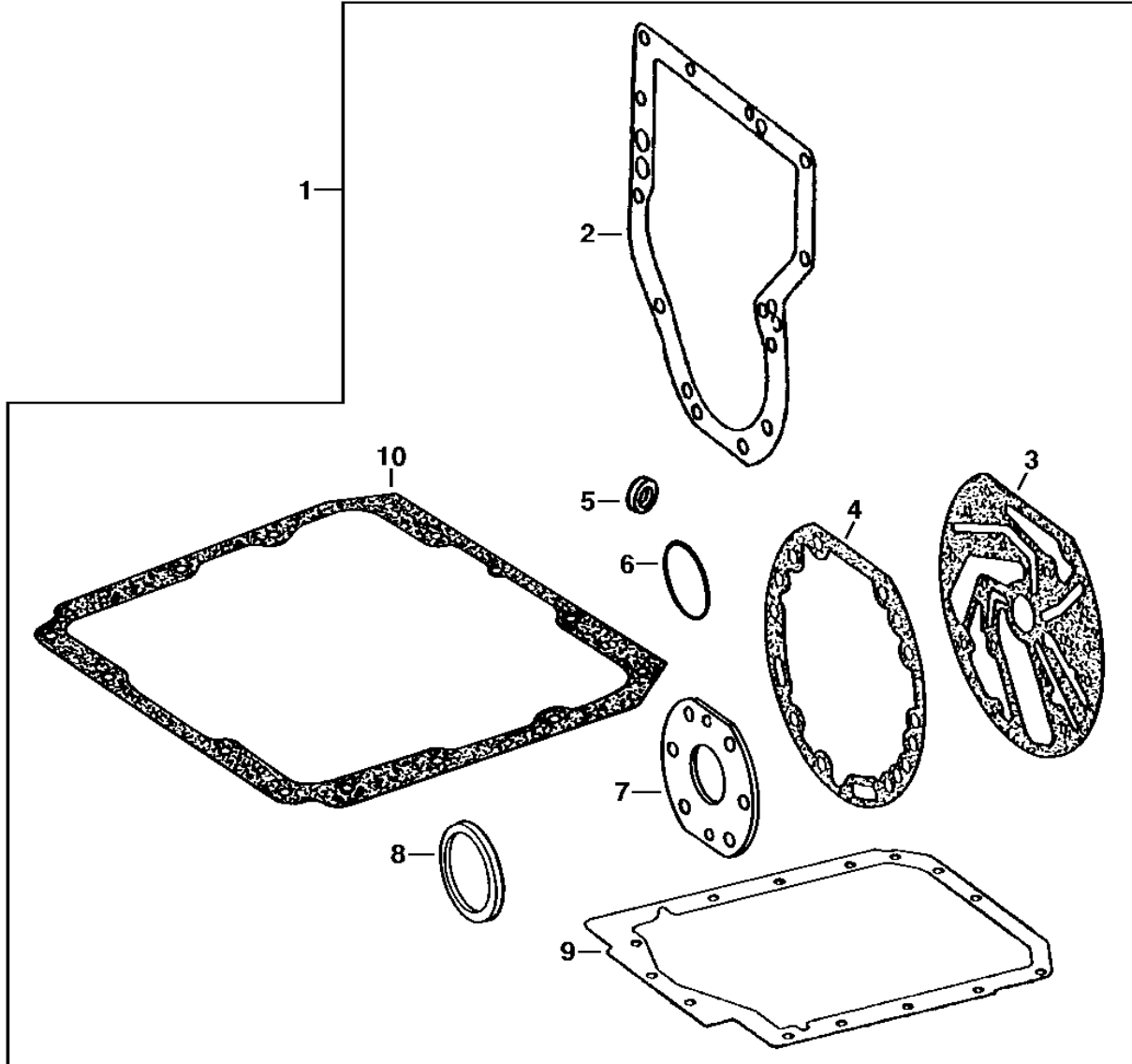
KEY	PART NO.	PART NAME	QTY	TRACTOR SERIAL NO.	REMARKS
1	14H1076	NUT	3	3/8"	
2	12H304	LOCK WASHER	13	3/8"	
3	A4624R	WASHER	13		
4	19H1731	CAP SCREW	9	3/8" X 1"	
	19H1801	CAP SCREW	9	3/8" X 2"	
5	R27640	CLAMP	5		
6	R40912	GASKET	1		
7	R32042	STUD	3		
8	R73989	COVER	1	(SUB FOR R40911)	

# 3E22

POWER TRAIN

RXP021429 -UN-25JAN96

GASKET KIT



RXP021429



# 3E23

POWER TRAIN

## GASKET KIT - CONTINUED

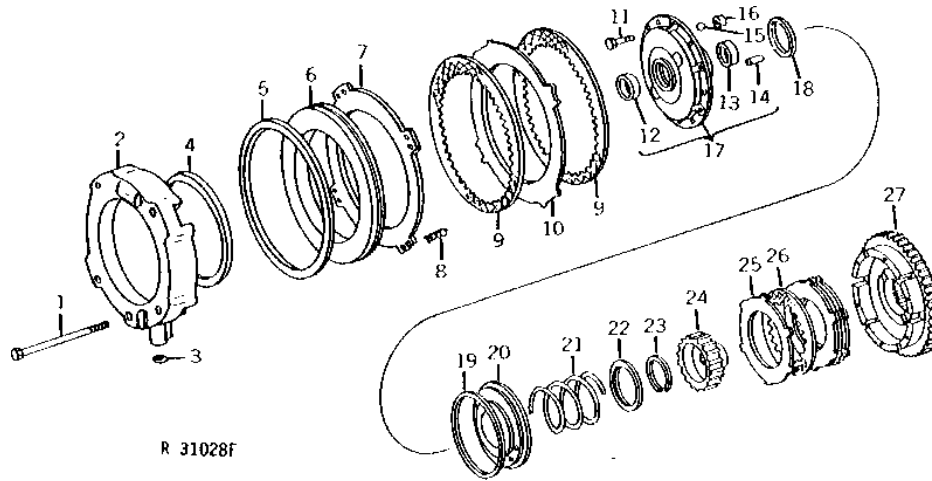
KEY	PART NO.	PART NAME	QTY	TRACTOR SERIAL NO.	REMARKS
1	RE54223	GASKET KIT	1		
2	R100632	GASKET	1		
3	R100233	GASKET	1		
4	R100231	GASKET	1		
5	R34650	SEAL	1		
6	A4730	O-RING	2		
7	R33337	GASKET	1		
8	R43752	RING	4		
9	R92411	GASKET	1		
10	R40912	GASKET	1		

# 3E24

POWER TRAIN

R31028 -UN-01JAN94

## FOURTH PLANETARY BRAKE AND CLUTCH PACK (POWER SHIFT)



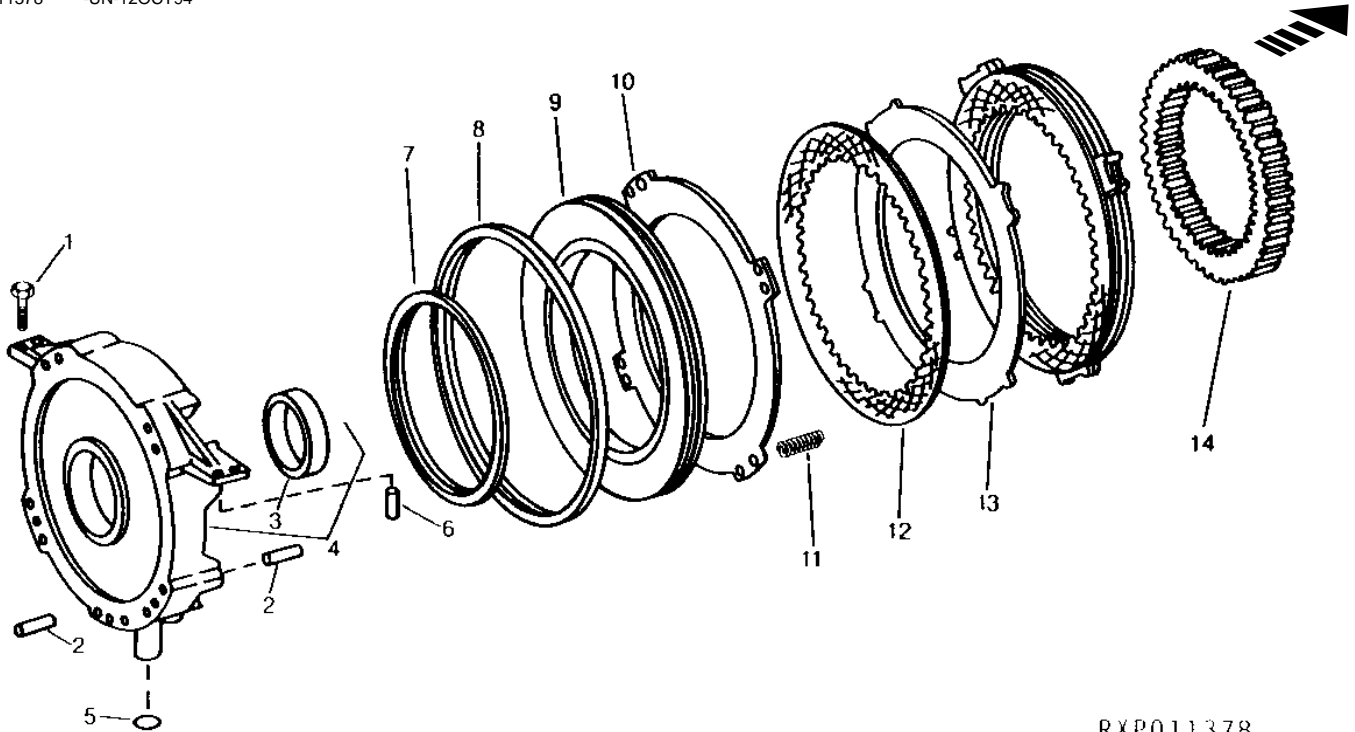
KEY	PART NO.	PART NAME	QTY	TRACTOR SERIAL NO.	REMARKS
1	19H3394	CAP SCREW	5	3/8" X 8"	
2	R33042	HOUSING	1		
3	R459R	O-RING	2		
4	R65479	PACKING	1	(SUB FOR R33244 OR R44816)	
5	R65480	PACKING	1	(SUB FOR R33245 OR R44817)	
6	R33261	PISTON	1		
7	R48235	PLATE	1		
8	R33054	SPRING	8	(SUB R74852)	
9	R33053	DISK, INNER SPLINE	2	-028120	
	AR69610	DISK, INNER SPLINE	2	028121-	(SUB RE17162)
10	R48236	PLATE	1		
11	R41168	CAP SCREW	6		
12	R34612	BUSHING	1		
13	R67875	BUSHING	1	(SUB FOR R34611) (SUB R79077)	
14	R28671	DOWEL PIN	1		
15	400R	BALL	1		
16	R40426	CAP	1		
17	AR89865	HOUSING	1	(MARKED R33012) (SUB FOR AR32104)	
18	R33246	SEAL	1		
19	R41166	SEAL	1		
20	R41039	PISTON	1	-028120	
	R59954	PISTON	1	028121-	
21	R66612	SPRING	1	(SUB FOR R31359)	
22	R33114	BUSHING	1		
23	R33247	SNAP RING	1		
24	R33263	HUB	1		
25	R46391	CLUTCH PLATE	4	-028120	
	R46391	CLUTCH PLATE	3	028121-	
26	RE27995	CLUTCH DISK	4	-028120	(SUB FOR R31404 OR RE23000)
	AR94516	DISK, INNER SPLINE	3	028121-	(SUB FOR AR69611)
27	R41174	DRUM	1	-019507	
	R49262	DRUM	1	019508-	

# 3E25

POWER TRAIN

## THIRD PLANETARY BRAKE (POWER SHIFT)

RXP011378 -UN-12OCT94



RXP011378

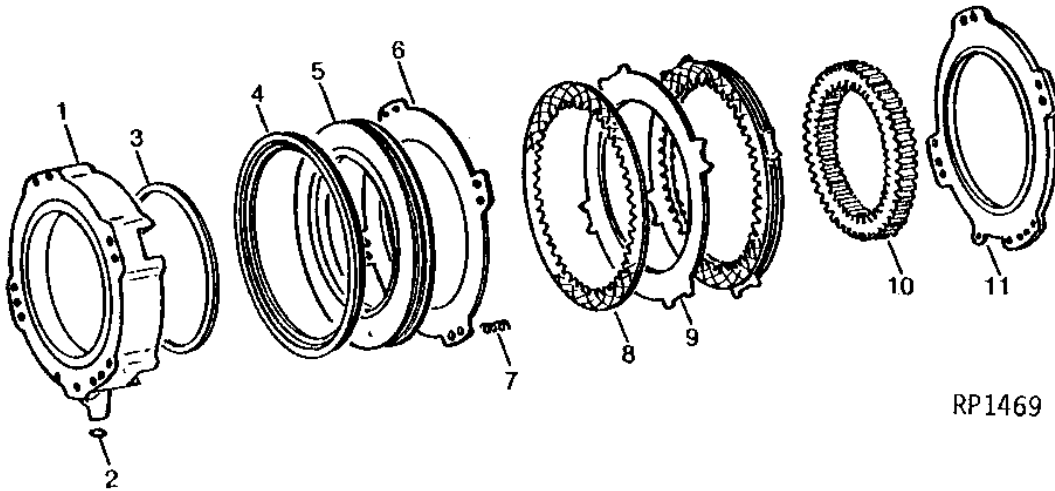
KEY	PART NO.	PART NAME	QTY	TRACTOR SERIAL NO.	REMARKS
1	19H1978	CAP SCREW	2		
2	R36666	DOWEL PIN	4		
3	R33045	BUSHING	1		
4	AR79681	HOUSING	1		(MARKED R41377 OR R64148) (SUB FOR AR40986)
5	R459R	O-RING	1		
6	R33703	DOWEL PIN	2		
7	R65478	PACKING	1		(SUB FOR R41379 OR R44815)
8	R65480	PACKING	1		(SUB FOR R33245 OR R44817)
9	R41378	PISTON	1		
10	R48235	PLATE	1		
11	H343R	SPRING	8		
12	R33053	DISK, INNER SPLINE	4	-028120	
	RE17162	DISK, INNER SPLINE	3	028121-	(SUB FOR AR69610)
13	R48236	PLATE	3	-028120	
	R48236	PLATE	2	028121-	
14	R33052	GEAR	1	-019507	
	R49261	GEAR	1	019508-	

# 3F1

POWER TRAIN

RP1469 -UN-01JAN94

## SECOND PLANETARY BRAKE (POWER SHIFT)



RP1469

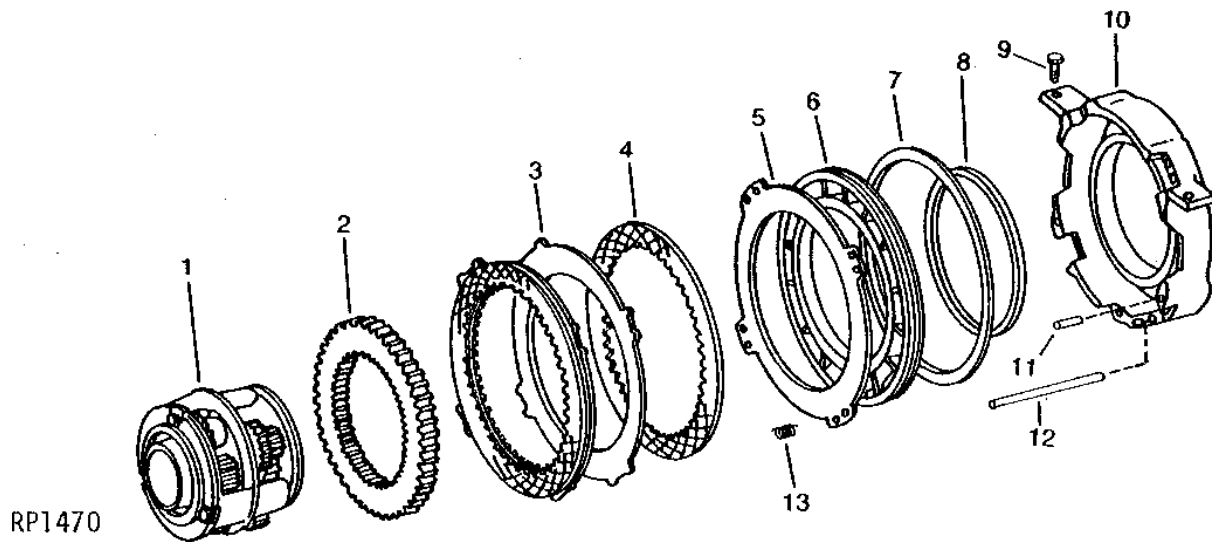
KEY	PART NO.	PART NAME	QTY	TRACTOR SERIAL NO.	REMARKS
1	R33040	HOUSING	1	-028120	
	R60363	HOUSING	1	028121-	
2	R459R	O-RING	1		
3	R65479	PACKING	1		(SUB FOR R33244 OR R44816)
4	R65480	PACKING	1		(SUB FOR R33245 OR R44817)
5	R33261	PISTON	1		
6	R48235	PLATE	1		
7	R33054	SPRING	8		(SUB R74852)
8	R33053	DISK, INNER SPLINE	3	-028120	
	AR69610	DISK, INNER SPLINE	2	028121-	(SUB RE17162)
9	R48236	PLATE	2	-028120	
	R48236	PLATE	1	028121-	
10	R33051	RING GEAR	1		
11	R33047	PLATE	1	-028120	
	R33103	PLATE	1	028121-	

# 3F2

POWER TRAIN

RP1470 -UN-01JAN94

## FIRST PLANETARY BRAKE (POWER SHIFT)



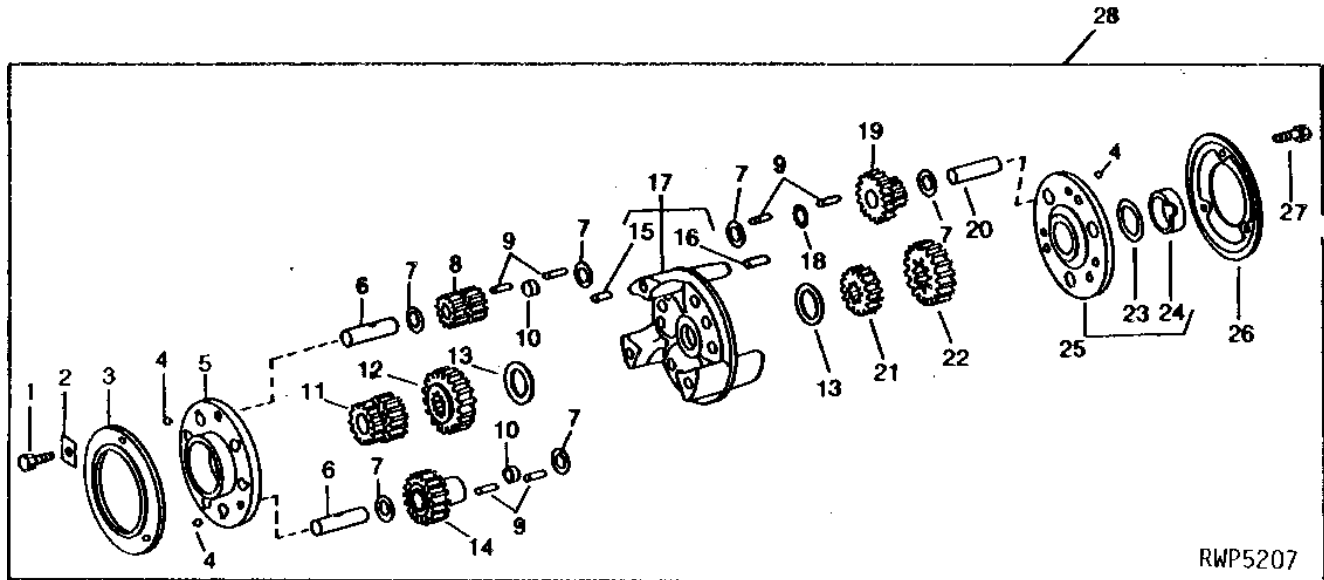
KEY	PART NO.	PART NAME	QTY	TRACTOR SERIAL NO.	REMARKS
1	AR53038	GEAR	1	-019507	
	AR70160	PLANETARY ASSEMBLY	1	019508-	(INCLUDES R51304)
2	R51304	GEAR	1		(SUB FOR R33050)
3	R48236	PLATE	2	-028120	
	R48236	PLATE	1	028121-	
4	R33053	DISK, INNER SPLINE	3	-028120	
	AR69610	DISK, INNER SPLINE	2	028121-	(SUB RE17162)
5	R48235	PLATE	1		
6	R65592	PISTON	1		(SUB FOR R33261) (SUB R81494)
7	R44817	SEAL	1		(SUB FOR R33245 OR R65480)
8	R44816	SEAL	1		(SUB FOR R33244 OR R65479)
9	19H1978	CAP SCREW	2	7/16" X 1-1/2"	
10	R33039	HOUSING	1		
11	R36666	DOWEL PIN	2		
12	R33111	PIN	4		
13	R33054	SPRING	8		(SUB R74852)

# 3F3

POWER TRAIN

## PLANETARY CARRIER ASSEMBLY (POWER SHIFT)

RWP5207 -UN-01JAN94



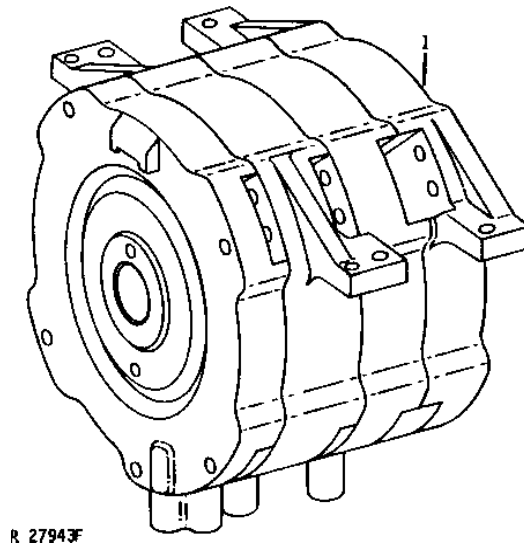
KEY	PART NO.	PART NAME	QTY	TRACTOR SERIAL NO.	REMARKS
1	R34583	CAP SCREW	3		
2	R1888R	STRAP	3		
3	R33082	RETAINER	1		
4	H871R	BALL	9		
5	R33011	COVER	1		
6	R33093	SHAFT	6		
7	R66197	THRUST WASHER	18		(SUB FOR R33087 OR R43216)
8	R33085	PINION	3	-019507	(THIRD PLANET)
	R49259	PINION	3	019508-	(THIRD PLANET)
9	R33058	NEEDLE ROLLER	558		
10	R33094	WASHER	6		
11	R33112	PINION	1	-019507	(FOURTH PLANET SUN)
	R49258	PINION	1	019508-	(FOURTH PLANET SUN)
12	R48109	PLANET PINION	1	-019507	(THIRD PLANET SUN)
	AR52728	PINION	1	019508-	(THIRD PLANET SUN) (SUB AR103343)
13	R33083	WASHER	2	-XXXXX	
14	R33086	PINION	3	-019507	(FOURTH PLANET)
	R49260	PINION	3	019508-	(FOURTH PLANET)
15	R33089	BUSHING	3		
16	R26650	DOWEL PIN	3		
17	AR34043	PLANET PINION CARRIER	1	-019507	(MARKED R33009)
	R49263	PLANET PINION CARRIER	1	019508-	
18	R33088	WASHER	3		
19	R51303	PINION	3		(FIRST AND SECOND PLANET) (SUB FOR AR40518, AR49532 OR AR55423)
20	R38193	SHAFT	3		
21	R33091	PLANET PINION	1		(SECOND PLANET SUN)
22	R33588	PLANET PINION	1		(FIRST PLANET SUN)
23	R49370	WASHER	1		
24	R49372	BUSHING	1		
25	AR52929	COVER	1		(MARKED R49371)
26	R51718	RETAINER	1		
27	R46567	CAP SCREW	3		(SUB FOR R31198)
28	AR53038	GEAR	1	-019507	(PLANETARY CARRIER)
	AR70160	PLANETARY ASSEMBLY	1	019508-	(PLANETARY CARRIER) (INCLUDES R51304)

# 3F4

POWER TRAIN

R27943 -UN-01JAN94

## TRANSMISSION PLANETARY (POWER SHIFT)



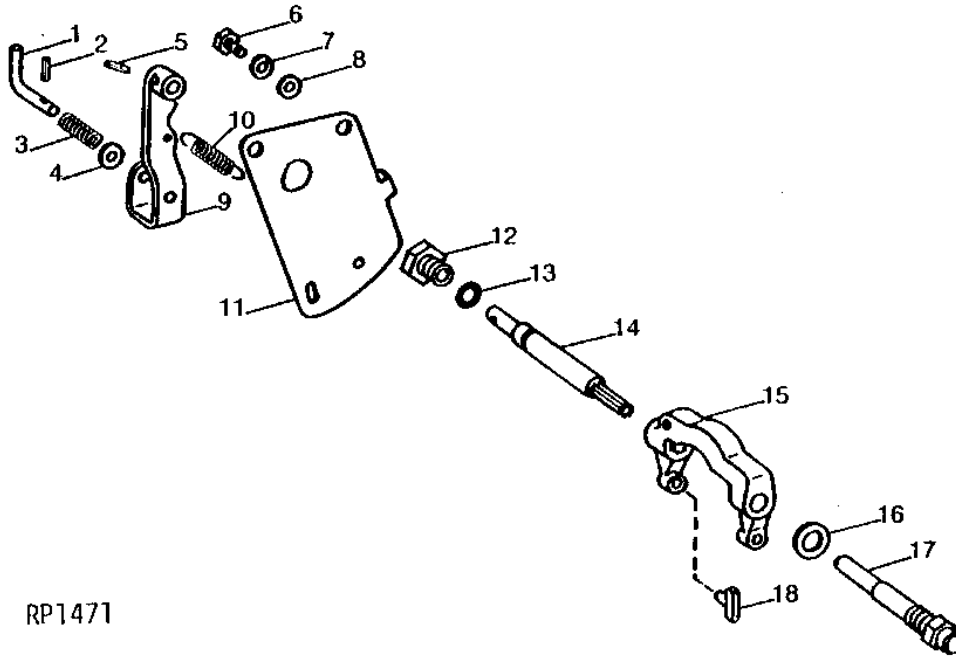
KEY	PART NO.	PART NAME	QTY	TRACTOR SERIAL NO.	REMARKS
1	AR53386	TRANSMISSION	1	-019507	(SUB AR89858)
	AR89858	TRANSMISSION	1	019508-	(SUB FOR AR52637 OR AR83522)

# 3F5

POWER TRAIN

## TRANSMISSION DISCONNECT SHIFTER LEVER AND YOKE (POWER SHIFT)

RP1471 -UN-01JAN94



RP1471

KEY	PART NO.	PART NAME	QTY	TRACTOR SERIAL NO.	REMARKS
1	R42379	PIN	1		
2	34H245	SPRING PIN	1	1/8" X 5/8"	
3	R26169	SPRING	1		
4	24M7096	WASHER	1	10.500 X 18 X 1.600 MM	
5	34H312	SPRING PIN	1	1/4" X 1"	
6	19H2284	CAP SCREW	2	3/8" X 7/8"	
7	12H304	LOCK WASHER	2	3/8"	
8	24H1305	WASHER	2	13/32" X 13/16" X 0.065"	
9	AR44423	LEVER	1		
10	R31877	SPRING	1		
11	R50286	STOP	1		
12	R33228	RETAINER	1		
13	R33259	O-RING	1	(SUB FOR T11934)	
14	R33227	PIN	1		
15	R41171	YOKE	1		
16	R41623	WASHER	1		
17	R42492	SHAFT	1		
18	R33240	PIN	2		

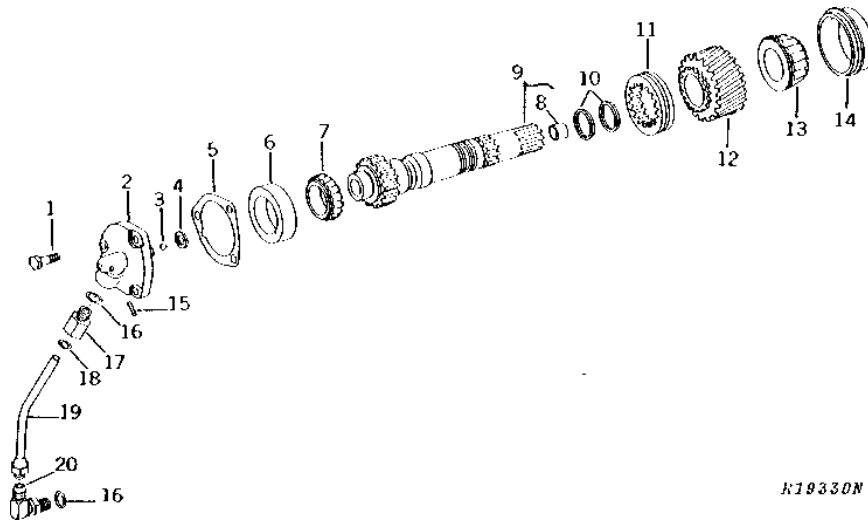


# 3F6

POWER TRAIN

R19330 -UN-01JAN94

## TRANSMISSION GEAR REDUCTION (POWER SHIFT)



K19330N

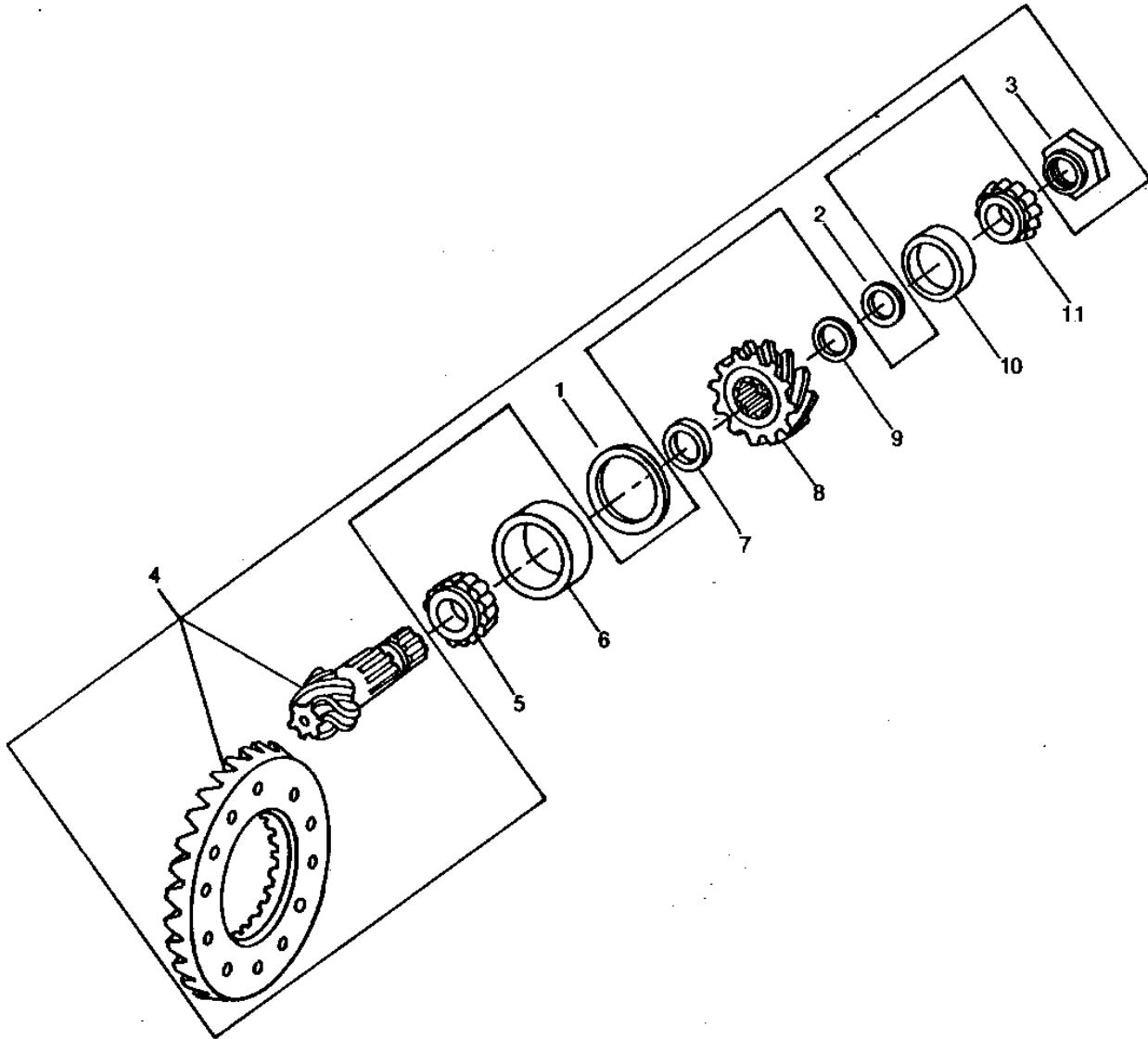
KEY	PART NO.	PART NAME	QTY	TRACTOR SERIAL NO.	REMARKS
1	R51843	CAP SCREW	3		
2	R73041	RETAINER	1		(ALSO ORDER R43766) (SUB FOR R51339 OR R68710)
3	R42849	BALL	1		
4	R33248	PISTON RING	1		
5	R33256	SHIM	AR		0.08MM (.003")
	R33257	SHIM	AR		0.13MM (.005")
	R33258	SHIM	AR		0.25MM (.010")
6	JD7282	BEARING CUP	1		
7	JD8155	BEARING CONE	1		
8	R30713	BUSHING	1		
9	AR64000	SHAFT	1		
10	R33255	PISTON RING	2		
11	R51332	SHIFT COLLAR	1		
12	R51316	GEAR	1		
13	JD9068	BEARING CONE	1		
14	JD9126	BEARING CUP	1		(SUB JD10281)
15	R33058	NEEDLE ROLLER	1		
16	R26375	O-RING	2		
17	R51834	FITTING	1		
18	R394R	O-RING	1		
19	AR55975	HYDRAULIC LINE	1		
20	AT32332	ELBOW FITTING	1		(SUB FOR AR26763)

# 3F7

POWER TRAIN

RXP8608 -UN-01JAN94

## TRANSMISSION DIFFERENTIAL DRIVE (POWER SHIFT)



RXP8608

# 3F8

POWER TRAIN

## TRANSMISSION DIFFERENTIAL DRIVE - CONTINUED (POWER SHIFT)

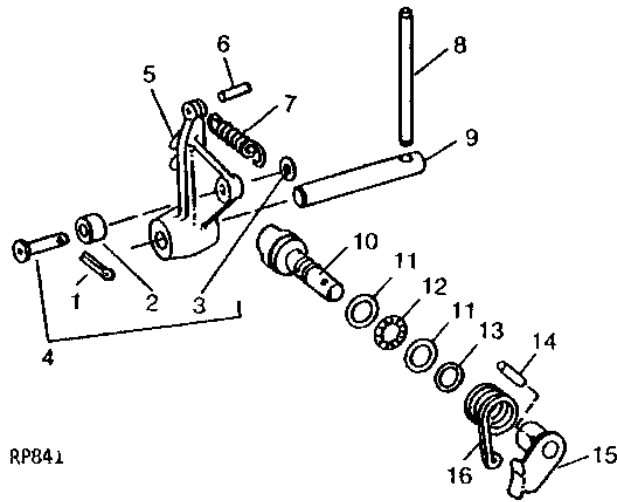
KEY	PART NO.	PART NAME	QTY	TRACTOR SERIAL NO.	REMARKS
1	R35365	SHIM	AR	0.08MM (.003")	
	R35366	SHIM	AR	0.13MM (.005")	
	R35367	SHIM	AR	0.25MM (.010")	
2	R51196	SHIM	AR	0.18MM (.007")	
	R51197	SHIM	AR	0.25MM (.010")	
	R51198	SHIM	AR	0.30MM (.012")	
	R51199	SHIM	AR	0.38MM (.015")	
3	R51200	LOCK NUT	1		
4	AR79093	BEVEL GEAR DRIVE	1		(MARKED R41764 AND R41766) (SUB FOR AR63366) (MATCHED SET)
5	JD9056	BEARING CONE	1		
6	JD8280	BEARING CUP	1		
7	R38178	BUSHING	1		
8	R51317	GEAR	1		
9	R33121	WASHER	1		
10	JD8258	BEARING CUP	1		
11	JD8971	BEARING CONE	1		

# 3F9

POWER TRAIN

## TRANSMISSION LOCK (POWER SHIFT)

RP841 -UN-01JAN94



RP841

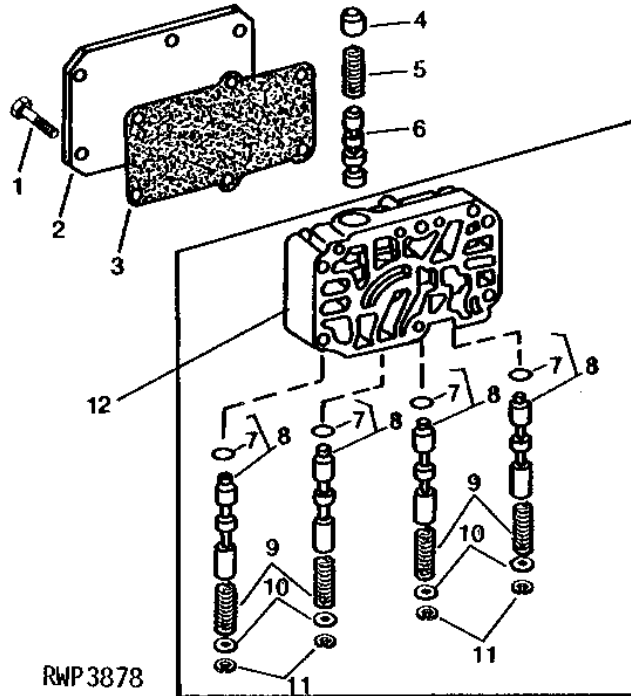
KEY	PART NO.	PART NAME	QTY	TRACTOR SERIAL NO.	REMARKS
1	11M7021	COTTER PIN	1		
2	R66670	ROLLER	1		0.157" X 0.984"
3	24H1227	WASHER	1		17/32" X 13/16" X 0.060"
4	AR44553	PIN	1		
5	R51338	PAWL	1		
6	34H311	SPRING PIN	1		1/4" X 7/8"
7	R79985	SPRING	1		(SUB FOR R50575 OR R76504)
8	R51716	DOWEL PIN	1		
9	R51715	PIN	1		
10	R42491	CAM	1		
11	JD9812	THRUST BEARING	2		
12	JD8856	NEEDLE BEARING	1		
13	B2762R	O-RING	1		
14	34H314	SPRING PIN	1		1/4" X 1-1/4"
15	AR81571	ARM	1		(SUB FOR AR44554) (SUB RE12162)
16	R41131	TORSION SPRING	1		

# 3F10

POWER TRAIN

RWP3878 -UN-01JAN94

## TRANSMISSION SHIFT VALVE (POWER SHIFT)



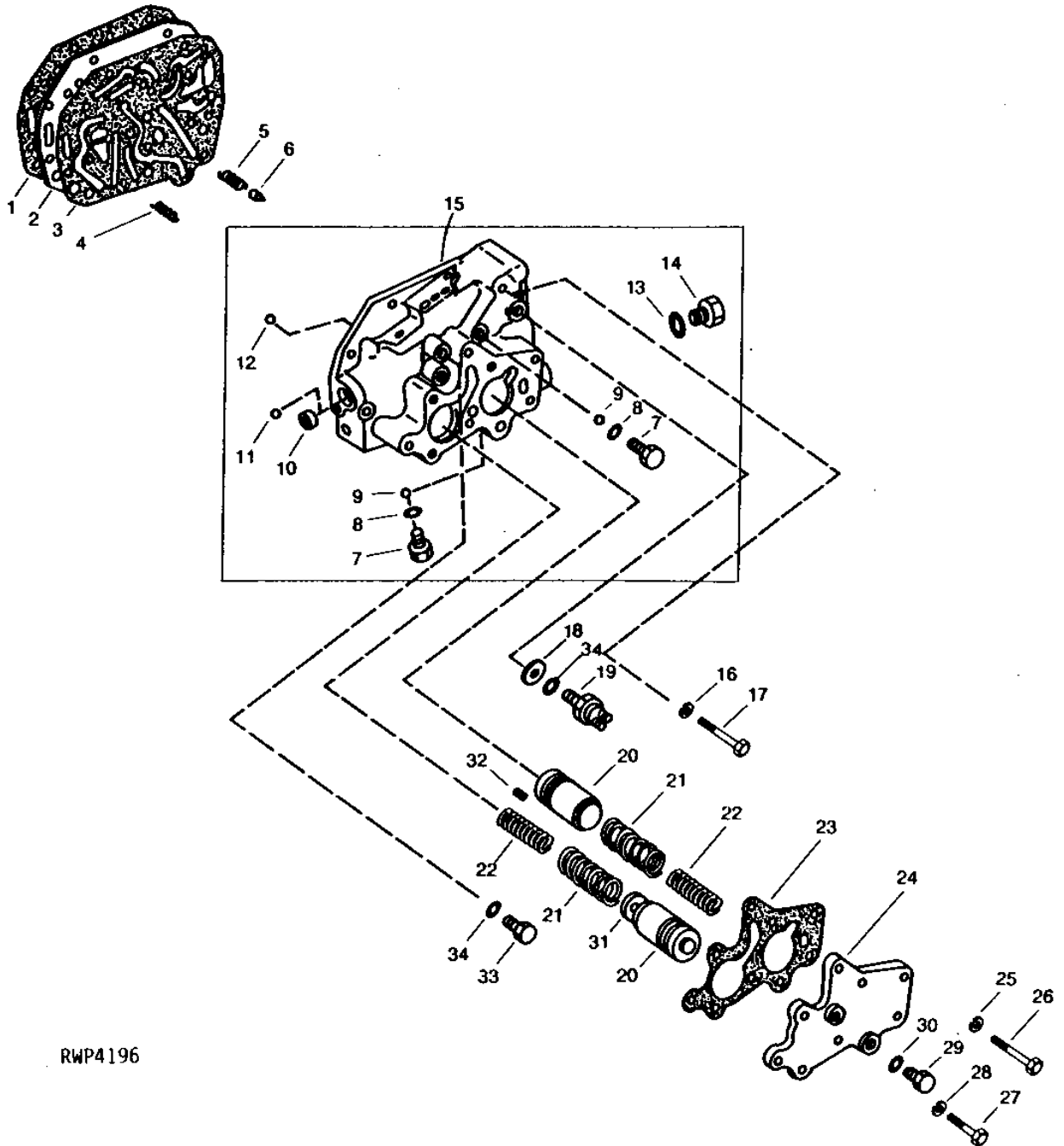
KEY	PART NO.	PART NAME	QTY	TRACTOR SERIAL NO.	REMARKS
1	19H1949	CAP SCREW	6	5/16" X 2-1/2"	
2	R33307	COVER	1		
3	R92474	GASKET	1		(SUB FOR R33276 OR R68821)
4	R34175	BOLT	1		
5	R47444	SPRING	1		
6	R48647	VALVE	1		
7	R35155	O-RING	4		
8	AR52251	VALVE	4		(SUB R48769 AND R35155)
9	R47393	SPRING	4		
10	R48013	WASHER	4		
11	R33282	SNAP RING	4		
12	AR52335	HOUSING	1		(MARKED R33077)

# 3F11

POWER TRAIN

RWP4196 -UN-01JAN94

## TRANSMISSION CONTROL VALVE (POWER SHIFT)



RWP4196

# 3F12

POWER TRAIN

## TRANSMISSION CONTROL VALVE - CONTINUED (POWER SHIFT)

KEY	PART NO.	PART NAME	QTY	TRACTOR SERIAL NO.	REMARKS
1	R94321	GASKET	1		(SUB FOR R50567 OR R68817)
2	R50566	PLATE	1		
3	R100308	GASKET	1		(SUB FOR R50568 OR R68818) (USE WITH R50565, R53604 OR R57382)
	R94322	GASKET	1		(USE WITH R67037, R72408 OR R78742) (SUB FOR R68819)
4	R47816	SPRING	1		
5	R33277	SPRING	1		
6	R42697	DETENT	1		
7	R27094	DRAIN PLUG	5		
8	R26286	O-RING	5		
9	R26552	BALL	5		8MM (5/16")
10	N102039	CAP	1		(SUB FOR A3910R)
11	R42849	BALL	1		10MM (3/8")
12	D2361R	BALL	1		13MM (1/2") REVERSE DETENT
13	R26906	O-RING	1		
14	R27474	DRAIN PLUG	1		
15	AR87115	HOUSING	1	-XXXXXX	(MARKED R50565, R53604, R57382 OR R67037) (SUB FOR AR60519) (SUB RE46459)
	AR95903	HOUSING	1	XXXXXX-	(MARKED R72408 OR R78742) (SUB RE46459)
	RE20832	HOUSING	1		(ALSO ORDER (2) R33277 AND (2) R42697) (MARKED R82100) (SUB RE46459)
16	12H304	LOCK WASHER	4		3/8"
17	19H1732	CAP SCREW	2		3/8" X 1-1/4"
	19H2128	CAP SCREW	2		3/8" X 3"
	19H2023	CAP SCREW	2		3/8" X 3-1/4"
18	T16911	SHIM	AR		
19	RE38390	SWITCH	1		(SUB FOR R36265, AR85323 OR AR89691)
20	R47319	PISTON	2		
21	R47449	SPRING	2		
22	R47450	SPRING	2		
23	R98929	GASKET	1		(SUB FOR R52971 OR R68820)
24	R47321	COVER	1		(SUB R79852, (4) 19H1731 AND (4) 19H2205)
25	12H304	LOCK WASHER	4		3/8"
26	19H3180	CAP SCREW	4		3/8" X 6-1/4"
27	19H1732	CAP SCREW	4		3/8" X 1-1/4"
28	12H304	LOCK WASHER	4		3/8"
29	R27094	DRAIN PLUG	4		
30	R26286	O-RING	4		
31	24H1312	WASHER	1		13/32" X 1-3/8" X 0.105"
32	R47448	ORIFICE	2		
33	R27218	FITTING PLUG	2		
34	R26448	O-RING	3		

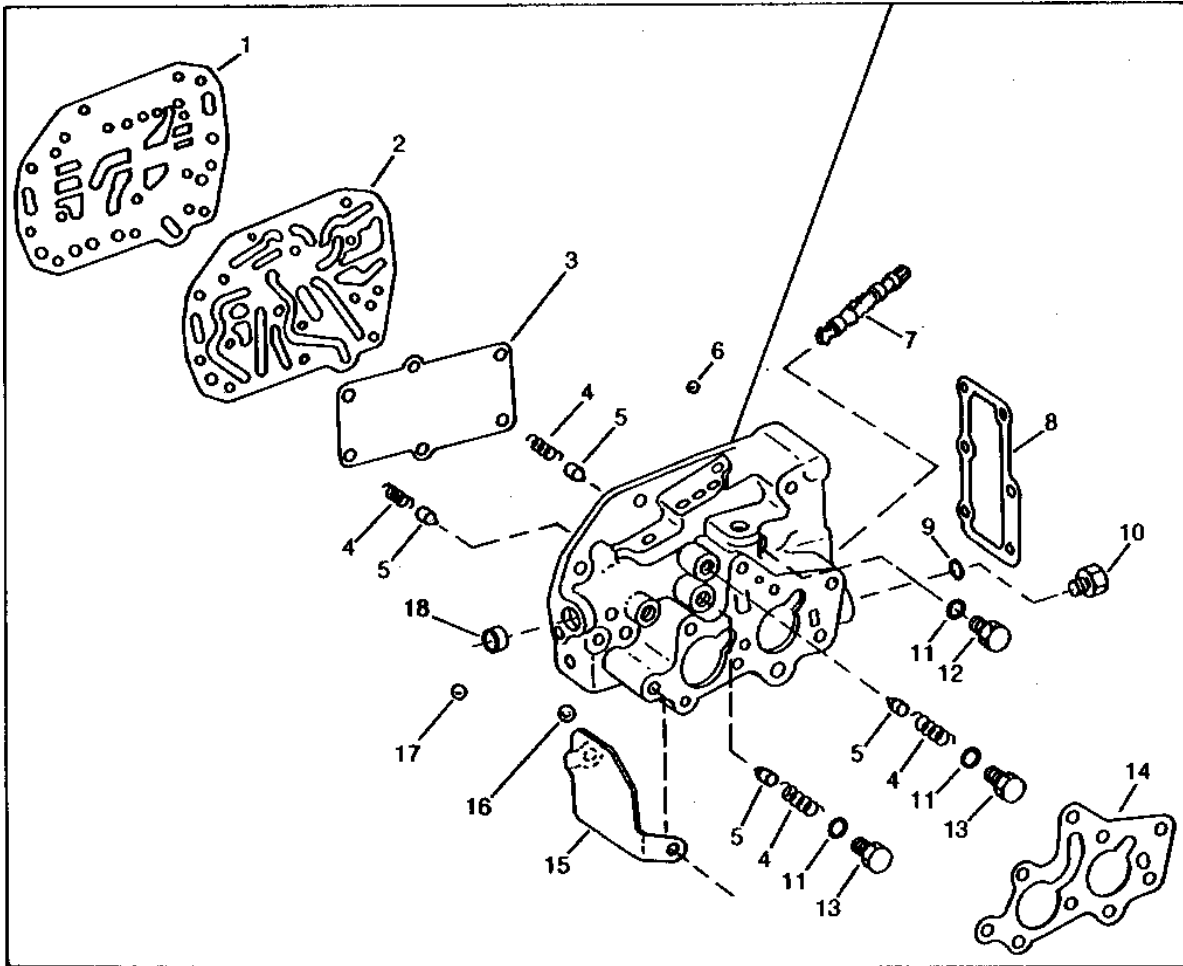
# 3F13

POWER TRAIN

RXP8633

-UN-01JAN94

## TRANSMISSION CONTROL VALVE KIT



RXP8633

19



# 3F14

POWER TRAIN

## TRANSMISSION CONTROL VALVE KIT - CONTINUED

KEY	PART NO.	PART NAME	QTY	TRACTOR SERIAL NO.	REMARKS
1	R94321	GASKET	1		
2	R94322	GASKET	1		
3	R92474	GASKET	1		
4	R33277	SPRING	4		
5	R42697	DETENT	4		
6	R26552	BALL	5		
7	R82024	VALVE	1		
8	R33275	GASKET	1		
9	R26906	O-RING	1		
10	R27474	DRAIN PLUG	1		
11	R26448	O-RING	7		
12	R27094	DRAIN PLUG	7		
13	R27218	FITTING PLUG	2		
14	R98929	GASKET	1		
15	R72415	SHIELD	1		
16	R42849	BALL	1		
17	D2361	BALL	2		
18	30H13	PLUG	AR	1"	
19	RE46459	KIT	1		(ALSO FURNISH RE38390) (SUB FOR AR87115, AR95903 OR RE20832)

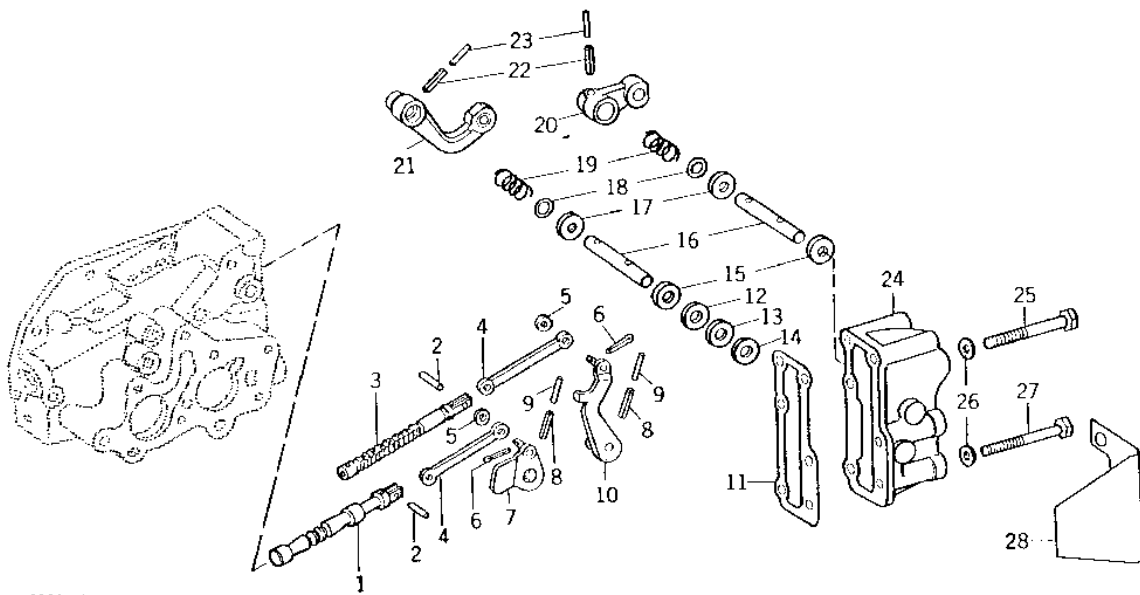
# 3F15

POWER TRAIN

## TRANSMISSION CONTROL VALVE COVER, CONTROL VALVES AND ARMS (POWER SHIFT)

R32399

-UN-01JAN94



R32399f

# 3F16

POWER TRAIN

## TRANSMISSION CONTROL VALVE COVER, CONTROL VALVES AND ARMS - CONTINUED (POWER SHIFT)

KEY	PART NO.	PART NAME	QTY	TRACTOR SERIAL NO.	REMARKS
1	R82024	VALVE	1		(SUB FOR R33291 OR R72411)
2	34H309	SPRING PIN	2		1/4" X 5/8"
3	R48370	VALVE	1		
4	R33290	LINK	2		
5	24H753	WASHER	2		9/32" X 5/8" X 0.049"
6	11M7077	COTTER PIN	2		1.600 X 25 MM
7	AR53841	ARM	1		(SUB RE22320)
	RE38361	ARM	1		(A) (SUB FOR RE22321 OR AR53843)
8	R56504	SPRING PIN	2		
9	R56503	SPRING PIN	2		
10	AR53840	ARM	1		(SUB RE22319)
	AR53844	ARM	1		(A) (SUB RE21304)
11	R33275	GASKET	1		
12	R51494	WASHER	AR		
13	T16911	SHIM	AR		
14	R67193	SHIM	AR		
15	R33587	SEAL	2		
16	R49819	PIN	2		
17	R36364	WASHER	2		
18	24H1359	WASHER	2		5/8" X 7/8" X 0.060"
19	F3221R	SPRING	2		
20	R49817	LEVER	1		
21	R49816	LEVER	1		
22	R56506	SPRING PIN	2		
23	34H252	SPRING PIN	2		1/8" X 1-1/4", (SUB FOR R56505)
24	AR45255	COVER	1		(MARKED R44030 OR R33268) (SUB R33268, R26287 AND R27216)
	R82331	COVER	1		(A) (ALSO ORDER R26287, (5) R26448, R27216 AND R27218) (SUB FOR R42989, AR52180 OR AR95904)
25	19H2023	CAP SCREW	5		3/8" X 3-1/4"
26	24M7096	WASHER	6		10.500 X 18 X 1.600 MM
27	19H1854	CAP SCREW	1		3/8" X 3-3/4"
28	R51795	SHIELD	1		(SUB R108663)

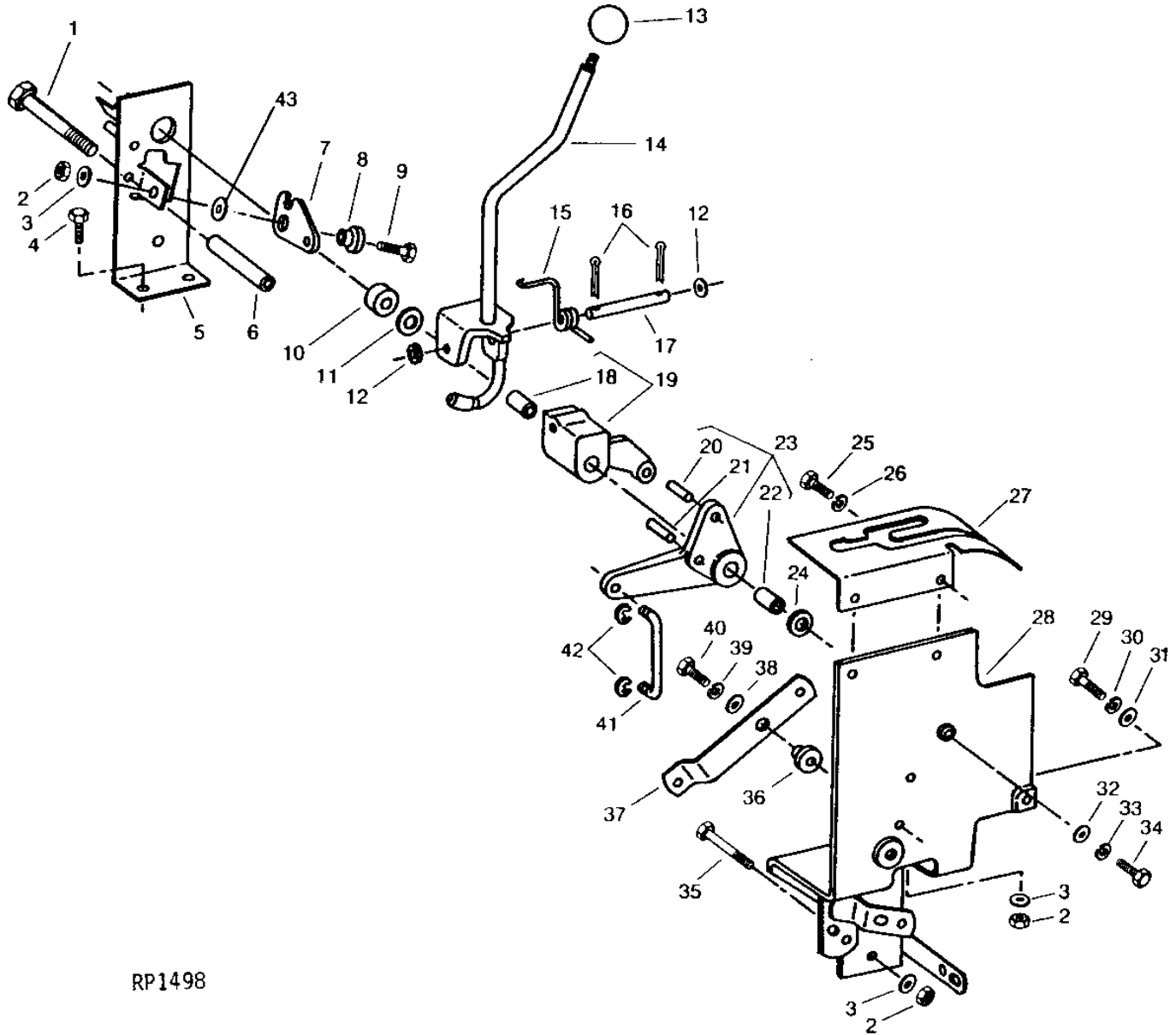
(A) POWER FRONT WHEEL DRIVE

# 3F17

POWER TRAIN

## TRANSMISSION SHIFTER CONTROL SUPPORT, LEVER, AND LINKAGE (POWER SHIFT)

RP1498 -UN-16NOV94



RP1498

# 3F18

POWER TRAIN

TRANSMISSION SHIFTER CONTROL SUPPORT, LEVER, AND LINKAGE - CONTINUED  
(POWER SHIFT)

KEY	PART NO.	PART NAME	QTY	TRACTOR SERIAL NO.	REMARKS
1	19H2852	CAP SCREW	1		5/16" X 4"
2	14H1076	NUT	5		3/8"
3	12H304	LOCK WASHER	5		3/8"
4	19H2284	CAP SCREW	2		3/8" X 7/8"
5	AR54956	SUPPORT	1		
6	28H3299	SPACER	1		1/4" X 3-7/16"
7	R56316	LEVER	1		(SUB FOR R50866) (SUB RE12597)
8	R41134	BUSHING	1		
9	19H2552	CAP SCREW	1		3/8" X 1-1/8"
10	R52138	SPACER	1		
11	R21727	SHIM	AR	015781-	30MM (.012")
12	24H1289	WASHER	2		21/64" X 5/8" X 0.049"
13	R50864	KNOB	1		
14	AR75912	GEARSHIFT LEVER	1		(SUB FOR AR54957 OR AR69265)
	R61680	WELD STUD	1		(B)
15	R50800	SPRING	1		
16	11M7079	COTTER PIN	2		0.098" X 0.472"
17	R45832	PIN	1		
18	R653R	BUSHING	2		
19	AR58937	PIVOT	1	-015782	(SUB AR66962 AND (3) R21727)
	AR66962	GUIDE	1	015781-	
20	R38295	NEEDLE ROLLER	1		
21	A4681R	DOWEL PIN	1		
22	R653R	BUSHING	1		
23	AR58935	LEVER	1	-015782	(MARKED R50799) (SUB AR66963 AND (3) R21727)
	AR66963	LEVER	1	015781-	(MARKED R56315)
24	24H1658	WASHER	1		21/32" X 1" X 0.060"
25	19H1813	CAP SCREW	2		5/16" X 5/8"
26	12H303	LOCK WASHER	2		5/16"
27	R77308	PLATE	1		(SUB FOR R50802)
28	AR70233	SUPPORT	1		(SUB FOR AR54951)
29	19H1731	CAP SCREW	2		(A) 3/8" X 1"
30	12H304	LOCK WASHER	2		(A) 3/8"
31	24H1305	WASHER	2		(A) 13/32" X 13/16" X 0.065"
32	24H1312	WASHER	1		
33	R53668	THRUST WASHER	1		
34	R53664	SELF-LOCKING SCREW	1		
35	19H1944	CAP SCREW	2		3/8" X 2-3/4"
36	R52668	BUSHING	1		
37	R50803	LEVER	1		
38	24H1822	WASHER	1		11/32" X 7/8" X 1/16"
39	12H303	LOCK WASHER	1		5/16"
40	19H1905	CAP SCREW	1		5/16" X 1"
41	R50804	LINK	1		
42	R72654	SNAP RING	2		(SUB FOR R27507)
43	R27441	WASHER	1		

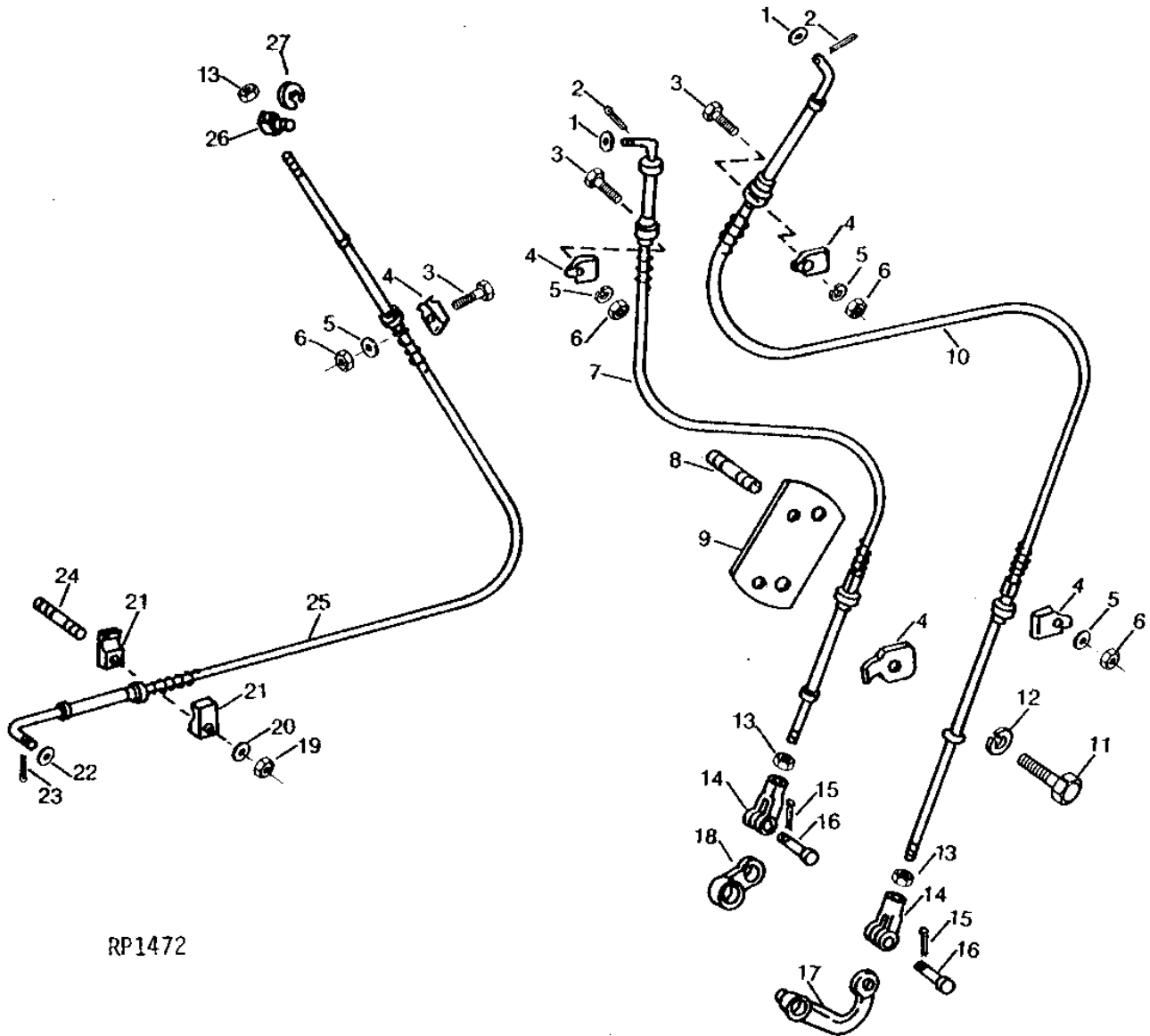
- (A) SOUND-GARD BODY OR ROLL-GARD  
(B) LESS SOUND-GARD BODY OR ROLL-GARD

# 3F19

POWER TRAIN

## TRANSMISSION CONTROL CABLES AND ARMS (POWER SHIFT)

RP1472 -UN-01JAN94



RP1472

# 3F20

POWER TRAIN

## TRANSMISSION CONTROL CABLES AND ARMS - CONTINUED (POWER SHIFT)

KEY	PART NO.	PART NAME	QTY	TRACTOR SERIAL NO.	REMARKS
1	24H753	WASHER	2		9/32" X 5/8" X 0.049"
2	11M7079	COTTER PIN	2		0.098" X 0.472"
3	19H1849	CAP SCREW	3		5/16" X 1-1/4"
4	R26870	CLAMP	5		
5	12H303	LOCK WASHER	4		5/16"
6	14H785	NUT	4		5/16"
7	AR55700	PUSH PULL CABLE	1		(REVERSE VALVE)
	R39725	SEAL	1		(A)
	R39726	SEAL	1		(B)
	R39727	SEAL	1		(C)
8	R51284	STUD	1		
9	R50801	PLATE	1		
10	AR55702	PUSH PULL CABLE	1		(TRANSMISSION CONTROL VALVE)
	R39725	SEAL	1		(A)
	R39726	SEAL	1		(B)
	R39727	SEAL	1		(C)
11	19H3552	CAP SCREW	1		5/16" X 1-1/2"
12	12H303	LOCK WASHER	1		5/16"
13	14H649	NUT	3		1/4"
14	R50865	YOKE	2		
15	11M7081	COTTER PIN	2		0.098" X 0.787"
16	F2811R	PIN	2		
17	R49816	LEVER	1		
18	R49817	LEVER	1		
19	14H1076	NUT	1		3/8"
20	12H304	LOCK WASHER	1		3/8"
21	T33483	CLAMP	2		
22	B1664R	SHIM	1		
23	11M7079	COTTER PIN	1		0.098" X 0.472"
24	R27612	STUD	1		
25	AR55701	PUSH PULL CABLE	1	-034007	(SUB AR78968)
	AR78968	PUSH PULL CABLE	1	034008-	(TRANSMISSION LOCK)
	R39725	SEAL	1		(A)
	R39726	SEAL	1		(B)
	R39727	SEAL	1		(C)
26	R51067	SWIVEL	1		
27	R72653	SNAP RING	1		(SUB FOR M2396T)

(A) CONDUIT TO TERMINAL SLEEVE

(B) TERMINAL SLEEVE TO INNER MEMBER INPUT END

(C) TERMINAL SLEEVE TO INNER MEMBER OUTPUT END

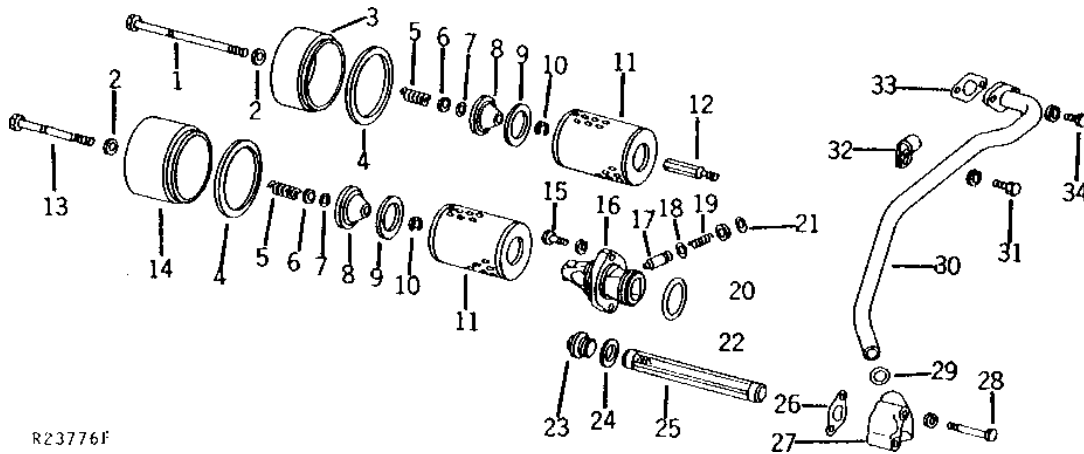
# 3F21

POWER TRAIN

## OIL FILTERS AND TRANSMISSION OIL PUMP INTAKE (POWER SHIFT)

R23776

-UN-01JAN94





# 3F22

POWER TRAIN

## OIL FILTERS AND TRANSMISSION OIL PUMP INTAKE - CONTINUED (POWER SHIFT)

KEY	PART NO.	PART NAME	QTY	TRACTOR SERIAL NO.	REMARKS
1	R54750	CAP SCREW	1		(SUB FOR R39795)
	R65894	CAP SCREW	1	026770-	(A)
2	R394R	O-RING	2		
3	R39794	COVER	1		
	R39794	COVER	1	-026769	(A)
	R58652	COVER	1	026770-	(A)
4	R34733	WASHER	2		
5	H819R	SPRING	2		
6	24H1227	WASHER	2		17/32" X 13/16" X 0.060"
7	R394R	O-RING	2		
8	R65892	RETAINER	2		(SUB FOR R28593)
9	R28594	WASHER	2	-031023	
	R28594	WASHER	2	-026769	(A)
10	R32507	SNAP RING	2		
11	AR75603	FILTER ELEMENT	2		(ALSO ORDER (2) R34733) (SUB FOR AR28271 OR AR75601)
	AR75603	FILTER ELEMENT	2	-026769	(A) (ALSO ORDER (2) R34733) (SUB FOR AR28271 OR AR75601)
	AR70506	FILTER ELEMENT	2	026770-	(A) (SUB AR98098)
12	R58765	SCREW	1	026770-XXXXXX	(A) (SUB R65894)
13	R54751	CAP SCREW	1		(SUB FOR R39797)
	R54751	CAP SCREW	1	-026769	(A) (SUB FOR R39797)
	R54750	CAP SCREW	1	026770-	(A)
14	R39796	COVER	1		
	R39796	COVER	1	-026769	(A)
	R63093	COVER	1	026770-	(A) (SUB FOR R51654)
15	19H1800	CAP SCREW	2		3/8" X 1-1/2"
	12H304	LOCK WASHER	2		3/8"
16	R54962	HOUSING	1		
17	R57559	VALVE	1		(ALSO ORDER R33259) (SUB FOR R33162)
18	R33259	O-RING	1		
19	R26686	SPRING	1		
20	R48013	WASHER	1		
21	R33282	SNAP RING	1		
22	U12198	O-RING	1		
23	R40147	FITTING	1		(SUB A4806R)
24	A4808R	WASHER	1		
25	R53169	SCREEN	1		(NYLON)
	AR26375	SCREEN	1		(STEEL)
26	R28110	GASKET	1		(USE WITH R33911)
	R84396	GASKET	1		(USE WITH R84270)
27	R33911	ADAPTER	1		(SUB R84270 AND R84396)
28	19H1944	CAP SCREW	2		3/8" X 2-3/4"
	12H304	LOCK WASHER	2		3/8"
29	A3606R	O-RING	1		
30	AR58904	OIL TUBE	1		
31	19H1936	CAP SCREW	1		3/8" X 3/4"
	12H304	LOCK WASHER	1		3/8"
32	R33364	CLAMP	1		
33	R33363	GASKET	1		
34	19H2552	CAP SCREW	2		3/8" X 1-1/8"
	12H304	LOCK WASHER	2		3/8"

(A) POWER FRONT WHEEL DRIVE

---

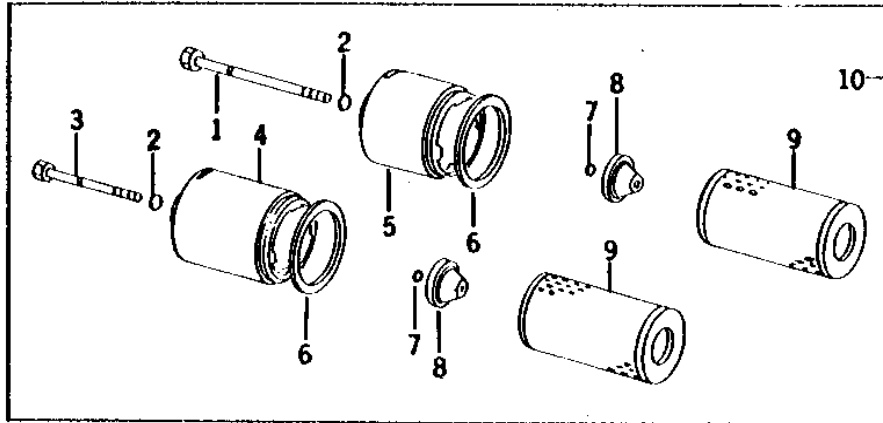
MEMORANDA

# 3F23

POWER TRAIN

R29364 -UN-01JAN94

## INCREASED OIL FILTRATION KIT (POWER SHIFT)



R29364

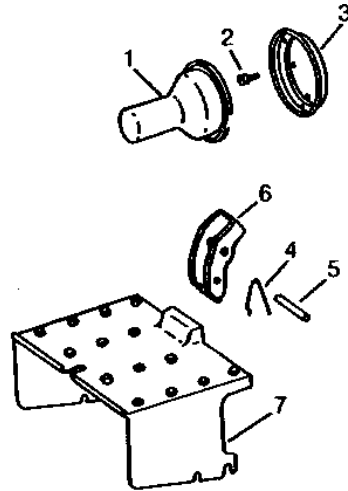
KEY	PART NO.	PART NAME	QTY	TRACTOR SERIAL NO.	REMARKS
1	R65894	CAP SCREW	1		
2	R394R	O-RING	2		
3	R54750	CAP SCREW	1		
4	R63093	COVER	1	(HYDRAULIC)	
5	R58652	COVER	1	(CLUTCH)	
6	R34733	WASHER	2		
7	F2741R	PACKING	2		
8	R65892	RETAINER	2		
9	AR70506	FILTER ELEMENT	2	(SUB AR98098)	
10	AR85272	KIT	1		

# 3F24

POWER TRAIN

## 540 AND 1000 RPM PTO MASTER SHIELD AND REAR GUARD (POWER SHIFT)

RXP8623 -UN-01JAN94



RXP8623

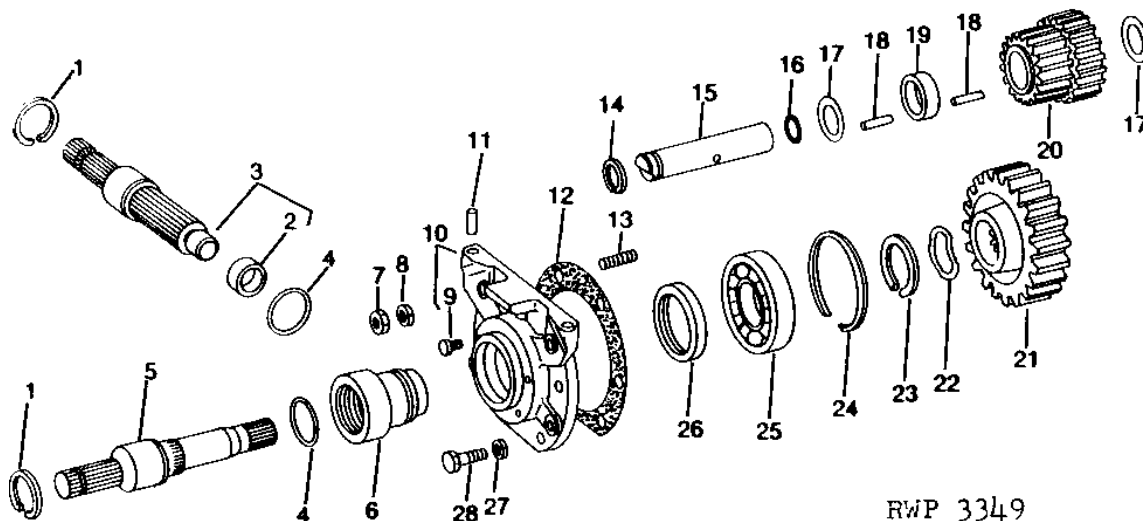
KEY	PART NO.	PART NAME	QTY	TRACTOR SERIAL NO.	REMARKS
1	AR26782	GUARD	1		
2	R27329	SCREW	2		
3	AR26707	RETAINER	1		
4	R42585	SPRING	1		
5	34H335	SPRING PIN	1		5/16" X 2-1/8"
6	R42584	RETAINER	1		(ALSO ORDER R42585 AND 34H335)
7	R33348	SHIELD	1		(SUB FOR AR44713)

# 3F25

POWER TRAIN

## 540 AND 1000 RPM PTO REAR DRIVE GEAR AND SHAFTS (POWER SHIFT)

RWP3349 -UN-18OCT94



RWP 3349

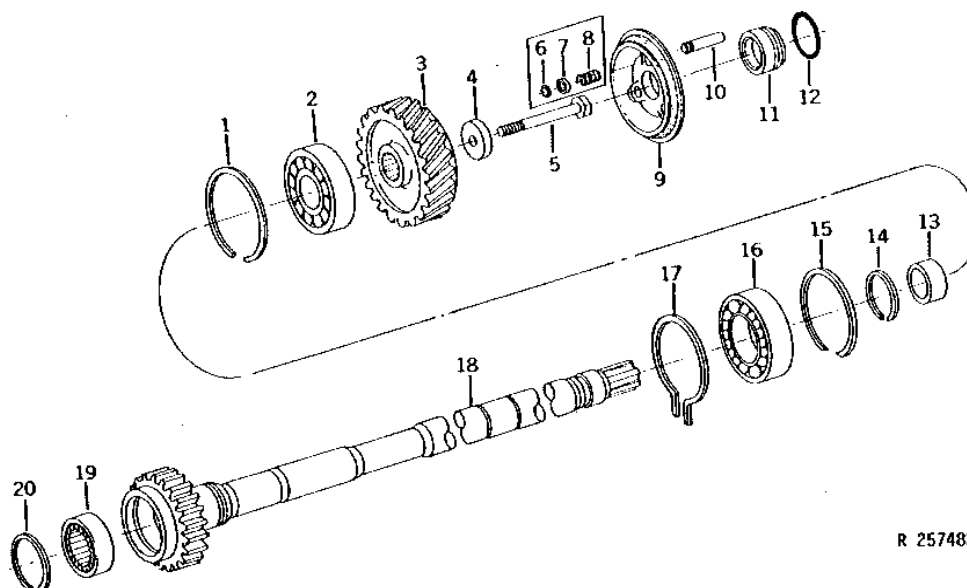
KEY	PART NO.	PART NAME	QTY	TRACTOR SERIAL NO.	REMARKS
1	R38221	SNAP RING	2		
2	JD7557	BEARING RACE	1		
3	AR41752	SHAFT	1		(540 RPM)
4	P50631	O-RING	2		
5	R38224	SHAFT	1		(1000 RPM)
6	R45126	GUIDE	1		
7	14H1040	NUT	2	1/2"	
8	12H301	LOCK WASHER	2	1/2"	
9	R27329	SCREW	2		
10	AR38168	QUILL	1		(MARKED R38218 OR R47507) (SUB RE47805)
11	34H348	SPRING PIN	2		3/8" X 1"
12	R33337	GASKET	1		
13	R32101	STUD	2		
14	R33320	SNAP RING	1		
15	R33852	COUNTERSHAFT	1		
16	R30319	O-RING	1		
17	R33853	THRUST WASHER	2		
18	R33028	NEEDLE ROLLER	48		
19	R33344	SPACER	1		
20	R33339	GEAR	1		
21	R42014	GEAR	1		(540 RPM)
22	R38219	THRUST WASHER	1		(540 RPM)
23	F1334R	SNAP RING	1		
24	C1919R	SNAP RING	1		
25	JD9320	BALL BEARING	1		
26	AT16431	SEAL	1		(SUB RE13181)
27	12H301	LOCK WASHER	4	1/2"	
28	19H1721	CAP SCREW	4	1/2" X 1-1/2"	

# 3G1

POWER TRAIN

## 540 AND 1000 RPM PTO SHAFT AND DRIVE GEAR (POWER SHIFT)

R25748 -UN-01JAN94



R 25748F

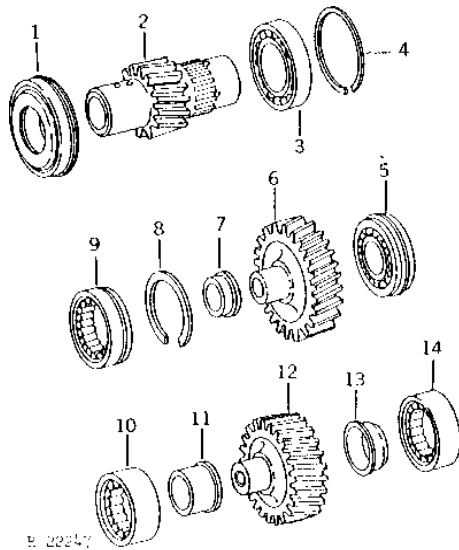
KEY	PART NO.	PART NAME	QTY	TRACTOR SERIAL NO.	REMARKS
1	R33321	RING	1		
2	JD9468	BALL BEARING	1		(SUB FOR JD8648)
3	R50498	GEAR	1		
4	R50975	WASHER	1		(NLA)
5	R44724	CAP SCREW	1		
6	P42894	SNAP RING	3	-XXXXXX	
7	R50552	WASHER	3	-XXXXXX	
8	R41147	SPRING	3	-XXXXXX	
9	AR55023	SHOE	1		(SUB RE20736)
10	R50551	GROOVE PIN	3	-XXXXXX	(NLA)
	T26565	DOWEL PIN	1	XXXXXX-	(SUB FOR C1220R)
11	R50979	PISTON	1		
12	U42111	O-RING	1		
13	R34328	BUSHING	1		
14	R36295	SNAP RING	1		
15	R33321	RING	1		(SUB BP13615)
16	JD8537	BEARING	1		
17	R33322	SNAP RING	1		
18	AR55463	SHAFT	1		
19	JD7537	ROLLER BEARING	1		
20	F2367R	SNAP RING	1		

# 3G2

POWER TRAIN

## 540 AND 1000 RPM PTO DRIVE SHAFT AND IDLER GEARS (POWER SHIFT)

R22247 -UN-01JAN94



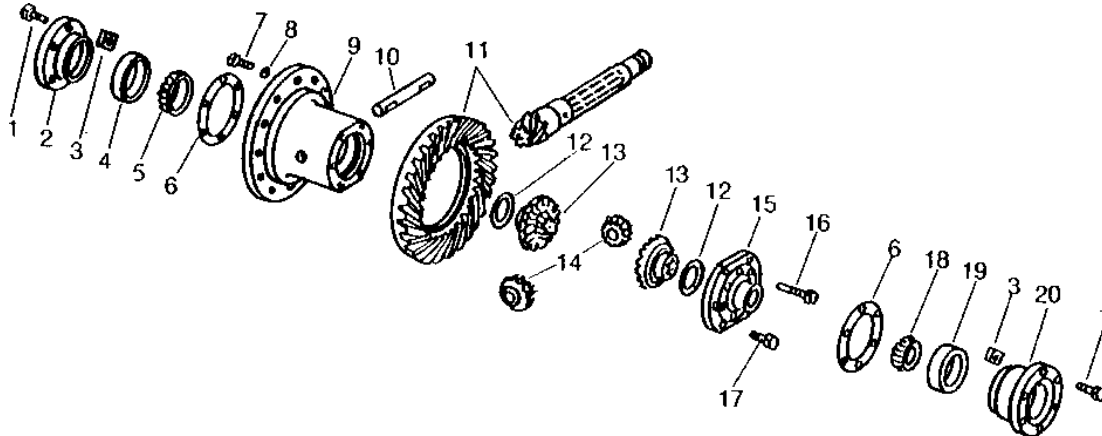
KEY	PART NO.	PART NAME	QTY	TRACTOR SERIAL NO.	REMARKS
1	JD8645	BALL BEARING	1		
2	R52249	SHAFT	1		(DRIVE)
3	JD8644	BALL BEARING	1		
4	F1373R	SNAP RING	1		
5	JD7672	BALL BEARING	1		
6	R50496	GEAR	1		(UPPER IDLE)
7	JD9506	BEARING RACE	1		
8	R55033	PISTON RING	1		
9	JD8342	ROLLER BEARING	1		
10	JD8343	ROLLER BEARING	1		
11	JD9507	BEARING RACE	1		
12	R50497	GEAR	1		(LOWER IDLER)
13	JD9413	BEARING RACE	1		
14	AR63790	ROLLER BEARING	1		

# 3G3

POWER TRAIN

## DIFFERENTIAL (LESS DIFFERENTIAL LOCK) (QUAD-RANGE AND SYNCRO-RANGE) (TWO-PINION)

R19106 -UN-01JAN94



R19106

KEY	PART NO.	PART NAME	QTY	TRACTOR SERIAL NO.	REMARKS
1	R46162	SCREW	12		
2	R72049	QUILL	1	-026666	(A) (SUB FOR R46360)
	R59508	QUILL	1	026667-	(A)
	R31190	QUILL	1		(B)
3	14H823	NUT	2		1/2"
4	JD8290	BEARING CUP	1	-026666	(A)
	JD8259	BEARING CUP	1	026667-	(A)
	JD8259	BEARING CUP	1		(B)
5	JD9019	BEARING CONE	1	-026666	(A)
	JD8954	BEARING CONE	1	026667-	(A)
	JD8954	BEARING CONE	1		(B)
6	R46323	SHIM	AR		0.08MM (.003") (SUB FOR R26042)
	R46324	SHIM	AR		0.13MM (.005") (SUB FOR R26043)
	R46325	SHIM	AR		0.25MM (.010")
7	R41048	CAP SCREW	12		
8	R47172	WASHER	10	-026666	(A) (SUB FOR R44044)
9	R46466	HOUSING	1	-026666	(A) (SUB AR101617, AR89837, JD9019 AND (2) R40236)
	R31189	HOUSING	1	026667-	(A) (ALSO ORDER R59509) (SUB AR103363)
	R31189	HOUSING	1		(B) (ALSO ORDER R34856) (SUB AR103363)
10	R58425	SHAFT	1		(A) (SUB FOR R53740)
	R41903	PINION SHAFT	1		(B) (SUB R58425)
11	AR63369	BEVEL GEAR DRIVE	1	-XXXXXX	(A) (MATCHED SET) (MARKED R33062 AND R50533) (SUB AR94183, R71558 AND (2) R63303)
	AR94183	BEVEL GEAR DRIVE	1	XXXXXX-	(A) (MATCHED SET) (MARKED R33062 AND R71557)
	AR54984	GEAR	1		(B) (MATCHED SET) (MARKED R33062 AND R50888) (ALSO ORDER (2) R33410, (2) R33411, (2) R33413 AND (2) R33414) (SUB FOR AR63367)
12	R72587	THRUST WASHER	2		(USE WITH R54182 OR R63477) (SUB FOR R53202 OR R65741) (SUB R77145)
13	R63477	BEVEL GEAR	2		(ALSO ORDER (2) R77145) (SUB FOR R54182)
14	R42444	PINION	2		(SUB FOR R26035)
15	R46467	QUILL	1	-026666	(A)
	R31195	COVER	1	026667-	(A)
	R31195	COVER	1		(B)
16	R70236	CAP SCREW	1		(SUB FOR R41050)
17	R52634	CAP SCREW	5		
18	JD8954	BEARING CONE	1	-026666	(A)
	JD8159	BEARING CONE	1	026667-	(A)
	JD8159	BEARING CONE	1		(B)
19	JD8259	BEARING CUP	1	-026666	(A)
	JD8210	BEARING CUP	1	026667-	(A)
	JD8210	BEARING CUP	1		(B)
20	R46446	QUILL	1	-026666	(A)
	R59507	QUILL	1	026667-	(A) (SUB R59509 AFTER AR103363 IS INSTALLED)
	R31196	QUILL	1		(B) (SUB R34856 AFTER AR103363 IS INSTALLED)

(A) QUAD-RANGE TRANSMISSION

(B) SYNCRO-RANGE TRANSMISSION

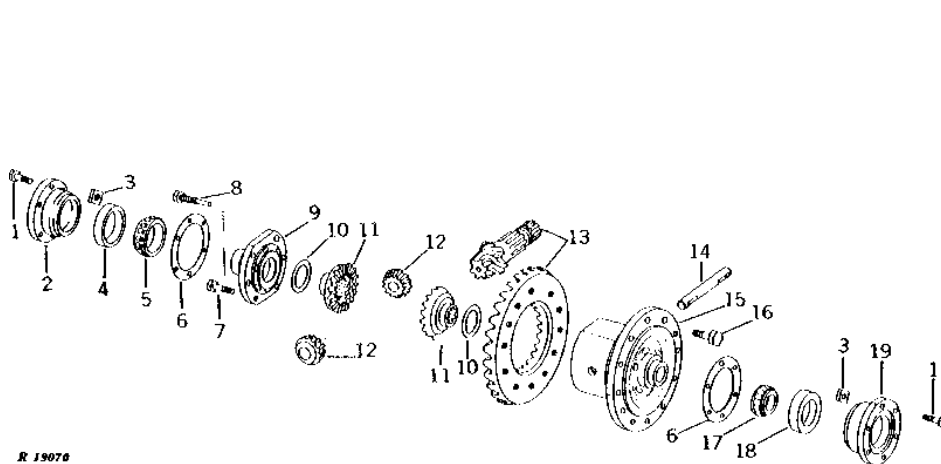


# 3G4

POWER TRAIN

## DIFFERENTIAL (LESS DIFFERENTIAL LOCK) (POWER SHIFT)

R19070 -UN-01JAN94



R 19070

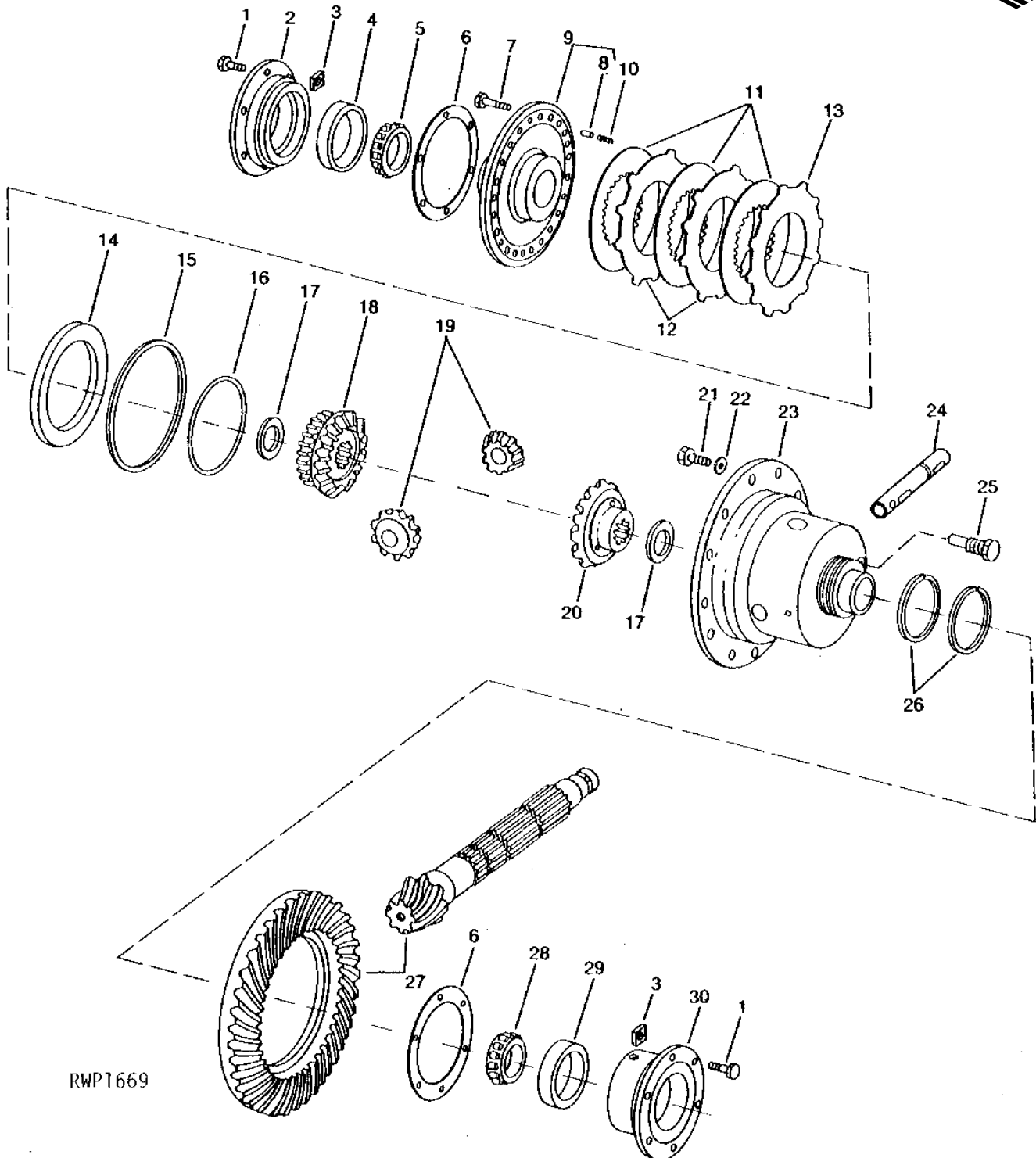
KEY	PART NO.	PART NAME	QTY	TRACTOR SERIAL NO.	REMARKS
1	R46162	SCREW	12		
2	R46446	QUILL	1	-026666	
	R59507	QUILL	1	026667-	(SUB R59509 AFTER AR103363 IS INSTALLED)
3	14H823	NUT	2		1/2"
4	JD8259	BEARING CUP	1	-026666	
	JD8210	BEARING CUP	1	026667-	
5	JD8954	BEARING CONE	1	-026666	
	JD8159	BEARING CONE	1	026667-	
6	R46323	SHIM	AR		0.08MM (.003")
	R46324	SHIM	AR		0.13MM (.005")
	R46325	SHIM	AR		0.25MM (.010")
7	R52634	CAP SCREW	5		
8	R70236	CAP SCREW	1		(SUB FOR R41050)
9	R46467	QUILL	1	-026666	
	R31195	COVER	1	026667-	
10	R72587	THRUST WASHER	2		(USE WITH R54182 OR R63477) (SUB FOR R53202 OR R65741) (SUB R77145)
11	R63477	BEVEL GEAR	2		(ALSO ORDER (2) R77145) (SUB FOR R54182)
12	R42444	PINION	2		
13	AR79093	BEVEL GEAR DRIVE	1		(MATCHED SET) (MARKED R41764 AND R41766) (SUB FOR AR63366)
14	R58425	SHAFT	1		(SUB FOR R41903 OR R53740)
15	R46466	HOUSING	1	-026666	(SUB AR101617, AR89837, JD9019 AND (2) R40236)
	R31189	HOUSING	1	026667-	(SUB AR103363 AND R59509)
16	R41048	CAP SCREW	12		
17	JD9019	BEARING CONE	1	-026666	
	JD8954	BEARING CONE	1	026667-	
18	JD8290	BEARING CUP	1	-026666	
	JD8259	BEARING CUP	1	026667-	
19	R72049	QUILL	1	-026666	(SUB FOR R46360)
	R59508	QUILL	1	026667-	

# 3G5

POWER TRAIN

## DIFFERENTIAL (DIFFERENTIAL LOCK) (QUAD-RANGE AND SYNCRO-RANGE)

RWP1669 -UN-01JAN94



RWP1669

# 3G6

POWER TRAIN

**DIFFERENTIAL - CONTINUED  
(DIFFERENTIAL LOCK)  
(QUAD-RANGE AND SYNCRO-RANGE)**

KEY	PART NO.	PART NAME	QTY	TRACTOR SERIAL NO.	REMARKS
1	R46162	SCREW	12		
2	R46360	QUILL	1	-026666	(A) (SUB R72049)
	R59508	QUILL	1	026667-	(A)
	R31190	QUILL	1		(B)
3	14H823	NUT	2		1/2"
4	JD8290	BEARING CUP	1	-026666	(A)
	JD8259	BEARING CUP	1	026667-	(A)
	JD8259	BEARING CUP	1		(B)
5	JD9019	BEARING CONE	1	-026666	(A)
	JD8954	BEARING CONE	1	026667-	(A)
	JD8954	BEARING CONE	1		(B)
6	R46323	SHIM	AR		0.08MM (.003") (SUB FOR R26042)
	R46324	SHIM	AR		0.13MM (.005") (SUB FOR R26043)
	R46325	SHIM	AR		0.25MM (.010")
7	R40236	CAP SCREW	12		
8	34H311	SPRING PIN	3		1/4" X 7/8"
9	AR48645	COVER	1	-026666	(A) (MARKED R46447 OR R68939) (SUB AR89837)
	AR44614	COVER	1	026667-	(A) (MARKED R42505) (SUB R101054 AND (3)
					34H311)
	AR44614	COVER	1		(B) (MARKED R42505) (SUB R101054 AND (3)
					34H311)
10	R34863	SPRING	3		
11	RE29428	DISK	3		(SUB FOR AR34705 OR AR70154) (SUB RE53823, R34857 AND (2) R34858)
12	R34858	CLUTCH PLATE	2		
13	R34857	CLUTCH PLATE	1		
14	R34855	PISTON	1		
15	R41017	WASHER	1		
16	R44328	WASHER	1		
17	R72587	THRUST WASHER	2		(SUB FOR R53202 OR R65741) (SUB R77145)
18	R66715	BEVEL GEAR	1		(ALSO ORDER R63477 AND (2) R77145) (SUB FOR R54180)
19	R42444	PINION	2		
20	R63477	BEVEL GEAR	1		(ALSO ORDER R54180 AND (2) R77145) (SUB FOR R54182)
21	R41048	CAP SCREW	12		
22	R47172	WASHER	10	-026666	(SUB FOR R44044)
23	AR48669	HOUSING	1	-026666	(A) (MARKED R46468) (SUB AR101617)
	AR39651	HOUSING	1	026667-	(A) (MARKED R34799) (SUB AR101616 KIT)
	AR39651	HOUSING	1		(B) (MARKED R34799) (SUB AR101616 KIT)
24	R58425	SHAFT	1		(A) (SUB FOR R53740)
	R41903	PINION SHAFT	1		(B) (SUB R58425)
25	R70236	CAP SCREW	1		(SUB FOR R41050)
26	R46326	RING	2	-026666	(A)
	R34513	RING	2	026667-	(A)
	R34513	RING	2		(B)
27	AR63369	BEVEL GEAR DRIVE	1	-XXXXXX	(A) (MATCHED SET) (MARKED R33062 AND R50533) (SUB AR94183, R71558 AND (2) R63303)
	AR94183	BEVEL GEAR DRIVE	1	XXXXXX-	(A) (MATCHED SET) (MARKED R33062 AND R71557)
	AR54984	GEAR	1		(B) (MATCHED SET) (MARKED R33062 AND R50888) (ALSO ORDER (2) R33410, (2) R33411, (2) R33413 AND (2) R33414) (SUB FOR AR63367)
28	JD8954	BEARING CONE	1	-026666	(A)
	JD8159	BEARING CONE	1	026667-	(A)
	JD8159	BEARING CONE	1		(B)
29	JD8259	BEARING CUP	1	-026666	(A)
	JD8210	BEARING CUP	1	026667-	(A)
	JD8210	BEARING CUP	1		(B)
30	R46448	QUILL	1	-026666	(A)
	R59509	QUILL	1	026667-	(A)
	R34856	QUILL	1		(B)

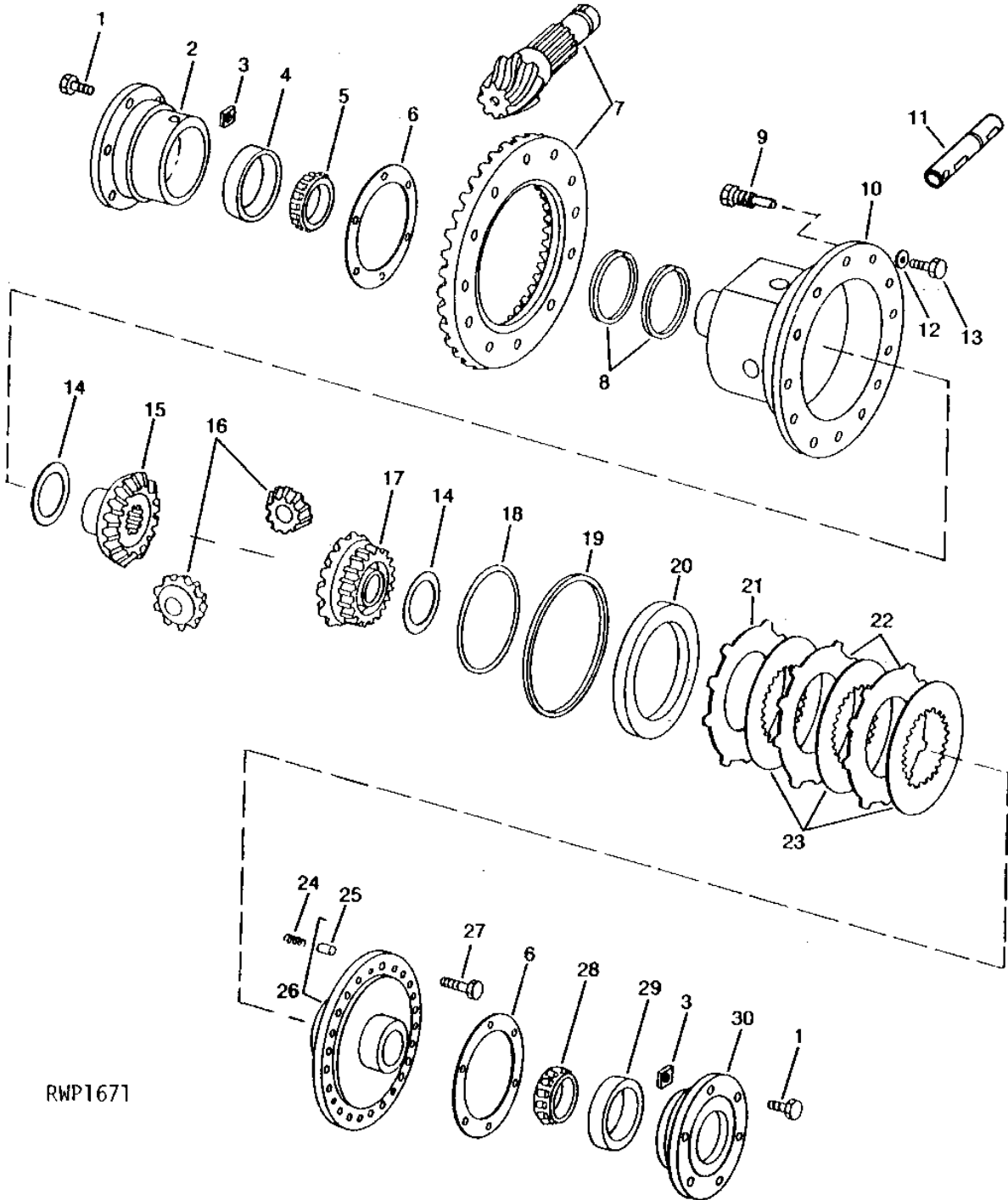
(A) QUAD-RANGE TRANSMISSION  
(B) SYNCRO-RANGE TRANSMISSION

# 3G7

POWER TRAIN

## DIFFERENTIAL (DIFFERENTIAL LOCK) (POWER SHIFT)

RWP1671 -UN-01JAN94



RWP1671

# 3G8

POWER TRAIN

**DIFFERENTIAL - CONTINUED  
(DIFFERENTIAL LOCK)  
(POWER SHIFT)**

KEY	PART NO.	PART NAME	QTY	TRACTOR SERIAL NO.	REMARKS
1	R46162	SCREW	1		
2	R46448	QUILL	1	-026666	
	R59509	QUILL	1	026667-	
3	14H823	NUT	2		1/2"
4	JD8259	BEARING CUP	1	-026666	
	JD8210	BEARING CUP	1	026667-	
5	JD8954	BEARING CONE	1	-026666	
	JD8159	BEARING CONE	1	026667-	
6	R46323	SHIM	AR		0.08MM (.003")
	R46324	SHIM	AR		0.13MM (.005")
	R46325	SHIM	AR		0.25MM (.010")
7	AR79093	BEVEL GEAR DRIVE	1		(MATCHED SET) (MARKED R41764 AND R41766) (SUB FOR AR63366)
8	R46326	RING	2	-026666	
	R34513	RING	2	026667-	
9	R70236	CAP SCREW	1		(SUB FOR AR41050)
10	AR48669	HOUSING	1	-026666	(MARKED R46468) (SUB AR101617)
	AR39651	HOUSING	1	026667-	(MARKED R34799) (SUB AR101616)
11	R58425	SHAFT	1		(SUB FOR R41903 OR R53740)
12	R47172	WASHER	10		
13	R41048	CAP SCREW	12		
14	R72587	THRUST WASHER	2		(SUB FOR R53202 OR R65741) (SUB R77145)
15	R63477	BEVEL GEAR	1		(BEVEL GEAR) (ALSO ORDER R54180 AND (2) R77145) (SUB FOR R54182)
16	R42444	PINION	2		
17	R66715	BEVEL GEAR	1		(ALSO ORDER R63477 AND (2) R77145) (SUB FOR R54180)
18	R44328	WASHER	1		
19	R41017	WASHER	1		
20	R34855	PISTON	1		
21	R34857	CLUTCH PLATE	1		
22	RE29428	DISK	3		(SUB FOR AR34705 OR AR70154) (SUB RE53823, R34857 AND (2) R34858)
23	R34858	CLUTCH PLATE	2		
24	R34863	SPRING	3		
25	34H311	SPRING PIN	3		1/4" X 7/8"
26	AR48645	COVER	1	-026666	(MARKED R46447 OR R68939) (SUB AR89837)
	AR44614	COVER	1	026667-	(MARKED R42505) (SUB R101054 AND (3) 34H311)
27	R40236	CAP SCREW	12		
28	JD9019	BEARING CONE	1	-026666	
	JD8954	BEARING CONE	1	026667-	
29	JD8290	BEARING CUP	1	-026666	
	JD8259	BEARING CUP	1	026667-	
30	R72049	QUILL	1	-026666	(SUB FOR R46360)
	R59508	QUILL	1	026667-	

---

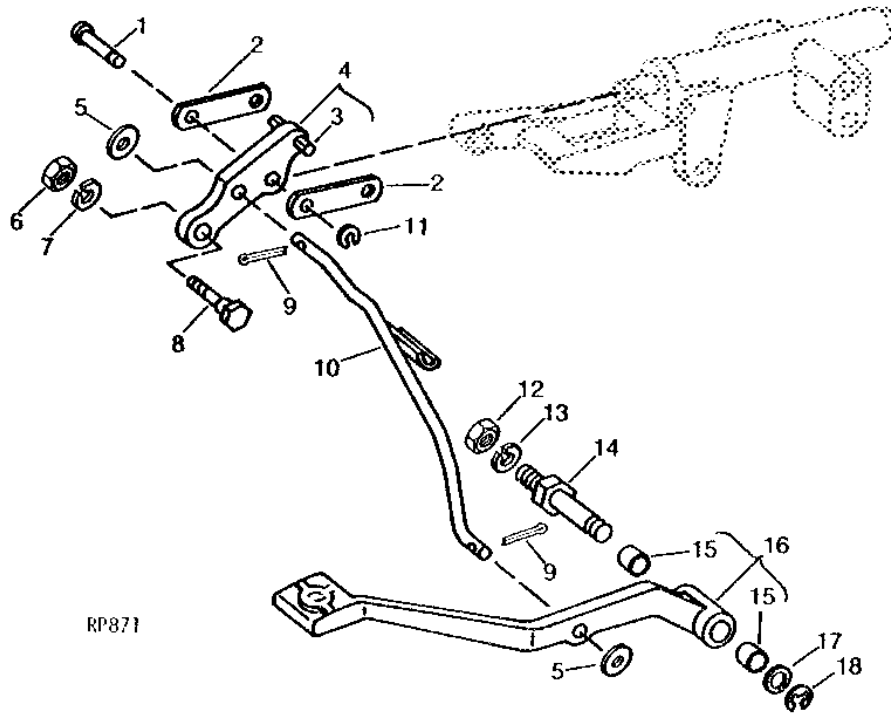
MEMORANDA

# 3G9

POWER TRAIN

RP871 -UN-01JAN94

## DIFFERENTIAL LOCK VALVE PEDAL AND RELEASE



KEY	PART NO.	PART NAME	QTY	TRACTOR SERIAL NO.	REMARKS
1	R26385	PIN	2		
2	R46902	STRAP	2	(SUB R79135)	
3	34H314	SPRING PIN	1	1/4" X 1-1/4"	
4	AR58690	ARM	1	(MARKED R52276)	
5	24H1302	WASHER	2	13/32" X 11/16" X 0.035"	
6	14H732	NUT	1	3/8"	
7	12H304	LOCK WASHER	1	3/8"	
8	R52240	SCREW	1		
9	11M7081	COTTER PIN	2	0.098" X 0.787"	
10	AR56105	ROD	1		
11	R26386	SNAP RING	2		
12	14H971	NUT	1	1/2"	
13	12H301	LOCK WASHER	1	1/2"	
14	R52241	PIN	1		
15	R50359	BUSHING	2		
16	AR56107	PEDAL	1	(MARKED R51804)	
17	24H1341	WASHER	1	17/32" X 15/16" X 0.060"	
18	P44982	PISTON RING	1		

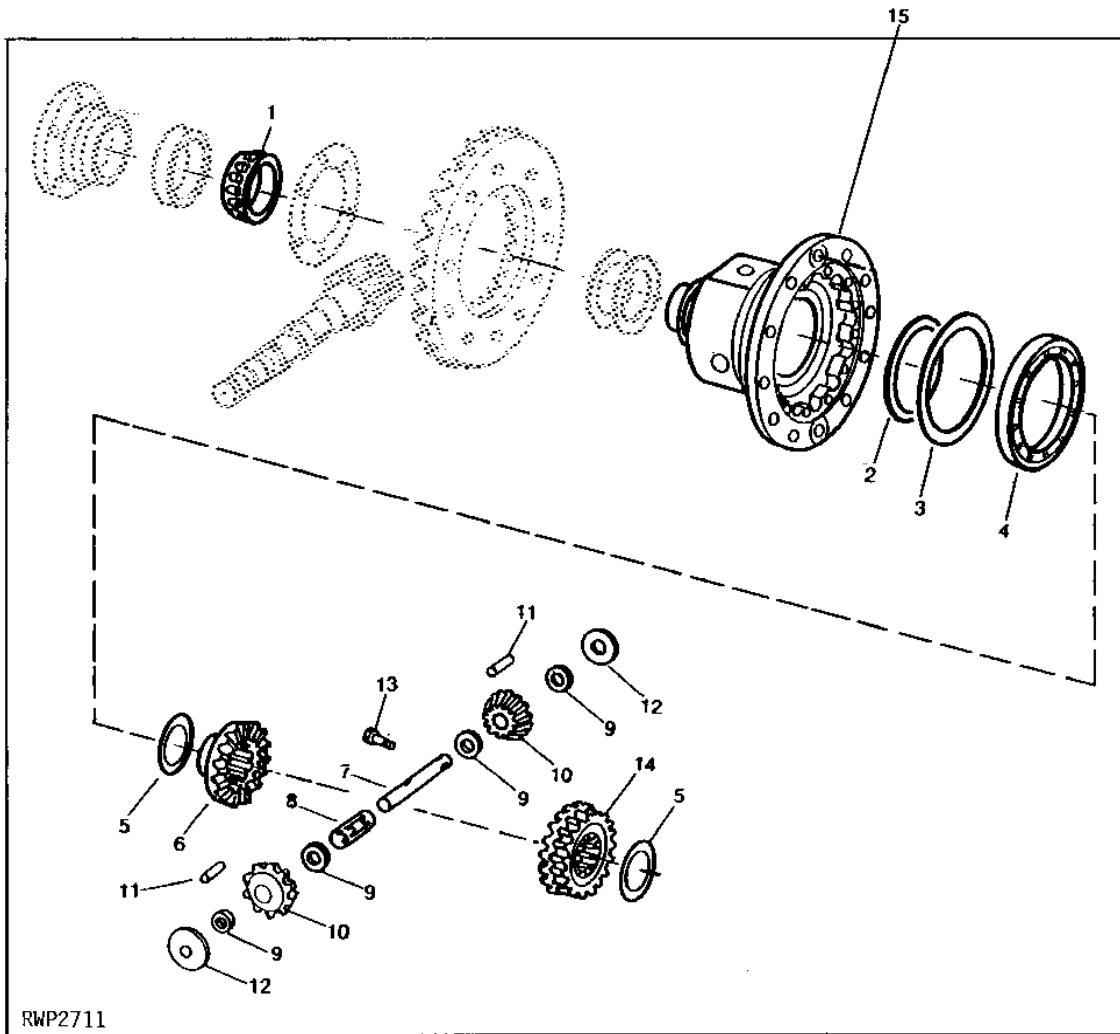
# 3G10

POWER TRAIN

RWP2711

-UN-06OCT94

## ANTI-FRICTION DIFFERENTIAL KIT



RWP2711



# 3G11

POWER TRAIN

## ANIT-FRICTION DIFFERENTIAL KIT - CONTINUED

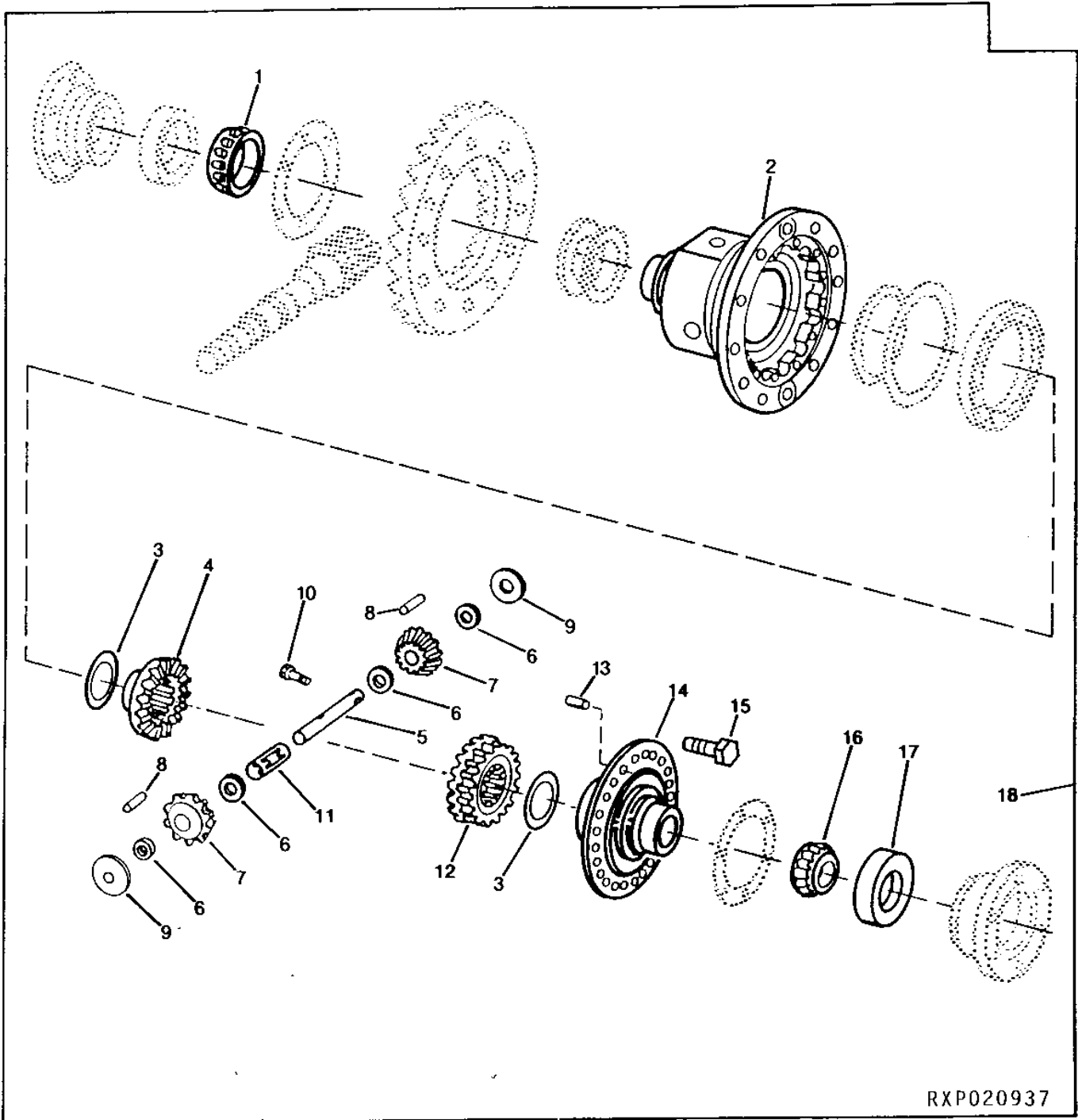
KEY	PART NO.	PART NAME	QTY	TRANSMISSION SERIAL NO.	REMARKS
1	JD8159	BEARING CONE	1		(USE WITH AR101616)
	JD8954	BEARING CONE	1		(USE WITH AR101617)
2	R44328	WASHER	1		
3	R41017	WASHER	1		
4	R34855	PISTON	1		
5	R77145	WASHER	2		
6	R63477	BEVEL GEAR	1		
7	R68173	SHAFT	1		
8	R74675	RETAINER	1		
9	R68167	WASHER	4		
10	R68170	PINION	1		
11	R68171	NEEDLE ROLLER	46		
12	R59460	THRUST WASHER	2		
13	R70236	CAP SCREW	1		
14	R66715	BEVEL GEAR	1		
15	AR101617	KIT	1	001000-026666	(QRT AND PST) (DIFFERENTIAL LOCK)
	AR101616	KIT	1	026667-	(QRT AND PST) (DIFFERENTIAL LOCK)
	AR101616	KIT	1		(SRT) (DIFFERENTIAL LOCK)

# 3G12

POWER TRAIN

RXP020937 -UN-20SEP94

ANTI-FRICTION NO LOCK DIFFERENTIAL KIT



# 3G13

POWER TRAIN

## ANTI-FRICTION NO LOCK DIFFERENTIAL KIT - CONTINUED

KEY	PART NO.	PART NAME	QTY	TRACTOR SERIAL NO.	REMARKS
1	JD8954	BEARING CONE	1		
2	AR93094	HOUSING	1		(MARKED R70838)
3	R77145	WASHER	2		
4	R66715	BEVEL GEAR	1		
5	R68173	SHAFT	1		
6	R68167	WASHER	4		
7	R68170	PINION	2		
8	R68171	NEEDLE ROLLER	46		
9	R59460	THRUST WASHER	2		
10	R70236	CAP SCREW	1		
11	R74675	RETAINER	1		
12	R63477	BEVEL GEAR	1		
13	34H311	SPRING PIN	3		1/4" X 7/8"
14	R101054	COVER	1		(MARKED R42505) (SUB FOR AR44614)
15	R116064	CAP SCREW	12		
16	JD8159	BEARING CONE	1		
17	JD8210	BEARING CUP	1		
18	AR103363	KIT	1		(SRT)
	AR103363	KIT	1	026667-	(QRT AND PST)

---

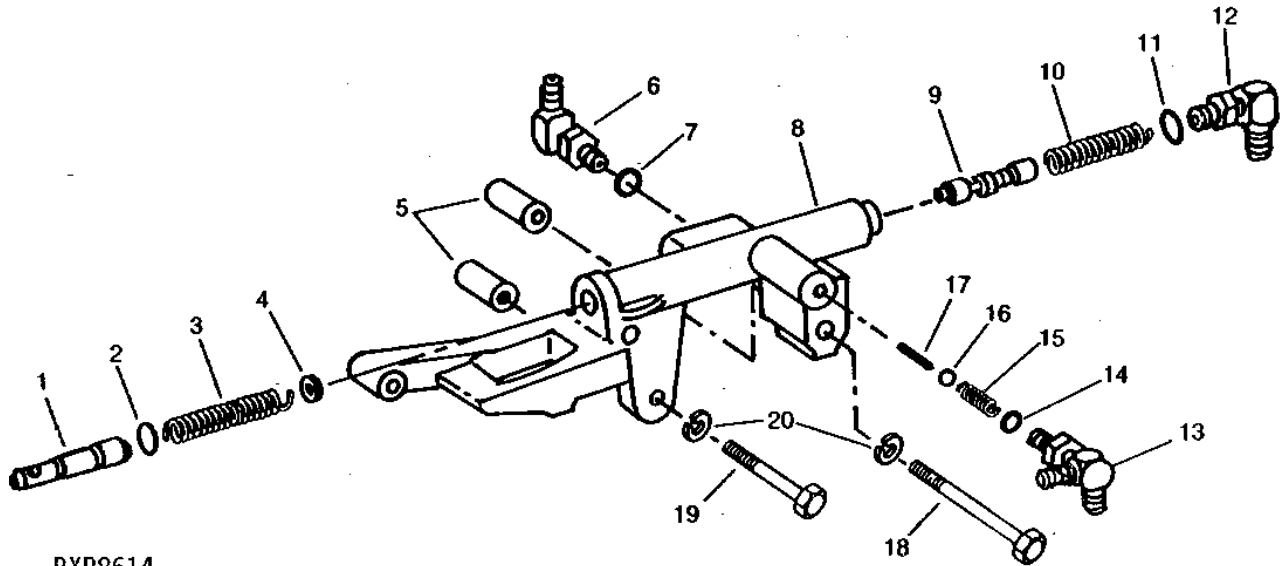
MEMORANDA

# 3G14

POWER TRAIN

RXP8614 -UN-01JAN94

## DIFFERENTIAL LOCK VALVE



RXP8614

KEY	PART NO.	PART NAME	QTY	TRACTOR SERIAL NO.	REMARKS
1	R86162	PLUNGER	1		(SUB FOR R46863 OR R68648)
2	F3353R	O-RING	1		
3	R46862	SPRING	1		
4	R46901	SHIM	AR	0.51MM (0.20")	
5	28H1553	SPACER	2	1/2" X 1-7/16"	
6	AT32333	ELBOW FITTING	1	(SUB FOR AR26771)	
7	R26286	O-RING	1		
8	R86768	HOUSING	1	(SUB FOR R52275)	
9	R74417	VALVE	1	(ALSO ORDER R74418) (SUB FOR R46855) (SUB R79134)	
10	R31698	SPRING	1	(SUB R74418 AND R79134)	
11	R26448	O-RING	1		
12	AR58184	ELBOW FITTING	1		
13	AR36097	FITTING	1		
14	R26287	O-RING	1		
15	R26373	SPRING	1		
16	400R	BALL	1		
17	R33058	NEEDLE ROLLER	1		
18	19H3544	CAP SCREW	1	1/2" X 4-1/2" HS, SAE 8	
19	19H1820	CAP SCREW	1	1/2" X 3"	
20	12H301	LOCK WASHER	2	1/2"	

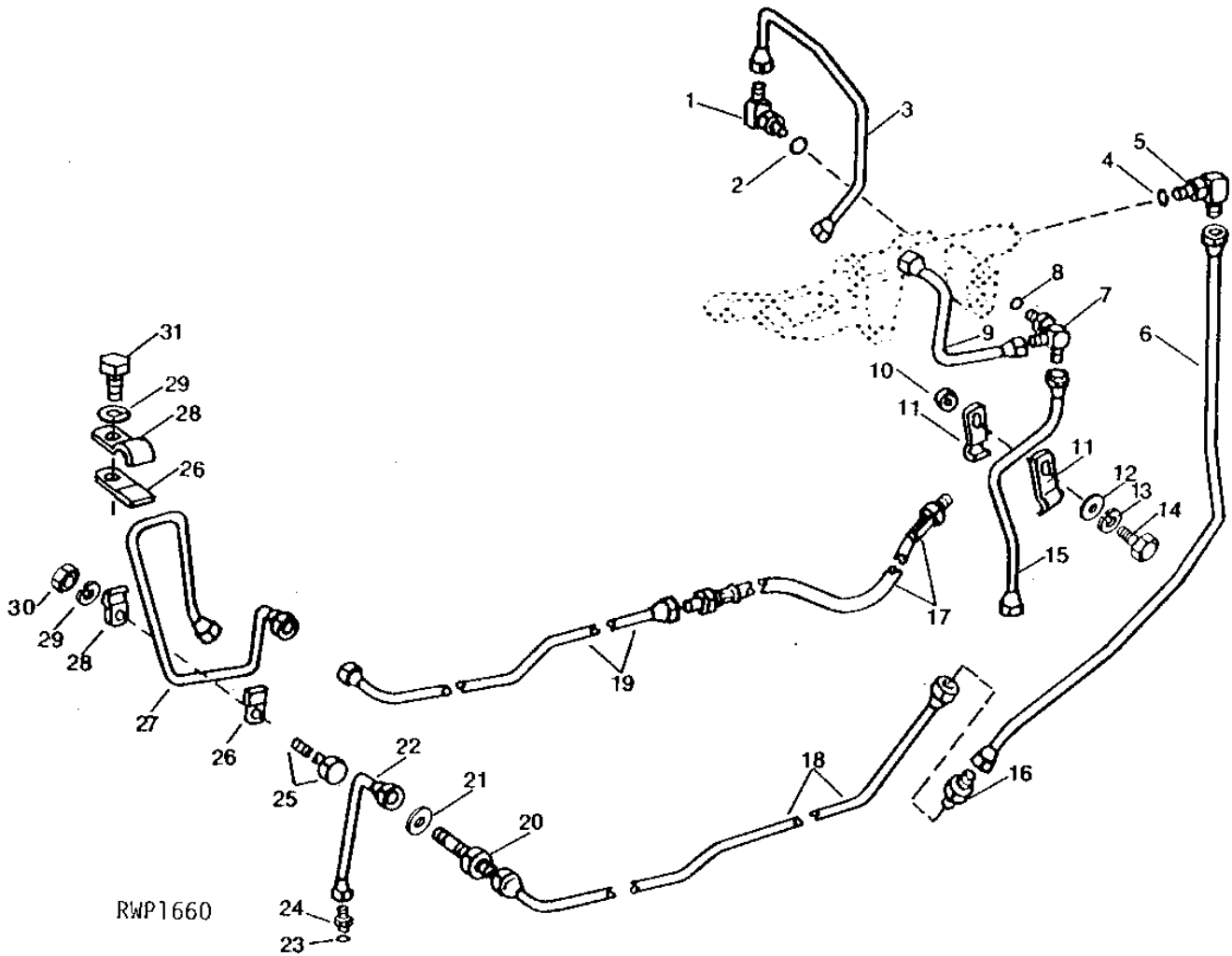
# 3G15

POWER TRAIN

RWP1660

-UN-01JAN94

## DIFFERENTIAL LOCK VALVE OIL LINES



# 3G16

POWER TRAIN

## DIFFERENTIAL LOCK VALVE OIL LINES - CONTINUED

KEY	PART NO.	PART NAME	QTY	TRACTOR SERIAL NO.	REMARKS
1	AT32333	ELBOW FITTING	1		(SUB FOR AR26771)
2	R26286	O-RING	1		
3	AR57227	LINE	1		
4	R26448	O-RING	1		
5	AR58184	ELBOW FITTING	1		
6	AR58288	HYDRAULIC LINE	1		
7	AR36097	FITTING	1		
8	R26287	O-RING	1		
9	AR57083	HYDRAULIC LINE	1		
10	28H1519	WASHER	1		0.493" X 0.675" X 3/8"
11	R34933	CLAMP	2		
12	24M7096	WASHER	1		10.500 X 18 X 1.600 MM
13	12H304	LOCK WASHER	1		3/8"
14	19H1731	CAP SCREW	1		3/8" X 1"
15	AR57084	HYDRAULIC LINE	1		
	AR56646	HYDRAULIC LINE	1		(D)
16	R50201	FITTING	1		(F)
17	AR58230	HOSE	1		(E)
18	AR54811	HYDRAULIC LINE	1		(F)
19	AR66837	HYDRAULIC LINE	1		(E) (SUB FOR AR54812)
20	AR34569	FITTING	1		
21	R51494	WASHER	1		(A) (B)
22	AR34697	HYDRAULIC LINE	1		
23	R30903	O-RING	1		
24	R39597	ADAPTER	1		
25	19H2054	CAP SCREW	1		(C) 3/8" X 4-3/4"
	R43569	CAP SCREW	1		(C) (SUB R72371)
26	R31655	STRAP	2		(C)
27	AR55974	HYDRAULIC LINE	1		(C)
28	R31654	CLAMP	2		(C)
29	12H304	LOCK WASHER	2		(C) 3/8"
30	14H1076	NUT	2		(C) 3/8"
31	R43569	CAP SCREW	1		(C) (SUB R72371)

- (A) SYNCRO-RANGE TRANSMISSION
- (B) QUAD-RANGE TRANSMISSION
- (C) POWER SHIFT TRANSMISSION
- (D) LESS DIFFERENTIAL LOCK
- (E) SOUND-GARD BODY
- (F) LESS SOUND-GARD BODY

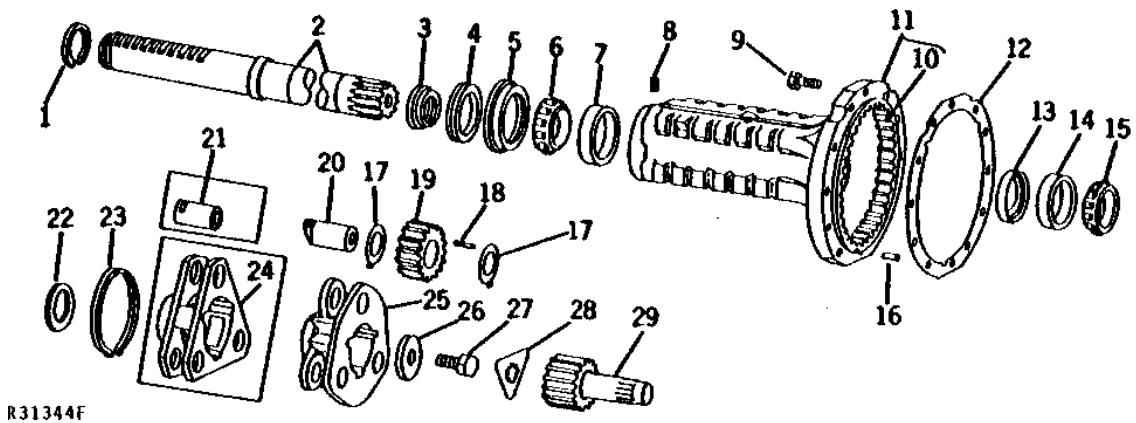
# 3G17

POWER TRAIN

R31344

-UN-01JAN94

PLANETARY AND REAR AXLE



R31344F



# 3G18

POWER TRAIN

## PLANETARY AND REAR AXLE - CONTINUED

KEY	PART NO.	PART NAME	QTY	TRACTOR SERIAL NO.	REMARKS
1	R53658	SNAP RING	2		
2	R53641	SHAFT	2	-026188	(AXLE LENGTH 860MM (33-7/8"), TREAD 2286MM (90")) (SUB R60077)
	R60077	SHAFT	2	026189-	(AXLE LENGTH 857MM (33-3/4"), TREAD 2286MM (90"))
	R53643	SHAFT	2	-026188	(AXLE LENGTH 941MM (37-1/16"), TREAD 2438MM (96")) (SUB R60076)
	R60076	SHAFT	2	026189-	(AXLE LENGTH 938MM (36-29/32"), TREAD 2438MM (96"))
	R53642	SHAFT	2	-026188	(AXLE LENGTH 1043MM (41-1/16"), TREAD 2642MM (104")) (SUB R59935)
	R59935	SHAFT	2	026189-	(AXLE LENGTH 1039MM (40-20/32"), TREAD 2642MM (104"))
	R53644	SHAFT	2	-026188	(AXLE LENGTH 1159MM (45-5/8"), TREAD 2870MM (113")) (SPECIAL DUAL) (SUB R60078)
	R60078	SHAFT	2	026189-	(AXLE LENGTH 1156MM (45-1/2"), TREAD 2870MM (113")) (SPECIAL DUAL)
3	R65648	SPACER	2		15MM (.59") (SUB FOR R61175, R33020 OR R63105)
4	R33026	SEAL	2		
5	R57269	OIL CUP	2		(SUB FOR R28128)
6	JD8191	BEARING CONE	2		
	JD10002	BEARING CONE	1		(UNDERSIZE)
7	JD8214	BEARING CUP	2		
8	15H559	PIPE PLUG	2		1/4"
9	19H1863	CAP SCREW	24		5/8" X 3"
10	RE13477	GEAR	2	015453-	(SUB FOR R61176)
11	AR34755	HOUSING	2	-015452	(C) (D) (MARKED R34940 OR R64791) (SUB AR105556)
	AR67668	HOUSING	2	015453-026188	(C) (MARKED R34940) (SUB AR81426)
	AR81427	HOUSING	2	026189-	(C) (MARKED R64792) (SUB AR81426)
	AR54736	HOUSING	2	-015452	(B) (D) (MARKED R50160) (SUB AR105556)
	AR81426	HOUSING	2	015453-039110	(B) (MARKED R50160) (SUB FOR AR67669)
	AR81426	HOUSING	2	039111-040910	(B) (MARKED R64791) (SUB FOR AR67669)
	AR67669	HOUSING	2	040911-041019	(B) (MARKED R50160) (SUB AR81426)
	AR81426	HOUSING	2	041020-	(B) (MARKED R64791)
12	R100637	GASKET	2		(SUB FOR R34848)
13	R33027	SEAL	2		
14	JD8213	BEARING CUP	2		
15	JD8177	BEARING CONE	2		
16	R65543	DOWEL PIN	6		(SUB FOR R33024)
17	R33022	THRUST WASHER	12		
18	R33028	NEEDLE ROLLER	198		
	R61033	NEEDLE ROLLER	144		(A)
19	R33004	PINION	6	-015452	(D)
	R56732	PINION	6	015453-026188	(D)
	R108996	PLANET PINION	6	026189-	(A) 51MM (2") (SUB FOR R59929)
20	R97998	SHAFT	6	026189-	(A) (SUB FOR R59930)
21	R63112	PINION SHAFT	6	-026188	(D) (SUB FOR R33021)
22	R42101	SHIM	2		
23	R33029	SNAP RING	2		
24	R42901	PLANET PINION CARRIER	2	-026188	(D)
25	R59933	PLANET PINION CARRIER	2	026189-	(A)
26	R72169	SPACER	2		(SUB FOR R33023) (SUB FOR R48460, THIS APPLICATION)
27	R82175	CAP SCREW	2		HS, SAE 8, (SUB FOR R26011 OR R60032)
28	R26012	LOCK PLATE	2		
29	R45779	SHAFT	2	-015452	(D)
	R67198	SHAFT	2	015453-026188	(D) (SUB FOR R56731)
	R59928	SHAFT	2	026189-035649	51MM (2") (SUB R62685 AND R97799)
	R62685	SHAFT	2	035650-	51MM (2") (USE WITH R97799)
..	R72232	BALL	AR		AXLE SHIMMING, (SUB FOR AR94976)

(A) USE ONLY WHEN R59928 OR R62685 HAVE BEEN INSTALLED

(B) SOUND-GARD BODY OR ROLL-GARD

(C) LESS SOUND-GARD BODY OR ROLL-GARD

(D) RING GEARS MUST BE CHANGED IF AR80300 OR RE13476 HAS BEEN INSTALLED

---

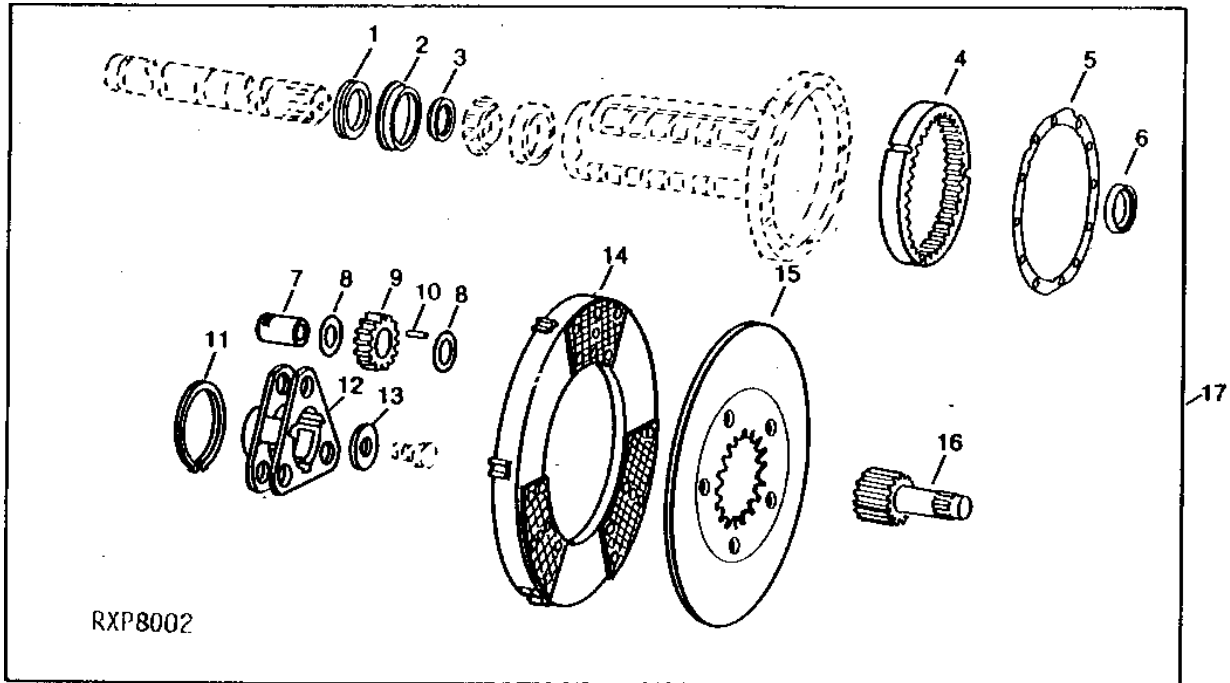
MEMORANDA

# 3G19

POWER TRAIN

## FINAL DRIVE KIT 51MM (2") WIDE

RXP8002 -UN-01JAN94



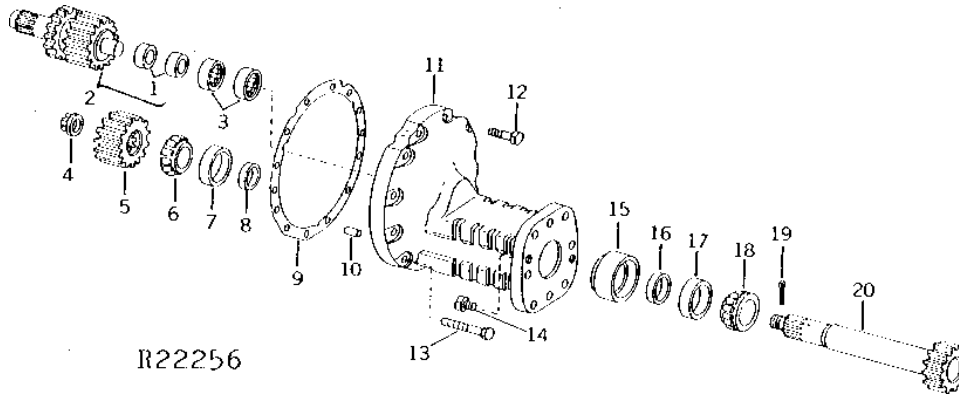
KEY	PART NO.	PART NAME	QTY	TRACTOR SERIAL NO.	REMARKS
1	R33026	SEAL	2		
2	R57269	OIL CUP	2		
3	R65648	SPACER	2		
4	R56733	GEAR	2	(SUB FOR R61176 OR RE13477)	
5	R100637	GASKET	2	(SUB FOR R34848)	
6	R33027	SEAL	2		
7	R97998	SHAFT	3	(SUB FOR R59930)	
8	R33022	THRUST WASHER	6		
9	R116821	PLANET PINION	3	(SUB FOR R59929 OR R108996)	
10	R61033	NEEDLE ROLLER	72		
11	R33029	SNAP RING	1		
12	R59933	PLANET PINION CARRIER	1		
13	R72169	SPACER	1		
14	RE46332	PLATE	2	(MARKED R40152, R40153, R50585, R59931 OR R97786) (SUB FOR RE33013)	
15	R97799	BRAKE DISK	2	(SUB FOR R62686)	
16	R62685	SHAFT	2		
17	RE47883	KIT	1	(SUB FOR AR80300, RE13476 OR RE41241) (ALSO ORDER (6) RE46328, UNLESS PREVIOUSLY INSTALLED)	

# 3G20

POWER TRAIN

## DRIVE SHAFT AND DRIVE SHAFT HOUSING (HI-CROP)

R22256 -UN-01JAN94



R22256

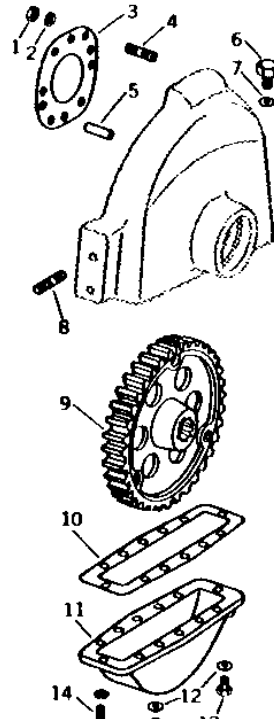
KEY	PART NO.	PART NAME	QTY	TRACTOR SERIAL NO.	REMARKS
1	JD7599	BEARING RACE	2		
2	AR68524	SHAFT	1	-033844	(MARKED R57215) (SUB FOR R51598) (SUB AR78029 AND R63205)
	AR78029	SHAFT	1	033845-	(MARKED R63204)
3	AR63790	ROLLER BEARING	2		(SUB FOR JD9412)
4	B350R	NUT	1		
5	R51597	STEERING GEAR	1	-033844	(SUB AR78029 AND R63205)
	R63205	STEERING GEAR	1	033845-	
6	JD8977	BEARING CONE	1		
7	JD8266	BEARING CUP	1		
8	AR42005	SEAL	1		
9	R100637	GASKET	1		(SUB FOR R34848)
10	R65500	DOWEL PIN	3		(SUB FOR R26013)
11	R51600	HOUSING	1		(R.H.) (NO LONGER AVAILABLE)
	R51610	HOUSING	1		(L.H.)
12	19H1847	CAP SCREW	10		5/8" X 2-1/2"
13	08H4679	CAP SCREW	2		5/8" X 6-1/2"
14	A3750R	FITTING	2		
15	R51595	ADAPTER	1		(NLA)
16	R33340	SEAL	1		
17	JD9112	BEARING CUP	1		
18	JD9046	BEARING CONE	1		
19	11M7032	COTTER PIN	1		0.197" X 1.969"
20	AR58468	SHAFT	1		(MARKED R51596) (NLA)

# 3G21

POWER TRAIN

R31002 -UN-01JAN94

## FINAL DRIVE GEAR AND COVER (HI-CROP)



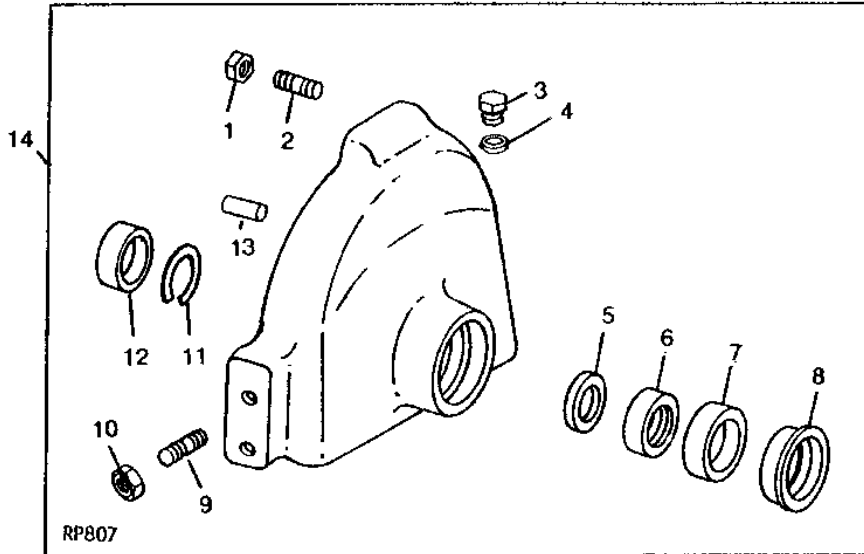
KEY	PART NO.	PART NAME	R31002 QTY	TRACTOR SERIAL NO.	REMARKS
1	14H858	NUT	7		3/4"
2	T21397	WASHER	7		
3	R98914	GASKET	1		(SUB FOR R51613)
4	D2266R	STUD	7		
5	F3358R	DOWEL PIN	2		
6	F3128R	DRAIN PLUG	1		
7	A4827R	WASHER	1		
8	F1024R	STUD	2		
9	AR55883	STEERING GEAR	1		
10	R51612	GASKET	1		
11	R65219	COVER	1		(SUB FOR R51611)
12	R229R	WASHER	2		
13	R228R	FITTING	2		
14	19H1978	CAP SCREW	12		7/16" X 1-1/2"
	12H293	LOCK WASHER	12		7/16"

# 3G22

POWER TRAIN

RP807 -UN-01JAN94

## FINAL DRIVE GEAR HOUSING (HI-CROP)



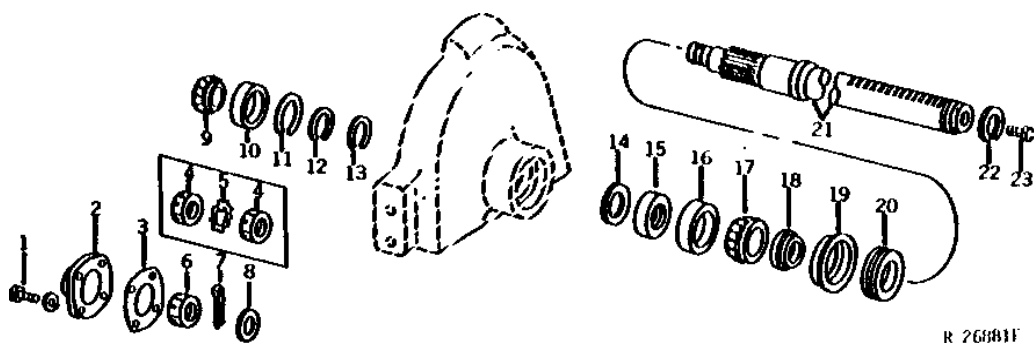
KEY	PART NO.	PART NAME	QTY	TRACTOR SERIAL NO.	REMARKS
1	14H858	NUT	7	3/4"	
2	D2266R	STUD	7		
3	F3128R	DRAIN PLUG	1		
4	A4827R	WASHER	1		
5	R51599	WASHER	1		
6	AR98649	SEAL	1		(SUB FOR R35735 OR AR85311)
7	JD8248	BEARING CUP	1		
8	R59074	OIL CUP	1		(SUB FOR R35002 OR R57268)
9	F1024R	STUD	2		
10	14H794	NUT	2	3/4"	
11	C565R	SNAP RING	1		
12	JD7446	BEARING CUP	1		
13	F3358R	DOWEL PIN	2		
14	AR63976	HOUSING	1		(MARKED R51620) (NLA)
	AR63977	HOUSING	1		(MARKED R51630)

# 3G23

POWER TRAIN

## REAR AXLE SHAFT, BEARINGS, AND OIL SEALS (HI-CROP)

R26881 -UN-01JAN94



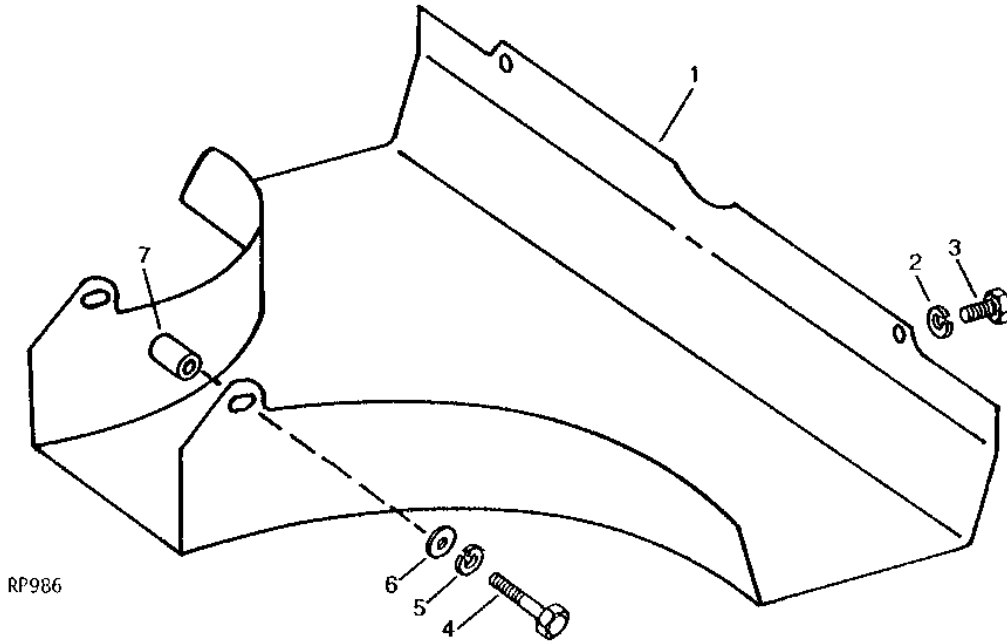
KEY	PART NO.	PART NAME	QTY	TRACTOR SERIAL NO.	REMARKS
1	19H1732	CAP SCREW	4		3/8" X 1-1/4"
	12H304	LOCK WASHER	4		3/8"
2	R51608	COVER	1		(NLA)
3	R51609	GASKET	1		
4	F1483R	NUT	2	-XXXXXX	
5	F1484R	LOCK WASHER	1	-XXXXXX	
6	R63539	NUT	1	XXXXXX-	
7	11H252	COTTER PIN	1	XXXXXX-	1/4" X 3-1/2"
8	R51607	WASHER	1		
9	JD8130	BEARING CONE	1		
10	JD7446	BEARING CUP	1		
11	C565R	SNAP RING	1		
12	R51606	SNAP RING	1		
13	R52035	SNAP RING	1		
14	R51599	WASHER	1		
15	AR98649	SEAL	1		(SUB FOR R35735 OR AR85311)
16	JD8248	BEARING CUP	1		
17	JD8962	BEARING CONE	1		
	JD10003	BEARING CONE	1		(UNDERSIZE)
18	R63106	SPACER	1		(SUB FOR R53635)
19	R59074	OIL CUP	1		(SUB FOR R35002 OR R57268)
20	RE33499	SEAL	1		(ALSO ORDER R59074) (SUB FOR R35634, R68721 OR AH93852)
21	RE27104	SHAFT	1		(MARKED R51605 OR R63538) (SUB FOR AR58470 OR AR78550)
22	R53658	SNAP RING	1		
23	JD7759	LUBRICATION FITTING	1		

# 3G24

POWER TRAIN

RP986 -UN-01JAN94

## HYDRAULIC LINE SHIELD (POWER FRONT WHEEL DRIVE)



RP986

KEY	PART NO.	PART NAME	QTY	TRACTOR SERIAL NO.	REMARKS
1	R65205	GUARD	1		(SUB FOR R52557)
2	12H301	LOCK WASHER	2		1/2"
3	19H1792	CAP SCREW	2		1/2" X 1"
4	19H1974	CAP SCREW	2		1/2" X 2-3/4"
5	12H301	LOCK WASHER	2		1/2"
6	24H1227	WASHER	2		17/32" X 13/16" X 0.060"
7	28H1553	SPACER	2		1/2" X 1-7/16"

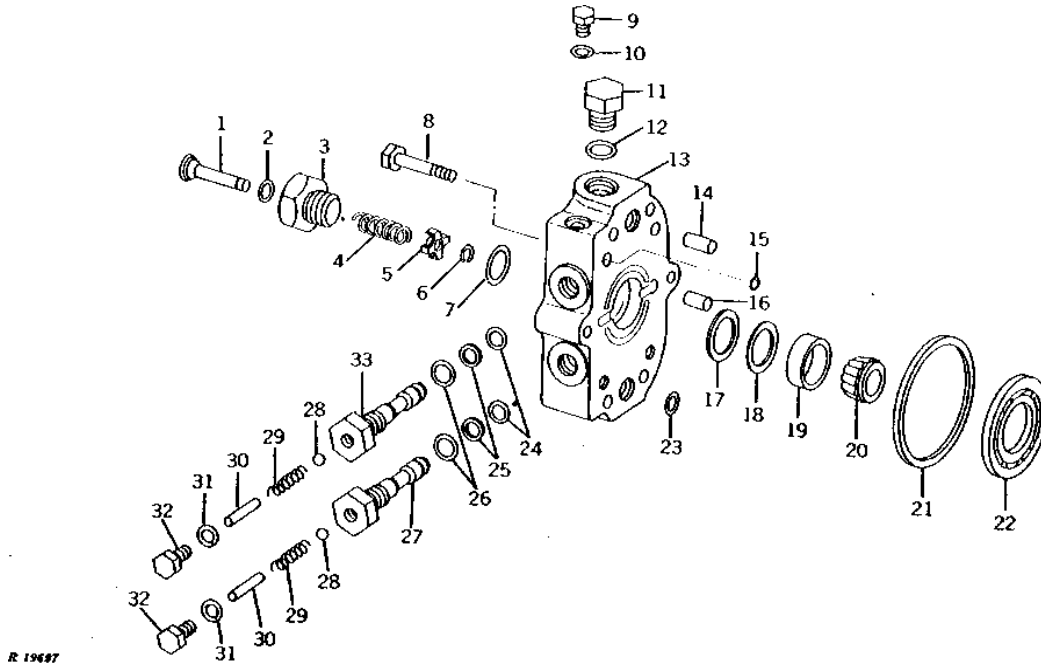


# 3G25

POWER TRAIN

R19697 -UN-01JAN94

## WHEEL MANIFOLD (POWER FRONT WHEEL DRIVE)



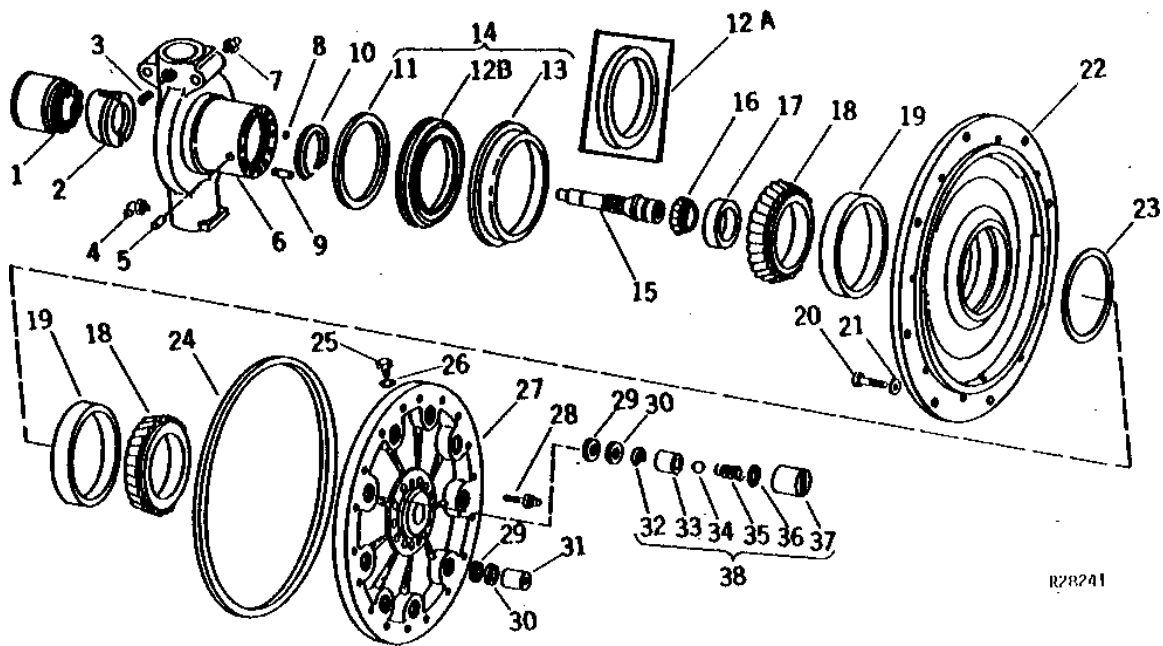
KEY	PART NO.	PART NAME	QTY	TRACTOR SERIAL NO.	REMARKS
1	R45357	VALVE	1	-028771	(SUB R62512 AND R62513)
	R62512	RELIEF VALVE	1	028772-	
2	P46051	O-RING	1	-028771	
	R62513	O-RING	1	028772-	
3	R45356	PRESSURE RELIEF FITTING	1		
4	R45358	SPRING	1		
5	R45359	RETAINER	1		
6	R40638	SNAP RING	1		
7	F3171R	O-RING	1		
8	19H3181	CAP SCREW	6		3/8" X 2"
9	R27216	DRAIN PLUG	1		(SUB FOR R31631)
10	R26287	O-RING	1		
11	R39112	FITTING	2		
12	R26375	O-RING	2		
13	R42468	MANIFOLD	1		
14	R28671	DOWEL PIN	2		
15	R42878	WASHER	1		
16	R42882	DOWEL PIN	1		
17	R42819	SHIM	AR		0.08MM (.003")
18	R42820	SHIM	AR		0.25MM (.010")
19	JD8293	BEARING CUP	1		
20	JD9030	BEARING CONE	1		
21	R42880	PACKING	1		
22	R42818	PLATE	1		
23	R42879	WASHER	2		
24	R42926	BACK-UP RING	2		
25	R28776	O-RING	2		
26	R26375	O-RING	2		
27	R42925	HOUSING	1		
28	400R	BALL	2		
29	R54174	SPRING	2		
30	34H252	SPRING PIN	2		1/8" X 1-1/4"
31	R26287	O-RING	2		
32	R27216	DRAIN PLUG	2		
33	R54173	HOUSING	1		

# 3H1

POWER TRAIN

R28241 -UN-01JAN94

WHEEL HUB, MOTOR AND HOUSING  
(POWER FRONT WHEEL DRIVE)



# 3H2

POWER TRAIN

## WHEEL HUB, MOTOR AND HOUSING - CONTINUED (POWER FRONT WHEEL DRIVE)

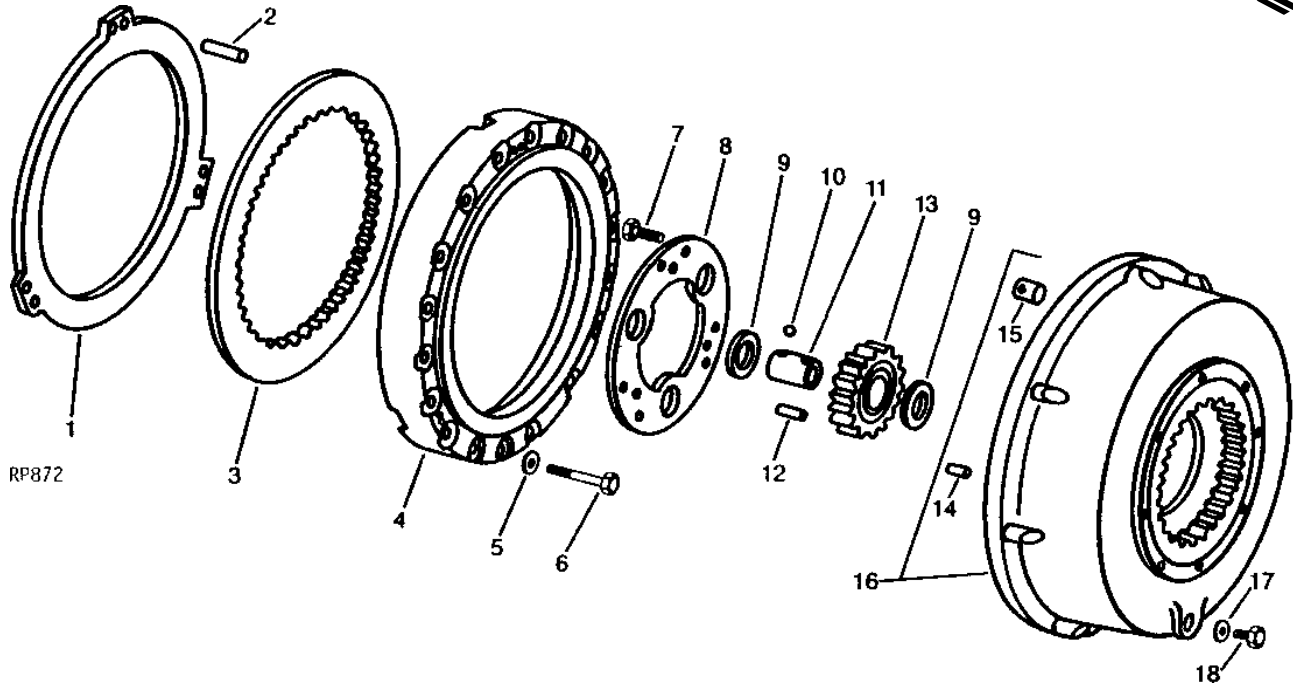
KEY	PART NO.	PART NAME	QTY	TRACTOR SERIAL NO.	REMARKS
1	AR73212	CYLINDER BLOCK	1		(SUB FOR AR45034)
2	R42817	SWASH PLATE	1		
3	15H558	PIPE PLUG	1	1/8"	
4	JD7781	LUBRICATION FITTING	1		
5	R42881	DOWEL PIN	1		
6	AR86538	HOUSING	1		(MARKED R42332 OR R66649) (ALSO ORDER (2) R66650) (SUB FOR AR45414)
7	JD7759	LUBRICATION FITTING	1		
8	T17951	O-RING	1		(SUB FOR R27490)
9	R36666	DOWEL PIN	2		
10	R45569	SNAP RING	1		
11	R62516	WASHER	1	031234-	
12A	AR47137	SEAL	1	-031233	(SUB AR77224)
12B	AR77035	SEAL	1	031234-	(SUB AR77224)
13	R62515	GUIDE	1	031234-	(SUB R70206)
14	AR77224	SEAL	1	031234-	
15	R42735	SHAFT	1		
16	JD9029	BEARING CONE	1		
17	JD7403	BEARING CUP	1		
18	JD9028	BEARING CONE	2		
19	JD8292	BEARING CUP	2		
20	19H1800	CAP SCREW	8		3/8" X 1-1/2"
21	R42729	WASHER	8		
22	R41958	HUB	1		
23	R42765	SHIM	AR		0.08MM (.003")
	R48811	SHIM	AR		0.13MM (.005")
	R42766	SHIM	AR		0.25MM (.010")
24	R42877	PACKING	1		
25	R27216	DRAIN PLUG	1		(SUB FOR R31631)
26	R26287	O-RING	1		
27	AR44376	HOUSING	1		
28	R42969	BOLT	12		
29	R29354	O-RING	9		(SUB FOR R42763)
30	R35473	BACK-UP RING	9		(SUB R29354)
31	R42927	PISTON	8		
32	R33282	SNAP RING	1		
33	R54172	PLUNGER	1		(SUB AR78303)
34	R26552	BALL	1		
35	R59860	SPRING	1		(SUB FOR R27730)
36	P48347	O-RING	1		
37	R54171	PISTON	1		(SUB AR78303)
38	AR78303	PISTON	1		

# 3H3

POWER TRAIN

## SECOND PLANET PINION, PLANETARY HOUSING, AND BRAKE PLATES (POWER FRONT WHEEL DRIVE)

RP872 -UN-19OCT94



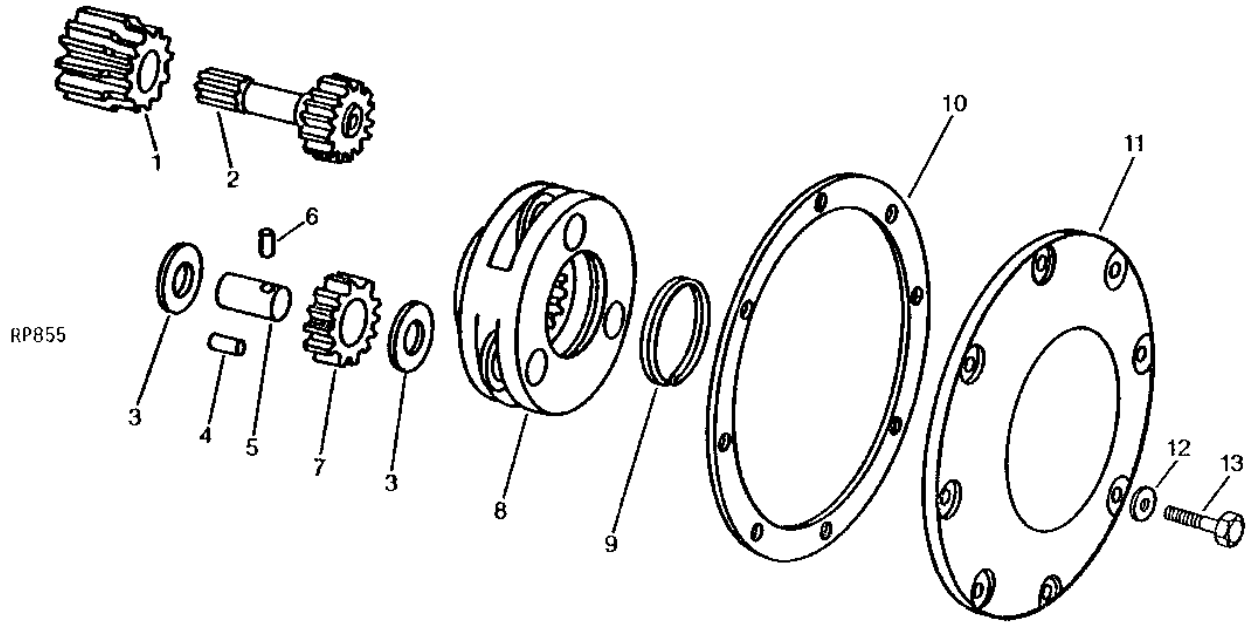
KEY	PART NO.	PART NAME	QTY	TRACTOR SERIAL NO.	REMARKS
1	R47142	PLATE	1		
2	R42762	SPRING	6		
3	R42516	GEAR	1		
4	R47141	PLATE	1		
5	R42729	WASHER	18		
6	19H268	CAP SCREW	18	3/8" X 2-1/2"	
7	19H2284	CAP SCREW	6	3/8" X 7/8"	
8	R42333	RETAINER	1		
9	R42931	THRUST WASHER	6		
10	H871R	BALL	6		
11	R42932	PIN	3		
12	R42883	NEEDLE ROLLER	66		
13	R42518	PINION	3		
14	R28671	DOWEL PIN	3		
15	R1612R	DOWEL PIN	2		
16	AR48527	HOUSING	1		
17	R26375	O-RING	1		
18	R39112	FITTING	1		

# 3H4

POWER TRAIN

## FIRST PLANET PINION, CARRIER, AND COVER (POWER FRONT WHEEL DRIVE)

RP855 -UN-01JAN94



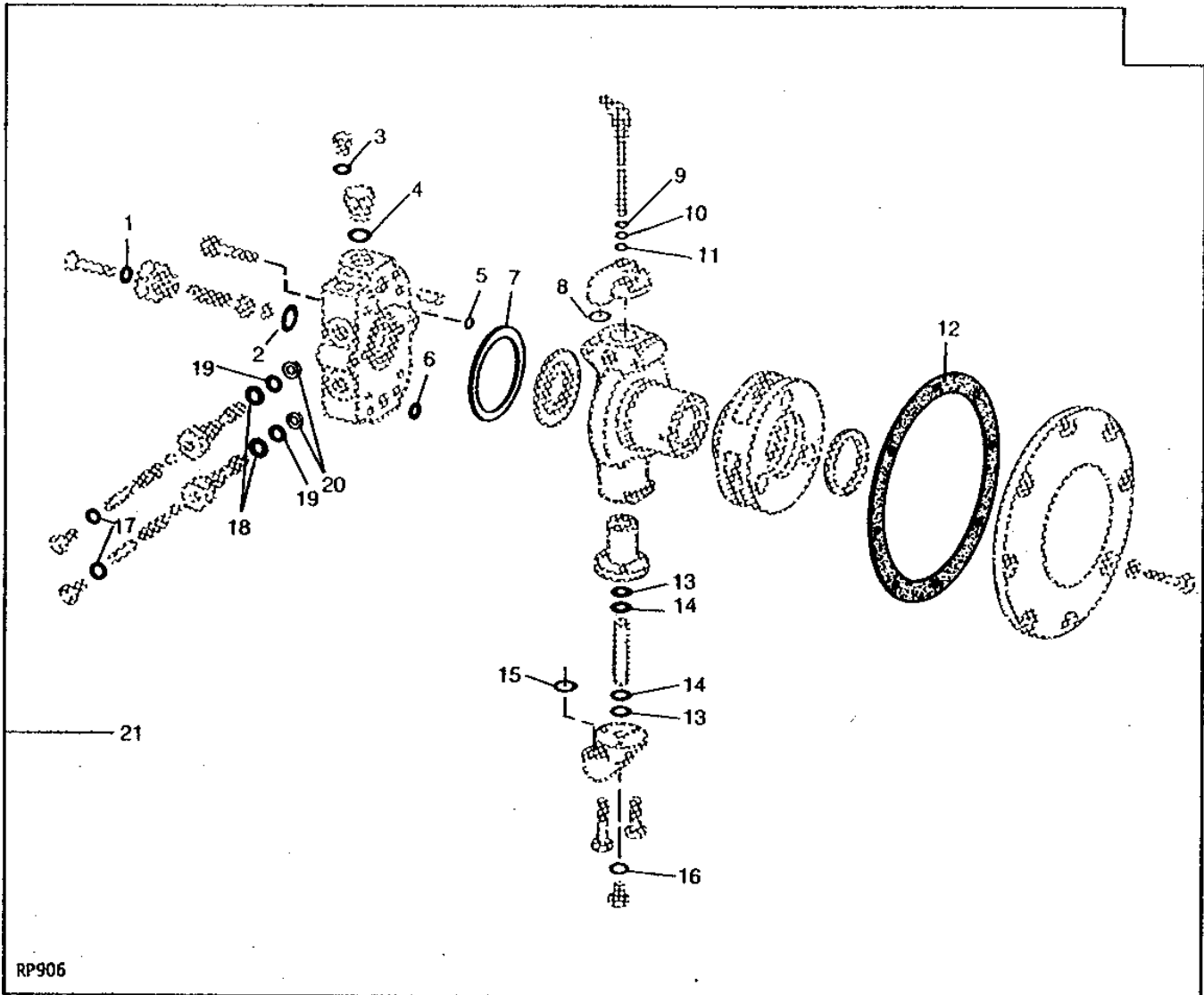
KEY	PART NO.	PART NAME	QTY	TRACTOR SERIAL NO.	REMARKS
1	R42734	PINION	1		
2	R46708	PINION	1	(14 TEETH)	
3	R42929	THRUST WASHER	6		
4	R42884	NEEDLE ROLLER	51		
5	R42930	PIN	3		
6	B2641R	DOWEL PIN	3		
7	R46709	PINION	3		
8	R42519	PLANET PINION CARRIER	1		
9	R44013	SNAP RING	1		
10	R42764	GASKET	1		
11	R42968	COVER	1		
12	R42729	WASHER	8		
13	19H2552	CAP SCREW	8	3/8" X 1-1/8"	

# 3H5

POWER TRAIN

RP906 -UN-01JAN94

## MANIFOLD AND PIVOT PIN SEAL KIT (POWER FRONT WHEEL DRIVE)



RP906

# 3H6

POWER TRAIN

MANIFOLD AND PIVOT PIN SEAL KIT - CONTINUED  
(POWER FRONT WHEEL DRIVE)

KEY	PART NO.	PART NAME	QTY	TRACTOR SERIAL NO.	REMARKS
1	R62513	O-RING	1		(SUB FOR P46051, THIS APPLICATION)
2	F3171R	O-RING	1		
3	R26287	O-RING	1		
4	R26375	O-RING	2		
5	R42878	WASHER	1		
6	R42879	WASHER	2		
7	R42880	PACKING	1		
8	F3171R	O-RING	1		
9	R61462	RING	1		(SUB FOR R26448, THIS APPLICATION)
10	R61463	BACK-UP RING	1		(SUB FOR R10093, THIS APPLICATION)
11	R26448	O-RING	1		(SUB FOR R44778, THIS APPLICATION)
12	R42764	GASKET	1		
13	R42975	O-RING	4		(SUB U11647)
14	R44979	BACK-UP RING	4		(SUB R73102)
15	F3171R	O-RING	1		
16	R26448	O-RING	1		
17	R26287	O-RING	2		
18	R26375	O-RING	2		
19	R28776	O-RING	2		
20	R42926	BACK-UP RING	2		
21	AR63929	KIT	1		

---

MEMORANDA

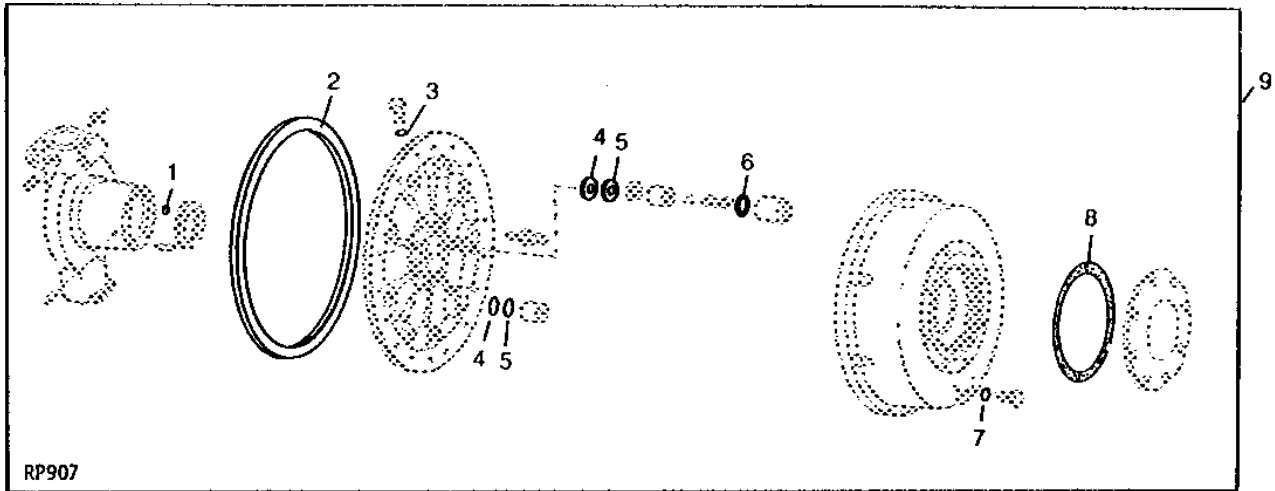


# 3H7

POWER TRAIN

## BRAKE PISTON SEAL KIT (POWER FRONT WHEEL DRIVE)

RP907 -UN-01JAN94



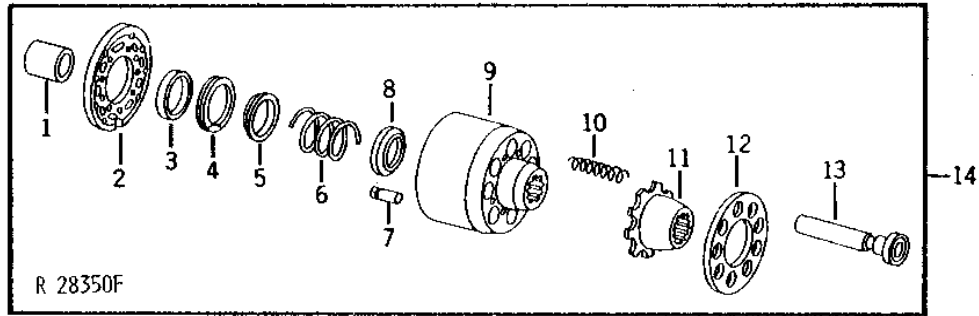
KEY	PART NO.	PART NAME	QTY	TRACTOR SERIAL NO.	REMARKS
1	T17951	O-RING	2		(SUB FOR R27490)
2	R42877	PACKING	1		
3	R26287	O-RING	1		
4	R29354	O-RING	9		(SUB FOR R42763)
5	R35473	BACK-UP RING	9		(SUB R29354)
6	P48347	O-RING	1		
7	R26375	O-RING	1		
8	R42764	GASKET	1		
9	AR63930	KIT	1		

# 3H8

POWER TRAIN

R28350 -UN-01JAN94

## MOTOR CYLINDER BLOCK (POWER FRONT WHEEL DRIVE)



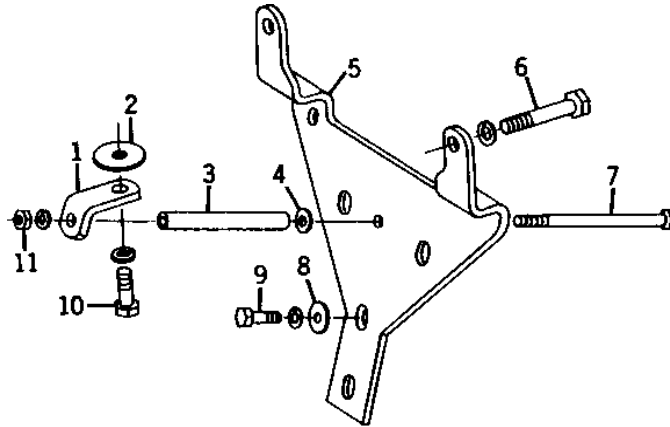
KEY	PART NO.	PART NAME	QTY	TRACTOR SERIAL NO.	REMARKS
1	R44415	BUSHING	1		
2	R44406	PLATE	1		
3	R44417	WASHER	1		
4	N107859	SNAP RING	1		
5	R44414	RETAINER	1		
6	R44409	SPRING	1		
7	R44416	DOWEL PIN	1		
8	R44412	SEAT	1		
9	AR73212	CYLINDER BLOCK	1		(SUB FOR AR72313)
10	R60428	SPRING	1		(PKG. OF 6) (SUB FOR AR73214)
11	R44408	GUIDE	1		
12	R44407	RETAINER	1		
13	AR45782	PISTON	9		
14	AR73212	CYLINDER BLOCK	1		

# 3H9

POWER TRAIN

R29360 -UN-18OCT94

## CONTROL VALVE BRACKET (POWER FRONT WHEEL DRIVE)



R 29360F

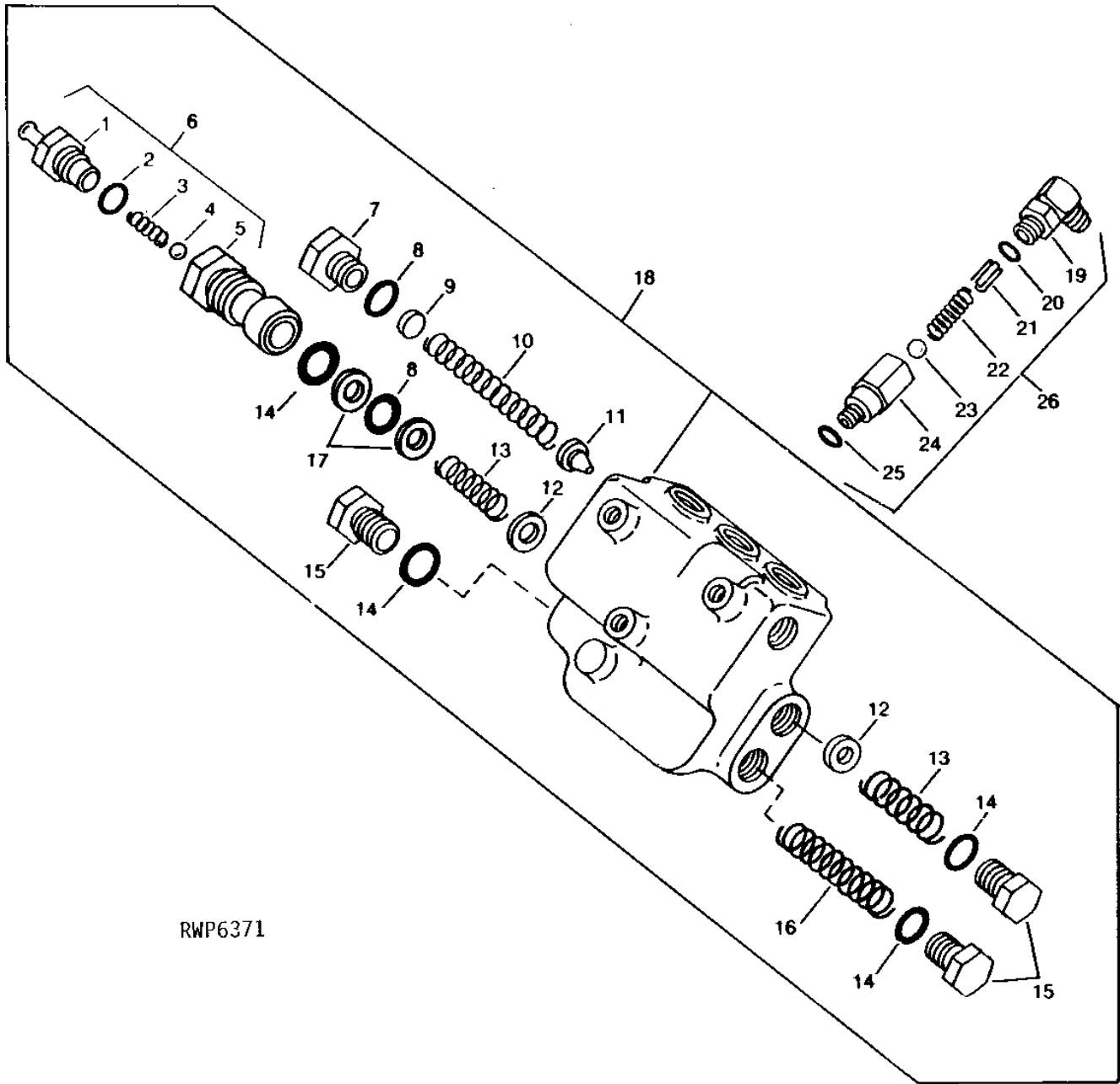
KEY	PART NO.	PART NAME	QTY	TRACTOR SERIAL NO.	REMARKS
1	R55226	CLIP	1		
2	24H1345	WASHER	1	17/32" X 1-3/4" X 0.060"	
3	28H3327	SPACER	1	3/8" X 4-1/8"	
4	24M7096	WASHER	1	10.500 X 18 X 1.600 MM	
5	R65211	BRACKET	1	(SUB FOR R52728)	
6	19H3597	CAP SCREW	2	1/2" X 4-3/4"	
	12H301	LOCK WASHER	2	1/2"	
7	19H2104	CAP SCREW	1	3/8" X 5"	
8	24H1309	WASHER	3	13/32" X 1-1/16" X 0.120"	
9	19H2284	CAP SCREW	3	3/8" X 7/8"	
	12H304	LOCK WASHER	3	3/8"	
10	19H2964	CAP SCREW	1	7/16" X 1-1/8"	
	12H293	LOCK WASHER	1	7/16"	
11	14H1076	NUT	1	3/8"	
	12H304	LOCK WASHER	1	3/8"	

# 3H10

POWER TRAIN

RWP6371 -UN-18OCT94

CONTROL VALVE PARTS  
(POWER FRONT WHEEL DRIVE)



RWP6371

# 3H11

POWER TRAIN

CONTROL VALVE PARTS - CONTINUED  
(POWER FRONT WHEEL DRIVE)

KEY	PART NO.	PART NAME	QTY	TRACTOR SERIAL NO.	REMARKS
1	.....	SEAT	1		(ORDER AR81968)
2	R26448	O-RING	1		
3	A4816R	SPRING	1		
4	R26552	BALL	1		
5	.....	PLUG	1		(ORDER AR81968)
	R45178	PLUG	1		(USE WITH AR49420)
6	AR81968	BLEED VALVE	1		
7	R45179	FITTING	1		
8	P47908	O-RING	2		
9	T14587	SHIM	1		0.61MM (.024")
10	R45183	SPRING	1		
11	R45176	ORIFICE	1		
12	R45184	WASHER	2		
13	R45182	SPRING	2		
14	32240	O-RING	4		
15	R45177	FITTING	3		
16	R45181	SPRING	1		
17	U40727	BACK-UP RING	2		
18	AR81936	VALVE	1		(SUB FOR AR49420)
19	AR58184	ELBOW FITTING	1		
20	R26448	O-RING	1		
21	R55458	GUIDE	1		
22	R227R	SPRING	1		
23	R42849	BALL	1		
24	.....	HOUSING	1		(ORDER AR85464)
25	R26286	O-RING	1		
26	AR85464	CHECK VALVE	1		

---

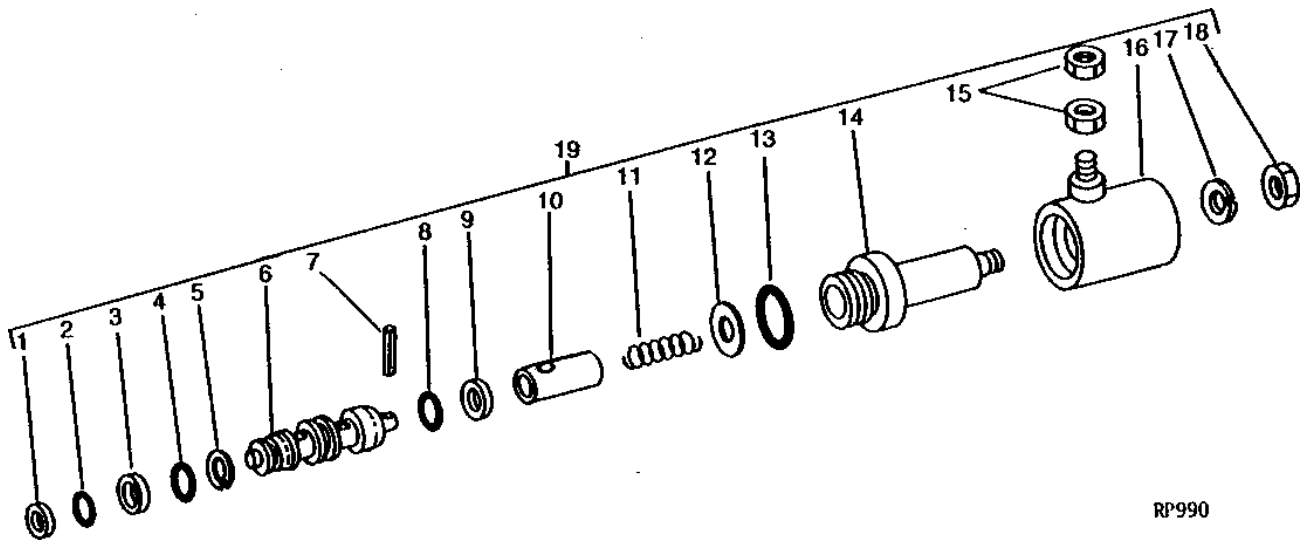
MEMORANDA

# 3H12

POWER TRAIN

RP990 -UN-01JAN94

## SOLENOID (POWER FRONT WHEEL DRIVE)



RP990

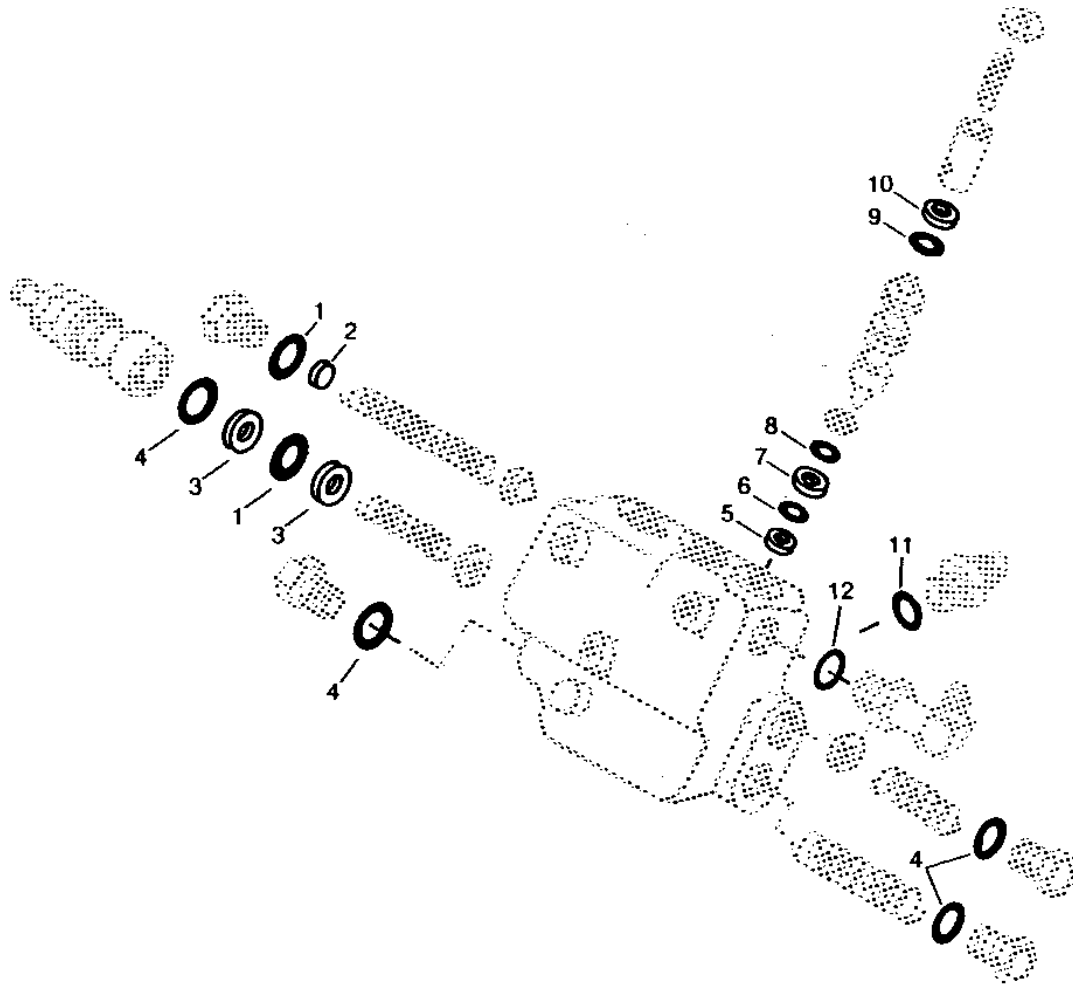
KEY	PART NO.	PART NAME	QTY	TRACTOR SERIAL NO.	REMARKS
1	R42926	BACK-UP RING	1		
2	R45186	O-RING	1		
3	R45187	BACK-UP RING	1		
4	R45638	O-RING	1		
5	R46701	SNAP RING	1		
6	AR70921	SLEEVE	1	-XXXXXX	(ALSO ORDER R58884) (SUB FOR AR48902) (SUB AR81176)
	AR81176	VALVE SPOOL	1	XXXXXX-	
7	34H227	SPRING PIN	1		3/32" X 1/2"
8	N31772	O-RING	1		
9	R46702	BACK-UP RING	1		
10	R45250	PLUNGER	1	-XXXXXX	(SUB AR81176 AND R58884)
	R58884	PLUNGER	1	XXXXXX-	(ALSO ORDER AR81176) (SUB FOR R45250)
11	R64698	SPRING	1		(ALSO ORDER R64697 IF NOT PREVIOUSLY INSTALLED) (SUB FOR R45251)
12	R64697	SHIM	1		(USE WITH TUBE MARKED "V")
13	U12547	O-RING	1		
14	AR48903	GUIDE	1		
15	14H605	NUT	2		0.164"
16	AR70922	ELECTRICAL COIL	1		(SUB FOR AR53047)
17	12H302	LOCK WASHER	1		1/4"
18	14H786	NUT	1		1/4"
19	AR81175	SOLENOID VALVE	3		

# 3H13

POWER TRAIN

RWP6372 -UN-12OCT94

CONTROL VALVE OVERHAUL KIT  
(POWER FRONT WHEEL DRIVE)



RWP6372



# 3H14

POWER TRAIN

CONTROL VALVE OVERHAUL KIT - CONTINUED  
(POWER FRONT WHEEL DRIVE)

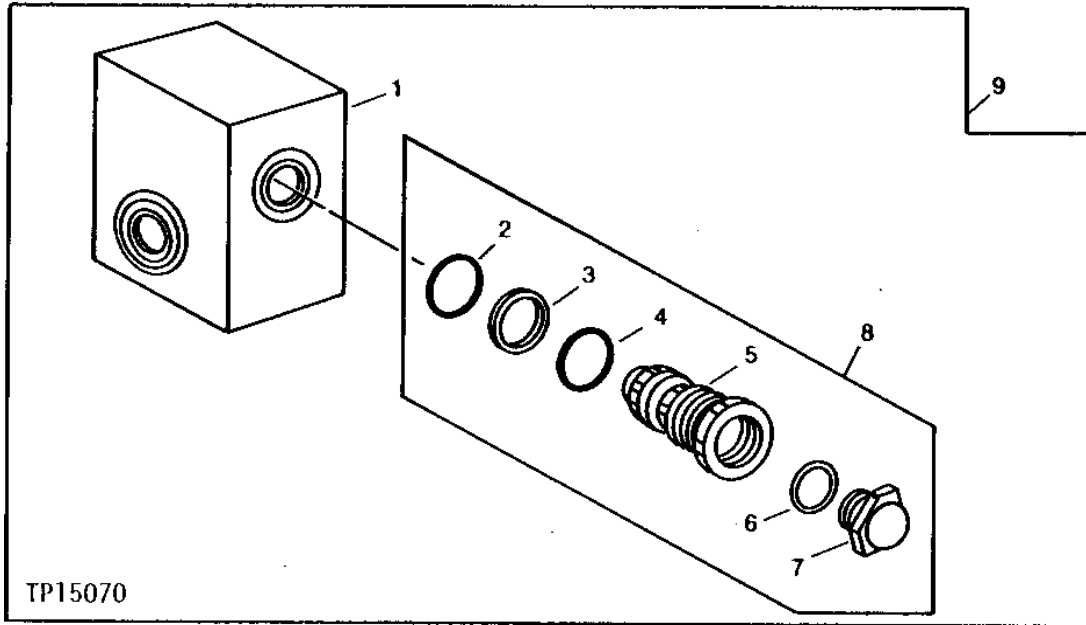
KEY	PART NO.	PART NAME	QTY	TRACTOR SERIAL NO.	REMARKS
1	P47908	O-RING	2		
2	T14587	SHIM	3	0.61MM (.024")	
3	U40727	BACK-UP RING	2		
4	32240	O-RING	4		
5	R42926	BACK-UP RING	3		
6	R45186	O-RING	3		
7	R45187	BACK-UP RING	3		
8	R45638	O-RING	3		
9	N31772	O-RING	3		
10	R46702	BACK-UP RING	3		
11	F3171R	O-RING	8		
12	U17409	O-RING	2		
13	AR48904	KIT	1		

# 3H15

POWER TRAIN

TP15070 -UN-01JAN94

## RELIEF VALVE (POWER FRONT WHEEL DRIVE)



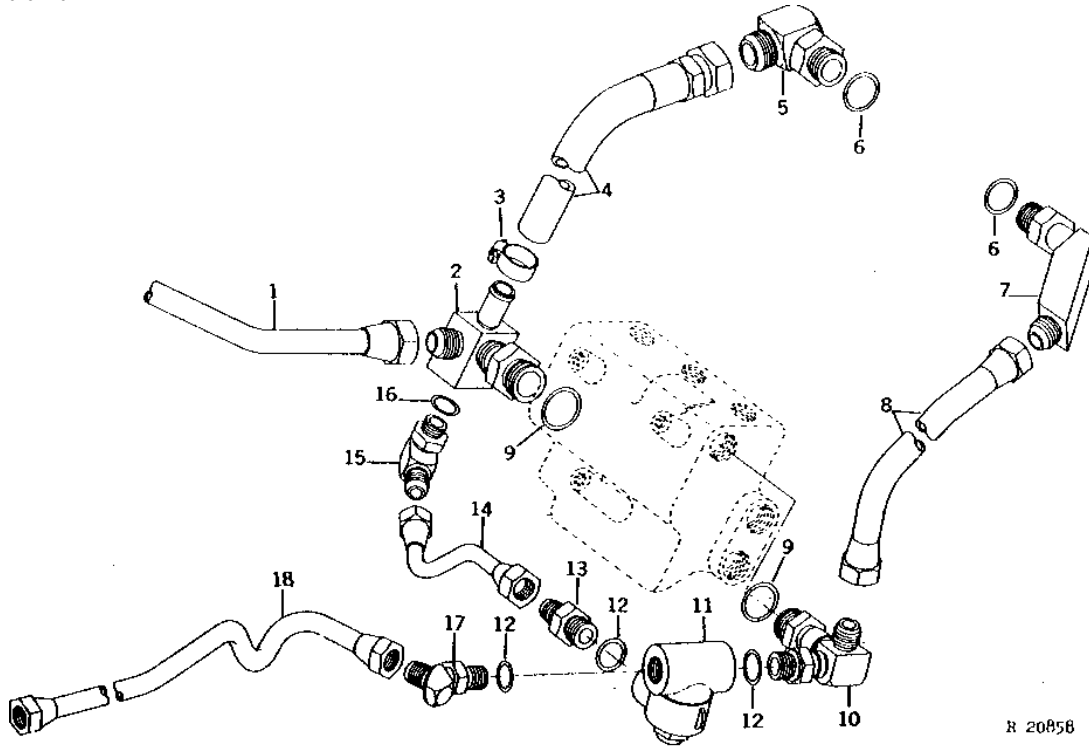
KEY	PART NO.	PART NAME	QTY	SERIAL NO.	REMARKS
1	.....	VALVE	1	(SUB AT30373)	
2	T77072	O-RING	1		
3	T75972	BACK-UP RING	1		
4	U15242	O-RING	1		
5	.....	RELIEF VALVE	1	(SUB AT80421)	
6	W19903	O-RING	1		
7	.....	CAP	1	(SUB AT80421)	
8	AT80421	VALVE	1		
9	AT30373	RELIEF VALVE	1		

# 3H16

POWER TRAIN

R20858 -UN-01JAN94

## HYDRAULIC OIL PIPES AND OIL LINES (POWER FRONT WHEEL DRIVE)



R 20858

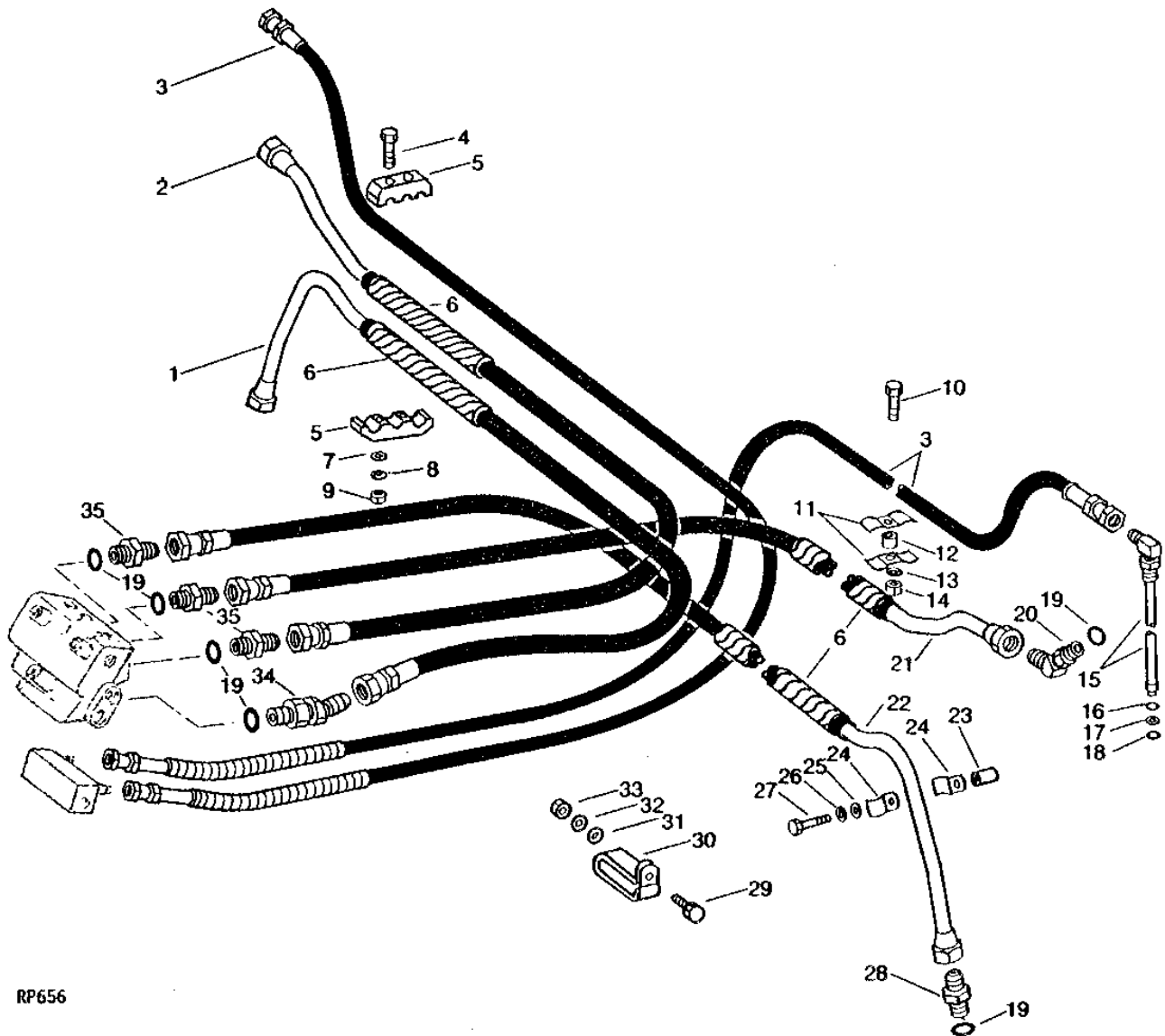
KEY	PART NO.	PART NAME	QTY	TRACTOR SERIAL NO.	REMARKS
1	AR88422	HYDRAULIC LINE	1		(RETURN) (SUB FOR AR62147)
2	AR56612	TEE FITTING	1		
3	TY22467	CLAMP	1		(SUB FOR AR21839)
4	AR56701	HYDRAULIC HOSE	1		(RETURN)
5	AR58274	ELBOW FITTING	1		
6	F3171R	O-RING	2		
7	AR67046	ELBOW FITTING	1		(SUB FOR AR58159)
8	AR56795	HYDRAULIC LINE	1		(PRESSURE)
9	U17409	O-RING	2		
10	AR81935	TEE FITTING	1		(SUB AR86975 AND R36926) (SUB FOR AR57233 OR AR67044)
11	AT30373	RELIEF VALVE	1		
12	R26906	O-RING	3		
13	R31665	FITTING	1		
14	AR56611	HYDRAULIC LINE	1		(BYPASS)
15	AT32332	ELBOW FITTING	1		(SUB FOR AR26763)
16	R26375	O-RING	1		
17	AT32338	FITTING	1		(SUB FOR AR26828)
18	AR57236	HYDRAULIC LINE	1		(PRESSURE)

# 3H17

POWER TRAIN

RP656 -UN-01JAN94

HYDRAULIC OIL LINES  
(POWER FRONT WHEEL DRIVE)



RP656

# 3H18

POWER TRAIN

HYDRAULIC OIL LINES - CONTINUED  
(POWER FRONT WHEEL DRIVE)

KEY	PART NO.	PART NAME	QTY	TRACTOR SERIAL NO.	REMARKS
1	AR62038	HOSE	1		
2	AR62037	HOSE	1		
3	AR82265	HYDRAULIC HOSE	2		(SUB FOR AR64634)
4	19H2762	CAP SCREW	4		5/16" X 2-1/4"
5	R65208	CLAMP	4		(SUB R65207)
6	R67366	GUARD	4		(SUB R72341)
7	24H1289	WASHER	8		21/64" X 5/8" X 0.049"
8	12H303	LOCK WASHER	4		5/16"
9	14H785	NUT	4		5/16"
10	19H1765	CAP SCREW	2		3/8" X 1-3/4"
11	R46919	CLAMP	4		
12	28H1521	SPACER	2		3/8" X 9/16"
13	12H304	LOCK WASHER	2		3/8"
14	14H1076	NUT	2		3/8"
15	AR53447	ELBOW FITTING	2		
16	R61462	RING	2		(ALSO ORDER R61463)
17	R61463	BACK-UP RING	2		(ALSO ORDER R61462)
18	R26448	O-RING	2		
19	F3171R	O-RING	8		
20	AR47803	ELBOW FITTING	2		
21	AR62037	HOSE	1		
22	AR62038	HOSE	1		
23	28H1496	SPACER	2		1/2" X 1-1/8"
24	R27531	CLAMP	4		
25	24H1652	WASHER	2		13/32" X 11/16" X 7/64"
26	12H304	LOCK WASHER	2		3/8"
27	19H3065	CAP SCREW	2		3/8" X 2"
28	R27267	FITTING	2		
29	19H2021	CAP SCREW	2		3/8" X 5/8"
30	R65207	CLAMP	2		
31	24H1305	WASHER	2		13/32" X 13/16" X 0.065"
32	12H304	LOCK WASHER	2		3/8"
33	14H1076	NUT	2		3/8"
34	AR63210	ELBOW FITTING	1		
35	R27267	FITTING	3		
..	R44302	TIE BAND	AR		

---

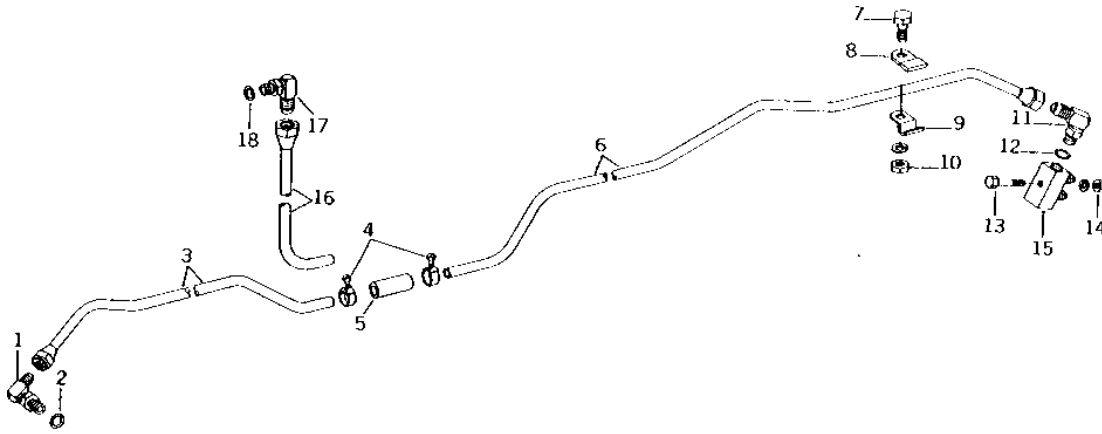
MEMORANDA

# 3H19

POWER TRAIN

R20857 -UN-01JAN94

## HYDRAULIC OIL DRAIN LINES (POWER FRONT WHEEL DRIVE)



R 20857

KEY	PART NO.	PART NAME	QTY	TRACTOR SERIAL NO.	REMARKS
1	AR27738	ELBOW FITTING	1	(A) (B)	
2	R26375	O-RING	1	(A) (B)	
3	AR56797	HYDRAULIC LINE	1	(A) (B)	
4	TY22465	CLAMP	2	(SUB FOR AR21837)	
5	.....	HOSE	1	54MM (2-1/8") (MAKE FROM TY22327)	
6	AR56798	HYDRAULIC LINE	1		
7	19H1815	CAP SCREW	1	1/2" X 1-1/4"	
8	R28539	CLAMP	1		
9	R28538	CLAMP	1		
10	14H1040	NUT	1	1/2"	
	12H301	LOCK WASHER	1	1/2"	
11	AT35120	ELBOW FITTING	1	(SUB FOR AR37017 OR AT32337)	
12	R26448	O-RING	1		
13	19H2665	CAP SCREW	1	3/8" X 1-5/8"	
14	14H1076	NUT	1	3/8"	
	12H304	LOCK WASHER	1	3/8"	
15	AR45234	FITTING	1		
16	AR62216	HYDRAULIC LINE	1	(C)	
17	AT35120	ELBOW FITTING	1	(C) (SUB FOR AR37017 OR AT32337)	
18	R26448	O-RING	1	(C)	

- (A) SYNCRO-RANGE TRANSMISSION
- (B) QUAD-RANGE TRANSMISSION
- (C) POWER-SHIFT TRANSMISSION

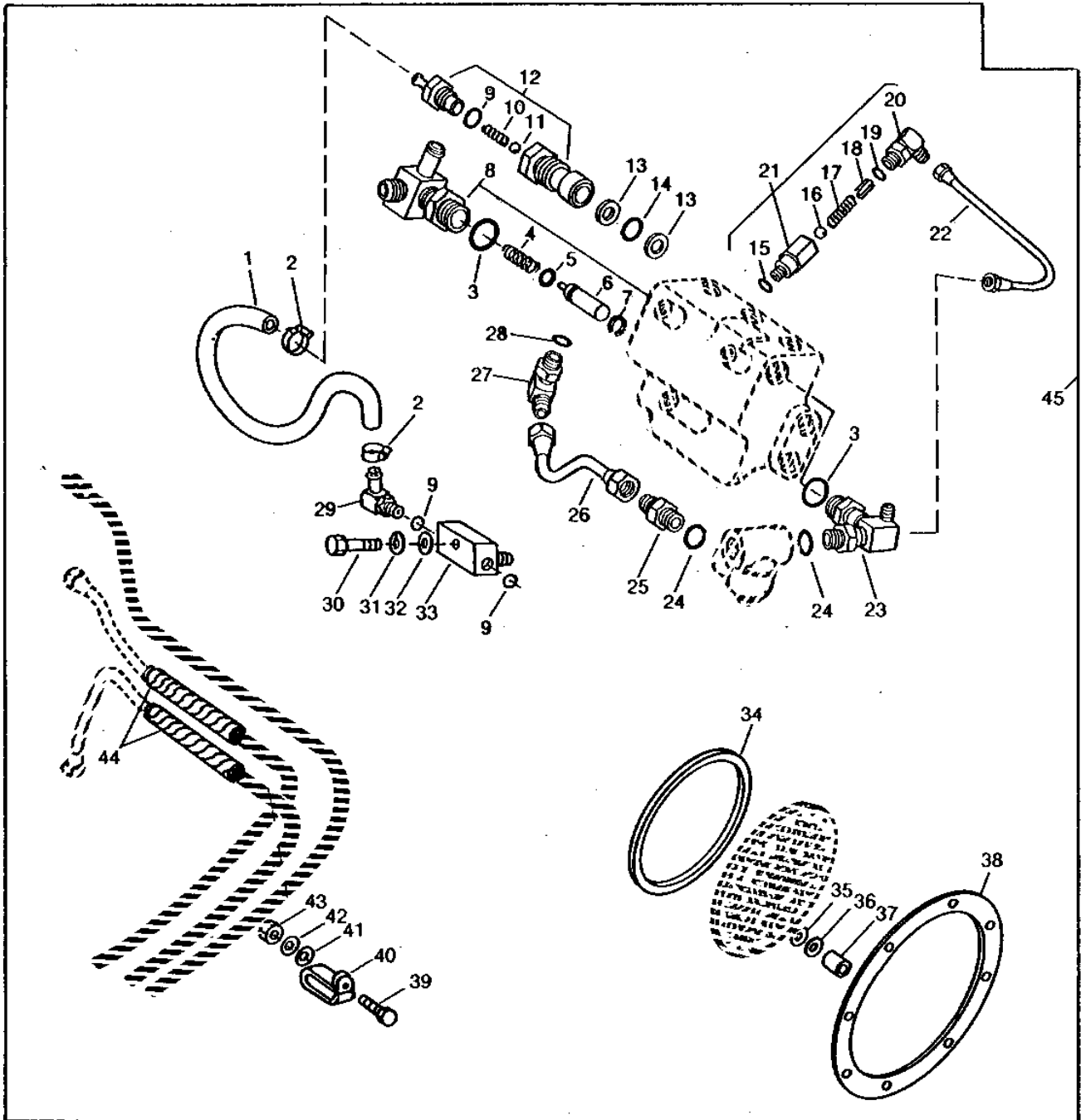
# 3H20

POWER TRAIN

RXP8621

-UN-01JAN94

## POWER FRONT WHEEL DRIVE IMPROVEMENT KIT



RXP8621



# 3H21

POWER TRAIN

## POWER FRONT WHEEL DRIVE IMPROVEMENT KIT - CONTINUED

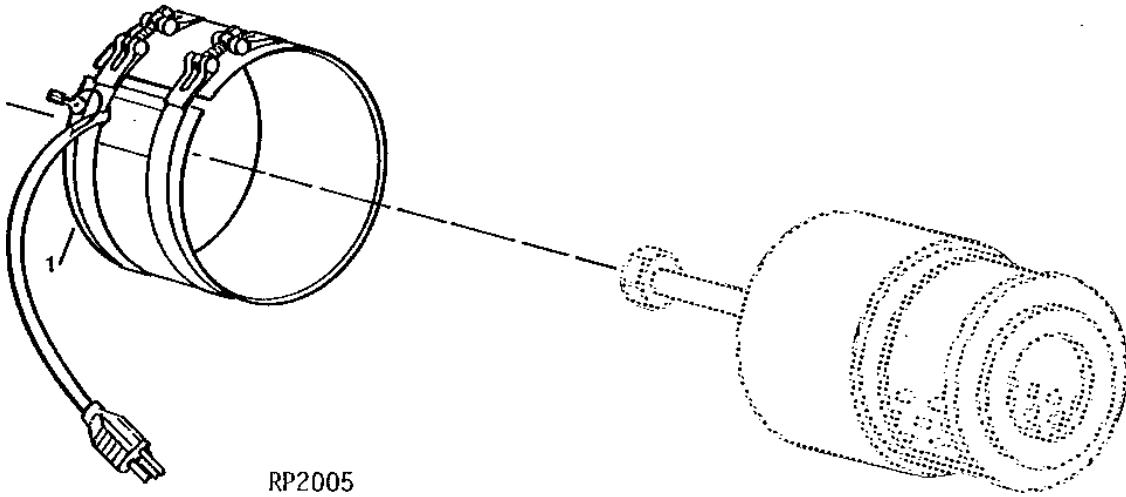
KEY	PART NO.	PART NAME	QTY	TRACTOR SERIAL NO.	REMARKS
1	R66067	HYDRAULIC HOSE	1		
2	TY22462	CLAMP	2		(SUB FOR AR48236)
3	U17409	O-RING	2		
4	F3463R	SPRING	1		
5	R45638	O-RING	1		
6	R64491	VALVE	1		
7	B474R	SNAP RING	1		
8	AR80591	TEE FITTING	1		
9	R26448	O-RING	3		
10	A4816R	SPRING	1		
11	R26552	BALL	1		
12	AR81968	BLEED VALVE	1		
13	U40727	BACK-UP RING	2		
14	P47908	O-RING	1		
15	R26286	O-RING	1		
16	R42849	BALL	1		
17	R227R	SPRING	1		
18	R55458	GUIDE	1		
19	R26448	O-RING	1		
20	AR58184	ELBOW FITTING	1		
21	AR85464	CHECK VALVE	1		
22	AR85463	LINE	1		
23	AR81935	TEE FITTING	1		(SUB AR86975 AND R36926)
24	R26906	O-RING	2		
25	R31665	FITTING	1		
26	AR56611	HYDRAULIC LINE	1		
27	AT32332	ELBOW FITTING	1		
28	R26375	O-RING	1		
29	AR85574	ELBOW FITTING	1		
30	19H1765	CAP SCREW	1		3/8" X 1-3/4"
31	12H304	LOCK WASHER	1		3/8"
32	24M7096	WASHER	1		10.500 X 18 X 1.600 MM
33	AR80595	FITTING	1		
34	R42877	PACKING	2		
35	R29354	O-RING	18		(SUB FOR R42763)
36	R35473	BACK-UP RING	18		(SUB R73101, THIS APPLICATION)
37	R42927	PISTON	2		
38	R42764	GASKET	2		
39	19H2021	CAP SCREW	4		3/8" X 5/8"
40	R65207	CLAMP	4		
41	24H1305	WASHER	4		13/32" X 13/16" X 0.065"
42	12H304	LOCK WASHER	4		3/8"
43	14H1076	NUT	4		3/8"
44	R67366	GUARD	4		(SUB R72341)
45	.....	KIT	1		(ORDER COMPONENT PARTS)

# 3H22

POWER TRAIN

RP2005 -UN-01JAN94

OIL FILTER HEATER



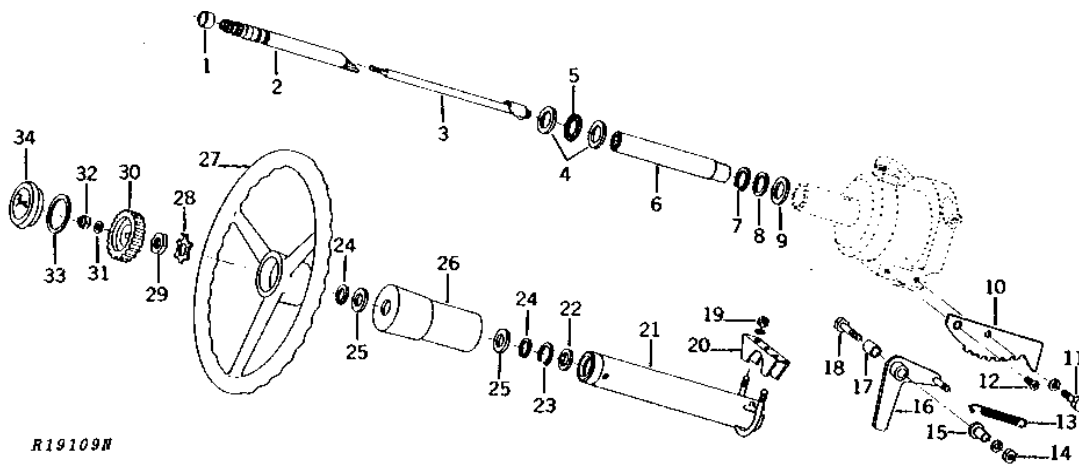
KEY	PART NO.	PART NAME	QTY	TRACTOR SERIAL NO.	REMARKS
1	AR98518	HEATER	1		

# 4B5

## STEERING AND BRAKES

R19109 -UN-01JAN94

TELESCOPING STEERING  
(TRACTOR SERIAL NO. -019558)



R19109N

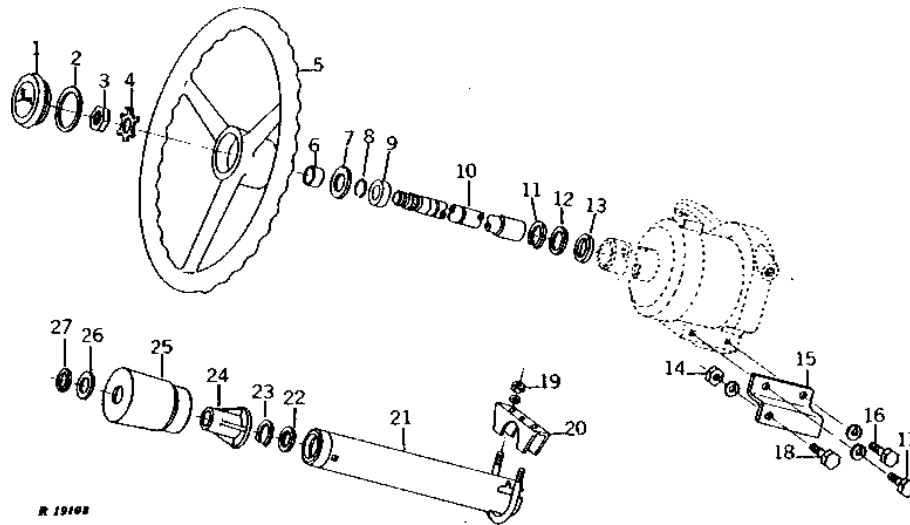
KEY	PART NO.	PART NAME	QTY	TRACTOR SERIAL NO.	REMARKS
1	R50875	BUSHING	1		
2	R50868	STEERING WHEEL SHAFT	1		(SUB R62280 AND P46402)
3	AR54808	ROD	1		
4	JD9931	THRUST BEARING	2		
5	JD8875	NEEDLE BEARING	1		
6	AR55289	COUPLING	1		
7	R54048	WEAR RING	1		
8	R54058	LOCK WASHER	1		
9	R54063	SEAL	1		
10	R51816	PLATE	1		
11	19H2552	CAP SCREW	1	3/8" X 1-1/8"	
	12H304	LOCK WASHER	1	3/8"	
12	R43663	SCREW	1		
13	M2036T	EXTENSION SPRING	1		
14	14H1076	NUT	1	3/8"	
	12H304	LOCK WASHER	1	3/8"	
15	R58614	SPACER	1		(SUB FOR R51815)
16	AR56104	LEVER	1		(SUB AR70442 AND R58614)
17	R28035	BUSHING	1		
18	19H3181	CAP SCREW	1	3/8" X 2"	
19	14H650	NUT	2	5/16"	
	12H303	LOCK WASHER	2	5/16"	
20	R56251	SADDLE	1		(SUB FOR R53606)
21	AR76538	TUBE	1		(SUB FOR AR56060)
22	R72858	SEAL	1		(SUB FOR R32730)
23	R26933	SNAP RING	1		
24	B169R	SNAP RING	2		
25	R42629	WASHER	2		
26	R51153	SLEEVE	1		
27	T22875	STEERING WHEEL	1		
28	T17148	LOCK WASHER	1		
29	14H904	NUT	1	3/4"	
30	R91298	KNOB	1		(SUB FOR R50871)
31	12H303	LOCK WASHER	1	5/16"	
32	14H650	NUT	1	5/16"	
33	B3690R	O-RING	1		
34	R47998	CAP	1		

# 4B6

STEERING AND BRAKES

R19108 -UN-01JAN94

FIXED STEERING  
(TRACTOR SERIAL NO. -019558)



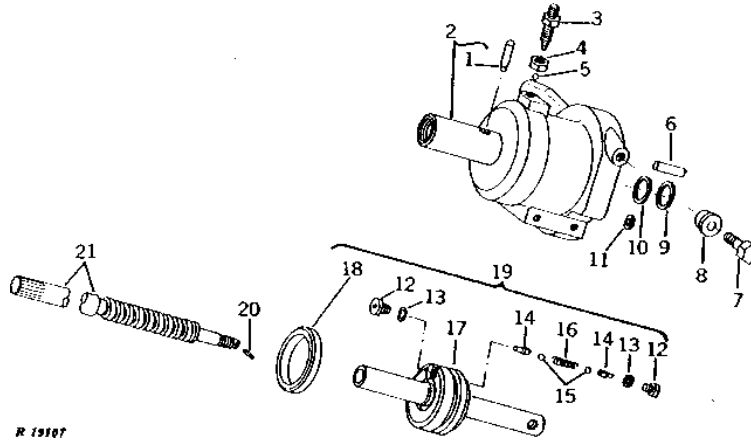
KEY	PART NO.	PART NAME	QTY	TRACTOR SERIAL NO.	REMARKS
1	R47998	CAP	1		
2	B3690R	O-RING	1		
3	14H904	NUT	1	3/4"	
4	T17148	LOCK WASHER	1		
5	T22875	STEERING WHEEL	1		
6	R50875	BUSHING	1		
7	AR58511	WASHER	1		
8	A2444R	SNAP RING	1		
9	R54616	BUSHING	1		
10	AR55162	STEERING WHEEL SHAFT	1		
	AR65061	STEERING WHEEL SHAFT	1	(LOW PROFILE)	
11	R54048	WEAR RING	1		
12	R54058	LOCK WASHER	1		
13	R54063	SEAL	1		
14	14H1076	NUT	1	3/8"	
	12H304	LOCK WASHER	1	3/8"	
15	R51749	BRACKET	1		
16	19H2127	CAP SCREW	1	5/16" X 7/8"	
	12H303	LOCK WASHER	1	5/16"	
17	19H1731	CAP SCREW	1	3/8" X 1"	
	12H304	LOCK WASHER	1	3/8"	
18	19H1731	CAP SCREW	1	3/8" X 1"	
19	14H650	NUT	2	5/16"	
	12H303	LOCK WASHER	2	5/16"	
20	R56251	SADDLE	1	(SUB FOR R53606)	
21	AR76538	TUBE	1	(SUB FOR AR56060)	
	AR76537	TUBE	1	(LOW PROFILE) (SUB FOR AR65210)	
22	R72858	SEAL	1	(SUB FOR R32730)	
23	R26933	SNAP RING	1		
24	R51079	SPACER	1		
25	R51080	SLEEVE	1		
26	R42629	WASHER	1		
27	B169R	SNAP RING	1		

# 4B7

STEERING AND BRAKES

R19107 -UN-01JAN94

## STEERING VALVE CYLINDER (TRACTOR SERIAL NO. -019558)



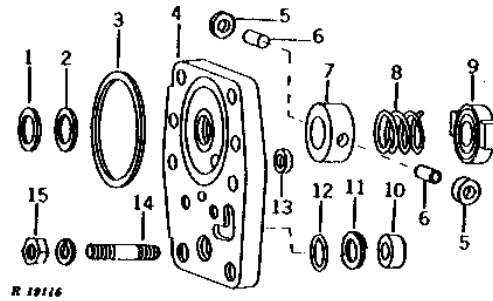
KEY	PART NO.	PART NAME	QTY	TRACTOR SERIAL NO.	REMARKS
1	R56282	PIN	1		(ALSO ORDER R56251) (SUB FOR R54100)
	R57607	PIN	1	-007200	
2	AR56007	CYLINDER	1		(MARKED R50874)
3	R27299	SCREW	1		
4	R27453	NUT	1		
5	400R	BALL	1		
6	R32186	DOWEL PIN	2		
7	19H1815	CAP SCREW	1	1/2" X 1-1/4"	
8	R50712	BUSHING	2		
9	A3606R	O-RING	1		
10	R26441	BACK-UP RING	1		
11	AR67783	O-RING KIT	1		STEERING VALVE, (SUB FOR AR42009)
12	R31202	VALVE	2		
13	R26287	O-RING	2		
14	R31201	SHAFT	2		
15	H871R	BALL	2		
16	A4816R	SPRING	1		
17	AR68652	PISTON	1		(SUB AR68651)
18	R40567	WASHER	1		
19	AR30297	PISTON	1	-013173	
	AR68651	PISTON	1	013174-	
20	11M7081	COTTER PIN	1		0.098" X 0.787"
21	R34125	SHAFT	1		

# 4B8

STEERING AND BRAKES

R19116 -UN-01JAN94

STEERING VALVE CYLINDER COVER  
(TRACTOR SERIAL NO. -019558)



R 19116

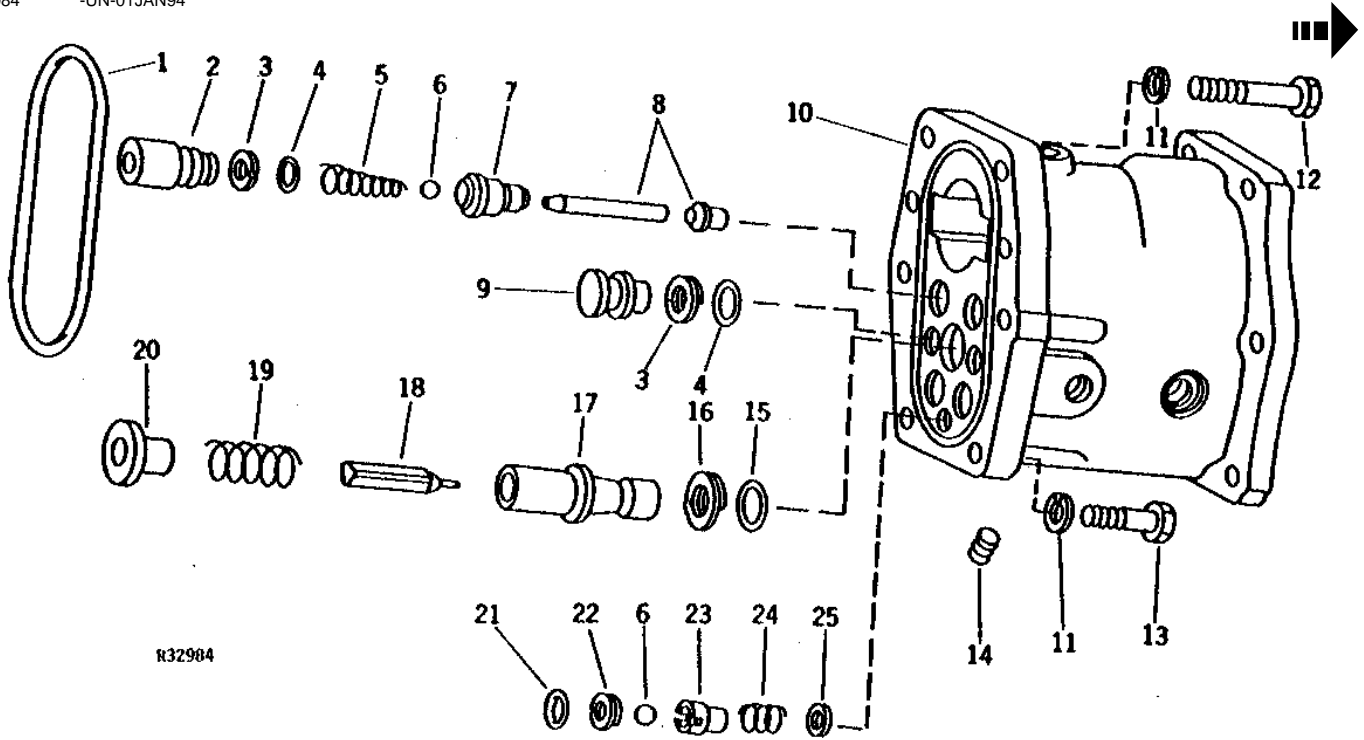
KEY	PART NO.	PART NAME	QTY	TRACTOR SERIAL NO.	REMARKS
1	A3606R	O-RING	1		
2	R26441	BACK-UP RING	1		
3	AR67783	O-RING KIT	1		STEERING VALVE COVER, (SUB FOR AR42009)
4	AR47293	COVER	1		(MARKED R44845)
5	R26755	WASHER	2		
6	R27091	PIN	2		
7	R40149	LOCKING COLLAR	1		
8	R40531	SPRING	1		
9	R27089	NUT	1		
10	R34121	PISTON	1		
11	R47694	BACK-UP RING	1		
12	R495R	O-RING	1		
13	AR67783	O-RING KIT	1		STEERING VALVE COVER, (SUB FOR AR42009)
14	R55183	STUD	2		(SUB FOR R53016)
15	14H1047	NUT	2		7/16"
	12H293	LOCK WASHER	2		7/16"

# 4B9

STEERING AND BRAKES

## STEERING VALVE AND METERING SHAFT (TRACTOR SERIAL NO. -019558)

R32984 -UN-01JAN94



R32984

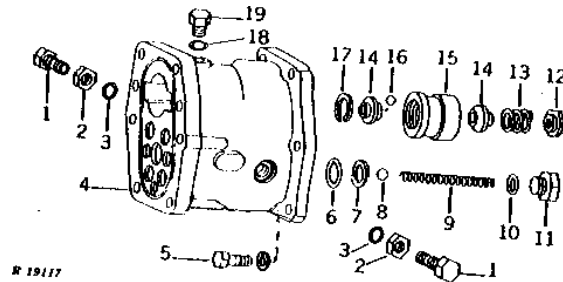
KEY	PART NO.	PART NAME	QTY	TRACTOR SERIAL NO.	REMARKS
1	R34733	WASHER	1		
2	R41724	PLUG	4		
3	R32588	BACK-UP RING	6		
4	R459R	O-RING	6		
5	R26565	SPRING	4		
6	400R	BALL	5		
7	R28124	VALVE	4		
8	AR49535	SHAFT	2		LONG, WITH GUIDE
	AR49536	SHAFT	2		SHORT, WITH GUIDE
9	R34131	PLUG	2		
10	AR43809	HOUSING	1		(MARKED R43962 OR R45811)
11	12H301	LOCK WASHER	6		1/2"
12	19H1990	CAP SCREW	4		1/2" X 2-1/4"
13	19H2993	CAP SCREW	2		1/2" X 1-1/2"
14	15H558	PIPE PLUG	1		1/8"
15	B2762R	O-RING	1		
16	R26546	BACK-UP RING	1		
17	R34123	VALVE SEAT	1		
18	R42661	SEAT	1		
19	R26151	SPRING	1		
20	R34122	STOP	1		
21	A4365R	O-RING	1		
22	R34129	BACK-UP RING	1		
23	R44254	GUIDE	1		
24	R44256	SPRING	1		
25	R44255	WASHER	1		

# 4B10

STEERING AND BRAKES

R19117 -UN-01JAN94

STEERING VALVE HOUSING  
(TRACTOR SERIAL NO. -019558)



KEY	PART NO.	PART NAME	QTY	TRACTOR SERIAL NO.	REMARKS
1	R40338	DRAIN PLUG	2		
2	R27296	NUT	2		
3	R26286	O-RING	2		
4	AR43809	HOUSING	1	(MARKED R43962 OR R45811)	
5	19H2552	CAP SCREW	6	3/8" X 1-1/8"	
	12H304	LOCK WASHER	6	3/8"	
6	P48347	O-RING	1	(SUB FOR R34404, THIS APPLICATION)	
7	R30323	BACK-UP RING	1		
8	R42849	BALL	1		
9	R31278	SPRING	1		
10	R26375	O-RING	1		
11	R39112	FITTING	1		
12	R40597	LOCK NUT	1		
13	R40596	SPRING	1		
14	R40595	BEARING RACE	2		
15	R40757	BUSHING	1		
16	R26552	BALL	13		
17	R26425	SNAP RING	1		
18	R26287	O-RING	1		
19	R27216	DRAIN PLUG	1	(SUB FOR R31631)	

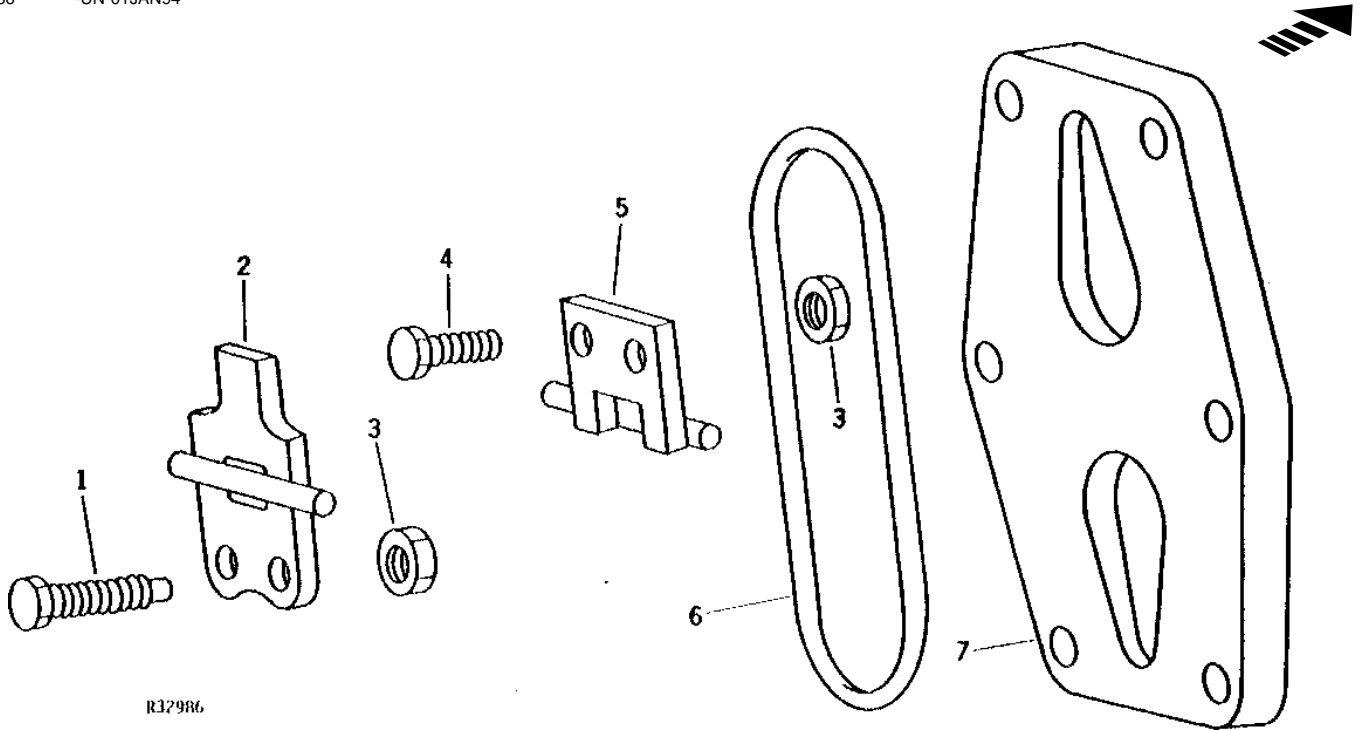


# 4B11

STEERING AND BRAKES

STEERING VALVE COVER AND VALVE OPERATING LEVERS  
(TRACTOR SERIAL NO. -019558)

R32986 -UN-01JAN94



R32986

KEY	PART NO.	PART NAME	QTY	TRACTOR SERIAL NO.	REMARKS
1	R26554	SET SCREW	2		
2	AR26448	LEVER	1		
3	14H649	NUT	4	1/4"	
4	R26762	BOLT	2		(SUB R31217, THIS APPLICATION)
5	AR26402	LEVER	1		
6	R34733	WASHER	1		
7	R57034	COVER	1		(SUB FOR R51748)

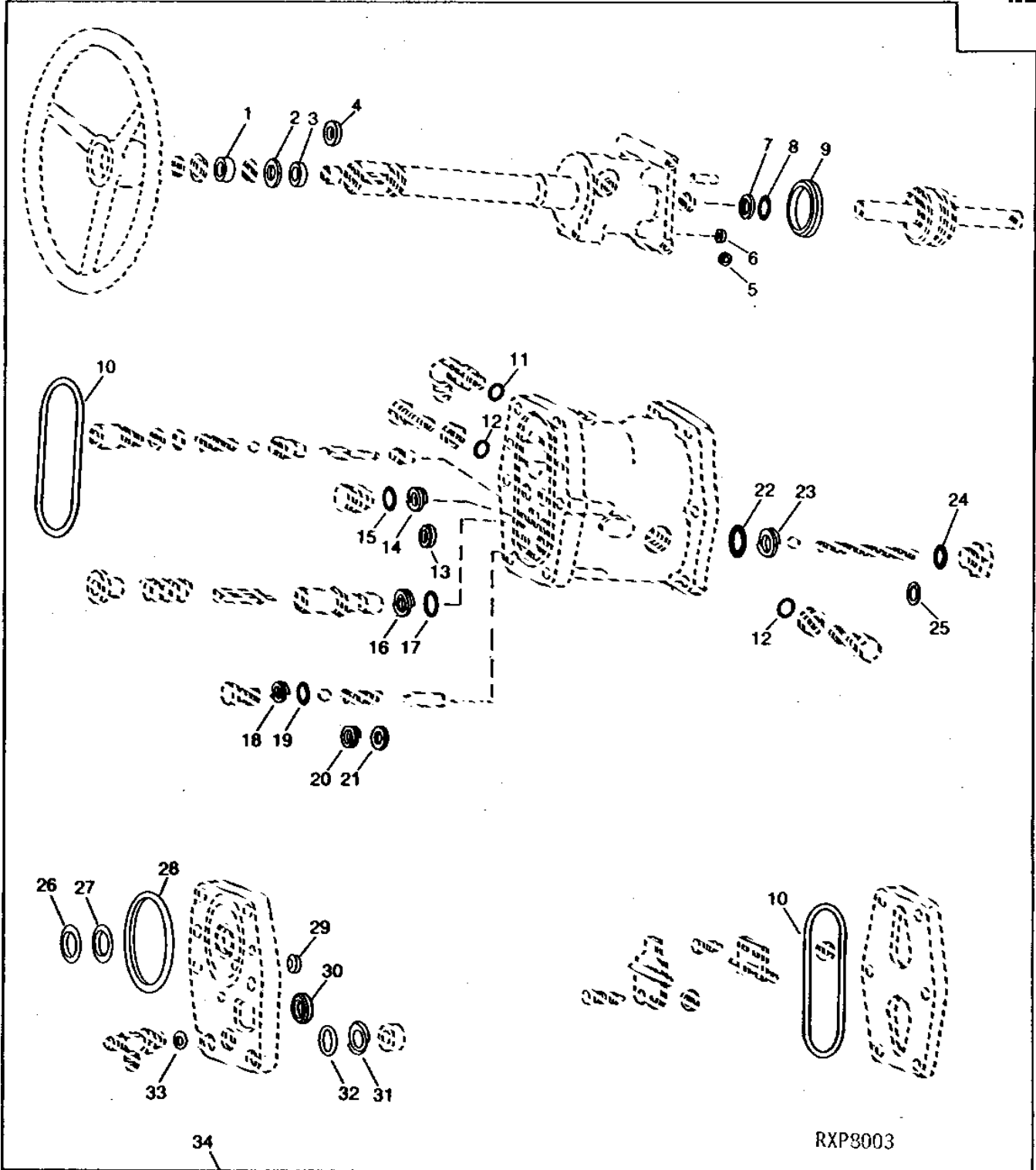
# 4B12

STEERING AND BRAKES

RXP8003

-UN-01JAN94

## STEERING VALVE CYLINDER OVERHAUL KIT



RXP8003

# 4B13

STEERING AND BRAKES

## STEERING VALVE CYLINDER OVERHAUL KIT - CONTINUED

KEY	PART NO.	PART NAME	QTY	TRACTOR SERIAL NO.	REMARKS
1	R72858	SEAL	1		
2	R32731	WASHER	1		
3	R72858	SEAL	1		
4	R54063	SEAL	1	(A)	
5	R26448	O-RING	2		
6	AR67783	O-RING KIT	1		
7	R26441	BACK-UP RING	1		
8	A3606R	O-RING	2		
9	R40567	WASHER	1		
10	R34733	WASHER	2		
11	R26286	O-RING	1		
12	R26286	O-RING	2		
13	R31488	WASHER	2	(A)	
14	R459R	O-RING	6		
15	R32588	BACK-UP RING	6		
16	R26546	BACK-UP RING	2		
17	B2762R	O-RING	2		
18	R34129	BACK-UP RING	1		
19	A4365R	O-RING	1		
20	R26551	BACK-UP RING	1	(A)	
21	R394R	O-RING	1		
22	P48347	O-RING	1		
23	R30323	BACK-UP RING	1		
24	R26375	O-RING	1		
25	R26547	WASHER	2	(A)	
26	A3606R	O-RING	2		
27	R26441	BACK-UP RING	1		
28	AR67783	O-RING KIT	1		
29	AR67783	O-RING KIT	1		
30	R31489	WASHER	1	(A)	
31	R47694	BACK-UP RING	1		
32	R26485	BACK-UP RING	1	(A)	
32	R495R	O-RING	1		
33	R26286	O-RING	1		
34	AR39585	KIT	1	(A)	

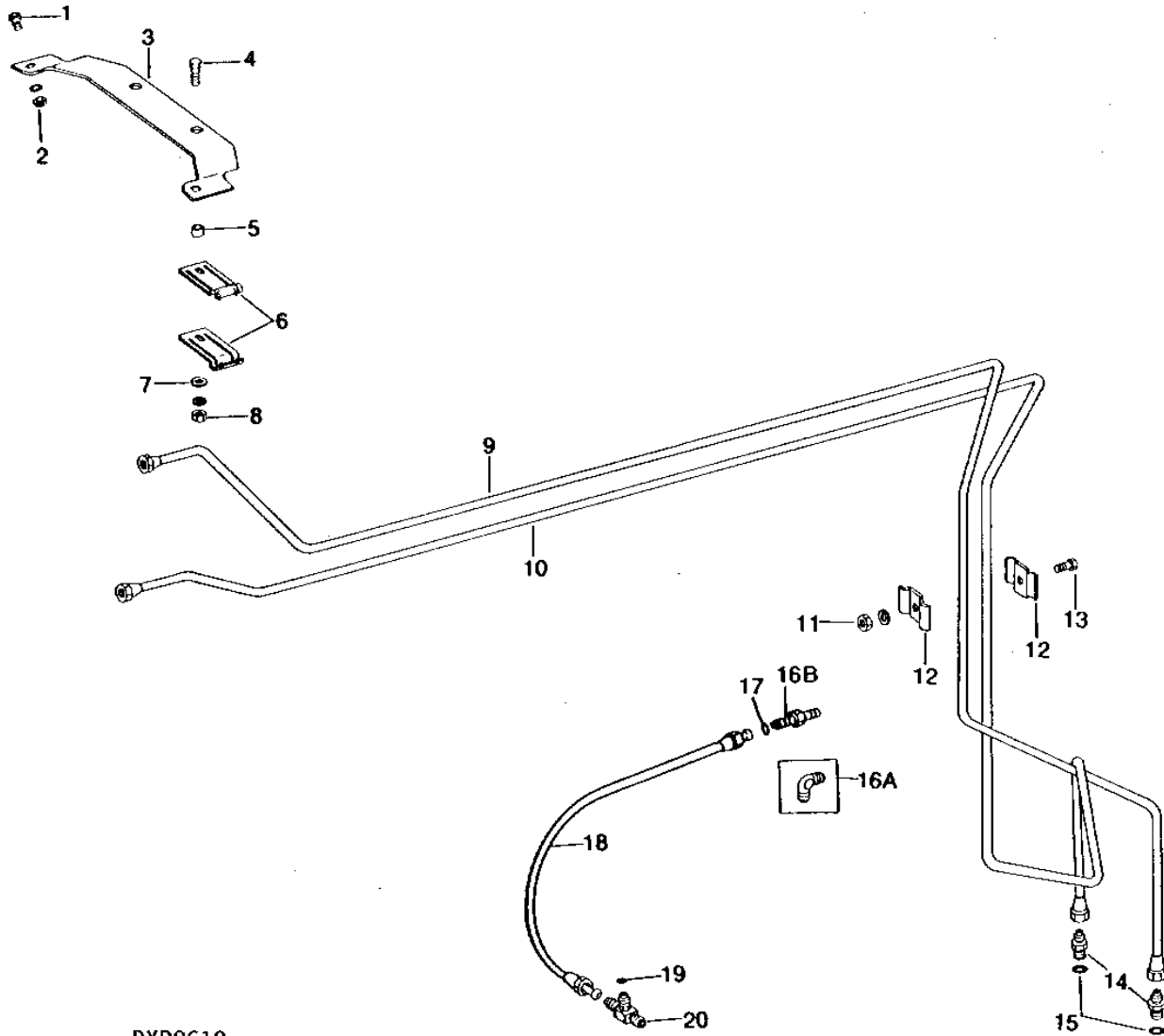
(A) EARLY DESIGN

# 4B14

STEERING AND BRAKES

RXP8610 -UN-01JAN94

STEERING VALVE TO STEERING MOTOR OIL PIPES  
(TRACTOR SERIAL NO. -019558)



RXP8610

# 4B15

STEERING AND BRAKES

STEERING VALVE TO STEERING MOTOR OIL PIPES - CONTINUED  
(TRACTOR SERIAL NO. -019558)

KEY	PART NO.	PART NAME	QTY	TRACTOR SERIAL NO.	REMARKS
1	19H2284	CAP SCREW	2		(A) 3/8" X 7/8"
2	14H1076	NUT	2		(A) 3/8"
	12H304	LOCK WASHER	2		(A) 3/8"
3	R52076	BRACKET	1		(A) (LESS SOUND-GARD BODY)
4	19H1732	CAP SCREW	2		3/8" X 1-1/4"
5	28H1517	WASHER	2		0.493" X 0.675" X 1/4"
6	R57549	CLAMP	4		(SUB FOR R50715)
7	24M7096	WASHER	2		10.500 X 18 X 1.600 MM
8	14H1076	NUT	2		3/8"
	12H304	LOCK WASHER	2		3/8"
9	AR54818	HYDRAULIC LINE	1		
10	AR54819	HYDRAULIC LINE	1		
11	14H1076	NUT	2		3/8"
	12H304	LOCK WASHER	2		3/8"
12	R27491	CLAMP	4		
13	19H2021	CAP SCREW	2		3/8" X 5/8"
14	R27212	FITTING	2		
15	R26448	O-RING	2		
16A	AR74095	ELBOW FITTING	1	-XXXXXX	(CONVERTABLE AXLE) (SUB FOR T28051) (SUB R39832, THIS APPLICATION)
16B	R39832	ADAPTER	1	XXXXXX-	(ADJUSTABLE AXLE) (SUB FOR AR74095)
17	R26287	O-RING	1		
18	AR56065	HYDRAULIC LINE	1		(ADJUSTABLE FRONT AXLE)
	AR58337	HYDRAULIC LINE	1		(ROLL-O-MATIC, DOUBLE KNUCKLE OR SINGLE FRONT WHEEL)
19	R26287	O-RING	1		
20	AR56615	TEE FITTING	1		
..	AR21969	KIT	1		CAP PLUG ASSORTMENT

(A) LESS SOUND-GARD BODY

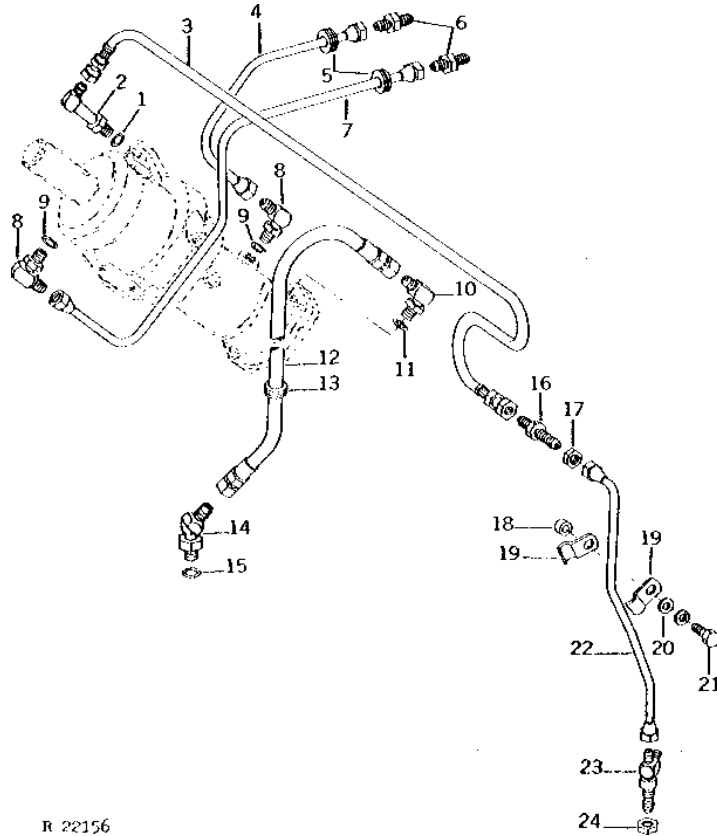
# 4B16

STEERING AND BRAKES

R22156

-UN-01JAN94

FIXED STEERING REAR OIL LINES  
(TRACTOR SERIAL NO. -019558)



# 4B17

STEERING AND BRAKES

FIXED STEERING REAR OIL LINES - CONTINUED  
(TRACTOR SERIAL NO. -019558)

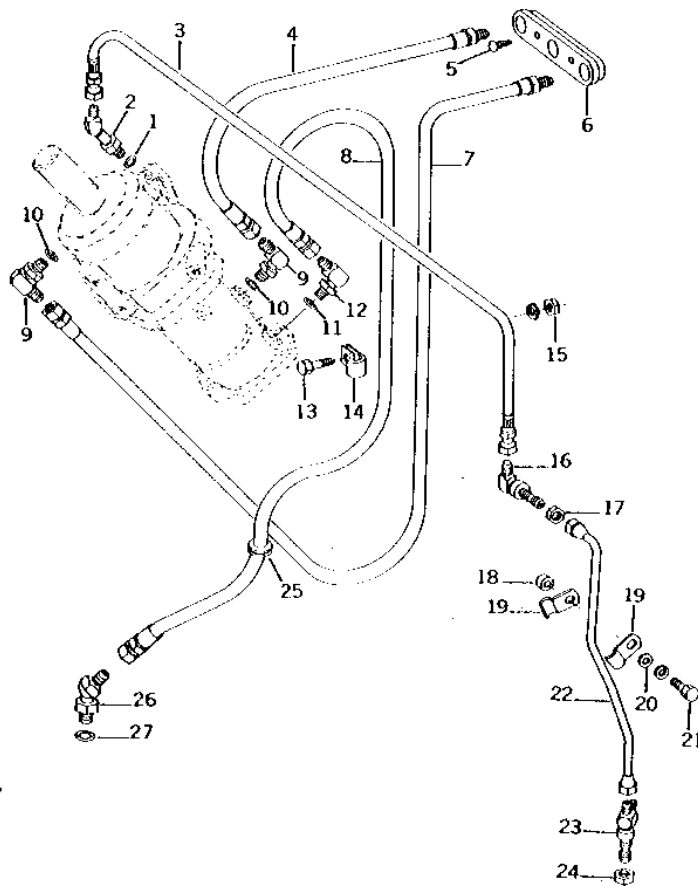
KEY	PART NO.	PART NAME	QTY	TRACTOR SERIAL NO.	REMARKS
1	R26286	O-RING	1		
2	AR63197	ELBOW FITTING	1		
3	AR63196	HOSE	1		(PRESSURE)
4	AR56667	HYDRAULIC LINE	1		
5	R27533	GROMMET	2		
6	R27095	FITTING	2		
7	AR56666	HYDRAULIC LINE	1		
8	AT35121	ELBOW FITTING	2		
9	R26448	O-RING	2		
10	AT32333	ELBOW FITTING	1		
11	R26286	O-RING	1		
12	AR56660	HYDRAULIC HOSE	1		(RETURN)
13	R60831	GROMMET	1		(SUB FOR R41439, THIS APPLICATION)
14	AR46095	ELBOW FITTING	1		(SUB AT58895)
15	R26286	O-RING	1		
16	R36040	FITTING	1		
17	R27296	NUT	1		
18	28H1519	WASHER	1		0.493" X 0.675" X 3/8"
19	R34933	CLAMP	2		
20	24M7096	WASHER	1		10.500 X 18 X 1.600 MM
21	19H1731	CAP SCREW	1		3/8" X 1"
	12H304	LOCK WASHER	1		3/8"
22	AR56646	HYDRAULIC LINE	1		(PRESSURE) (LESS DIFFERENTIAL LOCK)
	AR57083	HYDRAULIC LINE	1		(PRESSURE) (DIFFERENTIAL LOCK)
23	AR64094	TEE FITTING	1		(SUB FOR AR56773)
24	R26572	NUT	1		

# 4B18

STEERING AND BRAKES

TELESCOPING STEERING OR SOUND-GARD BODY REAR OIL LINES  
(TRACTOR SERIAL NO. -019558)

R22155 -UN-01JAN94



R 22155



# 4B19

STEERING AND BRAKES

TELESCOPING STEERING OR SOUND-GARD BODY REAR OIL LINES - CONTINUED  
(TRACTOR SERIAL NO. -019558)

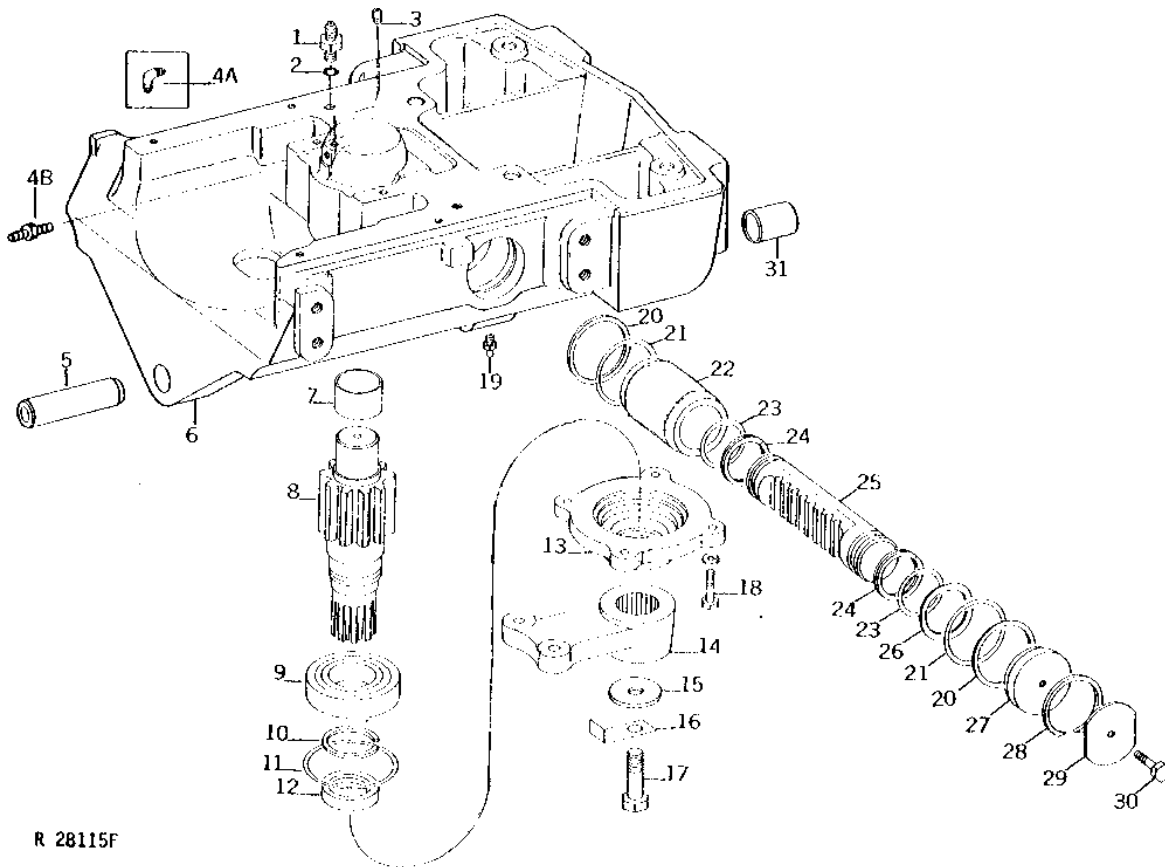
KEY	PART NO.	PART NAME	QTY	TRACTOR SERIAL NO.	REMARKS
1	R26286	O-RING	1		
2	AR56776	ELBOW FITTING	1		
3	AR61614	HYDRAULIC HOSE	1		(PRESSURE)
4	AR56662	HYDRAULIC HOSE	1		
5	37H27	SCREW	2		5/16" X 7/8"
6	R54158	GROMMET	1		(NO LONGER AVAILABLE)
7	AR57027	HOSE	1		
8	AR56660	HYDRAULIC HOSE	1		(RETURN)
9	AT35121	ELBOW FITTING	2		
10	R26448	O-RING	2		
11	R26286	O-RING	1		
12	AT32333	ELBOW FITTING	1		
13	19H1936	CAP SCREW	1		3/8" X 3/4"
14	R46414	CLAMP	1		
15	14H1076	NUT	1		3/8"
	12H304	LOCK WASHER	1		3/8"
16	AR35981	ELBOW FITTING	1		
17	R27296	NUT	1		
18	28H1519	WASHER	1		0.493" X 0.675" X 3/8"
19	R34933	CLAMP	2		
20	24M7096	WASHER	1		10.500 X 18 X 1.600 MM
21	19H1731	CAP SCREW	1		3/8" X 1"
	12H304	LOCK WASHER	1		3/8"
22	AR56646	HYDRAULIC LINE	1		(PRESSURE) (LESS DIFFERENTIAL LOCK)
	AR57084	HYDRAULIC LINE	1		(PRESSURE) (DIFFERENTIAL LOCK)
23	AR64094	TEE FITTING	1		(SUB FOR AR56773)
24	R26572	NUT	1		
25	R60831	GROMMET	1		(SUB FOR R41439, THIS APPLICATION)
26	AR46095	ELBOW FITTING	1		(SUB AT58895)
27	R26286	O-RING	1		

# 4B20

STEERING AND BRAKES

STEERING MOTOR  
(ADJUSTABLE FRONT AXLE)  
(TRACTOR SERIAL NO. -019558)

R28115 -UN-01JAN94



R 28115F

# 4B21

STEERING AND BRAKES

**STEERING MOTOR - CONTINUED  
(ADJUSTABLE FRONT AXLE)  
(TRACTOR SERIAL NO. -019558)**

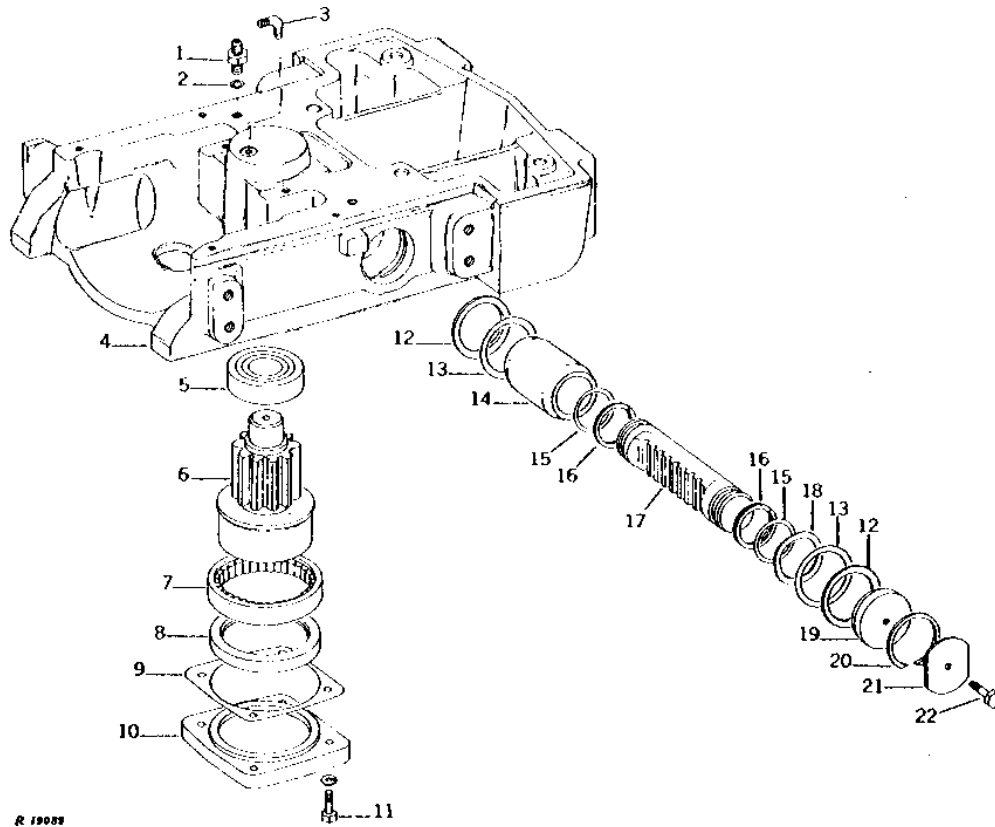
KEY	PART NO.	PART NAME	QTY	TRACTOR SERIAL NO.	REMARKS
1	R27212	FITTING	2		
2	R26448	O-RING	2		
3	15H558	PIPE PLUG	1		1/8"
4A	AR74095	ELBOW FITTING	1	-XXXXXX	(SUB FOR T28051) (SUB R39832, THIS APPLICATION)
4B	R39832	ADAPTER	1	XXXXXX-	(SUB FOR AR74095, THIS APPLICATION)
5	R51798	BUSHING	1		
6	AR67473	SUPPORT	1		(MARKED R49600 OR R56592) (SUB FOR AR58752) (INCLUDES R51798, R28277 AND R65827) (NLA)
7	R28277	BUSHING	1		
8	R50105	SPINDLE	1		
9	JD9320	BALL BEARING	1		
10	F1334R	SNAP RING	1		
11	C11884	O-RING	1		(SUB FOR R49803)
12	AT49215	SEAL	1		(SUB FOR T19802)
13	R50104	QUILL	1		
14	R61158 R52793	STEERING ARM STEERING ARM	1 1		(SUB FOR R50074) (POWER FRONT WHEEL DRIVE)
15	R20136	WASHER	1		
16	R50075	LOCK PLATE	1		
17	19H1782	CAP SCREW	1		3/4" X 2-1/4"
18	19H1800	CAP SCREW	4		3/8" X 1-1/2"
	12H304	LOCK WASHER	4		3/8"
19	JD7798	LUBRICATION FITTING	1		
20	R49975	BACK-UP RING	4		
21	R41721	O-RING	4		
22	R63001	SLEEVE	2		(SUB FOR R50276)
23	R65541	WASHER	2		(ALSO ORDER R65542) (SUB FOR R61909 OR R26863, THIS APPLICATION)
24	R65542	WASHER	2		(ALSO ORDER R65541) (SUB FOR R61910 OR R49976, THIS APPLICATION)
25	R50274	PISTON	1		
26	R49804	LOCK WASHER	2		
27	R68284	PLUG	2		(SUB FOR R50275)
28	R49805	SNAP RING	2		
29	R51120	WASHER	2		
30	19H1800	CAP SCREW	2		3/8" X 1-1/2"
31	R65827	BUSHING	1		(SUB FOR R51376)

# 4B22

STEERING AND BRAKES

R19089 -UN-01JAN94

STEERING MOTOR  
(CONVERTIBLE FRONT AXLE)  
(TRACTOR SERIAL NO. -019558)



# 4B23

STEERING AND BRAKES

STEERING MOTOR - CONTINUED  
(CONVERTIBLE FRONT AXLE)  
(TRACTOR SERIAL NO. -019558)

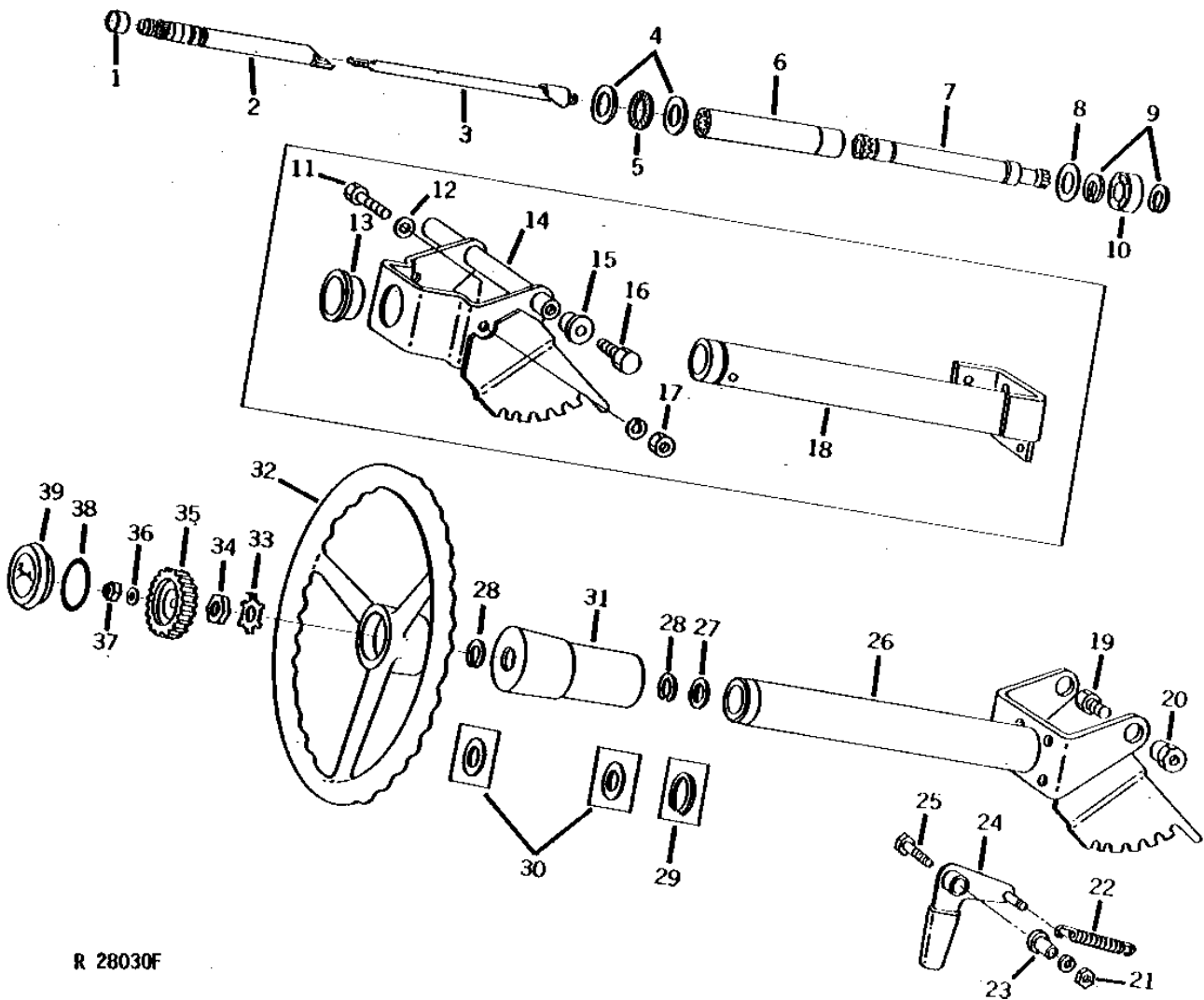
KEY	PART NO.	PART NAME	QTY	TRACTOR SERIAL NO.	REMARKS
1	R27212	FITTING	2		
2	R26448	O-RING	2		
3	AR74095	ELBOW FITTING	1		(SUB FOR T28051)
4	R66157	SUPPORT	1		(SUB FOR R49620 OR R56593)
5	JD9439	BALL BEARING	1		
6	R51208	SPINDLE	1		
7	JD9930	ROLLER BEARING	1		
8	AR58512	SEAL	1		(ALSO ORDER R67295) (SUB AR92557)
9	R100337	GASKET	1		(SUB FOR R51472)
10	R51471	QUILL	1		
11	19H2929	SCREW	4		3/8" X 1.120"
	12H304	LOCK WASHER	4		3/8"
12	R49975	BACK-UP RING	4		
13	R41721	O-RING	4		
14	R63001	SLEEVE	2		(SUB FOR R50276)
15	R65541	WASHER	2		(ALSO ORDER R65542) (SUB FOR R61909 OR R26863, THIS APPLICATION)
16	R65542	WASHER	2		(ALSO ORDER R65541) (SUB FOR R61910 OR R49976, THIS APPLICATION)
17	R50274	PISTON	1		
18	R49804	LOCK WASHER	2		
19	R68284	PLUG	2		(SUB FOR R50275)
20	R49805	SNAP RING	2		
21	R51120	WASHER	2		
22	19H1800	CAP SCREW	2		3/8" X 1-1/2"

# 4B24

STEERING AND BRAKES

R28030 -UN-01JAN94

TELESCOPING STEERING  
(TRACTOR SERIAL NO. 019559- )



R 28030F

# 4B25

STEERING AND BRAKES

TELESCOPING STEERING - CONTINUED  
(TRACTOR SERIAL NO. 019559- )

KEY	PART NO.	PART NAME	QTY	TRACTOR SERIAL NO.	REMARKS
1	R50875	BUSHING	1		
2	R50868	STEERING WHEEL SHAFT	1	-031063	(SUB R62280 AND P46402)
	R62280	SHAFT	1	031064-	
	R58202	STEERING WHEEL SHAFT	1	-031063	(A) (SUB R62282, R62278 AND P46402)
	R62282	SHAFT	1	031064-	(A) (NO LONGER AVAILABLE)
	R54616	BUSHING	1		(A)
3	AR54808	ROD	1		
4	JD9931	THRUST BEARING	2	-031063	
	R62278	THRUST WASHER	2	031064-	
5	JD8875	NEEDLE BEARING	1		
6	R50869	SPLINED COUPLING	1		
7	R55092	SHAFT	1		(SUB R109986)
8	R42629	WASHER	1		
9	P46402	SNAP RING	2		
10	R55498	BUSHING	1		
11	19H1731	CAP SCREW	2	-039172	3/8" X 1"
12	A147R	LOCK WASHER	1	-039172	
13	R55443	GROMMET	1	-039172	
14	AR63258	BRACKET	1	-039172	
15	R50712	BUSHING	2	-039172	
16	19H1815	CAP SCREW	2	-039172	1/2" X 1-1/4"
17	14H1076	NUT	2	-039172	3/8"
	12H304	LOCK WASHER	2	-039172	3/8"
18	AR63259	STEERING SYSTEM	1	-031063	(SUB AR76535 AND (2) R62278)
	AR76535	TUBE	1	031064-039172	
	AR69925	TUBE	1	-031063	(A)
	AR76536	TUBE	1	031064-039172	(A) (SUB AR81185 AND (2) R64704)
19	19H1792	CAP SCREW	2	039173-	1/2" X 1"
20	R64704	BUSHING	2	039173-	
21	14H1076	NUT	1		3/8"
	12H304	LOCK WASHER	1		3/8"
22	R59953	SPRING	1		
	19H1849	CAP SCREW	1	-XXXXXX	5/16" X 1-1/4"
	12H303	LOCK WASHER	1	-XXXXXX	5/16"
	14H611	NUT	2	-XXXXXX	5/16"
23	R58614	SPACER	1		
24	AR70442	LEVER	1		
25	19H3181	CAP SCREW	1		3/8" X 2"
26	AR81184	TUBE	1	039173-	
	AR81185	TUBE	1	039173-	(A)
27	R72858	SEAL	1		(SUB FOR R32730)
28	B169R	SNAP RING	2	-031063	
	P46402	SNAP RING	2	031064-	
29	R26933	SNAP RING	1	-031063	
30	R42629	WASHER	2	-031063	
31	R51153	SLEEVE	1		
	R51080	SLEEVE	1		(A)
32	T22875	STEERING WHEEL	1		
33	T17148	LOCK WASHER	1		
34	14H904	NUT	1		3/4"
35	R91298	KNOB	1		(SUB FOR R50871)
36	12H303	LOCK WASHER	1		5/16"
37	14H650	NUT	1		5/16"
38	B3690R	O-RING	1		
39	R47998	CAP	1		

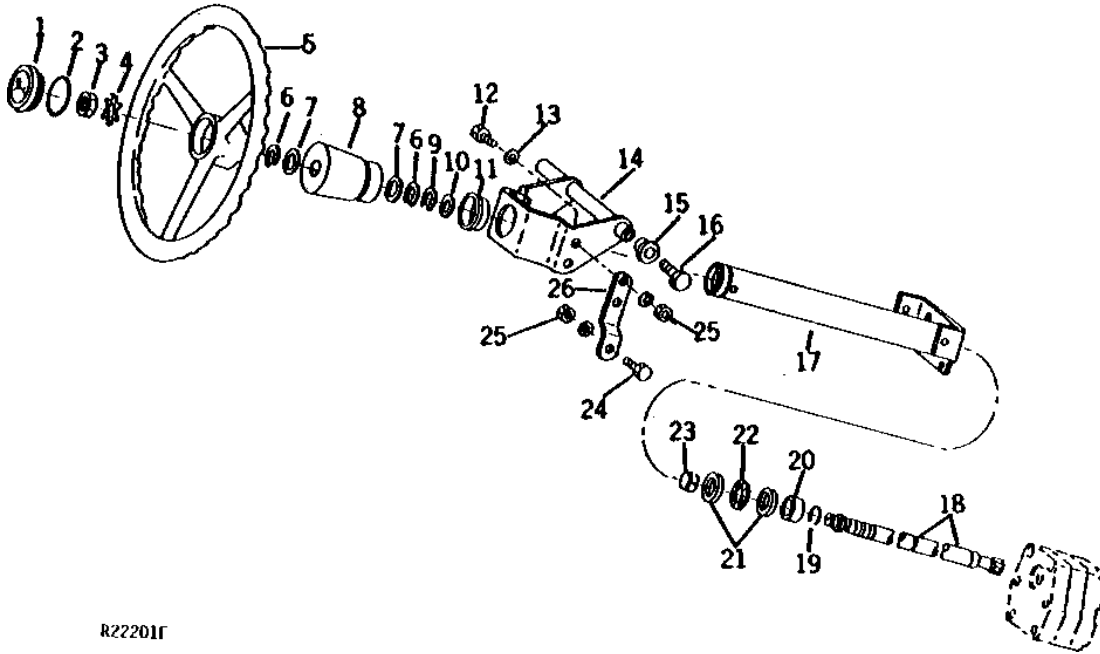
(A) LOW PROFILE

# 4C1

STEERING AND BRAKES

FIXED STEERING  
(TRACTOR SERIAL NO. 019559-022074)

R22201 -UN-01JAN94



R22201R

KEY	PART NO.	PART NAME	QTY	TRACTOR SERIAL NO.	REMARKS
1	R47998	CAP	1		
2	B3690R	O-RING	1		
3	14H904	NUT	1	3/4"	
4	T17148	LOCK WASHER	1		
5	T22875	STEERING WHEEL	1		
6	B169R	SNAP RING	2		
7	R42629	WASHER	2		
8	R51080	SLEEVE	1		
9	R26933	SNAP RING	1		
10	R72858	SEAL	1	(SUB FOR R32730)	
11	R55443	GROMMET	1		
12	19H1732	CAP SCREW	2	3/8" X 1-1/4"	
	19H1731	CAP SCREW	2	3/8" X 1"	
13	A147R	LOCK WASHER	1		
14	AR65211	SUPPORT	1		
15	R50712	BUSHING	2		
16	19H1815	CAP SCREW	2	1/2" X 1-1/4"	
17	AR63259	STEERING SYSTEM	1	(SUB AR81184, (2) R62278, (2) R64704 AND (2) 19H1792)	
				(SUB FOR R54759)	
18	R62281	SHAFT	1		
19	A2444R	SNAP RING	1		
20	R54616	BUSHING	1		
21	JD9931	THRUST BEARING	2		
22	JD8875	NEEDLE BEARING	1		
23	R50875	BUSHING	1		
24	19H1731	CAP SCREW	2	3/8" X 1"	
25	14H1076	NUT	5	3/8"	
	12H304	LOCK WASHER	5	3/8"	
26	R55497	STRAP	1		

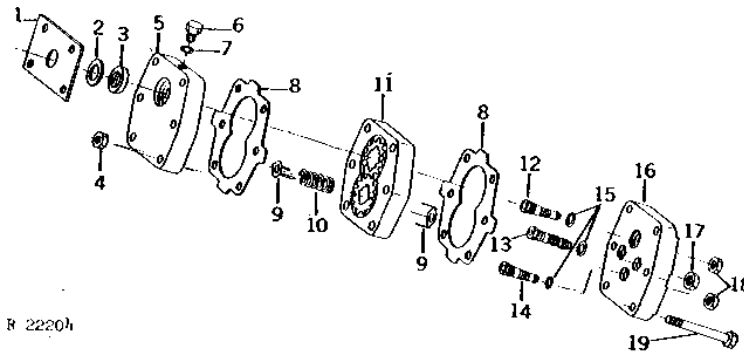


# 4C2

STEERING AND BRAKES

R22204 -UN-01JAN94

## STEERING METERING PUMP (TRACTOR SERIAL NO. 019559- )



KEY	PART NO.	PART NAME	QTY	TRACTOR SERIAL NO.	REMARKS
1	R56645	PLATE	1		
2	24H1422	SHIM	1	0.018"	
3	R72858	SEAL	1	(SUB FOR R32730)	
4	14H1076	NUT	6	3/8"	
5	AR99334	BASE	1	(SUB FOR R54769)	
6	R27216	DRAIN PLUG	1	(SUB FOR R31631)	
7	R26287	O-RING	1		
8	R55243	SHIM	2		
9	R58653	PLATE	2		
10	R58654	SPRING	1		
11	AR99332	HOUSING	1	(SUB FOR AR70507)	
12	R56643	FITTING	1	-033909	(SUB R65685)
	R65685	FITTING	1	033910-	(SUB FOR R63399)
13	R54763	FITTING	2		
14	AR67564	FITTING	1	-033909	(SUB AR85705)
	AR85705	CHECK VALVE	1	033910-	(SUB FOR AR78311)
15	R28776	O-RING	4		
16	AR99335	COVER	1	(SUB FOR R54771)	
17	R26572	NUT	2		
18	R27296	NUT	2		
19	19H2023	CAP SCREW	6	3/8" X 3-1/4"	

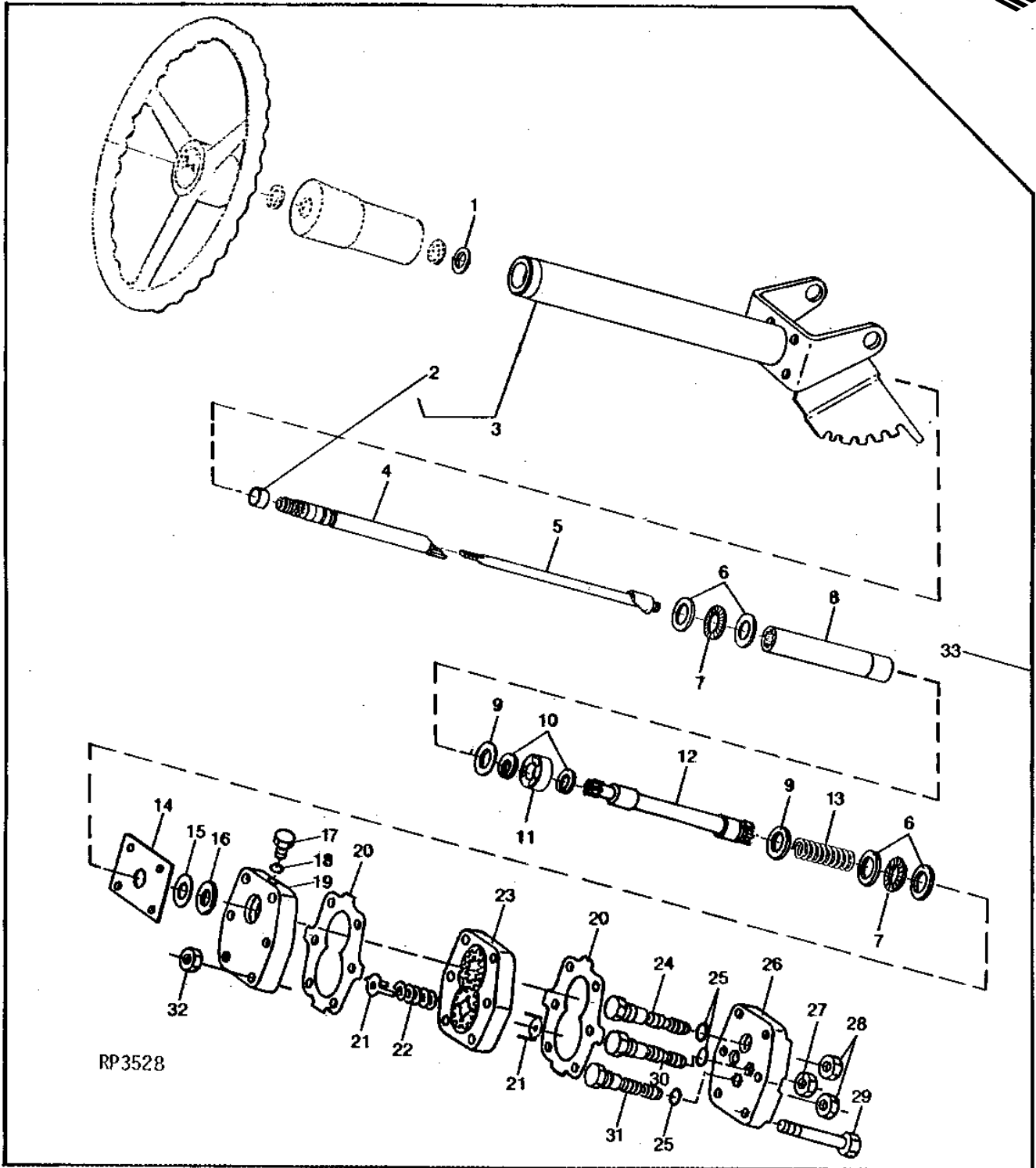
# 4C3

STEERING AND BRAKES

STEERING METERING PUMP, SHAFTS, BEARINGS AND SEALS  
(TRACTOR SERIAL NO. 008840- )

RP3528

-UN-01JAN94



RP3528

# 4C4

STEERING AND BRAKES

STEERING METERING PUMP, SHAFTS, BEARINGS AND SEALS - CONTINUED  
(TRACTOR SERIAL NO. 008840- )

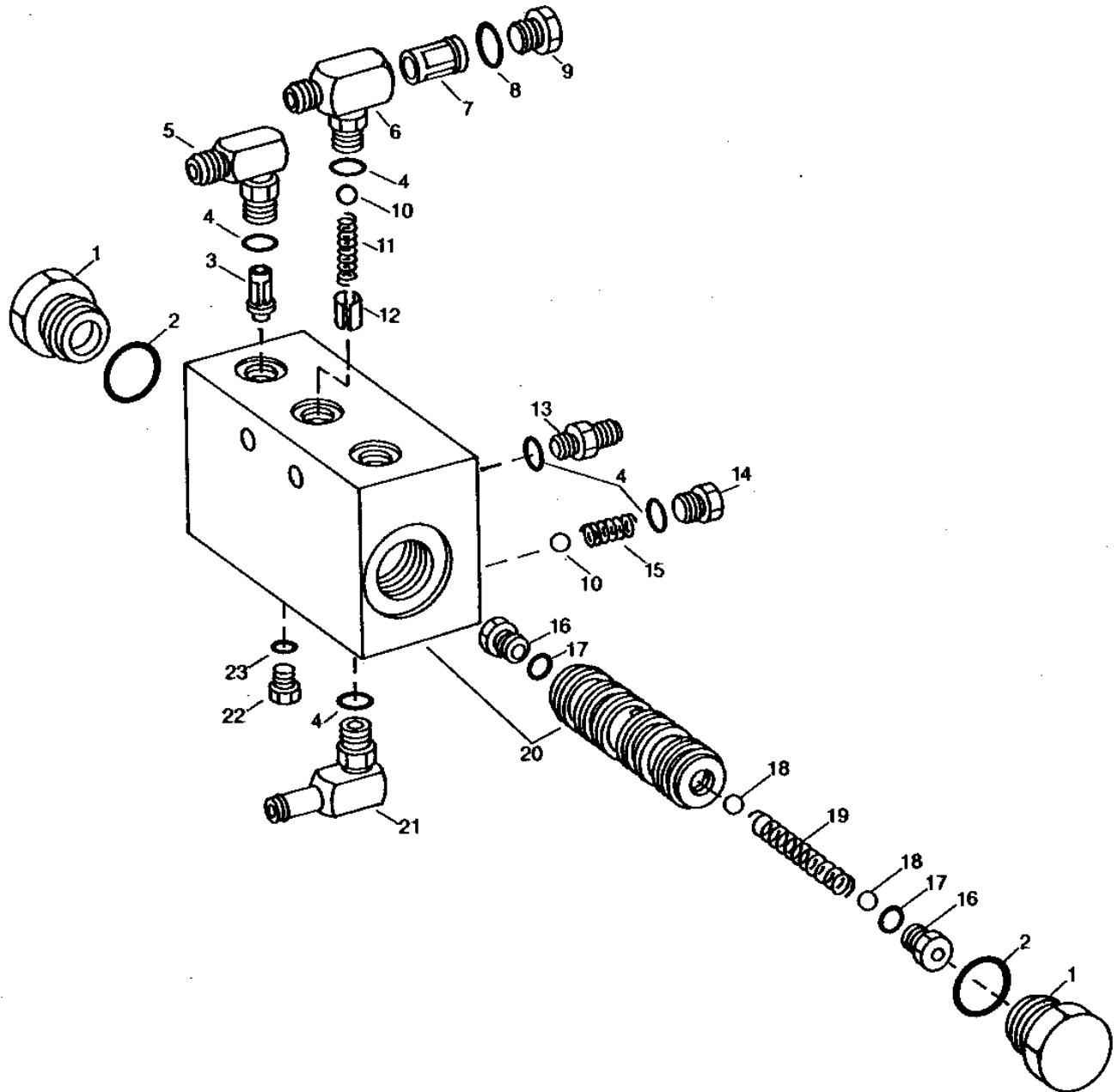
KEY	PART NO.	PART NAME	QTY	TRACTOR SERIAL NO.	REMARKS
1	R72820	SHIM	1		(SUB FOR R32730)
2	R50875	BUSHING	1		
3	AR63259	STEERING SYSTEM	1	-013956	(SUB AR81184, (2) R64704, (2) R62278 AND (2) 19H1792)
	AR76535	TUBE	1	013957-016274	(SUB AR81184, (2) R64704 AND (2) 19H1792)
	AR81184	TUBE	1	016275-	
	R55443	GROMMET	1	-016274	
	AR63258	BRACKET	1	-016274	(SUB AR81184, (2) R64704 AND (2) 19H1792)
	14H1076	NUT	2	-016274	3/8"
	12H304	LOCK WASHER	2	-016274	3/8"
4	R50868	STEERING WHEEL SHAFT	1	-013956	(SUB R62280 AND P46402)
	R62280	SHAFT	1	013957-	
5	AR54808	ROD	1		
6	JD9931	THRUST BEARING	2	-013956	
	R62278	THRUST WASHER	2	013957-	
7	JD8875	NEEDLE BEARING	1		
8	R50869	SPLINED COUPLING	1		
9	R42629	WASHER	1		
10	P46402	SNAP RING	2		
11	R55498	BUSHING	1		
12	R109986	SHAFT	1		(SUB FOR R55092)
13	R60174	SPRING	1		
14	R56645	PLATE	1		
15	R72820	SHIM	1		
16	R72858	SEAL	1		(SUB FOR R32730)
17	R27216	DRAIN PLUG	1		(SUB FOR R31631 OR R72834)
18	R26287	O-RING	1		
19	AR99334	BASE	1		(SUB FOR R54769)
20	R55243	SHIM	2		
21	R58653	PLATE	2		
22	R58654	SPRING	1		
23	AR99332	HOUSING	1		(SUB FOR AR70507)
24	R56643	FITTING	1	-014871	(SUB R65685)
	R65685	FITTING	1	014872-XXXXXX	(SUB FOR R63399)
	R68220	FITTING	1	XXXXXX-	
25	R28776	O-RING	4		
26	AR99335	COVER	1		(SUB FOR R54771)
27	R26572	NUT	2		
28	R27296	NUT	2		
29	19H2023	CAP SCREW	6		3/8" X 3-1/4"
30	R54763	FITTING	2		
31	AR67564	FITTING	1	-014871	(SUB AR85705)
	AR85705	CHECK VALVE	1	014872-XXXXXX	(SUB FOR AR78311)
	AR88771	CHECK VALVE	1	XXXXXX-	STEERING RETURN
32	14H1076	NUT	6		3/8"
33	AR89199	STEERING METERING PUMP	1		(ALSO ORDER AT35121, R27272, (2) R64704, (2) 19H1792, AR89714 AND AR86494)

# 4C5

STEERING AND BRAKES

STEERING VALVE HOUSING, VALVE, AND CONNECTORS  
(TRACTOR SERIAL NO. 019559- )

RWP1902 -UN-01JAN94



RWP1902

# 4C6

STEERING AND BRAKES

STEERING VALVE HOUSING, VALVE, AND CONNECTORS - CONTINUED  
(TRACTOR SERIAL NO. 019559- )

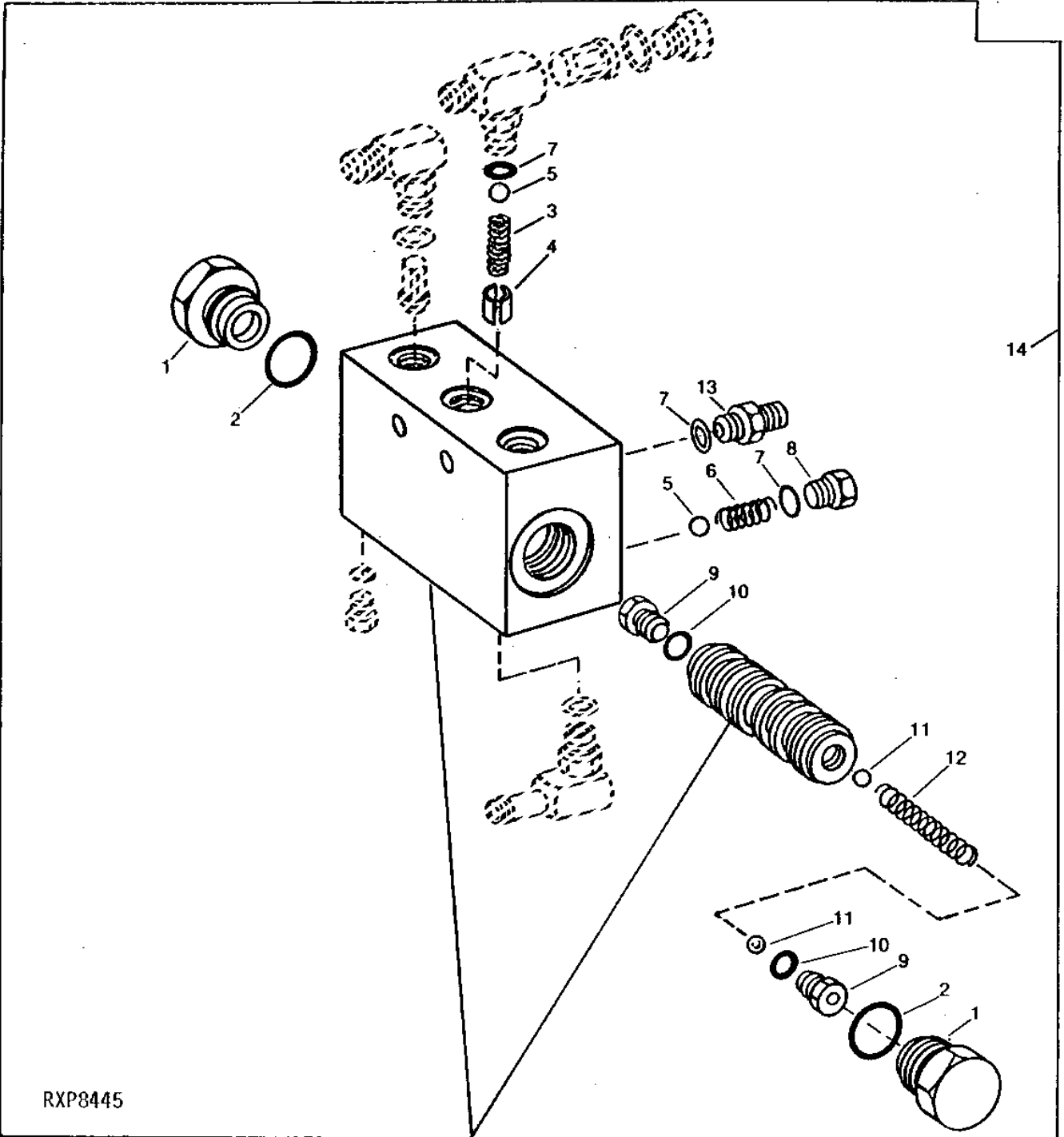
KEY	PART NO.	PART NAME	QTY	TRACTOR SERIAL NO.	REMARKS
1	R63673	FITTING	2		(SUB FOR R62622, THIS APPLICATION)
2	R29936	O-RING	2		
3	R58033	SCREEN	2		
4	R26448	O-RING	11		
5	AR69672	ELBOW FITTING	2		
6	AR67882	ELBOW FITTING	1		
7	R58219	FILTER	1		
8	R26375	O-RING	1		
9	R39112	FITTING	1		
10	R42849	BALL	3		
11	R227R	SPRING	1		
12	R55458	GUIDE	1		
13	R27212	FITTING	4		
14	R27218	FITTING PLUG	2		
15	R55789	SPRING	2		
16	R59822	VALVE SEAT	2		(SUB FOR R55163)
17	R28782	O-RING	2		
18	R26552	BALL	2		
19	R26367	SPRING	1		
20	AR72338	HOUSING	1		(MATCHED SET) (SUB FOR AR68411) (SUB AR90611)
21	AR64705	ELBOW FITTING	1		
22	R27216	DRAIN PLUG	2		(SUB FOR R31631, THIS APPLICATION)
23	R26287	O-RING	2		

# 4C7

STEERING AND BRAKES

RXP8445 -UN-01JAN94

## STEERING VALVE BODY WITH VALVE



RXP8445

# 4C8

STEERING AND BRAKES

## STEERING VALVE BODY WITH VALVE - CONTINUED

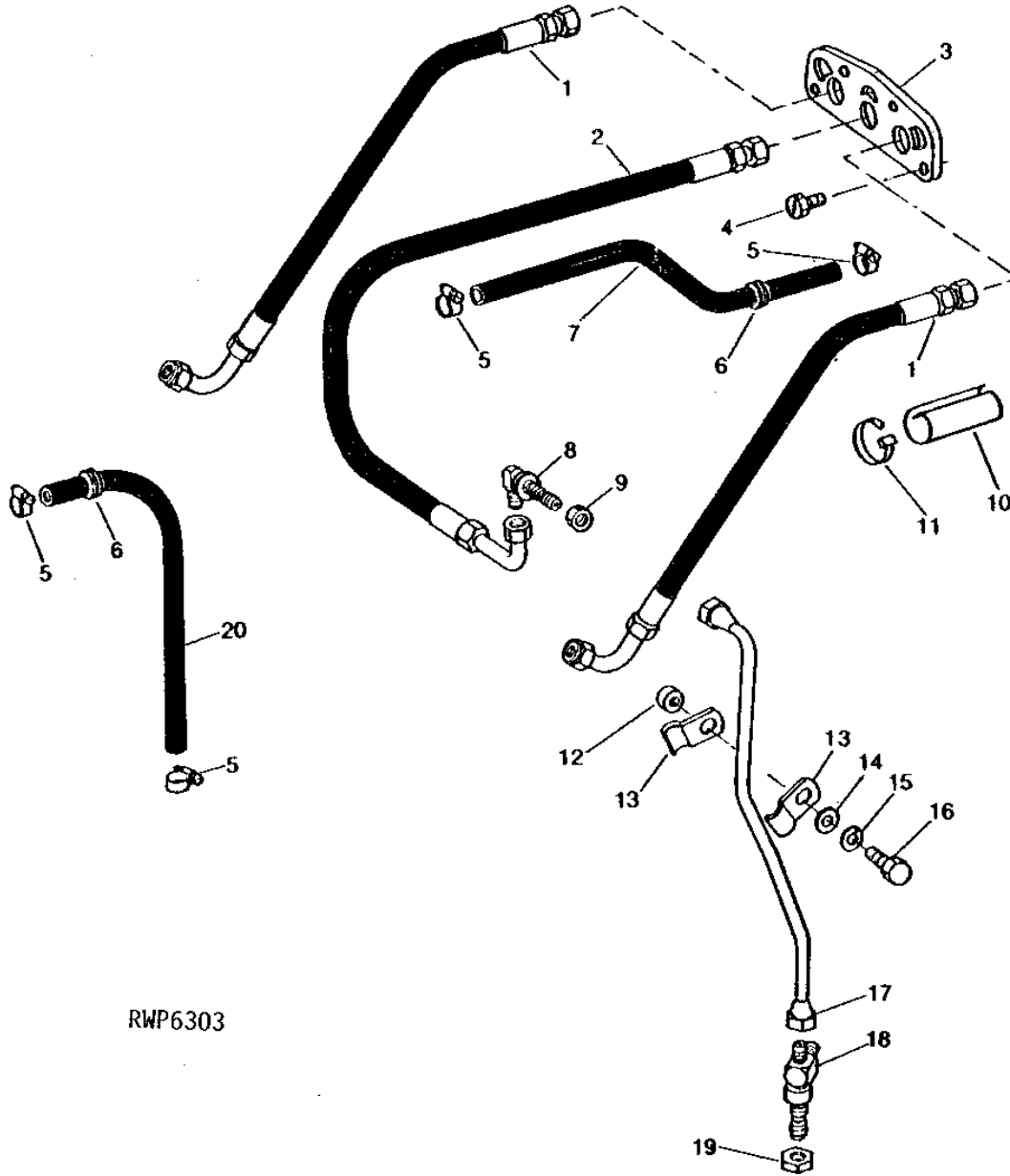
KEY	PART NO.	PART NAME	QTY	MODEL NO.	REMARKS
1	R63673	FITTING	2		
2	R29936	O-RING	2		
3	R227R	SPRING	1		
4	R55458	GUIDE	1		
5	R42849	BALL	3		10 MM (3/8")
6	R55789	SPRING	2		
7	R26448	O-RING	7		
8	R27218	FITTING PLUG	2		
9	R59822	VALVE SEAT	2		
10	R28782	O-RING	2		
11	R26552	BALL	2		7 MM (5/16")
12	R26367	SPRING	1		
13	R27212	FITTING	4		
14	AR90611	VALVE	1	39SV1-	(SUB FOR AR72338)

# 4C9

STEERING AND BRAKES

RWP6303 -UN-01JAN94

REAR STEERING OIL LINES AND HOSES  
(TRACTOR SERIAL NO. 019559- )



RWP6303



# 4C10

STEERING AND BRAKES

REAR STEERING OIL LINES AND HOSES - CONTINUED  
(TRACTOR SERIAL NO. 019559- )

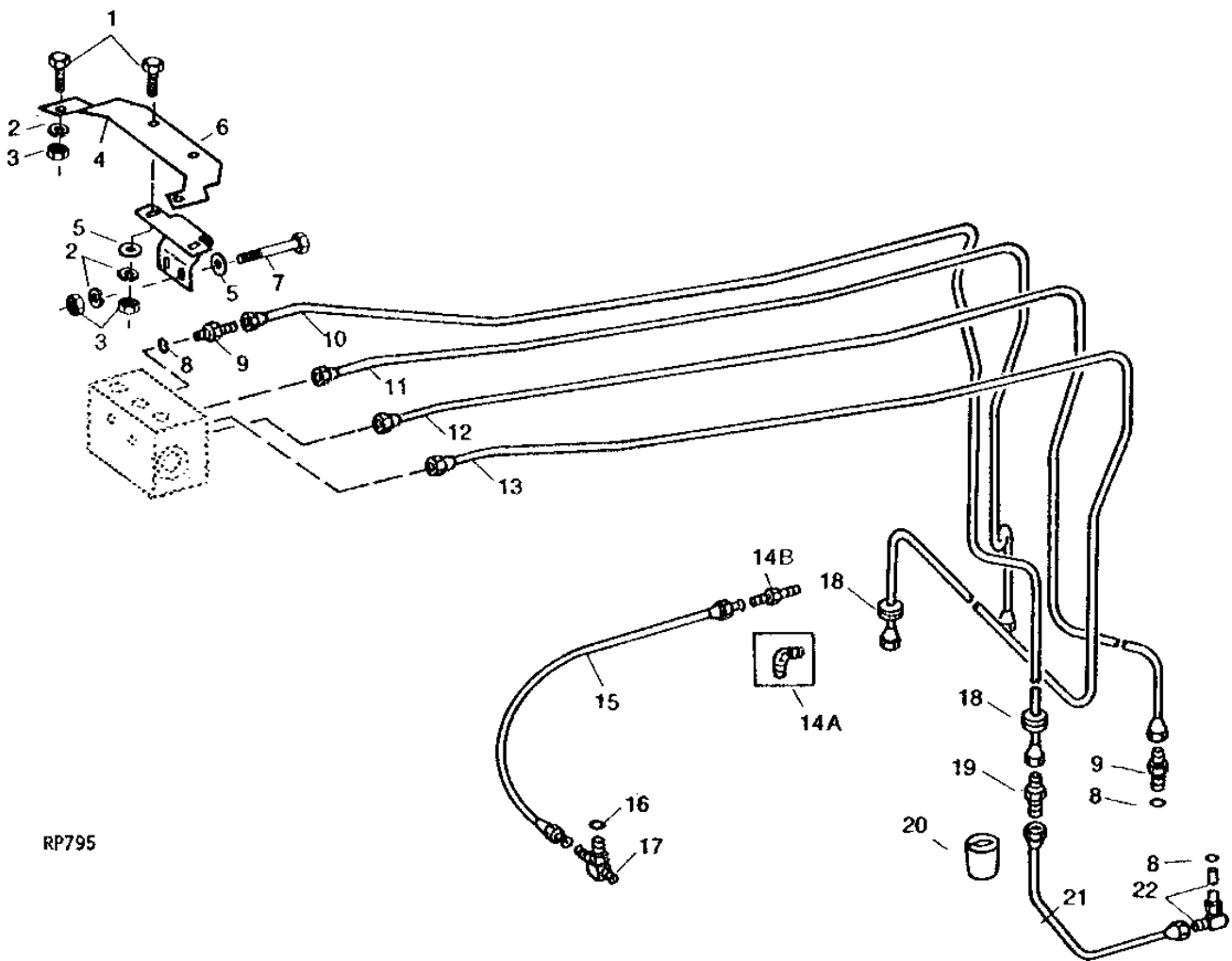
KEY	PART NO.	PART NAME	QTY	TRACTOR SERIAL NO.	REMARKS
1	AR67565	HYDRAULIC HOSE	2		
2	AR85229	HOSE	1		(SUB FOR AR67566)
3	R65849	GROMMET	1		(SUB FOR R56646)
4	37H27	SCREW	4		5/16" X 7/8"
5	AR77962	CLAMP	4		
6	R60831	GROMMET	2		
7	R55824	HYDRAULIC HOSE	1		
8	AR70866	ELBOW FITTING	1		
9	R27296	NUT	1		
10	R62880	FOAM PAD	3		(SEALING LINES TO BULKHEAD) (NO LONGER AVAILABLE)
11	R44302	TIE BAND	3		
12	28H1519	WASHER	1		0.493" X 0.675" X 3/8"
13	R34933	CLAMP	2		
14	24M7096	WASHER	1		10.500 X 18 X 1.600 MM
15	12H304	LOCK WASHER	1		3/8"
16	19H1731	CAP SCREW	1		3/8" X 1"
17	AR56646	HYDRAULIC LINE	1		(LESS DIFFERENTIAL LOCK)
	AR57084	HYDRAULIC LINE	1		(DIFFERENTIAL LOCK)
18	AR64094	TEE FITTING	1		
19	R26572	NUT	1		
20	R57757	HOSE	1	-033099	(QUAD-RANGE OR SYNCRO-RANGE)
	R57758	HOSE	1	-033099	(POWER SHIFT)
	R65687	HOSE	1	033100-	(SUB FOR R62175)
..	R44302	TIE BAND	AR		

# 4C11

STEERING AND BRAKES

## FRONT STEERING UPPER AND LOWER OIL LINES AND BRACKETS (ADJUSTABLE FRONT AXLE) (TRACTOR SERIAL NO. 019559- )

RP795 -UN-01JAN94



RP795

# 4C12

STEERING AND BRAKES

FRONT STEERING UPPER AND LOWER OIL PIPES AND BRACKETS - CONTINUED  
 (ADJUSTABLE FRONT AXLE)  
 (TRACTOR SERIAL NO. 019559- )

KEY	PART NO.	PART NAME	QTY	TRACTOR SERIAL NO.	REMARKS
1	19H2284	CAP SCREW	4	(A) 3/8" X 7/8"	
	19H2284	CAP SCREW	2	3/8" X 7/8"	
2	12H304	LOCK WASHER	6	(A) 3/8"	
	12H304	LOCK WASHER	4	3/8"	
3	14H1076	NUT	6	(A) 3/8"	
	14H1076	NUT	4	3/8"	
4	R52076	BRACKET	1	(A)	
5	24H1305	WASHER	4	13/32" X 13/16" X 0.065"	
6	R56636	SUPPORT	1		
7	19H2023	CAP SCREW	2	3/8" X 3-1/4"	
8	R26448	O-RING	8		
9	R27212	FITTING	6		
10	AR67574	HYDRAULIC LINE	1		
11	AR67573	HYDRAULIC LINE	1		
12	AR67572	HYDRAULIC LINE	1		
13	AR67575	HYDRAULIC LINE	1		
14A	AR74095	ELBOW FITTING	1	-XXXXXX	(SUB FOR T28051) (SUB R39832, THIS APPLICATION)
14B	R39832	ADAPTER	1	XXXXXX-	(SUB FOR AR74095, THIS APPLICATION)
15	AR56065	HYDRAULIC LINE	1		
16	R26287	O-RING	1		
17	AR56615	TEE FITTING	1		
18	R41440	GROMMET	2		
19	R27095	FITTING	2		
20	R56664	GROMMET	2		
21	AR67571	HYDRAULIC LINE	2		
22	AR67562	ELBOW FITTING	2	-024830	
	AT35121	ELBOW FITTING	1	024831-	(SUB FOR AR26725)
..	AR21969	KIT	1		

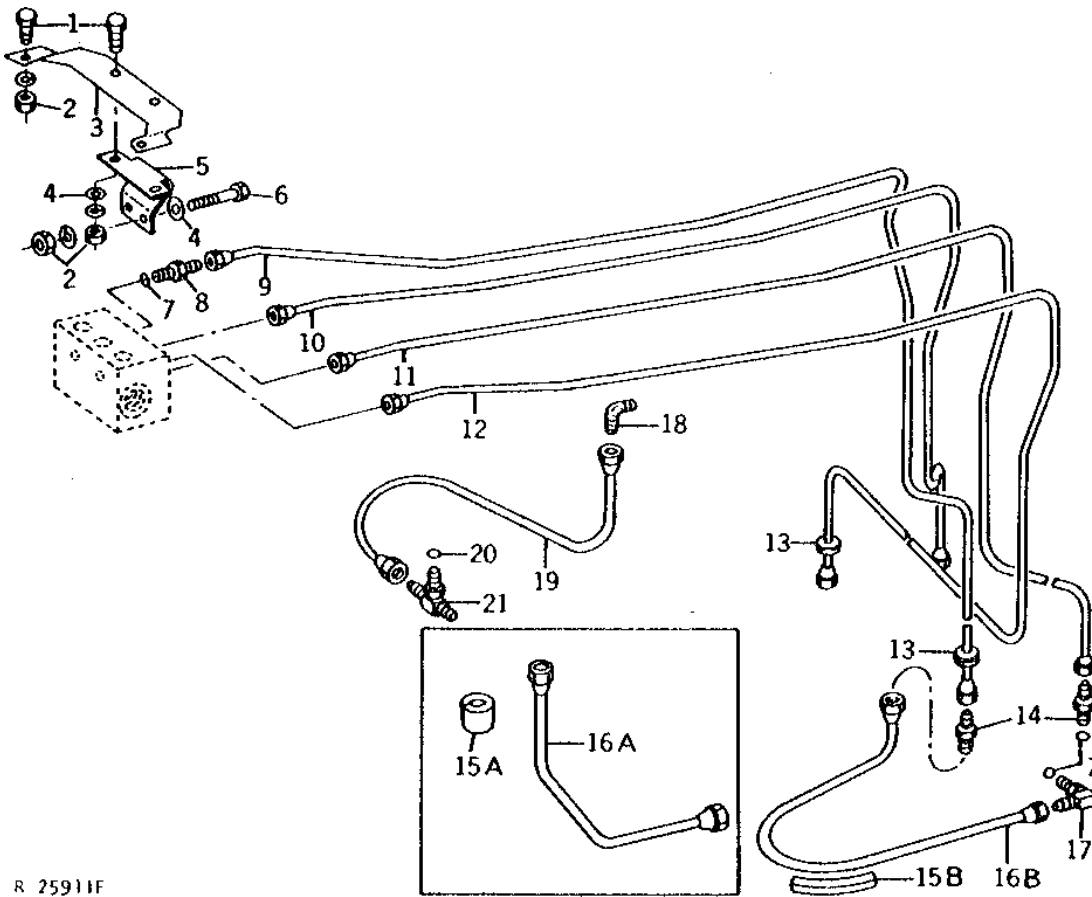
(A) LESS SOUND-GARD BODY

# 4C13

STEERING AND BRAKES

## FRONT STEERING UPPER AND LOWER OIL PIPES AND BRACKETS (CONVERTIBLE FRONT AXLE) (TRACTOR SERIAL NO. 019559- )

R25911 -UN-01JAN94



R 25911F

# 4C14

STEERING AND BRAKES

FRONT STEERING UPPER AND LOWER OIL PIPES AND BRACKETS - CONTINUED  
(CONVERTIBLE FRONT AXLE)  
(TRACTOR SERIAL NO. 019559- )

KEY	PART NO.	PART NAME	QTY	TRACTOR SERIAL NO.	REMARKS
1	19H2284	CAP SCREW	4	(A) 3/8" X 7/8"	
	19H2284	CAP SCREW	2	3/8" X 7/8"	
2	14H1076	NUT	6	(A) 3/8"	
	14H1076	NUT	4	3/8"	
	12H304	LOCK WASHER	6	(A) 3/8"	
	12H304	LOCK WASHER	4	3/8"	
3	R52076	BRACKET	1	(A)	
4	24H1305	WASHER	4	13/32" X 13/16" X 0.065"	
5	R56636	SUPPORT	1		
6	19H2023	CAP SCREW	2	3/8" X 3-1/4"	
7	R26448	O-RING	8		
8	R27212	FITTING	6		
9	AR67574	HYDRAULIC LINE	1		
10	AR67573	HYDRAULIC LINE	1		
11	AR67572	HYDRAULIC LINE	1		
12	AR67575	HYDRAULIC LINE	1		
13	R41440	GROMMET	2		
14	R27095	FITTING	2		
15A	R56664	GROMMET	2	019559-024883	
15B	R61348	HOSE	2	024884-	
	R44302	TIE BAND	AR	024884-	
16A	AR67571	HYDRAULIC LINE	2	019559-024883	
16B	AR74356	HYDRAULIC LINE	1	024884-	R.H.
	AR74357	HYDRAULIC LINE	1	024884-	L.H.
17	AR67562	ELBOW FITTING	2		
18	AR74095	ELBOW FITTING	1		(SUB FOR T28051)
19	AR56065	HYDRAULIC LINE	1		
20	R26287	O-RING	1		
21	AR56615	TEE FITTING	1		
..	AR21969	KIT	1		

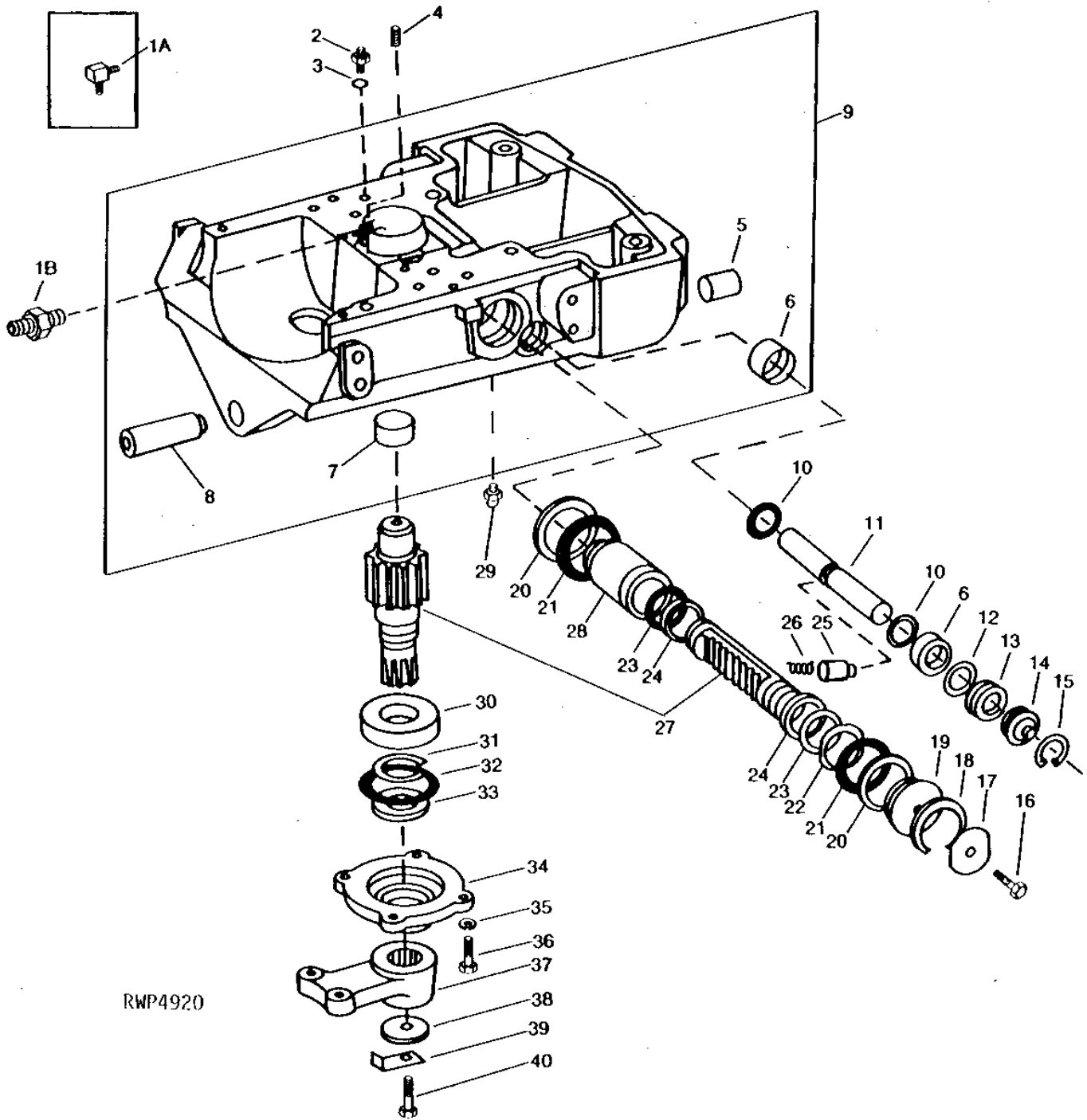
(A) LESS SOUND-GARD BODY

# 4C15

STEERING AND BRAKES

STEERING MOTOR  
(ADJUSTABLE FRONT AXLE)  
(TRACTOR SERIAL NO. 019559- )

RWP4920 -UN-01JAN94



RWP4920

# 4C16

STEERING AND BRAKES

**STEERING MOTOR - CONTINUED**  
**(ADJUSTABLE FRONT AXLE)**  
**(TRACTOR SERIAL NO. 019559- )**

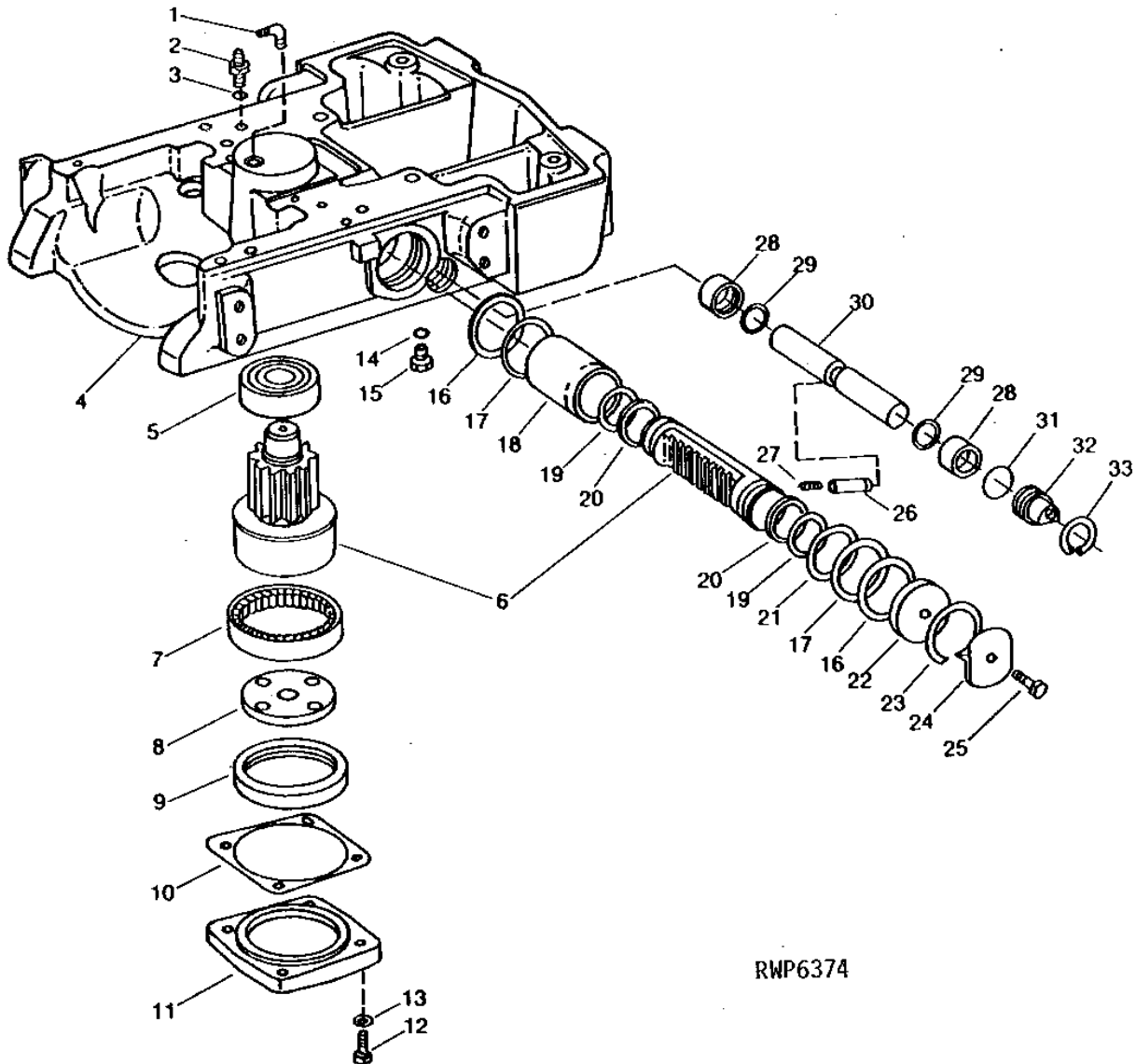
KEY	PART NO.	PART NAME	QTY	TRACTOR SERIAL NO.	REMARKS
1A	AR74095	ELBOW FITTING	1	-XXXXXX	(SUB FOR T28051) (SUB R39832, THIS APPLICATION)
1B	R39832	ADAPTER	1	XXXXXX-	(SUB FOR AR74095, THIS APPLICATION)
2	R27212	FITTING	2		
3	R26448	O-RING	2		
4	15H558	PIPE PLUG	1		1/8"
5	R65827	BUSHING	1		(SUB FOR R51376, THIS APPLICATION)
6	R55409	SHAFT	2	-027103	(USE WITH R54760)
	R61316	SLEEVE	2	027104-	(USE WITH R61314 OR R66153)
7	R28277	BUSHING	1		
8	R51798	BUSHING	1		
9	AR87108	SUPPORT	1		(MARKED R54810, R61314, R66153 OR R67032) (SUB FOR AR63326) (SUB AR90721, THIS APPLICATION)
10	U10289	O-RING	2		
11	R55196	PISTON	1		
12	R31378	O-RING	2		
13	R71095	WASHER	2		(SUB FOR R65699)
14	R61511	PLUG	2		(SUB FOR R55407, THIS APPLICATION)
15	R55408	WEAR RING	2		
16	19H1800	CAP SCREW	2		3/8" X 1-1/2"
17	R51120	WASHER	2		
18	R49805	SNAP RING	2		
19	R68284	PLUG	2		(SUB FOR R50275)
20	R49975	BACK-UP RING	4		
21	R41721	O-RING	4		
22	R49804	LOCK WASHER	2		
23	R65541	WASHER	2		(ALSO ORDER R65542) (SUB FOR R61909 OR R26863, THIS APPLICATION)
24	R65542	WASHER	2		(ALSO ORDER R65541) (SUB FOR R61910 OR R49976, THIS APPLICATION)
25	R69389	PIN	1		(SUB FOR R59543)
26	R41770	SPRING	1		
27	AR70457	KIT	1		(MATCHED SET)
28	R63001	SLEEVE	2		(SUB FOR R50276)
29	JD7798	LUBRICATION FITTING	1		
30	JD9320	BALL BEARING	1		
31	F1334R	SNAP RING	1		
32	C11884	O-RING	1		
33	AT49215	SEAL	1		(SUB FOR T19802)
34	R50104	QUILL	1		
35	12H304	LOCK WASHER	4		3/8"
36	19H1800	CAP SCREW	4		3/8" X 1-1/2"
37	R50074	ARM	1	-029294	(SUB R61158)
	R61158	STEERING ARM	1	029295-	
	R52793	STEERING ARM	1		(POWER FRONT WHEEL DRIVE)
38	R20136	WASHER	1		
39	R50075	LOCK PLATE	1		
40	19H1782	CAP SCREW	1		3/4" X 2-1/4"

# 4C17

STEERING AND BRAKES

STEERING MOTOR  
(CONVERTIBLE FRONT AXLE)  
(TRACTOR SERIAL NO. 015995- )

RWP6374 -UN-01JAN94



RWP6374



# 4C18

STEERING AND BRAKES

**STEERING MOTOR - CONTINUED  
(CONVERTIBLE FRONT AXLE)  
(TRACTOR SERIAL NO. 015995- )**

KEY	PART NO.	PART NAME	QTY	TRACTOR SERIAL NO.	REMARKS
1	AR74095	ELBOW FITTING	1		(SUB FOR T28051)
2	R27212	FITTING	2		
3	R26448	O-RING	2		
4	AR64961	SUPPORT	1		(MARKED R54820, R61315 OR R66154) (SUB AR90722, (2) R69478, (2) R69480, (2) R26543, (2) R69482 AND (2) 19H1978)
5	JD9439	BALL BEARING	1		
6	AR87604	SPINDLE	1		(MATCHED SET) (SUB FOR AR70600)
7	JD9930	ROLLER BEARING	1		
8	R67295	WASHER	1		
9	AR58512	SEAL	1		(ALSO ORDER R67295) (SUB AR92557)
10	R100337	GASKET	1		(SUB FOR R51472)
11	R51471	QUILL	1		
12	19H2929	SCREW	4		3/8" X 1.120"
13	12H304	LOCK WASHER	4		3/8"
14	R26448	O-RING	2		
15	R27218	FITTING PLUG	2		
16	R49975	BACK-UP RING	4		
17	R41721	O-RING	4		
18	R63001	SLEEVE	2		(SUB FOR R50276)
19	R65541	WASHER	2		(ALSO ORDER R65542) (SUB FOR R61909 OR R26863, THIS APPLICATION)
20	R65542	WASHER	2		(ALSO ORDER R65541) (SUB FOR R61910 OR R49976, THIS APPLICATION)
21	R49804	LOCK WASHER	2		
22	R68284	PLUG	2		(SUB FOR R50275)
23	R49805	SNAP RING	2		
24	R51120	WASHER	2		
25	19H1800	CAP SCREW	2		3/8" X 1-1/2"
26	R69389	PIN	1		(SUB FOR R59543)
27	R41770	SPRING	1		
28	R55409	SHAFT	2	-027103	(USE WITH R54820)
	R61316	SLEEVE	2	027104-	(USE WITH R61315 OR R66154)
29	U10289	O-RING	2		
30	R55196	PISTON	1		
31	R31378	O-RING	2		
32	R61271	PLUG	2		(SUB FOR R55407, THIS APPLICATION)
33	R55408	WEAR RING	2		

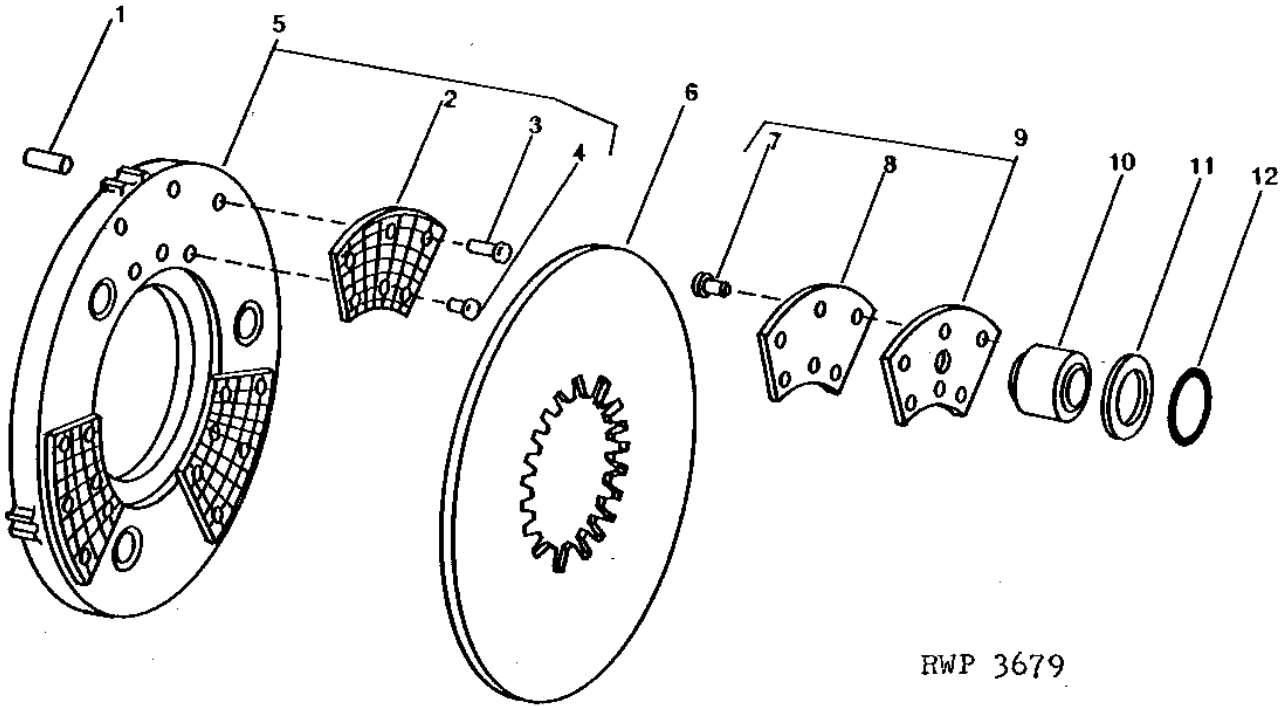
# 4C19

STEERING AND BRAKES

RWP3679

-UN-01JAN94

BRAKE PLATES AND FACINGS



# 4C20

STEERING AND BRAKES

## BRAKE PLATES AND FACINGS - CONTINUED

KEY	PART NO.	PART NAME	QTY	TRACTOR SERIAL NO.	REMARKS
1	R65543	DOWEL PIN	6		(SUB FOR R33024)
2	R90085	BRAKE SHOE	6		(A) (SUB FOR AR28487) (SUB RE46332, (3) RE46328 AND R85708)
	R90085	BRAKE SHOE	6		(A) (C) (SUB FOR AR28487) (SUB RE46332, (3) RE46328 AND R97799)
	R90085	BRAKE SHOE	6		(A) (D) (SUB FOR AR28487) (SUB RE46339 AND (3) RE46328)
	R90086	BRAKE SHOE	6		(B) (SUB FOR AR28488) (SUB RE46332, (3) RE46328 AND R85708)
	R90086	BRAKE SHOE	6		(B) (C) (SUB FOR AR28488) (SUB RE46332, (3) RE46328 AND R97799)
	R90086	BRAKE SHOE	6		(B) (D) (SUB FOR AR28488) (SUB RE46339 AND (3) RE46328)
3	R26301	RIVET	18		(D)
	D1761R	RIVET	18		(USE WITH R40153 OR R59931)
	D2593R	RIVET	18		(USE WITH R50585, R59934 OR R60116)
	D2593R	RIVET	18		(D)
4	R708R	RIVET	18		
5	AR66749	BRAKE DISK	2		(MARKED R40153, R50585, R59931, R59934 OR R60116) (SUB FOR AR40024 OR AR72373) (SUB RE46332, (3) RE46328 AND R85708)
	AR66749	BRAKE DISK	2		(C) (MARKED R40153, R50585, R59931, R59934 OR R60116) (SUB FOR AR40024 OR AR72373) (SUB RE46332, (3) RE46328 AND R97799)
	AR34591	PLATE	2		(D) (MARKED R34833) (SUB RE46339 AND (3) RE46328)
6	R78430	DISK	2		(SUB FOR R48476 OR R45781) (SUB RE46332, (3) RE46328 AND R85708)
	R56734	BRAKE DISK	2	015453-035649	(SUB RE46332, (3) RE46328 AND R97799)
	R62686	BRAKE DISK	2	035650-	(C) (USE WITH R62685 OR R67198) (SUB RE46332, (3) RE46328 AND R97799)
	R51614	BRAKE DISK	2		(D)
7	D1761R	RIVET	36		
8	R90085	BRAKE SHOE	6		(A) (SUB FOR AR28487) (SUB RE46332, (3) RE46328 AND R85708)
	R90085	BRAKE SHOE	6		(A) (C) (SUB FOR AR28487) (SUB RE46332, (3) RE46328 AND R97799)
	R90085	BRAKE SHOE	6		(A) (D) (SUB FOR AR28487) (SUB RE46339 AND (3) RE46328)
	R90086	BRAKE SHOE	6		(B) (USE WITH AR32243) (SUB FOR AR28487) (SUB RE46332, (3) RE46328 AND R85708)
	R90086	BRAKE SHOE	6		(B) (C) (SUB FOR AR28488) (SUB RE46332, (3) RE46328 AND R97799)
	R90086	BRAKE SHOE	6		(B) (D) (SUB FOR AR28488) (SUB RE46339 AND (3) RE46328)
9	AR32441	PLATE	6		(A) (SUB RE46332, (3) RE46328 AND R85708)
	AR32441	PLATE	6		(A) (C) (SUB RE46332, (3) RE46328 AND R97799)
	AR32441	PLATE	6		(A) (D) (SUB RE46339 AND (3) RE46328)
	AR32243	PLATE	6		(B) (SUB RE46332, (3) RE46328 AND R85708)
	AR32243	PLATE	6		(B) (C) (SUB RE46332, (3) RE46328 AND R97799)
	AR32243	PLATE	6		(B) (D) (SUB RE46339 AND (3) RE46328)
10	R48240	PISTON	6		
11	R26364	WASHER	6		
12	R26863	O-RING	6		

- (A) USE WITH R60116 OR 62 MM (2-7/16") WIDE PRESSURE PLATE
- (B) USE WITH R59931, R40153, R34833 OR 76 MM (3") WIDE PRESSURE PLATE
- (C) 51 MM FINAL DRIVE
- (D) HI-CROP

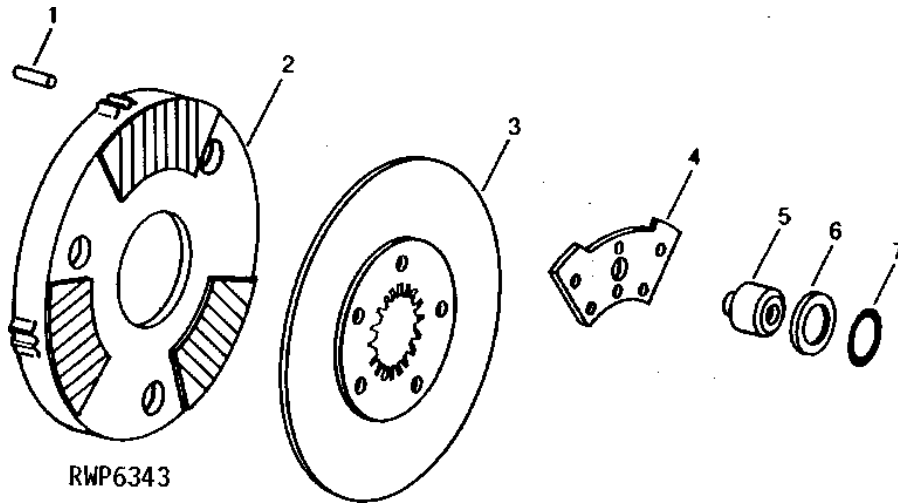
NOTE: THREE PART SUBS ARE DUE TO INTRODUCTION OF NON-ASBESTOS LININGS. (SEE FOLLOWING PAGE)

# 4C21

STEERING AND BRAKES

RWP6343 -UN-01JAN94

## BRAKE PLATES AND FACINGS



KEY	PART NO.	PART NAME	QTY	TRACTOR SERIAL NO.	REMARKS
1	R65543	DOWEL PIN	6		
2	RE46332	PLATE	2		(MARKED R97786) (SUB FOR RE33013)
	RE46339	PLATE	2		(A) (MARKED R34833) (SUB FOR RE39951)
3	R85708	BRAKE DISK	2		
	R97799	BRAKE DISK	2		(B)
	R51614	BRAKE DISK	2		(A)
4	RE46328	PLATE	6		(SUB FOR RE32681)
5	R48240	PISTON	6		
6	R26364	WASHER	6		
7	R26863	O-RING	6		

(A) HI-CROP  
(B) 51 MM FINAL DRIVE

---

MEMORANDA

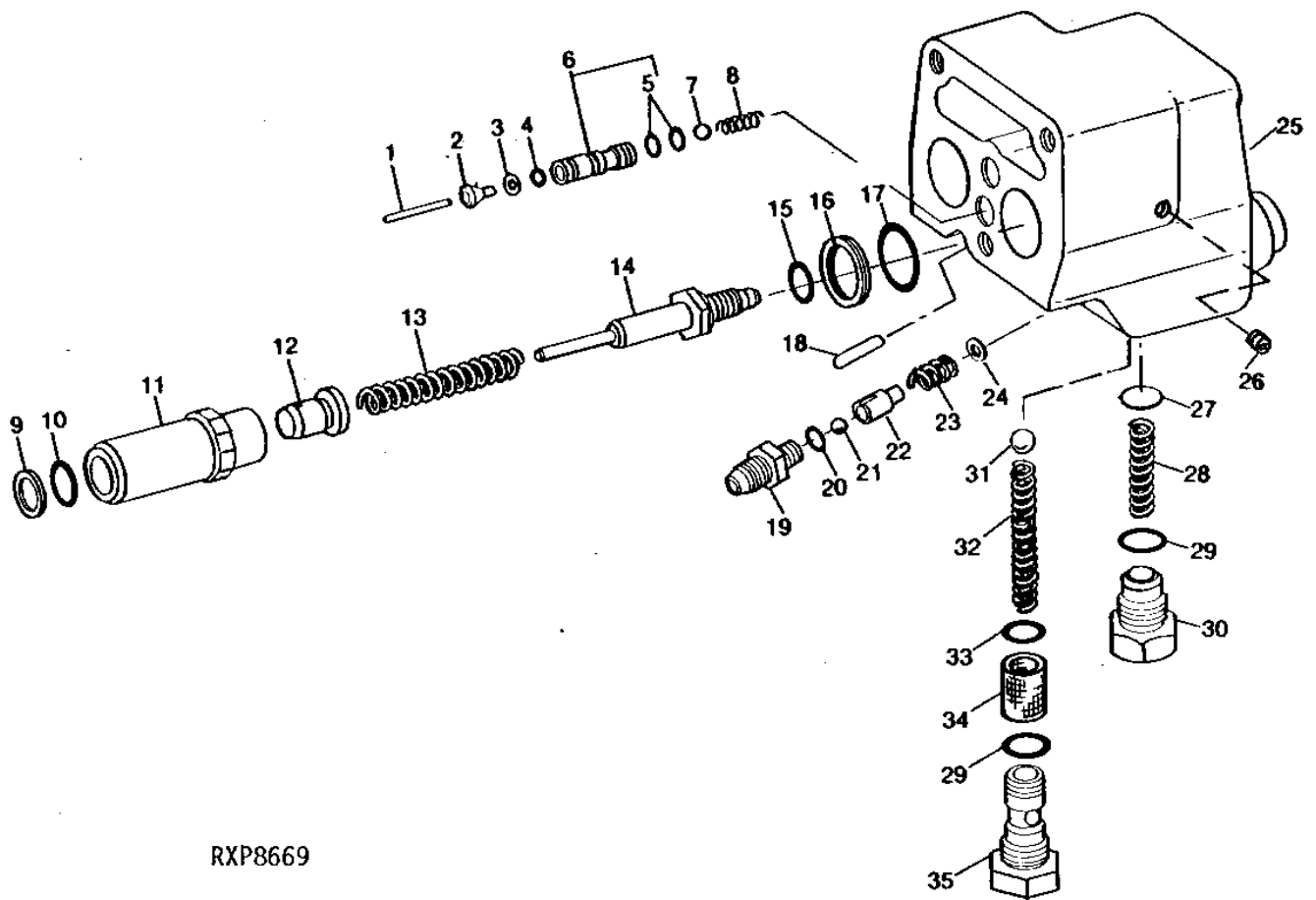
# 4C22

STEERING AND BRAKES

RXP8669

-UN-01JAN94

BRAKE VALVE



RXP8669

# 4C23

STEERING AND BRAKES

## BRAKE VALVE - CONTINUED

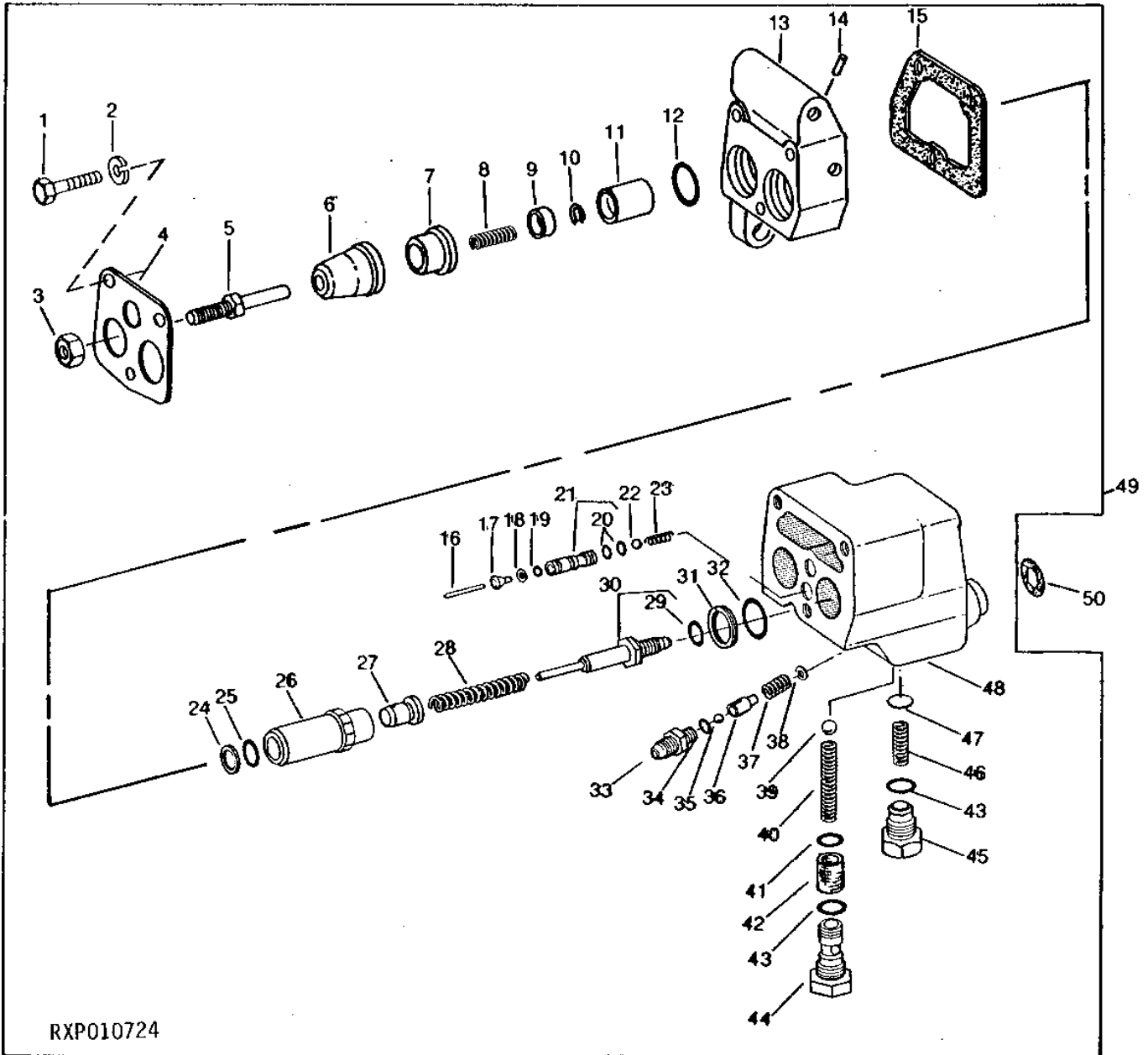
KEY	PART NO.	PART NAME	QTY	TRACTOR SERIAL NO.	REMARKS
1	R31467	PIN	2		
2	R31465	SLEEVE	2		
3	R31469	SHIM	2		
4	R31468	O-RING	2		
5	R30903	O-RING	4		
6	AR31016	GUIDE	2		
7	400R	BALL	2		
8	A4816R	SPRING	2		
9	R32092	WASHER	2		
10	R459R	O-RING	2		
11	R32091	PISTON	2		
12	R32090	PLUNGER	2		
13	R26369	SPRING	2		
14	AR52497	VALVE	2		
15	R26286	O-RING	2		
16	R27137	BACK-UP RING	2		
17	R27149	O-RING	2		
18	R31464	PIN	2		
19	R36742	COUPLING	1		
20	R26287	O-RING	1		
21	400R	BALL	1		
22	R44254	GUIDE	1		
23	R44256	SPRING	1		
24	R44255	WASHER	1		
25	AR56106	HOUSING	1		(MARKED R51847 OR R57742) (INCLUDES (3) 15H560)
	15H560	PIPE PLUG	3		1/16"
26	15H560	PIPE PLUG	3		1/16"
27	R26376	DISK	2		
28	R227R	SPRING	2		
29	R26375	O-RING	3		
30	R32702	FITTING	2		
31	R42849	BALL	1		
32	R26372	SPRING	1		
33	R28776	O-RING	1		
34	R42684	STRAINER	1		
35	R28774	FITTING	1		

# 4C24

STEERING AND BRAKES

RXP010724 -UN-01JAN94

BRAKE VALVE



RXP010724



# 4C25

## STEERING AND BRAKES

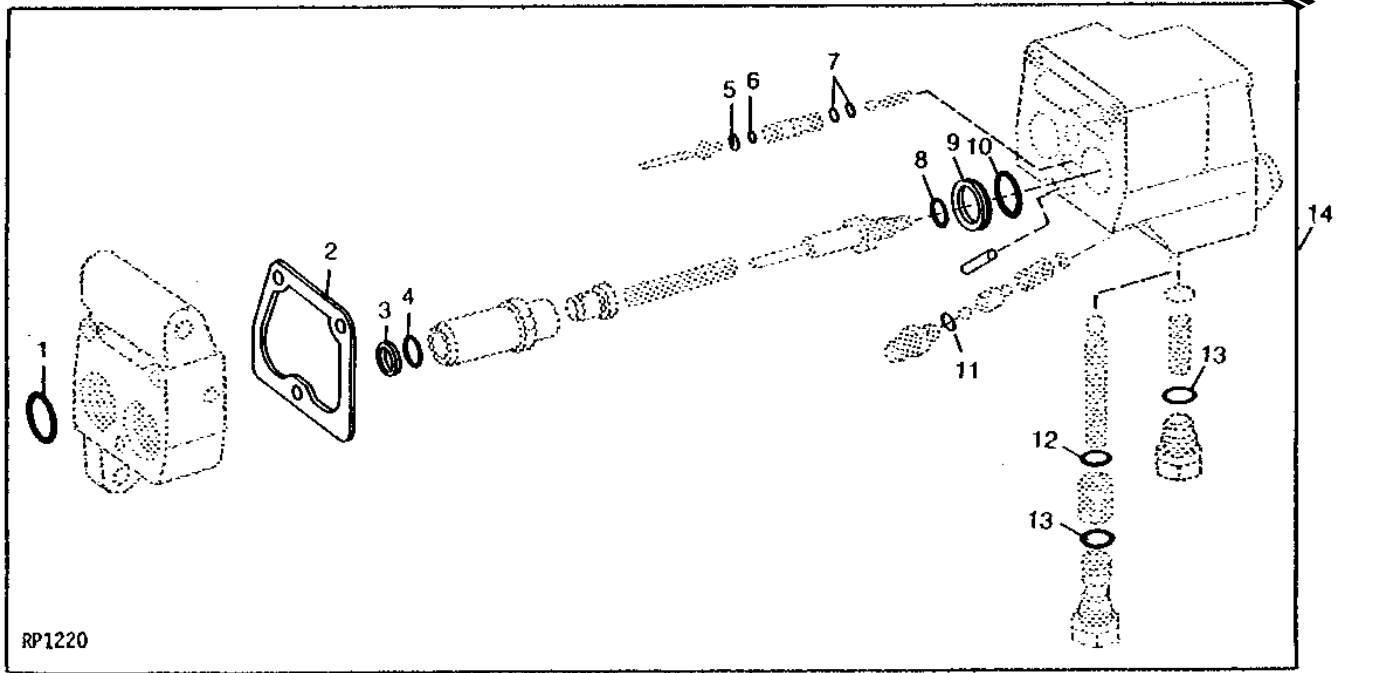
KEY	PART NO.	PART NAME	QTY	TRACTOR SERIAL NO.	REMARKS
1	19H1733	CAP SCREW	3		
2	12H304	LOCK WASHER	3		3/8" X 2-1/2"
3	14H849	NUT	2		3/8"
4	R26384	RETAINER	1		7/16"
5	R52167	ROD	2		
6	R54059	BOOT	2		
7	R31459	RETAINER	2		
8	R31271	SPRING	2		
9	R52168	STOP	2		
10	R53201	SNAP RING	2		
11	R52169	GUIDE	2		
12	A3606R	O-RING	2		
13	R51848	COVER	1		
14	R31464	PIN	2		
15	R31455	GASKET	1		
16	R31467	PIN	2		
17	R31465	SLEEVE	2		
18	R31469	SHIM	2		
19	R31468	O-RING	2		
20	R30903	O-RING	4		
21	AR31016	GUIDE	2		
22	R69281	BALL	2		6 MM (1/4")
23	A4816R	SPRING	2		
24	R32092	WASHER	2		
25	R56464	O-RING	2		
26	R32091	PISTON	2		
27	R32090	PLUNGER	2		
28	R26369	SPRING	2		
29	R26286	O-RING	2		
30	AR52497	VALVE	2		
31	R27137	BACK-UP RING	2		
32	R27149	O-RING	2		
33	R36742	COUPLING	1		
34	R26287	O-RING	1		
35	R69281	BALL	1		6 MM (1/4")
36	R44254	GUIDE	1		
37	R44256	SPRING	1		
38	R44255	WASHER	1		
39	R42849	BALL	1		10 MM (3/8")
40	R26372	SPRING	1		
41	R28776	O-RING	1		
42	R42684	STRAINER	1		
43	R26375	O-RING	3		
44	R28774	FITTING	1		
45	R32702	FITTING	2		
46	R227R	SPRING	2		
47	R26376	DISK	2		
48	AR56106	HOUSING	1		(MARKED R57742) (INCL (3) 15H560)
	15H560	PIPE PLUG	3		
49	R51849	SPACER	2		
50	AR59280	VALVE	1		

# 4D1

STEERING AND BRAKES

RP1220 -UN-01JAN94

## BRAKE VALVE OVERHAUL KIT



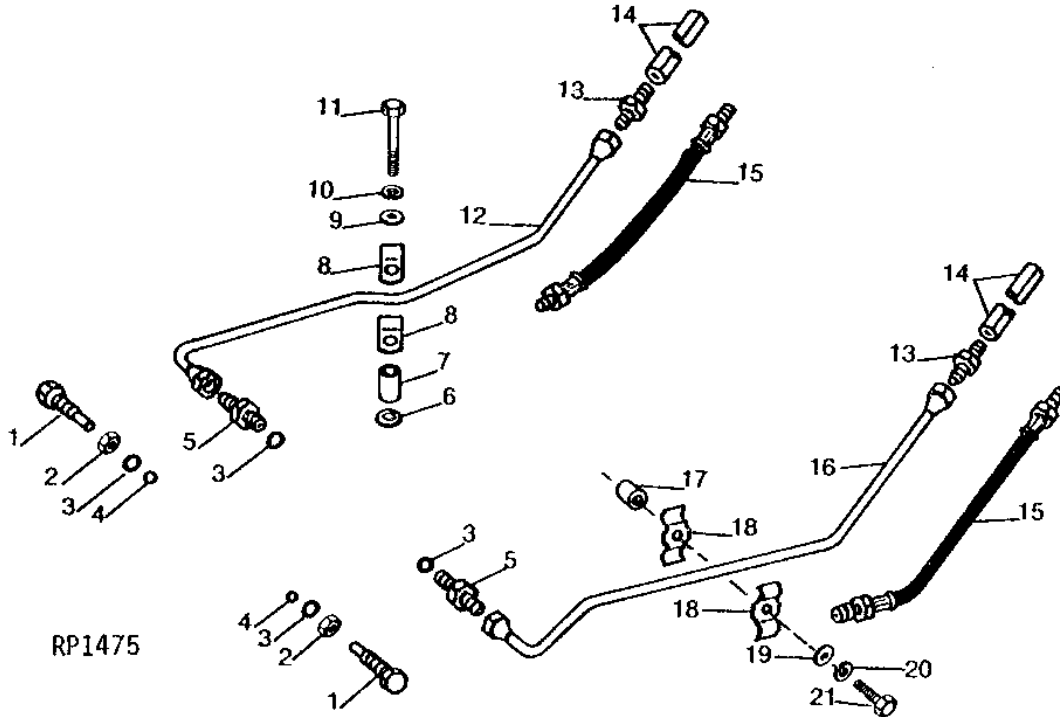
KEY	PART NO.	PART NAME	QTY	TRACTOR SERIAL NO.	REMARKS
1	A3606R	O-RING	2		
2	R31455	GASKET	1		
3	R32092	WASHER	2		
4	R495R	O-RING	2		
5	R31469	SHIM	2		
6	R31468	O-RING	2		
7	R30903	O-RING	4		
8	R26286	O-RING	2		
9	R27137	BACK-UP RING	2		
10	R27149	O-RING	2		
11	R26287	O-RING	1		
12	R28776	O-RING	1		
13	R26375	O-RING	3		
14	AR31946	KIT	1		

# 4D2

STEERING AND BRAKES

RP1475 -UN-01JAN94

## BRAKE REAR OIL LINES



KEY	PART NO.	PART NAME	QTY	TRACTOR SERIAL NO.	REMARKS
1	RE42567	BLEED SCREW	2		(SUB FOR R27906)
2	R27296	NUT	2		
3	R26286	O-RING	4		
4	R42849	BALL	2		
5	R27272	FITTING	2		
6	A4624R	WASHER	1		
7	28H1495	SPACER	1	3/8" X 1"	
8	R42357	CLAMP	2		
9	24M7096	WASHER	1	10.500 X 18 X 1.600 MM	
10	12H304	LOCK WASHER	1	3/8"	
11	19H1801	CAP SCREW	1	3/8" X 2"	
12	AR56817	HYDRAULIC LINE	1		
	AR56820	HYDRAULIC LINE	1	(A)	
13	R50201	FITTING	2		
14	.....	HOSE	2		57MM (2-1/4") (MAKE FROM TY22328) (SUB FOR R45847)
	R44302	TIE BAND	2		
15	AR56821	OIL LINE	2	-033729	(A) (SUB AR78972)
	AR78972	HYDRAULIC HOSE	2	033730-	(A)
16	AR56816	HYDRAULIC LINE	1		
	AR66805	HYDRAULIC LINE	1		(A) (SUB FOR AR56819)
17	28H1524	SPACER	1	3/8" X 7/8"	
18	R42009	CLAMP	2		(DIFFERENTIAL LOCK)
	R57549	CLAMP	2		(LESS DIFFERENTIAL LOCK) (SUB FOR R47687)
19	24M7096	WASHER	1	10.500 X 18 X 1.600 MM	
20	12H304	LOCK WASHER	1	3/8"	
21	19H1765	CAP SCREW	1	3/8" X 1-3/4"	
..	AR21969	KIT	1		PLUG ASSORTMENT

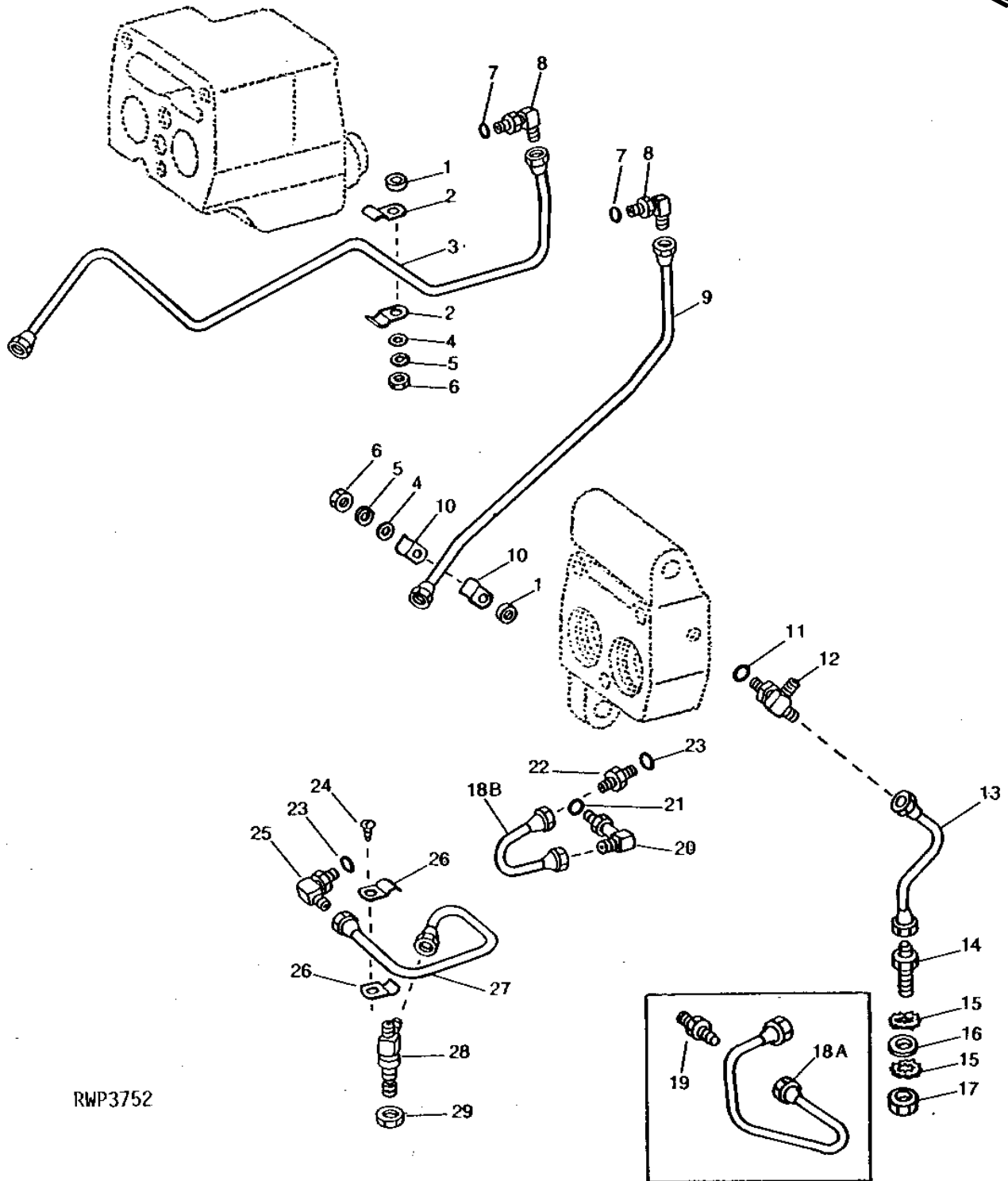
(A) SOUND-GARD BODY

# 4D3

STEERING AND BRAKES

RWP3752 -UN-01JAN94

## BRAKE OIL LINES



RWP3752

# 4D4

STEERING AND BRAKES

## BRAKE OIL LINES - CONTINUED

KEY	PART NO.	PART NAME	QTY	TRACTOR SERIAL NO.	REMARKS
1	28H1517	WASHER	3		0.493" X 0.675" X 1/4"
2	R57549	CLAMP	4		
3	AR56813	HYDRAULIC LINE	1		
4	24M7096	WASHER	3		10.500 X 18 X 1.600 MM
5	12H304	LOCK WASHER	3		3/8"
6	14H1076	NUT	3		3/8"
7	R26286	O-RING	2		
8	AT32333	ELBOW FITTING	2		(SUB FOR AR26771)
9	AR57019	HYDRAULIC LINE	1		
10	R42357	CLAMP	2		(B)
	R42009	CLAMP	2		(A)
11	R26287	O-RING	1		
12	AR36097	FITTING	1		(A)
	AT32336	ELBOW FITTING	1		(B) (SUB FOR AR36105)
13	AR56814	HYDRAULIC LINE	1		
14	R36040	FITTING	1		
15	12H337	LOCK WASHER	2	030713-	1/2"
16	24H1227	WASHER	1	030713-	17/32" X 13/16" X 0.060"
17	R27296	NUT	1		
18A	AR56815	OIL LINE	1	-026900	(SUB AR74310, AR35710 AND R26286)
18B	AR74310	HYDRAULIC LINE	1	026901-	
19	R27272	FITTING	1	-026900	
20	AR35710	ELBOW FITTING	1	026901-	
21	R26286	O-RING	1		
22	R36742	COUPLING	1		
23	R26287	O-RING	2		
24	37H27	SCREW	1		5/16" X 7/8"
25	AT32335	ELBOW FITTING	1		(SUB FOR AR26746)
26	R52053	CLAMP	2		
27	AR56767	HYDRAULIC LINE	1		
28	AR64094	TEE FITTING	1		(SUB FOR AR56773)
29	R26572	NUT	1		

(A) DIFFERENTIAL LOCK

(B) LESS DIFFERENTIAL LOCK

---

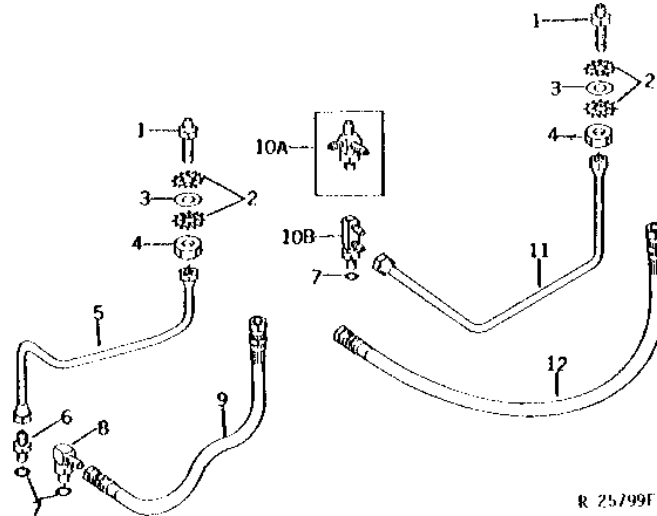
MEMORANDA

# 4D5

STEERING AND BRAKES

R25799 -UN-01JAN94

## BRAKE RETURN OIL LINES



KEY	PART NO.	PART NAME	QTY	TRACTOR SERIAL NO.	REMARKS
1	R36040	FITTING	1		
2	12H337	LOCK WASHER	2	030713-	(E) 1/2"
3	24H1227	WASHER	1	030713-	(E) 17/32" X 13/16" X 0.060"
4	R27296	NUT	1		
5	AR58577	HYDRAULIC LINE	1		(A) (B)
6	R27272	FITTING	1		(A) (B)
7	R26286	O-RING	1		
8	AT32333	ELBOW FITTING	1		(A) (B) (D) (SUB FOR AR26771)
9	AR58663	HYDRAULIC HOSE	1	-030712	(A) (B) (D)
	AR78547	HYDRAULIC HOSE	1	030713-	(A) (B) (D) (SUB FOR AR76507)
	R60831	GROMMET	1	030713-	(D)
10A	AR40689	TEE FITTING	1	-019558	(C)
10B	AR68072	TEE FITTING	1	019559-	(C) (NLA)
11	AR58574	HYDRAULIC LINE	1		(C)
	AR70261	LINE	1		(C) (WITH FOOT SPEED CONTROL) (NLA)
12	AR56822	HYDRAULIC HOSE	1	-030712	(C) (D) (NLA)
	AR78548	HYDRAULIC HOSE	1	030713-	(C) (D) (SUB FOR AR76508)
	R60831	GROMMET	1	030713-	(D)

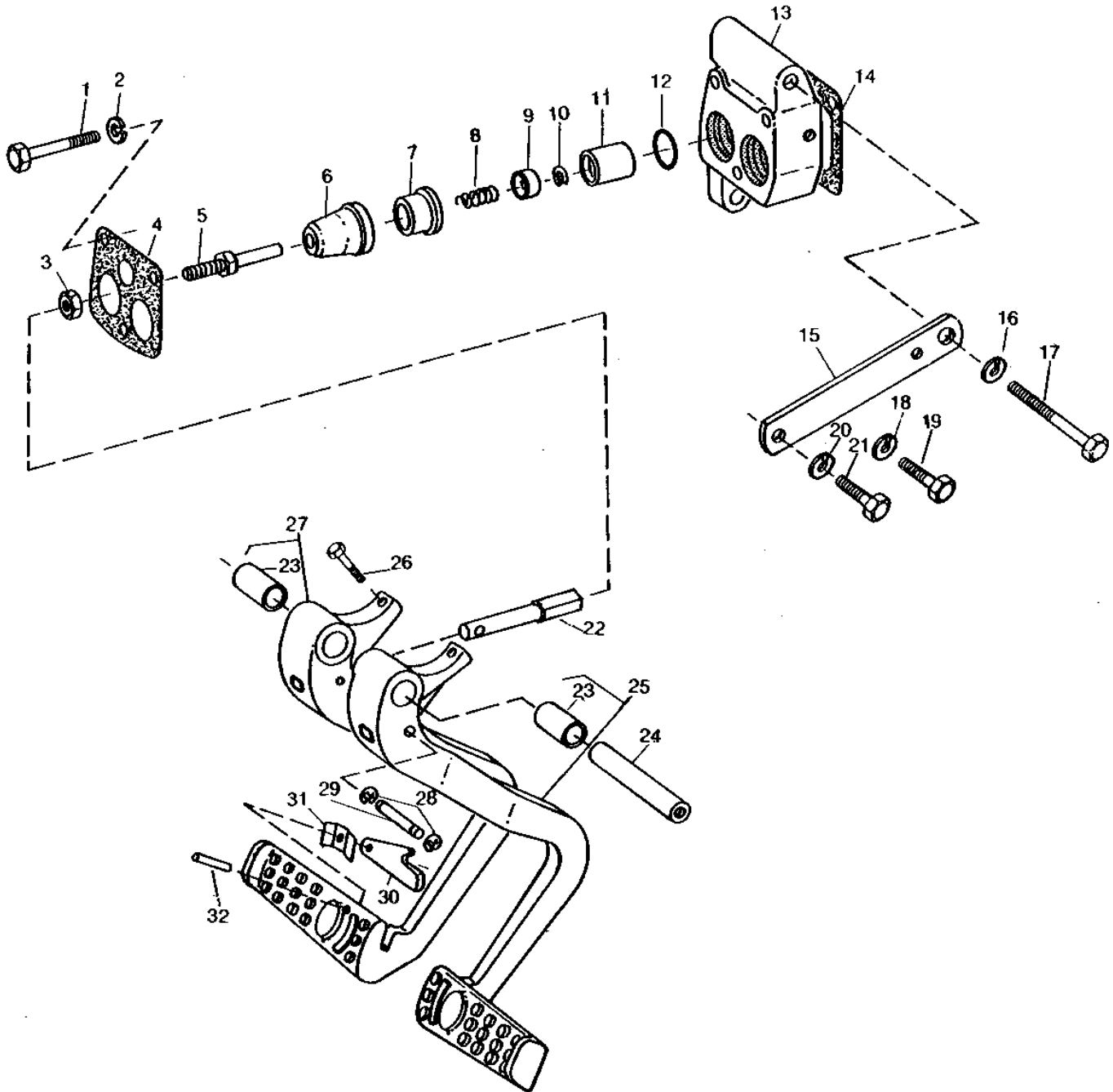
- (A) SYNCRO-RANGE TRANSMISSION
- (B) QUAD-RANGE TRANSMISSION
- (C) POWER SHIFT TRANSMISSION
- (D) SOUND-GARD BODY
- (E) LESS SOUND-GARD BODY

# 4D6

STEERING AND BRAKES

RWP4357 -UN-01JAN94

## BRAKE PEDALS, BRACKETS AND VALVE COVER



RWP4357



# 4D7

STEERING AND BRAKES

## BRAKE PEDALS, BRACKETS AND VALVE COVER - CONTINUED

KEY	PART NO.	PART NAME	QTY	TRACTOR SERIAL NO.	REMARKS
1	19H268	CAP SCREW	3		3/8" X 2-1/2"
2	12H304	LOCK WASHER	3		3/8"
3	14H849	NUT	2		7/16"
4	R26384	RETAINER	1		
5	R52167	ROD	2		
6	R54059	BOOT	2		
7	R31459	RETAINER	2		
8	R31271	SPRING	2		
9	R52168	STOP	2		
10	R53201	SNAP RING	2		
11	R52169	GUIDE	2		
12	A3606R	O-RING	2		
13	R51848	COVER	1		
14	R31455	GASKET	1		
15	R52317	STRAP	1		
16	12H301	LOCK WASHER	1		1/2"
17	19H2211	CAP SCREW	1		1/2" X 5"
18	12H301	LOCK WASHER	1		1/2"
19	19H1721	CAP SCREW	1		1/2" X 1-1/2"
20	12H304	LOCK WASHER	1		3/8"
21	19H1731	CAP SCREW	1		3/8" X 1"
22	R51853	EXTENSION	2		
23	R51192	BUSHING	2		(SUB A1197R)
24	R51852	PIN	1		
25	RE33697	PEDAL	1		(MARKED R51343) (INCLUDES R51192) (SUB FOR AR55671) (SUB RE33696)
26	R30165	CAP SCREW	2		(DIFFERENTIAL LOCK)
27	AR55672	PEDAL	1		(MARKED R51344) (INCLUDES R51192)
28	R72653	SNAP RING	4		(SUB FOR M2396T)
29	R53226	PIN	2		
30	R50879	ARM	1		
31	R50034	LEAF SPRING	1		
32	34H313	SPRING PIN	1		1/4" X 1-1/8"

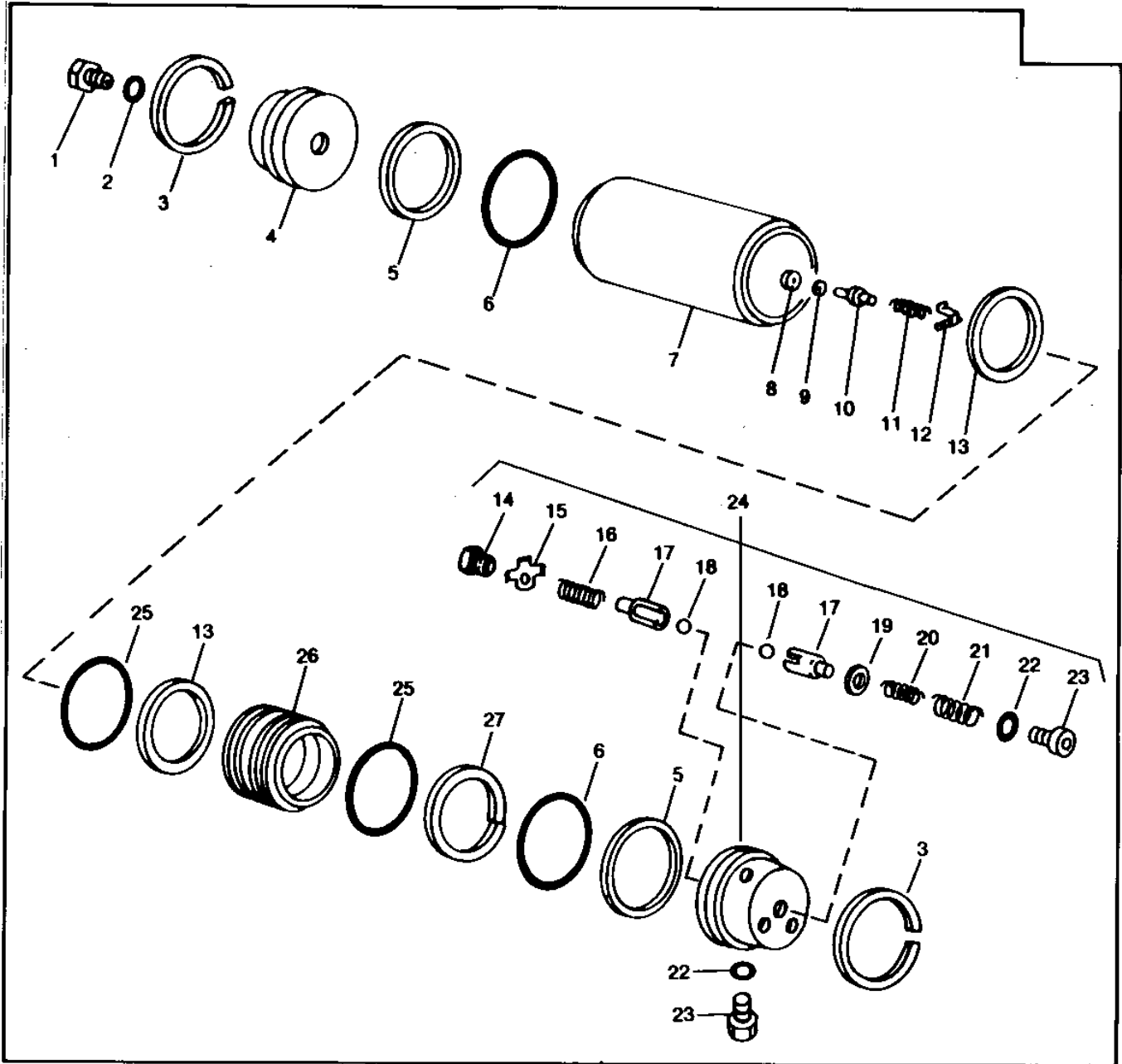
# 4D8

STEERING AND BRAKES

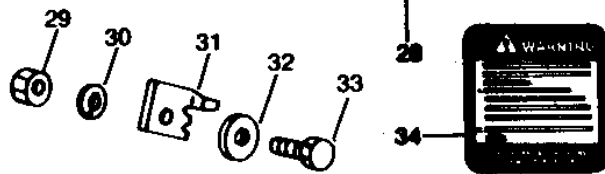
RP3888

-UN-25OCT94

## BRAKE ACCUMULATOR



RP3888



# 4D9

STEERING AND BRAKES

## BRAKE ACCUMULATOR - CONTINUED

KEY	PART NO.	PART NAME	QTY	TRACTOR SERIAL NO.	REMARKS
1	R27094	DRAIN PLUG	1		
2	R26286	O-RING	1		
3	U10136	SNAP RING	2		(USE WITH R46987)
	R78101	SNAP RING	2		(USE WITH R77867)
4	R48957	END	1		
5	R35684	BACK-UP RING	2		
6	R86192	O-RING	2		
7	R46987	HYDRAULIC CYLINDER BARREL	1		(SUB R77867 AND (2) R78101)
8	R60038	PACKING	1		(SUB FOR R26760)
9	R47087	WASHER	1		
10	R47085	VALVE	1		
11	R47086	SPRING	1		
12	R41877	GUIDE	1		
13	L29015	BACK-UP RING	2		
14	R74022	RETAINER	1		
15	R75866	LOCK PLATE	1		
16	R44256	SPRING	1		
17	R44254	GUIDE	2		
18	400R	BALL	2		6MM (1/4")
19	R31632	SHIM	AR		
20	R47606	SPRING	1		
21	R47605	SPRING	1		
22	R26286	O-RING	2		
23	R47607	PIPE PLUG	2		
24	AR93259	CAP	1		(SUB FOR AR56994 OR AR67781)
25	A4728R	O-RING	2		
26	R57103	PISTON	1		
27	R27649	BACK-UP RING	1		
28	RE11956	ACCUMULATOR	1		(SUB FOR AR61049 OR AR67778) (ALSO ORDER AR74310, AR35710 AND R26286 UNLESS PREVIOUSLY INSTALLED) (ALSO ORDER R120109, R120110, R80754 OR R82337)
29	14H785	NUT	1		5/16"
30	12H303	LOCK WASHER	1	-XXXXXX	5/16"
31	R51851	CLIP	1		
32	24H1299	WASHER	1		3/8" X 1-1/4" X 0.065"
33	19H1905	CAP SCREW	1		5/16" X 1"
34	R80752	LABEL	1		WARNING (ENGLISH) (SUB R120109)
	R80753	LABEL	1		WARNING (ESPANOL) (SUB R120110)
	R80754	LABEL	1		WARNING (FRANCAIS)
	R82337	LABEL	1		WARNING (DEUTSCH)

---

MEMORANDA

# 5B7

HYDRAULICS

RE026740 -UN-20FEB96

TRANSMISSION AND HYDRAULIC OIL



RE026740

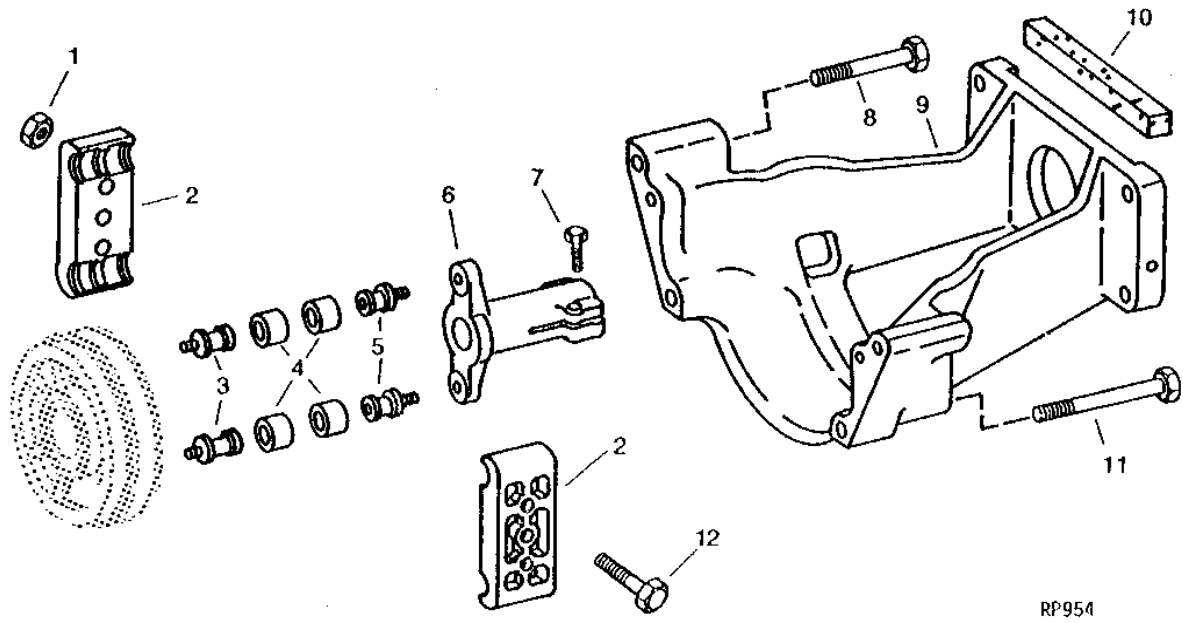
KEY	PART NO.	PART NAME	QTY	TRACTOR SERIAL NO.	REMARKS
1	AR69444	HY-GARD	1	19L (5 GAL.)	
	AR69445	HY-GARD	1	208L (55 GAL.)	(EMPTY DRUMS NOT RETURNABLE)
2	TY22043	OIL	1	(1 GAL)	
	TY22044	OIL	1	19 L (5 GAL)	
	TY22063	OIL	1	208 L (55 GAL)	

# 5B8

HYDRAULICS

RP954 -UN-01JAN94

## HYDRAULIC PUMP DRIVE AND SUPPORT



RP954

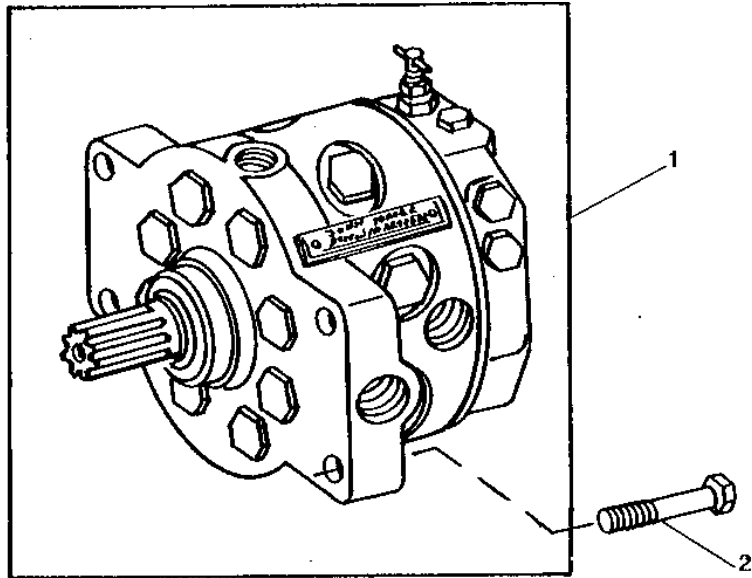
KEY	PART NO.	PART NAME	QTY	TRACTOR SERIAL NO.	REMARKS
1	E50102	LOCK NUT	2		
2	R34362	EXTERNAL HALF COUPLER	2		
3	R46345	SCREW	2		
4	AR49427	BUSHING	1		(PKG OF 4) (SUB (4) R45822)
5	R34360	SCREW	2		
6	R43075	SHAFT	1		(DIESEL)
	T31093	DRIVE SHAFT	1		(GASOLINE)
7	19H988	CAP SCREW	2		3/8" X 1-1/4"
8	19H2211	CAP SCREW	2		1/2" X 5"
9	R49404	SUPPORT	1		(SUB R55008)
	R55008	SUPPORT	1		(POWER FRONT WHEEL DRIVE)
10	.....	FOAM PAD	1		25 X 25 X 187MM (1" X 1" X 7-3/8") (MAKE FROM R30937)
11	19H3597	CAP SCREW	2		1/2" X 4-3/4"
12	19H2116	CAP SCREW	2		3/8" X 2-1/2"

# 5B9

HYDRAULICS

RP3196 -UN-01JAN94

## REPLACEMENT HYDRAULIC PUMP ASSEMBLY



RP3196

KEY	PART NO.	PART NAME	QTY	TRACTOR SERIAL NO.	REMARKS
1	AR94660	HYDRAULIC PUMP	1		(A) 50 CM3 (3 IN.3) (MODEL GA1) (ALSO ORDER AT49331, P47908 AND F3171R) (SUB FOR AR56161)
	AR94661	HYDRAULIC PUMP	1		(B) 65 CM3 (4 IN.3) (MODEL JA1) (ALSO ORDER P47908) (SUB FOR AR46246, AR70722, AR73106 OR AR99839)
2	19H1990	CAP SCREW	4		1/2" X 2-1/4"

(A) LESS POWER FRONT WHEEL DRIVE  
 (B) POWER FRONT WHEEL DRIVE

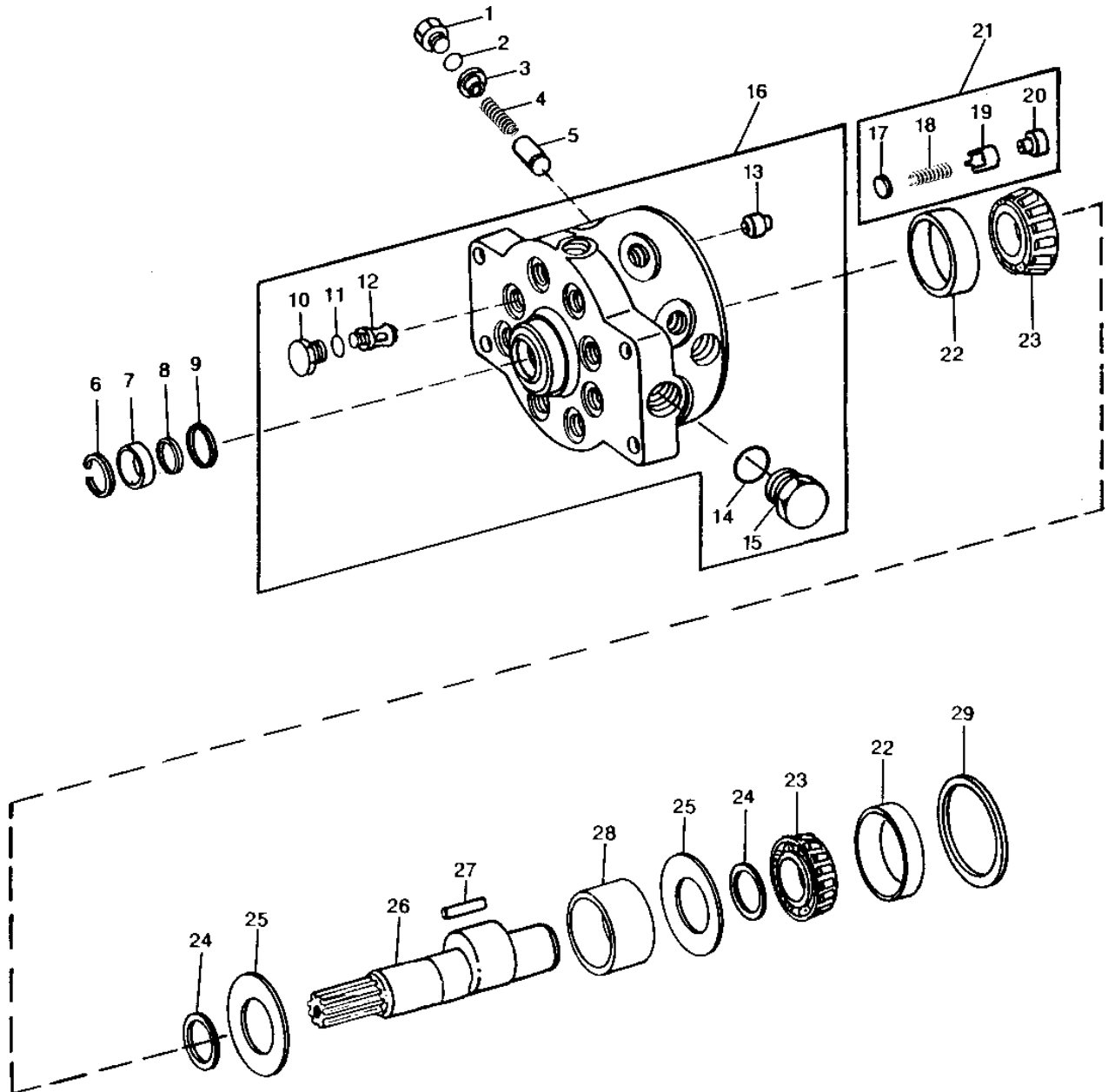
# 5B10

HYDRAULICS

RP3261

-UN-01JAN94

HYDRAULIC PUMP  
49 CM3 (3 IN.3)  
(PUMP LESS SERIAL PLATE)





# 5B11

HYDRAULICS

HYDRAULIC PUMP - CONTINUED  
49 CM3 (3 IN.3)  
(PUMP LESS SERIAL PLATE)

KEY	PART NO.	PART NAME	QTY	TRACTOR SERIAL NO.	REMARKS
1	R45438	FITTING	8		
2	R56463	O-RING	8		
3	AR101236	SHIELD	1		(SET OF 8) (SUB FOR R56749)
4	AR76762	SPRING	1		(SET OF 8) (SUB FOR AR55186)
5	R27150	PISTON	8		
6	R26137	SNAP RING	1		
7	RE28790	SEAL	1		(SUB FOR AR52224)
8	R56753	SHIM	1		
9	R39729	O-RING	1		
10	R78293	FITTING	8		(SUB FOR R44823)
11	R27149	O-RING	8		
12	AR53301	VALVE	8		(INLET) (SUB FOR AR26758)
13	R105583	SEAT	8		
14	U13639	O-RING	1		(USE WITH R45228)
	F3171R	O-RING	1		(USE WITH R45227)
15	R39741	DRAIN PLUG	1		(USE WITH R45228)
	R27175	DRAIN PLUG	1		(USE WITH R45227)
16	AR47580	HOUSING	1		(MARKED R45227, R45228 OR R60494) (SUB AR94660) (ALSO ORDER AT49331, P47908 AND F3171R)
17	R49297	DISK	8		
18	R39228	SPRING	8		
19	R48738	GUIDE	8		
20	R83508	STOP	8		(SUB FOR R49298 OR R72886)
21	RE23382	VALVE	8		(OUTLET) (SUB FOR AR52785)
22	JD8223	BEARING CUP	2		
23	JD8192	BEARING CONE	2		
24	R34349	WASHER	2		
25	R60732	WASHER	2		(SUB FOR R42467)
26	R34348	SHAFT	1		
27	R27145	NEEDLE ROLLER	36		
28	R45874	BEARING RACE	1		
29	R27478	SHIM	AR		0.15MM (.006")
	R27479	SHIM	AR		0.25MM (.010")
..	AR56161	HYDRAULIC PUMP	1		(SUB AR94660) (ALSO ORDER AT49331, P47908 AND F3171R)

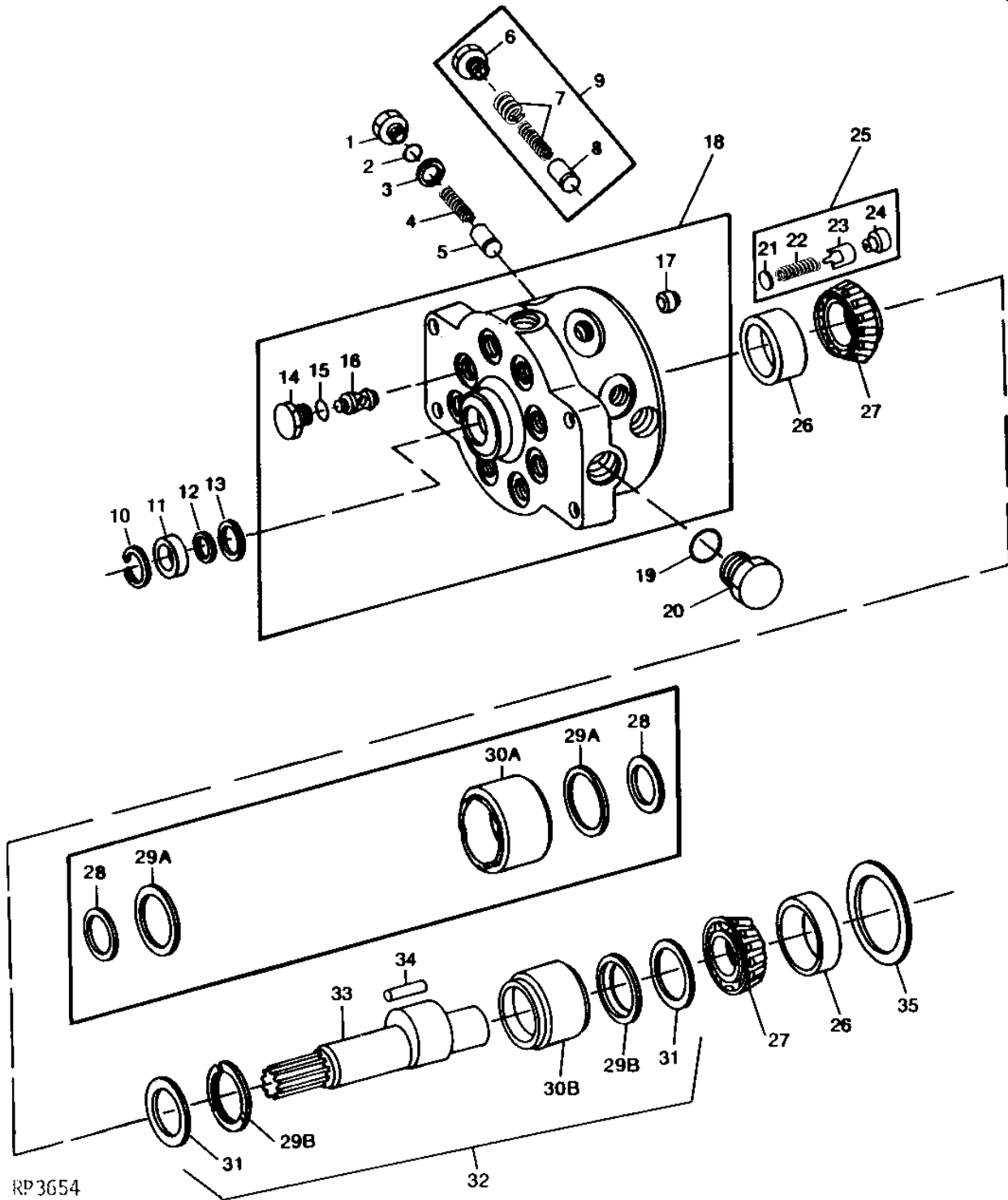
# 5B12

HYDRAULICS

HYDRAULIC PUMP  
66 CM<sup>3</sup> (4 IN.<sup>3</sup>)  
(PUMP LESS SERIAL PLATE)  
(POWER FRONT WHEEL DRIVE)

RP3654

-UN-12OCT94



# 5B13

HYDRAULICS

**HYDRAULIC PUMP - CONTINUED**  
**66 CM3 (4 IN.3)**  
**(PUMP LESS SERIAL PLATE)**  
**(POWER FRONT WHEEL DRIVE)**

KEY	PART NO.	PART NAME	QTY	TRACTOR SERIAL NO.	REMARKS
1	R75642	DRAIN PLUG	8		(SUB FOR R44745)
2	R56751	O-RING	8		
3	AR101237	SHIELD	1		(SET OF 8) (SUB FOR R56750)
4	AR55330	SPRING	1		(SET OF 8)
5	R51827	PISTON	8		(SUB RE11814) (SUB FOR R44824)
6	R70648	DRAIN PLUG	8		
7	AR96408	SPRING	1		(SET OF 16)
8	R70976	PISTON	8		
9	RE11814	KIT	1		
10	R26137	SNAP RING	1		
11	RE28790	SEAL	1		(SUB FOR AR52224)
12	R56753	SHIM	1	XXXXXX-	
13	R39729	O-RING	1		
14	R78293	FITTING	8		(SUB FOR R44823)
15	R27149	O-RING	8		
16	AR53301	VALVE	8		(INLET)
17	R105583	SEAT	8		
18	AR70723	HOUSING	1		(MARKED R44801, R55010 OR R58773) (SUB AR94661) (ALSO ORDER P47908) (SUB FOR AR48770)
19	U13639	O-RING	1		(USE WITH R44801)
	F3171R	O-RING	1		(USE WITH R58773)
20	R39741	DRAIN PLUG	1		1-5/8", (USE WITH R44801)
	R27175	DRAIN PLUG	1		1-1/16", (USE WITH R58773)
21	R49297	DISK	8		
22	R39228	SPRING	8		
23	R48738	GUIDE	8		
24	R83508	STOP	8		(SUB FOR R49298 OR R72886)
25	RE23382	VALVE	8		(SUB FOR AR52785 OR AR96613)
26	JD8223	BEARING CUP	2		
27	JD8192	BEARING CONE	2		
28	R45423	WASHER	2	-XXXXXX	(SUB RE12038) (ALSO ORDER RE11814)
29A	R72429	WASHER	2	-XXXXXX	(BRONZE) (SUB RE12038) (ALSO ORDER RE11814) (SUB FOR R45424)
29B	R72507	THRUST WASHER	2	XXXXXX-	
30A	R44744	BEARING RACE	1	-XXXXXX	(SUB RE12038) (ALSO ORDER RE11814)
30B	R80558	BEARING RACE	1	XXXXXX-	(SUB FOR R72509)
31	R77903	WASHER	2		(SUB FOR R45425)
32	RE12038	KIT	1		(ALSO ORDER RE11814) (SUB FOR AR95470)
33	R44743	SHAFT	1		(A) (SUB R79156 AND (2) R79151)
34	R45422	NEEDLE ROLLER	25		(SUB FOR R77904)
35	R27478	SHIM	AR		0.15MM (0.006")
	R27479	SHIM	AR		0.25MM (0.010")
..	AR46246	HYDRAULIC PUMP	1		(SUB AR94661) (ALSO ORDER P47908)
..	AR70722	HYDRAULIC PUMP	1		(SUB AR94661) (ALSO ORDER P47908) (SUB FOR AR46246 OR AR73106)
..	AR99839	HYDRAULIC PUMP	1		(SUB AR94661) (ALSO ORDER P47908) (SUB FOR AR46246, AR70722 OR AR73106)

(A) ALSO ORDER R80558 AND (2) R72507 IF RE12038 KIT HAS NOT BEEN PREVIOUSLY INSTALLED

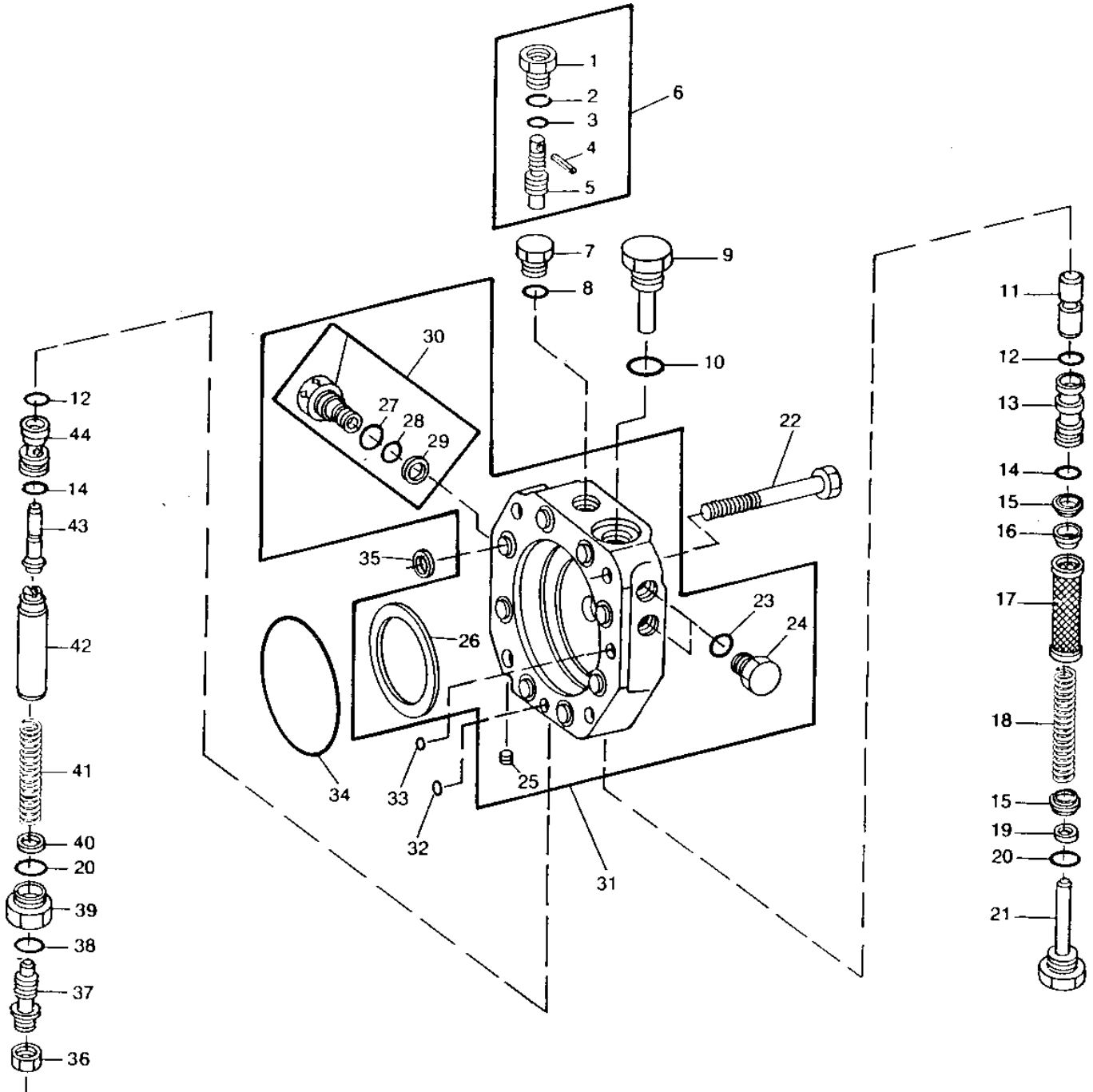
# 5B14

HYDRAULICS

HYDRAULIC PUMP STROKE CONTROL VALVE  
49 CM3 (3 IN.3) - 66 CM3 (4 IN.3)  
(PUMP LESS SERIAL PLATE)

RP3510

-UN-01JAN94



RP 3510

# 5B15

HYDRAULICS

HYDRAULIC PUMP STROKE CONTROL VALVE - CONTINUED  
 49 CM3 (3 IN.3) - 66 CM3 (4 IN.3)  
 (PUMP LESS SERIAL PLATE)

KEY	PART NO.	PART NAME	QTY	TRACTOR SERIAL NO.	REMARKS
1	R27475	FITTING	1		
2	R26448	O-RING	1		
3	A4365R	O-RING	1		
4	34H254	SPRING PIN	1		1/8" X 1-1/2"
5	R27171	SCREW	1		
6	AR33249	SCREW	1		(MANUAL DESTROKE)
7	R27218	FITTING PLUG	1		(LESS MANUAL DESTROKE)
8	R26448	O-RING	1		(LESS MANUAL DESTROKE)
9	AR51745	DRAIN PLUG	1		
10	R26906	O-RING	1		
11	R27172	VALVE	1		
12	R27564	O-RING	2		
13	R70351	SLEEVE	1		(SUB FOR R27476)
14	R27166	O-RING	2		
15	R27174	PACKING	2		
16	R27167	GUIDE	1		
17	R27173	FILTER ELEMENT	1		
18	R27159	SPRING	1		
19	R27170	SHIM	AR		0.010"
	24H1298	WASHER	AR		0.030"
20	R56751	O-RING	2		
21	AR26646	DRAIN PLUG	1		
22	19H3520	CAP SCREW	4		1/2" X 3-1/4"
23	R26287	O-RING	2		
24	R27216	DRAIN PLUG	2		
25	15H560	PIPE PLUG	1		1/16", (USE WITH R49071)
26	R49072	WASHER	1		(NOT USED IN ALL APPLICATIONS)
27	R26375	O-RING	1		(USE WITH R49071)
28	T40308	O-RING	1		(USE WITH R49071)
29	T57374	BACK-UP RING	1		(USE WITH R49071)
30	AR90378	PLUG	1		(USE WITH R49071)
31	AR38714	HOUSING	1		(MARKED R42663, R44802 OR R49071) (SUB FOR AR52494 OR RE13611)
32	R56755	WASHER	1		
33	R56756	O-RING	1		
34	R56757	O-RING	1		
35	R69279	WASHER	8		(SUB FOR R56754)
36	14H1021	NUT	1		(A) 7/16"
37	AR52254	SET SCREW	1		(A)
38	R28782	O-RING	1		(A)
39	R28781	FITTING	1		(A)
40	R42260	WASHER	1		(A)
41	R31781	SPRING	1		
42	R71321	GUIDE	1		(SUB FOR R32344)
43	R70559	CONTROL VALVE	1		(SUB RE10712, R27166 AND R41057) (SUB FOR R27472 OR R65194)
44	R69262	SLEEVE	1		(SUB RE10712, R27166 AND R41057) (SUB FOR R27471, R58499 OR R65192)

(A) LESS INCREASED ROCKSHAFT LIFT

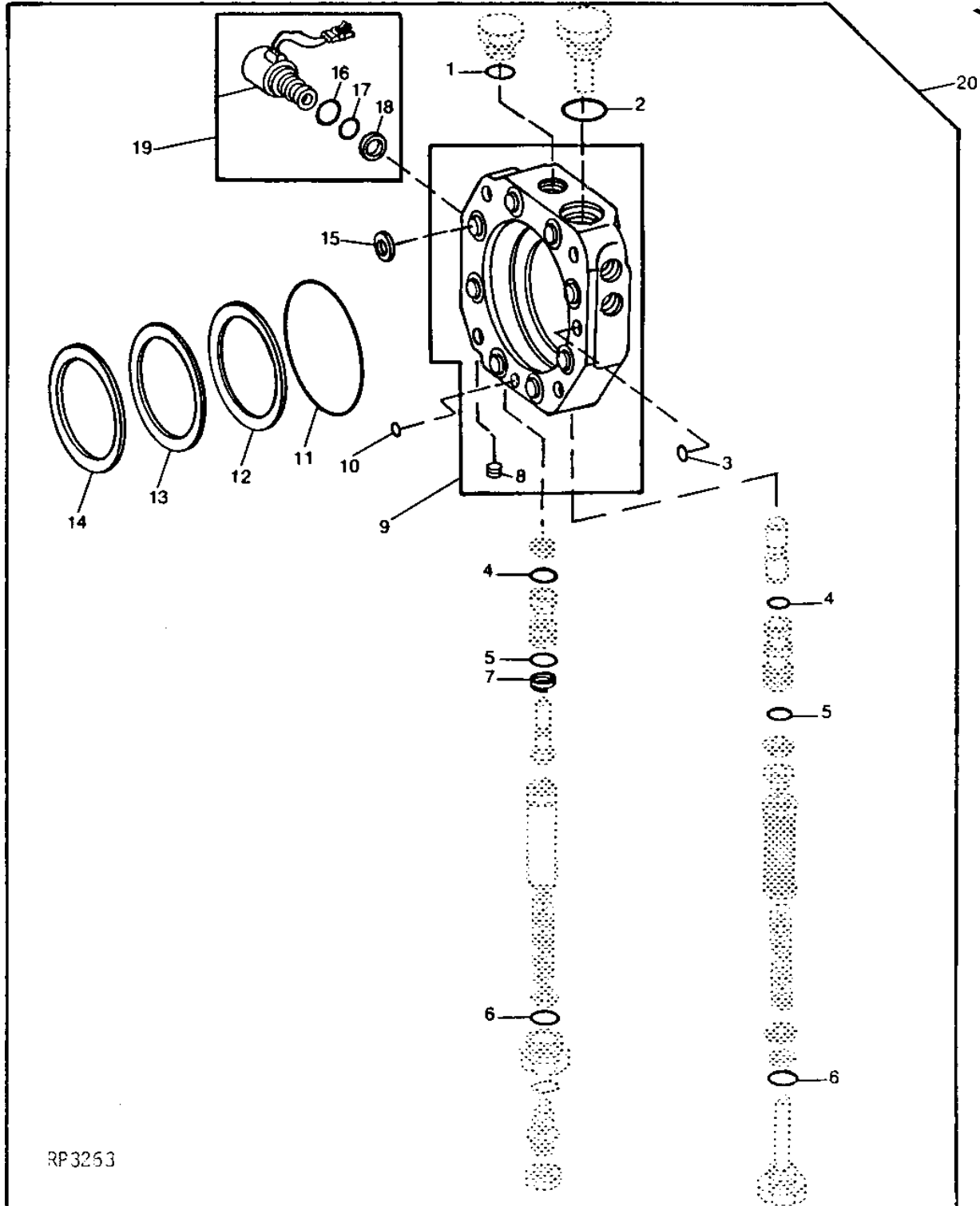
# 5B16

HYDRAULICS

HYDRAULIC PUMP ELECTRIC DESTROKE KIT  
49 CM3 (3 IN.3) - 66 CM3 (4 IN.3)  
(PUMP LESS SERIAL PLATE)

RP3263

-UN-01JAN94



# 5B17

HYDRAULICS

HYDRAULIC PUMP ELECTRIC DESTROKE KIT - CONTINUED  
49 CM3 (3 IN.3) - 66 CM3 (4 IN.3)  
(PUMP LESS SERIAL PLATE)

KEY	PART NO.	PART NAME	QTY	TRACTOR SERIAL NO.	REMARKS
1	R26448	O-RING	1		
2	R26906	O-RING	1		
3	R56756	O-RING	1		
4	RE32529	SOLENOID VALVE	2		
5	R27166	O-RING	2		
6	F3171R	O-RING	2		
7	R41057	BACK-UP RING	1		
8	15H560	PIPE PLUG	1		1/16"
9	AR52494	HOUSING	1		(MARKED R49071)
10	R56755	WASHER	1		
11	R56757	O-RING	1		
12	R27478	SHIM	2		0.15MM (.006")
13	R27479	SHIM	2		0.25MM (.010")
14	R49072	WASHER	1		(NOT USED IN ALL APPLICATIONS)
15	R69279	WASHER	8		
16	R26375	O-RING	1		
17	T40308	O-RING	1		
18	T57374	BACK-UP RING	1		
19	RE32529	SOLENOID VALVE	1		(SUB FOR RE21725)
20	RE14868	KIT	1		(A) (SUB RE40463)

(A) INCLUDES RE12330 WIRE CONNECTORS

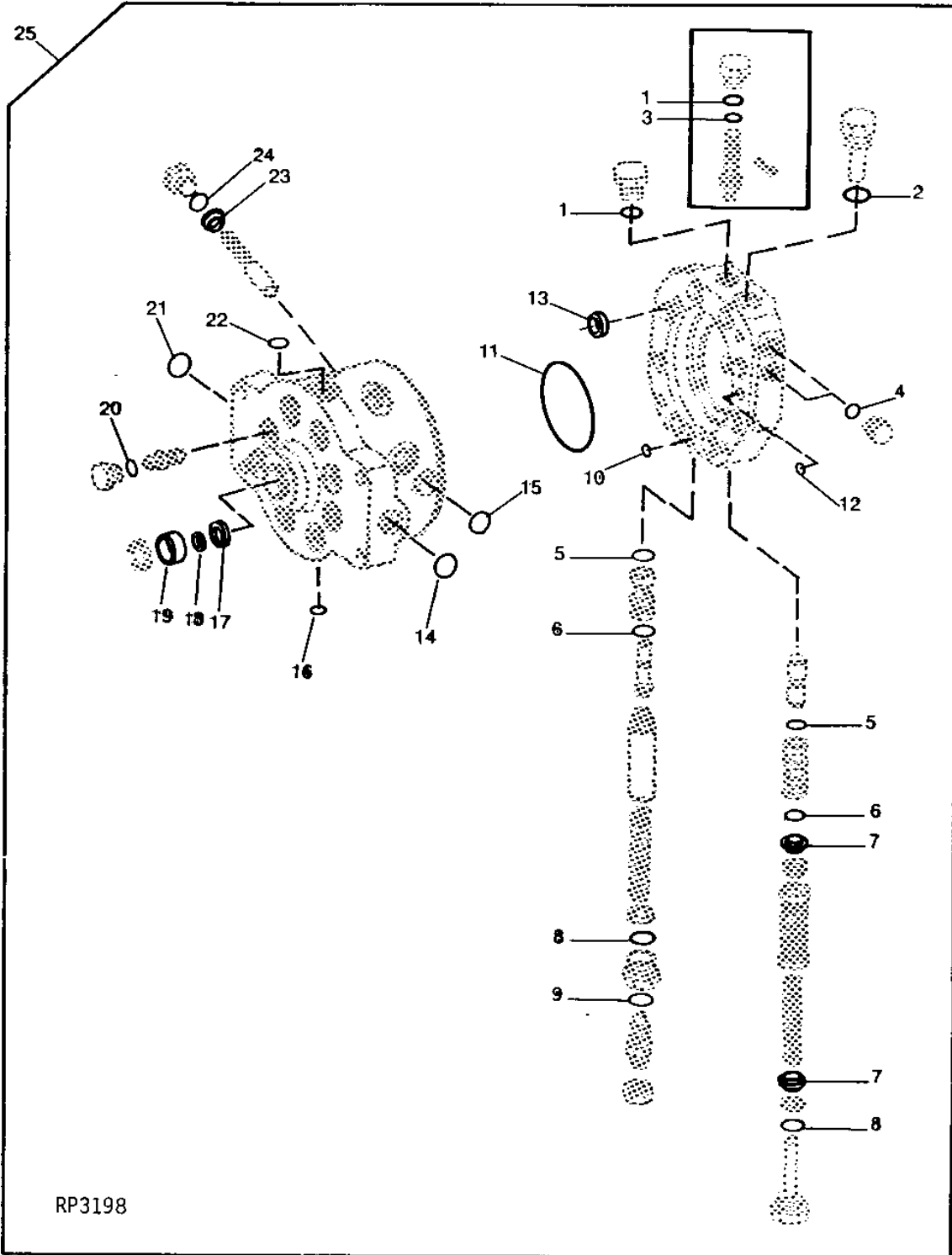
# 5B18

HYDRAULICS

HYDRAULIC PUMP AND STROKE CONTROL VALVE OVERHAUL KIT  
49 CM3 (3 IN.3) - 66 CM3 (4 IN.3)  
(PUMP LESS SERIAL PLATE)

RP3198

-UN-01JAN94



RP3198



# 5B19

HYDRAULICS

**HYDRAULIC PUMP AND STROKE CONTROL VALVE OVERHAUL KIT - CONTINUED**  
**49 CM3 (3 IN.3) - 66 CM3 (4 IN.3)**  
**(PUMP LESS SERIAL PLATE)**

KEY	PART NO.	PART NAME	QTY	TRACTOR SERIAL NO.	REMARKS
1	R26448	O-RING	1		
2	R26906	O-RING	1		
3	A4365R	O-RING	1		
4	R26287	O-RING	2		
5	R27564	O-RING	2		
6	R27166	O-RING	2		
7	R27174	PACKING	2		
8	R56751	O-RING	2		
9	R28782	O-RING	1		
10	R56755	WASHER	1		
11	R56757	O-RING	1		
12	R56756	O-RING	1		
13	R69279	WASHER	8		
14	U13639	O-RING	1		
15	R26906	O-RING	1	(B)	
	R56751	O-RING	1	(C)	
16	R26287	O-RING	1		
17	R39729	O-RING	1		
18	R56753	SHIM	1		
19	RE28790	SEAL	1		
20	R27149	O-RING	8		
21	R56751	O-RING	1		
	R29936	O-RING	1	(A) (C)	
22	R27928	O-RING	2	(A)	
	P47908	O-RING	1	(A)	
	R35827	WASHER	1	(A) (B)	
23	AR101236	SHIELD	1	(B) (SET OF 8)	
	AR101237	SHIELD	1	(C) (SET OF 8)	
24	R56463	O-RING	8	(B)	
	R56751	O-RING	8	(C)	
25	RE29103	KIT	1		49 CM3 (3 IN.3) (ALSO ORDER (2) R27166 AND (2) R41057, IF STROKE CONTROL VALVE HAS BEEN REPLACED) (SUB FOR AR67718)
	RE29104	KIT	1		66 CM3 (4 IN.3) (ALSO ORDER (2) R27166 AND (2) R41057, IF STROKE CONTROL VALVE HAS BEEN REPLACED) (SUB FOR AR67720)

(A) UNIVERSAL KIT - APPLICATIONS WILL VARY.

(B) INCLUDED IN RE29103

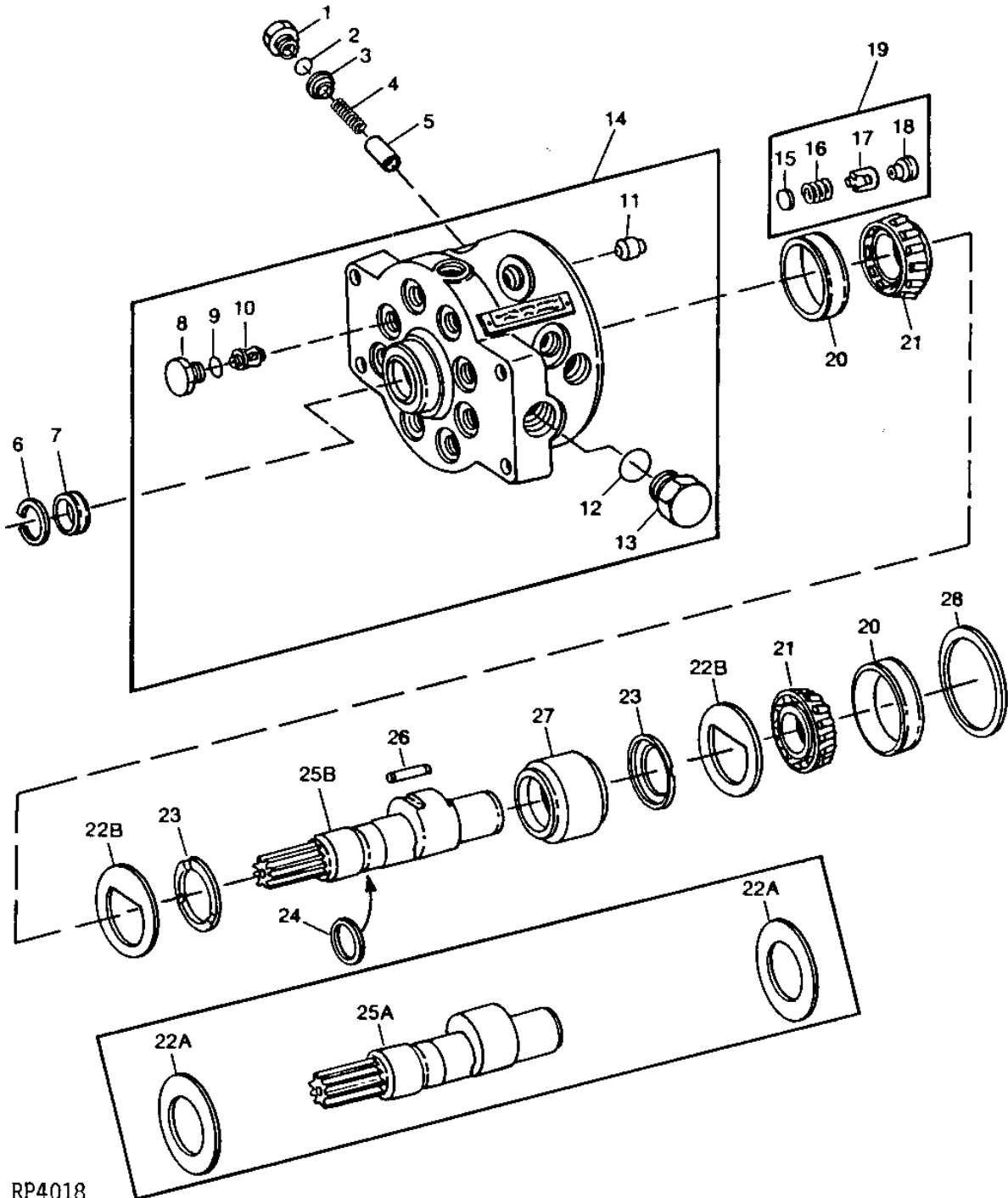
(C) INCLUDED IN RE29104

# 5B20

HYDRAULICS

HYDRAULIC PUMP - MODEL GA1  
50 CM3 (3 IN.3)  
(REPLACEMENT PUMP WITH SERIAL PLATE)

RP4018 -UN-18OCT94



RP4018

# 5B21

HYDRAULICS

HYDRAULIC PUMP - MODEL GA1 - CONTINUED  
 50 CM3 (3 IN.3)  
 (REPLACEMENT PUMP WITH SERIAL PLATE)

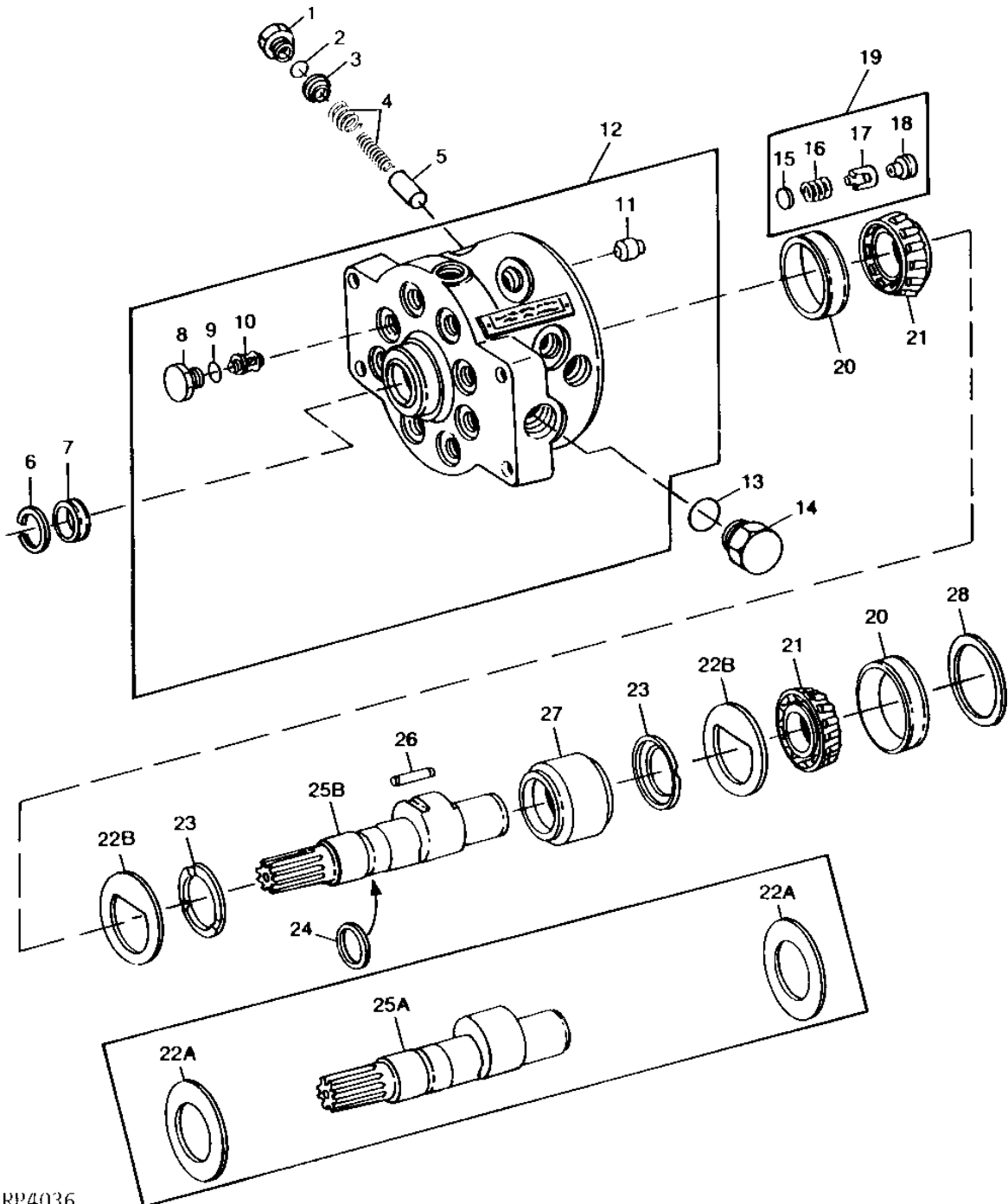
KEY	PART NO.	PART NAME	QTY	PUMP SERIAL NO.	REMARKS
1	R45438	FITTING	8		
2	R56463	O-RING	8		
3	AR101236	SHIELD	1		(SET OF 8)
4	AR76762	SPRING	1		(SET OF 8)
5	R27150	PISTON	8		
6	R26137	SNAP RING	1		
7	RE28790	SEAL	1		(SUB FOR AR52224)
8	R78293	FITTING	8		
9	R27149	O-RING	8		
10	AR53301	VALVE	8		(INLET)
11	R105583	SEAT	8		
12	F3171R	O-RING	1		(USE WITH R71586)
	U13639	O-RING	1		(USE WITH R73741)
13	R27175	DRAIN PLUG	1		(USE WITH R71586)
	R39741	DRAIN PLUG	1		(USE WITH R73741)
14	RE11804	HOUSING	1		(MODEL PJ1) (MARKED R71586 OR R73741)
15	R49297	DISK	8		
16	R39228	SPRING	8		
17	R48738	GUIDE	8		
18	R83508	STOP	8		(SUB FOR R49298 OR R72886)
19	RE23382	VALVE	8		(OUTLET) (SUB FOR AR96613)
20	JD8223	BEARING CUP	2		
21	JD8192	BEARING CONE	2		
22A	R77903	WASHER	2	-023628	(SUB FOR R45425)
22B	R79151	LOCK WASHER	2	023629-	(USE WITH R79152)
23	R72507	THRUST WASHER	2		
24	R77611	RING	1		(SEALING) (SUB FOR R68252 OR RE11777)
25A	R71598	SHAFT	1	-023628	(SUB R79152) (ALSO ORDER (2) R79151)
25B	R79152	SHAFT	1	023629-	
26	R45422	NEEDLE ROLLER	25		
27	R80558	BEARING RACE	1		(SUB FOR R72506)
28	R27478	SHIM	AR		0.15MM (.006")
	R27479	SHIM	AR		0.25MM (.010")
..	AR94660	HYDRAULIC PUMP	1		

# 5B22

HYDRAULICS

HYDRAULIC PUMP - MODEL JA1  
65 CM3 (4 IN.3)  
(REPLACEMENT PUMP WITH SERIAL PLATE)  
(POWER FRONT WHEEL DRIVE)

RP4036 -UN-23SEP94



RP4036

# 5B23

HYDRAULICS

HYDRAULIC PUMP - MODEL JA1 - CONTINUED  
 65 CM3 (4 IN.3)  
 (REPLACEMENT PUMP WITH SERIAL PLATE)  
 (POWER FRONT WHEEL DRIVE)

KEY	PART NO.	PART NAME	QTY	PUMP SERIAL NO.	REMARKS
1	R70648	DRAIN PLUG	8		
2	R56751	O-RING	8		
3	AR101237	SHIELD	1		(SET OF 8)
4	AR96408	SPRING	1		(SET OF 16)
5	R70976	PISTON	8		
6	R26137	SNAP RING	1		
7	RE28790	SEAL	1		(SUB FOR AR52224)
8	R78293	FITTING	8		
9	R27149	O-RING	8		
10	AR53301	VALVE	8		(INLET)
11	R105583	SEAT	8		
12	RE11810	HOUSING	1		(MODEL TG1) (MARKED R71587)
13	F3171R	O-RING	1		
14	R27175	DRAIN PLUG	1		
15	R49297	DISK	8		
16	R39228	SPRING	8		
17	R48738	GUIDE	8		
18	R83508	STOP	8		(SUB FOR R49298 OR R72886)
19	RE23382	VALVE	8		(OUTLET) (SUB FOR AR96613)
20	JD8223	BEARING CUP	2		
21	JD8192	BEARING CONE	2		
22A	R77903	WASHER	2	-010138	(SUB FOR R45425)
22B	R79151	LOCK WASHER	2	010139-	(USE WITH R79154)
23	R72507	THRUST WASHER	2		
24	R77611	RING	1		(SEALING) (SUB FOR R68252 OR RE11777)
25A	R71599	SHAFT	1	-010138	(SUB R79154) (ALSO ORDER (2) R79151)
25B	R79154	SHAFT	1	010139-	
26	R45422	NEEDLE ROLLER	25		
27	R80558	BEARING RACE	1		(SUB FOR R72509)
28	R27478	SHIM	AR		0.15MM (.006")
	R27479	SHIM	AR		0.25MM (.010")
..	AR94661	HYDRAULIC PUMP	1		

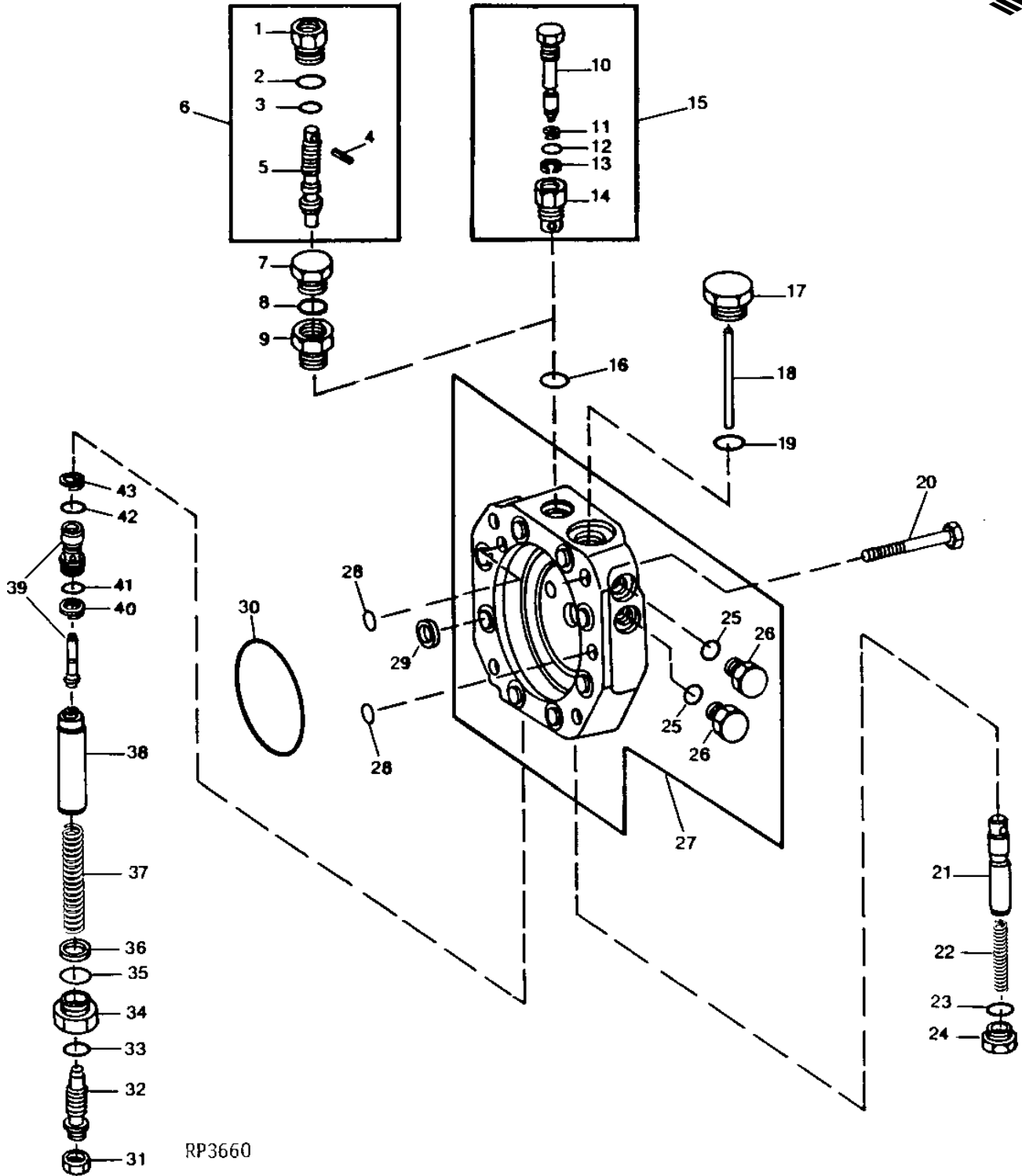
# 5B24

HYDRAULICS

HYDRAULIC PUMP STROKE CONTROL VALVE  
50 CM3 (3 IN.3) - 65 CM3 (4 IN.3)  
(REPLACEMENT PUMP WITH SERIAL PLATE)

RP3660

-UN-14SEP94



# 5B25

HYDRAULICS

HYDRAULIC PUMP STROKE CONTROL VALVE - CONTINUED  
 50 CM3 (3 IN.3) - 65 CM3 (4 IN.3)  
 (REPLACEMENT PUMP WITH SERIAL PLATE)

KEY	PART NO.	PART NAME	QTY	PUMP SERIAL NO.	REMARKS
1	R27475	FITTING	1		
2	R26448	O-RING	1		
3	A4365R	O-RING	1		
4	34H254	SPRING PIN	1		1/8" X 1-1/2"
5	R75879	SCREW	1		
6	AR96625	SCREW	1	-XXXXXX	(A) (MANUAL DESTROKE) (SUB RE13271)
7	R27218	FITTING PLUG	1		(LESS MANUAL DESTROKE)
8	R26448	O-RING	1		(LESS MANUAL DESTROKE)
9	R70617	PIPE PLUG	1	-XXXXXX	(USE WITH AR96625 OR R27218)
10	R79266	SCREW	1		
11	R36358	BACK-UP RING	1		
12	R34802	O-RING	1		
13	R79268	SNAP RING	1		
14	R79267	PLUG	1		
15	RE13271	SCREW	1	XXXXXX-	(A) (MANUAL DESTROKE)
16	R26906	O-RING	1		
17	R75642	DRAIN PLUG	1		
18	R75564	PIN	1		
19	R56751	O-RING	1		
20	19H3520	CAP SCREW	4		1/2" X 3-1/4"
21	R70867	VALVE	1		
22	R70868	SPRING	1		
23	R26375	O-RING	1		
24	R73736	PLUG	1		
25	R26448	O-RING	2		
26	R75376	DRAIN PLUG	2		
27	RE12470	HOUSING	1		(MARKED R77714)
28	R56755	WASHER	2		
29	R69279	WASHER	8		
30	R56757	O-RING	1		
31	14H1021	NUT	1		(B) 7/16"
32	AR52254	SET SCREW	1		(B)
33	R28782	O-RING	1		(B)
34	R28781	FITTING	1		(B)
35	F3171R	O-RING	1		
36	R42260	WASHER	1		(B)
37	R31781	SPRING	1		
38	R71321	GUIDE	1		
39	RE10712	CONTROL VALVE	1		
40	R41057	BACK-UP RING	1		
41	R27166	O-RING	1		
42	R27564	O-RING	1		
43	R75938	WASHER	1		

(A) DESIGNS INTERCHANGEABLE  
 (B) LESS INCREASED ROCKSHAFT LIFT

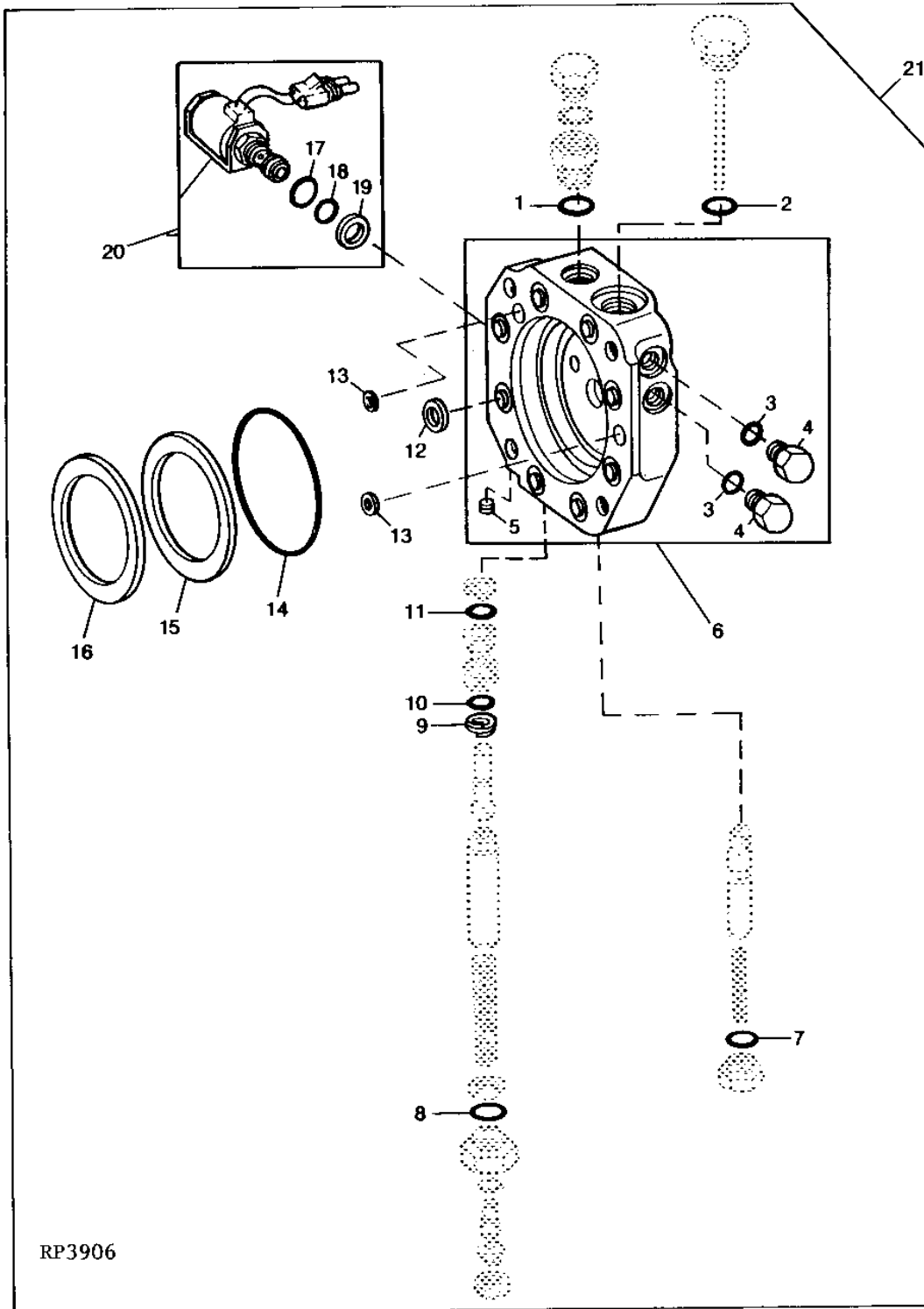
# 5C1

HYDRAULICS

HYDRAULIC PUMP ELECTRIC DESTROKE KIT  
50 CM3 (3 IN.3) - 65 CM3 (4 IN.3)  
(REPLACEMENT PUMP WITH SERIAL PLATE)

RP3906

-UN-12OCT94





# 5C2

HYDRAULICS

HYDRAULIC PUMP ELECTRIC DESTROKE KIT - CONTINUED  
50 CM3 (3 IN.3) - 65 CM3 (4 IN.3)  
(REPLACEMENT PUMP WITH SERIAL PLATE)

KEY	PART NO.	PART NAME	QTY	PUMP SERIAL NO.	REMARKS
1	R26906	O-RING	1		
2	R56751	O-RING	1		
3	R26448	O-RING	2		
4	R75376	DRAIN PLUG	2		
5	15H560	PIPE PLUG	1	1/16"	
6	AR101632	HOUSING	1	(MARKED R77712)	
7	R26375	O-RING	1		
8	F3171R	O-RING	1		
9	R41057	BACK-UP RING	1		
10	R27166	O-RING	1		
11	R27564	O-RING	1		
12	R69279	WASHER	8		
13	R56755	WASHER	2		
14	R56757	O-RING	1		
15	R27478	SHIM	2	0.15MM (.006")	
16	R27479	SHIM	2	0.25MM (.010")	
17	R26375	O-RING	1		
18	T40308	O-RING	1		
19	T57374	BACK-UP RING	1		
20	RE32529	SOLENOID VALVE	1	(SUB FOR RE21725)	
21	RE24647	KIT	1	(A) (SUB RE40463)	

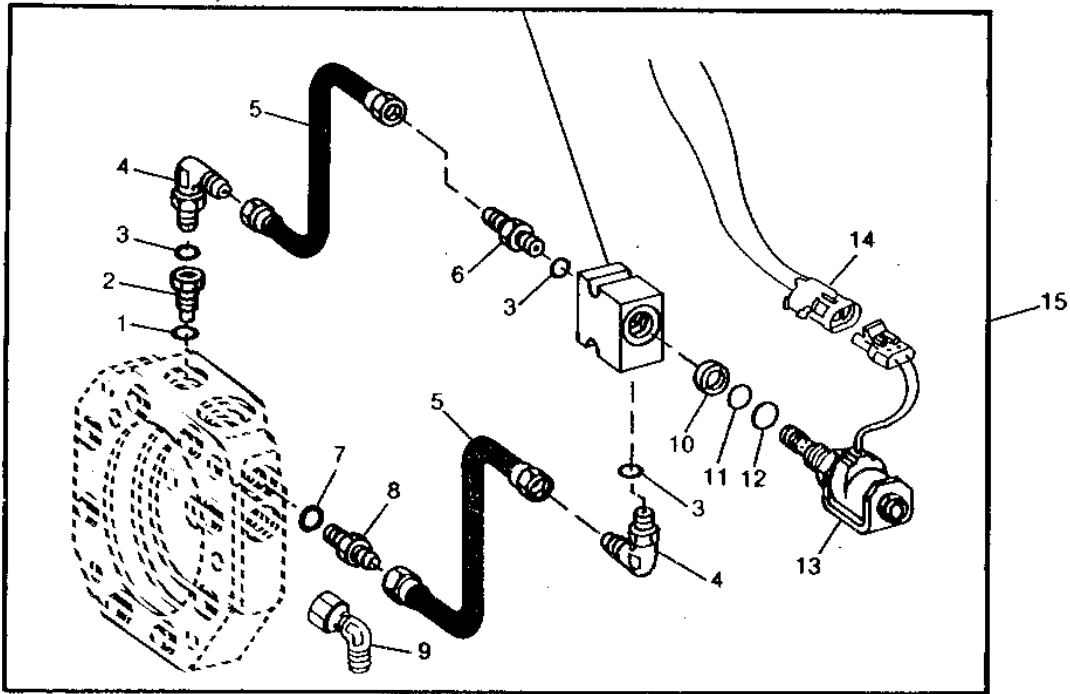
(A) INCLUDES RE12330 WIRE CONNECTORS

# 5C3

HYDRAULICS

RXP9501 -UN-01JAN94

## HYDRAULIC PUMP ELECTRIC DESTROKE KIT



RXP9501

KEY	PART NO.	PART NAME	QTY	PUMP SERIAL NO.	REMARKS
1	R26906	O-RING	1		
2	R70617	PIPE PLUG	1		
3	R26448	O-RING	4		
4	AT35121	ELBOW FITTING	2		
5	AN250096	HYDRAULIC HOSE	2		
6	R27212	FITTING	1		
7	R26287	O-RING	1	(A)	
	R26448	O-RING	1	(B)	
8	T43535	FITTING	1	(A)	
	Z36276	ADAPTER	1	(B)	
9	AE24616	ELBOW FITTING	1	(USE WITH T43535 OR Z36276)	
10	T57374	BACK-UP RING	1		
11	T40308	O-RING	1		
12	R26375	O-RING	1		
13	RE32529	SOLENOID VALVE	1		
14	RE50017	WIRING HARNESS	1		
15	RE40463	KIT	1		

(A) NON-SERIALIZED PUMP  
(B) SERIALIZED PUMP

---

MEMORANDA

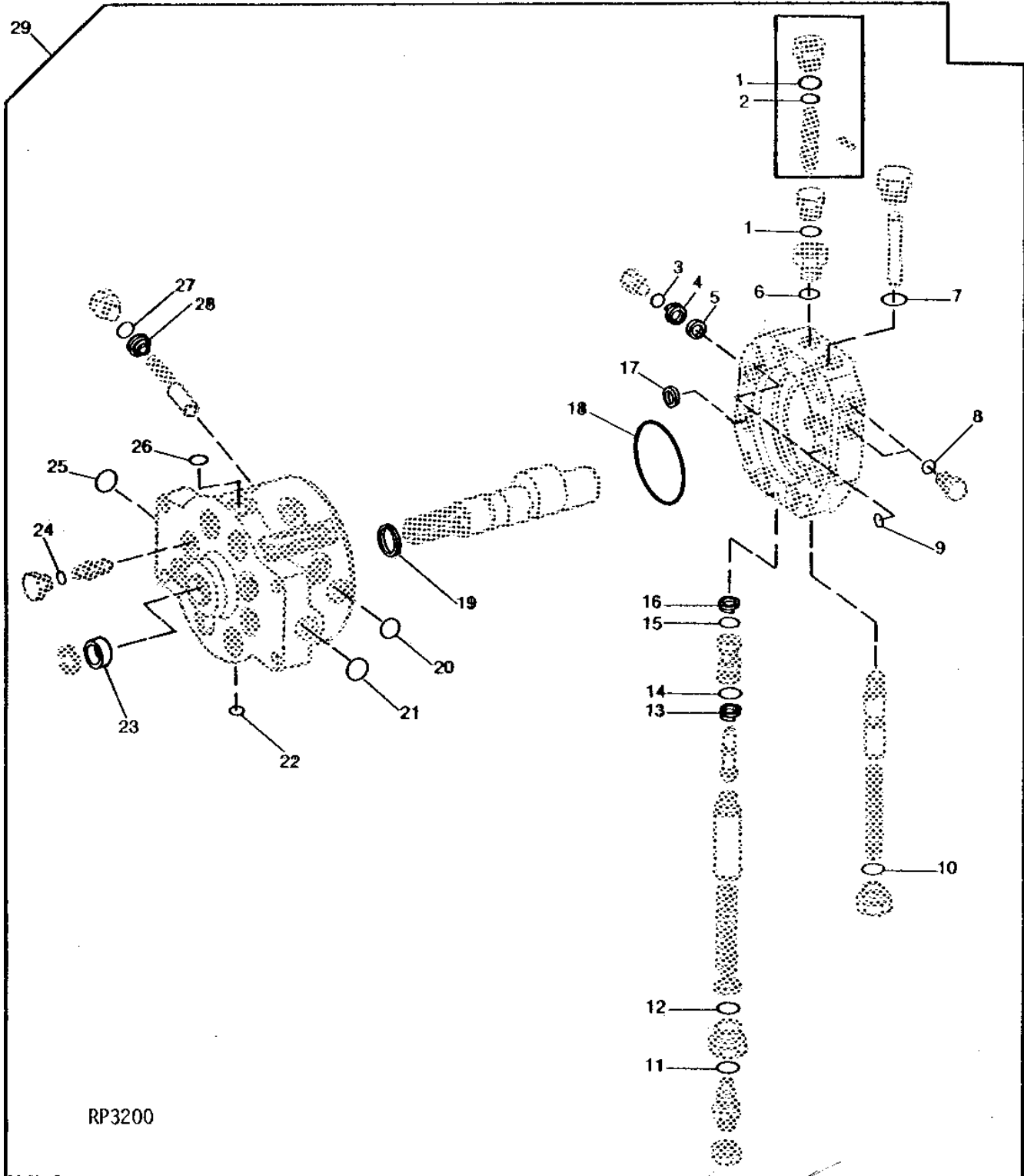
# 5C4

HYDRAULICS

## HYDRAULIC PUMP AND STROKE CONTROL VALVE OVERHAUL KIT 50 CM3 (3 IN.3) - 65 CM3 (4 IN.3) (REPLACEMENT PUMP WITH SERIAL PLATE)

RP3200

-UN-01JAN94



# 5C5

HYDRAULICS

HYDRAULIC PUMP AND STROKE CONTROL VALVE OVERHAUL KIT - CONTINUED  
 50 CM3 (3 IN.3) - 65 CM3 (4 IN.3)  
 (REPLACEMENT PUMP WITH SERIAL PLATE)

KEY	PART NO.	PART NAME	QTY	PUMP SERIAL NO.	REMARKS
1	R26448	O-RING	1		
2	A4365R	O-RING	1		
3	R26375	O-RING	1	(A)	
4	T40308	O-RING	1	(A)	
5	T57374	BACK-UP RING	1	(A)	
6	R26906	O-RING	1		
7	R56751	O-RING	1		
8	R26448	O-RING	2		
	R26287	O-RING	2	(A) (C)	
9	R56755	WASHER	2		
10	R26375	O-RING	1		
11	R28782	O-RING	1		
12	R56751	O-RING	1		
13	R41057	BACK-UP RING	1		
14	R27166	O-RING	1		
15	R27564	O-RING	1		
16	R75938	WASHER	1		
17	R69279	WASHER	8		
18	R56757	O-RING	1		
19	R77611	RING	1	(SEALING)	
20	R56751	O-RING	1		
21	U13639	O-RING	1	(A)	
	R56751	O-RING	1	(A)	
	R29936	O-RING	1	(A)	
22	R26287	O-RING	1		
23	RE28790	SEAL	1		
24	R27149	O-RING	8		
25	R56751	O-RING	1	(A)	
	R29936	O-RING	1	(A)	
26	R27928	O-RING	1	(A) TOP	
	P47908	O-RING	1	(A) BOTTOM	
	R26906	O-RING	1	(A)	
27	R56463	O-RING	8	(B)	
	R56751	O-RING	8	(C)	
28	AR101236	SHIELD	1	(B) (SET OF 8)	
	AR101237	SHIELD	1	(C) (SET OF 8)	
29	RE29107	KIT	1	(A) 50 CM3 (3 IN.3) (SUB FOR AR96321)	
	RE29109	KIT	1	(A) 65 CM3 (4 IN.3) (SUB FOR AR96323)	

(A) UNIVERSAL KIT - APPLICATIONS WILL VARY

(B) INCLUDED IN RE29107

(C) INCLUDED IN RE29109

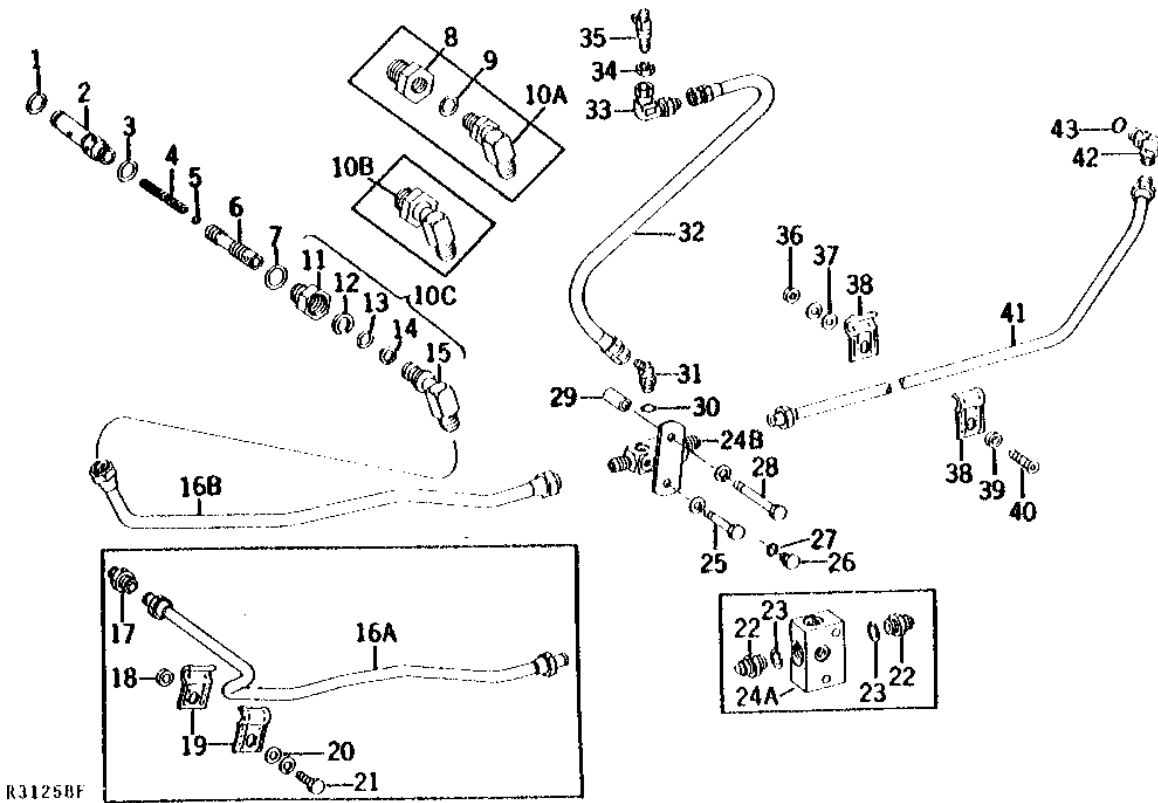
# 5C6

HYDRAULICS

R31258

-UN-01JAN94

## HYDRAULIC OIL PRESSURE PIPES AND PRESSURE CONTROL VALVE



# 5C7

HYDRAULICS

## HYDRAULIC OIL PRESSURE PIPES AND PRESSURE CONTROL VALVE - CONTINUED

KEY	PART NO.	PART NAME	QTY	TRACTOR SERIAL NO.	REMARKS
1	U15192	O-RING	1		(SUB FOR R55023)
2	R50216	HOUSING	1	-001218	(SUB R56741, AR74194 AND U15192) (ALSO ORDER AR66346)
	R55134	HOUSING	1	001219-016108	(SUB R56741, AR74194 AND U15192) (ALSO ORDER AR66346, ON TRACTORS PRIOR TO SERIAL NO. 005403)
	R56741	CONTROL VALVE	1	016109-	
3	U15192	O-RING	1	001219-	
4	R40072	SPRING	1		
5	24H1283	WASHER	AR		7/32" X 1/2" X 0.049"
6	AR63906	VALVE	1		
7	R29936	O-RING	1		
8	R55133	PLUG	1	001219-016108	(SUB R56741, AR74194 AND U15192)
9	R26906	O-RING	1	-016108	
10A	AR26724	ELBOW FITTING	1	005403-016108	
10B	AR67679	ELBOW FITTING	1	016109-029712	(SUB AR74194)
10C	AR74194	ELBOW FITTING	1	029713-	
11	R61259	ADAPTER	1	029713-	
12	A4275R	SNAP RING	1	029713-	
13	R21722	O-RING	1	029713-	
14	R26546	BACK-UP RING	1	029713-	
15	AR74195	ELBOW FITTING	1	029713-	
16A	AR54652	OIL LINE	1	-005402	(SUB AR66346, AR26724 AND R26906)
16B	AR66346	HYDRAULIC LINE	1	005403-034495	
	AR75978	HYDRAULIC LINE	1	034496-	
17	R27270	FITTING	1	-005402	
18	28H1517	WASHER	1	-005402	0.493" X 0.675" X 1/4"
19	R47576	CLAMP	2	-005402	
20	24M7096	WASHER	1	-005402	10.500 X 18 X 1.600 MM
21	19H2552	CAP SCREW	1	-005402	3/8" X 1-1/8"
	12H304	LOCK WASHER	1	-005402	3/8"
22	R27270	FITTING	2	-033537	
23	R26906	O-RING	2	-033537	
24A	AR72834	FITTING	1	-033537	(SUB FOR R53181) (ALSO ORDER 28H1496)
24B	AR72834	FITTING	1	033538-	
25	19H1726	CAP SCREW	1		(A) (B) 3/8" X 2-1/4"
	12H304	LOCK WASHER	1		(A) (B) 3/8"
26	R27216	DRAIN PLUG	1		(SUB FOR R31631)
27	R26287	O-RING	1		
28	19H1854	CAP SCREW	1		(C) 3/8" X 3-3/4"
	12H304	LOCK WASHER	1		(C) 3/8"
29	28H1535	SPACER	1	033538-	(C) 3/8" X 2-3/4"
	28H1496	SPACER	1	033538-	(A) (B) 3/8" X 1-1/8"
	28H3380	SPACER	1	-033537	(C) 3/8" X 1-5/8"
30	R26448	O-RING	1		
31	AT38033	ELBOW FITTING	1		(LESS SOUND-GARD BODY) (SUB FOR AR26722)
	AT35121	ELBOW FITTING	1		(SOUND-GARD BODY) (SUB FOR AR26725)
32	AR84721	HYDRAULIC HOSE	1		(LESS SOUND-GARD BODY) (ALSO ORDER AR67586) (SUB FOR AR63321)
33	AR67586	ELBOW FITTING	1	XXXXXX-	
34	R26572	NUT	1		
35	AR64094	TEE FITTING	1		(SUB FOR AR56773)
36	14H1076	NUT	1		3/8"
	12H304	LOCK WASHER	1		3/8"
37	24M7096	WASHER	1		10.500 X 18 X 1.600 MM
38	R47576	CLAMP	2		
39	28H1878	SPACER	1		3/8" X 7/16"
40	R52028	CAP SCREW	1		
41	AR56700	HYDRAULIC LINE	1		
42	AT32338	FITTING	1		(SUB FOR AR26828)
	AT49331	ELBOW FITTING	1		(REPLACEMENT PUMP WITH SERIAL PLATE)
43	R26906	O-RING	1		
	F3171R	O-RING	1		(REPLACEMENT PUMP WITH SERIAL PLATE)
..	AR21969	KIT	1		

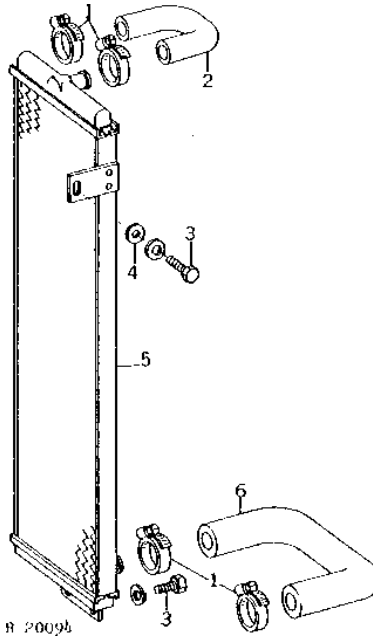
- (A) QUAD-RANGE TRANSMISSION
- (B) SYNCRO-RANGE TRANSMISSION
- (C) POWER SHIFT TRANSMISSION

# 5C8

HYDRAULICS

HYDRAULIC OIL COOLER  
(POWER SHIFT, QUAD-RANGE, AND SYNCRO-RANGE)  
(LESS AIR CONDITIONING)

R20094 -UN-01JAN94



KEY	PART NO.	PART NAME	QTY	TRACTOR SERIAL NO.	REMARKS
1	TY22467	CLAMP	4		(SUB FOR AR21839)
2	R53046	HOSE	1		
3	19H1134	CAP SCREW	3	3/8" X 3/4"	
	12H304	LOCK WASHER	3	3/8"	
4	24M7096	WASHER	1	10.500 X 18 X 1.600 MM	
5	AR61887	OIL COOLER	1		(QUAD-RANGE AND SYNCRO-RANGE)
	AR62054	OIL COOLER	1		(POWER SHIFT)
6	R43642	HOSE	1		

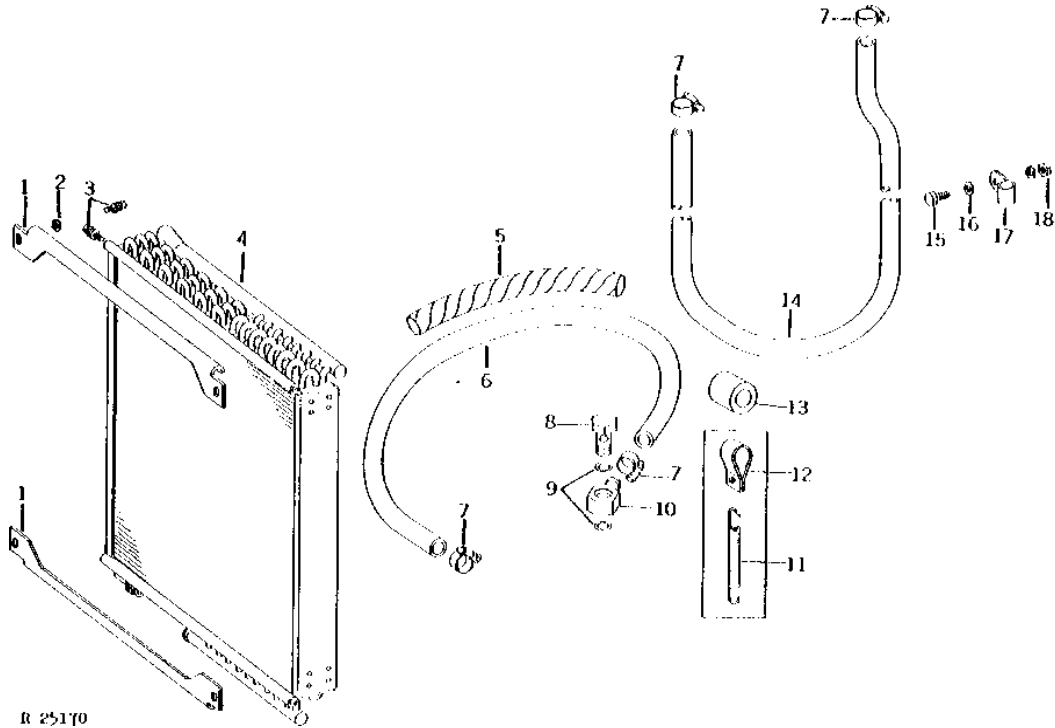


# 5C9

HYDRAULICS

## HYDRAULIC OIL COOLER AND HOSES (POWER SHIFT, QUAD-RANGE, AND SYNCRO-RANGE WITH PERMA-CLUTCH) (WITH AIR CONDITIONING)

R25170 -UN-01JAN94



R 25170

KEY	PART NO.	PART NAME	QTY	TRACTOR SERIAL NO.	REMARKS
1	R53615	BRACKET	2		
2	24H1292	WASHER	4		11/32" X 3/4" X 0.120"
3	AR58652	BOLT	6		
4	AR61885	OIL COOLER	1		
5	R55144	HOSE GUARD	1		
6	.....	HOSE	1		19 X 737MM (3/4" X 29") OIL COOLER TO HYDRAULIC PUMP, (MAKE FROM TY22329) (SUB FOR R53613)
7	TY22467	CLAMP	4		(SUB FOR AR21839)
8	R27927	HOLLOW SCREW	1		
9	R27928	O-RING	2		
10	R27926	FITTING	1		
11	R35823	SPRING	1	-027174	(SUB R60874)
12	AR61662	CLAMP	1	-027174	(SUB R60874)
13	R60874	HOSE GUARD	1	027175-	
14	.....	HOSE	1		19 X 1042MM (3/4" X 41") OIL COOLER RETURN FRONT TUBE TO OIL COOLER, (MAKE FROM TY22329) (SUB FOR R54078)
15	19H1936	CAP SCREW	1		3/8" X 3/4"
16	24M7096	WASHER	1		10.500 X 18 X 1.600 MM
17	A4773R	CLAMP	1		
18	14H1076	NUT	1		3/8"
	12H304	LOCK WASHER	1		3/8"

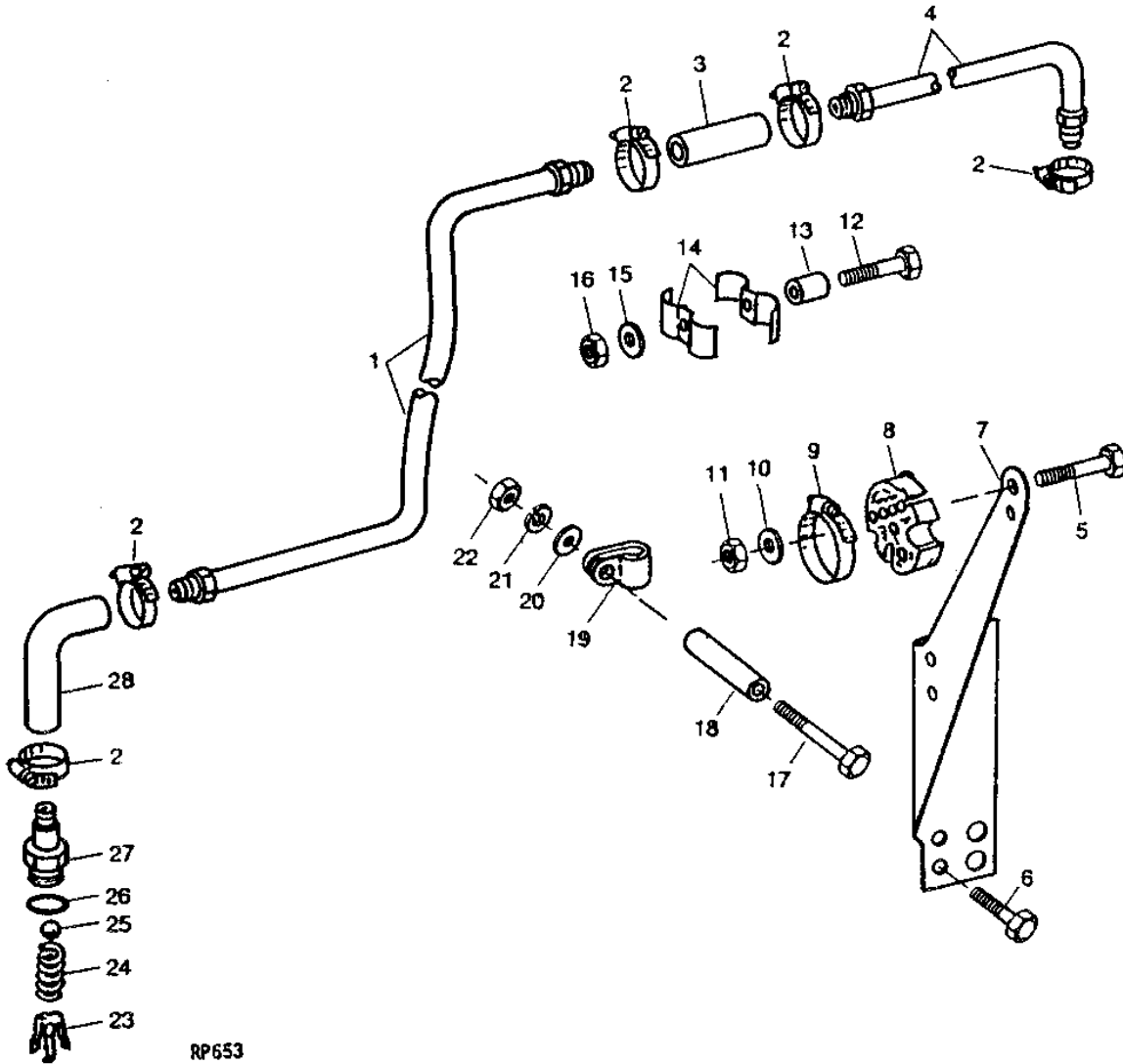
# 5C10

HYDRAULICS

RP653

-UN-01JAN94

## HYDRAULIC OIL COOLER RETURN TUBES (QUAD-RANGE AND SYNCRO-RANGE)



RP653

# 5C11

HYDRAULICS

## HYDRAULIC OIL COOLER RETURN TUBES - CONTINUED (QUAD-RANGE AND SYNCRO-RANGE)

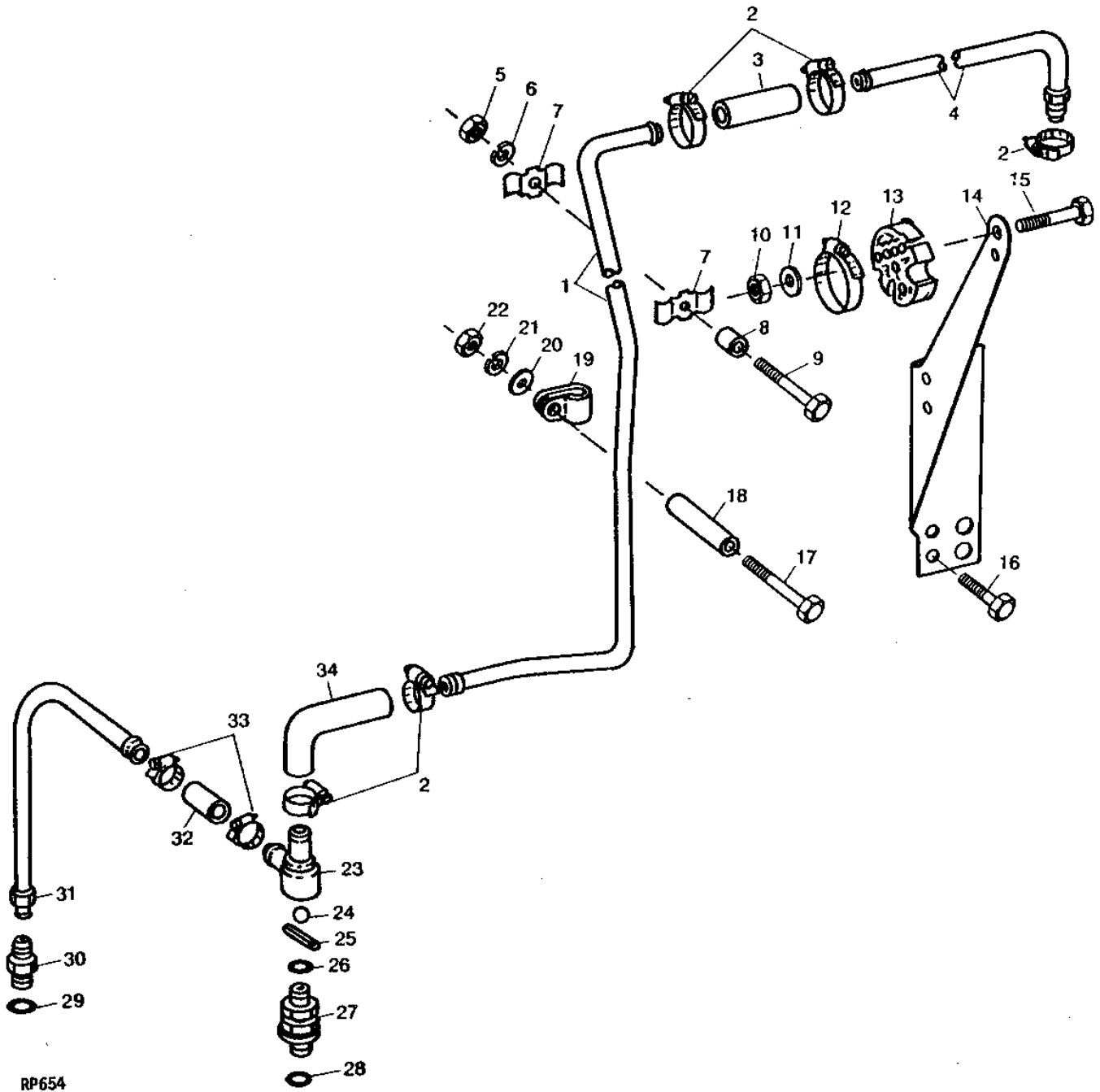
KEY	PART NO.	PART NAME	QTY	TRACTOR SERIAL NO.	REMARKS
1	R50708	TUBE	1		
2	TY22467	CLAMP	4		(SUB FOR AR21839)
3	.....	HOSE	1		19 X 64MM (3/4" X 2-1/2") (MAKE FROM TY22329)
4	R53686	OIL TUBE	1		(AIR CONDITIONING)
	R53009	TUBE	1		(LESS AIR CONDITIONING)
5	19H1898	CAP SCREW	2		1/4" X 1-1/2"
6	R45692	CAP SCREW	1		
7	R50710	SUPPORT	1	-019558	
	R56673	SUPPORT	1	019559-	
8	R50711	SPACER	3	-019558	
	R61522	SPACER	4	019559-	(SUB FOR R56953)
9	TY22470	CLAMP	3	-019558	(SUB FOR AR21840)
	AR21999	CLAMP	4	019559-	
10	24H1287	WASHER	2		9/32" X 5/8" X 0.065"
11	14H786	NUT	2		1/4"
12	19H1905	CAP SCREW	1		(A) 5/16" X 1"
13	28H1518	WASHER	1		(A) 0.493" X 0.675" X 5/16"
14	F1682R	HALF CLAMP	2		(A)
15	12H303	LOCK WASHER	1		(A) 5/16"
16	14H785	NUT	1		(A) 5/16"
17	19H2228	CAP SCREW	1		3/8" X 4"
18	R53451	SLEEVE	1		
19	T24959	CLAMP	1		
20	24M7096	WASHER	1		10.500 X 18 X 1.600 MM
21	12H304	LOCK WASHER	1		3/8"
22	14H1076	NUT	1		3/8"
23	R53045	RETAINER	1		
24	A4979R	SPRING	1		
25	R1818R	BALL	1		
26	F3171R	O-RING	1		
27	R53540	HOSE FITTING	1		
28	R46485	HOSE	1		(MAKE FROM TY22425) (SUB FOR R44141)
..	AR21969	KIT	1		PLUG ASSORTMENT

# 5C12

HYDRAULICS

## HYDRAULIC OIL COOLER RETURN TUBES (POWER SHIFT)

RP654 -UN-01JAN94



# 5C13

HYDRAULICS

## HYDRAULIC OIL COOLER RETURN TUBES - CONTINUED (POWER SHIFT)

KEY	PART NO.	PART NAME	QTY	TRACTOR SERIAL NO.	REMARKS
1	R53685	TUBE	1		
2	TY22467	CLAMP	4		(SUB FOR AR21839)
3	.....	HOSE	1		19 X 64MM (3/4" X 2-1/2") (MAKE FROM TY22329)
4	R53686	OIL TUBE	1		(AIR CONDITIONING)
	R53009	TUBE	1		(LESS AIR CONDITIONING)
5	14H785	NUT	1		(A) 5/16"
6	12H303	LOCK WASHER	1		(A) 5/16"
7	F1682R	HALF CLAMP	2		(A)
8	28H1518	WASHER	1		(A) 0.493" X 0.675" X 5/16"
9	19H1905	CAP SCREW	1		(A) 5/16" X 1"
10	14H786	NUT	2		1/4"
11	24H1287	WASHER	2		9/32" X 5/8" X 0.065"
12	TY22470	CLAMP	3	-019558	(SUB FOR AR21840)
	AR21999	CLAMP	4	019559-	
13	R50711	SPACER	3	-019558	
	R61522	SPACER	4	019559-	(SUB FOR R56953)
14	R50710	SUPPORT	1	-019558	
	R56673	SUPPORT	1	019559-	
15	19H1898	CAP SCREW	2		1/4" X 1-1/2"
16	R45692	CAP SCREW	1		
17	19H2228	CAP SCREW	1		3/8" X 4"
18	R53451	SLEEVE	1		
19	T24959	CLAMP	1		
20	24M7096	WASHER	1		10.500 X 18 X 1.600 MM
21	12H304	LOCK WASHER	1		3/8"
22	14H1076	NUT	1		3/8"
23	R53259	TEE FITTING	1	-031644	(SUB R62708, AR77284, R495R, R51571 AND 34H247)
	R62708	TEE FITTING	1	031645-	
24	R51571	BALL	1		
25	34H184	SPRING PIN	1	-031644	1/8" X 1-1/8"
	34H247	SPRING PIN	1	031645-	1/8" X 3/4"
26	R53262	WASHER	1	-031644	(SUB R495R, AR77284, R62708, R51571 AND 34H247)
	R495R	O-RING	1	031645-	
27	AR59285	THREADED NIPPLE	1	-031644	(SUB AR77284, R62708, R495R, R51571 AND 34H247)
	AR77284	THREADED NIPPLE	1	031645-	
28	F3171R	O-RING	1		
29	R26906	O-RING	1		
30	R27270	FITTING	1		
31	AR59286	HYDRAULIC LINE	1		
32	.....	HOSE	1		16 X 64MM (5/8" X 2-1/2") (MAKE FROM R20922)
33	TY22465	CLAMP	2		(SUB FOR AR21837)
34	T22960	HOSE	1		
..	AR21969	KIT	1		PLUG ASSORTMENT

(A) SOUND-GARD BODY

---

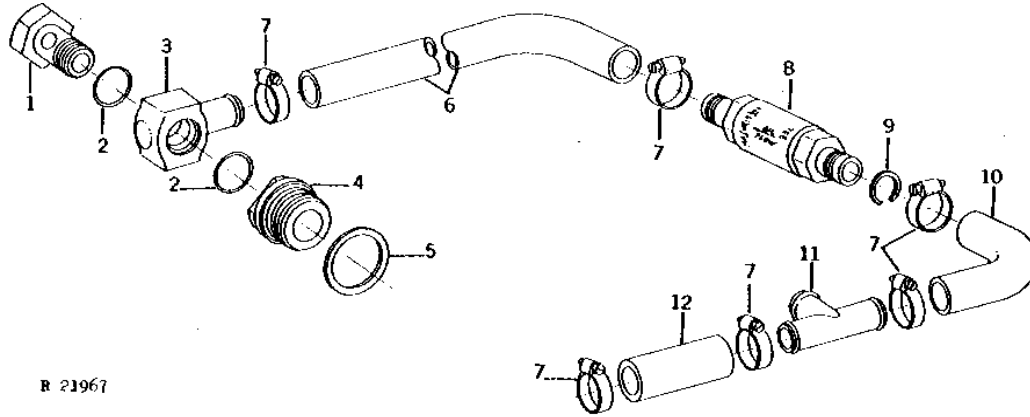
MEMORANDA

# 5C14

HYDRAULICS

**HYDRAULIC THERMOSTAT BYPASS VALVE  
(SYNCRO-RANGE TRANSMISSION)  
(TRACTOR SERIAL NO. -010102)**

R21967 -UN-01JAN94



R 21967

KEY	PART NO.	PART NAME	QTY	TRACTOR SERIAL NO.	REMARKS
1	R27927	HOLLOW SCREW	1		
2	R27928	O-RING	2		
3	R27926	FITTING	1		
4	R57299	BUSHING	1		
5	A4808R	WASHER	1		
6	TY22329	BULK HOSE	1		(SUB FOR R57300)
7	TY22467	CLAMP	6		(SUB FOR AR21839)
8	RE54318	VALVE	1		(SUB FOR AR68787)
9	R57448	SNAP RING	1		
10	R47756	HOSE	1		(SUB TY6701)
11	R61955	TEE FITTING	1		
12	.....	HOSE	1		19 X 64MM (3/4" X 2-1/2") (MAKE FROM TY22329) PUMP TO TEE
..	R44302	TIE BAND	AR		
..	R76477	TIE BAND	AR		(SUB FOR R45440)

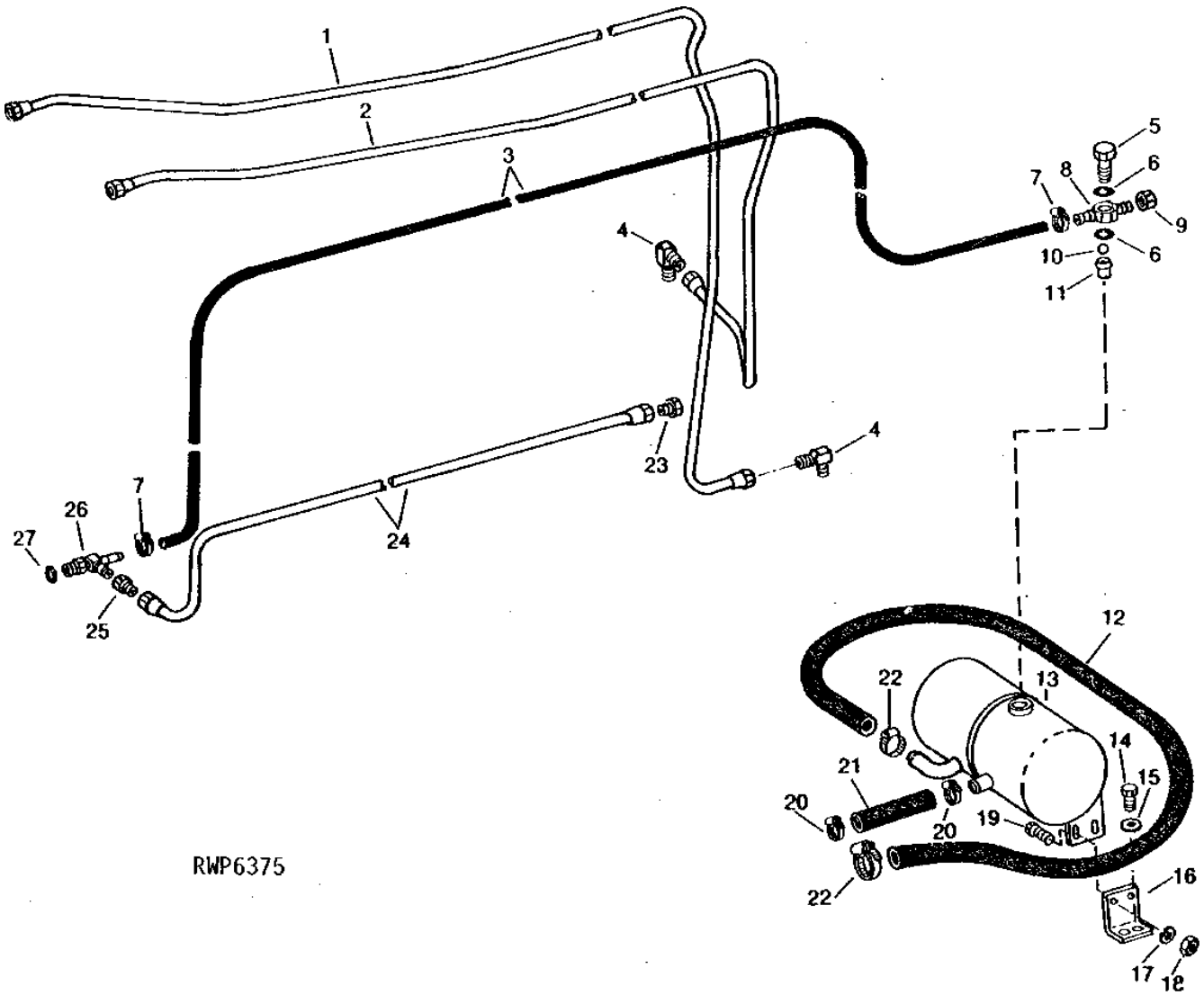
# 5C15

HYDRAULICS

RWP6375

-UN-01JAN94

HYDRAULIC OIL RESERVOIR



RWP6375



# 5C16

HYDRAULICS

## HYDRAULIC OIL RESERVOIR - CONTINUED

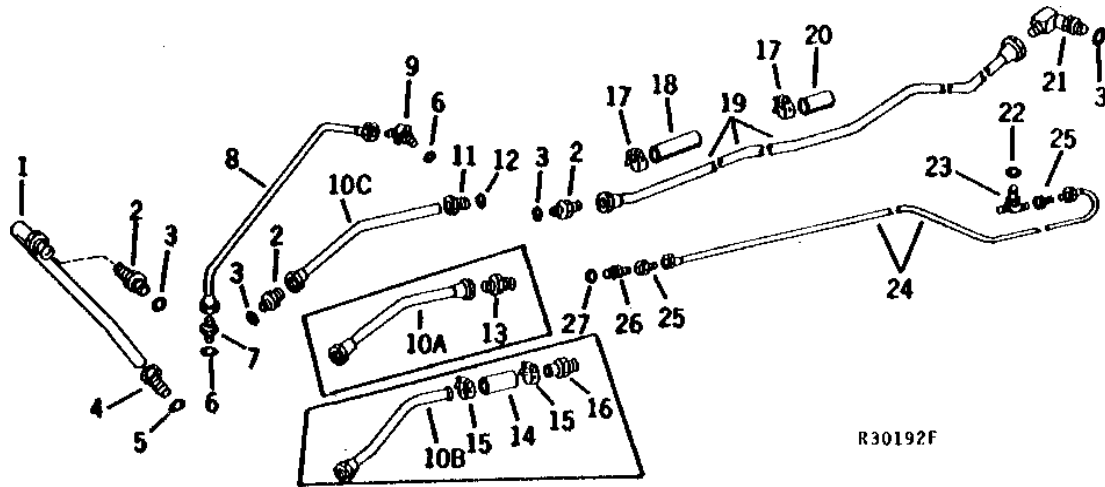
KEY	PART NO.	PART NAME	QTY	TRACTOR SERIAL NO.	REMARKS
1	AR74738	HYDRAULIC LINE	1	019559-	STEERING VALVE TO FEED BACK PISTON, L.H.
2	AR74739	HYDRAULIC LINE	1	019559-	STEERING VALVE TO FEED BACK PISTON, R.H.
3	.....	HOSE	1		7 X 3150MM (9/32" X 124") (MAKE FROM R78325)
4	AR54386	ELBOW FITTING	2	019559-	
5	T22970	PLUG	1		
6	U11343	O-RING	2		
7	AR21836	CLAMP	2		
8	AT20983	FITTING	1		
9	R40583	FITTING	1		
10	R48084	BALL	1		
11	R39076	GUIDE	1		
12	.....	HOSE	1		19 X 1042MM (3/4" X 41") RESERVOIR TO COOLER, (MAKE FROM TY22329) (SUB FOR R54078)
	R55144	HOSE GUARD	1		
13	AR74733	RESERVOIR	1		
14	19H218	CAP SCREW	2	-015214	3/8" X 1"
	19H456	CAP SCREW	2	015215-	1/2" X 1-3/8"
15	24H1305	WASHER	2	-015214	13/32" X 13/16" X 0.065"
	24H1227	WASHER	2	015215-	17/32" X 13/16" X 0.060"
16	R61551	BRACKET	1		
17	12H303	LOCK WASHER	4		5/16"
18	14H785	NUT	4		5/16"
19	19H2127	CAP SCREW	4		5/16" X 7/8"
20	TY22467	CLAMP	2		(SUB FOR AR21839)
21	.....	HOSE	1		19 X 129MM (3/4" X 5-3/32") RESERVOIR TO PUMP, (MAKE FROM TY22329) (SUB FOR R32087)
22	AT18904	CLAMP	2		
23	R64170	ADAPTER	1	XXXXXX-	
24	AR87535	OIL LINE	1		(ALSO ORDER (2) R64170) (SUB FOR AR54751 OR AR79713)
25	R64170	ADAPTER	1	XXXXXX-	
26	AR74734	TEE FITTING	1		
27	R26286	O-RING	1		

# 5C17

HYDRAULICS

R30192 -UN-01JAN94

## HYDRAULIC OIL RETURN PIPES (QUAD-RANGE AND SYNCRO-RANGE)



R30192F

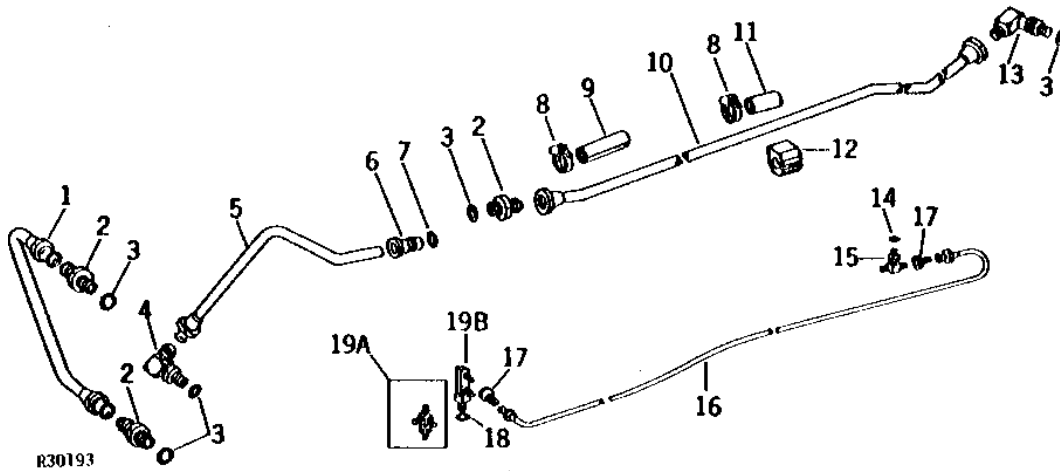
KEY	PART NO.	PART NAME	QTY	TRACTOR SERIAL NO.	REMARKS
1	AR74312	HYDRAULIC LINE	1		ROCKSHAFT HOUSING OR TRANSMISSION REAR COVER TO FILTER RELIEF VALVE, (SUB FOR AR41117)
2	R27267	FITTING	3		
3	F3171R	O-RING	4		
4	R76494	FITTING	1		(SUB FOR R33610)
5	B2762R	O-RING	1		
6	R26375	O-RING	2		
7	R27237	FITTING	1		
	R57298	FITTING	1	-010102	(HYDRAULIC THERMOSTAT BYPASS VALVE KIT)
8	AR58576	HYDRAULIC LINE	1		OIL FILTER RELIEF BYPASS
9	AR26745	ELBOW FITTING	1		
10A	AR55086	OIL LINE	1	-001612	CLUTCH VALVE PRESSURE, (SUB AR64096, (2) TY22467, R53540 AND R55256)
10B	AR64096	HYDRAULIC LINE	1	001613-016467	CLUTCH VALVE PRESSURE
10C	AR67011	HYDRAULIC LINE	1	016468-	CLUTCH VALVE PRESSURE
11	R76493	FITTING	1	016468-	(SUB FOR R56258)
12	F3171R	O-RING	1	-016467	
	B2762R	O-RING	1	016468-	
13	R27267	FITTING	1	-001612	
14	R55256	HOSE	1	001613-016467	
15	TY22467	CLAMP	2	001613-016467	(SUB FOR AR21839)
16	R53540	HOSE FITTING	1	001613-016467	
17	TY22467	CLAMP	2	-XXXXXX	(SUB FOR AR21839)
18	T21959	ISOLATOR	1	-XXXXXX	
19	AR58162	LINE	1		CLUTCH OIL PRESSURE REGULATING VALVE TO PUMP, (SUB AR82916, R43479 AND R76477)
20	T29317	ISOLATOR	1	-XXXXXX	
21	AR27888	ELBOW FITTING	1		
22	R26287	O-RING	1		
23	AR56615	TEE FITTING	1		
24	AR87534	OIL LINE	1		SEAL DRAIN, (ALSO ORDER (2) R64170) (SUB FOR AR42285 OR AR79709)
	R44302	TIE BAND	1		
25	R64170	ADAPTER	2		
26	R40617	FITTING	1		
27	R26286	O-RING	1		
..	AR21969	KIT	1		PLUG ASSORTMENT

# 5C18

HYDRAULICS

## HYDRAULIC OIL RETURN PIPES (POWER SHIFT)

R30193 -UN-01JAN94



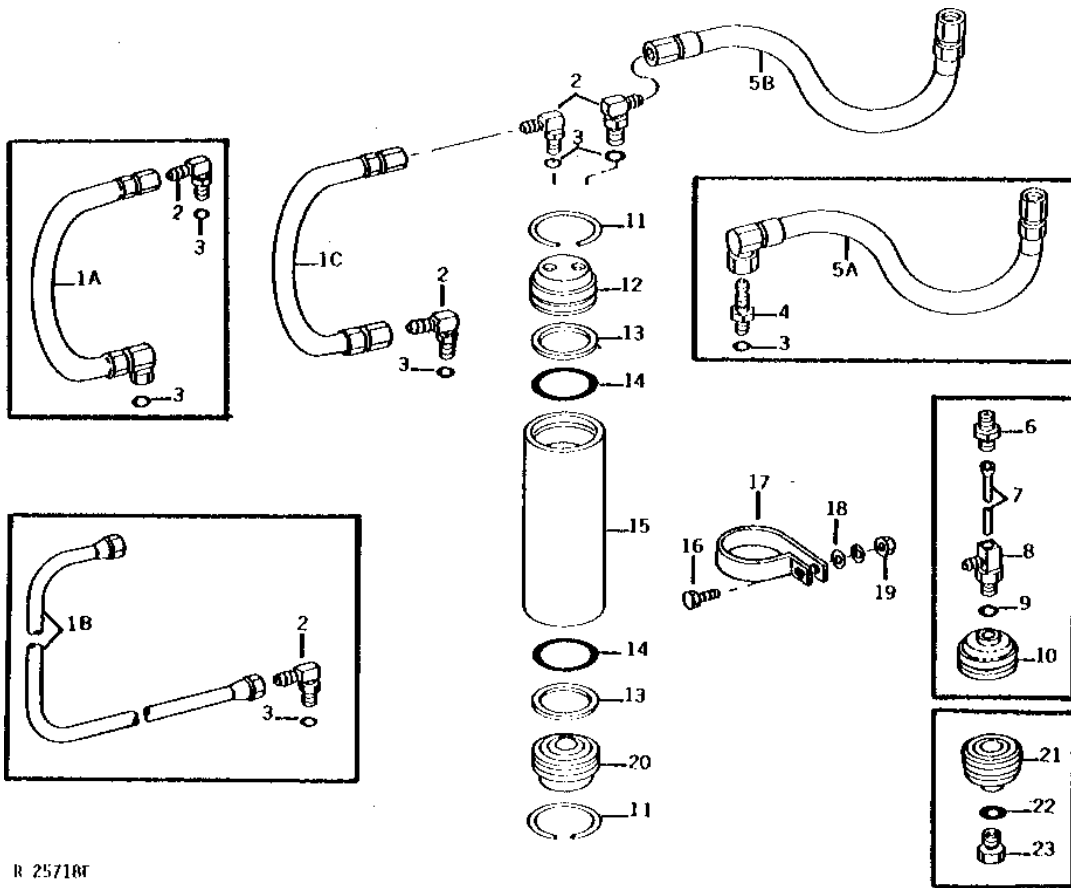
KEY	PART NO.	PART NAME	QTY	TRACTOR SERIAL NO.	REMARKS
1	AR32345	HYDRAULIC LINE	1		ROCKSHAFT HOUSING OR TRANSMISSION REAR COVER TO CASE
2	R27267	FITTING	3		
3	F3171R	O-RING	5		
4	AT32331	ELBOW FITTING	1		(SUB FOR AR26723)
5	AR39562	HYDRAULIC LINE	1	-019558	PRESSURE REGULATING VALVE TO CASE
	AR67853	HYDRAULIC LINE	1	019559-	PRESSURE REGULATING VALVE TO CASE
6	R76494	FITTING	1		(SUB FOR R33610)
7	B2762R	O-RING	1		
8	TY22467	CLAMP	2	-XXXXXX	(SUB FOR AR21839)
9	T21959	ISOLATOR	1	-XXXXXX	
10	AR58162	LINE	1	-037820	PRESSURE REGULATING VALVE TO PUMP, (SUB AR82916, R43479 AND R76477)
	AR82916	HYDRAULIC LINE	1	037821-	PRESSURE REGULATING VALVE TO PUMP
11	T29317	ISOLATOR	1	-XXXXXX	
12	R43479	SPACER	1	037821-	
	R76477	TIE BAND	1	037821-	(SUB FOR R45440)
13	AR27888	ELBOW FITTING	1		
14	R26287	O-RING	1		
15	AR56615	TEE FITTING	1		
16	AR79714	HYDRAULIC LINE	1	-019558	SEAL DRAINING, (ALSO ORDER (2) R64170) (SUB FOR AR42286)
	AR87534	OIL LINE	1	019559-	SEAL DRAINING, (ALSO ORDER (2) R64170) (SUB FOR AR42285 OR AR79709)
	R44302	TIE BAND	2		
17	R64170	ADAPTER	2		
18	R26286	O-RING	1		
19A	AR40689	TEE FITTING	1	-019558	
19B	AR68072	TEE FITTING	1	019559-	
..	AR21969	KIT	1		PLUG ASSORTMENT

# 5C19

HYDRAULICS

R25718 -UN-01JAN94

HYDRAULIC OIL ATTENUATOR  
(SOUND-GARD BODY)  
(TRACTOR SERIAL NO. -017515)



R 25718R

# 5C20

HYDRAULICS

HYDRAULIC OIL ATTENUATOR - CONTINUED  
(SOUND-GARD BODY)  
(TRACTOR SERIAL NO. -017515)

KEY	PART NO.	PART NAME	QTY	TRACTOR SERIAL NO.	REMARKS
1A	AR61507	OIL LINE	1	-XXXXXX	(SUB AR81295, THIS APPLICATION)
1B	AR77403	OIL LINE	1	XXXXXX-XXXXXX	(SUB AR78829)
1C	AR78829	HYDRAULIC HOSE	1	XXXXXX-	(A)
2	AT35121	ELBOW FITTING	3	001741-	(A) (SUB FOR AR26725)
3	R26448	O-RING	3	001741-	(A)
4	R27238	FITTING	1	001741-XXXXXX	
5A	AR61508	OIL LINE	1	-XXXXXX	(SUB AR78830, AT35121 AND R26448)
5B	AR78830	HYDRAULIC HOSE	1	XXXXXX-	
6	R27095	FITTING	1	-001740	
7	R53826	TUBE	1	-001740	(SUB R27238, AT35121, (2) R26448 AND R55293)
8	AR61186	TEE FITTING	1	-001740	(SUB R27238, AT35121, (2) R26448 AND R55293)
9	R26375	O-RING	1	-001740	
10	R53824	END	1	-001740	(SUB R27238, AT35121, (2) R26448 AND R55293)
11	U10136	SNAP RING	2		
12	R55293	END	1	001741-	(SUB AR75693, THIS APPLICATION)
13	R35684	BACK-UP RING	2		
14	U12331	O-RING	2		
15	R46987	HYDRAULIC CYLINDER BARREL	1		(SUB AR75693, THIS APPLICATION)
16	19H1732	CAP SCREW	2		3/8" X 1-1/4"
17	R35794	CLAMP	2		
18	24H1309	WASHER	2		13/32" X 1-1/16" X 0.120"
19	14H1076	NUT	2		3/8" HS, SAE 8
	12H304	LOCK WASHER	2		3/8"
20	R55294	END	1	001741-	(SUB AR75693, THIS APPLICATION)
21	R53824	END	1	-001740	(SUB AR75693, THIS APPLICATION)
22	R26375	O-RING	1	-001740	
23	R39112	FITTING	1	-001740	
..	AR81295	LINE	1	-XXXXXX	(SUB FOR AR77399)

(A) INCLUDED IN AR81295

---

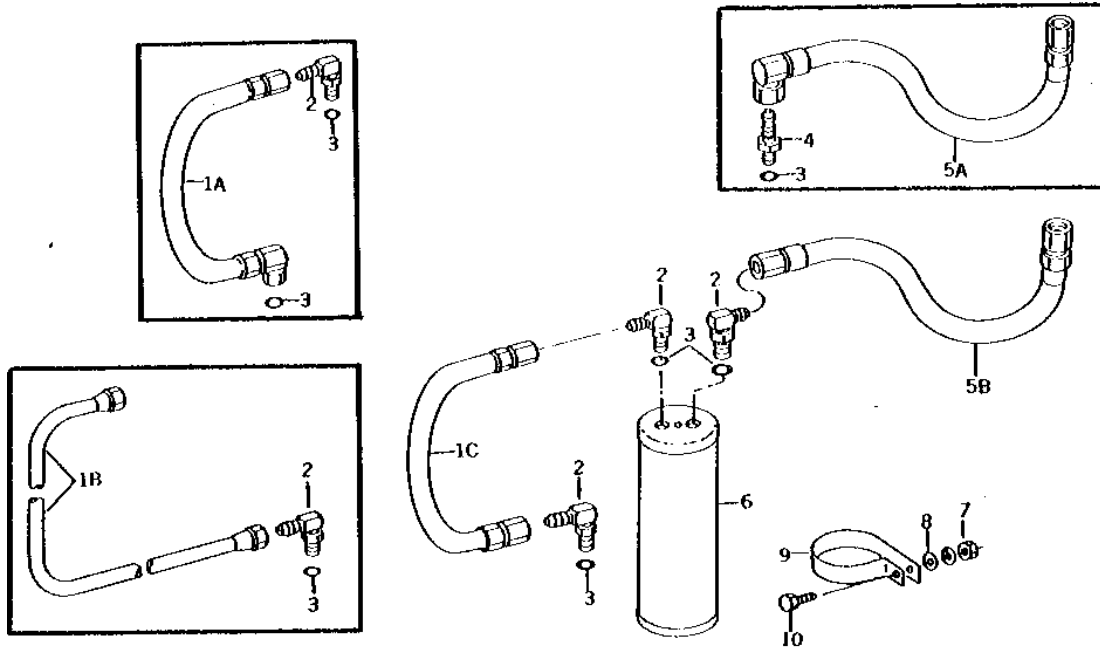
MEMORANDA

# 5C21

HYDRAULICS

## HYDRAULIC OIL ATTENUATOR (SOUND-GARD BODY) (TRACTOR SERIAL NO. 017516- )

R25719 -UN-01JAN94



R 25719R

KEY	PART NO.	PART NAME	QTY	TRACTOR SERIAL NO.	REMARKS
1A	AR61507	OIL LINE	1	-034323	(SUB AR81295, THIS APPLICATION)
1B	AR77403	OIL LINE	1	XXXXXX-XXXXXX	(SUB AR78829)
1C	AR78829	HYDRAULIC HOSE	1	034324-	(A)
2	AT35121	ELBOW FITTING	3		(A) (SUB FOR AR26725)
3	R26448	O-RING	3		(A)
4	R27238	FITTING	1	-XXXXXX	
5A	AR61508	OIL LINE	1	-033578	(SUB AR78830, AT35121 AND R26448)
5B	AR78830	HYDRAULIC HOSE	1	033579-	
6	AR68439	ATTENUATOR	1	-030262	(SUB AR75693)
	AR75693	ATTENUATOR	1	030263-	
7	14H1076	NUT	2		3/8"
	12H304	LOCK WASHER	2		3/8"
8	24H1309	WASHER	2		13/32" X 1-1/16" X 0.120"
9	R35794	CLAMP	2		
10	19H1732	CAP SCREW	2		3/8" X 1-1/4"
..	AR81295	LINE	1	-034323	(SUB FOR AR77399)

(A) INCLUDED IN AR81295

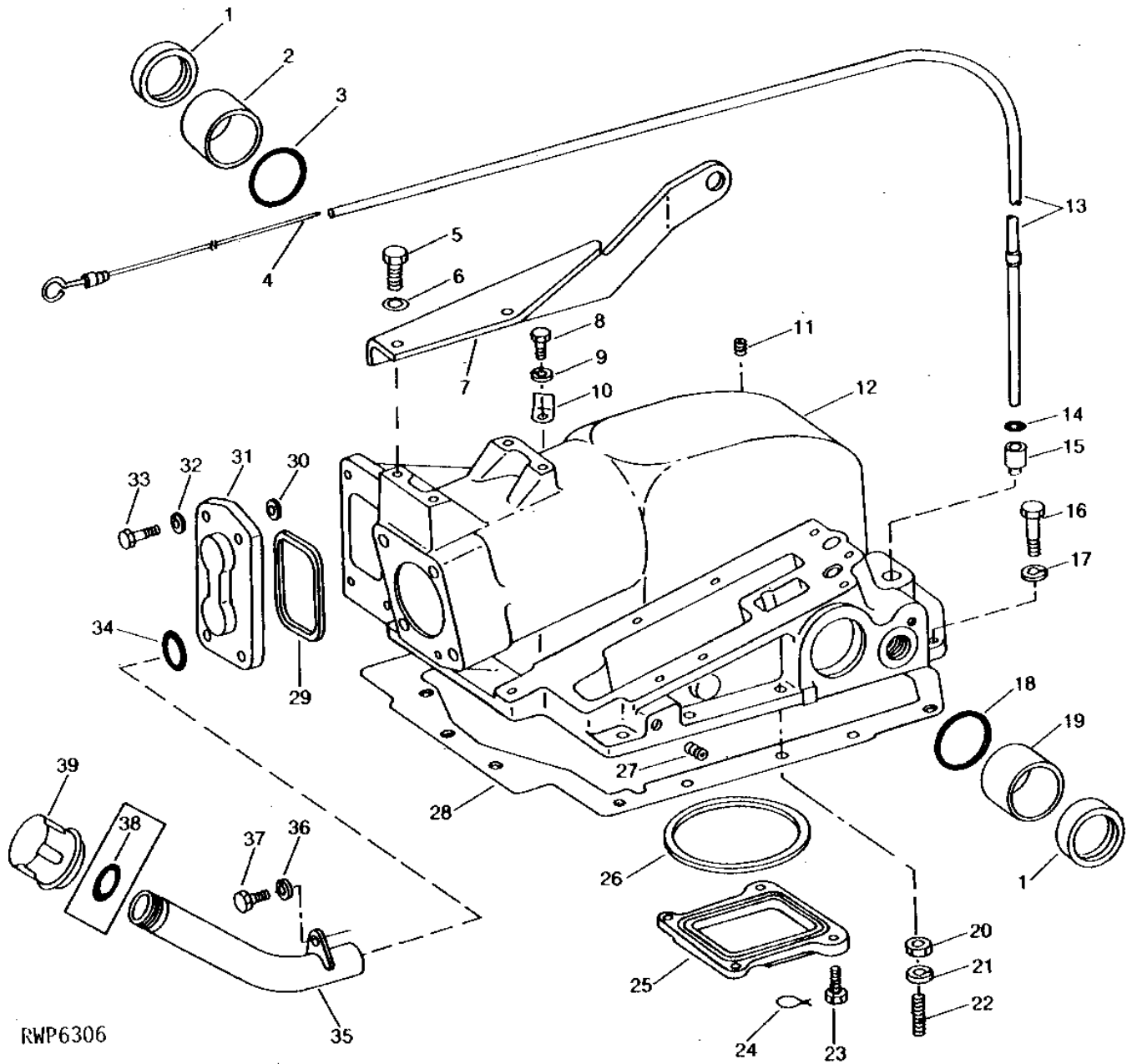
# 5C22

HYDRAULICS

RWP6306

-UN-01JAN94

ROCKSHAFT HOUSING WITH BUSHING AND OIL SEALS



RWP6306



# 5C23

HYDRAULICS

## ROCKSHAFT HOUSING WITH BUSHING AND OIL SEALS - CONTINUED

KEY	PART NO.	PART NAME	QTY	TRACTOR SERIAL NO.	REMARKS
1	AF2643R	SEAL	2		
2	R26842	BUSHING	1		
3	A4728R	O-RING	1		
4	AR89228	DIPSTICK	1		(SUB FOR AR54616)
5	19H1731	CAP SCREW	2	034165-	3/8" X 1"
6	12H304	LOCK WASHER	2	034165-	3/8"
7	R64771	RETAINER	1	034165-	(SUB FOR R63081)
8	19H1936	CAP SCREW	2		(A) 3/8" X 3/4"
9	12H304	LOCK WASHER	2		(A) 3/8"
10	T13814	CLAMP	2		(A)
	R27720	CLAMP	1		(B)
11	15H559	PIPE PLUG	2		1/4"
12	AR53929	HOUSING	1		(MARKED R49960) (ALSO ORDER R39164 AND R26906, FOR SERIAL NUMBERS 31043 AND ABOVE)
13	AR56080	LINE	1		
14	A3917R	O-RING	1	XXXXXX-	
15	R55214	BUSHING	1		(ALSO ORDER A3917R) (SUB FOR R49955)
16	19H3579	CAP SCREW	5		1/2" X 1-3/8"
	19H3544	CAP SCREW	5		1/2" X 4-1/2" HS, SAE 8
	19H1815	CAP SCREW	5		1/2" X 1-1/4"
	19H1990	CAP SCREW	5		1/2" X 2-1/4"
17	12H301	LOCK WASHER	8		1/2"
18	R26863	O-RING	1		
19	R26841	BUSHING	1		
20	14H1040	NUT	4		1/2"
21	12H301	LOCK WASHER	4		1/2"
22	R49988	STUD	4		(SUB R32101)
23	R57725	SCREW	4		(SUB FOR R61762)
24	.....	WIRE	2	-XXXXXX	305MM (12") (16 GA.) (MAKE FROM R65593)
25	R55079	COVER	1		
26	R26769	WASHER	1		
27	15H558	PIPE PLUG	1		1/8"
28	R92411	GASKET	1		(SUB FOR R40947 OR R80965)
29	R40922	PACKING	1		(C)
30	F2741R	PACKING	1		(C)
31	R41446	COVER	1		(C)
32	12H293	LOCK WASHER	4		7/16"
33	19H2500	CAP SCREW	4		7/16" X 1-3/8"
34	R30319	O-RING	1		
35	AR54439	TUBE	1	-040063	(SUB RE20058 AND AR30697)
	AR83383	OIL TUBE	1	040064-	(SUB RE20058)
36	12H304	LOCK WASHER	1		3/8"
37	19H2284	CAP SCREW	1		3/8" X 7/8"
38	R1225R	O-RING	1	-040063	
39	AR55304	CAP	1	-040063	
	AR30697	CAP	1	040064-	

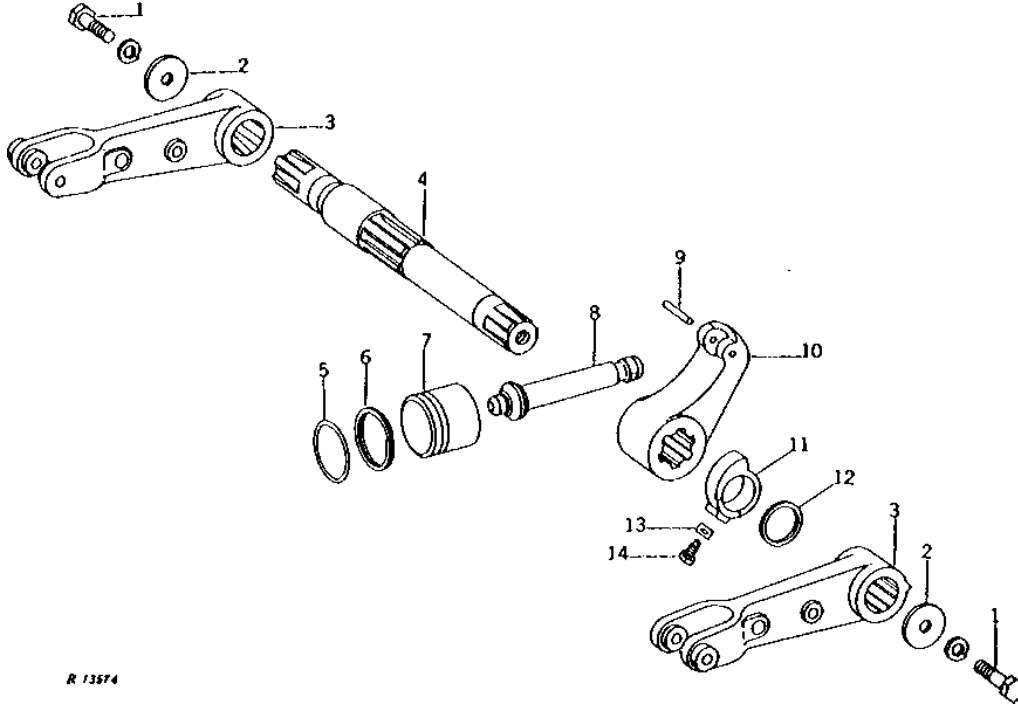
- (A) SOUND-GARD BODY OR ROLL-GARD
- (B) LESS SOUND-GARD BODY OR ROLL-GARD
- (C) LESS SELECTIVE CONTROL

# 5C24

HYDRAULICS

R13574 -UN-01JAN94

## ROCKSHAFT, ROCKSHAFT PISTON, AND LIFT ARMS



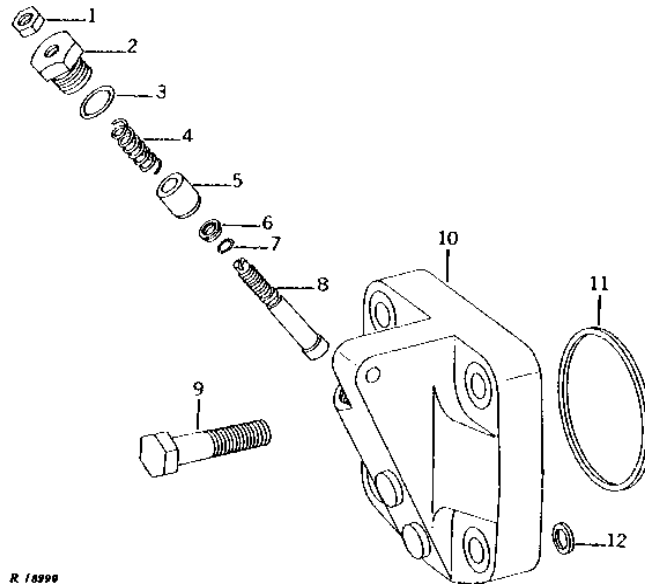
KEY	PART NO.	PART NAME	QTY	TRACTOR SERIAL NO.	REMARKS
1	19H1782	CAP SCREW	2		3/4" X 2-1/4"
	12H236	LOCK WASHER	2	-XXXXXX	3/4"
2	R64283	LOCK WASHER	2		
3	R56175	LIFT ARM	2		(SUB FOR R51130)
	R78452	ARM	1		R.H. (HI-CROP)
	R78453	ARM	1		L.H. (HI-CROP)
4	R34487	SHAFT	1		
5	R59966	WASHER	1		(ALSO ORDER R59967) (SUB FOR F950R, THIS APPLICATION)
6	R59967	WASHER	1		(ALSO ORDER R59966) (SUB FOR R49958, THIS APPLICATION)
7	R49957	PISTON	1		
8	AR44356	ROD	1		
9	34H322	SPRING PIN	1		1/4" X 2-3/4"
10	R42773	ARM	1		
11	R40887	CAM	1		
12	24H1602	WASHER	2		2-17/64" X 2-3/4" X 0.060"
13	F3173R	LOCK PLATE	1		
14	R69642	CAP SCREW	1		(SUB FOR R26626)

# 5C25

HYDRAULICS

R18990 -UN-01JAN94

## ROCKSHAFT PISTON COVER



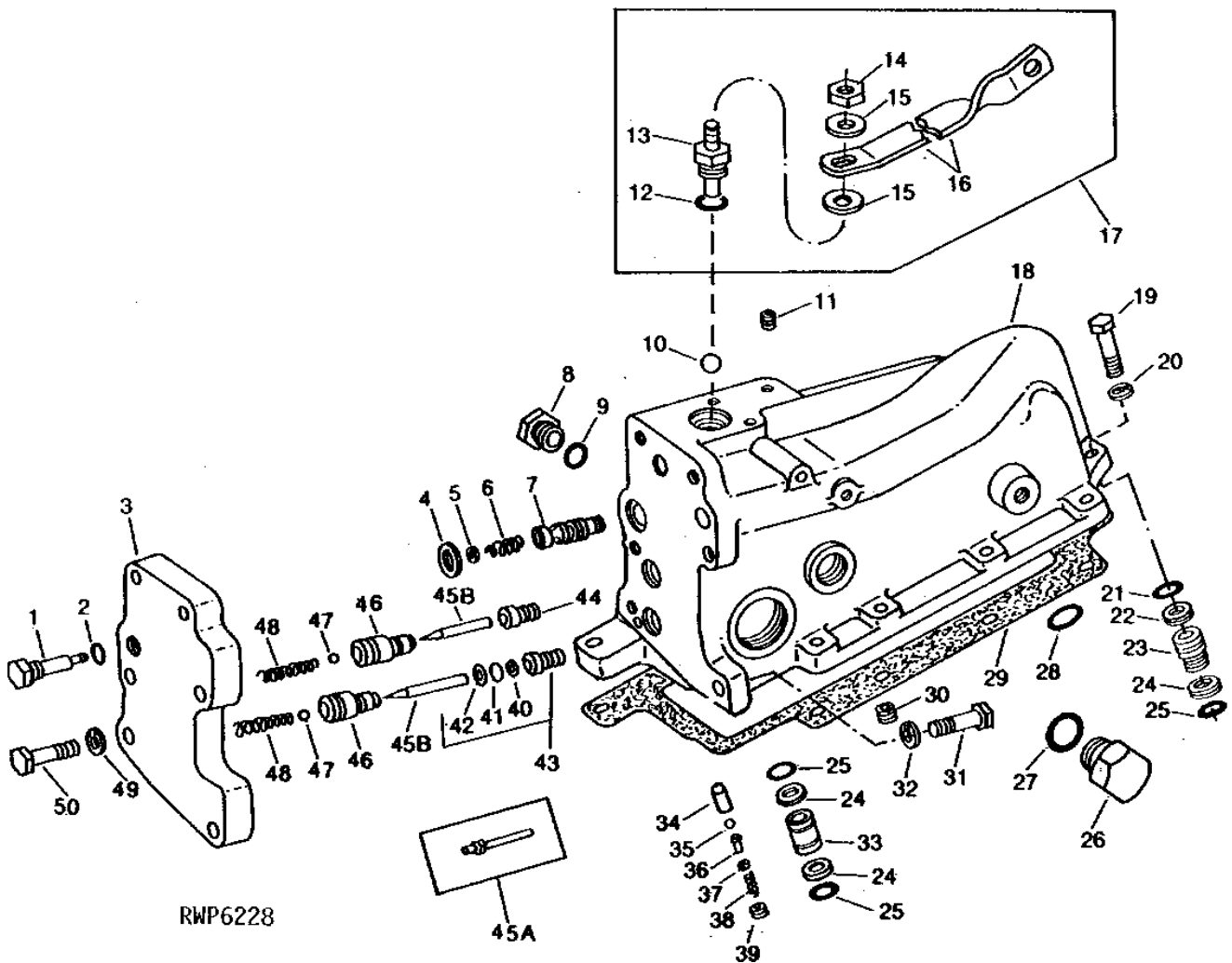
KEY	PART NO.	PART NAME	QTY	TRACTOR SERIAL NO.	REMARKS
1	14H774	NUT	1	3/8"	
2	R26458	FITTING	1		
3	R26906	O-RING	1		
4	B3686R	SPRING	1		
5	R59684	BUSHING	1	(SUB FOR R26457)	
6	R31136	BACK-UP RING	1		
7	A4365R	O-RING	1		
8	R26625	SHAFT	1		
9	19H3244	CAP SCREW	4	5/8" X 2-1/4"	
10	R49956	COVER	1		
	R50536	COVER	1	(POWER WEIGHT-TRANSFER HITCH)	
11	R65334	WASHER	1	(SUB FOR R57533)	
12	F2741R	PACKING	1		

# 5D1

HYDRAULICS

## ROCKSHAFT CONTROL VALVE HOUSING (MODEL NO. 10RS-2) (TRACTOR SERIAL NO. -027854)

RWP6228 -UN-01JAN94



# 5D2

HYDRAULICS

**ROCKSHAFT CONTROL VALVE HOUSING - CONTINUED**  
**(MODEL NO. 10RS-2)**  
**(TRACTOR SERIAL NO. -027854)**

KEY	PART NO.	PART NAME	QTY	TRACTOR SERIAL NO.	REMARKS
1	R40881	FITTING	1		
2	R26448	O-RING	1		
3	R50065	VALVE COVER	1	-022624	(SINGLE OR NO SELECTIVE CONTROL) (SUB R59080 AND (2) R59082)
	R59080	COVER	1	022625-	(SINGLE OR NO SELECTIVE CONTROL)
4	R26149	PACKING	5		
5	B1664R	SHIM	AR		
6	R26566	SPRING	1		
7	R51342	CONTROL VALVE	1		
8	R39112	FITTING	1		
9	R26375	O-RING	1		
10	M886T	BALL	1		
11	15H558	PIPE PLUG	4	1/8"	
12	R26906	O-RING	1		
13	R56916	PLUG	1		
14	14H1040	NUT	1	(A) 1/2"	
15	R58230	LOCK WASHER	2	(A)	
16	R58231	LINK	1	(A)	
17	AR68807	KIT	1		(A) ROCKSHAFT CONTROL STABILIZER, (NO LONGER AVAILABLE) (ORDER COMPONENT PARTS)
18	AR76340	HOUSING	1		(MARKED R50064, R62152, AR54328, AR76277 OR AR94165) (SUB FOR AR54329)
19	19H1732	CAP SCREW	9	3/8" X 1-1/4"	
20	12H304	LOCK WASHER	9	3/8"	
21	R27564	O-RING	1		
22	R45925	BACK-UP RING	1		
23	R45924	BUSHING	1		
24	R41057	BACK-UP RING	3		
25	R27166	O-RING	3		
26	R27175	DRAIN PLUG	1		(SUB FOR R55150)
27	F3171R	O-RING	1		
28	T17882	WASHER	1		(NOT REQUIRED)
29	R40896	GASKET	1		
30	R66895	ORIFICE	1		(USE WITH AR94165)
31	19H2500	CAP SCREW	1	7/16" X 1-3/8"	
32	12H293	LOCK WASHER	1	7/16"	
33	R40945	VALVE	1		
34	R61349	VALVE SEAT INSERT	1		(ALSO ORDER R61350) (SUB FOR R40893)
35	R41776	BALL	1		
36	R41777	PIN	1		
37	R40895	SHIM	AR	0.25MM (.010")	
38	R59766	SPRING	1		
39	R40894	PLUG	1		
40	R41337	WASHER	1		
41	R26977	BACK-UP RING	1		
42	R26976	O-RING	1		
43	AR78483	GUIDE	1		(PRESSURE) (SUB FOR AR31703)
44	R31024	GUIDE	1		(RETURN)
45A	R44298	SHAFT	2	-024250	
45B	R62336	SHAFT	2	024251-	(SUB FOR R59111)
46	R59083	VALVE	2		(SUB FOR R44299)
47	400R	BALL	2		
48	R26565	SPRING	2	-022624	(USE WITH R50065, R50066 OR R50067)
	R59082	SPRING	2	022625-	(USE WITH R59080, R59081 OR R59084)
49	12H293	LOCK WASHER	5	7/16"	
50	19H1978	CAP SCREW	5	7/16" X 1-1/2"	

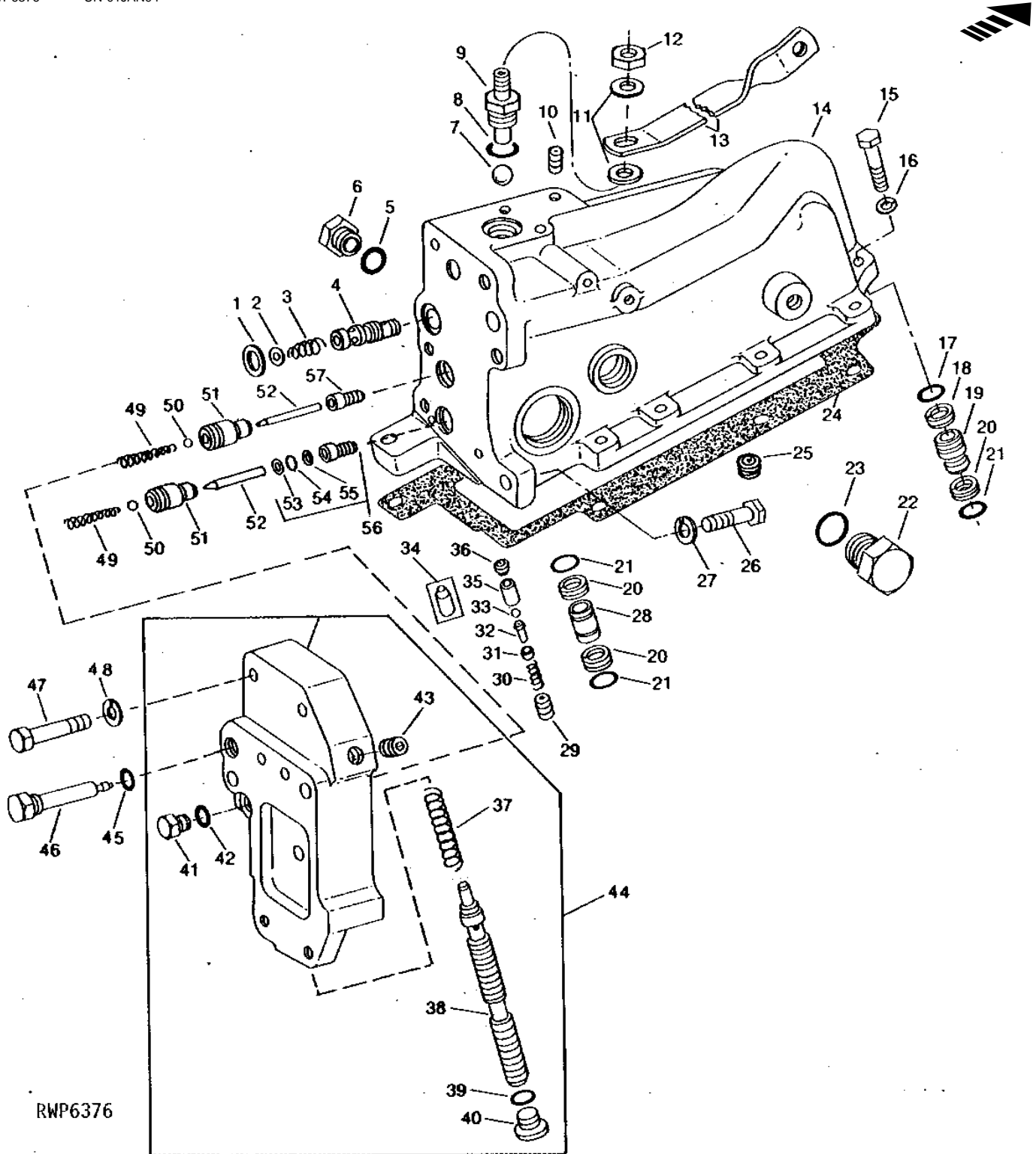
(A) SOUND-GARD BODY

# 5D3

HYDRAULICS

## ROCKSHAFT CONTROL VALVE HOUSING (MODEL NO. 16RS-1) (TRACTOR SERIAL NO. 027855-031042)

RWP6376 -UN-01JAN94



RWP6376

# 5D4

HYDRAULICS

ROCKSHAFT CONTROL VALVE HOUSING - CONTINUED  
(MODEL NO. 16RS-1)  
(TRACTOR SERIAL NO. 027855-031042)

KEY	PART NO.	PART NAME	QTY	TRACTOR SERIAL NO.	REMARKS
1	R26149	PACKING	5		
2	B1664R	SHIM	AR		
3	R26566	SPRING	1		
4	R51342	CONTROL VALVE	1		
	R43791	CONTROL VALVE	1		(USE WITH LIFT ASSIST CYLINDER)
5	R26375	O-RING	1		
6	R39112	FITTING	1		
7	M886T	BALL	1		
8	R26906	O-RING	1		
9	R56916	PLUG	1		
10	15H558	PIPE PLUG	4	1/8"	
11	R58230	LOCK WASHER	2	(A)	
12	14H1040	NUT	1	(A) 1/2"	
13	R58231	LINK	1	(A)	
14	AR76340	HOUSING	1		(MARKED AR76277 OR AR94165)
15	19H1732	CAP SCREW	9	3/8" X 1-1/4"	
16	12H304	LOCK WASHER	9	3/8"	
17	R27564	O-RING	1		
18	R45925	BACK-UP RING	1		
19	R45924	BUSHING	1		
20	R41057	BACK-UP RING	3		
21	R27166	O-RING	3		
22	R27175	DRAIN PLUG	1		
23	F3171R	O-RING	1		
24	R40896	GASKET	1		
25	R66895	ORIFICE	1		(USE WITH AR94165)
26	19H2500	CAP SCREW	1	7/16" X 1-3/8"	
27	12H293	LOCK WASHER	1	7/16"	
28	R40945	VALVE	1		
29	R40894	PLUG	1		
30	R59766	SPRING	1		
31	R40895	SHIM	AR	0.25MM (.010")	
32	R41777	PIN	1		
33	R41776	BALL	1		
34	R40893	VALVE SEAT INSERT	1	-029105	(SUB R61349 AND R61350)
35	R61350	BUSHING	1	029106-	
36	R61349	VALVE SEAT INSERT	1	029106-	
37	R28914	SPRING	1		
38	R60096	VALVE	1		
39	R26375	O-RING	1		
40	R33138	FITTING	1		
41	R27094	DRAIN PLUG	1		
42	R26286	O-RING	1		
43	15H558	PIPE PLUG	1	1/8"	
44	AR73899	COVER	1		(MARKED R60081 OR R60334)
45	R26448	O-RING	1		
46	R60420	PLUG	1		
47	19H1899	CAP SCREW	2	7/16" X 2"	
	19H2227	CAP SCREW	2	7/16" X 2-1/2"	
	19H2500	CAP SCREW	2	7/16" X 1-3/8"	
48	12H293	LOCK WASHER	4	7/16"	
49	R59082	SPRING	2		
50	400R	BALL	2		
51	R59083	VALVE	2		
52	R62336	SHAFT	2		(SUB FOR R59111)
53	R26976	O-RING	1		
54	R26977	BACK-UP RING	1		
55	R41337	WASHER	1		
56	AR78483	GUIDE	1		(PRESSURE) (SUB FOR AR31703)
57	R31024	GUIDE	1		(RETURN)

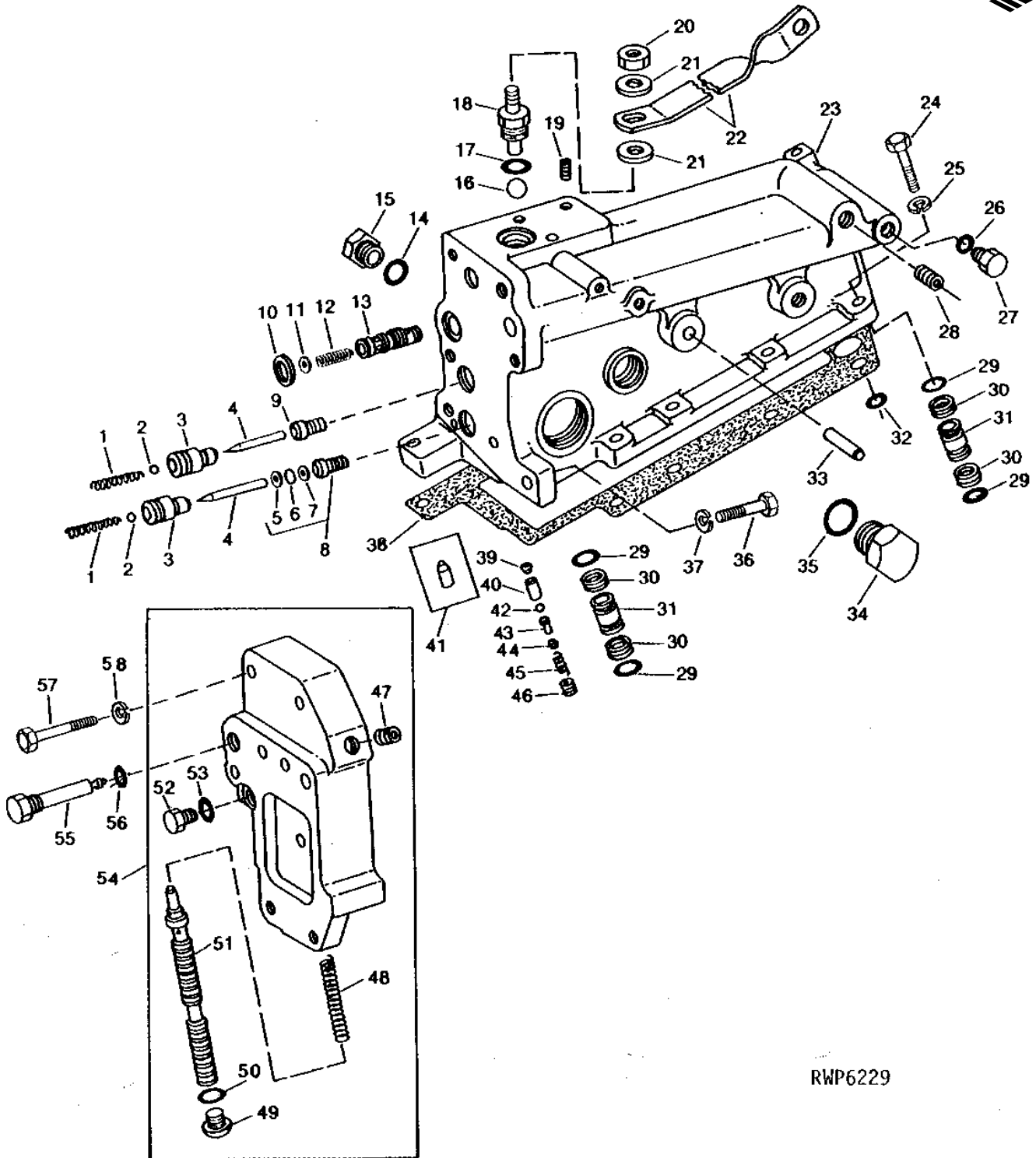
(A) SOUND-GARD BODY

# 5D5

HYDRAULICS

## ROCKSHAFT CONTROL VALVE HOUSING (MODEL NO. 16RS-2) (TRACTOR SERIAL NO. 031043- )

RWP6229 -UN-01JAN94



RWP6229



# 5D6

HYDRAULICS

ROCKSHAFT CONTROL VALVE HOUSING - CONTINUED  
(MODEL NO. 16RS-2)  
(TRACTOR SERIAL NO. 031043- )

KEY	PART NO.	PART NAME	QTY	TRACTOR SERIAL NO.	REMARKS
1	R59082	SPRING	2		
2	400R	BALL	2		
3	R59083	VALVE	2		
4	R62336	SHAFT	2		(SUB FOR R59111)
5	R26976	O-RING	1		
6	R26977	BACK-UP RING	1		
7	R41337	WASHER	1		
8	AR78483	GUIDE	1		(PRESSURE) (SUB FOR AR31703)
9	R31024	GUIDE	1		(RETURN)
10	R26149	PACKING	5		
11	B1664R	SHIM	AR		
12	R26566	SPRING	1		
13	R51342	CONTROL VALVE	1		
	R43791	CONTROL VALVE	1		(LIFT ASSIST CYLINDER)
14	R26375	O-RING	1		
15	R39112	FITTING	1		
16	M886T	BALL	1		
17	R26906	O-RING	1		
18	R56916	PLUG	1		
19	15H558	PIPE PLUG	4		1/8"
20	14H1040	NUT	1		(A) 1/2"
21	R58230	LOCK WASHER	2		(A)
22	R58231	LINK	1		(A)
23	AR78507	HOUSING	1		(MARKED R63573, R66893 OR R71585)
24	19H1732	CAP SCREW	6		3/8" X 1-1/4"
	19H2128	CAP SCREW	6		3/8" X 3"
	19H2054	CAP SCREW	6		3/8" X 4-3/4"
25	12H304	LOCK WASHER	8		3/8"
26	R26448	O-RING	1		
27	R27218	FITTING PLUG	1		
28	15H571	PIPE PLUG	1		3/8"
29	R27166	O-RING	4		
30	R41057	BACK-UP RING	4		
31	R40945	VALVE	2		
32	T17882	WASHER	1		(NOT REQUIRED)
33	R60317	GROOVE PIN	1	-XXXXXX	
	R71583	DOWEL PIN	1	XXXXXX-	
34	R27175	DRAIN PLUG	1		
35	F3171R	O-RING	1		
36	19H2500	CAP SCREW	1		7/16" X 1-3/8"
37	12H293	LOCK WASHER	1		7/16"
38	R67121	GASKET	1		(SUB FOR R57665)
39	R61349	VALVE SEAT INSERT	1	029106-	
40	R61350	BUSHING	1	029106-	
41	R40893	VALVE SEAT INSERT	1	-029105	(SUB R61349 AND R61350)
42	R41776	BALL	1		
43	R41777	PIN	1		
44	R40895	SHIM	AR		0.25MM (.010")
45	R59766	SPRING	1		
46	R40894	PLUG	1		
47	15H558	PIPE PLUG	1		1/8"
48	R28914	SPRING	1		
49	R33138	FITTING	1		
50	R26375	O-RING	1		
51	R60096	VALVE	1		
52	R27094	DRAIN PLUG	1		
53	R26286	O-RING	1		
54	AR73899	COVER	1		(MARKED R60081 OR R60334)
55	R60420	PLUG	1		
56	R26448	O-RING	1		
57	19H1899	CAP SCREW	2		7/16" X 2"
	19H2227	CAP SCREW	2		7/16" X 2-1/2"
	19H2500	CAP SCREW	2		7/16" X 1-3/8"
58	12H293	LOCK WASHER	4		7/16"

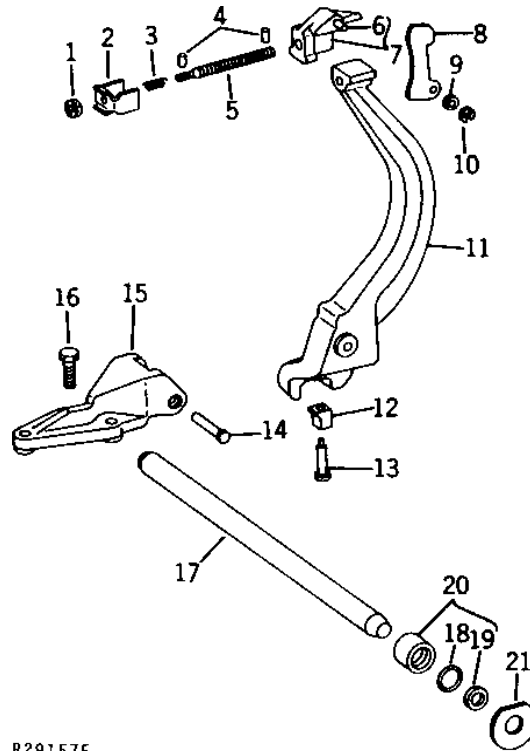
(A) SOUND-GARD BODY

# 5D7

HYDRAULICS

R29157 -UN-18OCT94

## LOAD CONTROL (SYNCRO-RANGE AND QUAD-RANGE)



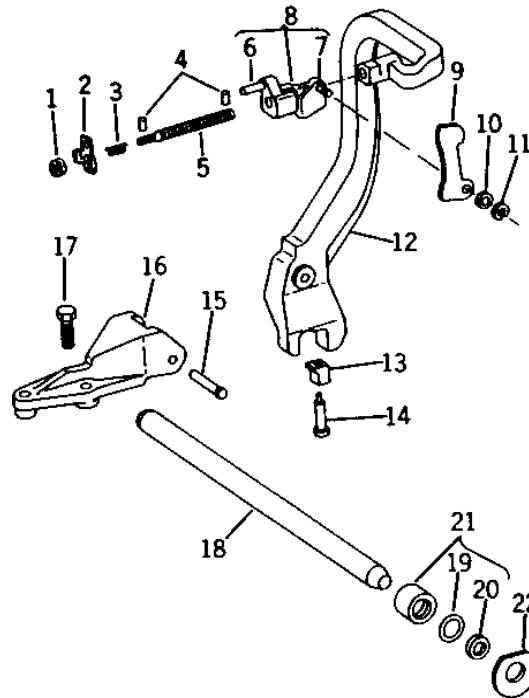
KEY	PART NO.	PART NAME	QTY	TRACTOR SERIAL NO.	REMARKS
1	14H936	NUT	1	3/8"	
2	R46443	LOCK PLATE	1		
3	F1463R	SPRING	1		
4	34H243	SPRING PIN	2	1/8" X 1/2"	
5	R26628	STUD	1		
6	R26869	PIN	1	(USE WITH R41121)	
7	R64295	SPRING PIN	1	(USE WITH R62931)	
8	AR77700	EXTENSION	1	(MARKED R41121 OR R62931)	(SUB FOR AR40785)
9	R49336	CAM FOLLOWER	1		
10	24H1287	WASHER	1	9/32" X 5/8" X 0.065"	
11	R72654	SNAP RING	1	(SUB FOR R27507)	
12	R40942	ARM	1		
13	R40889	FOLLOWER	1		
14	R40891	PIN	1		
15	R41078	PIN	1		
16	R51195	SUPPORT	1		
17	T12637	SCREW	3		
18	R46513	PIN	1		
19	R53180	O-RING	2		
20	R53177	WASHER	2		
21	AR54481	BUSHING	1	BUSHING, (SUB FOR AR85459)	
	R54785	BUSHING	2	0.51MM (.020") OVERSIZE (USE WITH CASE MARKED "OS20")	
	R47566	WASHER	1	1.22MM (.048")	
	R47566	WASHER	AR	1.22MM (.048")	
	R47567	WASHER	AR	0.91MM (.036")	
	R47568	WASHER	AR	1.57MM (.062")	

# 5D8

HYDRAULICS

R29158 -UN-18OCT94

## LOAD CONTROL (POWER SHIFT)



R29158F

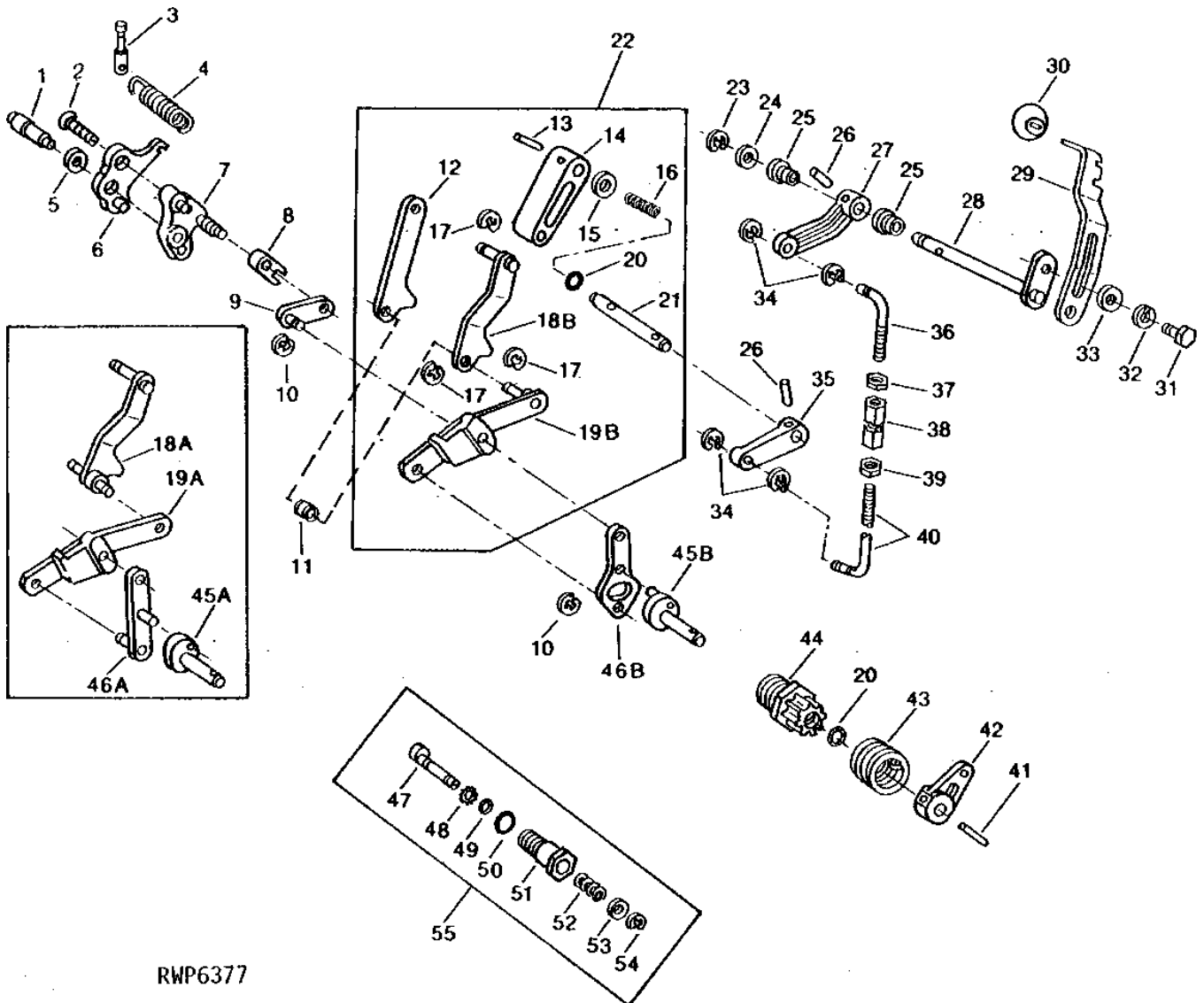
KEY	PART NO.	PART NAME	QTY	TRACTOR SERIAL NO.	REMARKS
1	14H936	NUT	1	3/8"	
2	R52245	LOCK PLATE	1		
3	F1463R	SPRING	1		
4	34H243	SPRING PIN	2	1/8" X 1/2"	
5	R26628	STUD	1		
6	34H385	SPRING PIN	1	1/4" X 1-3/4"	
7	R26869	PIN	1		
8	AR56768	EXTENSION	1	(MARKED R52244)	
9	R49336	CAM FOLLOWER	1		
10	24H1287	WASHER	1	9/32" X 5/8" X 0.065"	
11	R72654	SNAP RING	1	(SUB FOR R27507)	
12	R52243	ARM	1		
13	R40889	FOLLOWER	1		
14	R40891	PIN	1		
15	R52242	QUICK LOCK PIN	1		
16	R52635	SUPPORT	1		
17	T12637	SCREW	3		
18	R46513	PIN	1		
19	R53180	O-RING	2		
20	R53177	WASHER	2		
21	AR54481	BUSHING	1	BUSHING, (SUB FOR AR85459)	
	R54785	BUSHING	2	0.51MM (.020") OVERSIZE (USE WITH CASE MARKED "OS20")	
22	R47566	WASHER	1	1.22MM (.048")	
	R47566	WASHER	AR	1.22MM (.048")	
	R47567	WASHER	AR	0.91MM (.036")	
	R47568	WASHER	AR	1.57MM (.062")	

# 5D9

HYDRAULICS

## ROCKSHAFT CONTROL LINKAGE AND SELECTOR CONTROL (TRACTOR SERIAL NO. -031042)

RWP6377 -UN-01JAN94



RWP6377

# 5D10

HYDRAULICS

**ROCKSHAFT CONTROL LINKAGE AND SELECTOR CONTROL - CONTINUED**  
(TRACTOR SERIAL NO. -031042)

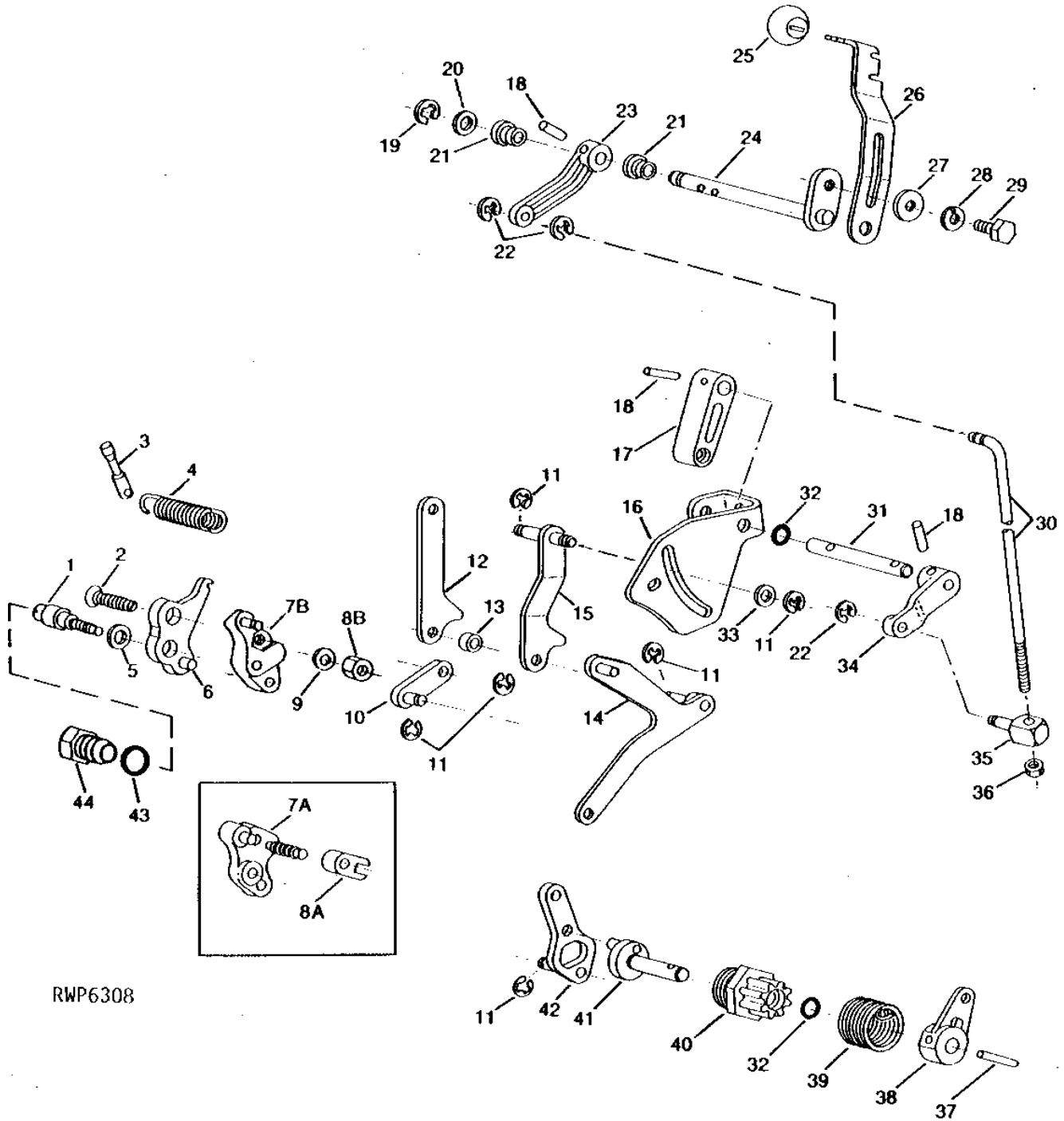
KEY	PART NO.	PART NAME	QTY	TRACTOR SERIAL NO.	REMARKS
1	R40949	SHAFT	1	-036912	(SUB R64296)
	R64296	SHAFT	1	036913-	
2	T22228	SCREW	1		
3	R41108	PIN	1	-XXXXXX	
	R66894	PIN	1	XXXXXX-	
4	R53033	SPRING	1	-XXXXXX	(SUB R60730)
	R60730	SPRING	1	XXXXXX-	
5	24H1321	SHIM	1		29/64" X 13/16" X .018"
6	AR40676	LEVER	1		
7	AR40754	LINK	1		(SUB AR81783, R64845, T519T AND R64843)
8	R40885	NUT	1		
9	AR40675	LEVER	1		
10	R72653	SNAP RING	2		(SUB FOR M2396T)
11	R41661	BUSHING	1		
12	R52828	LINK	1		
13	R56504	SPRING PIN	1		
14	R56821	ARM	1		(SUB FOR R52824)
15	24H1341	WASHER	1		17/32" X 15/16" X 0.060"
16	B423R	SPRING	1		
17	R72653	SNAP RING	3		(SUB FOR M2396T)
18A	AR58236	LINK	1	-025701	(SUB AR72294 AND AR72293)
18B	AR72294	LINK	1	025702-	
19A	AR55084	LINK	1	-025701	(SUB AR72293 AND AR72294)
19B	AR72293	LINK	1	025702-	
20	R394R	O-RING	2		(NOT INCLUDED IN AR86775)
21	R52823	SHAFT	1		
22	AR86775	KIT	1		LOAD SELECTOR CONTROL LINKAGE
23	R26871	SNAP RING	1		
24	24H1227	WASHER	1		17/32" X 13/16" X 0.060"
25	R41076	GROMMET	2		(INCLUDED IN AR68807)
26	R56504	SPRING PIN	2		
27	R40915	LEVER	1		
28	AR74767	SHAFT	1		(SUB FOR AR55625)
29	R51353	LEVER	1		
30	R49932	KNOB	1		
31	19H1813	CAP SCREW	1		5/16" X 5/8"
32	12H303	LOCK WASHER	1		5/16"
33	24H1294	WASHER	1		11/32" X 1-1/8" X 1/16"
34	R72654	SNAP RING	4		(SUB FOR R27507)
35	R40892	LEVER	1		
36	R55140	HOOK BOLT	1		
37	14H1025	NUT	1		1/4"
38	R52422	TURNBUCKLE	1		
39	14H649	NUT	1		1/4"
40	R55142	HOOK BOLT	1		
41	34H284	SPRING PIN	1		3/16" X 1-1/4"
42	R51359	ARM	1		
43	R51747	SPRING	1		
44	R52174	QUILL	1		
45A	R54128	SHAFT	1	-025701	(SUB AR72292 AND AR79505)
45B	AR72291	SHAFT	1	025702-033719	(SUB AR79505)
	AR79505	SHAFT	1	033720-	
46A	AR40753	LINK	1	-025701	(SUB AR72292 AND AR79505)
46B	AR72292	LINK	1	025702-	
47	R55373	ECCENTRIC	1		(ALSO ORDER R55374) (SUB FOR R51028)
48	12H310	LOCK WASHER	1	-XXXXX	3/8"
49	A4365R	O-RING	1		
50	R26906	O-RING	1		
51	R55374	BUSHING	1		(ALSO ORDER R55373) (SUB FOR R51027)
52	R50559	SPRING	1		
53	24M7096	WASHER	1		10.500 X 18 X 1.600 MM
54	R72653	SNAP RING	1		(SUB FOR M2396T)
55	AR59026	BUSHING	1		
..	AR68807	KIT	1		ROCKSHAFT CONTROL STABILIZER (NO LONGER AVAILABLE) (ORDER COMPONENT PARTS)

# 5D11

HYDRAULICS

## ROCKSHAFT CONTROL LINKAGE AND LOAD SELECTOR CONTROL (TRACTOR SERIAL NO. 031043- )

RWP6308 -UN-01JAN94



RWP6308

# 5D12

HYDRAULICS

**ROCKSHAFT CONTROL LINKAGE AND LOAD SELECTOR CONTROL - CONTINUED**  
(TRACTOR SERIAL NO. 031043- )

KEY	PART NO.	PART NAME	QTY	TRACTOR SERIAL NO.	REMARKS
1	R64296	SHAFT	1	-036912	(SUB FOR R40949)
	R64843	SHAFT	1	036913-	
2	T22228	SCREW	1		
3	R41108	PIN	1	-XXXXXX	
	R66894	PIN	1	XXXXXX-	
4	R53033	SPRING	1	-XXXXXX	(SUB R60730)
	R60730	SPRING	1	XXXXXX-	
5	24H1321	SHIM	1		29/64" X 13/16" X 0.018"
6	AR40676	LEVER	1		
7A	AR40754	LINK	1	-XXXXXX	(SUB AR81783, R64845, T519T AND R64843)
7B	AR81783	LEVER	1	XXXXXX-	
8A	R40885	NUT	1	-XXXXXX	
8B	R64845	NUT	1	XXXXXX-	
9	T519T	WASHER	1	XXXXXX-	
10	AR40675	LEVER	1		
11	R72653	SNAP RING	6		(SUB FOR M2396T)
12	R52828	LINK	1		
13	R41661	BUSHING	1		
14	AR78646	LEVER	1		(SUB FOR AR67850)
15	AR67849	LINK	1		
16	R64013	GUIDE	1		(SUB FOR R56816)
17	R56821	ARM	1		
18	R56504	SPRING PIN	3		
19	R26871	SNAP RING	1		
20	24H1227	WASHER	1		17/32" X 13/16" X 0.060"
21	R41076	GROMMET	2		(INCLUDED IN AR68807)
22	R72654	SNAP RING	3		(SUB FOR R27507)
23	R40915	LEVER	1		
24	AR74767	SHAFT	1		
25	R49932	KNOB	1		
26	R51353	LEVER	1		
27	24H1294	WASHER	1		11/32" X 1-1/8" X 1/16"
28	12H303	LOCK WASHER	1		5/16"
29	19H1813	CAP SCREW	1		5/16" X 5/8"
30	R62862	BOLT	1		
31	R52823	SHAFT	1		
32	R394R	O-RING	2		
33	24H1290	WASHER	1		21/64" X 3/4" X 0.035"
34	R62859	ARM	1		
35	R62863	SWIVEL	1		
36	14H649	NUT	1		1/4"
37	34H284	SPRING PIN	1		3/16" X 1-1/4"
38	R62860	ARM	1		
39	R51747	SPRING	1		
40	R52174	QUILL	1		
41	AR72291	SHAFT	1	-033719	(SUB AR79505)
	AR79505	SHAFT	1	033720-	
42	AR72292	LINK	1		
43	R26906	O-RING	1		
44	R27474	DRAIN PLUG	1		
..	AR68807	KIT	1		ROCKSHAFT CONTROL STABILIZER (NO LONGER AVAILABLE) (ORDER COMPONENT PARTS)

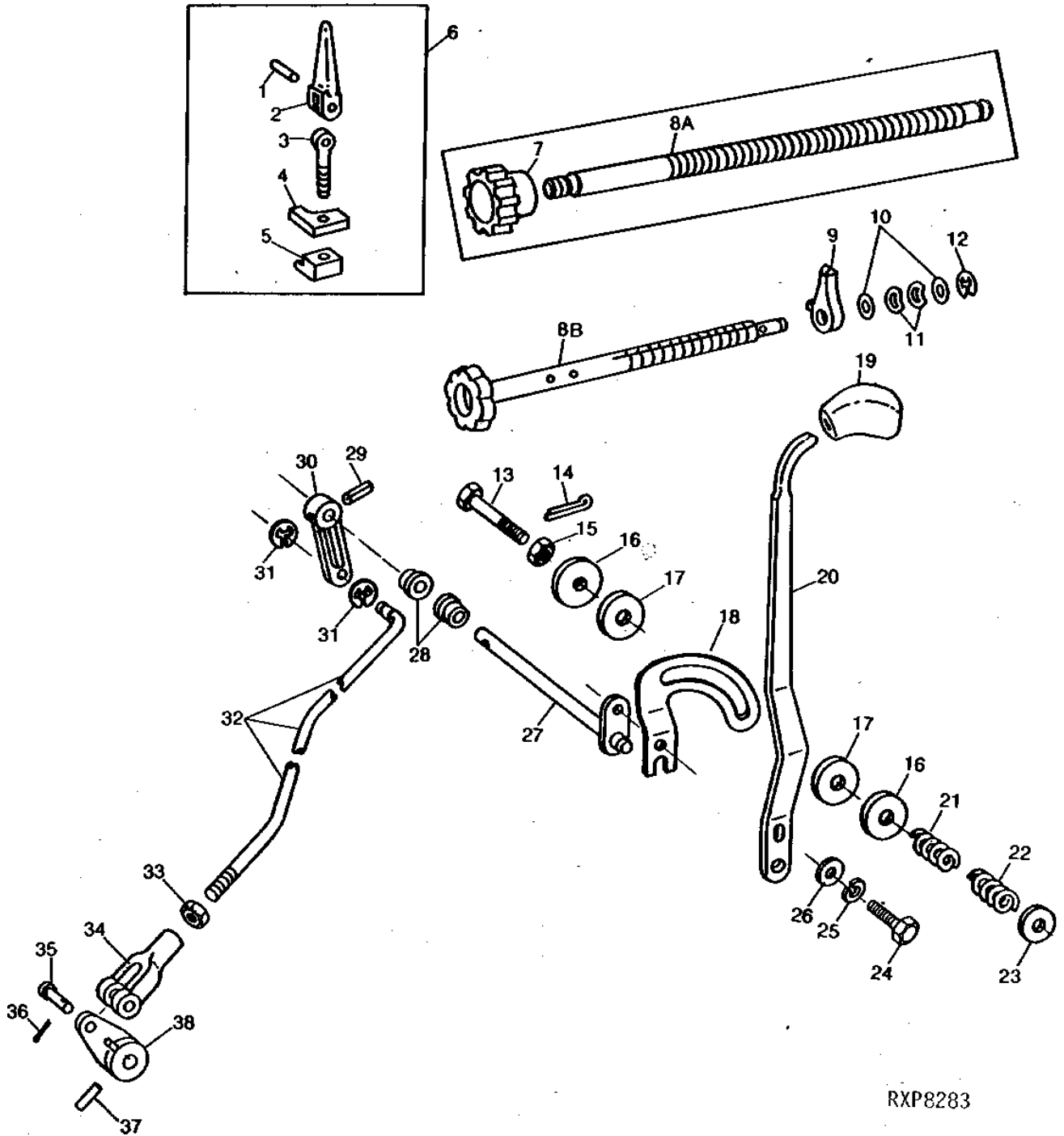
# 5D13

HYDRAULICS

RXP8283

-UN-01JAN94

## ROCKSHAFT CONTROL VALVE LEVER AND LINKAGE



RXP8283



# 5D14

HYDRAULICS

## ROCKSHAFT CONTROL VALVE LEVER AND LINKAGE - CONTINUED

KEY	PART NO.	PART NAME	QTY	TRACTOR SERIAL NO.	REMARKS
1	34H387	SPRING PIN	1		3/16" X 3/4"
2	R34537	CAM	1		
3	R42641	EYEBOLT	1		
4	R53475	STOP	1		
5	R53476	NUT	1		
6	<b>AR60331</b>	<b>STOP</b>	<b>1</b>		<b>(FI)</b>
7	R41385	KNOB	1	-020672	
8A	R58204	SCREW	1		11 1/2"
9	R41386	STOP	1		
10	R47301	WASHER	2		
11	T519T	WASHER	2		
12	R26871	SNAP RING	1		
13	R49924	BOLT	1		
14	11M7059	COTTER PIN	1		3.200 X 20 MM
15	14H732	NUT	1		3/8"
16	R105813	WASHER	2		(SUB FOR AR42287)
17	R41968	WASHER	2		(SUB FOR AR42287)
18	R49411	PLATE	1		
	R52282	PLATE	1		(SOUND-GARD BODY)
19	R51161	KNOB	1		
20	R100341	LEVER	1		(SUB FOR R51160)
21	R44313	SPRING	1		
22	R41147	SPRING	1		
23	24H1299	WASHER	1		3/8" X 1-1/4" X 0.065"
24	19H1900	CAP SCREW	1		5/16" X 3/4"
25	12H303	LOCK WASHER	1		5/16"
26	24H1136	WASHER	1		11/32" X 11/16" X 0.065"
27	AR55626	SHAFT	1		
28	R41076	GROMMET	2		(INCLUDED IN AR68807)
29	34H297	SPRING PIN	1		7/32" X 1"
30	R52280	ARM	1		
31	R72653	SNAP RING	2		(SUB FOR M2396T)
32	R52281	ROD	1		
33	14H882	NUT	1		5/16"
34	R42282	YOKE	1		(SUB T54033 AND R82766)
35	R72660	PIN	1		(SUB FOR R662R)
36	11M7079	COTTER PIN	1		0.098" X 0.472"
37	34H284	SPRING PIN	1		3/16" X 1-1/4"
38	R51359	ARM	1	-031042	
	R62860	ARM	1	031043-	
..	AR68807	KIT	1		ROCKSHAFT CONTROL STABILIZER (NO LONGER AVAILABLE) (ORDER COMPONENT PARTS)

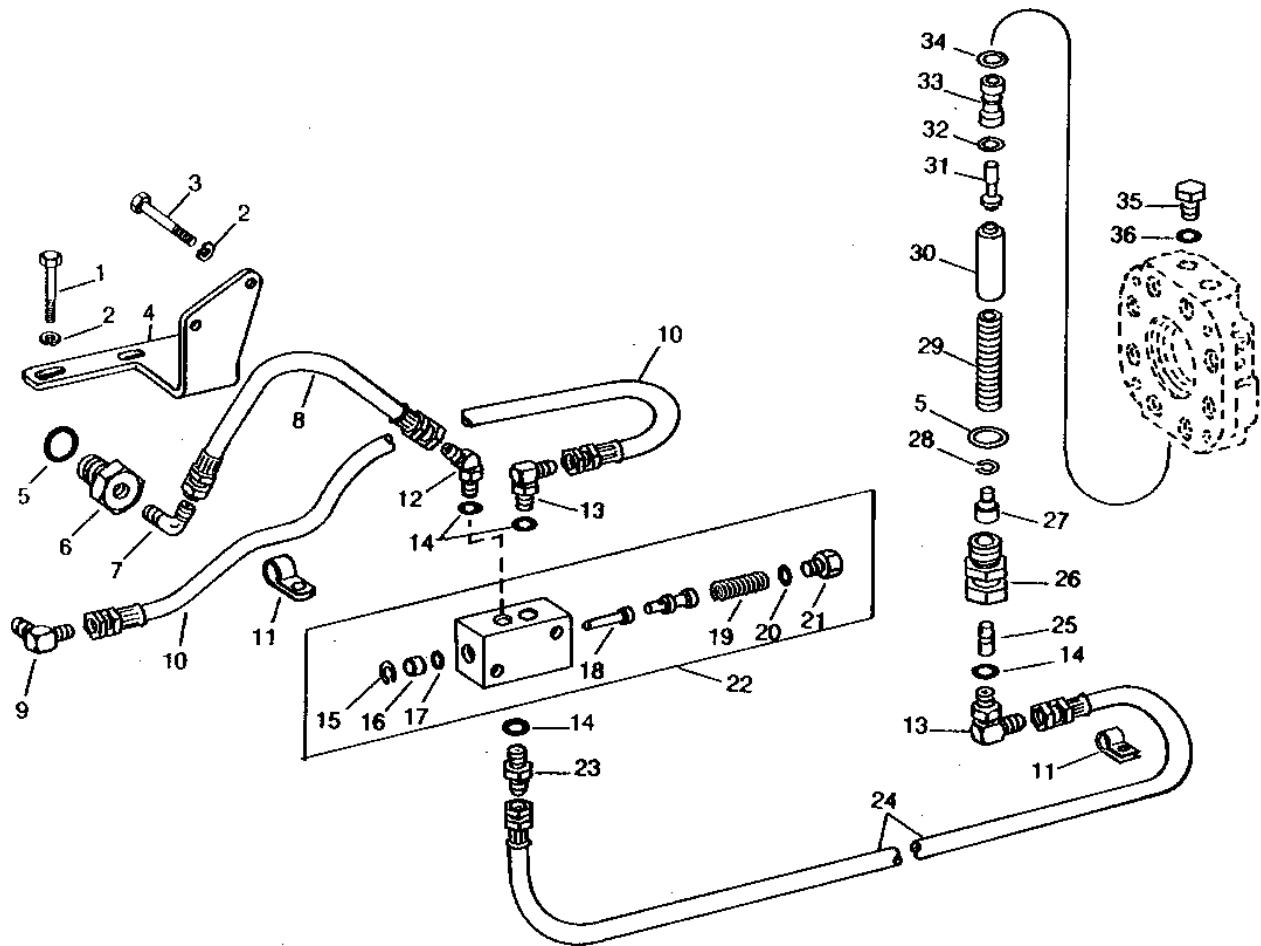
# 5D15

HYDRAULICS

RWP4997

-UN-01JAN94

INCREASED ROCKSHAFT LIFT POWER KIT



RWP4997

# 5D16

HYDRAULICS

## INCREASED ROCKSHAFT LIFT POWER KIT - CONTINUED

KEY	PART NO.	PART NAME	QTY	TRACTOR SERIAL NO.	REMARKS
1	19H1800	CAP SCREW	2		3/8" X 1-1/2"
2	12H304	LOCK WASHER	4		3/8"
3	19H1732	CAP SCREW	2		3/8" X 1-1/4"
4	R55473	BRACKET	1		
5	F3171R	O-RING	2		
6	R56993	ADAPTER	1		
7	AR74095	ELBOW FITTING	1		(SUB FOR T28051)
8	AR36875	HOSE	1		
9	AR26674	ELBOW FITTING	1		
10	AR36935	HYDRAULIC HOSE	1		
11	R34557	CLAMP	2		
12	AR35223	ELBOW FITTING	1		
13	AT32335	ELBOW FITTING	2		
14	T17951	O-RING	4		(SUB FOR R27490)
15	R48523	SNAP RING	1		(SUB FOR R55463)
16	AR68190	SEAL	1		
17	R27490	O-RING	1		
18	R55471	PIN	1		
19	R57091	SPRING	1		
20	R26448	O-RING	1		
21	R55472	FITTING	1		
22	AR68114	VALVE	1		
23	R27527	ADAPTER	1		
24	AR64606	HYDRAULIC HOSE	1		
25	R55466	PISTON PIN	1		
26	AR64604	ADAPTER	1		(SUB AR92855, RE10712, R27166 AND R41057)
27	R55467	PISTON	1		
28	B474R	SNAP RING	1		
29	R31781	SPRING	1		
30	R71321	GUIDE	1		(SUB FOR R32344)
31	R70559	CONTROL VALVE	1		(SUB FOR R27472 OR R65194) (SUB RE10712, R27166 AND R41057)
32	R27166	O-RING	1		
33	R69262	SLEEVE	1		(SUB FOR R55464 OR R65193) (SUB RE10712, R41057 AND R27166)
34	R27564	O-RING	1		
35	R27218	FITTING PLUG	1		
36	R26448	O-RING	1		
..	R44302	TIE BAND	4		

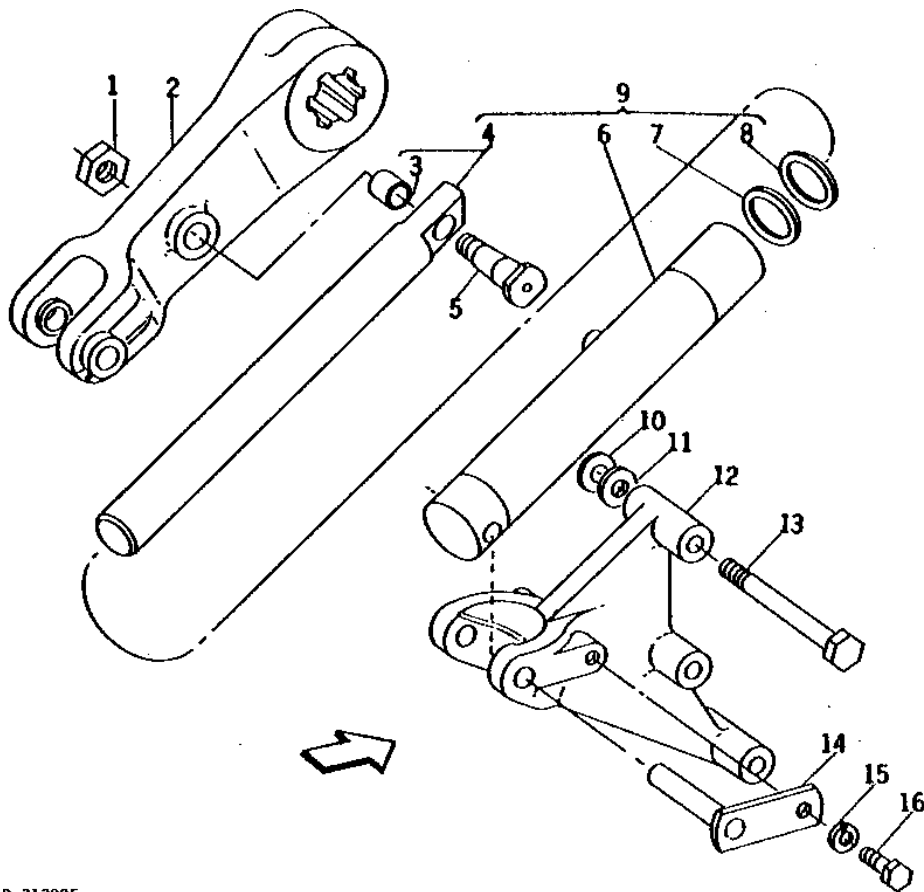
# 5D17

HYDRAULICS

R31399

-UN-01JAN94

CYLINDER, SUPPORT AND ARM FOR SINGLE OR DUAL LIFT ASSIST



R 31399F

# 5D18

HYDRAULICS

CYLINDER, SUPPORT AND ARM FOR SINGLE OR DUAL LIFT ASSIST - CONTINUED

KEY	PART NO.	PART NAME	QTY	TRACTOR SERIAL NO.	REMARKS
1	P48362	LOCK NUT	1		
2	R63178	LIFT ARM	1		
3	E4348E	BUSHING	1	-XXXXXX	(SUB R65744 AND R65743)
	R65744	BUSHING	1	XXXXXX-	
4	R65245	ROD	1	-XXXXXX	(SUB AR84648)
	AR84648	ROD	1	XXXXXX-	
5	R63177	PIN	1	-XXXXXX	(SUB R65743 AND R65744)
	R65743	PIN	1	XXXXXX-	
6	AR82410	HYDRAULIC CYLINDER BARREL	1		(SUB AR97828, THIS APPLICATION)
7	AR82412	PACKING	1		
8	AR82411	SEAL	1		(SUB AR97826, THIS APPLICATION)
9	AR84645	HYDRAULIC CYLINDER	1		(SUB AR97826, THIS APPLICATION)
10	24H1740	WASHER	AR		21/32" X 1-3/8" X 0.032"
11	R48429	WASHER	AR		
12	R99107	SUPPORT	1		R.H. (SINGLE OR DUAL LIFT ASSIST) (SUB FOR R63175) (SUB R107137)
	R99106	SUPPORT	1		L.H. (DUAL LIFT ASSIST) (SUB FOR R63176) (SUB R107136)
13	19H3306	CAP SCREW	3		5/8" X 6-1/4"
14	AR78288	PIN	1		
15	19H1936	CAP SCREW	1		3/8" X 3/4"
16	12H304	LOCK WASHER	1		3/8"

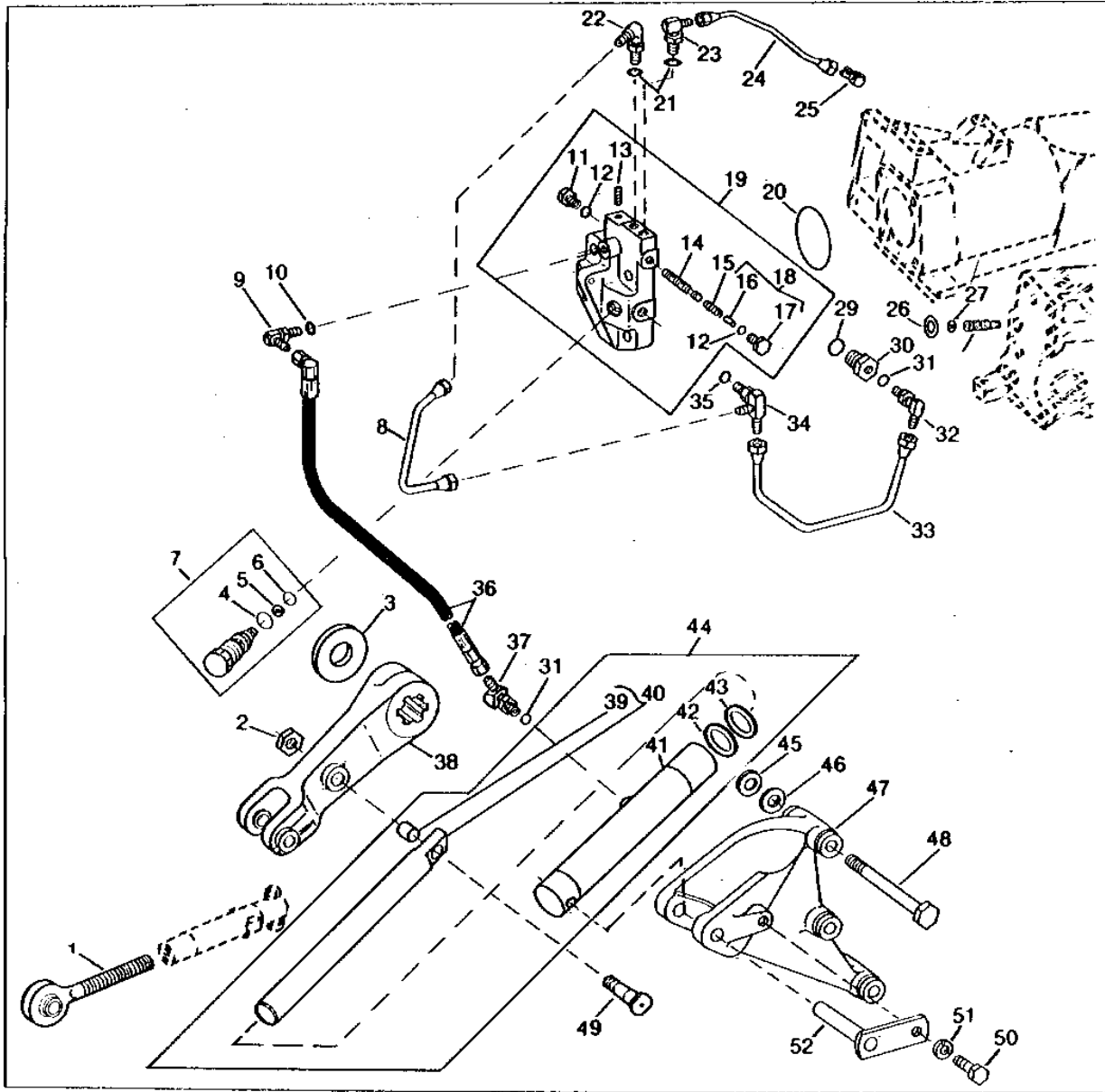
# 5D19

HYDRAULICS

RXP7980

-UN-01JAN94

## SINGLE LIFT ASSIST CYLINDER KIT



RXP7980

53

# 5D20

HYDRAULICS

## SINGLE LIFT ASSIST CYLINDER KIT - CONTINUED

KEY	PART NO.	PART NAME	QTY	TRACTOR SERIAL NO.	REMARKS
1	AR85587	CENTER LINK END	1		
2	P48362	LOCK NUT	1		
3	R64283	LOCK WASHER	1		
4	U15242	O-RING	1		
5	T75972	BACK-UP RING	1		
6	T44948	O-RING	1		(SUB FOR U40424)
7	RE36615	RELIEF VALVE	1		(SUB FOR AR69793 OR AR103059)
8	AR79886	HYDRAULIC LINE	1		
9	AT32333	ELBOW FITTING	1		(SUB FOR AR26771)
10	R26286	O-RING	1		
11	R27094	DRAIN PLUG	1		
12	R26286	O-RING	2		
13	15H558	PIPE PLUG	1		1/8"
14	R63501	VALVE	1		
15	R65694	SPRING	1		(SUB FOR M4444T)
16	34H310	SPRING PIN	1		1/4" X 3/4"
17	R27094	DRAIN PLUG	1		
18	AR78428	PLUG	1		
19	AR81821	COVER	1		
20	R65334	WASHER	1		(SUB FOR R57533)
21	R26286	O-RING	2		
22	AT37092	ELBOW FITTING	1		
23	AR40475	ELBOW FITTING	1		
24	AR79885	HYDRAULIC LINE	1		
25	H80936	ELBOW FITTING	1		
26	R26149	PACKING	6		
27	B1664R	SHIM	5		
28	R43791	CONTROL VALVE	1		
29	F3171R	O-RING	1		
30	R57987	FITTING	1		
31	R26286	O-RING	2		
32	AR36552	ELBOW FITTING	1		
33	AR79887	HYDRAULIC LINE	1		
34	AR78286	TEE FITTING	1		
35	R26448	O-RING	1		
36	AR80894	HYDRAULIC HOSE	1		
37	AT58895	FITTING	1		(SUB FOR AR46095)
38	R63178	LIFT ARM	1		
39	R65744	BUSHING	1		
40	AR84648	ROD	1		
41	AR97828	HYDRAULIC CYLINDER BARREL	1		(SUB FOR AR82410)
42	AR82412	PACKING	1		
43	AR82411	SEAL	1		
44	AR97826	HYDRAULIC CYLINDER	1		(SUB FOR AR84645)
45	24H1740	WASHER	AR		21/32" X 1-3/8" X 0.032"
46	R48429	WASHER	AR		
47	R107137	SUPPORT	1		(SUB FOR R63175 OR R99107)
48	R107169	CAP SCREW	3		5/8" X 6-1/2", HS SAE 12.9
49	R65743	PIN	1		
50	19H1936	CAP SCREW	1		3/8" X 3/4"
51	12H304	LOCK WASHER	1		3/8"
52	AR78288	PIN	1		
53	RE44520	HYDRAULIC CYLINDER	1		(SUB FOR AR80803)

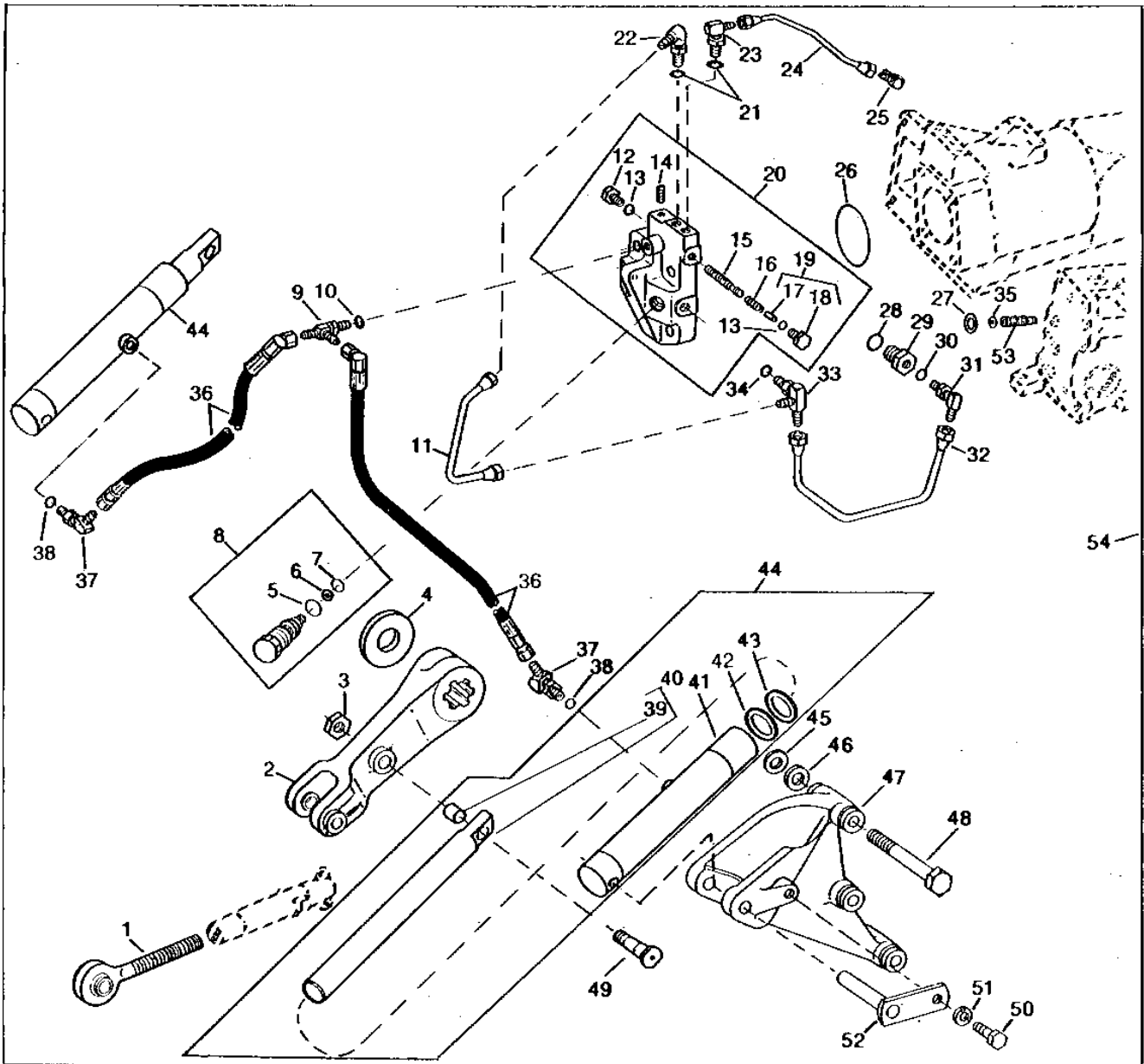
# 5D21

HYDRAULICS

RXP7981

-UN-01JAN94

## DUAL LIFT ASSIST CYLINDER KIT



RXP7981



# 5D22

HYDRAULICS

## DUAL LIFT ASSIST CYLINDER KIT - CONTINUED

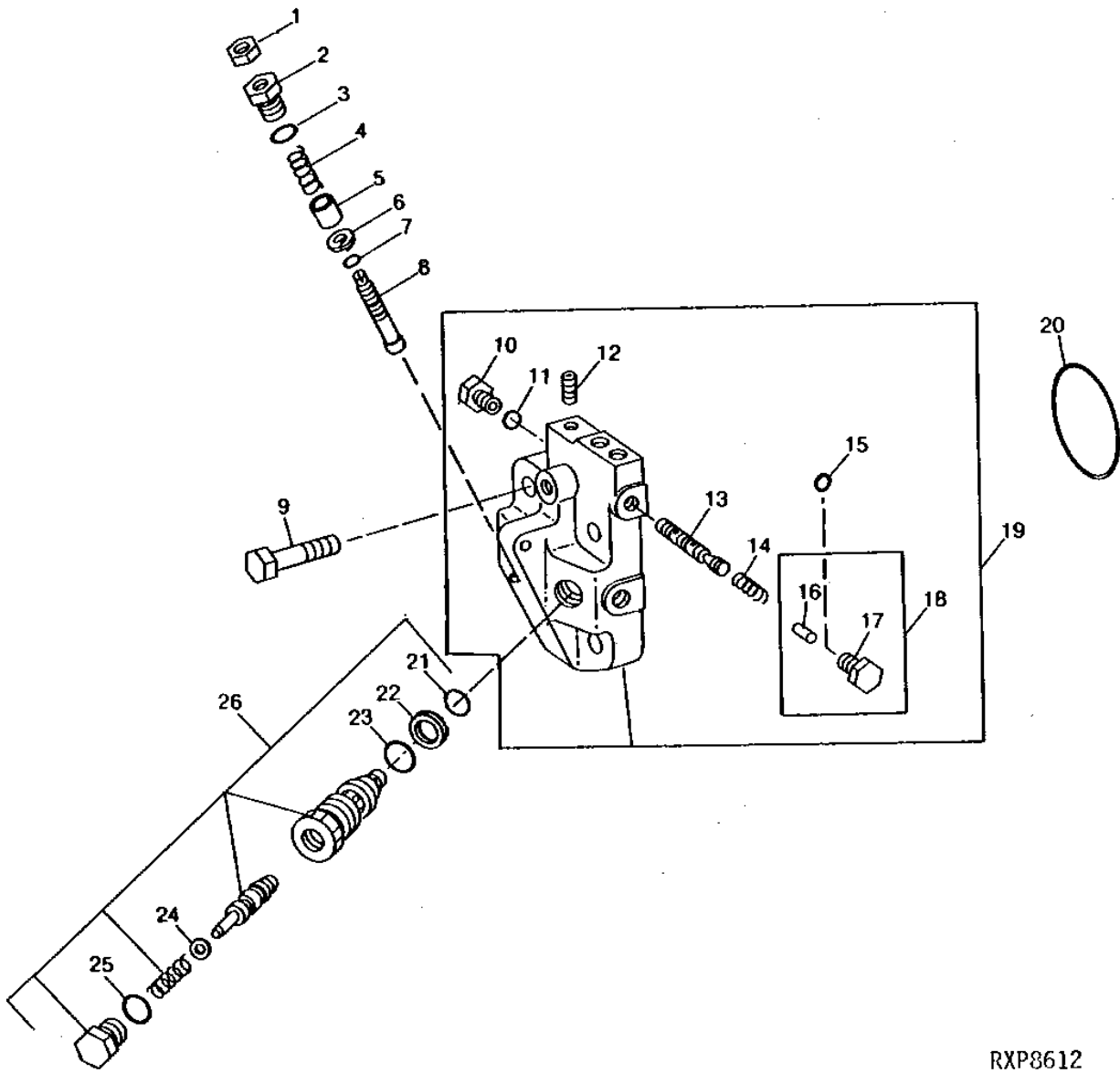
KEY	PART NO.	PART NAME	QTY	TRACTOR SERIAL NO.	REMARKS
1	AR85587	CENTER LINK END	1		
2	R63178	LIFT ARM	2		
3	P48362	LOCK NUT	2		
4	R64283	LOCK WASHER	2		
5	U15242	O-RING	1		
6	T75972	BACK-UP RING	1		
7	T44948	O-RING	1		(SUB FOR U40424)
8	RE36615	RELIEF VALVE	1		(SUB FOR AR69793 OR AR103059)
9	AM31410	TEE FITTING	1		(SUB FOR AR41987)
10	R26286	O-RING	1		
11	AR79886	HYDRAULIC LINE	1		
12	R27094	DRAIN PLUG	1		
13	R26286	O-RING	2		
14	15H558	PIPE PLUG	1		1/8"
15	R63501	VALVE	1		
16	R65694	SPRING	1		(SUB FOR M4444T)
17	34H310	SPRING PIN	1		1/4" X 3/4"
18	R27094	DRAIN PLUG	1		
19	AR78428	PLUG	1		
20	AR81821	COVER	1		
21	R26286	O-RING	2		
22	AT37092	ELBOW FITTING	1		
23	AR40475	ELBOW FITTING	1		
24	AR79885	HYDRAULIC LINE	1		
25	H80936	ELBOW FITTING	1		
26	R65334	WASHER	1		(SUB FOR R57533)
27	R26149	PACKING	6		
28	F3171R	O-RING	1		
29	R57987	FITTING	1		
30	R26286	O-RING	1		
31	AR36552	ELBOW FITTING	1		
32	AR79887	HYDRAULIC LINE	1		
33	AR78286	TEE FITTING	1		
34	R26448	O-RING	1		
35	B1664R	SHIM	5		
36	AR80894	HYDRAULIC HOSE	2		
37	AT58895	FITTING	2		(SUB FOR AR46095)
38	R26286	O-RING	2		
39	R65744	BUSHING	1		
40	AR84648	ROD	1		
41	AR97828	HYDRAULIC CYLINDER BARREL	1		(SUB FOR AR82410)
42	AR82412	PACKING	1		
43	AR82411	SEAL	1		
44	AR97826	HYDRAULIC CYLINDER	2		(SUB FOR AR84645)
45	24H1740	WASHER	AR		21/32" X 1-3/8" X 0.032"
46	R48429	WASHER	AR		
47	R107137	SUPPORT	1		R.H. (SUB FOR R63175 OR R99107)
	R107136	SUPPORT	1		L.H. (SUB FOR R63176 OR R99106)
48	R107169	CAP SCREW	8		5/8" X 6-1/2" HS, SAE 12.9
49	R65743	PIN	2		
50	19H1936	CAP SCREW	2		3/8" X 3/4"
51	12H304	LOCK WASHER	2		3/8"
52	AR78288	PIN	2		
53	R43791	CONTROL VALVE	1		
54	RE44521	CYLINDER	1		(SUB FOR AR80805)

# 5D23

HYDRAULICS

## ROCKSHAFT PISTON COVER WITH LOWERING VALVE (SINGLE OR DUAL LIFT ASSIST CYLINDER)

RXP8612 -UN-01JAN94



RXP8612

# 5D24

HYDRAULICS

ROCKSHAFT PISTON COVER WITH LOWERING VALVE - CONTINUED  
(SINGLE OR DUAL LIFT ASSIST CYLINDER)

KEY	PART NO.	PART NAME	QTY	TRACTOR SERIAL NO.	REMARKS
1	14H774	NUT	1	3/8"	
2	R26458	FITTING	1		
3	R26906	O-RING	1		
4	B3686R	SPRING	1		
5	R59684	BUSHING	1		
6	R31136	BACK-UP RING	1		
7	A4365R	O-RING	1		
8	R26625	SHAFT	1		
9	19H3244	CAP SCREW	4	5/8" X 2-1/4"	
10	R27094	DRAIN PLUG	1		
11	R26286	O-RING	1		
12	15H558	PIPE PLUG	1	1/8"	
13	R63501	VALVE	1		
14	R65694	SPRING	1	(SUB FOR M4444T)	
15	R26286	O-RING	1		
16	34H310	SPRING PIN	1	1/4" X 3/4"	
17	R27094	DRAIN PLUG	1		
18	AR78428	PLUG	1		
19	AR81821	COVER	1		
20	R65334	WASHER	1	(SUB FOR R57533)	
21	T44948	O-RING	1	(SUB FOR U40424)	
22	T75972	BACK-UP RING	1		
23	U15242	O-RING	1		
24	W19898	SHIM	1	0.25MM (.010")	
	W19897	SHIM	1	0.51MM (.020")	
	W20088	WASHER	1	1.02MM (.040")	
25	W19903	O-RING	1		
26	AR103059	RELIEF VALVE	1	(MARKED 2700) (SUB FOR AR69793) (SUB RE36615)	

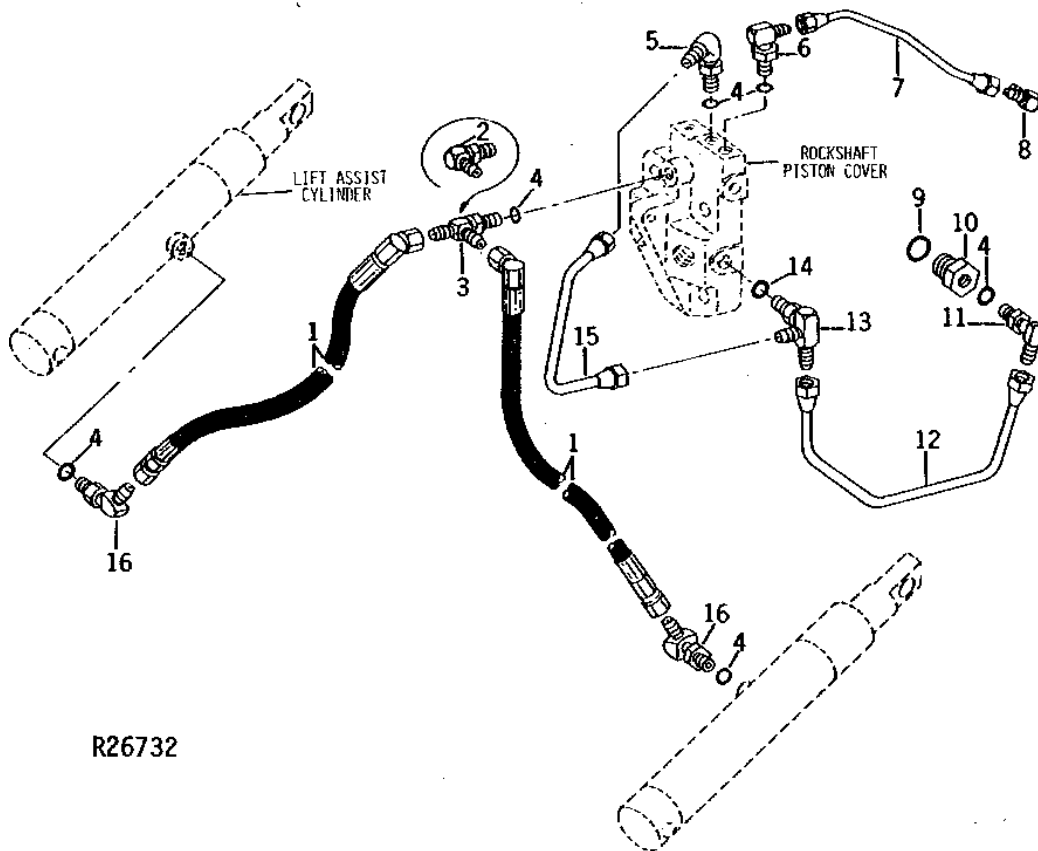
# 5E1

HYDRAULICS

R26732

-UN-01JAN94

## LIFT ASSIST CYLINDER LINES AND PIPES



R26732

# 5E2

HYDRAULICS

## LIFT ASSIST CYLINDER LINES AND PIPES - CONTINUED

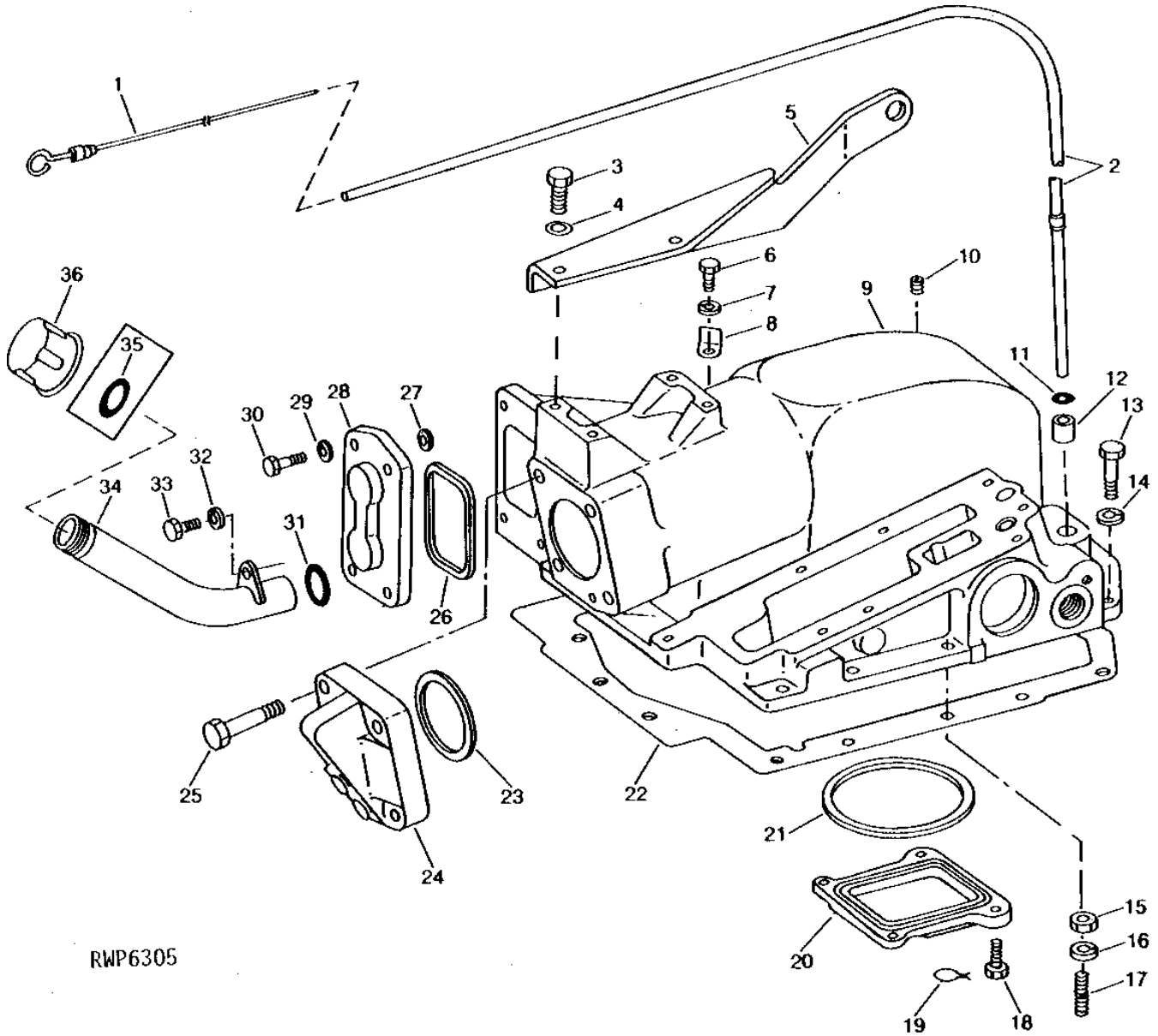
KEY	PART NO.	PART NAME	QTY	TRACTOR SERIAL NO.	REMARKS
1	AR80894	HYDRAULIC HOSE	AR		(1 USED SINGLE, 2 USED DUAL)
2	AR26771	ELBOW FITTING	1		(SINGLE CYLINDER) (SUB AT32333)
3	AR41987	TEE FITTING	1		(DUAL CYLINDER)
4	R26286	O-RING	AR		(5 USED SINGLE, 6 USED DUAL)
5	AT37092	ELBOW FITTING	1		
6	AR40475	ELBOW FITTING	1		
7	AR79885	HYDRAULIC LINE	1		
8	H80936	ELBOW FITTING	1		
9	F3171R	O-RING	1		
10	R57987	FITTING	1		
11	AR36552	ELBOW FITTING	1		
12	AR79887	HYDRAULIC LINE	1		
13	AR78286	TEE FITTING	1		
14	R26448	O-RING	1		
15	AR79886	HYDRAULIC LINE	1		
16	AT58895	FITTING	AR		(1 USED SINGLE, 2 USED DUAL) (SUB FOR AR46095)

# 5E3

HYDRAULICS

## TRANSMISSION REAR COVER (LESS ROCKSHAFT)

RWP6305 -UN-01JAN94



RWP6305

THIS PARTS LISTING IS CONTINUED

# 5E4

HYDRAULICS

## TRANSMISSION REAR COVER - CONTINUED (LESS ROCKSHAFT)

KEY	PART NO.	PART NAME	QTY	TRACTOR SERIAL NO.	REMARKS
1	AR89228	DIPSTICK	1		(SUB FOR AR54616)
2	AR56080	LINE	1		
3	19H1731	CAP SCREW	2	034165-	3/8" X 1"
4	12H304	LOCK WASHER	2	034165-	3/8"
5	R64771	RETAINER	1	034165-	(SUB FOR R63081)
6	19H1936	CAP SCREW	2		(A) 3/8" X 3/4"
7	12H304	LOCK WASHER	2		(A) 3/8"
8	T13814	CLAMP	2		(A)
	R27720	CLAMP	1		(B)
9	AR55772	COVER	1		(MARKED R50190) (NO LONGER AVAILABLE)
10	15H559	PIPE PLUG	2		1/4"
11	A3917R	O-RING	1	XXXXXX-	
12	R55214	BUSHING	1		(ALSO ORDER A3917R) (SUB FOR R49955)
13	19H3579	CAP SCREW	5		1/2" X 1-3/8"
	19H3544	CAP SCREW	5		1/2" X 4-1/2" HS, SAE 8
	19H1815	CAP SCREW	5		1/2" X 1-1/4"
	19H1990	CAP SCREW	5		1/2" X 2-1/4"
14	12H301	LOCK WASHER	8		1/2"
15	14H1040	NUT	4		1/2"
16	12H301	LOCK WASHER	4		1/2"
17	R49988	STUD	4		(SUB R32101)
18	R57725	SCREW	4		(SUB FOR R61762)
19	.....	WIRE	2	-XXXXXX	305MM (12") (16 GA.) (MAKE FROM R65593)
20	R55079	COVER	1		
21	R26769	WASHER	1		
22	R92411	GASKET	1		(SUB FOR R40947 OR R80965)
23	R34154	WASHER	1		
24	R50811	CAP	1		
25	19H1824	CAP SCREW	4		5/8" X 2-1/4"
	12H294	LOCK WASHER	4		5/8"
26	R40922	PACKING	1		
27	F2741R	PACKING	1		
28	R41446	COVER	1		
29	12H293	LOCK WASHER	4		7/16"
30	19H2500	CAP SCREW	4		7/16" X 1-3/8"
31	R30319	O-RING	1		
32	12H304	LOCK WASHER	1		3/8"
33	19H2284	CAP SCREW	1		3/8" X 7/8"
34	AR54439	TUBE	1	-040063	(SUB RE20058 AND AR30697)
	AR83383	OIL TUBE	1	040064-	(SUB RE20058)
35	R1225R	O-RING	1	-040063	
36	AR55304	CAP	1	-040063	
	AR30697	CAP	1	040064-	

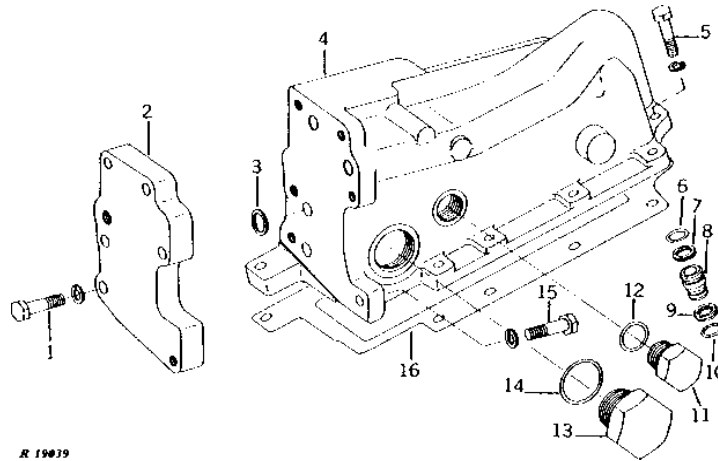
- (A) SOUND-GARD BODY OR ROLL-GARD
- (B) LESS SOUND-GARD BODY OR ROLL-GARD

# 5E5

HYDRAULICS

**SELECTIVE CONTROL VALVE SUPPORT  
(LESS ROCKSHAFT)  
(TRACTOR SERIAL NO. -027854)**

R19039 -UN-01JAN94



KEY	PART NO.	PART NAME	QTY	TRACTOR SERIAL NO.	REMARKS
1	19H1978	CAP SCREW	5		7/16" X 1-1/2"
	12H293	LOCK WASHER	5		7/16"
2	R50065	VALVE COVER	1	-022624	(SUB R59080 AND (2) R59082)
	R59080	COVER	1	022625-	
3	R26149	PACKING	5		
4	AR76279	SUPPORT	1		(MARKED AR54328, AR76278 OR AR94166) (SUB FOR AR54944)
5	19H1732	CAP SCREW	9		3/8" X 1-1/4"
	12H304	LOCK WASHER	9		3/8"
6	R27564	O-RING	1		
7	R45925	BACK-UP RING	1		
8	R45924	BUSHING	1		
9	R41057	BACK-UP RING	1		
10	R27166	O-RING	1		
11	R27175	DRAIN PLUG	1		
12	F3171R	O-RING	1		
13	R39741	DRAIN PLUG	1		
14	U13639	O-RING	1		
15	19H2500	CAP SCREW	1		7/16" X 1-3/8"
	12H293	LOCK WASHER	1		7/16"
16	R40896	GASKET	1		

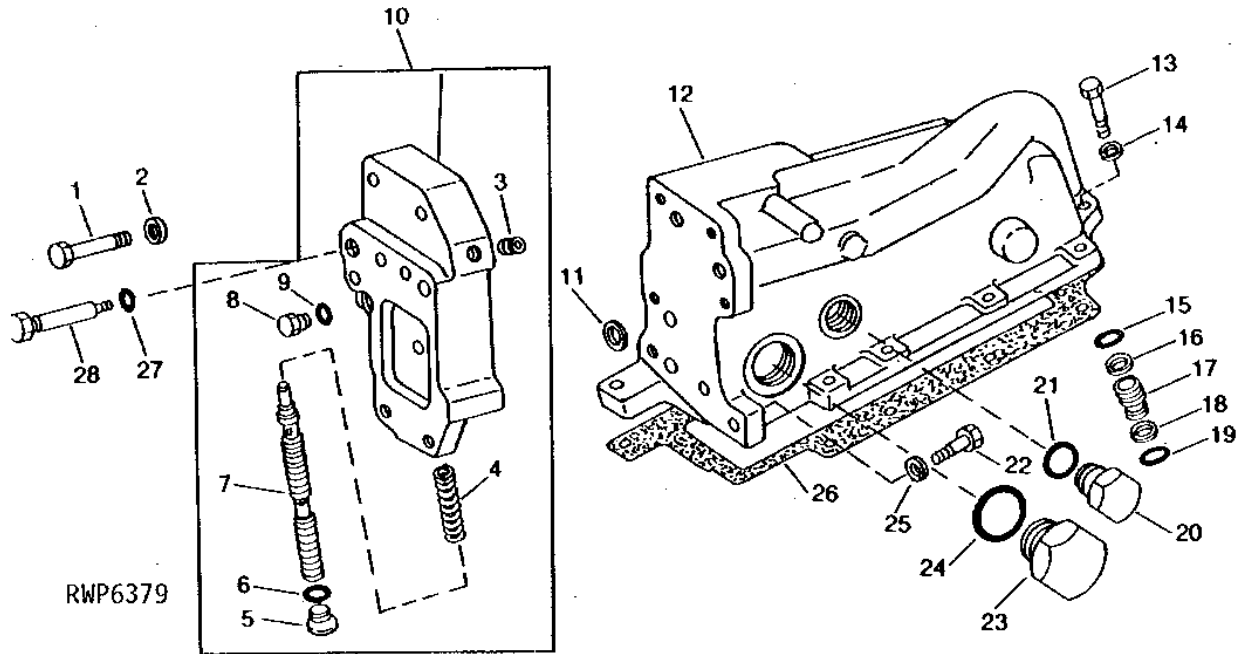


# 5E6

HYDRAULICS

## SELECTIVE CONTROL VALVE SUPPORT (LESS ROCKSHAFT) (TRACTOR SERIAL NO. 027855-031042)

RWP6379 -UN-01JAN94



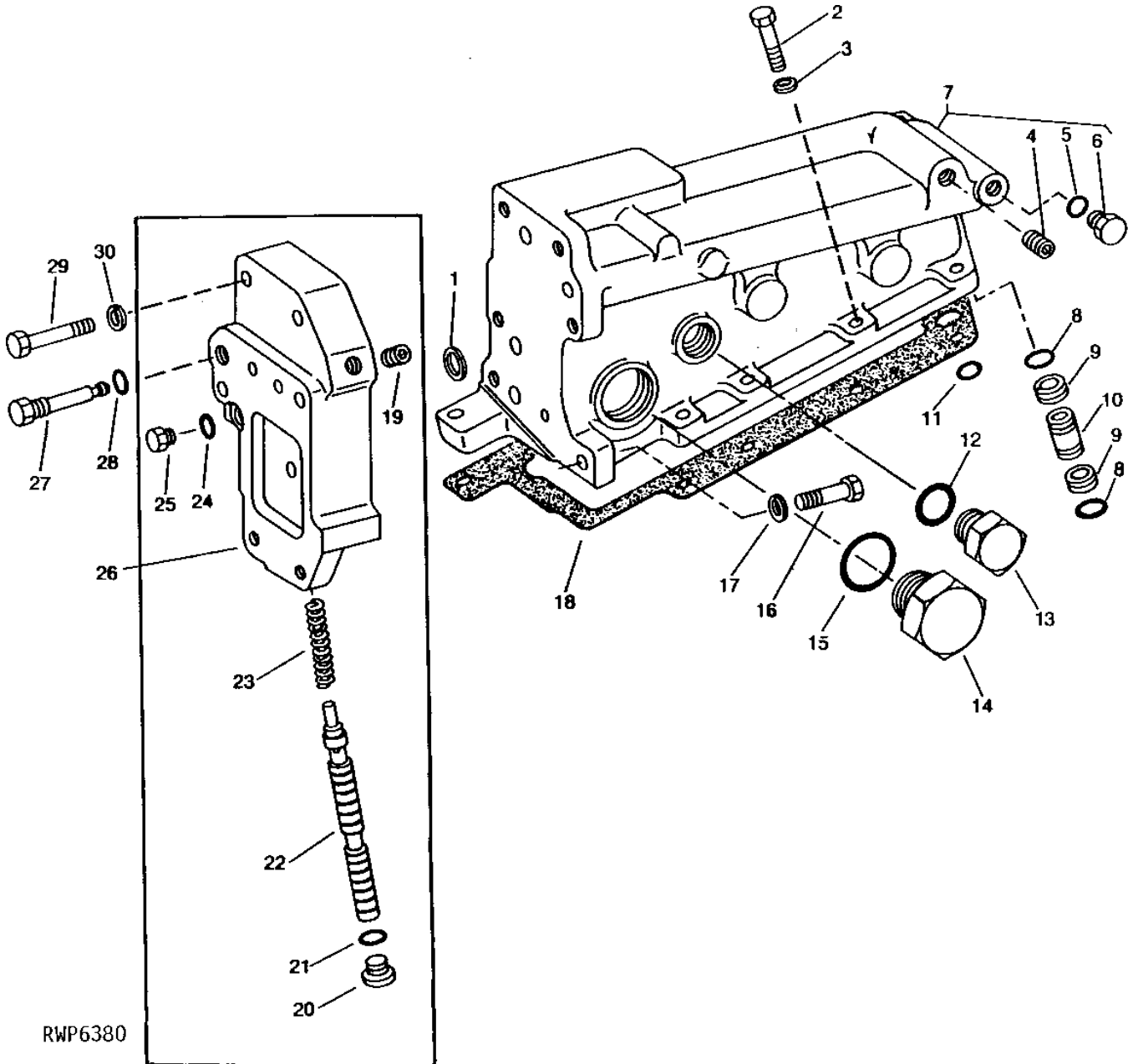
KEY	PART NO.	PART NAME	QTY	TRACTOR SERIAL NO.	REMARKS
1	19H1899	CAP SCREW	2	7/16" X 2"	
	19H2227	CAP SCREW	2	7/16" X 2-1/2"	
	19H2500	CAP SCREW	2	7/16" X 1-3/8"	
2	12H293	LOCK WASHER	4	7/16"	
3	15H558	PIPE PLUG	1	1/8"	
4	R28914	SPRING	1		
5	R33138	FITTING	1		
6	R26375	O-RING	1		
7	R60096	VALVE	1		
8	R27094	DRAIN PLUG	1		
9	R26286	O-RING	1		
10	AR73899	COVER	1		(MARKED R60081 OR R60334)
11	R26149	PACKING	5		
12	AR76279	SUPPORT	1		(MARKED AR76278 OR AR94166)
13	19H1732	CAP SCREW	9	3/8" X 1-1/4"	
14	12H304	LOCK WASHER	9	3/8"	
15	R27564	O-RING	1		
16	R45925	BACK-UP RING	1		
17	R45924	BUSHING	1		
18	R41057	BACK-UP RING	1		
19	R27166	O-RING	1		
20	R27175	DRAIN PLUG	1		
21	F3171R	O-RING	1		
22	19H2500	CAP SCREW	1	7/16" X 1-3/8"	
23	R39741	DRAIN PLUG	1		
24	U13639	O-RING	1		
25	12H293	LOCK WASHER	1	7/16"	
26	R40896	GASKET	1		
27	R26448	O-RING	1		
28	R60420	PLUG	1		

# 5E7

HYDRAULICS

## SELECTIVE CONTROL VALVE SUPPORT (LESS ROCKSHAFT) (TRACTOR SERIAL NO. 031043- )

RWP6380 -UN-17OCT94



RWP6380

# 5E8

HYDRAULICS

SELECTIVE CONTACT VALVE SUPPORT - CONTINUED  
(LESS ROCKSHAFT)  
(TRACTOR SERIAL NO. 031043- )

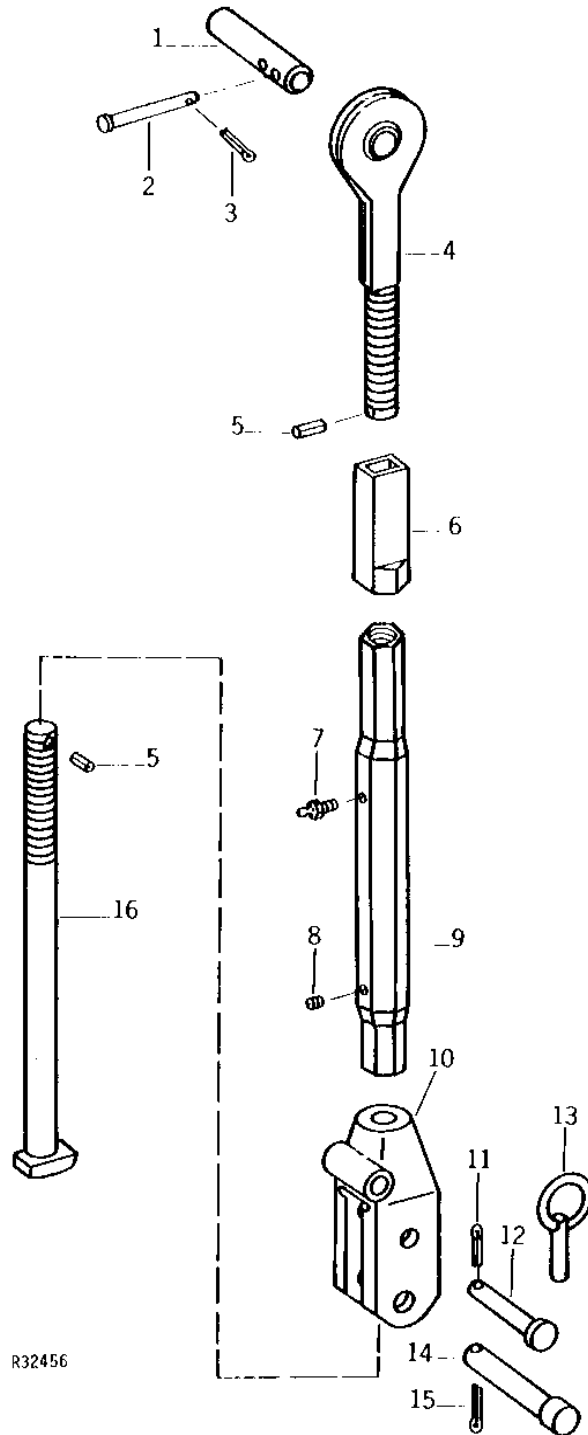
KEY	PART NO.	PART NAME	QTY	TRACTOR SERIAL NO.	REMARKS
1	R26149	PACKING	5		
2	19H1732	CAP SCREW	6	3/8" X 1-1/4"	
	19H2128	CAP SCREW	6	3/8" X 3"	
	19H2054	CAP SCREW	6	3/8" X 4-3/4"	
3	12H304	LOCK WASHER	8	3/8"	
4	15H571	PIPE PLUG	1	3/8"	
5	R26448	O-RING	1		
6	R27218	FITTING PLUG	1		
7	AR78509	SUPPORT	1	(MARKED R63574)	
8	R27166	O-RING	4		
9	R41057	BACK-UP RING	2		
10	R40945	VALVE	1		
11	T17882	WASHER	1	(NOT REQUIRED)	
12	F3171R	O-RING	1		
13	R27175	DRAIN PLUG	1		
14	R39741	DRAIN PLUG	1		
15	U13639	O-RING	1		
16	19H2500	CAP SCREW	1	7/16" X 1-3/8"	
17	12H293	LOCK WASHER	1	7/16"	
18	R67121	GASKET	1	(SUB FOR R57665)	
19	15H558	PIPE PLUG	1	1/8"	
20	R33138	FITTING	1		
21	R26375	O-RING	1		
22	R60096	VALVE	1		
23	R28914	SPRING	1		
24	R26286	O-RING	1		
25	R27094	DRAIN PLUG	1		
26	AR73899	COVER	1	(MARKED R60081 OR R60334)	
27	R60420	PLUG	1		
28	R26448	O-RING	1		
29	19H1899	CAP SCREW	2	7/16" X 2"	
	19H2227	CAP SCREW	2	7/16" X 2-1/2"	
	19H2500	CAP SCREW	2	7/16" X 1-3/8"	
30	12H293	LOCK WASHER	4	7/16"	

# 5E9

HYDRAULICS

R32456 -UN-01JAN94

## HITCH LIFT LINK



# 5E10

HYDRAULICS

## HITCH LIFT LINK - CONTINUED

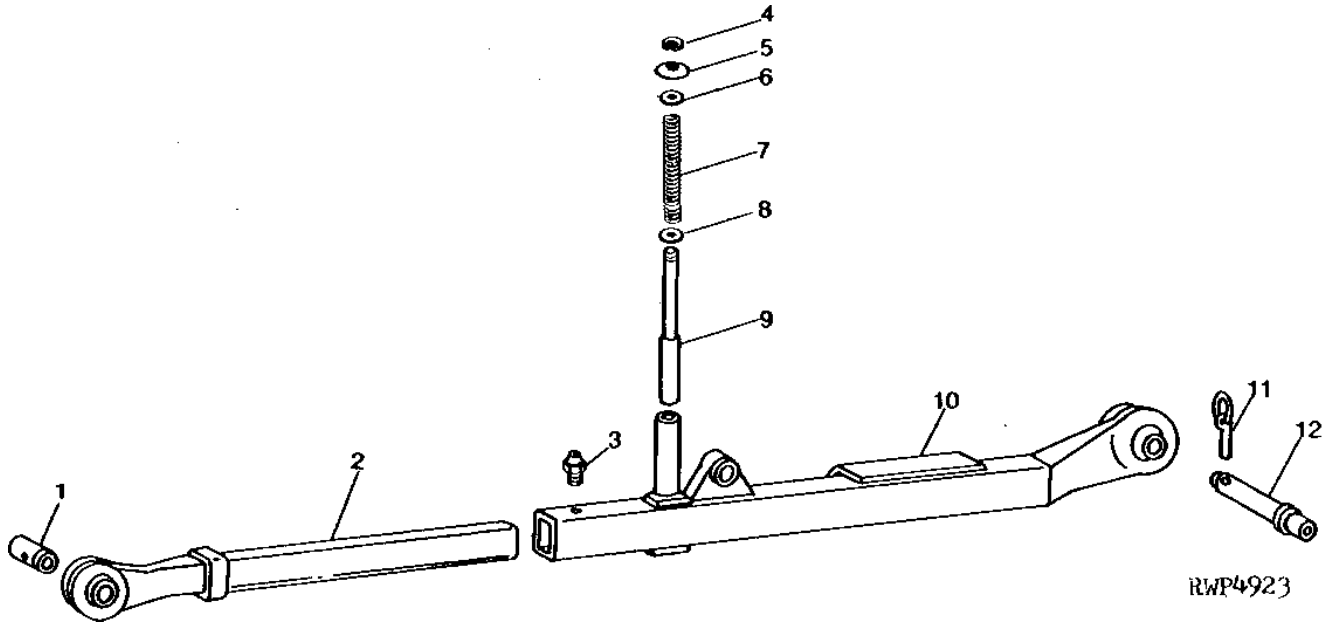
KEY	PART NO.	PART NAME	QTY	TRACTOR SERIAL NO.	REMARKS
1	R58260	PIN	2		(SUB FOR R41544)
	RE13194	PIN	2		(HI-CROP) (SUB R79917)
2	R69166	PIN	2		(ALSO ORDER 11M7059) (SUB FOR AR62152, THIS APPLICATION)
3	11M7059	COTTER PIN	2		3.200 X 20 MM
4	AR56164	END	2	-038551	
	AR81096	EYEBOLT	2	038552-	
5	34H387	SPRING PIN	4		3/16" X 3/4"
6	R51897	ARRESTOR	2		
7	JD7805	LUBRICATION FITTING	2		
8	R21630	PIPE PLUG	2		
9	R51896	LINK BODY	2		
10	R56931	YOKE	2		(SUB FOR R41303)
11	11M7021	COTTER PIN	2		0.157" X 0.984"
12	T16068	PIN	2	-004884	
	R55375	PIN	2	004885-013087	
	T16068	PIN	2	013088-	
13	AR62149	QUICK LOCK PIN	2		
14	R54170	PIN	2	-013087	
	R56930	PIN	1	013088-	
15	11M7030	COTTER PIN	2		5 X 40 MM
16	R52353	LIFT LINK	2		(REGULAR BALLAST)
	R51899	LIFT LINK	2		(HEAVY BALLAST)
	R51777	LIFT LINK	2		(HI-CROP)
..	AR68071	STRAP	1		

# 5E11

HYDRAULICS

RWP4923 -UN-01JAN94

## HITCH DRAFT LINKS (REGULAR-BALLAST)



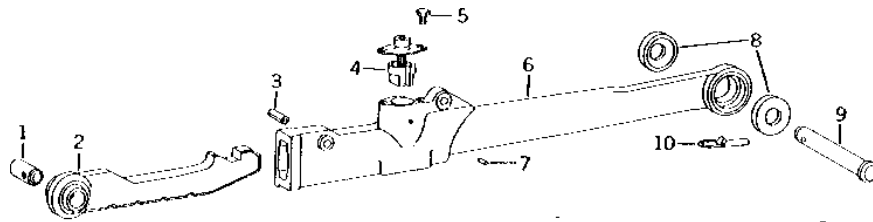
KEY	PART NO.	PART NAME	QTY	TRACTOR SERIAL NO.	REMARKS
1	R53558	PIN	2		
2	AR28570	BAR	2		
3	JD7759	LUBRICATION FITTING	1		
4	F2208R	SNAP RING	2		
5	B2477R	WASHER	2		
6	F2694R	WASHER	2		
7	F2695R	SPRING	2		
8	D2865R	WASHER	2	(SUB 24H1111)	
9	F2693R	PIN	2		
10	AR47892	TUBE	1	R.H.	
	AR47893	TUBE	1	L.H.	
11	AR60372	QUICK LOCK PIN	2		
12	R66432	BUSHING	2	(CATEGORY I) (SUB FOR F2684R)	
	R66433	BUSHING	2	(CATEGORY II) (SUB FOR F2685R)	
..	AF3147R	BAR	1		IMPLEMENT HITCH
..	AR68071	STRAP	1		

# 5E12

HYDRAULICS

R14465 -UN-01JAN94

## HITCH DRAFT LINKS (HEAVY-BALLAST)



R 14465

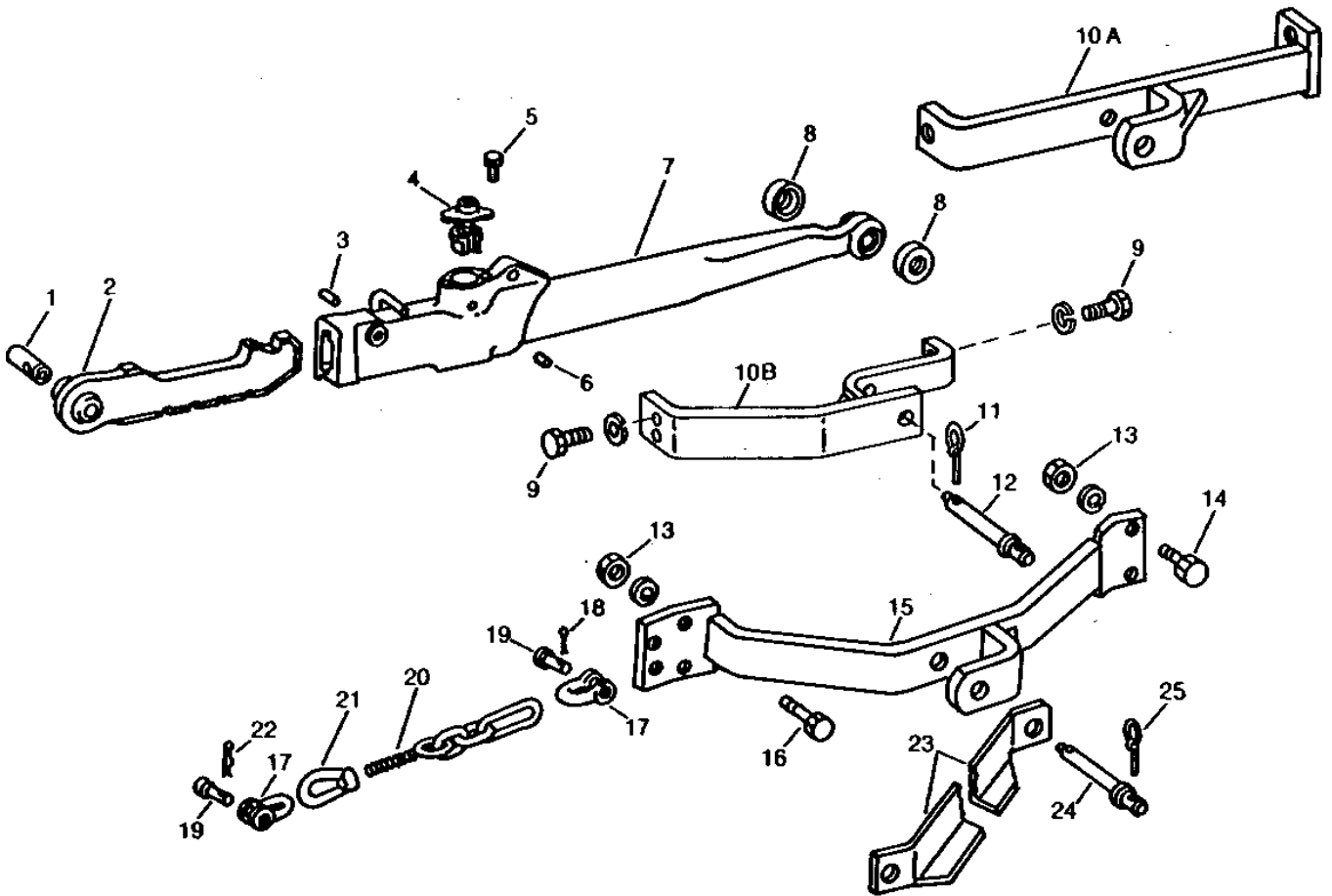
KEY	PART NO.	PART NAME	QTY	TRACTOR SERIAL NO.	REMARKS
1	R66432	BUSHING	2		(CATEGORY I) (SUB FOR F2684R)
	R66433	BUSHING	2		(CATEGORY II) (SUB FOR F2685R)
2	AR26554	DRAFT LINK END	1		L.H. (MARKED R26907)
	AR26555	DRAFT LINK END	1		R.H. (MARKED R26911)
3	34H371	SPRING PIN	2		1/2" X 2"
4	AR30288	LOCK	2	-025967	(SUB AR90082)
	AR69317	LATCH	2	025968-XXXXXX	
	AR90082	LOCK	2	XXXXXX-	
5	19H1227	CAP SCREW	4		1/4" X 1/2"
	12H302	LOCK WASHER	4		1/4"
6	AR50955	LINK BODY	1	-025967	R.H. (SUB AR80666 AND AR69317)
	AR80666	DRAG LINK	1	025968-038403	R.H. (SUB FOR AR65383)
	AR80666	DRAG LINK	1	038404-	R.H.
	AR50956	LINK BODY	1	-025967	L.H. (SUB AR80667 AND AR69317)
	AR65384	LINK BODY	1	025968-038403	L.H. (SUB AR80667)
	AR80667	DRAG LINK	1	038404-	L.H.
7	B2641R	DOWEL PIN	2		
8	R26608	WASHER	4		
9	R53558	PIN	2		
10	AR60372	QUICK LOCK PIN	2		
..	AF3147R	BAR	1		IMPLEMENT HITCH
..	AR64845	STRAP	1		(SUB AR68071)

# 5E13

HYDRAULICS

## HITCH DRAFT LINKS AND SUPPORTS (HI-CROP)

RXP8613 -UN-01JAN94



RXP8613



# 5E14

HYDRAULICS

## HITCH DRAFT LINKS AND SUPPORTS - CONTINUED (HI-CROP)

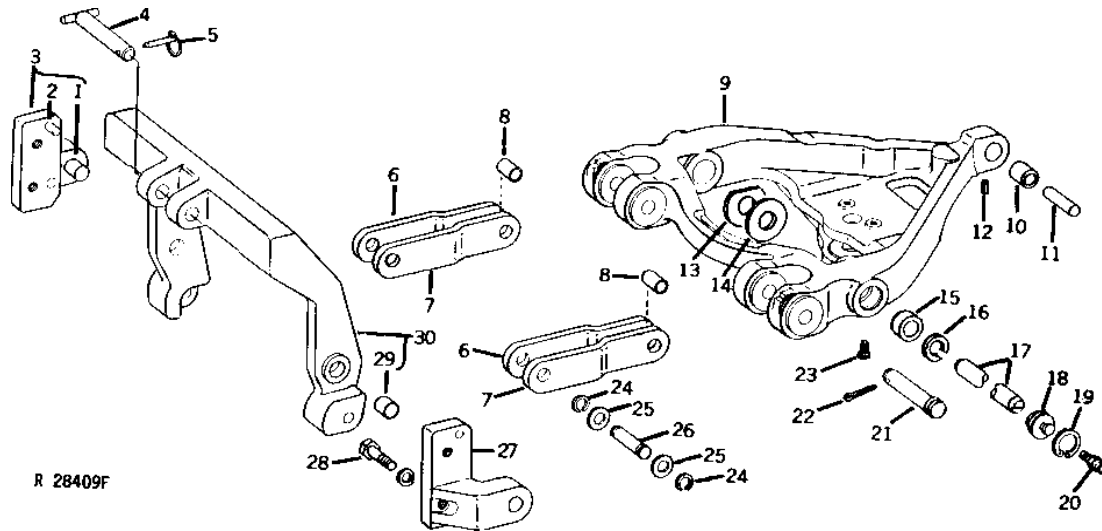
KEY	PART NO.	PART NAME	QTY	TRACTOR SERIAL NO.	REMARKS
1	R66432	BUSHING	2		(CATEGORY I) (SUB FOR F2684R)
	R66433	BUSHING	2		(CATEGORY II) (SUB FOR F2685R)
2	AR27645	DRAFT LINK END	1		R.H. (MARKED R28255)
	AR27646	DRAFT LINK END	1		L.H. (MARKED R28256)
3	34H371	SPRING PIN	2		1/2" X 2"
4	AR30288	LOCK	2	-025967	(SUB AR90082)
	AR69317	LATCH	2	025968-XXXXXX	
	AR90082	LOCK	2	XXXXXX-	
5	19H1227	CAP SCREW	4		1/4" X 1/2"
	12H302	LOCK WASHER	4		1/4"
6	B2641R	DOWEL PIN	2	-025967	
7	AR56017	LINK BODY	1	-025967	R.H. (SUB AR69313 AND AR69317)
	AR69313	LINK BODY	1	025968-	R.H.
	AR56018	LINK BODY	1	-025967	L.H.
	AR69314	LINK BODY	1	025968-	L.H.
8	R26608	WASHER	4		
9	19H2589	CAP SCREW	6		3/4" X 1-7/8"
	12H236	LOCK WASHER	6		3/4"
10A	AR56015	SUPPORT	2		(SUB AR84855)
10B	AR84855	SUPPORT	2		(WITH HITCH FOR WIDE CLEARANCE IMPLEMENTS) (SUB FOR AR56015) (ILLUSTRATED)
11	M115827	QUICK LOCK PIN	2		(SUB FOR AR62151)
12	R26609	PIN	2		
13	14H794	NUT	8		3/4"
	12H236	LOCK WASHER	8		3/4"
14	19H1782	CAP SCREW	4		3/4" X 2-1/4"
15	AR56019	SUPPORT	2		(WITH HITCH FOR MODIFIED CATEGORY I OR CATEGORY II IMPLEMENTS)
16	19H1715	CAP SCREW	4		3/4" X 3"
17	31603	CLEVIS	4		(NLA)
18	11M7084	COTTER PIN	2		5 X 25 MM
19	RV695A	PIN	4		(SUB FOR DA4560A)
20	AR56021	LINK CHAIN	2		
21	R21342	NUT	2		
22	A3581R	SPRING LOCKING PIN	2		
23	R51776	BRACE	2		
24	R28271	PIN	2		
25	M115827	QUICK LOCK PIN	2		(SUB FOR AR62151)
..	AF3147R	BAR	1		IMPLEMENT HITCH

# 5E15

HYDRAULICS

## HITCH DRAFT CENTER LINK SUPPORT ASSEMBLY (HI-CROP)

R28409 -UN-18OCT94



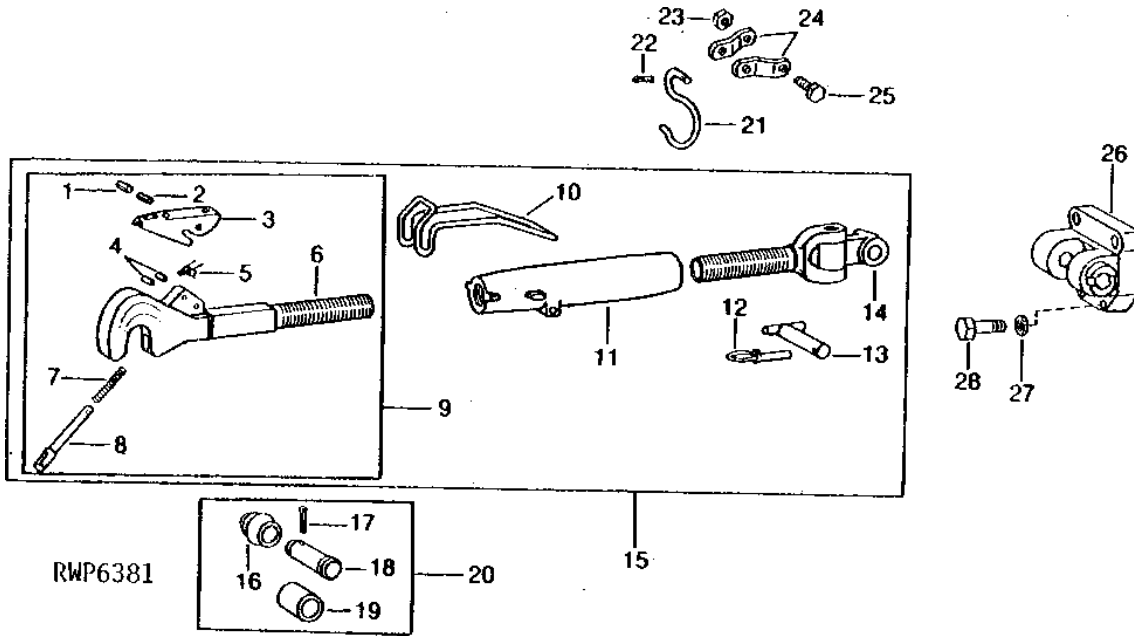
KEY	PART NO.	PART NAME	QTY	TRACTOR SERIAL NO.	REMARKS
1	R28381	PIN	2		
2	R60161	DOWEL PIN	2		(SUB FOR R35046)
3	AR56023	SUPPORT	1		(MARKED R51779)
4	AR67881	PIN	1		(SUB FOR AR51867) (SUB RE56991)
5	M115827	QUICK LOCK PIN	1		(SUB FOR AR62151)
6	R41655	DRAFT LINK	2		
7	R41654	DRAFT LINK	2		
8	28H473	BUSHING	2		1" X 1-3/8"
9	AR60947	SUPPORT	1	-040171	(MARKED R53571) (SUB AR83604)
	AR83604	SUPPORT	1	040172-	(MARKED R65536)
10	R31438	BUSHING	1		
11	R26503	DOWEL PIN	1		
12	34H309	SPRING PIN	1		1/4" X 5/8"
13	R47566	WASHER	1		
14	R47566	WASHER	AR		1.22MM (.048")
	R47567	WASHER	AR		0.91MM (.036")
	R47568	WASHER	AR		1.52MM (.062")
15	R41084	BUSHING	2		(SUB R71476)
16	L1610N	SNAP RING	2	040172-	
17	R46513	PIN	1		
18	R46514	RETAINER	2	-XXXXXX	(SUB R65531 AND JD7759)
	R65531	RETAINER	2	XXXXXX-	
19	N107859	SNAP RING	2		
20	JD7759	LUBRICATION FITTING	2	XXXXXX-	
21	R53558	PIN	2		
22	11M7071	COTTER PIN	2		0.315" X 1.575"
23	19H2020	CAP SCREW	2		5/16" X 1/2"
24	R73380	SNAP RING	4		(SUB FOR A369R)
25	24H1396	WASHER	4		25/32" X 1-1/2" X 0.105"
26	R31400	PIN	2		
27	AR56022	SUPPORT	1		(MARKED R51778)
28	19H2602	CAP SCREW	4		5/8" X 2-5/8"
	12H294	LOCK WASHER	4		5/8"
29	R27899	BUSHING	2		
30	AR56034	ARM	1		(MARKED R51763)

# 5E16

HYDRAULICS

RWP6381 -UN-01JAN94

## HITCH CENTER LINK



KEY	PART NO.	PART NAME	QTY	TRACTOR SERIAL NO.	REMARKS
1	R56506	SPRING PIN	1		
2	34H252	SPRING PIN	1		1/8" X 1-1/4", (SUB FOR R56505)
3	F2824R	HANDLE	1		
4	34H283	SPRING PIN	2		3/16" X 1-1/8"
5	F2823R	SPRING	1		
6	R26813	HOOK	1		
7	F2822R	SPRING	1		
8	R53196	LATCH	1		
9	AR46298	HOOK	1		
10	R42495	HANDLE	1		
11	R47524	LINK BODY	1		
	R47887	LINK BODY	1		(18.4-38, 20.8-34 OR 23.1-30 TIRES) (SUB R51524, R51525, 19H3208 AND 19H3244)
12	M115827	QUICK LOCK PIN	1		(SUB FOR AR62151)
13	AR67880	PIN	1		(SUB FOR AR39681)
14	AR32531	CENTER LINK END	1		
15	AR34208	LINK	1		
16	F2680R	BALL STUD	1		(A)
	F2681R	BALL	1		(B)
17	11M7038	COTTER PIN	1		(A) 0.248" X 1.575"
	11M7040	COTTER PIN	1		(B) 0.248" X 1.969"
18	R58262	PIN	1		(A) (SUB FOR R44917)
	R53296	PIN	1		(B) (SUB FOR R44918)
19	28H1753	BUSHING	1		(B) 3/4" X 2-1/16"
	R66432	BUSHING	2		(A)
	R66433	BUSHING	2		(A)
20	AF2710R	BALL	1		(A) (BALL INNER DIAMETER, 49/64") (SUB F2680R, R58262, (2) R66432, (2) R66433 AND 11M7038)
	AF2711R	BALL	1		(B) (BALL INNER DIAMETER, 1-1/64")
21	R53762	HOOK	1		
22	11M7059	COTTER PIN	1		3.200 X 20 MM
23	14H785	NUT	2		(C) 5/16"
24	R40633	BRACKET	2		(C)
25	19H1901	CAP SCREW	1		(C) 5/16" X 2"
26	R39759	BRACKET	1		
27	12H294	LOCK WASHER	4		5/8"
28	19H3244	CAP SCREW	4		5/8" X 2-1/4"

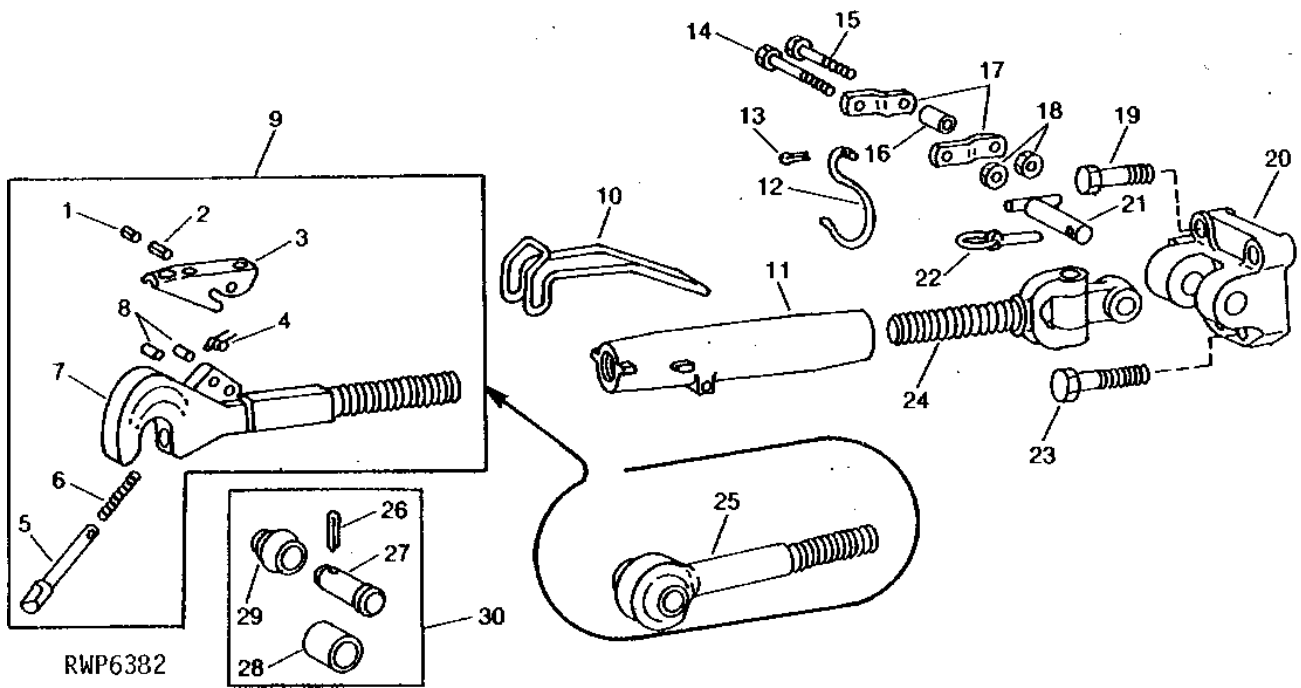
- (A) CATEGORY I
- (B) CATEGORY II
- (C) POWER WEIGHT TRANSFER HITCH

# 5E17

HYDRAULICS

RWP6382 -UN-01JAN94

HITCH CENTER LINK  
(HEAVY-BALLAST)



# 5E18

HYDRAULICS

## HITCH CENTER LINK - CONTINUED (HEAVY-BALLAST)

KEY	PART NO.	PART NAME	QTY	TRACTOR SERIAL NO.	REMARKS
1	R56506	SPRING PIN	1		
2	34H252	SPRING PIN	1		
3	F2824R	HANDLE	1		1/8" X 1-1/4", (SUB FOR R56505)
4	F2823R	SPRING	1		
5	R53196	LATCH	1		
6	F2822R	SPRING	1		
7	R51616	HOOK	1		
8	34H283	SPRING PIN	2		3/16" X 1-1/8"
9	AR61659	HOOK	1		
10	R42495	HANDLE	1		
11	R51524	LINK BODY	1		(A)
	R47067	LINK BODY	1		(B)
12	R53762	HOOK	1		(A)
13	11M7059	COTTER PIN	1		(A) 3.200 X 20 MM
14	19H2043	CAP SCREW	1		(B) 5/16" X 3-1/2"
15	19H1904	CAP SCREW	1		(B) 5/16" X 3"
16	28H3390	SPACER	1		(B)
17	R40633	BRACKET	2		(B)
18	14H611	NUT	4		(B) 5/16"
19	19H3244	CAP SCREW	2		5/8" X 2-1/4"
	19H2026	CAP SCREW	2		3/4" X 4", (USE WITH R58800)
20	R51525	BRACKET	1		
	R62305	BRACKET	1		(USE WITH R58800)
21	AR67881	PIN	1		(SUB FOR AR51867) (SUB RE56991)
22	M115827	QUICK LOCK PIN	1		(SUB FOR AR62151)
23	19H3208	CAP SCREW	2		5/8" X 3"
	19H2113	CAP SCREW	2		3/4" X 3-1/4", (USE WITH R58800)
24	AR50643	CENTER LINK END	1		
25	AR85587	CENTER LINK END	1		
26	11M7038	COTTER PIN	1		(C) 0.248" X 1.575"
	11M7040	COTTER PIN	1		(D) 0.248" X 1.969"
27	R58262	PIN	1		(C) (SUB FOR R44917)
	R53296	PIN	1		(D) (SUB FOR R44918)
28	28H1753	BUSHING	1		(D) 0.824" X 1.050" X 2-1/16"
	R66432	BUSHING	2		(C)
	R66433	BUSHING	2		(C)
29	F2680R	BALL STUD	1		(C)
	F2681R	BALL	1		(D)
30	AF2710R	BALL	1		(C) (BALL INNER DIAMETER, 49/64") (SUB F2680R, R58262, (2) R66432, (2) R66433 AND 11M7038)
	AF2711R	BALL	1		(D) (BALL INNER DIAMETER, 1-1/64")

- (A) ROW-CROP TRACTOR
- (B) HI-CROP TRACTOR
- (C) CATEGORY I
- (D) CATEGORY II

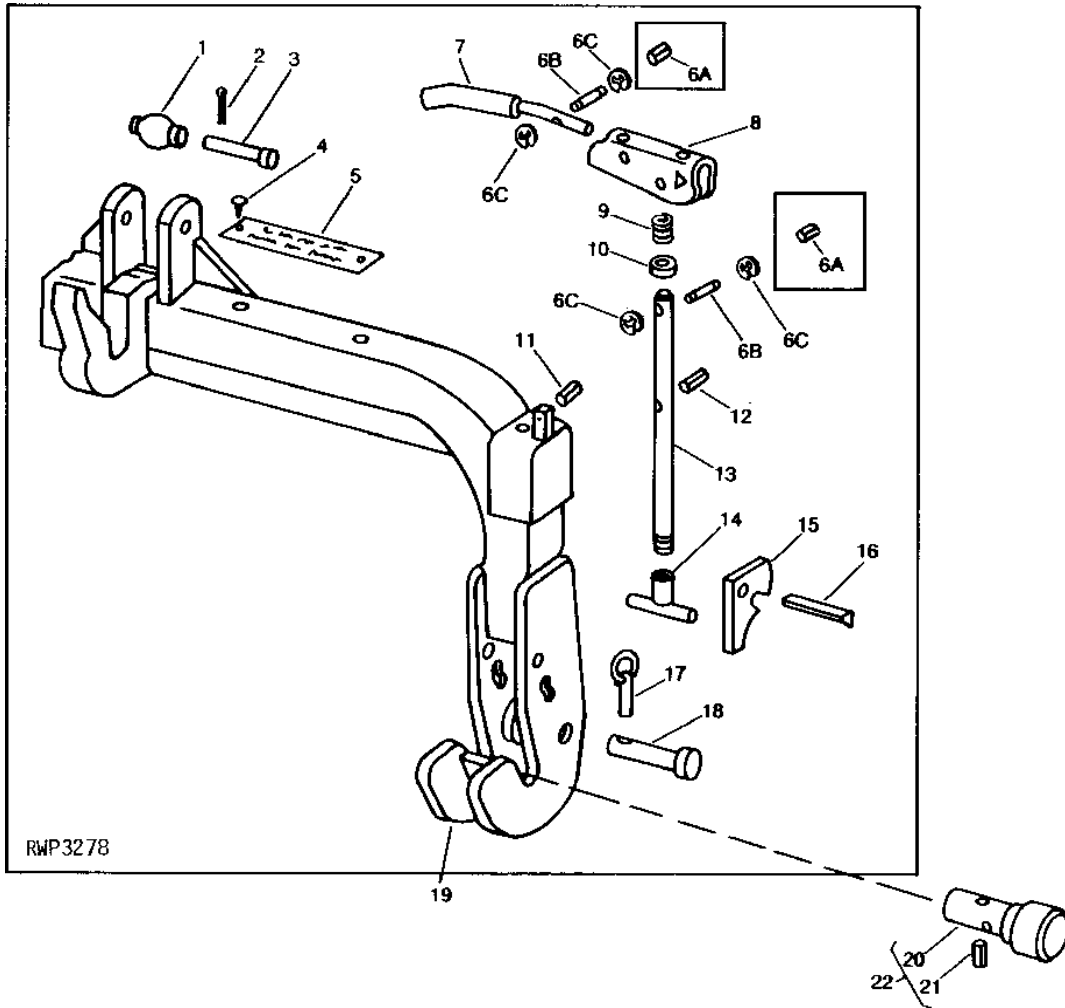
# 5E19

HYDRAULICS

RWP3278

-UN-06OCT94

IMPLEMENT QUICK COUPLER



# 5E20

HYDRAULICS

## IMPLEMENT QUICK COUPLER - CONTINUED

KEY	PART NO.	PART NAME	QTY	TRACTOR SERIAL NO.	REMARKS
1	F2681R	BALL	1		
2	11M7040	COTTER PIN	1		0.248" X 1.969"
3	R53296	PIN	1		(SUB FOR R44918)
4	R125955	RIVET	2		
5	R56039	DECAL	1		
6A	34H311	SPRING PIN	4		1/4" X 7/8"
6B	R66901	SPRING PIN	4		
6C	R72654	SNAP RING	8		(SUB FOR R27507)
7	R48163	HANDLE	2		
8	R48164	LEVER	2		
9	R43444	SPRING	2		
10	R46890	SLEEVE	2		
11	34H311	SPRING PIN	2		1/4" X 7/8"
12	34H277	SPRING PIN	2		3/16" X 5/8"
13	R46889	STUD	2		
14	AR49206	PIN	2		
15	R46893	LATCH	2		
16	34H373	SPRING PIN	2		1/2" X 2-1/2"
17	M115827	QUICK LOCK PIN	2		(SUB FOR AR62151)
18	R58268	PIN	2		(SUB FOR R27997)
19	TY15269	HITCH	1		(SUB FOR AR49202)
20	R27998	HALF SLEEVE	2		
21	R27999	SPRING PIN	2		
22	AR27093	ADAPTER	1		

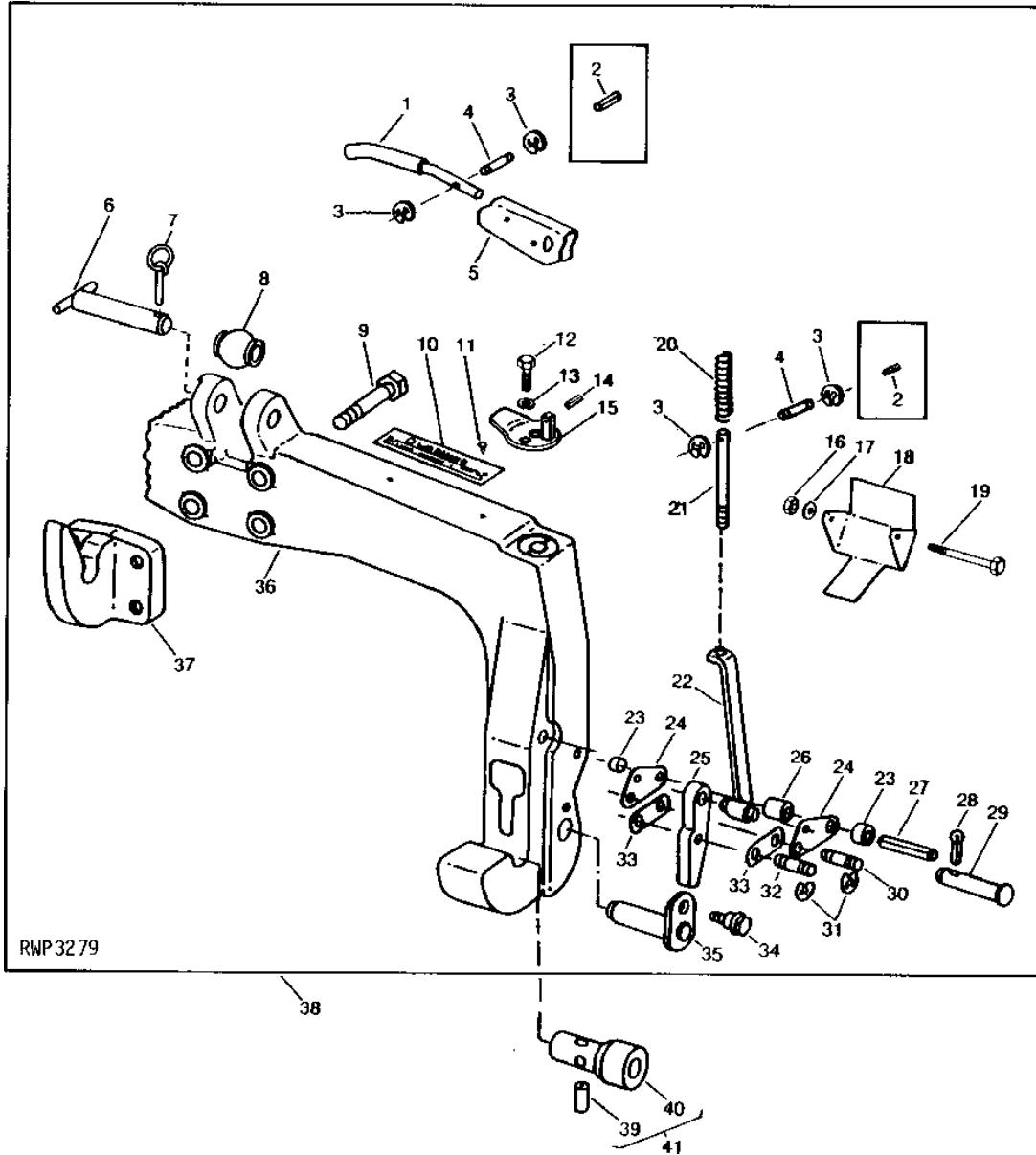
# 5E21

HYDRAULICS

RWP3279

-UN-06OCT94

## HEAVY-DUTY IMPLEMENT QUICK COUPLER





# 5E22

HYDRAULICS

## HEAVY-DUTY IMPLEMENT QUICK COUPLER - CONTINUED

KEY	PART NO.	PART NAME	QTY	TRACTOR SERIAL NO.	REMARKS
1	R48163	HANDLE	2		
2	34H311	SPRING PIN	4	1/4" X 7/8"	
3	R72654	SNAP RING	8	(SUB FOR R27507)	
4	R66901	SPRING PIN	4		
5	R48164	LEVER	2		
6	AR51867	PIN	1	(SUB RE56991)	
7	M115827	QUICK LOCK PIN	1	(SUB FOR AR62151)	
8	F2681R	BALL	1		
9	19H2026	CAP SCREW	4	3/4" X 4"	
10	R83531	LABEL	1	(SUB FOR R56038) (SUB R120103)	
	R83532	LABEL	1	(SPANISH) (SUB FOR R56042) (SUB R120104)	
	R83533	LABEL	1	(FRENCH) (SUB FOR R72088) (SUB R120105)	
11	R125955	RIVET	2		
12	19H1731	CAP SCREW	4	3/8" X 1"	
13	12H304	LOCK WASHER	4	3/8"	
14	34H311	SPRING PIN	2	1/4" X 7/8"	
15	AR50374	BRACKET	2		
16	14H786	NUT	2	1/4"	
17	12H302	LOCK WASHER	2	1/4"	
18	R53295	SHIELD	2		
19	19H2338	CAP SCREW	2	1/4" X 4-1/2"	
20	R43444	SPRING	2		
21	R47578	STUD	2		
22	AR50372	BAR	1	R.H.	
	AR50373	BAR	1	L.H.	
23	F2206R	WASHER	4		
24	R65243	LINK	4	(SUB FOR R47581 OR R58203)	
25	R40424	LATCH	2		
26	28H1919	BUSHING	2	1/2" X 15/16"	
27	34H377	SPRING PIN	2	1/2" X 3-1/2"	
28	11M7087	COTTER PIN	2	0.157" X 1.575"	
29	R63736	PIN	2	(SUB FOR R40425)	
30	R119275	PIN	2	(SUB FOR R47679)	
31	F2208R	SNAP RING	2		
32	R119276	PIN	2	(SUB FOR R47678)	
33	R65242	STRAP	4	(SUB FOR R47590)	
34	AR48110	CAP SCREW	2	(SUB AR74673)	
35	AR48111	PIN	2		
36	R47577	FRAME	1		
37	R41861	HOOK	1	-XXXXXX	
	R59478	HOOK	1	XXXXXX-	
38	AR50368	QUICK COUPLER	1	(SUB TY16042)	
39	R27999	SPRING PIN	2		
40	R27998	HALF SLEEVE	2		
41	AR27093	ADAPTER	1		

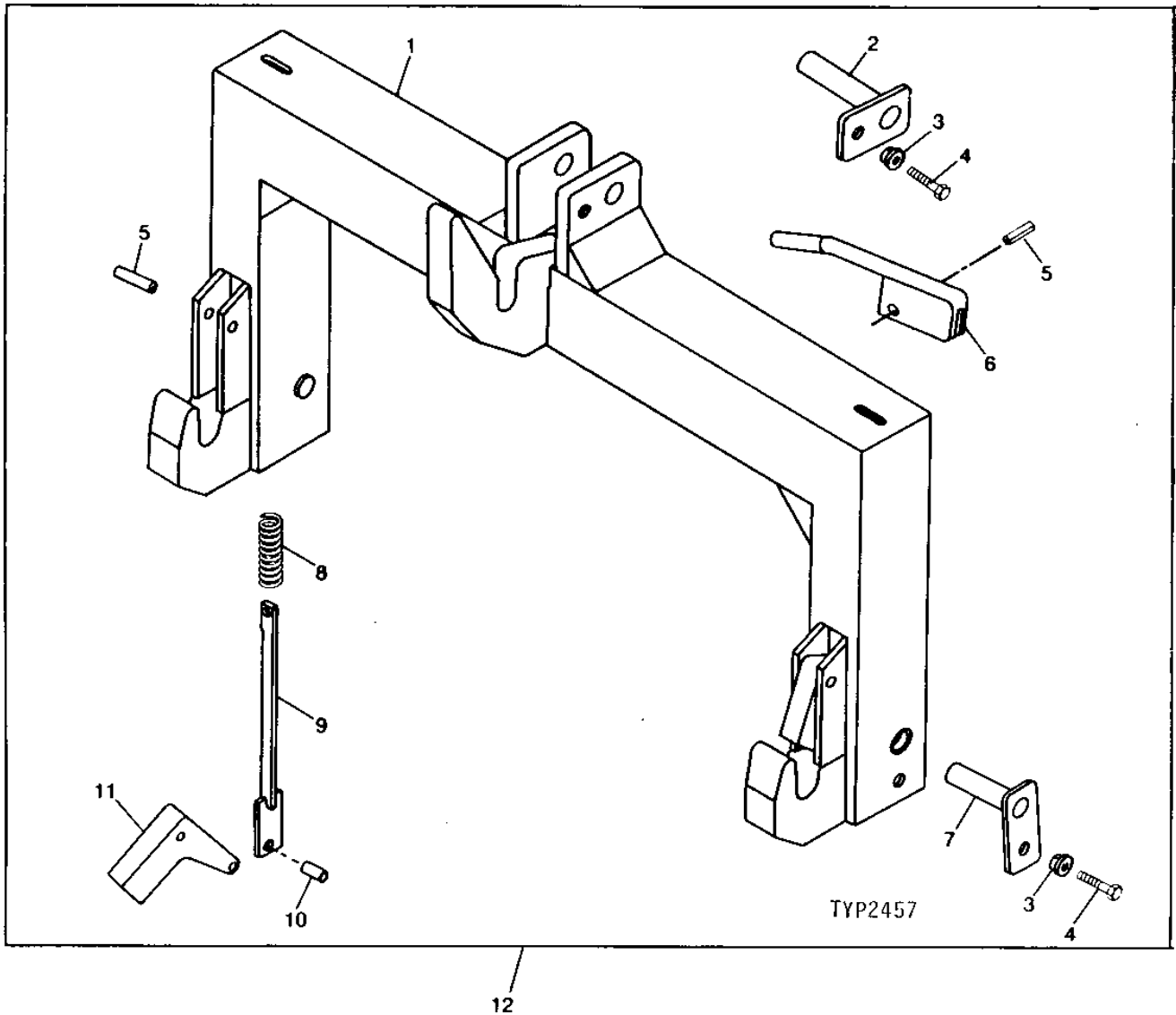
# 5E23

HYDRAULICS

TYP2457

-UN-01JAN94

## 3-POINT HITCH QUICK COUPLER



# 5E24

HYDRAULICS

## 3-POINT HITCH QUICK COUPLER - CONTINUED

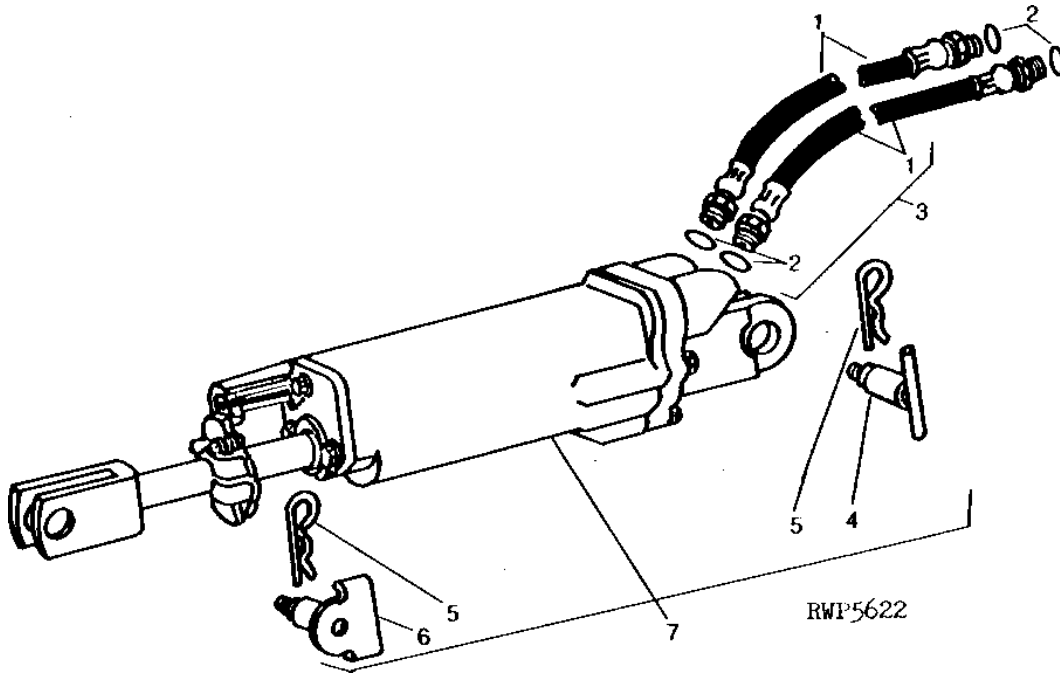
KEY	PART NO.	PART NAME	QTY	SERIAL NO. OR YEAR	REMARKS
1	.....	FRAME	1		(ORDER TY16042)
2	PT9287	PIN	1		
3	PT9290	BUSHING	3		
4	19H2632	CAP SCREW	3	1/2" X 1-1/8"	
5	34H371	SPRING PIN	4	1/2" X 2"	
6	PT9281	HANDLE	2		
7	PT9286	PIN	2		
8	PT9284	SPRING	2		
9	PT9283	BAR	2		
10	34H116	SPRING PIN	2	5/16" X 1"	
11	PT9282	LUG	2		
12	<b>TY15269</b>	<b>HITCH</b>	<b>1</b>		<b>(CATEGORY II) (SUB TY16042) (FI)</b>
..	PT9292	DECAL KIT	1		

# 5E25

HYDRAULICS

RWP5622 -UN-01JAN94

## REMOTE CYLINDER AND HOSES



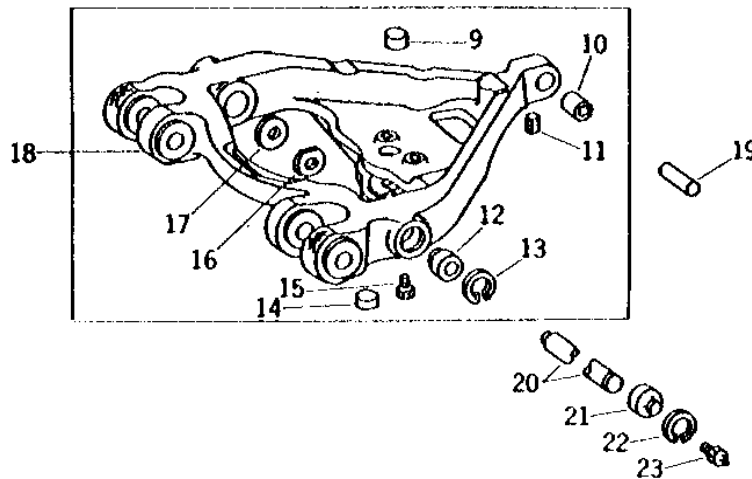
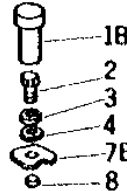
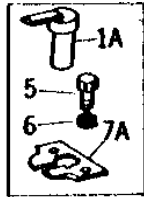
KEY	PART NO.	PART NAME	QTY	TRACTOR SERIAL NO.	REMARKS
1	AR26407	HYDRAULIC HOSE	2		
2	R26375	O-RING	4		
3	AR27440	HYDRAULIC HOSE	1		(SUB AR26407 AND R26375)
4	AR47825	PIN	1		
5	A3581R	SPRING LOCKING PIN	2		
6	AR71902	PIN	1		
7	AR38426	HYDRAULIC CYLINDER	1		(SUB AR38239, AR47825, AR71902, AR93819, AR93820 AND A3581R)
..	AR30784	TEE FITTING	1		

# 5F1

HYDRAULICS

R32028 -UN-01JAN94

## DRAWBAR FRONT SUPPORT



R32028

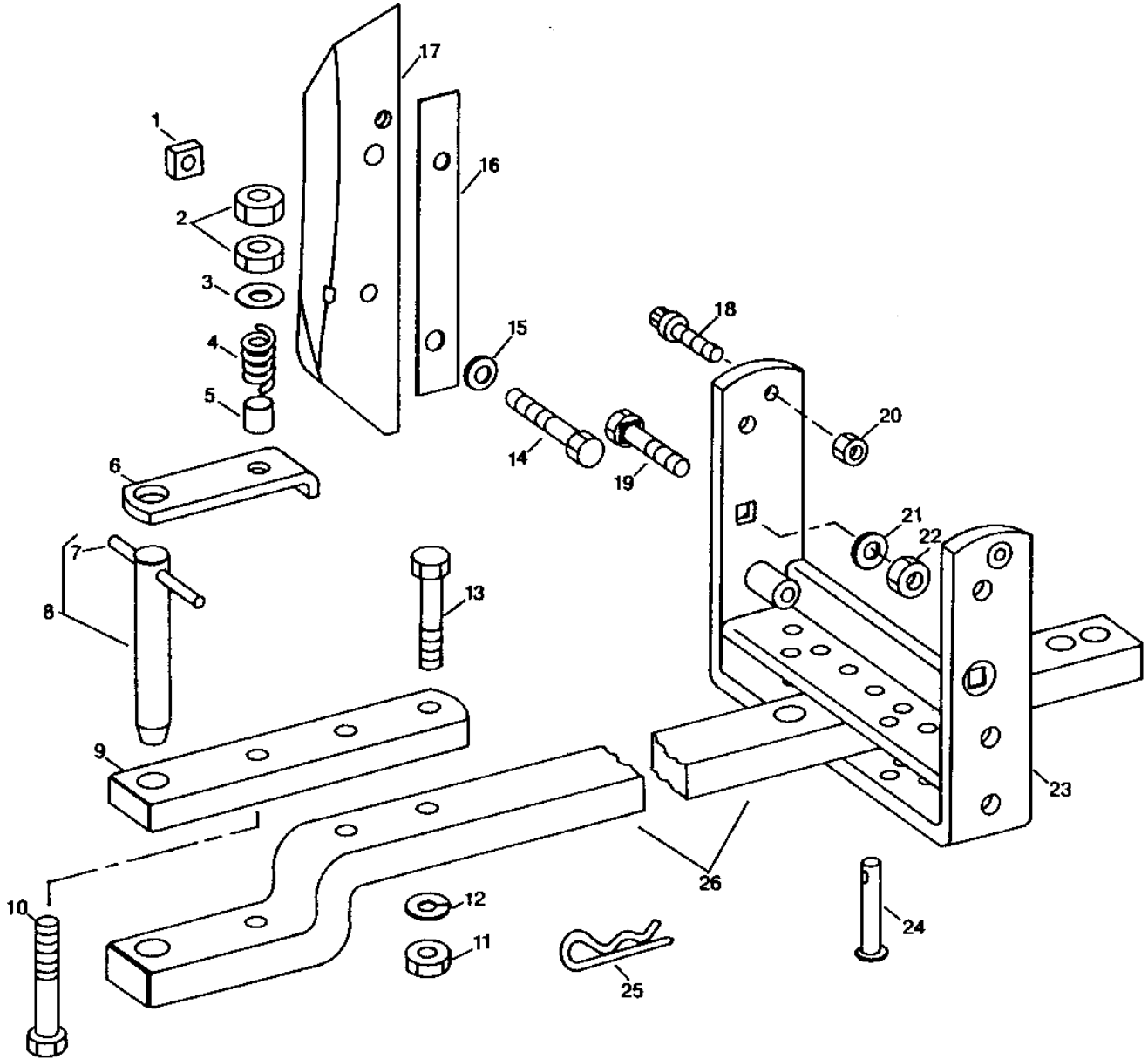
KEY	PART NO.	PART NAME	QTY	TRACTOR SERIAL NO.	REMARKS
1A	AR44189	PIN	1	-015452	
1B	R56728	DOWEL PIN	1	015453-	
2	19H1732	CAP SCREW	1	015453-	3/8" X 1-1/4"
3	12H304	LOCK WASHER	1	015453-	3/8"
4	A147R	LOCK WASHER	1	015453-	
5	19H2284	CAP SCREW	2	-015452	3/8" X 7/8"
6	12H304	LOCK WASHER	2	-015452	3/8"
7A	R34253	RETAINER	1	-015452	(SUB R96420, A147R, R28040, 19H1732 AND 12H304)
7B	R96420	RETAINER	1	015453-	(SUB FOR R34253 OR R56729)
8	R28040	WASHER	1	015453-	
9	R40557	BUSHING	1		
10	R31438	BUSHING	1		
11	34H309	SPRING PIN	1		1/4" X 5/8"
12	R71476	BUSHING	2		(SUB FOR R41084)
13	L1610N	SNAP RING	2	040172-	
14	R40558	BUSHING	1		
15	19H2020	CAP SCREW	2		5/16" X 1/2"
16	R47566	WASHER	1		
17	R47566	WASHER	AR		1.22MM (.048")
	R47567	WASHER	AR		0.91MM (.036")
	R47568	WASHER	AR		1.58MM (.062")
18	AR60944	SUPPORT	1	-040171	(MARKED R53559, R53560 OR R53561) (SUB AR83603)
	AR83603	BRACKET	1	040172-	(MARKED R65535)
19	R26503	DOWEL PIN	1		
	R46513	PIN	1		
21	R46514	RETAINER	2	-XXXXXX	(SUB R65531 AND JD7759)
	R65531	RETAINER	2	XXXXXX-	
22	N107859	SNAP RING	2		
23	JD7759	LUBRICATION FITTING	2	XXXXXX-	

# 5F2

HYDRAULICS

RWP1905 -UN-17OCT94

REGULAR DRAWBAR



RWP1905

# 5F3

HYDRAULICS

## REGULAR DRAWBAR - CONTINUED

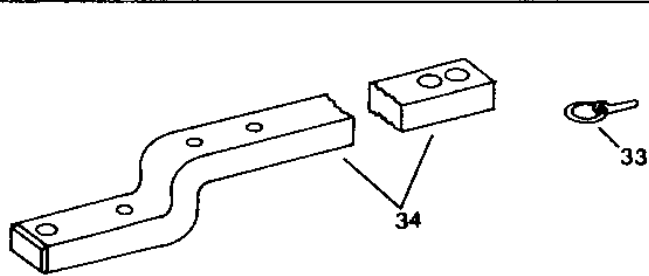
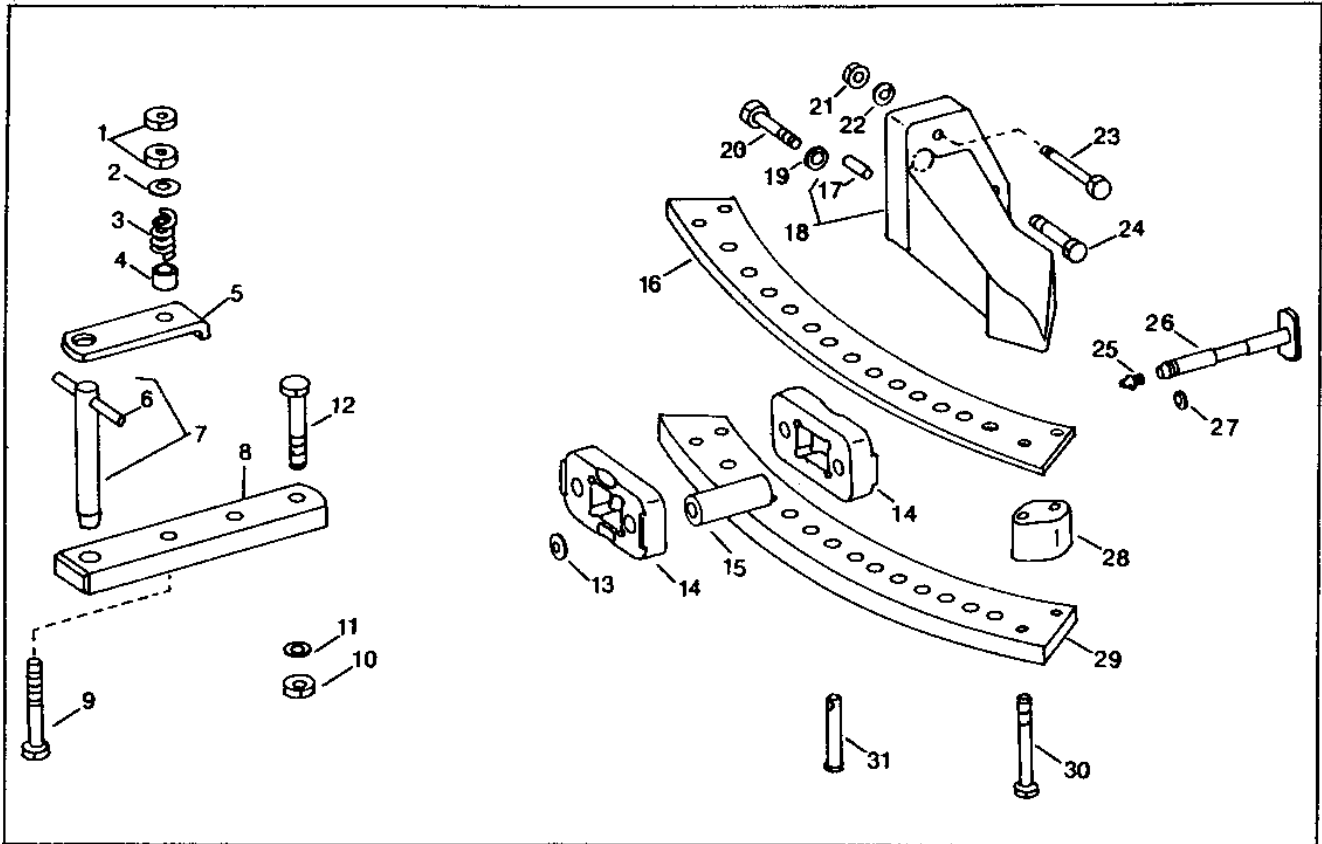
KEY	PART NO.	PART NAME	QTY	TRACTOR SERIAL NO.	REMARKS
1	14H893	NUT	2		5/8"
2	14H1039	NUT	2		5/8"
3	24H1372	WASHER	1		21/32" X 1-1/2" X 0.060"
4	F3541R	SPRING	1		
5	F3542R	BUSHING	1		
6	F3539R	RETAINER	1		
7	34H363	SPRING PIN	1		3/8" X 4"
8	AR26462	PIN	1		
9	R26584	STRAP	1		(USE WITH R34448 OR RE20663)
10	19H2124	CAP SCREW	1		5/8" X 4-1/4"
11	14H794	NUT	2		3/4"
12	12H236	LOCK WASHER	2		3/4"
13	19H3027	CAP SCREW	2		3/4" X 3-1/2"
14	19H2233	CAP SCREW	2		5/8" X 3-1/2"
15	12H294	LOCK WASHER	2		5/8"
16	R65527	WASHER	2		(SUB FOR R34505)
17	R39512	SWAY BLOCK	1		R.H.
	R39513	SWAY BLOCK	1		L.H.
18	R42440	CAP SCREW	2		
19	R101202	BOLT	2		(SUB FOR R49106)
20	14H1040	NUT	2		1/2"
21	12H294	LOCK WASHER	2		5/8"
22	14H1039	NUT	2		5/8"
23	AR33911	SUPPORT	1		
24	R33831	PIN	2	-029760	(SUB R61967 AND A3581R)
	R61967	PIN	1	029761-	
25	M115827	QUICK LOCK PIN	2	-029760	(SUB FOR AR62151)
	A3581R	SPRING LOCKING PIN	1	029761-	
26	RE20663	DRAWBAR	1		(SUB FOR R34448)
	R80842	DRAWBAR	1		(HEAVY-DUTY) (NOT DRILLED FOR STRAP)

# 5F4

HYDRAULICS

RWP1906 -UN-01JAN94

WIDE SWING DRAWBAR



RWP1906



# 5F5

HYDRAULICS

## WIDE SWING DRAWBAR - CONTINUED

KEY	PART NO.	PART NAME	QTY	TRACTOR SERIAL NO.	REMARKS
1	14H1039	NUT	2	5/8"	
2	24H1372	WASHER	1	21/32" X 1-1/2" X 0.060"	
3	F3541R	SPRING	1		
4	F3542R	BUSHING	1		
5	F3539R	RETAINER	1		
6	34H363	SPRING PIN	1	3/8" X 4"	
7	AR26462	PIN	1		
8	R26584	STRAP	1	(USE WITH R34448 OR RE20663)	
9	19H2124	CAP SCREW	1	5/8" X 4-1/4"	
10	14H794	NUT	2	3/4"	
11	12H236	LOCK WASHER	2	3/4"	
12	19H3027	CAP SCREW	2	3/4" X 3-1/2"	
13	24M7353	WASHER	2	(SUB FOR R42660)	
14	R34450	HANGER	2		
15	R54141	BUSHING	2		
16	R34375	STRAP	1		
17	R54380	DOWEL PIN	2	(SUB FOR T25317)	
18	AR45104	SUPPORT	1	R.H. (MARKED R42695)	
	AR45105	SUPPORT	1	L.H. (MARKED R42696)	
19	12H294	LOCK WASHER	4	5/8"	
20	19H1890	CAP SCREW	4	5/8" X 2-3/4"	
21	14H1040	NUT	2	1/2"	
22	12H301	LOCK WASHER	2	1/2"	
23	19H1868	CAP SCREW	2	1/2" X 3-3/4"	
24	19H1847	CAP SCREW	2	5/8" X 2-1/2"	
25	JD7759	LUBRICATION FITTING	2		
26	AR61656	PIN	2		
27	R73380	SNAP RING	2	(SUB FOR A369R)	
28	R34373	SPACER	2		
29	R34376	SUPPORT	1		
30	19H2124	CAP SCREW	4	5/8" X 4-1/4"	
31	R58262	PIN	2	(SUB FOR R44917)	
32	AR46810	KIT	1		
33	M115827	QUICK LOCK PIN	2	(SUB FOR AR62151)	
34	RE20663	DRAWBAR	1	(SUB FOR R34448)	
	R80842	DRAWBAR	1	(HEAVY-DUTY) (NOT DRILLED FOR STRAP)	

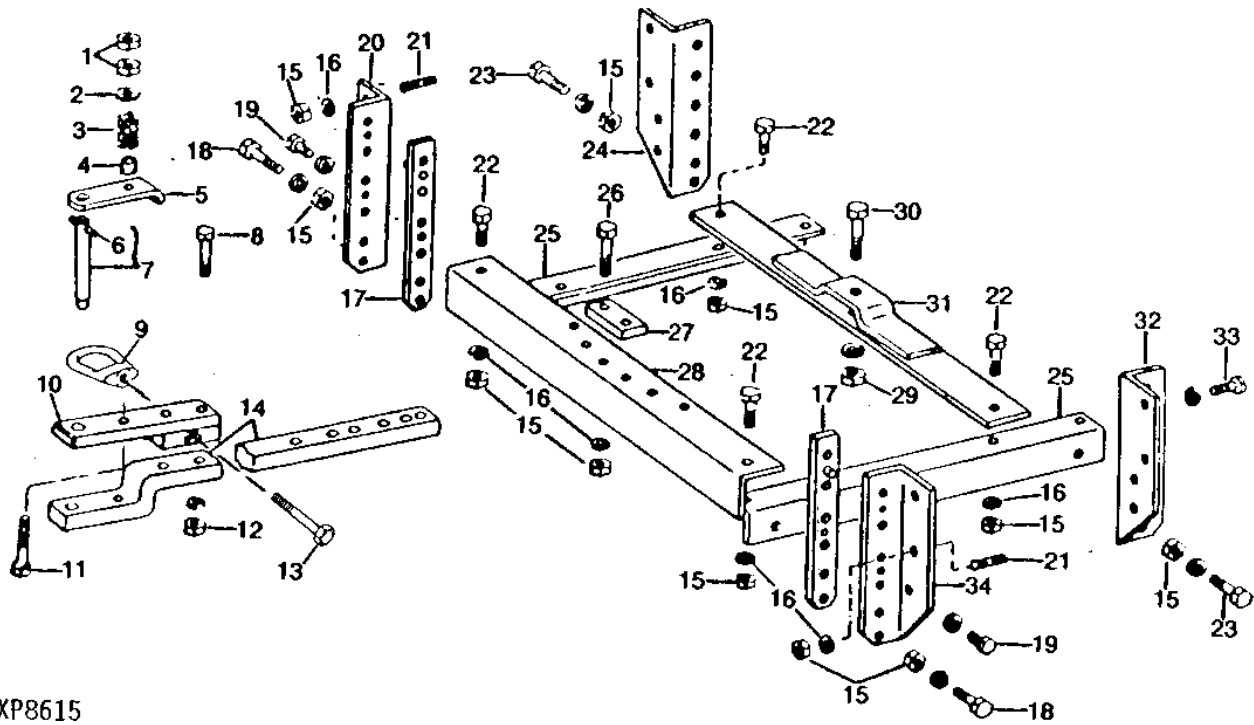
# 5F6

HYDRAULICS

RXP8615

-UN-01JAN94

## DRAWBAR (HI-CROP)



RXP8615

# 5F7

HYDRAULICS

## DRAWBAR - CONTINUED (HI-CROP)

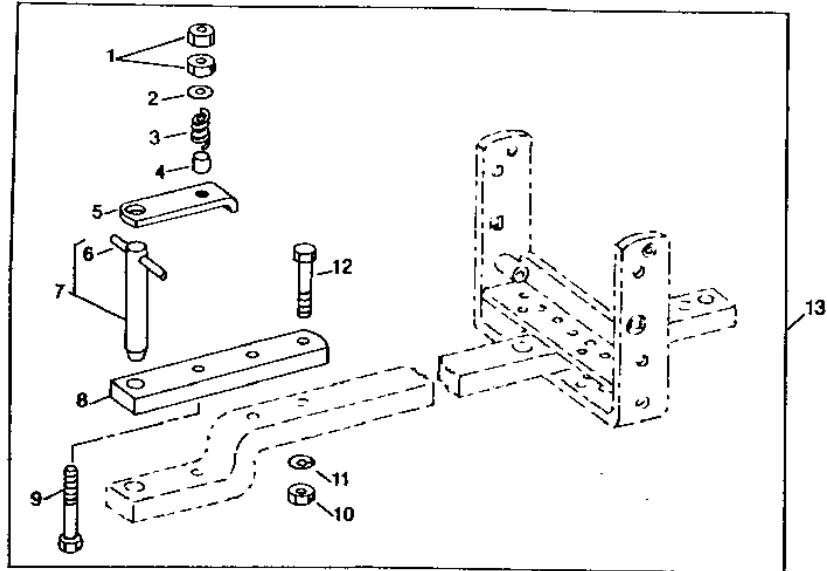
KEY	PART NO.	PART NAME	QTY	TRACTOR SERIAL NO.	REMARKS
1	14H1039	NUT	2	5/8"	
2	24H1372	WASHER	1	21/32" X 1-1/2" X 0.060"	
3	F3541R	SPRING	1		
4	F3542R	BUSHING	1		
5	F3539R	RETAINER	1		
6	34H363	SPRING PIN	1	3/8" X 4"	
7	AR60379	PIN	1		
8	19H2827	CAP SCREW	2	3/4" X 4-3/4"	
9	R81245	SUPPORT	1		
10	RE19374	STRAP	1	(USE WITH R34448 OR RE20663)	
11	19H2124	CAP SCREW	1	5/8" X 4-1/4"	
12	14H794	NUT	2	3/4"	
	12H236	LOCK WASHER	2	3/4"	
13	19H2728	CAP SCREW	1	3/4" X 3"	
14	RE20663	DRAWBAR	1	(SUB FOR R34448)	
	R80842	DRAWBAR	1	(HEAVY DUTY) (NOT DRILLED DOR STRAP)	
15	14H794	NUT	14	3/4"	
16	12H236	LOCK WASHER	10	3/4"	
17	AR56013	SWAY BLOCK	2		
18	19H1440	CAP SCREW	2	3/4" X 3"	
	12H236	LOCK WASHER	2	3/4"	
19	19H1721	CAP SCREW	2	1/2" X 1-1/2"	
	12H301	LOCK WASHER	2	1/2"	
20	R51767	SUPPORT	1		
21	F1024R	STUD	4		
22	19H1374	CAP SCREW	4	3/4" X 2"	
23	19H1374	CAP SCREW	2	3/4" X 2"	
	12H236	LOCK WASHER	2	3/4"	
24	R51765	SUPPORT	1		
25	R51771	DRAWBAR	2		
26	19H1471	CAP SCREW	2	3/4" X 3-1/2"	
27	R28203	STRAP	1	(NLA)	
28	R28201	DRAWBAR	1	(NLA)	
29	14H854	NUT	1	1"	
	12H234	LOCK WASHER	1	1"	
30	19H1922	CAP SCREW	1	1" X 4"	
31	AR56014	DRAWBAR	1		
32	R51764	SUPPORT	1		
33	19H2589	CAP SCREW	2	3/4" X 1-7/8"	
	12H236	LOCK WASHER	2	3/4"	
34	R51766	SUPPORT	1		

# 5F8

HYDRAULICS

RWP1907 -UN-06OCT94

## DRAWBAR CLEVIS PIN KIT



RWP1907

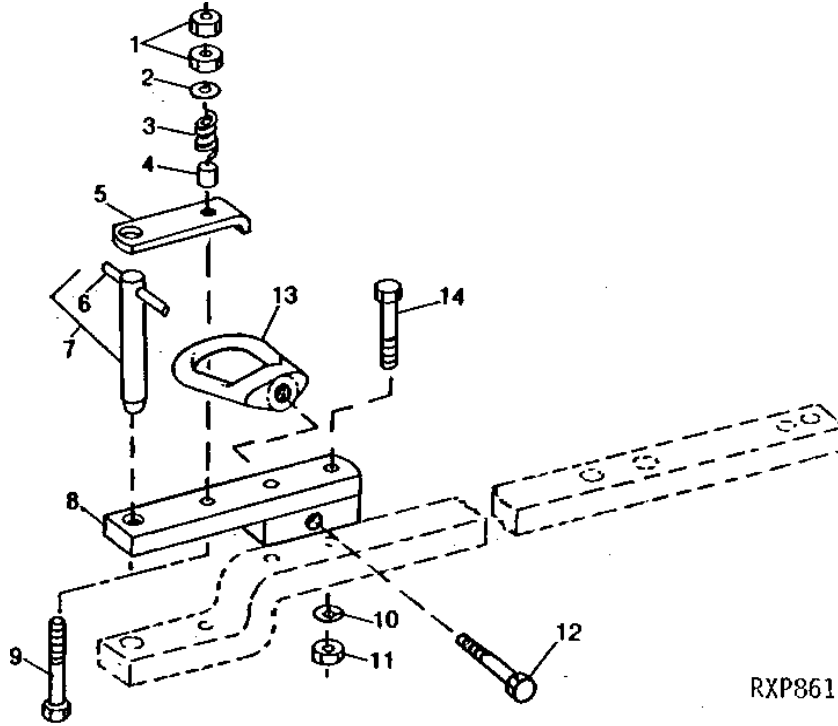
KEY	PART NO.	PART NAME	QTY	TRACTOR SERIAL NO.	REMARKS
1	14H1039	NUT	2	5/8"	
2	24H1372	WASHER	1	21/32" X 1-1/2" X 0.060"	
3	F3541R	SPRING	1		
4	F3542R	BUSHING	1		
5	F3539R	RETAINER	1		
6	34H363	SPRING PIN	1	3/8" X 4"	
7	AR26462	PIN	1		
8	R26584	STRAP	1		
9	19H2124	CAP SCREW	1	5/8" X 4-1/4"	
10	14H1058	NUT	2	3/4"	
11	12H236	LOCK WASHER	2	3/4"	
12	19H2113	CAP SCREW	2	3/4" X 3-1/4"	
13	AR27033	CLEVIS	1		

# 5F9

HYDRAULICS

RXP8617 -UN-01JAN94

## DRAWBAR CLEVIS PIN (HI-CROP)



RXP8617

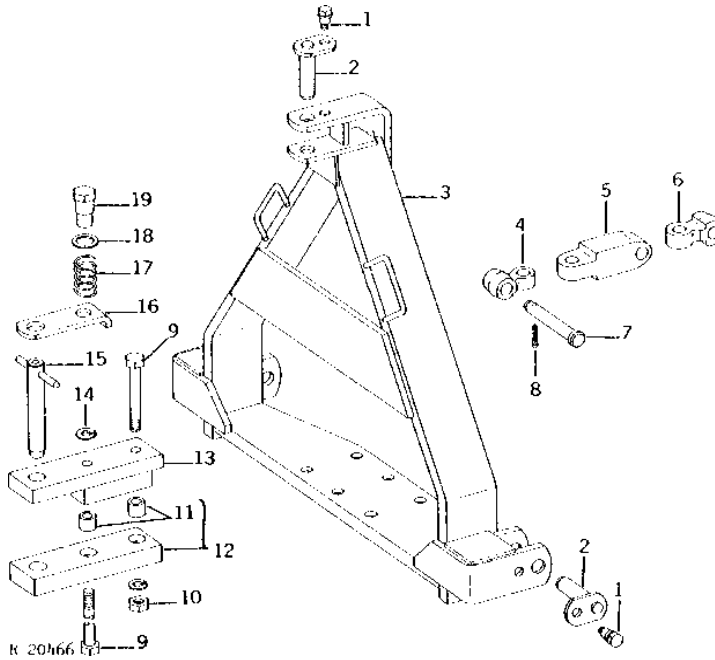
KEY	PART NO.	PART NAME	QTY	TRACTOR SERIAL NO.	REMARKS
1	14H1039	NUT	2	5/8"	
2	24H1372	WASHER	1	21/32" X 1-1/2" X 0.060"	
3	F3541R	SPRING	1		
4	F3542R	BUSHING	1		
5	F3539R	RETAINER	1		
6	34H363	SPRING PIN	1	3/8" X 4"	
7	AR60379	PIN	1		
8	RE19374	STRAP	1	(SUB FOR AR60380)	
9	19H2124	CAP SCREW	1	5/8" X 4-1/4"	
10	12H236	LOCK WASHER	2	3/4"	
11	14H794	NUT	2	3/4"	
12	19H2728	CAP SCREW	1	3/4" X 3" HS, SAE 8	
13	R81245	SUPPORT	1		
14	19H2827	CAP SCREW	2	3/4" X 4-3/4"	

# 5F10

HYDRAULICS

R20466 -UN-01JAN94

## COUPLER (POWER WEIGHT TRANSFER HITCH)



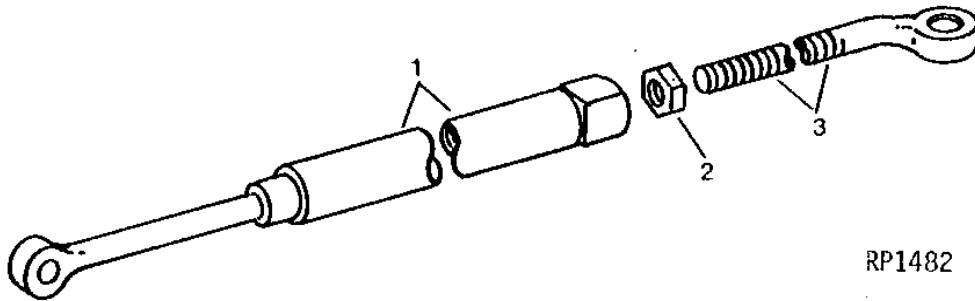
KEY	PART NO.	PART NAME	QTY	TRACTOR SERIAL NO.	REMARKS
1	AR74673	CAP SCREW	3		(SUB FOR AR48110)
2	AR48111	PIN	3		
3	AR46828	COUPLING	1		(SUB AR99336)
4	R44848	PIVOT	1		(NO LONGER AVAILABLE)
5	R54143	PIVOT	1		(HEAVY-DUTY)
6	R44848	PIVOT	1		(REGULAR DUTY) (NO LONGER AVAILABLE)
7	R58261	PIN	1		(SUB FOR R53562)
8	11M7071	COTTER PIN	1		0.315" X 1.575"
9	19H1988	CAP SCREW	2		3/4" X 6"
10	14H794	NUT	1		3/4"
	12H236	LOCK WASHER	1		3/4"
11	R35479	BUSHING	2		
12	AR47567	DRAWBAR	1		
13	AR46256	STRAP	1		
14	12H236	LOCK WASHER	1		3/4"
15	AR69988	PIN	1		(SUB FOR AR937R)
16	R54064	RETAINER	1		
17	F304R	SPRING	1		
18	24H1513	WASHER	1		1-13/32" X 2" X 0.060"
19	R54065	NUT	1		(SUB R72433)

# 5F11

HYDRAULICS

RP1482 -UN-01JAN94

IMPLEMENT LINK  
(POWER WEIGHT TRANSFER HITCH)



RP1482

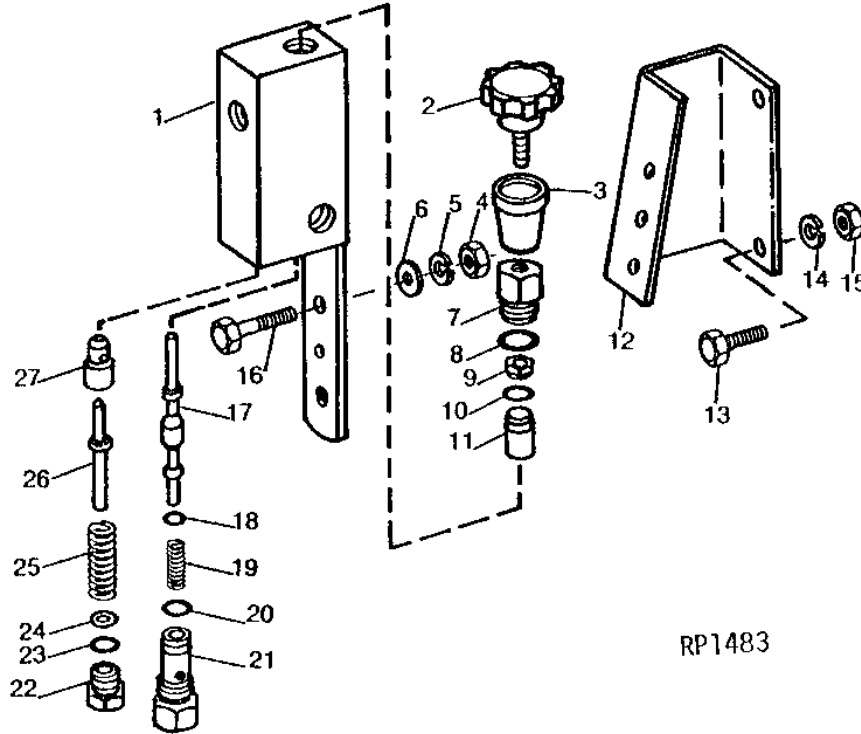
KEY	PART NO.	PART NAME	QTY	TRACTOR SERIAL NO.	REMARKS
1	AR47490	LINK	1		
2	14H887	NUT	1	1-1/8"	
3	R45447	EYEBOLT	1		

# 5F12

HYDRAULICS

RP1483 -UN-01JAN94

## CONTROL VALVE (POWER WEIGHT TRANSFER HITCH)



RP1483

KEY	PART NO.	PART NAME	QTY	TRACTOR SERIAL NO.	REMARKS
1	AR49622	HOUSING	1		
2	AR49578	KNOB	1		
3	R54059	BOOT	1		
4	14H1076	NUT	2	3/8"	
5	12H304	LOCK WASHER	2	3/8"	
6	24H1305	WASHER	2	13/32" X 13/16" X 0.065"	
7	R47016	ADAPTER	1		
8	F3171R	O-RING	1		
9	F3220R	LOCK NUT	1		
10	R26375	O-RING	1		
11	R47018	SHAFT	1		
12	R54179	BRACKET	1		
13	19H3265	CAP SCREW	2	1/2" X 1-7/8"	
	19H1792	CAP SCREW	2	1/2" X 1", (ROLL-GARD OR SOUND-GARD BODY)	
14	12H301	LOCK WASHER	2	1/2"	
15	14H1040	NUT	2	1/2"	
16	19H218	CAP SCREW	2	3/8" X 1"	
17	R44840	VALVE	1		
18	R375R	O-RING	1		
19	R26477	SPRING	1		
20	R495R	O-RING	1		
21	R47095	PLUG	1		
22	R27474	DRAIN PLUG	1		
23	R26906	O-RING	1		
24	R45189	SHIM	AR	0.51MM (.020")	
25	R35871	SPRING	1		
26	R45215	GUIDE	1		
27	R38543	VALVE	1		

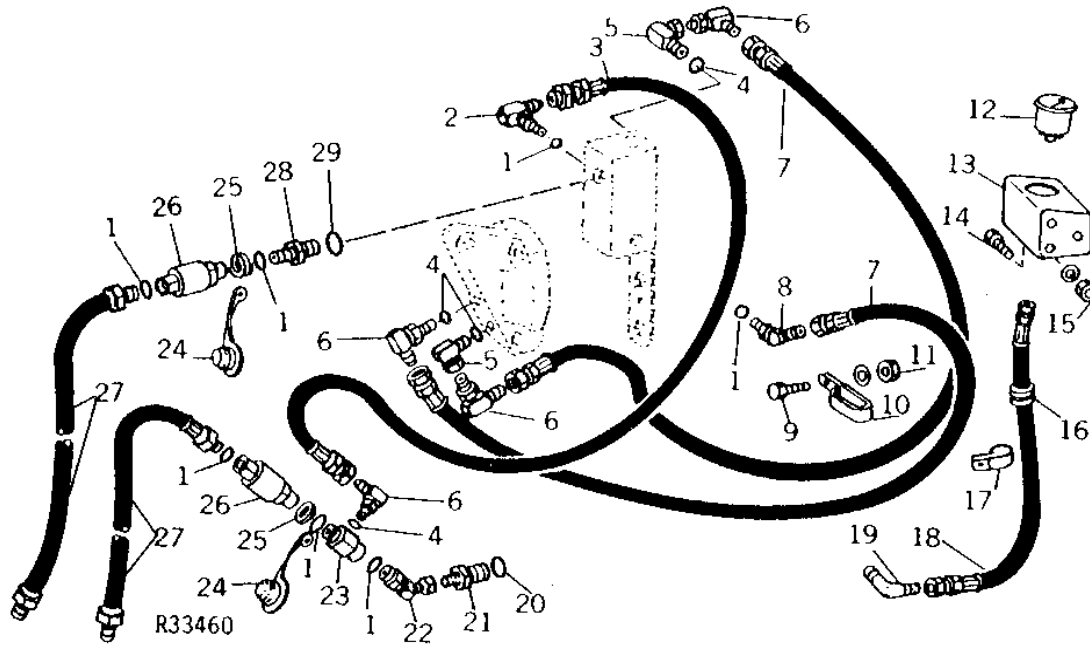


# 5F13

HYDRAULICS

## HYDRAULIC OIL PRESSURE GAUGE AND LINES (POWER WEIGHT TRANSFER HITCH)

R33460 -UN-01JAN94



KEY	PART NO.	PART NAME	QTY	TRACTOR SERIAL NO.	REMARKS
1	R26375	O-RING	7		
2	AT32332	ELBOW FITTING	1	(SUB FOR AR26763)	
3	AT64802	HYDRAULIC HOSE	1	(SUB FOR AU41729)	
	AR62297	HYDRAULIC HOSE	1	(A)	
4	R26448	O-RING	4		
5	AH75164	ELBOW FITTING	1	(2 USED, (A)) (SUB FOR AU43691)	
6	AT35120	ELBOW FITTING	4	(SUB FOR AR37017 OR AT32337)	
7	AR40465	HYDRAULIC HOSE	2		
	AR62297	HYDRAULIC HOSE	2	(A)	
8	AR26745	ELBOW FITTING	1		
9	19H1792	CAP SCREW	1	(B) 1/2" X 1"	
10	R54506	CLIP	1		
11	14H1040	NUT	1	(B) 1/2"	
	12H301	LOCK WASHER	1	(B) 1/2"	
12	AR47486	PRESSURE GAUGE	1	(NO LONGER AVAILABLE)	
13	R54336	SUPPORT	1	(NO LONGER AVAILABLE)	
14	19H2036	CAP SCREW	2	1/4" X 7/8"	
15	14H786	NUT	2	1/4"	
	12H302	LOCK WASHER	2	1/4"	
16	H80306	GROMMET	1		
	R41439	GROMMET	1	(ROLL-GARD)	
17	R34557	CLAMP	1		
18	AR62298	HOSE	1		
19	M42829	ELBOW FITTING	1		
20	H851R	WASHER	1		
21	A15532	ADAPTER	1		
22	AA14850	ELBOW FITTING	1		
23	R45106	FITTING	1		
24	R32419	COVER	2		
25	R36946	SPRING	2		
26	RE15361	COUPLING	2	(SUB FOR AR31611)	
27	.....	HOSE	2	(MAKE FROM BULK SUPPLY)	
28	R36945	FITTING	1		
29	F3171R	O-RING	1		

(A) ROLL-GARD AND SOUND-GARD BODY  
(B) LESS SELECTIVE CONTROL

---

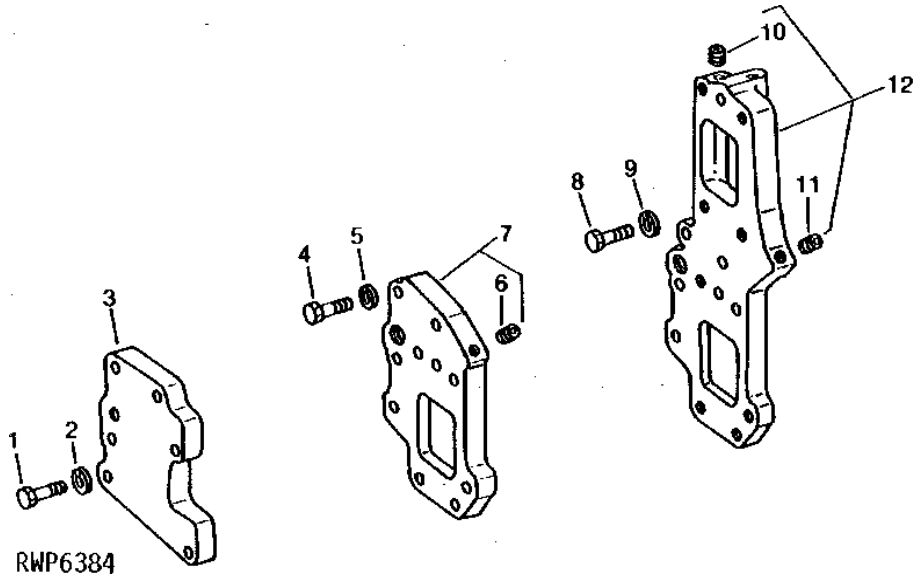
MEMORANDA

# 5F14

HYDRAULICS

RWP6384 -UN-01JAN94

## ROCKSHAFT CONTROL VALVE HOUSING COVER



KEY	PART NO.	PART NAME	QTY	TRACTOR SERIAL NO.	REMARKS
1	19H1978	CAP SCREW	5		7/16" X 1-1/2"
	19H2500	CAP SCREW	5		7/16" X 1-3/8"
2	12H293	LOCK WASHER	6		7/16"
3	R50065	VALVE COVER	1	-022624	SINGLE OR NO SELECTIVE CONTROL, (SUB R59080 AND (2) R59082)
	R59080	COVER	1	022625-	SINGLE OR NO SELECTIVE CONTROL
4	19H1978	CAP SCREW	4		7/16" X 1-1/2"
	19H2500	CAP SCREW	4		7/16" X 1-3/8"
5	12H293	LOCK WASHER	5		7/16"
6	15H559	PIPE PLUG	1		1/4"
7	AR71188	COVER	1		DUAL SELECTIVE CONTROL, (MARKED R50066 OR R59081) (SUB FOR AR54331) (ORDER DUAL DIRECTIONAL CONTROL VALVE KIT UNLESS PREVIOUSLY INSTALLED)
8	19H1978	CAP SCREW	4		7/16" X 1-1/2"
	19H2500	CAP SCREW	4		7/16" X 1-3/8"
9	12H293	LOCK WASHER	5		7/16"
10	15H558	PIPE PLUG	1		1/8"
11	15H559	PIPE PLUG	1		1/4"
12	AR71189	COVER	1		TRIPLE SELECTIVE CONTROL, (MARKED R50067 OR R59084) (SUB FOR AR54332) (ORDER TRIPLE DIRECTIONAL CONTROL VALVE KIT UNLESS PREVIOUSLY INSTALLED)

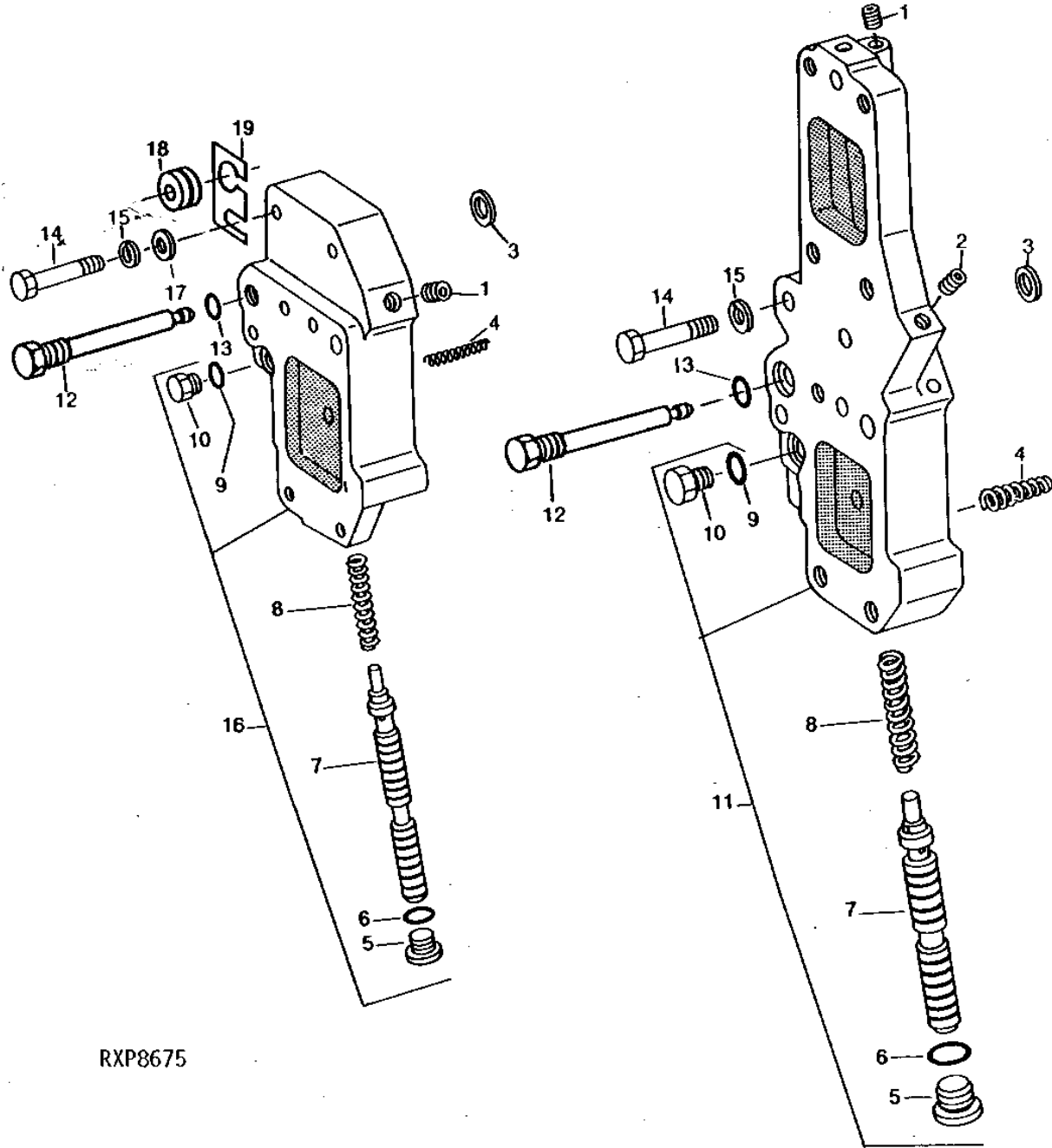
# 5F15

HYDRAULICS

RXP8675

-UN-01JAN94

## ROCKSHAFT CONTROL VALVE HOUSING COVER



RXP8675

# 5F16

HYDRAULICS

## ROCKSHAFT CONTROL VALVE HOUSING COVER - CONTINUED

KEY	PART NO.	PART NAME	QTY	TRACTOR SERIAL NO.	REMARKS
1	15H558	PIPE PLUG	AR		1/8", (1 USED DUAL) (2 USED TRIPLE)
2	15H559	PIPE PLUG	1		1/4"
3	R26149	PACKING	5		
4	R59082	SPRING	2		
5	R33138	FITTING	1		
6	R26375	O-RING	1		
7	R60096	VALVE	1		DIRECTIONAL
8	R28914	SPRING	1		
9	R26286	O-RING	1		
10	R27094	DRAIN PLUG	1		
11	AR73897	COVER	1		(MARKED R60395 OR R65146) (INCLUDES (2) 15H558 AND 15H559)
12	R60420	PLUG	1		
13	R26448	O-RING	1		
14	19H1899	CAP SCREW	1		7/16" X 2"
	19H2227	CAP SCREW	2		7/16" X 2-1/2"
	19H2500	CAP SCREW	2		7/16" X 1-3/8"
15	12H293	LOCK WASHER	5		7/16"
16	AR73899	COVER	1		(MARKED R60081 OR R60334) (INCLUDES 15H558)
17	24H1325	WASHER	1		(A) 15/32" X 59/64" X 0.065"
18	B30667	GROMMET	1		(A)
19	R65920	STOP	1		(A)

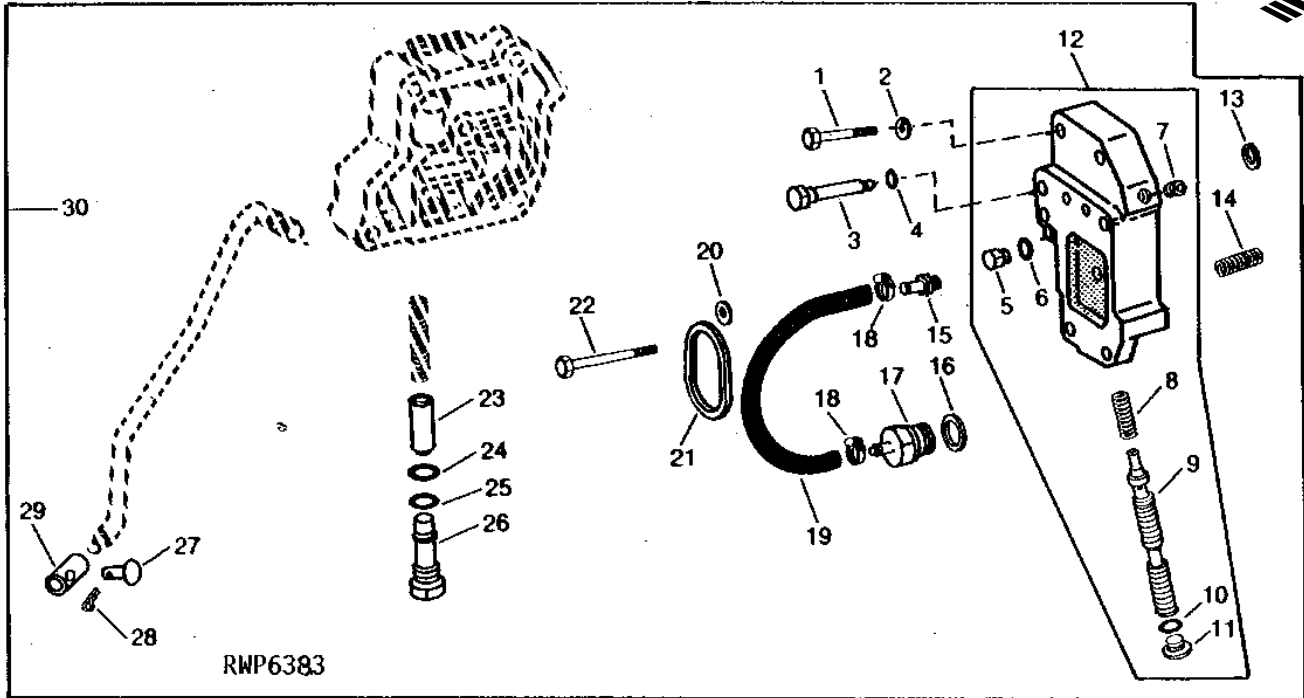
(A) LESS ROLL-GARD OR SOUND-GARD BODY

# 5F17

HYDRAULICS

## DIRECTIONAL CONTROL VALVE KIT (DUAL SELECTIVE CONTROL)

RWP6383 -UN-01JAN94



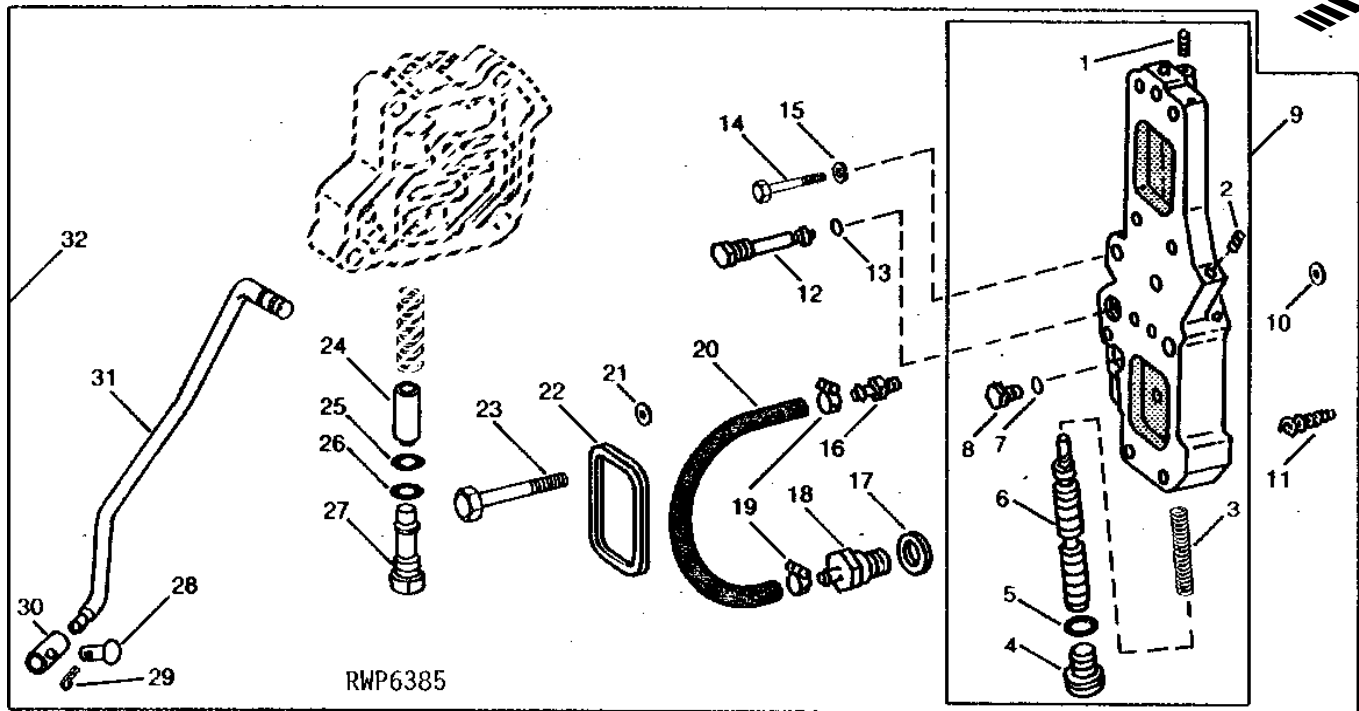
KEY	PART NO.	PART NAME	QTY	TRACTOR SERIAL NO.	REMARKS
1	19H1899	CAP SCREW	2	7/16" X 2"	
	19H2227	CAP SCREW	2	7/16" X 2-1/2"	
	19H2500	CAP SCREW	2	7/16" X 1-3/8"	
2	12H293	LOCK WASHER	4	7/16"	
3	R60420	PLUG	1		
4	R26448	O-RING	1		
5	R27094	DRAIN PLUG	1		
6	R26286	O-RING	1		
7	15H558	PIPE PLUG	1	1/8"	
8	R28914	SPRING	1		
9	R60096	VALVE	1		
10	R26375	O-RING	1		
11	R33138	FITTING	1		
12	AR73899	COVER	1	(MARKED R60334)	
13	R26149	PACKING	6		
14	R59082	SPRING	2		
15	R65684	FITTING	1	-027854	(SUB FOR R55525)
16	H851R	WASHER	1	-027854	
17	R60335	PLUG	1	-027854	
18	AR21836	CLAMP	2	-027854	
19	R60333	HYDRAULIC HOSE	1	-027854	
20	F2741R	PACKING	1		
21	R40922	PACKING	1		
22	19H2253	CAP SCREW	1	7/16" X 3-1/2"	
23	R60092	CHECK VALVE	1		
24	R26375	O-RING	1		
25	R28776	O-RING	1		
26	R60396	FITTING	1		
27	U11004	PIN	1		
28	11M7059	COTTER PIN	1	3.200 X 20 MM	
29	R52881	ROD	1		
30	AR73691	KIT	1	-027854	(ALSO ORDER R60397) (ORDER COMPONENT PARTS)
..	R60397	ROD	1		(USE WITH AR73691)

# 5F18

HYDRAULICS

## DIRECTIONAL CONTROL VALVE KIT (TRIPLE SELECTIVE CONTROL)

RWP6385 -UN-01JAN94



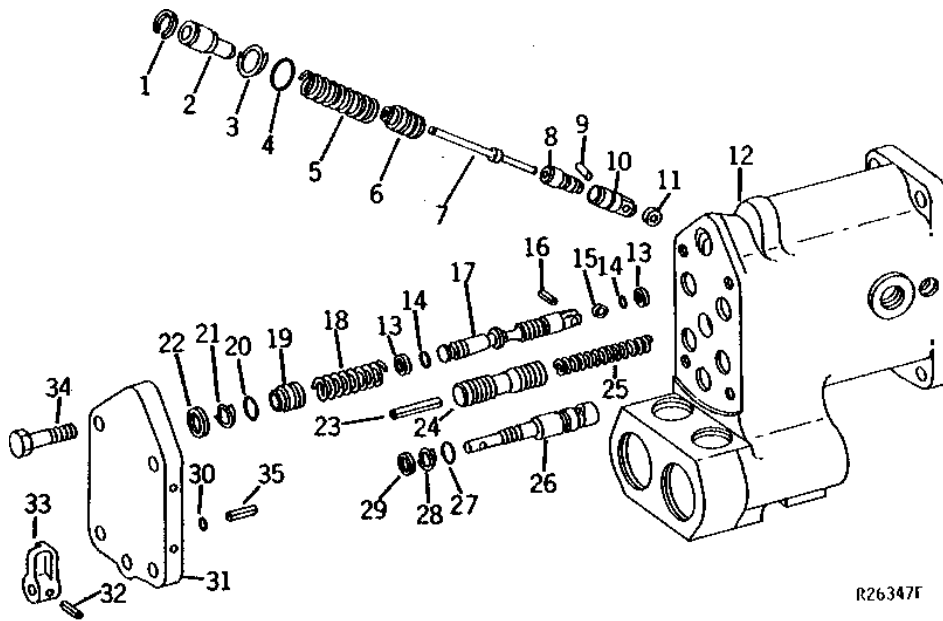
KEY	PART NO.	PART NAME	QTY	TRACTOR SERIAL NO.	REMARKS
1	15H558	PIPE PLUG	1	1/8"	
2	15H559	PIPE PLUG	1	1/4"	
3	R28914	SPRING	1		
4	R33138	FITTING	1		
5	R26375	O-RING	1		
6	R60096	VALVE	1		
7	R26286	O-RING	1		
8	R27094	DRAIN PLUG	1		
9	AR73897	COVER	1		(MARKED R60395)
10	R26149	PACKING	6		
11	R59082	SPRING	2		
12	R60420	PLUG	1		
13	R26448	O-RING	1		
14	19H1899	CAP SCREW	2		7/16" X 2"
	19H2227	CAP SCREW	2		7/16" X 2-1/2"
	19H2500	CAP SCREW	2		7/16" X 1-3/8"
15	12H293	LOCK WASHER	4		7/16"
16	R65684	FITTING	1	-027854	(SUB FOR R55525)
17	H851R	WASHER	1	-027854	
18	R60335	PLUG	1	-027854	
19	AR21836	CLAMP	2	-027854	
20	R60333	HYDRAULIC HOSE	1	-027854	
21	F2741R	PACKING	2		
22	R40922	PACKING	2		
23	19H2253	CAP SCREW	1		7/16" X 3-1/2"
24	R60092	CHECK VALVE	1		
25	R26375	O-RING	1		
26	R28776	O-RING	1		
27	R60396	FITTING	1		
28	U11004	PIN	1		
29	11M7059	COTTER PIN	1		3.200 X 20 MM
30	R52881	ROD	1		
31	R65888	ROD	1		(SUB FOR R60400)
32	AR73692	KIT	1	-027854	(WITH TRIPLE SELECTIVE CONTROL) (ORDER COMPONENT PARTS)

# 5F19

HYDRAULICS

SELECTIVE CONTROL VALVE HOUSING AND VALVES  
(TRACTOR SERIAL NO. -040165)

R26347 -UN-01JAN94



R26347F



# 5F20

HYDRAULICS

SELECTIVE CONTROL VALVE HOUSING AND VALVES - CONTINUED  
(TRACTOR SERIAL NO. -040165)

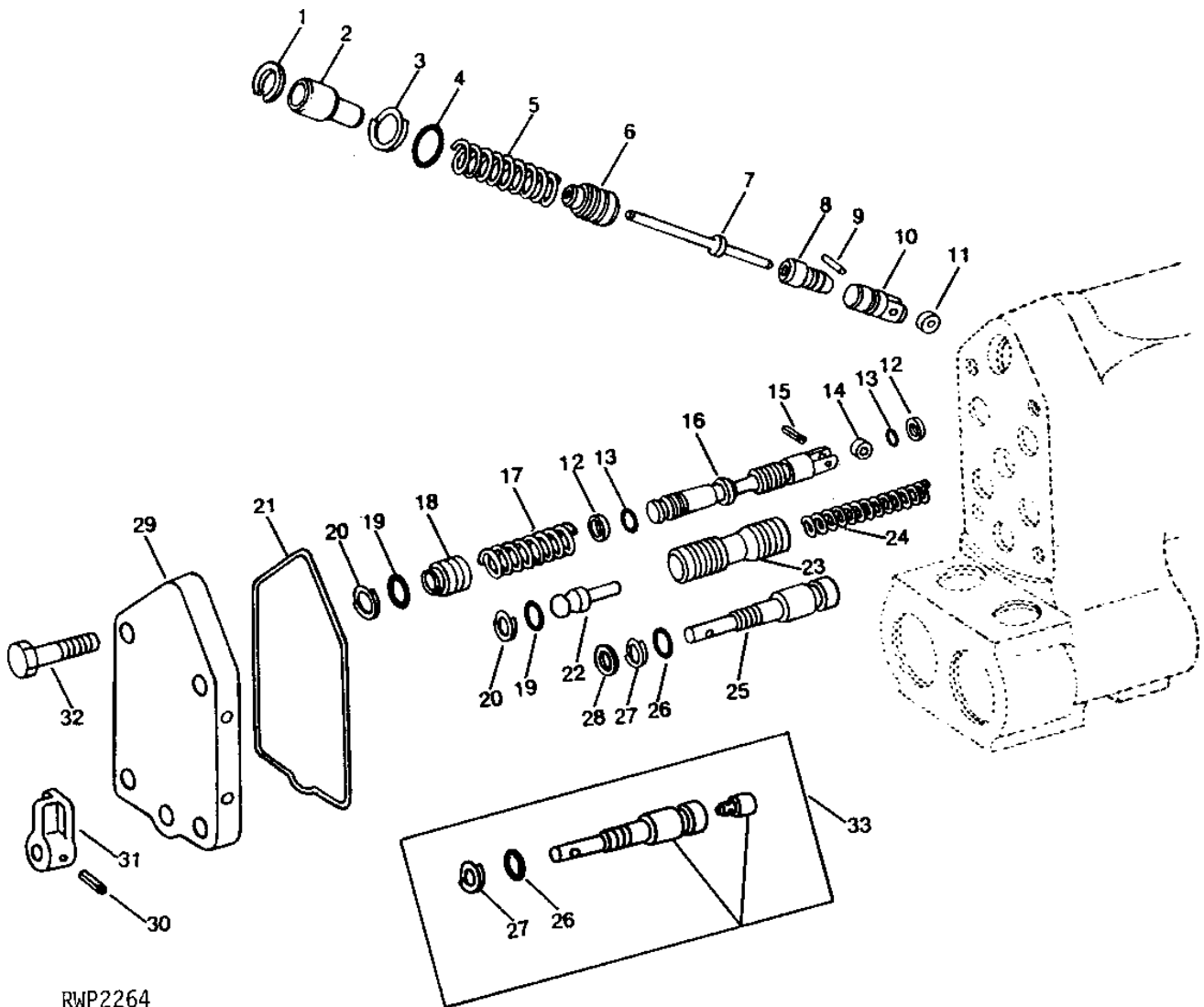
KEY	PART NO.	PART NAME	QTY	TRACTOR SERIAL NO.	REMARKS
1	R46722	SNAP RING	1		
2	R55397	GUIDE	1		(ALSO ORDER R55398) (SUB FOR R48979)
3	R26546	BACK-UP RING	1		
4	B2762R	O-RING	1		
5	R41055	SPRING	1		
6	R48980	PISTON	1		
7	R55398	PIN	1		(SUB FOR R48981)
8	R48978	GUIDE	1		
9	R51411	PIN	1		
10	R51410	CAM FOLLOWER	1		
11	R51409	SPACER	1		
12	AR40827	HOUSING	1	-XXXXXX	(MARKED R40499) (SUB AR82572, R59629, R65289, R66916, R49187, R27166, R41057, (2) R65501 AND (2) R65502)
	AR82572	HOUSING	1	XXXXXX-	(MARKED R65284)
13	R26484	BACK-UP RING	6		(4 USED PRESSURE, 2 USED RETURN)
14	R65286	O-RING	6		(4 USED PRESSURE, 2 USED RETURN) (SUB FOR A3917R, THIS APPLICATION)
15	R51409	SPACER	4		
16	34H242	SPRING PIN	4		1/8" X 7/16"
17	AR86535	VALVE	4		(SUB FOR AR56120, AR70150 OR AR78396)
18	R65501	SPRING	2		
	R65502	SPRING	2		(SUB FOR R44310)
19	R41156	GUIDE	4		
20	R27166	O-RING	4		
21	R41057	BACK-UP RING	4		
22	R26149	PACKING	6		
23	34H284	SPRING PIN	1		3/16" X 1-1/4"
24	R52549	SHUT-OFF VALVE	1		FLOW CONTROL
25	R41549	SPRING	1		
26	R52547	VALVE	1		METERING, (USE WITH R40499)
	R65289	VALVE	1		METERING, (USE WITH R65284)
27	P46051	O-RING	1		
28	R40937	BACK-UP RING	1		
29	R41339	SHIM	1		
30	R34812	O-RING	1		
31	AR40688	COVER	1		(MARKED R49708) (USE WITH R40499)
	R59629	CAP	1		(ALSO ORDER R27166, R41057, (2) R65501, (2) R65502, R66916 AND R74695) (SUB FOR AR85628)
	R74695	WASHER	1		(USE WITH R59629)
	R41933	LABEL	1		REMOTE CYLINDER, L.H.
	R44315	LABEL	1		REMOTE CYLINDER, R.H.
32	34H231	SPRING PIN	1		3/32" X 3/4"
33	R62652	ARM	1		(SUB FOR R41338)
34	19H988	CAP SCREW	4		3/8" X 1-1/4"
35	34H275	SPRING PIN	1		3/16" X 1/2"

# 5F21

HYDRAULICS

## SELECTIVE CONTROL VALVE HOUSING VALVES (TRACTOR SERIAL NO. 040166- )

RWP2264 -UN-17OCT94



RWP2264

# 5F22

HYDRAULICS

SELECTIVE CONTROL VALVE HOUSING VALVES - CONTINUED  
(TRACTOR SERIAL NO. 040166- )

KEY	PART NO.	PART NAME	QTY	TRACTOR SERIAL NO.	REMARKS
1	R46722	SNAP RING	1		
2	R55397	GUIDE	1		
3	R26546	BACK-UP RING	1		
4	B2762R	O-RING	1		
5	R41055	SPRING	1		
6	R48980	PISTON	1		
7	R55398	PIN	1		
8	R48978	GUIDE	1		
9	R51411	PIN	1		
10	R51410	CAM FOLLOWER	1		
11	R51409	SPACER	1		
12	R26484	BACK-UP RING	6		(4 PRESSURE, 2 RETURN)
13	R65286	O-RING	6		(4 PRESSURE, 2 RETURN)
14	R51409	SPACER	4		
15	34H242	SPRING PIN	4		1/8" X 7/16"
16	AR86535	VALVE	4		(SUB FOR AR78396)
17	R65501	SPRING	2		RETURN
	R65502	SPRING	2		PRESSURE
18	R66416	BUSHING	4		
19	R27166	O-RING	5		
20	R41057	BACK-UP RING	5		
21	R74695	WASHER	1		
22	R66916	STOP	1		(SUB FOR R65354)
23	R52549	SHUT-OFF VALVE	1		FLOW CONTROL
24	R41549	SPRING	1		
25	R65289	VALVE	1		METERING
26	P46051	O-RING	1		
27	R40937	BACK-UP RING	1		
28	R41339	SHIM	1		
29	R59629	CAP	1		
30	34H231	SPRING PIN	1		3/32" X 3/4"
31	R62652	ARM	1		(SUB FOR R41338)
32	19H1732	CAP SCREW	4		3/8" X 1-1/4"
33	AR82573	VALVE	1		CHECK

---

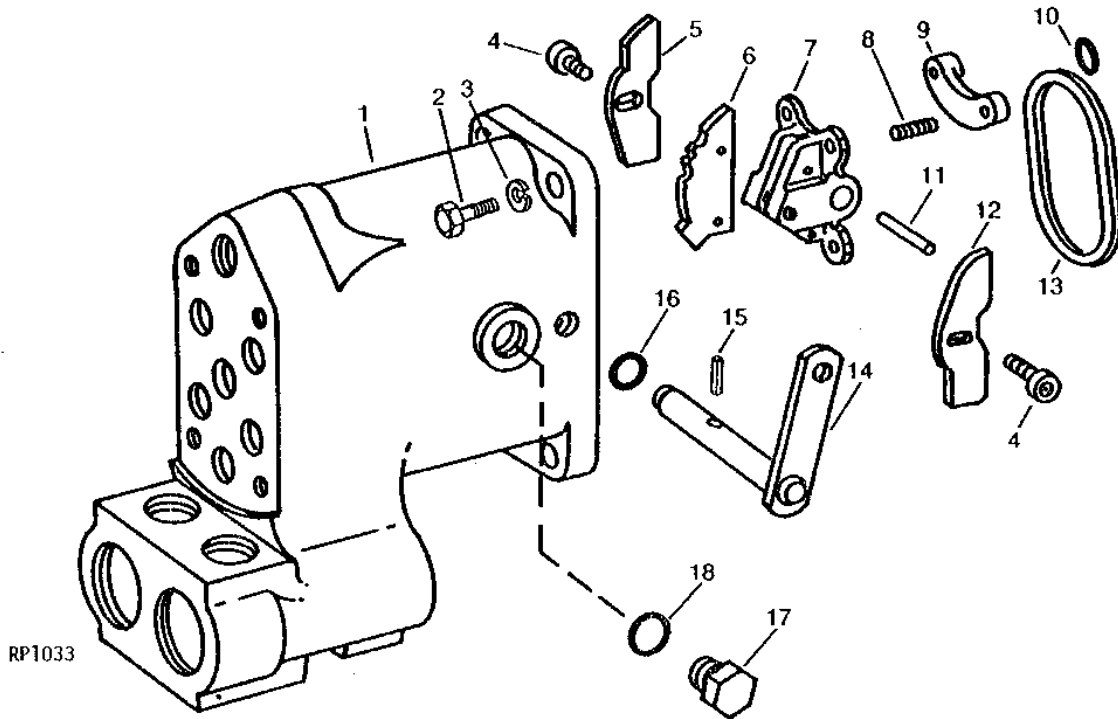
MEMORANDA

# 5F23

HYDRAULICS

RP1033 -UN-01JAN94

## SELECTIVE CONTROL VALVE HOUSING, ROCKER, AND OPERATING CAMS



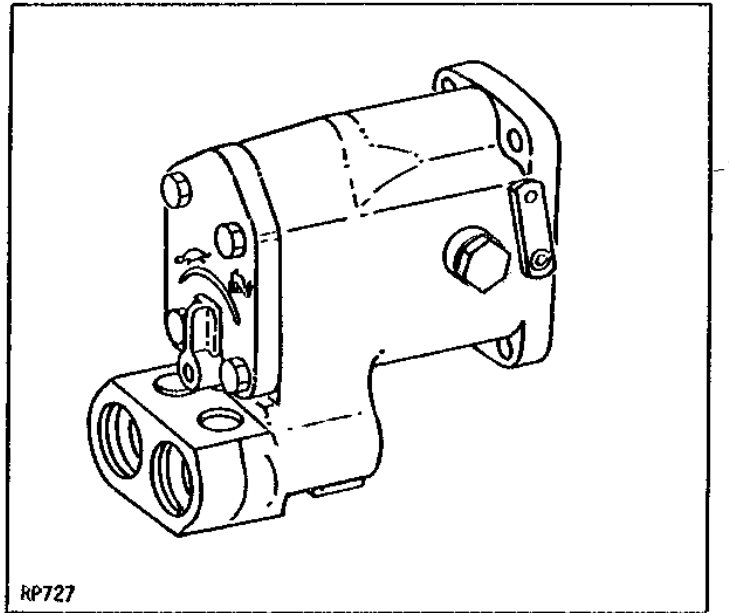
KEY	PART NO.	PART NAME	QTY	TRACTOR SERIAL NO.	REMARKS
1	AR40827	HOUSING	1	-040165	(MARKED R40499) (SUB AR82572, R59629, R65289, R66916, R49187, R27166, R41057, (2) R65501 AND (2) R65502)
2	AR82572 19H2500	HOUSING CAP SCREW	1 AR	040166- -040165	(MARKED R65284) 7/16" X 1-3/8", (4 USED SINGLE) (7 USED DUAL) (11 USED TRIPLE)
	19H2500	CAP SCREW	AR	040166-	7/16" X 1-3/8", (3 USED SINGLE) (7 USED DUAL) (11 USED TRIPLE)
	19H2055	CAP SCREW	1	-040165	7/16" X 2-1/4", (DUAL OR TRIPLE)
	19H2253	CAP SCREW	1	040166-	7/16" X 3-1/2", (SINGLE OR TRIPLE)
3	12H293	LOCK WASHER	AR		7/16", (4 USED SINGLE) (8 USED DUAL) (12 USED TRIPLE)
4	R27233	SCREW	2		
5	R51414	CAM	1		
6	R51413	CAM	1		
7	R51412	ROCKER	1		
8	22H1025	SET SCREW	4		1/4" X 7/8"
9	R49221	RETAINER	2		
10	F2741R	PACKING	1		
11	R28744	PIN	2		
12	R51415	CAM	1		
13	R40922	PACKING	1		
14	AR54252 AR54253	ARM ARM	1 1		(SINGLE OR DUAL SELECTIVE CONTROL) (TRIPLE SELECTIVE CONTROL)
15	34H297	SPRING PIN	1		7/32" X 1"
16	R65287	O-RING	2		
17	R41155	PLUG	2		
18	R26375	O-RING	2		

# 5F24

HYDRAULICS

RP727 -UN-01JAN94

## SELECTIVE CONTROL VALVE KITS



KEY	PART NO.	PART NAME	QTY	TRACTOR SERIAL NO.	REMARKS
1	AR65849	CONTROL	1	-027854	(A) (D)
	AR76006	CONTROL	1	-027854	(B) (D) (ALSO ORDER R60397) (DIRECTIONAL CONTROL VALVE) (NO LONGER AVAILABLE)
	AR65849	CONTROL	2	027855-	(B) (D)
	AR85251	CONTROL	1		(C) (D) (ALSO ORDER R60397) (DIRECTIONAL CONTROL VALVE)

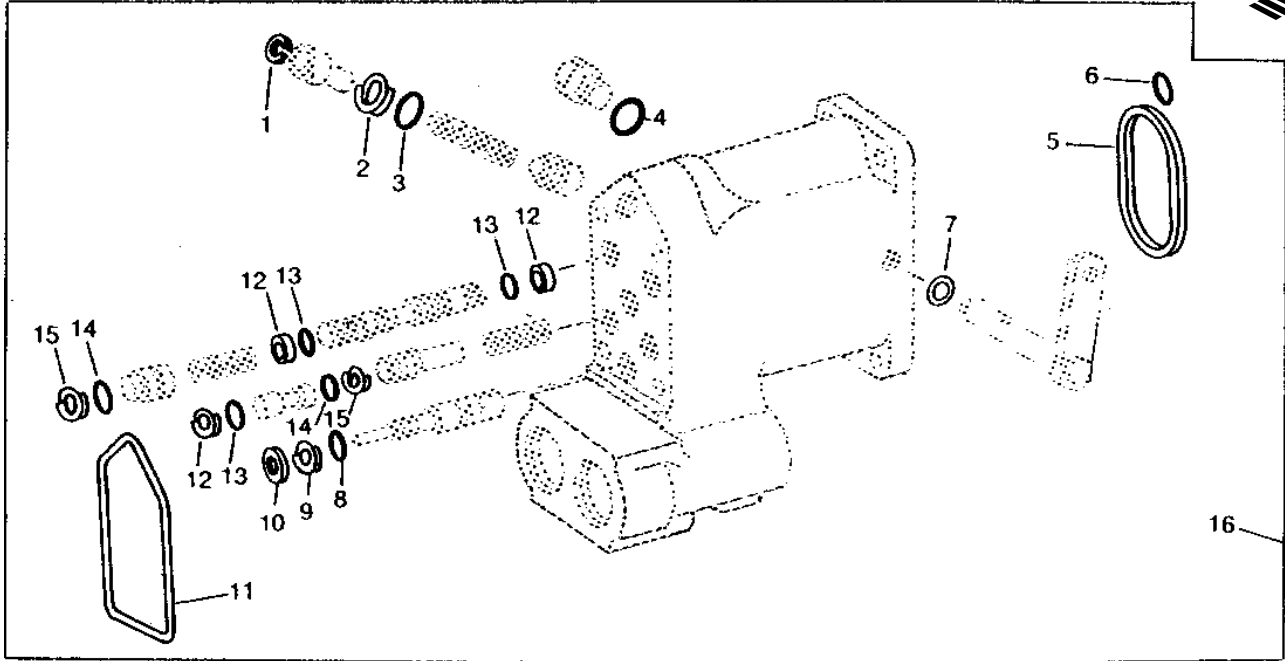
- (A) SINGLE SELECTIVE CONTROL
- (B) DUAL - WHEN EQUIPPED WITH SINGLE SELECTIVE CONTROL
- (C) TRIPLE - WHEN EQUIPPED WITH DUAL SELECTIVE CONTROL
- (D) INCLUDES LINKAGE

# 5F25

HYDRAULICS

RWP3167 -UN-01JAN94

## SELECTIVE CONTROL VALVE OVERHAUL KIT



RWP3167

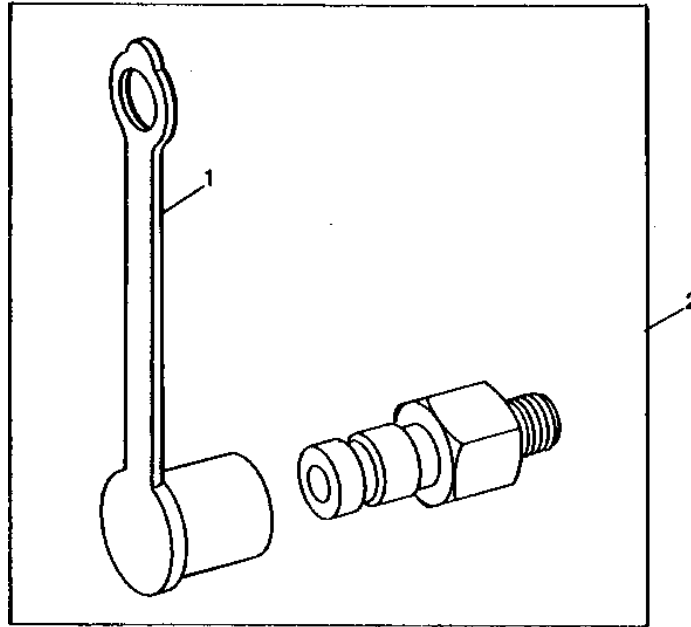
KEY	PART NO.	PART NAME	QTY	TRACTOR SERIAL NO.	REMARKS
1	R46722	SNAP RING	1		
2	R26546	BACK-UP RING	1		
3	B2762R	O-RING	1		
4	R26375	O-RING	1		
5	R40922	PACKING	1		
6	F2741R	PACKING	1		
7	R65287	O-RING	1		
8	P46051	O-RING	1		
9	R40937	BACK-UP RING	1		
10	R41339	SHIM	1		
11	R74695	WASHER	1		
12	R26484	BACK-UP RING	3		
13	R65286	O-RING	3		
14	R27166	O-RING	2		
15	R41057	BACK-UP RING	2		
16	RE10924	KIT	1		(SUB FOR AR46978 OR AR82571)

# 5G1

HYDRAULICS

RWP5202 -UN-01JAN94

## DIAGNOSTIC RECEPTACLE



RWP5202

KEY	PART NO.	PART NAME	QTY	TRACTOR SERIAL NO.	REMARKS
1	R77175	COVER	1		
2	RE13561	RECEPTACLE	1		12.7MM (1/2") PORT
	RE13562	RECEPTACLE	1		9.525MM (3/8") PORT

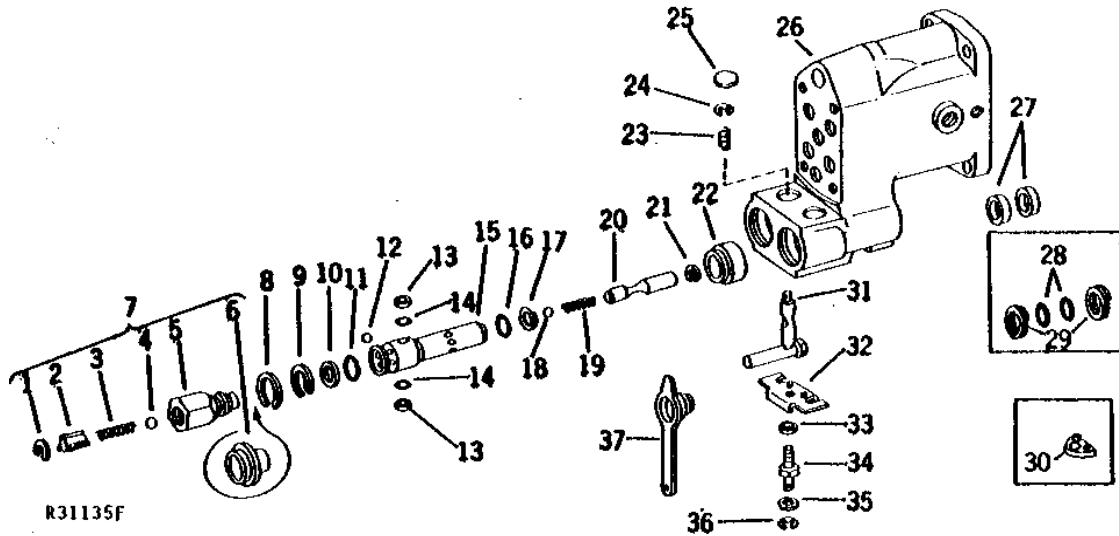


# 5G2

HYDRAULICS

R31135 -UN-01JAN94

## BREAKAWAY COUPLER (TRACTOR SERIAL NO. -040165)



KEY	PART NO.	PART NAME	QTY	MODEL NO.	REMARKS
1	R59633	WEAR RING	2		(SUB FOR R28204)
2	R28085	GUIDE	2		(SUB AR93819 OR AR93820, THIS APPLICATION)
3	R28084	SPRING	2		
4	D2361R	BALL	2	13MM (1/2")	
5	R27430	HYD. QUICK-CONNECT COUPLER	1	(PRESSURE) (SUB AR93819)	
	R45630	HYD. QUICK-CONNECT COUPLER	1	(RETURN) (SUB AR93820)	
6	R28006	CAP	2		
7	AR30210	INTERNAL HALF COUPLER	1	(PRESSURE) (SUB AR93819)	
	AR47643	BREAKAWAY COUPLER	1	(RETURN) (SUB AR93820)	
8	R34399	SNAP RING	2		
9	R32356	SNAP RING	2		
10	R26485	BACK-UP RING	2		
11	R59343	RING	2		
12	400R	BALL	12	6MM (1/4")	
13	R26484	BACK-UP RING	4		
14	R65286	O-RING	4	(SUB FOR A3917R, THIS APPLICATION)	
15	R34397	SOCKET OUTLET	2		
16	R375R	O-RING	2		
17	R26482	RING	2		
18	D2361R	BALL	2	13MM (1/2")	
19	R28084	SPRING	2		
20	R34400	PLUG	2		
21	R26483	SNAP RING	2		
22	R34398	SLEEVE	2		
23	R31890	SPRING	2		
24	R72653	SNAP RING	2	(SUB FOR M2396T)	
25	30H15	PLUG	2	1-1/8"	
26	AR40827	HOUSING	1	-XXXXXX	(MARKED R40499) (SUB AR82572, R59629, R65289, R66916, R49187, R27166, R41057, (2) R65501 AND (2) R65502)
	AR82572	HOUSING	1	XXXXXX-	(MARKED R65284)
	R65285	SEAL	4	XXXXXX-	(SUB R79311)
27	A4730R	O-RING	4	-XXXXXX	(SUB (4) R79311, THIS APPLICATION)
28	R26480	BACK-UP RING	4	-XXXXXX	(SUB (4) R79311, THIS APPLICATION)
29	R51285	PLATE	1	-033909	(SUB AR75958, THIS APPLICATION)
30	R49191	LEVER	2		(SUB FOR AR33877) (SUB AR99100)
31	AR75958	CAM	1	033910-	
32	12H303	LOCK WASHER	1		5/16"
33	R49191	SCREW	1		
34	24H1286	WASHER	1		9/32" X 1/2" X 1/16"
35	R72654	SNAP RING	1		(SUB FOR R27507)
36	R32419	COVER	2		

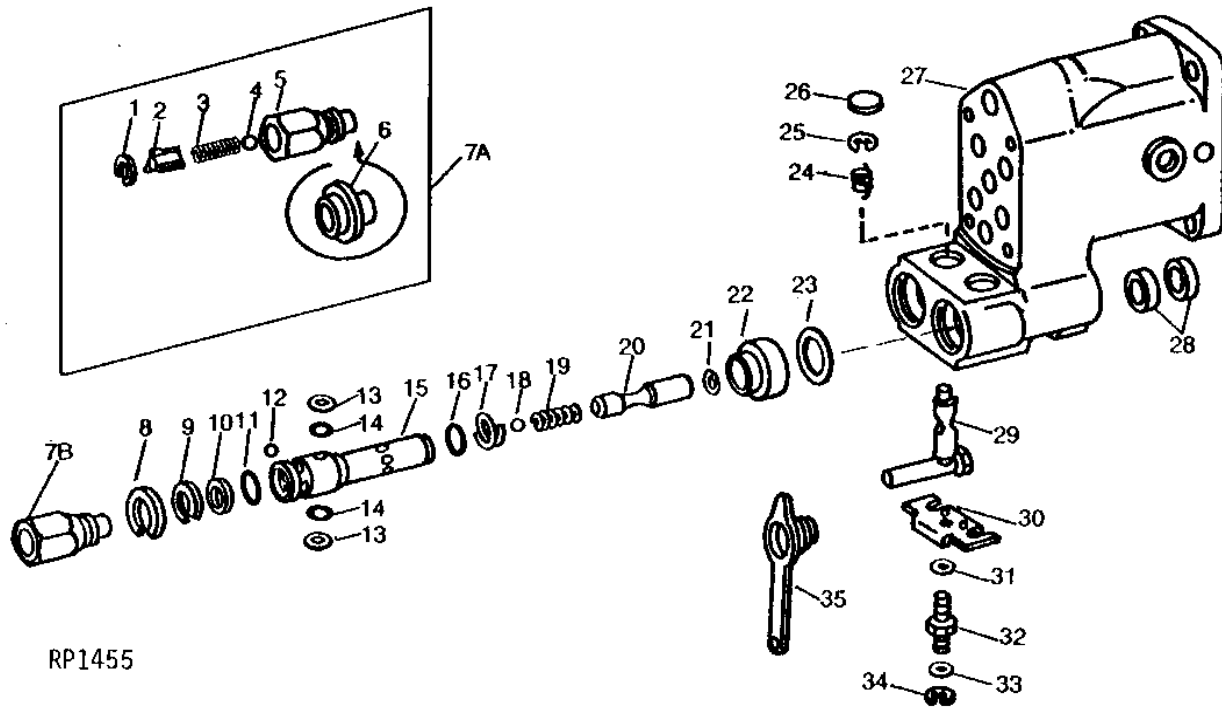
# 5G3

HYDRAULICS

RP1455

-UN-01JAN94

BREAKAWAY COUPLER  
(TRACTOR SERIAL NO. 040166- )



RP1455

# 5G4

HYDRAULICS

**BREAKAWAY COUPLER - CONTINUED**  
(TRACTOR SERIAL NO. 040166- )

KEY	PART NO.	PART NAME	QTY	TRACTOR SERIAL NO.	REMARKS
1	R59633	WEAR RING	2		
2	R28085	GUIDE	2		(SUB AR93819, AR93820, THIS APPLICATION)
3	R28084	SPRING	2		
4	D2361R	BALL	1		13MM (1/2")
5	R27430	HYD. QUICK-CONNECT COUPLER	1		(PRESSURE) (SUB AR93819)
	R45630	HYD. QUICK-CONNECT COUPLER	1		(RETURN) (SUB AR93820)
6	R28006	CAP	2		
7A	AR30210	INTERNAL HALF COUPLER	1	-XXXXXX	(PRESSURE) (SUB AR93819)
	AR47643	BREAKAWAY COUPLER	1	-XXXXXX	(RETURN) (SUB AR93820)
7B	AR93819	HYD. QUICK-CONNECT COUPLER	1	XXXXXX-	(PRESSURE)
	AR93820	FITTING	1	XXXXXX-	(RETURN)
8	R34399	SNAP RING	2		
9	R32356	SNAP RING	2		
10	R26485	BACK-UP RING	2		
11	R59343	RING	2		
12	400R	BALL	12		6MM (1/4")
13	R26484	BACK-UP RING	4		
14	R65286	O-RING	4		
15	R34397	SOCKET OUTLET	2		
16	R375R	O-RING	2		
17	R26482	RING	2		
18	D2361R	BALL	2		13MM (1/2")
19	R28084	SPRING	2		
20	R34400	PLUG	2		
21	R26483	SNAP RING	2		
22	R34398	SLEEVE	2		
23	R56753	SHIM	2		
24	R31890	SPRING	2		
25	R72653	SNAP RING	2		(SUB FOR M2396T)
26	30H15	PLUG	2		1-1/8"
27	AR82572	HOUSING	1		(MARKED R65284)
28	R74530	SEAL	4		(SUB FOR R65285) (SUB R79311)
29	AR82576	LEVER	2		(SUB AR99100)
30	AR75958	CAM	1		
31	12H303	LOCK WASHER	1		5/16"
32	R49191	SCREW	1		
33	24H1286	WASHER	1		9/32" X 1/2" X 1/16"
34	R72654	SNAP RING	1		
35	R32419	COVER	2		

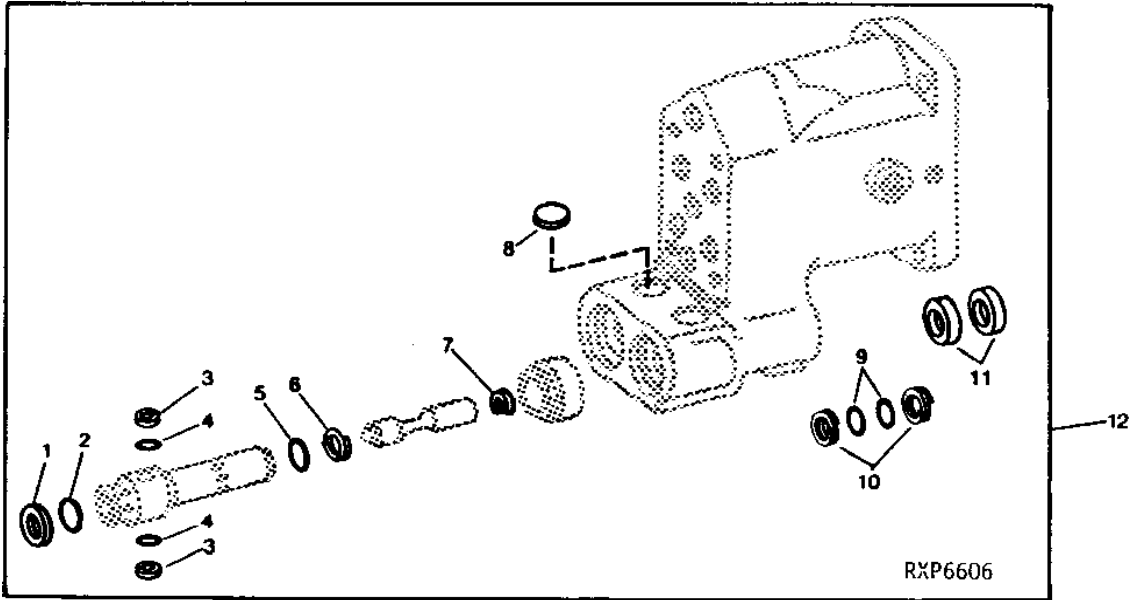
# 5G5

HYDRAULICS

RXP6606

-UN-06OCT94

## BREAKAWAY COUPLER OVERHAUL KIT



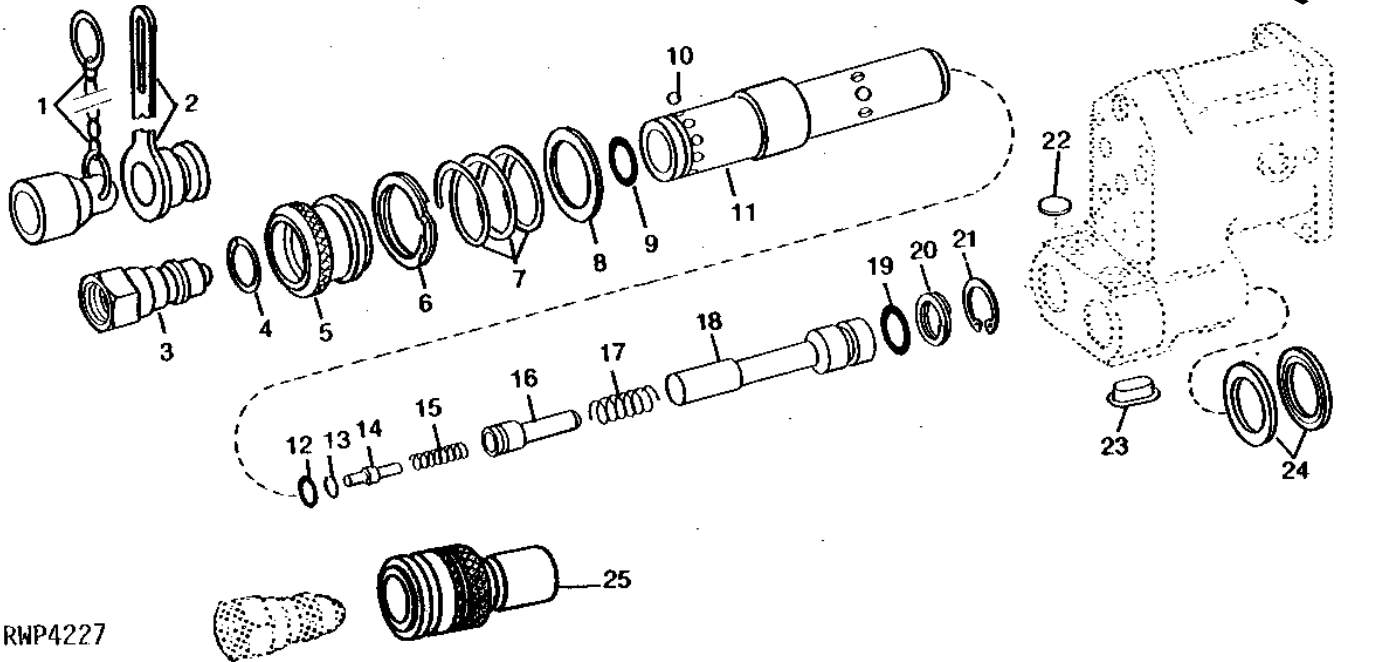
KEY	PART NO.	PART NAME	QTY	TRACTOR SERIAL NO.	REMARKS
1	R26485	BACK-UP RING	2		
2	R59343	RING	2		
3	R26484	BACK-UP RING	4		
4	R65286	O-RING	4		
5	R375R	O-RING	2		
6	R26482	RING	2		
7	R26483	SNAP RING	2		
8	30H15	PLUG	2	1-1/8"	
9	A4730R	O-RING	4	(NOT REQUIRED)	
10	R26480	BACK-UP RING	4	(NOT REQUIRED)	
11	R79311	SEAL	4	(SUB FOR R65285 AND R74530)	
12	AR82570	KIT	1	(SUB FOR AR30685)	

# 5G6

HYDRAULICS

ISO BREAKAWAY COUPLER  
(SERVICE PARTS FOR AR80911)  
(TRACTOR SERIAL NO. -XXXXXX)

RWP4227 -UN-01JAN94



RWP4227

KEY	PART NO.	PART NAME	QTY	TRACTOR SERIAL NO.	REMARKS
1	A15898	CAP	1		
2	A15899	CAP	1		
3	AR94522	INTERNAL HALF COUPLER	1		(SUB FOR AL26973)
4	R64617	SNAP RING	1	(A)	
5	R64618	SLEEVE	1	(A)	
6	R64615	SNAP RING	1	(A)	
7	R64609	SPRING	1	(A)	
8	R64608	WASHER	1	(A)	
9	R21722	O-RING	1	(A)	
10	H871R	BALL	8	(A)	5MM (3/16")
11	R64605	EXTERNAL HALF COUPLER	1	(A)	
12	R64613	O-RING	1	(A)	
13	R64614	SNAP RING	1	(A)	
14	R64612	PIN	1	(A)	
15	R64611	SPRING	1	(A)	
16	R64610	POPPET	1	(A)	
17	R64607	SPRING	1	(A)	
18	R64606	GUIDE	1	(A)	
19	R375R	O-RING	1	(A)	
20	R26482	RING	1	(A)	
21	U15969	SNAP RING	1	(A)	
22	30H15	PLUG	1		1-1/8"
23	R64561	PLUG	1		
24	R74530	SEAL	2		(SUB R79311)
25	AL26972	EXTERNAL HALF COUPLER	1		

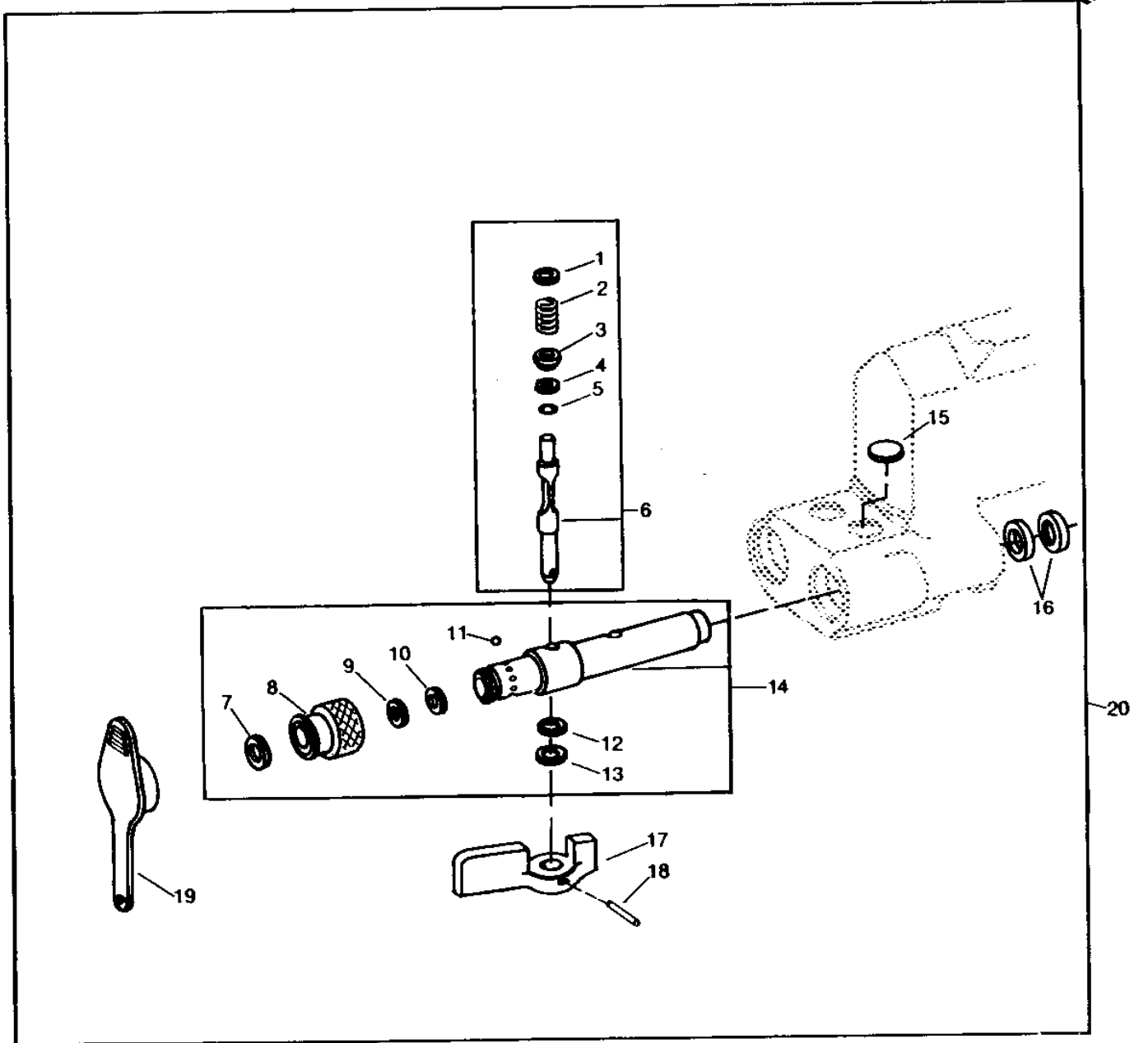
(A) SUB RE12121, R49191, AR75958, R34399, AND 12H303

# 5G7

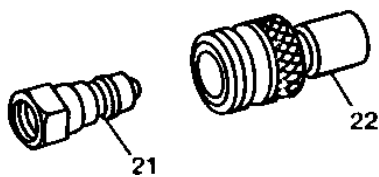
HYDRAULICS

JOHN DEERE TO ISO COUPLER CONVERSION KIT  
(TRACTOR SERIAL NO. XXXXXX- )

RWP4194 -UN-12OCT94



RWP4194



# 5G8

HYDRAULICS

JOHN DEERE TO ISO COUPLER CONVERSION KIT - CONTINUED  
(TRACTOR SERIAL NO. XXXXXX- )

KEY	PART NO.	PART NAME	QTY	TRACTOR SERIAL NO.	REMARKS
1	R54242	SNAP RING	2		
2	R78767	SPRING	2		
3	R48698	WASHER	2		
4	R31136	BACK-UP RING	2		
5	R10093	O-RING	2		
6	RE13814	SHAFT	2		
7	40M4378	SNAP RING	2		
8	R78765	SLEEVE	2		
9	R71387	WASHER	2		
10	R74210	O-RING	2		
11	H871R	BALL	16		
12	P51212	O-RING	2		
13	R78766	BACK-UP RING	2		
14	RE13813	RECEPTACLE	2		
15	30H15	PLUG	2	1-1/8"	
16	R74530	SEAL	2	(SUB R79311)	
17	R78769	HANDLE	2		
18	34H247	SPRING PIN	2	1/8" X 3/4"	
19	R78768	COVER	2		
20	RE12121	RECEIVER	1		
21	AR94522	INTERNAL HALF COUPLER	AR	(SUB FOR AL26973)	
22	AL26972	EXTERNAL HALF COUPLER	AR		

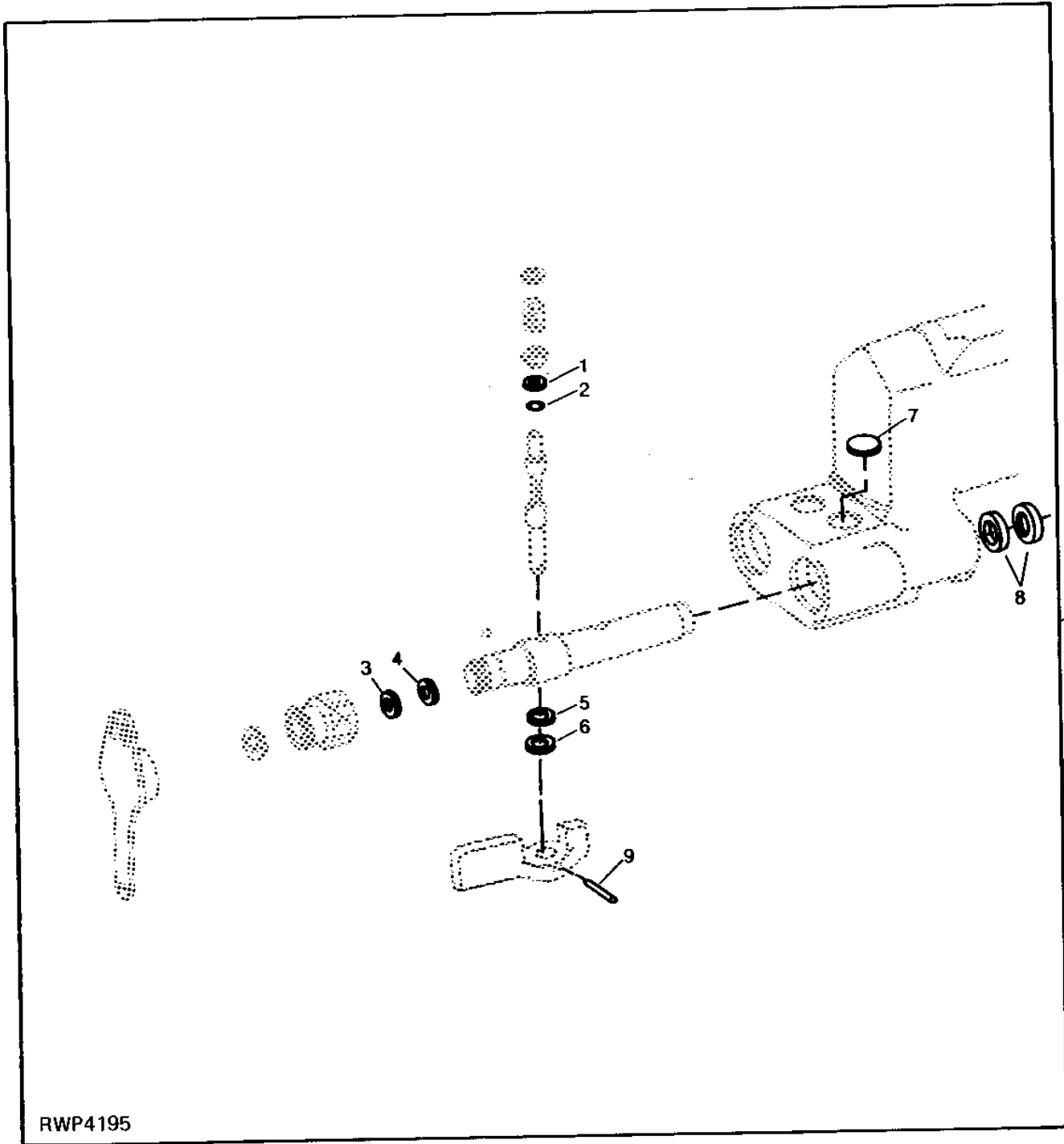
# 5G9

HYDRAULICS

RWP4195

-UN-12OCT94

ISO COUPLER OVERHAUL KIT





# 5G10

HYDRAULICS

## ISO COUPLER OVERHAUL KIT - CONTINUED

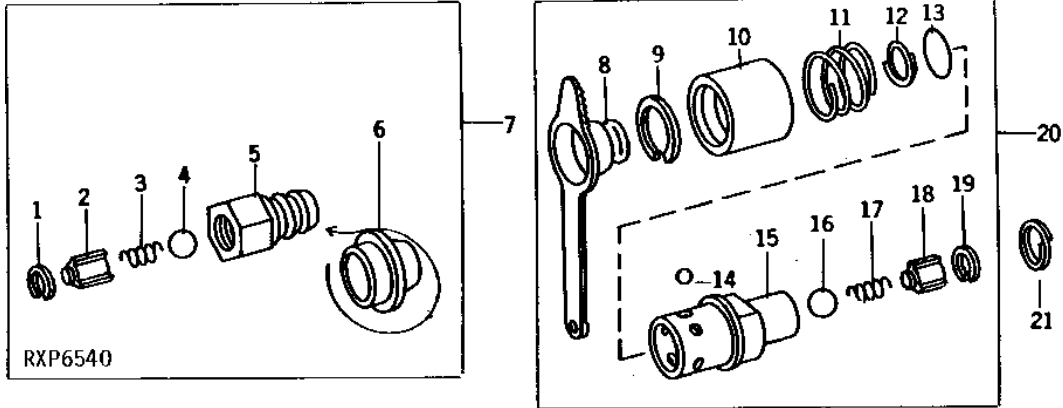
KEY	PART NO.	PART NAME	QTY	TRACTOR SERIAL NO.	REMARKS
1	R31136	BACK-UP RING	2		
2	R10093	O-RING	2		
3	R71387	WASHER	2		
4	R74210	O-RING	2		
5	P51212	O-RING	2		
6	R78766	BACK-UP RING	2		
7	30H15	PLUG	2	1-1/8"	
8	R74530	SEAL	4	(SUB R79311)	
9	34H247	SPRING PIN	2	1/8" X 3/4"	
10	RE13815	KIT	1		

# 5G11

HYDRAULICS

RXP6540 -UN-06OCT94

## FLEXIBLE OIL LINE COUPLER



KEY	PART NO.	PART NAME	QTY	TRACTOR SERIAL NO.	REMARKS
1	R59633	WEAR RING	1		(SUB FOR R28204)
2	R28085	GUIDE	1		(SUB AR93819 OR AR93820, THIS APPLICATION)
3	R28084	SPRING	1		
4	D2361R	BALL	1	13MM (1/2")	
5	R27430	HYD. QUICK-CONNECT COUPLER	1		(PRESSURE) (SUB AR93819)
	R45630	HYD. QUICK-CONNECT COUPLER	1		(RETURN) (SUB AR93820)
6	R28006	CAP	1		
7	AR93819	HYD. QUICK-CONNECT COUPLER	1		(PRESSURE) (SUB FOR AR30210)
	AR93820	FITTING	1		(RETURN) (SUB FOR AR47643)
8	R32419	COVER	1		
9	R32356	SNAP RING	1		
10	R32355	SLEEVE	1		
11	R32354	SPRING	1		
12	R26485	BACK-UP RING	1		
13	R495R	O-RING	1		
14	400R	BALL	6	6MM (1/4")	
15	R32353	SOCKET OUTLET	1		
16	D2361R	BALL	1	13MM (1/2")	
17	R28084	SPRING	1		
18	R28085	GUIDE	1		(SUB RE15361)
19	R59633	WEAR RING	1		(SUB FOR R28204)
20	AR47331	SOCKET OUTLET	1		(SUB RE15361)
21	R36946	SPRING	1		

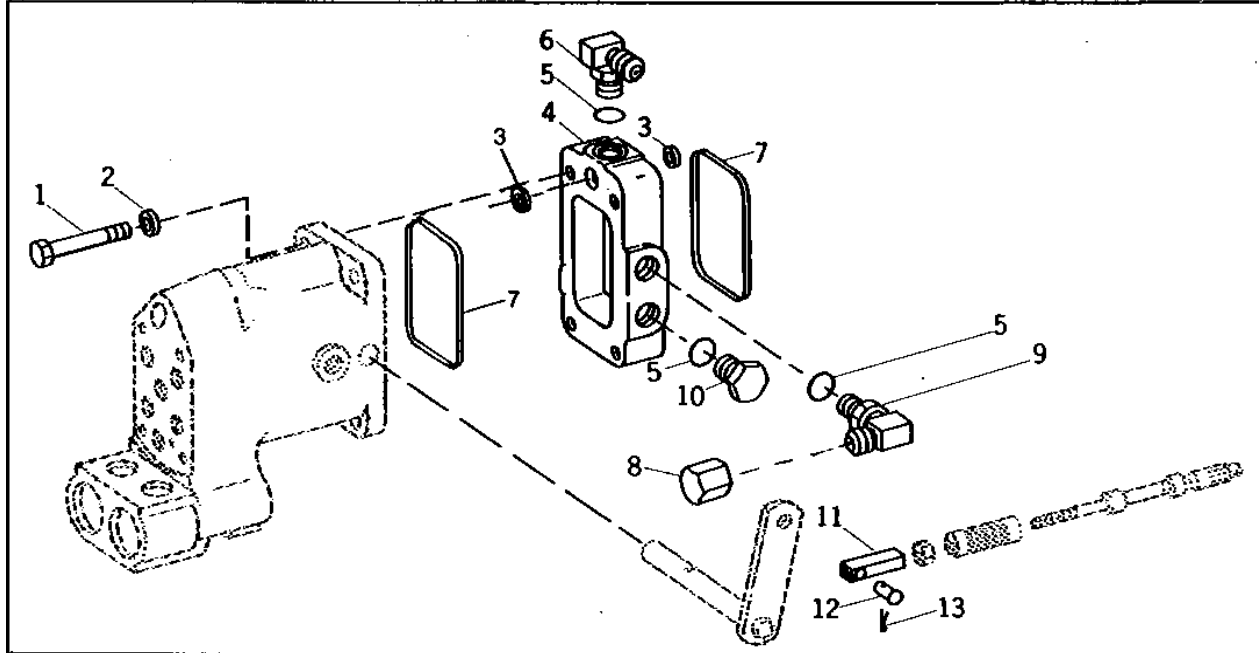
# 5G12

HYDRAULICS

RP3439

-UN-01JAN94

## AUXILIARY HYDRAULIC OUTLET KIT



RP3439

KEY	PART NO.	PART NAME	QTY	TRACTOR SERIAL NO.	REMARKS
1	19H2106	CAP SCREW	4		
2	12H293	LOCK WASHER	4	7/16" X 2-3/4"	
3	F2741R	PACKING	2	7/16"	
4	R54312	MANIFOLD	1		
5	R26375	O-RING	3		
6	AR27738	ELBOW FITTING	1	90°	
7	R40922	PACKING	2		
8	R31736	FITTING	2		
9	AR27699	ELBOW FITTING	1		
10	R39112	FITTING	1	90°	
11	R52881	ROD	1		
12	U11004	PIN	1		
13	11M7059	COTTER PIN	1	3.200 X 20 MM	
14	AR71331	KIT	1	(FI)	

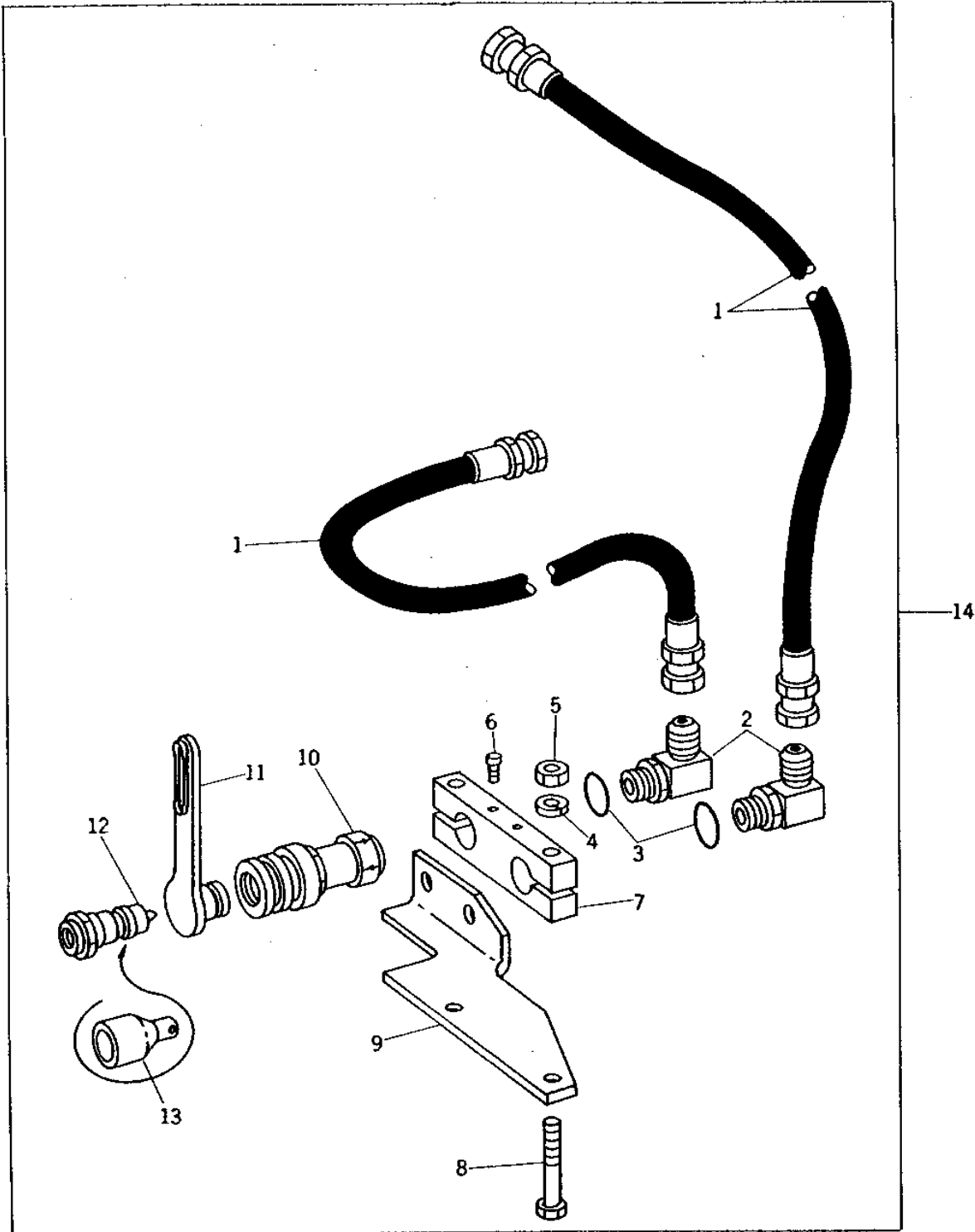
# 5G13

HYDRAULICS

R32037

-UN-01JAN94

## AUXILIARY OUTLET COUPLER KIT



R32037F

# 5G14

HYDRAULICS

## AUXILIARY OUTLET COUPLER KIT - CONTINUED

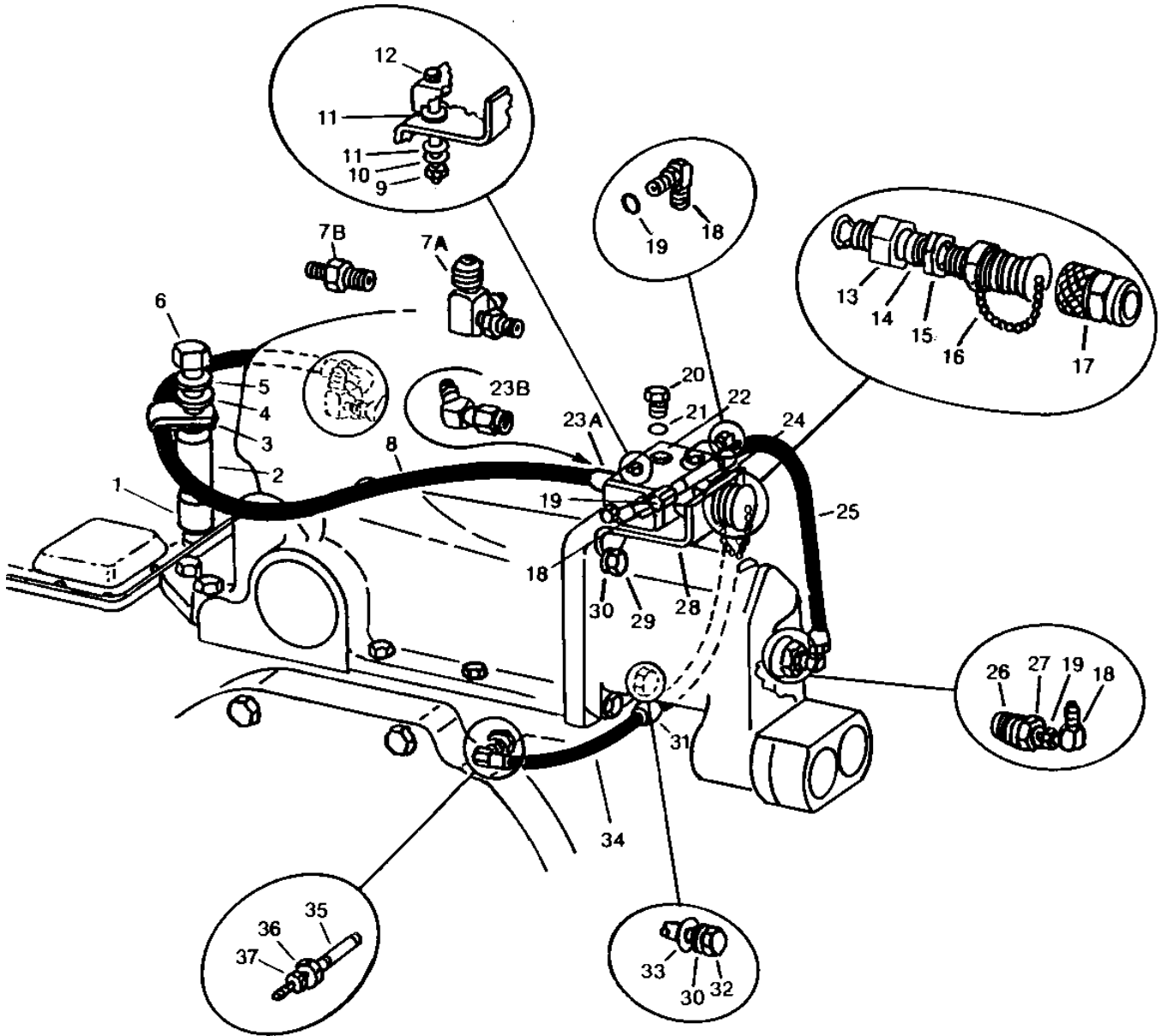
KEY	PART NO.	PART NAME	QTY	TRACTOR SERIAL NO.	REMARKS
1	AN140274	HYDRAULIC HOSE	2		
2	AT32332	ELBOW FITTING	2		
3	R26375	O-RING	2		
4	12H304	LOCK WASHER	2	3/8"	
5	14H1076	NUT	2	3/8"	
6	A5748R	STUD	2		
7	R49668	BRACKET	1		
8	19H1944	CAP SCREW	2	3/8" X 2-3/4"	
9	R59154	SUPPORT	1		
10	AA15043	HYD. QUICK-CONNECT COUPLER	2		
11	A15899	CAP	2		
12	AA15042	HYD. QUICK-CONNECT COUPLER	2		
13	A15898	CAP	2		
14	AR71332	KIT	1		(ORDER COMPONENT PARTS)

# 5G15

HYDRAULICS

TRAILER BRAKE  
(NOT USED IN U.S. AND CANADA)

RWP4836 -UN-17OCT94



RWP4836

# 5G16

HYDRAULICS

**TRAILER BRAKE - CONTINUED  
(NOT USED IN U.S. AND CANADA)**

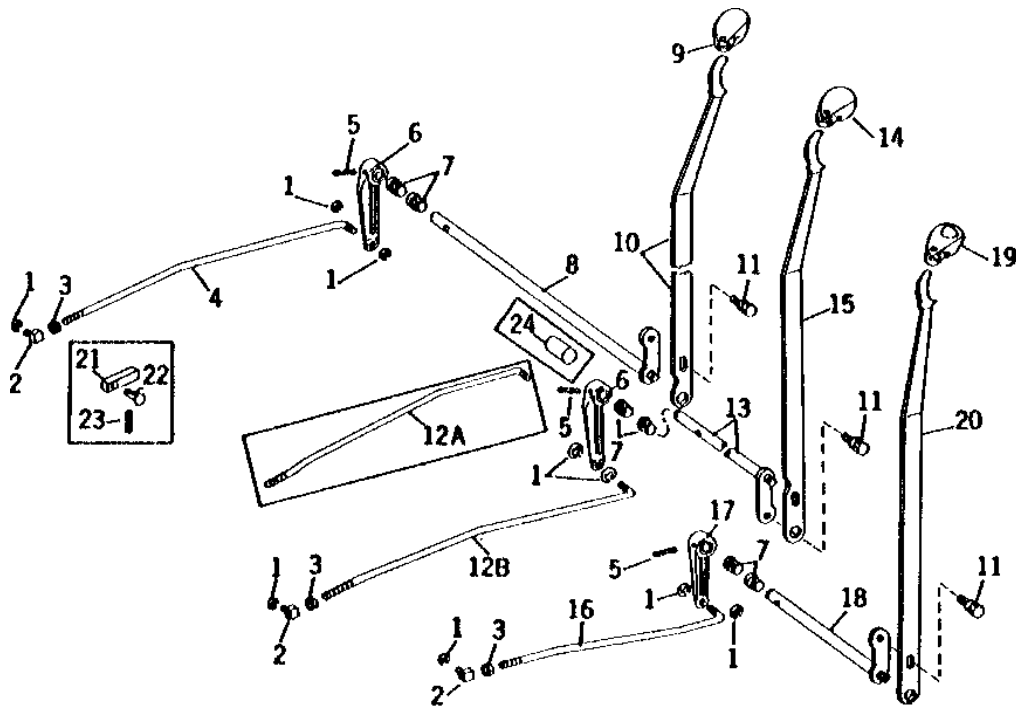
KEY	PART NO.	PART NAME	QTY	TRACTOR SERIAL NO.	REMARKS
1	28H1497	BUSHING	1		3/8" X 1-1/2"
2	28H3327	SPACER	1		3/8" X 4-1/8"
3	R73384	CLAMP	1		
4	24M7106	WASHER	1		10 X 18 X 2.500 MM
5	12H304	LOCK WASHER	1		3/8"
6	19H2104	CAP SCREW	1		3/8" X 5"
7A	AR36247	FITTING	1		(ROCKSHAFT)
7B	R54199	COUPLING	1		(LESS ROCKSHAFT)
8	AR85747	HYDRAULIC HOSE	1		(PRESSURE)
9	14H785	NUT	2		5/16"
10	12H303	LOCK WASHER	2		5/16"
11	24H1292	WASHER	1		11/32" X 3/4" X 0.120"
12	19H1913	CAP SCREW	2		5/16" X 2-1/4"
13	R66566	ADAPTER	1		
14	L37599	RING	1		(SUB FOR R49440)
15	R49441	NUT	1		
16	AR52372	SOCKET OUTLET	1		
17	AR52361	HYD. QUICK-CONNECT COUPLER	1		
18	AR26746	ELBOW FITTING	3		
19	R26287	O-RING	3		
20	R72834	FITTING	1		(SUB R27216)
21	R26287	O-RING	1		
22	AR66575	VALVE	1		
23A	R46856	FITTING	1		
23B	AT47130	FITTING	1		45°
24	H75541	CLAMP	1		(SUB FOR R46415)
25	AR61938	HYDRAULIC HOSE	1		(RETURN)
26	H851R	WASHER	1		
27	R49444	FITTING	1		
28	R60888	BRACKET	1		
29	19H1740	CAP SCREW	2		7/16" X 1-3/4"
30	12H293	LOCK WASHER	4		7/16"
31	R73384	CLAMP	1		
32	19H1978	CAP SCREW	2		7/16" X 1-1/2"
33	24H1325	WASHER	1		15/32" X 59/64" X 0.065"
34	AR61938	HYDRAULIC HOSE	1		PILOT
35	R26286	O-RING	1		
36	R27296	NUT	1		
37	R54198	COUPLING	1		

# 5G17

HYDRAULICS

R29018 -UN-01JAN94

## SELECTIVE CONTROL LEVERS AND LINKAGE



R29018F



# 5G18

HYDRAULICS

## SELECTIVE CONTROL LEVERS AND LINKAGE - CONTINUED

KEY	PART NO.	PART NAME	QTY	TRACTOR SERIAL NO.	REMARKS
1	R72653	SNAP RING	3		(SUB FOR M2396T)
2	R51370	SWIVEL	1	-XXXXXX	(SUB R79521 AND 14H882)
	R79521	SWIVEL	1	XXXXXX-	
3	14H650	NUT	1	-XXXXXX	5/16"
	14H882	NUT	2	XXXXXX-	5/16"
4	R53019	ROD	1	-027854	(A)
	R53019	ROD	1	027855-	(B)
	R60397	ROD	1		(B) (USE WITH AR73691 OR AR80842)
	34H313	SPRING PIN	1		1/4" X 1-1/8"
6	R50012	LEVER	AR		(1 USED SINGLE) (2 USED DUAL)
7	R42093	GROMMET	2		
8	AR54799	SHAFT	1	-027854	(A)
	AR54799	SHAFT	1	027855-	(B)
9	R52690	GRIP	1	-027854	(A)
	R52690	GRIP	1	027855-	(B)
10	R52693	LEVER	1	-027854	(A)
	R52693	LEVER	1	027855-	(B)
	R54430	LEVER	1	-027854	(A) (D)
	R54430	LEVER	1	027855-	(B) (D)
11	AR58652	BOLT	1		
12A	R50668	ROD	1	-027854	(B)
	R60399	ROD	1	027855-031042	(A)
12B	R62865	ROD	1	031043-	(A)
13	AR54800	SHAFT	1	-027854	(B)
	AR54800	SHAFT	1	027855-	(A)
14	R52691	GRIP	1	-027854	(B)
	R52691	GRIP	1	027855-	(A)
15	R52694	LEVER	1	-027854	(B)
	R52694	LEVER	1	027855-	(A)
	R54431	LEVER	1	-027854	(B) (D)
	R54431	LEVER	1	027855-	(A) (D)
16	R50669	ROD	1		(C)
	R65888	ROD	1		(C) (USE WITH DIRECTIONAL CONTROL VALVE)
17	R65887	ARM	1		(C) (SUB FOR R50013)
18	AR54801	SHAFT	1		(C)
19	R52692	GRIP	1		(C)
20	R52695	LEVER	1		(C)
21	R52881	ROD	1		(WITH AUXILIARY HYDRAULIC OUTLET OR DIRECTIONAL CONTROL VALVE)
22	U11004	PIN	1		(WITH AUXILIARY HYDRAULIC OUTLET OR DIRECTIONAL CONTROL VALVE)
23	11M7059	COTTER PIN	1		3.200 X 20 MM
24	.....	SPACER	1		(NO LONGER REQUIRED)

- (A) SINGLE SELECTIVE CONTROL
- (B) DUAL SELECTIVE CONTROL
- (C) TRIPLE SELECTIVE CONTROL
- (D) LOW PROFILE

---

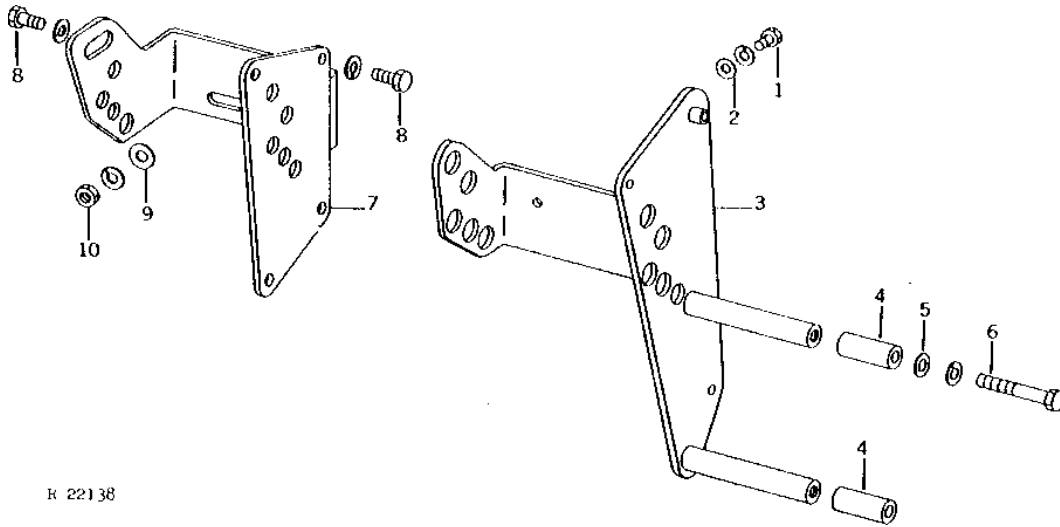
MEMORANDA

# 5G19

HYDRAULICS

R22138 -UN-01JAN94

## HYDRAULIC CONTROL LEVER SUPPORT



K 22138

KEY	PART NO.	PART NAME	QTY	TRACTOR SERIAL NO.	REMARKS
1	19H2021	CAP SCREW	1		3/8" X 5/8"
	12H304	LOCK WASHER	1		3/8"
2	24H1305	WASHER	1		13/32" X 13/16" X 0.065"
3	AR56672	SUPPORT	1		(NLA)
4	28H3377	BUSHING	2		(A)
5	24M7096	WASHER	2		(A) 10.500 X 18 X 1.600 MM
6	R53663	SELF-LOCKING SCREW	2		
	R53668	THRUST WASHER	2		
	19H268	CAP SCREW	2		(A) 3/8" X 2-1/2"
	12H304	LOCK WASHER	2		(A) 3/8"
7	AR55081	SUPPORT	1	-017134	(B) (NO LONGER AVAILABLE)
	AR68010	SUPPORT	1	017135-	(B)
8	19H1936	CAP SCREW	4		(B) 3/8" X 3/4"
	12H304	LOCK WASHER	4		(B) 3/8"
9	24H1305	WASHER	1		(B) 13/32" X 13/16" X 0.065"
10	14H1076	NUT	1		(B) 3/8"
	12H304	LOCK WASHER	1		(B) 3/8"
..	AR68807	KIT	1		ROCKSHAFT CONTROL STABILIZER (NO LONGER AVAILABLE) (ORDER COMPONENT PARTS)

(A) ROLL-GARD  
(B) SOUND-GARD BODY

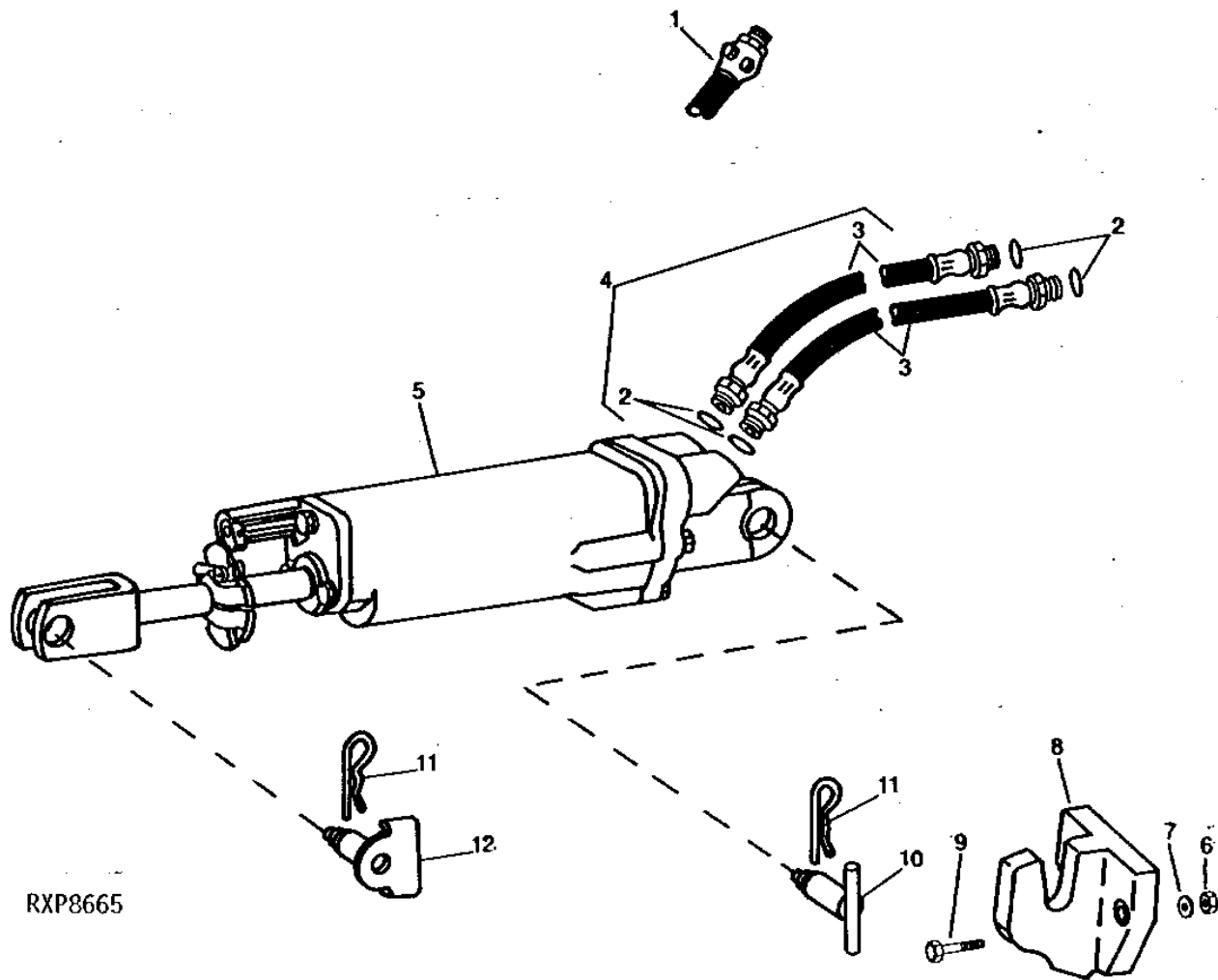
# 5G20

HYDRAULICS

RXP8665

-UN-01JAN94

REMOTE CYLINDER, HOSES AND ARM



RXP8665

# 5G21

HYDRAULICS

## REMOTE CYLINDER, HOSES AND ARM - CONTINUED

KEY	PART NO.	PART NAME	QTY	TRACTOR SERIAL NO.	REMARKS
1	AR30784	TEE FITTING	1		FOR 3/8" SINGLE WIRE BRAID LINE
2	R26375	O-RING	4		
3	AR26407	HYDRAULIC HOSE	2		2337MM (92")
	R32183	HYDRAULIC HOSE	2		2337MM (92") REINFORCED
	R36795	HYDRAULIC HOSE	2		12 X 3048MM (1/2" X 120")
4	AR27440	HYDRAULIC HOSE	1		(SUB (2) AR26407 AND (4) R26375)
5	AR27437	CYLINDER	1		(A) 3" X 8", (NLA)
	AR35261	CYLINDER	1		(A) 3-1/2" X 8"
	AR36303	CYLINDER	1		(B) 3-1/2" X 8"
6	14H1040	NUT	AR		1/2", (2 USED SINGLE) (4 USED DUAL)
7	12H301	LOCK WASHER	AR		1/2", (2 USED SINGLE) (4 USED DUAL)
8	R53763	ARM	AR		(1 USED SINGLE) (2 USED DUAL) (SOUND-GARD BODY)
	R54166	ARM	AR		(1 USED SINGLE) (2 USED DUAL) (ROLL-GARD)
9	19H1831	CAP SCREW	AR		1/2" X 2", (2 USED SINGLE) (4 USED DUAL)
10	AR47825	PIN	1		(USE WITH AR27437)
	AR47825	PIN	2		(USE WITH AR34829, AR35261 AND AR36303)
11	A3581R	SPRING LOCKING PIN	2		
12	AA6307R	PIN	1	-XXXXXX	(USE WITH AR27437) (SUB AR71902)
	AR71902	PIN	1	XXXXXX-	

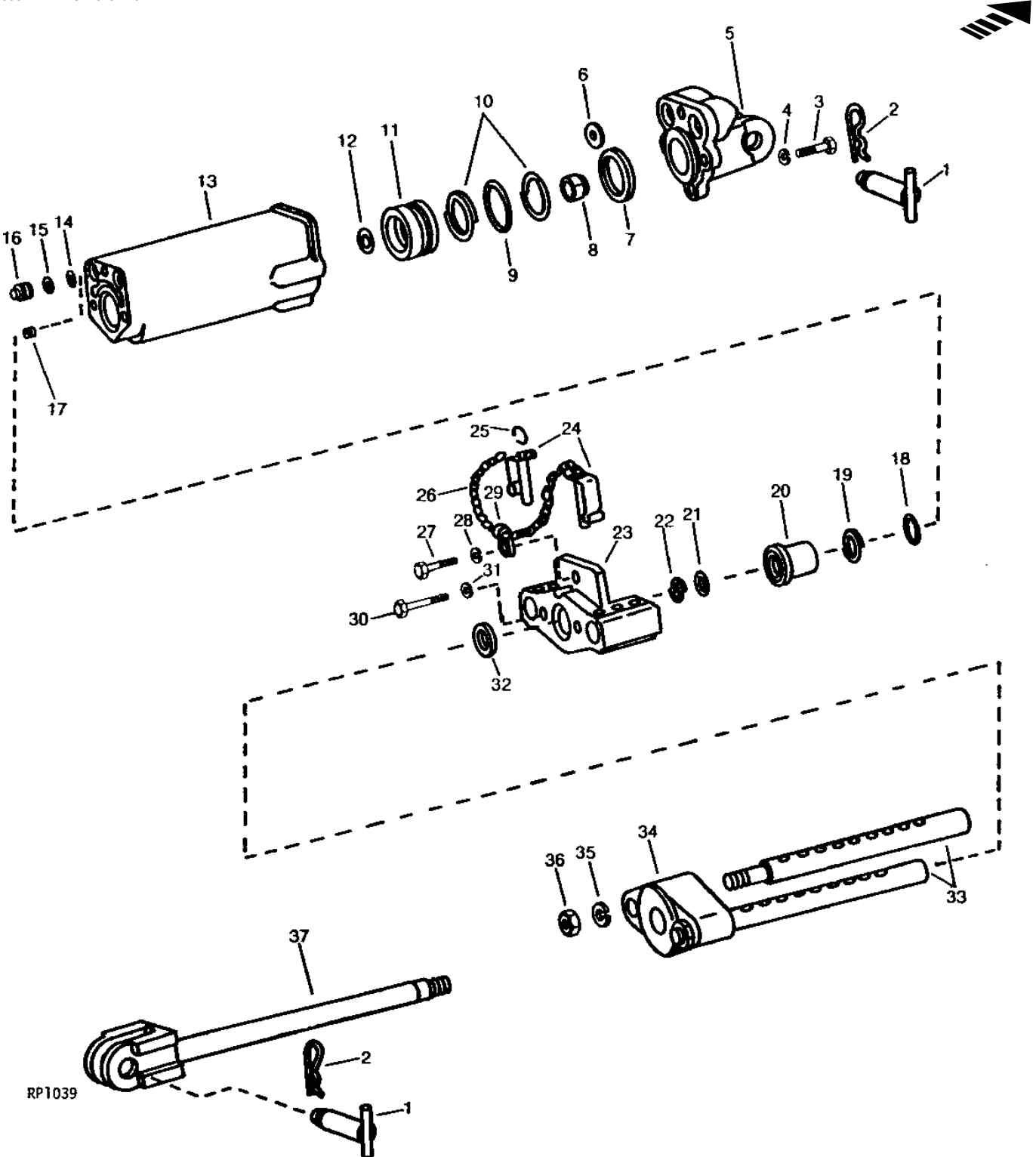
- (A) HYDRAULIC STOP  
(B) MECHANICAL STOP

# 5G22

HYDRAULICS

RP1039 -UN-01JAN94

## REMOTE CYLINDER PARTS (3" X 8" MECHANICAL STOP)



# 5G23

HYDRAULICS

REMOTE CYLINDER PARTS - CONTINUED  
(3" X 8" MECHANICAL STOP)

KEY	PART NO.	PART NAME	QTY	TRACTOR SERIAL NO.	REMARKS
1	AR47825	PIN	2		
2	A3581R	SPRING LOCKING PIN	2		
3	19H2473	CAP SCREW	4		1/2" X 1-3/4"
4	12H301	LOCK WASHER	4		1/2"
5	R27427	HYDRAULIC CYLINDER CAP	1		
6	A4723R	WASHER	2		
7	A4722R	WASHER	1		
8	R45620	LOCK NUT	1		
9	A4728R	O-RING	1		
10	R27649	BACK-UP RING	2		
11	R44296	PISTON	1		
12	R27564	O-RING	1		
13	R27421	CYLINDER	1		
14	R459R	O-RING	1		
15	R32588	BACK-UP RING	1		
16	R34131	PLUG	1		
17	15H624	PIPE PLUG	1		1/2"
18	R1138R	O-RING	1		
19	R34966	BACK-UP RING	1		
20	R34965	GUIDE	1		
21	A3606R	O-RING	1		
22	R26441	BACK-UP RING	1		
23	R44285	GUIDE	1		
24	AR68145	QUICK LOCK PIN	2		
25	D2913R	LINK	2		
26	AN163885	LINK CHAIN	1		(SUB FOR R49193)
27	19H2552	CAP SCREW	1		3/8" X 1-1/8"
28	12H304	LOCK WASHER	1		3/8"
29	T13073	CLIP	1		
30	19H1726	CAP SCREW	2		3/8" X 2-1/4"
31	12H304	LOCK WASHER	2		3/8"
32	AP19547	SEAL	1		
33	R44287	ROD	2		
34	R36952	STOP	1		
35	12H236	LOCK WASHER	2		3/4"
36	14H905	NUT	2		3/4"
37	AR45545	ROD	1		

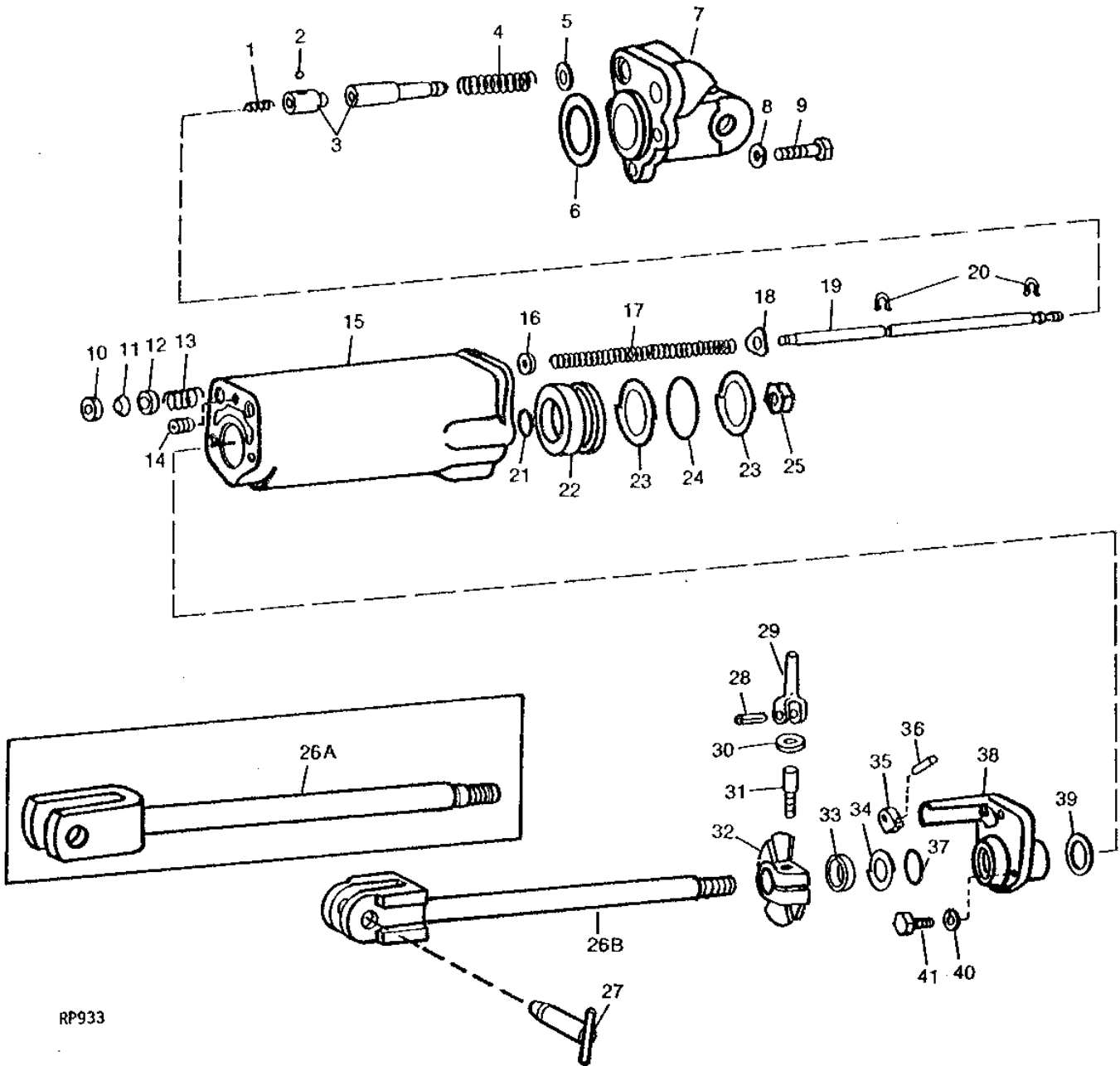
# 5G24

HYDRAULICS

RP933

-UN-01JAN94

## REMOTE CYLINDER PARTS (3" X 8" HYDRAULIC STOP)



RP933



# 5G25

HYDRAULICS

## REMOTE CYLINDER PARTS - CONTINUED (3" X 8" HYDRAULIC STOP)

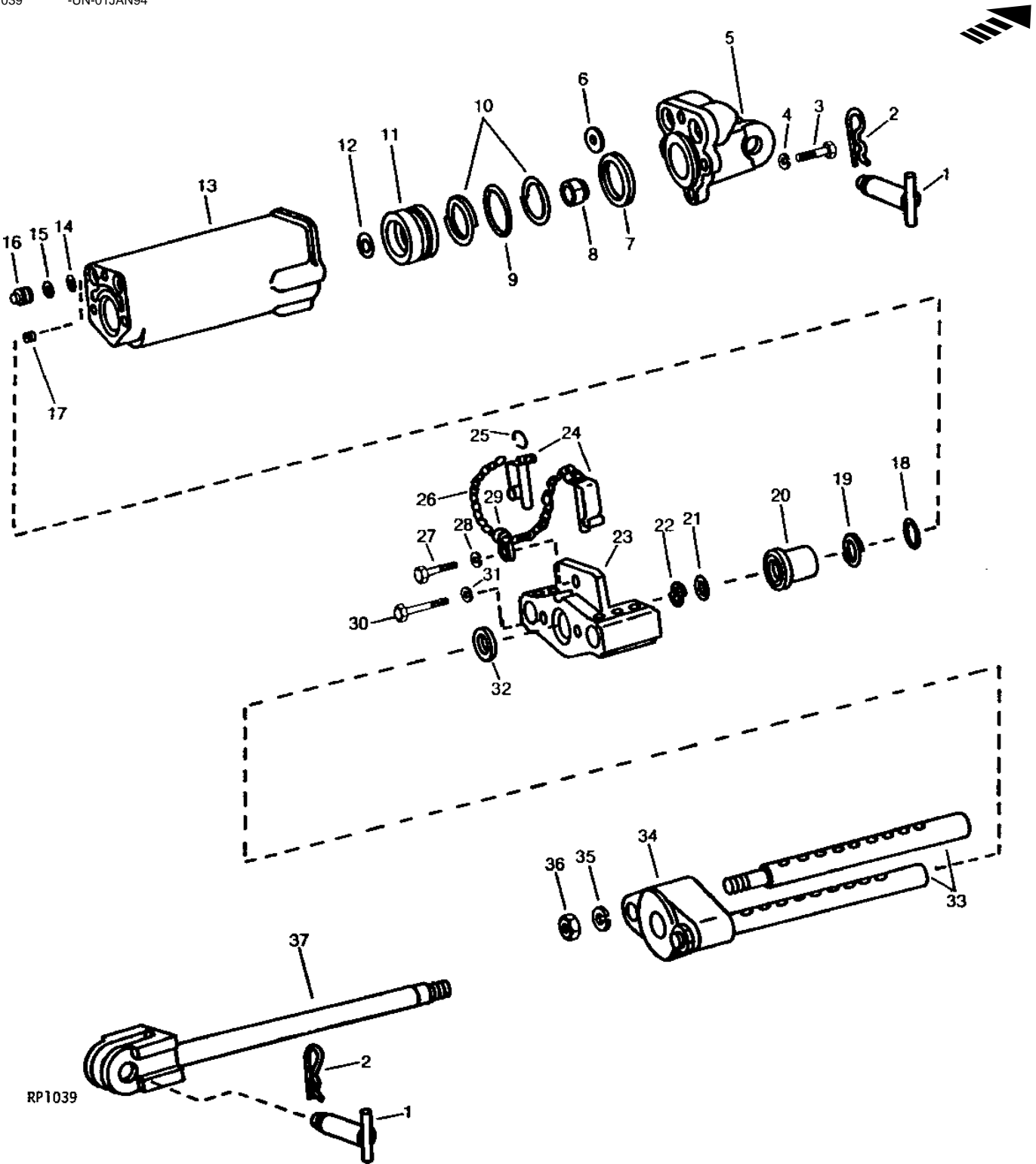
KEY	PART NO.	PART NAME	QTY	TRACTOR SERIAL NO.	REMARKS
1	A4741R	SPRING	1		(FIELD OPTION)
2	A4742R	BALL	1		(FIELD OPTION)
3	AA5731R	VALVE	1		(FIELD OPTION) (ILLUSTRATED)
	R39012	VALVE	1		
4	R49352	SPRING	1		
5	A4723R	WASHER	2		
6	A4722R	WASHER	1		
7	R27427	HYDRAULIC CYLINDER CAP	1		
8	12H301	LOCK WASHER	4		1/2"
9	19H2473	CAP SCREW	4		1/2" X 1-3/4"
10	A4746R	ADAPTER	1		
11	A4745R	PACKING	3		
12	A4747R	WASHER	1		
13	A4748R	SPRING ASSEMBLY	1		
14	15H624	PIPE PLUG	1		1/2"
15	R27421	CYLINDER	1		
16	24H1301	WASHER	1		13/32" X 9/16" X 0.065"
17	A4737R	SPRING	1		
18	R57696	WASHER	1		(SUB FOR A4738R)
19	A4736R	ROD	1		
20	A4739R	RING	2		
21	R27564	O-RING	1		
22	R44296	PISTON	1		
23	R27649	BACK-UP RING	2		
24	A4728R	O-RING	1		
25	R45620	LOCK NUT	1		
26A	AR45543	ROD	1		(SUB AR45545 AND AR47825)
26B	AR45545	ROD	1		
27	AR47825	PIN	1		
28	34H264	SPRING PIN	1		5/32" X 7/8"
29	A5302R	YOKE	1		
30	R1870R	WASHER	1		(SUB R57696)
31	A5301R	SCREW	1		
32	R27423	STOP	1		
33	AP19547	SEAL	1		
34	R26441	BACK-UP RING	1		
35	R27426	ARM	1		
36	25H760	GROOVE PIN	1		7/32" X 1-1/4"
37	A3606R	O-RING	1		
38	R40218	GUIDE	1		
39	F1441R	WASHER	1		
40	12H304	LOCK WASHER	3		3/8"
41	19H1731	CAP SCREW	3		3/8" X 1"

# 5H1

HYDRAULICS

RP1039 -UN-01JAN94

## REMOTE CYLINDER PARTS (3-1/2" X 8" MECHANICAL STOP)



# 5H2

HYDRAULICS

REMOTE CYLINDER PARTS - CONTINUED  
(3-1/2" X 8" MECHANICAL STOP)

KEY	PART NO.	PART NAME	QTY	TRACTOR SERIAL NO.	REMARKS
1	AR47825	PIN	2		
2	A3581R	SPRING LOCKING PIN	2		
3	19H2357	CAP SCREW	4		9/16" X 2"
4	12H317	LOCK WASHER	2		9/16"
5	R35452	CYLINDER HEAD	1		
6	A4723R	WASHER	2		
7	F1427R	WASHER	1		
8	R45620	LOCK NUT	1		
9	F1430R	O-RING	1		
10	R35472	BACK-UP RING	2		
11	R44297	PISTON	1		
12	R27564	O-RING	1		
13	R35447	CYLINDER	1		
14	R459R	O-RING	1		
15	R32588	BACK-UP RING	1		
16	R34131	PLUG	1		
17	15H624	PIPE PLUG	1		1/2"
18	T19687	O-RING	1		(SUB FOR T11220)
19	R35474	BACK-UP RING	1		
20	R36951	GUIDE	1		
21	R29463	O-RING	1		
22	R35473	BACK-UP RING	1		
23	R44286	GUIDE	1		
24	AR68145	QUICK LOCK PIN	2		(SUB FOR AR45536)
25	D2913R	LINK	2		
26	A3184R	LINK CHAIN	1		(SUB AN163885)
27	19H2552	CAP SCREW	1		3/8" X 1-1/8"
28	12H304	LOCK WASHER	1		3/8"
29	T13073	CLIP	1		
30	19H1726	CAP SCREW	2		3/8" X 2-1/4"
31	12H304	LOCK WASHER	2		3/8"
32	R35738	SEAL	1		
33	R44287	ROD	2		
34	R36952	STOP	1		
35	12H236	LOCK WASHER	2		3/4"
36	14H905	NUT	2		3/4"
37	AR45544	ROD	1		

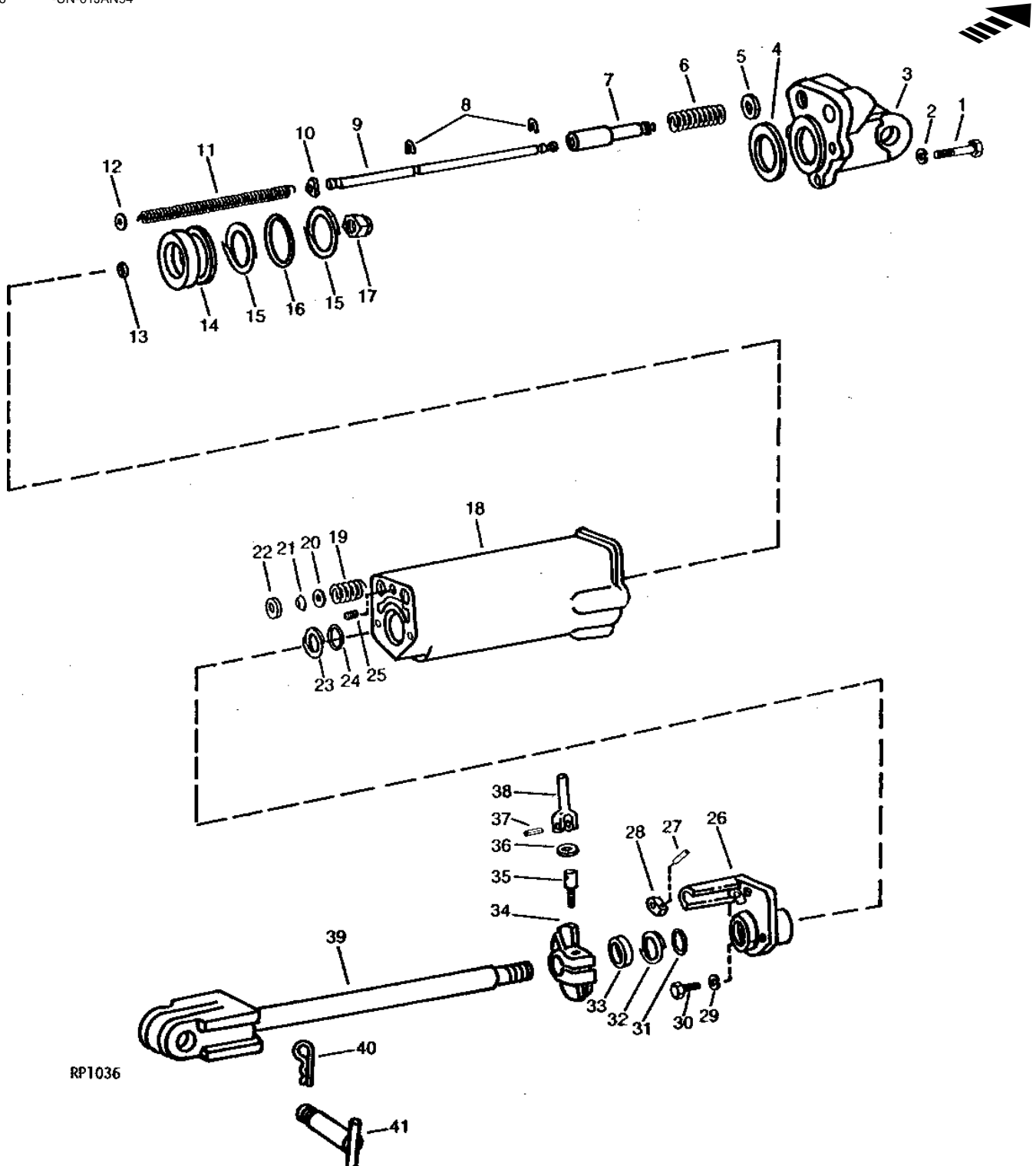
# 5H3

HYDRAULICS

RP1036

-UN-01JAN94

## REMOTE CYLINDER PARTS (3-1/2" X 8" HYDRAULIC STOP)



RP1036

# 5H4

HYDRAULICS

## REMOTE CYLINDER PARTS - CONTINUED (3-1/2" X 8" HYDRAULIC STOP)

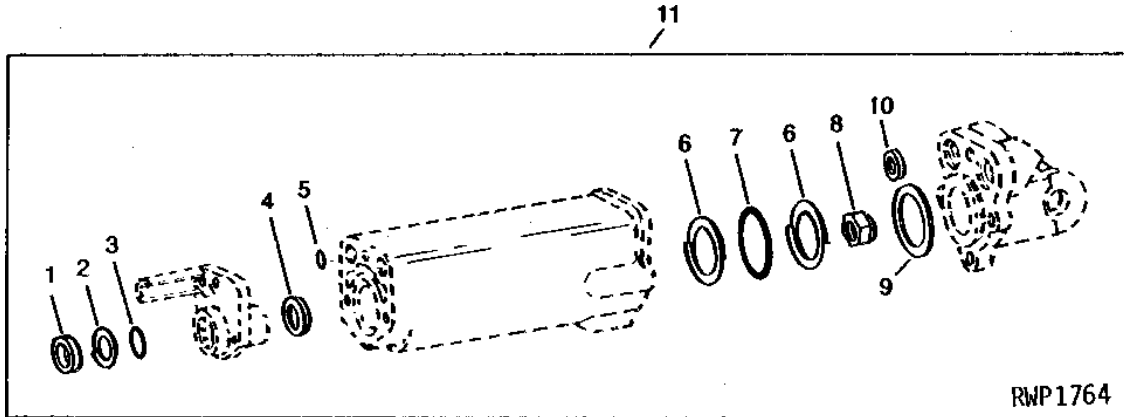
KEY	PART NO.	PART NAME	QTY	TRACTOR SERIAL NO.	REMARKS
1	19H2357	CAP SCREW	4		9/16" X 2"
2	12H317	LOCK WASHER	4		9/16"
3	R35452	CYLINDER HEAD	1		
4	F1427R	WASHER	1		
5	A4723R	WASHER	2		
6	R49352	SPRING	1		
7	R39012	VALVE	1		
8	A4739R	RING	2		
9	A4736R	ROD	1		
10	R57696	WASHER	1		(SUB FOR A4738R)
11	A4737R	SPRING	1		
12	24H1301	WASHER	1		13/32" X 9/16" X 0.065"
13	R27564	O-RING	1		
14	R44297	PISTON	1		
15	R35472	BACK-UP RING	2		
16	F1430R	O-RING	1		
17	R45620	LOCK NUT	1		
18	R35447	CYLINDER	1		
19	A4748R	SPRING ASSEMBLY	1		
20	A4747R	WASHER	1		
21	A4745R	PACKING	3		
22	A4746R	ADAPTER	1		
23	R35474	BACK-UP RING	1		
24	T19687	O-RING	1		(SUB FOR T11220)
25	15H624	PIPE PLUG	1		1/2"
26	R40219	GUIDE	1		
27	25H760	GROOVE PIN	1		7/32" X 1-1/4"
28	A5304R	ARM	1		
29	12H304	LOCK WASHER	3		3/8"
30	19H1731	CAP SCREW	3		3/8" X 1"
31	R29463	O-RING	1		
32	R35473	BACK-UP RING	1		
33	R35738	SEAL	1		
34	R35448	STOP	1		
35	A5301R	SCREW	1		
36	R1870R	WASHER	1		(SUB R57696)
37	34H264	SPRING PIN	1		5/32" X 7/8"
38	A5302R	YOKE	1		
39	AR45544	ROD	1		
40	A3581R	SPRING LOCKING PIN	2		
41	AR47825	PIN	2		

# 5H5

HYDRAULICS

RWP1764 -UN-01JAN94

## REMOTE CYLINDER OVERHAUL KIT (3" X 8" HYDRAULIC OR MECHANICAL STOP)



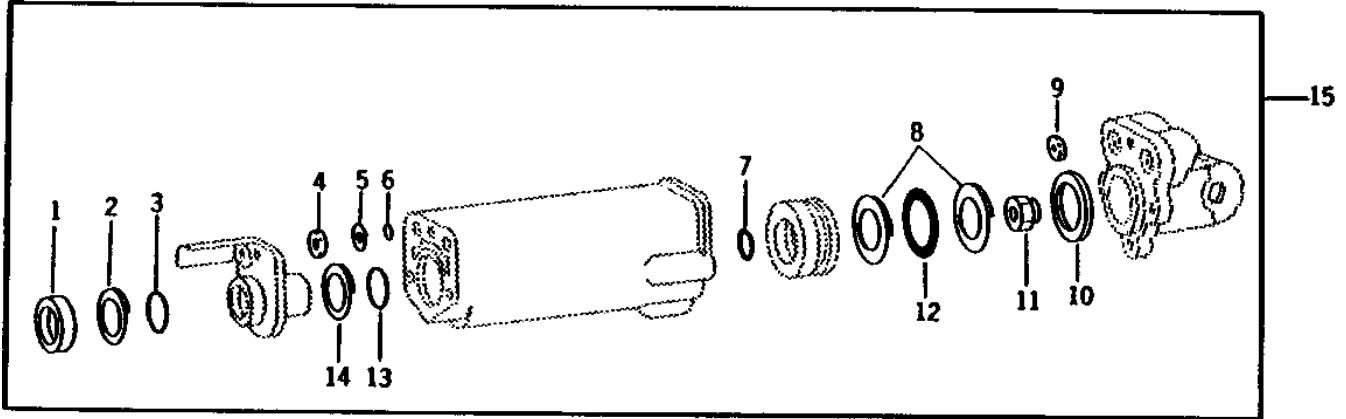
KEY	PART NO.	PART NAME	QTY	TRACTOR SERIAL NO.	REMARKS
1	AP19547	SEAL	1		
2	R26441	BACK-UP RING	1		
3	A3606R	O-RING	1		
4	F1441R	WASHER	1		
5	R459R	O-RING	1		
6	R27649	BACK-UP RING	2		
7	A4728R	O-RING	1		
8	R45620	LOCK NUT	1		
9	A4722R	WASHER	1		
10	A4723R	WASHER	2		
11	AR67389	KIT	1		

# 5H6

HYDRAULICS

R32035 -UN-23SEP94

## REMOTE CYLINDER OVERHAUL KIT (3-1/2" X 8" HYDRAULIC OR MECHANICAL STOP)



R32035F

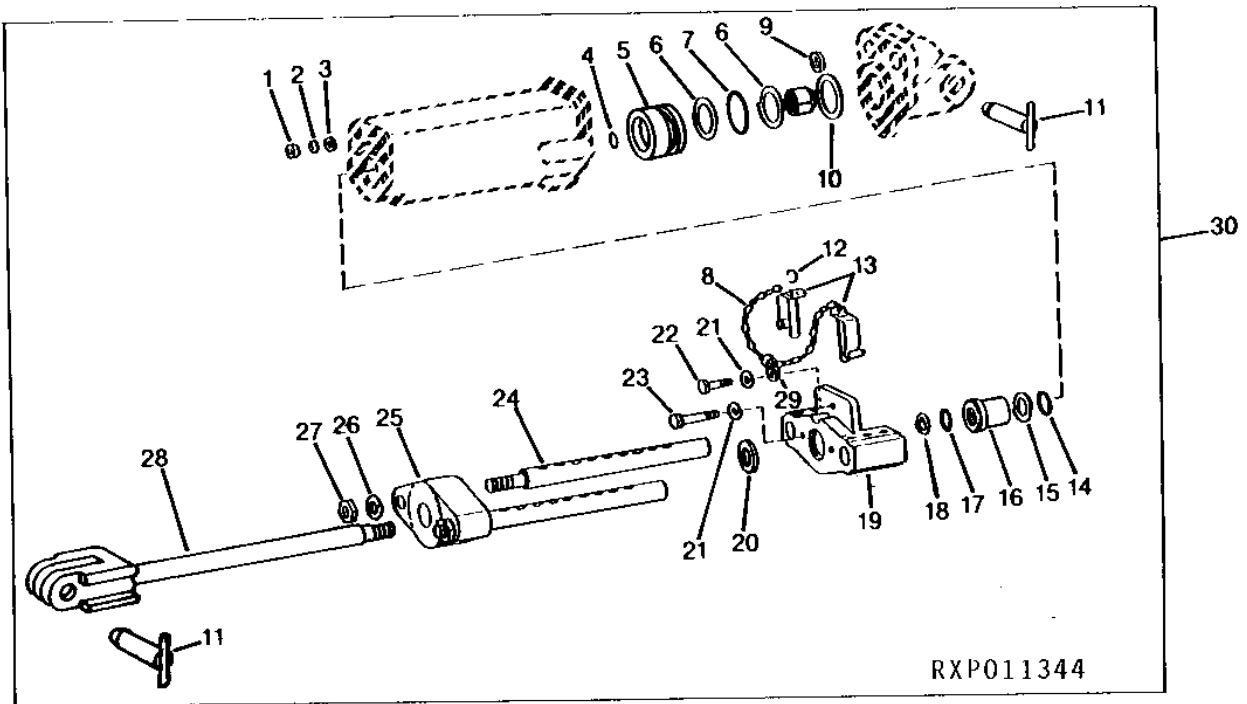
KEY	PART NO.	PART NAME	QTY	TRACTOR SERIAL NO.	REMARKS
1	R35738	SEAL	1		
2	R35473	BACK-UP RING	1		
3	R29463	O-RING	1		
4	A4745R	PACKING	3		(HYDRAULIC STOP)
5	R32588	BACK-UP RING	1		(MECHANICAL STOP)
6	R459R	O-RING	1		(MECHANICAL STOP)
7	R27564	O-RING	1		
8	R35472	BACK-UP RING	2		
9	A4723R	WASHER	2		
10	F1427R	WASHER	1		
11	R45620	LOCK NUT	1		
12	F1430R	O-RING	1		
13	T11220	O-RING	1		
14	R35474	BACK-UP RING	1		
15	AR31945	KIT	1		

# 5H7

HYDRAULICS

RXP011344 -UN-12OCT94

REMOTE CYLINDER CONVERSION KIT  
(3" X 8" HYDRAULIC STOP TO MECHANICAL STOP)





# 5H8

HYDRAULICS

**REMOTE CYLINDER CONVERSION KIT - CONTINUED  
(3" X 8" HYDRAULIC STOP TO MECHANICAL STOP)**

KEY	PART NO.	PART NAME	QTY	TRACTOR SERIAL NO.	REMARKS
1	R34131	PLUG	1		
2	R32588	BACK-UP RING	1		
3	R56464	O-RING	1		
4	R27564	O-RING	1		
5	R44296	PISTON	1		
6	R27649	BACK-UP RING	2		
7	A4728R	O-RING	1		
8	R49193	LINK CHAIN	1		
9	A4723R	WASHER	2		
10	A4722R	WASHER	1		
11	AR47825	PIN	2		
12	D2913R	LINK	2		
13	AR68145	QUICK LOCK PIN	2		
14	R1138R	O-RING	1		
15	R34966	BACK-UP RING	1		
16	R34965	GUIDE	1		
17	A3606R	O-RING	1		
18	R26441	BACK-UP RING	1		
19	R44285	GUIDE	1		
20	AP19547	SEAL	1		
21	12H304	LOCK WASHER	3		3/8"
22	19H2552	CAP SCREW	1		3/8" X 1-1/8"
23	19H1726	CAP SCREW	2		3/8" X 2-1/4"
24	R44287	ROD	2		
25	R36952	STOP	1		
26	12H236	LOCK WASHER	2		3/4"
27	14H905	NUT	2		3/4"
28	AR45545	ROD	1		
29	T13073	CLIP	1		
30	<b>AR45535</b>	<b>KIT</b>	<b>1</b>		<b>(FI)</b>

---

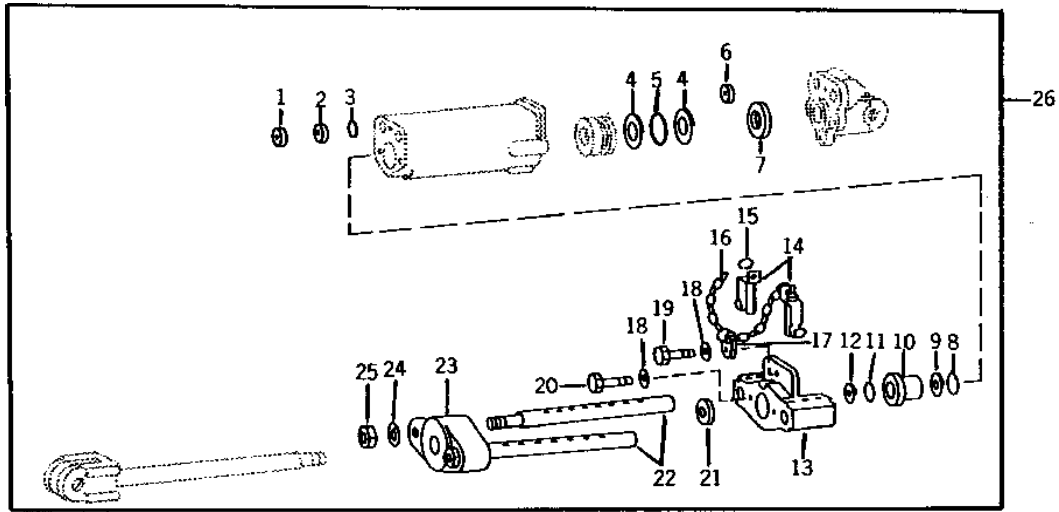
MEMORANDA

# 5H9

HYDRAULICS

R32034 -UN-06OCT94

## REMOTE CYLINDER CONVERSION KIT (3-1/2" X 8" HYDRAULIC TO MECHANICAL STOP)



R32034F

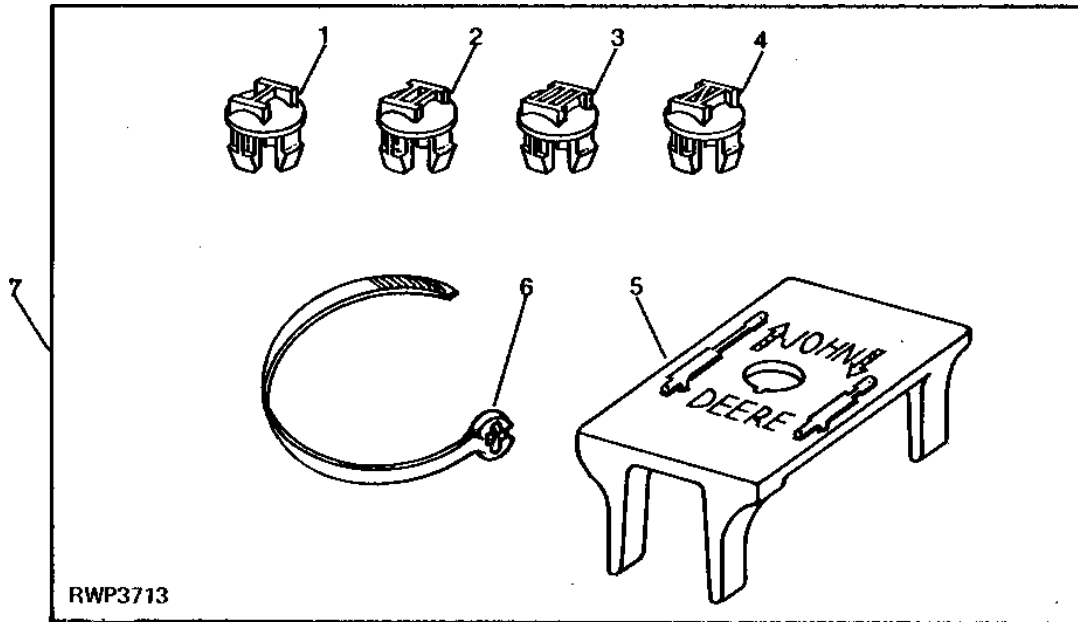
KEY	PART NO.	PART NAME	QTY	TRACTOR SERIAL NO.	REMARKS
1	R34131	PLUG	1		
2	R32588	BACK-UP RING	1		
3	R459R	O-RING	1		
4	R35472	BACK-UP RING	2		
5	F1430R	O-RING	1		
6	A4723R	WASHER	2		
7	F1427R	WASHER	1		
8	T11220	O-RING	1		
9	R35474	BACK-UP RING	1		
10	R36951	GUIDE	1		
11	R29463	O-RING	1		
12	R35473	BACK-UP RING	1		
13	R44286	GUIDE	1		
14	AR68145	QUICK LOCK PIN	2		
15	D2913R	LINK	2		
16	AN163885	LINK CHAIN	1	(SUB FOR R49193)	
17	T13073	CLIP	1		
18	12H304	LOCK WASHER	3	3/8"	
19	19H2552	CAP SCREW	1	3/8" X 1-1/8"	
20	19H1726	CAP SCREW	2	3/8" X 2-1/4"	
21	R35738	SEAL	1		
22	R44287	ROD	2		
23	R36952	STOP	1		
24	12H236	LOCK WASHER	2	3/4"	
25	14H905	NUT	2	3/4"	
26	AR45534	KIT	1		

# 5H10

HYDRAULICS

RWP3713 -UN-01JAN94

## REMOTE CYLINDER HOSE IDENTIFICATION KIT



RWP3713

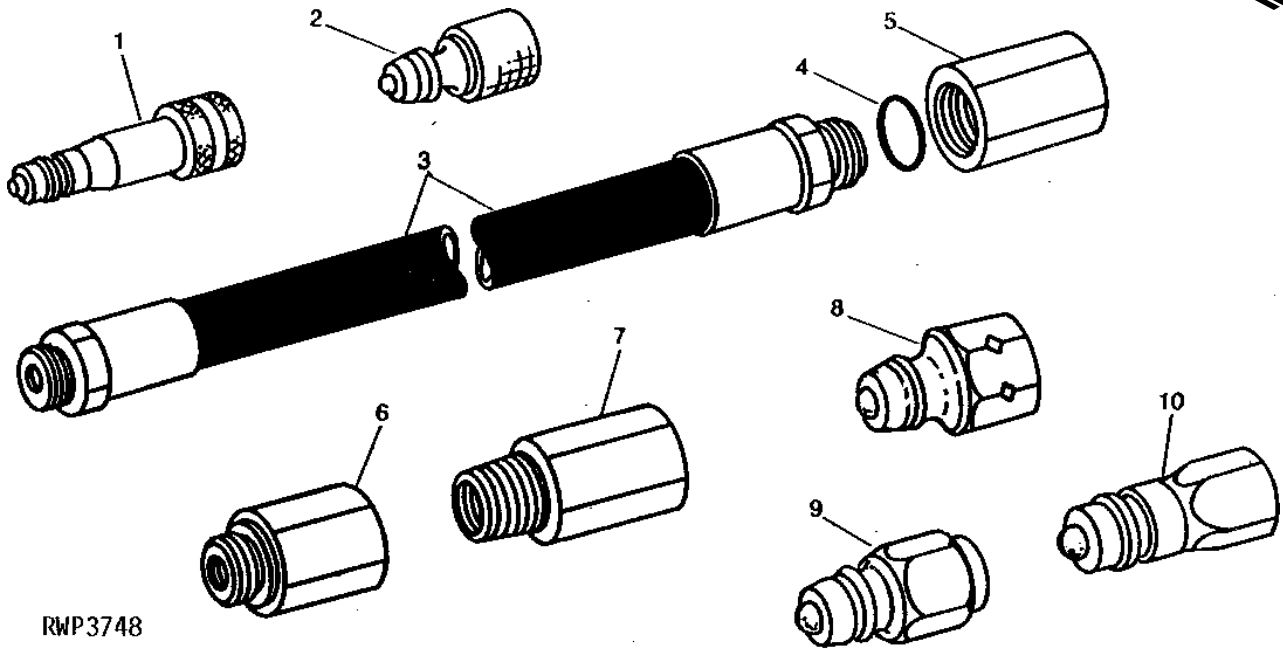
KEY	PART NO.	PART NAME	QTY	TRACTOR SERIAL NO.	REMARKS
1	R74242	PLUG	1		
2	R74243	PLUG	1		
3	R74244	PLUG	1		
4	R74246	PLUG	1		
5	R76459	TAG	1		
6	R76477	TIE BAND	2		
7	AR103808	KIT	1		

# 5H11

HYDRAULICS

RWP3748 -UN-01JAN94

## IMPLEMENT HYDRAULIC OIL LINES AND FITTINGS



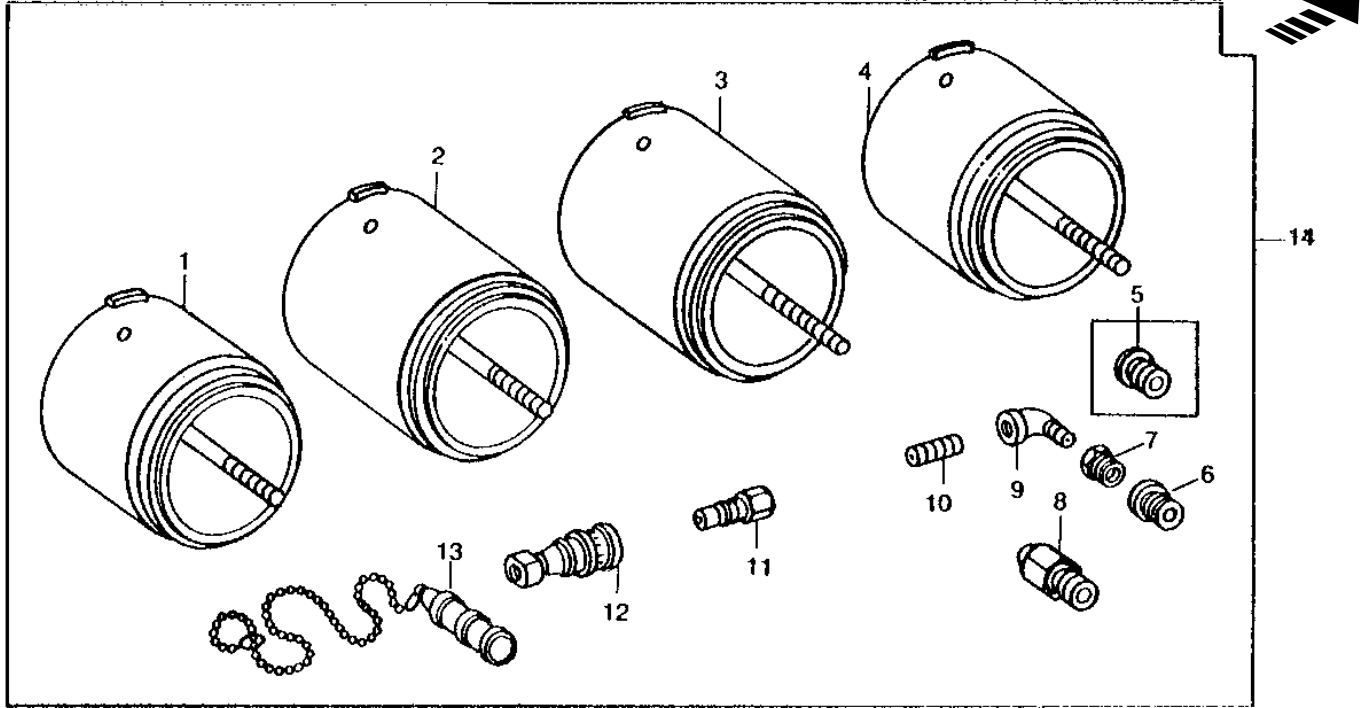
KEY	PART NO.	PART NAME	QTY	TRACTOR SERIAL NO.	REMARKS
1	AR98202	HYD. QUICK-CONNECT COUPLER	1	JOHN DEERE TO ISO	
	R21722	O-RING	1	(INCLUDED IN AR98202)	
	RE11457	ADAPTER	1	IHC TO ISO	
2	U11647	O-RING	1	(INCLUDED IN RE11457)	
	AR98201	HYD. QUICK-CONNECT COUPLER	1	ISO TO JOHN DEERE (FI)	
	R21722	O-RING	1	(INCLUDED IN AR98201, RE11458 AND RE11463)	
3	R71387	WASHER	1	(INCLUDED IN AR98201) (FI)	
	RE11456	ADAPTER	1	IHC TO JOHN DEERE	
	RE11458	ADAPTER	1	JOHN DEERE TO IHC	
	RE11463	ADAPTER	1	ISO TO IHC	
4	AR28754	HYDRAULIC HOSE	1	10 X 610MM (3/8" X 24") (SUB TY3018)	
	AR28755	HYDRAULIC HOSE	1	10 X 914MM (3/8" X 36")	
	R36658	HYDRAULIC HOSE	1	13 X 610MM (1/2" X 24")	
	R36659	HYDRAULIC HOSE	1	13 X 914MM (1/2" X 36")	
5	R26375	O-RING	1		
6	R30815	FITTING	1	3/4" THREAD	
7	R30817	ADAPTER	1	3/4"-16UNF MALE X 1/2"-14NPT FEMALE	
8	R30816	ADAPTER	1	1/2"-14NPT MALE X 3/4"-16UNF FEMALE	
9	AR93820	FITTING	1	JOHN DEERE, 3/4"-16 UNF	
10	RE11447	FITTING	1	JOHN DEERE, 1/2"-14NPT	
10	AR94522	INTERNAL HALF COUPLER	1	ISO, 3/4"-16UNF	

# 5H12

HYDRAULICS

RP1321 -UN-01JAN94

## HYDRAULIC OIL CLEAN-UP KIT



### RP1321

KEY	PART NO.	PART NAME	QTY	TRACTOR SERIAL NO.	REMARKS
1	AR86241	COVER	1		
2	AR86243	COVER	1		
3	AR86244	COVER	1		
4	AR86242	COVER	1		
5	R66475	ADAPTER	1	-XXXXXX	(B) (SUB R73216 AND 15H639)
6	R73216	PLUG	1	XXXXXX-	(B)
7	15H639	PIPE BUSHING	1	XXXXXX-	(B) 1/4" X 1/8"
8	R66474	ADAPTER	1		(D)
9	15H197	ELBOW FITTING	1		1/8", 90°
10	29H483	THREADED NIPPLE	2		1/8" X 3/4"
11	R66469	PLUG	2		
12	.....	COUPLING	1		(SUB AR86239)
13	R66473	COVER	2		
14	AR86239	KIT	1		

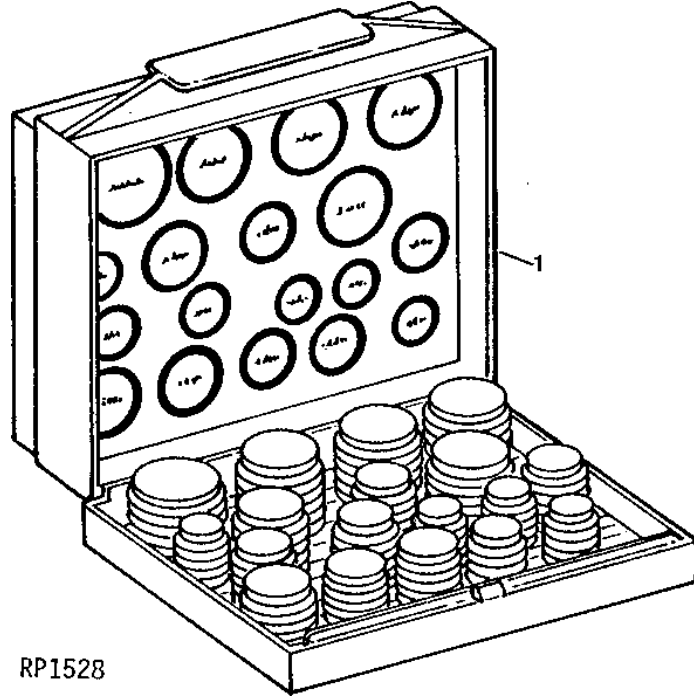
(B) QUAD-RANGE TRANSMISSION  
 (D) POWER SHIFT TRANSMISSION

# 5H13

HYDRAULICS

RP1528 -UN-01JAN94

O-RING KIT



RP1528

KEY	PART NO.	PART NAME	QTY	TRACTOR SERIAL NO.	REMARKS
1	AR73500 TY15939	KIT O-RING KIT	1 1		HYDRAULIC AIR CONDITIONING, (SUB FOR AT66632)

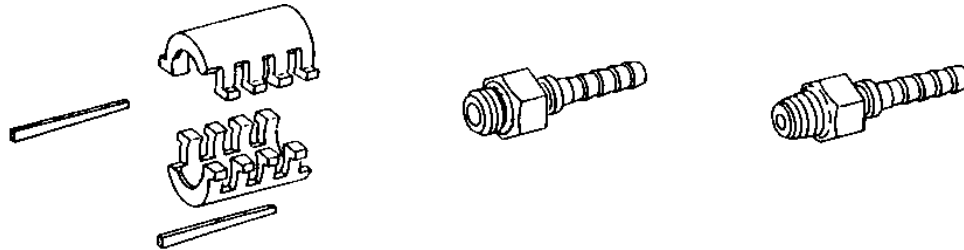
# 5H14

HYDRAULICS

RXP7733

-UN-23SEP94

## BULK FLEXIBLE OIL LINE AND REUSABLE LOK-PIN COUPLINGS



Oil Line (Length) Approx. 50 ft.)		Set of Ferrules with Pins*	Stem-Straight Thread with O-ring	Stem-Pipe Thread
R 34790	3/8" I.D. — 1 Wire	.....	AR 39635* *	R 39687
R 34791	1/2" I.D. — 1 Wire	.....	AR 39636* *	R 39688
R 34792	3/4" I.D. — 1 Wire	.....	AR 39637#	R 39689
R 34793	3/8" I.D. — 2 Wire	AR 39632	AR 39635* *	R 39687
R 34794	1/2" I.D. — 2 Wire	.....	AR 39636* *	R 39688
R 34795	3/4" I.D. — 2 Wire	.....	AR 39637#	R 39689

\* Each set of ferrules includes two R39681 pins - extra pins may be ordered, packed 20 in a package.  
 \*\*Includes R26375 O-ring.  
 # Includes F3171R O-ring.

## REUSABLE COUPLINGS (Use With Braid Flexible Oil Line)



1 WR Single Wire		2 WR Double Wire		I.D.	Thread
Coupling No.		Coupling No.			
AF 3585	R	AR 21629		3/8"	3/8" — 18 NPTF
AF 3586	R	AR 21630		1/2"	1/2" — 14 NPTF
AF 3587	R	.....		5/8"	3/4" — 14 NPTF
AF 3588	R	AR 21632		3/4"	3/4" — 14 NPTF
R 34644		AR 21634		1"	1" — 11-1/2" NPTF
R 34646		R 34647		3/8"	3/4" — 16 O-ring type thread
				1/2"	3/4" — 16 O-ring type thread

## BULK SINGLE WIRE BRAID FLEXIBLE OIL LINE (Use With Reusable Coupling for Single Wire Braid Flexible Oil Line)

Part No.	I.D.	O.D.	Length
A 5776 R	1/2"	29/32"	Approx. 50 ft.
A 5777 R	5/8"	1-1/32"	Approx. 50 ft.

## BULK DOUBLE WIRE BRAID FLEXIBLE OIL LINE (Use with Reusable Coupling for Double Wire Braid Flexible Oil Line)

Part No.	I.D.	O.D.	Length
R 21531	3/8"	29/32"	Approx. 50 ft.
R 21532 RXP7733	1/2"	31/32"	Approx. 50 ft.

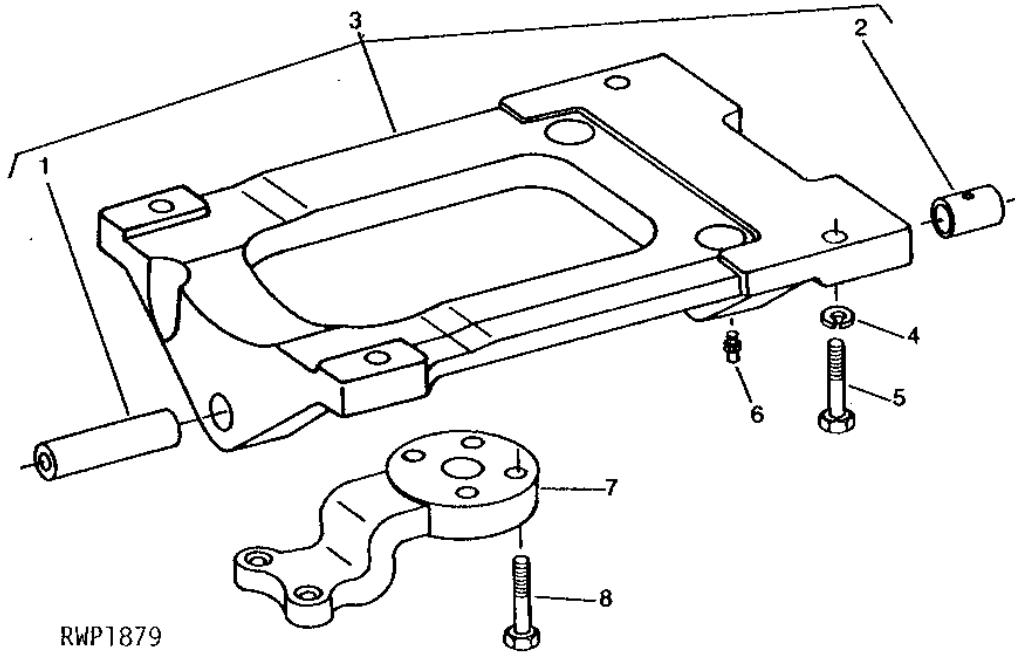


# 6B5

WHEELS, FRONT AXLES, SHEET METAL

RWP1879 -UN-01JAN94

## FRONT AXLE PIVOT BRACKET AND STEERING GEAR ARM



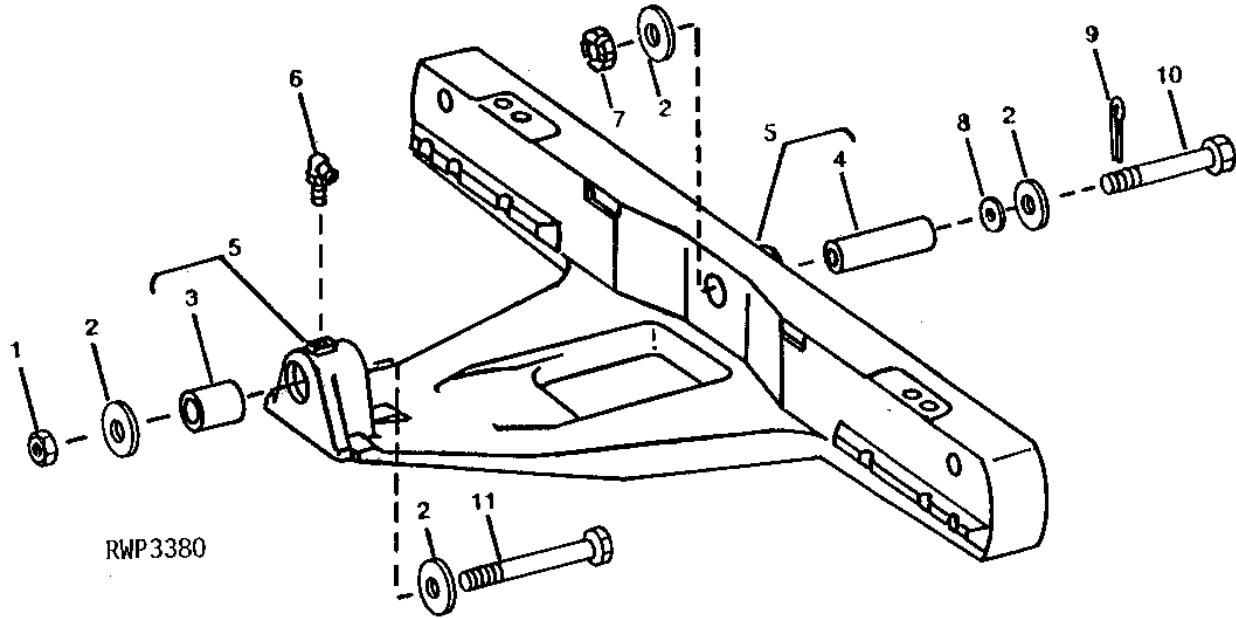
KEY	PART NO.	PART NAME	QTY	TRACTOR SERIAL NO.	REMARKS
1	R51798	BUSHING	1		
2	R65827	BUSHING	1		(SUB FOR R51376)
3	AR59220	BRACKET	1	-019558	(MARKED R51880)
	AR64967	BRACKET	1	019559-	(MARKED R55639)
4	12H236	LOCK WASHER	4		3/4"
5	19H1862	CAP SCREW	4		3/4" X 2-1/2"
6	JD7798	LUBRICATION FITTING	1		
7	R49829	ARM	1	-029294	(SUB R61324)
	R61324	STEERING ARM	1	029295-	
	R31181	ARM	1		(LOW PROFILE)
8	19H2663	CAP SCREW	4		3/4" X 2-1/8"

# 6B6

WHEELS, FRONT AXLES, SHEET METAL

RWP3380 -UN-01JAN94

## ADJUSTABLE TREAD FRONT AXLE



RWP3380

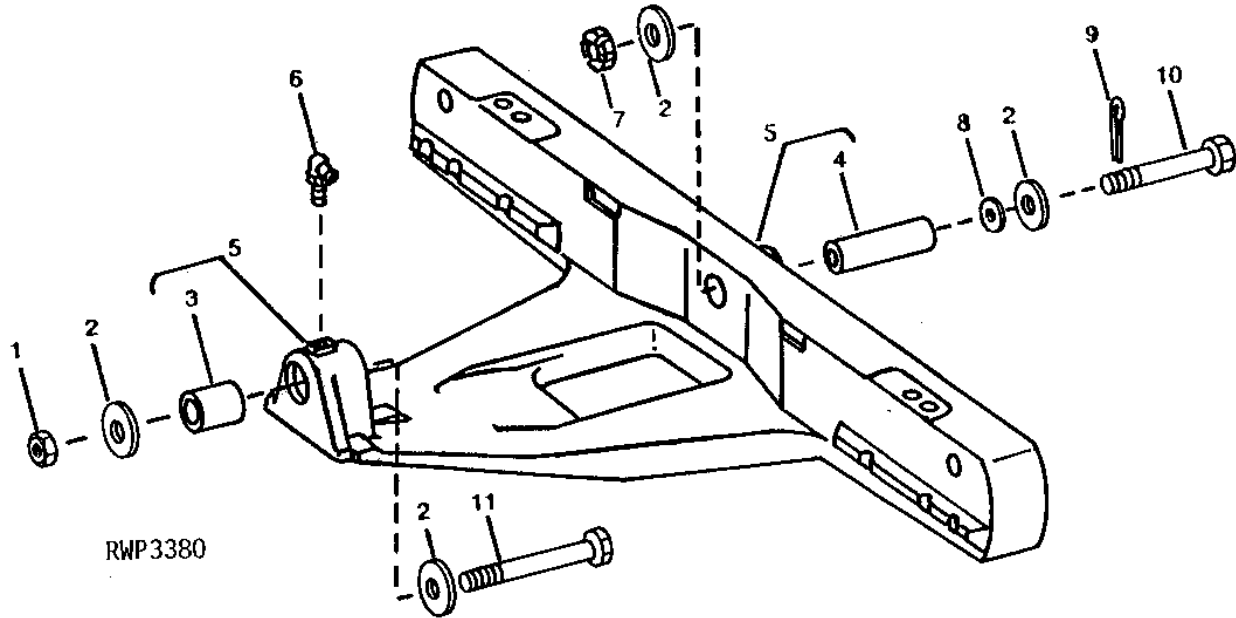
KEY	PART NO.	PART NAME	QTY	TRACTOR SERIAL NO.	REMARKS
1	14H794	NUT	1	3/4"	
2	T29049	WASHER	4	(SUB FOR T29211)	
3	R65827	BUSHING	1	(SUB FOR R51376)	
4	T29205	BUSHING	1		
5	AR85360	FRONT AXLE	1	(REGULAR) (SUB FOR AR59188) (MARKED R49559)	
	AR85361	FRONT AXLE	1	(NARROW) (SUB FOR AR59189) (MARKED R49597)	
	AR85362	FRONT AXLE	1	(WIDE) (SUB FOR AR59190) (MARKED R49563)	
	AR85359	FRONT AXLE	1	(HI-CROP) (SUB FOR AR59248) (MARKED R51643)	
6	JD7799	LUBRICATION FITTING	1		
7	14H902	NUT	1	3/4"	
8	T25921	SHIM	AR		
9	11M7087	COTTER PIN	1	0.157" X 1.575"	
10	T29210	CAP SCREW	1		
11	19H1988	CAP SCREW	1	3/4" X 6"	

# 6B7

WHEELS, FRONT AXLES, SHEET METAL

## ADJUSTABLE TREAD FRONT AXLE (POWER FRONT WHEEL DRIVE)

RWP3380 -UN-01JAN94



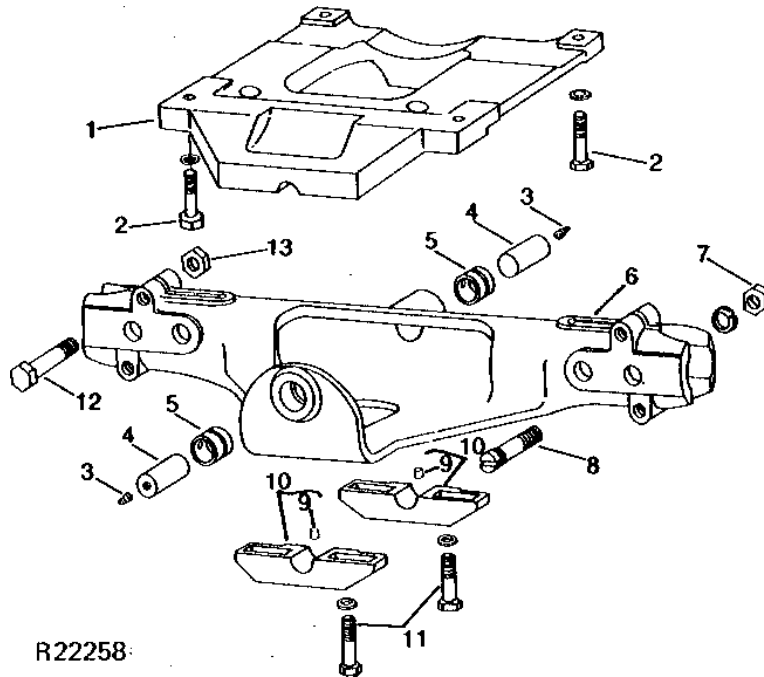
KEY	PART NO.	PART NAME	QTY	TRACTOR SERIAL NO.	REMARKS
1	R40121	LOCK NUT	1		
2	T29049	WASHER	4		(SUB FOR T29211)
3	R65827	BUSHING	1		(SUB FOR R51376)
4	T29205	BUSHING	1		
5	AR85388	FRONT AXLE	1		(MARKED R52286) (SUB FOR AR59144)
6	JD7799	LUBRICATION FITTING	1		
7	14H902	NUT	1		3/4"
8	T25921	SHIM	AR		
9	11M7087	COTTER PIN	1		0.157" X 1.575"
10	T29210	CAP SCREW	1		
11	19H1988	CAP SCREW	1		3/4" X 6"

# 6B8

WHEELS, FRONT AXLES, SHEET METAL

## FRONT AXLE HOUSING AND PIVOT BRACKET (LOW PROFILE)

R22258 -UN-01JAN94



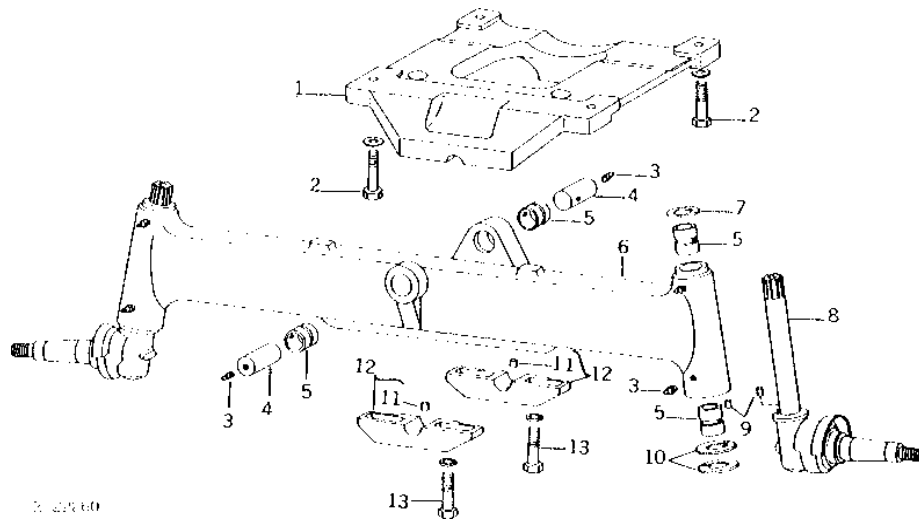
KEY	PART NO.	PART NAME	QTY	TRACTOR SERIAL NO.	REMARKS
1	R58416	BRACKET	1		
2	19H1862	CAP SCREW	4	3/4" X 2-1/2"	
	12H236	LOCK WASHER	4	3/4"	
3	JD7759	LUBRICATION FITTING	2		
4	R27817	PIN	2		
5	A877R	BUSHING	2		
6	AR50865	HOUSING	1	(MARKED R47735 OR R47736)	
7	14H854	NUT	2	1"	
	12H234	LOCK WASHER	2	1"	
8	B2694R	BOLT	2		
9	R726R	DOWEL PIN	2		
10	AR30154	CLAMP	2	(MARKED R27809)	
11	19H1707	CAP SCREW	4	3/4" X 2-3/4"	
	12H236	LOCK WASHER	4	3/4"	
12	19H2026	CAP SCREW	4	3/4" X 4"	
13	14H794	NUT	4	3/4"	

# 6B9

WHEELS, FRONT AXLES, SHEET METAL

R22260 -UN-01JAN94

## FIXED TREAD FRONT AXLE (LOW PROFILE)



KEY	PART NO.	PART NAME	QTY	TRACTOR SERIAL NO.	REMARKS
1	R58416	BRACKET	1		
2	19H1862	CAP SCREW	4	3/4" X 2-1/2"	
	12H236	LOCK WASHER	4	3/4"	
3	JD7759	LUBRICATION FITTING	6		
4	R27817	PIN	2		
5	A877R	BUSHING	6		
6	AR27914	FRONT AXLE	1	(MARKED R27690)	
7	D467R	WASHER	2		
	R34757	SHIM	2		
8	AR50983	KNUCKLE	2		
9	34H308	SPRING PIN	2	1/4" X 1/2"	
10	A890R	THRUST WASHER	4		
11	R726R	DOWEL PIN	2		
12	AR30154	CLAMP	2	(MARKED R27809)	
13	19H1707	CAP SCREW	4	3/4" X 2-3/4"	
	12H236	LOCK WASHER	4	3/4"	

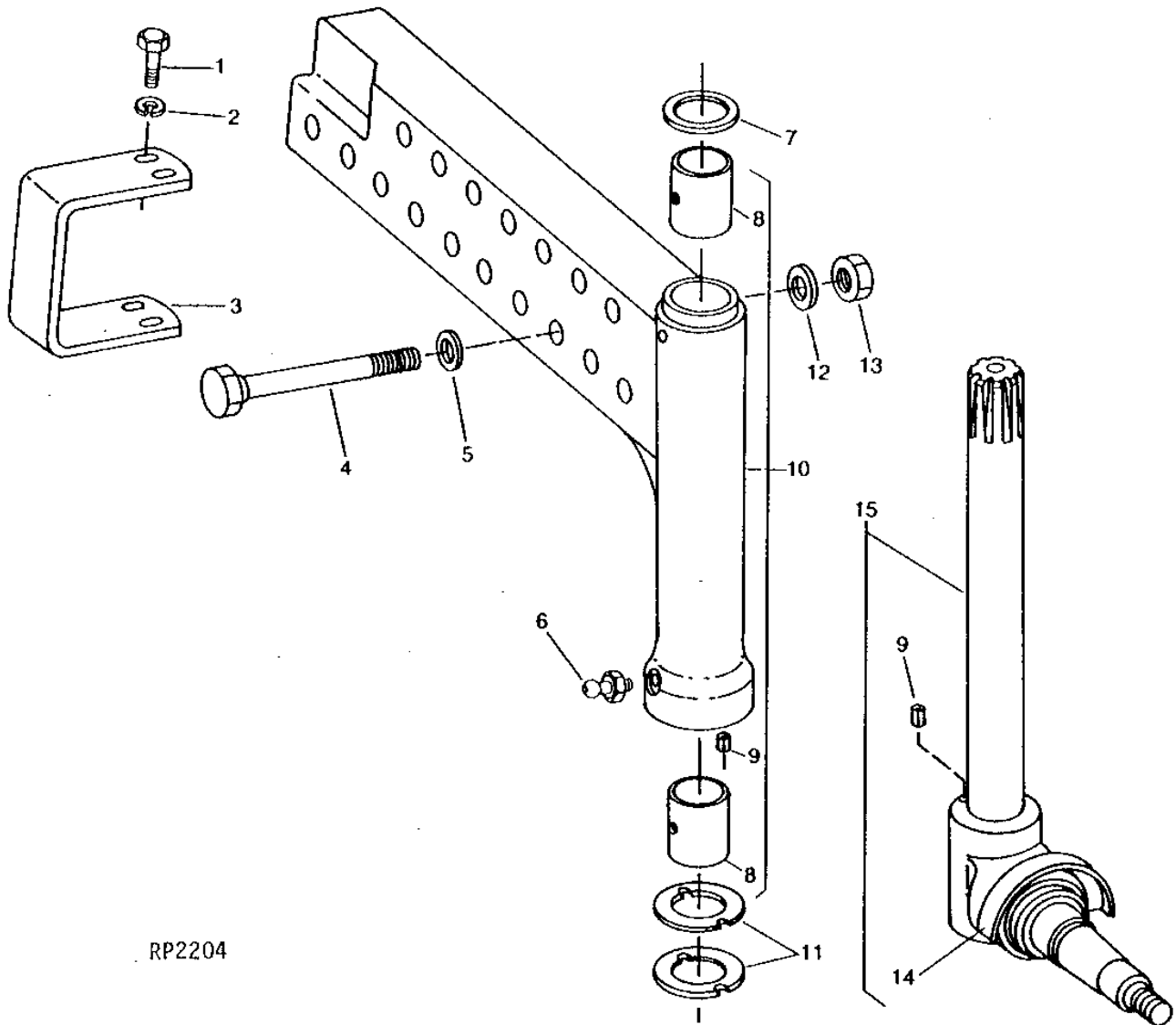
# 6B10

WHEELS, FRONT AXLES, SHEET METAL

RP2204

-UN-01JAN94

## ADJUSTABLE TREAD FRONT AXLE KNEE AND KNUCKLE



RP2204

# 6B11

WHEELS, FRONT AXLES, SHEET METAL

## ADJUSTABLE TREAD FRONT AXLE KNEE AND KNUCKLE - CONTINUED

KEY	PART NO.	PART NAME	QTY	TRACTOR SERIAL NO.	REMARKS
1	19H1731	CAP SCREW	8		3/8" X 1"
2	12H304	LOCK WASHER	8		3/8"
3	R49836	CLAMP	2		
	R49848	CLEVIS	2		(A)
4	19H3272	CAP SCREW	2		(B) (SUB FOR R53024)
	19H3210	CAP SCREW	6		(B) 3/4" X 5-1/4", (SUB FOR R53025)
	19H3612	CAP SCREW	8		(C) 3/4" X 6-1/4", (SUB FOR R53022) (ALSO ORDER 14H1058)
	19H3225	CAP SCREW	2		(D) 3/4" X 6-1/2", (SUB FOR R53020)
	19H3307	CAP SCREW	6		(D) 3/4" X 6", (SUB FOR R53021) (ALSO ORDER 14H1058)
	19H3630	CAP SCREW	2		(A) 7/8" X 7-1/2", (SUB FOR R52283) (ALSO ORDER 14H1077)
	19H3629	CAP SCREW	6		(A) 7/8" X 7", (SUB FOR R52284) (ALSO ORDER 14H1077)
5	24M7353	WASHER	8		(SUB FOR R42660)
	R52006	WASHER	8		(A)
6	JD7798	LUBRICATION FITTING	4		
7	R45523	SHIM	AR		
8	R49835	BUSHING	4		
9	34H308	SPRING PIN	4		1/4" X 1/2"
10	AR80192	AXLE KNEE	1		(B) R.H. (MARKED R53221) (SUB FOR AR59194)
	AR59195	ARM	1		(B) L.H. (MARKED R53222) (SUB AR80193)
	AR59198	AXLE KNEE	1		(C) R.H. (MARKED R49598)
	AR59199	AXLE KNEE	1		(C) L.H. (MARKED R49599)
	AR59212	AXLE KNEE	1		(D) R.H. (MARKED R49564)
	AR59213	AXLE KNEE	1		(D) L.H. (MARKED R49565)
	AR59249	AXLE KNEE	1		(A) R.H. (MARKED R51641)
	AR59250	AXLE KNEE	1		(A) L.H. (MARKED R51642)
11	R49838	WASHER	4		
12	24M7353	WASHER	8		(SUB FOR R42660)
	R52006	WASHER	8		(A)
13	R76292	NUT	8		(B) (SUB FOR R53026)
	R53023	NUT	8		(C) (D) (FINE THREAD)
	R52045	NUT	8		(A)
	14H1058	NUT	8		3/4", (COARSE THREAD)
14	R20255	DUST SHIELD	2		
15	AR69323	KNUCKLE	2		(SUB FOR AR53851) (SUB RE57643, JD9041, JD9170, R121183, 19M8639 AND 24M7243)
	AR55986	KNUCKLE	2		(A) (SUB AR82754, JD9041 AND JD9170)

- (A) HI-CROP
- (B) REGULAR ADJUSTABLE TREAD FRONT AXLE
- (C) NARROW ADJUSTABLE TREAD FRONT AXLE
- (D) WIDE ADJUSTABLE TREAD FRONT AXLE

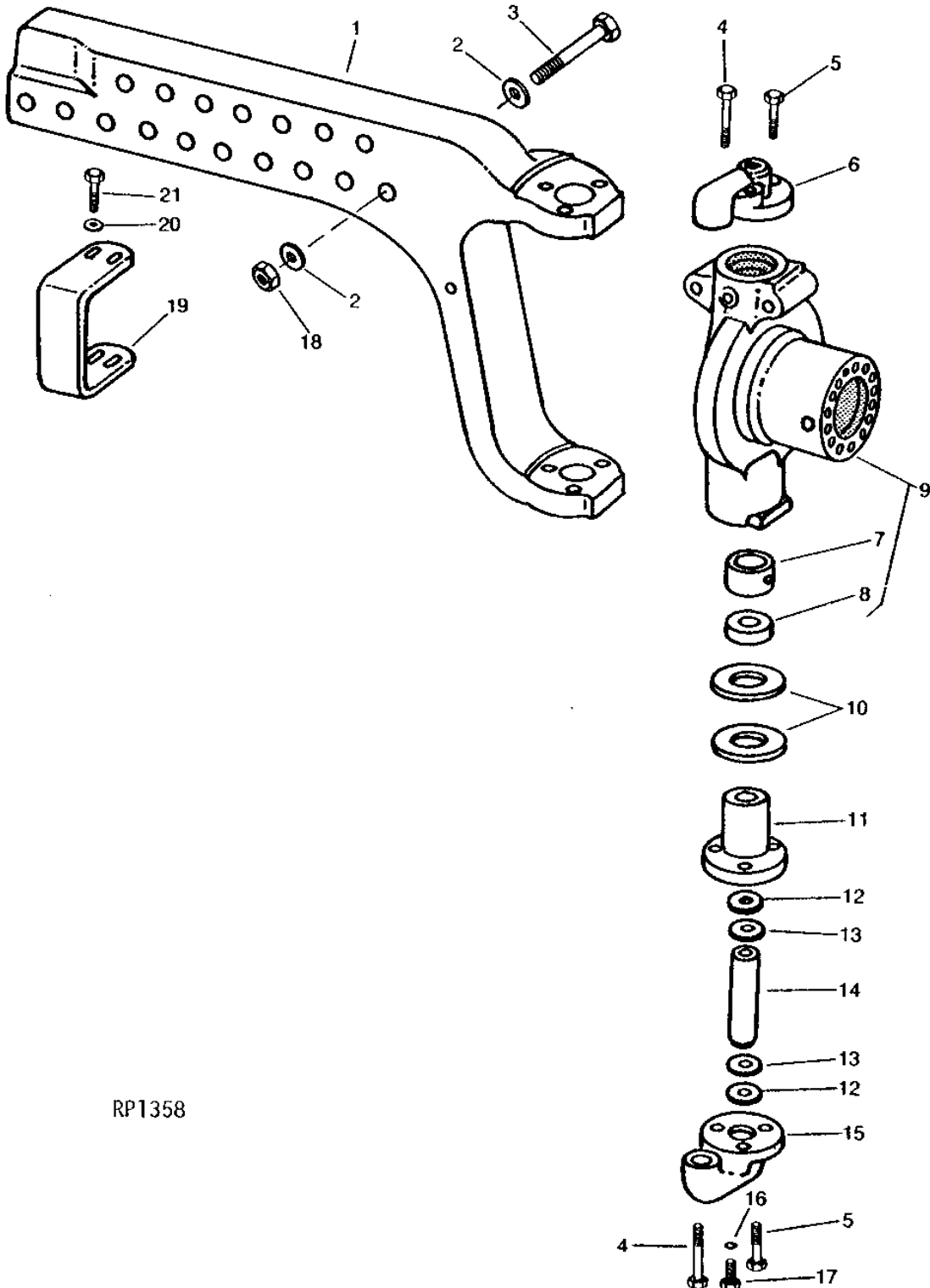
# 6B12

WHEELS, FRONT AXLES, SHEET METAL

RP1358

-UN-01JAN94

## KNEE AND MOTOR HOUSING (POWER FRONT WHEEL DRIVE)



RP1358



# 6B13

WHEELS, FRONT AXLES, SHEET METAL

## KNEE AND MOTOR HOUSING - CONTINUED (POWER FRONT WHEEL DRIVE)

KEY	PART NO.	PART NAME	QTY	TRACTOR SERIAL NO.	REMARKS
1	R52268	FRONT AXLE	1		R.H.
	R52269	FRONT AXLE	1		L.H.
2	24M7353	WASHER	16		(SUB FOR R42660)
3	19H3225	CAP SCREW	8		(SUB FOR R53020)
4	19H1726	CAP SCREW	4		3/8" X 2-1/4"
5	19H988	CAP SCREW	2		3/8" X 1-1/4"
6	R42885	COVER	2		(UPPER R.H. AND LOWER L.H.)
7	R42821	BUSHING	2	-XXXXXX	
	R66651	BUSHING	2	XXXXXX-	
8	AR86539	SEAL	2	XXXXXX-	
9	AR86538	HOUSING	2		(MARKED R42332 OR R66649) (ALSO ORDER (2) R66650) (SUB FOR AR45414)
10	R61514	THRUST WASHER	2		(SUB FOR R42973)
11	R42887	PIN	2		
12	R42975	O-RING	4		(SUB U11647)
13	R44979	BACK-UP RING	4		(SUB R73102)
14	R42974	BUSHING	2		
15	R42886	COVER	2		(UPPER L.H. AND LOWER R.H.)
16	R26448	O-RING	2		
17	R27218	FITTING PLUG	3		
18	R53023	NUT	8		
19	R49836	CLAMP	2		
20	12H304	LOCK WASHER	8		3/8"
21	19H1731	CAP SCREW	8		3/8" X 1"
..	AR63929	KIT	1		POWER FRONT WHEEL DRIVE MANIFOLD AND PIVOT PIN SEAL

---

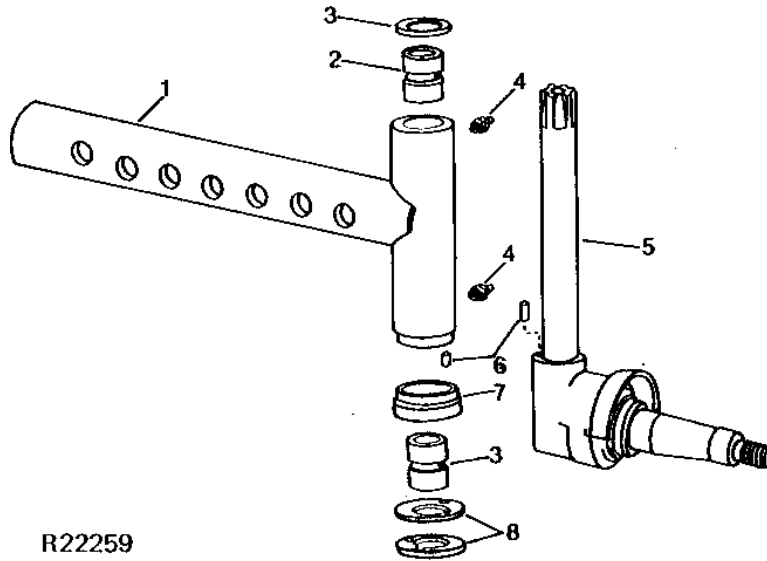
MEMORANDA

# 6B14

WHEELS, FRONT AXLES, SHEET METAL

R22259 -UN-01JAN94

## FRONT AXLE KNEE (LOW PROFILE)



R22259

KEY	PART NO.	PART NAME	QTY	TRACTOR SERIAL NO.	REMARKS
1	AR27604	AXLE	2	-023554	(SUB AR69834)
	AR69834	AXLE	2	023555-	
2	D467R	WASHER	2		
	R34757	SHIM	2		
3	A877R	BUSHING	4		
4	JD7759	LUBRICATION FITTING	4		
5	AR50983	KNUCKLE	2		
6	34H308	SPRING PIN	4		1/4" X 1/2"
7	B2693R	DUST SHIELD	2		
8	A890R	THRUST WASHER	4		

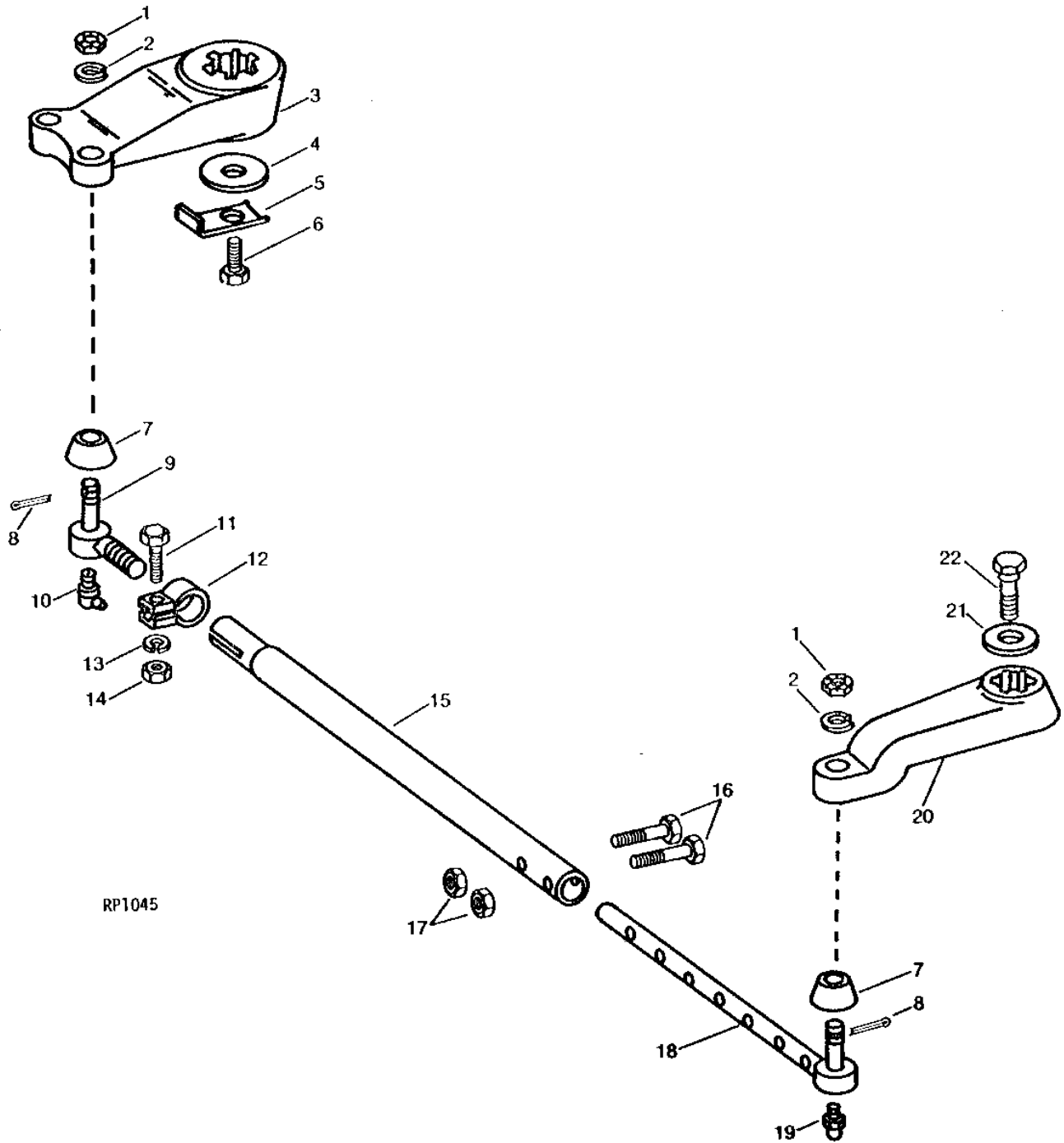
# 6B15

WHEELS, FRONT AXLES, SHEET METAL

RP1045

-UN-01JAN94

## ADJUSTABLE FRONT AXLE TIE RODS



# 6B16

WHEELS, FRONT AXLES, SHEET METAL

## ADJUSTABLE FRONT AXLE TIE RODS - CONTINUED

KEY	PART NO.	PART NAME	QTY	TRACTOR SERIAL NO.	REMARKS
1	14H918	NUT	4		5/8"
2	12H294	LOCK WASHER	4	-029294	5/8"
3	R50074	ARM	1	-029294	(SUB R61158)
	R61158	STEERING ARM	1	029295-	
4	R20136	WASHER	1		
5	R50075	LOCK PLATE	1		
6	19H1782	CAP SCREW	1		3/4" X 2-1/4"
7	R40589	COVER	4		
8	11M7083	COTTER PIN	4		0.126" X 1.969"
9	AR63588	TIE ROD END	2		
10	JD7806	LUBRICATION FITTING	2		
11	19H1990	CAP SCREW	2		1/2" X 2-1/4"
12	R28023	CLAMP	2		
13	12H301	LOCK WASHER	2		1/2"
14	14H1040	NUT	2		1/2"
15	R54963	TUBE	2		(A) 443MM (17-7/16")
	R54964	TUBE	2		(B) 392MM (15-7/16")
	R54965	TUBE	2		(C) 518MM (20-13/32")
	R54966	TUBE	2		(D) 466MM (18.36")
16	19H3065	CAP SCREW	4		3/8" X 2"
17	K40003	LOCK NUT	4		
18	AR63592	TIE ROD END	2		(A) (D) 410MM (16-1/18")
	AR63591	TIE ROD END	2		(B) 362MM (14-1/4")
	AR63593	TIE ROD END	2		(C) 477MM (18-3/4")
19	JD7797	LUBRICATION FITTING	2		
20	R61156	STEERING ARM	1		R.H. (SUB FOR R49827)
	R61157	STEERING ARM	1		L.H. (SUB FOR R49828)
21	R20135	WASHER	2		
22	19H1890	CAP SCREW	2		5/8" X 2-3/4"

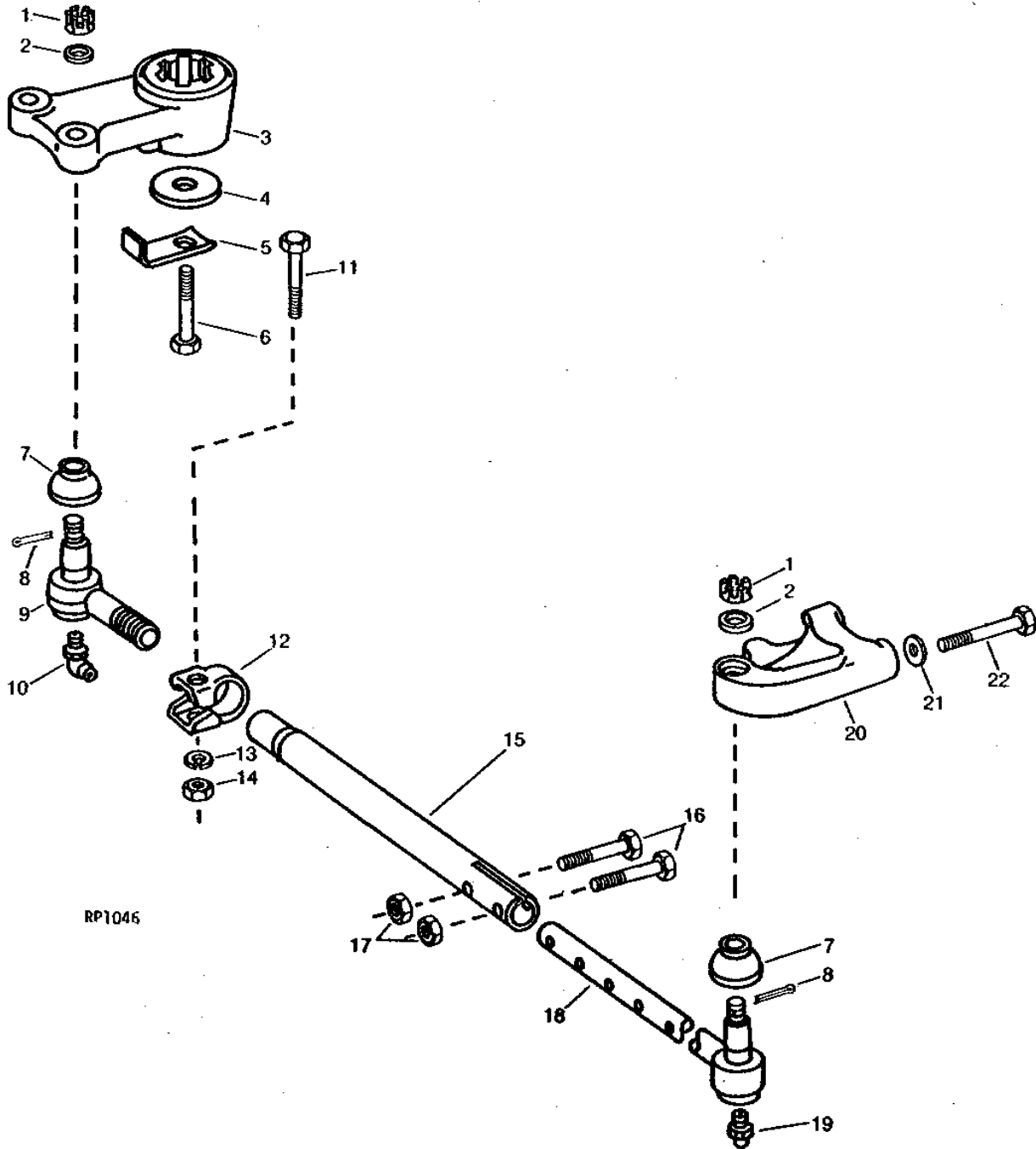
- (A) REGULAR ADJUSTABLE FRONT AXLE
- (B) NARROW ADJUSTABLE FRONT AXLE
- (C) WIDE ADJUSTABLE FRONT AXLE
- (D) HI-CROP

# 6B17

WHEELS, FRONT AXLES, SHEET METAL

## ADJUSTABLE FRONT AXLE TIE RODS (POWER FRONT WHEEL DRIVE)

RP1046 -UN-01JAN94



RP1046

# 6B18

WHEELS, FRONT AXLES, SHEET METAL

## ADJUSTABLE FRONT AXLE TIE RODS - CONTINUED (POWER FRONT WHEEL DRIVE)

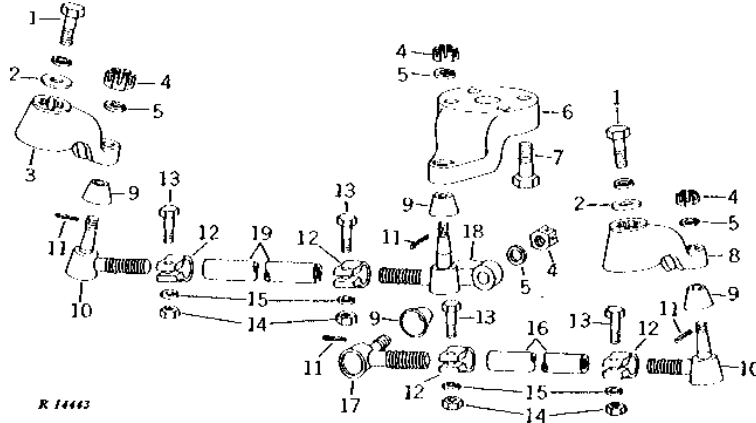
KEY	PART NO.	PART NAME	QTY	TRACTOR SERIAL NO.	REMARKS
1	14H918	NUT	4		5/8"
2	12H294	LOCK WASHER	4		5/8"
3	R52793	STEERING ARM	1		
4	R20136	WASHER	1		
5	R50075	LOCK PLATE	1		
6	19H1782	CAP SCREW	1		3/4" X 2-1/4"
7	R21101	COVER	4		
8	11M7015	COTTER PIN	8		3.200 X 25 MM
9	AR63590	TIE ROD END	2		
10	JD7781	LUBRICATION FITTING	2		(SUB JD7799)
11	19H1990	CAP SCREW	2		1/2" X 2-1/4"
12	M2301T	CLAMP	2		
13	12H301	LOCK WASHER	2		1/2"
14	14H1040	NUT	2		1/2"
15	R55075	TUBE	2		
16	19H1733	CAP SCREW	4		3/8" X 2-1/2"
17	E50102	LOCK NUT	4		
18	AR63587	TIE ROD END	2		
19	JD7759	LUBRICATION FITTING	2		(SUB JD7798)
20	R52266	ARM	1		R.H.
	R52267	ARM	1		L.H.
21	R1836R	WASHER	4		
22	19H2233	CAP SCREW	4		5/8" X 3-1/2"

# 6B19

WHEELS, FRONT AXLES, SHEET METAL

## FIXED TREAD FRONT AXLE STEERING ARMS AND TIE RODS (LOW PROFILE)

R14443 -UN-01JAN94



KEY	PART NO.	PART NAME	QTY	TRACTOR SERIAL NO.	REMARKS
1	19H1890	CAP SCREW	2	5/8" X 2-3/4"	
	12H236	LOCK WASHER	2	3/4"	
2	R20135	WASHER	2		
3	R47766	STEERING ARM	1		
4	14H918	NUT	4	5/8"	
5	12H294	LOCK WASHER	4	5/8"	
6	R31181	ARM	1		
7	19H2663	CAP SCREW	4	3/4" X 2-1/8"	
8	R47765	STEERING ARM	1		
9	R40589	COVER	4		
10	AR27430	TIE ROD END	2		
11	11M7015	COTTER PIN	4	3.200 X 25 MM	
12	R28023	CLAMP	4		
13	19H1802	CAP SCREW	4	7/16" X 1-7/8"	
14	14H1047	NUT	4	7/16"	
15	12H293	LOCK WASHER	4	7/16"	
16	R28114	TUBE	1		
17	AR27351	UNIVERSAL JOINT	1		
18	AR40592	TIE ROD END	1		
19	R28115	TUBE	1		

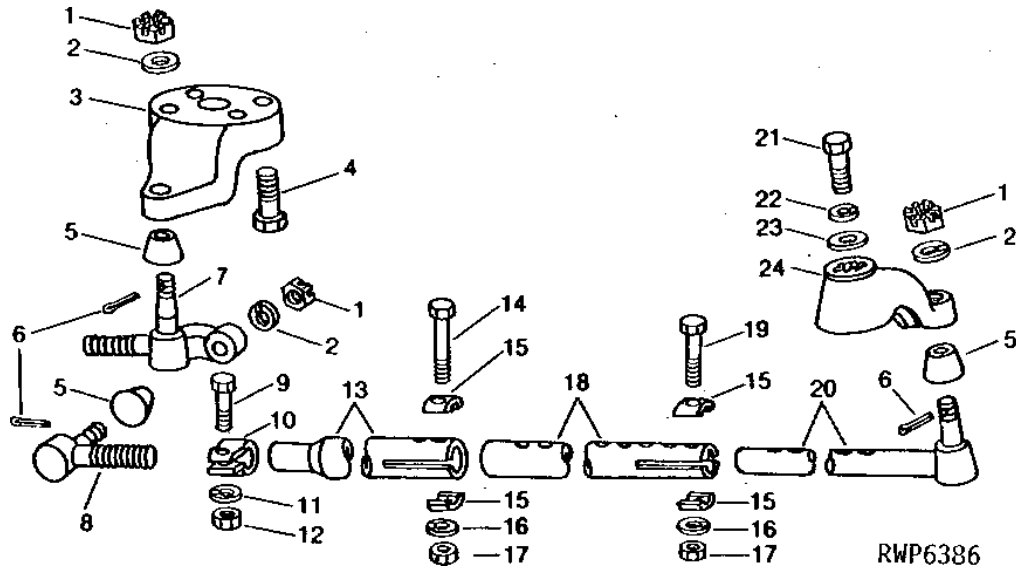


# 6B20

WHEELS, FRONT AXLES, SHEET METAL

## ADJUSTABLE FRONT AXLE STEERING ARMS AND TIE RODS (LOW PROFILE)

RWP6386 -UN-01JAN94



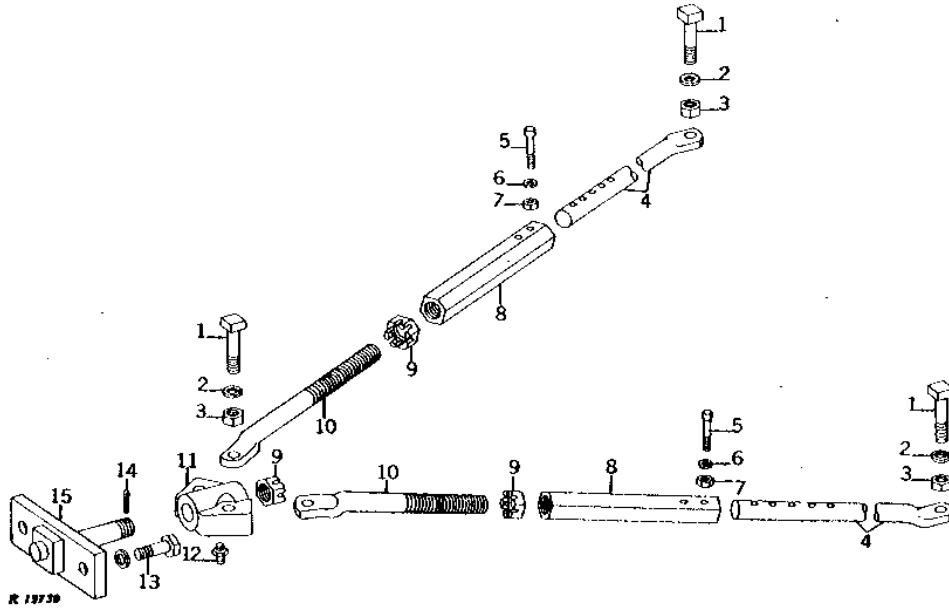
KEY	PART NO.	PART NAME	QTY	TRACTOR SERIAL NO.	REMARKS
1	14H918	NUT	4	5/8"	
2	12H294	LOCK WASHER	4	5/8"	
3	R31181	ARM	1		
4	19H2663	CAP SCREW	4	3/4" X 2-1/8"	
5	R40589	COVER	4		
6	11M7015	COTTER PIN	4	3.200 X 25 MM	
7	AR40592	TIE ROD END	1		
8	AR27351	UNIVERSAL JOINT	1		
9	19H1802	CAP SCREW	2	7/16" X 1-7/8"	
10	R28023	CLAMP	2		
11	12H293	LOCK WASHER	2	7/16"	
12	14H1047	NUT	2	7/16"	
13	R28021	TUBE	2		
14	19H3065	CAP SCREW	2	3/8" X 2"	
15	R28024	CLAMP	8	-XXXXXX	
16	12H304	LOCK WASHER	4	3/8"	
17	K40003	LOCK NUT	4		
18	R28022	TUBE	2		
19	19H3065	CAP SCREW	2	3/8" X 2"	
20	AR51584	TIE ROD END	2		
21	19H1890	CAP SCREW	2	5/8" X 2-3/4"	
22	12H236	LOCK WASHER	2	3/4"	
23	R20135	WASHER	2		
24	R47765	STEERING ARM	1	R.H.	
	R47766	STEERING ARM	1	L.H.	

# 6B21

WHEELS, FRONT AXLES, SHEET METAL

R19739 -UN-01JAN94

## RADIUS RODS (HI-CROP)



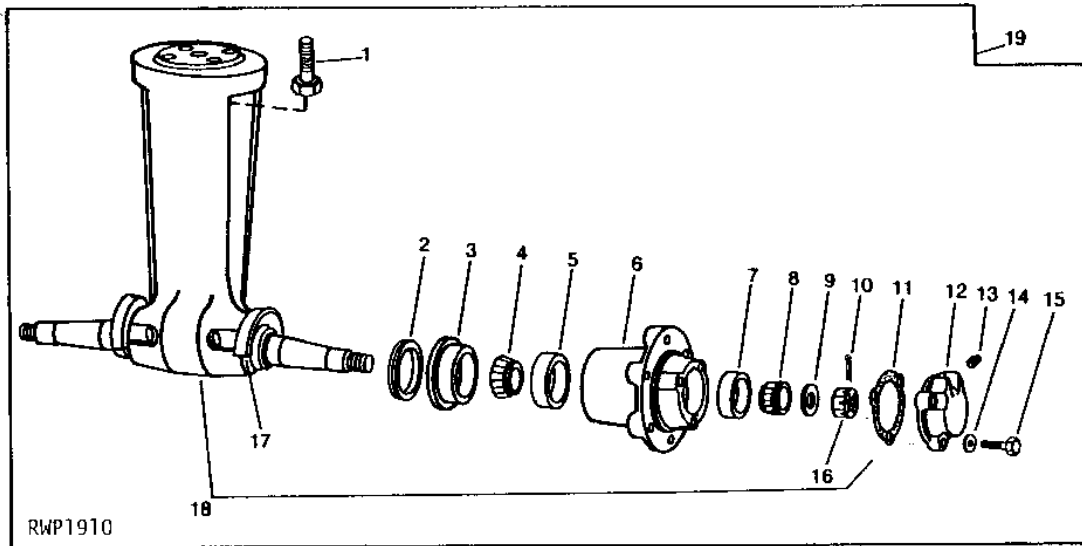
KEY	PART NO.	PART NAME	QTY	TRACTOR SERIAL NO.	REMARKS
1	19H2113	CAP SCREW	4		
2	12H236	LOCK WASHER	4		
3	14H794	NUT	4		
4	R51645	ROD	2		
5	F1008R	BOLT	4		
6	12H293	LOCK WASHER	4		
7	14H1047	NUT	4		
8	R58040	COUPLING	2		
9	F562R	NUT	3		
10	R38355	ROD	2		
11	F1012R	PIVOT	1		
12	JD7759	LUBRICATION FITTING	1		
13	19H1374	CAP SCREW	2		
	12H236	LOCK WASHER	2		
14	11M7032	COTTER PIN	1		
15	AR27904	BRACKET	1		

# 6B22

WHEELS, FRONT AXLES, SHEET METAL

## SPINDLE EXTENSION AND HUBS (DOUBLE FRONT WHEEL)

RWP1910 -UN-06OCT94



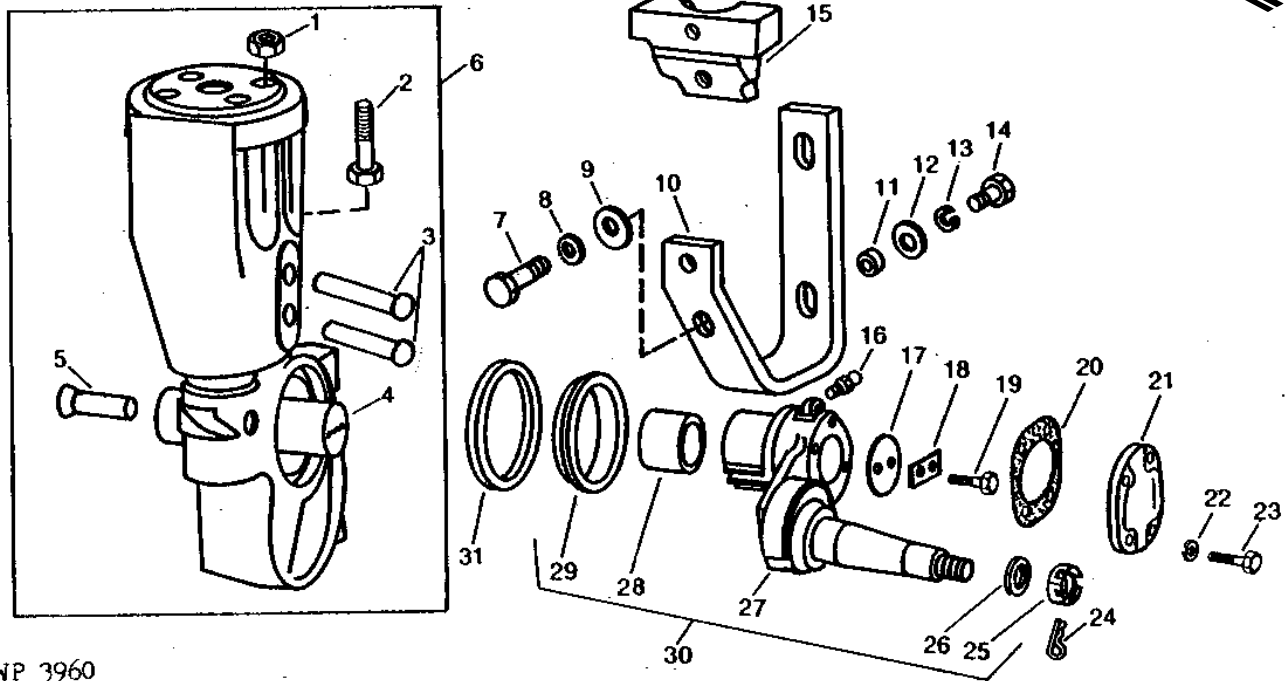
KEY	PART NO.	PART NAME	QTY	TRACTOR SERIAL NO.	REMARKS
1	19H2663	CAP SCREW	4	3/4" X 2-1/8"	
2	AR26480	SEAL	2		
3	R26632	BUSHING	2		
4	JD8913	BEARING CONE	2		
5	JD7445	BEARING CUP	2		
6	R48763	HUB	2		
7	JD8251	BEARING CUP	2		
8	JD8929	BEARING CONE	2		
9	R28575	WASHER	2	(SUB FOR A5146R)	
10	11M7030	COTTER PIN	2	5 X 40 MM	
11	A1556R	GASKET	2		
12	A1555R	CAP	2		
13	15H638	PIPE PLUG	2	1/8"	
14	24H1136	WASHER	6	11/32" X 11/16" X 0.065"	
15	19H2915	CAP SCREW	6	5/16" X 1-1/4"	
16	14H920	NUT	2	1"	
17	R20255	DUST SHIELD	2		
18	AR26823	EXTENSION	1	(MARKED R26860)	
19	AR27054	KNUCKLE	1		

# 6B23

WHEELS, FRONT AXLES, SHEET METAL

RWP3960 -UN-01JAN94

ROLL-O-MATIC



RWP 3960

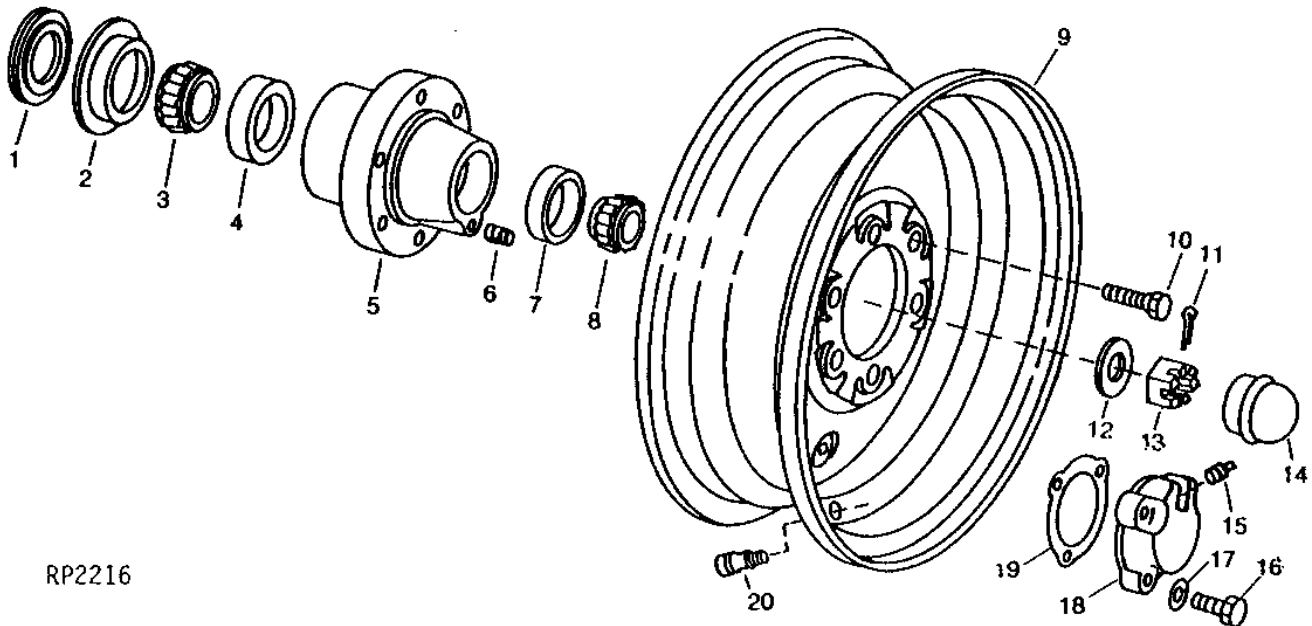
KEY	PART NO.	PART NAME	QTY	TRACTOR SERIAL NO.	REMARKS
1	14H794	NUT	4	3/4"	
2	19H2663	CAP SCREW	4	3/4" X 2-1/8"	
3	17H760	RIVET	2	5/8" X 5", (NO LONGER AVAILABLE)	
4	R20253	DOWEL PIN	1		
5	17H716	RIVET	1	5/8" X 4", (NO LONGER AVAILABLE)	
6	AR28249	EXTENSION	1	(MARKED R28002)	
7	19H1708	CAP SCREW	2	5/8" X 1-3/4"	
8	12H294	LOCK WASHER	2	5/8"	
9	24H1106	WASHER	2	11/16" X 1-3/4" X 0.134"	
10	A4118R	SUPPORT	1		
11	A4119R	SPACER	2		
12	24H1211	WASHER	2	9/16" X 1-3/8" X 0.105"	
13	12H301	LOCK WASHER	2	1/2"	
14	19H2473	CAP SCREW	2	1/2" X 1-3/4"	
15	A4117R	LOCK	1		
16	JD7778	LUBRICATION FITTING	2		
17	R20260	WASHER	2		
18	R20261	PLATE	2		
19	19H1822	CAP SCREW	4	7/16" X 1"	
20	R30392	GASKET	2		
21	R30391	CAP	2		
22	12H304	LOCK WASHER	8	3/8"	
23	19H1732	CAP SCREW	8	3/8" X 1-1/4"	
24	11M7030	COTTER PIN	2	5 X 40 MM	
25	14H920	NUT	2	1"	
26	R28575	WASHER	2	(SUB FOR A5146R)	
27	R20255	DUST SHIELD	2		
28	R20942	BUSHING	4		
29	R20256	RETAINER	2		
30	AR27314	KNUCKLE	1	R.H. (MARKED R30387)	
	AR27315	KNUCKLE	1	L.H. (MARKED R30388)	
31	R20259	BUSHING	2		

# 6B24

WHEELS, FRONT AXLES, SHEET METAL

RP2216 -UN-01JAN94

## FRONT WHEELS



RP2216

KEY	PART NO.	PART NAME	QTY	TRACTOR SERIAL NO.	REMARKS
1	AR26480	SEAL	1		
2	R26632	BUSHING	1		
3	JD8913	BEARING CONE	1		(USE WITH R48763 OR R52287)
	JD8969	BEARING CONE	1		(USE WITH R49839 OR R49841)
4	JD7445	BEARING CUP	1		(USE WITH R48763 OR R52287)
	JD7418	BEARING CUP	1		(USE WITH R49839 OR R49841)
5	R48763	HUB	1		(A) (USE WITH DOUBLE KNUCKLE)
	R49839	HUB	1		(A) (USE WITH ADJUSTABLE TREAD FRONT AXLE)
	R49841	HUB	1		(B) (USE WITH ADJUSTABLE TREAD FRONT AXLE)
	R52287	HUB	1		(A) (SUB R49839, JD7418 AND R50992) (LOW PROFILE)
6	15H638	PIPE PLUG	1		1/8", (SUB JD7798)
7	JD8251	BEARING CUP	1		
8	JD8929	BEARING CONE	1		
9	JD1091	WHEEL	1		(A) (7.5L-15, 6-PR OR 7.50-15, 8-PR TIRE)
	JD3229	WHEEL	1		(A) (9.5L-15, 6-PR TIRE)
	JD3219	RIM	1		(A) (11.00L-15, 6-PR TIRE)
	JD1299	WHEEL	1		(A) (6.00-16, 6-PR TIRE)
	JD3039	WHEEL	1		(A) (7.50-16, 6-PR TIRE)
	JD3210	WHEEL	1		(A) (10.00-16, 6-PR TIRE)
	JD3211	WHEEL	1		(A) (7.50-18, 6-PR TIRE)
	RE17051	WHEEL	1		(B) (7.50-16 TIRE) (USE WITH R49841)
	JD3228	WHEEL	1		(B) (7.50-20, 6-PR TIRE) (HI-CROP)
10	JD16	WHEEL BOLT	AR		(6 USED WITH R48763 OR R49839) (8 USED WITH R49841)
11	11M7030	COTTER PIN	1		5 X 40 MM
12	R28575	WASHER	1		(SUB FOR A5146R)
13	14H920	NUT	1		1"
14	R50992	CAP	1		(USE WITH R49839 OR R49841)
15	15H638	PIPE PLUG	1		1/8"
16	19H2915	CAP SCREW	3		5/16" X 1-1/4"
17	24H1136	WASHER	3		11/32" X 11/16" X 0.065"
18	A1555R	CAP	1		(USE WITH R48763 OR R52287)
19	A1556R	GASKET	1		(USE WITH R48763 OR R52287)
20	AM30347	TIRE VALVE STEM	1		(SUB FOR AR55282) (USE WITH TUBELESS TIRES)

(A) 6-BOLT

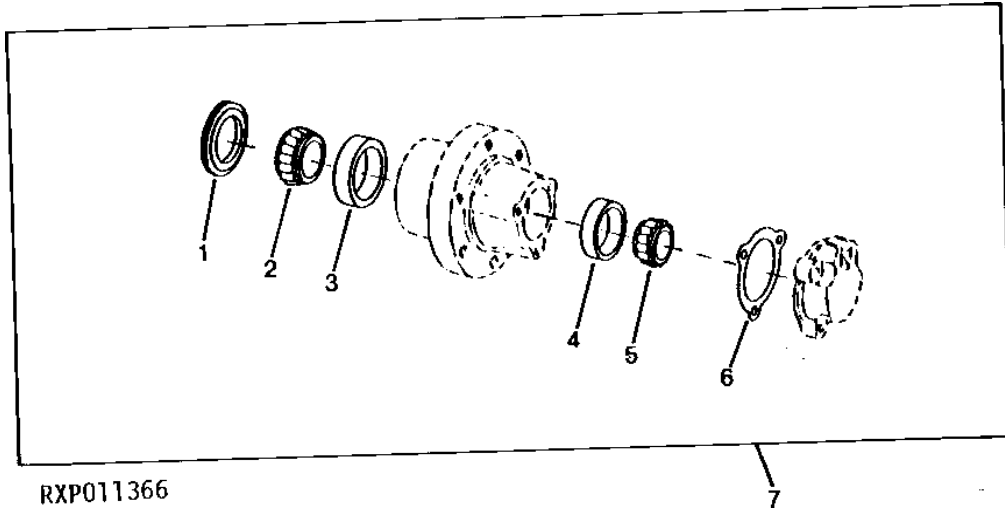
(B) 8-BOLT

# 6B25

WHEELS, FRONT AXLES, SHEET METAL

RXP011366 -UN-12OCT94

## FRONT WHEEL BEARING KIT



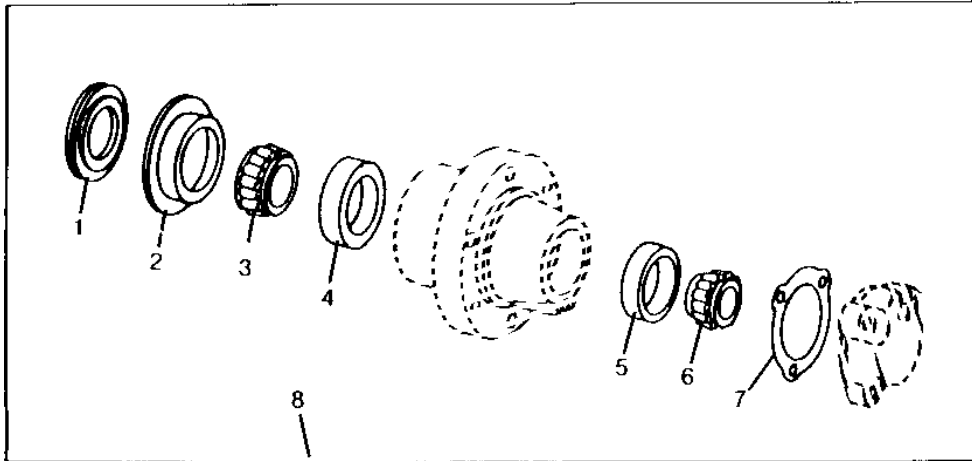
KEY	PART NO.	PART NAME	QTY	TRACTOR SERIAL NO.	REMARKS
1	AR26480	SEAL	1		
2	JD8913	BEARING CONE	1		
3	JD7445	BEARING CUP	1		
4	JD8251	BEARING CUP	1		
5	JD8929	BEARING CONE	1		
6	A1556R	GASKET	1		
7	RE54814	BEARING KIT	1	(USE WITH T21545)	

# 6C1

WHEELS, FRONT AXLES, SHEET METAL

**FRONT WHEEL BEARING KIT  
(HEAVY-DUTY)  
(TRACTOR SERIAL NO. 187301)**

RXP9983 -UN-18JUL95



RXP9983

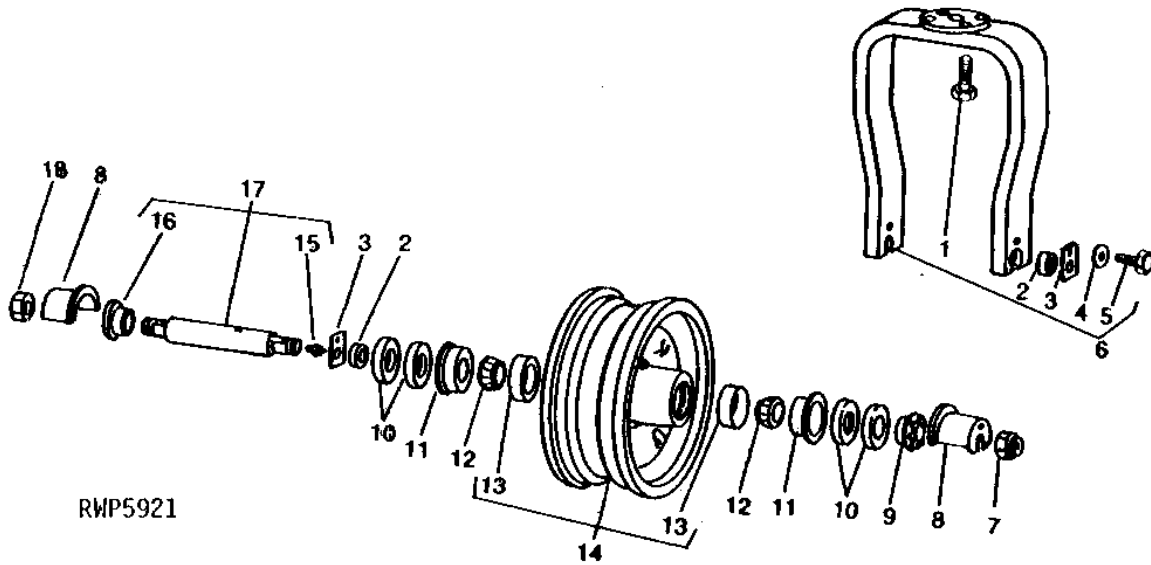
KEY	PART NO.	PART NAME	QTY	TRACTOR SERIAL NO.	REMARKS
1	AR26480	SEAL	1		
2	R26632	BUSHING	1		
3	JD8969	BEARING CONE	1		
4	JD7418	BEARING CUP	1		
5	JD8251	BEARING CUP	1		
6	JD8929	BEARING CONE	1		
7	A1556R	GASKET	1		
8	RE54819	BEARING KIT	1	(USE WITH R49839)	

# 6C2

WHEELS, FRONT AXLES, SHEET METAL

RWP5921 -UN-01JAN94

## SINGLE FRONT WHEEL



KEY	PART NO.	PART NAME	QTY	TRACTOR SERIAL NO.	REMARKS
1	19H2663	CAP SCREW	4	3/4" X 2-1/8"	
2	F3127R	SPACER	2	(A)	
	R20656	SPACER	2	(B) (NLA)	
3	F3126R	PLATE	2	(A)	
	R20648	STRAP	2	(B)	
4	12H304	LOCK WASHER	1	3/8"	
5	H772R	SET SCREW	1		
6	AR28242	YOKE	1	(A)	
	AR28243	YOKE	1	(B)	
7	B551R	NUT	1	(A)	
	14H1019	NUT	1	(B)	1-1/4", (NO LONGER AVAILABLE)
8	H773R	DUST SHIELD	2	(A)	
	R20655	DUST SHIELD	2	(B)	
9	B548R	NUT	1	(A)	
	R20653	NUT	1	(B)	
10	B90R	WASHER	4	(A)	
	R3R	WASHER	4	(B)	
11	B89R	RETAINER	2	(A)	
	R2R	RETAINER	2	(B)	
12	JD7222	BEARING CONE	2	(A)	
	JD8913	BEARING CONE	2	(B)	
13	JD7266	BEARING CUP	2	(A)	
	JD7445	BEARING CUP	2	(B)	
14	AB3686R	WHEEL	1	(A) (MARKED B2681R) (NLA)	
	R31225	HUB	1	(B)	
	R31226	RIM	1	(B)	
	19H1824	CAP SCREW	4	(B) 5/8" X 2-1/4"	
	12H294	LOCK WASHER	4	(B) 5/8"	
	14H800	NUT	4	(B) 5/8"	
15	JD7759	LUBRICATION FITTING	1		
16	B2683R	BUSHING	1	(A)	
	R20654	SPACER	1	(B)	
17	AB4259R	AXLE	1	(A)	
	AR20750	FRONT AXLE	1	(B) (NLA)	
18	14H876	NUT	1	(A) 1"	
	14H975	NUT	1	(B) 1-1/4"	

(A) 7.50-16 TIRE  
(B) 11.00-12 TIRE

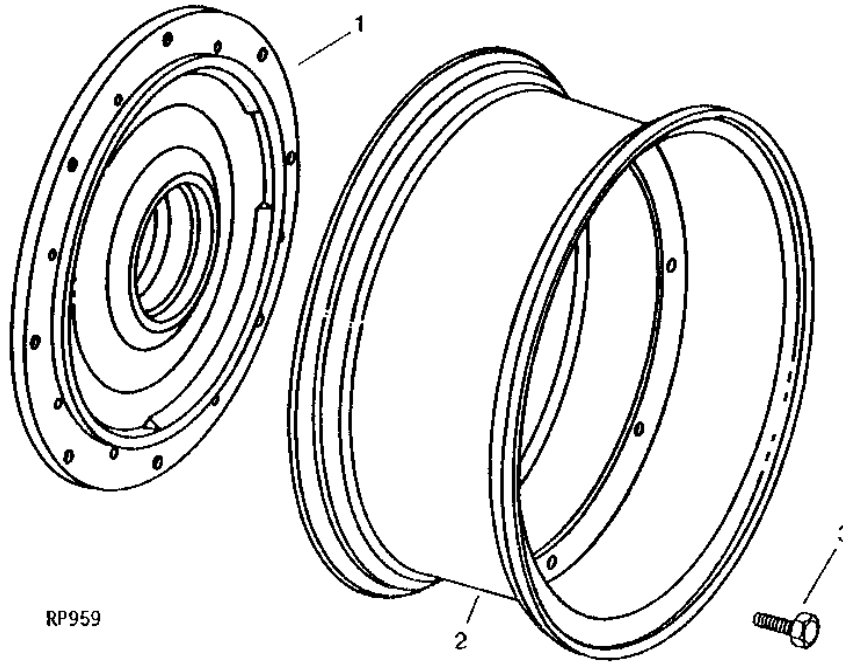


# 6C3

WHEELS, FRONT AXLES, SHEET METAL

RP959 -UN-01JAN94

FRONT WHEEL  
(POWER FRONT WHEEL DRIVE)



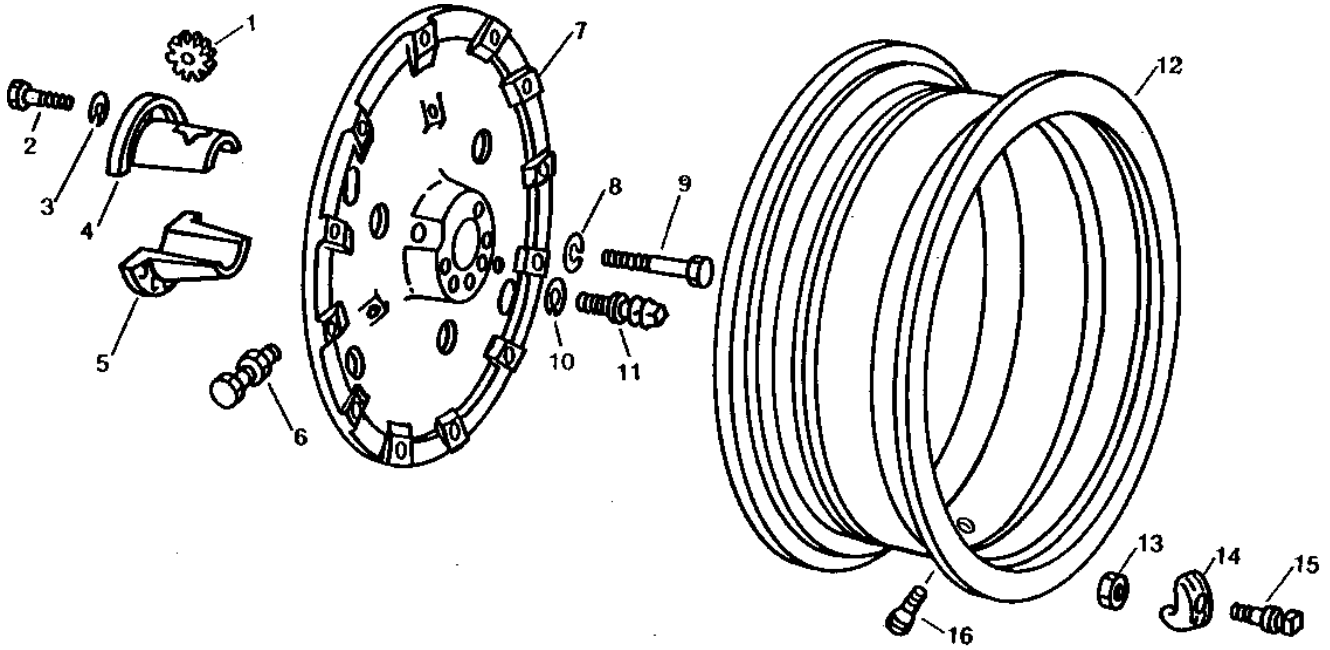
KEY	PART NO.	PART NAME	QTY	TRACTOR SERIAL NO.	REMARKS
1	R41958	HUB	1		
2	RE19433	RIM	1		(12.4-24 TIRE) (SUB FOR AR45318)
3	JD17	WHEEL BOLT	8		

# 6C4

WHEELS, FRONT AXLES, SHEET METAL

RWP3881 -UN-01JAN94

REAR WHEELS



RWP3881

# 6C5

WHEELS, FRONT AXLES, SHEET METAL

## REAR WHEELS - CONTINUED

KEY	PART NO.	PART NAME	QTY	TRACTOR SERIAL NO.	REMARKS
1	A4379R	PINION	1		
	R47368	PINION	1	(A)	
2	19H2600	CAP SCREW	3	3/4" X 2-5/8"	
3	12H236	LOCK WASHER	3	3/4"	
4	R33531	HALF SLEEVE	1	(SUB R93955)	
	R33533	HALF SLEEVE	1	(A)	
5	R33532	HALF SLEEVE	1		
	R33534	SLEEVE	1	(A)	
6	A4380R	PINION SHAFT	1		
7	R34680	WHEEL	1	(23.1-30 TIRE)	
	R48955	WHEEL	1	(16.9-34, 18.4-34 OR 20.8-34 TIRE)	
	R52160	WHEEL	1	(SPECIAL OFFSET) (16.9-34, 18.4-34 OR 20.8-24 TIRE)	
	R48954	WHEEL	1	(13.6-38, 15.5-38, 16.9-38 OR 18.4-38 TIRE)	
	R33450	DISK	1	(SUB R70309) (SPECIAL OFFSET) (15.5-38, 16.9-38 OR 18.4-38 TIRE)	
	R32000	WHEEL	1	(A) (18.4-26 TIRE)	
	R32230	WHEEL	1	(A) (18.4-30 TIRE)	
	R33460	WHEEL	1	(23.1-26 TIRE)	
8	12H245	LOCK WASHER	3	7/8"	
9	08H4419	CAP SCREW	3	7/8" X 6-1/2"	
	19H2310	CAP SCREW	3	(A) 7/8" X 6", (SUB FOR R34828)	
10	A4883R	RING	2		
11	R33706	SCREW	2	(SUB R58303)	
	R39758	SCREW	2	(A)	
12	R34659	RIM	1	(23.1-30 TIRE)	
	R31592	RIM	1	(16.9-34 TIRE)	
	R31943	RIM	1	(18.4-34 TIRE)	
	R48146	RIM	1	(20.8-34 TIRE)	
	R31490	RIM	1	(13.6-38 TIRE)	
	R31491	RIM	1	(15.5-38 TIRE)	
	R41846	RIM	1	(16.9-38 TIRE)	
	R41012	WHEEL	1	(18.4-38 TIRE) (SUB R80306)	
	R31993	RIM	1	(A) (18.4-26 TIRE)	
	R32232	RIM	1	(A) (18.4-30 TIRE) (NLA)	
	AP22529	RIM	1	(23.1-26 TIRE)	
13	14H800	NUT	AR	5/8", (8 USED WITH R34680) (9 USED WITH R32000 AND R33460) (10 USED WITH R32230) (12 USED WITH R33450, R48954, R48955 AND R52160)	
14	B634R	CLAMP	AR	(8 USED WITH R34680) (9 USED WITH R33460) (9 USED WITH R32000) (10 USED WITH R32230) (12 USED WITH R33450, R48954, R48955 AND R52160)	
	A4388R	CLAMP	AR	(8 USED WITH R34680) (9 USED WITH R33460) (SUB R34801)	
15	A4064R	BOLT	AR	5/8" X 4" HS, SAE 8, (SUB FOR A4389R) (9 USED WITH R32000) (10 USED WITH R32230) (12 USED WITH R33450, R48954, R48955 AND R52160)	
	08H4694	BOLT	AR	(USE WITH TUBELESS TIRE) (HOLE DIA. .812") (USE WITH TUBELESS TIRE) (HOLE DIA. .625") (SECOND HOLE IN RIM)	
16	AT67275	TIRE VALVE STEM	1		
	AT25226	STEM	1		
	R55151	PLUG	1		

(A) LOW PROFILE

---

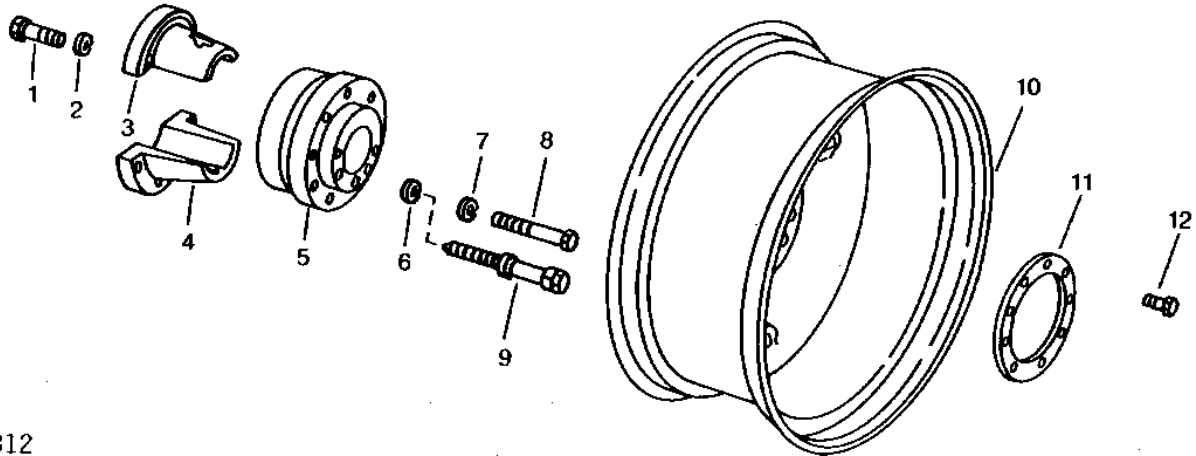
MEMORANDA

# 6C6

WHEELS, FRONT AXLES, SHEET METAL

RWP6312 -UN-01JAN94

## DUAL REAR WHEELS



RWP6312

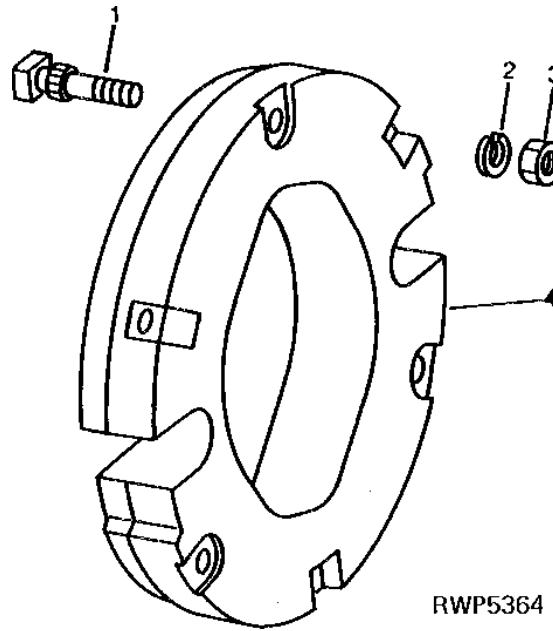
KEY	PART NO.	PART NAME	QTY	TRACTOR SERIAL NO.	REMARKS
1	19H2600	CAP SCREW	3		3/4" X 2-5/8"
2	12H236	LOCK WASHER	3		3/4"
3	R33533	HALF SLEEVE	1		
	A4384R	HALF SLEEVE	1		(USE WITH AR50065)
4	R33534	SLEEVE	1		
	R32224	HALF SLEEVE	1		(USE WITH AR50065)
5	R28490	HUB	1		
6	A4883R	RING	2		
7	12H245	LOCK WASHER	3		7/8"
8	19H2310	CAP SCREW	3		(SUB FOR R34828)
9	R39758	SCREW	2		
10	JD3019	WHEEL	1		(13.6-38 TIRE)
	JD3222	WHEEL	1		(15.5-38 TIRE)
	JD3223	WHEEL	1		(16.9-38 TIRE)
	JD3224	WHEEL	1		(18.4-34 TIRE)
	JD3225	WHEEL	1		(18.4-38 TIRE)
	JD3226	WHEEL	1		(20.8-34 TIRE)
	AR50065	WHEEL	1		(16.9-34 TIRE)
11	R54983	WHEEL RING	1		(USE WITH JD3223, JD3224, JD3225 AND JD3226)
12	JD27	SCREW	9		(USE WITH JD3019, JD3222 AND AR50065)
	19H2672	CAP SCREW	9		5/8" X 2" HS, SAE 8, (USE WITH JD3223, JD3224, JD3225 AND JD3226)

# 6C7

WHEELS, FRONT AXLES, SHEET METAL

**REAR WHEEL WEIGHTS**  
**(30", 34" AND 38" CAST DISK WHEELS)**  
**(FIRST AND ADDITIONAL WEIGHTS TO WHEEL)**

RWP5364 -UN-01JAN94



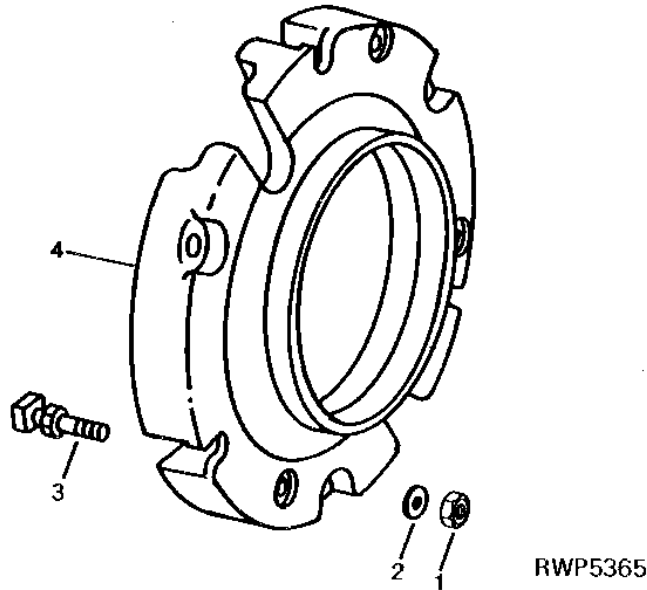
KEY	PART NO.	PART NAME	QTY	TRACTOR SERIAL NO.	REMARKS
1	R34801	BOLT	3		5/8" X 3"
	R81272	BOLT	3		5/8" X 5-1/4", (SUB FOR R48956 OR R67235) (USE WITH R48954 OR R48955)
2	12H294	LOCK WASHER	3		5/8"
3	14H1039	NUT	3		5/8"
4	R61524	WEIGHT	2		64KG (140 LBS) (34" AND 38" WHEELS)
	R61727	WEIGHT	2		54KG (120 LBS) (30" WHEEL)

# 6C8

WHEELS, FRONT AXLES, SHEET METAL

## REAR WHEEL WEIGHTS (FOR 34" AND 38" CAST DISK WHEELS)

RWP5365 -UN-01JAN94



RWP5365

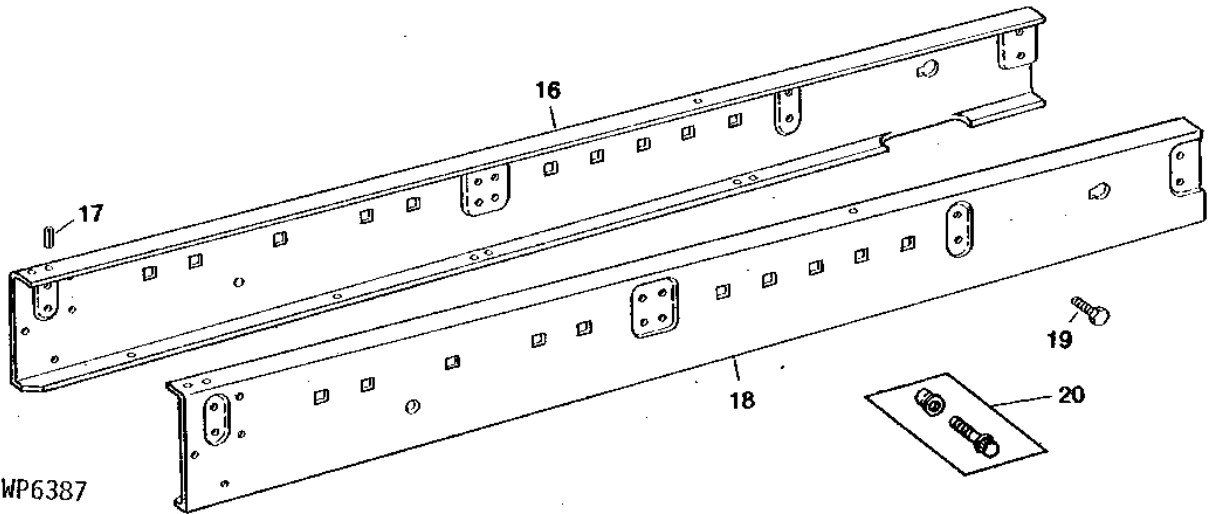
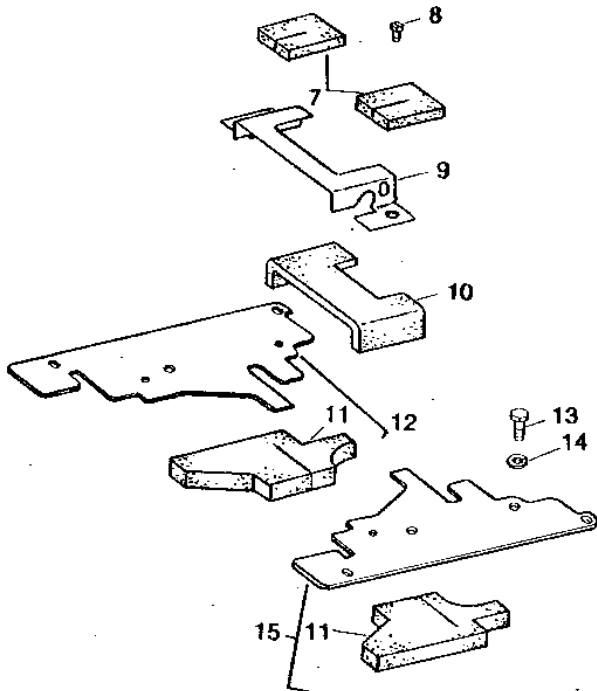
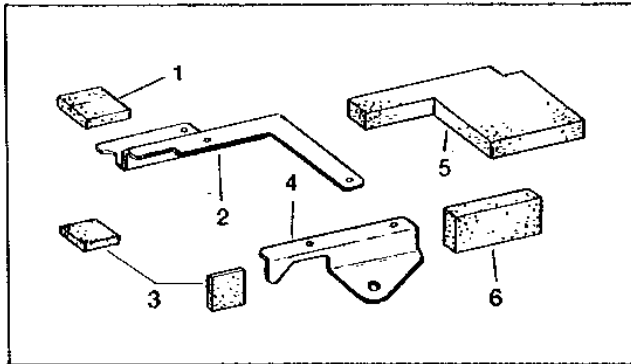
KEY	PART NO.	PART NAME	QTY	TRACTOR SERIAL NO.	REMARKS
1	R34801	BOLT	3		5/8" X 3"
2	12H294	LOCK WASHER	3		5/8"
3	14H1039	NUT	3		5/8"
4	T21689	WEIGHT	1		54KG (120 LBS) (FIRST AND ADDITIONAL WEIGHTS TO WHEEL)

# 6C9

WHEELS, FRONT AXLES, SHEET METAL

RWP6387 -UN-01JAN94

## SIDE FRAME AND FRAME PLATES



RWP6387



# 6C10

WHEELS, FRONT AXLES, SHEET METAL

## SIDE FRAME AND FRAME PLATES - CONTINUED

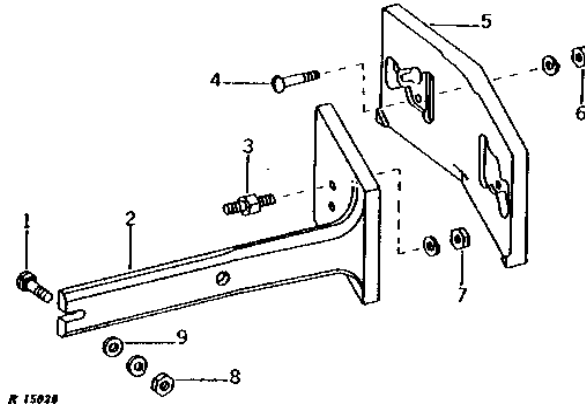
KEY	PART NO.	PART NAME	QTY	TRACTOR SERIAL NO.	REMARKS
1	R52784	FOAM PAD	1	-015214	
2	AR58201	PLATE	1	-015214	
3	R52781	ISOLATOR	2	-015214	(NO LONGER AVAILABLE)
4	AR58200	PLATE	1	-015214	
5	R52782	ISOLATOR	1	-015214	
6	.....	FOAM PAD	1	-015214	51 X 64 X 152MM (2" X 2-1/2" X 6") (MAKE FROM R44791)
7	R55671	ISOLATOR	2	015215-	
8	37H54	SCREW	2		5/16" X 3/8", (SUB FOR R52930, THIS APPLICATION) (NO LONGER AVAILABLE)
9	AR65077	PLATE	1	015215-	(INCLUDES R55671 AND R55669)
10	R55669	FOAM PAD	1	015215-	
11	R55094	FOAM PAD	2	015215-	
12	R52726	PLATE	1	-015214	
	AR64571	PLATE	1	015215-	
13	19H1936	CAP SCREW	4		3/8" X 3/4"
14	12H304	LOCK WASHER	4		3/8"
15	R52726	PLATE	1	-015214	
	AR64572	PLATE	1	015215-	
16	R67034	FRAME	1		(SUB FOR R52689)
17	34H313	SPRING PIN	4		1/4" X 1-1/8"
18	R67033	FRAME	1		(SUB FOR R52688)
19	R31505	BOLT	20		
20	RE13945	KIT	12		RECLAIM HARDWARE

# 6C11

WHEELS, FRONT AXLES, SHEET METAL

R15028 -UN-01JAN94

## FRAME SIDE AND FRONT WEIGHTS



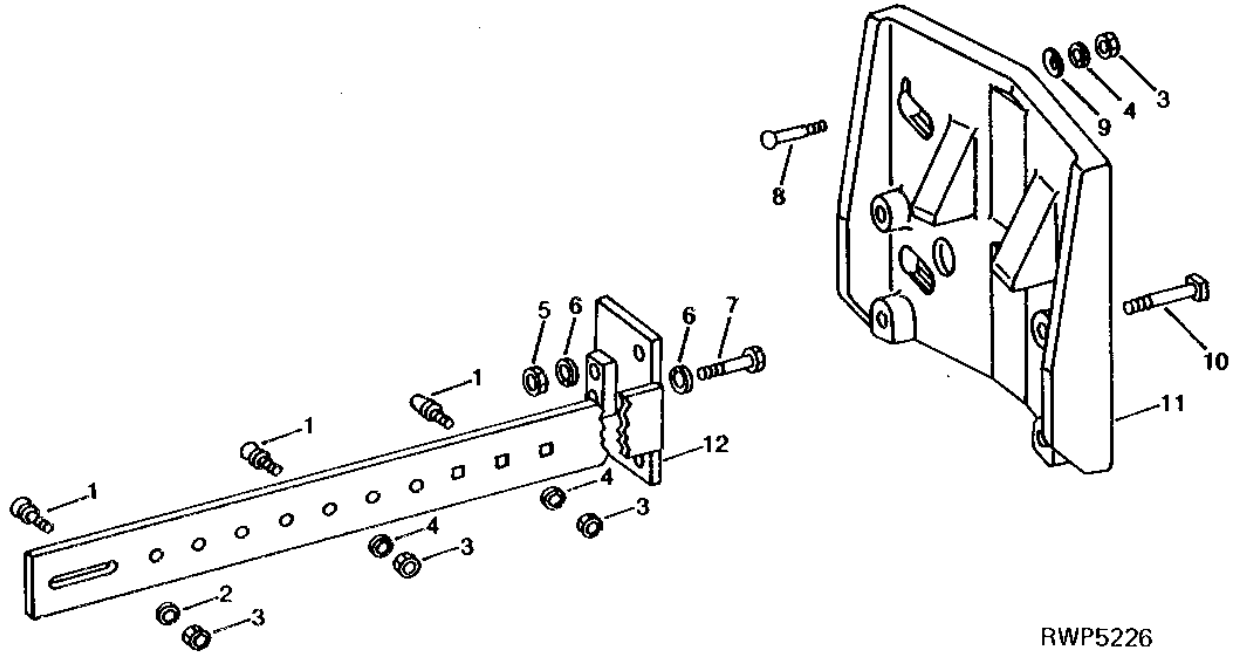
KEY	PART NO.	PART NAME	QTY	TRACTOR SERIAL NO.	REMARKS
1	03H1857	BOLT	2	5/8" X 2-3/4"	
2	R54144	WEIGHT	2	(NO LONGER AVAILABLE)	
3	R27645	STUD	2		
4	03H1857	BOLT	2	5/8" X 2-3/4"	
5	R27643	WEIGHT	1		
6	14H800	NUT	2	5/8"	
	12H294	LOCK WASHER	2	5/8"	
7	14H794	NUT	2	3/4"	
	12H236	LOCK WASHER	2	3/4"	
8	14H800	NUT	2	5/8"	
	12H294	LOCK WASHER	2	5/8"	
9	F2783R	WASHER	2		

# 6C12

WHEELS, FRONT AXLES, SHEET METAL

RWP5226 -UN-01JAN94

DOUBLE FRONT WEIGHT



RWP5226

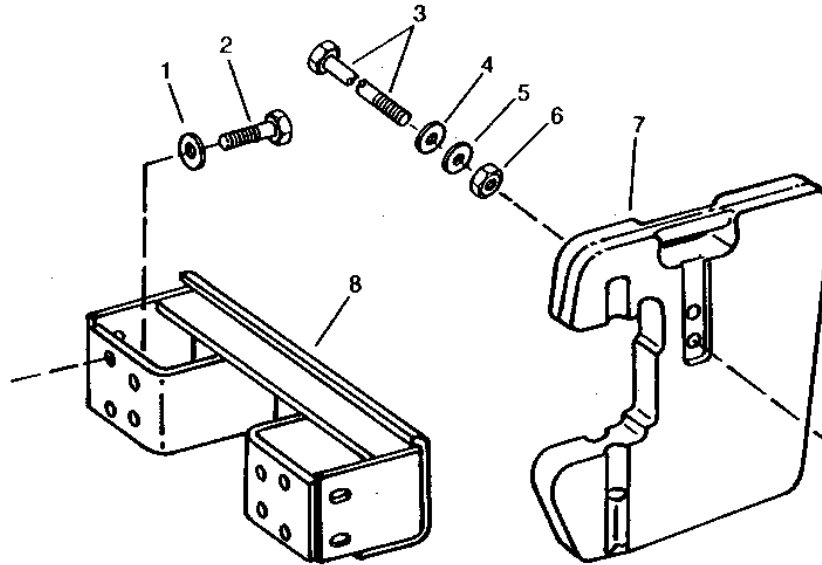
KEY	PART NO.	PART NAME	QTY	TRACTOR SERIAL NO.	REMARKS
1	03H1399	BOLT	6	5/8" X 1-3/4"	
2	24H1367	WASHER	2	21/32" X 1-1/4" X 1/4"	
3	14H1039	NUT	10	5/8"	
4	12H294	LOCK WASHER	8	5/8"	
5	14H794	NUT	4	3/4"	
6	12H236	LOCK WASHER	6	3/4"	
7	19H2725	CAP SCREW	2	3/4" X 3-3/4"	
8	03H1858	BOLT	4	5/8" X 3-1/2"	
9	R44890	NUT	4		
10	08H4222	BOLT	4	3/4" X 3-3/4"	
11	R44350	WEIGHT	1	(NO LONGER AVAILABLE)	
12	AR58357	SUPPORT	2	(NO LONGER AVAILABLE)	

# 6C13

WHEELS, FRONT AXLES, SHEET METAL

## FRONT WEIGHTS (TWO, FOUR OR SIX QUIK-TATCH WEIGHTS)

RWP5971 -UN-01JAN94



RWP5971

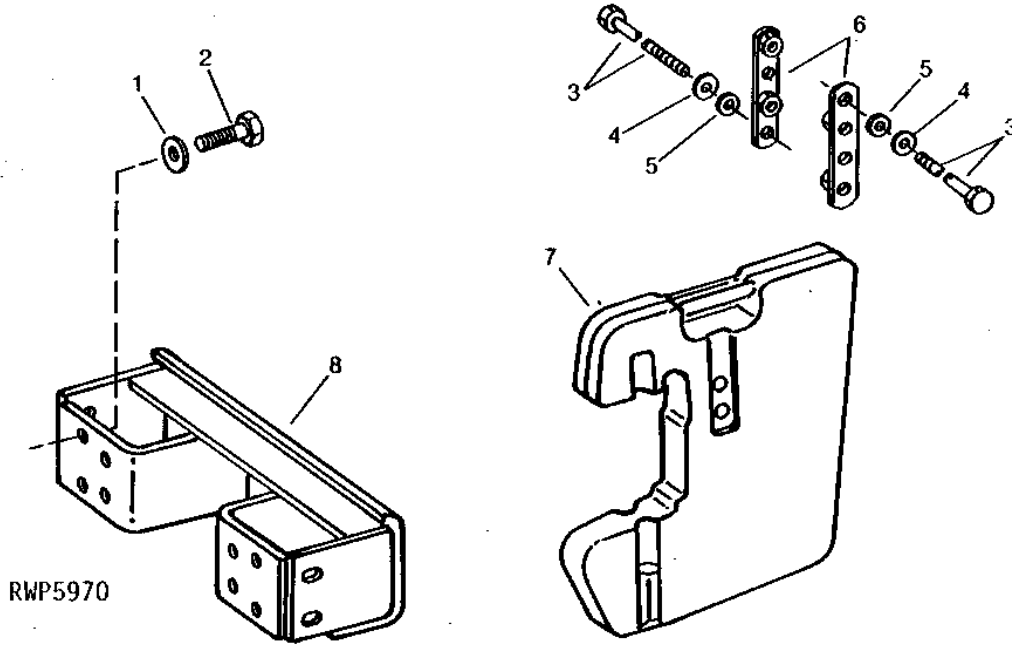
KEY	PART NO.	PART NAME	QTY	TRACTOR SERIAL NO.	REMARKS
1	12H236	LOCK WASHER	4	-XXXXXX	
	R54124	WASHER	4	XXXXXX-	
2	08H4304	CAP SCREW	4	-XXXXXX	3/4" X 6-1/2"
3	19H3158	CAP SCREW	4	XXXXXX-	3/4" X 2"
	19H1926	CAP SCREW	1		5/8" X 4-3/4", (2 QUIK-TATCH WEIGHTS)
	08H4260	CAP SCREW	1		5/8" X 9", (4 QUIK-TATCH WEIGHTS)
	R51681	CAP SCREW	1		5/8" X 13-3/8", (6 QUIK-TATCH WEIGHTS)
4	24H1139	WASHER	1		11/16" X 1-1/4" X 0.105"
5	24M7241	WASHER	1		17 X 34 X 4 MM
6	14H1039	NUT	1		5/8"
7	R51680	WEIGHT	1		
8	R53614	SUPPORT	1	-XXXXXX	(SUB AR112182, (4) R54124 AND (4) 19H3158)
	AR112182	SUPPORT	1	XXXXXX-	(SUB FOR AR72132)

# 6C14

WHEELS, FRONT AXLES, SHEET METAL

## QUIK-TATCH FRONT WEIGHTS (EIGHT OR TEN QUIK-TATCH WEIGHTS)

RWP5970 -UN-01JAN94



KEY	PART NO.	PART NAME	QTY	TRACTOR SERIAL NO.	REMARKS
1	12H236	LOCK WASHER	4	-XXXXXX	3/4"
	R54124	WASHER	4	XXXXXX-	
2	08H4304	CAP SCREW	4	-XXXXXX	3/4" X 6-1/2"
	19H3158	CAP SCREW	4	XXXXXX-	3/4" X 2"
3	R51681	CAP SCREW	2		5/8" X 13-3/8"
4	24H1139	WASHER	2		11/16" X 1-1/4" X 0.105"
5	24M7241	WASHER	2		17 X 34 X 4 MM
6	AR68801	RETAINER	2		
7	R51680	WEIGHT	AR		45 KG (99 LBS)
8	R53614	SUPPORT	1	-XXXXXX	(SUB AR112182, (4) R54124 AND (4) 19H3158)
	AR112182	SUPPORT	1	XXXXXX-	(SUB FOR AR72132)

---

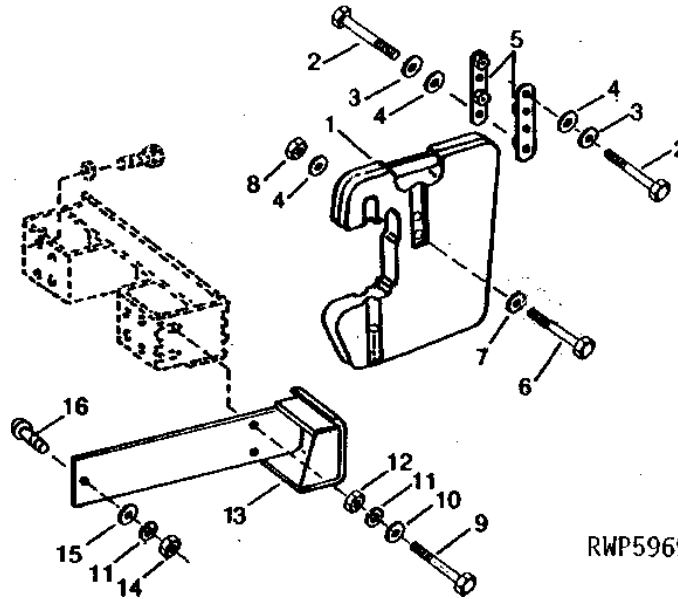
MEMORANDA

# 6C15

WHEELS, FRONT AXLES, SHEET METAL

RWP5969 -UN-01JAN94

## ADDITIONAL QUIK-TATCH FRONT WEIGHTS



RWP5969

KEY	PART NO.	PART NAME	QTY	TRACTOR SERIAL NO.	REMARKS
1	R51680	WEIGHT	1		45 KG (99 LBS)
2	R51681	CAP SCREW	2		5/8" X 13-3/8", (8 OR 10 QUIK-TATCH WEIGHTS)
	R59761	CAP SCREW	2		5/8" X 17-1/2", (14 QUIK-TATCH WEIGHTS)
3	24H1139	WASHER	2		11/16" X 1-1/4" X 0.105"
4	24M7241	WASHER	3		17 X 34 X 4 MM
5	AR68801	RETAINER	2		
6	19H1926	CAP SCREW	1		5/8" X 4-3/4", (2 QUIK-TATCH WEIGHTS)
	08H4260	CAP SCREW	1		5/8" X 9", (4 QUIK-TATCH WEIGHTS)
	R51681	CAP SCREW	1		(6 QUIK-TATCH WEIGHTS)
7	24H1139	WASHER	1		11/16" X 1-1/4" X 0.105"
8	14H1039	NUT	1		5/8"
9	19H2706	CAP SCREW	4		5/8" X 2", HS, SAE 8
10	R70268	WASHER	4		(SUB FOR R42363)
11	12H294	LOCK WASHER	6		5/8"
12	14H1039	NUT	4		5/8"
13	RE14935	SUPPORT	1		R.H. (SUB FOR AR72133)
	RE14936	SUPPORT	1		L.H. (SUB FOR AR72134)
14	14H1039	NUT	2		5/8"
15	R70268	WASHER	2		(SUB FOR R42363)
16	03H1399	BOLT	2		5/8" X 1-3/4"

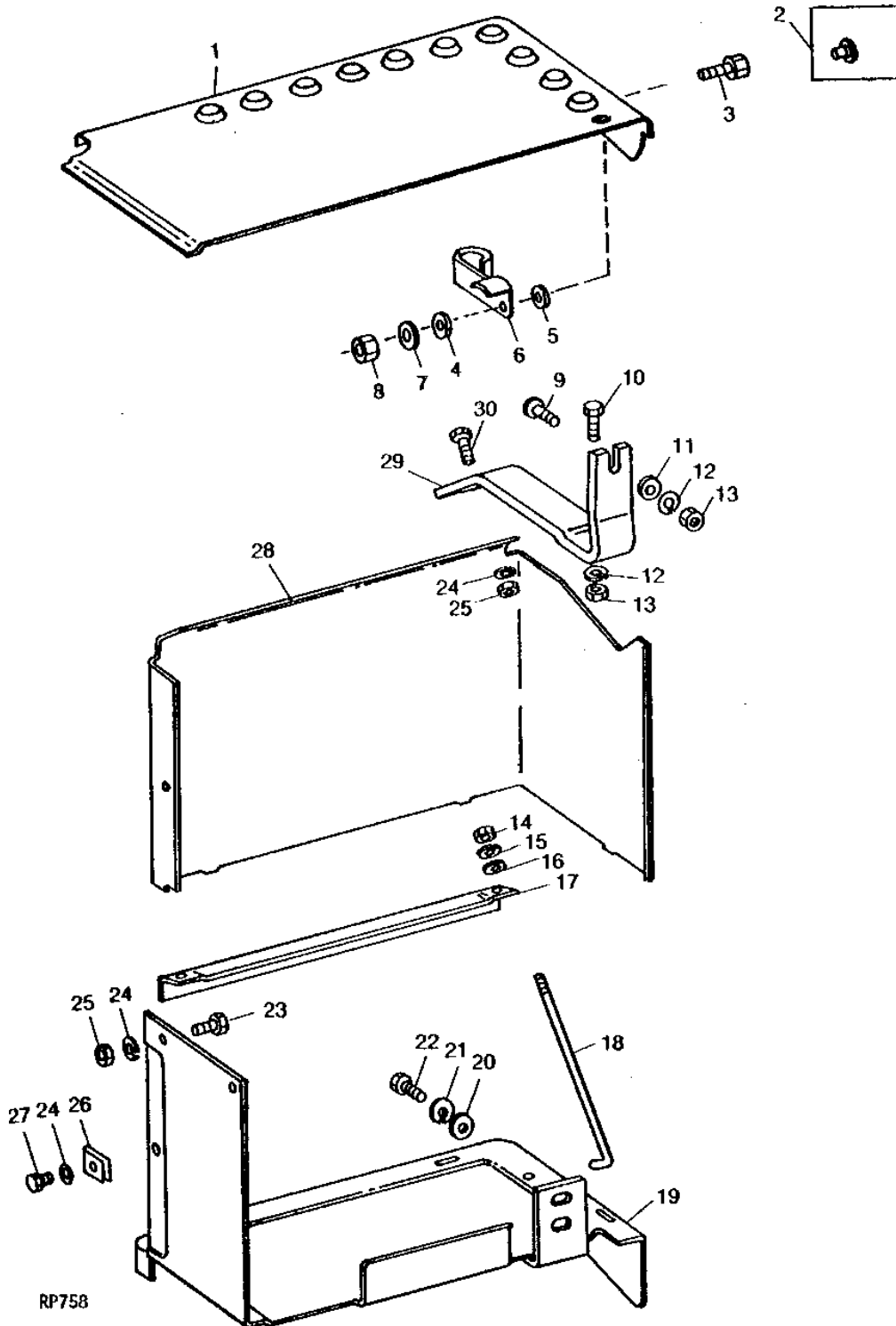
# 6C16

WHEELS, FRONT AXLES, SHEET METAL

## BATTERY BOX (LESS ROLL-GARD) (GASOLINE)

RP758

-UN-01JAN94





# 6C17

WHEELS, FRONT AXLES, SHEET METAL

**BATTERY BOX - CONTINUED  
(LESS ROLL-GARD)  
(GASOLINE)**

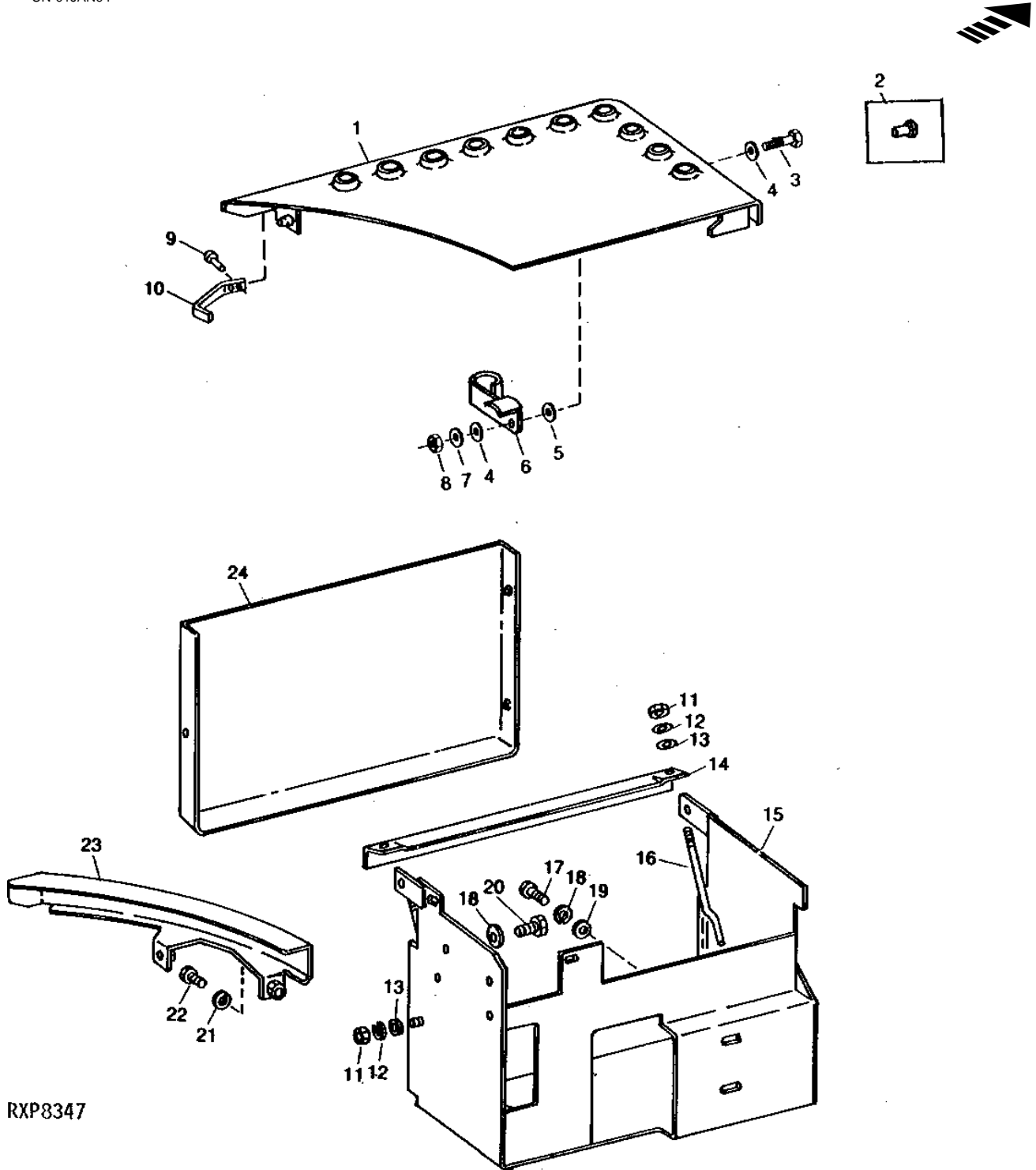
KEY	PART NO.	PART NAME	QTY	TRACTOR SERIAL NO.	REMARKS
1	AR54875	EXTENSION	1	-041702	(SUB R65924, R50725, R54697, R65925, R40685, 24H1822 AND BP12232)
	R65924	EXTENSION	1	041703-	
2	R27345	RIVET	1	-041702	
3	R54697	GANG BOLT	1	041703-	
4	24H1822	WASHER	1	041703-	11/32" X 7/8" X 1/16"
5	R65925	SHIM	1	041703-	
6	R50725	LATCH	1		
7	R40685	WASHER	1	041703-	
8	BP12232	LOCK NUT	1	041703-	
9	03H2070	BOLT	1		3/8" X 1-1/8"
10	19H1731	CAP SCREW	1		3/8" X 1"
11	24H1305	WASHER	1		13/32" X 13/16" X 0.065"
12	12H304	LOCK WASHER	2		3/8"
13	14H1076	NUT	2		3/8"
14	14H786	NUT	2		1/4"
15	12H302	LOCK WASHER	2		1/4"
16	24H1287	WASHER	2		9/32" X 5/8" X 0.065"
17	AR78504	CLAMP	1		
18	R50819	BOLT	2		
19	AR54959	BASE	1		
20	24H1341	WASHER	1		17/32" X 15/16" X 0.060"
21	12H301	LOCK WASHER	1		1/2"
22	19H1815	CAP SCREW	1		1/2" X 1-1/4"
23	19H1900	CAP SCREW	2		5/16" X 3/4"
24	12H303	LOCK WASHER	4		5/16"
25	14H785	NUT	3		5/16"
26	AR54482	NUT	1		
27	19H2020	CAP SCREW	1		5/16" X 1/2"
28	R50821	HOUSING	1	-041702	(SUB R65927)
	R65927	HOUSING	1	041703-	
29	R51653	SUPPORT	1		
30	19H1905	CAP SCREW	1		5/16" X 1"

# 6C18

WHEELS, FRONT AXLES, SHEET METAL

BATTERY BOX  
(ROLL-GARD)  
(GASOLINE)

RXP8347 -UN-01JAN94



RXP8347

# 6C19

WHEELS, FRONT AXLES, SHEET METAL

**BATTERY BOX - CONTINUED  
(ROLL-GARD)  
(GASOLINE)**

KEY	PART NO.	PART NAME	QTY	TRACTOR SERIAL NO.	REMARKS
1	AR65025	COVER	1	-041702	(SUB FOR AR54257) (SUB AR85336, R54697, R65925, R40685, 24H1822, T16464 AND R50725)
	AR85336	COVER	1	041703-	(ALSO ORDER R54697, R65925, R54697, R40685, 24H1822, T16464 AND R50725) (SUB FOR AR54257 OR AR65025)
2	R27345	RIVET	1	-041702	(A)
3	R54697	GANG BOLT	1	041703-	
4	24H1822	WASHER	2	041703-	11/32" X 7/8" X 1/16"
	24H1822	WASHER	1		(A) 11/32" X 7/8" X 1/16"
5	R65925	SHIM	1	041703-	
6	R50725	LATCH	1		
7	R40685	WASHER	1	041703-	
8	T16464	LOCK NUT	1	041703-	(SUB FOR BP12232)
9	16H256	RIVET	2		3/16" X 1/2"
10	R55628	LATCH	1		L.H.
11	14H786	NUT	3		1/4"
12	12H302	LOCK WASHER	3		1/4"
13	24H1287	WASHER	3		9/32" X 5/8" X 0.065"
14	AR78504	CLAMP	1		
15	AR73983	CONTAINER	1		(ALSO ORDER R59069) (SUB FOR AR54254, AR65023, AR65044 OR AR71164)
16	R59069	ROD	2		
17	19H1731	CAP SCREW	2		3/8" X 1"
18	12H304	LOCK WASHER	4		3/8"
19	24M7096	WASHER	2		10.500 X 18 X 1.600 MM
20	19H2284	CAP SCREW	2		3/8" X 7/8"
21	12H303	LOCK WASHER	4		5/16"
22	19H1813	CAP SCREW	4		5/16" X 5/8"
23	AR54676	RISER	1		L.H. (SUB R68308, (2) R87345 AND (2) R44454)
	AR54675	RISER	1		R.H.
24	R57971	COVER	1		(SUB FOR AR56012)

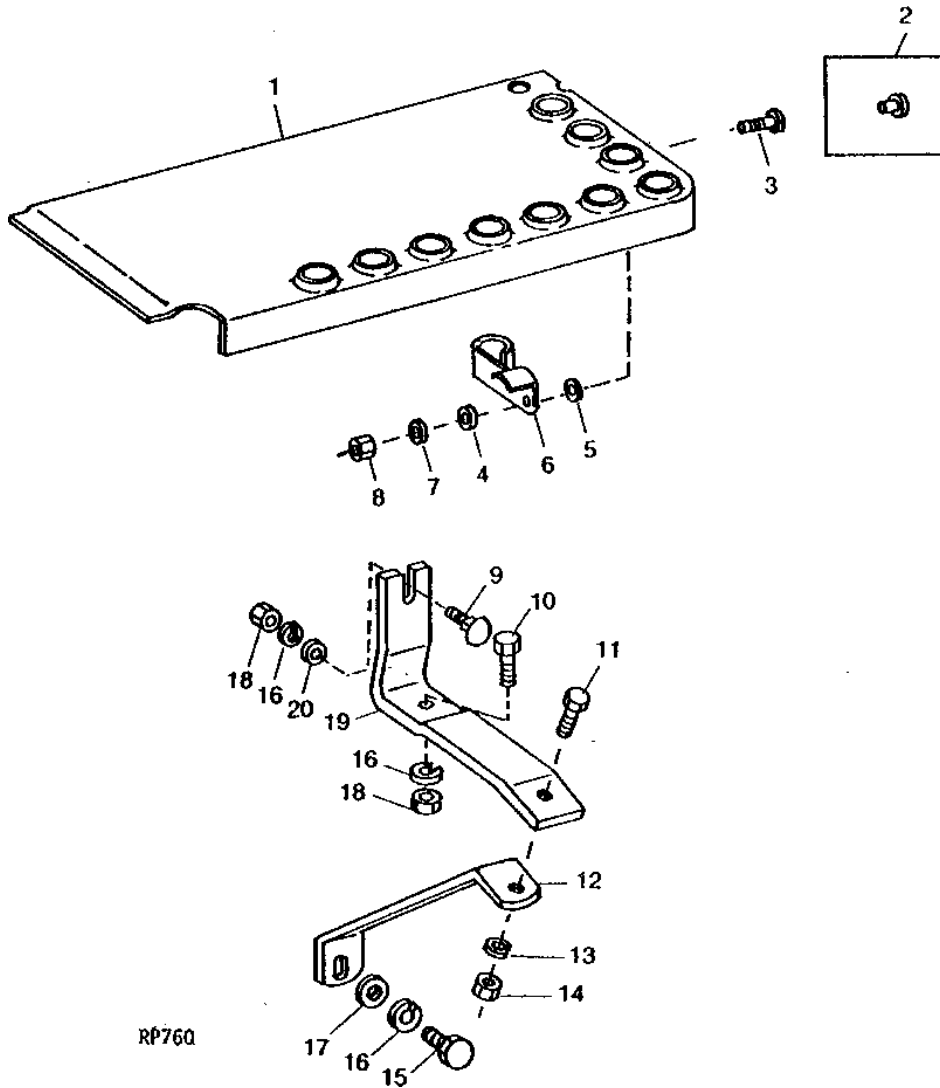
(A) USE WITH AR65025 (COVER)

# 6C20

WHEELS, FRONT AXLES, SHEET METAL

## PLATFORM EXTENSION WITH SUPPORTS (GASOLINE)

RP760 -UN-01JAN94



RP760

# 6C21

WHEELS, FRONT AXLES, SHEET METAL

## PLATFORM EXTENSION WITH SUPPORTS - CONTINUED (GASOLINE)

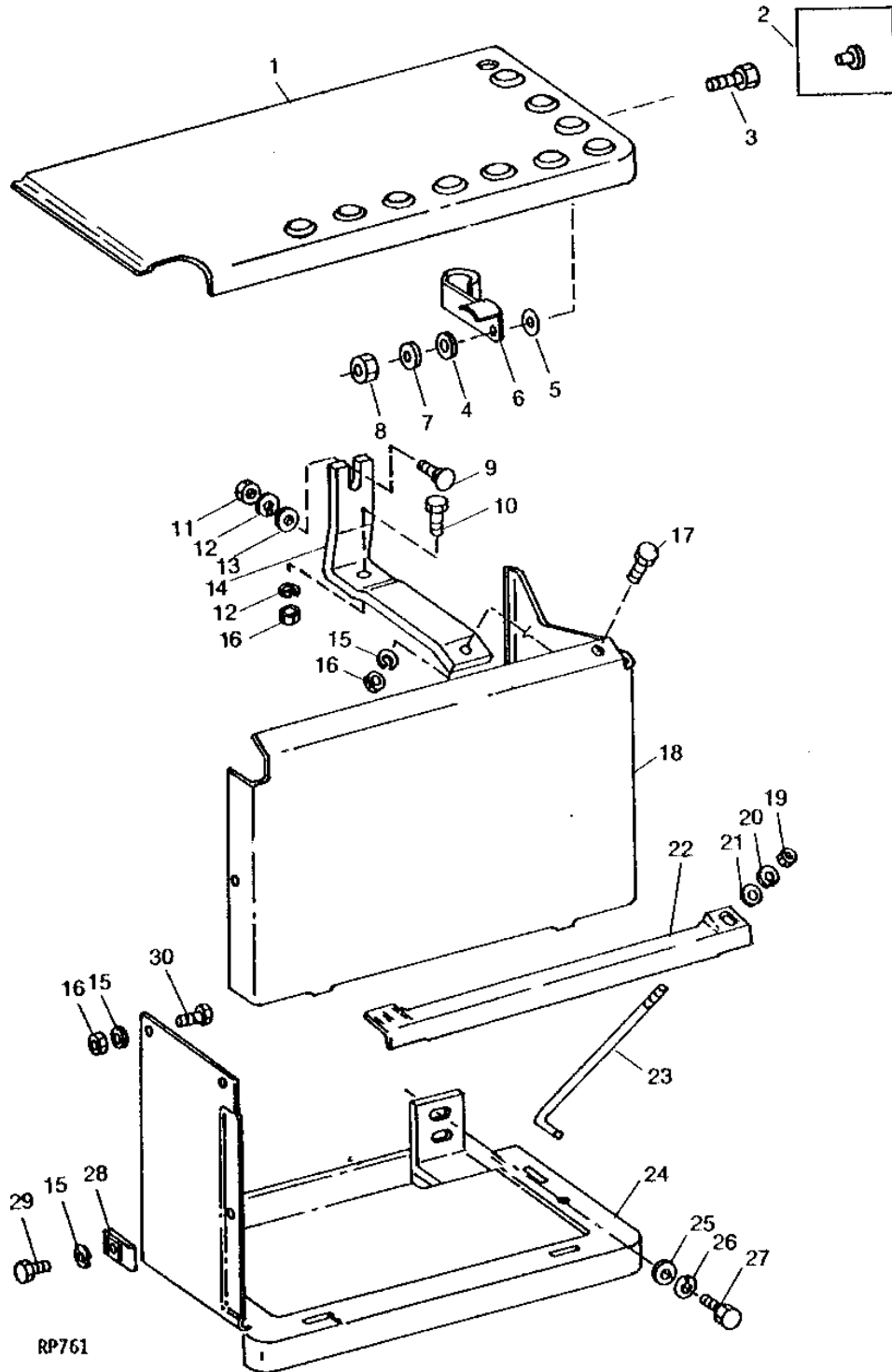
KEY	PART NO.	PART NAME	QTY	TRACTOR SERIAL NO.	REMARKS
1	AR54874	EXTENSION	1	-041702	(SUB R65923, R54697, R65925, R40685, R50724, BP12232 AND 24H1822)
	R65923	EXTENSION	1	041703-	
2	R27345	RIVET	1	-041702	
3	R54697	GANG BOLT	1	041703-	
4	24H1822	WASHER	1	041703-	11/32" X 7/8" X 1/16"
5	R65925	SHIM	1	041703-	
6	R50724	LATCH	1		
7	R40685	WASHER	1	041703-	
8	BP12232	LOCK NUT	1	041703-	
9	03H2070	BOLT	1		3/8" X 1-1/8"
10	19H1731	CAP SCREW	1		3/8" X 1"
11	19H118	CAP SCREW	1		5/16" X 1"
12	R52560	BRACE	1		
13	12H303	LOCK WASHER	1		5/16"
14	14H785	NUT	1		5/16"
15	19H1815	CAP SCREW	1		1/2" X 1-1/4"
16	12H304	LOCK WASHER	3		3/8"
17	24H1341	WASHER	1		17/32" X 15/16" X 0.060"
18	14H1076	NUT	2		3/8"
19	R51653	SUPPORT	1		
20	24H1305	WASHER	1		13/32" X 13/16" X 0.065"

# 6C22

WHEELS, FRONT AXLES, SHEET METAL

## BATTERY BOX (LESS ROLL-GARD OR SOUND-GARD BODY) (DIESEL)

RP761 -UN-01JAN94



RP761

# 6C23

WHEELS, FRONT AXLES, SHEET METAL

**BATTERY BOX - CONTINUED  
(LESS ROLL-GARD OR SOUND-GARD BODY)  
(DIESEL)**

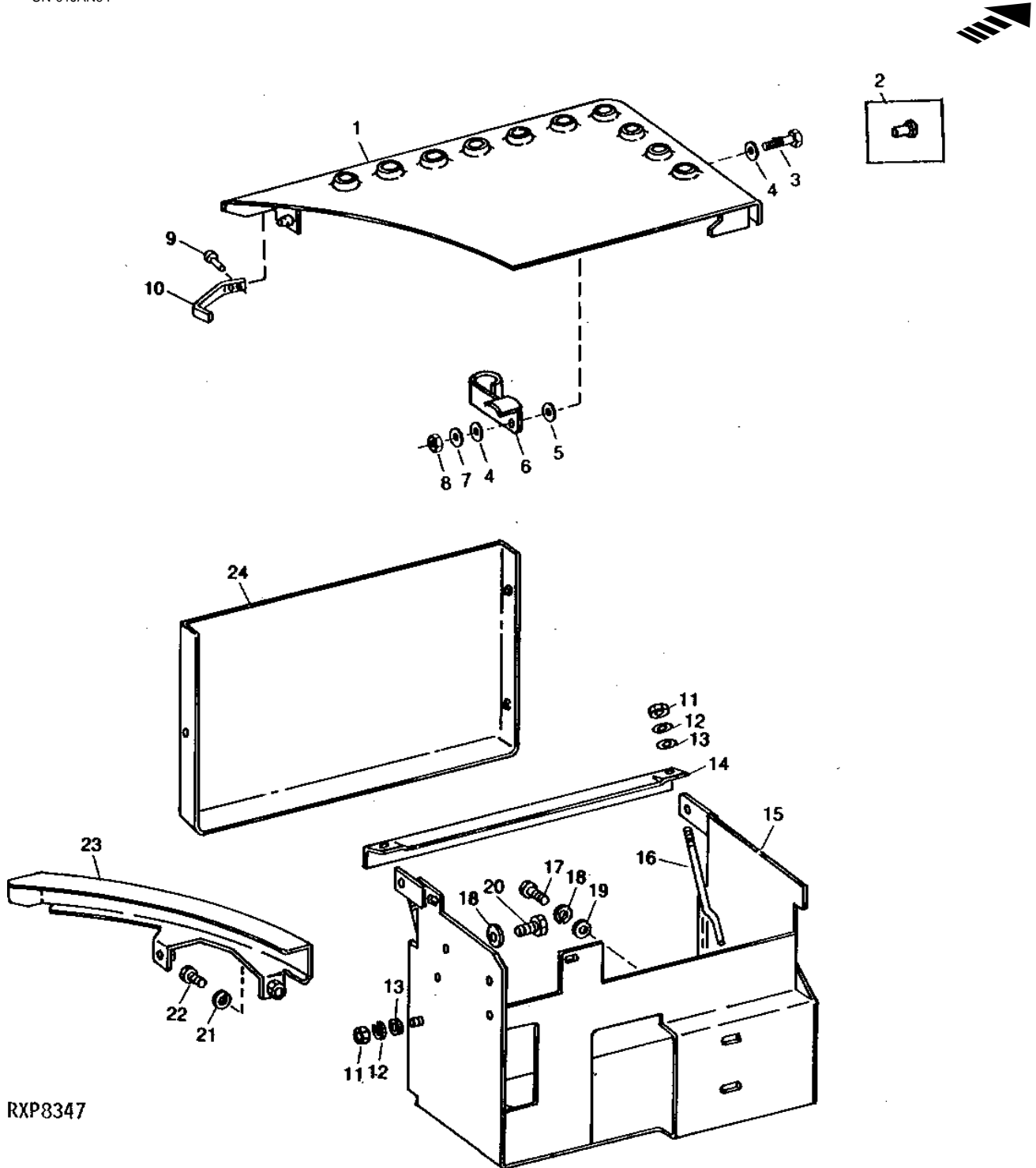
KEY	PART NO.	PART NAME	QTY	TRACTOR SERIAL NO.	REMARKS
1	AR54874	EXTENSION	1	-041702	R.H. (SUB R65923, R54697, R65925, R40685, R50724, BP12232 AND 24H1822)
	AR54875	EXTENSION	1	-041702	L.H. (SUB R65924, R50725, R54697, R65925, R40685, T16464 AND 24H1822)
	R65923	EXTENSION	1	041703-	R.H.
	R65924	EXTENSION	1	041703-	L.H.
2	R27345	RIVET	1	-041702	
3	R54697	GANG BOLT	2	041703-	
4	24H1822	WASHER	2	041703-	11/32" X 7/8" X 1/16"
5	R65925	SHIM	2	041703-	
6	R50724	LATCH	1		R.H.
	R50725	LATCH	1		L.H.
7	R40685	WASHER	2	041703-	
8	T16464	LOCK NUT	2	041703-	(SUB FOR BP12232)
9	03H2070	BOLT	2		3/8" X 1-1/8"
10	19H1731	CAP SCREW	2		3/8" X 1"
11	14H1076	NUT	4		3/8"
12	12H304	LOCK WASHER	4		3/8"
13	24H1305	WASHER	2		13/32" X 13/16" X 0.065"
14	14H785	NUT	6		5/16"
15	12H303	LOCK WASHER	8		5/16"
16	R51653	SUPPORT	2		
17	19H1905	CAP SCREW	2		5/16" X 1"
18	R65926	HOUSING	1	-041702	R.H. (SUB FOR R50820)
	R65927	HOUSING	1	-041702	L.H. (SUB FOR R50821)
	R65926	HOUSING	1	041703-	R.H.
	R65927	HOUSING	1	041703-	L.H.
19	14H786	NUT	4		1/4"
20	12H302	LOCK WASHER	4		1/4"
21	24H1287	WASHER	4		9/32" X 5/8" X 0.065"
22	AR78504	CLAMP	2		
23	R50819	BOLT	4		
24	AR54958	BASE	1		R.H.
	AR54959	BASE	1		L.H.
25	24H1341	WASHER	2		17/32" X 15/16" X 0.060"
26	12H301	LOCK WASHER	2		1/2"
27	19H1815	CAP SCREW	2		1/2" X 1-1/4"
28	AR54482	NUT	2		
29	19H2020	CAP SCREW	2		5/16" X 1/2"
30	19H1900	CAP SCREW	4		5/16" X 3/4"

# 6C24

WHEELS, FRONT AXLES, SHEET METAL

## BATTERY BOX (ROLL-GARD OR SOUND-GARD BODY) (DIESEL)

RXP8347 -UN-01JAN94



RXP8347



# 6C25

WHEELS, FRONT AXLES, SHEET METAL

**BATTERY BOX - CONTINUED  
(ROLL-GARD OR SOUND-GARD BODY)  
(DIESEL)**

KEY	PART NO.	PART NAME	QTY	TRACTOR SERIAL NO.	REMARKS
1	AR65024	COVER	1	-041702	R.H. (SUB FOR AR54259 OR AR64346) (SUB AR85335, R54697, R65925, R40685, T16464, R50724 AND 24H1822)
	AR65025	COVER	1	-041702	L.H. (SUB FOR AR54257 OR AR64347) (SUB AR85336, R54697, R65925, R40685, T16464, R50725 AND 24H1822)
	AR85335	COVER	1	041703-	R.H. (ALSO ORDER R54697, R65925, R40685, 24H1822, T16464 AND R50725) (SUB FOR AR54259, AR64346 OR AR65024)
	AR85336	COVER	1	041703-	L.H. (ALSO ORDER R54697, R65925, R40685, 24H1822, T16464 AND R50725) (SUB FOR AR50724, AR64347 OR AR65025)
2	R27345	RIVET	1	-041702	
3	R54697	GANG BOLT	2	041703-	
4	24H1822	WASHER	2	041703-	11/32" X 7/8" X 1/16"
	24H1822	WASHER	1		(A) 11/32" X 7/8" X 1/16"
5	R65925	SHIM	2	041703-	
6	R50724	LATCH	1		R.H.
	R50725	LATCH	1		L.H.
7	R40685	WASHER	2	041703-	
8	T16464	LOCK NUT	2	041703-	(SUB FOR BP12232)
9	16H256	RIVET	2		3/16" X 1/2", L.H.
10	R55628	LATCH	1		L.H.
11	14H786	NUT	6		1/4"
12	12H302	LOCK WASHER	6		1/4"
13	24H1287	WASHER	6		9/32" X 5/8" X 0.065"
14	AR78504	CLAMP	2		
15	AR73982	BOX	1		R.H. (ALSO ORDER (2) R59069) (SUB FOR AR54255, AR64348, AR65022, AR65043 OR AR71163)
	AR73983	CONTAINER	1		L.H. (ALSO ORDER (2) R59069) (SUB FOR AR54254, AR64349, AR65023, AR65044 OR AR71164)
16	R59069	ROD	4		
17	19H1731	CAP SCREW	4		3/8" X 1"
18	12H304	LOCK WASHER	8		3/8"
19	24H1305	WASHER	4		13/32" X 13/16" X 0.065"
20	19H2284	CAP SCREW	4		3/8" X 7/8"
21	12H303	LOCK WASHER	4		5/16"
22	19H1813	CAP SCREW	4		5/16" X 5/8"
23	AR54675	RISER	1		R.H. (SUB R68307 AND (2) R87345)
	AR54676	RISER	1		L.H. (SUB R68308 AND (2) R87345)
24	R57970	COVER	1		R.H. (SUB FOR AR56011)
	R57971	COVER	1		L.H. (SUB FOR AR56012)

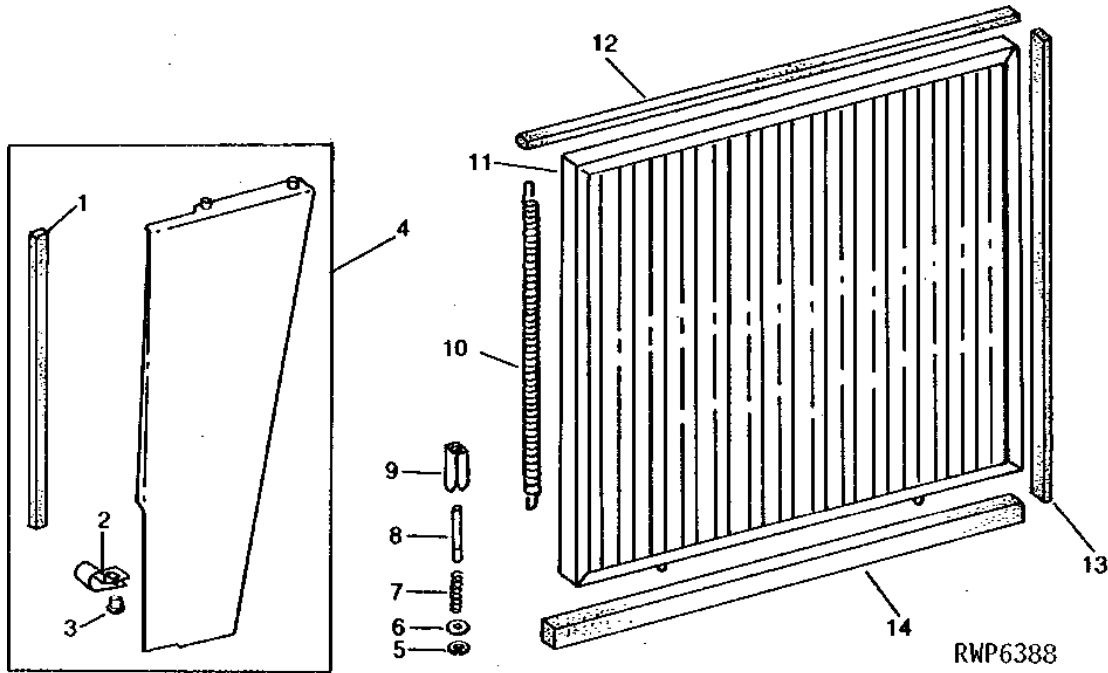
(A) USE WITH AR65025 OR AR65024 (COVER)

# 6D1

WHEELS, FRONT AXLES, SHEET METAL

RWP6388 -UN-01JAN94

## SIDE SHIELD AND GRILLE



RWP6388

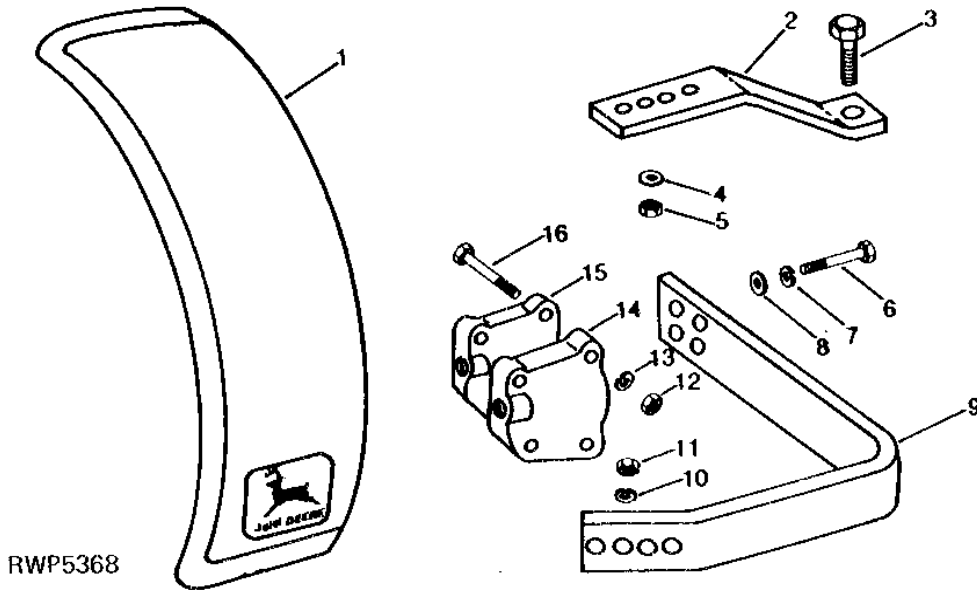
KEY	PART NO.	PART NAME	QTY	TRACTOR SERIAL NO.	REMARKS
1	.....	FOAM PAD	2		25 X 25 X 318MM (1" X 1" X 13") (MAKE FROM R30937)
2	R60644	CLIP	2	XXXXXX-	
3	16H630	RIVET	2	XXXXXX-	1/4" X 3/8"
4	AR82260	SHIELD	1		R.H. (SUB FOR AR59697)
	AR82261	SHIELD	1		L.H. (SUB FOR AR59698)
5	R72654	SNAP RING	2	-XXXXXX	(SUB FOR R27507)
6	24H1286	WASHER	2	-XXXXXX	9/32" X 1/2" X 1/16"
7	R45582	SPRING	2	-XXXXXX	
8	R50207	PIN	2	-XXXXXX	(SUB R60644 AND 16H630)
9	R51442	RETAINER	2	-XXXXXX	(SUB R60644 AND 16H630)
10	R35769	SPRING	2		
11	AR65459	GRILLE	2		
12	.....	FOAM PAD	2	009093-	8 X 17 X 603MM (5/16" X 11/16" X 23-3/4") (MAKE FROM R21676)
13	.....	FOAM PAD	4	009093-	8 X 17 X 516MM (5/16" X 11/16" X 20-3/8") (MAKE FROM R21676)
14	.....	FOAM PAD	2	009093-	25 X 25 X 572MM (1" X 1" X 22-1/2") (MAKE FROM R30937)

# 6D2

WHEELS, FRONT AXLES, SHEET METAL

RWP5368 -UN-01JAN94

## FRONT FENDERS



RWP5368

KEY	PART NO.	PART NAME	QTY	TRACTOR SERIAL NO.	REMARKS
1	AR86405	FENDER	2	(A)	
	AR86406	FENDER	2	(B)	
2	R66530	SUPPORT	2	(A)	
	R66536	SUPPORT	2	(B)	
3	19H2072	CAP SCREW	2	5/8" X 3-1/4"	
4	12H304	LOCK WASHER	4	3/8"	
5	14H1076	NUT	4	3/8"	
6	19H1721	CAP SCREW	4	1/2" X 1-1/2"	
7	12H301	LOCK WASHER	4	1/2"	
8	24H1625	WASHER	4	17/32" X 1" X 0.120"	
9	R66531	SUPPORT	2	(A)	
	R66537	SUPPORT	2	(B)	
10	12H304	LOCK WASHER	4	3/8"	
11	14H1076	NUT	4	3/8"	
12	14H1076	NUT	8	3/8"	
13	12H304	LOCK WASHER	8	3/8"	
14	R66528	BRACKET	2	(R.H. FRONT, L.H. REAR)	
15	R66529	BRACKET	2	(R.H. REAR, L.H. FRONT)	
16	19H2345	CAP SCREW	8	3/8" X 5-1/2"	

(A) 10.00 X 16, 11L X 15, 9.5L X 15, 7.5L X 15, 7.50 X 16, 6.00 X 16, 7.50 X 18, 7.50 X 20 TIRES

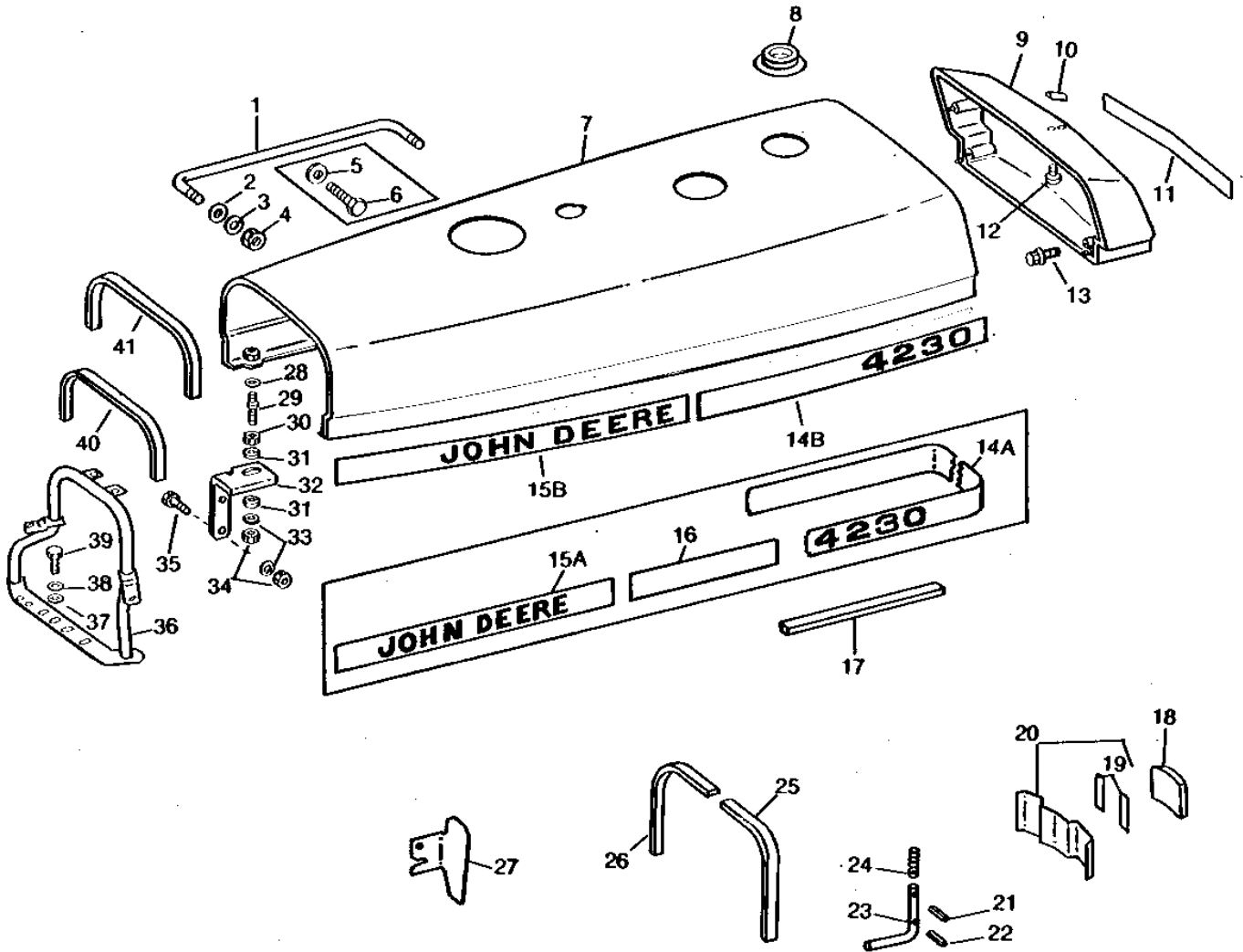
(B) 11.00 X 16, 14L X 16, 9.50 X 20 TIRES

# 6D3

WHEELS, FRONT AXLES, SHEET METAL

RWP4595 -UN-01JAN94

## HOOD, SUPPORTS AND BAFFLES



RWP4595

# 6D4

WHEELS, FRONT AXLES, SHEET METAL

## HOOD, SUPPORTS AND BAFFLES - CONTINUED

KEY	PART NO.	PART NAME	QTY	TRACTOR SERIAL NO.	REMARKS
1	R57135	HANDLE	1		(SUB FOR R53209) (ALSO ORDER (2) 14H1076, (2) 24H1306 AND (2) 12H304)
2	24H1306	WASHER	2	XXXXXX-	13/32" X 1" X 0.035"
3	12H304	LOCK WASHER	2	XXXXXX-	3/8"
4	14H1076	NUT	2	XXXXXX-	3/8"
5	24H1305	WASHER	2	-XXXXXX	13/32" X 13/16" X 0.065"
6	19H1936	CAP SCREW	2	-XXXXXX	3/8" X 3/4"
7	AR68408	HOOD	1		(AIR STACK) (ALSO ORDER R57119) (SUB FOR AR56275) (SUB RE11431)
	AR54927	HOOD	1		(LESS AIR STACK)
	AR62271	HOOD	1		(LOW PROFILE)
8	R39613	GROMMET	1		
9	R52362	EXTENSION	1		
10	L40919	MOLDING	1		(SUB FOR R50736 OR R73259) (ALSO ORDER L41919)
11	R63413	DECAL	1	031406-	
12	37H49	SCREW	2		NO. 10 X 1/2"
13	R52760	SCREW	6		
14A	R53695	LABEL	1	-031405	(SUB R63409, R63420, R63410, R63421 AND R63413)
14B	R63420	LABEL	1	031406-	R.H.
	R63421	LABEL	1	031406-	L.H.
15A	R53696	LABEL	1	-031405	R.H. (SUB R63409, R63420, R63410, R63421 AND R63413)
	R53697	LABEL	1	-031405	L.H. (SUB R63409, R63420, R63410, R63421 AND R63413)
15B	R63409	LABEL	1	031406-	R.H.
	R63410	LABEL	1	031406-	L.H.
16	R53703	LABEL	2	-031405	(SUB R63409, R63420, R63410, R63421 AND R63413)
17	R51172	ISOLATOR	2		
18	AR77663	MEDALLION	1	-XXXXXX	(SUB FOR AR53602) (SUB R82804 AND (2) R63933)
	R82804	MEDALLION	1	XXXXXX-	(SUB FOR R62896 OR R67028)
19	R53611	CLIP	4	-XXXXXX	
	R63933	TAPE	1	XXXXXX-	
20	AR60518	BRACKET	1	-XXXXXX	(SUB AR79161)
	AR79161	BRACKET	1	XXXXXX-	
21	34H387	SPRING PIN	1		3/16" X 3/4"
22	34H282	SPRING PIN	1		3/16" X 1"
23	R50779	PIN	1		
24	B161R	SPRING	1		
25	.....	FOAM PAD	1		25 X 25 X 584MM (1" X 1" X 23") (MAKE FROM R30937)
26	.....	FOAM PAD	1		25 X 25 X 318MM (1" X 1" X 12-1/2") (MAKE FROM R30937)
27	R54288	DEFLECTOR	1		(ROLL-GARD)
28	24H1122	WASHER	2		3/8" X 7/8" X 0.083"
29	R50199	SCREW	2		
30	14H732	NUT	2		3/8"
31	24H1305	WASHER	4		13/32" X 13/16" X 0.065"
32	R52996	BRACKET	1		(A) R.H.
	R52997	BRACKET	1		(A) L.H.
33	12H304	LOCK WASHER	6		(A) 3/8"
34	14H1076	NUT	6		(A) 3/8"
35	19H1134	CAP SCREW	4		(A) 3/8" X 3/4"
36	AR54338	SUPPORT	1		(B)
37	24H1305	WASHER	2		13/32" X 13/16" X 0.065"
38	12H304	LOCK WASHER	2		3/8"
39	19H1731	CAP SCREW	2		3/8" X 1"
40	.....	FOAM PAD	1		(B) 13 X 51 X 375MM (1/2" X 2" X 14-3/4") (MAKE FROM R34688)
41	R56493	FOAM PAD	1		

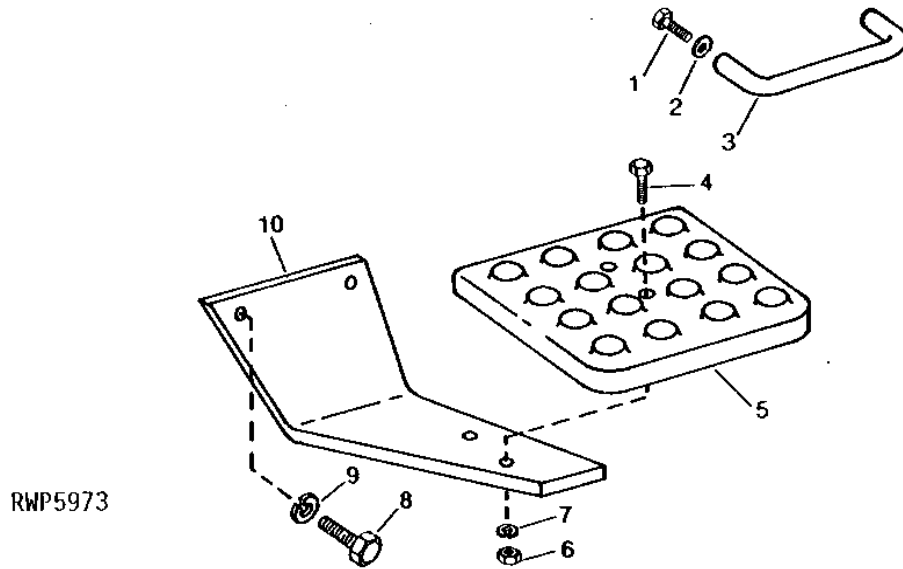
(A) LESS SOUND-GARD BODY  
(B) SOUND-GARD BODY

# 6D5

WHEELS, FRONT AXLES, SHEET METAL

RWP5973 -UN-01JAN94

## RIGHT-HAND STEP AND MOUNTING HANDLE



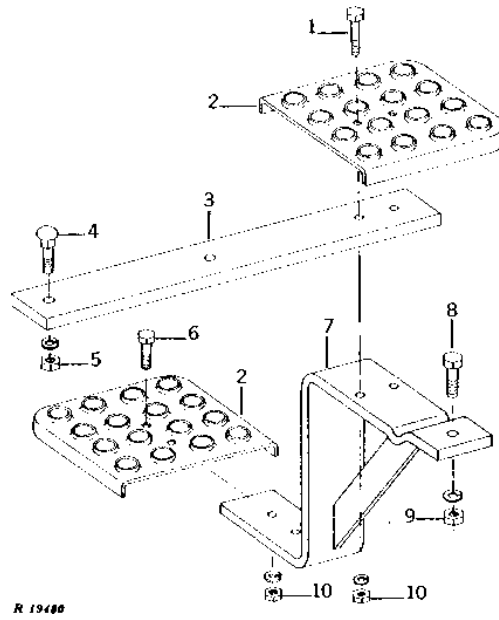
KEY	PART NO.	PART NAME	QTY	TRACTOR SERIAL NO.	REMARKS
1	19H1936	CAP SCREW	2	3/8" X 3/4"	
2	24H1305	WASHER	2	13/32" X 13/16" X 0.065"	
3	R31618	HANDLE	1		
4	19H1731	CAP SCREW	2	3/8" X 1"	
5	R51109	STEP	1		
6	14H1076	NUT	2	3/8"	
7	12H304	LOCK WASHER	2	3/8"	
8	19H456	CAP SCREW	2	1/2" X 1-3/8"	
9	12H301	LOCK WASHER	2	1/2"	
10	R51554	SUPPORT	1		

# 6D6

WHEELS, FRONT AXLES, SHEET METAL

R19480 -UN-01JAN94

## LEFT-HAND STEP (ROLL-GARD OR SOUND-GARD BODY)



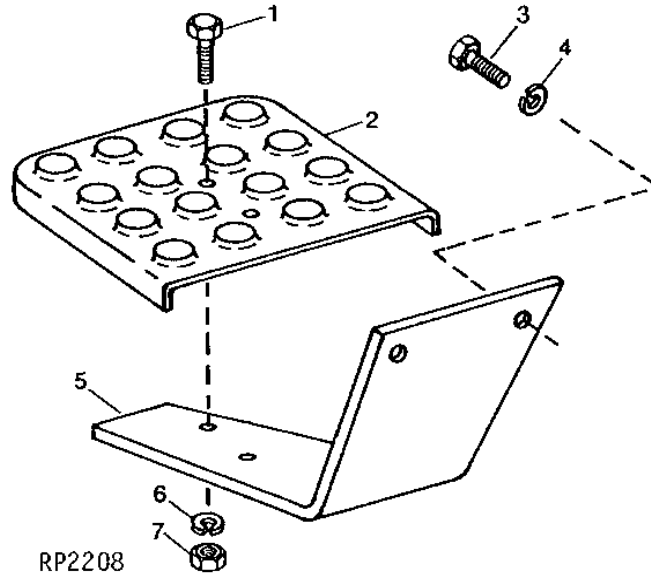
KEY	PART NO.	PART NAME	QTY	TRACTOR SERIAL NO.	REMARKS
1	19H2791	CAP SCREW	2	3/8" X 1-3/4"	
2	R84943	STEP	2	(SUB FOR R51109)	
3	R52090	SUPPORT	1		
4	03H1731	BOLT	2	1/2" X 1-1/2"	
5	14H1040	NUT	2	1/2"	
	12H301	LOCK WASHER	2	1/2"	
6	19H1732	CAP SCREW	2	3/8" X 1-1/4"	
7	R56991	SUPPORT	1	(SUB FOR AR58186)	
	AR73202	SUPPORT	1	(ILLUSTRATED)	
8	19H1721	CAP SCREW	1	1/2" X 1-1/2"	
9	14H1040	NUT	1	1/2"	
	12H301	LOCK WASHER	1	1/2"	
10	14H1076	NUT	4	3/8"	
	12H304	LOCK WASHER	4	3/8"	

# 6D7

WHEELS, FRONT AXLES, SHEET METAL

RP2208 -UN-01JAN94

## LEFT-HAND STEP (LESS ROLL-GARD OR SOUND-GARD BODY)



KEY	PART NO.	PART NAME	QTY	TRACTOR SERIAL NO.	REMARKS
1	19H1731	CAP SCREW	2	3/8" X 1"	
2	R84943	STEP	1	(SUB FOR R51109)	
3	19H456	CAP SCREW	2	1/2" X 1-3/8"	
4	12H301	LOCK WASHER	2	1/2"	
5	R51555	SUPPORT	1		
	R54415	SUPPORT	1	(LOW PROFILE)	
6	12H304	LOCK WASHER	2	3/8"	
7	14H1076	NUT	2	3/8"	

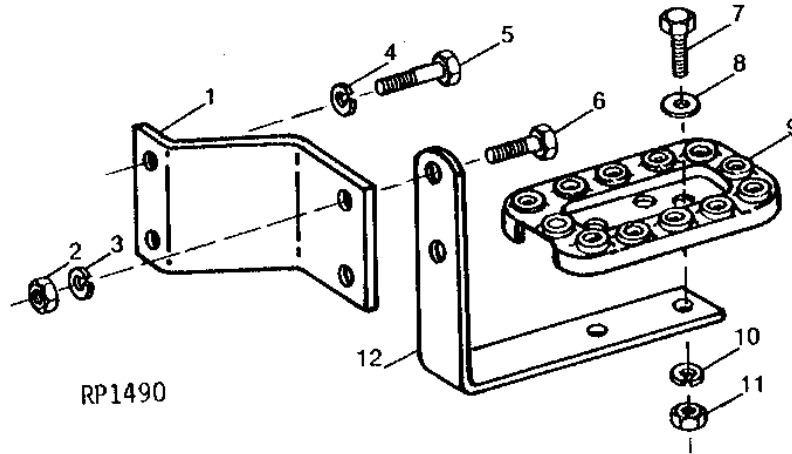


# 6D8

WHEELS, FRONT AXLES, SHEET METAL

RP1490 -UN-01JAN94

## TRACTOR STEP (HI-CROP)



KEY	PART NO.	PART NAME	QTY	TRACTOR SERIAL NO.	REMARKS
1	R51869	BRACKET	1		
2	14H1039	NUT	2	5/8"	
3	12H294	LOCK WASHER	2	5/8"	
4	12H236	LOCK WASHER	2	3/4"	
5	19H1782	CAP SCREW	2	3/4" X 2-1/4"	
6	19H1708	CAP SCREW	2	5/8" X 1-3/4"	
7	19H1732	CAP SCREW	2	3/8" X 1-1/4"	
8	24H1305	WASHER	2	13/32" X 13/16" X 0.065"	
9	F3195R	STEP	1		
10	12H304	LOCK WASHER	2	3/8"	
11	14H1076	NUT	2	3/8"	
12	A5234R	SUPPORT	1		

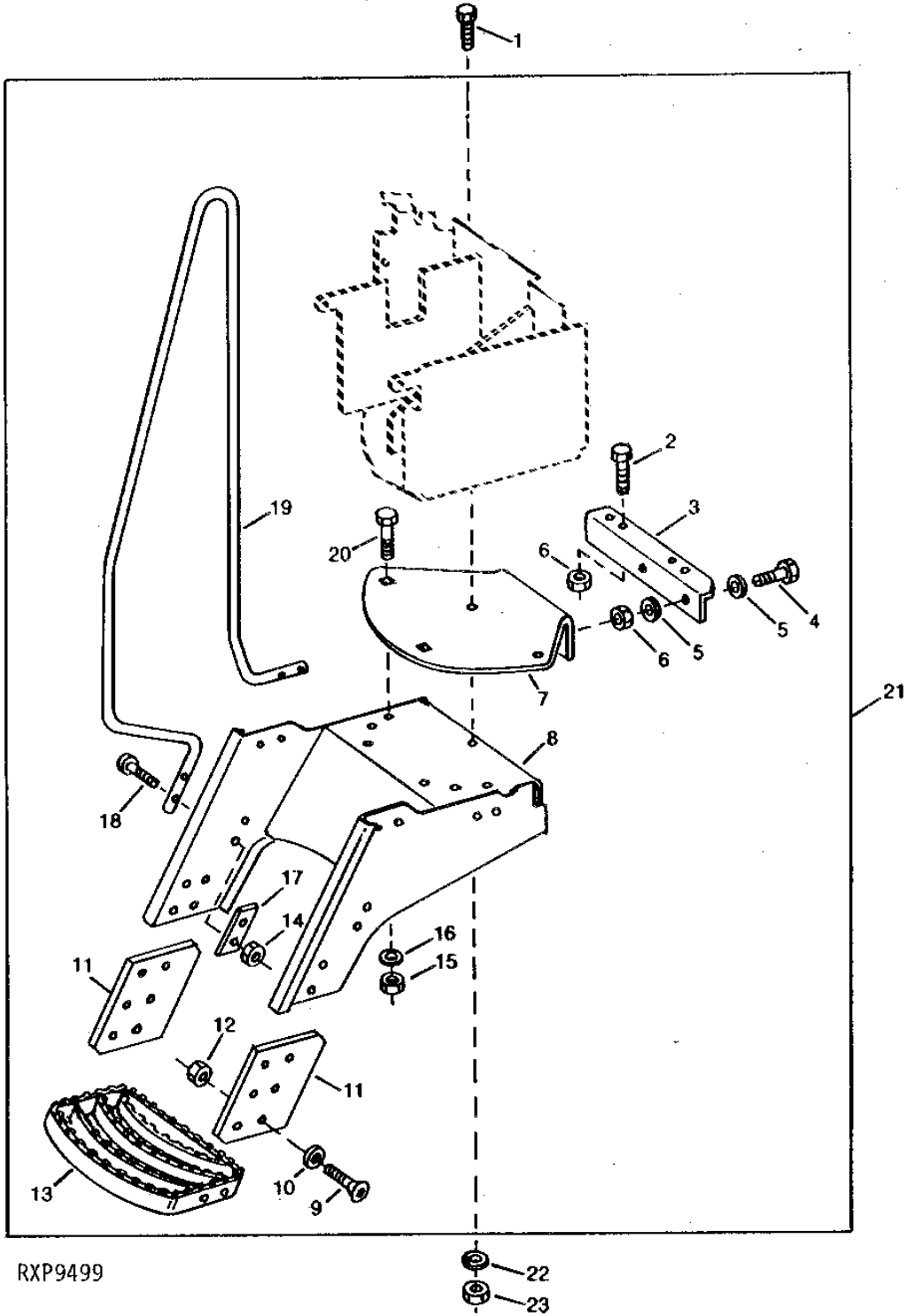
# 6D9

WHEELS, FRONT AXLES, SHEET METAL

RXP9499

-UN-01JAN94

STEPS KIT (AFTER-MARKET)



# 6D10

WHEELS, FRONT AXLES, SHEET METAL

KEY	PART NO.	PART NAME	QTY	TRACTOR SERIAL NO.	REMARKS
1	03H1492	BOLT	2		1/2" X 2"
2	19H2898	CAP SCREW	4		1/2" X 1-1/4"
3	R117017	ANGLE	1		
4	19H2898	CAP SCREW	2		1/2" X 1-1/4"
5	24H1254	WASHER	4		17/32" X 1-1/8" X 0.105"
6	14H1040	NUT	4		1/2"
7	R120464	PLATE	1		
8	RE48040	SUPPORT	1		
9	19H1731	CAP SCREW	16		3/8" X 1"
10	24H1305	WASHER	16		13/32" X 13/16" X 0.065"
11	R112919	PLATE	2		
12	14H1076	NUT	16		3/8"
13	RE49428	STEP	2		
14	K40003	LOCK NUT	4		
15	14H1040	NUT	2		1/2"
16	24H1254	WASHER	2		17/32" X 1-1/8" X 0.105"
17	R113614	STRAP	2		
18	03H1558	BOLT	3		3/8" X 1-1/2"
19	R116468	HANDLE	1		
20	03H1522	BOLT	2		1/2" X 1-1/4"
21	RE61690	KIT	1		
22	12H301	LOCK WASHER	2		1/2"
23	14H1040	NUT	2		1/2"

# 6D11

WHEELS, FRONT AXLES, SHEET METAL

RXP021364 -UN-06NOV95

## DECAL REFINISHING KIT

**21** — Gear shift lever assembly with gear positions: D, TOW, C, B, A, 4, 3, 2, 1, 18, 29, 16, 25, 14, 22, 12, 19, 10, 16, 8, 13, 7, 11, 6, 9, 5, 8, 4, 6, 3, 5, 2, 3, 1, 4, 3, 2, 1, 18, 29, 16, 25, 14, 22, 12, 19, 10, 16, 8, 13, 7, 11, 6, 9, 5, 8, 4, 6, 3, 5, 2, 3, 1, 4, 3, 2, 1. Includes 'POWER ASSIST PARK RELEASE' label.

**1** — REVERSE N P

**2** — FORWARD N

**3** —

**4** — CAUTION

**5** — ENCLOSURE & PUMP

**6** — IMPORTANT: CLUTCH PEDAL. KEEP TRAVEL 2-6 INCH MAXIMUM WITH ENGINE RUNNING AT FAST IDLE. SEE OPERATOR MANUAL FOR ADJUSTING INSTRUCTIONS.

**7** — IMPORTANT: To prevent damage to its electrical system when using booster battery or charger, always connect NEGATIVE TO NEGATIVE.

**8** — CAUTION

**9** — IMPORTANT

**10** — STOP — SHIFT TO P BEFORE DISMOUNTING

**11** — Gear shift lever assembly with gear positions: P, 1, 3, 2R, 2, 5, 4, 7, 6, 8, 1R, 2R.

**12** — WARNING

**13** — STOP TRACTOR WHEN SHIFTING P-A-B-C-D LEVER. USE CLUTCH. NO CLUTCH. SHIFT TO N AND TO P BEFORE DISMOUNTING.

**14** — Gear shift lever assembly with gear positions: 4, 3, 2, 1, 2R, 1R, D, C, B, A, P.

**15** —

**16** — WARNING

**17** —

**18** — DRY AIR CLEANER. 1. Do not operate with a damaged, dirt clogged, or dirty air cleaner. 2. When indicator light on instrument panel glows or when engine is noisy, check air cleaner. 3. Stop engine before cleaning. 4. Wash, according to instructions on label, whenever. 5. Replace primary element only if it is damaged or when the filter is replaced. 6. If equipped with a secondary element, replace primary only if an indicator LED MOUNTED BY CLEAN SAFETY CLEARANCE DEVIANCE. DO NOT USE.

**19** —

**20** —

**22** — CAUTION

**23** — WARNING

RXP021364

# 6D12

WHEELS, FRONT AXLES, SHEET METAL

## DECAL SET - CONTINUED

KEY	PART NO.	PART NAME	QTY	TRACTOR SERIAL NO.	REMARKS
1	R55291	LABEL	1	(A)	(SUB FOR R53485)
2	R55290	LABEL	1	(A)	(SUB FOR R53484)
3	R64726	LABEL	1		(LESS SOUND-GARD BODY OR ROLL-GARD) (SUB R74909) (SUB FOR R53503, R56200 AND R63109)
4	R87529	LABEL	1		(B) (LESS SOUND-GARD BODY OR ROLL-GARD) (SUB R76341) (SUB FOR R51821)
5	R63465	LABEL	1		(SUB FOR R54039)
6	R34483	LABEL	1	(A)	
7	.....	LABEL	1		BATTERY (NO LONGER AVAILABLE)
8	R87527	LABEL	1		(SUB FOR R55286)
9	R67041	LABEL	1		(SUB FOR R54034 OR R55284)
10	R55287	LABEL	1	(A)	(SUB FOR R53483)
11	R55289	LABEL	1	(B)	(SUB FOR R53194)
	R55940	LABEL	1	(C)	
12	R83103	LABEL	1		PTO, (SUB FOR R64391) (SUB R120111)
13	R62957	LABEL	1	XXXXXX-	
14	R55292	LABEL	1	-XXXXXX	HI-LOW
	R62956	LABEL	1	XXXXXX-	
15	R55288	LABEL	1	(B)	(SUB FOR R53195)
	R55941	LABEL	1	(C)	
16	R83316	LABEL	1		ROPS WARNING, (SUB R120124)
17	R44315	LABEL	1		
18	R56902	LABEL	1	-XXXXXX	(SUB FOR R48632)
19	R53482	LABEL	1	(A)	
20	R41933	LABEL	1		
21	AR63586	LABEL	1		
22	T146102	WARNING LABEL	1		(ENGLISH) BY-PASS START, (SUB FOR T84409 OR T134459)
	T146106	WARNING LABEL	1		(ESPAÑOL) (SUB FOR T84410 OR T134452)
	T146104	WARNING LABEL	1		(FRANCAIS) (SUB FOR T84411 OR T134453)
	T146515	WARNING LABEL	1		(DEUTSCH) (SUB FOR T84412 OR T134454)
	T146516	WARNING LABEL	1		(ITALIANO) (SUB FOR T84413 OR T134455)
	T146517	WARNING LABEL	1		(ENGLISH/FRANCAIS) (SUB FOR T84578 OR T134456)
23	R80752	LABEL	1		ACCUMULATOR (ENGLISH) (SUB R120109)
	R80753	LABEL	1		ACCUMULATOR (ESPAÑOL) (SUB R120110)
	R80754	LABEL	1		ACCUMULATOR (FRANCAIS)
	R82337	LABEL	1		ACCUMULATOR (DEUTSCH)
..	R74903	PLATE	1		GROUND SPEED CHART (ROLL-GARD) (SUB FOR R53505, R58037 OR R63107)
..	R63108	PLATE	1		GROUND SPEED CHART (SOUND-GARD BODY) (SUB FOR R53506 AND R58038)

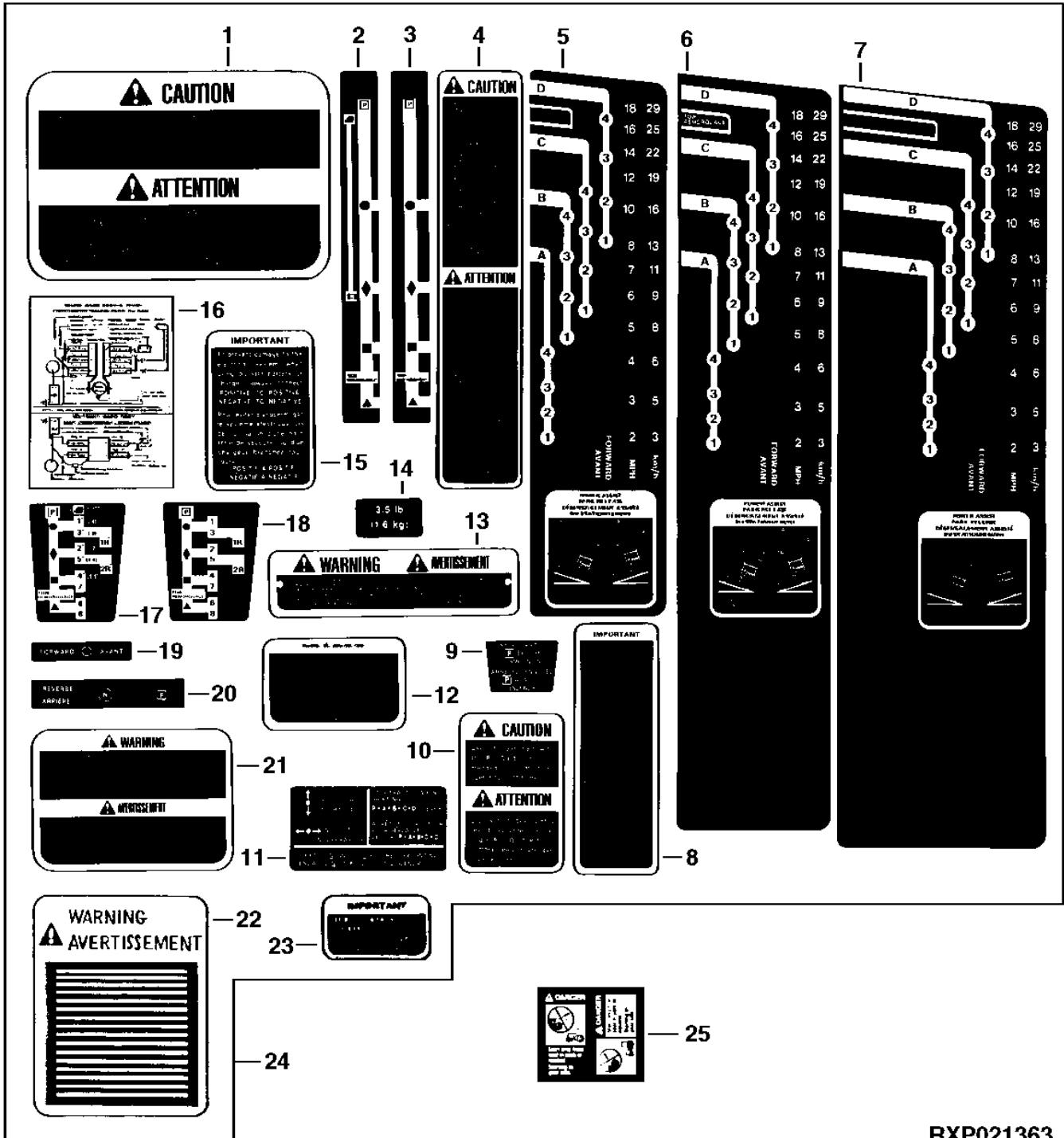
- (A) POWER SHIFT
- (B) SYNCHRO-RANGE
- (C) CREEPER

# 6D13

WHEELS, FRONT AXLES, SHEET METAL

BI-LINGUAL DECAL SET  
(ENGLISH AND FRENCH)  
(NOT USED IN U.S.)

RXP021363 -UN-06NOV95



RXP021363

# 6D14

WHEELS, FRONT AXLES, SHEET METAL

**BI-LINGUAL DECAL SET - CONTINUED**  
**(ENGLISH AND FRENCH)**  
**(NOT USED IN U.S.)**

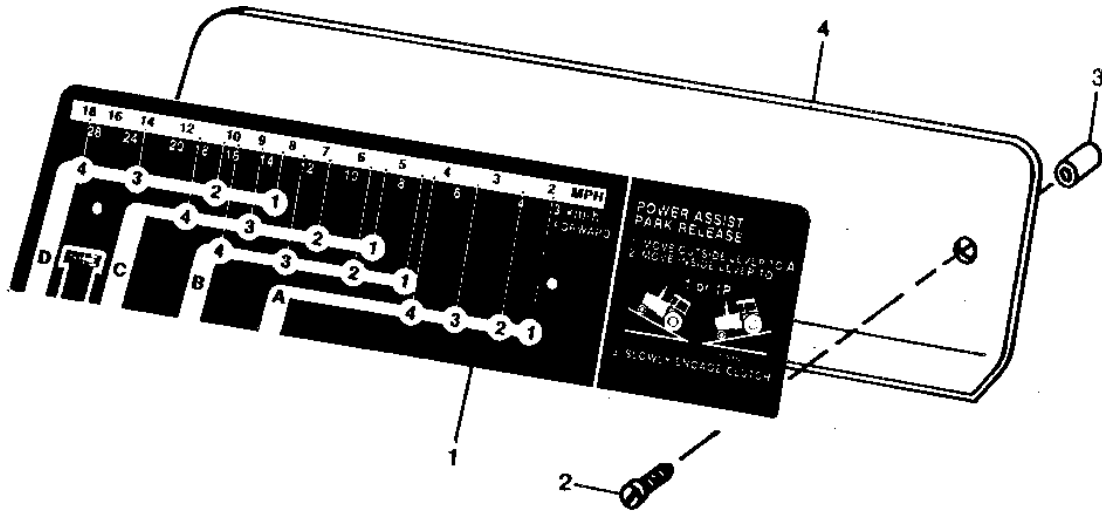
KEY	PART NO.	PART NAME	QTY	TRACTOR SERIAL NO.	REMARKS
1	R70072	LABEL	1		SAFETY, (SUB R117680)
2	R66017	LABEL	1		
3	R66009	LABEL	1		
4	R81088	LABEL	1		SAFETY, (SUB FOR R70085)
5	R74912	LABEL	1		(SUB FOR R66021) SAFETY
6	R74901	LABEL	1		(SOUND-GARD BODY) (SUB FOR R66620)
	R74907	LABEL	1		(ROLL-GARD) (SUB FOR R66619)
7	R74901	LABEL	1		(SOUND-GARD BODY) (SUB FOR R66006)
	R74907	LABEL	1		(ROLL-GARD) (SUB FOR R66005)
	R74912	LABEL	1		(LESS SOUND-GARD BODY OR ROLL-GARD) (SUB FOR R66021)
8	R70086	LABEL	1		INSTRUCTION
9	R66024	LABEL	1		PARK
10	R66015	DECAL	1		(ROLL-GARD)
11	R66013	LABEL	1		SHIFT
12	R66010	LABEL	1	-XXXXXX	DRY AIR
13	R66019	DECAL	1		SAFETY
14	R66018	LABEL	1		COMPRESSOR
15	.....	LABEL	1		BATTERY (NO LONGER AVAILABLE)
16	R66011	LABEL	1		WIRING
17	R66016	LABEL	1		
18	R66008	LABEL	1		
19	R66023	LABEL	1		
20	R66022	LABEL	1		
21	R66004	LABEL	1		PTO, (SUB R120112)
22	R83319	LABEL	1		(ROPS WARNING) (SUB R120125)
23	R71311	LABEL	1		
24	AR85633	KIT	1		(CANADA) (SUB AR104079) (NO LONGER AVAILABLE)
	AR85451	KIT	1		(CANADA) SLOW SPEED OVERLOAD
25	T146102	WARNING LABEL	1		(ENGLISH) BY-PASS START, (SUB FOR T84409 OR T134459)
	T146104	WARNING LABEL	1		(FRANCAIS) (SUB FOR T84411 OR T134453)
	T146515	WARNING LABEL	1		(DEUTSCH) (SUB FOR T84412 OR T134454)
	T146516	WARNING LABEL	1		(ITALIANO) (SUB FOR T84413 OR T134455)
	T146106	WARNING LABEL	1		(ESPANOL) (SUB FOR T84410 OR T134452)
	T146517	WARNING LABEL	1		(ENGLISH/FRANCAIS) (SUB FOR T84578 OR T134456)

# 6D15

WHEELS, FRONT AXLES, SHEET METAL

RWP2734 -UN-01JAN94

## GROUND SPEED CHART



**RWP 2734**

KEY	PART NO.	PART NAME	QTY	TRACTOR SERIAL NO.	REMARKS
1	R74898	LABEL	1	(A) (D)	
	R74898	LABEL	1	(B) (D)	(SUB FOR R74904)
	R74909	LABEL	1	(C) (D)	
	R74899	LABEL	1	(A) (E)	
	R74899	LABEL	1	(B) (E)	(SUB FOR R74905)
	R74910	LABEL	1	(C) (E)	
	R74901	LABEL	1	(A) (F)	
2	R74907	LABEL	1	(B) (F)	
	R74912	LABEL	1	(C) (F)	
	R52708	SCREW	3	(B)	
3	R53508	SCREW	3	(A)	
	R53478	SLEEVE	3	(A)	
4	R74897	PLATE	1	(B)	(SUB FOR R63107 OR R74403) (ALSO ORDER LABEL)
	R74897	PLATE	1	(A)	(SUB FOR R63108) (ALSO ORDER LABEL)

- (A) SOUND-GARD BODY
- (B) ROLL-GARD
- (C) LESS SOUND-GARD BODY OR ROLL-GARD
- (D) ENGLISH
- (E) SPANISH
- (F) BI-LINGUAL

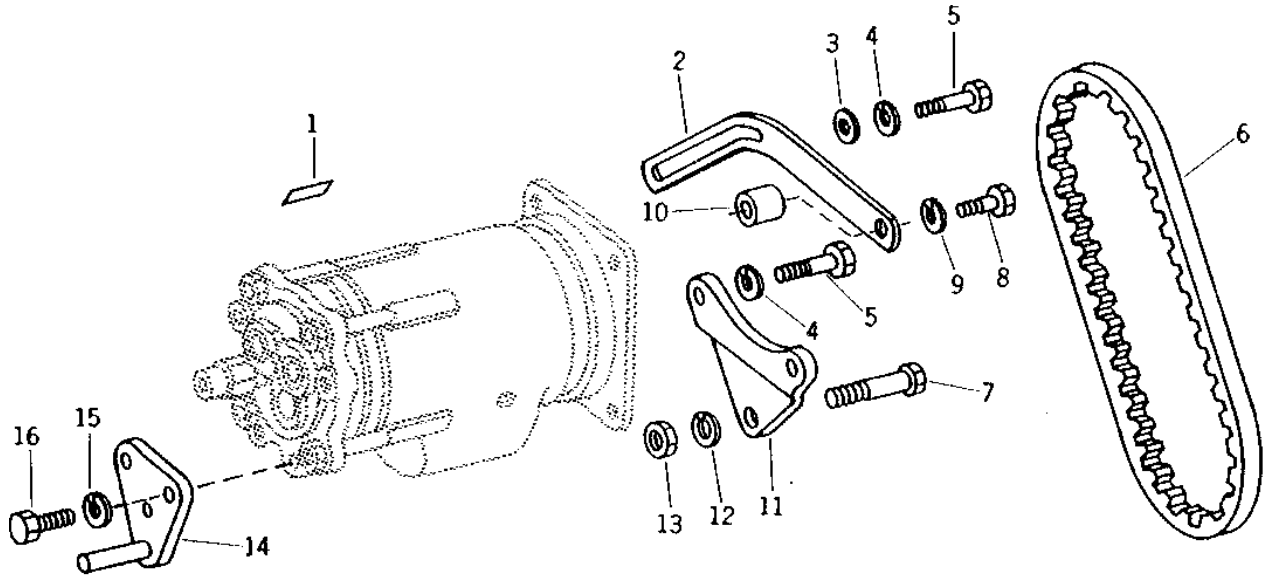


# 6D19

OPERATOR'S STATION

R32046 -UN-01JAN94

## COMPRESSOR BELT AND MOUNTING BRACKETS



R32046F

KEY	PART NO.	PART NAME	QTY	SG BODY SERIAL NO.	REMARKS
1	R42822	LABEL	1		
2	R46099	STRAP	1		
3	R56397	WASHER	1		
4	12H303	LOCK WASHER	3	-XXXXXX	5/16"
	12M7065	LOCK WASHER	3	XXXXXX-	M8
5	19H2529	CAP SCREW	3	-XXXXXX	5/16" X 1"
	19M7163	CAP SCREW	3	XXXXXX-	M8 X 25
6	R71603	BELT	1		(SUB FOR R46098 OR R69562, THIS APPLICATION)
7	19H1831	CAP SCREW	1		1/2" X 2"
8	19H1800	CAP SCREW	1		3/8" X 1-1/2"
9	12H304	LOCK WASHER	1		3/8"
10	28H3381	SPACER	1		3/8" X 5/8"
11	R45981	BRACKET	1		
12	12H301	LOCK WASHER	1		1/2"
13	14H1040	NUT	1		1/2"
14	AR49485	BRACKET	1		(SUB AR77342)
15	12H304	LOCK WASHER	2	-XXXXXX	3/8"
	12M7066	LOCK WASHER	2	XXXXXX-	M10
16	19H1731	CAP SCREW	2	-XXXXXX	3/8" X 1"
	19M7662	CAP SCREW	2	XXXXXX-	M10 X 30

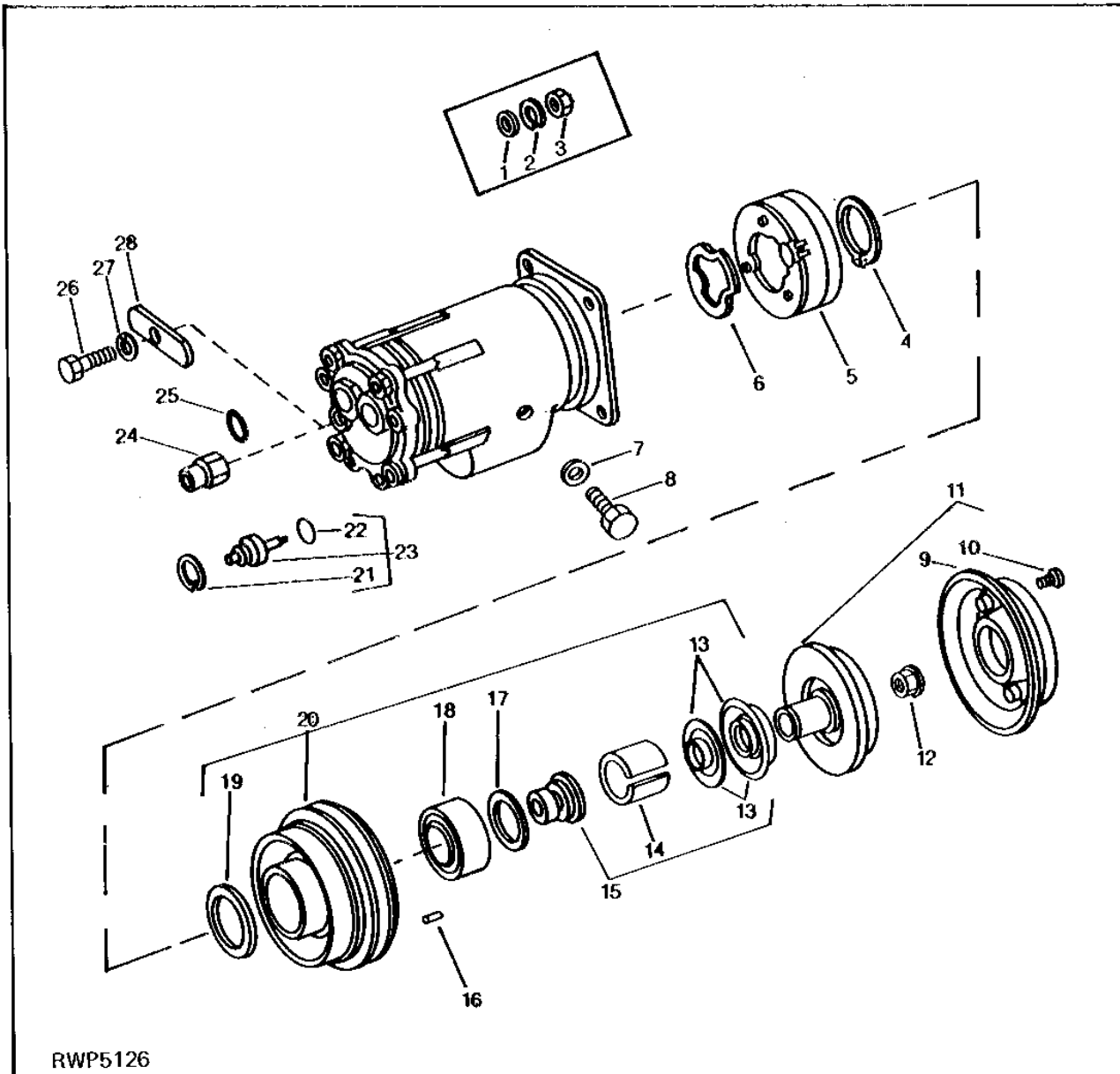
# 6D20

OPERATOR'S STATION

RWP5126

-UN-01JAN94

COMPRESSOR, COIL, CLUTCH AND PULLEY



# 6D21

OPERATOR'S STATION

## COMPRESSOR, COIL, CLUTCH AND PULLEY - CONTINUED

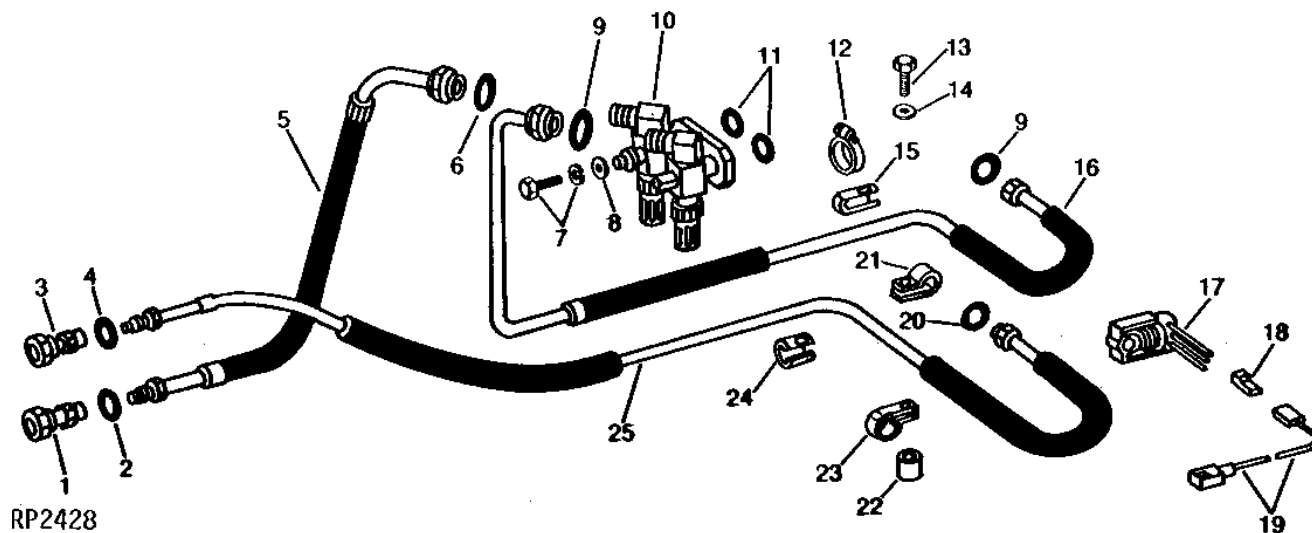
KEY	PART NO.	PART NAME	QTY	SG BODY SERIAL NO.	REMARKS
1	R47230	WASHER	1	-XXXXXX	(SUB R69297, THIS APPLICATION)
2	R69297	FLANGE NUT	1	-XXXXXX	(SUB FOR R47231)
3	R47232	NUT	1	-XXXXXX	(SUB R69297, THIS APPLICATION)
4	R47224	SNAP RING	1		(ALSO ORDER AR71289)
5	AR49803	ELECTRICAL COIL	1		(ALSO ORDER AR71289)
6	R56246	GASKET	1		(ALSO ORDER AR71289)
7	R47234	WASHER	1		
8	R47233	PLUG	1		
9	AR71290	COVER	1		(SUB FOR AR53446)
10	37H32	SCREW	3		0.190" X 3/8"
11	AR71286	CLUTCH	1		(SUB FOR AR63255)
12	R69297	FLANGE NUT	1	XXXXXX-	
13	AR71289	SHIELD	1		(SUB FOR R47228 OR AR63254)
14	R47227	SEAL	1		(ALSO ORDER AR71289)
15	AR71285	KIT	1		COMPRESSOR SHAFT SEAL WITH PULLEY BEARING FRONT SHIELD, (SUB FOR AR49806)
16	R47229	SHAFT KEY	1		
17	R47226	SNAP RING	1		(ALSO ORDER AR71289) (NOT INCLUDED IN AR71287)
18	AR71288	BALL BEARING	1		(SUB FOR AR49805)
19	R54766	WASHER	1		(ALSO ORDER AR71289)
20	AR71287	PULLEY	1		(SUB FOR AR49804)
21	R63571	SNAP RING	1	031028-	
22	32240	O-RING	1	031028-	
23	AR78501	KIT	1	031028-	SUPERHEAT SHUT-OFF
24	AR49808	VALVE	1		
25	R74210	O-RING	2		(SUB FOR R47235)
26	19M7170	CAP SCREW	1		M10 X 50
27	12M7066	LOCK WASHER	1		10.200 MM
28	R60171	STRAP	1		
29	AR77343	COMPRESSOR	1	-XXXXXX	(SUB AR92109, 19M7170, (3) 19M7163, (2) 19M7662, (3) 12M7065 AND (3) 12M7066) (SUB FOR AR68802) (R12)
..	AR92109	COMPRESSOR	1	XXXXXX-	(R12)
..	TY6665	COMPRESSOR	1		(REMANUFACTURED) (R12)
..	TY6770	COMPRESSOR	1		(REMANUFACTURED) (R134A)
..	TY6384	OIL	1		0.9L (1 QT) (SUB FOR R49856)

# 6D22

OPERATOR'S STATION

RP2428 -UN-01JAN94

SERVICE VALVE AND CONDENSER LINES  
(SOUND-GARD BODY SERIAL NO. - 082855)



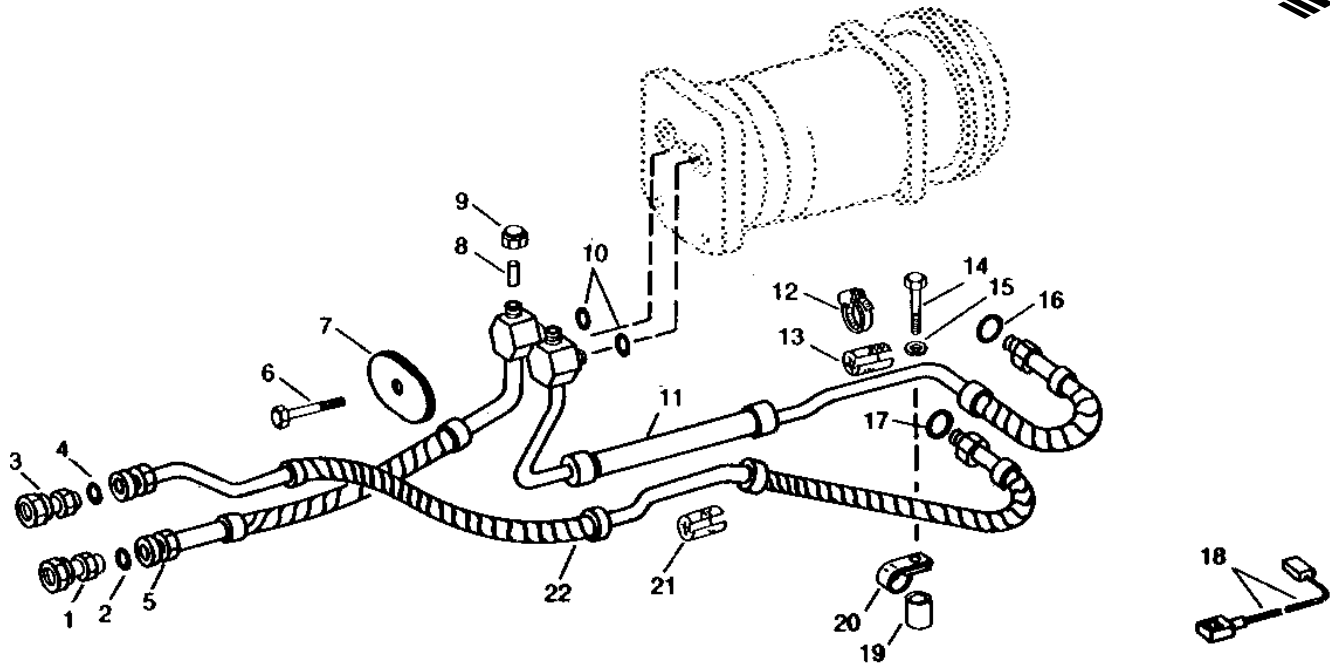
KEY	PART NO.	PART NAME	QTY	SG BODY SERIAL NO.	REMARKS
1	AR58287	EXTERNAL HALF COUPLER	1		
2	B15646	O-RING	1		
3	AH21763	EXTERNAL HALF COUPLER	1		(SUB FOR AR58285)
4	P50883	RING	1		
5	AR58286	HOSE	1	-007283	
	AR65750	LINE	1	007284-	
6	R33259	O-RING	1		(SUB FOR U11646)
7	19H1938	CAP SCREW	1		3/8" X 13/16"
	12H304	LOCK WASHER	1		3/8"
8	24H1884	WASHER	1		13/32" X 13/16" X 0.120"
9	P51212	O-RING	2		
10	AR58283	VALVE	1		
	AR69997	CAP	2		
11	R74210	O-RING	2		(SUB FOR R47235)
12	TY22465	CLAMP	1		(SUB FOR AR21837)
13	19H1732	CAP SCREW	1		3/8" X 1-1/4"
14	12H304	LOCK WASHER	1		3/8"
15	.....	ISOLATOR	1		2 X 38 X 102MM (1/16" X 1-1/2" X 4") (MAKE FROM R30596)
16	AR59786	LINE	1		(SUB FOR AR61644) (SUB RE57316) (ALSO ORDER R44302)
17	AR55214	THERMOSTAT CLIP	1	-022517	
	R56453		1	-022517	
18	T28583	RECEPTACLE	3	-022517	
19	AR51569	WIRING LEAD	1	-022517	
	AR69977	WIRING LEAD	1	022518-	
	R10093	O-RING	1		
21	.....	CLAMP	1		(NO LONGER REQUIRED)
22	28H1519	WASHER	1		0.493" X 0.675" X 3/8"
23	R54102	HALF CLAMP	1		
24	.....	ISOLATOR	2		2 X 102 X 127MM (1/16" X 4" X 5") (MAKE FROM R30596)
25	AR59787	HOSE	1	-007283	(SUB FOR AR61643) (SUB RE57317) (ALSO ORDER R44302)
	RE57320	LINE	1	007284-	(SUB FOR AR65752) (ALSO ORDER R44302)
	R65436	SHIELD	1		
..	R44302	TIE BAND	AR		

# 6D23

OPERATOR'S STATION

RP2429 -UN-01JAN94

SERVICE VALVE AND CONDENSER LINES  
(SOUND-GARD BODY SERIAL NO. 082856 - )



RP2429

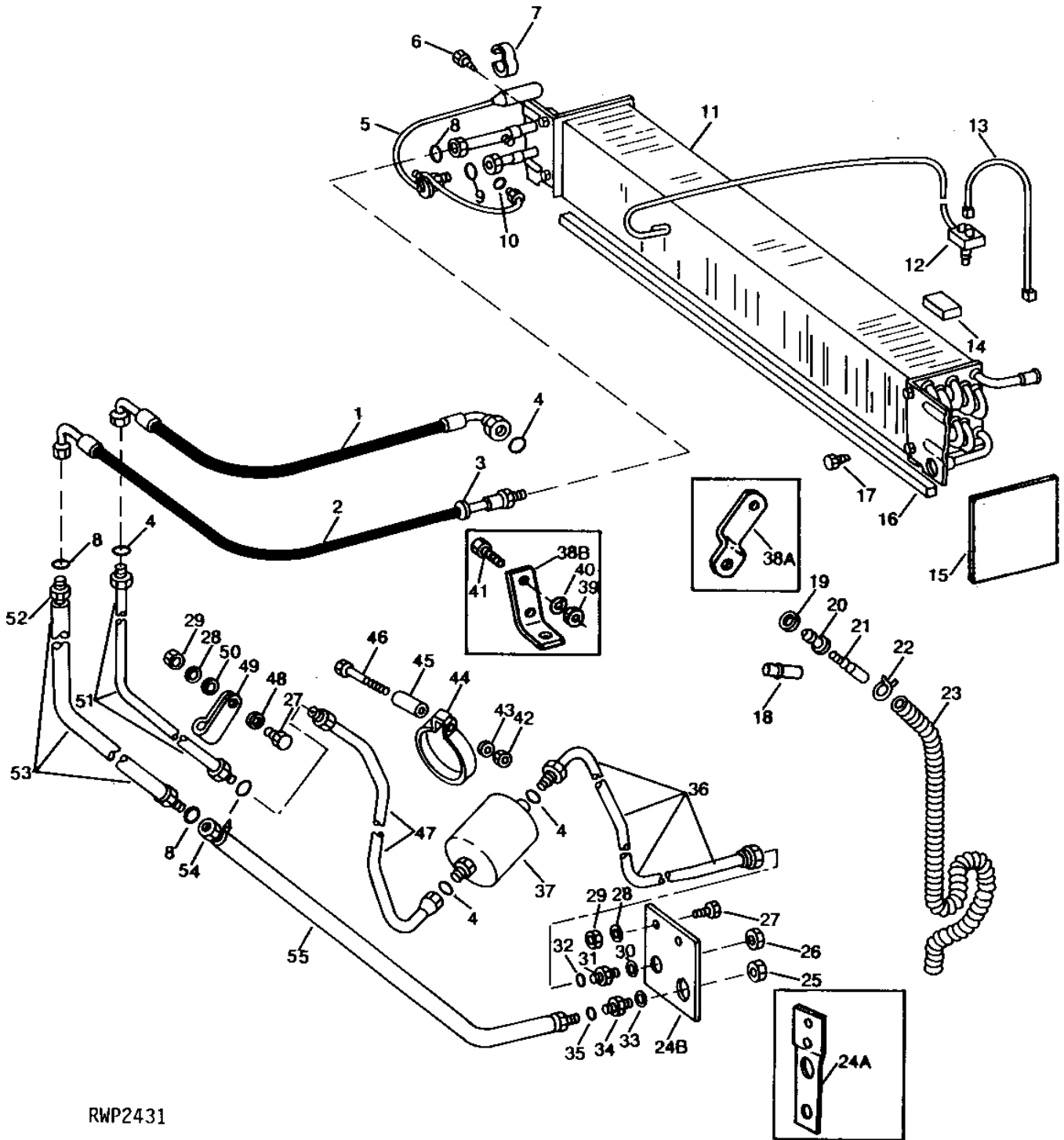
KEY	PART NO.	PART NAME	QTY	SG BODY SERIAL NO.	REMARKS
1	AR58287	EXTERNAL HALF COUPLER	1		
2	B15646	O-RING	1		
3	AH21763	EXTERNAL HALF COUPLER	1		
4	P50883	RING	1		
5	RE57328	LINE	1	(SUB FOR AR75568)	
6	19H2959	CAP SCREW	1	3/8" X 2"	
7	R60171	STRAP	1		
8	R60170	VALVE	2		
9	R60172	NUT	2		
10	R74210	O-RING	2	(SUB FOR R47235)	
11	RE57327	LINE	1	(SUB FOR AR75567)	
	R65436	SHIELD	1		
12	TY22465	CLAMP	1	(SUB FOR AR21837)	
13	.....	ISOLATOR	1	2 X 38 X 102MM (1/16" X 1-1/2" X 4") (MAKE FROM R30596)	
14	19H1732	CAP SCREW	1	3/8" X 1-1/4"	
15	12H304	LOCK WASHER	1	3/8"	
16	P51212	O-RING	1		
17	R10093	O-RING	1		
18	AR69977	WIRING LEAD	1		
19	28H1519	WASHER	1	0.493" X 0.675" X 3/8"	
20	R54102	HALF CLAMP	1		
21	.....	ISOLATOR	2	2 X 38 X 102MM (1/16" X 1-1/2" X 4") (MAKE FROM R30596)	
22	RE57320	LINE	1	(SUB FOR AR65752) (ALSO ORDER R44302)	
	R65436	SHIELD	1		
..	R44302	TIE BAND	AR	HOSE	
..	R57003	TAPE	1	9144MM (360") ROLL, (SUB TY15709)	
..	TY15939	O-RING KIT	1	AIR CONDITIONING O-RING, (SUB FOR AT66632)	

# 6D24

OPERATOR'S STATION

RWP2431 -UN-01JAN94

## EVAPORATOR AND REAR LINES



RWP2431

# 6D25

OPERATOR'S STATION

## EVAPORATOR AND REAR LINES - CONTINUED

KEY	PART NO.	PART NAME	QTY	TRACTOR OR SG BODY NO.	REMARKS
1	AR58282	HOSE	1		PRESSURE
	RE55554	HYDRAULIC HOSE	1		(A) PRESSURE, (SUB FOR AR83521)
2	AR58277	HOSE	1		RETURN, (SUB RE57351)
3	R50456	GROMMET	1		
	R65476	GROMMET	1		(A)
4	R10093	O-RING	5		
5	AH140818	VALVE	1		(SUB FOR AR58482) (ALSO ORDER R130737)
6	37M7245	SCREW	2	106726-	NO. 10 X 3/8"
7	R66645	CLIP	2		(SUB FOR R50480)
8	R33259	O-RING	3		(SUB FOR U11646)
9	P51212	O-RING	1		
10	R34812	O-RING	1		
11	AR58152	EVAPORATOR	1	-076058	
	AR88076	EVAPORATOR	1	076059-	(A) (WITH HEATER) (SUB FOR AR79362, AR85245 OR AR73463)
12	AR59779	AC/HEAT TEMPERATURE SWITCH	1		(ALSO ORDER R44165)
13	.....	WIRING LEAD	1		76 MM (3") (MAKE FROM R32007 AND (2) R32028)
14	R52133	FOAM PAD	2		
15	R52128	FOAM PAD	2	-076058	
16	R50696	ISOLATOR	1		
17	37H49	SCREW	6	-106725	NO. 10 X 1/2"
	37H49	SCREW	3	106726-	NO. 10 X 1/2"
18	R50693	TUBE	2	-063770	
19	F2741R	PACKING	2	063771-	
20	R60263	BUSHING	2	063771-	
21	R60264	HOSE	2	063771-	
22	TY22462	CLAMP	2		(SUB FOR AR48236)
	R69319	CLAMP	2		(A)
23	H97644	CONDUIT	2		(SUB FOR R50452)
24A	R52320	BRACKET	1	-004528	
24B	R56005	BRACKET	1	004529-	
25	R52998	NUT	1		
26	R53000	NUT	1		
27	19H1731	CAP SCREW	4		3/8" X 1"
28	12H304	LOCK WASHER	4		3/8", (SUB FOR R53668)
29	14H1087	NUT	4		3/8", (SUB FOR R53670)
30	R57637	WASHER	1		
31	AH21762	INTERNAL HALF COUPLER	1		(SUB FOR AR58148)
32	P50883	RING	1		
33	R57636	WASHER	1		
34	AR58147	INTERNAL HALF COUPLER	1		
35	B15646	O-RING	1		
36	AR59781	LINE	1	-004528	PRESSURE
	AR65754	LINE	1	004529-	PRESSURE, (SUB RE37063)
37	AR74486	RECEIVER	1		(SUB FOR AR59780) (SUB RE49169)
38A	R53421	SUPPORT	1	-004528	
38B	R56006	SUPPORT	1	004529-040968	
39	14H1087	NUT	1	-040968	3/8", (SUB FOR R53670)
40	R53668	THRUST WASHER	1	-040968	
41	R53663	SELF-LOCKING SCREW	1	-040968	
42	14H1087	NUT	1		3/8", (SUB FOR R53670)
43	12H304	LOCK WASHER	1		3/8", (SUB FOR R53668)
44	99M7102	CLAMP	1		(SUB FOR R53422)
45	28H3380	SPACER	1	040969-	3/8" X 1-5/8"
46	19H1800	CAP SCREW	1	-040968	3/8" X 1-1/2"
	19H1912	CAP SCREW	1	040969-	3/8" X 3-1/2"
47	AR58280	LINE	1	-004528	PRESSURE
	AR65756	LINE	1	004529-	PRESSURE
48	A4231R	WASHER	2		(SUB FOR A2764R)
49	R51891	CLAMP	1		(PRESSURE PIPE)
	R51892	CLAMP	1		(RETURN PIPE)
50	24H1884	WASHER	2		13/32" X 13/16" X 0.120"
51	AR58281	LINE	1		PRESSURE
52	AR58278	LINE	1		RETURN
53	R77896	INSULATOR	1		(SUB FOR R53098)
54	AR58279	LINE	1	-004528	RETURN
	AR65755	LINE	1	004529-	RETURN
55	R79350	INSULATOR	1		(SUB FOR R53098 AND R54783)
..	R57003	TAPE	1		9144MM (360") ROLL, (SUB TY15709)
..	TY15939	O-RING KIT	1		AIR CONDITIONING O-RING, (SUB FOR AT66632)
..	AR71722	CLAMP	1		AIR CONDITIONING CLAMPS AND HARDWARE

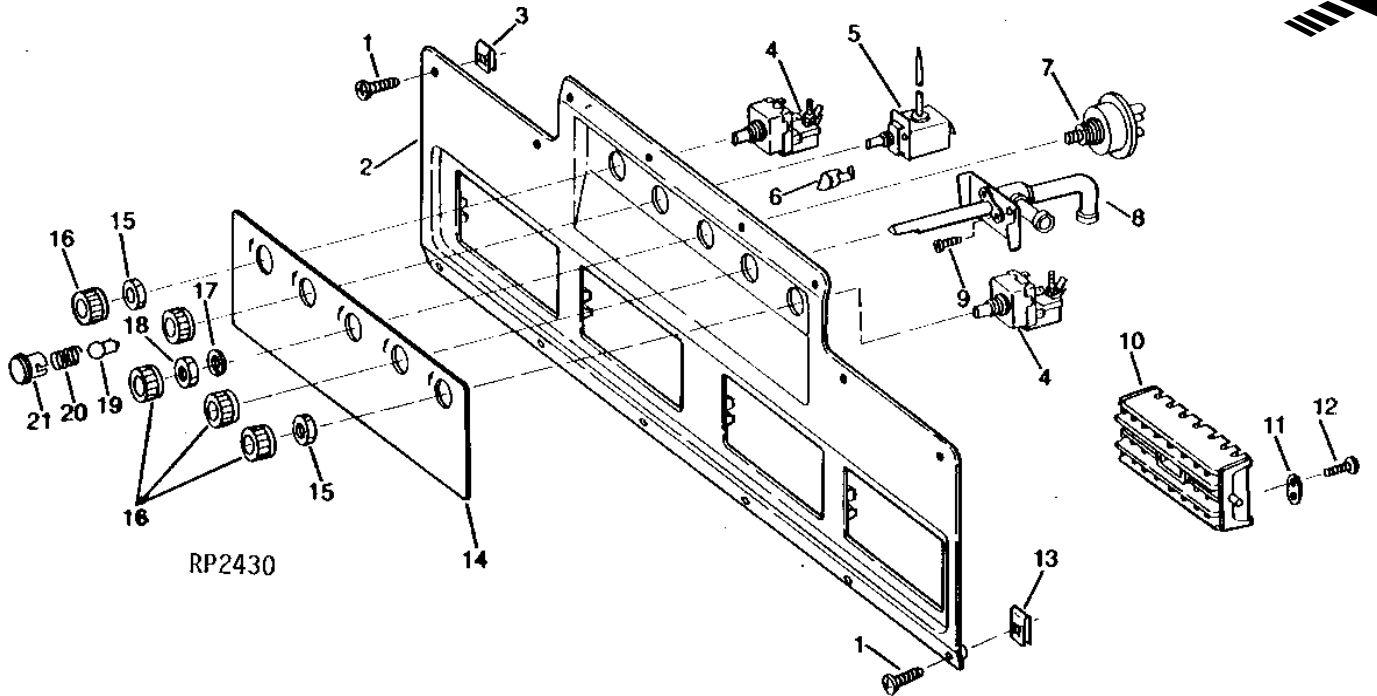
(A) REPLACEMENT SOUND-GARD BODY OR REPLACEMENT INNER ROOF

# 6E1

OPERATOR'S STATION

RP2430 -UN-01JAN94

## AIR LOUVER AND PANEL



KEY	PART NO.	PART NAME	QTY	SG BODY SERIAL NO.	REMARKS
1	37H203	SCREW	14	-049298	
	R81456	SCREW	14	049299-	
2	R50589	BEZEL	1	-049298	(SUB AH118028)
	R58003	PANEL	1	049299-	(SUB AH118028)
	H121828	BEZEL	1		(INCLUDED IN AH118028) (USE WITH (8) AR93533)
3	R52130	LOCK NUT	8		(REAR)
4	AR64992	WIPER SWITCH	2		(B) (SUB FOR AR57228)
5	AR59779	AC/HEAT TEMPERATURE SWITCH	1		THERMOSTAT, (ALSO ORDER R44165)
6	AH80591	DIRECTION INDICATOR	1	-049298	(CONDENSER RESTRICTOR INDICATOR)
7	AR53155	SWITCH	1		(A)
8	AR70418	REGULATOR	1		(SUB FOR AR54523) (SUB AR100056 AND TY22399)
9	37H98	SCREW	2		NO.10 X 7/8"
10	AR56699	LOUVER	4	-049298	
	AR69697	LOUVER	4	049299-	
	AR93533	AIR DUCT	8		(INCLUDED IN AH118028) (USE WITH H121828)
11	R50455	SLAT	8	-049298	
12	A4997R	SCREW	16	-049298	
13	R50500	NUT	6		(FRONT)
14	R52237	LABEL	1	-049298	(A) (B) (C) (D)
	R87574	LABEL	1	049299-	(A) (B) (C) (D) (SUB FOR R59221 OR R72398)
	R52236	LABEL	1		(A) (B) (D)
	R52235	LABEL	1		(A) (B) (C)
	R52234	LABEL	1		(A) (B)
15	R44165	LOCK NUT	2		
16	AR69370	KNOB	5		(SUB FOR AR49969)
17	12H292	LOCK WASHER	1		1/2"
18	A4655R	NUT	1		
19	AH61036	LAMP	1	-049298	
20	R30378	SPRING	1	-049298	
21	AT34928	LENS	1	-049298	(SUB FOR AR60653)

- (A) BLOWER
- (B) WIPER
- (C) HEATER
- (D) AIR CONDITIONING

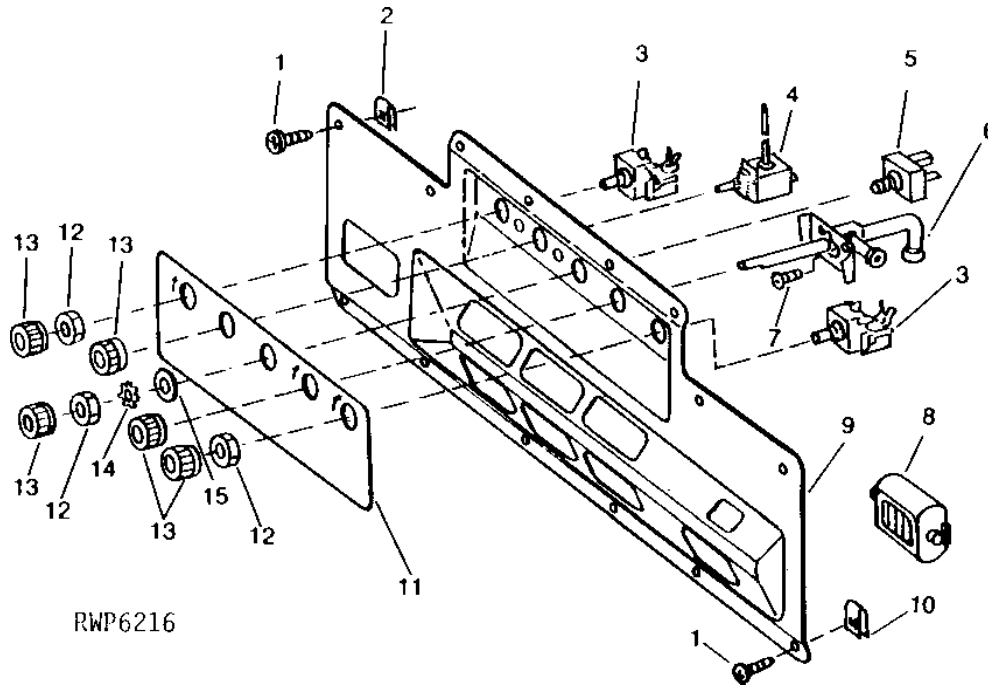


# 6E2

OPERATOR'S STATION

RWP6216 -UN-17NOV94

## AIR LOUVER AND PANEL (REPLACEMENT SOUND-GARD BODY OR REPLACEMENT INNER ROOF)



RWP6216

KEY	PART NO.	PART NAME	QTY	SG BODY SERIAL NO.	REMARKS
1	R81456	SCREW	14		
2	R52130	LOCK NUT	8		
3	AR64992	WIPER SWITCH	2		WIPERS
4	AR59779	AC/HEAT TEMPERATURE SWITCH	1		COOLING TEMPERATURE CONTROL, (ALSO ORDER R44165)
5	AR82014	BLOWER SWITCH	1		BLOWER
6	AR100056	CONTROL VALVE	1		HEATER CONTROL
7	37H98	SCREW	2		
8	AR93533	AIR DUCT	8		(BLACK)
	AR95969	AIR DUCT	8		(BROWN)
9	AH118028	BEZEL	1	-XXXXXX	(BLACK)
	R79307	PANEL	1	XXXXXX-	(BROWN) (LESS DIGITAL CLOCK) (SUB FOR R72483)
10	R50500	NUT	6		
11	R87574	LABEL	1		(A) (SYMBOLS) (SUB FOR L38859 OR R72398)
12	R44165	LOCK NUT	3		
13	AR69370	KNOB	5		
14	12H325	LOCK WASHER	1		7/16"
15	24H1325	WASHER	1		15/32" X 59/64" X 0.065"

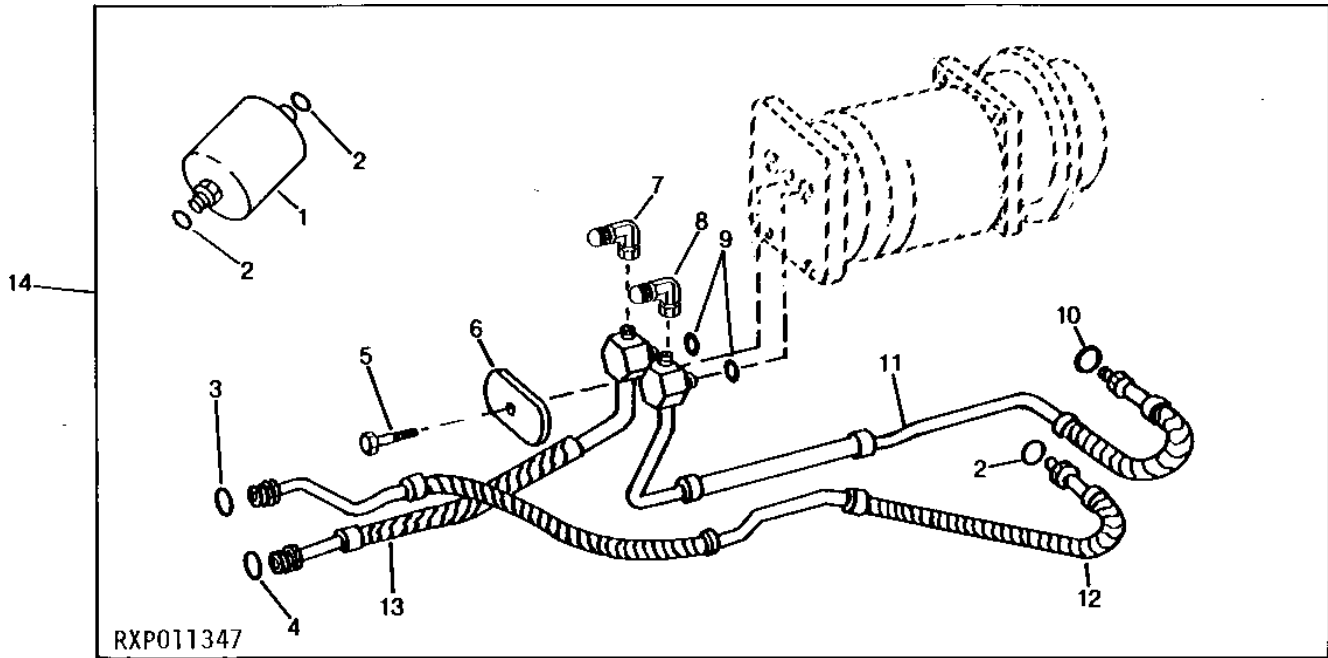
(A) BLOWER, WIPERS, HEATER, AIR CONDITIONING

# 6E3

OPERATOR'S STATION

## AIR CONDITIONING RETROFIT KIT

RXP011347 -UN-24OCT94



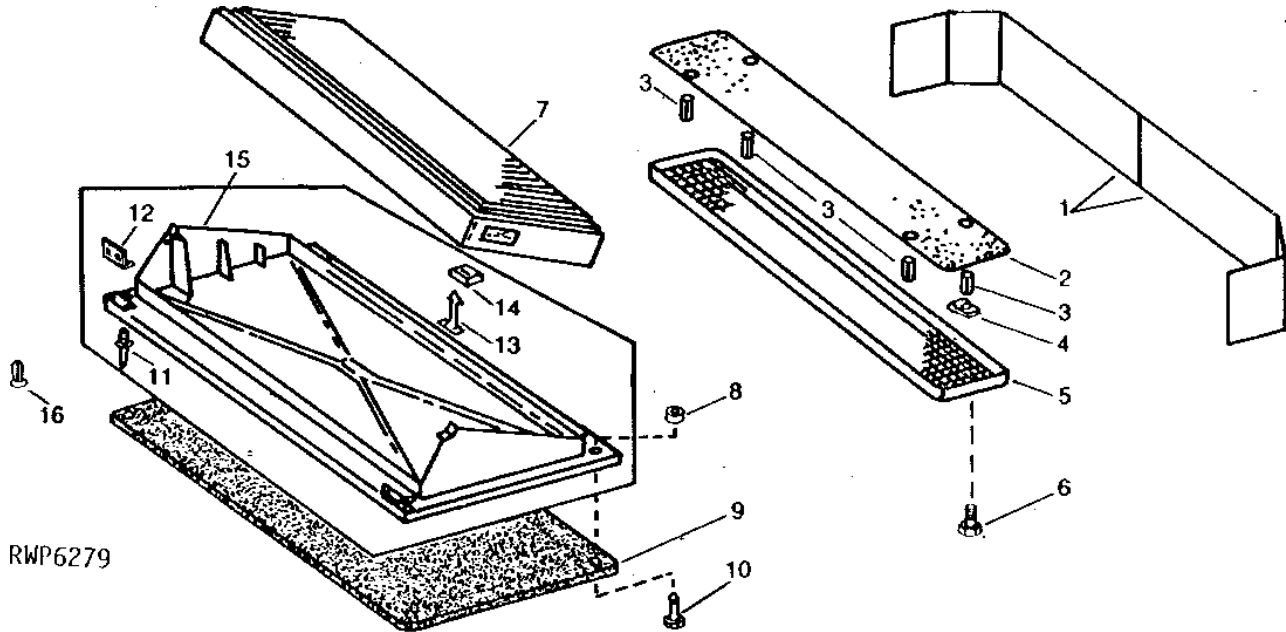
KEY	PART NO.	PART NAME	QTY	TRACTOR SERIAL NO.	REMARKS
1	RE49169	RECEIVER-DRYER	1		
2	R10093	O-RING	1		
3	T143166	O-RING	1		
4	T143169	O-RING	1		
5	19H2959	CAP SCREW	1	3/8" X 2" 3/8" X 2"	
6	R60171	STRAP	1		
7	RE60812	FITTING	1		
8	RE60813	FITTING	1		
9	R74210	O-RING	2		
10	R113050	RING	1		
11	RE57327	LINE	1		
12	RE57320	LINE	1		
13	RE57328	LINE	1		
14	RE62126	KIT	1		
..	PT18520	DECAL KIT	1		
..	TY6770	COMPRESSOR	1	(REMANUFACTURED) (R134A)	

# 6E4

OPERATOR'S STATION

RWP6279 -UN-01JAN94

## PRESSURIZER FILTERS



RWP6279

KEY	PART NO.	PART NAME	QTY	SG BODY SERIAL NO.	REMARKS
1	R52127	FOAM PAD	2	-075970	
	R60560	INSULATOR	2	075971-	
2	R50481	FILTER	1		(SUB R60846)
	R65450	AIR FILTER	1		(A)
3	R66418	SPACER	4		
4	R50279	NUT	4		
5	R60845	FRAME	1		(BLACK) (SUB FOR AR55083)
	R72487	FRAME	1		(A) (BROWN)
6	R53678	SCREW	4		
7	AR61903	AIR FILTER	1		
8	R72653	SNAP RING	2		(SUB FOR R43661)
9	AR58153	PANEL	1		
	AR83435	PANEL	1		(A) (BLACK)
	RE13288	PANEL	1		(A) (BROWN)
10	AR54437	KNOB	2		
	AR83434	KNOB	2		(A)
11	R54477	RIVET	6		
12	R51015	HANGER	2		
13	R51023	CATCH	1		
14	.....	FOAM PAD	1		13 X 25 X 51MM (1/2" X 1" X 2") (MAKE FROM R30936)
15	AR61222	DOOR	1		
16	R54748	STUD	6		
	R65505	STUD	6	-XXXXXX (A)	

(A) REPLACEMENT SOUND-GARD BODY

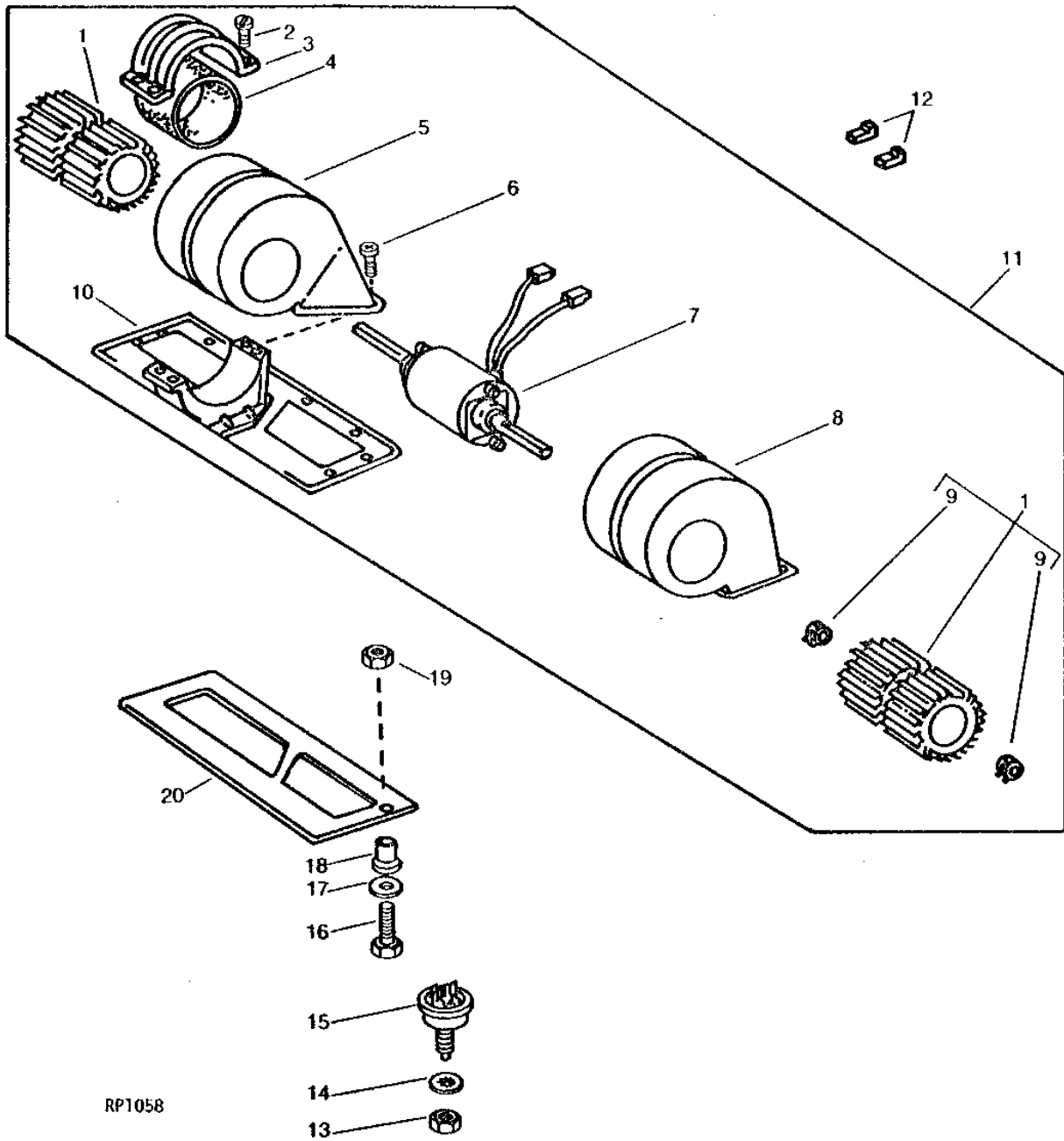
# 6E5

OPERATOR'S STATION

RP1058

-UN-01JAN94

## PRESSURIZER BLOWER



RP1058

# 6E6

OPERATOR'S STATION

## PRESSURIZER BLOWER - CONTINUED

KEY	PART NO.	PART NAME	QTY	SG BODY SERIAL NO.	REMARKS
1	AR66028	IMPELLER	2	(A)	
2	R66117	SCREW	4	(A)	
3	R59450	RETAINER	1	(A)	
4	R57606	CUSHION	1	(A)	
5	AR69011	HOUSING	2	(A)	
6	37H127	SCREW	4	(A)	0.138" X 5/16"
7	AR62497	MOTOR	1	(A)	
8	AR69012	HOUSING	2	(A)	
9	R56101	CLIP	4	(A)	
10	AR74020	BASE	2	(A)	(SUB FOR AR68974)
11	AR74019	BLOWER	2	(A)	(SUB FOR AR68973)
12	T28583	RECEPTACLE	4		
13	A4655R	NUT	1		
14	12H292	LOCK WASHER	1	1/2"	
15	AR53155	SWITCH	1		
	.....	WIRING LEAD	1		178 MM (7") (MAKE FROM R65593, (2) R65600 AND (2) R65604) (FROM AR11154)
16	21H1376	SCREW	10		0.164" X 1-1/4"
17	B1085R	WASHER	10		
18	R59841	SLEEVE	10		
19	T19977	LOCK NUT	10		
20	R59840	FOAM PAD	2		

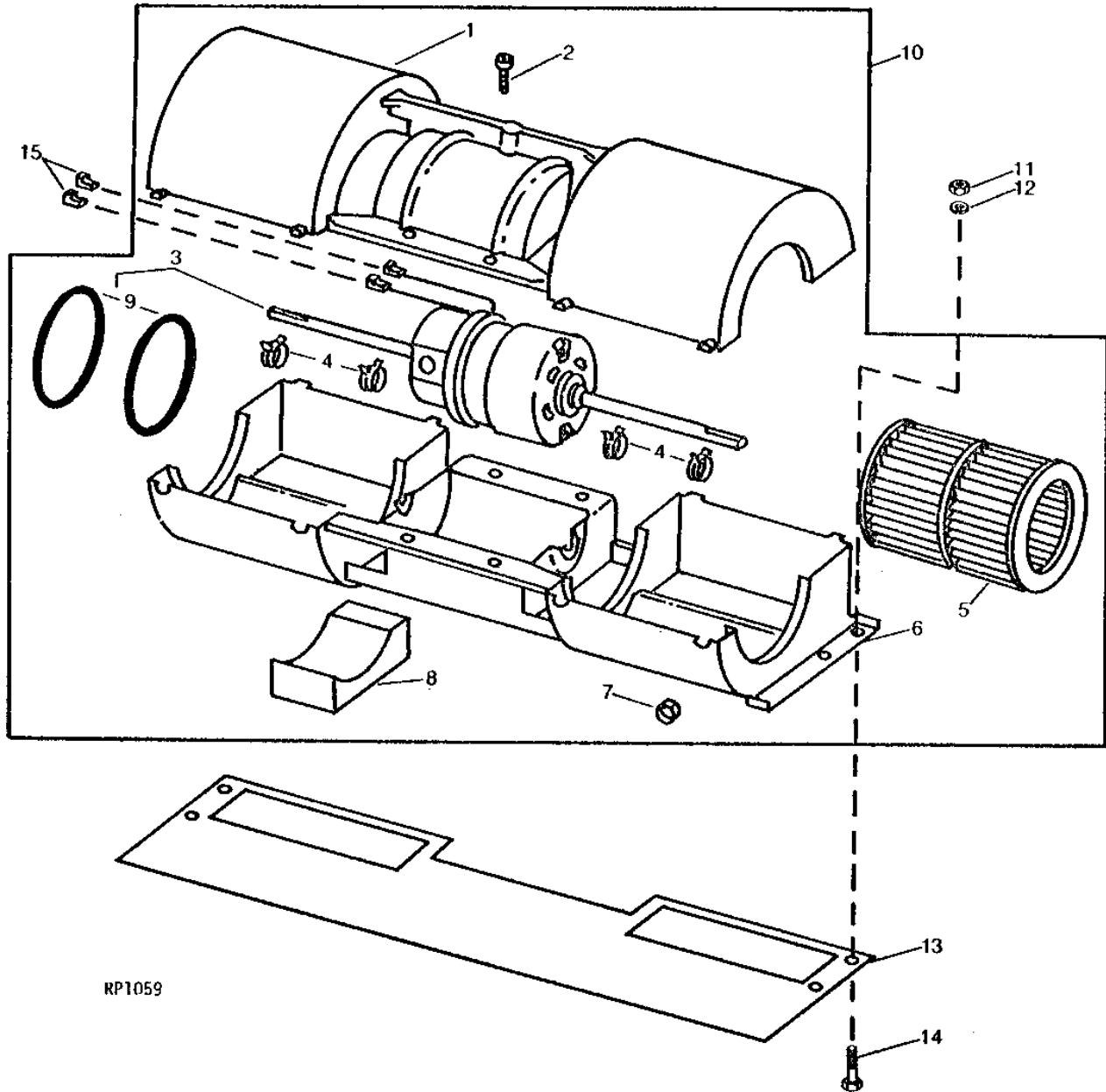
(A) AMOUNT PER MOTOR

# 6E7

OPERATOR'S STATION

PRESSURIZER BLOWER  
(REPLACEMENT SOUND-GARD BODY)  
(SOUND-GARD BODY SERIAL NO. -XXXXXX)

RP1059 -UN-01JAN94



RP1059

# 6E8

OPERATOR'S STATION

**PRESSURIZER BLOWER - CONTINUED  
(REPLACEMENT SOUND-GARD BODY)  
(SOUND-GARD BODY SERIAL NO. -XXXXXX)**

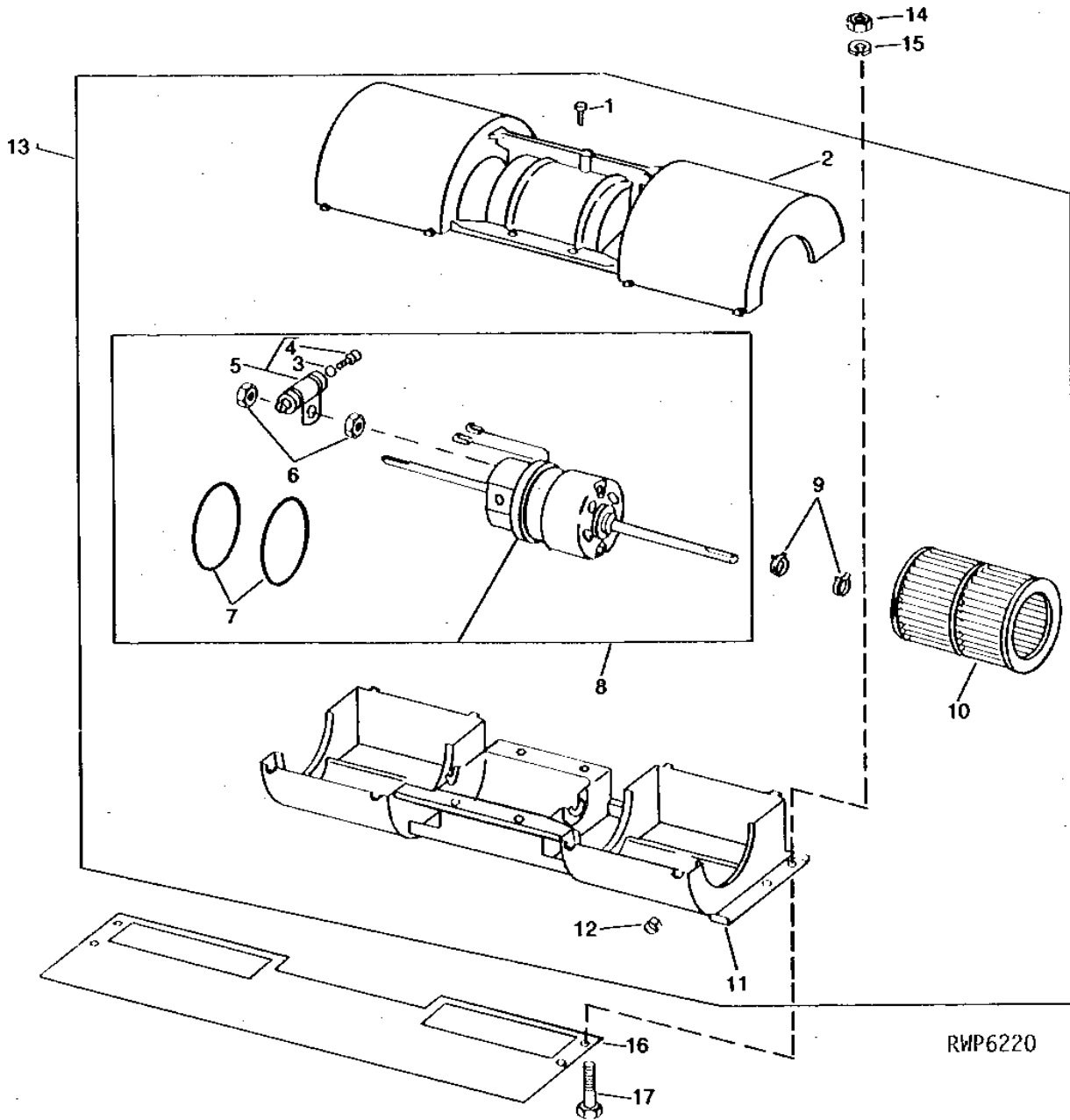
KEY	PART NO.	PART NAME	QTY	SG BODY SERIAL NO.	REMARKS
1	R65147	HOUSING	1		(SUB R77618)
2	37M7073	SCREW	4		
3	RE25160	MOTOR	1		(SUB FOR AR82005)
4	R56101	CLIP	4		
5	R81111	IMPELLER	2		(SUB FOR R65832)
6	R65148	HOUSING	1		(SUB R77619)
7	R67054	RING	8		
8	R65150	FILTER	1		
9	F1430R	O-RING	2		(.21" THICK)
	R85234	RING	2		(.31" THICK)
10	AR82006	BLOWER	1		(SUB RE10998)
11	14H786	NUT	4		1/4"
12	12H297	LOCK WASHER	4		1/4"
13	R69301	INSULATOR	1		
14	19H1948	CAP SCREW	4		1/4" X 3/4"
15	T28583	RECEPTACLE	2		

# 6E9

OPERATOR'S STATION

PRESSURIZER BLOWER  
(REPLACEMENT SOUND-GARD BODY OR REPLACEMENT INNER ROOF)  
(SOUND-GARD BODY SERIAL NO. XXXXXX- )

RWP6220 -UN-01JAN94





# 6E10

OPERATOR'S STATION

**PRESSURIZER BLOWER - CONTINUED**  
**(REPLACEMENT SOUND-GARD BODY OR REPLACEMENT INNER ROOF)**  
**(SOUND-GARD BODY SERIAL NO. XXXXXX- )**

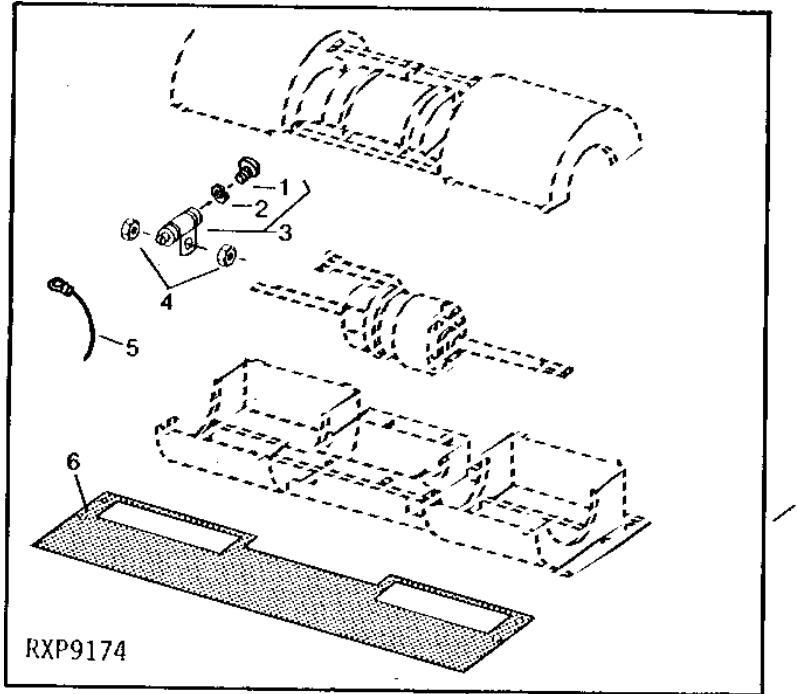
KEY	PART NO.	PART NAME	QTY	SG BODY SERIAL NO.	REMARKS
1	37M7073	SCREW	4		
2	R77618	HOUSING	1		
3	12H246	LOCK WASHER	2	0.190"	
4	21H1327	SCREW	2	0.190" X 1/4"	
5	RE10134	CAPACITOR	1		
6	14H631	NUT	2	0.190"	
7	F1430R	O-RING	2	(.21" THICK)	
	R85234	RING	2	(.31" THICK)	
8	RE25160	MOTOR	1	(SUB FOR AR82005)	
9	R56101	CLIP	4		
10	R81111	IMPELLER	2	(SUB FOR R65832)	
11	R77619	HOUSING	1		
12	R67054	RING	8		
13	RE10998	BLOWER	1		
14	14H786	NUT	4	1/4"	
15	12H297	LOCK WASHER	4	1/4"	
16	R69301	INSULATOR	1		
17	19H1948	CAP SCREW	4	1/4" X 3/4"	

# 6E11

OPERATOR'S STATION

RXP9174 -UN-01JAN94

**BLOWER MOTOR FILTER CAPACITOR KIT  
(SOUND-GARD BODY SERIAL NO. XXXXXX- )**



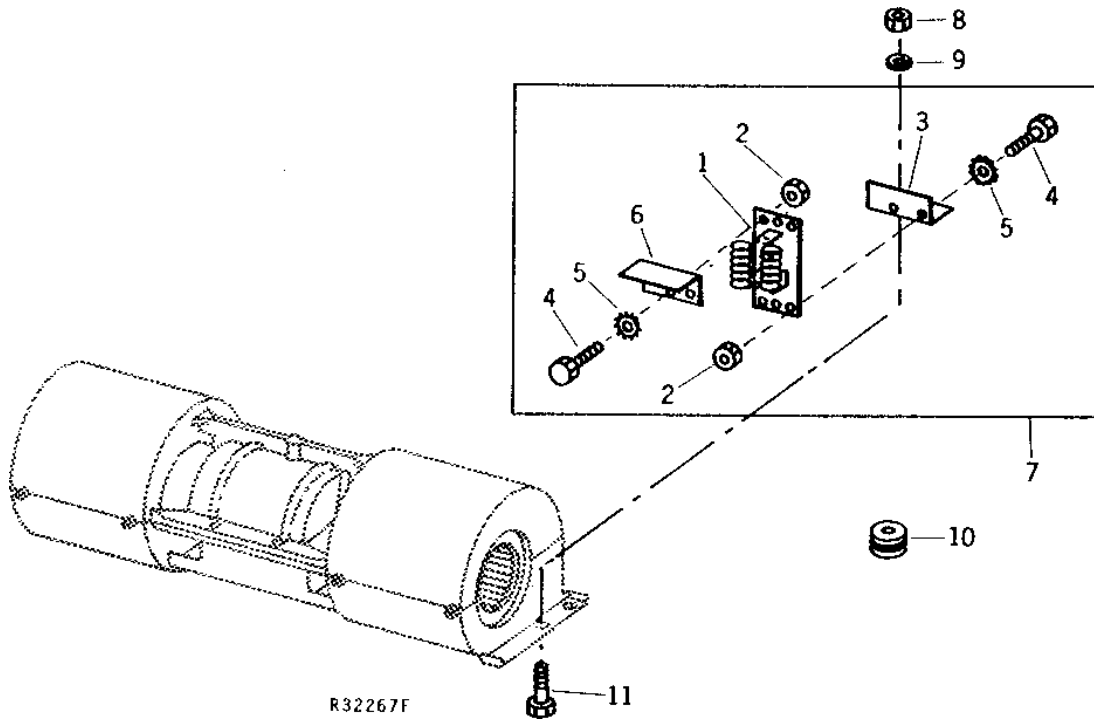
KEY	PART NO.	PART NAME	QTY	SG BODY SERIAL NO.	REMARKS
1	21H1327	SCREW	2	0.190" X 1/4"	
2	12H246	LOCK WASHER	2	0.190"	
3	RE10134	CAPACITOR	1		
4	14H631	NUT	2		
5	R32018	TERMINAL	4		
6	R69301	INSULATOR	1		
7	RE10133	KIT	1		

# 6E12

OPERATOR'S STATION

R32267 -UN-01JAN94

## BLOWER MOTOR RESISTOR (REPLACEMENT SOUND-GARD BODY OR REPLACEMENT INNER ROOF)



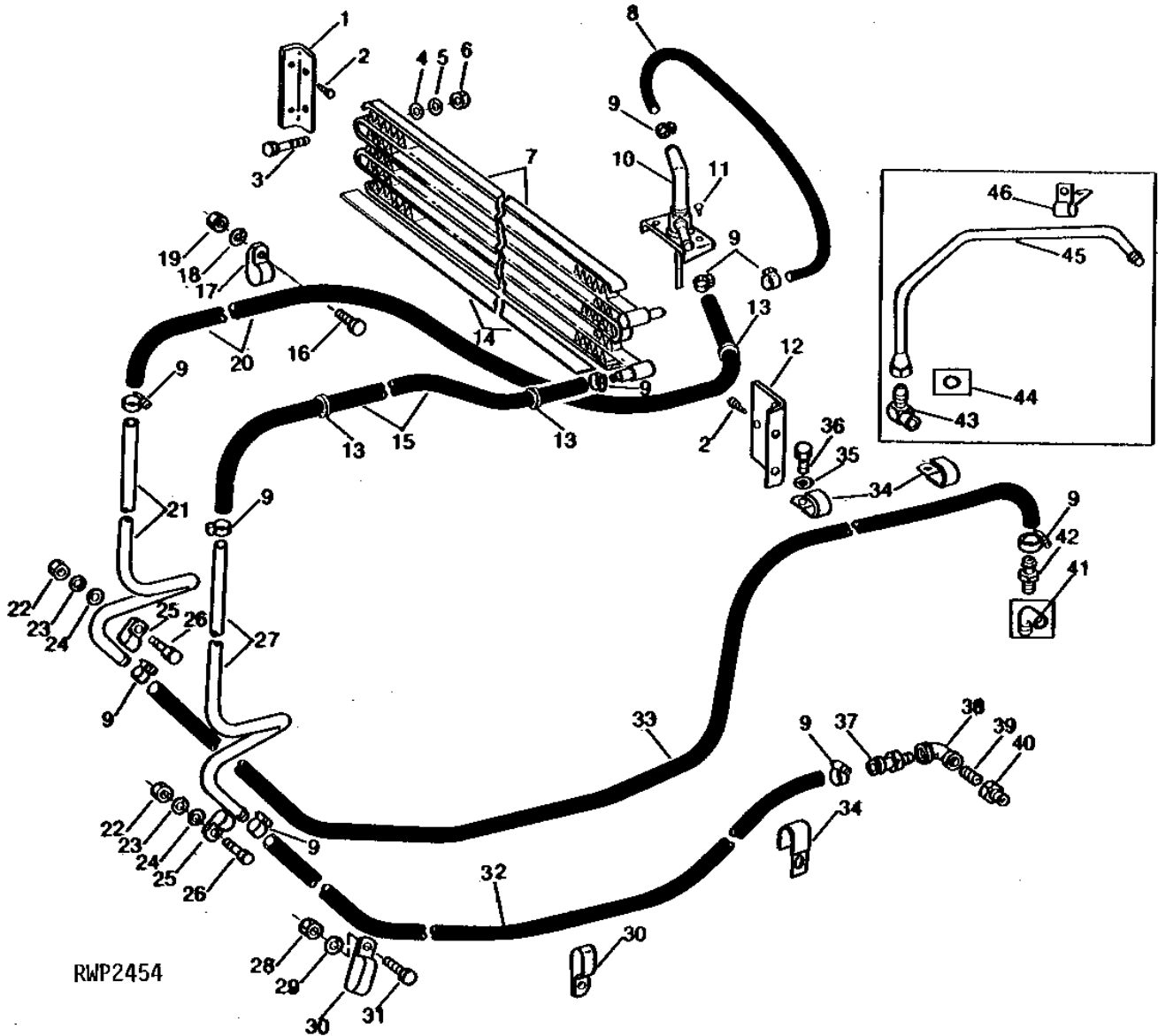
KEY	PART NO.	PART NAME	QTY	SG BODY SERIAL NO.	REMARKS
1	AR90771	RESISTOR	1		
2	14H631	NUT	4	0.190"	
3	R69521	BASE	1		
4	19H3204	SCREW	4	0.190" X 5/8"	
5	12M7060	WASHER	4	0.209"	
6	R69522	DEFLECTOR	1		
7	AR90770	RESISTOR	1		
8	14H786	NUT	1	1/4"	
9	12H297	LOCK WASHER	1	1/4"	
10	R65476	GROMMET	1		
11	19H1948	CAP SCREW	1	1/4" X 3/4"	

# 6E13

OPERATOR'S STATION

RWP2454 -UN-01JAN94

HEATER



# 6E14

OPERATOR'S STATION

## HEATER - CONTINUED

KEY	PART NO.	PART NAME	QTY	SG BODY SERIAL NO.	REMARKS
1	R60561	BRACKET	1	028702-	
2	37M7245	SCREW	4	028702-	NO.10 X 3/8"
3	19H2831	CAP SCREW	3		(A) 5/16" X 1-1/2"
4	24H1291	WASHER	3		(A) 21/64" X 1-15/32" X 7/64"
5	12H303	LOCK WASHER	3		(A) 5/16"
6	14H785	NUT	3		(A) 5/16"
7	AR49965	CORE	1	-028701	(A)
	AR88076	EVAPORATOR	1	028702-	(C) (WITH HEATER) (SUB FOR AR85245)
8	.....	HOSE	1		787MM (31") (MAKE FROM TY22328) (SUB FOR R45847) (SUB TY22399)
9	TY22465	CLAMP	10		(SUB FOR AR21837)
10	AR70418	REGULATOR	1		(A) (SUB FOR AR54523)
11	37H98	SCREW	2		(A) NO. 10 X 7/8"
12	R60562	BRACKET	1	028702-	
13	R50456	GROMMET	3		(A)
	R65475	GROMMET	3		(C)
	R72040	GROMMET	3		(C)
14	R47468	ISOLATOR	1		
15	R69747	HOSE	1		
16	19H2021	CAP SCREW	1		(A) 3/8" X 5/8"
17	R40791	CLAMP	1		(A)
18	12H304	LOCK WASHER	1		(A) 3/8"
19	14H1076	NUT	1		(A) 3/8"
20	R69748	HOSE	1		
21	R50461	OIL TUBE	1		(A)
22	14H1087	NUT	2		(A) 3/8", (SUB FOR R53676)
	R53668	THRUST WASHER	2		(A)
24	24H1884	WASHER	2		(A) 13/32" X 13/16" X 0.120"
25	R51892	CLAMP	2		(A)
26	19H1731	CAP SCREW	2		(A) 3/8" X 1"
27	R50462	OIL TUBE	1		(A)
28	14H1076	NUT	1		(A) 3/8"
29	12H304	LOCK WASHER	1		(A) 3/8"
30	R50454	CLAMP	2		(A) (B)
31	19H1731	CAP SCREW	1		(A) 3/8" X 1"
32	.....	HOSE	1		2997MM (118") SUPPLY, (MAKE FROM TY22328)
					(SUB FOR R45847)
33	.....	HOSE	1		3200MM (126") RETURN, (MAKE FROM TY22328)
					(SUB FOR R45847)
34	R45211	CLAMP	3	029090-	(B)
35	12H304	LOCK WASHER	1	029090-	(B) 3/8"
36	19H1936	CAP SCREW	1	029090-	(B) 3/8" X 3/4"
37	R42312	HOSE FITTING	1	029090-	(B)
38	15H97	ELBOW FITTING	1	029090-	(B)
39	29H587	THREADED NIPPLE	1	029090-	(B)
40	15H619	PIPE BUSHING	1	029090-	(B)
41	15H622	ELBOW FITTING	1	-029089	(B)
42	R42312	HOSE FITTING	1		(B)
43	R35800	ADAPTER	1	-001612	
	AR64090	FITTING	1	001613-029089	
44	R375R	O-RING	1	-001612	
45	R51839	TUBE	1	-001612	(SUB AR64091 AND AR64090)
	AR64091	LINE	1	001613-029089	(B)
46	R54382	HALF CLAMP	1	-029089	(B)
..	AR65051	KIT	1		(SOUND-GARD BODY PARTS TO INSTALL HEATER)
..	AR65052	KIT	1		(TRACTOR PARTS TO INSTALL HEATER)

(A) INCLUDED IN AR65051

(B) INCLUDED IN AR65052

(C) REPLACEMENT SOUND-GARD BODY OR REPLACEMENT INNER ROOF

---

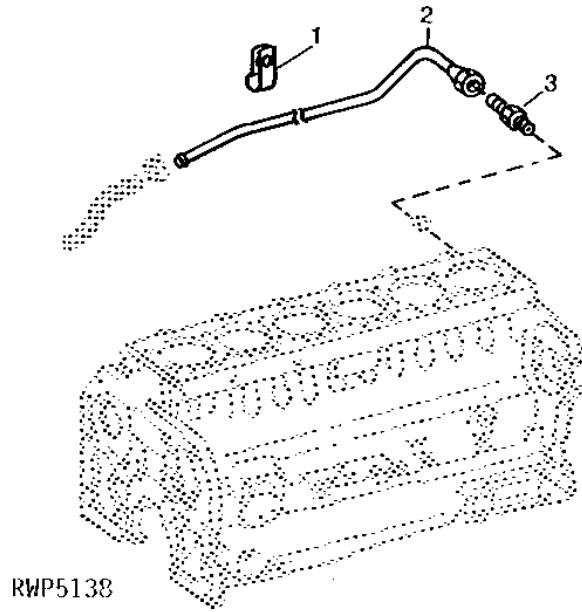
MEMORANDA

# 6E15

OPERATOR'S STATION

HEATER SUPPLY LINE  
(SOUND-GARD BODY SERIAL NO. -001612)

RWP5138 -UN-01JAN94



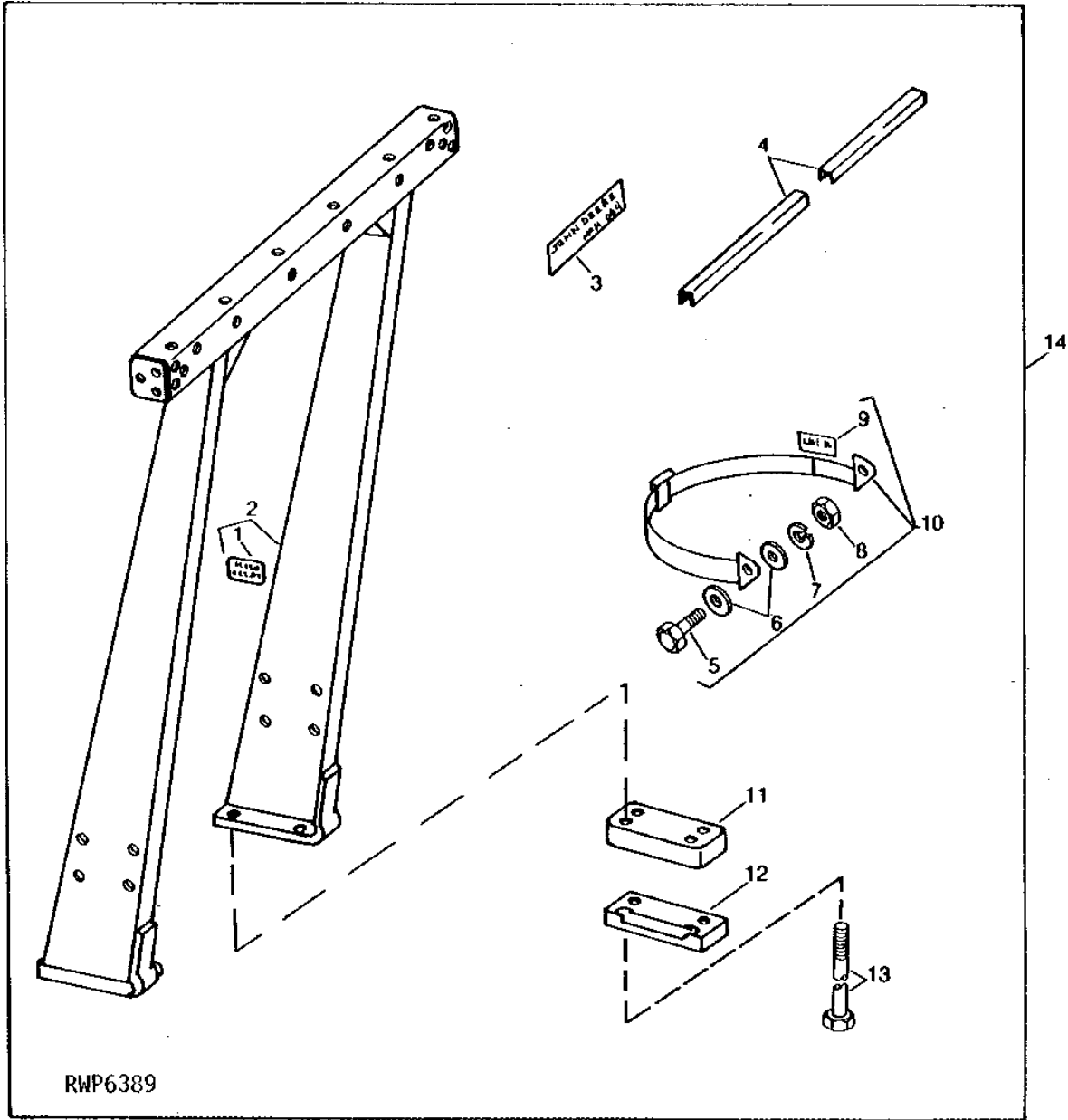
KEY	PART NO.	PART NAME	QTY	SG BODY SERIAL NO.	REMARKS
1	R46414	CLAMP	1		
2	AR80797	LINE	1		(SOUND-GARD BODY) (USE WITH AR94823) (SUB RE51829)
3	R48384	FITTING	1		

# 6E16

OPERATOR'S STATION

## TWO-POST ROLL-GARD AND SEAT BELT (ROW-CROP)

RWP6389 -UN-01JAN94





# 6E17

OPERATOR'S STATION

## TWO-POST ROLL-GARD AND SEAT BELT - CONTINUED (ROW-CROP)

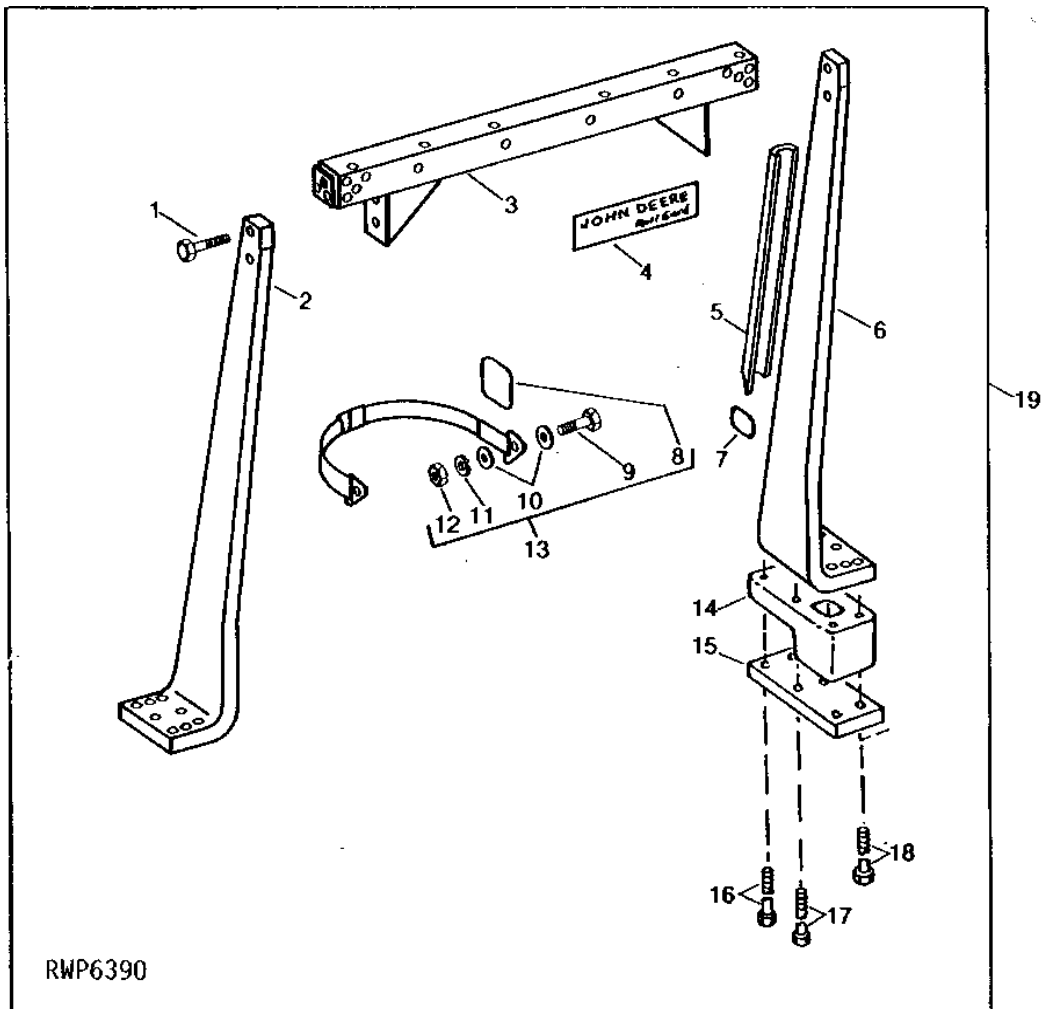
KEY	PART NO.	PART NAME	QTY	TRACTOR SERIAL NO.	REMARKS
1	R87527	LABEL	1		(SUB FOR R41781)
2	AR51417	ROPS	1		(SUB AR62686)
3	R47292	LABEL	1		
4	AR93828	MOLDING	1		OPERATOR SHIELD OPENING, (SUB FOR R50451)
5	R41778	BOLT	2		
6	24H1226	WASHER	4		1/2" X 1-1/4" X 0.083"
7	12H293	LOCK WASHER	2		7/16"
8	14H807	NUT	2		7/16"
9	R81424	LABEL	1		SEAT BELT CAUTION
10	AR41761	SEAT BELT	1		51MM (2")
	AT38518	SEAT BELT	1		76MM (3")
11	R52231	SPACER	2		
12	R41355	PLATE	2		
13	R53100	CAP SCREW	8		19 X 279MM (3/4" X 11")
14	AR62686	ROLL-GARD	1		
..	R83316	LABEL	1		ROPS WARNING, (SUB R120124)

# 6E18

OPERATOR'S STATION

## TWO-POST ROLL-GARD AND SEAT BELT (HI-CROP)

RWP6390 -UN-01JAN94



# 6E19

OPERATOR'S STATION

## TWO-POST ROLL-GARD AND SEAT BELT - CONTINUED (HI-CROP)

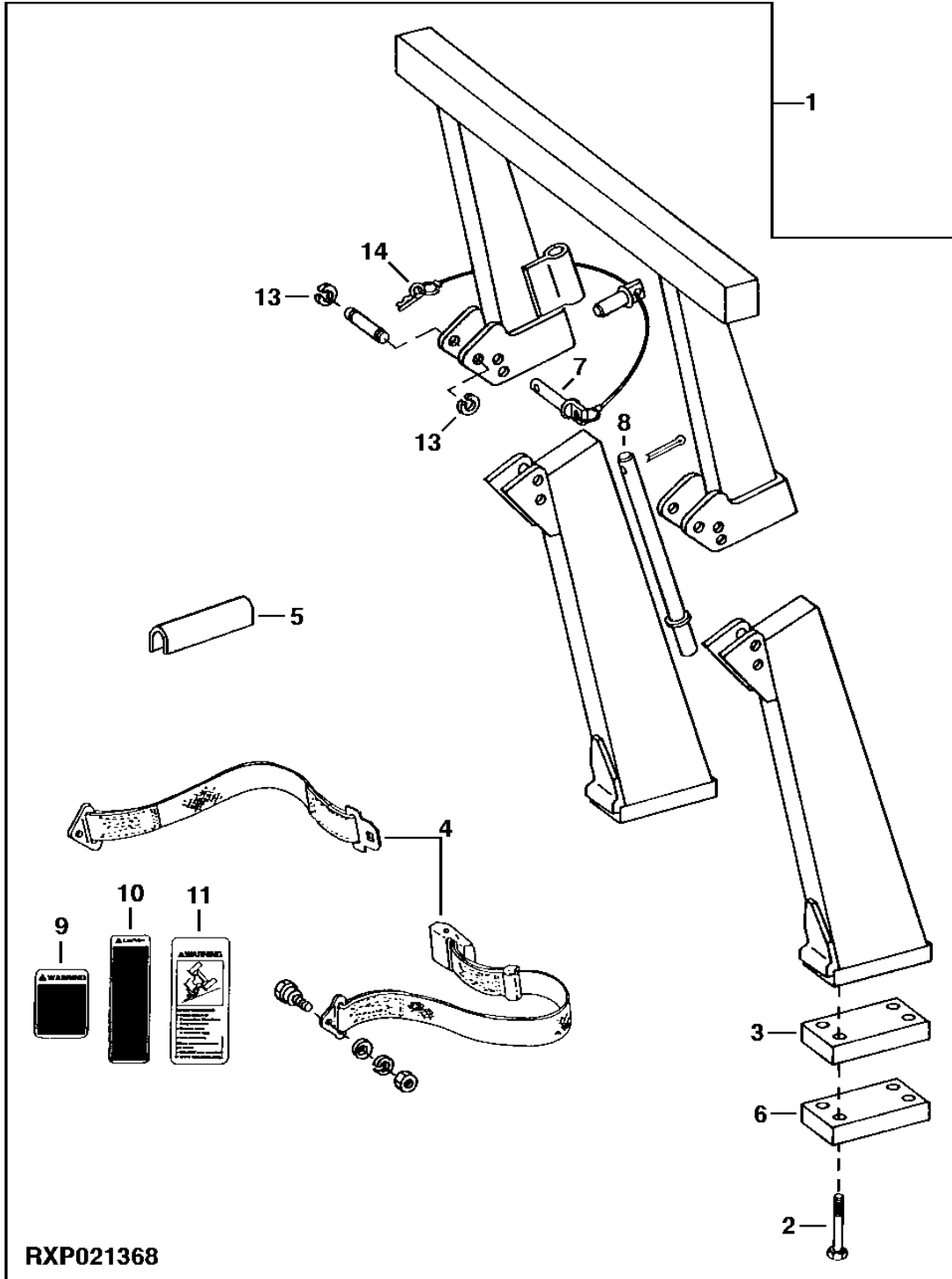
KEY	PART NO.	PART NAME	QTY	TRACTOR SERIAL NO.	REMARKS
1	19H2728	CAP SCREW	4		3/4" X 3"
2	R47715	FRAME	1		
3	AR66792	FRAME	1		
4	R47292	LABEL	1		
5	R42646	FOAM PAD	2		
6	AR50540	FRAME	1		
7	R87527	LABEL	1		(SUB FOR R41781)
8	R81424	LABEL	1		
9	R41778	BOLT	2		
10	24H1226	WASHER	4		1/2" X 1-1/4" X 0.083"
11	12H293	LOCK WASHER	2		7/16"
12	14H807	NUT	2		7/16"
13	AR41761	SEAT BELT	1		51MM (2")
	AT38518	SEAT BELT	1		76MM (3")
14	R56356	SPACER	2		
15	R56357	PLATE	2		
16	R47721	SCREW	4		
17	R47723	SCREW	4		
18	R47724	CAP SCREW	4		
19	AR67548	ROLL-GARD	1		

# 6E20

OPERATOR'S STATION

RXP021368 -UN-06DEC95

ROPS W/SEAT BELT  
(W/O HI-CROP)



RXP021368

# 6E21

OPERATOR'S STATION

**ROPS W/SEAT BELT - CONTINUED  
(W/O HI-CROP)**

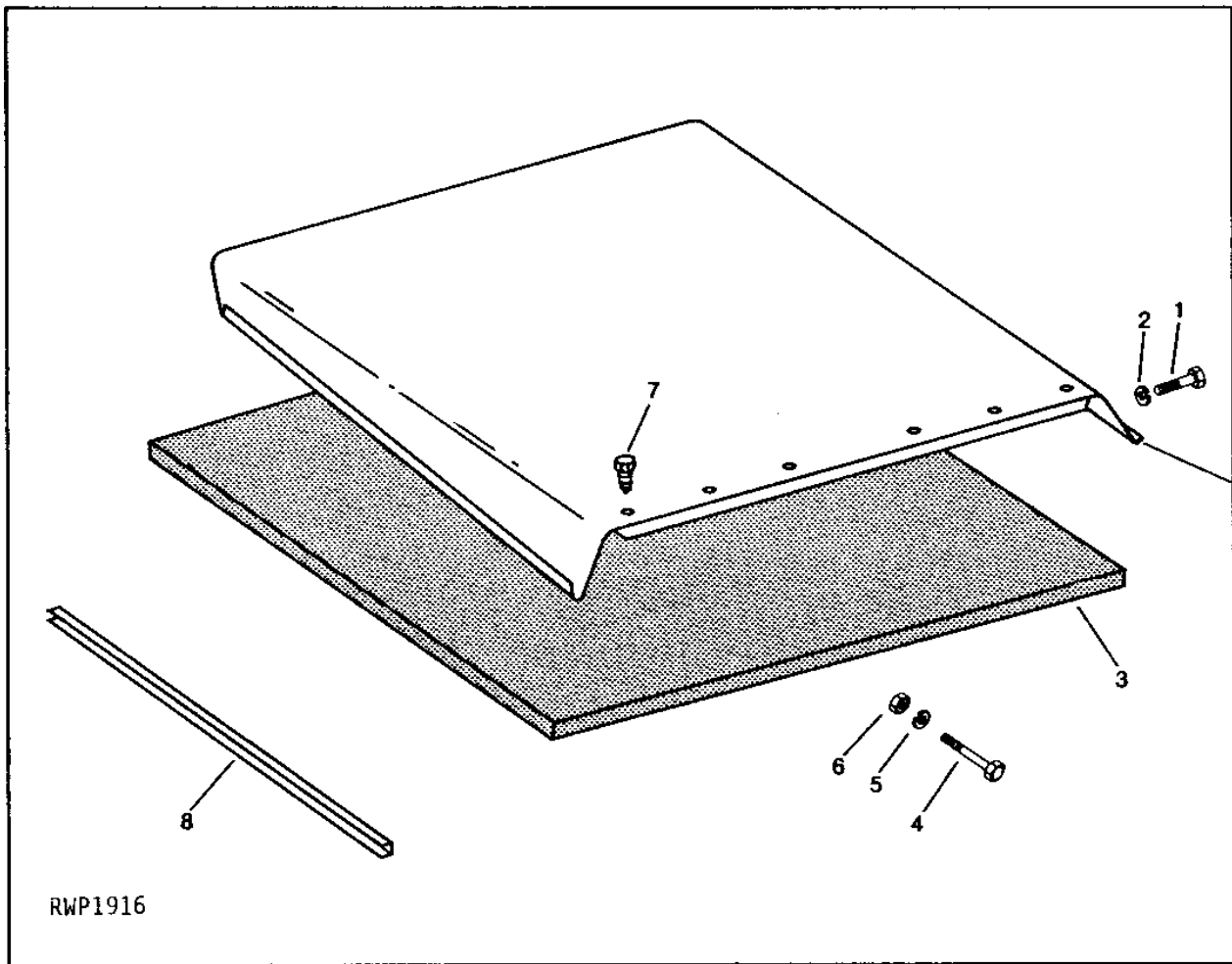
KEY	PART NO.	PART NAME	QTY	CAB SERIAL NO.	REMARKS
1	RE58263	ROLL-GARD	1		(FI)
2	R41355	PLATE	2		
3	R52231	SPACER	2		
4	R52238	CAP SCREW, AND NUT	8		
5	14H807	NUT	2	7/16"	
6	12H293	LOCK WASHER	2	7/16"	
7	24H1226	WASHER	2	1/2" X 1-1/4" X 0.083"	
8	R41778	BOLT	2		
9	R117491	DECAL	1		
10	R120124	LABEL	1		
11	R120128	LABEL	1		
12	R117491	DECAL	1		
13	40M7195	SNAP RING	4		
14	99M7080	SPRING LOCKING PIN	1		
15	RE58679	HINGE	2		
16	RE58612	ROD	2		
17	AR93828	MOLDING	1		
..	37M7131	SCREW	1		

# 6E22

OPERATOR'S STATION

RWP1916 -UN-01JAN94

CANOPY  
(TWO-POST ROLL-GARD)



# 6E23

OPERATOR'S STATION

**CANOPY - CONTINUED  
(TWO-POST ROLL-GARD)**

KEY	PART NO.	PART NAME	QTY	TRACTOR SERIAL NO.	REMARKS
1	19H1731	CAP SCREW	6		3/8" X 1"
2	12H304	LOCK WASHER	6		3/8"
3	R47197	FOAM PAD	1		
4	19H2054	CAP SCREW	6		3/8" X 4-3/4"
5	12H304	LOCK WASHER	6		3/8"
6	14H1076	NUT	6		3/8"
7	37H27	SCREW	10		5/16" X 7/8"
8	R41358	ISOLATOR	2		
9	AR51452	CANOPY	1		

---

MEMORANDA

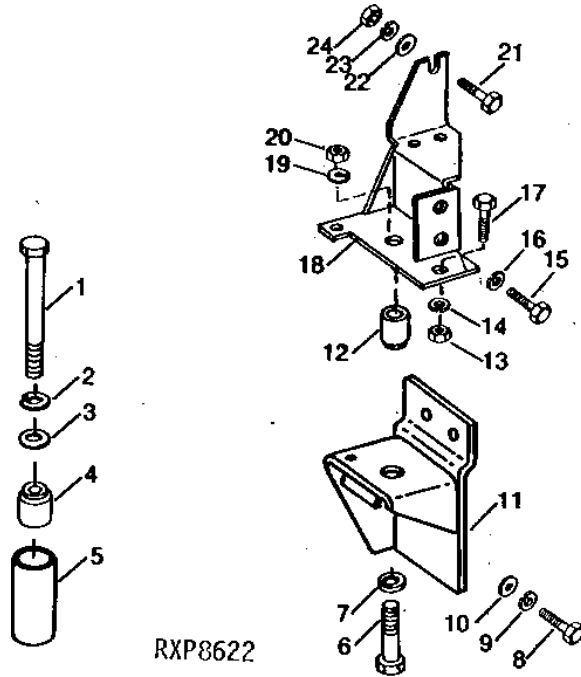


# 6E24

OPERATOR'S STATION

RXP8622 -UN-01JAN94

## FOUR-POST ROLL-GARD MOUNTING



RXP8622

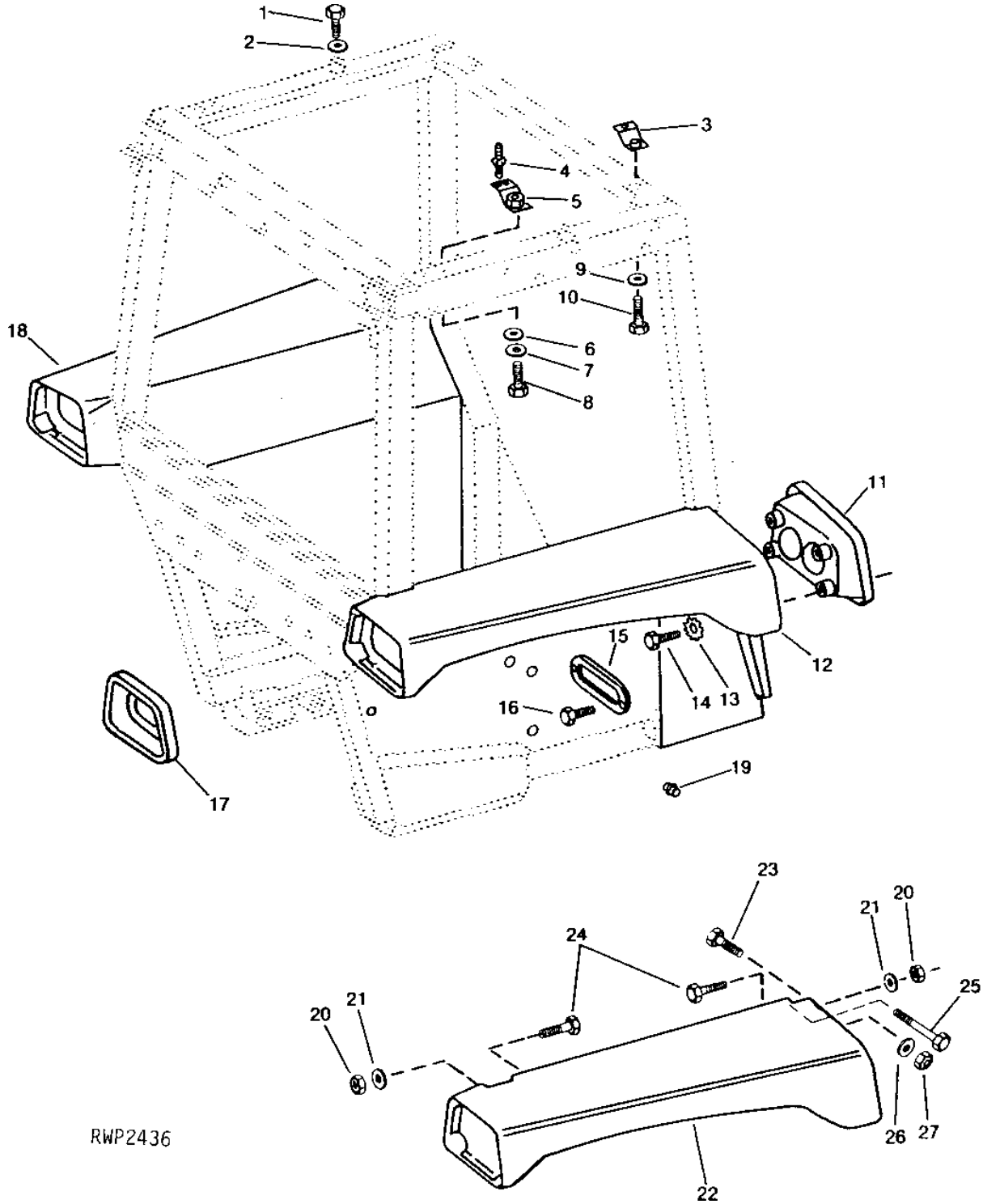
KEY	PART NO.	PART NAME	QTY	TRACTOR SERIAL NO.	REMARKS
1	R54743	CAP SCREW	4		(SUB FOR R50436)
2	12H236	LOCK WASHER	4		3/4"
3	R54124	WASHER	4		
4	R50246	ADAPTER	4		
5	R50245	BUSHING	4		
6	19H2725	CAP SCREW	2		3/4" X 3-3/4"
7	R54124	WASHER	2		
8	19H3299	CAP SCREW	4		1/2" X 1-1/4"
9	12H301	LOCK WASHER	4		1/2"
10	R42408	WASHER	4		
11	AR70851	BRACKET	1		R.H.
	AR70850	BRACKET	1		L.H. (ALSO ORDER (2) 19H3299, (2) 12H301 AND (2) R42408) (SUB FOR AR54441)
12	R53711	SPACER	2		
13	14H1040	NUT	2		1/2"
14	12H301	LOCK WASHER	2		1/2"
15	19H1792	CAP SCREW	4		1/2" X 1"
16	12H301	LOCK WASHER	4		1/2"
17	19H1792	CAP SCREW	2		1/2" X 1"
18	AR84566	BRACKET	1		R.H. (SUB FOR AR55331 OR AR72480) (SUB RE37511)
	AR84567	BRACKET	1		L.H. (SUB FOR AR55332 OR AR72479) (SUB RE37512)
19	12H236	LOCK WASHER	2		3/4"
20	14H794	NUT	2		3/4"
21	03H2070	BOLT	2		3/8" X 1-1/8"
22	24H1305	WASHER	2		13/32" X 13/16" X 0.065"
23	12H304	LOCK WASHER	2		3/8"
24	14H1076	NUT	2		3/8"

# 6F1

OPERATOR'S STATION

RWP2436 -UN-16NOV94

FOUR-POST ROLL-GARD BODY



# 6F2

OPERATOR'S STATION

## FOUR-POST ROLL-GARD BODY - CONTINUED

KEY	PART NO.	PART NAME	QTY	TRACTOR SERIAL NO.	REMARKS
1	19H2367	CAP SCREW	2		5/8" X 3/4"
2	24H1106	WASHER	2		11/16" X 1-3/4" X 0.134"
3	AR54894	BRACKET	2		
4	R55326	RIVET	8		(SUB FOR R50217)
5	AR54896	BRACKET	2		
6	24H1822	WASHER	4		11/32" X 7/8" X 1/16"
7	12H303	LOCK WASHER	4		5/16"
8	19H2127	CAP SCREW	4		5/16" X 7/8"
9	12H297	LOCK WASHER	4		1/4"
10	21H1303	SCREW	4		1/4" X 3/4"
11	AR57235	PANEL	1		R.H. (SUB R81699 AND (4) R81698)
	AR53988	PANEL	1		L.H. (SUB R81700 AND (4) R81698)
12	AR61223	FENDER	1		
	R50788	BRACE	1		
	R51699	BRACE	1		
13	12M7032	LOCK WASHER	2		0.331"
14	AR58652	BOLT	8		
15	R53233	COVER	2		
16	R52938	CAP SCREW	4		
17	R52561	SHIELD	1		R.H.
	R52562	SHIELD	1		L.H.
18	AR61224	FENDER	1		
	R50789	BRACE	1		
	R51700	BRACE	1		
19	R52233	PLUG	1		
20	14H1076	NUT	10		(A) 3/8"
21	24H1305	WASHER	10		(A) 13/32" X 13/16" X 0.065"
22	RE11221	FENDER	1		(A) R.H. (SUB FOR AR89290)
	RE11222	FENDER	1		(A) L.H. (SUB FOR AR89291)
23	03H1540	BOLT	6		(A) 5/16" X 3/4"
24	19H1731	CAP SCREW	10		(A) 3/8" X 1"
25	19H1900	CAP SCREW	4		(A) 5/16" X 3/4"
26	24H1136	WASHER	6		(A) 11/32" X 11/16" X 0.065"
27	14H785	NUT	6		(A) 5/16"
..	19H1900	CAP SCREW	2		(B) 5/16" X 3/4"
..	12H303	LOCK WASHER	2		(B) 5/16"
..	19H1732	CAP SCREW	2		(B) 3/8" X 1-1/4"
..	14H1076	NUT	2		(B) 3/8"
..	12H304	LOCK WASHER	2		(B) 3/8"

(A) REPLACEMENT ROLL-GARD

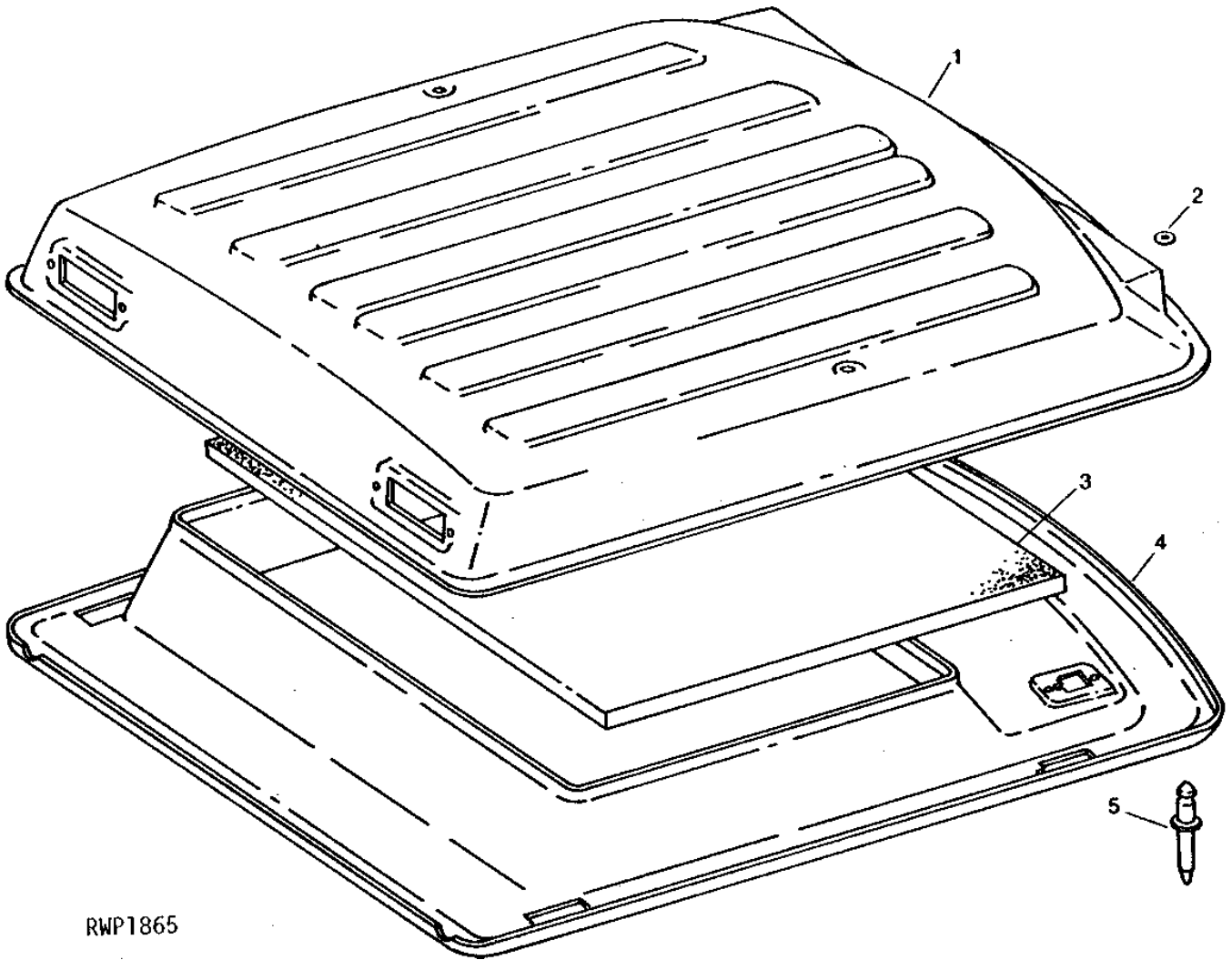
(B) FLOOR TO CONTROL SUPPORT SIDE

# 6F3

OPERATOR'S STATION

RWP1865 -UN-01JAN94

CANOPY  
(FOUR-POST ROLL-GARD)



RWP1865

# 6F4

OPERATOR'S STATION

---

**CANOPY - CONTINUED  
(FOUR-POST ROLL-GARD)**

KEY	PART NO.	PART NAME	QTY	TRACTOR SERIAL NO.	REMARKS
1	AR69840	CANOPY	1		(SUB FOR AR56167)
2	R52119	WASHER	32		
3	R49930	FOAM PAD	1		
4	R50624	PANEL	1		
5	R52118	RIVET	32		

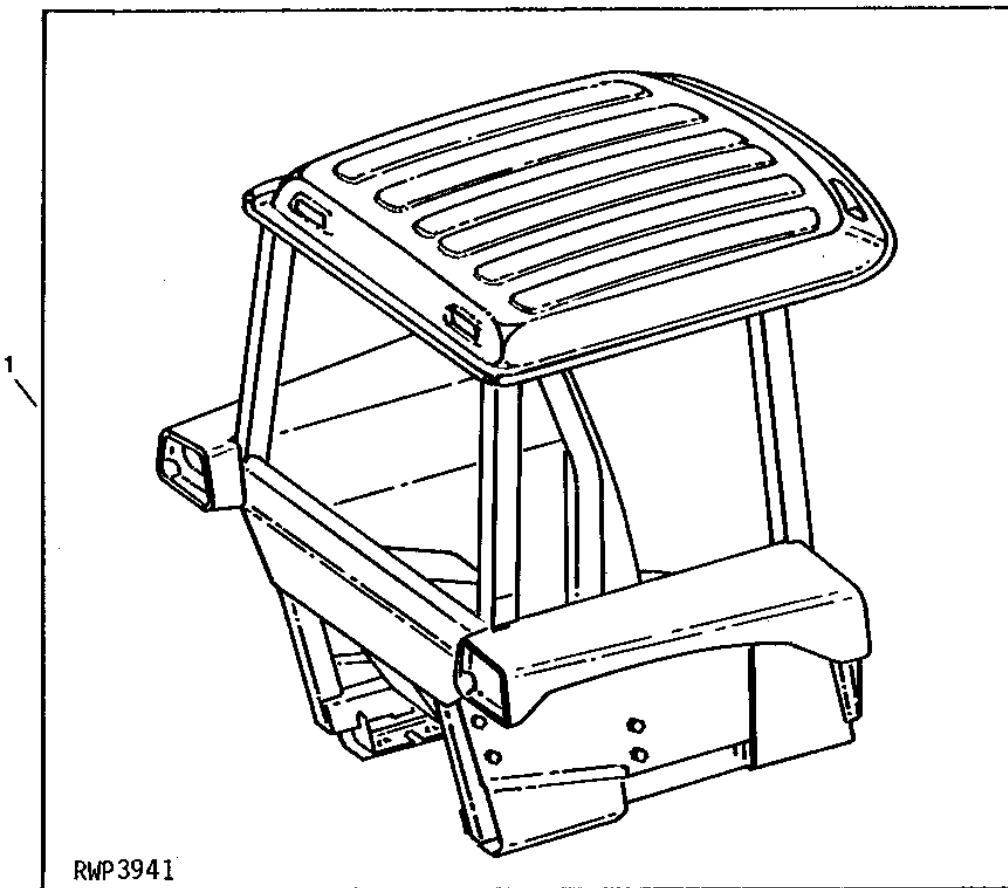
# 6F5

OPERATOR'S STATION

RWP3941

-UN-01JAN94

FOUR-POST ROLL-GARD WITH CANOPY FOR REPLACEMENT



# 6F6

OPERATOR'S STATION

---

## FOUR-POST ROLL-GARD WITH CANOPY FOR REPLACEMENT - CONTINUED

KEY	PART NO.	PART NAME	QTY	TRACTOR SERIAL NO.	REMARKS
1	AR94710	ROLL-GARD	1		(NO CONSOLE, NO SEAT) (LESS HI-CROP)
	AR94711	ROLL-GARD	1		(NO CONSOLE, NO SEAT) (NOT USED IN U.S. AND CANADA)

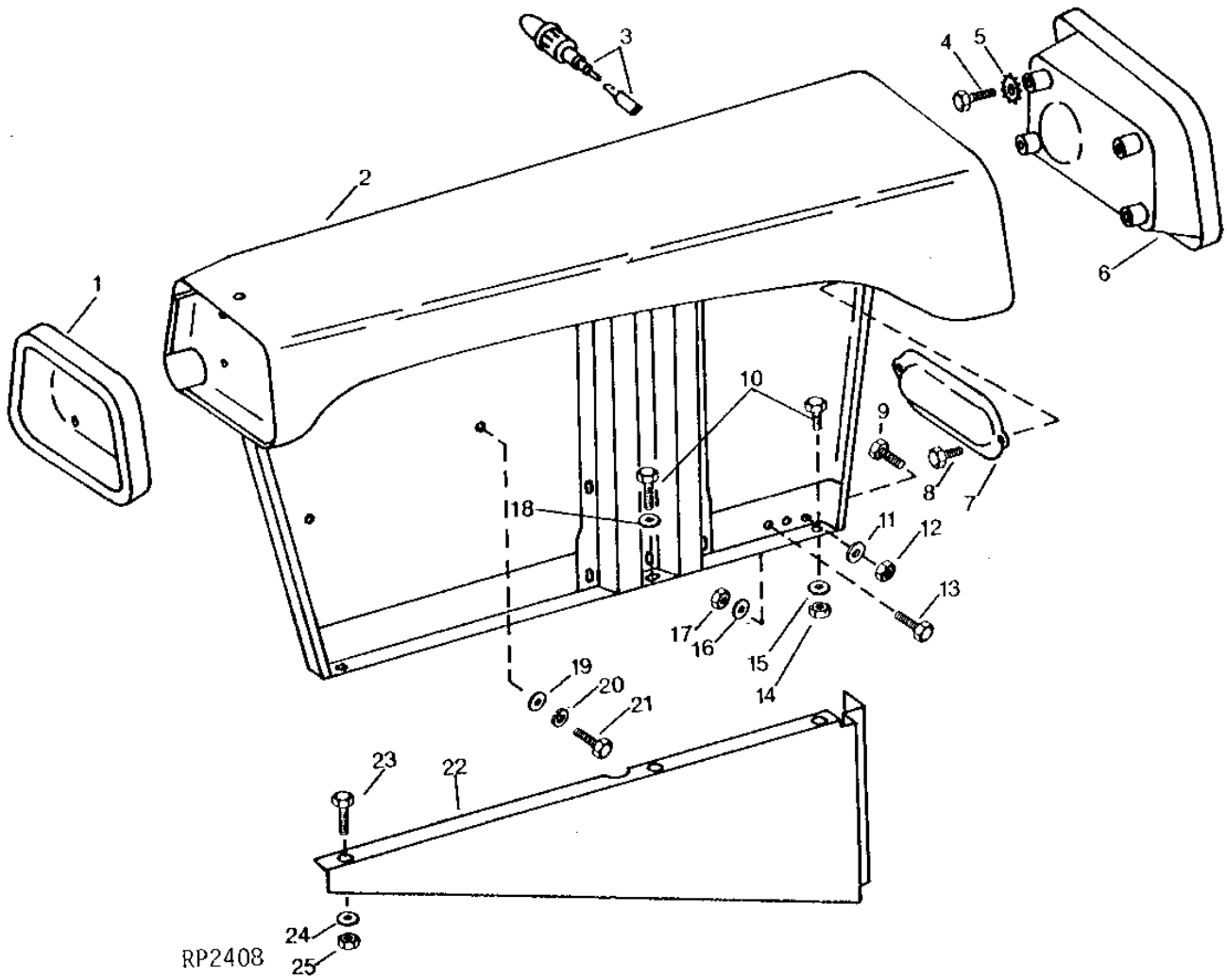
# 6F7

OPERATOR'S STATION

RP2408

-UN-01JAN94

## FENDERS





# 6F8

OPERATOR'S STATION

## FENDERS - CONTINUED

KEY	PART NO.	PART NAME	QTY	TRACTOR SERIAL NO.	REMARKS
1	R52561	SHIELD	1	R.H.	
	R52562	SHIELD	1	L.H.	
2	AR54627	FENDER	1	R.H.	
	AR60623	FENDER	1	L.H. (ALSO ORDER (2) M42229)	
	AR62275	FENDER	1	(B) (NO LONGER AVAILABLE)	
	AR62276	FENDER	1	(B) (ALSO ORDER (2) M42229) (NLA)	
3	AR70699	LAMP	1	(SUB FOR AR60251)	
	R26287	O-RING	1		
	AA4927R	BULB	1		
4	AR58652	BOLT	8		
5	12M7032	LOCK WASHER	2	0.331"	
6	AR57235	PANEL	1	R.H. (SUB R81699 AND (4) R81698)	
	AR53988	PANEL	1	L.H. (SUB R81700 AND (4) R81698)	
7	R53233	COVER	2		
8	R52938	CAP SCREW	4		
9	R53664	SELF-LOCKING SCREW	1	R.H.	
	R53663	SELF-LOCKING SCREW	2	L.H.	
10	19H3239	CAP SCREW	4	3/8" X 1-1/4"	
11	R53668	THRUST WASHER	AR	(1 USED, R.H.) (2 USED, L.H.)	
12	14H1087	NUT	AR	3/8", (1 USED, R.H.) (2 USED, L.H.) (SUB FOR R53670)	
13	19H3239	CAP SCREW	2	3/8" X 1-1/4", R.H.	
14	14H1087	NUT	4	3/8", (SUB FOR R53670)	
15	R53668	THRUST WASHER	4		
16	R53668	THRUST WASHER	2	R.H.	
17	14H1087	NUT	2	3/8", R.H. (SUB FOR R53670)	
18	R53665	WASHER	2		
19	R53665	WASHER	2	R.H.	
20	R53668	THRUST WASHER	2	R.H.	
21	R53663	SELF-LOCKING SCREW	2	R.H.	
22	R52489	RISER	1	(A)	
	R52491	RISER	1	(A)	
23	R53664	SELF-LOCKING SCREW	2	(A)	
24	R53668	THRUST WASHER	2	(A)	
25	14H1087	NUT	2	(A) 3/8", (SUB FOR R53670)	

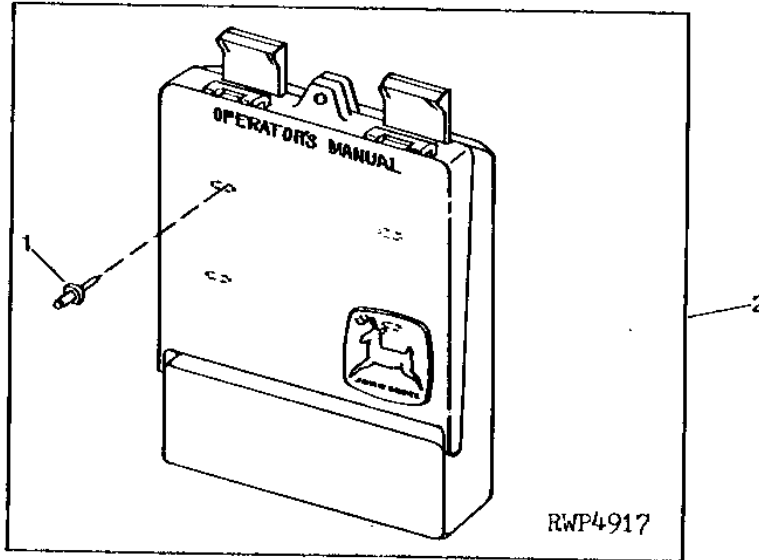
(A) HI-CROP  
(B) LOW PROFILE

# 6F9

OPERATOR'S STATION

RWP4917 -UN-01JAN94

OPERATOR'S MANUAL HOLDER  
(LESS SOUND-GARD BODY)



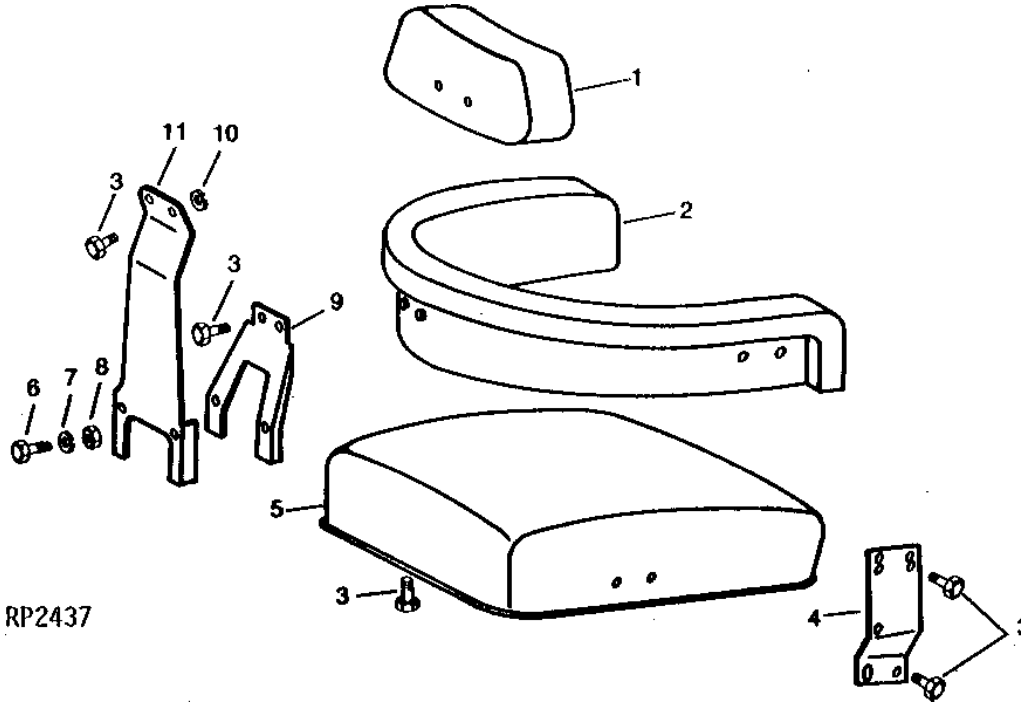
KEY	PART NO.	PART NAME	QTY	TRACTOR SERIAL NO.	REMARKS
1	R77914	RIVET	4		
2	AT104505	KIT	1	(SUB RE14246 AND (4) R79033)	

# 6F10

OPERATOR'S STATION

RP2437 -UN-01JAN94

## DELUXE SEAT



RP2437

KEY	PART NO.	PART NAME	QTY	TRACTOR SERIAL NO.	REMARKS
1	R34267	SEAT BACK	1	(A) (SUB FOR AR59679)	
	AR59676	CUSHION	1	(B)	
	R34619	CUSHION COVER	1		
2	AR59680	ARMREST	1	(A)	
	AR59677	ARMREST	1	(B)	
	R34620	CUSHION COVER	1		
3	19H1813	CAP SCREW	16	5/16" X 5/8", (4 USED, SOUND-GARD BODY)	
	AR58652	BOLT	12	(SOUND-GARD BODY)	
4	R41938	SUPPORT	1	L.H. (SUB R57275)	
	R41937	SUPPORT	1	R.H. (SUB R57274)	
5	AR59681	CUSHION	1	(A) (SUB AR44763)	
	AR59678	CUSHION	1	(B) (SUB AR69761)	
6	19H1905	CAP SCREW	2	5/16" X 1"	
7	12H303	LOCK WASHER	2	5/16"	
8	14H785	NUT	2	5/16"	
9	R27785	SUPPORT	1		
10	24H448	WASHER	2	25/32" X 1-1/8" X 0.090"	
11	R34272	SUPPORT	1		
..	AR41761	SEAT BELT	1	(C) 51MM (2") WIDTH	
..	AT38518	SEAT BELT	1	(C) 76MM (3") WIDTH	

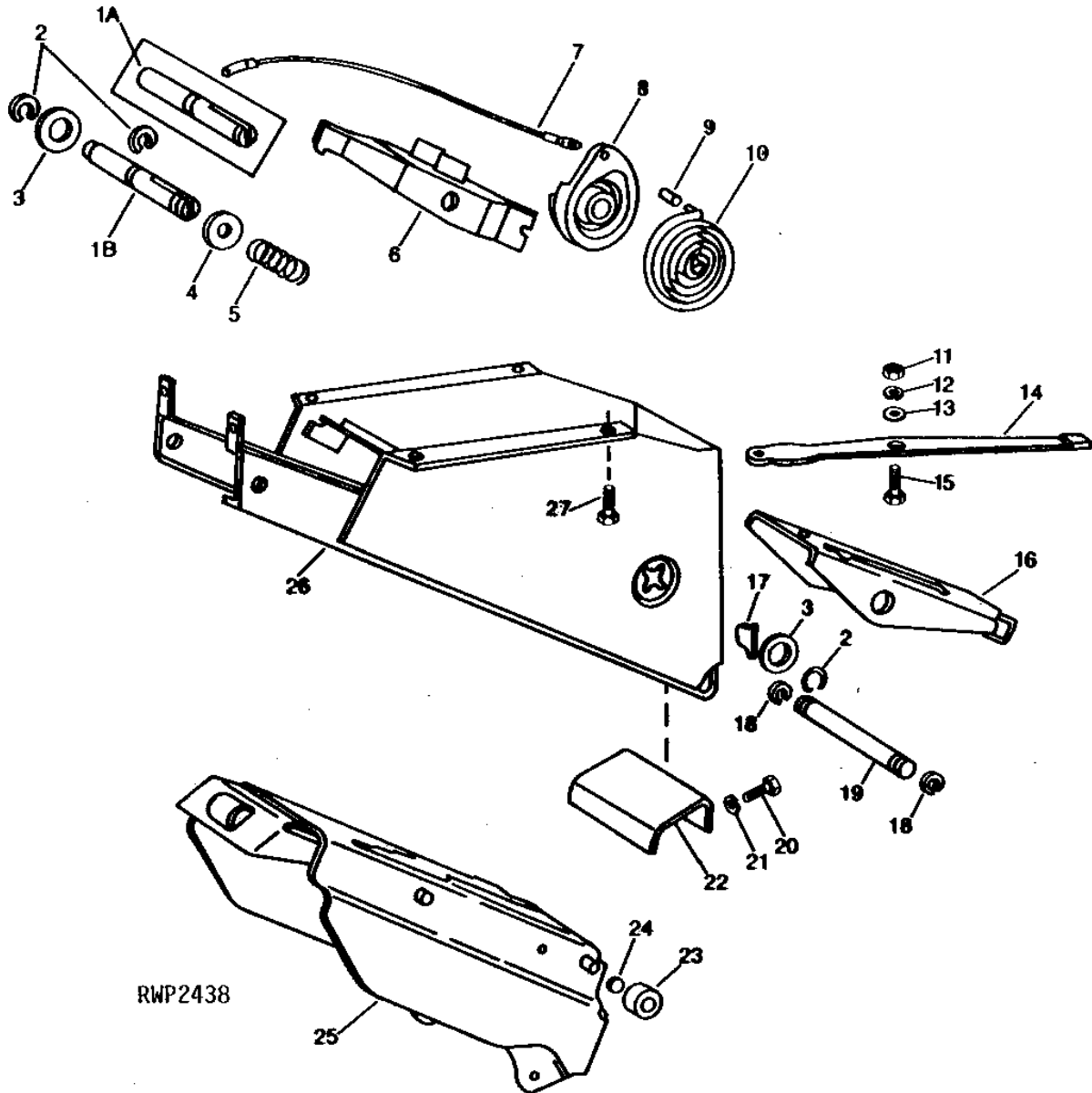
(A) YELLOW  
 (B) BROWN  
 (C) USE WITH ROLL-GARD OR SOUND-GARD BODY

# 6F11

OPERATOR'S STATION

RWP2438 -UN-01JAN94

DELUXE SEAT SUPPORT



RWP2438

# 6F12

OPERATOR'S STATION

## DELUXE SEAT SUPPORT - CONTINUED

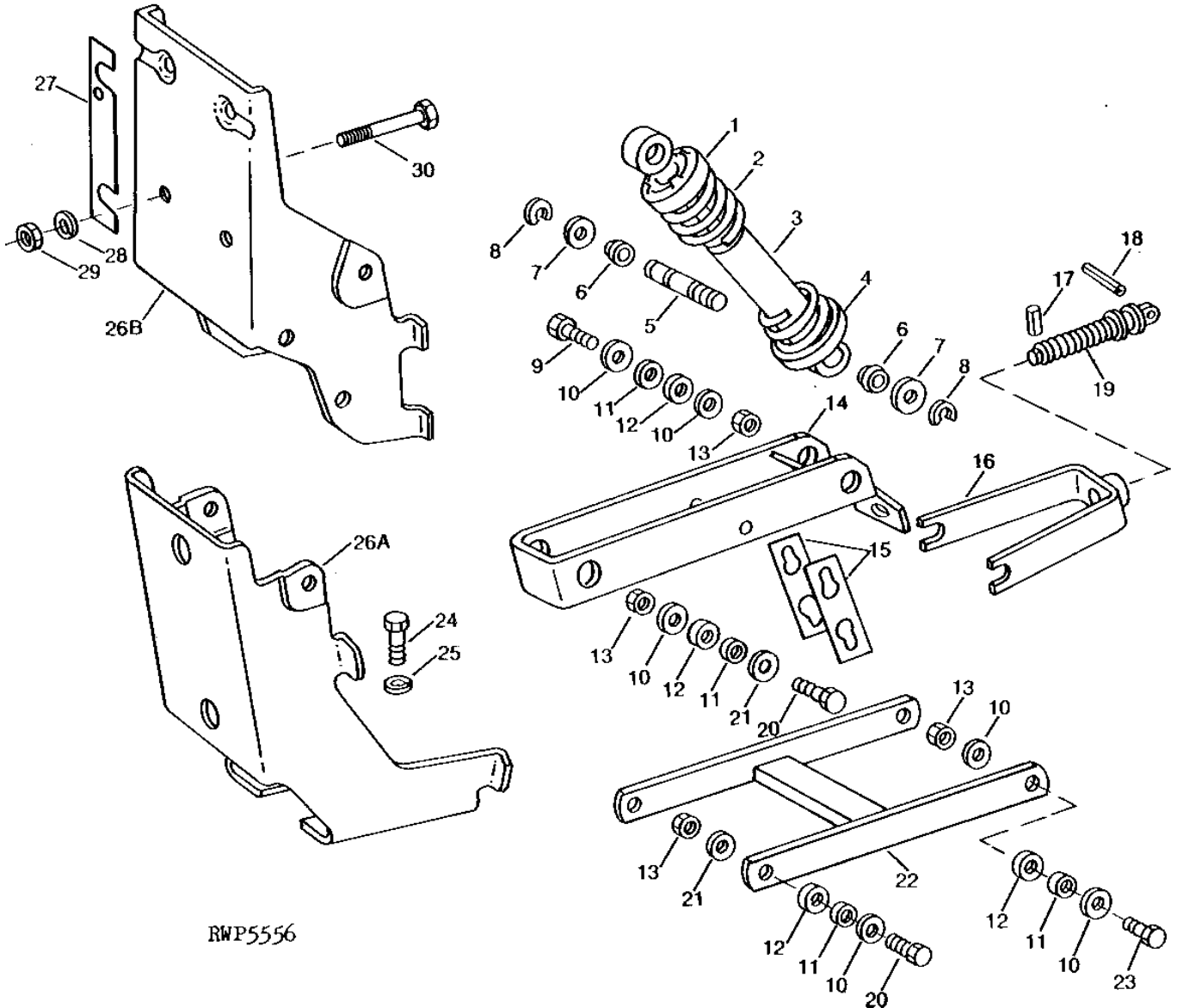
KEY	PART NO.	PART NAME	QTY	TRACTOR SERIAL NO.	REMARKS
1A	R26874	SHAFT	1	-013095	
1B	R57572	PIN	1	013096-	(ALSO ORDER R73380 AND (2) 24H1384) (SUB FOR R56064)
2	R73380	SNAP RING	2		(SUB FOR A369R)
3	24H1384	WASHER	2	013096-	49/64" X 1-1/16" X 0.036"
4	24H1395	WASHER	1		25/32" X 1-7/16" X 0.060"
5	A4744R	SPRING	1		
6	R26828	LATCH	1		
7	AR26403	CABLE	1		(SUB R78257)
8	R26432	REEL	1		
9	34H282	SPRING PIN	1		3/16" X 1"
10	R31260	SPRING	1		
11	14H786	NUT	1		1/4"
12	12H302	LOCK WASHER	1		1/4"
13	24H1287	WASHER	1		9/32" X 5/8" X 0.065"
14	R27439	LEVER	1		
15	R26431	SCREW	1		
16	R26830	HANDLE	1		
17	R26434	LATCH	1		
18	R26871	SNAP RING	2		
19	R26829	PIN	1		
20	19H1900	CAP SCREW	2	-XXXXXX	5/16" X 3/4"
21	12H303	LOCK WASHER	2	-XXXXXX	5/16"
22	AR54598	STOP	1	-XXXXXX	(ROLL-GARD OR SOUND-GARD BODY)
23	R26436	ROLLER	4		
24	R26872	SHIM	1		0.25MM (.010")
	R26873	SHIM	1		0.51MM (.020")
25	AR53927	FRAME	1		
26	AR68728	SUPPORT	1		(ALSO ORDER R57572, R73380, (2) 24H1384 AND (2) 28H1517) (SUB FOR AR54261 OR AR65883)

# 6F13

OPERATOR'S STATION

RWP5556 -UN-01JAN94

DELUXE SEAT SUSPENSION



RWP5556

# 6F14

OPERATOR'S STATION

## DELUXE SEAT SUSPENSION - CONTINUED

KEY	PART NO.	PART NAME	QTY	TRACTOR SERIAL NO.	REMARKS
1	R27442	CAP	1		
2	R26877	SPRING	1		
3	AR71976	ABSORBER	1		(SUB FOR AR26529 OR AR69854) (SUB RE62234)
4	R26879	CAP	1		
5	R26876	SHAFT	1		
6	R26832	BUSHING	2		
7	R1836R	WASHER	2		
8	F2863R	SNAP RING	2		
9	19H2552	CAP SCREW	2		3/8" X 1-1/8"
10	R27441	WASHER	8		
11	R51649	BEARING RACE	8		
12	R51648	WASHER	8		
13	E50102	LOCK NUT	8		
14	AR36048	ARM	1		(SUB AR60029)
15	R26878	LINK	2		
16	AR69272	FORK	1		(SUB FOR AR53926)
17	34H247	SPRING PIN	1		1/8" X 3/4"
18	34H323	SPRING PIN	1		1/4" X 3"
19	R57623	SCREW	1		(ALSO ORDER 34H323) (SUB FOR R27121)
20	19H1800	CAP SCREW	4		3/8" X 1-1/2"
21	R53436	WASHER	6		
22	AR69266	LINK	1		(SUB FOR AR60030)
23	19H2552	CAP SCREW	2		3/8" X 1-1/8"
24	19H1731	CAP SCREW	4		3/8" X 1"
25	12H304	LOCK WASHER	4		3/8"
26A	AR69240	SUPPORT	1		(SUB FOR AR54263)
26B	AR68727	SUPPORT	1		(ROLL-GARD OR SOUND-GARD BODY) (SUB FOR AR55936)
27	R56324	SHIM	AR		
28	12H301	LOCK WASHER	4		1/2"
29	14H1040	NUT	4		1/2"
30	19H1815	CAP SCREW	2		1/2" X 1-1/4"

---

MEMORANDA

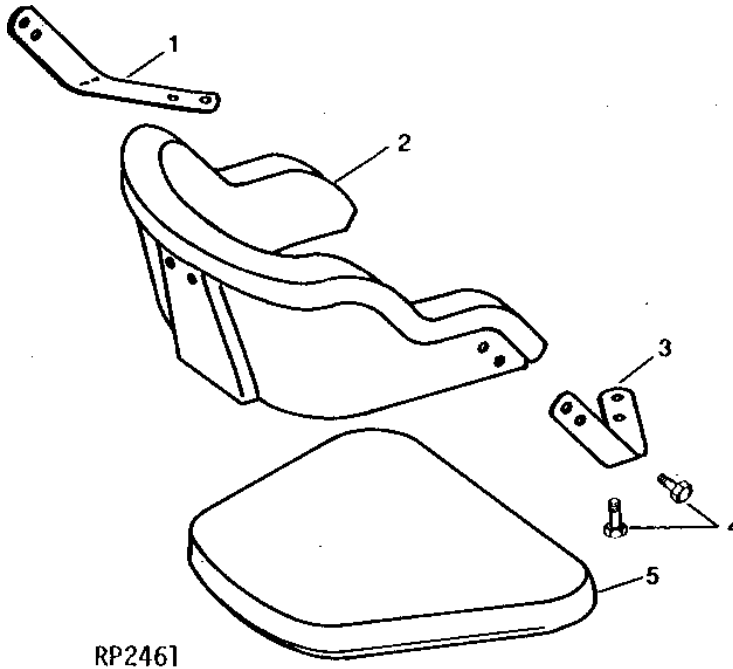


# 6F15

OPERATOR'S STATION

RP2461 -UN-01JAN94

SEAT  
(LOW PROFILE)



KEY	PART NO.	PART NAME	QTY	TRACTOR SERIAL NO.	REMARKS
1	T27719	SUPPORT	1		
2	AT25963	CUSHION	1	(A)	
3	T27718	SUPPORT	1		
4	19H1936	CAP SCREW	8	3/8" X 3/4"	
5	AT20489	CUSHION	1	(A)	

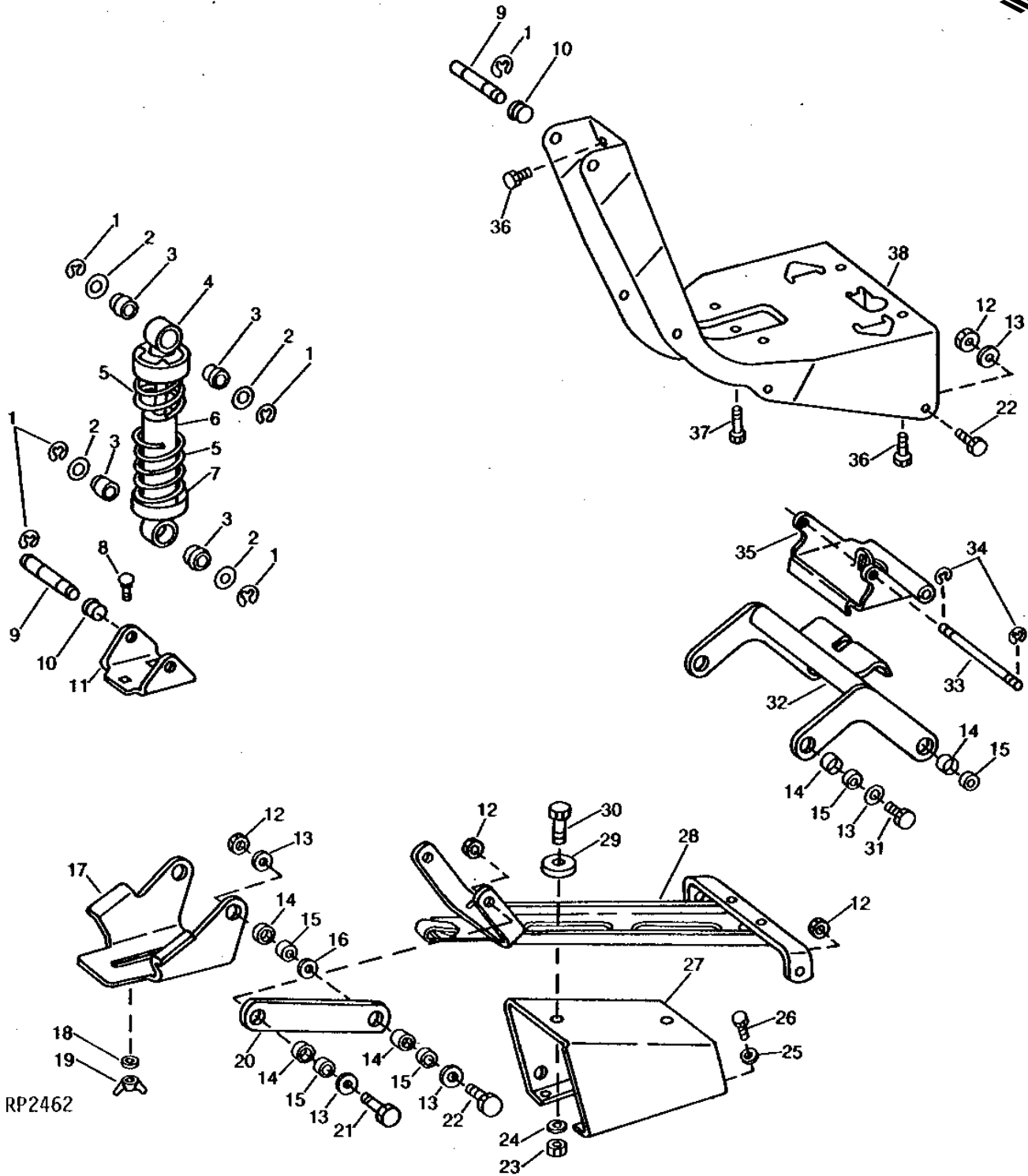
(A) YELLOW

# 6F16

OPERATOR'S STATION

RP2462 -UN-01JAN94

## SEAT SUSPENSION (LOW PROFILE)



RP2462

# 6F17

OPERATOR'S STATION

## SEAT SUSPENSION - CONTINUED (LOW PROFILE)

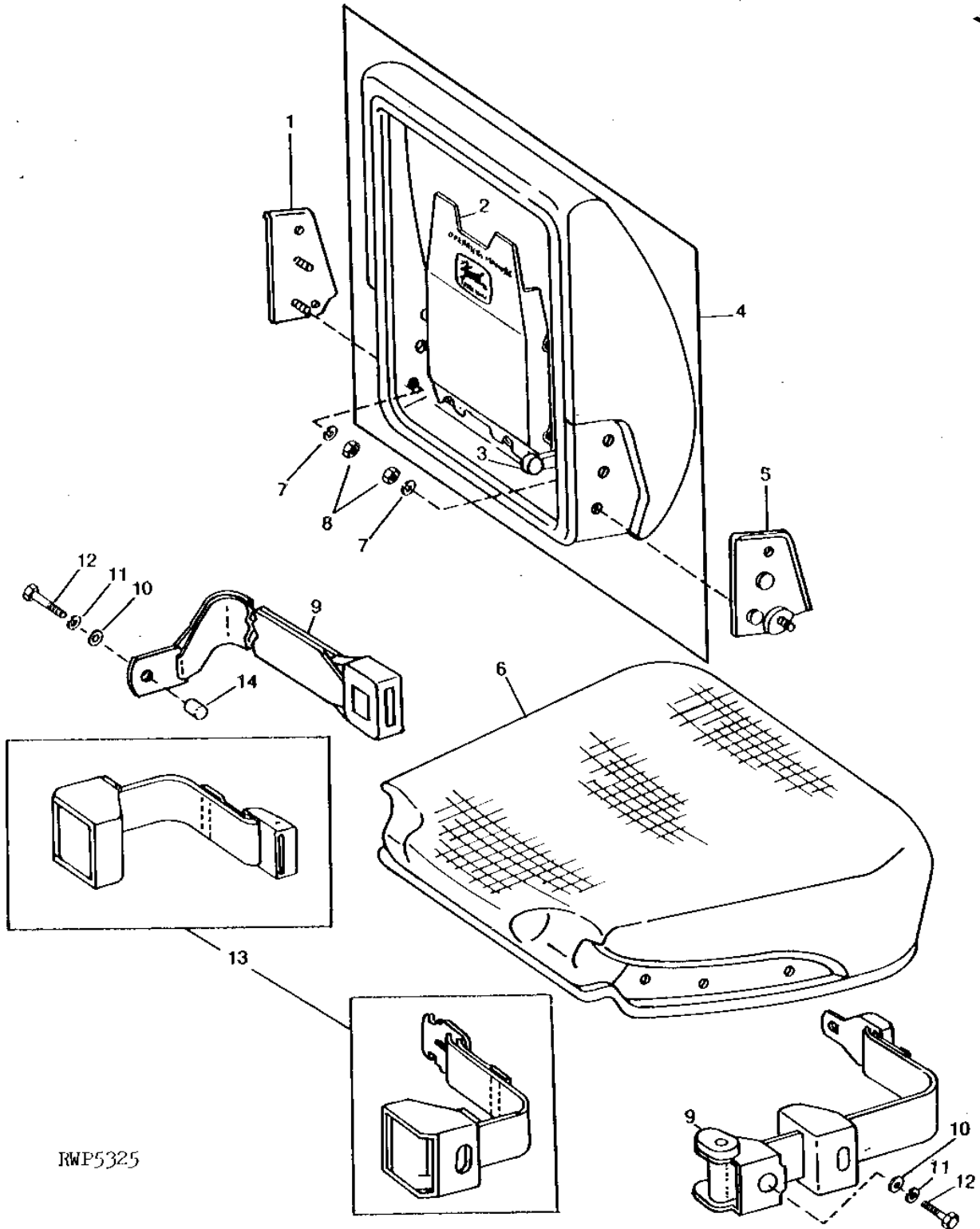
KEY	PART NO.	PART NAME	QTY	TRACTOR SERIAL NO.	REMARKS
1	F2863R	SNAP RING	8		
2	R1836R	WASHER	4		
3	R26832	BUSHING	4		
4	R27442	CAP	1		
5	R26877	SPRING	1		
6	AR71976	ABSORBER	1		(SUB FOR AR26529 OR AR69854) (SUB RE62234)
7	R26879	CAP	1		
8	03H1540	BOLT	2		5/16" X 3/4"
9	T21923	SHAFT	2		
10	T21926	BUSHING	2		
11	T23237	SUPPORT	1		
12	14H1076	NUT	8		3/8"
13	R27441	WASHER	10		
14	R27116	BUSHING	10		
15	R27440	BUSHING	10		
16	24H1309	WASHER	2		13/32" X 1-1/16" X 0.120"
17	AT20441	LINK	1		
18	24H1290	WASHER	2		21/64" X 3/4" X 0.035"
19	14H819	WING NUT	2		5/16", (SUB FOR R1069R)
20	AT20438	LINK	2		
21	19H1765	CAP SCREW	2		3/8" X 1-3/4"
22	19H1732	CAP SCREW	4		3/8" X 1-1/4"
23	14H1040	NUT	2		1/2"
24	12H301	LOCK WASHER	2		1/2"
25	12H304	LOCK WASHER	4		3/8"
26	19H1731	CAP SCREW	4		3/8" X 1"
27	R54416	SUPPORT	1		
28	AT19923	SUPPORT	1		(SUB AT33094 AND T23227)
29	M557T	WASHER	2		
30	19H1721	CAP SCREW	2		1/2" X 1-1/2"
31	19H1731	CAP SCREW	2		3/8" X 1"
32	AT26122	LINK	1		(SUB AT26123 AND (4) R27116)
33	T21922	PIN	1		
34	R72655	SNAP RING	2		(SUB FOR T12808)
35	T27971	LATCH	1		
36	19H1936	CAP SCREW	4		3/8" X 3/4"
37	19H1732	CAP SCREW	1		3/8" X 1-1/4"
38	T21920	FRAME	1		

# 6F18

OPERATOR'S STATION

RWP5325 -UN-01JAN94

## SEAT CUSHIONS AND SEAT BELT (SOUND-GARD BODY)



RWP5325

# 6F19

OPERATOR'S STATION

## SEAT CUSHIONS AND SEAT BELT - CONTINUED (SOUND-GARD BODY)

KEY	PART NO.	PART NAME	QTY	SG BODY SERIAL NO.	REMARKS
1	AR71109	PLATE	1		
2	RE13541	KIT	1		OPERATOR MANUAL HOLDER
3	R41387	KNOB	1		
4	AR71107	CUSHION	1		(SUB RE12049)
5	AR71108	PLATE	1		
6	AR76515	CUSHION	1		(PERSONAL-POSTURE SEAT)
	AR82944	CUSHION	1		(HYDRACUSHIONED SEAT)
7	R53668	THRUST WASHER	4		
8	14H1087	NUT	4		3/8", (SUB FOR R53670)
9	RE19989	SEAT BELT	1		
10	24M7044	WASHER	2		13 X 20 X 2 MM
11	R59897	LOCK WASHER	2		
12	R59030	CAP SCREW	2		
13	AR71111	SEAT BELT	1		
14	R81560	CAP	1		(USE WITH RE19989)

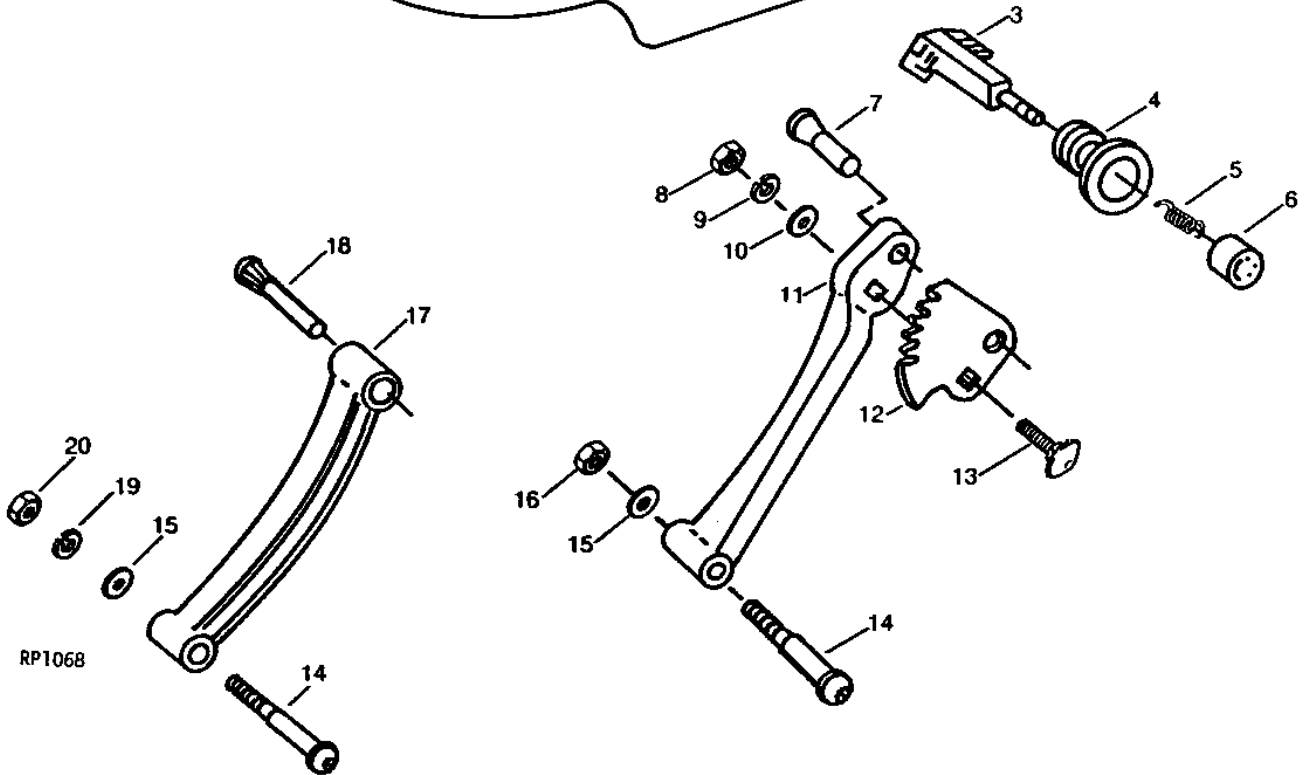
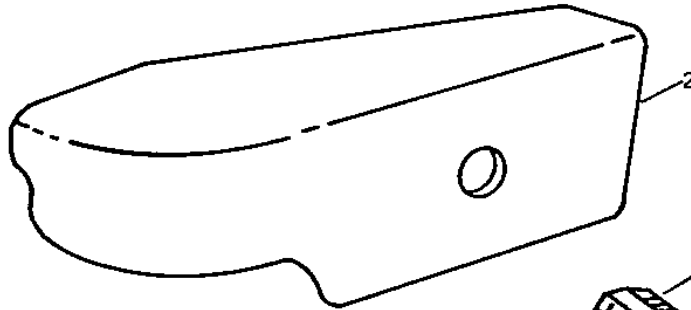
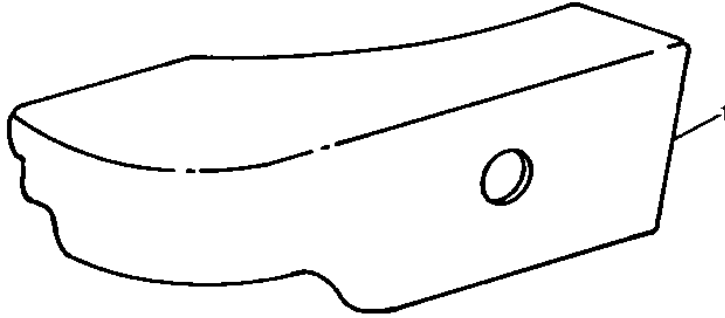
# 6F20

OPERATOR'S STATION

RP1068

-UN-01JAN94

## ARMREST (PERSONAL-POSTURE SEAT)



RP1068

# 6F21

OPERATOR'S STATION

ARMREST - CONTINUED  
(PERSONAL-POSTURE SEAT)

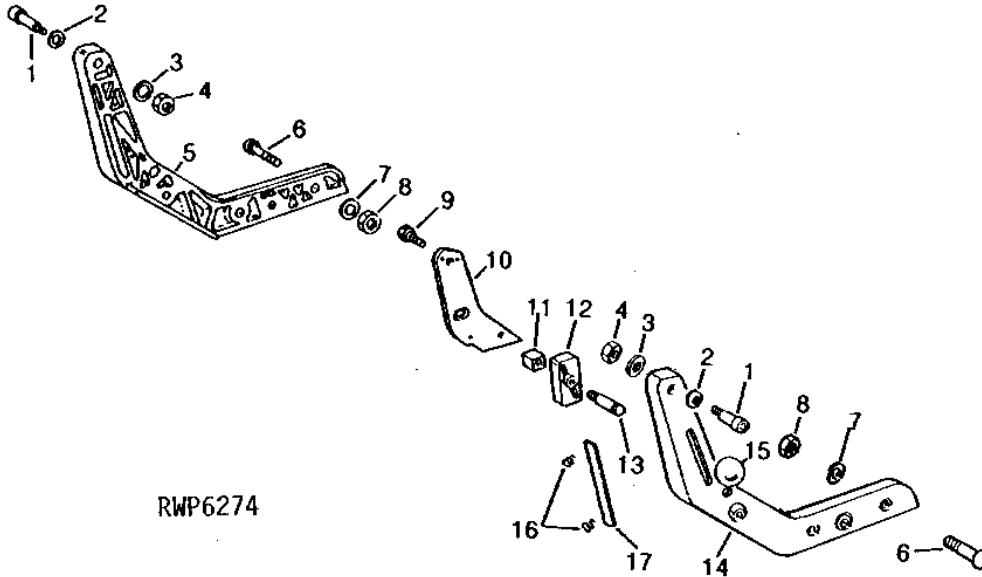
KEY	PART NO.	PART NAME	QTY	SG BODY SERIAL NO.	REMARKS
1	R59280	CUSHION	1	R.H.	
	R59025	CUSHION	1	L.H.	
2	R58817	ARMREST	1	R.H.	
	R58816	ARMREST	1	L.H.	
3	R59320	SHAFT KEY	1	R.H.	
	R59070	SHAFT KEY	1	L.H.	
4	R59028	BUSHING	2		
5	A4741R	SPRING	2		
6	R59029	KNOB	2		
7	R59183	PIN	1	R.H.	
	R59021	PIN	1	L.H.	
8	14H732	NUT	2	3/8"	
9	12H304	LOCK WASHER	2	3/8"	
10	24H1302	WASHER	2	13/32" X 11/16" X 0.035"	
11	R59020	LINK	2		
12	R61862	PLATE	2		
13	03H2275	BOLT	1	3/8" X 5/8", L.H.	
	10H1025	BOLT	1	3/8" X 3/4", R.H.	
14	R59022	SCREW	4		
15	R27441	WASHER	4		
16	K40003	LOCK NUT	2		
17	R59013	LINK	2		
18	R59023	PIN	2		
19	R53668	THRUST WASHER	2		
20	14H1087	NUT	2	3/8", (SUB FOR R53670)	

# 6F22

OPERATOR'S STATION

RWP6274 -UN-01JAN94

## SEAT BACKREST SUPPORT (PERSONAL-POSTURE SEAT)



KEY	PART NO.	PART NAME	QTY	TRACTOR SERIAL NO.	REMARKS
1	R59019	SCREW	2		
2	T519T	WASHER	2		
3	R53668	THRUST WASHER	2		
4	14H1087	NUT	2	3/8", (SUB FOR R53670)	
5	R89143	SUPPORT	1	L.H. (SUB FOR R58814)	
6	R59015	GANG BOLT	4		
7	R53668	THRUST WASHER	4		
8	14H1087	NUT	4	3/8", (SUB FOR R53670)	
9	37H196	SCREW	3		
10	R59011	PLATE	1		
11	R59018	BUSHING	1		
12	R59010	ADJUSTER	1	(SUB R105581)	
13	R59012	WELD STUD	1		
14	R89142	SUPPORT	1	R.H. (SUB FOR R58813)	
15	R60458	KNOB	1		
16	R31890	SPRING	2		
17	R59009	REINFORCEMENT	1		

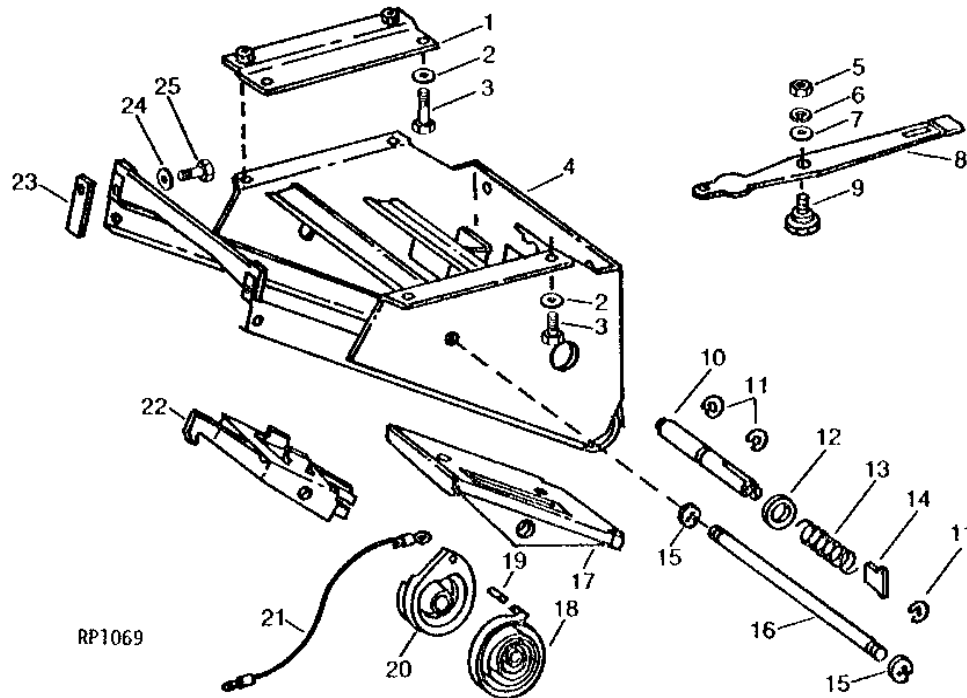


# 6F23

OPERATOR'S STATION

RP1069 -UN-01JAN94

## SEAT SUPPORT AND LATCH (PERSONAL-POSTURE SEAT)



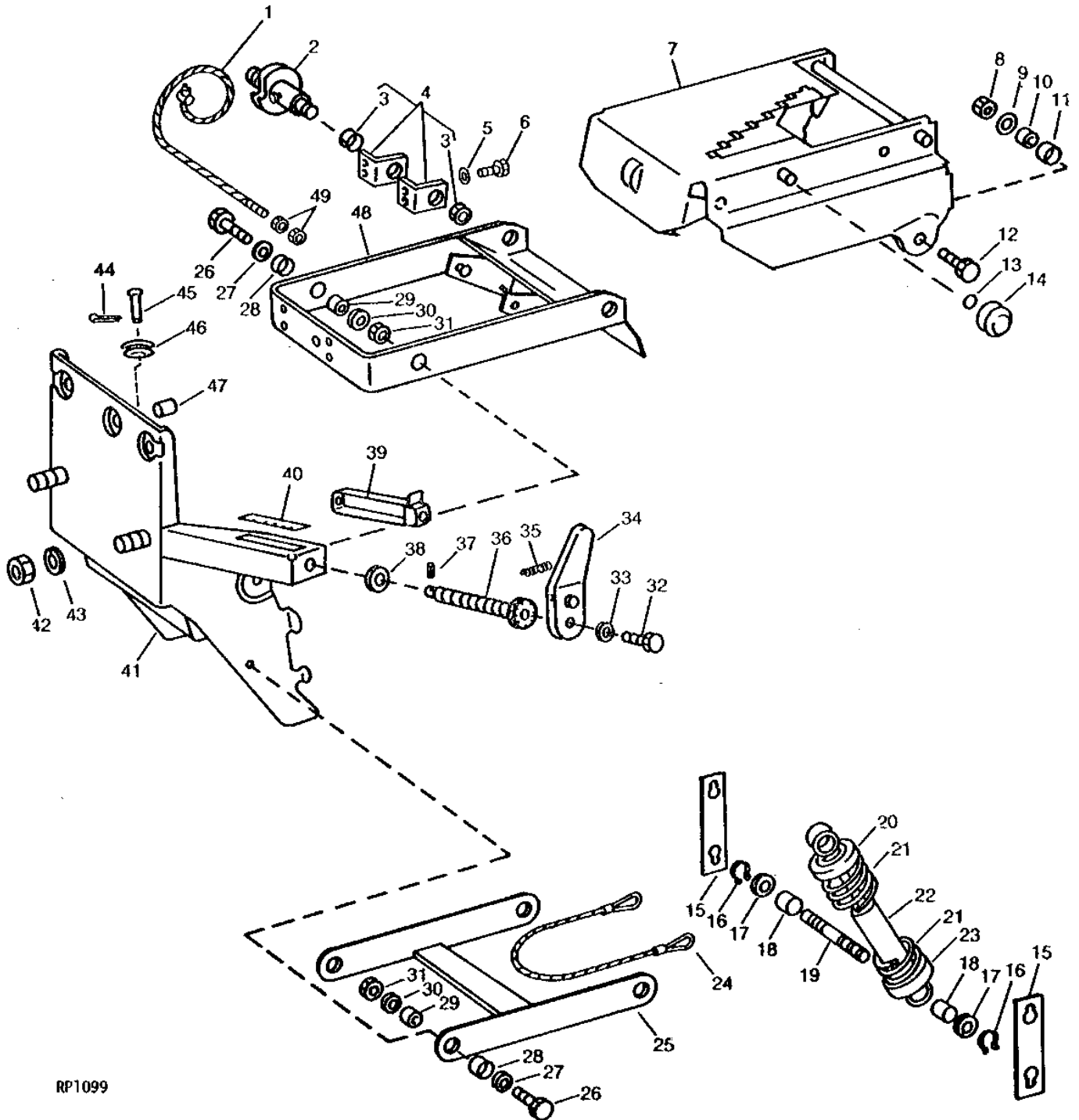
KEY	PART NO.	PART NAME	QTY	SG BODY SERIAL NO.	REMARKS
1	AR72055	ADAPTER	1		
2	12H303	LOCK WASHER	6	5/16"	
3	19H1813	CAP SCREW	6	5/16" X 5/8"	
4	AR71095	SUPPORT	1	(SUB AR75924)	
5	14H786	NUT	1	1/4"	
6	12H302	LOCK WASHER	1	1/4"	
7	24H1287	WASHER	1	9/32" X 5/8" X 0.065"	
8	R27439	LEVER	1		
9	R26431	SCREW	1		
10	R57572	PIN	1		
11	R73380	SNAP RING	3	(SUB FOR A369R)	
12	24H1384	WASHER	1	49/64" X 1-1/16" X 0.036"	
13	A4744R	SPRING	1		
14	R26434	LATCH	1		
15	R26871	SNAP RING	2		
16	R58999	PIN	1		
17	R26830	HANDLE	1		
18	R26433	SPRING	1	(SUB R31260)	
19	34H282	SPRING PIN	1	3/16" X 1"	
20	R26432	REEL	1		
21	AR26403	CABLE	1	(SUB R78257)	
22	R26828	LATCH	1		
23	R61286	STOP	2		
24	12H303	LOCK WASHER	2	5/16"	
25	R53662	SELF-LOCKING SCREW	2		

# 6F24

OPERATOR'S STATION

## SEAT SUSPENSION (PERSONAL-POSTURE SEAT)

RP1099 -UN-01JAN94



RP1099

# 6F25

OPERATOR'S STATION

## SEAT SUSPENSION - CONTINUED (PERSONAL-POSTURE SEAT)

KEY	PART NO.	PART NAME	QTY	SG BODY SERIAL NO.	REMARKS
1	AR72840	CABLE	1		
2	AR72842	REEL	1		
	R27434	SNAP RING	2	-XXXXXX	
3	R51648	WASHER	2		
4	AR72848	BRACKET	2		
5	12H303	LOCK WASHER	4	5/16"	
6	19H2127	CAP SCREW	4	5/16" X 7/8"	
7	AR71099	FRAME	1		
8	E50102	LOCK NUT	4		
9	R27441	WASHER	4		
10	R51649	BEARING RACE	4		
11	R51648	WASHER	4		
12	19H2552	CAP SCREW	4	3/8" X 1-1/8"	
13	R26872	SHIM	AR	0.25MM (.010")	
	R26873	SHIM	AR	0.51MM (.020")	
14	R26436	ROLLER	4		
15	R60024	LINK	2		
16	F2863R	SNAP RING	2		
17	R1836R	WASHER	2		
18	R26832	BUSHING	2		
19	R60025	SHAFT	1		
20	R27442	CAP	1		
21	R60319	SPRING	1		
22	RE62234	ABSORBER	1		(SUB FOR AR71976)
23	R26879	CAP	1		
24	AR72841	CABLE	1		
25	AR71098	FRAME	1		(SUB AR88527)
26	19H1800	CAP SCREW	4	3/8" X 1-1/2"	
27	R27441	WASHER	4		
28	R51648	WASHER	4		
29	R51649	BEARING RACE	4		
30	R53436	WASHER	4		
31	M63440	LOCK NUT	4		(SUB E50102)
32	R43569	CAP SCREW	1		(SUB R72371)
33	24H1305	WASHER	1		13/32" X 13/16" X 0.065"
34	AR73562	LEVER	1		
35	R60657	SPRING	1		
36	AR73561	SCREW	1		
37	34H228	SPRING PIN	1	3/32" X 9/16"	
38	R70268	WASHER	1	-XXXXXX	(SUB FOR R42363)
	R60021	WASHER	1		
39	AR72838	FORK	1		
40	R60173	LABEL	1		(SUB R65442)
41	AR72056	SUPPORT	1		
42	14H1040	NUT	4	1/2"	
43	12H301	LOCK WASHER	4	1/2"	
44	11M7081	COTTER PIN	1	0.098" X 0.787"	
45	R31044	PIN	1		
46	R60019	PULLEY	1		
47	R59792	CAP	1		
48	AR71097	ARM	1		
49	14H850	NUT	2	1/4"	

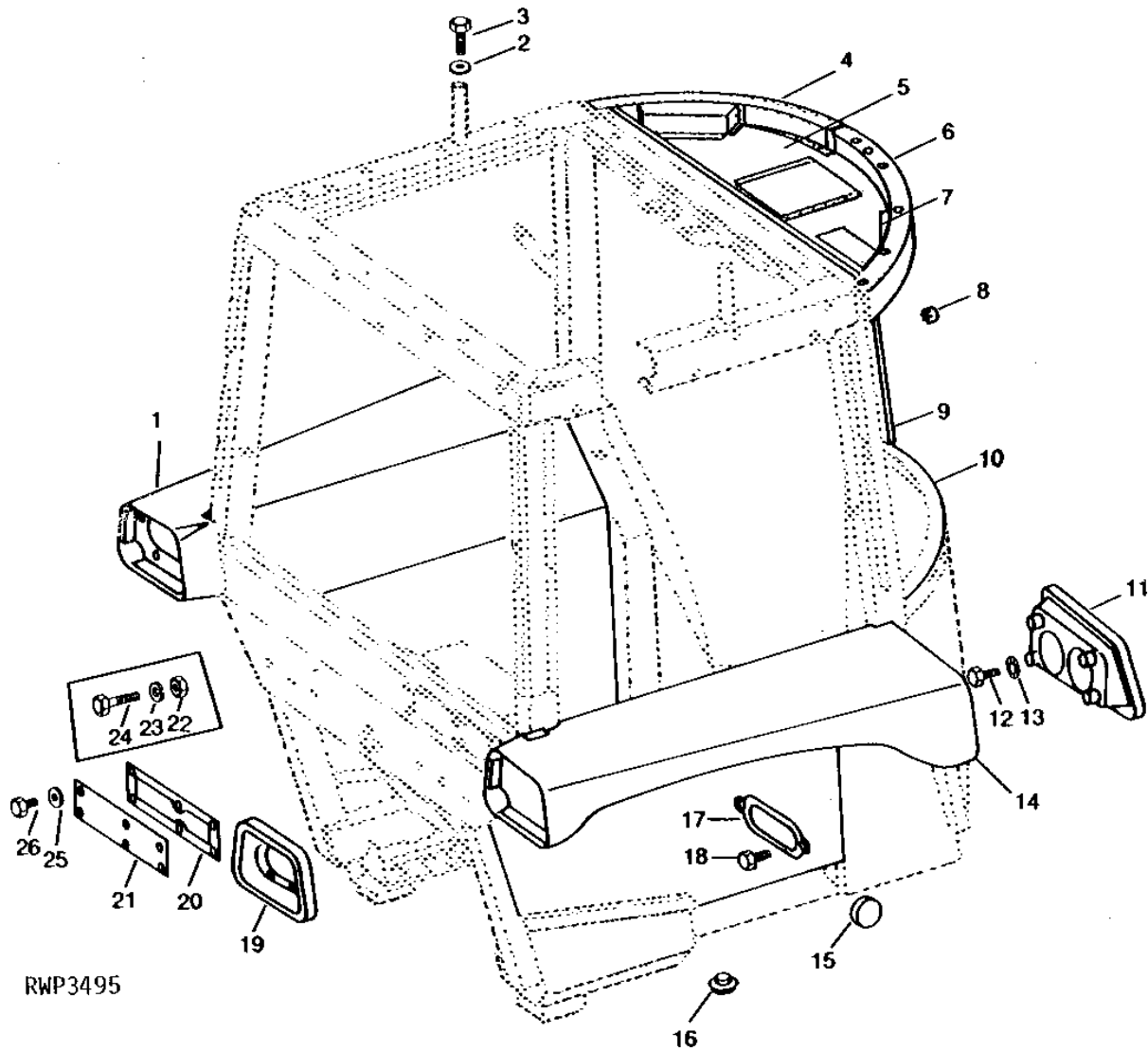
# 6G1

OPERATOR'S STATION

RWP3495

-UN-01JAN94

SOUND-GARD BODY



# 6G2

OPERATOR'S STATION

## SOUND-GARD BODY - CONTINUED

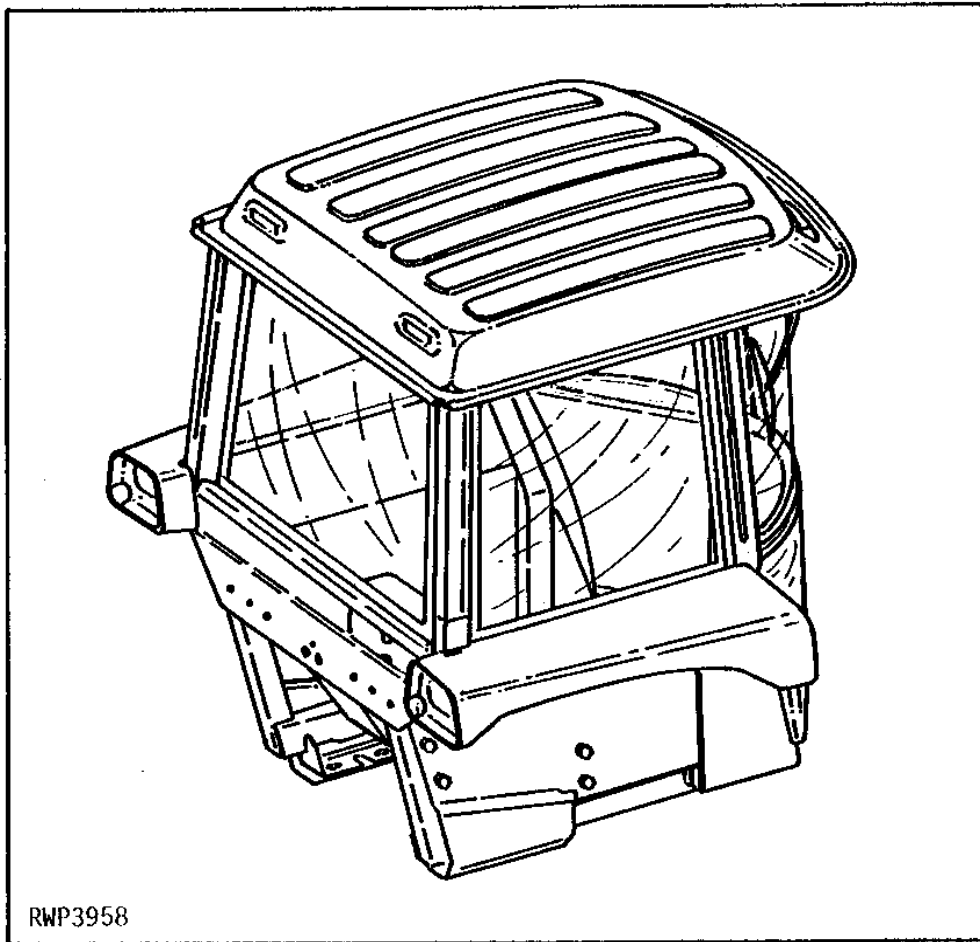
KEY	PART NO.	PART NAME	QTY	SG BODY SERIAL NO.	REMARKS
1	RE15078	FENDER	1		(SUB FOR AR56953 OR AR77112) (ALSO ORDER M42229)
	R50789	BRACE	1		FRONT
	R51700	BRACE	1		REAR
2	24H1106	WASHER	2		11/16" X 1-3/4" X 0.134"
3	19H2367	CAP SCREW	2		5/8" X 3/4"
4	AR54673	FRAME	1		DOOR HEADER
5	R50740	PANEL	1		FRONT HEADLINER
6	R50446	CAB ROOF FRAME	1		WINDSHIELD HEADER
7	R59910	BRACKET	1		R.H. WIPER, (SUB FOR AR55973)
8	R28473	PLUG	2		(LESS R.H. MIRROR)
9	R50445	SUPPORT	1		
10	R50449	PANEL	1		FRONT L.H.
	R51704	PANEL	1		FRONT R.H.
	R50443	BRACE	1		FRONT UPPER, (SUB R65506)
	R53099	SUPPORT	1		FRONT PANEL
11	AR57235	PANEL	1		R.H. (SUB R81699 AND (4) R81698)
	AR53988	PANEL	1		L.H. (SUB R81700 AND (4) R81698)
12	AR58652	BOLT	8		
13	12M7032	LOCK WASHER	2		0.331"
14	RE15077	FENDER	1		(ALSO ORDER M42229) (SUB FOR AR61225 OR AR77111)
	R50788	BRACE	1		FRONT
	R51699	BRACE	1		REAR
15	R52233	PLUG	1		
16	R67363	PLUG	1		
17	R53233	COVER	2		
18	R52938	CAP SCREW	2		
19	R52561	SHIELD	1		R.H.
	R52562	SHIELD	1		L.H.
20	R50470	GASKET	1		
21	R50469	COVER	1		
22	14H785	NUT	6		-XXXXXX 5/16"
23	12H303	LOCK WASHER	6		-XXXXXX 5/16"
24	19H1900	CAP SCREW	6		-XXXXXX 5/16" X 3/4"
25	12H303	LOCK WASHER	6		XXXXXX- 5/16"
26	37H27	SCREW	6		XXXXXX- 5/16" X 7/8"
..	AR55840	ASHTRAY	1		(SUB R62545, R62546, (2) R53678 AND R77404)
..	R52233	PLUG	2		(LESS AIR CONDITIONING) (3 USED LESS HEATER)
..	AR69003	GROMMET	1		ROPE OPENING
..	R52698	PLUG	2		BOTTOM FRONT UPRIGHTS
..	R32289	GROMMET	1		-094024 UNDER BODY DRAIN
..	R52233	PLUG	1		094025- UNDER BODY DRAIN
..	R46663	SEALING TRIM	1		
..	R53745	TAPE	1		

# 6G3

OPERATOR'S STATION

SOUND-GARD BODY FOR REPLACEMENT  
(BASIC UNIT)

RWP3958 -UN-01JAN94



# 6G4

OPERATOR'S STATION

---

**SOUND-GARD BODY FOR REPLACEMENT - CONTINUED  
(BASIC UNIT)**

KEY	PART NO.	PART NAME	QTY	TRACTOR SERIAL NO.	REMARKS
1	.....	SOUND-GARD BODY	1		(A) (INCLUDES HEATER, AIR CONDITIONING, UPHOLSTERY, WINDOW GLASS, WIPERS, LIGHTS, AND FENDERS)

(A) ORDER THROUGH BRANCH SERVICE MANAGER OR COMPLETE GOODS MANAGER.

NOTE: SOUND-GARD BODY REPLACEMENT MAY BE AN UPDATE TO THE CURRENTLY MANUFACTURERS MODEL SERIES.  
YOU MUST THEN REFER TO THAT TRACTOR SERIES FOR ANY SGB REPLACEMENT PARTS.

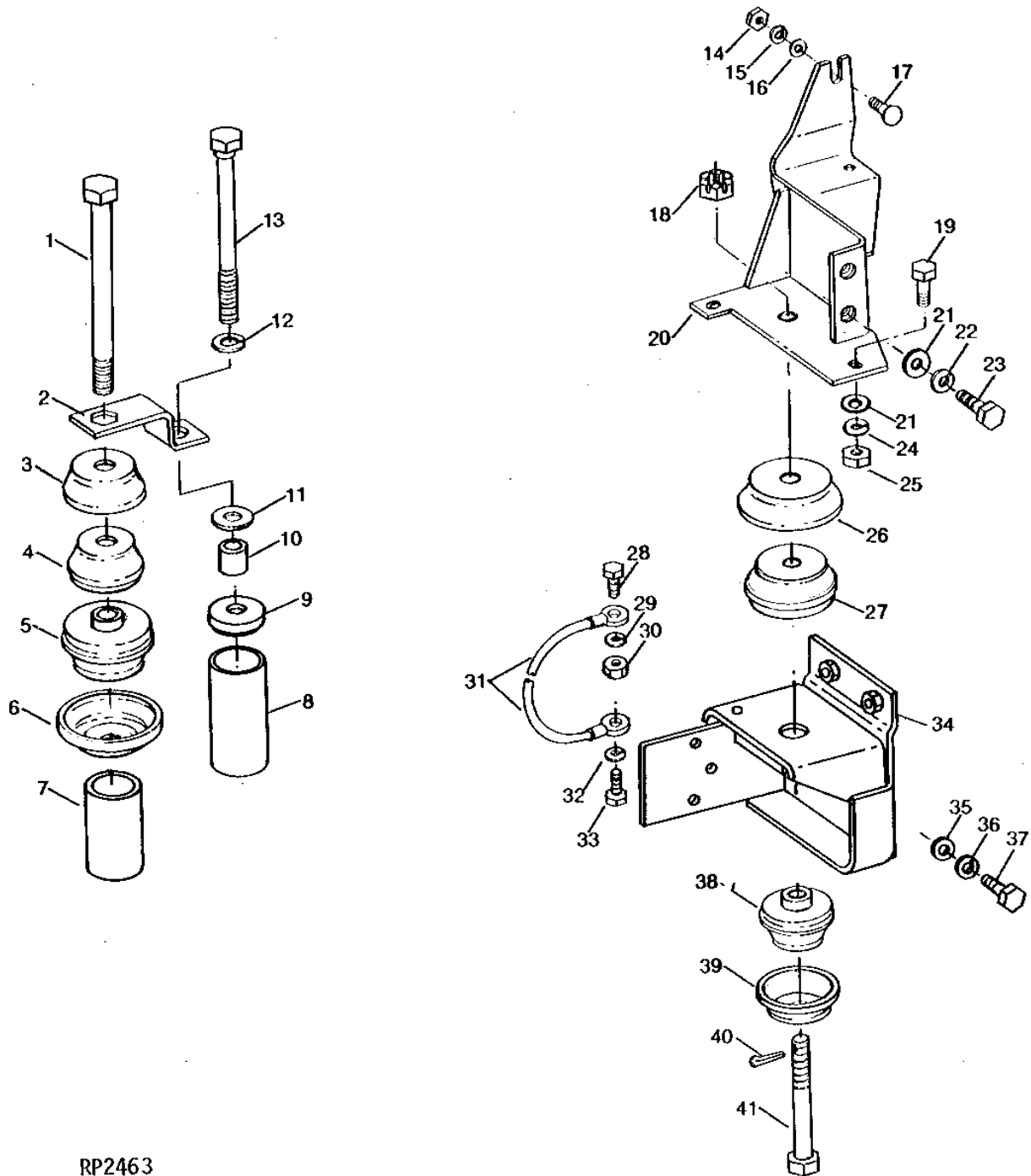
# 6G5

OPERATOR'S STATION

RP2463

-UN-01JAN94

## SOUND-GARD BODY MOUNTING



RP2463



# 6G6

OPERATOR'S STATION

## SOUND-GARD BODY MOUNTING - CONTINUED

KEY	PART NO.	PART NAME	QTY	TRACTOR SERIAL NO.	REMARKS
1	R54739	BOLT	2		(SUB FOR R52733)
2	R50244	PLATE	2		
3	R53708	CAP	2		(SUB R59865)
4	AR59872	ISOLATOR	2		
5	AR58397	ISOLATOR	2		
6	R53710	CAP	2		(SUB R59863)
7	R50214	BUSHING	2		
8	R50245	BUSHING	2		
9	R62665	BUSHING	2		(SUB FOR R50247 OR R58282, THIS APPLICATION)
10	AR70862	ISOLATOR	2		
11	R54124	WASHER	2		
12	12H236	LOCK WASHER	2		3/4"
13	R54743	CAP SCREW	2		(SUB FOR R50436)
14	14H1076	NUT	2		3/8"
15	12H304	LOCK WASHER	2		3/8"
16	24H1305	WASHER	2		13/32" X 13/16" X 0.065"
17	03H2070	BOLT	2		3/8" X 1-1/8"
18	14H1034	NUT	2		3/4"
19	19H1792	CAP SCREW	2		1/2" X 1"
20	AR84566	BRACKET	1		R.H. (SUB FOR AR55331 OR AR72480) (SUB RE37511)
	AR84567	BRACKET	1		L.H. (SUB FOR AR55332 OR AR72479) (SUB RE37512)
21	24H1211	WASHER	6		9/16" X 1-3/8" X 0.105"
22	12H301	LOCK WASHER	4		1/2"
23	19H1792	CAP SCREW	4		1/2" X 1"
24	12H301	LOCK WASHER	2		1/2"
25	14H1040	NUT	2		1/2"
26	R53709	CAP	2		(SUB R59864)
27	AR58397	ISOLATOR	2		
28	19H1731	CAP SCREW	1		3/8" X 1"
29	12H304	LOCK WASHER	1		3/8"
30	14H1076	NUT	1		3/8"
31	AR56758	WIRING LEAD	1		
32	12H304	LOCK WASHER	1		3/8"
33	19H2021	CAP SCREW	1		3/8" X 5/8"
34	AR70849	BRACKET	1	-026058	R.H. (ALSO ORDER (2) 19H3299, (2) 12H301 AND (2) R42408) (SUB FOR AR61509) (SUB AR77246, (2) R32214 AND (2) 19H3025)
	AR77246	BRACKET	1	026059-	R.H. (SUB FOR AR72258)
	AR70850	BRACKET	1	-026058	L.H. (ALSO ORDER (2) 19H3299, (2) 12H3018 AND (2) R42408) (SUB FOR AR54441) (SUB AR77247, (2) R32214 AND (2) 19H3025)
	AR77247	BRACKET	1	026059-	L.H. (SUB FOR AR72259)
35	R42408	WASHER	4	022893-026058	
	R32214	WASHER	4	026059-	
36	12H301	LOCK WASHER	4	022893-026058	1/2"
37	R52524	SCREW	4	-022892	(SUB R42408, 12H301 AND 19H3299)
	19H3299	CAP SCREW	4	022893-026058	1/2" X 1-1/4"
	19H2993	CAP SCREW	4	026059-	1/2" X 1-1/2", HS, SAE 8
38	AR59872	ISOLATOR	2		
39	R53708	CAP	2		(SUB R59865)
40	11M7030	COTTER PIN	2		5 X 40 MM
41	R54742	CAP SCREW	2		(SUB FOR R50437) (SUB R59866)

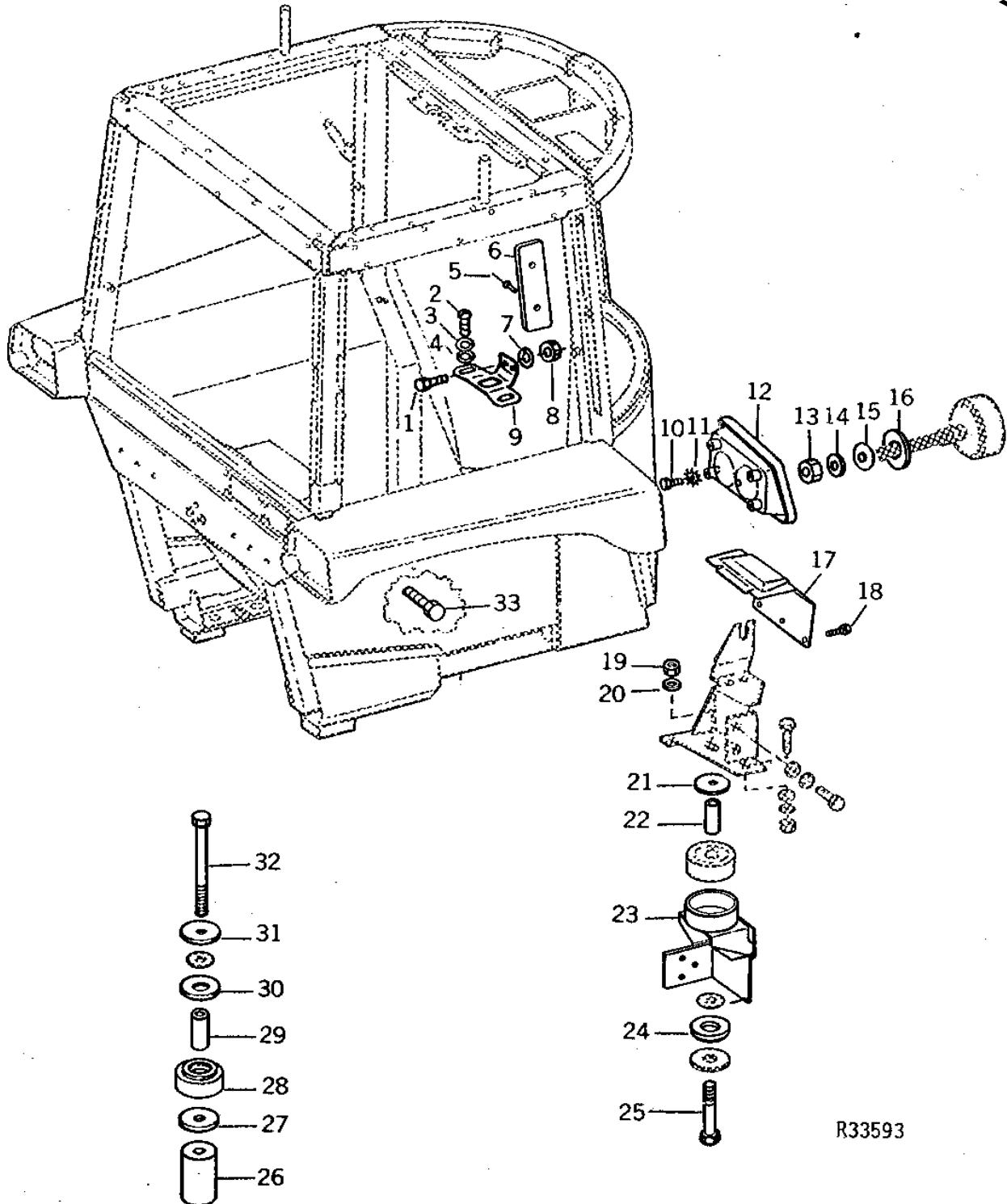
# 6G7

OPERATOR'S STATION

R33593

-UN-01JAN94

## SOUND-GARD BODY MOUNTING (REPLACEMENT SOUND-GARD BODY)



R33593

# 6G8

OPERATOR'S STATION

**SOUND-GARD BODY MOUNTING - CONTINUED  
(REPLACEMENT SOUND-GARD BODY)**

KEY	PART NO.	PART NAME	QTY	TRACTOR SERIAL NO.	REMARKS
1	19H2127	CAP SCREW	2	5/16" X 7/8"	
2	03H1540	BOLT	2	5/16" X 3/4"	
3	12H303	LOCK WASHER	2	5/16"	
4	R53668	THRUST WASHER	2		
5	R66087	RIVET	2		
6	R66383	PLATE	1		
7	12H303	LOCK WASHER	2	5/16"	
8	14H785	NUT	2	5/16"	
9	R65508	BRACKET	1		
10	AR58652	BOLT	8		
11	12M7032	LOCK WASHER	2	0.331"	
12	AR84969	SHIELD	1	R.H. (SUB R81696 AND (4) R81698)	
	AR84970	SHIELD	1	L.H. (SUB R81697 AND (4) R81698)	
13	14H1040	NUT	2	1/2"	
14	12H292	LOCK WASHER	2	1/2"	
15	F2935R	WASHER	2		
16	R48663	WASHER	2		
17	L40528	COVER	1	(SUB FOR R63839)	
18	R52937	CAP SCREW	5		
19	14H794	NUT	2	3/4"	
20	24H1393	WASHER	2	25/32" X 1-3/8" X 0.180"	
21	R63263	WASHER	4		
22	R66373	SLEEVE	2		
23	AR71436	BRACKET	1	R.H.	
	AR71435	BRACKET	1	L.H.	
24	R66374	RUBBER MOUNT	2		
25	R54745	SELF-LOCKING SCREW	2		
26	R63259	SPACER	2		
27	R63263	WASHER	2		
28	R109476	RUBBER MOUNT	2	(SUB FOR R65624)	
29	R66373	SLEEVE	2		
30	R66375	RUBBER MOUNT	2		
31	R63263	WASHER	2		
32	R54744	CAP SCREW	2	(SUB R77720)	
33	19H1731	CAP SCREW	1	3/8" X 1"	
..	R59575	SLEEVE	2	LOWER MOUNT	

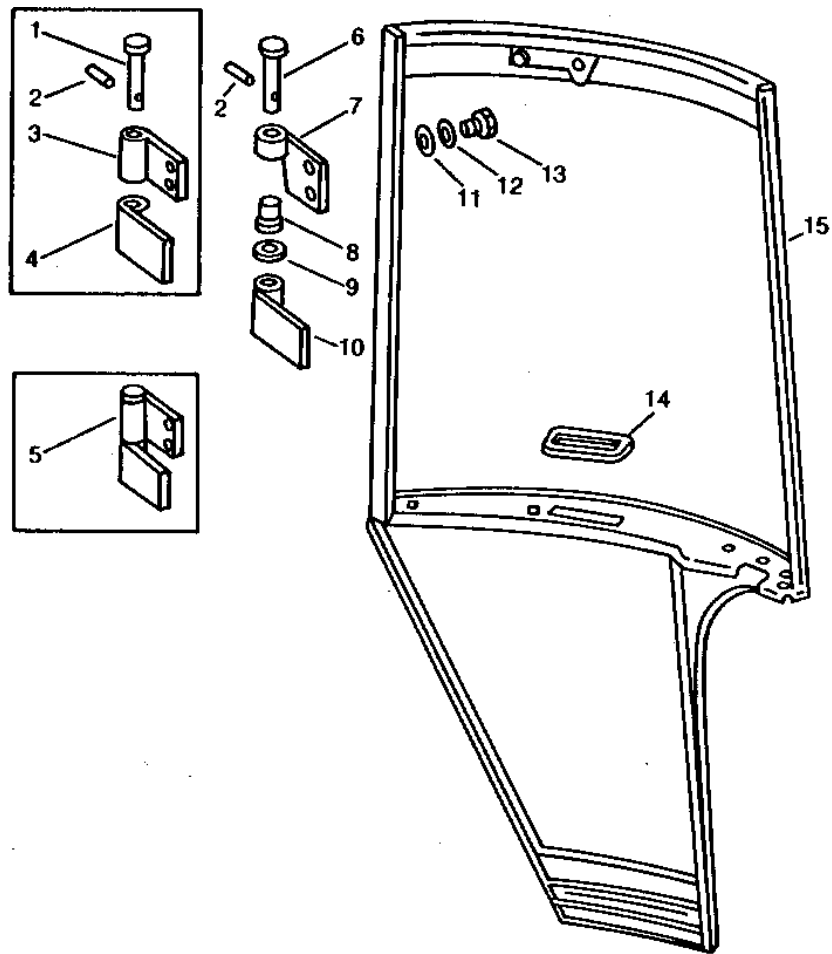
# 6G9

OPERATOR'S STATION

RXP8641

-UN-01JAN94

SOUND-GARD BODY DOORS



RXP8641

# 6G10

OPERATOR'S STATION

## SOUND-GARD BODY DOORS - CONTINUED

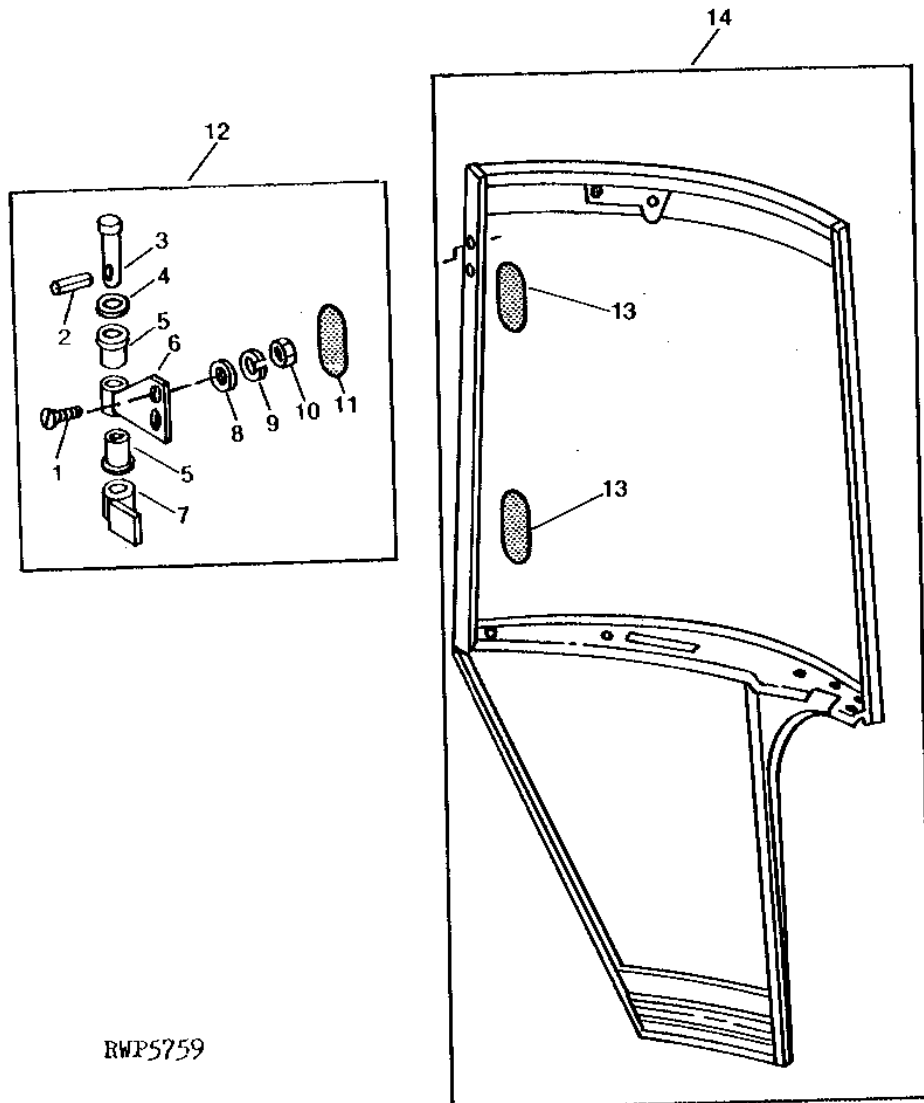
KEY	PART NO.	PART NAME	QTY	SG BODY SERIAL NO.	REMARKS
1	R63019	PIN	2	-097657	(SUB FOR R51127)
2	34H247	SPRING PIN	2	-097657	1/8" X 3/4"
3	.....	HINGE	2	-097657	(SUB AR77443) (DOOR HALF)
4	.....	HINGE	2	-097657	(SUB AR77443) (BODY HALF)
5	AR77443	HINGE	1	097658-097657	(SUB AR86997, RE16546, R65570, R68459, 24H1302 AND 34H247)
6	R68459	PIN	2	XXXXXX-	(SUB FOR R66930)
7	AR86997	HINGE	2	XXXXXX-	(DOOR HALF)
8	R65570	BUSHING	2	XXXXXX-	
9	24H1302	WASHER	2	XXXXXX-	13/32" X 11/16" X 0.035"
10	AR77445	HINGE	2	XXXXXX-	(SUB RE16546) (BODY HALF)
11	24H1305	WASHER	4		13/32" X 13/16" X 0.065"
12	12H303	LOCK WASHER	4		5/16"
13	19H1900	CAP SCREW	4		5/16" X 3/4"
14	R20759	GROMMET	1		
15	AR89232	DOOR	1		(ALSO ORDER AR73257 AND R60469) (SUB FOR AR54897 OR AR73256) (SUB AR103636, AR103633 AND RE22994)

# 6G11

OPERATOR'S STATION

SOUND-GARD BODY DOOR KITS  
(AUTOMOTIVE DOOR LATCH)  
(SOUND-GARD BODY SERIAL NO. XXXXXX- )

RWP5759 -UN-01JAN94



RWP5759

# 6G12

OPERATOR'S STATION

**SOUND-GARD BODY DOOR KITS - CONTINUED**  
**(AUTOMOTIVE DOOR LATCH)**  
**(SOUND-GARD BODY SERIAL NO. XXXXXX- )**

KEY	PART NO.	PART NAME	QTY	SG BODY SERIAL NO.	REMARKS
1	21H1226	SCREW	4	5/16" X 7/8"	
2	34H247	SPRING PIN	2	1/8" X 3/4"	
3	R63019	PIN	2		
4	24H1302	WASHER	2	13/32" X 11/16" X 0.035"	
5	R65570	BUSHING	4		
6	RE11778	HINGE	2	(SUB RE16547)	
7	AR77445	HINGE	2	(SUB RE16546)	
8	24M7149	WASHER	4	10.500 X 30 X 2.500 MM	
9	12H303	LOCK WASHER	4	5/16"	
10	14H785	NUT	4	5/16"	
11	R81207	COVER	2	(SUB FOR R68461)	
12	AR103633	KIT	1		
13	R81207	COVER	3		
14	AR103636	KIT	1		

---

MEMORANDA

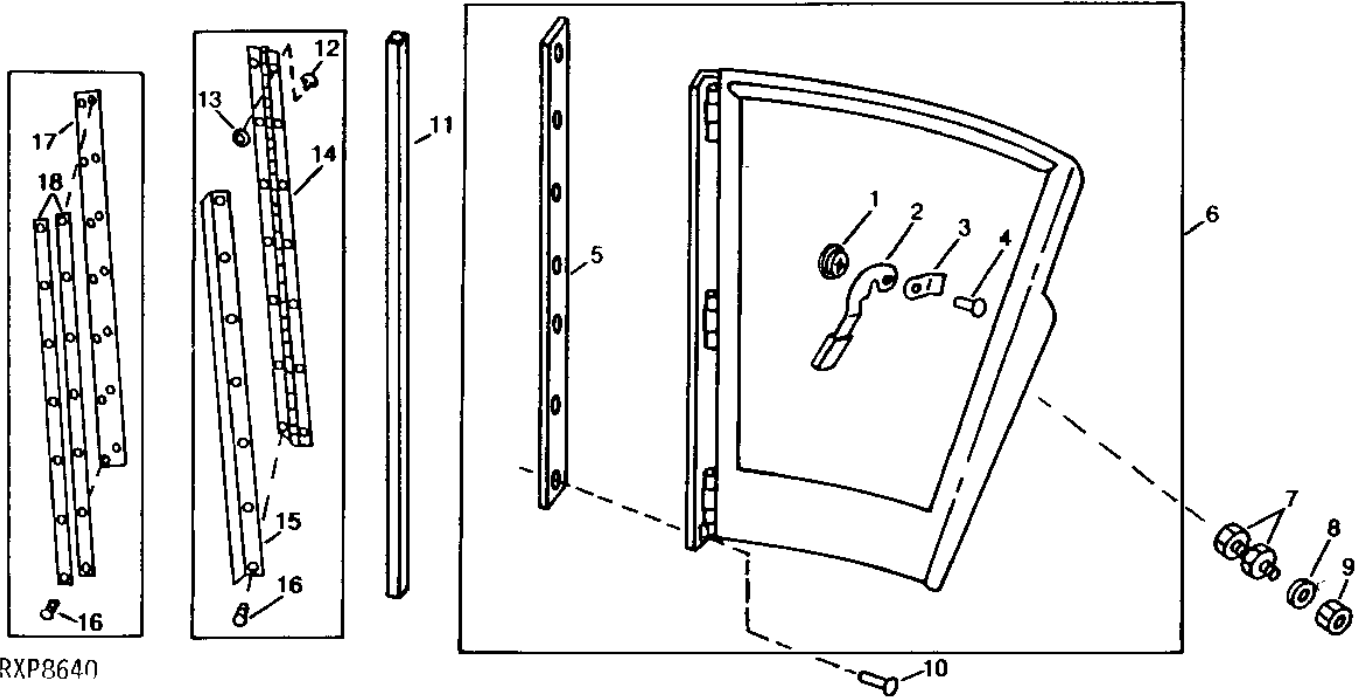


# 6G13

OPERATOR'S STATION

RXP8640 -UN-01JAN94

## SOUND-GARD BODY SERVICE DOOR



RXP8640

KEY	PART NO.	PART NAME	QTY	SG BODY SERIAL NO.	REMARKS
1	R70235	RETAINER	1		
2	R52942	LATCH	1		(SUB R96654 AND L55210)
3	R52943	ANGLE	1		
4	45M7071	PIN	1		8 X 14 MM
5	R61938	SHIELD	1	082543-XXXXXX	(SUB RE14480)
	R67486	SEAL	1	XXXXXX-	
6	RE14480	KIT	1		(SUB FOR AR75909 OR AR80764)
7	R77019	SCREW	1		(SUB FOR R52948)
8	24H1822	WASHER	1		11/32" X 7/8" X 1/16"
9	14H785	NUT	1		5/16"
10	37H196	SCREW	7	082543-	
11	.....	MOLDING	1	082543-	21 X 813MM (13/16" X 32") (MAKE FROM RE15998) (SUB FOR R52606 OR R52549)
12	R52118	RIVET	7	-023026	
	37H196	SCREW	7	023027-082542	
13	R52119	WASHER	7	-082542	
14	AR60556	HINGE	1	023027-082542	
15	R59806	PLATE	1	023027-082542	
16	R54427	QUADRANT	7	-023026	(NO LONGER AVAILABLE)
17	R53609	SEAL	1	-023026	
18	R52945	PLATE	2	-023026	(NLA)

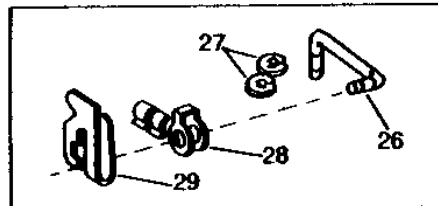
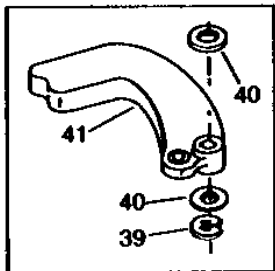
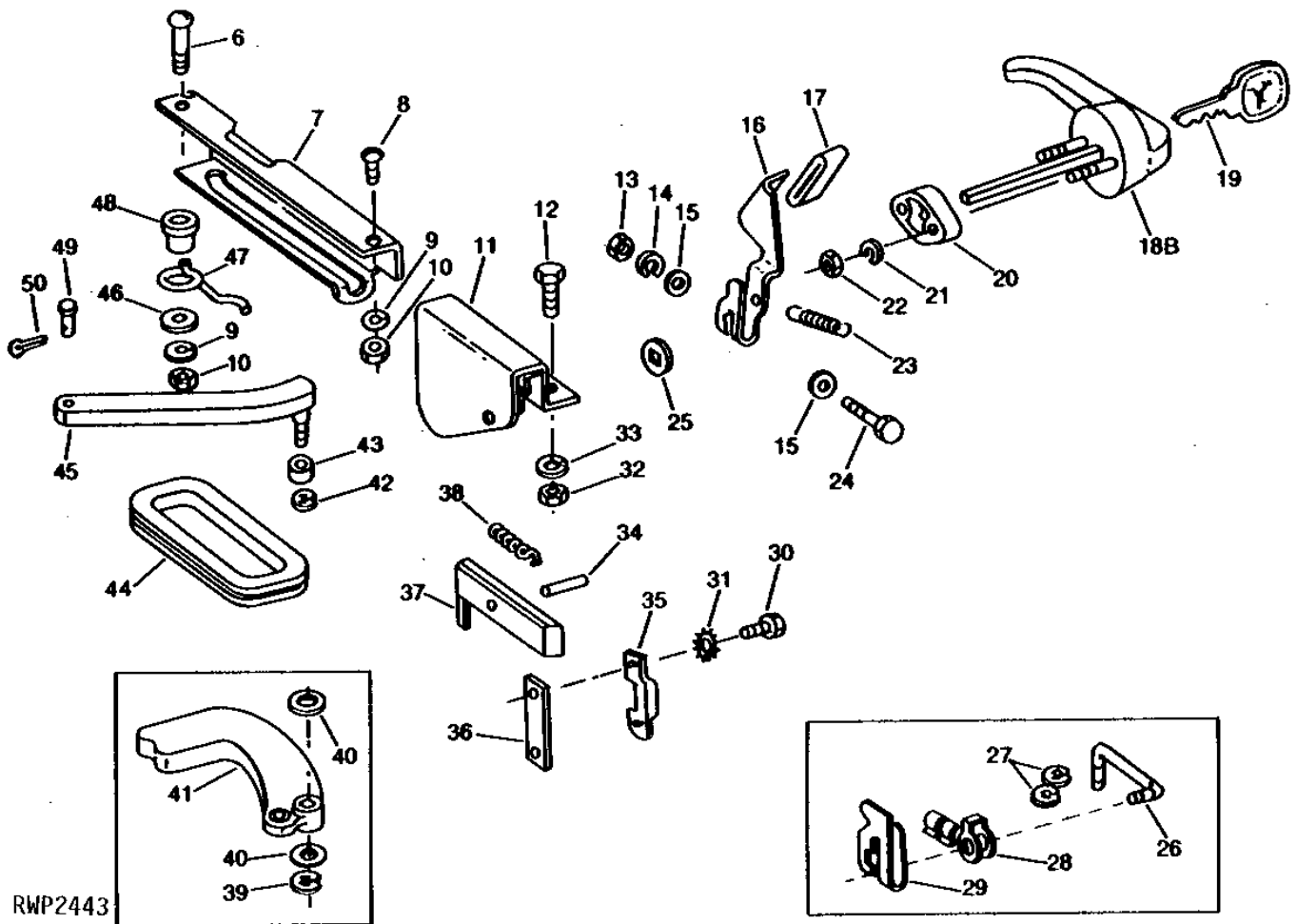
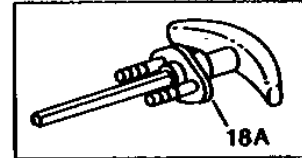
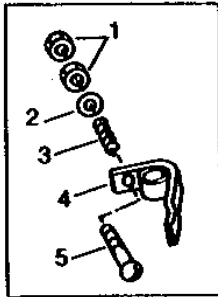
# 6G14

OPERATOR'S STATION

RWP2443

-UN-01JAN94

## DOOR HANDLE AND LATCH



# 6G15

OPERATOR'S STATION

## DOOR HANDLE AND LATCH - CONTINUED

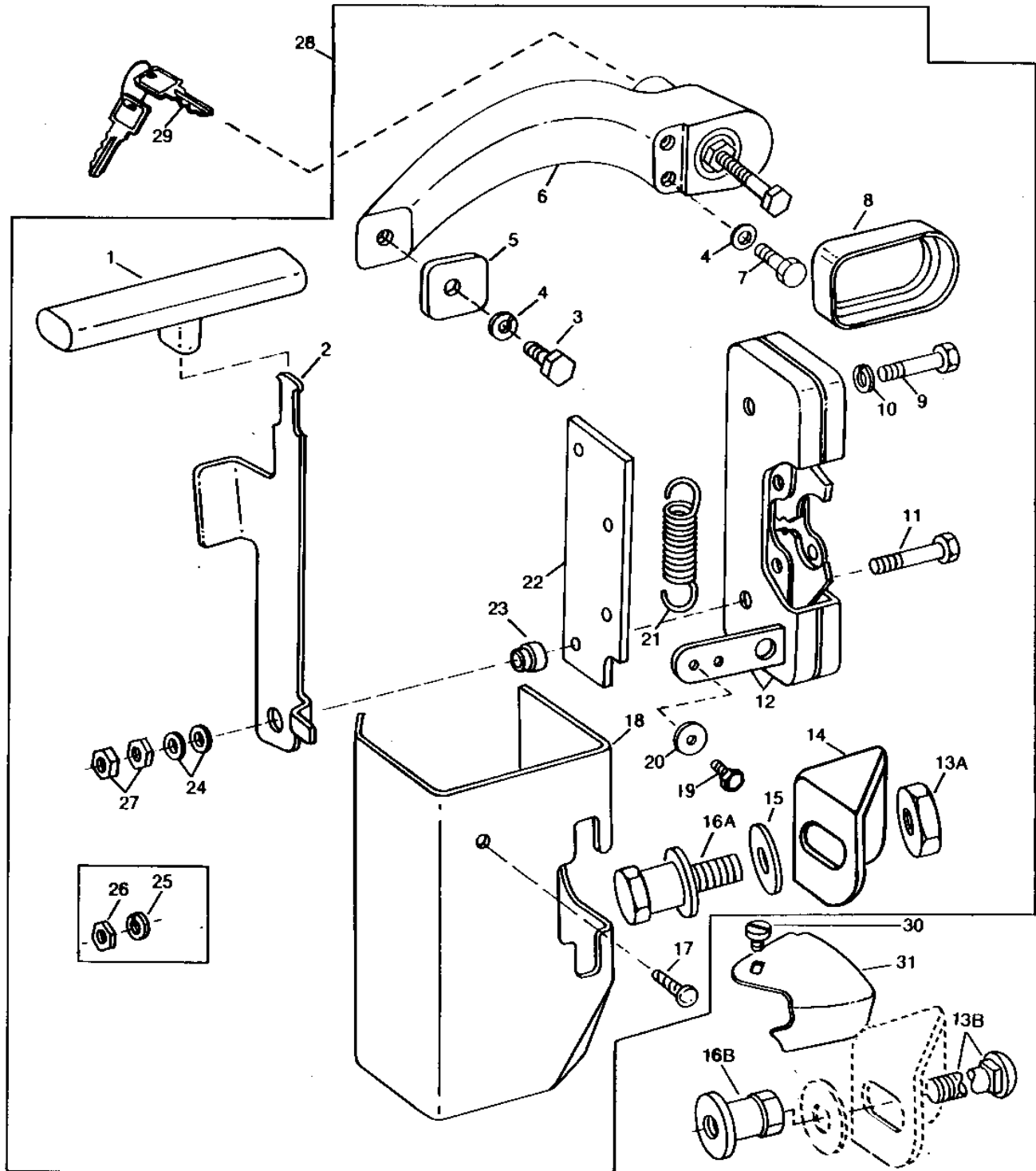
KEY	PART NO.	PART NAME	QTY	SG BODY SERIAL NO.	REMARKS
1	14H608	NUT	2	-092081	0.216"
2	24H1286	WASHER	1	-092081	9/32" X 1/2" X 1/16"
3	R47605	SPRING	1	-092081	
4	AR59638	LATCH	1	-031874	
5	21H1374	SCREW	1	-031874	0.216" X 1-7/8"
6	R54697	GANG BOLT	1		
7	AR77227	STOP	1		(ALSO ORDER R62635, R62636 AND 24H1822) (SUB FOR AR56680)
8	R54798	GANG BOLT	1		
9	12H303	LOCK WASHER	2		5/16", (SUB FOR R53669, THIS APPLICATION)
10	14H785	NUT	2		5/16", (SUB FOR R53671, THIS APPLICATION)
11	AR56678	HOUSING	1	-071071	(SUB AR73257 AND R60469)
	AR73257	SUPPORT	1	071072-	
12	R54057	SCREW	3		
13	14H785	NUT	1		5/16"
14	12H303	LOCK WASHER	1		5/16"
15	24H1136	WASHER	2		11/32" X 11/16" X 0.065"
16	R60469	HANDLE	1	071072-	
17	R60964	GRIP	1	071072-	
18A	AR67784	HANDLE	1	-095672	(SUB FOR AR58396) (SUB AR78804 AND R63760)
18B	AR78804	HANDLE	1	095673-	
19	AR51481	KEY	1		
20	R52863	SPACER	1	-095672	(SUB R63760 AND AR78804)
	R63760	SPACER	1	095673-	
21	12H296	WASHER	2		0.216"
22	14H608	NUT	2		0.216"
23	R52097	SPRING	1		
24	19H2831	CAP SCREW	1		5/16" X 1-1/2"
25	R52098	BUSHING	1		
	R63387	WASHER	1		(REPLACEMENT SOUND-GARD BODY)
26	R52100	PIN	1	-071071	
27	R72654	SNAP RING	3	-071071	
28	R26524	CLIP	1	-071071	
29	R52099	ARM	1	-071071	
30	R54057	SCREW	2		
31	12H356	LOCK WASHER	2		1/4"
32	14H786	NUT	3		1/4"
33	12H302	LOCK WASHER	3		1/4"
34	34H312	SPRING PIN	1		1/4" X 1"
35	R52108	PLATE	1		
36	R52109	ADJUSTING STRAP	1		
37	AR56676	LATCH	1		
38	R52097	SPRING	1		
39	R26871	SNAP RING	1	-071071	
40	D2865R	WASHER	2	-071071	(SUB 24H1111)
41	R52101	HANDLE	1	-071071	(SUB R60469 AND AR73257)
42	R72653	SNAP RING	1		
43	R52516	BUSHING	1		
44	R20759	GROMMET	1		
45	AR58242	STOP	1		
46	24H1289	WASHER	1	-031874	21/64" X 5/8" X 0.049"
	24H1822	WASHER	1	031875-	11/32" X 7/8" X 1/16"
47	R62636	SPRING	1	031875-	
48	R53393	SLEEVE	1	-092081	
	R62635	SLEEVE	1	092082-	
49	R52107	PIN	1		
50	11M7077	COTTER PIN	1		1.600 X 25 MM

# 6G16

OPERATOR'S STATION

RXP8520 -UN-01JAN94

DOOR HANDLE AND LATCH  
(SOUND-GARD BODY SERIAL NO. XXXXXX- )



RXP8520

# 6G17

OPERATOR'S STATION

DOOR HANDLE AND LATCH - CONTINUED  
(SOUND-GARD BODY SERIAL NO. XXXXXX- )

KEY	PART NO.	PART NAME	QTY	SG BODY SERIAL NO.	REMARKS
1	R70271	KNOB	1		
2	R78552	HANDLE	1		INNER, (SUB FOR R75869)
3	19M6614	CAP SCREW	1		M6 X 12
4	12H302	LOCK WASHER	3		1/4"
5	R70275	SPACER	1		
6	AR91895	HANDLE	1		OUTER
7	19M7077	CAP SCREW	2		M6 X 20
8	R70274	SPACER	1		
9	19H1791	CAP SCREW	3		1/4" X 1-1/4"
10	12H297	LOCK WASHER	4		1/4"
11	19H1738	CAP SCREW	1		1/4" X 2"
12	AR91893	LATCH	1		(SUB RE50874)
13A	14H849	NUT	1	-XXXXXX	7/16"
13B	03M7191	BOLT	1	XXXXXX-	M10 X 25
14	R70277	SUPPORT	1		DOOR LATCH STRIKER SUPPORT, (SUB FOR RE13693)
15	24H1309	WASHER	1		13/32" X 1-1/16" X 0.120"
	24H1219	WASHER	1		7/16" X 1" X 0.083"
16A	AR91896	STRIKER	1	-XXXXXX	
16B	R82272	STRIKER	1	XXXXXX-	
17	37H196	SCREW	2		(SUB FOR R52708)
18	R82456	COVER	1		(SUB FOR R70273)
19	R52938	CAP SCREW	1	-XXXXXX	
20	24M7100	WASHER	1	-XXXXXX	6.600 X 22 X 2 MM
21	R31877	SPRING	1		
22	R70269	PLATE	1		(SUB R82455)
23	R75870	SPACER	1		(SUB R82482)
24	24M7139	WASHER	1		6.400 X 18 X 1.600 MM
25	12H297	LOCK WASHER	1	-XXXXXX	1/4"
26	14H786	NUT	1	-XXXXXX	1/4"
27	14H850	NUT	2	XXXXXX-	1/4"
28	AR103634	KIT	1		(SUB RE22994)
29	AR51481	KEY	1		
30	R79877	SCREW	1	XXXXXX-	
31	R81540	SHIELD	1	XXXXXX-	

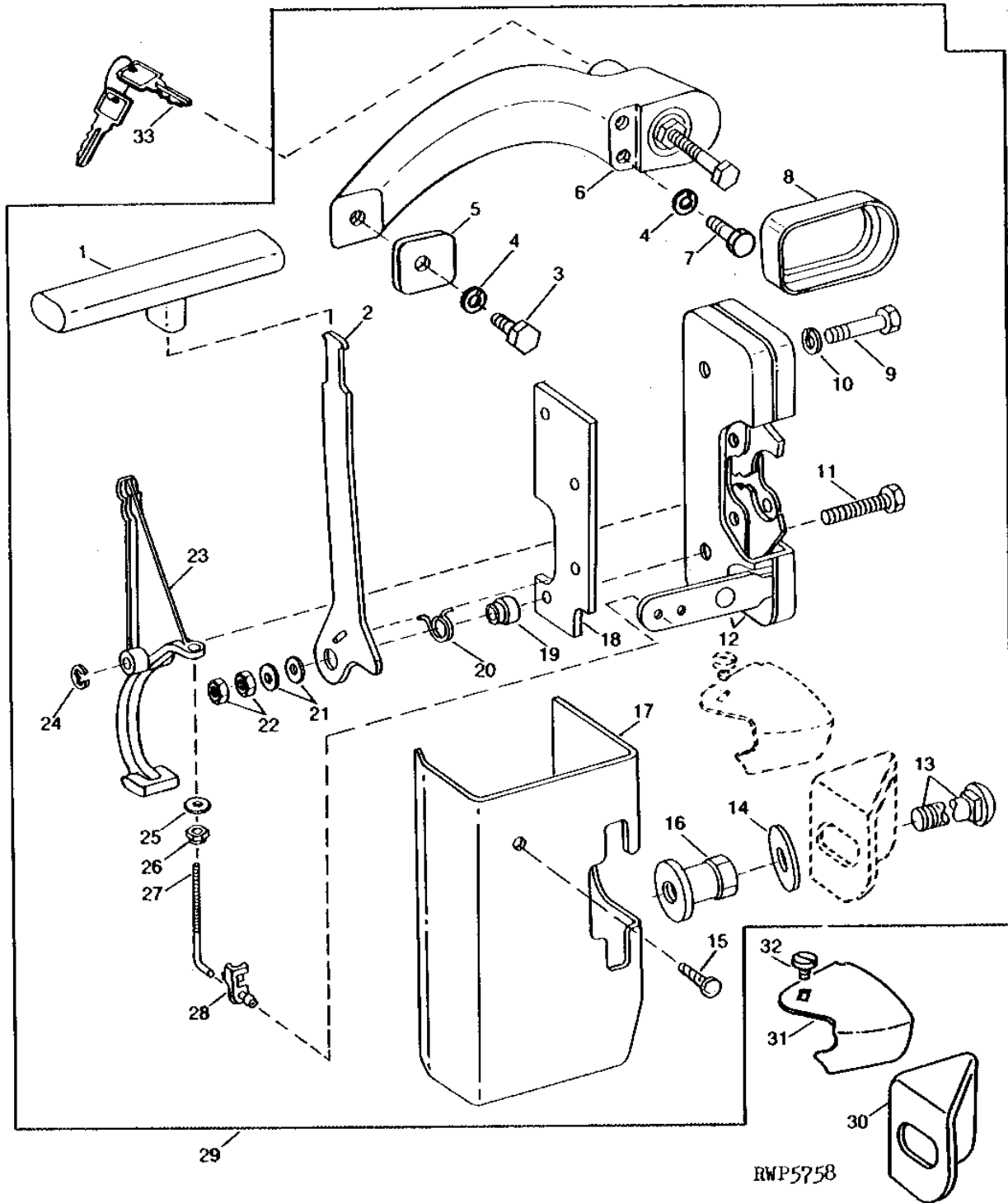
# 6G18

OPERATOR'S STATION

RWP5758

-UN-01JAN94

## DOOR HANDLE AND LATCH (LATE DESIGN)



RWP5758

# 6G19

OPERATOR'S STATION

## DOOR HANDLE AND LATCH - CONTINUED (LATE DESIGN)

KEY	PART NO.	PART NAME	QTY	SG BODY SERIAL NO.	REMARKS
1	R70271	KNOB	1		
2	R82447	HANDLE	1		
3	19M6614	CAP SCREW	1	M6 X 12	
4	12H302	LOCK WASHER	3	1/4"	
5	R70275	SPACER	1		
6	AR91895	HANDLE	1		
7	19M7077	CAP SCREW	2	M6 X 20	
8	R70274	SPACER	1		
9	19H1791	CAP SCREW	3	1/4" X 1-1/4"	
10	12H297	LOCK WASHER	3	1/4"	
11	19H1738	CAP SCREW	1	1/4" X 2"	
12	AR91893	LATCH	1	(SUB RE50874)	
13	03M7191	BOLT	1	M10 X 25	
14	24H1254	WASHER	1	17/32" X 1-1/8" X 0.105"	
15	37H196	SCREW	2		
16	R82272	STRIKER	1		
17	R82456	COVER	1		
18	R82455	PLATE	1		
19	R82482	BUSHING	1		
20	R82448	SPRING	1		
21	24H1287	WASHER	2	9/32" X 5/8" X 0.065"	
22	14H850	NUT	2	1/4"	
23	R82442	BELLCRANK	1		
24	R72654	SNAP RING	1		
25	24H1286	WASHER	1	9/32" X 1/2" X 1/16"	
26	U45916	LOCK NUT	1		
27	R82444	HOOK BOLT	1		
28	R82445	RETAINER	1		
29	RE22994	KIT	1	(WITH ROTATING STYLE HANDLES, ALSO ORDER AR103636)	
30	RE13693	SUPPORT	1	(SUB R70277)	
31	R81540	SHIELD	1		
32	R79877	SCREW	1		
33	AR51481	KEY	1		

---

MEMORANDA

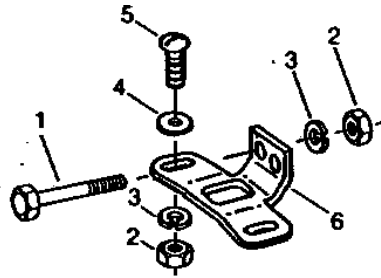


# 6G20

OPERATOR'S STATION

RXP8281 -UN-01JAN94

## CONTROL SUPPORT BRACKET KIT (AUTOMOTIVE DOOR LATCH)



RXP8281

KEY	PART NO.	PART NAME	QTY	SG BODY SERIAL NO.	REMARKS
1	19H2127	CAP SCREW	2	5/16" X 7/8"	
2	14H785	NUT	4	5/16"	
3	12H303	LOCK WASHER	4	5/16"	
4	R53665	WASHER	2		
5	03H1540	BOLT	2	5/16" X 3/4"	
6	R65508	BRACKET	1		

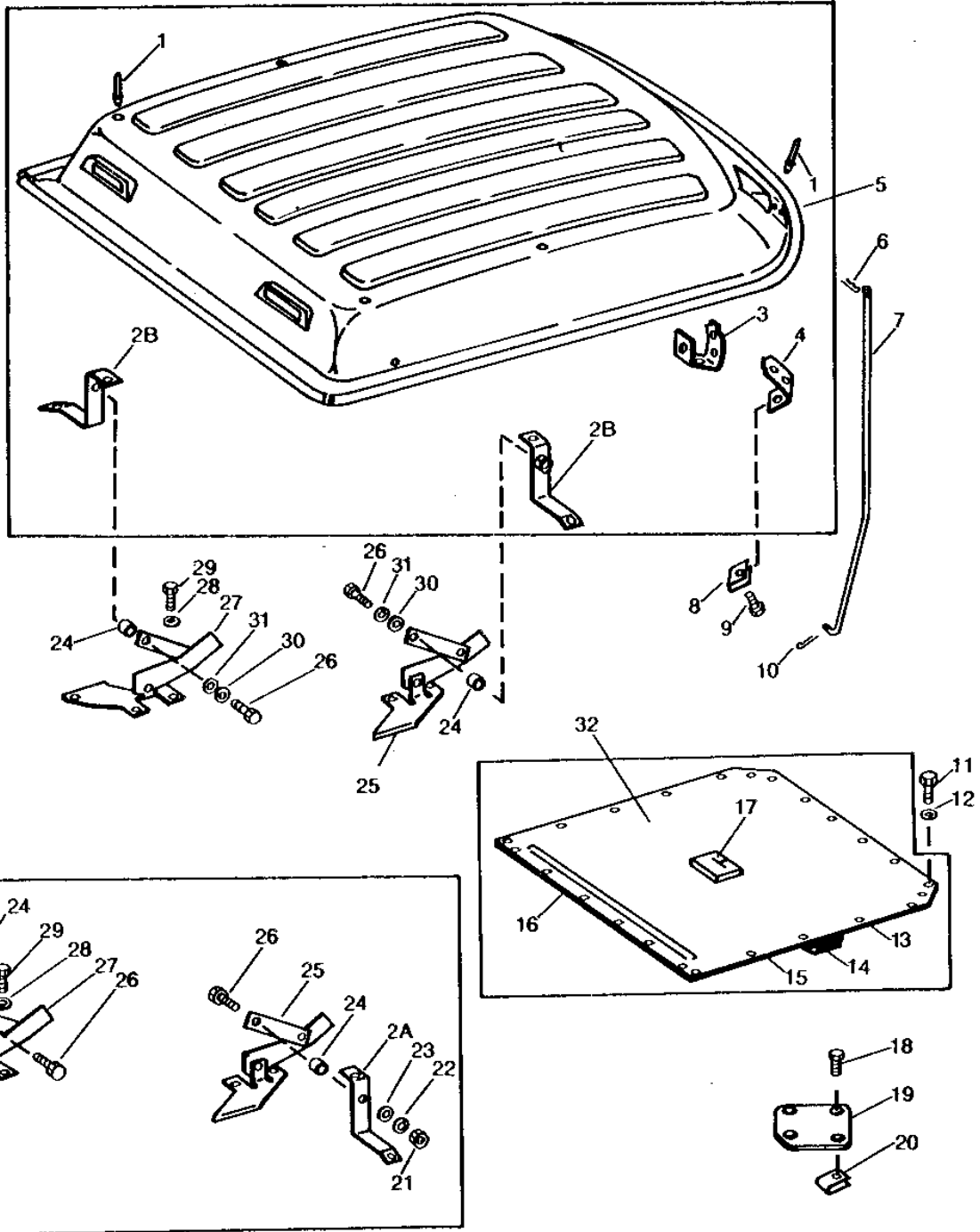
# 6G21

OPERATOR'S STATION

RWP5490

-UN-01JAN94

## PRESSURIZER COVER AND SOUND-GARD BODY ROOF



RWP5490

# 6G22

OPERATOR'S STATION

## PRESSURIZER COVER AND SOUND-GARD BODY ROOF - CONTINUED

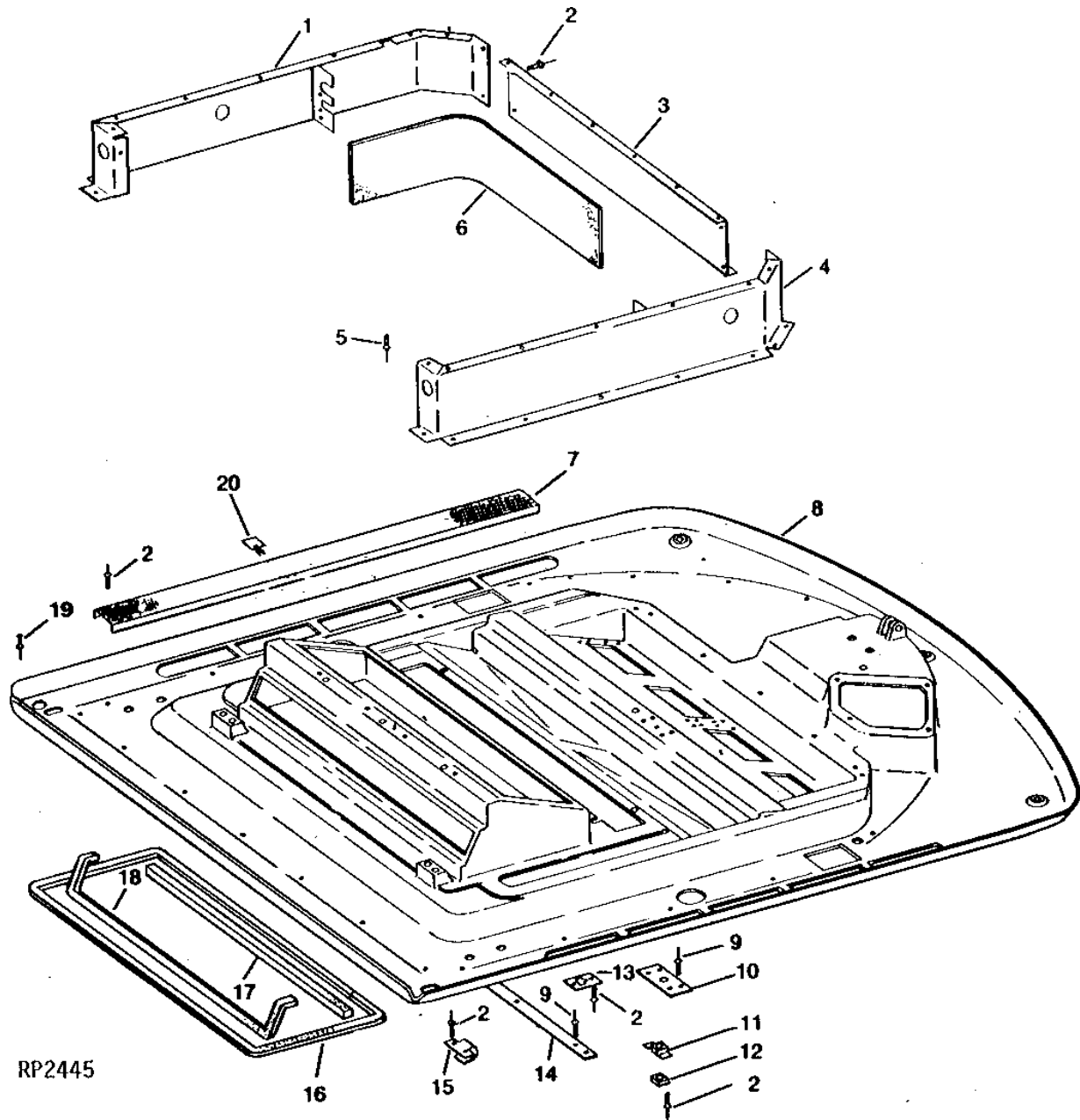
KEY	PART NO.	PART NAME	QTY	SG BODY SERIAL NO.	REMARKS
1	R55326	RIVET	10		(SUB FOR R50217)
2A	RE11000	BRACKET	2		(SUB FOR R51012 OR AR67980)
2B	RE11000	BRACKET	2		(SUB FOR AR67980)
3	R51011	BRACKET	1		
4	R54529	BRACKET	2		OUTER
5	AR74143	ROOF	1		(SUB FOR AR56682)
6	A5067R	SPRING LOCKING PIN	1		
7	R51589	ROD	1		
8	R50198	NUT	3		
9	R55426	SCREW	3		(SUB FOR R50501)
10	11M7082	COTTER PIN	1		2.500 X 25 MM
11	R52937	CAP SCREW	24		
12	12H356	LOCK WASHER	24		1/4"
13	R52132	INSULATOR	1		
14	R52149	WEATHERSTRIP	1		
15	R50459	INSULATOR	2		
16	R50460	INSULATOR	1		
17	R45397	INSULATOR	1		
18	R52937	CAP SCREW	4		
19	R50272	COVER	1		
20	R53677	LOCK NUT	4		
21	14H785	NUT	2		5/16"
22	12H303	LOCK WASHER	2		5/16"
23	R67694	WASHER	2		(SUB FOR A5659R)
24	R51590	WASHER	2		
25	AR55881	SUPPORT	1		
26	19H1900	CAP SCREW	2		5/16" X 3/4"
27	AR55882	SUPPORT	1		
28	12H303	LOCK WASHER	4		5/16"
29	19H1905	CAP SCREW	4		5/16" X 1"
30	R67694	WASHER	2		(SUB FOR A5659R)
31	12H303	LOCK WASHER	2		5/16"
32	AR56697	COVER	1	-076058	
	AR73464	COVER	1	076059-	

# 6G23

OPERATOR'S STATION

RP2445 -UN-01JAN94

INNER ROOF



# 6G24

OPERATOR'S STATION

## INNER ROOF - CONTINUED

KEY	PART NO.	PART NAME	QTY	SG BODY SERIAL NO.	REMARKS
1	AR56093	PANEL	1	-076058	
	AR73466	PANEL	1	076059-106725	
	R63956	PANEL	1	106726-	
2	R55326	RIVET	14	-056923	(SUB FOR R50217)
	R53608	RIVET	12	056924-	
3	R51371	PANEL	1		
4	AR55648	PANEL	1	-076058	
	AR73465	PANEL	1	076059-	
5	R55326	RIVET	23	-056923	(PANEL TO INNER ROOF)
6	R52127	FOAM PAD	2	-076058	
	R60560	INSULATOR	2	076059-	
7	R50457	SCREEN	2		
8	AR55646	ROOF	1	-106725	(SUB RE18180)
	AR79361	ROOF	1	106726-	(SUB RE18180)
9	R50689	RIVET	15	-056923	
	R50689	RIVET	7	056924-	
10	R50690	PLATE	1		HEATER VALVE
	R50688	PLATE	4	-056923	FRONT
11	R50692	RETAINER	2		
12	14H818	NUT	2	5/16"	
13	R50694	PLATE	1		
14	R50691	STRIP	1		
15	R50695	HANGER	2		
16	R50698	ISOLATOR	2		
17	R50697	ISOLATOR	1		
18	R50696	ISOLATOR	1		
19	R68332	RIVET	20		(INNER ROOF TO FRAME)
20	R56952	CLIP	12	-056923	
..	RE18180	ROOF	1		(ASSEMBLY INCLUDES PRESSURIZER COVER, EVAPORATOR, BLOWER, BLOWER MOTOR, RESISTOR, BLOWER SWITCH, SUPPORT ROD, CONNECTING LINES AND WIRING HARNESS)

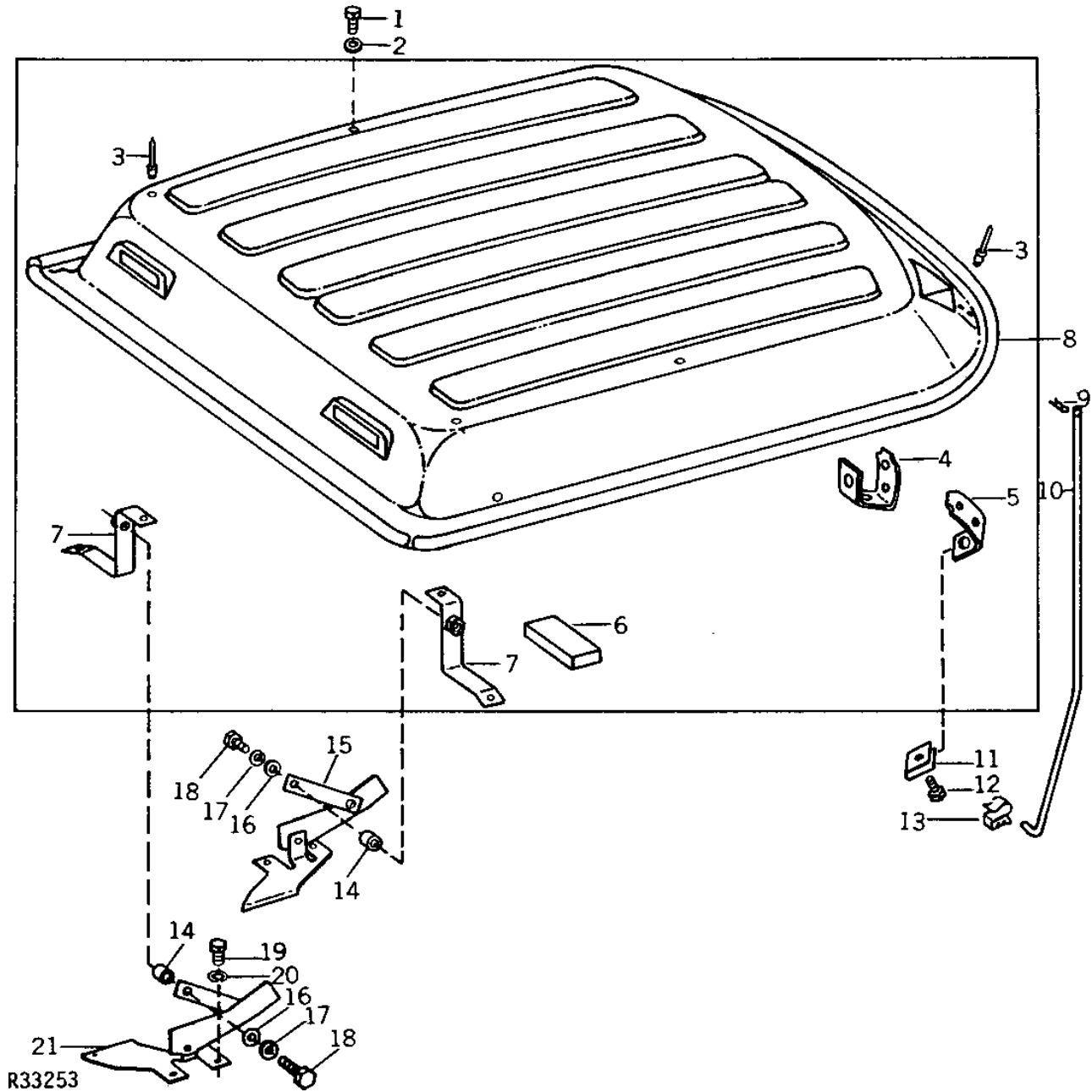
# 6H1

OPERATOR'S STATION

R33253

-UN-01JAN94

SOUND-GARD BODY ROOF  
(REPLACEMENT SOUND-GARD BODY OR REPLACEMENT INNER ROOF)



# 6H2

OPERATOR'S STATION

**SOUND-GARD BODY ROOF - CONTINUED**  
**(REPLACEMENT SOUND-GARD BODY OR REPLACEMENT INNER ROOF)**

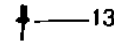
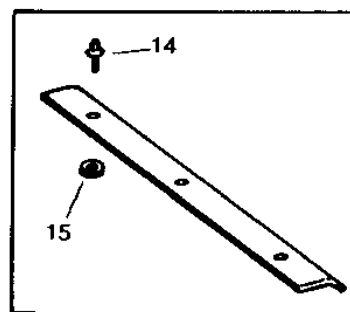
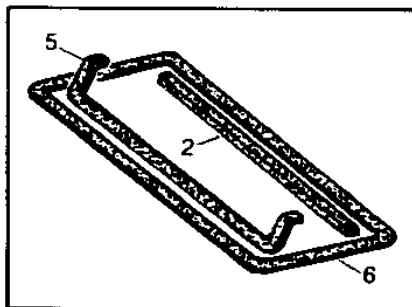
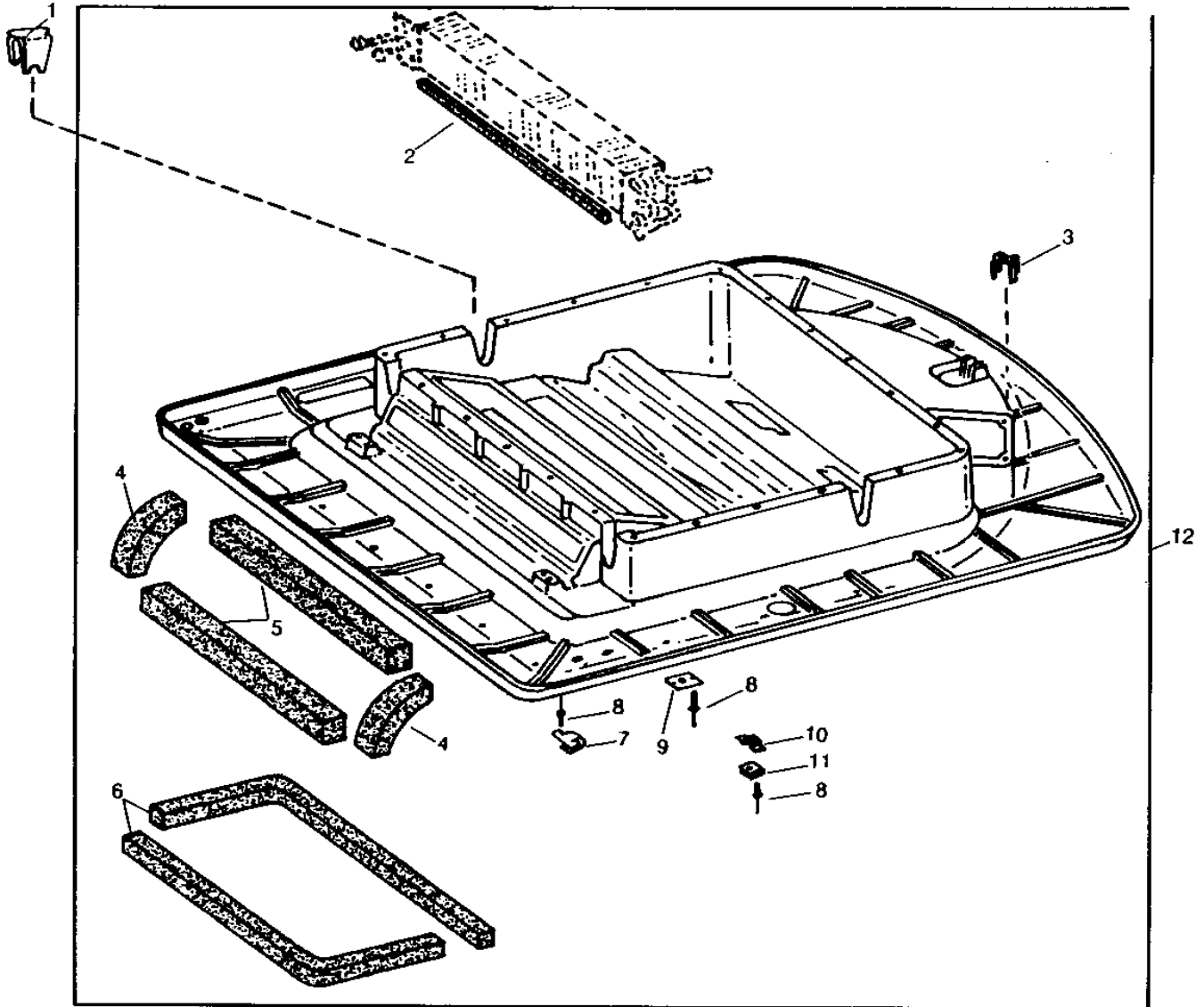
KEY	PART NO.	PART NAME	QTY	SG BODY SERIAL NO.	REMARKS
1	19H2367	CAP SCREW	2	5/8" X 3/4"	
2	24H1106	WASHER	2	11/16" X 1-3/4" X 0.134"	
3	R55326	RIVET	10		
4	R51011	BRACKET	1		
5	R54529	BRACKET	2		
6	R74058	ISOLATOR	1	19 X 38 X 724MM (3/4" X 1-1/2" X 28")	
7	RE11000	BRACKET	2	(SUB FOR AR67980)	
8	AR74143	ROOF	1		
9	R46528	SPRING LOCKING PIN	1		
10	R65473	ROD	1		
11	R50198	NUT	3		
12	R55426	SCREW	3		
13	R69320	CLAMP	1		
14	R51590	WASHER	2		
15	AR55881	SUPPORT	1		
16	R67694	WASHER	2	(SUB FOR A5659R)	
17	12H303	LOCK WASHER	2	5/16"	
18	19H1900	CAP SCREW	2	5/16" X 3/4"	
19	19H1849	CAP SCREW	4	5/16" X 1-1/4"	
20	12H303	LOCK WASHER	4	5/16"	
21	AR55882	SUPPORT	1		

# 6H3

OPERATOR'S STATION

## INNER ROOF (REPLACEMENT SOUND-GARD BODY OR REPLACEMENT INNER ROOF)

RWP4343 -UN-01JAN94



RWP4343

THIS PARTS LISTING IS CONTINUED



# 6H4

OPERATOR'S STATION

INNER ROOF - CONTINUED  
(REPLACEMENT SOUND-GARD BODY OR REPLACEMENT INNER ROOF)

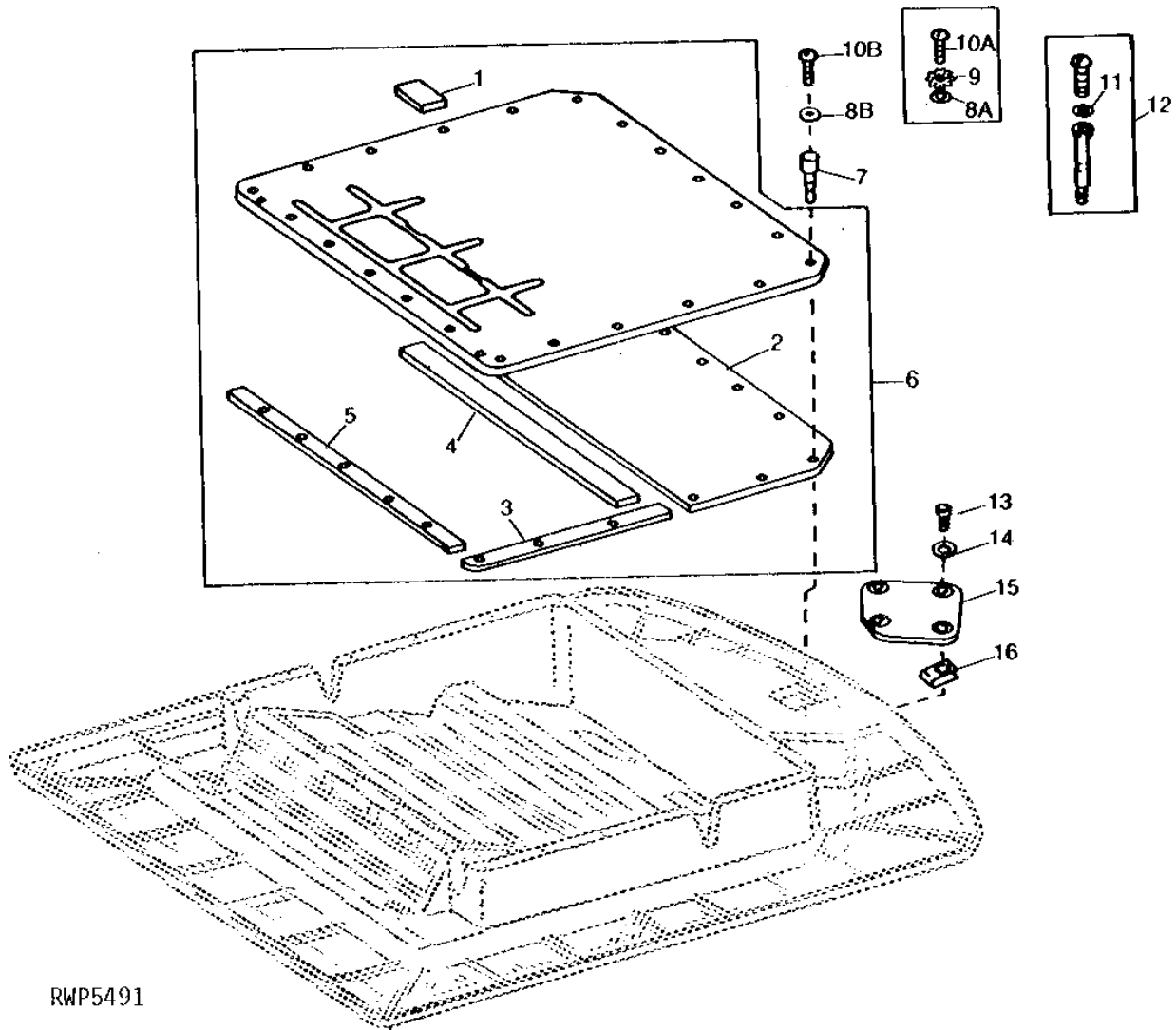
KEY	PART NO.	PART NAME	QTY	SG BODY SERIAL NO.	REMARKS
1	R65472	PANEL	4		
2	R50696	ISOLATOR	2	-XXXXXX	
	R50696	ISOLATOR	2	XXXXXX-	
3	R71523	NUT	26	-XXXXXX	
4	R77665	FOAM PAD	2	XXXXXX-	
5	R50697	ISOLATOR	1	-XXXXXX	
	R50697	ISOLATOR	2	XXXXXX-	
6	R50698	ISOLATOR	2		
7	R50695	HANGER	2		
8	R55326	RIVET	10		
9	R65471	WEAR PLATE	1		
10	R50692	RETAINER	2		
11	14H818	NUT	2	5/16"	
12	RE38906	ROOF	1	(SUB FOR RE18658 OR AR94105)	
13	R68332	RIVET	20	(REPLACEMENT SOUND-GARD BODY)	
	R80979	BOLT	26	(REPLACEMENT INNER ROOF)	
14	R55326	RIVET	3		
15	24H1283	WASHER	3	7/32" X 1/2" X 0.049"	
16	AR91315	KIT	1	BAFFLE	
..	R46663	SEALING TRIM	AR		
..	AR49923	ADHESIVE	1	552G (19.5 OZ)	

# 6H5

OPERATOR'S STATION

## PRESSURIZER COVER (REPLACEMENT SOUND-GARD BODY OR REPLACEMENT INNER ROOF)

RWP5491 -UN-01JAN94



RWP5491

# 6H6

OPERATOR'S STATION

**PRESSURIZER COVER - CONTINUED**  
**(REPLACEMENT SOUND-GARD BODY OR REPLACEMENT INNER ROOF)**

KEY	PART NO.	PART NAME	QTY	SG BODY SERIAL NO.	REMARKS
1	R45397	INSULATOR	1		
2	R65465	FOAM PAD	1		(ALSO ORDER R83066)
3	R65467	SEAL	2		(SUB R83066)
4	R52149	WEATHERSTRIP	1		
5	R65466	SEAL	1		(SUB R83066, THIS APPLICATION)
6	AR83516	COVER	1		
7	R71523	NUT	22	-XXXXXX	
8A	24H1287	WASHER	22	-XXXXXX	9/32" X 5/8" X 0.065"
8B	24H1284	WASHER	22	XXXXXX-	7/32" X 7/8" X 0.065"
9	12H256	LOCK WASHER	22	-XXXXXX	7/16"
10A	21H1410	SCREW	22	-XXXXXX	1/4" X 1"
10B	R50641	SCREW	22	XXXXXX-XXXXXX	
	R80979	BOLT	22	XXXXXX-	
11	24H1282	WASHER	AR	-XXXXXX	5/32" X 3/4" X 0.120"
12	AR94073	ANCHOR	AR		(PKG OF 6)
13	R50641	SCREW	4	-XXXXXX	
	R80979	BOLT	4	XXXXXX-	
14	24H1284	WASHER	4	XXXXXX-	7/32" X 7/8" X 0.065"
15	R50272	COVER	1		
16	R53677	LOCK NUT	4		
..	R53745	TAPE	AR		(140 FT)
..	AR49923	ADHESIVE	1		552G (19.5 OZ.)

---

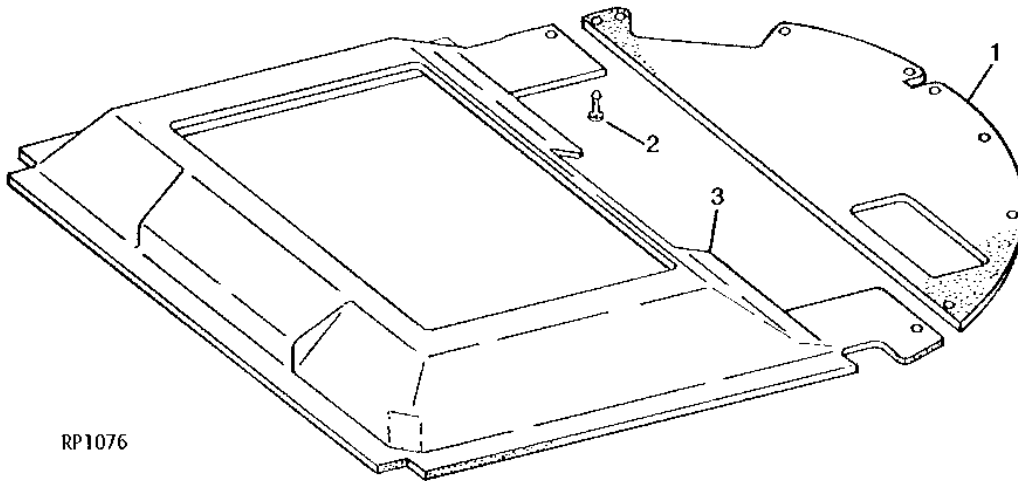
MEMORANDA

# 6H7

OPERATOR'S STATION

RP1076 -UN-01JAN94

## SOUND-GARD BODY HEADLINER



RP1076

KEY	PART NO.	PART NAME	QTY	SG BODY SERIAL NO.	REMARKS
1	AR56683	HEADLINER	1	-109536	(BLACK)
	AR78419	HEADLINER	1	109537-	(BLACK)
	AR97385	HEADLINER	1		(A) (BROWN) (SUB RE33754)
2	R54748	STUD	10		
	R73317	STUD	10		(A)
3	AR70126	HEADLINER	1	-109536	(BLACK) (SUB FOR AR56684)
	AR78421	HEADLINER	1	109537-	(BLACK)
	AR84261	HEADLINER	1		(A) (BLACK)
	RE10595	HEADLINER	1		(A) (BROWN)

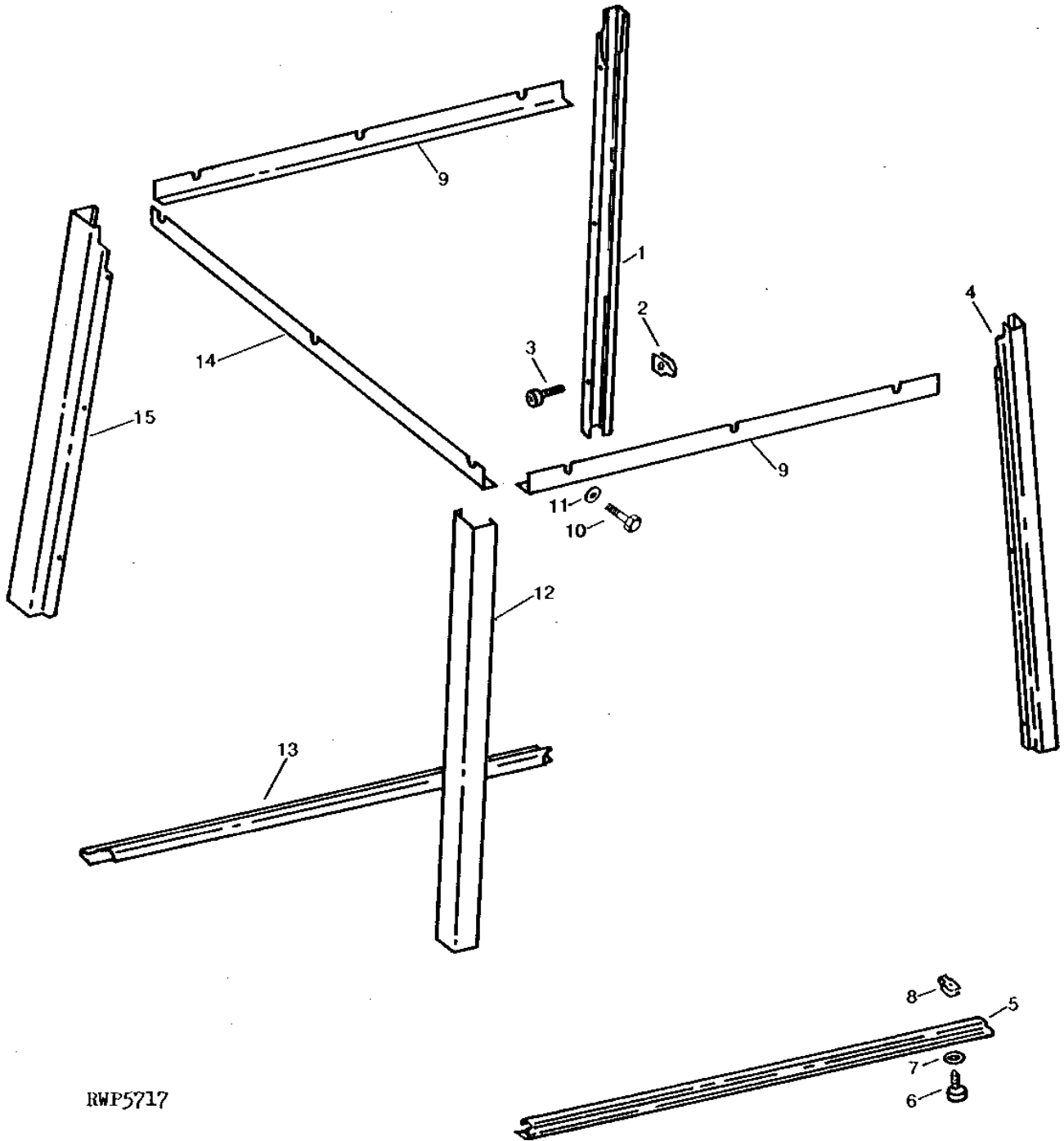
(A) REPLACEMENT SOUND-GARD BODY

# 6H8

OPERATOR'S STATION

RWP5717 -UN-01JAN94

SOUND-GARD BODY METAL TRIM



RWP5717

# 6H9

OPERATOR'S STATION

## SOUND-GARD BODY METAL TRIM - CONTINUED

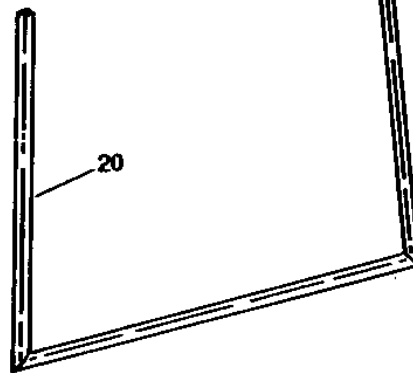
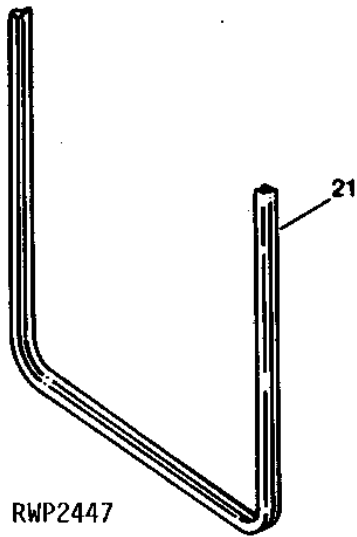
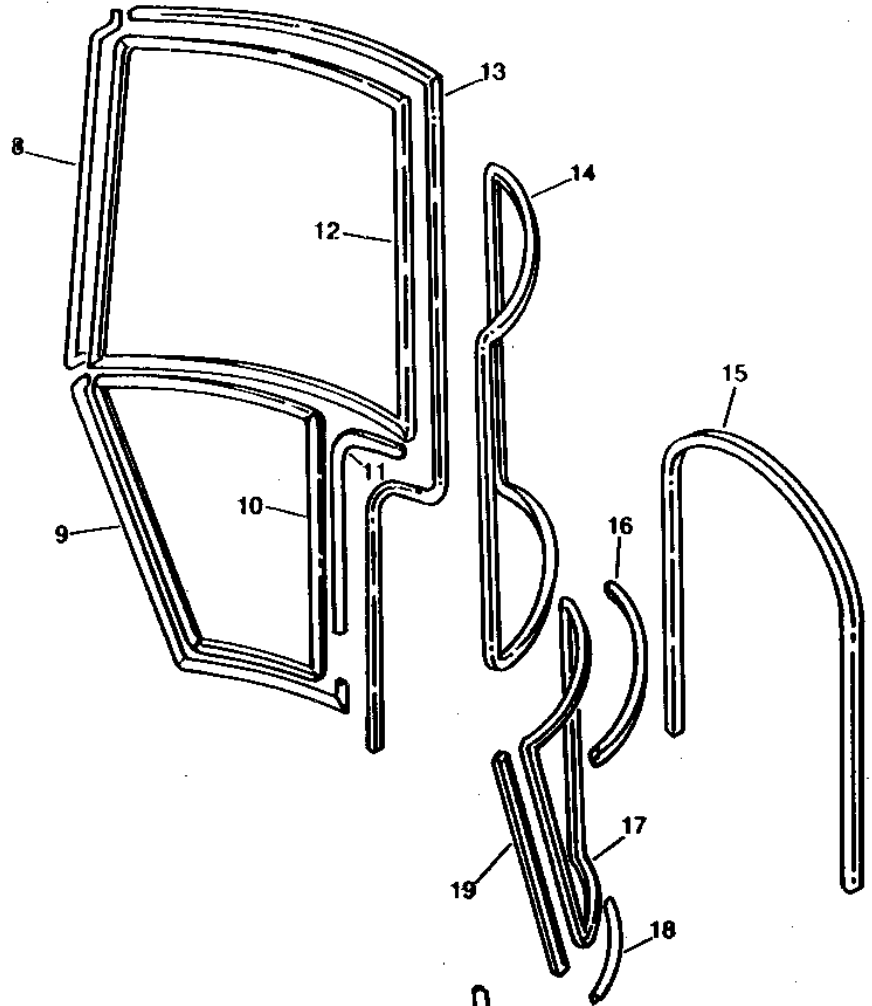
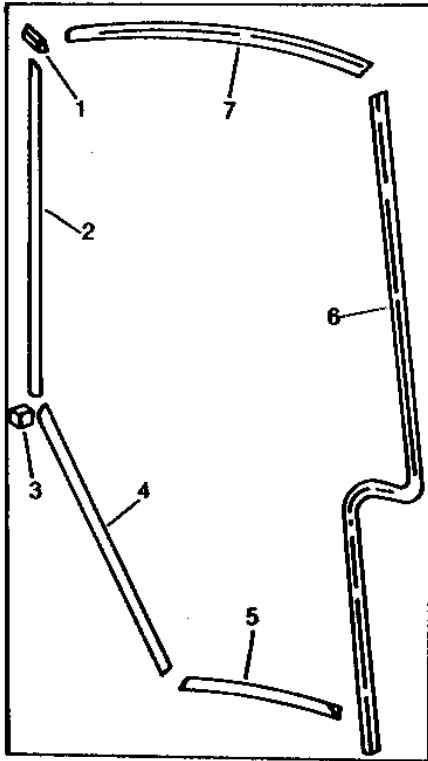
KEY	PART NO.	PART NAME	QTY	SG BODY SERIAL NO.	REMARKS
1	R52637	MOLDING	1		
2	R52640	NUT	18		
3	37H196	SCREW	18		
4	R52636	MOLDING	1		
5	R52513	MOLDING	1		
6	AR58652	BOLT	6		
7	R50719	SHIM	9		
8	AW20941	NUT	6		
9	R65907	MOLDING	2		(SUB FOR R50213)
10	R52938	CAP SCREW	9		
11	R50719	SHIM	9		
12	R52638	MOLDING	1		
13	R52514	MOLDING	1		
14	R65906	MOLDING	1		(SUB FOR R50209)
15	R52639	MOLDING	1		

# 6H10

OPERATOR'S STATION

RWP2447 -UN-01JAN94

SOUND-GARD BODY GLASS SEALS AND MOLDING





# 6H11

OPERATOR'S STATION

## SOUND-GARD BODY GLASS SEALS AND MOLDING

KEY	PART NO.	PART NAME	QTY	SG BODY SERIAL NO.	REMARKS
1	.....	MOLDING	1	-XXXXXX	(ORDER AR85558, AR85559, RE22488 AND R68460) L.H.
2	.....	MOLDING	1	-XXXXXX	(ORDER AR85558, AR85559, RE22488 AND R68460)
3	.....	MOLDING	1	-XXXXXX	(ORDER AR85558, AR85559, RE22488 AND R68460)
4	.....	MOLDING	1	-XXXXXX	(ORDER AR85558, AR85559, RE22488 AND R68460)
5	.....	MOLDING	1	-XXXXXX	(ORDER AR85558, AR85559, RE22488 AND R68460)
6	.....	MOLDING	1	-XXXXXX	(ORDER AR85558, AR85559, RE22488 AND R68460)
7	.....	MOLDING	1	-XXXXXX	(ORDER AR85558, AR85559, RE22488 AND R68460)
8	AR85559	WEATHERSTRIP	1	XXXXXX-	
9	RE22488	SEALING TRIM	1	XXXXXX-	(SUB FOR AR85560)
10	R52113 L40413	WEATHERSTRIP WEATHERSTRIP	1 1	-XXXXXX XXXXXX-	2110MM (83-1/16") (SUB L40413)
11	AR93828	MOLDING	1		743MM (29-1/4") (SUB FOR R50451) (SUB RE17519, THIS APPLICATION)
12	R52114	WEATHERSTRIP	1	-XXXXXX	2965MM (116-3/4") (SUB L40414)
13	L40414	WEATHERSTRIP	1	XXXXXX-	
14	AR85558	MOLDING	1	XXXXXX-	
15	R52112	WEATHERSTRIP	1	-XXXXXX	3308MM (130-1/4")
16	L40412	WEATHERSTRIP	1	XXXXXX-	
17	R50541	SEAL	1		1664MM (65-1/2")
18	R83716	WEATHERSTRIP	1		639MM (25-1/8") (SUB FOR R75761)
19	R52115	WEATHERSTRIP	1	-XXXXXX	2110MM (83-1/16") (SUB L40415)
20	L40415	WEATHERSTRIP	1	XXXXXX-	
21	.....	WEATHERSTRIP	1		338MM (13-5/16") (MAKE FROM R50541)
22	R58341	BARRIER	1		752MM (29-5/8") (SUB FOR R56496)
23	AR86111	WEATHERSTRIP	2		
24	RE29728	SEAL	1		3048MM (120") (SUB FOR R52936 OR AR86110)
25	AR85792	ADHESIVE	1		147CC (5 OZ) TUBE

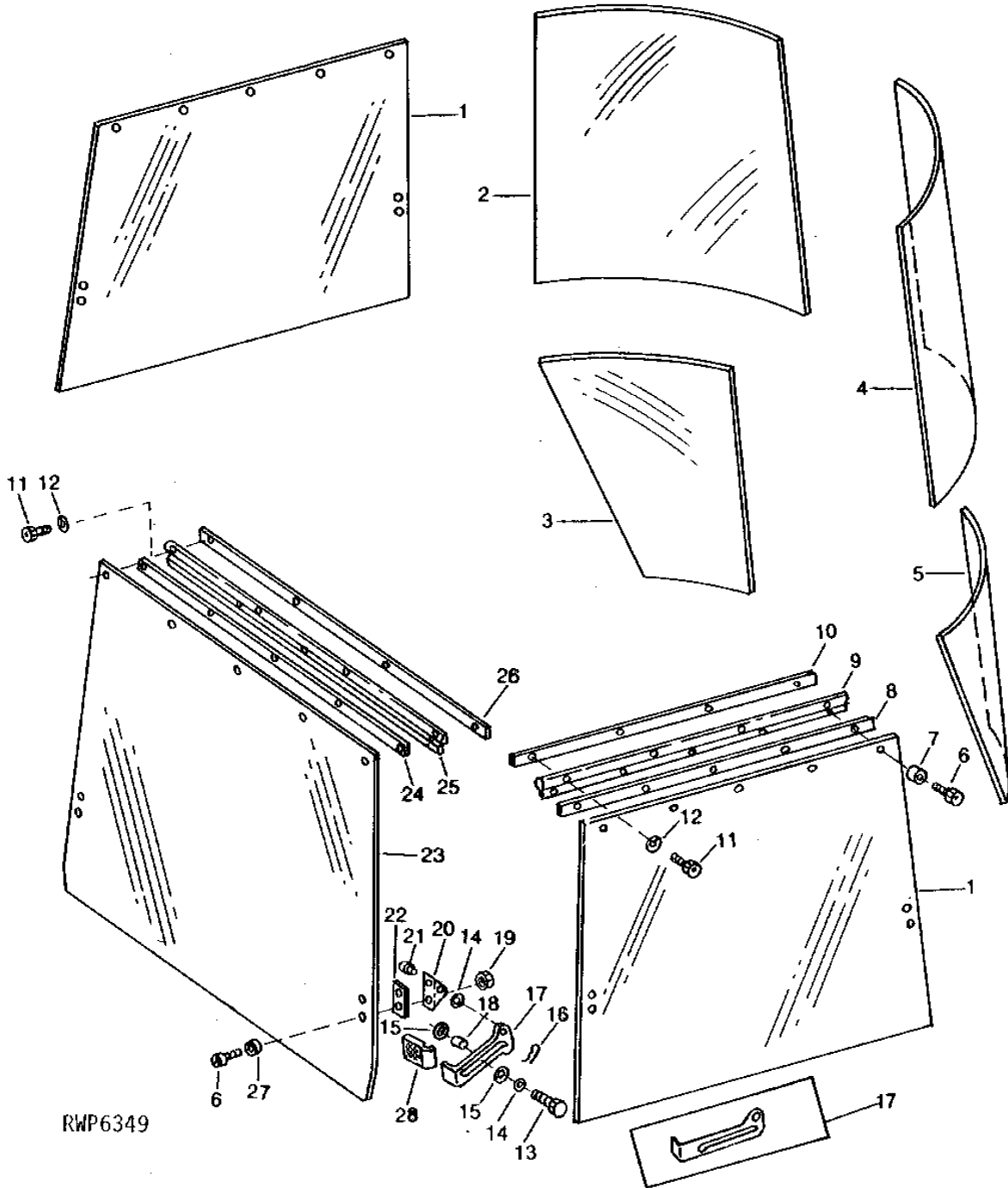
# 6H12

OPERATOR'S STATION

RWP6349

-UN-01JAN94

SOUND-GARD BODY GLASS WITH MOLDING, STRAPS AND LATCHES



RWP6349

# 6H13

OPERATOR'S STATION

## SOUND-GARD BODY GLASS WITH MOLDING, STRAPS AND LATCHES - CONTINUED

KEY	PART NO.	PART NAME	QTY	SG BODY SERIAL NO.	REMARKS
1	R50757	WINDOWPANE	2		
2	R50755	WINDOWPANE	1		
3	R50756	WINDOWPANE	1		
4	R50753	WINDOWPANE	1		
5	R50754	WINDOWPANE	1		
6	R50641	SCREW	27		
7	R78425	BUSHING	15		
8	R50643	STRAP	2		
9	R52487	MOLDING	2		
10	R50638	STRAP	2		
11	R94384	SCREW	12		(SUB FOR R80987)
12	12H297	LOCK WASHER	12		1/4", (NO LONGER REQUIRED)
13	AR58338	SCREW	6	-006780	(SUB R56317)
	R50719	SHIM	6	-006780	
	R56317	CAP SCREW	6	006781-	
14	R52862	SPRING WASHER	12		
15	R52921	WASHER	12		
16	R50647	SPRING LOCKING PIN	6		
17	RE27441	LATCH	3		L.H. REAR, (SUB FOR R50649)
	RE27442	LATCH	3		(ILLUSTRATED) R.H. REAR, (SUB FOR R50650)
18	R52922	WASHER	6		
19	R52952	NUT	12		
	12H297	LOCK WASHER	12		1/4"
20	R50734	ANGLE	6		
21	R50645	PIN	6		
22	R50648	STRAP	6		
23	R50758	WINDOWPANE	1		(ALSO ORDER RE29728) (SUB FOR AR79738 OR AR86109)
24	R50644	STRAP	1		
25	R50735	MOLDING	1		
26	R50640	STRAP	1		
27	R50642	WASHER	12		
28	L55211	GRIP	6		LATCH
..	AR85792	ADHESIVE	1		.15L (5 OZ.) (SUB FOR AR79739)

---

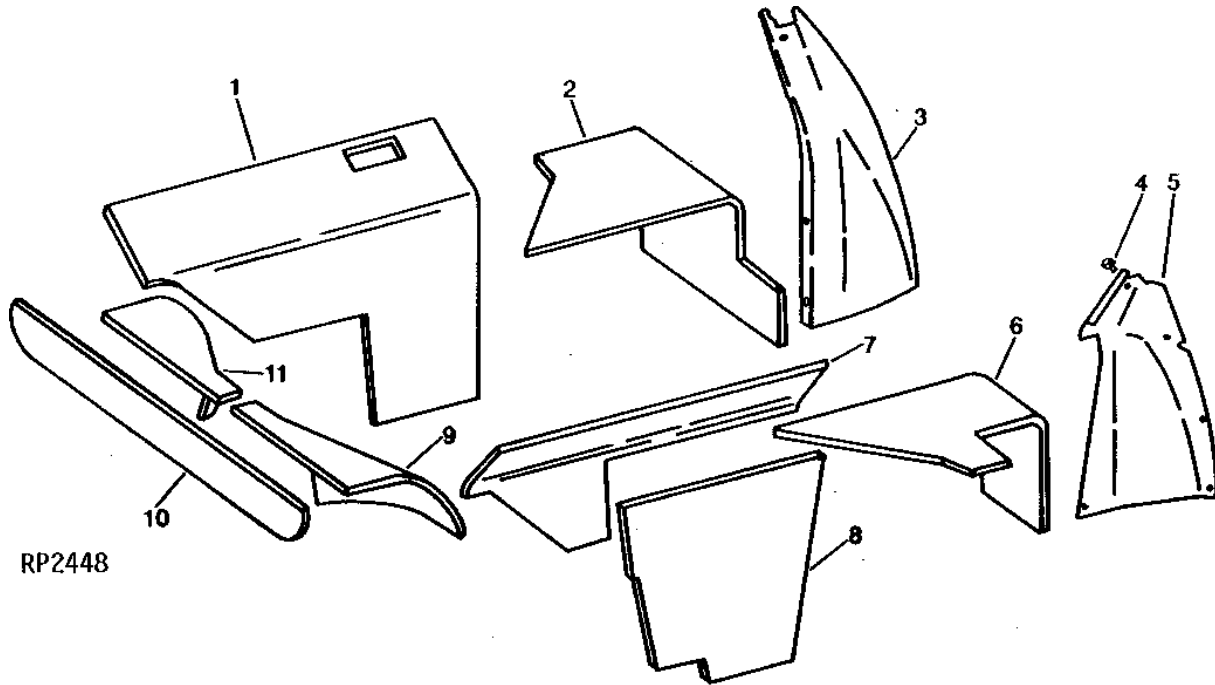
MEMORANDA

# 6H14

OPERATOR'S STATION

RP2448 -UN-01JAN94

## SOUND-GARD BODY UPHOLSTERY (ORIGINAL SGB)



RP2448

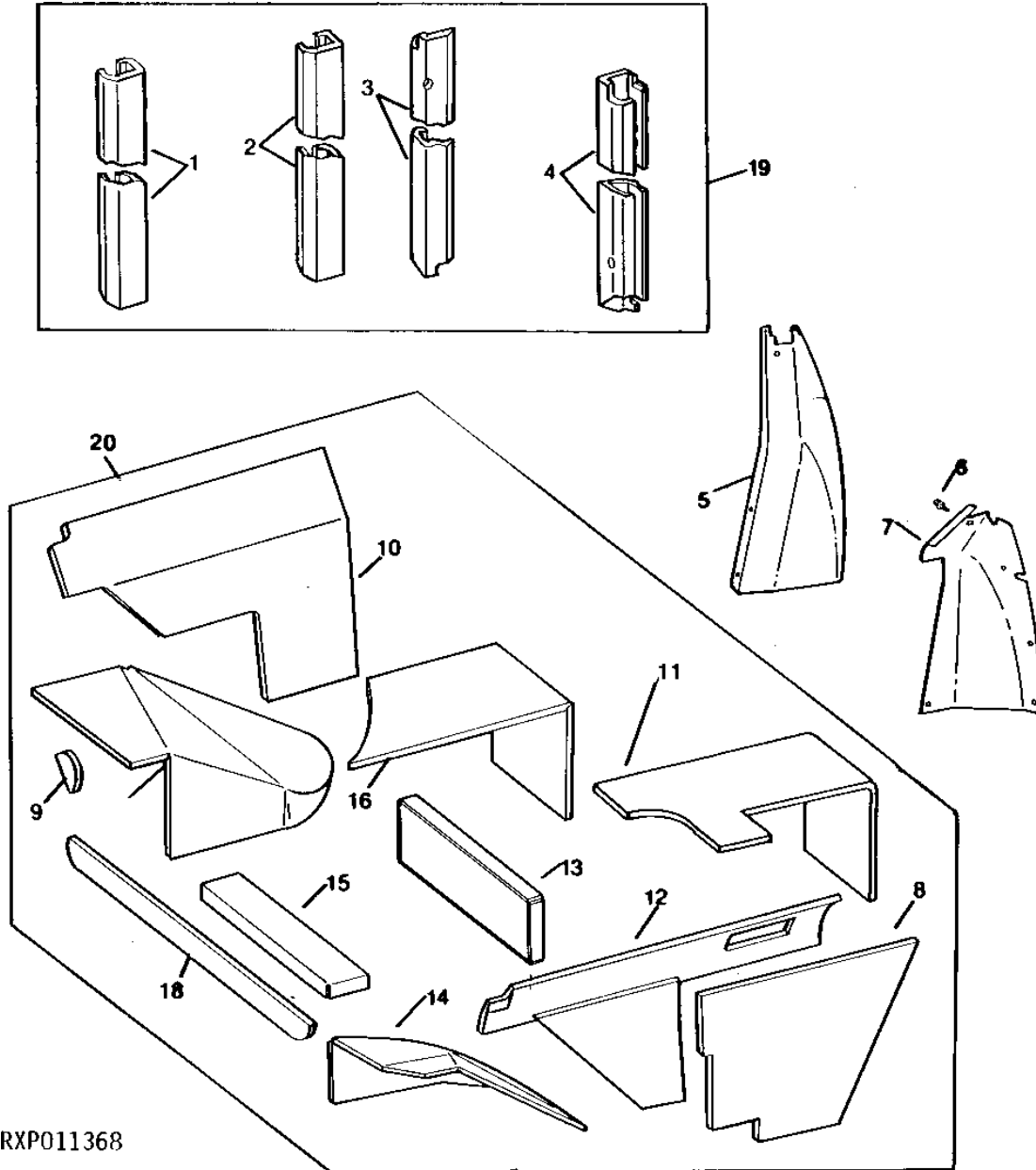
KEY	PART NO.	PART NAME	QTY	SG BODY SERIAL NO.	REMARKS
1	R62544	FOAM PAD	1		(SUB FOR R53634)
2	R53633	FOAM PAD	1	-063649	
	R59555	FOAM PAD	1	063650-	
3	R52707	PANEL	1		
4	R52937	CAP SCREW	10		
5	R52706	PANEL	1		
6	R53630	FOAM PAD	1	-063649	
	R59554	FOAM PAD	1	063650-	
7	R53631	FOAM PAD	1		
8	R53470	BARRIER	1		
9	R53629	FOAM PAD	1	-063649	
	R59552	FOAM PAD	1	063650-	
	R60205	FOAM PAD	1	063650-	
10	R52687	BARRIER	1		
11	R53632	FOAM PAD	1	-063649	
	R59553	FOAM PAD	1	063650-	
..	AR49923	ADHESIVE	1		552GM (19.5 OZ.) PRESSURIZED CAN

# 6H15

OPERATOR'S STATION

RXP011368 -UN-24OCT94

SOUND-GARD BODY UPHOLSTERY  
(BLACK UPHOLSTERY)



RXP011368

# 6H16

OPERATOR'S STATION

**SOUND-GARD BODY UPHOLSTERY - CONTINUED**  
**(SOUND-GARD BODY SERIAL NO. 205844- ) (BLACK UPHOLSTERY)**

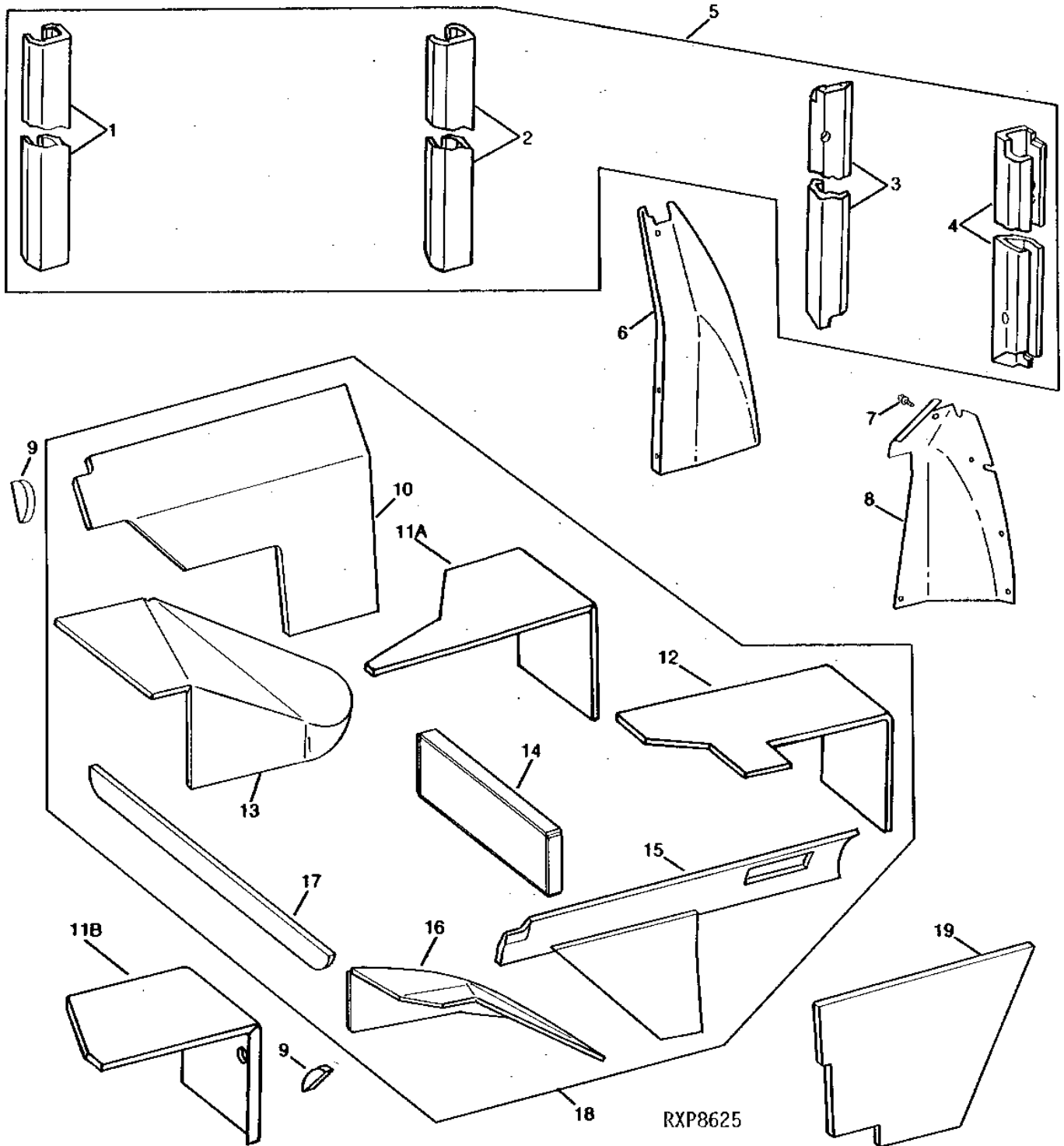
KEY	PART NO.	PART NAME	QTY	SG BODY SERIAL NO.	REMARKS
1	AR89829	ACOUSTICAL UPHOLSTERY	1		L.H. REAR
2	AR89828	ACOUSTICAL UPHOLSTERY	1		R.H. REAR
3	AR89827	ACOUSTICAL UPHOLSTERY	1		L.H. FRONT
4	RE23101	ACOUSTICAL UPHOLSTERY	1		R.H. FRONT, (SUB FOR AR89826 OR RE19451)
5	R65302	PANEL	1		
6	R52937	CAP SCREW	10		
7	R65301	PANEL	1		
8	R53470	BARRIER	1		
9	R68359	FOAM PAD	1		(SUB FOR R68359)
10	R68361	FOAM PAD	1		
11	R68362	FOAM PAD	1		
12	R68360	PAD	1		
13	R68365	FOAM PAD	1		
14	AR89021	FOAM PAD	1		
15	R68364	FOAM PAD	1		
16	R68366	PAD	1		
17	AR89022	FOAM PAD	1		
18	R52687	BARRIER	1		
19	RE48532	ACOUSTICAL UPHOLSTERY	1	063330-	
20	RE57259	ACOUSTICAL UPHOLSTERY	1	063330-	
..	AR49923	ADHESIVE	1		552 G (19.5 OZ)

# 6H17

OPERATOR'S STATION

## SOUND-GARD BODY UPHOLSTERY (BROWN UPHOLSTERY)

RXP8625 -UN-01JAN94





# 6H18

OPERATOR'S STATION

**SOUND-GARD BODY UPHOLSTERY - CONTINUED  
(BROWN UPHOLSTERY)**

KEY	PART NO.	PART NAME	QTY	TRACTOR SERIAL NO.	REMARKS
1	AR94485	ACOUSTICAL UPHOLSTERY	1		(ORDER RE47961) L.H. REAR
2	AR95490	ACOUSTICAL UPHOLSTERY	1		(ORDER RE47961) L.H. FRONT
3	AR94486	ACOUSTICAL UPHOLSTERY	1		(ORDER RE47961) R.H. REAR
4	RE23099	ACOUSTICAL UPHOLSTERY	1		(SUB FOR AR95489 OR RE19449) (ORDER RE47961) R.H. FRONT
5	RE47961	ACOUSTICAL UPHOLSTERY	1		(POST KIT)(BROWN)
6	R52937	CAP SCREW	5		
7	R78168	PANEL	1		L.H. (BROWN)
	R74799	PANEL	1		L.H. (BLACK)
8	R80323	PANEL	1		
9	R65844	FOAM PAD	2		(SUB FOR R68359)
10	R72882	ACOUSTICAL UPHOLSTERY	1		
11	R73278	PAD	1		(PERSONAL-POSTURE SEAT)
	R72883	FOAM PAD	1		(HYDRACUSHIONED SEAT)
12	R73320	ACOUSTICAL UPHOLSTERY	1		
13	R73313	ACOUSTICAL UPHOLSTERY	1		L.H. UPPER REAR
	R73314	ACOUSTICAL UPHOLSTERY	1		L.H. LOWER REAR
14	R72884	PAD	1		(PERSONAL-POSTURE SEAT) (NOT USED WITH GRAMMER SEAT SUSPENSION)
15	R87481	PAD	1		
16	R73187	ACOUSTICAL UPHOLSTERY	1		R.H. UPPER REAR
	R73188	ACOUSTICAL UPHOLSTERY	1		R.H. LOWER REAR
17	R75965	ACOUSTICAL UPHOLSTERY	1		
18	RE52947	ACOUSTICAL UPHOLSTERY	1		(SUB FOR RE47051)
19	R76317	ACOUSTICAL UPHOLSTERY	1		
..	AR49923	ADHESIVE	1		552G (19.5 OZ)

---

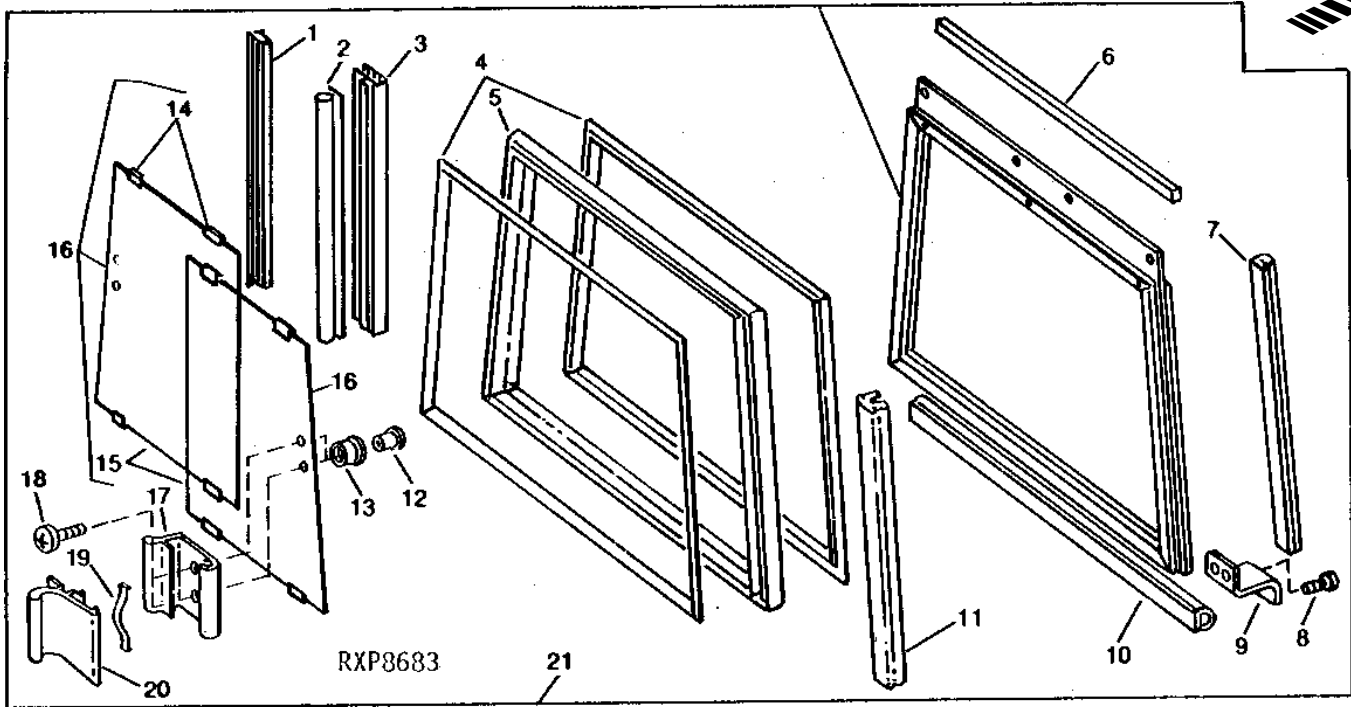
MEMORANDA

# 6H19

OPERATOR'S STATION

RXP8683 -UN-01JAN94

## REAR SLIDING WINDOW KIT



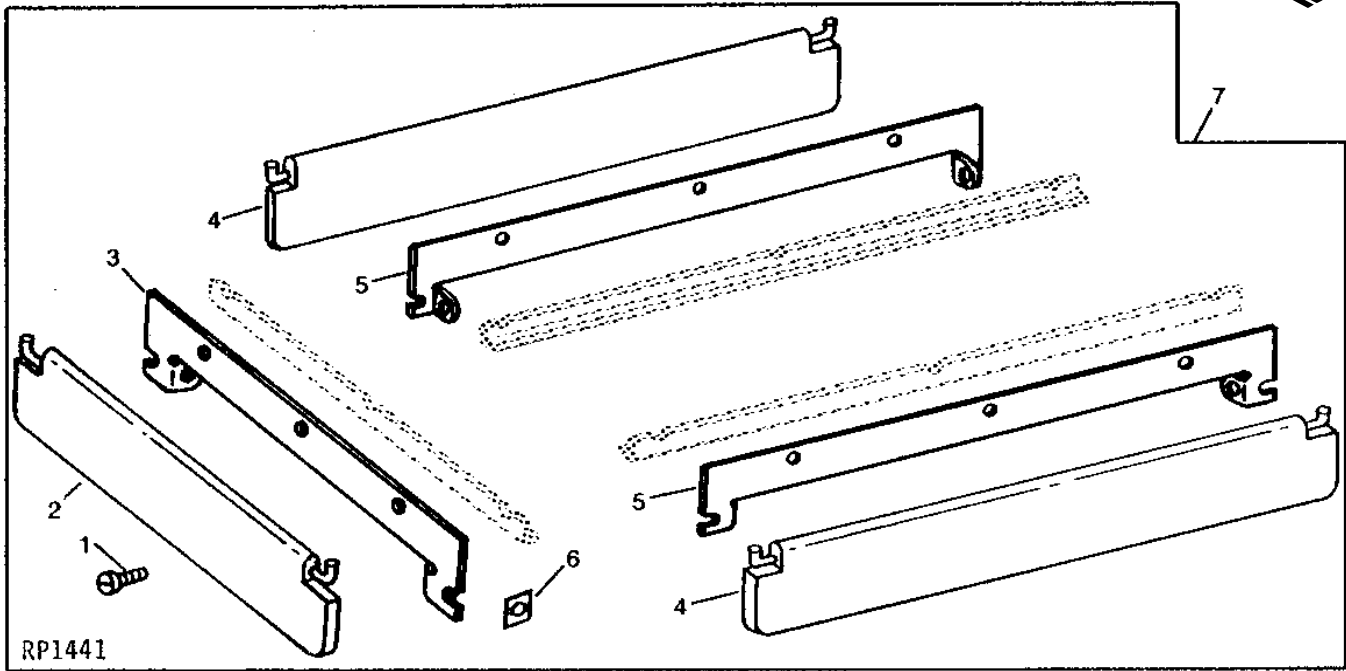
KEY	PART NO.	PART NAME	QTY	SG BODY SERIAL NO.	REMARKS
1	R67566	CHANNEL	1		
2	R67565	SEAL	1		
3	R67570	STRIP	1		
4	R67563	SEAL	1		
5	R67562	SEAL	2		
6	R67568	ISOLATOR	3		
7	R67564	SEAL	2		
8	21H1301	SCREW	6	0.190" X 1/2"	
9	R67571	CLIP	3		
10	R67569	SEAL	1		
11	R81186	SEAL	1	(SUB FOR R67567)	
12	R72316	BUSHING	4		
13	R72315	WASHER	4		
14	R99573	GUIDE	2		
15	R99574	SHOE	2		
16	AR87997	WINDOWPANE	2		
17	R72312	BASE	2		
18	21H1315	SCREW	4	0.164" X 3/4"	
19	R72314	CLIP	2		
20	R72313	LATCH	2		
21	RE22863	WINDOWPANE	1	(SUB FOR AR85878) (FI)	

# 6H20

OPERATOR'S STATION

RP1441 -UN-01JAN94

## SIDE AND REAR SUN VISOR



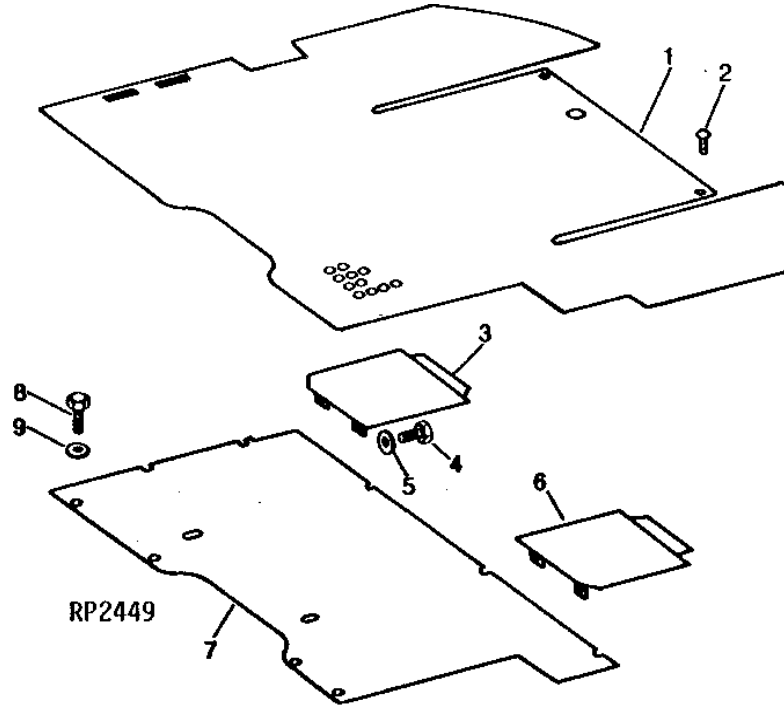
KEY	PART NO.	PART NAME	QTY	TRACTOR SERIAL NO.	REMARKS
1	21H1210	SCREW	9	1/4" X 3/4"	
2	AR89670	SUN VISOR	1		
3	R68793	PLATE	1		
4	AR89669	SUN VISOR	2		
5	R68791	PLATE	2		
6	R68792	RETAINER	6		
7	<b>AR89666</b>	<b>SUN VISOR</b>	1	(FI)	

# 6H21

OPERATOR'S STATION

RP2449 -UN-01JAN94

## PLATFORM AND MAT (ROLL-GARD AND SOUND-GARD BODY)



KEY	PART NO.	PART NAME	QTY	TRACTOR SERIAL NO.	REMARKS
1	R50762	MAT	1	(A)	
	R50761	MAT	1	(B)	
2	R51548	STUD	2		
3	AR54624	PANEL	1	-011564 (B)	
	R56090	COVER	1	011565- (B)	
4	19H1900	CAP SCREW	4	5/16" X 3/4"	
5	12H303	LOCK WASHER	4	5/16"	
6	AR54623	PANEL	1	-011564 (B)	
	R56089	COVER	1	011565- (B)	
7	R65695	PLATFORM	1	(A) (SUB FOR R50587)	
	R50196	PANEL	1	(B)	
8	19H1813	CAP SCREW	8	5/16" X 5/8"	
9	24H1822	WASHER	8	11/32" X 7/8" X 1/16"	
..	R53745	TAPE	AR	54.86M (180 FT.) (SUB FOR R46662)	
..	R46663	SEALING TRIM	AR	18.29M (60 FT.) PER BOX	

(A) ROLL-GARD  
(B) SOUND-GARD BODY

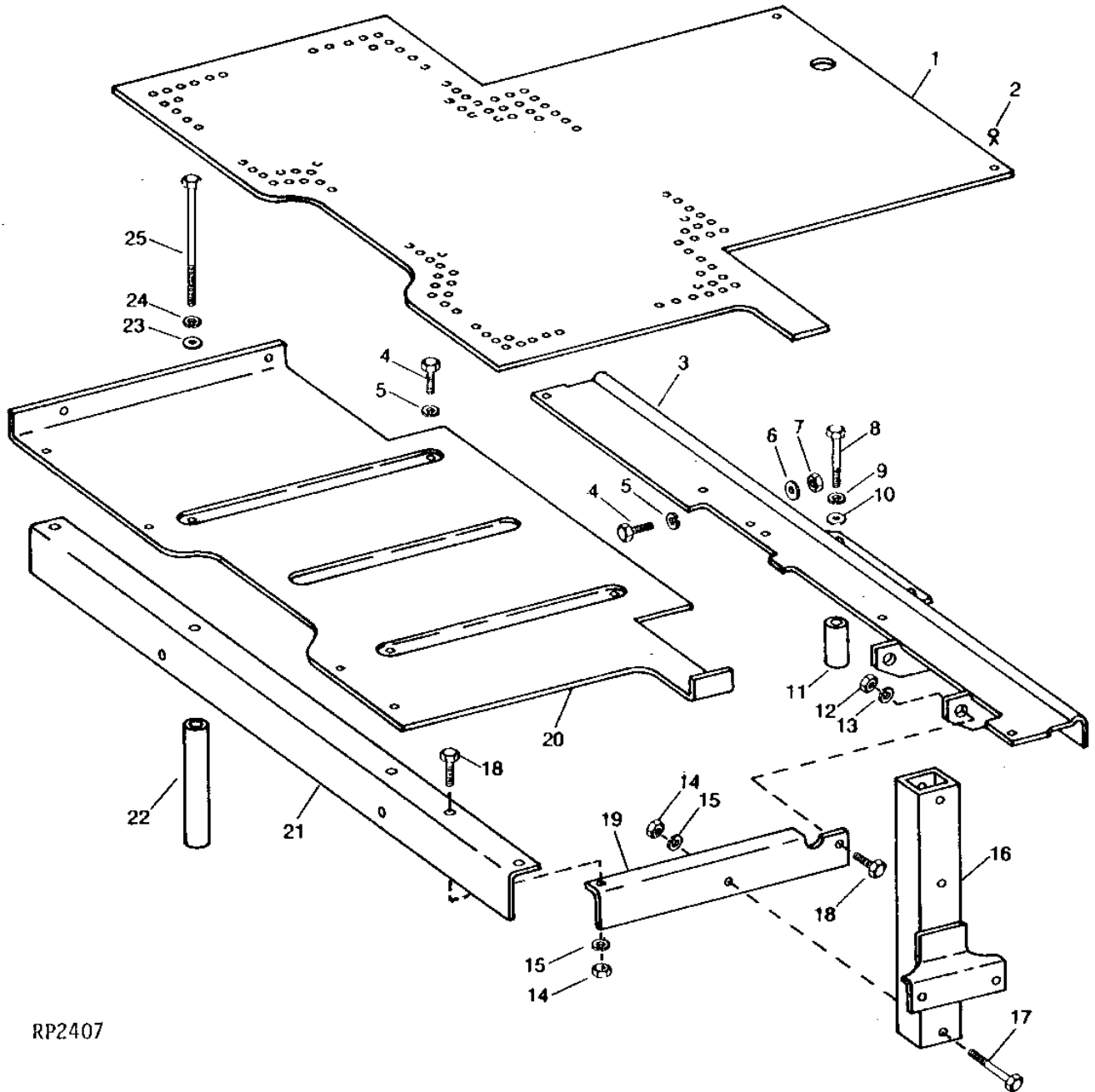
# 6H22

OPERATOR'S STATION

RP2407

-UN-01JAN94

PLATFORM AND CONSOLE SUPPORT



RP2407

# 6H23

OPERATOR'S STATION

## PLATFORM AND CONSOLE SUPPORT - CONTINUED

KEY	PART NO.	PART NAME	QTY	TRACTOR SERIAL NO.	REMARKS
1	R53694	MAT	1		
2	R51548	STUD	2		
3	AR55328	SUPPORT	1		
4	19H2284	CAP SCREW	4	3/8" X 7/8"	
5	12H304	LOCK WASHER	4	3/8"	
6	24H1305	WASHER	2	13/32" X 13/16" X 0.065"	
7	14H1076	NUT	2	3/8"	
8	19H2128	CAP SCREW	2	3/8" X 3"	
9	12H304	LOCK WASHER	2	3/8"	
10	24H1305	WASHER	2	13/32" X 13/16" X 0.065"	
11	R55166	SPACER	2	(SUB FOR R51214)	
12	14H1087	NUT	1	3/8", (SUB FOR R53670)	
13	R53668	THRUST WASHER	1		
14	14H1087	NUT	3	3/8", (SUB FOR R53670)	
15	R53668	THRUST WASHER	3		
16	AR54700	SUPPORT	1		
	R54425	TUBE	1	(A)	
	R54429	BRACKET	1	(A) (NLA)	
17	19H1944	CAP SCREW	1	3/8" X 2-3/4"	
18	R53663	SELF-LOCKING SCREW	2		
19	R50591	BRACKET	1		
20	R65696	PLATFORM	1	(SUB FOR R50588)	
21	R51211	SUPPORT	1		
22	28H3322	BUSHING	2	3/8" X 5-51/64", (NLA)	
23	24M7096	WASHER	2	10.500 X 18 X 1.600 MM	
24	12H304	LOCK WASHER	2	3/8"	
25	08H4732	CAP SCREW	2	3/8" X 6-3/4"	

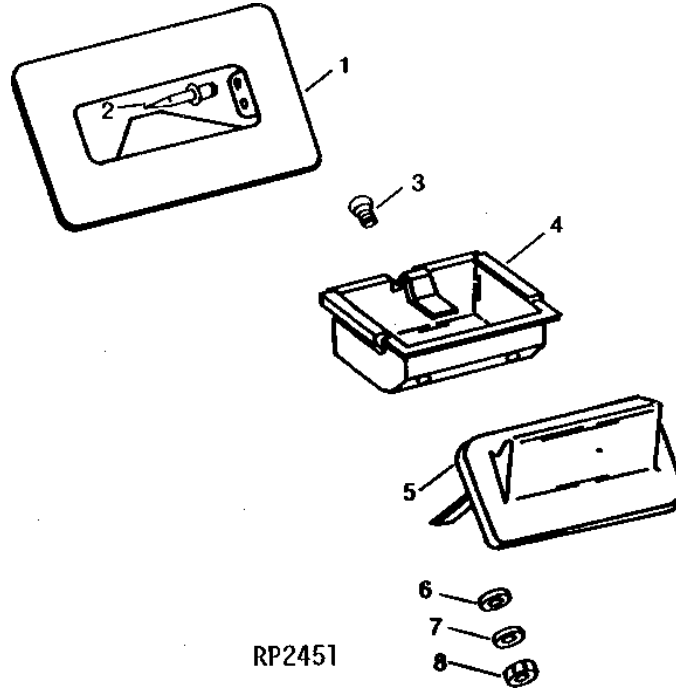
(A) LOW PROFILE

# 6H24

OPERATOR'S STATION

RP2451 -UN-01JAN94

ASH TRAY  
(SOUND-GARD BODY SERIAL NO. -090251)



RP2451

KEY	PART NO.	PART NAME	QTY	SG BODY SERIAL NO.	REMARKS
1	R52368	BEZEL	1		
2	.....	RIVET	4	(NOT SOLD)	
3	21H1301	SCREW	2	0.190" X 1/2"	
4	AR55823	ASHTRAY	1	(SUB R62545, R62546, R62547 AND (2) R53678)	
5	R51517	COVER	1	(NLA)	
6	24H1283	WASHER	2	7/32" X 1/2" X 0.049"	
7	12M7060	WASHER	2	0.209"	
8	14H778	NUT	2	0.190"	

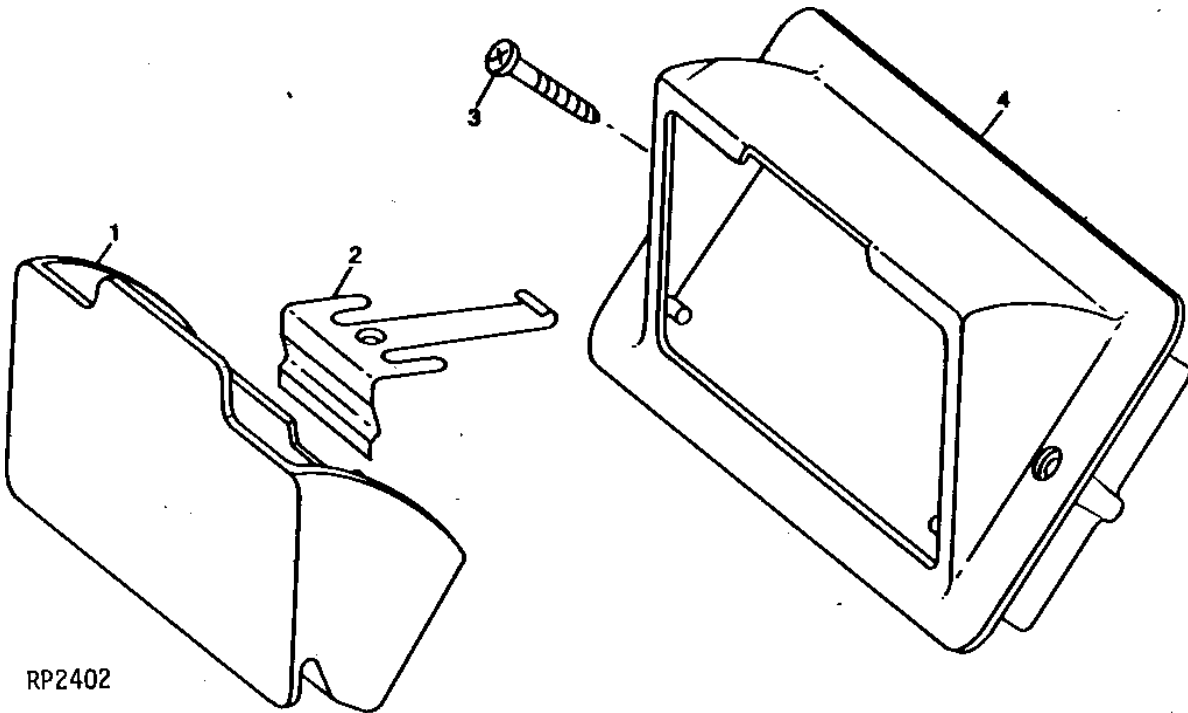


# 6H25

OPERATOR'S STATION

RP2402 -UN-25OCT94

ASH TRAY  
(SOUND-GARD BODY SERIAL NO. 090252- )



RP2402

KEY	PART NO.	PART NAME	QTY	SG BODY SERIAL NO.	REMARKS
1	R62545	ASHTRAY	1		
2	R62547	SPRING	1		
3	37M7140	SCREW	2		
4	R62546	ASHTRAY	1		

---

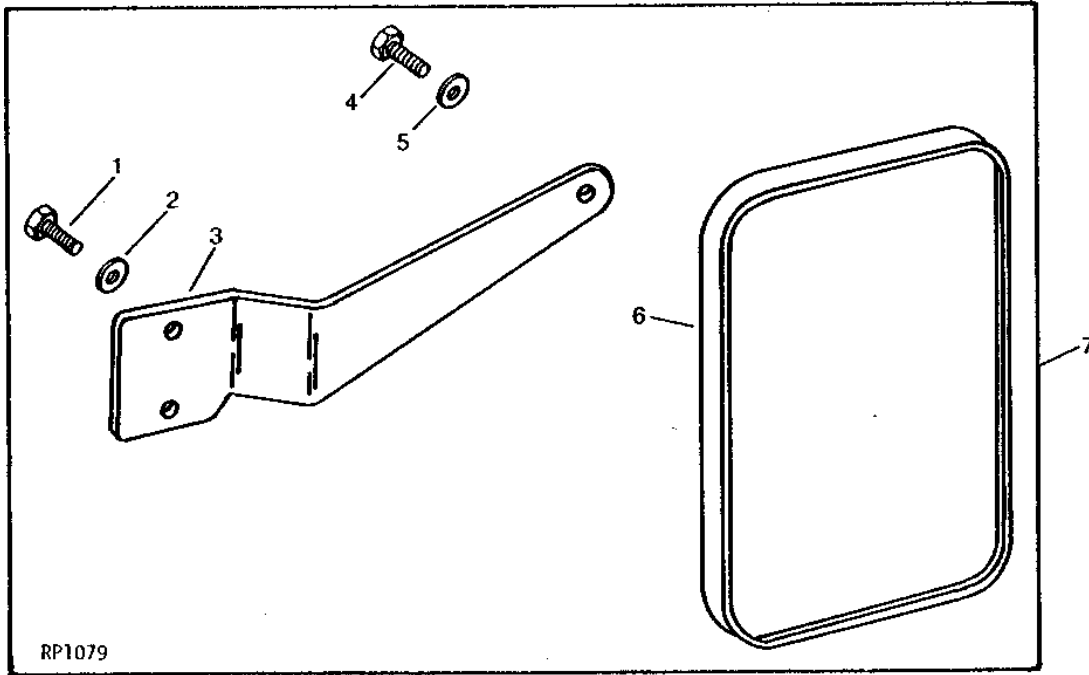
MEMORANDA

# 611

OPERATOR'S STATION

RP1079 -UN-01JAN94

## REAR VIEW MIRROR



RP1079

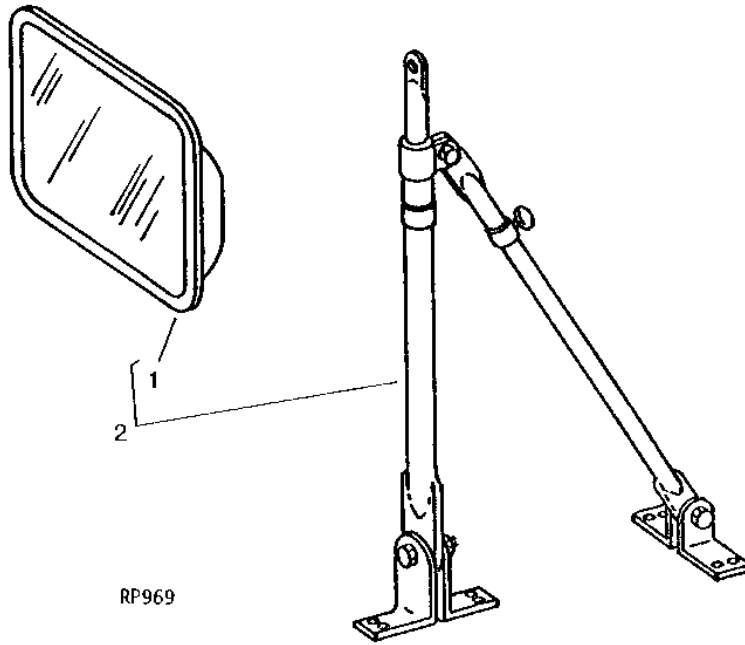
KEY	PART NO.	PART NAME	QTY	SG BODY SERIAL NO.	REMARKS
1	37H57	SCREW	2	5/16" X 3/4"	
2	R53667	LOCK WASHER	2		
3	R53477	BRACKET	1		
4	19H1919	CAP SCREW	1	1/4" X 5/8"	
5	12H302	LOCK WASHER	2	1/4"	
6	AR89137	REAR VIEW MIRROR	1		
7	<b>AR65048</b>	<b>KIT</b>	1	<b>(FI)</b>	

# 612

OPERATOR'S STATION

RP969 -UN-01JAN94

## REAR VIEW MIRROR



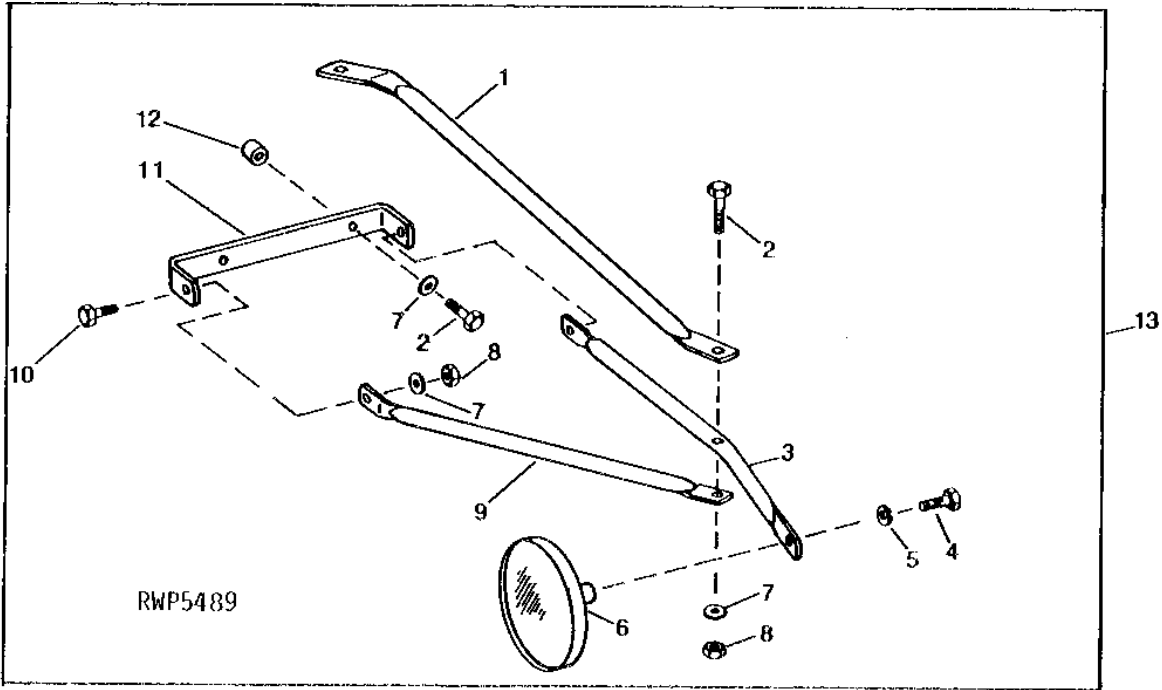
KEY	PART NO.	PART NAME	QTY	TRACTOR SERIAL NO.	REMARKS
1	AR89137	REAR VIEW MIRROR	1		
2	AR44254	REAR VIEW MIRROR	1	(SUB AH85483, AR89137 AND H78354)	

# 613

OPERATOR'S STATION

RWP5489 -UN-01JAN94

## OUTSIDE REAR VIEW MIRROR



RWP5489

KEY	PART NO.	PART NAME	QTY	TRACTOR SERIAL NO.	REMARKS
1	R81874	ARM	1		
2	19H1898	CAP SCREW	3	1/4" X 1-1/2"	
3	R81873	ARM	1		
4	19H1919	CAP SCREW	1	1/4" X 5/8"	
5	12H302	LOCK WASHER	1	1/4"	
6	AH99408	REAR VIEW MIRROR	1		
7	24H1287	WASHER	5	9/32" X 5/8" X 0.065"	
8	14H786	NUT	3	1/4"	
9	R81875	ARM	1		
10	19H1948	CAP SCREW	2	1/4" X 3/4"	
11	R81872	BRACKET	1		
12	28H1509	WASHER	2	0.269" X 0.405" X 3/8"	
13	RE20352	REAR VIEW MIRROR	1		

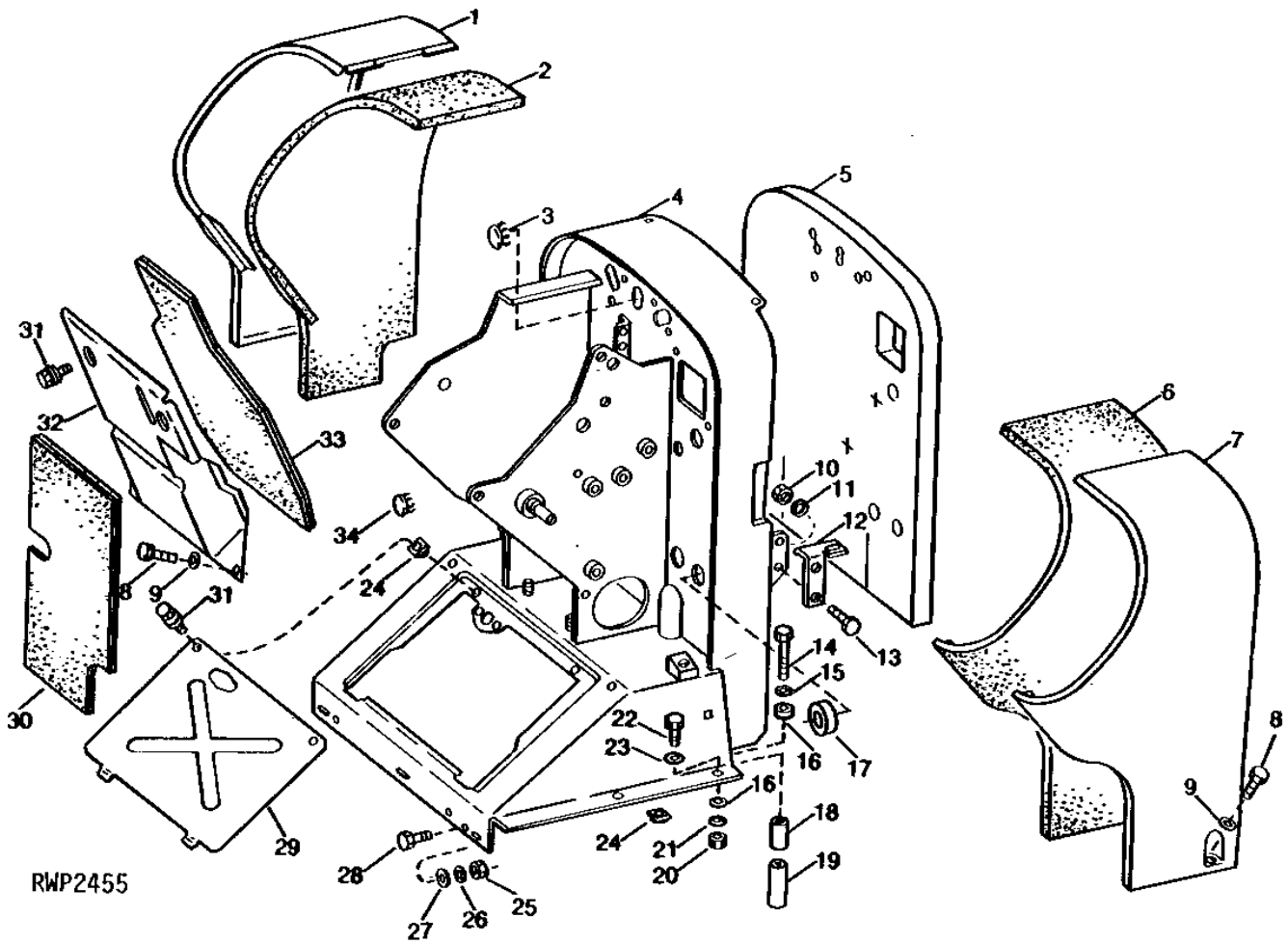
# 614

OPERATOR'S STATION

RWP2455

-UN-01JAN94

## CONTROL SUPPORT, COVER AND COWL



# 615

OPERATOR'S STATION

## CONTROL SUPPORT, COVER AND COWL - CONTINUED

KEY	PART NO.	PART NAME	QTY	TRACTOR SERIAL NO.	REMARKS
1	R65775	COWL	1		(ALSO ORDER R65774) (SUB FOR R52520)
2	R53473	FOAM PAD	1		(A)
3	R36590	PLUG	1		
4	AR87158	SUPPORT	1		(SUB FOR AR62973, AR66272, AR68505, AR76504, AR78338 OR AR87187)
	R44720	PLUG	1		(LESS STARTING AID)
5	R56852	ISOLATOR	1		(SUB FOR R51959)
6	R53473	FOAM PAD	1		(A) (SUB FOR R53472)
7	R65774	COWL	1		(ALSO ORDER R65775) (SUB FOR R52519)
8	19H1905	CAP SCREW	4		5/16" X 1"
9	24H1136	WASHER	4		11/32" X 11/16" X 0.065"
10	14H1076	NUT	4		(B) 3/8"
11	12H304	LOCK WASHER	4		(B) 3/8"
12	R52996	BRACKET	1		(B)
	R52997	BRACKET	1		(B)
13	19H1936	CAP SCREW	4		(B) 3/8" X 3/4"
14	19H1925	CAP SCREW	2	-008348	3/8" X 4-1/4"
	19H2007	CAP SCREW	2	008349-	3/8" X 4-1/2"
15	12H304	LOCK WASHER	2		3/8"
16	24H1305	WASHER	4		13/32" X 13/16" X 0.065"
17	R55166	SPACER	2		(SUB FOR R51214)
18	R51849	SPACER	3		
19	R51439	SPACER	2	-008348	(B)
	R56139	BUSHING	2	008349-	(B)
20	14H1076	NUT	2		3/8"
21	12H304	LOCK WASHER	2		3/8"
22	19H1732	CAP SCREW	2		3/8" X 1-1/4"
23	24H1884	WASHER	2		13/32" X 13/16" X 0.120"
24	AR54482	NUT	2		
25	14H1076	NUT	2		3/8"
26	12H304	LOCK WASHER	2		3/8"
27	24H1305	WASHER	2		13/32" X 13/16" X 0.065"
28	19H2284	CAP SCREW	2		3/8" X 7/8"
29	R51438	COVER	1		
30	R56853	FOAM PAD	1		(SUB FOR R54140)
31	AR58652	BOLT	4		
32	R62590	COVER	1		(SUB FOR R51780)
33	R53474	ISOLATOR	1		(A)
34	R36590	PLUG	1		(LESS DIFFERENTIAL LOCK)

(A) SOUND-GARD BODY

(B) LESS SOUND-GARD BODY

---

MEMORANDA

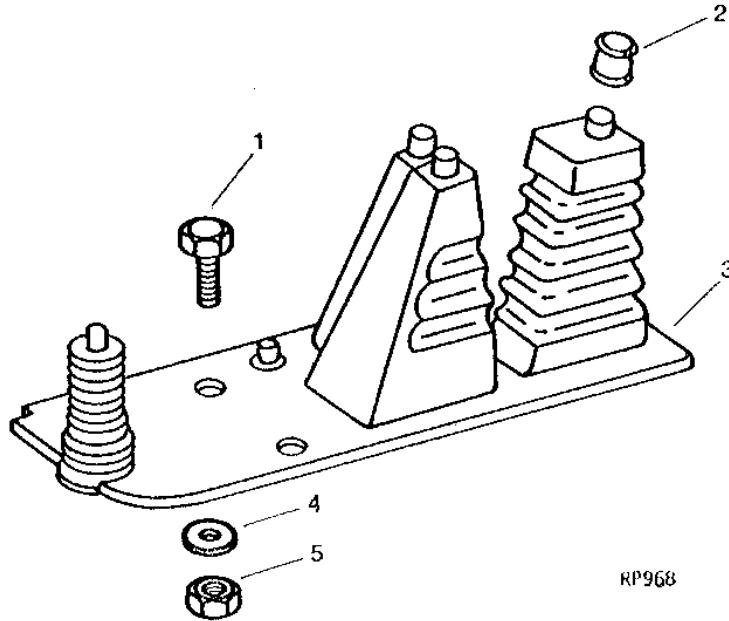


# 616

OPERATOR'S STATION

RP968 -UN-01JAN94

## SHIFTER ROD BOOT



RP968

KEY	PART NO.	PART NAME	QTY	SG BODY SERIAL NO.	REMARKS
1	19H1900	CAP SCREW	2	5/16" X 3/4"	
2	R57936	BUSHING	1	(B)	
	R45537	GROMMET	1	(A) (C)	
3	AR78239	BOOT	1	(A) (SUB FOR AR64908) (SUB RE12512 AND R32239)	
	AR58655	BOOT	1	(B) (C)	
4	24H1136	WASHER	2	11/32" X 11/16" X 0.065"	
5	14H785	NUT	2	5/16"	

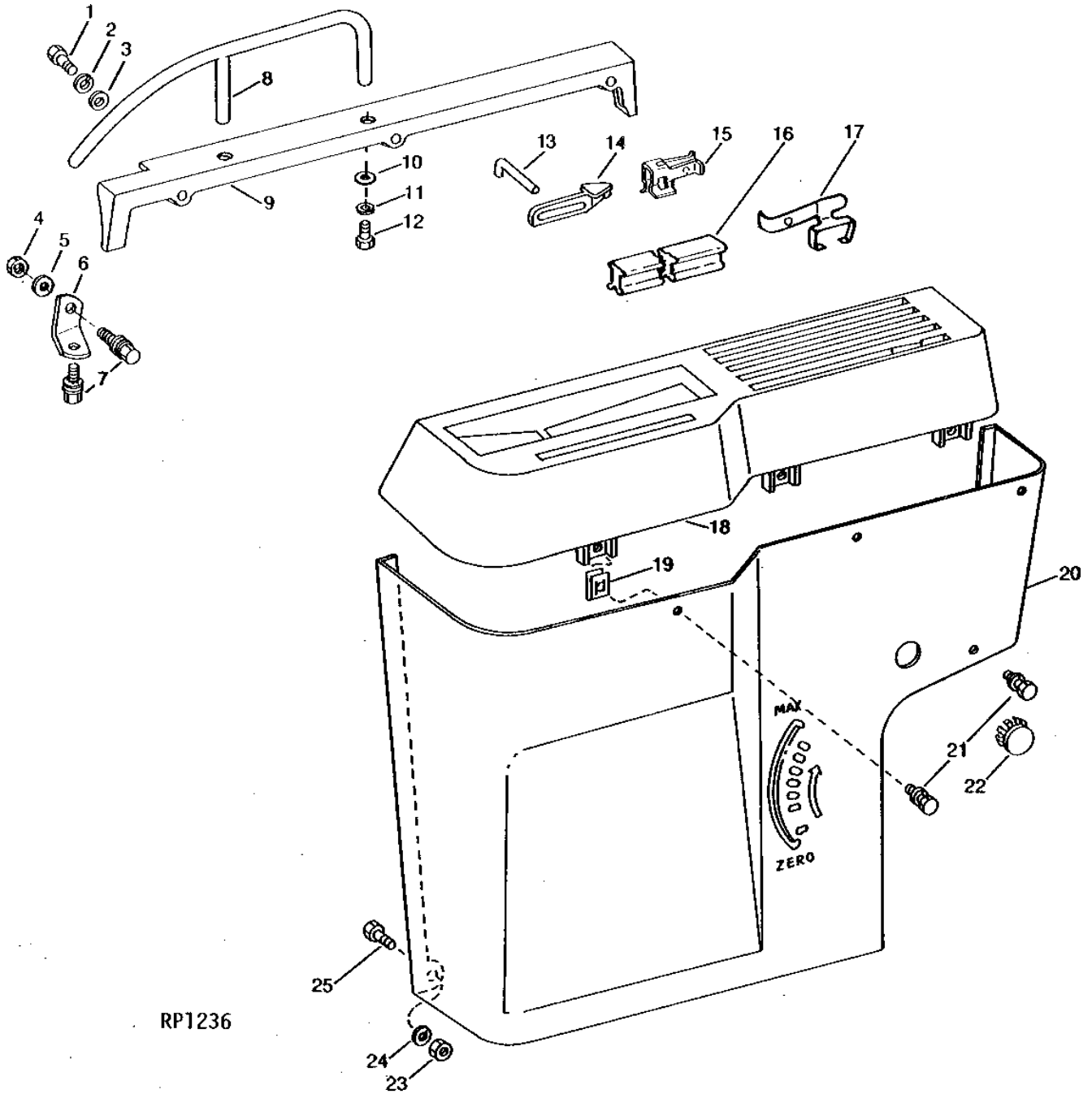
- (A) SYNCRO-RANGE TRANSMISSION
- (B) QUAD-RANGE TRANSMISSION
- (C) POWER SHIFT TRANSMISSION

# 617

OPERATOR'S STATION

RP1236 -UN-01JAN94

## CONTROL CONSOLE



RP1236

# 618

OPERATOR'S STATION

## CONTROL CONSOLE - CONTINUED

KEY	PART NO.	PART NAME	QTY	TRACTOR SERIAL NO.	REMARKS
1	AR58652	BOLT	3	(E)	
	R82123	SCREW	3	(A) (E)	(USE WITH R82124 OR R82127)
	R53743	SELF-LOCKING SCREW	3	(D)	
	R82121	SCREW	3	(A) (D)	(USE WITH R82124 OR R82127)
2	12H303	LOCK WASHER	3	(D)	5/16", (SUB FOR R53699, THIS APPLICATION)
3	R53667	LOCK WASHER	3	(D)	
4	14H785	NUT	2	(C) (E)	5/16"
5	12H303	LOCK WASHER	2	(C) (E)	5/16"
6	R61679	CLIP	2	(C) (E)	
7	19H1905	CAP SCREW	2	(C) (E)	5/16" X 1", REAR
	19H1813	CAP SCREW	2	(C) (E)	5/16" X 5/8", FRONT
8	AR56622	HANDRAIL	1	(C)	
9	R89652	SUPPORT	1	(A) (B) (D)	(SUB FOR R50936)
	R52042	ADAPTER	1	(C) (D)	
10	24H1136	WASHER	2	(C) (D)	11/32" X 11/16" X 0.065"
11	12H303	LOCK WASHER	2	(C)	5/16"
12	19H1813	CAP SCREW	2	(C)	5/16" X 5/8"
13	R51677	NEEDLE ROLLER	1		
14	R56479	STOP	1		(SUB FOR R50670)
15	AR59805	LOCK	1		(SUB R52667)
16	R54533	STOP	1		(SUB FOR AR62598)
17	AR93210	SPRING	1		(USE WITH MODEL 85 CULTIVATOR) (SUB R70959)
18	R82124	GUIDE	1	(A) (E)	(SUB FOR R51867 OR R74391) (ALSO ORDER (3) R82123)
	R82124	GUIDE	1	(A) (D)	(SUB FOR R51867 OR R74391) (ALSO ORDER (3) R82121)
	R55574	GUIDE	1	(A) (D) (F)	(SUB R82127 AND (3) R82121)
	R55574	GUIDE	1	(A) (E) (F)	(SUB R82127 AND (3) R82123)
	R74272	GUIDE	1	(B)	(SUB FOR R51868) (SUB R82122, (3) R82121, R62956 AND R58204)
	R51796	GUIDE	1	(C)	
19	R50198	NUT	3		
20	R51009	COVER	1		
	R51010	COVER	1		(ROLL-GARD)
	R51008	COVER	1		(SOUND-GARD BODY)
	AR62278	COVER	1		(LOW PROFILE)
21	AR58652	BOLT	5		
22	R34444	PLUG	1		(SUB R66561 OR R66562)
	R66561	PLUG	1		BLACK
	R66562	PLUG	1		GREEN
23	14H785	NUT	1		5/16"
24	12H303	LOCK WASHER	1		5/16"
25	19H1900	CAP SCREW	1		5/16" X 3/4"

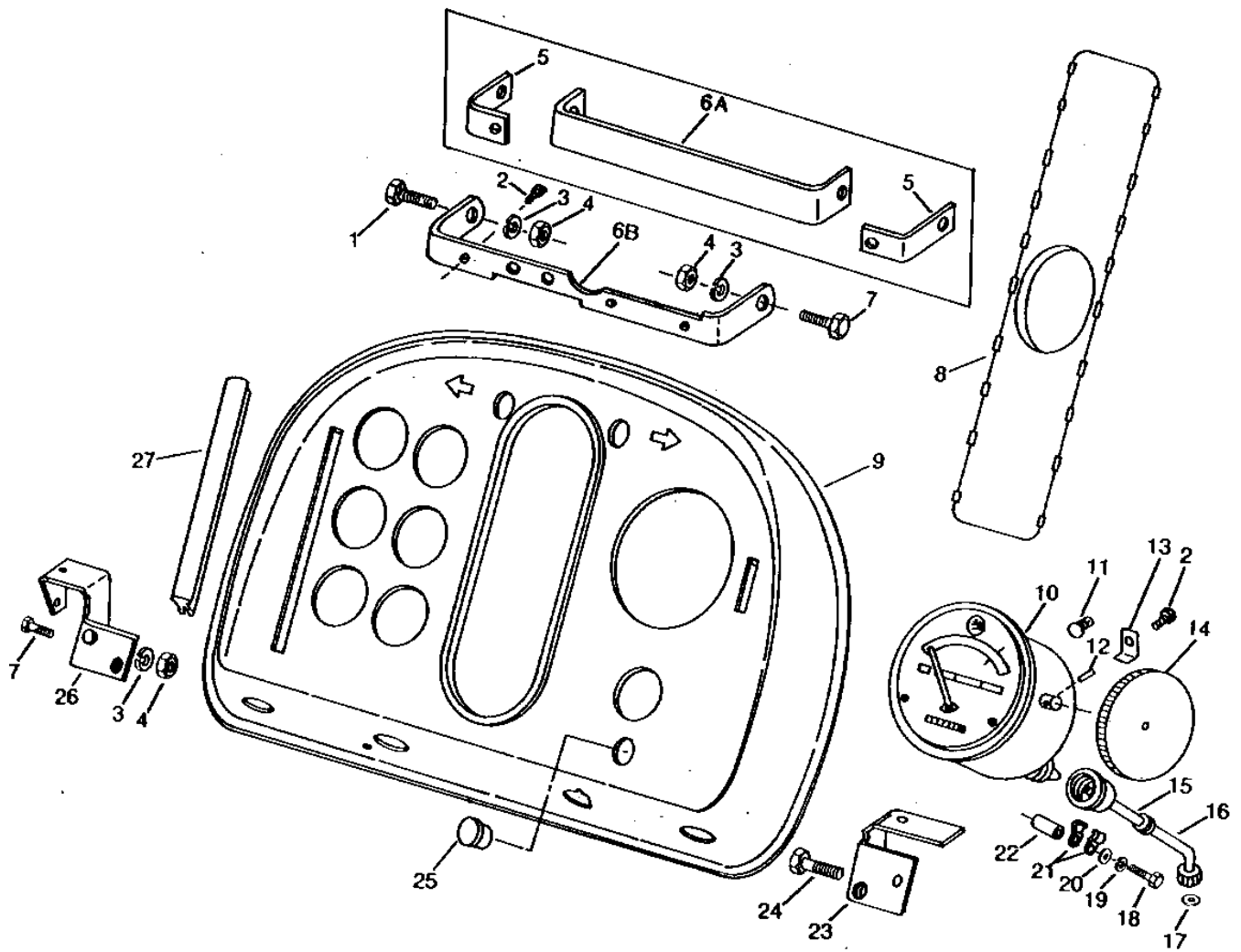
- (A) SYNCRO-RANGE TRANSMISSION
- (B) QUAD-RANGE TRANSMISSION
- (C) POWER SHIFT TRANSMISSION
- (D) ROLL-GARD OR SOUND-GARD BODY
- (E) LESS ROLL-GARD OR SOUND-GARD BODY
- (F) NOT USED IN U.S. AND CANADA

# 619

OPERATOR'S STATION

RXP8629 -UN-01JAN94

## INSTRUMENT PANEL



RXP8629

# 6110

OPERATOR'S STATION

## INSTRUMENT PANEL - CONTINUED

KEY	PART NO.	PART NAME	QTY	TRACTOR SERIAL NO.	REMARKS
1	19H1732	CAP SCREW	1		3/8" X 1-1/4"
2	R53028	CAP SCREW	8		
3	12H304	LOCK WASHER	3		3/8"
4	14H1076	NUT	3		3/8"
5	R51182	BRACKET	2		(SUB R78386)
6A	R57263	BRACKET	1	-XXXXXX	(SUB FOR R52089) (SUB R78386)
6B	R78386	BRACKET	1	XXXXXX-	(SUB FOR R51182, R52089 OR R57263)
7	19H1731	CAP SCREW	2		3/8" X 1"
8	R52953	SHIELD	1		
9	R55993	INSTRUMENT PANEL	1	-029429	(A) (SUB R61339 LESS TURN SIGNALS) (SUB R61339, (2) AR74339, (2) R61341, AND (3) R53028 WITH TURN SIGNALS) (SUB FOR R50476)
	R61339	INSTRUMENT PANEL	1	029430-	(A) (SUB FOR R50476 OR R55993)
	R55994	INSTRUMENT PANEL	1	-029429	(A) (C) (SUB R61340 LESS TURN SIGNALS) (SUB R61340, (2) AR74339, (2) R61341, R56264 AND (3) R53028 WITH TURN SIGNALS)
	R61340	INSTRUMENT PANEL	1	029430-	(A) (C) (SUB FOR R54393 OR R55994)
	R55991	INSTRUMENT PANEL	1		(B) (SUB FOR R50477)
	R55992	INSTRUMENT PANEL	1		(B) (C) (SUB FOR R54394)
10	AR60513	TACHOMETER	1		(SYNCRO-RANGE)
	AR60515	TACHOMETER	1		(QUAD-RANGE)
	AR60514	TACHOMETER	1		(POWER SHIFT)
11	AR56675	BULB	2		
12	34H231	SPRING PIN	1		3/32" X 3/4"
13	R52088	ANGLE	4		
14	R50652	COVER	1		
15	R41440	GROMMET	1		
16	AR62311	CABLE	1		INNER
	AR60876	CABLE	1		
17	B3285R	WASHER	1		
18	19H2569	CAP SCREW	1		(D) 5/16" X 1-5/8"
19	12H303	LOCK WASHER	1		(D) 5/16"
20	24H1136	WASHER	1		(D) 11/32" X 11/16" X 0.065"
21	T24168	CLAMP	2		(D)
22	28H1697	SPACER	1		(D) 3/8" X 3/4"
23	AR102538	BRACKET	1		(SUB R75887 AND R50198)
24	19H1765	CAP SCREW	1		3/8" X 1-3/4"
25	R56264	PLUG	3	013000-029429	
	R56264	PLUG	1	029430-	
26	AR58654	BRACKET	1		(SUB R53079 AND R50198)
27	R53742	BARRIER	1		(LESS PTO) (NO LONGER AVAILABLE)

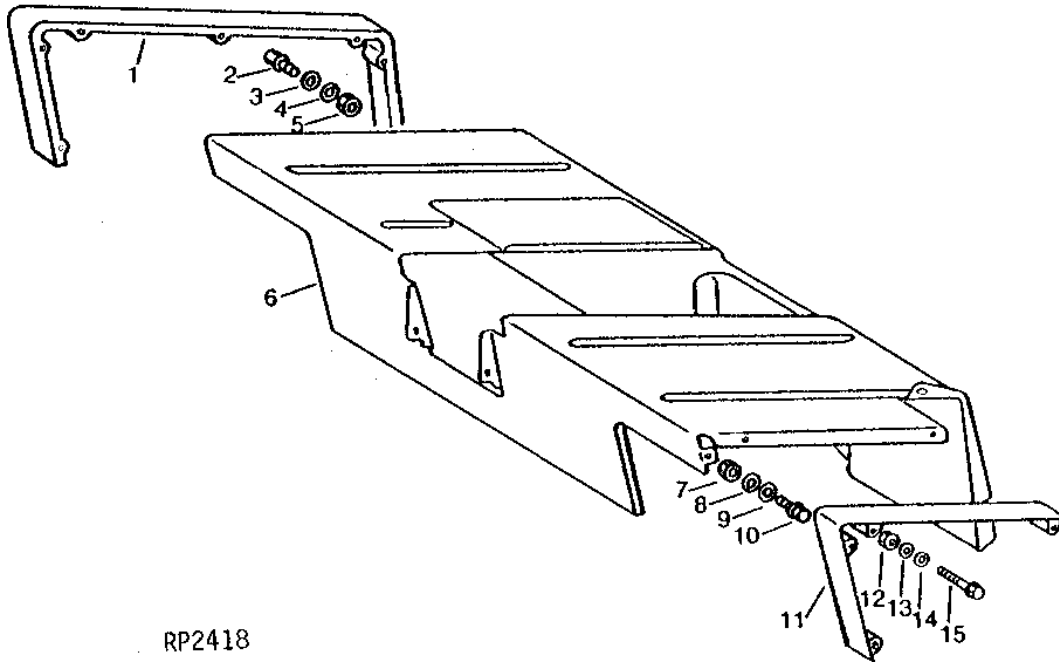
- (A) TELESCOPING STEERING
- (B) FIXED STEERING
- (C) POWER FRONT WHEEL DRIVE
- (D) SOUND-GARD BODY

# 6111

OPERATOR'S STATION

RP2418 -UN-01JAN94

## REAR OPERATOR SHIELD



RP2418

KEY	PART NO.	PART NAME	QTY	TRACTOR SERIAL NO.	REMARKS
1	R49984	ADAPTER	1	(A)	
2	AR58652	BOLT	4	(B)	
	R53662	SELF-LOCKING SCREW	2	(B)	
3	R53667	LOCK WASHER	2	(B)	
4	12H303	LOCK WASHER	2	(B) 5/16", (SUB FOR R53669, THIS APPLICATION)	
5	14H785	NUT	6	(B) 5/16", (SUB FOR R53671, THIS APPLICATION)	
6	AR85591	SHIELD	1	(A) (SUB FOR AR72217, AR63571, AR56288 OR AR81653)	
	AR85592	SHIELD	1	(B) (SUB FOR AR72218, AR63570, AR55212 OR AR81654)	
7	14H785	NUT	3	(B) 5/16", (SUB FOR R53671, THIS APPLICATION)	
8	R53668	THRUST WASHER	2	(B)	
9	R53665	WASHER	2	(B)	
10	AR58652	BOLT	3	(B)	
	R53663	SELF-LOCKING SCREW	3	(B)	
11	R66290	BRACE	1	(A) (SUB FOR R49983)	
12	14H785	NUT	11	(A) 5/16", (SUB FOR R53671, THIS APPLICATION)	
13	12H303	LOCK WASHER	11	(A) 5/16", (SUB FOR R53669, THIS APPLICATION)	
14	R53667	LOCK WASHER	11	(A)	
15	R53743	SELF-LOCKING SCREW	11	(A)	

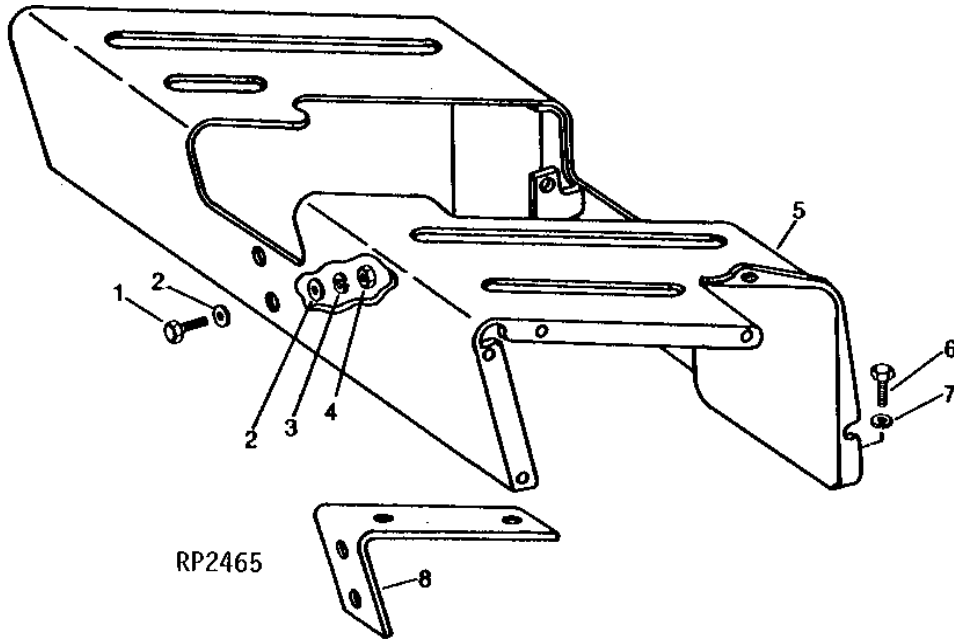
(A) ROLL-GARD  
(B) LESS ROLL-GARD

# 6112

OPERATOR'S STATION

RP2465 -UN-01JAN94

REAR OPERATOR SHIELD  
(LOW PROFILE)  
(LESS SOUND-GARD BODY)



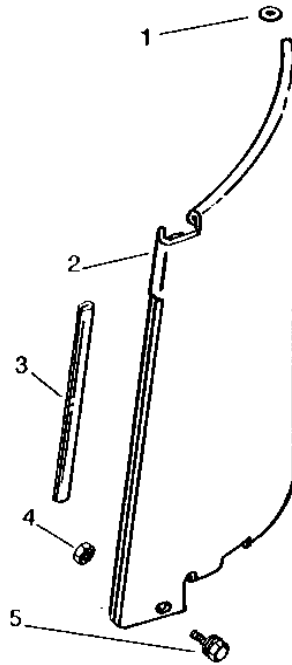
KEY	PART NO.	PART NAME	QTY	TRACTOR SERIAL NO.	REMARKS
1	19H1792	CAP SCREW	1	1/2" X 1"	
2	24H1341	WASHER	2	17/32" X 15/16" X 0.060"	
3	12H301	LOCK WASHER	1	1/2"	
4	14H1040	NUT	1	1/2"	
5	AR81655	SHIELD	1	(SUB FOR AR62274)	
6	19H1813	CAP SCREW	4	5/16" X 5/8"	
7	12H303	LOCK WASHER	4	5/16"	
8	R57974	SUPPORT	1		

# 6113

OPERATOR'S STATION

RWP4981 -UN-01JAN94

## OPERATOR SHIELD



RWP4981

KEY	PART NO.	PART NAME	QTY	TRACTOR SERIAL NO.	REMARKS
1	R53665	WASHER	2	(A)	
2	AR62268	SHIELD	1	(B) (R.H.)	
	AR62264	SHIELD	1	(A) (R.H.)	
	AR62269	SHIELD	1	(B) (L.H.)	
	AR62265	SHIELD	1	(A) (L.H.)	
3	R28122	ISOLATOR	1	(A) (B)	
4	14H785	NUT	4	(B) 5/16", (SUB FOR R53671, THIS APPLICATION)	
5	AR58652	BOLT	4	(B)	

(A) ROLL-GARD

(B) LESS ROLL-GARD OR SOUND-GARD BODY

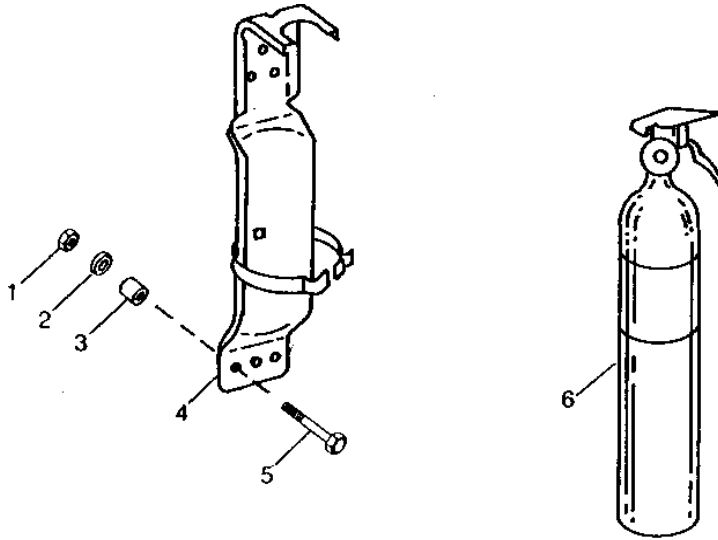


# 6114

OPERATOR'S STATION

RWP2787 -UN-01JAN94

## FIRE EXTINGUISHER



### RWP2787

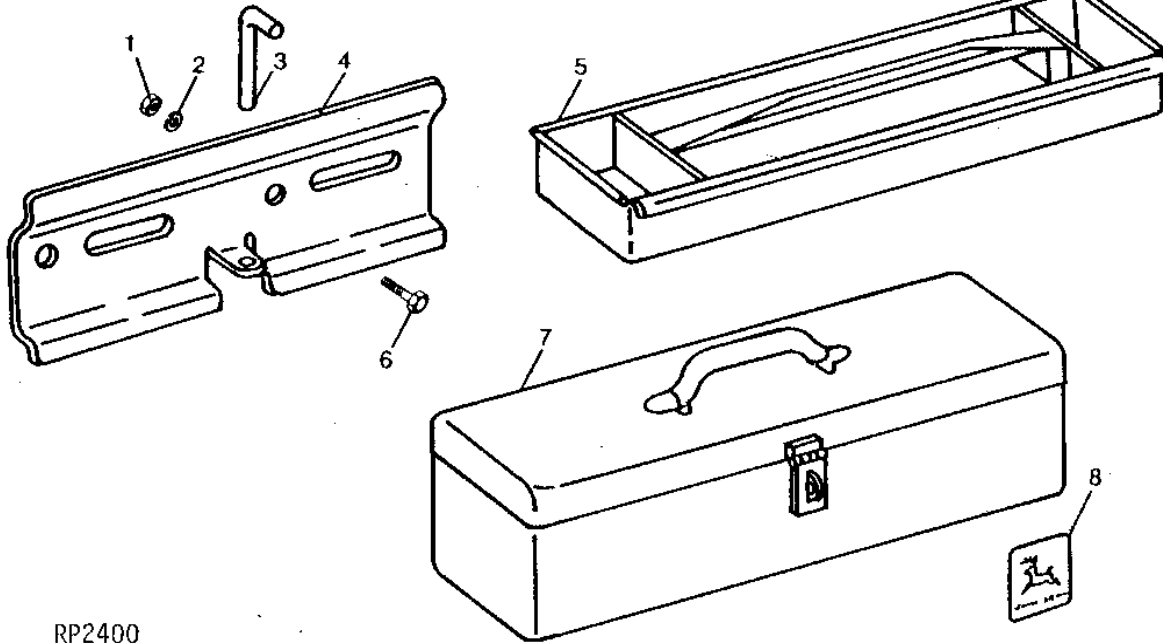
KEY	PART NO.	PART NAME	QTY	TRACTOR SERIAL NO.	REMARKS
1	14H786	NUT	2	1/4"	
2	24H1287	WASHER	2	9/32" X 5/8" X 0.065"	
3	28H1914	BUSHING	2	0.364" X 0.540" X 7/8"	
4	AT75387	BRACKET	1	(SUB FOR AT62019)	
5	21H1035	SCREW	2	1/4" X 1-1/2"	
6	AT141924	FIRE EXTINGUISHER	1	(SUB FOR AT81764)	

# 6115

OPERATOR'S STATION

RP2400 -UN-01JAN94

## TOOLBOX AND SUPPORTS



RP2400

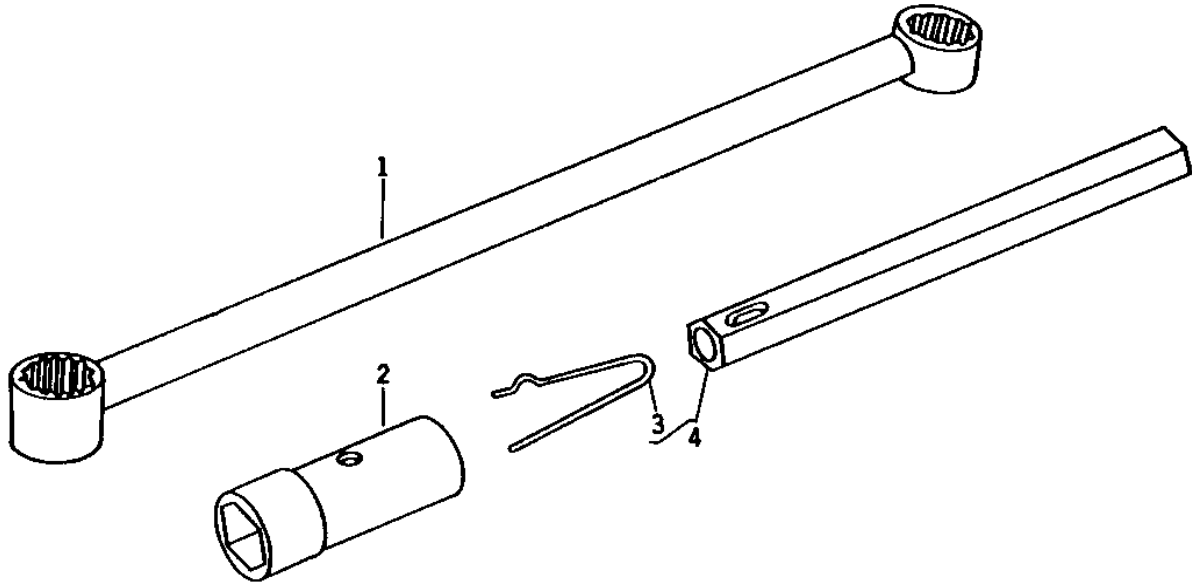
KEY	PART NO.	PART NAME	QTY	TRACTOR SERIAL NO.	REMARKS
1	14H1039	NUT	2	5/8"	
2	12H294	LOCK WASHER	2	5/8"	
3	T23027	PIN	1		
4	T23033	BRACKET	1		
5	AT22073	HOLDER	1		
6	19H1833	CAP SCREW	2	5/8" X 1-1/4"	
7	AT22070	TOOLBOX	1		
8	JD5272	LABEL	1	-XXXXXX	
	JD5602	LABEL	1	XXXXXX-	

# 6116

OPERATOR'S STATION

R32260 -UN-12OCT94

## TOOLS



R32260F

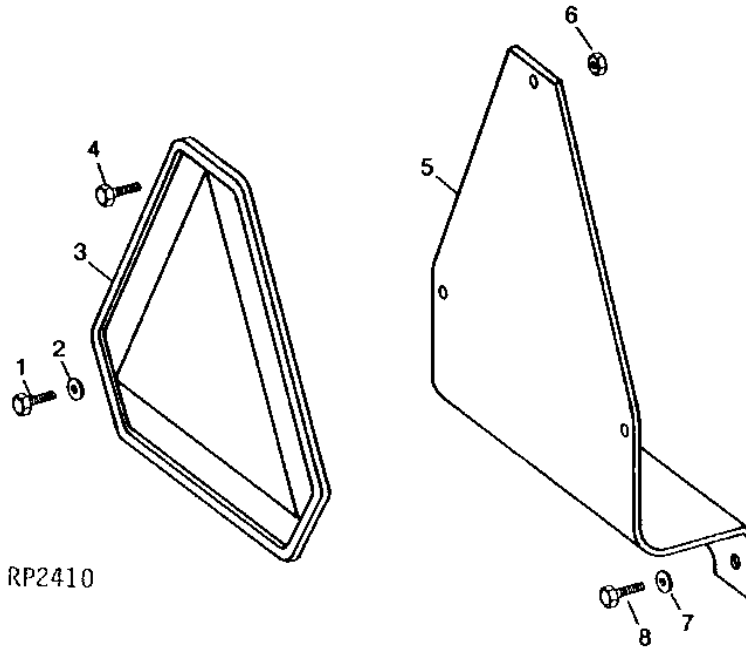
KEY	PART NO.	PART NAME	QTY	TRACTOR SERIAL NO.	REMARKS
1	R34827	WRENCH	1		
2	AR39683	WRENCH	1		
3	R39739	SPRING LOCKING PIN	1		
4	AR39682	EXTENSION	1		

# 6117

OPERATOR'S STATION

RP2410 -UN-01JAN94

## SLOW MOVING VEHICLE EMBLEM



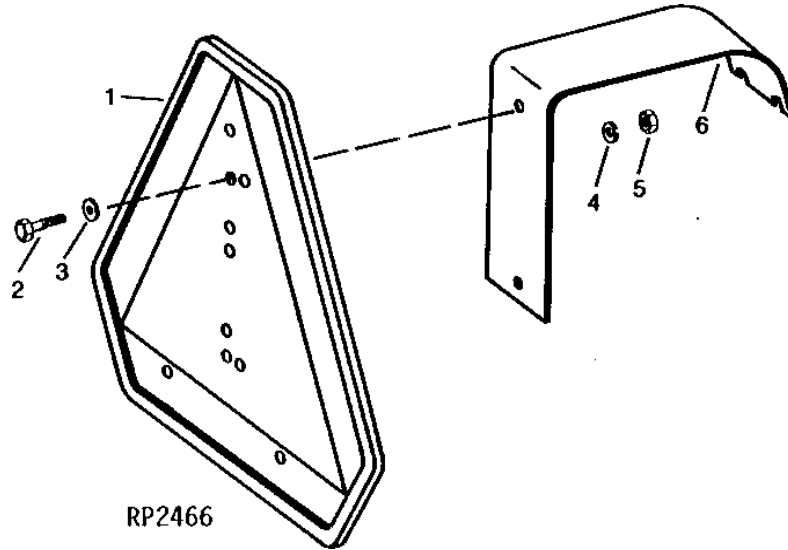
KEY	PART NO.	PART NAME	QTY	TRACTOR SERIAL NO.	REMARKS
1	37H132	SCREW	2		0.216" X 3/4", (ROLL-GARD AND SOUND-GARD BODY)
2	B1664R	SHIM	2		(ROLL-GARD AND SOUND-GARD BODY)
3	TY2615	SMV EMBLEM	1		(SUB FOR AR61194)
4	19H1948	CAP SCREW	3		1/4" X 3/4"
5	R53828	BRACKET	1		
6	14H786	NUT	3		1/4"
7	12H304	LOCK WASHER	2		3/8"
8	19H2117	CAP SCREW	2		5/16" X 1-1/8"

# 6118

OPERATOR'S STATION

RP2466 -UN-01JAN94

## SLOW MOVING VEHICLE EMBLEM (LOW PROFILE)



RP2466

KEY	PART NO.	PART NAME	QTY	TRACTOR SERIAL NO.	REMARKS
1	TY2615	SMV EMBLEM	1		(SUB FOR AR61194)
2	21H1303	SCREW	2		1/4" X 3/4"
3	B1664R	SHIM	1		
4	12H302	LOCK WASHER	2	1/4"	
5	14H786	NUT	2	1/4"	
6	R55932	BRACKET	1		

# 6119

OPERATOR'S STATION

R32259 -UN-01JAN94

## SEALANT



R32259f

KEY	PART NO.	PART NAME	QTY	SERIAL NO.	REMARKS
1	T43514	GASKET	1	NO.277 (50 ML)	
	TY6304	SEALANT	1	NO.515 (50 ML)	
	TY9370	ADHESIVE	1	NO.242(6 ML)	
	T43512	SEALANT	1	NO.242(50 ML)	
	TY9371	ADHESIVE	1	NO.271(6 ML)	
	T43513	ADHESIVE	1	NO.271(50 ML)	
	TY9374	SEALANT	1	NO.592	
	TY9375	SEALANT	1	NO.592	
	TY8311	ADHESIVE	1	NO.660	
	TY15969	ADHESIVE	1	(SUB FOR T43515) NO.635	
	TY21517	ADHESIVE	1	NO.454	
	TY15435	ADHESIVE	1	NO.445	
	TY6305	PRIMER	1	(SUB TY16285) NO.764	
	TY15941	ADHESIVE	1		

# 1J2

4230 TRACTOR

## NUMERICAL INDEX

PART NO.	GRID	KEY	PAGE	PART NO.	GRID	KEY	PAGE	PART NO.	GRID	KEY	PAGE
AA14850	5F13	22	70 - 105	AL25073	2G24	2	40 - 118	AR101617	3G11	1	50 - 125
AA15042	5G14	12	70 - 131	AL2691T	1E20	8	30 - 25	AR101617	3G11	15	50 - 125
AA15043	5G14	10	70 - 131	AL26972	5G6	25	70 - 123	AR101632	5C2	6	70 - 21
AA32178	2E6	..	40 - 61A	AL26972	5G8	22	70 - 125	AR102454	2E20	..	40 - 76
AA3495R	2E8	15	40 - 63	AL26973	5G6	3	70 - 123	AR102454	2E21	12	40 - 77
AA3495R	2E10	22	40 - 65	AL26973	5G8	21	70 - 125	AR102454	2E22	12	40 - 78
AA3495R	2E12	22	40 - 67	AL2769T	1E20	8	30 - 25	AR102538	6I10	23	90 - 123
AA34967	2E6	3	40 - 61A	AL27809	2B20	10	40 - 14	AR102797	3B18	21	50 - 9
AA34968	2E6	23	40 - 61A	AL27809	2B21	12	40 - 15	AR103059	5D20	7	70 - 65
AA4053R	2C15	5	40 - 33	AL2976T	2H4	20	40 - 123	AR103059	5D22	8	70 - 67
AA4295R	1E12	12	30 - 17	AL32975	1D22	1B	30 - 3	AR103059	5D24	26	70 - 69
AA4331R	1E12	12	30 - 17	AL32975	1D25	7	30 - 7	AR103336	3E10	15	50 - 78
AA4927R	2B9	37	40 - 3	AL32975	2B8	9	40 - 2	AR103337	3E10	5	50 - 78
AA4927R	6F8	3	90 - 39	AL35750	2G14	16	40 - 107B	AR103343	3F3	12	50 - 92
AA5302R	1E20	37	30 - 25	AL35751	2G14	15	40 - 107B	AR103363	3G3	9	50 - 116
AA5302R	1F9	17	30 - 39	AL61306	2G14	15	40 - 107B	AR103363	3G3	20	50 - 116
AA5692R	2G22	12	40 - 116	AL67715	2B20	10	40 - 14	AR103363	3G4	2	50 - 117
AA5731R	5G25	3	70 - 143	AL67715	2B20	11	40 - 14	AR103363	3G4	15	50 - 117
AA6307R	5G21	12	70 - 139	AL67715	2B21	12	40 - 15	AR103363	3G13	18	50 - 127
AB3453R	1B16	14	20 - 12	AL67715	2B21	13	40 - 15	AR103633	6G10	15	90 - 67
AB3686R	6C2	14	80 - 22	AM30347	6B24	20	80 - 21	AR103633	6G12	12	90 - 69
AB4259R	6C2	17	80 - 22	AM31410	5D22	9	70 - 67	AR103634	6G17	28	90 - 75
AD2062R	2E5	2	40 - 61	AM373T	2C15	17	40 - 33	AR103636	6G10	15	90 - 67
AD2062R	2E6	2	40 - 61A	AM52191	2B8	16	40 - 2	AR103636	6G12	14	90 - 69
AD2062R	2E10	30	40 - 65	AM53945	2B8	16	40 - 2	AR103636	6G19	29	90 - 77
AD2062R	2E12	30	40 - 67	AN140274	5G14	1	70 - 131	AR103750	2F19	10	40 - 95
AE23861	2C4	16	40 - 23	AN150015	2C8	16	40 - 27	AR103808	5H10	7	70 - 152
AE23861	2C6	34	40 - 25	AN163885	5G23	26	70 - 141	AR103811	1B12	2	20 - 7
AE23861	2C8	19	40 - 27	AN163885	5H2	26	70 - 145	AR104079	6D14	24	80 - 59
AE24616	5C3	9	70 - 21A	AN163885	5H9	16	70 - 151	AR104119	2E12	17	40 - 67
AF2643R	5C23	1	70 - 43	AN180528	2G18	1	40 - 111	AR104516	2F24	1	40 - 101
AF2710R	5E16	20	70 - 85	AN250096	5C3	5	70 - 21A	AR104517	2F24	5	40 - 101
AF2710R	5E18	30	70 - 87	AP19547	5G23	32	70 - 141	AR104518	2F24	3	40 - 101
AF2711R	5E16	20	70 - 85	AP19547	5G25	33	70 - 143	AR104520	2F19	5	40 - 95
AF2711R	5E18	30	70 - 87	AP19547	5H5	1	70 - 148	AR104573	2F17	1	40 - 93
AF2907R	3B16	3	50 - 7	AP19547	5H8	20	70 - 150A	AR104574	2F17	5	40 - 93
AF2907R	3E7	17	50 - 75	AP22529	6C5	12	80 - 25	AR105510	1C22	22	20 - 39
AF3147R	5E11	..	70 - 80	AR100056	6E1	8	90 - 8	AR105556	3G18	11	50 - 133
AF3147R	5E12	..	70 - 81	AR100056	6E2	6	90 - 9	AR105732	3C15	1	50 - 31
AF3147R	5E14	..	70 - 83	AR100161	2E3	1	40 - 59	AR11001	2D15	15	40 - 54C
AH109555	2E25	7	40 - 81	AR100384	1B14	2	20 - 10	AR11001	2D20	14	40 - 56C
AH118028	6E1	2	90 - 8	AR100384	1B15	4	20 - 11	AR11051	2D16	7	40 - 54D
AH118028	6E1	10	90 - 8	AR100386	1B15	4	20 - 11	AR11051	2D21	4	40 - 56D
AH118028	6E2	9	90 - 9	AR100478	1B21	1	20 - 15B	AR111058	2F6	20	40 - 85B
AH140818	6D25	5	90 - 7	AR100478	1B23	35	20 - 17	AR11124	2D15	17	40 - 54C
AH21762	6D25	31	90 - 7	AR100478	1B25	1	20 - 19	AR11126	2D13	21	40 - 54A
AH21763	6D22	3	90 - 4	AR101236	5B11	3	70 - 5	AR11127	2D13	2	40 - 54A
AH21763	6D23	3	90 - 5	AR101236	5B19	23	70 - 13	AR11128	2D13	14	40 - 54A
AH61036	6E1	19	90 - 8	AR101236	5B21	3	70 - 15	AR11131	2D10	16	40 - 51
AH75164	5F13	5	70 - 105	AR101236	5C5	28	70 - 23	AR11132	2D13	28	40 - 54A
AH77100	1E20	37	30 - 25	AR101237	5B13	3	70 - 7	AR11140	2D15	24	40 - 54C
AH77100	1F9	17	30 - 39	AR101237	5B19	23	70 - 13	AR11146	2C15	8	40 - 33
AH80591	2B10	9	40 - 4	AR101237	5B23	3	70 - 17	AR11146	2C17	..	40 - 35
AH80591	6E1	6	90 - 8	AR101237	5C5	28	70 - 23	AR11154	6E6	15	90 - 13
AH85483	6I2	2	90 - 114	AR101245	2F9	15	40 - 86	AR11162	2C15	8	40 - 33
AH93625	2E6	12	40 - 61A	AR101549	1D8	6	20 - 51	AR11162	2C17	..	40 - 35
AH93852	3G23	20	50 - 139	AR101549	1D8	7	20 - 51	AR112182	6C13	8	80 - 34
AH98337	2C4	16	40 - 23	AR101549	1D8	8	20 - 51	AR112182	6C14	8	80 - 35
AH98337	2C6	34	40 - 25	AR101549	1D8	9	20 - 51	AR116200	3B24	12	50 - 15
AH98337	2C8	19	40 - 27	AR101616	3G6	23	50 - 119	AR116201	3C20	..	50 - 36
AH99408	6I3	6	90 - 115	AR101616	3G8	10	50 - 121	AR13003	1E21	7	30 - 26
AL14896	2B8	14	40 - 2	AR101616	3G11	1	50 - 125	AR14019	2C15	5	40 - 33
AL14896	2E20	5	40 - 76	AR101616	3G11	15	50 - 125	AR14021	2C15	5	40 - 33
AL17099	2G23	5	40 - 117	AR101617	3G3	9	50 - 116	AR20235	2E22	10	40 - 78
AL24194	1D22	1B	30 - 3	AR101617	3G4	15	50 - 117	AR20750	6C2	17	80 - 22
AL24194	1D25	7	30 - 7	AR101617	3G6	23	50 - 119	AR21059	2E8	10	40 - 63
AL24194	2B8	9	40 - 2	AR101617	3G8	10	50 - 121	AR21059	2E10	17	40 - 65

# 1J3

4230 TRACTOR

## NUMERICAL INDEX - CONTINUED

PART NO.	GRID	KEY	PAGE	PART NO.	GRID	KEY	PAGE	PART NO.	GRID	KEY	PAGE
AR21059	2E13	9	40 - 69	AR26407	5G21	3	70 - 139	AR27351	6B19	17	80 - 16
AR21739	2E24	4	40 - 80	AR26407	5G21	4	70 - 139	AR27351	6B20	8	80 - 17
AR21739	2E25	6	40 - 81	AR26420	1E20	18	30 - 25	AR27430	6B19	10	80 - 16
AR21823	2B9	27	40 - 3	AR26421	1E20	11	30 - 25	AR27437	5G21	5	70 - 139
AR21823	2E20	2	40 - 76	AR26444	1B13	3	20 - 8	AR27437	5G21	10	70 - 139
AR21823	2E21	10	40 - 77	AR26444	1B13	5	20 - 8	AR27437	5G21	12	70 - 139
AR21823	2F2	13	40 - 83	AR26448	4B11	2	60 - 7	AR27440	5E25	3	70 - 92
AR21836	1E24	27	30 - 29	AR26462	5F3	8	70 - 95	AR27440	5G21	4	70 - 139
AR21836	5C16	7	70 - 35	AR26462	5F5	7	70 - 97	AR27604	6B14	1	80 - 11
AR21836	5F17	18	70 - 108	AR26462	5F8	7	70 - 100	AR27645	5E14	2	70 - 83
AR21836	5F18	19	70 - 109	AR26480	6B22	2	80 - 19	AR27646	5E14	2	70 - 83
AR21837	1C23	1	20 - 40	AR26480	6B24	1	80 - 21	AR27699	5G12	9	70 - 129
AR21837	3H19	4	50 - 161	AR26480	6B25	1	80 - 21A	AR27703	1C17	4	20 - 34
AR21837	5C13	33	70 - 31	AR26480	6C1	1	80 - 21B	AR27738	3H19	1	50 - 161
AR21837	6D22	12	90 - 4	AR26516	1B12	5	20 - 7	AR27738	5G12	6	70 - 129
AR21837	6D23	12	90 - 5	AR26529	6F14	3	90 - 45	AR27814	1E6	2	30 - 14
AR21837	6E14	9	90 - 21	AR26529	6F17	6	90 - 49	AR27814	1E7	12	30 - 15
AR21839	1B12	1	20 - 7	AR26543	2C15	5	40 - 33	AR27888	5C17	21	70 - 36
AR21839	1C23	1	20 - 40	AR26544	2C15	5	40 - 33	AR27888	5C18	13	70 - 37
AR21839	3H16	3	50 - 157	AR26545	2C15	5	40 - 33	AR27904	6B21	15	80 - 18
AR21839	5C8	1	70 - 26	AR26554	5E12	2	70 - 81	AR27914	6B9	6	80 - 5
AR21839	5C9	7	70 - 27	AR26555	5E12	2	70 - 81	AR27940	1E6	7	30 - 14
AR21839	5C11	2	70 - 29	AR26571	2G22	1	40 - 116	AR27940	1E9	4	30 - 15B
AR21839	5C13	2	70 - 31	AR26624	2C15	3	40 - 33	AR28061	1E1	14	30 - 8
AR21839	5C14	7	70 - 33	AR26646	5B15	21	70 - 9	AR28062	1E1	8	30 - 8
AR21839	5C16	20	70 - 35	AR26674	1E18	4	30 - 23	AR28100	1C21	5	20 - 38
AR21839	5C17	15	70 - 36	AR26674	5D16	9	70 - 61	AR28242	6C2	6	80 - 22
AR21839	5C17	17	70 - 36	AR26707	3D24	3	50 - 67	AR28243	6C2	6	80 - 22
AR21839	5C18	8	70 - 37	AR26707	3F24	3	50 - 112	AR28249	6B23	6	80 - 20
AR21840	1D2	2	20 - 45	AR26722	5C7	31	70 - 25	AR28271	3D20	11	50 - 63
AR21840	1D23	9	30 - 5	AR26723	5C18	4	70 - 37	AR28271	3F22	11	50 - 109
AR21840	5C11	9	70 - 29	AR26724	5C7	10A	70 - 25	AR28403	2B25	17	40 - 19
AR21840	5C13	12	70 - 31	AR26724	5C7	16A	70 - 25	AR28403	2C3	8	40 - 22
AR21841	1D22	6	30 - 3	AR26725	4C12	22	60 - 29	AR28403	2C6	16	40 - 25
AR21841	1D24	1	30 - 6	AR26725	5C7	31	70 - 25	AR28403	2C6	17	40 - 25
AR21841	1D25	6	30 - 7	AR26725	5C20	2	70 - 39	AR28403	2G22	10	40 - 116
AR21969	1B6	..	20 - 1	AR26725	5C21	2	70 - 41	AR28403	2H2	19	40 - 121
AR21969	4B15	..	60 - 11	AR26745	5C17	9	70 - 36	AR28482	1D2	7	20 - 45
AR21969	4C12	..	60 - 29	AR26745	5F13	8	70 - 105	AR28487	4C20	2	60 - 37
AR21969	4C14	..	60 - 31	AR26746	4D4	25	60 - 43	AR28487	4C20	8	60 - 37
AR21969	4D2	..	60 - 41	AR26746	5G16	18	70 - 133	AR28488	4C20	2	60 - 37
AR21969	5C7	..	70 - 25	AR26758	5B11	12	70 - 5	AR28488	4C20	8	60 - 37
AR21969	5C11	..	70 - 29	AR26763	3F6	20	50 - 95	AR28570	5E11	2	70 - 80
AR21969	5C13	..	70 - 31	AR26763	3H16	15	50 - 157	AR28604	1F4	27	30 - 33
AR21969	5C17	..	70 - 36	AR26763	5F13	2	70 - 105	AR28754	5H11	3	70 - 153
AR21969	5C18	..	70 - 37	AR26771	3G14	6	50 - 129	AR28755	5H11	3	70 - 153
AR21999	1D2	27	20 - 45	AR26771	3G16	1	50 - 131	AR28756	1E20	7	30 - 25
AR21999	1D23	1	30 - 5	AR26771	4D4	8	60 - 43	AR30154	6B8	10	80 - 4
AR21999	1D23	5	30 - 5	AR26771	4D5	8	60 - 45	AR30154	6B9	12	80 - 5
AR21999	1D23	7	30 - 5	AR26771	5D20	9	70 - 65	AR30210	5G2	7	70 - 119
AR21999	1D24	4	30 - 6	AR26771	5E2	2	70 - 71	AR30210	5G4	7A	70 - 121
AR21999	1D25	5	30 - 7	AR26782	3D24	1	50 - 67	AR30210	5G11	7	70 - 128
AR21999	5C11	9	70 - 29	AR26782	3F24	1	50 - 112	AR30288	5E12	4	70 - 81
AR21999	5C13	12	70 - 31	AR26823	6B22	18	80 - 19	AR30288	5E14	4	70 - 83
AR26328	1C13	4	20 - 29	AR26828	3H16	17	50 - 157	AR30297	4B7	19	60 - 3
AR26338	1E20	30	30 - 25	AR26828	5C7	42	70 - 25	AR30547	1D12	18	20 - 55
AR26338	3D6	6	50 - 49	AR26905	1E4	9	30 - 12	AR30685	5G5	12	70 - 122
AR26350	1C21	5	20 - 38	AR26905	1E5	8	30 - 13	AR30697	5C23	35	70 - 43
AR26350	1F14	4	30 - 45	AR26906	1E5	15	30 - 13	AR30697	5C23	39	70 - 43
AR26375	3D16	30	50 - 59	AR26930	1D23	12	30 - 5	AR30697	5E4	34	70 - 73
AR26375	3F22	25	50 - 109	AR27033	5F8	13	70 - 100	AR30697	5E4	36	70 - 73
AR26389	1E20	24	30 - 25	AR27054	6B22	19	80 - 19	AR30784	5E25	..	70 - 92
AR26402	4B11	5	60 - 7	AR27093	5E20	22	70 - 89	AR30784	5G21	1	70 - 139
AR26403	6F12	7	90 - 43	AR27093	5E22	41	70 - 91	AR31016	4C23	6	60 - 39
AR26403	6F23	21	90 - 55	AR27232	1C19	13	20 - 36	AR31016	4C25	21	60 - 39B
AR26407	5E25	1	70 - 92	AR27314	6B23	30	80 - 20	AR31611	5F13	26	70 - 105
AR26407	5E25	3	70 - 92	AR27315	6B23	30	80 - 20	AR31684	1C19	14	20 - 36



# 1J4

4230 TRACTOR

## NUMERICAL INDEX - CONTINUED

PART NO.	GRID	KEY	PAGE	PART NO.	GRID	KEY	PAGE	PART NO.	GRID	KEY	PAGE
AR31703	5D2	43	70 - 47	AR38239	5E25	7	70 - 92	AR41752	3D25	2	50 - 68
AR31703	5D4	56	70 - 49	AR38426	5E25	7	70 - 92	AR41752	3F25	3	50 - 113
AR31703	5D6	8	70 - 51	AR38456	2B8	1	40 - 2	AR41754	2F10	8	40 - 87
AR31945	5H6	15	70 - 149	AR38456	2E5	3	40 - 61	AR41756	2F9	3	40 - 86
AR31946	4D1	14	60 - 40	AR38456	2E8	27	40 - 63	AR41756	2F10	1	40 - 87
AR32104	3E24	17	50 - 88	AR38714	5B15	31	70 - 9	AR41756	2F12	20	40 - 87B
AR32115	3E11	14	50 - 79	AR389	3C20	..	50 - 36	AR41758	2F9	1	40 - 86
AR32136	3E10	2	50 - 78	AR389R	3C20	10	50 - 36	AR41758	2F10	10	40 - 87
AR32168	3B25	5	50 - 16	AR389R	3C21	7	50 - 37	AR41758	2F12	5	40 - 87B
AR32175	3C20	5	50 - 36	AR389R	3C23	15	50 - 39	AR41758	2F18	9	40 - 94
AR32179	3C21	3	50 - 37	AR389R	3C24	12	50 - 41	AR41761	6E17	10	90 - 25
AR32179	3C24	3	50 - 41	AR389R	3D12	8	50 - 55	AR41761	6E19	13	90 - 27
AR32180	3C21	5	50 - 37	AR39128	3C17	29	50 - 33	AR41761	6F10	..	90 - 41
AR32180	3C24	5	50 - 41	AR39562	5C18	5	70 - 37	AR41785	1B6	..	20 - 1
AR32243	4C20	8	60 - 37	AR39585	4B13	34	60 - 9	AR41870	1B6	..	20 - 1
AR32243	4C20	9	60 - 37	AR39651	3G6	23	50 - 119	AR41950	2F9	6	40 - 86
AR32345	5C18	1	70 - 37	AR39651	3G8	10	50 - 121	AR41950	2F10	3	40 - 87
AR32440	3E2	20	50 - 70	AR39681	5E16	13	70 - 85	AR41951	2F9	5	40 - 86
AR32441	4C20	9	60 - 37	AR39682	6I16	4	90 - 129	AR41951	2F10	2	40 - 87
AR32531	5E16	14	70 - 85	AR39683	6I16	2	90 - 129	AR41951	2F12	9	40 - 87B
AR32692	3C21	20	50 - 37	AR40024	4C20	5	60 - 37	AR41987	5D22	9	70 - 67
AR32694	1C23	7	20 - 40	AR40148	1D7	10	20 - 50	AR41987	5E2	3	70 - 71
AR32695	1C23	11	20 - 40	AR40171	2D20	5	40 - 56C	AR42005	3G20	8	50 - 136
AR32696	1C23	24	20 - 40	AR40174	2E3	1	40 - 59	AR42009	4B7	11	60 - 3
AR33249	5B15	6	70 - 9	AR40465	5F13	7	70 - 105	AR42009	4B8	3	60 - 4
AR33877	5G2	31	70 - 119	AR40475	5D20	23	70 - 65	AR42009	4B8	13	60 - 4
AR33911	5F3	23	70 - 95	AR40475	5D22	23	70 - 67	AR42119	2E12	17	40 - 67
AR34043	3F3	17	50 - 92	AR40475	5E2	6	70 - 71	AR42285	5C17	24	70 - 36
AR34208	5E16	15	70 - 85	AR40486	1C5	4	20 - 24	AR42285	5C18	16	70 - 37
AR34451	1D5	1	20 - 48	AR40487	1C5	4	20 - 24	AR42286	5C18	16	70 - 37
AR34569	3G16	20	50 - 131	AR40518	3F3	19	50 - 92	AR42287	5D14	16	70 - 59
AR34591	4C20	5	60 - 37	AR40592	6B19	18	80 - 16	AR42287	5D14	17	70 - 59
AR34697	3G16	22	50 - 131	AR40592	6B20	7	80 - 17	AR42591	2E12	17	40 - 67
AR34705	3G6	11	50 - 119	AR40669	3D16	20	50 - 59	AR42608	1C12	9	20 - 28
AR34705	3G8	22	50 - 121	AR40669	3D18	23	50 - 61	AR42612	1C12	8	20 - 28
AR34755	3G18	11	50 - 133	AR40675	5D10	9	70 - 55	AR43253	1E14	16	30 - 19
AR34829	5G21	10	70 - 139	AR40675	5D12	10	70 - 57	AR43261	1C22	1	20 - 39
AR35223	5D16	12	70 - 61	AR40676	5D10	6	70 - 55	AR43261	1C22	2	20 - 39
AR35261	5G21	5	70 - 139	AR40676	5D12	6	70 - 57	AR43261	1C22	3	20 - 39
AR35261	5G21	10	70 - 139	AR40679	1B13	22	20 - 8	AR43594	1B14	7	20 - 10
AR35710	4D4	18A	60 - 43	AR40680	1B13	22	20 - 8	AR43634	1C22	2	20 - 39
AR35710	4D4	20	60 - 43	AR40688	5F20	31	70 - 111	AR43634	1C22	3	20 - 39
AR35710	4D9	28	60 - 49	AR40689	4D5	10A	60 - 45	AR43634	1F14	4	30 - 45
AR35782	2B8	2	40 - 2	AR40689	5C18	19A	70 - 37	AR43652	1B17	8	20 - 13
AR35782	2B10	1	40 - 4	AR40698	1D7	5	20 - 50	AR43809	4B9	10	60 - 5
AR35782	2E8	16	40 - 63	AR40710	2G22	13	40 - 116	AR43809	4B10	4	60 - 6
AR35782	2E10	23	40 - 65	AR40750	1B19	5	20 - 15	AR44189	5F1	1A	70 - 93
AR35981	4B19	16	60 - 15	AR40753	5D10	46A	70 - 55	AR44254	6I2	2	90 - 114
AR36048	6F14	14	90 - 45	AR40754	5D10	7	70 - 55	AR44356	5C24	8	70 - 44
AR36097	3G14	13	50 - 129	AR40754	5D12	7A	70 - 57	AR44376	3H2	27	50 - 143
AR36097	3G16	7	50 - 131	AR40785	5D7	7	70 - 52	AR44394	1B14	2	20 - 10
AR36097	4D4	12	60 - 43	AR40827	5F20	12	70 - 111	AR44402	1B7	1	20 - 2
AR36105	4D4	12	60 - 43	AR40827	5F23	1	70 - 115	AR44423	3F5	9	50 - 94
AR36247	5G16	7A	70 - 133	AR40827	5G2	26	70 - 119	AR44553	3F9	4	50 - 98
AR36303	5G21	5	70 - 139	AR40910	1D9	3	20 - 52	AR44554	3F9	15	50 - 98
AR36303	5G21	10	70 - 139	AR40986	3E25	4	50 - 89	AR44614	3G6	9	50 - 119
AR36552	5D20	32	70 - 65	AR41006	1B13	16	20 - 8	AR44614	3G8	26	50 - 121
AR36552	5D22	31	70 - 67	AR41006	1B13	21	20 - 8	AR44614	3G13	14	50 - 127
AR36552	5E2	11	70 - 71	AR41050	3G8	9	50 - 121	AR44624	1C15	1	20 - 31
AR36694	1C19	8	20 - 36	AR41108	1B16	9	20 - 12	AR44625	1C15	6	20 - 31
AR36875	5D16	8	70 - 61	AR41117	5C17	1	70 - 36	AR44657	2G19	28	40 - 113
AR36935	5D16	10	70 - 61	AR41171	1E4	1	30 - 12	AR44698	2D13	32	40 - 54A
AR37017	3H19	11	50 - 161	AR41172	1E4	6	30 - 12	AR44699	2D15	2	40 - 54C
AR37017	3H19	17	50 - 161	AR41172	1E5	5	30 - 13	AR44700	2D13	12	40 - 54A
AR37017	5F13	6	70 - 105	AR41691	1D7	3	20 - 50	AR44713	3D24	6	50 - 67
AR38168	3D25	11	50 - 68	AR41691	1D8	6	20 - 51	AR44713	3F24	7	50 - 112
AR38168	3F25	10	50 - 113	AR41694	2C3	11	40 - 22	AR44763	6F10	5	90 - 41

# 1J5

4230 TRACTOR

## NUMERICAL INDEX - CONTINUED

PART NO.	GRID	KEY	PAGE	PART NO.	GRID	KEY	PAGE	PART NO.	GRID	KEY	PAGE
AR44840	1D9	11	20 - 52	AR46277	2C15	3	40 - 33	AR48041	2E10	4	40 - 65
AR44840	1D10	15	20 - 53	AR46278	2C15	3	40 - 33	AR48041	2E12	4	40 - 67
AR44848	1E20	28	30 - 25	AR46279	2C15	3	40 - 33	AR48110	5E22	34	70 - 91
AR44864	2C17	8	40 - 35	AR46280	2C15	3	40 - 33	AR48110	5F10	1	70 - 102
AR44997	3C3	11	50 - 19	AR46281	1E14	5	30 - 19	AR48111	5E22	35	70 - 91
AR44999	2B8	16	40 - 2	AR46298	5E16	9	70 - 85	AR48111	5F10	2	70 - 102
AR44999	2C12	3	40 - 30	AR46323	1E4	5	30 - 12	AR48182	1B9	18	20 - 3
AR44999	2C13	7	40 - 31	AR46395	1C12	7	20 - 28	AR48217	3C1	5	50 - 17
AR45034	3H2	1	50 - 143	AR46395	1C13	11	20 - 29	AR48236	3H21	2	50 - 163
AR45099	2B8	5	40 - 2	AR46396	1C7	2	20 - 26	AR48236	6D25	22	90 - 7
AR45099	2B11	19	40 - 5	AR46396	1C9	9	20 - 26C	AR48527	3H3	16	50 - 144
AR45099	2E8	7	40 - 63	AR46396	1C12	7	20 - 28	AR48594	2B25	14	40 - 19
AR45099	2E10	7	40 - 65	AR46396	1C13	11	20 - 29	AR48594	2C3	11	40 - 22
AR45099	2E12	7	40 - 67	AR46397	1C12	7	20 - 28	AR48594	2C4	8	40 - 23
AR45104	5F5	18	70 - 97	AR46397	1C13	11	20 - 29	AR48594	2C6	11	40 - 25
AR45105	5F5	18	70 - 97	AR46398	1C12	7	20 - 28	AR48594	2C8	9	40 - 27
AR45184	1D22	1A	30 - 3	AR46398	1C13	11	20 - 29	AR48645	3G6	9	50 - 119
AR45234	3H19	15	50 - 161	AR46399	1C15	6	20 - 31	AR48645	3G8	26	50 - 121
AR45255	3F16	24	50 - 103	AR46400	1C15	6	20 - 31	AR48668	3C21	3	50 - 37
AR45292	1C23	5	20 - 40	AR46401	1C15	6	20 - 31	AR48669	3G6	23	50 - 119
AR45297	1E20	4	30 - 25	AR46402	1C15	6	20 - 31	AR48669	3G8	10	50 - 121
AR45299	1E20	4	30 - 25	AR46403	1C15	1	20 - 31	AR48673	3C3	11	50 - 19
AR45306	1E20	14	30 - 25	AR46404	1C15	1	20 - 31	AR48673	3C7	11	50 - 23
AR45316	2B23	17	40 - 17	AR46405	1C15	1	20 - 31	AR48721	2B8	8	40 - 2
AR45316	2C2	18	40 - 21	AR46406	1C15	1	20 - 31	AR48721	2B11	21	40 - 5
AR45318	6C3	2	80 - 23	AR46407	1C15	1	20 - 31	AR48721	2B11	24	40 - 5
AR45330	1D7	9	20 - 50	AR46768	3C20	3	50 - 36	AR48721	2E8	34	40 - 63
AR45381	3E7	16	50 - 75	AR46768	3C20	..	50 - 36	AR48721	2E10	33	40 - 65
AR45381	3E13	2	50 - 81	AR46768	3C23	3	50 - 39	AR48722	2E13	8	40 - 69
AR45414	3H2	6	50 - 143	AR46810	5F5	32	70 - 97	AR48723	2E8	33	40 - 63
AR45414	6B13	9	80 - 9	AR46828	5F10	3	70 - 102	AR48723	2E10	32	40 - 65
AR45530	1B12	2	20 - 7	AR46978	5F25	16	70 - 117	AR48723	2E12	32	40 - 67
AR45534	5H9	26	70 - 151	AR46984	2F22	3	40 - 99	AR48724	2B8	19	40 - 2
AR45535	5H8	30	70 - 150A	AR46985	2F9	..	40 - 86	AR48724	2F2	8	40 - 83
AR45536	5H2	24	70 - 145	AR46986	2F9	15	40 - 86	AR48725	2B9	30	40 - 3
AR45543	5G25	26A	70 - 143	AR46986	2F9	16	40 - 86	AR48725	2E23	1	40 - 79
AR45544	5H2	37	70 - 145	AR46986	2F12	26	40 - 87B	AR48755	3B22	7	50 - 13
AR45544	5H4	39	70 - 147	AR46986	2F22	1	40 - 99	AR48770	5B13	18	70 - 7
AR45545	5G23	37	70 - 141	AR47137	3H2	12A	50 - 143	AR48902	3H12	6	50 - 153
AR45545	5G25	26A	70 - 143	AR47293	4B8	4	60 - 4	AR48903	3H12	14	50 - 153
AR45545	5G25	26B	70 - 143	AR47297	1E18	5	30 - 23	AR48904	3H14	13	50 - 155
AR45545	5H8	28	70 - 150A	AR47331	5G11	20	70 - 128	AR48912	2B18	4	40 - 11
AR45723	1C8	9	20 - 26B	AR47455	2B19	1	40 - 13	AR48926	1E18	12	30 - 23
AR45723	1C10	9	20 - 26D	AR47486	5F13	12	70 - 105	AR48940	1C15	1	20 - 31
AR45723	1C12	7	20 - 28	AR47490	5F11	1	70 - 103	AR48957	2B11	28	40 - 5
AR45723	1C13	11	20 - 29	AR47567	5F10	12	70 - 102	AR48957	2B14	5	40 - 8
AR45734	2B20	8	40 - 14	AR47580	5B11	16	70 - 5	AR49025	1C17	1	20 - 34
AR45734	2B21	8	40 - 15	AR47643	5G2	7	70 - 119	AR49025	1C18	1	20 - 35
AR45782	3H8	13	50 - 150	AR47643	5G4	7A	70 - 121	AR49032	2E20	..	40 - 76
AR45952	1B16	17	20 - 12	AR47643	5G11	7	70 - 128	AR49032	2E22	12	40 - 78
AR45953	1B16	2	20 - 12	AR47803	3H18	20	50 - 159	AR49036	2B8	14	40 - 2
AR45953	1B16	16	20 - 12	AR47825	5E25	4	70 - 92	AR49036	2E20	5	40 - 76
AR45953	1B16	17	20 - 12	AR47825	5E25	7	70 - 92	AR49038	2E20	3	40 - 76
AR45975	2B18	9	40 - 11	AR47825	5G21	10	70 - 139	AR49202	5E20	19	70 - 89
AR46064	2C15	17	40 - 33	AR47825	5G23	1	70 - 141	AR49206	5E20	14	70 - 89
AR46095	4B17	14	60 - 13	AR47825	5G25	26A	70 - 143	AR49232	1C15	1	20 - 31
AR46095	4B19	26	60 - 15	AR47825	5G25	27	70 - 143	AR49233	1C15	1	20 - 31
AR46095	5D20	37	70 - 65	AR47825	5H2	1	70 - 145	AR49234	1C15	1	20 - 31
AR46095	5D22	37	70 - 67	AR47825	5H4	41	70 - 147	AR49235	1C15	1	20 - 31
AR46095	5E2	16	70 - 71	AR47825	5H8	11	70 - 150A	AR49236	1C15	1	20 - 31
AR46233	3E10	2	50 - 78	AR47892	5E11	10	70 - 80	AR49298	2B20	7	40 - 14
AR46246	5B9	1	70 - 3	AR47893	5E11	10	70 - 80	AR49298	2B21	7	40 - 15
AR46246	5B13	..	70 - 7	AR47947	2C15	8	40 - 33	AR49352	2H2	17	40 - 121
AR46256	5F10	13	70 - 102	AR47947	2C17	..	40 - 35	AR49420	3H11	5	50 - 152A
AR46273	2C15	3	40 - 33	AR48015	2E25	2	40 - 81	AR49420	3H11	18	50 - 152A
AR46275	2C15	3	40 - 33	AR48041	2E6	22	40 - 61A	AR49427	5B8	4	70 - 2
AR46276	2C15	3	40 - 33	AR48041	2E8	4	40 - 63	AR49485	6D19	14	90 - 1

# 1J6

4230 TRACTOR

## NUMERICAL INDEX - CONTINUED

PART NO.	GRID	KEY	PAGE	PART NO.	GRID	KEY	PAGE	PART NO.	GRID	KEY	PAGE
AR49512	1E21	2	30 - 26	AR50926	2G19	14	40 - 113	AR53301	5B23	10	70 - 17
AR49512	1E22	15	30 - 27	AR50927	2G17	20	40 - 110	AR53323	1B19	7	20 - 15
AR49513	1E21	21	30 - 26	AR50927	2G19	20	40 - 113	AR53323	1B19	..	20 - 15
AR49514	1E21	28	30 - 26	AR50928	2G17	18	40 - 110	AR53324	1B19	7	20 - 15
AR49515	1E21	12	30 - 26	AR50929	2G19	19	40 - 113	AR53324	1B19	..	20 - 15
AR49518	1E22	30	30 - 27	AR50930	2G19	15	40 - 113	AR53386	3F4	1	50 - 93
AR49519	1E22	18	30 - 27	AR50931	2G19	23	40 - 113	AR53443	1C13	10	20 - 29
AR49520	1E22	19	30 - 27	AR50955	5E12	6	70 - 81	AR53446	6D21	9	90 - 3
AR49521	1E22	1	30 - 27	AR50956	5E12	6	70 - 81	AR53447	3H18	15	50 - 159
AR49522	1E22	14	30 - 27	AR50983	6B9	8	80 - 5	AR53602	6D4	18	80 - 51
AR49523	1E22	29	30 - 27	AR50983	6B14	5	80 - 11	AR53627	1D12	13	20 - 55
AR49524	1E22	6	30 - 27	AR51190	3E9	15	50 - 77	AR53628	1D12	36	20 - 55
AR49525	1E22	24	30 - 27	AR51372	2B20	10	40 - 14	AR53840	3F16	10	50 - 103
AR49526	1E22	12	30 - 27	AR51372	2B21	12	40 - 15	AR53841	3F16	7	50 - 103
AR49527	1E21	20	30 - 26	AR51417	6E17	2	90 - 25	AR53843	3F16	7	50 - 103
AR49532	3F3	19	50 - 92	AR51452	6E23	9	90 - 29	AR53844	3F16	10	50 - 103
AR49535	4B9	8	60 - 5	AR51481	2F2	15	40 - 83	AR53851	6B11	15	80 - 7
AR49536	4B9	8	60 - 5	AR51481	6G15	19	90 - 73	AR53873	1E12	1	30 - 17
AR49578	5F12	2	70 - 104	AR51481	6G17	29	90 - 75	AR53873	1E14	8	30 - 19
AR49622	5F12	1	70 - 104	AR51481	6G19	33	90 - 77	AR53926	6F14	16	90 - 45
AR49650	1C5	13	20 - 24	AR51569	2B11	29	40 - 5	AR53927	6F12	25	90 - 43
AR49797	2G17	1	40 - 110	AR51569	2B14	1	40 - 8	AR53929	5C23	12	70 - 43
AR49798	2G17	1	40 - 110	AR51569	6D22	19	90 - 4	AR53988	6F2	11	90 - 33
AR49803	6D21	5	90 - 3	AR51584	6B20	20	80 - 17	AR53988	6F8	6	90 - 39
AR49804	6D21	20	90 - 3	AR51718	1F4	4	30 - 33	AR53988	6G2	11	90 - 59
AR49805	6D21	18	90 - 3	AR51745	5B15	9	70 - 9	AR54252	5F23	14	70 - 115
AR49806	6D21	15	90 - 3	AR51867	5E15	4	70 - 84	AR54253	5F23	14	70 - 115
AR49808	6D21	24	90 - 3	AR51867	5E18	21	70 - 87	AR54254	6C19	15	80 - 41
AR49923	6H4	..	90 - 87	AR51867	5E22	6	70 - 91	AR54254	6C25	15	80 - 47
AR49923	6H6	..	90 - 89	AR52064	1D22	16	30 - 3	AR54255	6C25	15	80 - 47
AR49923	6H14	..	90 - 99	AR52065	1D22	15	30 - 3	AR54257	6C19	1	80 - 41
AR49923	6H16	..	90 - 101	AR52066	1D22	12	30 - 3	AR54257	6C25	1	80 - 47
AR49923	6H18	..	90 - 103	AR52158	1E15	10	30 - 20	AR54259	6C25	1	80 - 47
AR49965	6E14	7	90 - 21	AR52180	2B21	16	40 - 15	AR54261	6F12	26	90 - 43
AR49969	2G2	10	40 - 103	AR52180	3F16	24	50 - 103	AR54263	6F14	26A	90 - 45
AR49969	2G4	28	40 - 105	AR52224	5B11	7	70 - 5	AR54328	5D2	18	70 - 47
AR49969	6E1	16	90 - 8	AR52224	5B13	11	70 - 7	AR54328	5E5	4	70 - 74
AR50040	1E16	16	30 - 21	AR52224	5B21	7	70 - 15	AR54329	5D2	18	70 - 47
AR50041	1E16	7	30 - 21	AR52224	5B23	7	70 - 17	AR54331	5F14	7	70 - 107
AR50041	1F14	3	30 - 45	AR52251	3F10	8	50 - 99	AR54332	5F14	12	70 - 107
AR50065	6C6	3	80 - 27	AR52254	5B15	37	70 - 9	AR54335	1D22	6	30 - 3
AR50065	6C6	4	80 - 27	AR52254	5B25	32	70 - 19	AR54336	1D22	14	30 - 3
AR50065	6C6	10	80 - 27	AR52302	2E17	2	40 - 73	AR54337	1D22	11	30 - 3
AR50065	6C6	12	80 - 27	AR52335	3F10	12	50 - 99	AR54338	6D4	36	80 - 51
AR50140	1E15	4	30 - 20	AR52361	5G16	17	70 - 133	AR54386	5C16	4	70 - 35
AR50141	1E15	2	30 - 20	AR52372	5G16	16	70 - 133	AR54421	1E15	13	30 - 20
AR50141	1F14	5	30 - 45	AR52392	2G19	4	40 - 113	AR54437	6E4	10	90 - 11
AR50271	2C15	3	40 - 33	AR52494	5B15	31	70 - 9	AR54439	5C23	35	70 - 43
AR50368	5E22	38	70 - 91	AR52494	5B17	9	70 - 11	AR54439	5E4	34	70 - 73
AR50372	5E22	22	70 - 91	AR52497	4C23	14	60 - 39	AR54441	6E24	11	90 - 31
AR50373	5E22	22	70 - 91	AR52497	4C25	30	60 - 39B	AR54441	6G6	34	90 - 63
AR50374	5E22	15	70 - 91	AR52637	3F4	1	50 - 93	AR54442	3C7	26	50 - 23
AR50411	1C25	1	20 - 43	AR52720	1F5	6	30 - 35	AR54442	3C9	29	50 - 25
AR50489	1D22	1A	30 - 3	AR52728	3F3	12	50 - 92	AR54445	2F2	3	40 - 83
AR50489	2B8	9	40 - 2	AR52785	5B11	21	70 - 5	AR54448	3B22	16	50 - 13
AR50540	6E19	6	90 - 27	AR52785	5B13	25	70 - 7	AR54481	3E20	25	50 - 86
AR50631	3D16	20	50 - 59	AR52929	3F3	25	50 - 92	AR54481	5D7	20	70 - 52
AR50643	5E18	24	70 - 87	AR53038	3F2	1	50 - 91	AR54481	5D8	21	70 - 53
AR50724	6C25	1	80 - 47	AR53038	3F3	28	50 - 92	AR54482	6C17	26	80 - 39
AR50779	2G17	2	40 - 110	AR53047	3H12	16	50 - 153	AR54482	6C23	28	80 - 45
AR50780	2G17	2	40 - 110	AR53102	1C19	..	20 - 36	AR54482	6I5	24	90 - 117
AR50781	1E24	15	30 - 29	AR53155	2B10	11	40 - 4	AR54484	2B25	23	40 - 19
AR50781	1F5	3	30 - 35	AR53155	6E1	7	90 - 8	AR54484	2C6	23	40 - 25
AR50833	3C14	7	50 - 30	AR53155	6E6	15	90 - 13	AR54487	3E2	20	50 - 70
AR50834	2E13	1	40 - 69	AR53301	5B11	12	70 - 5	AR54523	6E1	8	90 - 8
AR50834	2H2	8	40 - 121	AR53301	5B13	16	70 - 7	AR54523	6E14	10	90 - 21
AR50865	6B8	6	80 - 4	AR53301	5B21	10	70 - 15	AR54526	3B18	32A	50 - 9

# 1J7

4230 TRACTOR

## NUMERICAL INDEX - CONTINUED

PART NO.	GRID	KEY	PAGE	PART NO.	GRID	KEY	PAGE	PART NO.	GRID	KEY	PAGE
AR54527	3B18	5A	50 - 9	AR54959	6C17	19	80 - 39	AR55671	4D7	25	60 - 47
AR54528	3C17	33A	50 - 33	AR54959	6C23	24	80 - 45	AR55672	4D7	27	60 - 47
AR54529	3C17	6	50 - 33	AR54960	3E1	15	50 - 69	AR55694	2G17	24	40 - 110
AR54552	1B21	1	20 - 15B	AR54961	3C14	7	50 - 30	AR55700	3F20	7	50 - 107
AR54557	1B23	28	20 - 17	AR54961	3C14	8	50 - 30	AR55701	3F20	25	50 - 107
AR54557	1B23	38	20 - 17	AR54963	3B14	19	50 - 5B	AR55702	3F20	10	50 - 107
AR54558	1C20	14	20 - 37	AR54963	3E3	1	50 - 71	AR55772	5E4	9	70 - 73
AR54559	1C20	4	20 - 37	AR54983	3B22	29	50 - 13	AR55823	6H24	4	90 - 110
AR54591	1E19	1	30 - 24	AR54983	3D16	27	50 - 59	AR55824	3E13	3	50 - 81
AR54596	3B10	7	50 - 2	AR54984	3B25	1	50 - 16	AR55827	2C24	13	40 - 43
AR54596	3E7	7	50 - 75	AR54984	3G3	11	50 - 116	AR55827	2D2	6	40 - 43B
AR54598	6F12	22	90 - 43	AR54984	3G6	27	50 - 119	AR55828	2C24	19	40 - 43
AR54614	2B17	4	40 - 10	AR54990	2D23	4	40 - 57A	AR55829	2C24	18	40 - 43
AR54616	5C23	4	70 - 43	AR54991	2E1	15	40 - 57D	AR55830	2C24	10	40 - 43
AR54616	5E4	1	70 - 73	AR54992	2D23	7	40 - 57A	AR55831	2C24	5	40 - 43
AR54619	2B9	33	40 - 3	AR54993	2D23	9	40 - 57A	AR55831	2D2	13	40 - 43B
AR54619	2B11	31	40 - 5	AR54993	2D23	15	40 - 57A	AR55832	2C24	8	40 - 43
AR54623	6H21	6	90 - 107	AR54994	2D23	20	40 - 57A	AR55832	2D2	12	40 - 43B
AR54624	6H21	3	90 - 107	AR54996	2D24	1	40 - 57B	AR55833	2C24	14	40 - 43
AR54627	6F8	2	90 - 39	AR54997	2D25	4	40 - 57C	AR55834	2C24	11	40 - 43
AR54652	5C7	16A	70 - 25	AR55021	2G4	11	40 - 105	AR55834	2D2	4	40 - 43B
AR54659	3C25	16B	50 - 42	AR55023	3G1	9	50 - 114	AR55835	2C24	2	40 - 43
AR54659	3D1	22B	50 - 43	AR55081	5G19	7	70 - 137	AR55835	2D2	17	40 - 43B
AR54673	6G2	4	90 - 59	AR55083	6E4	5	90 - 11	AR55836	2C24	22	40 - 43
AR54675	6C19	23	80 - 41	AR55084	5D10	19A	70 - 55	AR55836	2D2	22	40 - 43B
AR54675	6C25	23	80 - 47	AR55086	5C17	10A	70 - 36	AR55837	2C24	18	40 - 43
AR54676	6C19	23	80 - 41	AR55087	3E1	4	50 - 69	AR55837	2D2	19	40 - 43B
AR54676	6C25	23	80 - 47	AR55087	3E2	4	50 - 70	AR55840	6G2	..	90 - 59
AR54677	3C14	13	50 - 30	AR55162	4B6	10	60 - 2	AR55866	1C19	7	20 - 36
AR54700	6H23	16	90 - 109	AR55186	5B11	4	70 - 5	AR55881	6G22	25	90 - 81
AR54728	2D2	29	40 - 43B	AR55212	6I11	6	90 - 124	AR55881	6H2	15	90 - 85
AR54728	3B11	8	50 - 3	AR55214	2B11	30	40 - 5	AR55882	6G22	27	90 - 81
AR54736	3G18	11	50 - 133	AR55214	6D22	17	90 - 4	AR55882	6H2	21	90 - 85
AR54749	1B7	4	20 - 2	AR55216	3E2	15	50 - 70	AR55883	3G21	9	50 - 137
AR54751	5C16	24	70 - 35	AR55216	3E2	20	50 - 70	AR55936	6F14	26B	90 - 45
AR54796	2C21	3	40 - 39	AR55282	6B24	20	80 - 21	AR55947	2D23	15	40 - 57A
AR54796	2C21	..	40 - 39	AR55289	4B5	6	60 - 1	AR55947	2D23	18	40 - 57A
AR54796	2C24	..	40 - 43	AR55304	5C23	39	70 - 43	AR55948	2E1	4	40 - 57D
AR54796	2D2	..	40 - 43B	AR55304	5E4	36	70 - 73	AR55949	2E1	13	40 - 57D
AR54799	5G18	8	70 - 135	AR55328	6H23	3	90 - 109	AR55949	2E2	15	40 - 58
AR54800	5G18	13	70 - 135	AR55330	5B13	4	70 - 7	AR55961	1D8	17	20 - 51
AR54801	5G18	18	70 - 135	AR55331	6E24	18	90 - 31	AR55973	6G2	7	90 - 59
AR54808	4B5	3	60 - 1	AR55331	6G6	20	90 - 63	AR55974	3G16	27	50 - 131
AR54808	4B25	3	60 - 21	AR55332	6E24	18	90 - 31	AR55975	3F6	19	50 - 95
AR54808	4C4	5	60 - 23B	AR55332	6G6	20	90 - 63	AR55986	6B11	15	80 - 7
AR54811	3G16	18	50 - 131	AR55332	1C24	6	20 - 41	AR56007	4B7	2	60 - 3
AR54812	3G16	19	50 - 131	AR55394	1C24	6	20 - 41	AR56010	2C22	10	40 - 41
AR54818	4B15	9	60 - 11	AR55423	3F3	19	50 - 92	AR56011	6C25	24	80 - 47
AR54819	4B15	10	60 - 11	AR55463	3G1	18	50 - 114	AR56011	6C19	24	80 - 41
AR54874	6C21	1	80 - 43	AR55487	1B15	9	20 - 11	AR56012	6C25	24	80 - 47
AR54874	6C23	1	80 - 45	AR55487	1E24	38	30 - 29	AR56012	6C25	24	80 - 47
AR54875	6C17	1	80 - 39	AR55487	1F2	32	30 - 31	AR56013	5F7	17	70 - 99
AR54875	6C23	1	80 - 45	AR55625	5D10	28	70 - 55	AR56014	5F7	31	70 - 99
AR54878	1C12	9	20 - 28	AR55626	5D14	27	70 - 59	AR56014	5E14	10A	70 - 83
AR54879	1C12	8	20 - 28	AR55638	2D3	6	40 - 44	AR56015	5E14	10B	70 - 83
AR54893	1F9	41	30 - 39	AR55638	2D11	..	40 - 52	AR56017	5E14	7	70 - 83
AR54894	6F2	3	90 - 33	AR55638	2D13	..	40 - 54A	AR56018	5E14	7	70 - 83
AR54896	6F2	5	90 - 33	AR55638	2D15	..	40 - 54C	AR56019	5E14	15	70 - 83
AR54897	6G10	15	90 - 67	AR55638	2D16	..	40 - 54D	AR56021	5E14	20	70 - 83
AR54904	1B13	13	20 - 8	AR55638	2D18	..	40 - 56A	AR56022	5E15	27	70 - 84
AR54905	1B13	7	20 - 8	AR55638	2E3	..	40 - 59	AR56023	5E15	3	70 - 84
AR54927	6D4	7	80 - 51	AR55646	6G24	8	90 - 83	AR56034	5E15	30	70 - 84
AR54944	5E5	4	70 - 74	AR55648	6G24	4	90 - 83	AR56055	3E14	7	50 - 82
AR54951	3F18	28	50 - 105	AR55649	2B25	9	40 - 19	AR56056	3E13	10	50 - 81
AR54956	3F18	5	50 - 105	AR55649	2C3	9	40 - 22	AR56056	3E14	16	50 - 82
AR54957	3F18	14	50 - 105	AR55649	2C6	9	40 - 25	AR56060	4B5	21	60 - 1
AR54958	6C23	24	80 - 45	AR55649	2C6	17	40 - 25	AR56060	4B6	21	60 - 2
				AR55655	3E8	9	50 - 76	AR56065	4B15	18	60 - 11

# 1J8

4230 TRACTOR

## NUMERICAL INDEX - CONTINUED

PART NO.	GRID	KEY	PAGE	PART NO.	GRID	KEY	PAGE	PART NO.	GRID	KEY	PAGE
AR56065	4C12	15	60 - 29	AR56671	2C4	10	40 - 23	AR56823	3E9	8	50 - 77
AR56065	4C14	19	60 - 31	AR56671	2C6	8	40 - 25	AR56919	3E11	22	50 - 79
AR56080	5C23	13	70 - 43	AR56671	2C8	13	40 - 27	AR56920	3E8	2	50 - 76
AR56080	5E4	2	70 - 73	AR56671	2C8	16	40 - 27	AR56920	3E9	22	50 - 77
AR56093	6G24	1	90 - 83	AR56672	5G19	3	70 - 137	AR56920	3E10	14	50 - 78
AR56104	4B5	16	60 - 1	AR56675	6I10	11	90 - 123	AR56922	3D14	28B	50 - 57
AR56105	3G9	10	50 - 123	AR56676	6G15	37	90 - 73	AR56949	2B17	4	40 - 10
AR56106	4C23	25	60 - 39	AR56678	6G15	11	90 - 73	AR56949	2B18	2	40 - 11
AR56106	4C25	48	60 - 39B	AR56680	6G15	7	90 - 73	AR56953	6G2	1	90 - 59
AR56107	3G9	16	50 - 123	AR56682	6G22	5	90 - 81	AR56987	2B10	5	40 - 4
AR56116	3B12	7	50 - 5	AR56683	6H7	1	90 - 91	AR56994	4D9	24	60 - 49
AR56120	5F20	17	70 - 111	AR56684	6H7	3	90 - 91	AR57019	4D4	9	60 - 43
AR56161	5B9	1	70 - 3	AR56685	1F11	34	30 - 41	AR57027	4B19	7	60 - 15
AR56161	5B11	..	70 - 5	AR56686	1F9	1	30 - 39	AR57083	3G16	9	50 - 131
AR56164	5E10	4	70 - 79	AR56687	2G4	23	40 - 105	AR57083	4B17	22	60 - 13
AR56167	6F4	1	90 - 35	AR56688	2G4	35	40 - 105	AR57084	3G16	15	50 - 131
AR56196	2B11	23	40 - 5	AR56690	2G4	24	40 - 105	AR57084	4B19	22	60 - 15
AR56197	2B11	23	40 - 5	AR56690	2G6	26	40 - 105B	AR57084	4C10	17	60 - 27
AR56198	2B11	26	40 - 5	AR56690	2G8	26	40 - 105D	AR57094	2D6	10	40 - 47
AR56199	2B10	7	40 - 4	AR56690	2G10	28	40 - 105F	AR57098	2B17	1	40 - 10
AR56199	2G2	18	40 - 103	AR56691	2B10	6	40 - 4	AR57098	2B18	9	40 - 11
AR56201	2B9	33	40 - 3	AR56691	2B10	7	40 - 4	AR57099	2B18	4	40 - 11
AR56202	2B9	32	40 - 3	AR56691	2G2	5	40 - 103	AR57112	3D14	6	50 - 57
AR56203	2B9	33	40 - 3	AR56691	2G2	18	40 - 103	AR57113	3D14	15	50 - 57
AR56203	2B9	35	40 - 3	AR56692	2G2	6	40 - 103	AR57115	3D14	28A	50 - 57
AR56203	2B11	31	40 - 5	AR56692	2G16	21	40 - 109	AR57156	2F9	15	40 - 86
AR56204	2B9	38	40 - 3	AR56694	2G2	7	40 - 103	AR57227	3G16	3	50 - 131
AR56205	2B8	6	40 - 2	AR56694	2G4	29	40 - 105	AR57228	2B10	8	40 - 4
AR56208	2B9	22	40 - 3	AR56694	2G6	33	40 - 105B	AR57228	2G2	12	40 - 103
AR56210	2B8	11	40 - 2	AR56694	2G8	33	40 - 105D	AR57228	2G4	26	40 - 105
AR56211	2B10	4	40 - 4	AR56694	2G10	35	40 - 105F	AR57228	6E1	4	90 - 8
AR56213	2B9	40	40 - 3	AR56694	2G16	20	40 - 109	AR57233	3H16	10	50 - 157
AR56213	2B11	..	40 - 5	AR56697	6G22	32	90 - 81	AR57235	6F2	11	90 - 33
AR56213	2B25	6	40 - 19	AR56699	6E1	10	90 - 8	AR57235	6F8	6	90 - 39
AR56213	2C6	..	40 - 25	AR56700	5C7	41	70 - 25	AR57235	6G2	11	90 - 59
AR56230	3C25	16A	50 - 42	AR56701	3H16	4	50 - 157	AR57236	3H16	18	50 - 157
AR56230	3D1	22A	50 - 43	AR56728	2C19	1	40 - 37	AR57241	1C5	14	20 - 24
AR56275	6D4	7	80 - 51	AR56728	2C19	..	40 - 37	AR57253	1E24	44	30 - 29
AR56288	6I11	6	90 - 124	AR56728	2C21	3	40 - 39	AR57254	1E24	23	30 - 29
AR56611	3H16	14	50 - 157	AR56728	2C21	..	40 - 39	AR57255	1E24	25	30 - 29
AR56611	3H21	26	50 - 163	AR56728	2C24	..	40 - 43	AR57256	1E24	22	30 - 29
AR56612	3H16	2	50 - 157	AR56728	2D2	29	40 - 43B	AR57257	1E24	21	30 - 29
AR56614	1E12	17	30 - 17	AR56728	2D2	..	40 - 43B	AR57258	1E24	20	30 - 29
AR56614	1E14	19	30 - 19	AR56758	6G6	31	90 - 63	AR57259	1E24	10	30 - 29
AR56614	2B8	13	40 - 2	AR56766	2B9	25	40 - 3	AR57260	1E24	9	30 - 29
AR56615	4B15	20	60 - 11	AR56766	2F2	12	40 - 83	AR57262	1E24	8	30 - 29
AR56615	4C12	17	60 - 29	AR56767	4D4	27	60 - 43	AR57263	1E24	29	30 - 29
AR56615	4C14	21	60 - 31	AR56768	5D8	8	70 - 53	AR57264	1E17	12	30 - 22
AR56615	5C17	23	70 - 36	AR56773	4B17	23	60 - 13	AR57265	1E17	1	30 - 22
AR56615	5C18	15	70 - 37	AR56773	4B19	23	60 - 15	AR58028	3D8	25	50 - 51
AR56622	6I8	8	90 - 121	AR56773	4D4	28	60 - 43	AR58126	2B9	26	40 - 3
AR56638	2D20	..	40 - 56C	AR56773	5C7	35	70 - 25	AR58126	2F2	10	40 - 83
AR56639	1C20	6	20 - 37	AR56774	2F15	20	40 - 90	AR58147	6D25	34	90 - 7
AR56646	3G16	15	50 - 131	AR56776	4B19	2	60 - 15	AR58148	6D25	31	90 - 7
AR56646	4B17	22	60 - 13	AR56783	1E4	15	30 - 12	AR58152	6D25	11	90 - 7
AR56646	4B19	22	60 - 15	AR56795	3H16	8	50 - 157	AR58153	6E4	9	90 - 11
AR56646	4C10	17	60 - 27	AR56797	3H19	3	50 - 161	AR58159	3H16	7	50 - 157
AR56660	4B17	12	60 - 13	AR56798	3H19	6	50 - 161	AR58162	5C17	19	70 - 36
AR56660	4B19	8	60 - 15	AR56813	4D4	3	60 - 43	AR58162	5C18	10	70 - 37
AR56662	4B19	4	60 - 15	AR56814	4D4	13	60 - 43	AR58170	2B25	10	40 - 19
AR56666	4B17	7	60 - 13	AR56815	4D4	18A	60 - 43	AR58170	2C6	10	40 - 25
AR56667	4B17	4	60 - 13	AR56816	4D2	16	60 - 41	AR58183	1F11	25	30 - 41
AR56668	2B11	25	40 - 5	AR56817	4D2	12	60 - 41	AR58184	3G14	12	50 - 129
AR56669	2E24	3	40 - 80	AR56819	4D2	16	60 - 41	AR58184	3G16	5	50 - 131
AR56670	2B10	13	40 - 4	AR56820	4D2	12	60 - 41	AR58184	3H11	19	50 - 152A
AR56670	2E24	6	40 - 80	AR56821	4D2	15	60 - 41	AR58184	3H21	20	50 - 163
AR56671	2B25	8	40 - 19	AR56822	4D5	12	60 - 45	AR58186	6D6	7	80 - 53

# 1J9

4230 TRACTOR

## NUMERICAL INDEX - CONTINUED

PART NO.	GRID	KEY	PAGE	PART NO.	GRID	KEY	PAGE	PART NO.	GRID	KEY	PAGE
AR58200	6C10	4	80 - 31	AR58904	3F22	30	50 - 109	AR60030	6F14	22	90 - 45
AR58201	6C10	2	80 - 31	AR58935	3F18	23	50 - 105	AR60051	2G4	25	40 - 105
AR58230	3G16	17	50 - 131	AR58937	3F18	19	50 - 105	AR60051	2G4	..	40 - 105
AR58231	2B9	21	40 - 3	AR58952	1C24	7	20 - 41	AR60052	2F18	16	40 - 94
AR58231	2F4	22	40 - 85	AR58952	1D14	11	20 - 57	AR60053	2F13	26	40 - 88
AR58233	1B9	4	20 - 3	AR58979	1E24	44	30 - 29	AR60054	2F13	16	40 - 88
AR58233	2B8	18	40 - 2	AR58984	1B9	18	20 - 3	AR60082	3B11	13	50 - 3
AR58234	1B19	17	20 - 15	AR58986	1B23	37	20 - 17	AR60085	2D3	6	40 - 44
AR58234	1B23	29	20 - 17	AR59026	5D10	55	70 - 55	AR60085	2D3	..	40 - 44
AR58234	2B8	15	40 - 2	AR59115	1E24	41	30 - 29	AR60085	2D6	..	40 - 47
AR58236	5D10	18A	70 - 55	AR59115	1F2	35	30 - 31	AR60085	2D8	..	40 - 49
AR58242	6G15	45	90 - 73	AR59139	1E17	6A	30 - 22	AR60085	2D10	..	40 - 51
AR58274	3H16	5	50 - 157	AR59144	6B7	5	80 - 3	AR60095	1E15	1	30 - 20
AR58276	1E14	1A	30 - 19	AR59158	3B10	13	50 - 2	AR60250	2B10	3	40 - 4
AR58277	6D25	2	90 - 7	AR59158	3E7	10	50 - 75	AR60250	2E10	28	40 - 65
AR58278	6D25	52	90 - 7	AR59188	6B6	5	80 - 2	AR60250	2E12	28	40 - 67
AR58279	6D25	54	90 - 7	AR59189	6B6	5	80 - 2	AR60251	2B9	37	40 - 3
AR58280	6D25	47	90 - 7	AR59190	6B6	5	80 - 2	AR60251	2E8	8	40 - 63
AR58281	6D25	51	90 - 7	AR59194	6B11	10	80 - 7	AR60251	6F8	3	90 - 39
AR58282	6D25	1	90 - 7	AR59195	6B11	10	80 - 7	AR60292	1C5	9	20 - 24
AR58283	6D22	10	90 - 4	AR59198	6B11	10	80 - 7	AR60293	1C5	9	20 - 24
AR58285	6D22	3	90 - 4	AR59199	6B11	10	80 - 7	AR60331	5D14	6	70 - 59
AR58286	6D22	5	90 - 4	AR59212	6B11	10	80 - 7	AR60372	5E11	11	70 - 80
AR58287	6D22	1	90 - 4	AR59213	6B11	10	80 - 7	AR60372	5E12	10	70 - 81
AR58287	6D23	1	90 - 5	AR59220	6B5	3	80 - 1	AR60379	5F7	7	70 - 99
AR58288	3G16	6	50 - 131	AR59237	3E9	..	50 - 77	AR60379	5F9	7	70 - 101
AR58337	4B15	18	60 - 11	AR59237	3E10	..	50 - 78	AR60380	5F9	8	70 - 101
AR58338	6H13	13	90 - 97	AR59237	3E11	..	50 - 79	AR60383	1E21	29	30 - 26
AR58357	6C12	12	80 - 33	AR59248	6B6	5	80 - 2	AR60383	1E21	..	30 - 26
AR58396	6G15	18A	90 - 73	AR59249	6B11	10	80 - 7	AR60383	1E22	13	30 - 27
AR58397	6G6	5	90 - 63	AR59250	6B11	10	80 - 7	AR60383	1E22	..	30 - 27
AR58397	6G6	27	90 - 63	AR59280	4C25	50	60 - 39B	AR60513	2B9	23	40 - 3
AR58431	3D2	13	50 - 44	AR59285	5C13	27	70 - 31	AR60513	6110	10	90 - 123
AR58431	3D8	3	50 - 51	AR59286	5C13	31	70 - 31	AR60514	2B9	23	40 - 3
AR58468	3G20	20	50 - 136	AR59444	2G4	13	40 - 105	AR60514	6110	10	90 - 123
AR58470	3G23	21	50 - 139	AR59444	2G10	16	40 - 105F	AR60515	2B9	23	40 - 3
AR58478	3B10	19	50 - 2	AR59444	2G10	18	40 - 105F	AR60515	6110	10	90 - 123
AR58478	3E7	33	50 - 75	AR59619	3E20	12	50 - 86	AR60518	6D4	20	80 - 51
AR58482	6D25	5	90 - 7	AR59627	2F13	1	40 - 88	AR60519	3F12	15	50 - 101
AR58511	4B6	7	60 - 2	AR59638	6G15	4	90 - 73	AR60556	6G13	14	90 - 71
AR58512	4B23	8	60 - 19	AR59651	1E20	35	30 - 25	AR60557	2F13	24	40 - 88
AR58512	4C18	9	60 - 35	AR59659	1F9	12	30 - 39	AR60608	1C5	9	20 - 24
AR58573	1C17	3	20 - 34	AR59676	6F10	1	90 - 41	AR60623	6F8	2	90 - 39
AR58574	4D5	11	60 - 45	AR59677	6F10	2	90 - 41	AR60641	3D14	39	50 - 57
AR58576	5C17	8	70 - 36	AR59678	6F10	5	90 - 41	AR60653	6E1	21	90 - 8
AR58577	4D5	5	60 - 45	AR59679	6F10	1	90 - 41	AR60873	3E7	36	50 - 75
AR58652	5C9	3	70 - 27	AR59680	6F10	2	90 - 41	AR60876	6110	16	90 - 123
AR58652	5G18	11	70 - 135	AR59681	6F10	5	90 - 41	AR60937	2F2	7	40 - 83
AR58652	6F2	14	90 - 33	AR59697	6D1	4	80 - 48	AR60944	5F1	18	70 - 93
AR58652	6F8	4	90 - 39	AR59698	6D1	4	80 - 48	AR60947	5E15	9	70 - 84
AR58652	6F10	3	90 - 41	AR59779	2B10	10	40 - 4	AR60948	2B11	27	40 - 5
AR58652	6G2	12	90 - 59	AR59779	6D25	12	90 - 7	AR61049	4D9	28	60 - 49
AR58652	6G8	10	90 - 65	AR59779	6E1	5	90 - 8	AR61142	3B20	7	50 - 11
AR58652	6H9	6	90 - 93	AR59779	6E2	4	90 - 9	AR61146	3B14	25	50 - 5B
AR58652	6I5	31	90 - 117	AR59780	6D25	37	90 - 7	AR61186	5C20	8	70 - 39
AR58652	6I8	1	90 - 121	AR59781	6D25	36	90 - 7	AR61194	6I17	3	90 - 130
AR58652	6I8	21	90 - 121	AR59786	6D22	16	90 - 4	AR61194	6I18	1	90 - 131
AR58652	6I11	2	90 - 124	AR59787	6D22	25	90 - 4	AR61215	3D16	18	50 - 59
AR58652	6I11	10	90 - 124	AR59805	6I8	15	90 - 121	AR61216	3D16	18	50 - 59
AR58652	6I13	5	90 - 126	AR59872	6G6	4	90 - 63	AR61217	3D16	3	50 - 59
AR58654	6I10	26	90 - 123	AR59872	6G6	38	90 - 63	AR61222	6E4	15	90 - 11
AR58655	6I6	3	90 - 119	AR59977	2B11	15	40 - 5	AR61223	6F2	12	90 - 33
AR58663	4D5	9	60 - 45	AR59977	2E25	8	40 - 81	AR61224	6F2	18	90 - 33
AR58690	3G9	4	50 - 123	AR60011	2B18	2	40 - 11	AR61225	6G2	14	90 - 59
AR58704	1B21	1	20 - 15B	AR60012	2B17	1	40 - 10	AR61290	3D16	10	50 - 59
AR58752	4B21	6	60 - 17	AR60012	2B18	9	40 - 11	AR61298	2E13	8	40 - 69
AR58770	1C13	8	20 - 29	AR60029	6F14	14	90 - 45	AR61325	2B11	21	40 - 5

# 1J10

4230 TRACTOR

## NUMERICAL INDEX - CONTINUED

PART NO.	GRID	KEY	PAGE	PART NO.	GRID	KEY	PAGE	PART NO.	GRID	KEY	PAGE
AR61325	2E12	33	40 - 67	AR61987	2C2	23	40 - 21	AR62308	1D22	17	30 - 3
AR61326	2B11	24	40 - 5	AR62010	2B9	33	40 - 3	AR62311	6I10	16	90 - 123
AR61326	2E12	33	40 - 67	AR62011	2B9	33	40 - 3	AR62322	1D20	..	30 - 1
AR61417	2E13	16	40 - 69	AR62011	2B11	31	40 - 5	AR62359	2G21	1	40 - 115
AR61423	2E13	16	40 - 69	AR62037	3H18	2	50 - 159	AR62360	2G18	1	40 - 111
AR61507	5C20	1A	70 - 39	AR62037	3H18	21	50 - 159	AR62377	1D20	..	30 - 1
AR61507	5C21	1A	70 - 41	AR62038	3H18	1	50 - 159	AR62395	2C24	18	40 - 43
AR61508	5C20	5A	70 - 39	AR62038	3H18	22	50 - 159	AR62399	1C25	5	20 - 43
AR61508	5C21	5A	70 - 41	AR62054	5C8	5	70 - 26	AR62406	2F4	6	40 - 85
AR61509	6G6	34	90 - 63	AR62064	3B14	16	50 - 5B	AR62407	2F4	1	40 - 85
AR61533	1B23	34	20 - 17	AR62066	3C25	15	50 - 42	AR62407	2F4	6	40 - 85
AR61550	3C13	27	50 - 29	AR62069	3C25	10	50 - 42	AR62408	2F4	11	40 - 85
AR61550	3C14	4	50 - 30	AR62072	2C2	8	40 - 21	AR62409	2F4	12	40 - 85
AR61551	3C17	12	50 - 33	AR62147	3H16	1	50 - 157	AR62410	2F4	13	40 - 85
AR61572	3B18	21	50 - 9	AR62149	5E10	13	70 - 79	AR62411	2F4	10	40 - 85
AR61589	1B23	32	20 - 17	AR62151	5E14	11	70 - 83	AR62412	2F4	9	40 - 85
AR61600	1C13	8	20 - 29	AR62151	5E14	25	70 - 83	AR62413	2F4	2	40 - 85
AR61601	1C13	7	20 - 29	AR62151	5E15	5	70 - 84	AR62414	2F4	5	40 - 85
AR61608	2F18	1	40 - 94	AR62151	5E16	12	70 - 85	AR62483	1E6	26	30 - 14
AR61608	2F18	4	40 - 94	AR62151	5E18	22	70 - 87	AR62492	1C25	8	20 - 43
AR61609	3E13	7	50 - 81	AR62151	5E20	17	70 - 89	AR62497	6E6	7	90 - 13
AR61610	2B9	28	40 - 3	AR62151	5E22	7	70 - 91	AR62559	2B10	12	40 - 4
AR61610	3D22	7	50 - 65	AR62151	5F3	25	70 - 95	AR62598	6I8	16	90 - 121
AR61610	3E15	7	50 - 83	AR62151	5F5	33	70 - 97	AR62686	6E17	2	90 - 25
AR61610	3E17	8	50 - 85	AR62152	5E10	2	70 - 79	AR62686	6E17	14	90 - 25
AR61610	3E19	42	50 - 85B	AR62155	2B21	9	40 - 15	AR62698	2B23	21	40 - 17
AR61614	4B19	3	60 - 15	AR62172	2B10	14	40 - 4	AR62933	1D7	3	20 - 50
AR61643	6D22	25	90 - 4	AR62172	2F18	..	40 - 94	AR62933	1D7	5	20 - 50
AR61644	6D22	16	90 - 4	AR62173	2B10	14	40 - 4	AR62934	1D8	8	20 - 51
AR61645	2B11	15	40 - 5	AR62173	2F18	..	40 - 94	AR62935	1D7	4	20 - 50
AR61645	2E25	1	40 - 81	AR62216	3H19	16	50 - 161	AR62936	1D25	1	30 - 7
AR61656	5F5	26	70 - 97	AR62238	2B20	11	40 - 14	AR62938	3D16	12	50 - 59
AR61659	5E18	9	70 - 87	AR62238	2B21	13	40 - 15	AR62939	3D16	12	50 - 59
AR61662	5C9	12	70 - 27	AR62258	3C25	8	50 - 42	AR62963	2D13	36	40 - 54A
AR61680	3E1	3	50 - 69	AR62258	3D1	7	50 - 43	AR62964	2D13	34	40 - 54A
AR61680	3E2	3	50 - 70	AR62259	3C25	8	50 - 42	AR62964	2D18	25	40 - 56A
AR61861	2B25	11	40 - 19	AR62259	3D1	7	50 - 43	AR62965	2D6	3	40 - 47
AR61861	2C3	14	40 - 22	AR62260	2F9	..	40 - 86	AR62966	2D6	18	40 - 47
AR61861	2C4	13	40 - 23	AR62264	6I13	2	90 - 126	AR62967	2D6	6	40 - 47
AR61861	2C8	12	40 - 27	AR62265	6I13	2	90 - 126	AR62973	6I5	4	90 - 117
AR61880	1D2	25	20 - 45	AR62267	2D3	6	40 - 44	AR63095	1C5	13	20 - 24
AR61882	1D2	25	20 - 45	AR62267	2D3	..	40 - 44	AR63095	1C16	6	20 - 32
AR61883	1D2	25	20 - 45	AR62267	2D11	..	40 - 52	AR63193	1C1	3	20 - 20
AR61885	5C9	4	70 - 27	AR62267	2D13	..	40 - 54A	AR63196	4B17	3	60 - 13
AR61887	5C8	5	70 - 26	AR62267	2D15	..	40 - 54C	AR63197	4B17	2	60 - 13
AR61900	3D14	2	50 - 57	AR62267	2D16	..	40 - 54D	AR63210	3H18	34	50 - 159
AR61901	3D14	2	50 - 57	AR62267	2D18	..	40 - 56A	AR63218	1B6	1	20 - 1
AR61903	1F14	1	30 - 45	AR62267	2D20	..	40 - 56C	AR63219	1B6	1	20 - 1
AR61903	6E4	7	90 - 11	AR62267	2E3	..	40 - 59	AR63222	1B6	1	20 - 1
AR61917	3B14	8	50 - 5B	AR62268	6I13	2	90 - 126	AR63254	6D21	13	90 - 3
AR61920	3E1	2	50 - 69	AR62269	6I13	2	90 - 126	AR63255	6D21	11	90 - 3
AR61920	3E2	2	50 - 70	AR62271	6D4	7	80 - 51	AR63258	4B25	14	60 - 21
AR61933	2B9	22	40 - 3	AR62273	1E5	9	30 - 13	AR63258	4C4	3	60 - 23B
AR61933	2B20	1	40 - 14	AR62274	6I12	5	90 - 125	AR63259	4B25	18	60 - 21
AR61933	2B21	1	40 - 15	AR62275	6F8	2	90 - 39	AR63259	4C1	17	60 - 22
AR61934	2B23	26	40 - 17	AR62276	6F8	2	90 - 39	AR63259	4C4	3	60 - 23B
AR61936	2B23	12	40 - 17	AR62278	6I8	20	90 - 121	AR63271	1B23	28	20 - 17
AR61938	5G16	25	70 - 133	AR62287	2B10	14	40 - 4	AR63280	1B14	2	20 - 10
AR61938	5G16	34	70 - 133	AR62287	2F18	..	40 - 94	AR63280	1B15	4	20 - 11
AR61941	3D14	20	50 - 57	AR62288	2B10	14	40 - 4	AR63293	1E21	5	30 - 26
AR61942	3D14	12	50 - 57	AR62288	2F18	..	40 - 94	AR63294	1E21	23	30 - 26
AR61970	2B9	29	40 - 3	AR62294	2G12	9	40 - 107	AR63295	1E21	9	30 - 26
AR61970	3D22	12	50 - 65	AR62294	2G14	9	40 - 107B	AR63308	3B22	4	50 - 13
AR61970	3E13	1	50 - 81	AR62296	2G12	25	40 - 107	AR63309	3B22	4	50 - 13
AR61973	1E24	3	30 - 29	AR62297	5F13	3	70 - 105	AR63321	5C7	32	70 - 25
AR61984	2B20	5	40 - 14	AR62297	5F13	7	70 - 105	AR63322	3E20	7	50 - 86
AR61984	2B21	5	40 - 15	AR62298	5F13	18	70 - 105	AR63326	4C16	9	60 - 33

# 1J11

4230 TRACTOR

## NUMERICAL INDEX - CONTINUED

PART NO.	GRID	KEY	PAGE	PART NO.	GRID	KEY	PAGE	PART NO.	GRID	KEY	PAGE
AR63333	3E5	4	50 - 73	AR64094	4D4	28	60 - 43	AR65230	3C17	6	50 - 33
AR63334	3B9	2	50 - 1	AR64094	5C7	35	70 - 25	AR65234	3D6	7	50 - 49
AR63366	3F8	4	50 - 97	AR64096	5C17	10A	70 - 36	AR65235	1C15	1	20 - 31
AR63366	3G4	13	50 - 117	AR64096	5C17	10B	70 - 36	AR65236	1C15	1	20 - 31
AR63366	3G8	7	50 - 121	AR64120	1E15	10	30 - 20	AR65237	1C15	1	20 - 31
AR63367	3B25	1	50 - 16	AR64346	6C25	1	80 - 47	AR65238	1C15	1	20 - 31
AR63367	3G3	11	50 - 116	AR64347	6C25	1	80 - 47	AR65239	1C15	1	20 - 31
AR63367	3G6	27	50 - 119	AR64348	6C25	15	80 - 47	AR65240	1C15	1	20 - 31
AR63369	3C1	1	50 - 17	AR64349	6C25	15	80 - 47	AR65345	1D23	13	30 - 5
AR63369	3G3	11	50 - 116	AR64422	2F1	17	40 - 82	AR65370	2C2	33	40 - 21
AR63369	3G6	27	50 - 119	AR64571	6C10	12	80 - 31	AR65371	2B23	26	40 - 17
AR63570	6I11	6	90 - 124	AR64572	6C10	15	80 - 31	AR65372	2B20	9	40 - 14
AR63571	6I11	6	90 - 124	AR64604	5D16	26	70 - 61	AR65383	5E12	6	70 - 81
AR63586	6D12	21	80 - 57	AR64606	5D16	24	70 - 61	AR65384	5E12	6	70 - 81
AR63587	6B18	18	80 - 15	AR64634	3H18	3	50 - 159	AR65459	6D1	11	80 - 48
AR63588	6B16	9	80 - 13	AR64705	4C6	21	60 - 25	AR65493	3C21	20	50 - 37
AR63590	6B18	9	80 - 15	AR64845	5E12	..	70 - 81	AR65501	1C13	8	20 - 29
AR63591	6B16	18	80 - 13	AR64899	2B18	4	40 - 11	AR65502	1C13	7	20 - 29
AR63592	6B16	18	80 - 13	AR64904	3D6	1	50 - 49	AR65507	1C13	8	20 - 29
AR63593	6B16	18	80 - 13	AR64906	3D6	3	50 - 49	AR65507	1C13	10	20 - 29
AR63663	1D2	25	20 - 45	AR64908	6I6	3	90 - 119	AR65507	1D14	28	20 - 57
AR63790	3G2	14	50 - 115	AR64909	3D1	8	50 - 43	AR65533	3B14	21	50 - 5B
AR63790	3G20	3	50 - 136	AR64910	3D1	16	50 - 43	AR65533	3C13	22	50 - 29
AR63866	2B16	..	40 - 9A	AR64913	3D1	21	50 - 43	AR65602	1C13	8	20 - 29
AR63867	2B9	33	40 - 3	AR64914	3D5	3	50 - 48	AR65636	2F18	4	40 - 94
AR63867	2B9	35	40 - 3	AR64943	3C3	28	50 - 19	AR65656	3C13	8	50 - 29
AR63867	2B16	..	40 - 9A	AR64943	3C5	31	50 - 21	AR65750	6D22	5	90 - 4
AR63868	2B9	33	40 - 3	AR64961	4C18	4	60 - 35	AR65752	6D22	25	90 - 4
AR63868	2B9	35	40 - 3	AR64967	6B5	3	80 - 1	AR65752	6D23	22	90 - 5
AR63868	2B16	..	40 - 9A	AR64992	2B10	8	40 - 4	AR65754	6D25	36	90 - 7
AR63869	2B16	..	40 - 9A	AR64992	2G2	12	40 - 103	AR65755	6D25	54	90 - 7
AR63870	2B9	33	40 - 3	AR64992	2G4	26	40 - 105	AR65756	6D25	47	90 - 7
AR63870	2B9	35	40 - 3	AR64992	2G6	28	40 - 105B	AR65796	1E24	3	30 - 29
AR63870	2B11	31	40 - 5	AR64992	2G8	28	40 - 105D	AR65796	1F2	19	30 - 31
AR63870	2B16	..	40 - 9A	AR64992	2G10	30	40 - 105F	AR65849	5F24	1	70 - 116
AR63870	2B20	2	40 - 14	AR64992	2G16	7	40 - 109	AR65883	6F12	26	90 - 43
AR63870	2B21	2	40 - 15	AR64992	6E1	4	90 - 8	AR66028	6E6	1	90 - 13
AR63871	2B9	33	40 - 3	AR64992	6E2	3	90 - 9	AR66272	6I5	4	90 - 117
AR63871	2B9	35	40 - 3	AR65005	2H6	1	40 - 125	AR66346	5C7	2	70 - 25
AR63871	2B16	..	40 - 9A	AR65006	2H6	2	40 - 125	AR66346	5C7	16A	70 - 25
AR63871	2B20	2	40 - 14	AR65022	6C25	15	80 - 47	AR66346	5C7	16B	70 - 25
AR63871	2B21	2	40 - 15	AR65023	6C19	15	80 - 41	AR66459	1C13	8	20 - 29
AR63872	2B16	..	40 - 9A	AR65023	6C25	15	80 - 47	AR66575	5G16	22	70 - 133
AR63887	1E12	1	30 - 17	AR65024	6C25	1	80 - 47	AR66749	4C20	5	60 - 37
AR63887	1E14	8	30 - 19	AR65024	6C25	..	80 - 47	AR66778	2D23	20	40 - 57A
AR63906	5C7	6	70 - 25	AR65025	6C19	1	80 - 41	AR66778	2D25	1	40 - 57C
AR63929	3H6	21	50 - 147	AR65025	6C19	..	80 - 41	AR66778	2D25	2	40 - 57C
AR63929	6B13	..	80 - 9	AR65025	6C25	1	80 - 47	AR66778	2D25	3	40 - 57C
AR63930	3H7	9	50 - 149	AR65025	6C25	..	80 - 47	AR66792	6E19	3	90 - 27
AR63934	1B25	1	20 - 19	AR65043	6C25	15	80 - 47	AR66805	4D2	16	60 - 41
AR63935	1B19	..	20 - 15	AR65044	6C19	15	80 - 41	AR66837	3G16	19	50 - 131
AR63938	1D14	30	20 - 57	AR65044	6C25	15	80 - 47	AR66847	3B22	4	50 - 13
AR63939	1D12	36	20 - 55	AR65045	3D16	1	50 - 59	AR66962	3F18	19	50 - 105
AR63940	1C13	8	20 - 29	AR65048	6I1	7	90 - 113	AR66963	3F18	23	50 - 105
AR63940	1D14	29	20 - 57	AR65051	6E14	..	90 - 21	AR67011	3B16	10	50 - 7
AR63943	2D6	21	40 - 47	AR65051	6E14	..	90 - 21	AR67011	5C17	10C	70 - 36
AR63976	3G22	14	50 - 138	AR65052	6E14	..	90 - 21	AR67030	3E9	15	50 - 77
AR63977	3G22	14	50 - 138	AR65052	6E14	..	90 - 21	AR67044	3H16	10	50 - 157
AR63979	1B6	1	20 - 1	AR65061	4B6	10	60 - 2	AR67046	3H16	7	50 - 157
AR64000	3F6	9	50 - 95	AR65063	3D5	4	50 - 48	AR67339	2B9	22	40 - 3
AR64075	1D5	1	20 - 48	AR65077	6C10	9	80 - 31	AR67340	2F1	12	40 - 82
AR64090	6E14	43	90 - 21	AR65131	3B14	19	50 - 5B	AR67341	2F1	15	40 - 82
AR64090	6E14	45	90 - 21	AR65205	3B9	2	50 - 1	AR67342	2B9	22	40 - 3
AR64091	6E14	45	90 - 21	AR65210	4B6	21	60 - 2	AR67389	5H5	11	70 - 148
AR64094	4B17	23	60 - 13	AR65211	4C1	14	60 - 22	AR67398	2F1	17	40 - 82
AR64094	4B19	23	60 - 15	AR65229	3D8	25	50 - 51	AR67467	1C19	13	20 - 36
AR64094	4C10	18	60 - 27	AR65229	3D10	25	50 - 53	AR67473	4B21	6	60 - 17



# 1J12

4230 TRACTOR

## NUMERICAL INDEX - CONTINUED

PART NO.	GRID	KEY	PAGE	PART NO.	GRID	KEY	PAGE	PART NO.	GRID	KEY	PAGE
AR67548	6E19	19	90 - 27	AR68017	2B16	5	40 - 9A	AR68973	6E6	11	90 - 13
AR67562	4C12	22	60 - 29	AR68019	1E7	..	30 - 15	AR68974	6E6	10	90 - 13
AR67562	4C14	17	60 - 31	AR68019	2B16	5	40 - 9A	AR69003	6G2	..	90 - 59
AR67564	4C2	14	60 - 23	AR68023	2B9	33	40 - 3	AR69011	6E6	5	90 - 13
AR67564	4C4	31	60 - 23B	AR68023	2B9	35	40 - 3	AR69012	6E6	8	90 - 13
AR67565	4C10	1	60 - 27	AR68023	2B11	31	40 - 5	AR69080	1D6	9	20 - 49
AR67566	4C10	2	60 - 27	AR68071	5E10	..	70 - 79	AR69107	2B18	4	40 - 11
AR67571	4C12	21	60 - 29	AR68071	5E11	..	70 - 80	AR69108	1C20	4	20 - 37
AR67571	4C14	16A	60 - 31	AR68071	5E12	..	70 - 81	AR69154	3C3	11	50 - 19
AR67572	4C12	12	60 - 29	AR68072	4D5	10B	60 - 45	AR69154	3C7	11	50 - 23
AR67572	4C14	11	60 - 31	AR68072	5C18	19B	70 - 37	AR69238	2B18	9	40 - 11
AR67573	4C12	11	60 - 29	AR68094	1C5	4	20 - 24	AR69240	6F14	26A	90 - 45
AR67573	4C14	10	60 - 31	AR68114	5D16	22	70 - 61	AR69265	3F18	14	50 - 105
AR67574	4C12	10	60 - 29	AR68145	5G23	24	70 - 141	AR69266	6F14	22	90 - 45
AR67574	4C14	9	60 - 31	AR68145	5H2	24	70 - 145	AR69268	3D22	13	50 - 65
AR67575	4C12	13	60 - 29	AR68145	5H8	13	70 - 150A	AR69269	2C24	14	40 - 43
AR67575	4C14	12	60 - 31	AR68145	5H9	14	70 - 151	AR69270	1B14	2	20 - 10
AR67586	5C7	32	70 - 25	AR68181	1E17	11	30 - 22	AR69272	6F14	16	90 - 45
AR67586	5C7	33	70 - 25	AR68183	1E12	1	30 - 17	AR69313	5E14	7	70 - 83
AR67640	1C5	9	20 - 24	AR68183	1E14	8	30 - 19	AR69314	5E14	7	70 - 83
AR67668	3G18	11	50 - 133	AR68183	1E17	6B	30 - 22	AR69317	5E12	4	70 - 81
AR67669	3G18	11	50 - 133	AR68190	5D16	16	70 - 61	AR69317	5E12	6	70 - 81
AR67679	5C7	10B	70 - 25	AR68304	2D6	32	40 - 47	AR69317	5E14	4	70 - 83
AR67690	2F1	9	40 - 82	AR68304	2D10	1	40 - 51	AR69317	5E14	7	70 - 83
AR67710	3B11	2	50 - 3	AR68304	2D10	11	40 - 51	AR69323	6B11	15	80 - 7
AR67718	5B19	25	70 - 13	AR68304	2D10	..	40 - 51	AR69356	2B11	..	40 - 5
AR67720	5B19	25	70 - 13	AR68309	1C19	13	20 - 36	AR69370	2G2	10	40 - 103
AR67778	4D9	28	60 - 49	AR68313	1C20	4	20 - 37	AR69370	2G4	28	40 - 105
AR67781	4D9	24	60 - 49	AR68361	2F9	15	40 - 86	AR69370	2G6	30	40 - 105B
AR67783	4B7	11	60 - 3	AR68391	3C14	13	50 - 30	AR69370	2G8	30	40 - 105D
AR67783	4B8	3	60 - 4	AR68392	3C17	6	50 - 33	AR69370	2G10	32	40 - 105F
AR67783	4B8	13	60 - 4	AR68408	6D4	7	80 - 51	AR69370	2G16	14	40 - 109
AR67783	4B13	6	60 - 9	AR68411	4C6	20	60 - 25	AR69370	6E1	16	90 - 8
AR67783	4B13	28	60 - 9	AR68430	2D23	9	40 - 57A	AR69370	6E2	13	90 - 9
AR67783	4B13	29	60 - 9	AR68430	2D23	15	40 - 57A	AR69444	5B7	1	70 - 1
AR67784	6G15	18A	90 - 73	AR68436	3E17	37	50 - 85	AR69445	5B7	1	70 - 1
AR67823	2F1	16	40 - 82	AR68437	3E17	37	50 - 85	AR69585	2F16	18	40 - 91
AR67827	2D23	9	40 - 57A	AR68439	5C21	6	70 - 41	AR69588	2F13	10	40 - 88
AR67827	2D23	15	40 - 57A	AR68492	1E6	26	30 - 14	AR69588	2F16	3	40 - 91
AR67849	5D12	15	70 - 57	AR68492	1E10	11	30 - 15D	AR69589	2F13	24	40 - 88
AR67850	5D12	14	70 - 57	AR68499	1E7	..	30 - 15	AR69610	3E24	9	50 - 88
AR67853	5C18	5	70 - 37	AR68499	2B16	5	40 - 9A	AR69610	3E25	12	50 - 89
AR67855	2F8	14	40 - 85D	AR68501	2F13	1	40 - 88	AR69610	3F1	8	50 - 90
AR67855	2F18	7	40 - 94	AR68505	6I5	4	90 - 117	AR69610	3F2	4	50 - 91
AR67855	2G12	8	40 - 107	AR68524	3G20	2	50 - 136	AR69611	3E11	3	50 - 79
AR67855	2G14	8	40 - 107B	AR68649	2F9	..	40 - 86	AR69611	3E24	26	50 - 88
AR67855	2G16	9	40 - 109	AR68651	4B7	17	60 - 3	AR69672	4C6	5	60 - 25
AR67855	2G25	9	40 - 119	AR68651	4B7	19	60 - 3	AR69697	6E1	10	90 - 8
AR67855	2H2	2	40 - 121	AR68652	4B7	17	60 - 3	AR69761	6F10	5	90 - 41
AR67880	5E16	13	70 - 85	AR68727	6F14	26B	90 - 45	AR69793	5D20	7	70 - 65
AR67881	5E15	4	70 - 84	AR68728	6F12	26	90 - 43	AR69793	5D22	8	70 - 67
AR67881	5E18	21	70 - 87	AR68735	3D2	13	50 - 44	AR69793	5D24	26	70 - 69
AR67882	4C6	6	60 - 25	AR68735	3D8	3	50 - 51	AR69834	6B14	1	80 - 11
AR67950	1E7	14	30 - 15	AR68787	5C14	8	70 - 33	AR69840	6F4	1	90 - 35
AR67951	2F18	17	40 - 94	AR68801	6C14	6	80 - 35	AR69854	6F14	3	90 - 45
AR67952	2B10	12	40 - 4	AR68801	6C15	5	80 - 37	AR69854	6F17	6	90 - 49
AR67978	3C15	1	50 - 31	AR68802	2B11	27	40 - 5	AR69925	4B25	18	60 - 21
AR67980	6G22	2A	90 - 81	AR68802	6D21	29	90 - 3	AR69977	2B11	29	40 - 5
AR67980	6G22	2B	90 - 81	AR68807	5D2	17	70 - 47	AR69977	2B14	1	40 - 8
AR67980	6H2	7	90 - 85	AR68807	5D10	25	70 - 55	AR69977	6D22	19	90 - 4
AR68005	2D4	..	40 - 45	AR68807	5D10	..	70 - 55	AR69977	6D23	18	90 - 5
AR68010	5G19	7	70 - 137	AR68807	5D12	21	70 - 57	AR69980	2B8	17	40 - 2
AR68012	2B20	6	40 - 14	AR68807	5D12	..	70 - 57	AR69982	2B9	31	40 - 3
AR68012	2B21	6	40 - 15	AR68807	5D14	28	70 - 59	AR69984	1C17	3	20 - 34
AR68016	1E7	..	30 - 15	AR68807	5D14	..	70 - 59	AR69988	5F10	15	70 - 102
AR68016	2B16	5	40 - 9A	AR68807	5G19	..	70 - 137	AR69997	6D22	10	90 - 4
AR68017	1E7	..	30 - 15	AR68863	2B11	31	40 - 5	AR70052	2B25	8	40 - 19

# 1J13

4230 TRACTOR

## NUMERICAL INDEX - CONTINUED

PART NO.	GRID	KEY	PAGE	PART NO.	GRID	KEY	PAGE	PART NO.	GRID	KEY	PAGE
AR70052	2C4	11	40-23	AR71163	6C25	15	80-47	AR72258	6G6	34	90-63
AR70052	2C4	12	40-23	AR71164	6C19	15	80-41	AR72259	6G6	34	90-63
AR70052	2C8	14	40-27	AR71164	6C25	15	80-47	AR72291	5D10	45B	70-55
AR70052	2C8	15	40-27	AR71188	5F14	7	70-107	AR72291	5D12	41	70-57
AR70126	6H7	3	90-91	AR71189	5F14	12	70-107	AR72292	5D10	45A	70-55
AR70150	5F20	17	70-111	AR71256	2E1	4	40-57D	AR72292	5D10	46A	70-55
AR70154	3G6	11	50-119	AR71278	3E7	36	50-75	AR72292	5D10	46B	70-55
AR70154	3G8	22	50-121	AR71285	6D21	15	90-3	AR72292	5D12	42	70-57
AR70160	3F2	1	50-91	AR71286	6D21	11	90-3	AR72293	5D10	18A	70-55
AR70160	3F3	28	50-92	AR71287	6D21	17	90-3	AR72293	5D10	19A	70-55
AR70233	3F18	28	50-105	AR71287	6D21	20	90-3	AR72293	5D10	19B	70-55
AR70252	1F12	22	30-42	AR71288	6D21	18	90-3	AR72294	5D10	18A	70-55
AR70257	1F12	7	30-42	AR71289	6D21	4	90-3	AR72294	5D10	18B	70-55
AR70261	4D5	11	60-45	AR71289	6D21	5	90-3	AR72294	5D10	19A	70-55
AR70262	1F12	..	30-42	AR71289	6D21	6	90-3	AR72313	3H8	9	50-150
AR70418	6E1	8	90-8	AR71289	6D21	13	90-3	AR72318	1B23	11	20-17
AR70418	6E14	10	90-21	AR71289	6D21	14	90-3	AR72319	1B9	10	20-3
AR70442	4B5	16	60-1	AR71289	6D21	17	90-3	AR72319	1B19	10	20-15
AR70442	4B25	24	60-21	AR71289	6D21	19	90-3	AR72319	1B23	6	20-17
AR70457	4C16	27	60-33	AR71290	6D21	9	90-3	AR72336	1D23	1	30-5
AR70506	3D19	7	50-62	AR71331	5G12	14	70-129	AR72336	1D23	4	30-5
AR70506	3D20	11	50-63	AR71332	5G14	14	70-131	AR72338	4C6	20	60-25
AR70506	3F22	11	50-109	AR71435	6G8	23	90-65	AR72338	4C8	14	60-25B
AR70506	3F23	9	50-111	AR71436	6G8	23	90-65	AR72373	4C20	5	60-37
AR70507	4C2	11	60-23	AR71462	2B9	32	40-3	AR72380	2B23	26	40-17
AR70507	4C4	23	60-23B	AR71463	2B11	26	40-5	AR72381	2B23	12	40-17
AR70590	2F13	1	40-88	AR71464	2B11	23	40-5	AR72381	2C6	..	40-25
AR70590	2F15	13	40-90	AR71465	2B11	23	40-5	AR72382	2C2	33	40-21
AR70590	2F16	12	40-91	AR71466	2B10	12	40-4	AR72383	2C2	23	40-21
AR70600	4C18	6	60-35	AR71560	3C19	34	50-35	AR72391	2B11	..	40-5
AR70636	3D19	7	50-62	AR71561	3C17	29	50-33	AR72391	2B25	6	40-19
AR70645	1C12	11	20-28	AR71561	3C19	30	50-35	AR72391	2C3	4	40-22
AR70653	1F2	16	30-31	AR71569	2G15	6	40-108	AR72391	2C4	5	40-23
AR70654	1F2	15	30-31	AR71570	2G4	39	40-105	AR72391	2C6	..	40-25
AR70655	1F2	14	30-31	AR71570	2G6	39	40-105B	AR72391	2C8	5	40-27
AR70656	1F2	13	30-31	AR71570	2G8	39	40-105D	AR72479	6E24	18	90-31
AR70657	1F2	12	30-31	AR71570	2G10	41	40-105F	AR72479	6G6	20	90-63
AR70658	1F2	11	30-31	AR71570	2G15	3	40-108	AR72480	6E24	18	90-31
AR70699	2B9	37	40-3	AR71571	2G2	22	40-103	AR72480	6G6	20	90-63
AR70699	2E8	8	40-63	AR71571	2G15	5	40-108	AR72834	5C7	24A	70-25
AR70699	6F8	3	90-39	AR71627	1D8	13	20-51	AR72834	5C7	24B	70-25
AR70722	5B9	1	70-3	AR71709	1B14	2	20-10	AR72838	6F25	39	90-57
AR70722	5B13	..	70-7	AR71722	6D25	..	90-7	AR72840	6F25	1	90-57
AR70723	5B13	18	70-7	AR71822	3E11	14	50-79	AR72841	6F25	24	90-57
AR70849	6G6	34	90-63	AR71823	3E10	15	50-78	AR72842	6F25	2	90-57
AR70850	6E24	11	90-31	AR71824	3E10	5	50-78	AR72848	6F25	4	90-57
AR70850	6G6	34	90-63	AR71850	1B23	36	20-17	AR72894	3D22	24B	50-65
AR70851	6E24	11	90-31	AR71902	5E25	6	70-92	AR72894	3D22	..	50-65
AR70862	6G6	10	90-63	AR71902	5E25	7	70-92	AR72894	3D22	..	50-65
AR70866	4C10	8	60-27	AR71902	5G21	12	70-139	AR72894	3E17	49	50-85
AR70900	3D14	2	50-57	AR71960	3B18	21	50-9	AR72894	3E17	..	50-85
AR70909	1C12	6	20-28	AR71976	6F14	3	90-45	AR72973	3D22	13	50-65
AR70910	1C13	4	20-29	AR71976	6F17	6	90-49	AR72998	1C15	3	20-31
AR70921	3H12	6	50-153	AR71976	6F25	22	90-57	AR73106	5B9	1	70-3
AR70922	3H12	16	50-153	AR72046	3D5	4	50-48	AR73106	5B13	..	70-7
AR71095	6F23	4	90-55	AR72055	6F23	1	90-55	AR73146	2F13	10	40-88
AR71097	6F25	48	90-57	AR72056	6F25	41	90-57	AR73146	2F15	3	40-90
AR71098	6F25	25	90-57	AR72101	3B22	29	50-13	AR73157	3C21	3	50-37
AR71099	6F25	7	90-57	AR72101	3D16	27	50-59	AR73157	3C24	3	50-41
AR71107	6F19	4	90-51	AR72132	6C13	8	80-34	AR73202	6D6	7	80-53
AR71108	6F19	5	90-51	AR72132	6C14	8	80-35	AR73207	2E15	1	40-71
AR71109	6F19	1	90-51	AR72133	6C15	13	80-37	AR73207	2E19	16	40-75
AR71111	6F19	13	90-51	AR72134	6C15	13	80-37	AR73212	3H2	1	50-143
AR71115	1C20	14	20-37	AR72217	6I11	6	90-124	AR73212	3H8	9	50-150
AR71121	1B25	1	20-19	AR72218	6I11	6	90-124	AR73212	3H8	14	50-150
AR71122	1C20	4	20-37	AR72249	1B9	18	20-3	AR73214	3H8	10	50-150
AR71123	1C20	11	20-37	AR72257	2E5	3	40-61	AR73229	1D22	1A	30-3

# 1J14

4230 TRACTOR

## NUMERICAL INDEX - CONTINUED

PART NO.	GRID	KEY	PAGE	PART NO.	GRID	KEY	PAGE	PART NO.	GRID	KEY	PAGE
AR73229	1D22	4	30 - 3	AR74095	4C14	18	60 - 31	AR75693	5C20	12	70 - 39
AR73256	6G10	15	90 - 67	AR74095	4C16	1A	60 - 33	AR75693	5C20	15	70 - 39
AR73257	6G10	15	90 - 67	AR74095	4C16	1B	60 - 33	AR75693	5C20	20	70 - 39
AR73257	6G15	11	90 - 73	AR74095	4C18	1	60 - 35	AR75693	5C20	21	70 - 39
AR73257	6G15	41	90 - 73	AR74095	5D16	7	70 - 61	AR75693	5C21	6	70 - 41
AR73271	1C15	3	20 - 31	AR74143	6G22	5	90 - 81	AR75694	2G25	10	40 - 119
AR73272	1C15	3	20 - 31	AR74143	6H2	8	90 - 85	AR75695	2G25	2	40 - 119
AR73273	1C15	3	20 - 31	AR74144	1B14	2	20 - 10	AR75696	2G25	8	40 - 119
AR73274	1C15	3	20 - 31	AR74144	1B15	4	20 - 11	AR75893	1C20	14	20 - 37
AR73275	1C15	2	20 - 31	AR74194	5C7	2	70 - 25	AR75905	2D20	23	40 - 56C
AR73276	1C15	2	20 - 31	AR74194	5C7	8	70 - 25	AR75908	2D20	16	40 - 56C
AR73311	2F21	1	40 - 97	AR74194	5C7	10B	70 - 25	AR75909	6G13	6	90 - 71
AR73463	6D25	11	90 - 7	AR74194	5C7	10C	70 - 25	AR75912	3F18	14	50 - 105
AR73464	6G22	32	90 - 81	AR74195	5C7	15	70 - 25	AR75924	6F23	4	90 - 55
AR73465	6G24	4	90 - 83	AR74265	2F18	16	40 - 94	AR75958	5G2	30	70 - 119
AR73466	6G24	1	90 - 83	AR74305	3E17	37	50 - 85	AR75958	5G2	32	70 - 119
AR73468	2E17	17	40 - 73	AR74310	4D4	18A	60 - 43	AR75958	5G4	30	70 - 121
AR73500	5H13	1	70 - 155	AR74310	4D4	18B	60 - 43	AR75958	5G6	..	70 - 123
AR73524	1F2	7	30 - 31	AR74310	4D9	28	60 - 49	AR75972	3D12	21	50 - 55
AR73524	1F2	37	30 - 31	AR74312	5C17	1	70 - 36	AR75973	3D12	13	50 - 55
AR73524	1F7	10	30 - 37	AR74322	2E19	10	40 - 75	AR75974	3D3	3	50 - 45
AR73524	1F7	13	30 - 37	AR74323	2E15	3	40 - 71	AR75974	3D10	3	50 - 53
AR73561	6F25	36	90 - 57	AR74324	2E19	14	40 - 75	AR75975	3D3	10	50 - 45
AR73562	6F25	34	90 - 57	AR74325	2E19	8	40 - 75	AR75975	3D10	12	50 - 53
AR73577	3D14	28A	50 - 57	AR74326	2E19	9	40 - 75	AR75976	3D3	3	50 - 45
AR73578	3D14	28B	50 - 57	AR74327	2E19	12	40 - 75	AR75976	3D10	3	50 - 53
AR73579	2B8	14	40 - 2	AR74339	2F1	12	40 - 82	AR75977	3D3	10	50 - 45
AR73579	2E20	5	40 - 76	AR74339	6I10	9	90 - 123	AR75977	3D10	12	50 - 53
AR73580	2E20	3	40 - 76	AR74344	1F2	40	30 - 31	AR75978	3D12	29	50 - 55
AR73676	1B12	..	20 - 7	AR74356	4C14	16B	60 - 31	AR75978	5C7	16B	70 - 25
AR73677	1B12	3	20 - 7	AR74357	4C14	16B	60 - 31	AR76006	5F24	1	70 - 116
AR73691	5F17	30	70 - 108	AR74411	2C11	3	40 - 29	AR76059	2C19	..	40 - 37
AR73691	5F17	..	70 - 108	AR74411	2H2	11	40 - 121	AR76059	2C21	..	40 - 39
AR73691	5G18	4	70 - 135	AR74486	6D25	37	90 - 7	AR76095	1C5	9	20 - 24
AR73692	5F18	32	70 - 109	AR74624	1C5	11	20 - 24	AR76140	1D22	6	30 - 3
AR73712	3B11	2	50 - 3	AR74673	5E22	34	70 - 91	AR76140	1D25	8	30 - 7
AR73717	2B9	21	40 - 3	AR74673	5F10	1	70 - 102	AR76277	5D2	18	70 - 47
AR73717	2F4	22	40 - 85	AR74733	5C16	13	70 - 35	AR76277	5D4	14	70 - 49
AR73751	2F4	10	40 - 85	AR74734	5C16	26	70 - 35	AR76278	5E5	4	70 - 74
AR73897	5F16	11	70 - 107B	AR74738	5C16	1	70 - 35	AR76278	5E6	12	70 - 75
AR73897	5F18	9	70 - 109	AR74739	5C16	2	70 - 35	AR76279	5E5	4	70 - 74
AR73899	5D4	44	70 - 49	AR74749	3C20	5	50 - 36	AR76279	5E6	12	70 - 75
AR73899	5D6	54	70 - 51	AR74749	3C23	5	50 - 39	AR76340	5D2	18	70 - 47
AR73899	5E6	10	70 - 75	AR74767	5D10	28	70 - 55	AR76340	5D4	14	70 - 49
AR73899	5E8	26	70 - 77	AR74767	5D12	24	70 - 57	AR76504	6I5	4	90 - 117
AR73899	5F16	16	70 - 107B	AR74814	1C9	3	20 - 26C	AR76507	4D5	9	60 - 45
AR73899	5F17	12	70 - 108	AR74814	1C15	6	20 - 31	AR76508	4D5	12	60 - 45
AR73905	3D22	13	50 - 65	AR74815	1C15	6	20 - 31	AR76515	6F19	6	90 - 51
AR73922	2F15	19	40 - 90	AR74816	1C7	5	20 - 26	AR76535	4B25	18	60 - 21
AR73923	2F15	6	40 - 90	AR74816	1C8	3	20 - 26B	AR76535	4C4	3	60 - 23B
AR73982	6C25	15	80 - 47	AR74816	1C10	3	20 - 26D	AR76536	4B25	18	60 - 21
AR73983	6C19	15	80 - 41	AR74816	1C11	3	20 - 27	AR76537	4B6	21	60 - 2
AR73983	6C25	15	80 - 47	AR74816	1C15	6	20 - 31	AR76538	4B5	21	60 - 1
AR73995	1E12	17	30 - 17	AR74817	1C15	6	20 - 31	AR76538	4B6	21	60 - 2
AR73995	1E14	19	30 - 19	AR74818	1C15	6	20 - 31	AR76582	1C22	28	20 - 39
AR73995	2B8	13	40 - 2	AR74831	2F18	16	40 - 94	AR76762	5B11	4	70 - 5
AR74019	6E6	11	90 - 13	AR74832	2F18	18	40 - 94	AR76762	5B21	4	70 - 15
AR74020	6E6	10	90 - 13	AR75563	2F22	4	40 - 99	AR76841	2D13	12	40 - 54A
AR74079	3C21	20	50 - 37	AR75564	2F22	2	40 - 99	AR76841	2D18	10	40 - 56A
AR74079	3C24	22	50 - 41	AR75567	6D23	11	90 - 5	AR76885	1F2	20	30 - 31
AR74095	4B15	16A	60 - 11	AR75568	6D23	5	90 - 5	AR77035	3H2	12B	50 - 143
AR74095	4B15	16B	60 - 11	AR75601	3D20	11	50 - 63	AR77111	6G2	14	90 - 59
AR74095	4B21	4A	60 - 17	AR75601	3F22	11	50 - 109	AR77112	6G2	1	90 - 59
AR74095	4B21	4B	60 - 17	AR75603	1F14	2	30 - 45	AR77224	3H2	12A	50 - 143
AR74095	4B23	3	60 - 19	AR75603	3D20	11	50 - 63	AR77224	3H2	12B	50 - 143
AR74095	4C12	14A	60 - 29	AR75603	3F22	11	50 - 109	AR77224	3H2	14	50 - 143
AR74095	4C12	14B	60 - 29	AR75606	2G4	12	40 - 105	AR77227	6G15	7	90 - 73

# 1J15

4230 TRACTOR

## NUMERICAL INDEX - CONTINUED

PART NO.	GRID	KEY	PAGE	PART NO.	GRID	KEY	PAGE	PART NO.	GRID	KEY	PAGE
AR77246	6G6	34	90 - 63	AR77679	1F2	19	30 - 31	AR77851	2D2	2	40 - 43B
AR77247	6G6	34	90 - 63	AR77700	5D7	7	70 - 52	AR77962	4C10	5	60 - 27
AR77254	2D3	6	40 - 44	AR77702	2E20	3	40 - 76	AR78029	3G20	2	50 - 136
AR77254	2D3	..	40 - 44	AR77747	1C7	6	20 - 26	AR78029	3G20	5	50 - 136
AR77254	2D22	..	40 - 57	AR77747	1C9	4	20 - 26C	AR78052	2H2	21	40 - 121
AR77254	2D23	..	40 - 57A	AR77747	1C15	1	20 - 31	AR78059	3B14	8	50 - 5B
AR77254	2D24	..	40 - 57B	AR77747	1C15	2	20 - 31	AR78060	3B14	8	50 - 5B
AR77254	2D25	..	40 - 57C	AR77747	1C15	3	20 - 31	AR78093	2C24	19	40 - 43
AR77254	2E1	..	40 - 57D	AR77747	1C15	4	20 - 31	AR78093	2D2	20	40 - 43B
AR77254	2E2	..	40 - 58	AR77748	1C9	5	20 - 26C	AR78099	3E17	37	50 - 85
AR77255	2D18	30	40 - 56A	AR77748	1C15	1	20 - 31	AR78100	3E17	37	50 - 85
AR77255	2D21	1	40 - 56D	AR77748	1C15	3	20 - 31	AR78100	3E19	35	50 - 85B
AR77255	2D21	..	40 - 56D	AR77748	1C15	5	20 - 31	AR78102	3E17	37	50 - 85
AR77256	2D18	31	40 - 56A	AR77749	1C15	1	20 - 31	AR78239	3D12	24	50 - 55
AR77257	2D18	27	40 - 56A	AR77749	1C15	3	20 - 31	AR78239	6I6	3	90 - 119
AR77258	2D20	1	40 - 56C	AR77749	1C15	5	20 - 31	AR78252	3C14	13	50 - 30
AR77259	2D18	7	40 - 56A	AR77750	1C7	7	20 - 26	AR78252	3C17	6	50 - 33
AR77260	2D18	22	40 - 56A	AR77750	1C8	5	20 - 26B	AR78252	3C19	24	50 - 35
AR77261	2D18	13	40 - 56A	AR77750	1C10	5	20 - 26D	AR78253	3C14	13	50 - 30
AR77262	3C15	1	50 - 31	AR77750	1C11	5	20 - 27	AR78253	3C17	6	50 - 33
AR77262	3C17	12	50 - 33	AR77750	1C15	1	20 - 31	AR78253	3C19	24	50 - 35
AR77262	3D8	25	50 - 51	AR77750	1C15	3	20 - 31	AR78286	5D20	34	70 - 65
AR77262	3D8	28	50 - 51	AR77750	1C15	5	20 - 31	AR78286	5D22	33	70 - 67
AR77262	3D10	25	50 - 53	AR77751	1C15	1	20 - 31	AR78286	5E2	13	70 - 71
AR77262	3D10	26	50 - 53	AR77751	1C15	3	20 - 31	AR78288	5D18	14	70 - 63
AR77267	1E12	1	30 - 17	AR77751	1C15	5	20 - 31	AR78288	5D20	52	70 - 65
AR77267	1E12	..	30 - 17	AR77752	1C15	1	20 - 31	AR78288	5D22	52	70 - 67
AR77267	1E14	8	30 - 19	AR77752	1C15	3	20 - 31	AR78303	3H2	33	50 - 143
AR77267	1E14	..	30 - 19	AR77752	1C15	5	20 - 31	AR78303	3H2	37	50 - 143
AR77267	1E14	..	30 - 19	AR77753	1C8	4	20 - 26B	AR78303	3H2	38	50 - 143
AR77268	1E12	1	30 - 17	AR77753	1C10	4	20 - 26D	AR78311	4C2	14	60 - 23
AR77268	1E14	8	30 - 19	AR77753	1C11	4	20 - 27	AR78311	4C4	31	60 - 23B
AR77268	1E17	11	30 - 22	AR77753	1C15	1	20 - 31	AR78338	6I5	4	90 - 117
AR77270	1E12	1	30 - 17	AR77753	1C15	2	20 - 31	AR78366	3D18	12	50 - 61
AR77270	1E14	8	30 - 19	AR77753	1C15	3	20 - 31	AR78381	2C10	1	40 - 28
AR77284	5C13	23	70 - 31	AR77753	1C15	4	20 - 31	AR78381	2C11	5	40 - 29
AR77284	5C13	26	70 - 31	AR77774	2E15	1	40 - 71	AR78383	2B9	22	40 - 3
AR77284	5C13	27	70 - 31	AR77774	2E19	15	40 - 75	AR78384	2C4	17	40 - 23
AR77342	6D19	14	90 - 1	AR77775	2E15	3	40 - 71	AR78384	2C8	20	40 - 27
AR77343	2B11	27	40 - 5	AR77775	2E19	6	40 - 75	AR78384	2C11	1	40 - 29
AR77343	6D21	29	90 - 3	AR77776	2E19	5	40 - 75	AR78385	2B9	22	40 - 3
AR77344	2B14	9	40 - 8	AR77777	2E19	4	40 - 75	AR78385	2C4	14	40 - 23
AR77345	2B14	6	40 - 8	AR77778	2E19	1	40 - 75	AR78385	2C8	17	40 - 27
AR77346	2B14	1	40 - 8	AR77779	2E19	3	40 - 75	AR78386	2C4	15	40 - 23
AR77393	3E7	36	50 - 75	AR77780	2E19	2	40 - 75	AR78386	2C6	33	40 - 25
AR77396	3B14	8	50 - 5B	AR77815	3C3	..	50 - 19	AR78386	2C8	18	40 - 27
AR77397	3B14	8	50 - 5B	AR77815	3C5	..	50 - 21	AR78391	2C6	35	40 - 25
AR77399	5C20	..	70 - 39	AR77815	3C11	10	50 - 27	AR78392	2C6	32	40 - 25
AR77399	5C21	..	70 - 41	AR77815	3C11	14	50 - 27	AR78396	5F20	17	70 - 111
AR77403	5C20	1B	70 - 39	AR77815	3C23	..	50 - 39	AR78396	5F22	16	70 - 113
AR77403	5C21	1B	70 - 41	AR77816	3C7	..	50 - 23	AR78418	2B10	13	40 - 4
AR77443	6G10	3	90 - 67	AR77816	3C9	..	50 - 25	AR78418	2B11	15	40 - 5
AR77443	6G10	4	90 - 67	AR77816	3C11	10	50 - 27	AR78418	2E25	8	40 - 81
AR77443	6G10	5	90 - 67	AR77816	3C11	14	50 - 27	AR78419	6H7	1	90 - 91
AR77445	6G10	10	90 - 67	AR77816	3C23	..	50 - 39	AR78421	6H7	3	90 - 91
AR77445	6G12	7	90 - 69	AR77817	3C5	14	50 - 21	AR78428	5D20	18	70 - 65
AR77476	3B22	4	50 - 13	AR77817	3C9	14	50 - 25	AR78428	5D22	19	70 - 67
AR77477	3B22	4	50 - 13	AR77817	3C11	4	50 - 27	AR78428	5D24	18	70 - 69
AR77489	1B25	1	20 - 19	AR77817	3C11	9	50 - 27	AR78446	2F18	10	40 - 94
AR77489	1C20	14	20 - 37	AR77818	3C11	9	50 - 27	AR78447	2F18	8	40 - 94
AR77494	1C20	4	20 - 37	AR77819	3C5	12	50 - 21	AR78483	5D2	43	70 - 47
AR77519	3C17	12	50 - 33	AR77819	3C9	12	50 - 25	AR78483	5D4	56	70 - 49
AR77522	3C19	3	50 - 35	AR77819	3C11	2	50 - 27	AR78483	5D6	8	70 - 51
AR77525	3C15	1	50 - 31	AR77820	3C11	13	50 - 27	AR78485	1D23	2	30 - 5
AR77663	6D4	18	80 - 51	AR77820	3C20	5	50 - 36	AR78485	1D23	6	30 - 5
AR77678	1E24	3	30 - 29	AR77820	3C23	5	50 - 39	AR78501	6D21	23	90 - 3
AR77679	1E24	3	30 - 29	AR77851	2C24	10	40 - 43	AR78504	6C17	17	80 - 39

# 1J16

4230 TRACTOR

## NUMERICAL INDEX - CONTINUED

PART NO.	GRID	KEY	PAGE	PART NO.	GRID	KEY	PAGE	PART NO.	GRID	KEY	PAGE
AR78504	6C19	14	80 - 41	AR79431	2G16	5	40 - 109	AR81184	4C1	17	60 - 22
AR78504	6C23	22	80 - 45	AR79505	5D10	45A	70 - 55	AR81184	4C4	3	60 - 23B
AR78504	6C25	14	80 - 47	AR79505	5D10	45B	70 - 55	AR81185	4B25	18	60 - 21
AR78507	5D6	23	70 - 51	AR79505	5D10	46A	70 - 55	AR81185	4B25	26	60 - 21
AR78509	5E8	7	70 - 77	AR79505	5D12	41	70 - 57	AR81189	2C2	33	40 - 21
AR78522	1B23	27	20 - 17	AR79547	2G12	27	40 - 107	AR81190	2C2	23	40 - 21
AR78538	2D3	6	40 - 44	AR79547	2G14	26	40 - 107B	AR81245	3D14	2	50 - 57
AR78538	2D3	..	40 - 44	AR79548	2G12	5	40 - 107	AR81295	5C20	1A	70 - 39
AR78538	2D11	..	40 - 52	AR79548	2G14	5	40 - 107B	AR81295	5C20	..	70 - 39
AR78538	2D18	..	40 - 56A	AR79549	2G12	22	40 - 107	AR81295	5C20	..	70 - 39
AR78538	2D20	..	40 - 56C	AR79550	2G12	20	40 - 107	AR81295	5C21	1A	70 - 41
AR78538	2D21	..	40 - 56D	AR79551	2G12	11	40 - 107	AR81295	5C21	..	70 - 41
AR78547	4D5	9	60 - 45	AR79551	2G14	11	40 - 107B	AR81295	5C21	..	70 - 41
AR78548	4D5	12	60 - 45	AR79552	3E20	12	50 - 86	AR81327	3C14	8	50 - 30
AR78550	3G23	21	50 - 139	AR79681	3E25	4	50 - 89	AR81329	3C14	11	50 - 30
AR78577	2E15	1	40 - 71	AR79685	1F7	10	30 - 37	AR81426	3G18	11	50 - 133
AR78577	2E17	26	40 - 73	AR79686	1F2	7	30 - 31	AR81427	3G18	11	50 - 133
AR78594	2G4	23	40 - 105	AR79686	1F7	5	30 - 37	AR81571	3F9	15	50 - 98
AR78595	2G4	11	40 - 105	AR79686	1F7	13	30 - 37	AR81616	1B9	18	20 - 3
AR78595	2G6	11	40 - 105B	AR79709	5C17	24	70 - 36	AR81617	1B9	18	20 - 3
AR78595	2G8	11	40 - 105D	AR79709	5C18	16	70 - 37	AR81653	6I11	6	90 - 124
AR78595	2G10	11	40 - 105F	AR79713	5C16	24	70 - 35	AR81654	6I11	6	90 - 124
AR78596	2G4	35	40 - 105	AR79714	5C18	16	70 - 37	AR81655	6I12	5	90 - 125
AR78596	2G6	37	40 - 105B	AR79738	6H13	23	90 - 97	AR81668	1C5	9	20 - 24
AR78596	2G8	37	40 - 105D	AR79739	6H13	..	90 - 97	AR81783	5D10	7	70 - 55
AR78596	2G10	39	40 - 105F	AR79744	3B9	2	50 - 1	AR81783	5D12	7A	70 - 57
AR78646	5D12	14	70 - 57	AR79885	5D20	24	70 - 65	AR81783	5D12	7B	70 - 57
AR78652	3D16	12	50 - 59	AR79885	5D22	24	70 - 67	AR81821	5D20	19	70 - 65
AR78652	3D16	14	50 - 59	AR79885	5E2	7	70 - 71	AR81821	5D22	20	70 - 67
AR78652	3D18	18	50 - 61	AR79886	5D20	8	70 - 65	AR81821	5D24	19	70 - 69
AR78653	3D16	12	50 - 59	AR79886	5D22	11	70 - 67	AR81856	1E19	2	30 - 24
AR78653	3D16	14	50 - 59	AR79886	5E2	15	70 - 71	AR81883	1E12	1	30 - 17
AR78653	3D18	18	50 - 61	AR79887	5D20	33	70 - 65	AR81883	1E14	8	30 - 19
AR78755	2C24	22	40 - 43	AR79887	5D22	32	70 - 67	AR81935	3H16	10	50 - 157
AR78755	2D2	22	40 - 43B	AR79887	5E2	12	70 - 71	AR81935	3H21	23	50 - 163
AR78804	6G15	18A	90 - 73	AR79941	1D22	14	30 - 3	AR81936	3H11	18	50 - 152A
AR78804	6G15	18B	90 - 73	AR79941	1F14	6	30 - 45	AR81968	3H11	1	50 - 152A
AR78804	6G15	20	90 - 73	AR79942	1D22	11	30 - 3	AR81968	3H11	5	50 - 152A
AR78806	3C14	15	50 - 30	AR79942	1F14	7	30 - 45	AR81968	3H11	6	50 - 152A
AR78825	2B8	5	40 - 2	AR80118	3C17	6	50 - 33	AR81968	3H21	12	50 - 163
AR78825	2B11	19	40 - 5	AR80118	3C19	24	50 - 35	AR82005	6E8	3	90 - 15
AR78825	2E8	7	40 - 63	AR80192	6B11	10	80 - 7	AR82005	6E10	8	90 - 17
AR78825	2E10	7	40 - 65	AR80193	6B11	10	80 - 7	AR82006	6E8	10	90 - 15
AR78825	2E12	7	40 - 67	AR80216	3C14	13	50 - 30	AR82012	2B13	4	40 - 7
AR78829	5C20	1B	70 - 39	AR80294	1B19	3	20 - 15	AR82014	2B13	3	40 - 7
AR78829	5C20	1C	70 - 39	AR80294	1B23	2	20 - 17	AR82014	6E2	5	90 - 9
AR78829	5C21	1B	70 - 41	AR80300	3G18	..	50 - 133	AR82032	3E7	6	50 - 75
AR78829	5C21	1C	70 - 41	AR80300	3G19	17	50 - 135	AR82032	3E7	10	50 - 75
AR78830	5C20	5A	70 - 39	AR80591	3H21	8	50 - 163	AR82032	3E7	11	50 - 75
AR78830	5C20	5B	70 - 39	AR80595	3H21	33	50 - 163	AR82032	3E7	36	50 - 75
AR78830	5C21	5A	70 - 41	AR80666	5E12	6	70 - 81	AR82260	6D1	4	80 - 48
AR78830	5C21	5B	70 - 41	AR80667	5E12	6	70 - 81	AR82261	6D1	4	80 - 48
AR78904	3D14	2	50 - 57	AR80764	6G13	6	90 - 71	AR82265	3H18	3	50 - 159
AR78968	3F20	25	50 - 107	AR80797	6E15	2	90 - 23	AR82372	3C19	3	50 - 35
AR78972	4D2	15	60 - 41	AR80803	5D20	53	70 - 65	AR82374	3C17	12	50 - 33
AR79048	3D4	5	50 - 47	AR80805	5D22	54	70 - 67	AR82380	3C15	1	50 - 31
AR79049	3D4	3	50 - 47	AR80842	5G18	4	70 - 135	AR82410	5D18	6	70 - 63
AR79093	3F8	4	50 - 97	AR80894	5D20	36	70 - 65	AR82410	5D20	41	70 - 65
AR79093	3G4	13	50 - 117	AR80894	5D22	36	70 - 67	AR82410	5D22	41	70 - 67
AR79093	3G8	7	50 - 121	AR80894	5E2	1	70 - 71	AR82411	5D18	8	70 - 63
AR79161	6D4	20	80 - 51	AR81096	5E10	4	70 - 79	AR82411	5D20	43	70 - 65
AR79361	6G24	8	90 - 83	AR81175	3H12	19	50 - 153	AR82411	5D22	43	70 - 67
AR79362	6D25	11	90 - 7	AR81176	3H12	6	50 - 153	AR82412	5D18	7	70 - 63
AR79427	2G16	27	40 - 109	AR81176	3H12	10	50 - 153	AR82412	5D20	42	70 - 65
AR79428	2G16	15	40 - 109	AR81178	2E21	12	40 - 77	AR82412	5D22	42	70 - 67
AR79429	2G16	1	40 - 109	AR81178	2E22	12	40 - 78	AR82453	3D12	30	50 - 55
AR79430	2G16	8	40 - 109	AR81184	4B25	26	60 - 21	AR82454	3D12	30	50 - 55

# 1J17

4230 TRACTOR

## NUMERICAL INDEX - CONTINUED

PART NO.	GRID	KEY	PAGE	PART NO.	GRID	KEY	PAGE	PART NO.	GRID	KEY	PAGE
AR82458	3D12	26	50 - 55	AR84567	6G6	20	90 - 63	AR85559	6H11	1	90 - 95
AR82460	3D12	26	50 - 55	AR84645	5D18	9	70 - 63	AR85559	6H11	2	90 - 95
AR82462	3D12	27	50 - 55	AR84645	5D20	44	70 - 65	AR85559	6H11	3	90 - 95
AR82464	3D12	27	50 - 55	AR84645	5D22	44	70 - 67	AR85559	6H11	4	90 - 95
AR82509	3C14	13	50 - 30	AR84648	5D18	4	70 - 63	AR85559	6H11	5	90 - 95
AR82509	3C14	15	50 - 30	AR84648	5D20	40	70 - 65	AR85559	6H11	6	90 - 95
AR82534	3E17	37	50 - 85	AR84648	5D22	40	70 - 67	AR85559	6H11	7	90 - 95
AR82534	3E19	35	50 - 85B	AR84721	5C7	32	70 - 25	AR85559	6H11	8	90 - 95
AR82570	5G5	12	70 - 122	AR84855	5E14	10A	70 - 83	AR85560	6H11	9	90 - 95
AR82571	5F25	16	70 - 117	AR84855	5E14	10B	70 - 83	AR85574	3H21	29	50 - 163
AR82572	5F20	12	70 - 111	AR84969	6G8	12	90 - 65	AR85578	2E21	8	40 - 77
AR82572	5F23	1	70 - 115	AR84970	6G8	12	90 - 65	AR85578	2E22	8	40 - 78
AR82572	5G2	26	70 - 119	AR85153	2C18	6	40 - 36	AR85587	5D20	1	70 - 65
AR82572	5G4	27	70 - 121	AR85229	4C10	2	60 - 27	AR85587	5D22	1	70 - 67
AR82573	5F22	33	70 - 113	AR85231	1B9	18	20 - 3	AR85587	5E18	25	70 - 87
AR82576	5G2	31	70 - 119	AR85245	6D25	11	90 - 7	AR85591	6I11	6	90 - 124
AR82576	5G4	29	70 - 121	AR85245	6E14	7	90 - 21	AR85592	6I11	6	90 - 124
AR82707	2F20	6	40 - 96	AR85251	5F24	1	70 - 116	AR85628	5F20	31	70 - 111
AR82708	2F20	7	40 - 96	AR85261	2B13	2	40 - 7	AR85633	6D14	24	80 - 59
AR82754	6B11	15	80 - 7	AR85263	2B13	11	40 - 7	AR85705	4C2	14	60 - 23
AR82761	3D14	6	50 - 57	AR85263	2E12	33	40 - 67	AR85705	4C4	31	60 - 23B
AR82909	2H2	16	40 - 121	AR85264	2B13	6	40 - 7	AR85747	5G16	8	70 - 133
AR82910	2H2	4	40 - 121	AR85264	2E12	33	40 - 67	AR85759	2B20	10	40 - 14
AR82911	2H2	7	40 - 121	AR85271	3D19	8	50 - 62	AR85759	2B21	12	40 - 15
AR82912	2H2	6	40 - 121	AR85272	3F23	10	50 - 111	AR85760	2B20	11	40 - 14
AR82916	5C17	19	70 - 36	AR85283	2B9	33	40 - 3	AR85760	2B21	13	40 - 15
AR82916	5C18	10	70 - 37	AR85283	2B9	34	40 - 3	AR85792	6H11	..	90 - 95
AR82944	6F19	6	90 - 51	AR85283	2B15	2	40 - 9	AR85792	6H13	..	90 - 97
AR83262	3C15	1	50 - 31	AR85311	3G22	6	50 - 138	AR85878	6H19	21	90 - 105
AR83383	5C23	35	70 - 43	AR85311	3G23	15	50 - 139	AR85940	2C24	18	40 - 43
AR83383	5E4	34	70 - 73	AR85323	2B21	14	40 - 15	AR85941	2D2	8	40 - 43B
AR83397	1D22	6	30 - 3	AR85323	3C20	23	50 - 36	AR86109	6H13	23	90 - 97
AR83398	1D22	6	30 - 3	AR85323	3C23	22	50 - 39	AR86110	6H11	21	90 - 95
AR83398	1D25	4B	30 - 7	AR85323	3F12	19	50 - 101	AR86111	6H11	20	90 - 95
AR83425	2B8	19	40 - 2	AR85335	6C25	1	80 - 47	AR86239	5H12	12	70 - 154
AR83425	2F2	9	40 - 83	AR85336	6C19	1	80 - 41	AR86239	5H12	14	70 - 154
AR83425	2H6	8	40 - 125	AR85336	6C25	1	80 - 47	AR86241	5H12	1	70 - 154
AR83434	6E4	10	90 - 11	AR85359	6B6	5	80 - 2	AR86242	5H12	4	70 - 154
AR83435	6E4	9	90 - 11	AR85360	6B6	5	80 - 2	AR86243	5H12	2	70 - 154
AR83516	6H6	6	90 - 89	AR85361	6B6	5	80 - 2	AR86244	5H12	3	70 - 154
AR83521	6D25	1	90 - 7	AR85362	6B6	5	80 - 2	AR86405	6D2	1	80 - 49
AR83522	3F4	1	50 - 93	AR85388	6B7	5	80 - 3	AR86406	6D2	1	80 - 49
AR83603	5F1	18	70 - 93	AR85407	2E3	1	40 - 59	AR86494	4C4	33	60 - 23B
AR83604	5E15	9	70 - 84	AR85451	6D14	24	80 - 59	AR86495	3B10	19	50 - 2
AR83654	3D4	5	50 - 47	AR85459	3B22	16	50 - 13	AR86495	3E7	33	50 - 75
AR83798	3C17	6	50 - 33	AR85459	3E20	25	50 - 86	AR86529	1C7	10	20 - 26
AR83798	3C17	29	50 - 33	AR85459	5D7	20	70 - 52	AR86535	5F20	17	70 - 111
AR83798	3C19	30	50 - 35	AR85459	5D8	21	70 - 53	AR86535	5F22	16	70 - 113
AR84064	1B15	4	20 - 11	AR85463	3H21	22	50 - 163	AR86538	3H2	6	50 - 143
AR84126	2B13	7	40 - 7	AR85464	3H11	24	50 - 152A	AR86538	6B13	9	80 - 9
AR84129	2B13	8	40 - 7	AR85464	3H11	26	50 - 152A	AR86539	6B13	8	80 - 9
AR84132	2B13	5	40 - 7	AR85464	3H21	21	50 - 163	AR86551	2F20	12	40 - 96
AR84134	2B13	1	40 - 7	AR85538	3D16	14	50 - 59	AR86552	2F20	4	40 - 96
AR84261	6H7	3	90 - 91	AR85538	3D18	16	50 - 61	AR86552	1E4	1	30 - 12
AR84306	2C19	1	40 - 37	AR85538	3D18	17	50 - 61	AR86596	1E4	15	30 - 12
AR84306	2C19	..	40 - 37	AR85538	3D18	18	50 - 61	AR86754	1E19	13	30 - 24
AR84306	2C21	3	40 - 39	AR85541	1F2	7	30 - 31	AR86755	1E19	11	30 - 24
AR84306	2C21	..	40 - 39	AR85541	1F7	5	30 - 37	AR86756	1E19	10	30 - 24
AR84306	2C24	..	40 - 43	AR85541	1F7	13	30 - 37	AR86775	5D10	20	70 - 55
AR84306	2D2	12	40 - 43B	AR85558	6H11	1	90 - 95	AR86775	5D10	22	70 - 55
AR84306	2D2	29	40 - 43B	AR85558	6H11	2	90 - 95	AR86807	1E4	13	30 - 12
AR84306	2D2	..	40 - 43B	AR85558	6H11	3	90 - 95	AR86888	1F7	10	30 - 37
AR84395	1D10	6	20 - 53	AR85558	6H11	4	90 - 95	AR86969	2E24	4	40 - 80
AR84395	1D10	11	20 - 53	AR85558	6H11	5	90 - 95	AR86969	2E25	6	40 - 81
AR84566	6E24	18	90 - 31	AR85558	6H11	6	90 - 95	AR86974	2B20	10	40 - 14
AR84566	6G6	20	90 - 63	AR85558	6H11	7	90 - 95	AR86975	3H16	10	50 - 157
AR84567	6E24	18	90 - 31	AR85558	6H11	13	90 - 95	AR86975	3H21	23	50 - 163

# 1J18

4230 TRACTOR

## NUMERICAL INDEX - CONTINUED

PART NO.	GRID	KEY	PAGE	PART NO.	GRID	KEY	PAGE	PART NO.	GRID	KEY	PAGE
AR86981	1C13	4	20 - 29	AR89779	3D1	21	50 - 43	AR93446	2C21	..	40 - 39
AR86982	1C12	6	20 - 28	AR89782	3D1	8	50 - 43	AR93446	2C24	..	40 - 43
AR86997	6G10	5	90 - 67	AR89782	3D1	16	50 - 43	AR93446	2D2	12	40 - 43B
AR86997	6G10	7	90 - 67	AR89826	6H16	4	90 - 101	AR93446	2D2	29	40 - 43B
AR87006	1F12	22	30 - 42	AR89827	6H16	3	90 - 101	AR93446	2D2	..	40 - 43B
AR87108	4C16	9	60 - 33	AR89828	6H16	2	90 - 101	AR93533	6E1	2	90 - 8
AR87115	3F12	15	50 - 101	AR89829	6H16	1	90 - 101	AR93533	6E1	10	90 - 8
AR87115	3F14	19	50 - 101B	AR89837	3G3	9	50 - 116	AR93533	6E2	8	90 - 9
AR87158	6I5	4	90 - 117	AR89837	3G4	15	50 - 117	AR937R	5F10	15	70 - 102
AR87187	6I5	4	90 - 117	AR89837	3G6	9	50 - 119	AR93819	5E25	7	70 - 92
AR87340	2B10	7	40 - 4	AR89837	3G8	26	50 - 121	AR93819	5G2	2	70 - 119
AR87340	2G2	18	40 - 103	AR89858	3F4	1	50 - 93	AR93819	5G2	5	70 - 119
AR87486	3C1	5	50 - 17	AR89865	3E24	17	50 - 88	AR93819	5G2	7	70 - 119
AR87493	2G4	38	40 - 105	AR90058	2D2	7	40 - 43B	AR93819	5G4	2	70 - 121
AR87493	2G15	1	40 - 108	AR90070	2E1	15	40 - 57D	AR93819	5G4	5	70 - 121
AR87526	2B13	10	40 - 7	AR90070	2E2	10	40 - 58	AR93819	5G4	7A	70 - 121
AR87527	2B13	9	40 - 7	AR90071	2E1	4	40 - 57D	AR93819	5G4	7B	70 - 121
AR87534	5C17	24	70 - 36	AR90071	2E2	9	40 - 58	AR93819	5G11	2	70 - 128
AR87534	5C18	16	70 - 37	AR90082	5E12	4	70 - 81	AR93819	5G11	5	70 - 128
AR87535	5C16	24	70 - 35	AR90082	5E14	4	70 - 83	AR93819	5G11	7	70 - 128
AR87604	4C18	6	60 - 35	AR90378	5B15	30	70 - 9	AR93820	5E25	7	70 - 92
AR87700	1B15	9	20 - 11	AR90611	4C6	20	60 - 25	AR93820	5G2	2	70 - 119
AR87997	6H19	16	90 - 105	AR90611	4C8	14	60 - 25B	AR93820	5G2	5	70 - 119
AR88040	3E7	16	50 - 75	AR90721	4C16	9	60 - 33	AR93820	5G2	7	70 - 119
AR88040	3E13	2	50 - 81	AR90722	4C18	4	60 - 35	AR93820	5G4	2	70 - 121
AR88076	6D25	11	90 - 7	AR90770	6E12	7	90 - 19	AR93820	5G4	5	70 - 121
AR88076	6E14	7	90 - 21	AR90771	6E12	1	90 - 19	AR93820	5G4	7A	70 - 121
AR88096	3B22	4	50 - 13	AR90772	2F18	6	40 - 94	AR93820	5G4	7B	70 - 121
AR88422	3H16	1	50 - 157	AR90773	2F18	6	40 - 94	AR93820	5G11	2	70 - 128
AR88527	6F25	25	90 - 57	AR90773	2F18	10	40 - 94	AR93820	5G11	5	70 - 128
AR88536	3D14	6	50 - 57	AR90840	2B15	4	40 - 9	AR93820	5G11	7	70 - 128
AR88771	4C4	31	60 - 23B	AR90841	2B15	1	40 - 9	AR93820	5H11	8	70 - 153
AR88880	2D13	12	40 - 54A	AR90949	3D6	7	50 - 49	AR93828	6E17	4	90 - 25
AR88880	2D18	10	40 - 56A	AR91035	1D3	10	20 - 46	AR93828	6E21	17	90 - 27B
AR88905	1B15	9	20 - 11	AR91166	2B25	23	40 - 19	AR93828	6H11	11	90 - 95
AR88905	1E24	38	30 - 29	AR91166	2C6	23	40 - 25	AR93887	2B13	10	40 - 7
AR88905	1F2	32	30 - 31	AR91166	2C6	..	40 - 25	AR93945	2C24	11	40 - 43
AR88965	1B15	9	20 - 11	AR91166	2C10	1	40 - 28	AR93945	2D2	4	40 - 43B
AR88965	1E24	38	30 - 29	AR91166	2C11	5	40 - 29	AR94047	2G2	4	40 - 103
AR88965	1F2	32	30 - 31	AR91167	2C11	1	40 - 29	AR94047	2G16	19	40 - 109
AR89021	6H16	14	90 - 101	AR91315	6H4	16	90 - 87	AR94073	6H6	12	90 - 89
AR89022	6H16	17	90 - 101	AR91667	2B10	6	40 - 4	AR94084	1C22	28	20 - 39
AR89137	6I1	6	90 - 113	AR91667	2G2	5	40 - 103	AR94105	6H4	12	90 - 87
AR89137	6I2	1	90 - 114	AR91793	2H10	42	40 - 129	AR94111	3D3	10	50 - 45
AR89137	6I2	2	90 - 114	AR91893	6G17	12	90 - 75	AR94111	3D10	12	50 - 53
AR89199	4C4	33	60 - 23B	AR91893	6G19	12	90 - 77	AR94112	3D12	13	50 - 55
AR89228	5C23	4	70 - 43	AR91895	6G17	6	90 - 75	AR94165	5D2	18	70 - 47
AR89228	5E4	1	70 - 73	AR91895	6G19	6	90 - 77	AR94165	5D2	30	70 - 47
AR89232	6G10	15	90 - 67	AR91895	6G17	16A	90 - 75	AR94165	5D4	14	70 - 49
AR89290	6F2	22	90 - 33	AR91950	1B13	16	20 - 8	AR94165	5D4	25	70 - 49
AR89291	6F2	22	90 - 33	AR92109	2B11	27	40 - 5	AR94166	5E5	4	70 - 74
AR89320	3B11	2	50 - 3	AR92109	6D21	29	90 - 3	AR94166	5E6	12	70 - 75
AR89394	3E17	37	50 - 85	AR92122	1F12	7	30 - 42	AR94183	3C1	1	50 - 17
AR89394	3E19	35	50 - 85B	AR92395	2F18	10	40 - 94	AR94183	3G3	11	50 - 116
AR89499	1C22	28	20 - 39	AR92396	2F18	8	40 - 94	AR94183	3G6	27	50 - 119
AR89561	2F14	1	40 - 89	AR92557	4B23	8	60 - 19	AR94199	1F2	7	30 - 31
AR89666	6H20	7	90 - 106	AR92557	4C18	9	60 - 35	AR94199	1F2	37	30 - 31
AR89669	6H20	4	90 - 106	AR92855	5D16	26	70 - 61	AR94199	1F7	10	30 - 37
AR89670	6H20	2	90 - 106	AR93094	3G13	2	50 - 127	AR94199	1F7	13	30 - 37
AR89691	2B9	36	40 - 3	AR93172	1B12	3	20 - 7	AR94485	6H18	1	90 - 103
AR89691	2B21	14	40 - 15	AR93210	6I8	17	90 - 121	AR94486	6H18	3	90 - 103
AR89691	2C18	6	40 - 36	AR93211	2F14	2	40 - 89	AR94510	3D19	7	50 - 62
AR89691	3C20	23	50 - 36	AR93240	3C1	5	50 - 17	AR94516	3E11	3	50 - 79
AR89691	3C23	22	50 - 39	AR93259	4D9	24	60 - 49	AR94516	3E24	26	50 - 88
AR89691	3F12	19	50 - 101	AR93313	3D18	29	50 - 61	AR94522	5G6	3	70 - 123
AR89714	4C4	33	60 - 23B	AR93446	2C19	..	40 - 37	AR94522	5G8	21	70 - 125
AR89776	3D1	16	50 - 43	AR93446	2C21	3	40 - 39	AR94522	5H11	10	70 - 153

# 1J19

4230 TRACTOR

## NUMERICAL INDEX - CONTINUED

PART NO.	GRID	KEY	PAGE	PART NO.	GRID	KEY	PAGE	PART NO.	GRID	KEY	PAGE
AR94565	1C1	3	20-20	AR98518	3H22	1	50-164	AT30373	3H15	1	50-156
AR94565	1C2	3	20-21	AR98549	1D8	17	20-51	AT30373	3H15	9	50-156
AR94565	1C2	9	20-21	AR98649	3G22	6	50-138	AT30373	3H16	11	50-157
AR94660	5B9	1	70-3	AR98649	3G23	15	50-139	AT32331	5C18	4	70-37
AR94660	5B11	16	70-5	AR98801	3D4	3	50-47	AT32332	3F6	20	50-95
AR94660	5B11	..	70-5	AR99100	5G2	31	70-119	AT32332	3H16	15	50-157
AR94660	5B21	..	70-15	AR99100	5G4	29	70-121	AT32332	3H21	27	50-163
AR94661	5B9	1	70-3	AR99332	4C2	11	60-23	AT32332	5F13	2	70-105
AR94661	5B13	18	70-7	AR99332	4C4	23	60-23B	AT32332	5G14	2	70-131
AR94661	5B13	..	70-7	AR99334	4C2	5	60-23	AT32333	3G14	6	50-129
AR94661	5B23	..	70-17	AR99334	4C4	19	60-23B	AT32333	3G16	1	50-131
AR94710	6F6	1	90-37	AR99335	4C2	16	60-23	AT32333	4B17	10	60-13
AR94711	6F6	1	90-37	AR99335	4C4	26	60-23B	AT32333	4B19	12	60-15
AR94760	2B9	..	40-3	AR99336	5F10	3	70-102	AT32333	4D4	8	60-43
AR94761	3B24	2	50-15	AR99412	3C21	20	50-37	AT32333	4D5	8	60-45
AR94823	1B25	1	20-19	AR99520	2B9	33	40-3	AT32333	5D20	9	70-65
AR94823	6E15	2	90-23	AR99520	2B9	35	40-3	AT32333	5E2	2	70-71
AR94840	1B23	28	20-17	AR99520	2B11	31	40-5	AT32335	4D4	25	60-43
AR94976	3G18	..	50-133	AR99523	2B9	33	40-3	AT32335	5D16	13	70-61
AR95470	5B13	32	70-7	AR99523	2B9	35	40-3	AT32336	4D4	12	60-43
AR95489	6H18	4	90-103	AR99523	2B11	31	40-5	AT32337	3H19	11	50-161
AR95490	6H18	2	90-103	AR99528	2B9	36	40-3	AT32337	3H19	17	50-161
AR95571	2B11	15	40-5	AR99839	5B9	1	70-3	AT32337	5F13	6	70-105
AR95818	1C3	2	20-22	AR99839	5B13	..	70-7	AT32338	3H16	17	50-157
AR95818	1C4	3	20-23	AT101691	2B10	13	40-4	AT32338	5C7	42	70-25
AR95818	1C4	9	20-23	AT101691	2E24	6	40-80	AT33094	6F17	28	90-49
AR95827	3B11	2	50-3	AT104505	6F9	2	90-40	AT344T	3E2	15	50-70
AR95903	3F12	15	50-101	AT107509	1B9	17	20-3	AT34928	6E1	21	90-8
AR95903	3F14	19	50-101B	AT13740	1B19	6	20-15	AT35120	3H19	11	50-161
AR95904	2B21	16	40-15	AT13740	1B23	1	20-17	AT35120	3H19	17	50-161
AR95904	3F16	24	50-103	AT13740	1D2	24	20-45	AT35120	5F13	6	70-105
AR95905	2B9	33	40-3	AT13740	1E12	10	30-17	AT35121	4B17	8	60-13
AR95905	2B11	31	40-5	AT13740	1E14	14	30-19	AT35121	4B19	9	60-15
AR95969	6E2	8	90-9	AT141924	6I14	6	90-127	AT35121	4C4	33	60-23B
AR95971	2E25	8	40-81	AT14468	2C17	9	40-35	AT35121	4C12	22	60-29
AR96189	1C5	11	20-24	AT15138	2D6	2	40-47	AT35121	5C3	4	70-21A
AR96189	1C6	5	20-25	AT15146	2D10	7	40-51	AT35121	5C7	31	70-25
AR96321	5C5	29	70-23	AT15147	2D6	30	40-47	AT35121	5C20	2	70-39
AR96323	5C5	29	70-23	AT16431	3D25	26	50-68	AT35121	5C20	5A	70-39
AR96408	5B13	7	70-7	AT16431	3F25	26	50-113	AT35121	5C20	7	70-39
AR96408	5B23	4	70-17	AT18904	5C16	22	70-35	AT35121	5C20	8	70-39
AR96608	2F13	26	40-88	AT19923	6F17	28	90-49	AT35121	5C20	10	70-39
AR96608	2F14	8	40-89	AT20438	6F17	20	90-49	AT35121	5C21	2	70-41
AR96613	5B13	25	70-7	AT20441	6F17	17	90-49	AT35121	5C21	5A	70-41
AR96613	5B21	19	70-15	AT20489	6F15	5	90-47	AT37092	5D20	22	70-65
AR96613	5B23	19	70-17	AT20911	1E12	4	30-17	AT37092	5D22	22	70-67
AR96625	5B25	6	70-19	AT20911	1E14	7	30-19	AT37092	5E2	5	70-71
AR96625	5B25	9	70-19	AT20983	5C16	8	70-35	AT38033	5C7	31	70-25
AR97385	6H7	1	90-91	AT22070	6I15	7	90-128	AT38518	6E17	10	90-25
AR97514	1E10	10	30-15D	AT22073	6I15	5	90-128	AT38518	6E19	13	90-27
AR97515	1E10	10	30-15D	AT23188	2C24	23	40-43	AT38518	6F10	..	90-41
AR97826	5D18	8	70-63	AT23188	2D2	23	40-43B	AT39043	2E21	9	40-77
AR97826	5D18	9	70-63	AT25215	1D23	1	30-5	AT39043	2E22	9	40-78
AR97826	5D20	44	70-65	AT25226	6C5	16	80-25	AT39623	1E7	6	30-15
AR97826	5D22	44	70-67	AT25266	1E6	23	30-14	AT39623	1E10	10	30-15D
AR97828	5D18	6	70-63	AT25266	1E7	3	30-15	AT40955	2B8	16	40-2
AR97828	5D20	41	70-65	AT25266	1E7	6	30-15	AT44165	2G17	23	40-110
AR97828	5D22	41	70-67	AT25266	1E8	1	30-15A	AT45396	1E7	6	30-15
AR98098	1F14	2	30-45	AT25266	1E9	14	30-15B	AT47130	5G16	23B	70-133
AR98098	3D19	7	50-62	AT25266	1E10	5	30-15D	AT48673	2G17	26	40-110
AR98098	3D20	11	50-63	AT25266	1E10	9	30-15D	AT49215	4B21	12	60-17
AR98098	3F22	11	50-109	AT25963	6F15	2	90-47	AT49215	4C16	33	60-33
AR98098	3F23	9	50-111	AT26122	6F17	32	90-49	AT49331	5B9	1	70-3
AR98146	3E13	7	50-81	AT26123	6F17	32	90-49	AT49331	5B11	16	70-5
AR98201	5H11	2	70-153	AT27425	2E4	1	40-60	AT49331	5B11	..	70-5
AR98202	5H11	1	70-153	AT29159	2B19	1	40-13	AT49331	5C7	42	70-25
AR98329	1C22	1	20-39	AT29160	2B19	1	40-13	AT514T	2D8	12	40-49



# 1J20

4230 TRACTOR

## NUMERICAL INDEX - CONTINUED

PART NO.	GRID	KEY	PAGE	PART NO.	GRID	KEY	PAGE	PART NO.	GRID	KEY	PAGE
AT516T	2D8	17	40 - 49	A2899R	2E10	21	40 - 65	A4365R	5B19	3	70 - 13
AT55441	2E6	25	40 - 61A	A2899R	2E12	21	40 - 67	A4365R	5B25	3	70 - 19
AT57288	1E7	6	30 - 15	A3184R	5H2	26	70 - 145	A4365R	5C5	2	70 - 23
AT57288	1E10	7	30 - 15D	A3411R	2B10	2	40 - 4	A4365R	5C25	7	70 - 45
AT58342	3E15	13	50 - 83	A3411R	2B10	14	40 - 4	A4365R	5D10	49	70 - 55
AT58342	3E17	37	50 - 85	A3411R	2G2	17	40 - 103	A4365R	5D24	7	70 - 69
AT58342	3E19	35	50 - 85B	A3411R	2G24	3	40 - 118	A4379R	6C5	1	80 - 25
AT58895	4B17	14	60 - 13	A3539R	2C15	7	40 - 33	A4380R	6C5	6	80 - 25
AT58895	4B19	26	60 - 15	A354R	1C23	17	20 - 40	A4384R	6C6	3	80 - 27
AT58895	5D20	37	70 - 65	A3581R	5E14	22	70 - 83	A4388R	6C5	14	80 - 25
AT58895	5D22	37	70 - 67	A3581R	5E25	5	70 - 92	A4389R	6C5	15	80 - 25
AT58895	5E2	16	70 - 71	A3581R	5E25	7	70 - 92	A4437R	3D8	26	50 - 51
AT62019	6I14	4	90 - 127	A3581R	5F3	24	70 - 95	A4437R	3D10	29	50 - 53
AT64802	5F13	3	70 - 105	A3581R	5F3	25	70 - 95	A4624R	2B18	8	40 - 11
AT66481	2G10	16	40 - 105F	A3581R	5G21	11	70 - 139	A4624R	3B23	4	50 - 14
AT66632	5H13	1	70 - 155	A3581R	5G23	2	70 - 141	A4624R	3B23	5	50 - 14
AT66632	6D23	..	90 - 5	A3581R	5H2	2	70 - 145	A4624R	3E21	3	50 - 87
AT66632	6D25	..	90 - 7	A3581R	5H4	40	70 - 147	A4624R	4D2	6	60 - 41
AT66865	2B9	..	40 - 3	A3606R	3F22	29	50 - 109	A4646R	1E1	4	30 - 8
AT67275	6C5	16	80 - 25	A3606R	4B7	9	60 - 3	A4655R	2F2	4	40 - 83
AT68973	1E7	..	30 - 15	A3606R	4B8	1	60 - 4	A4655R	6E1	18	90 - 8
AT68973	2B8	16	40 - 2	A3606R	4B13	8	60 - 9	A4655R	6E6	13	90 - 13
AT68973	2C12	3	40 - 30	A3606R	4B13	26	60 - 9	A4681R	3F18	21	50 - 105
AT68973	2C13	7	40 - 31	A3606R	4C25	12	60 - 39B	A4722R	5G23	7	70 - 141
AT75387	6I14	4	90 - 127	A3606R	4D1	1	60 - 40	A4722R	5G25	6	70 - 143
AT80421	3H15	5	50 - 156	A3606R	4D7	12	60 - 47	A4722R	5H5	9	70 - 148
AT80421	3H15	7	50 - 156	A3606R	5G23	21	70 - 141	A4722R	5H8	10	70 - 150A
AT80421	3H15	8	50 - 156	A3606R	5G25	37	70 - 143	A4723R	5G23	6	70 - 141
AT81764	6I14	6	90 - 127	A3606R	5H5	3	70 - 148	A4723R	5G25	5	70 - 143
AT85153	2B9	35	40 - 3	A3606R	5H8	17	70 - 150A	A4723R	5H2	6	70 - 145
AT85373	2B9	36	40 - 3	A364R	3E1	7	50 - 69	A4723R	5H4	5	70 - 147
AU41729	5F13	3	70 - 105	A364R	3E2	7	50 - 70	A4723R	5H5	10	70 - 148
AU42023	2G4	35	40 - 105	A364R	3E2	14	50 - 70	A4723R	5H6	9	70 - 149
AU43691	5F13	5	70 - 105	A369R	5E15	24	70 - 84	A4723R	5H8	9	70 - 150A
AU43853	2G4	20	40 - 105	A369R	5F5	27	70 - 97	A4723R	5H9	6	70 - 151
AU43854	2G4	15	40 - 105	A369R	6F12	2	90 - 43	A4728R	4D9	25	60 - 49
AU43855	2G4	22	40 - 105	A369R	6F23	11	90 - 55	A4728R	5C23	3	70 - 43
AU43857	2G4	18	40 - 105	A3750R	3G20	14	50 - 136	A4728R	5G23	9	70 - 141
AU43857	2G6	21	40 - 105B	A3815R	3E9	20	50 - 77	A4728R	5G25	24	70 - 143
AU43857	2G8	21	40 - 105D	A3910R	3F12	10	50 - 101	A4728R	5H5	7	70 - 148
AU43857	2G10	24	40 - 105F	A3917	3B19	3	50 - 10	A4728R	5H8	7	70 - 150A
AU43954	2G4	17	40 - 105	A3917R	2D18	21	40 - 56A	A4730	3E23	6	50 - 87B
AU43954	2G6	20	40 - 105B	A3917R	3D16	19	50 - 59	A4730R	1B19	4	20 - 15
AU43954	2G8	20	40 - 105D	A3917R	3D18	22	50 - 61	A4730R	3E5	11	50 - 73
AU43954	2G10	23	40 - 105F	A3917R	3E5	1	50 - 73	A4730R	3E20	10	50 - 86
AW20941	6H9	8	90 - 93	A3917R	3E13	6	50 - 81	A4730R	5G2	28	70 - 119
A1197R	4D7	23	60 - 47	A3917R	5C23	14	70 - 43	A4730R	5G5	9	70 - 122
A147R	4B25	12	60 - 21	A3917R	5C23	15	70 - 43	A4736R	5G25	19	70 - 143
A147R	4C1	13	60 - 22	A3917R	5E4	11	70 - 73	A4736R	5H4	9	70 - 147
A147R	5F1	4	70 - 93	A3917R	5E4	12	70 - 73	A4737R	5G25	17	70 - 143
A147R	5F1	7A	70 - 93	A3917R	5F20	14	70 - 111	A4737R	5H4	11	70 - 147
A15532	5F13	21	70 - 105	A3917R	5G2	14	70 - 119	A4738R	5G25	18	70 - 143
A1555R	6B22	12	80 - 19	A39716	2E6	1	40 - 61A	A4738R	5H4	10	70 - 147
A1555R	6B24	18	80 - 21	A4064R	6C5	15	80 - 25	A4739R	5G25	20	70 - 143
A1556R	6B22	11	80 - 19	A4117R	6B23	15	80 - 20	A4739R	5H4	8	70 - 147
A1556R	6B24	19	80 - 21	A4118R	6B23	10	80 - 20	A4741R	5G25	1	70 - 143
A1556R	6B25	6	80 - 21A	A4119R	6B23	11	80 - 20	A4741R	6F21	5	90 - 53
A1556R	6C1	7	80 - 21B	A4157R	2C15	11	40 - 33	A4742R	3C3	13	50 - 19
A15898	5G6	1	70 - 123	A4159R	2C15	19	40 - 33	A4742R	3C7	13	50 - 23
A15898	5G14	13	70 - 131	A4231R	6D25	48	90 - 7	A4742R	5G25	2	70 - 143
A15899	5G6	2	70 - 123	A4242R	1E12	2	30 - 17	A4744R	6F12	5	90 - 43
A15899	5G14	11	70 - 131	A4275R	5C7	12	70 - 25	A4744R	6F23	13	90 - 55
A2444R	4B6	8	60 - 2	A4365R	1B23	31	20 - 17	A4745R	5G25	11	70 - 143
A2444R	4C1	19	60 - 22	A4365R	2D18	19	40 - 56A	A4745R	5H4	21	70 - 147
A2597R	3C13	15	50 - 29	A4365R	4B9	21	60 - 5	A4745R	5H6	4	70 - 149
A2764R	6D25	48	90 - 7	A4365R	4B13	19	60 - 9	A4746R	5G25	10	70 - 143
A2899R	2E8	14	40 - 63	A4365R	5B15	3	70 - 9	A4746R	5H4	22	70 - 147

# 1J21

4230 TRACTOR

## NUMERICAL INDEX - CONTINUED

PART NO.	GRID	KEY	PAGE	PART NO.	GRID	KEY	PAGE	PART NO.	GRID	KEY	PAGE
A4747R	5G25	12	70 - 143	B15646	6D22	2	90 - 4	B634R	6C5	14	80 - 25
A4747R	5H4	20	70 - 147	B15646	6D23	2	90 - 5	B89R	6C2	11	80 - 22
A4748R	5G25	13	70 - 143	B15646	6D25	35	90 - 7	B90R	6C2	10	80 - 22
A4748R	5H4	19	70 - 147	B161R	1E12	22	30 - 17	C1067R	3B20	10	50 - 11
A4773R	5C9	17	70 - 27	B161R	1E14	24	30 - 19	C1067R	3E14	3	50 - 82
A4806R	3D16	28	50 - 59	B161R	6D4	24	80 - 51	C11884	4B21	11	60 - 17
A4806R	3F22	23	50 - 109	B1664R	1F11	40	30 - 41	C11884	4C16	32	60 - 33
A4808R	3D16	29	50 - 59	B1664R	1F12	13	30 - 42	C1220R	3B9	3	50 - 1
A4808R	3F22	24	50 - 109	B1664R	2G2	15	40 - 103	C1220R	3E5	3	50 - 73
A4808R	5C14	5	70 - 33	B1664R	3F20	22	50 - 107	C1220R	3G1	10	50 - 114
A4816R	3H11	3	50 - 152A	B1664R	5D2	5	70 - 47	C1919R	3D25	24	50 - 68
A4816R	3H21	10	50 - 163	B1664R	5D4	2	70 - 49	C1919R	3F25	24	50 - 113
A4816R	4B7	16	60 - 3	B1664R	5D6	11	70 - 51	C284R	3B20	11	50 - 11
A4816R	4C23	8	60 - 39	B1664R	5D20	27	70 - 65	C565R	3G22	11	50 - 138
A4816R	4C25	23	60 - 39B	B1664R	5D22	35	70 - 67	C565R	3G23	11	50 - 139
A4827	3C20	..	50 - 36	B1664R	6I17	2	90 - 130	DA4560A	5E14	19	70 - 83
A4827R	1C1	9	20 - 20	B1664R	6I18	3	90 - 131	D1761R	4C20	3	60 - 37
A4827R	1C3	7	20 - 22	B169R	4B5	24	60 - 1	D1761R	4C20	7	60 - 37
A4827R	3B9	6	50 - 1	B169R	4B6	27	60 - 2	D2266R	3G21	4	50 - 137
A4827R	3B22	18	50 - 13	B169R	4B25	28	60 - 21	D2266R	3G22	2	50 - 138
A4827R	3C20	16	50 - 36	B169R	4C1	6	60 - 22	D2361	3F14	17	50 - 101B
A4827R	3C21	13	50 - 37	B178R	3E7	38	50 - 75	D2361R	3F12	12	50 - 101
A4827R	3C23	17	50 - 39	B190R	3E2	12	50 - 70	D2361R	5G2	4	70 - 119
A4827R	3C24	16	50 - 41	B1986R	1E7	5	30 - 15	D2361R	5G2	18	70 - 119
A4827R	3E20	27	50 - 86	B207R	3C20	17	50 - 36	D2361R	5G4	4	70 - 121
A4827R	3G21	7	50 - 137	B2477R	5E11	5	70 - 80	D2361R	5G4	18	70 - 121
A4827R	3G22	4	50 - 138	B2641R	1E20	17	30 - 25	D2361R	5G11	4	70 - 128
A48331	2E6	3	40 - 61A	B2641R	3H4	6	50 - 145	D2361R	5G11	16	70 - 128
A48332	2E6	23	40 - 61A	B2641R	5E12	7	70 - 81	D2420R	1C1	3	20 - 20
A4883R	6C5	10	80 - 25	B2641R	5E14	6	70 - 83	D2420R	1C21	10	20 - 38
A4883R	6C6	6	80 - 27	B2681R	6C2	14	80 - 22	D2425R	1B16	13	20 - 12
A4979R	5C11	24	70 - 29	B2683R	6C2	16	80 - 22	D2491R	2F13	9	40 - 88
A4997R	6E1	12	90 - 8	B2693R	6B14	7	80 - 11	D2491R	2F15	2	40 - 90
A5067R	6G22	6	90 - 81	B2694R	6B8	8	80 - 4	D2491R	2F16	2	40 - 91
A5146R	6B22	9	80 - 19	B2762R	1C23	25	20 - 40	D2491R	3D2	6	50 - 44
A5146R	6B23	26	80 - 20	B2762R	1D12	27	20 - 55	D2593R	4C20	3	60 - 37
A5146R	6B24	12	80 - 21	B2762R	3B16	10	50 - 7	D2865R	5E11	8	70 - 80
A5188R	2C15	3	40 - 33	B2762R	3B16	27	50 - 7	D2865R	6G15	40	90 - 73
A5234R	6D8	12	80 - 55	B2762R	3D22	3	50 - 65	D2913R	5G23	25	70 - 141
A5301R	5G25	31	70 - 143	B2762R	3E19	32	50 - 85B	D2913R	5H2	25	70 - 145
A5301R	5H4	35	70 - 147	B2762R	3F9	13	50 - 98	D2913R	5H8	12	70 - 150A
A5302R	5G25	29	70 - 143	B2762R	4B9	15	60 - 5	D2913R	5H9	15	70 - 151
A5302R	5H4	38	70 - 147	B2762R	4B13	17	60 - 9	D467R	6B9	7	80 - 5
A5304R	5H4	28	70 - 147	B2762R	5C17	5	70 - 36	D467R	6B14	2	80 - 11
A5659R	6G22	23	90 - 81	B2762R	5C17	12	70 - 36	E10121	1E22	16	30 - 27
A5659R	6G22	30	90 - 81	B2762R	5C18	7	70 - 37	E16050	2G17	16	40 - 110
A5659R	6H2	16	90 - 85	B2762R	5F20	4	70 - 111	E17421	1D22	13	30 - 3
A5748R	5G14	6	70 - 131	B2762R	5F22	4	70 - 113	E17421	3C20	4	50 - 36
A776R	3B22	10	50 - 13	B2762R	5F25	3	70 - 117	E17421	3C20	..	50 - 36
A776R	3E20	11	50 - 86	B30667	5F16	18	70 - 107B	E17421	3C21	4	50 - 37
A877R	6B8	5	80 - 4	B3118R	3B11	11	50 - 3	E17421	3C23	4	50 - 39
A877R	6B9	5	80 - 5	B3285R	6I10	17	90 - 123	E17421	3C24	4	50 - 41
A877R	6B14	3	80 - 11	B350R	3G20	4	50 - 136	E17421	3D12	3	50 - 55
A890R	6B9	10	80 - 5	B3586R	1C21	4	20 - 38	E4348E	5D18	3	70 - 63
A890R	6B14	8	80 - 11	B3586R	1D12	15	20 - 55	E50102	5B8	1	70 - 2
BP12232	6C17	1	80 - 39	B3595R	3E7	18	50 - 75	E50102	6B18	17	80 - 15
BP12232	6C17	8	80 - 39	B3686R	5C25	4	70 - 45	E50102	6F14	13	90 - 45
BP12232	6C19	8	80 - 41	B3686R	5D24	4	70 - 69	E50102	6F25	8	90 - 57
BP12232	6C21	1	80 - 43	B3690R	4B5	33	60 - 1	E50102	6F25	31	90 - 57
BP12232	6C21	8	80 - 43	B3690R	4B6	2	60 - 2	E55662	1C21	1	20 - 38
BP12232	6C23	1	80 - 45	B3690R	4B25	38	60 - 21	E55662	1C22	15	20 - 39
BP12232	6C23	8	80 - 45	B3690R	4C1	2	60 - 22	E55662	1C22	27	20 - 39
BP12232	6C25	8	80 - 47	B423R	5D10	16	70 - 55	E55662	1D6	2	20 - 49
BP13615	3E1	12	50 - 69	B474R	3H21	7	50 - 163	E55662	2C15	9	40 - 33
BP13615	3G1	15	50 - 114	B474R	5D16	28	70 - 61	E55662	2C15	10	40 - 33
B1085R	2B25	5	40 - 19	B548R	6C2	9	80 - 22	E55662	2C19	..	40 - 37
B1085R	6E6	17	90 - 13	B551R	6C2	7	80 - 22	E55662	2D3	3	40 - 44

# 1J22

4230 TRACTOR

## NUMERICAL INDEX - CONTINUED

PART NO.	GRID	KEY	PAGE	PART NO.	GRID	KEY	PAGE	PART NO.	GRID	KEY	PAGE
E55662	2D13	6	40 - 54A	F2741R	5F17	20	70 - 108	F3171R	5C11	26	70 - 29
F1008R	6B21	5	80 - 18	F2741R	5F18	21	70 - 109	F3171R	5C13	28	70 - 31
F1012R	6B21	11	80 - 18	F2741R	5F23	10	70 - 115	F3171R	5C17	3	70 - 36
F1024R	3G21	8	50 - 137	F2741R	5F25	6	70 - 117	F3171R	5C17	12	70 - 36
F1024R	3G22	9	50 - 138	F2741R	5G12	3	70 - 129	F3171R	5C18	3	70 - 37
F1024R	5F7	21	70 - 99	F2741R	6D25	19	90 - 7	F3171R	5D2	27	70 - 47
F1334R	3D25	23	50 - 68	F2783R	6C11	9	80 - 32	F3171R	5D4	23	70 - 49
F1334R	3F25	23	50 - 113	F2811R	3F20	16	50 - 107	F3171R	5D6	35	70 - 51
F1334R	4B21	10	60 - 17	F2822R	5E16	7	70 - 85	F3171R	5D16	5	70 - 61
F1334R	4C16	31	60 - 33	F2822R	5E18	6	70 - 87	F3171R	5D20	29	70 - 65
F1373R	3E11	15	50 - 79	F2823R	5E16	5	70 - 85	F3171R	5D22	28	70 - 67
F1373R	3G2	4	50 - 115	F2823R	5E18	4	70 - 87	F3171R	5E2	9	70 - 71
F1427R	5H2	7	70 - 145	F2824R	5E16	3	70 - 85	F3171R	5E5	12	70 - 74
F1427R	5H4	4	70 - 147	F2824R	5E18	3	70 - 87	F3171R	5E6	21	70 - 75
F1427R	5H6	10	70 - 149	F2846R	3D22	21	50 - 65	F3171R	5E8	12	70 - 77
F1427R	5H9	7	70 - 151	F2846R	3D22	31	50 - 65	F3171R	5F12	8	70 - 104
F1430R	5H2	9	70 - 145	F2846R	3E15	9	50 - 83	F3171R	5F13	29	70 - 105
F1430R	5H4	16	70 - 147	F2846R	3E17	45	50 - 85	F3173R	5C24	13	70 - 44
F1430R	5H6	12	70 - 149	F2847R	3D22	20	50 - 65	F3195R	6D8	9	80 - 55
F1430R	5H9	5	70 - 151	F2847R	3D22	32	50 - 65	F3220R	3B11	24	50 - 3
F1430R	6E8	9	90 - 15	F2847R	3E15	8	50 - 83	F3220R	5F12	9	70 - 104
F1430R	6E10	7	90 - 17	F2847R	3E17	46	50 - 85	F3221R	3F16	19	50 - 103
F1441R	5G25	39	70 - 143	F2863R	6F14	8	90 - 45	F3322R	3E19	9	50 - 85B
F1441R	5H5	4	70 - 148	F2863R	6F17	1	90 - 49	F3353R	3G14	2	50 - 129
F1463R	5D7	3	70 - 52	F2863R	6F25	16	90 - 57	F3358R	3G21	5	50 - 137
F1463R	5D8	3	70 - 53	F2935R	2E8	38	40 - 63	F3358R	3G22	13	50 - 138
F1483R	3G23	4	50 - 139	F2935R	2E10	37	40 - 65	F3463R	3H21	4	50 - 163
F1484R	3G23	5	50 - 139	F2935R	2E12	35	40 - 67	F3539R	5F3	6	70 - 95
F1549R	3B9	10	50 - 1	F2935R	2E13	5	40 - 69	F3539R	5F5	5	70 - 97
F1682R	5C11	14	70 - 29	F2935R	6G8	15	90 - 65	F3539R	5F7	5	70 - 99
F1682R	5C13	7	70 - 31	F304R	5F10	17	70 - 102	F3539R	5F8	5	70 - 100
F1743	1B16	17	20 - 12	F3126R	6C2	3	80 - 22	F3539R	5F9	5	70 - 101
F1743R	1B9	17	20 - 3	F3127R	6C2	2	80 - 22	F3541R	5F3	4	70 - 95
F1743R	1B16	16	20 - 12	F3128R	3B9	7	50 - 1	F3541R	5F5	3	70 - 97
F1743R	1B19	12	20 - 15	F3128R	3B22	17	50 - 13	F3541R	5F7	3	70 - 99
F1743R	1B23	16	20 - 17	F3128R	3E20	26	50 - 86	F3541R	5F8	3	70 - 100
F2206R	5E22	23	70 - 91	F3128R	3G21	6	50 - 137	F3541R	5F9	3	70 - 101
F2208R	5E11	4	70 - 80	F3128R	3G22	3	50 - 138	F3542R	5F3	5	70 - 95
F2208R	5E22	31	70 - 91	F3171R	1B19	..	20 - 15	F3542R	5F5	4	70 - 97
F2367R	3E1	17	50 - 69	F3171R	1C23	22	20 - 40	F3542R	5F7	4	70 - 99
F2367R	3G1	20	50 - 114	F3171R	3B16	13	50 - 7	F3542R	5F8	4	70 - 100
F2370R	3E9	17	50 - 77	F3171R	3B16	27	50 - 7	F3542R	5F9	4	70 - 101
F2411R	1D2	17	20 - 45	F3171R	3B22	28	50 - 13	F3646R	1B23	9	20 - 17
F2632R	2C15	13	40 - 33	F3171R	3D16	26	50 - 59	F3646R	1C22	16	20 - 39
F2680R	5E16	16	70 - 85	F3171R	3D22	10	50 - 65	F534R	3C13	2	50 - 29
F2680R	5E16	20	70 - 85	F3171R	3D23	2	50 - 66	F562R	6B21	9	80 - 18
F2680R	5E18	29	70 - 87	F3171R	3E15	15	50 - 83	F950R	5C24	5	70 - 44
F2680R	5E18	30	70 - 87	F3171R	3E17	15	50 - 85	H104855	2H8	9	40 - 127
F2681R	5E16	16	70 - 85	F3171R	3E19	4	50 - 85B	H121828	6E1	2	90 - 8
F2681R	5E18	29	70 - 87	F3171R	3G25	7	50 - 141	H121828	6E1	10	90 - 8
F2681R	5E20	1	70 - 89	F3171R	3H6	2	50 - 147	H20923	1E21	26	30 - 26
F2681R	5E22	8	70 - 91	F3171R	3H6	8	50 - 147	H20925	1E22	11	30 - 27
F2684R	5E11	12	70 - 80	F3171R	3H6	15	50 - 147	H20925	1E22	23	30 - 27
F2684R	5E12	1	70 - 81	F3171R	3H14	11	50 - 155	H20926	1E22	25	30 - 27
F2684R	5E14	1	70 - 83	F3171R	3H16	6	50 - 157	H20927	1E22	26	30 - 27
F2685R	5E11	12	70 - 80	F3171R	3H18	19	50 - 159	H20954	1E21	25	30 - 26
F2685R	5E12	1	70 - 81	F3171R	5B9	1	70 - 3	H21008	1E22	22	30 - 27
F2685R	5E14	1	70 - 83	F3171R	5B11	14	70 - 5	H21031	1E21	10	30 - 26
F2693R	5E11	9	70 - 80	F3171R	5B11	16	70 - 5	H21048	1E21	11	30 - 26
F2694R	5E11	6	70 - 80	F3171R	5B11	..	70 - 5	H21048	1E22	17	30 - 27
F2695R	5E11	7	70 - 80	F3171R	5B13	19	70 - 7	H21058	1E21	17	30 - 26
F2741R	2E17	15	40 - 73	F3171R	5B17	6	70 - 11	H21058	1E22	28	30 - 27
F2741R	3D19	5	50 - 62	F3171R	5B21	12	70 - 15	H21957	3B10	10	50 - 2
F2741R	3F23	7	50 - 111	F3171R	5B23	13	70 - 17	H23193	2D8	4	40 - 49
F2741R	5C23	30	70 - 43	F3171R	5B25	35	70 - 19	H294R	1C19	11	20 - 36
F2741R	5C25	12	70 - 45	F3171R	5C2	8	70 - 21	H294R	1C23	18	20 - 40
F2741R	5E4	27	70 - 73	F3171R	5C7	43	70 - 25	H31660	1E21	27	30 - 26

# 1J23

4230 TRACTOR

## NUMERICAL INDEX - CONTINUED

PART NO.	GRID	KEY	PAGE	PART NO.	GRID	KEY	PAGE	PART NO.	GRID	KEY	PAGE
H343R	3E25	11	50-89	JD7191	3E2	9	50-70	JD8192	5B11	23	70-5
H631R	3B24	3	50-15	JD7222	6C2	12	80-22	JD8192	5B13	27	70-7
H75541	5G16	24	70-133	JD7232	3C7	3	50-23	JD8192	5B21	21	70-15
H772R	6C2	5	80-22	JD7232	3C9	3	50-25	JD8192	5B23	21	70-17
H773R	6C2	8	80-22	JD7266	6C2	13	80-22	JD8198	3B24	7	50-15
H78354	6I2	2	90-114	JD7282	3F6	6	50-95	JD8210	3G3	19	50-116
H80306	5F13	16	70-105	JD7291	3C3	2	50-19	JD8210	3G4	4	50-117
H80753	1C13	5	20-29	JD7291	3C5	2	50-21	JD8210	3G6	29	50-119
H80936	5D20	25	70-65	JD7403	3H2	17	50-143	JD8210	3G8	4	50-121
H80936	5D22	25	70-67	JD7418	6B24	4	80-21	JD8210	3G13	17	50-127
H80936	5E2	8	70-71	JD7418	6B24	5	80-21	JD8213	3G18	14	50-133
H81550	1E21	6	30-26	JD7418	6C1	4	80-21B	JD8214	3G18	7	50-133
H819R	3D20	5	50-63	JD7430	3B25	17	50-16	JD8223	3C3	22	50-19
H819R	3F22	5	50-109	JD7430	3C1	16	50-17	JD8223	3C5	25	50-21
H826R	1B19	..	20-15	JD7445	6B22	5	80-19	JD8223	5B11	22	70-5
H826R	1C19	3	20-36	JD7445	6B24	4	80-21	JD8223	5B13	26	70-7
H851R	3B22	27	50-13	JD7445	6B25	3	80-21A	JD8223	5B21	20	70-15
H851R	3E20	2	50-86	JD7445	6C2	13	80-22	JD8223	5B23	20	70-17
H851R	5F13	20	70-105	JD7446	3G22	12	50-138	JD8236	3C7	22	50-23
H851R	5F17	16	70-108	JD7446	3G23	10	50-139	JD8236	3C9	25	50-25
H851R	5F18	17	70-109	JD7537	3E1	16	50-69	JD8248	3G22	7	50-138
H851R	5G16	26	70-133	JD7537	3G1	19	50-114	JD8248	3G23	16	50-139
H871R	3C13	26	50-29	JD7557	3D25	3	50-68	JD8251	6B22	7	80-19
H871R	3C14	5	50-30	JD7557	3F25	2	50-113	JD8251	6B24	7	80-21
H871R	3F3	4	50-92	JD7599	3G20	1	50-136	JD8251	6B25	4	80-21A
H871R	3H3	10	50-144	JD7672	3G2	5	50-115	JD8251	6C1	5	80-21B
H871R	4B7	15	60-3	JD7759	3G23	23	50-139	JD8257	3B24	1	50-15
H871R	5G6	10	70-123	JD7759	3H2	7	50-143	JD8258	3F8	10	50-97
H871R	5G8	11	70-125	JD7759	5E11	3	70-80	JD8259	3G3	4	50-116
H97644	2B11	23	40-5	JD7759	5E15	18	70-84	JD8259	3G3	19	50-116
H97644	6D25	23	90-7	JD7759	5E15	20	70-84	JD8259	3G4	4	50-117
H987R	2G17	19	40-110	JD7759	5F1	21	70-93	JD8259	3G4	18	50-117
JD10002	3G18	6	50-133	JD7759	5F1	23	70-93	JD8259	3G6	4	50-119
JD10003	3G23	17	50-139	JD7759	5F5	25	70-97	JD8259	3G6	29	50-119
JD10281	3F6	14	50-95	JD7759	6B8	3	80-4	JD8259	3G8	4	50-121
JD1091	6B24	9	80-21	JD7759	6B9	3	80-5	JD8259	3G8	29	50-121
JD126	2E6	10	40-61A	JD7759	6B14	4	80-11	JD8266	3B25	3	50-16
JD126	2G17	10	40-110	JD7759	6B18	19	80-15	JD8266	3G20	7	50-136
JD1299	6B24	9	80-21	JD7759	6B21	12	80-18	JD8280	3F8	6	50-97
JD16	6B24	10	80-21	JD7759	6C2	15	80-22	JD8290	3G3	4	50-116
JD17	6C3	3	80-23	JD7778	6B23	16	80-20	JD8290	3G4	18	50-117
JD27	6C6	12	80-27	JD7781	3H2	4	50-143	JD8290	3G6	4	50-119
JD3019	6C6	10	80-27	JD7781	6B18	10	80-15	JD8290	3G8	29	50-121
JD3019	6C6	12	80-27	JD7797	6B16	19	80-13	JD8291	3C7	2	50-23
JD3039	6B24	9	80-21	JD7798	4B21	19	60-17	JD8291	3C9	2	50-25
JD3210	6B24	9	80-21	JD7798	4C16	29	60-33	JD8292	3H2	19	50-143
JD3211	6B24	9	80-21	JD7798	6B5	6	80-1	JD8293	3G25	19	50-141
JD3219	6B24	9	80-21	JD7798	6B11	6	80-7	JD8342	3G2	9	50-115
JD3222	6C6	10	80-27	JD7798	6B18	19	80-15	JD8343	3G2	10	50-115
JD3222	6C6	12	80-27	JD7798	6B24	6	80-21	JD8537	3E1	13	50-69
JD3223	6C6	10	80-27	JD7799	6B6	6	80-2	JD8537	3G1	16	50-114
JD3223	6C6	11	80-27	JD7799	6B7	6	80-3	JD8644	3E11	16	50-79
JD3223	6C6	12	80-27	JD7799	6B18	10	80-15	JD8644	3G2	3	50-115
JD3224	6C6	10	80-27	JD7805	5E10	7	70-79	JD8645	3E11	18	50-79
JD3224	6C6	11	80-27	JD7806	6B16	10	80-13	JD8645	3G2	1	50-115
JD3224	6C6	12	80-27	JD7838	2B20	10	40-14	JD8648	3G1	2	50-114
JD3225	6C6	10	80-27	JD7838	2B21	12	40-15	JD8735	3B14	13	50-5B
JD3225	6C6	11	80-27	JD8130	3G23	9	50-139	JD8735	3E3	5	50-71
JD3225	6C6	12	80-27	JD8155	3F6	7	50-95	JD8856	3F9	12	50-98
JD3226	6C6	10	80-27	JD8159	3G3	18	50-116	JD8862	1E20	32	30-25
JD3226	6C6	11	80-27	JD8159	3G4	5	50-117	JD8875	4B5	5	60-1
JD3226	6C6	12	80-27	JD8159	3G6	28	50-119	JD8875	4B25	5	60-21
JD3228	6B24	9	80-21	JD8159	3G8	5	50-121	JD8875	4C1	22	60-22
JD3229	6B24	9	80-21	JD8159	3G11	1	50-125	JD8875	4C4	7	60-23B
JD5272	6I15	8	90-128	JD8159	3G13	16	50-127	JD8913	6B22	4	80-19
JD5602	6I15	8	90-128	JD8177	3G18	15	50-133	JD8913	6B24	3	80-21
JD7145	3E9	18	50-77	JD8191	3G18	6	50-133	JD8913	6B25	2	80-21A

# 1J24

4230 TRACTOR

## NUMERICAL INDEX - CONTINUED

PART NO.	GRID	KEY	PAGE	PART NO.	GRID	KEY	PAGE	PART NO.	GRID	KEY	PAGE
JD8913	6C2	12	80 - 22	JD9507	3G2	11	50 - 115	M2396T	5D10	10	70 - 55
JD8919	3C3	21	50 - 19	JD9812	3F9	11	50 - 98	M2396T	5D10	17	70 - 55
JD8919	3C5	24	50 - 21	JD9916	3B12	3	50 - 5	M2396T	5D10	54	70 - 55
JD8929	6B22	8	80 - 19	JD9917	3B12	10	50 - 5	M2396T	5D12	11	70 - 57
JD8929	6B24	8	80 - 21	JD9918	3B12	4	50 - 5	M2396T	5D14	31	70 - 59
JD8929	6B25	5	80 - 21A	JD9919	3B12	9	50 - 5	M2396T	5G2	24	70 - 119
JD8929	6C1	6	80 - 21B	JD9926	3C13	25	50 - 29	M2396T	5G4	25	70 - 121
JD8947	3B24	2	50 - 15	JD9926	3C14	2	50 - 30	M2396T	5G18	1	70 - 135
JD8954	3G3	5	50 - 116	JD9930	4B23	7	60 - 19	M3636T	1B19	16	20 - 15
JD8954	3G3	18	50 - 116	JD9930	4C18	7	60 - 35	M3636T	1E1	11	30 - 8
JD8954	3G4	5	50 - 117	JD9931	4B5	4	60 - 1	M3636T	2C15	12	40 - 33
JD8954	3G4	17	50 - 117	JD9931	4B25	4	60 - 21	M3636T	2D3	1	40 - 44
JD8954	3G6	5	50 - 119	JD9931	4C1	21	60 - 22	M3636T	2D13	6	40 - 54A
JD8954	3G6	28	50 - 119	JD9931	4C4	6	60 - 23B	M3649T	3E1	8	50 - 69
JD8954	3G8	5	50 - 121	K40003	6B16	17	80 - 13	M3649T	3E2	8	50 - 70
JD8954	3G8	28	50 - 121	K40003	6B20	17	80 - 17	M3742T	1F12	14	30 - 42
JD8954	3G11	1	50 - 125	K40003	6D10	14	80 - 55B	M40333	2F12	24	40 - 87B
JD8954	3G13	1	50 - 127	K40003	6F21	16	90 - 53	M42229	2F9	..	40 - 86
JD8962	3G23	17	50 - 139	L1610N	5E15	16	70 - 84	M42229	6F8	2	90 - 39
JD8969	6B24	3	80 - 21	L1610N	5F1	13	70 - 93	M42229	6G2	1	90 - 59
JD8969	6C1	3	80 - 21B	L29015	4D9	13	60 - 49	M42229	6G2	14	90 - 59
JD8971	3F8	11	50 - 97	L32092	2G23	7	40 - 117	M4224T	3B22	5	50 - 13
JD8977	3B25	2	50 - 16	L324T	3E14	13	50 - 82	M42827	1E19	5	30 - 24
JD8977	3G20	6	50 - 136	L37599	5G16	14	70 - 133	M42829	5F13	19	70 - 105
JD8978	3C3	3	50 - 19	L38115	2G14	14	40 - 107B	M43835	2H8	2	40 - 127
JD8978	3C5	3	50 - 21	L38132	2G14	13	40 - 107B	M4444T	5D20	15	70 - 65
JD8980	3B25	16	50 - 16	L38135	2G14	24	40 - 107B	M4444T	5D22	16	70 - 67
JD8980	3C1	15	50 - 17	L38859	6E2	11	90 - 9	M4444T	5D24	14	70 - 69
JD9019	3G3	5	50 - 116	L40412	6H11	14	90 - 95	M557T	6F17	29	90 - 49
JD9019	3G3	9	50 - 116	L40413	6H11	10	90 - 95	M63431	2F12	2	40 - 87B
JD9019	3G4	15	50 - 117	L40414	6H11	12	90 - 95	M63440	6F25	31	90 - 57
JD9019	3G4	17	50 - 117	L40415	6H11	17	90 - 95	M72490	1C19	1	20 - 36
JD9019	3G6	5	50 - 119	L40528	6G8	17	90 - 65	M72490	1C19	13	20 - 36
JD9019	3G8	28	50 - 121	L40919	6D4	10	80 - 51	M72490	1C20	13	20 - 37
JD9028	3H2	18	50 - 143	L41919	6D4	10	80 - 51	M886	3C20	..	50 - 36
JD9029	3H2	16	50 - 143	L4288	3C20	3	50 - 36	M886T	3C20	19	50 - 36
JD9030	3G25	20	50 - 141	L4299T	1E20	8	30 - 25	M886T	3C21	16	50 - 37
JD9041	6B11	15	80 - 7	L55210	6G13	2	90 - 71	M886T	3C23	21	50 - 39
JD9046	3C1	2	50 - 17	L55211	6H13	28	90 - 97	M886T	3C24	19	50 - 41
JD9046	3G20	18	50 - 136	L61115	2G16	..	40 - 109	M886T	5D2	10	70 - 47
JD9047	3C7	21	50 - 23	L65000	2F6	10	40 - 85B	M886T	5D4	7	70 - 49
JD9047	3C9	24	50 - 25	L83677	2G23	2	40 - 117	M886T	5D6	16	70 - 51
JD9056	3F8	5	50 - 97	L985T	2B23	2	40 - 17	N102039	3F12	10	50 - 101
JD9068	3F6	13	50 - 95	L985T	2C2	16	40 - 21	N107859	3H8	4	50 - 150
JD9111	3B24	8	50 - 15	L987T	2B23	5	40 - 17	N107859	5E15	19	70 - 84
JD9112	3C1	3	50 - 17	L987T	2C2	14	40 - 21	N107859	5F1	22	70 - 93
JD9112	3G20	17	50 - 136	M115827	5E14	11	70 - 83	N115096	2H8	11	40 - 127
JD9126	3F6	14	50 - 95	M115827	5E14	25	70 - 83	N31772	3H12	8	50 - 153
JD9170	6B11	15	80 - 7	M115827	5E15	5	70 - 84	N31772	3H14	9	50 - 155
JD9257	1D8	11	20 - 51	M115827	5E16	12	70 - 85	PMJD57	2F19	7	40 - 95
JD9281	3E8	10	50 - 76	M115827	5E18	22	70 - 87	PM797NA	2H14	1	40 - 133
JD9320	3D25	25	50 - 68	M115827	5E20	17	70 - 89	PT10341	2F12	10	40 - 87B
JD9320	3F25	25	50 - 113	M115827	5E22	7	70 - 91	PT10342	2F12	3	40 - 87B
JD9320	4B21	9	60 - 17	M115827	5F3	25	70 - 95	PT10343	2F12	3	40 - 87B
JD9320	4C16	30	60 - 33	M115827	5F5	33	70 - 97	PT10344	2F12	4	40 - 87B
JD9345	3E1	9	50 - 69	M1895T	2F12	21	40 - 87B	PT10345	2F12	23	40 - 87B
JD9345	3E2	13	50 - 70	M2036T	4B5	13	60 - 1	PT11382	2F12	17	40 - 87B
JD9355	1D7	6	20 - 50	M2301T	6B18	12	80 - 15	PT11383	2F12	18	40 - 87B
JD9412	3G20	3	50 - 136	M2394T	1F11	20	30 - 41	PT1294	2E6	7	40 - 61A
JD9413	3G2	13	50 - 115	M2396T	1F9	9	30 - 39	PT1296	2E6	14	40 - 61A
JD9439	4B23	5	60 - 19	M2396T	1F9	24	30 - 39	PT1297	2E6	25	40 - 61A
JD9439	4C18	5	60 - 35	M2396T	3D5	1	50 - 48	PT1624	2E6	5	40 - 61A
JD9449	2C24	23	40 - 43	M2396T	3D8	14	50 - 51	PT18180	2E6	5	40 - 61A
JD9449	2D2	23	40 - 43B	M2396T	3D10	16	50 - 53	PT18181	2E6	17	40 - 61A
JD9449	3E8	10	50 - 76	M2396T	3E14	8	50 - 82	PT18520	6E3	..	90 - 10
JD9468	3G1	2	50 - 114	M2396T	3F20	27	50 - 107	PT9281	5E24	6	70 - 91B
JD9506	3G2	7	50 - 115	M2396T	4D7	28	60 - 47	PT9282	5E24	11	70 - 91B

# 1J25

4230 TRACTOR

## NUMERICAL INDEX - CONTINUED

PART NO.	GRID	KEY	PAGE	PART NO.	GRID	KEY	PAGE	PART NO.	GRID	KEY	PAGE
PT9283	5E24	9	70 - 91B	RE10712	5D16	31	70 - 61	RE12366	2H12	25	40 - 131
PT9284	5E24	8	70 - 91B	RE10712	5D16	33	70 - 61	RE12367	2H13	7	40 - 132
PT9286	5E24	7	70 - 91B	RE10713	3B11	7	50 - 3	RE12368	2H13	6	40 - 132
PT9287	5E24	2	70 - 91B	RE10713	3B11	8	50 - 3	RE12369	2H13	2	40 - 132
PT9290	5E24	3	70 - 91B	RE10761	2B10	13	40 - 4	RE12370	2H13	3	40 - 132
PT9292	5E24	..	70 - 91B	RE10761	2B11	15	40 - 5	RE12411	2B9	35	40 - 3
PT9318	2E6	7	40 - 61A	RE10761	2E25	8	40 - 81	RE12434	1C7	10	20 - 26
PT9319	2E6	5	40 - 61A	RE10834	1C22	20	20 - 39	RE12434	1C9	10	20 - 26C
PT9320	2E6	17	40 - 61A	RE10924	5F25	16	70 - 117	RE12434	1C9	12	20 - 26C
PT9321	2E6	25	40 - 61A	RE10962	2B13	11	40 - 7	RE12470	5B25	27	70 - 19
PT9390	2E6	6	40 - 61A	RE10962	2E12	33	40 - 67	RE12512	3D12	24	50 - 55
PT9851	2F12	15	40 - 87B	RE10963	2B13	6	40 - 7	RE12512	6I6	3	90 - 119
PT9852	2F12	14	40 - 87B	RE10963	2E12	33	40 - 67	RE12597	3F18	7	50 - 105
PT9853	2F12	16	40 - 87B	RE10966	2B13	2	40 - 7	RE12842	1B7	2	20 - 2
P42894	3G1	6	50 - 114	RE10995	2G6	27	40 - 105B	RE13181	3D25	11	50 - 68
P44982	3G9	18	50 - 123	RE10998	6E8	10	90 - 15	RE13181	3D25	26	50 - 68
P46051	3G25	2	50 - 141	RE10998	6E10	13	90 - 17	RE13181	3F25	26	50 - 113
P46051	3H6	1	50 - 147	RE11000	6G22	2A	90 - 81	RE13194	5E10	1	70 - 79
P46051	5F20	27	70 - 111	RE11000	6G22	2B	90 - 81	RE13271	5B25	6	70 - 19
P46051	5F22	26	70 - 113	RE11000	6H2	7	90 - 85	RE13271	5B25	15	70 - 19
P46051	5F25	8	70 - 117	RE11154	2G25	8	40 - 119	RE13280	2B11	17	40 - 5
P46402	4B5	2	60 - 1	RE11156	2H10	36	40 - 129	RE13280	2G6	15	40 - 105B
P46402	4B25	2	60 - 21	RE11157	2H10	37	40 - 129	RE13280	2G10	16	40 - 105F
P46402	4B25	9	60 - 21	RE11221	6F2	22	90 - 33	RE13280	2G10	18	40 - 105F
P46402	4B25	28	60 - 21	RE11222	6F2	22	90 - 33	RE13281	2G4	12	40 - 105
P46402	4C4	4	60 - 23B	RE11344	2G24	1	40 - 118	RE13281	2G6	14	40 - 105B
P46402	4C4	10	60 - 23B	RE11410	1B9	18	20 - 3	RE13281	2G8	14	40 - 105D
P47908	3H11	8	50 - 152A	RE11410	1B13	16	20 - 8	RE13281	2G10	17	40 - 105F
P47908	3H14	1	50 - 155	RE11410	1B13	21	20 - 8	RE13282	2G6	22	40 - 105B
P47908	3H21	14	50 - 163	RE11431	6D4	7	80 - 51	RE13282	2G10	25	40 - 105F
P47908	5B9	1	70 - 3	RE11447	5H11	9	70 - 153	RE13283	2G6	18	40 - 105B
P47908	5B11	16	70 - 5	RE11456	5H11	2	70 - 153	RE13283	2G8	18	40 - 105D
P47908	5B11	..	70 - 5	RE11457	5H11	1	70 - 153	RE13283	2G10	21	40 - 105F
P47908	5B13	18	70 - 7	RE11458	5H11	2	70 - 153	RE13284	2G6	20	40 - 105B
P47908	5B13	..	70 - 7	RE11463	5H11	2	70 - 153	RE13284	2G8	20	40 - 105D
P47908	5B19	22	70 - 13	RE11777	5B21	24	70 - 15	RE13284	2G10	23	40 - 105F
P47908	5C5	26	70 - 23	RE11777	5B23	24	70 - 17	RE13288	6E4	9	90 - 11
P48347	3H2	36	50 - 143	RE11778	6G12	6	90 - 69	RE13467	1B25	1	20 - 19
P48347	3H7	6	50 - 149	RE11804	5B21	14	70 - 15	RE13476	3G18	..	50 - 133
P48347	4B10	6	60 - 6	RE11810	5B23	12	70 - 17	RE13476	3G19	17	50 - 135
P48347	4B13	22	60 - 9	RE11814	5B13	5	70 - 7	RE13476	3G18	10	50 - 133
P48362	5D18	1	70 - 63	RE11814	5B13	9	70 - 7	RE13477	3G19	4	50 - 135
P48362	5D20	2	70 - 65	RE11814	5B13	28	70 - 7	RE13541	6F19	2	90 - 51
P48362	5D22	3	70 - 67	RE11814	5B13	29A	70 - 7	RE13559	2B9	33	40 - 3
P50631	3D25	4	50 - 68	RE11814	5B13	30A	70 - 7	RE13559	2B9	35	40 - 3
P50631	3F25	4	50 - 113	RE11814	5B13	32	70 - 7	RE13559	2B11	31	40 - 5
P50883	6D22	4	90 - 4	RE11956	4D9	28	60 - 49	RE13561	5G1	2	70 - 118
P50883	6D23	4	90 - 5	RE12038	5B13	28	70 - 7	RE13562	5G1	2	70 - 118
P50883	6D25	32	90 - 7	RE12038	5B13	29A	70 - 7	RE13611	5B15	31	70 - 9
P51212	5G8	12	70 - 125	RE12038	5B13	30A	70 - 7	RE13693	6G17	14	90 - 75
P51212	5G10	5	70 - 127	RE12038	5B13	32	70 - 7	RE13693	6G19	30	90 - 77
P51212	6D22	9	90 - 4	RE12038	5B13	..	70 - 7	RE13722	2D3	6	40 - 44
P51212	6D23	16	90 - 5	RE12049	6F19	4	90 - 51	RE13722	2D23	..	40 - 57A
P51212	6D25	9	90 - 7	RE12121	5G6	..	70 - 123	RE13722	2D24	..	40 - 57B
RE10133	2F18	10	40 - 94	RE12121	5G8	20	70 - 125	RE13722	2D25	..	40 - 57C
RE10133	6E11	7	90 - 18	RE12130	2G6	25	40 - 105B	RE13731	2D24	1	40 - 57B
RE10134	6E10	5	90 - 17	RE12162	3F9	15	50 - 98	RE13732	2E1	15	40 - 57D
RE10134	6E11	3	90 - 18	RE12330	2H12	14	40 - 131	RE13732	2E2	10	40 - 58
RE10530	3B14	8	50 - 5B	RE12330	5C2	..	70 - 21	RE13733	2E1	4	40 - 57D
RE10531	3B14	8	50 - 5B	RE12331	2H12	12	40 - 131	RE13733	2E2	9	40 - 58
RE10534	3E1	4	50 - 69	RE12332	2H12	18	40 - 131	RE13797	2C19	1	40 - 37
RE10534	3E2	4	50 - 70	RE12333	2H12	21	40 - 131	RE13797	2C19	..	40 - 37
RE10595	6H7	3	90 - 91	RE12334	2H12	8	40 - 131	RE13797	2C21	3	40 - 39
RE10712	5B15	43	70 - 9	RE12362	2H12	4	40 - 131	RE13797	2C21	..	40 - 39
RE10712	5B15	44	70 - 9	RE12363	2H12	11	40 - 131	RE13797	2C24	..	40 - 43
RE10712	5B25	39	70 - 19	RE12364	2H12	16	40 - 131	RE13797	2D2	12	40 - 43B
RE10712	5D16	26	70 - 61	RE12365	2H12	20	40 - 131	RE13797	2D2	29	40 - 43B

# 1K1

4230 TRACTOR

## NUMERICAL INDEX - CONTINUED

PART NO.	GRID	KEY	PAGE	PART NO.	GRID	KEY	PAGE	PART NO.	GRID	KEY	PAGE
RE13797	2D2	..	40 - 43B	RE17162	3F1	8	50 - 90	RE21730	2H6	5	40 - 125
RE13798	2C24	5	40 - 43	RE17162	3F2	4	50 - 91	RE21731	2H6	5	40 - 125
RE13798	2D2	13	40 - 43B	RE17282	2G25	10	40 - 119	RE21732	2H6	6	40 - 125
RE13799	2D2	12	40 - 43B	RE17352	1C5	10	20 - 24	RE21738	2F8	15	40 - 85D
RE13800	2D2	19	40 - 43B	RE17352	1C16	5	20 - 32	RE21740	2B17	1	40 - 10
RE13801	2C24	19	40 - 43	RE17414	1E19	17	30 - 24	RE21740	2B18	9	40 - 11
RE13801	2D2	20	40 - 43B	RE17420	3B11	13	50 - 3	RE21745	2B18	4	40 - 11
RE13813	5G8	14	70 - 125	RE17515	1D22	1B	30 - 3	RE21790	1E6	23	30 - 14
RE13814	5G8	6	70 - 125	RE17515	1D25	7	30 - 7	RE21790	1E7	3	30 - 15
RE13815	5G10	10	70 - 127	RE17515	2B8	9	40 - 2	RE21790	1E7	6	30 - 15
RE13839	2F18	16	40 - 94	RE17519	6H11	11	90 - 95	RE21790	1E8	1	30 - 15A
RE13945	6C10	20	80 - 31	RE18119	2G24	4	40 - 118	RE21790	1E9	14	30 - 15B
RE14060	2B9	33	40 - 3	RE18180	6G24	8	90 - 83	RE21790	1E10	5	30 - 15D
RE14060	2B9	35	40 - 3	RE18180	6G24	..	90 - 83	RE21790	1E10	9	30 - 15D
RE14060	2B11	31	40 - 5	RE18658	6H4	12	90 - 87	RE22319	3F16	10	50 - 103
RE14062	2B9	33	40 - 3	RE18943	2B10	6	40 - 4	RE22320	3F16	7	50 - 103
RE14062	2B9	35	40 - 3	RE18943	2B10	7	40 - 4	RE22321	3F16	7	50 - 103
RE14062	2B11	31	40 - 5	RE18943	2G2	5	40 - 103	RE22488	6H11	1	90 - 95
RE14069	2B9	33	40 - 3	RE18943	2G2	18	40 - 103	RE22488	6H11	2	90 - 95
RE14069	2B9	35	40 - 3	RE18944	2B10	7	40 - 4	RE22488	6H11	3	90 - 95
RE14069	2B11	31	40 - 5	RE18944	2G2	18	40 - 103	RE22488	6H11	4	90 - 95
RE14069	2C18	5	40 - 36	RE18946	2G6	20	40 - 105B	RE22488	6H11	5	90 - 95
RE14070	2B9	36	40 - 3	RE18946	2G8	20	40 - 105D	RE22488	6H11	6	90 - 95
RE14072	2B9	35	40 - 3	RE18946	2G10	23	40 - 105F	RE22488	6H11	7	90 - 95
RE14191	2B9	29	40 - 3	RE19075	2B10	1	40 - 4	RE22488	6H11	9	90 - 95
RE14191	3D22	12	50 - 65	RE19075	2B13	2	40 - 7	RE22589	2F8	2	40 - 85D
RE14191	3E13	1	50 - 81	RE19075	2E12	17	40 - 67	RE22764	1C5	10	20 - 24
RE14246	6F9	2	90 - 40	RE19075	2E12	23	40 - 67	RE22764	1C5	13	20 - 24
RE14480	6G13	5	90 - 71	RE19080	2E13	8	40 - 69	RE22764	1C16	5	20 - 32
RE14480	6G13	6	90 - 71	RE19081	2B13	11	40 - 7	RE22764	1C16	6	20 - 32
RE14868	5B17	20	70 - 11	RE19081	2E12	33	40 - 67	RE22863	6H19	21	90 - 105
RE14935	6C15	13	80 - 37	RE19082	2B13	6	40 - 7	RE22994	6G10	15	90 - 67
RE14936	6C15	13	80 - 37	RE19082	2E12	33	40 - 67	RE22994	6G17	28	90 - 75
RE14953	1C5	10	20 - 24	RE19374	5F7	10	70 - 99	RE22994	6G19	29	90 - 77
RE14953	1C16	5	20 - 32	RE19374	5F9	8	70 - 101	RE23000	3E10	3	50 - 78
RE15058	2E1	13	40 - 57D	RE19433	6C3	2	80 - 23	RE23000	3E11	3	50 - 79
RE15058	2E2	15	40 - 58	RE19449	6H18	4	90 - 103	RE23000	3E24	26	50 - 88
RE15077	6G2	14	90 - 59	RE19451	6H16	4	90 - 101	RE23099	6H18	4	90 - 103
RE15078	6G2	1	90 - 59	RE19989	6F19	9	90 - 51	RE23101	6H16	4	90 - 101
RE15361	5F13	26	70 - 105	RE19989	6F19	14	90 - 51	RE23160	1C13	8	20 - 29
RE15361	5G11	18	70 - 128	RE20058	5C23	35	70 - 43	RE23160	1D16	1	20 - 59
RE15361	5G11	20	70 - 128	RE20058	5E4	34	70 - 73	RE23163	1C13	7	20 - 29
RE15427	1D2	8	20 - 45	RE20352	6I3	13	90 - 115	RE23163	1C13	8	20 - 29
RE15583	1B19	17	20 - 15	RE20663	5F3	9	70 - 95	RE23182	1B7	2	20 - 2
RE15583	1B23	29	20 - 17	RE20663	5F3	26	70 - 95	RE23382	5B11	21	70 - 5
RE15583	2B8	15	40 - 2	RE20663	5F5	8	70 - 97	RE23382	5B13	25	70 - 7
RE15727	1B14	2	20 - 10	RE20663	5F5	34	70 - 97	RE23382	5B21	19	70 - 15
RE15727	1B15	4	20 - 11	RE20663	5F7	10	70 - 99	RE23382	5B23	19	70 - 17
RE15998	6G13	11	90 - 71	RE20663	5F7	14	70 - 99	RE24561	1E6	2	30 - 14
RE16151	1E6	13	30 - 14	RE20724	3B14	8	50 - 5B	RE24561	1E7	12	30 - 15
RE16151	1E6	22	30 - 14	RE20724	3E1	4	50 - 69	RE24647	5C2	21	70 - 21
RE16151	1E7	4	30 - 15	RE20724	3E2	4	50 - 70	RE24706	1C22	28	20 - 39
RE16151	1E8	3	30 - 15A	RE20736	3G1	9	50 - 114	RE25125	2E8	33	40 - 63
RE16151	1E8	4	30 - 15A	RE20832	3F12	15	50 - 101	RE25125	2E8	35	40 - 63
RE16151	1E9	11	30 - 15B	RE20832	3F14	19	50 - 101B	RE25125	2E10	32	40 - 65
RE16151	1E10	6	30 - 15D	RE20918	3D16	12	50 - 59	RE25125	2E10	34	40 - 65
RE16182	1E9	17	30 - 15B	RE20918	3D16	14	50 - 59	RE25125	2E12	32	40 - 67
RE16546	6G10	5	90 - 67	RE20918	3D18	18	50 - 61	RE25126	2B8	8	40 - 2
RE16546	6G10	10	90 - 67	RE21073	2F6	17	40 - 85B	RE25126	2B11	21	40 - 5
RE16546	6G12	7	90 - 69	RE21096	2F6	11	40 - 85B	RE25126	2B11	24	40 - 5
RE16547	6G12	6	90 - 69	RE21112	2F8	3	40 - 85D	RE25126	2B13	11	40 - 7
RE16963	2C4	7	40 - 23	RE21113	2F8	10	40 - 85D	RE25126	2E8	34	40 - 63
RE16963	2C8	7	40 - 27	RE21304	3F16	10	50 - 103	RE25126	2E8	36	40 - 63
RE16963	2C9	5	40 - 27B	RE21305	2B21	16	40 - 15	RE25126	2E10	33	40 - 65
RE17051	6B24	9	80 - 21	RE21510	2F6	20	40 - 85B	RE25126	2E10	35	40 - 65
RE17162	3E24	9	50 - 88	RE21725	5B17	19	70 - 11	RE25126	2E12	33	40 - 67
RE17162	3E25	12	50 - 89	RE21725	5C2	20	70 - 21	RE25127	2B8	8	40 - 2

# 1K2

4230 TRACTOR

## NUMERICAL INDEX - CONTINUED

PART NO.	GRID	KEY	PAGE	PART NO.	GRID	KEY	PAGE	PART NO.	GRID	KEY	PAGE
RE25127	2B11	21	40 - 5	RE31694	2D2	31	40 - 43B	RE39063	2D22	10	40 - 57
RE25127	2B11	24	40 - 5	RE31694	2D2	..	40 - 43B	RE39064	2D22	13	40 - 57
RE25127	2B13	6	40 - 7	RE32529	5B17	4	70 - 11	RE39064	2E1	15	40 - 57D
RE25127	2E8	34	40 - 63	RE32529	5B17	19	70 - 11	RE39064	2E2	10	40 - 58
RE25127	2E8	36	40 - 63	RE32529	5C2	20	70 - 21	RE39838	2D4	9	40 - 45
RE25127	2E10	33	40 - 65	RE32529	5C3	13	70 - 21A	RE39951	4C21	2	60 - 37A
RE25127	2E10	35	40 - 65	RE32555	2B9	33	40 - 3	RE40463	5B17	20	70 - 11
RE25127	2E12	33	40 - 67	RE32555	2B9	35	40 - 3	RE40463	5C2	21	70 - 21
RE25160	6E8	3	90 - 15	RE32555	2B11	31	40 - 5	RE40463	5C3	15	70 - 21A
RE25160	6E10	8	90 - 17	RE32681	4C21	4	60 - 37A	RE41241	3G19	17	50 - 135
RE25621	2G21	1	40 - 115	RE33013	3G19	14	50 - 135	RE41287	2C13	7	40 - 31
RE27099	2E8	16	40 - 63	RE33013	4C21	2	60 - 37A	RE41817	2G16	27	40 - 109
RE27104	3G23	21	50 - 139	RE33499	3G23	20	50 - 139	RE41868	1C13	8	20 - 29
RE27109	2C19	1	40 - 37	RE33519	3D14	2	50 - 57	RE41869	1C13	8	20 - 29
RE27109	2C19	2	40 - 37	RE33622	1C11	8	20 - 27	RE41875	2D3	6	40 - 44
RE27109	2C19	..	40 - 37	RE33636	1E6	2	30 - 14	RE41875	2D3	..	40 - 44
RE27109	2C21	3	40 - 39	RE33636	1E7	12	30 - 15	RE41875	2D22	..	40 - 57
RE27109	2C21	7	40 - 39	RE33696	4D7	25	60 - 47	RE41875	2D23	11	40 - 57A
RE27109	2C21	..	40 - 39	RE33697	4D7	25	60 - 47	RE41875	2D23	..	40 - 57A
RE27109	2C24	..	40 - 43	RE33754	6H7	1	90 - 91	RE41875	2D24	17	40 - 57B
RE27109	2D2	29	40 - 43B	RE35992	1B7	3	20 - 2	RE41875	2D24	..	40 - 57B
RE27109	2D2	31	40 - 43B	RE36108	2G4	24	40 - 105	RE41875	2D25	..	40 - 57C
RE27109	2D2	..	40 - 43B	RE36108	2G6	26	40 - 105B	RE41875	2E1	..	40 - 57D
RE27441	6H13	17	90 - 97	RE36108	2G8	26	40 - 105D	RE41875	2E2	..	40 - 58
RE27442	6H13	17	90 - 97	RE36108	2G10	28	40 - 105F	RE42395	2B9	33	40 - 3
RE27995	3E10	3	50 - 78	RE36170	3C5	12	50 - 21	RE42395	2B9	35	40 - 3
RE27995	3E10	..	50 - 78	RE36170	3C9	12	50 - 25	RE42395	2B11	31	40 - 5
RE27995	3E11	3	50 - 79	RE36170	3C11	2	50 - 27	RE42399	1E7	..	30 - 15
RE27995	3E11	..	50 - 79	RE36215	2G4	35	40 - 105	RE42399	2B16	3	40 - 9A
RE27995	3E24	26	50 - 88	RE36215	2G6	37	40 - 105B	RE42400	1E7	..	30 - 15
RE28292	1B25	1	20 - 19	RE36215	2G8	37	40 - 105D	RE42400	2B16	4	40 - 9A
RE28308	1B23	28	20 - 17	RE36215	2G10	39	40 - 105F	RE42400	2B16	..	40 - 9A
RE28790	5B11	7	70 - 5	RE36416	1C10	10	20 - 26D	RE42401	1E7	..	30 - 15
RE28790	5B13	11	70 - 7	RE36416	1C10	12	20 - 26D	RE42401	1E10	11	30 - 15D
RE28790	5B19	19	70 - 13	RE36416	1C11	8	20 - 27	RE42401	2B16	5	40 - 9A
RE28790	5B21	7	70 - 15	RE36615	5D20	7	70 - 65	RE42401	2B16	..	40 - 9A
RE28790	5B23	7	70 - 17	RE36615	5D22	8	70 - 67	RE42567	4D2	1	60 - 41
RE28790	5C5	23	70 - 23	RE36615	5D24	26	70 - 69	RE42671	1C5	11	20 - 24
RE29103	5B19	25	70 - 13	RE36818	2G12	27	40 - 107	RE42671	1C6	5	20 - 25
RE29103	5B19	..	70 - 13	RE36818	2G14	26	40 - 107B	RE42672	1C8	10	20 - 26B
RE29104	5B19	25	70 - 13	RE36905	1E15	10	30 - 20	RE42672	1C10	10	20 - 26D
RE29104	5B19	..	70 - 13	RE36906	2G14	24	40 - 107B	RE42672	1C10	12	20 - 26D
RE29107	5C5	29	70 - 23	RE37063	6D25	36	90 - 7	RE42673	1C9	10	20 - 26C
RE29107	5C5	..	70 - 23	RE37119	3C3	11	50 - 19	RE42673	1C9	12	20 - 26C
RE29109	5C5	29	70 - 23	RE37119	3C7	11	50 - 23	RE42675	1C5	11	20 - 24
RE29109	5C5	..	70 - 23	RE37448	1B12	3	20 - 7	RE42675	1C6	4	20 - 25
RE29428	3G6	11	50 - 119	RE37511	6E24	18	90 - 31	RE42675	1C6	5	20 - 25
RE29428	3G8	22	50 - 121	RE37511	6G6	20	90 - 63	RE42678	1C8	2	20 - 26B
RE29608	3E8	9	50 - 76	RE37512	6E24	18	90 - 31	RE42678	1C8	10	20 - 26B
RE29728	6H11	21	90 - 95	RE37512	6G6	20	90 - 63	RE42678	1C10	2	20 - 26D
RE29728	6H13	23	90 - 97	RE37996	2C18	4	40 - 36	RE42678	1C10	10	20 - 26D
RE29815	3C17	6	50 - 33	RE38361	3F16	7	50 - 103	RE42679	1C9	2	20 - 26C
RE29815	3C17	33A	50 - 33	RE38390	2B9	36	40 - 3	RE42679	1C9	10	20 - 26C
RE29815	3C17	33B	50 - 33	RE38390	2B11	31	40 - 5	RE43025	2F6	17	40 - 85B
RE29815	3C19	34	50 - 35	RE38390	2B21	14	40 - 15	RE43274	1E15	10	30 - 20
RE29816	3C17	29	50 - 33	RE38390	2C18	6	40 - 36	RE44520	5D20	53	70 - 65
RE29816	3C19	30	50 - 35	RE38390	3C20	23	50 - 36	RE44521	5D22	54	70 - 67
RE30174	1E6	2	30 - 14	RE38390	3C23	22	50 - 39	RE45285	2B9	33	40 - 3
RE30714	1E7	12	30 - 15	RE38390	3F12	19	50 - 101	RE45285	2B11	31	40 - 5
RE31694	2C19	1	40 - 37	RE38390	3F14	19	50 - 101B	RE46317	2F6	11	40 - 85B
RE31694	2C19	2	40 - 37	RE38391	1E7	..	30 - 15	RE46328	3G19	17	50 - 135
RE31694	2C19	..	40 - 37	RE38391	2B8	16	40 - 2	RE46328	4C20	2	60 - 37
RE31694	2C21	3	40 - 39	RE38391	2C12	3	40 - 30	RE46328	4C20	5	60 - 37
RE31694	2C21	7	40 - 39	RE38391	2C13	7	40 - 31	RE46328	4C20	6	60 - 37
RE31694	2C21	..	40 - 39	RE38707	2F6	11	40 - 85B	RE46328	4C20	8	60 - 37
RE31694	2C24	..	40 - 43	RE38906	6H4	12	90 - 87	RE46328	4C20	9	60 - 37
RE31694	2D2	29	40 - 43B	RE39063	2D11	5	40 - 52	RE46328	4C21	4	60 - 37A



# 1K3

4230 TRACTOR

## NUMERICAL INDEX - CONTINUED

PART NO.	GRID	KEY	PAGE	PART NO.	GRID	KEY	PAGE	PART NO.	GRID	KEY	PAGE
RE46332	3G19	14	50 - 135	RE53424	1C9	12	20 - 26C	RV695A	5E14	19	70 - 83
RE46332	4C20	2	60 - 37	RE53424	1C9	..	20 - 26C	RW26466	2F6	20	40 - 85B
RE46332	4C20	5	60 - 37	RE53424	1C10	..	20 - 26D	R100231	3E9	1	50 - 77
RE46332	4C20	6	60 - 37	RE53425	1C8	10	20 - 26B	R100231	3E23	4	50 - 87B
RE46332	4C20	8	60 - 37	RE53425	1C9	..	20 - 26C	R100233	3E23	3	50 - 87B
RE46332	4C20	9	60 - 37	RE53425	1C10	10	20 - 26D	R100308	3F12	3	50 - 101
RE46332	4C21	2	60 - 37A	RE53425	1C10	12	20 - 26D	R100337	4B23	9	60 - 19
RE46339	4C20	2	60 - 37	RE53425	1C10	..	20 - 26D	R100337	4C18	10	60 - 35
RE46339	4C20	5	60 - 37	RE53425	1C11	8	20 - 27	R100338	3D22	14	50 - 65
RE46339	4C20	8	60 - 37	RE53488	1B25	1	20 - 19	R100341	5D14	20	70 - 59
RE46339	4C20	9	60 - 37	RE53496	2B11	17	40 - 5	R100380	2D22	3	40 - 57
RE46339	4C21	2	60 - 37A	RE53496	2G10	16	40 - 105F	R100632	3E5	12	50 - 73
RE46412	2G6	27	40 - 105B	RE53496	2G10	18	40 - 105F	R100632	3E23	2	50 - 87B
RE46414	2F6	12	40 - 85B	RE53823	3G6	11	50 - 119	R100637	3G18	12	50 - 133
RE46459	3F12	15	50 - 101	RE53823	3G8	22	50 - 121	R100637	3G19	5	50 - 135
RE46459	3F14	19	50 - 101B	RE54186	1E4	13	30 - 12	R100637	3G20	9	50 - 136
RE46990	3C21	20	50 - 37	RE54222	3B19	1	50 - 10	R10093	3H6	10	50 - 147
RE47051	6H18	18	90 - 103	RE54223	3E23	1	50 - 87B	R10093	5G8	5	70 - 125
RE47805	3D25	11	50 - 68	RE54318	5C14	8	70 - 33	R10093	5G10	2	70 - 127
RE47805	3F25	10	50 - 113	RE54814	6B25	7	80 - 21A	R10093	6D22	20	90 - 4
RE47883	3G19	17	50 - 135	RE54819	6C1	8	80 - 21B	R10093	6D23	17	90 - 5
RE47961	6H18	1	90 - 103	RE55554	6D25	1	90 - 7	R10093	6D25	4	90 - 7
RE47961	6H18	2	90 - 103	RE56380	2B11	17	40 - 5	R10093	6E3	2	90 - 10
RE47961	6H18	3	90 - 103	RE56380	2G8	15	40 - 105D	R101054	3G6	9	50 - 119
RE47961	6H18	4	90 - 103	RE56380	2G10	16	40 - 105F	R101054	3G8	26	50 - 121
RE47961	6H18	5	90 - 103	RE56380	2G10	18	40 - 105F	R101054	3G13	14	50 - 127
RE48040	6D10	8	80 - 55B	RE56991	5E15	4	70 - 84	R101202	5F3	19	70 - 95
RE48310	1E7	6	30 - 15	RE56991	5E18	21	70 - 87	R104517	2G16	10	40 - 109
RE48310	1E10	10	30 - 15D	RE56991	5E22	6	70 - 91	R104592	1B19	14	20 - 15
RE48322	2B11	16	40 - 5	RE57259	6H16	20	90 - 101	R104592	1B19	..	20 - 15
RE48322	2G4	..	40 - 105	RE57316	6D22	16	90 - 4	R104592	1B23	17	20 - 17
RE48322	2G8	27	40 - 105D	RE57317	6D22	25	90 - 4	R104592	1B23	18	20 - 17
RE48322	2G10	29	40 - 105F	RE57320	6D22	25	90 - 4	R104592	1C22	5	20 - 39
RE48532	6H16	19	90 - 101	RE57320	6D23	22	90 - 5	R104592	1E1	8	30 - 8
RE48783	2B10	6	40 - 4	RE57320	6E3	12	90 - 10	R104592	1E1	10	30 - 8
RE48783	2B10	7	40 - 4	RE57327	6D23	11	90 - 5	R105488	1C6	4	20 - 25
RE48783	2G2	5	40 - 103	RE57327	6E3	11	90 - 10	R105488	1C8	1	20 - 26B
RE48783	2G2	18	40 - 103	RE57328	6D23	5	90 - 5	R105488	1C8	2	20 - 26B
RE48784	2G8	25	40 - 105D	RE57328	6E3	13	90 - 10	R105488	1C9	2	20 - 26C
RE49169	6D25	37	90 - 7	RE57351	6D25	2	90 - 7	R105488	1C10	2	20 - 26D
RE49169	6E3	1	90 - 10	RE57394	1C22	1	20 - 39	R105581	6F22	12	90 - 54
RE49428	6D10	13	80 - 55B	RE57643	6B11	15	80 - 7	R105583	5B11	13	70 - 5
RE50017	5C3	14	70 - 21A	RE58263	6E21	1	90 - 27B	R105583	5B13	17	70 - 7
RE50874	6G17	12	90 - 75	RE58612	6E21	16	90 - 27B	R105583	5B21	11	70 - 15
RE50874	6G19	12	90 - 77	RE58679	6E21	15	90 - 27B	R105583	5B23	11	70 - 17
RE51829	1B23	..	20 - 17	RE58851	2B11	17	40 - 5	R105813	5D14	16	70 - 59
RE51829	1B25	..	20 - 19	RE58851	2G4	13	40 - 105	R105814	1F9	23	30 - 39
RE51829	6E15	2	90 - 23	RE58851	2G4	..	40 - 105	R105814	1F11	6	30 - 41
RE52947	6H18	18	90 - 103	RE58851	2G6	15	40 - 105B	R105942	2F6	10	40 - 85B
RE53203	1C6	4	20 - 25	RE58851	2G8	15	40 - 105D	R106715	3D25	11	50 - 68
RE53203	1C6	7	20 - 25	RE58851	2G10	18	40 - 105F	R106859	1B23	9	20 - 17
RE53203	1C6	8	20 - 25	RE60812	6E3	7	90 - 10	R106859	1C22	16	20 - 39
RE53204	1C10	2	20 - 26D	RE60813	6E3	8	90 - 10	R106866	3D25	11	50 - 68
RE53204	1C10	11	20 - 26D	RE61099	2G10	15	40 - 105F	R10699	6F17	19	90 - 49
RE53204	1C10	12	20 - 26D	RE61690	6D10	21	80 - 55B	R107136	5D18	12	70 - 63
RE53205	1C9	2	20 - 26C	RE62126	6E3	14	90 - 10	R107136	5D22	47	70 - 67
RE53205	1C9	11	20 - 26C	RE62234	6F14	3	90 - 45	R107137	5D18	12	70 - 63
RE53205	1C9	12	20 - 26C	RE62234	6F17	6	90 - 49	R107137	5D20	47	70 - 65
RE53286	1F11	34	30 - 41	RE62234	6F25	22	90 - 57	R107137	5D22	47	70 - 67
RE53422	1C5	4	20 - 24	RE62290	1D7	4	20 - 50	R107169	5D20	48	70 - 65
RE53422	1C5	11	20 - 24	RG17897	1D16	1	20 - 59	R107169	5D22	48	70 - 67
RE53422	1C6	5	20 - 25	RG22790	1D17	1	20 - 60	R108663	3F16	28	50 - 103
RE53422	1C6	8	20 - 25	RG22860	1D16	1	20 - 59	R108996	3G18	19	50 - 133
RE53423	1C6	7	20 - 25	RG23076	1B21	1	20 - 15B	R108996	3G19	9	50 - 135
RE53424	1C7	1	20 - 26	RG23427	1D17	1	20 - 60	R109476	6G8	28	90 - 65
RE53424	1C7	10	20 - 26	RG23429	1D16	1	20 - 59	R109478	3C21	19	50 - 37
RE53424	1C9	10	20 - 26C	RG23437	1D16	1	20 - 59	R109478	3C24	21	50 - 41

# 1K4

4230 TRACTOR

## NUMERICAL INDEX - CONTINUED

PART NO.	GRID	KEY	PAGE	PART NO.	GRID	KEY	PAGE	PART NO.	GRID	KEY	PAGE
R109986	4B25	7	60 - 21	R11222	2D13	15	40 - 54A	R120109	4D9	34	60 - 49
R109986	4C4	12	60 - 23B	R11223	2D13	17	40 - 54A	R120109	6D12	23	80 - 57
R11000	2D15	9	40 - 54C	R11233	2D15	16	40 - 54C	R120110	4D9	28	60 - 49
R11003	2D15	1	40 - 54C	R11236	2D8	21	40 - 49	R120110	4D9	34	60 - 49
R11003	2D20	2	40 - 56C	R11237	2D8	23	40 - 49	R120110	6D12	23	80 - 57
R11011	2D20	8	40 - 56C	R11238	2D8	3	40 - 49	R120111	6D12	12	80 - 57
R11016	2D13	20	40 - 54A	R11239	2D8	8	40 - 49	R120112	6D14	21	80 - 59
R11026	2D13	22	40 - 54A	R11240	2D6	32	40 - 47	R120124	6D12	16	80 - 57
R11026	2D18	14	40 - 56A	R11243	2D8	1	40 - 49	R120124	6E17	..	90 - 25
R11026	2D18	37	40 - 56A	R11250	2D20	13	40 - 56C	R120124	6E21	10	90 - 27B
R11039	2D10	19	40 - 51	R11253	2D15	5	40 - 54C	R120125	6D14	22	80 - 59
R11039	2D16	20	40 - 54D	R11256	2C17	19	40 - 35	R120128	6E21	11	90 - 27B
R11039	2D21	17	40 - 56D	R11260	2C17	4	40 - 35	R120464	6D10	7	80 - 55B
R11049	2C19	9	40 - 37	R11261	2C17	17	40 - 35	R120752	1C5	2	20 - 24
R11049	2C21	10	40 - 39	R11263	2C17	10	40 - 35	R120752	1C6	3	20 - 25
R11049	2C24	30	40 - 43	R11264	2C17	5	40 - 35	R120752	1C7	4	20 - 26
R11049	2D2	28	40 - 43B	R11268	2C17	12	40 - 35	R120752	1C8	1	20 - 26B
R11058	2D15	3	40 - 54C	R11269	2C15	18	40 - 33	R120752	1C9	1	20 - 26C
R11059	2D15	4	40 - 54C	R11269	2C17	15	40 - 35	R120752	1C10	1	20 - 26D
R11066	2D10	9	40 - 51	R11270	2C17	20	40 - 35	R120752	1C11	1	20 - 27
R11066	2D16	8	40 - 54D	R11271	2C17	3	40 - 35	R121183	6B11	15	80 - 7
R11066	2D21	5	40 - 56D	R11272	2C17	13	40 - 35	R1225R	5C23	38	70 - 43
R11080	2D6	13	40 - 47	R11278	2E21	1	40 - 77	R1225R	5E4	35	70 - 73
R11087	2D8	18	40 - 49	R11278	2E22	1	40 - 78	R125027	1C16	3	20 - 32
R11087	2D15	6	40 - 54C	R11290	2D15	20	40 - 54C	R125955	5E20	4	70 - 89
R11095	2D6	7	40 - 47	R11290	2D20	19	40 - 56C	R125955	5E22	11	70 - 91
R11095	2D13	13	40 - 54A	R11291	2D13	33	40 - 54A	R13005	1E21	7	30 - 26
R11095	2D18	12	40 - 56A	R11291	2D18	26	40 - 56A	R13024	1E22	27	30 - 27
R11096	2D6	1	40 - 47	R112919	6D10	11	80 - 55B	R13044	1E21	18	30 - 26
R11096	2D13	31	40 - 54A	R11292	2D13	29	40 - 54A	R130737	6D25	5	90 - 7
R11096	2D18	28	40 - 56A	R11292	2D16	1	40 - 54D	R1612R	1B19	11	20 - 15
R11109	2C24	22	40 - 43	R11292	2D16	..	40 - 54D	R1612R	1B23	15	20 - 17
R11109	2D2	22	40 - 43B	R11293	2D16	4	40 - 54D	R1612R	3E5	2	50 - 73
R11116	2D6	11	40 - 47	R11293	2D21	3	40 - 56D	R1612R	3H3	15	50 - 144
R11117	2D6	12	40 - 47	R11294	2D16	11	40 - 54D	R1662R	2C15	6	40 - 33
R11117	2D13	8	40 - 54A	R11295	2D16	5	40 - 54D	R1742R	3B16	20	50 - 7
R11117	2D18	8	40 - 56A	R11296	2D15	11	40 - 54C	R1742R	3D22	18	50 - 65
R11118	2D6	8	40 - 47	R11298	2D15	30	40 - 54C	R1742R	3E15	21	50 - 83
R11118	2D13	11	40 - 54A	R113050	6E3	10	90 - 10	R1742R	3E17	20	50 - 85
R11120	2D18	24	40 - 56A	R113614	6D10	17	80 - 55B	R1742R	3E17	29	50 - 85
R11121	2D18	18	40 - 56A	R1138R	5G23	18	70 - 141	R1742R	3E19	19	50 - 85B
R11126	2D13	25	40 - 54A	R1138R	5H8	14	70 - 150A	R1818R	5C11	25	70 - 29
R11126	2D18	34	40 - 56A	R11410	1B13	16	20 - 8	R1836R	6B18	21	80 - 15
R11127	2D13	26	40 - 54A	R114130	2D3	1	40 - 44	R1836R	6F14	7	90 - 45
R11127	2D18	33	40 - 56A	R115050	1C16	3	20 - 32	R1836R	6F17	2	90 - 49
R11128	2D13	24	40 - 54A	R116064	3G13	15	50 - 127	R1836R	6F25	17	90 - 57
R11128	2D18	35	40 - 56A	R116253	1C12	..	20 - 28	R1870R	5G25	30	70 - 143
R11129	2D13	23	40 - 54A	R116253	1C13	9	20 - 29	R1870R	5H4	36	70 - 147
R11129	2D18	36	40 - 56A	R116311	1C6	7	20 - 25	R1888R	3F3	2	50 - 92
R11133	2D18	17	40 - 56A	R116311	1C9	11	20 - 26C	R1932	3B14	8	50 - 5B
R11138	2D18	32	40 - 56A	R116311	1C10	11	20 - 26D	R1932R	3B14	24	50 - 5B
R11146	2D20	4	40 - 56C	R116468	6D10	19	80 - 55B	R1932R	3E1	5	50 - 69
R11189	2C19	3	40 - 37	R116714	2G8	22	40 - 105D	R1932R	3E2	5	50 - 70
R11189	2D2	30	40 - 43B	R116821	3G19	9	50 - 135	R2R	6C2	11	80 - 22
R11194	2D10	12	40 - 51	R117017	6D10	3	80 - 55B	R20135	6B16	21	80 - 13
R11197	2D16	2	40 - 54D	R117491	6E21	9	90 - 27B	R20135	6B19	2	80 - 16
R11197	2D21	2	40 - 56D	R117491	6E21	12	90 - 27B	R20135	6B20	23	80 - 17
R11198	2D10	3	40 - 51	R117680	6D14	1	80 - 59	R20136	4B21	15	60 - 17
R11198	2D16	3	40 - 54D	R119275	5E22	30	70 - 91	R20136	4C16	38	60 - 33
R11201	2D13	20	40 - 54A	R119276	5E22	32	70 - 91	R20136	6B16	4	80 - 13
R11209	2D15	19	40 - 54C	R120103	5E22	10	70 - 91	R20136	6B18	4	80 - 15
R11209	2D20	18	40 - 56C	R120104	5E22	10	70 - 91	R20253	6B23	4	80 - 20
R11212	2D13	35	40 - 54A	R120105	5E22	10	70 - 91	R20255	6B11	14	80 - 7
R11212	2D18	23	40 - 56A	R120106	2F6	10	40 - 85B	R20255	6B22	17	80 - 19
R11215	2D13	16	40 - 54A	R120107	2F6	10	40 - 85B	R20255	6B23	27	80 - 20
R11221	2D13	27	40 - 54A	R120108	2F6	10	40 - 85B	R20256	6B23	29	80 - 20
R11221	2D18	32	40 - 56A	R120109	4D9	28	60 - 49	R20259	6B23	31	80 - 20

# 1K5

4230 TRACTOR

## NUMERICAL INDEX - CONTINUED

PART NO.	GRID	KEY	PAGE	PART NO.	GRID	KEY	PAGE	PART NO.	GRID	KEY	PAGE
R20260	6B23	17	80 - 20	R26066	3B25	7	50 - 16	R26206	3C24	2	50 - 41
R20261	6B23	18	80 - 20	R26066	3B25	22	50 - 16	R26207	3C11	11	50 - 27
R20423	1E20	4	30 - 25	R26066	3C1	21	50 - 17	R26207	3C20	1	50 - 36
R20443	1E1	14	30 - 8	R26068	3B25	11	50 - 16	R26207	3C21	1	50 - 37
R20443	1E1	15	30 - 8	R26068	3C1	11	50 - 17	R26207	3C23	1	50 - 39
R20497	1E24	6	30 - 29	R26079	1B13	6	20 - 8	R26207	3C24	1	50 - 41
R20648	6C2	3	80 - 22	R26081	1B13	2	20 - 8	R26210	3B24	3	50 - 15
R20653	6C2	9	80 - 22	R26084	1C17	2	20 - 34	R26214	3C3	23	50 - 19
R20654	6C2	16	80 - 22	R26084	1D12	35	20 - 55	R26214	3C5	26	50 - 21
R20655	6C2	8	80 - 22	R26088	1C12	2	20 - 28	R26214	3C7	23	50 - 23
R20656	6C2	2	80 - 22	R26115	1B19	1	20 - 15	R26214	3C9	26	50 - 25
R20759	6G10	14	90 - 67	R26115	1B23	24	20 - 17	R26215	3C3	23	50 - 19
R20759	6G15	44	90 - 73	R26125	1B13	18	20 - 8	R26215	3C5	26	50 - 21
R20922	1C23	21	20 - 40	R26127	1E20	4	30 - 25	R26215	3C7	23	50 - 23
R20922	5C13	32	70 - 31	R26129	1E20	6	30 - 25	R26215	3C9	26	50 - 25
R20942	6B23	28	80 - 20	R26131	1E20	12	30 - 25	R26216	3C3	23	50 - 19
R21101	6B18	7	80 - 15	R26137	5B11	6	70 - 5	R26216	3C5	26	50 - 21
R21342	5E14	21	70 - 83	R26137	5B13	10	70 - 7	R26216	3C7	23	50 - 23
R21629	3B14	8	50 - 5B	R26137	5B21	6	70 - 15	R26216	3C9	26	50 - 25
R21629	3C17	15	50 - 33	R26137	5B23	6	70 - 17	R26217	3C3	23	50 - 19
R21629	3C19	2	50 - 35	R26138	1E20	19	30 - 25	R26217	3C5	26	50 - 21
R21630	1B19	14	20 - 15	R26144	1C19	5	20 - 36	R26217	3C7	23	50 - 23
R21630	1B19	..	20 - 15	R26146	1C21	11	20 - 38	R26217	3C9	26	50 - 25
R21630	1B23	17	20 - 17	R26147	1C21	12	20 - 38	R26218	3C3	6	50 - 19
R21630	3B16	25	50 - 7	R26149	1C21	13	20 - 38	R26218	3C3	15	50 - 19
R21630	3B18	19	50 - 9	R26149	1E6	4	30 - 14	R26218	3C5	6	50 - 21
R21630	3B22	1	50 - 13	R26149	1E9	3	30 - 15B	R26218	3C5	18	50 - 21
R21630	3C17	15	50 - 33	R26149	5D2	4	70 - 47	R26218	3C7	6	50 - 23
R21630	3C19	2	50 - 35	R26149	5D4	1	70 - 49	R26218	3C9	6	50 - 25
R21630	3E20	4	50 - 86	R26149	5D6	10	70 - 51	R26220	3C3	1	50 - 19
R21630	5E10	8	70 - 79	R26149	5D20	26	70 - 65	R26220	3C5	1	50 - 21
R21676	6D1	12	80 - 48	R26149	5D22	27	70 - 67	R26221	3C3	1	50 - 19
R21676	6D1	13	80 - 48	R26149	5E5	3	70 - 74	R26221	3C5	1	50 - 21
R21722	5C7	13	70 - 25	R26149	5E6	11	70 - 75	R26222	3C3	1	50 - 19
R21722	5G6	9	70 - 123	R26149	5E8	1	70 - 77	R26222	3C5	1	50 - 21
R21722	5H11	1	70 - 153	R26149	5F16	3	70 - 107B	R26223	3C3	1	50 - 19
R21722	5H11	2	70 - 153	R26149	5F17	13	70 - 108	R26223	3C5	1	50 - 21
R21727	3F18	11	50 - 105	R26149	5F18	10	70 - 109	R26233	3C3	24	50 - 19
R21727	3F18	19	50 - 105	R26149	5F20	22	70 - 111	R26233	3C5	27	50 - 21
R21727	3F18	23	50 - 105	R26151	1C20	21	20 - 37	R26233	3C7	24	50 - 23
R21736	1D3	3	20 - 46	R26151	1C21	15	20 - 38	R26233	3C9	27	50 - 25
R227R	3D18	9	50 - 61	R26151	1C22	7	20 - 39	R26234	3C3	24	50 - 19
R227R	3H11	22	50 - 152A	R26151	4B9	19	60 - 5	R26234	3C5	27	50 - 21
R227R	3H21	17	50 - 163	R26152	1C19	9	20 - 36	R26234	3C7	24	50 - 23
R227R	4C6	11	60 - 25	R26152	1C23	16	20 - 40	R26234	3C9	27	50 - 25
R227R	4C8	3	60 - 25B	R26153	1C19	12	20 - 36	R26238	3C3	5	50 - 19
R227R	4C23	28	60 - 39	R26163	1C21	16	20 - 38	R26286	1E24	43	30 - 29
R227R	4C25	46	60 - 39B	R26163	1D12	16	20 - 55	R26286	1F2	38	30 - 31
R228R	3G21	13	50 - 137	R26166	1C21	8	20 - 38	R26286	3B16	6	50 - 7
R229R	3G21	12	50 - 137	R26169	1B16	7	20 - 12	R26286	3B18	15	50 - 9
R26011	3G18	27	50 - 133	R26169	3F5	3	50 - 94	R26286	3B18	17	50 - 9
R26012	3G18	28	50 - 133	R26172	1B16	4	20 - 12	R26286	3D22	5	50 - 65
R26013	3G20	10	50 - 136	R26172	1B17	4	20 - 13	R26286	3E5	7	50 - 73
R26035	3G3	14	50 - 116	R26173	1B16	5	20 - 12	R26286	3E7	19	50 - 75
R26042	3G3	6	50 - 116	R26173	1D12	30	20 - 55	R26286	3E17	10	50 - 85
R26042	3G6	6	50 - 119	R26182	3C25	9	50 - 42	R26286	3E19	14	50 - 85B
R26043	3G3	6	50 - 116	R26182	3D1	15	50 - 43	R26286	3E19	33	50 - 85B
R26043	3G6	6	50 - 119	R26182	3D14	11	50 - 57	R26286	3E20	19	50 - 86
R26047	1C13	4	20 - 29	R26187	3C25	11	50 - 42	R26286	3F12	8	50 - 101
R26049	1C5	3	20 - 24	R26187	3D1	17	50 - 43	R26286	3F12	30	50 - 101
R26049	1C6	4	20 - 25	R26202	3C20	20	50 - 36	R26286	3G14	7	50 - 129
R26049	1C7	3	20 - 26	R26202	3C21	17	50 - 37	R26286	3G16	2	50 - 131
R26049	1C11	2	20 - 27	R26203	3C21	14	50 - 37	R26286	3H11	25	50 - 152A
R26054	1C5	8	20 - 24	R26206	3C11	12	50 - 27	R26286	3H21	15	50 - 163
R26058	1C16	4	20 - 32	R26206	3C20	2	50 - 36	R26286	4B10	3	60 - 6
R26058	1D12	34	20 - 55	R26206	3C21	2	50 - 37	R26286	4B13	11	60 - 9
R26058	1D14	19	20 - 57	R26206	3C23	2	50 - 39	R26286	4B13	12	60 - 9

# 1K6

4230 TRACTOR

## NUMERICAL INDEX - CONTINUED

PART NO.	GRID	KEY	PAGE	PART NO.	GRID	KEY	PAGE	PART NO.	GRID	KEY	PAGE
R26286	4B13	33	60 - 9	R26287	5B19	4	70 - 13	R26375	4C25	43	60 - 39B
R26286	4B17	1	60 - 13	R26287	5B19	16	70 - 13	R26375	4D1	13	60 - 40
R26286	4B17	11	60 - 13	R26287	5C3	7	70 - 21A	R26375	5B15	27	70 - 9
R26286	4B17	15	60 - 13	R26287	5C5	8	70 - 23	R26375	5B17	16	70 - 11
R26286	4B19	1	60 - 15	R26287	5C5	22	70 - 23	R26375	5B25	23	70 - 19
R26286	4B19	11	60 - 15	R26287	5C7	27	70 - 25	R26375	5C2	7	70 - 21
R26286	4B19	27	60 - 15	R26287	5C17	22	70 - 36	R26375	5C2	17	70 - 21
R26286	4C23	15	60 - 39	R26287	5C18	14	70 - 37	R26375	5C3	12	70 - 21A
R26286	4C25	29	60 - 39B	R26287	5G16	19	70 - 133	R26375	5C5	3	70 - 23
R26286	4D1	8	60 - 40	R26287	5G16	21	70 - 133	R26375	5C5	10	70 - 23
R26286	4D2	3	60 - 41	R26287	6F8	3	90 - 39	R26375	5C17	6	70 - 36
R26286	4D4	7	60 - 43	R26291	1D12	8	20 - 55	R26375	5C20	9	70 - 39
R26286	4D4	18A	60 - 43	R26291	1E1	9	30 - 8	R26375	5C20	22	70 - 39
R26286	4D4	21	60 - 43	R26296	1D12	6	20 - 55	R26375	5D2	9	70 - 47
R26286	4D5	7	60 - 45	R26296	1E1	3	30 - 8	R26375	5D4	5	70 - 49
R26286	4D9	2	60 - 49	R26297	1D14	8	20 - 57	R26375	5D4	39	70 - 49
R26286	4D9	22	60 - 49	R26297	1E2	5	30 - 9	R26375	5D6	14	70 - 51
R26286	4D9	28	60 - 49	R26297	1E3	4	30 - 11	R26375	5D6	50	70 - 51
R26286	5C16	27	70 - 35	R26301	4C20	3	60 - 37	R26375	5E6	6	70 - 75
R26286	5C17	27	70 - 36	R26323	1C12	3	20 - 28	R26375	5E8	21	70 - 77
R26286	5C18	18	70 - 37	R26325	1C13	1	20 - 29	R26375	5E25	2	70 - 92
R26286	5D4	42	70 - 49	R26331	1D7	1	20 - 50	R26375	5E25	3	70 - 92
R26286	5D6	53	70 - 51	R26331	1D12	12	20 - 55	R26375	5F12	10	70 - 104
R26286	5D20	10	70 - 65	R26333	1C5	15	20 - 24	R26375	5F13	1	70 - 105
R26286	5D20	12	70 - 65	R26354	1C21	9	20 - 38	R26375	5F16	6	70 - 107B
R26286	5D20	21	70 - 65	R26354	1D12	17	20 - 55	R26375	5F17	10	70 - 108
R26286	5D20	31	70 - 65	R26356	1D12	7	20 - 55	R26375	5F17	24	70 - 108
R26286	5D22	10	70 - 67	R26358	1E1	14	30 - 8	R26375	5F18	5	70 - 109
R26286	5D22	13	70 - 67	R26362	1E2	6	30 - 9	R26375	5F18	25	70 - 109
R26286	5D22	21	70 - 67	R26364	4C20	11	60 - 37	R26375	5F23	18	70 - 115
R26286	5D22	30	70 - 67	R26364	4C21	6	60 - 37A	R26375	5F25	4	70 - 117
R26286	5D22	38	70 - 67	R26367	4C6	19	60 - 25	R26375	5G12	5	70 - 129
R26286	5D24	11	70 - 69	R26367	4C8	12	60 - 25B	R26375	5G14	3	70 - 131
R26286	5D24	15	70 - 69	R26369	4C23	13	60 - 39	R26375	5G21	2	70 - 139
R26286	5E2	4	70 - 71	R26369	4C25	28	60 - 39B	R26375	5G21	4	70 - 139
R26286	5E6	9	70 - 75	R26372	4C23	32	60 - 39	R26375	5H11	4	70 - 153
R26286	5E8	24	70 - 77	R26372	4C25	40	60 - 39B	R26376	4C23	27	60 - 39
R26286	5F16	9	70 - 107B	R26373	3G14	15	50 - 129	R26376	4C25	47	60 - 39B
R26286	5F17	6	70 - 108	R26375	3D22	9	50 - 65	R26384	4C25	4	60 - 39B
R26286	5F18	7	70 - 109	R26375	3D22	13	50 - 65	R26384	4D7	4	60 - 47
R26286	5G16	35	70 - 133	R26375	3D22	25	50 - 65	R26385	3G9	1	50 - 123
R26287	2B9	37	40 - 3	R26375	3D22	28	50 - 65	R26386	3G9	11	50 - 123
R26287	2B21	16	40 - 15	R26375	3D22	34	50 - 65	R26399	1E20	24	30 - 25
R26287	3F16	24	50 - 103	R26375	3D22	36	50 - 65	R26401	1E20	22	30 - 25
R26287	3G14	14	50 - 129	R26375	3E13	24	50 - 81	R26402	1E20	25	30 - 25
R26287	3G16	8	50 - 131	R26375	3E13	27	50 - 81	R26403	1E20	21	30 - 25
R26287	3G25	10	50 - 141	R26375	3E15	26	50 - 83	R26409	1E15	5	30 - 20
R26287	3G25	31	50 - 141	R26375	3E17	23	50 - 85	R26409	2C15	2	40 - 33
R26287	3H2	26	50 - 143	R26375	3E17	32	50 - 85	R26409	2E4	6	40 - 60
R26287	3H6	3	50 - 147	R26375	3E17	42	50 - 85	R26413	1D2	22	20 - 45
R26287	3H6	17	50 - 147	R26375	3E17	48	50 - 85	R26413	1D3	8	20 - 46
R26287	3H7	3	50 - 149	R26375	3E19	11	50 - 85B	R26417	1D2	18	20 - 45
R26287	4B7	13	60 - 3	R26375	3E19	21	50 - 85B	R26425	4B10	17	60 - 6
R26287	4B10	18	60 - 6	R26375	3F6	16	50 - 95	R26431	6F12	15	90 - 43
R26287	4B15	17	60 - 11	R26375	3G25	12	50 - 141	R26431	6F23	9	90 - 55
R26287	4B15	19	60 - 11	R26375	3G25	26	50 - 141	R26432	6F12	8	90 - 43
R26287	4C2	7	60 - 23	R26375	3H3	17	50 - 144	R26432	6F23	20	90 - 55
R26287	4C4	18	60 - 23B	R26375	3H6	4	50 - 147	R26433	6F23	18	90 - 55
R26287	4C6	23	60 - 25	R26375	3H6	18	50 - 147	R26434	6F12	17	90 - 43
R26287	4C12	16	60 - 29	R26375	3H7	7	50 - 149	R26434	6F23	14	90 - 55
R26287	4C14	20	60 - 31	R26375	3H16	16	50 - 157	R26436	6F12	23	90 - 43
R26287	4C23	20	60 - 39	R26375	3H19	2	50 - 161	R26436	6F25	14	90 - 57
R26287	4C25	34	60 - 39B	R26375	3H21	28	50 - 163	R26441	4B7	10	60 - 3
R26287	4D1	11	60 - 40	R26375	4B10	10	60 - 6	R26441	4B8	2	60 - 4
R26287	4D4	11	60 - 43	R26375	4B13	24	60 - 9	R26441	4B13	7	60 - 9
R26287	4D4	23	60 - 43	R26375	4C6	8	60 - 25	R26441	4B13	27	60 - 9
R26287	5B15	23	70 - 9	R26375	4C23	29	60 - 39	R26441	5G23	22	70 - 141

# 1K7

4230 TRACTOR

## NUMERICAL INDEX - CONTINUED

PART NO.	GRID	KEY	PAGE	PART NO.	GRID	KEY	PAGE	PART NO.	GRID	KEY	PAGE
R26441	5G25	34	70 - 143	R26448	5F13	4	70 - 105	R26572	4B17	24	60 - 13
R26441	5H5	2	70 - 148	R26448	5F16	13	70 - 107B	R26572	4B19	24	60 - 15
R26441	5H8	18	70 - 150A	R26448	5F17	4	70 - 108	R26572	4C2	17	60 - 23
R26448	2B21	16	40 - 15	R26448	5F18	13	70 - 109	R26572	4C4	27	60 - 23B
R26448	2C18	2	40 - 36	R26448	6B13	16	80 - 9	R26572	4C10	19	60 - 27
R26448	3D18	10	50 - 61	R26457	5C25	5	70 - 45	R26572	4D4	29	60 - 43
R26448	3E7	15	50 - 75	R26458	5C25	2	70 - 45	R26572	5C7	34	70 - 25
R26448	3F12	34	50 - 101	R26458	5D24	2	70 - 69	R26584	5F3	9	70 - 95
R26448	3F14	11	50 - 101B	R26477	5F12	19	70 - 104	R26584	5F5	8	70 - 97
R26448	3F16	24	50 - 103	R26480	5G2	29	70 - 119	R26584	5F8	8	70 - 100
R26448	3G14	11	50 - 129	R26480	5G5	10	70 - 122	R26608	5E12	8	70 - 81
R26448	3G16	4	50 - 131	R26482	5G2	17	70 - 119	R26608	5E14	8	70 - 83
R26448	3H6	9	50 - 147	R26482	5G4	17	70 - 121	R26609	5E14	12	70 - 83
R26448	3H6	11	50 - 147	R26482	5G5	6	70 - 122	R26622	1B23	9	20 - 17
R26448	3H6	16	50 - 147	R26482	5G6	20	70 - 123	R26622	1C22	16	20 - 39
R26448	3H11	2	50 - 152A	R26483	5G2	21	70 - 119	R26625	5C25	8	70 - 45
R26448	3H11	20	50 - 152A	R26483	5G4	21	70 - 121	R26625	5D24	8	70 - 69
R26448	3H18	18	50 - 159	R26483	5G5	7	70 - 122	R26626	5C24	14	70 - 44
R26448	3H19	12	50 - 161	R26484	5F20	13	70 - 111	R26628	5D7	5	70 - 52
R26448	3H19	18	50 - 161	R26484	5F22	12	70 - 113	R26628	5D8	5	70 - 53
R26448	3H21	9	50 - 163	R26484	5F25	12	70 - 117	R26632	6B22	3	80 - 19
R26448	3H21	19	50 - 163	R26484	5G2	13	70 - 119	R26632	6B24	2	80 - 21
R26448	4B13	5	60 - 9	R26484	5G4	13	70 - 121	R26632	6C1	2	80 - 21B
R26448	4B15	15	60 - 11	R26484	5G5	3	70 - 122	R26643	3E11	19	50 - 79
R26448	4B17	9	60 - 13	R26485	4B13	31	60 - 9	R26650	3C17	14	50 - 33
R26448	4B19	10	60 - 15	R26485	5G2	10	70 - 119	R26650	3C19	8	50 - 35
R26448	4B21	2	60 - 17	R26485	5G4	10	70 - 121	R26650	3F3	16	50 - 92
R26448	4B23	2	60 - 19	R26485	5G5	1	70 - 122	R26686	3F22	19	50 - 109
R26448	4C6	4	60 - 25	R26485	5G11	12	70 - 128	R26727	1C1	10	20 - 20
R26448	4C8	7	60 - 25B	R26493	1C19	4	20 - 36	R26727	1C3	6	20 - 22
R26448	4C12	8	60 - 29	R26493	1C23	15	20 - 40	R26728	1E24	19	30 - 29
R26448	4C14	7	60 - 31	R26499	1D12	26	20 - 55	R26728	1F2	44	30 - 31
R26448	4C16	3	60 - 33	R26499	1E21	1	30 - 26	R26738	1D12	29	20 - 55
R26448	4C18	3	60 - 35	R26500	1E20	44	30 - 25	R26748	1B13	12	20 - 8
R26448	4C18	14	60 - 35	R26501	1E20	46	30 - 25	R26753	3E9	16	50 - 77
R26448	5B15	2	70 - 9	R26503	5E15	11	70 - 84	R26755	4B8	5	60 - 4
R26448	5B15	8	70 - 9	R26503	5F1	19	70 - 93	R26760	4D9	8	60 - 49
R26448	5B17	1	70 - 11	R26517	1E20	1	30 - 25	R26762	4B11	4	60 - 7
R26448	5B19	1	70 - 13	R26518	1E20	29	30 - 25	R26769	5C23	26	70 - 43
R26448	5B25	2	70 - 19	R26524	6G15	28	90 - 73	R26769	5E4	21	70 - 73
R26448	5B25	8	70 - 19	R26543	4C18	4	60 - 35	R26789	1E24	19	30 - 29
R26448	5B25	25	70 - 19	R26546	4B9	16	60 - 5	R26789	1F2	44	30 - 31
R26448	5C2	3	70 - 21	R26546	4B13	16	60 - 9	R26790	1E24	19	30 - 29
R26448	5C3	3	70 - 21A	R26546	5C7	14	70 - 25	R26790	1F2	44	30 - 31
R26448	5C3	7	70 - 21A	R26546	5F20	3	70 - 111	R26813	5E16	6	70 - 85
R26448	5C5	1	70 - 23	R26546	5F22	3	70 - 113	R26825	1B19	19	20 - 15
R26448	5C5	8	70 - 23	R26546	5F25	2	70 - 117	R26826	1D12	32	20 - 55
R26448	5C7	30	70 - 25	R26547	4B13	25	60 - 9	R26828	6F12	6	90 - 43
R26448	5C20	3	70 - 39	R26548	3B14	28	50 - 5B	R26828	6F23	22	90 - 55
R26448	5C20	5A	70 - 39	R26551	4B13	20	60 - 9	R26829	6F12	19	90 - 43
R26448	5C20	7	70 - 39	R26552	3C17	18	50 - 33	R26830	6F12	16	90 - 43
R26448	5C20	8	70 - 39	R26552	3D6	4	50 - 49	R26830	6F23	17	90 - 55
R26448	5C20	10	70 - 39	R26552	3F12	9	50 - 101	R26832	6F14	6	90 - 45
R26448	5C21	3	70 - 41	R26552	3F14	6	50 - 101B	R26832	6F17	3	90 - 49
R26448	5C21	5A	70 - 41	R26552	3H2	34	50 - 143	R26832	6F25	18	90 - 57
R26448	5D2	2	70 - 47	R26552	3H11	4	50 - 152A	R26841	5C23	19	70 - 43
R26448	5D4	45	70 - 49	R26552	3H21	11	50 - 163	R26842	5C23	2	70 - 43
R26448	5D6	26	70 - 51	R26552	4B10	16	60 - 6	R26860	6B22	18	80 - 19
R26448	5D6	56	70 - 51	R26552	4C6	18	60 - 25	R26861	2C15	4	40 - 33
R26448	5D16	20	70 - 61	R26552	4C8	11	60 - 25B	R26862	2C15	1	40 - 33
R26448	5D16	36	70 - 61	R26554	4B11	1	60 - 7	R26863	4B21	23	60 - 17
R26448	5D20	35	70 - 65	R26559	1B13	11	20 - 8	R26863	4B23	15	60 - 19
R26448	5D22	34	70 - 67	R26565	4B9	5	60 - 5	R26863	4C16	23	60 - 33
R26448	5E2	14	70 - 71	R26565	5D2	48	70 - 47	R26863	4C18	19	60 - 35
R26448	5E6	27	70 - 75	R26566	5D2	6	70 - 47	R26863	4C20	12	60 - 37
R26448	5E8	5	70 - 77	R26566	5D4	3	70 - 49	R26863	4C21	7	60 - 37A
R26448	5E8	28	70 - 77	R26566	5D6	12	70 - 51	R26863	5C23	18	70 - 43

# 1K8

4230 TRACTOR

## NUMERICAL INDEX - CONTINUED

PART NO.	GRID	KEY	PAGE	PART NO.	GRID	KEY	PAGE	PART NO.	GRID	KEY	PAGE
R26869	5D7	6	70 - 52	R26977	5D4	54	70 - 49	R27166	5D2	25	70 - 47
R26869	5D8	7	70 - 53	R26977	5D6	6	70 - 51	R27166	5D4	21	70 - 49
R26870	1F11	38	30 - 41	R27003	3B16	10	50 - 7	R27166	5D6	29	70 - 51
R26870	3F20	4	50 - 107	R27003	3B16	12	50 - 7	R27166	5D16	26	70 - 61
R26871	1F9	6	30 - 39	R27033	3E8	5	50 - 76	R27166	5D16	31	70 - 61
R26871	3D14	41	50 - 57	R27036	1B23	3	20 - 17	R27166	5D16	32	70 - 61
R26871	5D10	23	70 - 55	R27089	4B8	9	60 - 4	R27166	5D16	33	70 - 61
R26871	5D12	19	70 - 57	R27091	4B8	6	60 - 4	R27166	5E5	10	70 - 74
R26871	5D14	12	70 - 59	R27094	3B16	7	50 - 7	R27166	5E6	19	70 - 75
R26871	6F12	18	90 - 43	R27094	3B16	10	50 - 7	R27166	5E8	8	70 - 77
R26871	6F23	15	90 - 55	R27094	3D22	6	50 - 65	R27166	5F20	12	70 - 111
R26871	6G15	39	90 - 73	R27094	3E5	8	50 - 73	R27166	5F20	20	70 - 111
R26872	6F12	24	90 - 43	R27094	3E7	20	50 - 75	R27166	5F20	31	70 - 111
R26872	6F25	13	90 - 57	R27094	3E17	9	50 - 85	R27166	5F22	19	70 - 113
R26873	6F12	24	90 - 43	R27094	3E19	13	50 - 85B	R27166	5F23	1	70 - 115
R26873	6F25	13	90 - 57	R27094	3E19	34	50 - 85B	R27166	5F25	14	70 - 117
R26874	6F12	1A	90 - 43	R27094	3E20	20	50 - 86	R27166	5G2	26	70 - 119
R26876	6F14	5	90 - 45	R27094	3F12	7	50 - 101	R27167	5B15	16	70 - 9
R26877	6F14	2	90 - 45	R27094	3F12	29	50 - 101	R27170	5B15	19	70 - 9
R26877	6F17	5	90 - 49	R27094	3F14	12	50 - 101B	R27171	5B15	5	70 - 9
R26878	6F14	15	90 - 45	R27094	4D9	1	60 - 49	R27172	5B15	11	70 - 9
R26879	6F14	4	90 - 45	R27094	5D4	41	70 - 49	R27173	5B15	17	70 - 9
R26879	6F17	7	90 - 49	R27094	5D6	52	70 - 51	R27174	5B15	15	70 - 9
R26879	6F25	23	90 - 57	R27094	5D20	11	70 - 65	R27174	5B19	7	70 - 13
R26906	3E15	12	50 - 83	R27094	5D20	17	70 - 65	R27175	1B19	..	20 - 15
R26906	3E17	13	50 - 85	R27094	5D22	12	70 - 67	R27175	5B11	15	70 - 5
R26906	3E19	3	50 - 85B	R27094	5D22	18	70 - 67	R27175	5B13	20	70 - 7
R26906	3F12	13	50 - 101	R27094	5D24	10	70 - 69	R27175	5B21	13	70 - 15
R26906	3F14	9	50 - 101B	R27094	5D24	17	70 - 69	R27175	5B23	14	70 - 17
R26906	3H16	12	50 - 157	R27094	5E6	8	70 - 75	R27175	5D2	26	70 - 47
R26906	3H21	24	50 - 163	R27094	5E8	25	70 - 77	R27175	5D4	22	70 - 49
R26906	5B15	10	70 - 9	R27094	5F16	10	70 - 107B	R27175	5D6	34	70 - 51
R26906	5B17	2	70 - 11	R27094	5F17	5	70 - 108	R27175	5E5	11	70 - 74
R26906	5B19	2	70 - 13	R27094	5F18	8	70 - 109	R27175	5E6	20	70 - 75
R26906	5B19	15	70 - 13	R27095	4B17	6	60 - 13	R27175	5E8	13	70 - 77
R26906	5B25	16	70 - 19	R27095	4C12	19	60 - 29	R27180	1E6	18	30 - 14
R26906	5C2	1	70 - 21	R27095	4C14	14	60 - 31	R27180	1E9	13	30 - 15B
R26906	5C3	1	70 - 21A	R27095	5C20	6	70 - 39	R27180	2B9	39	40 - 3
R26906	5C5	6	70 - 23	R27116	6F17	14	90 - 49	R27180	2B11	19	40 - 5
R26906	5C5	26	70 - 23	R27116	6F17	32	90 - 49	R27181	1E12	16	30 - 17
R26906	5C7	9	70 - 25	R27121	6F14	19	90 - 45	R27181	1E14	18	30 - 19
R26906	5C7	16A	70 - 25	R27137	4C23	16	60 - 39	R27205	1E20	9	30 - 25
R26906	5C7	23	70 - 25	R27137	4C25	31	60 - 39B	R27209	1D2	6	20 - 45
R26906	5C7	43	70 - 25	R27137	4D1	9	60 - 40	R27212	4B15	14	60 - 11
R26906	5C13	29	70 - 31	R27145	5B11	27	70 - 5	R27212	4B21	1	60 - 17
R26906	5C23	12	70 - 43	R27149	1B23	33	20 - 17	R27212	4B23	1	60 - 19
R26906	5C25	3	70 - 45	R27149	4C23	17	60 - 39	R27212	4C6	13	60 - 25
R26906	5D2	12	70 - 47	R27149	4C25	32	60 - 39B	R27212	4C8	13	60 - 25B
R26906	5D4	8	70 - 49	R27149	4D1	10	60 - 40	R27212	4C12	9	60 - 29
R26906	5D6	17	70 - 51	R27149	5B11	11	70 - 5	R27212	4C14	8	60 - 31
R26906	5D10	50	70 - 55	R27149	5B13	15	70 - 7	R27212	4C16	2	60 - 33
R26906	5D12	43	70 - 57	R27149	5B19	20	70 - 13	R27212	4C18	2	60 - 35
R26906	5D24	3	70 - 69	R27149	5B21	9	70 - 15	R27212	5C3	6	70 - 21A
R26906	5F12	23	70 - 104	R27149	5B23	9	70 - 17	R27216	2B21	16	40 - 15
R26907	5E12	2	70 - 81	R27149	5C5	24	70 - 23	R27216	3F16	24	50 - 103
R26911	5E12	2	70 - 81	R27150	5B11	5	70 - 5	R27216	3G25	9	50 - 141
R26919	3B14	30	50 - 5B	R27150	5B21	5	70 - 15	R27216	3G25	32	50 - 141
R26933	4B5	23	60 - 1	R27159	5B15	18	70 - 9	R27216	3H2	25	50 - 143
R26933	4B6	23	60 - 2	R27166	5B15	14	70 - 9	R27216	4B10	19	60 - 6
R26933	4B25	29	60 - 21	R27166	5B15	43	70 - 9	R27216	4C2	6	60 - 23
R26933	4C1	9	60 - 22	R27166	5B15	44	70 - 9	R27216	4C4	17	60 - 23B
R26936	2F9	..	40 - 86	R27166	5B17	5	70 - 11	R27216	4C6	22	60 - 25
R26967	1E1	8	30 - 8	R27166	5B19	6	70 - 13	R27216	5B15	24	70 - 9
R26976	5D2	42	70 - 47	R27166	5B19	25	70 - 13	R27216	5C7	26	70 - 25
R26976	5D4	53	70 - 49	R27166	5B25	41	70 - 19	R27216	5G16	20	70 - 133
R26976	5D6	5	70 - 51	R27166	5C2	10	70 - 21	R27218	2B21	16	40 - 15
R26977	5D2	41	70 - 47	R27166	5C5	14	70 - 23	R27218	3B22	12	50 - 13

# 1K9

4230 TRACTOR

## NUMERICAL INDEX - CONTINUED

PART NO.	GRID	KEY	PAGE	PART NO.	GRID	KEY	PAGE	PART NO.	GRID	KEY	PAGE
R27218	3E7	14	50 - 75	R27329	3E2	18	50 - 70	R27490	5D16	17	70 - 61
R27218	3E20	22	50 - 86	R27329	3F24	2	50 - 112	R27491	4B15	12	60 - 11
R27218	3F12	33	50 - 101	R27329	3F25	9	50 - 113	R27507	1E20	43	30 - 25
R27218	3F14	13	50 - 101B	R27345	6C17	2	80 - 39	R27507	1F9	5	30 - 39
R27218	3F16	24	50 - 103	R27345	6C19	2	80 - 41	R27507	1F11	11	30 - 41
R27218	4C6	14	60 - 25	R27345	6C21	2	80 - 43	R27507	1F12	10	30 - 42
R27218	4C8	8	60 - 25B	R27345	6C23	2	80 - 45	R27507	3F18	42	50 - 105
R27218	4C18	15	60 - 35	R27345	6C25	2	80 - 47	R27507	5D7	10	70 - 52
R27218	5B15	7	70 - 9	R27346	1E12	13	30 - 17	R27507	5D8	11	70 - 53
R27218	5B25	7	70 - 19	R27346	1E16	6	30 - 21	R27507	5D10	34	70 - 55
R27218	5B25	9	70 - 19	R27346	1E17	2	30 - 22	R27507	5D12	22	70 - 57
R27218	5D6	27	70 - 51	R27370	2G12	16	40 - 107	R27507	5E20	6C	70 - 89
R27218	5D16	35	70 - 61	R27370	2G14	18	40 - 107B	R27507	5E22	3	70 - 91
R27218	5E8	6	70 - 77	R27421	5G23	13	70 - 141	R27507	5G2	36	70 - 119
R27218	6B13	17	80 - 9	R27421	5G25	15	70 - 143	R27507	6D1	5	80 - 48
R27233	5F23	4	70 - 115	R27423	5G25	32	70 - 143	R27527	5D16	23	70 - 61
R27237	3D22	8	50 - 65	R27426	5G25	35	70 - 143	R27529	1B13	3	20 - 8
R27237	5C17	7	70 - 36	R27427	5G23	5	70 - 141	R27531	3H18	24	50 - 159
R27238	5C20	4	70 - 39	R27427	5G25	7	70 - 143	R27533	4B17	5	60 - 13
R27238	5C20	7	70 - 39	R27430	5G2	5	70 - 119	R27548	1C23	10	20 - 40
R27238	5C20	8	70 - 39	R27430	5G4	5	70 - 121	R27548	1D7	8	20 - 50
R27238	5C20	10	70 - 39	R27430	5G11	5	70 - 128	R27564	5B15	12	70 - 9
R27238	5C21	4	70 - 41	R27434	6F25	2	90 - 57	R27564	5B19	5	70 - 13
R27243	3C21	19	50 - 37	R27439	6F12	14	90 - 43	R27564	5B25	42	70 - 19
R27256	1E6	21	30 - 14	R27439	6F23	8	90 - 55	R27564	5C2	11	70 - 21
R27267	1C23	23	20 - 40	R27440	6F17	15	90 - 49	R27564	5C5	15	70 - 23
R27267	3B16	14	50 - 7	R27441	3F18	43	50 - 105	R27564	5D2	21	70 - 47
R27267	3B16	26A	50 - 7	R27441	6F14	10	90 - 45	R27564	5D4	17	70 - 49
R27267	3D22	11	50 - 65	R27441	6F17	13	90 - 49	R27564	5D16	34	70 - 61
R27267	3E15	16	50 - 83	R27441	6F21	15	90 - 53	R27564	5E5	6	70 - 74
R27267	3E17	16	50 - 85	R27441	6F25	9	90 - 57	R27564	5E6	15	70 - 75
R27267	3E19	5	50 - 85B	R27441	6F25	27	90 - 57	R27564	5G23	12	70 - 141
R27267	3H18	28	50 - 159	R27442	6F14	1	90 - 45	R27564	5G25	21	70 - 143
R27267	3H18	35	50 - 159	R27442	6F17	4	90 - 49	R27564	5H2	12	70 - 145
R27267	5C17	2	70 - 36	R27442	6F25	20	90 - 57	R27564	5H4	13	70 - 147
R27267	5C17	13	70 - 36	R27443	1B13	9	20 - 8	R27564	5H6	7	70 - 149
R27267	5C18	2	70 - 37	R27453	4B7	4	60 - 3	R27564	5H8	4	70 - 150A
R27270	3E15	11	50 - 83	R27460	2E8	24	40 - 63	R27574	1D12	5	20 - 55
R27270	3E17	12	50 - 85	R27460	2E10	13	40 - 65	R27574	1E1	13	30 - 8
R27270	3E19	2	50 - 85B	R27460	2E12	13	40 - 67	R27575	1E1	6	30 - 8
R27270	5C7	17	70 - 25	R27471	5B15	44	70 - 9	R27583	2B8	3	40 - 2
R27270	5C7	22	70 - 25	R27472	5B15	43	70 - 9	R27583	2G16	2	40 - 109
R27270	5C13	30	70 - 31	R27472	5D16	31	70 - 61	R27612	3E20	15	50 - 86
R27272	1E24	42	30 - 29	R27474	3F12	14	50 - 101	R27612	3F20	24	50 - 107
R27272	1F2	39	30 - 31	R27474	3F14	10	50 - 101B	R27640	3E21	5	50 - 87
R27272	3E19	1B	50 - 85B	R27474	5D12	44	70 - 57	R27643	6C11	5	80 - 32
R27272	4C4	33	60 - 23B	R27474	5F12	22	70 - 104	R27645	6C11	3	80 - 32
R27272	4D2	5	60 - 41	R27475	5B15	1	70 - 9	R27649	4D9	27	60 - 49
R27272	4D4	19	60 - 43	R27475	5B25	1	70 - 19	R27649	5G23	10	70 - 141
R27272	4D5	6	60 - 45	R27476	5B15	13	70 - 9	R27649	5G25	23	70 - 143
R27284	1E15	3	30 - 20	R27478	5B11	29	70 - 5	R27649	5H5	6	70 - 148
R27285	1D12	31	20 - 55	R27478	5B13	35	70 - 7	R27649	5H8	6	70 - 150A
R27285	1E15	8	30 - 20	R27478	5B17	12	70 - 11	R27690	6B9	6	80 - 5
R27296	4B10	2	60 - 6	R27478	5B21	28	70 - 15	R27693	1C1	6	20 - 20
R27296	4B17	17	60 - 13	R27478	5B23	28	70 - 17	R27693	1C3	12	20 - 22
R27296	4B19	17	60 - 15	R27478	5C2	15	70 - 21	R27720	5C23	10	70 - 43
R27296	4C2	18	60 - 23	R27479	5B11	29	70 - 5	R27720	5E4	8	70 - 73
R27296	4C4	28	60 - 23B	R27479	5B13	35	70 - 7	R27730	3C3	12	50 - 19
R27296	4C10	9	60 - 27	R27479	5B17	13	70 - 11	R27730	3C7	12	50 - 23
R27296	4D2	2	60 - 41	R27479	5B21	28	70 - 15	R27730	3H2	35	50 - 143
R27296	4D4	17	60 - 43	R27479	5B23	28	70 - 17	R27785	6F10	9	90 - 41
R27296	4D5	4	60 - 45	R27479	5C2	16	70 - 21	R27809	6B8	10	80 - 4
R27296	5G16	36	70 - 133	R27483	3B22	26	50 - 13	R27809	6B9	12	80 - 5
R27299	4B7	3	60 - 3	R27483	3E20	1	50 - 86	R27817	6B8	4	80 - 4
R27329	3D24	2	50 - 67	R27490	3H2	8	50 - 143	R27817	6B9	4	80 - 5
R27329	3D25	9	50 - 68	R27490	3H7	1	50 - 149	R27899	5E15	29	70 - 84
R27329	3D25	11	50 - 68	R27490	5D16	14	70 - 61	R27906	4D2	1	60 - 41

# 1K10

4230 TRACTOR

## NUMERICAL INDEX - CONTINUED

PART NO.	GRID	KEY	PAGE	PART NO.	GRID	KEY	PAGE	PART NO.	GRID	KEY	PAGE
R27919	1C19	13	20 - 36	R28490	6C6	5	80 - 27	R29463	3C23	10	50 - 39
R27922	1E20	3	30 - 25	R28538	3H19	9	50 - 161	R29463	3C24	9	50 - 41
R27926	5C9	10	70 - 27	R28539	3H19	8	50 - 161	R29463	3D12	10	50 - 55
R27926	5C14	3	70 - 33	R28575	6B22	9	80 - 19	R29463	5H2	21	70 - 145
R27927	5C9	8	70 - 27	R28575	6B23	26	80 - 20	R29463	5H4	31	70 - 147
R27927	5C14	1	70 - 33	R28575	6B24	12	80 - 21	R29463	5H6	3	70 - 149
R27928	5B19	22	70 - 13	R28583	1E6	25	30 - 14	R29463	5H9	11	70 - 151
R27928	5C5	26	70 - 23	R28583	1E7	1	30 - 15	R29936	4C6	2	60 - 25
R27928	5C9	9	70 - 27	R28583	1E9	16	30 - 15B	R29936	4C8	2	60 - 25B
R27928	5C14	2	70 - 33	R28583	1E10	3	30 - 15D	R29936	5B19	21	70 - 13
R27949	1C23	19	20 - 40	R28593	3D20	8	50 - 63	R29936	5C5	21	70 - 23
R27976	1B13	17	20 - 8	R28593	3F22	8	50 - 109	R29936	5C5	25	70 - 23
R27976	1D12	3	20 - 55	R28594	3D20	9	50 - 63	R29936	5C7	7	70 - 25
R27976	2D15	27	40 - 54C	R28594	3F22	9	50 - 109	R3R	6C2	10	80 - 22
R27983	2F9	..	40 - 86	R28671	3E24	14	50 - 88	R30165	3B18	1	50 - 9
R27997	5E20	18	70 - 89	R28671	3G25	14	50 - 141	R30165	3C17	35	50 - 33
R27998	5E20	20	70 - 89	R28671	3H3	14	50 - 144	R30165	3C19	35	50 - 35
R27998	5E22	40	70 - 91	R28677	1E14	2	30 - 19	R30165	3E20	14	50 - 86
R27999	5E20	21	70 - 89	R28744	5F23	11	70 - 115	R30165	4D7	26	60 - 47
R27999	5E22	39	70 - 91	R28774	4C23	35	60 - 39	R30181	2E8	15	40 - 63
R28002	6B23	6	80 - 20	R28774	4C25	44	60 - 39B	R30181	2E10	22	40 - 65
R28006	5G2	6	70 - 119	R28776	3D22	27	50 - 65	R30181	2E12	22	40 - 67
R28006	5G4	6	70 - 121	R28776	3E17	18	50 - 85	R30182	2E8	9	40 - 63
R28006	5G11	6	70 - 128	R28776	3E17	41	50 - 85	R30182	2E8	32	40 - 63
R28015	1D2	5	20 - 45	R28776	3E19	17	50 - 85B	R30182	2E10	16	40 - 65
R28015	1D3	2	20 - 46	R28776	3G25	25	50 - 141	R30182	2E10	31	40 - 65
R28021	6B20	13	80 - 17	R28776	3H6	19	50 - 147	R30182	2E13	10	40 - 69
R28022	6B20	18	80 - 17	R28776	4C2	15	60 - 23	R30319	3D25	16	50 - 68
R28023	6B16	12	80 - 13	R28776	4C4	25	60 - 23B	R30319	3F25	16	50 - 113
R28023	6B19	12	80 - 16	R28776	4C23	33	60 - 39	R30319	5C23	34	70 - 43
R28023	6B20	10	80 - 17	R28776	4C25	41	60 - 39B	R30319	5E4	31	70 - 73
R28024	6B20	15	80 - 17	R28776	4D1	12	60 - 40	R30323	4B10	7	60 - 6
R28035	4B5	17	60 - 1	R28776	5F17	25	70 - 108	R30323	4B13	23	60 - 9
R28040	5F1	7A	70 - 93	R28776	5F18	26	70 - 109	R30378	2F1	10	40 - 82
R28040	5F1	8	70 - 93	R28781	5B15	39	70 - 9	R30378	2G17	25	40 - 110
R28084	5G2	3	70 - 119	R28781	5B25	34	70 - 19	R30378	2H10	43	40 - 129
R28084	5G2	19	70 - 119	R28782	3D8	27	50 - 51	R30378	6E1	20	90 - 8
R28084	5G4	3	70 - 121	R28782	3D10	28	50 - 53	R30387	6B23	30	80 - 20
R28084	5G4	19	70 - 121	R28782	4C6	17	60 - 25	R30388	6B23	30	80 - 20
R28084	5G11	3	70 - 128	R28782	4C8	10	60 - 25B	R30391	6B23	21	80 - 20
R28084	5G11	17	70 - 128	R28782	5B15	38	70 - 9	R30392	6B23	20	80 - 20
R28085	5G2	2	70 - 119	R28782	5B19	9	70 - 13	R30587	3E10	1	50 - 78
R28085	5G4	2	70 - 121	R28782	5B25	33	70 - 19	R30596	6D22	15	90 - 4
R28085	5G11	2	70 - 128	R28782	5C5	11	70 - 23	R30596	6D22	24	90 - 4
R28085	5G11	18	70 - 128	R28789	1E1	2	30 - 8	R30596	6D23	13	90 - 5
R28110	3F22	26	50 - 109	R28789	1E24	26	30 - 29	R30596	6D23	21	90 - 5
R28114	6B19	16	80 - 16	R28799	1D23	3	30 - 5	R30597	1D2	12	20 - 45
R28115	6B19	19	80 - 16	R28811	1C5	8	20 - 24	R30712	1E20	23	30 - 25
R28122	6I13	3	90 - 126	R28914	3D22	23	50 - 65	R30713	1E20	13	30 - 25
R28124	4B9	7	60 - 5	R28914	3E15	24	50 - 83	R30713	3F6	8	50 - 95
R28128	3G18	5	50 - 133	R28914	3E17	25	50 - 85	R30815	5H11	5	70 - 153
R28201	5F7	28	70 - 99	R28914	5D4	37	70 - 49	R30816	5H11	7	70 - 153
R28203	5F7	27	70 - 99	R28914	5D6	48	70 - 51	R30817	5H11	6	70 - 153
R28204	5G2	1	70 - 119	R28914	5E6	4	70 - 75	R30903	3G16	23	50 - 131
R28204	5G11	1	70 - 128	R28914	5E8	23	70 - 77	R30903	4C23	5	60 - 39
R28204	5G11	19	70 - 128	R28914	5F16	8	70 - 107B	R30903	4C25	20	60 - 39B
R28255	5E14	2	70 - 83	R28914	5F17	8	70 - 108	R30903	4D1	7	60 - 40
R28256	5E14	2	70 - 83	R28914	5F18	3	70 - 109	R30929	1C12	5	20 - 28
R28271	5E14	24	70 - 83	R28970	1C12	2	20 - 28	R30936	1D2	14A	20 - 45
R28277	4B21	6	60 - 17	R28971	1C12	2	20 - 28	R30936	1D2	19B	20 - 45
R28277	4B21	7	60 - 17	R29301	3E14	5	50 - 82	R30936	1D2	20	20 - 45
R28277	4C16	7	60 - 33	R29354	3H2	29	50 - 143	R30936	1D2	21	20 - 45
R28381	5E15	1	70 - 84	R29354	3H2	30	50 - 143	R30936	1D3	5	20 - 46
R28401	3E13	5	50 - 81	R29354	3H7	4	50 - 149	R30936	1D3	7	20 - 46
R28401	3E13	8	50 - 81	R29354	3H7	5	50 - 149	R30936	1E14	9	30 - 19
R28473	6G2	8	90 - 59	R29354	3H21	35	50 - 163	R30936	6E4	14	90 - 11
R28482	1E5	2	30 - 13	R29462	3C20	..	50 - 36	R30937	1D2	4	20 - 45



# 1K11

4230 TRACTOR

## NUMERICAL INDEX - CONTINUED

PART NO.	GRID	KEY	PAGE	PART NO.	GRID	KEY	PAGE	PART NO.	GRID	KEY	PAGE
R30937	1D3	1	20-46	R31404	3E11	3	50-79	R32017	2H4	11	40-123
R30937	1D3	6	20-46	R31404	3E24	26	50-88	R32018	1E7	..	30-15
R30937	1E12	5	30-17	R31438	5E15	10	70-84	R32018	2B16	1	40-9A
R30937	1E12	7	30-17	R31438	5F1	10	70-93	R32018	2C13	4	40-31
R30937	1E14	9	30-19	R31455	4C25	15	60-39B	R32018	2E17	1	40-73
R30937	1E14	11	30-19	R31455	4D1	2	60-40	R32018	2F18	8	40-94
R30937	5B8	10	70-2	R31455	4D7	14	60-47	R32018	2H2	9	40-121
R30937	6D1	1	80-48	R31459	4C25	7	60-39B	R32018	2H2	15	40-121
R30937	6D1	14	80-48	R31459	4D7	7	60-47	R32018	2H4	12	40-123
R30937	6D4	25	80-51	R31464	4C23	18	60-39	R32018	6E11	5	90-18
R30937	6D4	26	80-51	R31464	4C25	14	60-39B	R32019	2H4	13	40-123
R30939	1C13	3	20-29	R31465	4C23	2	60-39	R32021	2B9	24	40-3
R30959	3D18	13	50-61	R31465	4C25	17	60-39B	R32021	2F13	10	40-88
R30997	3C20	3	50-36	R31467	4C23	1	60-39	R32021	2F15	7	40-90
R31024	5D2	44	70-47	R31467	4C25	16	60-39B	R32021	2F16	6	40-91
R31024	5D4	57	70-49	R31468	4C23	4	60-39	R32021	2H2	14	40-121
R31024	5D6	9	70-51	R31468	4C25	19	60-39B	R32021	2H4	14	40-123
R31026	3C3	10	50-19	R31468	4D1	6	60-40	R32022	1D22	2	30-3
R31026	3C7	10	50-23	R31469	4C23	3	60-39	R32022	2B8	7	40-2
R31028	3C3	14	50-19	R31469	4C25	18	60-39B	R32022	2B8	10	40-2
R31028	3C7	14	50-23	R31469	4D1	5	60-40	R32022	2B9	31	40-3
R31044	6F25	45	90-57	R31488	4B13	13	60-9	R32022	2C11	1	40-29
R31131	3D14	9	50-57	R31489	4B13	30	60-9	R32022	2E13	15	40-69
R31132	3B11	26	50-3	R31490	6C5	12	80-25	R32022	2H4	15	40-123
R31136	5C25	6	70-45	R31491	6C5	12	80-25	R32023	2B8	7	40-2
R31136	5D24	6	70-69	R31505	6C10	19	80-31	R32023	2B11	20	40-5
R31136	5G8	4	70-125	R31542	1E20	39	30-25	R32023	2E13	15	40-69
R31136	5G10	1	70-127	R31592	6C5	12	80-25	R32023	2H4	16	40-123
R31142	1E4	2	30-12	R31618	6D5	3	80-52	R32024	2H2	9	40-121
R31147	1E24	7	30-29	R31631	3G25	9	50-141	R32024	2H6	3	40-125
R31181	6B5	7	80-1	R31631	3H2	25	50-143	R32025	2F13	10	40-88
R31181	6B19	6	80-16	R31631	4B10	19	60-6	R32025	2H2	14	40-121
R31181	6B20	3	80-17	R31631	4C2	6	60-23	R32025	2H6	4	40-125
R31189	3G3	9	50-116	R31631	4C4	17	60-23B	R32026	2H4	17	40-123
R31189	3G4	15	50-117	R31631	4C6	22	60-25	R32026	2H10	48	40-129
R31190	3G3	2	50-116	R31631	5C7	26	70-25	R32027	2B8	10	40-2
R31190	3G6	2	50-119	R31632	4D9	19	60-49	R32027	2B9	24	40-3
R31195	3G3	15	50-116	R31654	3G16	28	50-131	R32027	2B9	31	40-3
R31195	3G4	9	50-117	R31655	3G16	26	50-131	R32027	2C6	31	40-25
R31196	3G3	20	50-116	R31665	3H16	13	50-157	R32027	2E17	19	40-73
R31198	3F3	27	50-92	R31665	3H21	25	50-163	R32027	2F13	10	40-88
R31201	4B7	14	60-3	R31698	3G14	10	50-129	R32027	2F15	7	40-90
R31202	4B7	12	60-3	R31725	3E13	30	50-81	R32027	2F16	6	40-91
R31217	4B11	4	60-7	R31736	5G12	8	70-129	R32027	2H2	5	40-121
R31225	6C2	14	80-22	R31754	1E5	16	30-13	R32027	2H2	9	40-121
R31226	6C2	14	80-22	R31781	5B15	41	70-9	R32027	2H2	14	40-121
R31250	2E8	9	40-63	R31781	5B25	37	70-19	R32027	2H4	18	40-123
R31250	2E8	32	40-63	R31781	5D16	29	70-61	R32028	2C11	1	40-29
R31250	2E10	16	40-65	R31877	3F5	10	50-94	R32028	2H4	19	40-123
R31250	2E10	31	40-65	R31877	6G17	21	90-75	R32028	6D25	13	90-7
R31250	2E13	10	40-69	R31890	5G2	23	70-119	R32029	2H4	20	40-123
R31260	6F12	10	90-43	R31890	5G4	24	70-121	R32042	1E1	8	30-8
R31260	6F23	18	90-55	R31890	6F22	16	90-54	R32042	3E20	8	50-86
R31271	1F9	26	30-39	R31933	2F18	16	40-94	R32042	3E21	7	50-87
R31271	1F11	3	30-41	R31943	6C5	12	80-25	R32087	5C16	21	70-35
R31271	4C25	8	60-39B	R31993	6C5	12	80-25	R32090	4C23	12	60-39
R31271	4D7	8	60-47	R32000	6C5	7	80-25	R32090	4C25	27	60-39B
R31278	4B10	9	60-6	R32000	6C5	13	80-25	R32091	4C23	11	60-39
R31340	1D12	24	20-55	R32000	6C5	14	80-25	R32091	4C25	26	60-39B
R31340	1E20	5	30-25	R32000	6C5	15	80-25	R32092	4C23	9	60-39
R31359	3E10	17	50-78	R32007	1D22	2	30-3	R32092	4C25	24	60-39B
R31359	3E11	9	50-79	R32007	6D25	13	90-7	R32092	4D1	3	60-40
R31359	3E24	21	50-88	R32011	2H4	1	40-123	R32101	2E10	14	40-65
R31378	4C16	12	60-33	R32016	2E8	11	40-63	R32101	2E12	14	40-67
R31378	4C18	31	60-35	R32016	2E10	18	40-65	R32101	3B22	2	50-13
R31400	5E15	26	70-84	R32016	2E12	18	40-67	R32101	3B22	25	50-13
R31404	3E10	3	50-78	R32016	2H4	10	40-123	R32101	3D25	13	50-68

# 1K12

4230 TRACTOR

## NUMERICAL INDEX - CONTINUED

PART NO.	GRID	KEY	PAGE	PART NO.	GRID	KEY	PAGE	PART NO.	GRID	KEY	PAGE
R32101	3E2	22	50 - 70	R32730	4C1	10	60 - 22	R33109	3E11	21	50 - 79
R32101	3E20	5	50 - 86	R32730	4C2	3	60 - 23	R33111	3F2	12	50 - 91
R32101	3E20	30	50 - 86	R32730	4C4	1	60 - 23B	R33112	3F3	11	50 - 92
R32101	3F25	13	50 - 113	R32730	4C4	16	60 - 23B	R33114	3E10	16	50 - 78
R32101	5C23	22	70 - 43	R32731	3D2	13	50 - 44	R33114	3E11	8	50 - 79
R32101	5E4	17	70 - 73	R32731	3D3	13	50 - 45	R33114	3E24	22	50 - 88
R32122	1C23	5	20 - 40	R32731	3D8	3	50 - 51	R33118	3E11	20	50 - 79
R32123	1C23	6	20 - 40	R32731	3D10	15	50 - 53	R33121	3F8	9	50 - 97
R32123	1D12	20	20 - 55	R32731	3D12	12	50 - 55	R33135	3E8	5	50 - 76
R32183	5G21	3	70 - 139	R32731	4B13	2	60 - 9	R33136	3E13	23	50 - 81
R32186	4B7	6	60 - 3	R33004	3G18	19	50 - 133	R33137	3E13	17	50 - 81
R32192	1C5	7	20 - 24	R33009	3F3	17	50 - 92	R33138	3D22	35	50 - 65
R32192	3E8	8	50 - 76	R33011	3F3	5	50 - 92	R33138	3E13	25	50 - 81
R32214	6G6	34	90 - 63	R33012	3E24	17	50 - 88	R33138	3E13	26	50 - 81
R32214	6G6	35	90 - 63	R33020	3G18	3	50 - 133	R33138	3E15	27	50 - 83
R32224	6C6	4	80 - 27	R33021	3G18	21	50 - 133	R33138	3E17	31	50 - 85
R32230	6C5	7	80 - 25	R33022	3G18	17	50 - 133	R33138	3E19	29	50 - 85B
R32230	6C5	13	80 - 25	R33022	3G19	8	50 - 135	R33138	5D4	40	70 - 49
R32230	6C5	14	80 - 25	R33023	3G18	26	50 - 133	R33138	5D6	49	70 - 51
R32230	6C5	15	80 - 25	R33024	3G18	16	50 - 133	R33138	5E6	5	70 - 75
R32232	6C5	12	80 - 25	R33024	4C20	1	60 - 37	R33138	5E8	20	70 - 77
R32235	1E4	4	30 - 12	R33026	3G18	4	50 - 133	R33138	5F16	5	70 - 107B
R32239	3D12	24	50 - 55	R33026	3G19	1	50 - 135	R33138	5F17	11	70 - 108
R32239	6I6	3	90 - 119	R33027	3G18	13	50 - 133	R33138	5F18	4	70 - 109
R32276	2G17	..	40 - 110	R33027	3G19	6	50 - 135	R33145	3B18	4A	50 - 9
R32276	2G19	11	40 - 113	R33028	3D25	18	50 - 68	R33145	3B18	34A	50 - 9
R32289	6G2	..	90 - 59	R33028	3F25	18	50 - 113	R33145	3E13	4	50 - 81
R32306	1E6	5	30 - 14	R33028	3G18	18	50 - 133	R33145	3E13	9	50 - 81
R32306	1E9	2	30 - 15B	R33029	3G18	23	50 - 133	R33162	3B16	16	50 - 7
R32313	3E11	4	50 - 79	R33029	3G19	11	50 - 135	R33162	3D22	24A	50 - 65
R32320	2B8	4	40 - 2	R33039	3F2	10	50 - 91	R33162	3E15	25	50 - 83
R32320	2B11	..	40 - 5	R33040	3F1	1	50 - 90	R33162	3F22	17	50 - 109
R32344	5B15	42	70 - 9	R33042	3E24	2	50 - 88	R33168	3E8	1	50 - 76
R32344	5D16	30	70 - 61	R33045	3E25	3	50 - 89	R33168	3E9	21	50 - 77
R32353	5G11	15	70 - 128	R33047	3F1	11	50 - 90	R33168	3E10	13	50 - 78
R32354	5G11	11	70 - 128	R33050	3F2	2	50 - 91	R33169	3E10	11	50 - 78
R32355	5G11	10	70 - 128	R33051	3F1	10	50 - 90	R33173	3E13	19	50 - 81
R32356	5G2	9	70 - 119	R33052	3E25	14	50 - 89	R33174	3E13	20	50 - 81
R32356	5G4	9	70 - 121	R33053	3E24	9	50 - 88	R33175	3E13	21	50 - 81
R32356	5G11	9	70 - 128	R33053	3E25	12	50 - 89	R33183	3E10	5	50 - 78
R32419	5F13	24	70 - 105	R33053	3F1	8	50 - 90	R33184	3E10	15	50 - 78
R32419	5G2	37	70 - 119	R33053	3F2	4	50 - 91	R33188	3E11	2	50 - 79
R32419	5G4	35	70 - 121	R33054	3E24	8	50 - 88	R33227	3F5	14	50 - 94
R32419	5G11	8	70 - 128	R33054	3F1	7	50 - 90	R33228	3F5	12	50 - 94
R32426	1B16	2	20 - 12	R33054	3F2	13	50 - 91	R33240	3F5	18	50 - 94
R32426	1B16	17	20 - 12	R33058	3F3	9	50 - 92	R33244	3E24	4	50 - 88
R32426	1B17	2	20 - 13	R33058	3F6	15	50 - 95	R33244	3F1	3	50 - 90
R32507	3D20	10	50 - 63	R33058	3G14	17	50 - 129	R33244	3F2	8	50 - 91
R32507	3F22	10	50 - 109	R33062	3B25	1	50 - 16	R33245	3E24	5	50 - 88
R32588	4B9	3	60 - 5	R33062	3C1	1	50 - 17	R33245	3E25	8	50 - 89
R32588	4B13	15	60 - 9	R33062	3G3	11	50 - 116	R33245	3F1	4	50 - 90
R32588	5G23	15	70 - 141	R33062	3G6	27	50 - 119	R33245	3F2	7	50 - 91
R32588	5H2	15	70 - 145	R33072	3E11	14	50 - 79	R33246	3E10	10	50 - 78
R32588	5H6	5	70 - 149	R33073	3E11	13	50 - 79	R33246	3E11	12	50 - 79
R32588	5H8	2	70 - 150A	R33077	3F10	12	50 - 99	R33246	3E24	18	50 - 88
R32588	5H9	2	70 - 151	R33082	3F3	3	50 - 92	R33247	3E10	6	50 - 78
R32593	1B12	4	20 - 7	R33083	3C14	7	50 - 30	R33247	3E11	7	50 - 79
R32593	1D12	7	20 - 55	R33083	3F3	13	50 - 92	R33247	3E24	23	50 - 88
R32593	1D12	24	20 - 55	R33085	3F3	8	50 - 92	R33248	3F6	4	50 - 95
R32593	1D14	9	20 - 57	R33086	3F3	14	50 - 92	R33255	3F6	10	50 - 95
R32639	1E24	28	30 - 29	R33087	3F3	7	50 - 92	R33256	3F6	5	50 - 95
R32702	4C23	30	60 - 39	R33088	3F3	18	50 - 92	R33257	3F6	5	50 - 95
R32702	4C25	45	60 - 39B	R33089	3F3	15	50 - 92	R33258	3F6	5	50 - 95
R32704	1E5	3	30 - 13	R33091	3F3	21	50 - 92	R33259	3B16	16	50 - 7
R32730	4B5	22	60 - 1	R33093	3F3	6	50 - 92	R33259	3B16	24	50 - 7
R32730	4B6	22	60 - 2	R33094	3F3	10	50 - 92	R33259	3D22	15	50 - 65
R32730	4B25	27	60 - 21	R33103	3F1	11	50 - 90	R33259	3D22	16	50 - 65

# 1K13

4230 TRACTOR

## NUMERICAL INDEX - CONTINUED

PART NO.	GRID	KEY	PAGE	PART NO.	GRID	KEY	PAGE	PART NO.	GRID	KEY	PAGE
R33259	3D22	24A	50 - 65	R33411	3B25	4	50 - 16	R34064	1E18	9	30 - 23
R33259	3E15	23	50 - 83	R33411	3G3	11	50 - 116	R34064	1E19	8	30 - 24
R33259	3E15	25	50 - 83	R33411	3G6	27	50 - 119	R34108	1C23	11	20 - 40
R33259	3F5	13	50 - 94	R33412	3B25	4	50 - 16	R34109	1C23	9	20 - 40
R33259	3F22	17	50 - 109	R33413	3B25	1	50 - 16	R34109	1D12	19	20 - 55
R33259	3F22	18	50 - 109	R33413	3B25	18	50 - 16	R34110	1C23	14	20 - 40
R33259	6D22	6	90 - 4	R33413	3C1	17	50 - 17	R34110	1D12	22	20 - 55
R33259	6D25	8	90 - 7	R33413	3G3	11	50 - 116	R34121	4B8	10	60 - 4
R33261	3E24	6	50 - 88	R33413	3G6	27	50 - 119	R34122	4B9	20	60 - 5
R33261	3F1	5	50 - 90	R33414	3B25	18	50 - 16	R34123	4B9	17	60 - 5
R33261	3F2	6	50 - 91	R33414	3C1	17	50 - 17	R34125	4B7	21	60 - 3
R33263	3E24	24	50 - 88	R33414	3G3	11	50 - 116	R34129	4B9	22	60 - 5
R33268	3F16	24	50 - 103	R33414	3G6	27	50 - 119	R34129	4B13	18	60 - 9
R33275	3F14	8	50 - 101B	R33415	3B25	18	50 - 16	R34131	4B9	9	60 - 5
R33275	3F16	11	50 - 103	R33415	3C1	17	50 - 17	R34131	5G23	16	70 - 141
R33276	3F10	3	50 - 99	R33425	3B23	1	50 - 14	R34131	5H2	16	70 - 145
R33277	3F12	5	50 - 101	R33425	3B19	8	50 - 10	R34131	5H8	1	70 - 150A
R33277	3F12	15	50 - 101	R33425	3B23	2	50 - 14	R34131	5H9	1	70 - 151
R33277	3F14	4	50 - 101B	R33450	6C5	7	80 - 25	R34154	5E4	23	70 - 73
R33282	3F10	11	50 - 99	R33450	6C5	13	80 - 25	R34175	3F10	4	50 - 99
R33282	3F22	21	50 - 109	R33450	6C5	14	80 - 25	R34253	5F1	7A	70 - 93
R33282	3H2	32	50 - 143	R33450	6C5	15	80 - 25	R34253	5F1	7B	70 - 93
R33290	3F16	4	50 - 103	R33460	6C5	7	80 - 25	R34267	6F10	1	90 - 41
R33291	3F16	1	50 - 103	R33460	6C5	13	80 - 25	R34272	6F10	11	90 - 41
R33307	3F10	2	50 - 99	R33460	6C5	14	80 - 25	R34295	3E9	19	50 - 77
R33320	3D25	14	50 - 68	R33460	6C5	15	80 - 25	R34328	3B14	19	50 - 5B
R33320	3F25	14	50 - 113	R33487	3E2	15	50 - 70	R34328	3B14	20	50 - 5B
R33321	3E1	12	50 - 69	R33489	3B22	22	50 - 13	R34328	3E1	10	50 - 69
R33321	3G1	1	50 - 114	R33498	3B22	20	50 - 13	R34328	3E2	10	50 - 70
R33321	3G1	15	50 - 114	R33498	3E20	29	50 - 86	R34328	3G1	13	50 - 114
R33322	3E1	14	50 - 69	R33518	3E10	7	50 - 78	R34348	5B11	26	70 - 5
R33322	3G1	17	50 - 114	R33519	3E5	12	50 - 73	R34349	5B11	24	70 - 5
R33337	3B19	5	50 - 10	R33520	3E11	6	50 - 79	R34360	5B8	5	70 - 2
R33337	3B22	21	50 - 13	R33521	3B16	19	50 - 7	R34362	5B8	2	70 - 2
R33337	3D25	12	50 - 68	R33521	3E13	18	50 - 81	R34373	5F5	28	70 - 97
R33337	3E2	21	50 - 70	R33521	3E15	29	50 - 83	R34375	5F5	16	70 - 97
R33337	3E23	7	50 - 87B	R33521	3E19	25	50 - 85B	R34376	5F5	29	70 - 97
R33337	3F25	12	50 - 113	R33531	6C5	4	80 - 25	R34388	1E6	19	30 - 14
R33339	3D25	20	50 - 68	R33532	6C5	5	80 - 25	R34394	1E6	8	30 - 14
R33339	3F25	20	50 - 113	R33533	6C5	4	80 - 25	R34394	1E9	6	30 - 15B
R33340	3G20	16	50 - 136	R33533	6C6	3	80 - 27	R34395	1E6	9	30 - 14
R33344	3D25	19	50 - 68	R33534	6C5	5	80 - 25	R34395	1E9	7	30 - 15B
R33344	3F25	19	50 - 113	R33534	6C6	4	80 - 27	R34397	5G2	15	70 - 119
R33348	3D24	7	50 - 67	R33587	3F16	15	50 - 103	R34397	5G4	15	70 - 121
R33348	3F24	7	50 - 112	R33588	3F3	22	50 - 92	R34398	5G2	22	70 - 119
R33363	3F22	33	50 - 109	R33610	3D22	4	50 - 65	R34398	5G4	22	70 - 121
R33364	3F22	32	50 - 109	R33610	5C17	4	70 - 36	R34399	5G2	8	70 - 119
R33367	3B25	5	50 - 16	R33610	5C18	6	70 - 37	R34399	5G4	8	70 - 121
R33369	3B25	24	50 - 16	R33703	3E20	9	50 - 86	R34399	5G6	..	70 - 123
R33370	3B25	20	50 - 16	R33703	3E25	6	50 - 89	R34400	5G2	20	70 - 119
R33383	3C3	16	50 - 19	R33706	6C5	11	80 - 25	R34400	5G4	20	70 - 121
R33386	3B25	19	50 - 16	R33711	3C3	7	50 - 19	R34404	4B10	6	60 - 6
R33386	3C1	18	50 - 17	R33711	3C5	7	50 - 21	R34444	6I8	22	90 - 121
R33387	3B25	8	50 - 16	R33730	3C20	8	50 - 36	R34447	1E16	14	30 - 21
R33388	3B25	10	50 - 16	R33730	3C21	6	50 - 37	R34448	5F3	9	70 - 95
R33393	3C20	5	50 - 36	R33730	3C23	8	50 - 39	R34448	5F3	26	70 - 95
R33398	3C21	3	50 - 37	R33730	3C24	6	50 - 41	R34448	5F5	8	70 - 97
R33398	3C24	3	50 - 41	R33731	3C20	21	50 - 36	R34448	5F5	34	70 - 97
R33399	3C21	5	50 - 37	R33731	3C23	24	50 - 39	R34448	5F7	10	70 - 99
R33399	3C24	5	50 - 41	R33831	5F3	24	70 - 95	R34448	5F7	14	70 - 99
R33400	3C21	20	50 - 37	R33847	3E2	20	50 - 70	R34450	5F5	14	70 - 97
R33405	3C3	8	50 - 19	R33852	3D25	15	50 - 68	R34483	6D12	6	80 - 57
R33405	3C5	8	50 - 21	R33852	3F25	15	50 - 113	R34487	5C24	4	70 - 44
R33410	3B25	1	50 - 16	R33853	3D25	17	50 - 68	R34505	5F3	16	70 - 95
R33410	3B25	4	50 - 16	R33853	3F25	17	50 - 113	R34513	3C17	2	50 - 33
R33410	3G3	11	50 - 116	R33911	3F22	26	50 - 109	R34513	3C19	26	50 - 35
R33410	3G6	27	50 - 119	R33911	3F22	27	50 - 109	R34513	3G6	26	50 - 119

# 1K14

4230 TRACTOR

## NUMERICAL INDEX - CONTINUED

PART NO.	GRID	KEY	PAGE	PART NO.	GRID	KEY	PAGE	PART NO.	GRID	KEY	PAGE
R34513	3G8	8	50 - 121	R34848	3G20	9	50 - 136	R35474	5H4	23	70 - 147
R34537	5D14	2	70 - 59	R34855	3G6	14	50 - 119	R35474	5H6	14	70 - 149
R34557	2B9	..	40 - 3	R34855	3G8	20	50 - 121	R35474	5H9	9	70 - 151
R34557	2B11	..	40 - 5	R34855	3G11	4	50 - 125	R35479	5F10	11	70 - 102
R34557	5D16	11	70 - 61	R34856	3G3	9	50 - 116	R35634	3G23	20	50 - 139
R34557	5F13	17	70 - 105	R34856	3G3	20	50 - 116	R35684	4D9	5	60 - 49
R34583	3F3	1	50 - 92	R34856	3G6	30	50 - 119	R35684	5C20	13	70 - 39
R34593	1B9	15	20 - 3	R34857	3G6	11	50 - 119	R35735	3G22	6	50 - 138
R34611	3E24	13	50 - 88	R34857	3G6	13	50 - 119	R35735	3G23	15	50 - 139
R34612	3E24	12	50 - 88	R34857	3G8	21	50 - 121	R35738	5H2	32	70 - 145
R34619	6F10	1	90 - 41	R34857	3G8	22	50 - 121	R35738	5H4	33	70 - 147
R34620	6F10	2	90 - 41	R34858	3G6	11	50 - 119	R35738	5H6	1	70 - 149
R34650	3E9	13	50 - 77	R34858	3G6	12	50 - 119	R35738	5H9	21	70 - 151
R34650	3E9	15	50 - 77	R34858	3G8	22	50 - 121	R35769	6D1	10	80 - 48
R34650	3E23	5	50 - 87B	R34858	3G8	23	50 - 121	R35794	5C20	17	70 - 39
R34656	1E12	11	30 - 17	R34863	3G6	10	50 - 119	R35794	5C21	9	70 - 41
R34656	1E14	15	30 - 19	R34863	3G8	24	50 - 121	R35800	6E14	43	90 - 21
R34659	6C5	12	80 - 25	R34933	3G16	11	50 - 131	R35823	5C9	11	70 - 27
R34680	6C5	7	80 - 25	R34933	4B17	19	60 - 13	R35827	5B19	22	70 - 13
R34680	6C5	13	80 - 25	R34933	4B19	19	60 - 15	R35871	5F12	25	70 - 104
R34680	6C5	14	80 - 25	R34933	4C10	13	60 - 27	R36040	4B17	16	60 - 13
R34680	6C5	15	80 - 25	R34940	3G18	11	50 - 133	R36040	4D4	14	60 - 43
R34688	6D4	40	80 - 51	R34965	5G23	20	70 - 141	R36040	4D5	1	60 - 45
R34733	3D19	4	50 - 62	R34965	5H8	16	70 - 150A	R36119	3D14	38	50 - 57
R34733	3D20	4	50 - 63	R34966	5G23	19	70 - 141	R36235	2B10	13	40 - 4
R34733	3D20	11	50 - 63	R34966	5H8	15	70 - 150A	R36235	2G17	22	40 - 110
R34733	3D23	6	50 - 66	R35002	3G22	8	50 - 138	R36265	2B21	14	40 - 15
R34733	3F22	4	50 - 109	R35002	3G23	19	50 - 139	R36265	3C20	23	50 - 36
R34733	3F22	11	50 - 109	R35046	5E15	2	70 - 84	R36265	3C23	22	50 - 39
R34733	3F23	6	50 - 111	R35155	3F10	7	50 - 99	R36265	3F12	19	50 - 101
R34733	4B9	1	60 - 5	R35155	3F10	8	50 - 99	R36295	3B14	12	50 - 5B
R34733	4B11	6	60 - 7	R35164	3C7	1	50 - 23	R36295	3E1	11	50 - 69
R34733	4B13	10	60 - 9	R35164	3C9	1	50 - 25	R36295	3E3	6	50 - 71
R34753	1D12	21	20 - 55	R35165	3C7	1	50 - 23	R36295	3G1	14	50 - 114
R34757	6B9	7	80 - 5	R35165	3C9	1	50 - 25	R36358	5B25	11	70 - 19
R34757	6B14	2	80 - 11	R35166	3C7	1	50 - 23	R36364	3F16	17	50 - 103
R34760	1E24	17	30 - 29	R35166	3C9	1	50 - 25	R36535	1F4	13	30 - 33
R34761	1E24	16	30 - 29	R35167	3C7	1	50 - 23	R36590	6I5	3	90 - 117
R34764	1E24	14	30 - 29	R35167	3C9	1	50 - 25	R36590	6I5	34	90 - 117
R34764	1F5	2	30 - 35	R35256	1B14	8	20 - 10	R36648	3C13	13	50 - 29
R34765	1E24	12	30 - 29	R35256	1B15	10	20 - 11	R36658	5H11	3	70 - 153
R34766	1E24	11	30 - 29	R35286	3B16	10	50 - 7	R36659	5H11	3	70 - 153
R34766	1F2	2	30 - 31	R35339	1D2	13	20 - 45	R36666	3E25	2	50 - 89
R34785	1E24	19	30 - 29	R35339	1D3	4	20 - 46	R36666	3F2	11	50 - 91
R34786	1E24	19	30 - 29	R35352	1E24	29	30 - 29	R36666	3H2	9	50 - 143
R34787	1E24	19	30 - 29	R35352	1F2	20	30 - 31	R36715	1C19	10	20 - 36
R34799	3G6	23	50 - 119	R35365	3F8	1	50 - 97	R36732	2G19	24	40 - 113
R34799	3G8	10	50 - 121	R35366	3F8	1	50 - 97	R36742	4C23	19	60 - 39
R34801	6C5	15	80 - 25	R35367	3F8	1	50 - 97	R36742	4C25	33	60 - 39B
R34801	6C7	1	80 - 28	R35377	3C13	6	50 - 29	R36742	4D4	22	60 - 43
R34801	6C8	1	80 - 29	R35447	5H2	13	70 - 145	R36757	1D20	..	30 - 1
R34802	5B25	12	70 - 19	R35447	5H4	18	70 - 147	R36795	5G21	3	70 - 139
R34812	2F13	6	40 - 88	R35448	5H4	34	70 - 147	R36846	1D10	14	20 - 53
R34812	2F13	17	40 - 88	R35452	5H2	5	70 - 145	R36847	1D9	10	20 - 52
R34812	2F15	18	40 - 90	R35452	5H4	3	70 - 147	R36847	1D10	14	20 - 53
R34812	2F16	17	40 - 91	R35472	5H2	10	70 - 145	R36926	3H16	10	50 - 157
R34812	2F18	13	40 - 94	R35472	5H4	15	70 - 147	R36926	3H21	23	50 - 163
R34812	5F20	30	70 - 111	R35472	5H6	8	70 - 149	R36945	5F13	28	70 - 105
R34812	6D25	10	90 - 7	R35472	5H9	4	70 - 151	R36946	5F13	25	70 - 105
R34827	6I16	1	90 - 129	R35473	3H2	30	50 - 143	R36946	5G11	21	70 - 128
R34828	6C5	9	80 - 25	R35473	3H7	5	50 - 149	R36951	5H2	20	70 - 145
R34828	6C6	8	80 - 27	R35473	3H21	36	50 - 163	R36951	5H9	10	70 - 151
R34833	4C20	5	60 - 37	R35473	5H2	22	70 - 145	R36952	5G23	34	70 - 141
R34833	4C20	..	60 - 37	R35473	5H4	32	70 - 147	R36952	5H2	34	70 - 145
R34833	4C21	2	60 - 37A	R35473	5H6	2	70 - 149	R36952	5H8	25	70 - 150A
R34848	3G18	12	50 - 133	R35473	5H9	12	70 - 151	R36952	5H9	23	70 - 151
R34848	3G19	5	50 - 135	R35474	5H2	19	70 - 145	R375R	5F12	18	70 - 104

# 1K15

4230 TRACTOR

## NUMERICAL INDEX - CONTINUED

PART NO.	GRID	KEY	PAGE	PART NO.	GRID	KEY	PAGE	PART NO.	GRID	KEY	PAGE
R375R	5G2	16	70 - 119	R39322	3C17	8	50 - 33	R39985	1F11	6	30 - 41
R375R	5G4	16	70 - 121	R39322	3C19	20	50 - 35	R40072	5C7	4	70 - 25
R375R	5G5	5	70 - 122	R39325	3E11	4	50 - 79	R40121	6B7	1	80 - 3
R375R	5G6	19	70 - 123	R394R	3D19	2	50 - 62	R40147	3D16	28	50 - 59
R375R	6E14	44	90 - 21	R394R	3D20	2	50 - 63	R40147	3F22	23	50 - 109
R38178	3F8	7	50 - 97	R394R	3D20	7	50 - 63	R40149	4B8	7	60 - 4
R38181	3C20	15	50 - 36	R394R	3D23	3	50 - 66	R40152	3G19	14	50 - 135
R38181	3C21	12	50 - 37	R394R	3F6	18	50 - 95	R40153	3G19	14	50 - 135
R38181	3C23	16	50 - 39	R394R	3F22	2	50 - 109	R40153	4C20	3	60 - 37
R38181	3C24	15	50 - 41	R394R	3F22	7	50 - 109	R40153	4C20	5	60 - 37
R38193	3F3	20	50 - 92	R394R	3F23	2	50 - 111	R40153	4C20	..	60 - 37
R38218	3D25	11	50 - 68	R394R	4B13	21	60 - 9	R40211	1D7	10	20 - 50
R38218	3F25	10	50 - 113	R394R	5D10	20	70 - 55	R40218	5G25	38	70 - 143
R38219	3D25	22	50 - 68	R394R	5D12	32	70 - 57	R40219	5H4	26	70 - 147
R38219	3F25	22	50 - 113	R39512	5F3	17	70 - 95	R40236	1C20	27	20 - 37
R38221	3D25	1	50 - 68	R39513	5F3	17	70 - 95	R40236	3G3	9	50 - 116
R38221	3F25	1	50 - 113	R39554	1E7	13	30 - 15	R40236	3G4	15	50 - 117
R38224	3D25	5	50 - 68	R39554	1E10	2	30 - 15D	R40236	3G6	7	50 - 119
R38224	3F25	5	50 - 113	R39587	3D22	22	50 - 65	R40236	3G8	27	50 - 121
R38295	3B18	20	50 - 9	R39587	3D22	30	50 - 65	R40337	2D6	22	40 - 47
R38295	3C17	4	50 - 33	R39587	3E15	10	50 - 83	R40337	2D13	4	40 - 54A
R38295	3C19	23	50 - 35	R39587	3E17	44	50 - 85	R40337	2D15	26	40 - 54C
R38295	3F18	20	50 - 105	R39597	3G16	24	50 - 131	R40337	2D18	3	40 - 56A
R38344	3B22	30	50 - 13	R39613	6D4	8	80 - 51	R40338	4B10	1	60 - 6
R38344	3E20	3	50 - 86	R39615	1E12	3	30 - 17	R40424	5E22	25	70 - 91
R38354	6B21	8	80 - 18	R39615	1E14	6	30 - 19	R40425	5E22	29	70 - 91
R38355	6B21	10	80 - 18	R39725	3F20	7	50 - 107	R40426	3E24	16	50 - 88
R38371	2E8	28	40 - 63	R39725	3F20	10	50 - 107	R40445	2G23	6	40 - 117
R38543	5F12	27	70 - 104	R39725	3F20	25	50 - 107	R40445	2H2	3	40 - 121
R38614	1C19	2	20 - 36	R39726	3F20	7	50 - 107	R40499	5F20	12	70 - 111
R38614	1C20	12	20 - 37	R39726	3F20	10	50 - 107	R40499	5F20	26	70 - 111
R39012	5G25	3	70 - 143	R39726	3F20	25	50 - 107	R40499	5F20	31	70 - 111
R39012	5H4	7	70 - 147	R39727	3F20	7	50 - 107	R40499	5F23	1	70 - 115
R39076	5C16	11	70 - 35	R39727	3F20	10	50 - 107	R40499	5G2	26	70 - 119
R39112	3D22	13	50 - 65	R39727	3F20	25	50 - 107	R40529	1D23	6	30 - 5
R39112	3D22	33	50 - 65	R39729	5B11	9	70 - 5	R40531	4B8	8	60 - 4
R39112	3E17	47	50 - 85	R39729	5B13	13	70 - 7	R40545	2D13	38	40 - 54A
R39112	3E19	22	50 - 85B	R39729	5B19	17	70 - 13	R40546	2D16	6	40 - 54D
R39112	3G25	11	50 - 141	R39739	6I16	3	90 - 129	R40548	2D16	10	40 - 54D
R39112	3H3	18	50 - 144	R39741	5B11	15	70 - 5	R40548	2D21	7	40 - 56D
R39112	4B10	11	60 - 6	R39741	5B13	20	70 - 7	R40557	5F1	9	70 - 93
R39112	4C6	9	60 - 25	R39741	5B21	13	70 - 15	R40558	5F1	14	70 - 93
R39112	5C20	23	70 - 39	R39741	5E5	13	70 - 74	R40567	4B7	18	60 - 3
R39112	5D2	8	70 - 47	R39741	5E6	23	70 - 75	R40567	4B13	9	60 - 9
R39112	5D4	6	70 - 49	R39741	5E8	14	70 - 77	R40583	5C16	9	70 - 35
R39112	5D6	15	70 - 51	R39758	6C5	11	80 - 25	R40589	6B16	7	80 - 13
R39112	5G12	10	70 - 129	R39758	6C6	9	80 - 27	R40589	6B19	9	80 - 16
R39133	3E17	33	50 - 85	R39759	5E16	26	70 - 85	R40589	6B20	5	80 - 17
R39133	3E19	28	50 - 85B	R39794	3F22	3	50 - 109	R40595	4B10	14	60 - 6
R39164	5C23	12	70 - 43	R39795	3D20	1	50 - 63	R40596	4B10	13	60 - 6
R39228	5B11	18	70 - 5	R39795	3F22	1	50 - 109	R40597	4B10	12	60 - 6
R39228	5B13	22	70 - 7	R39796	3D20	3	50 - 63	R40614	1C12	10	20 - 28
R39228	5B21	16	70 - 15	R39796	3F22	14	50 - 109	R40617	5C17	26	70 - 36
R39228	5B23	16	70 - 17	R39797	3F22	13	50 - 109	R40620	1D17	..	20 - 60
R39253	1B19	9	20 - 15	R39832	4B15	16A	60 - 11	R40633	5E16	24	70 - 85
R39253	3C3	27	50 - 19	R39832	4B15	16B	60 - 11	R40633	5E18	17	70 - 87
R39253	3C5	30	50 - 21	R39832	4B21	4A	60 - 17	R40638	3G25	6	50 - 141
R39259	3C17	6	50 - 33	R39832	4B21	4B	60 - 17	R40662	1D7	7	20 - 50
R39259	3C17	30	50 - 33	R39832	4C12	14A	60 - 29	R40685	6C17	1	80 - 39
R39259	3C19	31	50 - 35	R39832	4C12	14B	60 - 29	R40685	6C17	7	80 - 39
R39276	3B14	21	50 - 5B	R39832	4C16	1A	60 - 33	R40685	6C19	1	80 - 41
R39276	3B14	22	50 - 5B	R39832	4C16	1B	60 - 33	R40685	6C19	7	80 - 41
R39276	3C13	21	50 - 29	R39876	3E9	14	50 - 77	R40685	6C21	1	80 - 43
R39299	3C17	28	50 - 33	R39877	2D6	35	40 - 47	R40685	6C21	7	80 - 43
R39299	3C19	29	50 - 35	R39878	1E1	12	30 - 8	R40685	6C23	1	80 - 45
R39304	3C17	3	50 - 33	R39886	1F5	4	30 - 35	R40685	6C23	7	80 - 45
R39304	3C19	25	50 - 35	R39985	1F9	23	30 - 39	R40685	6C25	1	80 - 47

# 1K16

4230 TRACTOR

## NUMERICAL INDEX - CONTINUED

PART NO.	GRID	KEY	PAGE	PART NO.	GRID	KEY	PAGE	PART NO.	GRID	KEY	PAGE
R40685	6C25	7	80 - 47	R41006	3D16	13	50 - 59	R41147	3D14	8	50 - 57
R40730	1C5	4	20 - 24	R41006	3D18	15	50 - 61	R41147	3G1	8	50 - 114
R40740	1C5	4	20 - 24	R41007	3D18	25	50 - 61	R41147	5D14	22	70 - 59
R40740	1C6	4	20 - 25	R41012	6C5	12	80 - 25	R41151	3E7	16	50 - 75
R40740	1C6	6	20 - 25	R41017	3G6	15	50 - 119	R41151	3E13	2	50 - 81
R40757	4B10	15	60 - 6	R41017	3G8	19	50 - 121	R41155	3B14	1	50 - 5B
R40776	1E20	15	30 - 25	R41017	3G11	3	50 - 125	R41155	5F23	17	70 - 115
R40777	1D12	25	20 - 55	R41035	3E9	3	50 - 77	R41156	5F20	19	70 - 111
R40791	6E14	17	90 - 21	R41039	3E10	18	50 - 78	R41166	3E10	9	50 - 78
R40795	1C12	9	20 - 28	R41039	3E11	10	50 - 79	R41166	3E11	11	50 - 79
R40831	3D16	16	50 - 59	R41039	3E24	20	50 - 88	R41166	3E24	19	50 - 88
R40835	3B24	11	50 - 15	R41041	3B14	9	50 - 5B	R41168	3E24	11	50 - 88
R40835	3B25	13	50 - 16	R41041	3B14	11	50 - 5B	R41171	3F5	15	50 - 94
R40835	3C1	13	50 - 17	R41041	3C3	31	50 - 19	R41174	3E24	27	50 - 88
R40835	3C3	26	50 - 19	R41041	3C5	34	50 - 21	R41218	3C3	20	50 - 19
R40835	3C7	27	50 - 23	R41041	3D18	1	50 - 61	R41218	3C5	23	50 - 21
R40835	3E8	3	50 - 76	R41041	3E9	10	50 - 77	R41285	1B9	1	20 - 3
R40881	5D2	1	70 - 47	R41043	3E11	5	50 - 79	R41285	1D9	9	20 - 52
R40885	5D10	8	70 - 55	R41048	3G3	7	50 - 116	R41285	1D10	8	20 - 53
R40885	5D12	8A	70 - 57	R41048	3G4	16	50 - 117	R41286	1D9	8	20 - 52
R40887	5C24	11	70 - 44	R41048	3G6	21	50 - 119	R41287	1D9	15	20 - 52
R40889	5D7	12	70 - 52	R41048	3G8	13	50 - 121	R41293	1D9	3	20 - 52
R40889	5D8	13	70 - 53	R41049	1C5	5	20 - 24	R41303	5E10	10	70 - 79
R40891	5D7	13	70 - 52	R41050	3G3	16	50 - 116	R41321	1D7	2	20 - 50
R40891	5D8	14	70 - 53	R41050	3G4	8	50 - 117	R41334	2C19	11	40 - 37
R40892	5D10	35	70 - 55	R41050	3G6	25	50 - 119	R41334	2C21	12	40 - 39
R40893	5D2	34	70 - 47	R41055	5F20	5	70 - 111	R41337	5D2	40	70 - 47
R40893	5D4	34	70 - 49	R41055	5F22	5	70 - 113	R41337	5D4	55	70 - 49
R40893	5D6	41	70 - 51	R41057	5B15	43	70 - 9	R41337	5D6	7	70 - 51
R40894	5D2	39	70 - 47	R41057	5B15	44	70 - 9	R41338	5F20	33	70 - 111
R40894	5D4	29	70 - 49	R41057	5B17	7	70 - 11	R41338	5F22	31	70 - 113
R40894	5D6	46	70 - 51	R41057	5B19	25	70 - 13	R41339	5F20	29	70 - 111
R40895	5D2	37	70 - 47	R41057	5B25	40	70 - 19	R41339	5F22	28	70 - 113
R40895	5D4	31	70 - 49	R41057	5C2	9	70 - 21	R41339	5F25	10	70 - 117
R40895	5D6	44	70 - 51	R41057	5C5	13	70 - 23	R41355	6E17	12	90 - 25
R40896	5D2	29	70 - 47	R41057	5D2	24	70 - 47	R41355	6E21	2	90 - 27B
R40896	5D4	24	70 - 49	R41057	5D4	20	70 - 49	R41358	6E23	8	90 - 29
R40896	5E5	16	70 - 74	R41057	5D6	30	70 - 51	R41377	3E25	4	50 - 89
R40896	5E6	26	70 - 75	R41057	5D16	26	70 - 61	R41378	3E25	9	50 - 89
R40911	3E21	8	50 - 87	R41057	5D16	31	70 - 61	R41379	3E25	7	50 - 89
R40912	3E21	6	50 - 87	R41057	5D16	33	70 - 61	R41385	5D14	7	70 - 59
R40912	3E23	10	50 - 87B	R41057	5E5	9	70 - 74	R41386	5D14	9	70 - 59
R40915	5D10	27	70 - 55	R41057	5E6	18	70 - 75	R41387	6F19	3	90 - 51
R40915	5D12	23	70 - 57	R41057	5E8	9	70 - 77	R41406	1C16	3	20 - 32
R40922	5C23	29	70 - 43	R41057	5F20	12	70 - 111	R41412	1B13	16	20 - 8
R40922	5E4	26	70 - 73	R41057	5F20	21	70 - 111	R41413	1B13	20	20 - 8
R40922	5F17	21	70 - 108	R41057	5F20	31	70 - 111	R41414	1B13	19	20 - 8
R40922	5F18	22	70 - 109	R41057	5F22	20	70 - 113	R41415	1B13	16	20 - 8
R40922	5F23	13	70 - 115	R41057	5F23	1	70 - 115	R41439	2G19	13	40 - 113
R40922	5F25	5	70 - 117	R41057	5F25	15	70 - 117	R41439	4B17	13	60 - 13
R40922	5G12	7	70 - 129	R41057	5G2	26	70 - 119	R41439	4B19	25	60 - 15
R40930	1D17	..	20 - 60	R41070	1B19	15	20 - 15	R41439	5F13	16	70 - 105
R40937	5F20	28	70 - 111	R41071	1B9	25	20 - 3	R41440	2B8	11	40 - 2
R40937	5F22	27	70 - 113	R41076	1F9	36	30 - 39	R41440	4C12	18	60 - 29
R40937	5F25	9	70 - 117	R41076	1F11	14	30 - 41	R41440	4C14	13	60 - 31
R40940	1D17	..	20 - 60	R41076	5D10	25	70 - 55	R41440	6I10	15	90 - 123
R40942	5D7	11	70 - 52	R41076	5D12	21	70 - 57	R41446	5C23	31	70 - 43
R40945	5D2	33	70 - 47	R41076	5D14	28	70 - 59	R41446	5E4	28	70 - 73
R40945	5D4	28	70 - 49	R41078	5D7	14	70 - 52	R41452	1B16	9	20 - 12
R40945	5D6	31	70 - 51	R41084	5E15	15	70 - 84	R41453	1B16	12	20 - 12
R40945	5E8	10	70 - 77	R41084	5F1	12	70 - 93	R41503	3E13	31	50 - 81
R40947	5C23	28	70 - 43	R41108	5D10	3	70 - 55	R41544	5E10	1	70 - 79
R40947	5E4	22	70 - 73	R41108	5D12	3	70 - 57	R41549	5F20	25	70 - 111
R40949	5D10	1	70 - 55	R41121	5D7	6	70 - 52	R41549	5F22	24	70 - 113
R40949	5D12	1	70 - 57	R41121	5D7	7	70 - 52	R41609	1B9	24	20 - 3
R40952	2C19	13	40 - 37	R41131	3F9	16	50 - 98	R41609	1D12	1	20 - 55
R40953	2C19	6	40 - 37	R41134	3F18	8	50 - 105	R41623	3F5	16	50 - 94

# 1K17

4230 TRACTOR

## NUMERICAL INDEX - CONTINUED

PART NO.	GRID	KEY	PAGE	PART NO.	GRID	KEY	PAGE	PART NO.	GRID	KEY	PAGE
R41654	5E15	7	70 - 84	R42093	5G18	7	70 - 135	R42505	3G8	26	50 - 121
R41655	5E15	6	70 - 84	R42101	3G18	22	50 - 133	R42505	3G13	14	50 - 127
R41661	5D10	11	70 - 55	R42110	3E8	4	50 - 76	R42516	3H3	3	50 - 144
R41661	5D12	13	70 - 57	R42127	3C25	3	50 - 42	R42518	3H3	13	50 - 144
R41681	1D5	2	20 - 48	R42127	3D1	2	50 - 43	R42519	3H4	8	50 - 145
R41681	2C19	8	40 - 37	R42127	3D14	5	50 - 57	R42574	2D15	21	40 - 54C
R41707	1C12	1	20 - 28	R42149	1B13	19	20 - 8	R42574	2D20	20	40 - 56C
R41721	4B21	21	60 - 17	R42150	1B13	19	20 - 8	R42584	3D24	6	50 - 67
R41721	4B23	13	60 - 19	R42151	1B13	19	20 - 8	R42584	3F24	6	50 - 112
R41721	4C16	21	60 - 33	R42152	1B13	20	20 - 8	R42585	3D24	4	50 - 67
R41721	4C18	17	60 - 35	R42153	1B13	20	20 - 8	R42585	3D24	6	50 - 67
R41724	4B9	2	60 - 5	R42154	1B13	20	20 - 8	R42585	3F24	4	50 - 112
R41764	3F8	4	50 - 97	R42257	1C12	6	20 - 28	R42585	3F24	6	50 - 112
R41764	3G4	13	50 - 117	R42260	5B15	40	70 - 9	R42624	1E20	27	30 - 25
R41764	3G8	7	50 - 121	R42260	5B25	36	70 - 19	R42629	4B5	25	60 - 1
R41766	3F8	4	50 - 97	R42282	3D5	7	50 - 48	R42629	4B6	26	60 - 2
R41766	3G4	13	50 - 117	R42282	3D8	19	50 - 51	R42629	4B25	8	60 - 21
R41766	3G8	7	50 - 121	R42282	3D10	24	50 - 53	R42629	4B25	30	60 - 21
R41770	4C16	26	60 - 33	R42282	3D14	44	50 - 57	R42629	4C1	7	60 - 22
R41770	4C18	27	60 - 35	R42282	5D14	34	70 - 59	R42629	4C4	9	60 - 23B
R41776	5D2	35	70 - 47	R42312	6E14	37	90 - 21	R42641	5D14	3	70 - 59
R41776	5D4	33	70 - 49	R42312	6E14	42	90 - 21	R42646	6E19	5	90 - 27
R41776	5D6	42	70 - 51	R42332	3H2	6	50 - 143	R42660	5F5	13	70 - 97
R41777	5D2	36	70 - 47	R42332	6B13	9	80 - 9	R42660	6B11	5	80 - 7
R41777	5D4	32	70 - 49	R42333	3H3	8	50 - 144	R42660	6B11	12	80 - 7
R41777	5D6	43	70 - 51	R42340	1B19	8	20 - 15	R42660	6B13	2	80 - 9
R41778	6E17	5	90 - 25	R42340	1B23	12	20 - 17	R42661	4B9	18	60 - 5
R41778	6E19	9	90 - 27	R42352	1B14	2	20 - 10	R42663	5B15	31	70 - 9
R41778	6E21	8	90 - 27B	R42352	1B15	3	20 - 11	R42664	1D9	11	20 - 52
R41781	6E17	1	90 - 25	R42352	1B15	4	20 - 11	R42664	1D10	15	20 - 53
R41781	6E19	7	90 - 27	R42354	1B14	7	20 - 10	R42666	2E5	1	40 - 61
R41789	1D9	3	20 - 52	R42355	1B14	4	20 - 10	R42667	2E5	1	40 - 61
R41846	6C5	12	80 - 25	R42355	1B15	6	20 - 11	R42684	4C23	34	60 - 39
R41850	3E15	30	50 - 83	R42356	1B14	6	20 - 10	R42684	4C25	42	60 - 39B
R41855	1D12	23	20 - 55	R42356	1B15	7	20 - 11	R42689	2E12	16	40 - 67
R41861	5E22	37	70 - 91	R42357	4D2	8	60 - 41	R42693	1D9	12	20 - 52
R41877	4D9	12	60 - 49	R42357	4D4	10	60 - 43	R42693	1D10	16	20 - 53
R41880	2F9	10	40 - 86	R42363	1B23	22	20 - 17	R42693	1D12	9	20 - 55
R41880	2F10	4	40 - 87	R42363	1C15	7	20 - 31	R42693	1D14	6	20 - 57
R41903	3G3	10	50 - 116	R42363	6C15	10	80 - 37	R42694	1D9	6	20 - 52
R41903	3G4	14	50 - 117	R42363	6C15	15	80 - 37	R42694	1D10	19	20 - 53
R41903	3G6	24	50 - 119	R42363	6F25	38	90 - 57	R42694	1D12	4	20 - 55
R41903	3G8	11	50 - 121	R42364	1B9	5	20 - 3	R42694	1D14	7	20 - 57
R41920	1C19	2	20 - 36	R42365	1B23	21	20 - 17	R42695	5F5	18	70 - 97
R41920	1C19	13	20 - 36	R42365	1C15	8	20 - 31	R42696	5F5	18	70 - 97
R41920	1F9	28	30 - 39	R42379	3F5	1	50 - 94	R42697	3F12	6	50 - 101
R41920	1F11	1	30 - 41	R42390	1C20	3	20 - 37	R42697	3F12	15	50 - 101
R41933	5F20	31	70 - 111	R42406	1D8	18	20 - 51	R42697	3F14	5	50 - 101B
R41933	6D12	20	80 - 57	R42406	1D14	14	20 - 57	R42726	1D20	..	30 - 1
R41934	1C5	1	20 - 24	R42408	6E24	10	90 - 31	R42729	1C19	1	20 - 36
R41934	1C6	1	20 - 25	R42408	6E24	11	90 - 31	R42729	1C20	13	20 - 37
R41934	1C7	9	20 - 26	R42408	6G6	34	90 - 63	R42729	3H2	21	50 - 143
R41934	1C8	7	20 - 26B	R42408	6G6	35	90 - 63	R42729	3H3	5	50 - 144
R41934	1C9	7	20 - 26C	R42408	6G6	37	90 - 63	R42729	3H4	12	50 - 145
R41934	1C10	7	20 - 26D	R42424	1D12	14	20 - 55	R42734	3H4	1	50 - 145
R41934	1C11	7	20 - 27	R42440	5F3	18	70 - 95	R42735	3H2	15	50 - 143
R41937	6F10	4	90 - 41	R42444	3G3	14	50 - 116	R42762	3H3	2	50 - 144
R41938	6F10	4	90 - 41	R42444	3G4	12	50 - 117	R42763	3H2	29	50 - 143
R41958	3H2	22	50 - 143	R42444	3G6	19	50 - 119	R42763	3H7	4	50 - 149
R41958	6C3	1	80 - 23	R42444	3G8	16	50 - 121	R42763	3H21	35	50 - 163
R41968	5D14	17	70 - 59	R42467	5B11	25	70 - 5	R42764	3H4	10	50 - 145
R42009	4D2	18	60 - 41	R42468	3G25	13	50 - 141	R42764	3H6	12	50 - 147
R42009	4D4	10	60 - 43	R42491	3F9	10	50 - 98	R42764	3H7	8	50 - 149
R42014	3D25	21	50 - 68	R42492	3F5	17	50 - 94	R42764	3H21	38	50 - 163
R42014	3F25	21	50 - 113	R42495	5E16	10	70 - 85	R42765	3H2	23	50 - 143
R42054	1C21	3	20 - 38	R42495	5E18	10	70 - 87	R42766	3H2	23	50 - 143
R42058	3E8	6	50 - 76	R42505	3G6	9	50 - 119	R42773	5C24	10	70 - 44

# 1K18

4230 TRACTOR

## NUMERICAL INDEX - CONTINUED

PART NO.	GRID	KEY	PAGE	PART NO.	GRID	KEY	PAGE	PART NO.	GRID	KEY	PAGE
R42799	2F9	2	40 - 86	R43252	3D16	8	50 - 59	R44030	3F16	24	50 - 103
R42799	2F10	9	40 - 87	R43252	3D16	23	50 - 59	R44036	1D12	13	20 - 55
R42817	3H2	2	50 - 143	R43252	3D18	27	50 - 61	R44044	3G3	8	50 - 116
R42818	3G25	22	50 - 141	R43256	3D16	22	50 - 59	R44044	3G6	22	50 - 119
R42819	3G25	17	50 - 141	R43256	3D18	24	50 - 61	R44065	1C23	2	20 - 40
R42820	3G25	18	50 - 141	R43305	3C13	7	50 - 29	R44067	1C23	26	20 - 40
R42821	6B13	7	80 - 9	R43424	1C22	21	20 - 39	R44078	1E20	4	30 - 25
R42822	6D19	1	90 - 1	R43425	1C22	20	20 - 39	R44083	1E20	14	30 - 25
R42849	3B14	8	50 - 5B	R43428	1C22	19	20 - 39	R44116	1D7	9	20 - 50
R42849	3D18	8	50 - 61	R43429	1C22	3	20 - 39	R44141	5C11	28	70 - 29
R42849	3E9	5	50 - 77	R43444	5E20	9	70 - 89	R44161	1C13	6	20 - 29
R42849	3F6	3	50 - 95	R43444	5E22	20	70 - 91	R44162	1C13	6	20 - 29
R42849	3F12	11	50 - 101	R43479	5C17	19	70 - 36	R44163	1C13	6	20 - 29
R42849	3F14	16	50 - 101B	R43479	5C18	10	70 - 37	R44164	3E7	16	50 - 75
R42849	3H11	23	50 - 152A	R43479	5C18	12	70 - 37	R44164	3E13	2	50 - 81
R42849	3H21	16	50 - 163	R43548	1C22	24	20 - 39	R44165	2G2	11	40 - 103
R42849	4B10	8	60 - 6	R43569	3B22	9	50 - 13	R44165	2G4	27	40 - 105
R42849	4C6	10	60 - 25	R43569	3G16	25	50 - 131	R44165	2G6	29	40 - 105B
R42849	4C8	5	60 - 25B	R43569	3G16	31	50 - 131	R44165	2G8	29	40 - 105D
R42849	4C23	31	60 - 39	R43569	6F25	32	90 - 57	R44165	2G10	31	40 - 105F
R42849	4C25	39	60 - 39B	R43595	1B9	19	20 - 3	R44165	2G16	13	40 - 109
R42849	4D2	4	60 - 41	R43595	1D14	16	20 - 57	R44165	6D25	12	90 - 7
R42850	3E10	8	50 - 78	R43603	2C22	3	40 - 41	R44165	6E1	5	90 - 8
R42877	3H2	24	50 - 143	R43621	1B23	19	20 - 17	R44165	6E1	15	90 - 8
R42877	3H7	2	50 - 149	R43634	1B19	2	20 - 15	R44165	6E2	4	90 - 9
R42877	3H21	34	50 - 163	R43634	1B23	26	20 - 17	R44165	6E2	12	90 - 9
R42878	3G25	15	50 - 141	R43642	5C8	6	70 - 26	R44254	4B9	23	60 - 5
R42878	3H6	5	50 - 147	R43660	1C22	1	20 - 39	R44254	4C23	22	60 - 39
R42879	3G25	23	50 - 141	R43661	6E4	8	90 - 11	R44254	4C25	36	60 - 39B
R42879	3H6	6	50 - 147	R43662	2E8	25	40 - 63	R44254	4D9	17	60 - 49
R42880	3G25	21	50 - 141	R43663	4B5	12	60 - 1	R44255	4B9	25	60 - 5
R42880	3H6	7	50 - 147	R43677	1B14	2	20 - 10	R44255	4C23	24	60 - 39
R42881	3H2	5	50 - 143	R43677	1B15	3	20 - 11	R44255	4C25	38	60 - 39B
R42882	3G25	16	50 - 141	R43677	1B15	4	20 - 11	R44256	4B9	24	60 - 5
R42883	3H3	12	50 - 144	R43679	1B9	18	20 - 3	R44256	4C23	23	60 - 39
R42884	3H4	4	50 - 145	R43679	1B13	20	20 - 8	R44256	4C25	37	60 - 39B
R42885	6B13	6	80 - 9	R43680	1B9	16	20 - 3	R44256	4D9	16	60 - 49
R42886	6B13	15	80 - 9	R43681	1B9	15	20 - 3	R44285	5G23	23	70 - 141
R42887	6B13	11	80 - 9	R43682	1B9	16	20 - 3	R44285	5H8	19	70 - 150A
R42901	3G18	24	50 - 133	R43683	1B9	15	20 - 3	R44286	5H2	23	70 - 145
R42925	3G25	27	50 - 141	R43684	3B10	18	50 - 2	R44286	5H9	13	70 - 151
R42926	3G25	24	50 - 141	R43742	1B14	7	20 - 10	R44287	5G23	33	70 - 141
R42926	3H6	20	50 - 147	R43752	3E9	2	50 - 77	R44287	5H2	33	70 - 145
R42926	3H12	1	50 - 153	R43752	3E23	8	50 - 87B	R44287	5H8	24	70 - 150A
R42926	3H14	5	50 - 155	R43766	3F6	2	50 - 95	R44287	5H9	22	70 - 151
R42927	3H2	31	50 - 143	R43774	1C22	18	20 - 39	R44296	5G23	11	70 - 141
R42927	3H21	37	50 - 163	R43774	1D14	18	20 - 57	R44296	5G25	22	70 - 143
R42929	3H4	3	50 - 145	R43780	1D10	7	20 - 53	R44296	5H8	5	70 - 150A
R42930	3H4	5	50 - 145	R43780	1D10	13	20 - 53	R44297	5H2	11	70 - 145
R42931	3H3	9	50 - 144	R43780	1D10	14	20 - 53	R44297	5H4	14	70 - 147
R42932	3H3	11	50 - 144	R43780	1D14	3	20 - 57	R44298	5D2	45A	70 - 47
R42968	3H4	11	50 - 145	R43787	1B13	20	20 - 8	R44299	5D2	46	70 - 47
R42969	3H2	28	50 - 143	R43788	1B13	20	20 - 8	R44302	1E7	..	30 - 15
R42973	6B13	10	80 - 9	R43789	1B13	20	20 - 8	R44302	1E8	2	30 - 15A
R42974	6B13	14	80 - 9	R43791	5D4	4	70 - 49	R44302	1E9	12	30 - 15B
R42975	3H6	13	50 - 147	R43791	5D6	13	70 - 51	R44302	1E10	..	30 - 15D
R42975	6B13	12	80 - 9	R43791	5D20	28	70 - 65	R44302	1E18	..	30 - 23
R42984	2B23	20	40 - 17	R43791	5D22	53	70 - 67	R44302	1E19	4	30 - 24
R42985	2B23	7	40 - 17	R43851	1B17	8	20 - 13	R44302	2B9	..	40 - 3
R42985	2C2	29	40 - 21	R43883	1B9	18	20 - 3	R44302	2B11	..	40 - 5
R42989	2B21	16	40 - 15	R43883	1B13	19	20 - 8	R44302	2B15	3	40 - 9
R42989	3F16	24	50 - 103	R43962	4B9	10	60 - 5	R44302	2B16	2	40 - 9A
R43075	5B8	6	70 - 2	R43962	4B10	4	60 - 6	R44302	2B20	..	40 - 14
R43167	1E3	9	30 - 11	R44013	3H4	9	50 - 145	R44302	2B21	..	40 - 15
R43216	3F3	7	50 - 92	R44016	2C2	7	40 - 21	R44302	2C8	..	40 - 27
R43252	3D16	1	50 - 59	R44025	2B23	9	40 - 17	R44302	2C15	3	40 - 33
R43252	3D16	7	50 - 59	R44025	2C2	27	40 - 21	R44302	2C15	6	40 - 33



# 1K19

4230 TRACTOR

## NUMERICAL INDEX - CONTINUED

PART NO.	GRID	KEY	PAGE	PART NO.	GRID	KEY	PAGE	PART NO.	GRID	KEY	PAGE
R44302	2C18	1	40 - 36	R44801	5B13	19	70 - 7	R45189	5F12	24	70 - 104
R44302	2D4	3	40 - 45	R44801	5B13	20	70 - 7	R45192	1B9	8	20 - 3
R44302	2D11	2	40 - 52	R44802	5B15	31	70 - 9	R45193	1B9	7	20 - 3
R44302	2D22	7	40 - 57	R44812	3E10	2	50 - 78	R45194	1B9	6	20 - 3
R44302	2E6	24	40 - 61A	R44815	3E25	7	50 - 89	R45195	1B9	9	20 - 3
R44302	2E17	18	40 - 73	R44816	3E24	4	50 - 88	R45211	2B8	11	40 - 2
R44302	2F8	1	40 - 85D	R44816	3F1	3	50 - 90	R45211	2B9	31	40 - 3
R44302	2G19	12	40 - 113	R44816	3F2	8	50 - 91	R45211	2B18	11	40 - 11
R44302	2G22	6	40 - 116	R44817	3E24	5	50 - 88	R45211	6E14	34	90 - 21
R44302	2G24	5	40 - 118	R44817	3E25	8	50 - 89	R45215	5F12	26	70 - 104
R44302	2H2	20	40 - 121	R44817	3F1	4	50 - 90	R45227	5B11	14	70 - 5
R44302	3H18	..	50 - 159	R44817	3F2	7	50 - 91	R45227	5B11	15	70 - 5
R44302	4C10	11	60 - 27	R44823	5B11	10	70 - 5	R45227	5B11	16	70 - 5
R44302	4C10	..	60 - 27	R44823	5B13	14	70 - 7	R45228	5B11	14	70 - 5
R44302	4C14	15B	60 - 31	R44824	5B13	5	70 - 7	R45228	5B11	15	70 - 5
R44302	4D2	14	60 - 41	R44840	5F12	17	70 - 104	R45228	5B11	16	70 - 5
R44302	5C14	..	70 - 33	R44845	4B8	4	60 - 4	R45250	3H12	10	50 - 153
R44302	5C17	24	70 - 36	R44848	5F10	4	70 - 102	R45251	3H12	11	50 - 153
R44302	5C18	16	70 - 37	R44848	5F10	6	70 - 102	R45356	3G25	3	50 - 141
R44302	5D16	..	70 - 61	R44853	1B16	1	20 - 12	R45357	3G25	1	50 - 141
R44302	6D22	16	90 - 4	R44853	1D12	33	20 - 55	R45358	3G25	4	50 - 141
R44302	6D22	25	90 - 4	R44890	6C12	9	80 - 33	R45359	3G25	5	50 - 141
R44302	6D22	..	90 - 4	R44900	1E20	45	30 - 25	R45377	2C19	15	40 - 37
R44302	6D23	22	90 - 5	R44917	5E16	18	70 - 85	R45397	6G22	17	90 - 81
R44302	6D23	..	90 - 5	R44917	5E18	27	70 - 87	R45397	6H6	1	90 - 89
R44310	5F20	18	70 - 111	R44917	5F5	31	70 - 97	R45422	5B13	34	70 - 7
R44313	5D14	21	70 - 59	R44918	5E16	18	70 - 85	R45422	5B21	26	70 - 15
R44315	5F20	31	70 - 111	R44918	5E18	27	70 - 87	R45422	5B23	26	70 - 17
R44315	6D12	17	80 - 57	R44918	5E20	3	70 - 89	R45423	5B13	28	70 - 7
R44328	3G6	16	50 - 119	R44925	1C12	7	20 - 28	R45424	5B13	29A	70 - 7
R44328	3G8	18	50 - 121	R44925	1C13	11	20 - 29	R45425	5B13	31	70 - 7
R44328	3G11	2	50 - 125	R44926	1C7	2	20 - 26	R45425	5B21	22A	70 - 15
R44342	2F2	14	40 - 83	R44926	1C9	9	20 - 26C	R45425	5B23	22A	70 - 17
R44350	6C12	11	80 - 33	R44926	1C12	7	20 - 28	R45438	5B11	1	70 - 5
R44373	1D12	11	20 - 55	R44926	1C13	11	20 - 29	R45438	5B21	1	70 - 15
R44373	1D14	5	20 - 57	R44927	1C12	7	20 - 28	R45440	2B18	2	40 - 11
R44373	1E1	20	30 - 8	R44927	1C13	11	20 - 29	R45440	5C14	..	70 - 33
R44373	1E2	8	30 - 9	R44928	1C12	7	20 - 28	R45440	5C18	12	70 - 37
R44373	1E3	8	30 - 11	R44928	1C13	11	20 - 29	R45447	5F11	3	70 - 103
R44374	1D12	10	20 - 55	R44979	3H6	14	50 - 147	R45523	6B11	7	80 - 7
R44374	1D14	4	20 - 57	R44979	6B13	13	80 - 9	R45526	1D2	14B	20 - 45
R44374	1E1	19	30 - 8	R44995	3C20	3	50 - 36	R45537	1F11	27	30 - 41
R44374	1E2	7	30 - 9	R44996	3C20	9	50 - 36	R45537	6I6	2	90 - 119
R44374	1E3	7	30 - 11	R44996	3C23	25	50 - 39	R45569	3C13	4	50 - 29
R44378	1C8	9	20 - 26B	R45003	1B13	19	20 - 8	R45569	3H2	10	50 - 143
R44378	1C10	9	20 - 26D	R45004	1B13	19	20 - 8	R45582	6D1	7	80 - 48
R44378	1C12	7	20 - 28	R45005	1B13	19	20 - 8	R45620	5G23	8	70 - 141
R44378	1C13	11	20 - 29	R45106	5F13	23	70 - 105	R45620	5G25	25	70 - 143
R44406	3H8	2	50 - 150	R45126	3D25	6	50 - 68	R45620	5H2	8	70 - 145
R44407	3H8	12	50 - 150	R45126	3F25	6	50 - 113	R45620	5H4	17	70 - 147
R44408	3H8	11	50 - 150	R45133	1C20	1	20 - 37	R45620	5H5	8	70 - 148
R44409	3H8	6	50 - 150	R45137	2B9	..	40 - 3	R45620	5H6	11	70 - 149
R44412	3H8	8	50 - 150	R45137	2B11	..	40 - 5	R45622	3E10	12	50 - 78
R44414	3H8	5	50 - 150	R45161	1B9	5	20 - 3	R45630	5G2	5	70 - 119
R44415	3H8	1	50 - 150	R45161	1B9	9	20 - 3	R45630	5G4	5	70 - 121
R44416	3H8	7	50 - 150	R45176	3H11	11	50 - 152A	R45630	5G11	5	70 - 128
R44417	3H8	3	50 - 150	R45177	3H11	15	50 - 152A	R45638	3H12	4	50 - 153
R44454	6C19	23	80 - 41	R45178	3H11	5	50 - 152A	R45638	3H14	8	50 - 155
R44638	3C3	4	50 - 19	R45179	3H11	7	50 - 152A	R45638	3H21	5	50 - 163
R44720	6I5	4	90 - 117	R45181	3H11	16	50 - 152A	R45642	2D4	4	40 - 45
R44724	3G1	5	50 - 114	R45182	3H11	13	50 - 152A	R45654	1B19	..	20 - 15
R44743	5B13	33	70 - 7	R45183	3H11	10	50 - 152A	R45692	1B9	23	20 - 3
R44744	5B13	30A	70 - 7	R45184	3H11	12	50 - 152A	R45692	5C11	6	70 - 29
R44745	5B13	1	70 - 7	R45186	3H12	2	50 - 153	R45692	5C13	16	70 - 31
R44778	3H6	11	50 - 147	R45186	3H14	6	50 - 155	R45693	1B9	26	20 - 3
R44791	6C10	6	80 - 31	R45187	3H12	3	50 - 153	R45693	1B10	2	20 - 4
R44801	5B13	18	70 - 7	R45187	3H14	7	50 - 155	R45779	3G18	29	50 - 133

# 1K20

4230 TRACTOR

## NUMERICAL INDEX - CONTINUED

PART NO.	GRID	KEY	PAGE	PART NO.	GRID	KEY	PAGE	PART NO.	GRID	KEY	PAGE
R45781	4C20	6	60 - 37	R46326	3G8	8	50 - 121	R46622	2B18	11	40 - 11
R45811	4B9	10	60 - 5	R46345	5B8	3	70 - 2	R46662	6H21	..	90 - 107
R45811	4B10	4	60 - 6	R46360	3G3	2	50 - 116	R46663	6G2	..	90 - 59
R45822	5B8	4	70 - 2	R46360	3G4	19	50 - 117	R46663	6H4	..	90 - 87
R45832	3F18	17	50 - 105	R46360	3G6	2	50 - 119	R46663	6H21	..	90 - 107
R45847	2B11	22	40 - 5	R46360	3G8	30	50 - 121	R46701	3H12	5	50 - 153
R45847	4D2	14	60 - 41	R46391	3E10	4	50 - 78	R46702	3H12	9	50 - 153
R45847	6E14	8	90 - 21	R46391	3E11	4	50 - 79	R46702	3H14	10	50 - 155
R45847	6E14	32	90 - 21	R46391	3E24	25	50 - 88	R46708	3H4	2	50 - 145
R45847	6E14	33	90 - 21	R46394	3B24	9	50 - 15	R46709	3H4	7	50 - 145
R45874	5B11	28	70 - 5	R46395	3B24	9	50 - 15	R46722	5F20	1	70 - 111
R459R	3E5	10	50 - 73	R46396	3B24	9	50 - 15	R46722	5F22	1	70 - 113
R459R	3E20	16	50 - 86	R46397	3C1	4	50 - 17	R46722	5F25	1	70 - 117
R459R	3E24	3	50 - 88	R46398	3C1	4	50 - 17	R46807	3E8	7	50 - 76
R459R	3E25	5	50 - 89	R46399	3C1	4	50 - 17	R46815	3E13	16	50 - 81
R459R	3F1	2	50 - 90	R46400	3B25	6	50 - 16	R46815	3E15	19	50 - 83
R459R	4B9	4	60 - 5	R46400	3C1	6	50 - 17	R46815	3E17	40	50 - 85
R459R	4B13	14	60 - 9	R46401	3B25	9	50 - 16	R46815	3E19	8	50 - 85B
R459R	4C23	10	60 - 39	R46401	3C1	9	50 - 17	R46855	3G14	9	50 - 129
R459R	5G23	14	70 - 141	R46402	3B25	12	50 - 16	R46856	5G16	23A	70 - 133
R459R	5H2	14	70 - 145	R46402	3C1	12	50 - 17	R46862	3G14	3	50 - 129
R459R	5H5	5	70 - 148	R46403	3B25	23	50 - 16	R46863	3G14	1	50 - 129
R459R	5H6	6	70 - 149	R46403	3C1	22	50 - 17	R46889	5E20	13	70 - 89
R459R	5H9	3	70 - 151	R46404	3C7	15	50 - 23	R46890	5E20	10	70 - 89
R45924	5D2	23	70 - 47	R46404	3C9	18	50 - 25	R46893	5E20	15	70 - 89
R45924	5D4	19	70 - 49	R46405	3C7	8	50 - 23	R46901	3G14	4	50 - 129
R45924	5E5	8	70 - 74	R46405	3C9	8	50 - 25	R46902	3G9	2	50 - 123
R45924	5E6	17	70 - 75	R46411	1E2	3	30 - 9	R46903	1B14	1	20 - 10
R45925	5D2	22	70 - 47	R46411	1E3	2	30 - 11	R46903	1B15	1	20 - 11
R45925	5D4	18	70 - 49	R46414	1B23	..	20 - 17	R46903	1B19	..	20 - 15
R45925	5E5	7	70 - 74	R46414	1B25	..	20 - 19	R46903	1B23	25	20 - 17
R45925	5E6	16	70 - 75	R46414	2B18	3	40 - 11	R46919	3H18	11	50 - 159
R45936	2E8	2	40 - 63	R46414	2B18	11	40 - 11	R46987	4D9	3	60 - 49
R45936	2E10	2	40 - 65	R46414	2D22	12	40 - 57	R46987	4D9	7	60 - 49
R45936	2E12	2	40 - 67	R46414	4B19	14	60 - 15	R46987	5C20	15	70 - 39
R45937	2E8	3	40 - 63	R46414	6E15	1	90 - 23	R46995	3C23	3	50 - 39
R45937	2E10	3	40 - 65	R46415	5G16	24	70 - 133	R47016	5F12	7	70 - 104
R45937	2E12	3	40 - 67	R46435	3B25	21	50 - 16	R47018	5F12	11	70 - 104
R45950	1D17	..	20 - 60	R46435	3C1	20	50 - 17	R47020	1D17	..	20 - 60
R45981	6D19	11	90 - 1	R46436	3C1	8	50 - 17	R47021	1E21	8	30 - 26
R46080	1B9	18	20 - 3	R46438	3C7	5	50 - 23	R47023	1E21	19	30 - 26
R46098	6D19	6	90 - 1	R46439	3C1	7	50 - 17	R47024	1E21	3	30 - 26
R46099	6D19	2	90 - 1	R46443	5D7	2	70 - 52	R47025	1E21	16	30 - 26
R46116	3C1	5	50 - 17	R46446	3G3	20	50 - 116	R47026	1E21	13	30 - 26
R46118	3C1	19	50 - 17	R46446	3G4	2	50 - 117	R47027	1E21	15	30 - 26
R46119	3C7	20	50 - 23	R46447	3G6	9	50 - 119	R47028	1E21	14	30 - 26
R46119	3C9	23	50 - 25	R46447	3G8	26	50 - 121	R47029	1E21	22	30 - 26
R46124	3C7	4	50 - 23	R46448	3G6	30	50 - 119	R47030	1E22	5	30 - 27
R46162	3G3	1	50 - 116	R46448	3G8	2	50 - 121	R47031	1E21	10	30 - 26
R46162	3G4	1	50 - 117	R46451	3E9	12	50 - 77	R47033	1E22	20	30 - 27
R46162	3G6	1	50 - 119	R46464	3C21	3	50 - 37	R47034	1E22	8	30 - 27
R46162	3G8	1	50 - 121	R46466	3G3	9	50 - 116	R47035	1E22	4	30 - 27
R46192	1B19	18	20 - 15	R46466	3G4	15	50 - 117	R47036	1E22	2	30 - 27
R46192	1D12	32	20 - 55	R46467	3G3	15	50 - 116	R47037	1E22	3	30 - 27
R46323	3G3	6	50 - 116	R46467	3G4	9	50 - 117	R47038	1E22	21	30 - 27
R46323	3G4	6	50 - 117	R46468	3G6	23	50 - 119	R47043	1E21	24	30 - 26
R46323	3G6	6	50 - 119	R46468	3G8	10	50 - 121	R47067	5E18	11	70 - 87
R46323	3G8	6	50 - 121	R46485	5C11	28	70 - 29	R47074	1C16	1	20 - 32
R46324	3G3	6	50 - 116	R46513	5D7	17	70 - 52	R47074	3C14	13	50 - 30
R46324	3G4	6	50 - 117	R46513	5D8	18	70 - 53	R47074	3C14	15	50 - 30
R46324	3G6	6	50 - 119	R46513	5E15	17	70 - 84	R47074	3C17	6	50 - 33
R46324	3G8	6	50 - 121	R46513	5F1	20	70 - 93	R47074	3C19	24	50 - 35
R46325	3G3	6	50 - 116	R46514	5E15	18	70 - 84	R47077	1F4	25	30 - 33
R46325	3G4	6	50 - 117	R46514	5F1	21	70 - 93	R47082	3B9	8	50 - 1
R46325	3G6	6	50 - 119	R46528	6H2	9	90 - 85	R47085	4D9	10	60 - 49
R46325	3G8	6	50 - 121	R46567	1C20	5	20 - 37	R47086	4D9	11	60 - 49
R46326	3G6	26	50 - 119	R46567	3F3	27	50 - 92	R47087	4D9	9	60 - 49

# 1K21

4230 TRACTOR

## NUMERICAL INDEX - CONTINUED

PART NO.	GRID	KEY	PAGE	PART NO.	GRID	KEY	PAGE	PART NO.	GRID	KEY	PAGE
R47095	5F12	21	70 - 104	R47566	5F1	16	70 - 93	R48163	5E20	7	70 - 89
R47110	1D17	..	20 - 60	R47566	5F1	17	70 - 93	R48163	5E22	1	70 - 91
R47141	3H3	4	50 - 144	R47567	5D7	21	70 - 52	R48164	5E20	8	70 - 89
R47142	3H3	1	50 - 144	R47567	5D8	22	70 - 53	R48164	5E22	5	70 - 91
R47144	3D18	20	50 - 61	R47567	5E15	14	70 - 84	R48174	3E9	15	50 - 77
R47153	1C24	9	20 - 41	R47567	5F1	17	70 - 93	R48176	3E9	11	50 - 77
R47153	1D14	22	20 - 57	R47568	5D7	21	70 - 52	R48235	3E24	7	50 - 88
R47160	1E6	24	30 - 14	R47568	5D8	22	70 - 53	R48235	3E25	10	50 - 89
R47160	1E7	2	30 - 15	R47568	5E15	14	70 - 84	R48235	3F1	6	50 - 90
R47160	1E9	15	30 - 15B	R47568	5F1	17	70 - 93	R48235	3F2	5	50 - 91
R47160	1E10	4	30 - 15D	R47576	2B11	23	40 - 5	R48236	3E24	10	50 - 88
R47170	1D17	..	20 - 60	R47576	2B11	25	40 - 5	R48236	3E25	13	50 - 89
R47172	3G3	8	50 - 116	R47576	5C7	19	70 - 25	R48236	3F1	9	50 - 90
R47172	3G6	22	50 - 119	R47576	5C7	38	70 - 25	R48236	3F2	3	50 - 91
R47172	3G8	12	50 - 121	R47577	5E22	36	70 - 91	R48240	4C20	10	60 - 37
R47197	6E23	3	90 - 29	R47578	5E22	21	70 - 91	R48240	4C21	5	60 - 37A
R47224	6D21	4	90 - 3	R47581	5E22	24	70 - 91	R48291	1B9	24	20 - 3
R47226	6D21	17	90 - 3	R47590	5E22	33	70 - 91	R48293	2E12	16	40 - 67
R47227	6D21	14	90 - 3	R47605	4D9	21	60 - 49	R48358	1E24	24	30 - 29
R47228	6D21	13	90 - 3	R47605	6G15	3	90 - 73	R48358	1F2	42	30 - 31
R47229	6D21	16	90 - 3	R47606	4D9	20	60 - 49	R48359	1E24	24	30 - 29
R47230	6D21	1	90 - 3	R47607	4D9	23	60 - 49	R48359	1F2	42	30 - 31
R47231	6D21	2	90 - 3	R47646	1F11	26	30 - 41	R48360	1E24	24	30 - 29
R47232	6D21	3	90 - 3	R47678	5E22	32	70 - 91	R48360	1F2	42	30 - 31
R47233	6D21	8	90 - 3	R47679	5E22	30	70 - 91	R48370	3F16	3	50 - 103
R47234	6D21	7	90 - 3	R47687	4D2	18	60 - 41	R48384	1B23	..	20 - 17
R47235	6D21	25	90 - 3	R47693	1C25	4	20 - 43	R48384	1B25	..	20 - 19
R47235	6D22	11	90 - 4	R47694	4B8	11	60 - 4	R48384	6E15	3	90 - 23
R47235	6D23	10	90 - 5	R47694	4B13	31	60 - 9	R48399	1D14	25	20 - 57
R47292	6E17	3	90 - 25	R47715	6E19	2	90 - 27	R48399	1E15	9	30 - 20
R47292	6E19	4	90 - 27	R47721	6E19	16	90 - 27	R48399	1E17	4	30 - 22
R47301	5D14	10	70 - 59	R47723	6E19	17	90 - 27	R48429	5D18	11	70 - 63
R47319	3F12	20	50 - 101	R47724	6E19	18	90 - 27	R48429	5D20	46	70 - 65
R47321	3F12	24	50 - 101	R47731	1F5	5	30 - 35	R48429	5D22	46	70 - 67
R47358	1E16	8	30 - 21	R47735	6B8	6	80 - 4	R48440	1D17	..	20 - 60
R47368	6C5	1	80 - 25	R47736	6B8	6	80 - 4	R48460	3G18	26	50 - 133
R47393	3F10	9	50 - 99	R47756	5C14	10	70 - 33	R48476	4C20	6	60 - 37
R47419	1C6	4	20 - 25	R47765	6B19	8	80 - 16	R48523	5D16	15	70 - 61
R47421	1E15	6	30 - 20	R47765	6B20	24	80 - 17	R48632	6D12	18	80 - 57
R47433	1E16	1	30 - 21	R47766	6B19	3	80 - 16	R48647	3F10	6	50 - 99
R47444	3F10	5	50 - 99	R47766	6B20	24	80 - 17	R48663	2E8	37	40 - 63
R47448	3F12	32	50 - 101	R47812	3D16	16	50 - 59	R48663	2E10	36	40 - 65
R47449	3F12	21	50 - 101	R47816	3F12	4	50 - 101	R48663	2E12	34	40 - 67
R47450	3F12	22	50 - 101	R47831	2E5	4	40 - 61	R48663	2E13	7	40 - 69
R47468	6E14	14	90 - 21	R47859	2G19	1	40 - 113	R48663	6G8	16	90 - 65
R47474	2B9	..	40 - 3	R47860	2G17	9	40 - 110	R48685	3B22	3	50 - 13
R47474	2B11	23	40 - 5	R47861	2G17	9	40 - 110	R48685	3E20	6	50 - 86
R47474	2B11	..	40 - 5	R47863	1C12	9	20 - 28	R48698	5G8	3	70 - 125
R47474	2E17	20	40 - 73	R47886	2E24	5	40 - 80	R48723	1D22	18	30 - 3
R47474	2F13	25	40 - 88	R47887	5E16	11	70 - 85	R48738	5B11	19	70 - 5
R47474	2F18	3	40 - 94	R47998	4B5	34	60 - 1	R48738	5B13	23	70 - 7
R47474	2F18	4	40 - 94	R47998	4B6	1	60 - 2	R48738	5B21	17	70 - 15
R47474	2F18	11	40 - 94	R47998	4B25	39	60 - 21	R48738	5B23	17	70 - 17
R47474	2F19	10	40 - 95	R47998	4C1	1	60 - 22	R48755	1B19	13	20 - 15
R47474	2G2	21	40 - 103	R48000	1E24	13	30 - 29	R48755	1B23	13	20 - 17
R47474	2G12	12	40 - 107	R48000	1F5	1	30 - 35	R48755	1E15	7	30 - 20
R47474	2G14	12	40 - 107B	R48013	3F10	10	50 - 99	R48755	1E17	3	30 - 22
R47507	3D25	11	50 - 68	R48013	3F22	20	50 - 109	R48763	6B22	6	80 - 19
R47507	3F25	10	50 - 113	R48026	2G17	..	40 - 110	R48763	6B24	3	80 - 21
R47508	3E2	15	50 - 70	R48027	2G17	..	40 - 110	R48763	6B24	4	80 - 21
R47508	3E2	20	50 - 70	R48028	2G17	28	40 - 110	R48763	6B24	5	80 - 21
R47509	3E13	28	50 - 81	R48048	2G17	17	40 - 110	R48763	6B24	10	80 - 21
R47524	5E16	11	70 - 85	R48049	2G17	27	40 - 110	R48763	6B24	18	80 - 21
R47566	5D7	21	70 - 52	R48071	1E16	13	30 - 21	R48763	6B24	19	80 - 21
R47566	5D8	22	70 - 53	R48084	5C16	10	70 - 35	R48769	3F10	8	50 - 99
R47566	5E15	13	70 - 84	R48109	3F3	12	50 - 92	R48792	3D18	5	50 - 61
R47566	5E15	14	70 - 84	R48146	6C5	12	80 - 25	R48811	3H2	23	50 - 143

# 1K22

4230 TRACTOR

## NUMERICAL INDEX - CONTINUED

PART NO.	GRID	KEY	PAGE	PART NO.	GRID	KEY	PAGE	PART NO.	GRID	KEY	PAGE
R48887	2H8	17	40 - 127	R49411	5D14	18	70 - 59	R49804	4B21	26	60 - 17
R48951	3D16	5	50 - 59	R49430	3C3	23	50 - 19	R49804	4B23	18	60 - 19
R48954	6C5	7	80 - 25	R49430	3C5	26	50 - 21	R49804	4C16	22	60 - 33
R48954	6C5	13	80 - 25	R49430	3C7	23	50 - 23	R49804	4C18	21	60 - 35
R48954	6C5	14	80 - 25	R49430	3C9	26	50 - 25	R49805	4B21	28	60 - 17
R48954	6C5	15	80 - 25	R49431	3C3	23	50 - 19	R49805	4B23	20	60 - 19
R48954	6C7	1	80 - 28	R49431	3C5	26	50 - 21	R49805	4C16	18	60 - 33
R48955	6C5	7	80 - 25	R49431	3C7	23	50 - 23	R49805	4C18	23	60 - 35
R48955	6C5	13	80 - 25	R49431	3C9	26	50 - 25	R49816	3F16	21	50 - 103
R48955	6C5	14	80 - 25	R49432	3C3	23	50 - 19	R49816	3F20	17	50 - 107
R48955	6C5	15	80 - 25	R49432	3C5	26	50 - 21	R49817	3F16	20	50 - 103
R48955	6C7	1	80 - 28	R49432	3C7	23	50 - 23	R49817	3F20	18	50 - 107
R48956	6C7	1	80 - 28	R49432	3C9	26	50 - 25	R49819	3F16	16	50 - 103
R48957	4D9	4	60 - 49	R49433	3C3	23	50 - 19	R49820	3B22	4	50 - 13
R48976	2D13	9	40 - 54A	R49433	3C5	26	50 - 21	R49827	6B16	20	80 - 13
R48976	2D18	9	40 - 56A	R49433	3C7	23	50 - 23	R49828	6B16	20	80 - 13
R48978	5F20	8	70 - 111	R49433	3C9	26	50 - 25	R49829	6B5	7	80 - 1
R48978	5F22	8	70 - 113	R49440	5G16	14	70 - 133	R49830	3B22	4	50 - 13
R48979	5F20	2	70 - 111	R49441	5G16	15	70 - 133	R49835	6B11	8	80 - 7
R48980	5F20	6	70 - 111	R49444	5G16	27	70 - 133	R49836	6B11	3	80 - 7
R48980	5F22	6	70 - 113	R49464	1C20	20	20 - 37	R49836	6B13	19	80 - 9
R48981	5F20	7	70 - 111	R49464	1C22	6	20 - 39	R49838	6B11	11	80 - 7
R490R	3C17	16	50 - 33	R49465	1C20	23	20 - 37	R49839	6B24	3	80 - 21
R49071	5B15	25	70 - 9	R49465	1C22	9	20 - 39	R49839	6B24	4	80 - 21
R49071	5B15	27	70 - 9	R49465	1C22	11	20 - 39	R49839	6B24	5	80 - 21
R49071	5B15	28	70 - 9	R49465	1C22	12	20 - 39	R49839	6B24	10	80 - 21
R49071	5B15	29	70 - 9	R49470	1B9	8	20 - 3	R49839	6B24	14	80 - 21
R49071	5B15	30	70 - 9	R49470	1B9	9	20 - 3	R49839	6C1	8	80 - 21B
R49071	5B15	31	70 - 9	R49470	1B23	21	20 - 17	R49841	6B24	3	80 - 21
R49071	5B17	9	70 - 11	R49470	1B23	28	20 - 17	R49841	6B24	4	80 - 21
R49072	5B15	26	70 - 9	R49470	1B25	1	20 - 19	R49841	6B24	5	80 - 21
R49072	5B17	14	70 - 11	R49470	1C15	8	20 - 31	R49841	6B24	9	80 - 21
R49106	5F3	19	70 - 95	R49470	1B12	8	20 - 7	R49841	6B24	10	80 - 21
R49187	5F20	12	70 - 111	R495R	1D12	2	20 - 55	R49841	6B24	14	80 - 21
R49187	5F23	1	70 - 115	R495R	1D14	2	20 - 57	R49848	6B11	3	80 - 7
R49187	5G2	26	70 - 119	R495R	4B8	12	60 - 4	R49856	6D21	..	90 - 3
R49191	5G2	34	70 - 119	R495R	4B13	32	60 - 9	R49866	1B12	4	20 - 7
R49191	5G4	32	70 - 121	R495R	4D1	4	60 - 40	R49866	1D12	7	20 - 55
R49191	5G6	..	70 - 123	R495R	5C13	23	70 - 31	R49866	1D14	9	20 - 57
R49193	5G23	26	70 - 141	R495R	5C13	26	70 - 31	R49877	1E12	1	30 - 17
R49193	5H8	8	70 - 150A	R495R	5C13	27	70 - 31	R49877	1E14	8	30 - 19
R49193	5H9	16	70 - 151	R495R	5F12	20	70 - 104	R49921	2B18	11	40 - 11
R49221	5F23	9	70 - 115	R495R	5G11	13	70 - 128	R49924	5D14	13	70 - 59
R49258	3F3	11	50 - 92	R49520	1B19	7	20 - 15	R49930	6F4	3	90 - 35
R49259	3F3	8	50 - 92	R49527	3E8	3	50 - 76	R49932	5D10	30	70 - 55
R49260	3F3	14	50 - 92	R49530	1B19	7	20 - 15	R49932	5D12	25	70 - 57
R49261	3E25	14	50 - 89	R49550	1D17	..	20 - 60	R49955	5C23	15	70 - 43
R49262	3E24	27	50 - 88	R49559	6B6	5	80 - 2	R49955	5E4	12	70 - 73
R49263	3F3	17	50 - 92	R49563	6B6	5	80 - 2	R49956	5C25	10	70 - 45
R49297	5B11	17	70 - 5	R49564	6B11	10	80 - 7	R49957	5C24	7	70 - 44
R49297	5B13	21	70 - 7	R49565	6B11	10	80 - 7	R49958	5C24	6	70 - 44
R49297	5B21	15	70 - 15	R49579	3B11	6	50 - 3	R49960	5C23	12	70 - 43
R49297	5B23	15	70 - 17	R49597	6B6	5	80 - 2	R49975	4B21	20	60 - 17
R49298	5B11	20	70 - 5	R49598	6B11	10	80 - 7	R49975	4B23	12	60 - 19
R49298	5B13	24	70 - 7	R49599	6B11	10	80 - 7	R49975	4C16	20	60 - 33
R49298	5B21	18	70 - 15	R49600	4B21	6	60 - 17	R49975	4C18	16	60 - 35
R49298	5B23	18	70 - 17	R49620	4B23	4	60 - 19	R49976	4B21	24	60 - 17
R49336	5D7	8	70 - 52	R49650	1B9	8	20 - 3	R49976	4B23	16	60 - 19
R49336	5D8	9	70 - 53	R49650	1B9	9	20 - 3	R49976	4C16	24	60 - 33
R49352	5G25	4	70 - 143	R49650	1B23	21	20 - 17	R49976	4C18	20	60 - 35
R49352	5H4	6	70 - 147	R49650	1B23	28	20 - 17	R49983	6I11	11	90 - 124
R49370	3F3	23	50 - 92	R49650	1B25	1	20 - 19	R49984	6I11	1	90 - 124
R49371	3F3	25	50 - 92	R49650	1C15	8	20 - 31	R49988	3B22	2	50 - 13
R49372	3F3	24	50 - 92	R49650	1D17	..	20 - 60	R49988	3E20	5	50 - 86
R49393	2D10	11	40 - 51	R49668	5G14	7	70 - 131	R49988	5C23	22	70 - 43
R49394	2D10	10	40 - 51	R49708	5F20	31	70 - 111	R49988	5E4	17	70 - 73
R49404	5B8	9	70 - 2	R49803	4B21	11	60 - 17	R50012	5G18	6	70 - 135

# 1K23

4230 TRACTOR

## NUMERICAL INDEX - CONTINUED

PART NO.	GRID	KEY	PAGE	PART NO.	GRID	KEY	PAGE	PART NO.	GRID	KEY	PAGE
R50013	5G18	17	70 - 135	R50214	6G6	7	90 - 63	R50348	3C17	6	50 - 33
R50034	4D7	31	60 - 47	R50216	5C7	2	70 - 25	R50348	3C17	27A	50 - 33
R50044	2B25	7	40 - 19	R50217	6F2	4	90 - 33	R50348	3C17	27B	50 - 33
R50044	2C6	7	40 - 25	R50217	6G22	1	90 - 81	R50348	3C19	28	50 - 35
R50046	2B25	20	40 - 19	R50217	6G24	2	90 - 83	R50349	3C17	7	50 - 33
R50046	2C6	20	40 - 25	R50219	1F11	15	30 - 41	R50349	3C19	21	50 - 35
R50064	5D2	18	70 - 47	R50221	3C7	26	50 - 23	R50352	1C18	3	20 - 35
R50065	5D2	3	70 - 47	R50221	3C9	29	50 - 25	R50353	1C18	2	20 - 35
R50065	5D2	48	70 - 47	R50222	3C7	25	50 - 23	R50353	1D14	27	20 - 57
R50065	5E5	2	70 - 74	R50222	3C9	28	50 - 25	R50354	1C18	4	20 - 35
R50065	5F14	3	70 - 107	R50222	3C17	5	50 - 33	R50355	1C18	7	20 - 35
R50066	5D2	48	70 - 47	R50222	3C19	22	50 - 35	R50359	3B10	12	50 - 2
R50066	5F14	7	70 - 107	R50225	1F9	33	30 - 39	R50359	3E7	9	50 - 75
R50067	5D2	48	70 - 47	R50225	1F11	18	30 - 41	R50359	3G9	15	50 - 123
R50067	5F14	12	70 - 107	R50226	1F9	23	30 - 39	R50377	1C20	4	20 - 37
R50074	4B21	14	60 - 17	R50226	1F11	6	30 - 41	R50378	1B23	20	20 - 17
R50074	4C16	37	60 - 33	R50227	1F9	25	30 - 39	R50378	1C20	2	20 - 37
R50074	6B16	3	80 - 13	R50227	1F11	4	30 - 41	R50378	1C20	16	20 - 37
R50075	4B21	16	60 - 17	R50244	6G6	2	90 - 63	R50378	1D14	23	20 - 57
R50075	4C16	39	60 - 33	R50245	6E24	5	90 - 31	R50379	1C20	17	20 - 37
R50075	6B16	5	80 - 13	R50245	6G6	8	90 - 63	R50381	1C20	15	20 - 37
R50075	6B18	5	80 - 15	R50246	6E24	4	90 - 31	R50384	1C20	26	20 - 37
R50076	1D24	5	30 - 6	R50247	6G6	9	90 - 63	R50386	1C20	25	20 - 37
R50076	1D25	4A	30 - 7	R50258	3B14	26	50 - 5B	R50387	1B12	9	20 - 7
R50077	1D25	3	30 - 7	R50259	3B14	2	50 - 5B	R50388	1B12	6	20 - 7
R50078	1D25	2	30 - 7	R50262	1C5	9	20 - 24	R50389	1B12	7	20 - 7
R50079	1D24	3	30 - 6	R50263	1C5	7	20 - 24	R50390	1C18	13	20 - 35
R50081	1D24	2	30 - 6	R50263	3B11	9	50 - 3	R50390	1D14	12	20 - 57
R50082	1D23	2	30 - 5	R50268	3B24	6	50 - 15	R50393	1C18	12	20 - 35
R50104	4B21	13	60 - 17	R50270	3B9	2	50 - 1	R50409	1D8	3	20 - 51
R50104	4C16	34	60 - 33	R50272	6G22	19	90 - 81	R50410	1D8	4	20 - 51
R50105	4B21	8	60 - 17	R50272	6H6	15	90 - 89	R50417	1D14	11	20 - 57
R50123	3B11	12	50 - 3	R50274	4B21	25	60 - 17	R50419	1C24	5	20 - 41
R50149	3C13	24	50 - 29	R50274	4B23	17	60 - 19	R50419	1D14	15	20 - 57
R50149	3C14	1	50 - 30	R50275	4B21	27	60 - 17	R50420	1C24	9	20 - 41
R50152	3C17	6	50 - 33	R50275	4B23	19	60 - 19	R50420	1D14	22	20 - 57
R50152	3C17	32A	50 - 33	R50275	4C16	19	60 - 33	R50423	1C24	11	20 - 41
R50152	3C17	32B	50 - 33	R50275	4C18	22	60 - 35	R50424	1C24	12	20 - 41
R50152	3C19	33	50 - 35	R50276	4B21	22	60 - 17	R50424	1D14	20	20 - 57
R50153	3C17	34	50 - 33	R50276	4B23	14	60 - 19	R50436	6E24	1	90 - 31
R50153	3C19	36	50 - 35	R50276	4C16	28	60 - 33	R50436	6G6	13	90 - 63
R50154	3B14	21	50 - 5B	R50276	4C18	18	60 - 35	R50437	6G6	41	90 - 63
R50154	3C14	6	50 - 30	R50277	2G2	16	40 - 103	R50443	6G2	10	90 - 59
R50155	3B14	23	50 - 5B	R50279	6E4	4	90 - 11	R50445	6G2	9	90 - 59
R50155	3C13	20	50 - 29	R50282	3B25	14	50 - 16	R50446	6G2	6	90 - 59
R50155	3C14	9	50 - 30	R50282	3C1	14	50 - 17	R50449	6G2	10	90 - 59
R50156	3B11	17	50 - 3	R50285	3B24	10	50 - 15	R50451	6E17	4	90 - 25
R50160	3G18	11	50 - 133	R50286	3F5	11	50 - 94	R50451	6H11	11	90 - 95
R50170	3E20	7	50 - 86	R50287	3B10	7	50 - 2	R50452	2B11	23	40 - 5
R50180	3E5	4	50 - 73	R50287	3E7	7	50 - 75	R50452	6D25	23	90 - 7
R50188	3B11	5	50 - 3	R50298	3E2	15	50 - 70	R50453	2G4	36	40 - 105
R50189	3B11	7	50 - 3	R50298	3E2	20	50 - 70	R50454	6E14	30	90 - 21
R50190	5E4	9	70 - 73	R50301	3B14	8	50 - 5B	R50455	6E1	11	90 - 8
R50196	6H21	7	90 - 107	R50333	3B10	16	50 - 2	R50456	6D25	3	90 - 7
R50198	6G22	8	90 - 81	R50333	3B16	2	50 - 7	R50456	6E14	13	90 - 21
R50198	6H2	11	90 - 85	R50334	3B16	4	50 - 7	R50457	6G24	7	90 - 83
R50198	6I8	19	90 - 121	R50335	3B9	4	50 - 1	R50459	6G22	15	90 - 81
R50198	6I10	23	90 - 123	R50336	3B24	6	50 - 15	R50460	6G22	16	90 - 81
R50198	6I10	26	90 - 123	R50337	3C1	23	50 - 17	R50461	6E14	21	90 - 21
R50199	6D4	29	80 - 51	R50338	3B24	4	50 - 15	R50462	6E14	27	90 - 21
R50201	1E17	10	30 - 22	R50339	3C1	10	50 - 17	R50469	6G2	21	90 - 59
R50201	1E18	11	30 - 23	R50340	3C7	9	50 - 23	R50470	6G2	20	90 - 59
R50201	3G16	16	50 - 131	R50341	3B11	1	50 - 3	R50476	6I10	9	90 - 123
R50201	4D2	13	60 - 41	R50342	3C17	9	50 - 33	R50477	6I10	9	90 - 123
R50207	6D1	8	80 - 48	R50343	3C17	1	50 - 33	R50480	6D25	7	90 - 7
R50209	6H9	14	90 - 93	R50346	3B11	4	50 - 3	R50481	6E4	2	90 - 11
R50213	6H9	9	90 - 93	R50347	3C17	12	50 - 33	R50496	3G2	6	50 - 115

# 1K24

4230 TRACTOR

## NUMERICAL INDEX - CONTINUED

PART NO.	GRID	KEY	PAGE	PART NO.	GRID	KEY	PAGE	PART NO.	GRID	KEY	PAGE
R50497	3G2	12	50 - 115	R50670	6I8	14	90 - 121	R50802	3F18	27	50 - 105
R50498	3G1	3	50 - 114	R50688	6G24	10	90 - 83	R50803	3F18	37	50 - 105
R50499	2E25	4	40 - 81	R50689	6G24	9	90 - 83	R50804	3F18	41	50 - 105
R50499	2F13	5	40 - 88	R50690	6G24	10	90 - 83	R50810	2E10	14	40 - 65
R50499	2F15	17	40 - 90	R50691	6G24	14	90 - 83	R50810	2E12	14	40 - 67
R50499	2F16	16	40 - 91	R50692	6G24	11	90 - 83	R50811	5E4	24	70 - 73
R50500	2F18	15	40 - 94	R50692	6H4	10	90 - 87	R50819	6C17	18	80 - 39
R50500	6E1	13	90 - 8	R50693	6D25	18	90 - 7	R50819	6C23	23	80 - 45
R50500	6E2	10	90 - 9	R50694	6G24	13	90 - 83	R50820	6C23	18	80 - 45
R50501	6G22	9	90 - 81	R50695	6G24	15	90 - 83	R50821	6C17	28	80 - 39
R50505	1F9	21	30 - 39	R50695	6H4	7	90 - 87	R50821	6C23	18	80 - 45
R50505	1F11	8	30 - 41	R50696	6D25	16	90 - 7	R50824	3C20	9	50 - 36
R50506	1F9	20	30 - 39	R50696	6G24	18	90 - 83	R50824	3C23	25	50 - 39
R50506	1F11	7	30 - 41	R50696	6H4	2	90 - 87	R50825	3D16	25	50 - 59
R50523	3C25	12	50 - 42	R50697	6G24	17	90 - 83	R50826	3E2	11	50 - 70
R50526	3C25	1	50 - 42	R50697	6H4	5	90 - 87	R50828	3E1	3	50 - 69
R50526	3D14	4	50 - 57	R50698	6G24	16	90 - 83	R50828	3E2	3	50 - 70
R50533	3C1	1	50 - 17	R50698	6H4	6	90 - 87	R50831	3C14	10	50 - 30
R50533	3G3	11	50 - 116	R50708	5C11	1	70 - 29	R50832	3C13	16	50 - 29
R50533	3G6	27	50 - 119	R50710	5C11	7	70 - 29	R50832	3C14	3	50 - 30
R50536	5C25	10	70 - 45	R50710	5C13	14	70 - 31	R50833	3C14	11	50 - 30
R50541	6H11	15	90 - 95	R50711	5C11	8	70 - 29	R50843	3C7	18	50 - 23
R50541	6H11	18	90 - 95	R50711	5C13	13	70 - 31	R50843	3C9	22	50 - 25
R50550	3C14	12	50 - 30	R50712	4B7	8	60 - 3	R50846	3D16	10	50 - 59
R50551	3G1	10	50 - 114	R50712	4B25	15	60 - 21	R50846	3D16	12	50 - 59
R50552	3G1	7	50 - 114	R50712	4C1	15	60 - 22	R50847	3D16	9	50 - 59
R50559	5D10	52	70 - 55	R50715	4B15	6	60 - 11	R50848	3D16	1	50 - 59
R50565	3F12	3	50 - 101	R50719	6H9	7	90 - 93	R50852	3B12	12	50 - 5
R50565	3F12	15	50 - 101	R50719	6H9	11	90 - 93	R50852	3B12	13	50 - 5
R50566	3F12	2	50 - 101	R50719	6H13	13	90 - 97	R50853	3B12	18	50 - 5
R50567	3F12	1	50 - 101	R50724	6C21	1	80 - 43	R50854	3B12	2	50 - 5
R50568	3F12	3	50 - 101	R50724	6C21	6	80 - 43	R50861	3B14	19	50 - 5B
R50575	3F9	7	50 - 98	R50724	6C23	1	80 - 45	R50861	3E3	1	50 - 71
R50585	3G19	14	50 - 135	R50724	6C23	6	80 - 45	R50863	3B14	18	50 - 5B
R50585	4C20	3	60 - 37	R50724	6C25	1	80 - 47	R50863	3B14	19	50 - 5B
R50585	4C20	5	60 - 37	R50724	6C25	6	80 - 47	R50863	3E3	2	50 - 71
R50587	6H21	7	90 - 107	R50725	6C17	1	80 - 39	R50864	3C25	12	50 - 42
R50588	6H23	20	90 - 109	R50725	6C17	6	80 - 39	R50864	3D1	18	50 - 43
R50589	6E1	2	90 - 8	R50725	6C19	1	80 - 41	R50864	3D14	7	50 - 57
R50591	6H23	19	90 - 109	R50725	6C19	6	80 - 41	R50864	3F18	13	50 - 105
R50602	3C7	16	50 - 23	R50725	6C23	1	80 - 45	R50865	3F20	14	50 - 107
R50603	3C7	7	50 - 23	R50725	6C23	6	80 - 45	R50866	3F18	7	50 - 105
R50603	3C9	7	50 - 25	R50725	6C25	1	80 - 47	R50868	4B5	2	60 - 1
R50604	3C17	31A	50 - 33	R50725	6C25	6	80 - 47	R50868	4B25	2	60 - 21
R50624	6F4	4	90 - 35	R50733	1F9	39	30 - 39	R50868	4C4	4	60 - 23B
R50625	3B14	21	50 - 5B	R50734	6H13	20	90 - 97	R50869	4B25	6	60 - 21
R50626	1C5	9	20 - 24	R50735	6H13	25	90 - 97	R50869	4C4	8	60 - 23B
R50638	6H13	10	90 - 97	R50736	6D4	10	80 - 51	R50871	4B5	30	60 - 1
R50640	6H13	26	90 - 97	R50740	6G2	5	90 - 59	R50871	4B25	35	60 - 21
R50641	6H6	10B	90 - 89	R50753	6H13	4	90 - 97	R50874	4B7	2	60 - 3
R50641	6H6	13	90 - 89	R50754	6H13	5	90 - 97	R50875	4B5	1	60 - 1
R50641	6H13	6	90 - 97	R50755	6H13	2	90 - 97	R50875	4B6	6	60 - 2
R50642	6H13	27	90 - 97	R50755	6H13	3	90 - 97	R50875	4B25	1	60 - 21
R50643	6H13	8	90 - 97	R50757	6H13	1	90 - 97	R50875	4C1	23	60 - 22
R50644	6H13	24	90 - 97	R50758	6H13	23	90 - 97	R50875	4C4	2	60 - 23B
R50645	6H13	21	90 - 97	R50761	6H21	1	90 - 107	R50879	4D7	30	60 - 47
R50647	6H13	16	90 - 97	R50762	6H21	1	90 - 107	R50888	3B25	1	50 - 16
R50648	6H13	22	90 - 97	R50779	1E12	19	30 - 17	R50888	3G3	11	50 - 116
R50649	6H13	17	90 - 97	R50779	1E14	21	30 - 19	R50888	3G6	27	50 - 119
R50650	6H13	17	90 - 97	R50779	6D4	23	80 - 51	R50891	2D23	2	40 - 57A
R50652	6I10	14	90 - 123	R50788	6F2	12	90 - 33	R50891	2D23	4	40 - 57A
R50659	2C19	2	40 - 37	R50788	6G2	14	90 - 59	R50891	2D25	13	40 - 57C
R50659	2C21	7	40 - 39	R50789	6F2	18	90 - 33	R50892	2D23	3	40 - 57A
R50659	2C24	27	40 - 43	R50789	6G2	1	90 - 59	R50893	2D23	13	40 - 57A
R50659	2D2	31	40 - 43B	R50799	3F18	23	50 - 105	R50894	2E1	12	40 - 57D
R50668	5G18	12A	70 - 135	R50800	3F18	15	50 - 105	R50894	2E2	11	40 - 58
R50669	5G18	16	70 - 135	R50801	3F20	9	50 - 107	R50897	2D23	10	40 - 57A

# 1K25

4230 TRACTOR

## NUMERICAL INDEX - CONTINUED

PART NO.	GRID	KEY	PAGE	PART NO.	GRID	KEY	PAGE	PART NO.	GRID	KEY	PAGE
R50899	2D24	11	40-57B	R51109	6D6	2	80-53	R51371	6G24	3	90-83
R50899	2E1	17	40-57D	R51109	6D7	2	80-54	R51376	4B21	31	60-17
R50899	2E2	17	40-58	R51120	4B21	29	60-17	R51376	4C16	5	60-33
R50900	2D23	1	40-57A	R51120	4B23	21	60-19	R51376	6B5	2	80-1
R50901	2D23	21	40-57A	R51120	4C16	17	60-33	R51376	6B6	3	80-2
R50902	2D23	5	40-57A	R51120	4C18	24	60-35	R51376	6B7	3	80-3
R50903	2D23	6	40-57A	R51127	6G10	1	90-67	R51383	3B14	10	50-5B
R50904	2D23	9	40-57A	R51130	5C24	3	70-44	R51383	3D16	1	50-59
R50905	2D23	24	40-57A	R51148	3D16	10	50-59	R51383	3D16	7	50-59
R50906	2D23	19	40-57A	R51148	3D16	12	50-59	R51383	3D16	24	50-59
R50907	2D24	5	40-57B	R51153	4B5	26	60-1	R51383	3D18	26	50-61
R50909	2D24	12	40-57B	R51153	4B25	31	60-21	R51409	5F20	11	70-111
R50910	2E1	18	40-57D	R51159	3C14	14	50-30	R51409	5F20	15	70-111
R50910	2E2	16	40-58	R51160	5D14	20	70-59	R51409	5F22	11	70-113
R50912	2D25	8	40-57C	R51161	5D14	19	70-59	R51409	5F22	14	70-113
R50913	2D24	2	40-57B	R51172	6D4	17	80-51	R51410	5F20	10	70-111
R50914	2D24	7	40-57B	R51182	6I10	5	90-123	R51410	5F22	10	70-113
R50915	2D24	8	40-57B	R51182	6I10	6B	90-123	R51411	5F20	9	70-111
R50916	2D24	3	40-57B	R51192	3B10	6	50-2	R51411	5F22	9	70-113
R50917	2D24	10	40-57B	R51192	3E7	5	50-75	R51412	5F23	7	70-115
R50918	2D24	14	40-57B	R51192	4D7	23	60-47	R51413	5F23	6	70-115
R50919	2D24	15	40-57B	R51192	4D7	25	60-47	R51414	5F23	5	70-115
R50920	2D24	9	40-57B	R51192	4D7	27	60-47	R51415	5F23	12	70-115
R50921	2D24	18	40-57B	R51195	5D7	15	70-52	R51438	6I5	29	90-117
R50922	2D24	16	40-57B	R51196	3F8	2	50-97	R51439	6I5	19	90-117
R50923	2D25	1	40-57C	R51197	3F8	2	50-97	R51440	1D10	6	20-53
R50924	2D25	2	40-57C	R51198	3F8	2	50-97	R51442	6D1	9	80-48
R50925	2D25	3	40-57C	R51199	3F8	2	50-97	R51455	3B10	1	50-2
R50927	2D25	14	40-57C	R51200	3F8	3	50-97	R51460	3D22	13	50-65
R50928	2D25	17	40-57C	R51204	2C12	1	40-30	R51461	3D22	14	50-65
R50929	2D25	15	40-57C	R51208	4B23	6	60-19	R51471	4B23	10	60-19
R50930	2D25	12	40-57C	R51211	6H23	21	90-109	R51471	4C18	11	60-35
R50931	2D24	20	40-57B	R51214	6H23	11	90-109	R51472	4B23	9	60-19
R50931	2D25	9	40-57C	R51214	6I5	17	90-117	R51472	4C18	10	60-35
R50936	6I8	9	90-121	R51229	3C17	10	50-33	R51477	3E1	6	50-69
R50938	3B11	10	50-3	R51230	3B11	6	50-3	R51477	3E2	6	50-70
R50940	3B11	16	50-3	R51231	3B11	22	50-3	R51494	3F16	12	50-103
R50968	2B8	12	40-2	R51283	1C24	4	20-41	R51494	3G16	21	50-131
R50974	2F13	7	40-88	R51284	1B23	5	20-17	R51497	3C17	11	50-33
R50974	2F15	1	40-90	R51284	1C24	8	20-41	R51517	6H24	5	90-110
R50974	2F16	1	40-91	R51284	3F20	8	50-107	R51518	3C3	9	50-19
R50974	2F17	13	40-93	R51285	5G2	30	70-119	R51520	3E7	29	50-75
R50975	3G1	4	50-114	R51303	3F3	19	50-92	R51521	3B10	14	50-2
R50979	3G1	11	50-114	R51304	3F2	1	50-91	R51521	3E7	13	50-75
R50992	6B24	5	80-21	R51304	3F2	2	50-91	R51522	3E7	26	50-75
R50992	6B24	14	80-21	R51304	3F3	28	50-92	R51524	5E16	11	70-85
R51008	6I8	20	90-121	R51316	3F6	12	50-95	R51524	5E18	11	70-87
R51009	6I8	20	90-121	R51317	3F8	8	50-97	R51525	5E16	11	70-85
R51010	6I8	20	90-121	R51332	3F6	11	50-95	R51525	5E18	20	70-87
R51011	6G22	3	90-81	R51338	3F9	5	50-98	R51528	2C24	25	40-43
R51011	6H2	4	90-85	R51339	3F6	2	50-95	R51528	2D2	25	40-43B
R51012	6G22	2A	90-81	R51340	3B12	5	50-5	R51529	2C24	12	40-43
R51015	6E4	12	90-11	R51341	3B12	8	50-5	R51530	2C24	17	40-43
R51023	6E4	13	90-11	R51342	5D2	7	70-47	R51530	2D2	10	40-43B
R51027	5D10	51	70-55	R51342	5D4	4	70-49	R51531	2C24	16	40-43
R51028	5D10	47	70-55	R51342	5D6	13	70-51	R51532	2C24	20	40-43
R51029	3D16	11	50-59	R51343	4D7	25	60-47	R51533	2C24	26	40-43
R51030	3D16	24	50-59	R51344	4D7	27	60-47	R51533	2D2	26	40-43B
R51043	3E9	6	50-77	R51347	1B9	20	20-3	R51534	2C24	24	40-43
R51048	3E9	1	50-77	R51351	3B14	3	50-5B	R51534	2D2	24	40-43B
R51053	1C24	10	20-41	R51352	3B12	11	50-5	R51535	2C24	9	40-43
R51067	3F20	26	50-107	R51353	5D10	29	70-55	R51535	2D2	1	40-43B
R51079	4B6	24	60-2	R51353	5D12	26	70-57	R51548	6H21	2	90-107
R51080	4B6	25	60-2	R51359	5D10	42	70-55	R51548	6H23	2	90-109
R51080	4B25	31	60-21	R51359	5D14	38	70-59	R51554	6D5	10	80-52
R51080	4C1	8	60-22	R51365	3B12	6	50-5	R51555	6D7	5	80-54
R51109	6D5	5	80-52	R51370	5G18	2	70-135	R51563	3B9	12	50-1

# 1L1

4230 TRACTOR

## NUMERICAL INDEX - CONTINUED

PART NO.	GRID	KEY	PAGE	PART NO.	GRID	KEY	PAGE	PART NO.	GRID	KEY	PAGE
R51571	5C13	23	70 - 31	R51666	2D23	15	40 - 57A	R51848	4D7	13	60 - 47
R51571	5C13	24	70 - 31	R51666	2D23	16	40 - 57A	R51849	4C25	49	60 - 39B
R51571	5C13	26	70 - 31	R51667	2D23	8	40 - 57A	R51849	6I5	18	90 - 117
R51571	5C13	27	70 - 31	R51668	2E1	2	40 - 57D	R51851	4D9	31	60 - 49
R51572	3E15	13	50 - 83	R51669	2E1	9	40 - 57D	R51852	4D7	24	60 - 47
R51573	3E13	14	50 - 81	R51669	2E2	14	40 - 58	R51853	4D7	22	60 - 47
R51573	3E15	17	50 - 83	R51670	2E1	14	40 - 57D	R51855	3B18	21	50 - 9
R51574	3D22	17	50 - 65	R51671	2E1	6	40 - 57D	R51856	3B18	13	50 - 9
R51574	3E15	31	50 - 83	R51671	2E2	5	40 - 58	R51856	3B18	24	50 - 9
R51575	3E13	15	50 - 81	R51672	2E1	3	40 - 57D	R51857	3B18	23	50 - 9
R51575	3E15	18	50 - 83	R51674	3D16	18	50 - 59	R51865	3C20	17	50 - 36
R51576	3B16	23	50 - 7	R51677	6I8	13	90 - 121	R51865	3C23	18	50 - 39
R51576	3E15	22	50 - 83	R51680	6C13	7	80 - 34	R51867	6I8	18	90 - 121
R51577	3B16	22	50 - 7	R51680	6C14	7	80 - 35	R51868	6I8	18	90 - 121
R51577	3D22	19	50 - 65	R51680	6C15	1	80 - 37	R51869	6D8	1	80 - 55
R51577	3E15	20	50 - 83	R51681	6C13	3	80 - 34	R51880	6B5	3	80 - 1
R51577	3E17	30	50 - 85	R51681	6C14	3	80 - 35	R51891	6D25	49	90 - 7
R51577	3E19	26	50 - 85B	R51681	6C15	2	80 - 37	R51892	6D25	49	90 - 7
R51589	6G22	7	90 - 81	R51681	6C15	6	80 - 37	R51892	6E14	25	90 - 21
R51590	6G22	24	90 - 81	R51682	1D8	5	20 - 51	R51896	5E10	9	70 - 79
R51590	6H2	14	90 - 85	R51683	1D8	17	20 - 51	R51897	5E10	6	70 - 79
R51595	3G20	15	50 - 136	R51699	6F2	12	90 - 33	R51899	5E10	16	70 - 79
R51596	3G20	20	50 - 136	R51699	6G2	14	90 - 59	R51921	3B24	4	50 - 15
R51597	3G20	5	50 - 136	R51700	6F2	18	90 - 33	R51923	3B9	1	50 - 1
R51598	3G20	2	50 - 136	R51700	6G2	1	90 - 59	R51930	1F11	13	30 - 41
R51599	3G22	5	50 - 138	R51704	6G2	10	90 - 59	R51931	3B16	10	50 - 7
R51599	3G23	14	50 - 139	R51715	3F9	9	50 - 98	R51942	3B11	30	50 - 3
R51600	3G20	11	50 - 136	R51716	3F9	8	50 - 98	R51944	1C1	10	20 - 20
R51603	1F7	2	30 - 37	R51718	3F3	26	50 - 92	R51944	1C3	6	20 - 22
R51605	3G23	21	50 - 139	R51721	1C5	9	20 - 24	R51959	6I5	5	90 - 117
R51606	3G23	12	50 - 139	R51747	5D10	43	70 - 55	R51981	3D16	4	50 - 59
R51607	3G23	8	50 - 139	R51747	5D12	39	70 - 57	R51982	3D16	9	50 - 59
R51608	3G23	2	50 - 139	R51748	4B11	7	60 - 7	R51983	3D16	18	50 - 59
R51609	3G23	3	50 - 139	R51749	4B6	15	60 - 2	R52006	6B11	5	80 - 7
R51610	3G20	11	50 - 136	R51763	5E15	30	70 - 84	R52006	6B11	12	80 - 7
R51611	3G21	11	50 - 137	R51764	5F7	32	70 - 99	R52028	5C7	40	70 - 25
R51612	3G21	10	50 - 137	R51765	5F7	24	70 - 99	R52035	3G23	13	50 - 139
R51613	3G21	3	50 - 137	R51766	5F7	34	70 - 99	R52042	6I8	9	90 - 121
R51614	4C20	6	60 - 37	R51767	5F7	20	70 - 99	R52045	6B11	13	80 - 7
R51614	4C21	3	60 - 37A	R51771	5F7	25	70 - 99	R52049	1C20	7	20 - 37
R51616	5E18	7	70 - 87	R51776	5E14	23	70 - 83	R52049	1D14	21	20 - 57
R51620	3G22	14	50 - 138	R51777	5E10	16	70 - 79	R52053	4D4	26	60 - 43
R51630	3G22	14	50 - 138	R51778	5E15	27	70 - 84	R52054	3D2	10	50 - 44
R51641	6B11	10	80 - 7	R51779	5E15	3	70 - 84	R52055	3D2	5	50 - 44
R51642	6B11	10	80 - 7	R51780	6I5	32	90 - 117	R52056	3B20	1	50 - 11
R51643	6B6	5	80 - 2	R51784	1F11	37	30 - 41	R52056	3E14	1	50 - 82
R51645	6B21	4	80 - 18	R51795	3F16	28	50 - 103	R52065	3B20	2	50 - 11
R51648	6F14	12	90 - 45	R51796	6I8	18	90 - 121	R52065	3E14	4	50 - 82
R51648	6F25	3	90 - 57	R51797	3C3	25	50 - 19	R52076	4B15	3	60 - 11
R51648	6F25	11	90 - 57	R51797	3C5	28	50 - 21	R52076	4C12	4	60 - 29
R51648	6F25	28	90 - 57	R51798	4B21	5	60 - 17	R52076	4C14	3	60 - 31
R51649	6F14	11	90 - 45	R51798	4B21	6	60 - 17	R52081	2E24	2	40 - 80
R51649	6F25	10	90 - 57	R51798	4C16	8	60 - 33	R52082	2C3	6	40 - 22
R51649	6F25	29	90 - 57	R51798	6B5	1	80 - 1	R52088	6I10	13	90 - 123
R51650	1C4	9	20 - 23	R51800	3B11	14	50 - 3	R52089	6I10	6A	90 - 123
R51653	6C17	29	80 - 39	R51804	3G9	16	50 - 123	R52089	6I10	6B	90 - 123
R51653	6C21	19	80 - 43	R51808	3E14	6	50 - 82	R52090	6D6	3	80 - 53
R51653	6C23	16	80 - 45	R51809	3E14	9	50 - 82	R52097	6G15	23	90 - 73
R51654	3D20	3	50 - 63	R51815	4B5	15	60 - 1	R52097	6G15	38	90 - 73
R51654	3F22	14	50 - 109	R51816	4B5	10	60 - 1	R52098	6G15	25	90 - 73
R51659	2D25	7	40 - 57C	R51821	6D12	4	80 - 57	R52099	6G15	29	90 - 73
R51660	2D25	5	40 - 57C	R51827	5B13	5	70 - 7	R52100	6G15	26	90 - 73
R51661	2D23	23	40 - 57A	R51834	3F6	17	50 - 95	R52101	6G15	41	90 - 73
R51663	2D24	20	40 - 57B	R51839	6E14	45	90 - 21	R52107	6G15	49	90 - 73
R51664	2D24	19	40 - 57B	R51843	3F6	1	50 - 95	R52108	6G15	35	90 - 73
R51665	2D23	15	40 - 57A	R51847	4C23	25	60 - 39	R52109	6G15	36	90 - 73
R51665	2D23	17	40 - 57A	R51848	4C25	13	60 - 39B	R52112	6H11	14	90 - 95



# 1L2

4230 TRACTOR

## NUMERICAL INDEX - CONTINUED

PART NO.	GRID	KEY	PAGE	PART NO.	GRID	KEY	PAGE	PART NO.	GRID	KEY	PAGE
R52113	6H11	10	90 - 95	R52267	6B18	20	80 - 15	R52549	6G13	11	90 - 71
R52114	6H11	12	90 - 95	R52268	6B13	1	80 - 9	R52557	3G24	1	50 - 140
R52115	6H11	17	90 - 95	R52269	6B13	1	80 - 9	R52560	6C21	12	80 - 43
R52117	1F9	22	30 - 39	R52272	2F15	12	40 - 90	R52561	6F2	17	90 - 33
R52117	1F11	5	30 - 41	R52272	2F16	11	40 - 91	R52561	6F8	1	90 - 39
R52118	6F4	5	90 - 35	R52273	2F15	21	40 - 90	R52561	6G2	19	90 - 59
R52118	6G13	12	90 - 71	R52275	3G14	8	50 - 129	R52562	6F2	17	90 - 33
R52119	6F4	2	90 - 35	R52276	3G9	4	50 - 123	R52562	6F8	1	90 - 39
R52119	6G13	13	90 - 71	R52280	5D14	30	70 - 59	R52562	6G2	19	90 - 59
R52127	6E4	1	90 - 11	R52281	5D14	32	70 - 59	R52563	1F11	21	30 - 41
R52127	6G24	6	90 - 83	R52282	5D14	18	70 - 59	R52589	3B16	21	50 - 7
R52128	6D25	15	90 - 7	R52283	6B11	4	80 - 7	R52589	3E15	28	50 - 83
R52130	2E25	3	40 - 81	R52284	6B11	4	80 - 7	R52589	3E17	21	50 - 85
R52130	2F13	27	40 - 88	R52286	6B7	5	80 - 3	R52589	3E19	20	50 - 85B
R52130	2G2	1	40 - 103	R52287	6B24	3	80 - 21	R52591	1D8	13	20 - 51
R52130	2G16	11	40 - 109	R52287	6B24	4	80 - 21	R52603	1D5	2	20 - 48
R52130	6E1	3	90 - 8	R52287	6B24	5	80 - 21	R52603	2C21	11	40 - 39
R52130	6E2	2	90 - 9	R52287	6B24	18	80 - 21	R52604	2C21	11	40 - 39
R52132	6G22	13	90 - 81	R52287	6B24	19	80 - 21	R52606	6G13	11	90 - 71
R52133	6D25	14	90 - 7	R52304	3D14	45	50 - 57	R52634	3G3	17	50 - 116
R52138	3F18	10	50 - 105	R52305	3D14	25	50 - 57	R52634	3G4	7	50 - 117
R52140	3E7	27	50 - 75	R52317	4D7	15	60 - 47	R52635	5D8	16	70 - 53
R52140	3E15	2	50 - 83	R52320	6D25	24A	90 - 7	R52636	6H9	4	90 - 93
R52140	3E17	3	50 - 85	R52325	3C3	18	50 - 19	R52637	6H9	1	90 - 93
R52140	3E19	36	50 - 85B	R52325	3C5	22	50 - 21	R52638	6H9	12	90 - 93
R52142	3E11	23	50 - 79	R52327	3B18	14	50 - 9	R52639	6H9	15	90 - 93
R52149	6G22	14	90 - 81	R52328	3B18	16	50 - 9	R52640	6H9	2	90 - 93
R52149	6H6	4	90 - 89	R52329	3B18	18	50 - 9	R52644	3D8	23	50 - 51
R52159	2C21	8	40 - 39	R52353	5E10	16	70 - 79	R52645	3D8	17	50 - 51
R52159	2D2	30	40 - 43B	R52362	6D4	9	80 - 51	R52645	3D10	21	50 - 53
R52160	6C5	7	80 - 25	R52368	6H24	1	90 - 110	R52646	1F12	5	30 - 42
R52160	6C5	13	80 - 25	R52385	2E1	1	40 - 57D	R52646	3D5	5	50 - 48
R52160	6C5	14	80 - 25	R52386	2D24	13	40 - 57B	R52646	3D8	16	50 - 51
R52160	6C5	15	80 - 25	R52387	2D23	12	40 - 57A	R52646	3D10	22	50 - 53
R52161	2C24	28	40 - 43	R52408	2F9	4	40 - 86	R52648	3D8	15	50 - 51
R52167	4C25	5	60 - 39B	R52408	2F12	6	40 - 87B	R52648	3D10	17	50 - 53
R52167	4D7	5	60 - 47	R52422	1F11	23	30 - 41	R52665	3B18	8	50 - 9
R52168	4C25	9	60 - 39B	R52422	5D10	38	70 - 55	R52665	3B18	29	50 - 9
R52168	4D7	9	60 - 47	R52435	3C21	11	50 - 37	R52666	3B18	7	50 - 9
R52169	4C25	11	60 - 39B	R52435	3D2	9	50 - 44	R52666	3B18	30	50 - 9
R52169	4D7	11	60 - 47	R52437	3C20	14	50 - 36	R52667	6I8	15	90 - 121
R52172	3E9	8	50 - 77	R52437	3D2	7	50 - 44	R52668	3F18	36	50 - 105
R52173	3E9	4	50 - 77	R52446	3B18	9	50 - 9	R52687	6H14	10	90 - 99
R52174	5D10	44	70 - 55	R52446	3B18	28	50 - 9	R52687	6H16	18	90 - 101
R52174	5D12	40	70 - 57	R52447	3B18	11	50 - 9	R52688	6C10	18	80 - 31
R52179	3D14	12	50 - 57	R52447	3B18	26	50 - 9	R52689	6C10	16	80 - 31
R52180	3D14	20	50 - 57	R52448	3B18	10	50 - 9	R52690	5G18	9	70 - 135
R52189	2C24	28	40 - 43	R52448	3B18	27	50 - 9	R52691	5G18	14	70 - 135
R52231	6E17	11	90 - 25	R52466	3C20	14	50 - 36	R52692	5G18	19	70 - 135
R52231	6E21	3	90 - 27B	R52466	3D8	11	50 - 51	R52693	5G18	10	70 - 135
R52233	6F2	19	90 - 33	R52468	3C21	11	50 - 37	R52694	5G18	15	70 - 135
R52233	6G2	15	90 - 59	R52468	3D8	9	50 - 51	R52695	5G18	20	70 - 135
R52233	6G2	..	90 - 59	R52469	3C21	8	50 - 37	R52698	6G2	..	90 - 59
R52234	6E1	14	90 - 8	R52487	6H13	9	90 - 97	R52706	6H14	5	90 - 99
R52235	6E1	14	90 - 8	R52489	6F8	22	90 - 39	R52707	6H14	3	90 - 99
R52236	6E1	14	90 - 8	R52491	6F8	22	90 - 39	R52708	6D15	2	80 - 60
R52237	6E1	14	90 - 8	R52509	1D10	3	20 - 53	R52708	6G17	17	90 - 75
R52238	6E21	4	90 - 27B	R52513	6H9	5	90 - 93	R52712	3D8	12	50 - 51
R52240	3G9	8	50 - 123	R52514	6H9	13	90 - 93	R52715	3D8	7	50 - 51
R52241	3G9	14	50 - 123	R52516	6G15	43	90 - 73	R52725	2F2	11	40 - 83
R52242	5D8	15	70 - 53	R52519	6I5	7	90 - 117	R52726	6C10	12	80 - 31
R52243	5D8	12	70 - 53	R52520	6I5	1	90 - 117	R52726	6C10	15	80 - 31
R52244	5D8	8	70 - 53	R52523	3C20	11	50 - 36	R52728	3H9	5	50 - 151
R52245	5D8	2	70 - 53	R52524	6G6	37	90 - 63	R52733	6G6	1	90 - 63
R52249	3E11	17	50 - 79	R52547	5F20	26	70 - 111	R52755	2C3	5	40 - 22
R52249	3G2	2	50 - 115	R52549	5F20	24	70 - 111	R52756	2B25	29	40 - 19
R52266	6B18	20	80 - 15	R52549	5F22	23	70 - 113	R52756	2C6	3	40 - 25

# 1L3

4230 TRACTOR

## NUMERICAL INDEX - CONTINUED

PART NO.	GRID	KEY	PAGE	PART NO.	GRID	KEY	PAGE	PART NO.	GRID	KEY	PAGE
R52760	2C4	18	40 - 23	R52953	6I10	8	90 - 123	R53142	1D2	26	20 - 45
R52760	2C8	6	40 - 27	R52954	3D2	11	50 - 44	R53169	3D16	30	50 - 59
R52760	2C8	21	40 - 27	R52954	3D8	5	50 - 51	R53169	3F22	25	50 - 109
R52760	6D4	13	80 - 51	R52958	3D2	12	50 - 44	R53177	3B22	14	50 - 13
R52763	3C21	8	50 - 37	R52958	3D3	11	50 - 45	R53177	3E20	23	50 - 86
R52771	3B11	15	50 - 3	R52958	3D8	4	50 - 51	R53177	5D7	19	70 - 52
R52773	1B13	23	20 - 8	R52958	3D10	13	50 - 53	R53177	5D8	20	70 - 53
R52773	1B14	2	20 - 10	R52971	3F12	23	50 - 101	R53180	3B22	15	50 - 13
R52773	1B15	2	20 - 11	R52982	2C2	1	40 - 21	R53180	3E20	24	50 - 86
R52781	6C10	3	80 - 31	R52988	3B14	14	50 - 5B	R53180	5D7	18	70 - 52
R52782	6C10	5	80 - 31	R52988	3E3	4	50 - 71	R53180	5D8	19	70 - 53
R52784	6C10	1	80 - 31	R52996	6D4	32	80 - 51	R53181	5C7	24A	70 - 25
R52793	4B21	14	60 - 17	R52996	6I5	12	90 - 117	R53194	6D12	11	80 - 57
R52793	4C16	37	60 - 33	R52997	6D4	32	80 - 51	R53195	6D12	15	80 - 57
R52793	6B18	3	80 - 15	R52997	6I5	12	90 - 117	R53196	5E16	8	70 - 85
R52817	1F9	39	30 - 39	R52998	6D25	25	90 - 7	R53196	5E18	5	70 - 87
R52823	5D10	21	70 - 55	R53000	6D25	26	90 - 7	R53200	1B9	18	20 - 3
R52823	5D12	31	70 - 57	R53009	5C11	4	70 - 29	R53201	4C25	10	60 - 39B
R52824	5D10	14	70 - 55	R53009	5C13	4	70 - 31	R53201	4D7	10	60 - 47
R52828	5D10	12	70 - 55	R53014	1B19	21	20 - 15	R53202	3G3	12	50 - 116
R52828	5D12	12	70 - 57	R53014	1B23	30	20 - 17	R53202	3G4	10	50 - 117
R52829	3E14	15	50 - 82	R53016	4B8	14	60 - 4	R53202	3G6	17	50 - 119
R52835	1E5	17	30 - 13	R53019	5G18	4	70 - 135	R53202	3G8	14	50 - 121
R52862	6H13	14	90 - 97	R53020	6B11	4	80 - 7	R53209	6D4	1	80 - 51
R52863	6G15	20	90 - 73	R53020	6B13	3	80 - 9	R53213	3D14	49	50 - 57
R52881	5F17	29	70 - 108	R53021	6B11	4	80 - 7	R53221	6B11	10	80 - 7
R52881	5F18	30	70 - 109	R53022	6B11	4	80 - 7	R53222	6B11	10	80 - 7
R52881	5G12	11	70 - 129	R53023	6B11	13	80 - 7	R53226	4D7	29	60 - 47
R52881	5G18	21	70 - 135	R53023	6B13	18	80 - 9	R53231	1D2	3	20 - 45
R52882	3C25	6	50 - 42	R53024	6B11	4	80 - 7	R53232	1D2	9	20 - 45
R52882	3D1	5	50 - 43	R53025	6B11	4	80 - 7	R53233	6F2	15	90 - 33
R52900	3B18	22	50 - 9	R53026	6B11	13	80 - 7	R53233	6F8	7	90 - 39
R52902	3B16	18	50 - 7	R53028	2F1	14	40 - 82	R53233	6G2	17	90 - 59
R52903	3B16	17	50 - 7	R53028	2F4	7	40 - 85	R53244	3D14	16	50 - 57
R52904	3B16	5	50 - 7	R53028	6I10	2	90 - 123	R53245	3B14	4	50 - 5B
R52904	3B16	8	50 - 7	R53028	6I10	9	90 - 123	R53247	3C25	14	50 - 42
R52904	3B16	10	50 - 7	R53031	1C5	14	20 - 24	R53247	3D1	20	50 - 43
R52905	3B16	15	50 - 7	R53033	5D10	4	70 - 55	R53259	5C13	23	70 - 31
R52906	3B16	9	50 - 7	R53033	5D12	4	70 - 57	R53262	5C13	26	70 - 31
R52907	3B16	8	50 - 7	R53045	5C11	23	70 - 29	R53268	3B18	2	50 - 9
R52909	3B12	13	50 - 5	R53046	5C8	2	70 - 26	R53282	1C1	4	20 - 20
R52910	3B12	1	50 - 5	R53048	3C17	13	50 - 33	R53282	1C3	1	20 - 22
R52911	3B12	19	50 - 5	R53049	3C17	24	50 - 33	R53282	1D12	14	20 - 55
R52912	3B12	16	50 - 5	R53050	3C17	23	50 - 33	R53282	1D14	10	20 - 57
R52916	2E4	2	40 - 60	R53050	3C19	15	50 - 35	R53284	1C12	4	20 - 28
R52921	6H13	15	90 - 97	R53051	3C17	20	50 - 33	R53284	1C12	6	20 - 28
R52922	6H13	18	90 - 97	R53052	3C17	19	50 - 33	R53289	1C12	3	20 - 28
R52930	6C10	8	80 - 31	R53054	3D8	28	50 - 51	R53290	1C13	1	20 - 29
R52931	2G16	12	40 - 109	R53054	3D10	26	50 - 53	R53291	1C12	4	20 - 28
R52936	6H11	21	90 - 95	R53076	3B18	12	50 - 9	R53292	1C13	2	20 - 29
R52937	6G8	18	90 - 65	R53076	3B18	25	50 - 9	R53295	5E22	18	70 - 91
R52937	6G22	11	90 - 81	R53079	6I10	26	90 - 123	R53296	5E16	18	70 - 85
R52937	6G22	18	90 - 81	R53098	6D25	53	90 - 7	R53296	5E18	27	70 - 87
R52937	6H14	4	90 - 99	R53098	6D25	55	90 - 7	R53296	5E20	3	70 - 89
R52937	6H16	6	90 - 101	R53099	6G2	10	90 - 59	R53299	1E24	30	30 - 29
R52937	6H18	6	90 - 103	R53100	6E17	13	90 - 25	R53299	1F2	26	30 - 31
R52938	2C13	8	40 - 31	R53107	3B14	15	50 - 5B	R53300	1E24	32	30 - 29
R52938	6F2	16	90 - 33	R53107	3B14	17	50 - 5B	R53300	1F2	24	30 - 31
R52938	6F8	8	90 - 39	R53107	3E3	3	50 - 71	R53301	1F11	31	30 - 41
R52938	6G2	18	90 - 59	R53108	1D12	..	20 - 55	R53302	1E16	2	30 - 21
R52938	6G17	19	90 - 75	R53108	1D14	13	20 - 57	R53302	1F11	28	30 - 41
R52938	6H9	10	90 - 93	R53108	2D3	7	40 - 44	R53304	3C17	17	50 - 33
R52942	6G13	2	90 - 71	R53108	2D6	28	40 - 47	R53385	2F13	2	40 - 88
R52943	6G13	3	90 - 71	R53108	2D13	3	40 - 54A	R53385	2F15	14	40 - 90
R52945	6G13	18	90 - 71	R53114	3D22	13	50 - 65	R53385	2F16	13	40 - 91
R52948	6G13	7	90 - 71	R53138	1C1	3	20 - 20	R53385	2F17	2	40 - 93
R52952	6H13	19	90 - 97	R53141	1D2	26	20 - 45	R53386	2F12	17	40 - 87B

# 1L4

4230 TRACTOR

## NUMERICAL INDEX - CONTINUED

PART NO.	GRID	KEY	PAGE	PART NO.	GRID	KEY	PAGE	PART NO.	GRID	KEY	PAGE
R53386	2F13	3	40-88	R53606	4B5	20	60-1	R53670	6D25	39	90-7
R53386	2F15	15	40-90	R53606	4B6	20	60-2	R53670	6D25	42	90-7
R53386	2F16	14	40-91	R53608	2B10	5	40-4	R53670	6F8	12	90-39
R53386	2F17	3	40-93	R53608	6G24	2	90-83	R53670	6F8	14	90-39
R53393	6G15	48	90-73	R53609	6G13	17	90-71	R53670	6F8	17	90-39
R53397	2F18	13	40-94	R53611	6D4	19	80-51	R53670	6F8	25	90-39
R53398	2F13	8	40-88	R53613	5C9	6	70-27	R53670	6F19	8	90-51
R53399	1E20	42	30-25	R53614	6C13	8	80-34	R53670	6F21	20	90-53
R53399	1F9	15	30-39	R53614	6C14	8	80-35	R53670	6F22	4	90-54
R53400	1F9	10	30-39	R53615	5C9	1	70-27	R53670	6F22	8	90-54
R53402	1F9	8	30-39	R53625	3B11	18	50-3	R53670	6H23	12	90-109
R53410	2F21	3	40-97	R53629	6H14	9	90-99	R53670	6H23	14	90-109
R53421	6D25	38A	90-7	R53630	6H14	6	90-99	R53671	6G15	10	90-73
R53422	6D25	44	90-7	R53631	6H14	7	90-99	R53671	6I11	5	90-124
R53436	6F14	21	90-45	R53632	6H14	11	90-99	R53671	6I11	7	90-124
R53436	6F25	30	90-57	R53633	6H14	2	90-99	R53671	6I11	12	90-124
R53437	1D8	12	20-51	R53634	6H14	1	90-99	R53671	6I13	4	90-126
R53438	1B9	24	20-3	R53635	3G23	18	50-139	R53673	1D2	19A	20-45
R53438	1D14	1	20-57	R53641	3G18	2	50-133	R53676	6E14	22	90-21
R53439	3B11	28	50-3	R53642	3G18	2	50-133	R53677	2F13	20	40-88
R53451	5C11	18	70-29	R53643	3G18	2	50-133	R53677	2F15	10	40-90
R53451	5C13	18	70-31	R53644	3G18	2	50-133	R53677	2F16	9	40-91
R53455	1D2	1	20-45	R53658	3G18	1	50-133	R53677	6G22	20	90-81
R53470	6H14	8	90-99	R53658	3G23	22	50-139	R53677	6H6	16	90-89
R53470	6H16	8	90-101	R53662	6F23	25	90-55	R53678	6E4	6	90-11
R53472	6I5	6	90-117	R53662	6I11	2	90-124	R53678	6G2	..	90-59
R53473	6I5	2	90-117	R53663	5G19	6	70-137	R53678	6H24	4	90-110
R53473	6I5	6	90-117	R53663	6D25	41	90-7	R53685	5C13	1	70-31
R53474	6I5	33	90-117	R53663	6F8	9	90-39	R53686	5C11	4	70-29
R53475	5D14	4	70-59	R53663	6F8	21	90-39	R53686	5C13	4	70-31
R53476	5D14	5	70-59	R53663	6H23	18	90-109	R53692	3D14	18	50-57
R53477	6I1	3	90-113	R53663	6I11	10	90-124	R53694	6H23	1	90-109
R53478	2E15	5	40-71	R53664	3F18	34	50-105	R53695	6D4	14A	80-51
R53478	2F18	16	40-94	R53664	6F8	9	90-39	R53696	6D4	15A	80-51
R53478	6D15	3	80-60	R53664	6F8	23	90-39	R53697	6D4	15A	80-51
R53479	2F13	21	40-88	R53665	6F8	18	90-39	R53699	6I8	2	90-121
R53482	6D12	19	80-57	R53665	6F8	19	90-39	R53703	6D4	16	80-51
R53483	6D12	10	80-57	R53665	6G20	4	90-79	R53708	6G6	3	90-63
R53484	6D12	2	80-57	R53665	6I11	9	90-124	R53708	6G6	39	90-63
R53485	6D12	1	80-57	R53665	6I13	1	90-126	R53709	6G6	26	90-63
R53490	1D2	19B	20-45	R53667	6I1	2	90-113	R53710	6G6	6	90-63
R53503	6D12	3	80-57	R53667	6I8	3	90-121	R53711	6E24	12	90-31
R53505	6D12	..	80-57	R53667	6I11	3	90-124	R53740	3G3	10	50-116
R53506	6D12	..	80-57	R53667	6I11	14	90-124	R53740	3G4	14	50-117
R53508	2E15	6	40-71	R53668	3F18	33	50-105	R53740	3G6	24	50-119
R53508	6D15	2	80-60	R53668	5G19	6	70-137	R53740	3G8	11	50-121
R53510	3D14	13	50-57	R53668	6D25	28	90-7	R53741	1C1	3	20-20
R53511	3D14	19	50-57	R53668	6D25	40	90-7	R53742	6I10	27	90-123
R53528	2E10	29	40-65	R53668	6D25	43	90-7	R53743	6I8	1	90-121
R53528	2E12	29	40-67	R53668	6E14	22	90-21	R53743	6I11	15	90-124
R53540	3B16	26B	50-7	R53668	6F8	11	90-39	R53745	6G2	..	90-59
R53540	5C11	27	70-29	R53668	6F8	15	90-39	R53745	6H6	..	90-89
R53540	5C17	10A	70-36	R53668	6F8	16	90-39	R53745	6H21	..	90-107
R53540	5C17	16	70-36	R53668	6F8	20	90-39	R53762	5E16	21	70-85
R53558	5E11	1	70-80	R53668	6F8	24	90-39	R53762	5E18	12	70-87
R53558	5E12	9	70-81	R53668	6F19	7	90-51	R53763	5G21	8	70-139
R53558	5E15	21	70-84	R53668	6F21	19	90-53	R53772	3B20	9	50-11
R53559	5F1	18	70-93	R53668	6F22	3	90-54	R53789	3B11	3	50-3
R53560	5F1	18	70-93	R53668	6F22	7	90-54	R53824	5C20	10	70-39
R53561	5F1	18	70-93	R53668	6G8	4	90-65	R53824	5C20	21	70-39
R53562	5F10	7	70-102	R53668	6H23	13	90-109	R53826	5C20	7	70-39
R53571	5E15	9	70-84	R53668	6H23	15	90-109	R53828	6I17	5	90-130
R53574	1D7	11	20-50	R53668	6I11	8	90-124	R54034	6D12	9	80-57
R53586	2F13	11	40-88	R53669	6G15	9	90-73	R54035	2B20	3	40-14
R53604	3F12	3	50-101	R53669	6I11	4	90-124	R54035	2B21	3	40-15
R53604	3F12	15	50-101	R53669	6I11	13	90-124	R54036	2E13	6	40-69
R53605	1D22	10	30-3	R53670	6D25	29	90-7	R54039	6D12	5	80-57

# 1L5

4230 TRACTOR

## NUMERICAL INDEX - CONTINUED

PART NO.	GRID	KEY	PAGE	PART NO.	GRID	KEY	PAGE	PART NO.	GRID	KEY	PAGE
R54042	3B16	24	50 - 7	R54228	1F4	21	30 - 33	R54529	6G22	4	90 - 81
R54042	3D22	15	50 - 65	R54229	1E24	36	30 - 29	R54529	6H2	5	90 - 85
R54042	3E15	23	50 - 83	R54229	1F2	30	30 - 31	R54530	3B11	20	50 - 3
R54047	2E12	31	40 - 67	R54229	1F4	20	30 - 33	R54533	6I8	16	90 - 121
R54047	2E13	10	40 - 69	R54233	1E24	40	30 - 29	R54534	1D2	26	20 - 45
R54048	4B5	7	60 - 1	R54233	1F2	34	30 - 31	R54564	1B13	3	20 - 8
R54048	4B6	11	60 - 2	R54242	5G8	1	70 - 125	R54564	1B13	5	20 - 8
R54057	6G15	12	90 - 73	R54250	1E24	37	30 - 29	R54565	1B13	3	20 - 8
R54057	6G15	30	90 - 73	R54250	1F2	31	30 - 31	R54565	1B13	5	20 - 8
R54058	4B5	8	60 - 1	R54260	1F4	28	30 - 33	R54571	2C2	32	40 - 21
R54058	4B6	12	60 - 2	R54288	6D4	27	80 - 51	R54572	2C2	21	40 - 21
R54059	4C25	6	60 - 39B	R54312	5G12	4	70 - 129	R54573	2C2	21	40 - 21
R54059	4D7	6	60 - 47	R54335	3E15	13	50 - 83	R54584	2D6	4	40 - 47
R54059	5F12	3	70 - 104	R54336	5F13	13	70 - 105	R54585	2D6	5	40 - 47
R54063	4B5	9	60 - 1	R54343	2B21	19	40 - 15	R54616	4B6	9	60 - 2
R54063	4B6	13	60 - 2	R54380	3E20	18	50 - 86	R54616	4B25	2	60 - 21
R54063	4B13	4	60 - 9	R54380	5F5	17	70 - 97	R54616	4C1	20	60 - 22
R54064	5F10	16	70 - 102	R54382	6E14	46	90 - 21	R54697	6C17	1	80 - 39
R54065	5F10	19	70 - 102	R54383	3B18	21	50 - 9	R54697	6C17	3	80 - 39
R54078	5C9	14	70 - 27	R54388	2B20	4	40 - 14	R54697	6C19	1	80 - 41
R54078	5C16	12	70 - 35	R54388	2B21	4	40 - 15	R54697	6C19	3	80 - 41
R54100	4B7	1	60 - 3	R54393	6I10	9	90 - 123	R54697	6C21	1	80 - 43
R54102	6D22	23	90 - 4	R54394	6I10	9	90 - 123	R54697	6C21	3	80 - 43
R54102	6D23	20	90 - 5	R54396	3B10	4	50 - 2	R54697	6C23	1	80 - 45
R54123	1B23	7	20 - 17	R54396	3E7	3	50 - 75	R54697	6C23	3	80 - 45
R54123	1B23	28	20 - 17	R54398	2B23	11	40 - 17	R54697	6C25	1	80 - 47
R54123	1B25	1	20 - 19	R54399	2B23	23A	40 - 17	R54697	6C25	3	80 - 47
R54123	1C25	7	20 - 43	R54402	2B23	23B	40 - 17	R54697	6G15	6	90 - 73
R54124	6C13	1	80 - 34	R54403	2B23	19	40 - 17	R54739	6G6	1	90 - 63
R54124	6C13	8	80 - 34	R54412	1E3	5	30 - 11	R54742	6G6	41	90 - 63
R54124	6C14	1	80 - 35	R54415	6D7	5	80 - 54	R54743	6E24	1	90 - 31
R54124	6C14	8	80 - 35	R54416	6F17	27	90 - 49	R54743	6G6	13	90 - 63
R54124	6E24	3	90 - 31	R54422	3D2	5	50 - 44	R54744	6G8	32	90 - 65
R54124	6E24	7	90 - 31	R54423	3D2	10	50 - 44	R54745	6G8	25	90 - 65
R54124	6G6	11	90 - 63	R54424	1F11	19	30 - 41	R54748	6E4	16	90 - 11
R54128	5D10	45A	70 - 55	R54425	6H23	16	90 - 109	R54748	6H7	2	90 - 91
R54140	6I5	30	90 - 117	R54427	6G13	16	90 - 71	R54750	3D20	1	50 - 63
R54141	5F5	15	70 - 97	R54429	6H23	16	90 - 109	R54750	3D23	4	50 - 66
R54143	5F10	5	70 - 102	R54430	5G18	10	70 - 135	R54750	3F22	1	50 - 109
R54144	6C11	2	80 - 32	R54431	5G18	15	70 - 135	R54750	3F22	13	50 - 109
R54156	3E1	1	50 - 69	R54434	3D8	7	50 - 51	R54750	3F23	3	50 - 111
R54156	3E2	1	50 - 70	R54435	3D8	12	50 - 51	R54751	3F22	13	50 - 109
R54158	4B19	6	60 - 15	R54440	1E6	10	30 - 14	R54759	4C1	18	60 - 22
R54166	5G21	8	70 - 139	R54440	1E9	8	30 - 15B	R54760	4C16	6	60 - 33
R54170	5E10	14	70 - 79	R54445	2G12	24	40 - 107	R54763	4C2	13	60 - 23
R54171	3H2	37	50 - 143	R54445	2G14	23	40 - 107B	R54763	4C4	30	60 - 23B
R54172	3H2	33	50 - 143	R54447	2G12	1	40 - 107	R54766	6D21	19	90 - 3
R54173	3G25	33	50 - 141	R54447	2G14	1	40 - 107B	R54769	4C2	5	60 - 23
R54174	3G25	29	50 - 141	R54467	2G17	15	40 - 110	R54769	4C4	19	60 - 23B
R54179	5F12	12	70 - 104	R54477	6E4	11	90 - 11	R54771	4C2	16	60 - 23
R54180	3G6	18	50 - 119	R54487	1F9	29	30 - 39	R54771	4C4	26	60 - 23B
R54180	3G6	20	50 - 119	R54487	1F11	19	30 - 41	R54778	2E10	14	40 - 65
R54180	3G8	15	50 - 121	R54489	2B23	3	40 - 17	R54778	2E12	14	40 - 67
R54180	3G8	17	50 - 121	R54506	5F13	10	70 - 105	R54779	2E10	26	40 - 65
R54182	3G3	12	50 - 116	R54510	1C25	2	20 - 43	R54779	2E12	26	40 - 67
R54182	3G3	13	50 - 116	R54511	1C25	3	20 - 43	R54781	2E10	27	40 - 65
R54182	3G4	10	50 - 117	R54516	2F4	14	40 - 85	R54781	2E12	27	40 - 67
R54182	3G4	11	50 - 117	R54517	2F4	18	40 - 85	R54782	2E10	24	40 - 65
R54182	3G6	20	50 - 119	R54518	2F4	4	40 - 85	R54782	2E12	24	40 - 67
R54182	3G8	15	50 - 121	R54520	2F4	8	40 - 85	R54783	6D25	55	90 - 7
R54198	5G16	37	70 - 133	R54521	2F4	20	40 - 85	R54785	3B22	16	50 - 13
R54199	5G16	7B	70 - 133	R54522	2F4	19	40 - 85	R54785	3E20	25	50 - 86
R54206	3D14	47	50 - 57	R54523	2F4	21	40 - 85	R54785	5D7	20	70 - 52
R54207	2C2	12	40 - 21	R54524	2F4	17	40 - 85	R54785	5D8	21	70 - 53
R54208	2C2	17	40 - 21	R54526	2F4	16	40 - 85	R54787	1E21	4	30 - 26
R54228	1E24	39	30 - 29	R54527	2F4	16	40 - 85	R54788	1E22	7	30 - 27
R54228	1F2	33	30 - 31	R54528	2F4	15	40 - 85	R54789	1E22	10	30 - 27

# 1L6

4230 TRACTOR

## NUMERICAL INDEX - CONTINUED

PART NO.	GRID	KEY	PAGE	PART NO.	GRID	KEY	PAGE	PART NO.	GRID	KEY	PAGE
R54790	1E22	9	30 - 27	R55326	2G12	7	40 - 107	R55555	3D1	12	50 - 43
R54798	6G15	8	90 - 73	R55326	2G14	7	40 - 107B	R55556	3D1	13	50 - 43
R54810	4C16	9	60 - 33	R55326	6F2	4	90 - 33	R55557	3D5	9	50 - 48
R54820	4C18	4	60 - 35	R55326	6G22	1	90 - 81	R55558	3D1	11	50 - 43
R54820	4C18	28	60 - 35	R55326	6G24	2	90 - 83	R55560	3B9	2	50 - 1
R54962	3F22	16	50 - 109	R55326	6G24	5	90 - 83	R55574	6I8	18	90 - 121
R54963	6B16	15	80 - 13	R55326	6H2	3	90 - 85	R55596	1C15	1	20 - 31
R54964	6B16	15	80 - 13	R55326	6H4	8	90 - 87	R55597	1C15	1	20 - 31
R54965	6B16	15	80 - 13	R55326	6H4	14	90 - 87	R55618	2G22	5	40 - 116
R54966	6B16	15	80 - 13	R55373	5D10	47	70 - 55	R55628	6C19	10	80 - 41
R54983	6C6	11	80 - 27	R55373	5D10	51	70 - 55	R55628	6C25	10	80 - 47
R55008	5B8	9	70 - 2	R55374	5D10	47	70 - 55	R55639	6B5	3	80 - 1
R55010	5B13	18	70 - 7	R55374	5D10	51	70 - 55	R55644	3D16	7	50 - 59
R55021	1D23	8	30 - 5	R55375	5E10	12	70 - 79	R55654	3C13	23	50 - 29
R55023	5C7	1	70 - 25	R55395	1B23	10	20 - 17	R55655	3B14	19	50 - 5B
R55033	3G2	8	50 - 115	R55395	1C22	17	20 - 39	R55657	3C13	3	50 - 29
R55075	6B18	15	80 - 15	R55396	1B19	..	20 - 15	R55658	3C3	30	50 - 19
R55079	5C23	25	70 - 43	R55396	1B23	4	20 - 17	R55658	3C5	33	50 - 21
R55079	5E4	20	70 - 73	R55396	2D3	1	40 - 44	R55660	3C13	1	50 - 29
R55092	4B25	7	60 - 21	R55397	5F20	2	70 - 111	R55662	1E14	3	30 - 19
R55092	4C4	12	60 - 23B	R55397	5F22	2	70 - 113	R55663	1E14	4	30 - 19
R55094	6C10	11	80 - 31	R55398	5F20	2	70 - 111	R55669	6C10	9	80 - 31
R55133	5C7	8	70 - 25	R55398	5F20	7	70 - 111	R55669	6C10	10	80 - 31
R55134	5C7	2	70 - 25	R55398	5F22	7	70 - 113	R55671	6C10	7	80 - 31
R55140	5D10	36	70 - 55	R55407	4C16	14	60 - 33	R55671	6C10	9	80 - 31
R55142	5D10	40	70 - 55	R55407	4C18	32	60 - 35	R55736	3D6	9	50 - 49
R55144	5C9	5	70 - 27	R55408	4C16	15	60 - 33	R55737	1C15	1	20 - 31
R55144	5C16	12	70 - 35	R55408	4C18	33	60 - 35	R55738	1C15	1	20 - 31
R55150	5D2	26	70 - 47	R55409	4C16	6	60 - 33	R55739	1C15	1	20 - 31
R55151	6C5	16	80 - 25	R55409	4C18	28	60 - 35	R55740	1C15	1	20 - 31
R55162	2D6	29	40 - 47	R55425	3B14	8	50 - 5B	R55741	1C15	1	20 - 31
R55163	4C6	16	60 - 25	R55426	6G22	9	90 - 81	R55742	1C15	1	20 - 31
R55166	6H23	11	90 - 109	R55426	6H2	12	90 - 85	R55743	1C15	1	20 - 31
R55166	6I5	17	90 - 117	R55443	4B25	13	60 - 21	R55744	1C15	1	20 - 31
R55169	3D14	47	50 - 57	R55443	4C1	11	60 - 22	R55745	1C15	1	20 - 31
R55176	2B17	..	40 - 10	R55443	4C4	3	60 - 23B	R55746	1C15	1	20 - 31
R55176	2B18	1	40 - 11	R55458	3H11	21	50 - 152A	R55789	4C6	15	60 - 25
R55183	4B8	14	60 - 4	R55458	3H21	18	50 - 163	R55789	4C8	6	60 - 25B
R55196	4C16	11	60 - 33	R55458	4C6	12	60 - 25	R55824	4C10	7	60 - 27
R55196	4C18	30	60 - 35	R55458	4C8	4	60 - 25B	R55877	3C13	18	50 - 29
R55202	1E24	3	30 - 29	R55463	5D16	15	70 - 61	R55878	3C13	9	50 - 29
R55202	1F2	19	30 - 31	R55464	5D16	33	70 - 61	R55879	3C13	10	50 - 29
R55214	5C23	15	70 - 43	R55466	5D16	25	70 - 61	R55881	3C13	11	50 - 29
R55214	5E4	12	70 - 73	R55467	5D16	27	70 - 61	R55882	3C13	12	50 - 29
R55226	3H9	1	50 - 151	R55471	5D16	18	70 - 61	R55910	3C21	19	50 - 37
R55233	1C22	13	20 - 39	R55472	5D16	21	70 - 61	R55910	3C24	21	50 - 41
R55233	1E12	2	30 - 17	R55473	5D16	4	70 - 61	R55932	6I18	6	90 - 131
R55243	4C2	8	60 - 23	R55486	1E6	17	30 - 14	R55933	2E8	1	40 - 63
R55243	4C4	20	60 - 23B	R55486	1E6	20	30 - 14	R55933	2E10	1	40 - 65
R55245	2C19	11	40 - 37	R55497	4C1	26	60 - 22	R55933	2E12	1	40 - 67
R55245	2C21	12	40 - 39	R55498	4B25	10	60 - 21	R55940	6D12	11	80 - 57
R55256	5C17	10A	70 - 36	R55498	4C4	11	60 - 23B	R55941	6D12	15	80 - 57
R55256	5C17	14	70 - 36	R55525	3B16	11	50 - 7	R55991	6I10	9	90 - 123
R55284	6D12	9	80 - 57	R55525	3E17	11	50 - 85	R55992	6I10	9	90 - 123
R55286	6D12	8	80 - 57	R55525	5F17	15	70 - 108	R55993	6I10	9	90 - 123
R55287	6D12	10	80 - 57	R55525	5F18	16	70 - 109	R55994	6I10	9	90 - 123
R55288	6D12	15	80 - 57	R55544	3C13	19	50 - 29	R56005	6D25	24B	90 - 7
R55289	6D12	11	80 - 57	R55545	3C13	14	50 - 29	R56006	6D25	38B	90 - 7
R55290	6D12	2	80 - 57	R55546	3C3	29	50 - 19	R56012	2C19	11	40 - 37
R55291	6D12	1	80 - 57	R55546	3C5	32	50 - 21	R56012	2C21	12	40 - 39
R55292	6D12	14	80 - 57	R55547	3C13	5	50 - 29	R56038	5E22	10	70 - 91
R55293	5C20	7	70 - 39	R55550	3D6	2	50 - 49	R56039	5E20	5	70 - 89
R55293	5C20	8	70 - 39	R55552	3C3	28	50 - 19	R56042	5E22	10	70 - 91
R55293	5C20	10	70 - 39	R55552	3C5	31	50 - 21	R56064	6F12	1B	90 - 43
R55293	5C20	12	70 - 39	R55553	3C25	12	50 - 42	R56089	6H21	6	90 - 107
R55294	5C20	20	70 - 39	R55553	3D1	18	50 - 43	R56090	6H21	3	90 - 107
R55326	2F24	14	40 - 101	R55554	3D1	1	50 - 43	R56101	6E6	9	90 - 13

# 1L7

4230 TRACTOR

## NUMERICAL INDEX - CONTINUED

PART NO.	GRID	KEY	PAGE	PART NO.	GRID	KEY	PAGE	PART NO.	GRID	KEY	PAGE
R56101	6E8	4	90 - 15	R56505	5E18	2	70 - 87	R56755	5B17	10	70 - 11
R56101	6E10	9	90 - 17	R56506	3F16	22	50 - 103	R56755	5B19	10	70 - 13
R56139	6I5	19	90 - 117	R56506	5E16	1	70 - 85	R56755	5B25	28	70 - 19
R56175	5C24	3	70 - 44	R56506	5E18	1	70 - 87	R56755	5C2	13	70 - 21
R56199	3B20	9	50 - 11	R56513	1C13	4	20 - 29	R56755	5C5	9	70 - 23
R56200	6D12	3	80 - 57	R56544	1B23	14	20 - 17	R56756	5B15	33	70 - 9
R56226	2B9	29	40 - 3	R56592	4B21	6	60 - 17	R56756	5B17	3	70 - 11
R56226	3D22	12	50 - 65	R56593	4B23	4	60 - 19	R56756	5B19	12	70 - 13
R56226	3E13	1	50 - 81	R56603	1C19	13	20 - 36	R56757	5B15	34	70 - 9
R56236	3C25	1	50 - 42	R56607	1C20	4	20 - 37	R56757	5B17	11	70 - 11
R56236	3D14	4	50 - 57	R56609	1C19	2	20 - 36	R56757	5B19	11	70 - 13
R56246	6D21	6	90 - 3	R56609	1C20	12	20 - 37	R56757	5B25	30	70 - 19
R56251	4B5	20	60 - 1	R56636	4C12	6	60 - 29	R56757	5C2	14	70 - 21
R56251	4B6	20	60 - 2	R56636	4C14	5	60 - 31	R56757	5C5	18	70 - 23
R56251	4B7	1	60 - 3	R56643	4C2	12	60 - 23	R56776	3D10	11	50 - 53
R56258	3B16	26C	50 - 7	R56643	4C4	24	60 - 23B	R56776	3D12	11	50 - 55
R56258	5C17	11	70 - 36	R56645	4C2	1	60 - 23	R56778	3E17	37	50 - 85
R56264	2F2	6	40 - 83	R56645	4C4	14	60 - 23B	R56781	3D22	24B	50 - 65
R56264	6I10	9	90 - 123	R56646	4C10	3	60 - 27	R56781	3E17	49	50 - 85
R56264	6I10	25	90 - 123	R56664	4C12	20	60 - 29	R56782	3E17	19	50 - 85
R56282	4B7	1	60 - 3	R56664	4C14	15A	60 - 31	R56782	3E19	18	50 - 85B
R56315	3F18	23	50 - 105	R56673	5C11	7	70 - 29	R56783	3E17	26	50 - 85
R56316	3F18	7	50 - 105	R56673	5C13	14	70 - 31	R56783	3E17	33	50 - 85
R56317	6H13	13	90 - 97	R56709	3D2	11	50 - 44	R56783	3E17	34	50 - 85
R56324	6F14	27	90 - 45	R56709	3D3	12	50 - 45	R56784	3E17	35	50 - 85
R56351	3E17	28	50 - 85	R56709	3D8	5	50 - 51	R56784	3E19	31	50 - 85B
R56352	3E17	27	50 - 85	R56709	3D10	14	50 - 53	R56785	3E17	17	50 - 85
R56356	6E19	14	90 - 27	R56712	3D14	19	50 - 57	R56785	3E17	36	50 - 85
R56357	6E19	15	90 - 27	R56718	1C5	9	20 - 24	R56785	3E19	30	50 - 85B
R56360	3B22	4	50 - 13	R56719	1C5	7	20 - 24	R56792	2E1	14	40 - 57D
R56395	1E21	24	30 - 26	R56719	3E8	8	50 - 76	R56792	2E2	2	40 - 58
R56397	2C21	6	40 - 39	R56720	3E8	7	50 - 76	R56793	2E1	3	40 - 57D
R56397	6D19	3	90 - 1	R56721	3E8	4	50 - 76	R56793	2E2	3	40 - 58
R56409	2F1	11	40 - 82	R56722	3E8	6	50 - 76	R56802	2D24	13	40 - 57B
R56410	2F1	4	40 - 82	R56728	5F1	1B	70 - 93	R56816	5D12	16	70 - 57
R56411	2F1	1	40 - 82	R56729	5F1	7B	70 - 93	R56821	5D10	14	70 - 55
R56412	2F1	3	40 - 82	R56730	3B11	30	50 - 3	R56821	5D12	17	70 - 57
R56413	2F1	8	40 - 82	R56731	3G18	29	50 - 133	R56826	3E13	14	50 - 81
R56416	3D1	9	50 - 43	R56732	3G18	19	50 - 133	R56826	3E17	38	50 - 85
R56453	6D22	17	90 - 4	R56733	3G19	4	50 - 135	R56826	3E19	6	50 - 85B
R56454	3E9	15	50 - 77	R56734	4C20	6	60 - 37	R56829	3E13	15	50 - 81
R56458	3D16	23	50 - 59	R56741	5C7	2	70 - 25	R56829	3E15	13	50 - 83
R56459	3D16	24	50 - 59	R56741	5C7	8	70 - 25	R56829	3E15	18	50 - 83
R56462	3B19	7	50 - 10	R56746	3B11	10	50 - 3	R56829	3E17	39	50 - 85
R56462	3D16	2	50 - 59	R56749	5B11	3	70 - 5	R56829	3E19	7	50 - 85B
R56462	3D16	15	50 - 59	R56750	5B13	3	70 - 7	R56852	6I5	5	90 - 117
R56462	3D18	7	50 - 61	R56751	5B13	2	70 - 7	R56853	6I5	30	90 - 117
R56463	5B11	2	70 - 5	R56751	5B15	20	70 - 9	R56854	3B11	12	50 - 3
R56463	5B19	24	70 - 13	R56751	5B19	8	70 - 13	R56873	1E7	7	30 - 15
R56463	5B21	2	70 - 15	R56751	5B19	15	70 - 13	R56873	1E10	12	30 - 15D
R56463	5C5	27	70 - 23	R56751	5B19	21	70 - 13	R56886	2E24	2	40 - 80
R56464	4C25	25	60 - 39B	R56751	5B19	24	70 - 13	R56902	6D12	18	80 - 57
R56464	5H8	3	70 - 150A	R56751	5B23	2	70 - 17	R56911	3B20	4	50 - 11
R56479	6I8	14	90 - 121	R56751	5B25	19	70 - 19	R56916	5D2	13	70 - 47
R56481	1B19	..	20 - 15	R56751	5C2	2	70 - 21	R56916	5D4	9	70 - 49
R56481	1E1	11	30 - 8	R56751	5C5	7	70 - 23	R56916	5D6	18	70 - 51
R56481	2C15	12	40 - 33	R56751	5C5	12	70 - 23	R56930	5E10	14	70 - 79
R56481	2D3	1	40 - 44	R56751	5C5	20	70 - 23	R56931	5E10	10	70 - 79
R56493	6D4	41	80 - 51	R56751	5C5	21	70 - 23	R56934	1C5	3	20 - 24
R56496	6H11	19	90 - 95	R56751	5C5	25	70 - 23	R56934	1C5	4	20 - 24
R56503	3F16	9	50 - 103	R56751	5C5	27	70 - 23	R56934	1C6	6	20 - 25
R56504	3F16	8	50 - 103	R56753	5B11	8	70 - 5	R56952	6G24	20	90 - 83
R56504	5D10	13	70 - 55	R56753	5B13	12	70 - 7	R56953	5C11	8	70 - 29
R56504	5D10	26	70 - 55	R56753	5B19	18	70 - 13	R56953	5C13	13	70 - 31
R56504	5D12	18	70 - 57	R56753	5G4	23	70 - 121	R56960	3B11	15	50 - 3
R56505	3F16	23	50 - 103	R56754	5B15	35	70 - 9	R56960	3B11	16	50 - 3
R56505	5E16	2	70 - 85	R56755	5B15	32	70 - 9	R56960	3B11	28	50 - 3

# 1L8

4230 TRACTOR

## NUMERICAL INDEX - CONTINUED

PART NO.	GRID	KEY	PAGE	PART NO.	GRID	KEY	PAGE	PART NO.	GRID	KEY	PAGE
R56960	3B12	8	50 - 5	R57558	3C17	11	50 - 33	R58040	6B21	8	80 - 18
R56961	3B11	16	50 - 3	R57558	3C19	17	50 - 35	R58186	1F2	21	30 - 31
R56979	1C5	11	20 - 24	R57559	3B16	16	50 - 7	R58202	4B25	2	60 - 21
R56979	1C6	4	20 - 25	R57559	3D22	24A	50 - 65	R58203	5E22	24	70 - 91
R56979	1C6	6	20 - 25	R57559	3E15	25	50 - 83	R58204	5D14	8A	70 - 59
R56991	6D6	7	80 - 53	R57559	3F22	17	50 - 109	R58204	6I8	18	90 - 121
R56993	5D16	6	70 - 61	R57560	3B16	24	50 - 7	R58219	4C6	7	60 - 25
R57003	6D23	..	90 - 5	R57560	3D22	15	50 - 65	R58230	5D2	15	70 - 47
R57003	6D25	..	90 - 7	R57560	3E15	23	50 - 83	R58230	5D4	11	70 - 49
R57031	3B11	28	50 - 3	R57572	6F12	1B	90 - 43	R58230	5D6	21	70 - 51
R57031	3B12	8	50 - 5	R57572	6F12	26	90 - 43	R58231	5D2	16	70 - 47
R57034	4B11	7	60 - 7	R57572	6F23	10	90 - 55	R58231	5D4	13	70 - 49
R57091	5D16	19	70 - 61	R57584	1C9	3	20 - 26C	R58231	5D6	22	70 - 51
R57092	3B16	10	50 - 7	R57584	1C15	6	20 - 31	R58260	5E10	1	70 - 79
R57103	4D9	26	60 - 49	R57585	3B16	23	50 - 7	R58261	5F10	7	70 - 102
R57112	3C14	13	50 - 30	R57585	3E15	22	50 - 83	R58262	5E16	18	70 - 85
R57115	3C14	13	50 - 30	R57606	6E6	4	90 - 13	R58262	5E16	20	70 - 85
R57115	3C14	16	50 - 30	R57607	4B7	1	60 - 3	R58262	5E18	27	70 - 87
R57115	3C17	6	50 - 33	R57623	6F14	19	90 - 45	R58262	5E18	30	70 - 87
R57115	3C19	24	50 - 35	R57636	6D25	33	90 - 7	R58262	5F5	31	70 - 97
R57119	1D23	3	30 - 5	R57637	6D25	30	90 - 7	R58268	5E20	18	70 - 89
R57119	6D4	7	80 - 51	R57655	3D22	13	50 - 65	R58282	6G6	9	90 - 63
R57135	6D4	1	80 - 51	R57656	3D22	14	50 - 65	R58300	1D23	8	30 - 5
R57137	1F4	32	30 - 33	R57657	3D22	13	50 - 65	R58303	6C5	11	80 - 25
R57158	1B19	..	20 - 15	R57665	5D6	38	70 - 51	R58341	6H11	19	90 - 95
R57158	1B23	23	20 - 17	R57665	5E8	18	70 - 77	R58416	6B8	1	80 - 4
R57159	1B19	..	20 - 15	R57696	5G25	18	70 - 143	R58416	6B9	1	80 - 5
R57159	1B23	23	20 - 17	R57696	5G25	30	70 - 143	R58425	3G3	10	50 - 116
R57215	3G20	2	50 - 136	R57696	5H4	10	70 - 147	R58425	3G4	14	50 - 117
R57258	1E16	8	30 - 21	R57696	5H4	36	70 - 147	R58425	3G6	24	50 - 119
R57263	6I10	6A	90 - 123	R57725	3B24	11	50 - 15	R58425	3G8	11	50 - 121
R57263	6I10	6B	90 - 123	R57725	3B25	13	50 - 16	R58499	5B15	44	70 - 9
R57267	3B25	14	50 - 16	R57725	3C1	13	50 - 17	R58500	3B20	4	50 - 11
R57267	3C1	14	50 - 17	R57725	3C3	26	50 - 19	R58507	1F12	2	30 - 42
R57268	3G22	8	50 - 138	R57725	3C5	29	50 - 21	R58508	1F12	11	30 - 42
R57268	3G23	19	50 - 139	R57725	3C7	27	50 - 23	R58509	1F12	18	30 - 42
R57269	3G18	5	50 - 133	R57725	3C9	30	50 - 25	R58510	1F12	19	30 - 42
R57269	3G19	2	50 - 135	R57725	3C17	20	50 - 33	R58511	1F12	21	30 - 42
R57274	6F10	4	90 - 41	R57725	3C17	22	50 - 33	R58512	1F12	20	30 - 42
R57275	6F10	4	90 - 41	R57725	3C19	11	50 - 35	R58519	1F12	6	30 - 42
R57289	1B14	2	20 - 10	R57725	3E8	3	50 - 76	R58587	3B12	13	50 - 5
R57289	1B15	3	20 - 11	R57725	5C23	23	70 - 43	R58588	3B12	1	50 - 5
R57289	1B15	4	20 - 11	R57725	5E4	18	70 - 73	R58614	4B5	15	60 - 1
R57298	3D22	8	50 - 65	R57742	4C23	25	60 - 39	R58614	4B5	16	60 - 1
R57298	5C17	7	70 - 36	R57742	4C25	48	60 - 39B	R58614	4B25	23	60 - 21
R57299	5C14	4	70 - 33	R57743	3B16	10	50 - 7	R58624	3C13	16	50 - 29
R57300	5C14	6	70 - 33	R57757	4C10	20	60 - 27	R58624	3C14	3	50 - 30
R57330	3B11	10	50 - 3	R57758	4C10	20	60 - 27	R58652	3F22	3	50 - 109
R57345	3E11	4	50 - 79	R57778	1C15	2	20 - 31	R58652	3F23	5	50 - 111
R57382	3F12	3	50 - 101	R57779	1C15	3	20 - 31	R58653	4C2	9	60 - 23
R57382	3F12	15	50 - 101	R57780	1C15	3	20 - 31	R58653	4C4	21	60 - 23B
R57442	3B14	6	50 - 5B	R57849	3C17	10	50 - 33	R58654	4C2	10	60 - 23
R57448	5C14	9	70 - 33	R57849	3C19	18	50 - 35	R58654	4C4	22	60 - 23B
R57449	3C25	8	50 - 42	R57892	2F13	21	40 - 88	R58765	3D20	12	50 - 63
R57449	3D1	7	50 - 43	R57936	6I6	2	90 - 119	R58765	3F22	12	50 - 109
R57449	3D14	1	50 - 57	R57970	6C25	24	80 - 47	R58773	5B13	18	70 - 7
R57452	2D10	11	40 - 51	R57971	6C19	24	80 - 41	R58773	5B13	19	70 - 7
R57533	5C25	11	70 - 45	R57971	6C25	24	80 - 47	R58773	5B13	20	70 - 7
R57533	5D20	20	70 - 65	R57974	6I12	8	90 - 125	R58800	3B22	4	50 - 13
R57533	5D22	26	70 - 67	R57987	5D20	30	70 - 65	R58800	3B22	29	50 - 13
R57533	5D24	20	70 - 69	R57987	5D22	29	70 - 67	R58800	3D16	17	50 - 59
R57534	1D6	4	20 - 49	R57987	5E2	10	70 - 71	R58800	3D16	27	50 - 59
R57535	1D6	7	20 - 49	R58003	6E1	2	90 - 8	R58800	5E18	19	70 - 87
R57549	4B15	6	60 - 11	R58008	3B11	22	50 - 3	R58800	5E18	20	70 - 87
R57549	4D2	18	60 - 41	R58033	4C6	3	60 - 25	R58800	5E18	23	70 - 87
R57549	4D4	2	60 - 43	R58037	6D12	..	80 - 57	R58813	6F22	14	90 - 54
R57556	1C20	4	20 - 37	R58038	6D12	..	80 - 57	R58814	6F22	5	90 - 54

# 1L9

4230 TRACTOR

## NUMERICAL INDEX - CONTINUED

PART NO.	GRID	KEY	PAGE	PART NO.	GRID	KEY	PAGE	PART NO.	GRID	KEY	PAGE
R58816	6F21	2	90 - 53	R59138	3B10	9	50 - 2	R59629	5F20	12	70 - 111
R58817	6F21	2	90 - 53	R59138	3E7	11	50 - 75	R59629	5F20	31	70 - 111
R58879	1C12	6	20 - 28	R59141	3B10	1	50 - 2	R59629	5F22	29	70 - 113
R58880	1C13	4	20 - 29	R59154	5G14	9	70 - 131	R59629	5F23	1	70 - 115
R58884	3H12	6	50 - 153	R59160	2E8	19	40 - 63	R59629	5G2	26	70 - 119
R58884	3H12	10	50 - 153	R59160	2E10	10	40 - 65	R59633	5G2	1	70 - 119
R58939	3B18	32B	50 - 9	R59160	2E12	10	40 - 67	R59633	5G4	1	70 - 121
R58940	3B18	33	50 - 9	R59183	6F21	7	90 - 53	R59633	5G11	1	70 - 128
R58941	3B18	3	50 - 9	R59221	6E1	14	90 - 8	R59633	5G11	19	70 - 128
R58941	3B18	4B	50 - 9	R59280	6F21	1	90 - 53	R59635	3C20	17	50 - 36
R58941	3B18	5A	50 - 9	R59293	1F2	4	30 - 31	R59641	3C3	9	50 - 19
R58941	3B18	5B	50 - 9	R59293	1F2	5	30 - 31	R59641	3C5	9	50 - 21
R58941	3B18	32A	50 - 9	R59294	1F2	5	30 - 31	R59684	5C25	5	70 - 45
R58941	3B18	32B	50 - 9	R59297	1F2	22	30 - 31	R59684	5D24	5	70 - 69
R58941	3B18	33	50 - 9	R59298	1F2	22	30 - 31	R59687	1E6	1	30 - 14
R58941	3B18	34B	50 - 9	R59299	1F2	41	30 - 31	R59688	3B11	3	50 - 3
R58942	3B18	5B	50 - 9	R59300	1F2	41	30 - 31	R59689	3B11	14	50 - 3
R58999	6F23	16	90 - 55	R59305	1F2	21	30 - 31	R59711	3D14	25	50 - 57
R59009	6F22	17	90 - 54	R59306	2B11	23	40 - 5	R59761	6C15	2	80 - 37
R59010	6F22	12	90 - 54	R59320	6F21	3	90 - 53	R59766	5D2	38	70 - 47
R59011	6F22	10	90 - 54	R59343	5G2	11	70 - 119	R59766	5D4	30	70 - 49
R59012	6F22	13	90 - 54	R59343	5G4	11	70 - 121	R59766	5D6	45	70 - 51
R59013	6F21	17	90 - 53	R59343	5G5	2	70 - 122	R59792	6F25	47	90 - 57
R59015	6F22	6	90 - 54	R59378	3C21	14	50 - 37	R59806	6G13	15	90 - 71
R59018	6F22	11	90 - 54	R59378	3C24	17	50 - 41	R59822	4C6	16	60 - 25
R59019	6F22	1	90 - 54	R59420	1B14	2	20 - 10	R59822	4C8	9	60 - 25B
R59020	6F21	11	90 - 53	R59420	1B15	3	20 - 11	R59829	3C7	9	50 - 23
R59021	6F21	7	90 - 53	R59420	1B15	4	20 - 11	R59829	3C9	9	50 - 25
R59022	6F21	14	90 - 53	R59450	6E6	3	90 - 13	R59840	6E6	20	90 - 13
R59023	6F21	18	90 - 53	R59460	3G11	12	50 - 125	R59841	6E6	18	90 - 13
R59025	6F21	1	90 - 53	R59460	3G13	9	50 - 127	R59849	1B9	18	20 - 3
R59028	6F21	4	90 - 53	R59468	3C17	6	50 - 33	R59850	1B9	8	20 - 3
R59029	6F21	6	90 - 53	R59468	3C17	31B	50 - 33	R59850	1B9	9	20 - 3
R59030	6F19	12	90 - 51	R59468	3C19	32	50 - 35	R59850	1B23	21	20 - 17
R59033	1C20	4	20 - 37	R59469	3C17	9	50 - 33	R59850	1B23	28	20 - 17
R59069	6C19	15	80 - 41	R59469	3C19	19	50 - 35	R59850	1B25	1	20 - 19
R59069	6C19	16	80 - 41	R59470	3C17	1	50 - 33	R59850	1C15	7	20 - 31
R59069	6C25	15	80 - 47	R59470	3C17	6	50 - 33	R59850	1C15	8	20 - 31
R59069	6C25	16	80 - 47	R59470	3C19	27	50 - 35	R59850	1D17	..	20 - 60
R59070	6F21	3	90 - 53	R59478	5E22	37	70 - 91	R59860	3C3	12	50 - 19
R59074	3G22	8	50 - 138	R59494	3E10	12	50 - 78	R59860	3C7	12	50 - 23
R59074	3G23	19	50 - 139	R59495	3E11	14	50 - 79	R59860	3H2	35	50 - 143
R59074	3G23	20	50 - 139	R59496	3E10	15	50 - 78	R59863	6G6	6	90 - 63
R59080	5D2	3	70 - 47	R59497	3E10	5	50 - 78	R59864	6G6	26	90 - 63
R59080	5D2	48	70 - 47	R59507	3G3	20	50 - 116	R59865	6G6	3	90 - 63
R59080	5E5	2	70 - 74	R59507	3G4	2	50 - 117	R59865	6G6	39	90 - 63
R59080	5F14	3	70 - 107	R59508	3G3	2	50 - 116	R59866	6G6	41	90 - 63
R59081	5D2	48	70 - 47	R59508	3G4	19	50 - 117	R59897	6F19	11	90 - 51
R59081	5F14	7	70 - 107	R59508	3G6	2	50 - 119	R59910	6G2	7	90 - 59
R59082	5D2	3	70 - 47	R59508	3G8	30	50 - 121	R59928	3G18	29	50 - 133
R59082	5D2	48	70 - 47	R59509	3G3	9	50 - 116	R59928	3G18	..	50 - 133
R59082	5D4	49	70 - 49	R59509	3G3	20	50 - 116	R59929	3G18	19	50 - 133
R59082	5D6	1	70 - 51	R59509	3G4	2	50 - 117	R59929	3G19	9	50 - 135
R59082	5E5	2	70 - 74	R59509	3G4	15	50 - 117	R59930	3G18	20	50 - 133
R59082	5F14	3	70 - 107	R59509	3G6	30	50 - 119	R59930	3G19	7	50 - 135
R59082	5F16	4	70 - 107B	R59509	3G8	2	50 - 121	R59931	3G19	14	50 - 135
R59082	5F17	14	70 - 108	R59533	3D16	1	50 - 59	R59931	4C20	3	60 - 37
R59082	5F18	11	70 - 109	R59533	3D16	7	50 - 59	R59931	4C20	5	60 - 37
R59083	5D2	46	70 - 47	R59543	4C16	25	60 - 33	R59931	4C20	..	60 - 37
R59083	5D4	51	70 - 49	R59543	4C18	26	60 - 35	R59933	3G18	25	50 - 133
R59083	5D6	3	70 - 51	R59552	6H14	9	90 - 99	R59933	3G19	12	50 - 135
R59084	5D2	48	70 - 47	R59553	6H14	11	90 - 99	R59934	4C20	3	60 - 37
R59084	5F14	12	70 - 107	R59554	6H14	6	90 - 99	R59934	4C20	5	60 - 37
R59104	1F2	6	30 - 31	R59555	6H14	2	90 - 99	R59935	3G18	2	50 - 133
R59111	5D2	45B	70 - 47	R59575	6G8	..	90 - 65	R59942	2B23	23A	40 - 17
R59111	5D4	52	70 - 49	R59597	3B18	21	50 - 9	R59943	2B23	11	40 - 17
R59111	5D6	4	70 - 51	R59598	3B18	23	50 - 9	R59944	2B23	23B	40 - 17



# 1L10

4230 TRACTOR

## NUMERICAL INDEX - CONTINUED

PART NO.	GRID	KEY	PAGE	PART NO.	GRID	KEY	PAGE	PART NO.	GRID	KEY	PAGE
R59945	2C2	32	40 - 21	R60279	1F7	3	30 - 37	R60473	1C8	3	20 - 26B
R59945	2C2	33	40 - 21	R60280	1F7	14	30 - 37	R60473	1C10	3	20 - 26D
R59946	2C2	21	40 - 21	R60281	1F7	14	30 - 37	R60473	1C11	3	20 - 27
R59947	2C2	21	40 - 21	R60282	1F7	14	30 - 37	R60473	1C15	6	20 - 31
R59953	4B25	22	60 - 21	R60283	1F7	14	30 - 37	R60474	1C15	6	20 - 31
R59954	3E11	10	50 - 79	R60284	1F7	14	30 - 37	R60475	1C15	6	20 - 31
R59954	3E24	20	50 - 88	R60285	1F7	14	30 - 37	R60476	1C15	3	20 - 31
R59966	5C24	5	70 - 44	R60286	1F7	14	30 - 37	R60477	1C15	3	20 - 31
R59966	5C24	6	70 - 44	R60287	1F7	14	30 - 37	R60478	1C15	3	20 - 31
R59967	5C24	5	70 - 44	R60288	1F7	14	30 - 37	R60479	1C15	3	20 - 31
R59967	5C24	6	70 - 44	R60289	1F7	14	30 - 37	R60480	1C15	3	20 - 31
R60019	6F25	46	90 - 57	R60290	1F7	14	30 - 37	R60481	1C15	3	20 - 31
R60021	6F25	38	90 - 57	R60291	1F7	14	30 - 37	R60482	1C15	3	20 - 31
R60024	6F25	15	90 - 57	R60292	1F7	14	30 - 37	R60483	1C15	3	20 - 31
R60025	6F25	19	90 - 57	R60293	1F7	14	30 - 37	R60484	1C15	2	20 - 31
R60032	3G18	27	50 - 133	R60294	1F7	14	30 - 37	R60494	5B11	16	70 - 5
R60038	3B14	29	50 - 5B	R60295	1F7	14	30 - 37	R60523	3C17	20	50 - 33
R60038	3B19	4	50 - 10	R60296	1F7	14	30 - 37	R60523	3C19	9	50 - 35
R60038	3C19	5	50 - 35	R60297	1F7	14	30 - 37	R60524	3C17	20	50 - 33
R60038	4D9	8	60 - 49	R60298	1F7	14	30 - 37	R60524	3C17	21B	50 - 33
R60076	3G18	2	50 - 133	R60299	1F7	14	30 - 37	R60524	3C19	10	50 - 35
R60077	3G18	2	50 - 133	R60317	5D6	33	70 - 51	R60560	6E4	1	90 - 11
R60078	3G18	2	50 - 133	R60319	6F25	21	90 - 57	R60560	6G24	6	90 - 83
R60081	5D4	44	70 - 49	R60333	5F17	19	70 - 108	R60561	6E14	1	90 - 21
R60081	5D6	54	70 - 51	R60333	5F18	20	70 - 109	R60562	6E14	12	90 - 21
R60081	5E6	10	70 - 75	R60334	5D4	44	70 - 49	R60644	6D1	2	80 - 48
R60081	5E8	26	70 - 77	R60334	5D6	54	70 - 51	R60644	6D1	8	80 - 48
R60081	5F16	16	70 - 107B	R60334	5E6	10	70 - 75	R60644	6D1	9	80 - 48
R60092	3D22	24C	50 - 65	R60334	5E8	26	70 - 77	R60650	1B13	3	20 - 8
R60092	3E17	24	50 - 85	R60334	5F16	16	70 - 107B	R60650	1B13	5	20 - 8
R60092	3E19	10	50 - 85B	R60334	5F17	12	70 - 108	R60657	6F25	35	90 - 57
R60092	5F17	23	70 - 108	R60335	5F17	17	70 - 108	R60668	3D14	28A	50 - 57
R60092	5F18	24	70 - 109	R60335	5F18	18	70 - 109	R60668	3D14	28B	50 - 57
R60093	3D22	29	50 - 65	R60336	3C21	3	50 - 37	R60668	3D14	35	50 - 57
R60093	3E17	43	50 - 85	R60336	3C24	3	50 - 41	R60670	3D14	28A	50 - 57
R60096	5D4	38	70 - 49	R60363	3F1	1	50 - 90	R60670	3D14	28B	50 - 57
R60096	5D6	51	70 - 51	R60395	5F16	11	70 - 107B	R60670	3D14	34	50 - 57
R60096	5E6	7	70 - 75	R60395	5F18	9	70 - 109	R60671	3D14	28A	50 - 57
R60096	5E8	22	70 - 77	R60396	3D22	26	50 - 65	R60671	3D14	28B	50 - 57
R60096	5F16	7	70 - 107B	R60396	3E17	22	50 - 85	R60671	3D14	36	50 - 57
R60096	5F17	9	70 - 108	R60396	3E19	12	50 - 85B	R60730	5D10	4	70 - 55
R60096	5F18	6	70 - 109	R60396	5F17	26	70 - 108	R60730	5D12	4	70 - 57
R60116	4C20	3	60 - 37	R60396	5F18	27	70 - 109	R60732	5B11	25	70 - 5
R60116	4C20	5	60 - 37	R60397	5F17	30	70 - 108	R60746	1E24	14	30 - 29
R60116	4C20	..	60 - 37	R60397	5F17	..	70 - 108	R60746	1F5	2	30 - 35
R60151	3D22	13	50 - 65	R60397	5F24	1	70 - 116	R60753	1B12	10	20 - 7
R60152	3D22	13	50 - 65	R60397	5G18	4	70 - 135	R60754	1C20	8	20 - 37
R60153	3E17	37	50 - 85	R60399	5G18	12A	70 - 135	R60831	4B17	13	60 - 13
R60154	3E17	37	50 - 85	R60400	5F18	31	70 - 109	R60831	4B19	25	60 - 15
R60161	5E15	2	70 - 84	R60401	3D22	13	50 - 65	R60831	4C10	6	60 - 27
R60170	6D23	8	90 - 5	R60402	3D22	13	50 - 65	R60831	4D5	9	60 - 45
R60171	6D21	28	90 - 3	R60420	5D4	46	70 - 49	R60831	4D5	12	60 - 45
R60171	6D23	7	90 - 5	R60420	5D6	55	70 - 51	R60845	6E4	5	90 - 11
R60171	6E3	6	90 - 10	R60420	5E6	28	70 - 75	R60846	6E4	2	90 - 11
R60172	6D23	9	90 - 5	R60420	5E8	27	70 - 77	R60874	5C9	11	70 - 27
R60173	6F25	40	90 - 57	R60420	5F16	12	70 - 107B	R60874	5C9	12	70 - 27
R60174	4C4	13	60 - 23B	R60420	5F17	3	70 - 108	R60874	5C9	13	70 - 27
R60205	6H14	9	90 - 99	R60420	5F18	12	70 - 109	R60876	1F2	9	30 - 31
R60263	6D25	20	90 - 7	R60427	2E15	4	40 - 71	R60877	1F2	8	30 - 31
R60264	6D25	21	90 - 7	R60428	3H8	10	50 - 150	R60888	5G16	28	70 - 133
R60272	1F7	5	30 - 37	R60458	6F22	15	90 - 54	R60964	6G15	17	90 - 73
R60273	1F7	7	30 - 37	R60469	6G10	15	90 - 67	R61033	3G18	18	50 - 133
R60274	1F7	8	30 - 37	R60469	6G15	11	90 - 73	R61033	3G19	10	50 - 135
R60275	1F7	9	30 - 37	R60469	6G15	16	90 - 73	R61066	3B11	14	50 - 3
R60276	1F7	11	30 - 37	R60469	6G15	41	90 - 73	R61107	3C21	20	50 - 37
R60277	1F7	1	30 - 37	R60472	1C15	6	20 - 31	R61107	3C24	22	50 - 41
R60278	1F7	4	30 - 37	R60473	1C7	5	20 - 26	R61133	2D10	10	40 - 51

# 1L11

4230 TRACTOR

## NUMERICAL INDEX - CONTINUED

PART NO.	GRID	KEY	PAGE	PART NO.	GRID	KEY	PAGE	PART NO.	GRID	KEY	PAGE
R61133	2D10	11	40 - 51	R61463	3H18	17	50 - 159	R61985	3C24	10	50 - 41
R61134	2D10	11	40 - 51	R61475	3D18	19	50 - 61	R61986	3C23	9	50 - 39
R61144	1F2	21	30 - 31	R61477	3D18	6	50 - 61	R61986	3C24	7	50 - 41
R61145	1F2	22	30 - 31	R61497	1B10	1	20 - 4	R61986	3D12	4	50 - 55
R61146	1F2	41	30 - 31	R61511	4C16	14	60 - 33	R61987	3C23	14	50 - 39
R61150	1B14	2	20 - 10	R61514	6B13	10	80 - 9	R61987	3D3	5	50 - 45
R61150	1B15	3	20 - 11	R61522	5C11	8	70 - 29	R61987	3D12	22	50 - 55
R61150	1B15	4	20 - 11	R61522	5C13	13	70 - 31	R61988	3C24	14	50 - 41
R61156	6B16	20	80 - 13	R61524	6C7	4	80 - 28	R61988	3D3	8	50 - 45
R61157	6B16	20	80 - 13	R61529	3B11	25	50 - 3	R61988	3D12	17	50 - 55
R61158	4B21	14	60 - 17	R61551	5C16	16	70 - 35	R62008	1C1	3	20 - 20
R61158	4C16	37	60 - 33	R61566	3C20	5	50 - 36	R62041	3B18	3	50 - 9
R61158	6B16	3	80 - 13	R61566	3C23	5	50 - 39	R62041	3B18	33	50 - 9
R61175	3G18	3	50 - 133	R61567	3C11	14	50 - 27	R62042	3B18	3	50 - 9
R61176	3G18	10	50 - 133	R61567	3C20	5	50 - 36	R62042	3B18	5A	50 - 9
R61176	3G19	4	50 - 135	R61567	3C20	7	50 - 36	R62042	3B18	5B	50 - 9
R61179	2E10	25	40 - 65	R61567	3C20	..	50 - 36	R62043	3B18	32A	50 - 9
R61179	2E12	25	40 - 67	R61567	3C23	7	50 - 39	R62043	3B18	32B	50 - 9
R61259	5C7	11	70 - 25	R61608	1C15	6	20 - 31	R62043	3B18	33	50 - 9
R61267	2F18	13	40 - 94	R61609	1C7	5	20 - 26	R62095	1D2	9	20 - 45
R61268	2F18	14	40 - 94	R61609	1C15	6	20 - 31	R62110	1C22	19	20 - 39
R61271	4C18	32	60 - 35	R61610	1C15	6	20 - 31	R62110	1C22	20	20 - 39
R61286	6F23	23	90 - 55	R61611	1C15	6	20 - 31	R62110	1C22	21	20 - 39
R61289	1C9	3	20 - 26C	R61632	2F18	16	40 - 94	R62110	1C22	28	20 - 39
R61289	1C15	6	20 - 31	R61659	3B14	3	50 - 5B	R62152	5D2	18	70 - 47
R61292	1C5	1	20 - 24	R61659	3B14	4	50 - 5B	R62175	4C10	20	60 - 27
R61292	1C7	8	20 - 26	R61659	3B14	8	50 - 5B	R62245	1F2	10	30 - 31
R61314	4C16	6	60 - 33	R61660	3B14	3	50 - 5B	R62278	4B25	2	60 - 21
R61314	4C16	9	60 - 33	R61660	3B14	4	50 - 5B	R62278	4B25	4	60 - 21
R61315	4C18	4	60 - 35	R61679	6I8	6	90 - 121	R62278	4B25	18	60 - 21
R61315	4C18	28	60 - 35	R61680	3F18	14	50 - 105	R62278	4C1	17	60 - 22
R61316	4C16	6	60 - 33	R61727	6C7	4	80 - 28	R62278	4C4	3	60 - 23B
R61316	4C18	28	60 - 35	R61762	5C23	23	70 - 43	R62278	4C4	6	60 - 23B
R61321	2E19	13	40 - 75	R61762	5E4	18	70 - 73	R62280	4B5	2	60 - 1
R61322	2E19	11	40 - 75	R61775	2G25	7	40 - 119	R62280	4B25	2	60 - 21
R61323	2E19	7	40 - 75	R61776	2G25	3	40 - 119	R62280	4C4	4	60 - 23B
R61324	6B5	7	80 - 1	R61862	6F21	12	90 - 53	R62281	4C1	18	60 - 22
R61339	6I10	9	90 - 123	R61909	1C8	3	20 - 26B	R62282	4B25	2	60 - 21
R61340	6I10	9	90 - 123	R61909	1C10	3	20 - 26D	R62285	3B11	3	50 - 3
R61341	2F1	13	40 - 82	R61909	1C11	3	20 - 27	R62305	5E18	20	70 - 87
R61341	6I10	9	90 - 123	R61909	4B21	23	60 - 17	R62336	5D2	45B	70 - 47
R61348	4C14	15B	60 - 31	R61909	4B23	15	60 - 19	R62336	5D4	52	70 - 49
R61349	5D2	34	70 - 47	R61909	4C16	23	60 - 33	R62336	5D6	4	70 - 51
R61349	5D4	34	70 - 49	R61909	4C18	19	60 - 35	R62410	1B16	1	20 - 12
R61349	5D4	36	70 - 49	R61910	4B21	24	60 - 17	R62410	1B17	1	20 - 13
R61349	5D6	39	70 - 51	R61910	4B23	16	60 - 19	R62410	1D14	17	20 - 57
R61349	5D6	41	70 - 51	R61910	4C16	24	60 - 33	R62418	1B9	5	20 - 3
R61350	5D2	34	70 - 47	R61910	4C18	20	60 - 35	R62418	1B9	8	20 - 3
R61350	5D4	34	70 - 49	R61932	2D8	2	40 - 49	R62419	1B9	5	20 - 3
R61350	5D4	35	70 - 49	R61932	2D15	23	40 - 54C	R62419	1B9	7	20 - 3
R61350	5D6	40	70 - 51	R61932	2D20	22	40 - 56C	R62420	1B9	5	20 - 3
R61350	5D6	41	70 - 51	R61933	2D20	15	40 - 56C	R62420	1B9	6	20 - 3
R61371	3E17	17	50 - 85	R61934	2D20	25	40 - 56C	R62421	1B9	5	20 - 3
R61371	3E17	26	50 - 85	R61938	6G13	5	90 - 71	R62421	1B9	9	20 - 3
R61371	3E17	34	50 - 85	R61939	3B18	3	50 - 9	R62512	3G25	1	50 - 141
R61371	3E17	36	50 - 85	R61951	1C5	9	20 - 24	R62513	3G25	1	50 - 141
R61386	3B11	28	50 - 3	R61955	5C14	11	70 - 33	R62513	3G25	2	50 - 141
R61386	3B12	8	50 - 5	R61967	5F3	24	70 - 95	R62513	3H6	1	50 - 147
R61397	3B14	8	50 - 5B	R61975	3B22	4	50 - 13	R62515	3H2	13	50 - 143
R61398	3B12	12	50 - 5	R61976	3B22	4	50 - 13	R62516	3H2	11	50 - 143
R61399	3B12	18	50 - 5	R61983	3C23	14	50 - 39	R62535	3B12	11	50 - 5
R61400	3B12	2	50 - 5	R61983	3D10	5	50 - 53	R62535	3B12	12	50 - 5
R61462	3H6	9	50 - 147	R61983	3D12	22	50 - 55	R62544	6H14	1	90 - 99
R61462	3H18	16	50 - 159	R61984	3C24	14	50 - 41	R62545	6G2	..	90 - 59
R61462	3H18	17	50 - 159	R61984	3D10	8	50 - 53	R62545	6H24	4	90 - 110
R61463	3H6	10	50 - 147	R61984	3D12	17	50 - 55	R62545	6H25	1	90 - 111
R61463	3H18	16	50 - 159	R61985	3C23	11	50 - 39	R62546	6G2	..	90 - 59

# 1L12

4230 TRACTOR

## NUMERICAL INDEX - CONTINUED

PART NO.	GRID	KEY	PAGE	PART NO.	GRID	KEY	PAGE	PART NO.	GRID	KEY	PAGE
R62546	6H24	4	90 - 110	R62859	5D12	34	70 - 57	R63052	3B18	5B	50 - 9
R62546	6H25	4	90 - 111	R62860	5D12	38	70 - 57	R63052	3B18	32A	50 - 9
R62547	6H24	4	90 - 110	R62860	5D14	38	70 - 59	R63052	3B18	32B	50 - 9
R62547	6H25	2	90 - 111	R62862	5D12	30	70 - 57	R63052	3B18	33	50 - 9
R62590	6I5	32	90 - 117	R62863	5D12	35	70 - 57	R63069	3C5	13	50 - 21
R62622	4C6	1	60 - 25	R62865	5G18	12B	70 - 135	R63069	3C9	13	50 - 25
R62635	6G15	7	90 - 73	R62880	4C10	10	60 - 27	R63069	3C11	3	50 - 27
R62635	6G15	48	90 - 73	R62896	6D4	18	80 - 51	R63070	3C5	11	50 - 21
R62636	6G15	7	90 - 73	R62899	1E24	3	30 - 29	R63070	3C9	11	50 - 25
R62636	6G15	47	90 - 73	R62899	1F2	19	30 - 31	R63070	3C11	1	50 - 27
R62652	5F20	33	70 - 111	R62900	1E24	3	30 - 29	R63072	3C5	17	50 - 21
R62652	5F22	31	70 - 113	R62900	1F2	19	30 - 31	R63072	3C9	17	50 - 25
R62665	6G6	9	90 - 63	R62927	3C25	1	50 - 42	R63072	3C11	8	50 - 27
R62667	2D21	6	40 - 56D	R62927	3D12	1	50 - 55	R63072	3C11	9	50 - 27
R62668	2D21	8	40 - 56D	R62927	3D14	4	50 - 57	R63073	3C5	10	50 - 21
R62669	2D20	11	40 - 56C	R62931	5D7	6	70 - 52	R63073	3C9	10	50 - 25
R62670	2D18	20	40 - 56A	R62931	5D7	7	70 - 52	R63073	3C11	5	50 - 27
R62671	2D18	38	40 - 56A	R62955	3B14	27	50 - 5B	R63073	3C11	9	50 - 27
R62672	2D20	3	40 - 56C	R62956	6D12	14	80 - 57	R63074	3C5	15	50 - 21
R62673	2D18	11	40 - 56A	R62956	6I8	18	90 - 121	R63074	3C9	15	50 - 25
R62674	2D18	2	40 - 56A	R62957	6D12	13	80 - 57	R63074	3C11	6	50 - 27
R62685	3G18	29	50 - 133	R62986	1C7	6	20 - 26	R63074	3C11	9	50 - 27
R62685	3G18	..	50 - 133	R62986	1C8	4	20 - 26B	R63075	3C5	16	50 - 21
R62685	3G19	16	50 - 135	R62986	1C9	4	20 - 26C	R63075	3C9	16	50 - 25
R62685	4C20	6	60 - 37	R62986	1C10	4	20 - 26D	R63075	3C11	7	50 - 27
R62686	3G19	15	50 - 135	R62986	1C11	4	20 - 27	R63075	3C11	9	50 - 27
R62686	4C20	6	60 - 37	R62986	1C15	4	20 - 31	R63076	3C11	13	50 - 27
R62690	3C15	1	50 - 31	R62987	1C9	5	20 - 26C	R63076	3C23	5	50 - 39
R62690	3C17	12	50 - 33	R62987	1C15	5	20 - 31	R63081	5C23	7	70 - 43
R62690	3D8	25	50 - 51	R62988	1C9	5	20 - 26C	R63081	5E4	5	70 - 73
R62690	3D8	28	50 - 51	R62988	1C15	5	20 - 31	R63093	3D19	3	50 - 62
R62690	3D10	25	50 - 53	R62989	3C3	4	50 - 19	R63093	3D20	3	50 - 63
R62690	3D10	26	50 - 53	R62989	3C5	4	50 - 21	R63093	3F22	14	50 - 109
R62708	5C13	23	70 - 31	R62992	3C3	5	50 - 19	R63093	3F23	4	50 - 111
R62708	5C13	26	70 - 31	R62992	3C5	5	50 - 21	R63105	3G18	3	50 - 133
R62708	5C13	27	70 - 31	R62993	3C7	5	50 - 23	R63106	3G23	18	50 - 139
R62724	3B18	24	50 - 9	R62993	3C9	5	50 - 25	R63107	6D12	..	80 - 57
R62725	3B18	30	50 - 9	R63001	4B21	22	60 - 17	R63107	6D15	4	80 - 60
R62726	3B18	28	50 - 9	R63001	4B23	14	60 - 19	R63108	6D12	..	80 - 57
R62727	3B18	26	50 - 9	R63001	4C16	28	60 - 33	R63108	6D15	4	80 - 60
R62729	3B11	5	50 - 3	R63001	4C18	18	60 - 35	R63109	6D12	3	80 - 57
R62732	3B10	1	50 - 2	R63002	1C15	5	20 - 31	R63112	3G18	21	50 - 133
R62732	3B10	9	50 - 2	R63003	1C7	7	20 - 26	R63175	5D18	12	70 - 63
R62732	3B10	13	50 - 2	R63003	1C8	5	20 - 26B	R63175	5D20	47	70 - 65
R62732	3E7	10	50 - 75	R63003	1C10	5	20 - 26D	R63175	5D22	47	70 - 67
R62732	3E7	11	50 - 75	R63003	1C11	5	20 - 27	R63176	5D18	12	70 - 63
R62732	3E7	36	50 - 75	R63003	1C15	5	20 - 31	R63176	5D22	47	70 - 67
R62738	3B10	1	50 - 2	R63004	1C15	5	20 - 31	R63177	5D18	5	70 - 63
R62738	3B10	9	50 - 2	R63005	1C15	5	20 - 31	R63178	5D18	2	70 - 63
R62738	3B10	13	50 - 2	R63006	1C15	5	20 - 31	R63178	5D20	38	70 - 65
R62742	3B14	8	50 - 5B	R63007	1C7	7	20 - 26	R63178	5D22	2	70 - 67
R62744	3B14	8	50 - 5B	R63007	1C8	5	20 - 26B	R63193	3E17	37	50 - 85
R62788	1E14	1B	30 - 19	R63007	1C10	5	20 - 26D	R63195	3E17	37	50 - 85
R62806	3C5	19	50 - 21	R63007	1C11	5	20 - 27	R63196	3E17	17	50 - 85
R62806	3C11	10	50 - 27	R63007	1C15	5	20 - 31	R63204	3G20	2	50 - 136
R62807	3C9	19	50 - 25	R63008	1C15	5	20 - 31	R63205	3G20	2	50 - 136
R62807	3C11	10	50 - 27	R63009	1C15	5	20 - 31	R63205	3G20	5	50 - 136
R62832	3B12	18	50 - 5	R63010	1C8	4	20 - 26B	R63259	6G8	26	90 - 65
R62833	3B12	18	50 - 5	R63010	1C10	4	20 - 26D	R63263	6G8	21	90 - 65
R62836	3C19	2	50 - 35	R63010	1C11	4	20 - 27	R63263	6G8	27	90 - 65
R62836	3C19	3	50 - 35	R63010	1C15	4	20 - 31	R63263	6G8	31	90 - 65
R62838	3C17	12	50 - 33	R63019	6G10	1	90 - 67	R63303	3C1	1	50 - 17
R62838	3C19	2	50 - 35	R63019	6G12	3	90 - 69	R63303	3C1	13	50 - 17
R62840	3C19	4	50 - 35	R63034	2E15	3	40 - 71	R63303	3G3	11	50 - 116
R62841	3C19	16	50 - 35	R63034	2E17	5	40 - 73	R63303	3G6	27	50 - 119
R62842	3C19	6	50 - 35	R63052	3B18	3	50 - 9	R63326	1C6	2	20 - 25
R62843	3C19	7	50 - 35	R63052	3B18	5A	50 - 9	R63326	1C8	8	20 - 26B

# 1L13

4230 TRACTOR

## NUMERICAL INDEX - CONTINUED

PART NO.	GRID	KEY	PAGE	PART NO.	GRID	KEY	PAGE	PART NO.	GRID	KEY	PAGE
R63326	1C9	8	20 - 26C	R63667	2G8	7	40 - 105D	R64086	1B15	3	20 - 11
R63326	1C10	8	20 - 26D	R63667	2G10	7	40 - 105F	R64098	3D10	31	50 - 53
R63334	3C19	24	50 - 35	R63668	2G4	6	40 - 105	R64146	3B9	2	50 - 1
R63335	3C14	15	50 - 30	R63668	2G6	6	40 - 105B	R64148	3E25	4	50 - 89
R63335	3C14	16	50 - 30	R63668	2G8	6	40 - 105D	R64170	5C16	23	70 - 35
R63345	1F4	32	30 - 33	R63668	2G10	6	40 - 105F	R64170	5C16	24	70 - 35
R63387	6G15	25	90 - 73	R63669	2G4	5	40 - 105	R64170	5C16	25	70 - 35
R63399	4C2	12	60 - 23	R63669	2G6	5	40 - 105B	R64170	5C17	24	70 - 36
R63399	4C4	24	60 - 23B	R63669	2G8	5	40 - 105D	R64170	5C17	25	70 - 36
R63409	6D4	14A	80 - 51	R63669	2G10	5	40 - 105F	R64170	5C18	16	70 - 37
R63409	6D4	15A	80 - 51	R63670	2G4	4	40 - 105	R64170	5C18	17	70 - 37
R63409	6D4	15B	80 - 51	R63670	2G6	4	40 - 105B	R64283	5C24	2	70 - 44
R63409	6D4	16	80 - 51	R63670	2G8	4	40 - 105D	R64283	5D20	3	70 - 65
R63410	6D4	14A	80 - 51	R63670	2G10	4	40 - 105F	R64283	5D22	4	70 - 67
R63410	6D4	15A	80 - 51	R63671	2G4	2	40 - 105	R64295	5D7	6	70 - 52
R63410	6D4	15B	80 - 51	R63671	2G6	2	40 - 105B	R64296	5D10	1	70 - 55
R63410	6D4	16	80 - 51	R63671	2G8	2	40 - 105D	R64296	5D12	1	70 - 57
R63413	6D4	11	80 - 51	R63671	2G10	2	40 - 105F	R64326	3B9	8	50 - 1
R63413	6D4	14A	80 - 51	R63672	2G4	36	40 - 105	R64383	3C17	6	50 - 33
R63413	6D4	15A	80 - 51	R63672	2G6	38	40 - 105B	R64383	3C19	24	50 - 35
R63413	6D4	16	80 - 51	R63672	2G8	38	40 - 105D	R64391	6D12	12	80 - 57
R63420	6D4	14A	80 - 51	R63672	2G10	40	40 - 105F	R64423	3C14	13	50 - 30
R63420	6D4	14B	80 - 51	R63673	4C6	1	60 - 25	R64491	3H21	6	50 - 163
R63420	6D4	15A	80 - 51	R63673	4C8	1	60 - 25B	R64561	5G6	23	70 - 123
R63420	6D4	16	80 - 51	R63709	3D16	14	50 - 59	R64568	1C20	1	20 - 37
R63421	6D4	14A	80 - 51	R63709	3D18	18	50 - 61	R64605	5G6	11	70 - 123
R63421	6D4	14B	80 - 51	R63736	5E22	29	70 - 91	R64606	5G6	18	70 - 123
R63421	6D4	15A	80 - 51	R63742	3B14	8	50 - 5B	R64607	5G6	17	70 - 123
R63421	6D4	16	80 - 51	R63744	3B14	8	50 - 5B	R64608	5G6	8	70 - 123
R63451	1C5	3	20 - 24	R63760	6G15	18A	90 - 73	R64609	5G6	7	70 - 123
R63451	1C5	11	20 - 24	R63760	6G15	20	90 - 73	R64610	5G6	16	70 - 123
R63451	1C6	4	20 - 25	R63839	6G8	17	90 - 65	R64611	5G6	15	70 - 123
R63451	1C6	5	20 - 25	R63845	1E2	9	30 - 9	R64612	5G6	14	70 - 123
R63451	1C6	6	20 - 25	R63845	1E24	41	30 - 29	R64613	5G6	12	70 - 123
R63460	2C4	7	40 - 23	R63845	1F2	35	30 - 31	R64614	5G6	13	70 - 123
R63461	2C4	19	40 - 23	R63849	3B18	26	50 - 9	R64615	5G6	6	70 - 123
R63461	2C8	22	40 - 27	R63927	3D10	10	50 - 53	R64617	5G6	4	70 - 123
R63462	2C4	1	40 - 23	R63927	3D12	15	50 - 55	R64618	5G6	5	70 - 123
R63462	2C8	1	40 - 27	R63933	6D4	18	80 - 51	R64697	3H12	12	50 - 153
R63465	6D12	5	80 - 57	R63933	6D4	19	80 - 51	R64698	3H12	11	50 - 153
R63469	3D18	11	50 - 61	R63956	6G24	1	90 - 83	R64699	2E22	2	40 - 78
R63477	3G3	12	50 - 116	R63974	3C7	4	50 - 23	R64700	2E21	7	40 - 77
R63477	3G3	13	50 - 116	R63974	3C9	4	50 - 25	R64700	2E22	7	40 - 78
R63477	3G4	10	50 - 117	R63979	3E17	37	50 - 85	R64704	4B25	18	60 - 21
R63477	3G4	11	50 - 117	R63979	3E19	35	50 - 85B	R64704	4B25	20	60 - 21
R63477	3G6	18	50 - 119	R63980	3E17	17	50 - 85	R64704	4C1	17	60 - 22
R63477	3G6	20	50 - 119	R63980	3E17	26	50 - 85	R64704	4C4	3	60 - 23B
R63477	3G8	15	50 - 121	R63980	3E17	34	50 - 85	R64704	4C4	33	60 - 23B
R63477	3G8	17	50 - 121	R63980	3E17	36	50 - 85	R64726	6D12	3	80 - 57
R63477	3G11	6	50 - 125	R63980	3E19	16	50 - 85B	R64730	1B9	18	20 - 3
R63477	3G13	12	50 - 127	R63980	3E19	23	50 - 85B	R64771	5C23	7	70 - 43
R63496	2E25	5	40 - 81	R63980	3E19	27	50 - 85B	R64771	5E4	5	70 - 73
R63501	5D20	14	70 - 65	R63983	2G16	16	40 - 109	R64791	3G18	11	50 - 133
R63501	5D22	15	70 - 67	R64013	5D12	16	70 - 57	R64792	3G18	11	50 - 133
R63501	5D24	13	70 - 69	R64056	2G12	14	40 - 107	R64812	1C5	9	20 - 24
R63531	2E17	25	40 - 73	R64057	2G12	6	40 - 107	R64826	3E7	10	50 - 75
R63538	3G23	21	50 - 139	R64057	2G14	6	40 - 107B	R64826	3E7	11	50 - 75
R63539	3G23	6	50 - 139	R64058	2G12	19	40 - 107	R64826	3E7	31	50 - 75
R63571	6D21	21	90 - 3	R64059	2G12	21	40 - 107	R64826	3E7	36	50 - 75
R63573	5D6	23	70 - 51	R64059	2G14	21	40 - 107B	R64840	1F2	6	30 - 31
R63574	5E8	7	70 - 77	R64060	2G12	13	40 - 107	R64840	1F7	12	30 - 37
R63666	2G4	8	40 - 105	R64061	2G12	2	40 - 107	R64842	1D2	1	20 - 45
R63666	2G6	8	40 - 105B	R64061	2G14	2	40 - 107B	R64843	5D10	7	70 - 55
R63666	2G8	8	40 - 105D	R64062	2G12	26	40 - 107	R64843	5D12	1	70 - 57
R63666	2G10	8	40 - 105F	R64062	2G14	25	40 - 107B	R64843	5D12	7A	70 - 57
R63667	2G4	7	40 - 105	R64063	2G12	10	40 - 107	R64845	5D10	7	70 - 55
R63667	2G6	7	40 - 105B	R64063	2G14	10	40 - 107B	R64845	5D12	7A	70 - 57

# 1L14

4230 TRACTOR

## NUMERICAL INDEX - CONTINUED

PART NO.	GRID	KEY	PAGE	PART NO.	GRID	KEY	PAGE	PART NO.	GRID	KEY	PAGE
R64845	5D12	8B	70 - 57	R65354	5F22	22	70 - 113	R65543	4C21	1	60 - 37A
R65055	1C20	19	20 - 37	R65431	3B12	12	50 - 5	R65549	3B12	1	50 - 5
R65055	1D14	24	20 - 57	R65431	3B12	13	50 - 5	R65550	3B12	19	50 - 5
R65055	1D14	30	20 - 57	R65432	3B12	12	50 - 5	R65551	3B12	1	50 - 5
R65095	1E18	3	30 - 23	R65432	3B12	13	50 - 5	R65563	3B20	10	50 - 11
R65146	5F16	11	70 - 107B	R65436	6D22	25	90 - 4	R65563	3E14	3	50 - 82
R65147	6E8	1	90 - 15	R65436	6D23	11	90 - 5	R65565	1B15	3	20 - 11
R65148	6E8	6	90 - 15	R65436	6D23	22	90 - 5	R65565	1B15	4	20 - 11
R65150	6E8	8	90 - 15	R65442	6F25	40	90 - 57	R65570	6G10	5	90 - 67
R65192	5B15	44	70 - 9	R65450	6E4	2	90 - 11	R65570	6G10	8	90 - 67
R65193	5D16	33	70 - 61	R65465	6H6	2	90 - 89	R65570	6G12	5	90 - 69
R65194	5B15	43	70 - 9	R65466	6H6	5	90 - 89	R65590	2C13	4	40 - 31
R65194	5D16	31	70 - 61	R65467	6H6	3	90 - 89	R65592	3F2	6	50 - 91
R65205	3G24	1	50 - 140	R65471	6H4	9	90 - 87	R65593	2C13	4	40 - 31
R65207	3H18	5	50 - 159	R65472	6H4	1	90 - 87	R65593	2F18	8	40 - 94
R65207	3H18	30	50 - 159	R65473	6H2	10	90 - 85	R65593	2H4	4	40 - 123
R65207	3H21	40	50 - 163	R65475	6E14	13	90 - 21	R65593	5C23	24	70 - 43
R65208	3H18	5	50 - 159	R65476	6D25	3	90 - 7	R65593	5E4	19	70 - 73
R65211	3H9	5	50 - 151	R65476	6E12	10	90 - 19	R65593	6E6	15	90 - 13
R65219	3G21	11	50 - 137	R65478	3E25	7	50 - 89	R65594	2H4	2	40 - 123
R65226	3C17	12	50 - 33	R65479	3E24	4	50 - 88	R65595	2H4	21	40 - 123
R65226	3C19	2	50 - 35	R65479	3F1	3	50 - 90	R65595	2H8	11	40 - 127
R65226	3C19	3	50 - 35	R65479	3F2	8	50 - 91	R65596	2H4	22	40 - 123
R65229	3C19	4	50 - 35	R65480	3E24	5	50 - 88	R65597	2B9	31	40 - 3
R65230	3C19	3	50 - 35	R65480	3E25	8	50 - 89	R65597	2B11	20	40 - 5
R65230	3C19	13	50 - 35	R65480	3F1	4	50 - 90	R65597	2F15	7	40 - 90
R65231	3C19	3	50 - 35	R65480	3F2	7	50 - 91	R65597	2F16	6	40 - 91
R65231	3C19	12	50 - 35	R65500	3G20	10	50 - 136	R65597	2H4	23	40 - 123
R65232	3C19	3	50 - 35	R65501	5F20	12	70 - 111	R65598	2H4	24	40 - 123
R65232	3C19	13	50 - 35	R65501	5F20	18	70 - 111	R65599	2H4	25	40 - 123
R65242	5E22	33	70 - 91	R65501	5F20	31	70 - 111	R65600	2B8	10	40 - 2
R65243	5E22	24	70 - 91	R65501	5F22	17	70 - 113	R65600	2B9	31	40 - 3
R65245	5D18	4	70 - 63	R65501	5F23	1	70 - 115	R65600	2H4	26	40 - 123
R65260	3D12	9	50 - 55	R65501	5G2	26	70 - 119	R65600	6E6	15	90 - 13
R65261	3D12	7	50 - 55	R65502	5F20	12	70 - 111	R65601	2H4	27	40 - 123
R65284	5F20	12	70 - 111	R65502	5F20	18	70 - 111	R65602	2H4	28	40 - 123
R65284	5F20	26	70 - 111	R65502	5F20	31	70 - 111	R65602	2H10	49	40 - 129
R65284	5F23	1	70 - 115	R65502	5F22	17	70 - 113	R65603	2H4	29	40 - 123
R65284	5G2	26	70 - 119	R65502	5F23	1	70 - 115	R65604	2H4	30	40 - 123
R65284	5G4	27	70 - 121	R65502	5G2	26	70 - 119	R65604	6E6	15	90 - 13
R65285	5G2	27	70 - 119	R65505	6E4	16	90 - 11	R65605	2H4	31	40 - 123
R65285	5G4	28	70 - 121	R65506	6G2	10	90 - 59	R65606	2H4	32	40 - 123
R65285	5G5	11	70 - 122	R65508	6G8	9	90 - 65	R65607	2H4	33	40 - 123
R65286	5F20	14	70 - 111	R65508	6G20	6	90 - 79	R65607	2H10	46	40 - 129
R65286	5F22	13	70 - 113	R65527	5F3	16	70 - 95	R65608	2H4	5	40 - 123
R65286	5F25	13	70 - 117	R65531	5E15	18	70 - 84	R65609	2H4	8	40 - 123
R65286	5G2	14	70 - 119	R65531	5F1	21	70 - 93	R65610	2H4	9	40 - 123
R65286	5G4	14	70 - 121	R65535	5F1	18	70 - 93	R65624	6G8	28	90 - 65
R65286	5G5	4	70 - 122	R65536	5E15	9	70 - 84	R65648	3G18	3	50 - 133
R65287	5F23	16	70 - 115	R65541	4B21	23	60 - 17	R65648	3G19	3	50 - 135
R65287	5F25	7	70 - 117	R65541	4B21	24	60 - 17	R65683	1C20	17	20 - 37
R65289	5F20	12	70 - 111	R65541	4B23	15	60 - 19	R65684	3B16	11	50 - 7
R65289	5F20	26	70 - 111	R65541	4B23	16	60 - 19	R65684	3E17	11	50 - 85
R65289	5F22	25	70 - 113	R65541	4C16	23	60 - 33	R65684	3E19	1A	50 - 85B
R65289	5F23	1	70 - 115	R65541	4C16	24	60 - 33	R65684	5F17	15	70 - 108
R65289	5G2	26	70 - 119	R65541	4C18	19	60 - 35	R65684	5F18	16	70 - 109
R653R	3F18	18	50 - 105	R65541	4C18	20	60 - 35	R65685	4C2	12	60 - 23
R653R	3F18	22	50 - 105	R65542	4B21	23	60 - 17	R65685	4C4	24	60 - 23B
R65301	6H16	7	90 - 101	R65542	4B21	24	60 - 17	R65687	4C10	20	60 - 27
R65302	6H16	5	90 - 101	R65542	4B23	15	60 - 19	R65689	2F16	10	40 - 91
R65323	2F20	1	40 - 96	R65542	4B23	16	60 - 19	R65690	2F15	11	40 - 90
R65334	5C25	11	70 - 45	R65542	4C16	23	60 - 33	R65694	5D20	15	70 - 65
R65334	5D20	20	70 - 65	R65542	4C16	24	60 - 33	R65694	5D22	16	70 - 67
R65334	5D22	26	70 - 67	R65542	4C18	19	60 - 35	R65694	5D24	14	70 - 69
R65334	5D24	20	70 - 69	R65542	4C18	20	60 - 35	R65695	6H21	7	90 - 107
R65342	3C3	4	50 - 19	R65543	3G18	16	50 - 133	R65696	6H23	20	90 - 109
R65342	3C5	4	50 - 21	R65543	4C20	1	60 - 37	R65697	2B9	24	40 - 3

# 1L15

4230 TRACTOR

## NUMERICAL INDEX - CONTINUED

PART NO.	GRID	KEY	PAGE	PART NO.	GRID	KEY	PAGE	PART NO.	GRID	KEY	PAGE
R65697	6C25	1	80 - 47	R66005	6D14	7	80 - 59	R66373	6G8	29	90 - 65
R65699	4C16	13	60 - 33	R66006	6D14	7	80 - 59	R66374	6G8	24	90 - 65
R65706	1D10	6	20 - 53	R66008	6D14	18	80 - 59	R66375	6G8	30	90 - 65
R65706	1D10	12	20 - 53	R66009	6D14	3	80 - 59	R66383	6G8	6	90 - 65
R65707	1D10	10	20 - 53	R66010	6D14	12	80 - 59	R66416	5F22	18	70 - 113
R65708	1D10	9	20 - 53	R66011	6D14	16	80 - 59	R66418	6E4	3	90 - 11
R65741	3G3	12	50 - 116	R66013	6D14	11	80 - 59	R66432	5E11	12	70 - 80
R65741	3G4	10	50 - 117	R66015	6D14	10	80 - 59	R66432	5E12	1	70 - 81
R65741	3G6	17	50 - 119	R66016	6D14	17	80 - 59	R66432	5E14	1	70 - 83
R65741	3G8	14	50 - 121	R66017	6D14	2	80 - 59	R66432	5E16	19	70 - 85
R65743	5D18	3	70 - 63	R66018	6D14	14	80 - 59	R66432	5E16	20	70 - 85
R65743	5D18	5	70 - 63	R66019	6D14	13	80 - 59	R66432	5E18	28	70 - 87
R65743	5D20	49	70 - 65	R66021	6D14	5	80 - 59	R66432	5E18	30	70 - 87
R65743	5D22	49	70 - 67	R66021	6D14	7	80 - 59	R66433	5E11	12	70 - 80
R65744	5D18	3	70 - 63	R66022	6D14	20	80 - 59	R66433	5E12	1	70 - 81
R65744	5D18	5	70 - 63	R66023	6D14	19	80 - 59	R66433	5E14	1	70 - 83
R65744	5D20	39	70 - 65	R66024	6D14	9	80 - 59	R66433	5E16	19	70 - 85
R65744	5D22	39	70 - 67	R66061	3D18	3	50 - 61	R66433	5E16	20	70 - 85
R65774	6I5	1	90 - 117	R66067	3H21	1	50 - 163	R66433	5E18	28	70 - 87
R65774	6I5	7	90 - 117	R66068	3D23	7	50 - 66	R66433	5E18	30	70 - 87
R65775	6I5	1	90 - 117	R66069	2E21	3	40 - 77	R66452	1C13	1	20 - 29
R65775	6I5	7	90 - 117	R66087	6G8	5	90 - 65	R66452	1D16	1	20 - 59
R65827	4B21	6	60 - 17	R66117	2D11	4	40 - 52	R66454	1C12	3	20 - 28
R65827	4B21	31	60 - 17	R66117	2D22	9	40 - 57	R66469	5H12	11	70 - 154
R65827	4C16	5	60 - 33	R66117	6E6	2	90 - 13	R66473	5H12	13	70 - 154
R65827	6B5	2	80 - 1	R66153	4C16	6	60 - 33	R66474	5H12	8	70 - 154
R65827	6B6	3	80 - 2	R66153	4C16	9	60 - 33	R66475	5H12	5	70 - 154
R65827	6B7	3	80 - 3	R66154	4C18	4	60 - 35	R66476	1F12	11	30 - 42
R65832	6E8	5	90 - 15	R66154	4C18	28	60 - 35	R66528	6D2	14	80 - 49
R65832	6E10	10	90 - 17	R66157	4B23	4	60 - 19	R66529	6D2	15	80 - 49
R65844	6H18	9	90 - 103	R66197	3F3	7	50 - 92	R66530	6D2	2	80 - 49
R65847	3D16	17	50 - 59	R662R	1F12	16	30 - 42	R66531	6D2	9	80 - 49
R65849	4C10	3	60 - 27	R662R	3D5	10	50 - 48	R66536	6D2	2	80 - 49
R65887	5G18	17	70 - 135	R662R	3D8	21	50 - 51	R66537	6D2	9	80 - 49
R65888	5F18	31	70 - 109	R662R	3D10	19	50 - 53	R66561	6I8	22	90 - 121
R65888	5G18	16	70 - 135	R662R	3D14	42	50 - 57	R66562	6I8	22	90 - 121
R65892	3D19	6	50 - 62	R662R	5D14	35	70 - 59	R66566	5G16	13	70 - 133
R65892	3D20	8	50 - 63	R66205	2F14	4	40 - 89	R66612	3E10	17	50 - 78
R65892	3F22	8	50 - 109	R66206	2F14	3	40 - 89	R66612	3E11	9	50 - 79
R65892	3F23	8	50 - 111	R66290	6I11	11	90 - 124	R66612	3E24	21	50 - 88
R65894	3D19	1	50 - 62	R66301	2D2	5	40 - 43B	R66619	6D14	6	80 - 59
R65894	3D20	1	50 - 63	R66302	2D2	11	40 - 43B	R66620	6D14	6	80 - 59
R65894	3D20	12	50 - 63	R66319	2B8	7	40 - 2	R66623	3B16	10	50 - 7
R65894	3F22	1	50 - 109	R66319	2B8	10	40 - 2	R66645	6D25	7	90 - 7
R65894	3F22	12	50 - 109	R66319	2B9	24	40 - 3	R66649	3H2	6	50 - 143
R65894	3F23	1	50 - 111	R66319	2B9	31	40 - 3	R66649	6B13	9	80 - 9
R65906	6H9	14	90 - 93	R66319	2B11	20	40 - 5	R66650	3H2	6	50 - 143
R65907	6H9	9	90 - 93	R66319	2E8	11	40 - 63	R66650	6B13	9	80 - 9
R65920	5F16	19	70 - 107B	R66319	2E10	18	40 - 65	R66651	6B13	7	80 - 9
R65923	6C21	1	80 - 43	R66319	2E12	18	40 - 67	R66658	2F20	3	40 - 96
R65923	6C23	1	80 - 45	R66319	2E13	15	40 - 69	R66659	2F20	8	40 - 96
R65924	6C17	1	80 - 39	R66319	2E17	1	40 - 73	R66660	2F20	11	40 - 96
R65924	6C23	1	80 - 45	R66319	2F13	10	40 - 88	R66670	3F9	2	50 - 98
R65925	6C17	1	80 - 39	R66319	2F15	7	40 - 90	R66683	1E4	13	30 - 12
R65925	6C17	5	80 - 39	R66319	2F16	6	40 - 91	R66683	1E4	14	30 - 12
R65925	6C19	1	80 - 41	R66319	2H2	1	40 - 121	R66684	1E4	12	30 - 12
R65925	6C19	5	80 - 41	R66319	2H2	9	40 - 121	R66715	3G6	18	50 - 119
R65925	6C21	1	80 - 43	R66319	2H2	14	40 - 121	R66715	3G8	17	50 - 121
R65925	6C21	5	80 - 43	R66319	2H2	15	40 - 121	R66715	3G11	14	50 - 125
R65925	6C23	1	80 - 45	R66319	2H4	3	40 - 123	R66715	3G13	4	50 - 127
R65925	6C23	5	80 - 45	R66320	2H4	7	40 - 123	R66821	1E16	8	30 - 21
R65925	6C25	1	80 - 47	R66320	2H8	24	40 - 127	R66821	1E19	12	30 - 24
R65925	6C25	5	80 - 47	R66321	2G22	7	40 - 116	R66893	5D6	23	70 - 51
R65926	6C23	18	80 - 45	R66321	2G22	11	40 - 116	R66894	5D10	3	70 - 55
R65927	6C17	28	80 - 39	R66321	2H4	6	40 - 123	R66894	5D12	3	70 - 57
R65927	6C23	18	80 - 45	R66321	2H8	24	40 - 127	R66895	5D2	30	70 - 47
R66004	6D14	21	80 - 59	R66373	6G8	22	90 - 65	R66895	5D4	25	70 - 49

# 1L16

4230 TRACTOR

## NUMERICAL INDEX - CONTINUED

PART NO.	GRID	KEY	PAGE	PART NO.	GRID	KEY	PAGE	PART NO.	GRID	KEY	PAGE
R66901	5E20	6B	70 - 89	R68173	3G11	7	50 - 125	R69281	4C25	35	60 - 39B
R66901	5E22	4	70 - 91	R68173	3G13	5	50 - 127	R69297	6D21	1	90 - 3
R66916	5F20	12	70 - 111	R68220	4C4	24	60 - 23B	R69297	6D21	2	90 - 3
R66916	5F20	31	70 - 111	R68222	2E2	8	40 - 58	R69297	6D21	3	90 - 3
R66916	5F22	22	70 - 113	R68224	2E2	1	40 - 58	R69297	6D21	12	90 - 3
R66916	5F23	1	70 - 115	R68252	5B21	24	70 - 15	R69301	6E8	13	90 - 15
R66916	5G2	26	70 - 119	R68252	5B23	24	70 - 17	R69301	6E10	16	90 - 17
R66923	1C13	4	20 - 29	R68274	1E24	38	30 - 29	R69301	6E11	6	90 - 18
R66924	1C12	6	20 - 28	R68274	1F2	32	30 - 31	R69309	3E9	1	50 - 77
R66930	6G10	6	90 - 67	R68284	4B21	27	60 - 17	R69310	3E9	6	50 - 77
R67028	6D4	18	80 - 51	R68284	4B23	19	60 - 19	R69319	6D25	22	90 - 7
R67032	4C16	9	60 - 33	R68284	4C16	19	60 - 33	R69320	6H2	13	90 - 85
R67033	6C10	18	80 - 31	R68284	4C18	22	60 - 35	R69389	4C16	25	60 - 33
R67034	6C10	16	80 - 31	R68307	6C25	23	80 - 47	R69389	4C18	26	60 - 35
R67035	1D4	1	20 - 47	R68308	6C19	23	80 - 41	R69478	4C18	4	60 - 35
R67037	3F12	3	50 - 101	R68308	6C25	23	80 - 47	R69480	4C18	4	60 - 35
R67037	3F12	15	50 - 101	R68332	6G24	19	90 - 83	R69482	4C18	4	60 - 35
R67041	6D12	9	80 - 57	R68332	6H4	13	90 - 87	R69521	6E12	3	90 - 19
R67054	6E8	7	90 - 15	R68359	6H16	9	90 - 101	R69522	6E12	6	90 - 19
R67054	6E10	12	90 - 17	R68359	6H18	9	90 - 103	R69562	6D19	6	90 - 1
R67067	3B12	13	50 - 5	R68360	6H16	12	90 - 101	R69642	5C24	14	70 - 44
R67121	5D6	38	70 - 51	R68361	6H16	10	90 - 101	R69644	2C24	25	40 - 43
R67121	5E8	18	70 - 77	R68362	6H16	11	90 - 101	R69644	2D2	25	40 - 43B
R67193	3F16	14	50 - 103	R68364	6H16	15	90 - 101	R69645	2C24	25	40 - 43
R67198	3G18	29	50 - 133	R68365	6H16	13	90 - 101	R69645	2D2	26	40 - 43B
R67198	4C20	6	60 - 37	R68366	6H16	16	90 - 101	R69747	6E14	15	90 - 21
R67219	3C1	5	50 - 17	R68459	6G10	5	90 - 67	R69748	6E14	20	90 - 21
R67221	3B24	6	50 - 15	R68459	6G10	6	90 - 67	R699R	1E1	7	30 - 8
R67235	6C7	1	80 - 28	R68460	6H11	1	90 - 95	R699R	1E1	8	30 - 8
R67295	4B23	8	60 - 19	R68460	6H11	2	90 - 95	R699R	1E3	6	30 - 11
R67295	4C18	8	60 - 35	R68460	6H11	3	90 - 95	R70072	6D14	1	80 - 59
R67295	4C18	9	60 - 35	R68460	6H11	4	90 - 95	R70085	6D14	4	80 - 59
R67315	3C19	7	50 - 35	R68460	6H11	5	90 - 95	R70086	6D14	8	80 - 59
R67363	6G2	16	90 - 59	R68460	6H11	6	90 - 95	R70206	3H2	13	50 - 143
R67366	3H18	6	50 - 159	R68460	6H11	7	90 - 95	R70209	2G2	19	40 - 103
R67366	3H21	44	50 - 163	R68461	6G12	11	90 - 69	R70210	2H10	41	40 - 129
R67387	3C3	5	50 - 19	R68625	2C17	18	40 - 35	R70211	2H10	40	40 - 129
R67387	3C5	5	50 - 21	R68625	2C17	22	40 - 35	R70212	2H10	41	40 - 129
R67409	1C22	19	20 - 39	R68648	3G14	1	50 - 129	R70213	2H10	40	40 - 129
R67409	1C22	20	20 - 39	R68710	3F6	2	50 - 95	R70214	2H10	41	40 - 129
R67409	1C22	21	20 - 39	R68721	3G23	20	50 - 139	R70215	2H10	40	40 - 129
R67409	1C22	28	20 - 39	R68791	6H20	5	90 - 106	R70216	2H10	41	40 - 129
R67486	6G13	5	90 - 71	R68792	6H20	6	90 - 106	R70217	2H10	40	40 - 129
R67560	2F18	12	40 - 94	R68793	6H20	3	90 - 106	R70218	2H10	41	40 - 129
R67562	6H19	5	90 - 105	R68817	3F12	1	50 - 101	R70219	2H10	40	40 - 129
R67563	6H19	4	90 - 105	R68818	3F12	3	50 - 101	R70220	2H10	50	40 - 129
R67564	6H19	7	90 - 105	R68819	3F12	3	50 - 101	R70221	2H10	39	40 - 129
R67565	6H19	2	90 - 105	R68820	3F12	23	50 - 101	R70222	2H10	38	40 - 129
R67566	6H19	1	90 - 105	R68821	3F10	3	50 - 99	R70235	6G13	1	90 - 71
R67567	6H19	11	90 - 105	R68939	3G6	9	50 - 119	R70236	3G3	16	50 - 116
R67568	6H19	6	90 - 105	R68939	3G8	26	50 - 121	R70236	3G4	8	50 - 117
R67569	6H19	10	90 - 105	R68956	3B14	15	50 - 5B	R70236	3G6	25	50 - 119
R67570	6H19	3	90 - 105	R68956	3B14	17	50 - 5B	R70236	3G8	9	50 - 121
R67571	6H19	9	90 - 105	R68956	3E3	3	50 - 71	R70236	3G11	13	50 - 125
R67694	6G22	23	90 - 81	R69109	2G19	1	40 - 113	R70236	3G13	10	50 - 127
R67694	6G22	30	90 - 81	R69166	5E10	2	70 - 79	R70249	3E9	6	50 - 77
R67694	6H2	16	90 - 85	R69214	3B25	19	50 - 16	R70268	1B23	22	20 - 17
R67840	3E10	7	50 - 78	R69214	3C1	18	50 - 17	R70268	1C15	7	20 - 31
R67875	3E24	13	50 - 88	R69262	5B15	44	70 - 9	R70268	6C15	10	80 - 37
R67981	3B18	5B	50 - 9	R69262	5D16	33	70 - 61	R70268	6C15	15	80 - 37
R67982	2C11	2	40 - 29	R69279	5B15	35	70 - 9	R70268	6F25	38	90 - 57
R68167	3G11	9	50 - 125	R69279	5B17	15	70 - 11	R70269	6G17	22	90 - 75
R68167	3G13	6	50 - 127	R69279	5B19	13	70 - 13	R70271	6G17	1	90 - 75
R68170	3G11	10	50 - 125	R69279	5B25	29	70 - 19	R70271	6G19	1	90 - 77
R68170	3G13	7	50 - 127	R69279	5C2	12	70 - 21	R70273	6G17	18	90 - 75
R68171	3G11	11	50 - 125	R69279	5C5	17	70 - 23	R70274	6G17	8	90 - 75
R68171	3G13	8	50 - 127	R69281	4C25	22	60 - 39B	R70274	6G19	8	90 - 77

# 1L17

4230 TRACTOR

## NUMERICAL INDEX - CONTINUED

PART NO.	GRID	KEY	PAGE	PART NO.	GRID	KEY	PAGE	PART NO.	GRID	KEY	PAGE
R70275	6G17	5	90 - 75	R71558	3C1	14	50 - 17	R72408	3F12	3	50 - 101
R70275	6G19	5	90 - 77	R71558	3G3	11	50 - 116	R72408	3F12	15	50 - 101
R70277	6G17	14	90 - 75	R71558	3G6	27	50 - 119	R72411	3F16	1	50 - 103
R70277	6G19	30	90 - 77	R71583	5D6	33	70 - 51	R72415	3F14	15	50 - 101B
R70309	6C5	7	80 - 25	R71585	5D6	23	70 - 51	R72429	5B13	29A	70 - 7
R70351	5B15	13	70 - 9	R71586	5B21	12	70 - 15	R72433	5F10	19	70 - 102
R70513	1F4	1	30 - 33	R71586	5B21	13	70 - 15	R72483	6E2	9	90 - 9
R70535	3C25	12	50 - 42	R71586	5B21	14	70 - 15	R72487	6E4	5	90 - 11
R70535	3D1	18	50 - 43	R71587	5B23	12	70 - 17	R72506	5B21	27	70 - 15
R70559	5B15	43	70 - 9	R71598	5B21	25A	70 - 15	R72507	5B13	29B	70 - 7
R70559	5D16	31	70 - 61	R71599	5B23	25A	70 - 17	R72507	5B13	..	70 - 7
R70607	3B14	15	50 - 5B	R71603	6D19	6	90 - 1	R72507	5B21	23	70 - 15
R70607	3B14	17	50 - 5B	R71732	1B23	20	20 - 17	R72507	5B23	23	70 - 17
R70607	3E3	3	50 - 71	R71732	1C20	2	20 - 37	R72509	5B13	30B	70 - 7
R70617	5B25	9	70 - 19	R71732	1C20	16	20 - 37	R72509	5B23	27	70 - 17
R70617	5C3	2	70 - 21A	R71732	1D14	23	20 - 57	R72587	3G3	12	50 - 116
R70648	5B13	6	70 - 7	R71851	1F4	15	30 - 33	R72587	3G4	10	50 - 117
R70648	5B23	1	70 - 17	R71867	3B16	18	50 - 7	R72587	3G6	17	50 - 119
R708R	4C20	4	60 - 37	R71916	1C2	3	20 - 21	R72587	3G8	14	50 - 121
R70826	1B13	5	20 - 8	R71918	1C1	4	20 - 20	R726R	6B8	9	80 - 4
R70838	3G13	2	50 - 127	R71918	1C2	4	20 - 21	R726R	6B9	11	80 - 5
R70867	5B25	21	70 - 19	R71918	1C3	1	20 - 22	R72653	1F9	9	30 - 39
R70868	5B25	22	70 - 19	R71918	1C4	4	20 - 23	R72653	1F9	24	30 - 39
R70870	2C22	4	40 - 41	R71918	1C13	8	20 - 29	R72653	1F11	20	30 - 41
R70870	2C22	10	40 - 41	R71918	1D12	14	20 - 55	R72653	3D5	1	50 - 48
R70871	2C21	11	40 - 39	R71918	1D14	10	20 - 57	R72653	3D8	14	50 - 51
R70881	3B20	7	50 - 11	R71970	3C20	9	50 - 36	R72653	3D10	16	50 - 53
R70959	6I8	17	90 - 121	R71970	3C23	25	50 - 39	R72653	3E14	8	50 - 82
R70966	3C1	5	50 - 17	R71971	3C20	9	50 - 36	R72653	3F20	27	50 - 107
R70976	5B13	8	70 - 7	R71971	3C23	25	50 - 39	R72653	4D7	28	60 - 47
R70976	5B23	5	70 - 17	R72040	6E14	13	90 - 21	R72653	5D10	10	70 - 55
R71048	3D18	21	50 - 61	R72049	3G3	2	50 - 116	R72653	5D10	17	70 - 55
R71095	4C16	13	60 - 33	R72049	3G4	19	50 - 117	R72653	5D10	54	70 - 55
R71208	1B13	1	20 - 8	R72049	3G6	2	50 - 119	R72653	5D12	11	70 - 57
R71248	2D2	3	40 - 43B	R72049	3G8	30	50 - 121	R72653	5D14	31	70 - 59
R71250	2C22	3	40 - 41	R72088	5E22	10	70 - 91	R72653	5G2	24	70 - 119
R71311	6D14	23	80 - 59	R72128	1B9	8	20 - 3	R72653	5G4	25	70 - 121
R71321	5B15	42	70 - 9	R72128	1B9	9	20 - 3	R72653	5G18	1	70 - 135
R71321	5B25	38	70 - 19	R72128	1B23	7	20 - 17	R72653	6E4	8	90 - 11
R71321	5D16	30	70 - 61	R72128	1B23	8	20 - 17	R72653	6G15	42	90 - 73
R71387	5G8	9	70 - 125	R72128	1B23	21	20 - 17	R72654	1E20	43	30 - 25
R71387	5G10	3	70 - 127	R72128	1B23	28	20 - 17	R72654	1F9	5	30 - 39
R71387	5H11	2	70 - 153	R72128	1B25	1	20 - 19	R72654	1F11	11	30 - 41
R71399	2C24	25	40 - 43	R72128	1C15	7	20 - 31	R72654	1F12	10	30 - 42
R71399	2D2	25	40 - 43B	R72128	1C15	8	20 - 31	R72654	3F18	42	50 - 105
R71400	2D2	5	40 - 43B	R72128	1D17	..	20 - 60	R72654	5D7	10	70 - 52
R71476	5E15	15	70 - 84	R72169	3G18	26	50 - 133	R72654	5D8	11	70 - 53
R71476	5F1	12	70 - 93	R72169	3G19	13	50 - 135	R72654	5D10	34	70 - 55
R71483	1C22	9	20 - 39	R72232	3G18	..	50 - 133	R72654	5D12	22	70 - 57
R71483	1C22	10	20 - 39	R72312	6H19	17	90 - 105	R72654	5E20	6C	70 - 89
R71483	1C22	11	20 - 39	R72313	6H19	20	90 - 105	R72654	5E22	3	70 - 91
R71484	1C22	19	20 - 39	R72314	6H19	19	90 - 105	R72654	5G2	36	70 - 119
R71484	1C22	22	20 - 39	R72315	6H19	13	90 - 105	R72654	5G4	34	70 - 121
R71484	1C22	23	20 - 39	R72316	6H19	12	90 - 105	R72654	6D1	5	80 - 48
R71484	1C22	28	20 - 39	R72328	1D10	7	20 - 53	R72654	6G15	27	90 - 73
R71523	6H4	3	90 - 87	R72328	1D10	13	20 - 53	R72654	6G19	24	90 - 77
R71523	6H6	7	90 - 89	R72328	1D14	3	20 - 57	R72655	1D2	9	20 - 45
R71530	1B15	3	20 - 11	R72341	3H18	6	50 - 159	R72655	3B20	3	50 - 11
R71530	1B15	4	20 - 11	R72341	3H21	44	50 - 163	R72655	3D14	48	50 - 57
R71531	1B14	2	20 - 10	R72353	1C3	2	20 - 22	R72655	6F17	34	90 - 49
R71531	1B14	9	20 - 10	R72353	1C4	9	20 - 23	R72660	1F12	16	30 - 42
R71531	1B15	3	20 - 11	R72371	3B22	9	50 - 13	R72660	3D5	10	50 - 48
R71531	1B15	4	20 - 11	R72371	3G16	25	50 - 131	R72660	3D8	21	50 - 51
R71557	3C1	1	50 - 17	R72371	3G16	31	50 - 131	R72660	3D10	19	50 - 53
R71557	3G3	11	50 - 116	R72371	6F25	32	90 - 57	R72660	3D14	42	50 - 57
R71557	3G6	27	50 - 119	R72398	6E1	14	90 - 8	R72660	5D14	35	70 - 59
R71558	3C1	1	50 - 17	R72398	6E2	11	90 - 9	R72820	4C4	1	60 - 23B



# 1L18

4230 TRACTOR

## NUMERICAL INDEX - CONTINUED

PART NO.	GRID	KEY	PAGE	PART NO.	GRID	KEY	PAGE	PART NO.	GRID	KEY	PAGE
R72820	4C4	15	60 - 23B	R74210	6D23	10	90 - 5	R76317	6H18	19	90 - 103
R72834	4C4	17	60 - 23B	R74210	6E3	9	90 - 10	R76329	2F19	8	40 - 95
R72834	5G16	20	70 - 133	R74242	5H10	1	70 - 152	R76330	2F19	1	40 - 95
R72855	3D2	2	50 - 44	R74243	5H10	2	70 - 152	R76331	2F19	8	40 - 95
R72855	3D3	2	50 - 45	R74244	5H10	3	70 - 152	R76333	2F17	14	40 - 93
R72855	3D8	2	50 - 51	R74246	5H10	4	70 - 152	R76334	2F17	12	40 - 93
R72855	3D10	2	50 - 53	R74252	3C21	20	50 - 37	R76341	6D12	4	80 - 57
R72855	3D12	23	50 - 55	R74272	6I8	18	90 - 121	R76459	5H10	5	70 - 152
R72856	1D2	1	20 - 45	R74391	6I8	18	90 - 121	R76477	2B18	2	40 - 11
R72858	4B5	22	60 - 1	R74403	6D15	4	80 - 60	R76477	2D4	2	40 - 45
R72858	4B6	22	60 - 2	R74417	3G14	9	50 - 129	R76477	2D11	3	40 - 52
R72858	4B13	1	60 - 9	R74418	3G14	9	50 - 129	R76477	2D22	6	40 - 57
R72858	4B13	3	60 - 9	R74418	3G14	10	50 - 129	R76477	2D22	8	40 - 57
R72858	4B25	27	60 - 21	R74530	5G4	28	70 - 121	R76477	5C14	..	70 - 33
R72858	4C1	10	60 - 22	R74530	5G5	11	70 - 122	R76477	5C17	19	70 - 36
R72858	4C2	3	60 - 23	R74530	5G6	24	70 - 123	R76477	5C18	10	70 - 37
R72858	4C4	16	60 - 23B	R74530	5G8	16	70 - 125	R76477	5C18	12	70 - 37
R72882	6H18	10	90 - 103	R74530	5G10	8	70 - 127	R76477	5H10	6	70 - 152
R72883	6H18	11	90 - 103	R74675	3G11	8	50 - 125	R76493	3B16	10	50 - 7
R72884	6H18	14	90 - 103	R74675	3G13	11	50 - 127	R76493	3B16	26C	50 - 7
R72886	5B11	20	70 - 5	R74695	5F20	31	70 - 111	R76493	5C17	11	70 - 36
R72886	5B13	24	70 - 7	R74695	5F22	21	70 - 113	R76494	3D22	4	50 - 65
R72886	5B21	18	70 - 15	R74695	5F25	11	70 - 117	R76494	5C17	4	70 - 36
R72886	5B23	18	70 - 17	R74799	6H18	7	90 - 103	R76494	5C18	6	70 - 37
R73041	3F6	2	50 - 95	R74852	3E24	8	50 - 88	R76495	2F24	7	40 - 101
R73101	3H21	36	50 - 163	R74852	3F1	7	50 - 90	R76496	2F24	6	40 - 101
R73102	3H6	14	50 - 147	R74852	3F2	13	50 - 91	R76497	2F17	7	40 - 93
R73102	6B13	13	80 - 9	R74897	6D15	4	80 - 60	R76500	2F19	6	40 - 95
R73142	2C15	21	40 - 33	R74898	6D15	1	80 - 60	R76500	2F19	9	40 - 95
R73187	6H18	16	90 - 103	R74899	6D15	1	80 - 60	R76504	3F9	7	50 - 98
R73188	6H18	16	90 - 103	R74901	6D14	6	80 - 59	R76658	1E19	3	30 - 24
R73216	5H12	5	70 - 154	R74901	6D14	7	80 - 59	R76694	2F24	10	40 - 101
R73216	5H12	6	70 - 154	R74901	6D15	1	80 - 60	R76695	2F24	12	40 - 101
R73259	6D4	10	80 - 51	R74903	6D12	..	80 - 57	R76731	3E8	7	50 - 76
R73278	6H18	11	90 - 103	R74904	6D15	1	80 - 60	R76732	3E8	7	50 - 76
R73292	2B18	11	40 - 11	R74905	6D15	1	80 - 60	R76952	1C4	9	20 - 23
R73313	6H18	13	90 - 103	R74907	6D14	6	80 - 59	R77003	1C22	19	20 - 39
R73314	6H18	13	90 - 103	R74907	6D14	7	80 - 59	R77019	6G13	7	90 - 71
R73317	6H7	2	90 - 91	R74907	6D15	1	80 - 60	R77145	3G3	12	50 - 116
R73320	6H18	12	90 - 103	R74909	6D12	3	80 - 57	R77145	3G3	13	50 - 116
R73380	5E15	24	70 - 84	R74909	6D15	1	80 - 60	R77145	3G4	10	50 - 117
R73380	5F5	27	70 - 97	R74910	6D15	1	80 - 60	R77145	3G4	11	50 - 117
R73380	6F12	1B	90 - 43	R74912	6D14	5	80 - 59	R77145	3G6	17	50 - 119
R73380	6F12	2	90 - 43	R74912	6D14	7	80 - 59	R77145	3G6	18	50 - 119
R73380	6F12	26	90 - 43	R74912	6D15	1	80 - 60	R77145	3G6	20	50 - 119
R73380	6F23	11	90 - 55	R74993	2C13	3	40 - 31	R77145	3G8	14	50 - 121
R73384	5G16	3	70 - 133	R75078	1F9	21	30 - 39	R77145	3G8	15	50 - 121
R73384	5G16	31	70 - 133	R75078	1F11	8	30 - 41	R77145	3G8	17	50 - 121
R73433	3D10	10	50 - 53	R75130	3C13	9	50 - 29	R77145	3G11	5	50 - 125
R73433	3D12	15	50 - 55	R75376	5B25	26	70 - 19	R77145	3G13	3	50 - 127
R73444	3C21	19	50 - 37	R75376	5C2	4	70 - 21	R77175	5G1	1	70 - 118
R73445	1C2	6	20 - 21	R75564	5B25	18	70 - 19	R77308	3F18	27	50 - 105
R73445	1C4	6	20 - 23	R75642	5B13	1	70 - 7	R77404	6G2	..	90 - 59
R73498	1E10	7	30 - 15D	R75642	5B25	17	70 - 19	R77456	2H8	27	40 - 127
R73719	3E7	26	50 - 75	R75761	6H11	16	90 - 95	R77457	2H8	29	40 - 127
R73736	5B25	24	70 - 19	R75833	2E21	3	40 - 77	R77458	2H8	28	40 - 127
R73741	5B21	12	70 - 15	R75833	2E22	2	40 - 78	R77459	2H8	28	40 - 127
R73741	5B21	13	70 - 15	R75866	4D9	15	60 - 49	R77460	2H8	28	40 - 127
R73741	5B21	14	70 - 15	R75869	6G17	2	90 - 75	R77461	2H8	28	40 - 127
R73809	3B18	21	50 - 9	R75870	6G17	23	90 - 75	R77462	2H8	25	40 - 127
R73989	3E21	8	50 - 87	R75879	5B25	5	70 - 19	R77463	2H8	30	40 - 127
R74022	4D9	14	60 - 49	R75887	6I10	23	90 - 123	R77464	2H8	26	40 - 127
R74058	6H2	6	90 - 85	R75938	5B25	43	70 - 19	R77465	2H8	31	40 - 127
R74210	5G8	10	70 - 125	R75938	5C5	16	70 - 23	R77466	2H8	33	40 - 127
R74210	5G10	4	70 - 127	R75965	6H18	17	90 - 103	R77467	2H8	34	40 - 127
R74210	6D21	25	90 - 3	R76126	1B9	5	20 - 3	R77468	2H8	32	40 - 127
R74210	6D22	11	90 - 4	R76292	6B11	13	80 - 7	R77469	2H10	35	40 - 129

# 1L19

4230 TRACTOR

## NUMERICAL INDEX - CONTINUED

PART NO.	GRID	KEY	PAGE	PART NO.	GRID	KEY	PAGE	PART NO.	GRID	KEY	PAGE
R77470	2H10	45	40 - 129	R78054	2H12	17	40 - 131	R79151	5B23	22B	70 - 17
R77471	2G22	7	40 - 116	R78055	2H12	22	40 - 131	R79151	5B23	25A	70 - 17
R77471	2H10	45	40 - 129	R78056	2H12	26	40 - 131	R79152	5B21	22B	70 - 15
R77472	2H10	45	40 - 129	R78057	2H12	2	40 - 131	R79152	5B21	25A	70 - 15
R77473	2H10	45	40 - 129	R78058	2H12	23	40 - 131	R79152	5B21	25B	70 - 15
R77474	2H10	44	40 - 129	R78059	2H12	1	40 - 131	R79154	5B23	22B	70 - 17
R77475	2H8	13	40 - 127	R78060	2H12	2	40 - 131	R79154	5B23	25A	70 - 17
R77476	2H8	3	40 - 127	R78060	2H12	9	40 - 131	R79154	5B23	25B	70 - 17
R77477	2H8	4	40 - 127	R78061	2H12	6	40 - 131	R79156	5B13	33	70 - 7
R77478	2H8	15	40 - 127	R78061	2H12	23	40 - 131	R79266	5B25	10	70 - 19
R77479	2H8	5	40 - 127	R78062	2H12	1	40 - 131	R79267	5B25	14	70 - 19
R77480	2H8	6	40 - 127	R78063	2H12	1	40 - 131	R79268	5B25	13	70 - 19
R77481	2H8	7	40 - 127	R78063	2H12	7	40 - 131	R79307	6E2	9	90 - 9
R77482	2H8	8	40 - 127	R78064	2H12	27	40 - 131	R79311	5G2	27	70 - 119
R77483	2H8	16	40 - 127	R78065	2H13	4	40 - 132	R79311	5G2	28	70 - 119
R77484	2H8	19	40 - 127	R78066	2H13	1	40 - 132	R79311	5G2	29	70 - 119
R77485	2H8	21	40 - 127	R78067	2H13	5	40 - 132	R79311	5G4	28	70 - 121
R77486	2H8	22	40 - 127	R78068	2H13	8	40 - 132	R79311	5G5	11	70 - 122
R77487	2H8	23	40 - 127	R78069	2H13	9	40 - 132	R79311	5G6	24	70 - 123
R77488	2H10	51	40 - 129	R78095	2C4	7	40 - 23	R79311	5G8	16	70 - 125
R77489	2F8	13	40 - 85D	R78095	2C8	7	40 - 27	R79311	5G10	8	70 - 127
R77489	2H10	51	40 - 129	R78101	4D9	3	60 - 49	R79350	6D25	55	90 - 7
R77490	2H10	51	40 - 129	R78101	4D9	7	60 - 49	R79521	5G18	2	70 - 135
R77491	2H10	54	40 - 129	R78102	1C7	10	20 - 26	R79522	3C17	6	50 - 33
R77492	2H10	54	40 - 129	R78124	1C16	3	20 - 32	R79522	3C17	9	50 - 33
R77493	2G22	7	40 - 116	R78168	6H18	7	90 - 103	R79522	3C19	19	50 - 35
R77493	2G22	11	40 - 116	R78257	6F12	7	90 - 43	R79527	3C17	9	50 - 33
R77493	2H10	51	40 - 129	R78257	6F23	21	90 - 55	R79850	1B14	9	20 - 10
R77494	2H10	55	40 - 129	R78293	5B11	10	70 - 5	R79850	1B15	3	20 - 11
R77495	2H10	52	40 - 129	R78293	5B13	14	70 - 7	R79852	3F12	24	50 - 101
R77496	2H10	52	40 - 129	R78293	5B21	8	70 - 15	R79877	6G17	30	90 - 75
R77497	2H10	53	40 - 129	R78293	5B23	8	70 - 17	R79877	6G19	32	90 - 77
R77498	2H8	24	40 - 127	R78325	5C16	3	70 - 35	R79917	5E10	1	70 - 79
R77499	2H8	24	40 - 127	R78386	6I10	5	90 - 123	R79985	3F9	7	50 - 98
R77500	2H8	24	40 - 127	R78386	6I10	6A	90 - 123	R80306	6C5	12	80 - 25
R77501	2H8	24	40 - 127	R78386	6I10	6B	90 - 123	R80323	6H18	8	90 - 103
R77502	2H10	56	40 - 129	R78425	6H13	7	90 - 97	R80334	2C9	1	40 - 27B
R77503	2H10	56	40 - 129	R78430	4C20	6	60 - 37	R80335	2C9	2	40 - 27B
R77551	1F2	4	30 - 31	R78452	5C24	3	70 - 44	R80558	5B13	30B	70 - 7
R77551	1F2	5	30 - 31	R78453	5C24	3	70 - 44	R80558	5B13	..	70 - 7
R77611	5B21	24	70 - 15	R78498	2G6	16	40 - 105B	R80558	5B21	27	70 - 15
R77611	5B23	24	70 - 17	R78498	2G8	16	40 - 105D	R80558	5B23	27	70 - 17
R77611	5C5	19	70 - 23	R78498	2G10	19	40 - 105F	R80752	4D9	34	60 - 49
R77618	6E8	1	90 - 15	R78499	2G4	21	40 - 105	R80752	6D12	23	80 - 57
R77618	6E10	2	90 - 17	R78499	2G6	24	40 - 105B	R80753	4D9	34	60 - 49
R77619	6E8	6	90 - 15	R78499	2G8	24	40 - 105D	R80753	6D12	23	80 - 57
R77619	6E10	11	90 - 17	R78499	2G10	27	40 - 105F	R80754	4D9	28	60 - 49
R77665	6H4	4	90 - 87	R78552	6G17	2	90 - 75	R80754	4D9	34	60 - 49
R77712	5C2	6	70 - 21	R78742	3F12	3	50 - 101	R80754	6D12	23	80 - 57
R77714	5B25	27	70 - 19	R78742	3F12	15	50 - 101	R80842	5F3	26	70 - 95
R77720	6G8	32	90 - 65	R78765	5G8	8	70 - 125	R80842	5F5	34	70 - 97
R77867	4D9	3	60 - 49	R78766	5G8	13	70 - 125	R80842	5F7	14	70 - 99
R77867	4D9	7	60 - 49	R78766	5G10	6	70 - 127	R80965	5C23	28	70 - 43
R77896	6D25	53	90 - 7	R78767	5G8	2	70 - 125	R80965	5E4	22	70 - 73
R77903	5B13	31	70 - 7	R78768	5G8	19	70 - 125	R80979	6H4	13	90 - 87
R77903	5B21	22A	70 - 15	R78769	5G8	17	70 - 125	R80979	6H6	10B	90 - 89
R77903	5B23	22A	70 - 17	R78995	2G6	17	40 - 105B	R80979	6H6	13	90 - 89
R77904	5B13	34	70 - 7	R78995	2G8	17	40 - 105D	R80987	6H13	11	90 - 97
R77914	6F9	1	90 - 40	R78995	2G10	20	40 - 105F	R81088	6D14	4	80 - 59
R78020	3B11	30	50 - 3	R79033	6F9	2	90 - 40	R81111	6E8	5	90 - 15
R78047	2H12	3	40 - 131	R79077	3E24	13	50 - 88	R81111	6E10	10	90 - 17
R78048	2H12	10	40 - 131	R79134	3G14	9	50 - 129	R81186	6H19	11	90 - 105
R78049	2H12	15	40 - 131	R79134	3G14	10	50 - 129	R81207	6G12	11	90 - 69
R78050	2H12	19	40 - 131	R79135	3G9	2	50 - 123	R81207	6G12	13	90 - 69
R78051	2H12	24	40 - 131	R79151	5B13	33	70 - 7	R81245	5F7	9	70 - 99
R78052	2H12	5	40 - 131	R79151	5B21	22B	70 - 15	R81245	5F9	13	70 - 101
R78053	2H12	13	40 - 131	R79151	5B21	25A	70 - 15	R81272	6C7	1	80 - 28

# 1L20

4230 TRACTOR

## NUMERICAL INDEX - CONTINUED

PART NO.	GRID	KEY	PAGE	PART NO.	GRID	KEY	PAGE	PART NO.	GRID	KEY	PAGE
R81424	6E17	9	90 - 25	R82766	3D8	19	50 - 51	R83736	1F7	14	30 - 37
R81424	6E19	8	90 - 27	R82766	3D10	24	50 - 53	R83737	1F7	6	30 - 37
R81456	6E1	1	90 - 8	R82766	3D14	44	50 - 57	R83737	1F7	14	30 - 37
R81456	6E2	1	90 - 9	R82766	5D14	34	70 - 59	R83738	1F7	6	30 - 37
R81494	3F2	6	50 - 91	R82804	6D4	18	80 - 51	R83738	1F7	14	30 - 37
R81507	2C24	28	40 - 43	R83020	1D12	11	20 - 55	R83739	1F7	6	30 - 37
R81540	6G17	31	90 - 75	R83020	1D14	5	20 - 57	R83739	1F7	14	30 - 37
R81540	6G19	31	90 - 77	R83020	1E1	20	30 - 8	R84158	2F8	13	40 - 85D
R81544	2B10	5	40 - 4	R83020	1E2	8	30 - 9	R84270	3F22	26	50 - 109
R81560	6F19	14	90 - 51	R83020	1E3	8	30 - 11	R84270	3F22	27	50 - 109
R81696	6G8	12	90 - 65	R83021	1D12	10	20 - 55	R84396	3F22	26	50 - 109
R81697	6G8	12	90 - 65	R83021	1D14	4	20 - 57	R84396	3F22	27	50 - 109
R81698	6F2	11	90 - 33	R83021	1E1	19	30 - 8	R84943	6D6	2	80 - 53
R81698	6F8	6	90 - 39	R83021	1E2	7	30 - 9	R84943	6D7	2	80 - 54
R81698	6G2	11	90 - 59	R83021	1E3	7	30 - 11	R84946	1C22	26	20 - 39
R81698	6G8	12	90 - 65	R83055	2F8	9	40 - 85D	R84946	1C22	28	20 - 39
R81699	6F2	11	90 - 33	R83066	6H6	2	90 - 89	R84947	1C22	26	20 - 39
R81699	6F8	6	90 - 39	R83066	6H6	3	90 - 89	R84947	1C22	28	20 - 39
R81699	6G2	11	90 - 59	R83066	6H6	5	90 - 89	R85027	1B13	22	20 - 8
R81700	6F2	11	90 - 33	R83103	6D12	12	80 - 57	R85234	6E8	9	90 - 15
R81700	6F8	6	90 - 39	R83109	2F8	11	40 - 85D	R85234	6E10	7	90 - 17
R81700	6G2	11	90 - 59	R83316	6D12	16	80 - 57	R85708	4C20	2	60 - 37
R81872	6I3	11	90 - 115	R83316	6E17	..	90 - 25	R85708	4C20	5	60 - 37
R81873	6I3	3	90 - 115	R83319	6D14	22	80 - 59	R85708	4C20	6	60 - 37
R81874	6I3	1	90 - 115	R83508	5B11	20	70 - 5	R85708	4C20	8	60 - 37
R81875	6I3	9	90 - 115	R83508	5B13	24	70 - 7	R85708	4C20	9	60 - 37
R82024	3F14	7	50 - 101B	R83508	5B21	18	70 - 15	R85708	4C21	3	60 - 37A
R82024	3F16	1	50 - 103	R83508	5B23	18	70 - 17	R85786	2F17	7	40 - 93
R82100	3F12	15	50 - 101	R83531	5E22	10	70 - 91	R85787	2F17	7	40 - 93
R82121	6I8	1	90 - 121	R83532	5E22	10	70 - 91	R86162	3G14	1	50 - 129
R82121	6I8	18	90 - 121	R83533	5E22	10	70 - 91	R86192	4D9	6	60 - 49
R82122	6I8	18	90 - 121	R83558	1F2	4	30 - 31	R86768	3G14	8	50 - 129
R82123	6I8	1	90 - 121	R83558	1F2	5	30 - 31	R87082	1F2	4	30 - 31
R82123	6I8	18	90 - 121	R83716	6H11	16	90 - 95	R87345	6C19	23	80 - 41
R82124	6I8	1	90 - 121	R83720	1F7	6	30 - 37	R87345	6C25	23	80 - 47
R82124	6I8	18	90 - 121	R83720	1F7	14	30 - 37	R87481	6H18	15	90 - 103
R82127	6I8	1	90 - 121	R83721	1F7	6	30 - 37	R87527	6D12	8	80 - 57
R82127	6I8	18	90 - 121	R83721	1F7	14	30 - 37	R87527	6E17	1	90 - 25
R82163	3D16	14	50 - 59	R83722	1F7	6	30 - 37	R87527	6E19	7	90 - 27
R82163	3D18	18	50 - 61	R83722	1F7	14	30 - 37	R87529	6D12	4	80 - 57
R82175	3G18	27	50 - 133	R83723	1F7	6	30 - 37	R87558	1B9	8	20 - 3
R82236	2F6	16	40 - 85B	R83723	1F7	14	30 - 37	R87558	1B23	28	20 - 17
R82237	2F6	14	40 - 85B	R83724	1F7	6	30 - 37	R87558	1B25	1	20 - 19
R82238	2F6	15	40 - 85B	R83724	1F7	14	30 - 37	R87558	1D17	..	20 - 60
R82239	2F6	13	40 - 85B	R83725	1F7	6	30 - 37	R87574	6E1	14	90 - 8
R82243	2F6	18	40 - 85B	R83725	1F7	14	30 - 37	R87574	6E2	11	90 - 9
R82272	6G17	16B	90 - 75	R83726	1F7	6	30 - 37	R87627	1B13	17	20 - 8
R82272	6G19	16	90 - 77	R83726	1F7	14	30 - 37	R87764	2C19	2	40 - 37
R82331	2B21	16	40 - 15	R83727	1F7	6	30 - 37	R87764	2C21	7	40 - 39
R82331	3F16	24	50 - 103	R83727	1F7	14	30 - 37	R87764	2D2	31	40 - 43B
R82337	4D9	28	60 - 49	R83728	1F7	6	30 - 37	R88042	1B9	9	20 - 3
R82337	4D9	34	60 - 49	R83728	1F7	14	30 - 37	R88043	1B9	8	20 - 3
R82337	6D12	23	80 - 57	R83729	1F7	6	30 - 37	R88043	1B23	28	20 - 17
R82355	2F6	4	40 - 85B	R83729	1F7	14	30 - 37	R88043	1B25	1	20 - 19
R82423	2F8	8	40 - 85D	R83730	1F7	6	30 - 37	R88044	1B9	7	20 - 3
R82442	6G19	23	90 - 77	R83730	1F7	14	30 - 37	R88045	1B9	6	20 - 3
R82444	6G19	27	90 - 77	R83731	1F7	6	30 - 37	R88397	1D9	12	20 - 52
R82445	6G19	28	90 - 77	R83731	1F7	14	30 - 37	R88397	1D10	16	20 - 53
R82447	6G19	2	90 - 77	R83732	1F7	6	30 - 37	R88397	1D12	9	20 - 55
R82448	6G19	20	90 - 77	R83732	1F7	14	30 - 37	R88397	1D14	6	20 - 57
R82455	6G17	22	90 - 75	R83733	1F7	6	30 - 37	R89142	6F22	14	90 - 54
R82455	6G19	18	90 - 77	R83733	1F7	14	30 - 37	R89143	6F22	5	90 - 54
R82456	6G17	18	90 - 75	R83734	1F7	6	30 - 37	R89652	6I8	9	90 - 121
R82456	6G19	17	90 - 77	R83734	1F7	14	30 - 37	R90085	4C20	2	60 - 37
R82482	6G17	23	90 - 75	R83735	1F7	6	30 - 37	R90085	4C20	8	60 - 37
R82482	6G19	19	90 - 77	R83735	1F7	14	30 - 37	R90086	4C20	2	60 - 37
R82766	3D5	7	50 - 48	R83736	1F7	6	30 - 37	R90086	4C20	8	60 - 37

# 1L21

4230 TRACTOR

## NUMERICAL INDEX - CONTINUED

PART NO.	GRID	KEY	PAGE	PART NO.	GRID	KEY	PAGE	PART NO.	GRID	KEY	PAGE
R91298	4B5	30	60 - 1	R99107	5D18	12	70 - 63	TY16285	6I19	1	90 - 132
R91298	4B25	35	60 - 21	R99107	5D20	47	70 - 65	TY21517	6I19	1	90 - 132
R91553	1D3	9	20 - 46	R99107	5D22	47	70 - 67	TY21725	2C15	5	40 - 33
R91558	1E12	6	30 - 17	R99292	3B19	2	50 - 10	TY21735	2B19	1	40 - 13
R91558	1E14	10	30 - 19	R99350	2E10	29	40 - 65	TY21736	2B19	1	40 - 13
R91631	2G12	23	40 - 107	R99350	2E12	29	40 - 67	TY21741	2B19	1	40 - 13
R91631	2G14	22	40 - 107B	R99381	3E13	14	50 - 81	TY22007	1B6	2	20 - 1
R92205	2G4	31	40 - 105	R99381	3E15	13	50 - 83	TY22008	1B6	2	20 - 1
R92205	2G6	31	40 - 105B	R99381	3E17	38	50 - 85	TY22009	1B6	1	20 - 1
R92205	2G8	31	40 - 105D	R99381	3E19	6	50 - 85B	TY22010	1B6	2	20 - 1
R92205	2G10	33	40 - 105F	R99386	3B18	21	50 - 9	TY22011	1B6	2	20 - 1
R92411	3B19	6	50 - 10	R99386	3B18	23	50 - 9	TY22043	5B7	2	70 - 1
R92411	3E23	9	50 - 87B	R99556	3C20	21	50 - 36	TY22044	5B7	2	70 - 1
R92411	5C23	28	70 - 43	R99556	3C23	24	50 - 39	TY22063	5B7	2	70 - 1
R92411	5E4	22	70 - 73	R99573	6H19	14	90 - 105	TY22327	3H19	5	50 - 161
R92474	3F10	3	50 - 99	R99574	6H19	15	90 - 105	TY22328	4D2	14	60 - 41
R92474	3F14	3	50 - 101B	R99793	1B12	10	20 - 7	TY22328	6E14	8	90 - 21
R92483	3E19	6	50 - 85B	TY15154	2F16	18	40 - 91	TY22328	6E14	32	90 - 21
R93219	2H6	7	40 - 125	TY15154	2F17	15	40 - 93	TY22328	6E14	33	90 - 21
R93220	2H6	7	40 - 125	TY15155	2F9	15	40 - 86	TY22329	5C9	6	70 - 27
R93221	2H6	7	40 - 125	TY15156	2F22	4	40 - 99	TY22329	5C9	14	70 - 27
R93222	2H6	7	40 - 125	TY15156	2F24	15	40 - 101	TY22329	5C11	3	70 - 29
R93238	1B14	9	20 - 10	TY15157	2F19	7	40 - 95	TY22329	5C13	3	70 - 31
R93955	6C5	4	80 - 25	TY15163	2F15	19	40 - 90	TY22329	5C14	6	70 - 33
R94286	3B16	15	50 - 7	TY15163	2F17	15	40 - 93	TY22329	5C14	12	70 - 33
R94321	3F12	1	50 - 101	TY15263	2E6	26	40 - 61A	TY22329	5C16	12	70 - 35
R94321	3F14	1	50 - 101B	TY15269	5E20	19	70 - 89	TY22329	5C16	21	70 - 35
R94322	3F12	3	50 - 101	TY15269	5E24	12	70 - 91B	TY22336	1D2	3	20 - 45
R94322	3F14	2	50 - 101B	TY15276	2F9	15	40 - 86	TY22341	1D24	5	30 - 6
R94331	3E13	16	50 - 81	TY15276	2F12	3	40 - 87B	TY22341	1D25	4A	30 - 7
R94331	3E15	19	50 - 83	TY15276	2F12	22	40 - 87B	TY22399	6E1	8	90 - 8
R94331	3E17	40	50 - 85	TY15276	2F12	25	40 - 87B	TY22399	6E14	8	90 - 21
R94331	3E19	8	50 - 85B	TY15277	2F12	3	40 - 87B	TY22418	1E24	28	30 - 29
R94384	6H13	11	90 - 97	TY15277	2F12	22	40 - 87B	TY22425	5C11	28	70 - 29
R96420	5F1	7A	70 - 93	TY15277	2F12	25	40 - 87B	TY22450	1B12	10	20 - 7
R96420	5F1	7B	70 - 93	TY15278	2F15	19	40 - 90	TY22462	3H21	2	50 - 163
R96460	1C11	2	20 - 27	TY15278	2F17	6	40 - 93	TY22462	6D25	22	90 - 7
R96460	1C11	8	20 - 27	TY15278	2F17	15	40 - 93	TY22465	3H19	4	50 - 161
R96654	6G13	2	90 - 71	TY15279	2F16	18	40 - 91	TY22465	5C13	33	70 - 31
R97350	1D12	31	20 - 55	TY15279	2F17	6	40 - 93	TY22465	6D22	12	90 - 4
R97350	1E15	8	30 - 20	TY15279	2F17	15	40 - 93	TY22465	6D23	12	90 - 5
R97350	1E15	10	30 - 20	TY15435	6I19	1	90 - 132	TY22465	6E14	9	90 - 21
R97786	3G19	14	50 - 135	TY15445	2F21	2	40 - 97	TY22467	1B12	1	20 - 7
R97786	4C21	2	60 - 37A	TY15691	2F18	15	40 - 94	TY22467	1C23	1	20 - 40
R97799	3G18	29	50 - 133	TY15691	2F19	7	40 - 95	TY22467	3H16	3	50 - 157
R97799	3G19	15	50 - 135	TY15709	6D23	..	90 - 5	TY22467	5C8	1	70 - 26
R97799	4C20	2	60 - 37	TY15709	6D25	..	90 - 7	TY22467	5C9	7	70 - 27
R97799	4C20	5	60 - 37	TY15857	2C15	8	40 - 33	TY22467	5C11	2	70 - 29
R97799	4C20	6	60 - 37	TY15857	2C15	18	40 - 33	TY22467	5C13	2	70 - 31
R97799	4C20	8	60 - 37	TY15857	2C17	..	40 - 35	TY22467	5C14	7	70 - 33
R97799	4C20	9	60 - 37	TY15939	5H13	1	70 - 155	TY22467	5C16	20	70 - 35
R97799	4C21	3	60 - 37A	TY15939	6D23	..	90 - 5	TY22467	5C17	10A	70 - 36
R97997	2G4	35	40 - 105	TY15939	6D25	..	90 - 7	TY22467	5C17	15	70 - 36
R97997	2G6	37	40 - 105B	TY15941	6I19	1	90 - 132	TY22467	5C17	17	70 - 36
R97997	2G8	37	40 - 105D	TY15969	6I19	1	90 - 132	TY22467	5C18	8	70 - 37
R97997	2G10	39	40 - 105F	TY1597	2D3	6	40 - 44	TY22470	1D2	2	20 - 45
R97998	3G18	20	50 - 133	TY1597	2D11	..	40 - 52	TY22470	1D23	9	30 - 5
R97998	3G19	7	50 - 135	TY1597	2D13	..	40 - 54A	TY22470	5C11	9	70 - 29
R98371	2B17	..	40 - 10	TY1597	2D15	..	40 - 54C	TY22470	5C13	12	70 - 31
R98371	2B18	1	40 - 11	TY1597	2D16	..	40 - 54D	TY22473	1D24	1	30 - 6
R98914	3G21	3	50 - 137	TY16004	1B7	2	20 - 2	TY2615	6I17	3	90 - 130
R98926	3E13	14	50 - 81	TY16005	1B7	3	20 - 2	TY2615	6I18	1	90 - 131
R98926	3E15	17	50 - 83	TY16005	1B7	..	20 - 2	TY3018	5H11	3	70 - 153
R98929	3F12	23	50 - 101	TY16042	5E22	38	70 - 91	TY6073	2C15	5	40 - 33
R98929	3F14	14	50 - 101B	TY16042	5E24	1	70 - 91B	TY6074	2C15	5	40 - 33
R99106	5D18	12	70 - 63	TY16042	5E24	12	70 - 91B	TY6106	2B19	1	40 - 13
R99106	5D22	47	70 - 67	TY16055	2E6	26	40 - 61A	TY6107	2B19	1	40 - 13

# 1L22

4230 TRACTOR

## NUMERICAL INDEX - CONTINUED

PART NO.	GRID	KEY	PAGE	PART NO.	GRID	KEY	PAGE	PART NO.	GRID	KEY	PAGE
TY6119	2B19	1	40 - 13	TY6710	2D13	..	40 - 54A	T11920	1F4	33	30 - 33
TY6280	1B6	1	20 - 1	TY6710	2D15	7	40 - 54C	T11921	1F4	9	30 - 33
TY6297	1B6	1	20 - 1	TY6710	2D15	..	40 - 54C	T11934	3F5	13	50 - 94
TY6298	1B6	1	20 - 1	TY6710	2D16	..	40 - 54D	T11939	1F4	26	30 - 33
TY6300	1B6	1	20 - 1	TY6713	2D3	6	40 - 44	T11940	1F4	24	30 - 33
TY6301	1B6	1	20 - 1	TY6713	2D3	..	40 - 44	T11941	1F4	8	30 - 33
TY6304	6I19	1	90 - 132	TY6713	2D22	..	40 - 57	T12250	1D4	2	20 - 47
TY6305	6I19	1	90 - 132	TY6713	2D23	11	40 - 57A	T12637	5D7	16	70 - 52
TY6311	1B6	1	20 - 1	TY6713	2D23	..	40 - 57A	T12637	5D8	17	70 - 53
TY6312	1B6	1	20 - 1	TY6713	2D24	17	40 - 57B	T12808	1D2	9	20 - 45
TY6313	1B6	1	20 - 1	TY6713	2D24	..	40 - 57B	T12808	3B20	3	50 - 11
TY6359	1B6	1	20 - 1	TY6713	2D25	..	40 - 57C	T12808	3D14	48	50 - 57
TY6360	1B6	1	20 - 1	TY6713	2E1	..	40 - 57D	T12808	6F17	34	90 - 49
TY6361	1B6	1	20 - 1	TY6713	2E2	..	40 - 58	T13073	5G23	29	70 - 141
TY6364	1B6	1	20 - 1	TY6722	2D3	6	40 - 44	T13073	5H2	29	70 - 145
TY6384	6D21	..	90 - 3	TY6722	2D3	..	40 - 44	T13073	5H8	29	70 - 150A
TY6389	1B6	2	20 - 1	TY6722	2D4	..	40 - 45	T13073	5H9	17	70 - 151
TY6390	1B6	2	20 - 1	TY6722	2D6	..	40 - 47	T13119	1D9	7	20 - 52
TY6391	1B6	2	20 - 1	TY6722	2D8	20	40 - 49	T13119	1D12	28	20 - 55
TY6392	1B6	2	20 - 1	TY6722	2D8	..	40 - 49	T13119	1E10	8	30 - 15D
TY6393	1B6	2	20 - 1	TY6759	1D8	17	20 - 51	T134452	2D4	10	40 - 45
TY6394	1B6	2	20 - 1	TY6770	2B11	27	40 - 5	T134452	2D11	6	40 - 52
TY6600	2C19	1	40 - 37	TY6770	6D21	..	90 - 3	T134452	2D22	1	40 - 57
TY6600	2C21	3	40 - 39	TY6770	6E3	..	90 - 10	T134452	6D12	22	80 - 57
TY6600	2C24	..	40 - 43	TY6772	2C19	1	40 - 37	T134452	6D14	25	80 - 59
TY6600	2D2	29	40 - 43B	TY6772	2C21	3	40 - 39	T134453	2D4	10	40 - 45
TY6617	2D3	6	40 - 44	TY6772	2C24	..	40 - 43	T134453	2D11	6	40 - 52
TY6617	2D22	..	40 - 57	TY6772	2D2	29	40 - 43B	T134453	2D22	1	40 - 57
TY6617	2D23	..	40 - 57A	TY6790	2C19	1	40 - 37	T134453	6D12	22	80 - 57
TY6617	2D24	..	40 - 57B	TY6790	2C21	3	40 - 39	T134453	6D14	25	80 - 59
TY6617	2D25	..	40 - 57C	TY6790	2D2	29	40 - 43B	T134454	2D4	10	40 - 45
TY6617	2E1	..	40 - 57D	TY8311	6I19	1	90 - 132	T134454	2D11	6	40 - 52
TY6617	2E2	..	40 - 58	TY9305	2E6	26	40 - 61A	T134454	2D22	1	40 - 57
TY6618	2D3	6	40 - 44	TY9370	6I19	1	90 - 132	T134454	6D12	22	80 - 57
TY6618	2D11	..	40 - 52	TY9371	6I19	1	90 - 132	T134454	6D14	25	80 - 59
TY6618	2D18	..	40 - 56A	TY9374	6I19	1	90 - 132	T134455	2D4	10	40 - 45
TY6618	2D20	..	40 - 56C	TY9375	6I19	1	90 - 132	T134455	2D11	6	40 - 52
TY6618	2D21	..	40 - 56D	T10187	3D2	2	50 - 44	T134455	2D22	1	40 - 57
TY6625	2C19	1	40 - 37	T10187	3D3	2	50 - 45	T134455	6D12	22	80 - 57
TY6625	2C21	3	40 - 39	T10187	3D8	2	50 - 51	T134455	6D14	25	80 - 59
TY6625	2D2	29	40 - 43B	T10187	3D10	2	50 - 53	T134456	2D4	10	40 - 45
TY6665	2B11	27	40 - 5	T10187	3D12	23	50 - 55	T134456	2D11	6	40 - 52
TY6665	6D21	..	90 - 3	T10379	2E4	3	40 - 60	T134456	2D22	1	40 - 57
TY6667	2D3	6	40 - 44	T10381	2E4	4	40 - 60	T134456	6D12	22	80 - 57
TY6667	2D11	..	40 - 52	T10745	2C19	10	40 - 37	T134456	6D14	25	80 - 59
TY6667	2D13	..	40 - 54A	T10745	2C21	9	40 - 39	T134459	2D4	1	40 - 45
TY6667	2D15	..	40 - 54C	T10745	2C24	29	40 - 43	T134459	2D11	1	40 - 52
TY6667	2D16	..	40 - 54D	T10745	2D2	27	40 - 43B	T134459	2D22	5	40 - 57
TY6686	2C19	1	40 - 37	T11220	5H2	18	70 - 145	T134459	6D12	22	80 - 57
TY6686	2C21	3	40 - 39	T11220	5H4	24	70 - 147	T134459	6D14	25	80 - 59
TY6686	2C24	..	40 - 43	T11220	5H6	13	70 - 149	T13814	5C23	10	70 - 43
TY6686	2D2	29	40 - 43B	T11220	5H9	8	70 - 151	T13814	5E4	8	70 - 73
TY6690	2D6	32	40 - 47	T11651	2B25	30	40 - 19	T14050	1E15	14	30 - 20
TY6690	2D10	1	40 - 51	T11651	2C6	29	40 - 25	T14050	1E17	9	30 - 22
TY6690	2D10	11	40 - 51	T11672	2D6	19	40 - 47	T14264	2G19	8	40 - 113
TY6690	2D10	..	40 - 51	T11675	2D6	31	40 - 47	T14264	3C17	21A	50 - 33
TY6701	2D3	6	40 - 44	T11680	2D8	22	40 - 49	T143166	6E3	3	90 - 10
TY6701	2D3	..	40 - 44	T11682	2D6	24	40 - 47	T143169	6E3	4	90 - 10
TY6701	2D11	..	40 - 52	T11708	2E24	2	40 - 80	T14587	3H11	9	50 - 152A
TY6701	2D18	..	40 - 56A	T11739	2D8	2	40 - 49	T14587	3H14	2	50 - 155
TY6701	2D20	6	40 - 56C	T11739	2D15	23	40 - 54C	T146102	2D4	1	40 - 45
TY6701	2D20	..	40 - 56C	T11743	2D13	1	40 - 54A	T146102	2D11	1	40 - 52
TY6701	2D21	..	40 - 56D	T11743	2D18	1	40 - 56A	T146102	2D22	5	40 - 57
TY6701	5C14	10	70 - 33	T11882	1F4	29	30 - 33	T146102	6D12	22	80 - 57
TY6710	2D3	6	40 - 44	T11883	1F4	30	30 - 33	T146102	6D14	25	80 - 59
TY6710	2D3	..	40 - 44	T11917	1F4	6	30 - 33	T146104	2D4	10	40 - 45
TY6710	2D11	..	40 - 52	T11918	1F4	19	30 - 33	T146104	2D11	6	40 - 52

# 1L23

4230 TRACTOR

## NUMERICAL INDEX - CONTINUED

PART NO.	GRID	KEY	PAGE	PART NO.	GRID	KEY	PAGE	PART NO.	GRID	KEY	PAGE
T146104	2D22	1	40-57	T18107	2D21	9	40-56D	T24168	6I10	21	90-123
T146104	6D12	22	80-57	T18110	2D16	2	40-54D	T24959	5C11	19	70-29
T146104	6D14	25	80-59	T18110	2D21	2	40-56D	T24959	5C13	19	70-31
T146106	2D4	10	40-45	T18113	2D6	27	40-47	T25317	3B22	11	50-13
T146106	2D11	6	40-52	T18354	2D10	4	40-51	T25317	3E20	18	50-86
T146106	2D22	1	40-57	T19079	3C20	18	50-36	T25317	5F5	17	70-97
T146106	6D12	22	80-57	T19079	3C20	..	50-36	T25921	6B6	8	80-2
T146106	6D14	25	80-59	T19079	3C21	15	50-37	T25921	6B7	8	80-3
T146515	2D4	10	40-45	T19079	3C23	20	50-39	T26565	3B9	3	50-1
T146515	2D11	6	40-52	T19079	3C24	18	50-41	T26565	3E5	3	50-73
T146515	2D22	1	40-57	T19088	2C17	6	40-35	T26565	3G1	10	50-114
T146515	6D12	22	80-57	T19566	1B7	2	20-2	T27261	1D8	7	20-51
T146515	6D14	25	80-59	T19604	2D10	6	40-51	T27716	3D6	5	50-49
T146516	2D4	10	40-45	T19606	2D10	2	40-51	T27718	6F15	3	90-47
T146516	2D11	6	40-52	T19606	2D10	5	40-51	T27719	6F15	1	90-47
T146516	2D22	1	40-57	T19607	2D16	22	40-54D	T27860	1C16	2	20-32
T146516	6D12	22	80-57	T19610	2D6	37	40-47	T27860	1C16	3	20-32
T146516	6D14	25	80-59	T19687	5H2	18	70-145	T27971	6F17	35	90-49
T146517	2D4	10	40-45	T19687	5H4	24	70-147	T28051	4B15	16A	60-11
T146517	2D11	6	40-52	T19802	4B21	12	60-17	T28051	4B21	4A	60-17
T146517	2D22	1	40-57	T19802	4C16	33	60-33	T28051	4B23	3	60-19
T146517	6D12	22	80-57	T19860	1F4	5	30-33	T28051	4C12	14A	60-29
T146517	6D14	25	80-59	T19861	1F4	7	30-33	T28051	4C14	18	60-31
T15539	1B19	..	20-15	T19909	2D13	30	40-54A	T28051	4C16	1A	60-33
T15539	1B23	21	20-17	T19909	2D18	29	40-56A	T28051	4C18	1	60-35
T15539	1C15	8	20-31	T19977	2B23	8	40-17	T28051	5D16	7	70-61
T15702	1F4	23	30-33	T19977	2C2	28	40-21	T28583	2B9	24	40-3
T15712	1F4	31	30-33	T19977	6E6	19	90-13	T28583	2B9	31	40-3
T15715	1F4	10	30-33	T20077	1B13	15	20-8	T28583	2B11	20	40-5
T15721	1F4	12	30-33	T20129	1B13	14	20-8	T28583	2H4	34	40-123
T15737	2B14	2	40-8	T20287	1B13	21	20-8	T28583	2H8	1	40-127
T16068	5E10	12	70-79	T20294	1C18	6	20-35	T28583	6D22	18	90-4
T16464	6C19	1	80-41	T20328	1C18	5	20-35	T28583	6E6	12	90-13
T16464	6C19	8	80-41	T20328	1D14	26	20-57	T28583	6E8	15	90-15
T16464	6C23	1	80-45	T21158	3D2	3	50-44	T28585	2B8	8	40-2
T16464	6C23	8	80-45	T21158	3D3	7	50-45	T28585	2B8	10	40-2
T16464	6C25	1	80-47	T21158	3D8	13	50-51	T28585	2B9	29	40-3
T16464	6C25	8	80-47	T21158	3D10	7	50-53	T28585	2B9	31	40-3
T16911	2B21	15	40-15	T21158	3D12	16	50-55	T28585	2E13	2	40-69
T16911	2C18	3	40-36	T21397	3B22	6	50-13	T28585	2F15	7	40-90
T16911	3B22	13	50-13	T21397	3G21	2	50-137	T28585	2F16	6	40-91
T16911	3C20	22	50-36	T21545	6B25	7	80-21A	T28585	2G22	7	40-116
T16911	3C23	23	50-39	T21689	6C8	4	80-29	T28585	2H4	35	40-123
T16911	3E20	21	50-86	T21920	6F17	38	90-49	T28585	2H8	12	40-127
T16911	3F12	18	50-101	T21922	6F17	33	90-49	T28585	3D22	12	50-65
T16911	3F16	13	50-103	T21923	6F17	9	90-49	T28585	3E13	1	50-81
T17148	4B5	28	60-1	T21926	6F17	10	90-49	T28586	2H8	14	40-127
T17148	4B6	4	60-2	T21959	5C17	18	70-36	T28949	2B11	23	40-5
T17148	4B25	33	60-21	T21959	5C18	9	70-37	T29049	6B6	2	80-2
T17148	4C1	4	60-22	T22228	5D10	2	70-55	T29049	6B7	2	80-3
T17882	5D2	28	70-47	T22228	5D12	2	70-57	T29205	6B6	4	80-2
T17882	5D6	32	70-51	T22534	1E6	3	30-14	T29205	6B7	4	80-3
T17882	5E8	11	70-77	T22534	1E9	5	30-15B	T29210	6B6	10	80-2
T17949	1F4	3	30-33	T22875	4B5	27	60-1	T29210	6B7	10	80-3
T17950	1F4	2	30-33	T22875	4B6	5	60-2	T29211	6B6	2	80-2
T17951	3H2	8	50-143	T22875	4B25	32	60-21	T29211	6B7	2	80-3
T17951	3H7	1	50-149	T22875	4C1	5	60-22	T29317	5C17	20	70-36
T17951	5D16	14	70-61	T22960	5C13	34	70-31	T29317	5C18	11	70-37
T17987	2D6	20	40-47	T22970	5C16	5	70-35	T30738	1E15	11	30-20
T18098	2D15	14	40-54C	T23027	6I15	3	90-128	T30738	1E16	9	30-21
T18098	2D20	13	40-56C	T23033	6I15	4	90-128	T30738	1E17	5	30-22
T18105	2D10	8	40-51	T23227	6F17	28	90-49	T31093	5B8	6	70-2
T18105	2D16	9	40-54D	T23237	6F17	11	90-49	T31170	3D23	5	50-66
T18105	2D21	6	40-56D	T23425	1F2	3	30-31	T31783	3E9	9	50-77
T18106	2D16	16	40-54D	T23694	3C13	23	50-29	T31784	3E9	10	50-77
T18106	2D21	13	40-56D	T23891	1C5	6	20-24	T32231	2B14	2	40-8
T18107	2D16	12	40-54D	T24167	2B10	6	40-4	T32231	2G22	5	40-116

# 1L24

4230 TRACTOR

## NUMERICAL INDEX - CONTINUED

PART NO.	GRID	KEY	PAGE	PART NO.	GRID	KEY	PAGE	PART NO.	GRID	KEY	PAGE
T32255	2G4	19	40 - 105	T75972	5D20	5	70 - 65	U15192	5C7	3	70 - 25
T32255	2G6	23	40 - 105B	T75972	5D22	6	70 - 67	U15192	5C7	8	70 - 25
T32255	2G8	23	40 - 105D	T75972	5D24	22	70 - 69	U15242	3H15	4	50 - 156
T32255	2G10	26	40 - 105F	T77072	3H15	2	50 - 156	U15242	5D20	4	70 - 65
T33483	3F20	21	50 - 107	T84409	2D4	1	40 - 45	U15242	5D22	5	70 - 67
T34067	2H8	18	40 - 127	T84409	2D11	1	40 - 52	U15242	5D24	23	70 - 69
T35440	2G2	9	40 - 103	T84409	2D22	5	40 - 57	U15969	5G6	21	70 - 123
T35440	2G4	30	40 - 105	T84409	6D12	22	80 - 57	U17409	1C20	22	20 - 37
T35440	2G6	32	40 - 105B	T84409	6D14	25	80 - 59	U17409	1C22	8	20 - 39
T35440	2G8	32	40 - 105D	T84410	2D4	10	40 - 45	U17409	1C22	23	20 - 39
T35440	2G10	34	40 - 105F	T84410	2D11	6	40 - 52	U17409	3H14	12	50 - 155
T35441	2G2	8	40 - 103	T84410	2D22	1	40 - 57	U17409	3H16	9	50 - 157
T35441	2G4	31	40 - 105	T84410	6D12	22	80 - 57	U17409	3H21	3	50 - 163
T40308	5B15	28	70 - 9	T84410	6D14	25	80 - 59	U40424	5D20	6	70 - 65
T40308	5B17	17	70 - 11	T84411	2D4	10	40 - 45	U40424	5D22	7	70 - 67
T40308	5C2	18	70 - 21	T84411	2D11	6	40 - 52	U40424	5D24	21	70 - 69
T40308	5C3	11	70 - 21A	T84411	2D22	1	40 - 57	U40727	3H11	17	50 - 152A
T40308	5C5	4	70 - 23	T84411	6D12	22	80 - 57	U40727	3H14	3	50 - 155
T43512	6I19	1	90 - 132	T84411	6D14	25	80 - 59	U40727	3H21	13	50 - 163
T43513	6I19	1	90 - 132	T84412	2D4	10	40 - 45	U40750	1C22	25	20 - 39
T43514	6I19	1	90 - 132	T84412	2D11	6	40 - 52	U42111	3G1	12	50 - 114
T43515	6I19	1	90 - 132	T84412	2D22	1	40 - 57	U45916	6G19	26	90 - 77
T43535	5C3	8	70 - 21A	T84412	6D12	22	80 - 57	U46370	2H4	36	40 - 123
T43535	5C3	9	70 - 21A	T84412	6D14	25	80 - 59	U46370	2H8	20	40 - 127
T44948	5D20	6	70 - 65	T84413	2D4	10	40 - 45	U46506	2G4	21	40 - 105
T44948	5D22	7	70 - 67	T84413	2D11	6	40 - 52	U46506	2G6	24	40 - 105B
T44948	5D24	21	70 - 69	T84413	2D22	1	40 - 57	U46506	2G8	24	40 - 105D
T46726	1E7	6	30 - 15	T84413	6D12	22	80 - 57	U46506	2G10	27	40 - 105F
T46726	1E10	8	30 - 15D	T84413	6D14	25	80 - 59	U46507	2G4	1	40 - 105
T50222	2D16	16	40 - 54D	T84578	2D4	10	40 - 45	U46507	2G6	1	40 - 105B
T519T	5D10	7	70 - 55	T84578	2D11	6	40 - 52	U46507	2G8	1	40 - 105D
T519T	5D12	7A	70 - 57	T84578	2D22	1	40 - 57	U46507	2G10	1	40 - 105F
T519T	5D12	9	70 - 57	T84578	6D12	22	80 - 57	U46508	2G4	16	40 - 105
T519T	5D14	11	70 - 59	T84578	6D14	25	80 - 59	U46508	2G6	19	40 - 105B
T519T	6F22	2	90 - 54	U10136	4D9	3	60 - 49	U46508	2G8	19	40 - 105D
T54033	3D5	7	50 - 48	U10136	5C20	11	70 - 39	U46508	2G10	22	40 - 105F
T54033	3D8	19	50 - 51	U10289	4C16	10	60 - 33	U46509	2G4	8	40 - 105
T54033	3D10	24	50 - 53	U10289	4C18	29	60 - 35	U46510	2G4	7	40 - 105
T54033	3D14	44	50 - 57	U11004	5F17	27	70 - 108	U46511	2G4	6	40 - 105
T54033	5D14	34	70 - 59	U11004	5F18	28	70 - 109	U46512	2G4	5	40 - 105
T55501	2E20	1	40 - 76	U11004	5G12	12	70 - 129	U46513	2G4	4	40 - 105
T55501	2E21	11	40 - 77	U11004	5G18	22	70 - 135	U46514	2G4	2	40 - 105
T55501	2E22	11	40 - 78	U11326	3D12	6	50 - 55	U46515	2G4	14	40 - 105
T55501	2F2	6	40 - 83	U11343	5C16	6	70 - 35	U46662	2F8	12	40 - 85D
T55585	1E7	14	30 - 15	U11646	6D22	6	90 - 4	U46662	2G22	7	40 - 116
T55585	1E10	1	30 - 15D	U11646	6D25	8	90 - 7	U46662	2H4	37	40 - 123
T57374	5B15	29	70 - 9	U11647	3H6	13	50 - 147	U46662	2H8	10	40 - 127
T57374	5B17	18	70 - 11	U11647	5H11	1	70 - 153	U46663	2H4	38	40 - 123
T57374	5C2	19	70 - 21	U11647	6B13	12	80 - 9	U46664	2H4	39	40 - 123
T57374	5C3	10	70 - 21A	U12198	3F22	22	50 - 109	U46664	2H10	47	40 - 129
T57374	5C5	5	70 - 23	U12331	5C20	14	70 - 39	W19897	5D24	24	70 - 69
T60314	3E17	27	50 - 85	U12547	3H12	13	50 - 153	W19898	5D24	24	70 - 69
T60314	3E19	24	50 - 85B	U13639	1B23	8	20 - 17	W19903	3H15	6	50 - 156
T67028	3E13	14	50 - 81	U13639	1B23	28	20 - 17	W19903	5D24	25	70 - 69
T67028	3E17	38	50 - 85	U13639	1B25	1	20 - 19	W20088	5D24	24	70 - 69
T67028	3E19	6	50 - 85B	U13639	1C20	18	20 - 37	Y1912C	3D23	1	50 - 66
T67029	3E13	16	50 - 81	U13639	1C25	6	20 - 43	Z36276	5C3	8	70 - 21A
T67029	3E15	19	50 - 83	U13639	5B11	14	70 - 5	Z36276	5C3	9	70 - 21A
T67029	3E17	40	50 - 85	U13639	5B13	19	70 - 7	1873796	2D6	9	40 - 47
T67029	3E19	8	50 - 85B	U13639	5B19	14	70 - 13	1873796	2D13	10	40 - 54A
T736T	2D8	13	40 - 49	U13639	5B21	12	70 - 15	1881371	2C17	16	40 - 35
T738T	2D8	11	40 - 49	U13639	5C5	21	70 - 23	1904292	2C17	14	40 - 35
T738T	2D15	18	40 - 54C	U13639	5E5	14	70 - 74	1909273	2C17	23	40 - 35
T738T	2D20	17	40 - 56C	U13639	5E6	24	70 - 75	2700	5D24	26	70 - 69
T739T	2D8	9	40 - 49	U13639	5E8	15	70 - 77	31603	5E14	17	70 - 83
T740T	2D8	10	40 - 49	U15192	5C7	1	70 - 25	32240	3H11	14	50 - 152A
T75972	3H15	3	50 - 156	U15192	5C7	2	70 - 25	32240	3H14	4	50 - 155

# 1L25

4230 TRACTOR

## NUMERICAL INDEX - CONTINUED

<i>PART NO.</i>	<i>GRID</i>	<i>KEY</i>	<i>PAGE</i>	<i>PART NO.</i>	<i>GRID</i>	<i>KEY</i>	<i>PAGE</i>	<i>PART NO.</i>	<i>GRID</i>	<i>KEY</i>	<i>PAGE</i>
32240	6D21	22	90 - 3								
400R	3B12	17	50 - 5								
400R	3C19	14	50 - 35								
400R	3D16	6	50 - 59								
400R	3E24	15	50 - 88								
400R	3G14	16	50 - 129								
400R	3G25	28	50 - 141								
400R	4B7	5	60 - 3								
400R	4B9	6	60 - 5								
400R	4C23	7	60 - 39								
400R	4C23	21	60 - 39								
400R	4D9	18	60 - 49								
400R	5D2	47	70 - 47								
400R	5D4	50	70 - 49								
400R	5D6	2	70 - 51								
400R	5G2	12	70 - 119								
400R	5G4	12	70 - 121								
400R	5G11	14	70 - 128								
810074	2C17	21	40 - 35								
811912	2C17	18	40 - 35								
811912	2C17	22	40 - 35								
811912	2D20	9	40 - 56C								