

1A2

4630 TRACTOR

RWP4097 -UN-01JAN94



JOHN DEERE 4630 TRACTOR

(SPECIFICATIONS AND DESIGN SUBJECT TO CHANGE WITHOUT NOTICE)

COPYRIGHT (C) 1996. DEERE & COMPANY. MOLINE, ILLINOIS. ALL RIGHTS RESERVED.

1A3

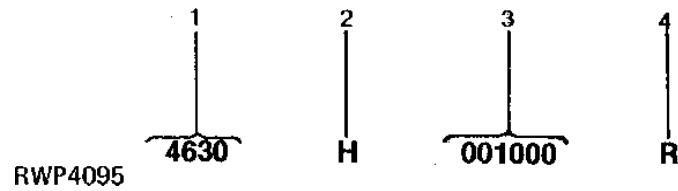
4630 TRACTOR

SERIAL NUMBERS

EACH 4630 TRACTOR HAS THE FOLLOWING SERIAL NUMBER PLATES: BASIC TRACTOR, ENGINE, SHORT BLOCK, ROLL-GARD, AND SOUND-GARD BODY.

TRACTOR SERIAL NUMBER

RWP4095 -UN-01JAN94



1. DESIGNATES TRACTOR MODEL
2. DESIGNATES TRANSMISSION TYPE

4630
H - QUAD-RANGE
P - POWER SHIFT
W - SYNCRO-RANGE

3. DESIGNATES TRACTOR SERIAL NUMBER
4. DESIGNATES TRACTOR MANUFACTURER

R - JOHN DEERE TRACTOR WORKS

RWP3900 -UN-01JAN94



THE BASIC TRACTOR SERIAL NUMBER PLATE IS LOCATED AT THE REAR OF THE TRANSMISSION CASE.

1A4

4630 TRACTOR

ENGINE SERIAL NUMBER

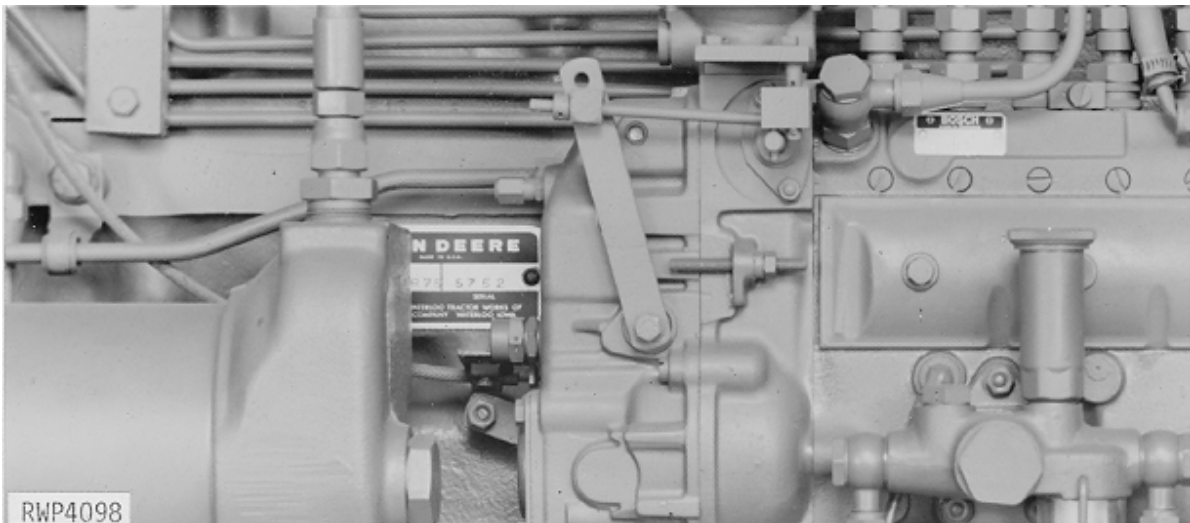
RWP4096 -UN-01JAN94

1 2 3 4 5 6 7
6 404 A R- 10 000000 R

RWP4096

- | | |
|---|----------------------------------|
| 1. DESIGNATES NUMBER OF CYLINDERS | 6 |
| 2. DESIGNATES CUBIC INCH DISPLACEMENT | 404 |
| 3. DESIGNATES TYPE OF AIR INTAKE SYSTEM | A - TURBOCHARGED AND INTERCOOLED |
| 4. DESIGNATES FACTORY USER | R - JOHN DEERE TRACTOR WORKS |
| 5. DESIGNATES VERSION | 10 - TENTH |
| 6. DESIGNATES ENGINE SERIAL NUMBER | 000000 |
| 7. DESIGNATES ENGINE MANUFACTURER | R - JOHN DEERE TRACTOR WORKS |

RWP4098 -UN-01JAN94



THE ENGINE SERIAL NUMBER PLATE IS LOCATED ON THE RIGHT-HAND SIDE OF THE ENGINE BEHIND THE INJECTION PUMP.

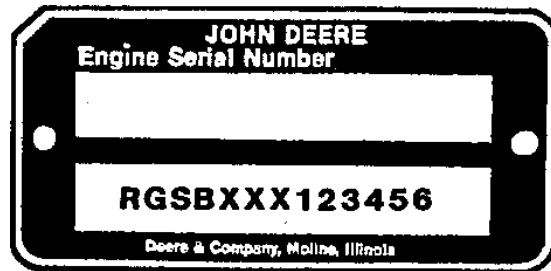
1A5

4630 TRACTOR

SHORT BLOCK SERIAL NUMBER PLATE

(S.B.S.N. -RGSB404882600)

RGP2856 -UN-01JAN94



RGP2856

A SHORT BLOCK SERIAL NUMBER PLATE PLUS 2-37H44 DRIVE SCREWS ARE USED TO ATTACH TO REPLACEMENT SHORT BLOCK ASSEMBLIES. THIS NUMBER WILL BE REFERRED TO WHEN NEW PARTS AFFECT THE SHORT BLOCK ASSEMBLY. THE PREVIOUS ENGINE SERIAL NUMBER SHOULD BE STAMPED INTO THE BLANK SPACE PROVIDED, AS A REFERENCE FOR YOUR DEALER.

- | | |
|---------------------------------------|----------------------------|
| 1. DESIGNATES ENGINE MANUFACTURER | RG - WATERLOO ENGINE WORKS |
| 2. DESIGNATES REPLACEMENT SHORT BLOCK | SB |
| 3. DESIGNATES CUBIC INCH | XXX- 404 |
| 4. DESIGNATES THE PRODUCTION DATE | 1234 |
| 5. DESIGNATES COMPONENT SEQUENCE | 56 |

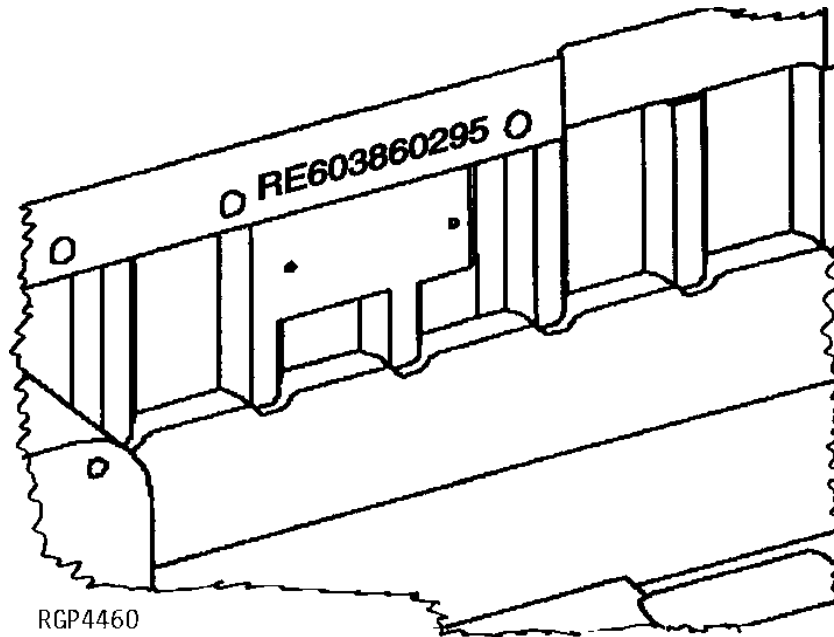
1A6

4630 TRACTOR

SHORT BLOCK SERIAL NUMBER IDENTIFICATION

(RE603860295-) (EXAMPLE ONLY)

RGP4460 -UN-04MAR95



SERIAL NUMBER STAMPED INTO CASTING OF BLOCK NEAR PREVIOUS SERIAL NUMBER PLATE.

EXAMPLE: RE603860295

- | | |
|-----------------------------------|---------|
| 1. DESIGNATES SERVICE PART NUMBER | RE60386 |
| 2. DESIGNATES MONTH ASSEMBLED | 02 |
| 3. DESIGNATES YEAR ASSEMBLED | 95 |

1A7

4630 TRACTOR

SOUND-GARD BODY OR ROLL-GARD SERIAL NUMBER

RWP3903 -UN-01JAN94



RWP3903

1. DESIGNATES TYPE
SG - SOUND-GARD BODY
RG - ROLL-GARD
2. DESIGNATES VERSION
1 - FIRST
3. DESIGNATES SERIAL NUMBER
4. DESIGNATES SOUND-GARD BODY MANUFACTURER - JOHN DEERE TRACTOR WORKS

RWP3904 -UN-01JAN94



THE SOUND-GARD BODY SERIAL NUMBER PLATE IS LOCATED ON THE WINDSHIELD WIPER MOTOR ACCESS DOOR HEADER.

THE ROLL-GARD SERIAL NUMBER IS STAMPED ON A PLATE LOCATED ON THE RIGHT-HAND FRONT POST.

1A8

4630 TRACTOR

SERIAL NUMBER LISTING INFORMATION

SERIAL NUMBER INFORMATION IS LISTED TO SHOW ON WHICH MACHINES EACH PART CAN BE USED; FOR EXAMPLE:

- THE PART CAN BE USED ON ALL MACHINES.
- 000000- THE PART CAN BE USED ON ALL MACHINES BEGINNING WITH THE SERIAL NUMBER LISTED.
- 000000 THE PART CAN BE USED ON ALL MACHINES UP TO AND INCLUDING THE SERIAL NUMBER LISTED.
- 000000-000000 THE PART CAN BE USED ON ALL MACHINES BETWEEN AND INCLUDING THE SERIAL NUMBERS LISTED.

- 15BV1- WHEN A MODEL NUMBER BEGINS WITH 15BV, 14HA, 15PP, 25SC, 2RC, 4RC, 15RS, 3CY, 2SP, OR 31SV, IT REFERS TO THE MODEL NUMBER OF THE BRAKE VALVE, HYDRAULIC ACCUMULATOR, HYDRAULIC PUMP, REMOTE CYLINDER SELECTIVE CONTROL VALVE FOR NO ROCKSHAFT, REMOTE CYLINDER SELECTIVE CONTROL VALVES, REMOTE CYLINDERS, REMOTE CYLINDERS WITH MECHANICAL STOPS, ROCKSHAFT CONTROL VALVE, STEERING CYLINDER, STEERING METERING PUMP, OR STEERING VALVE.

WHEN XXXXXX'S ARE LISTED IN PLACE OF A SERIAL NUMBER, A SERIAL NUMBER CHANGE WAS MADE BUT THE EXACT SERIAL NUMBER WAS NOT AVAILABLE WHEN THE CATALOG WAS PRODUCED.

MODEL NUMBERS

THE FOLLOWING COMPONENTS HAVE MODEL NUMBERS:

ACCUMULATOR	14HA1
BRAKE VALVE	12BV1
DIFFERENTIAL LOCK VALVE	11DL1
HYDRAULIC ACCUMULATOR	14HA1
HYDRAULIC PUMP (50 CM3) (3 IN3)	1PPA
HYDRAULIC PUMP (65 CM3) (4 IN3)	8PP4
POWER WEIGHT TRANSFER CONTROL VALVE	1DC2
REMOTE CYLINDER SELECTIVE CONTROL VALVE - SINGLE	23SC1
REMOTE CYLINDER SELECTIVE CONTROL VALVE - DUAL	23SC2
REMOTE CYLINDER SELECTIVE CONTROL VALVE - TRIPLE	24SC1
REMOTE CYLINDER (76 X 203MM (3" X 8"))	1RC3
REMOTE CYLINDER WITH MECHANICAL STOP (76 X 203MM (3" X 8"))	3RC2
ROCKSHAFT CONTROL VALVE	10RS1
STEERING CYLINDER	3CY1
STEERING METERING PUMP	2SP1
STEERING VALVE	14SV1

EACH OF THE ABOVE COMPONENTS HAS A MODEL NUMBER. WHEN THE DESIGN OF ONE OF THESE COMPONENTS IS CHANGED, THE MODEL NUMBER FOR THE NEWLY DESIGNED COMPONENT IS CHANGED.

1A9

4630 TRACTOR

DIRECTION ARROW

ARROWS ARE USED WITH ILLUSTRATIONS TO INDICATE THE FRONT OF THE UNIT. "RIGHT-HAND" AND "LEFT-HAND" SIDES ARE DETERMINED BY FACING IN THE DIRECTION OF MACHINE FORWARD TRAVEL.

BOX-ENCLOSED ILLUSTRATIONS

A KEY NUMBER, SHOWN IN THE PARTS LIST, IS ASSIGNED TO A BOX ENCLOSING ALL PARTS SOLD AS A SERVICE ASSEMBLY.

BOLT AND CAP SCREW STRENGTH IDENTIFICATION

U.S. CUSTOMARY DIMENSIONED PRODUCT: BOLTS AND CAP SCREWS REQUIRED TO HAVE HIGH-STRENGTH QUALITIES EQUIVALENT TO SAE GRADE 8 ARE IDENTIFIED THROUGHOUT THIS CATALOG BY THE DESCRIPTION HS SAE 8. ALL STANDARD BOLTS AND CAP SCREWS ARE SAE GRADE 5 OR LOWER.

METRIC DIMENSIONED PRODUCT: BOLTS AND CAP SCREWS REQUIRED TO HAVE HIGH-STRENGTH QUALITIES EQUIVALENT TO PROPERTY CLASS 10.9 ARE IDENTIFIED THROUGHOUT THIS CATALOG BY THE DESCRIPTION HS 10.9. ALL STANDARD BOLTS AND CAP SCREWS ARE PROPERTY CLASS 8.8 OR LOWER.

JDM REMANUFACTURED COMPONENTS

THE SERVICE PARTS LISTED IN THIS CATALOG ARE INTENDED FOR THE REPAIR OF ORIGINAL EQUIPMENT COMPONENTS. ALTHOUGH MOST SERVICE PARTS MAY BE USED TO REPAIR REMANUFACTURED COMPONENTS, THE REMANUFACTURING PROCESS MAY CHANGE PARTS SUFFICIENTLY SO THAT SERVICE PARTS ARE INADEQUATE OR NOT USABLE.

TRADEMARKS

THROUGHOUT THIS PARTS CATALOG, YOU WILL FIND THE FOLLOWING DEERE AND COMPANY TRADEMARKS:

HYDRACUSHIONED™
INVESTIGATOR™ II
PERSONAL-POSTURE™
QUAD-RANGE™
PERFORMANCE TRAK™ I
PERFORMANCE TRAK™ II

ROLL-GARD®
SOUND-GARD®
TORQ-GARD SUPREME®
HY-GARD®
QUIK-TATCH®

CHANGE INDICATOR LINE (MICROFICHE CATALOGS ONLY)

CHANGES AFFECTING THE ORDERING OF PARTS ARE IDENTIFIED BY VERTICAL LINES MARKED IN THE LEFT-HAND MARGIN OF REVISED PARTS LISTING IMAGES. A LINE IS ALSO AT THE LEFT-HAND EDGE OF THE SAME PART NUMBER IN THE NUMERICAL INDEX TO SHOW THE LOCATION OF REVISED INFORMATION.

1A10

4630 TRACTOR

QUANTITY COLUMN OR REMARKS COLUMN

GENERALLY THE QUANTITY SHOWN IS FOR THE ENTIRE TRACTOR AT ANY GIVEN LOCATION. THERE ARE EXCEPTIONS AS IN WHEEL HARDWARE WHERE ONLY ENOUGH IS SHOWN FOR ONE WHEEL.

THE FOLLOWING ABBREVIATIONS ARE USED IN THE REMARKS COLUMN:

NLR - NO LONGER REQUIRED

NA - NOT APPLICABLE

NLA - NO LONGER AVAILABLE

FI - FIELD INSTALLED

CA - CONVENIENCE ASSEMBLY

CA AND FI ARE OPTIONS THAT MUST BE ORDERED DIRECT FROM THE PRODUCING FACTORY.

1A11

4630 TRACTOR

SECTION INDEX

GENERAL INFORMATION	10
ENGINE	20
FUEL AND AIR	30
ELECTRICAL	40
POWER TRAIN	50
STEERING AND BRAKES	60
HYDRAULICS	70
WHEELS, FRONT AXLES, SHEET METAL	80
OPERATOR'S STATION	90
NUMERICAL INDEX	95

1A12

4630 TRACTOR

ALPHABETICAL INDEX

GRID		PAGE	GRID		PAGE
A					
5C19	ABSORBER, SHOCK, SEAT SUPPORT.....	90-38	2F16	ARM, WINDSHIELD WIPER	40-93E
5D3	ABSORBER, SHOCK, SEAT SUPPORT.....	90-48	2C23	ARMATURE, STARTER (DELCO-REMY)	40-40
3I15	ACCUMULATOR, BRAKE	60-46	2D5	ARMATURE, STARTER (JOHN DEERE) (DIESEL).....	40-45A
4D24	ADAPTER, IMPLEMENT QUICK COUPLER.....	70-70	5C24	ARMREST (PERSONAL-POSTURE SEAT)	90-44
5F17	ADHESIVE	90-113	1B12	ARMS, ROCKER	20-10
4G22	ADJUSTABLE FRONT AXLE TIE RODS	80-6	3C16	ARMS, SHIFTER SHAFTS.....	50-34
1D12	AFTERCOOLER	30-8	3F1	ARMS, TRANSMISSION	50-96
1E1	AID, COLD WEATHER STARTING (ELECTRIC)	30-22	5F4	ASH TRAY, SOUND-GARD BODY	90-100
1D24	AID, COLD WEATHER STARTING (MANUAL)	30-20	5F5	ASH TRAY, SOUND-GARD BODY	90-101
5B20	AIR CIRCULATION PRESSURIZER BLOWER, SGB.....	90-14	3D18	ASSEMBLY, CLUTCH PACK AND OIL PUMP (PST)	50-64
5B22	AIR CIRCULATION PRESSURIZER BLOWER, SGB.....	90-16	1B23	ASSEMBLY, COMPLETE BLOCK	20-17E
1D8	AIR CLEANER	30-2	4C18	ATTENUATOR, HYDRAULIC OIL	70-36
1D7	AIR CLEANER ELEMENT CLEANING GUN.....	30-1	4F14	AUXILIARY HYDRAULIC OUTLET KIT.....	70-112
2B8	AIR COMPRESSOR WIRING	40-1	4G18	AXLE, ADJUSTABLE TREAD FRONT	80-1
5B8	AIR CONDITIONING COMPRESSOR	90-2	4G19	AXLE, ADJUSTABLE TREAD FRONT	80-2
4C8	AIR CONDITIONING CONDENSER	70-26	3F19	AXLE, REAR.....	50-118
5B12	AIR CONDITIONING EVAPORATOR	90-6	B		
5B10	AIR CONDITIONING LINES.....	90-4	5C16	BACK, SEAT.....	90-34
4G14	AIR CONDITIONING O-RING KIT.....	70-137	5D1	BACKREST, SEAT, SUPPORT	90-46
5B12	AIR CONDITIONING RECEIVER-DEHYDRATOR	90-6	1C21	BAFFLE KIT, RADIATOR.....	20-36
5B14	AIR CONDITIONING RETROFIT KIT	90-7A	4H24	BAFFLE, HOOD	80-32
5B10	AIR CONDITIONING THERMOSTAT	90-4	4H11	BAFFLES, FRAME	80-20
5B12	AIR CONDITIONING THERMOSTAT SWITCH.....	90-6	1E5	BASE, FUEL FILTER (EARLY DESIGN).....	30-26
5B7	AIR CONDITIONING, BELT, COMPRESSOR.....	90-1	1E6	BASE, FUEL FILTER (LATE DESIGN)	30-27
5B7	AIR CONDITIONING, COMPRESSOR MOUNTING	90-1	4H18	BATTERY BOX.....	80-26
1D10	AIR INTAKE	30-5	4H20	BATTERY BOX (RG AND SGB)	80-28
5B16	AIR LOUVER	90-9	2B16	BATTERY CABLES	40-8
5B16	AIR LOUVER PANEL.....	90-9	4H18	BATTERY CLAMPS	80-26
5B15	AIR LOUVER, SOUND-GARD BODY	90-8	4H20	BATTERY CLAMPS (RG AND SGB)	80-28
1D10	AIR STACK.....	30-5	2B17	BATTERY, STORAGE	40-9
1D10	AIR STACK KIT	30-5	1C9	BEARING KIT, UNDERSIZED MAIN BEARING CRANKSHAFT (EARLY DESIGN).....	20-25A
2C10	ALTERNATOR	40-26	1C10	BEARING KIT, UNDERSIZED MAIN BEARING CRANKSHAFT (LATE DESIGN)	20-25B
2C11	ALTERNATOR	40-27	1C11	BEARINGS, MAIN.....	20-26
2C12	ALTERNATOR (EARLY DESIGN)	40-28	1C11	BEARINGS, MAIN THRUST.....	20-26
2C12	ALTERNATOR BRUSHES (EARLY DESIGN).....	40-28	5B7	BELT, COMPRESSOR	90-1
2C12	ALTERNATOR FAN (EARLY DESIGN).....	40-28	2C10	BELT, FAN AND ALTERNATOR DRIVE.....	40-26
2C14	ALTERNATOR KIT	40-30	2C11	BELT, FAN AND ALTERNATOR DRIVE.....	40-27
2C10	ALTERNATOR MOUNTING BRACKETS	40-26	5C5	BELT, SEAL (W/O HI CROP)	90-23A
2C11	ALTERNATOR MOUNTING BRACKETS	40-27	5C21	BELT, SEAT (PERSONAL-POSTURE SEAT).....	90-40
2C14	ALTERNATOR PULLEY.....	40-30	1C25	BELTS, FAN	20-40
2C12	ALTERNATOR REGULATOR (EARLY DESIGN)	40-28	3C2	BEVEL GEAR, DIFFERENTIAL (QRT AND SRT)	50-21A
2E21	AM RADIO (MOTOROLA)	40-76	3F13	BEVEL PINION, DIFFERENTIAL	50-110
2E22	AM-FM RADIO (MOTOROLA)	40-77	3C2	BEVEL PINION, DIFFERENTIAL (QRT AND SRT)	50-21A
2E13	ANALOG TACHOMETER	40-69C	3E8	BEVEL, PINION, DIFFERENTIAL	50-79
1E22	ANEROID ACTIVATOR, HYDRAULIC.....	30-44	5B16	BEZEL, AIR LOUVER	90-9
1F1	ANEROID CONTROL	30-50	4I9	BI-LINGUAL DECAL SET.....	80-42
1F2	ANEROID CONTROL	30-51	2F14	BLADE, WINDSHIELD WIPER	40-93C
1F4	ANEROID CONTROL	30-53	2F16	BLADE, WINDSHIELD WIPER	40-93E
2E24	ANTENNA BRACKET, CB RADIO.....	40-79	1B23	BLOCK ASSEMBLY, COMPLETE	20-17E
2F5	ANTENNA KIT, RADIO.....	40-86	1B15	BLOCK, CYLINDER	20-14
2F4	ANTENNA, FENDER MOUNTED, KIT	40-85	1B17	BLOCK, ENGINE SHORT (WITH OIL PUMP)	20-16
2F2	ANTENNA, RADIO KIT.....	40-82	1B19	BLOCK, ENGINE SHORT (WITHOUT OIL PUMP)	20-17A
3D14	ARM CLUTCH VALVE OPERATING (PST)	50-60	3G3	BLOCK, FRONT WHEEL DRIVE CYLINDER	50-128
4C24	ARM, LIFT.....	70-42	4E4	BLOCK, SWAY CONTROL	70-76
4D5	ARM, LOAD CONTROL	70-49	3C4	BLOCKER, TRANSMISSION (QRT AND SRT).....	50-22
4F19	ARM, REMOTE CYLINDER TRANSPORT	70-118	5B24	BLOWER FILTER CAPACITOR KIT	90-18
4C24	ARM, ROCKSHAFT CRANK	70-42	5B25	BLOWER MOTOR RESISTOR	90-19
3D1	ARM, SHIFTER.....	50-46	5B16	BLOWER SWITCH.....	90-9
3C15	ARM, SPEED CHANGE SHIFTER	50-33	5B18	BLOWER, PRESSURIZER.....	90-12
3C13	ARM, SPEED RANGE SHIFTER.....	50-31			
3C14	ARM, SPEED RANGE SHIFTER.....	50-32			
4G22	ARM, STEERING	80-6			
4G24	ARM, STEERING	80-8			
4G24	ARM, STEERING MOTOR SPINDLE	80-8			
2F14	ARM, WINDSHIELD WIPER	40-93C			

1A13

4630 TRACTOR

ALPHABETICAL INDEX - CONTINUED

<i>GRID</i>		<i>PAGE</i>	<i>GRID</i>		<i>PAGE</i>
5B20	BLOWER, PRESSURIZER, SGB	90-14	5F12	CABLE, SPEED-HOUR METER	90-108
5B22	BLOWER, PRESSURIZER, SOUND-GARD BODY	90-16	3E14	CABLES, TRANSMISSION CONTROL	50-86
5D9	BODY, REPLACEMENT SOUND-GARD	90-54	1B13	CAMSHAFT	20-11
1B9	BOLTS, HEAD	20-6	1B13	CAMSHAFT BUSHING	20-11
5F9	BOOT, SHIFTER ROD	90-105	1B13	CAMSHAFT, GEAR	20-11
4H18	BOX, BATTERY	80-26	5C12	CANOPY, ROLL-GARD, FOUR-POST	90-30
4H20	BOX, BATTERY (RG AND SGB)	80-28	5C7	CANOPY, ROLL-GARD, TWO-POST	90-24
5F18	BOX, TOOL	90-114	3H10	CAP PLUG ASSORTMENT KIT	60-14
5D23	BRACKET KIT, CONTROL SUPPORT	90-68	3I6	CAP PLUG ASSORTMENT KIT	60-36
2E24	BRACKET, CB RADIO ANTENNA	40-79	1D23	CAP, EXHAUST	30-19
2E24	BRACKET, CB RADIO MOUNTING	40-79	1E3	CAP, FUEL FILLER	30-24
5F8	BRACKET, FIRE EXTINGUISHER	90-104	1C19	CAP, RADIATOR	20-34
4H17	BRACKET, FRONT FENDER	80-25A	5B22	CAPACITOR, BLOWER MOTOR FILTER	90-16
5E5	BRACKET, SOUND-GARD BODY ROOF	90-74	2C1	CAPACITOR, NOISE SUPPRESSION	40-17
2F14	BRACKET, WINDSHIELD WIPER	40-93C	2B20	CAPACITOR, RADIO NOISE SUPPRESSION	40-12
2F16	BRACKET, WINDSHIELD WIPER	40-93E	2B22	CAPACITOR, RADIO NOISE SUPPRESSION	40-14
2E11	BRACKET,RADAR SENSOR	40-69A	2C2	CAPACITOR, RADIO NOISE SUPPRESSOR	40-18
2D15	BRACKETS, LAMP	40-50	3G5	CARRIER, FIRST PLANET PINION (PFWD)	50-130
3I15	BRAKE ACCUMULATOR	60-46	3F19	CARRIER, PLANET PINION	50-118
3I5	BRAKE FACING	60-35	3C6	CARRIER, PLANET PINION (QUAD-RANGE)	50-24
3I4	BRAKE FACINGS	60-34	3D24	CASE, TRANSMISSION (POWER SHIFT)	50-70
3I6	BRAKE OIL LINES (REAR)	60-36	3B23	CASE, TRANSMISSION (QRT AND SRT)	50-18
3I8	BRAKE OIL LINES (UPPER)	60-38	4H4	CAST DISK WHEELS	80-13
3I13	BRAKE PEDALS	60-44	2E24	CB RADIO MOUNTING KIT	40-79
3C8	BRAKE PISTON (QUAD-RANGE)	50-26	1D17	CENTER HOUSING, TURBOCHARGER (AIRESEARCH)	30-13
3C10	BRAKE PISTON HOUSING (QRT)	50-28	1D19	CENTER HOUSING, TURBOCHARGER (EARLY DESIGN)	30-15
3G6	BRAKE PISTON SEAL KIT, PFWD	50-131	1D21	CENTER HOUSING, TURBOCHARGER (LATE DESIGN)	30-17
3I5	BRAKE PLATE	60-35	4D21	CENTER LINK	70-66
3I4	BRAKE PLATES	60-34	4D23	CHAIN, IMPLEMENT SAFETY	70-69
3I10	BRAKE VALVE	60-40	4I8	CHART, GROUND SPEED	80-40
3I12	BRAKE VALVE OVERHAUL KIT	60-42	2E7	CIGAR LIGHTER	40-66
3E6	BRAKE, PLANETARY (POWER SHIFT)	50-77	2C1	CIRCUIT BREAKER (LESS SGB)	40-17
3E5	BRAKE, PLANETARY, FIRST (POWER SHIFT)	50-76	2B20	CIRCUIT BREAKER (SGB)	40-12
3E2	BRAKE, PLANETARY, FOURTH (POWER SHIFT)	50-73	2B22	CIRCUIT BREAKER (SGB)	40-14
3E4	BRAKE, PLANETARY, SECOND (POWER SHIFT)	50-75	2B24	CIRCUIT BREAKER SUPPORT KIT	40-15B
3E3	BRAKE, PLANETARY, THIRD (POWER SHIFT)	50-74	2G4	CIRCUIT BREAKER, ELECTRICAL OUTLET	40-104
4F2	BREAKAWAY COUPLER	70-99	2G8	CIRCUIT BREAKER, SUPPLEMENTARY WIRING	40-106
4F3	BREAKAWAY COUPLER	70-100	2C2	CIRCUIT BREAKERS AND RELAY (PFWD)	40-18
4F7	BREAKAWAY COUPLER (ISO CONVERSION KIT)	70-104	4H18	CLAMP, BATTERY	80-26
4F6	BREAKAWAY COUPLER (ISO)	70-103	4H20	CLAMP, BATTERY (RG AND SGB)	80-28
4F5	BREAKAWAY COUPLER OVERHAUL KIT	70-102	4G13	CLEAN-UP KIT, HYDRAULIC OIL	70-136
2B22	BREAKER CIRCUIT (SGB)	40-14	1D8	CLEANER, AIR	30-2
2C1	BREAKER, CIRCUIT (LESS SGB)	40-17	4E12	CLEVIS PIN, DRAWBAR	70-84
2C2	BREAKER, CIRCUIT (PFWD)	40-18	3D18	CLUTCH ASSEMBLY (PST)	50-64
2B20	BREAKER, CIRCUIT (SGB)	40-12	3C2	CLUTCH COLLAR (QRT AND SRT)	50-21A
2G1	BREAKER, CIRCUIT, REMOTE CONTROL	40-101	3E18	CLUTCH CONTROL, PTO (POWER SHIFT)	50-90
2G4	BREAKER, ELECTRICAL OUTLET CIRCUIT	40-104	3C22	CLUTCH CONTROL, TRANSMISSION	50-41
1B13	BUSHING, CAMSHAFT	20-11	3E11	CLUTCH CONTROL, TRANSMISSION DISCONNECT	50-82
2B20	BUSSBAR	40-12	3B11	CLUTCH DISK (QRT AND SRT)	50-6
2B22	BUSSBAR	40-14	3D21	CLUTCH DRUM (FRONT)	50-68
2C1	BUSSBAR	40-17	3C10	CLUTCH DRUM (QRT)	50-28
2C2	BUSSBAR, CIRCUIT BREAKER (PFWD)	40-18	3C8	CLUTCH DRUM (QUAD-RANGE)	50-26
2E7	BUTTON, HORN	40-66	3D23	CLUTCH DRUM (REAR)	50-69
2C17	BYPASS STARTER LABEL	40-33	3D13	CLUTCH HOUSING (POWER SHIFT)	50-58
1C15	BYPASS VALVE, OIL COOLER	20-30	3B9	CLUTCH HOUSING (QRT AND SRT)	50-3
2D4	BYPASS, STARTER LABEL	40-45	3B8	CLUTCH HOUSING (SYNCRO-RANGE)	50-2
			3B22	CLUTCH LEVER LINKAGE, PTO (QRT AND SRT)	50-17
			3B17	CLUTCH OIL PRESSURE REGULATING VALVE	50-12
			3D20	CLUTCH OIL PUMP ASSEMBLY	50-67
			3B10	CLUTCH PEDAL AND LINKAGE	50-4
			3D14	CLUTCH PEDAL AND LINKAGE (PST)	50-60
			3D16	CLUTCH SHAFT (POWER SHIFT)	50-62
			3D17	CLUTCH SHAFT (POWER SHIFT)	50-63
			3D19	CLUTCH SHAFT (POWER SHIFT)	50-66

C

5E9	CAB HEADLINERS	90-78
5B20	CAB PRESSURIZER BLOWER	90-14
5B22	CAB PRESSURIZER BLOWER	90-16
2B16	CABLE, BATTERY	40-8
1F1	CABLE, PUSH-PULL (FUEL SHUT-OFF)	30-50
1F2	CABLE, PUSH-PULL (FUEL SHUT-OFF)	30-51
1F3	CABLE, PUSH-PULL (FUEL SHUT-OFF)	30-52

1A14

4630 TRACTOR

ALPHABETICAL INDEX - CONTINUED

<i>GRID</i>		<i>PAGE</i>	<i>GRID</i>		<i>PAGE</i>
3D21	CLUTCH SHAFT (POWER SHIFT)	50-68	4C8	COOLER, HYDRAULIC OIL	70-26
3B15	CLUTCH SHAFT (QRT AND SRT)	50-10	5B16	COOLING TEMPERATURE SWITCH	90-9
3C6	CLUTCH SHAFT (QUAD-RANGE)	50-24	3C1	COUNTERSHAFT, TRANSMISSION	50-21
3B13	CLUTCH SHAFT (SYNCRO-RANGE)	50-8	4F9	COUPLER OVERHAUL KIT (ISO)	70-106
3B19	CLUTCH VALVE HOUSING (QRT AND SRT)	50-14	4F2	COUPLER, BREAKAWAY	70-99
3B19	CLUTCH VALVE SHIELD (QRT AND SRT)	50-14	4F3	COUPLER, BREAKAWAY	70-100
3C17	CLUTCH, CONTROL, TRANSMISSION	50-35	4F7	COUPLER, BREAKAWAY (ISO CONVERSION KIT)	70-104
3C19	CLUTCH, CONTROL, TRANSMISSION	50-37	4F6	COUPLER, BREAKAWAY (ISO)	70-103
3D19	CLUTCH, OIL MANIFOLD (POWER SHIFT)	50-66	4F12	COUPLER, FLEXIBLE OIL LINE	70-110
3D23	CLUTCH, PTO (POWER SHIFT)	50-69	4D24	COUPLER, IMPLEMENT QUICK	70-70
3B11	CLUTCH, PTO (QRT AND SRT)	50-6	4F7	COUPLER, ISO CONVERSION KIT	70-104
3C6	CLUTCH, QUAD-RANGE	50-24	4B7	COUPLER, MAIN PUMP DRIVE	70-1
3C7	CLUTCH, QUAD-RANGE (ASSEMBLED)	50-25	4E13	COUPLER, POWER WEIGHT TRANSFER	70-85
3D21	CLUTCH, TRANSMISSION, PACK	50-68	4G12	COUPLINGS, REUSABLE	70-135
3D23	CLUTCH, TRANSMISSION, PACK	50-69	3I13	COVER, BRAKE VALVE HOUSING	60-44
2D6	COIL, STARTER (JOHN DEERE) (DIESEL)	40-45B	3B11	COVER, CLUTCH (QRT AND SRT)	50-6
1E1	COLD WEATHER STARTING AID (ELECTRIC)	30-22	5F6	COVER, CONTROL SUPPORT	90-102
1D24	COLD WEATHER STARTING AID (MANUAL)	30-20	4E17	COVER, DUAL SELECTIVE CONTROL KIT	70-89
3C4	COLLAR, SYNCHRONIZER DISK (QRT AND SRT)	50-22	4F11	COVER, DUST (DIAGNOSTIC RECEPTACLE)	70-109
2D7	COMMUTATOR END FRAME, STARTER (JOHN DEERE) (DIESEL)	40-45C	4F2	COVER, DUST, BREAKAWAY COUPLER	70-99
1B23	COMPLETE BLOCK ASSEMBLY	20-17E	4F3	COVER, DUST, BREAKAWAY COUPLER	70-100
5B8	COMPRESSOR	90-2	4F12	COVER, DUST, BREAKAWAY COUPLER	70-110
5B8	COMPRESSOR CLUTCH	90-2	1D23	COVER, EXHAUST	30-19
5B8	COMPRESSOR COIL	90-2	5E1	COVER, PRESSURIZER	90-70
5B8	COMPRESSOR PULLEY	90-2	5E9	COVER, PRESSURIZER	90-78
5B8	COMPRESSOR SHAFT SEAL KIT	90-2	3F7	COVER, RETURN PORT	50-103
5B10	CONDENSER LINES	90-4	1B10	COVER, ROCKER ARM	20-8
5B11	CONDENSER LINES	90-5	4E17	COVER, ROCKSHAFT CONTROL VALVE HOUSING	70-89
4C8	CONDENSER, AIR CONDITIONING	70-26	4C20	COVER, ROCKSHAFT HOUSING	70-38
1B7	CONDITIONER, COOLANT	20-2	4C22	COVER, ROCKSHAFT HOUSING	70-40
1C3	CONNECTING RODS	20-21	4C25	COVER, ROCKSHAFT PISTON	70-43
1E15	CONNECTORS, FUEL INJECTION PUMP HOUSING	30-36	2D4	COVER, STARTER SOLENOID (JOHN DEERE)	40-45
2G10	CONNECTORS,ELECTRICAL	40-108	3H2	COVER, STEERING VALVE	60-5
2G12	CONNECTORS,ELECTRICAL	40-110	3G24	COVER, STEERING VALVE CYLINDER	60-2
2G14	CONNECTORS,ELECTRICAL	40-112	1C13	COVER, TIMING GEAR	20-28
2D24	CONSOLE LIGHT HOUSING, FOUR-POST ROLL-GA RD	40-59	3B24	COVER, TRANSMISSION CASE (FRONT)	50-19
2D24	CONSOLE LIGHT, FOUR-POST ROLL-GARD	40-59	3D25	COVER, TRANSMISSION CASE (FRONT)	50-71
5F10	CONSOLE, CONTROL	90-106	3F1	COVER, TRANSMISSION CONTROL VALVE	50-96
2G10	CONTAINER,ELECTRICAL PARTS	40-108	4D12	COVER, TRANSMISSION REAR	70-56
5F10	CONTROL CONSOLE	90-106	4D14	COVER, TRANSMISSION REAR	70-58
4D8	CONTROL LINKAGE, ROCKSHAFT	70-52	4E17	COVER, TRIPLE SELECTIVE CONTROL KIT	70-89
5D23	CONTROL SUPPORT BRACKET KIT	90-68	5F6	COWL	90-102
5F6	CONTROL SUPPORT COVER	90-102	4C24	CRANK, ROCKSHAFT	70-42
5F6	CONTROL SUPPORT, COVERS AND COWL	90-102	1C4	CRANKSHAFT	20-22
3C17	CONTROL TRANSMISSION SHIFTER	50-35	1C5	CRANKSHAFT	20-23
4D1	CONTROL VALVE	70-44	1C4	CRANKSHAFT DAMPER	20-22
4D3	CONTROL VALVE	70-46	1C7	CRANKSHAFT KIT, UNDERSIZE (CONNECTING ROD JOURNAL) (LATE DESIGN)	20-24A
3G9	CONTROL VALVE BRACKET (PFWD)	50-134	1C6	CRANKSHAFT KIT, UNDERSIZE CONNECTING ROD JOURNAL (EARLY DESIGN)	20-24
3G14	CONTROL VALVE OVERHAUL KIT (PFWD)	50-140	1C14	CRANKSHAFT OIL SEAL	20-29
3G10	CONTROL VALVE PARTS (PFWD)	50-136	1C14	CRANKSHAFT OIL SEAL HOUSING (REAR)	20-29
5B16	CONTROL VALVE, HEATER	90-9	1C4	CRANKSHAFT PULLEY	20-22
1F9	CONTROL, FOOT SPEED	30-58	1C8	CRANKSHAFT, UNDERSIZE MAIN BEARING (EARLIEST DESIGN)	20-25
4D6	CONTROL, LOAD SELECTOR	70-50	5C24	CUSHION, ARMREST (PERSONAL-POSTURE SEAT)	90-44
4D8	CONTROL, LOAD SELECTOR	70-52	5C21	CUSHION, BACKREST	90-40
3E18	CONTROL, PTO CLUTCH (POWER SHIFT)	50-90	5C16	CUSHION, SEAT	90-34
3E10	CONTROL, TRANSMISSION PARK LOCK	50-81	5C21	CUSHION, SEAT	90-40
3C19	CONTROL, TRANSMISSION SHIFTER	50-37	5C16	CUSHION, SEAT BACK	90-34
3C20	CONTROL, TRANSMISSION SHIFTER	50-38	1B15	CYLINDER BLOCK	20-14
3E12	CONTROL, TRANSMISSION SHIFTER	50-84	1B9	CYLINDER HEAD	20-6
2D22	CONTROL, TURN SIGNAL	40-57	1B9	CYLINDER HEAD GASKET	20-6
3F1	CONTROL, VALVE COVER	50-96	1D2	CYLINDER HEAD GASKET SET	20-42
4G11	CONVERSION KIT, REMOTE CYLINDER	70-134	4F21	CYLINDER HOSE IDENTIFICATION KIT	70-120
1B7	COOLANT CONDITIONER	20-2	1C3	CYLINDER LINER	20-21
1C17	COOLER, ENGINE OIL	20-32	1B7	CYLINDER LINER PACKING LUBRICANT	20-2

1A16

4630 TRACTOR

ALPHABETICAL INDEX - CONTINUED

GRID		PAGE	GRID		PAGE
1B8	ENGINE LIFT STRAPS	20-5	4F12	FLEXIBLE OIL LINE COUPLER	70-110
1B6	ENGINE OIL	20-1	2D19	FLOOD LAMPS	40-54
1C17	ENGINE OIL COOLER	20-32	5F1	FLOOR MAT	90-97
1B15	ENGINE OIL DIPSTICK	20-14	5F2	FLOOR MAT	90-98
1C16	ENGINE OIL FILTER	20-31	4D1	FLOW CONTROL VALVE	70-44
1B15	ENGINE OIL PRESSURE SENDER	20-14	4D3	FLOW CONTROL VALVE	70-46
1C15	ENGINE OIL PUMP	20-30	4E20	FLOW CONTROL VALVE, SCV	70-92
1B21	ENGINE OVERHAUL KIT	20-17C	1D24	FLUID, STARTING	30-20
1B17	ENGINE SHORT BLOCK (WITH OIL PUMP)	20-16	1E1	FLUID, STARTING	30-22
1B19	ENGINE SHORT BLOCK (WITHOUT OIL PUMP)	20-17A	1C4	FLYWHEEL	20-22
1C2	ENGINE UNDERHAUL KIT (6404) (STD BRGS)	20-20	1F9	FOOT SPEED CONTROL KIT	30-58
1B7	ENGINE VALVE STEM LUBRICANT	20-2	3E2	FOURTH PLANETARY BRAKE (POWER SHIFT)	50-73
2B9	ENGINE WIRING HARNESS	40-2	4H11	FRAME BAFFLES	80-20
2B15	ETHER SOLENOID WIRING HARNESS	40-7A	4H11	FRAME PLATE	80-20
1D25	ETHER STARTING AID KIT	30-21	4H11	FRAME, SIDE	80-20
2B15	ETHER SWITCH WIRING HARNESS	40-7A	4G18	FRONT AXLE HOUSING	80-1
5B12	EVAPORATOR, AIR CONDITIONING	90-6	4G22	FRONT AXLE KNEE	80-6
1D23	EXHAUST COVER	30-19	4G20	FRONT AXLE KNEE AND KNUCKLE	80-4
1D22	EXHAUST ELBOW	30-18	4G19	FRONT AXLE, ADJUSTABLE TREAD	80-2
1D22	EXHAUST MANIFOLD GASKETS	30-18	4H17	FRONT FENDER BRACKET	80-25A
1D22	EXHAUST MANIFOLDS	30-18	4H17	FRONT FENDER SUPPORT	80-25A
1B12	EXHAUST VALVES	20-10	4H17	FRONT FENDERS	80-25A
1D23	EXTENSION, MUFFLER	30-19	4H23	FRONT HOOD HANDLE KIT	80-31
5F8	EXTINGUISHER, FIRE	90-104	3G19	FRONT HYDRAULIC LINES (PFW)	50-145
F					
1E13	F.I.P. LUBE LINE (EARLY DESIGN)	30-34	2B9	FRONT LAMP WIRING	40-2
1E20	F.I.P. LUBE LINE (LATE DESIGN)	30-42	2B11	FRONT LAMPS	40-4
3I4	FACING, BRAKE	60-34	2D13	FRONT LAMPS	40-48
3I5	FACING, BRAKE	60-35	2D15	FRONT LAMPS	40-50
1C25	FAN	20-40	2D17	FRONT LAMPS	40-52
1C25	FAN BELTS	20-40	1C13	FRONT OIL SEAL	20-28
1C18	FAN BLAST DEFLECTOR KIT	20-33	4E2	FRONT SUPPORT, DRAWBAR	70-73
1C25	FAN PULLEY	20-40	4H10	FRONT WEIGHTS	80-19
1C19	FAN SHROUD	20-34	4H13	FRONT WEIGHTS	80-22
5C10	FENDER, ROLL-GARD	90-28	4H3	FRONT WHEEL BEARING KIT	80-12
5D5	FENDER, SOUND-GARD BODY	90-50	3G16	FRONT WHEEL DRIVE REPLACEMENT KIT	50-142
4H16	FENDERS	80-25	4H1	FRONT WHEELS	80-10
4H17	FENDERS, FRONT	80-25A	1E10	FUEL CHECK VALVE	30-31
5B24	FILTER CAPACITOR KIT, BLOWER MOTOR	90-18	1E5	FUEL FILTER	30-26
3D5	FILTER KIT, INCREASED OIL FILTRATION	50-50	1E6	FUEL FILTER	30-27
1C16	FILTER, ENGINE OIL	20-31	1E5	FUEL FILTER BASE (EARLY DESIGN)	30-26
1E5	FILTER, FUEL	30-26	1E6	FUEL FILTER BASE (LATE DESIGN)	30-27
1E6	FILTER, FUEL	30-27	1E7	FUEL FILTER BASE KIT (REPLACEMENT)	30-28
1D8	FILTER, PRIMARY	30-2	1E8	FUEL FILTER LINE	30-29
5B17	FILTER, RECIRCULATING	90-11	1E5	FUEL FILTER LINES (EARLY DESIGN)	30-26
1D8	FILTER, SECONDARY	30-2	1E6	FUEL FILTER LINES (LATE DESIGN)	30-27
3D4	FILTER, TRANSMISSION HYDRAULIC OIL	50-49	2E9	FUEL GAUGE	40-68
3F4	FILTER, TRANSMISSION OIL (PST)	50-100	1E13	FUEL INJECTION LINES (EARLY DESIGN)	30-34
1F7	FILTERS	30-56	1E20	FUEL INJECTION LINES (LATE DESIGN)	30-42
3F21	FINAL DRIVE KIT, HIGH PRESSURE ANGLE	50-120	1E19	FUEL INJECTION NOZZLE (EARLY DESIGN)	30-40
3F19	FINAL DRIVE SHAFT AND SUN PINION	50-118	1E23	FUEL INJECTION NOZZLE (LATE DESIGN)	30-46
5F8	FIRE EXTINGUISHER	90-104	1E13	FUEL INJECTION NOZZLES (EARLY DESIGN)	30-34
3E5	FIRST PLANETARY BRAKE (POWER SHIFT)	50-76	1E20	FUEL INJECTION NOZZLES (LATE DESIGN)	30-42
3H3	FIXED STEERING	60-6	1E13	FUEL INJECTION PUMP (EARLY DESIGN)	30-34
3H12	FIXED STEERING	60-16	1E20	FUEL INJECTION PUMP (LATE DESIGN)	30-42
3H7	FIXED STEERING PIPES	60-10	1E17	FUEL INJECTION PUMP GOVERNOR LEVERS AND CONTROLS	30-38
2C1	FLASHER, WARNING LAMP (LESS SGB)	40-17	1E15	FUEL INJECTION PUMP HOUSING CONNECTORS	30-36
2B20	FLASHER, WARNING LAMP (SGB)	40-12	1E9	FUEL INLET LINE (REPLACEMENT)	30-30
2B22	FLASHER, WARNING LAMP (SGB)	40-14	1F1	FUEL SHUT-OFF	30-50
2G6	FLASHING WARNING LAMP KIT	40-105A	1F2	FUEL SHUT-OFF	30-51
4G12	FLEXIBLE OIL LINE (BULK)	70-135	1F4	FUEL SHUT-OFF	30-53
			1E3	FUEL TANK	30-24
			1E3	FUEL TANK INSTALLATION KIT	30-24
			1E25	FUEL TRANSFER PUMP	30-49

1A17

4630 TRACTOR

ALPHABETICAL INDEX - CONTINUED

GRID		PAGE	GRID		PAGE
G					
1D2	GASKET SET, CYLINDER HEAD	20-42	2B11	HARNES, WIRING (ROLL-GARD AND SOUND-GARD BODY).....	40-4
1D2	GASKET SET, ENGINE	20-42	2B8	HARNES, WIRING AIR COMPRESSOR.....	40-1
1B9	GASKET, CYLINDER HEAD	20-6	2C5	HARNES, WIRING, INSTRUMENT PANEL	40-21
1B25	GASKET, OIL PAN.....	20-18	2C4	HARNES, WIRING, INSTRUMENT PANEL (PFW)	40-20
1C13	GASKET, TIMING GEAR COVER GASKET	20-28	2G8	HARNES,WIRING, SUPPLEMENTARY WIRING KIT.....	40-106
3E1	GASKET, TRANSMISSION KIT	50-72	1B9	HEAD BOLTS	20-6
1D1	GASKET, WATER MANIFOLD	20-41	1B9	HEAD, CYLINDER	20-6
1C25	GASKET, WATER PUMP.....	20-40	5C7	HEADLINER, ROLL-GARD CANOPY	90-24
1D22	GASKETS, EXHAUST MANIFOLD	30-18	5C12	HEADLINER, ROLL-GARD CANOPY	90-30
1D12	GASKETS, INTAKE MANIFOLD	30-8	5E11	HEADLINER, SOUND-GARD BODY	90-81
2E9	GAUGE CLUSTER	40-68	5E9	HEADLINES, CAB	90-78
2E9	GAUGE, FUEL	40-68	2F7	HEADPHONES, RADIO	40-88
4E16	GAUGE, HYDRAULIC OIL PRESSURE	70-88	5B16	HEATER CONTROL VALVE	90-9
2E9	GAUGE, OIL PRESSURE	40-68	5C1	HEATER INSTALLATION KIT	90-20
3E19	GAUGE, TEMPERATURE SENDER	50-91	5C3	HEATER SUPPLY LINE.....	90-22
3E20	GAUGE, TEMPERATURE SENDER	50-92	1C24	HEATER, ENGINE COOLANT.....	20-39
2E9	GAUGE, VOLTMETER.....	40-68	1C23	HEATER, ENGINE, COOLANT	20-38
2E9	GAUGE, WATER TEMPERATURE	40-68	3D6	HEATER, OIL FILTER	50-51
3C19	GEAR SHIFT LEVER	50-37	5C1	HEATER, SOUND-GARD BODY	90-20
3E12	GEAR SHIFT LEVER	50-84	3C13	HIGH AND LOW SHIFTER SHAFT.....	50-31
3C15	GEAR SHIFTER SHAFT	50-33	3C14	HIGH AND LOW SHIFTER SHAFT.....	50-32
3E8	GEAR, BEVEL, DIFFERENTIAL	50-79	3F19	HIGH PRESSURE ANGLE FINAL DRIVE KIT	50-118
3F13	GEAR, BEVEL, DIFFERENTIAL	50-110	3F21	HIGH PRESSURE ANGLE FINAL DRIVE KIT	50-120
3F15	GEAR, BEVEL, DIFFERENTIAL	50-112	5D15	HINGE KIT	90-60
3C2	GEAR, BEVEL, DIFFERENTIAL (QRT AND SRT)	50-21A	4D21	HITCH, 3-POINT, CENTER LINK	70-66
1B13	GEAR, CAMSHAFT	20-11	4D21	HITCH, 3-POINT, DRAFT LINKS.....	70-66
3C1	GEAR, COUNTERSHAFT	50-21	4D24	HITCH, 3-POINT, QUICK COUPLER	70-70
1C5	GEAR, OIL PUMP DRIVE	20-23	5C23	HOLDER, OPERATOR'S MANUAL (LESS SGB).....	90-43
3D3	GEAR, OIL PUMP DRIVE	50-48	4H24	HOOD	80-32
3D8	GEAR, PTO DRIVE (SYNCRO-RANGE	50-53	4H23	HOOD HANDLE KIT, FRONT	80-31
3D2	GEAR, PTO DRIVE SHAFT AND	50-47	4H24	HOOD ORNAMENT	80-32
3D7	GEAR, PTO DRIVE SHAFT AND IDLER	50-52	4H24	HOOD, SUPPORTS AND BAFFLES	80-32
3D10	GEAR, PTO SHAFT AND DRIVE (1000 RPM).....	50-55	2E15	HORN	40-70
1C4	GEAR, STARTER RING.....	20-22	2E16	HORN ASSEMBLY, DUAL.....	40-71
3F8	GEARS, 1000 RPM PTO IDLER (POWER SHIFT)	50-104	2E7	HORN BUTTON	40-66
3C20	GEARSHIFT LEVER.....	50-38	2E16	HORN SWITCH	40-71
5E14	GLASS SEALS, SOUND-GARD BODY.....	90-84	2E17	HORN SWITCH	40-72
5E25	GLASS, REAR SLIDING	90-96	2E17	HORN, ELECTRIC	40-72
1E17	GOVERNOR LEVERS AND CONTROLS, FUEL INJECTION PUMP	30-38	2E16	HORN, ELECTRIC (12 VOLT) (HIGH NOTE).....	40-71
4H22	GRILLE	80-30	2E16	HORN, ELECTRIC (12 VOLT) (LOW NOTE)	40-71
2B16	GROUND CABLE, BATTERY	40-8	4F21	HOSE IDENTIFICATION KIT, REMOTE CYLINDER	70-120
5D7	GROUND LEAD, SOUND-GARD BODY	90-52	1C19	HOSE, RADIATOR	20-34
4I8	GROUND SPEED CHART.....	80-40	4F19	HOSE, REMOTE CYLINDER.....	70-118
3F9	GUARD, REAR PTO (POWER SHIFT).....	50-105	5C1	HOSES, HEATER, SOUND-GARD BODY	90-20
3D9	GUARD, REAR PTO (QRT AND SRT).....	50-54	3D14	HOUSING CLUTCH VALVE (PST)	50-60
3D8	GUARD, REAR PTO (SYNCRO-RANGE).....	50-53	5B22	HOUSING, BLOWER, CAB	90-16
1D7	GUN, AIR CLEANER ELEMENT CLEANING	30-1	3C10	HOUSING, BRAKE PISTON (QRT).....	50-28
H					
1F5	HAND SPEED CONTROL LINKAGE.....	30-54	3C8	HOUSING, BRAKE PISTON (QUAD-RANGE)	50-26
4H23	HANDLE KIT, FRONT HOOD	80-31	3D13	HOUSING, CLUTCH (POWER SHIFT)	50-58
4D21	HANDLE, CENTER LINK ADJUSTING	70-66	3B9	HOUSING, CLUTCH (QRT AND SRT)	50-3
5D19	HANDLE, DOOR.....	90-64	3B8	HOUSING, CLUTCH (SYNCRO-RANGE)	50-2
5D17	HANDLE, DOOR, SOUND-GARD BODY	90-62	3B13	HOUSING, CLUTCH OPERATING (PERMA-CLUTCH)	50-8
5D21	HANDLE, DOOR, SOUND-GARD BODY (LATE DESIGN).....	90-66	3B15	HOUSING, CLUTCH OPERATING (QRT AND SRT)	50-10
4D24	HANDLE, LIFT LINK ADJUSTING.....	70-70	3E20	HOUSING, CLUTCH REGULATING VALVE	50-92
4H24	HANDLE, TRACTOR MOUNTING	80-32	3B19	HOUSING, CLUTCH VALVE (QRT AND SRT).....	50-14
4I3	HANDLE, TRACTOR MOUNTING, RIGHT-HAND	80-36	2D24	HOUSING, CONSOLE LIGHT, FOUR-POST ROLL-G ARD	40-59
5F10	HANDREST.....	90-106	1C14	HOUSING, CRANKSHAFT OIL SEAL (REAR)	20-29
2B9	HARNES, WIRING	40-2	3F13	HOUSING, DIFFERENTIAL	50-110
			3F15	HOUSING, DIFFERENTIAL	50-112
			3F10	HOUSING, DIFFERENTIAL LOCK VALVE	50-106
			4G18	HOUSING, FRONT AXLE	80-1
			1C16	HOUSING, OIL FILTER	20-31
			3D11	HOUSING, OIL FILTER VALVE.....	50-56
			3F25	HOUSING, POWER FRONT WHEEL DRIVE	50-124
			3E19	HOUSING, PRES. REGULATING VALVE.....	50-91

1A18

4630 TRACTOR

ALPHABETICAL INDEX - CONTINUED

<i>GRID</i>		<i>PAGE</i>	<i>GRID</i>		<i>PAGE</i>
3F19	HOUSING, REAR AXLE.....	50-118	1B9	INSERTS, VALVE SEAT	20-6
4C20	HOUSING, ROCKSHAFT.....	70-38	2E3	INSTALLATION KIT, SPOTLIGHT.....	40-62
4C22	HOUSING, ROCKSHAFT.....	70-40	5F12	INSTRUMENT PANEL.....	90-108
4D1	HOUSING, ROCKSHAFT CONTROL VALVE.....	70-44	1D12	INTAKE MANIFOLD.....	30-8
4D3	HOUSING, ROCKSHAFT CONTROL VALVE.....	70-46	1D12	INTAKE MANIFOLD GASKETS.....	30-8
4E20	HOUSING, SELECTIVE CONTROL VALVE.....	70-92	1B12	INTAKE VALVES.....	20-10
4E22	HOUSING, SELECTIVE CONTROL VALVE.....	70-94	1D10	INTAKE, AIR.....	30-5
4E24	HOUSING, SELECTIVE CONTROL VALVE.....	70-96	3F4	INTAKE, TRANSMISSION OIL FILTER (PST).....	50-100
4F2	HOUSING, SELECTIVE CONTROL VALVE.....	70-99	4F7	ISO COUPLER CONVERSION KIT.....	70-104
4F3	HOUSING, SELECTIVE CONTROL VALVE.....	70-100	4F9	ISO COUPLER OVERHAUL KIT.....	70-106
3F2	HOUSING, SHIFT VALVE.....	50-97	4F7	ISO COUPLER RECEPTACLE.....	70-104
2D5	HOUSING, STARTER DRIVE (JOHN DEERE) (DIESEL).....	40-45A	4F7	ISO TO JOHN DEERE COUPLER CONVERSION.....	70-104
3H18	HOUSING, STEERING VALVE.....	60-20			
3E16	HOUSING, TRANSMISSION CLUTCH VALVE.....	50-88		K	
3E22	HOUSING, TRANSMISSION CONTROL VALVE.....	50-94			
1D17	HOUSING, TURBOCHARGER CENTER (AIRESEARCH).....	30-13	2E7	KEY, IGNITION.....	40-66
1D19	HOUSING, TURBOCHARGER CENTER (EARLY DESIGN).....	30-15	4G14	KIT, AIR CONDITIONING O-RING.....	70-137
1D21	HOUSING, TURBOCHARGER CENTER (LATE DESIGN).....	30-17	5B12	KIT, AIR CONDITIONING O-RING.....	90-6
1E22	HYDRAULIC ANEROID ACTIVATOR.....	30-44	5B14	KIT, AIR CONDITIONING RETROFIT.....	90-7A
4F18	HYDRAULIC CONTROL LEVER SUPPORT.....	70-117	1D10	KIT, AIR STACK.....	30-5
4F11	HYDRAULIC DIAGNOSTIC RECEPTACLE.....	70-109	2E21	KIT, AM RADIO (MOTOROLA).....	40-76
3G20	HYDRAULIC DRAIN PIPES, REAR (PFWD).....	50-146	2E22	KIT, AM-FM RADIO (MOTOROLA).....	40-77
1E12	HYDRAULIC HOSE, WATER SEPARATOR.....	30-33	4F14	KIT, AUXILIARY HYDRAULIC OUTLET.....	70-112
3F23	HYDRAULIC LINE SHIELD.....	50-122	5B24	KIT, BLOWER FILTER CAPACITOR.....	90-18
3G18	HYDRAULIC LINES, FRONT (PFWD).....	50-144	5C4	KIT, BOLTS AND SEAT BELT FOR ROLL-GARD.....	90-23
4G15	HYDRAULIC OIL.....	70-138	2F1	KIT, BOMAN TAPE PLAYER.....	40-81
4C18	HYDRAULIC OIL ATTENUATOR.....	70-36	3I12	KIT, BRAKE VALVE OVERHAUL.....	60-42
4G13	HYDRAULIC OIL CLEAN-UP KIT.....	70-136	4F2	KIT, BREAKAWAY COUPLER OVERHAUL.....	70-99
4C8	HYDRAULIC OIL COOLER.....	70-26	4F5	KIT, BREAKAWAY COUPLER OVERHAUL.....	70-102
4F22	HYDRAULIC OIL LINES, IMPLEMENT.....	70-121	3H10	KIT, CAP PLUG ASSORTMENT.....	60-14
4C14	HYDRAULIC OIL RESERVOIR.....	70-32	3I6	KIT, CAP PLUG ASSORTMENT.....	60-36
4B11	HYDRAULIC PUMP (PFWD) (4 IN3).....	70-6	2B24	KIT, CIRCUIT BREAKER SUPPORT.....	40-15B
4B9	HYDRAULIC PUMP (3 IN3).....	70-4	4E12	KIT, CLEVIS, DRAWBAR PIN.....	70-84
4B8	HYDRAULIC PUMP ASSEMBLY, REPLACEMENT.....	70-3	5B8	KIT, COMPRESSOR SHAFT SEAL.....	90-2
4B7	HYDRAULIC PUMP DRIVE.....	70-1	3G14	KIT, CONTROL VALVE OVERHAUL (PFWD).....	50-140
4B15	HYDRAULIC PUMP ELECTRIC DESTROKE KIT.....	70-10	2G7	KIT, CONVENIENCE ELECTRICAL OUTLET.....	40-105B
4C1	HYDRAULIC PUMP ELECTRIC DESTROKE KIT.....	70-20	2G7	KIT, CONVENIENCE ELECTRICAL OUTLET SOCKET.....	40-105B
4C3	HYDRAULIC PUMP ELECTRIC-DESTROKE KIT.....	70-21A	4G11	KIT, CONVERSION, REMOTE CYLINDER.....	70-134
4C16	HYDRAULIC PUMP LINES.....	70-34	4E17	KIT, COVER, DUAL SELECTIVE CONTROL.....	70-89
4B17	HYDRAULIC PUMP OVERHAUL KIT.....	70-12	4E17	KIT, COVER, TRIPLE SELECTIVE CONTROL.....	70-89
4C4	HYDRAULIC PUMP OVERHAUL KIT.....	70-22	1D2	KIT, CYLINDER HEAD AND COMPLETE GASKET.....	20-42
4B21	HYDRAULIC PUMP REPLACEMENT (PFWD) (4 IN3).....	70-16	4F21	KIT, CYLINDER HOSE IDENTIFICATION.....	70-120
4B19	HYDRAULIC PUMP REPLACEMENT (3 IN3).....	70-14	4I6	KIT, DECAL REFINISHING.....	80-38
4B13	HYDRAULIC PUMP STROKE CONTROL VALVE.....	70-8	4I9	KIT, DECAL, BI-LINGUAL.....	80-42
4B23	HYDRAULIC PUMP STROKE CONTROL VALVE.....	70-18	3F17	KIT, DIFFERENTIAL, ANTI-FRICTION.....	50-116
3G9	HYDRAULIC PUMP SUPPORT (PFWD).....	50-134	4E18	KIT, DIRECTIONAL CONTROL VALVE.....	70-90
4C9	HYDRAULIC RETURN OIL LINES, FRONT.....	70-27	4E19	KIT, DIRECTIONAL CONTROL VALVE.....	70-91
4C10	HYDRAULIC RETURN OIL LINES, REAR.....	70-28	5D15	KIT, DOOR.....	90-60
4C12	HYDRAULIC RETURN OIL LINES, REAR.....	70-30	4E6	KIT, DRAWBAR SUPPORT.....	70-78
4C11	HYDRAULIC THERMOSTAT BYPASS VALVE.....	70-29	4E10	KIT, DRAWBAR SUPPORT.....	70-82
	I		2G5	KIT, ELECTRICAL OUTLET SOCKET.....	40-105
2E7	IGNITION SWITCH.....	40-66	2F25	KIT, ELECTRICAL REMOTE CONTROL.....	40-100
5B22	IMPELLER, BLOWER, CAB.....	90-16	2G2	KIT, ELECTRICAL REMOTE CONTROL WIRING.....	40-102
4F22	IMPLEMENT HYDRAULIC OIL LINES.....	70-121	1B21	KIT, ENGINE OVERHAUL.....	20-17C
4E14	IMPLEMENT LINK.....	70-86	1D25	KIT, ETHER STARTING AID.....	30-21
4D24	IMPLEMENT QUICK COUPLER.....	70-70	1E2	KIT, ETHER STARTING TUBE.....	30-23
4D23	IMPLEMENT SAFETY CHAIN.....	70-69	1C18	KIT, FAN BLAST DEFLECTOR.....	20-33
2E9	INDICATOR LAMPS.....	40-68	2F4	KIT, FENDER MOUNTED ANTENNA.....	40-85
5E7	INNER ROOF, SOUND-GARD BODY.....	90-76	2G6	KIT, FLASHING WARNING LAMP.....	40-105A
			2D19	KIT, FLOOD LAMPS.....	40-54
			1F9	KIT, FOOT SPEED CONTROL.....	30-58
			4H23	KIT, FRONT HOOD HANDLE.....	80-31
			1E7	KIT, FUEL FILTER BASE (REPLACEMENT).....	30-28
			1E3	KIT, FUEL TANK INSTALLATION.....	30-24
			5C1	KIT, HEATER INSTALLATION.....	90-20

1A19

4630 TRACTOR

ALPHABETICAL INDEX - CONTINUED

GRID	PAGE	GRID	PAGE
3F19	KIT, HIGH PRESSURE ANGLE FINAL DRIVE.....	50-118	
3F21	KIT, HIGH PRESSURE ANGLE FINAL DRIVE.....	50-120	
5D15	KIT, HINGE.....	90-60	
4G13	KIT, HYDRAULIC OIL CLEAN-UP.....	70-136	
4C14	KIT, HYDRAULIC OIL RESERVOIR.....	70-32	
4C1	KIT, HYDRAULIC PUMP ELECTRIC DESTORKE.....	70-20	
4B15	KIT, HYDRAULIC PUMP ELECTRIC DESTROKE.....	70-10	
4C3	KIT, HYDRAULIC PUMP ELECTRIC DESTROKE.....	70-21A	
4B17	KIT, HYDRAULIC PUMP OVERHAUL.....	70-12	
4C4	KIT, HYDRAULIC PUMP OVERHAUL.....	70-22	
3D5	KIT, INCREASED OIL FILTRATION.....	50-50	
3F3	KIT, INCREASED OIL FILTRATION (PST).....	50-98	
2D21	KIT, LAMPS AND LEADS FOR TURN SIGNALS.....	40-56	
3D11	KIT, MANUAL BYPASS VALVE.....	50-56	
3E20	KIT, MANUAL BYPASS VALVE.....	50-92	
2E18	KIT, NEUTRAL START SWITCH.....	40-73	
4G14	KIT, O-RING, HYDRAULIC.....	70-137	
1C1	KIT, OIL PAN.....	20-19	
3D1	KIT, OUTBOARD SHIFTER (SRT).....	50-46	
4G8	KIT, OVERHAUL, REMOTE CYLINDER.....	70-132	
4F1	KIT, OVERHAUL, SELECTIVE CONTROL VALVE.....	70-98	
3G6	KIT, PFWD BRAKE PISTON SEAL.....	50-131	
3G7	KIT, PFWD MANIFOLD AND PIVOT PIN SEAL.....	50-132	
1C3	KIT, PISTON/LINER.....	20-21	
2F2	KIT, RADIO ANTENNA.....	40-82	
2E20	KIT, RADIO MOUNTING.....	40-75	
4G3	KIT, REMOTE CYLINDER OVERHAUL.....	70-127	
1D11	KIT, REMOTE MOUNTED VACUUM SWITCH.....	30-6	
4D1	KIT, ROCKSHAFT CONTROL STABILIZER (SGB).....	70-44	
4C22	KIT, SCV CONTROL LEVER STABILIZER.....	70-40	
4D14	KIT, SCV CONTROL VALVE LEVER STABILIZER.....	70-58	
4E25	KIT, SELECTIVE CONTROL VALVE.....	70-97	
2B25	KIT, SERVICE WIRE RESISTANCE.....	40-16	
5E23	KIT, SOUND-GARD BODY UPHOLSTERY (BLACK).....	90-94	
2F3	KIT, SPEAKER.....	40-83	
2F2	KIT, SPEAKERS.....	40-82	
2D10	KIT, STARTER SEALING.....	40-45F	
2C17	KIT, STARTER SOLENOID COVER (DELCO-REMY).....	40-33	
2B15	KIT, STARTING AID WIRING.....	40-7A	
1F2	KIT, STARTING FUEL CONTROL.....	30-51	
1F3	KIT, STARTING FUEL CONTROL.....	30-52	
3H16	KIT, STEERING METERING PUMP.....	60-19A	
3G23	KIT, STEERING VALVE CYL. COVER PACKING.....	60-1	
3H5	KIT, STEERING VALVE CYLINDER OVERHAUL.....	60-8	
4I4	KIT, STEPS.....	80-37A	
3G24	KIT, STRG. VALVE CYLINDER COVER PACKING.....	60-2	
4B13	KIT, STROKE CONTROL VALVE SHUT-OFF.....	70-8	
4B23	KIT, STROKE CONTROL VALVE SHUT-OFF.....	70-18	
5B8	KIT, SUPERHEAT SHUT-OFF.....	90-2	
2G8	KIT, SUPPLEMENTARY WIRING.....	40-106	
3E24	KIT, TRANSMISSION CONTROL VALVE.....	50-95A	
3E1	KIT, TRANSMISSION GASKET.....	50-72	
2D22	KIT, TURN SIGNAL.....	40-57	
1C2	KIT, UNDERHAUL ENGINE (6404) (STD BRGS).....	20-20	
1D8	KIT, VACUUM SWITCH.....	30-2	
2B18	KIT, WIRING ACCESSORY RELAY (SGB).....	40-10	
2B19	KIT, WIRING ACCESSORY RELAY (SGB).....	40-11	
2G18	KIT, ELECTRICAL CONNECTOR AND TERMINAL.....	40-116	
4H3	KIT, FRONT WHEEL BEARING.....	80-12	
4G20	KNEE, FRONT AXLE.....	80-4	
3F25	KNEE, POWER FRONT WHEEL DRIVE.....	50-124	
1F5	KNOB, HAND SPEED CONTROL LEVER.....	30-54	
4G20	KNUCKLE, FRONT AXLE.....	80-4	
			L
4H24	LABEL SERIES.....	80-32	
2C17	LABEL, BYPASS STARTER.....	40-33	
2D4	LABEL, BYPASS STARTER.....	40-45	
5C4	LABEL, CAUTION, ROLL-GARD.....	90-23	
5C4	LABEL, SEAT BELT CAUTION.....	90-23	
2C4	LABEL, SWITCH (PFWD).....	40-20	
4H24	LABEL, TRIM.....	80-32	
4I9	LABELS, BI-LINGUAL.....	80-42	
4I8	LABELS, GROUND SPEED.....	80-40	
2B9	LAMP, CONSOLE.....	40-2	
5F12	LAMP, DASH.....	90-108	
2D19	LAMP, FLOOD.....	40-54	
2B9	LAMP, FRONT.....	40-2	
2B11	LAMP, FRONT.....	40-4	
2D13	LAMP, FRONT.....	40-48	
2D15	LAMP, FRONT.....	40-50	
2D17	LAMP, FRONT.....	40-52	
2E9	LAMP, INDICATOR.....	40-68	
2B9	LAMP, REAR.....	40-2	
2B11	LAMP, REAR.....	40-4	
2D13	LAMP, REAR.....	40-48	
2D15	LAMP, REAR.....	40-50	
2D17	LAMP, REAR.....	40-52	
2B9	LAMP, WARNING.....	40-2	
2B11	LAMP, WARNING.....	40-4	
2D13	LAMP, WARNING.....	40-48	
2D15	LAMP, WARNING.....	40-50	
2D17	LAMP, WARNING.....	40-52	
2D21	LAMP, WARNING.....	40-56	
2D20	LAMP, WARNING (LESS RG OR SGB).....	40-55	
2D21	LAMPS AND LEADS FOR TURN SIGNALS KIT.....	40-56	
2D15	LAMPS, ROLL-GARD.....	40-50	
2D17	LAMPS, SOUND-GARD BODY.....	40-52	
5D19	LATCH, DOOR.....	90-64	
5D17	LATCH, DOOR, SOUND-GARD BODY.....	90-62	
5D2	LATCH, SEAT.....	90-47	
5D21	LATCH, SOUND-GARD BODY DOOR (LATE DESIGN).....	90-66	
4I2	LEFT-HAND STEP (LESS RG OR SGB).....	80-35	
4I1	LEFT-HAND STEP (RG AND SGB).....	80-34	
3C19	LEVER, GEAR SHIFT.....	50-37	
3C20	LEVER, GEARSHIFT (QUAD-RANGE).....	50-38	
4D6	LEVER, LOAD SELECTOR CONTROL.....	70-50	
4D8	LEVER, LOAD SELECTOR CONTROL.....	70-52	
3E18	LEVER, PTO CLUTCH (POWER SHIFT).....	50-90	
3B22	LEVER, PTO CLUTCH (QRT AND SRT).....	50-17	
3B21	LEVER, PTO CLUTCH (SRT).....	50-16	
4D10	LEVER, ROCKSHAFT CONTROL LEVER.....	70-54	
3C25	LEVER, SPEED SELECTOR.....	50-44	
3E12	LEVER, TRANSMISSION SHIFTER CONTROL.....	50-84	
4F16	LEVERS, SELECTIVE CONTROL.....	70-114	
3H2	LEVERS, STEERING VALVE OPERATING.....	60-5	
4D19	LIFT LINK.....	70-64	
1B8	LIFT STRAPS.....	20-5	
2E7	LIGHT SWITCH.....	40-66	
2D23	LIGHT, DOME.....	40-58	
2D24	LIGHT, DOME (LATE DESIGN).....	40-59	
2E7	LIGHTER, CIGAR.....	40-66	
4G12	LINE, BULK FLEXIBLE OIL.....	70-135	
1E8	LINE, FUEL FILTER.....	30-29	
1E9	LINE, FUEL INLET (REPLACEMENT).....	30-30	
5C3	LINE, HEATER SUPPLY.....	90-22	
4C16	LINE, HYDRAULIC PUMP SEAL DRAIN.....	70-34	
1C3	LINER SHIM.....	20-21	
1C3	LINER, CYLINDER.....	20-21	

ALPHABETICAL INDEX - CONTINUED

GRID	PAGE	
5B12	LINES, AIR CONDITIONING	90-6
3I6	LINES, BRAKE OIL (REAR).....	60-36
3I8	LINES, BRAKE OIL (UPPER)	60-38
5B10	LINES, COMPRESSOR	90-4
5B11	LINES, CONDENSER.....	90-5
3F11	LINES, DIFFERENTIAL LOCK VALVE OIL.....	50-107
3H21	LINES, FLEXIBLE STEERING.....	60-25
1E6	LINES, FUEL FILTER (LATE DESIGN).....	30-27
1E5	LINES, FUEL FITER (EARLY DESIGN)	30-26
1E13	LINES, FUEL INJECTION (EARLY DESIGN)	30-34
1E20	LINES, FUEL INJECTION (LATE DESIGN)	30-42
5C1	LINES, HEATER, SOUND-GARD BODY	90-20
3G18	LINES, HYDRAULIC (PFWD).....	50-144
3G19	LINES, HYDRAULIC (PFWD).....	50-145
4C9	LINES, OIL, HYDRAULIC COOLER RETURN	70-27
4C12	LINES, OIL, HYDRAULIC COOLER RETURN	70-30
4C10	LINES, OIL, HYDRAULIC COOLER RETURN REAR	70-28
4F22	LINES, OIL, IMPLEMENT HYDRAULIC	70-121
4C16	LINES, OIL, MAIN HYDRAULIC	70-34
3H23	LINES, OIL, STEERING (FRONT).....	60-28
3H21	LINES, OIL, STEERING (REAR).....	60-25
4E16	LINES, POWER WEIGHT TRANSFER	70-88
3H22	LINES, STEERING (MIDDLE)	60-26
1D14	LINES, TURBOCHARGER OIL	30-10
4D21	LINK, CENTER	70-66
3F12	LINK, DIFFERENTIAL LOCK RELEASE	50-108
4D21	LINK, DRAFT	70-66
4E3	LINK, DRAFT, SUPPORT	70-75
4E14	LINK, IMPLEMENT.....	70-86
4D19	LINK, LIFT.....	70-64
4D6	LINKAGE, ROCKSHAFT CONTROL	70-50
4F16	LINKAGE, SELECTIVE CONTROL	70-114
1F5	LINKAGE, SPEED CONTROL	30-54
1F9	LINKAGE, SPEED CONTROL	30-58
4D5	LOAD CONTROL	70-49
4E3	LOAD CONTROL SHAFT.....	70-75
4D8	LOAD SELECTOR CONTROL.....	70-52
4D6	LOAD SELECTOR CONTROL LINKAGE	70-50
1B23	LONGBLOCK, COMPLETE BLOCK ASSEMBLY	20-17E
2F3	LOUD SPEAKER, RADIO	40-83
5B16	LOUVER, AIR	90-9
5B15	LOUVER, AIR, SOUND-GARD BODY.....	90-8
1E13	LUBE LINE, F.I.P. (EARLY DESIGN)	30-34
1E20	LUBE LINE, F.I.P. (LATE DESIGN).....	30-42
1B7	LUBRICANT, CYLINDER LINER PACKING	20-2
1B7	LUBRICANT, ENGINE VALVE STEM	20-2

M

1C11	MAIN BEARINGS	20-26
2D6	MAIN FRAME, STARTER (JOHN DEERE) (DIESEL).....	40-45B
1C11	MAIN THRUST BEARINGS	20-26
3G7	MANIFOLD AND PIVOT PIN SEAL KIT, PFWD.....	50-132
3D19	MANIFOLD, CLUTCH OIL (POWER SHIFT).....	50-66
1D12	MANIFOLD, INTAKE.....	30-8
3F24	MANIFOLD, POWER FRONT WHEEL DRIVE	50-123
3D3	MANIFOLD, TRANSMISSION OIL PUMP	50-48
1D1	MANIFOLD, WATER.....	20-41
1D22	MANIFOLDS, EXHAUST	30-18
3D11	MANUAL BYPASS VALVE.....	50-56
3E20	MANUAL BYPASS VALVE KIT	50-92
5F2	MAT, FLOOR	90-98
4H24	MEDALLION	80-32
5E12	METAL TRIM, SOUND-GARD BODY	90-82
5F12	METER, SPEED-HOUR	90-108

GRID	PAGE	
3H13	METERING PUMP, STEERING.....	60-17
4E20	METERING VALVE, SCV.....	70-92
5F20	MIRROR, OUTSIDE REAR VIEW	90-116
5F21	MIRROR, REAR VIEW.....	90-117
5F22	MIRROR, REAR VIEW.....	90-118
5E12	MOLDING, SOUND-GARD BODY	90-82
5E14	MOLDING, SOUND-GARD BODY	90-84
2F24	MOMENTARY ROCKER SWITCH.....	40-99
5B20	MOTOR, PRESSURIZER BLOWER	90-14
5B22	MOTOR, PRESSURIZER BLOWER	90-16
2C16	MOTOR, STARTING.....	40-32
2C18	MOTOR, STARTING (DELCO-REMY).....	40-34
3H11	MOTOR, STEERING	60-15
3I1	MOTOR, STEERING (ADJUSTABLE FRONT AXLE).....	60-30
2F10	MOTOR, WINDSHIELD WIPER (R.H.)	40-92
2F8	MOTOR, WINDSHIELD WIPER.....	40-90
2F14	MOTOR, WINDSHIELD WIPER.....	40-93C
2F16	MOTOR, WINDSHIELD WIPER.....	40-93E
2F12	MOTOR, WINDSHIELD WIPER, (R.H.).....	40-93A
2F23	MOTOR,REAR WINDSHIELD WIPER.....	40-98
2E22	MOTOROLA AM-FM RADIO	40-77
2E21	MOTOROLA RADIO	40-76
4H24	MOUNTING HANDLE.....	80-32
4I3	MOUNTING HANDLE, RIGHT-HAND	80-36
2E24	MOUNTING KIT, CB RADIO	40-79
2E20	MOUNTING KIT, RADIO	40-75
5C9	MOUNTS, ROLL-GARD, FOUR-POST	90-27
5D7	MOUNTS, SOUND-GARD BODY	90-52
1D23	MUFFLER	30-19
1D23	MUFFLER EXTENSION	30-19

N

2E18	NEURTAL START SWITCH KIT	40-73
3C13	NEUTRAL START SWITCH.....	50-31
3C14	NEUTRAL START SWITCH.....	50-32
3E22	NEUTRAL START SWITCH.....	50-94
2C5	NEUTRAL START SWITCH (PFWD).....	40-21
3F1	NEUTRAL START SWITCH SHIELD.....	50-96
5B22	NOISE FILTER CAPACITOR, BLOWER MOTOR	90-16
2F18	NOISE SUPPRESSION KIT, WIPER MOTOR	40-94
2C2	NOISE SUPPRESSOR CAPACITOR, RADIO.....	40-18
1E19	NOZZLE, FUEL INJECTION (EARLY DESIGN).....	30-40
1E23	NOZZLE, FUEL INJECTION (LATE DESIGN)	30-46
1E13	NOZZLES, FUEL INJECTION (EARLY DESIGN).....	30-34
1E20	NOZZLES, FUEL INJECTION (LATE DESIGN)	30-42

O

4G14	O-RING AIR CONDITIONING KIT	70-137
4G14	O-RING PACKING KIT.....	70-137
1C15	OIL COOLER BYPASS VALVE	20-30
1C17	OIL COOLER, ENGINE	20-32
4C8	OIL COOLER, HYDRAULIC.....	70-26
4C20	OIL FILLER TUBE	70-38
3D4	OIL FILTER COVER.....	50-49
3F4	OIL FILTER COVER, TRANSMISSION (PST)	50-100
3D4	OIL FILTER ELEMENT, TRANSMISSION.....	50-49
3D6	OIL FILTER HEATER.....	50-51
1C16	OIL FILTER HOUSING.....	20-31
3D11	OIL FILTER RELIEF VALVE	50-56
3F4	OIL FILTER, ELEMENT, TRANSMISSION (PST).....	50-100
1C16	OIL FILTER, ENGINE.....	20-31
3F3	OIL FILTRATION KIT (PST).....	50-98

1A21

4630 TRACTOR

ALPHABETICAL INDEX - CONTINUED

<i>GRID</i>		<i>PAGE</i>	<i>GRID</i>		<i>PAGE</i>
3D5	OIL FILTRATION KIT, INCREASED	50-50	3C2	PINION, DIFFERENTIAL BEVEL (QRT AND SRT)	50-21A
3H23	OIL LINES STEERING (FRONT).....	60-28	3G5	PINION, FIRST PLANET (PFWD)	50-130
3I6	OIL LINES, BRAKE (REAR).....	60-36	3C4	PINION, HIGH RANGE (QRT AND SRT)	50-22
3F11	OIL LINES, DIFFERENTIAL LOCK VALVE.....	50-107	3C4	PINION, LOW RANGE (QRT AND SRT)	50-22
4C16	OIL LINES, HYDRAULIC SYSTEM	70-34	3F19	PINION, PLANET (REAR AXLE)	50-118
4F22	OIL LINES, HYDRAULIC, IMPLEMENT	70-121	3E6	PINION, PLANETARY (POWER SHIFT).....	50-77
3H22	OIL LINES, STEERING (MIDDLE).....	60-26	3G4	PINION, SECOND PLANET.....	50-129
3H21	OIL LINES, STEERING (REAR)	60-25	4F13	PIPE, PRESSURE, SELECTIVE CONTROL.....	70-111
1D14	OIL LINES, TURBOCHARGER	30-10	5B12	PIPES, AIR CONDITIONING	90-6
3I8	OIL LINES, UPPER BRAKE.....	60-38	3H7	PIPES, FIXED STEERING	60-10
1B25	OIL PAN	20-18	3H10	PIPES, FRONT STEERING	60-14
1B25	OIL PAN GASKET	20-18	1E3	PIPES, FUEL	30-24
1C1	OIL PAN KIT.....	20-19	1E13	PIPES, FUEL INJECTION (EARLY DESIGN).....	30-34
4C18	OIL PIPES, ATTENUATOR	70-36	3G19	PIPES, HYDRAULIC (PFWD)	50-145
3H7	OIL PIPES, FIXED STEERING	60-10	4C6	PIPES, OIL, ROCKSHAFT.....	70-24
3H10	OIL PIPES, FRONT STEERING	60-14	3F6	PIPES, OIL, TRANSMISSION CONTROL.....	50-102
4C6	OIL PIPES, HYDRAULIC SYSTEM	30-24	3G20	PIPES, REAR HYDRAULIC DRAIN (PFWD)	50-146
3H8	OIL PIPES, TELESCOPING STEERING.....	60-12	3H8	PIPES, TELESCOPING STEERING	60-12
3F6	OIL PIPES, TRANSMISSION CONTROL	50-102	1C3	PISTON RINGS	20-21
2E9	OIL PRESSURE GAUGE.....	40-68	1C3	PISTON/LINER KIT	20-21
1C5	OIL PUMP DRIVE GEAR.....	20-23	1C3	PISTON, ENGINE.....	20-21
1C15	OIL PUMP, ENGINE.....	20-30	3D23	PISTON, HIGH RANGE CLUTCH	50-69
3D3	OIL PUMP, TRANSMISSION	50-48	3D21	PISTON, LOW RANGE CLUTCH	50-68
3D19	OIL PUMP, TRANSMISSION CLUTCH.....	50-66	3B13	PISTON, PTO CLUTCH OPERATING (SRT)	50-8
3D11	OIL RETURN CHECK VALVE	50-56	4C24	PISTON, ROCKSHAFT.....	70-42
1C14	OIL SEAL, CRANKSHAFT	20-29	3G23	PISTON, STEERING VALVE	60-1
3D2	OIL SHIELD, PTO DRIVE SHAFT.....	50-47	3B15	PISTON,PTO CLUTCH OPERATING(QRT AND SRT).....	50-10
1B6	OIL, ENGINE	20-1	3F19	PLANET PINION CARRIER	50-118
4G15	OIL, HYDRAULIC AND TRANSMISSION	70-138	3C6	PLANET PINION CARRIER (QUAD-RANGE).....	50-24
5F14	OPERATOR SHIELD	90-110	3F19	PLANETARY AND REAR AXLE	50-118
5C23	OPERATOR'S MANUAL HOLDER (LESS SGB)	90-43	3E6	PLANETARY ASSEMBLY (POWER SHIFT).....	50-77
4H24	ORNAMENT, HOOD.....	80-32	3E5	PLANETARY BRAKE, FIRST (POWER SHIFT)	50-76
3D1	OUTBOARD SHIFTER KIT (SRT).....	50-46	3E2	PLANETARY BRAKE, FOURTH (POWER SHIFT).....	50-73
4F14	OUTLET KIT, HYDRAULIC, AUXILIARY.....	70-112	3E4	PLANETARY BRAKE, SECOND (POWER SHIFT).....	50-75
1C22	OVERFLOW, RADIATOR.....	20-37	3E3	PLANETARY BRAKE, THIRD (POWER SHIFT).....	50-74
4F5	OVERHAUL KIT, BREAKAWAY COUPLER	70-102	3G4	PLANETARY HOUSING.....	50-129
3G14	OVERHAUL KIT, CONTROL VALVE (PFWD)	50-140	3E7	PLANETARY, TRANSMISSION, ASSEMBLED (PST)	50-78
1B21	OVERHAUL KIT, ENGINE	20-17C	3G4	PLATE, BRAKE	50-129
4B17	OVERHAUL KIT, HYDRAULIC PUMP.....	70-12	3I5	PLATE, BRAKE	60-35
4C4	OVERHAUL KIT, HYDRAULIC PUMP.....	70-22	3I4	PLATE, BRAKE FACING	60-34
4F9	OVERHAUL KIT, ISO COUPLER	70-106	3I4	PLATE, BRAKE PRESSURE	60-34
4G8	OVERHAUL KIT, REMOTE CYLINDER	70-132	3D16	PLATE, CLUTCH DRIVE	50-62
4F1	OVERHAUL KIT, SELECTIVE CONTROL VALVE	70-98	3D17	PLATE, CLUTCH DRIVE	50-63
			3C4	PLATE, CLUTCH DRIVE (QRT AND SRT).....	50-22
			4I8	PLATE, GROUND SPEED.....	80-40
			5F1	PLATFORM.....	90-97
			5F2	PLATFORM AND CONSOLE SUPPORT	90-98
			5F1	PLATFORM MAT	90-97
			4G19	POWER FRONT WHEEL DRIVE	80-2
			3G16	POWER FRONT WHEEL DRIVE REPLACEMENT KIT	50-142
			4H2	POWER FRONT WHEEL DRIVE WHEELS	80-11
			4E13	POWER WEIGHT TRANSFER COUPLER	70-85
			4E15	POWER WEIGHT TRANSFER VALVE	70-87
			4C6	PRESSURE CONTROL VALVE OIL PIPES	70-24
			4F13	PRESSURE PIPE, SELECTIVE CONTROL	70-111
			3D11	PRESSURE SWITCH.....	50-56
			2C4	PRESSURE SWITCH (PFWD).....	40-20
			2C5	PRESSURE SWITCH (PFWD).....	40-21
			5B18	PRESSURIZER BLOWER	90-12
			5B20	PRESSURIZER BLOWER, SGB	90-14
			5E9	PRESSURIZER COVER.....	90-78
			5B17	PRESSURIZER FILTERS.....	90-11
			5E3	PRESSURIZER PANEL, ROOF.....	90-72
			3B11	PTO CLUTCH (QRT AND SRT)	50-6
			3E18	PTO CLUTCH CONTROL (POWER SHIFT).....	50-90
			3B21	PTO CLUTCH LEVER (SRT).....	50-16
			3D8	PTO DRIVE GEAR (SYNCRO-RANGE)	50-53

P

1B7	PACKING, LUBRICANT, CYLINDER LINER.....	20-2
1B25	PAN, OIL.....	20-18
5B16	PANEL, AIR LOUVER	90-9
5F12	PANEL, INSTRUMENT.....	90-108
4H22	PANEL, SIDE	80-30
3E10	PARK LOCK, TRANSMISSION (POWER SHIFT).....	50-81
3D14	PEDAL CLUTCH (PST)	50-60
3I13	PEDAL, BRAKE	60-44
3B10	PEDAL, CLUTCH	50-4
3F12	PEDAL, DIFFERENTIAL LOCK VALVE	50-108
2E13	PERFORMANCE TRAK II MINI-MONITOR.....	40-69C
5C21	PERSONAL-POSTURE SEAT	90-40
5D3	PERSONAL-POSTURE SEAT SUSPENSION	90-48
3G6	PFWD BRAKE PISTON SEAL KIT	50-131
3G7	PFWD MANIFOLD AND PIVOT PIN SEAL KIT	50-132
3G1	PFWD WHEEL HUB, MOTOR, AND HOUSING.....	50-126
4E4	PIN, DRAWBAR	70-76
4E8	PIN, DRAWBAR	70-80
4E13	PIN, DRAWBAR	70-85
3E8	PINION, BEVEL, DIFFERENTIAL	50-79

1A22

4630 TRACTOR

ALPHABETICAL INDEX - CONTINUED

<i>GRID</i>		<i>PAGE</i>	<i>GRID</i>		<i>PAGE</i>
3D10	PTO DRIVE GEAR (1000 RPM)	50-55	2B22	RADIO NOISE SUPPRESSION CAPACITOR.....	40-14
3D2	PTO DRIVE SHAFT	50-47	2C1	RADIO NOISE SUPPRESSION CAPACITOR.....	40-17
3F8	PTO DRIVE SHAFT (POWER SHIFT)	50-104	2C2	RADIO NOISE SUPPRESSOR CAPACITOR	40-18
3F9	PTO DRIVE SHAFT (POWER SHIFT)	50-105	2F3	RADIO SPEAKERS	40-83
3D7	PTO DRIVE SHAFT (SYNCRO-RANGE)	50-52	2E21	RADIO, AM (MOTOROLA).....	40-76
3D10	PTO DRIVE SHAFT (1000 RPM)	50-55	2E22	RADIO, AM-FM (MOTOROLA)	40-77
3D2	PTO DRIVE SHAFT OIL SHIELD	50-47	2B9	REAR AND WARNING LAMP	40-2
3F9	PTO GUARD (POWER SHIFT)	50-105	2B11	REAR AND WARNING LAMP	40-4
3D9	PTO GUARD (QRT AND SRT)	50-54	2D13	REAR AND WARNING LAMP	40-48
3D8	PTO GUARD (SYNCRO-RANGE)	50-53	2D15	REAR AND WARNING LAMP	40-50
2C14	PULLEY, ALTERNATOR	40-30	2D17	REAR AND WARNING LAMP	40-52
5B8	PULLEY, COMPRESSOR	90-2	3F19	REAR AXLE HOUSING	50-118
1C4	PULLEY, CRANKSHAFT	20-22	5F15	REAR OPERATOR SHIELD.....	90-111
1C25	PULLEY, FAN.....	20-40	4H7	REAR OUTSIDE WHEEL WEIGHT (52KG(115 LB))	80-16
4B8	PUMP ASSEMBLY, HYDRAULIC, REPLACEMENT.....	70-3	5E25	REAR SLIDING WINDOW	90-96
4B7	PUMP DRIVE COUPLER.....	70-1	3H21	REAR STEERING OIL LINES AND HOSES.....	60-25
1E15	PUMP HOUSING CONNECTORS, FUEL INJECTION.....	30-36	5E24	REAR SUN VISOR.....	90-95
4B21	PUMP REPLACEMENT, HYDRAULIC (PFWD) (4 IN3).....	70-16	5F21	REAR VIEW MIRROR	90-117
4B19	PUMP REPLACEMENT, HYDRAULIC (3 IN3)	70-14	5F22	REAR VIEW MIRROR	90-118
3G9	PUMP SUPPORT, HYDRAULIC (PFWD)	50-134	5F20	REAR VIEW MIRROR, OUTSIDE	90-116
3D20	PUMP, CLUTCH OIL, ASSEMBLY	50-67	4H8	REAR WHEEL INNER WEIGHT (129KG (285 LB))	80-17
1C15	PUMP, ENGINE OIL.....	20-30	4H9	REAR WHEEL INNER WEIGHT (725KG(1600 LB)).....	80-18
1E13	PUMP, FUEL INJECTION (EARLY DESIGN)	30-34	4H6	REAR WHEEL WEIGHT (200KG (440 LB))	80-15
1E20	PUMP, FUEL INJECTION (LATE DESIGN)	30-42	4H4	REAR WHEELS	80-13
1E25	PUMP, FUEL TRANSFER	30-49	2F23	REAR WINDSHIELD WIPER	40-98
4B11	PUMP, HYDRAULIC (PFWD) (4 IN3)	70-6	2F23	REAR WINDSHIELD WIPER MOTOR	40-98
4B9	PUMP, HYDRAULIC (3 IN3)	70-4	4F11	RECEPTACLE, DIAGNOSTIC	70-109
4C16	PUMP, HYDRAULIC, DRAIN LINE	70-34	4E4	REGULAR DRAWBAR	70-76
3D3	PUMP, OIL, TRANSMISSION	50-48	2C10	REGULATOR, ALTERNATOR	40-26
3H13	PUMP, STEERING METERING.....	60-17	2C11	REGULATOR, ALTERNATOR	40-27
3H16	PUMP, STEERING METERING.....	60-19A	2C12	REGULATOR, ALTERNATOR (EARLY DESIGN).....	40-28
3D19	PUMP, TRANSMISSION CLUTCH OIL.....	50-66	2C2	RELAY.....	40-18
1C25	PUMP, WATER.....	20-40	2B20	RELAY (SGB).....	40-12
2F21	PUMP,WINDSHIELD WASHER	40-97A	2B22	RELAY (SGB).....	40-14
2E25	PUSH-BUTTON RADIO AND TAPE PLAYER	40-80	2C1	RELAY ACCESSORY (LESS SGB).....	40-17
3E14	PUSH-PULL CABLES.....	50-86	2D11	RELAY, STARTING CIRCUIT	40-46
			2D12	RELAY, STARTING CIRCUIT	40-47
			2G8	RELAY, SUPPLEMENTARY WIRING	40-106
			2B18	RELAY, WIRING ACCESSORY (SGB)	40-10
			2G1	RELAY, WIRING, ELECTRICAL REMOTE CONTROL.....	40-101
			3G13	RELIEF VALVE.....	50-139
			3D11	RELIEF VALVE, OIL FILTER.....	50-56
			2G1	REMOTE CONTROL CIRCUIT BREAKER	40-101
			2F24	REMOTE CONTROL ELECTRICAL	40-99
			2F25	REMOTE CONTROL KIT, ELECTRICAL	40-100
			2E5	REMOTE CONTROL SPOTLIGHT	40-64
			2G2	REMOTE CONTROL WIRING KIT, ELECTRICAL	40-102
			2G1	REMOTE CONTROL WIRING, ELECTRICAL.....	40-101
			2E1	REMOTE CONTROLLED SPOTLIGHT, ELECTRIC.....	40-60
			4F19	REMOTE CYLINDER	70-118
			4G1	REMOTE CYLINDER (HYDRAULIC STOP)	70-124
			4G6	REMOTE CYLINDER (HYDRAULIC STOP)	70-130
			4G4	REMOTE CYLINDER (MECHANICAL STOP).....	70-128
			4G11	REMOTE CYLINDER CONVERSION KIT.....	70-134
			4F21	REMOTE CYLINDER HOSE IDENTIFICATION KIT.....	70-120
			4G3	REMOTE CYLINDER OVERHAUL KIT	70-127
			4G8	REMOTE CYLINDER OVERHAUL KIT	70-132
			4F23	REMOTE CYLINDER PARTS	70-122
			4B8	REPLACEMENT HYDRAULIC PUMP ASSEMBLY.....	70-3
			3G16	REPLACEMENT KIT (PFWD)	50-142
			3G13	REPLACEMENT RELIEF VALVE	50-139
			5C14	REPLACEMENT ROLL-GARD	90-32
			5D9	REPLACEMENT SOUND-GARD BODY	90-54
			5D9	REPLACEMENT SOUND-GARD BODY (BASIC)	90-54
			3I3	REPLACEMENT STEERING MOTOR.....	60-33
			4C14	RESERVOIR, HYDRAULIC OIL.....	70-32
			5B25	RESISTOR, BLOWER MOTOR	90-19

Q

3C7	QUAD-RANGE CLUTCH (ASSEMBLED)	50-25
3C19	QUADRANT, SPEED CHANGE AND SPEED RANGE	50-37
4D24	QUICK COUPLER	70-70
4H14	QUIK-TATCH FRONT WEIGHTS	80-23
4H15	QUIK-TATCH FRONT WEIGHTS	80-24
4H13	QUIK-TATCH WEIGHTS	80-22

R

2E11	RADAR SENSOR	40-69A
2E11	RADAR SENSOR BRACKET	40-69A
2E11	RADAR SENSOR WIRING HARNESS	40-69A
1C19	RADIATOR	20-34
1C21	RADIATOR BAFFLE KIT	20-36
1C19	RADIATOR CAP	20-34
1C22	RADIATOR OVERFLOW	20-37
2E23	RADIO	40-78
2E19	RADIO (MOTOROLA).....	40-74
2E25	RADIO AND TAPE PLAYER (MOTOROLA)	40-80
2F2	RADIO ANTENNA AND SPEAKERS.....	40-82
2F5	RADIO ANTENNA KIT	40-86
2F7	RADIO HEADPHONES.....	40-88
2E20	RADIO MOUNTING KIT	40-75
2E24	RADIO MOUNTING KIT, CB	40-79
2B20	RADIO NOISE SUPPRESSION CAPACITOR.....	40-12

1A24

4630 TRACTOR

ALPHABETICAL INDEX - CONTINUED

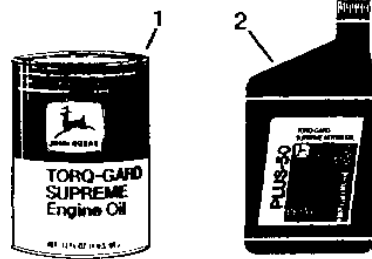
GRID		PAGE	GRID		PAGE
3D1	SHIFTER ARM	50-46	5B17	SOUND-GARD BODY PRESSURIZER FILTERS	90-11
3D1	SHIFTER ARM ROD	50-46	5E1	SOUND-GARD BODY ROOF.....	90-70
3D1	SHIFTER CAM SHAFT.....	50-46	5E5	SOUND-GARD BODY ROOF.....	90-74
3D1	SHIFTER CAM SHAFT SUPPORT	50-46	5D24	SOUND-GARD BODY SERVICE DOOR.....	90-69
3C23	SHIFTER CONTROL RODS (QUAD-RANGE)	50-42	5F9	SOUND-GARD BODY SHIFTER BOOT	90-105
3C18	SHIFTER CONTROL RODS (SYNCRO-RANGE)	50-36	5E18	SOUND-GARD BODY UPHOLSTERY	90-89
3C15	SHIFTER SHAFT	50-33	5E19	SOUND-GARD BODY UPHOLSTERY	90-90
3C13	SHIFTER SHAFTS	50-31	5E21	SOUND-GARD BODY UPHOLSTERY	90-92
3C14	SHIFTER SHAFTS	50-32	5E23	SOUND-GARD BODY UPHOLSTERY KIT (BLACK)	90-94
3C16	SHIFTER SHAFTS	50-34	2F10	SOUND-GARD BODY WINDSHIELD WIPER (R.H.)	40-92
3E11	SHIFTER, TRANSMISSION DISCONNECT	50-82	2B13	SOUND-GARD BODY WIRING (REPLACEMENT SGB OR REPLACEMENT INNER ROOF).....	40-6
1C3	SHIM, LINER	20-21	5D11	SOUND-GARD MOUNTING, REPLACEMENT	90-56
5C19	SHOCK ABSORBER, SEAT.....	90-38	2F3	SPEAKER, RADIO	40-83
5D3	SHOCK ABSORBER, SEAT.....	90-48	2F2	SPEAKERS, KIT	40-82
1B17	SHORT BLOCK, ENGINE (WITH OIL PUMP)	20-16	3C15	SPEED CHANGE ARM	50-33
1B19	SHORT BLOCK, ENGINE (WITHOUT OIL PUMP)	20-17A	1F5	SPEED CONTROL LINKAGE	30-54
1C19	SHROUD, FAN	20-34	1F9	SPEED CONTROL, FOOT.....	30-58
1F4	SHUT-OFF, FUEL.....	30-53	3C13	SPEED RANGE ARM.....	50-31
4H11	SIDE FRAME	80-20	3C14	SPEED RANGE ARM.....	50-32
4H22	SIDE PANEL.....	80-30	3C25	SPEED SELECTOR LEVER	50-44
5E24	SIDE SUN VISOR	90-95	3C25	SPEED SELECTOR STOP	50-44
5E25	SLIDING WINDOW, REAR	90-96	5F12	SPEED-HOUR METER.....	90-108
5F19	SLOW MOVING VEHICLE EMBLEM.....	90-115	5F12	SPEED-HOUR METER CABLE	90-108
2G4	SOCKET, ELECTRICAL OUTLET	40-104	2E3	SPOTLIGHT INSTALLATION KIT	40-62
2G5	SOCKET, ELECTRICAL OUTLET, 7-TERMINAL	40-105	2E1	SPOTLIGHT, ELECTRIC REMOTE CONTROLLED	40-60
2C18	SOLENOID SWITCH (DELCO-REMY)	40-34	2E5	SPOTLIGHT, REMOTE CONTROL	40-64
2C22	SOLENOID SWITCH (DELCO-REMY)	40-38	1D10	STACK, AIR	30-5
2D3	SOLENOID SWITCH, STARTER	40-44	2C16	STARTER	40-32
2D8	SOLENOID SWITCH, STARTER (JOHN DEERE)	40-45D	2C18	STARTER (DELCO-REMY)	40-34
2D9	SOLENOID SWITCH, STARTER (JOHN DEERE)	40-45E	2C20	STARTER (DELCO-REMY)	40-36
4C3	SOLENOID, DESTROKE (ELECTRIC)	70-21A	2D5	STARTER ARMATURE (JOHN DEERE) (DIESEL).....	40-45A
3G12	SOLENOID, POWER FRONT WHEEL DRIVE	50-138	2D6	STARTER COIL (JOHN DEERE) (DIESEL).....	40-45B
1E1	SOLENOID, STARTING AID	30-22	2D7	STARTER COMMUTATOR END FRAME (JOHN DEERE) (DIESEL)	40-45C
5D5	SOUND-GARD BODY	90-50	2C23	STARTER DRIVE HOUSING (DELCO-REMY)	40-40
5D9	SOUND-GARD BODY (REPLACEMENT)	90-54	2D5	STARTER DRIVE HOUSING (JOHN DEERE) (DIESEL).....	40-45A
5B15	SOUND-GARD BODY AIR LOUVER.....	90-8	2C23	STARTER GEAR (DELCO-REMY)	40-40
5B16	SOUND-GARD BODY AIR LOUVER PANEL	90-9	2D1	STARTER MAIN FRAME (DELCO-REMY)	40-42
5F4	SOUND-GARD BODY ASH TRAY.....	90-100	2D6	STARTER MAIN FRAME (JOHN DEERE) (DIESEL).....	40-45B
5F5	SOUND-GARD BODY ASH TRAY.....	90-101	1C4	STARTER RING GEAR	20-22
5E9	SOUND-GARD BODY COVER AND HEADLINER	90-78	2D4	STARTER SOLENOID COVER (JOHN DEERE)	40-45
5D17	SOUND-GARD BODY DOOR HANDLE	90-62	2C17	STARTER SOLENOID COVER KIT (DELCO-REMY).....	40-33
5D21	SOUND-GARD BODY DOOR HANDLE (LATE DESIGN).....	90-66	2D3	STARTER SOLENOID SWITCH	40-44
5D15	SOUND-GARD BODY DOOR KITS.....	90-60	2D8	STARTER SOLENOID SWITCH (JOHN DEERE).....	40-45D
5D13	SOUND-GARD BODY DOORS	90-58	2D9	STARTER SOLENOID SWITCH (JOHN DEERE).....	40-45E
5B16	SOUND-GARD BODY ENVIRONMENT CONTROLS.....	90-9	1D25	STARTING AID KIT, ETHER	30-21
5E16	SOUND-GARD BODY GLASS.....	90-86	1E1	STARTING AID SOLENOID.....	30-22
5E14	SOUND-GARD BODY GLASS SEALS	90-84	1E2	STARTING AID TUBE KIT.....	30-23
5E11	SOUND-GARD BODY HEADLINER	90-81	2B15	STARTING AID WIRING KIT	40-7A
5C1	SOUND-GARD BODY HEATER AND HOSES	90-20	2D11	STARTING CIRCUIT RELAY	40-46
5E3	SOUND-GARD BODY INNER ROOF	90-72	2D12	STARTING CIRCUIT RELAY	40-47
5E7	SOUND-GARD BODY INNER ROOF	90-76	1D24	STARTING FLUID.....	30-20
2B11	SOUND-GARD BODY LAMPS.....	40-4	1E1	STARTING FLUID.....	30-22
2D17	SOUND-GARD BODY LAMPS.....	40-52	1E2	STARTING FLUID TUBE KIT	30-23
5F1	SOUND-GARD BODY MAT, FLOOR.....	90-97	1F2	STARTING FUEL CONTROL KIT	30-51
5E12	SOUND-GARD BODY METAL TRIM.....	90-82	1F3	STARTING FUEL CONTROL KIT	30-52
5F22	SOUND-GARD BODY MIRROR, REAR VIEW	90-118	2C16	STARTING MOTOR	40-32
5E12	SOUND-GARD BODY MOLDING	90-82	2C18	STARTING MOTOR (DELCO-REMY)	40-34
5E14	SOUND-GARD BODY MOLDING	90-84	2D10	STARTING MOTOR SEAL KIT	40-45F
5E16	SOUND-GARD BODY MOLDING, STRAPS, LATCHES	90-86	1E1	STARTING, COLD WEATHER, AID (ELECTRIC).....	30-22
5D7	SOUND-GARD BODY MOUNTS	90-52	1D24	STARTING, COLD WEATHER, AID (MANUAL)	30-20
5B15	SOUND-GARD BODY PANEL, CONTROL.....	90-8	4G22	STEERING ARM.....	80-6
5B18	SOUND-GARD BODY PRESSURIZER BLOWER	90-12			
5B20	SOUND-GARD BODY PRESSURIZER BLOWER	90-14			
5B22	SOUND-GARD BODY PRESSURIZER BLOWER	90-16			

1B6

ENGINE

RGP3291 -UN-01JAN94

TORQ-GARD SUPREME AND PLUS-50 ENGINE OIL



RGP 3291

KEY	PART NO.	PART NAME	QTY	ENGINE SERIAL NO.	REMARKS	
1	TY6359	OIL	1	(SAE 5W/30), 0.9L (1 QUART) CAN		
	TY6360	OIL	1	(SAE 5W/30), 19L (5 GALLON) CAN		
	TY6361	OIL	1	(SAE 5W/30), 208L (55 GALLON) DRUM		
	TY6364	OIL	1	(SAE 10W/30), 0.9 L (1 QUART) (BREAKIN)		
	TY6297	OIL	1	(SAE 15W/40), 0.9L (1 QUART) CAN		
	TY6298	OIL	1	(SAE 15W/40), 19L (5 GALLON) CAN		
	TY6300	OIL	1	(SAE 15W/40), 114L (30 GALLON) DRUM		
	TY6301	OIL	1	(SAE 15W/40), 208L (55 GALLON) DRUM		
	TY6311	OIL	1	(SAE 10W), 0.9L (1 QUART) CAN		
	TY6312	OIL	1	(SAE 10W), 19L (5 GALLON) CAN		
	TY6313	OIL	1	(SAE 10W), 208L (55 GALLON) DRUM		
	AR63979	OIL	1	(SAE 30), 0.2L (1 HALF PINT) CAN		
	AR63218	OIL	1	(SAE 30), 0.9L (1 QUART) CAN		
	AR63219	OIL	1	(SAE 30), 19L (5 GALLON) CAN		
	TY6280	OIL	1	(SAE 30), 114L (30 GALLON) DRUM		
	2	AR63222	OIL	1	(SAE 30), 208L (55 GALLON) DRUM	
		TY6389	OIL	1	(SAE 15W/40), 0.9L (1 QUART)	
		TY6390	OIL	1	(SAE 15W/40), 19L (5 GALLON)	
		TY6391	OIL	1	(SAE 15W/40), 208L (55 GALLON)	
TY6392		OIL	1	(SAE 30), 0.9L (1 QUART)		
TY6393		OIL	1	(SAE 30), 19L (5 GALLON)		
TY6394		OIL	1	(SAE 30), 208L (55 GALLON)		

KIT FOR OFF-SEASON STORAGE (NOT ILLUSTRATED)

KEY	PART NO.	PART NAME	QTY	ENGINE SERIAL NO.	REMARKS
..	AR41785	KIT	1		CONTAINS 0.9 L (1 QT.) CAN OF INTERNAL CORROSION INHIBITOR, 1 ROLL OF TAPE, AND 6 PLASTIC BAGS
..	AR41870	RUST INHIBITOR	1		0.9 L (1 QT.) CAN, (SUB AR41785)

DUST CAP / COVER KIT (NOT ILLUSTRATED)

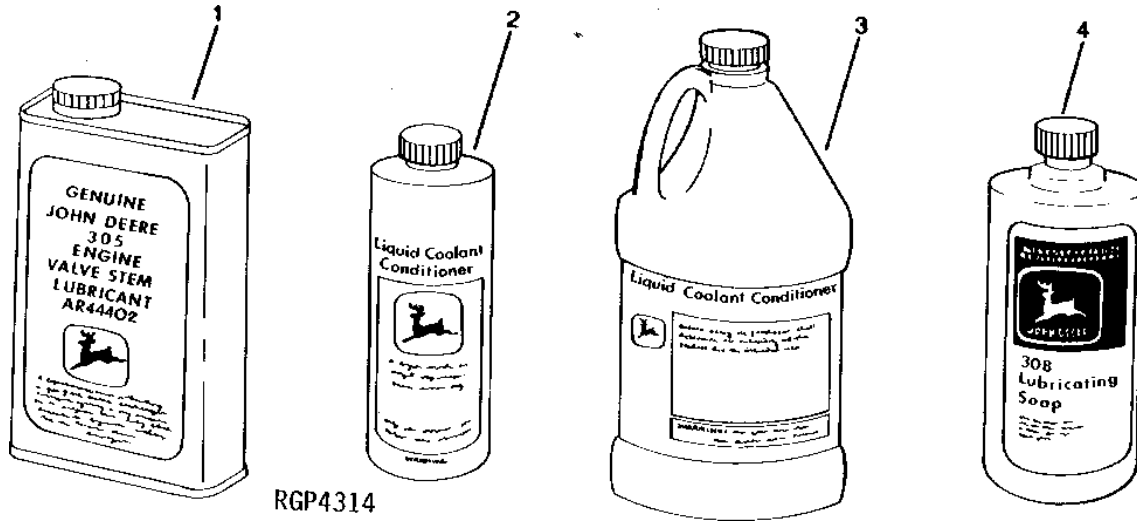
KEY	PART NO.	PART NAME	QTY	ENGINE SERIAL NO.	REMARKS
..	AR21969	KIT	1		

1B7

ENGINE

RGP4314 -UN-01JAN94

COOLANT CONDITIONER AND ENGINE PART LUBRICANTS



VALVE STEM LUBRICANT

KEY	PART NO.	PART NAME	QTY	SERIAL NO.	REMARKS
1	AR44402	OIL	1		.946ML (32 OZ.)

COOLANT CONDITIONER

KEY	PART NO.	PART NAME	QTY	SERIAL NO.	REMARKS
2	RE23182	ENGINE COOLANT CONDITIONER	1		0.473 L (16 OZ.) (PHOSPHATE - FREE) (SUB FOR T19566 OR RE12842) (SUB TY16004)
	TY16004	ENGINE COOLANT CONDITIONER	1		0.472 L (16 OZ.)
3	RE35992	ENGINE COOLANT CONDITIONER	1		3.8 L (1 GAL.) (PHOSPHATE - FREE) (SUB TY16005)
..	TY16005	ENGINE COOLANT CONDITIONER	1		1.9 L (1/2 GAL.)

CYLINDER LINER PACKING LUBRICANT

KEY	PART NO.	PART NAME	QTY	SERIAL NO.	REMARKS
4	AR54749	LUBRICANT	1		0.9L(1 QT.)

MEMORANDA

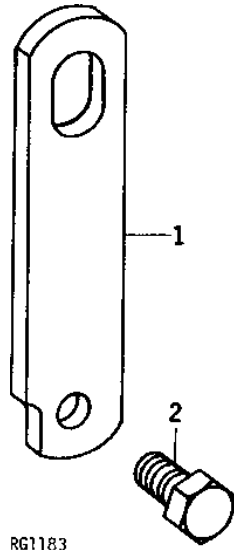
MEMORANDA

1B8

ENGINE

RG1183 -UN-01JAN94

LIFT STRAPS



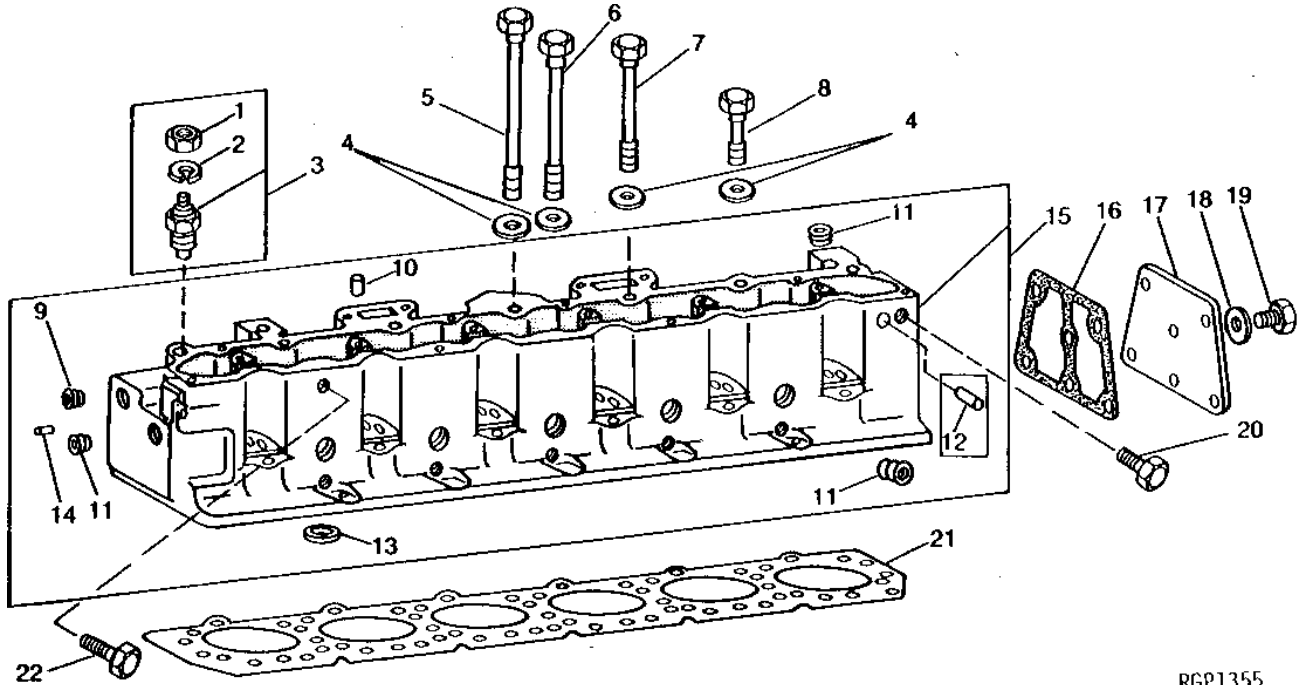
KEY	PART NO.	PART NAME	QTY	ENGINE SERIAL NO.	REMARKS
1	R61497	STRAP	2		
2	R45693	CAP SCREW	2		

1B9

ENGINE

RGP1355 -UN-01JAN94

CYLINDER HEAD AND GASKET



RGP1355

KEY	PART NO.	PART NAME	QTY	ENGINE SERIAL NO.	REMARKS
1	14H631	NUT	1	0.190"	
2	12H295	LOCK WASHER	1	0.190"	
3	AR58233	SENSOR	1		
4	R76126	WASHER	26		(SUB FOR R42364) (USE WITH R62418, R62419, R62420 OR R62421 ONLY, APPL)
5	R62420	SCREW	7		(SUB FOR R45194) (SUB R88045)
6	R62419	SCREW	8		(SUB FOR R45193) (SUB R88044)
7	R62418	SCREW	5		(SUB FOR R45192) (SUB R88043) (USE WITH R49650, R59850 OR R72128, APPL)
8	R62418	SCREW	11		(USE WITH R87558) (SUB R88043)
8	R62421	SCREW	6		(SUB FOR R45195) (SUB R88042) (USE WITH R49650, R59850 OR R72128, APPL)
9	15H624	PIPE PLUG	6		1/2", (SUB FOR AR72319)
10	34H387	SPRING PIN	1		3/16" X 3/4"
11	15H690	PIPE PLUG	11		3/4", (SUB FOR AR72318)
12	DOWEL PIN	1		(NO LONGER USED)
13	R78702	VALVE SEAT INSERT	12		(SUB FOR R50356) STD
13	R82508	VALVE SEAT INSERT	12		0.25 MM (.010") OS (SUB FOR R55061, APPL)
14	F1743R	DOWEL PIN	1	-XXXXXX	
14	AT107509	PLUG	1	XXXXXX-	(NOT AS SHOWN)
15	AR54554	CYLINDER HEAD	1	-445947	(MARKED R50360 OR R86700)
15	AR70564	CYLINDER HEAD	1	445948-579849	(MARKED R58673, R59876 OR R61521) (SUB AR103505)
15	AR103505	CYLINDER HEAD	1	579850-	(MARKED R61521, R67906, R76384 OR R86696) (SUB FOR AR81615)
16	R43595	GASKET	1		
17	R51347	COVER	1		
18	12H331	LOCK WASHER	6		3/8"
19	19H2284	CAP SCREW	6		3/8" X 7/8"
20	R45693	CAP SCREW	2		
21	R48291	GASKET	1		(MARKED R48291) (THIN)
22	R45692	CAP SCREW	1		
..	R88042	SCREW	6		
..	R88043	SCREW	5		
..	R88043	SCREW	11		(USE WITH BLOCK MARKED R87558, APPL)
..	R88044	SCREW	8		
..	R88045	SCREW	7		

MEMORANDA

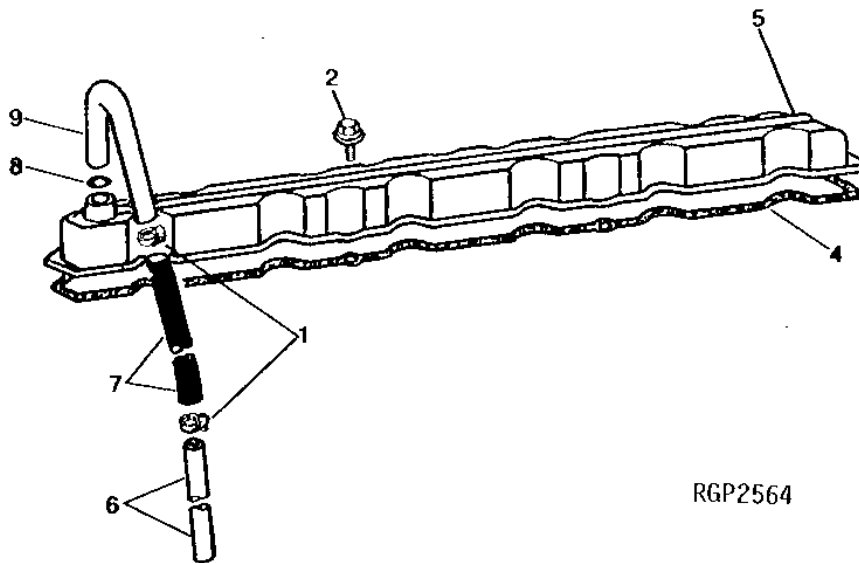
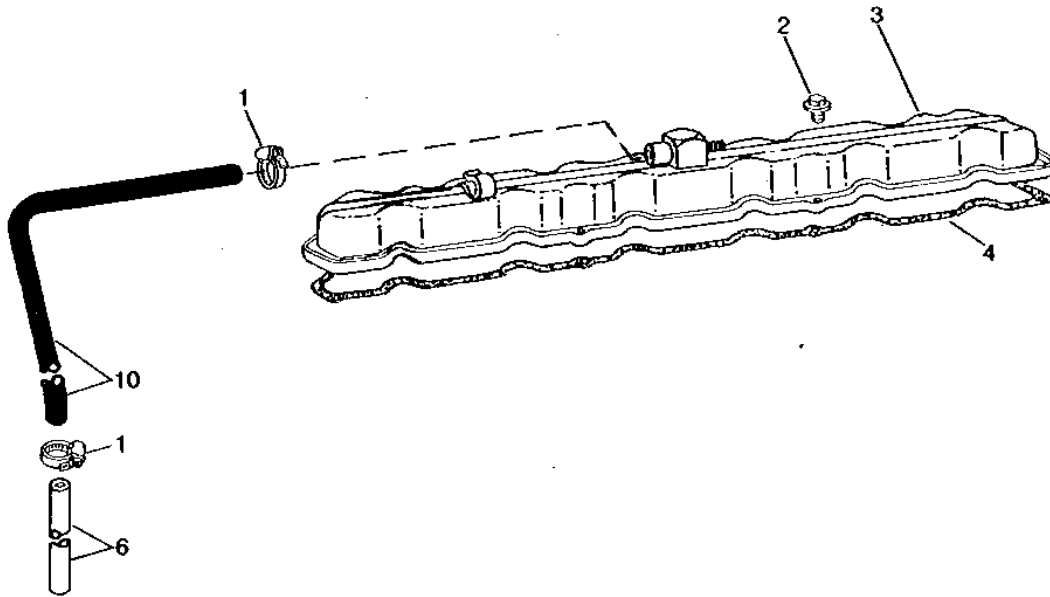
1B10

ENGINE

RGP2564

-UN-01JAN94

ROCKER ARM COVER AND VENTILATOR TUBE



RGP2564

1B11

ENGINE

ROCKER ARM COVER AND VENTILATOR TUBE - CONTINUED

KEY	PART NO.	PART NAME	QTY	ENGINE SERIAL NO.	REMARKS
1	TY22470	CLAMP	2		(SUB FOR AR21839)
2	AR103811	SCREW, WITH WASHER	8		(SUB FOR AR45530)
3	RE37448	COVER	1	432480-	(A) (SUB FOR AR73677 OR AR93172)
4	R49866	GASKET	1		(SUB FOR R32593)
5	AR26516	COVER	1	-432479	
6	R50388	TUBE	1		
7	R50389	HOSE	1	-432479	
8	R495R	O-RING	1	-432479	
9	R50387	LINE	1	-432479	
10	R99793	HOSE	1	432480-	(A) (SUB FOR R60753) (SUB TY22450)
	TY22450	BULK HOSE	AR		(BULK)

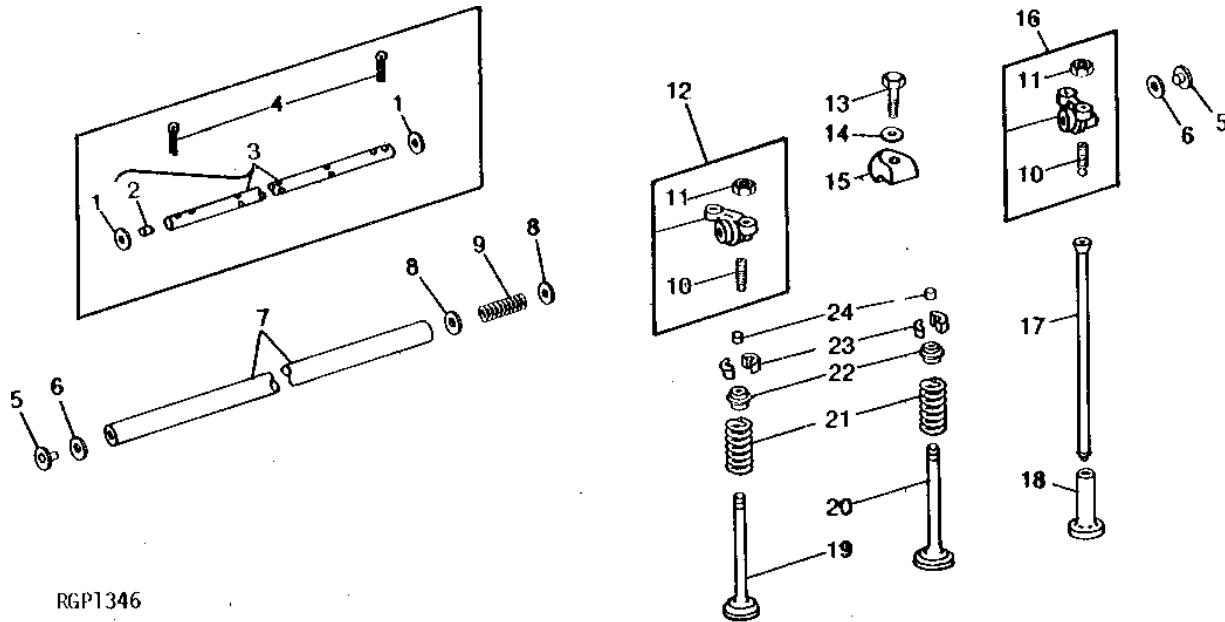
(A) CONTAINED IN AR73676 KIT (ENGINE SERIAL NO. -432479)

1B12

ENGINE

ROCKER ARMS, SHAFTS AND VALVES

RGP1346 -UN-01JAN94



RGP1346

KEY	PART NO.	PART NAME	QTY	ENGINE SERIAL NO.	REMARKS
1	24H1384	WASHER	12	-XXXXXX	49/64" X 1-1/16" X 0.036"
2	R27529	PLUG	2	-XXXXXX	
3	AR26444	ROCKER ARM SHAFT	1	-XXXXXX	(SUB R70826 AND (2) R54565)
4	11M7082	COTTER PIN	2	-XXXXXX	2.500 X 25 MM
5	R54565	PLUG	2	XXXXXX-	(A) (USE WITH R54564 OR R60650)
6	R26081	WASHER	2	XXXXXX-	
7	R70826	ROCKER ARM SHAFT	1	XXXXXX-	(A) (SUB FOR AR26444, R54564 OR R60650) (ALSO ORDER (2) R54565)
8	R71208	WASHER	10	XXXXXX-	19.500 X 26 X 0.910 MM (0.768" X 1.024" X 0.036")
9	R26079	SPRING	5		
10	R27443	SET SCREW	12		
11	14H846	NUT	12		3/8"
12	AR54905	ROCKER ARM	6		
13	19H1740	CAP SCREW	6		7/16" X 1-3/4"
14	R26559	WASHER	6		
15	R26748	CLAMP	6		
16	AR54904	ROCKER ARM	6		
17	R85027	PUSH ROD	12		(SUB FOR AR40680)
18	R52773	CAM FOLLOWER	12		
19	R50358	INTAKE VALVE	AR		STD
	R55055	INTAKE VALVE	AR		0.08 MM (.003") OS
	R55057	INTAKE VALVE	AR		0.38 MM (.015") OS
	R55059	INTAKE VALVE	AR		0.76 MM (.030") OS
20	R50357	EXHAUST VALVE	AR		STD
	R55056	EXHAUST VALVE	AR		0.08 MM (.003") OS
	R55058	EXHAUST VALVE	AR		0.38 MM (.015") OS
	R55060	EXHAUST VALVE	AR		0.76 MM (.030") OS
21	R26125	SPRING	12		
22	RE11410	ROTATOR	12		(SUB FOR AR41006)
23	T20077	RETAINER	24		
24	T20129	CAP	12		

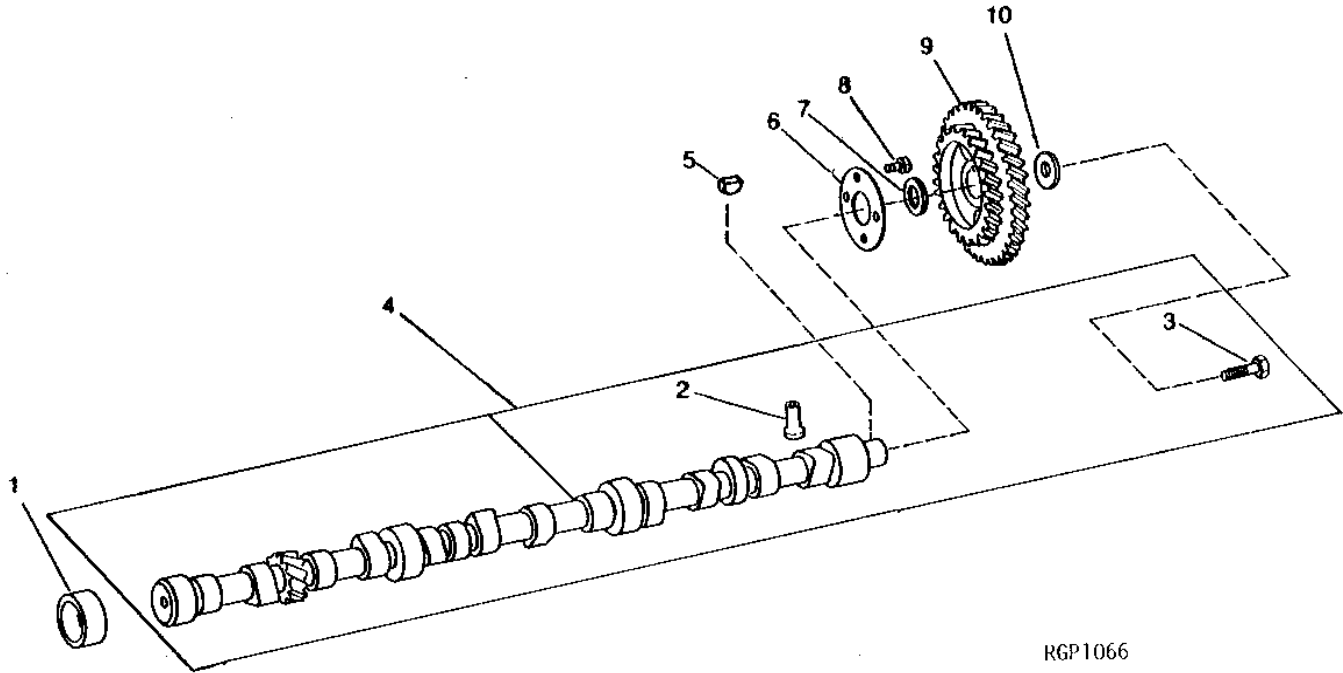
(A) CONTAINED IN AR73676 KIT (ENGINE SERIAL NO. -432479) (NLA)

1B13

ENGINE

RGP1066 -UN-01JAN94

CAMSHAFT AND GEAR



RGP1066

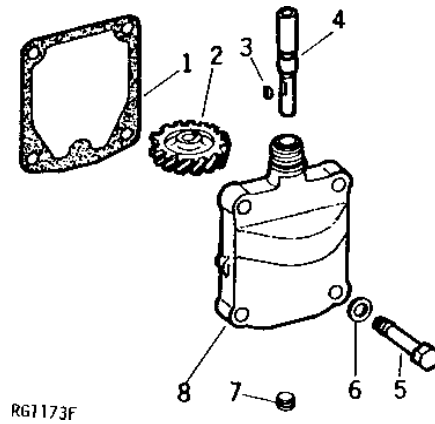
KEY	PART NO.	PART NAME	QTY	ENGINE SERIAL NO.	REMARKS
1	R46903	BUSHING	4		
2	R52773	CAM FOLLOWER	12		
3	19H1721	CAP SCREW	1	-427444	1/2" X 1-1/2"
	19H1777	CAP SCREW	1	427445-	1/2" X 1-3/4"
	R93238	CAP SCREW	1		1/2" X 2", (USE WITH R71529 OR R71531) (SUB FOR R79850, APPL)
4	AR100384	CAMSHAFT	1	-552496	(MARKED R42352, R43677, R57289, R59420, R61150, R61974 OR R71531) (SUB AR100385, APPL) (SUB FOR AR63280, AR69270, AR71709 OR AR74144)
	AR100385	CAMSHAFT	1	552497-	(MARKED R64086 OR R71529) (SUB FOR AR79610)
5	26H72	SHAFT KEY	1		1/8" X 5/8"
6	R42355	THRUST WASHER	1		
7	R42356	WASHER	1		
8	19H1813	CAP SCREW	4		5/16" X 5/8"
9	AR87700	GEAR	1		(SUB FOR AR55487, AR78345, AR88905 OR AR88965, APPL)
10	R35256	WASHER	1		

1B14

ENGINE

RG1173 -UN-01JAN94

TACHOMETER DRIVE



KEY	PART NO.	PART NAME	QTY	ENGINE SERIAL NO.	REMARKS
1	R62410	GASKET	1		(SUB FOR R44853, THIS APPLICATION)
2	R32426	GEAR	1		
3	26H3	SHAFT KEY	1	3/32" X 3/8"	
4	R26172	SHAFT	1		
5	19H1732	CAP SCREW	4	3/8" X 1-1/4"	
6	24M7096	WASHER	4	10.500 X 18 X 1.600 MM	
7	15H559	PIPE PLUG	1	1/4"	
8	R43851	HOUSING	1		(SUB FOR AR43652)

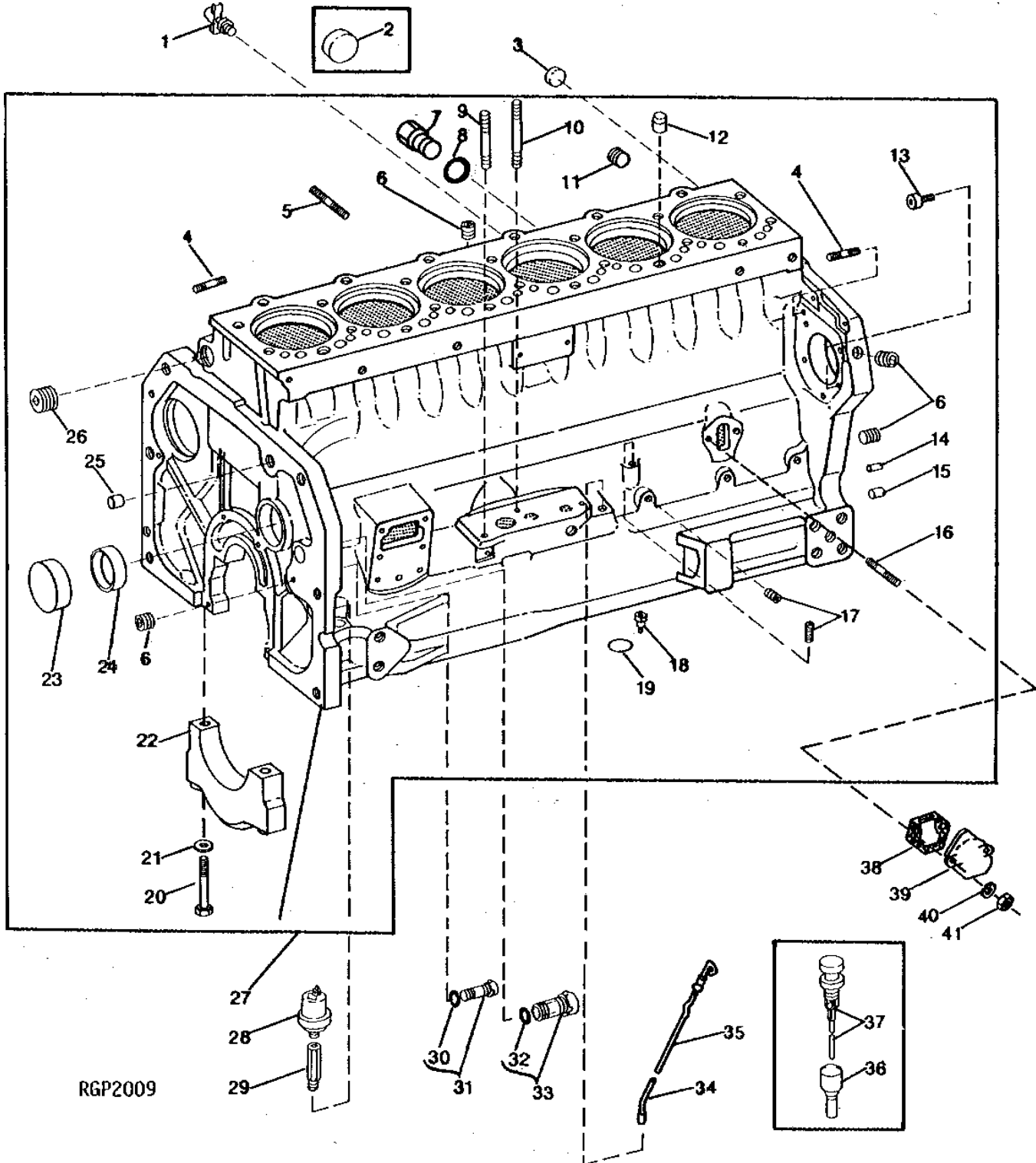
MEMORANDA

1B15

ENGINE

RGP2009 -UN-01JAN94

CYLINDER BLOCK



1B16

ENGINE

CYLINDER BLOCK - CONTINUED

KEY	PART NO.	PART NAME	QTY	ENGINE SERIAL NO.	REMARKS
1	AT13740	DRAIN VALVE	1		
2	AR80294	PLUG	1		LESS COOLANT HEATER
3	R27036	CAP	1		LESS HEATER, (SUB FOR R47092)
4	R55396	STUD	5		3/8" X 1-11/16"
5	R51284	STUD	2		
6	15H624	PIPE PLUG	4		1/2" 1/2", (SUB FOR AR72319)
7	R39741	DRAIN PLUG	1		
8	U13639	O-RING	1		
9	R106859	STUD	1		3/8" X 3", (SUB FOR T20173, F3646R OR R26622, APPL)
10	R55395	STUD	1		3/8" X 3-5/8"
11	15H690	PIPE PLUG	1		3/4" 3/4", (SUB FOR AR72318)
12	R42340	BUSHING	2		
13	22H776	SET SCREW	3		5/16" X 7/16", (SUB FOR R56545)
14	R1612R	DOWEL PIN	2		
15	F1743R	DOWEL PIN	2		
16	R48755	STUD	2		5/16" X 1-1/2"
17	R104592	PIPE PLUG	6		(SUB FOR R21630, APPL)
18	R43621	ORIFICE	6		
19	R71732	O-RING	1		(SUB FOR R50378)
20	R42365	BOLT	14		(USE WITH BLOCK MARKED R59850 OR R72128)
	T15539	BOLT	14		(USE WITH BLOCK MARKED R49470 OR R49650)
21	R70268	WASHER	14		(SUB FOR R42363)
22	R57158	BEARING CAP	6		(MAIN)
	R57159	BEARING CAP	1		(MAIN THRUST)
23	R26115	CAP	1		
24	R46903	BUSHING	4		
25	R61288	DOWEL PIN	1		
26	15H562	PIPE PLUG	1		1" 1", (SUB FOR AR78522)
27	AR94840	CYLINDER BLOCK	1		(A) (MARKED R49650, R59850, R49470 OR R72128) (SUB FOR AR63271) (ALSO ORDER AR71850, AR100478, R54123 AND U13639) (SUB RE28308 AND (6) R88043)
	RE28308	CYLINDER BLOCK	1		(MARKED R87558)
28	RE15583	ENGINE OIL PRESSURE SENDER	1		(SUB FOR AR58234) ENGINE OIL PRESSURE
29	R53014	FITTING	1		
30	A4365R	O-RING	1		
31	AR61589	PLUG	1		
32	R27149	O-RING	1		
33	AR61533	PLUG	1		
34	AR71850	DIPSTICK TUBE	1		(USE WITH R72128)
35	AR100478	DIPSTICK	1		(USE WITH R72128)
36	AR54557	TUBE	1		(USE WITH R49650, R59850 OR R49470) (SUB AR71850 AND AR100478)
37	AR58986	DIPSTICK	1		(SUB AR71850 AND AR100478) (USE WITH R49650, R59850 OR R49470)
38	R97350	GASKET	1		(SUB FOR R27285)
39	R27286	COVER	1		
40	12H303	LOCK WASHER	2		5/16"
41	14H785	NUT	2		5/16"

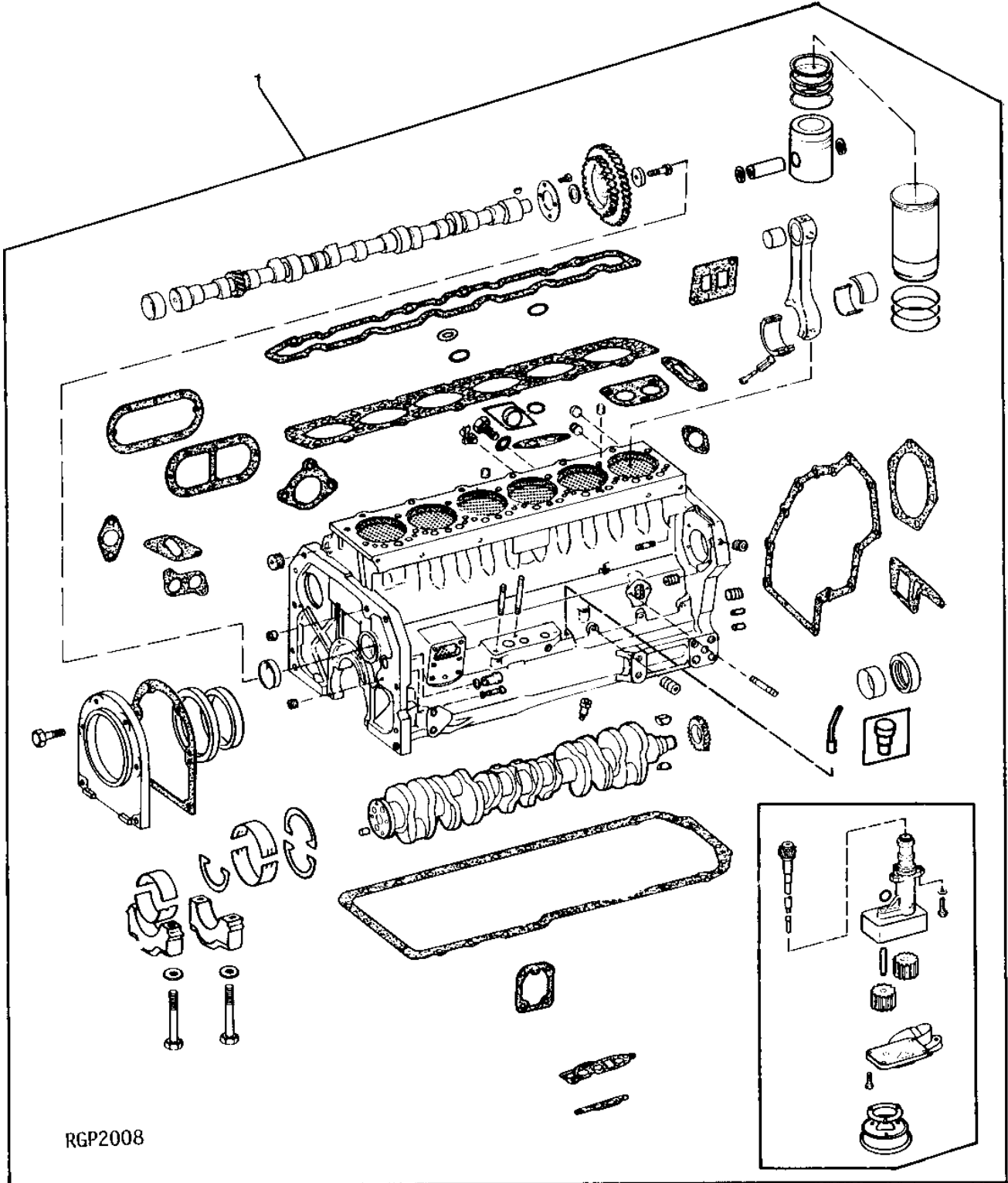
(A) UNLESS PREVIOUSLY INSTALLED, ALSO ORDER RE51829 (HEATER SUPPLY LINE), R46414 AND R48384.

1B17

ENGINE

ENGINE SHORT BLOCK
(WITH OIL PUMP)

RGP2008 -UN-01JAN94



1B18

ENGINE

**ENGINE SHORT BLOCK - CONTINUED
(WITH OIL PUMP)**

KEY	PART NO.	PART NAME	QTY	ENGINE SERIAL NO.	REMARKS
1	AR71120	SHORT BLOCK ASSEMBLY	1		(A) (MARKED R49650, R59850 OR R72128) (SUB FOR AR63267) (SUB R54123, U13639, AR77489, AR100478, RE53485 AND (6) R88043)

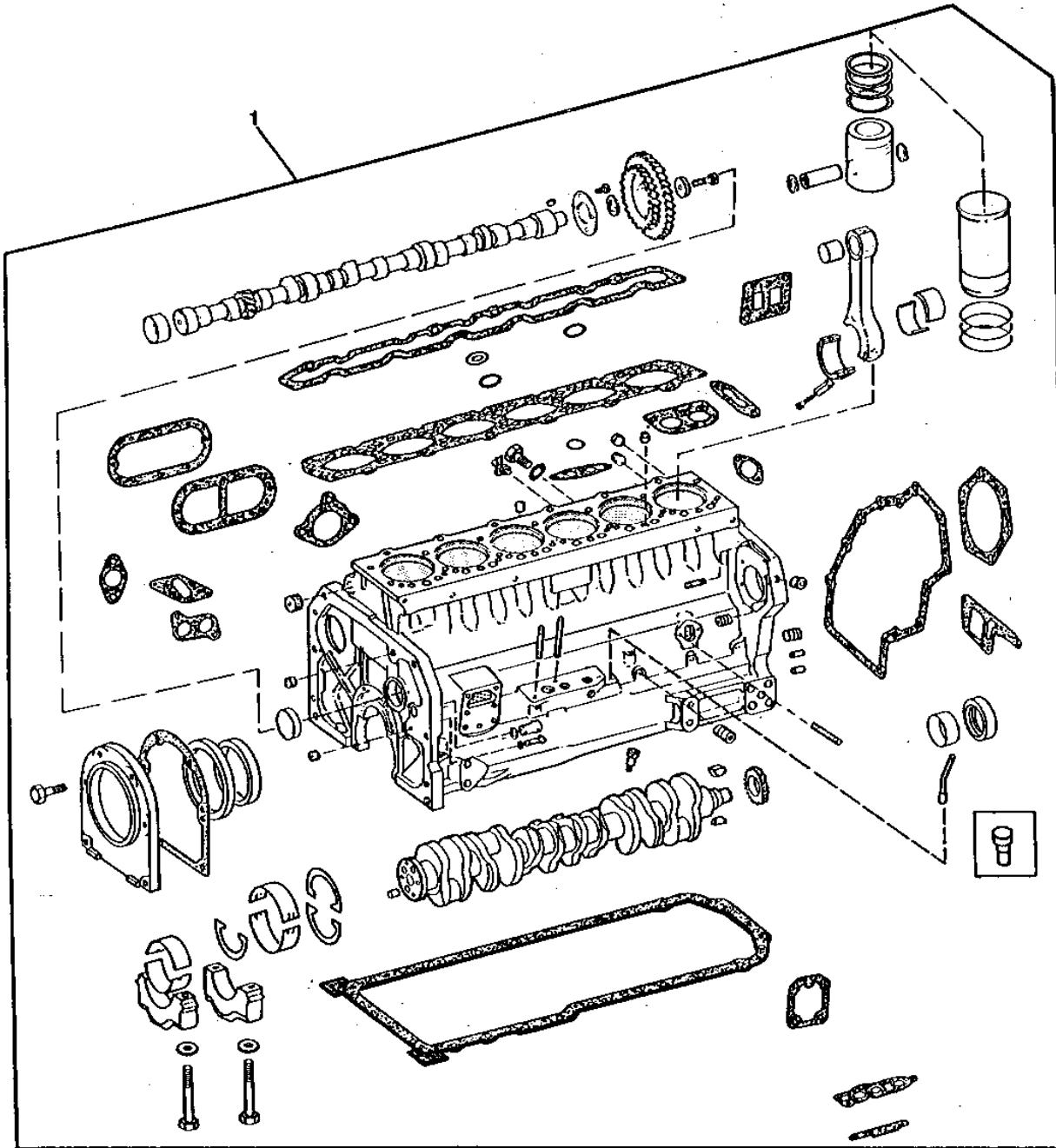
(A) UNLESS PREVIOUSLY INSTALLED, ALSO ORDER RE51829 (HEATER SUPPLY LINE), R46414 AND R48384.

1B19

ENGINE

RGP1842 -UN-01JAN94

ENGINE SHORT BLOCK
(WITHOUT OIL PUMP)



RGP1842

1B20

ENGINE

**ENGINE SHORT BLOCK - CONTINUED
(WITHOUT OIL PUMP)**

KEY	PART NO.	PART NAME	QTY	ENGINE SERIAL NO.	REMARKS
1	RE13553	SHORT BLOCK ASSEMBLY	1		(MARKED R49470, R49650, R59850 OR R72128) (SUB RE53485, (6) R88043, AR77489, AR100478, R54123 AND U13639) (SUB FOR
	RE53485	SHORT BLOCK ASSEMBLY	1		AR63267, AR71120 OR AR94820) (MARKED R87558) (SUB FOR RE28291)

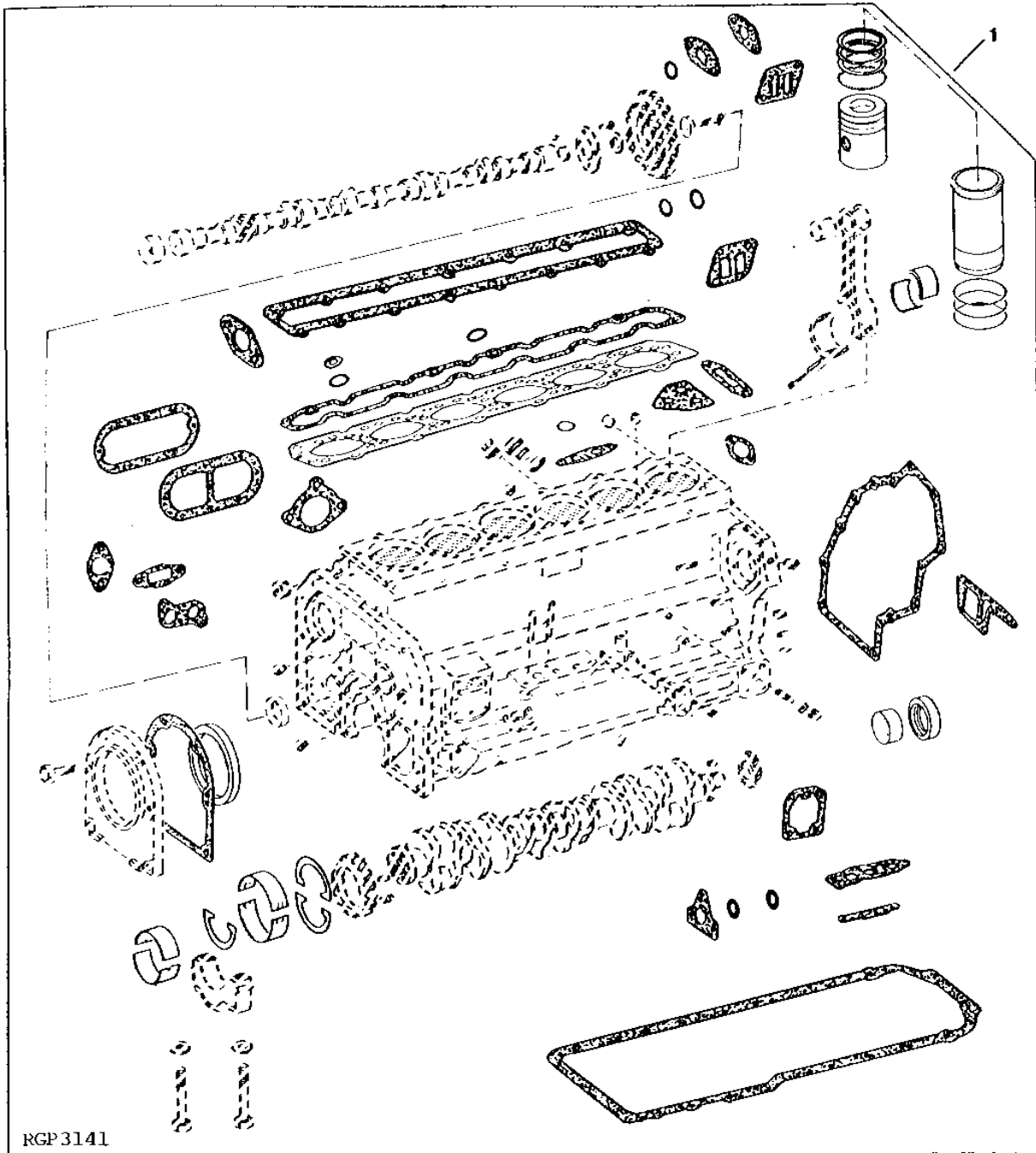
1B21

ENGINE

RGP3141

-UN-01JAN94

ENGINE OVERHAUL KIT



1B22

ENGINE

ENGINE OVERHAUL KIT - CONTINUED

KEY	PART NO.	PART NAME	QTY	ENGINE SERIAL NO.	REMARKS
1	RG23428	ENGINE OVERHAUL KIT	1		(CONTAINS (6) AR63272 PISTON LINERS, GASKET KIT, STD BEARINGS AND SNAP RINGS) (SUB FOR RG17892)
	RG23436	ENGINE OVERHAUL KIT	1		(.010" US BEARING KIT) (CONTAINS (6) AR63272 P/L, GASKET KIT, U.S. BEARINGS, AND SNAP RINGS) (SUB FOR RG22859)

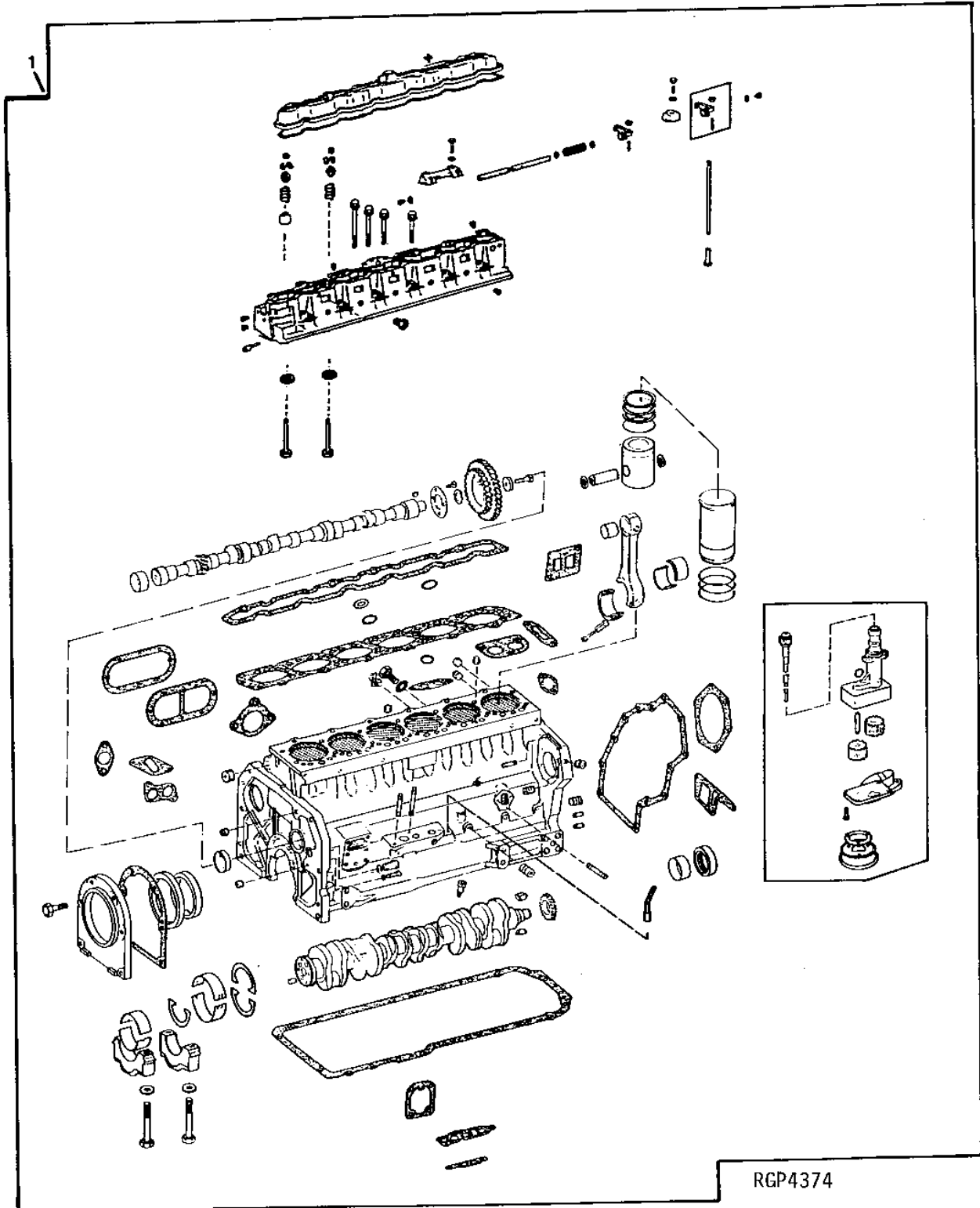
1B23

ENGINE

RGP4374

-UN-21SEP94

COMPLETE BLOCK ASSEMBLY



RGP4374

1B24

ENGINE

COMPLETE BLOCK ASSEMBLY - CONTINUED

KEY	PART NO.	PART NAME	QTY	ENGINE SERIAL NO.	REMARKS
1	RG23076	COMPLETE BLOCK ASSEMBLY	1	-445947	(A) (WITH CYLINDER HEAD MARKED R47320, R50360 OR R86700, ALSO ORDER (6) AR74664, AR96862, AR96861, AR96860, AR96859, AR96858, AR96857, (6) R63065 CONNECTORS AND (6) R54856 O-RINGS. ALSO ORDER LATE ESN RETURN INJECTION LINE PARTS.)
	RG23076	COMPLETE BLOCK ASSEMBLY	1	445948-	(A) (WITH CYLINDER HEAD MARKED R59876, R61521, R67906, R76384 OR R86696) (CONTAINS PISTONS MARKED AR58704)

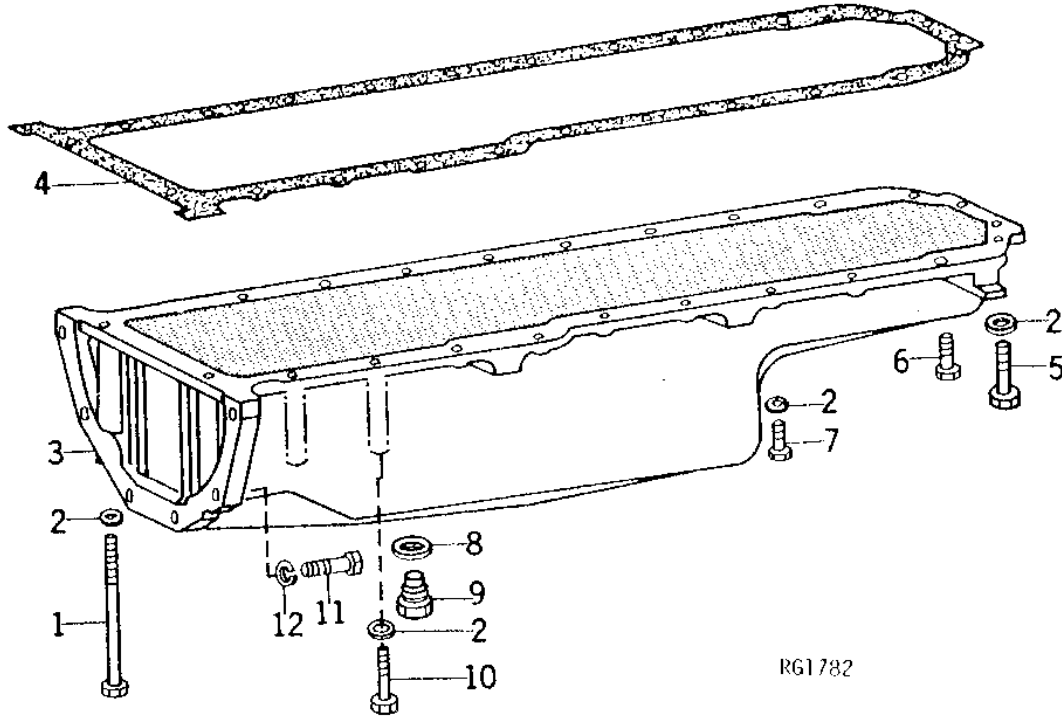
(A) ENGINE SERIAL NUMBER (-499999) ALSO ORDER AR100478.

1B25

ENGINE

RG1782 -UN-01JAN94

OIL PAN



RG1782

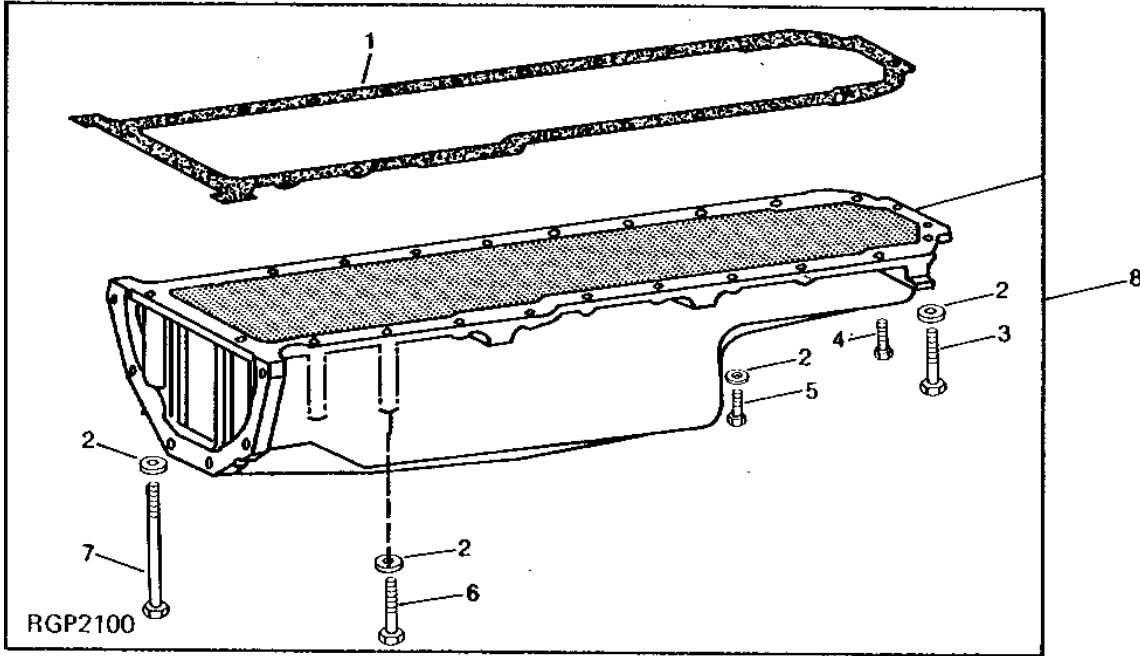
KEY	PART NO.	PART NAME	QTY	ENGINE SERIAL NO.	REMARKS
1	19H2205	CAP SCREW	2	3/8" X 6"	
2	12H304	LOCK WASHER	22	3/8"	
3	OIL PAN	1	(MARKED R53013) (SUB AR94560)	
4	R71918	GASKET	1	(SUB FOR R53282)	
5	19H1765	CAP SCREW	2	3/8" X 1-3/4"	
6	R27693	SCREW	2		
7	19H2552	CAP SCREW	16	3/8" X 1-1/8"	
8	A4827R	WASHER	2		
9	R26727	DRAIN PLUG	1	(SUB FOR R51944)	
10	19H2104	CAP SCREW	2	3/8" X 5"	
11	19H2473	CAP SCREW	6	1/2" X 1-3/4"	
12	12H301	LOCK WASHER	6	1/2"	

1C1

ENGINE

RGP2100 -UN-01JAN94

OIL PAN KIT



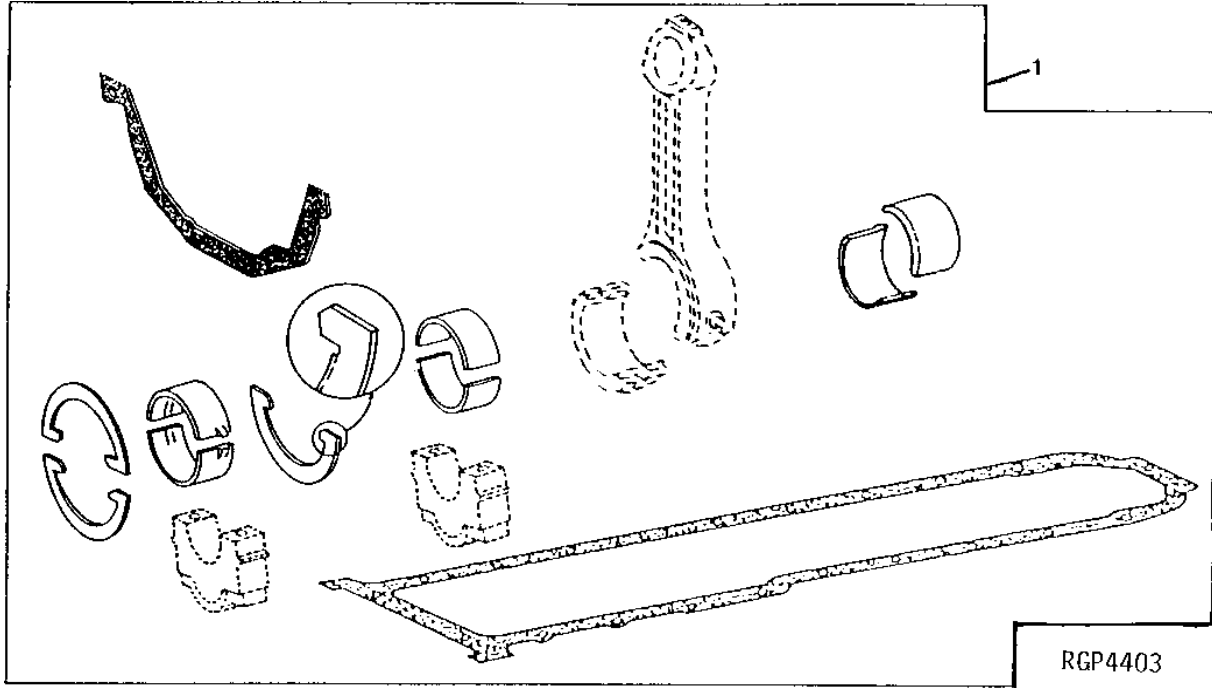
KEY	PART NO.	PART NAME	QTY	ENGINE SERIAL NO.	REMARKS
1	R71918	GASKET	1		(SUB FOR R53282)
2	12H304	LOCK WASHER	22		3/8"
3	19H3485	CAP SCREW	2		3/8" X 2"
4	R73445	SCREW	2		
5	19H3267	CAP SCREW	16		3/8" X 1-5/8"
6	19H3504	CAP SCREW	2		3/8" X 5-3/8"
7	19H3562	CAP SCREW	2		3/8" X 6-1/8"
8	AR94560	KIT	1		(MARKED R71909) (SUB FOR R53013)

1C2

ENGINE

RGP4403 -UN-14DEC94

ENGINE UNDERHAUL KIT (STD BRGS)



RGP4403

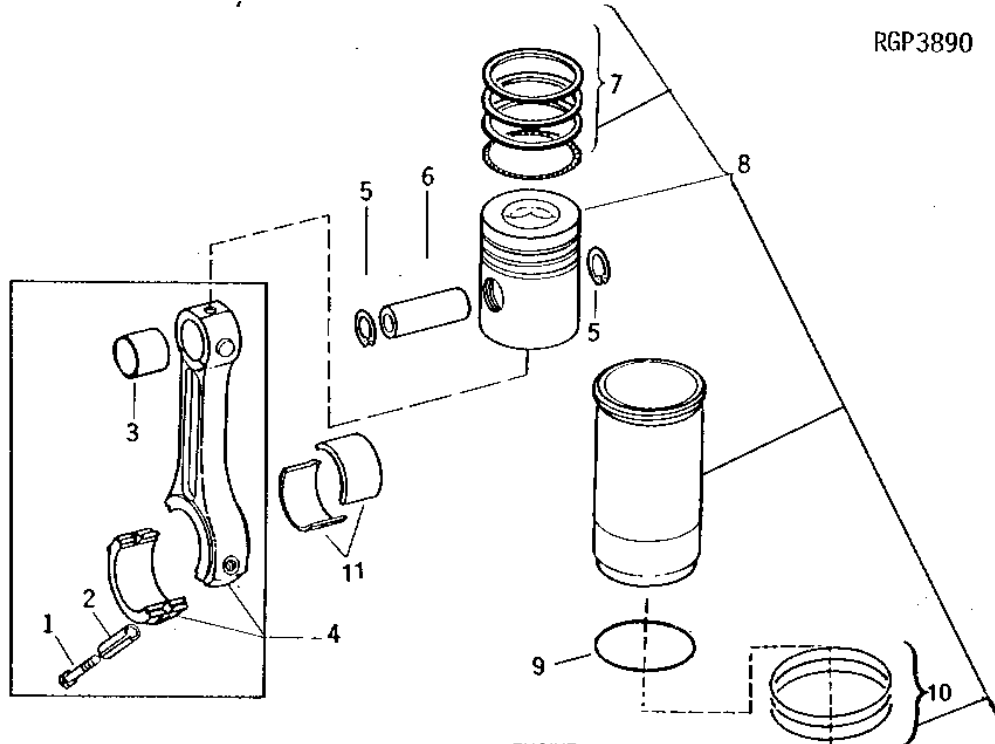
KEY	PART NO.	PART NAME	QTY	ENGINE SERIAL NO.	REMARKS
1	RG23427	KIT	1		(A) (SUB FOR RG22790) (CONTAINS STD BRGS, OIL PAN GASKET, AND SPLIT OIL PAN GASKET)
					(A) USE WITH BLOCK MARKED R40620, R40930, R40940, R45950, R47020, R47110, R47170, R48440, R49550, R49650, R59850, R72128 OR R87558.

1C3

ENGINE

RGP3890 -UN-01JAN94

PISTON, RINGS, LINERS AND CONNECTING RODS



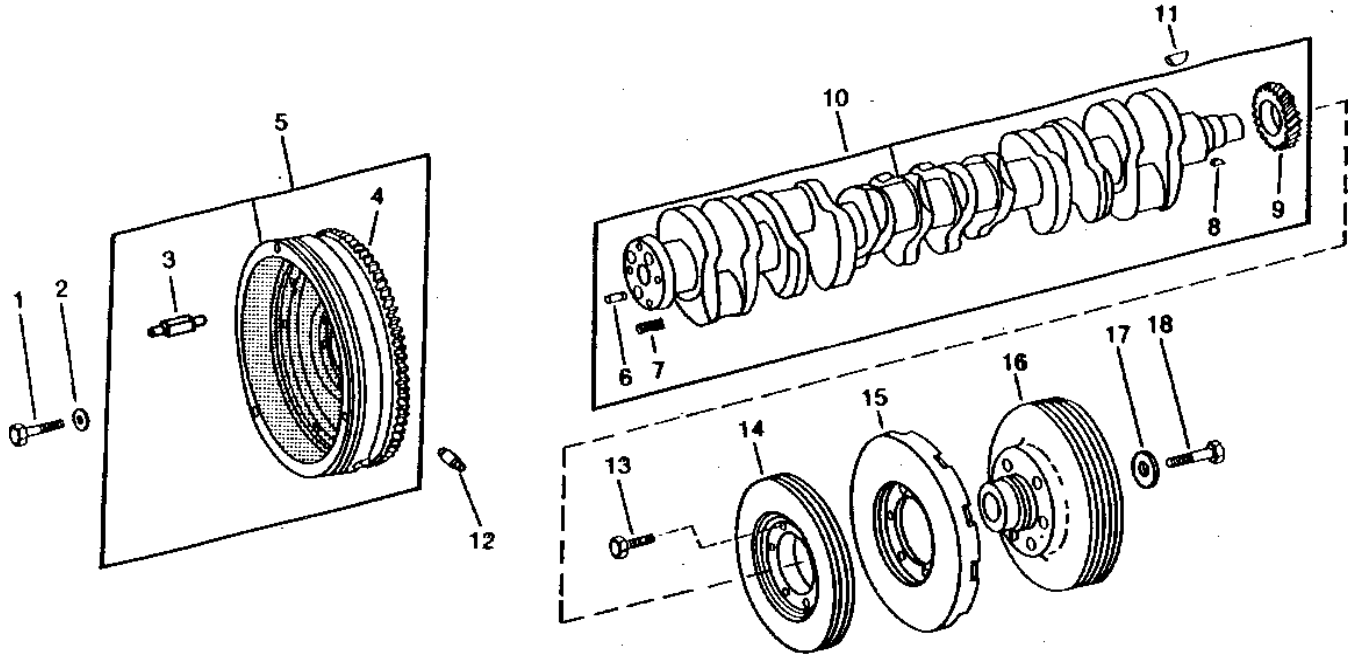
KEY	PART NO.	PART NAME	QTY	ENGINE SERIAL NO.	REMARKS
1	R66452	CAP SCREW	12		(SUB FOR R26325 OR R53290)
2	R53292	SLEEVE	12		
3	R42173	BUSHING	6		
4	AR86980	CONNECTING ROD	6		(MARKED R41423, R58882 OR R66922) (SUB FOR AR41056 OR AR70912)
5	R54114	SNAP RING	12		
6	R41425	PISTON PIN	6		STD
	R54263	PISTON PIN	AR		0.07 MM (.003") (MARKED YELLOW)
	R54264	PISTON PIN	AR		0.13 MM (.005") (MARKED RED)
7	AR51741	PISTON RING	6		
8	AR63272	PISTON-LINER KIT	6		(MARKED AR54552 OR AR58704)
9	R116253	SHIM	AR		0.050MM (.002")
10	AR65507	O-RING KIT	6		(SUB FOR AR53443)
11	AR45723	BEARING	AR		STD (PKG (2) R44378)
	AR46395	BEARING	AR		0.05 MM (.002") US (PKG (2) R44925)
	AR46396	BEARING	AR		0.25 MM (.010") US (PKG (2) R44926)
	AR46397	BEARING	AR		0.51 MM (.020") US (PKG (2) R44927)
	AR46398	BEARING	AR		0.76 MM (.030") US (PKG (2) R44928)

1C4

ENGINE

RGP2654 -UN-01JAN94

CRANKSHAFT AND FLYWHEEL



RGP2654

KEY	PART NO.	PART NAME	QTY	ENGINE SERIAL NO.	REMARKS
1	R52634	CAP SCREW	6		
2	T23891	WASHER	6		
3	R51003	PIN	3		
	R32192	DOWEL PIN	3	-386231	(D)
4	R56719	QUICK LOCK PIN	3	386232-	(D)
	R28811	GEAR	1		
5	AR68529	FLYWHEEL	1		(A) (B) (MARKED R51004 OR R57218) (SUB FOR AR60008 OR AR68646) (PINS NOT INCLUDED)
	AR78914	FLYWHEEL	1	-386231	(D) (MARKED R51860 OR R61420) (SUB FOR AR60009) (INCLUDES (3) R32192)
	AR67640	FLYWHEEL	1	386232-XXXXXX	(D) (MARKED R56718) (INCLUDES (3) R56719)
	AR76095	FLYWHEEL	1	XXXXXX-	(D) (MARKED R61951) (INCLUDES (3) R56719)
6	R41934	DOWEL PIN	1		
7	22H821	SET SCREW	2		1/2" X 1/2", (SUB FOR R61292)
8	R120752	KEY	1		
9	R26049	GEAR	1		
10	AR74624	CRANKSHAFT	1		(MARKED R40740, R56979 OR R63451) (SUB RE53422) (SUB FOR AR50136 OR AR68094)
	CRANKSHAFT	1		0.25 MM (.010") US, (SUB RE53424 OR RE53425)
11	26H85	SHAFT KEY	1		1/4" X 1"
12	R43093	PIN	1		(A)
13	19H1732	CAP SCREW	6		3/8" X 1-1/4"
	19H3181	CAP SCREW	6		(G) 3/8" X 2"
14	R48396	PULLEY	1		(G)
15	AR43954	ABSORBER	1		
16	R50414	PULLEY	1		
17	R26333	WASHER	1		
18	19H1734	CAP SCREW	1		5/8" X 2"

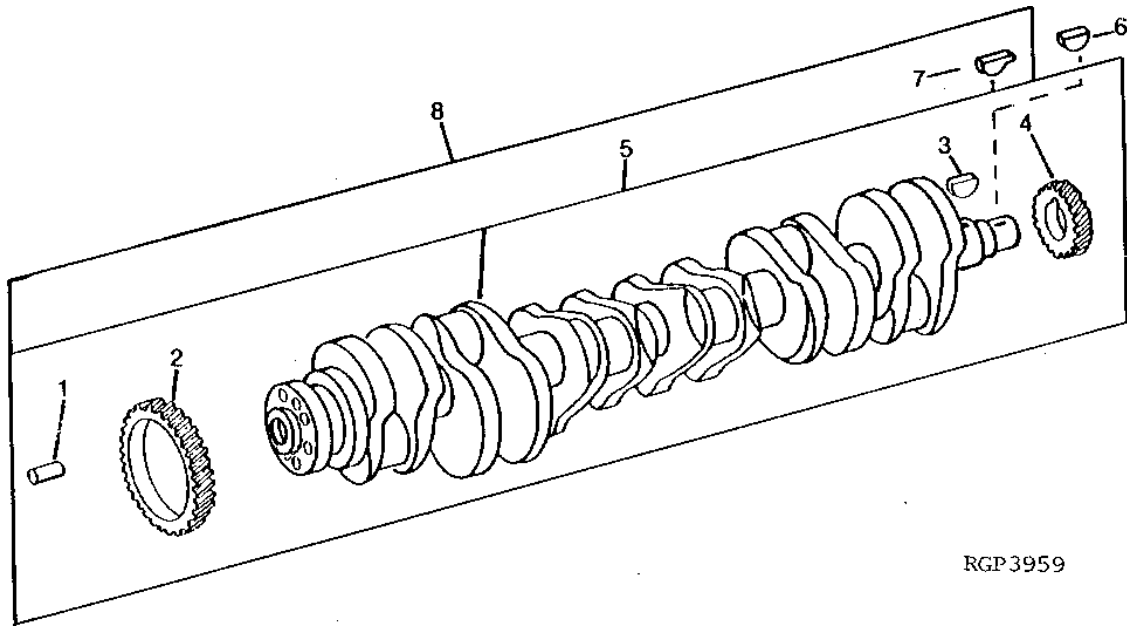
- (A) SYNCRO-RANGE TRANSMISSION
- (B) QUAD-RANGE TRANSMISSION
- (D) POWER SHIFT TRANSMISSION
- (G) AIR CONDITIONING

1C5

ENGINE

RGP3959 -UN-01JAN94

REPLACEMENT CRANKSHAFT



RGP3959

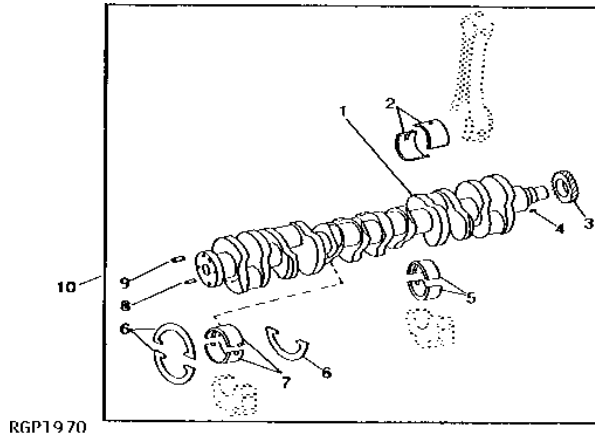
KEY	PART NO.	PART NAME	QTY	ENGINE SERIAL NO.	REMARKS
1	R41934	DOWEL PIN	1		
2	R63326	GEAR	NA		(NOT USED THIS APPLICATION)
3	R120752	KEY	1		1/8" X 0.625"
4	R26049	GEAR	1		(USE WITH R40740, R47419, R56979 OR R63451)
	R105488	GEAR	1		(USE WITH RE42675 OR RE53203)
5	AR96189	CRANKSHAFT	1		(MARKED R63451) (SUB RE53422)
	RE42671	CRANKSHAFT	1		(MARKED RE52576) (SUB RE53422)
6	26H85	SHAFT KEY	1		1/4" X 1", (USE WITH R63451, RE42675, R40740, R56979 OR R56934)
7	R116311	KEY	1		(USE WITH RE53203 OR RE53423)
8	RE53422	CRANKSHAFT	1		(MARKED RE53203)

1C6

ENGINE

UNDERSIZE CONNECTING ROD JOURNAL CRANKSHAFT AND BEARING KIT (EARLY DESIGN)

RGP1970 -UN-01JAN94



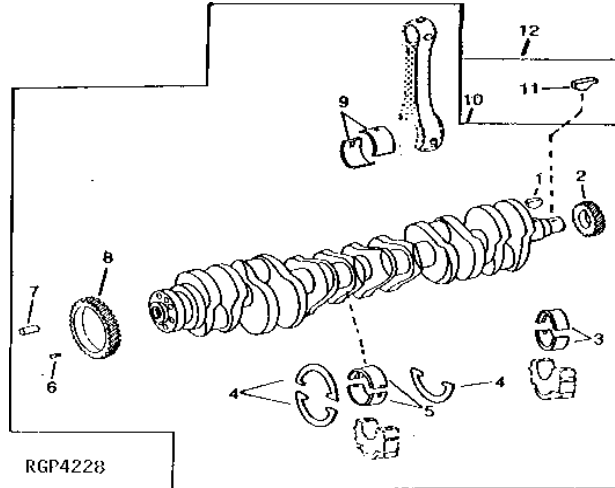
KEY	PART NO.	PART NAME	QTY	ENGINE SERIAL NO.	REMARKS
1	CRANKSHAFT	1		0.25MM (.010") US, (MARKED R78102) (SUB RE53424)
2	AR46396	BEARING	6		0.25MM (.010") US, (PKG (2) R44926)
3	R26049	GEAR	1		
4	R120752	KEY	1		
5	AR74814	BEARING	6		STD (PKG R57584 AND, R61289)
6	AR77747	THRUST WASHER	1		STD (PKG (3) R62986)
7	AR77748	THRUST BEARING	1		STD (PKG R62987 AND, R62988)
8	22H821	SET SCREW	2		(SUB FOR R61292)
9	R41934	DOWEL PIN	1		
10	RE12434	CRANKSHAFT	1		(MARKED R78102) (SUB RE53424)

1C7

ENGINE

UNDERSIZE CONNECTING ROD JOURNAL CRANKSHAFT AND BEARING KIT (LATE DESIGN)

RGP4228 -UN-01JAN94



KEY	PART NO.	PART NAME	QTY	ENGINE SERIAL NO.	REMARKS
1	R120752	KEY	1		
2	R105488	GEAR	1		(USE WITH RE42679 OR RE53205, APPL)
3	AR74814	BEARING	6		STD (PKG R57584 AND R61289)
4	AR77747	THRUST WASHER	1		STD (PKG (3) R62986)
5	AR77748	THRUST BEARING	1		STD (PKG R62987 AND R62988)
6	22H821	SET SCREW	2		1/2" X 1/2"
7	R41934	DOWEL PIN	1		
8	R63326	GEAR	1		
9	AR46396	BEARING	6		0.25MM (.010") US (PKG (2) R44926)
10	RE42673	CRANKSHAFT	1		0.25MM (.010") US, (MARKED RE42679) (SUB FOR RE12434) (SUB RE53424)
11	R116311	KEY	1		(USE WITH RE53205, APPL)
12	RE53424	CRANKSHAFT	1		(A) 0.25MM (.010") US, (MARKED RE53205) (SUB FOR RE12434 OR RE42673)

(A) RE53425 MAY BE USED IF RE53424 IS NOT AVAILABLE

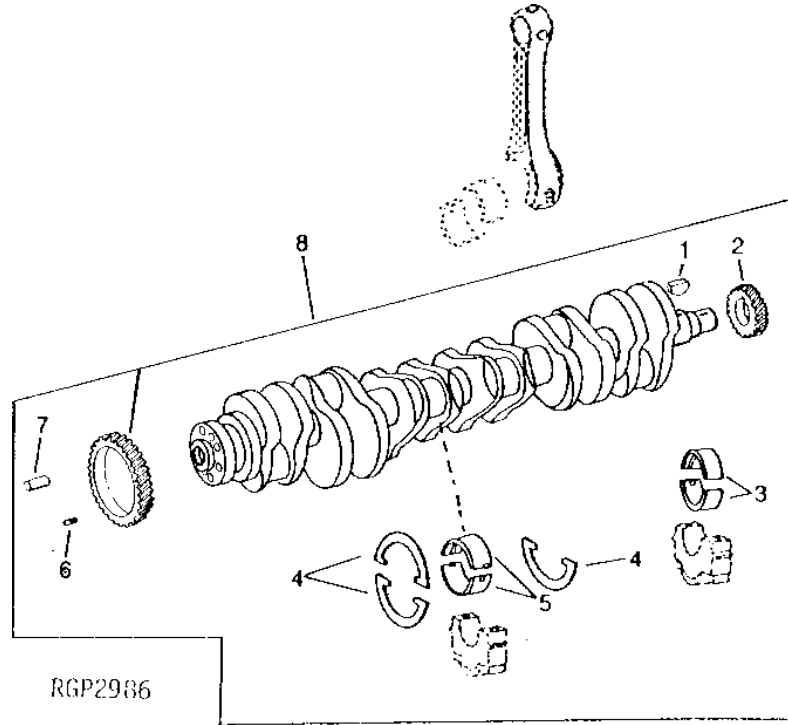
MEMORANDA

1C8

ENGINE

UNDERSIZE MAIN BEARING CRANKSHAFT AND BEARING KIT (EARLIEST DEISGN)

RGP2986 -UN-01JAN94



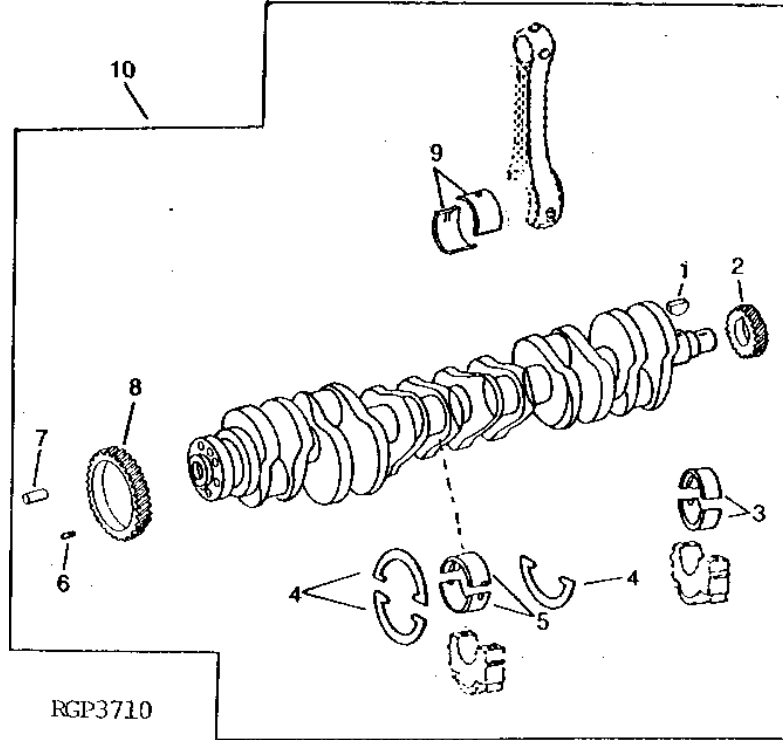
KEY	PART NO.	PART NAME	QTY	ENGINE SERIAL NO.	REMARKS
1	R120752	KEY	1		
2	R26049	GEAR	1		
3	AR74816	BEARING	6		0.25MM (.010") US, (PKG R61909 AND R60473)
4	AR77753	THRUST WASHER	1		0.18MM (.007") OS FLANGE (PKG (2) R63010 AND R62986)
5	AR77750	THRUST BEARING	1		0.25MM (.010") US, (PKG R63003 AND R63007)
6	22H821	SET SCREW	2		1/2" X 1/2"
7	R41934	DOWEL PIN	1		
8	RE36416	CRANKSHAFT	1		0.25MM (.010") US, (MARKED R96460) (SUB FOR RE33622) (SUB RE53425)

1C9

ENGINE

UNDERSIZE MAIN BEARING CRANKSHAFT AND BEARING KIT (EARLY DESIGN)

RGP3710 -UN-01JAN94



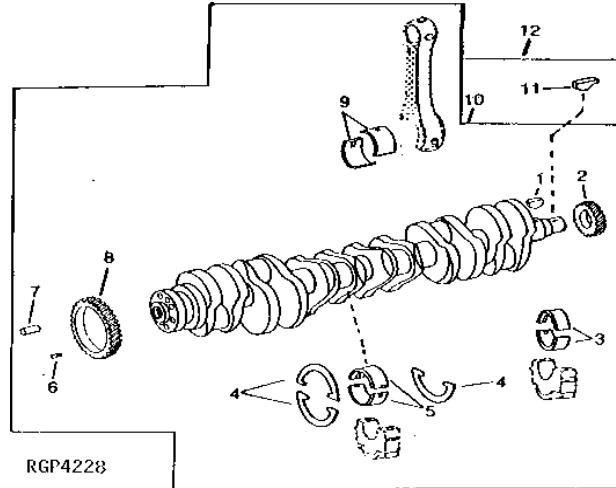
KEY	PART NO.	PART NAME	QTY	ENGINE SERIAL NO.	REMARKS
1	R120752	KEY	1		1/8" X 0.625", (USE WITH R105488)
2	R105488	GEAR	1		(USE WITH RE42678, APPL)
3	AR74816	BEARING	6		0.25MM (.010") US. (PKG R61909 AND R60473)
4	AR77753	THRUST WASHER	1		0.18MM (.007") OS FLANGE (PKG (2) R63010 AND R62986)
5	AR77750	THRUST BEARING	1		0.25MM (.010") US. (PKG R63003 AND R63007)
6	22H821	SET SCREW	2		1/2" X 1/2"
7	R41934	DOWEL PIN	1		
8	R63326	GEAR	1		
9	AR45723	BEARING	6		STD (PKG (2) R44378)
10	RE42672	CRANKSHAFT	1		0.25MM (.010") US. (MARKED RE42678) (SUB RE53425)

1C10

ENGINE

UNDERSIZE MAIN BEARING CRANKSHAFT AND BEARING KIT (LATE DESIGN)

RGP4228 -UN-01JAN94



KEY	PART NO.	PART NAME	QTY	ENGINE SERIAL NO.	REMARKS
1	R120752	KEY	1		
2	R105488	GEAR	1		(USE WITH RE42678 OR RE53204, APPL)
3	AR74816	BEARING	6		0.25MM (.010") US. (PKG R61909 AND R60473)
4	AR77753	THRUST WASHER	1		0.18MM (.007") OS FLANGE (PKG (2) R63010 AND R62986)
5	AR77750	THRUST BEARING	1		0.25MM (.010") US. (PKG R63003 AND R63007)
6	22H821	SET SCREW	2		1/2" X 1/2"
7	R41934	DOWEL PIN	1		
8	R63326	GEAR	1		
9	AR45723	BEARING	6		STD (PKG (2) R44378)
10	RE42672	CRANKSHAFT	1		0.25MM (.010") US. (MARKED RE42678) (SUB FOR RE36416) (SUB RE53425)
11	R116311	KEY	1		(USE WITH RE53204, APPL)
12	RE53425	CRANKSHAFT	1		(A) (MARKED RE53204) (SUB FOR RE36416 OR RE42672)

(A) RE53424 MAY BE USED IF RE53425 IS NOT AVAILABLE

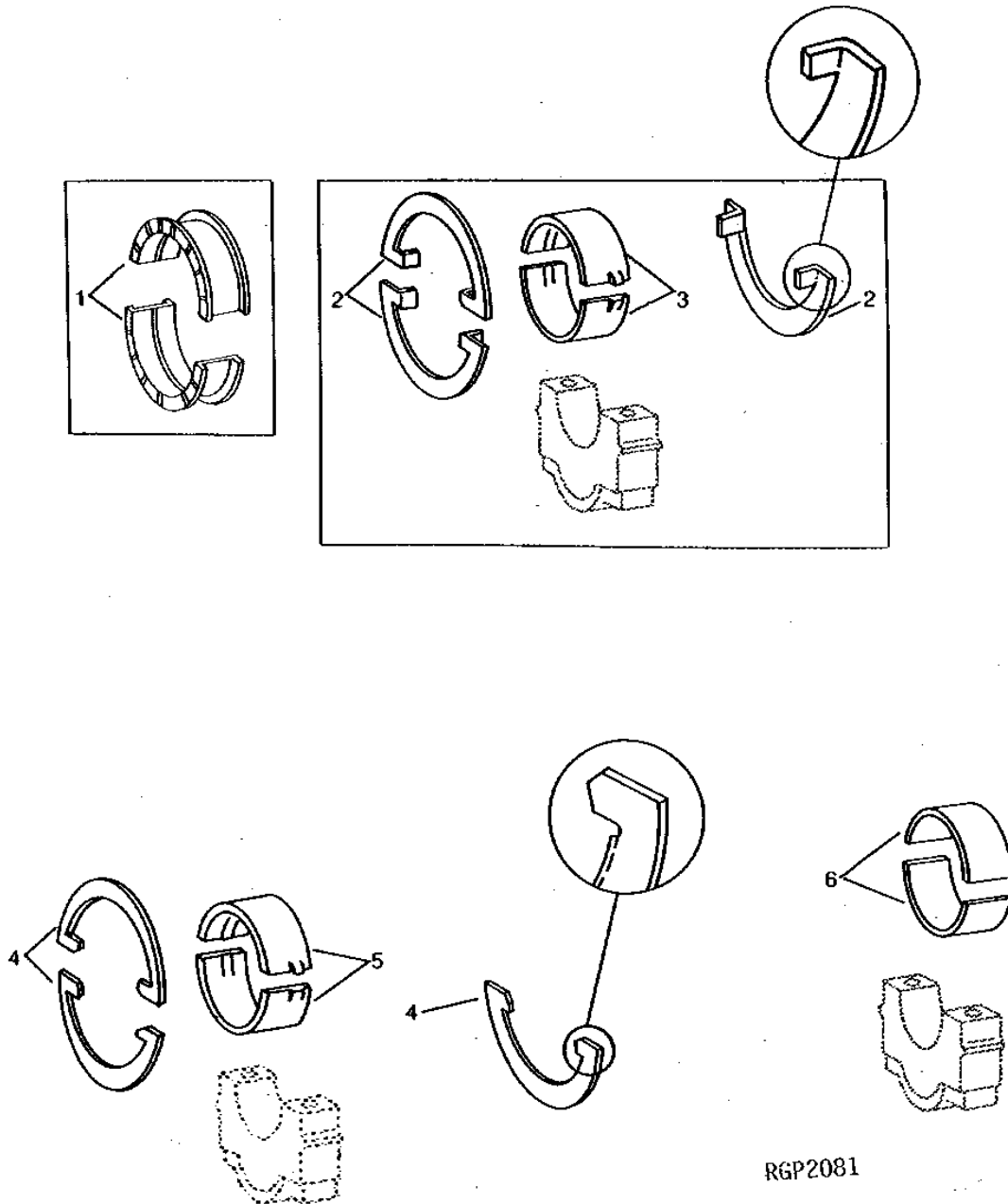
1C11

ENGINE

RGP2081

-UN-01JAN94

MAIN AND MAIN THRUST BEARINGS



RGP2081

1C12

ENGINE

MAIN AND MAIN THRUST BEARINGS - CONTINUED

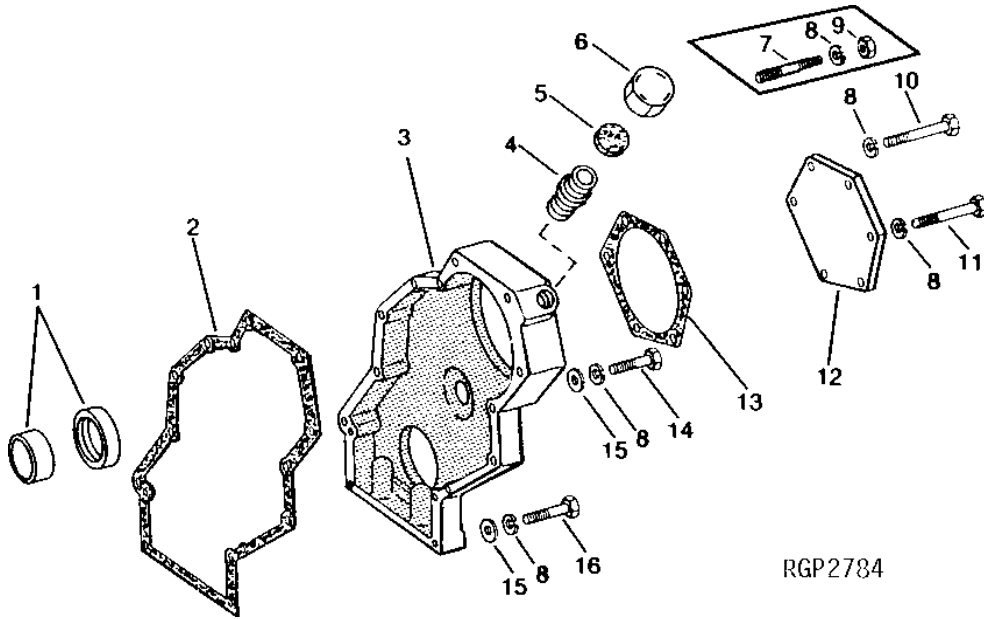
KEY	PART NO.	PART NAME	QTY	ENGINE SERIAL NO.	REMARKS
1	AR65235	THRUST BEARING	1	-XXXXXX	STANDARD (PKG. OF R55596 AND R55597) (SUB AR77748 AND AR77747 OR AR77753) (SUB FOR AR44624 OR AR48940)
	AR65236	THRUST BEARING	1	-XXXXXX	0.05 MM (.002") UNDERSIZE (PKG. OF R55737 AND R55738) (SUB AR77749 AND AR77747 OR AR77753) (SUB FOR AR46403 OR AR49232)
	AR65237	THRUST BEARING	1	-XXXXXX	0.25 MM (.010") UNDERSIZE (PKG. OF R55741 AND R55740) (SUB AR77750 AND AR77747 OR AR77753) (SUB FOR AR46404 OR AR49233)
	AR65238	THRUST BEARING	1	-XXXXXX	0.51 MM (.020") UNDERSIZE (PKG. OF R55741 AND R55742) (SUB AR77751 AND AR77747 OR AR77753) (SUB FOR AR46405 OR AR49234)
	AR65239	THRUST BEARING	1	-XXXXXX	0.76 MM (.030") UNDERSIZE (PKG. OF R55743 AND R55744) (SUB AR77752 AND AR77747 OR AR77753) (SUB FOR AR46406 OR AR49235)
	AR65240	THRUST BEARING	1	-XXXXXX	0.25 MM (.010") UNDERSIZE WITH 0.18 MM (.007") OVERSIZE FLANGE (PKG. OF R55745 AND R55746) (SUB AR77750 AND AR77753) (SUB FOR AR46407 OR AR49236)
2	AR73275	THRUST WASHER	1	XXXXXX-XXXXXX	STANDARD (PKG. OF (3) R57778) (SUB AR77747)
	AR73276	THRUST WASHER	1	XXXXXX-XXXXXX	0.18 MM (.007") OVERSIZE FLANGE (PKG. OF (3) R60484) (SUB AR77753)
3	AR72998	THRUST BEARING	1	XXXXXX-XXXXXX	STANDARD (PKG. OF R57779 AND R57780) (SUB AR77748 AND AR77747 OR AR77753)
	AR73271	THRUST BEARING	1	XXXXXX-XXXXXX	0.05 MM (.002") UNDERSIZE (PKG. OF R60476 AND R60477) (SUB AR77749 AND AR77747 OR AR77753)
	AR73272	THRUST BEARING	1	XXXXXX-XXXXXX	0.25 MM (.010") UNDERSIZE (PKG. OF R60478 AND R60479) (SUB AR77750 AND AR77747 OR AR77753)
	AR73273	THRUST BEARING	1	XXXXXX-XXXXXX	0.51 MM (.020") UNDERSIZE (PKG. OF R60480 AND R60481) (SUB AR77751 AND AR77747 OR AR77753)
	AR73274	THRUST BEARING	1	XXXXXX-XXXXXX	0.76 MM (.030") UNDERSIZE (PKG. OF R60482 AND R60483) (SUB AR77752 AND AR77747 OR AR77753)
4	AR77747	THRUST WASHER	1	XXXXXX-	STANDARD (PKG. OF (3) R62986)
	AR77753	THRUST WASHER	1	XXXXXX-	0.18 MM (.007") OVERSIZE FLANGE (PKG. OF (2) R63010 AND R62986)
5	AR77748	THRUST BEARING	1	XXXXXX-	STANDARD (PKG. OF R62987 AND R62988)
	AR77749	THRUST BEARING	1	XXXXXX-	0.05 MM (.002") UNDERSIZE (PKG. OF R63002 AND R63006)
	AR77750	THRUST BEARING	1	XXXXXX-	0.25 MM (.010") UNDERSIZE (PKG. OF R63003 AND R63007)
	AR77751	THRUST BEARING	1	XXXXXX-	0.51 MM (.020") UNDERSIZE (PKG. OF R63004 AND R63008)
	AR77752	THRUST BEARING	1	XXXXXX-	0.76 MM (.030") UNDERSIZE (PKG. OF R63005 AND R63009)
6	AR74814	BEARING	AR		STANDARD (PKG. OF R61289 AND R57584) (SUB FOR AR44625)
	AR74815	BEARING	AR		0.05 MM (.002") UNDERSIZE (PKG. OF R61608 AND R60472) (SUB FOR AR46399)
	AR74816	BEARING	AR		0.25 MM (.010") UNDERSIZE (PKG. OF R61609 AND R60473) (SUB FOR AR46400)
	AR74817	BEARING	AR		0.51 MM (.020") UNDERSIZE (PKG. OF R61610 AND R60474) (SUB FOR AR46401)
	AR74818	BEARING	AR		0.76 MM (.030") UNDERSIZE (PKG. OF R61611 AND R60475) (SUB FOR AR46402)

1C13

ENGINE

RGP2784 -UN-14SEP94

TIMING GEAR COVER AND FRONT OIL SEAL



RGP2784

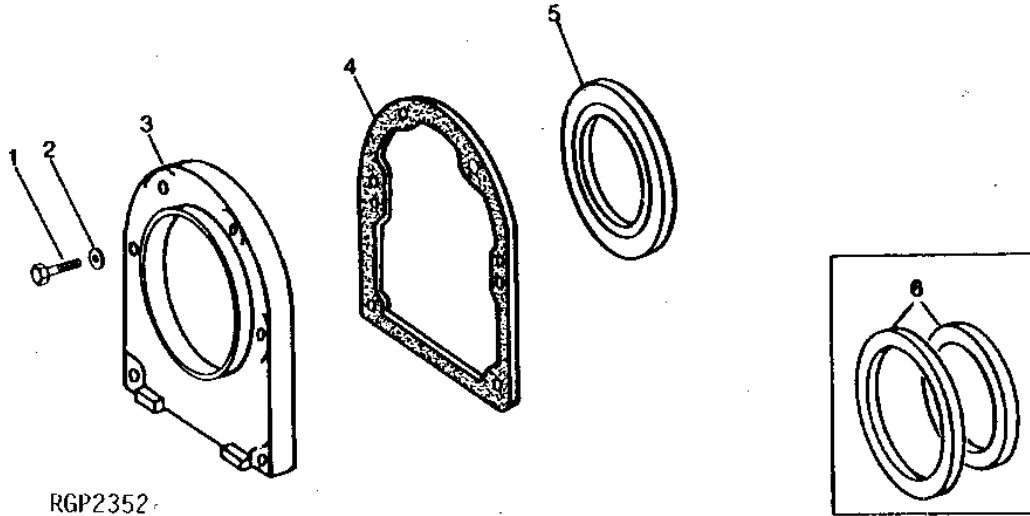
KEY	PART NO.	PART NAME	QTY	ENGINE SERIAL NO.	REMARKS
1	AR49025	SEAL	1		
2	R50353	GASKET	1		
3	R50352	COVER	1		
4	R50354	THREADED NIPPLE	1		
5	T20328	GASKET	1		
6	T20294	CAP	1		
7	R50355	STUD	1	(SUB 19H1905, APPL)	
8	12H303	LOCK WASHER	14	5/16"	
9	14H785	NUT	1	5/16"	
10	19H1905	CAP SCREW	1	5/16" X 1"	
11	19H1907	CAP SCREW	5	5/16" X 2-3/4"	
12	R50393	COVER	1		
13	R50390	GASKET	1		
14	19H2713	CAP SCREW	6	5/16" X 1-7/8"	
15	24H1136	WASHER	8	11/32" X 11/16" X 0.065"	
16	19H3552	CAP SCREW	2	5/16" X 1-1/2"	

1C14

ENGINE

RGP2352 -UN-01JAN94

CRANKSHAFT OIL SEAL AND HOUSING



KEY	PART NO.	PART NAME	QTY	ENGINE SERIAL NO.	REMARKS
1	R47074	CAP SCREW	6		
2	24H1136	WASHER	6	243506-	11/32" X 11/16" X 0.065", (USE WITH R41406)
	T27860	WASHER	1		(USE WITH R78124, R115050 OR R125027)
3	R78124	HOUSING	1		(SUB FOR R41406) (ALSO ORDER (6) 24H1136)
	R125027	HOUSING	1		(SUB R125027 AND (6) T27860)
					(SUB FOR R115050)
4	R26058	GASKET	1		
5	RE22764	SEAL	1		(SUB FOR RE14953 OR RE17352)
6	AR63095	SEAL	1		(SUB RE22764) (SUB FOR AR49650)

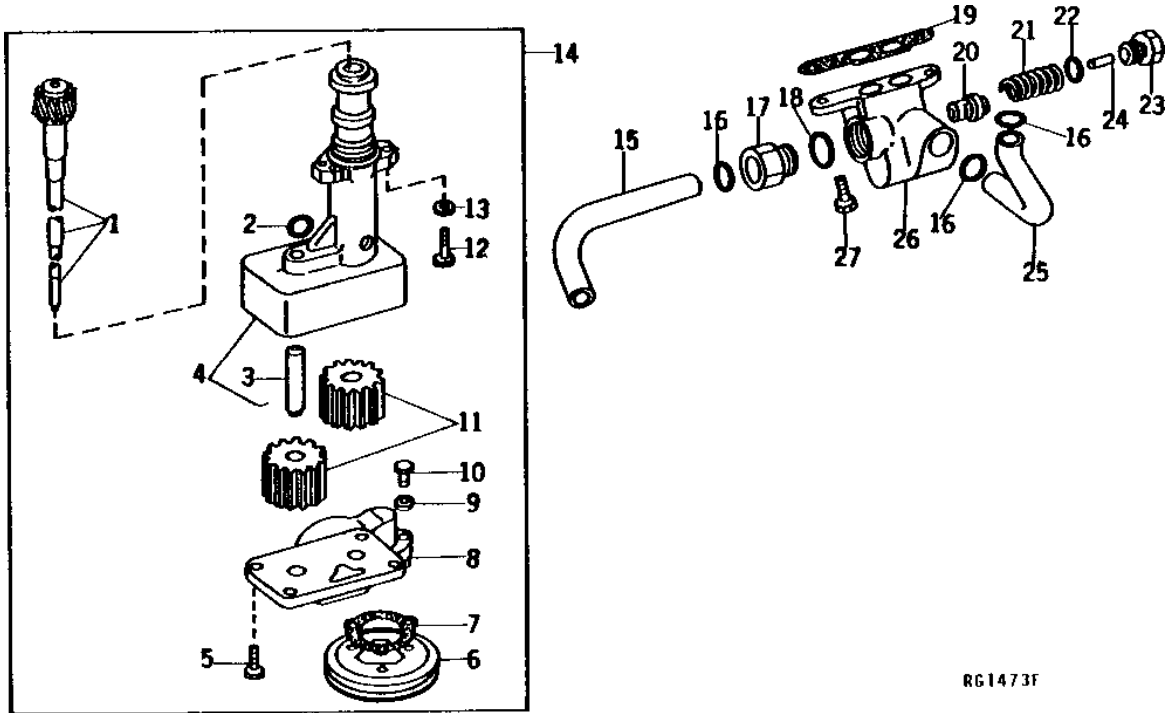
1C15

ENGINE

RG1473

-UN-18OCT94

ENGINE OIL PUMP AND OIL COOLER BYPASS VALVE



RG1473F

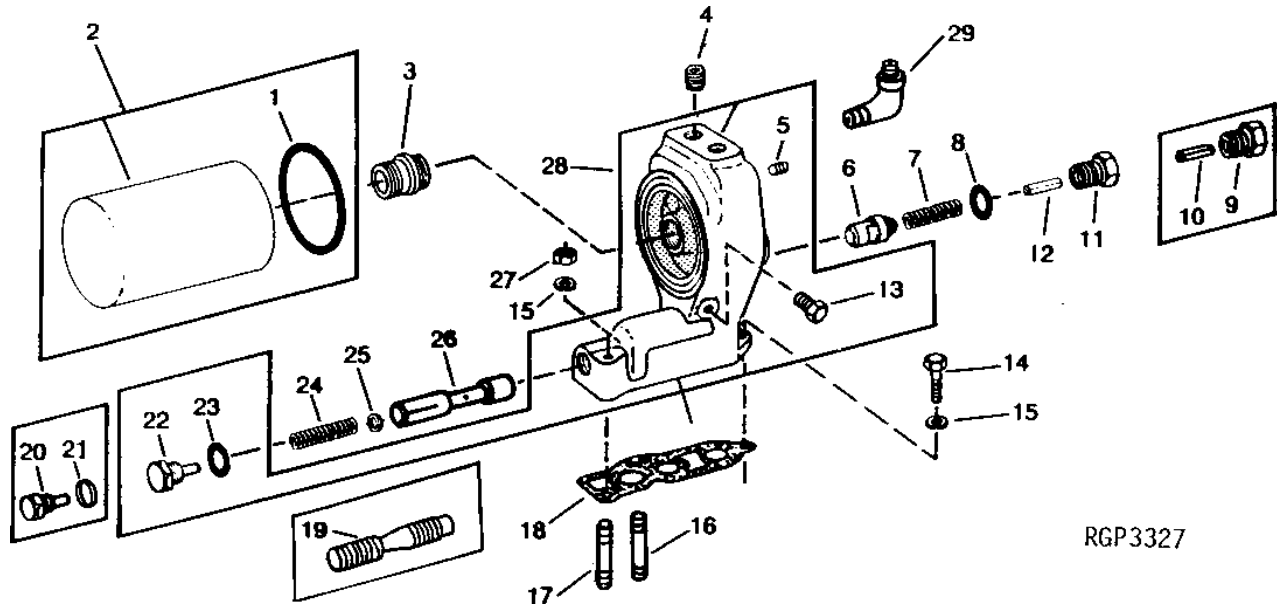
KEY	PART NO.	PART NAME	QTY	ENGINE SERIAL NO.	REMARKS
1	R64568	GEAR	1		(SUB FOR R45133 OR R48398)
2	R71732	O-RING	1		(SUB FOR R50378)
3	R42390	SHAFT	1		
4	AR69108	HOUSING	1		(MARKED R50377, R56607, R59033 OR R57556) (SUB FOR AR54559, AR68313, AR71122 OR AR77494)
5	R46567	CAP SCREW	4		
6	AR56639	OIL PUMP INTAKE	1		
7	R52049	GASKET	1		
8	R60754	COVER	1		(SUB FOR R52048)
9	12H303	LOCK WASHER	3		5/16"
10	19H1905	CAP SCREW	3		5/16" X 1"
11	AR71123	GEAR	1		(SUB FOR AR52570)
12	AR63865	KIT	1	-XXXXX	(PKG (2) R41920 AND (2) M72490)
	R38614	CAP SCREW	2	XXXXXX-	(SUB FOR R56609)
13	M72490	WASHER	2		(SUB FOR R42729)
14	AR77489	OIL PUMP	1		(SUB FOR AR54558, AR71115 OR AR75893)
15	R50381	OIL TUBE	1		
16	R71732	O-RING	3		(SUB FOR R50378)
17	R65683	FITTING	1		(SUB FOR R50379)
18	U13639	O-RING	1		
19	R65055	GASKET	1		
20	R49464	VALVE	1		
21	R26151	SPRING	1		
22	U17409	O-RING	1		
23	R49465	DRAIN PLUG	1		
24	34H313	SPRING PIN	1		1/4" X 1-1/8"
25	R50386	OIL TUBE	1		
26	R50384	HOUSING	1		
27	R40236	CAP SCREW	2		

1C16

ENGINE

RGP3327 -UN-18OCT94

ENGINE OIL FILTER AND HOUSING



RGP3327

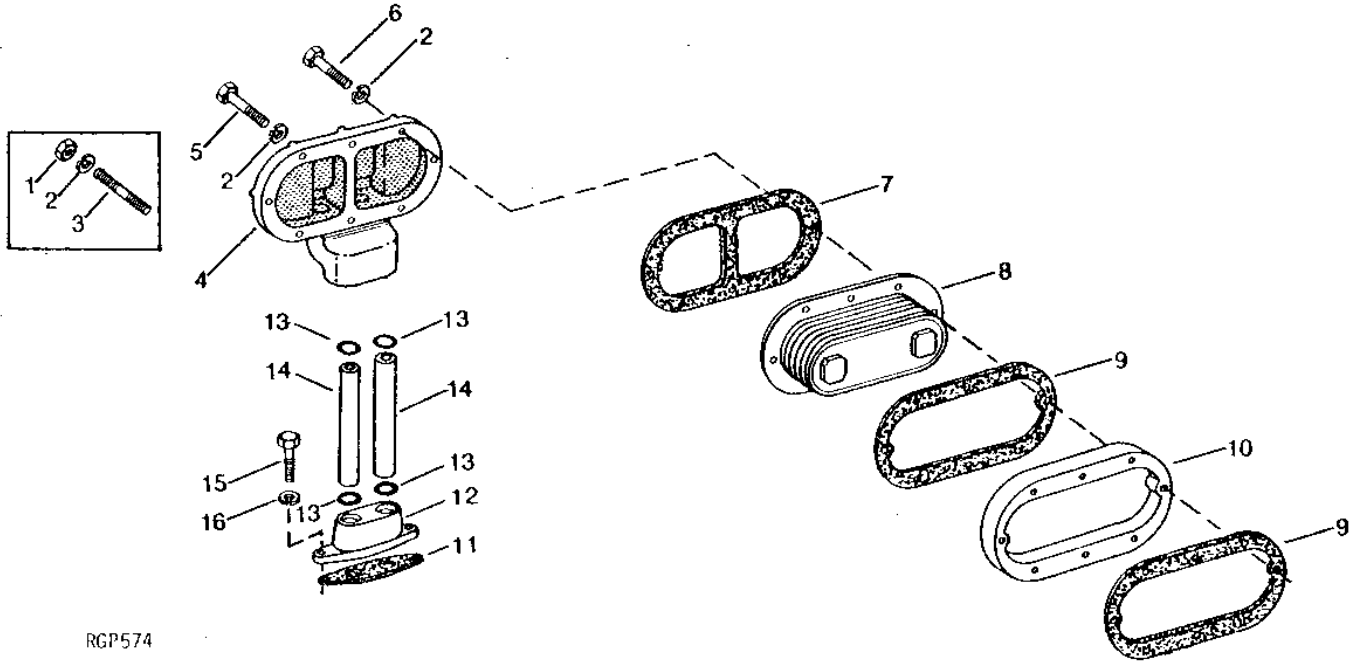
KEY	PART NO.	PART NAME	QTY	ENGINE SERIAL NO.	REMARKS
1	R43660	PACKING	1		(USE WITH AR43261, AR98329 OR RE57394)
2	AR43634	OIL FILTER	1		(MARKED AR43261 OR AR43634)
3	R43429	FITTING	1		(USE WITH AR43261 OR AR43634)
4	15H665	PIPE PLUG	2		3/4"
5	R104592	PIPE PLUG	1	-445947	1/8"
6	R49464	VALVE	1		
7	R26151	SPRING	1		
8	U17409	O-RING	1		
9	R71483	DRAIN PLUG	1		(SUB R49465) (ALSO ORDER 34H313)
10	34H393	PIN	1		7/16" X 1-1/8", (USE WITH R71483)
11	R49465	DRAIN PLUG	1		(SUB FOR R71483) (USE WITH 34H313)
12	34H313	SPRING PIN	1		1/4" X 1-1/8", (USE WITH R49465)
13	R55233	PIPE PLUG	1		
14	19H1732	CAP SCREW	1		3/8" X 1-1/4"
15	12H304	LOCK WASHER	3		3/8", (NOT REQUIRED W/ E55662)
16	R106859	STUD	1		(SUB FOR F3646R OR R26622, APPL)
17	R55395	STUD	1		
18	R43774	GASKET	1		
19	R77003	VALVE	1		(SUB FOR R43428) (USE WITH R54561, R59483, R62110, R67409 OR R71484)
20	RE10834	DRAIN PLUG	1	-XXXXXX	(SUB FOR R43425)
21	R43424	WASHER	1	-XXXXXX	
22	AR105510	DRAIN PLUG	1	XXXXXX-	
23	U17409	O-RING	1	XXXXXX-	
24	R43548	SPRING	1		
25	U40750	WASHER	AR		
26	R84947	VALVE	1		(USE WITH R84946)
27	E55662	FLANGE NUT	2		
28	AR76582	HOUSING	1	-XXXXXX	(MARKED R54561, R59483, R62110 OR R67409) (SUB RE24706) (ALSO ORDER R84947)
	AR94084	HOUSING	1	XXXXXX-	(MARKED R71484) (SUB RE24706) (ALSO ORDER R84947)
	RE24706	HOUSING	1		(MARKED R84946)
29	R67364	ELBOW FITTING	1	445948-	

1C17

ENGINE

RGP574 -UN-01JAN94

ENGINE OIL COOLER



RGP574

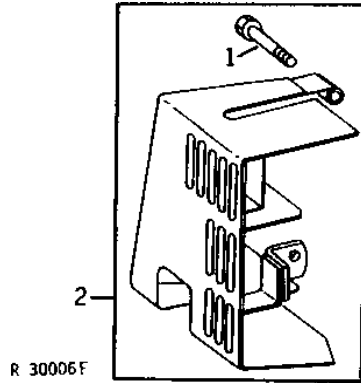
KEY	PART NO.	PART NAME	QTY	ENGINE SERIAL NO.	REMARKS
1	14H785	NUT	2	5/16", (USE WITH R50375)	
2	12H303	LOCK WASHER	8	5/16"	
3	R50375	STUD	2	(SUB (2) 19H1907)	
4	R50421	COVER	1		
5	19H1921	CAP SCREW	1	5/16" X 3-1/4"	
6	19H1907	CAP SCREW	5	5/16" X 2-3/4", (USE WITH R50375)	
	19H1907	CAP SCREW	7	5/16" X 2-3/4"	
7	R50419	GASKET	1		
8	AT25038	OIL COOLER	1		
9	AR58952	GASKET	2		
10	R50418	SPACER	1		
11	R50424	GASKET	1		
12	R50423	ADAPTER	1		
13	R47153	O-RING	4	(SUB FOR R50420, THIS APPLICATION)	
14	R50422	OIL TUBE	2		
15	19H1732	CAP SCREW	2	3/8" X 1-1/4"	
16	12H304	LOCK WASHER	2	3/8"	

1C18

ENGINE

R30006 -UN-18OCT94

FAN BLAST DEFLECTOR KIT



KEY	PART NO.	PART NAME	QTY	TRACTOR SERIAL NO.	REMARKS
1	19H1949	CAP SCREW	1	5/16" X 2-1/2"	
2	AR76060	DEFLECTOR	1		

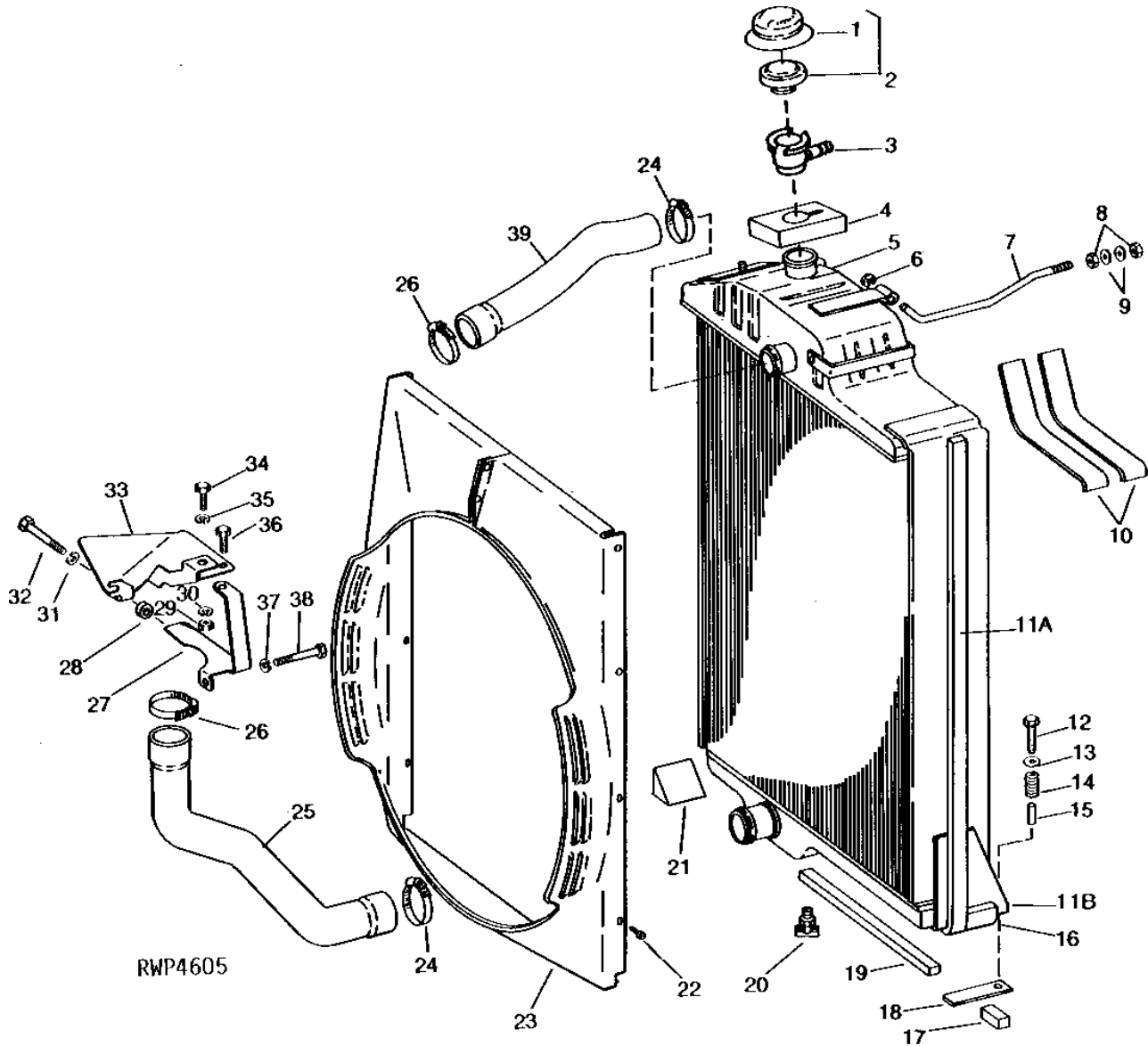
1C19

ENGINE

RWP4605

-UN-01JAN94

RADIATOR



RWP4605

1C20

ENGINE

RADIATOR - CONTINUED

KEY	PART NO.	PART NAME	QTY	TRACTOR SERIAL NO.	REMARKS
1	R27209	COVER	1		
2	AR28482	CAP	1		
3	RE15427	FILLER NECK	1		
4	R28015	FOAM PAD	1		
5	AR61890	RADIATOR	1	-010646	(MARKED AR60443) (SUB AR61884)
	AR68871	RADIATOR	1	010647-	(MARKED AR68860) (SUB AR68872)
	AR61884	RADIATOR	1	-010646	(A) (MARKED AR60444)
	AR68872	RADIATOR	1	010647-	(A) (MARKED AR68859)
6	T12808	SNAP RING	1	018392-	(SUB R72655)
7	R62097	ROD	1	018392-021341	(ALSO ORDER R72655) (SUB FOR R51445)
	R62096	HOOK BOLT	1	021342-	(ALSO ORDER R72655)
8	14H812	NUT	2		3/8"
9	24H1305	WASHER	2		13/32" X 13/16" X 0.065"
10	ISOLATOR	2		3 X 37 X 270MM (1/8" X 1-1/2" X 10-1/2") RADIATOR TOP TANK, R.H. (MAKE FROM R21736)
11A	ISOLATOR	2	-006999	13 X 25 X 25MM (1/2" X 1" X 28-3/4") (MAKE FROM R30936)
11B	ISOLATOR	2	007000-	13 X 127 X 133MM (1/2" X 5" X 5-1/4") (MAKE FROM R45526)
12	19H2549	CAP SCREW	2		3/8" X 1-7/8"
13	24H1309	WASHER	2		13/32" X 1-1/16" X 0.120"
14	F2411R	SPRING	2		
15	R26417	SPACER	2		
16	FOAM PAD	AR		13 X 51 X 89MM (1/2" X 2" X 3-1/2") RADIATOR LOWER SIDE, (MAKE FROM R34688) ((A) 2 USED) ((B) 1 USED)
17	FOAM PAD	2		19 X 19 X 48MM (3/4" X 3/4" X 1-7/8") RADIATOR LOWER FRONT, OUTER, (MAKE FROM R30937)
18	R26413	STRAP	2		
19	FOAM PAD	1		10 X 19 X 356MM (1/2" X 3/4" X 14") RADIATOR LOWER FRONT, INNER, (MAKE FROM R30936)
20	AT13740	DRAIN VALVE	1		
21	R53490	ISOLATOR	1		(B)
22	37H79	SCREW	6		1/4" X 5/8"
23	AR60017	SHROUD	1		
24	TY22470	CLAMP	2		(SUB FOR AR21840)
25	R52429	HOSE	1		
	R58618	HOSE	1		(A) (SUB FOR R52430)
26	AR21999	CLAMP	2		
27	R57555	DEFLECTOR	1		(A) (SUB FOR R53553)
	R57554	DEFLECTOR	1		(SUB FOR R53575)
28	28H1518	WASHER	1		0.493" X 0.675" X 5/16"
29	14H812	NUT	1		3/8"
30	12H304	LOCK WASHER	1		3/8"
31	12H304	LOCK WASHER	1		3/8"
32	19H2023	CAP SCREW	1		3/8" X 3-1/4"
33	R53552	DEFLECTOR	1		
34	19H2367	CAP SCREW	1		5/8" X 3/4"
35	12H294	LOCK WASHER	1		5/8"
36	19H1936	CAP SCREW	1		3/8" X 3/4"
37	12H304	LOCK WASHER	1		3/8"
38	19H1944	CAP SCREW	1		3/8" X 2-3/4"
39	R53407	HOSE	1		

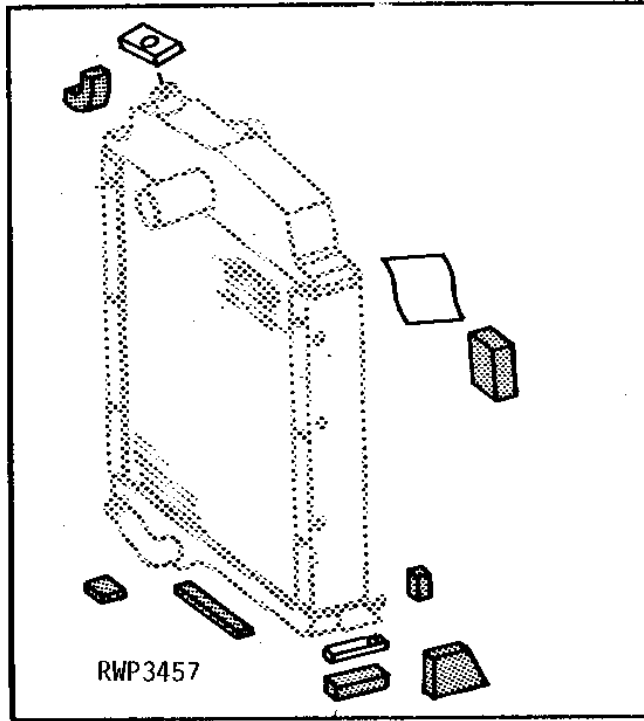
(A) AIR CONDITIONING
(B) LESS AIR CONDITIONING

1C21

ENGINE

RWP3457 -UN-01JAN94

RADIATOR BAFFLE KIT



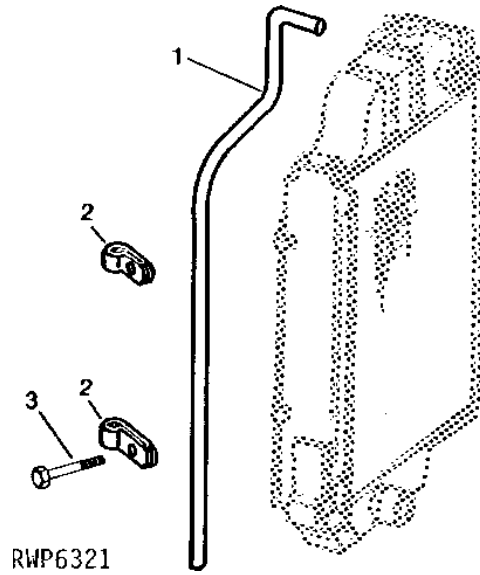
KEY	PART NO.	PART NAME	QTY	TRACTOR SERIAL NO.	REMARKS
1	AR91035	KIT	1		

1C22

ENGINE

RWP6321 -UN-01JAN94

RADIATOR OVERFLOW



RWP6321

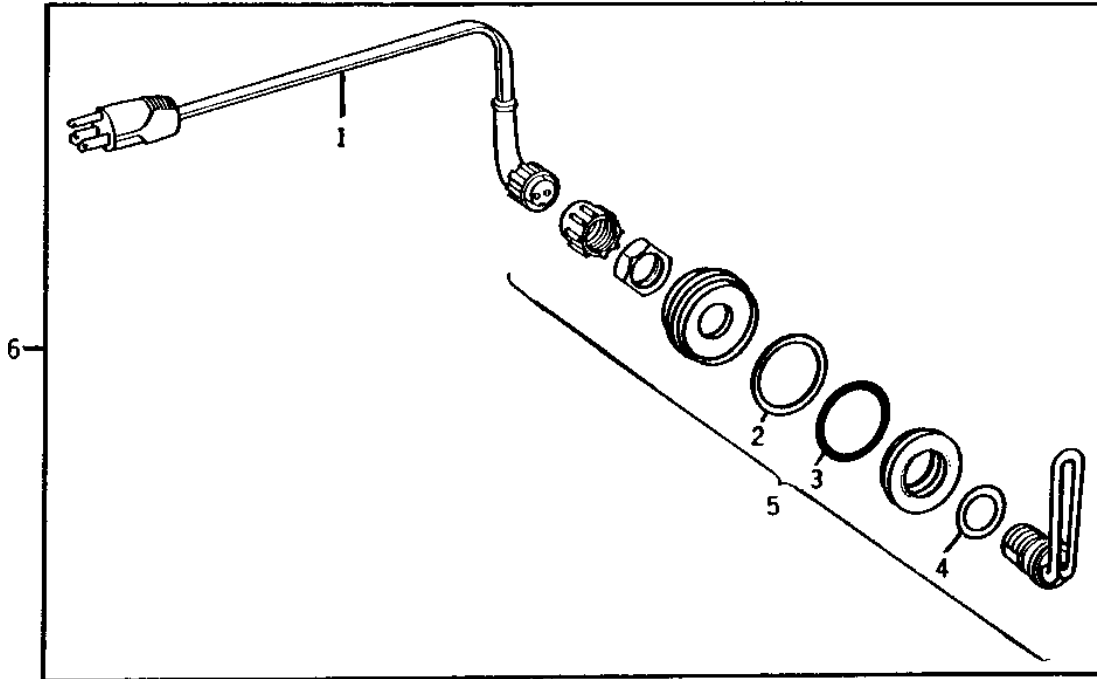
KEY	PART NO.	PART NAME	QTY	TRACTOR SERIAL NO.	REMARKS
1	R67035	HOSE	1		
2	T12250	CLIP	2		
3	19H1900	CAP SCREW	2	5/16" X 3/4"	

1C23

ENGINE

R32327 -UN-18OCT94

ENGINE COOLANT HEATER



R32327F

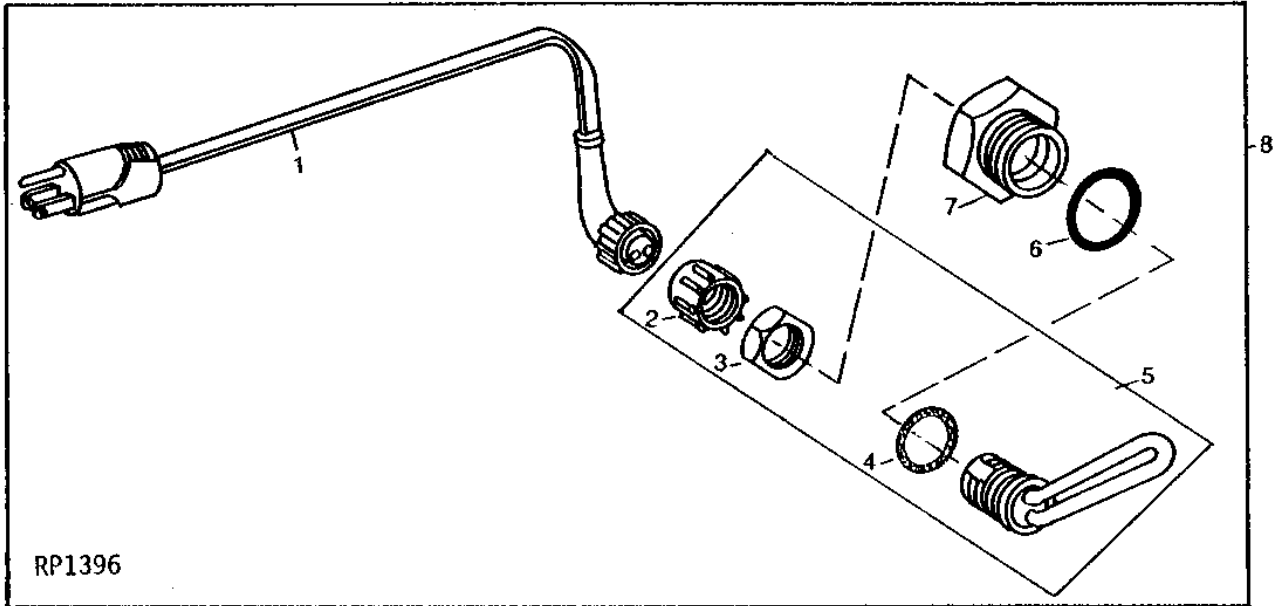
KEY	PART NO.	PART NAME	QTY	ENGINE SERIAL NO.	REMARKS
1	AR50411	WIRING LEAD	1		
2	R47692	RING	1		
3	R31378	O-RING	1		
4	R47693	GASKET	1		
5	AR50399	HEATER	1		
6	AR50518	COOLANT HEATER	1		

1C24

ENGINE

RP1396 -UN-01JAN94

ENGINE COOLANT HEATER
(ENGINE SERIAL NO. XXXXXX-)



RP1396

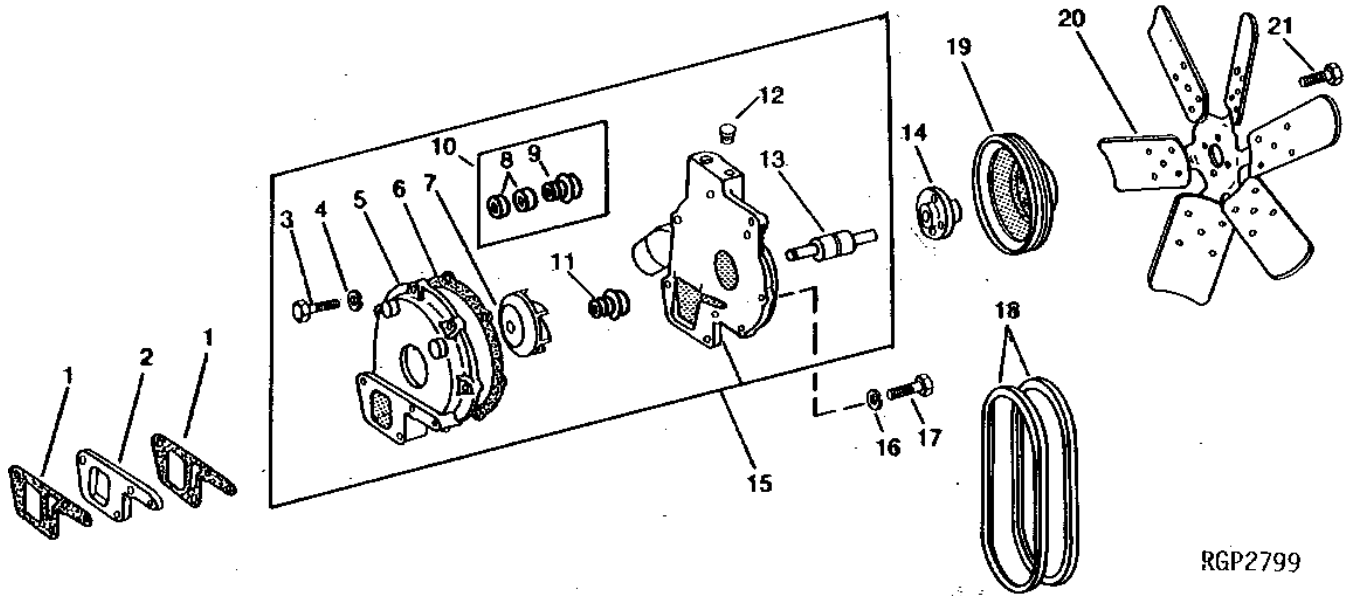
KEY	PART NO.	PART NAME	QTY	ENGINE SERIAL NO.	REMARKS
1	AR50411	WIRING LEAD	1		
2	R54510	CAP	1		
3	R54511	NUT	1		
4	R47693	GASKET	1		
5	AR62399	COOLANT HEATER	1		
6	U13639	O-RING	1		
7	R54123	ADAPTER	1		
8	AR62492	COOLANT HEATER	1		

1C25

ENGINE

RGP2799 -UN-01JAN94

FAN AND WATER PUMP



KEY	PART NO.	PART NAME	QTY	ENGINE SERIAL NO.	REMARKS
1	R42406	GASKET	2		
2	R50413	SPACER	1		
3	19H1875	CAP SCREW	4	5/16" X 1-3/4"	
4	12H303	LOCK WASHER	4	5/16"	
5	R50409	HOUSING	1		
6	R50410	GASKET	1		
7	R50411	IMPELLER	1		
8	AR41691	INSERT	1	(SUB AR101549)	
9	T27261	SEAL	1	(SUB AR101549)	
10	AR62934	SEAL	1	(SUB AR101549) (SUB FOR AR36668)	
11	AR101549	SEAL KIT	1		
12	15H666	PIPE PLUG	1		
13	JD9257	BALL BEARING	1		
14	R51684	HUB	1		
15	AR98547	WATER PUMP	1	(MARKED R50408) (SUB FOR AR54578) (SUB RE20023) (ALSO ORDER R50410 AND R51684 AS REQUIRED) (NOT AS ILLUSTRATED)	
	RE20023	WATER PUMP	1	(MARKED R50408) (AS ILLUSTRATED)	
	TY6742	WATER PUMP	1	(REMANUFACTURED)	
16	12H304	LOCK WASHER	4	3/8"	
17	19H2636	CAP SCREW	4	3/8" X 3-5/8"	
18	AR57266	BELT SET	1		
	AR54592	BELT SET	1	(A)	
19	R52592	SHEAVE	1		
	R52593	PULLEY	1	(A)	
20	AR60401	FAN	1	(6 BLADED)	
	AR85892	FAN	1	(B) (SUB FOR AR62052) (8 BLADED)	
21	19H2284	CAP SCREW	4	3/8" X 7/8"	
..	AR79653	KIT	1	(COOLING KIT) (SUB AR54592, AR85892 AND R52593)	

(A) USE ONLY WHEN COOLING KIT HAS PREVIOUSLY BEEN INSTALLED

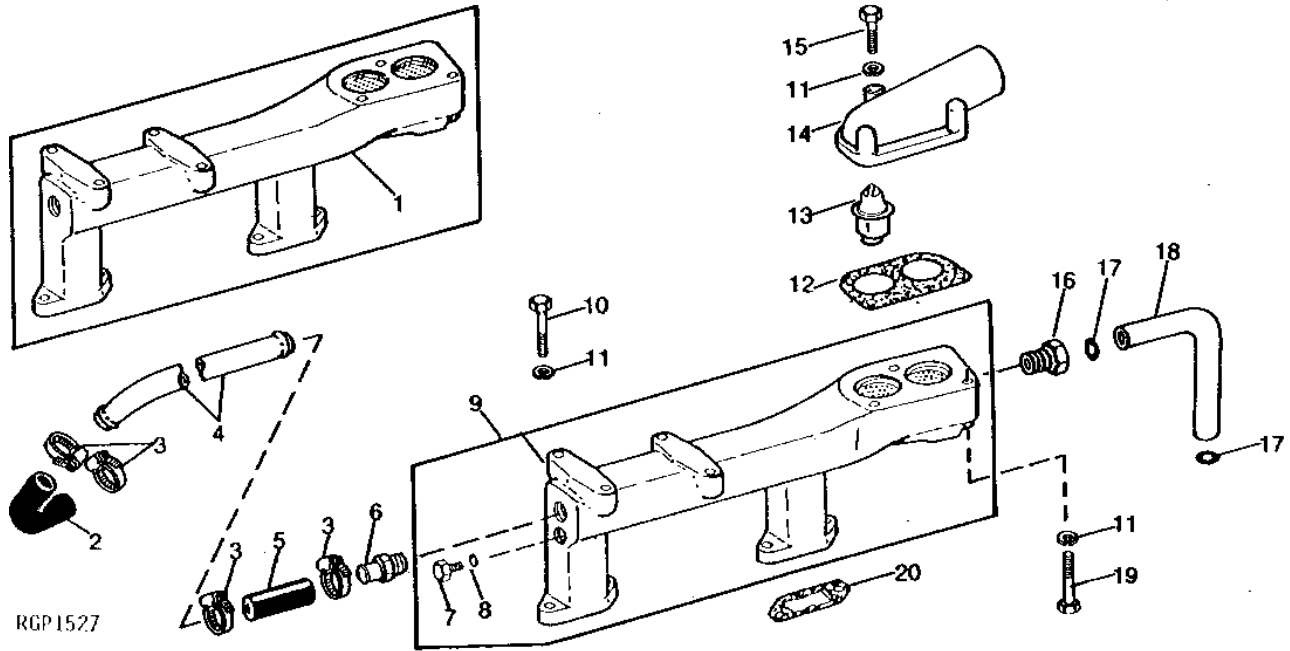
(B) SOUND-GARD BODY

1D1

ENGINE

WATER MANIFOLD AND THERMOSTATS

RGP1527 -UN-01JAN94



KEY	PART NO.	PART NAME	QTY	ENGINE SERIAL NO.	REMARKS
1	R50415	MANIFOLD	1		(SUB RE12848, (2) 12H304 AND 19H2128)
2	R50402	HOSE	1		(SUB FOR R47430)
3	TY22467	CLAMP	4		(SUB FOR AR21839)
4	R61128	LINE	1		
5	A5203R	HOSE	1		
6	R48362	ADAPTER	1		
7	R82719	FITTING PLUG	1		(SUB FOR R27094, APPL)
8	R77673	O-RING	1		
9	RE12848	MANIFOLD	1		(MARKED R78123)
10	19H2545	CAP SCREW	4		3/8" X 1-3/8"
11	12H304	LOCK WASHER	7		3/8"
12	R46479	GASKET	1		
13	AR48675	THERMOSTAT	2		(82°C)
14	R53423	COVER	1		
15	19H1733	CAP SCREW	1		3/8" X 2-1/2"
16	R43491	FITTING	1		
17	R47153	O-RING	2		(SUB FOR R50420, APPL)
18	R50416	LINE	1		
19	19H1726	CAP SCREW	2		3/8" X 2-1/4", (USE WITH R50415)
	19H2128	CAP SCREW	1		3/8" X 3", (USE WITH R78123)
20	R88397	GASKET	2		(SUB FOR R42693)

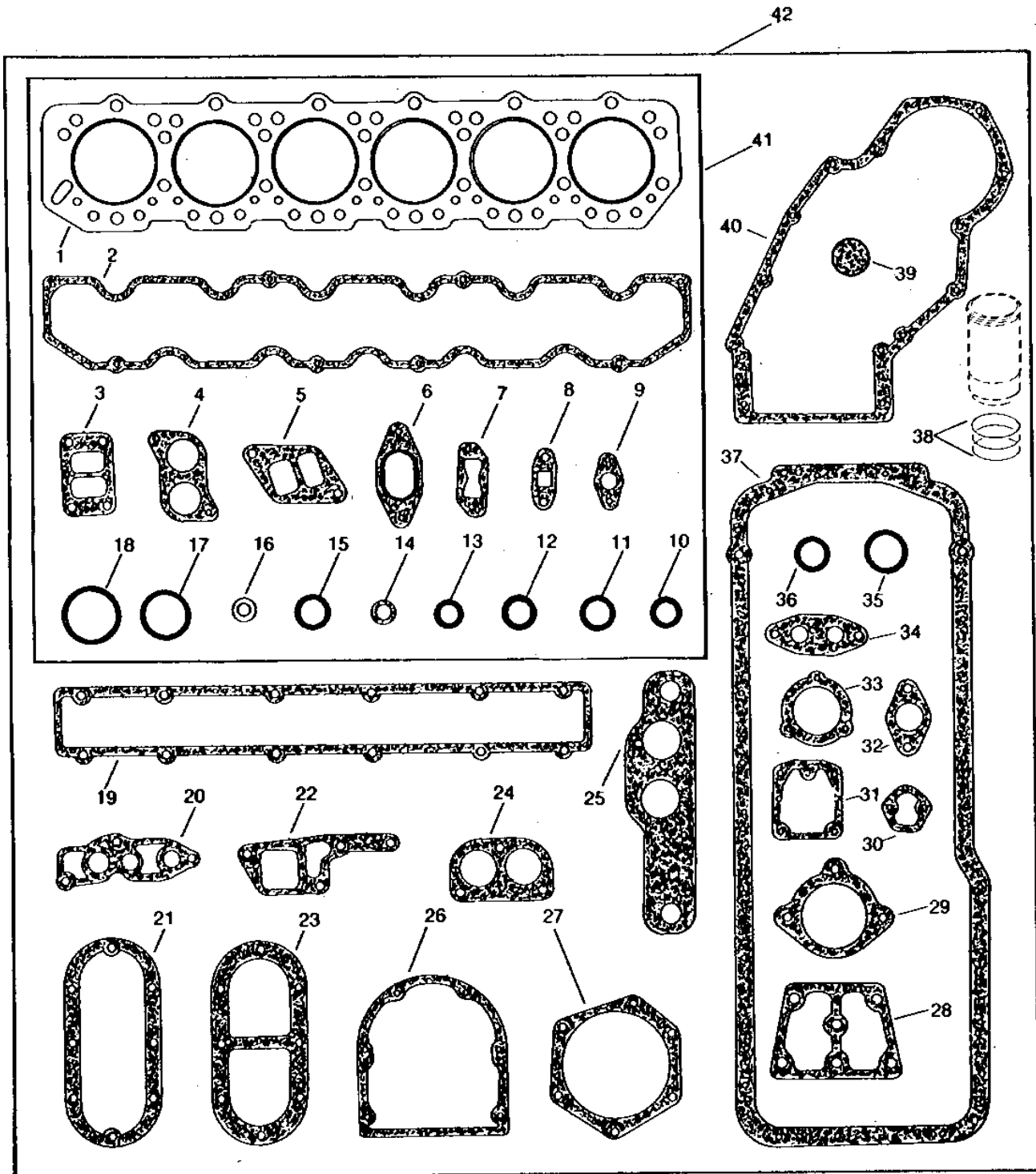
1D2

ENGINE

RGP2937

-UN-01JAN94

ENGINE GASKET SETS



RGP2937

1D3

ENGINE

ENGINE GASKET SETS - CONTINUED

KEY	PART NO.	PART NAME	QTY	ENGINE SERIAL NO.	REMARKS
1	R48291	GASKET	1		(MARKED R48291) (THIN)
2	R49866	GASKET	1		(SUB FOR R32593)
3	R43751	GASKET	1		
4	R83020	GASKET	2		(SUB FOR R44373)
5	R50397	GASKET	3		
6	R83021	GASKET	2		(SUB FOR R44374)
7	R88397	GASKET	2		(SUB FOR R42693)
8	R105346	GASKET	1		(SUB FOR R43416 OR R97349)
9	R97348	GASKET	1		(SUB FOR R43413)
10	R52811	O-RING	2		
11	R72328	O-RING	1		(SUB FOR R43780)
12	R495R	O-RING	1		
13	R51603	O-RING	6		
14	R48693	WASHER	12		
15	R47153	O-RING	2		(SUB FOR R50420, APPL)
16	R64840	WASHER	6		(SUB FOR R48633)
17	R50406	O-RING	1		
18	R50405	O-RING	1		
19	R97347	GASKET	2		(SUB FOR R50399)
20	R43774	GASKET	1		
21	AR58952	GASKET	2		(CONSISTS OF (2) R50417)
22	R42406	GASKET	2		
23	R50419	GASKET	1		
24	R46479	GASKET	1		
25	R65055	GASKET	1		
26	R26058	GASKET	1		
27	R50390	GASKET	1		
28	R43595	GASKET	1		
29	R53108	GASKET	1		
30	R97350	GASKET	1		(SUB FOR R27285)
31	R62410	GASKET	1		(SUB FOR R44853)
32	R97346	GASKET	1		(SUB FOR R47395)
33	R52049	GASKET	1		
34	R50424	GASKET	1		
35	R71732	O-RING	4		(SUB FOR R50378)
36	R47153	O-RING	4		(SUB FOR R50420, APPL)
37	R71918	GASKET	1		(SUB FOR R52382)
38	AR65507	O-RING KIT	6		(NO LONGER INCLUDED)
39	R50353	GASKET	1		
40	T20328	GASKET	1		
41	AR63270	GASKET KIT	1		CYLINDER HEAD
42	AR63269	GASKET KIT	1		ENGINE REBUILD

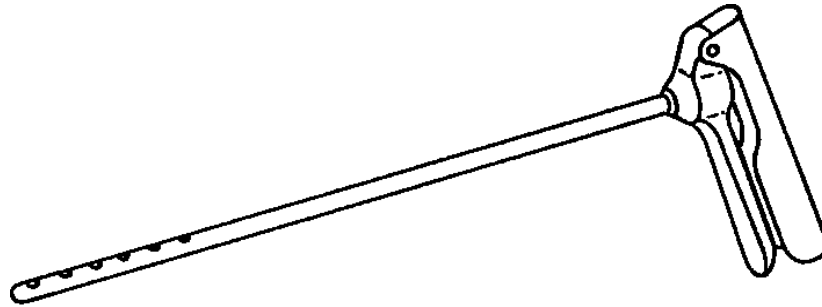
MEMORANDA

1D7

FUEL AND AIR

RP474 -UN-01JAN94

DRY AIR CLEANER ELEMENT CLEANING GUN



RP474

KEY	PART NO.	PART NAME	QTY	TRACTOR SERIAL NO.	REMARKS
..	AR62322	GREASE GUN	1		(MARKED R42726) (SUB FOR AR62377) (NLA)
..	R36757	AIR CLEANER	1		

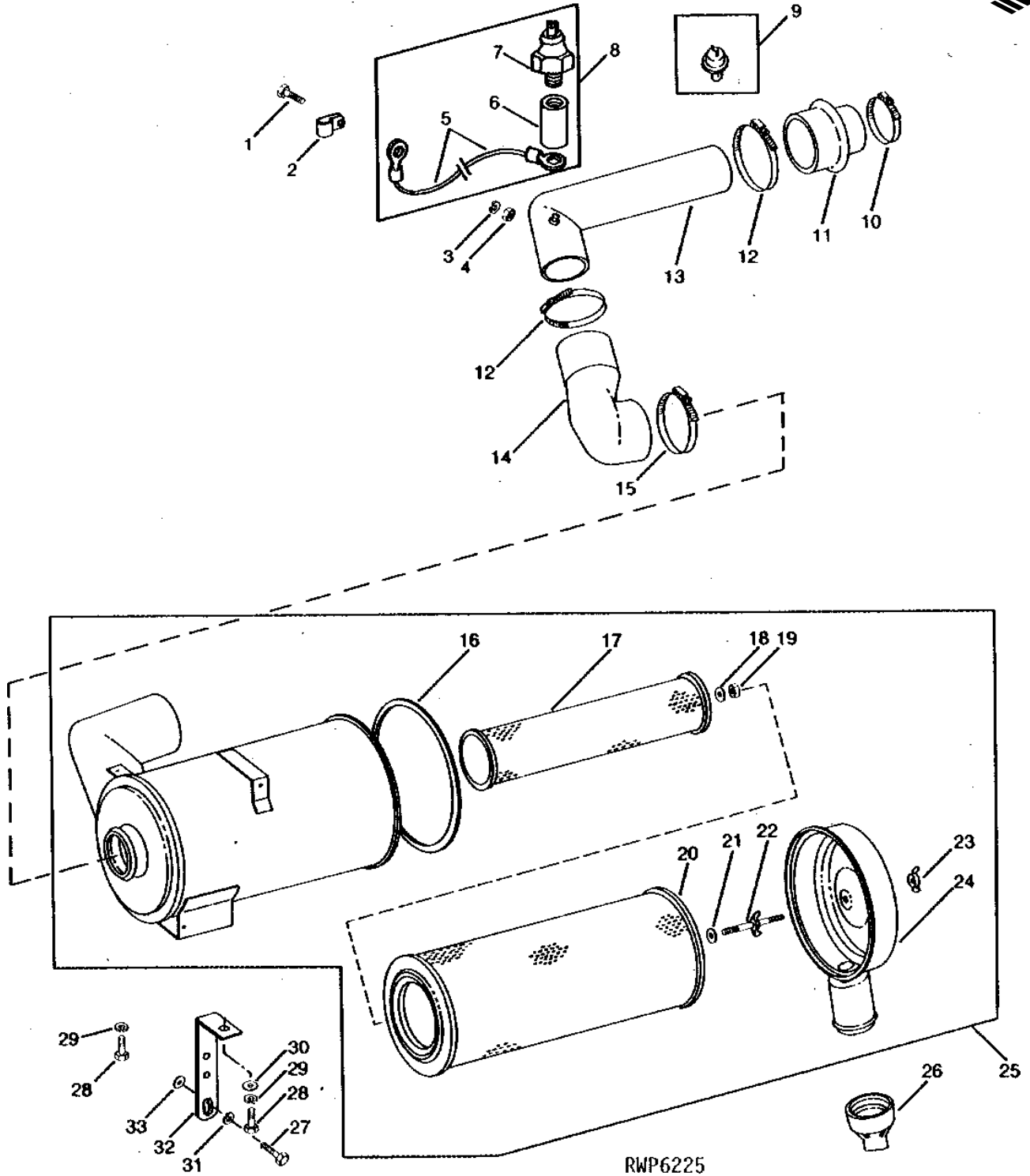
1D8

FUEL AND AIR

RWP6225

-UN-01JAN94

AIR CLEANER



RWP6225

1D9

FUEL AND AIR

AIR CLEANER - CONTINUED

KEY	PART NO.	PART NAME	QTY	TRACTOR SERIAL NO.	REMARKS
1	19H1936	CAP SCREW	1	017595-XXXXXX	3/8" X 3/4"
2	T13073	CLIP	1	017595-XXXXXX	
3	12H304	LOCK WASHER	1	017595-XXXXXX	3/8"
4	14H1076	NUT	1	017595-XXXXXX	3/8" HS, SAE 8
5	WIRING LEAD	1		355MM (14") (MAKE FROM R77501 AND (2) R77488) (NLA)
6	15H73	COUPLING	1	017595-	1/8"
7	RE17515	SENSOR	1	017595-	(SUB FOR AL24194 OR AL32975)
8	AR73229	KIT	1		
9	AR50489	SWITCH	1	-017594	(SUB AR73229)
10	TY22473	CLAMP	1		(SUB FOR AR21841)
11	R46627	HOSE	1		
12	TY22414	BULK HOSE	2		(SUB FOR AR21842)
13	AR55669	PIPE	1		
14	R46626	HOSE	1		
15	TY22475	CLAMP	2		(SUB FOR C16054)
16	R54562	GASKET	1		
17	AR81313	FILTER ELEMENT	1		(SUB FOR AR57025)
18	AR52066	PACKING	1		
19	E17421	LOCK NUT	1		
20	AR82915	FILTER ELEMENT	1		(SUB FOR AR57024) (SUB AR80652 AND AR81313, UNLESS PREVIOUSLY INSTALLED)
21	AR52065	PACKING	1		
22	AR62309	BOLT	1		
23	R48723	WING NUT	1		
24	AR62405	COVER	1		
	R56902	LABEL	1		(SUB FOR R48632)
25	AR57023	AIR CLEANER	1	-010646	COMPLETE (NLA)
	AR68858	AIR CLEANER	1	010647-	COMPLETE
26	R53605	VALVE	1		
27	R45693	CAP SCREW	1		
28	19H2284	CAP SCREW	2		3/8" X 7/8"
29	12H304	LOCK WASHER	2		3/8"
30	24H1309	WASHER	1		13/32" X 1-1/16" X 0.120"
31	R70268	WASHER	1		(SUB FOR R42363)
32	R85140	SUPPORT	1		(ALSO ORDER R62087, 14H1076 AND 12H304) (SUB FOR AR62772 OR R62089 OR R63858)
33	24H1367	WASHER	1		21/32" X 1-1/4" X 1/4"

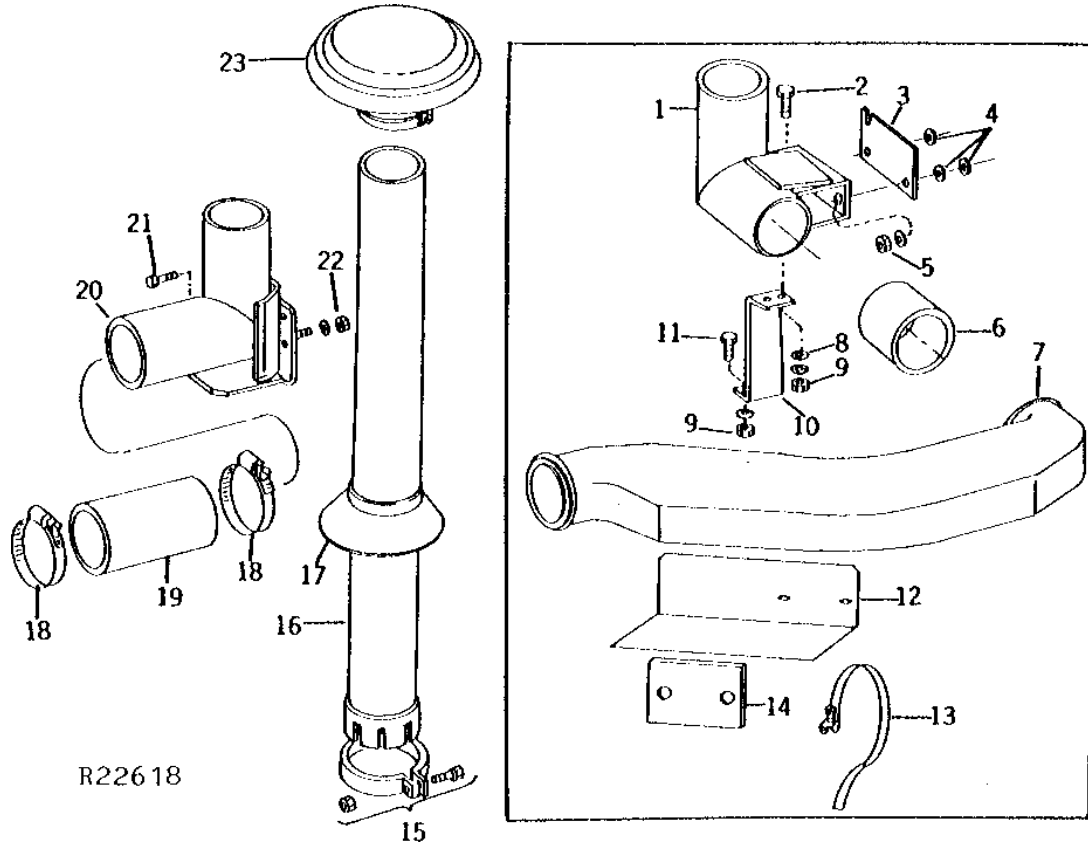
MEMORANDA

1D10

FUEL AND AIR

R22618 -UN-01JAN94

AIR INTAKE AND STACK



R22618

KEY	PART NO.	PART NAME	QTY	TRACTOR SERIAL NO.	REMARKS
1	AR55722	ADAPTER	1	-010646 (A)	
2	19H2284	CAP SCREW	2	-010646 (A) 3/8" X 7/8"	
3	R51446	BRACKET	1	-021341	
4	24H1625	WASHER	3	-021341 17/32" X 1" X 0.120"	
5	14H1040	NUT	2	-021341 1/2"	
	12H301	LOCK WASHER	2	-021341 1/2"	
6	R51379	HOSE	1	-010646 (A) 114 X 95MM (4-1/2" X 3-3/4")	
7	R52187	AIR DUCT	1	-010646	
8	24H1625	WASHER	2	-010646 (A) 17/32" X 1" X 0.120"	
9	14H812	NUT	4	-010646 (A) 3/8"	
	12H304	LOCK WASHER	4	-010646 (A) 3/8"	
10	R51382	SUPPORT	1	-010646 (A)	
11	19H2284	CAP SCREW	1	-010646 3/8" X 7/8"	
12	R54793	HEAT SHIELD	1	-010646	
13	AR29690	CLAMP	2	-010646 (SUB AR85327)	
14	R54794	FOAM PAD	1	-010646	
15	AR51762	CLAMP	1	(A) (SUB FOR AR64359)	
16	R49526	AIR INTAKE STACK	1	(A)	
17	R51526	SEAL	1	(A)	
18	TY22475	CLAMP	2	(SUB FOR C16054)	
19	R51380	HOSE	1	-010646 114 X 64MM (4-1/2" X 2-1/2")	
	R57320	HOSE	1	010647- 114 X 184MM (4-1/2" X 7-1/4")	
20	AR68855	SUPPORT	1	010647- (NLA)	
21	19H1732	CAP SCREW	2	010647- 3/8" X 1-1/4"	
	19H1800	CAP SCREW	2	010647- 3/8" X 1-1/2"	
22	14H812	NUT	4	010647- 3/8"	
	12H304	LOCK WASHER	4	010647- 3/8"	
23	AR72337	CAP	1	(A) (ALSO ORDER TY22475) (SUB FOR AR64358 OR AR43998)	
..	AR65347	AIR DUCT	1	-010646	

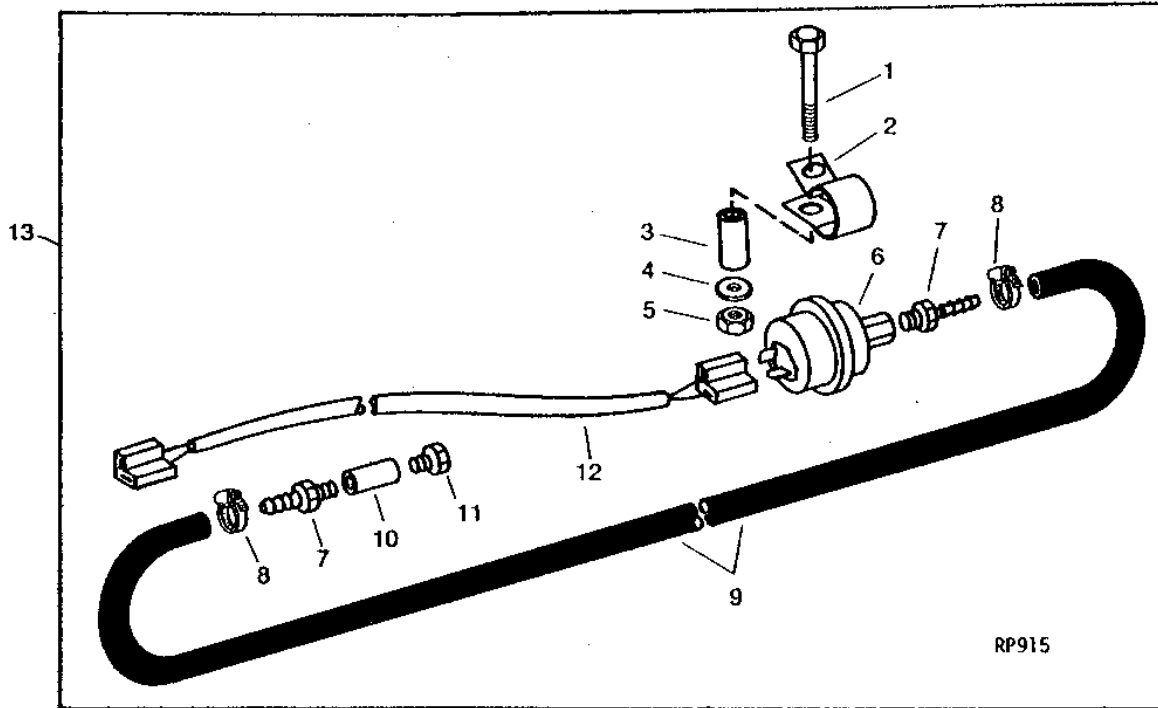
(A) INCLUDED IN AR65347

1D11

FUEL AND AIR

RP915 -UN-01JAN94

REMOTE MOUNTED VACUUM SWITCH



KEY	PART NO.	PART NAME	QTY	TRACTOR SERIAL NO.	REMARKS
1	19H1913	CAP SCREW	1	5/16" X 2-1/4"	
	19H2791	CAP SCREW	1	3/8" X 1-3/4"	
2	R46414	CLAMP	1		
3	28H1495	SPACER	1	3/8" X 1"	
4	12H304	LOCK WASHER	1	3/8"	
5	14H812	NUT	1	3/8"	
6	AR50489	SWITCH	1		
7	R57286	FITTING	2		
8	TY22462	CLAMP	2		(SUB FOR AR48236)
9	T31483	HOSE	1		
10	15H73	COUPLING	1	1/8"	
11	15H639	PIPE BUSHING	1	1/4" X 1/8"	
12	AR68734	WIRING HARNESS	1		
13	AR68733	KIT	1		
..	R44302	TIE BAND	AR		

MEMORANDA

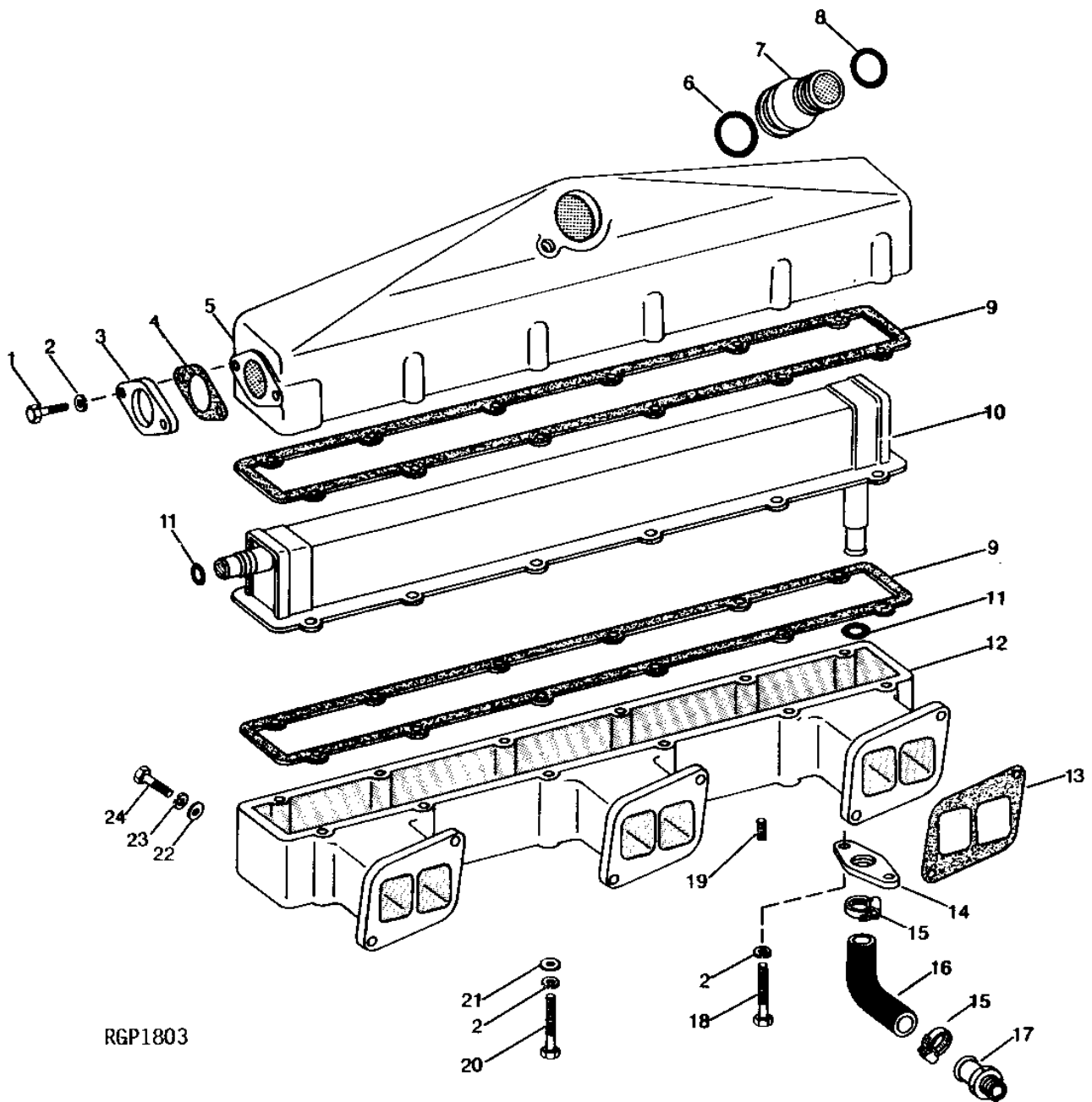
1D12

FUEL AND AIR

RGP1803

-UN-01JAN94

AFTERCOOLER AND INTAKE MANIFOLD



RGP1803

1D13

FUEL AND AIR

AFTERCOOLER AND INTAKE MANIFOLD - CONTINUED

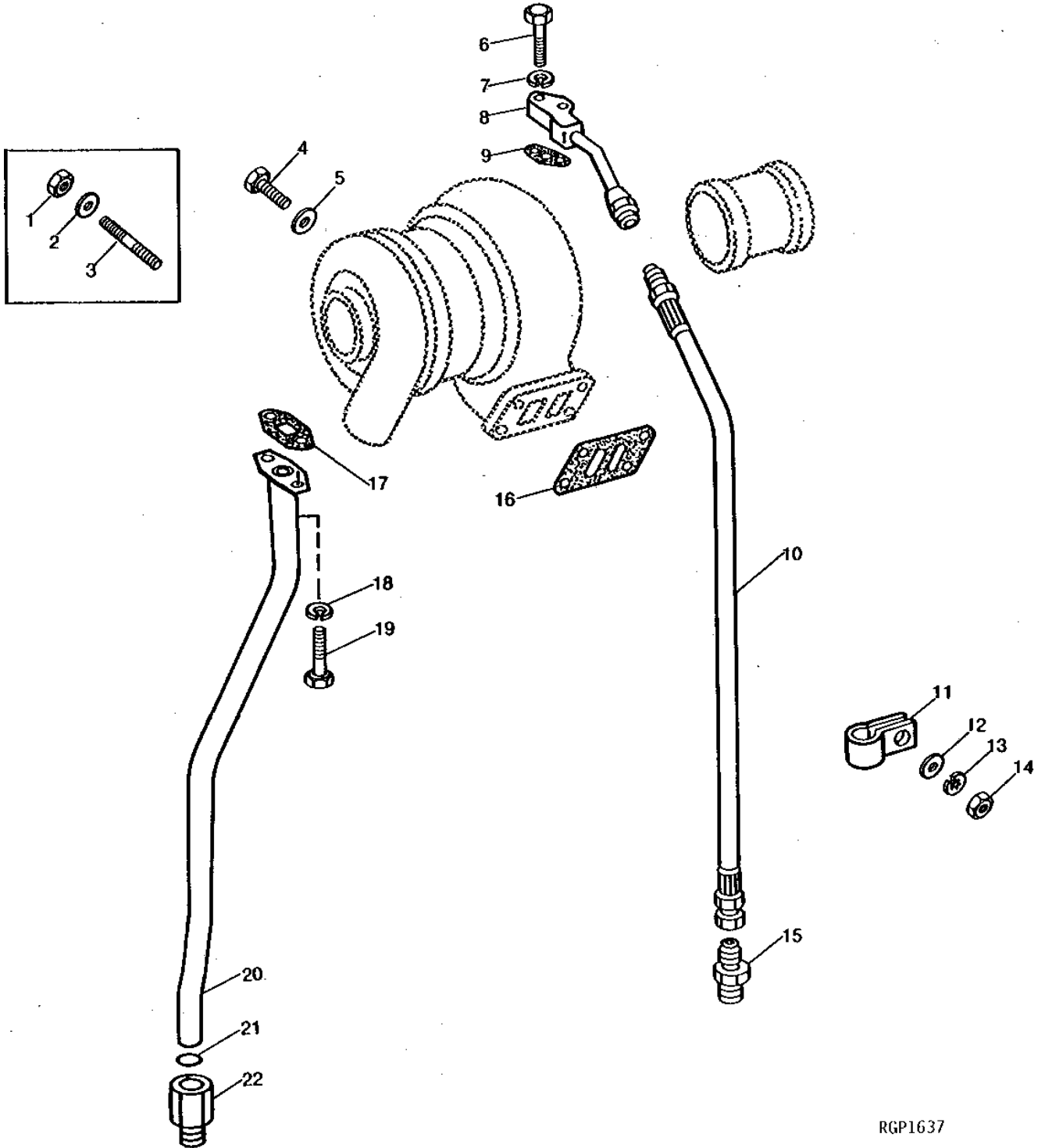
KEY	PART NO.	PART NAME	QTY	ENGINE SERIAL NO.	REMARKS
1	19H1849	CAP SCREW	2		5/16" X 1-1/4", (USE WITH AR54556)
	19H2661	CAP SCREW	2		5/16" X 1-3/8", (USE WITH AR70437 OR RE40280)
2	12H303	LOCK WASHER	12		5/16"
	24H1136	WASHER	2		11/32" X 11/16" X 0.065" (REAR ADAPTER COVER)
3	R47314	ADAPTER	1		
4	R97346	GASKET	1		(SUB FOR R47395)
5	R50398	COVER	1		
6	R50405	O-RING	1		
7	R83000	COUPLING	1		(SUB FOR R50404)
8	R50406	O-RING	1		
9	R97347	GASKET	2		(SUB FOR R50399)
10	RE40280	AFTERCOOLER	1		(SUB FOR AR54556 OR AR70437)
11	R52811	O-RING	2		
12	R59747	INTAKE MANIFOLD	1		(SUB FOR R50396)
13	R50397	GASKET	3		
14	R50400	ADAPTER	1		
15	TY22467	CLAMP	2		(SUB FOR AR21839)
16	R50402	HOSE	1		
17	R48362	ADAPTER	1		
18	19H2729	CAP SCREW	2		5/16" X 4-1/4", (SUB FOR R48788)
19	15H666	PIPE PLUG	1		3/8", (USE WITH AR54556)
	R104592	PIPE PLUG	1		1/8", (USE WITH AR70437 OR RE40280)
20	19H2852	CAP SCREW	10		5/16" X 4"
21	24H1136	WASHER	10		11/32" X 11/16" X 0.065"
22	24H1303	WASHER	6		13/32" X 11/16" X 0.065"
23	12H304	LOCK WASHER	6		3/8"
24	19H1732	CAP SCREW	6		3/8" X 1-1/4", (USE WITH AR54556)
	19H1800	CAP SCREW	6		3/8" X 1-1/2", (USE WITH AR70437 OR RE40280)

1D14

FUEL AND AIR

RGP1637 -UN-01JAN94

TURBOCHARGER OIL LINES



1D15

FUEL AND AIR

TURBOCHARGER OIL LINES - CONTINUED

KEY	PART NO.	PART NAME	QTY	ENGINE SERIAL NO.	REMARKS
1	E55662	FLANGE NUT	4		
2	24H1303	WASHER	4		
3	R55078	STUD	4		(SUB R54500 AND 24H1305, APPL)
4	R54500	SCREW	4		
5	24H1305	WASHER	4		13/32" X 13/16" X 0.065"
6	19H3552	CAP SCREW	2		5/16" X 1-1/2"
7	12H303	LOCK WASHER	2		5/16"
8	AR61590	OIL LINE	1		
9	R97348	GASKET	1		(SUB FOR R43413)
10	AR54576	OIL LINE	1	-445947	(SUB AR76424 AND R62239)
	AR76424	OIL LINE	1	445948-	
11	AH80916	CLIP	1	450186-	(A) (SUB FOR R46414)
12	24H753	WASHER	1	450186-	(A) 9/32" X 5/8" X 0.049"
13	12H297	LOCK WASHER	1	450186-	(A) 1/4"
14	14H786	NUT	1	450186-	(A) 1/4"
15	R52775	FITTING	1	-445947	
	R62239	FITTING	1	445948-	
16	R43751	GASKET	1		
17	R97349	GASKET	1		(SUB FOR R43416)
18	12H304	LOCK WASHER	2		3/8"
19	19H2284	CAP SCREW	2		3/8" X 7/8"
20	AR54577	OIL LINE	1	-507161	
	AR73815	OIL LINE	1	507162-	
21	R72328	O-RING	1		(SUB FOR R43780)
22	R41285	ADAPTER	1		

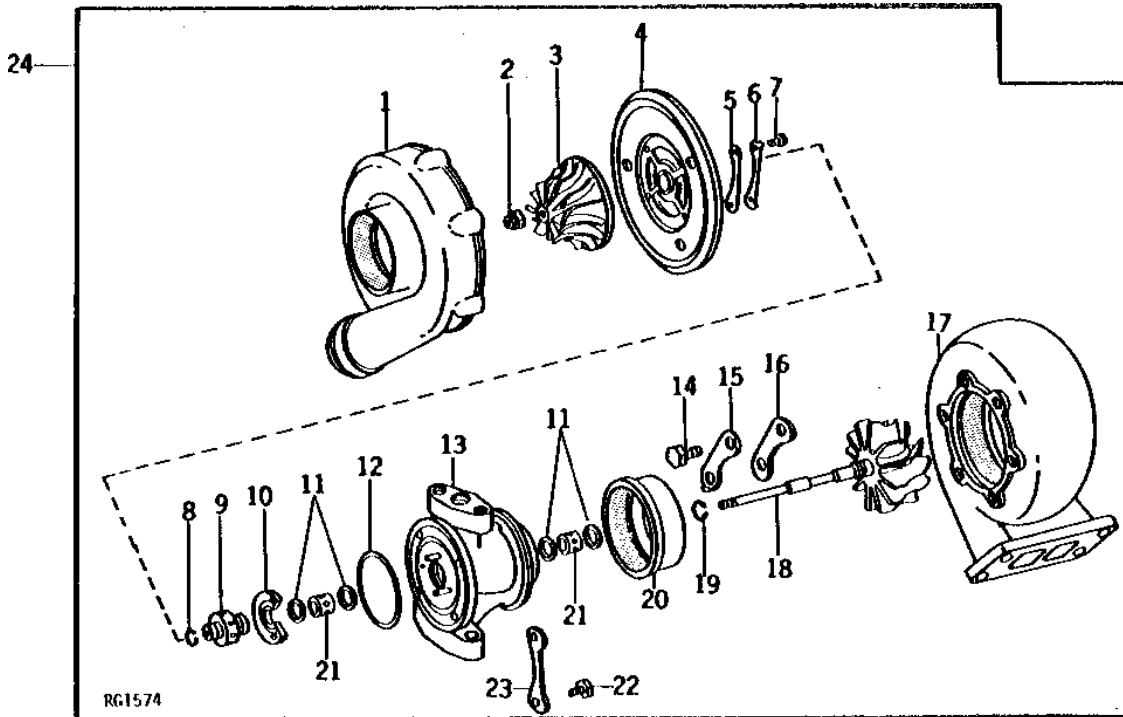
(A) CONTAINED IN AR77385 (ENGINE SERIAL NO. 432480-450185)

1D16

FUEL AND AIR

TURBOCHARGER (AIRESEARCH)

RG1574 -UN-01JAN94



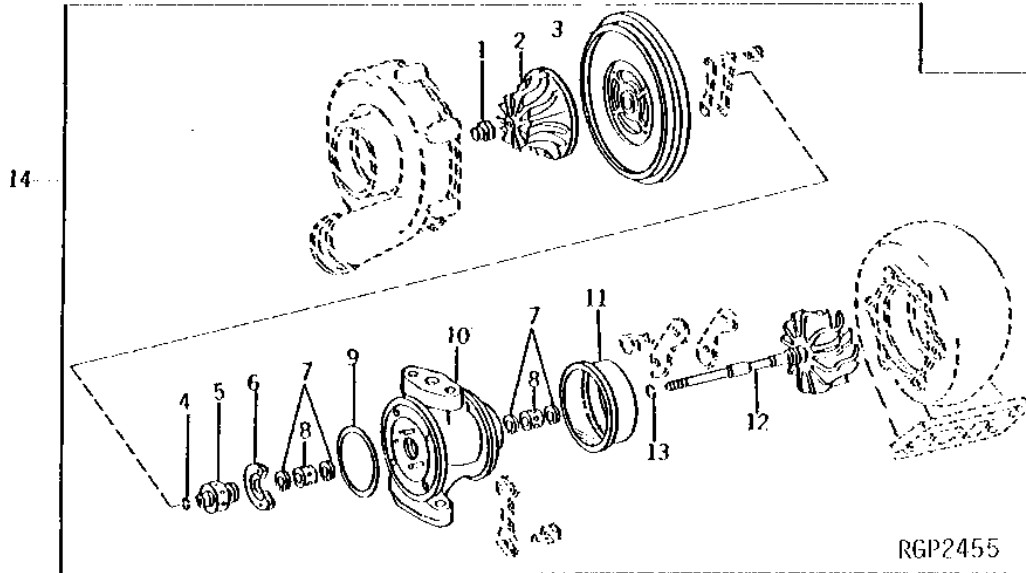
KEY	PART NO.	PART NAME	QTY	ENGINE SERIAL NO.	REMARKS
1	R55027	HOUSING	1		
2	R43817	LOCK NUT	1		
3	R55025	IMPELLER	1		
4	AR54934	COVER	1		
5	R48709	CLAMP	3		
6	R48710	LOCK PLATE	3		
7	19H2020	CAP SCREW	6	5/16" X 1/2"	
8	R43806	PISTON RING	1		
9	R43801	THRUST BEARING	1		
10	R43808	BEARING	1		
11	R43816	SNAP RING	4		
12	R43805	O-RING	1		
13	AR63781	HOUSING	1		
14	R43819	CAP SCREW	6		
15	R43815	LOCK PLATE	3		
16	R43821	CLAMP	3		
17	R55028	HOUSING	1		
18	AR51988	TURBINE	1		
19	R55024	PISTON RING	1		
20	R43804	SHROUD	1		
21	R43803	BEARING	2	STD	
	R50784	BEARING	2	0.13 MM (.005") US (NLA)	
	R50785	BEARING	2	0.25 MM (.010") US	
22	19H1919	CAP SCREW	4	1/4" X 5/8"	
23	R43986	LOCK PLATE	2		
24	AR63699	TURBOCHARGER	1		REMANUFACTURED

1D17

FUEL AND AIR

TURBOCHARGER CENTER HOUSING WITH ROTATING PARTS (AIRESEARCH)

RGP2455 -UN-01JAN94



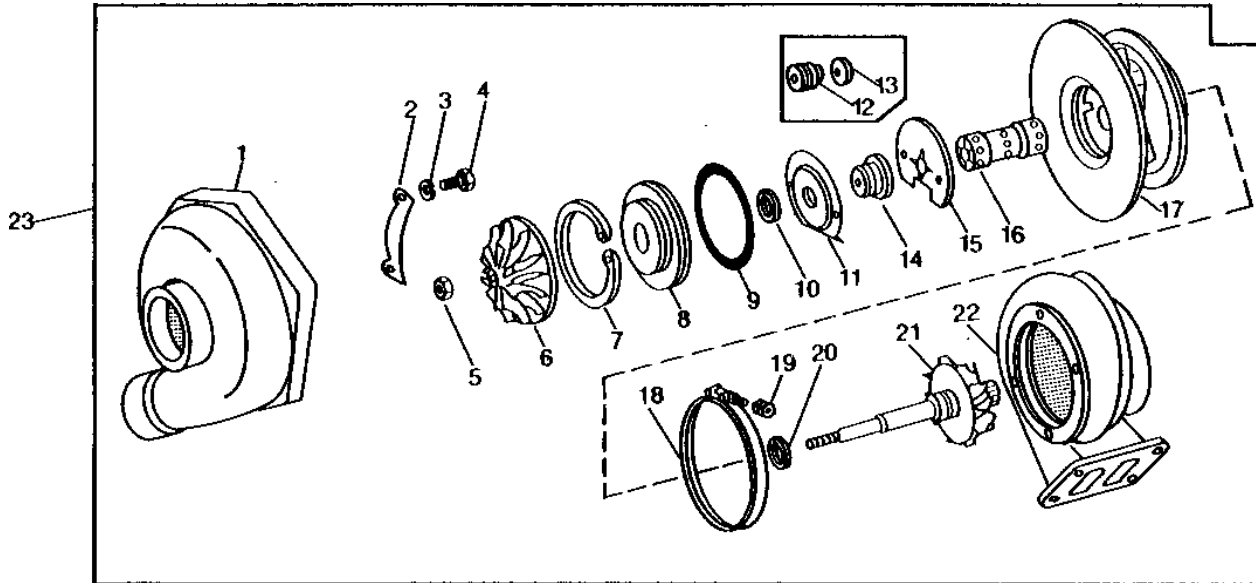
KEY	PART NO.	PART NAME	QTY	ENGINE SERIAL NO.	REMARKS
1	R43817	LOCK NUT	1		
2	R55025	IMPELLER	1		
3	AR54934	COVER	1		
4	R43806	PISTON RING	1		
5	R43801	THRUST BEARING	1		
6	R43808	BEARING	1		
7	R43816	SNAP RING	4		
8	R43803	BEARING	2		
9	R43805	O-RING	1		
10	AR63781	HOUSING	1		
11	R43804	SHROUD	1		
12	AR51988	TURBINE	1		
13	R55024	PISTON RING	1		
14	AR63780	HOUSING	1		

1D18

FUEL AND AIR

**TURBOCHARGER
(SCHWITZER)
(ENGINE SERIAL NO. -511999)**

RGP1256 -UN-01JAN94



RGP1256

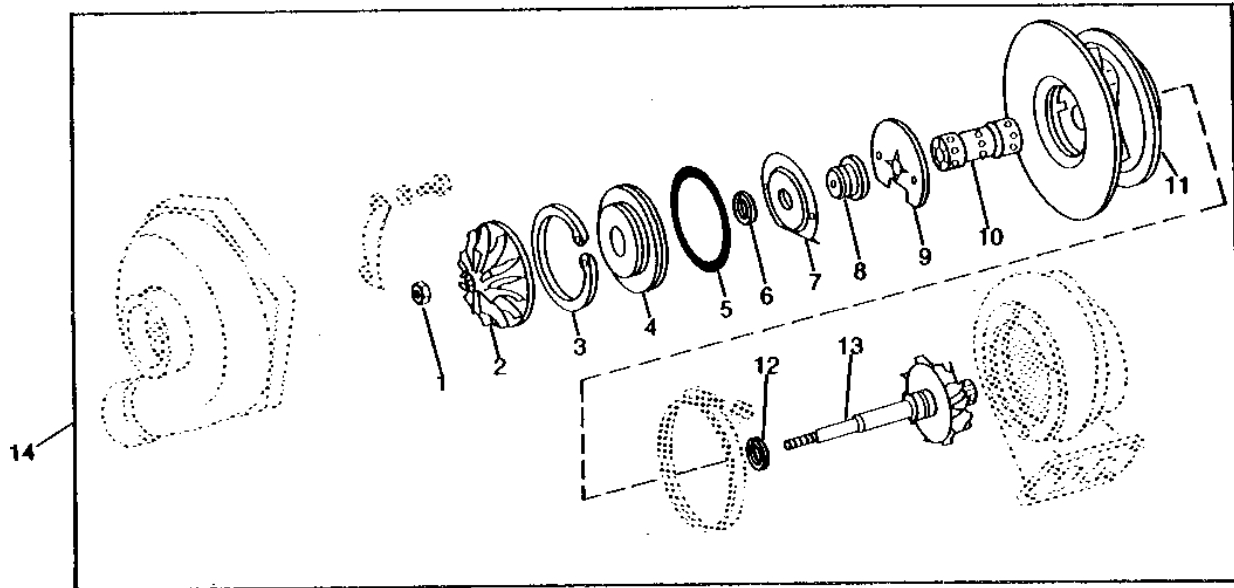
KEY	PART NO.	PART NAME	QTY	VENDOR SERIAL NO.	REMARKS
1	R55030	COVER	1		
2	R46693	CLAMP	4	-XXXXXX	
3	R46693	CLAMP	3	L18721-	
4	R56631	LOCK WASHER	6		(NLA)
5	R56630	CAP SCREW	6		(SUB AR78019, APPL)
6	R46691	LOCK NUT	1		
7	R55029	WHEEL	1		(NLA)
8	R46686	SNAP RING	1		
9	R46687	INSERT	1	-XXXXXX	
10	R56626	INSERT	1	L04721-	
11	R46685	O-RING	1		
12	R46688	PISTON RING	1	-XXXXXX	
13	R56628	PISTON RING	1	L04721-	
14	R46682	DEFLECTOR	1		
15	R46689	SLEEVE	1	-XXXXXX	
16	R46683	RING	1	-XXXXXX	
17	R56627	SLEEVE	1	L04721-	
18	R46684	PLATE	1		
19	R46681	BEARING	1		
20	AR67551	HOUSING	1		(NLA)
21	R56629	CLAMP	1		
22	R46692	LOCK NUT	1		
23	R46679	PISTON RING	1		
23	AR63778	WHEEL	1		(NLA)
23	R55031	HOUSING	1		
23	AR68140	TURBOCHARGER	1		REMANUFACTURED

1D19

FUEL AND AIR

**TURBOCHARGER CENTER HOUSING WITH ROTATING PARTS
(SCHWITZER)
(ENGINE SERIAL NO. -511999)**

RGP1257 -UN-01JAN94



RGP1257

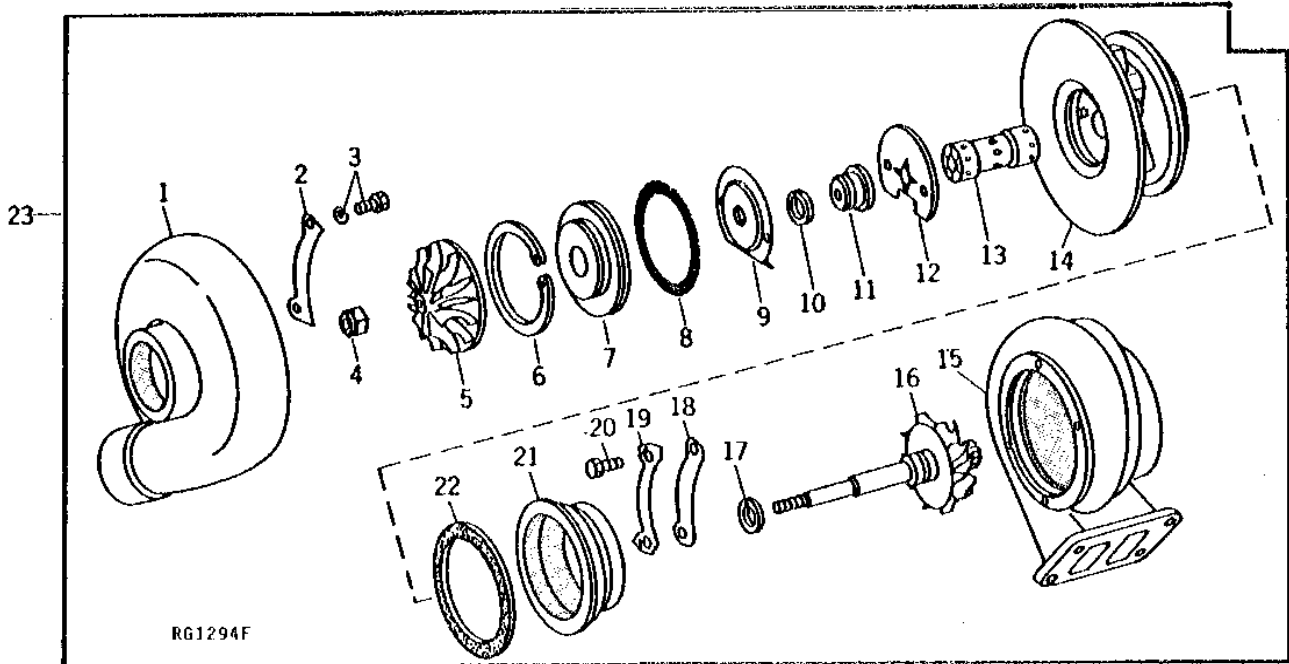
KEY	PART NO.	PART NAME	QTY	ENGINE SERIAL NO.	REMARKS
1	R46691	LOCK NUT	1		
2	R55029	WHEEL	1	(NLA)	
3	R46686	SNAP RING	1		
4	R56626	INSERT	1		
5	R46685	O-RING	1		
6	R56628	PISTON RING	1		
7	R46682	DEFLECTOR	1		
8	R56627	SLEEVE	1		
9	R46684	PLATE	1		
10	R46681	BEARING	1		
11	AR67551	HOUSING	1	(NLA)	
12	R46679	PISTON RING	1		
13	AR63778	WHEEL	1	(NLA)	
14	AR63783	HOUSING	1		

1D20

FUEL AND AIR

TURBOCHARGER
(SCHWITZER)
(ENGINE SERIAL NO. 512000-)

RG1294 -UN-01JAN94



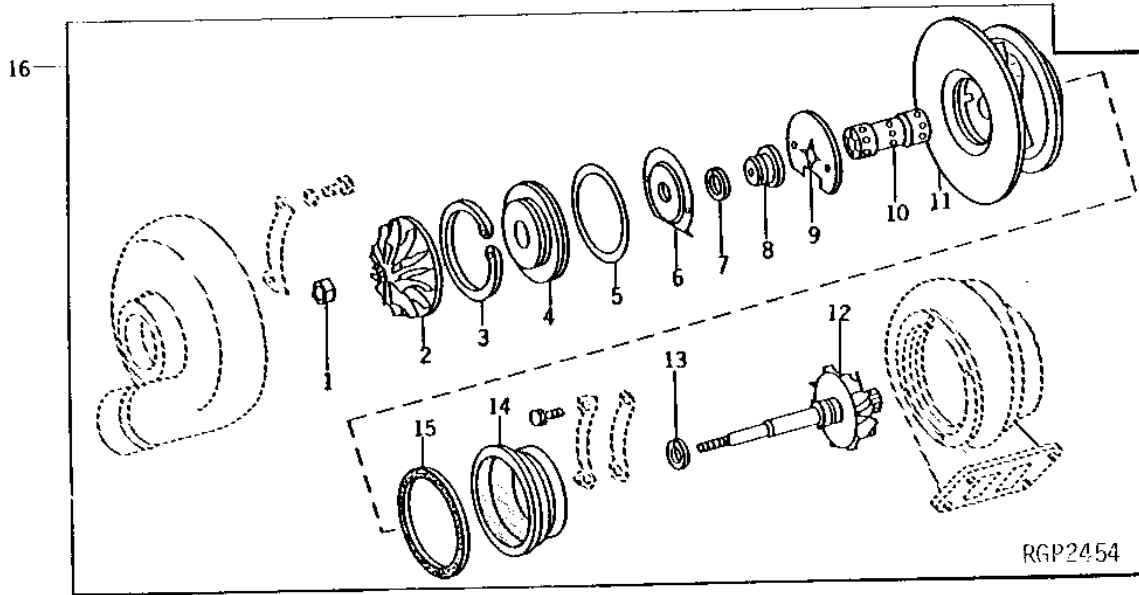
KEY	PART NO.	PART NAME	QTY	ENGINE SERIAL NO.	REMARKS
1	R63118	COVER	1		
2	R46693	CLAMP	3		
3	AR78019	SCREW	6		
4	R76686	LOCK NUT	1		(SUB FOR R46691, APPL)
5	R63128	WHEEL	1		
6	R46686	SNAP RING	1		
7	R56626	INSERT	1		
8	R46685	O-RING	1		
9	R46682	DEFLECTOR	1		
10	R56628	PISTON RING	1		
11	R56627	SLEEVE	1		
12	R63127	THRUST BEARING	1		
13	R63126	BEARING	1		STANDARD
	R64780	BEARING	1		0.25 MM (.010") UNDERSIZE
	R64781	BEARING	1		0.51 MM (.020") UNDERSIZE
14	AR78023	HOUSING	1		
	AR78020	HOUSING	1		
15	R63137	HOUSING	1		(SUB FOR R63119)
16	AR78021	TURBINE	1		
17	R63123	PISTON RING	1		
18	R63120	PLATE	2		
19	R63121	LOCK PLATE	2		
20	R63122	SELF-LOCKING SCREW	4		
21	R63124	PLATE	1		
22	R63125	GASKET	1		
23	RE19783	TURBOCHARGER	1		(SUB FOR AR78022) REMANUFACTURED

1D21

FUEL AND AIR

TURBOCHARGER CENTER HOUSING WITH ROTATING PARTS
(SCHWITZER)
(ENGINE SERIAL NO. 512000-)

RGP2454 -UN-23SEP94



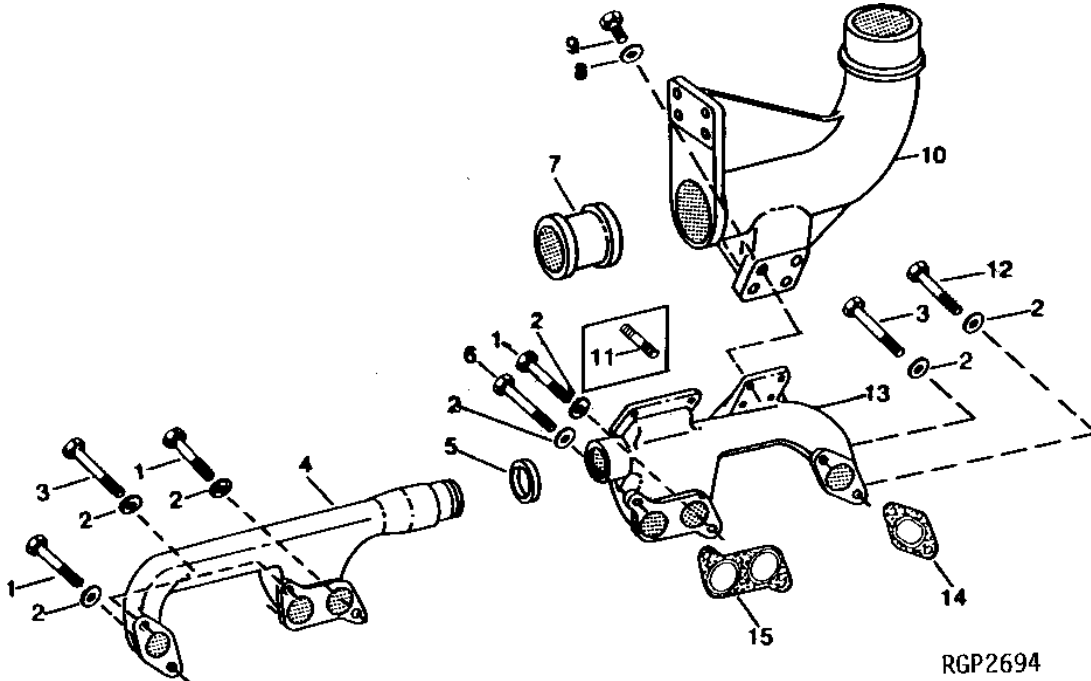
KEY	PART NO.	PART NAME	QTY	ENGINE SERIAL NO.	REMARKS
1	R76686	LOCK NUT	1		(SUB FOR R46691, APPL)
2	R63128	WHEEL	1		
3	R46686	SNAP RING	1		
4	R56626	INSERT	1		
5	R46685	O-RING	1		
6	R46682	DEFLECTOR	1		
7	R56628	PISTON RING	1		
8	R56627	SLEEVE	1		
9	R63127	THRUST BEARING	1		
10	R63126	BEARING	1		STD
	R64780	BEARING	1		0.25 MM (.010") US
	R64781	BEARING	1		0.51 MM (.020") US
11	AR78023	HOUSING	1		
12	AR78021	TURBINE	1		
13	R63123	PISTON RING	1		
14	R63124	PLATE	1		
15	R63125	GASKET	1		
16	AR78020	HOUSING	1		

1D22

FUEL AND AIR

RGP2694 -UN-18OCT94

EXHAUST MANIFOLDS AND ELBOW



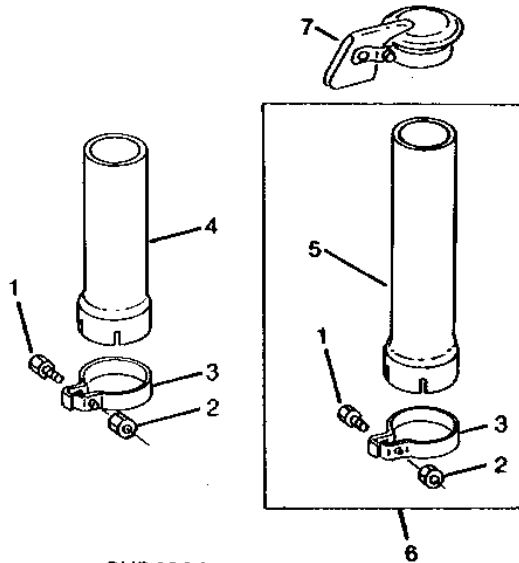
KEY	PART NO.	PART NAME	QTY	ENGINE SERIAL NO.	REMARKS
1	19H1765	CAP SCREW	3		3/8" X 1-3/4"
2	R63845	WASHER	8		
3	19H2128	CAP SCREW	3		3/8" X 3"
4	R46472	EXHAUST MANIFOLD	1		
5	R122595	RING	1		(SUB FOR R58109)
6	19H2639	CAP SCREW	1		3/8" X 3-3/8"
	28H1518	WASHER	1	-XXXXXX	0.493" X 0.675" X 5/16"
7	R43724	ADAPTER	1		(SUB FOR R83034, APPL)
8	24H1303	WASHER	4		13/32" X 11/16" X 0.065"
9	R54500	SCREW	4		
10	R56994	ELBOW FITTING	1	-401567	(SUB FOR R50392)
	R53514	ELBOW FITTING	1	401568-	
11	R55078	STUD	4		(SUB R54500 AND 24H1305, APPL) (SUB FOR R43170)
12	19H2549	CAP SCREW	1		3/8" X 1-7/8"
13	R56995	EXHAUST MANIFOLD	1		(SUB FOR AR54563)
14	R83021	GASKET	2		(SUB FOR R44374)
15	R83020	GASKET	2		(SUB FOR R44373)

1D23

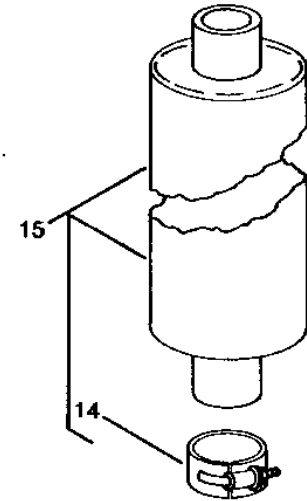
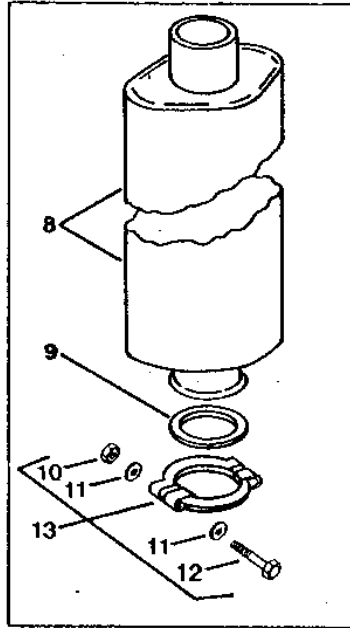
FUEL AND AIR

RWP6222 -UN-01JAN94

MUFFLER, EXTENSION AND COVER



RWP6222



KEY	PART NO.	PART NAME	QTY	TRACTOR SERIAL NO.	REMARKS
1	19H1732	CAP SCREW	1		
2	14H1076	NUT	1		3/8" X 1-1/4"
3	R66689	CLAMP	1		3/8"
4	R66688	MUFFLER EXTENSION	1		(B)
5	R66690	MUFFLER EXTENSION	1		(A)
6	AR86809	MUFFLER EXTENSION	1		(A)
7	AR86600	CAP	1		
8	AR86599	MUFFLER	1	-XXXXXX	(SUB RE20224)
9	R42375	WASHER	1	-XXXXXX	
10	14H1076	NUT	2	-XXXXXX	3/8"
11	R42729	WASHER	4	-XXXXXX	
12	19H2128	CAP SCREW	2	-XXXXXX	3/8" X 3"
13	AR43704	CLAMP	1	-XXXXXX	
14	RE20223	CLAMP	1	XXXXXX-	
15	RE20224	MUFFLER	1	XXXXXX-	
..	R57291	SHIM	4		MUFFLER TO ELBOW SHIM, (SUB FOR AR68742)

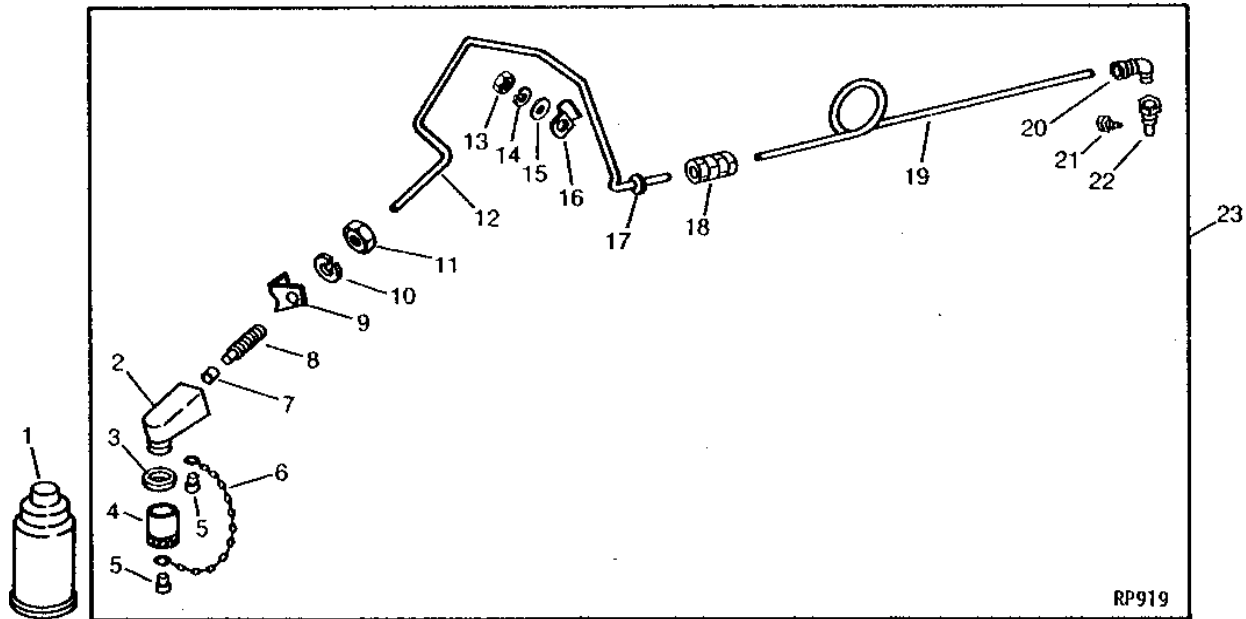
(A) SOUND-GARD BODY
(B) ROLL-GARD

1D24

FUEL AND AIR

RP919 -UN-01JAN94

MANUALLY OPERATED COLD WEATHER STARTING AID



RP919

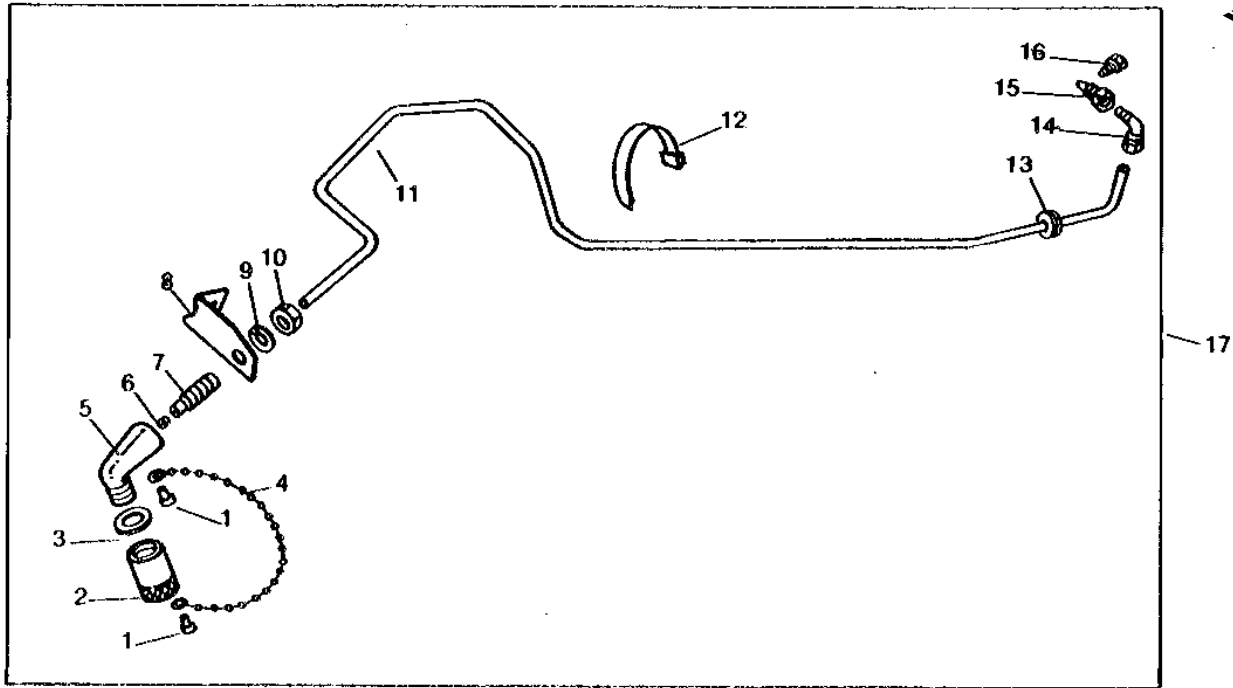
KEY	PART NO.	PART NAME	QTY	TRACTOR SERIAL NO.	REMARKS
1	RE33636	STARTING FLUID	1		(SUB FOR AR27814)
2	T22534	ADAPTER	1		
3	R26149	PACKING	1		
4	R32306	CAP	1		
5	37H44	SCREW	2		0.151" X 3/8"
6	AR27940	LINK CHAIN	1		
7	R34394	WASHER	1		
8	R34395	ADAPTER	1		
9	R54440	BRACKET	1		
10	12H301	LOCK WASHER	1		1/2"
11	14H1040	NUT	1		1/2"
12	LINE	1		(ORDER RE50139)
13	14H785	NUT	2	-XXXXX	5/16"
14	12H303	LOCK WASHER	2	-XXXXX	5/16"
15	24H1136	WASHER	2	-XXXXX	11/32" X 11/16" X 0.065"
16	R55486	HALF CLAMP	2	-XXXXX	
17	R59687	CLIP	2	XXXXX-	
17	R27180	GROMMET	1		
18	R34388	UNION FITTING	1		
19	TUBE	1		(ORDER RE16151)
20	RE21790	ELBOW FITTING	1		(SUB FOR AT25266)
21	R28583	NOZZLE	1		
22	R47160	NOZZLE HOLDER	1		
23	AR62489	STARTING FLUID	1		(SUB RE16182)
..	R44302	TIE BAND	AR		

1D25

FUEL AND AIR

ETHER STARTING AID KIT (MANUAL)

RWP5158 -UN-01JAN94



RWP5158

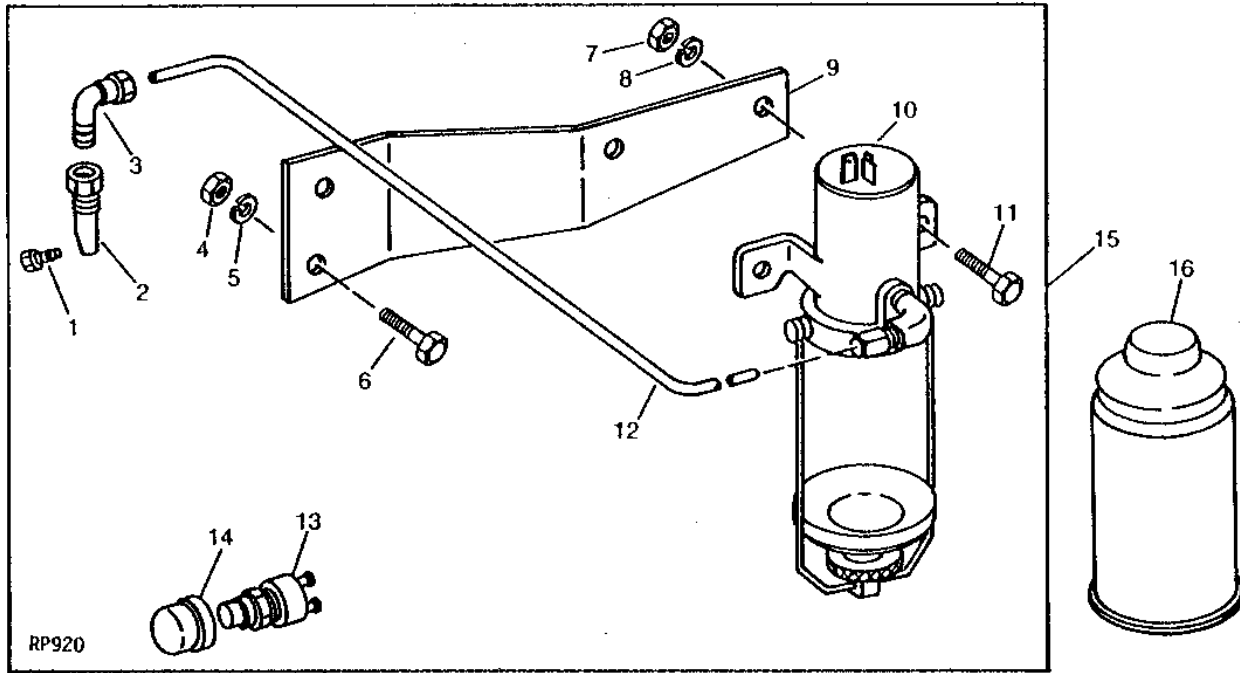
KEY	PART NO.	PART NAME	QTY	TRACTOR SERIAL NO.	REMARKS
1	37H44	SCREW	2	0.151" X 3/8"	
2	R32306	CAP	1		
3	R26149	PACKING	1		
4	AR27940	LINK CHAIN	1		
5	T22534	ADAPTER	1		
6	R34394	WASHER	1		
7	R34395	ADAPTER	1		
8	R54440	BRACKET	1		
9	12H301	LOCK WASHER	1	1/2"	
10	14H1040	NUT	1	1/2"	
11	TUBE	1	(ORDER RE50139)	
12	R44302	TIE BAND	4		
13	R27180	GROMMET	1		
14	RE21790	ELBOW FITTING	1	(SUB FOR AT25266)	
15	R47160	NOZZLE HOLDER	1		
16	R28583	NOZZLE	1		
17	RE16182	KIT	1		

1E1

FUEL AND AIR

RP920 -UN-01JAN94

ELECTRICALLY OPERATED COLD WEATHER STARTING AID



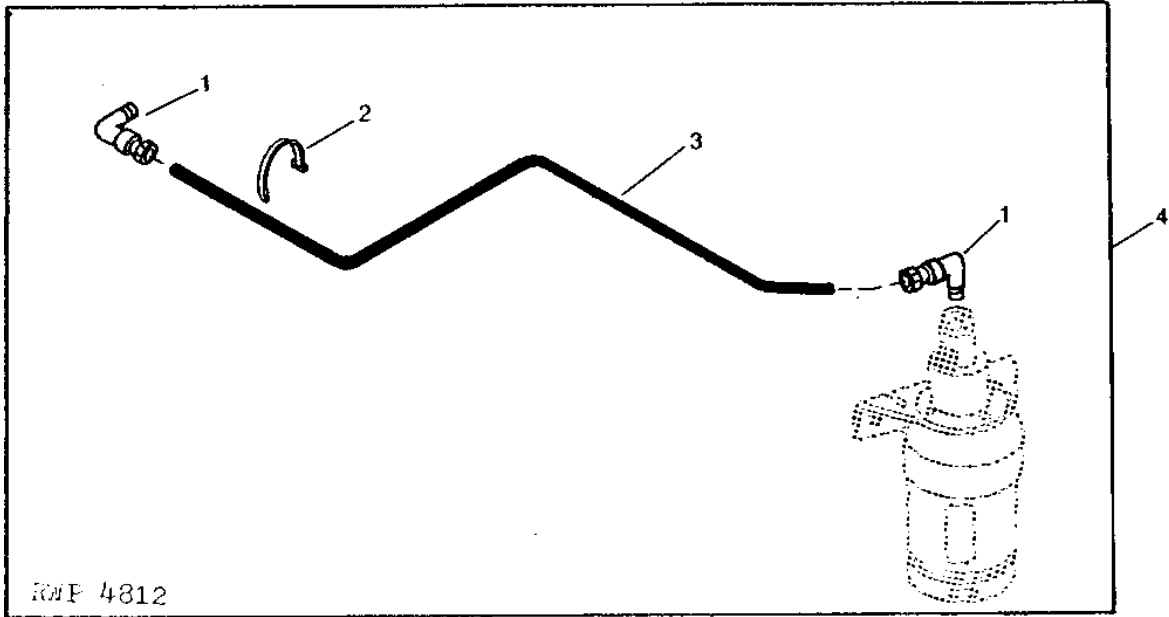
KEY	PART NO.	PART NAME	QTY	TRACTOR SERIAL NO.	REMARKS
1	R28583	NOZZLE	1		
2	R47160	NOZZLE HOLDER	1		
3	RE21790	ELBOW FITTING	1		(SUB FOR AT25266)
4	14H812	NUT	2		3/8"
5	12H304	LOCK WASHER	2		3/8"
6	19H1936	CAP SCREW	2		3/8" X 3/4"
7	14H785	NUT	1		5/16"
8	12H303	LOCK WASHER	1		5/16"
9	R56875	BRACKET	1		(SUB R63857 AND R63858)
10	RE48310	STARTING AID SOLENOID	1		(SUB FOR AT39623)
	RE21790	ELBOW FITTING	1		(SUB FOR AT25266)
	AT45396	BAIL	1		(SUB AT57288)
	AT57288	BAIL	1		
	T46726	GASKET	1		
	RE48321	ADAPTER	1		
	T13119	O-RING	1		
	T15712	O-RING	1		
11	19H2127	CAP SCREW	1		5/16" X 7/8"
12	TUBE	1		(ORDER RE16151)
13	R39554	SWITCH	1		(SUB FOR AR46184 OR AR47373)
14	T55585	CAP	1		(SUB FOR AR67950)
15	AR68495	STARTING AID KIT, ELECTRICALLY OPERATED STARTING AID	1		
16	RE33636	STARTING FLUID	1		(SUB FOR AR27814)
..	AR68499	WIRING (TO INSTALL ELECTRIC COLD WEATHER STARTING AID) (CONSISTS OF AR68016, AR68017, AR68019 AND AT68973)	1	-006999	
..	RE42401	KIT (CONSISTS OF RE42399, RE42400, R32016 AND (10) R44302) (ALSO ORDER RE38391) (SUB FOR AR68499)	1		

1E2

FUEL AND AIR

RWP4812 -UN-01JAN94

STARTING FLUID TUBE KIT



KEY	PART NO.	PART NAME	QTY	TRACTOR SERIAL NO.	REMARKS
1	RE21790	ELBOW FITTING	2		(SUB FOR AT25266)
2	R44302	TIE BAND	5		
3	TUBE	1		(ORDER RE50139)
4	RE16151	KIT	1		

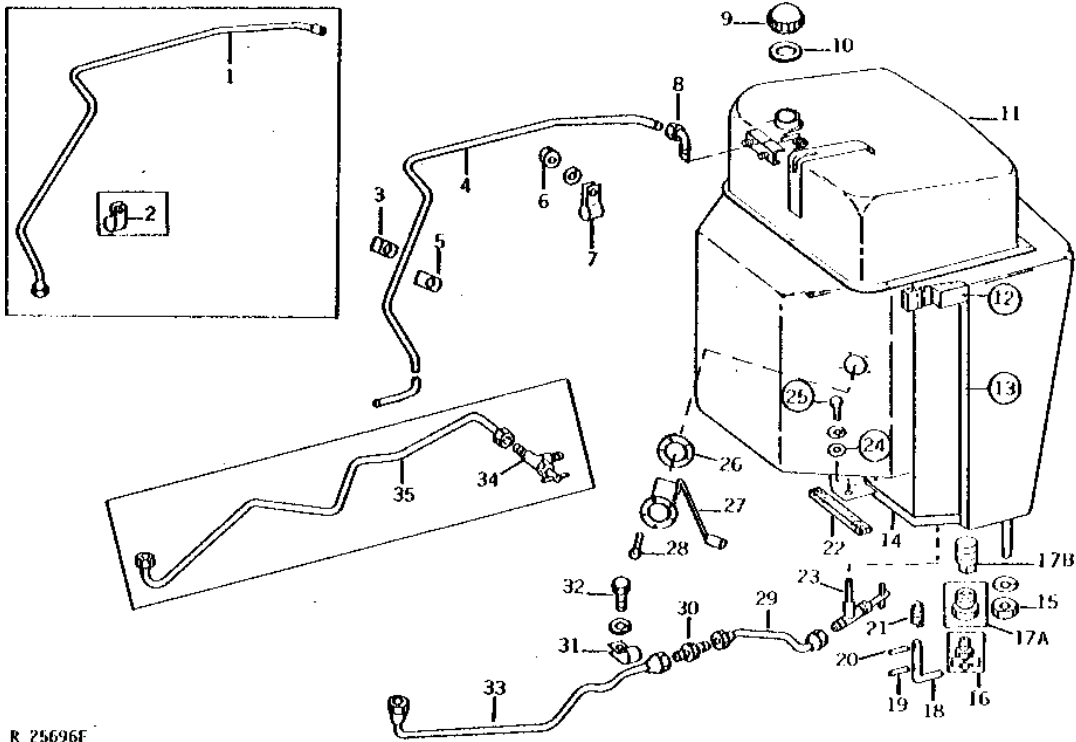
1E3

FUEL AND AIR

R25696

-UN-01JAN94

FUEL TANK



1E4

FUEL AND AIR

FUEL TANK - CONTINUED

KEY	PART NO.	PART NAME	QTY	TRACTOR SERIAL NO.	REMARKS
1	AR74098	FUEL LINE	1	-018811	(SUB FOR AR57022)
2	T14264	CLAMP	2	-014693	
3	R55662	HALF CLAMP	1	018812-	
4	R62790	FUEL LINE	1	018812-	
5	R55663	STRAP	1	018812-	
6	14H785	NUT	1		5/16"
	12H303	LOCK WASHER	1		5/16"
7	R35422	CLAMP	1		
8	AR46281	ELBOW FITTING	1		90°
9	AT20911	FILLER CAP	1		
10	R39615	WASHER	1		
11	AR55667	FUEL TANK	1	-010646	(SUB AR77267, AR68185, 15H620 AND (2) R51073)
	AR63888	FUEL TANK	1	010647-021341	(SUB AR77273, AR77268 AND 15H620)
	AR77273	FUEL TANK	1	021342-	
12	FOAM PAD	2	-006999	19 X 25 X 99MM (3/4" X 1" X 3-7/8") (MAKE FROM R30937) FUEL TANK SIDE, UPPER
	FOAM PAD	2	007000-	10 X 25 X 96MM (1/2" X 1" X 3-3/4") (MAKE FROM R30936) FUEL TANK SIDE, UPPER
13	FOAM PAD	2	-006999	13 X 13 X 64MM (3/4" X 1/2" X 25") (MAKE FROM R91558) FUEL TANK SIDE
14	FOAM PAD	2	-006999	19 X 25 X 210MM (3/4" X 1" X 8-1/4") (MAKE FROM R30937) FUEL TANK SIDE, LOWER
	FOAM PAD	2	007000-010646	19 X 19 X 95MM (3/4" X 3/4" X 3-3/4") (MAKE FROM R30937) FUEL TANK TO GRILLE, LOWER
	FOAM PAD	1	010647-	19 X 25 X 191MM (3/4" X 1" X 7-1/2") (MAKE FROM R30937) FUEL TANK TO GRILLE, LOWER
15	14H1039	NUT	4	-010646	5/8"
	14H1039	NUT	2	010647-	5/8"
	19H1833	CAP SCREW	2	010647-	5/8" X 1-1/4"
16	AT13740	DRAIN VALVE	1	-010646	
17A	15H629	PIPE BUSHING	1	-021341	1" X 1/4"
17B	15H620	PIPE PLUG	1	021342-	1"
18	R50779	PIN	2		
19	34H282	SPRING PIN	2		3/16" X 1"
20	34H387	SPRING PIN	2		3/16" X 3/4"
21	B161R	SPRING	2		
22	FOAM PAD	1	010647-	(A) 13 X 25 X 206MM (1/2" X 1" X 8-1/2") (MAKE FROM R30936) FUEL TANK TO STEERING MOTOR
23	R34656	SHUT-OFF VALVE	1	010647-	(A)
24	24H1625	WASHER	2	010647-	17/32" X 1" X 0.120"
25	19H3530	CAP SCREW	2	010647-	1/2" X 7/8"
	12H301	LOCK WASHER	2	010647-	1/2"
26	R27181	GASKET	1		
27	AR58390	SENDER	1	-027559	(SUB RE11127)
	AR80622	SENDER	1	027560-	(SUB RE11127)
28	21H981	SCREW	5		0.190" X 1/2"
29	AR68181	FUEL LINE	1	010647-021341	
	AR77268	FUEL LINE	1	021342-	(A)
30	R50201	FITTING	1	010647-	(A)
31	T29527	CLAMP	1		
32	19H1936	CAP SCREW	1		3/8" X 3/4"
	12H304	LOCK WASHER	1		3/8"
33	AR83846	FUEL LINE	1	010647-	(SUB FOR AR68185) (SUB AR85155, AR85152, TY22421 AND (2) R34766)
34	AR43253	SHUT-OFF VALVE	1	-004054	
	AT36766	SHUT-OFF VALVE	1	004055-010646	
35	AR62041	FUEL LINE	1	-004054	
	AR65893	FUEL LINE	1	004055-010646	
..	AR77267	KIT	1	-021341	FUEL TANK INSTALLATION

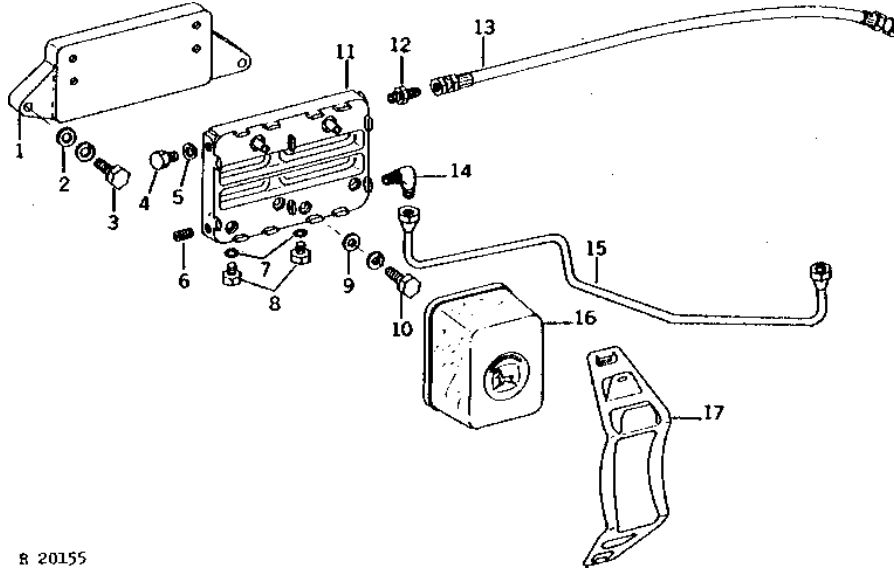
(A) INCLUDED IN AR77267

1E5

FUEL AND AIR

FUEL FILTER AND LINES (ENGINE SERIAL NO. -445947)

R20155 -UN-01JAN94



R 20155

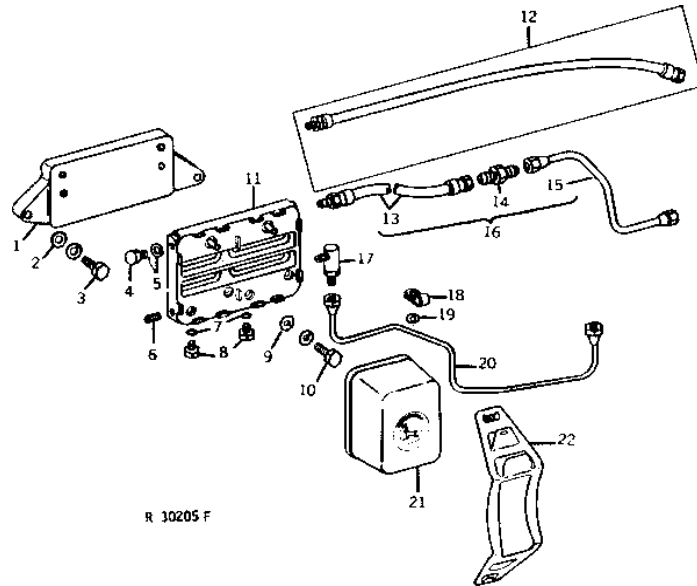
KEY	PART NO.	PART NAME	QTY	ENGINE SERIAL NO.	REMARKS
1	R50427	SUPPORT	1		(SUB RE24359) (ALSO ORDER (2) 12H293)
2	24H1323	WASHER	2		15/32" X 13/16" X 0.090"
3	19H2731	CAP SCREW	2		7/16" X 1-3/8"
	12H293	LOCK WASHER	2		7/16"
4	R50425	BLEED SCREW	1		
5	R50426	WASHER	1		
6	15H559	PIPE PLUG	1		1/4"
7	R34447	WASHER	2		
8	R48071	DRAIN PLUG	2		
9	24H1136	WASHER	4		11/32" X 11/16" X 0.065"
10	19H1905	CAP SCREW	4		5/16" X 1"
	12H303	LOCK WASHER	4		5/16"
11	AR54590	HOUSING	1		
12	R32136	FITTING	1		
13	AR68454	HOSE	1		(SUB FOR AR47296)
14	U45538	ELBOW FITTING	1		(SUB FOR AR54591)
15	AR61515	FUEL LINE	1		
16	AR50041	FUEL FILTER	2		
17	R66821	CLAMP	2		(SUB FOR R47358 OR R57258)

1E6

FUEL AND AIR

FUEL FILTER AND LINES (ENGINE SERIAL NO. 445948-)

R30205F -UN-01JAN94



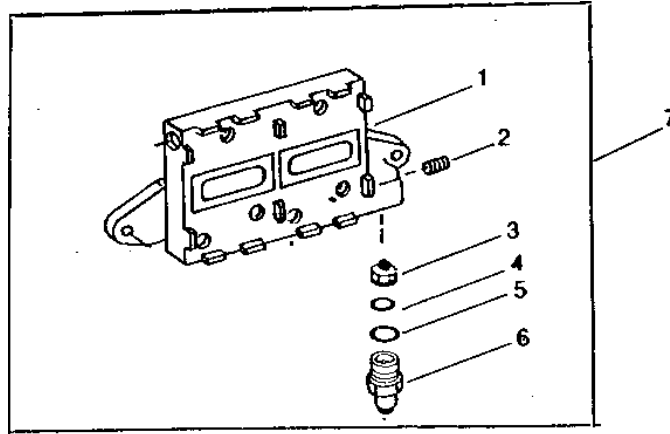
KEY	PART NO.	PART NAME	QTY	ENGINE SERIAL NO.	REMARKS
1	R50427	SUPPORT	1		(SUB RE24359) (ALSO ORDER (2) 12H293)
2	24H1323	WASHER	2		15/32" X 13/16" X 0.090"
3	19H2731	CAP SCREW	2		7/16" X 1-3/8"
4	12H293	LOCK WASHER	2		7/16"
5	R50425	BLEED SCREW	1		
6	R50426	WASHER	1		
7	15H559	PIPE PLUG	1		
8	R34447	WASHER	2		
9	R48071	DRAIN PLUG	2		
10	24H1136	WASHER	4		11/32" X 11/16" X 0.065"
11	19H1905	CAP SCREW	4		5/16" X 1"
12	12H303	LOCK WASHER	4		5/16"
13	AR54590	HOUSING	1		(SUB RE24359) (ALSO ORDER (2) 12H293)
14	AR76326	HOSE	1	-560138	
15	AR85332	HOSE	1	560139-	(SUB RE41171, R83489, R53901 AND R51133)
16	R50201	FITTING	1	560139-	
17	AR85333	FUEL LINE	1	560139-	(SUB RE41171, R83489, R53901 AND R51133)
18	AR85331	KIT	1	560139-	(SUB RE41171, R83489, R53901 AND R51133)
19	CHECK VALVE	1		(SUB AR73888)
20	T13814	CLAMP	1		(SUB FOR T30367, APPL)
21	24H1136	WASHER	1		11/32" X 11/16" X 0.065"
22	AR73822	FUEL LINE	1		
23	AR50041	FUEL FILTER	2		
24	R66821	CLAMP	2		(SUB FOR R47358 OR R57258)

1E7

FUEL AND AIR

RGP3482 -UN-01JAN94

FUEL FILTER BASE KIT



RGP 3482

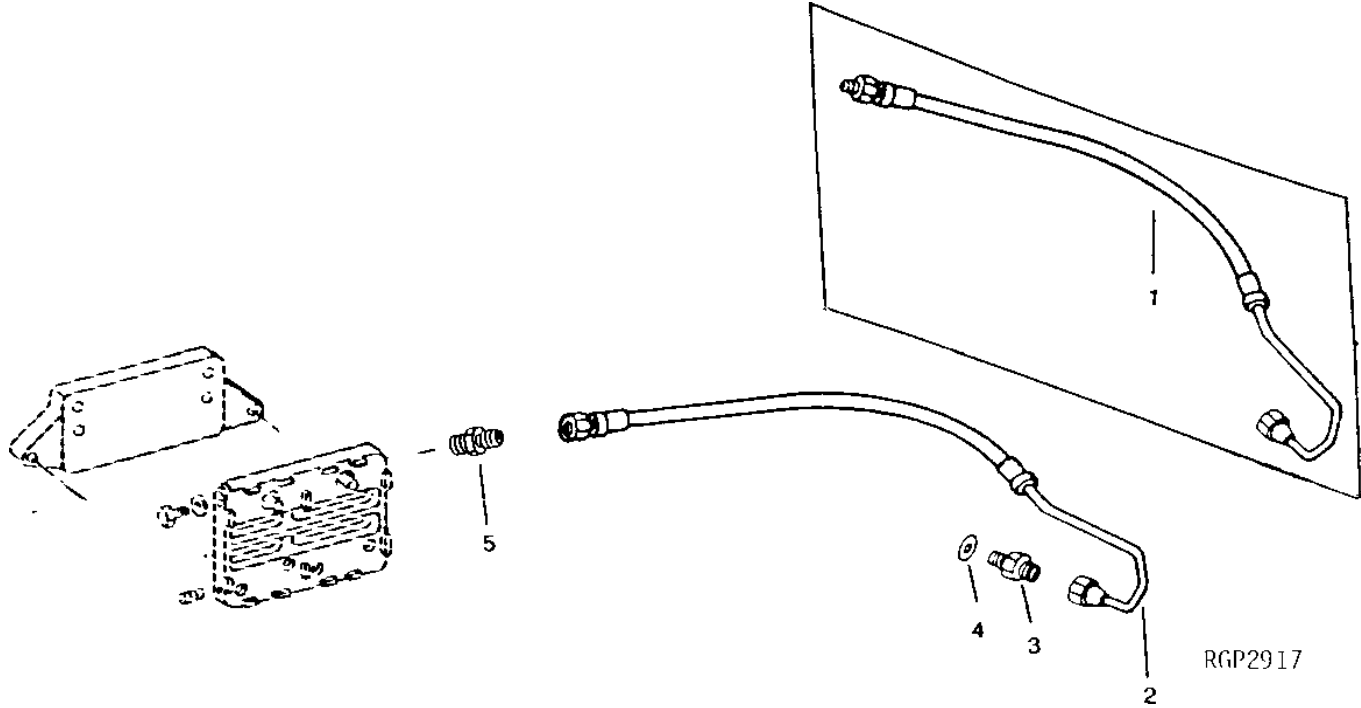
KEY	PART NO.	PART NAME	QTY	ENGINE SERIAL NO.	REMARKS
1	R81459	BASE	1		(SUB FOR R50427)
2	R104592	PIPE PLUG	1		
3	AR73824	CHECK VALVE	1		
4	P46051	O-RING	1		
5	R375R	O-RING	1		
6	R81460	FITTING	1		
	R81461	FITTING	NA		
7	RE24359	BASE	1		

1E8

FUEL AND AIR

RGP2917 -UN-02JAN94

REPLACEMENT FUEL INLET LINE



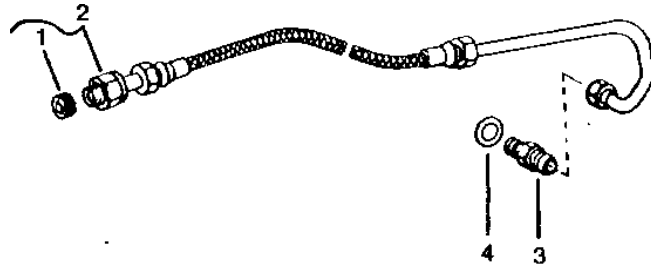
KEY	PART NO.	PART NAME	QTY	ENGINE SERIAL NO.	REMARKS
1	RE23155	FUEL LINE	1		(SUB RE41171 AND R51133, APPL)
2	RE35246	FUEL LINE	1		(SUB RE41171 AND R51133, APPL)
	RE28950	FUEL LINE	1		(SUB FOR AR85332, RE23155 OR RE35246) (SUB RE41171, APPL)
3	RE37340	FUEL LINE	1		(USE WITH R51133) (SUB RE41171, APPL)
	R83489	FITTING	1		
4	R53901	WASHER	1		
5	R26892	FITTING	1		(USE WITH RE35246)
	R51133	FITTING	1		(USE WITH RE28950, RE37340 OR RE41171)

1E9

FUEL AND AIR

RGP3244 -UN-01JAN94

REPLACEMENT FUEL INLET LINE



RGP3244

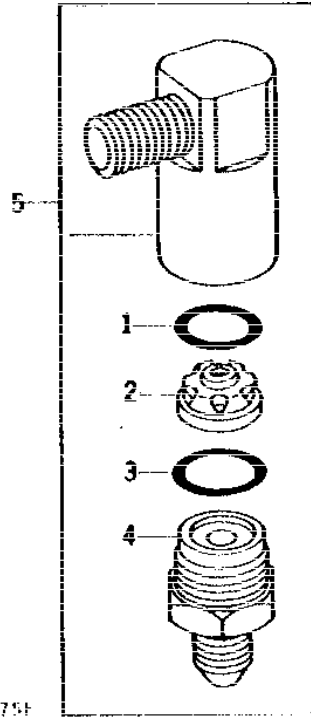
KEY	PART NO.	PART NAME	QTY	ENGINE SERIAL NO.	REMARKS
1	R67092	PACKING	1		
2	RE41171	FUEL LINE	1		(SUB FOR RE37340)
3	R83489	FITTING	1		
4	R53901	WASHER	1		

1E10

FUEL AND AIR

RG1175 -UN-01JAN94

FUEL CHECK VALVE
(ENGINE SERIAL NO. 445948-)



R61175

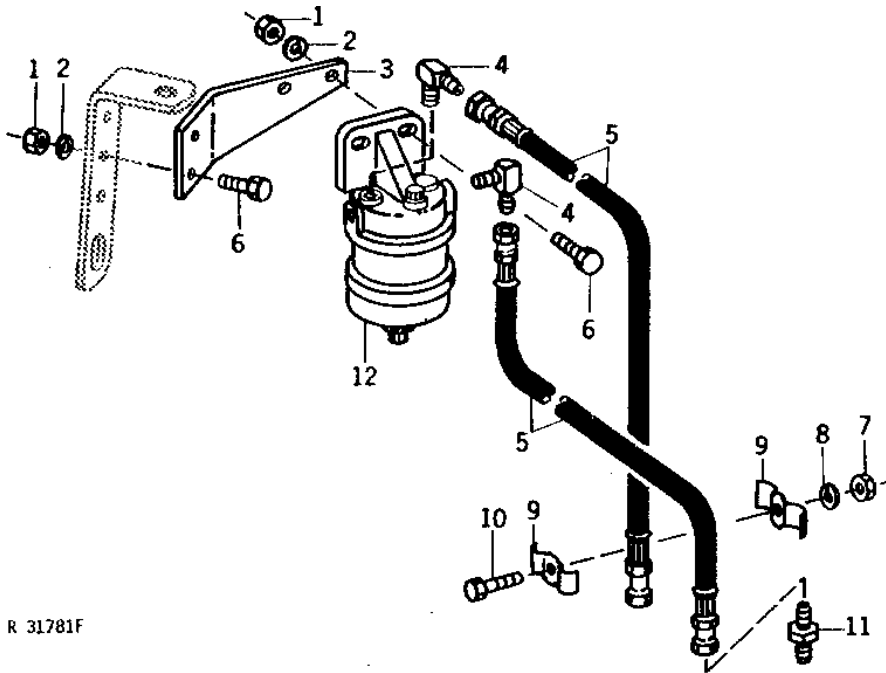
KEY	PART NO.	PART NAME	QTY	ENGINE SERIAL NO.	REMARKS
1	R27166	O-RING	1		
2	AR73824	CHECK VALVE	1		
3	R375R	O-RING	1		
4	R60863	FITTING	1		
5	AR73888	CHECK VALVE	1		

1E11

FUEL AND AIR

WATER SEPARATOR (NOT USED IN U.S. AND CANADA)

R31781 -UN-01JAN94



R 31781F

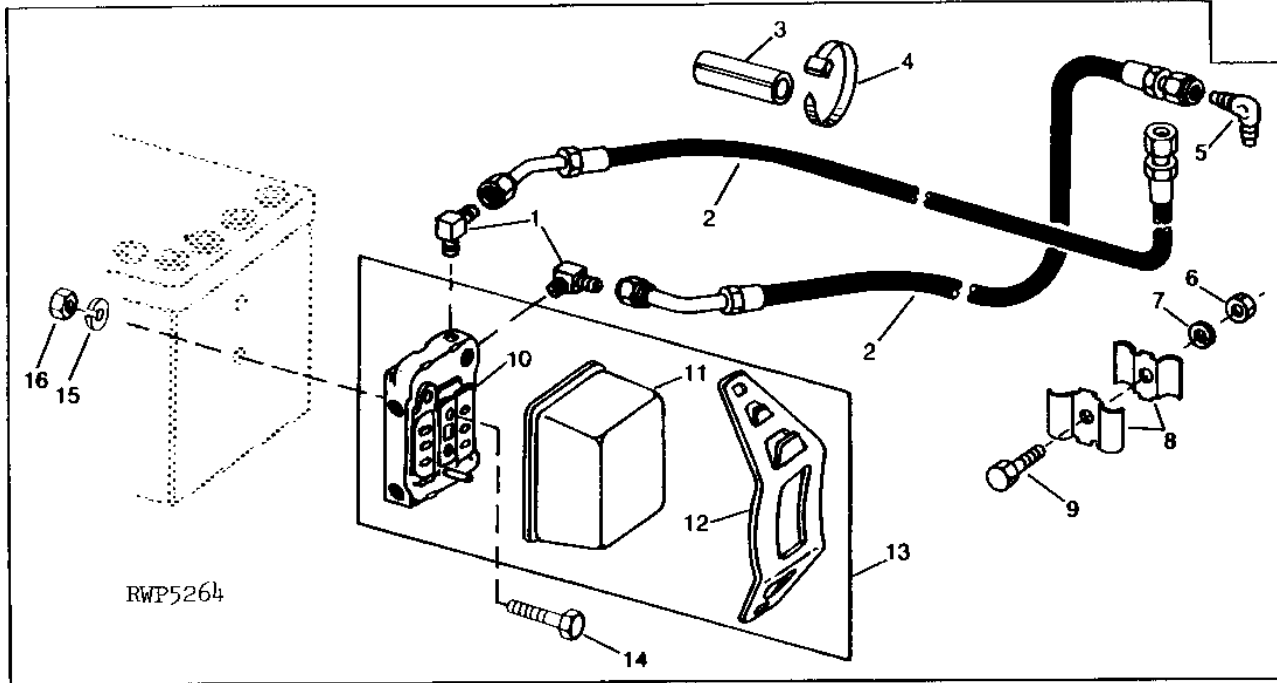
KEY	PART NO.	PART NAME	QTY	TRACTOR SERIAL NO.	REMARKS
1	14H812	NUT	4	3/8"	
2	12H304	LOCK WASHER	4	3/8"	
3	R65095	BRACKET	1		
4	AR26674	ELBOW FITTING	2		
5	AR47297	HYDRAULIC HOSE	2		
6	19H1800	CAP SCREW	4	3/8" X 1-1/2"	
7	14H785	NUT	1	5/16"	
8	12H303	LOCK WASHER	1	5/16"	
9	R34064	CLAMP	2		
10	19H2127	CAP SCREW	1	5/16" X 7/8"	
11	R50201	FITTING	1		
12	AR48926	SEPARATOR	1		
..	R44302	TIE BAND	AR		

1E12

FUEL AND AIR

RWP5264 -UN-18OCT94

WATER SEPARATOR



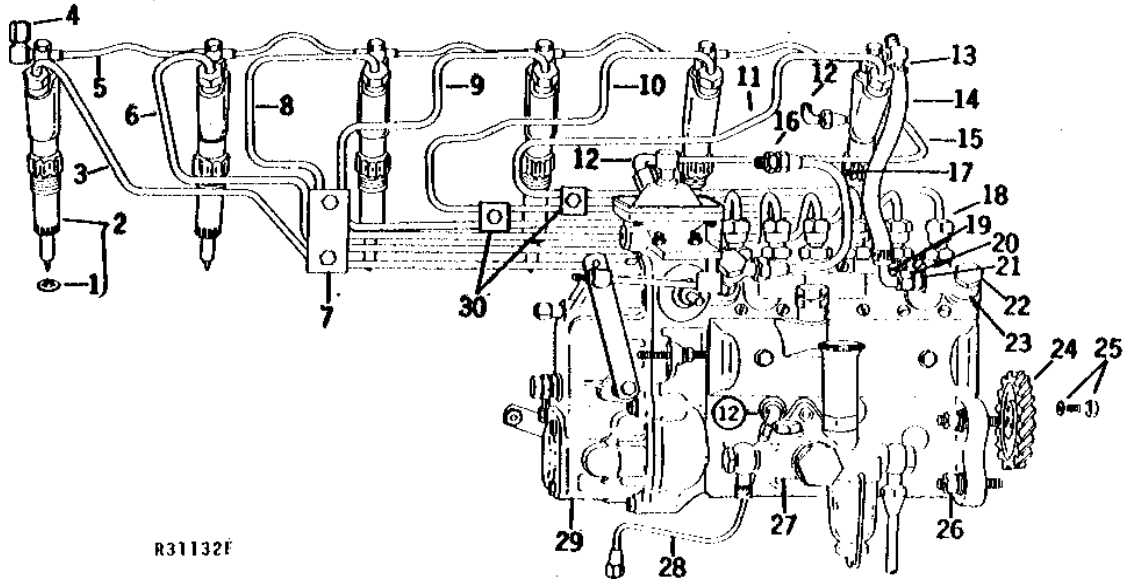
KEY	PART NO.	PART NAME	QTY	TRACTOR SERIAL NO.	REMARKS
1	U45538	ELBOW FITTING	2		(SUB FOR AR54591)
2	AR81856	HOSE	2		
3	R76658	HOSE	2		(SUB T57822)
4	R44302	TIE BAND	3		
5	M42827	ELBOW FITTING	1		
6	14H1076	NUT	1		3/8" HS, SAE 8
7	12H304	LOCK WASHER	1		3/8"
8	R34064	CLAMP	2		
9	19H1936	CAP SCREW	1		3/8" X 3/4"
10	AR86756	BASE	1		
11	AR86755	FILTER ELEMENT	1		
12	R66821	CLAMP	1		
13	AR86754	SEPARATOR	1		
14	19H1731	CAP SCREW	2		3/8" X 1"
15	12H304	LOCK WASHER	2		3/8"
16	14H1076	NUT	2		3/8" HS, SAE 8
17	RE17414	KIT	1		

1E13

FUEL AND AIR

FUEL INJECTION PUMP, NOZZLES, AND FUEL LINES (ENGINE SERIAL NO. -445947)

R31132 -UN-01JAN94



R31132F

KEY	PART NO.	PART NAME	QTY	ENGINE SERIAL NO.	REMARKS
1	R64840	WASHER	6		(SUB FOR R48633)
2	INJECTION NOZZLE	6		(SUB AR62986)
3	AR61521	FUEL LINE	1		NO. 6
4	R31147	FITTING	1		
5	AR68961	FUEL LINE	1		(SUB FOR AR50732)
6	AR61520	FUEL LINE	1		NO. 5
7	R26728	STRAP	1		
	R26789	STRAP	1		
	R26790	CUSHION	1		
	R48358	STRAP	1		
	R48360	STRAP	1		
	R48359	CUSHION	1		
	19H1948	CAP SCREW	5		1/4" X 3/4"
8	AR61519	FUEL LINE	1		NO. 4
9	AR61518	FUEL LINE	1		NO. 3
10	AR61517	FUEL LINE	1		NO. 2
11	AR61516	FUEL LINE	1		NO. 1
12	R57641	ELBOW FITTING	3		(SUB FOR R49415)
13	TY22462	CLAMP	2		(SUB FOR AR48236)
14	TY22418	BULK HOSE	1		229 MM (9") (SUB FOR R32639)
15	AR61513	FUEL LINE	1		
	R55662	HALF CLAMP	1	003927-	
	R55663	STRAP	1	003927-	
	12H294	LOCK WASHER	1	003927-XXXXXX	5/8"
	24H1139	WASHER	1	003927-XXXXXX	11/16" X 1-1/4" X 0.105"
16	R50201	FITTING	1		(SUB FOR U42417)
17	AR62062	FUEL LINE	1		
18	R469R	FITTING	12		
	R468R	SLEEVE	12		
19	R54088	FUEL LINE	1	-396687	(SUB AR104650)
	AR68332	FUEL LINE	1	396688-	
	AR104650	FUEL LINE	1		

1E14

FUEL AND AIR

FUEL INJECTION PUMP, NOZZLES AND FUEL LINES - CONTINUED
(ENGINE SERIAL NO. -445947)

KEY	PART NO.	PART NAME	QTY	ENGINE SERIAL NO.	REMARKS
20	R51937	TUBE NUT	1	-396687	
	R51936	PACKING	1	-396687	
21	AR56224	VALVE	1	-396687	(SUB AR68332 AND R58608, APPL)
22	R53903	FITTING	1		
23	R53162	FITTING	1	-396687	
	R58608	FITTING	1	396688-	
24	R68274	GEAR	1		(SUB FOR AR55487, AR88965 OR AR88905, APPL)
25	AR59115	SELF-LOCKING SCREW	3		(SUB 19H3336 AND R63845)
	19H3336	CAP SCREW	3		3/8" X 7/8"
	R63845	WASHER	3		
26	R55396	STUD	4		
	14H1090	NUT	4		3/8", (SUB FOR R32511 OR E55662, APPL)
	M72490	WASHER	4		(SUB FOR R42729)
27	AR63831	FUEL PUMP	1		(TO R39832 IN BLOCK)
28	AR61514	LINE	1		
29	AR70344	FUEL INJECTION PUMP	1		(A) (PES6A100D410RS3020) (SUB FOR AR61996) (NLA)
30	AR53461	CLAMP	2	-XXXXXX	
	R49629	CLAMP	2	-XXXXXX	
	14H786	NUT	2	-XXXXXX	1/4"
	12H302	LOCK WASHER	2	-XXXXXX	1/4"
	R58186	CLAMP	4	XXXXXX-	
	R59305	STRAP	2	XXXXXX-	
	R61144	STRAP	2	XXXXXX-	
	AR76704	SCREW	2	XXXXXX-	

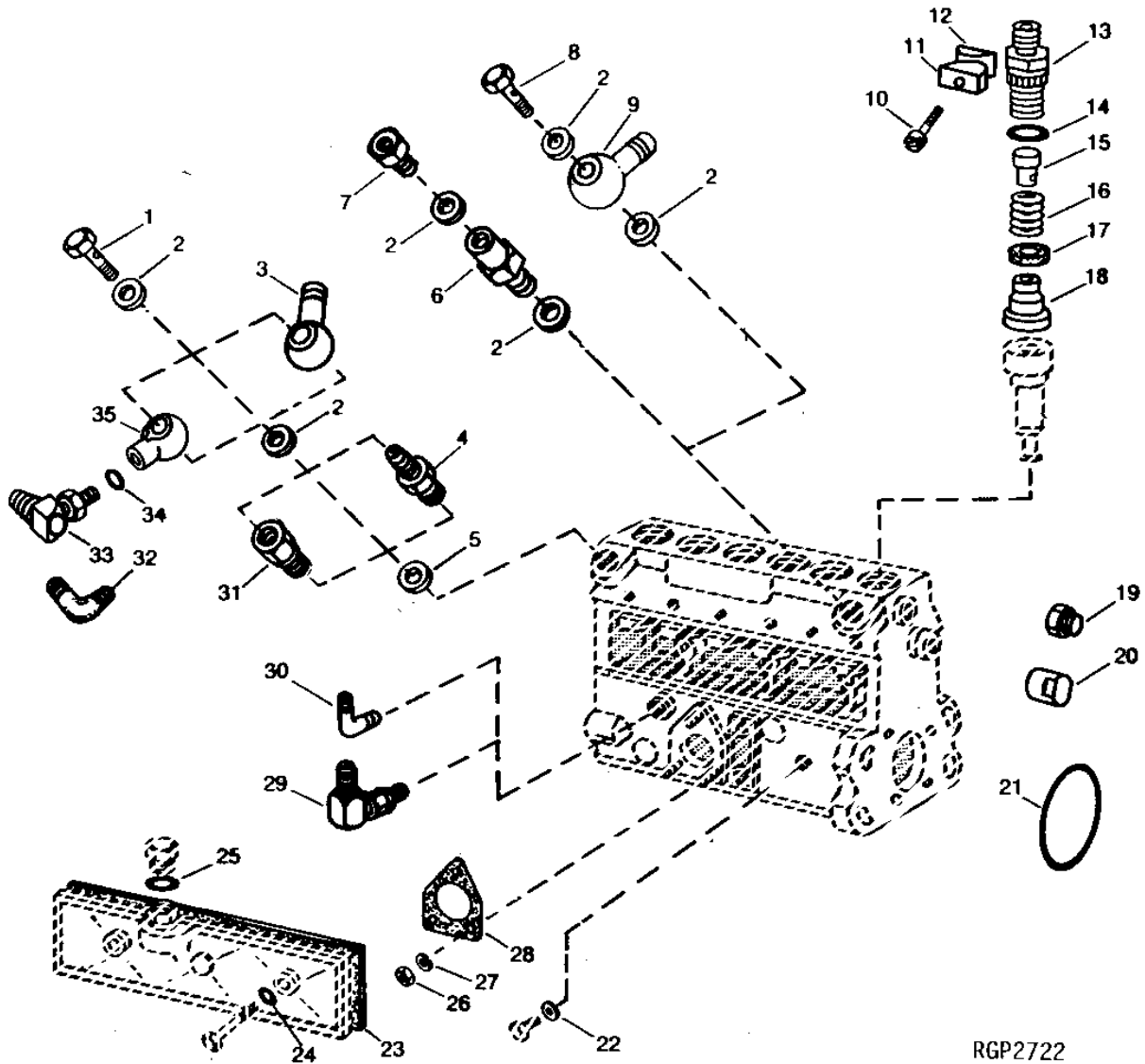
(A) "SEE YOUR AUTHORIZED PUMP REPAIR STATION FOR PARTS NOT LISTED."

1E15

FUEL AND AIR

FUEL INJECTION PUMP HOUSING CONNECTORS (ENGINE SERIAL NO. 335846-)

RGP2722 -UN-01JAN94



1E16

FUEL AND AIR

FUEL INJECTION PUMP HOUSING CONNECTORS - CONTINUED
(ENGINE SERIAL NO. 335846-)

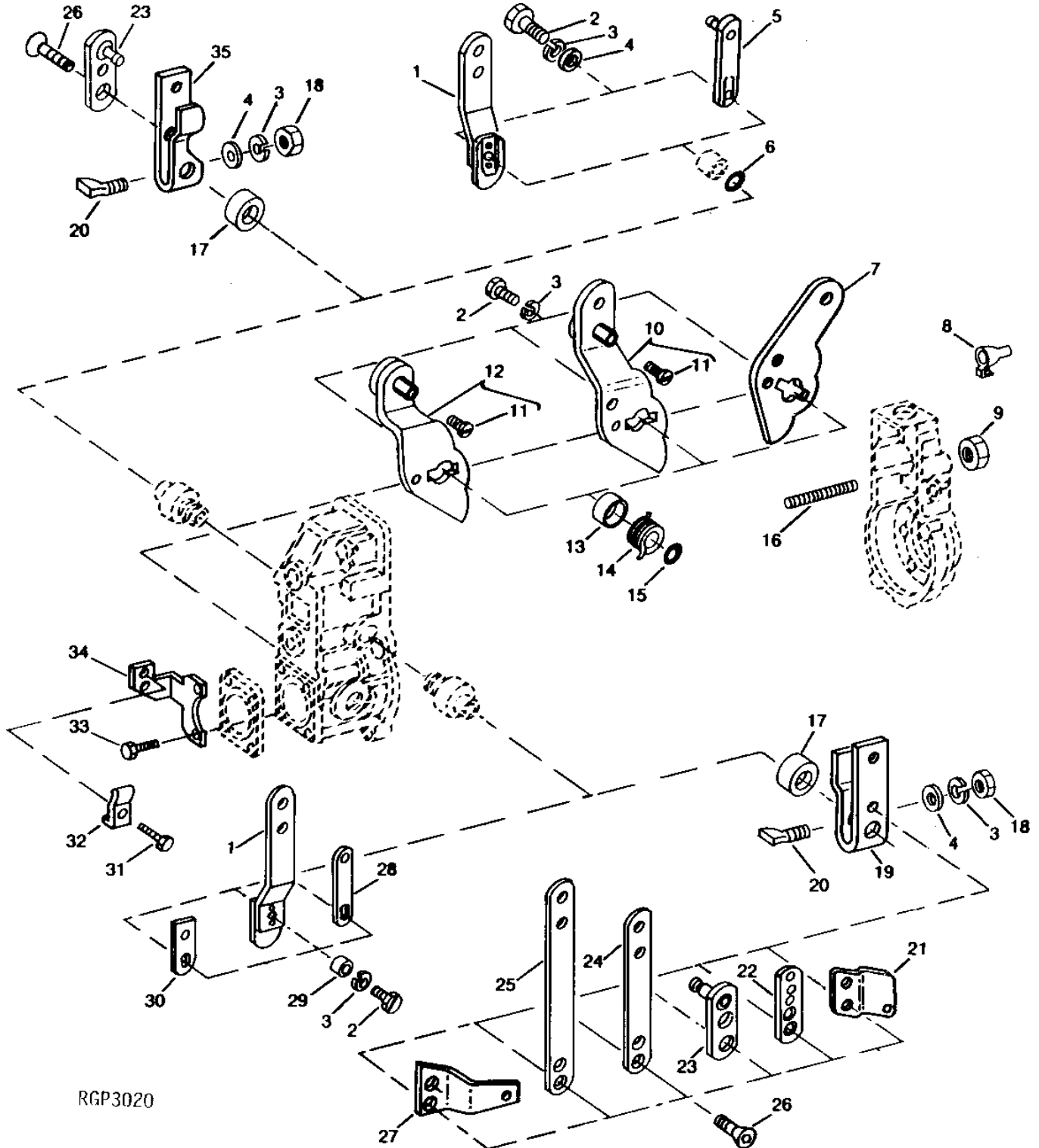
KEY	PART NO.	PART NAME	QTY	ENG. SER. NO. OR PUMP DATE	REMARKS
1	R53903	FITTING	1		
2	R53901	WASHER	4		
	WASHER	NA		
3	R53902	FITTING	1	-445947	
4	R83490	FITTING	1		(USE WITH RE23155)
5	R53899	WASHER	1		
6	VALVE	NA		
7	ADAPTER	NA		
8	VALVE	NA		
	R53903	FITTING	1		
9	FITTING	NA		
	R53162	FITTING	1	-383898	
	R58608	FITTING	1	383899-	
10	R54859	SCREW	3		
11	R54857	JAW	3		
12	R54858	JAW	3		
13	R54855	HOLDER	6	-445947	
	R63065	HOLDER	6	445948-	
14	R54856	O-RING	6		
15	R54881	INSERT	6		
16	R54854	SPRING	6		
17	R54853	SHIM	6		
18	R54892	VALVE	6		
	VALVE	NA		
	VALVE	NA		
19	AR69158	CAP	1	383899-	
20	R54928	NUT	1	-383898	
21	R54873	O-RING	1		
22	WASHER	NA		
23	R68435	GASKET	1		(SUB FOR R54875)
24	T24224	WASHER	2	-822	
	R67877	O-RING	2	823-	
25	R54004	WASHER	1		
26	T31556	NUT	3		
27	T24229	LOCK WASHER	3		
28	R67879	GASKET	1		
29	FITTING	NA		
30	FITTING	NA		
31	R53900	ADAPTER	1		
	ADAPTER	NA		
32	U45538	ELBOW FITTING	1	445948-	
33	FITTING	NA		
34	O-RING	NA		
35	R53162	FITTING	1	445948-	

1E17

FUEL AND AIR

RGP3020 -UN-19SEP94

FUEL INJECTION PUMP LEVERS AND CONTROLS



RGP3020

1E18

FUEL AND AIR

FUEL INJECTION PUMP LEVERS AND CONTROLS - CONTINUED

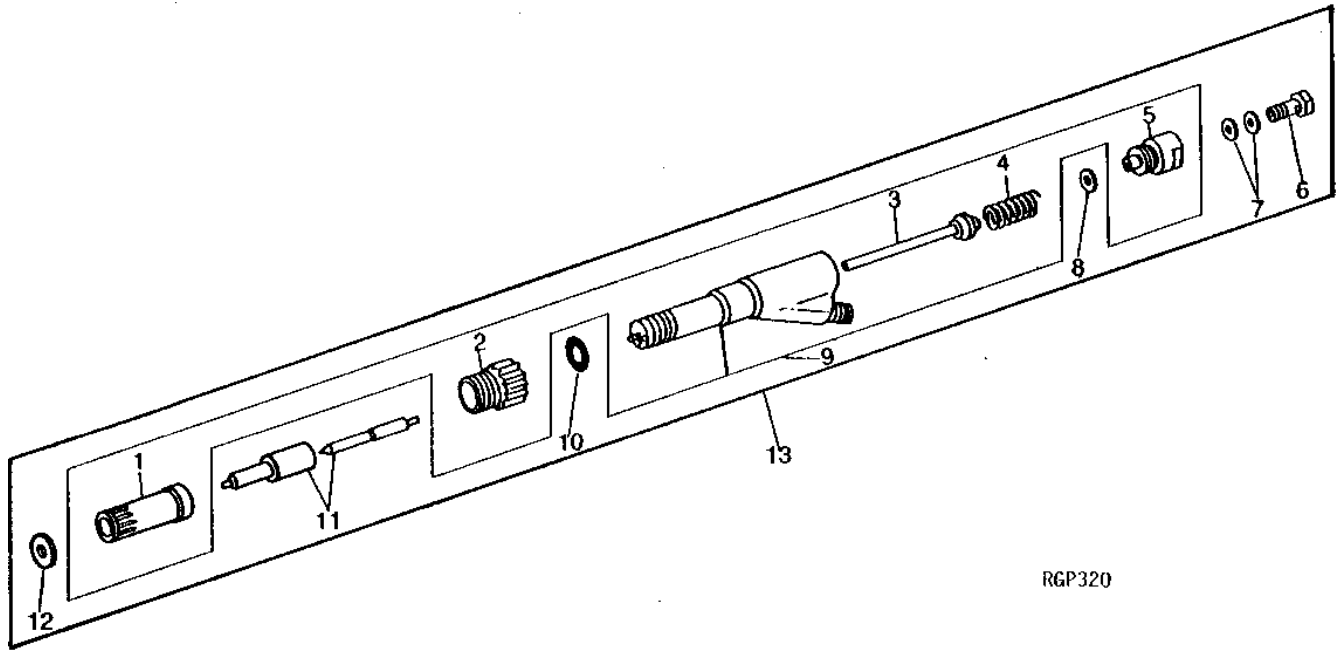
KEY	PART NO.	PART NAME	QTY	ENGINE SERIAL NO.	REMARKS
1	LEVER	NA		
2	R53976	SCREW	3		
	CAP SCREW	NA		
3	T24229	LOCK WASHER	2		
4	24M7088	WASHER	2		6.600 X 12 X 1.600 MM
5	AR63564	LEVER	1		
6	R53937	O-RING	1		
7	LEVER	NA		
8	R53918	PACKING	1		
9	T31556	NUT	1		
10	AR63565	LEVER	1		
11	R60921	SCREW	1		
12	LEVER	NA		
13	R68438	RETAINER	1		(SUB FOR R53956)
14	R54922	SPRING	1		
	SPRING	NA		
15	R53955	O-RING	1		
16	R60914	SET SCREW	1		(SUB FOR R53917)
17	SEAL	NA		
18	NUT	NA		
19	LEVER	NA		
20	PIN	NA		
21	LEVER	NA		
22	LEVER	NA		
23	LEVER	NA		
24	LEVER	NA		
25	LEVER	NA		
26	SCREW	NA		
27	LEVER	NA		
28	R55065	LEVER	1	-445947	
	LEVER	NA		
29	R53975	WASHER	1	-445947	
30	LEVER	NA		
31	SCREW	NA		
32	CLIP	NA		
33	R54926	CAP SCREW	2	445948-	
34	R55066	BRACKET	1	445948-	
35	LEVER	NA		

1E19

FUEL AND AIR

FUEL INJECTION NOZZLE
(ENGINE SERIAL NO. -445947)

RGP320 -UN-01JAN94



RGP320

KEY	PART NO.	PART NAME	QTY	ENGINE SERIAL NO.	REMARKS
1	R48696	NUT	1		
2	R48695	NUT	1		
3	R48689	SPINDLE	1		
4	R48691	SPRING	1		
5	R48692	PLUG	1		
6	R48694	SCREW	1		
7	R48693	WASHER	2		
8	R48698	WASHER	1	1.09 MM (.043")	
	R48699	WASHER	1	1.14 MM (.045")	
	R48700	WASHER	1	1.19 MM (.047")	
	R48701	WASHER	1	1.24 MM (.049")	
	R48702	WASHER	1	1.30 MM (.051")	
	R48703	WASHER	1	1.35 MM (.053")	
	R48704	WASHER	1	1.40 MM (.055")	
	R48705	WASHER	1	1.45 MM (.057")	
	R48706	WASHER	1	1.50 MM (.059")	
	R49549	WASHER	1	1.55 MM (.061")	
	R49551	WASHER	1	1.60 MM (.063")	
	R49552	WASHER	1	1.65 MM (.065")	
	R49553	WASHER	1	1.70 MM (.067")	
	R49554	WASHER	1	1.75 MM (.069")	
	R49555	WASHER	1	1.80 MM (.071")	
	R49556	WASHER	1	1.85 MM (.073")	
	R49557	WASHER	1	1.91 MM (.075")	
	R49558	WASHER	1	1.96 MM (.077")	
9	AR52375	HOUSING	1		
10	R51603	O-RING	1		
11	R55083	NOZZLE	1		
12	R64840	WASHER	1	(SUB FOR R48633)	
13	AR62986	INJECTION NOZZLE	6		

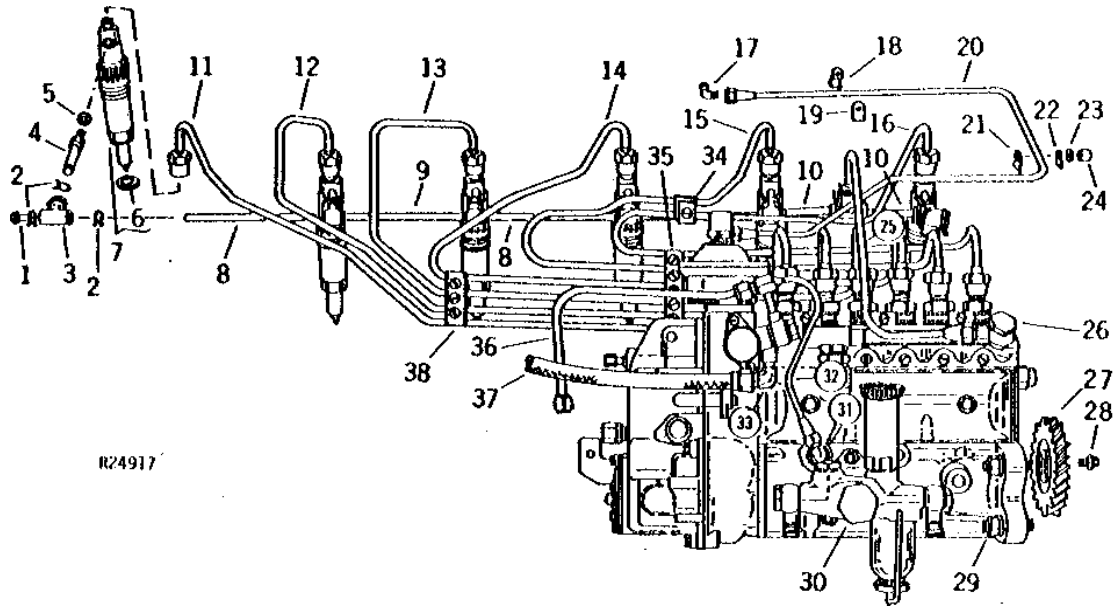
MEMORANDA

1E20

FUEL AND AIR

FUEL INJECTION PUMP, NOZZLES, AND FUEL LINES (ENGINE SERIAL NO. 445948-)

R24917 -UN-01JAN94



KEY	PART NO.	PART NAME	QTY	ENGINE SERIAL NO.	REMARKS
1	16H644	RIVET	1		1/4" X 1/2"
2	R34766	CLAMP	21		
3	T23425	BOOT	7		
4	R59293	FITTING	6		(SUB (6) R87082 AND (6) R77551)
	R87082	FITTING	6		(SUB FOR R83558 OR R59253)
5	R59294	WASHER	6		(USE WITH R59293 OR R83558)
	R77551	O-RING	6		(VITON)
6	R64840	WASHER	1		(SUB FOR R59104)
7	INJECTION NOZZLE	6		(SUB AR74664)
8	R60877	LINE	2		
9	R60876	FUEL LINE	2		
10	R62245	FUEL LINE	2		
11	AR96862	FUEL LINE	1		NO. 6, (SUB FOR AR69451)
12	AR96861	FUEL LINE	1		NO. 5, (SUB FOR AR69450)
13	AR96860	FUEL LINE	1		NO. 4, (SUB FOR AR69449)
14	AR96859	FUEL LINE	1		NO. 3, (SUB FOR AR69448)
15	AR96858	FUEL LINE	1		NO. 2, (SUB FOR AR69447)
16	AR96857	FUEL LINE	1		NO. 1, (SUB FOR AR69446)
17	R57641	ELBOW FITTING	1		
18	R27528	CLAMP	1		
19	R27256	STRAP	1		
20	AR77448	FUEL LINE	1		
	T18012	ELBOW FITTING	1		
21	R27528	CLAMP	1		
22	R31655	STRAP	1		
23	24H1305	WASHER	1		13/32" X 13/16" X 0.065"
24	28H1525	BUSHING	1		
25	AR76502	FUEL LINE	1		
26	AR73518	FUEL INJECTION PUMP	1		(A) (PES6A100D410RS3025) (NLA)
27	R68274	GEAR	1		(SUB FOR AR55487, AR78345, AR88965 OR AR88905, APPL)
28	AR59115	SELF-LOCKING SCREW	3		(SUB 19H3336 AND R63845)
	19H3336	CAP SCREW	3		3/8" X 7/8"
	R63845	WASHER	3		
29	R55396	STUD	4		
	M72490	WASHER	4		(SUB FOR R42729)
	12H304	LOCK WASHER	4		3/8"
	14H1090	NUT	4		3/8", (SUB FOR R32511 OR E55662)
30	FUEL PUMP	1		(SUB AR63831)

(A) "SEE YOUR AUTHORIZED PUMP REPAIR STATION FOR PARTS NOT LISTED."

1E21

FUEL AND AIR

FUEL INJECTION PUMP, NOZZLES, AND FUEL LINES - CONTINUED
(ENGINE SERIAL NO. 445948-)

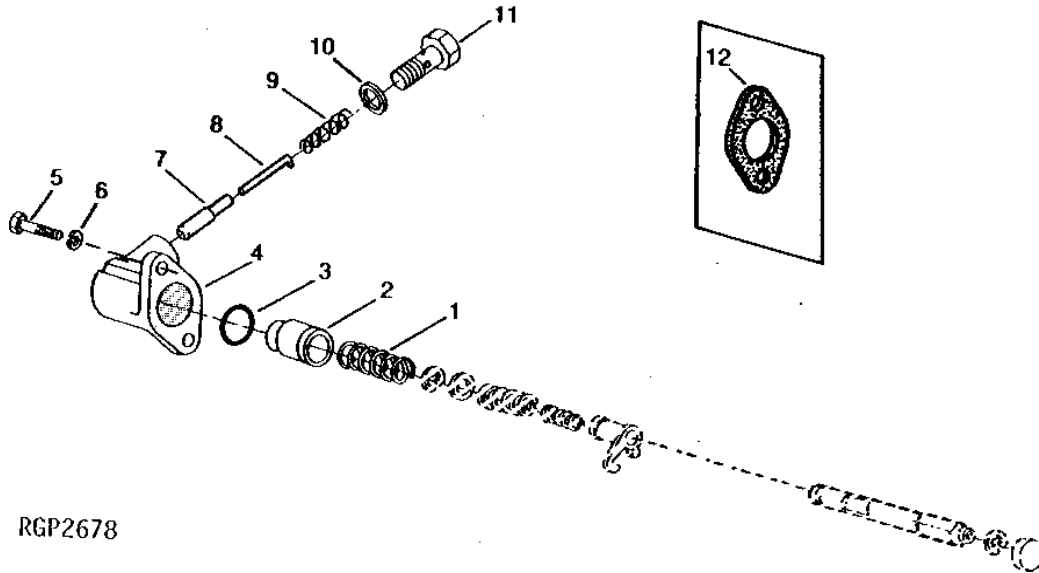
KEY	PART NO.	PART NAME	QTY	ENGINE SERIAL NO.	REMARKS
31	R57641	ELBOW FITTING	1		
32	AR76158	OIL LINE	1		
33	U45538	ELBOW FITTING	1		(USE WITH AR76326 OR AR85333)
34	R58186	CLAMP	2		
	R61144	STRAP	1		
	R59305	STRAP	1		
	21H1463	CAP SCREW	1	0.190" X 7/8"	
	12H246	LOCK WASHER	1	0.190"	
35	R59302	CLAMP	2		
	R61147	RETAINER	1		
	R59304	REINFORCEMENT	1		
	19H3351	CAP SCREW	5	0.190" X 7/8"	
	12H246	LOCK WASHER	5	0.190"	
36	AR101137	OIL LINE	1		(SUB FOR AR76488 OR AR89353)
	R51936	PACKING	1		
37	AR76326	HOSE	1	-561038	(SUB RE23155, R83489 AND R53901)
	AR85333	FUEL LINE	1	561039-	(SUB RE23155, R83489 AND R53901)
38	R59299	CLAMP	2		
	R61146	STRAP	1		
	R59300	STRAP	1		
	21H1463	CAP SCREW	3	0.190" X 7/8"	
	12H246	LOCK WASHER	3	0.190"	

1E22

FUEL AND AIR

HYDRAULIC ANEROID ACTIVATOR (ENGINE SERIAL NO. 445948-)

RGP2678 -UN-01JAN94



KEY	PART NO.	PART NAME	QTY	ENG. SER. NO. OR PUMP DATE	REMARKS
1	R63059	SPRING	1		
2	R63060	PISTON	1		
3	R67886	O-RING	1	823-	
4	R67885	HOUSING	1		(SUB FOR R63062) (ALSO ORDER R67886)
5	R63063	SCREW	2		
6	R54880	LOCK WASHER	2		
7	R62104	VALVE	1		
8	R62105	PIN	1		
9	R26373	SPRING	1		
10	R62107	WASHER	2		
11	R62106	SCREW	1		
12	R63061	GASKET	1	-822	

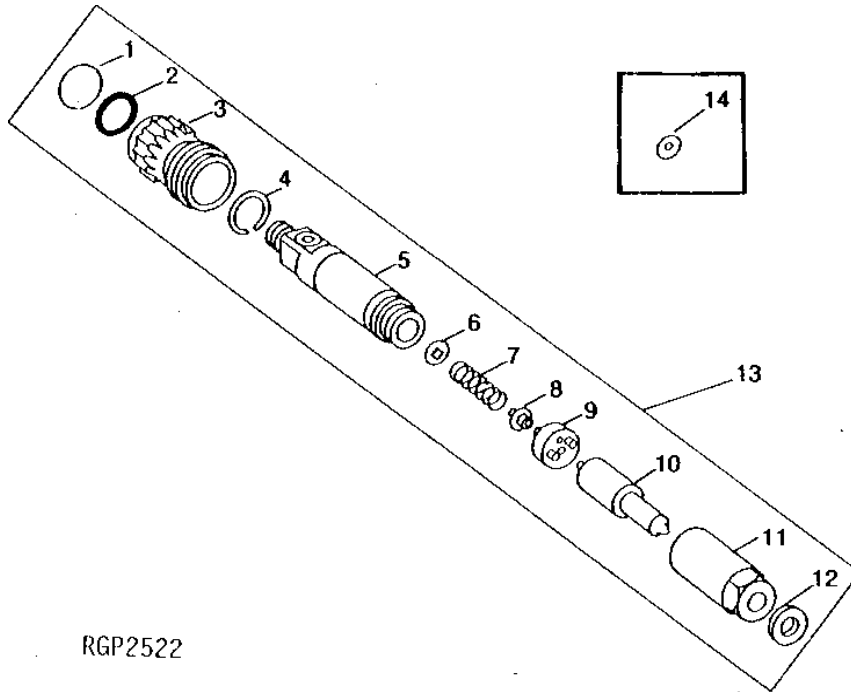
MEMORANDA

1E23

FUEL AND AIR

FUEL INJECTION NOZZLE
(ENGINE SERIAL NO. 445948-)

RGP2522 -UN-01JAN94



RGP2522

1E24

FUEL AND AIR

FUEL INJECTION NOZZLE - CONTINUED
(ENGINE SERIAL NO. 445948-)

KEY	PART NO.	PART NAME	QTY	ENG. SER. NO. OR PUMP DATE	REMARKS
1	R60277	SNAP RING	1		
2	R51603	O-RING	1		
3	R60279	NUT	1		
4	R60278	SNAP RING	1		
5	R60272	NOZZLE HOLDER	1		(SUB AR74664)
6	R83720	WASHER	1		1.02 MM (.0402")
	R83721	WASHER	1		1.08 MM (.0425")
	R83722	WASHER	1		1.12 MM (.0441")
	R83723	WASHER	1		1.18 MM (.0465")
	R83724	WASHER	1		1.22 MM (.0480")
	R83725	WASHER	1		1.28 MM (.0504")
	R83726	WASHER	1		1.30 MM (.0512")
	R83727	WASHER	1		1.38 MM (.0543")
	R83728	WASHER	1		1.42 MM (.0559")
	R83729	WASHER	1		1.48 MM (.0583")
	R83730	WASHER	1		1.50 MM (.0591")
	R83731	WASHER	1		1.58 MM (.0622")
	R83732	WASHER	1		1.60 MM (.0630")
	R83733	WASHER	1		1.68 MM (.0661")
	R83734	WASHER	1		1.70 MM (.0669")
	R83735	WASHER	1		1.78 MM (.0701")
	R83736	WASHER	1		1.82 MM (.0717")
	R83737	WASHER	1		1.88 MM (.0740")
	R83738	WASHER	1		1.90 MM (.0748")
	R83739	WASHER	1		1.98 MM (.0780")
7	R60273	SPRING	1		
8	R60274	SEAT	1		
9	R60275	PLATE	1		
10	AR74667	NOZZLE	1		(4 X 0.345)
11	R60276	NUT	1		
12	R64840	WASHER	1		
13	AR74664	INJECTION NOZZLE	6		
14	R60280	WASHER	1		0.99 MM (.039") (SUB R83720)
	R60281	WASHER	1		1.04 MM (.041") (SUB R83721)
	R60282	WASHER	1		1.09 MM (.043") (SUB R83722)
	R60283	WASHER	1		1.14 MM (.045") (SUB R83723)
	R60284	WASHER	1		1.19 MM (.047") (SUB R83724)
	R60285	WASHER	1		1.24 MM (.049") (SUB R83725)
	R60286	WASHER	1		1.29 MM (.051") (SUB R83726)
	R60287	WASHER	1		1.34 MM (.053") (SUB R83727)
	R60288	WASHER	1		1.39 MM (.055") (SUB R83728)
	R60289	WASHER	1		1.44 MM (.057") (SUB R83729)
	R60290	WASHER	1		1.49 MM (.059") (SUB R83730)
	R60291	WASHER	1		1.54 MM (.061") (SUB R83731)
	R60292	WASHER	1		1.60 MM (.063") (SUB R83732)
	R60293	WASHER	1		1.65 MM (.065") (SUB R83733)
	R60294	WASHER	1		1.70 MM (.067") (SUB R83734)
	R60295	WASHER	1		1.75 MM (.069") (SUB R83735)
	R60296	WASHER	1		1.80 MM (.071") (SUB R83736)
	R60297	WASHER	1		1.85 MM (.073") (SUB R83737)
	R60298	WASHER	1		1.90 MM (.075") (SUB R83738)
	R60299	WASHER	1		1.95 MM (.077") (SUB R83739)

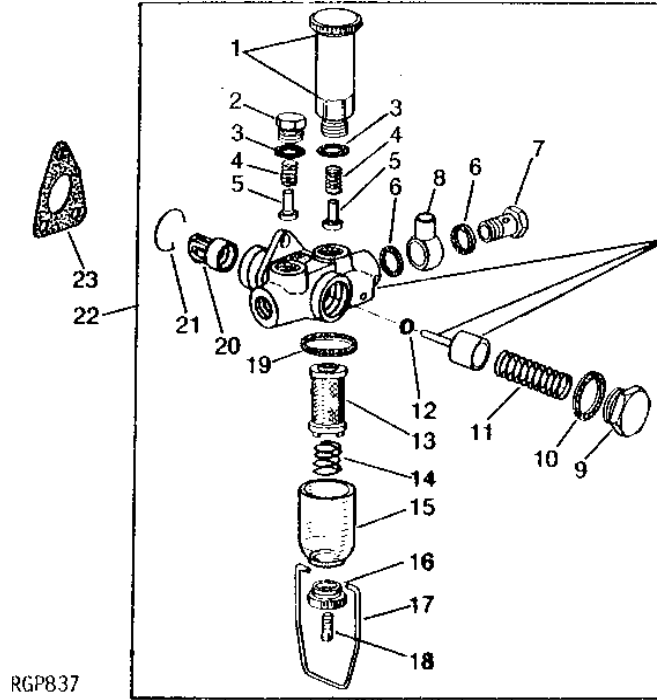
MEMORANDA

1E25

FUEL AND AIR

RGP837 -UN-01JAN94

FUEL TRANSFER PUMP



RGP837

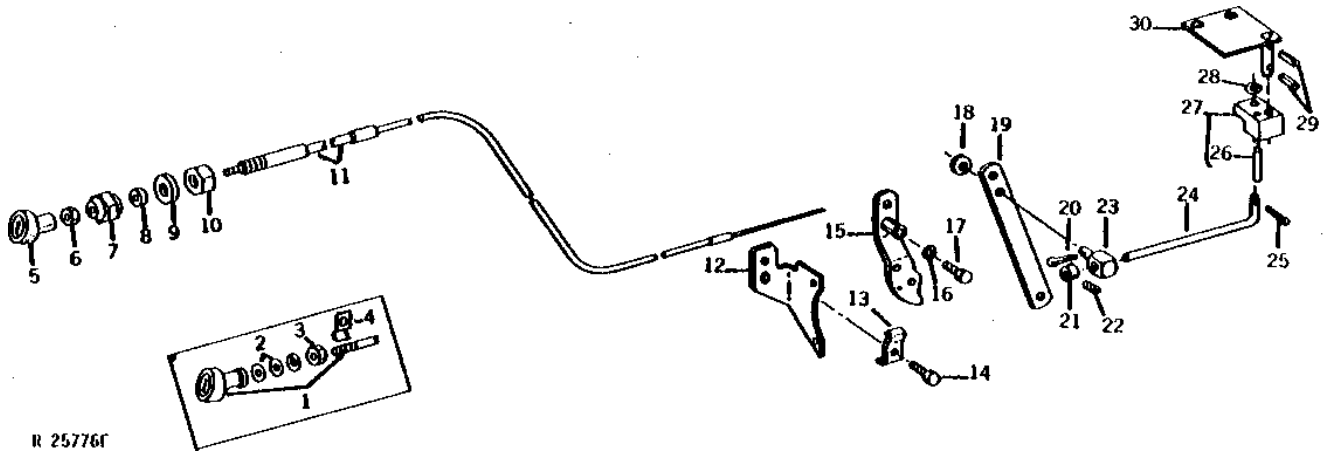
KEY	PART NO.	PART NAME	QTY	ENGINE SERIAL NO.	REMARKS
1	RE48048	HAND PRIMER	1		(SUB FOR R54033 OR R70135)
2	R54024	PLUG	1		
3	R54025	WASHER	2		
4	R54023	SPRING	2		
5	R54022	VALVE	2		
6	R53901	WASHER	4		
7	R53903	FITTING	2		
8	R53902	FITTING	2		
9	R54015	DRAIN PLUG	1		(SUB FOR R55069)
10	R64861	WASHER	1		(SUB FOR R54016)
11	R54011	SPRING	1		
12	R54013	O-RING	1		
13	R54026	FILTER	1		
14	R54029	SPRING	1		
15	R54027	HOUSING	1		
16	R54031	NUT	1		
17	R54030	CLIP	1		
18	R54032	STUD	1		
19	R67074	GASKET	1		(SUB FOR R54028)
20	AR73857	TAPPET	1		
21	R54021	SNAP RING	1		
22	AR63831	FUEL PUMP	1		
23	R67879	GASKET	1		(SUB FOR R53161)

1F1

FUEL AND AIR

ANEROID CONTROL AND FUEL SHUT-OFF
(ENGINE SERIAL NO. -383898)

R25776 -UN-01JAN94



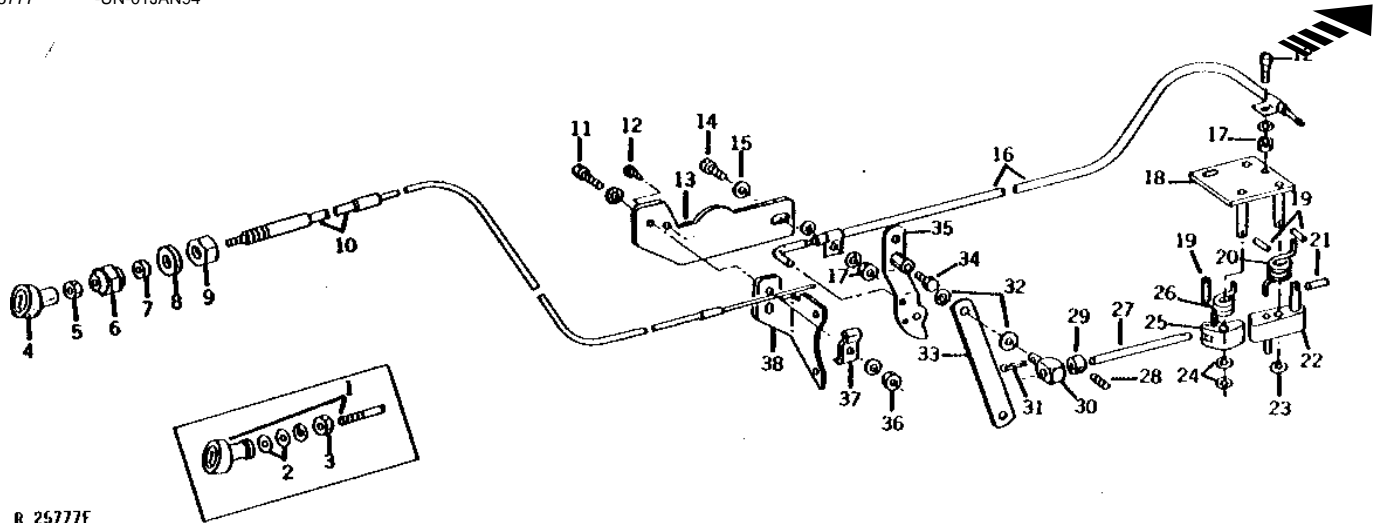
KEY	PART NO.	PART NAME	QTY	TRACTOR SERIAL NO.	REMARKS
1	AR59443	PUSH PULL CABLE	1	-XXXXXX	(SUB AR77679, R62899, R62900, R55202, 14H649, 24M7096 AND 12H303)
2	24H1299	WASHER	2	-XXXXXX	3/8" X 1-1/4" X 0.065"
3	14H774	NUT	1	-XXXXXX	3/8"
	12H304	LOCK WASHER	1	-XXXXXX	3/8"
4	R20497	CLAMP	2	-XXXXXX	
5	R55202	KNOB	1	XXXXXX-	
6	14H649	NUT	1	XXXXXX-	1/4"
7	R62899	NUT	1	XXXXXX-	
8	R62900	WASHER	1	XXXXXX-	
9	24M7096	WASHER	1	XXXXXX-	10.500 X 18 X 1.600 MM
10	14H774	NUT	1	XXXXXX-	3/8"
11	AR77679	PUSH PULL CABLE	1	XXXXXX-	(FUEL SHUT-OFF)
12	R55066	BRACKET	1		
13	R53300	CLIP	1		
14	37H133	SCREW	1		0.164" X 5/8"
15	AR63565	LEVER	1		
16	T24229	LOCK WASHER	1		
17	R60921	SCREW	1		
18	24H1286	WASHER	1		9/32" X 1/2" X 1/16"
19	R55065	LEVER	1		
20	11M7079	COTTER PIN	1		0.098" X 0.472"
21	R54294	SHIFT COLLAR	1		
22	R30725	SCREW	1		
23	R42912	SWIVEL	1		
24	R54392	CONTROL LEVER	1		
25	11M7005	COTTER PIN	1		0.063" X 0.394"
26	34H266	SPRING PIN	1		5/32" X 1"
27	AR62240	LEVER	1		
28	24H1283	WASHER	1		7/32" X 1/2" X 0.049"
29	34H228	SPRING PIN	2		3/32" X 9/16"
30	AR62239	BRACKET	1		

1F2

FUEL AND AIR

ANEROID CONTROL AND FUEL SHUT-OFF (ENGINE SERIAL NO. 383899-430385)

R25777 -UN-01JAN94



R 25777F

KEY	PART NO.	PART NAME	QTY	TRACTOR SERIAL NO.	REMARKS
1	AR65796	PUSH PULL CABLE	1	-XXXXXX	(SUB AR77678, R62899, R62900, R55202, 14H649, 12H304 AND 24M7096)
2	24H1299	WASHER	2	-XXXXXX	3/8" X 1-1/4" X 0.065"
3	14H774	NUT	1	-XXXXXX	3/8"
	12H304	LOCK WASHER	1	-XXXXXX	3/8"
4	R55202	KNOB	1	XXXXXX-	
5	14H649	NUT	1	XXXXXX-	1/4"
6	R62899	NUT	1	XXXXXX-	
7	R62900	WASHER	1	XXXXXX-	
8	24M7096	WASHER	1	XXXXXX-	10.500 X 18 X 1.600 MM
9	14H774	NUT	1	XXXXXX-	3/8"
10	AR77678	CABLE	1	XXXXXX-	(FUEL SHUT-OFF)
11	21H1319	SCREW	1		(A) 0.164" X 7/8"
	12M7084	LOCK WASHER	1		(A) 0.169"
12	37H44	SCREW	1		(A) 0.151" X 3/8"
13	R57841	GUIDE	1		(A) (NLA)
14	21H981	SCREW	2		(A) 0.190" X 1/2"
15	24H1286	WASHER	1		(A) 9/32" X 1/2" X 1/16"
16	AR69541	CABLE	1		(A)
17	14H778	NUT	2		(A) 0.190"
	12H246	LOCK WASHER	2		(A) 0.190"
18	AR69539	BRACKET	1		(A)
19	34H228	SPRING PIN	3		(A) 3/32" X 9/16"
20	R57885	SPRING	1		(A) (YELLOW)
21	34H206	SPRING PIN	1		(A) 5/64" X 1/4"
22	AR69538	LEVER	1		(A) (SUB AR73544 AND R60649)
23	B1664R	SHIM	1		(A)
24	24H1286	WASHER	2		(A) 9/32" X 1/2" X 1/16"
25	R57838	LATCH	1		(A) (SUB R60649 AND AR73544)
26	R57714	SPRING PIN	1		(A) (GREEN)
27	R57840	SHEAR PIN	1		(A)
28	R30725	SCREW	1		
29	R54294	SHIFT COLLAR	1		
30	R42912	SWIVEL	1		
31	11M7079	COTTER PIN	1		0.098" X 0.472"
32	24H1286	WASHER	2		9/32" X 1/2" X 1/16"
33	R55065	LEVER	1		
34	R60921	SCREW	1		
35	AR63565	LEVER	1		
36	14H605	NUT	1		(A) 0.164"
	12H315	LOCK WASHER	1		(A) 0.164"
37	R53300	CLIP	1		
38	R55066	BRACKET	1		
..	AR70084	KIT	1	-383899	STARTING FUEL CONTROL, (NLA)

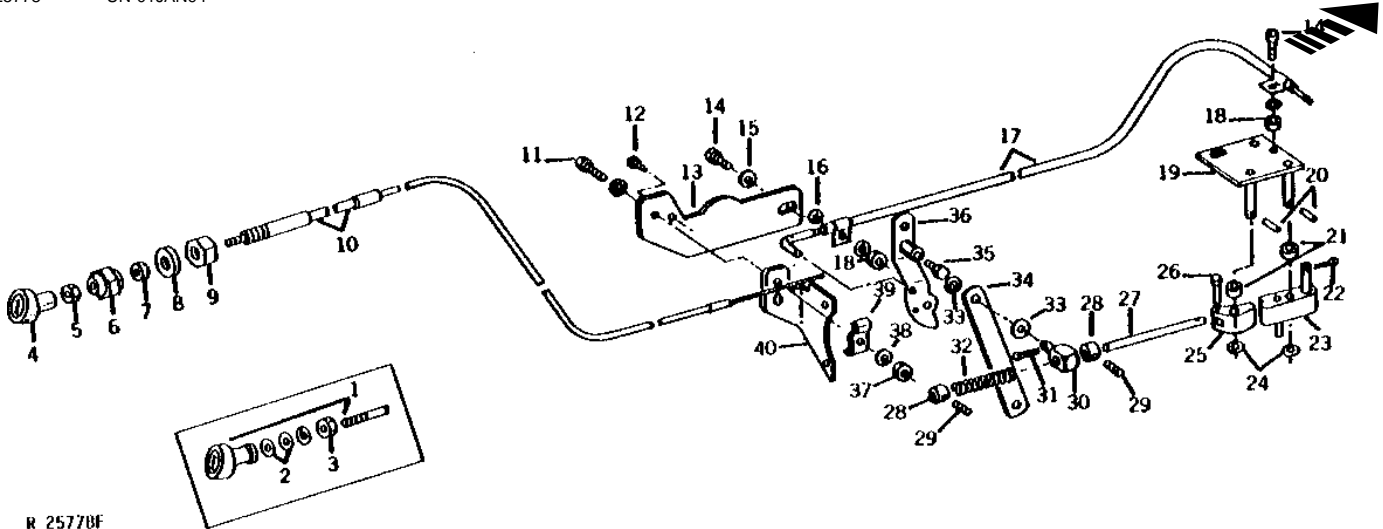
(A) INCLUDED IN AR70084

1F3

FUEL AND AIR

ANEROID CONTROL AND FUEL SHUT-OFF (ENGINE SERIAL NO. 430386-445947)

R25778 -UN-01JAN94



KEY	PART NO.	PART NAME	QTY	TRACTOR SERIAL NO.	REMARKS
1	AR65796	PUSH PULL CABLE	1	-XXXXXX	(FUEL SHUT-OFF)
2	24H1299	WASHER	2	-XXXXXX	3/8" X 1-1/4" X 0.065"
3	14H774	NUT	1	-XXXXXX	3/8"
	12H304	LOCK WASHER	1	-XXXXXX	3/8"
4	R55202	KNOB	1	XXXXXX-	
5	14H649	NUT	1	XXXXXX-	1/4"
6	R62899	NUT	1	XXXXXX-	
7	R62900	WASHER	1	XXXXXX-	
8	24M7096	WASHER	1	XXXXXX-	10.500 X 18 X 1.600 MM
9	14H774	NUT	1	XXXXXX-	3/8"
10	AR77678	CABLE	1	XXXXXX-	(FUEL SHUT-OFF)
11	21H1319	SCREW	1		(A) 0.164" X 7/8"
	12M7084	LOCK WASHER	1		(A) 0.169"
12	37H44	SCREW	1		(A) 0.151" X 3/8"
13	R57841	GUIDE	1		(A) (NLA)
14	21H1295	SCREW	2		(A) 0.190" X 5/8"
15	24H1283	WASHER	1		(A) 7/32" X 1/2" X 0.049"
16	12M7060	WASHER	1		(A) 0.209"
17	AR69541	CABLE	1		(A)
18	14H631	NUT	2		(A) 0.190"
	12H246	LOCK WASHER	2		(A) 0.190"
19	AR69539	BRACKET	1		(A)
20	34H228	SPRING PIN	2		(A) 3/32" X 9/16"
21	28H3082	WASHER	2		(A) 0.269" X 0.405" X 9/32"
22	11M7077	COTTER PIN	1		(A) 0.063" X 0.984"
23	AR73544	BELLCRANK	1		(A)
24	B1664R	SHIM	2		(A)
25	R60649	LATCH	1		(A)
26	R61758	PIN	1		(A)
27	R61458	SHEAR PIN	1		(A)
28	R54294	SHIFT COLLAR	2		(A)
29	R30725	SCREW	2		
30	R42912	SWIVEL	1		(A)
31	11M7079	COTTER PIN	1		0.098" X 0.472"
32	R26372	SPRING	1		(A)
33	24H1286	WASHER	2		9/32" X 1/2" X 1/16"
34	R55065	LEVER	1		
35	R60921	SCREW	1		
36	AR63565	LEVER	1		
37	14H605	NUT	1		(A) 0.164"
38	12H315	LOCK WASHER	1		(A) 0.164"
39	R53300	CLIP	1		
40	R55066	BRACKET	1		
..	AR74611	KIT	1	-430386	(STARTING FUEL CONTROL) (NLA)

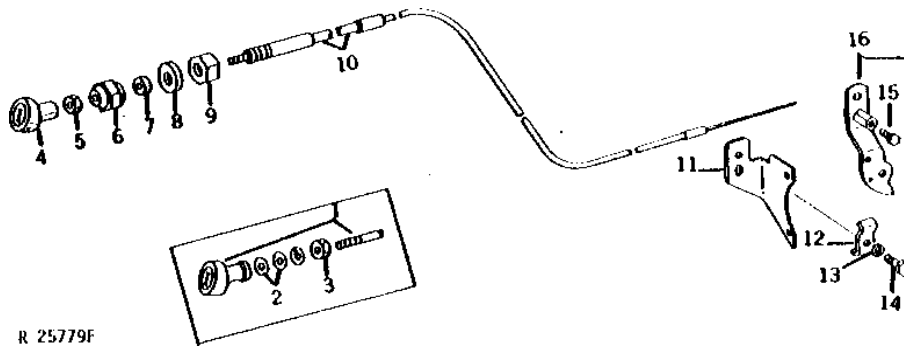
(A) INCLUDED IN AR74611

1F4

FUEL AND AIR

R25779 -UN-01JAN94

ANEROID CONTROLS AND FUEL SHUT-OFF (ENGINE SERIAL NO. 445948-)



KEY	PART NO.	PART NAME	QTY	TRACTOR SERIAL NO.	REMARKS
1	AR65796	PUSH PULL CABLE	1	-022169	
2	24H1299	WASHER	2	-022169	3/8" X 1-1/4" X 0.065"
3	14H774	NUT	1	-022169	3/8"
	12H304	LOCK WASHER	1	-022169	3/8"
4	R55202	KNOB	1	022170-	
5	14H649	NUT	1	022170-	1/4"
6	R62899	NUT	1	022170-	
7	R62900	WASHER	1	022170-	
8	24M7096	WASHER	1	022170-	10.500 X 18 X 1.600 MM
9	14H774	NUT	1	022170-	3/8"
10	AR77678	CABLE	1	022170-	
11	R55066	BRACKET	1		
12	R53300	CLIP	1		
13	T24229	LOCK WASHER	1		
14	37H133	SCREW	1		0.164" X 5/8"
15	R60921	SCREW	1		
16	AR63565	LEVER	1		

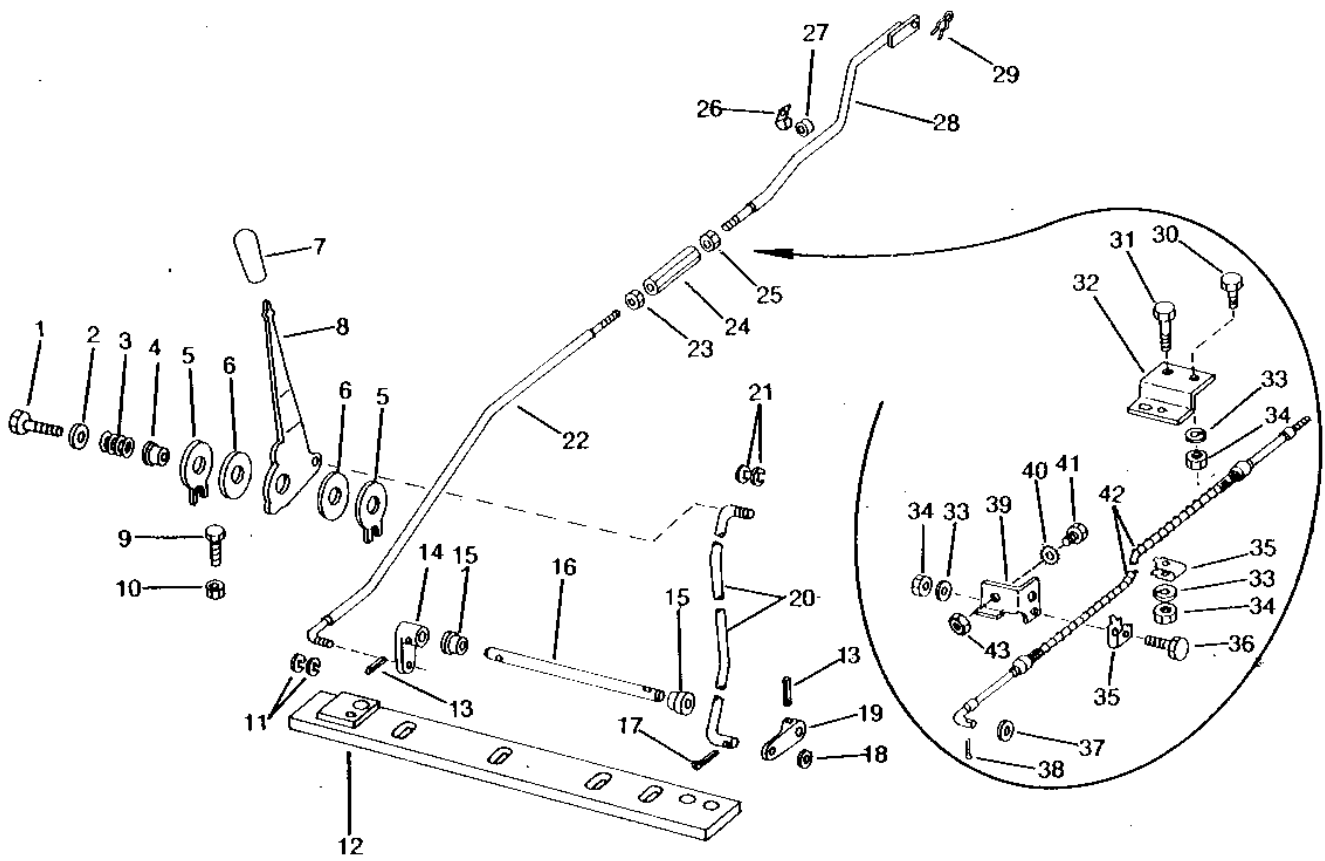
1F5

FUEL AND AIR

RWP3443

-UN-01JAN94

HAND SPEED CONTROL LEVER AND LINKAGES



RWP 3443

1F6

FUEL AND AIR

HAND SPEED CONTROL LEVER AND LINKAGES - CONTINUED

KEY	PART NO.	PART NAME	QTY	TRACTOR SERIAL NO.	REMARKS
1	R41920	CAP SCREW	1		
2	24M7096	WASHER	1	10.500 X 18 X 1.600 MM	
3	R31271	SPRING	1		
4	R50227	RETAINER	1		
5	R52117	WASHER	2		
6	R50226	WASHER	2	(SUB R105814)	
7	R50506	KNOB	1		
8	R50505	LEVER	1	(SUB R75078)	
9	19H2915	CAP SCREW	1	5/16" X 1-1/4"	
10	14H611	NUT	1	5/16"	
11	R72654	SNAP RING	2		
12	AR56643	STRAP	1	(A) (SUB FOR R52064)	
13	34H279	SPRING PIN	2	3/16" X 13/16"	
14	R51930	ARM	1	(SUB FOR R53726)	
15	R41076	GROMMET	2		
16	R50219	PIN	1		
17	11M7081	COTTER PIN	1	0.098" X 0.787"	
18	24H1289	WASHER	1	21/64" X 5/8" X 0.049"	
19	R50225	ARM	1		
20	R54487	ROD	1		
21	R72653	SNAP RING	1	(SUB FOR M2396T)	
22	R54281	ROD	1		
23	14H649	NUT	1	1/4"	
24	R52422	TURNBUCKLE	1		
25	14H1025	NUT	1	1/4"	
26	R53620	BRACKET	1		
27	R45537	GROMMET	1		
28	AR61179	ROD	1	(SUB RE11414)	
29	R47646	SPRING LOCKING PIN	1		
30	19H1900	CAP SCREW	2	(A) 5/16" X 3/4"	
31	19H1849	CAP SCREW	1	(A) 5/16" X 1-1/4"	
32	R54282	BRACKET	1	(A)	
33	12H303	LOCK WASHER	4	(A) 5/16"	
34	14H785	NUT	4	(A) 5/16"	
35	R26870	CLAMP	2	(A)	
36	19H1849	CAP SCREW	1	(A) 5/16" X 1-1/4"	
37	B1664R	SHIM	1	(A)	
38	11M7077	COTTER PIN	1	(A) 0.063" X 0.984"	
39	AR86977	BRACKET	1	(A) (SUB FOR R51784)	
40	12H310	LOCK WASHER	1	(A) 3/8"	
41	19H1732	CAP SCREW	1	(A) 3/8" X 1-1/4"	
42	RE53286	PUSH PULL CABLE	1	(A) (SUB FOR AR56685, THIS APPLICATION)	
43	14H1076	NUT	1	(A) 3/8" HS, SAE 8	

(A) SOUND-GARD BODY

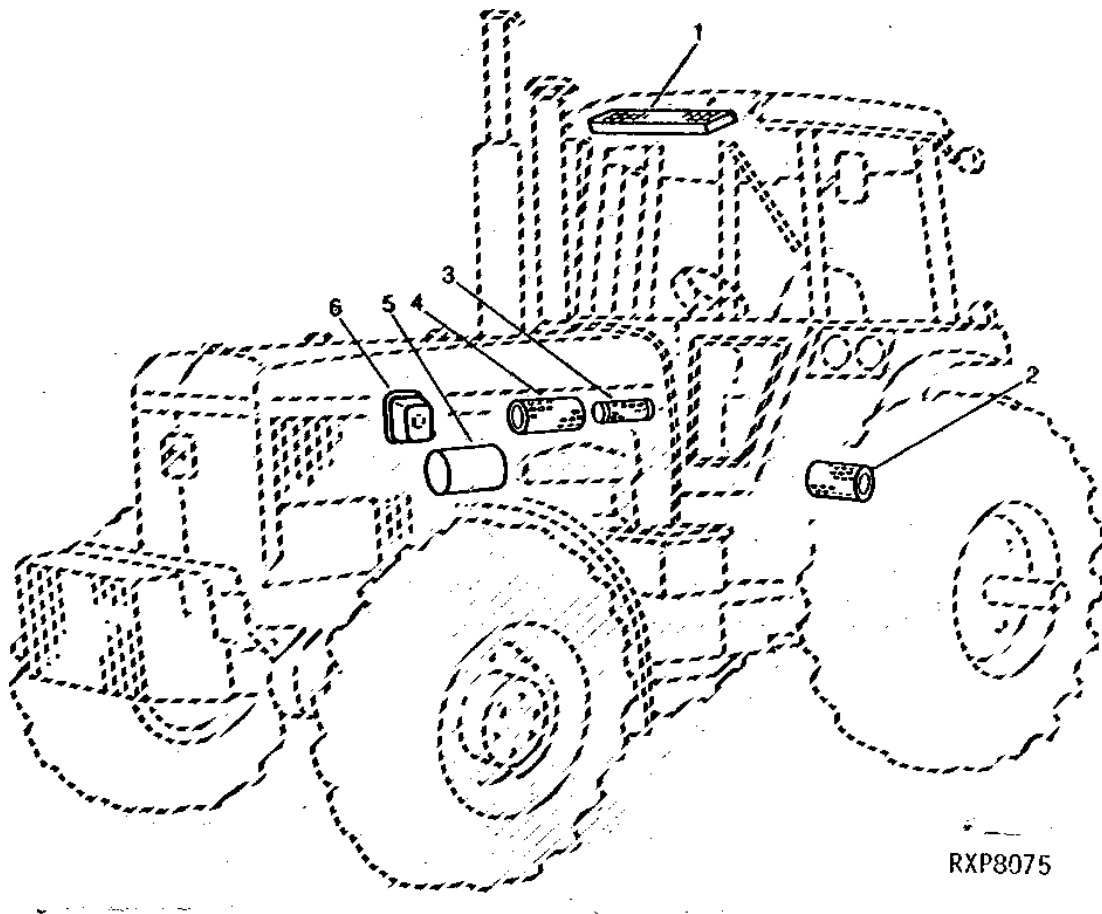
1F7

FUEL AND AIR

RXP8075

-UN-01JAN94

FILTERS



1F8

FUEL AND AIR

FILTERS - CONTINUED

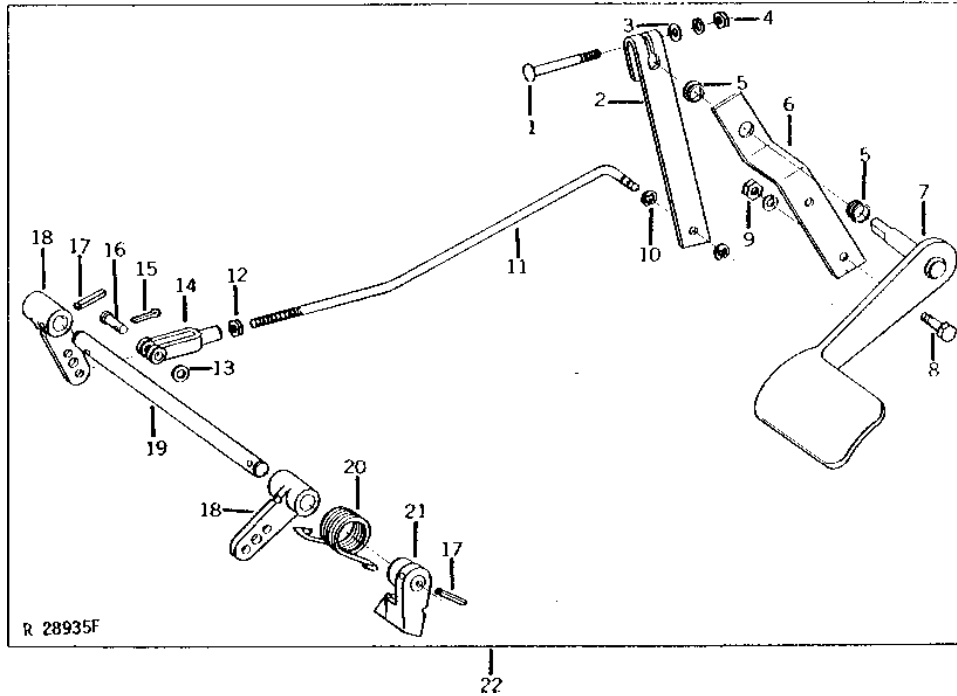
KEY	PART NO.	PART NAME	QTY	TRACTOR SERIAL NO.	REMARKS
1	AR61903	AIR FILTER	1		
2	AR75603	FILTER ELEMENT	1		(PKG. OF 2)
	AR75603	FILTER ELEMENT	1	-017284	(PFWD) (PKG. OF 2)
	AR98098	FILTER ELEMENT	1	017285-	(PFWD)
3	AR81313	FILTER ELEMENT	1		(AIR CLEANER)
4	AR80652	FILTER ELEMENT	1		(AIR CLEANER)
5	AR43634	OIL FILTER	1		
6	AR50041	FUEL FILTER	2		

1F9

FUEL AND AIR

R28935 -UN-01JAN94

FOOT SPEED CONTROL



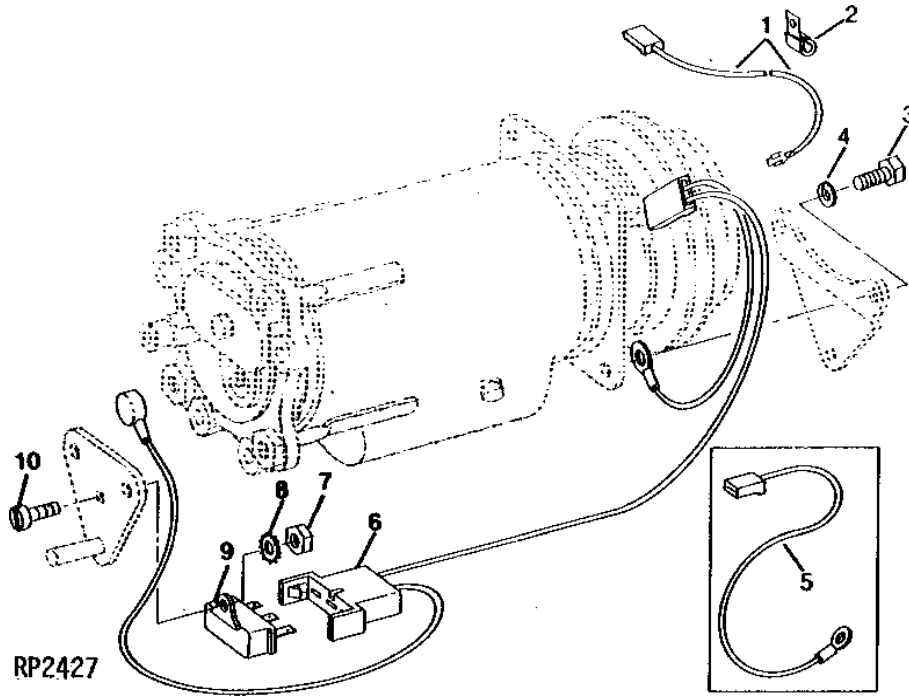
KEY	PART NO.	PART NAME	QTY	TRACTOR SERIAL NO.	REMARKS
1	03H1810	BOLT	1	1/4" X 1-1/2"	
2	R58507	LEVER	1		
3	24H1287	WASHER	1	9/32" X 5/8" X 0.065"	
4	14H850	NUT	1	1/4"	
	12H302	LOCK WASHER	1	1/4"	
5	R52646	WASHER	2		
6	R58519	BRACKET	1		
7	AR92122	PEDAL	1		(SUB FOR AR70257, THIS APPLICATION)
8	19H1900	CAP SCREW	2	5/16" X 3/4"	
9	14H785	NUT	2	5/16"	
	12H303	LOCK WASHER	2	5/16"	
10	R27507	SNAP RING	2		(SUB R72654)
11	R66476	ROD	1		(SUB FOR R58508)
12	14H649	NUT	1	1/4"	
13	B1664R	SHIM	1		
14	M3742T	YOKE	1		
15	11M7079	COTTER PIN	1	0.098" X 0.472"	
16	R72660	PIN	1		(SUB FOR R662R)
17	34H279	SPRING PIN	2	3/16" X 13/16"	
18	R58509	LEVER	2		
19	R58510	SHEAR PIN	1		
20	R58512	SPRING	1		
21	R58511	ARM	1		(SUB FOR M2396T)
22	AR87006	KIT	1		(SUB FOR AR70252)

2B8

ELECTRICAL

RP2427 -UN-01JAN94

AIR COMPRESSOR WIRING HARNESS



RP2427

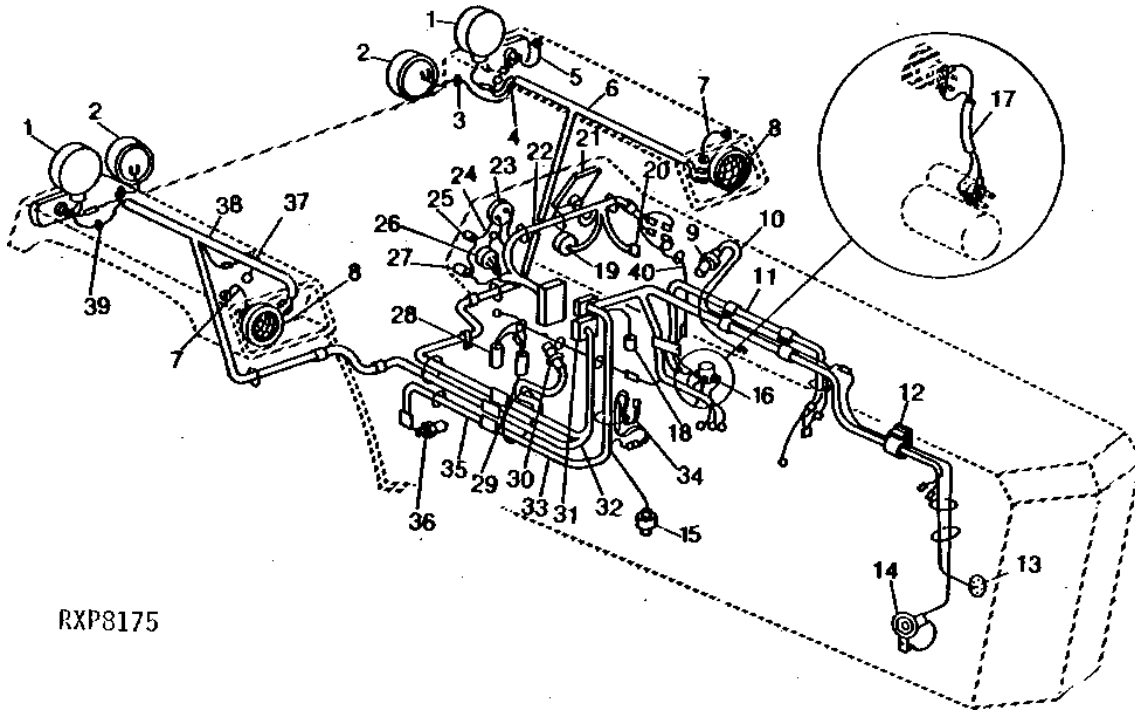
KEY	PART NO.	PART NAME	QTY	TRACTOR SERIAL NO.	REMARKS
1	AR51569	WIRING LEAD	1	-XXXXXX	
	AR69977	WIRING LEAD	1	XXXXXX-021335	
	AR77346	WIRING LEAD	1	021336-	
2	T32231	CLAMP	1		(SUB FOR T15737)
3	19H2529	CAP SCREW	3		5/16" X 1"
4	12H303	LOCK WASHER	3		5/16"
5	AR48957	WIRING LEAD	1	-021335	
6	AR77345	WIRING HARNESS	1	021336-	
7	14H631	NUT	1	021336-	0.190"
8	12M7060	WASHER	1	021336-	0.209"
9	AR77344	FUSE	1	021336-	
10	21H1295	SCREW	1	021336-	0.190" X 5/8"

2B9

ELECTRICAL

RXP8175 -UN-01JAN94

LAMP AND ENGINE WIRING



RXP8175

KEY	PART NO.	PART NAME	QTY	TRACTOR SERIAL NO.	REMARKS
1	AR38456	LAMP	2		
2	AR35782	LAMP	2		(12-VOLT)
3	R27583	GROMMET	2		
4	R32320	CLIP	1		
5	AR78825	TAIL LAMP	2		(SUB FOR AR45099)
6	AR56205	WIRING HARNESS	1		L.H. LIGHTS
7	WIRING LEAD	2		152 MM (6") GROUND, (MAKE FROM R66319, R32022 AND R32023)
8	AR48721	LAMP	2		(12-VOLT DUAL BEAM) (LESS ROLL-GARD OR SOUND-GARD BODY) (SUB RE25126, RH, OR RE25127, LH, THIS APPLICATION)
	T28585	TERMINAL	4		
9	AR50489	SWITCH	1	-017594	VACUUM INDICATOR, (ORDER AR73229)
	RE17515	SENSOR	1	017595-	VACUUM INDICATOR, (SUB FOR AL32975 OR AL24194)
10	WIRING LEAD	1	014411-	254 MM (10") (VACCUM SWITCH GROUND) (MAKE FROM R66319, R65600, T28585, R32022 AND R32027)
11	AR60939	WIRING HARNESS	1	-014411	CHARGING CIRCUIT (ORDER AR69983 AFTER SERIAL NO. 014410)
	R45211	CLAMP	AR		(CHARGING CIRCUIT AND ENGINE WIRING HARNESS)
	R41440	GROMMET	1		
12	R50968	CONDUIT	1		
13	AR58390	SENDER	1	-027559	FUEL GAUGE, (SUB RE11127)
	AR80622	SENDER	1	027560-	FUEL GAUGE, (SUB RE11127)
14	AL14896	HORN	1	XXXXXX-	(SUB FOR AR49036 OR AR73579)
15	RE15583	ENGINE OIL PRESSURE SENDER	1		ENGINE OIL PRESSURE, (SUB FOR AR58234)
16	AR44999	RELAY	1	-006999	START CIRCUIT RELAY, (ALSO ORDER 12H303, 14H785, 12H246 AND 14H631) (SUB FOR AM53945 OR AM52191) (SUB RE38391)
	RE38391	RELAY	1	007000-	START CIRCUIT RELAY, (SUB FOR AT68973, AT40955 OR AR44999)
17	AR69980	WIRING HARNESS	1	014411-	(STARTING CIRCUIT RELAY TO STARTER)
18	AR58233	SENSOR	1		
19	AR48724	LIGHT SWITCH	1		
	AR83425	RECEPTACLE CONNECTOR BODY	1		CONNECTOR

2B10

ELECTRICAL

LAMP AND ENGINE WIRING - CONTINUED

KEY	PART NO.	PART NAME	QTY	TRACTOR SERIAL NO.	REMARKS
20	CIRCUIT BREAKER	1		
21	AR73717	INSTRUMENT CLUSTER	1		(SUB FOR AR58231) (NLA)
22	AR56208	WIRING HARNESS	1	-006999	
	AR61933	WIRING HARNESS	1	-006999	(A)
	AR67339	WIRING HARNESS	1	007000-027226	(SUB AR78383 AND AR78385)
	AR78383	WIRING HARNESS	1	027227-	
	AR67342	WIRING HARNESS	1		(NO TURN SIGNALS)
23	AR60515	TACHOMETER	1		(QUAD-RANGE)
	AR60514	TACHOMETER	1		(POWER SHIFT)
	AR60513	TACHOMETER	1		(SYNCRO-RANGE)
24	WIRING LEAD	1	-027226	38MM (1-1/2") KEY SWITCH, (MAKE FROM R66319, R65597, T28583, R32021 AND R32027)
25	AR56766	HOUSING	1		CIGAR LIGHTER
26	AR58126	KEY SWITCH	1		
27	AR21823	SWITCH	1		HORN
28	AR61610	PRESSURE SWITCH	1		TEMPERATURE
29	RE14191	TOGGLE SWITCH	1		PRESSURE, (SUB FOR AR61970)
	R56226	BLADE	1		TERMINAL
	T28585	TERMINAL	1		
30	AR48725	DIMMER SWITCH	1		
31	WIRING LEAD	1	XXXXXX-	254MM (10") ENGINE HARNESS TO TRANSMISSION PRESSURE SWITCH (POWER SHIFT) (MAKE FROM R66319, R32022, R65600, T28585 AND R32027)
	WIRING LEAD	1	XXXXXX-	1575MM (62") ENGINE HARNESS TO TRANSMISSION PRESSURE SWITCH (QUAD-RANGE AND SYNCRO-RANGE) (MAKE FROM R66319, R65597, T28583, R65600, T28585 AND (2) R32027)
	AR69982	WIRING LEAD	1	XXXXXX-	(A) (QUAD-RANGE AND SYNCRO-RANGE)
32	AR56202	WIRING HARNESS	1	-014972	
	AR71462	WIRING HARNESS	1	014973-	
33	AR63869	WIRING HARNESS	1	-006999	(B)
	AR63872	WIRING HARNESS	1	-006999	(A) (SUB FOR AR61943) (NLA)
	RE45284	WIRING HARNESS	1	007000-014410	(B) (USE WITH AR56203) (SUB FOR AR68022)
	RE42134	WIRING HARNESS	1	014411-	(B) (SUB FOR AR69983, AR99521, AR99524, AR95906, RE14061, RE14064 OR RE32550) (ALSO ORDER AR85283)
34	AR85283	RECTIFIER	1	XXXXXX-	
35	AR56203	WIRING HARNESS	1		(C) (USE WITH NEUTRAL START SWITCH MARKED AT85153) (USE ON AR63869, AR63872 OR AR68022)
	RE14069	WIRING HARNESS	1		(C) (USE WITH NEUTRAL START SWITCH MARKED AT85153) (USE ON AR69983, AR99521, AR99524, AR95906, RE14061, RE14064, OR RE32550) (SUB FOR AR99527)
	RE14072	WIRING HARNESS	1		(C) (USE WITH NEUTRAL START SWITCH MARKED RE12411)
36	RE38390	SWITCH	1		(C) (SUB FOR R36265, AR85323, AR89691, AT85153 OR RE14070)
37	AR60251	LAMP	1	-009522	
	AR70699	LAMP	1	009523-	
38	AR56204	WIRING HARNESS	1		R.H.
39	R27180	GROMMET	2		
..	HOSE	2		47MM (1.85") (MAKE FROM TY22328) (SUB FOR R45847)
..	R44302	TIE BAND	3		
..	R76477	TIE BAND	2		(SUB FOR R45440)
..	R47474	CLIP	3		(ENGINE HARNESS TO AIR INTAKE PIPE)
..	R34557	CLAMP	AR		(FENDER HARNESS TO BULKHEAD)
..	R47474	CLIP	AR		(HARNESS TO AIR CLEANER)
..	R44302	TIE BAND	AR		
..	R45211	CLAMP	1		(FENDER HARNESS TO PLATFORM REAR SUPPORT)
..	AT66865	LUBRICANT	1		0.15L (5.3 OZ) TUBE, (SUB FOR AR94760)

(A) POWER FRONT WHEEL DRIVE

(B) ENGINE

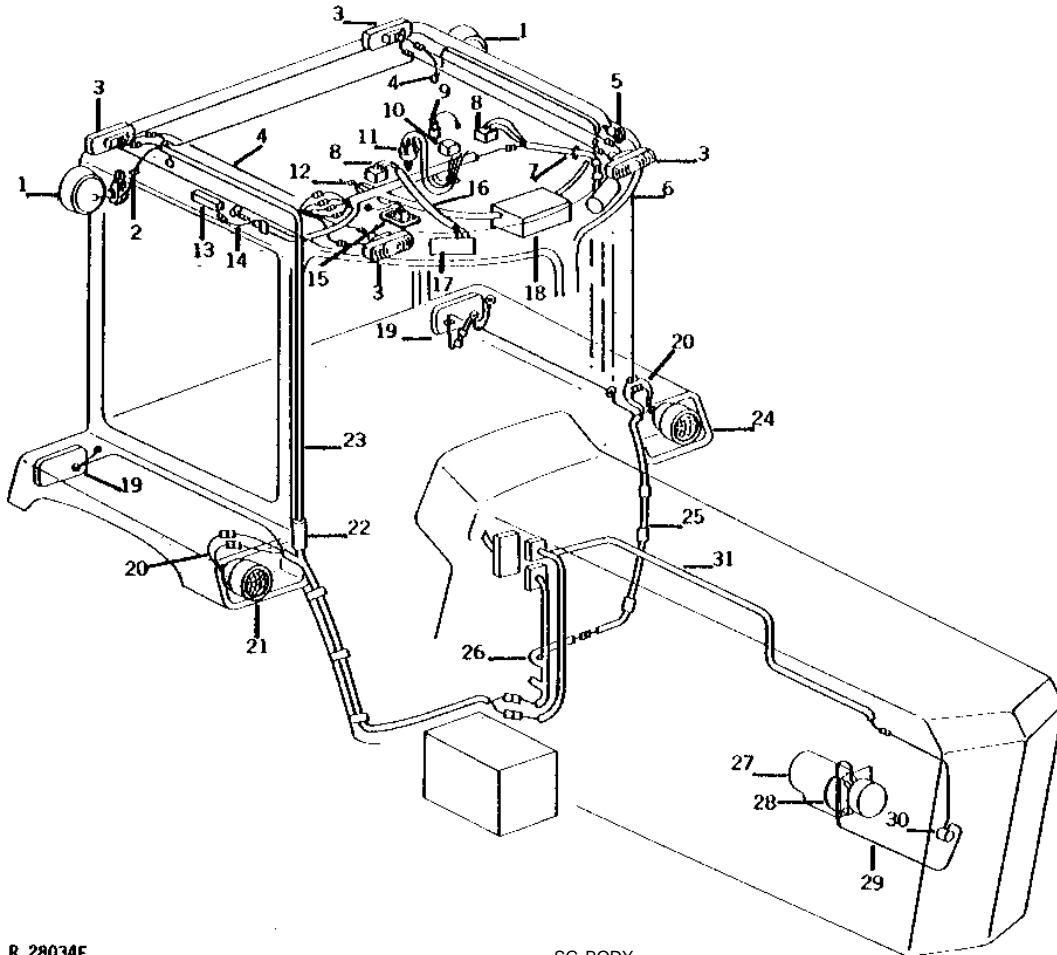
(C) NEUTRAL START

2B11

ELECTRICAL

R28034 -UN-01JAN94

WIRING HARNESS (ROLL-GARD AND SOUND-GARD BODY)



R 28034F

KEY	PART NO.	PART NAME	QTY	SG BODY SERIAL NO.	REMARKS
1	RE19075	LAMP	2		(A) (12-VOLT) (HALOGEN) (HOBBS OR GUIDE)
	AR35782	LAMP	2		(B) (12-VOLT)
	A3411R	GROMMET	2		
3	AR60250	LAMP	2		WARNING
4	AR56211	WIRING HARNESS	2		GROUND
5	AR56987	DOOR LIGHT SWITCH	1		DOME LIGHT, (ALSO ORDER R81544)
	R53608	RIVET	2		
	R81544	GASKET	1		
6	RE48783	WIPER MOTOR	1		L.H. WINDSHIELD WIPER, (SUB FOR AR56691 OR RE18943) (ALSO FURNISH T24167)
	AR91667	SHAFT	1		(AMERICAN BOSCH AND UTC)
7	AR87340	WIPER MOTOR WIRING HARNESS	1		WIPER, (SUB FOR AR56199) (USE WITH AR56691)
	RE18944	WIPER MOTOR WIRING HARNESS	1		(USE WITH RE18943 OR RE48783)
8	AR64992	WIPER SWITCH	2		WIPER MOTOR, (SUB FOR AR57228)
9	AH80591	DIRECTION INDICATOR	1	-XXXXXX	CONDENSER INDICATOR LAMP
10	AR59779	AC/HEAT TEMPERATURE SWITCH	1		(C)
11	AR53155	SWITCH	1		BLOWER
12	AR62559	WIRING HARNESS	1	-007638	(D)
	AR67952	WIRING HARNESS	1	007639-048926	(D)
	AR71466	WIRING HARNESS	1	048927-	(D)
13	AR56670	LAMP	1	-109562	(A) DOME, (SUB AT101691)
	RE10761	HOUSING	1	109563-	(A) DOME LAMP, (SUB FOR AR78418)
	R36235	GROMMET	3		
14	AR62173	HEADPHONE JACK	1	-XXXXXX	(MONAURAL SOUND) (SUB FOR AR62288) (NLA)
	AR62172	HEADPHONE JACK	1	-XXXXXX	(STEREOPHONIC SOUND) (SUB FOR AR62287) (NLA)
	A3411R	GROMMET	1	-XXXXXX	

2B12

ELECTRICAL

WIRING HARNESS - CONTINUED (ROLL-GARD AND SOUND-GARD BODY)

KEY	PART NO.	PART NAME	QTY	SG BODY SERIAL NO.	REMARKS
15	RE10761	HOUSING	1		(A) DOME, (SUB FOR AR78418)
	AR95571	HOUSING	1		DOME (REPLACEMENT SOUND-GARD BODY)
	AR59977	HOUSING	1		(B) CONSOLE LIGHT ONLY
	AR61645	CONSOLE LAMP WIRING HARNES	1		
	AR48015	BULB	1		(12-VOLT)
16	RE48322	WIPER MOTOR WIRING HARNESS	1		
17	RE58851	MOTOR	1		R.H. WINDSHIELD WIPER, (SUB FOR RE13280, RE53496 OR RE56380)
18	RADIO	1		
19	AR78825	TAIL LAMP	2		(SUB FOR AR45099)
	R27180	GROMMET	2		
20	WIRING LEAD	2		152 MM (6") LAMP GROUND, (MAKE FROM R66319, R65597, T28583 AND R32023)
21	RE25126	DUAL BEAM LAMP	1		(A) (12-VOLT DUAL BEAM) (SUB FOR AR61325)
	AR48721	LAMP	1		(B) (12-VOLT DUAL BEAM) (SUB RE25126, RH, OR RE25127, LH, THIS APPLICATION)
22	HOSE	2		64MM (2-1/4") (MAKE FROM TY22328) (SUB FOR R45847)
23	AR56196	WIRING HARNESS	1	-056032	(A)
	AR71465	WIRING HARNESS	1	056033-	(A)
	AR56197	WIRING HARNESS	1	-011337	(B)
	AR71464	WIRING HARNESS	1	011338-	(B)
	H97644	CONDUIT	1		(B) (SUB FOR R50452)
	R59306	CONDUIT	1		(A)
	T28949	CLAMP	2		
	R47576	CLAMP	1		
	R47474	CLIP	6		(B)
24	RE25127	DUAL BEAM LAMP	1		(A) (12-VOLT DUAL BEAM) (SUB FOR AR61326)
	AR48721	LAMP	1		(B) (12-VOLT DUAL BEAM) (SUB RE25126, RH, OR RE25127, LH, THIS APPLICATION)
25	AR56668	WIRING HARNESS	1		
	R47576	CLAMP	1		
26	AR56198	WIRING HARNESS	1	-056032	(A)
	AR71463	WIRING HARNESS	1	056033-	(A)
	AR56198	WIRING HARNESS	1	-011337	(B)
	AR71463	WIRING HARNESS	1	011338-	(B)
27	AR77343	COMPRESSOR	1	-021335	(C) (R12) (SUB FOR AR60948 OR AR68802) (SUB TY6665, 19M7170, (3) 19M7163, (2) 19M7662, (3) 12M7065 AND (3) 12M7066)
	AR92109	COMPRESSOR	1	021336-	(C) (R12) (SUB TY6665, 19M7170, (3) 19M7163, (2) 19M7662, (3) 12M7065 AND (3) 12M7066)
	TY6665	COMPRESSOR	1		(C) (REMANUFACTURED) (R12) (SUB FOR AR60948, AR68802, AR77343 OR AR92109)
	TY6770	COMPRESSOR	1		(C) (REMANUFACTURED) (R134A)
28	AR48957	WIRING LEAD	1	-XXXXXX	(C)
29	AR51569	WIRING LEAD	1	XXXXXX-048926	(C)
	AR69977	WIRING LEAD	1	048927-	(C)
30	AR55214	THERMOSTAT	1	-048926	(C)
31	AR63869	WIRING HARNESS	1	-006999	(E) (USE WITH AR56203)
	AR63872	WIRING HARNESS	1	-006999	(E) (POWER FRONT WHEEL DRIVE) (SUB FOR AR61943) (USE WITH AR56203) (NLA)
	RE45284	WIRING HARNESS	1	007000-014410	(E) (SUB FOR AR68022) (USE WITH AR56203)
	RE42134	WIRING HARNESS	1	001411-	(E) (ALSO ORDER RE38390, RE14069 AND AR85283)
..	AR56213	WIRING LEAD	1	-014410	(A) BUSSBAR TO CHARGE CIRCUIT
..	AR72391	WIRING LEAD	1	014411-	(A) BUSSBAR TO START RELAY
..	R44302	TIE BAND	AR		
..	R32320	CLIP	AR		WIRING TO FENDER
..	R34557	CLAMP	1		(SOUND-GARD BODY DOOR)
..	R47474	CLIP	AR		ADHESIVE, (SUB FOR R45137)

(A) SOUND-GARD BODY
(D) DOME, BLOWER & WIPER GROUND

(B) ROLL-GARD
(E) ENGINE

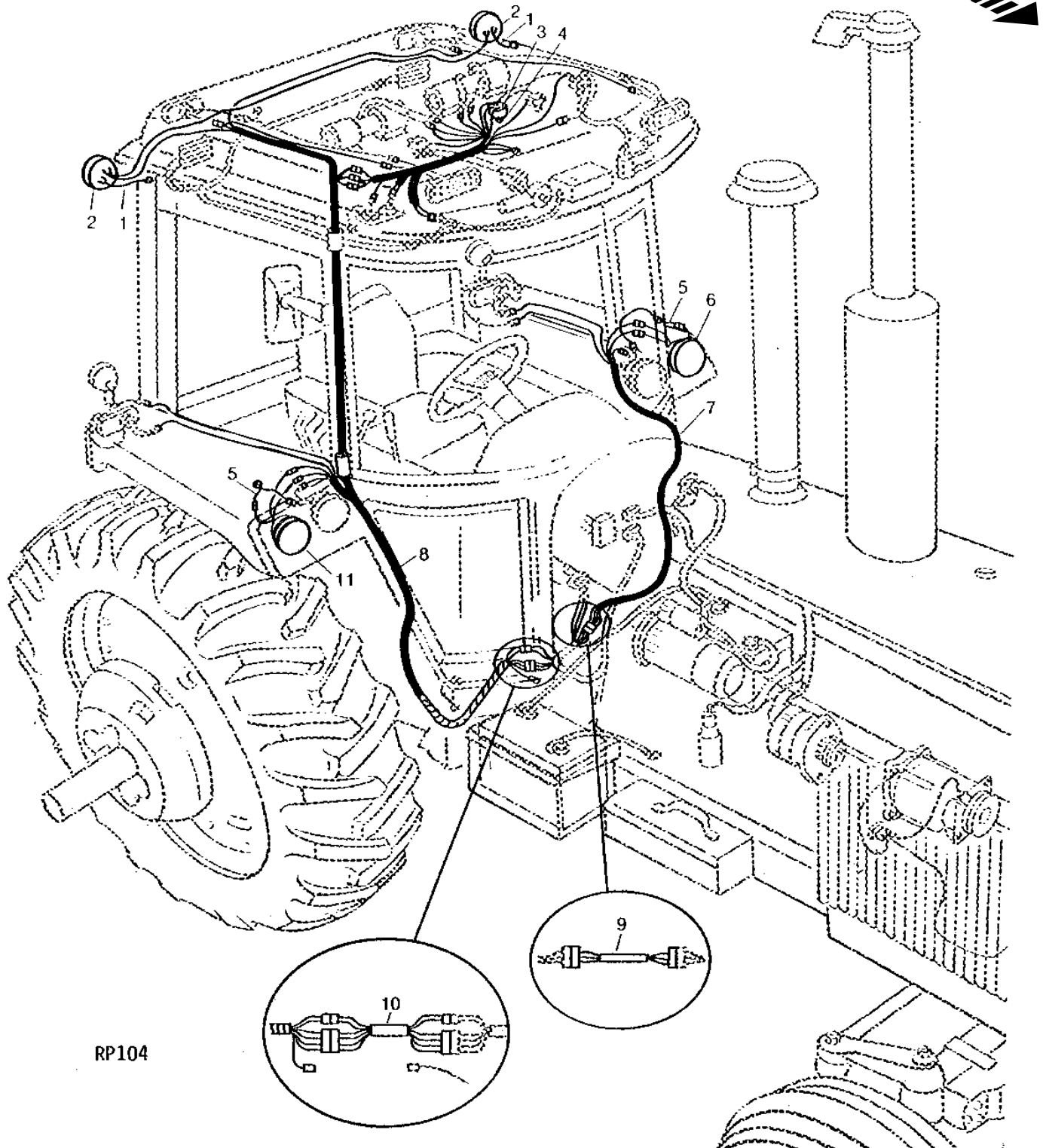
(C) AIR CONDITIONING

2B13

ELECTRICAL

LAMP AND SOUND-GARD WIRING (REPLACEMENT SOUND-GARD BODY OR REPLACEMENT INNER ROOF)

RP104 -UN-01JAN94



RP104

2B14

ELECTRICAL

LAMP AND SOUND-GARD WIRING - CONTINUED
(REPLACEMENT SOUND-GARD BODY OR REPLACEMENT INNER ROOF)

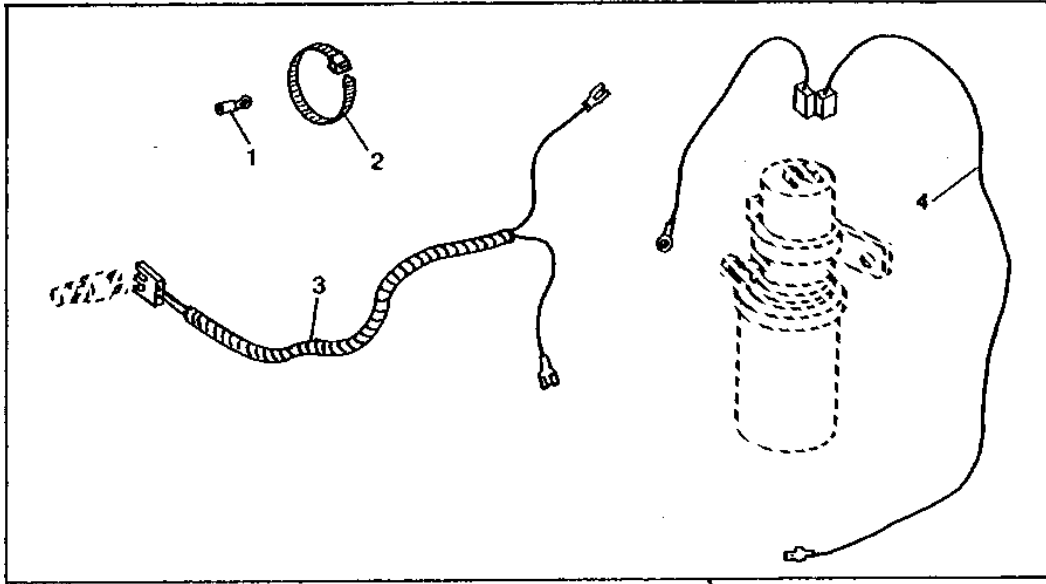
KEY	PART NO.	PART NAME	QTY	SG BODY SERIAL NO.	REMARKS
1	AR84134	WIRING LEAD	2		
2	RE19075	LAMP	2		(SUB FOR AR85261 OR RE10966)
3	AR82014	BLOWER SWITCH	1		
4	AR82012	WIRING HARNESS	1		DOME, BLOWER AND WIPER GROUND
5	AR84132	WIRING HARNESS	2		HEADLAMP GROUND
6	RE25127	DUAL BEAM LAMP	1		(SUB FOR AR85264, RE10963 OR RE19082)
7	AR84126	WIRING HARNESS	1		L.H. CAB LAMP
8	AR84129	WIRING HARNESS	1		R.H. CAB LAMP
9	AR87527	WIRING HARNESS	1		L.H. BULKHEAD TO CAB
10	AR93887	WIRING HARNESS	1	-055913	R.H. BULKHEAD TO CAB
	AR87526	WIRING HARNESS	1	055914-	R.H. BULKHEAD TO CAB
11	RE25126	DUAL BEAM LAMP	1		R.H. FENDER FRONT OUTER, (SUB FOR AR85263, RE10962 OR RE19081)

2B15

ELECTRICAL

RXP8525 -UN-01JAN94

ELECTRIC ETHER SOLENOID WIRING HARNESS



RXP8525

5

KEY	PART NO.	PART NAME	QTY	TRACTOR SERIAL NO.	REMARKS
1	R32018	TERMINAL	1		
2	R44302	TIE BAND	10		
3	RE42399	WIRING HARNESS	1		
4	RE42400	WIRING HARNESS	1	(A)	
5	RE42401	KIT	1	(B)	

(A) (- 6,999) ADD RE42400 WIRING HARNESS TO AR63866, AR63867, AR63868, AR63869, AR63870, AR63871 OR AR63872

(B) (- 6,999) ADD RE42401 WIRING HARNESS TO ENGINE HARNESS CONNECTIONS WITHOUT ELECTRIC ETHER AID AR63866, AR63867, AR63868, AR63869, AR63870, AR63871 OR AR63872

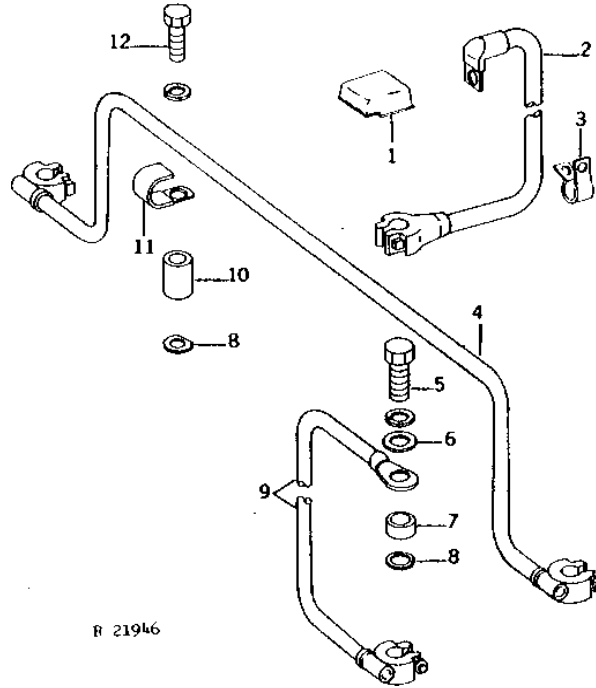
MEMORANDA

2B16

ELECTRICAL

R21946 -UN-01JAN94

BATTERY CABLES



R 21946

KEY	PART NO.	PART NAME	QTY	TRACTOR SERIAL NO.	REMARKS
1	R98371	COVER	1		(SUB FOR R55176)
2	AR56949	CABLE	1		(A) POSITIVE
	RE21744	CABLE	1		(B) POSITIVE, (SUB FOR AR60011)
3	R46414	CLAMP	1		
4	RE21741	CABLE	1		(A) CONNECTOR, (SUB FOR AR57099 OR AR69107)
	AR48912	CABLE	1	-009681	(B) CONNECTOR
	RE21741	CABLE	1	009682-	(B) CONNECTOR, (SUB FOR AR57099 OR AR69107)
5	19H444	CAP SCREW	1	-009681	(A) 1/2" X 1"
	19H444	CAP SCREW	1	009682-	(B) 1/2" X 1"
	19H1800	CAP SCREW	1		(B) 3/8" X 1-1/2"
	12H301	LOCK WASHER	1	-009681	(A) 1/2"
	12H301	LOCK WASHER	1	009682-	(B) 1/2"
	12H304	LOCK WASHER	1		(B) 3/8"
6	24H1227	WASHER	1		(A) 17/32" X 13/16" X 0.060"
	24M7096	WASHER	1		(B) 10.500 X 18 X 1.600 MM
7	28H1517	WASHER	1		(B) 0.493" X 0.675" X 1/4"
8	A4624R	WASHER	2	-009681	(B)
9	AR57098	CABLE	1	-009681	(A) GROUND
	RE21740	CABLE	1	009682-	(A) GROUND, (SUB FOR AR60012)
	AR45975	CABLE	1	-009681	(B) GROUND
	AR69238	CABLE	1	009682-	(B) GROUND
10	28H1497	BUSHING	1		(B) 3/8" X 1-1/2"
11	R73292	CLAMP	1		(A) (SUB FOR R46622)
12	19H2284	CAP SCREW	1		(A) 3/8" X 7/8"
	12H304	LOCK WASHER	1		3/8"
..	R44302	TIE BAND	AR		
..	FOAM PAD	1		57MM (2-1/4") (MAKE FROM TY22328) (SUB FOR R45847)

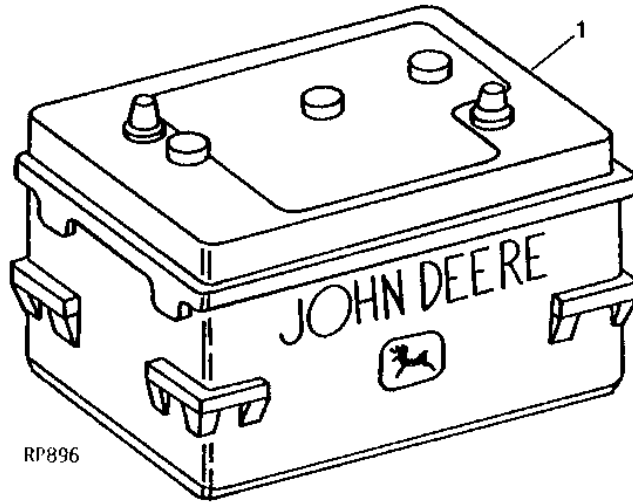
(A) ROLL-GARD OR SOUND-GARD BODY
 (B) LESS ROLL-GARD OR SOUND-GARD BODY

2B17

ELECTRICAL

RP896 -UN-01JAN94

STORAGE BATTERY



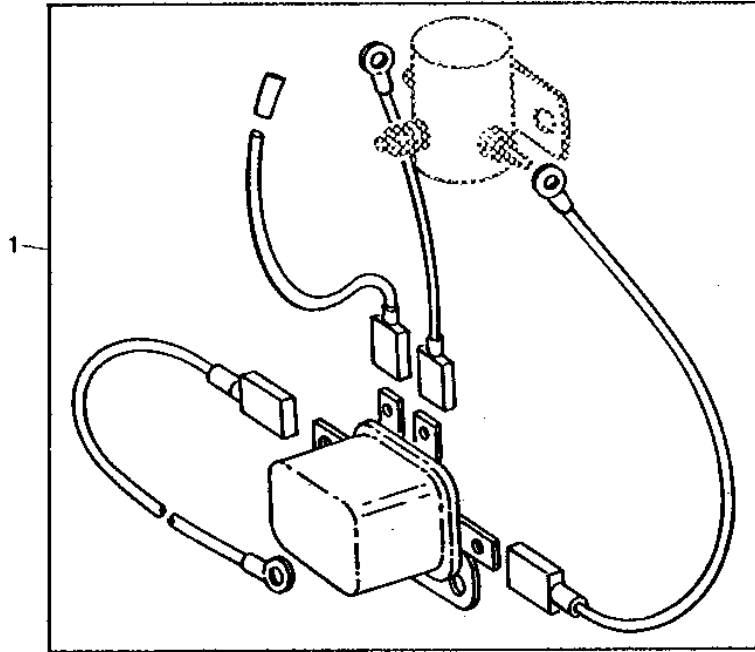
KEY	PART NO.	PART NAME	QTY	TRACTOR SERIAL NO.	REMARKS
1	TY21735	BATTERY	2		6-VOLT, 850 COLD CRANKING AMPS AT -18°C (0°F), 280 MINUTE RESERVE CAPACITY AT 25 AMPS, (SUB FOR AR47455 OR TY6119)

2B18

ELECTRICAL

WIRING ACCESSORY RELAY KIT
(SOUND-GARD BODY)
(TRACTOR SERIAL NO. -027226)

RP763 -UN-01JAN94



RP763

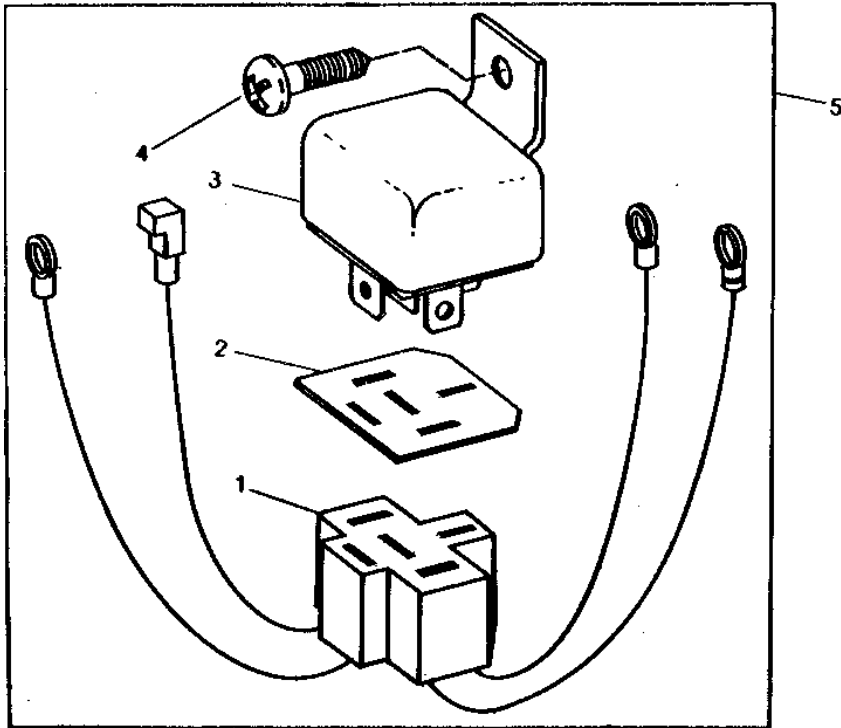
KEY	PART NO.	PART NAME	QTY	TRACTOR SERIAL NO.	REMARKS
1	AR78381	KIT	1	(SUB AR91166)	

2B19

ELECTRICAL

WIRING ACCESSORY RELAY KIT (SOUND-GARD BODY)

RWP2586 -UN-01JAN94



RWP2586

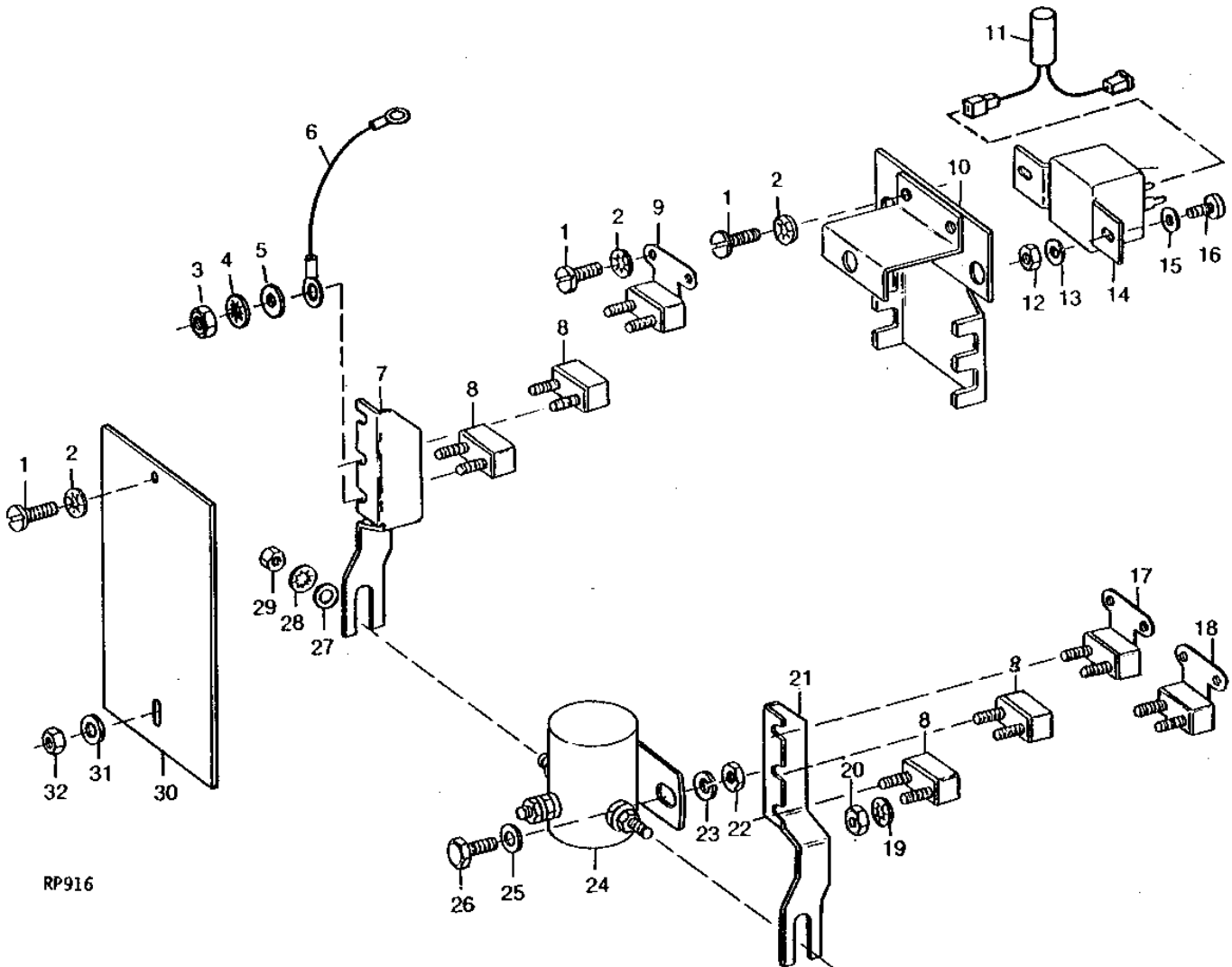
KEY	PART NO.	PART NAME	QTY	TRACTOR SERIAL NO.	REMARKS
1	AR91167	WIRING HARNESS	1		
	AR78384	WIRING LEAD	3		
	R32022	TERMINAL	2		
2	R32028	TERMINAL	3		
	R67982	COVER	1		
3	AR74411	RELAY	1		
4	37H52	SCREW	1	1/4" X 3/8"	
	19H1919	CAP SCREW	1	1/4" X 5/8"	
	12H302	LOCK WASHER	1	1/4"	
	14H786	NUT	1	1/4"	
5	AR91166	KIT	1	(SUB FOR AR78381)	

2B20

ELECTRICAL

CIRCUIT BREAKERS, RELAY AND WARNING LAMP FLASHER (SOUND-GARD BODY) (TRACTOR SERIAL NO. -027226)

RP916 -UN-01JAN94



RP916

2B21

ELECTRICAL

CIRCUIT BREAKERS, RELAY AND WARNING LAMP FLASHER - CONTINUED
(SOUND-GARD BODY)
(TRACTOR SERIAL NO. -027226)

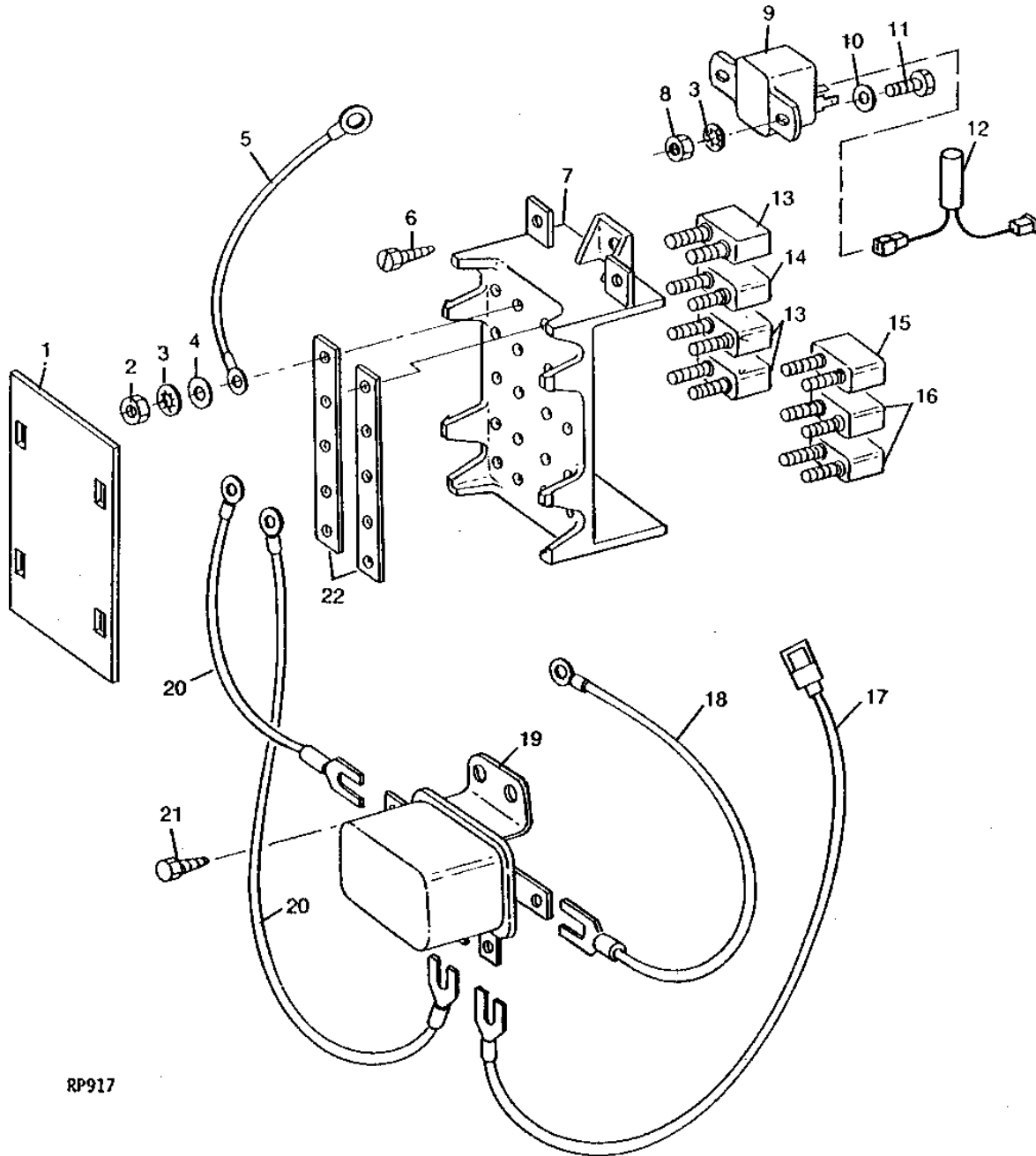
KEY	PART NO.	PART NAME	QTY	TRACTOR SERIAL NO.	REMARKS
1	21H1301	SCREW	5		0.190" X 1/2"
2	12M7060	WASHER	5		0.209"
3	14H631	NUT	6		0.190"
4	12M7060	WASHER	6		0.209"
5	24H1283	WASHER	6		7/32" X 1/2" X 0.049"
6	AR56213	WIRING LEAD	1	-014410	BUSSBAR TO CHARGING CIRCUIT HARNESS
	AR72391	WIRING LEAD	1	014411-	STARTER RELAY TO BUSBAR
7	R50044	FUSE HOLDER	1		
8	AR56671	CIRCUIT BREAKER	4		20 AMP
9	AR55649	CIRCUIT BREAKER	1		10 AMP
10	AR58170	RETAINER	1		
11	AR61861	CAPACITOR	1		(LESS TURN SIGNALS)
12	14H631	NUT	2		0.190"
13	12M7060	WASHER	2		0.209"
14	AR48594	FLASHER	1		(LESS TURN SIGNALS)
	AR41694	WIRING LEAD	1		(FOR NO FLASHER OPERATION) (NO LONGER AVAILABLE)
15	24H1283	WASHER	2		7/32" X 1/2" X 0.049"
16	21H1295	SCREW	2		0.190" X 5/8"
17	AR28403	CIRCUIT BREAKER	1		20 AMP
18	AR55649	CIRCUIT BREAKER	1		10 AMP (POWER FRONT WHEEL DRIVE)
19	12M7060	WASHER	6		0.209"
20	14H631	NUT	6		0.190"
21	R50046	FUSE HOLDER	1		
22	14H786	NUT	2		1/4"
23	12H302	LOCK WASHER	2		1/4"
24	AR54484	RELAY	1		(SUB AR91166, THIS APPLICATION)
25	24H1287	WASHER	2		9/32" X 5/8" X 0.065"
26	19H1919	CAP SCREW	1		1/4" X 5/8"
27	24H1136	WASHER	2		11/32" X 11/16" X 0.065"
28	12H303	LOCK WASHER	2		5/16"
29	14H650	NUT	2		5/16"
30	R52756	WASHER	1		
31	T11651	SHIM	1		
32	14H631	NUT	1		0.190"

2B22

ELECTRICAL

CIRCUIT BREAKER RELAY AND WARNING LAMP FLASHER (SOUND-GARD BODY) (TRACTOR SERIAL NO. 027227-)

RP917 -UN-01JAN94



RP917

2B23

ELECTRICAL

CIRCUIT BREAKER, RELAY AND WARNING LAMP FLASHER - CONTINUED
(SOUND-GARD BODY)
(TRACTOR SERIAL NO. 027227-)

KEY	PART NO.	PART NAME	QTY	TRACTOR SERIAL NO.	REMARKS
1	R63462	COVER	1		
2	14H631	NUT	14	0.190"	
3	12M7060	WASHER	16	0.209"	
4	24H1283	WASHER	7	7/32" X 1/2" X 0.049"	
5	AR72391	WIRING LEAD	1		
6	R52760	SCREW	2		
7	R78095	SUPPORT	1		(SUB FOR R63460) (SUB RE16963)
8	14H631	NUT	2	0.190"	
9	AR48594	FLASHER	1		
10	24H1283	WASHER	2	7/32" X 1/2" X 0.049"	
11	21H1295	SCREW	2	0.190" X 5/8"	
12	AR61861	CAPACITOR	1		(LESS TURN SIGNALS)
13	AR56671	CIRCUIT BREAKER	3	20 AMP	
14	AR70052	CIRCUIT BREAKER	1	10 AMP (IGNITION)	
15	AR70052	CIRCUIT BREAKER	1	10 AMP (POWER FRONT WHEEL DRIVE)	
16	AR56671	CIRCUIT BREAKER	2	20 AMP (CAB ACCESSORY)	
	AN150015	CIRCUIT BREAKER	1	30 AMP (CAB ACCESSORY) (REPLACEMENT INNER ROOF)	
17	AR78385	WIRING LEAD	1		INSTRUMENT PANEL HARNESS TO RELAY
18	AR78386	WIRING LEAD	1		ACCESSORY RELAY
19	AH98337	RELAY	1		(SUB FOR AE23861)
20	AR78384	WIRING LEAD	2		ACCESSORY RELAY TO BUSSBAR
21	R52760	SCREW	2		
22	R63461	JUMPER	2		
..	R44302	TIE BAND	AR		

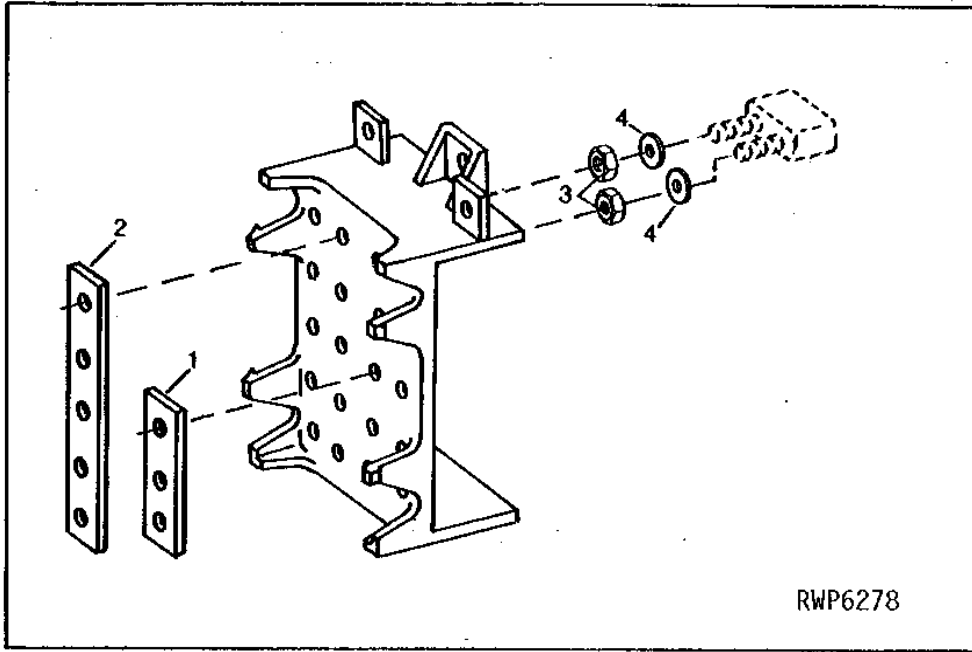
MEMORANDA

2B24

ELECTRICAL

RWP6278 -UN-01JAN94

CIRCUIT BREAKER SUPPORT KIT



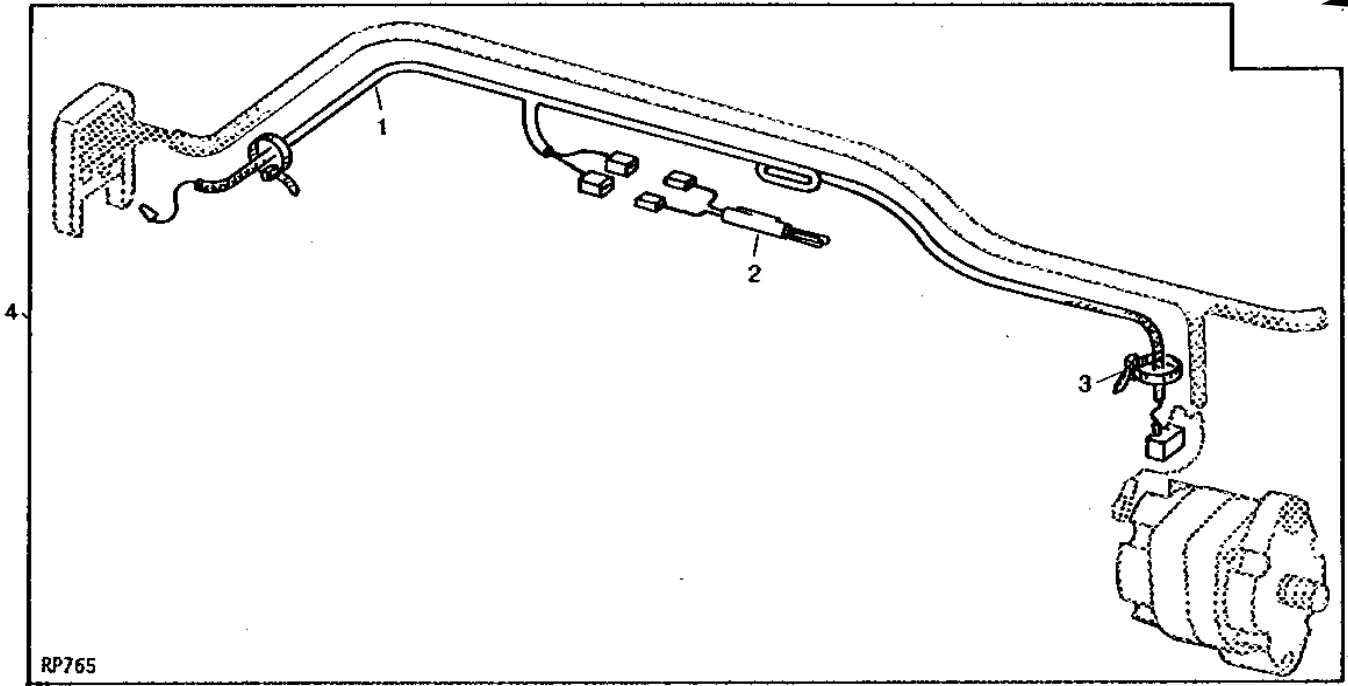
KEY	PART NO.	PART NAME	QTY	TRACTOR SERIAL NO.	REMARKS
1	R80334	STRAP	1		
2	R80335	STRAP	1		
3	14H631	NUT	20	0.190"	
4	24H1283	WASHER	20	7/32" X 1/2" X 0.049"	
5	RE16963	KIT	1		

2B25

ELECTRICAL

RP765 -UN-01JAN94

SERVICE WIRE RESISTANCE KIT



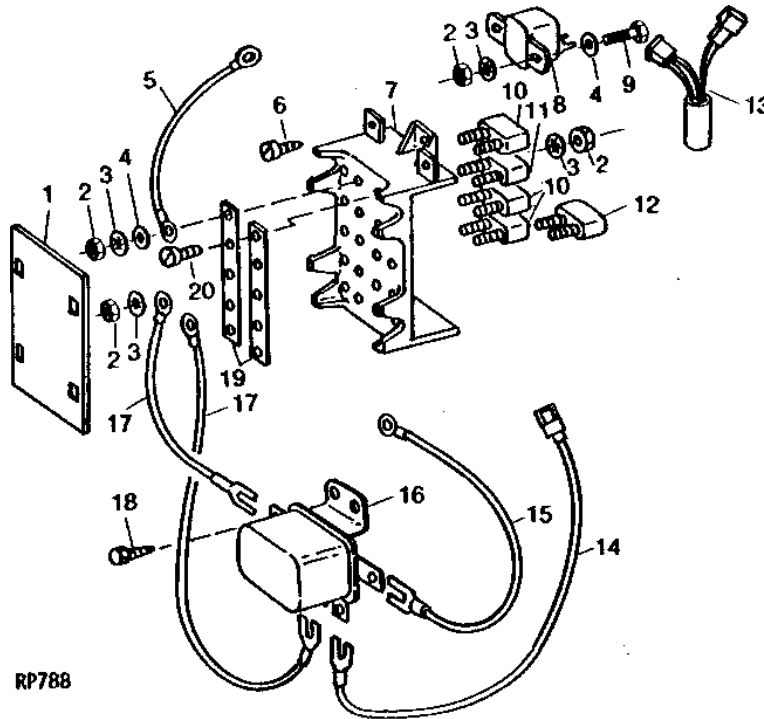
KEY	PART NO.	PART NAME	QTY	TRACTOR SERIAL NO.	REMARKS
1	AR90841	WIRING HARNESS	1		
2	AR85283	RECTIFIER	1		
3	R44302	TIE BAND	15		
4	AR90840	KIT	1		

2C1

ELECTRICAL

CIRCUIT BREAKERS, RELAY AND WARNING LAMP FLASHER (LESS SOUND-GARD BODY) (TRACTOR SERIAL NO. 027227-)

RP788 -UN-01JAN94



RP788

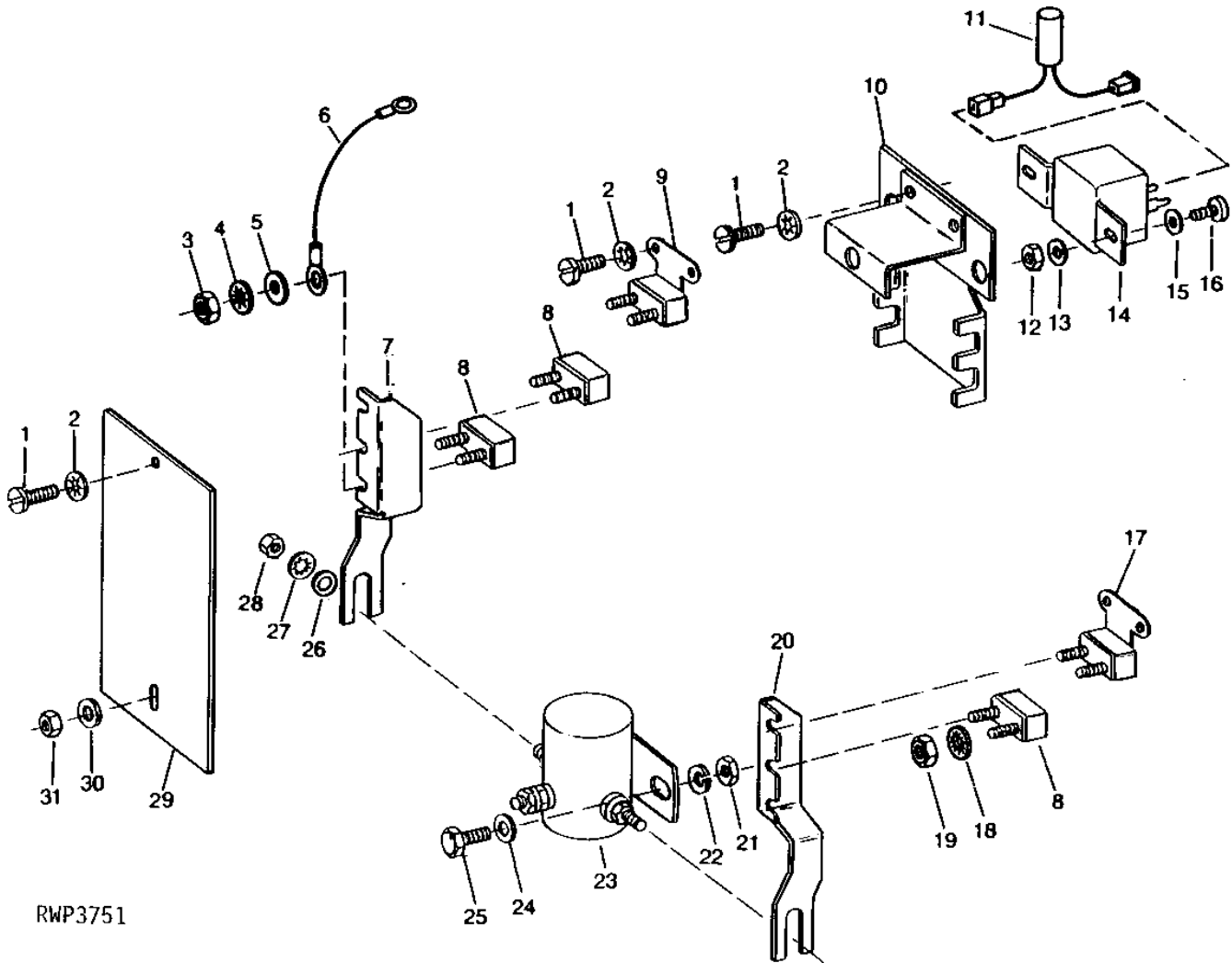
KEY	PART NO.	PART NAME	QTY	TRACTOR SERIAL NO.	REMARKS
1	R63462	COVER	1		
2	14H631	NUT	10	0.190"	
3	12H297	LOCK WASHER	10	1/4"	
4	24H1283	WASHER	6	7/32" X 1/2" X 0.049"	
5	AR72391	WIRING LEAD	1		BUSSBAR TO STARTER RELAY
6	R52760	SCREW	2		
7	R78095	SUPPORT	1		(SUB FOR R63460) (SUB RE16963)
8	AR48594	FLASHER	1		
9	21H1295	SCREW	2	0.190" X 5/8"	
10	AR56671	CIRCUIT BREAKER	3	20 AMP	
11	AR70052	CIRCUIT BREAKER	1	10 AMP (IGNITION)	
12	AR70052	CIRCUIT BREAKER	1	10 AMP (POWER FRONT WHEEL DRIVE)	
13	AR61861	CAPACITOR	1		(LESS TURN SIGNALS)
14	AR78385	WIRING LEAD	1		ACCESSORY RELAY TO INSTRUMENT PANEL HARNESS
15	AR78386	WIRING LEAD	1		ACCESSORY RELAY
16	AH98337	RELAY	1		(SUB FOR AE23861)
17	AR78384	WIRING LEAD	2		
18	R52760	SCREW	2		
19	R63461	JUMPER	1		(2 USED POWER FRONT WHEEL DRIVE)
20	21H1295	SCREW	1	0.190" X 5/8"	

2C2

ELECTRICAL

CIRCUIT BREAKERS, RELAY, AND WARNING LAMP FLASHER (LESS SOUND-GARD BODY) (POWER FRONT WHEEL DRIVE)

RWP3751 -UN-01JAN94



RWP3751

2C3

ELECTRICAL

**CIRCUIT BREAKERS, RELAY, AND WARNING LAMP FLASHER - CONTINUED
(LESS SOUND-GARD BODY)
(POWER FRONT WHEEL DRIVE)**

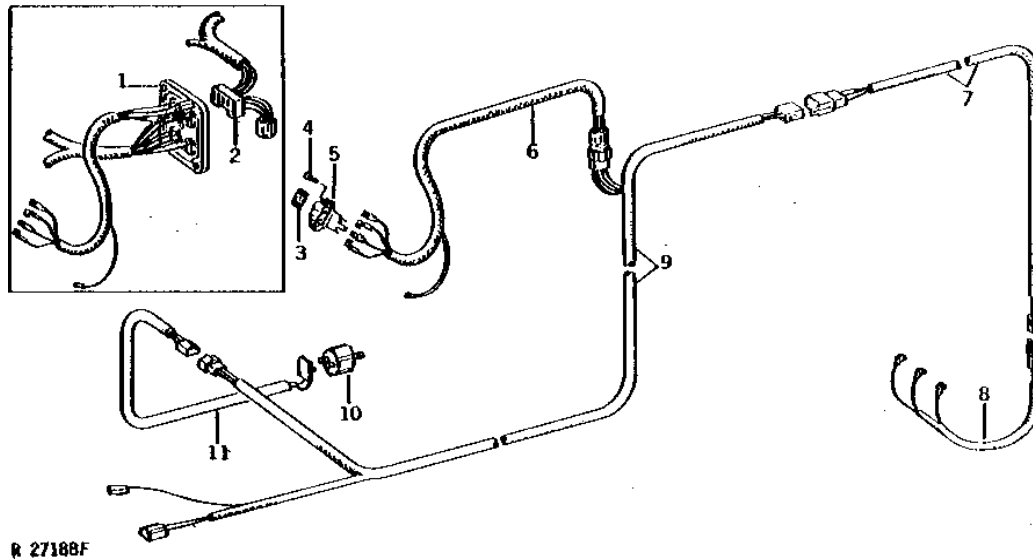
KEY	PART NO.	PART NAME	QTY	TRACTOR SERIAL NO.	REMARKS
1	21H1301	SCREW	5		0.190" X 1/2"
2	12M7060	WASHER	5		0.209"
3	14H631	NUT	6		0.190"
4	12M7060	WASHER	6		0.209"
5	B1085R	WASHER	6		
6	AR56213	WIRING LEAD	1	-026121	BUSSBAR TO CHARGING CIRCUIT HARNESS
	AR72391	WIRING LEAD	1	026122-	BUSSBAR TO STARTER RELAY
7	R50044	FUSE HOLDER	1		
8	AR56671	CIRCUIT BREAKER	3	-025245	20 AMP
	AR56671	CIRCUIT BREAKER	2	025246-	10 AMP
	AR70052	CIRCUIT BREAKER	1	025246-	10 AMP
9	AR55649	CIRCUIT BREAKER	1		10 AMP
10	AR58170	RETAINER	1		
11	AR61861	CAPACITOR	1		RADIO NOISE SUPPRESSOR
12	14H631	NUT	2		0.190"
13	12M7060	WASHER	2		0.209"
14	AR48594	FLASHER	1		
15	24H1283	WASHER	2		7/32" X 1/2" X 0.049"
16	21H1295	SCREW	2		0.190" X 5/8"
17	AR28403	CIRCUIT BREAKER	1		20 AMP
18	12M7060	WASHER	6		0.209"
19	14H631	NUT	6		0.190"
20	R50046	FUSE HOLDER	1		
21	14H786	NUT	2		1/4"
22	12H302	LOCK WASHER	2		1/4"
23	AR54484	RELAY	1		(SUB AR91166, THIS APPLICATION)
24	24H1287	WASHER	1		9/32" X 5/8" X 0.065"
25	19H1919	CAP SCREW	1		1/4" X 5/8"
26	24H1136	WASHER	2		11/32" X 11/16" X 0.065"
27	12H303	LOCK WASHER	2		5/16"
28	14H650	NUT	2		5/16"
29	R52756	WASHER	1		
30	T11651	SHIM	1		
31	14H631	NUT	1		0.190"

2C4

ELECTRICAL

ELECTRICAL SWITCHES AND WIRING (SYNCRO-RANGE AND QUAD-RANGE) (POWER FRONT WHEEL DRIVE)

R27188 -UN-01JAN94



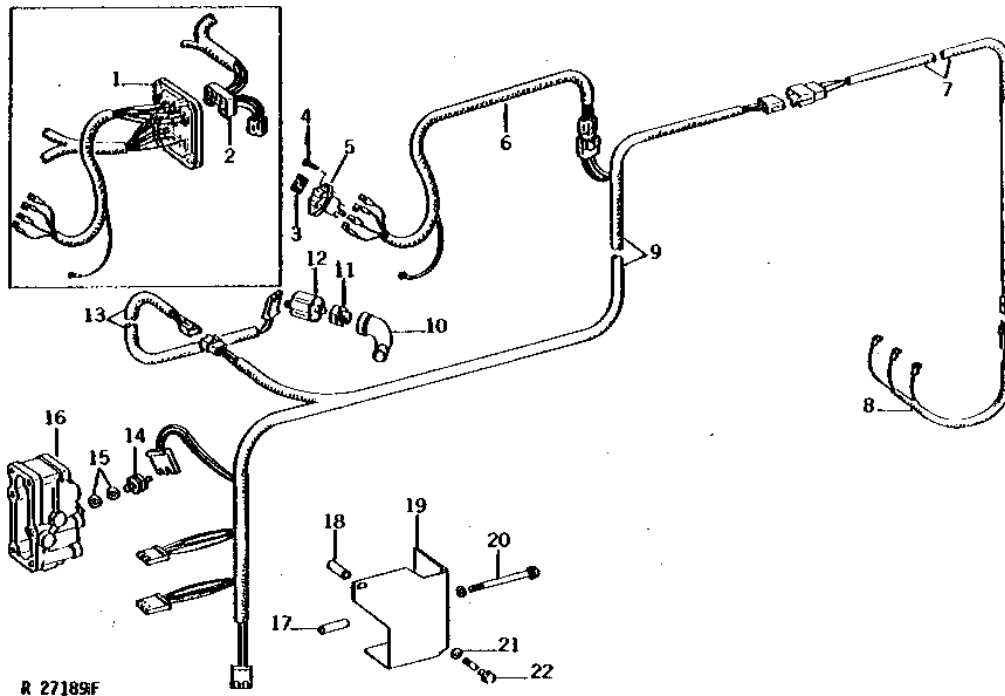
KEY	PART NO.	PART NAME	QTY	TRACTOR SERIAL NO.	REMARKS
1	AR61933	WIRING HARNESS	1	-006999	INSTRUMENT PANEL (NLA)
2	AR63872	WIRING HARNESS	1	-006999	ENGINE
3	R54035	LABEL	1		POWER FRONT WHEEL DRIVE
4	R54388	SCREW	2		
5	AR61984	TOGGLE SWITCH	1		
6	AR68012	WIRING HARNESS	1	007000-	TOGGLE SWITCH
7	AR49298	WIRING HARNESS	1		REAR CONTROL VALVE
8	AR45734	WIRING HARNESS	1		FRONT CONTROL VALVE
9	AR65372	WIRING HARNESS	1		ROTARY SWITCH HARNESS TO CONTROL VALVE AND ENGINE HARNESS
10	AL67715	BRAKE LIGHT SWITCH	1		PRESSURE, (SUB FOR AR51372, AR85759, AR86974 OR AL27809) (ALSO ORDER JD7838)
11	AR85760	WIRING HARNESS	1		PRESSURE SWITCH, (ALSO ORDER AL67715) (SUB FOR AR62238)
..	R44302	TIE BAND	AR		
..	R47474	CLIP	1		HARNESS TO AIR DUCT

2C5

ELECTRICAL

ELECTRICAL SWITCHES AND WIRING (POWER SHIFT) (POWER FRONT WHEEL DRIVE)

R27189 -UN-01JAN94



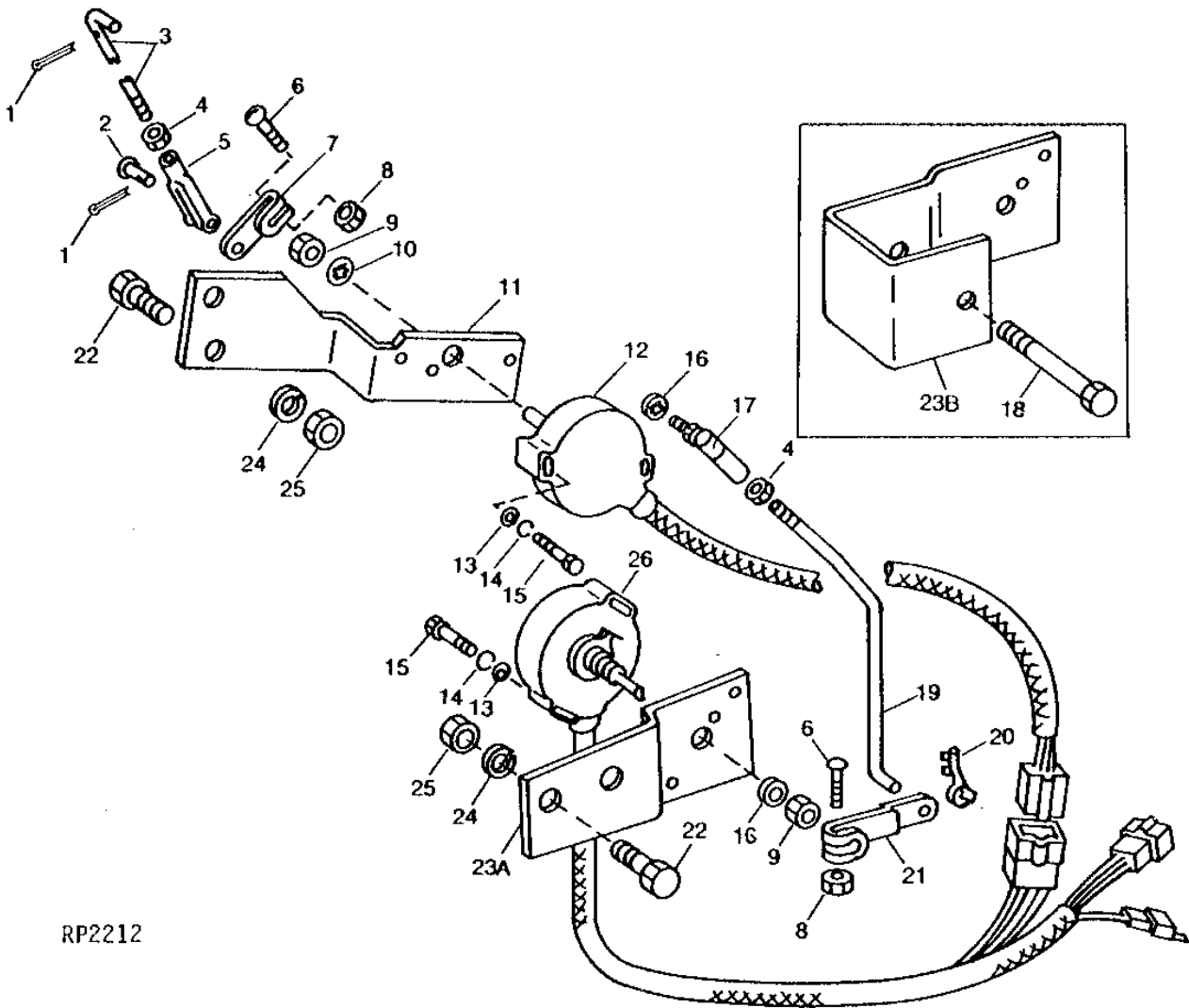
KEY	PART NO.	PART NAME	QTY	TRACTOR SERIAL NO.	REMARKS
1	AR61933	WIRING HARNESS	1	-006999	INSTRUMENT PANEL (NLA)
2	AR63872	WIRING HARNESS	1	-006999	ENGINE
3	R54035	LABEL	1		(POWER FRONT WHEEL DRIVE)
4	R54388	SCREW	2		
5	AR61984	TOGGLE SWITCH	1		
6	AR68012	WIRING HARNESS	1	007000-	TOGGLE SWITCH
7	AR49298	WIRING HARNESS	1		CONTROL VALVE, REAR
8	AR45734	WIRING HARNESS	1		CONTROL VALVE, FRONT
9	AR62155	WIRING HARNESS	1		CONTROL VALVE HOUSING SWITCH
10	15H613	ELBOW FITTING	1		90°
11	15H639	PIPE BUSHING	1		1/4" X 1/8"
12	AL67715	BRAKE LIGHT SWITCH	1		CLUTCH VALVE HOUSING, (ALSO ORDER JD7838) (SUB FOR AR51372, AR85759 OR AL27809) (ALSO ORDER AL67715) (SUB FOR AR62238)
13	AR85760	WIRING HARNESS	1		NEUTRAL START, (SUB FOR R36265, AR85323 OR AR89691)
14	RE38390	SWITCH	4		
15	T16911	SHIM	8		
16	R82331	COVER	1		(SUB FOR AR52180, AR95904 OR RE21305) (ALSO ORDER R26287, (5) R26448, R27216 AND R27218)
17	28H1532	SPACER	2		3/8" X 2"
18	28H1685	SPACER	1		3/8" X 1-11/16" (NLA)
19	R54343	SHIELD	1		
20	19H2345	CAP SCREW	2		3/8" X 5-1/2"
21	12H304	LOCK WASHER	2		3/8"
22	24M7096	WASHER	1		10.500 X 18 X 1.600 MM
..	19H2104	CAP SCREW	1		3/8" X 5"
..	R44302	TIE BAND	AR		

2C6

ELECTRICAL

ROTARY SWITCHES AND BRACKETS (SYNCRO-RANGE) (POWER FRONT WHEEL DRIVE)

RP2212 -UN-01JAN94



RP2212

2C7

ELECTRICAL

ROTARY SWITCHES AND BRACKETS - CONTINUED
(SYNCRO-RANGE)
(POWER FRONT WHEEL DRIVE)

KEY	PART NO.	PART NAME	QTY	TRACTOR SERIAL NO.	REMARKS
1	11M7077	COTTER PIN	2		0.063" X 0.984"
2	L985T	PIN	1		
3	R54489	BOLT	1		
4	14H631	NUT	2		0.190"
5	L987T	YOKE	1		
6	21H1315	SCREW	2		0.164" X 3/4"
7	R42985	ARM	1		(SPEED)
8	T19977	LOCK NUT	2		
9	R44025	NUT	2		
10	12H310	LOCK WASHER	2		3/8"
11	R59943	BRACKET	1	-015798	(SUB FOR R54398)
	R59943	BRACKET	1	015799-	
12	AR72381	SWITCH	1		(SPEED) (SUB FOR AR61936)
13	24H1281	WASHER	4	015799-	5/32" X 3/8" X 0.049"
14	12H321	WASHER	4	015799-	0.138"
15	21H1348	SCREW	4	015799-	0.138" X 1-1/8"
16	12H246	LOCK WASHER	1		0.190"
17	AR45316	BALL JOINT	1		
18	19H2023	CAP SCREW	1		(A) 3/8" X 3-1/4"
19	R54403	ROD	1		
20	R42984	CLIP	1		
21	AR62698	ARM	1		(RANGE)
22	19H1731	CAP SCREW	4		3/8" X 1"
23A	R54399	BRACKET	1	-015798	(B) (SUB R59942)
	R59942	BRACKET	1	015799-	(B)
23B	R54402	BRACKET	1	-015798	(A) (SUB R59944)
	R59944	BRACKET	1	015799-	(A)
24	12H304	LOCK WASHER	4		3/8"
25	14H812	NUT	4		3/8"
26	AR72380	SWITCH	1		(A) (RANGE) (SUB FOR AR65371 OR AR61934)

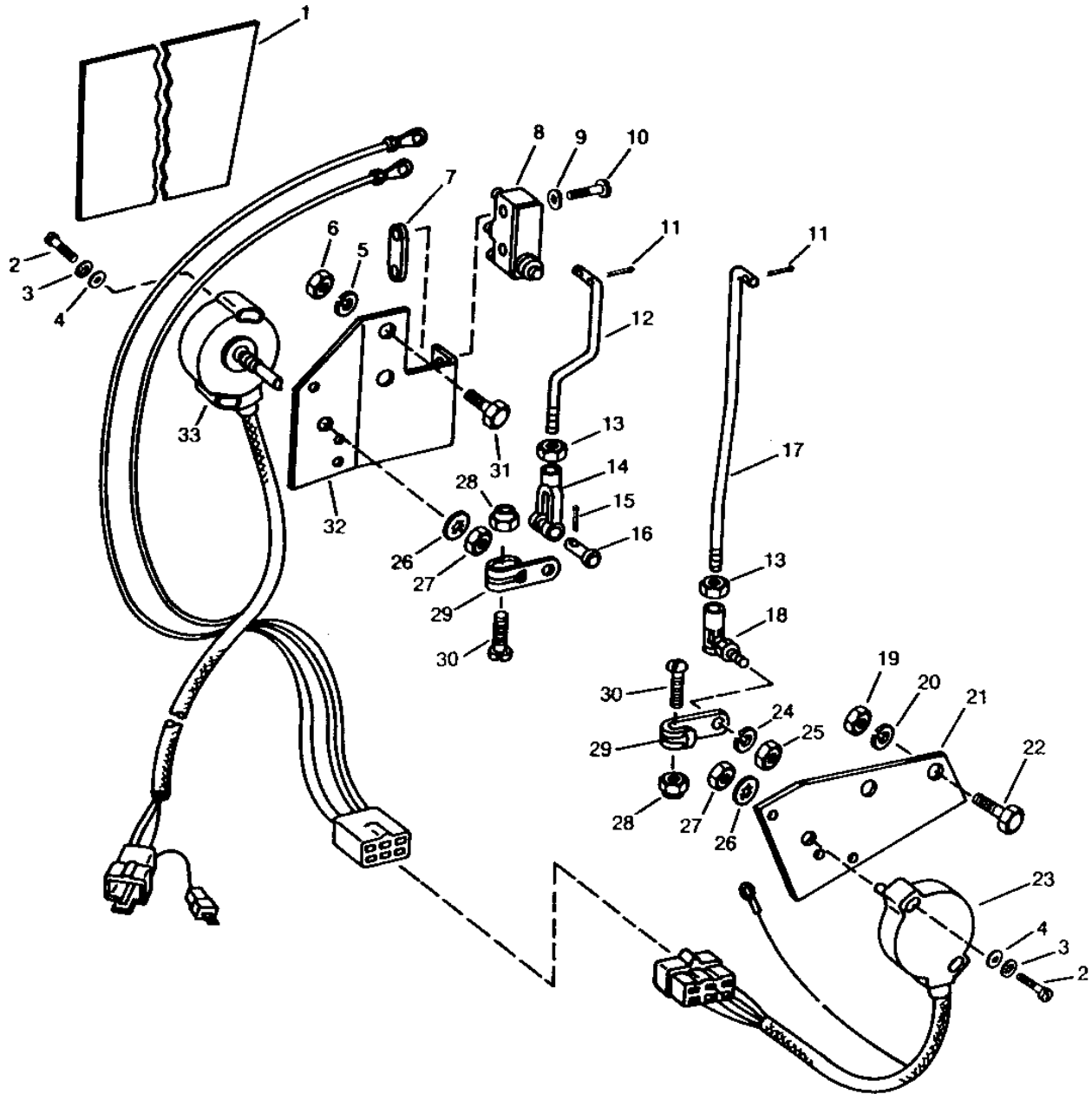
(A) LESS 4-POST ROLL-GARD OR SOUND-GARD BODY
(B) 4-POST ROLL-GARD OR SOUND-GARD BODY

2C8

ELECTRICAL

ROTARY SWITCHES AND BRACKETS (QUAD-RANGE) (POWER FRONT WHEEL DRIVE)

RP881 -UN-16NOV94



RP881

2C9

ELECTRICAL

ROTARY SWITCHES AND BRACKETS - CONTINUED
(QUAD-RANGE)
(POWER FRONT WHEEL DRIVE)

KEY	PART NO.	PART NAME	QTY	TRACTOR SERIAL NO.	REMARKS
1	R52982	ISOLATOR	1		
2	21H1348	SCREW	4	015799-	0.138" X 1-1/8"
3	12H321	WASHER	4	015799-	0.138"
4	24H1281	WASHER	4	015799-	5/32" X 3/8" X 0.049"
5	12H304	LOCK WASHER	2		3/8"
6	14H812	NUT	2		3/8"
7	R44016	STRAP	1		
8	AR62072	SWITCH	1		
9	12H321	WASHER	2		0.138"
10	21H1348	SCREW	2		0.138" X 1-1/8"
11	11M7077	COTTER PIN	2		0.063" X 0.984"
12	R54207	ROD	1		(SPEED RANGE)
13	14H631	NUT	2		0.190"
14	L987T	YOKE	1		
15	11M7077	COTTER PIN	1		0.063" X 0.984"
16	L985T	PIN	1		
17	R54208	ROD	1		(SPEED CHANGE)
18	AR45316	BALL JOINT	1		
19	14H812	NUT	2		3/8"
20	12H304	LOCK WASHER	2		3/8"
21	R59946	BRACKET	1		(A) (SUB FOR R54572)
	R54573	BRACKET	1		(B) (SUB FOR R59947)
22	19H2552	CAP SCREW	2		(A) 3/8" X 1-1/8"
	19H2023	CAP SCREW	2		(B) 3/8" X 3-1/4"
23	AR81190	SWITCH	1		(A) RANGE, (ALSO ORDER R59946, (2) 21H1348, (2) 24H1281 AND (2) 12H321) (SUB FOR AR61987 OR AR72383)
24	12H246	LOCK WASHER	1		0.190"
25	14H631	NUT	1		0.190"
26	12H310	LOCK WASHER	2		3/8"
27	R44025	NUT	2		
28	T19977	LOCK NUT	2		
29	R42985	ARM	2		
30	21H1315	SCREW	2		0.164" X 3/4"
31	19H1731	CAP SCREW	2		3/8" X 1"
32	R54571	BRACKET	1	-015798	(SUB FOR R54571)
	R59945	BRACKET	1	015799-	
33	AR81189	SWITCH	1		SPEED, (SUB FOR AR65370 OR AR72382) (ALSO ORDER R59945, (2) 21H1348, (2) 24H1281 AND (2) 12H321)

(A) 4-POST ROLL-GARD OR SOUND-GARD BODY

(B) LESS 4-POST ROLL-GARD OR SOUND-GARD BODY

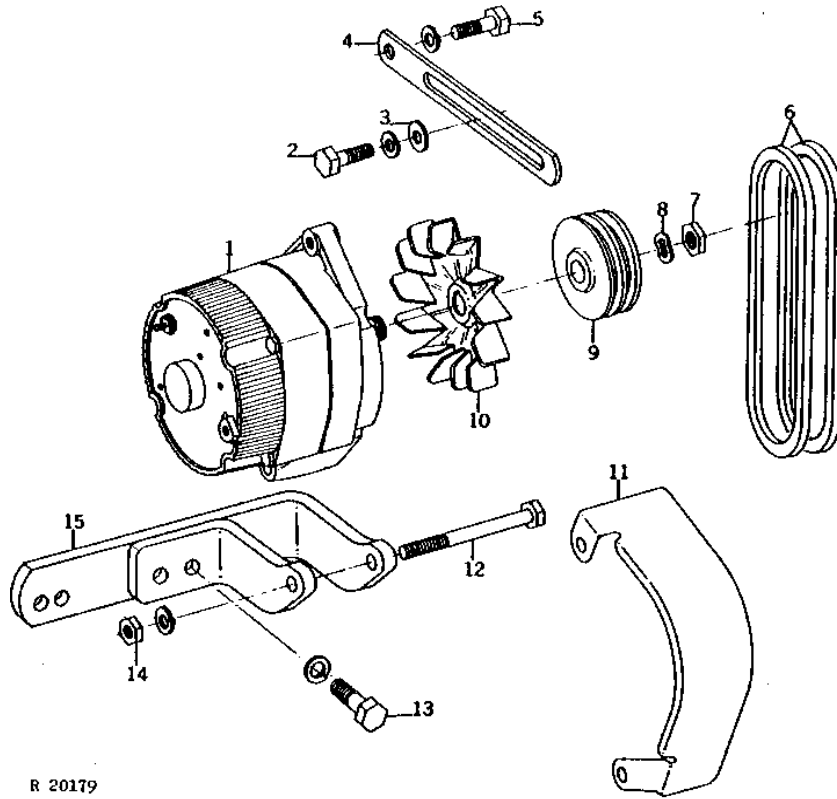
2C10

ELECTRICAL

R20179

-UN-01JAN94

ALTERNATOR AND MOUNTING BRACKETS



2C11

ELECTRICAL

ALTERNATOR AND MOUNTING BRACKETS

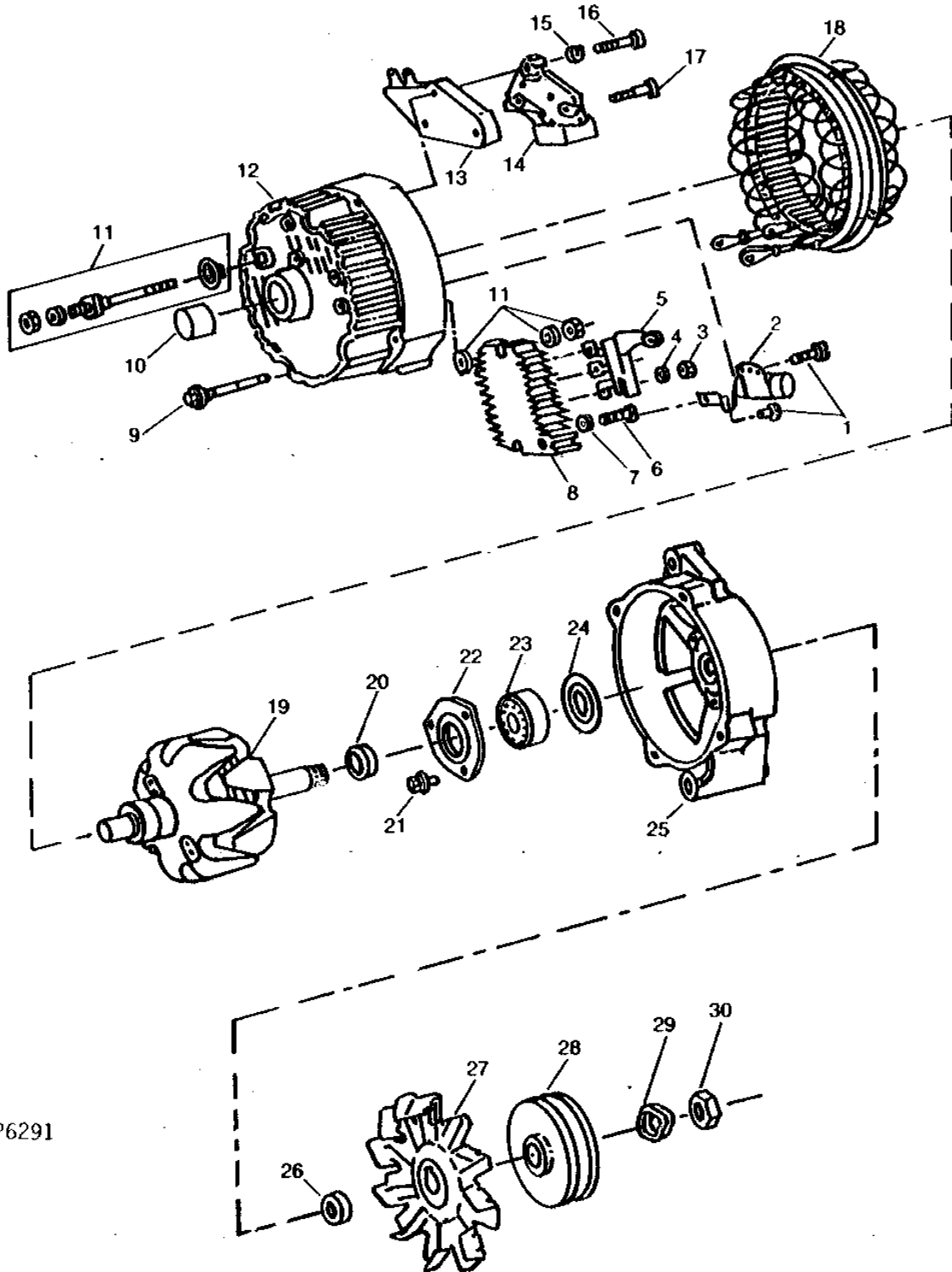
KEY	PART NO.	PART NAME	QTY	TRACTOR SERIAL NO.	REMARKS
1	AR56728	ALTERNATOR	1	-029611	37 AMP, (DELCO-REMY NO. 1102359) (LESS SOUND-GARD BODY) (SUB RE31694, 14M7165, 12M7006, 12M7065, 19M7163 OR TY6772)
	AR54796	ALTERNATOR	1	-029611	55 AMP, (DELCO-REMY NO. 1100491) (SOUND-GARD BODY) (SUB RE31694, 14M7165, 12M7006, 12M7065, 19M7163 OR TY6772)
	TY6772	ALTERNATOR	1		(72 AMP) (REMANUFACTURED) (SUB FOR TY6600)
	AR84306	ALTERNATOR	1	029612-	72 AMP (DELCO-REMY NO. 1102932) (SUB RE31694, 14M7165, 12M7006, 12M7065, 19M7163 OR TY6790)
	AR93446	ALTERNATOR	1		(72 AMP) (DELCO-REMY NO. 1103128) (SUB RE31694 OR TY6790)
	RE13797	ALTERNATOR	1		(72 AMP) (DELCO-REMY NO. 1105174) (SUB RE31694 OR TY6790)
	RE27109	ALTERNATOR	1		(78 AMP) (DELCO-REMY NO. 1101268) (SUB RE31694 OR TY6686)
	RE31694	ALTERNATOR	1		(78 AMP) (DELCO-REMY NO. 1101345) (SUB FOR AR56728, AR54796, AR84306, AR93446, RE13797 OR RE27109) (ALSO ORDER 14M7165, 12M7006, 12M7065 AND 19M7163)
	TY6790	ALTERNATOR	1		(90 AMP) (REMANUFACTURED) (SUB FOR TY6625)
	TY6686	ALTERNATOR	1		(78 AMP) (REMANUFACTURED)
2	19H2661	CAP SCREW	1		5/16" X 1-3/8"
	12H303	LOCK WASHER	1		5/16"
3	R56397	WASHER	2		
4	R43603	STRAP	1		
5	19H2284	CAP SCREW	1	-445947	3/8" X 7/8"
	19H1726	CAP SCREW	1	445948-	3/8" X 2-1/4"
	12H304	LOCK WASHER	1		3/8"
6	AR57266	BELT SET	1		
7	R11049	NUT	1		
8	T10745	WASHER	1		
9	R81507	PULLEY	1		DOUBLE, (SUB FOR R52161)
	R52159	PULLEY	1		SINGLE
10	R50659	FAN	1		
	R87764	FAN	1		(USE WITH RE27109 OR RE31694)
11	R56012	SHIELD	1		(SUB FOR R41334)
12	19H2023	CAP SCREW	1		3/8" X 3-1/4"
13	19H2964	CAP SCREW	2		7/16" X 1-1/8"
	12H293	LOCK WASHER	2		7/16"
14	14H1076	NUT	1		3/8"
	12H304	LOCK WASHER	1		3/8"
15	AR56010	BRACKET	1		(SUB R70870 AND 19H1978)
..	AR76060	DEFLECTOR	1		

2C12

ELECTRICAL

ALTERNATOR
(12-VOLT) (DELCO-REMY)
(TRACTOR SERIAL NO. -029611)

RWP6291 -UN-01JAN94



RWP6291

2C13

ELECTRICAL

ALTERNATOR - CONTINUED
(12-VOLT) (DELCO-REMY)
(TRACTOR SERIAL NO. -029611)

KEY	PART NO.	PART NAME	QTY	TRACTOR SERIAL NO.	REMARKS
1	37H2	SCREW	2		0.164" X 5/8"
2	AR55835	CAPACITOR	1		
3	14H605	NUT	3		0.164"
4	12M7084	LOCK WASHER	3		0.169"
5	RE13798	DIODE	1		(SUB FOR AR55831)
6	21H1319	SCREW	1		0.164" X 7/8"
7	12M7084	LOCK WASHER	1		0.169"
8	AR55832	RECTIFIER	1		
9	R51535	BOLT	4		
10	AR77851	ROLLER BEARING	1		(SUB FOR AR55830)
11	AR55834	TERMINAL	1		(SUB AR93945 AND 14M7165)
12	R51529	HOUSING	1		
13	AR55827	VOLTAGE REGULATOR	1		
14	AR69269	BRUSH	1		(SUB FOR AR55833)
15	12M7084	LOCK WASHER	1		0.169"
16	R51531	SCREW	1		
17	R51530	SCREW	1		
18	AR62395	STATOR	1		(A) (37 AMP)
	AR55837	STATOR	1		(B) (55 AMP) (SUB FOR AR55829 OR AR85940)
19	RE13801	ROTOR	1		(SUB FOR AR55828 OR AR78093)
20	R51532	ECCENTRIC LOCKING COLLAR	1		
21	21H1301	SCREW	3		0.190" X 1/2"
22	R11109	PLATE	1		(SUB FOR AR55836 OR AR78755)
23	JD9449	BALL BEARING	1		(SUB FOR AT23188)
24	R51534	SHIM	1		
25	R69644	HOUSING	1		(ALSO ORDER R69645) (SUB FOR R51528)
26	R51533	ECCENTRIC LOCKING COLLAR	1		
27	R50659	FAN	1		
28	R52189	PULLEY	1		(SINGLE)
	R81507	PULLEY	1		(DOUBLE) (SUB FOR R52161)
29	T10745	WASHER	1		
30	R11049	NUT	1		
..	AR56728	ALTERNATOR	1		(A) (37 AMP) (SUB RE31694, 12M7006, 12M7065, 14M7165 AND 19M7163 OR TY6772)
..	AR54796	ALTERNATOR	1		(B) (55 AMP) (SUB RE31694, 12M7006, 12M7065, 14M7165 AND 19M7163 OR TY6772)
..	TY6772	ALTERNATOR	1		(72 AMP) (SUB FOR TY6600)
..	RE31694	ALTERNATOR	1		(78 AMP) (SUB FOR AR56728, AR54796, AR84306, AR93446, RE13797 OR RE27109) (ALSO FURNISH 14M7165, 12M7006 12M7065 AND 19M7163)
..	TY6686	ALTERNATOR	1		(78 AMP)

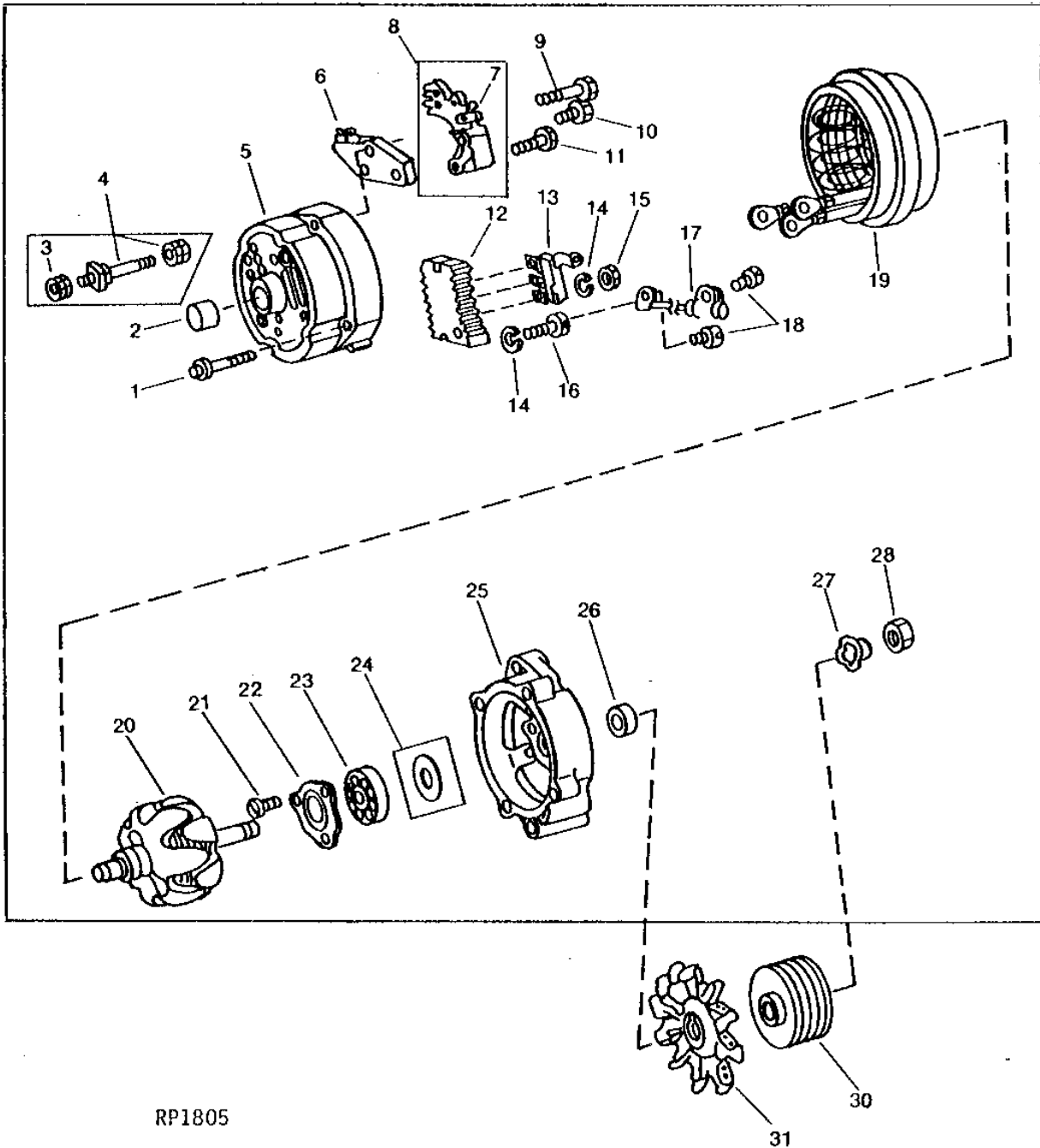
(A) LESS AIR CONDITIONING
 (B) AIR CONDITIONING

2C14

ELECTRICAL

ALTERNATOR
(12-VOLT) (DELCO-REMY)
(TRACTOR SERIAL NO. 029612-)

RP1805 -UN-01JAN94



RP1805

2C15

ELECTRICAL

ALTERNATOR - CONTINUED
(12-VOLT) (DELCO-REMY)
(TRACTOR SERIAL NO. 029612-)

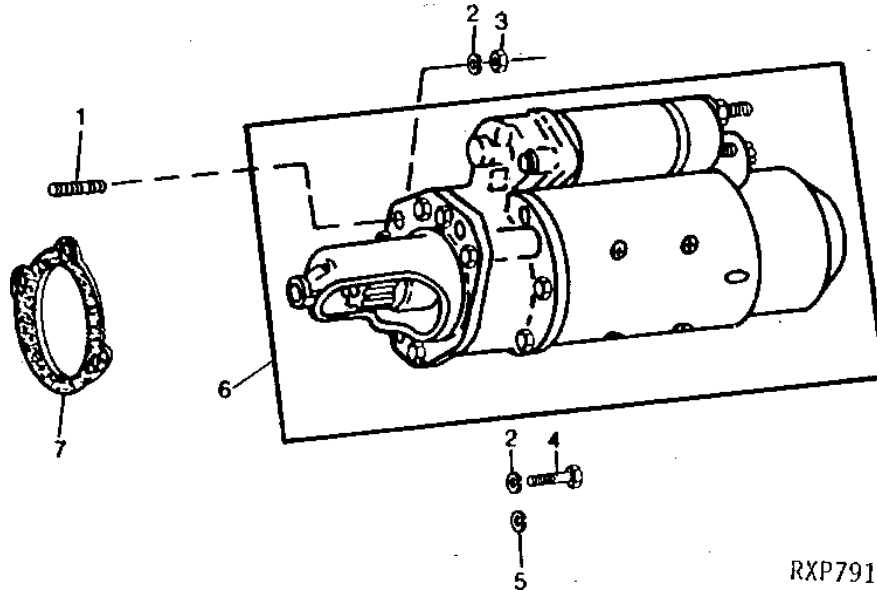
KEY	PART NO.	PART NAME	QTY	TRACTOR SERIAL NO.	REMARKS
1	R51535	BOLT	4		
2	AR77851	ROLLER BEARING	1		
3	14M7165	LOCK NUT	1	M6	
4	AR93945	TERMINAL	1		(ALSO ORDER 14M7165) (SUB FOR AR55834)
5	R71400	HOUSING	1		(SUB FOR R66301)
6	AR55827	VOLTAGE REGULATOR	1		
7	AR90058	BRUSH	2		
8	AR85941	CARBON BRUSH HOLDER	1		
9	21H1376	SCREW	1	0.164" X 1-1/4"	
10	R51530	SCREW	2		
11	R66302	SCREW	1		
12	AR55832	RECTIFIER	1	-XXXXXX	(USE WITH AR84306 OR AR93446)
	RE13799	RECTIFIER	1	XXXXXX-	(USE WITH RE13797)
13	RE13798	DIODE	1		(SUB FOR AR55831)
14	12M7084	LOCK WASHER	4	0.169"	
15	14H605	NUT	3	0.164"	
16	21H1319	SCREW	1	0.164" X 7/8"	
17	AR55835	CAPACITOR	1		
18	37H2	SCREW	2	0.164" X 5/8"	
19	AR55837	STATOR	1		(SUB FOR RE13800)
20	RE13801	ROTOR	1		(SUB FOR AR78093)
21	21H1301	SCREW	3	0.190" X 1/2"	
22	R11109	PLATE	1		(SUB FOR AR55836 OR AR78755)
23	JD9449	BALL BEARING	1		(SUB FOR AT23188)
24	R51534	SHIM	1	-XXXXXX	
25	R71399	HOUSING	1		(SUB FOR R51528 OR R69644)
26	R51533	ECCENTRIC LOCKING COLLAR	1	-XXXXXX	
	R69645	WASHER	1	XXXXXX-	
27	T10745	WASHER	1		
28	R11049	NUT	1		
29	AR84306	ALTERNATOR	1	-XXXXXX	(72 AMP) (SUB RE31694, 12M7006, 12M7065, 14M7165 AND 19M7163 OR TY6790)
	AR93446	ALTERNATOR	1	XXXXXX-	(72 AMP) (SUB RE31694 OR TY6790)
	RE13797	ALTERNATOR	1		(72 AMP) (SUB RE31694 OR TY6790)
	TY6790	ALTERNATOR	1		(90 AMP) (REMANUFACTURED) (SUB FOR TY6625)
	RE27109	ALTERNATOR	1		(78 AMP) (SUB RE31694 OR TY6686)
	RE31694	ALTERNATOR	1		(78 AMP) (SUB FOR AR56728, AR54796, AR84306, AR93446, RE13797 OR RE27109) (ALSO FURNISH 14M7165, 12M7006, 12M7065 AND 19M7163)
	TY6686	ALTERNATOR	1		(78 AMP) (REMANUFACTURED)
30	R81507	PULLEY	1		(DOUBLE) (SUB FOR R52161)
31	R50659	FAN	1		
	R87764	FAN	1		(USE WITH RE27109 OR RE31694)

2C16

ELECTRICAL

RXP7911 -UN-01JAN94

STARTER MOTORS



RXP7911

KEY	PART NO.	PART NAME	QTY	TRACTOR SERIAL NO.	REMARKS
1	R56481	STUD	1	(A)	(SUB FOR M3636T)
	R55396	STUD	1	(B)	3/8" X 1-11/16"
2	12H304	LOCK WASHER	3	(C)	3/8"
3	14H1076	NUT	1	(C)	3/8"
4	19H3219	CAP SCREW	2	(F)	3/8" X 1-3/8"
	19H1721	CAP SCREW	3	(D)	1/2" X 1-1/2"
	19H2552	CAP SCREW	2	(E)	3/8" X 1-1/8"
5	12H301	LOCK WASHER	3	(D)	1/2"
6	AR62267	STARTER	1		(DELCO-REMY NO. 1113402) (SUB FOR AR55638) (SUB TY6710)
	AR78538	STARTER	1		(DELO-REMY NO. 111391) (SUB TY6701)
	AR77254	STARTER	1		(NIPPONDENSONO. 028000-3290 OR 028000-3291) (SUB TY6713 OR RE41875)
	RE41875	STARTER	1		(NIPPONDENSONO. 028000-3292) (MARKED RE13722) (SUB FOR AR77254)
	TY6701	STARTER	1		(DELCO-REMY) (REMANUFACTURED) (SUB FOR TY6618 OR AR78538)
	TY6710	STARTER	1		(DELCO-REMY) (REMANUFACTURED) (SUB FOR TY1597, TY6667 OR AR62267)
	TY6713	STARTER	1		(NIPPONDENSONO) (REMANUFACTURED) (SUB FOR TY6617 OR AR77254)
7	R53108	GASKET	1		

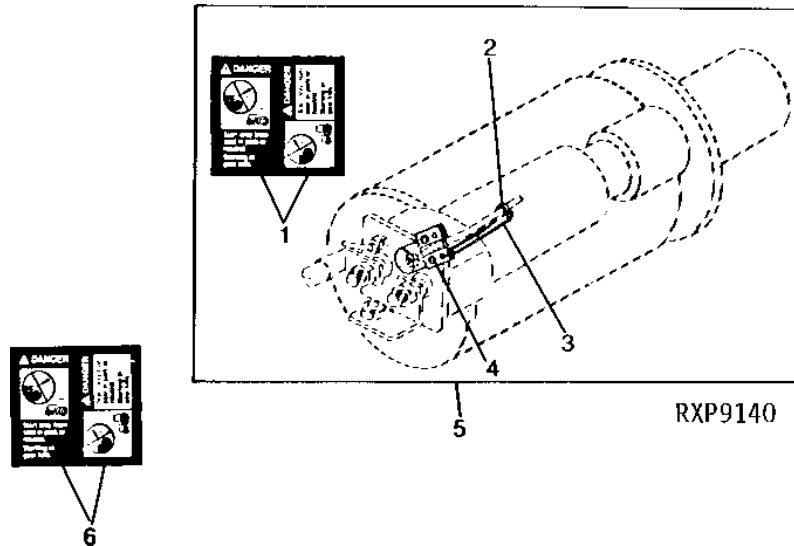
- (A) USE WITH AR62267, RE41875, TY6710 OR TY6713
- (B) USE WITH AR77254, TY6701 OR TY6713
- (C) USE WITH AR62267, AR77254, RE41875, TY6701, TY6710 OR TY6713
- (D) USE WITH AR78538 OR TY6701
- (E) USE WITH RE41875 OR TY6713
- (F) USE WITH AR62267, AR77254, TY6710, TY6701 OR TY6713

2C17

ELECTRICAL

RXP9140 -UN-11NOV94

STARTER SOLENOID COVER KIT (DELCO-REMY)



KEY	PART NO.	PART NAME	QTY	TRACTOR SERIAL NO.	REMARKS
1	T146102	WARNING LABEL	1		(ENGLISH) (SUB FOR T84409 OR T134459)
2	R44302	TIE BAND	1		
3	R76477	TIE BAND	1		
4	R66117	SCREW	2		
5	RE39063	SHIELD	1	(A)	
6	T146106	WARNING LABEL	1		(ESPANOL) (SUB FOR T84410 OR T134452)
	T146104	WARNING LABEL	1		(FRANCAIS) (SUB FOR T84411 OR T134453)
	T146515	WARNING LABEL	1		(DEUTSCH) (SUB FOR T84412 OR T134454)
	T146516	WARNING LABEL	1		(ITALIANO) (SUB FOR T84413 OR T134455)
	T146517	WARNING LABEL	1		(ENGLISH/FRANCAIS) (SUB FOR T84578 OR T134456)

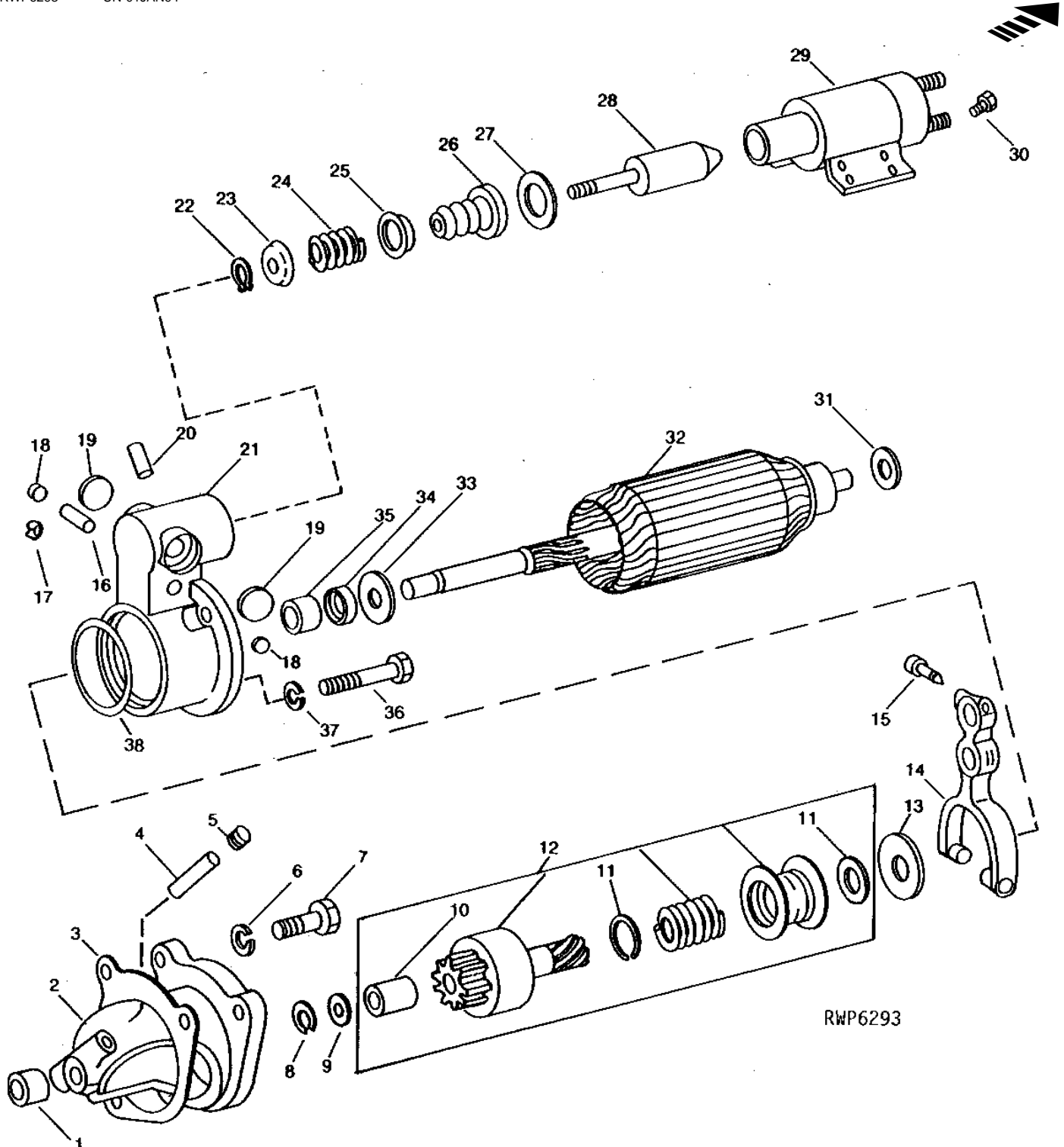
(A) USE WITH AR55638, AR62267, AR78538, TY1597, TY6667, TY6618, TY6701, OR TY6710

2C18

ELECTRICAL

STARTER DRIVE HOUSING, SOLENOID SWITCH AND ARMATURE
(12-VOLT) (DELCO-REMY NO. 1113672 OR 1113402)
(AR62267)

RWP6293 -UN-01JAN94



RWP6293

2C19

ELECTRICAL

STARTER DRIVE HOUSING, SOLENOID SWITCH AND ARMATURE - CONTINUED
(12-VOLT) (DELCO-REMY NO. 1113672 OR 1113402)
(AR62267)

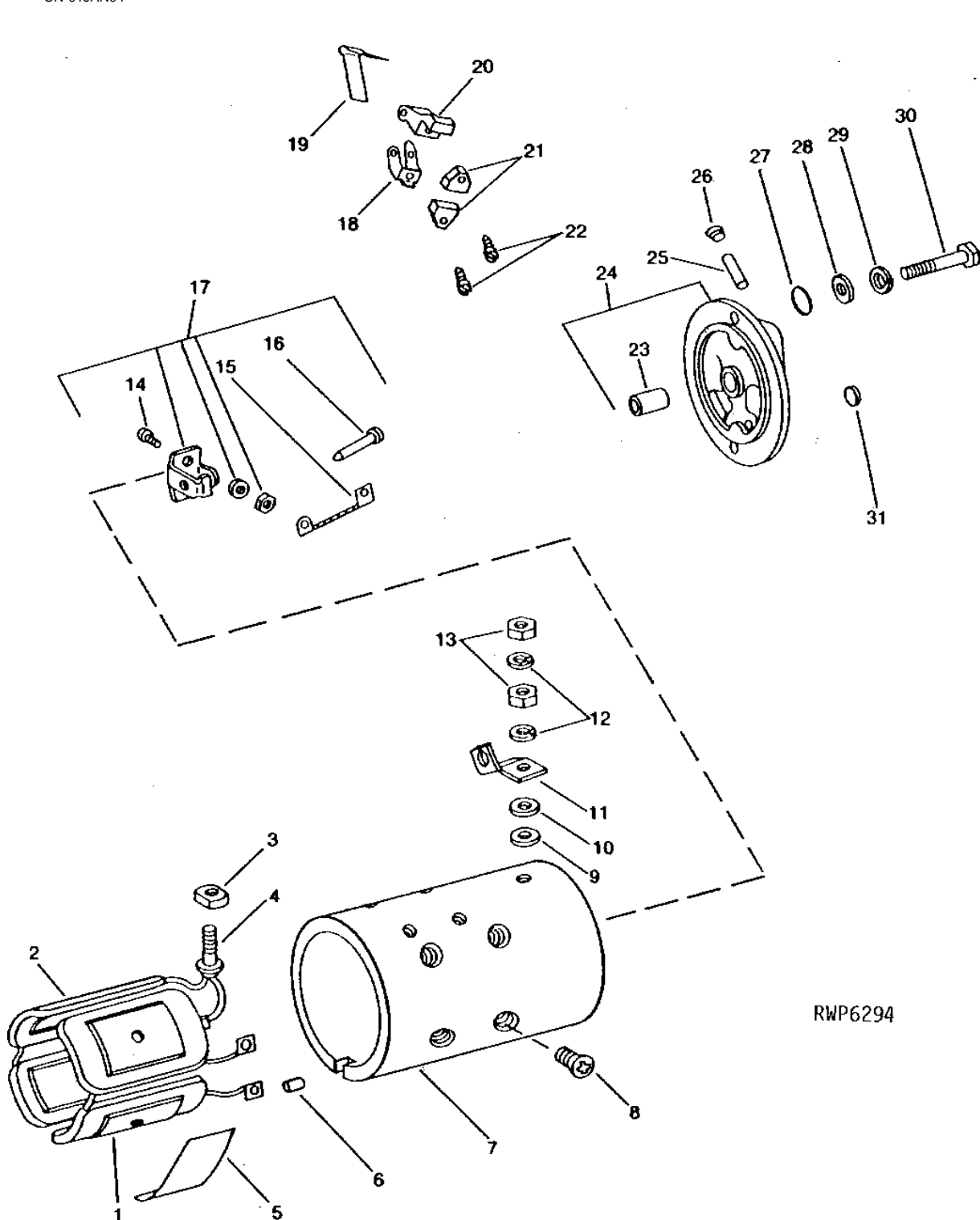
KEY	PART NO.	PART NAME	QTY	MODEL NO.	REMARKS
1	T11743	BUSHING	1		
2	AR11127	HOUSING	1		
3	R53108	GASKET	1		
4	R40337	WICK	1		
5	15H566	PIPE PLUG	1	1/8"	
6	12H304	LOCK WASHER	3	3/8", (NOT REQUIRED WITH E55662)	
	M3636T	STUD	1		
	14H1076	NUT	2	3/8"	
7	19H3219	CAP SCREW	2	3/8" X 1-3/8"	
8	R11117	SNAP RING	1		
9	R48976	STOP	1		
10	1873796	BUSHING	1		
11	R11118	WIRE	2		
12	AR88880	BENDIX DRIVE	1	(SUB FOR AR44700 OR AR76841)	
13	R11095	WASHER	1		
14	AR11128	LEVER	1		
15	R11222	PIN	1		
16	R11215	DOWEL PIN	2		
17	R11223	RETAINER	1		
18	30H7	PLUG	2	5/8"	
19	30H16	PLUG	2	1-3/16"	
20	R11201	WICK	1		
	R11016	PIPE PLUG	1		
21	AR11126	HOUSING	1		
22	R11026	SNAP RING	1		
23	R11129	CAP	1		
24	R11128	SPRING	1		
25	R11126	RETAINER	1		
26	R11127	BOOT	1		
27	R11221	WASHER	1		
28	AR11132	PLUNGER	1		
29	R11292	SWITCH	1	(DELCO-REMY NO. 1115510 OR 1115540)	
30	T19909	BOLT	4		
31	R11096	WASHER	1		
32	AR44698	ARMATURE	1		
33	R11291	WASHER	1		
34	AR62964	SEAL	1		
35	R11212	BUSHING	1		
36	AR62963	SCREW	4		
37	12H303	LOCK WASHER	4	5/16"	
38	R40545	GASKET	1		
..	AR62267	STARTER	1	(SUB TY6710) (SUB FOR AR55638)	
..	TY6710	STARTER	1	(REMANUFACTURED) (SUB FOR AR55638, AR62267, TY1597 OR TY6667)	

2C20

ELECTRICAL

STARTER MAIN FRAME, COIL, AND COMMUTATOR END FRAME
(12-VOLT) (DELCO-REMY NO. 1113672 OR 1113402)
(AR62267)

RWP6294 -UN-01JAN94



RWP6294

2C21

ELECTRICAL

STARTER MAIN FRAME, COIL, AND COMMUTATOR END FRAME - CONTINUED
 (12-VOLT) (DELCO-REMY NO. 1113672 OR 1113402)
 (AR62267)

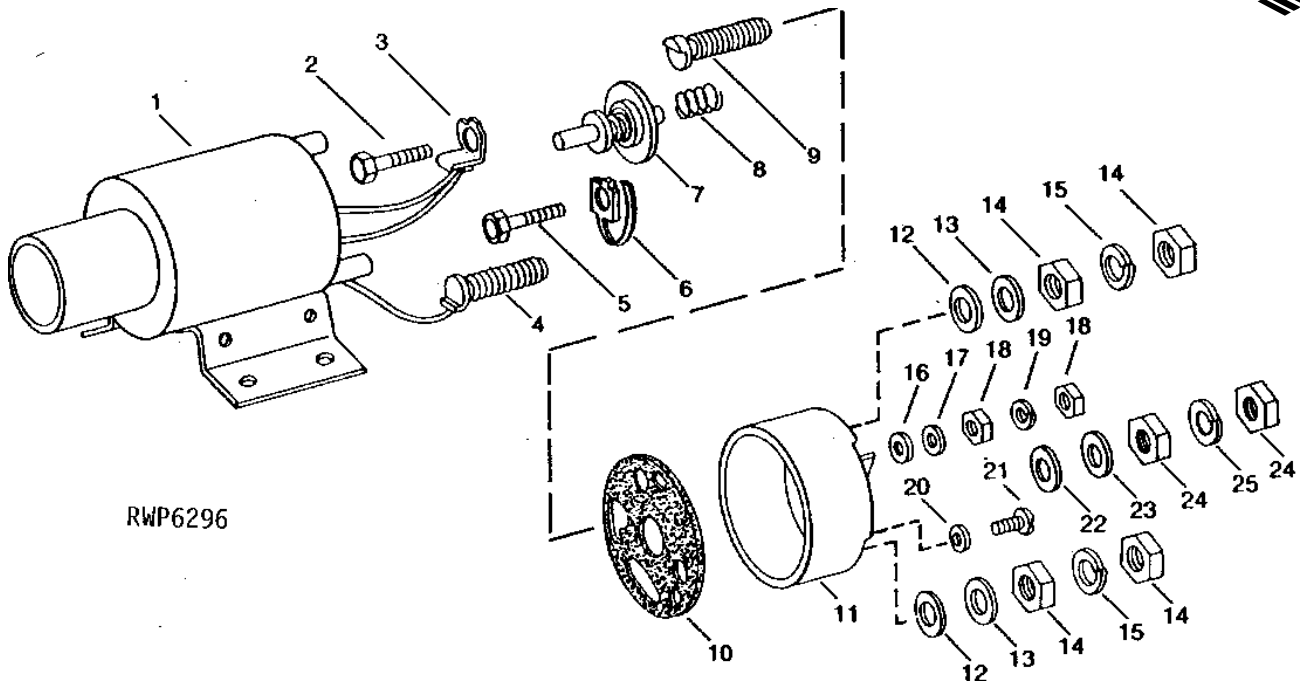
KEY	PART NO.	PART NAME	QTY	ENGINE SERIAL NO.	REMARKS
1	R11003	SHOE	4		
2	AR44699	ELECTRICAL COIL	1		
3	R11058	BUSHING	2		
4	R11059	STUD	1		
5	R11253	INSULATOR	2		
6	R11087	DOWEL PIN	1		
7	FRAME	1		(ORDER TY6710)
8	21H1280	SCREW	4		3/8" X 3/4"
9	R11000	WASHER	2		
10	24M7096	WASHER	1		10.500 X 18 X 1.600 MM
11	R11296	CONNECTOR	1		
12	12H304	LOCK WASHER	2		3/8"
13	14H732	NUT	2		3/8"
14	T18098	SCREW	2		
15	AR11001	WIRING LEAD	1		
16	R11233	PIN	2		
17	AR11124	SUPPORT	2		
18	T738T	HOLDER	2		
19	R11209	SPRING	2		
20	R11290	CARBON BRUSH HOLDER	2		
21	R42574	BRUSH	4		
22	37H78	SCREW	4		0.164" X 3/4"
23	R61932	BUSHING	1		(SUB FOR T11739)
24	AR11140	FRAME	1		
25	15H566	PIPE PLUG	1		1/8"
26	R40337	WICK	1		
27	R27976	O-RING	2		
28	24H1136	WASHER	2		11/32" X 11/16" X 0.065"
29	12H303	LOCK WASHER	2		5/16"
30	R11298	BOLT	2		
31	30H9	PLUG	1		3/4"
..	AR62267	STARTER	1		(SUB TY6710) (SUB FOR AR55638)
..	TY6710	STARTER	1		(REMANUFACTURED) (SUB FOR AR55638, AR62267, TY1597 OR TY6667)

2C22

ELECTRICAL

SOLENOID SWITCH (12-VOLT) (DELCO-REMY NO. 1113672 OR 1113402) (AR62267)

RWP6296 -UN-01JAN94



KEY	PART NO.	PART NAME	QTY	ENGINE SERIAL NO.	REMARKS
1	CASE	1		(A) (DELCO-REMY NO. 1115540) (ORDER R11292)
2	R11197	STUD	1		(SUB FOR T18110)
3	R11198	CLIP	1		(NLA)
4	R11293	STUD	1		
5	R11295	STUD	1		
6	R40546	CLIP	1		
7	AR11051	CONTACT	1		
8	R11066	SPRING	1		
9	T18105	STUD	1		
10	R40548	GASKET	1		
11	R11294	COVER	1		
12	T18107	WASHER	2		
13	24M7096	WASHER	1		10.500 X 18 X 1.600 MM
14	14H732	NUT	4		3/8"
15	12H304	LOCK WASHER	2		3/8"
16	T50222	WASHER	1		(SUB FOR T18106)
17	24H1283	WASHER	1		7/32" X 1/2" X 0.049"
18	14H631	NUT	2		0.190"
19	12H246	LOCK WASHER	2		0.190"
20	R11039	WASHER	2		
21	21H1298	SCREW	2		0.190" X 3/8"
22	T19607	WASHER	1		
23	24H1281	WASHER	1		5/32" X 3/8" X 0.049"
24	14H605	NUT	2		0.164"
25	12M7084	LOCK WASHER	2		4.300 MM

(A) USE WITH AR55638, AR62267, TY1597, TY6667 OR TY6710

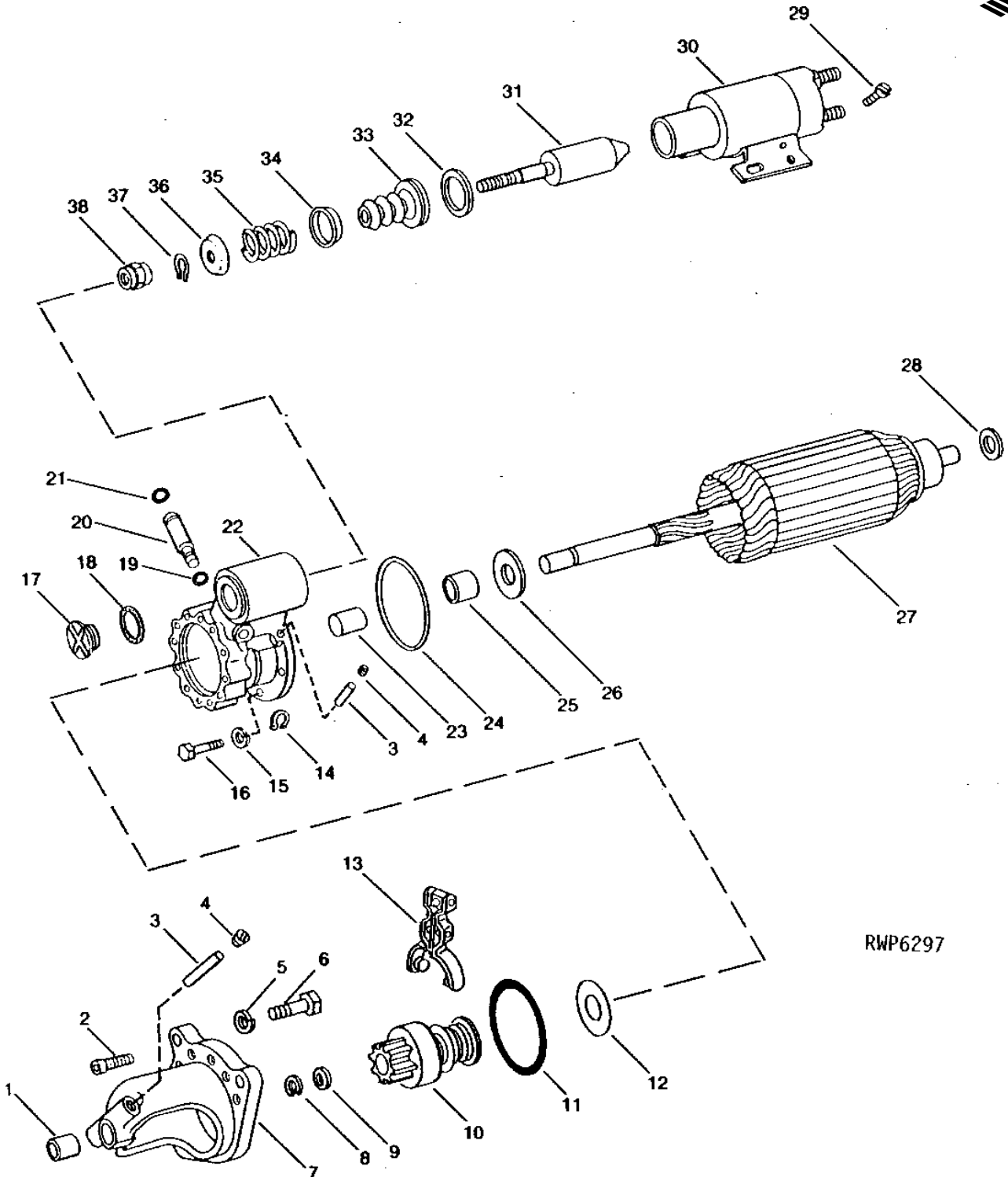
MEMORANDA

2C23

ELECTRICAL

STARTER, ARMATURE, DRIVE END HOUSING AND DRIVE
(12-VOLT) (DELCO-REMY NO. 1113391)
(AR78538)

RWP6297 -UN-01JAN94



2C24

ELECTRICAL

STARTER, ARMATURE, DRIVE END HOUSING AND DRIVE - CONTINUED
(12-VOLT) (DELCO-REMY NO. 1113391)
(AR78538)

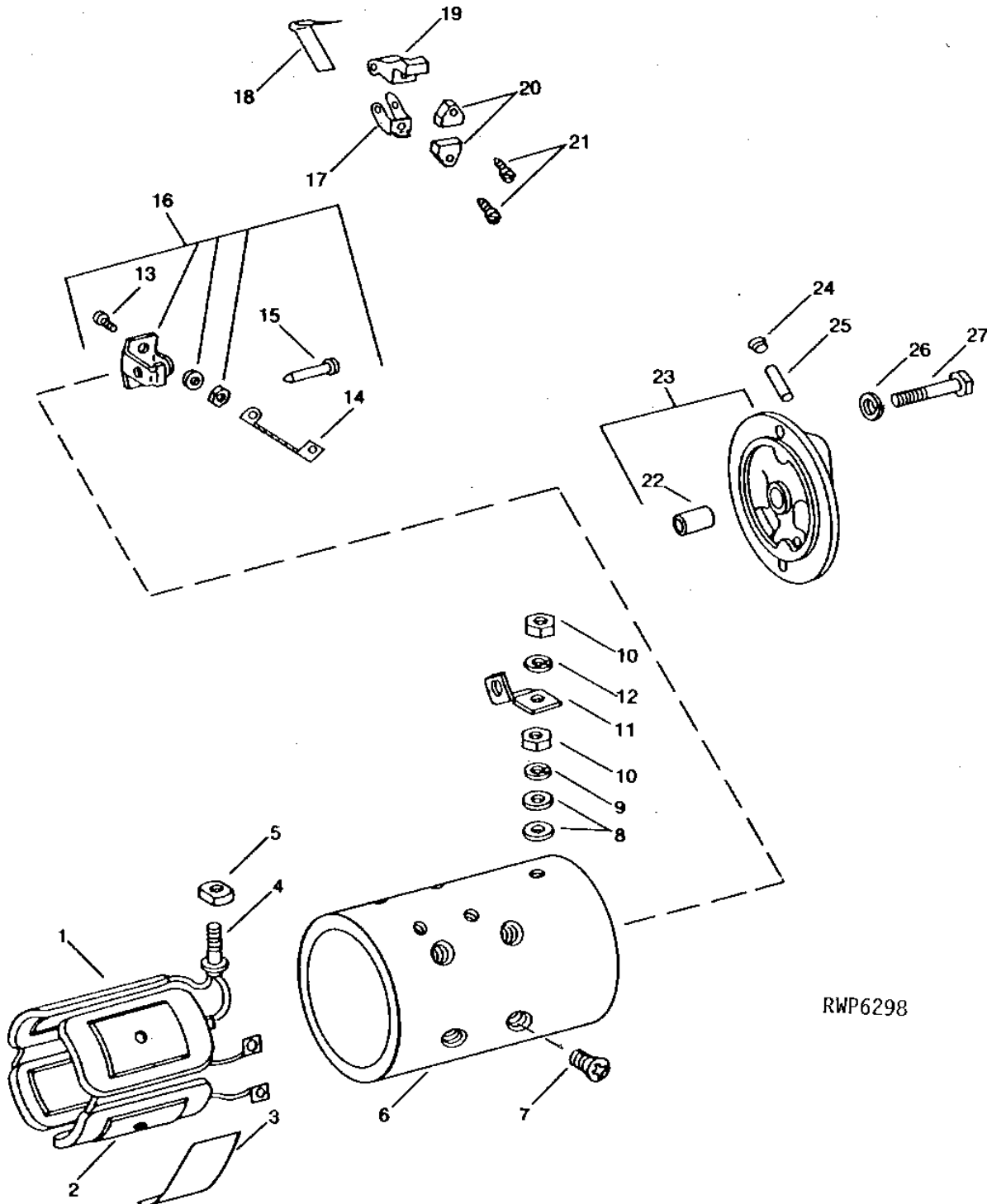
KEY	PART NO.	PART NAME	QTY	ENGINE SERIAL NO.	REMARKS
1	T11743	BUSHING	1		
2	R62674	SCREW	2		
3	R40337	WICK	2		
4	15H566	PIPE PLUG	2	1/8"	
5	12H301	LOCK WASHER	3	1/2"	
6	19H1721	CAP SCREW	3	1/2" X 1-1/2"	
7	AR77259	HOUSING	1		
8	R11117	SNAP RING	1		
9	R48976	STOP	1		
10	AR88880	BENDIX DRIVE	1		(SUB FOR AR76841)
11	R62673	O-RING	1		
12	R11095	WASHER	1		
13	AR77261	LEVER	1		
14	R11026	SNAP RING	1		
15	12H302	LOCK WASHER	5	1/4"	
16	19H3005	CAP SCREW	5	1/4" X 1"	
17	R11133	PLUG	1		
18	R11121	GASKET	1		
19	A4365R	O-RING	1		
20	R62670	SHAFT	1		
21	A3917R	O-RING	1		
22	AR77260	HOUSING	1		
23	R11212	BUSHING	1		
24	R11120	O-RING	1		
25	AR62964	SEAL	1		
26	R11291	WASHER	2		
27	AR77257	ARMATURE	1		
28	R11096	WASHER	1		
29	T19909	BOLT	4		
30	AR77255	SWITCH	1		
31	AR77256	PLUNGER	1		
32	R11138	SHIM	1		(SUB FOR R11221)
33	R11127	BOOT	1		
34	R11126	RETAINER	1		
35	R11128	SPRING	1		
36	R11129	CAP	1		
37	R11026	SNAP RING	1		
38	R62671	LOCK NUT	1		
..	AR78538	STARTER	1		(SUB TY6701) (SUB FOR AR55638, AR62267 OR AR77215)
..	TY6701	STARTER	1		(REMANUFACTURED) (SUB FOR TY6618 OR AR78538)

2D1

ELECTRICAL

STARTER MAIN FRAME, COIL, AND COMMUTATOR END FRAME (12-VOLT) (DELCO-REMY NO. 1113391) (AR78538)

RWP6298 -UN-01JAN94



RWP6298

2D2

ELECTRICAL

STARTER MAIN FRAME, COIL, AND COMMUTATOR END FRAME - CONTINUED
 (12-VOLT) (DELCO-REMY NO. 1113391)
 (AR78538)

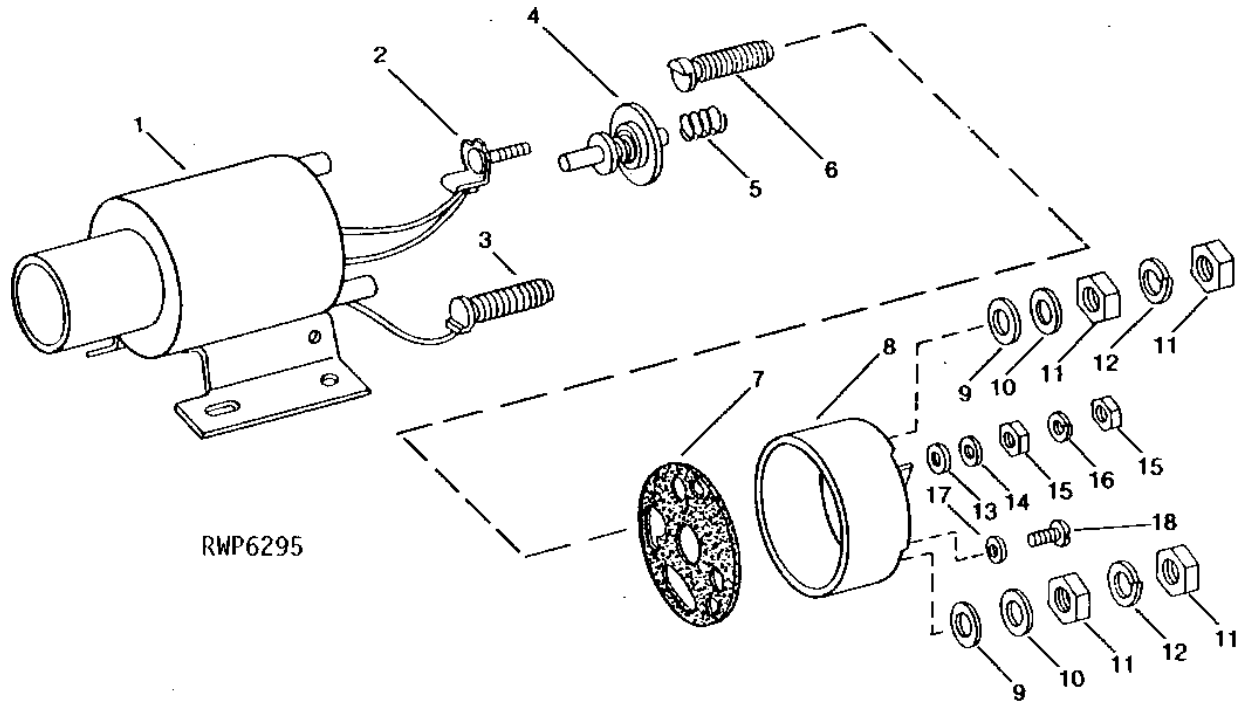
KEY	PART NO.	PART NAME	QTY	ENGINE SERIAL NO.	REMARKS
1	AR77258	FIELD WINDING COIL	1		
2	R11003	SHOE	4		
3	R62672	ISOLATOR	2		
4	R11146	SCREW	1		
5	AR40171	GROMMET	1		
6	FRAME	1		(ORDER TY6701)
7	21H1280	SCREW	4		3/8" X 3/4"
8	R11011	WASHER	2		
9	811912	WASHER	2		
10	14H971	NUT	2		1/2"
11	R62669	CONNECTOR	1		
12	12H301	LOCK WASHER	1		1/2"
13	T18098	SCREW	2		
	R11250	RIVET	2		
14	AR11001	WIRING LEAD	1		
15	R61933	PIN	2		
16	AR75908	KIT	2		
17	T738T	HOLDER	2		
18	R11209	SPRING	2		
19	R11290	CARBON BRUSH HOLDER	2		
20	R42574	BRUSH	4		
21	37H78	SCREW	4		0.164" X 3/4"
22	R61932	BUSHING	1		
23	AR75905	FRAME	1		
24	15H566	PIPE PLUG	1		1/8"
25	R61934	WICK	1		
26	12H302	LOCK WASHER	4		1/4"
27	19H3005	CAP SCREW	4		1/4" X 1"
..	AR78538	STARTER	1		(SUB TY6701) (SUB FOR AR55638, AR62267 OR AR77215)
..	TY6701	STARTER	1		(REMANUFACTURED) (SUB FOR TY6618 OR AR78538)

2D3

ELECTRICAL

SOLENOID SWITCH (12-VOLT) (DELCO-REMY) (AR78538)

RWP6295 -UN-01JAN94



KEY	PART NO.	PART NAME	QTY	ENGINE SERIAL NO.	REMARKS
1	CASE	1		(A) (DELCO-REMY NO. 1115530) (ORDER AR77255)
2	R11197	STUD	2		(SUB FOR T18110)
3	R11293	STUD	1		
4	AR11051	CONTACT	1		
5	R11066	SPRING	1		
6	T18105	STUD	1		(SUB FOR R62667)
7	R40548	GASKET	1		
8	R62668	COVER	1		
9	T18107	WASHER	2		
10	24M7096	WASHER	2	10.500 X 18 X 1.600 MM	
11	14H732	NUT	4	3/8"	
12	12H304	LOCK WASHER	2	3/8"	
13	T18106	WASHER	2		
14	24H1283	WASHER	2	7/32" X 1/2" X 0.049"	
15	14H631	NUT	4	0.190"	
16	12H246	LOCK WASHER	2	0.190"	
17	R11039	WASHER	2		
18	21H1298	SCREW	2	0.190" X 3/8"	

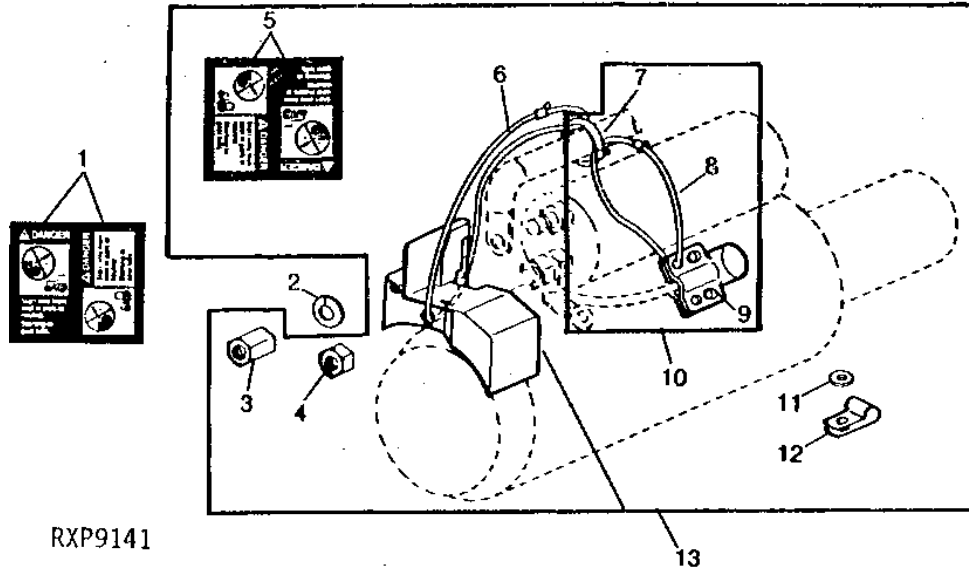
(A) USE WITH AR78538, TY6618 OR TY6701

2D4

ELECTRICAL

RXP9141 -UN-01JAN94

STARTER SOLENOID COVER KIT (JOHN DEERE)



KEY	PART NO.	PART NAME	QTY	TRACTOR SERIAL NO.	REMARKS
1	T146106	WARNING LABEL	1		(ESPAÑOL) (SUB FOR T84410 OR T134452)
	T146104	WARNING LABEL	1		(FRANCAIS) (SUB FOR T84411 OR T134453)
	T146515	WARNING LABEL	1		(DEUTSCH) (SUB FOR T84412 OR T134454)
	T146516	WARNING LABEL	1		(ITALIANO) (SUB FOR T84413 OR T134455)
	T146517	WARNING LABEL	1		(ENGLISH/FRANCAIS) (SUB FOR T84578 OR T134456)
2	12H246	LOCK WASHER	1		0.190"
3	R100380	NUT	1		
4	14H732	NUT	1		3/8"
5	T146102	WARNING LABEL	1		(ENGLISH) (SUB FOR T84409 OR T134459)
6	R76477	TIE BAND	1		
7	R44302	TIE BAND	1		
8	R76477	TIE BAND	1		
9	R66117	SCREW	2		
10	RE39063	SHIELD	1		(A)
11	24H1289	WASHER	1		
12	R46414	CLAMP	1		
13	RE39064	SHIELD	1		(A)

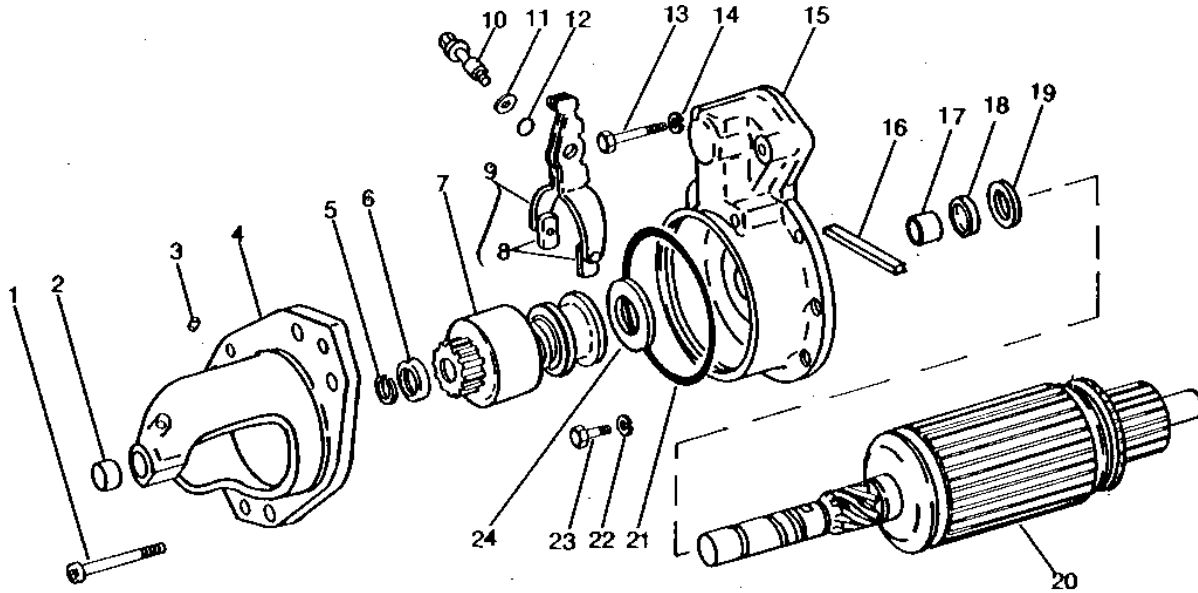
(A) USE WITH AR77254, RE41875, TY6617 OR TY6713

2D5

ELECTRICAL

STARTER DRIVE HOUSING AND ARMATURE
 (12-VOLT) (JOHN DEERE) (NIPPONDENSO NO. 028000-3291 OR 028000-3292)
 (AR77254 OR RE41875)

RGP1947 -UN-01JAN94



RGP1947

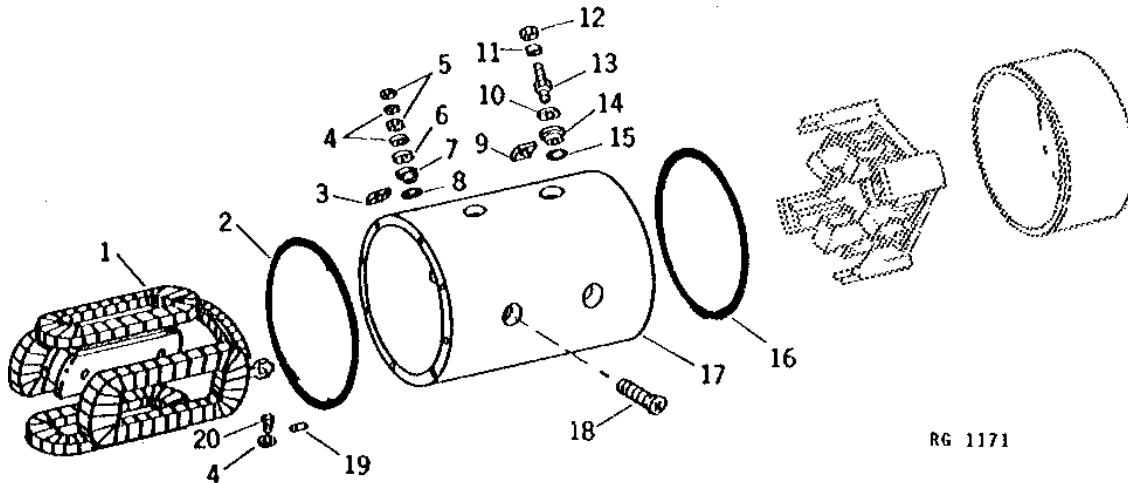
KEY	PART NO.	PART NAME	QTY	ENGINE SERIAL NO.	REMARKS
1	R50900	SCREW	6		
2	R50891	BUSHING	1		(INCLUDED W/AR54990)
3	R50892	PLUG	1		
4	AR54990	HOUSING	1		
5	R50902	SNAP RING	1		
6	R50903	STOP	1		
7	AR54992	DRIVE	1		
8	R51667	WEAR PLATE	2		
9	R50904	LEVER	1		(STARTER SERIAL NO. 11L0233 AND BELOW)
	AR67827	ARM	1		(STARTER SERIAL NO. 11L0234 AND UP)
10	R50897	SHAFT	1		
11	24H1289	WASHER	1		21/64" X 5/8" X 0.049", (USE WITH RE41875 OR TY6713)
12	R52387	O-RING	1		
13	R50893	SCREW	2		
14	12H302	LOCK WASHER	2	1/4"	
15	AR54993	HOUSING	1		(STARTER SERIAL NO. 11L0233 AND BELOW)
	AR68430	HOUSING	1		(STARTER SERIAL NO. 11L0234 AND UP)
16	R51666	WICK	1		
17	R51665	BUSHING	1		
18	AR55947	SEAL	1		
19	R50906	THRUST WASHER	1		
20	AR66778	ARMATURE	1		
21	R50901	WASHER	1		
22	12H317	LOCK WASHER	2	9/16"	
23	R51661	SCREW	2		
24	R50905	WEAR RING	1		
..	AR77254	STARTER	1		(NIPPONDENSO NO. 028000-3291) (SUB RE41875 OR TY6713)
..	RE41875	STARTER	1		(NIPPONDENSO NO. 028000-3292) (MARKED RE13722) (SUB FOR AR77254)
..	TY6713	STARTER	1		(REMANUFACTURED) (SUB FOR AR77254 OR TY6617)

2D6

ELECTRICAL

STARTER MAIN FRAME AND COIL
(12-VOLT) (JOHN DEERE) (NIPPONDENSO NO. 028000-3291 OR 028000-3292)
(AR77254 OR RE41875)

RG1171 -UN-01JAN94



RG 1171

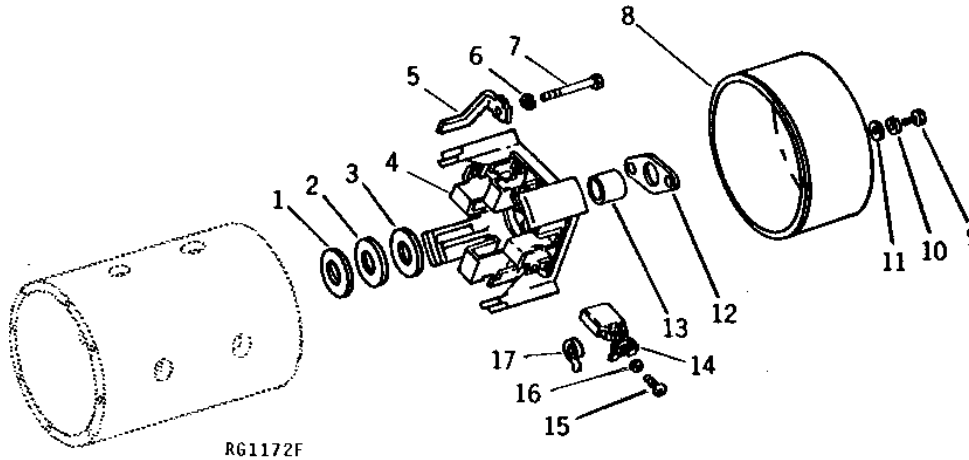
KEY	PART NO.	PART NAME	QTY	ENGINE SERIAL NO.	REMARKS
1	AR54996	FIELD WINDING COIL	1	-9U0000	
	RE13731	FIELD WINDING COIL	1	9U0001-	
2	R50913	O-RING	1		
3	R50916	WASHER	1		
4	12H246	LOCK WASHER	3		0.190"
5	R50907	NUT	2		
6	24H1283	WASHER	1		7/32" X 1/2" X 0.049"
7	R50914	WASHER	1		
8	R50915	O-RING	1		
9	R50920	BUSHING	1		
10	R50917	WASHER	1		
11	R50899	LOCK WASHER	1		
12	R50909	NUT	1		
13	R56802	STUD	1		(SUB FOR R52386)
14	R50918	WASHER	1		
15	R50919	O-RING	1		
16	R50922	O-RING	1		
17	FRAME	1		(ORDER RE41875 OR TY6713)
18	R50921	SCREW	8		
19	R51664	DOWEL PIN	1		
20	R50931	SCREW	1		(SUB FOR R51663)
..	AR77254	STARTER	1		(NIPPONDENSO NO. 028000-3291) (SUB RE41875 OR TY6713)
..	RE41875	STARTER	1		(NIPPONDENSO NO. 028000-3292) (MARKED RE13722) (SUB FOR AR77254)
..	TY6713	STARTER	1		(REMANUFACTURED) (SUB FOR AR77254 OR TY6617)

2D7

ELECTRICAL

STARTER COMMUTATOR END FRAME
(12-VOLT) (JOHN DEERE) (NIPPONDENSO NO. 028000-3291 OR 028000-3292)
(AR77254 OR RE41875)

RG1172 -UN-01JAN94



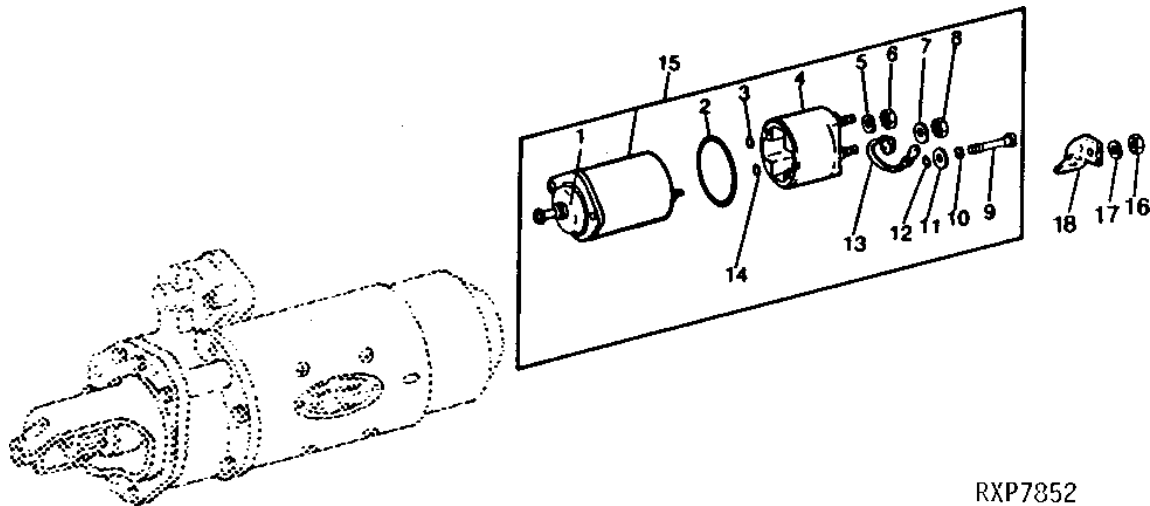
KEY	PART NO.	PART NAME	QTY	ENGINE SERIAL NO.	REMARKS
1	R50923	SHIM	AR		0.18 MM (.007") (USE WITH AR66778) (TYPE 1)
2	R50924	SHIM	AR		0.48 MM (.019") (USE WITH AR66778) (TYPE 1)
3	R50925	THRUST WASHER	1		(USE WITH AR66778) (TYPE 1)
4	AR54997	FRAME	1		
5	R51660	BRACKET	2		
6	12H317	LOCK WASHER	2	9/16"	
7	R51659	SCREW	2		
8	R50912	COVER	1		
9	R50931	SCREW	2		
10	12H246	LOCK WASHER	6	0.190"	
11	24H1283	WASHER	2	7/32" X 1/2" X 0.049"	
12	R50930	GASKET	1		
13	R50891	BUSHING	1		
14	R50927	CARBON BRUSH CONDUCTOR	4		
15	R50929	SCREW	4		
16	12H246	LOCK WASHER	4	0.190"	
17	R50928	SPRING	4		
..	AR77254	STARTER	1		(NIPPONDENSO NO. 028000-3291) (SUB RE41875 OR TY6713)
..	RE41875	STARTER	1		(NIPPONDENSO NO. 028000-3292) (MARKED RE13722) (SUB FOR AR77254)
..	TY6713	STARTER	1		(REMANUFACTURED) (SUB FOR AR77254 OR TY6617)

2D8

ELECTRICAL

STARTER SOLENOID SWITCH
(12-VOLT) (JOHN DEERE)
(STARTING MOTOR DATE CODE -8S2760)

RXP7852 -UN-18OCT94



RXP7852

KEY	PART NO.	PART NAME	QTY	ENGINE SERIAL NO.	REMARKS
1	R52385	BOOT	1		
2	R51668	WASHER	1		
3	R56793	SHIM	1		(SUB FOR R51672)
4	RE13733	SWITCH	1		(SUB FOR AR55948, AR71256 OR AR90071)
5	12H303	LOCK WASHER	1		5/16"
6	R51671	NUT	1		
7	12H246	LOCK WASHER	2		0.190"
8	14H631	NUT	2		0.190"
9	R51669	SCREW	2		
10	12H302	LOCK WASHER	2		1/4"
11	24H1305	WASHER	2		13/32" X 13/16" X 0.065"
12	R50894	O-RING	1		
13	AR55949	WIRING LEAD	1		(SUB RE15058)
14	R56792	WASHER	1		(SUB FOR R51670)
15	RE13732	SOLENOID	1		(A) (SUB FOR AR54991 OR AR90070) (ALSO ORDER RE39064)
16	14H732	NUT	3		3/8"
17	R50899	LOCK WASHER	3		
18	R50910	CONNECTOR	1		

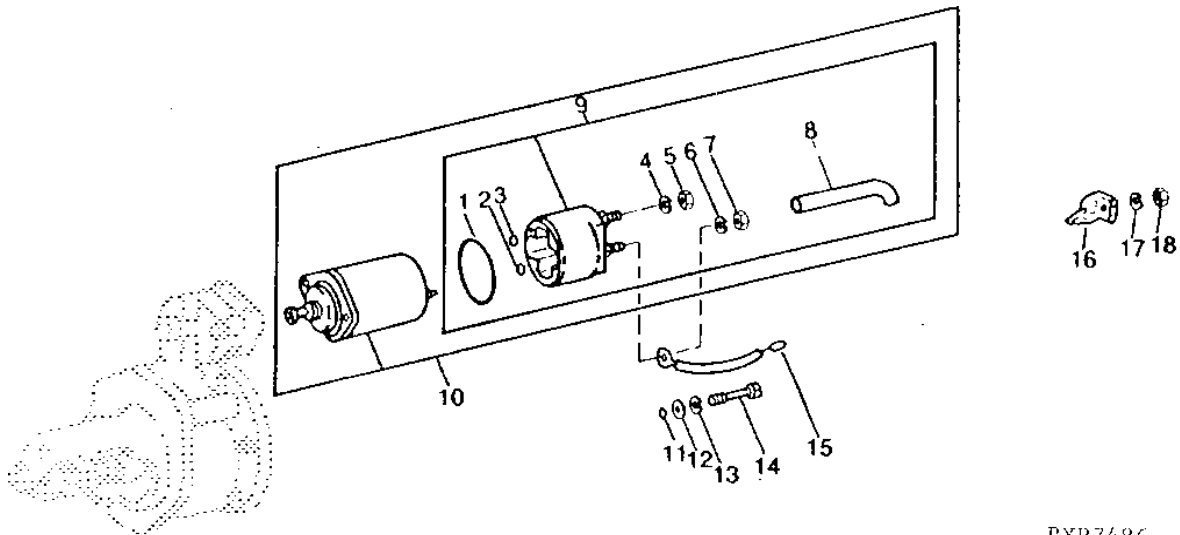
(A) USE WITH AR77254, RE41875, TY6617 OR TY6713

2D9

ELECTRICAL

STARTER SOLENOID SWITCH (12-VOLT) (JOHN DEERE) (STARTING MOTOR DATE CODE 8S2761-)

RXP7486 -UN-01JAN94



RXP7486

KEY	PART NO.	PART NAME	QTY	ENGINE SERIAL NO.	REMARKS
1	R68224	GASKET	1		
2	R56792	WASHER	1		
3	R56793	SHIM	1		
4	12H303	LOCK WASHER	1	5/16"	
5	R51671	NUT	1		
6	12H246	LOCK WASHER	1	0.190"	
7	14H631	NUT	2	0.190"	
8	R68222	HOSE	1		
9	RE13733	SWITCH	1		(NIPPONDENSO NO. 028099-3600) (SUB FOR AR90071)
10	AR90070	SWITCH	1		(SUB RE13732)
	RE13732	SOLENOID	1		(A) (NIPPONDENSO NO. 028099-3610) (SUB FOR AR90070) (ALSO ORDER RE39064)
11	R50894	O-RING	2		
12	24H1305	WASHER	2	13/32" X 13/16" X 0.065"	
13	12H302	LOCK WASHER	2	1/4"	
14	R51669	SCREW	2		
15	RE15058	WIRE	1		
16	R50910	CONNECTOR	1		
17	R50899	LOCK WASHER	2		
18	14H732	NUT	2	3/8"	

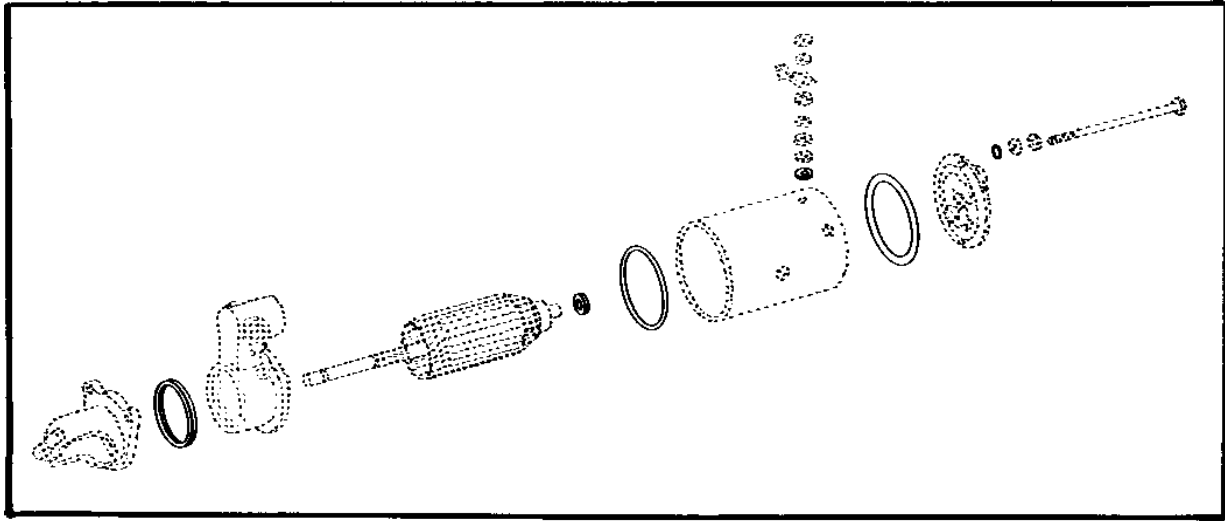
(A) USE WITH AR77254, RE41875, TY6617 OR TY6713

2D10

ELECTRICAL

RP1234 -UN-20NOV95

STARTING MOTOR SEALING KIT (12-VOLT)



RP1234

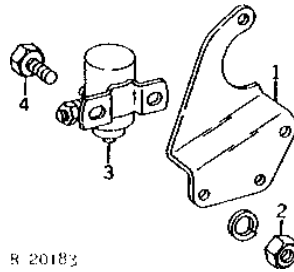
KEY	PART NO.	PART NAME	QTY	ENGINE SERIAL NO.	REMARKS
1	AR100161	SEAL KIT	1	(A) (SUB FOR AR40174 OR AR85407)	
(A) USE WITH AR55638 OR AR62267					

2D11

ELECTRICAL

R20183 -UN-01JAN94

STARTING CIRCUIT RELAY AND BRACKET
(TRACTOR SERIAL NO. -006999)



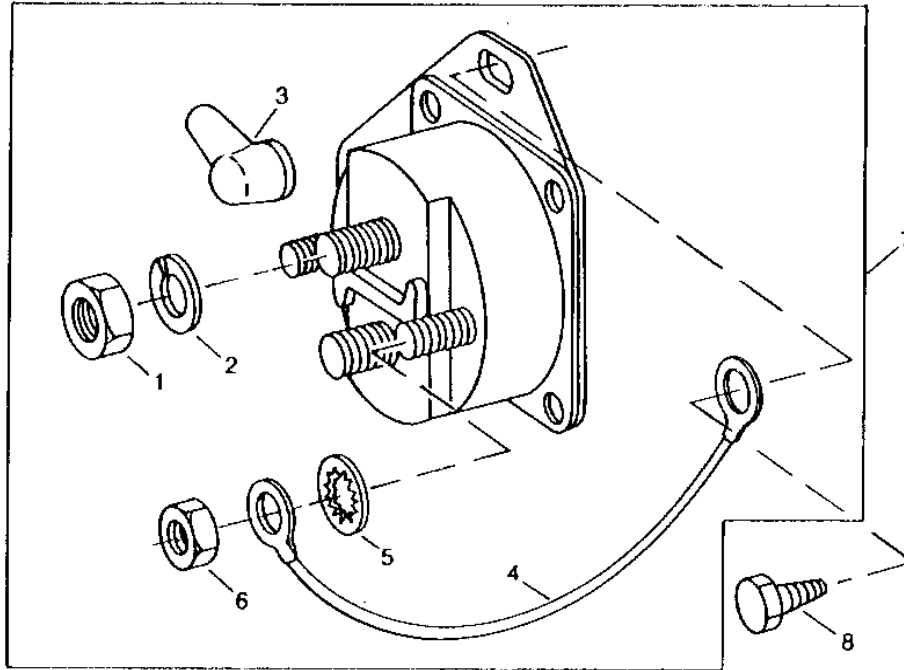
KEY	PART NO.	PART NAME	QTY	TRACTOR SERIAL NO.	REMARKS
1	R51204	BRACKET	1	-XXXXX	
2	14H786	NUT	2	1/4"	
	12H302	LOCK WASHER	2	1/4"	
3	AR44999	RELAY	1	(SUB RE38391) (ALSO ORDER (2) 12H303, (2) 14H785, 12H246 AND 14H631)	
	AT68973	RELAY	1	(SUB RE38391)	
4	19H1227	CAP SCREW	2	1/4" X 1/2"	

2D12

ELECTRICAL

RXP7387 -UN-01JAN94

STARTING CIRCUIT RELAY



RXP7387

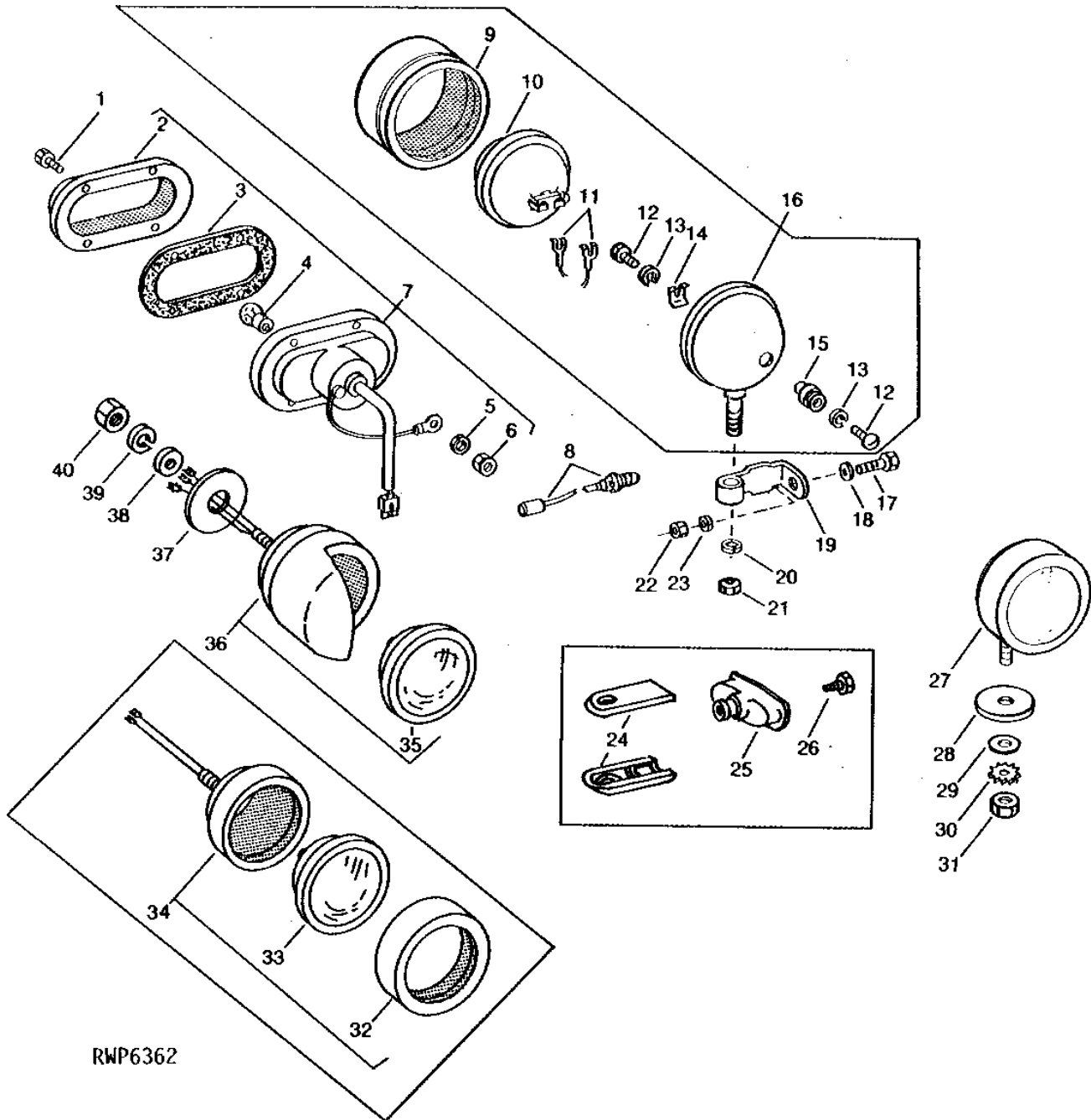
KEY	PART NO.	PART NAME	QTY	TRACTOR SERIAL NO.	REMARKS
1	14H785	NUT	2	5/16"	
2	12M7032	LOCK WASHER	2	0.331"	
3	R74993	BOOT	2		
4	WIRING LEAD	1	152MM (6") (MAKE FROM LENGTH OF R65593, R65590 AND R32018)	
5	12M7060	WASHER	2	0.209"	
6	14H631	NUT	2	0.190"	
7	RE38391	KIT	1	(SUB FOR AT68973 OR AR44999) (ALSO ORDER RE41287 STARTER CIRCCUIT RELAY COVER KIT)	
8	R52938	CAP SCREW	2		

2D13

ELECTRICAL

FRONT AND REAR LAMPS AND REAR LAMP BRACKETS (LESS ROLL-GARD OR SOUND-GARD BODY)

RWP6362 -UN-01JAN94



2D14

ELECTRICAL

FRONT AND REAR LAMPS AND REAR LAMP BRACKETS - CONTINUED
(LESS ROLL-GARD OR SOUND-GARD BODY)

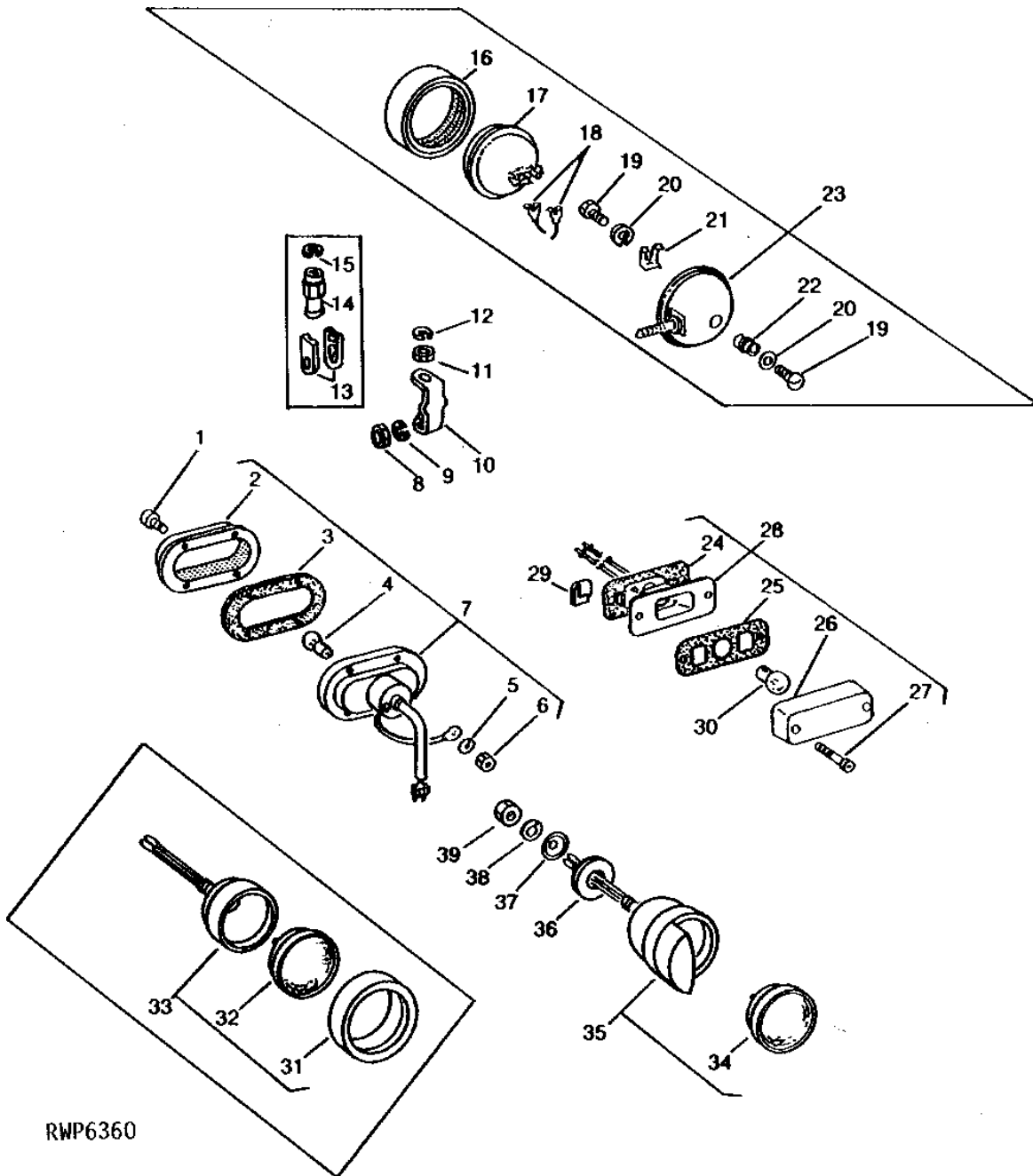
KEY	PART NO.	PART NAME	QTY	TRACTOR SERIAL NO.	REMARKS
1	R55933	SCREW	8		
2	R45936	LENS	2		
3	R45937	GASKET	2		
4	AR48041	BULB	2		(12-VOLT)
5	12M7084	LOCK WASHER	1		4.300 MM
6	14H605	NUT	1		0.164"
7	AR78825	TAIL LAMP	2		(SUB FOR AR45099)
8	AR70699	LAMP	1		(SUB FOR AR60251)
9	R30182	BEZEL	2		(HOBBS)
	R31250	BEZEL	2		(GUIDE)
10	AR21059	HEADLIGHT	2		(12-VOLT)
11	WIRING LEAD	2		165 MM (6-1/2") (SEALED UNIT TO TERMINAL PLATE) (MAKE FROM R66319 AND (2) R32016)
12	21H1293	SCREW	4		0.164" X 5/16"
13	12M7084	LOCK WASHER	4		4.300 MM
14	A2899R	ASSEMBLY LINE PARTS	2		
15	R30181	PLATE	2		(HOBBS)
	AA3495R	SUPPORT	2		(GUIDE)
16	AR35782	LAMP	2		(12-VOLT) (SUB RE27099)
17	19H1792	CAP SCREW	2	058936-	1/2" X 1"
18	24H1211	WASHER	2	058936-	9/16" X 1-3/8" X 0.105"
19	R59160	BRACKET	2	058936-	
20	12H301	LOCK WASHER	2		1/2"
21	14H1040	NUT	2		1/2"
22	14H1040	NUT	2	058936-	1/2"
23	12H301	LOCK WASHER	2	058936-	1/2"
24	R27460	CLAMP	4	-058935	
25	R43662	BRACKET	2	-058935	
26	37H106	SCREW	4	-058935	3/8" X 5/8"
27	AR38456	LAMP	2		
28	R38371	WASHER	2		
29	24H1227	WASHER	2		17/32" X 13/16" X 0.060"
30	12H301	LOCK WASHER	2		1/2"
31	14H856	NUT	2		1/2"
32	R30182	BEZEL	2		(HOBBS)
	R31250	BEZEL	2		(GUIDE)
33	RE25125	DUAL BEAM LAMP	2		(12-VOLT DUAL BEAM) (SUB FOR AR48723)
34	AR48721	LAMP	2		(12-VOLT DUAL BEAM) (SUB RE25126 (R.H.) OR RE25127 (L.H.), THIS APPLICATION)
35	RE25125	DUAL BEAM LAMP	2		
36	RE25126	DUAL BEAM LAMP	1		R.H.
	RE25127	DUAL BEAM LAMP	1		L.H.
37	R48663	WASHER	2		
38	F2935R	WASHER	2		
39	12H301	LOCK WASHER	2		1/2"
40	14H1040	NUT	2		1/2"

2D15

ELECTRICAL

FRONT AND REAR LAMPS AND REAR LAMP BRACKETS (ROLL-GARD)

RWP6360 -UN-01JAN94



RWP6360

2D16

ELECTRICAL

FRONT AND REAR LAMPS AND REAR LAMP BRACKETS - CONTINUED (ROLL-GARD)

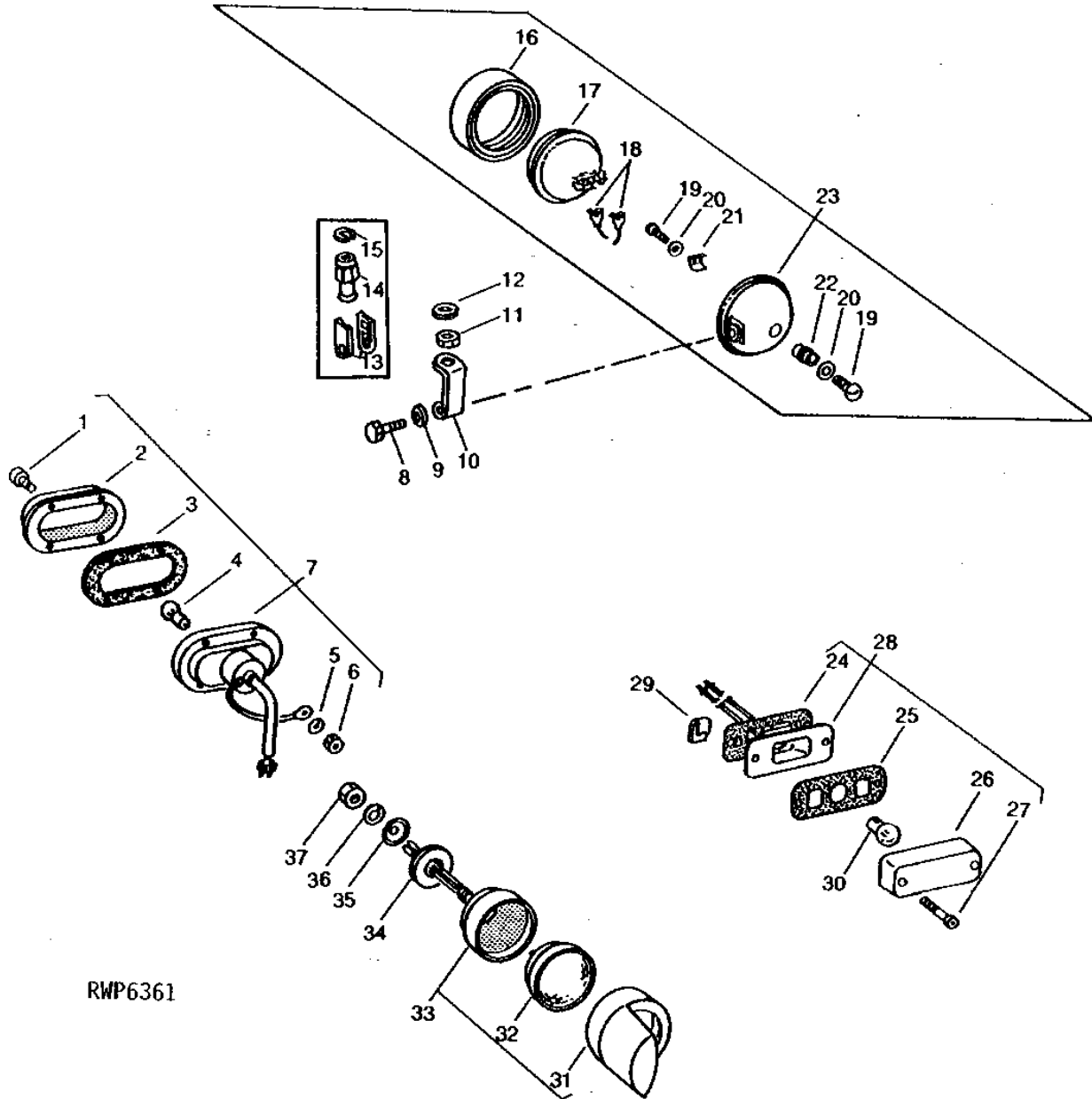
KEY	PART NO.	PART NAME	QTY	TRACTOR SERIAL NO.	REMARKS
1	R55933	SCREW	2		
2	R45936	LENS	2		
3	R45937	GASKET	2		
4	AR48041	BULB	2		(12-VOLT)
5	12M7084	LOCK WASHER	1		4.300 MM
6	14H605	NUT	1		0.164"
7	AR78825	TAIL LAMP	2		(SUB FOR AR45099)
8	14H1040	NUT	2		1/2"
9	12H301	LOCK WASHER	2		1/2"
10	R59160	BRACKET	2	058936-	
11	14H1040	NUT	2	058936-	1/2"
12	12H301	LOCK WASHER	2	058936-	1/2"
13	R27460	CLAMP	4	-058935	
14	R54778	NUT	2	-058935	(ALSO ORDER R32101) (SUB FOR R50810)
15	12H301	LOCK WASHER	2	-058935	1/2"
16	R30182	BEZEL	2		(HOBBS)
	R31250	BEZEL	2		(GUIDE)
17	AR21059	HEADLIGHT	2		(12-VOLT)
18	WIRING LEAD	2		165 MM (6-1/2") (MAKE FROM R66319 AND (2) R32016) SEAL UNIT TO TERMINAL PLATE
19	21H1293	SCREW	4		0.164" X 5/16"
20	12M7084	LOCK WASHER	4		4.300 MM
21	A2899R	ASSEMBLY LINE PARTS	2		
22	R30181	PLATE	2		(HOBBS)
	AA3495R	SUPPORT	2		(GUIDE)
23	AR35782	LAMP	2		(12-VOLT)
24	R54782	GASKET	4		
25	R61179	GASKET	4		
26	R54779	LENS	4		
27	R54781	SCREW	8		
28	AR60250	LAMP	4		
29	R99350	NUT	8		(SUB FOR R53528, THIS APPLICATION)
30	AD2062R	BULB	4		12-16 VOLT
31	R30182	BEZEL	2		(HOBBS)
	R31250	BEZEL	2		(GUIDE)
32	RE25125	DUAL BEAM LAMP	2		(12-VOLT DUAL BEAM) (SUB FOR AR48723)
33	AR48721	LAMP	2		(SUB RE25126 (R.H.) OR RE25127 (L.H.), THIS APPLICATION)
34	RE25125	DUAL BEAM LAMP	2		
35	RE25126	DUAL BEAM LAMP	1		R.H.
	RE25127	DUAL BEAM LAMP	1		L.H.
36	R48663	WASHER	2		
37	F2935R	WASHER	2		
38	12H301	LOCK WASHER	2		1/2"
39	14H1040	NUT	2		1/2"

2D17

ELECTRICAL

FRONT AND REAR LAMPS AND REAR LAMP BRACKETS (SOUND-GARD BODY)

RWP6361 -UN-01JAN94



RWP6361

2D18

ELECTRICAL

FRONT AND REAR LAMPS AND REAR LAMP BRACKETS - CONTINUED (SOUND-GARD BODY)

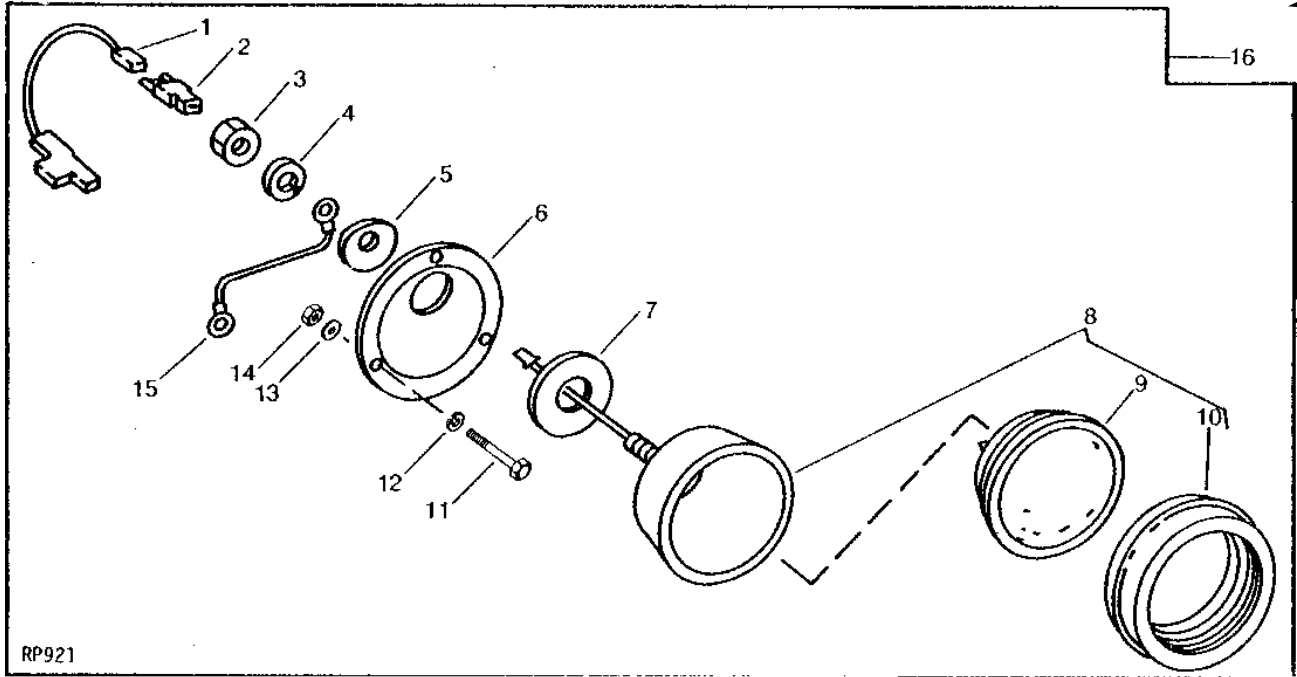
KEY	PART NO.	PART NAME	QTY	TRACTOR SERIAL NO.	REMARKS
1	R55933	SCREW	8		
2	R45936	LENS	2		
3	R45937	GASKET	2		
4	AR48041	BULB	2		(12-VOLT)
5	12M7084	LOCK WASHER	1		4.300 MM
6	14H605	NUT	1		0.164"
7	AR78825	TAIL LAMP	2		(SUB FOR AR45099)
8	19H2644	CAP SCREW	2		1/2" X 2-1/2"
9	12H301	LOCK WASHER	2		1/2"
10	R59160	BRACKET	2	058936-	
11	14H1040	NUT	2	058936-	1/2"
12	12H301	LOCK WASHER	2	058936-	1/2"
13	R27460	CLAMP	4	-058935	
14	R54778	NUT	2	-058935	(ALSO ORDER R32101) (SUB FOR R50810)
15	12H301	LOCK WASHER	2	-058935	1/2"
16	R42689	BEZEL	2		(HOBBS)
	R48293	BEZEL	2		(GUIDE)
17	AR42591	HEADLIGHT	2		(12-VOLT) (USE WITH AR42119)
	AR104119	HEADLIGHT	2		(12-VOLT) (HALOGEN) (USE WITH RE19075)
18	WIRING LEAD	2		165 MM (6-1/2") (SEALED UNIT TO TERMINAL PLATE) (MAKE FROM R66319 AND (2) R32016)
19	21H1293	SCREW	4		0.164" X 5/16"
20	12M7084	LOCK WASHER	4		4.300 MM
21	A2899R	ASSEMBLY LINE PARTS	2		
22	R30181	PLATE	2		(HOBBS)
	AA3495R	SUPPORT	2		(GUIDE)
23	RE19075	LAMP	2		(12-VOLT) (HOBBS OR GUIDE) (HALOGEN)
24	R54782	GASKET	4		
25	R61179	GASKET	4		
26	R54779	LENS	4		
27	R54781	SCREW	8		
28	AR60250	LAMP	4		
29	R99350	NUT	8		(SUB FOR R53528, THIS APPLICATION)
30	AD2062R	BULB	4		(12-16 VOLT)
31	R54047	BEZEL	2		
32	RE25125	DUAL BEAM LAMP	2		(12-VOLT DUAL BEAM) (SUB FOR AR48723)
33	RE25126	DUAL BEAM LAMP	1		R.H. (FENDER, OUTER) (SUB FOR AR61325, AR85263, RE10962 OR RE19081)
	RE25127	DUAL BEAM LAMP	1		L.H. (FENDER, OUTER) (SUB FOR AR61326, RE10963, AR85264 OR RE19082)
34	R48663	WASHER	2		
35	F2935R	WASHER	2		
36	12H301	LOCK WASHER	2		1/2"
37	14H1040	NUT	2		1/2"

2D19

ELECTRICAL

RP921 -UN-01JAN94

FLOOD LAMPS



KEY	PART NO.	PART NAME	QTY	TRACTOR SERIAL NO.	REMARKS
1	AR50834	WIRING LEAD	2		
2	T28585	TERMINAL	2		
3	14H1040	NUT	2	1/2"	
4	12H301	LOCK WASHER	2	1/2"	
5	F2935R	WASHER	2		
6	R54036	PLATE	2		
7	R48663	WASHER	2		
8	RE19080	LAMP	2	(A) (C) (HALOGEN) (SUB FOR AR48722)	
	AR61298	LAMP	2	(B) (C)	
9	AR21059	HEADLIGHT	2	(C)	
10	R30182	BEZEL	2	(A) (HOBBS)	
	R31250	BEZEL	2	(A) (GUIDE)	
	R54047	BEZEL	2	(B)	
11	21H1295	SCREW	6	0.190" X 5/8"	
12	24H1283	WASHER	6	7/32" X 1/2" X 0.049"	
13	12H246	LOCK WASHER	6	0.190"	
14	14H631	NUT	6	0.190"	
15	WIRING LEAD	2	152 MM (6") FLOOD LAMP TO PANEL MOUNTING SCREW, (MADE FROM R66319, R32022 AND R32023)	
16	AR61423	LAMP	1	(A)	
	AR61417	LAMP	1	(B)	

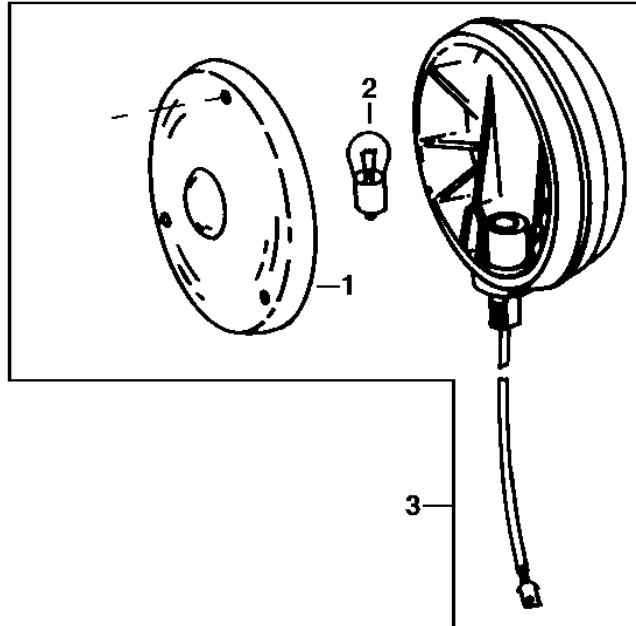
- (A) LESS SOUND-GARD BODY
- (B) SOUND-GARD BODY
- (C) 12-VOLT FLOOD

2D20

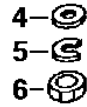
ELECTRICAL

RXP021418 -UN-24JAN96

WARNING LAMP (LESS ROLL-GARD OR SOUND-GARD BODY)



RXP021418



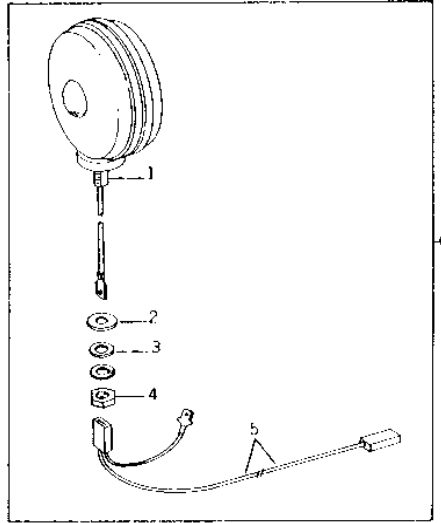
KEY	PART NO.	PART NAME	QTY	TRACTOR SERIAL NO.	REMARKS
1	R42666	LENS	2		(GUIDE) AMBER
	R42667	LENS	1		(GUIDE) RED (OPTION)
2	AD2062R	BULB	1		(12-16 VOLT)
3	AR38456	LAMP	1		(SUB FOR AR72257)
4	R47831	WASHER	1		
5	12H292	LOCK WASHER	1		1/2"
6	14H856	NUT	1		1/2"

2D21

ELECTRICAL

R28873 -UN-27OCT94

TURN SIGNAL LAMPS (FIELD INSTALLATION)



R 28873F

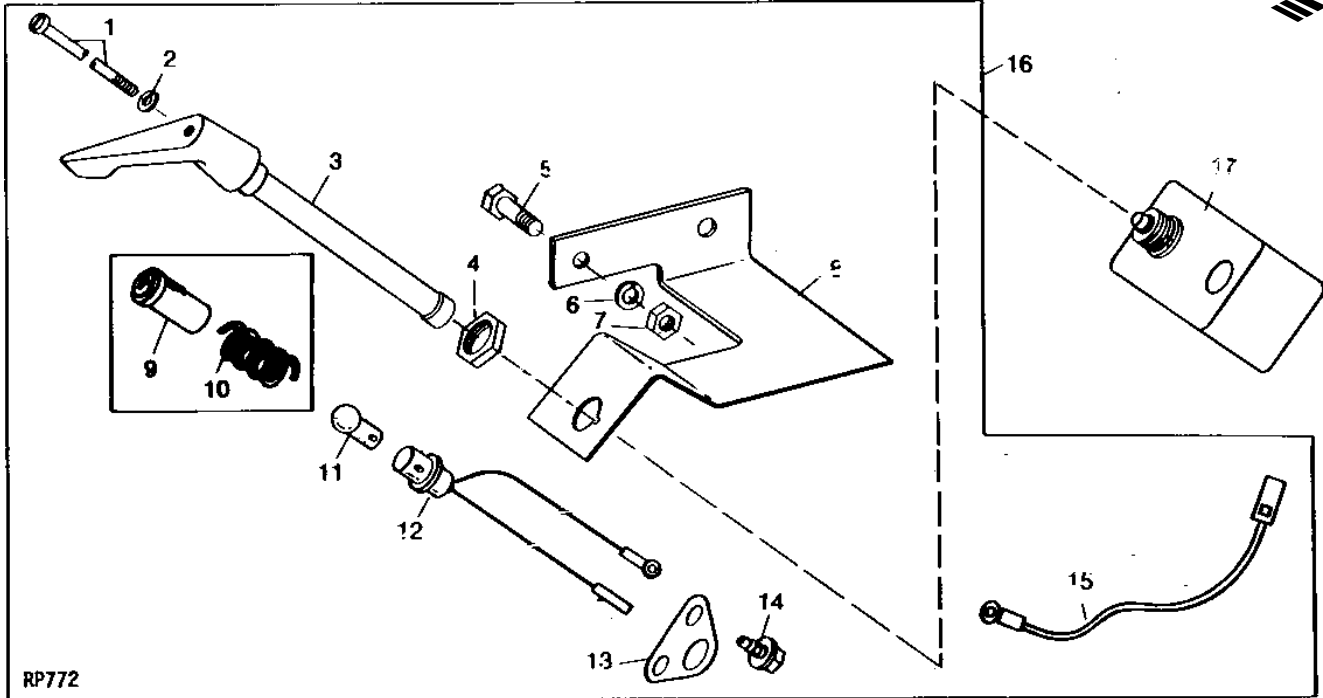
KEY	PART NO.	PART NAME	QTY	TRACTOR SERIAL NO.	REMARKS
1	AR54975	LAMP	4		
	AD2062R	BULB	1		
	R42666	LENS	1		
2	R38371	WASHER	2		
3	24H1227	WASHER	2	17/32" X 13/16" X 0.060"	
4	14H856	NUT	2	1/2"	
	12H292	LOCK WASHER	2	1/2"	
5	AR67343	WIRING HARNESS	2		
6	AR68275	LAMP	1		(ORDER COMPONENT PARTS)

2D22

ELECTRICAL

RP772 -UN-12OCT94

TURN SIGNAL CONTROL AND INDICATORS



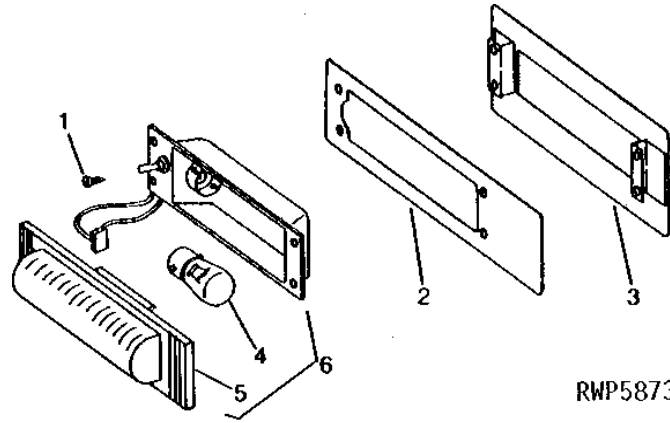
KEY	PART NO.	PART NAME	QTY	TRACTOR SERIAL NO.	REMARKS
1	R56411	SCREW	1		
2	12H233	LOCK WASHER	1	1/8"	
3	R56412	GRIP	1		
4	R56410	NUT	1		
5	19H1905	CAP SCREW	2	5/16" X 1"	
6	12H303	LOCK WASHER	2	5/16"	
7	14H785	NUT	2	5/16"	
8	R56413	BRACKET	1		
9	AR67690	LENS	2	-018966	
10	R30378	SPRING	2	-018966	
11	R56409	BULB	2		
12	AR67340	WIRING HARNESS	2	-018966	
	AR74339	WIRING HARNESS	2	018967-	
13	R61341	BRACKET	2	018967-	
14	R53028	CAP SCREW	3	018967-	
15	AR67341	WIRING LEAD	1	-027226	
16	AR67823	BRACKET	1		BRACKET, TURN SIGNAL LESS CONTROLLER
17	AR64422	TURN SIGNAL CONTROLLER	1		(SUB FOR AR67398)

2D23

ELECTRICAL

DOME LIGHT
(SOUND-GARD BODY SERIAL NO. -109562)

RWP5873 -UN-01JAN94



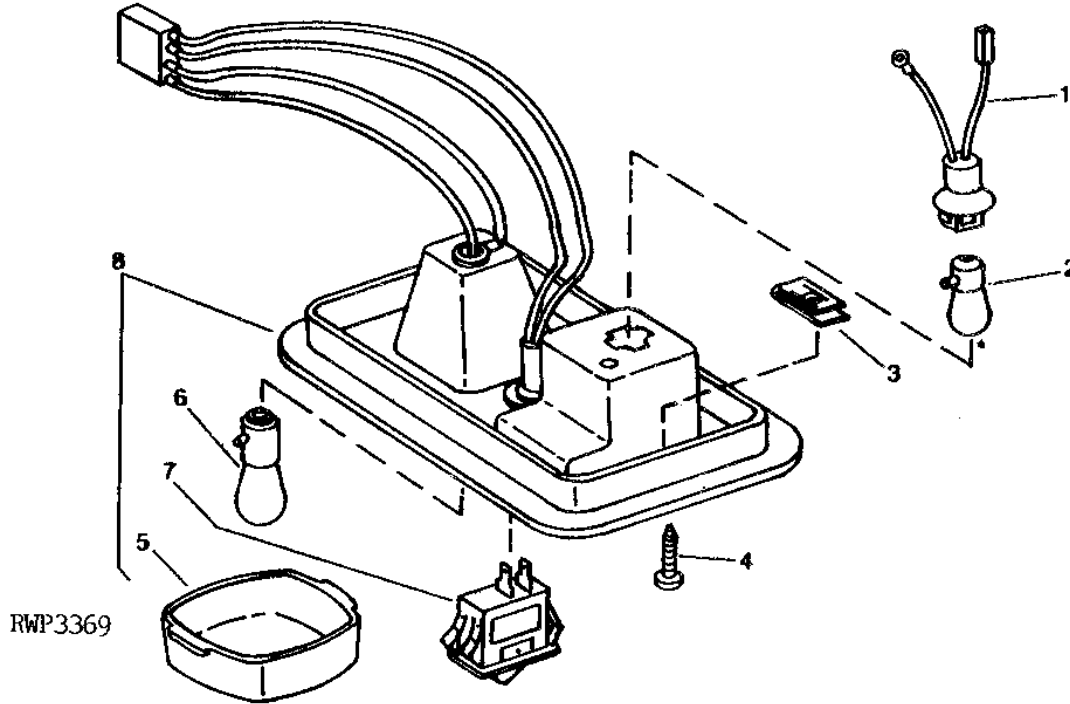
KEY	PART NO.	PART NAME	QTY	SG BODY SERIAL NO.	REMARKS
1	37H46	SCREW	4		NO. 6 X 3/8"
2	R52081	PLATE	1	-007674	
	M42229	PLUG	1	-007674	(SUB FOR T11708)
3	R56886	PLATE	1	007675-	ILLUSTRATED
	AR56669	SUPPORT	1		
4	AR86969	BULB	1		(12-VOLT) (SUB FOR AR21739)
5	R47886	LENS	1		
6	AT101691	LAMP	1		(SUB FOR AR56670)

2D24

ELECTRICAL

RWP3369 -UN-01JAN94

DOME LIGHT - CONSOLE LIGHT



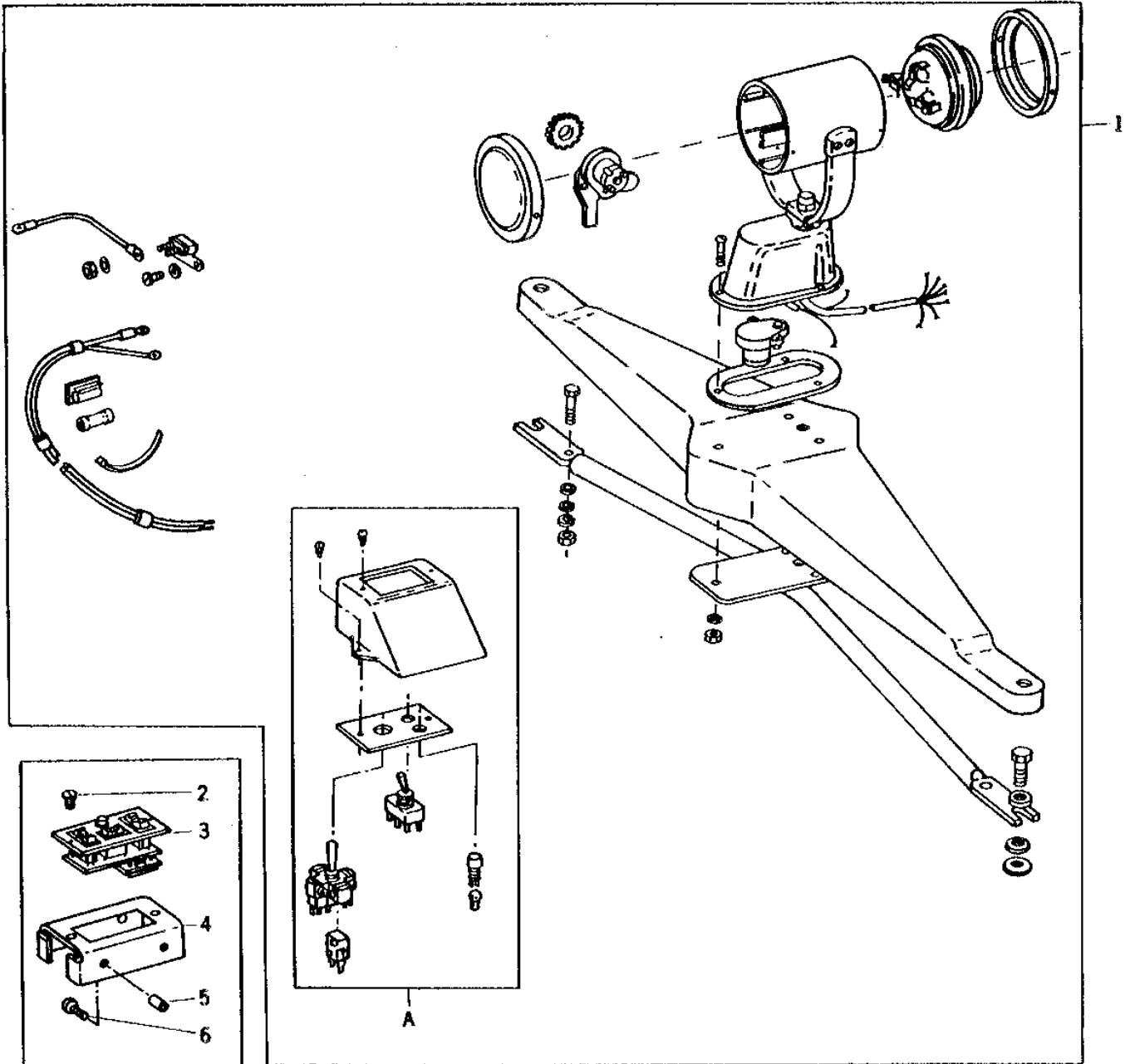
KEY	PART NO.	PART NAME	QTY	SG BODY SERIAL NO.	REMARKS
1	AR61645	CONSOLE LAMP WIRING HARNES	1	109563-	
2	AR48015	BULB	1	109563-	
3	R52130	LOCK NUT	2	109563-	
4	37H203	SCREW	2	109563-	(SUB FOR R50499)
5	R63496	LENS	1	109563-	
6	AR86969	BULB	1	109563-	(SUB FOR AR21739)
7	AH109555	ROCKER SWITCH	1	109563-	(USE WITH RE10761 OR AR95971)
8	RE10761	HOUSING	1	109563-	(BLACK) (SOUND-GARD BODY) (SUB FOR AR78418)
	AR95971	HOUSING	1	109563-	(BROWN) (REPLACEMENT SOUND-GARD BODY)
	AR59977	HOUSING	1		(BLACK) (CONSOLE LIGHT ONLY) (FOUR POST ROLL-GARD)

2E1

ELECTRICAL

RP769 -UN-01JAN94

ELECTRIC REMOTE CONTROLLED SPOTLIGHT



RP769

2E2

ELECTRICAL

ELECTRIC REMOTE CONTROLLED SPOTLIGHT - CONTINUED

KEY	PART NO.	PART NAME	QTY	TRACTOR SERIAL NO.	REMARKS
1	KIT	1		(ORDER AR73207, AR77774 AND AR78577)
2	21H1371	SCREW	2		0.112" X 1/2"
3	AR74323	SWITCH	1		(SUB AR77775, R63034 AND (2) 37H95)
4	R60427	BRACKET	1		
5	R53478	SLEEVE	2		
6	R53508	SCREW	2		

NOTE: A AND B ARE ALTERNATE DESIGNS.

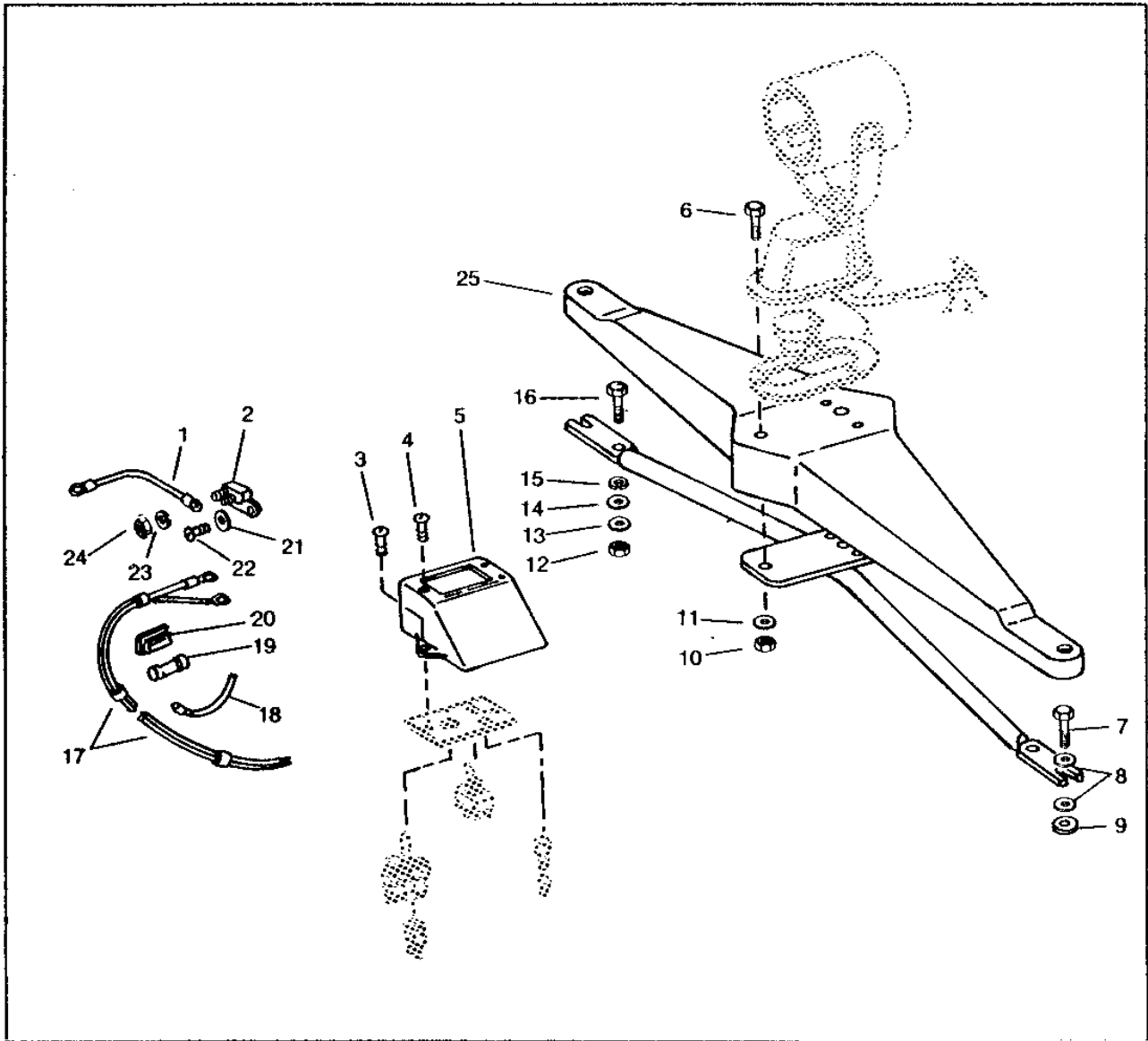
2E3

ELECTRICAL

RP1352

-UN-01JAN94

REMOTE CONTROLLED SPOTLIGHT INSTALLATION KIT



26

RP1352

2E4

ELECTRICAL

REMOTE CONTROLLED SPOTLIGHT INSTALLATION KIT - CONTINUED

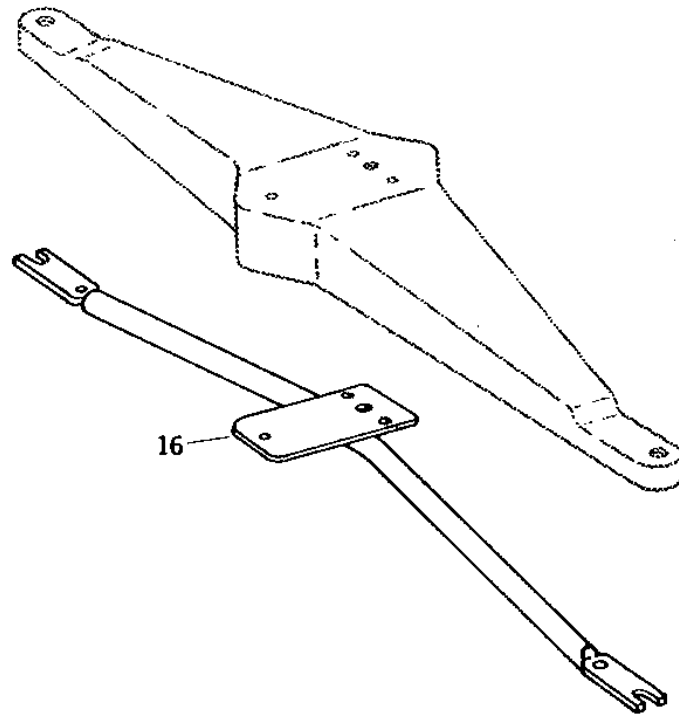
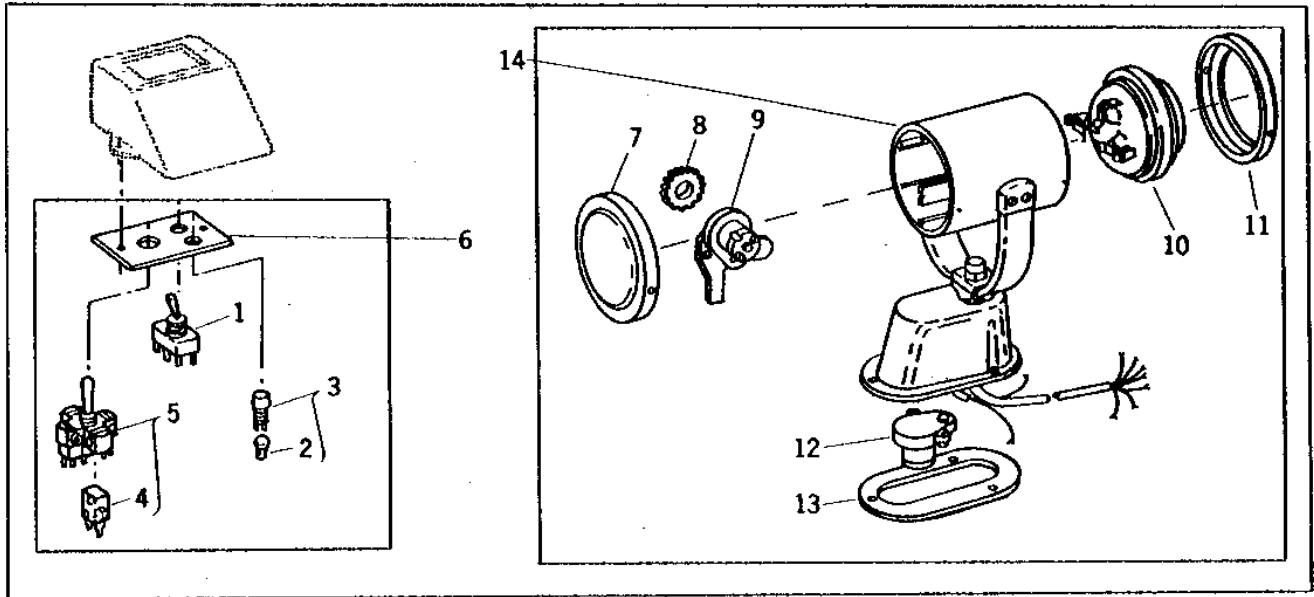
KEY	PART NO.	PART NAME	QTY	TRACTOR SERIAL NO.	REMARKS
1	WIRING LEAD	1		152MM (6") CIRCUIT BREAKER, (MAKE FROM R66319 AND (2) R32018)
2	AR52302	CIRCUIT BREAKER	1		
3	37H95	SCREW	2		NO. 8 X 1/2"
4	37H46	SCREW	2		NO. 6 X 3/8"
5	R63034	HOUSING	1		
6	21H1366	SCREW	3		0.164" X 1-1/4"
7	19H1833	CAP SCREW	2		5/8" X 1-1/4"
8	24H1658	WASHER	4		21/32" X 1" X 0.060"
9	24H1392	WASHER	6		25/32" X 1-3/8" X 0.120"
10	14H605	NUT	3		0.164"
11	12H315	LOCK WASHER	3		0.164"
12	14H812	NUT	2		3/8"
13	12H304	LOCK WASHER	2		3/8"
14	24H1884	WASHER	2		13/32" X 13/16" X 0.120"
15	F2741R	PACKING	2		
16	19H1732	CAP SCREW	2		3/8" X 1-1/4"
17	AR73468	WIRING HARNESS	1		
18	R44302	TIE BAND	4		
19	R32027	CONNECTOR	2		
20	R47474	CLIP	3		
21	21H1301	SCREW	1		0.190" X 1/2"
22	12M7060	WASHER	1		0.209"
23	12M7060	WASHER	2		0.209"
24	14H631	NUT	2		0.190"
25	R63531	COVER	1		
26	AR78577	KIT	1		SPOTLIGHT INSTALLATION (FI)

2E5

ELECTRICAL

RP771 -UN-01JAN94

REMOTE CONTROLLED SPOTLIGHT



RP771

2E6

ELECTRICAL

REMOTE CONTROLLED SPOTLIGHT - CONTINUED

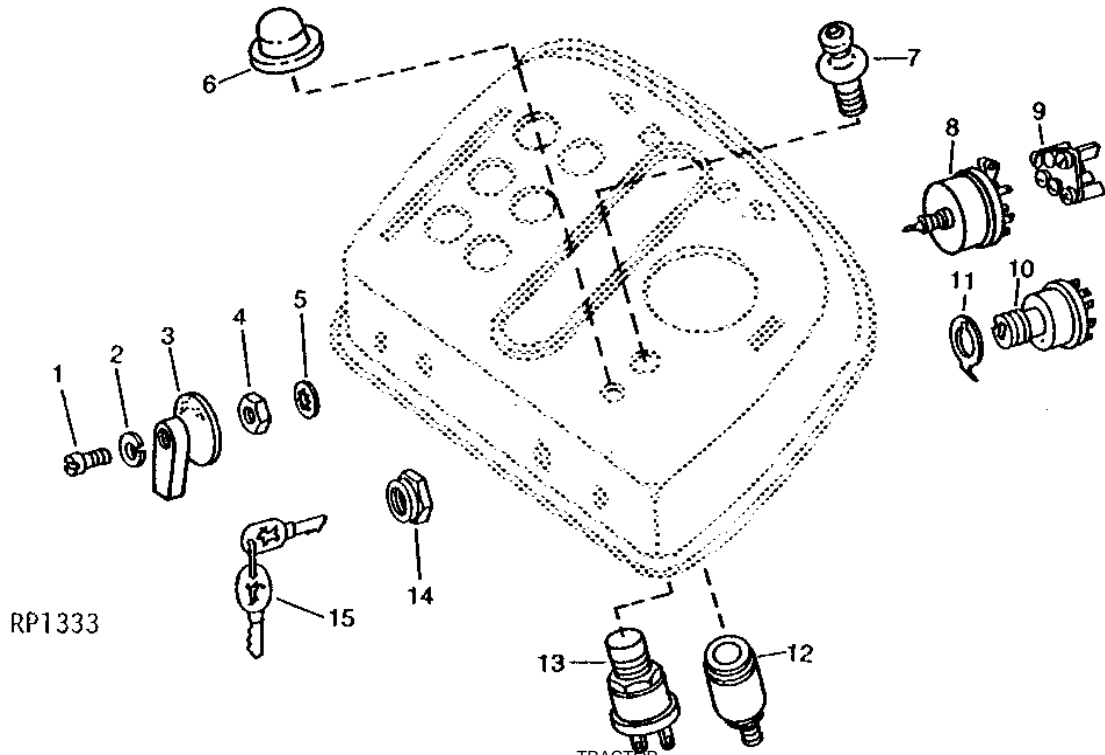
KEY	PART NO.	PART NAME	QTY	TRACTOR SERIAL NO.	REMARKS
1	AR77778	SWITCH	1		
2	AR77780	BULB	1		
3	AR77779	LAMP	1		
4	AR77777	SWITCH	4		
5	AR77776	HOUSING	1		
6	AR77775	SWITCH	1		
7	R61323	COVER	1		
8	AR74325	STEERING GEAR	1		
9	AR74326	MOTOR	1		(TILT)
10	AR74322	LAMP	1		
11	R61322	BEZEL	1		
12	AR74327	MOTOR	1		(ROTATION)
13	R61321	GASKET	1		
14	AR74324	FLOODLAMP	1		
15	AR77774	FLOODLAMP	1		
16	AR73207	SUPPORT	1		

2E7

ELECTRICAL

RP1333 -UN-01JAN94

LIGHT AND IGNITION SWITCH



RP1333

TRACTOR
SERIAL NO.

REMARKS

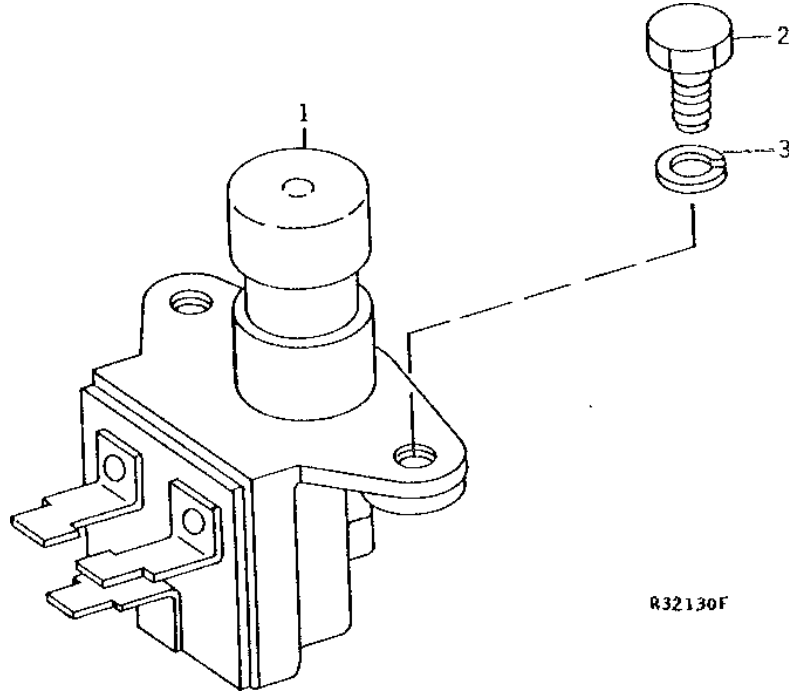
KEY	PART NO.	PART NAME	QTY	REMARKS
1	21H1299	SCREW	1	0.164" X 3/8"
2	12H315	LOCK WASHER	1	0.164"
3	AR54445	KNOB	1	
4	A4655R	NUT	1	
5	12H275	LOCK WASHER	1	1/2"
6	T55501	CAP	1	
	R44720	PLUG	1	(LESS HORN)
7	AR60937	LIGHTER	1	
8	AR48724	LIGHT SWITCH	1	
9	AR83425	RECEPTACLE CONNECTOR BODY	1	
10	AR58126	KEY SWITCH	1	
11	R52725	CONNECTOR	1	
12	AR56766	HOUSING	1	
13	AR21823	SWITCH	1	
14	R44342	NUT	1	
15	AR51481	KEY	1	

2E8

ELECTRICAL

R32130 -UN-01JAN94

DIMMER SWITCH



R32130F

KEY	PART NO.	PART NAME	QTY	TRACTOR SERIAL NO.	REMARKS
1	AR48725	DIMMER SWITCH	1		
2	19H1919	CAP SCREW	2	1/4" X 5/8"	
	12H302	LOCK WASHER	2	1/4"	

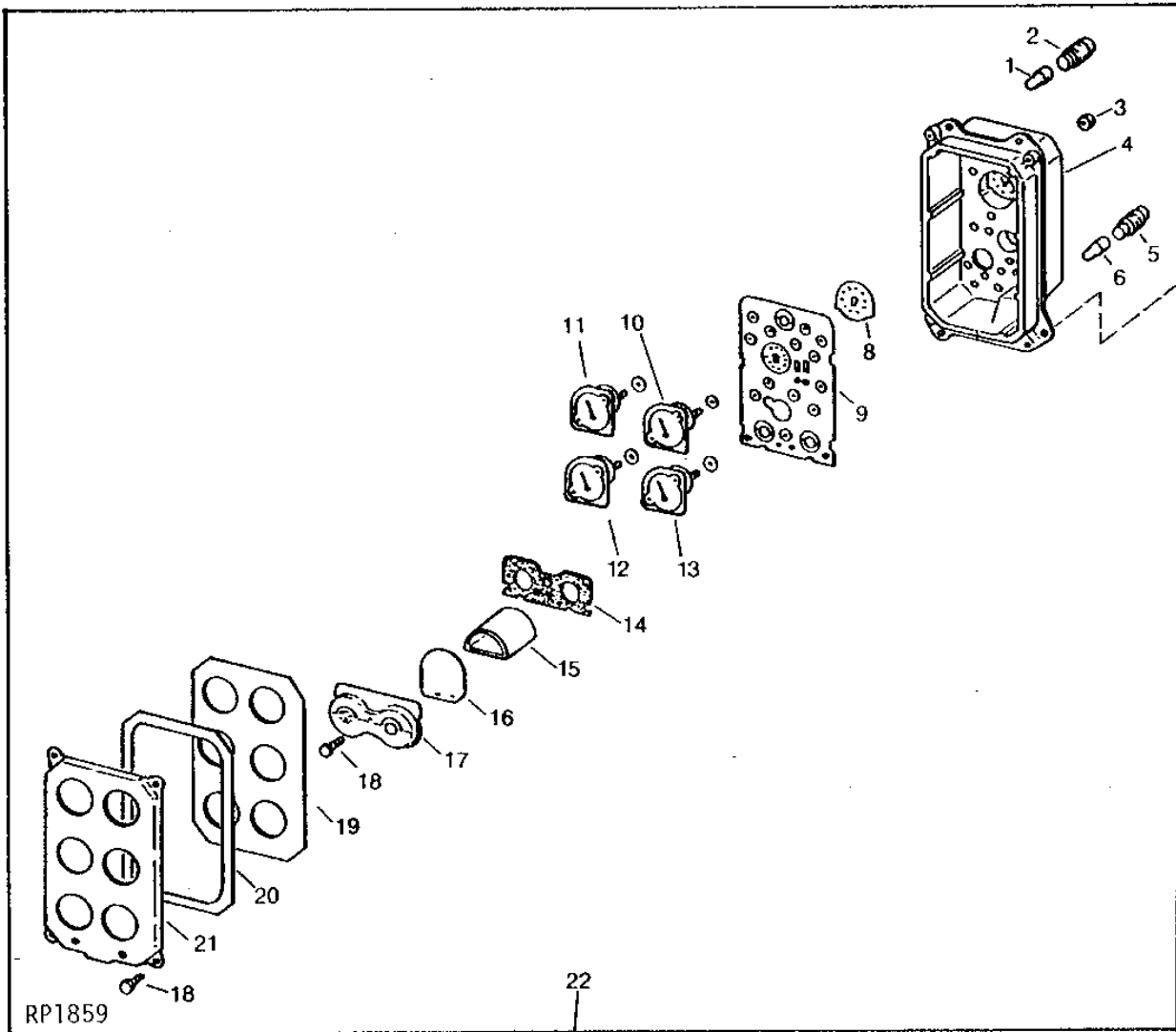
2E9

ELECTRICAL

RP1859

-UN-01JAN94

GAUGES AND INDICATOR LAMPS



2E10

ELECTRICAL

GAUGES AND INDICATOR LAMPS - CONTINUED

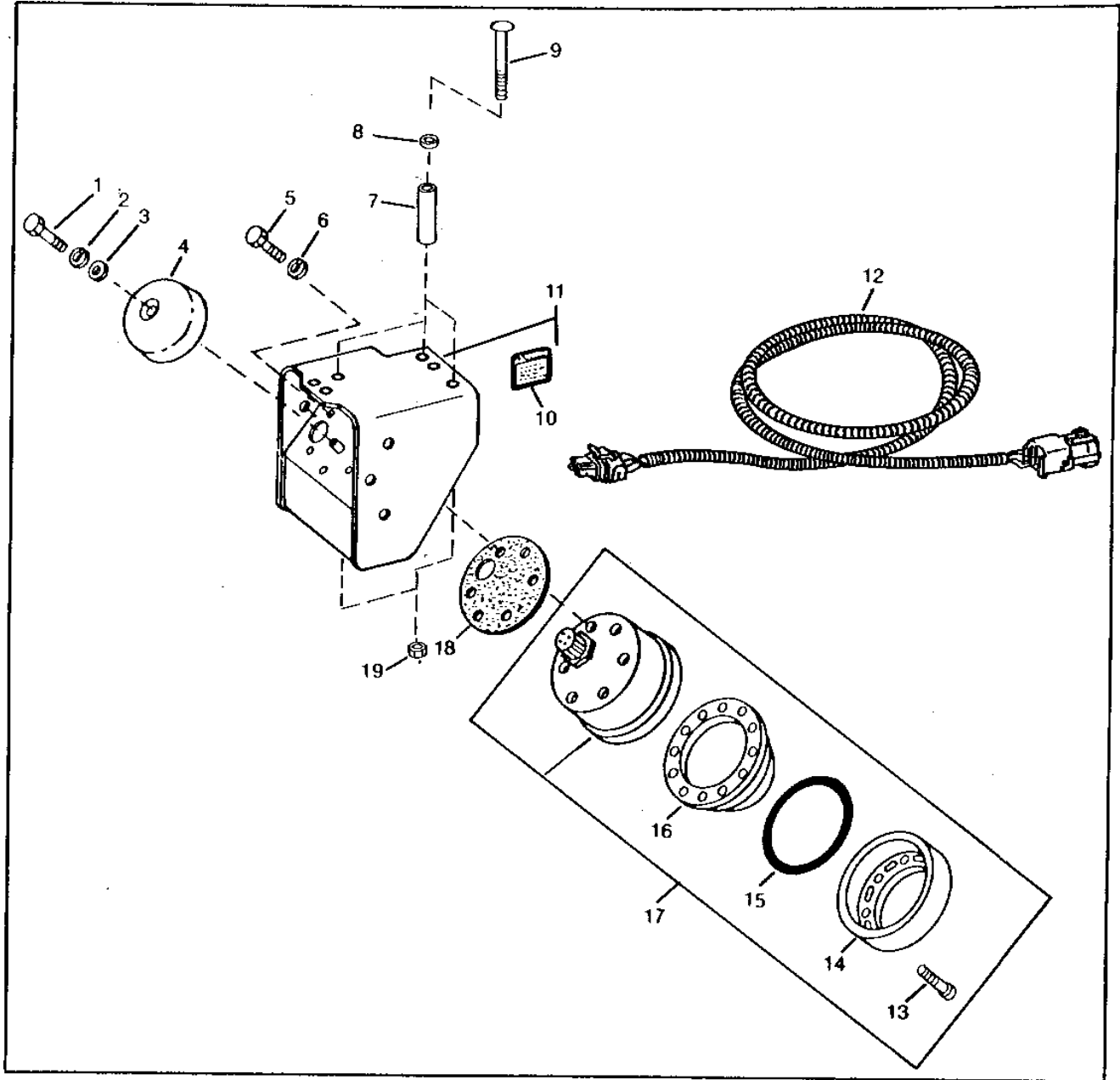
KEY	PART NO.	PART NAME	QTY	TRACTOR SERIAL NO.	REMARKS
1	AR62407	BULB	2		
2	AR62413	SOCKET	2		(BLACK)
3	14H1026	NUT	12		0.138"
4	R54518	CASE	1		
5	AR62414	SOCKET	2		(RED)
6	AR62407	BULB	2		(SUB FOR AR62406)
7	R53028	CAP SCREW	4		
8	R54520	GASKET	1		
9	AR62412	CIRCUIT BOARD	1		
10	AR73751	GAUGE	1		WATER TEMPERATURE, (SUB FOR AR62411)
11	AR62408	GAUGE	1		FUEL
12	AR62409	INSTRUMENT	1		ENGINE OIL PRESSURE
13	AR62410	VOLTMETER	1		
14	R54516	GASKET	1		
15	R54528	SLEEVE	2		
16	R54526	LENS	1		R.H. (AMBER)
	R54527	LENS	1		L.H. (RED)
17	R54524	LENS	1		
18	R54517	SCREW	5		
19	R54522	LENS	1		
20	R54521	GASKET	1		
21	R78416	RETAINER	1		
22	AR73717	INSTRUMENT CLUSTER	1		(SUB FOR AR58231) (ORDER COMPONENT PARTS)

2E11

ELECTRICAL

RXP9306 -UN-01JAN94

RADAR SENSOR



RXP9306

20

2E12

ELECTRICAL

RADAR SENSOR - CONTINUED

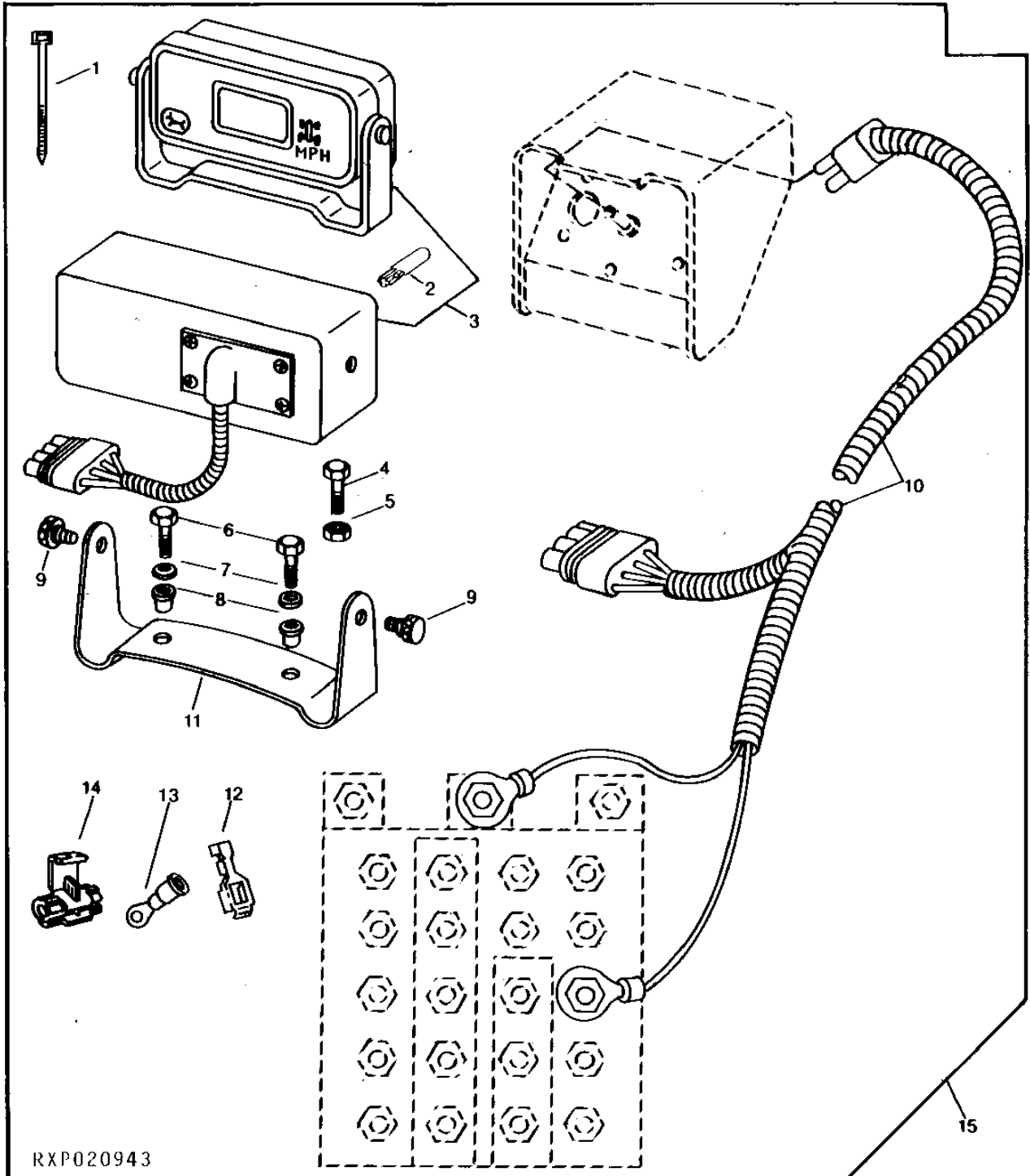
KEY	PART NO.	PART NAME	QTY	TRACTOR SERIAL NO.	REMARKS
1	19H1813	CAP SCREW	1		5/16" X 5/8"
2	12H303	LOCK WASHER	1		5/16"
3	24H1136	WASHER	1		11/32" X 11/16" X 0.065"
4	R82355	SHIELD	1		
5	19H1813	CAP SCREW	6		5/16" X 5/8"
6	12H303	LOCK WASHER	6		5/16"
7	28H3343	BUSHING	3		0.546" X 0.840" X 5-3/8"
8	24H1625	WASHER	2		17/32" X 1" X 0.120"
9	03H2052	BOLT	3		1/2" X 6-1/2"
10	R120107	LABEL	1		(ENGLISH)
	R120106	LABEL	1		(FRENCH)
	R105942	LABEL	1		(GERMAN)
	R120108	LABEL	1		(SPANISH)
	L65000	LABEL	1		
11	RE46317	BRACKET	1		(SUB FOR RE21096 OR RE38707)
12	RE46414	WIRING HARNESS	1		
13	R82239	SCREW	12		
14	R82237	SNAP RING	1		
15	R82238	O-RING	1		
16	R82236	COVER	1		
17	RE43025	RADAR SENSOR	1		(SUB FOR RE21073)
18	R82243	GASKET	1		
19	14H1040	NUT	3		1/2"
20	AR111058	SENSOR	1		(SUB FOR RE21510 OR RW26466) (FI)

2E13

ELECTRICAL

PERFORMANCE TRAK II MINI-MONITOR (ANALOG TACHOMETER)

RXP020943 -UN-12OCT94



RXP020943

2E14

ELECTRICAL

PERFORMANCE TRAK II MINI-MONITOR - CONTINUED
(ANALOG TACHOMETER)

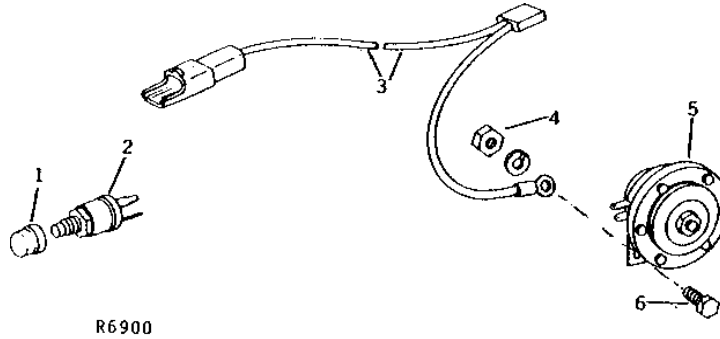
KEY	PART NO.	PART NAME	QTY	TRACTOR SERIAL NO.	REMARKS
1	R44302	TIE BAND	AR		
2	RE22589	LAMP	1		
3	RE21112	MONITOR CONSOLE	1		
4	19H1978	CAP SCREW	3		7/16" X 1-1/2"
	12H293	LOCK WASHER	3		7/16"
5	14H1047	NUT	3		7/16"
	14H786	NUT	2		1/4"
6	19H1914	CAP SCREW	2		1/4" X 1"
7	24H1287	WASHER	4		9/32" X 5/8" X 0.065"
8	R82423	NUT	2		RUBBER
9	R83055	WING SCREW	2		
10	RE21113	WIRING HARNESS	1		3500MM (138")
11	R83109	BRACKET	1		
12	U46662	TERMINAL	1		
13	R77489	TERMINAL	1		
	R84158	TERMINAL	1		
14	AR67855	CONNECTOR	3		
15	RE21738	MONITOR CONSOLE	1	(FI)	

2E15

ELECTRICAL

R6900 -UN-01JAN94

HORN



R6900

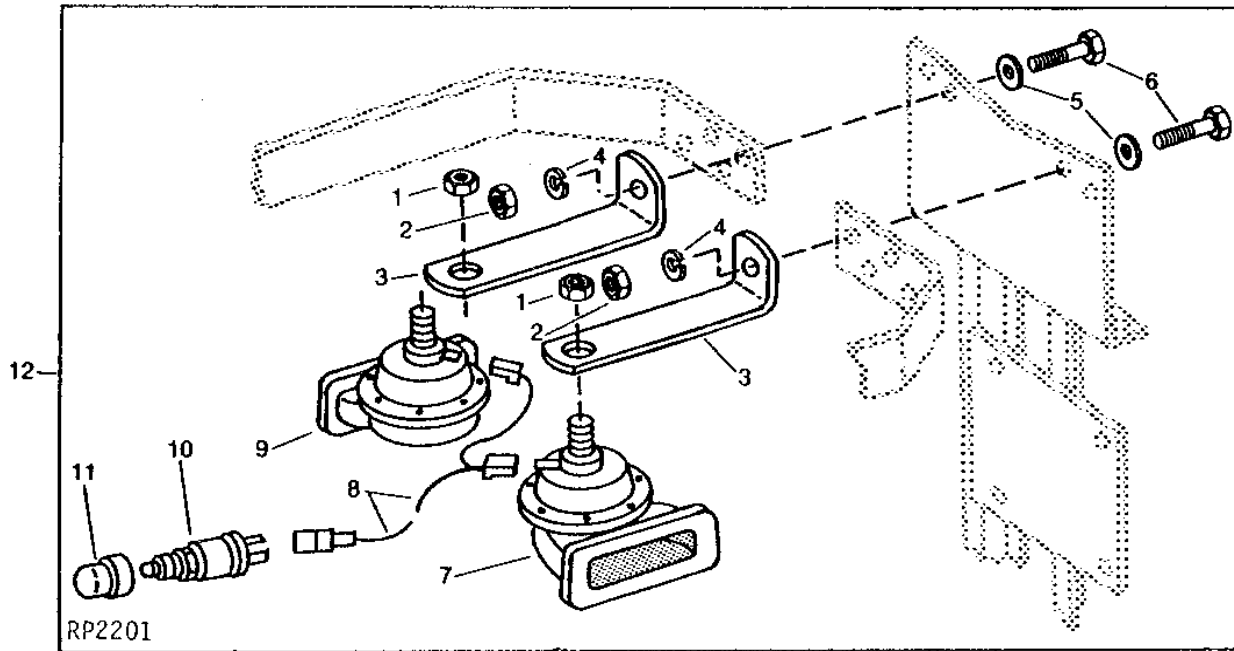
KEY	PART NO.	PART NAME	QTY	TRACTOR SERIAL NO.	REMARKS
1	T55501	CAP	1		
2	AR21823	SWITCH	1		
3	AR73580	WIRING HARNESS	1		
4	14H785	NUT	1	5/16"	
	12H303	LOCK WASHER	1	5/16"	
5	AL14896	HORN	1		(12-VOLT) (SUB FOR AR49039 OR AR73579)
6	19H1813	CAP SCREW	1	5/16" X 5/8"	
..	AR49032	HORN	1		ASSEMBLY, (SUB AR102454)

2E16

ELECTRICAL

RP2201 -UN-01JAN94

DUAL HORN ASSEMBLY



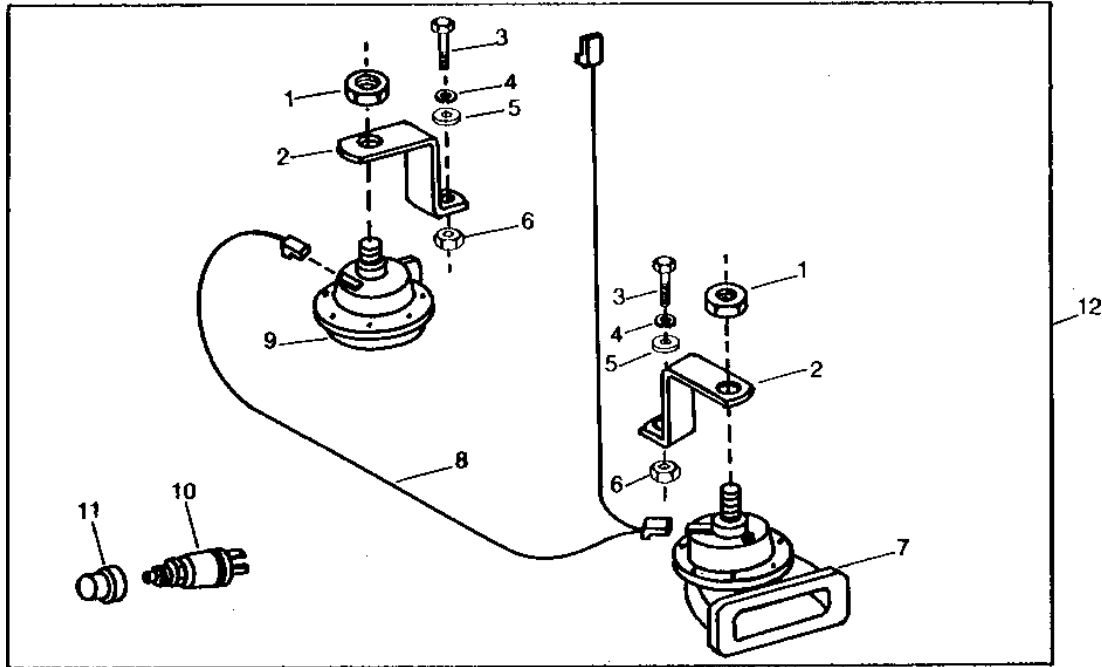
KEY	PART NO.	PART NAME	QTY	TRACTOR SERIAL NO.	REMARKS
1	R11278	NUT	2		
2	14H812	NUT	2	3/8"	
3	R64699	BRACKET	2	(ILLUSTRATED)	
	R75833	BRACKET	2	(SUB FOR R66069)	
4	12H304	LOCK WASHER	2	3/8"	
5	24H1136	WASHER	2	11/32" X 11/16" X 0.065"	
6	19H1732	CAP SCREW	2	3/8" X 1-1/4"	
7	R64700	LOW NOTE HORN	1	(12-VOLT) (LOW NOTE)	
8	AR85578	WIRING HARNESS	1		
9	AT39043	HIGH NOTE HORN	1	(12-VOLT) (HIGH NOTE)	
10	AR21823	SWITCH	1		
11	T55501	CAP	1		
12	AR81178	HORN	1	(SUB AR102454)	

2E17

ELECTRICAL

RWP4230 -UN-01JAN94

DUAL HORN ASSEMBLY



RWP4230

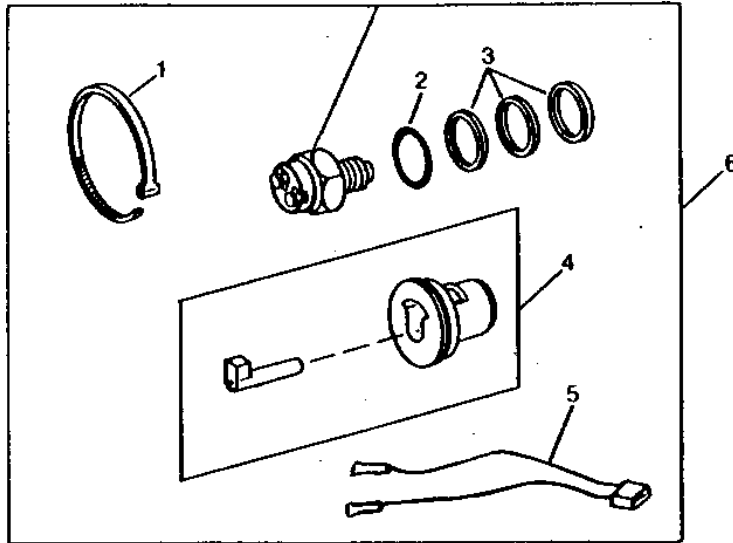
KEY	PART NO.	PART NAME	QTY	TRACTOR SERIAL NO.	REMARKS
1	R11278	NUT	2		
2	R75833	BRACKET	2		
3	19H1849	CAP SCREW	2	5/16" X 1-1/4"	
4	12H303	LOCK WASHER	2	5/16"	
5	24H1136	WASHER	2	11/32" X 11/16" X 0.065"	
6	14H785	NUT	2	5/16"	
7	R64700	LOW NOTE HORN	1		(12-VOLT) (LOW NOTE)
8	AR85578	WIRING HARNESS	1		
9	AT39043	HIGH NOTE HORN	1		(12-VOLT) (HIGH NOTE)
10	AR21823	SWITCH	1		
11	T55501	CAP	1		
12	AR102454	HORN	1		(SUB FOR AR49032 OR AR81178) (ORDER COMPONENT PARTS)

2E18

ELECTRICAL

RXP8097 -UN-01JAN94

NEUTRAL START SWITCH KIT



RXP8097

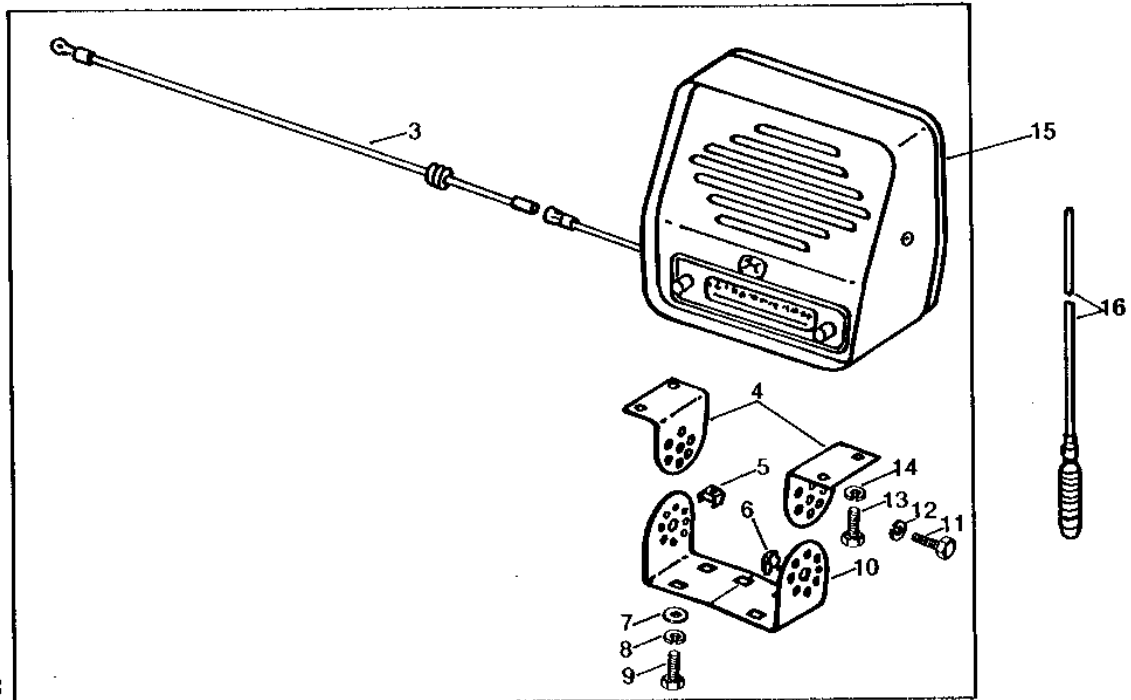
KEY	PART NO.	PART NAME	QTY	TRACTOR SERIAL NO.	REMARKS
1	R44302	TIE BAND	2		
2	R26448	O-RING	1		
3	T16911	SHIM	3		
4	RE37996	GAUGE	1		(NEUTRAL START SWITCH ADJ.)
5	RE14069	WIRING HARNESS	1		
6	RE38390	SWITCH	1		(SUB FOR AR89691 OR AR85153)

2E19

ELECTRICAL

RWP3863 -UN-01JAN94

RADIO
(MOTOROLA)



RWP3863

KEY	PART NO.	PART NAME	QTY	TRACTOR SERIAL NO.	REMARKS
1	AR41758	CAPACITOR	1		
2	AR41756	WIRING LEAD	1		
3	R42799	RESISTOR	1		
4	R52408	BRACKET	2		
5	AR41951	NUT	4		
6	AR41950	NUT	2		
7	24H1294	WASHER	4	11/32" X 1-1/8" X 1/16"	
8	12H291	LOCK WASHER	4	5/16"	
9	19H1813	CAP SCREW	4	5/16" X 5/8"	
10	R41880	BRACKET	1		
11	19H1936	CAP SCREW	2	3/8" X 3/4"	
12	12H310	LOCK WASHER	4	3/8"	
13	19H1227	CAP SCREW	4	1/4" X 1/2"	
14	12H302	LOCK WASHER	4	1/4"	
15	TY15276	RADIO	1		(A) (ALSO ORDER AR46986) (SUB FOR AR57156, AR68361, AR101245 OR TY15155)
16	AR46986	ANTENNA	1		
..	AR62260	REINFORCEMENT	1		FOUR-POST ROLL-GARD FENDER (NLA)
..	AR68649	KIT	1		ANTENNA RELOCATION, FOR SOFT ENCLOSURE, (CONSISTS OF AR46985, R26936, R27983 AND M42229) (NLA)

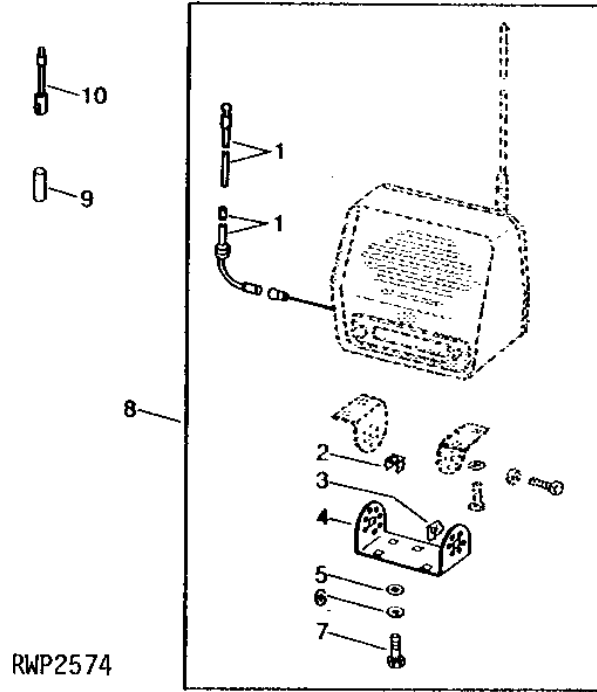
(A) CHECK AUDIOVOX DIRECT - SHIP PROGRAM GUIDE

2E20

ELECTRICAL

RWP2574 -UN-01JAN94

RADIO MOUNTING KIT



RWP2574

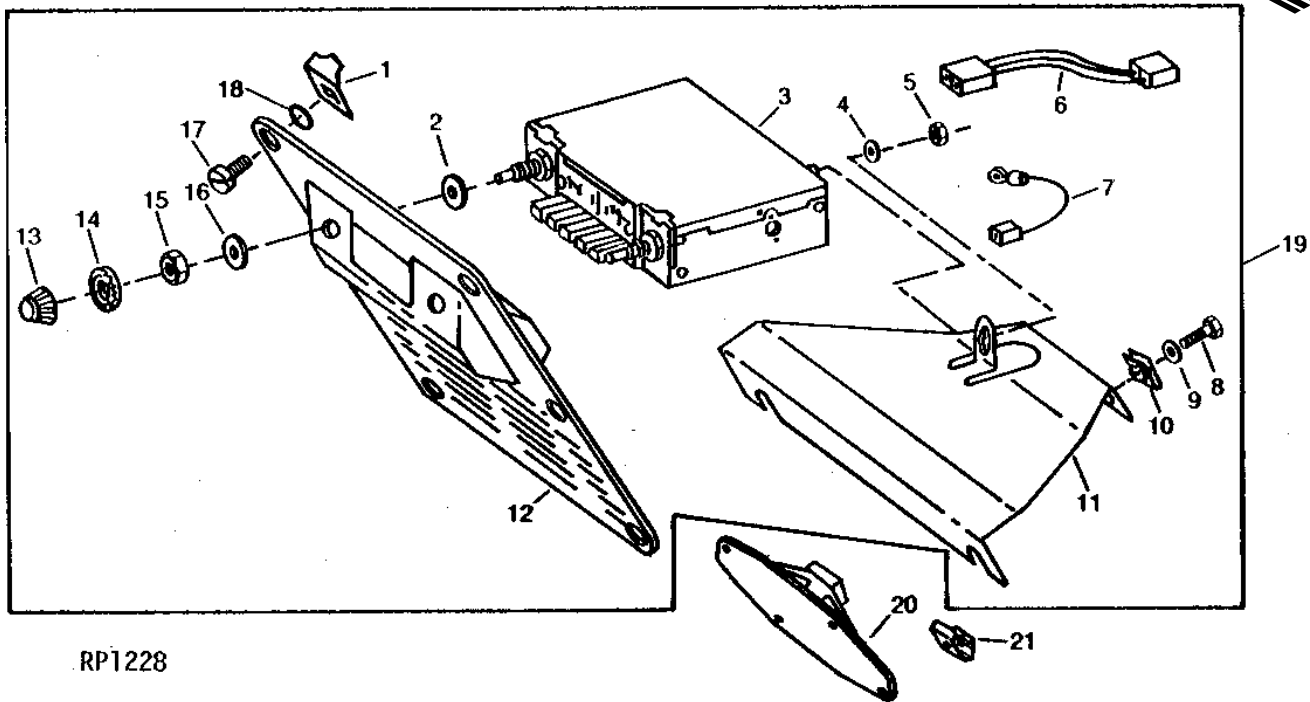
KEY	PART NO.	PART NAME	QTY	TRACTOR SERIAL NO.	REMARKS
1	AR41756	WIRING LEAD	1		
2	AR41951	NUT	3		
3	AR41950	NUT	2		
4	R41880	BRACKET	1		
5	24H1294	WASHER	3		11/32" X 1-1/8" X 1/16"
6	12M7032	LOCK WASHER	3		0.331"
7	19H1813	CAP SCREW	3		5/16" X 5/8"
8	AR41754	KIT	1		FOR 2ND VEHICLE RADIO APPLICATION
9	R42799	RESISTOR	1		NOISE SUPPRESSOR
10	AR41758	CAPACITOR	1		

2E21

ELECTRICAL

AM PUSH-BUTTON RADIO
(MOTOROLA)
(SOUND-GARD BODY SERIAL NO. - XXXXXX)

RP1228 -UN-01JAN94



RP1228

KEY	PART NO.	PART NAME	QTY	SG BODY SERIAL NO.	REMARKS
1	R50974	NUT	6		
2	D2491R	SHIM	2		
3	AR73146	RADIO	1	(A) (NLA)	
4	24H1287	WASHER	1		
5	14H786	NUT	1		
6	AR73923	WIRING HARNESS	1		
7	WIRING LEAD	1		152MM (6") GROUND, (MAKE FROM R66319, R32021, R32027, R65597 AND T28585)
8	19H1227	CAP SCREW	2		1/4" X 1/2"
9	24H136	WASHER	2		9/32" X 1" X 1/16"
10	R53677	LOCK NUT	2		
11	R65690	BRACKET	1		
12	R52272	GRILLE	1		
13	AR70590	KNOB	2		
14	R53385	KNOB	2		
15	R53386	NUT	2		
16	24H1227	WASHER	2		17/32" X 13/16" X 0.060"
17	37H203	SCREW	6		(SUB FOR R50499)
18	R34812	O-RING	6		
19	AR73922	KIT	1	(NLA)	
20	AR56774	SPEAKER	1	-XXXXXX	
21	R52273	CLIP	4	-XXXXXX	

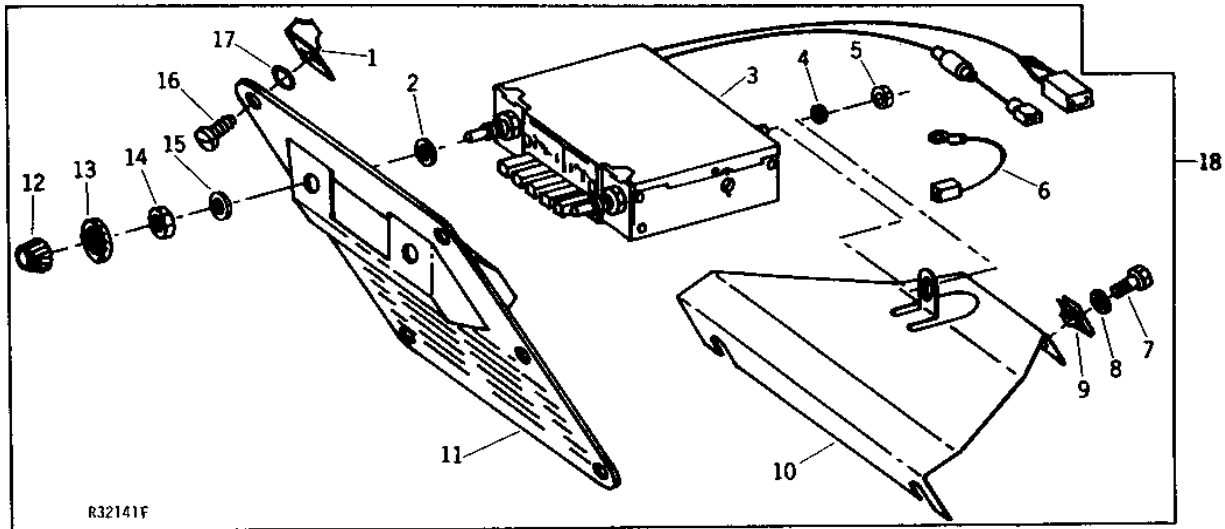
(A) CHECK AUDIOVOX DIRECT - SHIP PROGRAM GUIDE

2E22

ELECTRICAL

AM-FM PUSH-BUTTON RADIO
(MOTOROLA)
(SOUND-GARD BODY SERIAL NO. -XXXXXX)

R32141 -UN-18OCT94



KEY	PART NO.	PART NAME	QTY	SG BODY SERIAL NO.	REMARKS
1	R50974	NUT	6		
2	D2491R	SHIM	2		
3	AR69588	RADIO	1	(A) (NLA)	
4	24H1287	WASHER	1	9/32" X 5/8" X 0.065"	
5	14H786	NUT	1	1/4"	
6	WIRING LEAD	1	152MM (6") GROUND, (MAKE FROM R66319, R32021, R32027, R65597 AND T28585)	
7	19H1227	CAP SCREW	2	1/4" X 1/2"	
8	24H136	WASHER	2	9/32" X 1" X 1/16"	
9	R53677	LOCK NUT	2		
10	R65689	BRACKET	1		
11	R52272	GRILLE	1		
12	AR70590	KNOB	2		
13	R53385	KNOB	2		
14	R53386	NUT	2		
15	24H1227	WASHER	2	17/32" X 13/16" X 0.060"	
16	37H203	SCREW	6	(SUB FOR R50499)	
17	R34812	O-RING	6		
18	AR69585	KIT	1	(NLA)	

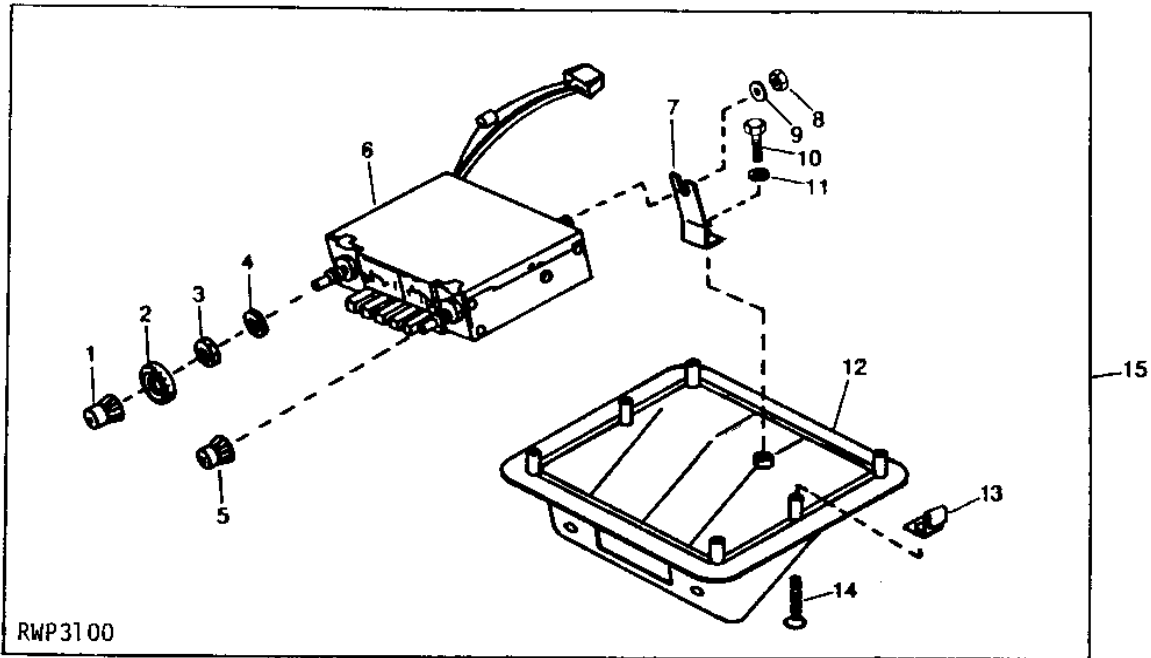
(A) CHECK AUDIOVOX DIRECT - SHIP PROGRAM GUIDE

2E23

ELECTRICAL

AM AND AM-FM PUSH-BUTTON RADIO
(MOTOROLA)
(SOUND-GARD BODY SERIAL NO. XXXXXX-)

RWP3100 -UN-23SEP94



KEY	PART NO.	PART NAME	QTY	TRACTOR SERIAL NO.	REMARKS
1	AR104573	KNOB	1		VOLUME
2	R53385	KNOB	2		
3	R53386	NUT	2		
4	24H1227	WASHER	2		17/32" X 13/16" X 0.060"
5	AR104574	KNOB	1		TUNING
6	RADIO	1		(A) AM, (ORDER TY15278)
	RADIO	1		(A) AM-FM, (ORDER TY15279)
	RADIO	1		(A) AM-FM CASSETTE
7	R76497	BRACKET	1		
	R80480	BRACKET	1		AM-FM CASSETTE
8	14H786	NUT	1		1/4"
9	24H1287	WASHER	1		9/32" X 5/8" X 0.065"
10	21H1299	SCREW	1		0.164" X 3/8"
11	12M7084	LOCK WASHER	1		0.169", INT. TOOTH
12	R76332	GRILLE	1		
13	R50974	NUT	6		
14	R76333	SCREW	6		
15	TY15278	RADIO	1		(A) AM, (SUB FOR TY15163) (NLA)
	TY15279	KIT	1		(A) AM-FM, (SUB FOR TY15154) (NLA)
	TY15175	KIT	1		(A) AM-FM CASSETTE, (NLA)

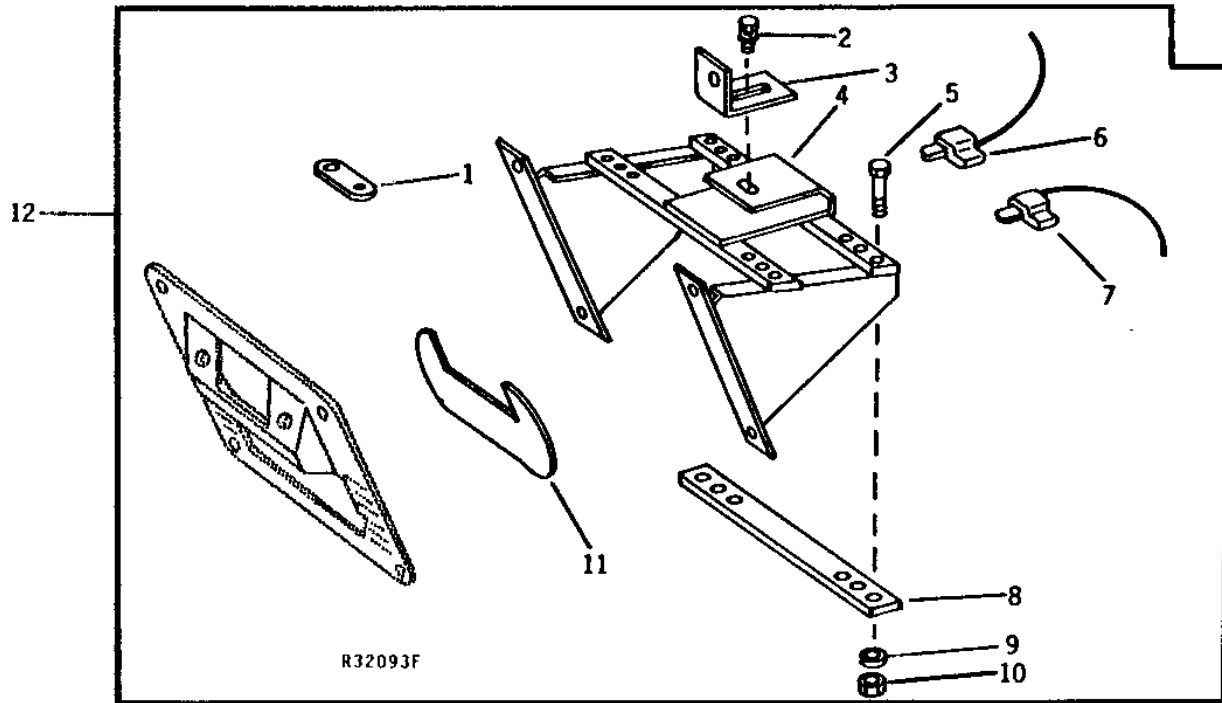
(A) CHECK AUDIOVOX DIRECT - SHIP PROGRAM GUIDE

2E24

ELECTRICAL

R32093 -UN-01JAN94

CB RADIO MOUNTING KIT



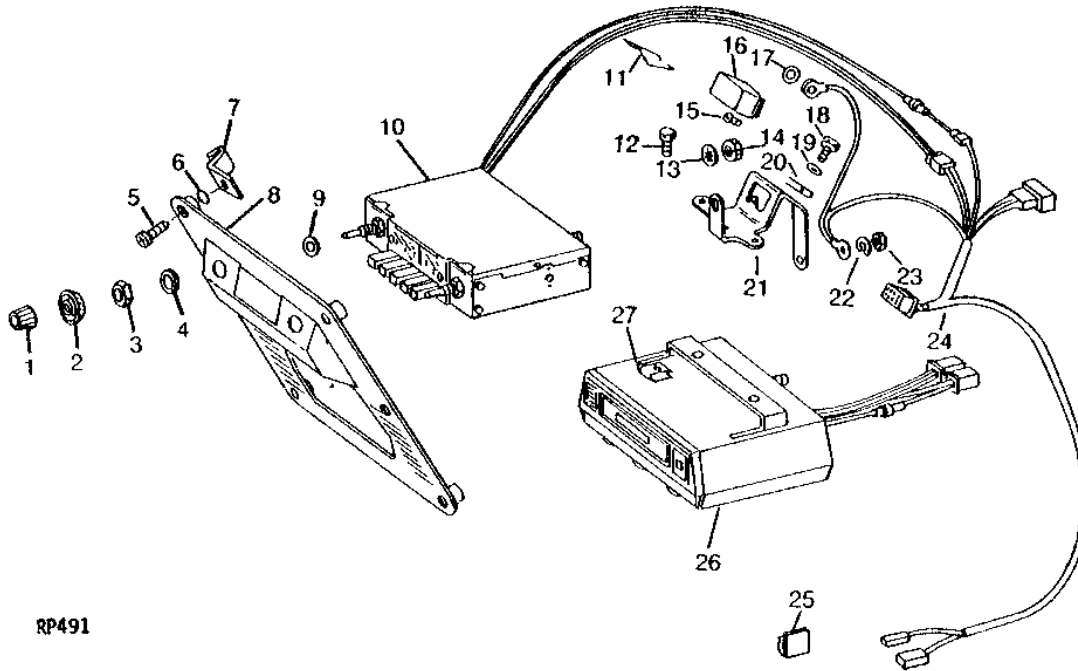
KEY	PART NO.	PART NAME	QTY	SG BODY SERIAL NO.	REMARKS
1	R65323	STRAP	1		
2	37H43	SCREW	1		NO. 8-18
3	R66658	ANGLE	1		
4	AR86552	BRACKET	1		
5	19H2336	CAP SCREW	4		1/4" X 3-1/2"
6	AR82707	WIRING LEAD	1		(NLA)
7	AR82708	WIRING LEAD	1		(NLA)
8	R66659	STRAP	1		
9	12H302	LOCK WASHER	4		1/4"
10	14H786	NUT	4		1/4"
11	R66660	INSERT	1		(NLA)
12	AR86551	KIT	1		(NLA)

2E25

ELECTRICAL

PUSH-BUTTON RADIO AND TAPE PLAYER (MOTOROLA)

RP491 -UN-01JAN94



RP491

KEY	PART NO.	PART NAME	QTY	TRACTOR SERIAL NO.	REMARKS
1	AR70590	KNOB	2		(D-SHAFT)
	AR59627	KNOB	2		(SPLIT SHAFT) (SUB FOR AR68501)
2	R53385	KNOB	2		
3	R53386	NUT	2		
4	24H1227	WASHER	2		17/32" X 13/16" X 0.060"
5	37H203	SCREW	6		(SUB FOR R50499)
6	R34812	O-RING	6		
7	R50974	NUT	6		
8	R53398	GRILLE	1		
9	D2491R	SHIM	2		
10	AR73146	RADIO	1		(A) AM RADIO (NLA)
	AR69588	RADIO	1		(A) AM-FM RADIO (NLA)
.....		WIRING LEAD	1		38MM (1-1/2") RADIO GROUND, (MAKE FROM R32007, R32021, R32025 AND R32027)
11	R53586	RETAINER	1		
12	37M7245	SCREW	2		NO. 10 X 3/8"
13	12H297	LOCK WASHER	1		1/4"
14	14H786	NUT	1		1/4"
15	21H1176	SCREW	1		0.112" X 1/2"
	14H1000	NUT	1		0.112"
16	AR60054	RELAY	1		(NLA)
17	R34812	O-RING	1		
18	19H1948	CAP SCREW	2		1/4" X 3/4"
19	24H1288	WASHER	2		9/32" X 1" X 1/16"
20	R53677	LOCK NUT	2		
21	R53479	BRACKET	1		
	R57892	BRACKET	1		
22	12H302	LOCK WASHER	1		1/4"
23	14H786	NUT	1		1/4"
24	AR60557	WIRING HARNESS	1		
	AR69589	WIRING HARNESS	1		
25	R47474	CLIP	1		
26	AR96608	TAPE PLAYER	1		(NLA)
27	R52130	LOCK NUT	2		

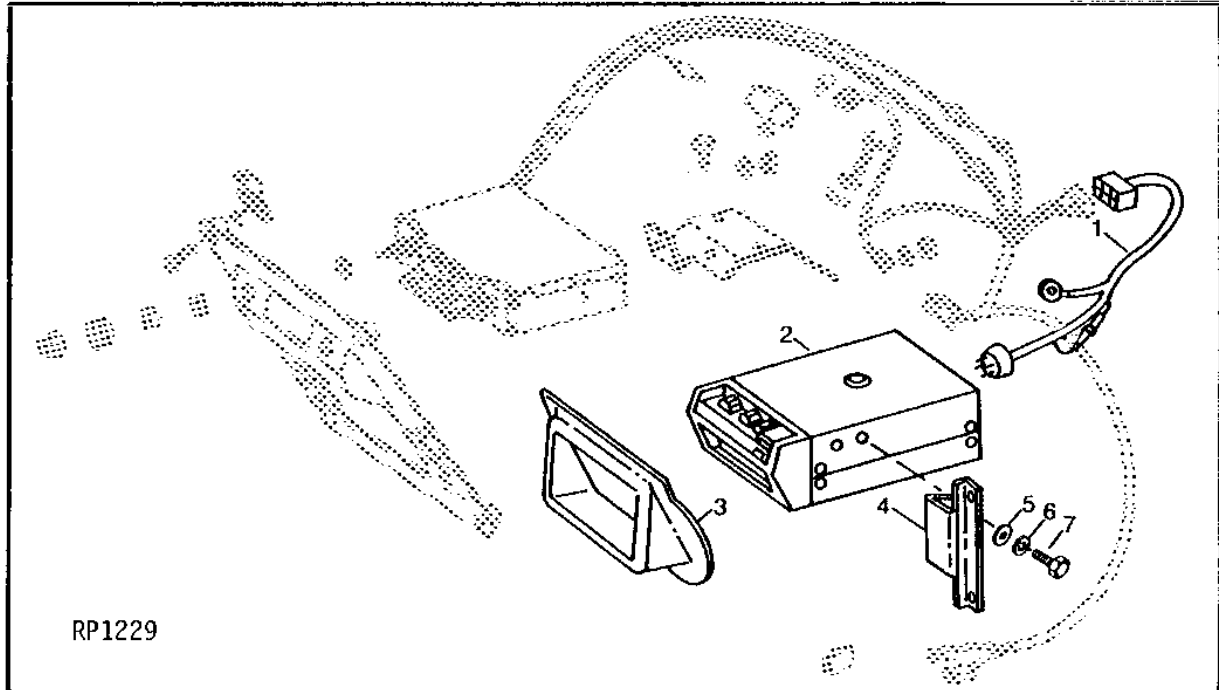
(A) CHECK AUDIOVOX DIRECT - SHIP PROGRAM GUIDE

2F1

ELECTRICAL

RP1229 -UN-01JAN94

BOMAN TAPE PLAYER KIT (FOR MOTOROLA RADIO)



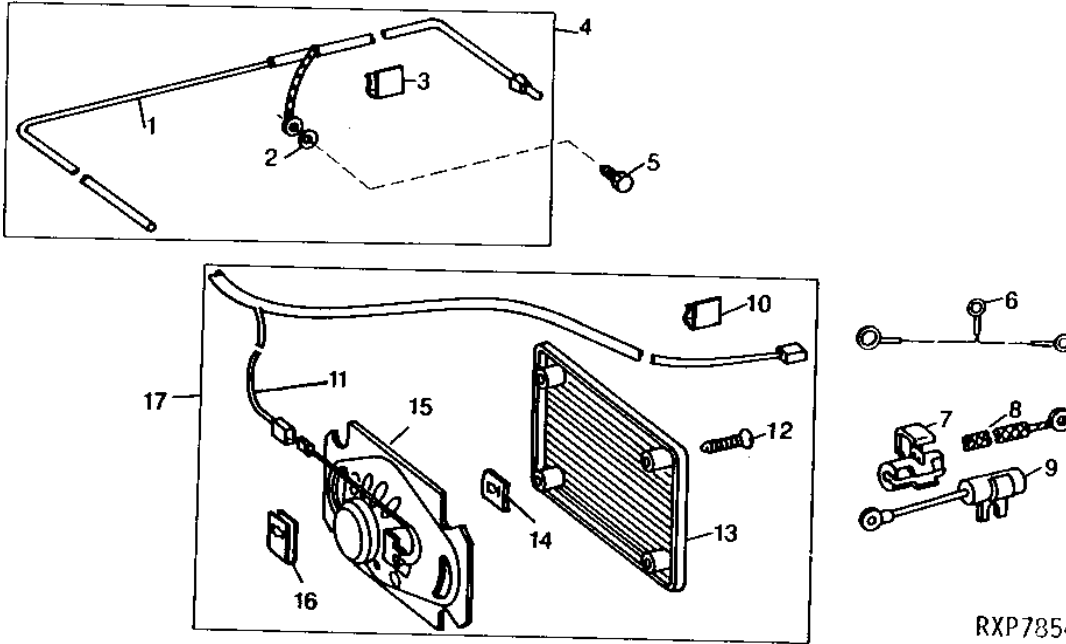
KEY	PART NO.	PART NAME	QTY	TRACTOR SERIAL NO.	REMARKS
1	AR89561	WIRING HARNESS	1	(NLA)	
2	AR93211	TAPE PLAYER	1	(NLA)	
3	R66206	COVER	1		
4	R66205	BRACKET	2		
5	24M7117	WASHER	2	4.300 X 9 X 0.800 MM	
6	12M7063	LOCK WASHER	2	M4	
7	19M7598	CAP SCREW	2	M4 X 10	
8	KIT	1	(NLA)	

2F2

ELECTRICAL

RADIO ANTENNA AND SPEAKER (SOUND-GARD BODY SERIAL NO. -XXXXXX)

RXP7854 -UN-18OCT94



RXP7854

KEY	PART NO.	PART NAME	QTY	SG BODY SERIAL NO.	REMARKS
1	AR61608	ANTENNA	1		
2	24H1136	WASHER	1	11/32" X 11/16" X 0.065"	
3	R47474	CLIP	1		
4	AR65636	KIT	1	(SUB AR61608, R47474 AND 24H1136)	
5	19H1905	CAP SCREW	1	5/16" X 1"	
6	AR90773	WIRING LEAD	1	-XXXXXX	RADIO NOISE SUPPRESSION GROUND (DUAL BLOWER MOTOR) (SUB FOR AR90772)
7	AR67855	CONNECTOR	2		
8	AR78447	GROUND CABLE	2	-XXXXXX	(DUAL BLOWER MOTOR)
	AR92396	WIRING LEAD	1	XXXXXX-	(SINGLE BLOWER MOTOR) (SUB R32018 AND R65593)
9	AR41758	CAPACITOR	2		
10	R47474	CLIP	3		
11	AR67951	WIRING HARNESS	1		
12	R67560	SCREW	8		
13	R61267	GRILLE	2		
14	R61268	LOCK NUT	4		
15	RE13839	SPEAKER	2		(A) (SUB FOR AR74265)
	AR92396	WIRING LEAD	1	XXXXXX-	(SUB R32018 AND R65593)
16	R50500	NUT	8		
17	AR74832	KIT	1		

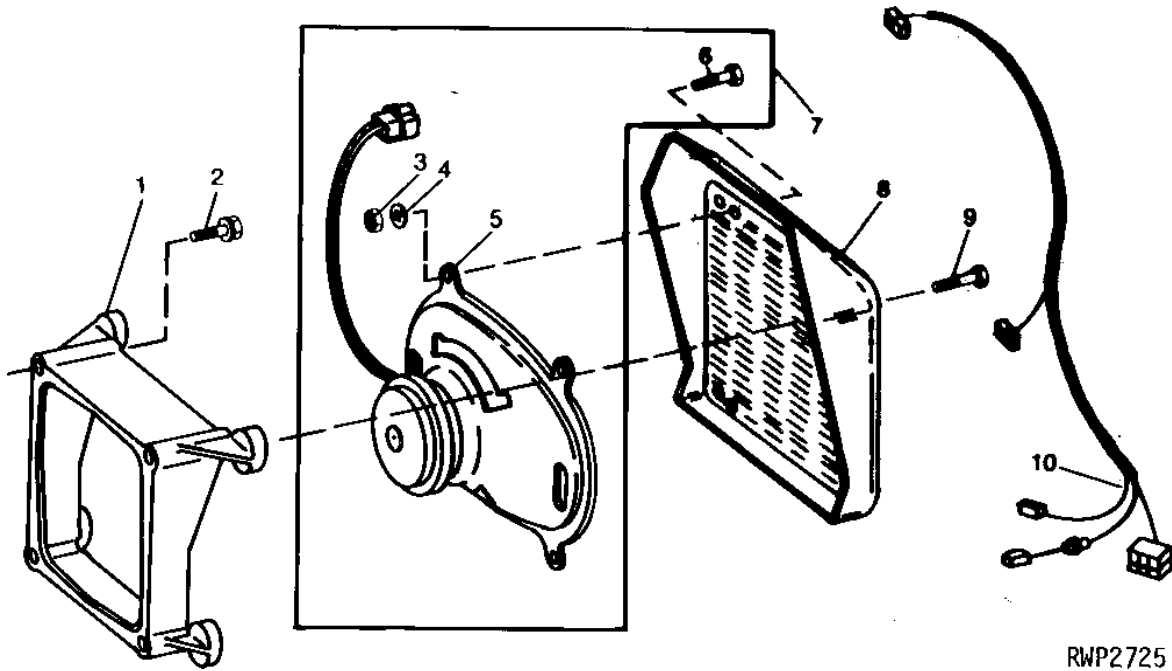
(A) CHECK AUDIOVOX DIRECT - SHIP PROGRAM GUIDE

2F3

ELECTRICAL

RWP2725 -UN-18OCT94

RADIO SPEAKER KIT (SOUND-GARD BODY SERIAL NO. XXXXXX-)



RWP2725

KEY	PART NO.	PART NAME	QTY	SG BODY SERIAL NO.	REMARKS
1	R76330	ADAPTER	2		
2	37M7165	SCREW	6		
3	14H778	NUT	8	0.190"	
4	12M7060	WASHER	8		
5	AR104520	SPEAKER	2		
6	R76500	SCREW	8		
7	PMJD57	SPEAKER	1		(A) (SUB FOR TY15157 OR TY15691)
8	R76329	GRILLE	2		(BLACK)
	R76331	GRILLE	2		(BROWN) (REPLACEMENT SOUND-GARD BODY)
9	R76500	SCREW	8		
10	AR103750	RADIO SPEAKER WRG HARNESS	1		(SPEAKERS TO RADIO)
	R47474	CLIP	3		

(A) CHECK AUDIOVOX DIRECT - SHIP PROGRAM GUIDE

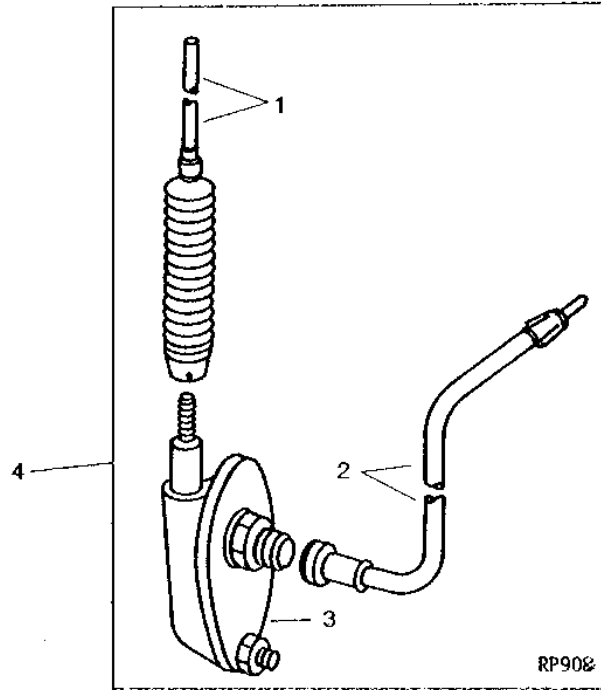
MEMORANDA

2F4

ELECTRICAL

RP908 -UN-01JAN94

FENDER MOUNTED ANTENNA
(SOUND-GARD BODY SERIAL NO. -XXXXXX)



KEY	PART NO.	PART NAME	QTY	TRACTOR SERIAL NO.	REMARKS
1	AR46986	ANTENNA	1		
2	AR75564	WIRING LEAD	1		
3	AR46984	BASE	1		
4	AR75563	KIT	1		(A) (FENDER MOUNTED ANTENNA) (SUB TY15156)

(A) CHECK AUDIOVOX DIRECT - SHIP PROGRAM GUIDE

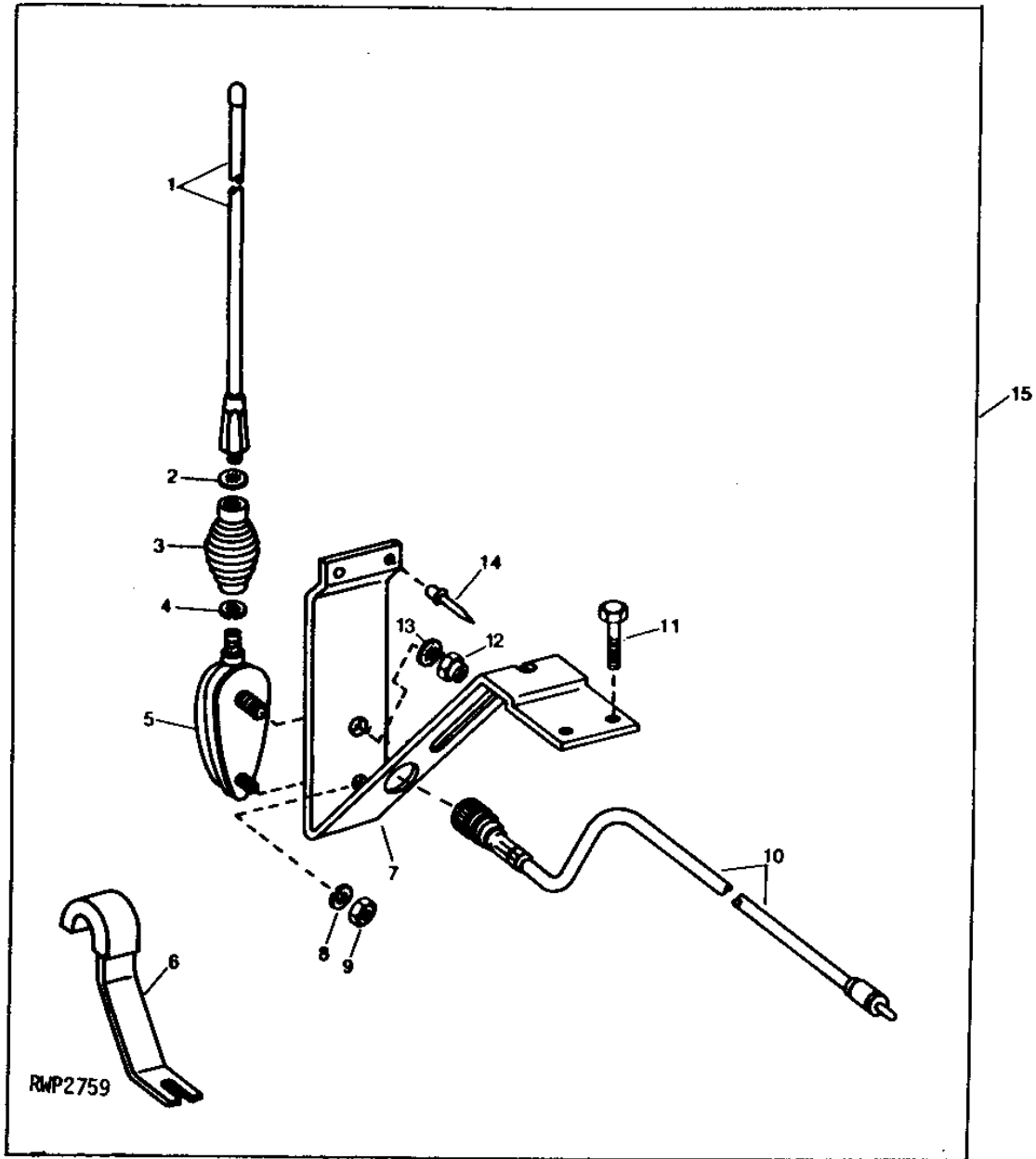
2F5

ELECTRICAL

RADIO ANTENNA KIT (SOUND-GARD BODY SERIAL NO. XXXXXX-)

RWP2759

-UN-23NOV94



2F6

ELECTRICAL

RADIO ANTENNA KIT - CONTINUED
(SOUND-GARD BODY SERIAL NO. XXXXXX-)

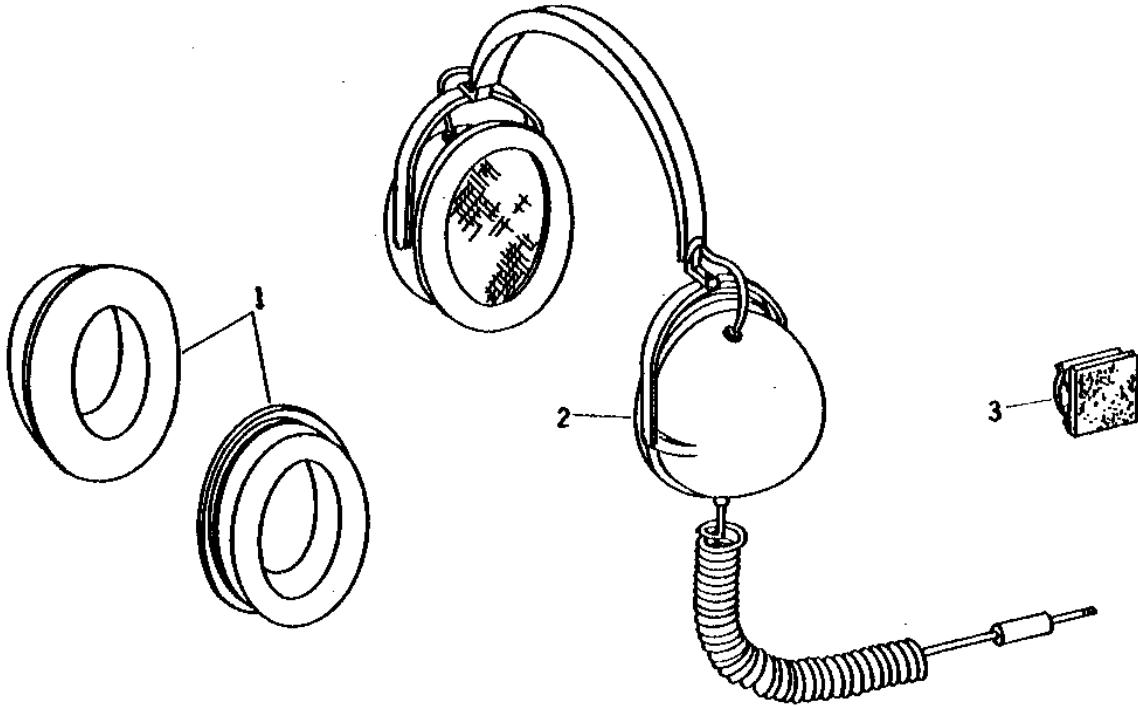
KEY	PART NO.	PART NAME	QTY	TRACTOR SERIAL NO.	REMARKS
1	AR104516	ANTENNA	1		
2	12H310	LOCK WASHER	1	3/8"	
3	AR104518	SPRING	1		
4	12H302	LOCK WASHER	1	1/4"	
5	AR104517	BASE	1		
6	R76496	CLAMP	1		
7	R76495	BRACKET	1		
8	12H302	LOCK WASHER	1	1/4"	
9	14H786	NUT	1	1/4"	
10	R76694	ANTENNA CABLE	1		
11	37H27	SCREW	2	5/16" X 7/8"	
12	R76695	NUT	1		
13	12H292	LOCK WASHER	1	1/2"	
14	R55326	RIVET	2		
15	TY15156	KIT	1		

2F7

ELECTRICAL

R33062 -UN-01JAN94

RADIO HEADPHONES



R33062

KEY	PART NO.	PART NAME	QTY	TRACTOR SERIAL NO.	REMARKS
1	AR73311	FOAM PAD	1		(SUB FOR R53409) (PKG. OF 2)
2	AR59663	HEADPHONES	1		(A) (INCLUDES EAR PADS AND CLIP)
3	R53410	CLIP	1		

(A) CHECK AUDIOVOX DIRECT - SHIP PROGRAM GUIDE

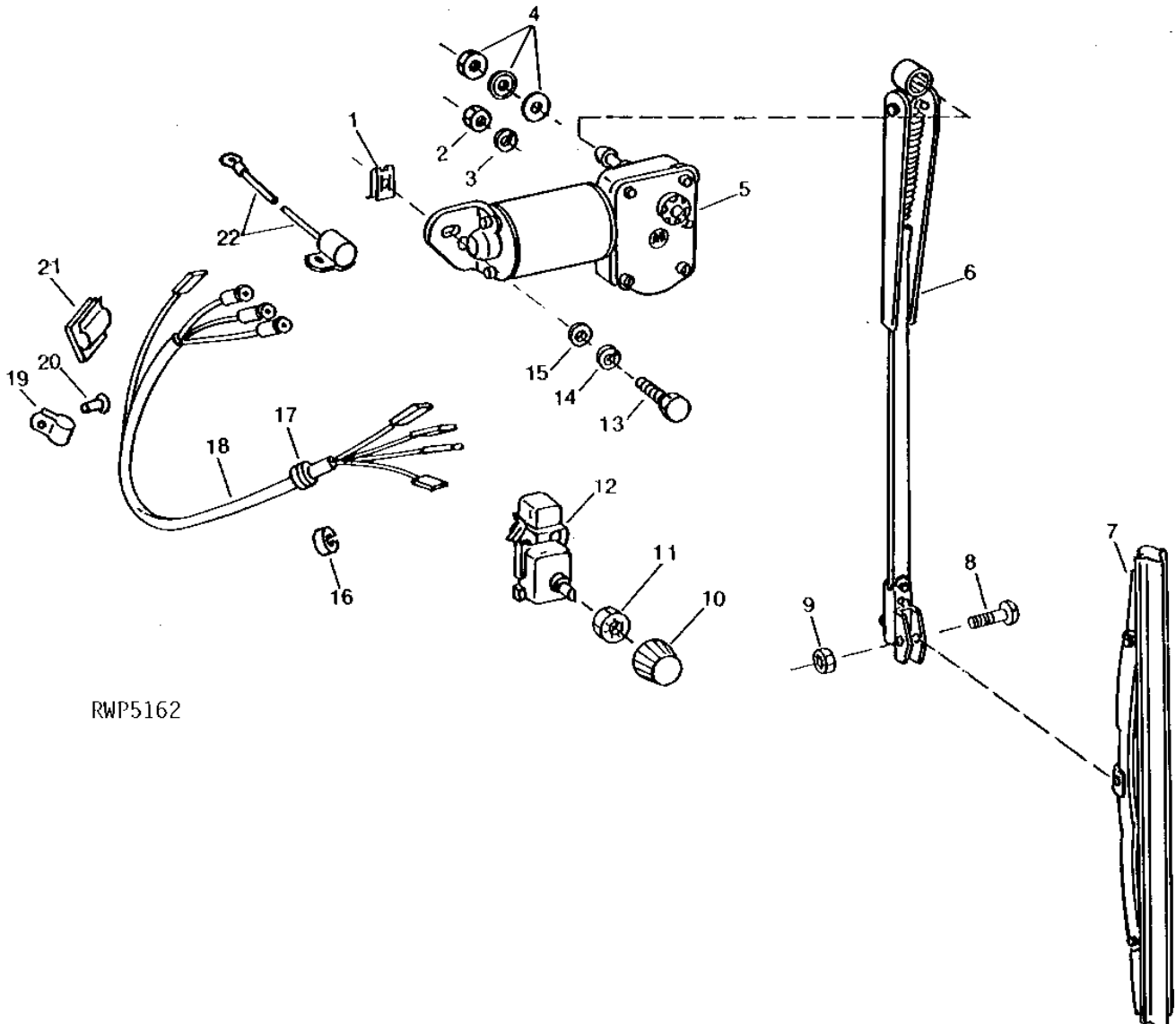
MEMORANDA

2F8

ELECTRICAL

RWP5162 -UN-01JAN94

LEFT-HAND WINDSHIELD WIPER AND MOTOR



RWP5162

2F9

ELECTRICAL

LEFT-HAND WINDSHIELD WIPER AND MOTOR - CONTINUED

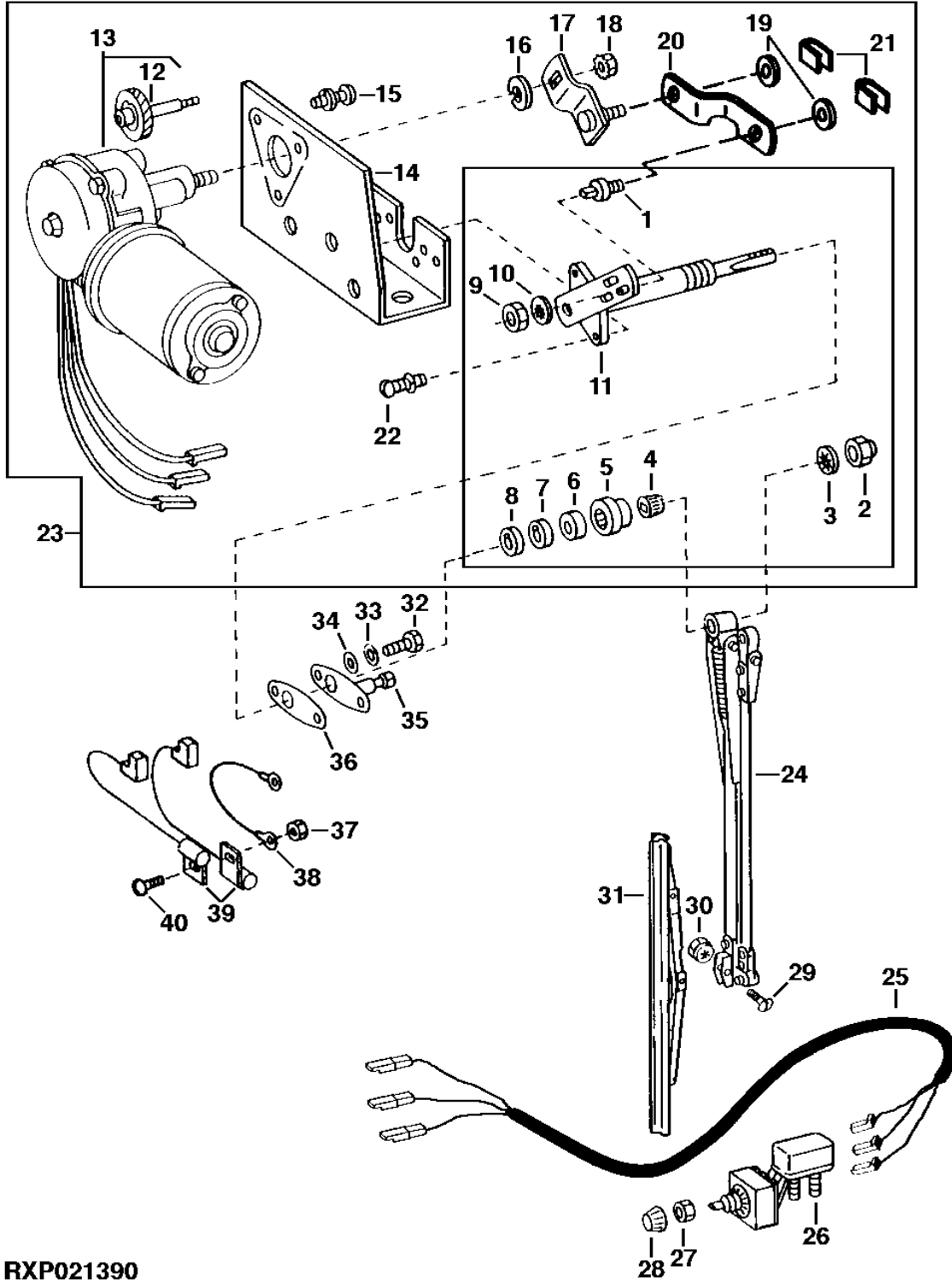
KEY	PART NO.	PART NAME	QTY	SG BODY SERIAL NO.	REMARKS
1	R52130	LOCK NUT	1		(REPLACEMENT SOUND-GARD BODY)
2	14H1026	NUT	3		0.138"
3	12H321	WASHER	3		0.138"
4	AR94047	BUSHING	1		SPACER
5	RE48783	WIPER MOTOR	1		(SUB FOR AR56691 OR RE18943)
	AR91667	SHAFT	1		(AMERICAN BOSCH OR UTC)
6	AR56692	ARM	1		
7	AR56694	WINDSHIELD WIPER	1		
8	T35441	SCREW	1		
9	T35440	LOCK NUT	1		
10	AR69370	KNOB	1		(SUB FOR AR49969)
11	R44165	LOCK NUT	1		
12	AR64992	WIPER SWITCH	1		(SUB FOR AR57228)
13	21H1301	SCREW	1		0.190" X 1/2"
14	12M7060	WASHER	1		0.209"
15	B1664R	SHIM	1		
16	R50277	CLIP	1		
17	R26941	GROMMET	1		
18	AR87340	WIPER MOTOR WIRING HARNESS	1		(SUB FOR AR56199) (USE WITH AR56691)
	RE18944	WIPER MOTOR WIRING HARNESS	1		(USE WITH RE18943 OR RE48783)
19	R70209	CLAMP	1		
20	37M7068	SCREW	1		NO. 8 X 5/8"
21	R47474	CLIP	1		
22	AR71571	CAPACITOR	2		

2F10

ELECTRICAL

RXP021390 -UN-29NOV95

RIGHT-HAND WINDSHIELD WIPER AND MOTOR



RXP021390

2F11

ELECTRICAL

RIGHT-HAND WINDSHIELD WIPER AND MOTOR - CONTINUED

KEY	PART NO.	PART NAME	QTY	SG BODY SERIAL NO.	REMARKS
1	U46507	PIN	1		
2	U46514	NUT	1	-103944	
	R63671	NUT	1	103945-	
3	12H303	LOCK WASHER	1		5/16"
4	U46513	NUT	1	-103944	
	R63670	WELD NUT	1	103945-	
5	U46512	CAP	1	-103944	
	R63669	CAP	1	103945-	
6	U46511	NUT	1	-103944	
	R63668	NUT	1	103945-	
7	U46510	WASHER	1	-103944	
	R63667	WASHER	1	103945-	
8	U46509	WASHER	1	-103944	
	R63666	WASHER	1	103945-	
9	14H649	NUT	1		1/4"
10	12H297	LOCK WASHER	1		1/4"
11	AR55021	SHAFT	1	-103944	(SUB AR78595)
	AR78595	SHAFT	1	103945-	(SUB FOR AR55021)
12	RE13281	GEAR	1		(SUB FOR AR75606)
13	AR59444	MOTOR	1		(A) (SUB RE58851)
14	U46515	BRACKET	1		
15	AU43854	SCREW	3		
16	U46508	WASHER	1		
17	AU43954	ARM	1		
18	AU43857	LOCK NUT	1		
19	T32255	SHIM	2		
20	AU43853	LINK	1		
21	U46506	CLIP	2		
22	AU43855	SCREW	2		(SUB 21H1298 AND 12M7060)
23	AR56687	MOTOR	1	-103944	(ORDER COMPONENT PARTS)
	AR78594	MOTOR	1	103945-	(ORDER COMPONENT PARTS)
24	RE36108	ARM	1		(SUB FOR AR56690)
25	AR60051	WIRING HARNESS	1		
26	AR64992	WIPER SWITCH	1		(SUB FOR AR57228)
27	R44165	LOCK NUT	1		
28	AR69370	KNOB	1		(SUB FOR AR49969)
29	R92205	SCREW	1		
30	T35440	LOCK NUT	1		
31	AR56694	WINDSHIELD WIPER	1		
32	19H3287	CAP SCREW	2		1/4" X 2-5/8"
33	12H302	LOCK WASHER	2		1/4"
34	24H1286	WASHER	1		9/32" X 1/2" X 1/16", L.H.
	12H356	LOCK WASHER	1		1/4", R.H.
35	AR56688	PLATE	1	-103944	(SUB RE36215)
	RE36215	PLATE	1	103945-	(SUB FOR AR78596, AR56688 OR AU42023)
	R97997	NUT	1		(USE WITH RE36215)
36	R63672	ADAPTER	1		(SUB FOR R50453)
37	14H605	NUT	1		0.164"
38	AR87493	WIRING LEAD	1		
39	AR71570	CAPACITOR	2		
40	21H1299	SCREW	1		0.164" X 3/8"

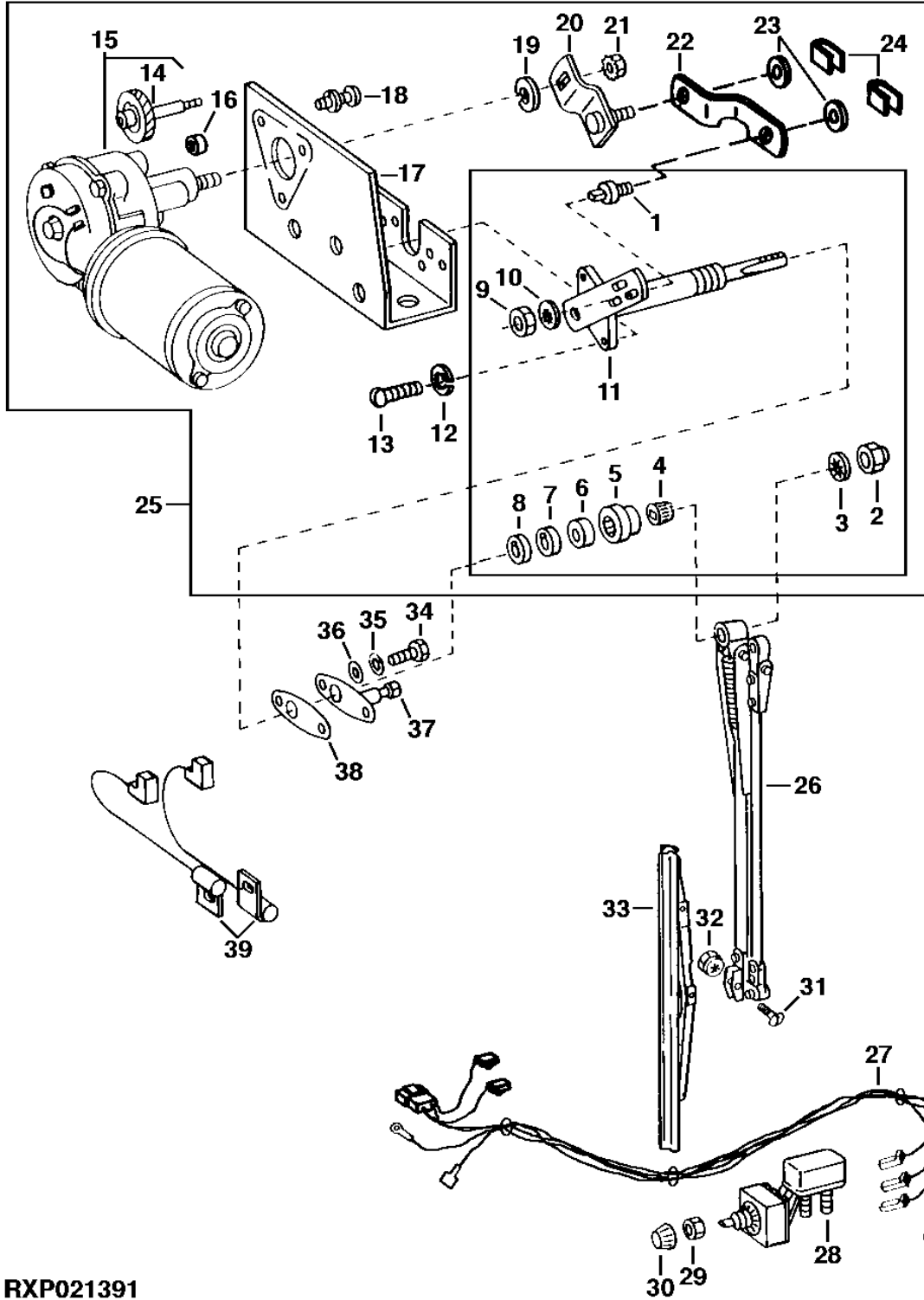
(A) WHEN RE58851 WIPER MOTOR IS INSTALLED, ALSO REPLACE AR60051 HARNESS WITH RE48322 HARNESS

2F12

ELECTRICAL

RXP021391 -UN-29NOV95

RIGHT-HAND WINDSHIELD WIPER AND MOTOR



RXP021391

2F13

ELECTRICAL

RIGHT-HAND WINDSHIELD WIPER AND MOTOR - CONTINUED

KEY	PART NO.	PART NAME	QTY	TRACTOR SERIAL NO.	REMARKS
1	U46507	PIN	1		
2	R63671	NUT	1		
3	12H303	LOCK WASHER	1	5/16"	
4	R63670	WELD NUT	1		
5	R63669	CAP	1		
6	R63668	NUT	1		
7	R63667	WASHER	1		
8	R63666	WASHER	1		
9	14H649	NUT	1	1/4"	
10	12H297	LOCK WASHER	1	1/4"	
11	AR78595	SHAFT	1		
12	12H295	LOCK WASHER	2	0.190"	
13	21H1298	SCREW	2	0.190" X 3/8"	
14	RE13281	GEAR	1		
15	RE13280	MOTOR	1	(A) (SUB RE58851)	
16	R78498	WASHER	3		
17	R78995	BRACKET	1		
18	RE13283	SCREW, WITH WASHER	3		
19	U46508	WASHER	1		
20	AU43954	ARM	1	(SUB FOR RE13284 OR RE18946)	
21	AU43857	LOCK NUT	1		
22	RE13282	ARM	1		
23	T32255	SHIM	2		
24	U46506	CLIP	2	(SUB FOR R78499)	
25	RE12130	MOTOR	1	(ORDER COMPONENT PARTS)	
26	RE36108	ARM	1	(SUB FOR AR56690)	
27	RE46412	WIPER MOTOR WIRING HARNESS	1	(SUB FOR RE10995)	
28	AR64992	WIPER SWITCH	1		
29	R44165	LOCK NUT	1		
30	AR69370	KNOB	1		
31	R92205	SCREW	1		
32	T35440	LOCK NUT	1		
33	AR56694	WINDSHIELD WIPER	1		
34	19H3287	CAP SCREW	2	1/4" X 2-5/8"	
35	12H302	LOCK WASHER	2	1/4"	
36	24H1286	WASHER	1	9/32" X 1/2" X 1/16"	
	12H356	LOCK WASHER	1	1/4"	
37	RE36215	PLATE	1	(SUB FOR AR78596)	
	R97997	NUT	1	(NLA)	
38	R63672	ADAPTER	1		
39	AR71570	CAPACITOR	2		

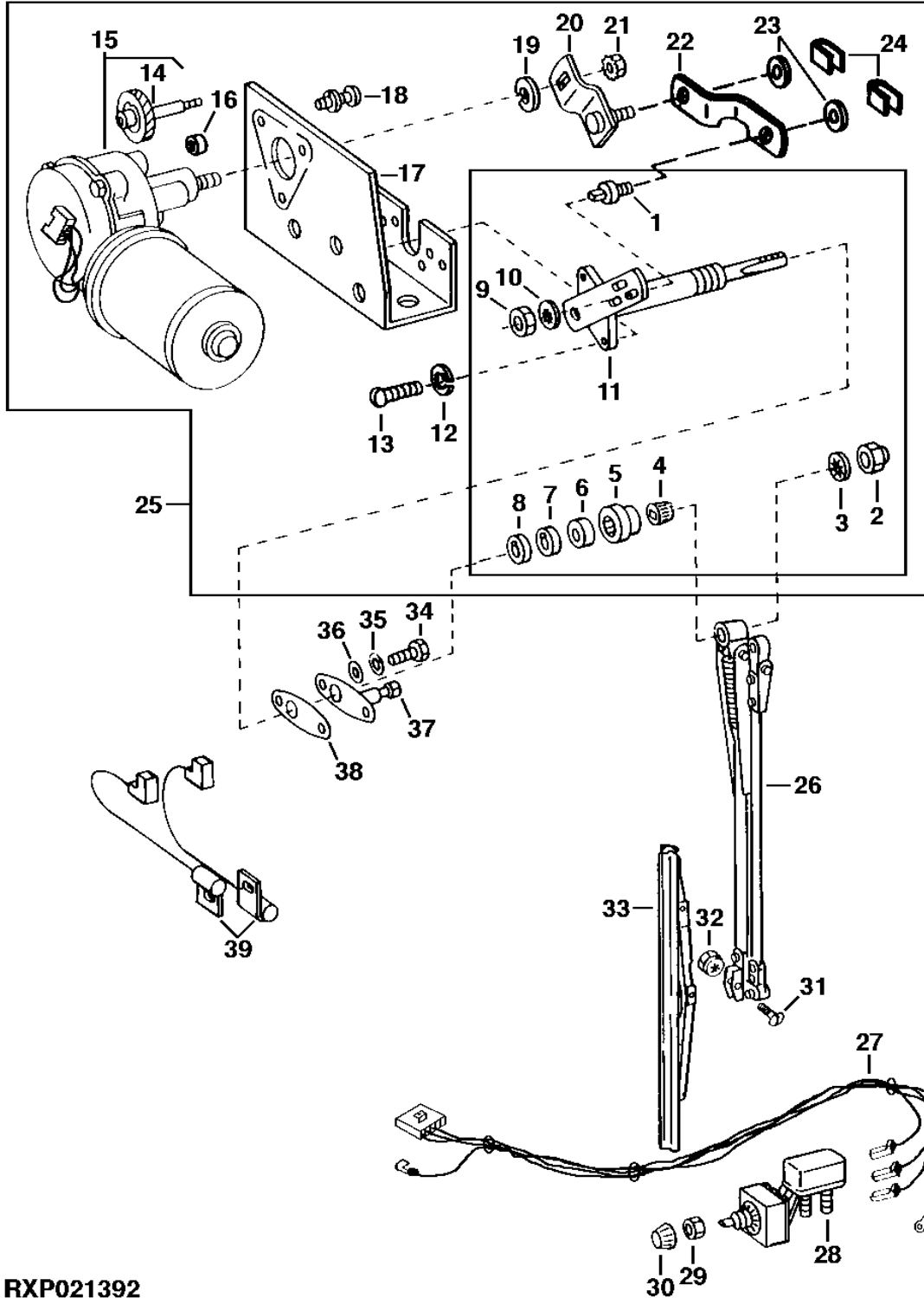
(A) WHEN RE58851 WIPER MOTOR IS INSTALLED, ALSO REPLACE RE46412 HARNESS WITH RE48322 HARNESS

2F14

ELECTRICAL

RXP021392 -UN-29NOV95

RIGHT-HAND WINDSHIELD WIPER AND MOTOR



RXP021392

2F15

ELECTRICAL

RIGHT-HAND WINDSHIELD WIPER AND MOTOR - CONTINUED

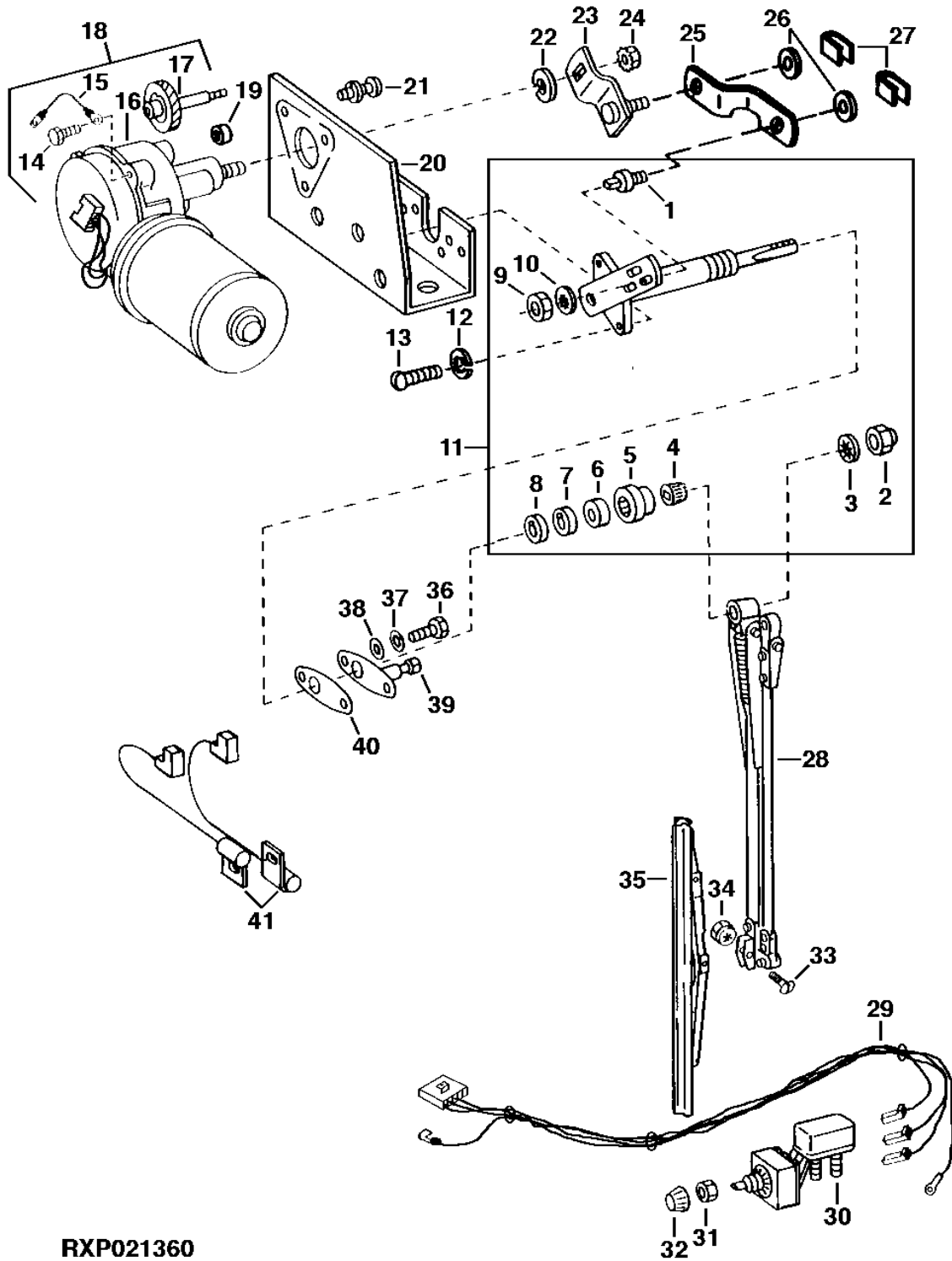
KEY	PART NO.	PART NAME	QTY	TRACTOR SERIAL NO.	REMARKS
1	U46507	PIN	1		
2	R63671	NUT	1		
3	12H303	LOCK WASHER	1	5/16"	
4	R63670	WELD NUT	1		
5	R63669	CAP	1		
6	R63668	NUT	1		
7	R63667	WASHER	1		
8	R63666	WASHER	1		
9	14H649	NUT	1	1/4"	
10	12H297	LOCK WASHER	1	1/4"	
11	AR78595	SHAFT	1		
12	12H295	LOCK WASHER	2	0.190"	
13	21H1298	SCREW	2	0.190" X 3/8"	
14	RE13281	GEAR	1		
15	RE56380	MOTOR	1	(SUB RE58851)	
16	R78498	WASHER	3		
17	R78995	BRACKET	1		
18	RE13283	SCREW, WITH WASHER	3		
19	U46508	WASHER	1		
20	AU43954	ARM	1	(SUB FOR RE13284 OR RE18946)	
21	AU43857	LOCK NUT	1		
22	R116714	ARM	1		
23	T32255	SHIM	2		
24	U46506	CLIP	2	(SUB FOR R78499)	
25	RE48784	WIPER MOTOR	1	(ORDER COMPONENT PARTS)	
26	RE36108	ARM	1	(SUB FOR AR56690)	
27	RE48322	WIPER MOTOR WIRING HARNESS	1		
28	AR64992	WIPER SWITCH	1		
29	R44165	LOCK NUT	1		
30	AR69370	KNOB	1		
31	R92205	SCREW	1		
32	T35440	LOCK NUT	1		
33	AR56694	WINDSHIELD WIPER	1		
34	19H3287	CAP SCREW	2	1/4" X 2-5/8"	
35	12H302	LOCK WASHER	2	1/4"	
36	24H1286	WASHER	1	9/32" X 1/2" X 1/16"	
	12H356	LOCK WASHER	1	1/4"	
37	RE36215	PLATE	1	(SUB FOR AR78596)	
	R97997	NUT	1	(NLA)	
38	R63672	ADAPTER	1		
39	AR71570	CAPACITOR	2		

2F16

ELECTRICAL

RXP021360 -UN-29NOV95

RIGHT-HAND WINDSHIELD WIPER AND MOTOR



RXP021360

2F17

ELECTRICAL

RIGHT-HAND WINDSHIELD WIPER AND MOTOR - CONTINUED

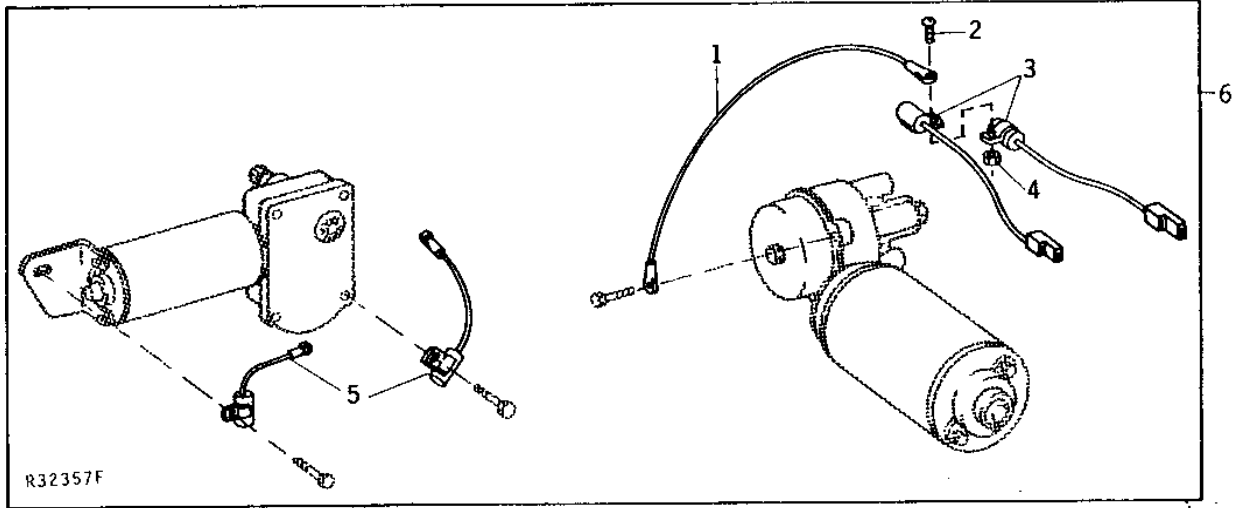
KEY	PART NO.	PART NAME	QTY	TRACTOR SERIAL NO.	REMARKS
1	U46507	PIN	1		
2	R63671	NUT	1		
3	12H303	LOCK WASHER	1	5/16"	
4	R63670	WELD NUT	1		
5	R63669	CAP	1		
6	R63668	NUT	1		
7	R63667	WASHER	1		
8	R63666	WASHER	1		
9	14H649	NUT	1	1/4"	
10	12H297	LOCK WASHER	1	1/4"	
11	AR78595	SHAFT	1		
12	12H295	LOCK WASHER	2	0.190"	
13	21H1298	SCREW	2	0.190" X 3/8"	
14	37H176	SCREW	1	0.138" X 1/4"	
15	RE61099	WIRING LEAD	1		
16	AT66481	MOTOR	1		(SUB FOR AR59444, RE13280, RE53496 OR RE56380)
17	RE13281	GEAR	1		
18	RE58851	MOTOR	1		(SUB FOR AR59444, RE13280, RE53496 OR RE56380)
19	R78498	WASHER	3		
20	R78995	BRACKET	1		
21	RE13283	SCREW, WITH WASHER	3		
22	U46508	WASHER	1		
23	AU43954	ARM	1		(SUB FOR RE13284 OR RE18946)
24	AU43857	LOCK NUT	1		
25	RE13282	ARM	1		
26	T32255	SHIM	2		
27	U46506	CLIP	2		(SUB FOR R78499)
28	RE36108	ARM	1		(SUB FOR AR56690)
29	RE48322	WIPER MOTOR WIRING HARNESS	1		
30	AR64992	WIPER SWITCH	1		
31	R44165	LOCK NUT	1		
32	AR69370	KNOB	1		
33	R92205	SCREW	1		
34	T35440	LOCK NUT	1		
35	AR56694	WINDSHIELD WIPER	1		
36	19H3287	CAP SCREW	2	1/4" X 2-5/8"	
37	12H302	LOCK WASHER	2	1/4"	
38	24H1286	WASHER	1	9/32" X 1/2" X 1/16"	
	12H356	LOCK WASHER	1	1/4"	
39	RE36215	PLATE	1		(SUB FOR AR78596)
	R97997	NUT	1		(NLA)
40	R63672	ADAPTER	1		
41	AR71570	CAPACITOR	2		

2F18

ELECTRICAL

R32357 -UN-01JAN94

WIPER MOTOR SUPPRESSION KIT



KEY	PART NO.	PART NAME	QTY	SG BODY SERIAL NO.	REMARKS
1	AR87493	WIRING LEAD	1		
2	21H1299	SCREW	1	0.164" X 3/8"	
3	AR71570	CAPACITOR	2		
4	14H605	NUT	1	0.164"	
5	AR71571	CAPACITOR	2		
6	AR71569	KIT	1		

MEMORANDA

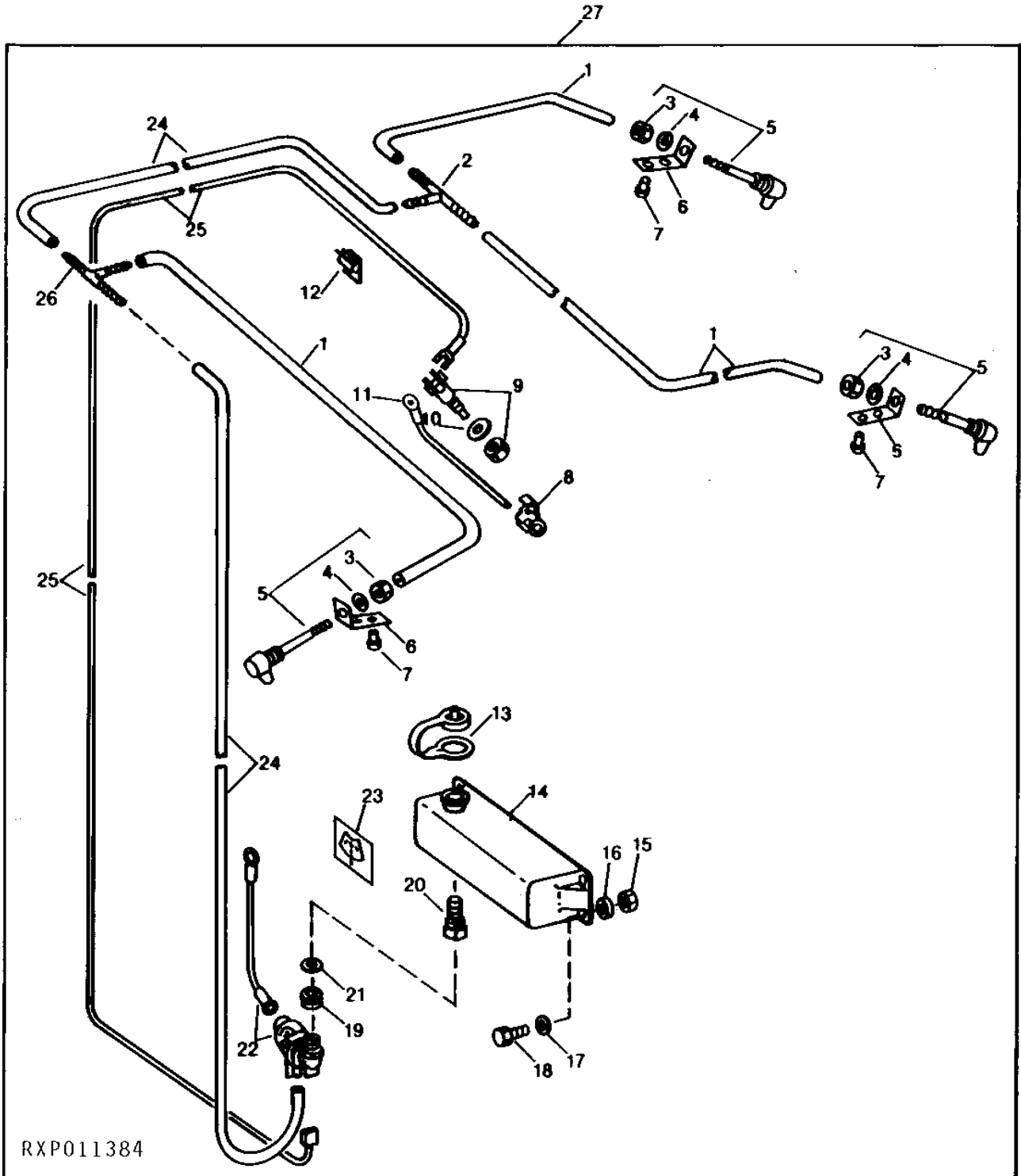
2F19

ELECTRICAL

RXP011384 -UN-17OCT94

WINDSHIELD WASHER
(AR79547)

45



RXP011384

2F20

ELECTRICAL

WINDSHIELD WASHER - CONTINUED (AR79547)

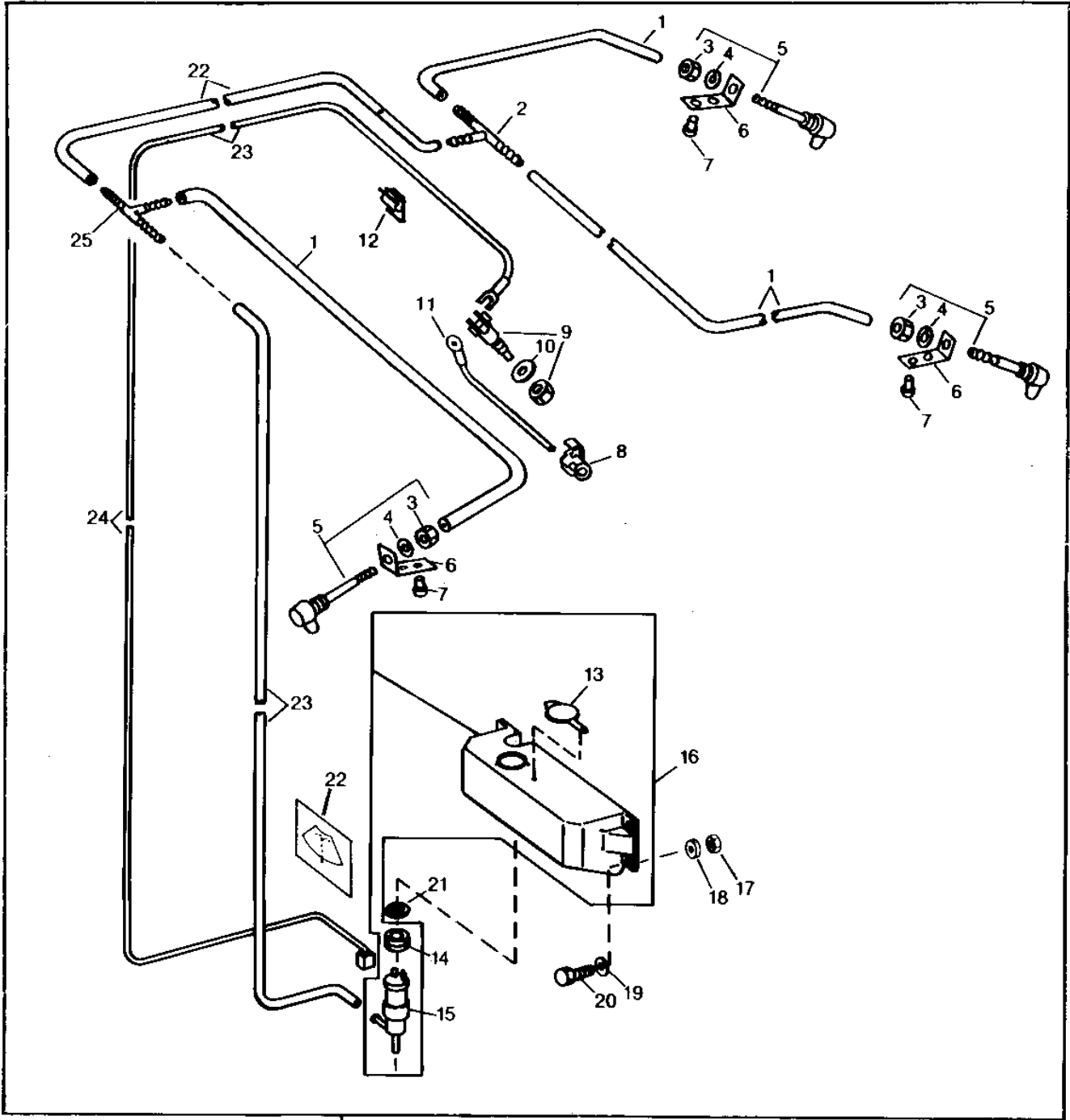
KEY	PART NO.	PART NAME	QTY	SG BODY SERIAL NO.	REMARKS
1	R54447	HOSE	1		
2	R64061	TEE FITTING	1		
3	14H650	NUT	3	5/16"	
4	12M7032	LOCK WASHER	3	0.331"	
5	AR79548	NOZZLE	3		
6	R64057	SUPPORT	3		
7	R55326	RIVET	5		
8	AR67855	CONNECTOR	1		
9	AR62294	WIPER/WASHER SWITCH	1		
10	R64063	PLATE	1		
11	AR79551	WIRING LEAD	1		
12	R47474	CLIP	3		
13	R64060	CAP	1		
14	R64056	RESERVOIR	1		
15	14H611	NUT	1	5/16"	
16	R27370	WASHER	4		
17	12H303	LOCK WASHER	1	5/16"	
18	19H1849	CAP SCREW	1	5/16" X 1-1/4"	
19	R64058	GROMMET	1		
20	AR79550	FILTER	1		
21	R64059	WASHER	1		
22	AR79549	PUMP	1		
23	R91631	LABEL	1		
24	R54445	HOSE	1		
25	AR62296	WIRING LEAD	1		
26	R64062	TEE FITTING	1		
27	AR79547	WINDSHIELD WASHER	1	(SUB RE36818) (FI)	

2F21

ELECTRICAL

WINDSHIELD WASHER (RE36818)

RXP011385 -UN-17OCT94



RXP011385

26

2F22

ELECTRICAL

WINDSHIELD WASHER - CONTINUED (RE36818)

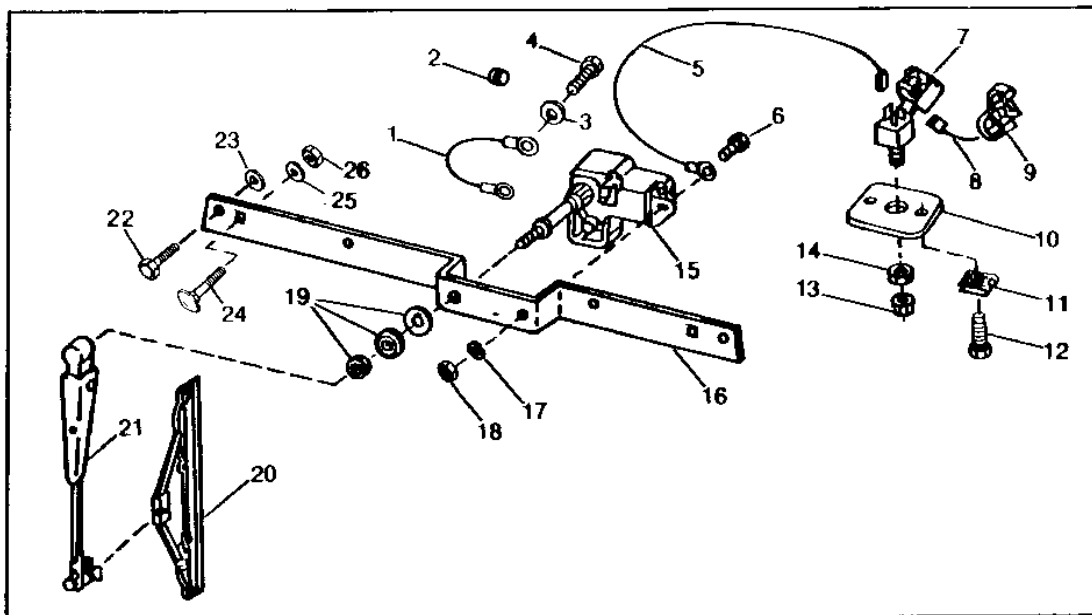
KEY	PART NO.	PART NAME	QTY	CAB SERIAL NO.	REMARKS
1	R54447	HOSE	1		
2	R64061	TEE FITTING	1		
3	14H650	NUT	3	5/16"	
4	12M7032	LOCK WASHER	3	0.331"	
5	AR79548	NOZZLE	3		
6	R64057	SUPPORT	3		
7	R55326	RIVET	5		
8	AR67855	CONNECTOR	1		
9	AR62294	WIPER/WASHER SWITCH	1		
10	R64063	PLATE	1		
11	AR79551	WIRING LEAD	1		
12	R47474	CLIP	3		
13	L38132	FILLER CAP	1		
14	L38115	GROMMET	1		
15	AL61306	PUMP	1		(SUB FOR AL35751)
16	AL35750	WINDSHIELD WASHER	1		
17	14H611	NUT	4	5/16"	
18	R27370	WASHER	4		
19	12H303	LOCK WASHER	4	5/16"	
20	19H1849	CAP SCREW	4	5/16" X 1-1/4"	
21	R64059	WASHER	1		
22	R91631	LABEL	1		
23	R54445	HOSE	1		
24	RE36906	WIRING HARNESS	1		(INCLUDES L38135)
25	R64062	TEE FITTING	1		
26	RE36818	WINDSHIELD WASHER	1		(SUB FOR AR79547) (FI)

2F23

ELECTRICAL

RXP011340 -UN-27SEP94

REAR WINDSHIELD WIPER



27

RXP011340

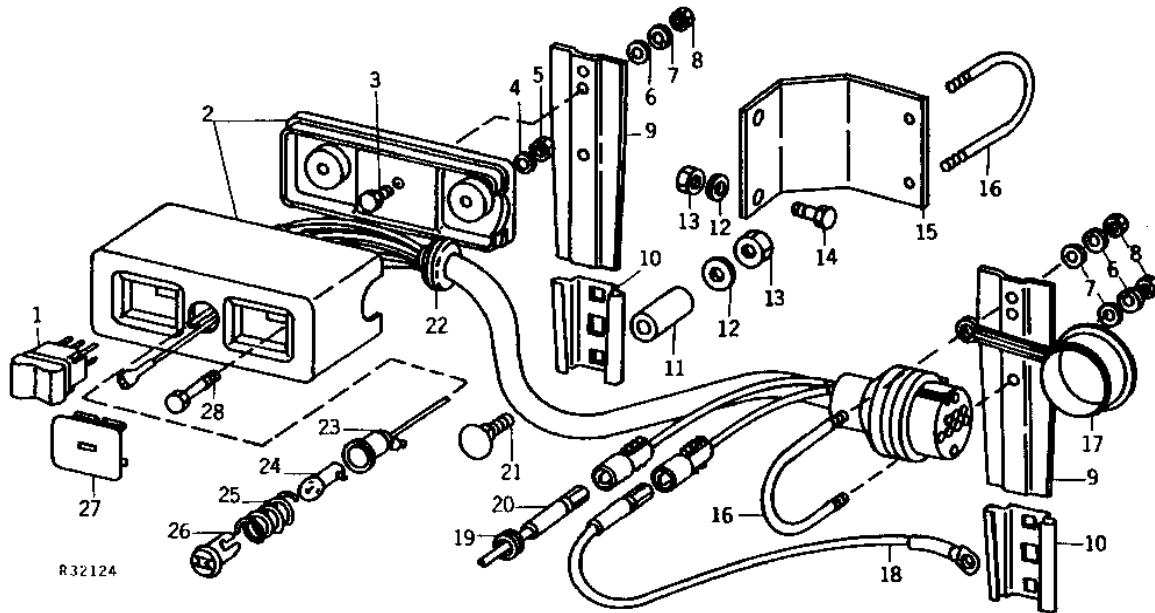
KEY	PART NO.	PART NAME	QTY	TRACTOR SERIAL NO.	REMARKS
1	AR79429	WIRING LEAD	1	813MM(32")	
2	R27583	GROMMET	1		
3	24H1283	WASHER	1	7/32" X 1/2" X 0.049"	
4	37H129	SCREW	1		
5	AR79431	WIRING LEAD	1		
6	21H1301	SCREW	1	0.190" X 1/2"	
7	AR64992	WIPER SWITCH	1		
8	AR79430	WIRING LEAD	1		
9	AR67855	CONNECTOR	1		
10	R104517	PLATE	1		
11	R52130	LOCK NUT	2		
12	R52931	SCREW	2		
13	R44165	LOCK NUT	1		
14	AR69370	KNOB	1		
15	AR79428	MOTOR	1		
16	R63983	BRACKET	1		
17	12M7060	WASHER	1	0.209"	
18	14H778	NUT	1	0.190"	
19	AR94047	BUSHING	1		
20	AR56694	WINDSHIELD WIPER	1		
21	AR56692	ARM	1		
22	21H1014	SCREW	4	1/4" X 1"	
23	24M7289	WASHER	2	9.500 X 28 X 3 MM	
24	03M7319	BOLT	2	M8 X 35	
25	24M7036	WASHER	2	9 X 16 X 1.600 MM	
26	14M7166	LOCK NUT	2	M8	
27	RE41817	KIT	1	(SUB FOR AR79427) (FI)	
..	L61115	WEATHERSTRIP	1		

2F24

ELECTRICAL

R32124 -UN-01JAN94

ELECTRICAL REMOTE CONTROL



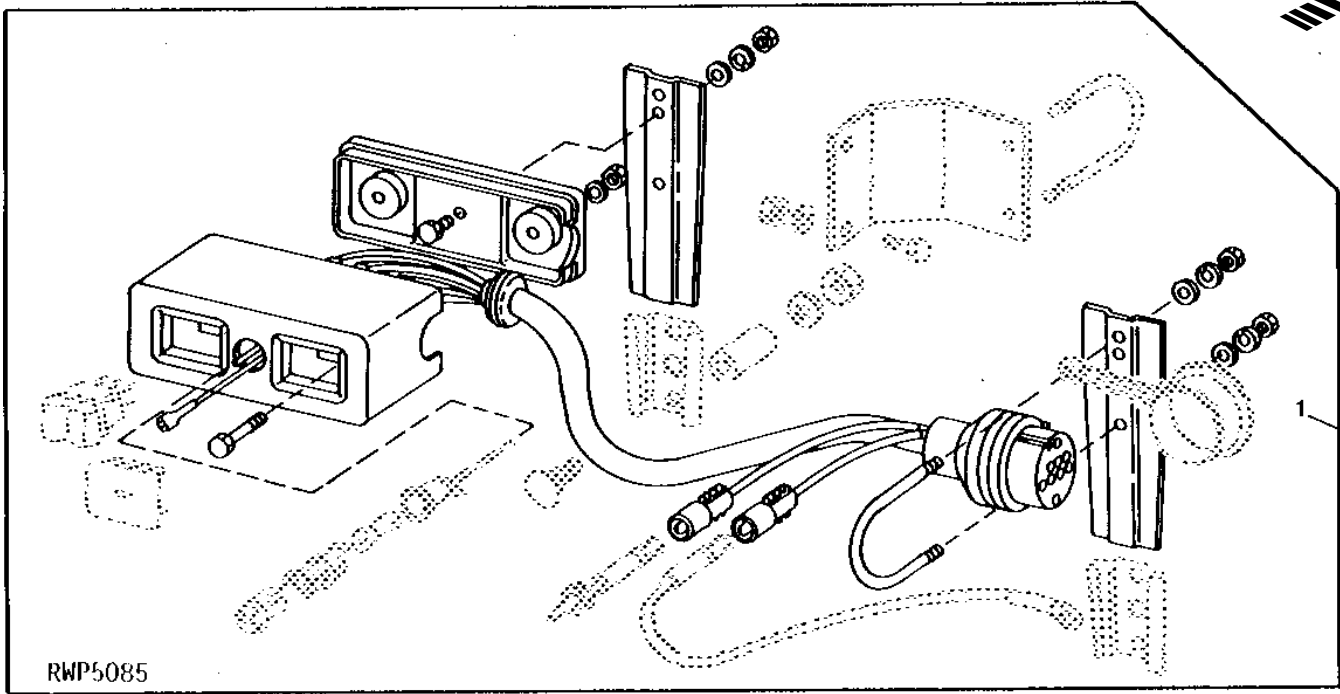
KEY	PART NO.	PART NAME	QTY	TRACTOR SERIAL NO.	REMARKS
1	AR49797	TOGGLE SWITCH	1		MOMENTARY (FI)
	AR49798	ROCKER SWITCH	1		DETENT (FI)
2	AR50779	WIRING HARNESS	1		TWO SWITCH (ILLUSTRATED)
	AR50780	WIRING HARNESS	1		FOUR SWITCH
3	19H1914	CAP SCREW	1		1/4" X 1"
4	12H315	LOCK WASHER	2		0.164"
5	14H605	NUT	2		0.164"
6	24H1821	WASHER	3		9/32" X 47/64" X 1/16"
7	12H302	LOCK WASHER	3		1/4"
8	14H786	NUT	3		1/4"
9	R47861	BRACKET	AR		(2 USED, TWO SWITCH) (1 USED, FOUR SWITCH)
	R47860	BRACKET	1		(FOUR SWITCH)
10	JD126	SOCKET	2		
11	28H1495	SPACER	4		3/8" X 1"
12	24M7207	WASHER	4		8.400 X 24 X 2 MM
13	14H785	NUT	4		5/16"
14	21H1304	SCREW	2		5/16" X 3/4"
15	R54467	BRACKET	1		
16	E16050	U-BOLT	1		
17	R48048	CAP	1		
18	AR50928	WIRING LEAD	1		
19	H987R	GROMMET	4		
20	AR50927	WIRING LEAD	1		
21	03H1515	BOLT	4		5/16" X 2"
22	R36235	GROMMET	1		
23	AR48034	INDICATOR LIGHT	1	-XXXXXX	(INCLUDES AR55694, R30378 AND AT48673)
	AT44165	WIRING LEAD	1	XXXXXX-	
24	AR55694	BULB	1		
25	R30378	SPRING	1		
26	AR45438	LENS	1		-XXXXXX (SUB AT48673)
	AT48673	LENS	1	XXXXXX-	
27	R48049	PLUG	1		
28	R48028	SCREW	2		
..	R48026	DECAL	1		WARNING
..	R48027	GROMMET	1		(CAB OPENING)
..	R32276	PLUG	1		(CAB OPENING)

2F25

ELECTRICAL

RWP5085 -UN-01JAN94

ELECTRICAL REMOTE CONTROL KIT



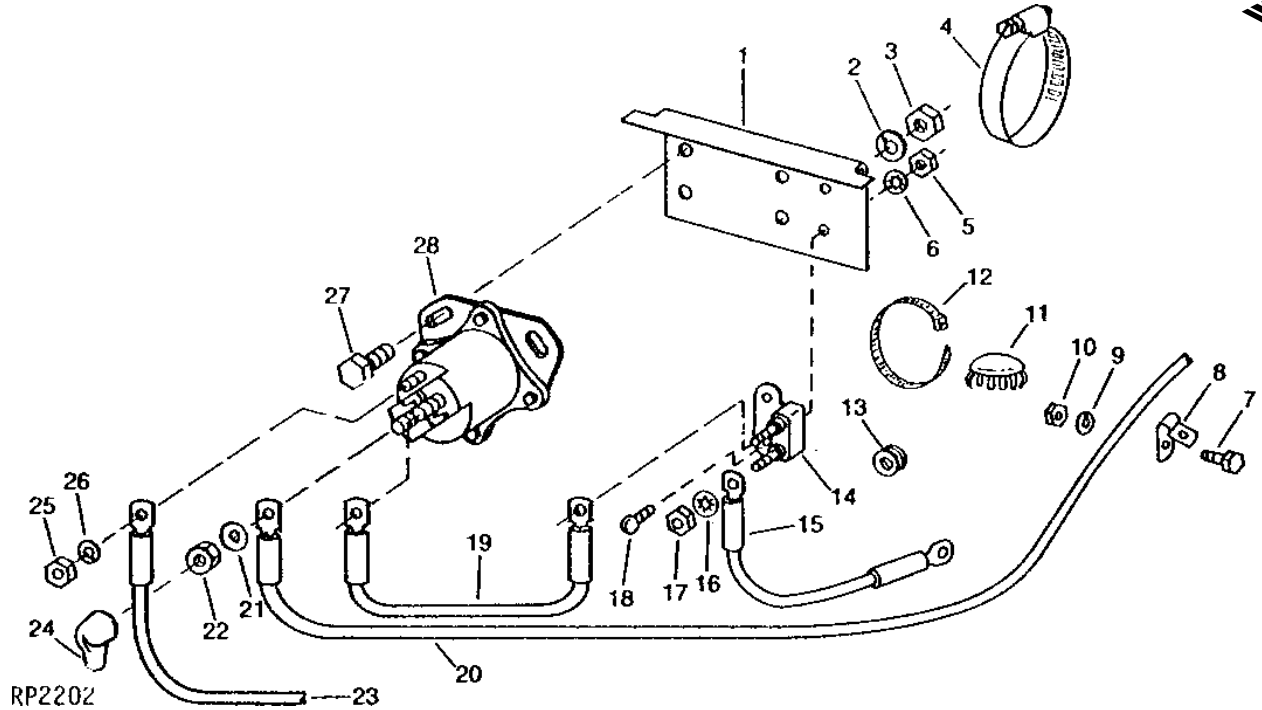
KEY	PART NO.	PART NAME	QTY	TRACTOR SERIAL NO.	REMARKS
1	AR62360	KIT	1	(TWO SWITCHES) (FI)	

2G1

ELECTRICAL

RP2202 -UN-01JAN94

ELECTRICAL REMOTE CONTROL WIRING



KEY	PART NO.	PART NAME	QTY	TRACTOR SERIAL NO.	REMARKS
1	R69109	BRACKET	1	(SUB FOR R47859)	
2	12H297	LOCK WASHER	2	1/4"	
3	14H786	NUT	2	1/4"	
4	AR52392	CLAMP	2		
5	14H631	NUT	4	0.190"	
6	12H246	LOCK WASHER	2	0.190"	
7	19H1731	CAP SCREW	2	3/8" X 1"	
8	T14264	CLAMP	2		
9	12H304	LOCK WASHER	2	3/8"	
10	14H732	NUT	2	3/8"	
11	R32276	PLUG	1	(CAB OPENING)	
12	R44302	TIE BAND	AR		
13	R41439	GROMMET	1	(USED FOR BANDING)	
14	AR50926	CIRCUIT BREAKER	1		
15	AR50930	WIRING LEAD	1		
16	12M7060	WASHER	2	0.209"	
17	14H631	NUT	2	0.190"	
18	21H1295	SCREW	2	0.190" X 5/8"	
19	AR50929	WIRING LEAD	1		
20	AR50927	WIRING LEAD	1		
21	12H303	LOCK WASHER	2	5/16"	
22	14H785	NUT	2	5/16"	
23	AR50931	WIRING LEAD	1	(TO IGNITION SWITCH)	
24	R36732	BOOT	2		
25	14H631	NUT	1	0.190"	
26	12H246	LOCK WASHER	1	0.190"	
27	19H1919	CAP SCREW	2	1/4" X 5/8"	
28	RE44657	RELAY	1	(FI)	

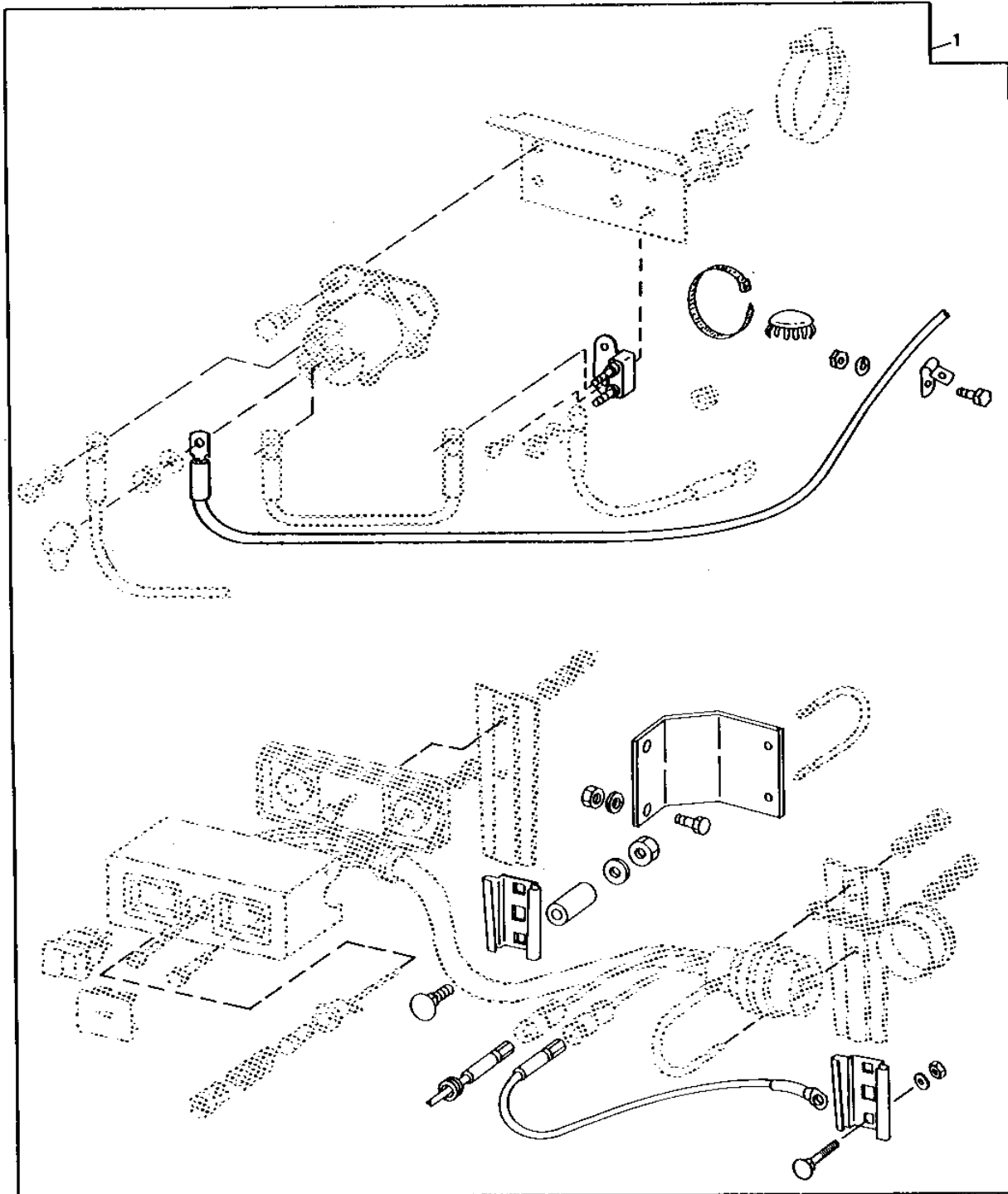
2G2

ELECTRICAL

RWP5666

-UN-01JAN94

ELECTRICAL REMOTE CONTROL WIRING KIT



RWP5666

2G3

ELECTRICAL

ELECTRICAL REMOTE CONTROL WIRING KIT - CONTINUED

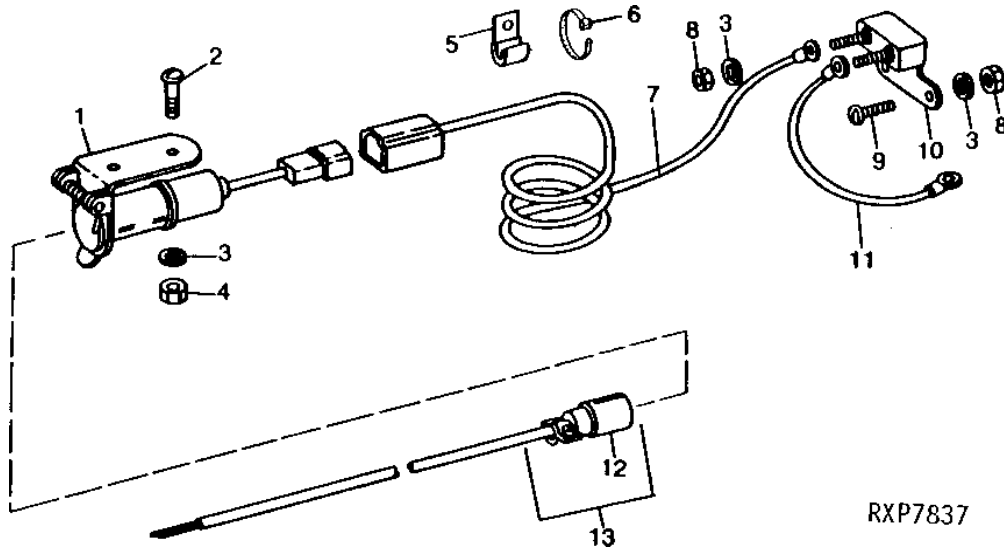
KEY	PART NO.	PART NAME	QTY	TRACTOR SERIAL NO.	REMARKS
1	RE25621	KIT	1	(SUB FOR AR62359)	

2G4

ELECTRICAL

RXP7837 -UN-23SEP94

ELECTRICAL OUTLET SOCKET



RXP7837

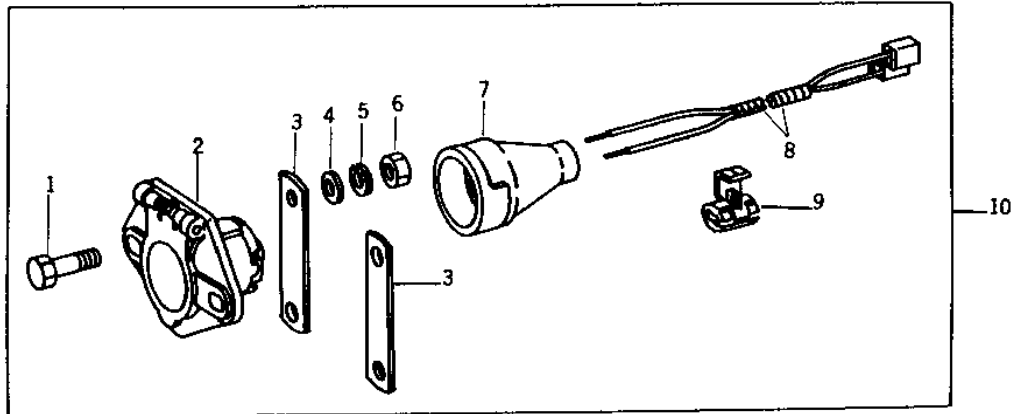
KEY	PART NO.	PART NAME	QTY	TRACTOR SERIAL NO.	REMARKS
1	AR26571	SOCKET	1		
2	21H1301	SCREW	2		0.190" X 1/2"
3	12M7060	WASHER	6		0.209"
4	14H778	NUT	2		0.190"
5	T32231	CLAMP	2		(SUB FOR R55618)
6	R44302	TIE BAND	5		
7	WIRING LEAD	1		4153MM (163-1/2") (MAKE FROM R66321, T28585, U46662, R77493 AND R77471)
8	14H631	NUT	4		0.190"
9	21H1295	SCREW	2		0.190" X 5/8"
10	AR28403	CIRCUIT BREAKER	1		
11	WIRING LEAD	1		152MM (6") (MAKE FROM R66321 AND (2) R77493)
12	AA5692R	ELECTRICAL PLUG	1		
13	AR40710	PLUG	1		

2G5

ELECTRICAL

R32128 -UN-01JAN94

7-TERMINAL ELECTRICAL OUTLET SOCKET



R32128

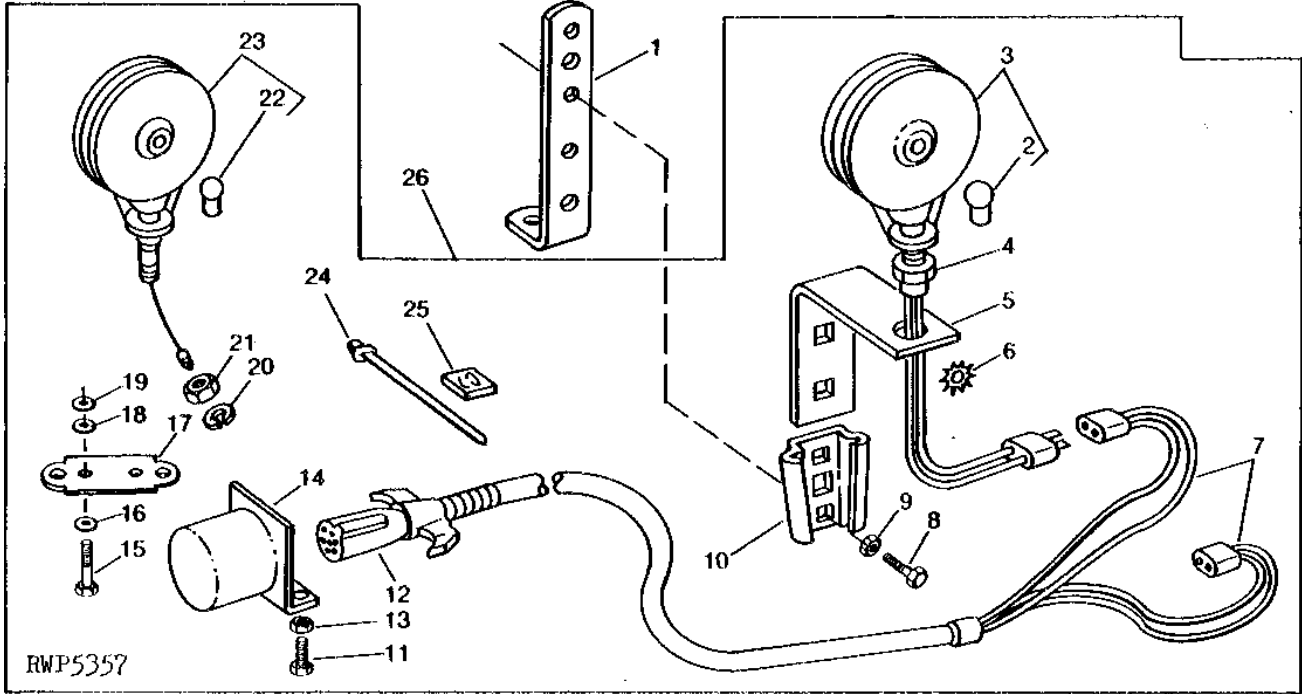
KEY	PART NO.	PART NAME	QTY	TRACTOR SERIAL NO.	REMARKS
1	19H1905	CAP SCREW	4	5/16" X 1"	
2	AR75695	SOCKET OUTLET	1		
3	R61776	STRAP	2		
4	24H1136	WASHER	4	11/32" X 11/16" X 0.065"	
5	12H303	LOCK WASHER	4	5/16"	
6	14H785	NUT	4	5/16"	
7	R61775	BOOT	1		
8	AR75696	WIRING HARNESS	1	GROUND	
	WIRING LEAD	1	TAIL LAMP LEAD	
9	AR67855	CONNECTOR	3		
10	RE17282	KIT	1	(SUB FOR AR75694) (FI)	

2G6

ELECTRICAL

RWP5357 -UN-01JAN94

FLASHING WARNING LAMP KIT



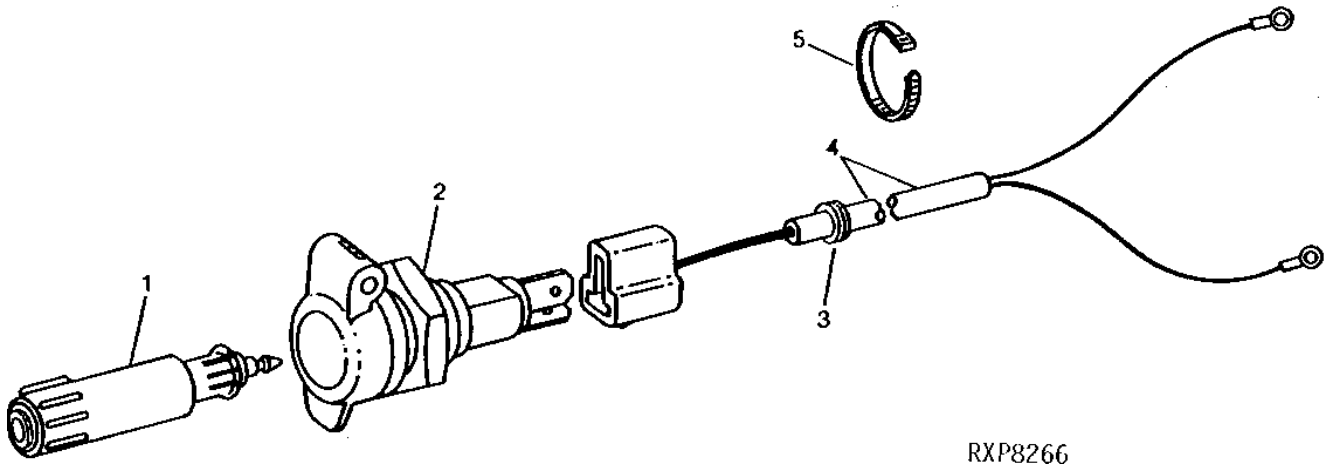
KEY	PART NO.	PART NAME	QTY	TRACTOR SERIAL NO.	REMARKS
1	A39716	BRACKET	2		
2	AD2062R	BULB	2		
3	AA34967	LAMP	2		
	A48331	LENS	2		
4	12H301	LOCK WASHER	2	1/2"	
	14H856	NUT	2	1/2"	
5	PT18180	BRACKET	2		(SUB FOR PT1624 OR PT9319)
6	PT9390	WASHER	1		
7	PT9318	WIRING HARNESS	1		(SUB FOR PT1294)
8	37H57	SCREW	5	5/16" X 3/4"	
9	14H785	NUT	5	5/16"	
10	JD126	SOCKET	2		
11	37H3	SCREW	2	1/4" X 5/8"	
12	AH93625	PLUG	1		
13	14H786	NUT	2	1/4"	
14	PT1296	BRACKET	1		
15	37H57	SCREW	5	5/16" X 3/4"	
16	24H1822	WASHER	1	11/32" X 7/8" X 1/16"	
17	PT18181	BRACKET	1		(SUB FOR PT9320)
18	24H1822	WASHER	1	11/32" X 7/8" X 1/16"	
19	14H788	NUT	5	3/8"	
20	12H301	LOCK WASHER	1	1/2"	
21	14H856	NUT	1	1/2"	
22	AR48041	BULB	1		
23	AA34968	TAIL LAMP	1		
	A48332	LENS	1		
24	R44302	TIE BAND	AR		
25	AT55441	BASE	AR		(SUB FOR PT9321)
26	TY16055	KIT	1		(SUB FOR TY9305 OR TY15263) (FI)
..	AA32178	WIRING LEAD	1		ACCESSORY

2G7

ELECTRICAL

RXP8266 -UN-01JAN94

CONVENIENCE ELECTRICAL OUTLET SOCKET KIT



RXP8266

KEY	PART NO.	PART NAME	QTY	TRACTOR SERIAL NO.	REMARKS
1	RE11344	PLUG	1		
2	AL25073	SOCKET OUTLET	1		
3	A3411R	GROMMET	1		
4	RE18119	WIRING HARNESS	1		
5	R44302	TIE BAND	10		

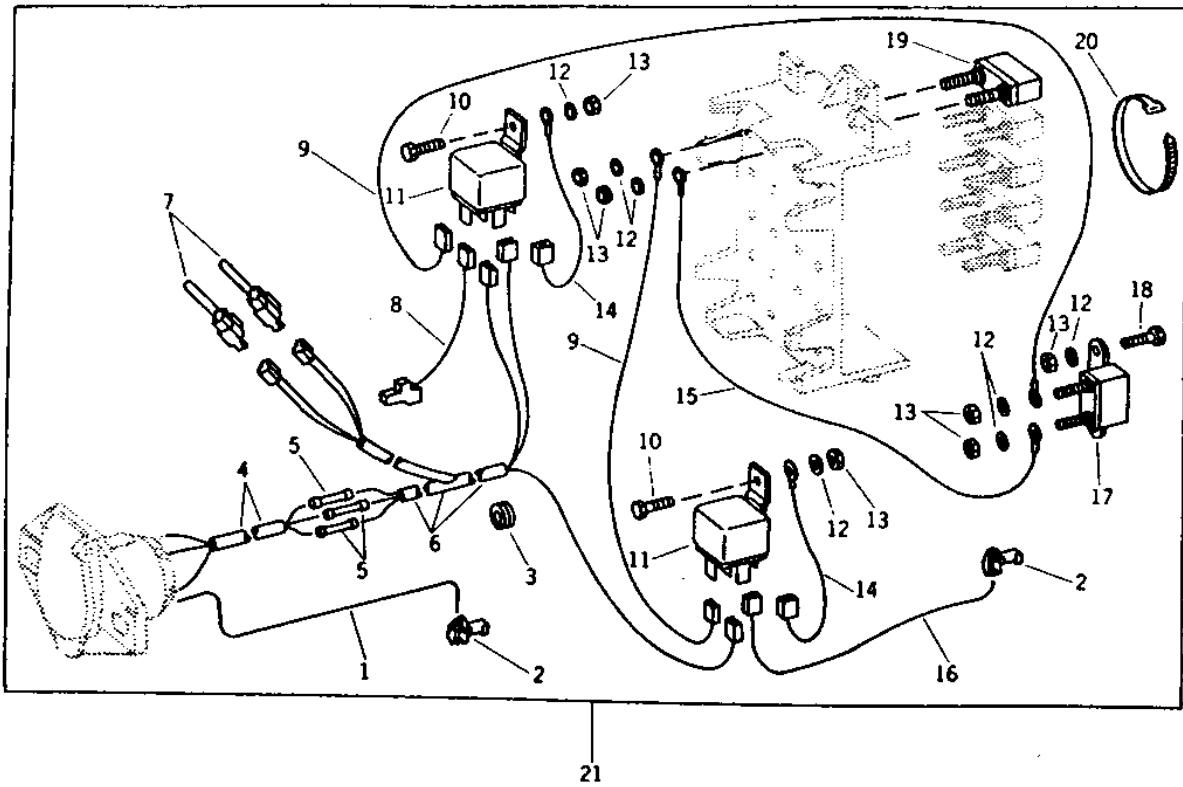
2G8

ELECTRICAL

R32129

-UN-07JAN91

7-TERMINAL SOCKET SUPPLEMENTARY WIRING KIT



2G9

ELECTRICAL

7-TERMINAL SOCKET - CONTINUED SUPPLEMENTARY WIRING KIT

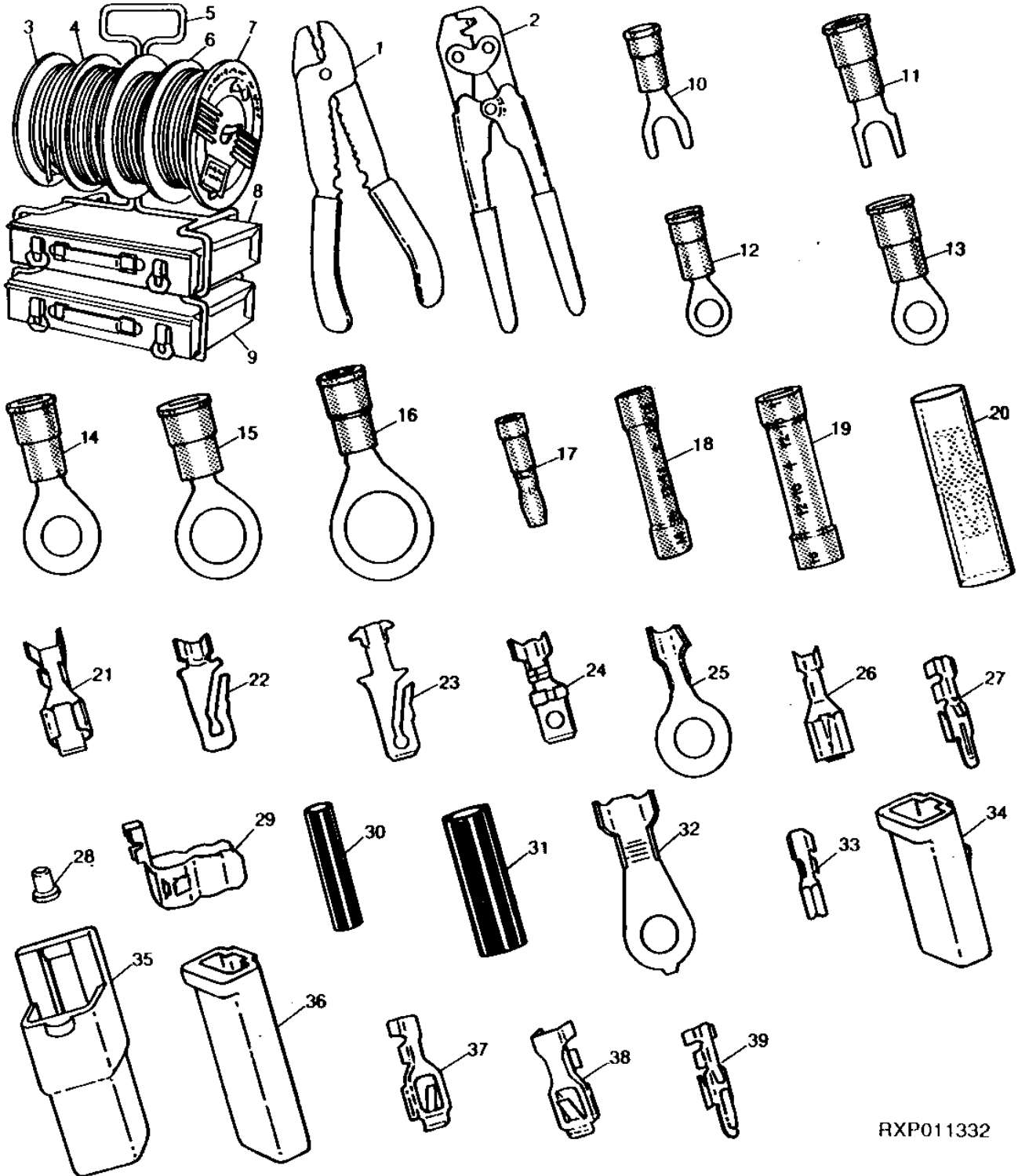
KEY	PART NO.	PART NAME	QTY	TRACTOR SERIAL NO.	REMARKS
1	WIRING LEAD	1		3962MM (156") (MAKE FROM R66319)
2	AR67855	CONNECTOR	2		
3	R40445	GROMMET	1		
4	AR82910	WIRING HARNESS	1		
5	R32027	CONNECTOR	4		
6	AR82912	WIRING HARNESS	1		
7	AR82911	WIRING LEAD	2		
8	AR50834	WIRING LEAD	1		
9	WIRING LEAD	3		311MM (12-1/4") (MAKE FROM R66319, R32018, R32027 AND R32024)
10	21H1282	SCREW	2		0.190" X 7/8"
11	AR74411	RELAY	2		
12	12M7060	WASHER	8		0.209"
13	14H631	NUT	8		0.190"
14	WIRING LEAD	2		152MM (6") (MAKE FROM R66319, R32021, R32027 AND R32025)
15	WIRING LEAD	2		152MM (6") (MAKE FROM R66319 AND (2) R32018)
16	AR82909	WIRING LEAD	1		
17	AR49352	CIRCUIT BREAKER	1		30 AMP
18	21H1295	SCREW	2		0.190" X 5/8"
19	AR28403	CIRCUIT BREAKER	1		20 AMP
20	R44302	TIE BAND	AR		
21	AR78052	KIT	1		

2G10

ELECTRICAL

RXP011332 -UN-27SEP94

ELECTRICAL TERMINALS,CONNECTORS AND WIRING



RXP011332

2G11

ELECTRICAL

ELECTRICAL TERMINALS,CONNECTORS AND WIRING - CONTINUED

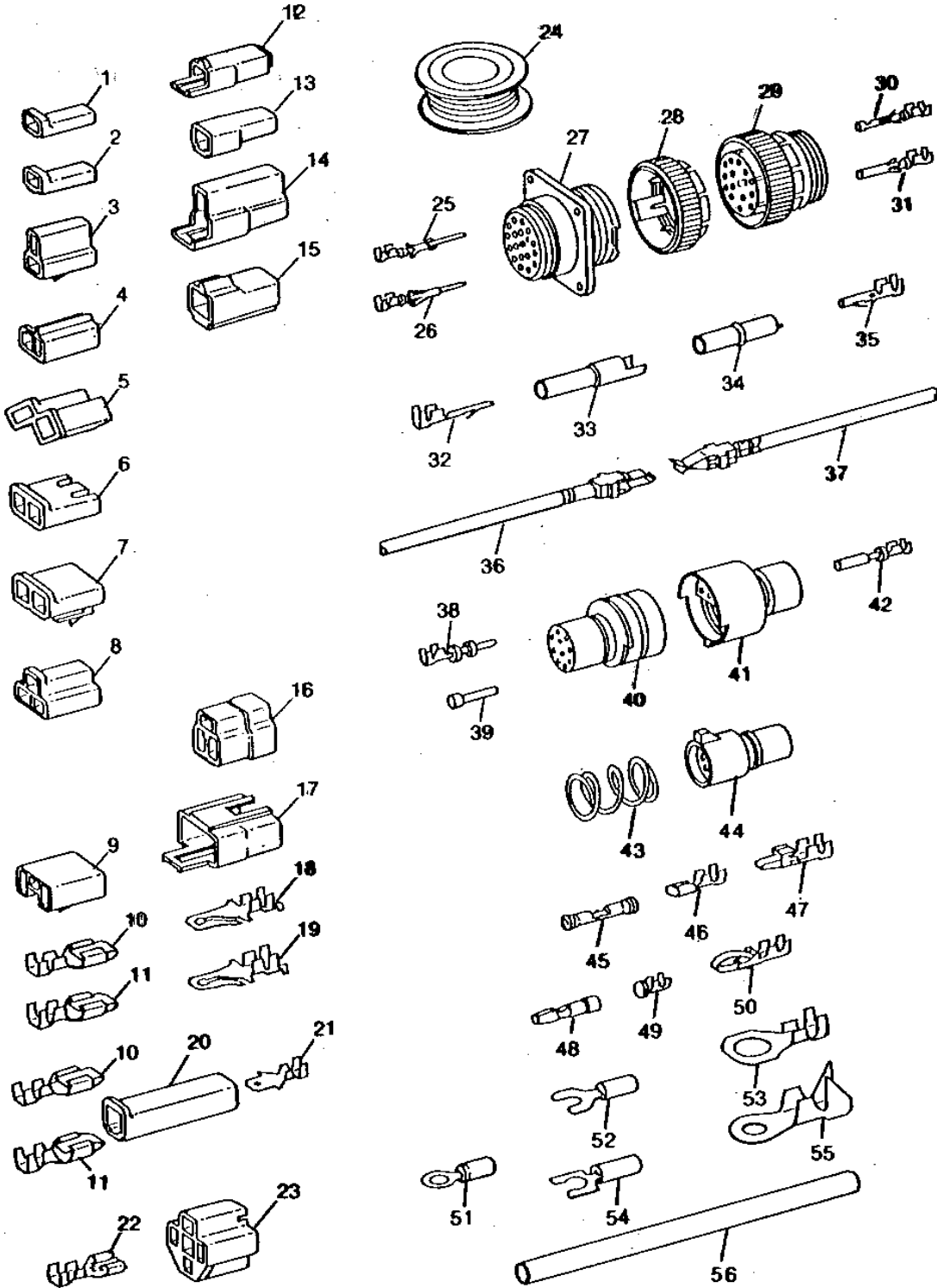
KEY	PART NO.	PART NAME	QTY	TRACTOR SERIAL NO.	REMARKS
1	R32011	TOOL	1	(NLA)	
2	R65594	TOOL	1		
3	R66319	WIRING LEAD	1	14 GA., 30.5 M (100 FT.) (1 SPOOL)	
4	R65593	WIRING LEAD	1	16 GA., 30.5 M (100 FT.) (1 SPOOL)	
5	R65608	RACK	1		
6	R66321	WIRING LEAD	1	10 GA., 15 M (50 FT.) (1 SPOOL)	
7	R66320	WIRING LEAD	1	12 GA., 30.5 M (100 FT.) (1 SPOOL)	
8	R65609	CONTAINER	1	(NLA)	
9	R65610	CONTAINER	1		
10	R32016	TERMINAL	1	14-16 GA., NO. 10 SPADE	
11	R32017	TERMINAL	1	10-12 GA., NO. 10 SPADE	
12	R32018	TERMINAL	1	14-16 GA., NO. 10 EYELET	
13	R32019	TERMINAL	1	10-12 GA., NO. 10 EYELET	
14	R32021	TERMINAL	1	10-12 GA., 1/4" EYELET	
15	R32022	TERMINAL	1	10-12 GA., 3/8" EYELET	
16	R32023	TERMINAL	1	10-12 GA., 1/2" EYELET	
17	R32026	TERMINAL	1	MALE BULLETT	
18	R32027	CONNECTOR	1	SPLICE, 14-16 GA.	
19	R32028	TERMINAL	1	SPLICE, 10-12 GA.	
20	AL2976T	CONNECTOR	1	(SUB FOR R32029) 2-WIRE BULLETT CONNECTOR	
21	R65595	TERMINAL	1	FEMALE, 10 GA.	
22	R65596	TERMINAL	1	MALE, 10 GA. OR TWO 14 GA. CABLES	
23	R65597	TERMINAL	1	MALE, 14-16 GA.	
24	R65598	TERMINAL	1	MALE, SHORT, 14-16 GA.	
25	R65599	TERMINAL	1	14-16 GA., 1/4" EYELET	
26	R65600	TERMINAL	1	FEMALE, 14-16 GA.	
27	R65601	TERMINAL	1	TWIN-LOCK, TWO 16 GA. CABLES	
28	R65602	SOCKET CONTACT	1	BULB SOCKET, 16-18 GA.	
29	R65603	TERMINAL NIPPLE	1	FUSE	
30	R65604	INSULATING SLEEVE	1	14-18 GA.	
31	R65605	INSULATING SLEEVE	1	8-12 GA.	
32	R65606	TERMINAL	1	6-8 GA., 1/4" EYELET	
33	R65607	TERMINAL	1	18-20 GA.	
34	T28583	RECEPTACLE	1	ONE CONTACT LOCK-TYPE, MALE	
35	T28585	TERMINAL	1	ONE CONTACT LOCK-TYPE, FEMALE	
36	U46370	CONNECTOR	1	CONNECTOR, ONE CONTACT SINGLE BODY, MALE	
37	U46662	TERMINAL	1	FEMALE	
38	U46663	TERMINAL	1	FEMALE	
39	U46664	TERMINAL	1	FEMALE	

2G12

ELECTRICAL

RXP010581 -UN-01JAN94

ELECTRICAL CONNECTORS, TERMINALS AND WIRING



RXP010581

2G13

ELECTRICAL

ELECTRICAL CONNECTORS, TERMINALS AND WIRING - CONTINUED

KEY	PART NO.	PART NAME	QTY	TRACTOR SERIAL NO.	REMARKS
1	T28583	RECEPTACLE	1	(B)	
2	M43835	FLAT CONNECTOR	1	(B)	
3	R77476	CONNECTOR	1	(A)	
4	R77477	CONNECTOR	1	(A)	
5	R77479	CONNECTOR	1	(A)	
6	R77480	CONNECTOR	1	(A)	
7	R77481	CONNECTOR	1	(A)	
8	R77482	CONNECTOR	1		
9	H104855	CONNECTOR	1		
10	U46662	TERMINAL	1	(E) (F)	
11	N115096	TERMINAL	1	(G) (SUB R65595) (PKG. OF 15)	
12	T28585	TERMINAL	1	(B)	
13	R77475	CONNECTOR	1	(B)	
14	T28586	CONNECTOR	1	(A)	
15	R77478	CONNECTOR	1	(A)	
16	R77483	CONNECTOR	1		
17	R48887	RECEPTACLE	1		
18	T34067	TERMINAL	1	(E) (F)	
19	R77484	TERMINAL	1	(G) (PKG. OF 15)	
20	U46370	CONNECTOR	1	(B)	
21	R77485	TAB	1	(C) (F)	
22	R77486	TERMINAL	1	(E) (F)	
23	R77487	CONNECTOR	1	(B)	
24	R66321	WIRING LEAD	1	15M (50 FT.) 10 GA.	
	R66320	WIRING LEAD	1	30.5M (100 FT.) 12 GA.	
	R77501	WIRE	1	30.5M (100 FT.) 14 GA.	
	R77500	WIRE	1	30.5M (100 FT.) 16 GA.	
	R77499	WIRE	1	30.5M (100 FT.) 18 GA.	
	R77498	WIRE	1	30.5M (100 FT.) 20 GA.	
25	R77462	PIN CONTACT	1	(PKG. OF 40) (20-22 OR 24 GA. WIRE)	
26	R77464	PIN CONTACT	1	(H) (PKG. OF 50)	
27	R77456	RECEPTACLE	1	(37 WAY)	
28	R77458	CONNECTOR	1	(A) (SIZE 23)	
	R77459	CONNECTOR	1	(A) (SIZE 17)	
	R77460	CONNECTOR	1	(A) (SIZE 13)	
	R77461	CONNECTOR	1	(A) (SIZE 11)	
29	R77457	ELECTRICAL PLUG	1	(37 WAY)	
30	R77463	SOCKET CONTACT	1	(PKG. OF 40) (20-22 OR 24 GA. WIRE)	
31	R77465	SOCKET CONTACT	1	(H) (PKG. OF 50)	
32	R77468	TERMINAL	1	(PKG. OF 5)	
33	R77466	CONNECTOR	1	(A)	
34	R77467	CONNECTOR	1	(A)	

(A) PKG. OF 2

(B) PKG. OF 3

(C) PKG. OF 10

(D) PKG. OF 20

(E) PKG. OF 25

(F) 14 OR 16 GA. WIRE

(G) 10 OR 12 GA. WIRE

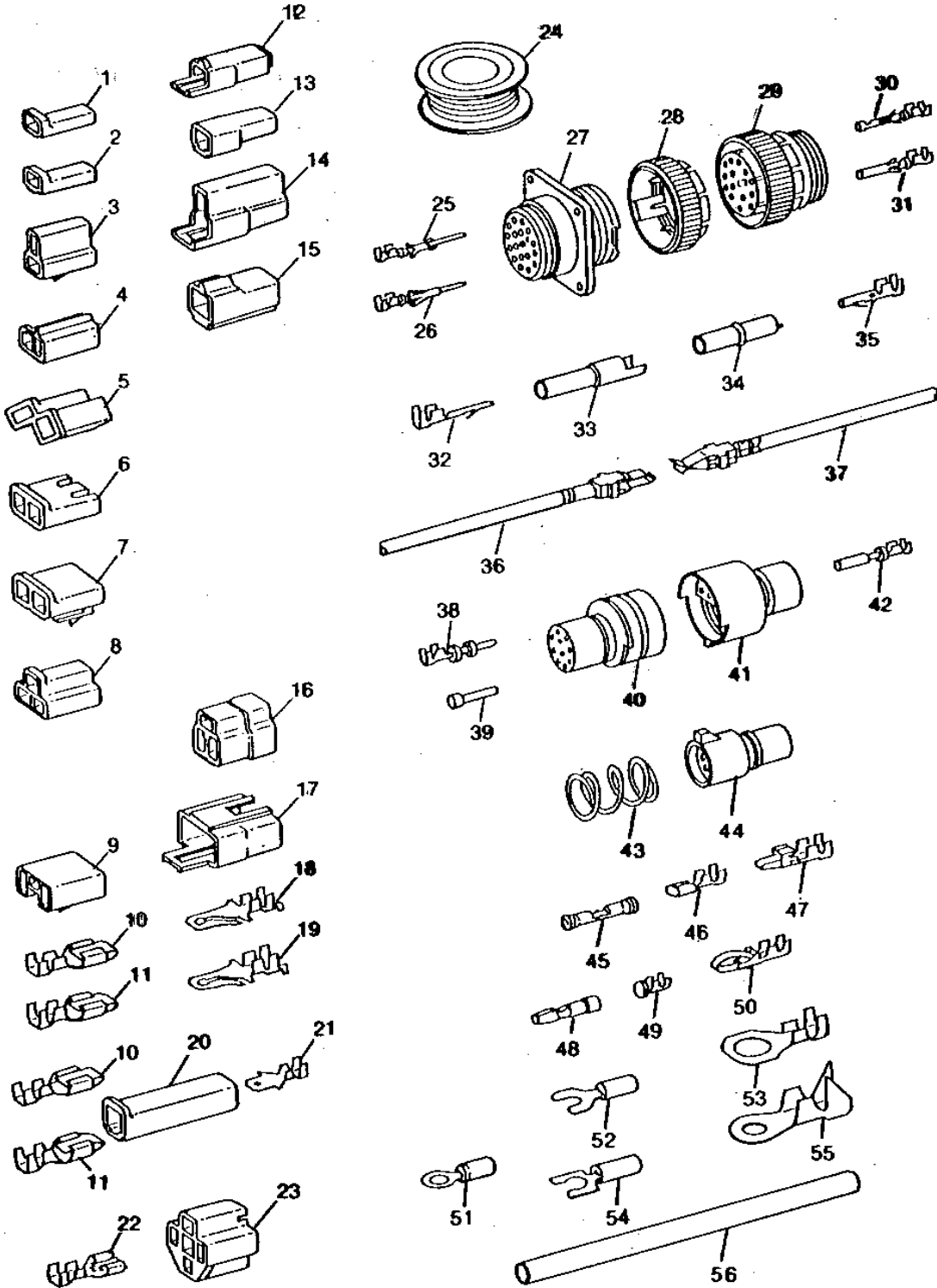
(H) 14-16 OR 18 GA. WIRE

2G14

ELECTRICAL

RXP010581 -UN-01JAN94

ELECTRICAL CONNECTORS, TERMINALS AND WIRING - CONTINUED



RXP010581

2G15

ELECTRICAL

ELECTRICAL CONNECTORS, TERMINALS AND WIRING - CONTINUED

KEY	PART NO.	PART NAME	QTY	TRACTOR SERIAL NO.	REMARKS
35	R77469	TERMINAL	1		(PKG. OF 5)
36	RE11156	TERMINAL	1		(B) (MALE)
37	RE11157	TERMINAL	1		(B) (FEMALE)
38	R70222	PIN CONTACT	1		(D) (H)
39	R70221	ELECTRICAL PLUG	1		(E)
40	R70219	PLUG	1		(A) (10 WAY)
	R70217	PLUG	1		(A) (7 WAY)
	R70215	PLUG	1		(A) (4 WAY)
	R70213	PLUG	1		(A) (3 WAY)
41	R70211	CONNECTOR	1		(A) (2 WAY)
	R70218	RECEPTACLE	1		(A) (10 WAY)
	R70216	RECEPTACLE	1		(A) (7 WAY)
	R70214	RECEPTACLE	1		(A) (4 WAY)
	R70212	RECEPTACLE	1		(A) (3 WAY)
	R70210	RECEPTACLE	1		(A) (2 WAY)
42	AR91793	SOCKET CONTACT	1		(D)
43	R30378	SPRING	1		(C)
44	R77474	CONNECTOR	1		(A) (6 WAY)
45	R77470	TERMINAL	1		SPLICE (PKG. OF 15) (16-18-20 OR 22 GA. WIRE)
	R77471	TERMINAL	1		(C) (G) SPLICE
	R77472	TERMINAL	1		(A) SPLICE (8 GA. WIRE)
	R77473	TERMINAL	1		(A) SPLICE (6 GA. WIRE)
46	R65607	TERMINAL	1		(C) (18 OR 20 GA. WIRE)
47	U46664	TERMINAL	1		(C) (F)
48	R32026	TERMINAL	1		(D) (F)
49	R65602	SOCKET CONTACT	1		(C) (16 OR 18 GA. WIRE)
50	R70220	TERMINAL	1		(C) (18 OR 20 GA. WIRE)
51	R77489	TERMINAL	1		(D) (14-16-18 OR 20 GA. WIRE) (NO. 10 EYELET)
	R77493	TERMINAL	1		(D) (G) (NO. 10 EYELET)
	R77488	TERMINAL	1		(D) (14-16-18 OR 20 GA. WIRE) (3/8" EYELET)
	R77490	TERMINAL	1		(D) (G) (1/2" EYELET)
52	R77496	TERMINAL	1		(D) (F) (NO. 8 SPADE)
	R77495	TERMINAL	1		(D) (18 GA. WIRE) (NO. 10 SPADE)
53	R77497	TERMINAL	1		(D) (F) (NO. 6 SPADE)
54	R77491	TERMINAL	1		(D) (G) (3/8" EYELET)
	R77492	TERMINAL	1		(D) (G) (1/4" EYELET)
55	R77494	TERMINAL	1		(D) (6 OR 8 GA. WIRE) (1/4" EYELET)
56	R77502	TUBE	1		(PKG. OF 8) 3/8" (HEAT SHRINK)
	R77503	TUBE	1		(PKG. OF 8) 3/16" (HEAT SHRINK)

(A) PKG. OF 2

(B) PKG. OF 3

(C) PKG. OF 10

(D) PKG. OF 20

(E) PKG. OF 25

(F) 14 OR 16 GA. WIRE

(G) 10 OR 12 GA. WIRE

(H) 14-16 OR 18 GA. WIRE

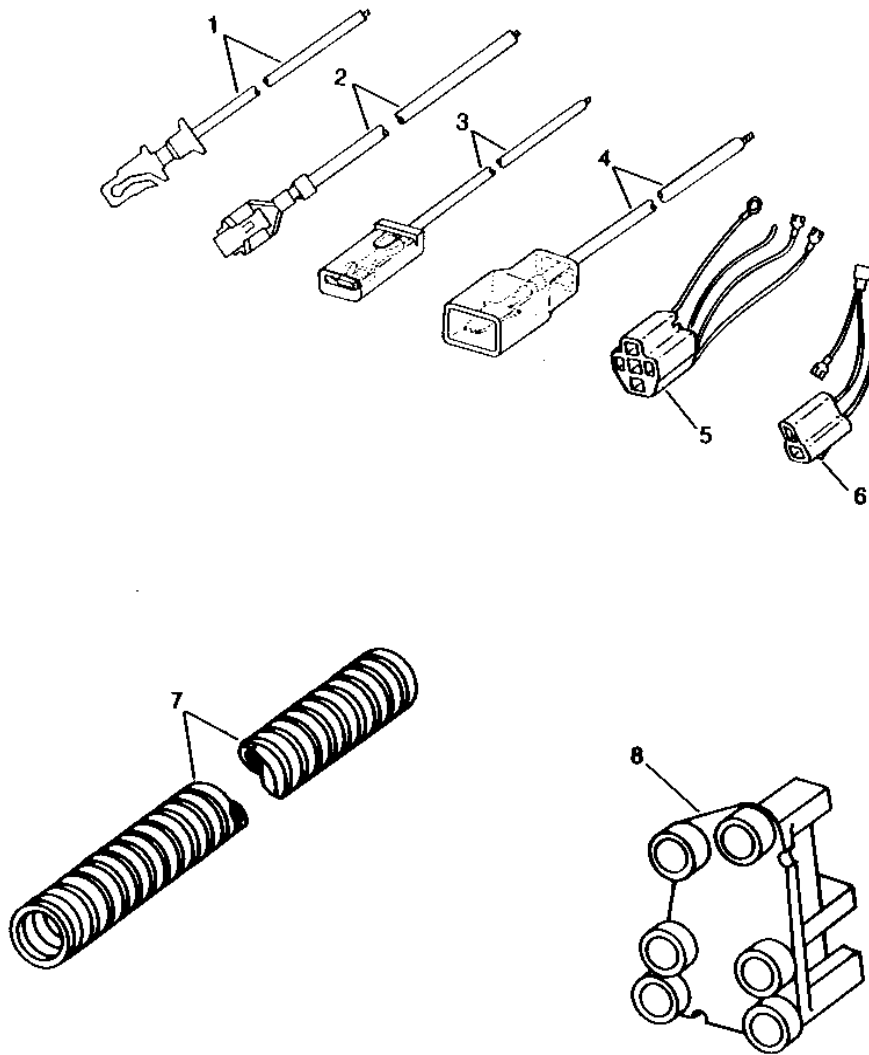
2G16

ELECTRICAL

RXP8619

-UN-28NOV94

SUPPLEMENTARY TERMINALS AND CONNECTORS



2G17

ELECTRICAL

SUPPLEMENTARY TERMINALS, CONNECTORS AND REPAIR CONDUIT - CONTINUED

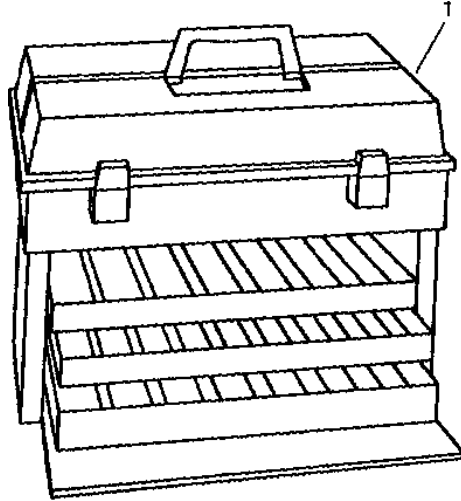
KEY	PART NO.	PART NAME	QTY	TRACTOR SERIAL NO.	REMARKS
1	AR65005	TERMINAL	1		
2	AR65006	TERMINAL	1		
3	R32024	WIRING LEAD	1		
4	R32025	WIRING LEAD	1		
5	RE21730	TERMINAL	1		
	RE21731	TERMINAL	1		
6	RE21732	TERMINAL	1		
7	R93219	CONDUIT	1		6.3 X 3048MM (1/4" X 120")
	R93220	CONDUIT	1		10.4 X 3048MM (13/32" X 120")
	R93221	CONDUIT	1		15.9 X 3048MM (5/8" X 120")
	R93222	CONDUIT	1		25.4 X 3048MM (1" X 120")
8	AR83425	RECEPTACLE CONNECTOR BODY	1		(LIGHT SWITCH)

2G18

ELECTRICAL

RXP010001 -UN-01JAN94

ELECTRICAL CONNECTOR AND TERMINAL KIT



RXP010001

KEY	PART NO.	PART NAME	QTY	TRACTOR SERIAL NO.	REMARKS
1	PM797NA	KIT	1	(A)	
(A) KIT INCLUDES CONNECTORS,TERMINALS AND TOOLS					

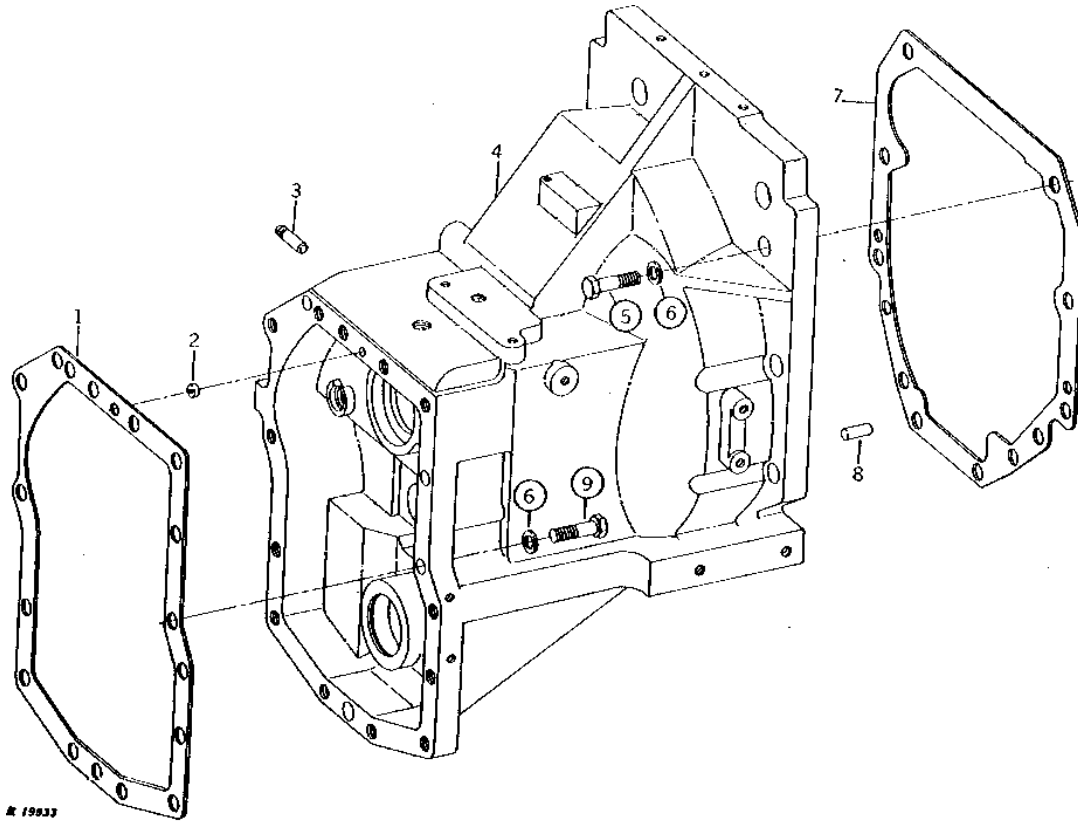
MEMORANDA

3B8

POWER TRAIN

CLUTCH HOUSING
(SYNCRO-RANGE)
(TRACTOR SERIAL NO. -006999)

R19933 -UN-01JAN94



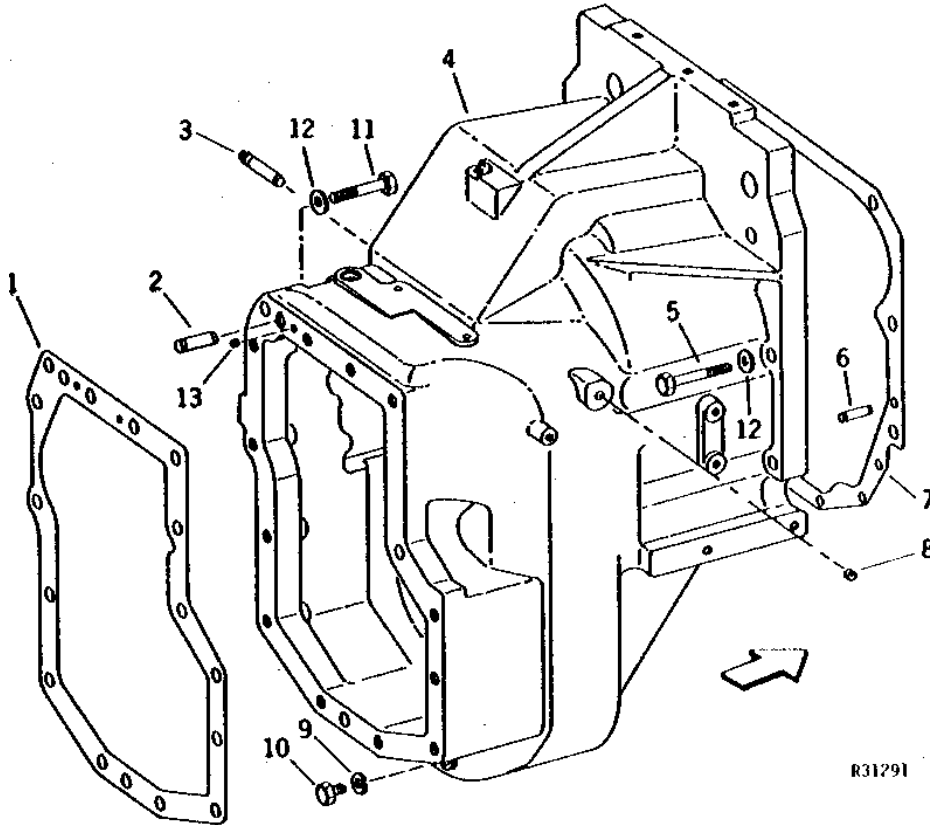
KEY	PART NO.	PART NAME	QTY	TRACTOR SERIAL NO.	REMARKS
1	R99291	GASKET	1	(SUB FOR R47666)	
2	R51563	CAP	1	1.96MM (.077")	
3	R51923	PIN	1		
4	AR63339	HOUSING	1	(MARKED R50290)	(SUB R50290, R51563, R51923 AND (2) T26565)
5	19H1440	CAP SCREW	6		
6	T21397	WASHER	9		
7	R99288	GASKET	1	(SUB FOR R77364 OR R51651)	
8	T26565	DOWEL PIN	2	(SUB FOR C1220R)	
9	19H1862	CAP SCREW	2	3/4" X 2-1/2"	
	19H2113	CAP SCREW	2	3/4" X 3-1/4"	

3B9

POWER TRAIN

R31291 -UN-01JAN94

**CLUTCH HOUSING
(QUAD-RANGE AND SYNCRO-RANGE)
(TRACTOR SERIAL NO. 007000-)**



R31291

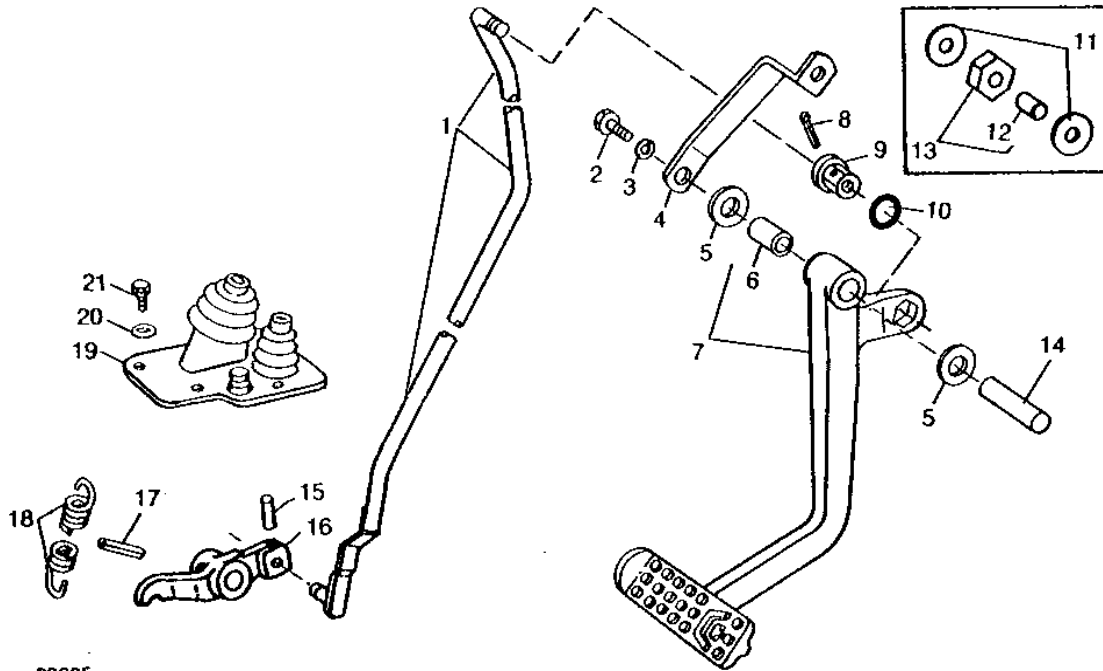
KEY	PART NO.	PART NAME	QTY	TRACTOR SERIAL NO.	REMARKS
1	R55390	GASKET	1		
2	A776R	PIN	2		
3	R51923	PIN	1		
4	AR68978	HOUSING	1		(MARKED R54350) (SUB AR79946 AND M4224T)
5	19H1707	CAP SCREW	6		3/4" X 2-3/4"
6	T26565	DOWEL PIN	2		(SUB FOR C1220R)
7	R99288	GASKET	1		(SUB FOR R51651 OR R77364)
8	M4224T	PLUG	1		(SYNCRO-RANGE)
9	A4827R	WASHER	1		
10	F3128R	DRAIN PLUG	1		
11	19H1862	CAP SCREW	1		3/4" X 2-1/2"
	19H2113	CAP SCREW	1		3/4" X 3-1/4"
12	T21397	WASHER	8		
13	R51563	CAP	1		1.96MM (.077")

3B10

POWER TRAIN

CLUTCH PEDAL AND LINKAGE (QUAD-RANGE AND SYNCRO-RANGE)

RP905 -UN-01JAN94



RP905

KEY	PART NO.	PART NAME	QTY	TRACTOR SERIAL NO.	REMARKS
1	R51458	ROD	1	-006999	(SYNCRO-RANGE) (SUB R62740, R62732 AND 11M7083) (SUB FOR R59144)
	AR64400	ROD	1	007000-014888	(SUB AR83973, R62732 AND 11M7083)
	AR73933	ROD	1	014889-021572	(SUB AR83973, R62732 AND 11M7083)
	AR77390	ROD	1	021573-026746	(SUB AR83973)
	AR83973	ROD	1	026747-	
2	19H1731	CAP SCREW	1		3/8" X 1"
3	12H304	LOCK WASHER	1		3/8"
4	R54396	STRAP	1		
5	24H1394	WASHER	2		25/32" X 1-7/16" X 0.036"
6	R51192	BUSHING	1		
7	AR54596	PEDAL	1		(MARKED R50287)
8	11M7083	COTTER PIN	1	014889-	0.126" X 1.969"
9	R59138	ADAPTER	1	014889-021572	(SUB R62732, AR77390 AND 11M7083, THIS APPLICATION)
	R62732	ADAPTER	1	021573-	
10	H21957	O-RING	1		
11	24H1345	WASHER	2	-014888	17/32" X 1-3/4" X 0.060"
12	R50359	BUSHING	1	-014888	(SUB R62732, AR83973 AND 11M7083, THIS APPLICATION)
13	AR59158	ADAPTER	1	-006999	(SUB R62732, R62740 AND 11M7083, THIS APPLICATION)
	AR59158	ADAPTER	1	007000-	(SUB R62732, AR83973 AND 11M7083, THIS APPLICATION)
14	R51521	PIN	1		
15	11M7081	COTTER PIN	1	-006999	0.098" X 0.787"
	34H247	SPRING PIN	1	007000-	1/8" X 3/4", (OPTIONAL DESIGN)
	24H1302	WASHER	1	007000-	13/32" X 11/16" X 0.035"
	T12808	SNAP RING	1	007000-	(SUB R72655)
16	R50333	ARM	1	-006999	
	R55391	ARM	1	007000-	
17	34H331	SPRING PIN	1		5/16" X 1-1/2"
18	R43684	SPRING	1		
19	AR58478	BOOT	1		(A) (SUB AR86495)
20	24H1283	WASHER	3		(A) 7/32" X 1/2" X 0.049"
21	37H49	SCREW	3		(A)

(A) SOUND-GARD BODY

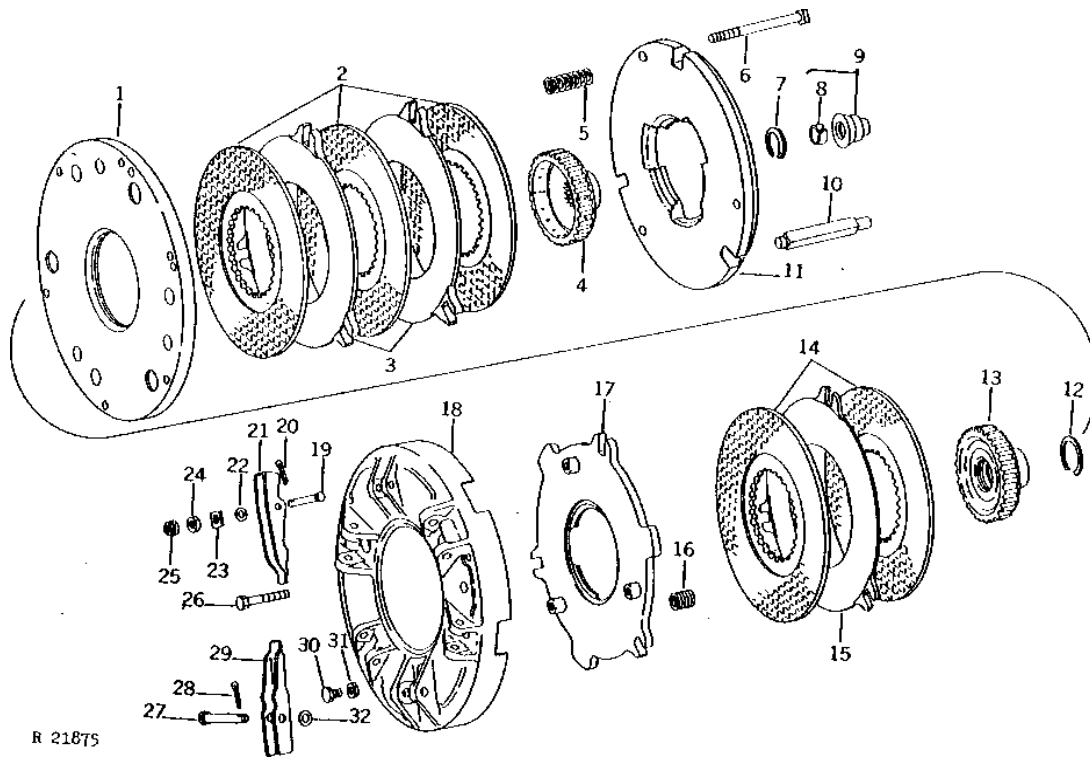
MEMORANDA

3B11

POWER TRAIN

R21875 -UN-01JAN94

TRANSMISSION AND PTO CLUTCH (QUAD-RANGE AND SYNCRO-RANGE)



3B12

POWER TRAIN

TRANSMISSION AND PTO CLUTCH - CONTINUED (QUAD-RANGE AND SYNCRO-RANGE)

KEY	PART NO.	PART NAME	QTY	TRACTOR SERIAL NO.	REMARKS
1	R50341	PLATE	1		
2	AR89320	CLUTCH DISK	3		(SUB FOR AR67710) (SUB AR95827)
3	R54111	CLUTCH PLATE	2	-015144	(SUB R59690)
	R59690	CLUTCH PLATE	2	015145-	
4	R50993	HUB	1	-006999	
	R54351	HUB	1	007000-	
5	R51217	SPRING	3	-018810	
	R62730	SPRING	3	018811-	
6	R51230	BOLT	3		(A)
7	P29861	SNAP RING	1	-006999	
8	R50189	BUSHING	1		
9	AR54728	ADAPTER	1		(SUB RE10713)
10	R51003	PIN	3		(A)
11	R57330	PLATE	1		(SUB FOR R50938 OR R56746)
12	R36575	SNAP RING	1	-006999	(A)
	B3118R	SNAP RING	1	007000-	(A)
13	R56862	HUB	1	-006999	(A) (SUB FOR R50960)
	R54352	HUB	1	007000-	(A)
14	AR60082	PLATE	2		(A) (SUB RE17420)
15	R51800	CLUTCH PLATE	1	-015144	(A) (SUB R61066)
	R59689	CLUTCH PLATE	1	015145-016590	(A)
	R61066	CLUTCH PLATE	1	016591-	(A)
16	R52771	SPRING	3	-006999	(A) (SUB R56960)
	R56960	SPRING	3	007000-	(A)
17	R56961	CLUTCH PLATE	1		(SUB FOR R50940)
18	R50156	COVER	1		
19	R53625	PIN	3		
20	11M7021	COTTER PIN	3		0.157" X 0.984"
21	R51232	LEVER	3		
22	24M7096	WASHER	3		10.500 X 18 X 1.600 MM
23	R58008	LOCK WASHER	3		(SUB FOR R51231)
24	14H1080	NUT	3		3/8"
25	F3220R	LOCK NUT	3		
26	R61529	SCREW	6		(SUB FOR R39305)
27	R31132	PIN	3		(A)
28	11M7021	COTTER PIN	3		(A) 0.157" X 0.984"
29	R53439	LEVER	3	-007094	(A) (SUB (3) R57031, (3) R56960 AND R51341)
	R57031	LEVER	3	007095-	(A) (SUB FOR R53439)
30	R78020	SELF-LOCKING SCREW	3		(A) (SUB FOR R56730)
31	14H934	NUT	3		(A) 7/16"
32	24H1227	WASHER	3		(A) 17/32" X 13/16" X 0.060"

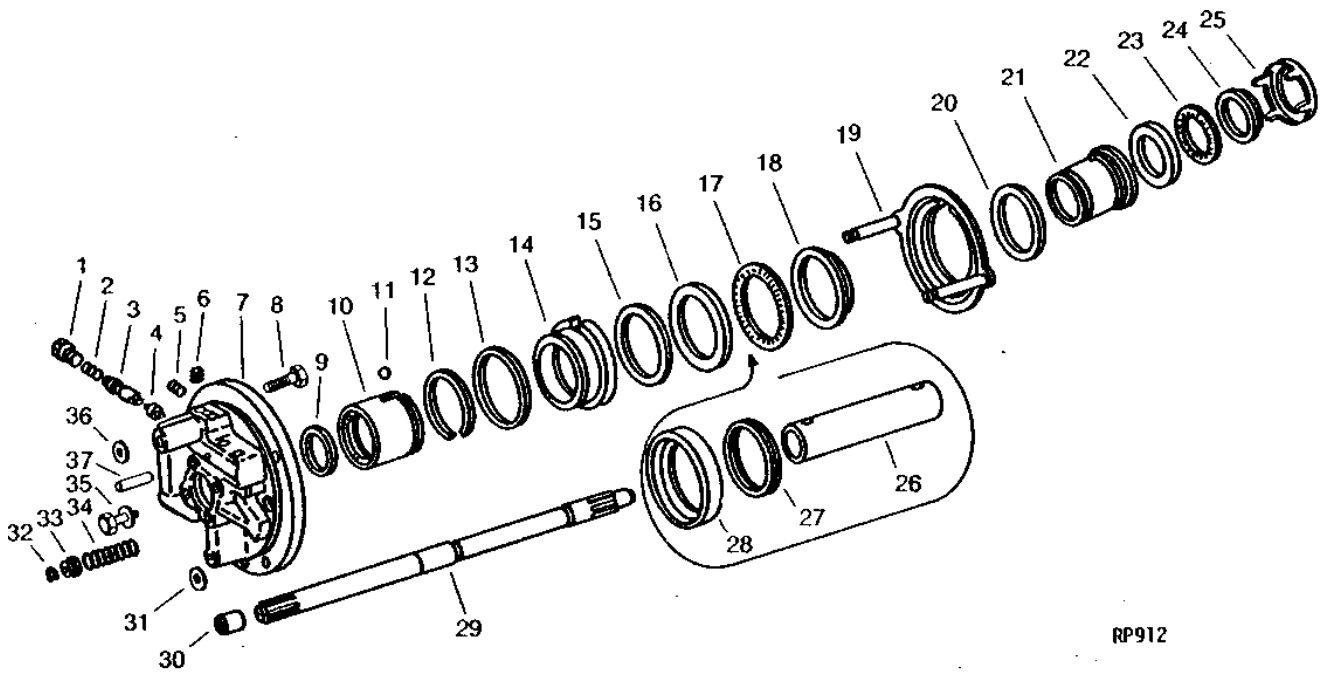
(A) NOT REQUIRED ON TRACTORS LESS PTO.

3B13

POWER TRAIN

TRANSMISSION AND PTO CLUTCH OPERATING PISTON HOUSING AND PISTONS
(SYNCRO-RANGE)
(TRACTOR SERIAL NO. -006999)

RP912 -UN-01JAN94



RP912

3B14

POWER TRAIN

TRANSMISSION AND PTO CLUTCH OPERATING PISTON HOUSING AND PISTONS - CONTINUED
(SYNCRO-RANGE)
(TRACTOR SERIAL NO. -006999)

KEY	PART NO.	PART NAME	QTY	TRACTOR SERIAL NO.	REMARKS
1	R41155	PLUG	1		
2	R50259	SPRING	1		
3	R61659	VALVE	1		(ALSO ORDER R61660) (SUB FOR R51351)
4	R61660	PIN	1		(ALSO ORDER R61659) (SUB FOR R53245)
5	15H559	PIPE PLUG	2		1/4"
6	15H558	PIPE PLUG	8		1/8"
7	AR61918	HOUSING	1		(MARKED R51001) (SUB AR61560, R57442 AND R61660)
8	R41041	CAP SCREW	4		
9	R65550	PACKING	1		(A) (SUB FOR R52911)
10	R62698	SLEEVE	1		(SUB FOR R52013)
11	400R	BALL	1		
12	R52912	SNAP RING	1		
13	R66102	PACKING	1		(A) (SUB FOR R50850)
14	R52014	PISTON	1		(A)
15	R51352	WASHER	1	-XXXXXX	(A)
16	JD9917	BEARING	1		(A)
17	JD9919	BEARING	1		(A)
18	R51341	BEARING RACE	1		(A)
19	AR56117	RETAINER	1		(A)
20	R52910	PACKING	1		
21	R51384	PISTON	1		
22	JD9916	BEARING	1		
23	JD9918	BEARING	1		
24	R51340	BEARING RACE	1		
25	R51365	RETAINER	1		
26	AR62234	SLEEVE	1		(B) (NLA)
27	R54308	RING	1		(B) (NOT REQUIRED)
28	AR62063	RING	1		(B)
29	R63017	SHAFT	1		(SUB FOR R51052)
30	R50155	BUSHING	1		
31	A4847R	WASHER	1		(SUB FOR R40278)
32	R26548	SNAP RING	2		(A)
33	R62955	RETAINER	2		(A) (SUB FOR R27092)
34	R50851	SPRING	2		(A)
35	AR61145	SCREW	4		
36	R26919	WASHER	1		
37	R27145	NEEDLE ROLLER	1		

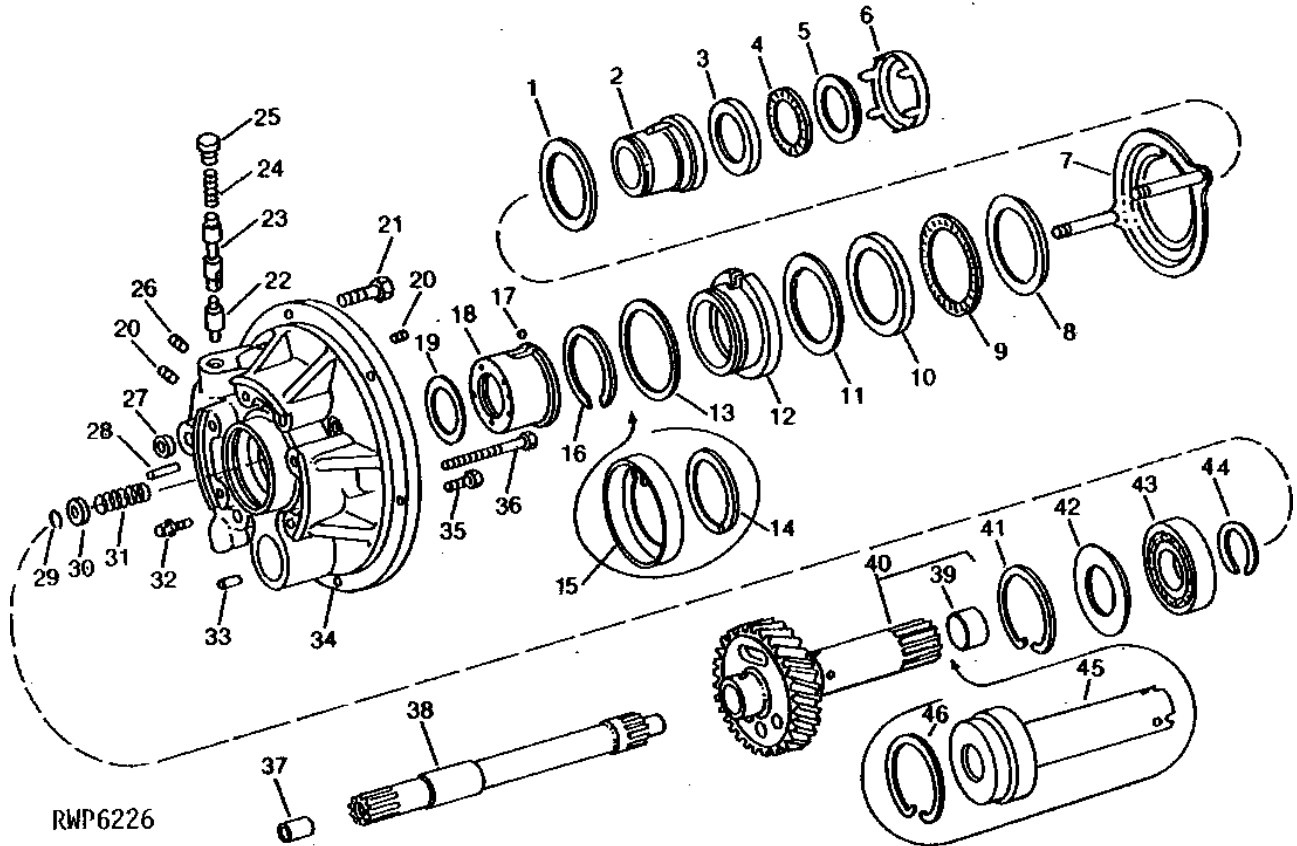
(A) WITH PTO
(B) LESS PTO

3B15

POWER TRAIN

TRANSMISSION AND PTO CLUTCH OPERATING PISTON HOUSING AND PISTONS (QUAD-RANGE AND SYNCRO-RANGE) (TRACTOR SERIAL NO. 007000-)

RWP6226 -UN-01JAN94



KEY	PART NO.	PART NAME	QTY	TRACTOR SERIAL NO.	REMARKS
1	R52910	PACKING	1	-018810	
	R58588	WASHER	1	018811-027597	(SUB R65551)
	R65551	PACKING	1	027598-	
2	R51384	PISTON	1	-018810	
	R61391	PISTON	1	018811-	
3	JD9916	BEARING	1		
4	JD9918	BEARING	1		
5	R51340	BEARING RACE	1		
6	R51365	RETAINER	1		
7	AR62190	RETAINER	1		(A)
8	R51341	BEARING RACE	1	-018810	(A)
	R61386	BEARING RACE	1	018811-	(A)
9	JD9919	BEARING	1		(A)
10	JD9917	BEARING	1		(A)
11	R51352	WASHER	1	-018810	(A)
12	R52014	PISTON	1	-018810	(A)
	R61390	PISTON	1	018811-	(A)
13	R66102	PACKING	1	-018810	(A) (SUB FOR R50850)
	R67068	WASHER	1	018811-	(A) (SUB FOR R61389)
14	RING	1	-018810	(B) (NOT REQUIRED)
15	RING	1	-018810	(B) (NOT REQUIRED)

3B16

POWER TRAIN

TRANSMISSION AND PTO CLUTCH OPERATING PISTON HOUSING AND PISTONS - CONTINUED
(QUAD-RANGE AND SYNCRO-RANGE)
(TRACTOR SERIAL NO. 007000-)

KEY	PART NO.	PART NAME	QTY	TRACTOR SERIAL NO.	REMARKS
16	R52912	SNAP RING	1	-018810	
17	400R	BALL	1	-018810	(1/4")
18	R62698	SLEEVE	1	-018810	(SUB FOR R52013)
	R62834	BUSHING	1	018811-	(SUB FOR R61388)
19	R52911	PACKING	1	-026766	(SUB R65550)
	R65550	PACKING	1	026767-	
20	15H558	PIPE PLUG	6		1/8", (USE WITH R62743)
	15H558	PIPE PLUG	5		1/8", (USE WITH R54345)
	15H638	PIPE PLUG	1		1/8"
21	R41041	CAP SCREW	4		
22	R61660	PIN	1		(ALSO ORDER R61659) (SUB FOR R53245)
23	R61659	VALVE	1		(ALSO ORDER R61660) (SUB FOR R51351)
24	R50259	SPRING	1		
25	R41155	PLUG	1		
26	15H559	PIPE PLUG	1		1/4"
27	R26919	WASHER	1		
28	R27145	NEEDLE ROLLER	1		(SUB R57442, THIS APPLICATION)
29	R26548	SNAP RING	2		(A)
30	R62955	RETAINER	2		(A) (SUB FOR R27092)
31	R50851	SPRING	2		(A)
32	AR61146	SCREW	4		
33	R1932R	DOWEL PIN	1		
34	AR68064	HOUSING	1	-018810	(MARKED R54345) (SUB AR64247, R57442, R61660 AND R61659) (INCLUDES KEYS 20, 22, 26, 28 AND 33)
	AR74383	HOUSING	1	018811-	(MARKED R61387 OR R62743) (ALSO ORDER R61659) (INCLUDES KEYS 20, 22, 26, 28 AND 33)
	R21629	PIPE PLUG	1		(C) (D) (USE WITH R62743)
35	R41041	CAP SCREW	2		
36	R54693	CAP SCREW	5		(C)
37	R50155	BUSHING	1		
38	R54349	SHAFT	1	-011088	(C) (SUB R58744)
	R58744	SHAFT	1	011089-	(C)
	R55433	SHAFT	1	-011010	(D) (SUB R58743)
	R58743	SHAFT	1	011011-	(A)
39	R50863	BUSHING	1		(A)
40	AR63211	SHAFT	1		(A) (MARKED R54353)
41	R68956	SNAP RING	1		(A) (SUB FOR R53107)
42	R52988	WASHER	1		(A)
43	JD8735	BALL BEARING	1		(A)
44	R36295	SNAP RING	1		
45	AR64401	ADAPTER	1		(B)
46	R68956	SNAP RING	1		(B) (SUB FOR R53107)

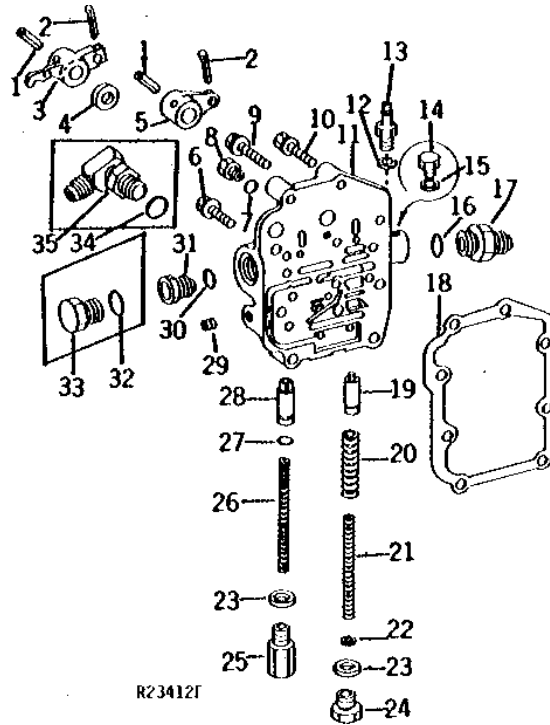
- (A) NOT REQUIRED ON TRACTORS LESS PTO.
- (B) TRACTORS LESS PTO
- (C) QUAD-RANGE TRANSMISSION
- (D) SYNCRO-RANGE TRANSMISSION

3B17

POWER TRAIN

CLUTCH OIL PRESSURE REGULATING VALVE HOUSING AND VALVES (QUAD-RANGE AND SYNCRO-RANGE)

R23412 -UN-01JAN94



KEY	PART NO.	PART NAME	QTY	TRACTOR SERIAL NO.	REMARKS
1	34H331	SPRING PIN	2		5/16" X 1-1/2"
2	11M7081	COTTER PIN	2	-006999	0.098" X 0.787"
	34H247	SPRING PIN	2	007000-	1/8" X 3/4"
	24H1302	WASHER	2	007000-	13/32" X 11/16" X 0.035"
	T12808	SNAP RING	1	007000-	(SUB R72655)
3	R50333	ARM	1	-006999	
	R55391	ARM	1	007000-	
4	AF2907R	SEAL	2		
5	R50334	ARM	1	-006999	
	R55392	ARM	1	007000-014888	
	R50334	ARM	1	014889-	
6	R52904	SCREW	6		
7	R26286	O-RING	4		
8	R27094	DRAIN PLUG	4		
9	R52907	CAP SCREW	2	-006999	
	R52904	SCREW	2	007000-	
10	R52906	SCREW	8	-006999	
	R52906	SCREW	5	007000-	
	19H1731	CAP SCREW	3	007000-	3/8" X 1"
	24H1298	WASHER	3	007000-	3/8" X 5/8" X 0.032"
11	R51858	HOUSING	1	-006999	(SUB R73679, R52904, (3) 19H1731 AND (3) 24H1298)
	R35286	CAP	1	-006999	(LESS PTO)
	R56257	HOUSING	1	007000-008557	(SUB R27003, R27094, R52904, R66623, (3) 19H1731 AND (3) 24H1298)
	R66623	HOUSING	1	008558-	(ALSO ORDER R27094 AND R27003) (SUB FOR R57092 OR R57743)

3B18

POWER TRAIN

CLUTCH OIL PRESSURE REGULATING VALVE HOUSING AND VALVES - CONTINUED (QUAD-RANGE AND SYNCRO-RANGE)

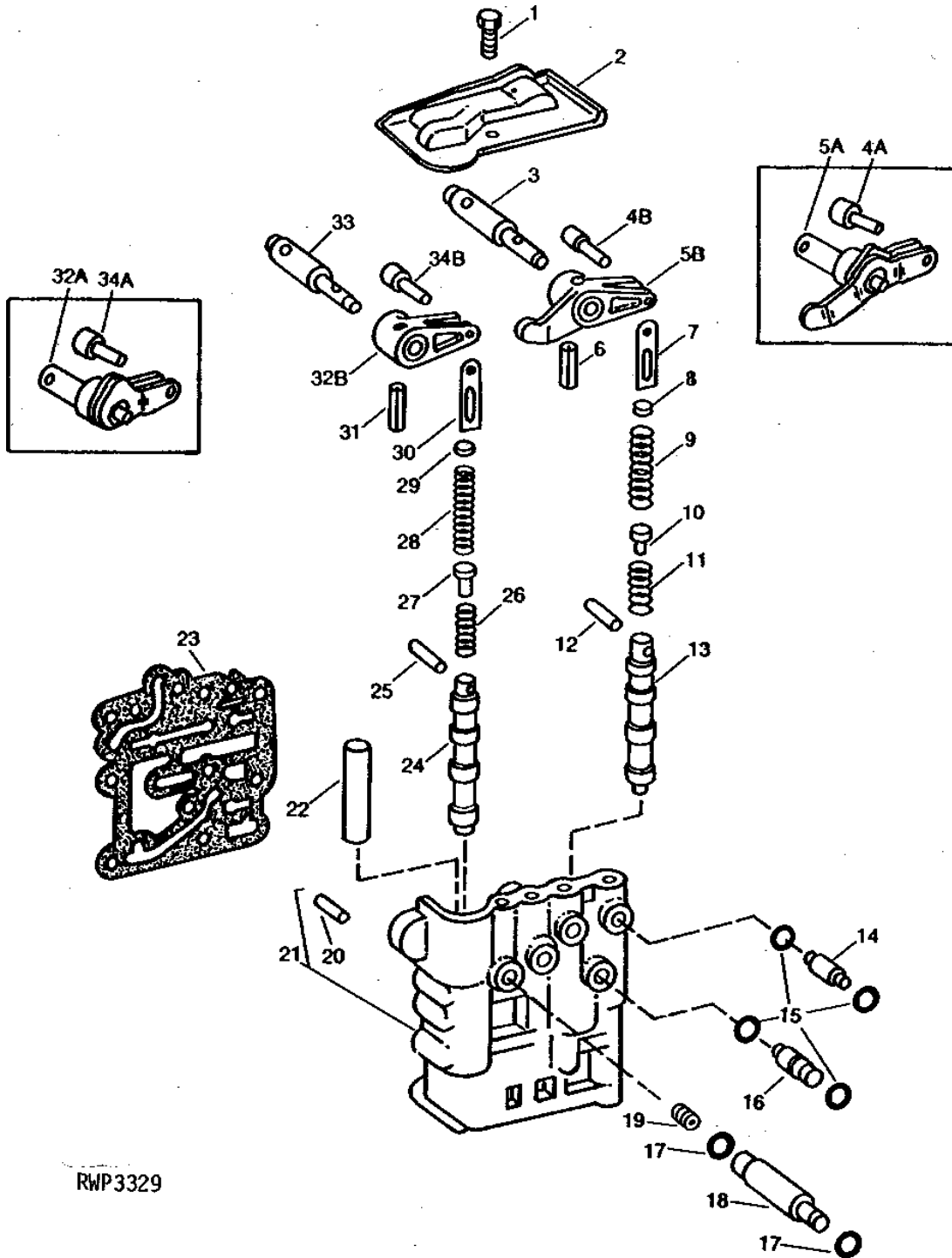
KEY	PART NO.	PART NAME	QTY	TRACTOR SERIAL NO.	REMARKS
12	R27003	WASHER	1	010647-	
13	R65684	FITTING	1	010647-	(SUB FOR R55525)
14	R27094	DRAIN PLUG	1	010647-	
15	R27003	WASHER	1	010647-	
16	F3171R	O-RING	3	-006999	
	F3171R	O-RING	1	007000-	
17	R27267	FITTING	1		
18	R94286	GASKET	1		(SUB FOR R52905)
19	R57559	VALVE	1		(SUB FOR R33162)
20	R52903	SPRING	1		
21	R52902	SPRING	1		(SUB R71867)
22	R56351	SHIM	AR		
23	R1742R	WASHER	2		
24	R52589	FITTING PLUG	1		
25	R51577	FITTING PLUG	1		
26	R57585	SPRING	1		
27	R33259	O-RING	1		(VALVE) (USE WITH R57560)
28	R57560	VALVE	1		(ALSO ORDER R33259) (SUB FOR R54042)
29	15H558	PIPE PLUG	1		1/8", (SUB FOR R21630)
30	B2762R	O-RING	1	007000-	
31	R76493	FITTING	1	007000-	(SUB FOR R56258)
32	F3171R	O-RING	1	-006999	
33	R27175	DRAIN PLUG	1	-006999	
34	F3171R	O-RING	1	-006999	
35	AT32331	ELBOW FITTING	1	-006999	90°, (SUB FOR AR26723)

3B19

POWER TRAIN

RWP3329 -UN-01JAN94

CLUTCH VALVE HOUSING AND VALVES (QUAD-RANGE AND SYNCRO-RANGE)



RWP3329

3B20

POWER TRAIN

CLUTCH VALVE HOUSING AND VALVES - CONTINUED (QUAD-RANGE AND SYNCRO-RANGE)

KEY	PART NO.	PART NAME	QTY	TRACTOR SERIAL NO.	REMARKS
1	R30165	CAP SCREW	1		
2	R53268	GUARD	1		
3	R63052	SHAFT	1	015823-	(A) (ALSO ORDER R62042, R58941 AND 34H313) (SUB FOR R61939 OR R62041)
4A	R33145	PIN	1	-015822	(A)
4B	R58941	PIN	1	015823-	(A)
5A	AR54527	SHAFT	1	-015822	(A) (SUB R63052, R67981, R58941 AND 34H313)
5B	R67981	ARM	1	015823-	(A) (ALSO ORDER R63052, R58941 AND 34H313) (SUB FOR R58942 OR R62042)
6	34H328	SPRING PIN	1	-015822	(A) 5/16" X 1-1/8"
	34H313	SPRING PIN	1	015823-	(A) 1/4" X 1-1/8"
7	R52666	LINK	1		(A)
8	R52665	DISK	1		(A)
9	R52446	SPRING	1		(A)
10	R52448	PIN	1		(A)
11	R52447	SPRING	1		(A)
12	R53076	NEEDLE ROLLER	1		(A)
	34H268	SPRING PIN	1		5/32" X 1-1/4"
13	R51856	VALVE	1		(A)
	R54383	SHEAR PIN	1		(LESS PTO)
14	R50883	ADAPTER	4	-006999	(2 USED LESS PTO)
	R52329	ADAPTER	3	007000-	(2 USED LESS PTO)
15	R26286	O-RING	8		(4 USED LESS PTO)
16	R50883	ADAPTER	1	007000-	
17	R26286	O-RING	2		(QUAD-RANGE)
18	R54588	ADAPTER	1		(QUAD-RANGE)
19	15H558	PIPE PLUG	1		1/8", (SYNCRO-RANGE) (SUB FOR R21630)
20	R38295	NEEDLE ROLLER	2		
21	AR71960	HOUSING	1		(MARKED R51855 OR R59597) (ALSO ORDER R99386) (SUB FOR AR61572) (SUB AR102797)
	R54383	SHEAR PIN	1		(LESS PTO)
	34H268	SPRING PIN	1		5/32" X 1-1/4"
22	R52900	QUICK LOCK PIN	1		(A)
23	R99386	GASKET	1		(SUB FOR R51857 OR R59598)
24	R51856	VALVE	1	-018810	
	R62724	VALVE	1	018811-	
25	R53076	NEEDLE ROLLER	1		
26	R52447	SPRING	1	-018810	
	R63849	SPRING	1	018811-	(SUB FOR R62727)
27	R52448	PIN	1		
28	R52446	SPRING	1	-018810	
	R62726	SPRING	1	018811-	
29	R52665	DISK	1		
30	R52666	LINK	1	-018810	
	R62725	LINK	1	018811-	
31	34H328	SPRING PIN	1	-015822	5/16" X 1-1/8"
	34H313	SPRING PIN	1	015823-	1/4" X 1-1/8"
32A	AR54526	SHAFT	1	-015822	(SUB R62043, R63052, R58941 AND 34H313)
32B	R62043	ARM	1	015823-	(ALSO ORDER R63052, R58941 AND 34H313) (SUB FOR R58939)
33	R63052	SHAFT	1	015823-	(ALSO ORDER R62043, R58941 AND 34H313) (SUB FOR R58940 OR R62041)
34A	R33145	PIN	1	-015822	
34B	R58941	PIN	1	015823-	

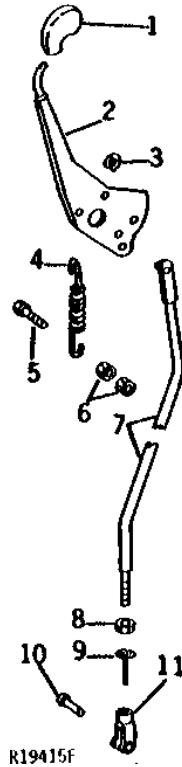
(A) NOT REQUIRED ON TRACTORS LESS PTO.

3B21

POWER TRAIN

R19415 -UN-01JAN94

PTO LEVER
(SYNCRO-RANGE)
(TRACTOR SERIAL NO. -006999)



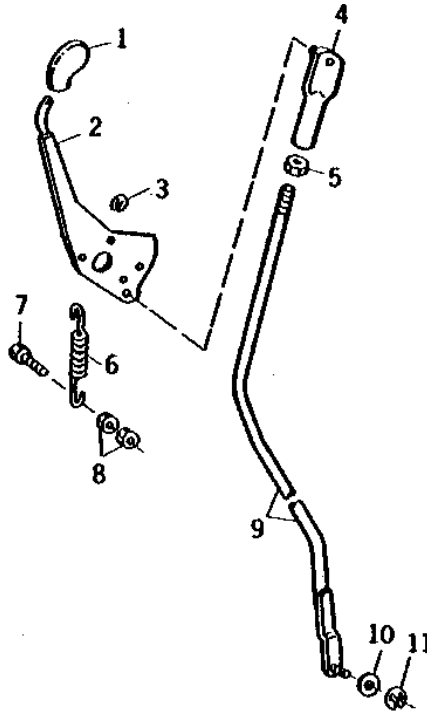
KEY	PART NO.	PART NAME	QTY	TRACTOR SERIAL NO.	REMARKS
1	R52056	GRIP	1		
2	R52065	LEVER	1		
3	T12808	SNAP RING	1		(SUB R72655)
4	R58500	SPRING	1		(SUB FOR R56911)
5	19H3552	CAP SCREW	1		5/16" X 1-1/2"
6	14H611	NUT	2		5/16"
7	AR61144	ROD	1		
8	14H732	NUT	1		3/8"
9	R56199	PIN	1		(SUB FOR R53772)
10	R65563	PIN	1		(SUB FOR C1067R)
11	C284R	YOKE	1		

3B22

POWER TRAIN

PTO LEVER
(QUAD-RANGE AND SYNCRO-RANGE)
(TRACTOR SERIAL NO. 007000-)

R33194 -UN-01JAN94



R33194

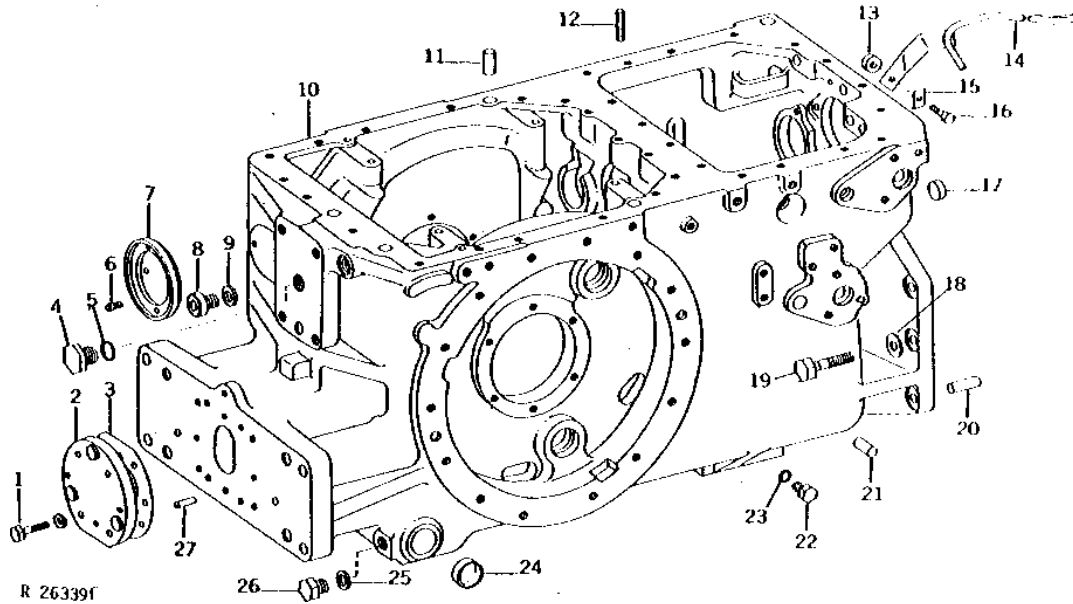
KEY	PART NO.	PART NAME	QTY	TRACTOR SERIAL NO.	REMARKS
1	R52056	GRIP	1		
2	R52065	LEVER	1		
3	T12808	SNAP RING	1		(SUB R72655)
4	AR64563	PLUNGER	1		(UPPER)
5	14H886	NUT	1		9/16"
6	R58500	SPRING	1		(SUB FOR R56911)
7	19H3552	CAP SCREW	1		5/16" X 1-1/2"
8	14H611	NUT	2		5/16"
9	AR64564	PLUNGER	1	-014888	(LOWER)
	AR73934	ROD	1	014889-026746	(LOWER) (SUB AR83974, R72655 AND 24H1302)
	AR83974	ROD	1	026747-	(LOWER)
10	24H1302	WASHER	1		13/32" X 11/16" X 0.035"
11	T12808	SNAP RING	1		(SUB R72655)

3B23

POWER TRAIN

TRANSMISSION CASE (QUAD-RANGE AND SYNCRO-RANGE)

R26339 -UN-01JAN94



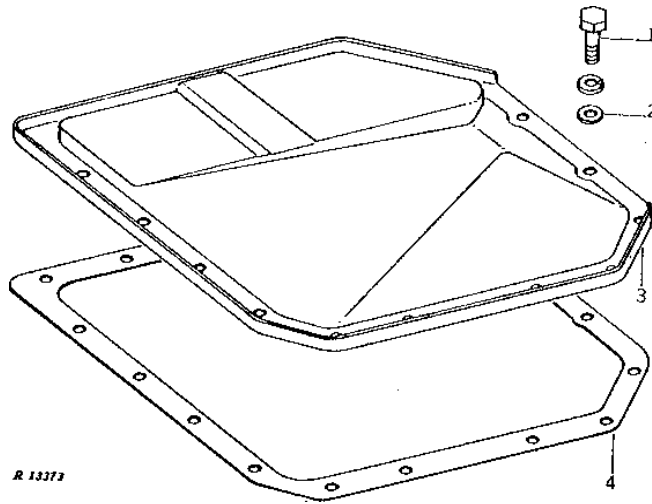
KEY	PART NO.	PART NAME	QTY	TRACTOR SERIAL NO.	REMARKS
1	19H2473	CAP SCREW	6		1/2" X 1-3/4"
	12H301	LOCK WASHER	6		1/2"
2	R35274	COVER	1		(LESS PTO)
3	R50972	GASKET	1		(SUB FOR R35621)
4	AR54983	FITTING PLUG	1		
5	F3171R	O-RING	1		
6	R27329	SCREW	2		
7	AR26707	RETAINER	1		
8	R27483	PLUG	1		
9	H851R	WASHER	1		
10	AR77463	TRANSMISSION CASE	1		(MARKED R55480, R49840 OR R62810) (SUB FOR AR63311 AND AR64640)
11	R26616	DOWEL PIN	3		
12	D488R	STUD	1	-XXXXXX	
13	R48792	WASHER	1		
14	AR49146	TUBE	1	-006999	
	AR64373	TUBE	1	007000-	
15	R30959	LOCK PLATE	1		
16	19H2284	CAP SCREW	1	-012943	3/8" X 7/8"
	R57725	SCREW	1	012944-	
17	R33498	CAP	1		
18	T21397	WASHER	12		
19	19H1707	CAP SCREW	6		3/4" X 2-3/4"
	19H2725	CAP SCREW	2		3/4" X 3-3/4"
	19H1440	CAP SCREW	4		3/4" X 3"
20	A776R	PIN	2		
21	R54380	DOWEL PIN	4		(SUB FOR T25317)
22	R27218	FITTING PLUG	1		(LESS DIFFERENTIAL LOCK)
23	R51494	WASHER	1		(LESS DIFFERENTIAL LOCK)
24	R54213	CAP	2	-XXXXXX	2.05" OD, (LESS ROCKSHAFT)
	R57895	PLUG	2	XXXXXX-	3.26" OD, (LESS ROCKSHAFT)
25	R26906	O-RING	1		
26	R27474	DRAIN PLUG	1		
27	R26650	DOWEL PIN	2		

3B24

POWER TRAIN

TRANSMISSION CASE COVER (QUAD-RANGE AND SYNCRO-RANGE)

R13373 -UN-01JAN94



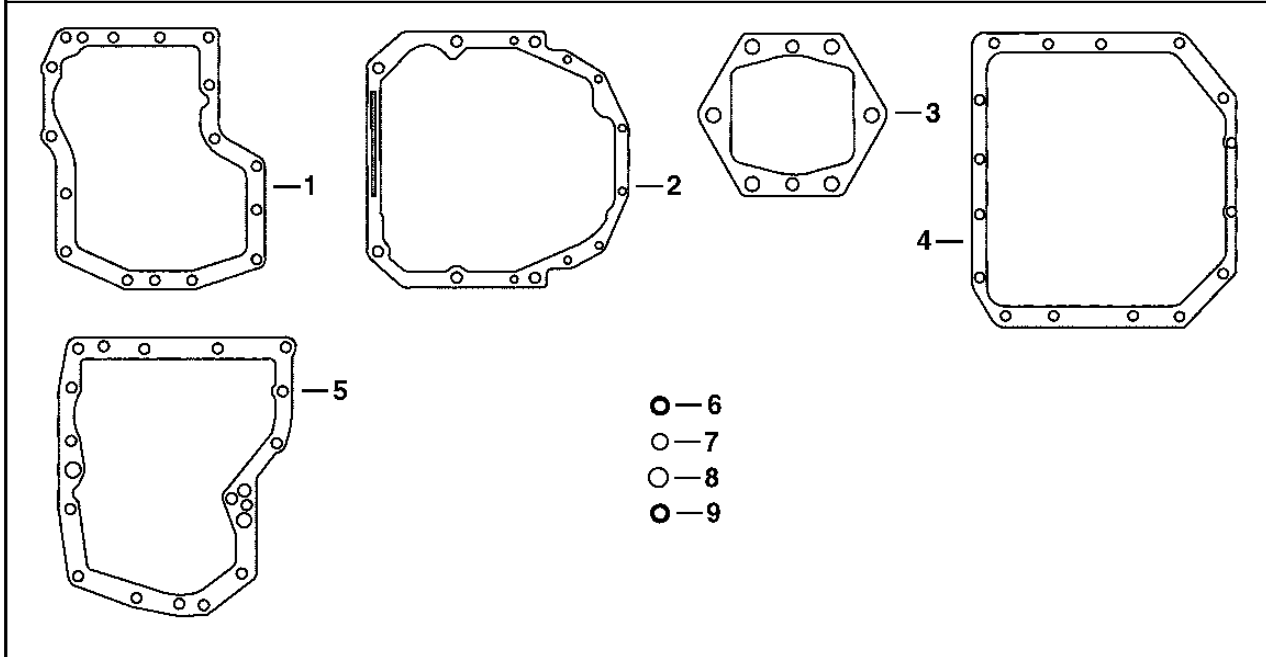
KEY	PART NO.	PART NAME	QTY	TRACTOR SERIAL NO.	REMARKS
1	19H1731	CAP SCREW	10	3/8" X 1"	
	19H1765	CAP SCREW	2	3/8" X 1-3/4"	
	19H1854	CAP SCREW	10	3/8" X 3-3/4"	
	19H2205	CAP SCREW	10	3/8" X 6"	
	R57725	SCREW	1	(SUB FOR R40835 OR R61762)	
	24H1305	WASHER	2	13/32" X 13/16" X 0.065"	
	12H304	LOCK WASHER	14	3/8"	
2	A4624R	WASHER	14		
3	AR88539	COVER	1	(SUB FOR R43190)	
4	R43260	GASKET	1		

3B25

POWER TRAIN

RXP021454 -UN-01APR96

TRANSMISSION GASKET KIT



RXP021454

10

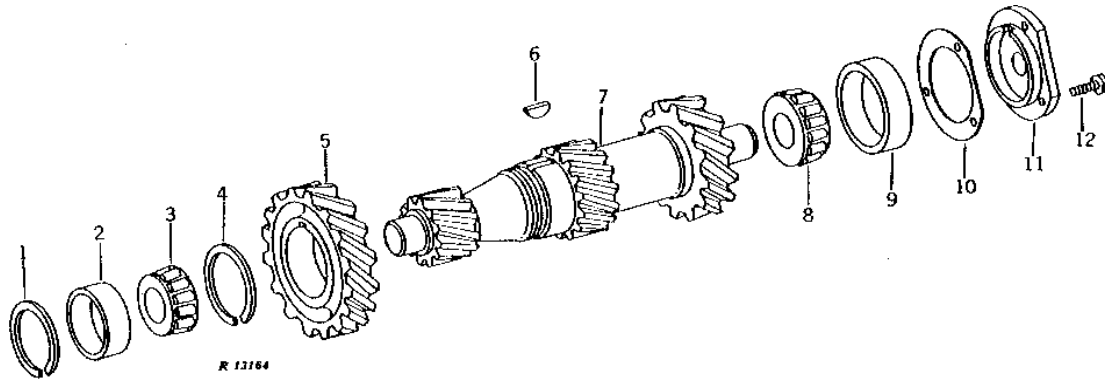
KEY	PART NO.	PART NAME	QTY	TRACTOR SERIAL NO.	REMARKS
1	R55390	GASKET	1		CLUTCH HOUSING
2	R99288	GASKET	1		CLUTCH HOUSING
3	R58900	GASKET	1		PTO SHAFT
4	R43260	GASKET	1		TRANSMISSION CASE COVER
5	R43408	GASKET	1		ROCKSHAFT HOUSING
6	A3917	O-RING	1		TRANSMISSION OIL PUMP
7	B2762	O-RING	1		TRANSMISSION OIL PUMP
8	R56462	O-RING	2		TRANSMISSION OIL PUMP
9	R26919	WASHER	1		CLUTCH PISTON HOUSING
10	RE54226	GASKET KIT	1		

3C1

POWER TRAIN

R13164 -UN-01JAN94

COUNTERSHAFT (QUAD-RANGE AND SYNCRO-RANGE)



KEY	PART NO.	PART NAME	QTY	TRACTOR SERIAL NO.	REMARKS
1	R35377	SNAP RING	1		
2	JD8262	BEARING CUP	1		(SUB JD10005 AND JD8113)
3	JD7383	BEARING CONE	1		
4	R52705	SNAP RING	1		
5	R67643	STEERING GEAR	1		(A) (SUB FOR R52704)
	R54496	STEERING GEAR	1		(B)
6	26H101	SHAFT KEY	1		3/8" X 1-1/2"
7	R50562	COUNTERSHAFT	1		(A)
	R54498	COUNTERSHAFT	1		(B)
8	JD9015	BEARING CONE	1		
9	JD8288	BEARING CUP	1		
10	R43346	SHIM	AR		0.15MM (.006")
	R43347	SHIM	AR		0.25MM (.010")
	R43348	SHIM	AR		0.46MM (.018")
11	R50563	RETAINER	1		
12	R57725	SCREW	3		(SUB FOR R40835)

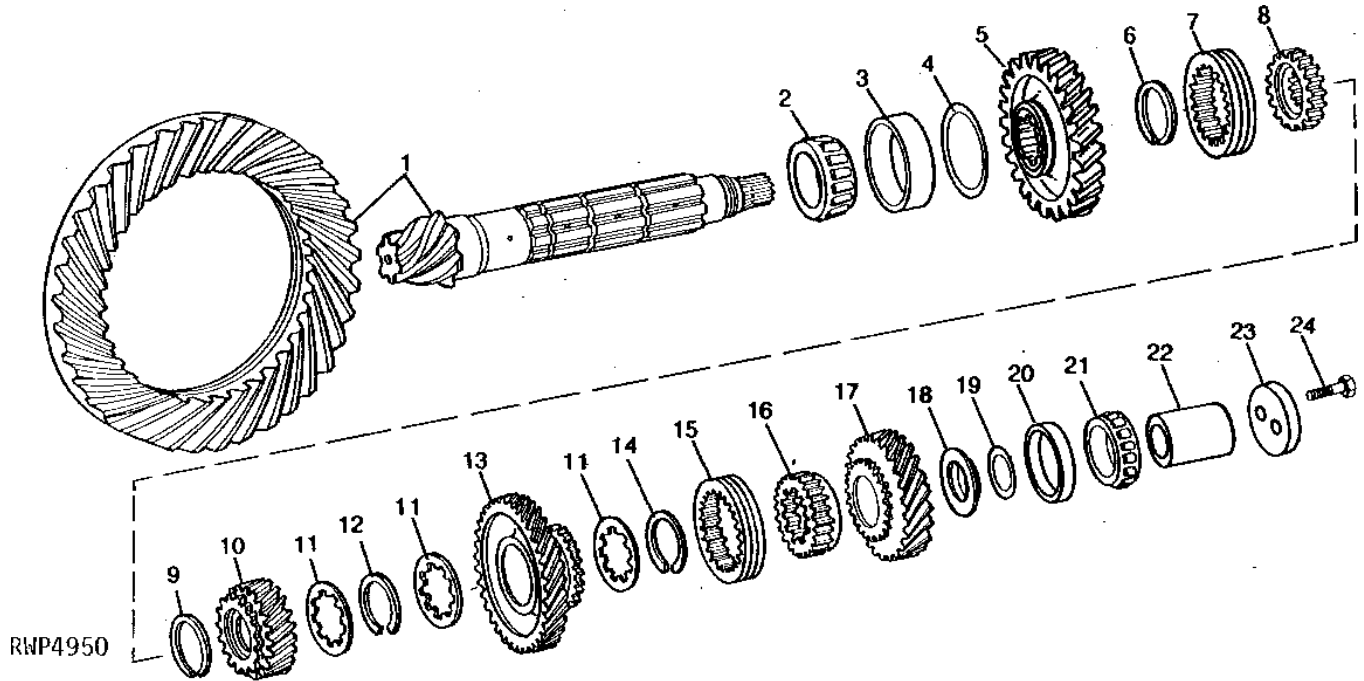
(A) SYNCRO-RANGE TRANSMISSION
(B) QUAD-RANGE TRANSMISSION

3C2

POWER TRAIN

DIFFERENTIAL DRIVE AND BEVEL PINION ASSEMBLY (QUAD-RANGE AND SYNCRO-RANGE)

RWP4950 -UN-01JAN94



3C3

POWER TRAIN

DIFFERENTIAL DRIVE AND BEVEL PINION ASSEMBLY - CONTINUED (QUAD-RANGE AND SYNCRO-RANGE)

KEY	PART NO.	PART NAME	QTY	TRACTOR SERIAL NO.	REMARKS
1	AR63372	BEVEL GEAR DRIVE	1	-006999	(MATCHED SET) (MARKED R43023 AND R50329) (SUB AR54525, (2) R35365, (2) R35366, (2) R36765 AND (2) R36766)
	AR62693	BEVEL GEAR DRIVE	1	007000-	(MATCHED SET) (MARKED R43023 AND R54544)
2	JD9066	BEARING CONE	1		
3	JD8280	BEARING CUP	1		
4	R35365	SHIM	AR		0.08MM (.003")
	R35366	SHIM	AR		0.13MM (.005")
	R35367	SHIM	AR		0.25MM (.010")
5	AR54679	GEAR	1		(MARKED R50561)
6	R35372	SNAP RING	1		
7	R35491	SHIFT COLLAR	1		
8	R43191	GEAR	1		
9	R43349	SNAP RING	1		
10	R43018	GEAR	1		(A)
	R54497	GEAR	1		(B)
11	R35426	THRUST WASHER	3		
12	R35373	SNAP RING	1		
13	R43134	GEAR	1		(A)
	R54499	STEERING GEAR	1		(B)
14	R35371	SNAP RING	1		
15	R35491	SHIFT COLLAR	1		
16	R35489	GEAR	1		
17	R43019	GEAR	1		
18	R36764	BUSHING	1		
19	R36765	SHIM	AR		0.08MM (.003")
	R36766	SHIM	AR		0.13MM (.005")
	R36767	SHIM	AR		0.25MM (.010")
20	JD8235	BEARING CUP	1		
21	JD7359	BEARING CONE	1		
22	R53621	SLEEVE	1		(NO PTO)
23	R57267	PLATE	1		(SUB FOR R50365 OR R50282)
24	R57725	SCREW	2		(SUB FOR R40835)

(A) SYNCRO-RANGE TRANSMISSION

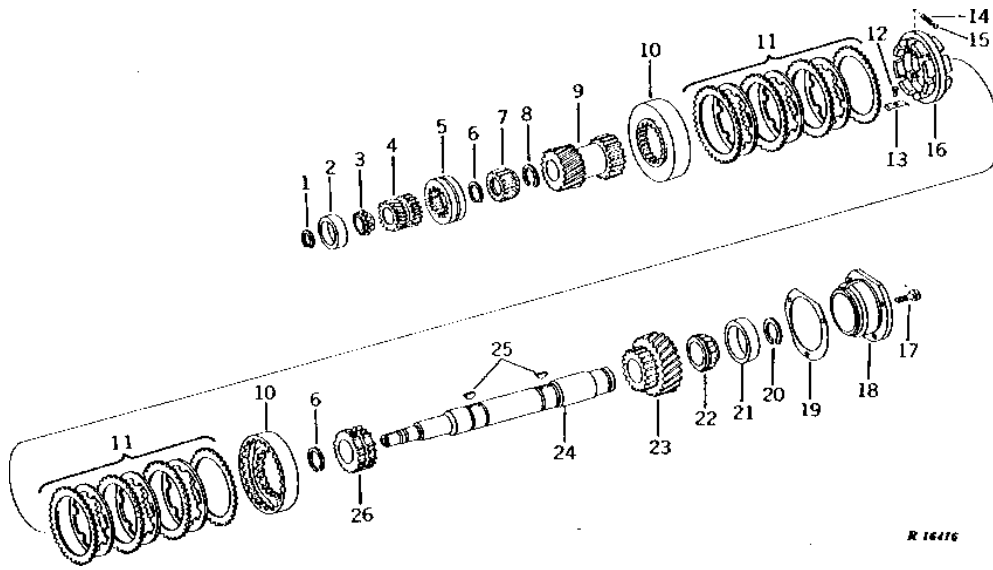
(B) QUAD-RANGE TRANSMISSION

3C4

POWER TRAIN

R16416 -UN-01JAN94

TRANSMISSION DRIVE SHAFT ASSEMBLY (QUAD-RANGE AND SYNCRO-RANGE)



3C5

POWER TRAIN

TRANSMISSION DRIVE SHAFT ASSEMBLY - CONTINUED (QUAD-RANGE AND SYNCRO-RANGE)

KEY	PART NO.	PART NAME	QTY	TRACTOR SERIAL NO.	REMARKS
1	R35164	SNAP RING	1		1.93MM (.076")
	R35165	SNAP RING	1		2.01MM (.079")
	R35166	SNAP RING	1		2.08MM (.082")
	R35167	SNAP RING	1		2.16MM (.085")
	R40713	SNAP RING	1		2.24MM (.088")
	R40714	SNAP RING	1		2.31MM (.091")
	R40715	SNAP RING	1		2.39MM (.094")
2	JD8291	BEARING CUP	1		
3	JD7232	BEARING CONE	1		
4	R47119	PINION	1		
5	R47118	SHIFT COLLAR	1		(SUB FOR R62991)
6	R35385	SNAP RING	2		
7	R47117	SHIFT COLLAR	1		(SUB FOR R62990)
8	R35386	SNAP RING	1		
9	R51842	PINION	1	-013287	(A) (SUB R59827)
	R59827	PINION	1	013288-	(A)
	R54495	PINION	1		(B) (SUB FOR R59828)
10	R36678	DRUM	2		
11	RE37120	DISK	2		(SUB FOR AR42990 OR AR69155)
12	R45225	STUD	2		
13	R35461	CLAMP	2		
14	R59860	SPRING	4		(SUB FOR R27730)
15	A4742R	BALL	4		
16	AR35403	SYNCHRONIZER	1		(MARKED R35455)
17	R57725	SCREW	3		(SUB FOR R40835)
18	R50564	QUILL	1		(A)
	AR62189	HOUSING	1		(B)
	R50222	BUSHING	1		(B)
19	R57977	SHIM	AR		0.15MM (.006") (SUB FOR R43350)
	R57978	SHIM	AR		0.28MM (.011") (SUB FOR R43351)
	R57979	SHIM	AR		0.46MM (.018") (SUB FOR R43352)
20	R35381	SNAP RING	1		1.93MM (.076")
	R35382	SNAP RING	1		2.01MM (.079")
	R35383	SNAP RING	1		2.08MM (.082")
	R35384	SNAP RING	1		2.16MM (.085")
	R40711	SNAP RING	1		2.24MM (.088")
	R40712	SNAP RING	1		2.31MM (.091")
21	JD8240	BEARING CUP	1		
22	JD8907	BEARING CONE	1		
23	R54567	PINION	1		(SUB FOR R43020)
24	R53055	DRIVE SHAFT	1		
25	26H82	SHAFT KEY	2		1/4" X 7/8"
26	R35457	SHIFT COLLAR	1		(SUB FOR R64129)

(A) SYNCRO-RANGE TRANSMISSION

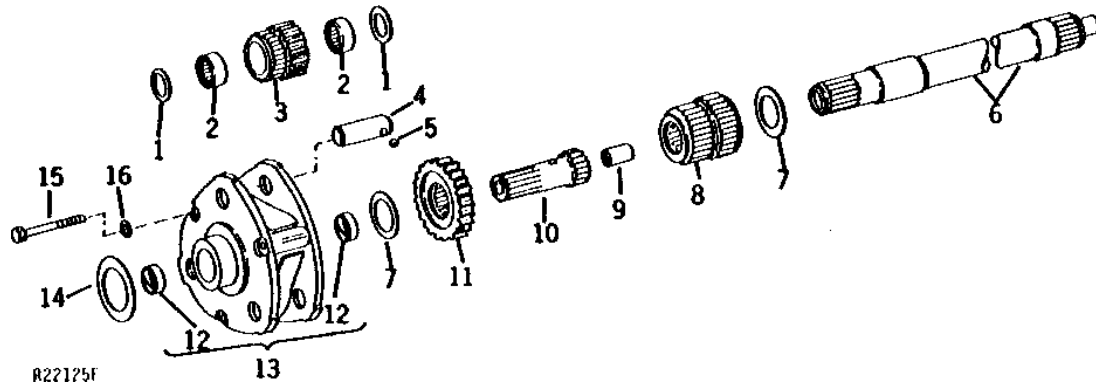
(B) QUAD-RANGE TRANSMISSION

3C6

POWER TRAIN

PLANET PINION CARRIER AND INPUT AND CLUTCH SHAFTS (QUAD-RANGE)

R22125 -UN-01JAN94



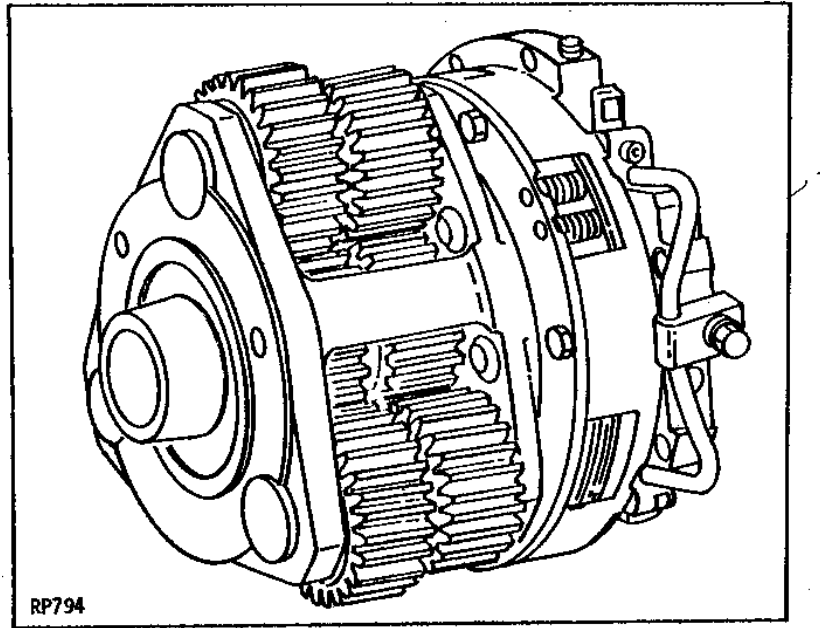
KEY	PART NO.	PART NAME	QTY	TRACTOR SERIAL NO.	REMARKS
1	R50149	WASHER	6		
2	JD9926	NEEDLE BEARING	6		
3	R58624	PLANET PINION	3		(SUB FOR R50832)
4	AR61550	SHAFT	3		
5	H871R	BALL	3		
6	R58744	SHAFT	1		(SUB FOR R54349)
7	R33083	WASHER	2	-XXXXXX	(USE WITH AR54961 AND R50833)
8	AR81327	GEAR	1		(SUB FOR AR54961)
9	R50155	BUSHING	1		
10	R54354	SHAFT	1		
11	AR81329	PINION	1		(SUB FOR R50833)
12	R50550	BUSHING	2		
13	AR68391	PLANET PINION CARRIER	1	-024023	(ALSO ORDER (3) AR82509) (SUB FOR AR54677) (SUB AR78252, AR78256, (6) R47074, (6) R57115, R79525, (4) R50152 AND (3) RE29815)
	AR80216	PLANET PINION CARRIER	1	024024-	(MARKED R64423) (SUB AR78252, AR78256, (6) R47074, (6) R57115, R79525, (4) R50152 AND (3) RE29815)
14	R51159	WASHER	1		
15	19H3300	CAP SCREW	3	-024023	5/16" X 3-3/4", (SUB AR82509)
	AR82509	CAP SCREW	3	024024-	(SUB FOR AR78806)
16	R57115	WASHER	3	-024023	

3C7

POWER TRAIN

RP794 -UN-01JAN94

QUAD-RANGE CLUTCH



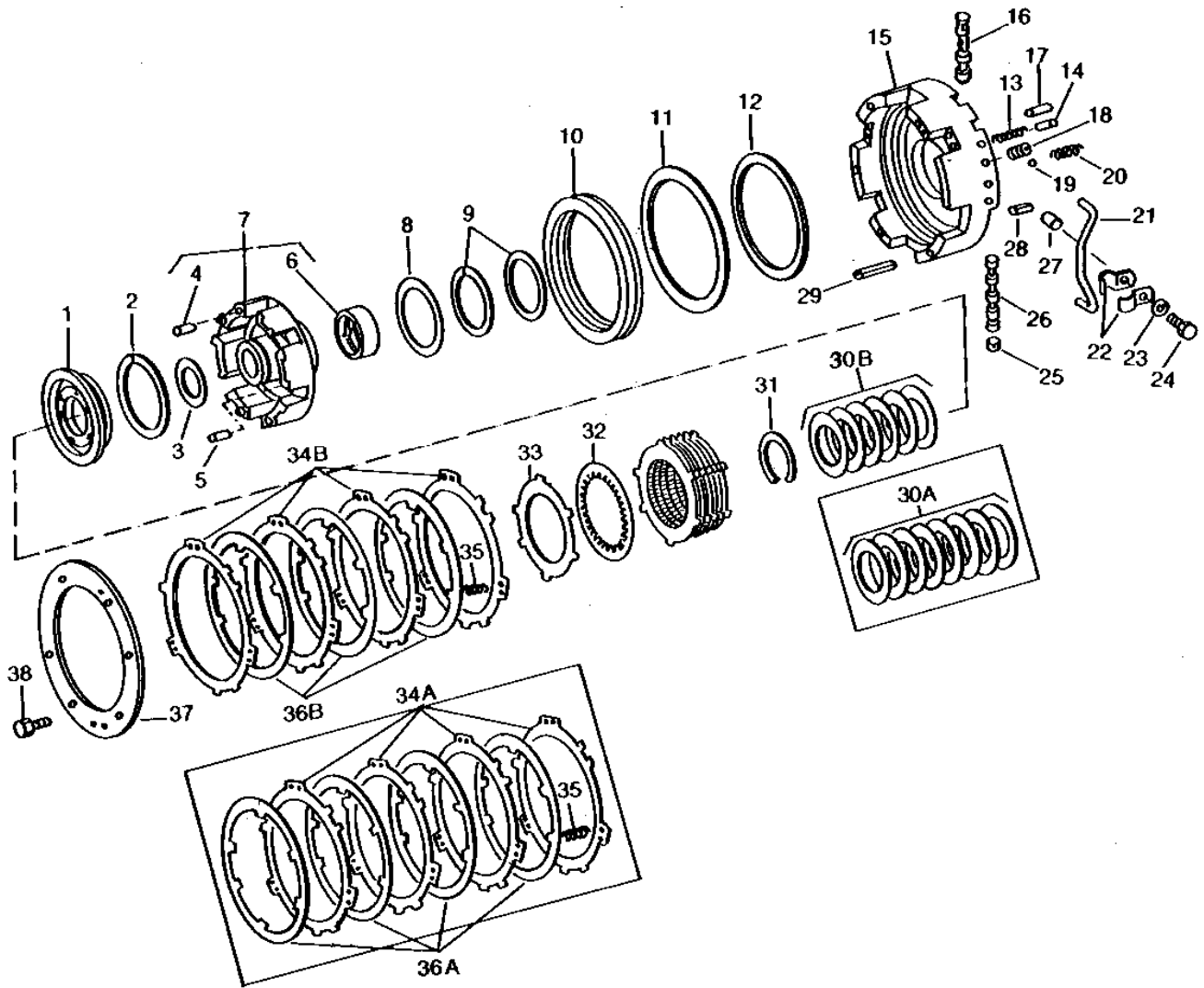
KEY	PART NO.	PART NAME	QTY	TRACTOR SERIAL NO.	REMARKS
1	AR67979	HIGH-LOW CLUTCH	1	-025360	(SUB AR82382)
	AR82381	HIGH-LOW CLUTCH	1	025361-	(SUB FOR AR77526)

3C8

POWER TRAIN

BRAKE PISTON HOUSING AND CLUTCH DRUM (QUAD-RANGE) (TRACTOR SERIAL NO. -025360)

RWP4618 -UN-01JAN94



RWP4618

3C9

POWER TRAIN

BRAKE PISTON HOUSING AND CLUTCH DRUM - CONTINUED
(QUAD-RANGE)
(TRACTOR SERIAL NO. -025360)

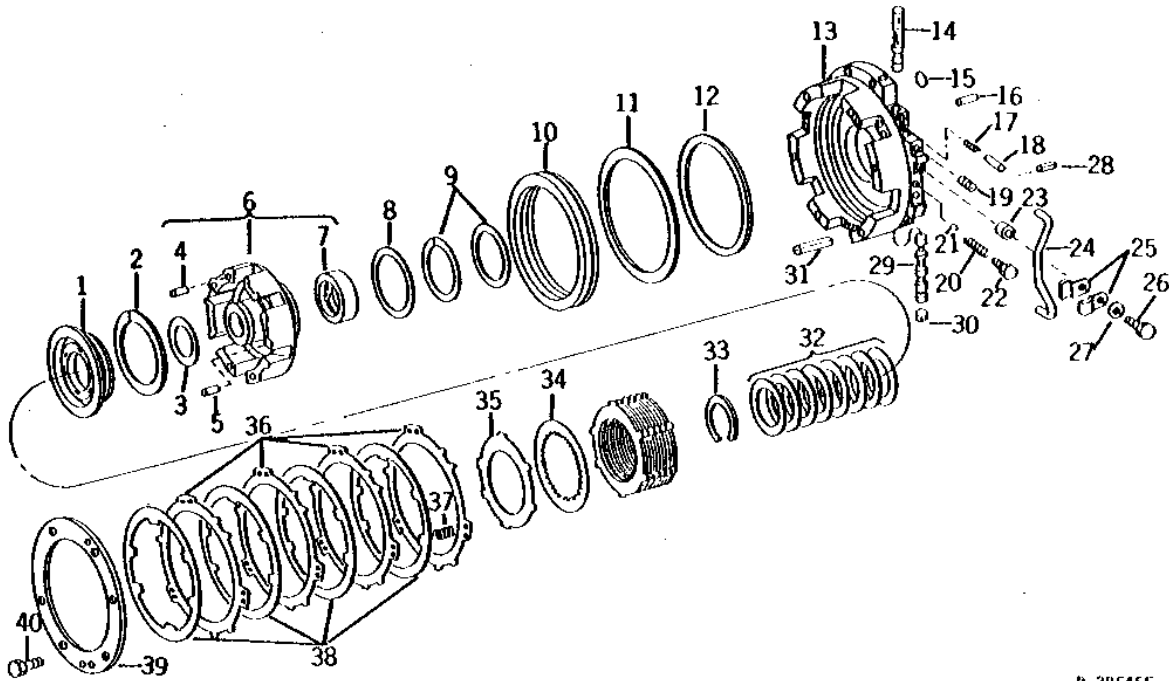
KEY	PART NO.	PART NAME	QTY	TRACTOR SERIAL NO.	REMARKS
1	R54347	PISTON	1	-015371	
	R59746	PISTON	1	015372-	
2	R39280	PISTON RING	1		
3	R39304	WASHER	1		
4	R30587	DOWEL PIN	2		
5	R38295	NEEDLE ROLLER	1		
6	R50222	BUSHING	1		
7	AR80119	DRUM	1		(MARKED R64384, R55389 OR R57114) (SUB FOR AR64372 OR AR68393) (SUB AR78256) (ALSO ORDER AR78252, (6) R47074, (6) R57115, R79525, (4) R50152 AND (3) RE29815)
8	R50349	WASHER	1		
9	R39322	RING	2		
10	R54348	PISTON	1	-015371	(SUB R79524)
	R59745	PISTON	1	015372-	(SUB R79525)
11	R59137	WASHER	1		(SUB FOR R55388)
12	R57558	PACKING	1		(SUB FOR R51497)
13	R53304	SPRING	1		
14	R490R	PIN	1		
15	AR64245	HOUSING	1		(MARKED R54346) (SUB AR82376) (INCLUDES PLUGS AND PINS)
	AR77527	HOUSING	1		(MARKED R62839 OR R65227) (SUB AR82376) (INCLUDES PLUGS AND PINS)
16	R53048	CONTROL VALVE	1		
17	R26650	DOWEL PIN	1		
18	15H558	PIPE PLUG	4		1/8", (SUB FOR R21630)
	R21629	PIPE PLUG	5		
19	R26552	BALL	1		7MM (5/16")
20	R53052	SPRING	1		
21	R55234	TUBE	1		(SUB R78265, R60524, R112876 AND 28H1518)
22	R42357	CLAMP	2		
23	24H1051	WASHER	1		13/32" X 13/16" X 0.065"
24	R41041	CAP SCREW	1		
25	R53050	PIN	1		
26	R53049	VALVE	1		
27	28H1519	WASHER	1		0.493" X 0.675" X 3/8"
28	34H249	SPRING PIN	1		1/8" X 7/8"
29	34H188	SPRING PIN	6		5/16" X 1-3/4"
30A	R50348	DISK SPRING	8	-015372	
30B	R50348	DISK SPRING	6	015373-	
31	R39299	SNAP RING	1		
32	AR39128	DISK, INNER SPLINE	6	-015371	
	AR83798	DISK, INNER SPLINE	4	015372-	(SUB AR71561)
33	R39259	CLUTCH PLATE	7	-015371	
	R39259	CLUTCH PLATE	5	015372-	
34A	R50152	PLATE	5	-015371	
34B	R50152	PLATE	4	015372-	
35	R54344	SPRING	6	-015371	
	R59744	SPRING	6	015372-	
36A	AR54528	DISK	5	-015371	(SUB RE29815)
36B	AR71560	DISK, INNER SPLINE	3	015372-	(SUB RE29815)
37	R50153	PLATE	1	-015371	
	R50153	PLATE	1	015372-	
38	R30165	CAP SCREW	6		

3C10

POWER TRAIN

BRAKE PISTON HOUSING AND CLUTCH DRUM (QUAD-RANGE) (TRACTOR SERIAL NO. 025361-)

R28645 -UN-01JAN94



R 28645F

KEY	PART NO.	PART NAME	QTY	TRACTOR SERIAL NO.	REMARKS
1	R59746	PISTON	1		
2	R39280	PISTON RING	1		
3	R39304	WASHER	1		
4	R38295	NEEDLE ROLLER	2		
5	R38295	NEEDLE ROLLER	1		
6	AR80119	DRUM	1		(MARKED R64384) (SUB AR78256) (ALSO ORDER AR78252, (6) R47074 AND (6) R57115)
7	R50222	BUSHING	1		
8	R50349	WASHER	1		
9	R39322	RING	2		
10	R59745	PISTON	1		(SUB R79525)
11	R59137	WASHER	1		
12	R57558	PACKING	1		
13	AR77523	HOUSING	1	-030081	(MARKED R62837 OR R62839) (SUB AR82373, R65230 AND R65231) (INCLUDES PLUGS AND PINS)
14	AR82373	HOUSING	1	030082-	(MARKED R65225) (INCLUDES PLUGS AND PINS)
14	R62840	VALVE	1	-XXXXXX	(SUB R65229)
	R65229	CONTROL VALVE	1	XXXXXX-	
15	R60038	PACKING	1		
16	R26650	DOWEL PIN	1		
17	R62842	SPRING	1		
18	R67315	PIN	1		(SUB FOR R62843)
19	15H558	PIPE PLUG	AR		1/8", (SUB FOR R21630) (3 USED WITH R62837 OR R65225) (2 USED WITH R62839)
	R21629	PIPE PLUG	AR		(6 USED WITH R62837) (5 USED WITH R62839 OR R65225)

3C11

POWER TRAIN

BRAKE PISTON HOUSING AND CLUTCH DRUM - CONTINUED
(QUAD-RANGE)
(TRACTOR SERIAL NO. 025361-)

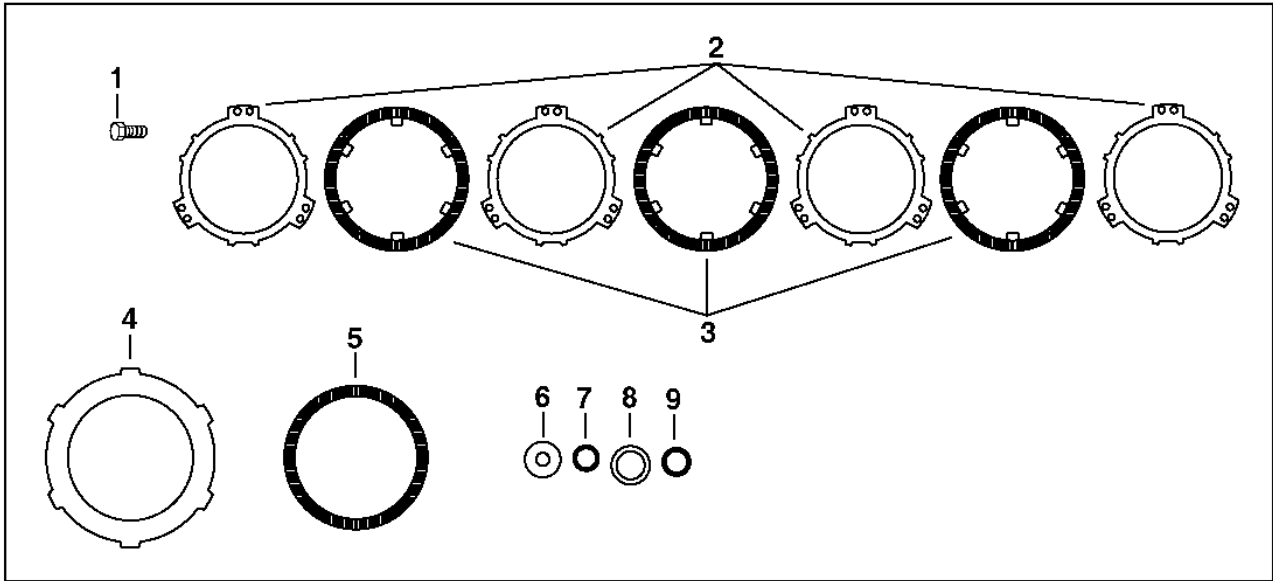
KEY	PART NO.	PART NAME	QTY	TRACTOR SERIAL NO.	REMARKS
20	R65230	SPRING	1		(SUB R67306, THIS APPLICATION)
21	400R	BALL	1		6MM (1/4")
22	R65231	SCREW	1	030082-	
23	28H1519	WASHER	1		0.493" X 0.675" X 3/8"
24	R55234	TUBE	1		(SUB R78265, R60524, R112876 AND 28H1518)
25	R42357	CLAMP	2		
26	R41041	CAP SCREW	1		
27	24H1051	WASHER	1		13/32" X 13/16" X 0.065"
28	34H249	SPRING PIN	1		1/8" X 7/8"
29	R62841	VALVE	1		
30	R53050	PIN	1		
31	34H188	SPRING PIN	6		5/16" X 1-3/4"
32	R50348	DISK SPRING	6		
33	R39299	SNAP RING	1		
34	AR83798	DISK, INNER SPLINE	4		(SUB AR71561)
35	R39259	CLUTCH PLATE	5		
36	R50152	PLATE	4		
37	R59744	SPRING	6		
38	AR71560	DISK, INNER SPLINE	3		(SUB RE29815)
39	R50153	PLATE	1		
40	R30165	CAP SCREW	6		

3C12

POWER TRAIN

RXP021455 -UN-15APR96

QUAD-RANGE



RXP021455

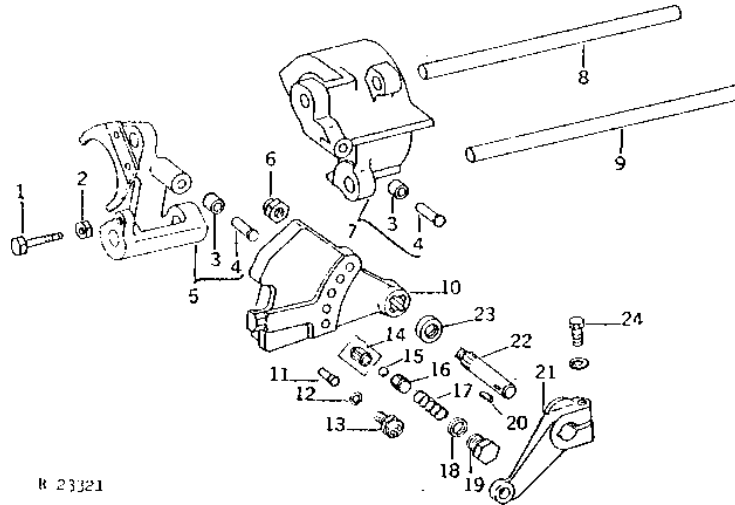
KEY	PART NO.	PART NAME	QTY	TRACTOR SERIAL NO.	REMARKS
1	R30165	CAP SCREW	6		
2	R50152	PLATE	4		
3	RE29815	DISK	3		
4	R39259	CLUTCH PLATE	9		
5	RE29816	DISK	4		
6	R50349	WASHER	1		
7	R39304	WASHER	1		
8	R57558	PACKING	1		
9	R60038	PACKING	1		
10	AR116199	KIT	1		

3C13

POWER TRAIN

**SHIFTERS AND SHIFTER SHAFTS
(QUAD-RANGE AND SYNCRO-RANGE)
(TRACTOR SERIAL NO. -025360)**

R23321 -UN-01JAN94



R 23321

KEY	PART NO.	PART NAME	QTY	TRACTOR SERIAL NO.	REMARKS
1	19H1944	CAP SCREW	1		3/8" X 2-3/4"
2	14H812	NUT	1		3/8"
3	R43906	SPACER	2		
4	R97316	PIN	2		(SUB FOR R43907)
5	AR73158	SHIFTER	1		(MARKED R47121 AND R60339) (SUB FOR AR49652)
6	E17421	LOCK NUT	1		
7	AR43744	SHIFTER	1		(MARKED R43137)
8	R70558	SHAFT	1		(SUB FOR R43461)
9	R43460	SHAFT	1		
10	R100094	CAM	1		(A) (SUB FOR R43393)
	R54494	CAM	1		(B)
11	R99556	PIN	1		(SUB FOR R33731)
12	T16911	SHIM	AR		
13	RE38390	SWITCH	1		(SUB FOR R36265, AR85323 OR AR89691)
14	R26202	PAWL	1	-013316	(DETENT)
15	M886T	BALL	1	013317-	16MM (5/8")
16	T19079	RETAINER	1	013317-	
17	T23856	SPRING	1	-013316	
	R51865	SPRING	1	013317-	
18	A4827R	WASHER	1		
19	R34844	RETAINER	1		
20	26H17	SHAFT KEY	1		3/16" X 7/8"
21	R52437	ARM	1		(A)
	R52466	ARM	1		(B)
22	R52660	SHAFT	1		
23	AR389R	SEAL	1		
24	19H1800	CAP SCREW	1		3/8" X 1-1/2"
	12H304	LOCK WASHER	1		3/8"

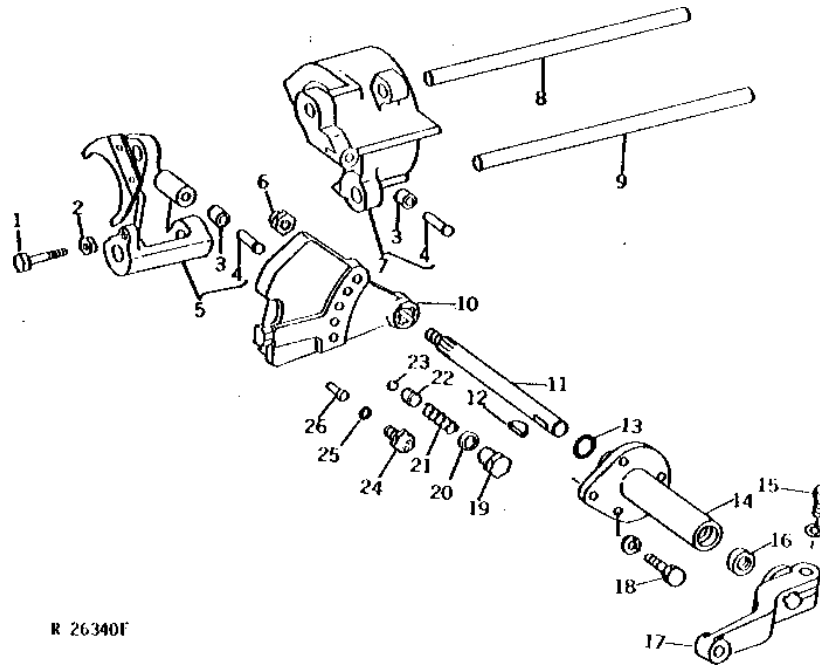
(A) SYNCRO-RANGE TRANSMISSION
(B) QUAD-RANGE TRANSMISSION

3C14

POWER TRAIN

SHIFTERS AND SHIFTER SHAFTS
(QUAD-RANGE AND SYNCRO-RANGE)
(TRACTOR SERIAL NO. 025361-)

R26340 -UN-01JAN94



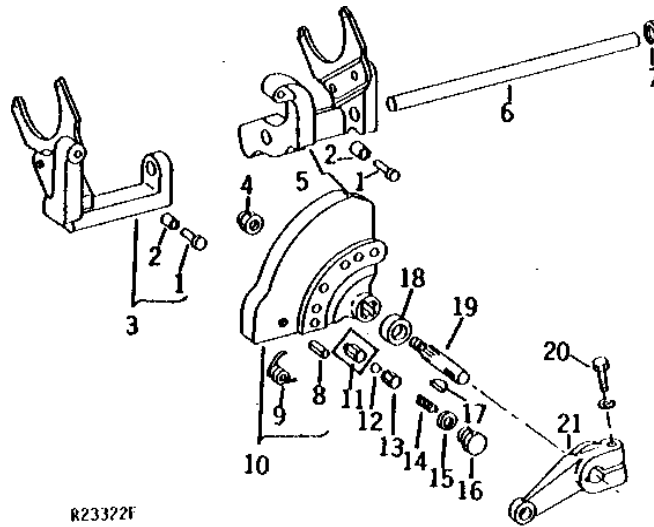
KEY	PART NO.	PART NAME	QTY	TRACTOR SERIAL NO.	REMARKS
1	19H1944	CAP SCREW	1	3/8" X 2-3/4"	
2	14H812	NUT	1	3/8"	
3	R43906	SPACER	2		
4	R97316	PIN	2	(SUB FOR R43907)	
5	AR73158	SHIFTER	1	(MARKED R60339)	
6	E17421	LOCK NUT	1		
7	AR43744	SHIFTER	1	(MARKED R43137)	
8	R43461	DOWEL PIN	1		
9	R43460	SHAFT	1		
10	R100094	CAM	1	(SYNCRO-RANGE) (SUB FOR R43393)	
	R54494	CAM	1	(QUAD-RANGE)	
11	R62811	SHAFT	1		
12	26H17	SHAFT KEY	1	3/16" X 7/8"	
13	R29463	O-RING	1		
14	R62813	SUPPORT	1		
15	19H1800	CAP SCREW	1	3/8" X 1-1/2"	
	12H304	LOCK WASHER	1	3/8"	
16	AR389R	SEAL	1	(SUB FOR R33731)	
17	R61987	ARM	1	(SYNCRO-RANGE)	
	R61983	ARM	1	(QUAD-RANGE)	
18	19H1732	CAP SCREW	3	3/8" X 1-1/4"	
	12H304	LOCK WASHER	3	3/8"	
19	R34844	RETAINER	1		
20	A4827R	WASHER	1		
21	R51865	SPRING	1		
22	T19079	RETAINER	1		
23	M886T	BALL	1	16MM (1/4")	
24	RE38390	SWITCH	1	(SUB FOR R36265, AR85323 OR AR89691)	
25	T16911	SHIM	AR		
26	R99556	PIN	1	(SUB FOR R33731)	

3C15

POWER TRAIN

**GEAR SHIFTERS AND SHIFTER SHAFTS
(QUAD-RANGE AND SYNCRO-RANGE)
(TRACTOR SERIAL NO. -025360)**

R23322 -UN-01JAN94



KEY	PART NO.	PART NAME	QTY	TRACTOR SERIAL NO.	REMARKS
1	R26206	PIN	2		
2	R26207	ROLLER	3		
3	AR43026	LEVER	1		(MARKED R43135) ((A); FIRST AND THIRD, SIXTH AND EIGHTH SPEED) ((B); A-AND D-RANGE)
4	E17421	LOCK NUT	1		
5	AR43027	LEVER	1		(MARKED R43136) ((A); SECOND AND FIFTH, FOURTH AND SEVENTH SPEED) ((B); B-AND C-RANGE)
6	R43460	SHAFT	1		
7	R46205	RING	1		
8	34H365	SPRING PIN	1		1/2" X 7/8"
9	R43593	SPRING	1		
10	AR77725	CAM	1		(MARKED R43391, R61108, R62803 OR R62972) (SUB FOR AR43097, AR74081 OR AR77462)
11	R26202	PAWL	1	-013316	(DETENT)
12	M886T	BALL	1	013317-	16MM (1/4")
13	T19079	RETAINER	1	013317-	
14	R26203	SPRING	1	-013316	
15	R59378	SPRING	1	013317-	
16	A4827R	WASHER	1		
17	R38181	FITTING	1		
18	26H17	SHAFT KEY	1		3/16" X 7/8"
19	AR389R	SEAL	1		
20	R52658	SHAFT	1		(A)
21	R52469	SHAFT	1		(B)
20	19H1800	CAP SCREW	1		3/8" X 1-1/2"
	12H304	LOCK WASHER	1		3/8"
21	R52435	ARM	1		(A)
	R52468	ARM	1		(B)

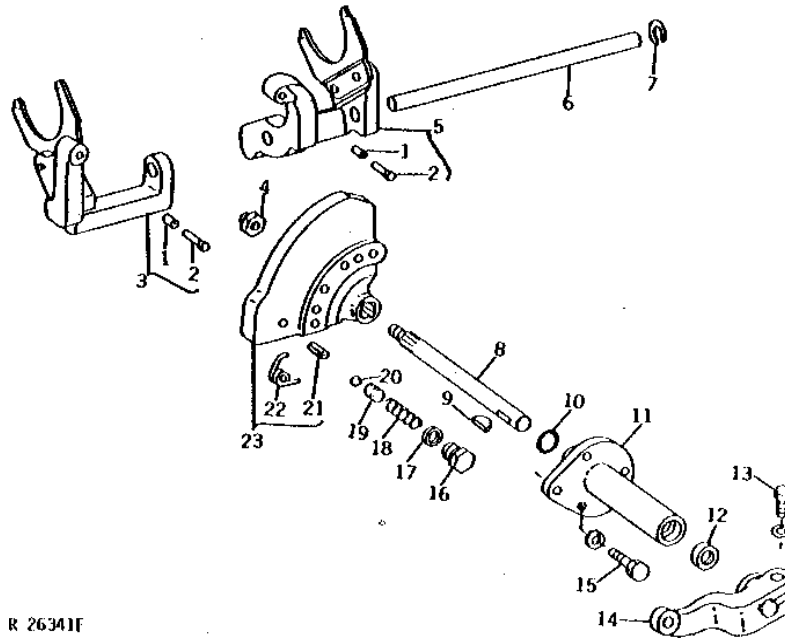
(A) SYNCRO-RANGE TRANSMISSION
(B) QUAD-RANGE TRANSMISSION

3C16

POWER TRAIN

GEAR SHIFTERS AND SHIFTER SHAFTS (QUAD-RANGE AND SYNCRO-RANGE) (TRACTOR SERIAL NO. 025361-)

R26341 -UN-01JAN94



R 26341F

KEY	PART NO.	PART NAME	QTY	TRACTOR SERIAL NO.	REMARKS
1	R26207	ROLLER	2		
2	R26206	PIN	2		
3	AR43026	LEVER	1		(MARKED R43135) ((A); FIRST AND THIRD, SIXTH AND EIGHTH, SPEED) ((B); A-AND D-RANGE)
4	E17421	LOCK NUT	1		
5	AR43027	LEVER	1		(MARKED R43136) ((A); SECOND AND FIFTH, FOURTH AND SEVENTH SPEED) ((B); B-AND C-RANGE)
6	R43460	SHAFT	1		
7	R46205	RING	1		
8	R62812	SHAFT	1		
9	26H17	SHAFT KEY	1		3/16" X 7/8"
10	R29463	O-RING	1		
11	R62813	SUPPORT	1		
12	AR389R	SEAL	1		
13	19H1800	CAP SCREW	1		3/8" X 1-1/2"
	12H304	LOCK WASHER	1		3/8"
14	R62815	ARM	1		(A)
	R62818	ARM	1		(B)
15	19H1732	CAP SCREW	3		3/8" X 1-1/4"
	12H304	LOCK WASHER	3		3/8"
16	R38181	FITTING	1		
17	A4827R	WASHER	1		
18	R59378	SPRING	1		
19	T19079	RETAINER	1		
20	M886T	BALL	1		13MM (1/2")
21	34H365	SPRING PIN	1		1/2" X 7/8"
22	R109478	SPRING	1		(SUB FOR R43593, R73444 OR R55910)
23	AR77725	CAM	1		(MARKED R62972)

(A) SYNCHRO-RANGE TRANSMISSION

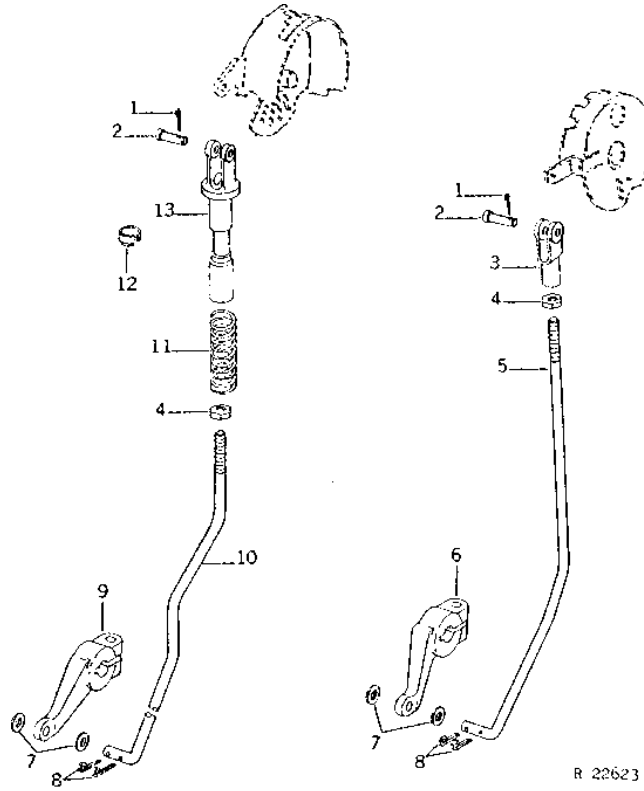
(B) QUAD-RANGE TRANSMISSION

3C17

POWER TRAIN

TRANSMISSION SHIFTER CONTROL RODS
(SYNCRO-RANGE)
(TRACTOR SERIAL NO. -025360)

R22623 -UN-01JAN94



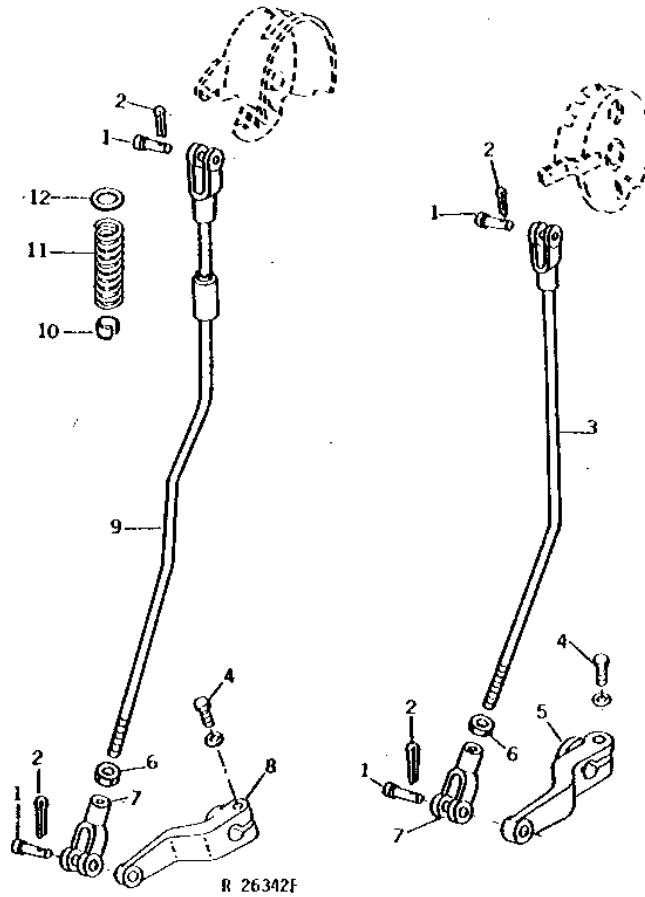
KEY	PART NO.	PART NAME	QTY	TRACTOR SERIAL NO.	REMARKS
1	11H236	COTTER PIN	2	1/8" X 1"	
2	R72855	PIN	2	(SUB FOR T10187)	
3	T21158	YOKE	1		
4	14H856	NUT	2	1/2"	
5	R52661	SHIFTER ROD	1		
6	R52437	ARM	1		
7	D2491R	SHIM	4		
8	11H236	COTTER PIN	4	1/8" X 1"	
9	R52435	ARM	1		
10	R52659	SHIFTER ROD	1		
11	R56709	SPRING	1	(SUB FOR R52954)	
12	R52958	RETAINER	1		
13	AR68735	LINK	1	(ALSO ORDER R32731) (SUB FOR AR58431)	

3C18

POWER TRAIN

TRANSMISSION SHIFTER CONTROL RODS (SYNCRO-RANGE) (TRACTOR SERIAL NO. 025361-)

R26342 -UN-01JAN94



R 26342F

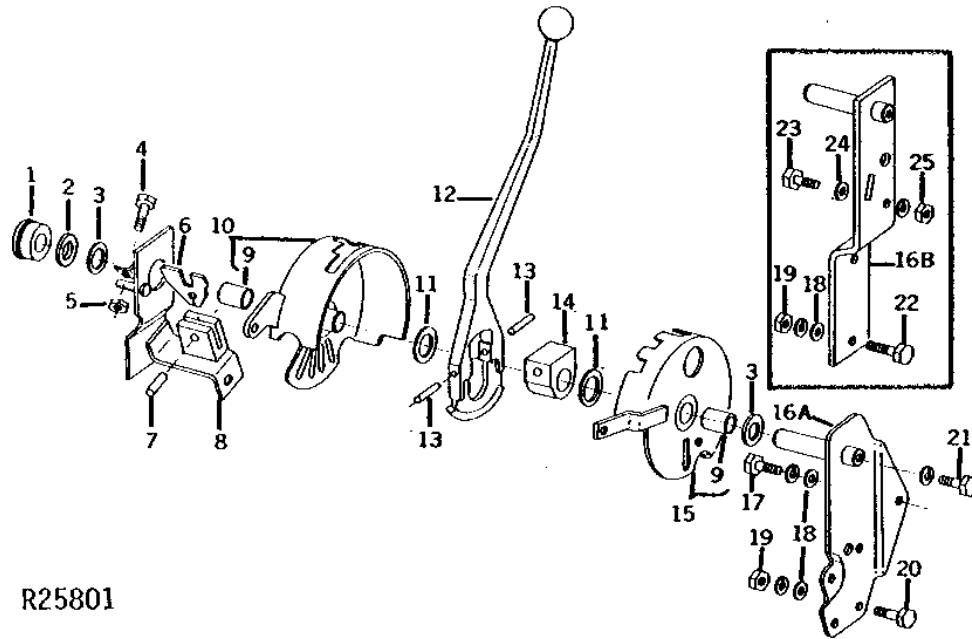
KEY	PART NO.	PART NAME	QTY	TRACTOR SERIAL NO.	REMARKS
1	R72855	PIN	4	(SUB FOR T10187)	
2	11H236	COTTER PIN	4	1/8" X 1"	
3	AR77466	SHIFTER ROD	1		
4	19H1800	CAP SCREW	2	3/8" X 1-1/2"	
	12H304	LOCK WASHER	2	3/8"	
5	R61987	ARM	1		
6	14H856	NUT	2	1/2"	
7	T21158	YOKE	2		
8	R62815	ARM	1	(MAKE FROM R61988)	
9	AR77467	ROD	1		
10	R52958	RETAINER	1		
11	R56709	SPRING	1		
12	R32731	WASHER	1		

3C19

POWER TRAIN

TRANSMISSION SHIFTER CONTROL SUPPORT, LEVER, AND LINKAGE (SYNCRO-RANGE)

R25801 -UN-01JAN94



R25801

KEY	PART NO.	PART NAME	QTY	TRACTOR SERIAL NO.	REMARKS
1	R62927	SPACER	1		(SUB FOR R50526 OR R56236) (ALSO ORDER 24H1422)
2	24H1422	SHIM	AR	XXXXXX-	0.018"
3	R42127	WASHER	2		
4	19H1849	CAP SCREW	1		5/16" X 1-1/4"
5	14H611	NUT	1		5/16"
6	R52882	LATCH	1		
7	34H348	SPRING PIN	1		3/8" X 1"
8	AR62258	SUPPORT	1		(A)
	AR62259	SUPPORT	1		(B)
	R57449	PIN	1		
9	R26182	BUSHING	2		
10	AR62069	QUADRANT	1		
11	R26187	WASHER	2		
12	R55553	LEVER	1		(SUB FOR R50523) (SUB R70535, R50864)
13	34H316	SPRING PIN	2		1/4" X 1-1/2"
14	R53247	PIVOT	1		
15	AR62066	QUADRANT	1		
16A	AR56230	SUPPORT	1		(A)
16B	AR54659	SUPPORT	1		(B)
17	19H1731	CAP SCREW	2		3/8" X 1"
	12H304	LOCK WASHER	2		3/8"
18	24H1305	WASHER	2		13/32" X 13/16" X 0.065"
19	14H812	NUT	1		3/8"
	12H304	LOCK WASHER	1		3/8"
20	19H2552	CAP SCREW	1		3/8" X 1-1/8"
21	19H1731	CAP SCREW	1		3/8" X 1"
	12H304	LOCK WASHER	1		3/8"
22	19H2128	CAP SCREW	2		3/8" X 3"
23	19H2552	CAP SCREW	1		3/8" X 1-1/8"
24	24H1305	WASHER	1		13/32" X 13/16" X 0.065"
25	14H812	NUT	1		3/8"
	12H304	LOCK WASHER	1		3/8"

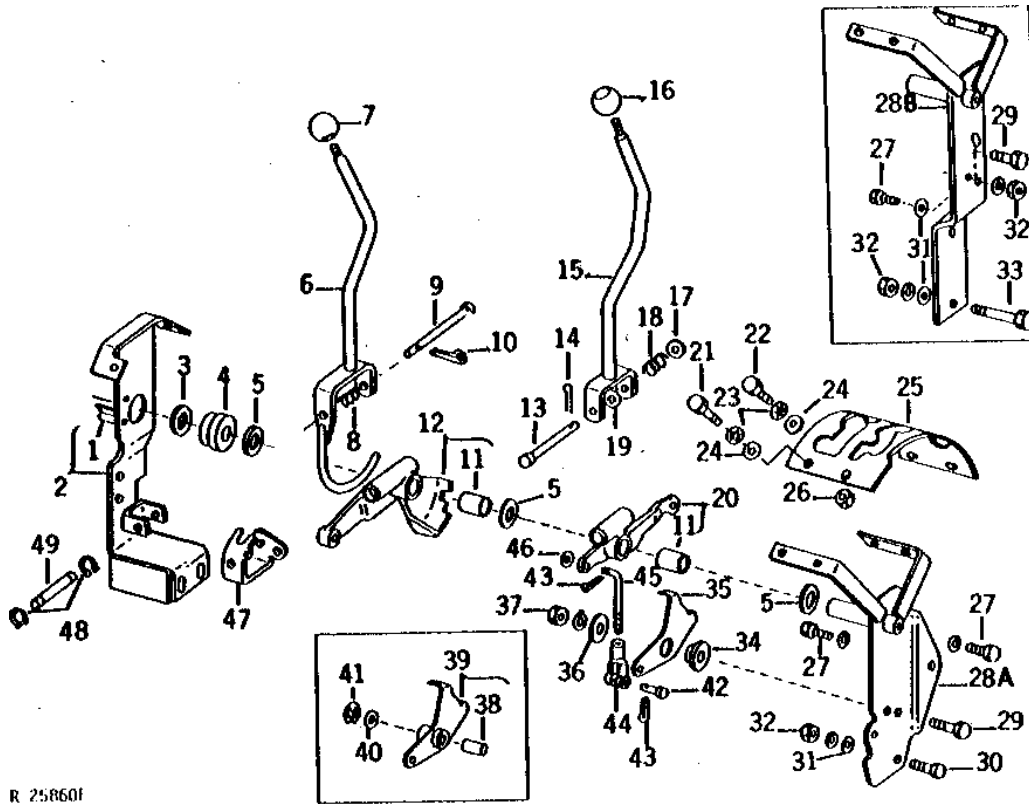
(A) SOUND-GARD BODY OR ROLL-GARD
(B) LESS SOUND-GARD BODY OR ROLL-GARD

3C20

POWER TRAIN

TRANSMISSION SHIFTER CONTROL LEVERS, LINKAGE AND SUPPORT (QUAD-RANGE)

R25860 -UN-01JAN94



R 25860f

KEY	PART NO.	PART NAME	QTY	TRACTOR SERIAL NO.	REMARKS
1	R57449	PIN	1		
2	AR61901	SUPPORT	1	-XXXXXX	(SUB AR78904, (2) 19H2020, (2) 19H1905 AND (2) 14H785)
	AR78904	SUPPORT	1	XXXXXX-	
	AR61900	SUPPORT	1	-024381	(A) (SUB AR70900, (2) 19H2020, (2) 19H1905 AND (2) 14H785)
	AR70900	SUPPORT	1	024382-025015	(A) (SUB AR81245)
	AR81245	SUPPORT	1	025016-	(A)
3	24H1422	SHIM	AR	XXXXXX-	0.018"
4	R62927	SPACER	1		(SUB FOR R50526 OR R56236) (ALSO ORDER 24H1422)
5	R42127	WASHER	3		
6	AR88536	LEVER	1		(SUB FOR AR57112 OR AR82761)
7	R50864	KNOB	1		
8	R41147	SPRING	1		
9	R31131	PIN	1		
10	11M7021	COTTER PIN	1		0.157" X 0.984"
11	R26182	BUSHING	2		
12	AR61942	ARM	1		(MARKED R52179)
13	R53510	PIN	1		
14	11M7021	COTTER PIN	1		0.157" X 0.984"
15	AR57113	LEVER	1		

3C21

POWER TRAIN

TRANSMISSION SHIFTER CONTROL LEVERS, LINKAGE AND SUPPORT - CONTINUED (QUAD-RANGE)

KEY	PART NO.	PART NAME	QTY	TRACTOR SERIAL NO.	REMARKS
16	R53244	KNOB	1		(NLA)
17	24M7096	WASHER	1		10.500 X 18 X 1.600 MM
18	R53692	SPRING	1		
19	R56712	WASHER	1		(SUB FOR R53511)
20	AR61941	ARM	1		(MARKED R52180)
21	19H1813	CAP SCREW	4	-XXXXXX	5/16" X 5/8"
	19H1813	CAP SCREW	4	-024381	5/16" X 5/8"
	19H2020	CAP SCREW	2	XXXXXX-	5/16" X 1/2"
	19H2020	CAP SCREW	2	024382-	5/16" X 1/2"
22	19H1905	CAP SCREW	2	XXXXXX-	5/16" X 1"
	19H1905	CAP SCREW	2	024382-	5/16" X 1"
23	12M7032	LOCK WASHER	4		0.331"
24	24H1292	WASHER	4		11/32" X 3/4" X 0.120"
25	R59711	GUIDE	1		(SUB FOR R52305)
26	14H785	NUT	2		5/16"
27	19H1731	CAP SCREW	3		3/8" X 1"
	12H304	LOCK WASHER	3		3/8"
28A	AR57115	SUPPORT	1	-016535	(A) (SUB AR73577, R60668, R60670, R60671, 19H1732, 12H304, 14H812)
	AR73577	SUPPORT	1	016536-	(A)
28B	AR56922	SUPPORT	1	-016535	(SUB AR73578, R60668, R60670 AND R60671)
	AR73578	SUPPORT	1	016536-	
29	19H1732	CAP SCREW	1	016536-	3/8" X 1-1/4"
30	19H1731	CAP SCREW	2		3/8" X 1"
31	24M7096	WASHER	3		10.500 X 18 X 1.600 MM
32	14H812	NUT	4		3/8"
	12H304	LOCK WASHER	4		3/8"
33	19H2128	CAP SCREW	2		3/8" X 3"
34	R60670	LOCK WASHER	1	016536-	
35	R60668	LATCH	1	016536-	
36	R60671	WASHER	1	016536-	
37	14H812	NUT	1	016536-	3/8"
	12H304	LOCK WASHER	1	016536-	3/8"
38	R36119	BUSHING	1	-016535	
39	AR60641	LATCH	1	-016535	
40	24H1341	WASHER	1	-016535	17/32" X 15/16" X 0.060"
41	R26871	SNAP RING	1	-016535	
42	R72660	PIN	1		(SUB FOR R662R)
43	11M7079	COTTER PIN	2		0.098" X 0.472"
44	R42282	YOKE	1		(SUB T54033 AND R82766)
45	R52304	HOOK BOLT	1		
46	24H1136	WASHER	1		11/32" X 11/16" X 0.065"
47	R55169	ARM	1		(SUB FOR R54206)
48	T12808	SNAP RING	2		(SUB R72655)
49	R53213	PIN	1		

(A) SOUND-GARD BODY OR ROLL-GARD

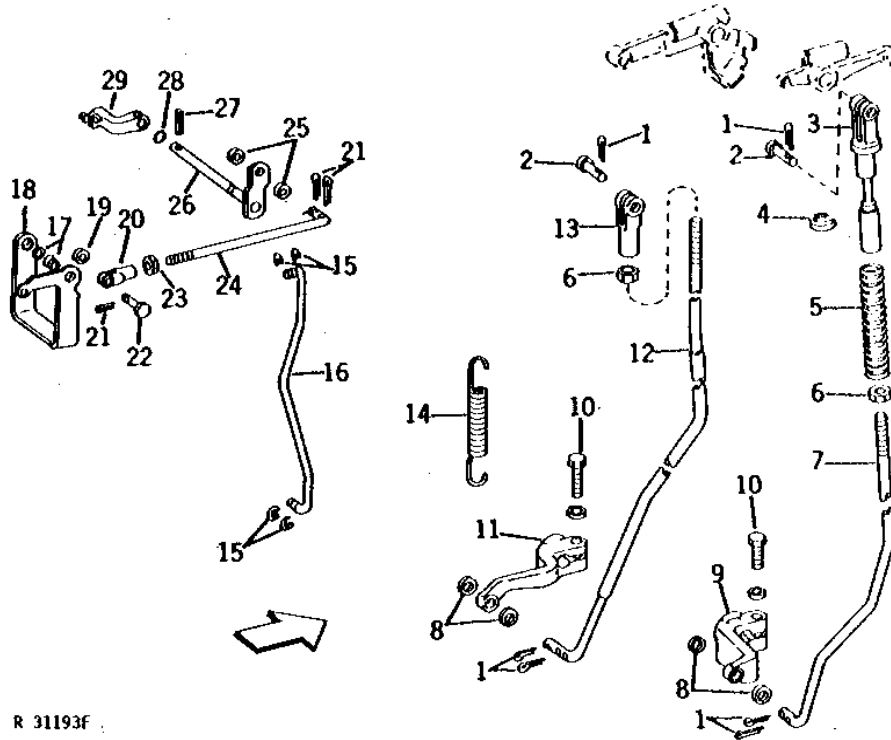
MEMORANDA

3C22

POWER TRAIN

TRANSMISSION SHIFTER CONTROL RODS (QUAD-RANGE) (TRACTOR SERIAL NO. -025360)

R31193 -UN-01JAN94



R 31193f

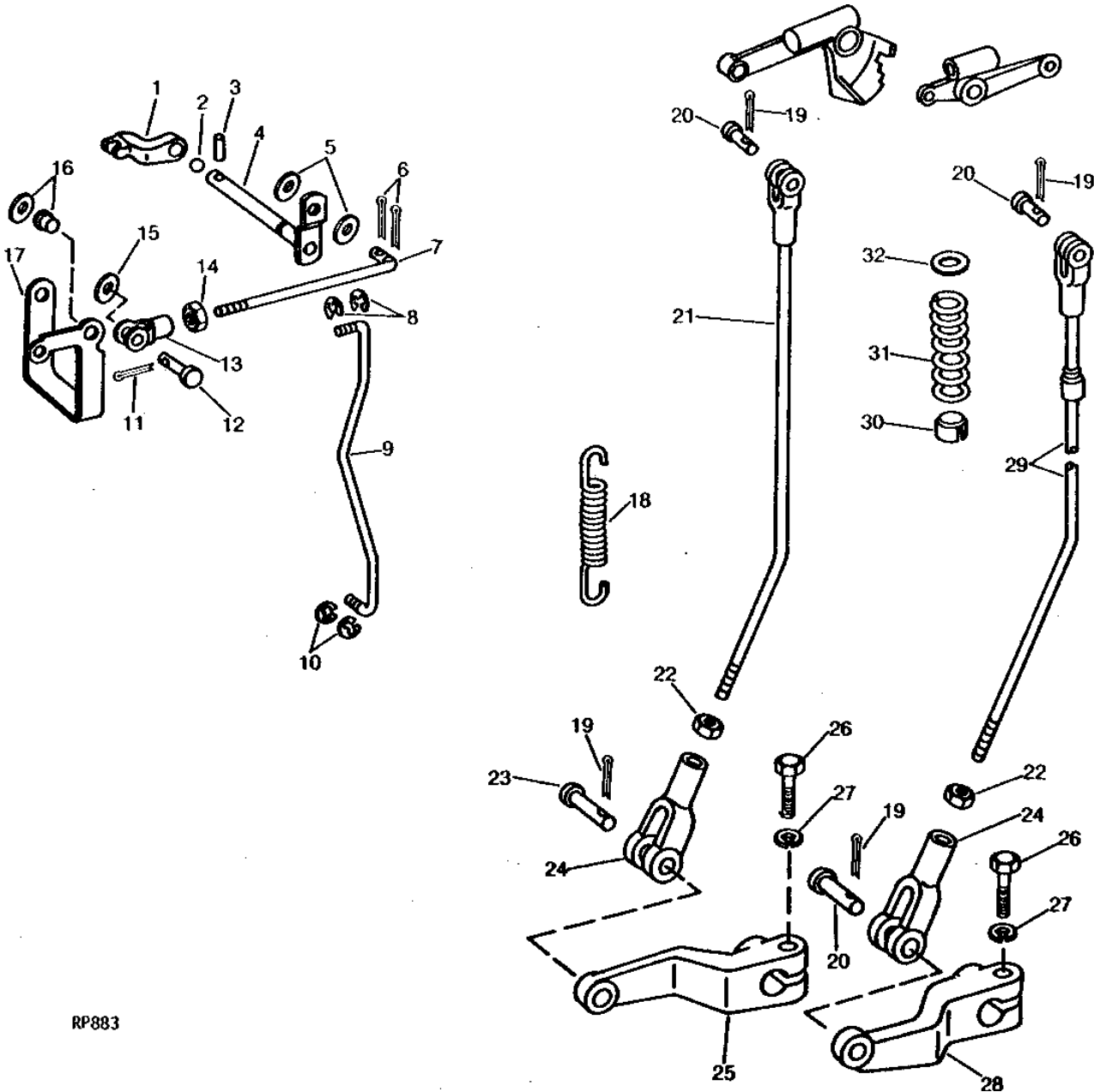
KEY	PART NO.	PART NAME	QTY	TRACTOR SERIAL NO.	REMARKS
1	11M7015	COTTER PIN	6		
2	R72855	PIN	2		3.200 X 25 MM (SUB FOR T10187)
3	AR68735	LINK	1		(SUB FOR AR58431)
4	R52958	RETAINER	1		
5	R56709	SPRING	1		(SUB FOR R52954)
6	14H856	NUT	2		1/2"
7	R54546	SHIFTER ROD	1		
8	D2491R	SHIM	4		
9	R52468	ARM	1		
10	19H1800	CAP SCREW	2		3/8" X 1-1/2"
	12H304	LOCK WASHER	2		3/8"
11	R52466	ARM	1		
12	R54547	SHIFTER ROD	1		
13	T21158	YOKE	1		
14	R56776	SPRING	1		
15	R72653	SNAP RING	4		(SUB FOR M2396T)
16	R52648	ROD	1		(SUB FOR R52647)
17	R52646	WASHER	2		
18	R52645	LEVER	1		
19	24H1287	WASHER	1		9/32" X 5/8" X 0.065"
20	R42282	YOKE	1		(SUB T54033 AND R82766)
21	11M7079	COTTER PIN	3		0.098" X 0.472"
22	R72660	PIN	1		(SUB FOR R662R)
23	14H882	NUT	1		5/16"
24	R64097	BOLT	1		(SUB FOR R54548)
25	24H1290	WASHER	2		21/64" X 3/4" X 0.035"
26	AR89136	SHAFT	1		(SUB FOR AR62455)
27	34H268	SPRING PIN	1		5/32" X 1-1/4"
28	R28782	O-RING	1		
29	R55244	ARM	1		

3C23

POWER TRAIN

TRANSMISSION SHIFTER CONTROL RODS (QUAD-RANGE) (TRACTOR SERIAL NO. 025361-)

RP883 -UN-01JAN94



RP883

3C24

POWER TRAIN

TRANSMISSION SHIFTER CONTROL RODS - CONTINUED
(QUAD-RANGE)
(TRACTOR SERIAL NO. 025361-)

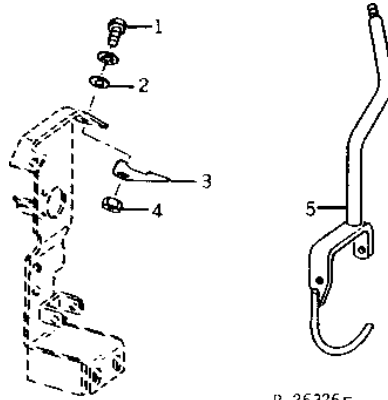
KEY	PART NO.	PART NAME	QTY	TRACTOR SERIAL NO.	REMARKS
1	R55244	ARM	1		
2	R28782	O-RING	1		
3	34H264	SPRING PIN	1		5/32" X 7/8"
4	AR77262	SHAFT	1		
5	24H1290	WASHER	2		21/64" X 3/4" X 0.035"
6	11M7079	COTTER PIN	2		0.098" X 0.472"
7	R64097	BOLT	1		
8	R72653	SNAP RING	2		(SUB FOR M2396T)
9	R52648	ROD	1		
10	R72653	SNAP RING	2		(SUB FOR M2396T)
11	11M7079	COTTER PIN	1		0.098" X 0.472"
12	R72660	PIN	1		(SUB FOR R662R)
13	R42282	YOKE	1		(SUB T54033 AND R82766)
14	14H882	NUT	1		5/16"
15	24H1287	WASHER	1		9/32" X 5/8" X 0.065"
16	R52646	WASHER	2		
17	R52645	LEVER	1		
18	R56776	SPRING	1		
19	11M7015	COTTER PIN	4		3.200 X 25 MM
20	R72855	PIN	3		(SUB FOR T10187)
21	AR77466	SHIFTER ROD	1		
22	14H856	NUT	2		1/2"
23	R63927	PIN	1		(SUB R73433)
24	T21158	YOKE	2		
25	R61983	ARM	1		
26	19H1800	CAP SCREW	2		3/8" X 1-1/2"
27	12H304	LOCK WASHER	2		3/8"
28	R62818	ARM	1		
29	AR77468	SHIFTER ROD	1		
30	R52958	RETAINER	1		
31	R56709	SPRING	1		
32	R32731	WASHER	1		

3C25

POWER TRAIN

R26326 -UN-02JAN94

SPEED SELECTOR LEVER AND STOP
(TRACTOR SERIAL NO. 029184-)
(NOT USED IN U.S. AND CANADA)



R 26326F

KEY	PART NO.	PART NAME	QTY	TRACTOR SERIAL NO.	REMARKS
1	19H2661	CAP SCREW	1		
	12M7032	LOCK WASHER	1		
2	24H1292	WASHER	1		
3	AR98801	ARM	1	(SUB FOR AR79049)	
4	14H611	NUT	1		
5	AR83654	LEVER	1	(SUB FOR AR79048)	

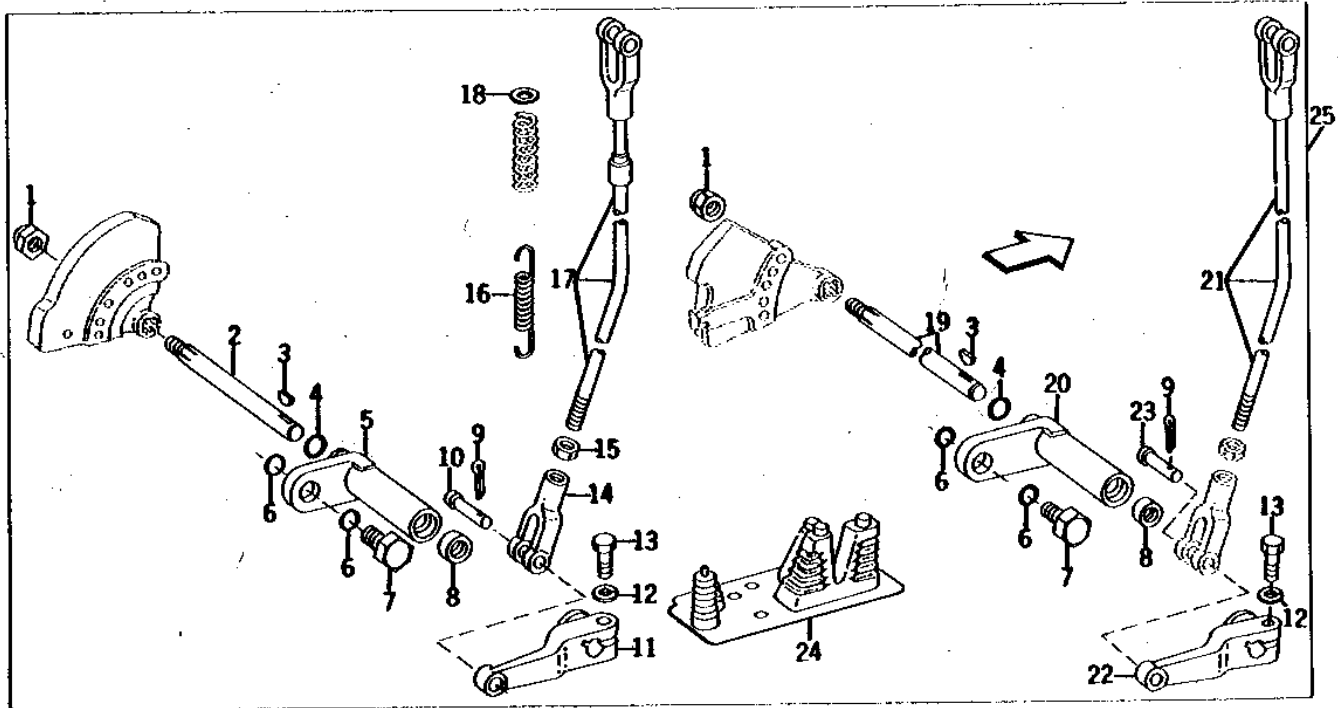
MEMORANDA

3D1

POWER TRAIN

OUTBOARD SHIFTER KIT (QUAD-RANGE AND SYNCRO-RANGE) (TRACTOR SERIAL NO. -025360)

R31180 -UN-01JAN94



R 31180F

KEY	PART NO.	PART NAME	QTY	TRACTOR SERIAL NO.	REMARKS
1	E17421	LOCK NUT	2		
2	R62812	SHAFT	1		
3	26H17	SHAFT KEY	2	3/16" X 7/8"	
4	R29463	O-RING	2		
5	R65270	SUPPORT	1		
6	U11326	O-RING	4		
7	R65261	PLUG	2		
8	AR389R	SEAL	2		
9	11M7015	COTTER PIN	2	3.200 X 25 MM	
10	R72855	PIN	1	(A) (SUB FOR T10187)	
	R63927	PIN	1	(B) (SUB R73433)	
11	R62815	ARM	1	(A)	
	R62818	ARM	1	(B)	
12	12H304	LOCK WASHER	2	3/8"	
13	19H1800	CAP SCREW	2	3/8" X 1-1/2"	
14	T21158	YOKE	1		
15	14H856	NUT	1	1/2"	
16	R56776	SPRING	1	(B)	
17	AR77467	ROD	1	(A)	
	AR77468	SHIFTER ROD	1	(B)	
18	R32731	WASHER	1		
19	R62811	SHAFT	1		
20	R65269	SUPPORT	1		
21	AR77466	SHIFTER ROD	1		
22	R61987	ARM	1	(A)	
	R61983	ARM	1	(B)	
23	T10187	PIN	2		
24	AR78239	BOOT	1	(A) (SUB RE12512 AND R32239)	
25	AR82456	SHIFTER	1	(A)	
	AR82455	SHIFTER	1	(B)	

(A) SYNCRO-RANGE TRANSMISSION

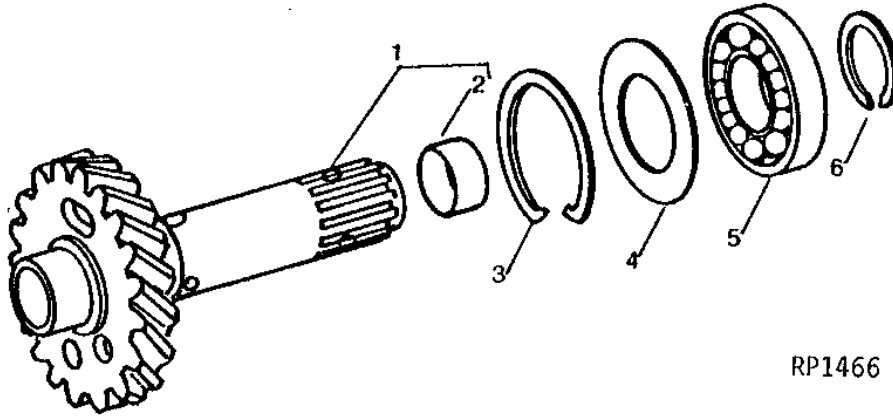
(B) QUAD-RANGE TRANSMISSION

3D2

POWER TRAIN

PTO DRIVE SHAFT AND GEAR
(QUAD-RANGE AND SYNCRO-RANGE)
(TRACTOR SERIAL NO. 007000-)

RP1466 -UN-01JAN94



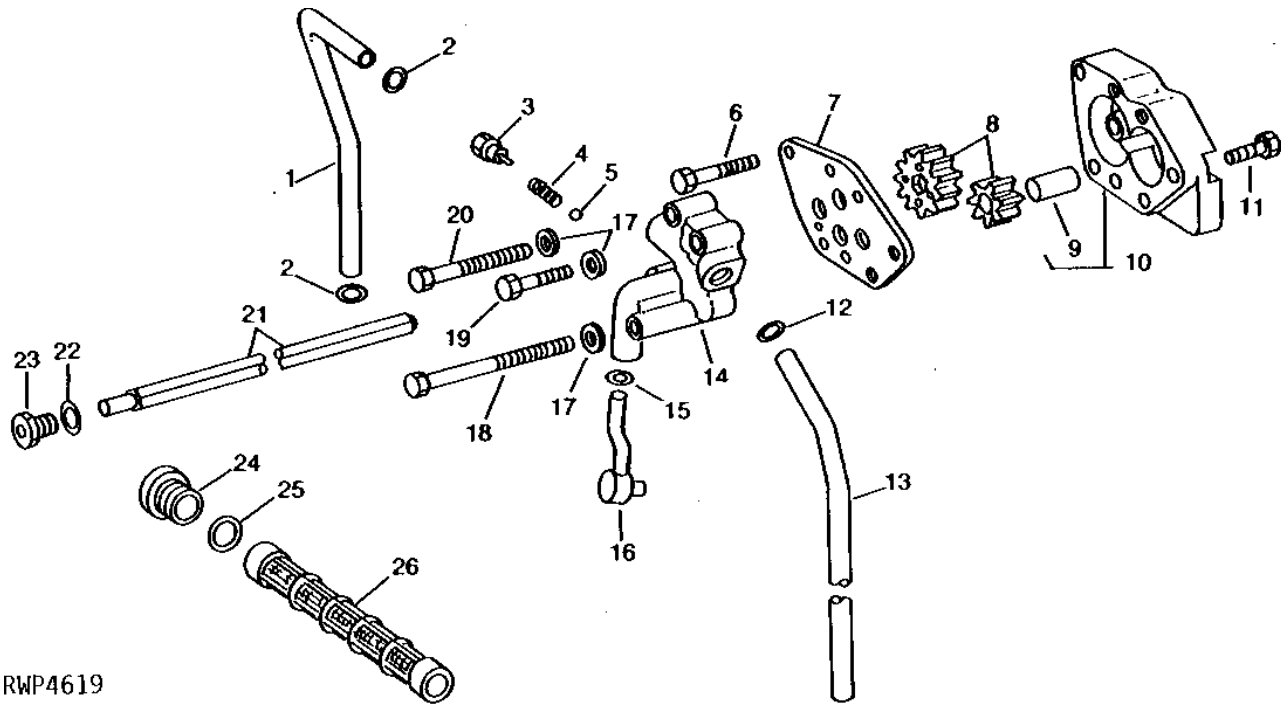
KEY	PART NO.	PART NAME	QTY	TRACTOR SERIAL NO.	REMARKS
1	AR63211	SHAFT	1		(MARKED R54353)
2	R50863	BUSHING	1		
3	R68956	SNAP RING	1		(SUB FOR R53107)
4	R52988	WASHER	1		
5	JD8735	BALL BEARING	1		
6	R36295	SNAP RING	1		

3D3

POWER TRAIN

TRANSMISSION OIL PUMP (QUAD-RANGE AND SYNCRO-RANGE)

RWP4619 -UN-01JAN94



RWP4619

KEY	PART NO.	PART NAME	QTY	TRACTOR SERIAL NO.	REMARKS
1	R51987	HYDRAULIC LINE	1		
2	R56462	O-RING	2		
3	AR61217	PLUG	1		
4	R48951	SPRING	1		
5	400R	BALL	1	6MM (1/4")	
6	R43252	CAP SCREW	2		
7	R50847	COVER	1		
8	AR61290	GEAR	1	(A) (USE WITH R50846)	
9	R51029	DOWEL PIN	1		
10	AR62939	HOUSING	1	(A) (MARKED R50846)	
	AR85538	HOUSING	1	(INCREASED CAPACITY) (MARKED R63709 OR R82163) (SUB AR78652, AR78653 AND RE20918)	
11	R41006	CAP SCREW	2		
12	B2762R	O-RING	1		
13	R40831	HYDRAULIC LINE	1		
14	AR61216	MANIFOLD	1	(MARKED R51674)	
15	A3917R	O-RING	1		
16	AR43058	HYDRAULIC LINE	1		
17	24H1136	WASHER	3	11/32" X 11/16" X 0.065"	
18	R43256	CAP SCREW	1		
19	R41007	CAP SCREW	1		
20	R51030	CAP SCREW	1		
21	R51988	PIN	1		
22	F3171R	O-RING	1		
23	AR54983	FITTING PLUG	1		
24	R40147	FITTING	1	(SUB FOR A4806R)	
25	A4808R	WASHER	1		
26	R53169	SCREEN	1	NYLON	
	AR26375	SCREEN	1	STEEL	

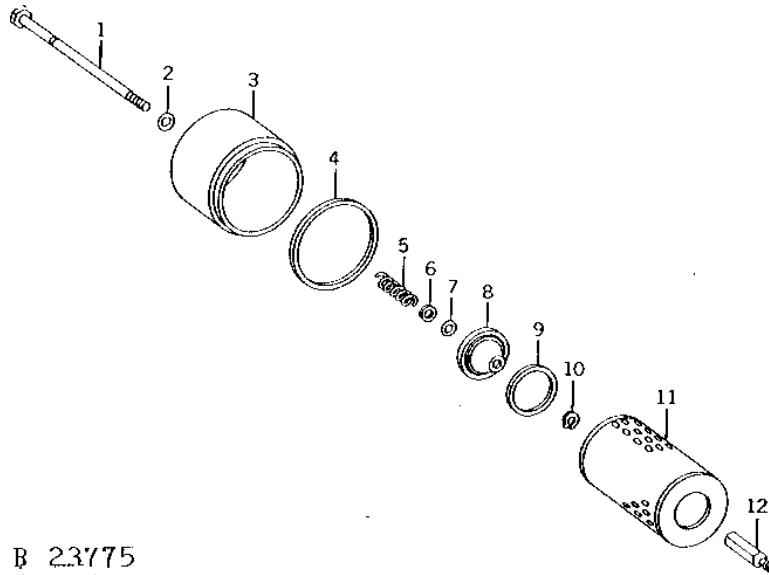
(A) WHEN ORDERING BOTH HOUSING AND GEARS, ORDER AR78652, AR78653 AND RE20918

3D4

POWER TRAIN

TRANSMISSION OIL FILTER (QUAD-RANGE AND SYNCRO-RANGE)

R23775 -UN-01JAN94



B 23775

KEY	PART NO.	PART NAME	QTY	TRACTOR SERIAL NO.	REMARKS
1	R54750	CAP SCREW	1		(SUB FOR R39795)
	R65894	CAP SCREW	1	017285-	(A)
2	R394R	O-RING	1		
3	R39796	COVER	1		
	R39796	COVER	1	-017284	(A)
	R63093	COVER	1	017285-	(A) (SUB FOR R51654)
4	R34733	WASHER	1		
5	H819R	SPRING	1		
6	24H1227	WASHER	1		17/32" X 13/16" X 0.060"
7	R394R	O-RING	1		
8	R65892	RETAINER	1		
9	R28594	WASHER	1	-021338	
	R28594	WASHER	1	-017284	(A)
10	R32507	SNAP RING	1		
11	AR75603	FILTER ELEMENT	1		(ALSO ORDER R34733) (SUB FOR AR28271 OR AR75601) (PKG. OF 2)
	AR75603	FILTER ELEMENT	1	-017284	(ALSO ORDER R34733) (PKG. OF 2)
	AR98098	FILTER ELEMENT	1	017285-	(A) (SUB FOR AR70506)
12	R58765	SCREW	1	017285-XXXXXX	(A) (SUB R65894)

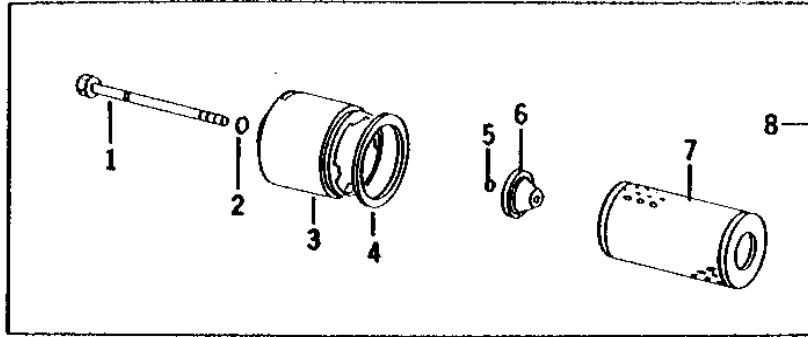
(A) POWER FRONT WHEEL DRIVE

3D5

POWER TRAIN

R29363 -UN-01JAN94

INCREASED OIL FILTRATION



R29363

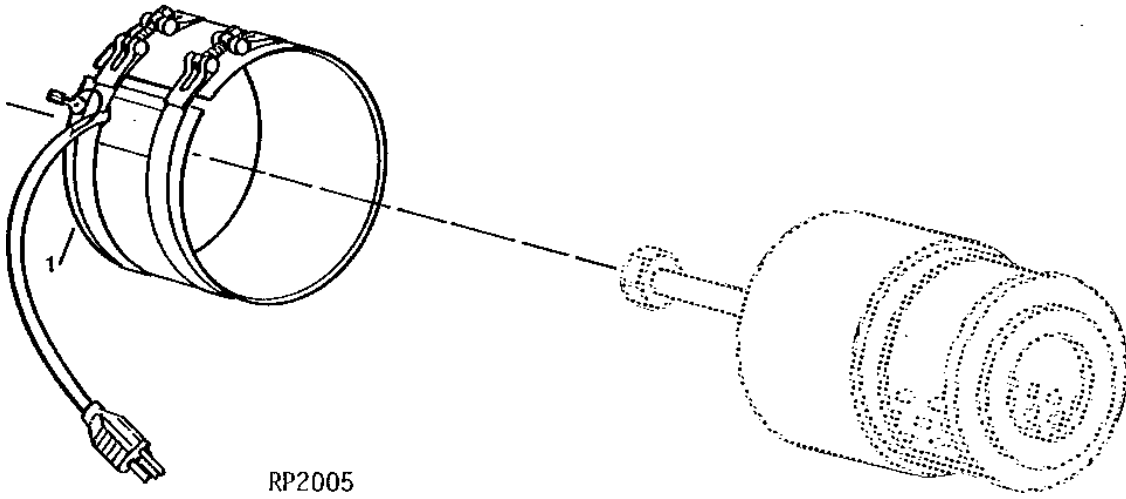
KEY	PART NO.	PART NAME	QTY	TRACTOR SERIAL NO.	REMARKS
1	R65894	CAP SCREW	1		
2	R394R	O-RING	1		
3	R63093	COVER	1		
4	R34733	WASHER	1		
5	F2741R	PACKING	1		
6	R65892	RETAINER	1		
7	AR98098	FILTER ELEMENT	1	(SUB FOR AR70636)	
8	AR85271	KIT	1		

3D6

POWER TRAIN

RP2005 -UN-01JAN94

OIL FILTER HEATER



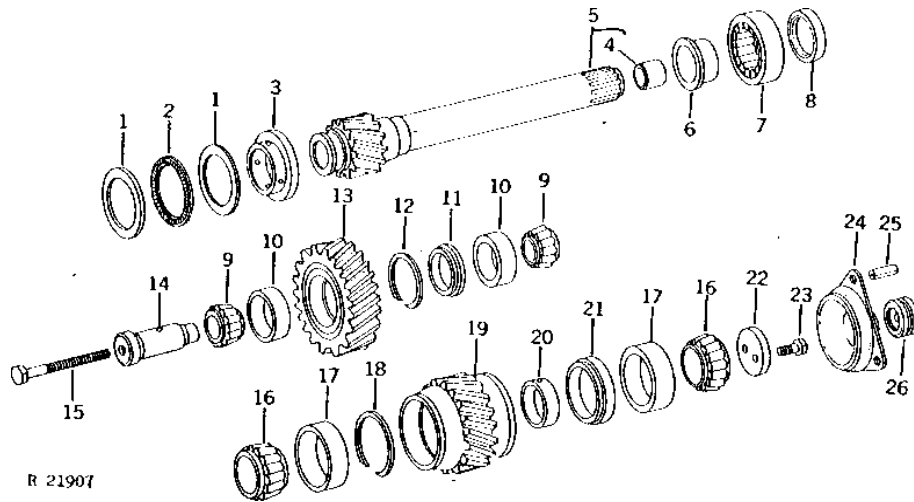
KEY	PART NO.	PART NAME	QTY	TRACTOR SERIAL NO.	REMARKS
1	AR98518	HEATER	1		

3D7

POWER TRAIN

**PTO DRIVE SHAFT AND IDLER GEARS
(SYNCRO-RANGE)
(TRACTOR SERIAL NO. -006999)**

R21907 -UN-01JAN94



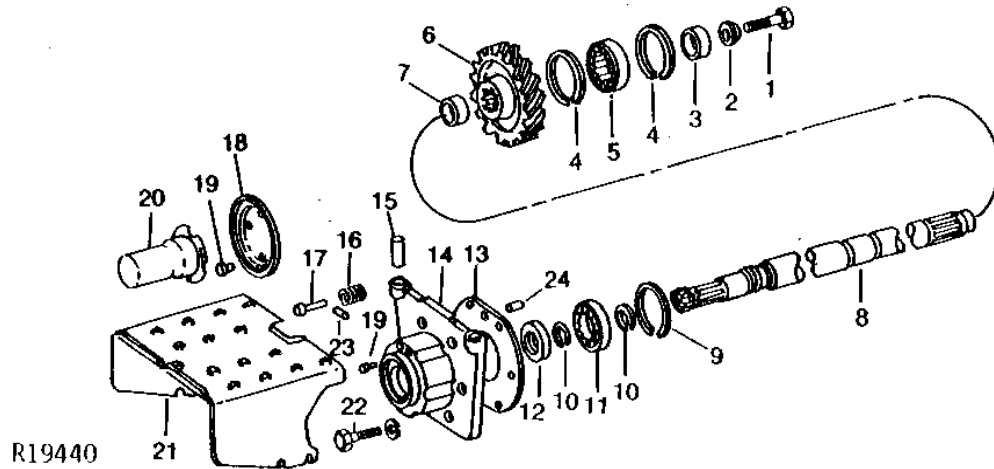
KEY	PART NO.	PART NAME	QTY	TRACTOR SERIAL NO.	REMARKS
1	JD9920	BEARING RACE	2		
2	JD9918	BEARING	1		
3	R50252	ADAPTER	1		
4	R51216	BUSHING	1		
5	AR61564	SHAFT	1		
6	JD9502	BEARING RACE	1		
7	JD8338	ROLLER BEARING	1		
8	R31292	PISTON RING	1		(SPLIT SEAL RING)
9	JD8930	BEARING CUP	2		
10	JD8252	BEARING CUP	2		
11	R50159	WASHER	1		
12	R50158	SNAP RING	1		
13	R50157	GEAR	1		(NLA)
14	R50823	SHAFT	1		
15	R50266	CAP SCREW	1		
16	JD9058	BEARING CONE	2		
17	JD9121	BEARING CUP	2		
18	A4609R	SNAP RING	1		
19	R50629	STEERING GEAR	1		
20	R50255	BUSHING	1		
21	R50256	BUSHING	1		
22	R57267	PLATE	1		(SUB FOR R50282)
23	R57725	SCREW	2		(SUB FOR R40835)
24	RE20734	BRAKE SHOE	1		(SUB FOR AR40666)
25	34H349	SPRING PIN	3		3/8" X 1-1/4"
26	R43366	PISTON	1		

3D8

POWER TRAIN

1000 RPM PTO SHAFT
(SYNCRO-RANGE)
(TRACTOR SERIAL NO. -006999)

R19440 -UN-01JAN94



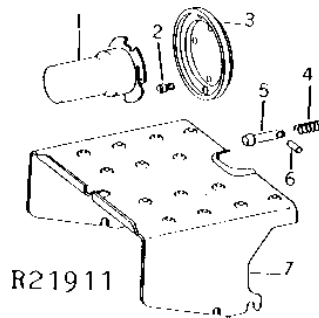
KEY	PART NO.	PART NAME	QTY	TRACTOR SERIAL NO.	REMARKS
1	R50302	CAP SCREW	1		
2	R50162	SPACER	1		
3	JD8339	BEARING RACE	1		
4	A4609R	SNAP RING	2		
5	JD8731	BEARING RACE	1		
6	R50628	GEAR	1		
7	R34328	BUSHING	1		(USE WITH R49840)
	R55489	BUSHING	1		(USE WITH R55480)
8	R51100	SHAFT	1		
9	A4609R	SNAP RING	1		
10	R65322	SNAP RING	2		(ALSO ORDER A364R) (SUB FOR R50830)
11	JD7155	BALL BEARING	1		
12	AR55216	SEAL	1		
13	R58900	GASKET	1		
14	AR55167	QUILL	1		(MARKED R51101)
15	34H348	SPRING PIN	2		3/8" X 1"
16	F1463R	SPRING	1		
17	F1462R	PIN	1		
18	AR26707	RETAINER	1		
19	R27329	SCREW	4		
20	AR26782	GUARD	1		
21	R27562	SHIELD	1		
22	19H2473	CAP SCREW	6		1/2" X 1-3/4"
	12H301	LOCK WASHER	6		1/2"
23	34H286	SPRING PIN	1		3/16" X 1-1/2"
24	R26650	DOWEL PIN	2		

3D9

POWER TRAIN

R21911 -UN-01JAN94

PTO MASTER SHIELD AND REAR GUARD
(QUAD-RANGE AND SYNCRO-RANGE)
(TRACTOR SERIAL NO. 007000-)



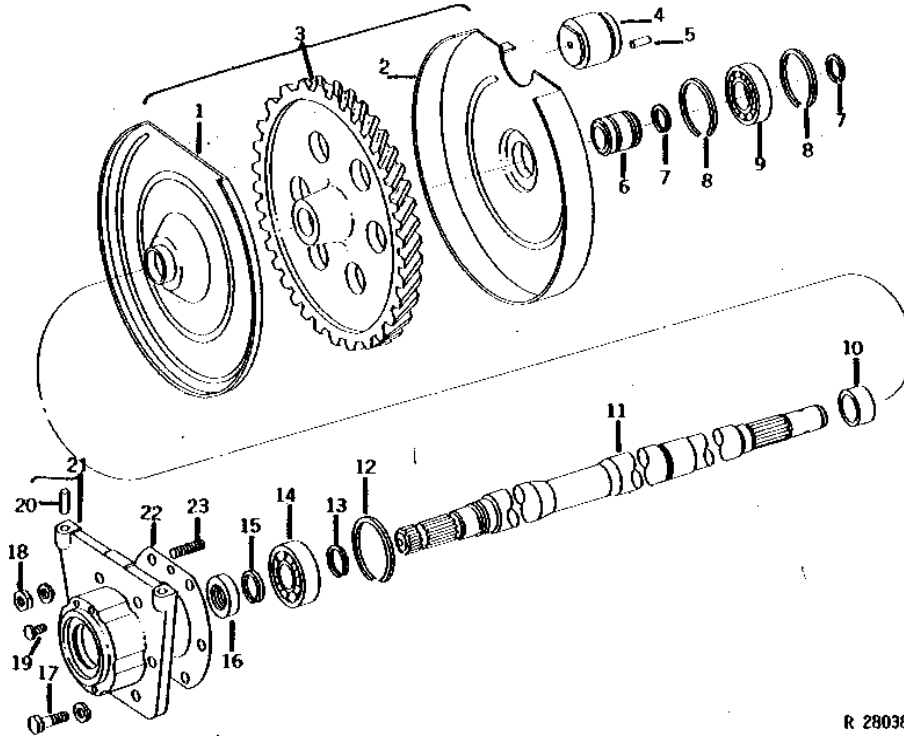
KEY	PART NO.	PART NAME	QTY	TRACTOR SERIAL NO.	REMARKS
1	AR26782	GUARD	1		
2	R27329	SCREW	4		
3	AR26707	RETAINER	1		
4	F1463R	SPRING	1		
5	F1462R	PIN	1		
6	34H286	SPRING PIN	1	3/16" X 1-1/2"	
7	R27562	SHIELD	1		

3D10

POWER TRAIN

1000 RPM ONLY PTO SHAFT AND DRIVE GEAR
(QUAD-RANGE AND SYNCRO-RANGE)
(TRACTOR SERIAL NO. 007000-)

R28038 -UN-01JAN94



R 28038F

KEY	PART NO.	PART NAME	QTY	TRACTOR SERIAL NO.	REMARKS
1	R54509	PLATE	1		
2	AR62397	PLATE	1		
3	AR62396	GEAR	1		
4	RE20725	PISTON	1		(MARKED R54356 OR R79337)
5	R1932R	DOWEL PIN	1		(SUB FOR AR62191 OR RE10533)
6	R54357	SLEEVE	1		
7	R28640	SNAP RING	2		
8	31415	SNAP RING	2		
9	JD8505	BALL BEARING	1		
10	R55394	BUSHING	1		
11	R54545	SHAFT	1		
12	A4609R	SNAP RING	1		
13	A364R	SNAP RING	1		(ALSO ORDER R65322) (SUB FOR R50830)
14	JD7155	BALL BEARING	1		
15	R65322	SNAP RING	1		(ALSO ORDER A364R) (SUB FOR R50830)
16	AR55216	SEAL	1		
17	19H2473	CAP SCREW	6		1/2" X 1-3/4"
	12H301	LOCK WASHER	4		1/2"
18	14H1040	NUT	2		1/2"
	12H301	LOCK WASHER	2		1/2"
19	R27329	SCREW	2		
20	34H348	SPRING PIN	2		3/8" X 1"
21	AR55167	QUILL	1		(MARKED R51101)
22	R58900	GASKET	1		
23	R32101	STUD	2		

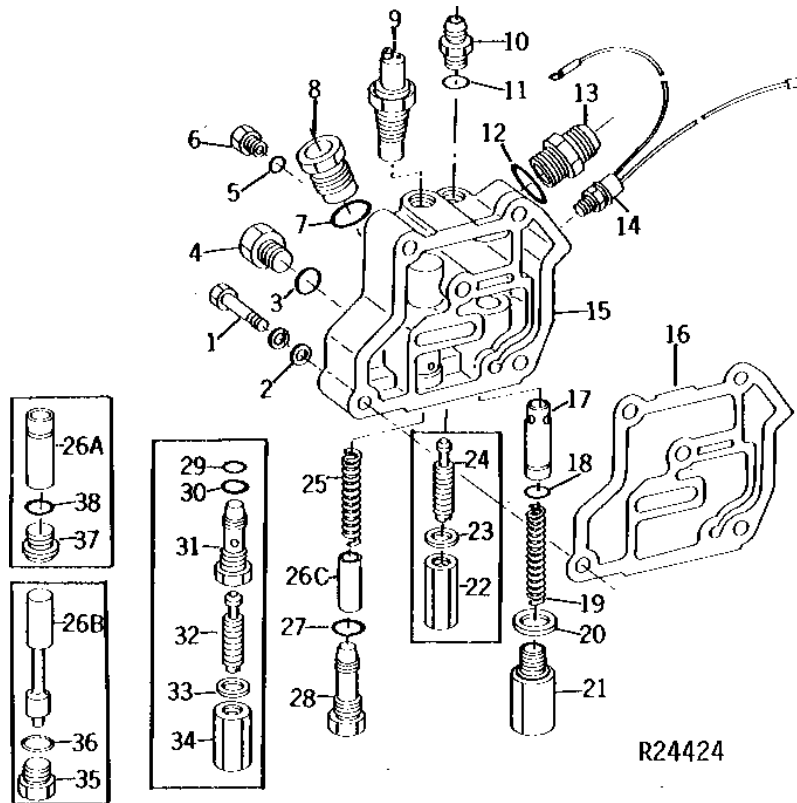
3D11

POWER TRAIN

R24424

-UN-01JAN94

OIL FILTER VALVE HOUSING (QUAD-RANGE AND SYNCRO-RANGE)



3D12

POWER TRAIN

OIL FILTER VALVE HOUSING - CONTINUED (QUAD-RANGE AND SYNCRO-RANGE)

KEY	PART NO.	PART NAME	QTY	TRACTOR SERIAL NO.	REMARKS
1	19H1828	CAP SCREW	1	7/16" X 4"	
	19H2055	CAP SCREW	3	7/16" X 2-1/4"	
	19H2731	CAP SCREW	1	7/16" X 1-3/8"	
	12H293	LOCK WASHER	5	7/16"	
2	24H1325	WASHER	5	15/32" X 59/64" X 0.065"	
3	R26375	O-RING	1	(A)	
4	R39112	FITTING	1	(A)	
5	R26286	O-RING	1		
6	R27094	DRAIN PLUG	1		
7	B2762R	O-RING	1		
8	R76494	FITTING	1	(SUB FOR R33610)	
9	AR61610	PRESSURE SWITCH	1		
10	R27237	FITTING	1		
	R57298	FITTING	1	-005247	(USE WHEN AR68786 HYDRAULIC BYPASS VALVE HAS BEEN INSTALLED)
11	R26375	O-RING	1		
12	F3171R	O-RING	1		
13	R27267	FITTING	1		
14	RE14191	TOGGLE SWITCH	1	(SUB FOR AR61970)	
	R56226	BLADE	1		
	T28585	TERMINAL	1		
15	AR72973	HOUSING	1	-016902	(MARKED R51460, R53114) (SUB FOR AR69268, R57658, R57657, R60151 OR R60152)
	AR73905	HOUSING	1	016903-	(MARKED R60401 AND R60402) (INCLUDES R26375 AND R39112)
16	R51461	GASKET	1	-012243	
	R63976	GASKET	1	012244-	(A) (SUB FOR R57656)
17	R57560	VALVE	1		(ALSO ORDER R33259) (SUB FOR R54042)
18	R33259	O-RING	1	012244-	
19	R51574	SPRING	1		
20	R1742R	WASHER	1		
21	R51577	FITTING PLUG	1		
22	F2847R	NUT	1	-012243	
23	F2846R	WASHER	1	-012243	
24	R39587	SET SCREW	1	-012243	
25	R28914	SPRING	1		
26A	R57559	VALVE	1	-012243	(SUB FOR R33162)
26B	R56781	VALVE	1	012244-XXXXXX	(ORDER AR72894)
26C	R60092	CHECK VALVE	1	XXXXXX-	(A) (B)
27	R26375	O-RING	1	XXXXXX-	
28	R60396	FITTING	1	XXXXXX-	
29	R28776	O-RING	1	012244-XXXXXX	(A) (B)
30	R26375	O-RING	1	012244-XXXXXX	(B)
31	R60093	PLUG	1	012244-XXXXXX	(A) (B)
32	R39587	SET SCREW	1	012244-XXXXXX	(B)
33	F2846R	WASHER	1	012244-XXXXXX	(B)
34	F2847R	NUT	1	012244-XXXXXX	(B)
35	R39112	FITTING	1	012244-XXXXXX	
36	R26375	O-RING	1	012244-XXXXXX	
37	R33138	FITTING	1	-012243	
38	R26375	O-RING	1	-012243	
..	AR72894	KIT	1	-XXXXXX	MANUAL BYPASS VALVE

(A) INCLUDED IN AR72973

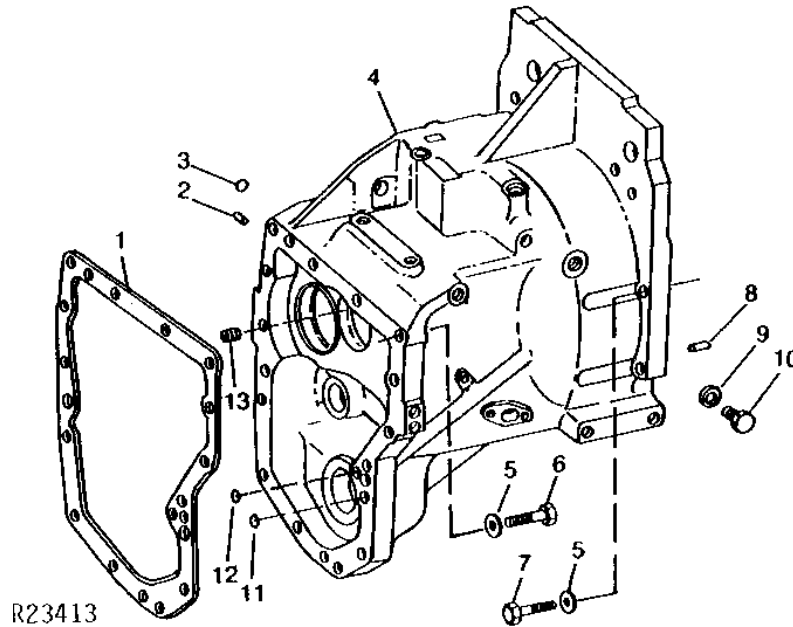
(B) INCLUDED IN AR72894

3D13

POWER TRAIN

R23413 -UN-01JAN94

CLUTCH HOUSING (POWER SHIFT)



KEY	PART NO.	PART NAME	QTY	TRACTOR SERIAL NO.	REMARKS
1	R50973	GASKET	1		
2	R1612R	DOWEL PIN	2		
3	A3917R	O-RING	1		
4	AR63338	HOUSING	1	(MARKED R49890)	
5	T21397	WASHER	16		
6	19H2113	CAP SCREW	5	3/4" X 3-1/4"	
	19H2174	CAP SCREW	2	3/4" X 4-1/4"	
	19H1707	CAP SCREW	7	3/4" X 2-3/4"	
7	19H1425	CAP SCREW	6	3/4" X 2-3/4"	
8	T26565	DOWEL PIN	2	(SUB FOR C1220R)	
9	R26286	O-RING	2		
10	R27094	DRAIN PLUG	2		
11	R26919	WASHER	2		
12	A4730R	O-RING	2		
13	15H624	PIPE PLUG	1	1/2"	

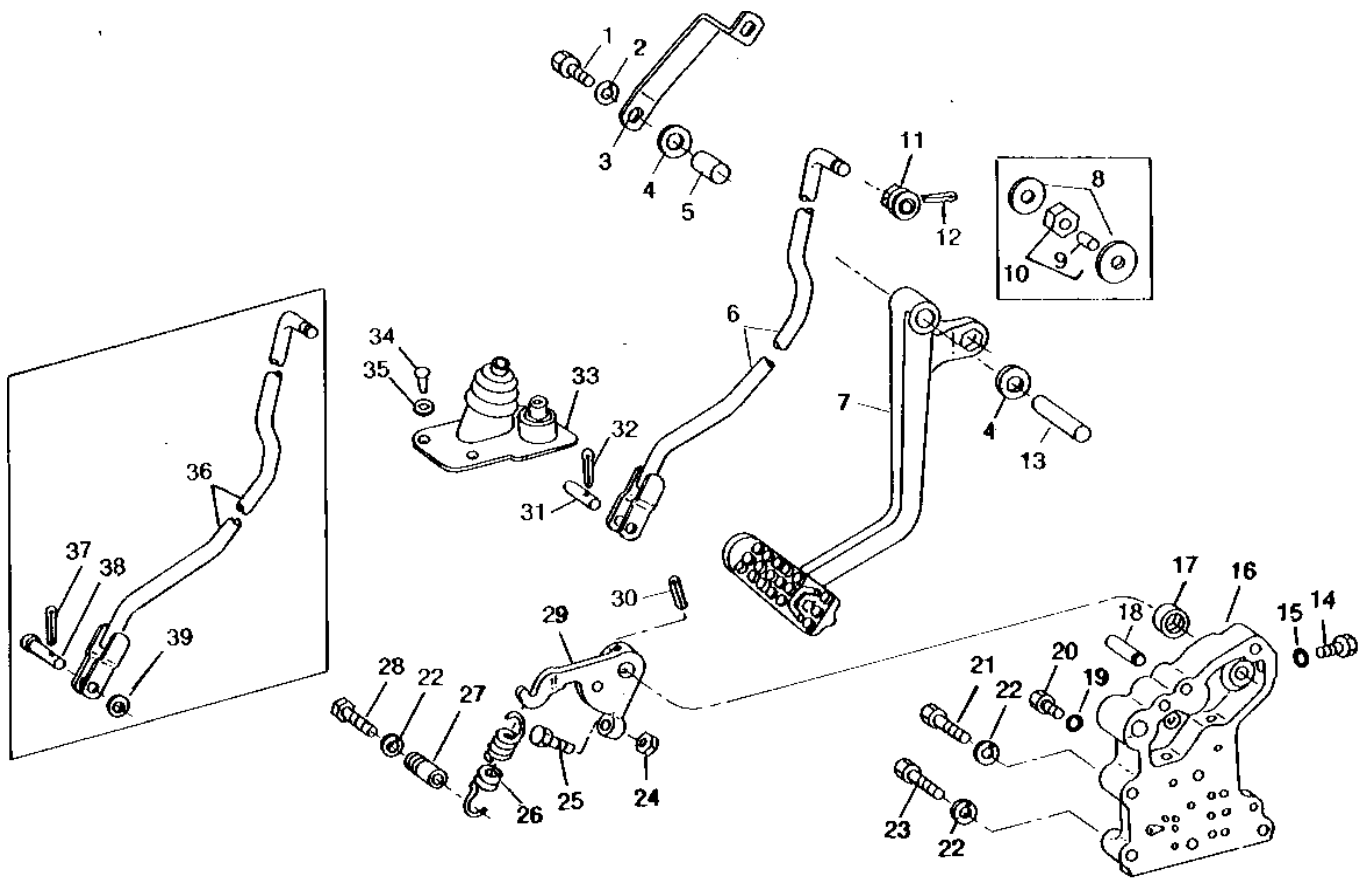
MEMORANDA

3D14

POWER TRAIN

CLUTCH PEDAL AND LINKAGE (POWER SHIFT)

RP789 -UN-01JAN94



RP789

3D15

POWER TRAIN

CLUTCH PEDAL AND LINKAGE - CONTINUED (POWER SHIFT)

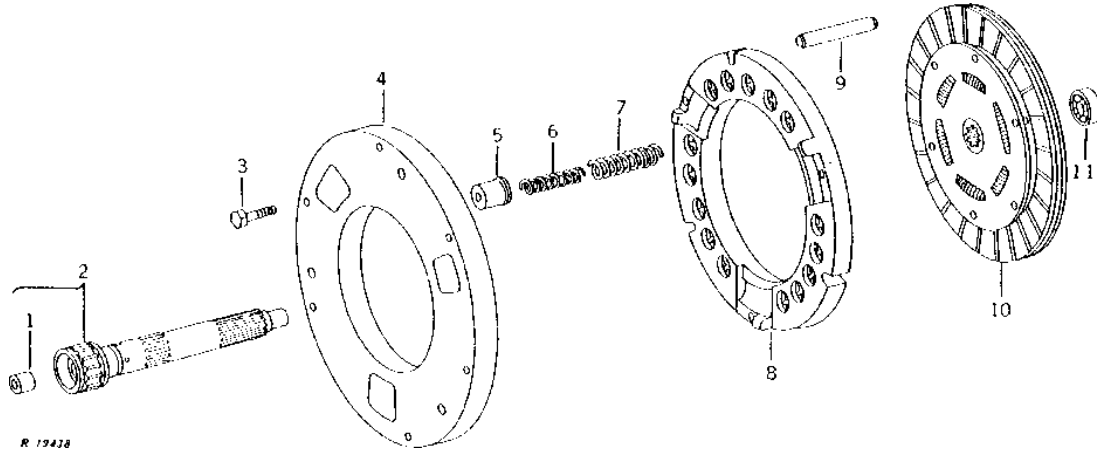
KEY	PART NO.	PART NAME	QTY	TRACTOR SERIAL NO.	REMARKS
1	19H1731	CAP SCREW	1		3/8" X 1"
2	12H304	LOCK WASHER	1		3/8"
3	R54396	STRAP	1		
4	24H1394	WASHER	2		25/32" X 1-7/16" X 0.036"
5	R51192	BUSHING	1		
6	AR82034	ROD	1	028427-	
7	AR54596	PEDAL	1		
8	24H1345	WASHER	2	-014888	17/32" X 1-3/4" X 0.060"
9	R50359	BUSHING	1	-014888	
10	AR59158	ADAPTER	1	-014888	(SUB R62732, 11M7083 AND AR82034, THIS APPLICATION)
11	R59138	ADAPTER	1	014889-021572	(SUB R62732, AR82034 AND 11M7083, THIS APPLICATION)
	R62732	ADAPTER	1	021573-	
12	11M7083	COTTER PIN	1	014889-	0.126" X 1.969"
13	R51521	PIN	1		
14	R27218	FITTING PLUG	1		
15	R26448	O-RING	1		
16	AR45381	HOUSING	1		(MARKED R41151 OR R44164) (SUB AR88040 AND 15H558)
	15H559	PIPE PLUG	1		1/4"
17	AF2907R	SEAL	1		
18	B3595R	DOWEL PIN	2		
19	R26286	O-RING	3		
20	R27094	DRAIN PLUG	3		
21	19H1828	CAP SCREW	2	-010646	7/16" X 4"
	19H2055	CAP SCREW	2	010647-	7/16" X 2-1/4"
22	12H293	LOCK WASHER	7		7/16"
23	19H1978	CAP SCREW	1		7/16" X 1-1/2"
	19H2347	CAP SCREW	1		7/16" X 3"
	19H2055	CAP SCREW	2		7/16" X 2-1/4"
24	14H732	NUT	1		3/8"
25	19H1732	CAP SCREW	1		3/8" X 1-1/4"
26	R73719	SPRING	1		(SUB FOR R51522)
27	R52140	SPACER	1		
28	19H2058	CAP SCREW	1		7/16" X 3-3/4"
29	R51520	ARM	1		
30	34H188	SPRING PIN	1		5/16" X 1-3/4"
31	R64826	PIN	1	028427-	
32	11M7021	COTTER PIN	1	028427-	0.157" X 0.984"
33	AR58478	BOOT	1		(SUB AR86495) (SOUND-GARD BODY)
34	37H49	SCREW	3		NO. 10 X 1/2"
35	24H1283	WASHER	3		7/32" X 1/2" X 0.049"
36	AR60875	ROD	1	-014888	(SUB AR95803, R64826 AND 11M7083) (SUB FOR AR82034)
	AR71280	ROD	1	014889-021572	(SUB AR95803, R64826 AND 11M7083) (SUB FOR AR82034)
	AR77391	ROD	1	021573-028426	(SUB AR95803, R64826 AND 11M7083) (SUB FOR AR82034)
37	11M7015	COTTER PIN	1	-028426	3.200 X 25 MM
38	B178R	PIN	1	-028426	
39	24H1341	WASHER	1		17/32" X 15/16" X 0.060"

3D16

POWER TRAIN

**TORSIONAL DAMPER
(POWER SHIFT)
(TRACTOR SERIAL NO. -008454)**

R19438 -UN-01JAN94



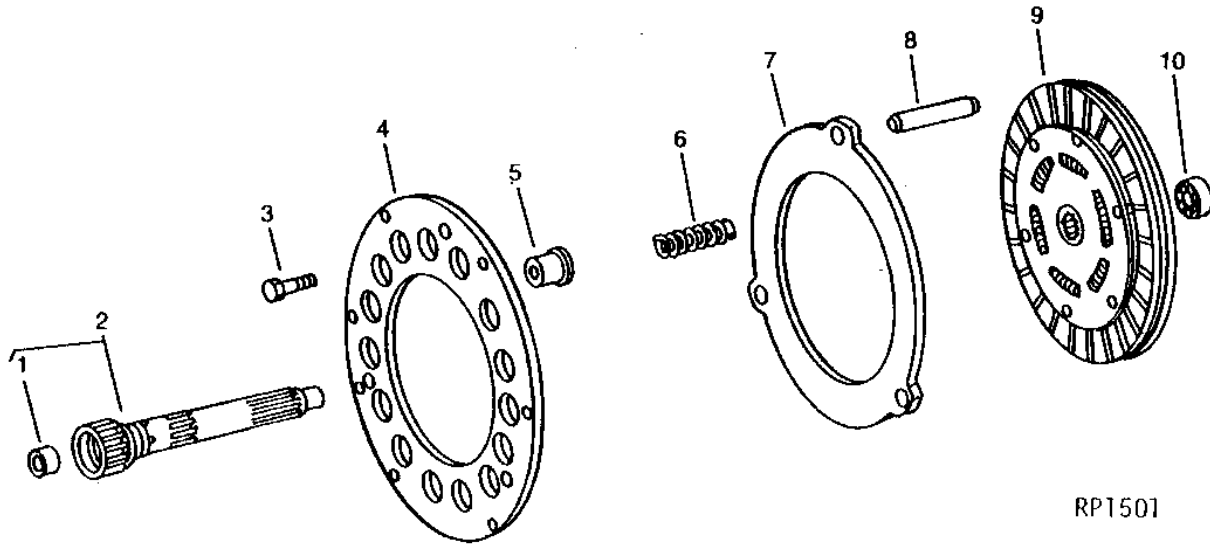
KEY	PART NO.	PART NAME	QTY	TRACTOR SERIAL NO.	REMARKS
1	R43214	BUSHING	1		(USE WITH R53497)
	R57083	BUSHING	1		(USE WITH R57090)
2	AR68358	SHAFT	1		(MARKED R53497 OR R57090) (SUB FOR AR60506)
3	R49527	CAP SCREW	6		
4	R42110	COVER	1		
5	R33135	BUSHING	15		
6	R51755	SPRING	15		
7	R42058	SPRING	15		
8	R46808	CLUTCH PLATE	1		
9	R32192	DOWEL PIN	3		
10	RE29603	CLUTCH DISK	1		(SUB FOR AR57268 OR AR73542)
11	JD9449	BALL BEARING	1		

3D17

POWER TRAIN

TORSIONAL DAMPER
(POWER SHIFT)
(TRACTOR SERIAL NO. 008455-)

RP1501 -UN-01JAN94



RP1501

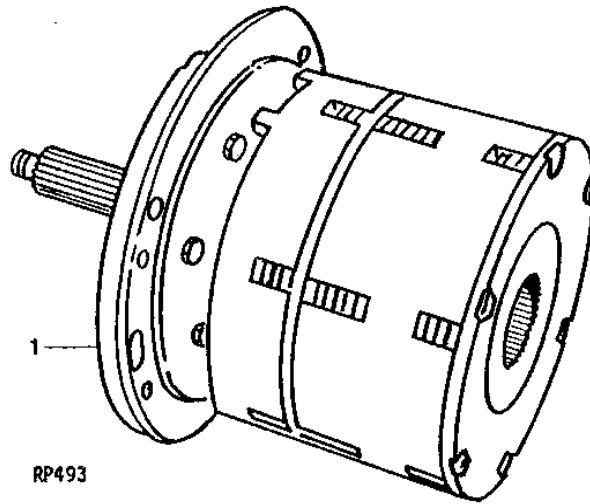
KEY	PART NO.	PART NAME	QTY	TRACTOR SERIAL NO.	REMARKS
1	R43214	BUSHING	1		(USE WITH R53497)
	R57083	BUSHING	1		(USE WITH R57090)
2	AR68358	SHAFT	1		(MARKED R53497 OR R57090) (SUB FOR AR60506)
3	R57725	SCREW	6		(SUB FOR R40835)
4	R56721	COVER	1		
5	R27033	BUSHING	12		
6	R56724	SPRING	12		
7	R56720	CLUTCH PLATE	1		(SUB R76731 AND (3) R76732)
8	R32192	DOWEL PIN	3		
9	RE29603	CLUTCH DISK	1		(SUB FOR AR57268 OR AR73542)
10	JD9449	BALL BEARING	1		

3D18

POWER TRAIN

RP493 -UN-01JAN94

CLUTCH ASSEMBLY
(POWER SHIFT)



KEY	PART NO.	PART NAME	QTY	TRACTOR SERIAL NO.	REMARKS
1	AR90517	CLUTCH	1	(SUB FOR AR59511)	

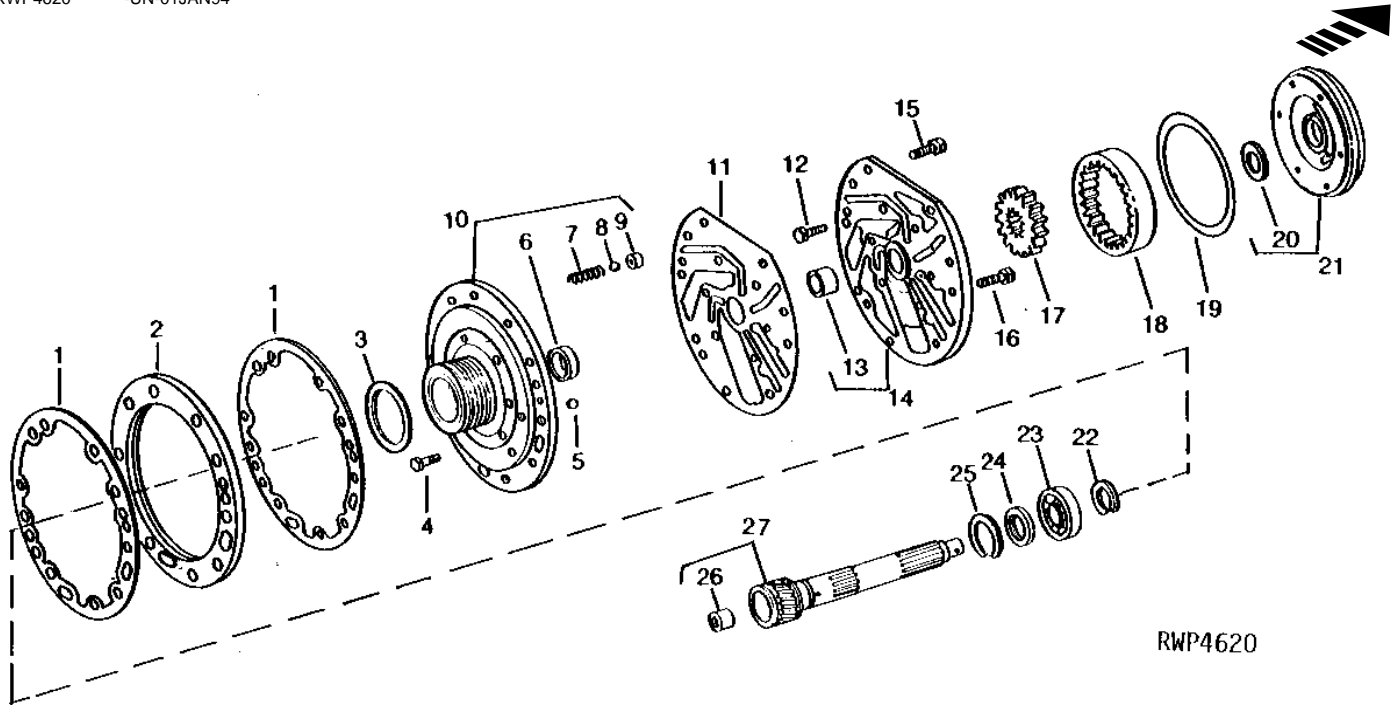
MEMORANDA

3D19

POWER TRAIN

TRANSMISSION CLUTCH OIL PUMP AND MANIFOLD (POWER SHIFT)

RWP4620 -UN-01JAN94



RWP4620

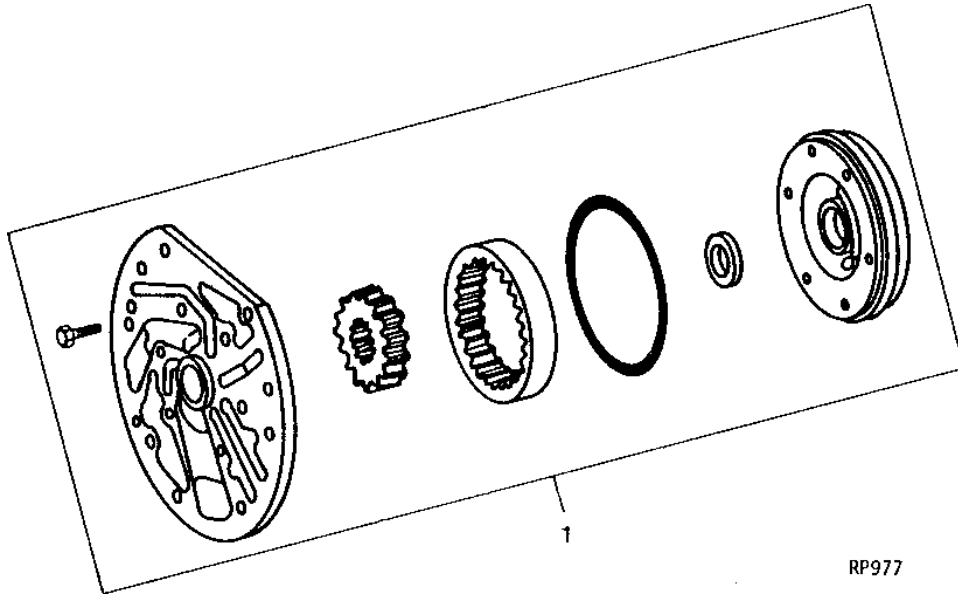
KEY	PART NO.	PART NAME	QTY	TRACTOR SERIAL NO.	REMARKS
1	R94323	GASKET	2		(SUB FOR R52568 OR R69305)
2	R53493	SPACER	1		
3	R43752	RING	4		
4	R41035	CAP SCREW	6		
5	R42849	BALL	2		10MM (3/8")
6	R45205	BUSHING	1		
7	R48951	SPRING	1		
8	400R	BALL	1		
9	R48652	CAP	1		
10	AR63307	MANIFOLD	1		(MARKED R48648 OR R54791) (SUB FOR AR51913)
11	R94326	GASKET	1		(SUB FOR R47684, R69306 OR R70250)
12	19H1900	CAP SCREW	1		5/16" X 3/4"
13	R43099	BUSHING	1		
14	RE21328	HOUSING	1		(MARKED R43098, R69303 OR R82362) (SUB FOR AR43017 OR AR90454)
15	R53495	CAP SCREW	9		
16	R38614	CAP SCREW	2		(SUB FOR R53494)
17	R46450	GEAR	1	-030022	
	R82364	SPUR GEAR	1	030023-	(SUB FOR R52228)
18	R46451	GEAR	1	-030022	
	R52229	GEAR	1	030023-	
19	R39876	PACKING	1		
20	AR70406	SEAL	1		(SUB FOR R35642)
21	AR69615	HOUSING	1	-030022	(MARKED R53492 OR R57913) (SUB FOR AR60055) (SUB AR90960, R52229 AND R82364, THIS APPLICATION)
	AR90960	HOUSING	1	030023-	(MARKED R52226 OR R53157) (SUB FOR AR56759)
22	A364R	SNAP RING	1		
23	JD8514	BALL BEARING	1		
24	R43738	THRUST WASHER	1		
25	B3169R	SNAP RING	1		
26	R43214	BUSHING	1		(USE WITH R53497)
	R57083	BUSHING	1		(USE WITH R57090)
27	AR68358	SHAFT	1		(MARKED R53497 OR R57090) (SUB FOR AR60506)

3D20

POWER TRAIN

RP977 -UN-16NOV94

CLUTCH OIL PUMP ASSEMBLY



RP977

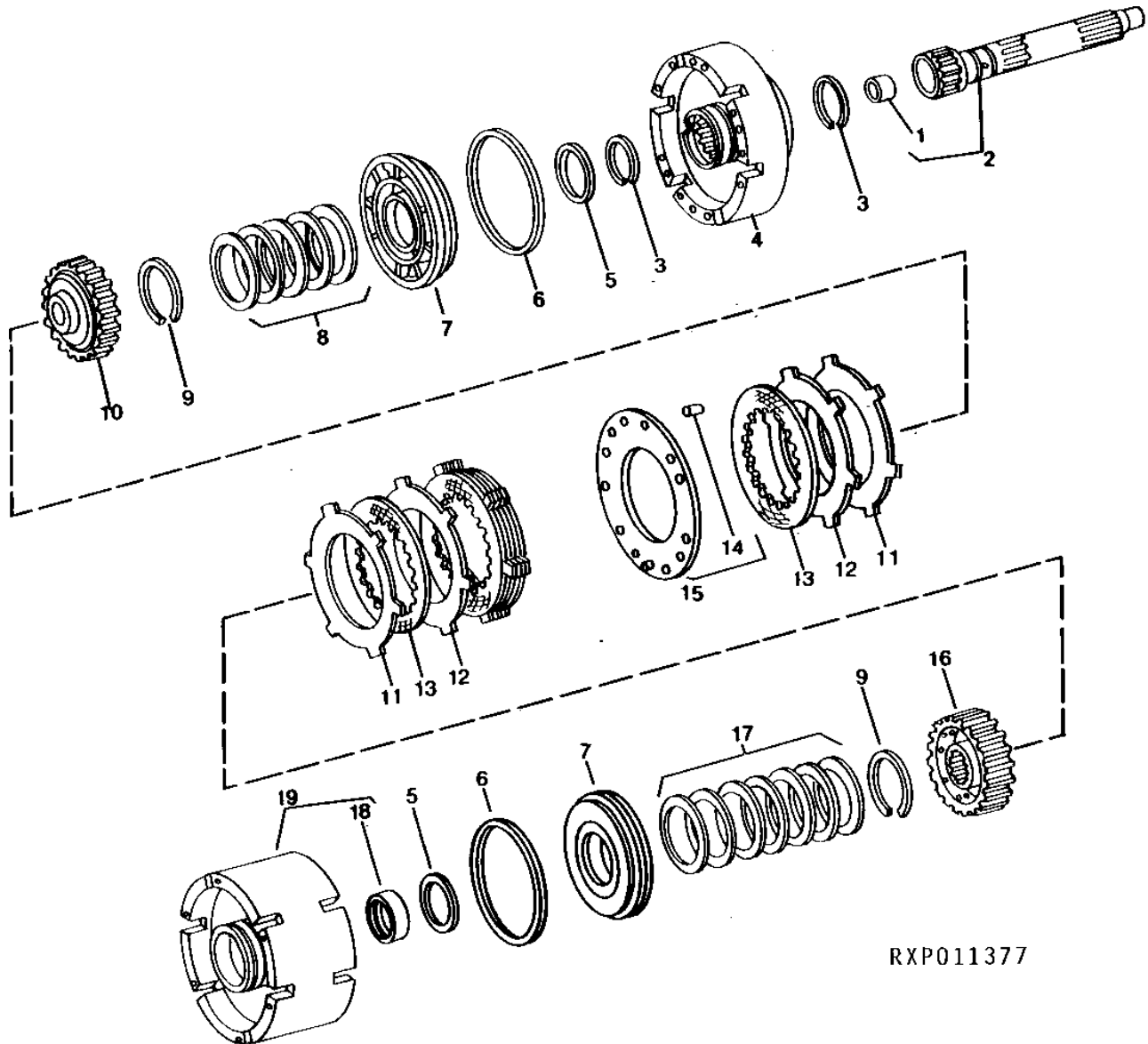
KEY	PART NO.	PART NAME	QTY	TRACTOR SERIAL NO.	REMARKS
1	AR90959	OIL PUMP	1		(SUB FOR AR56764 OR AR90531) (MARKED R53157 OR R52226)

3D21

POWER TRAIN

RXP011377 -UN-12OCT94

TRANSMISSION CLUTCH PACK (FRONT) (POWER SHIFT)



RXP011377

3D22

POWER TRAIN

TRANSMISSION CLUTCH PACK - CONTINUED (FRONT) (POWER SHIFT)

KEY	PART NO.	PART NAME	QTY	TRACTOR SERIAL NO.	REMARKS
1	R57083	BUSHING	1		(USE WITH R57090)
	R43214	BUSHING	1		(USE WITH R53497)
2	AR68358	SHAFT	1		(MARKED R53497 OR R57090) (SUB FOR AR60506)
3	R36295	SNAP RING	2		
4	R52471	DRUM	1		
5	R43381	WASHER	2		
6	R120841	SEAL	2		(SUB FOR R43380)
7	R43304	PISTON	2		
8	R70027	DISK SPRING	5		(SUB FOR R43382)
9	R43383	SNAP RING	2		
10	AR104436	HUB	1		(MARKED R52472) (SUB FOR AR57087)
11	R46418	DISK	2		(FLAT)
12	R81655	PLATE	8		(WAVY) (SUB R46418 AND RE28023)
13	RE28023	CLUTCH DISK	10		(SUB FOR AR43057, AR68352, AR87484 OR RE20133) (ALSO ORDER R46418)
14	R30587	DOWEL PIN	2		
15	AR68353	PLATE	1		(SUB FOR AR43001)
16	AR68354	HUB	1		(MARKED R57087) (SUB FOR R42935)
17	R70027	DISK SPRING	7		(SUB FOR R43382)
18	R43367	BUSHING	1		
19	AR68356	DRUM	1		(MARKED R47123 OR R57089) (SUB FOR AR49653)

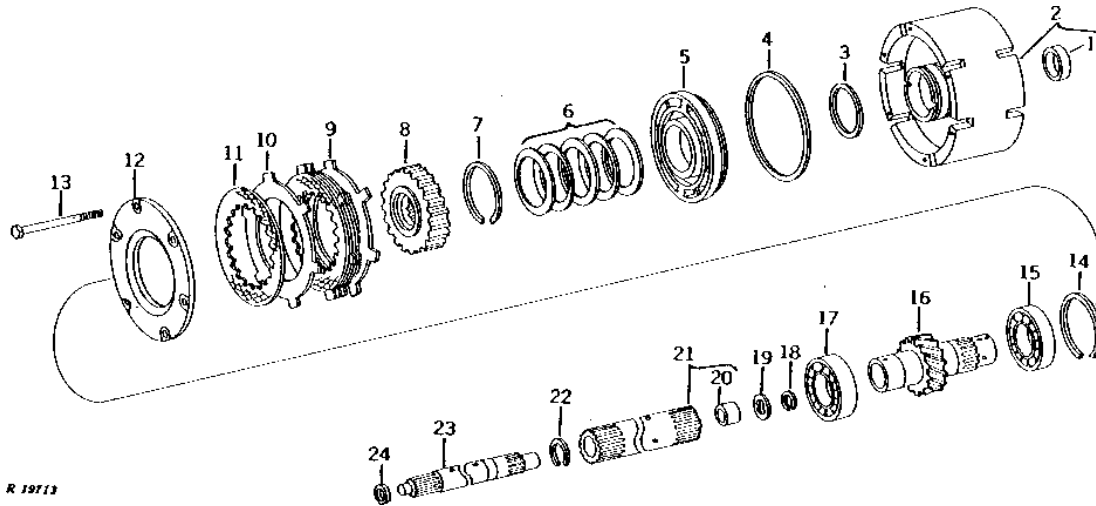
MEMORANDA

3D23

POWER TRAIN

TRANSMISSION CLUTCH PACK (REAR) (POWER SHIFT)

R19713 -UN-01JAN94



R 19713

KEY	PART NO.	PART NAME	QTY	TRACTOR SERIAL NO.	REMARKS
1	R43367	BUSHING	1		
2	AR68356	DRUM	1		(MARKED R47123 OR R57089) (SUB FOR AR49653)
3	R43381	WASHER	1		(A)
4	R120841	SEAL	1		(A)
5	R43304	PISTON	1	-016987	(A)
	R59956	PISTON	1	016988-	
6	R70027	DISK SPRING	5		(A) (SUB FOR R43382)
7	R43383	SNAP RING	1		(A)
8	R47125	HUB	1		(A)
9	R46418	DISK	1	-016987	(A) (FLAT)
10	R46419	CLUTCH PLATE	3		(A) (WAVY) (SUB FOR R51676)
11	AR43057	DISK	4	-016987	(A) (SUB AR68352)
	AR94517	DISK, INNER SPLINE	3	016988-	(A) (SUB FOR AR68945, THIS APPLICATION)
12	R43151	PLATE	1		(A)
13	19H2681	CAP SCREW	6		5/16" X 5-7/8"
14	F2622R	SNAP RING	1		
15	JD9320	BALL BEARING	1		
16	R50569	SHAFT	1		
17	JD9440	BALL BEARING	1		
18	R43273	SNAP RING	2		
19	R43374	THRUST WASHER	1		
20	R43305	BUSHING	1		
21	AR43074	SHAFT	1		
22	F2197R	SNAP RING	1		
23	R56522	DRIVE SHAFT	1		(SUB FOR R53496)
24	AT12889	SEAL	1		

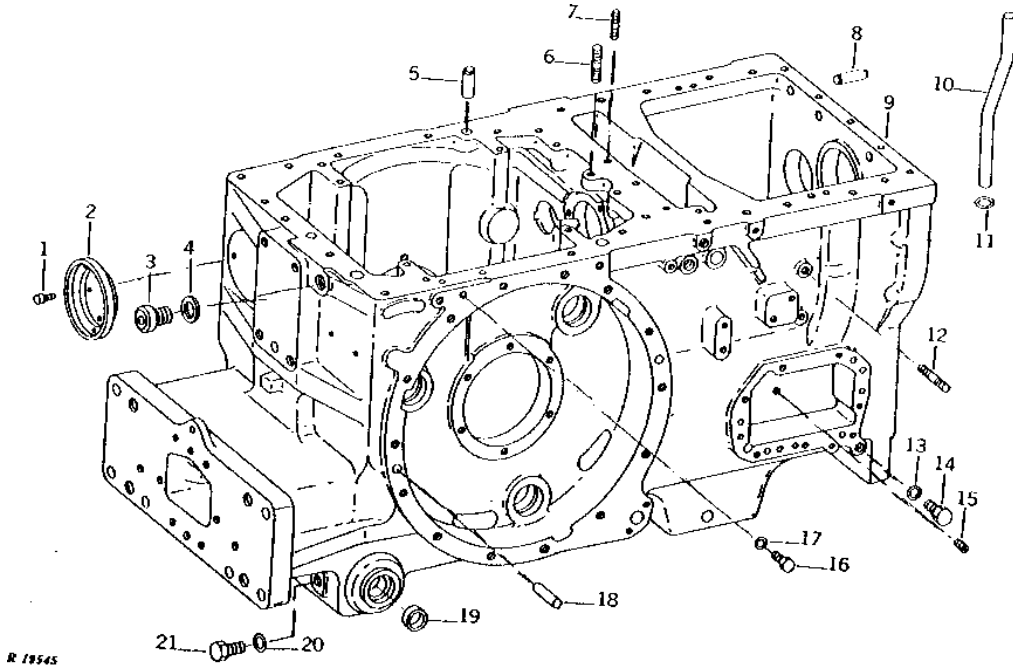
(A) NOT REQUIRED ON TRACTORS LESS PTO

3D24

POWER TRAIN

R19545 -UN-01JAN94

TRANSMISSION CASE (POWER SHIFT)



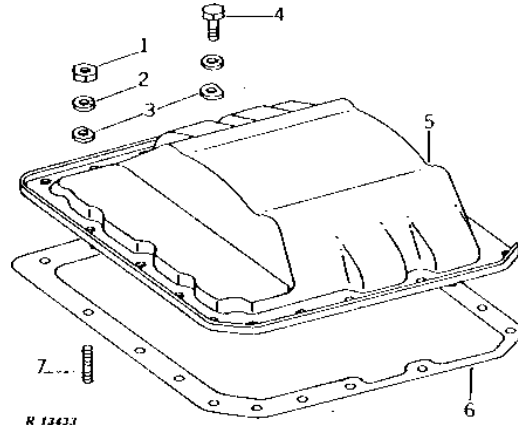
KEY	PART NO.	PART NAME	QTY	TRACTOR SERIAL NO.	REMARKS
1	R27329	SCREW	2		
2	AR26707	RETAINER	1		
3	R27483	PLUG	1		
4	H851R	WASHER	1		
5	R26616	DOWEL PIN	3		
6	D488R	STUD	1	-014471	
7	R32042	STUD	3		
8	A776R	PIN	2		
9	AR63323	TRANSMISSION CASE	1	-014471	(MARKED R49990)
	AR73357	TRANSMISSION CASE	1	014472-	(MARKED R59847)
10	R43145	OIL TUBE	1		
11	B2762R	O-RING	1		
12	R27612	STUD	1		
13	R26286	O-RING	1		
14	R27094	DRAIN PLUG	1		
15	15H559	PIPE PLUG	5		1/4"
16	R27218	FITTING PLUG	1		(LESS DIFFERENTIAL LOCK)
17	T16911	SHIM	1		(LESS DIFFERENTIAL LOCK)
18	R54380	DOWEL PIN	4		(SUB FOR T25317)
19	R54213	CAP	2		(LESS ROCKSHAFT)
20	R26906	O-RING	1		
21	R27474	DRAIN PLUG	1		

3D25

POWER TRAIN

R13433 -UN-01JAN94

TRANSMISSION CASE COVER (POWER SHIFT)



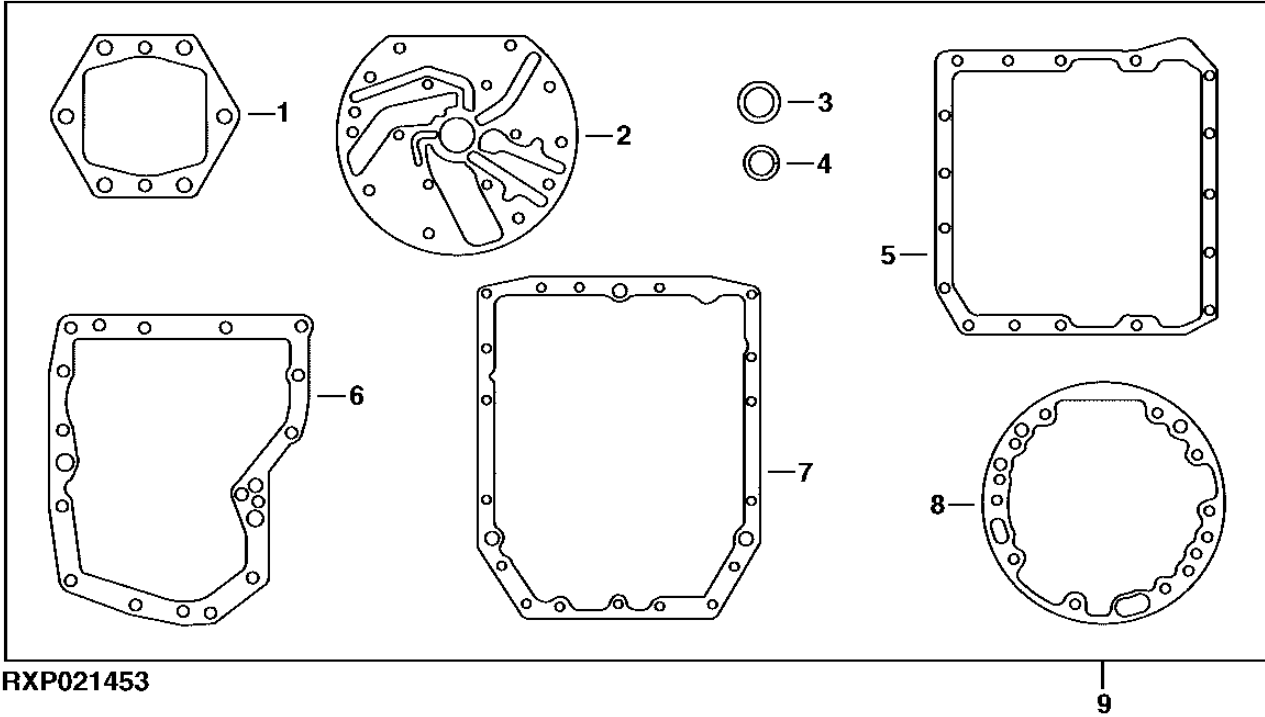
KEY	PART NO.	PART NAME	QTY	TRACTOR SERIAL NO.	REMARKS
1	14H812	NUT	3	3/8"	
2	12H304	LOCK WASHER	3	3/8"	
3	A4624R	WASHER	14		
	R27640	CLAMP	1		
4	19H1731	CAP SCREW	11	3/8" X 1"	
	19H1765	CAP SCREW	11	3/8" X 1-3/4"	
	12H304	LOCK WASHER	12	3/8"	
5	R43179	COVER	1		
6	R43376	GASKET	1		
7	R32042	STUD	3		

3E1

POWER TRAIN

RXP021453 -UN-20MAR96

TRANSMISSION GASKET KIT



RXP021453

9

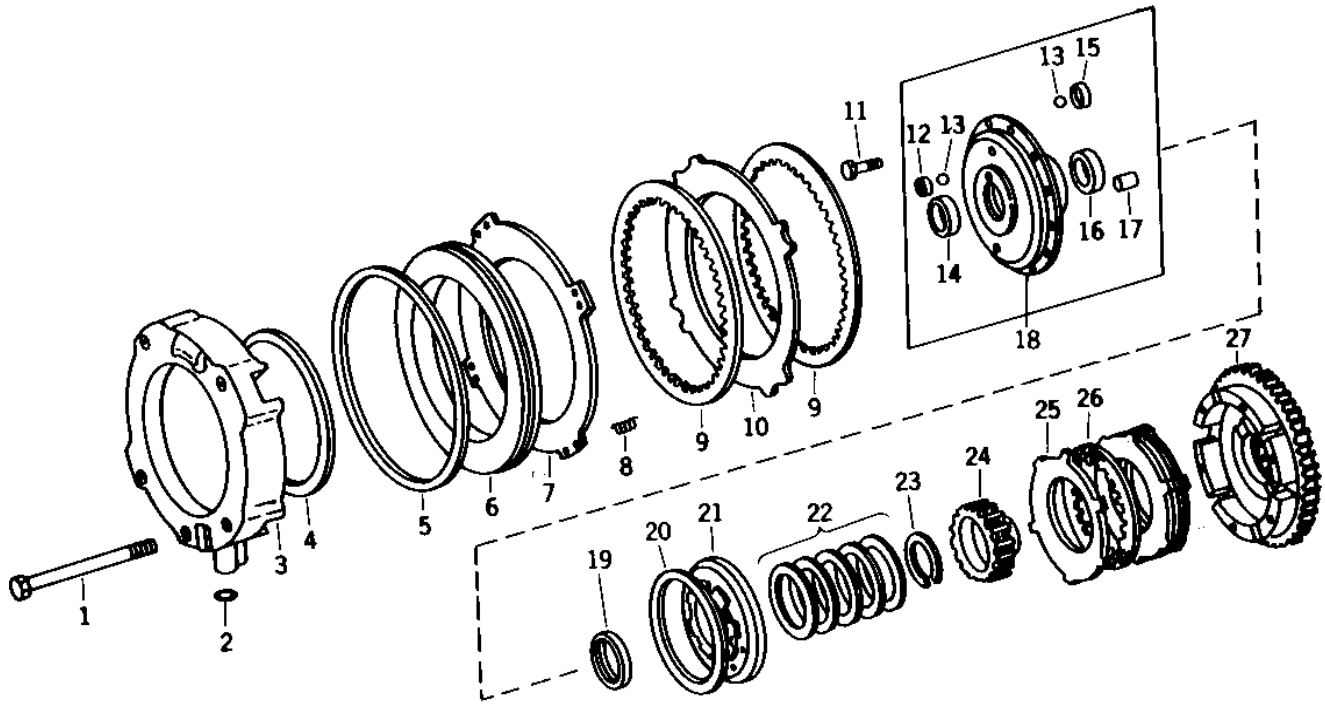
KEY	PART NO.	PART NAME	QTY	TRACTOR SERIAL NO.	REMARKS
1	R58900	GASKET	1		PTO SHAFT
2	R94326	GASKET	1		TRANSMISSION CLUTCH OIL PUMP
3	AR70406	SEAL	1		TRANSMISSION CLUTCH OIL PUMP
4	R43752	RING	4		TRANSMISSION CLUTCH OIL PUMP
5	R43376	GASKET	1		TRANSMISSION CASE COVER
6	R50973	GASKET	1		CLUTCH HOUSING
7	R43408	GASKET	1		ROCKSHAFT HOUSING
8	R97770	GASKET	1		CLUTCH OIL PUMP
9	RE54227	GASKET KIT	1		TRANSMISSION

3E2

POWER TRAIN

FOURTH PLANETARY BRAKE (POWER SHIFT)

R32334 -UN-01JAN94



R32334F

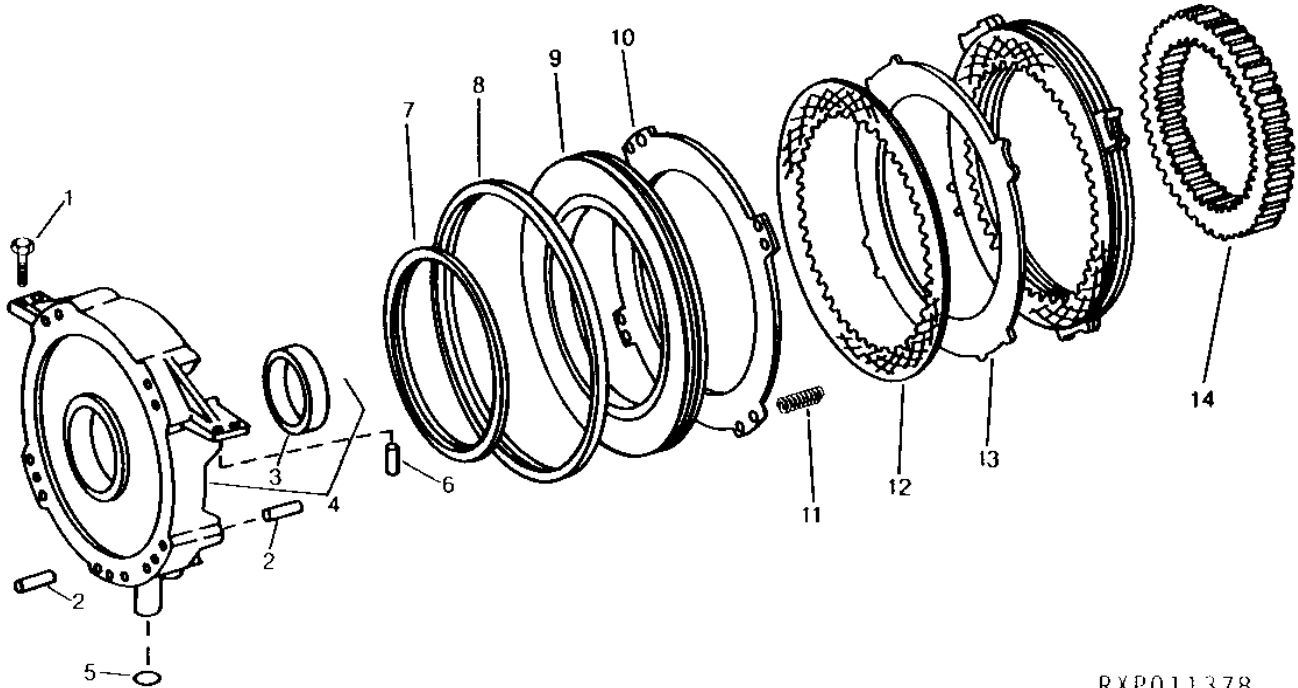
KEY	PART NO.	PART NAME	QTY	TRACTOR SERIAL NO.	REMARKS
1	19H3392	CAP SCREW	5		3/8" X 9"
2	R459R	O-RING	2		
3	R43013	HOUSING	1		
4	R43379	SEAL	1		
5	R43378	SEAL	1		
6	R65589	PISTON	1		(SUB FOR R43220)
7	R46417	PLATE	1		
8	R33054	SPRING	8		(SUB R74852)
9	AR48096	DISK	2	-016987	(SUB AR94515)
	AR94515	DISK, INNER SPLINE	2	016988-	(SUB FOR AR68345) (SUB RE62897)
10	R46416	PLATE	1		
11	R41168	CAP SCREW	6		
12	R43053	SEAT	1		
13	400R	BALL	2		6MM (1/4")
14	R43052	BUSHING	1		
15	R40426	CAP	1		
16	R43050	BUSHING	1		(SUB R78662)
17	R28671	DOWEL PIN	1		
18	AR43005	HOUSING	1		(MARKED R43051)
19	R43381	WASHER	1		
20	R120841	SEAL	1		
21	R43304	PISTON	1	-016987	
	R59956	PISTON	1	016988-	
22	R70027	DISK SPRING	5		(SUB FOR R43382)
23	R43383	SNAP RING	1		
24	R43140	HUB	1		
25	R46418	DISK	4	-016987	
	R81922	CLUTCH PLATE	3	016988-	
26	AR87484	DISK	4	-016987	(SUB FOR AR68352 OR AR43057)
	AR94517	DISK, INNER SPLINE	3	016988-	(SUB FOR AR68945, THIS APPLICATION)
27	R43036	DRUM	1		

3E3

POWER TRAIN

THIRD PLANETARY BRAKE (POWER SHIFT)

RXP011378 -UN-12OCT94



RXP011378

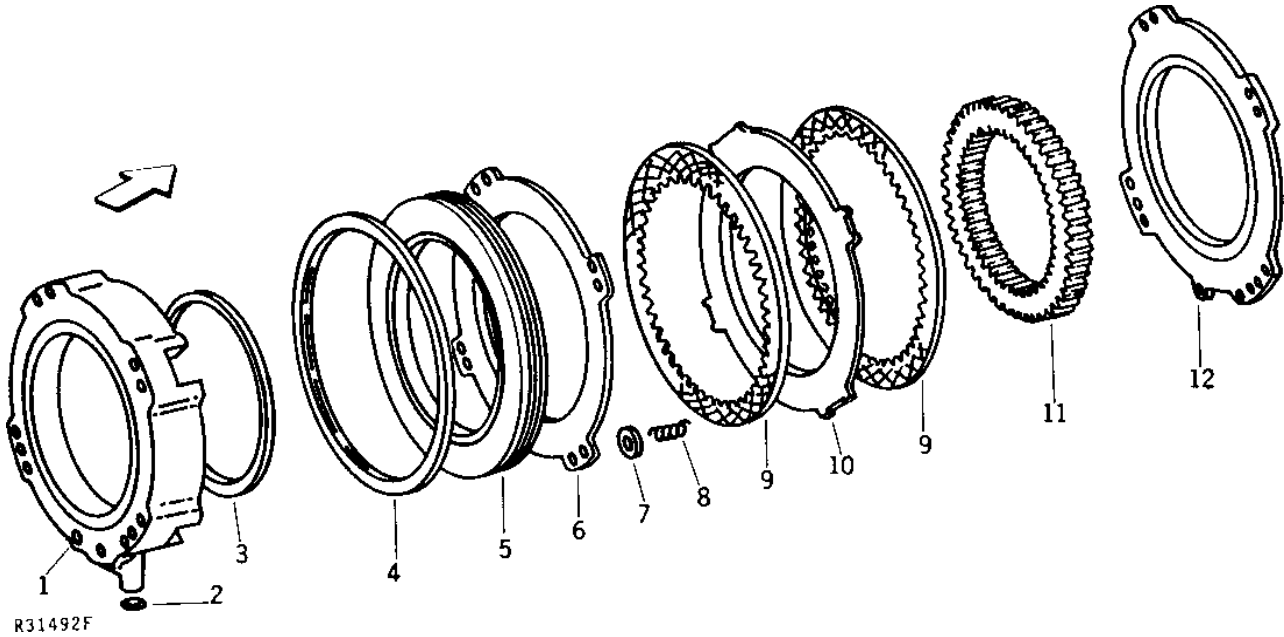
KEY	PART NO.	PART NAME	QTY	TRACTOR SERIAL NO.	REMARKS
1	19H1800	CAP SCREW	2	3/8" X 1-1/2"	
2	R36666	DOWEL PIN	4		
3	R45269	BUSHING	1		
4	AR51463	HOUSING	1	(MARKED R48401)	
5	R459R	O-RING	1		
6	R33703	DOWEL PIN	2		
7	R43377	SEAL	1		
8	R43378	SEAL	1		
9	R65588	PISTON	1	(SUB FOR R43219)	
10	R46417	PLATE	1		
11	H343R	SPRING	8		
12	AR48096	DISK	4	-016987 (SUB AR94515)	
	AR94515	DISK, INNER SPLINE	3	016988-	(SUB FOR AR68345) (SUB RE62897)
13	R46416	PLATE	3	-016987	
	R46416	PLATE	2	016988-	
14	R43035	GEAR	1		

3E4

POWER TRAIN

SECOND PLANETARY BRAKE (POWER SHIFT)

R31492 -UN-16NOV94



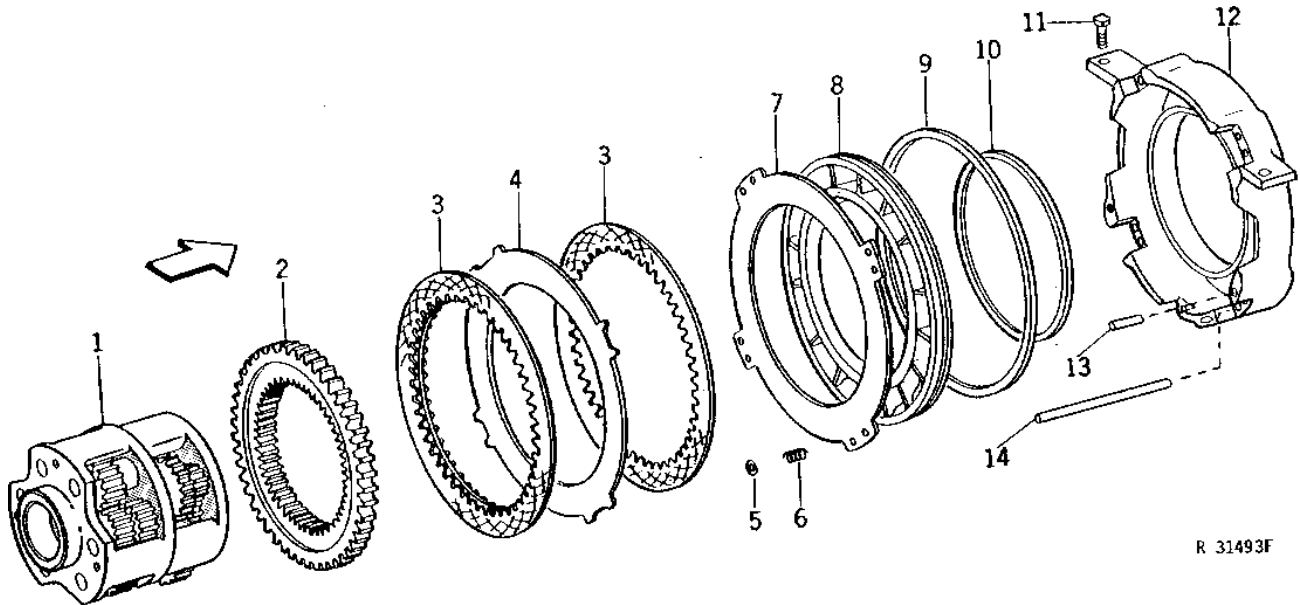
KEY	PART NO.	PART NAME	QTY	TRACTOR SERIAL NO.	REMARKS
1	R43011	HOUSING	1	-016987	
	R60364	HOUSING	1	016988-	
2	R459R	O-RING	1		
3	R43379	SEAL	1		
4	R43378	SEAL	1		
5	R65589	PISTON	1		(SUB FOR R43220)
6	R46417	PLATE	1		
7	24H1301	WASHER	8		13/32" X 9/16" X 0.065"
8	R33054	SPRING	8		(SUB R74852)
9	AR48096	DISK	3	-016987	(SUB AR94515)
	AR94515	DISK, INNER SPLINE	2	016988-	(SUB FOR AR68345) (SUB RE62897)
10	R46416	PLATE	2	-016987	
	R46416	PLATE	1	016988-	
11	R43034	GEAR	1		
12	R43139	PLATE	1	-016987	
	R60365	PLATE	1	016988-	

3E5

POWER TRAIN

FIRST PLANETARY BRAKE (POWER SHIFT)

R31493 -UN-01JAN94



R 31493F

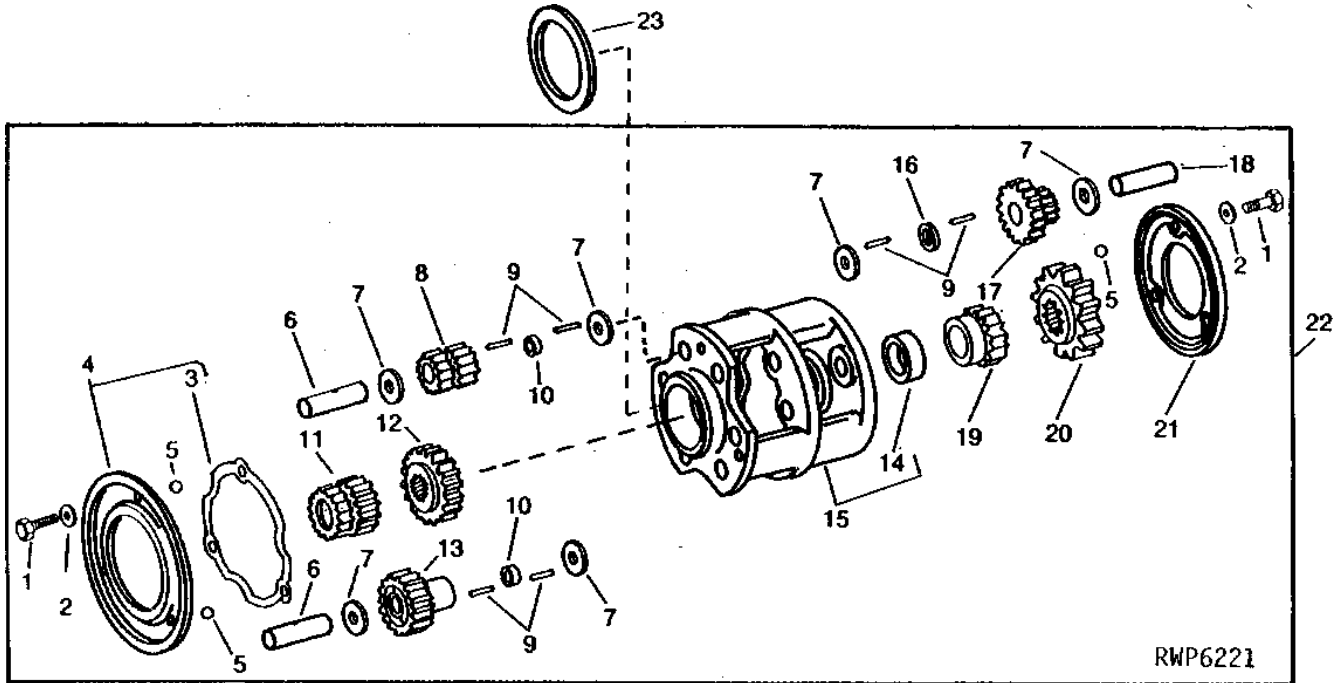
KEY	PART NO.	PART NAME	QTY	TRACTOR SERIAL NO.	REMARKS
1	AR53039	GEAR	1		
2	R43033	GEAR	1		
3	AR48096	DISK	3	-016987	(SUB AR94515)
4	AR94515	DISK, INNER SPLINE	2	016988-	(SUB FOR AR68345) (SUB RE62897)
	R46416	PLATE	2	-016987	
	R46416	PLATE	1	016988-	
5	24H1301	WASHER	8		13/32" X 9/16" X 0.065"
6	R33054	SPRING	8		(SUB R74852)
7	R46417	PLATE	1		
8	R65588	PISTON	1		(SUB FOR R43219)
9	R43378	SEAL	1		
10	R43377	SEAL	1		
11	19H1800	CAP SCREW	2		3/8" X 1-1/2"
12	R43009	HOUSING	1		
13	R36666	DOWEL PIN	2		
14	R44110	DOWEL PIN	4		

3E6

POWER TRAIN

PLANETARY ASSEMBLY (POWER SHIFT)

RWP6221 -UN-01JAN94



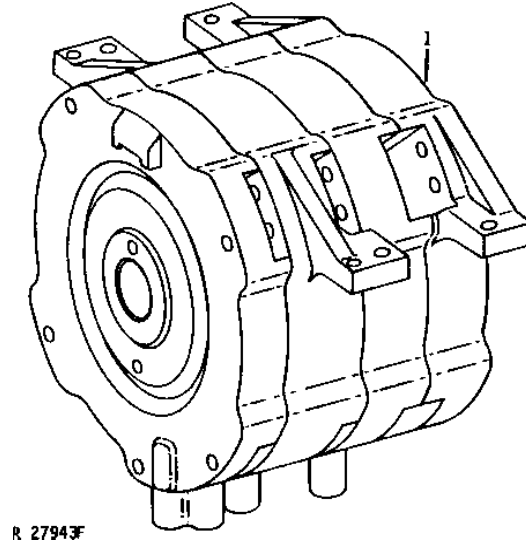
KEY	PART NO.	PART NAME	QTY	TRACTOR SERIAL NO.	REMARKS
1	R30165	CAP SCREW	6		
2	24H1685	WASHER	6		11/32" X 47/64" X 0.083"
3	R98928	GASKET	1		(SUB FOR R43372, R51993 OR R68154)
4	RE25404	RETAINER	1		(SUB FOR R43183 OR R68155)
5	H871R	BALL	9		
6	R43217	SHAFT	6	-018929	
7	R65053	PIN	6	018930-	(SUB FOR R62533)
7	R66197	THRUST WASHER	18		(SUB FOR R43216)
8	R43047	PINION	3		
9	R66196	NEEDLE ROLLER	360		(SUB FOR R43420)
10	R66143	WASHER	6		(SUB FOR R43215)
11	R43049	PINION	1		
12	R43046	PLANET PINION	1		
13	R43048	PINION	3		
14	R48789	BUSHING	1		
15	AR52230	PLANET PINION CARRIER	1		(MARKED R45212)
16	R66145	WASHER	3		(SUB FOR R43218)
17	R43032	PINION	3		(SUB FOR AR43586)
18	R43217	SHAFT	3		
19	AR47148	PINION	1		
20	AR47132	PINION	1		
21	R43182	RETAINER	1		
22	AR53039	GEAR	1		COMPLETE PLANETARY
23	R45271	WASHER	1		(SUB R76312)

3E7

POWER TRAIN

R27943 -UN-01JAN94

PLANETARY ASSEMBLY



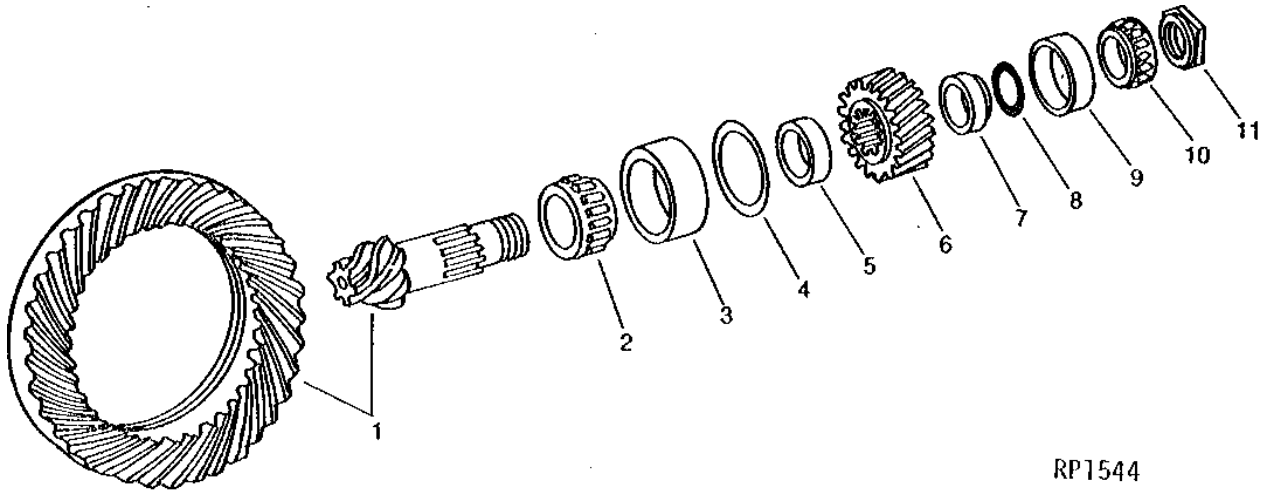
KEY	PART NO.	PART NAME	QTY	TRACTOR SERIAL NO.	REMARKS
1	AR49426	TRANSMISSION	1		

3E8

POWER TRAIN

RP1544 -UN-01JAN94

TRANSMISSION DIFFERENTIAL DRIVE (POWER SHIFT)



RP1544

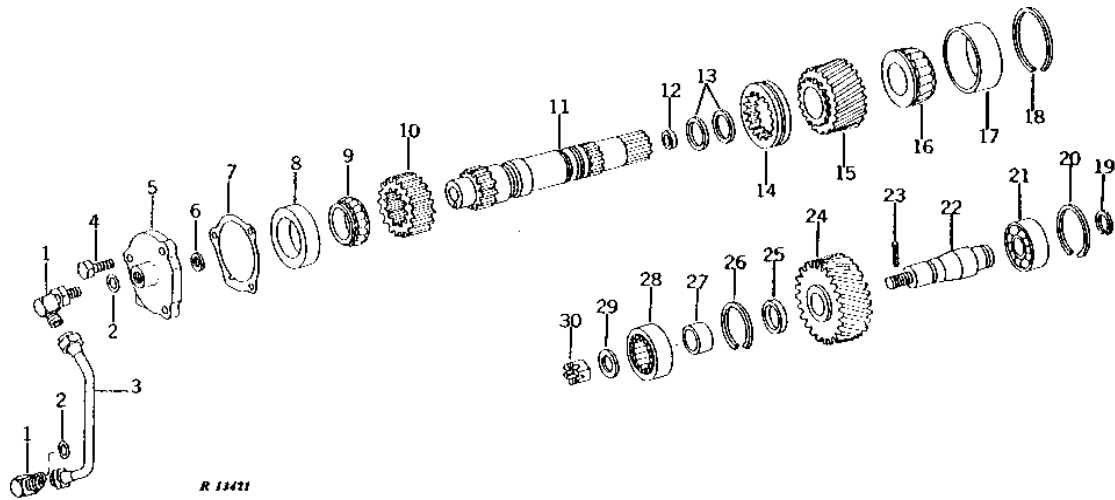
KEY	PART NO.	PART NAME	QTY	TRACTOR SERIAL NO.	REMARKS
1	AR63373	BEVEL GEAR DRIVE	1		(MARKED R43023 AND R43031) (MATCHED SET)
2	JD9066	BEARING CONE	1		
3	JD8280	BEARING CUP	1		
4	R33410	SHIM	AR	0.08MM (.003")	
	R33411	SHIM	AR	0.13MM (.005")	
	R33412	SHIM	AR	0.25MM (.010")	
5	R53303	SLEEVE	1		
6	R42828	GEAR	1		(SUB FOR R47081)
7	R43306	SPACER	1		
8	R51196	SHIM	AR	0.18MM (.007")	
	R51197	SHIM	AR	0.25MM (.010")	
	R51198	SHIM	AR	0.30MM (.012")	
	R51199	SHIM	AR	0.38MM (.015")	
9	JD7446	BEARING CUP	1		
10	JD8195	BEARING CONE	1		
11	R51200	LOCK NUT	1		

3E9

POWER TRAIN

TRANSMISSION GEAR REDUCTION AND IDLER GEAR AND SHAFT (POWER SHIFT)

R13421 -UN-01JAN94



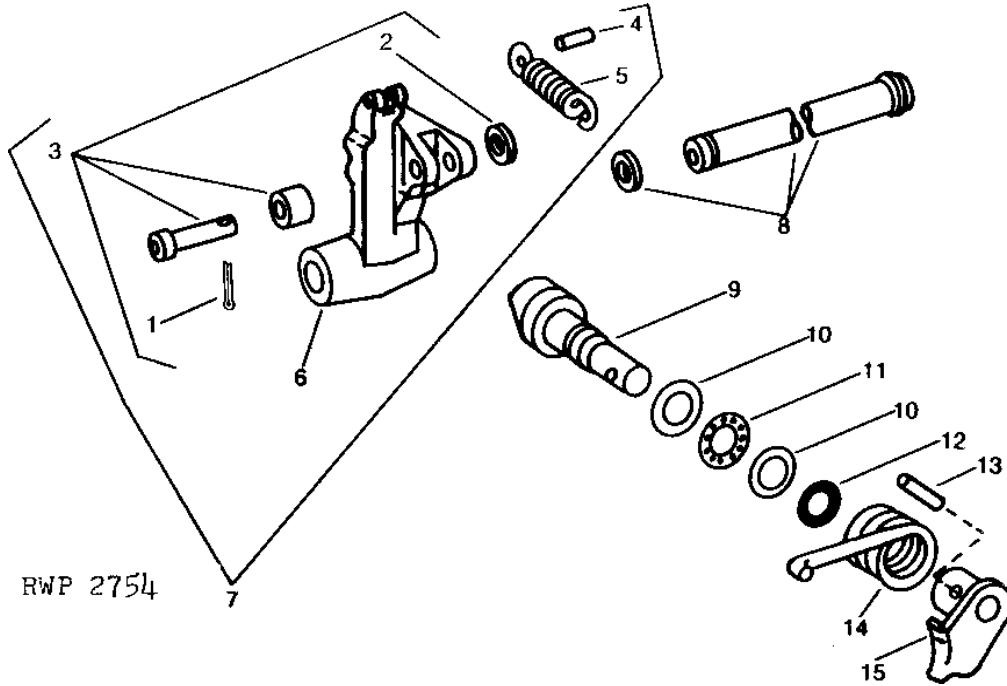
KEY	PART NO.	PART NAME	QTY	TRACTOR SERIAL NO.	REMARKS
1	AT32332	ELBOW FITTING	2		
2	R26375	O-RING	2		90°, (SUB FOR AR26763)
3	AR43101	HYDRAULIC LINE	1		
4	R43766	CAP SCREW	3		
5	R58914	RETAINER	1		(SUB FOR R43746 OR R57756)
6	R33248	PISTON RING	1		
7	R43274	SHIM	AR		0.08MM (.003")
	R43275	SHIM	AR		0.13MM (.005")
	R43276	SHIM	AR		0.25MM (.010")
8	JD7425	BEARING CUP	1		
9	JD9002	BEARING CONE	1		
10	R43143	GEAR	1		
11	R43946	SHAFT	1		
12	AT12889	SEAL	1		
13	R43659	RING	2		
14	R43248	SHIFT COLLAR	1		
15	R43947	GEAR	1		
16	JD8941	BEARING CONE	1		
17	JD8287	BEARING CUP	1		
18	R81R	SNAP RING	1		
19	A364R	SNAP RING	1		
20	31415	SNAP RING	1		
21	JD7155	BALL BEARING	1		
22	R43141	SHAFT	1		
23	11M7086	COTTER PIN	1		0.098" X 1.969"
24	R43112	GEAR	1		
25	R43307	SPACER	1		
26	F2367R	SNAP RING	1		
27	JD7561	BEARING RACE	1		
28	AT151388	ROLLER BEARING	1		(SUB FOR JD7951)
29	B3310R	WASHER	1		
30	F2664R	NUT	1		

3E10

POWER TRAIN

TRANSMISSION PARK LOCK (POWER SHIFT)

RWP2754 -UN-16NOV94



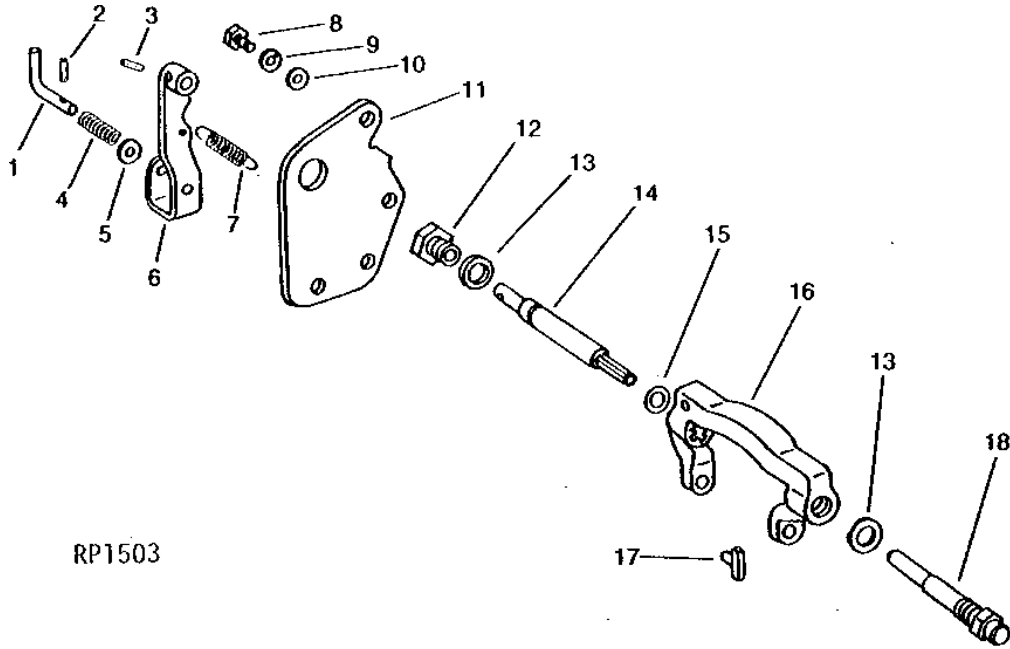
KEY	PART NO.	PART NAME	QTY	TRACTOR SERIAL NO.	REMARKS
1	11M7021	COTTER PIN	1		0.157" X 0.984"
2	24H1227	WASHER	1		17/32" X 13/16" X 0.060"
3	AR44553	PIN	1	-004740	(USE WITH AR43569)
4	AR64923	PIN	1	004741-	(USE WITH AR64922 OR RE16371)
4	34H311	SPRING PIN	1		1/4" X 7/8"
5	R79985	SPRING	1		(SUB FOR R50575 OR R76504)
6	AR64922	PAWL	1		(SUB FOR AR43569) (SUB RE16371)
7	RE16371	PAWL	1		
8	AR43592	SHAFT	1		
9	R43113	CAM	1		
10	JD9812	THRUST BEARING	2		
11	JD8856	NEEDLE BEARING	1		
12	B2762R	O-RING	1		
13	34H314	SPRING PIN	1		1/4" X 1-1/4"
14	R41131	TORSION SPRING	1		
15	AR81571	ARM	1		(SUB FOR AR44554) (SUB RE12162)

3E11

POWER TRAIN

TRANSMISSION DISCONNECT SHIFTER (POWER SHIFT)

RP1503 -UN-01JAN94



RP1503

KEY	PART NO.	PART NAME	QTY	TRACTOR SERIAL NO.	REMARKS
1	R42379	PIN	1		
2	34H245	SPRING PIN	1	1/8" X 5/8"	
3	34H312	SPRING PIN	1	1/4" X 1"	
4	R26169	SPRING	1		
5	24M7096	WASHER	1	10.500 X 18 X 1.600 MM	
6	AR44423	LEVER	1		
7	R31877	SPRING	1		
8	19H2284	CAP SCREW	2	3/8" X 7/8"	
9	12H304	LOCK WASHER	2	3/8"	
10	24H1305	WASHER	2	13/32" X 13/16" X 0.065"	
11	R48465	STRAP	1		
12	R33228	RETAINER	1		
13	R41623	WASHER	2		
14	R33227	PIN	1		
15	R33259	O-RING	1		
16	R43144	YOKE	1		
17	R33240	PIN	2		
18	R42492	SHAFT	1		

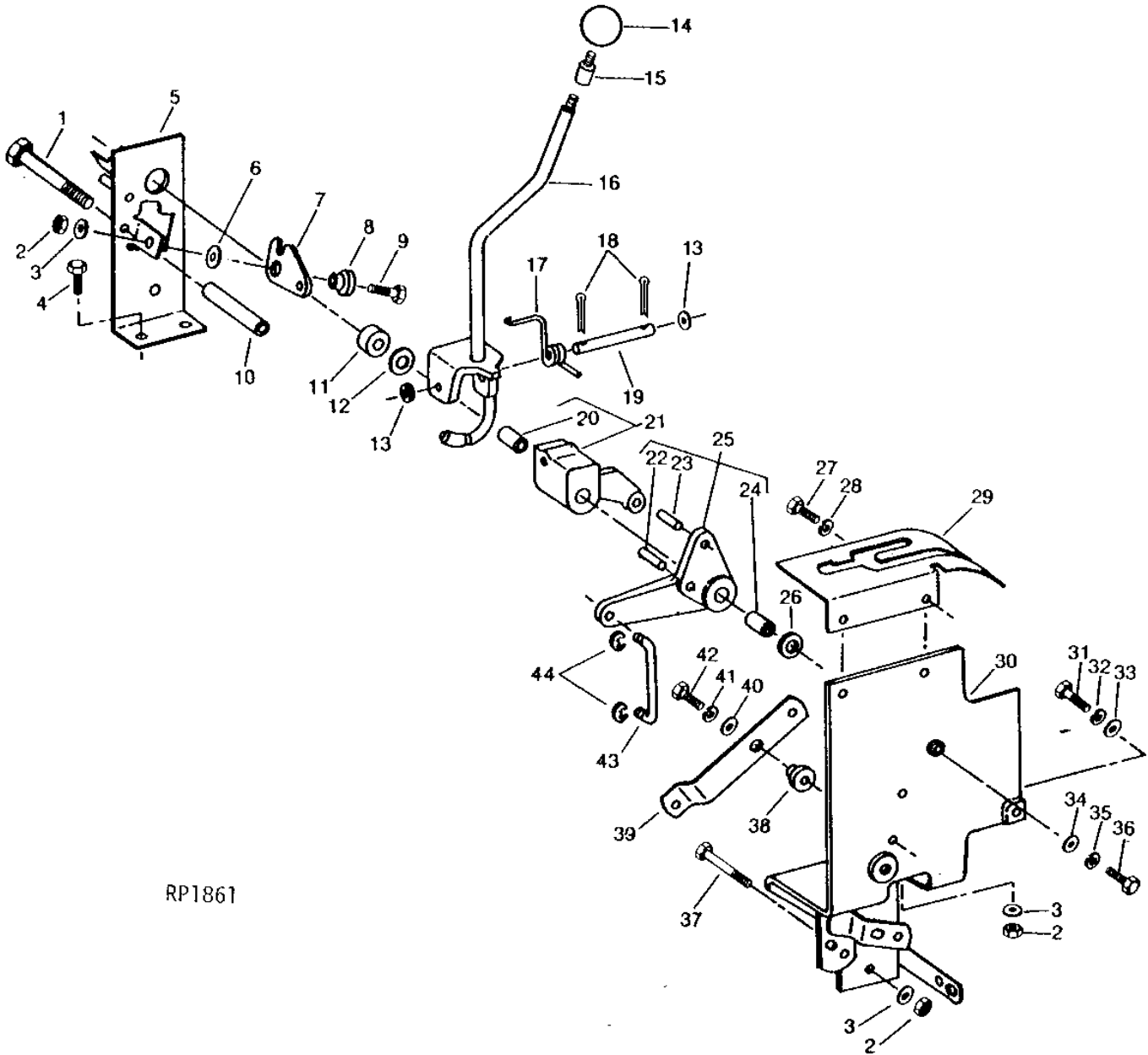
MEMORANDA

3E12

POWER TRAIN

TRANSMISSION SHIFTER CONTROL SUPPORT, LEVER AND LINKAGE (POWER SHIFT)

RP1861 -UN-01JAN94



RP1861

3E13

POWER TRAIN

TRANSMISSION SHIFTER CONTROL SUPPORT, LEVER AND LINKAGE - CONTINUED (POWER SHIFT)

KEY	PART NO.	PART NAME	QTY	TRACTOR SERIAL NO.	REMARKS
1	19H2852	CAP SCREW	1		5/16" X 4"
2	14H812	NUT	5		3/8"
3	12H304	LOCK WASHER	5		3/8"
4	19H2284	CAP SCREW	2		3/8" X 7/8"
5	AR54956	SUPPORT	1		
6	R27441	WASHER	1		
7	R56316	LEVER	1		(SUB FOR R50866) (SUB RE12597)
8	R41134	BUSHING	1		
9	19H2552	CAP SCREW	1		3/8" X 1-1/8"
10	28H3299	SPACER	1		1/4" X 3-1/16"
11	R52138	SPACER	1		
12	R21727	SHIM	AR	XXXXXX-	
13	24H1289	WASHER	2		21/64" X 5/8" X 0.049"
14	R50864	KNOB	1		
15	R61680	WELD STUD	1		(LESS SOUND-GARD BODY OR ROLL-GARD)
16	AR75912	GEARSHIFT LEVER	1		(SUB FOR AR54957 AND AR69265)
17	R50800	SPRING	1		
18	11M7079	COTTER PIN	2		0.098" X 0.472"
19	R45832	PIN	1		
20	R653R	BUSHING	2		
21	AR66962	GUIDE	1		(ALSO ORDER (3) R21727) (SUB FOR AR58937)
22	A4681R	DOWEL PIN	1		
23	R38295	NEEDLE ROLLER	1		
24	R653R	BUSHING	1		
25	AR66963	LEVER	1		(MARKED R56315 OR R50799) (ALSO ORDER (3) R21727) (SUB FOR AR58935)
26	24H1658	WASHER	1		21/32" X 1" X 0.060"
27	19H1813	CAP SCREW	2		5/16" X 5/8"
28	12H303	LOCK WASHER	1		5/16"
29	R77308	PLATE	1		(SUB FOR R50802)
30	AR70233	SUPPORT	1		(SUB FOR AR54951)
31	19H1731	CAP SCREW	2		(A) 3/8" X 1"
32	12H304	LOCK WASHER	2		(A) 3/8"
33	24H1305	WASHER	2		(A) 13/32" X 13/16" X 0.065"
34	24H1312	WASHER	1		13/32" X 1-3/8" X 0.105"
35	R53668	THRUST WASHER	1		
36	R53664	SELF-LOCKING SCREW	1		
37	19H1944	CAP SCREW	2		3/8" X 2-3/4"
38	R52668	BUSHING	1		
39	R50803	LEVER	1		(SUB R77308)
40	24H1822	WASHER	1		11/32" X 7/8" X 1/16"
41	12H303	LOCK WASHER	1		5/16"
42	19H1905	CAP SCREW	1		5/16" X 1"
43	R50804	LINK	1		
44	R72654	SNAP RING	2		(SUB FOR R27507)

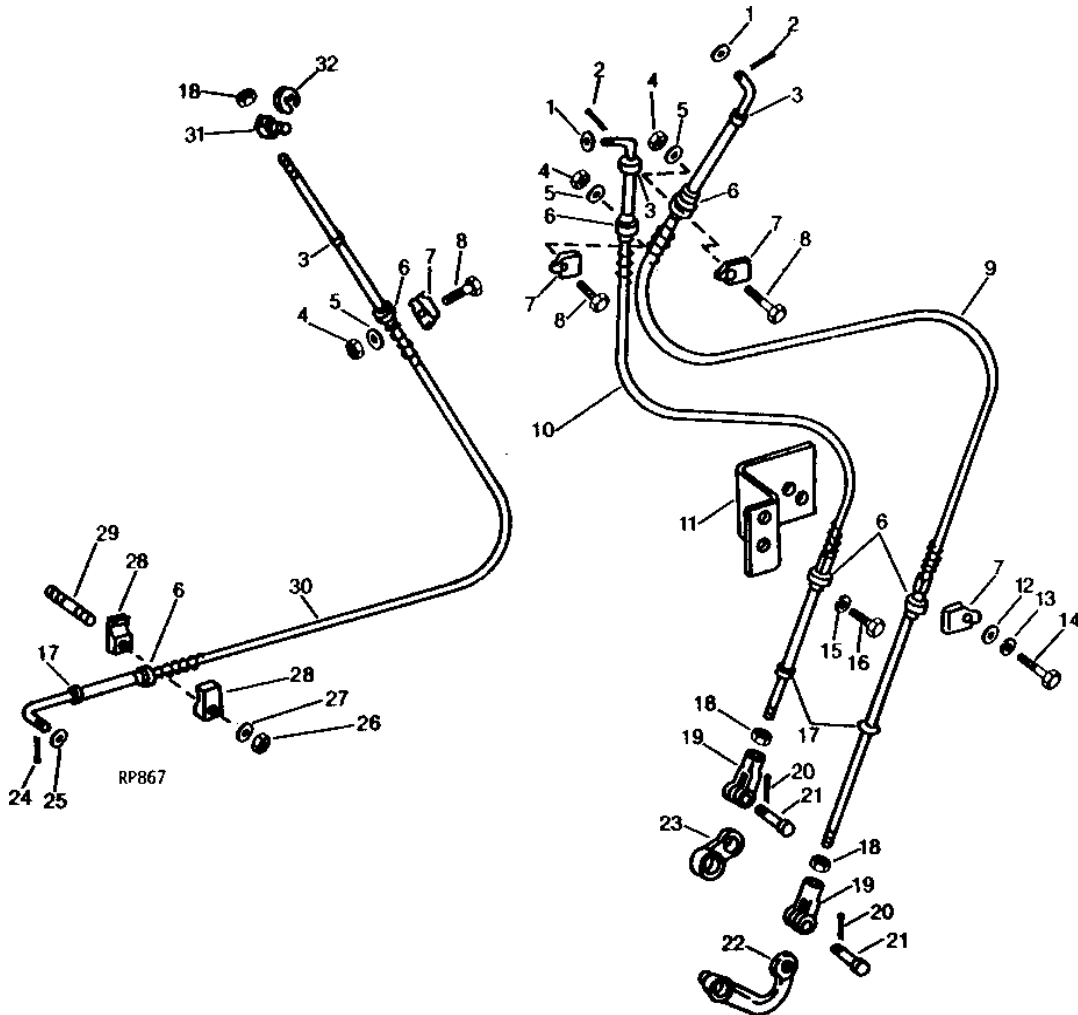
(A) SOUND-GARD BODY OR ROLL-GARD

3E14

POWER TRAIN

TRANSMISSION CONTROL CABLES AND ARMS (POWER SHIFT)

RP867 -UN-23NOV94



3E15

POWER TRAIN

TRANSMISSION CONTROL CABLES AND ARMS - CONTINUED (POWER SHIFT)

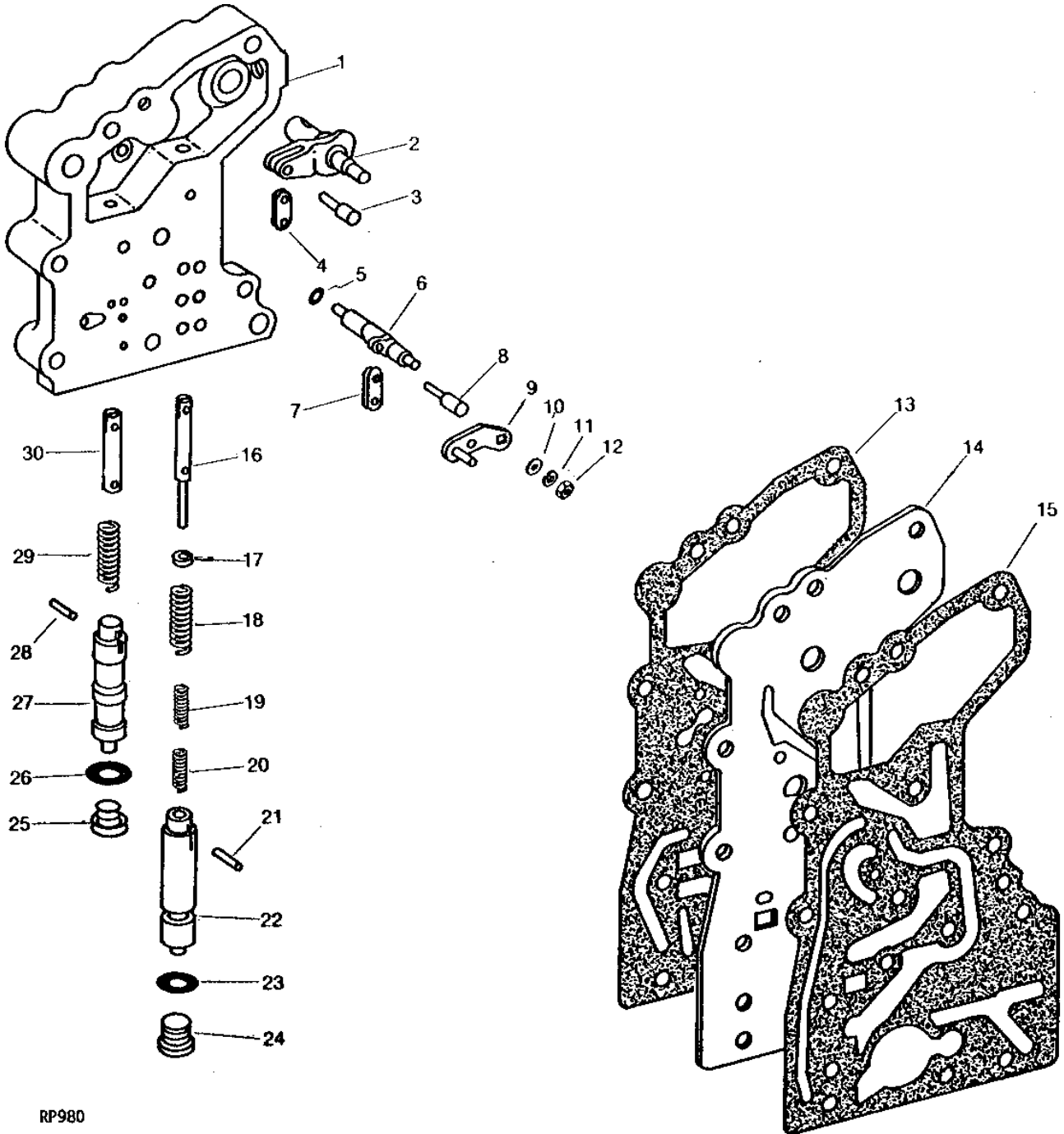
KEY	PART NO.	PART NAME	QTY	TRACTOR SERIAL NO.	REMARKS
1	24H753	WASHER	2		9/32" X 5/8" X 0.049"
2	11M7079	COTTER PIN	2		0.098" X 0.472"
3	R39726	SEAL	3		
4	14H785	NUT	3		5/16"
5	12H303	LOCK WASHER	3		5/16"
6	R39725	SEAL	6		
7	R26870	CLAMP	5		
8	19H1849	CAP SCREW	3		5/16" X 1-1/4"
9	AR54618	PUSH PULL CABLE	1		
10	AR54617	PUSH PULL CABLE	1		
11	AR56261	BRACKET	1		
12	24H1136	WASHER	2		11/32" X 11/16" X 0.065"
13	12H303	LOCK WASHER	2		5/16"
14	19H3552	CAP SCREW	2		5/16" X 1-1/2"
15	12H304	LOCK WASHER	1		3/8"
16	19H1134	CAP SCREW	1		3/8" X 3/4"
17	R39727	SEAL	3		
18	14H649	NUT	3		1/4"
19	R50865	YOKE	2		
20	11M7081	COTTER PIN	2		0.098" X 0.787"
21	F2811R	PIN	2		
22	R49816	LEVER	1		
23	R49817	LEVER	1		
24	11M7079	COTTER PIN	1		0.098" X 0.472"
25	B1664R	SHIM	1		
26	14H812	NUT	1		3/8"
27	12H304	LOCK WASHER	1		3/8"
28	T33483	CLAMP	2		
29	R27612	STUD	1		
30	AR55701	PUSH PULL CABLE	1	-024774	(SUB FOR AR56262) (SUB AR78968)
	AR78968	PUSH PULL CABLE	1	024775-	
31	R51067	SWIVEL	1		
32	R72653	SNAP RING	1		(SUB FOR M2396T)

3E16

POWER TRAIN

TRANSMISSION AND PTO CLUTCH VALVES AND GASKETS (POWER SHIFT)

RP980 -UN-01JAN94



RP980

3E17

POWER TRAIN

TRANSMISSION AND PTO CLUTCH VALVES AND GASKETS - CONTINUED (POWER SHIFT)

KEY	PART NO.	PART NAME	QTY	TRACTOR SERIAL NO.	REMARKS
1	AR45381	HOUSING	1		(MARKED R41151 OR R44164) (SUB AR88040 AND 15H558)
2	AR55824	SHAFT	1		
3	R33145	PIN	2		
4	R28401	LINK	1		
5	A3917R	O-RING	1		
6	AR61609	SHAFT	1		(A) (SUB FOR AR48690) (SUB AR98146)
7	R28401	LINK	1		(A)
8	R33145	PIN	2		(A)
9	AR56056	ARM	1		(A)
10	24H1292	WASHER	1		(A) 11/32" X 3/4" X 0.120"
11	12H302	LOCK WASHER	1		(A) 1/4"
12	14H786	NUT	1		(A) 1/4"
13	R51573	GASKET	1	-010646	(SUB R98926)
	R92483	GASKET	1	010647-	(SUB FOR R56826 OR T67028)
14	R51575	CLUTCH PLATE	1	-010646	(SUB R56829)
	R56829	PLATE	1	010647-	
15	R94331	GASKET	1		(SUB FOR R46815 OR T67029)
16	R33137	SHAFT	1		
17	R33521	SHIM	1		0.76MM (.030")
18	R33173	SPRING	1		
19	R33174	SPRING	1		
20	R33175	SPRING	1		
21	34H245	SPRING PIN	1		1/8" X 5/8"
22	R33136	VALVE	1		
23	R26375	O-RING	1		
24	R33138	FITTING	1		
25	R33138	FITTING	1		(A)
26	R26375	O-RING	1		(A)
27	R47509	VALVE	1		(A)
28	34H260	SPRING PIN	1		(A) 5/32" X 5/8"
29	R31725	SPRING	1		(A)
30	R41503	SHAFT	1		(A)

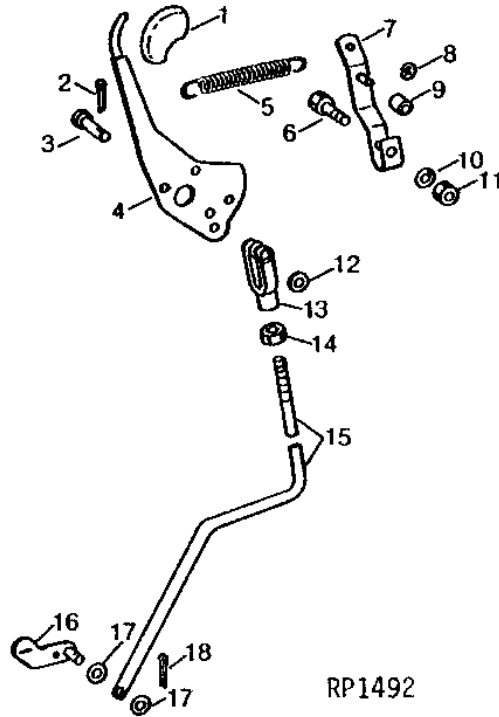
(A) NOT REQUIRED ON TRACTORS LESS PTO

3E18

POWER TRAIN

RP1492 -UN-01JAN94

PTO LEVER FOR POWER SHIFT



RP1492

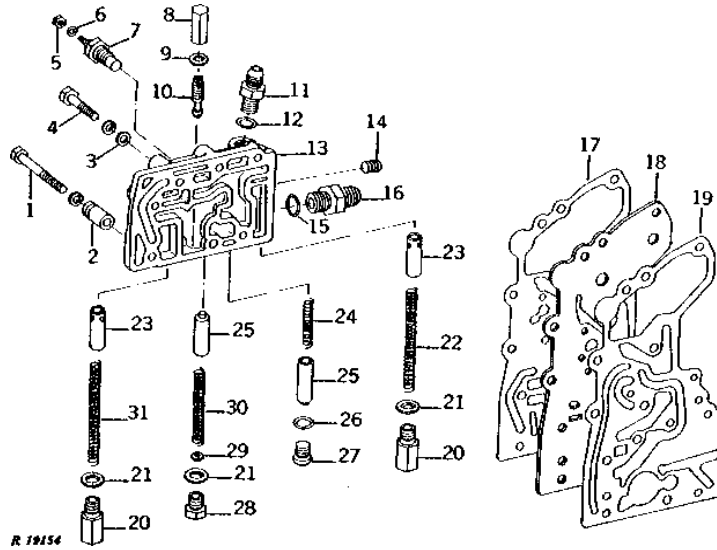
KEY	PART NO.	PART NAME	QTY	TRACTOR SERIAL NO.	REMARKS
1	R52056	GRIP	1		
2	11M7081	COTTER PIN	1		
3	R65563	PIN	1		0.098" X 0.787" (SUB FOR C1067R)
4	R52065	LEVER	1		
5	R29301	SPRING	1		
6	R51808	CAP SCREW, AND NUT	1		
7	AR56055	LINK	1		
8	R72653	SNAP RING	1		(SUB FOR M2396T)
9	R51809	HALF SLEEVE	1		
10	12H304	LOCK WASHER	1		3/8"
11	14H812	NUT	1		3/8"
12	24H1309	WASHER	1		13/32" X 1-1/16" X 0.120"
13	L324T	YOKE	1		
14	14H774	NUT	1		3/8"
15	R52480	ROD	1		
16	AR56056	ARM	1		
17	24H1286	WASHER	2		9/32" X 1/2" X 1/16"
18	11H272	COTTER PIN	1		1/16" X 2"

3E19

POWER TRAIN

TRANSMISSION CLUTCH REGULATING VALVE (POWER SHIFT) (TRACTOR SERIAL NO. -010646)

R19154 -UN-01JAN94



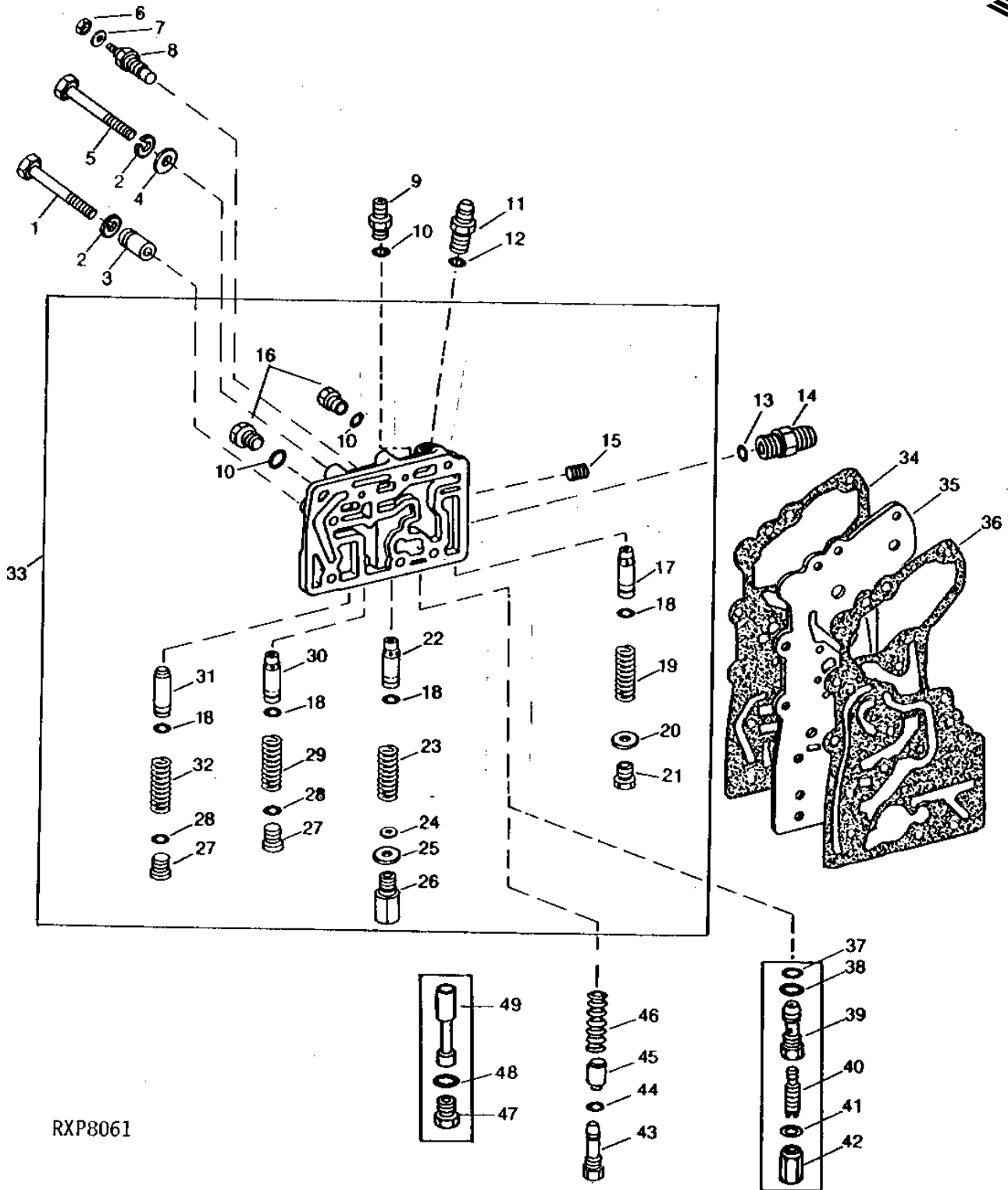
KEY	PART NO.	PART NAME	QTY	TRACTOR SERIAL NO.	REMARKS
1	19H2058	CAP SCREW	1	7/16" X 3-3/4"	
	12H293	LOCK WASHER	1	7/16"	
2	R52140	SPACER	1		
3	24H1325	WASHER	6	15/32" X 59/64" X 0.065"	
4	19H2055	CAP SCREW	2	7/16" X 2-1/4"	
	19H1978	CAP SCREW	2	7/16" X 1-1/2"	
	19H2347	CAP SCREW	2	7/16" X 3"	
	19H1828	CAP SCREW	2	7/16" X 4"	
	12H293	LOCK WASHER	6	7/16"	
5	14H631	NUT	1	0.190"	
6	24H1283	WASHER	1	7/32" X 1/2" X 0.049"	
7	AR61610	PRESSURE SWITCH	1		
8	F2847R	NUT	1		
9	F2846R	WASHER	1		
10	R39587	SET SCREW	1		
11	R27270	FITTING	1		
12	R26906	O-RING	1		
13	R54335	HOUSING	1	(MARKED R51572) (SUB AT58342, AR67854, R92483, R56829 AND 19H2055)	
14	15H571	PIPE PLUG	1	3/8"	
15	F3171R	O-RING	1		
16	R27267	FITTING	1		
17	R98926	GASKET	1	(SUB FOR R51573)	
18	R56829	PLATE	1	(SUB FOR R51575)	
19	R94331	GASKET	1	(SUB FOR R46815 OR T67029)	
20	R51577	FITTING PLUG	2		
21	R1742R	WASHER	3		
22	R57585	SPRING	1	(SUB FOR R51576)	
23	R57560	VALVE	2	(ALSO ORDER R33259) (SUB FOR R54042)	
24	R28914	SPRING	1		
25	R57559	VALVE	2	(ALSO ORDER R33259) (SUB FOR R33162)	
26	R26375	O-RING	1		
27	R33138	FITTING	1		
28	R52589	FITTING PLUG	1		
29	R33521	SHIM	AR	0.76MM (.030")	
30	R41850	SPRING	1		
31	R51574	SPRING	1		

3E20

POWER TRAIN

TRANSMISSION CLUTCH REGULATING VALVE (POWER SHIFT) (TRACTOR SERIAL NO. 010647-)

RXP8061 -UN-01JAN94



RXP8061

3E21

POWER TRAIN

TRANSMISSION CLUTCH REGULATING VALVE - CONTINUED
(POWER SHIFT)
(TRACTOR SERIAL NO. 010647-)

KEY	PART NO.	PART NAME	QTY	TRACTOR SERIAL NO.	REMARKS
1	19H2058	CAP SCREW	1		7/16" X 3-3/4"
2	12H293	LOCK WASHER	1		7/16"
3	R52140	SPACER	1		
4	24H1325	WASHER	6		15/32" X 59/64" X 0.065"
5	19H2055	CAP SCREW	3		7/16" X 2-1/4"
	19H1978	CAP SCREW	3		7/16" X 1-1/2"
	19H2347	CAP SCREW	3		7/16" X 3"
	19H1828	CAP SCREW	3		7/16" X 4"
	12H293	LOCK WASHER	6		7/16"
6	14H631	NUT	1		0.190"
7	24H1283	WASHER	1		7/32" X 1/2" X 0.049"
8	AR61610	PRESSURE SWITCH	1		
9	R55525	FITTING	1	010647-	(SUB R65684)
10	R26286	O-RING	3		
11	R27270	FITTING	1		
12	R26906	O-RING	1		
13	F3171R	O-RING	1		
14	R27267	FITTING	1		
15	15H571	PIPE PLUG	1		3/8"
16	R27094	DRAIN PLUG	2	-010646	
17	R56785	RELIEF VALVE	1	-023924	(USE WITH R56778, R60153 OR R60154)
	R63980	VALVE	1	023925-	(USE WITH R63193 OR R63195) (SUB FOR R63196)
18	R28776	O-RING	4		
19	R56782	SPRING	1		
20	R1742R	WASHER	1		
21	R52589	FITTING PLUG	1		
22	R63980	VALVE	1		(SUB FOR R61371)
23	R56352	SPRING	1		(SUB T60314)
24	R56351	SHIM	AR		0.76MM (.030")
25	R1742R	WASHER	1		
26	R51577	FITTING PLUG	1		
27	R33138	FITTING	2		
28	R26375	O-RING	2		
29	R56783	SPRING	1		(SUB R39133)
30	R56785	RELIEF VALVE	1		(USE WITH R56778, R60153, R60154, R63193 OR R63195)
	R63980	VALVE	1		(USE WITH R63979)
31	R56785	RELIEF VALVE	1		
32	R56784	SPRING	1		
33	AR78102	HOUSING	1	-016902	(MARKED R56778, R60153 OR R63195) (SUB FOR AR68437 OR AR68436) (SUB AT58342)
	AR78100	HOUSING	1	016903-	(MARKED R60154, R63193 OR R63979) (SUB FOR AR74305, AR78099, AR82534 OR AR89394) (SUB AT58342)
					(SUB FOR R56826 OR T67028)
34	R92483	GASKET	1		
35	R56829	PLATE	1		
36	R94331	GASKET	1		(SUB FOR R46815 OR T67029)
37	R28776	O-RING	1	012244-023924	(A)
38	R26375	O-RING	1	012244-023924	(A)
39	R60093	PLUG	1	012244-023924	(A)
40	R39587	SET SCREW	1	012244-023924	(A)
41	F2846R	WASHER	1	012244-023924	(A)
42	F2847R	NUT	1	012244-023924	(A)
43	R60396	FITTING	1	023925-	
44	R26375	O-RING	1	023925-	
45	R60092	CHECK VALVE	1	012244-	(A)
46	R28914	SPRING	1		
47	R39112	FITTING	1	-012243	
48	R26375	O-RING	1	-012243	
49	R56781	VALVE	1	-012243	(SUB AR72894)
..	AR72894	KIT	1	-023924	

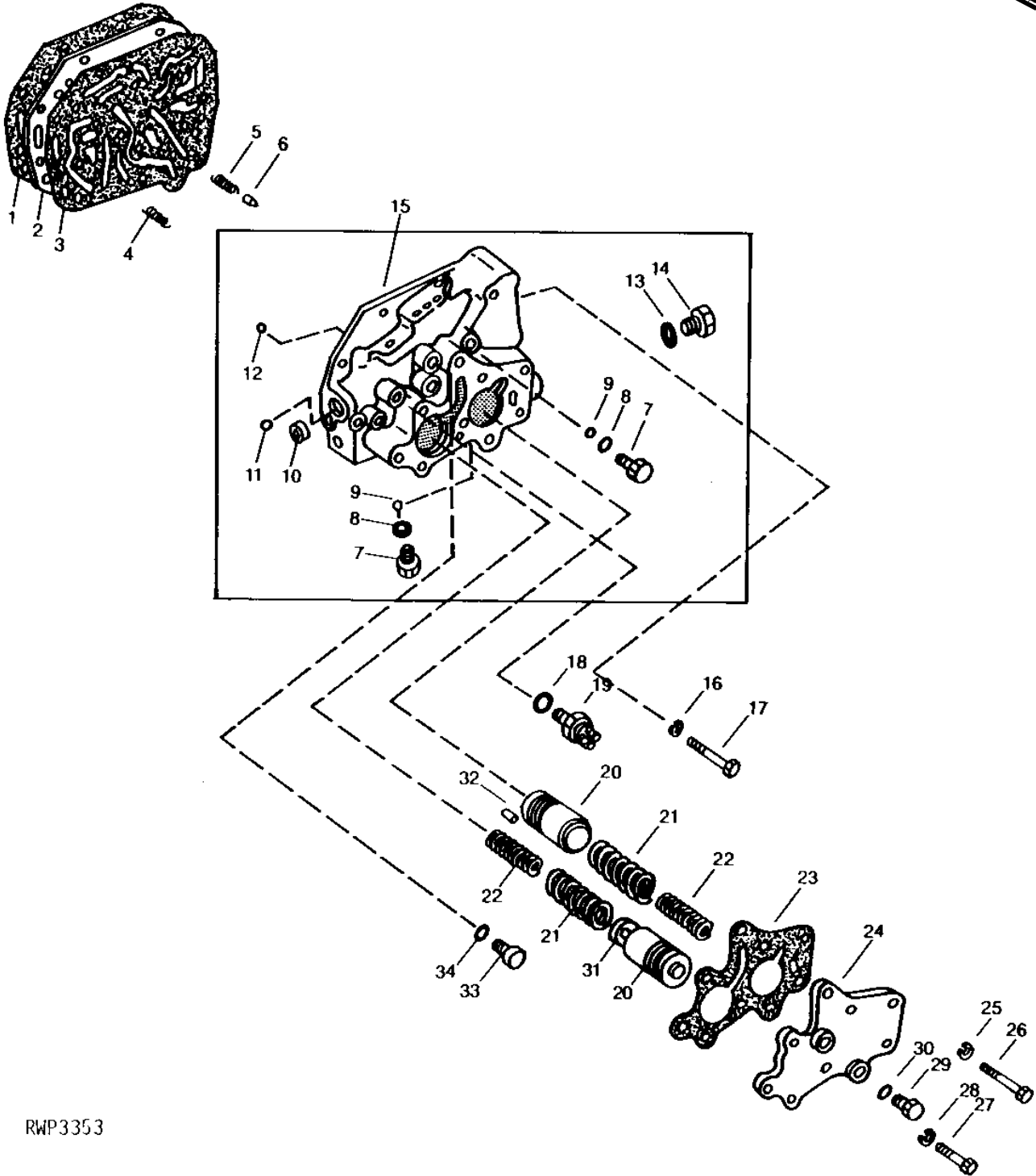
(A) INCLUDED IN AR72894

3E22

POWER TRAIN

RWP3353 -UN-19OCT94

TRANSMISSION CONTROL VALVE (POWER SHIFT)



RWP3353

3E23

POWER TRAIN

TRANSMISSION CONTROL VALVE - CONTINUED (POWER SHIFT)

KEY	PART NO.	PART NAME	QTY	TRACTOR SERIAL NO.	REMARKS
1	R94321	GASKET	1		(SUB FOR R50567 OR R68817)
2	R50566	PLATE	1		
3	R100308	GASKET	1		(SUB FOR R50568 OR R68818) (USE WITH R50565, R53604 OR R57382)
4	R94322	GASKET	1		(USE WITH R67037, R72408 OR R78742)
	R47816	SPRING	1		
5	R33277	SPRING	1		
6	R42697	DETENT	1		
7	R27094	DRAIN PLUG	5		
8	R26286	O-RING	5		
9	R26552	BALL	5		8MM (5/16")
10	N102039	CAP	1		(SUB FOR A3910R)
11	R42849	BALL	1		9MM (3/8")
12	D2361R	BALL	1		13MM (1/2") REVERSE DETENT
13	R26906	O-RING	1		
14	R27474	DRAIN PLUG	1		
15	AR87115	HOUSING	1	-XXXXXX	(MARKED R50565, R53604, R57382 OR R67037) (SUB FOR AR60519) (SUB RE46459)
	AR95903	HOUSING	1	XXXXXX-	(MARKED R72408 OR R78742) (SUB RE46459)
	RE20832	HOUSING	1		(MARKED R82100) (SUB RE46459)
16	12H304	LOCK WASHER	6		3/8"
17	19H1732	CAP SCREW	2		3/8" X 1-1/4"
	19H2128	CAP SCREW	2		3/8" X 3"
	19H2023	CAP SCREW	2		3/8" X 3-1/4"
18	T16911	SHIM	AR		
19	RE38390	SWITCH	1		(SUB FOR R36265, AR85323 OR AR89691)
20	R47319	PISTON	2		
21	R47449	SPRING	2		
22	R47450	SPRING	2		
23	R98929	GASKET	1		(SUB FOR R52971 OR R68820)
24	R47321	COVER	1		(SUB R79852, (4) 19H1731 AND (4) 19H2205)
25	12H304	LOCK WASHER	4		3/8"
26	19H3180	CAP SCREW	4		3/8" X 6-1/4"
27	19H1732	CAP SCREW	4		3/8" X 1-1/4"
28	12H304	LOCK WASHER	4		3/8"
29	R27094	DRAIN PLUG	4		
30	R26286	O-RING	4		
31	24H1312	WASHER	1		13/32" X 1-3/8" X 0.105"
32	R47448	ORIFICE	2		
33	R27218	FITTING PLUG	2		
34	R26448	O-RING	2		
..	AR56203	WIRING HARNESS	1		

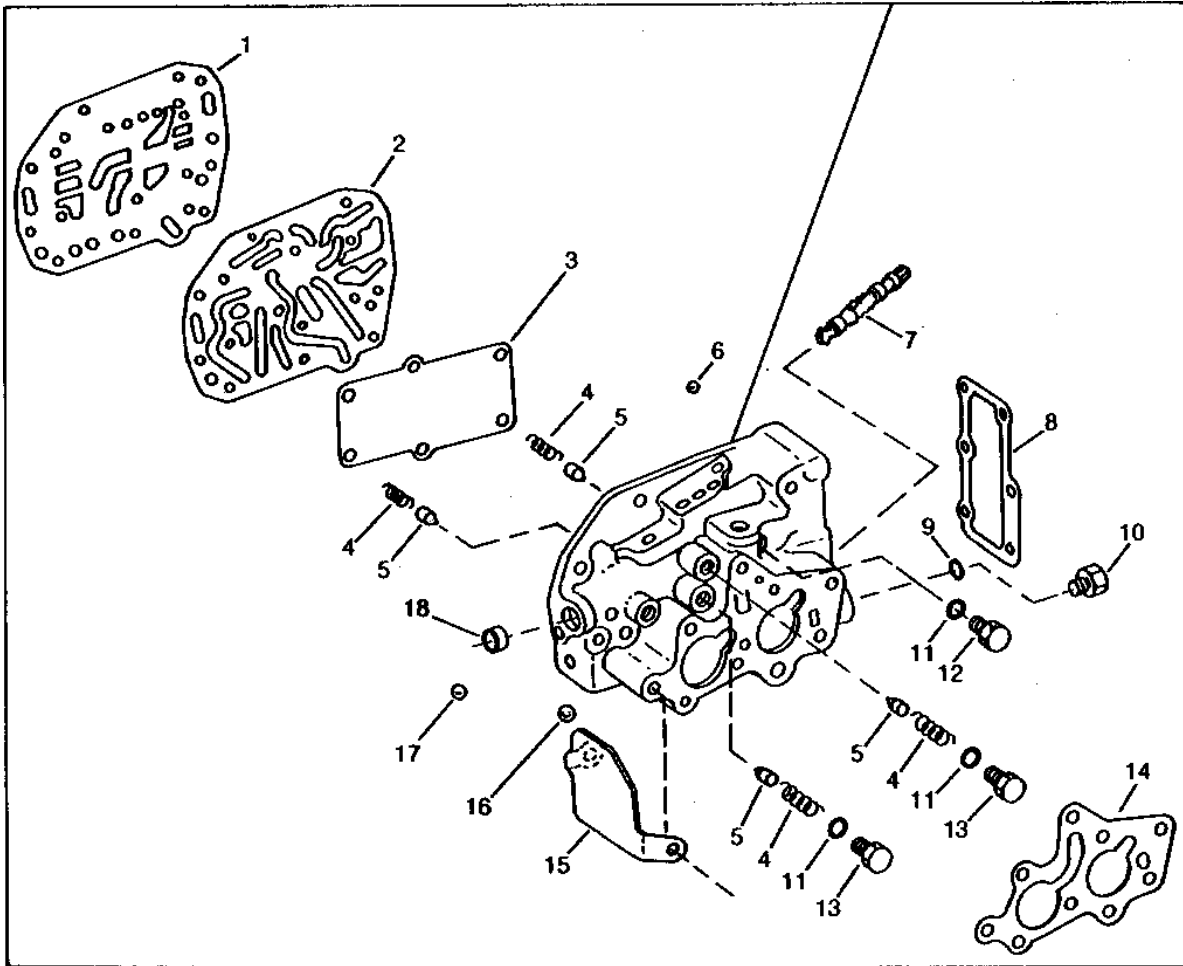
3E24

POWER TRAIN

RXP8633

-UN-01JAN94

TRANSMISSION CONTROL VALVE KIT



RXP8633

19

3E25

POWER TRAIN

TRANSMISSION CONTROL VALVE KIT - CONTINUED

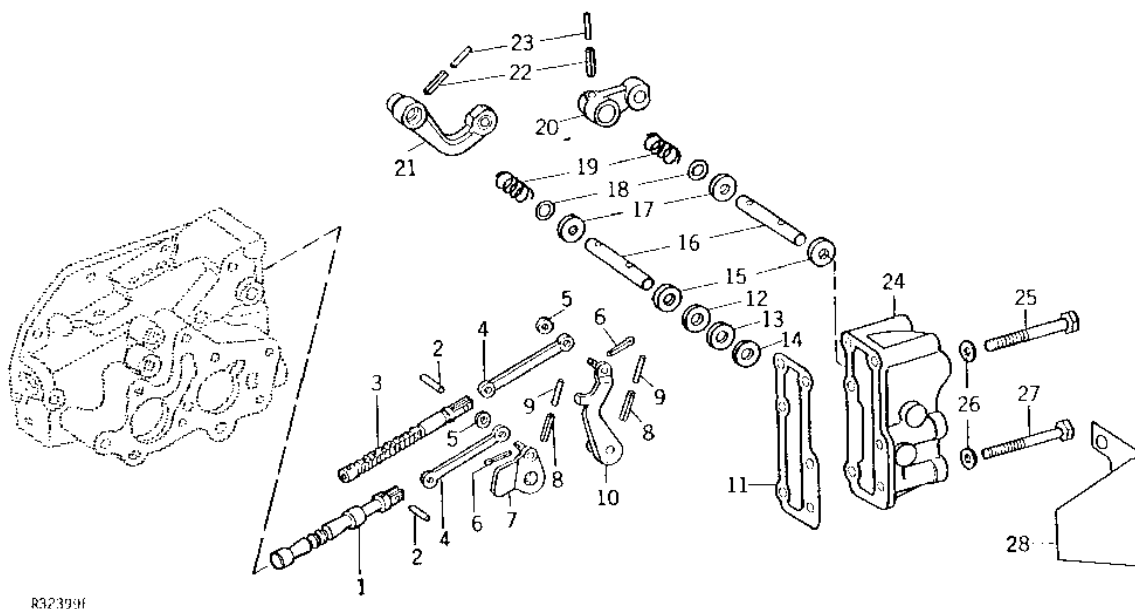
KEY	PART NO.	PART NAME	QTY	TRACTOR SERIAL NO.	REMARKS
1	R94321	GASKET	1		
2	R94322	GASKET	1		
3	R92474	GASKET	1		
4	R33277	SPRING	4		
5	R42697	DETENT	4		
6	R26552	BALL	5		
7	R82024	VALVE	1		
8	R33275	GASKET	1		
9	R26906	O-RING	1		
10	R27474	DRAIN PLUG	1		
11	R26448	O-RING	7		
12	R27094	DRAIN PLUG	7		
13	R27218	FITTING PLUG	2		
14	R98929	GASKET	1		
15	R72415	SHIELD	1		
16	R42849	BALL	1		
17	D2361	BALL	2		
18	30H13	PLUG	AR	1"	
19	RE46459	KIT	1		(ALSO FURNISH RE38390) (SUB FOR AR87115, AR95903 OR RE20832)

3F1

POWER TRAIN

TRANSMISSION CONTROL VALVE COVER, CONTROL VALVES, AND ARMS (POWER SHIFT)

R32399 -UN-01JAN94



R32399f

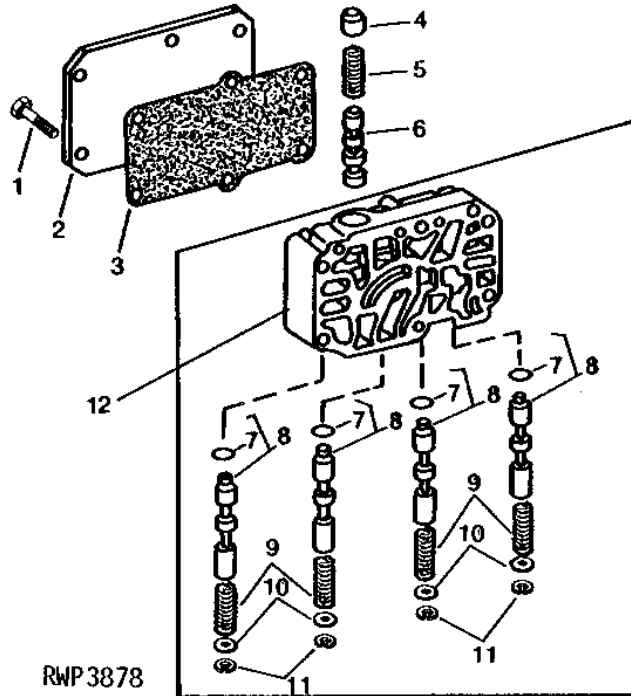
KEY	PART NO.	PART NAME	QTY	TRACTOR SERIAL NO.	REMARKS
1	R82024	VALVE	1		(SUB FOR R33291 OR R72411)
2	34H309	SPRING PIN	2		1/4" X 5/8"
3	R48370	VALVE	1		
4	R33290	LINK	2		
5	24H753	WASHER	2		9/32" X 5/8" X 0.049"
6	11M7077	COTTER PIN	2		0.063" X 0.984"
7	AR53841	ARM	1		(SUB RE22320)
8	AR53843	ARM	1		(POWER FRONT WHEEL DRIVE) (SUB RE38361)
9	R56504	SPRING PIN	2		
10	R56503	SPRING PIN	2		
	AR53840	ARM	1		(SUB RE22319)
	AR53844	ARM	1		(POWER FRONT WHEEL DRIVE) (SUB RE21304)
11	R33275	GASKET	1		
12	R51494	WASHER	AR		
13	T16911	SHIM	AR		
14	R67193	SHIM	AR		3.3MM (0.13")
15	R33587	SEAL	2		
16	R49819	PIN	2		
17	R36364	WASHER	2		
18	24H1359	WASHER	2		5/8" X 7/8" X 0.060"
19	F3221R	SPRING	2		
20	R49817	LEVER	1		
21	R49816	LEVER	1		
22	R56506	SPRING PIN	2		
23	34H252	SPRING PIN	2		1/8" X 1-1/4", (SUB FOR R56505)
24	AR45255	COVER	1		(MARKED R33268 OR R44030)
	R82331	COVER	1		(POWER FRONT WHEEL DRIVE) (MARKED R42989, R48758 OR R72414) (SUB FOR AR52180, AR95904 OR RE21305) (ALSO ORDER R26287, (5) R26448, R27216 AND R27218)
	R27216	DRAIN PLUG	1		(SUB FOR R31631)
	R26287	O-RING	1		
25	19H2023	CAP SCREW	5		3/8" X 3-1/4"
26	24M7096	WASHER	6		10.500 X 18 X 1.600 MM
27	19H1854	CAP SCREW	1		3/8" X 3-3/4"
28	R51795	SHIELD	1		(SUB R108663)

3F2

POWER TRAIN

TRANSMISSION SHIFT VALVE (POWER SHIFT)

RWP3878 -UN-01JAN94



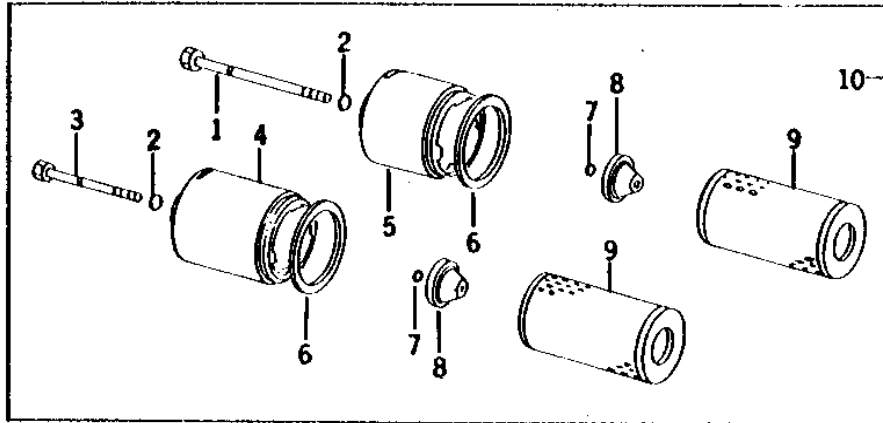
KEY	PART NO.	PART NAME	QTY	TRACTOR SERIAL NO.	REMARKS
1	19H1949	CAP SCREW	6	5/16" X 2-1/2"	
2	R33307	COVER	1		
3	R92474	GASKET	1		(SUB FOR R33276 OR R68821)
4	R34175	BOLT	1		
5	R47444	SPRING	1		
6	R48647	VALVE	1		
7	R35155	O-RING	4		
8	AR52251	VALVE	4		(SUB R48769 AND R35155)
9	R47393	SPRING	4		
10	R48013	WASHER	4		
11	R33282	SNAP RING	4		
12	AR52335	HOUSING	1		(MARKED R33077)

3F3

POWER TRAIN

R29364 -UN-01JAN94

INCREASED OIL FILTRATION KIT (POWER SHIFT)



R29364

KEY	PART NO.	PART NAME	QTY	TRACTOR SERIAL NO.	REMARKS
1	R65894	CAP SCREW	1		
2	R394R	O-RING	2		
3	R54750	CAP SCREW	1		
4	R58652	COVER	1		
5	R63093	COVER	1		
6	R34733	WASHER	2		
7	F2741R	PACKING	2		
8	R65892	RETAINER	2		
9	AR98098	FILTER ELEMENT	2	(SUB FOR AR94510)	
10	AR85272	KIT	1		

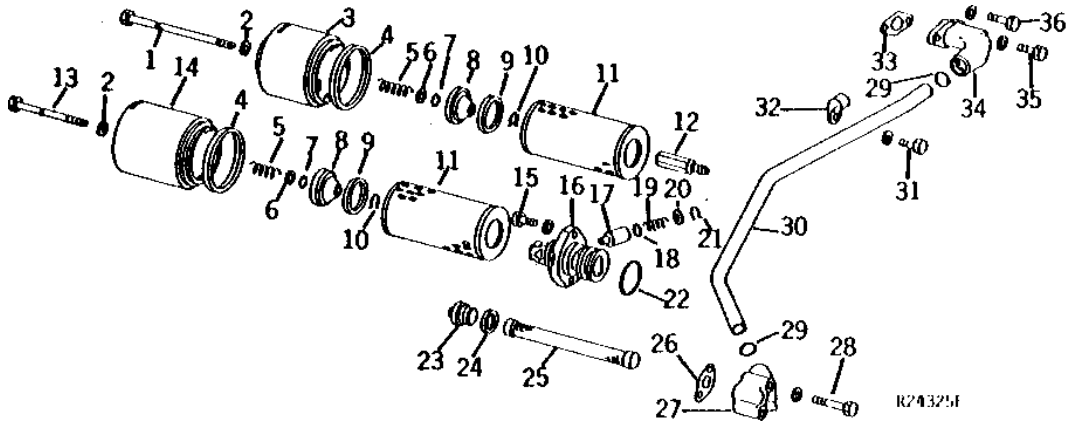
MEMORANDA

3F4

POWER TRAIN

TRANSMISSION OIL FILTER AND OIL PUMP INTAKE (POWER SHIFT)

R24325 -UN-01JAN94



KEY	PART NO.	PART NAME	QTY	TRACTOR SERIAL NO.	REMARKS
1	R54750	CAP SCREW	1		(SUB FOR R39795)
	R65894	CAP SCREW	1	015517-	(A)
2	R394R	O-RING	2		
3	R39794	COVER	1		
	R39794	COVER	1	-015516	(A)
	R58652	COVER	1	015517-	(A)
4	R34733	WASHER	2		
5	H819R	SPRING	2		
6	24H1227	WASHER	2		17/32" X 13/16" X 0.060"
7	R394R	O-RING	2		
8	R65892	RETAINER	2		
9	R28594	WASHER	2	-021338	
	R28594	WASHER	2	-015516	(A)
10	R32507	SNAP RING	2		
11	AR75603	FILTER ELEMENT	1		(ALSO ORDER R34733) (SUB FOR AR28271 OR AR75601) (PKG. OF 2)
	AR75603	FILTER ELEMENT	1	-015516	(A) (ALSO ORDER R34733) (SUB FOR AR28271 OR AR75601) (PKG. OF 2)
	AR98098	FILTER ELEMENT	2	015517-	(A) (SUB FOR AR70506)
12	R58765	SCREW	1	015517-XXXXXX	(A) (SUB R65894)
13	R54751	CAP SCREW	1		(SUB FOR R39797)
	R54751	CAP SCREW	1	-015516	(SUB FOR R39797)
	R54750	CAP SCREW	1	015517-	(A)
14	R39796	COVER	1		
	R39796	COVER	1	-015516	(A)
	R63093	COVER	1	015517-	(A) (SUB FOR R51654)
15	19H1800	CAP SCREW	2		3/8" X 1-1/2"
	12H304	LOCK WASHER	2		3/8"
16	R54962	HOUSING	1		
17	R33162	VALVE	1	-009544	(SUB R57559 AND R33259, THIS APPLICATION)
	R57559	VALVE	1	009545-	
18	R33259	O-RING	1	009545-	
19	R26686	SPRING	1		

3F5

POWER TRAIN

TRANSMISSION OIL FILTER AND OIL PUMP INTAKE - CONTINUED (POWER SHIFT)

KEY	PART NO.	PART NAME	QTY	TRACTOR SERIAL NO.	REMARKS
20	R48013	WASHER	1		
21	R33282	SNAP RING	1		
22	U12198	O-RING	1		
23	R40147	FITTING	1		(SUB FOR A4806R)
24	A4808R	WASHER	1		
25	R53169	SCREEN	1		(NYLON)
	AR26375	SCREEN	1		(STEEL)
26	R28110	GASKET	1		
27	R33911	ADAPTER	1		(SUB FOR R84270 AND R84396)
28	19H1944	CAP SCREW	2		3/8" X 2-3/4"
	12H304	LOCK WASHER	2		3/8"
29	A3606R	O-RING	1		
30	R53415	LINE	1		
31	19H2284	CAP SCREW	1		3/8" X 7/8"
	12H304	LOCK WASHER	1		3/8"
32	R33364	CLAMP	1		
33	R33363	GASKET	1		
34	AR41885	ADAPTER	1		
35	19H1765	CAP SCREW	1		3/8" X 1-3/4"
	12H304	LOCK WASHER	1		3/8"
36	19H1732	CAP SCREW	1		3/8" X 1-1/4"
	12H304	LOCK WASHER	1		3/8"

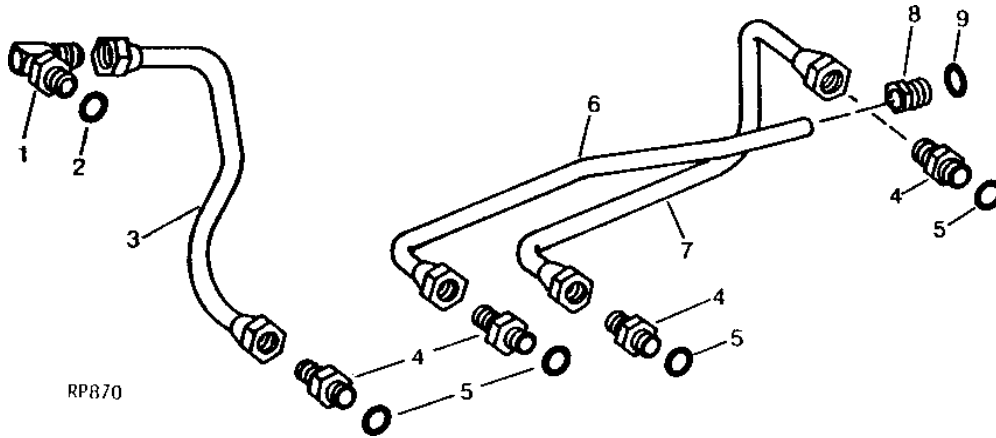
(A) POWER FRONT WHEEL DRIVE

3F6

POWER TRAIN

TRANSMISSION CONTROL AND CLUTCH OIL PIPE (POWER SHIFT)

RP870 -UN-16NOV94



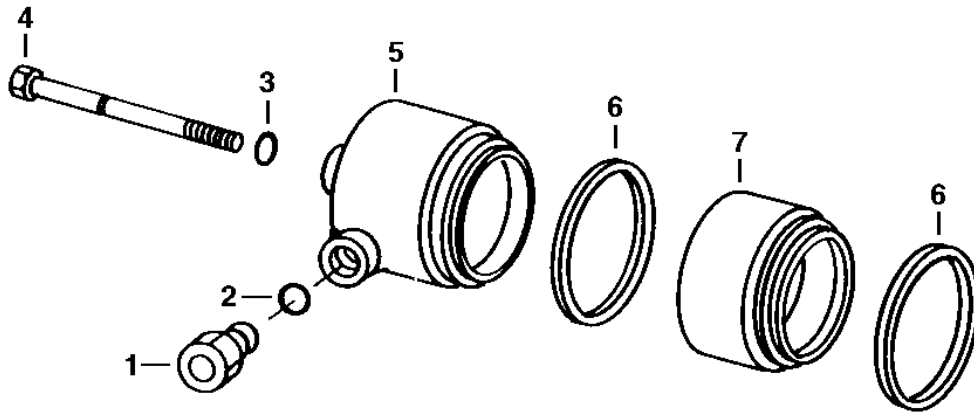
KEY	PART NO.	PART NAME	QTY	TRACTOR SERIAL NO.	REMARKS
1	AT32331	ELBOW FITTING	1		90°, (SUB FOR AR26723)
2	F3171R	O-RING	1		
3	AR59629	HYDRAULIC LINE	1	-013120	
	AR69628	OIL LINE	1	013121-	(SUB AR57030 AND RE10098)
4	R27267	FITTING	3		
5	F3171R	O-RING	3		
6	AR43125	HYDRAULIC LINE	1	-010646	
	AR67854	HYDRAULIC LINE	1	010647-	
7	AR43126	HYDRAULIC LINE	1		
8	R33610	FITTING	1		(SUB R76494)
9	B2762R	O-RING	1		

3F7

POWER TRAIN

RXP021362 -UN-06NOV95

RETURN PORT COVER



RXP021362

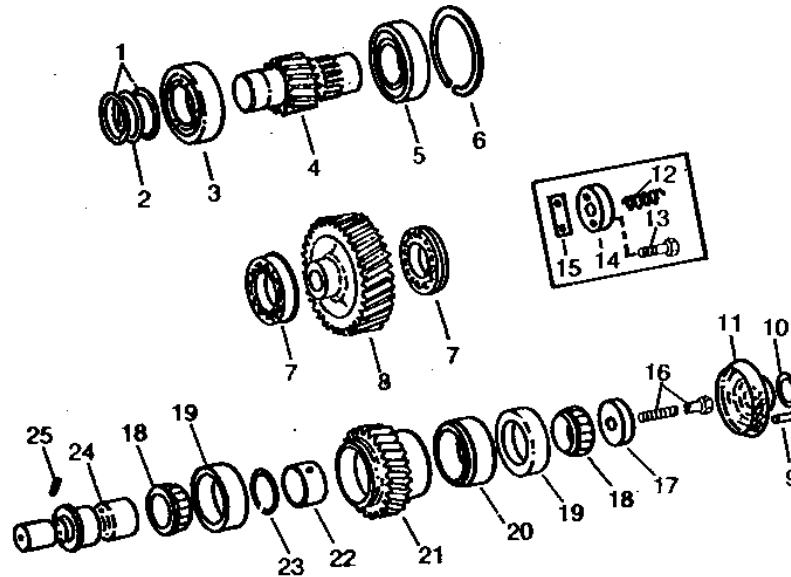
KEY	PART NO.	PART NAME	QTY	TRACTOR SERIAL NO.	REMARKS
1	Y1912C	ADAPTER	1		
2	F3171R	O-RING	1		
3	R394R	O-RING	1		
4	R54750	CAP SCREW	1		
5	T31170	COVER	1		
6	R34733	WASHER	1		
7	R66068	PIPE	1		

3F8

POWER TRAIN

1000 RPM PTO DRIVE SHAFT AND IDLER GEARS (POWER SHIFT)

R23627 -UN-01JAN94



R23627

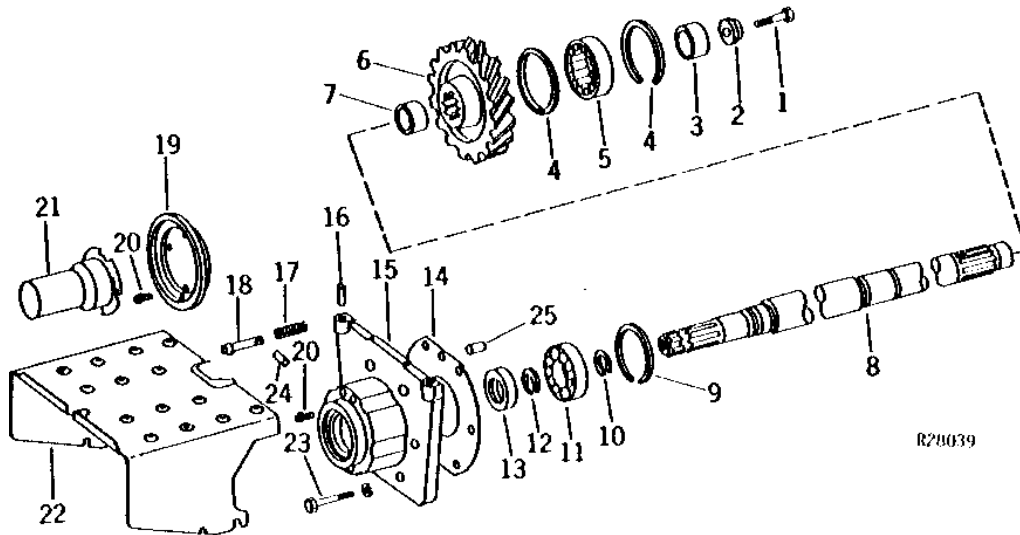
KEY	PART NO.	PART NAME	QTY	TRACTOR SERIAL NO.	REMARKS
1	JD9894	BEARING RACE	2		
2	JD9886	THRUST BEARING	1		
3	JD9440	BALL BEARING	1		
4	R50569	SHAFT	1		
5	JD9320	BALL BEARING	1		
6	F2622R	SNAP RING	1		
7	JD8645	BALL BEARING	2		(SUB FOR JD9433)
8	R50558	STEERING GEAR	1		
9	R40336	DOWEL PIN	1		
10	R31378	O-RING	1		
11	RE20733	BRAKE SHOE	1		(SUB FOR AR39774)
12	R50559	SPRING	1	-014471	
13	R41041	CAP SCREW	1	-014471	
14	R50314	RETAINER	1	-014471	
15	R50572	STRAP	1	-014471	
16	19H1991	CAP SCREW	1	014472-	1/2" X 8"
17	R59848	BUSHING	1	014472-	
18	JD10051	BEARING CONE	2		(SUB FOR JD9059)
19	JD10050	BEARING CUP	2		(SUB FOR JD9122)
20	R50570	SPACER	1		
21	R50313	STEERING GEAR	1		
22	R50571	BUSHING	1		
23	R35377	SNAP RING	1		
24	R50312	SHAFT	1	-014471	(SUB AR73359)
	R59845	SHAFT	1	014472-	
25	R34582	SET SCREW	1	-014471	

3F9

POWER TRAIN

1000 RPM PTO SHAFT (POWER SHIFT)

R28039 -UN-01JAN94



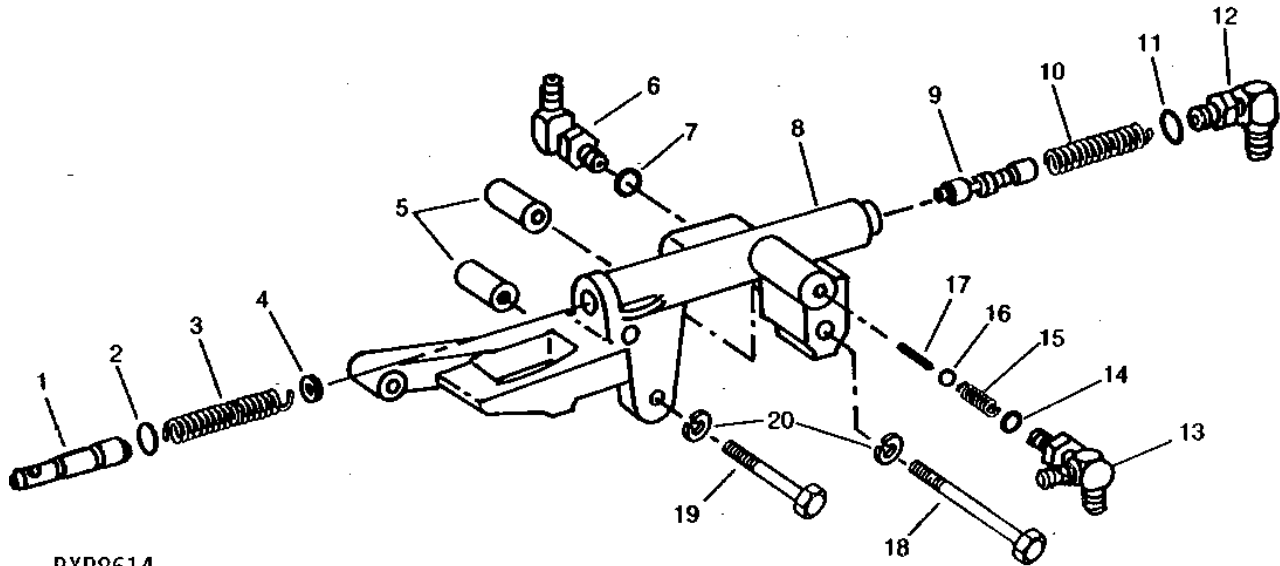
KEY	PART NO.	PART NAME	QTY	TRACTOR SERIAL NO.	REMARKS
1	R50302	CAP SCREW	1		
2	R50162	SPACER	1		
3	JD8339	BEARING RACE	1		
4	A4609R	SNAP RING	2		
5	JD8731	BEARING RACE	1		
6	R50628	GEAR	1		
7	R34328	BUSHING	1		
8	R50300	SHAFT	1		
9	A4609R	SNAP RING	1		
10	R50830	SNAP RING	1	-029274	(SUB A364R AND R65322)
	A364R	SNAP RING	1	029275-	(ALSO ORDER R65322) (SUB FOR R50830)
11	JD7155	BALL BEARING	1		
12	R50830	SNAP RING	1	-029274	(SUB A364R AND R65322)
	R65322	SNAP RING	1	029275-	(ALSO ORDER A364R) (SUB FOR R50830)
13	AR55216	SEAL	1		
14	R58900	GASKET	1		
15	AR55167	QUILL	1		(MARKED R51101)
16	34H348	SPRING PIN	2		3/8" X 1"
17	F1463R	SPRING	1		
18	F1462R	PIN	1		
19	AR26707	RETAINER	1		
20	R27329	SCREW	4		
21	AR26782	GUARD	1		
22	R27562	SHIELD	1		
23	19H2473	CAP SCREW	6		1/2" X 1-3/4"
	12H301	LOCK WASHER	6		1/2"
24	34H286	SPRING PIN	1		3/16" X 1-1/2"
25	R26650	DOWEL PIN	2		

3F10

POWER TRAIN

RXP8614 -UN-01JAN94

DIFFERENTIAL LOCK VALVE



RXP8614

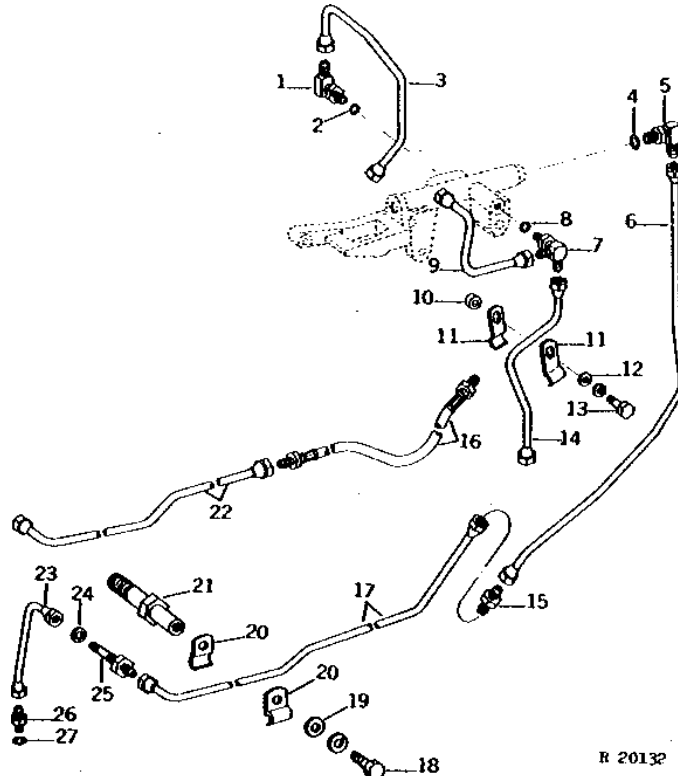
KEY	PART NO.	PART NAME	QTY	TRACTOR SERIAL NO.	REMARKS
1	R86162	PLUNGER	1		(SUB FOR R46863 OR R68648)
2	F3353R	O-RING	1		
3	R46862	SPRING	1		
4	R46901	SHIM	AR	0.51 MM (.020")	
5	28H1553	SPACER	2	1/2" X 1-7/16"	
6	AT32333	ELBOW FITTING	1		(SUB FOR AR26771)
7	R26286	O-RING	1		
8	R52275	HOUSING	1		(SUB R86768)
9	R79134	VALVE	1		(ALSO ORDER R74418) (SUB FOR R46855 OR R74417) (SUB R82133 AND R82134)
10	R31698	SPRING	1		
11	R26448	O-RING	1		
12	AR58184	ELBOW FITTING	1		
13	AR36097	FITTING	1		
14	R26287	O-RING	1		
15	R26373	SPRING	1		
16	400R	BALL	1	6 MM (1/4")	
17	R33058	NEEDLE ROLLER	1		
18	19H3544	CAP SCREW	1	1/2" X 4-1/2" HS, SAE 8	
19	19H1820	CAP SCREW	1	1/2" X 3"	
20	12H301	LOCK WASHER	2	1/2"	

3F11

POWER TRAIN

R20132 -UN-01JAN94

DIFFERENTIAL LOCK VALVE OIL LINES



KEY	PART NO.	PART NAME	QTY	TRACTOR SERIAL NO.	REMARKS
1	AT32333	ELBOW FITTING	1	(SUB FOR AR26771)	
2	R26286	O-RING	1		
3	AR57227	LINE	1		
4	R26448	O-RING	1		
5	AR58184	ELBOW FITTING	1		
6	AR58288	HYDRAULIC LINE	1		
7	AR36097	FITTING	1		
8	R26287	O-RING	1		
9	AR57083	HYDRAULIC LINE	1	(A)	
	AR56646	HYDRAULIC LINE	1	(B)	
10	28H1519	WASHER	1	0.493" X 0.675" X 3/8"	
11	R34933	CLAMP	2		
12	24M7096	WASHER	1	10.500 X 18 X 1.600 MM	
13	19H1731	CAP SCREW	1	3/8" X 1"	
	12H304	LOCK WASHER	1	3/8"	
14	AR57084	HYDRAULIC LINE	1	(A)	
	AR56646	HYDRAULIC LINE	1	(B)	
15	R50201	FITTING	1	(C)	
16	AR58230	HOSE	1	(D)	
17	AR59758	HYDRAULIC LINE	1	(C)	
18	19H2284	CAP SCREW	1	3/8" X 7/8"	
	12H304	LOCK WASHER	1	3/8"	
19	24M7096	WASHER	1	10.500 X 18 X 1.600 MM	
20	R57549	CLAMP	2	(SUB FOR R47687)	
21	R43370	SCREW	1		
22	AR59662	HYDRAULIC LINE	1	(D)	
23	AR43134	HYDRAULIC LINE	1		
24	R51494	WASHER	1		
25	AR34569	FITTING	1		
26	R39597	ADAPTER	1		
27	R30903	O-RING	1		

(A) DIFFERENTIAL LOCK
(B) LESS DIFFERENTIAL LOCK

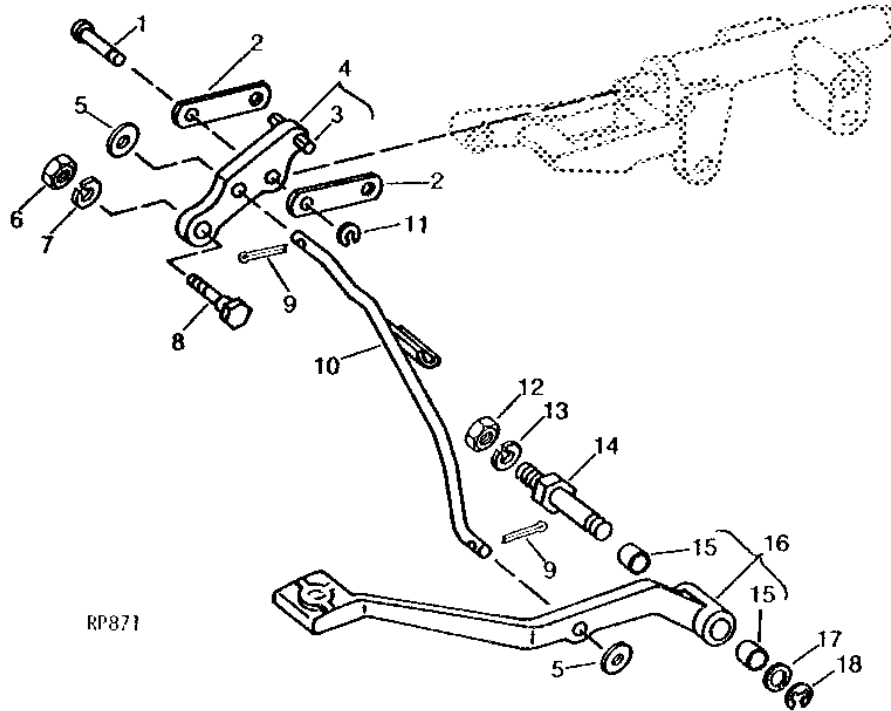
(C) LESS SOUND-GARD BODY
(D) SOUND-GARD BODY

3F12

POWER TRAIN

RP871 -UN-01JAN94

DIFFERENTIAL LOCK VALVE PEDAL AND RELEASE



KEY	PART NO.	PART NAME	QTY	TRACTOR SERIAL NO.	REMARKS
1	R26385	PIN	2		
2	R46902	STRAP	2	(SUB R79135)	
	34H314	SPRING PIN	2	1/4" X 1-1/4"	
4	AR58690	ARM	1	(MARKED R52276)	
5	24H1302	WASHER	2	13/32" X 11/16" X 0.035"	
6	14H732	NUT	1	3/8"	
7	12H304	LOCK WASHER	1	3/8"	
8	R52240	SCREW	1		
9	11M7081	COTTER PIN	2	0.098" X 0.787"	
10	AR56105	ROD	1		
11	R26386	SNAP RING	2		
12	14H971	NUT	1	1/2"	
13	12H301	LOCK WASHER	1	1/2"	
14	R52241	PIN	1		
15	R50359	BUSHING	2		
16	AR56107	PEDAL	1	(MARKED R51804)	
17	24H1341	WASHER	1	17/32" X 15/16" X 0.060"	
18	P44982	PISTON RING	1	(SUB FOR R26871)	

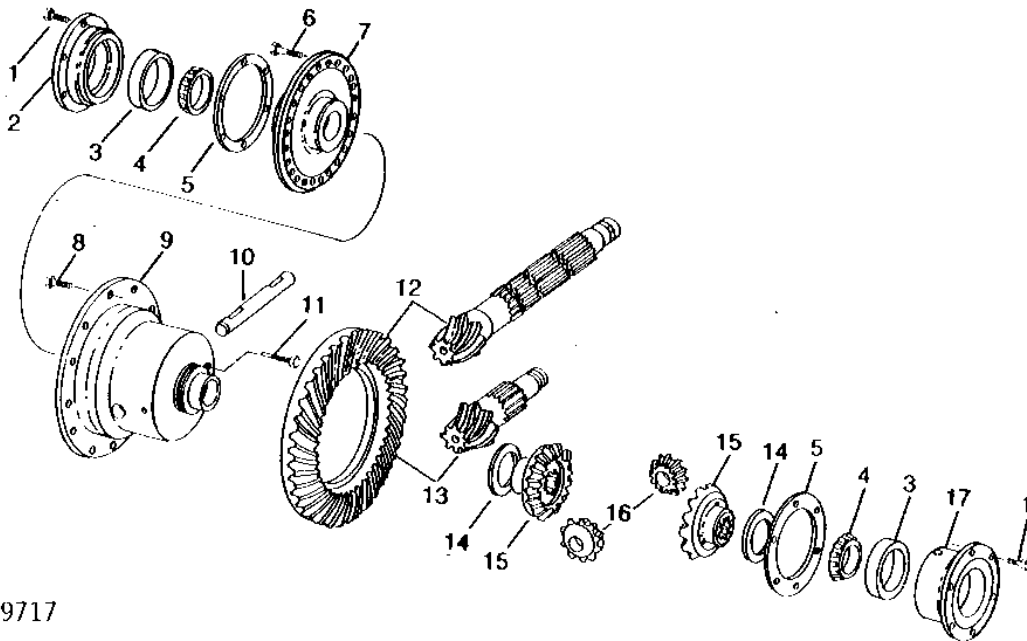
MEMORANDA

3F13

POWER TRAIN

DIFFERENTIAL
(LESS DIFFERENTIAL LOCK)
(TWO PINION)

R19717 -UN-01JAN94



R19717

3F14

POWER TRAIN

**DIFFERENTIAL - CONTINUED
(LESS DIFFERENTIAL LOCK)
(TWO-PINION)**

KEY	PART NO.	PART NAME	QTY	TRACTOR SERIAL NO.	REMARKS
1	R52634	CAP SCREW	12		
2	R43186	QUILL	1		(A) L.H.
	R73274	QUILL	1		L.H. (USED IN AR95431)
3	JD8214	BEARING CUP	1		(A) L.H.
	JD8298	BEARING CUP	1		L.H. (USE WITH R73274)
	JD8214	BEARING CUP	1		R.H.
4	JD9019	BEARING CONE	1		(A) L.H.
	JD8962	BEARING CONE	1		L.H. (USE WITH R73274)
	JD9019	BEARING CONE	1		R.H.
5	R35501	SHIM	AR		0.08MM (.003")
	R35502	SHIM	AR		0.13MM (.005")
	R35503	SHIM	AR		0.25MM (.010")
6	R43369	SELF-LOCKING SCREW	12		(SUB FOR R42407)
7	AR88242	COVER	1		(A) (MARKED R43184 OR R46636) (SUB FOR AR43243) (SUB AR95431)
	AR95447	COVER	1		(MARKED R73273) (SUB R94631 AND (3) 34H311) (USE ONLY IF AR95431 HAS BEEN PREVIOUSLY INSTALLED)
	34H311	SPRING PIN	3		1/4" X 7/8"
8	R43368	CAP SCREW	12		
9	AR43114	HOUSING	1		(MARKED R43002 OR R43003) (SUB AR101624, JD8298, JD8962, R73274, R94631 AND (3) 34H311) (SUB FOR AR91055)
10	R58424	PINION SHAFT	1		(SUB FOR R52154)
11	R70236	CAP SCREW	1		(SUB FOR R41050)
12	AR63372	BEVEL GEAR DRIVE	1	-006999	(MATCHED SET) (SYNCRO-RANGE) (MARKED R43023 AND R50329) (SUB AR54525, (2) R35365, (2) R35366, (2) R36765 AND (2) R36766)
	AR62693	BEVEL GEAR DRIVE	1	007000-	(MATCHED SET) (QUAD-RANGE AND SYNCRO-RANGE) (MARKED R43023 AND R54544)
13	AR63373	BEVEL GEAR DRIVE	1		
14	R66788	WASHER	2		(SUB FOR R52157)
15	R64257	BEVEL GEAR	2		(SUB FOR R52155) (SUB R109489 AND R113732 (13 TEETH) OR R113733 (14 TEETH))
16	R48253	PINION	2		
17	R35500	QUILL	1		
..	AR101624	KIT	1		DIFFERENTIAL REPLACEMENT, (SUB FOR AR80299 OR AR91055) (ALSO ORDER JD8298, JD8962, R73274, R94631 AND (3) 34H311)

(A) SUB JD8298, JD8962, R73274, R94631 AND (3) 34H311

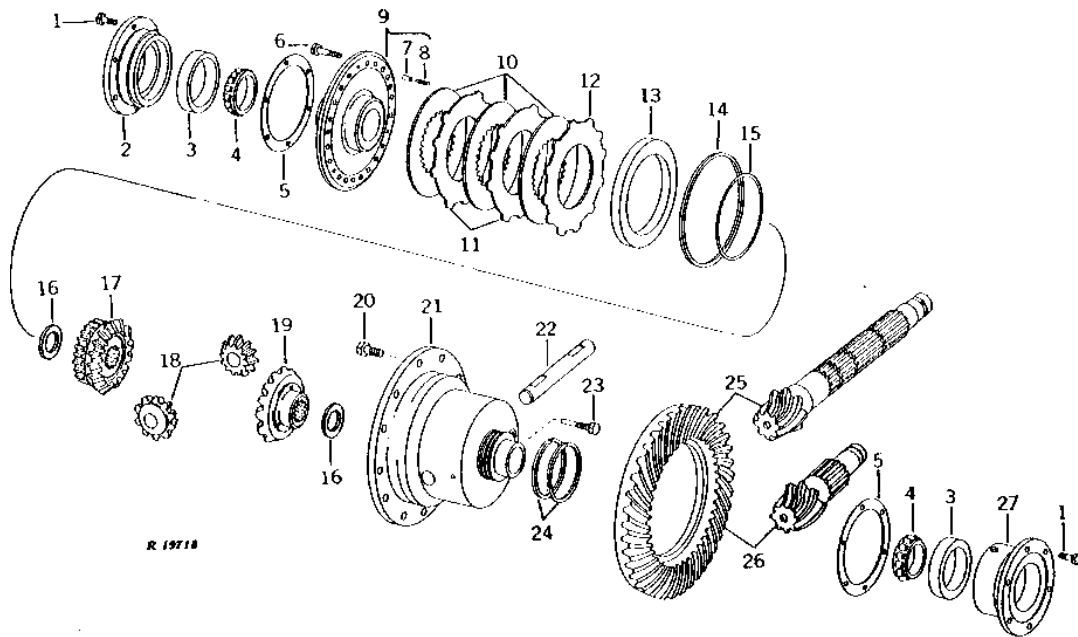
3F15

POWER TRAIN

DIFFERENTIAL (DIFFERENTIAL LOCK) (TWO-PINION)

R19718

-UN-01JAN94



3F16

POWER TRAIN

**DIFFERENTIAL - CONTINUED
(DIFFERENTIAL LOCK)
(TWO-PINION)**

KEY	PART NO.	PART NAME	QTY	TRACTOR SERIAL NO.	REMARKS
1	R52634	CAP SCREW	12		
2	R43186	QUILL	1	(A) L.H.	
	R73274	QUILL	1	L.H. (USED IN AR95431)	
3	JD8214	BEARING CUP	1	(A) L.H.	
	JD8298	BEARING CUP	1	L.H. (USE WITH R73274)	
	JD8214	BEARING CUP	1	R.H.	
4	JD9019	BEARING CONE	1	(A) L.H.	
	JD8962	BEARING CONE	1	L.H. (USE WITH R73274)	
	JD9019	BEARING CONE	1	R.H.	
5	R35501	SHIM	AR	0.08MM (.003")	
	R35502	SHIM	AR	0.13MM (.005")	
	R35503	SHIM	AR	0.25MM (.010")	
6	R43369	SELF-LOCKING SCREW	12	(SUB FOR R42407)	
7	34H311	SPRING PIN	3	1/4" X 7/8"	
8	R34863	SPRING	3		
9	AR88242	COVER	1	(A) (MARKED R43184 OR R56104) (SUB FOR AR43243)	
	AR95447	COVER	1	(MARKED R73273) (SUB R94631 AND (3) 34H311) (USE ONLY IF AR95431 HAS BEEN PREVIOUSLY INSTALLED)	
10	AR88550	DISK	3	(SUB FOR AR43086) (SUB RE29429, R43340 AND (2) R43343)	
11	R43343	CLUTCH PLATE	2		
12	R43340	PLATE	1		
13	R43337	PISTON	1		
14	R43339	WASHER	1		
15	R46004	PACKING	1		
16	R72586	THRUST WASHER	2	(SUB FOR R52157 OR R66788)	
17	R90869	BEVEL GEAR	1	(SUB FOR R52156 OR R66317) (SUB R112169, R113733 (14 TEETH) AND R91826)	
18	R48253	PINION	2		
19	R64257	BEVEL GEAR	1	(SUB FOR R52155) (SUB R109489 AND R113732 (13 TEETH) AND R113733 (14 TEETH))	
20	R43368	CAP SCREW	12		
21	AR43114	HOUSING	1	(MARKED R43002 OR R43003) (SUB AR101624, JD8298, JD8962, R73274, R94631 AND (3) 34H311) (SUB FOR AR91055)	
22	R58424	PINION SHAFT	1	(SUB FOR R52154)	
23	R70236	CAP SCREW	1	(SUB FOR R41050)	
24	R36881	RING	2		
25	AR63372	BEVEL GEAR DRIVE	1	-006999	(MATCHED SET) (SYNCRO-RANGE) (MARKED R43023 AND R50329) (SUB AR54525, (2) R35365, (2) R35366, (2) R65765 AND (2) R65766)
	AR62693	BEVEL GEAR DRIVE	1	007000-	(MATCHED SET) (QUAD-RANGE AND SYNCRO-RANGE) (MARKED R43023 AND R54544)
26	AR63373	BEVEL GEAR DRIVE	1		(MATCHED SET) (POWER SHIFT) (MARKED R43023 AND R43031)
27	R43345	QUILL	1		
..	AR101624	KIT	1		DIFFERENTIAL REPLACEMENT, (ALSO ORDER JD8298, JD8962, R73274, R94631 AND (3) 34H311) (SUB FOR AR80299 OR AR91055)

(A) SUB JD8298, JD8962, R73274, R94631 AND (3) 34H311

MEMORANDA

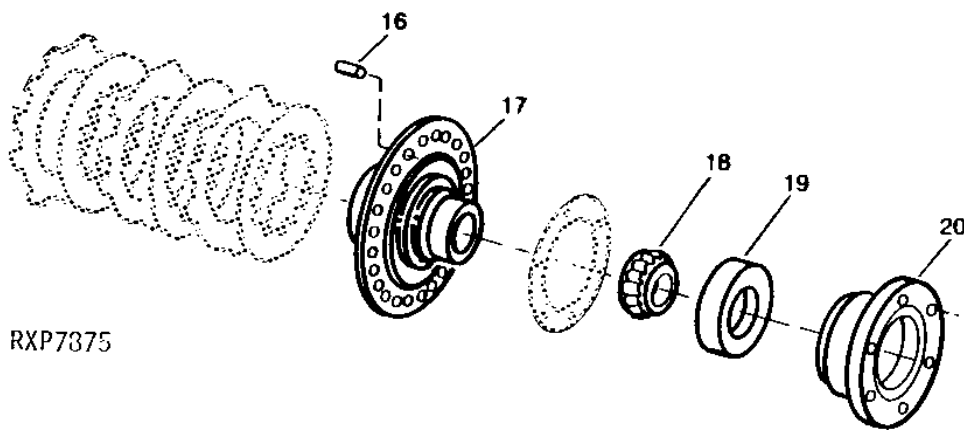
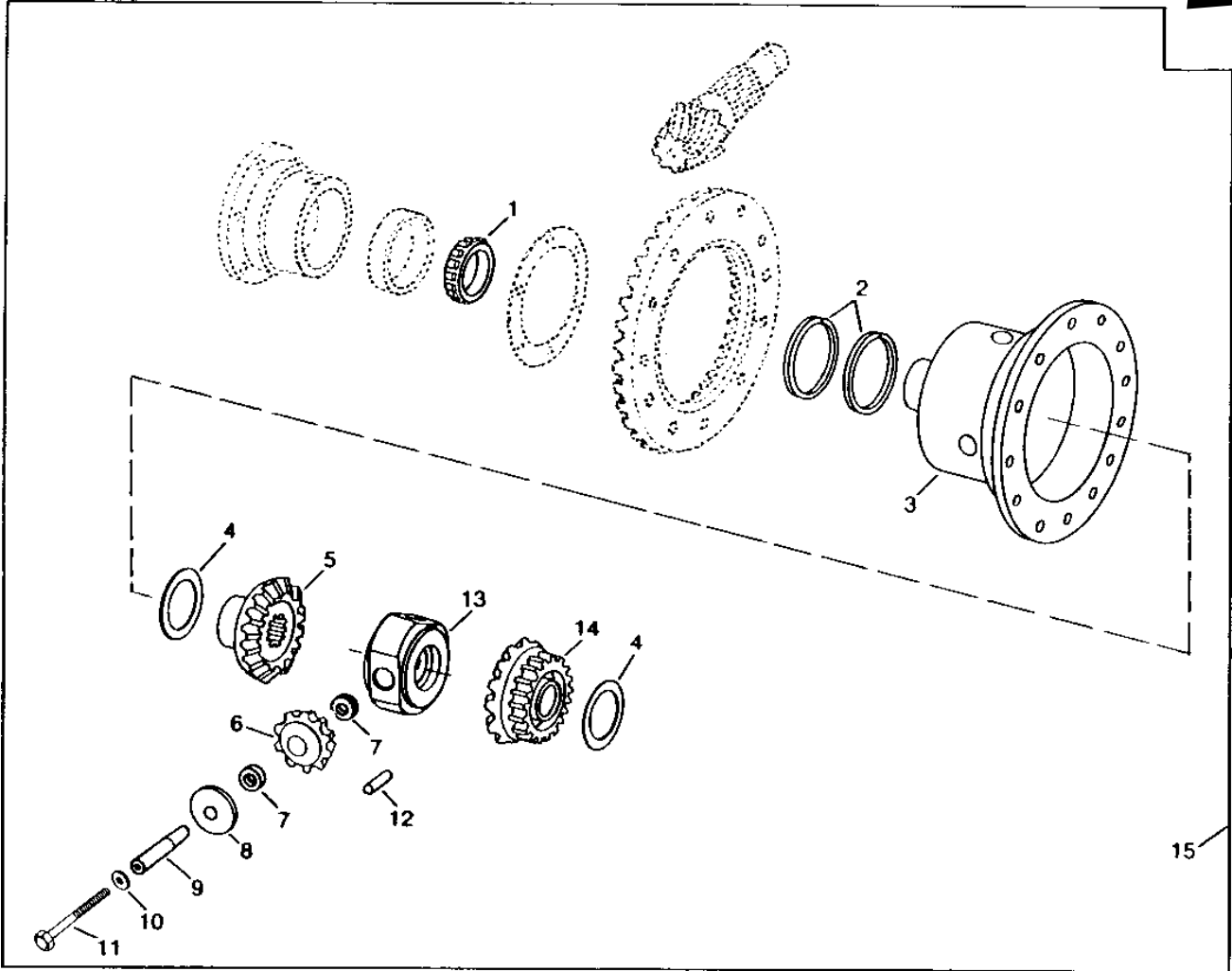
MEMORANDA

3F17

POWER TRAIN

RXP7875 -UN-16NOV94

ANTI-FRICTION DIFFERENTIAL KIT



3F18

POWER TRAIN

ANTI-FRICTION DIFFERENTIAL KIT - CONTINUED

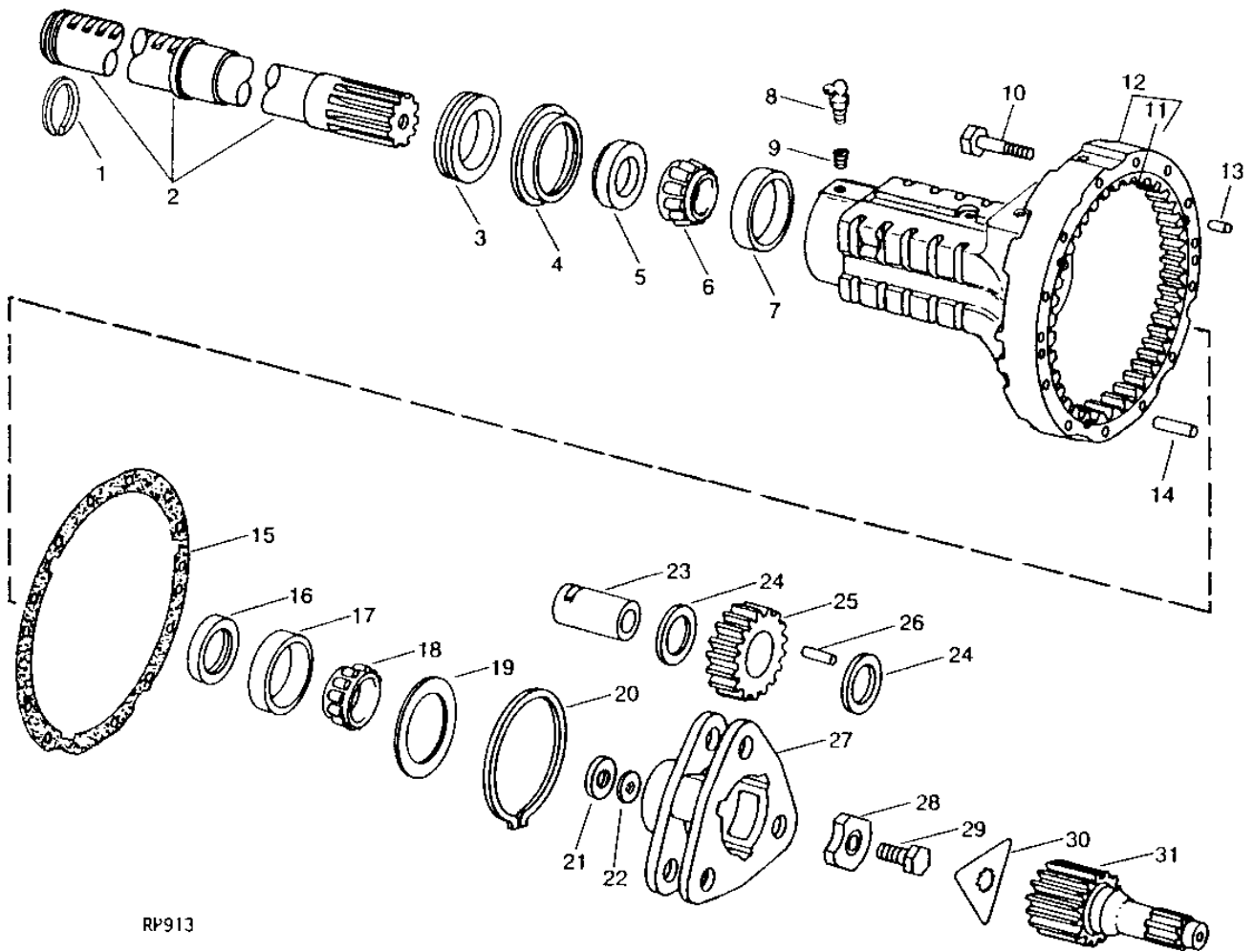
KEY	PART NO.	PART NAME	QTY	TRACTOR SERIAL NO.	REMARKS
1	JD9019	BEARING CONE	1		
2	R36881	RING	2		
3	AR88775	HOUSING	1		(MARKED R68165)
4	R72586	THRUST WASHER	2		
5	R109489	BEVEL GEAR	1		
6	R67784	PINION	3		
7	R68167	WASHER	6		
8	R68166	THRUST WASHER	3		
9	R67782	SHAFT	3		
10	R57696	WASHER	3		
11	R89837	CAP SCREW	3		
12	R55081	NEEDLE ROLLER	54		
13	R93019	HUB	1		
14	R112169	BEVEL GEAR	1		
15	AR101624	KIT	1		(SUB FOR AR91055) (ALSO ORDER JD8298, JD8962, R73274, R94631 AND (3) 34H311) (SUB AR111163 AND (2) R113732 (13 TEETH) OR (2) R113733 (14 TEETH))
16	34H311	SPRING PIN	3		
17	R94631	COVER	1		
18	JD8962	BEARING CONE	1		
19	JD8298	BEARING CUP	1		
20	R73274	QUILL	1		

3F19

POWER TRAIN

RP913 -UN-16NOV94

PLANETARY AND REAR AXLE



RP913

3F20

POWER TRAIN

PLANETARY AND REAR AXLE - CONTINUED

KEY	PART NO.	PART NAME	QTY	TRACTOR SERIAL NO.	REMARKS
1	R53659	SNAP RING	1		(B)
	R59843	SNAP RING	1		(C)
2	R53651	SHAFT	1		(B) (AXLE LENGTH 908MM (35.75"))
	R53652	SHAFT	1		(B) (AXLE LENGTH 1068MM (42.05"))
	R53653	SHAFT	1		(B) (AXLE LENGTH 1195MM (47.06"))
	R58860	SHAFT	1		(C) (AXLE LENGTH 1196MM (47.10"))
3	RE31702	SEAL	1		(ALSO ORDER R59074) (SUB FOR R35634)
4	R57268	BOWL	1	-022057	(SUB R59074)
	R59074	OIL CUP	1	022058-	(A)
5	R63106	SPACER	1		(B) (SUB FOR R53635)
	R58861	SPACER	1		(C)
6	JD8962	BEARING CONE	1		(B)
	JD10003	BEARING CONE	1		(B) (UNDERSIZE)
	JD9092	BEARING CONE	1		(C)
7	JD8248	BEARING CUP	1		(B)
	JD9147	BEARING CUP	1		(C)
8	JD7781	LUBRICATION FITTING	1		
9	15H639	PIPE BUSHING	1		1/4" X 1/8"
10	19H3168	CAP SCREW	14		5/8" X 3-3/4"
11	R47169	GEAR	1		(53 TEETH) (SUB FOR RE13482)
	R57616	GEAR	1	XXXXXX-	(A) (SUB FOR RE13479) (58 TEETH)
12	AR54738	HOUSING	1	-012839	(53 TEETH) (MARKED R50630, R50240 OR R58294) (SUB FOR AR54737)
	AR70480	HOUSING	1	012840-	(58 TEETH) (MARKED R58602 OR R58294)
	AR70895	HOUSING	1		(C) (MARKED R58866)
13	R54380	DOWEL PIN	2		(SUB FOR T25317)
14	R44961	DOWEL PIN	3		
15	R99394	GASKET	1		(SUB FOR R43227, R58295 OR R65308)
16	AR85311	SEAL	1		(SUB FOR R35735) (SUB AR98649)
	AR98649	SEAL	1		(UNDERSIZE) (SUB FOR AR87199)
17	JD8248	BEARING CUP	1		
18	JD8962	BEARING CONE	1		
	JD10003	BEARING CONE	1		(B) (UNDERSIZE)
19	R42529	SHIM	1		
20	R33029	SNAP RING	1		
21	R59439	SHIM	AR		0.13MM (.005")
	R59440	SHIM	AR		0.51MM (.020")
	R61461	SHIM	AR		0.08MM (.003")
22	F2380R	WASHER	1		1.52MM (.060")
23	R43015	SHAFT	3		
24	R43245	THRUST WASHER	6		(SUB R83096)
25	R43014	PINION	3	-012839	(20 TEETH)
	R57615	PLANET PINION	3	012840-	(22 TEETH)
26	R43244	NEEDLE ROLLER	126		
27	R43001	PLANET PINION CARRIER	1		
28	R46806	WASHER	1	-XXXXXX	(SUB R61771)
	R61771	RETAINER	1	XXXXXX-	
29	R82175	CAP SCREW	1		HS, SAE 8, (SUB FOR R26011 OR R60032)
30	R26012	LOCK PLATE	1		
31	R43016	SHAFT	1	-012839	(13 TEETH) (SUB R113732)
	R57614	SHAFT	1	012840-022057	(14 TEETH) (SUB (3) RE46328, RE46334, R113733 AND R113741)
	R113733	SHAFT	1	022058-	(14 TEETH) (SUB R113733)
..	R72232	BALL	AR		AXLE SHIMMING LEAD BALLS, (SUB FOR AR94976)

(A) USE ONLY WHEN R61711 HAS BEEN INSTALLED
 (B) 92MM AXLE
 (C) 100MM AXLE

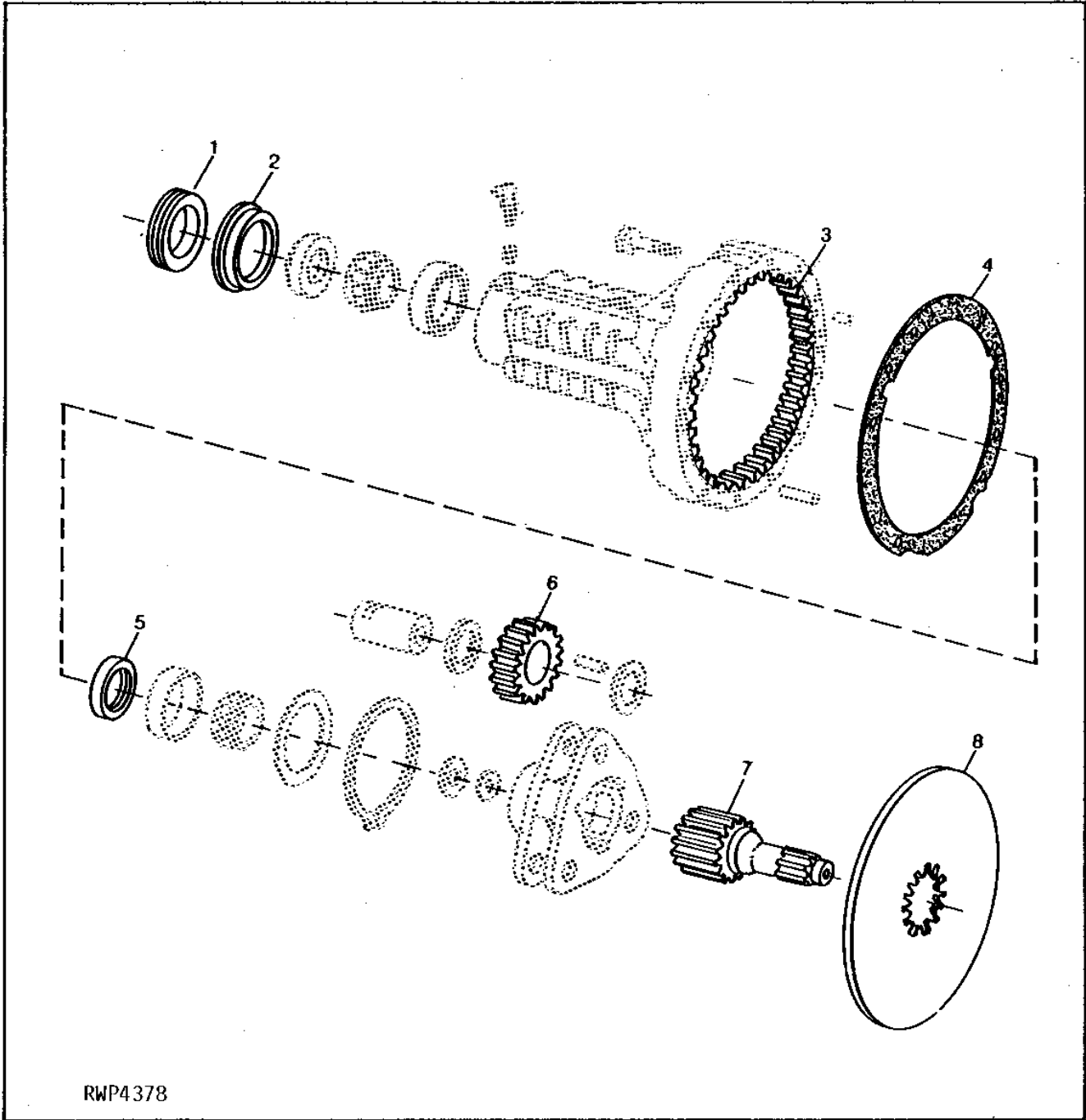
3F21

POWER TRAIN

RWP4378

-UN-01JAN94

HIGH PRESSURE ANGLE FINAL DRIVE KIT



9

3F22

POWER TRAIN

HIGH PRESSURE ANGLE FINAL DRIVE KIT - CONTINUED

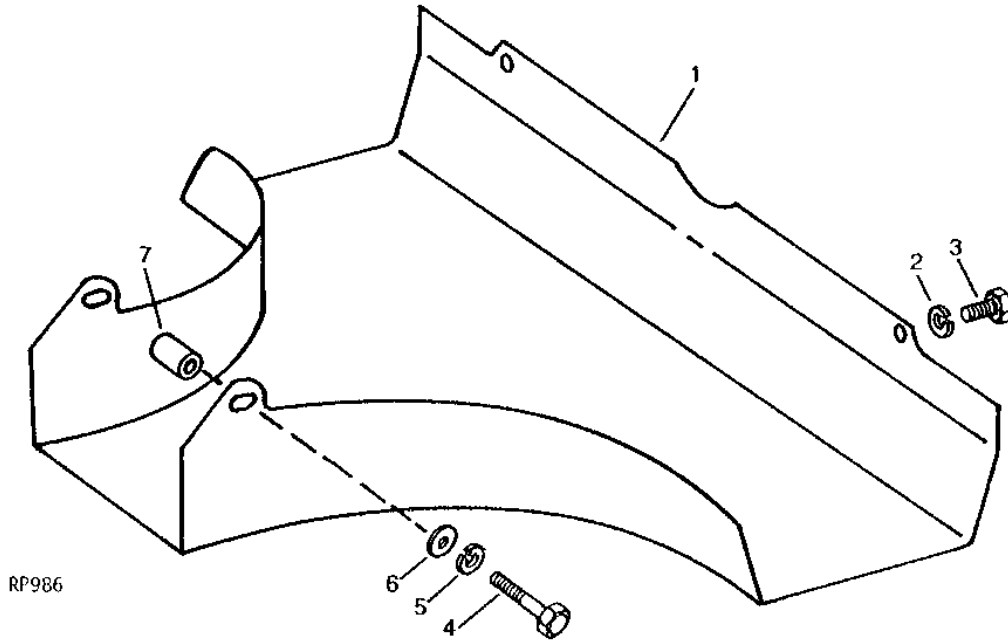
KEY	PART NO.	PART NAME	QTY	TRACTOR SERIAL NO.	REMARKS
1	RE31702	SEAL	2		(SUB FOR AR68721 OR AH93852)
2	R59074	OIL CUP	2		(SUB FOR R35002 OR R57268)
3	R57616	GEAR	2		(SUB FOR R61678 OR RE13479)
4	R99394	GASKET	2		(SUB FOR R65308)
5	AR98649	SEAL	2		
6	R57615	PLANET PINION	6		(22 TEETH)
7	R113733	SHAFT	2		(14 TEETH) (SUB FOR R61711)
8	R113741	BRAKE DISK	2		(SUB FOR R61712 OR R91826) (ALSO ORDER RE46334 AND (3) RE46328)
9	RE41242	KIT	1		(SUB FOR AR80297 OR RE13478)

3F23

POWER TRAIN

RP986 -UN-01JAN94

POWER FRONT WHEEL DRIVE HYDRAULIC LINE SHIELD



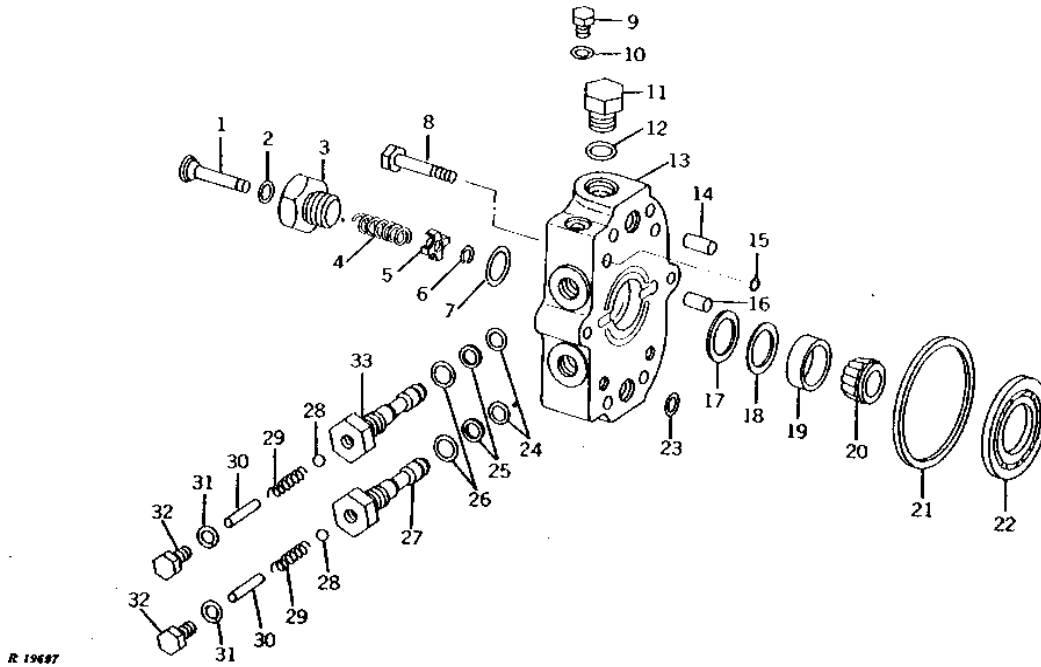
KEY	PART NO.	PART NAME	QTY	TRACTOR SERIAL NO.	REMARKS
1	R65205	GUARD	1	(SUB FOR R52557)	
2	12H301	LOCK WASHER	2	1/2"	
3	19H1792	CAP SCREW	2	1/2" X 1"	
4	19H1831	CAP SCREW	2	1/2" X 2"	
5	12H301	LOCK WASHER	2	1/2"	
6	24H1227	WASHER	2	17/32" X 13/16" X 0.060"	
7	28H1628	SPACER	2	1/2" X 3/4"	

3F24

POWER TRAIN

R19697 -UN-01JAN94

POWER FRONT WHEEL DRIVE WHEEL MANIFOLD



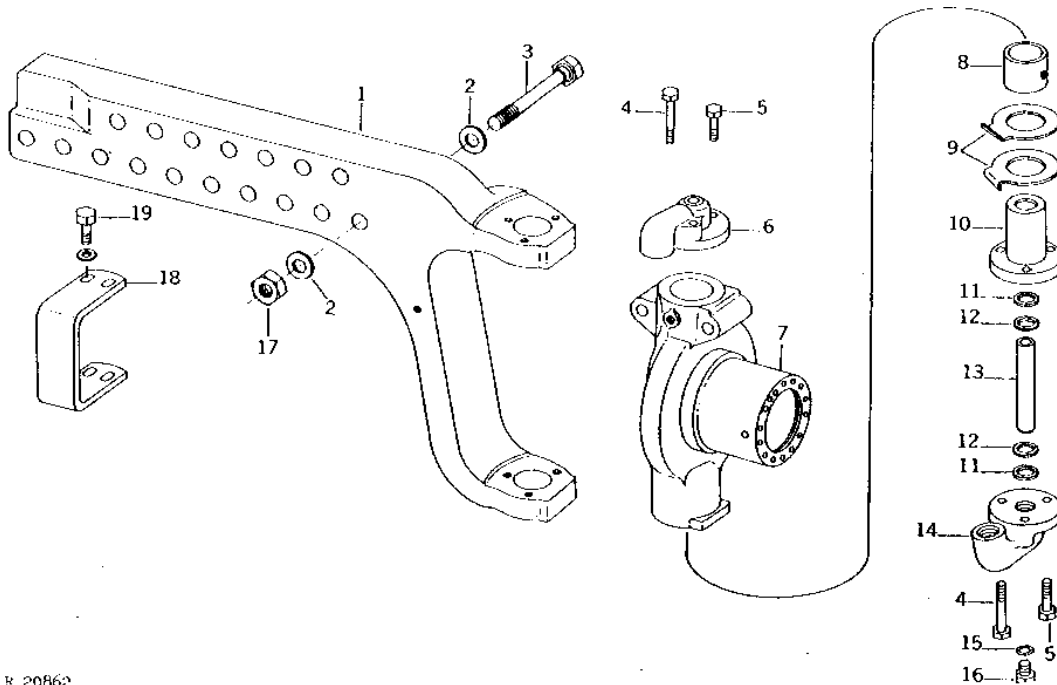
KEY	PART NO.	PART NAME	QTY	TRACTOR SERIAL NO.	REMARKS
1	R62512	RELIEF VALVE	1		(SUB FOR R45357) (USE WITH R62513)
2	R62513	O-RING	1		(SUB FOR P46051, THIS APPLICATION)
3	R45356	PRESSURE RELIEF FITTING	1		
4	R45358	SPRING	1		
5	R45359	RETAINER	1		
6	R40638	SNAP RING	1		
7	F3171R	O-RING	1		
8	19H3181	CAP SCREW	6	3/8" X 2"	
9	R27216	DRAIN PLUG	1		(SUB FOR R31631)
10	R26287	O-RING	1		
11	R39112	FITTING	2		
12	R26375	O-RING	2		
13	R42468	MANIFOLD	1		
14	R28671	DOWEL PIN	2		
15	R42878	WASHER	1		
16	R42882	DOWEL PIN	1		
17	R42819	SHIM	AR	0.08MM (.003")	
18	R42820	SHIM	AR	0.25MM (.010")	
19	JD8293	BEARING CUP	1		
20	JD9030	BEARING CONE	1		
21	R42880	PACKING	1		
22	R42818	PLATE	1		
23	R42879	WASHER	2		
24	R42926	BACK-UP RING	2		
25	R28776	O-RING	2		
26	R26375	O-RING	2		
27	R42925	HOUSING	1		
28	400R	BALL	2	6MM (1/4")	
29	R54174	SPRING	2		
30	34H252	SPRING PIN	2	1/8" X 1-1/4"	
31	R26287	O-RING	2		
32	R27216	DRAIN PLUG	2		
33	R54173	HOUSING	1		

3F25

POWER TRAIN

AXLE KNEE AND MOTOR HOUSING (POWER FRONT WHEEL DRIVE)

R20862 -UN-01JAN94



R 20862

KEY	PART NO.	PART NAME	QTY	TRACTOR SERIAL NO.	REMARKS
1	R52517	FRONT AXLE	1	R.H.	
	R52518	FRONT AXLE	1	L.H.	
2	R52006	WASHER	16		
3	R52283	CAP SCREW	2	(SUB 19H3630 AND 14H1077)	
	R52284	CAP SCREW	6	(SUB 19H3629 AND 14H1077)	
4	19H1726	CAP SCREW	4	3/8" X 2-1/4"	
5	19H988	CAP SCREW	2	3/8" X 1-1/4"	
6	R42885	COVER	2	(UPPER R.H. AND LOWER L.H.)	
7	AR86538	HOUSING	2	(MARKED R42332) (ALSO ORDER (2) R66650) (SUB FOR AR45414)	
8	R42821	BUSHING	2		
9	R61514	THRUST WASHER	2	(SUB FOR R42973)	
10	R42887	PIN	2		
11	R42975	O-RING	4	(SUB U11647)	
12	R44979	BACK-UP RING	4	(SUB R73102)	
13	R42974	BUSHING	2		
14	R42886	COVER	2	(UPPER L.H. AND LOWER R.H.)	
15	R26448	O-RING	2		
16	R27218	FITTING PLUG	2		
17	R52045	NUT	8		
18	R49848	CLEVIS	2		
19	19H1731	CAP SCREW	8	3/8" X 1"	
	12H304	LOCK WASHER	8	3/8"	

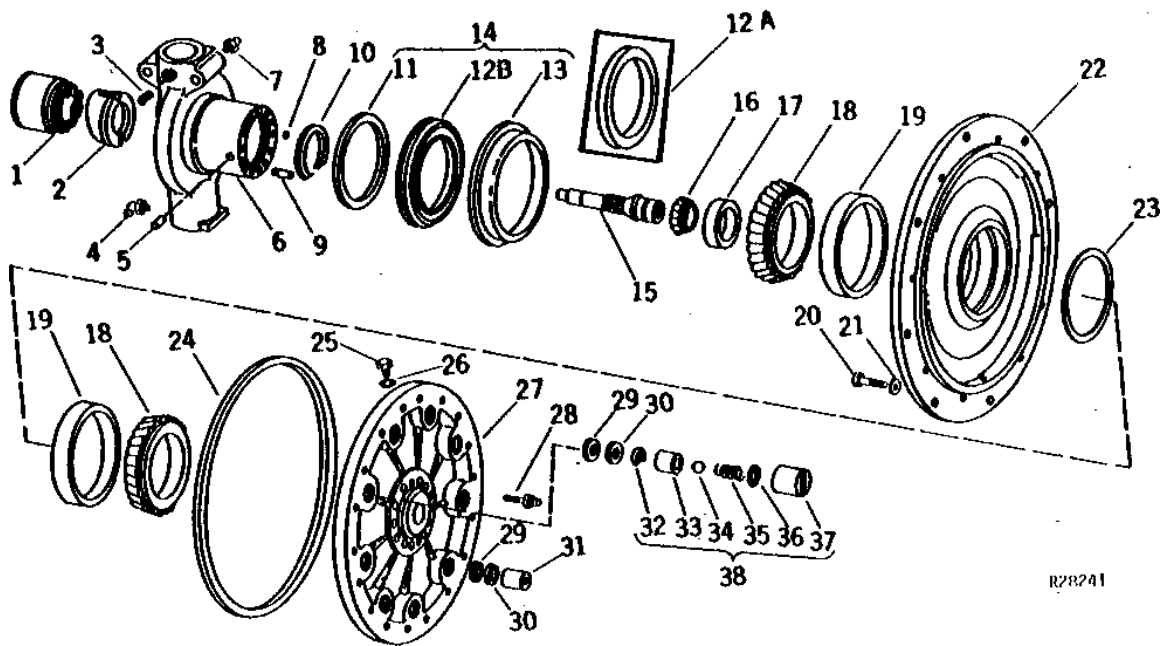
MEMORANDA

3G1

POWER TRAIN

WHEEL HUB, MOTOR, AND HOUSING (POWER FRONT WHEEL DRIVE)

R28241 -UN-01JAN94



3G2

POWER TRAIN

WHEEL HUB, MOTOR, AND HOUSING - CONTINUED (POWER FRONT HWEEL DRIVE)

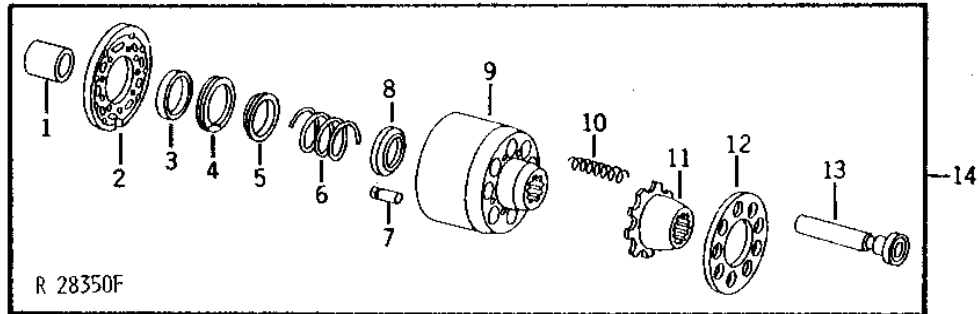
KEY	PART NO.	PART NAME	QTY	TRACTOR SERIAL NO.	REMARKS
1	AR73212	CYLINDER BLOCK	1		(SUB FOR AR45034)
2	R42817	SWASH PLATE	1		
3	15H558	PIPE PLUG	1	1/8"	
4	JD7781	LUBRICATION FITTING	1		
5	R42881	DOWEL PIN	1		
6	AR86538	HOUSING	1		(MARKED R42332) (ALSO ORDER (2) R66650) (SUB FOR AR45414)
7	JD7759	LUBRICATION FITTING	1		
8	T17951	O-RING	2		(SUB FOR R27490)
9	R36666	DOWEL PIN	2		
10	R45569	SNAP RING	1		
11	R62516	WASHER	1	021579-	
12A	AR47137	SEAL	1	-021578	(SUB AR77224)
12B	SEAL	1	021579-	
13	R62515	GUIDE	1	021579-	(SUB R70206)
14	AR77224	SEAL	1	021579-	
15	R42735	SHAFT	1		
16	JD9029	BEARING CONE	1		
17	JD7403	BEARING CUP	1		
18	JD9028	BEARING CONE	2		
19	JD8292	BEARING CUP	2		
20	19H1800	CAP SCREW	8		3/8" X 1-1/2"
21	R42729	WASHER	8		
22	R41958	HUB	1		
23	R42765	SHIM	AR		0.08MM (.003")
	R48811	SHIM	AR		0.13MM (.005")
	R42766	SHIM	AR		0.25MM (.010")
24	R42877	PACKING	1		
25	R27216	DRAIN PLUG	1		(SUB FOR R31631)
26	R26287	O-RING	1		
27	AR44376	HOUSING	1		
28	R42969	BOLT	12		
29	R29354	O-RING	9		(SUB FOR R42763)
30	R35473	BACK-UP RING	9		(SUB R29354)
31	R42927	PISTON	8		
32	R33282	SNAP RING	1		
33	PLUNGER	1		(ORDER AR78303)
34	R26552	BALL	1		8MM (5/16")
35	R59860	SPRING	1		(SUB FOR R27730)
36	P48347	O-RING	1		
37	PISTON	1		(ORDER AR78303)
38	AR78303	PISTON	1		

3G3

POWER TRAIN

MOTOR CYLINDER BLOCK PARTS (POWER FRONT WHEEL DRIVE)

R28350 -UN-01JAN94



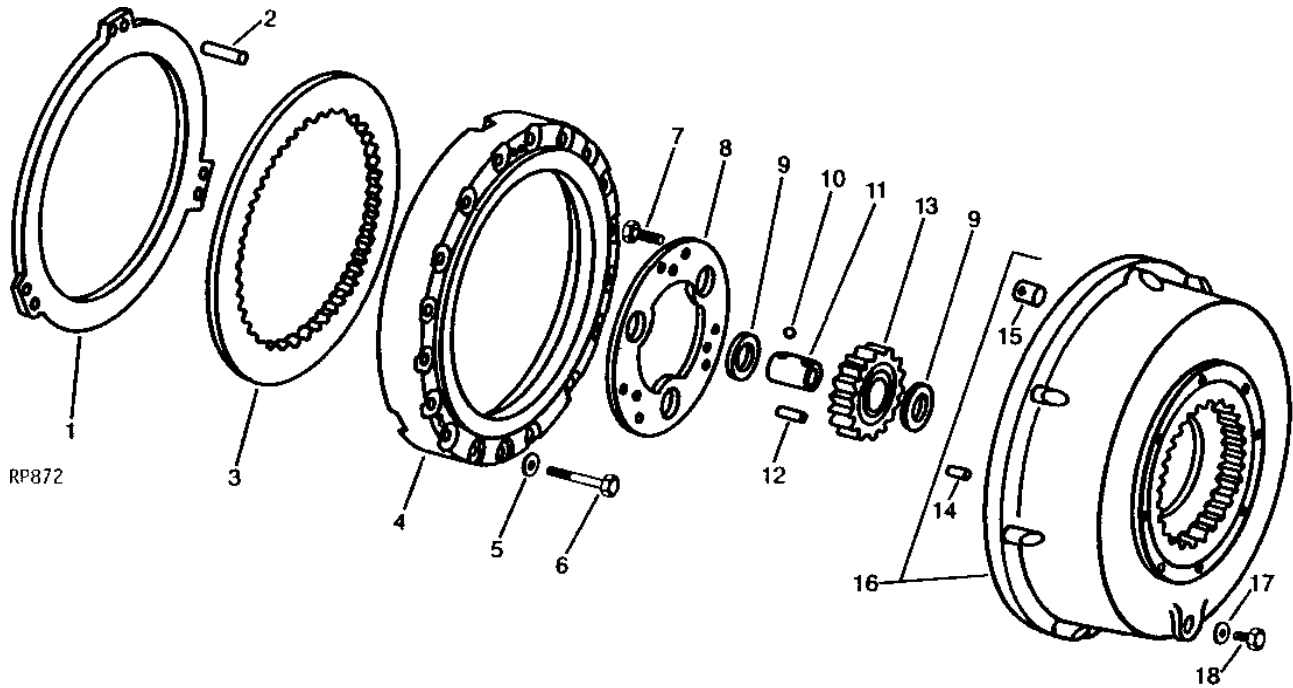
KEY	PART NO.	PART NAME	QTY	TRACTOR SERIAL NO.	REMARKS
1	R44415	BUSHING	1		
2	R44406	PLATE	1		
3	R44417	WASHER	1		
4	N107859	SNAP RING	1		
5	R44414	RETAINER	1		
6	R44409	SPRING	1		
7	R44416	DOWEL PIN	1		
8	R44412	SEAT	1		
9	AR73213	HOUSING	1	-XXXXXX	(SUB FOR AR45781) (SUB AR73212)
	AR73212	CYLINDER BLOCK	1	XXXXXX-	(SUB FOR AR73213)
10	R44411	SPRING	6	-XXXXXX	(SUB R60428)
	R60428	SPRING	6	XXXXXX-	(SUB FOR AR73214)
11	R44408	GUIDE	1		
12	R44407	RETAINER	1		
13	AR45782	PISTON	9		
14	AR73212	CYLINDER BLOCK	1		(SUB FOR AR45034)

3G4

POWER TRAIN

SECOND PLANET PINION, PLANETARY HOUSING, AND BRAKE PLATES (POWER FRONT WHEEL DRIVE)

RP872 -UN-19OCT94



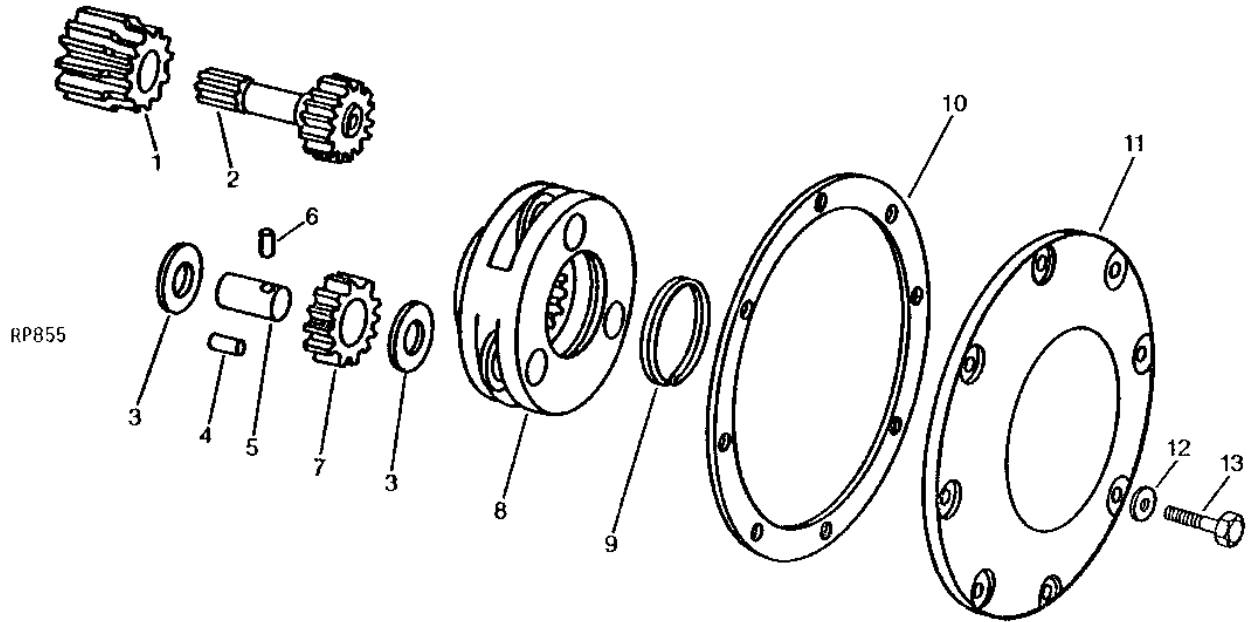
KEY	PART NO.	PART NAME	QTY	TRACTOR SERIAL NO.	REMARKS
1	R47142	PLATE	1		
2	R42762	SPRING	6		
3	R42516	GEAR	1		
4	R47141	PLATE	1		
5	R42729	WASHER	18		
6	19H268	CAP SCREW	18	3/8" X 2-1/2"	
7	19H2284	CAP SCREW	6	3/8" X 7/8"	
8	R42333	RETAINER	1		
9	R42931	THRUST WASHER	6		
10	H871R	BALL	6	5MM (3/16")	
11	R42932	PIN	3		
12	R42883	NEEDLE ROLLER	66		
13	R42518	PINION	3		
14	R28671	DOWEL PIN	3		
15	R1612R	DOWEL PIN	2		
16	AR48527	HOUSING	1		
17	R26375	O-RING	1		
18	R39112	FITTING	1		

3G5

POWER TRAIN

FIRST PLANET PINION, CARRIER, AND COVER (POWER FRONT WHEEL DRIVE)

RP855 -UN-01JAN94



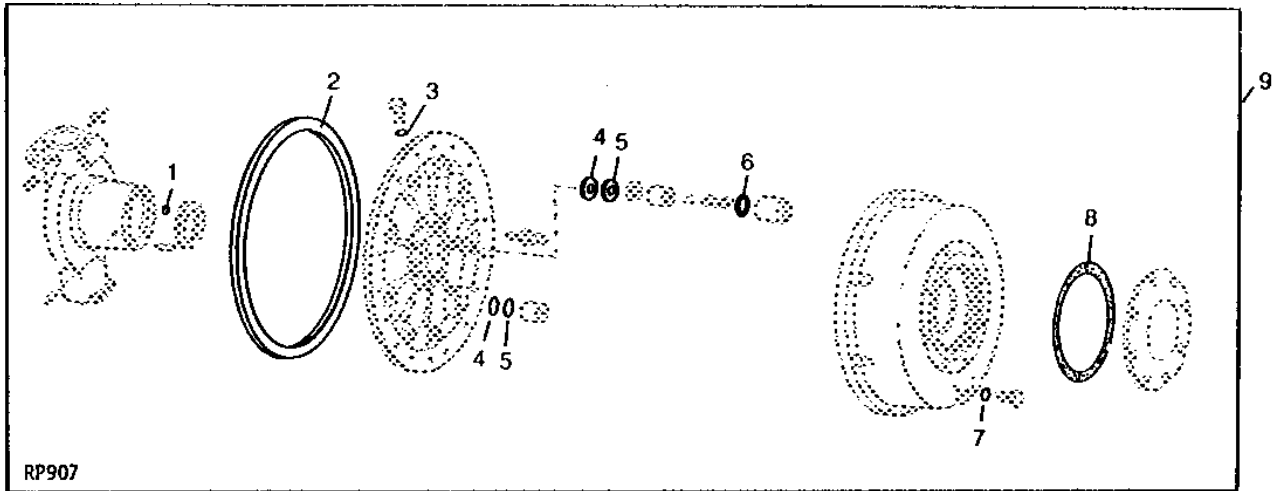
KEY	PART NO.	PART NAME	QTY	TRACTOR SERIAL NO.	REMARKS
1	R42734	PINION	1		
2	R46708	PINION	1		(14 TEETH)
3	R42929	THRUST WASHER	6		
4	R42884	NEEDLE ROLLER	51		
5	R42930	PIN	3		
6	B2641R	DOWEL PIN	3		
7	R46709	PINION	3		
8	R42519	PLANET PINION CARRIER	1		
9	R44013	SNAP RING	1		
10	R42764	GASKET	1		
11	R42968	COVER	1		
12	12H304	LOCK WASHER	8		3/8"
13	19H2552	CAP SCREW	8		3/8" X 1-1/8"

3G6

POWER TRAIN

BRAKE PISTON SEAL KIT (POWER FRONT WHEEL DRIVE)

RP907 -UN-01JAN94



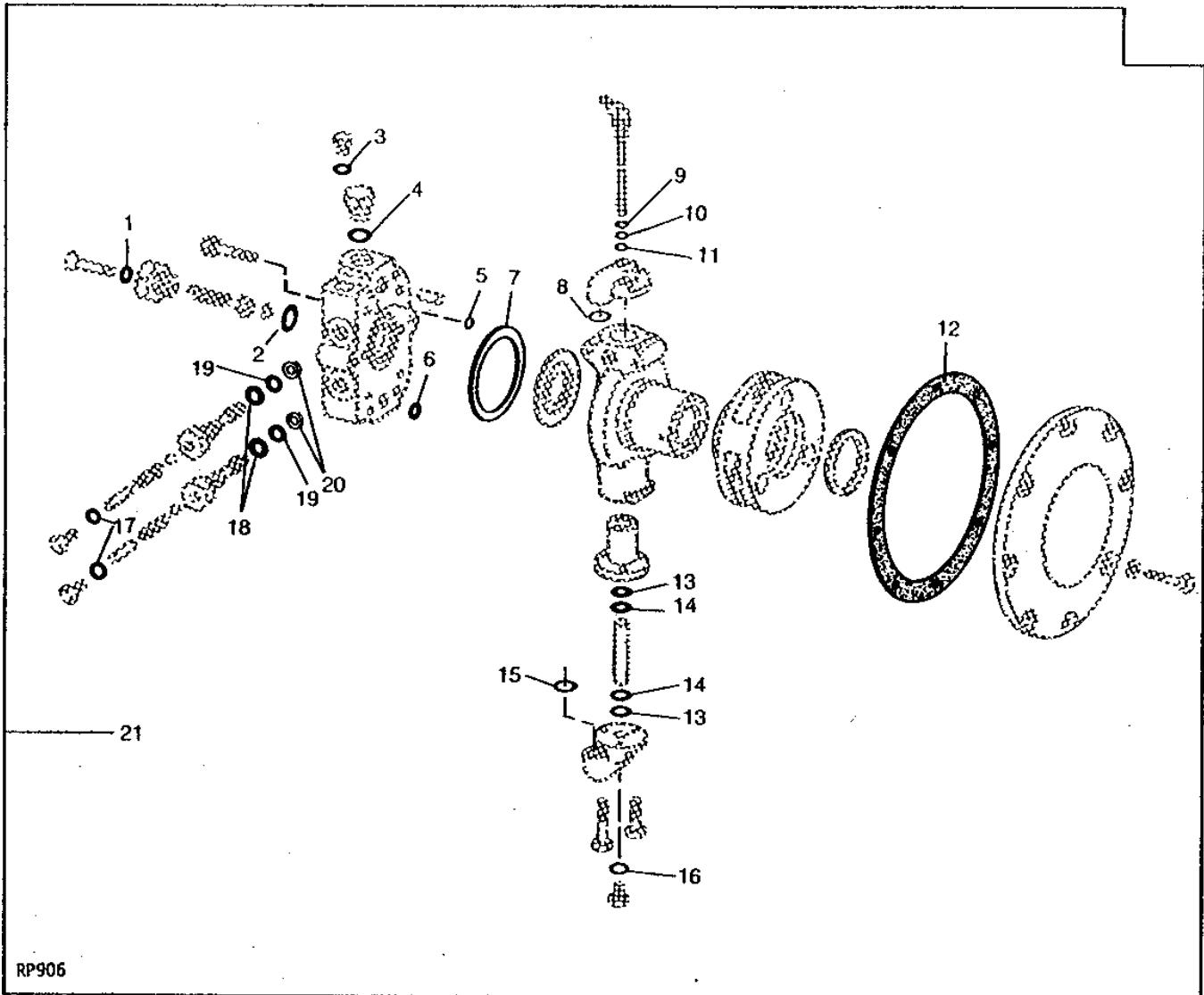
KEY	PART NO.	PART NAME	QTY	TRACTOR SERIAL NO.	REMARKS
1	T17951	O-RING	2		(SUB FOR R27490)
2	R42877	PACKING	1		
3	R26287	O-RING	1		
4	R29354	O-RING	9		(SUB FOR R42763)
5	R35473	BACK-UP RING	9		(SUB R29354)
6	R48347	O-RING	1		
7	R26375	O-RING	1		
8	R42764	GASKET	1		
9	AR63930	KIT	1		

3G7

POWER TRAIN

MANIFOLD AND PIVOT PIN SEAL KIT (POWER FRONT WHEEL DRIVE)

RP906 -UN-01JAN94



RP906

3G8

POWER TRAIN

MANIFOLD AND PIVOT PIN SEAL KIT - CONTINUED
(POWER FRONT WHEEL DRIVE)

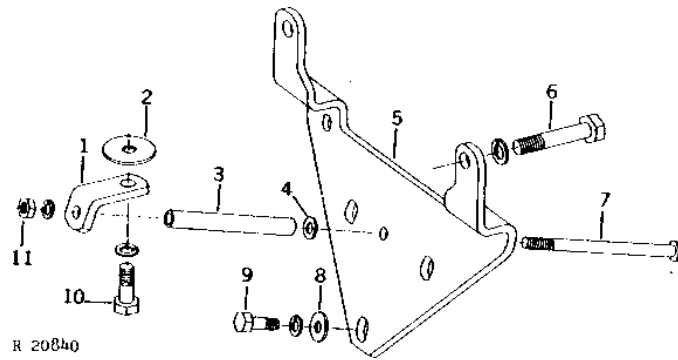
KEY	PART NO.	PART NAME	QTY	TRACTOR SERIAL NO.	REMARKS
1	R62513	O-RING	1		(SUB FOR P46051, THIS APPLICATION)
2	F3171R	O-RING	1		
3	R26287	O-RING	1		
4	R26375	O-RING	2		
5	R42878	WASHER	1		
6	R42879	WASHER	2		
7	R42880	PACKING	1		
8	F3171R	O-RING	1		
9	R61462	RING	1		(SUB FOR R26448, THIS APPLICATION)
10	R61463	BACK-UP RING	1		(SUB FOR R10093, THIS APPLICATION)
11	R26448	O-RING	1		(SUB FOR R44778, THIS APPLICATION)
12	R42764	GASKET	1		
13	R42975	O-RING	4		(SUB U11647)
14	R44979	BACK-UP RING	4		(SUB R73102)
15	F3171R	O-RING	1		
16	R26448	O-RING	1		
17	R26287	O-RING	2		
18	R26375	O-RING	2		
19	R28776	O-RING	2		
20	R42926	BACK-UP RING	2		
21	AR63929	KIT	1		

3G9

POWER TRAIN

R20840 -UN-01JAN94

CONTROL VALVE BRACKET AND PUMP SUPPORT (POWER FRONT WHEEL DRIVE)



KEY	PART NO.	PART NAME	QTY	TRACTOR SERIAL NO.	REMARKS
1	R55226	CLIP	1		
2	24H1345	WASHER	1		17/32" X 1-3/4" X 0.060"
3	28H3327	SPACER	1		3/8" X 4-1/8"
4	24M7096	WASHER	1		10.500 X 18 X 1.600 MM
5	R65212	BRACKET	1		(SUB FOR R52727)
6	19H3597	CAP SCREW	2		1/2" X 4-3/4" HS, SAE 8
	12H301	LOCK WASHER	2		1/2"
7	19H2104	CAP SCREW	1		3/8" X 5"
8	24H1309	WASHER	3		13/32" X 1-1/16" X 0.120"
9	19H2284	CAP SCREW	3		3/8" X 7/8"
	12H304	LOCK WASHER	3		3/8"
10	19H2964	CAP SCREW	1		7/16" X 1-1/8"
	12H293	LOCK WASHER	1		7/16"
11	14H812	NUT	1		3/8"
	12H304	LOCK WASHER	1		3/8"
..	R55009	SUPPORT	1		HYDRAULIC PUMP

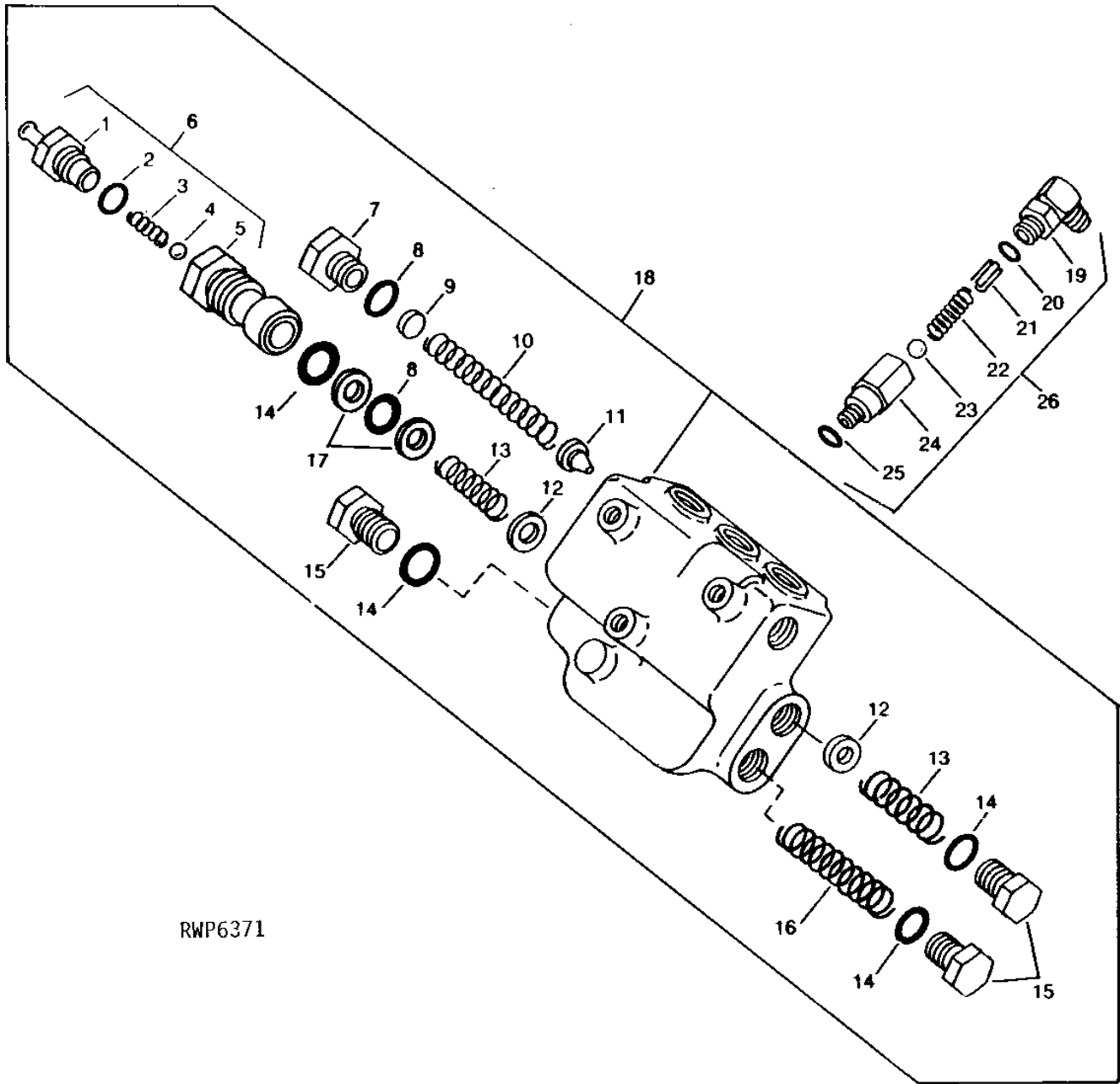
MEMORANDA

3G10

POWER TRAIN

RWP6371 -UN-18OCT94

CONTROL VALVE PARTS
(POWER FRONT WHEEL DRIVE)



RWP6371

3G11

POWER TRAIN

CONTROL VALVE PARTS - CONTINUED
(POWER FRONT WHEEL DRIVE)

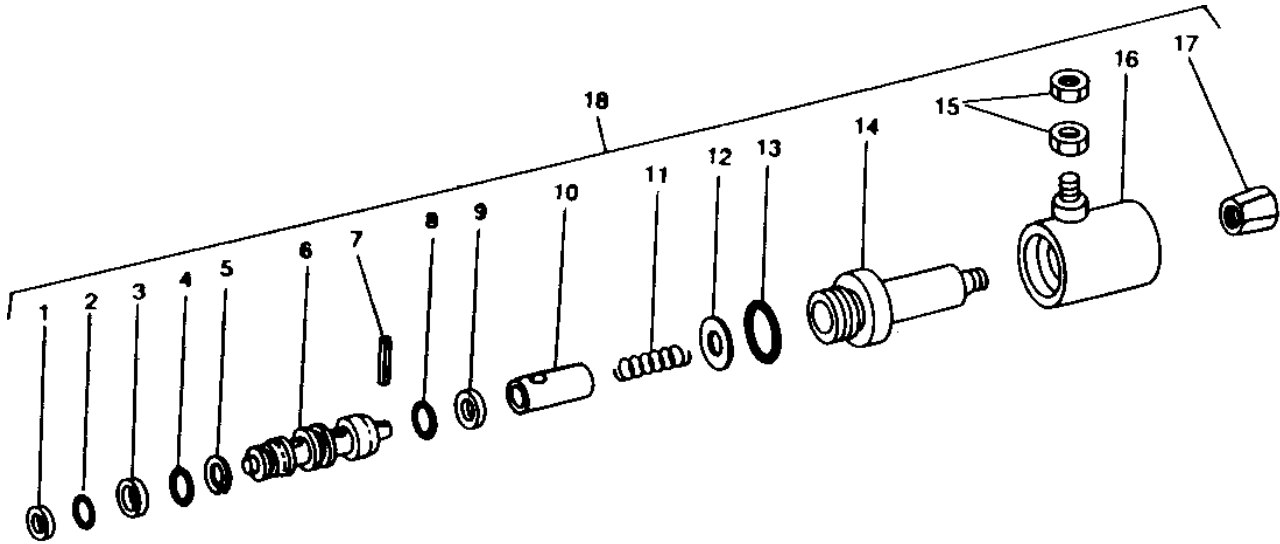
KEY	PART NO.	PART NAME	QTY	TRACTOR SERIAL NO.	REMARKS
1	SEAT	1		(ORDER AR81968)
2	R26448	O-RING	1		
3	A4816R	SPRING	1		
4	R26552	BALL	1		
5	PLUG	1		(ORDER AR81968)
6	AR81968	BLEED VALVE	1		
7	R45179	FITTING	1		
8	P47908	O-RING	2		
9	T14587	SHIM	1		0.61MM (.024")
10	R45183	SPRING	1		
11	R45176	ORIFICE	1		
12	R45184	WASHER	2		
13	R45182	SPRING	2		
14	32240	O-RING	4		
15	R45177	FITTING	3		
16	R45181	SPRING	1		
17	U40727	BACK-UP RING	2		
18	AR81936	VALVE	1		
19	AR58184	ELBOW FITTING	1		
20	R26448	O-RING	1		
21	R55458	GUIDE	1		
22	R227R	SPRING	1		
23	R42849	BALL	1		
24	HOUSING	1		(ORDER AR85464)
25	R26286	O-RING	1		
26	AR85464	CHECK VALVE	1		

3G12

POWER TRAIN

SOLENOID PARTS (POWER FRONT WHEEL DRIVE)

RWP2730 -UN-12OCT94



RWP2730

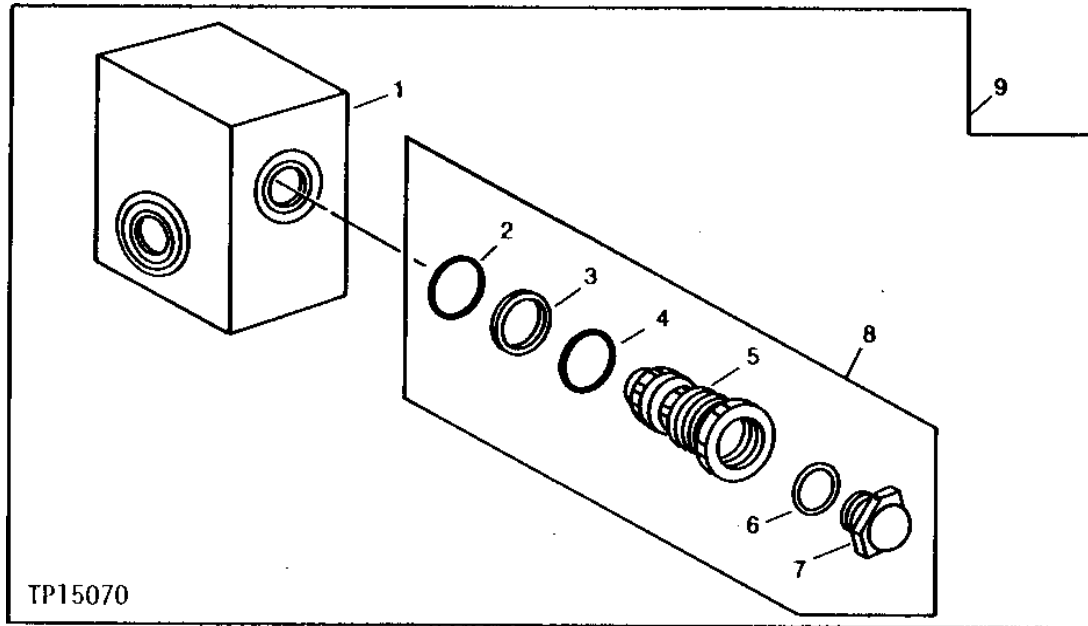
KEY	PART NO.	PART NAME	QTY	TRACTOR SERIAL NO.	REMARKS
1	R42926	BACK-UP RING	1		
2	R45186	O-RING	1		
3	R45187	BACK-UP RING	1		
4	R45638	O-RING	1		
5	R46701	SNAP RING	1		
6	AR70921	SLEEVE	1	-027755	(ALSO ORDER R58884) (SUB FOR AR48902) (SUB AR81176)
	AR81176	VALVE SPOOL	1	027756-	
7	34H227	SPRING PIN	1		3/32" X 1/2"
8	N31772	O-RING	1		
9	R46702	BACK-UP RING	1		
10	R45250	PLUNGER	1	-010826	(SUB AR81176 AND R58884)
	R58884	PLUNGER	1	010827-	
11	R64698	SPRING	1		(SUB FOR R45251) (ALSO ORDER R64697) (IF NOT PREVIOUSLY INSTALLED)
12	R64697	SHIM	1	027756-	(USE WITH TUBE MARKED "V")
13	U12547	O-RING	1		
14	AR48903	GUIDE	1		
15	14H605	NUT	2		0.164"
16	AR70922	ELECTRICAL COIL	1		(SUB FOR AR53047)
17	M63707	LOCK NUT	2		NO. 8
18	AR70920	VALVE	1	-027755	(SUB FOR AR53046) (SUB AR81175)
	AR81175	SOLENOID VALVE	1	027756-	(SUB FOR AR70920)

3G13

POWER TRAIN

TP15070 -UN-01JAN94

RELIEF VALVE



KEY	PART NO.	PART NAME	QTY	SERIAL NO.	REMARKS
1	VALVE	1	(SUB AT30373)	
2	T77072	O-RING	1		
3	T75972	BACK-UP RING	1		
4	U15242	O-RING	1		
5	RELIEF VALVE	1	(SUB AT80421)	
6	W19903	O-RING	1		
7	CAP	1	(SUB AT80421)	
8	AT80421	VALVE	1		
9	AT30373	RELIEF VALVE	1		

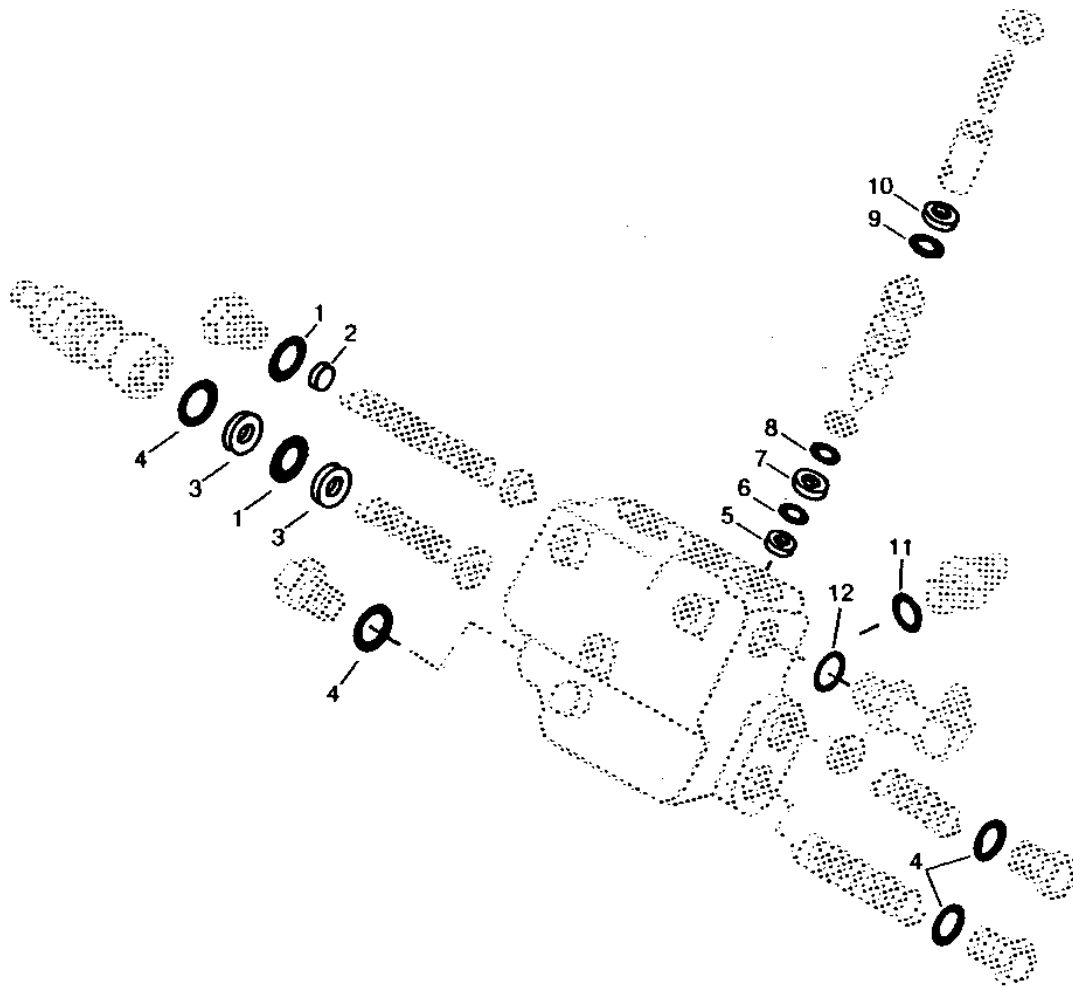
3G14

POWER TRAIN

RWP6372

-UN-12OCT94

CONTROL VALVE OVERHAUL KIT
(POWER FRONT WHEEL DRIVE)



RWP6372

3G15

POWER TRAIN

CONTROL VALVE OVERHAUL KIT - CONTINUED
(POWER FRONT WHEEL DRIVE)

KEY	PART NO.	PART NAME	QTY	TRACTOR SERIAL NO.	REMARKS
1	P47908	O-RING	2		
2	T14587	SHIM	1	0.61MM (.024")	
3	U40727	BACK-UP RING	2		
4	32240	O-RING	4		
5	R42926	BACK-UP RING	1		
6	R45186	O-RING	1		
7	R45187	BACK-UP RING	1		
8	R45638	O-RING	1		
9	N31772	O-RING	1		
10	R46702	BACK-UP RING	1		
11	F3171R	O-RING	4		
12	U17409	O-RING	2		
13	AR48904	KIT	1		

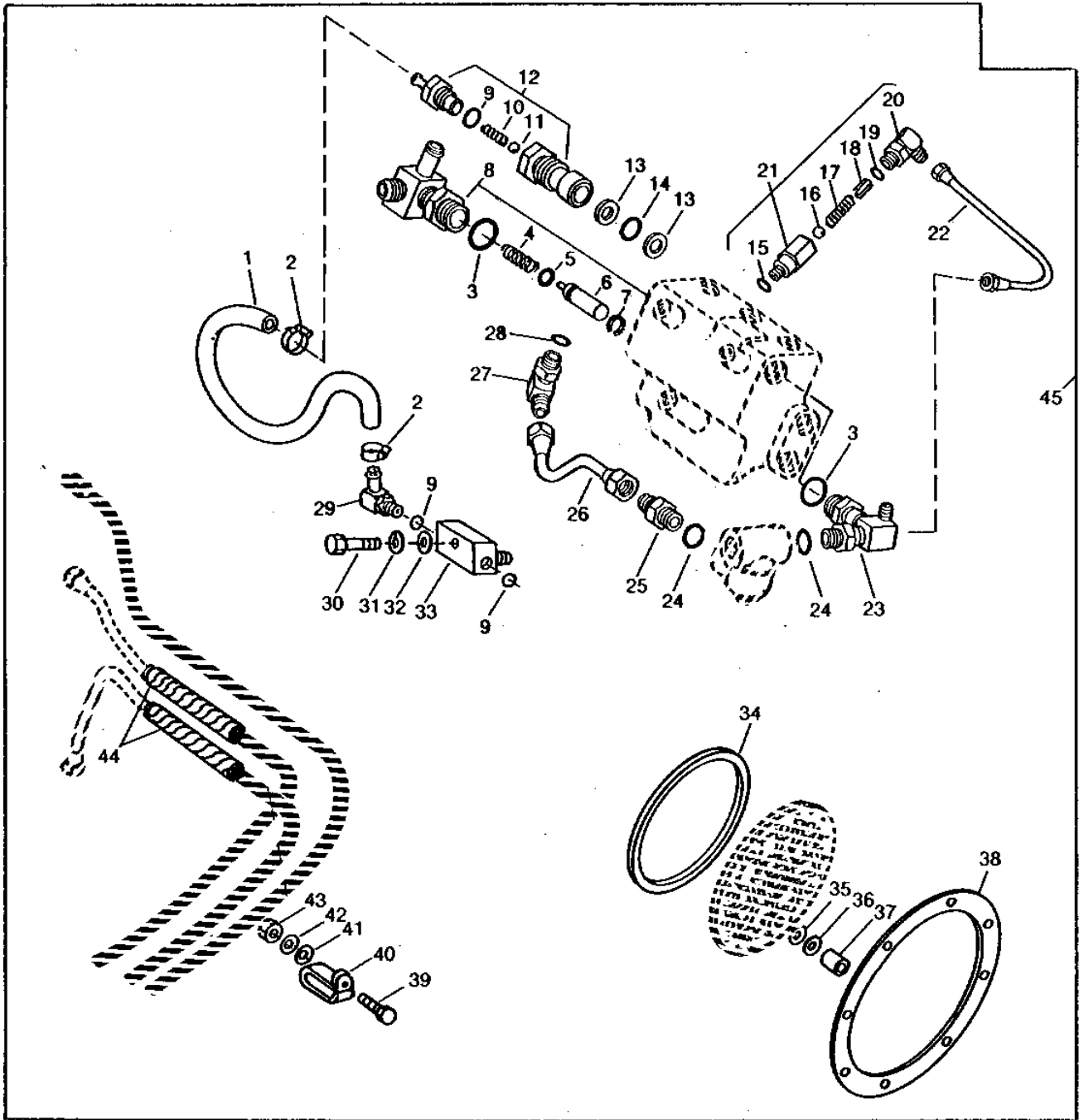
3G16

POWER TRAIN

RXP8621

-UN-01JAN94

POWER FRONT WHEEL DRIVE REPLACEMENT KIT



RXP8621

3G17

POWER TRAIN

POWER FRONT WHEEL DRIVE REPLACEMENT KIT - CONTINUED

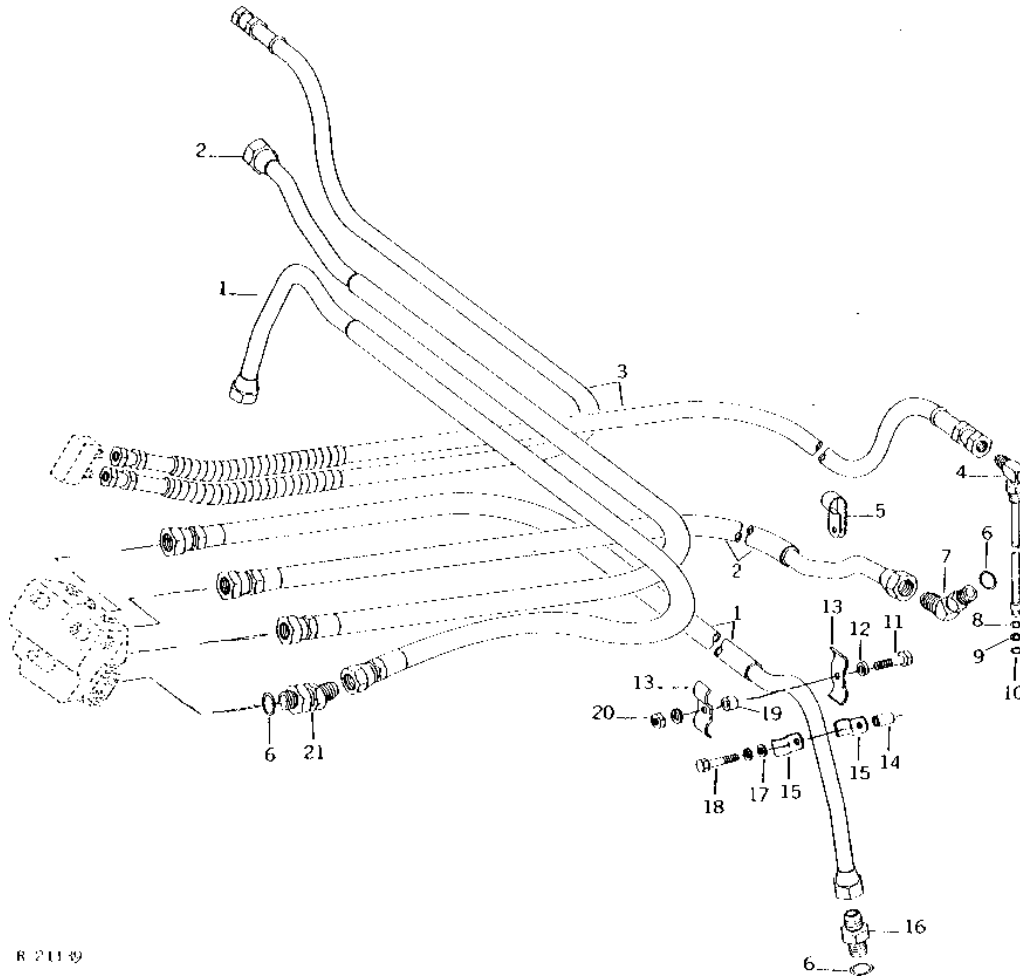
KEY	PART NO.	PART NAME	QTY	TRACTOR SERIAL NO.	REMARKS
1	R66067	HYDRAULIC HOSE	1		
2	TY22462	CLAMP	2		(SUB FOR AR48236)
3	U17409	O-RING	2		
4	F3463R	SPRING	1		
5	R45638	O-RING	1		
6	R64491	VALVE	1		
7	B474R	SNAP RING	1		
8	AR80591	TEE FITTING	1		
9	R26448	O-RING	3		
10	A4816R	SPRING	1		
11	R26552	BALL	1		
12	AR81968	BLEED VALVE	1		
13	U40727	BACK-UP RING	2		
14	P47908	O-RING	2		
15	R26286	O-RING	1		
16	R42849	BALL	1		
17	R227R	SPRING	1		
18	R55458	GUIDE	1		
19	R26448	O-RING	1		
20	AR58184	ELBOW FITTING	1		
21	AR85464	CHECK VALVE	1		
22	AR85463	LINE	1		
23	AR81935	TEE FITTING	1		(SUB AR86975 AND R36926)
24	R26906	O-RING	2		
25	R31665	FITTING	1		
26	AR56611	HYDRAULIC LINE	1		
27	AT32332	ELBOW FITTING	1		
28	R26375	O-RING	1		
29	AR85574	ELBOW FITTING	1		
30	19H1765	CAP SCREW	1		3/8" X 1-3/4"
31	12H304	LOCK WASHER	1		3/8"
32	24M7096	WASHER	1		10.500 X 18 X 1.600 MM
33	AR80595	FITTING	1		
34	R42877	PACKING	2		
35	R29354	O-RING	18		(SUB FOR R42763)
36	R35473	BACK-UP RING	18		(SUB R73101, THIS APPLICATION)
37	R42927	PISTON	2		
38	R42764	GASKET	2		
39	19H2021	CAP SCREW	4		3/8" X 5/8"
40	R65207	CLAMP	4		
41	12H304	LOCK WASHER	4		3/8"
42	24H1305	WASHER	4		13/32" X 13/16" X 0.065"
43	14H1076	NUT	4		3/8"
44	R67366	GUARD	4		(SUB R72341)
45	KIT	1		(AR89501 CANCELLED, ORDER COMPONENT PARTS)

3G18

POWER TRAIN

FRONT HYDRAULIC LINES (POWER FRONT WHEEL DRIVE)

R21139 -UN-01JAN94



R 21139

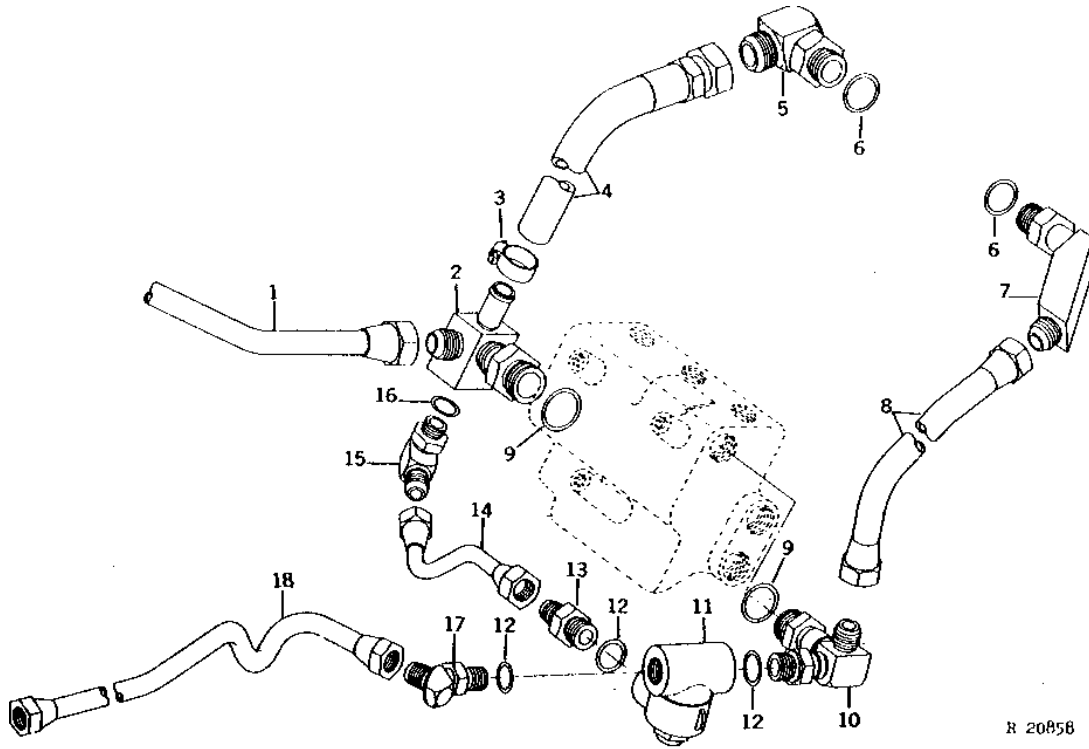
KEY	PART NO.	PART NAME	QTY	TRACTOR SERIAL NO.	REMARKS
1	AR62038	HOSE	2		LOWER
2	AR62037	HOSE	2		UPPER
3	AR82265	HYDRAULIC HOSE	2		DRAIN, (SUB FOR AR64634)
4	AR53447	ELBOW FITTING	2		
5	T27523	CLAMP	2	-XXXXXX	
6	F3171R	O-RING	8		
7	AR47803	ELBOW FITTING	2		
8	R61462	RING	2		
9	R44778	BACK-UP RING	2	-017149	(SUB R61463 AND R61462)
	R61463	BACK-UP RING	2	017150-	
10	R26448	O-RING	2		
11	19H1765	CAP SCREW	2		3/8" X 1-3/4"
12	28H856	WASHER	2		0.423" X 0.675" X 3/16"
13	R46919	CLAMP	4		
14	28H1496	SPACER	2		3/8" X 1-1/8"
15	R27531	CLAMP	4		
16	R27267	FITTING	2		
17	24H1652	WASHER	2		13/32" X 11/16" X 7/64"
18	19H255	CAP SCREW	2		3/8" X 2"
	12H304	LOCK WASHER	2		3/8"
19	28H1521	SPACER	2		3/8" X 9/16"
20	14H812	NUT	2		3/8"
	12H304	LOCK WASHER	2		3/8"
21	AR63210	ELBOW FITTING	4		
..	R44302	TIE BAND	AR		

3G19

POWER TRAIN

FRONT HYDRAULIC PIPES AND LINES (POWER FRONT WHEEL DRIVE)

R20858 -UN-01JAN94



KEY	PART NO.	PART NAME	QTY	TRACTOR SERIAL NO.	REMARKS
1	AR65207	HYDRAULIC LINE	1	(A)	(A) (SYNCRO-RANGE AND QUAD-RANGE)
	AR62084	HYDRAULIC LINE	1	(A)	(A) (POWER SHIFT)
2	AR56612	TEE FITTING	1		
3	TY22467	CLAMP	1		(SUB FOR AR21839)
4	AR56701	HYDRAULIC HOSE	1		
5	AR58274	ELBOW FITTING	1		
6	F3171R	O-RING	2		
7	AR67046	ELBOW FITTING	1		(SUB FOR AR58159)
8	AR56795	HYDRAULIC LINE	1		PUMP PRESSURE TO CONTROL VALVE
9	U17409	O-RING	2		
10	AR81935	TEE FITTING	1		(SUB FOR AR57233 AND AR67044) (SUB AR86975 AND R36926)
11	AT30373	RELIEF VALVE	1		
12	R26906	O-RING	3		
13	R31665	FITTING	1		
14	AR56611	HYDRAULIC LINE	1		
15	AT32332	ELBOW FITTING	1		(SUB FOR AR26763)
16	R26375	O-RING	1		
17	AT32338	FITTING	1		(SUB FOR AR26828)
18	AR61011	HYDRAULIC LINE	1		PUMP PRESSURE

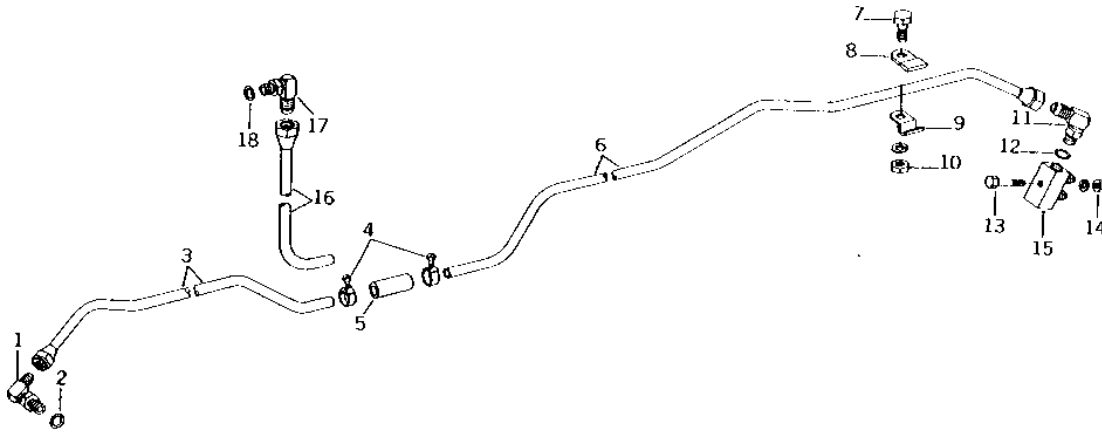
(A) PUMP RETURN

3G20

POWER TRAIN

REAR HYDRAULIC DRAIN PIPES (POWER FRONT WHEEL DRIVE)

R20857 -UN-01JAN94



R 20857

KEY	PART NO.	PART NAME	QTY	TRACTOR SERIAL NO.	REMARKS
1	AR27738	ELBOW FITTING	1	(A)	
2	R26375	O-RING	1	(A)	
3	AR70705	HYDRAULIC LINE	1	(A) (SUB FOR AR62217)	
4	TY22465	CLAMP	2	(SUB FOR AR21837)	
5	HOSE	1	54MM (2") (MAKE FROM TY22327)	
6	AR62080	HYDRAULIC LINE	1	DRAIN, FRONT	
7	19H1815	CAP SCREW	1	1/2" X 1-1/4"	
8	R28539	CLAMP	1		
9	R28538	CLAMP	1		
10	14H1040	NUT	1	1/2"	
	12H301	LOCK WASHER	1	1/2"	
11	AT35120	ELBOW FITTING	1	(SUB FOR AR37017 AND AT32337)	
12	R26448	O-RING	1		
13	19H1807	CAP SCREW	1	3/8" X 1-5/8"	
14	14H812	NUT	1	3/8"	
	12H304	LOCK WASHER	1	3/8"	
15	AR45234	FITTING	1		
16	AR62218	HYDRAULIC LINE	1	(B) DRAIN, REAR	
17	AT35120	ELBOW FITTING	1	(B) (SUB FOR AR37017 AND AT32337)	
18	R26448	O-RING	1	(B)	

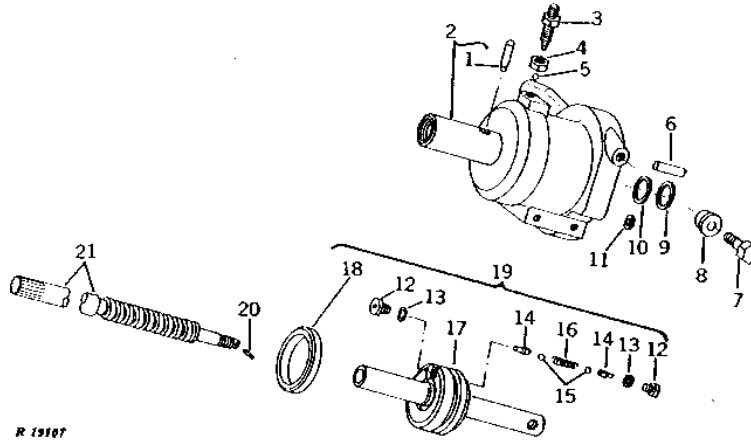
(A) SYNCRO-RANGE AND QUAD-RANGE
(B) POWER SHIFT

3G23

STEERING AND BRAKES

R19107 -UN-01JAN94

STEERING VALVE CYLINDER (TRACTOR SERIAL NO. -010646)



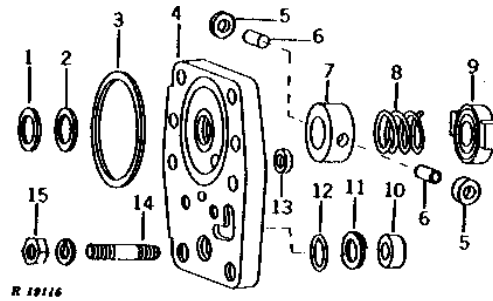
KEY	PART NO.	PART NAME	QTY	SERIAL OR MODEL NO.	REMARKS
1	R56282	PIN	1		(ALSO ORDER R56251) (SUB FOR R54100)
	R57607	PIN	1	-XXXXXX	(OVERSIZE)
2	AR56007	CYLINDER	1		(MARKED R50874)
3	R27299	SCREW	1		
4	R27453	NUT	1		
5	400R	BALL	1		6MM (1/4")
6	R32186	DOWEL PIN	2		
7	19H1815	CAP SCREW	1		1/2" X 1-1/4"
8	R50712	BUSHING	2		
9	A3606R	O-RING	1		
10	R26441	BACK-UP RING	1		
11	AR67783	O-RING KIT	1		STEERING VALVE CYLINDER TO COVER PACKING, (SUB FOR AR42009)
12	R31202	VALVE	2		
13	R26287	O-RING	2		
14	R31201	SHAFT	2		
15	H871R	BALL	1		5MM (3/16")
16	A4816R	SPRING	1		
17	AR30298	PISTON	1	-007086	(SUB AR30297)
	AR68651	PISTON	1	007087-	(SUB FOR AR68652)
18	R40567	WASHER	1		
19	AR68651	PISTON	1		
20	11M7081	COTTER PIN	1		0.098" X 0.787"
21	R34125	SHAFT	1		

3G24

STEERING AND BRAKES

R19116 -UN-01JAN94

STEERING VALVE CYLINDER COVER
(TRACTOR SERIAL NO. -010646)



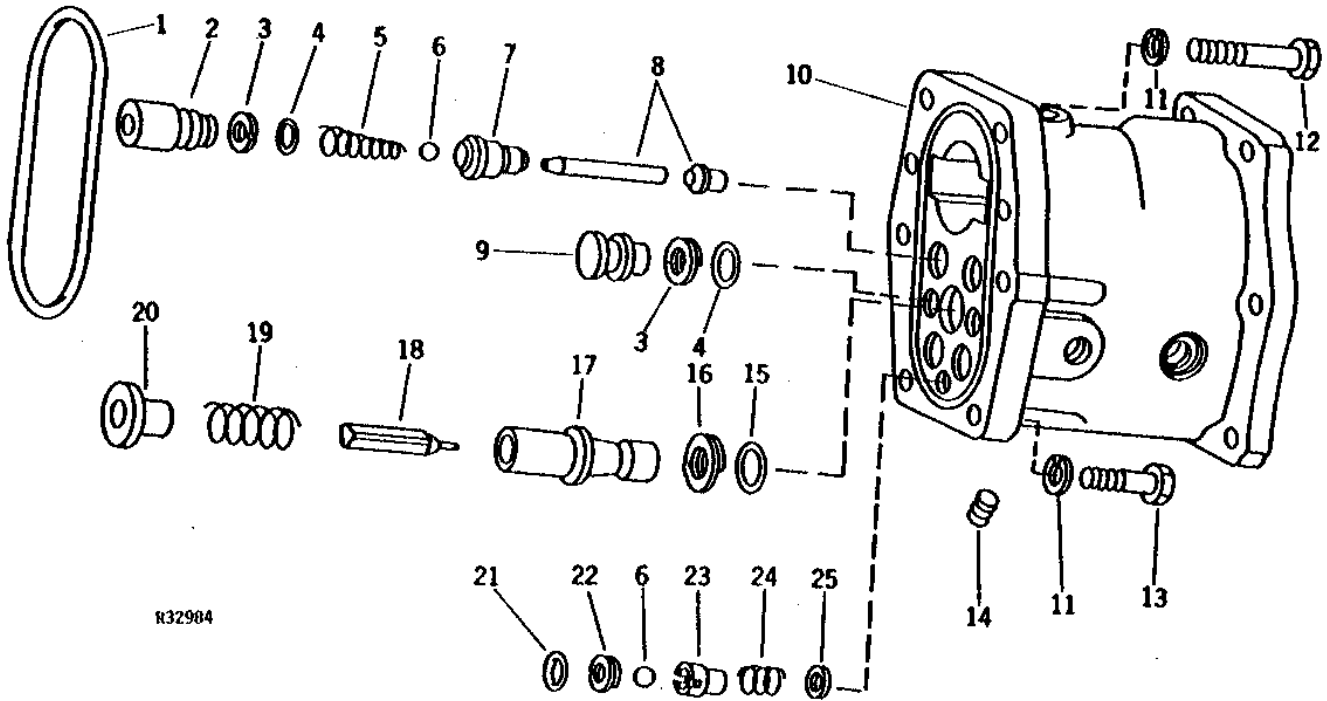
KEY	PART NO.	PART NAME	QTY	SERIAL OR MODEL NO.	REMARKS
1	A3606R	O-RING	1		
2	R26441	BACK-UP RING	1		
3	AR67783	O-RING KIT	1		STEERING VALVE COVER TO CYLINDER PACKING, (SUB FOR AR42009)
4	AR47293	COVER	1		(MARKED R44845)
5	R26755	WASHER	2		
6	R27091	PIN	2		
7	R40149	LOCKING COLLAR	1		
8	R40531	SPRING	1		
9	R27089	NUT	1		
10	R34121	PISTON	1		
11	R47694	BACK-UP RING	1		
12	R495R	O-RING	1		
13	AR67783	O-RING KIT	1		STEERING VALVE COVER TO CYLINDER PACKING, (SUB FOR AR42009)
14	R55183	STUD	2		(SUB FOR R53016)
15	14H1047	NUT	2	7/16"	
	12H293	LOCK WASHER	2	7/16"	

3G25

STEERING AND BRAKES

STEERING VALVE
(TRACTOR SERIAL NO. -010646)

R32984 -UN-01JAN94



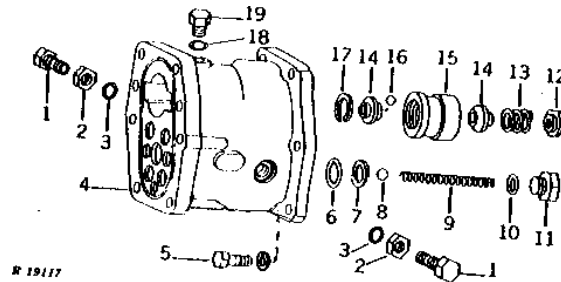
KEY	PART NO.	PART NAME	QTY	SERIAL OR MODEL NO.	REMARKS
1	R34733	WASHER	1		
2	R41724	PLUG	4		
3	R32588	BACK-UP RING	4		
4	R459R	O-RING	6		
5	R26565	SPRING	4		
6	400R	BALL	5	6MM (1/4")	
7	R28124	VALVE	4		
8	AR49535	SHAFT	2		
	AR49536	SHAFT	2		
9	R34131	PLUG	2		
10	AR43809	HOUSING	1	(MARKED R43962 OR R45811)	
11	12H301	LOCK WASHER	4	1/2"	
12	19H1990	CAP SCREW	4	1/2" X 2-1/4", (SUB FOR R48784)	
13	19H2993	CAP SCREW	2	1/2" X 1-1/2"	
14	15H558	PIPE PLUG	1	1/8"	
15	B2762R	O-RING	1		
16	R26546	BACK-UP RING	1		
17	R34123	VALVE SEAT	1		
18	R42661	SEAT	1		
19	R26151	SPRING	1		
20	R34122	STOP	1		
21	A4365R	O-RING	1		
22	R34129	BACK-UP RING	1		
23	R44254	GUIDE	1		
24	R44256	SPRING	1		
25	R44255	WASHER	1		

3H1

STEERING AND BRAKES

R19117 -UN-01JAN94

STEERING VALVE
(TRACTOR SERIAL NO. -010646)



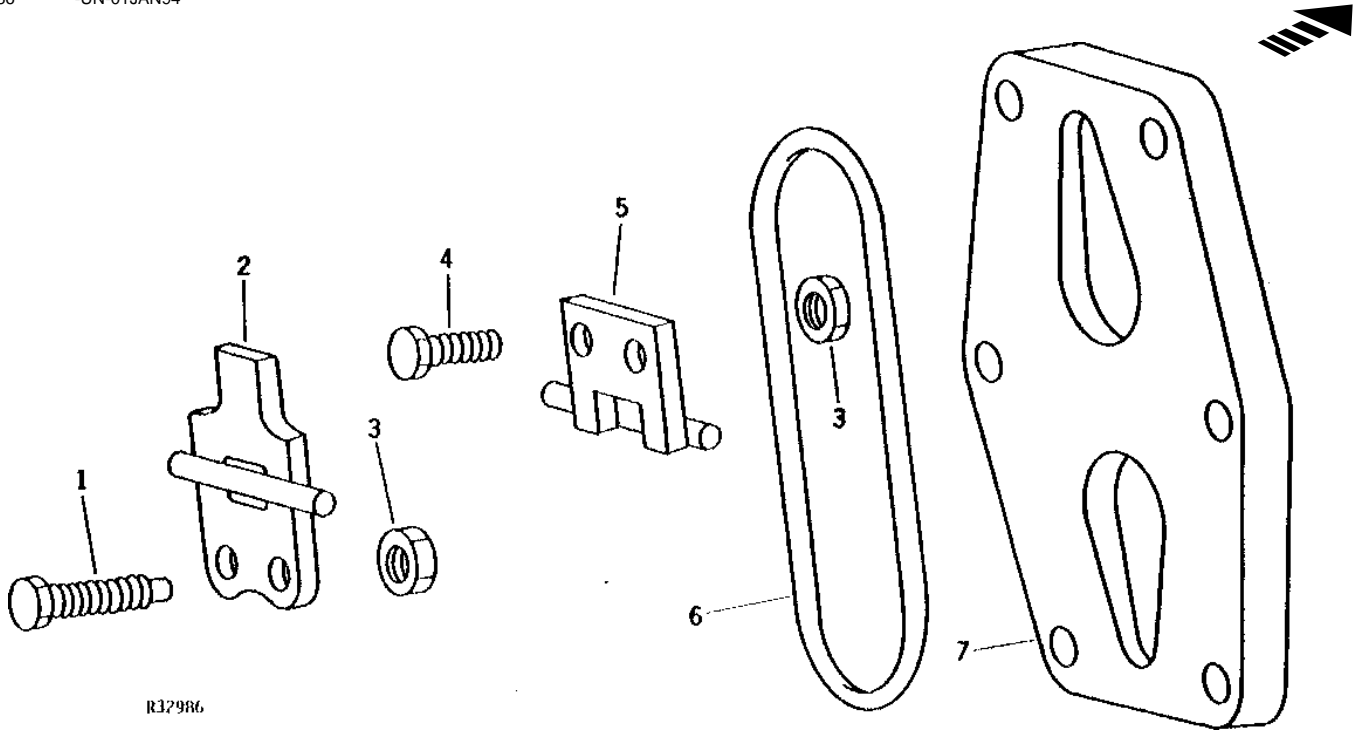
KEY	PART NO.	PART NAME	QTY	SERIAL OR MODEL NO.	REMARKS
1	R40338	DRAIN PLUG	2		
2	R27296	NUT	2		
3	R26286	O-RING	2		
4	AR43809	HOUSING	1		(MARKED R43962 OR R45811)
5	19H2552	CAP SCREW	6		3/8" X 1-1/8"
	12H304	LOCK WASHER	6		3/8"
6	P48347	O-RING	1		(SUB FOR R34404, THIS APPLICATION)
7	R30323	BACK-UP RING	1		
8	R42849	BALL	1		10MM (3/8")
9	R31278	SPRING	1		
10	R26375	O-RING	1		
11	R39112	FITTING	1		
12	R40597	LOCK NUT	1		
13	R40596	SPRING	1		
14	R40595	BEARING RACE	2		
15	R40757	BUSHING	1		
16	R26552	BALL	13		8MM (5/16")
17	R26425	SNAP RING	1		
18	R26287	O-RING	1		
19	R27216	DRAIN PLUG	1		(SUB FOR R31631)

3H2

STEERING AND BRAKES

STEERING VALVE COVER AND VALVE OPERATING LEVERS (TRACTOR SERIAL NO. -010646)

R32986 -UN-01JAN94



R32986

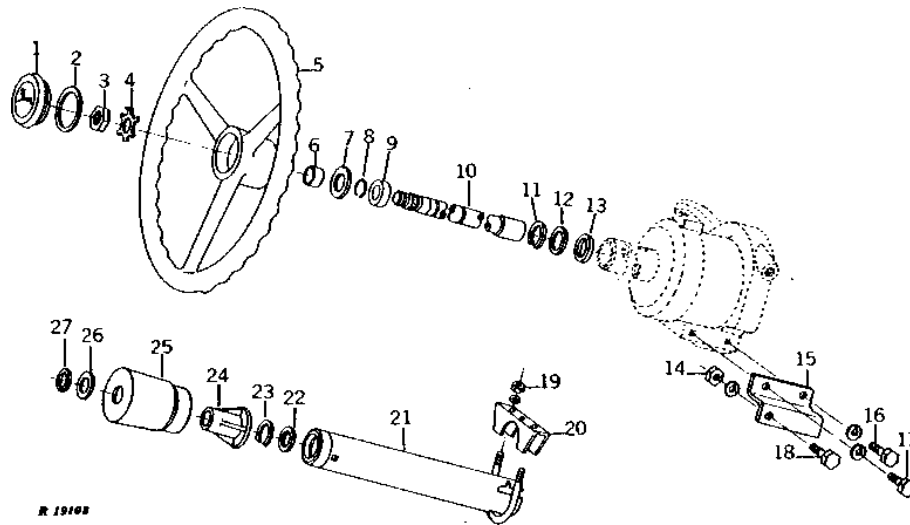
KEY	PART NO.	PART NAME	QTY	MODEL NO.	REMARKS
1	R26554	SET SCREW	2		
2	AR26448	LEVER	1		
3	14H649	NUT	4	1/4"	
4	R31217	SCREW	2		(SUB FOR R26762, THIS APPLICATION)
5	AR26402	LEVER	1		
6	R34733	WASHER	1		
7	R57034	COVER	1		(SUB FOR R51748)

3H3

STEERING AND BRAKES

R19108 -UN-01JAN94

FIXED STEERING
(TRACTOR SERIAL NO. -010646)



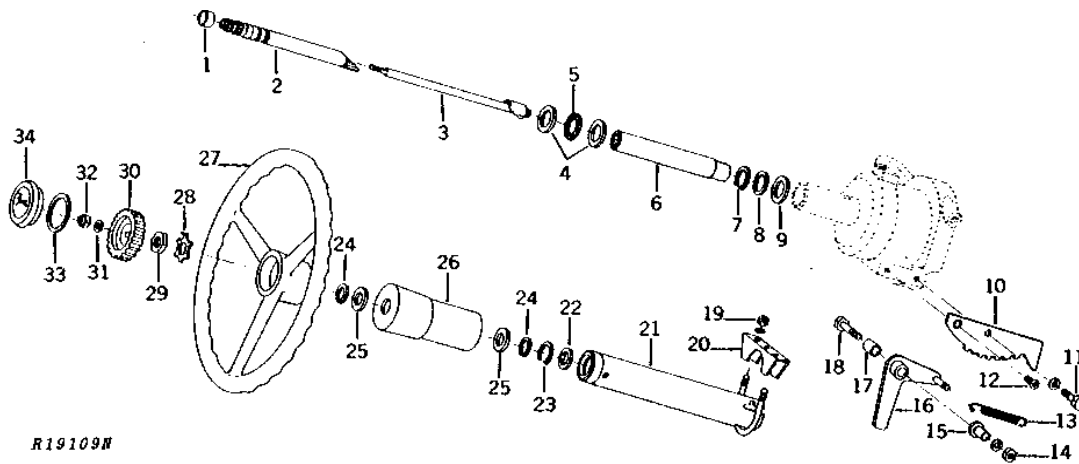
KEY	PART NO.	PART NAME	QTY	TRACTOR SERIAL NO.	REMARKS
1	R47998	CAP	1		
2	B3690R	O-RING	1		
3	14H904	NUT	1	3/4"	
4	T17148	LOCK WASHER	1		
5	T22875	STEERING WHEEL	1		
6	R50875	BUSHING	1		
7	AR58511	WASHER	1		
8	A2444R	SNAP RING	1		
9	R54616	BUSHING	1		
10	AR55162	STEERING WHEEL SHAFT	1		
11	R54048	WEAR RING	1		
12	R54058	LOCK WASHER	1		
13	R54063	SEAL	1		
14	14H812	NUT	1	3/8"	
	12H304	LOCK WASHER	1	3/8"	
15	R51749	BRACKET	1		
16	19H2127	CAP SCREW	1	5/16" X 7/8"	
	12H303	LOCK WASHER	1	5/16"	
17	19H1731	CAP SCREW	1	3/8" X 1"	
	12H304	LOCK WASHER	1	3/8"	
18	19H1731	CAP SCREW	1	3/8" X 1"	
19	14H650	NUT	2	5/16"	
	12H303	LOCK WASHER	2	5/16"	
20	R56251	SADDLE	1	(SUB FOR R53606)	
21	AR76538	TUBE	1	(SUB FOR AR56060)	
22	R72858	SEAL	1	(SUB FOR R32730) (ALSO ORDER (2) R72820)	
23	R26933	SNAP RING	1		
24	R51079	SPACER	1		
25	R51080	SLEEVE	1		
26	R42629	WASHER	1		
27	B169R	SNAP RING	1		

3H4

STEERING AND BRAKES

R19109 -UN-01JAN94

TELESCOPING STEERING
(TRACTOR SERIAL NO. -010646)



KEY	PART NO.	PART NAME	QTY	TRACTOR SERIAL NO.	REMARKS
1	R50875	BUSHING	1		
2	R50868	STEERING WHEEL SHAFT	1		(SUB R62280 AND P46402)
3	AR54808	ROD	1		
4	JD9931	THRUST BEARING	2		
5	JD8875	NEEDLE BEARING	1		
6	AR55289	COUPLING	1		
7	R54048	WEAR RING	1		
8	R54058	LOCK WASHER	1		
9	R54063	SEAL	1		
10	R51816	PLATE	1		
11	19H2552	CAP SCREW	1	3/8" X 1-1/8"	
	12H304	LOCK WASHER	1	3/8"	
12	R43663	SCREW	1		
13	M2036T	EXTENSION SPRING	1		
14	14H812	NUT	1	3/8"	
	12H304	LOCK WASHER	1	3/8"	
15	R58614	SPACER	1		(SUB FOR R51815)
16	AR56104	LEVER	1		
17	R28035	BUSHING	1		
18	19H3181	CAP SCREW	1	3/8" X 2"	
19	14H650	NUT	2	5/16"	
	12H303	LOCK WASHER	2	5/16"	
20	R56251	SADDLE	1		(SUB FOR R53606)
21	AR76538	TUBE	1		(SUB FOR AR56060)
22	R72858	SEAL	1		(SUB FOR R32730) (ALSO ORDER (2) R72820)
23	R26933	SNAP RING	1		
24	B169R	SNAP RING	2		
25	R42629	WASHER	2		
26	R51153	SLEEVE	1		
27	T22875	STEERING WHEEL	1		
28	T17148	LOCK WASHER	1		
29	14H904	NUT	1	3/4"	
30	R91298	KNOB	1		(SUB FOR R50871)
31	12H303	LOCK WASHER	1	5/16"	
32	14H650	NUT	1	5/16"	
33	B3690R	O-RING	1		
34	R47998	CAP	1		

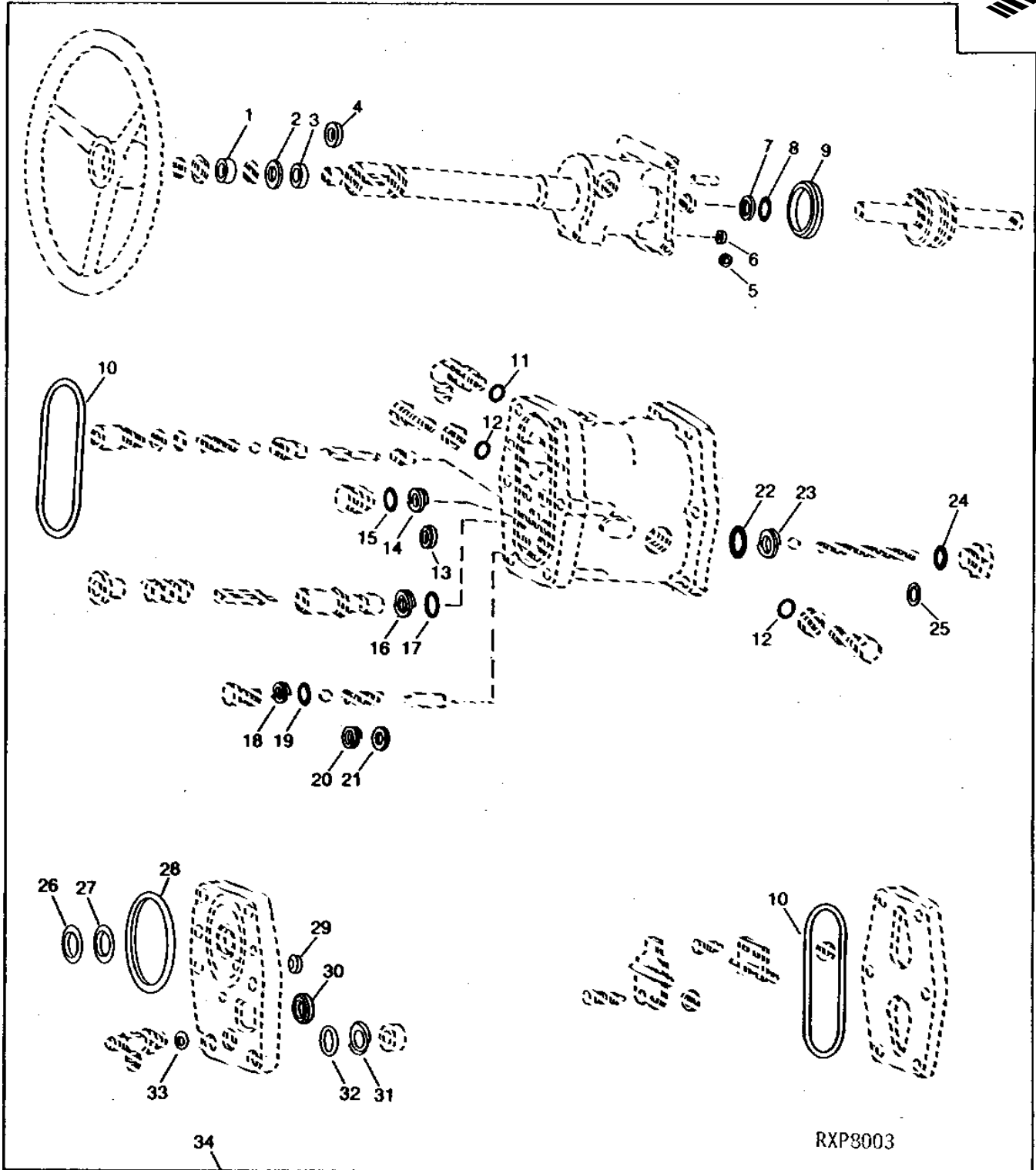
3H5

STEERING AND BRAKES

RXP8003

-UN-01JAN94

STEERING VALVE CYLINDER OVERHAUL KIT



RXP8003

3H6

STEERING AND BRAKES

STEERING VALVE CYLINDER OVERHAUL KIT - CONTINUED

KEY	PART NO.	PART NAME	QTY	TRACTOR SERIAL NO.	REMARKS
1	R72858	SEAL	1		
2	R32731	WASHER	1		
3	R72858	SEAL	1		
4	R54063	SEAL	1	(A)	
5	R26448	O-RING	2		
6	AR67783	O-RING KIT	1		
7	R26441	BACK-UP RING	1		
8	A3606R	O-RING	2		
9	R40567	WASHER	1		
10	R34733	WASHER	2		
11	R26286	O-RING	1		
12	R26286	O-RING	2		
13	R31488	WASHER	2	(A)	
14	R459R	O-RING	6		
15	R32588	BACK-UP RING	6		
16	R26546	BACK-UP RING	2		
17	B2762R	O-RING	2		
18	R34129	BACK-UP RING	1		
19	A4365R	O-RING	1		
20	R26551	BACK-UP RING	1	(A)	
21	R394R	O-RING	1		
22	P48347	O-RING	1		
23	R30323	BACK-UP RING	1		
24	R26375	O-RING	1		
25	R26547	WASHER	2	(A)	
26	A3606R	O-RING	2		
27	R26441	BACK-UP RING	1		
28	AR67783	O-RING KIT	1		
29	AR67783	O-RING KIT	1		
30	R31489	WASHER	1	(A)	
31	R47694	BACK-UP RING	1		
	R26485	BACK-UP RING	1	(A)	
32	R495R	O-RING	1		
33	R26286	O-RING	1		
34	AR39585	KIT	1	(A)	

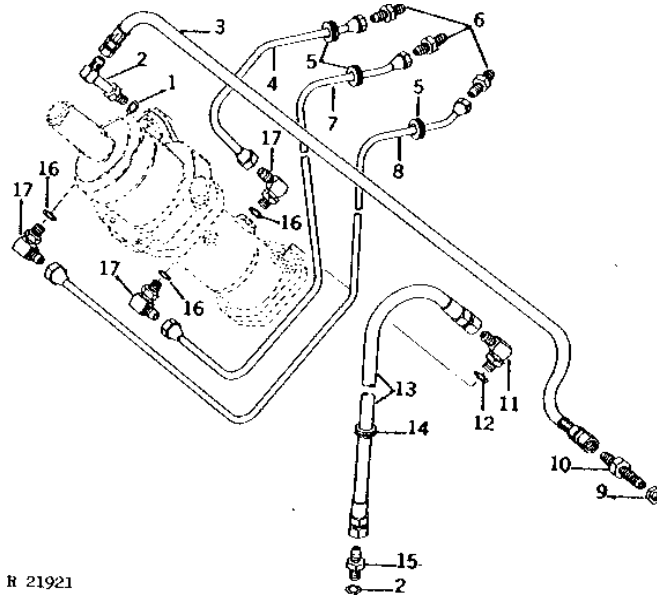
(A) EARLY DESIGN

3H7

STEERING AND BRAKES

R21921 -UN-01JAN94

FIXED STEERING PIPES
(TRACTOR SERIAL NO. -010646)



R 21921

KEY	PART NO.	PART NAME	QTY	TRACTOR SERIAL NO.	REMARKS
1	R26286	O-RING	2		
2	AR63197	ELBOW FITTING	1	90°	
3	AR63196	HOSE	1	PRESSURE, INNER	
4	AR60298	HYDRAULIC LINE	1	REAR, L.H.	
5	R27533	GROMMET	3		
6	R27095	FITTING	3		
7	AR60299	HYDRAULIC LINE	1	REAR, MIDDLE	
8	AR60297	HYDRAULIC LINE	1	REAR, R.H.	
9	R27296	NUT	1		
10	R36040	FITTING	1		
11	AT32333	ELBOW FITTING	1	90°, (SUB FOR AR26771)	
12	R26286	O-RING	1		
13	AR56660	HYDRAULIC HOSE	1	(SYNCRO-RANGE AND POWER SHIFT)	
14	R60831	GROMMET	1	(SUB FOR R41439, THIS APPLICATION)	
15	R27272	FITTING	2		
16	R26448	O-RING	3		
17	AT35121	ELBOW FITTING	3	90°, (SUB FOR AR26725)	

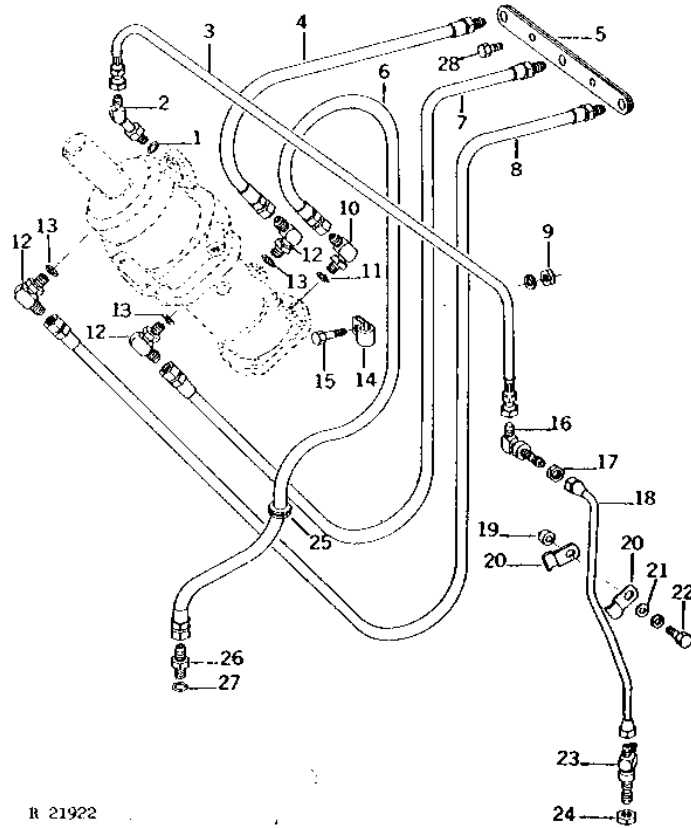
MEMORANDA

3H8

STEERING AND BRAKES

TELESCOPING STEERING OR SOUND-GARD BODY REAR OIL LINES
(TRACTOR SERIAL NO. -010646)

R21922 -UN-01JAN94



R 21922

3H9

STEERING AND BRAKES

TELESCOPING STEERING OR SOUND-GARD BODY REAR OIL LINES - CONTINUED
(TRACTOR SERIAL NO. -010646)

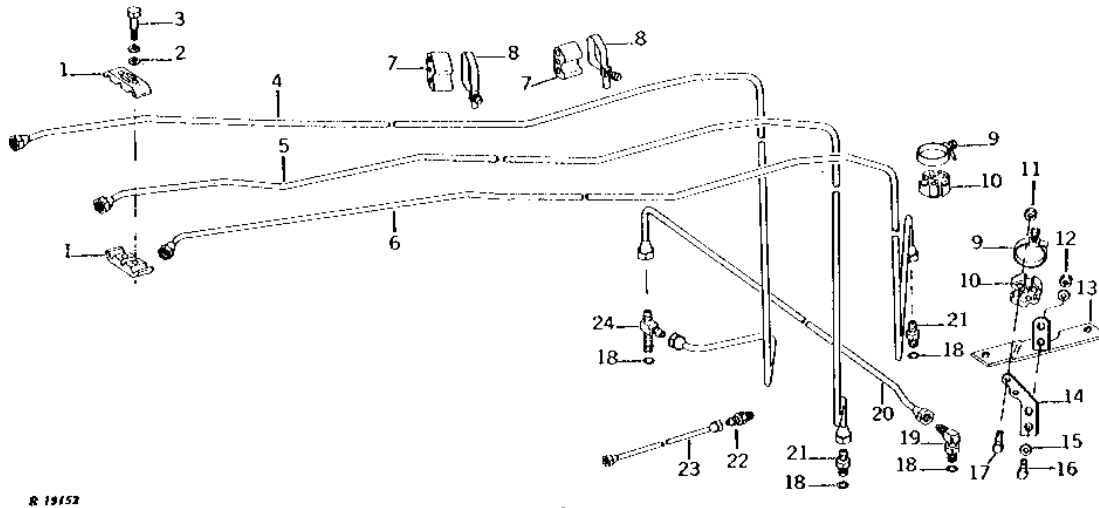
KEY	PART NO.	PART NAME	QTY	TRACTOR SERIAL NO.	REMARKS
1	R26286	O-RING	1		
2	AR56776	ELBOW FITTING	1	60°	
3	AR61614	HYDRAULIC HOSE	1	PRESSURE, INNER	
4	AR56662	HYDRAULIC HOSE	1	L.H.	
5	R54159	GROMMET	1		
6	AR56660	HYDRAULIC HOSE	1	RETURN	
7	AR57027	HOSE	1	MIDDLE	
8	AR57027	HOSE	1	R.H.	
9	14H812	NUT	1	3/8"	
	12H304	LOCK WASHER	1	3/8"	
10	AT32333	ELBOW FITTING	1	(SUB FOR AR26771)	
11	R26286	O-RING	1		
12	AT35121	ELBOW FITTING	3	(SUB FOR AR26725)	
13	R26448	O-RING	3		
14	R46414	CLAMP	1		
15	19H2964	CAP SCREW	1	7/16" X 1-1/8"	
16	AR35981	ELBOW FITTING	1		
17	R27296	NUT	1		
18	AR56646	HYDRAULIC LINE	1	(LESS DIFFERENTIAL LOCK)	
	AR57084	HYDRAULIC LINE	1	(DIFFERENTIAL LOCK)	
19	28H1519	WASHER	1	0.493" X 0.675" X 3/8"	
20	R34933	CLAMP	2		
21	24M7096	WASHER	1	10.500 X 18 X 1.600 MM	
22	19H1731	CAP SCREW	1	3/8" X 1"	
	12H304	LOCK WASHER	1	3/8"	
23	AR64094	TEE FITTING	1	(SUB FOR AR56773)	
24	R26572	NUT	1		
25	R60831	GROMMET	1	(SUB FOR R41439, THIS APPLICATION)	
26	R27272	FITTING	1		
27	R26286	O-RING	1		
28	37H27	SCREW	2	5/16" X 7/8"	

3H10

STEERING AND BRAKES

FRONT STEERING PIPES (TRACTOR SERIAL NO. -010646)

R19152 -UN-01JAN94



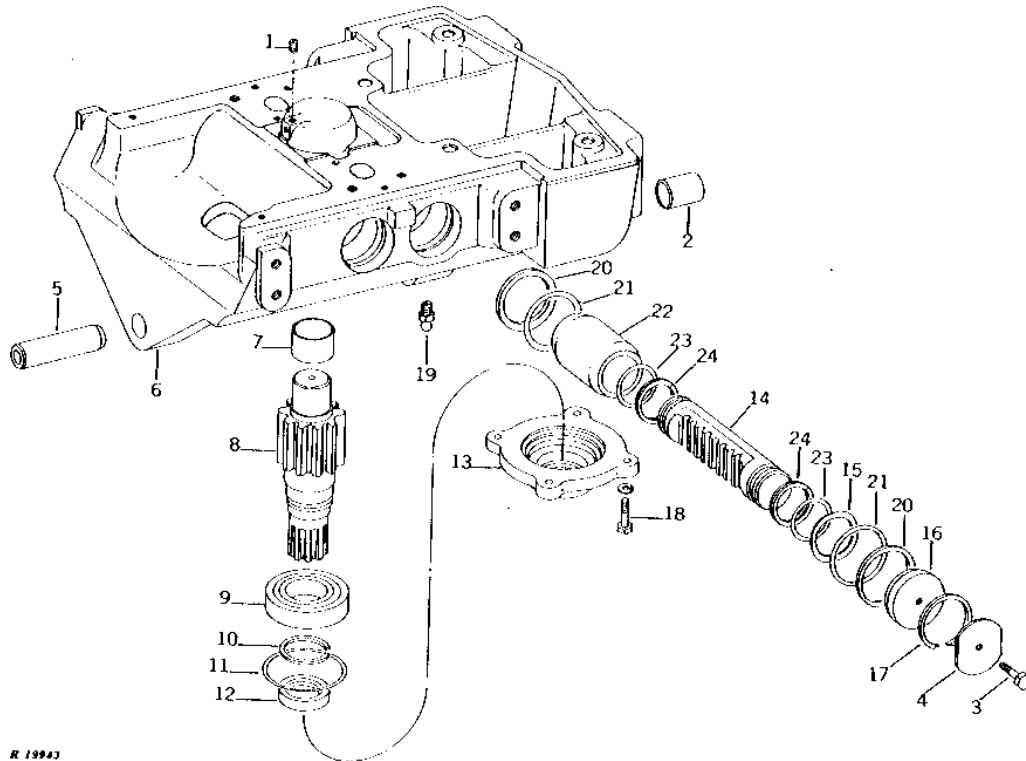
KEY	PART NO.	PART NAME	QTY	TRACTOR SERIAL NO.	REMARKS
1	R43761	CLAMP	2		
2	24M7096	WASHER	2	10.500 X 18 X 1.600 MM	
3	19H1765	CAP SCREW	2	3/8" X 1-3/4"	
4	12H304	LOCK WASHER	2	3/8"	
5	AR60304	HYDRAULIC LINE	1	FRONT, L.H.	
6	AR60305	HYDRAULIC LINE	1	FRONT, MIDDLE	
7	AR60303	HYDRAULIC LINE	1	FRONT, R.H.	
8	R53589	GROMMET	2	(NLA)	
9	AR29690	CLAMP	2	(SUB AR85327)	
10	TY22470	CLAMP	2	(SUB FOR AR21840)	
11	R50711	SPACER	2		
12	14H786	NUT	2	1/4", (SUB FOR R40694) (ALSO ORDER 24H1287)	
13	14H785	NUT	2	5/16"	
14	12H303	LOCK WASHER	2	5/16"	
15	AR60378	BRACKET	1		
16	R53568	SUPPORT	1		
17	24H1136	WASHER	2	11/32" X 11/16" X 0.065"	
18	19H2127	CAP SCREW	2	5/16" X 7/8"	
19	19H1898	CAP SCREW	1	1/4" X 1-1/2"	
20	R26448	O-RING	4		
21	AR59113	ELBOW FITTING	1	90°	
22	AR59757	HYDRAULIC LINE	1	STEERING MOTOR	
23	R27212	FITTING	2		
24	R39832	ADAPTER	1		
..	AR56065	HYDRAULIC LINE	1	STEERING MOTOR DRAIN	
..	AT37518	TEE FITTING	1	(SUB FOR AR59639)	
..	AR21969	KIT	1	CAP PLUG, ASSORTMENT	

3H11

STEERING AND BRAKES

STEERING MOTOR
(ADJUSTABLE FRONT AXLE)
(TRACTOR SERIAL NO. -010646)

R19943 -UN-01JAN94



R 19943

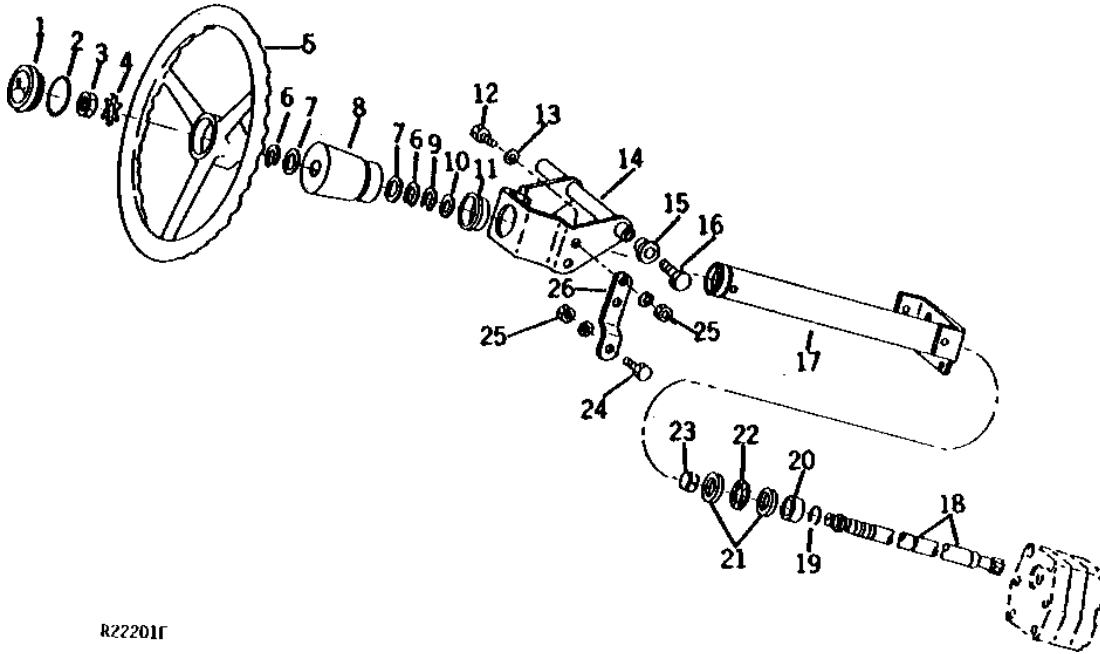
KEY	PART NO.	PART NAME	QTY	TRACTOR SERIAL NO.	REMARKS
1	15H558	PIPE PLUG	1	1/8"	
2	R109808	BUSHING	1	(SUB FOR R52188, THIS APPLICATION) (SUB R109808)	
3	19H1800	CAP SCREW	4	3/8" X 1-1/2"	
4	R51120	WASHER	4		
5	R73635	BUSHING	1	(SUB FOR R52200)	
6	AR58760	SUPPORT	1	(MARKED R49570 OR R66155)	
7	R28277	BUSHING	1		
8	R50105	SPINDLE	1		
9	JD9320	BALL BEARING	1		
10	F1334R	SNAP RING	1		
11	C11884	O-RING	1	(SUB FOR R49803)	
12	AT49215	SEAL	1	(SUB FOR T19802)	
13	R50104	QUILL	1		
14	R50274	PISTON	2		
15	R49804	LOCK WASHER	4		
16	R68284	PLUG	4	(SUB FOR R50275)	
17	R49805	SNAP RING	4		
18	19H1800	CAP SCREW	8	3/8" X 1-1/2"	
	12H304	LOCK WASHER	8	3/8"	
19	JD7798	LUBRICATION FITTING	1	1/8"	
20	R49975	BACK-UP RING	8		
21	R41721	O-RING	8		
22	R63001	SLEEVE	4	(SUB FOR R50276)	
23	R65541	WASHER	4	(ALSO ORDER R65542) (SUB FOR R61909 OR R26863, THIS APPLICATION)	
24	R65542	WASHER	4	(ALSO ORDER R65541) (SUB FOR R61910 OR R49976, THIS APPLICATION)	

3H12

STEERING AND BRAKES

R22201 -UN-01JAN94

FIXED STEERING
(TRACTOR SERIAL NO. 010647-011717)



R22201R

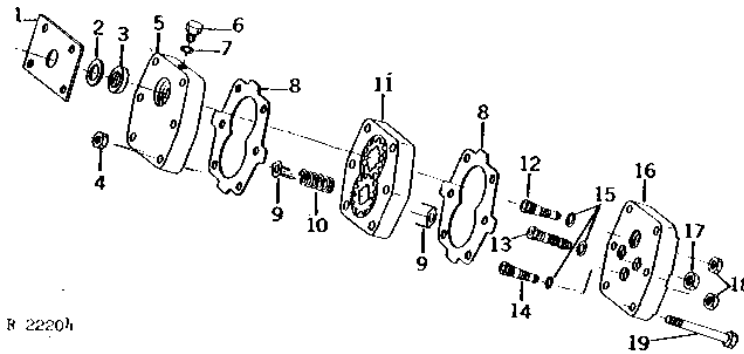
KEY	PART NO.	PART NAME	QTY	TRACTOR SERIAL NO.	REMARKS
1	R47998	CAP	1		
2	B3690R	O-RING	1		
3	14H904	NUT	1	3/4"	
4	T17148	LOCK WASHER	1		
5	T22875	STEERING WHEEL	1		
6	B169R	SNAP RING	2	-XXXXXX	
7	R42629	WASHER	2	-XXXXXX	
8	R51080	SLEEVE	1		
9	R26933	SNAP RING	1	-XXXXXX	
10	R72858	SEAL	1		(SUB FOR R32730)
11	R55443	GROMMET	1		
12	19H1732	CAP SCREW	2	3/8" X 1-1/4"	
	19H1731	CAP SCREW	2	3/8" X 1"	
13	A147R	LOCK WASHER	1		
14	AR65211	SUPPORT	1		
15	R50712	BUSHING	2		
16	19H1815	CAP SCREW	2	1/2" X 1-1/4"	
17	AR63259	STEERING SYSTEM	1	-XXXXXX	(SUB AR81184, (2) R64704, (2) 19H1792 AND (2) R62278)
	AR76535	TUBE	1	XXXXXX-	
18	R54759	STEERING WHEEL SHAFT	1	-XXXXXX	(SUB R62281)
	R62281	SHAFT	1	XXXXXX-	
19	A2444R	SNAP RING	1		
20	R54616	BUSHING	1		
21	JD9931	THRUST BEARING	2	-XXXXXX	
	R62278	THRUST WASHER	2	XXXXXX-	
22	JD8875	NEEDLE BEARING	1		
23	R50875	BUSHING	1		
24	19H1731	CAP SCREW	2	3/8" X 1"	
25	14H812	NUT	5	3/8"	
	12H304	LOCK WASHER	5	3/8"	
26	R55497	STRAP	1		

3H13

STEERING AND BRAKES

R22204 -UN-01JAN94

STEERING METERING PUMP (TRACTOR SERIAL NO. 010647-)



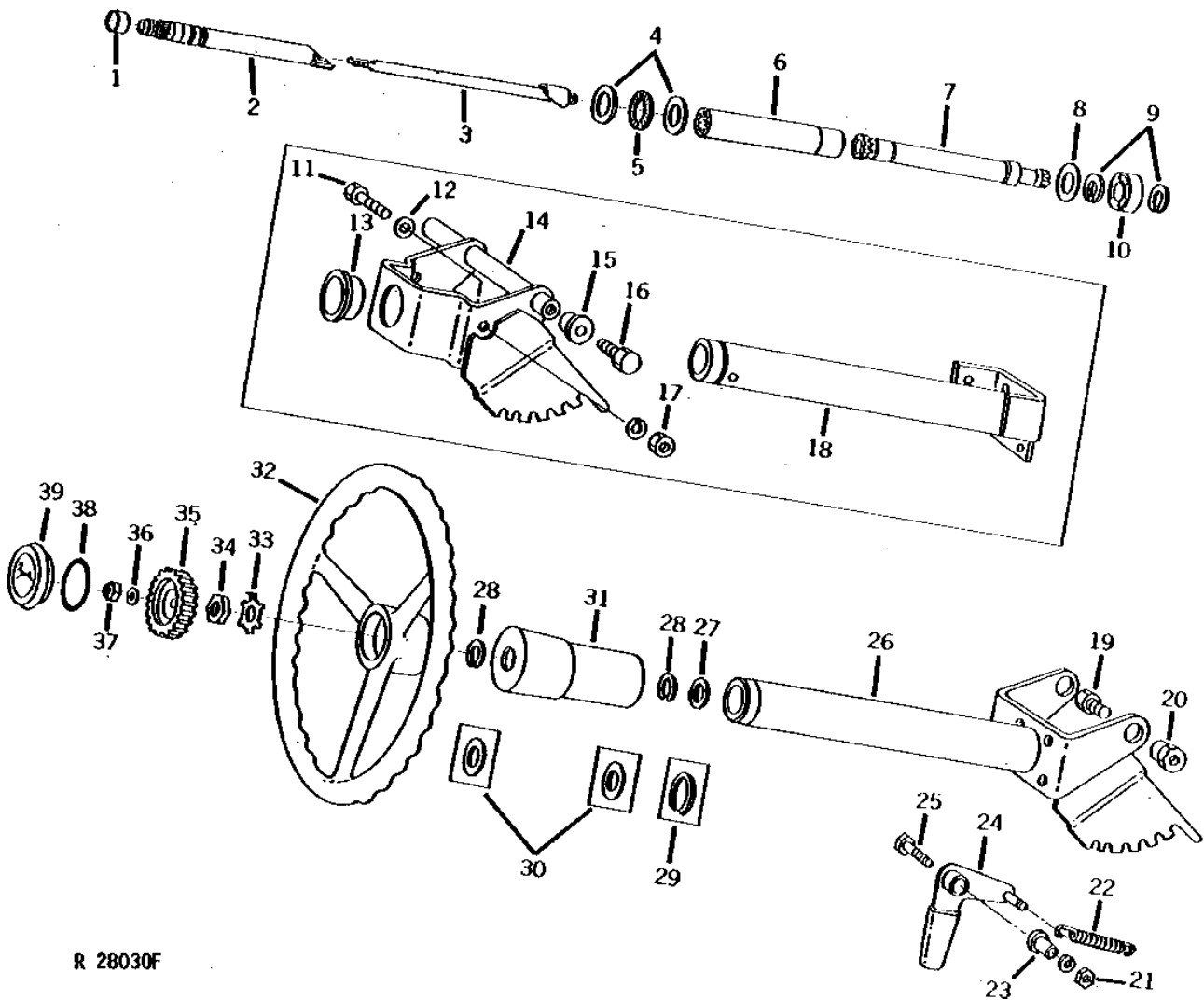
KEY	PART NO.	PART NAME	QTY	TRACTOR SERIAL NO.	REMARKS
1	R56645	PLATE	1		
2	24H1422	SHIM	1	0.018"	
3	R72858	SEAL	1	(SUB FOR R32730)	
4	14H812	NUT	6	3/8"	
5	R54769	BASE	1	(SUB AR99334)	
6	R27216	DRAIN PLUG	1		
7	R26287	O-RING	1		
8	R55243	SHIM	2		
9	R58653	PLATE	2		
10	R58654	SPRING	1		
11	AR99332	HOUSING	1	(SUB FOR AR70507)	
12	R56643	FITTING	1	-024526	(SUB R65685)
	R65685	FITTING	1	024527-	(SUB FOR R63399)
13	R54763	FITTING	2		
14	AR67564	FITTING	1	-024526	(SUB AR85705)
	AR85705	CHECK VALVE	1	024527-	(SUB FOR AR78311)
15	R28776	O-RING	4		
16	R54771	COVER	1	(SUB AR99335)	
17	R26572	NUT	2		
18	R27296	NUT	2		
19	19H2023	CAP SCREW	6	3/8" X 3-1/4"	

3H14

STEERING AND BRAKES

R28030 -UN-01JAN94

TELESCOPING STEERING
(TRACTOR SERIAL NO. 010647-)



R 28030F

3H15

STEERING AND BRAKES

TELESCOPING STEERING - CONTINUED
(TRACTOR SERIAL NO. 010647-)

KEY	PART NO.	PART NAME	QTY	TRACTOR SERIAL NO.	REMARKS
1	R50875	BUSHING	1		
2	R50868	STEERING WHEEL SHAFT	1	-021387	(SUB R62280 AND P46402)
	R62280	SHAFT	1	021388-	
3	AR54808	ROD	1		
4	JD9931	THRUST BEARING	2	-021387	
	R62278	THRUST WASHER	2	021388-	
5	JD8875	NEEDLE BEARING	1		
6	R50869	SPLINED COUPLING	1		
7	R109986	SHAFT	1		(SUB FOR R55092)
8	R42629	WASHER	1		
9	P46402	SNAP RING	2		
10	R55498	BUSHING	1		
11	19H1731	CAP SCREW	2	-029213	3/8" X 1"
12	A147R	LOCK WASHER	1	-029213	
13	R55443	GROMMET	1	-029213	
14	AR63258	BRACKET	1	-029213	(SUB AR81184, (2) R64704 AND (2) 19H1792)
15	R50712	BUSHING	2	-029213	
16	19H1815	CAP SCREW	2	-029213	1/2" X 1-1/4"
17	14H812	NUT	2	-029213	3/8"
	12H304	LOCK WASHER	2	-029213	3/8"
18	AR63259	STEERING SYSTEM	1	-021387	(SUB AR81184, (2) R64704, (2) 19H1792 AND (2) R62278)
	AR76535	TUBE	1	021388-029213	(SUB AR81184, (2) R64704 AND (2) 19H1792)
19	19H1792	CAP SCREW	2	029214-	1/2" X 1"
20	R64704	BUSHING	2	029214-	
21	14H812	NUT	1		3/8"
	12H304	LOCK WASHER	1		3/8"
22	R59953	SPRING	1		
	19H1849	CAP SCREW	1	-XXXXXX	5/16" X 1-1/4"
	12H303	LOCK WASHER	1	-XXXXXX	5/16"
	14H611	NUT	2	-XXXXXX	5/16"
23	R58614	SPACER	1		(ALSO ORDER AR70442) (SUB FOR R51815)
24	AR70442	LEVER	1		(ALSO ORDER R58614) (SUB FOR AR56104)
25	19H3181	CAP SCREW	1		3/8" X 2"
26	AR81184	TUBE	1	029214-	
27	R72858	SEAL	1		(SUB FOR R32730)
28	B169R	SNAP RING	2	-021387	
	P46402	SNAP RING	2	021388-	
29	R26933	SNAP RING	1	-021387	
30	R42629	WASHER	2	-021387	
31	R51153	SLEEVE	1		
32	T22875	STEERING WHEEL	1		
33	T17148	LOCK WASHER	1		
34	14H904	NUT	1		3/4"
35	R91298	KNOB	1		(SUB FOR R50871)
36	12H303	LOCK WASHER	1		5/16"
37	14H650	NUT	1		5/16"
38	B3690R	O-RING	1		
39	R47998	CAP	1		

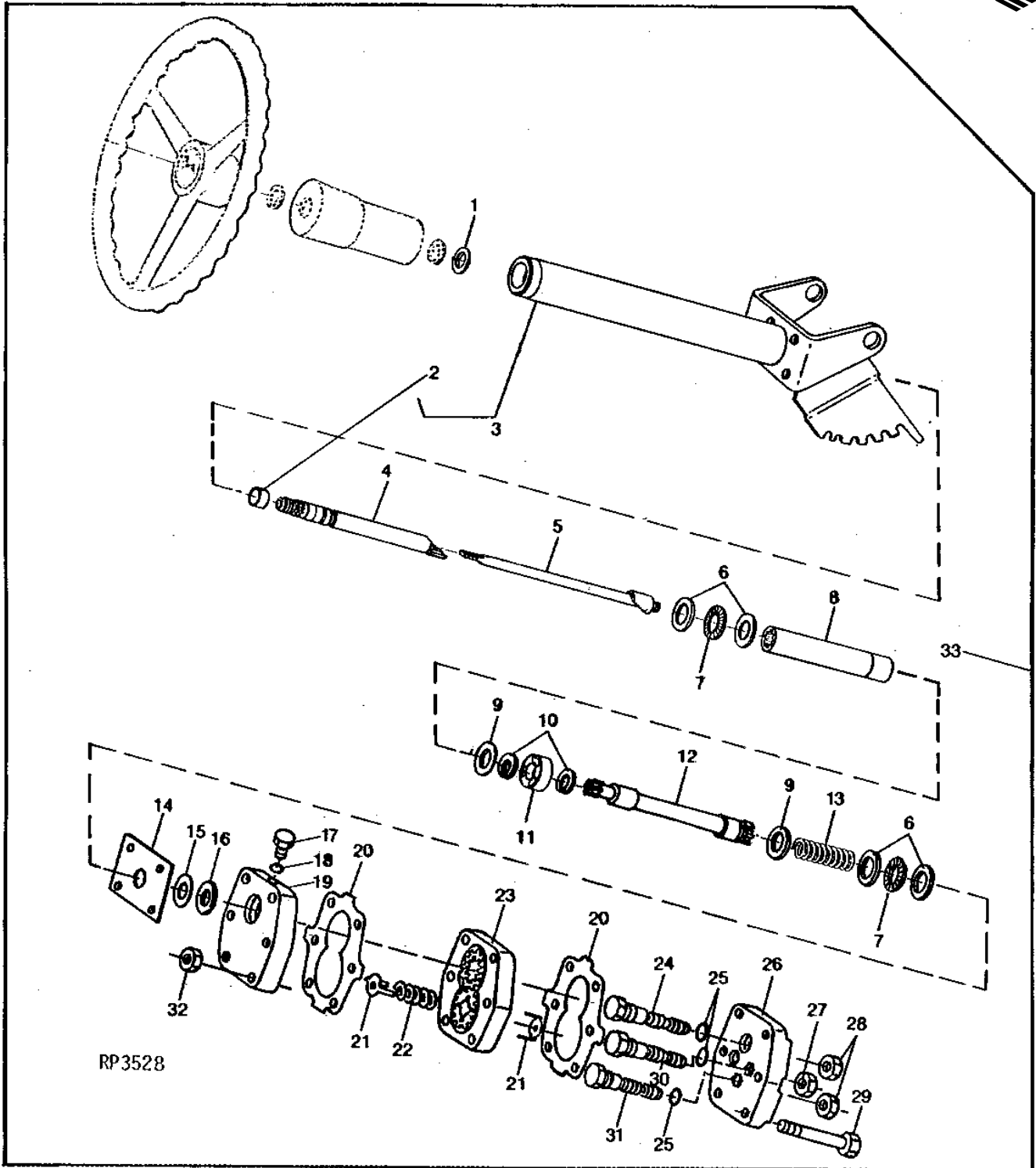
3H16

STEERING AND BRAKES

STEERING METERING PUMP, SHAFTS, BEARINGS AND SEALS
(TRACTOR SERIAL NO. 008840-)

RP3528

-UN-01JAN94



RP3528

3H17

STEERING AND BRAKES

STEERING METERING PUMP, SHAFTS, BEARINGS AND SEALS - CONTINUED
(TRACTOR SERIAL NO. 008840-)

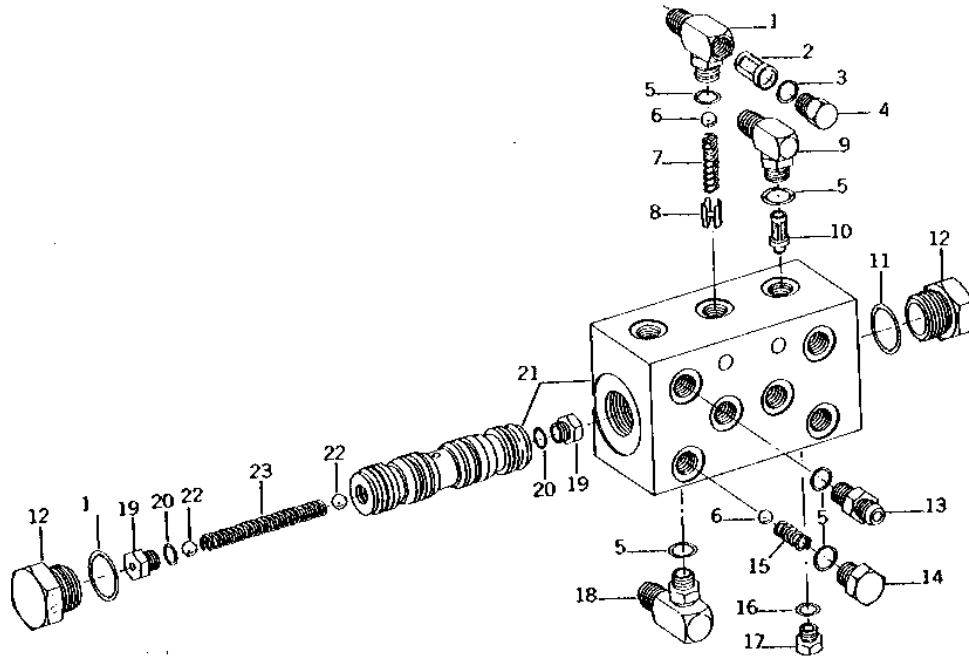
KEY	PART NO.	PART NAME	QTY	TRACTOR SERIAL NO.	REMARKS
1	R72820	SHIM	1		(SUB FOR R32730)
2	R50875	BUSHING	1		
3	AR63259	STEERING SYSTEM	1	-013956	(SUB AR81184, (2) R64704, (2) R62278 AND (2) 19H1792)
	AR76535	TUBE	1	013957-016274	(SUB AR81184, (2) R64704 AND (2) 19H1792)
	AR81184	TUBE	1	016275-	
	R55443	GROMMET	1	-016274	
	AR63258	BRACKET	1	-016274	(SUB AR81184, (2) R64704 AND (2) 19H1792)
	14H1076	NUT	2	-016274	3/8"
	12H304	LOCK WASHER	2	-016274	3/8"
4	R50868	STEERING WHEEL SHAFT	1	-013956	(SUB R62280 AND P46402)
	R62280	SHAFT	1	013957-	
5	AR54808	ROD	1		
6	JD9931	THRUST BEARING	2	-013956	
	R62278	THRUST WASHER	2	013957-	
7	JD8875	NEEDLE BEARING	1		
8	R50869	SPLINED COUPLING	1		
9	R42629	WASHER	1		
10	P46402	SNAP RING	2		
11	R55498	BUSHING	1		
12	R109986	SHAFT	1		(SUB FOR R55092)
13	R60174	SPRING	1		
14	R56645	PLATE	1		
15	R72820	SHIM	1		
16	R72858	SEAL	1		(SUB FOR R32730)
17	R27216	DRAIN PLUG	1		(SUB FOR R31631 OR R72834)
18	R26287	O-RING	1		
19	AR99334	BASE	1		(SUB FOR R54769)
20	R55243	SHIM	2		
21	R58653	PLATE	2		
22	R58654	SPRING	1		
23	AR99332	HOUSING	1		(SUB FOR AR70507)
24	R56643	FITTING	1	-014871	(SUB R65685)
	R65685	FITTING	1	014872-XXXXXX	(SUB FOR R63399)
	R68220	FITTING	1	XXXXXX-	
25	R28776	O-RING	4		
26	AR99335	COVER	1		(SUB FOR R54771)
27	R26572	NUT	2		
28	R27296	NUT	2		
29	19H2023	CAP SCREW	6		3/8" X 3-1/4"
30	R54763	FITTING	2		
31	AR67564	FITTING	1	-014871	(SUB AR85705)
	AR85705	CHECK VALVE	1	014872-XXXXXX	(SUB FOR AR78311)
	AR88771	CHECK VALVE	1	XXXXXX-	STEERING RETURN
32	14H1076	NUT	6		3/8"
33	AR89199	STEERING METERING PUMP	1		(ALSO ORDER AT35121, R27272, (2) R64704, (2) 19H1792, AR89714 AND AR86494)

3H18

STEERING AND BRAKES

STEERING VALVE HOUSING, VALVE, AND CONNECTORS (TRACTOR SERIAL NO. 010647-)

R22663 -UN-01JAN94



R 22663

KEY	PART NO.	PART NAME	QTY	TRACTOR SERIAL NO.	REMARKS
1	AR67882	ELBOW FITTING	1	90°	
2	R58219	FILTER	1		
3	R26375	O-RING	1		
4	R39112	FITTING	1		
5	R26448	O-RING	9		
6	R42849	BALL	3	9MM (3/8")	
7	R227R	SPRING	1		
8	R55458	GUIDE	1		
9	AR69672	ELBOW FITTING	2		
10	R58033	SCREEN	2		
11	R29936	O-RING	2		
12	R63673	FITTING	2		(SUB FOR R62622, THIS APPLICATION)
13	R27212	FITTING	4		
14	R27218	FITTING PLUG	2		
15	R55789	SPRING	2		
16	R26287	O-RING	2		
17	R27216	DRAIN PLUG	2		(SUB FOR R31631, THIS APPLICATION)
18	AT35121	ELBOW FITTING	1	90°	
19	R59822	VALVE SEAT	2		
20	R28782	O-RING	2		
21	AR68411	HOUSING	1		(MATCHED SET) (SUB RE48066)
22	R26552	BALL	2	7MM (5/16")	
23	R26367	SPRING	1		

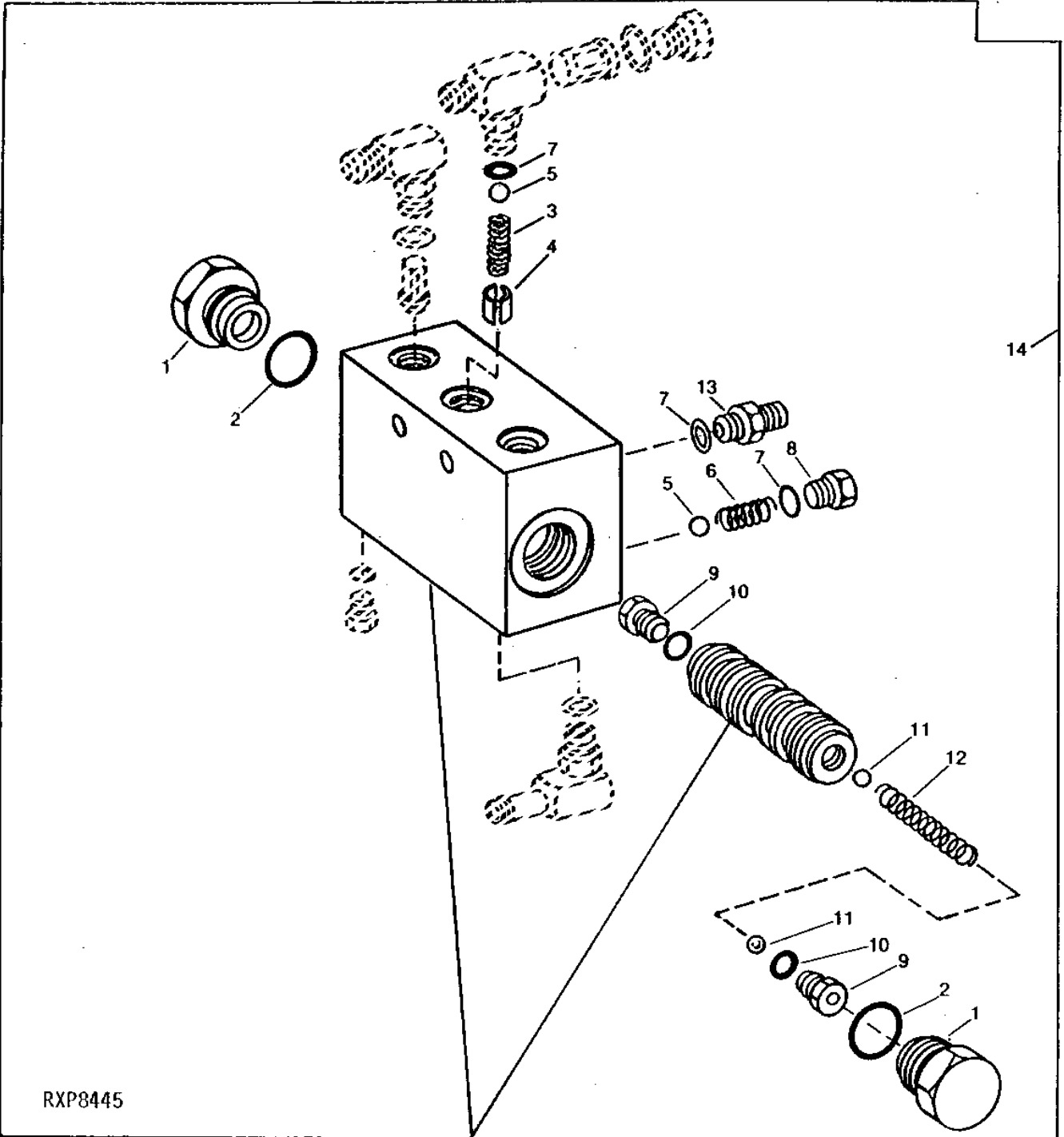
MEMORANDA

3H19

STEERING AND BRAKES

RXP8445 -UN-01JAN94

STEERING VALVE BODY WITH VALVE



RXP8445

3H20

STEERING AND BRAKES

STEERING VALVE BODY WITH VALVE - CONTINUED

KEY	PART NO.	PART NAME	QTY	MODEL NO.	REMARKS
1	R63673	FITTING	2		
2	R29936	O-RING	2		
3	R42849	BALL	3		10MM (3/8")
4	R55789	SPRING	2		
5	R26448	O-RING	7		
6	R27218	FITTING PLUG	2		
7	R59822	VALVE SEAT	2		
8	R28782	O-RING	2		
9	R26552	BALL	2		7MM (5/16")
10	R26367	SPRING	1		
11	AR90611	VALVE	1	39SV1-	(SUB FOR AR72338)

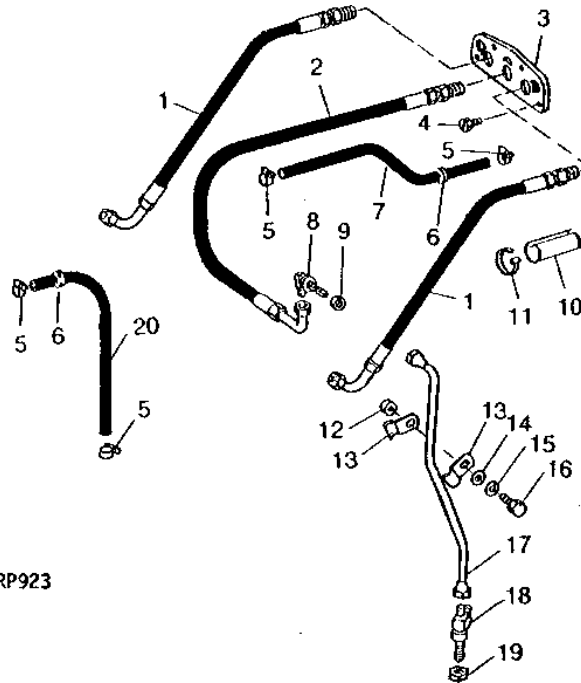
MEMORANDA

3H21

STEERING AND BRAKES

REAR STEERING OIL LINES AND HOSES (TRACTOR SERIAL NO. 010647-)

RP923 -UN-01JAN94



RP923

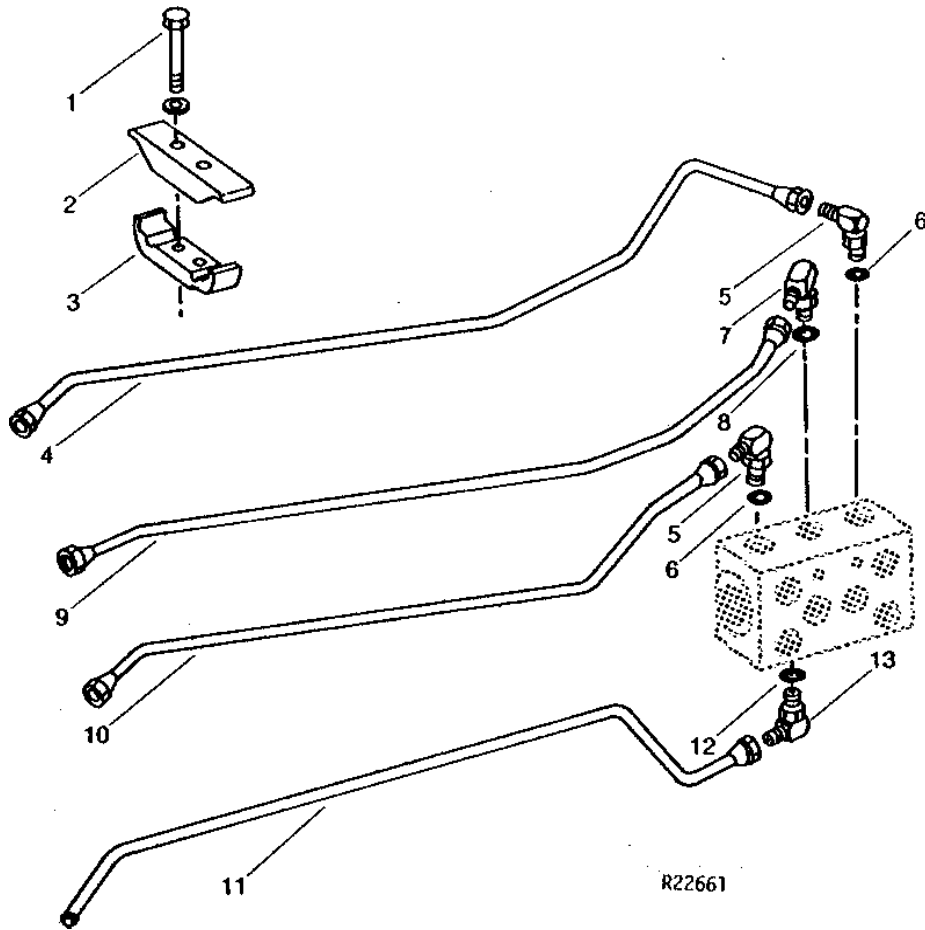
KEY	PART NO.	PART NAME	QTY	MODEL NO.	REMARKS
1	AR85228	HYDRAULIC HOSE	2		(SUB FOR AR63944)
2	AR85230	HOSE	1		PRESSURE, (SUB FOR AR68455)
3	R65849	GROMMET	1		(SUB FOR R56646)
4	37H27	SCREW	4		5/16" X 7/8"
5	AR77962	CLAMP	4		
6	R60831	GROMMET	2		
7	R55824	HYDRAULIC HOSE	1		10 X 534MM (3/8" X 21") STEERING VALVE RETURN TO STEERING METERING PUMP
8	AR70866	ELBOW FITTING	1		90°
9	R27296	NUT	1		
10	R62880	FOAM PAD	3		(SEALING LINES AT BULKHEAD) (NLA)
11	R44302	TIE BAND	3		
12	28H1519	WASHER	1		0.493" X 0.675" X 3/8"
13	R34933	CLAMP	2		
14	24M7096	WASHER	1		10.500 X 18 X 1.600 MM
15	12H304	LOCK WASHER	1		3/8"
16	19H1731	CAP SCREW	1		3/8" X 1"
17	AR56646	HYDRAULIC LINE	1		(LESS DIFFERENTIAL LOCK)
	AR57084	HYDRAULIC LINE	1		(DIFFERENTIAL LOCK)
18	AR64094	TEE FITTING	1		
19	R26572	NUT	1		
20	R65687	HOSE	1		10 X 1016MM (3/8" X 40") STEERING METERING PUMP RETURN (QUAD-RANGE OR SYNCRO-RANGE) (SUB FOR R57757 OR R62175)
	R65687	HOSE	1		10 X 1016MM (3/8" X 40") STEERING METERING PUMP RETURN (POWER SHIFT) (SUB FOR R57758 OR R62175)
..	R44302	TIE BAND	AR		

3H22

STEERING AND BRAKES

R22661 -UN-01JAN94

MIDDLE STEERING OIL LINES (TRACTOR SERIAL NO. 010647-)



KEY	PART NO.	PART NAME	QTY	TRACTOR SERIAL NO.	REMARKS
1	19H1819	CAP SCREW	2	3/8" X 2-1/8"	
	12H304	LOCK WASHER	2	3/8"	
2	R69500	CLAMP	1	(SUB FOR R56666)	
3	R69501	CLAMP	1	(SUB FOR R56667)	
4	AR68532	HYDRAULIC LINE	1	R.H.	
5	AR69672	ELBOW FITTING	2	90°	
6	R26448	O-RING	1		
7	AR67882	ELBOW FITTING	1	90°	
8	R26448	O-RING	1		
9	AR68531	HYDRAULIC LINE	1	PRESSURE	
10	AR68533	HYDRAULIC LINE	1	L.H.	
11	AR68530	HYDRAULIC LINE	1	RETURN	
12	R26448	O-RING	1		
13	AT35121	ELBOW FITTING	1	90°	

MEMORANDA

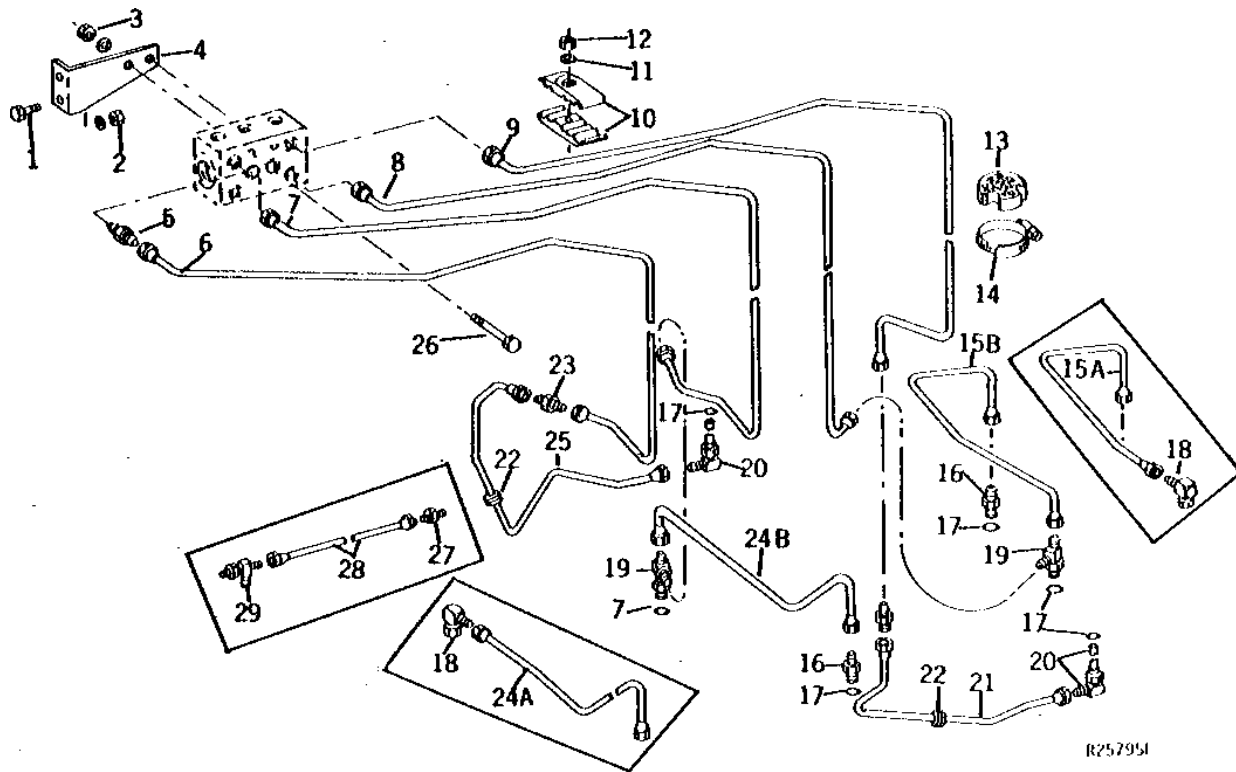
3H23

STEERING AND BRAKES

R25795

-UN-01JAN94

FRONT STEERING LINES
(TRACTOR SERIAL NO. 010647-)



3H24

STEERING AND BRAKES

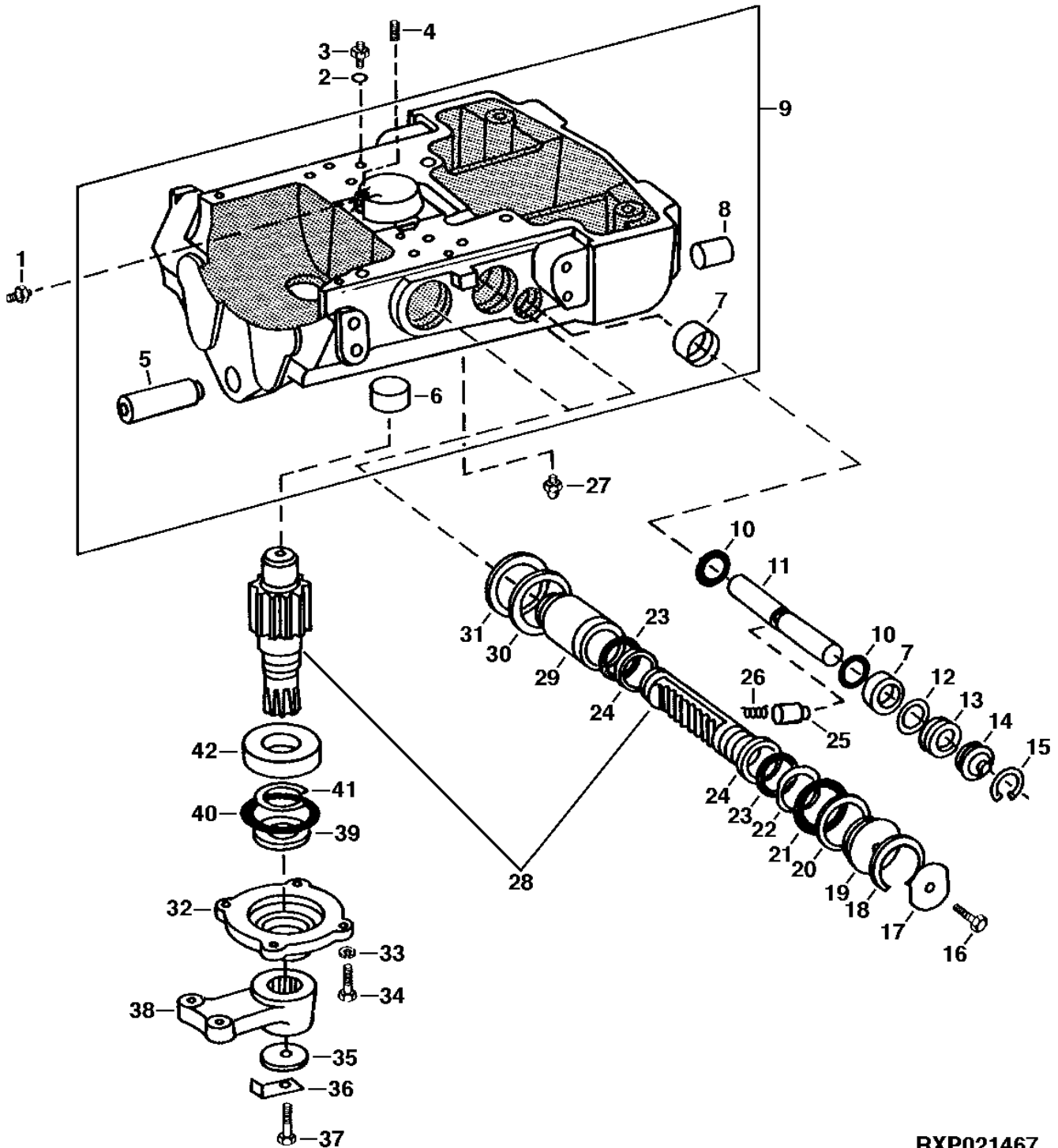
FRONT STEERING LINES - CONTINUED
(TRACTOR SERIAL NO. 010647-)

KEY	PART NO.	PART NAME	QTY	TRACTOR SERIAL NO.	REMARKS
1	19H1731	CAP SCREW	2		3/8" X 1"
2	14H812	NUT	2		3/8"
	12H304	LOCK WASHER	2		3/8"
3	14H812	NUT	2		3/8"
	12H304	LOCK WASHER	2		3/8"
4	R57127	BRACKET	1		
5	R27212	FITTING	4		
6	AR67584	HYDRAULIC LINE	1	-025637	L.H. FEEDBACK
	AR79237	HYDRAULIC LINE	1	025638-	L.H. FEEDBACK
7	AR67583	HYDRAULIC LINE	1		L.H. PRESSURE
8	AR67582	HYDRAULIC LINE	1		R.H. PRESSURE
9	AR67585	HYDRAULIC LINE	1		R.H. FEEDBACK
10	R57109	CLAMP	2		
11	14H812	NUT	1		3/8"
12	24H1305	WASHER	1		13/32" X 13/16" X 0.065"
13	R56953	SPACER	2	-XXXXXX	(SUB R61522)
	R61522	SPACER	2	XXXXXX-	
14	AR21999	CLAMP	2		
15A	AR64979	OIL LINE	1	-023334	R.H. CROSSOVER, (SUB AR87195)
15B	AR87195	HYDRAULIC LINE	1	023335-	R.H. CROSSOVER, (SUB FOR AR77893 OR AR64979)
16	R27212	FITTING	2		
17	R26448	O-RING	6		
18	AE24616	ELBOW FITTING	2	-023334	90°, (SUB FOR AR67586)
19	AT37518	TEE FITTING	2	023335-	(SUB FOR AR59639)
20	AR67562	ELBOW FITTING	2		90°
21	AR75570	HYDRAULIC LINE	1		(SUB FOR AR65411)
22	R41440	GROMMET	2		
23	R27095	FITTING	2		
24A	AR64978	OIL LINE	1	-023334	L.H. CROSSOVER, (SUB AR87194)
24B	AR87194	HYDRAULIC LINE	1	023335-	L.H. CROSSOVER, (SUB FOR AR77892 OR AR64978)
25	AR75571	HYDRAULIC LINE	1	-025637	(SUB FOR AR65413)
	AR79238	HYDRAULIC LINE	1	025638-	
26	19H2023	CAP SCREW	2		3/8" X 3-1/4"
27	R39832	ADAPTER	1		
28	AR56065	HYDRAULIC LINE	1		(NYLON)
29	AR56615	TEE FITTING	1		

311

STEERING MOTOR (ADJUSTABLE FRONT AXLE) (TRACTOR SERIAL NO. 010647-)

RXP021467 -UN-22FEB96



RXP021467

312

STEERING AND BRAKES

**STEERING MOTOR - CONTINUED
(ADJUSTABLE FRONT AXLE)
(TRACTOR SERIAL NO. 010647-)**

KEY	PART NO.	PART NAME	QTY	TRACTOR SERIAL NO.	REMARKS
1	R39832	ADAPTER	1		
2	R26448	O-RING	2		
3	R27212	FITTING	2		
4	15H558	PIPE PLUG	1		1/8"
5	R73635	BUSHING	1		(SUB FOR R52200)
6	R28277	BUSHING	1		
7	R55409	SHAFT	2	-015959	
	R61316	SLEEVE	2	015960-	
8	R109808	BUSHING	1		(SUB FOR R52188, THIS APPLICATION) (SUB R109808)
9	RE22065	SUPPORT	1		(MARKED R54800 OR R61318) (SUB FOR AR63327) (NLA)
10	U10289	O-RING	2		
11	R55196	PISTON	1		
12	R31378	O-RING	2		
13	R71095	WASHER	2		SUB. FOR R65699
14	R61511	PLUG	2		(SUB FOR R55407)
15	R55408	WEAR RING	2		
16	19H1800	CAP SCREW	4		3/8" X 1-1/2"
17	R51120	WASHER	4		
18	R49805	SNAP RING	4		
19	R68284	PLUG	4		(SUB FOR R50275)
20	R49975	BACK-UP RING	4		
21	R41721	O-RING	4		
22	R49804	LOCK WASHER	4		
23	R65541	WASHER	4		(ALSO ORDER R65542) (SUB FOR R61909, THIS APPLICATION)
24	R65542	WASHER	4		(ALSO ORDER R65541) (SUB FOR R61910, THIS APPLICATION)
25	R69389	PIN	1		(SUB FOR R59543)
26	R41770	SPRING	1		
27	JD7798	LUBRICATION FITTING	1		
28	AR70458	SPINDLE	1		(MATCHED SET)
29	R63001	SLEEVE	4		(SUB FOR R50276)
30	R41721	O-RING	4		
31	R49975	BACK-UP RING	4		
32	R50104	QUILL	1		
33	12H304	LOCK WASHER	4		3/8"
34	19H1800	CAP SCREW	4		3/8" X 1-1/2"
35	R20136	WASHER	1		
36	R50075	LOCK PLATE	1		
37	19H1782	CAP SCREW	1		3/4" X 2-1/4"
38	R51121	STEERING ARM	1		
	R52793	STEERING ARM	1		(POWER FRONT WHEEL DRIVE)
39	AT49215	SEAL	1		(SUB FOR T19802)
40	C11884	O-RING	1		
41	F1334R	SNAP RING	1		
42	JD9320	BALL BEARING	1		

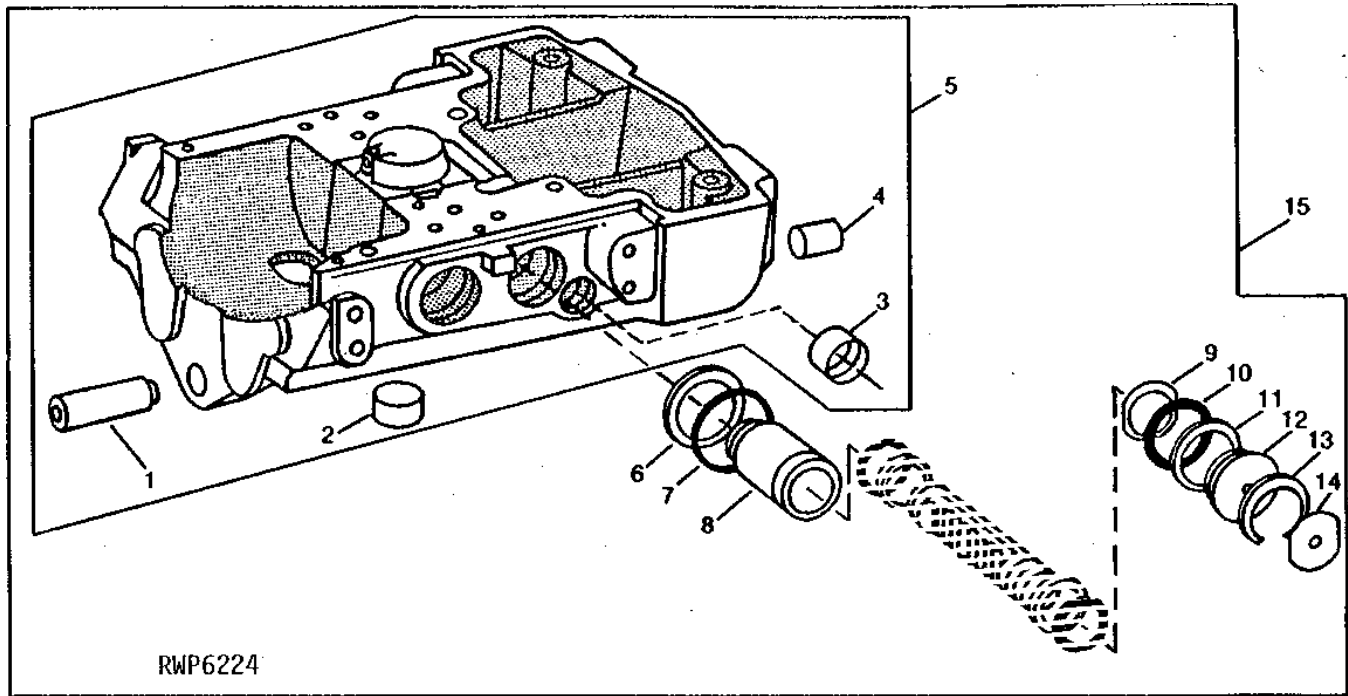
MEMORANDA

313

STEERING AND BRAKES

REPLACEMENT STEERING MOTOR
(ADJUSTABLE FRONT AXLE)
(TRACTOR SERIAL NO. 010647-)

RWP6224 -UN-01JAN94



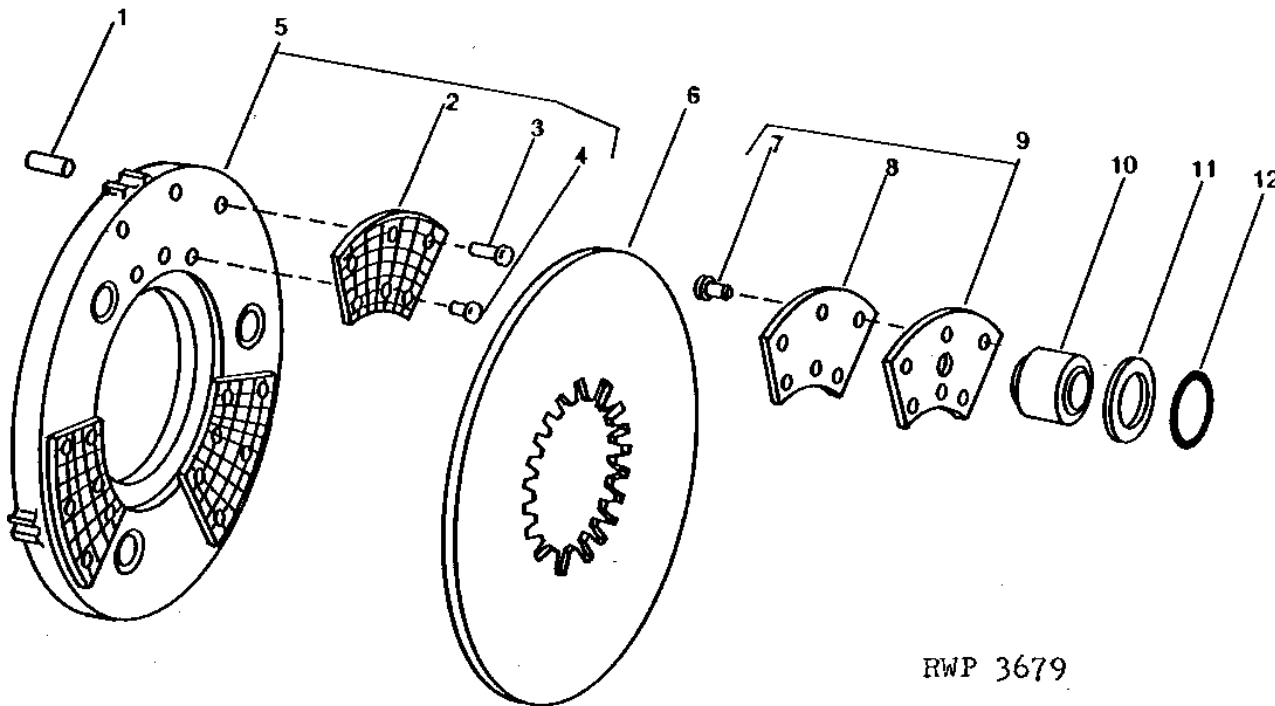
KEY	PART NO.	PART NAME	QTY	SERIAL NO.	REMARKS
1	R73635	BUSHING	1		
2	R28277	BUSHING	1		
3	R61316	SLEEVE	2		
4	R109808	BUSHING	1		(SUB R109808)
5	RE20530	SUPPORT	1		(MARKED R81938)
6	R61474	WASHER	4		
7	A5598R	O-RING	4		
8	R81366	SLEEVE	4		
9	R61473	LOCK WASHER	4		
10	R69484	O-RING	4		
11	R69481	WASHER	4		
12	R69479	PLUG	4		
13	R61471	WEAR RING	4		
14	R69483	SPACER	4		
15	RE20529	SUPPORT	1		(NLA)

314

STEERING AND BRAKES

RWP3679 -UN-01JAN94

BRAKE PLATES AND FACINGS



RWP 3679

KEY	PART NO.	PART NAME	QTY	TRACTOR SERIAL NO.	REMARKS
1	R44961	DOWEL PIN	6		
2	R90086	BRAKE SHOE	6		(SUB FOR AR28488) (SUB R110464)
3	D1761R	RIVET	18		
4	R708R	RIVET	18		
5	AR43046	PLATE	2	-XXXXXX	(MARKED R43224 OR R74350) (SUB RE46334, (3) RE46328 AND R100797)
	AR99647	PLATE	2	XXXXXX-	(MARKED R63917 OR R74350) (SUB FOR AR79129) (SUB RE46334, (3) RE46328 AND R100797)
	AR99647	PLATE	2		(A) (MARKED R63917) (SUB RE46334, (3) RE46328 AND R113741)
6	R48864	BRAKE DISK	2	-012839	(SUB (3) RE32681, RE46334 AND R100797)
	R57617	BRAKE DISK	2	012840-022057	(SUB RE46334, (3) RE46328 AND R113741)
	R91826	BRAKE DISK	2	022058-	(A) (SUB FOR R61712) (SUB RE46334, (3) RE46328 AND R113741)
7	D1761R	RIVET	36		
8	R90086	BRAKE SHOE	6		(SUB FOR AR28488) (SUB R110464)
9	AR32243	PLATE	6		(SUB RE46334, (3) RE46328 AND R100797)
	AR32243	PLATE	6		(A) (SUB RE46334, (6) RE46328 AND R113741)
10	R46674	PISTON	6		
11	R46673	WASHER	6		
12	A4728R	O-RING	6		

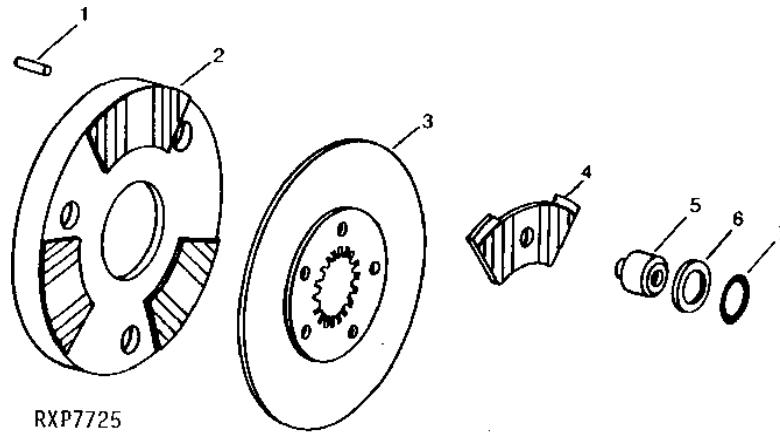
(A) USE WHEN R61711 HAS BEEN INSTALLED.

NOTE: THREE-PART SUBS ARE DUE TO INTRODUCTION OF NON-ASBESTOS LININGS.

315

RXP7725 -UN-06OCT94

BRAKE PLATES AND FACINGS



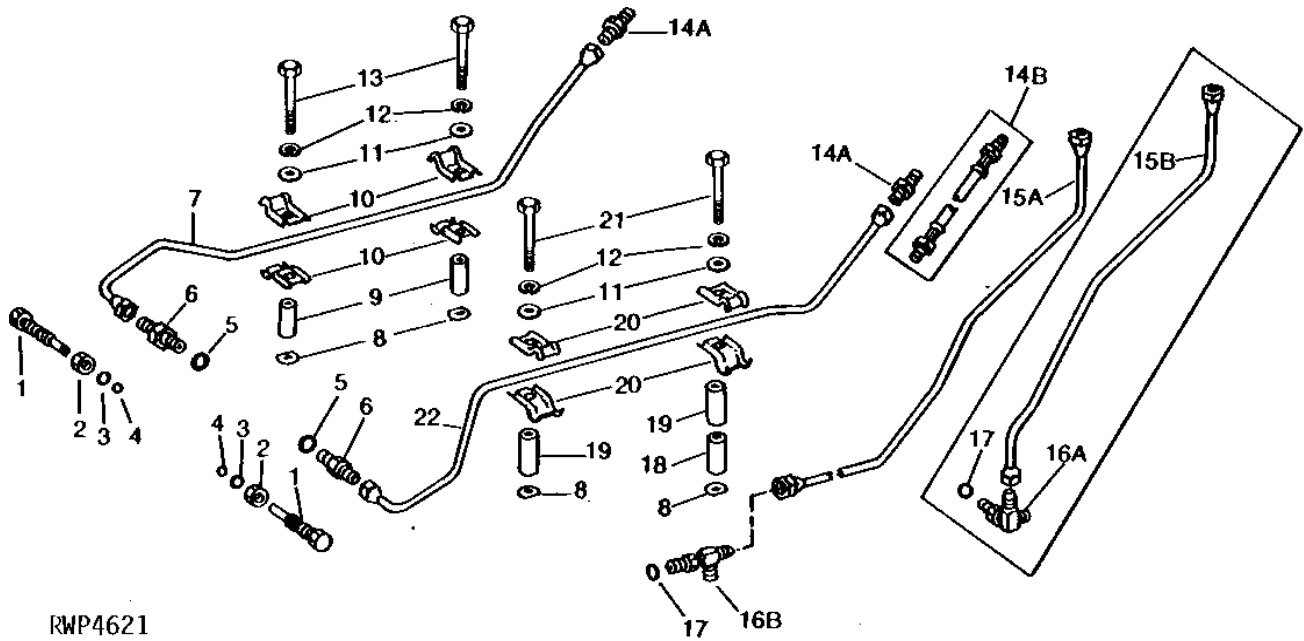
KEY	PART NO.	PART NAME	QTY	TRACTOR SERIAL NO.	REMARKS
1	R44961	DOWEL PIN	6		
2	RE36647	PLATE	2		(MARKED R97993 OR R107178) (SUB RE46334)
3	R100797	BRAKE DISK	2		(13 TEETH)
	R113741	BRAKE DISK	2		(A) (14 TEETH) (SUB FOR (2) R97801)
4	RE32681	PLATE	6		(SUB RE46328)
5	R46674	PISTON	6		
6	R46673	WASHER	6		
7	A4728R	O-RING	6		

(A) USE WHEN R61711 HAS BEEN INSTALLED.

316

RWP4621 -UN-01JAN94

REAR BRAKE LINES



RWP4621

317

STEERING AND BRAKES

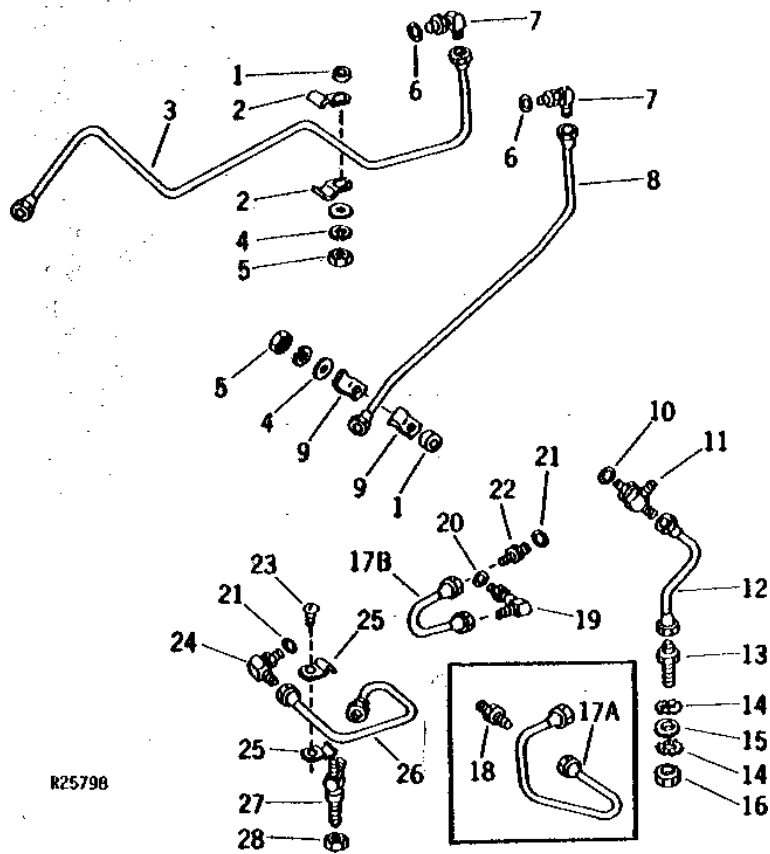
REAR BRAKE LINES - CONTINUED

KEY	PART NO.	PART NAME	QTY	TRACTOR SERIAL NO.	REMARKS
1	R27906	SCREW	2		
2	R27296	NUT	2		
3	R26286	O-RING	2		
4	R42849	BALL	2		10MM (3/8")
5	R26286	O-RING	2		
6	R27272	FITTING	2		
7	AR59516	HYDRAULIC LINE	1		
	AR59518	HYDRAULIC LINE	1		(A)
8	A4624R	WASHER	4		
9	28H3380	SPACER	2		3/8" X 1-5/8"
10	R57549	CLAMP	4		(SUB FOR R47687)
11	24M7096	WASHER	4		10.500 X 18 X 1.600 MM
12	12H304	LOCK WASHER	4		3/8"
13	19H1819	CAP SCREW	2		3/8" X 2-1/8"
14A	R50201	FITTING	2		
14B	AR56821	OIL LINE	2	-024774	(A) (SUB AR78972)
	AR78972	HYDRAULIC HOSE	2	024775-	(A)
15A	AR59514	HYDRAULIC LINE	1	-006999	(B)
	AR64619	HYDRAULIC LINE	1	007000-	(B) (C) (NLA)
	AR47299	HYDRAULIC HOSE	1	-021027	(A) (B) (C)
	AR78548	HYDRAULIC HOSE	1	021028-	(A) (B) (C) (SUB FOR AR76508)
	R60831	GROMMET	1	021028-	(D)
15B	AR59521	HYDRAULIC LINE	1		(A) (D)
	AR47295	HYDRAULIC HOSE	1	-021027	(A) (D)
	AR78548	HYDRAULIC HOSE	1	021028-	(A) (SUB FOR AR76508)
	R60831	GROMMET	1	021028-	(D)
16A	AR59519	TEE FITTING	1		(B) (C)
16B	AR30762	TEE FITTING	1		
17	R26286	O-RING	1		
18	28H3380	SPACER	1		3/8" X 1-5/8"
19	28H1531	BUSHING	2		3/8" X 1-7/8"
	28H1697	SPACER	2		3/8" X 3/4"
20	R57549	CLAMP	4		(SUB FOR R47687)
21	19H2128	CAP SCREW	2		3/8" X 3"
22	AR59515	HYDRAULIC LINE	1		
	AR59517	HYDRAULIC LINE	1		(A)
..	AR21969	KIT	1		CAP PLUG ASSORTMENT

- (A) SOUND-GARD BODY
- (B) SYNCRO-RANGE TRANSMISSION
- (C) QUAD-RANGE TRANSMISSION
- (D) POWER SHIFT TRANSMISSION

R25798 -UN-01JAN94

UPPER BRAKE OIL LINES



319

STEERING AND BRAKES

UPPER BRAKE OIL LINES - CONTINUED

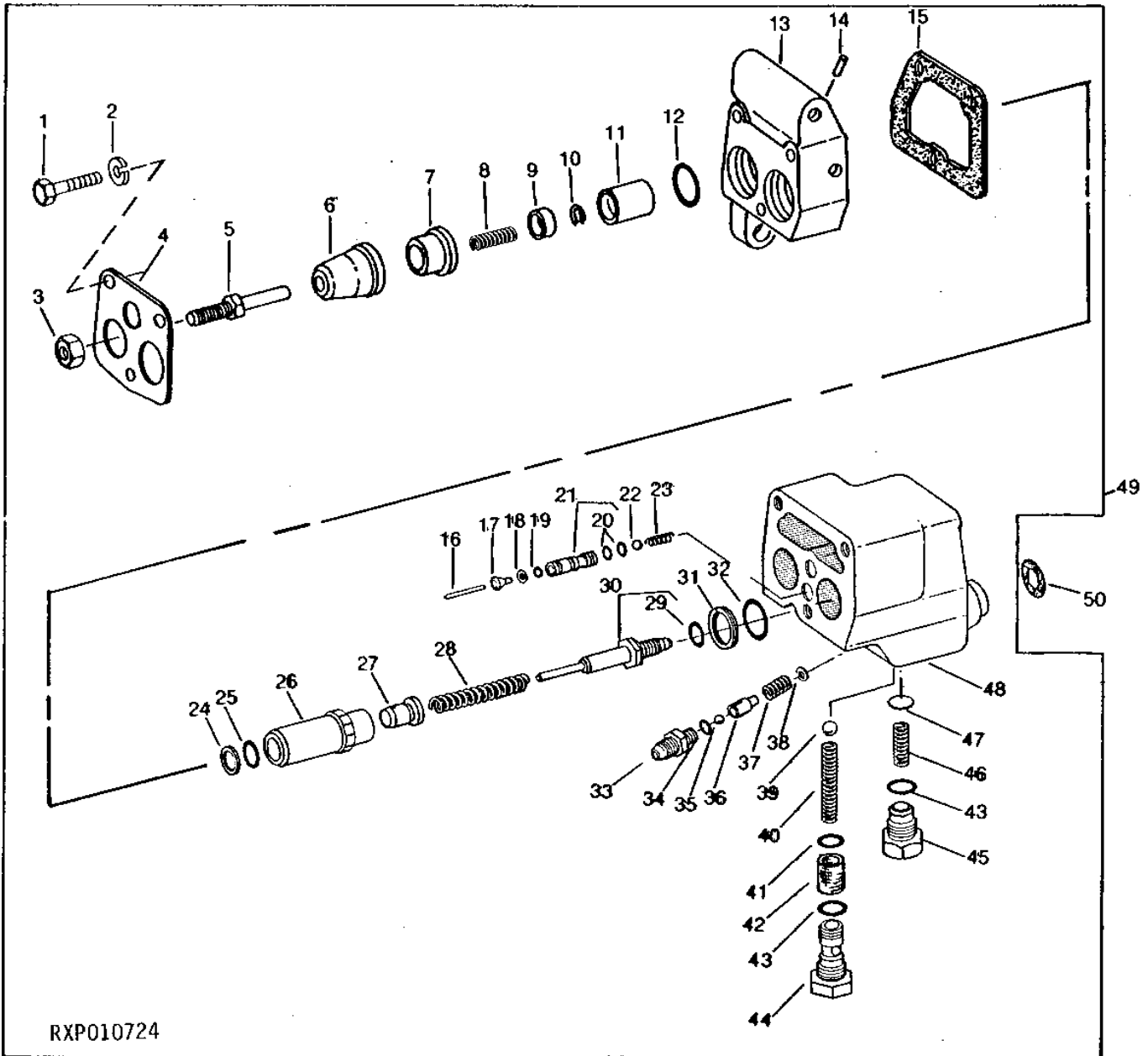
KEY	PART NO.	PART NAME	QTY	TRACTOR SERIAL NO.	REMARKS
1	28H1517	WASHER	3		0.493" X 0.675" X 1/4"
2	R57549	CLAMP	4		
3	AR56813	HYDRAULIC LINE	1		UPPER, L.H.
4	24M7096	WASHER	3		10.500 X 18 X 1.600 MM
5	14H812	NUT	3		3/8"
	12H304	LOCK WASHER	3		3/8"
6	R26286	O-RING	2		
7	AT32333	ELBOW FITTING	2		90°, (SUB FOR AR26771)
8	AR57019	HYDRAULIC LINE	1		UPPER, R.H.
9	R42357	CLAMP	2		(LESS DIFFERENTIAL LOCK)
	R42009	CLAMP	2		(DIFFERENTIAL LOCK)
10	R26287	O-RING	1		
11	AR36097	FITTING	1		(DIFFERENTIAL LOCK)
	AT32336	ELBOW FITTING	1		(SUB FOR AR36105) (LESS DIFFERENTIAL LOCK)
12	AR56814	HYDRAULIC LINE	1		RETURN
13	R36040	FITTING	1		
14	12H337	LOCK WASHER	2	021028-	1/2"
15	24H1227	WASHER	1	021028-	17/32" X 13/16" X 0.060"
16	R27296	NUT	1		
17A	AR56815	OIL LINE	1	-015716	PRESSURE, (SUB AR74310, AR35710 AND R26286)
17B	AR74310	HYDRAULIC LINE	1	015717-	PRESSURE
18	R27272	FITTING	1	-015716	
19	AR35710	ELBOW FITTING	1	015717-	90°
20	R26286	O-RING	1		
21	R26287	O-RING	2		
22	R36742	COUPLING	1		
23	37H27	SCREW	1		5/16" X 7/8"
24	AT32335	ELBOW FITTING	1		90°, (SUB FOR AR26746)
25	R52053	CLAMP	2		
26	AR56767	HYDRAULIC LINE	1		
27	AR64094	TEE FITTING	1		(SUB FOR AR56773)
28	R26572	NUT	1		

3110

STEERING AND BRAKES

RXP010724 -UN-01JAN94

BRAKE VALVE



3111

STEERING AND BRAKES

BRAKE VALVE - CONTINUED

KEY	PART NO.	PART NAME	QTY	TRACTOR SERIAL NO.	REMARKS
1	19H1733	CAP SCREW	3		
2	12H304	LOCK WASHER	3		3/8" X 2-1/2"
3	14H849	NUT	2		3/8"
4	R26384	RETAINER	1		7/16"
5	R52167	ROD	2		
6	R54059	BOOT	2		
7	R31459	RETAINER	2		
8	R31271	SPRING	2		
9	R52168	STOP	2		
10	R53201	SNAP RING	2		
11	R52169	GUIDE	2		
12	A3606R	O-RING	2		
13	R51848	COVER	1		
14	R31464	PIN	2		
15	R31455	GASKET	1		
16	R31467	PIN	2		
17	R31465	SLEEVE	2		
18	R31469	SHIM	2		
19	R31468	O-RING	2		
20	R30903	O-RING	4		
21	AR31016	GUIDE	2		
22	R69281	BALL	2		6 MM (1/4")
23	A4816R	SPRING	2		
24	R32092	WASHER	2		
25	R495R	O-RING	2		
26	R32091	PISTON	2		
27	R32090	PLUNGER	2		
28	R26369	SPRING	2		
29	R26286	O-RING	2		
30	AR52497	VALVE	2		
31	R27137	BACK-UP RING	2		
32	R27149	O-RING	2		
33	R36742	COUPLING	1		
34	R26287	O-RING	1		
35	R69281	BALL	1		6 MM (1/4")
36	R44254	GUIDE	1		
37	R44256	SPRING	1		
38	R44255	WASHER	1		
39	R42849	BALL	1		10 MM (3/8")
40	R26372	SPRING	1		
41	R28776	O-RING	1		
42	R42684	STRAINER	1		
43	R26375	O-RING	3		
44	R28774	FITTING	1		
45	R32702	FITTING	2		
46	R227R	SPRING	2		
47	R26376	DISK	2		
48	AR56106	HOUSING	1		(MARKED R57742) (INCL (3) 15H560)
49	15H560	PIPE PLUG	3		
49	AR59280	VALVE	1		
50	R51849	SPACER	2		

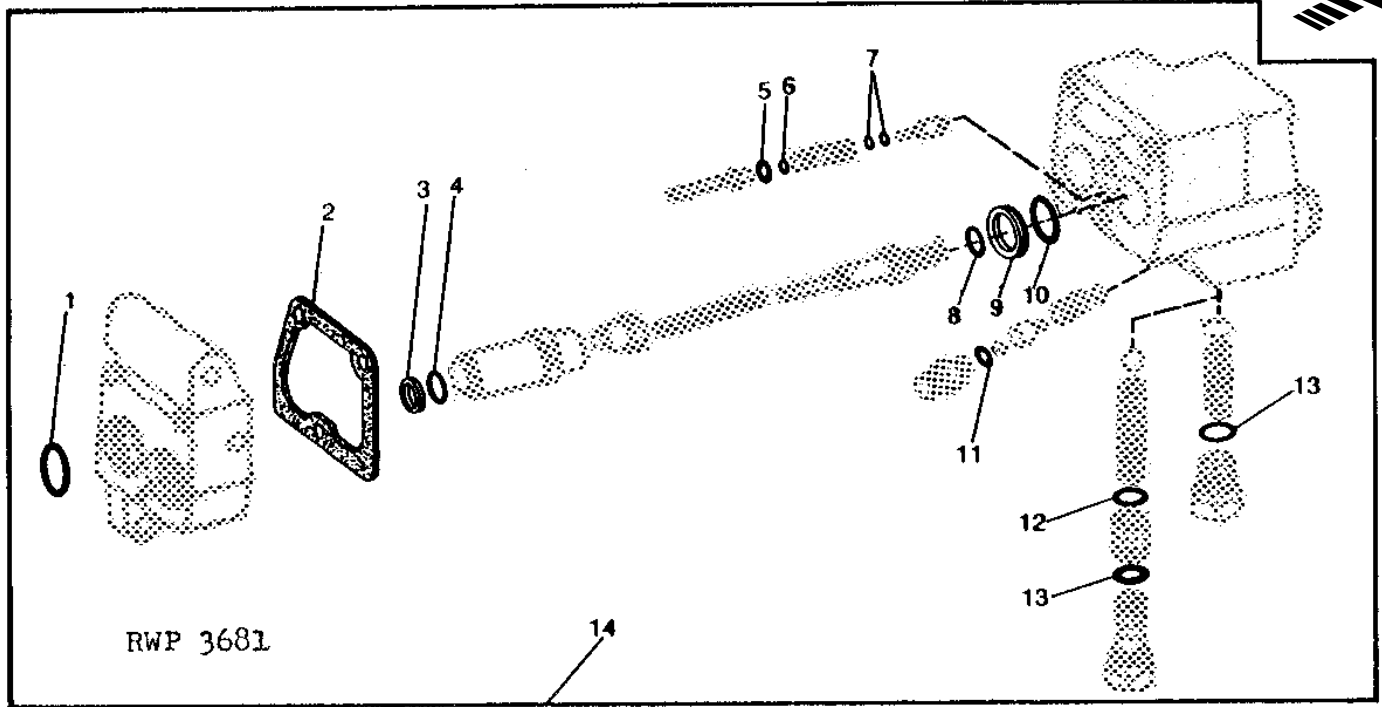
3112

STEERING AND BRAKES

RWP3681

-UN-01JAN94

BRAKE VALVE OVERHAUL KIT



KEY	PART NO.	PART NAME	QTY	MODEL NO.	REMARKS
1	A3606R	O-RING	2		
2	R31455	GASKET	1		
3	R32092	WASHER	2		
4	R459R	O-RING	2		
5	R31469	SHIM	2		
6	R31468	O-RING	2		
7	R30903	O-RING	4		
8	R26286	O-RING	2		
9	R27137	BACK-UP RING	2		
10	R27149	O-RING	2		
11	R26287	O-RING	4		
12	R28776	O-RING	1		
13	R26375	O-RING	3		
14	AR31946	KIT	1		

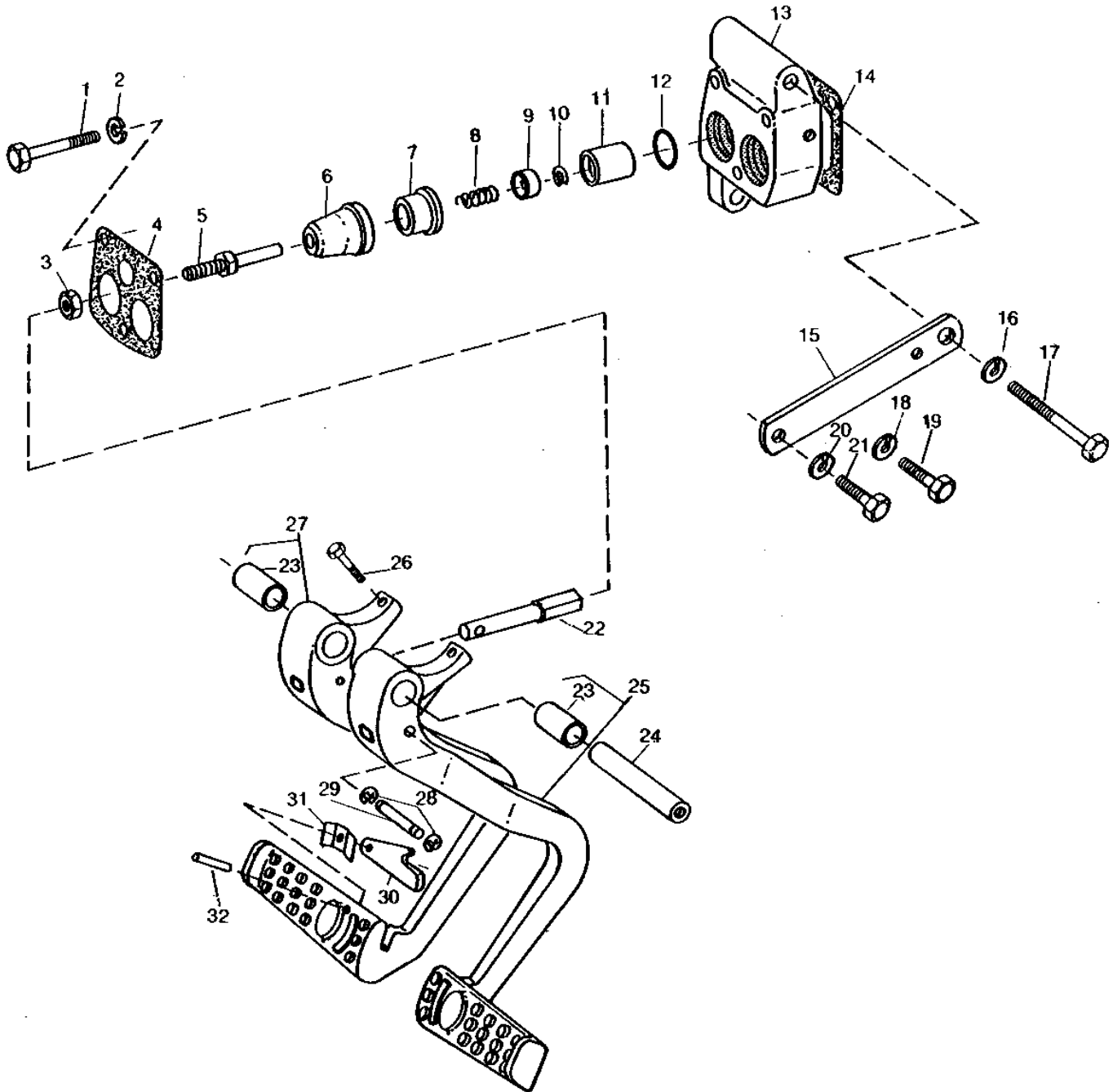
MEMORANDA

3113

STEERING AND BRAKES

RWP4357 -UN-01JAN94

BRAKE PEDALS, BRACKETS AND VALVE COVER



RWP4357

3114

STEERING AND BRAKES

BRAKE PEDALS, BRACKETS AND VALVE COVER - CONTINUED

KEY	PART NO.	PART NAME	QTY	MODEL NO.	REMARKS
1	19H268	CAP SCREW	3	3/8" X 2-1/2"	
2	12H304	LOCK WASHER	3	3/8"	
3	14H849	NUT	2	7/16"	
4	R26384	RETAINER	1		
5	R52167	ROD	2		
6	R54059	BOOT	2		
7	R31459	RETAINER	2		
8	R31271	SPRING	2		
9	R52168	STOP	2		
10	R53201	SNAP RING	2		
11	R52169	GUIDE	2		
12	A3606R	O-RING	2		
13	R51848	COVER	1		
14	R31455	GASKET	1		
15	R52317	STRAP	1		
16	12H301	LOCK WASHER	1	1/2"	
17	19H2211	CAP SCREW	1	1/2" X 5"	
18	12H301	LOCK WASHER	1	1/2"	
19	19H1721	CAP SCREW	1	1/2" X 1-1/2"	
20	12H304	LOCK WASHER	1	3/8"	
21	19H1731	CAP SCREW	1	3/8" X 1"	
22	R51853	EXTENSION	2		
23	R51192	BUSHING	2	(SUB FOR A1197R)	
24	R51852	PIN	1		
25	AR55671	PEDAL	1	(MARKED R51343) (INCLUDES R51192)	
26	R30165	CAP SCREW	2	(DIFFERENTIAL LOCK)	
27	AR55672	PEDAL	1	(MARKED R51344) (INCLUDES R51192)	
28	R72653	SNAP RING	4	(SUB FOR M2396T)	
29	R53226	PIN	2		
30	R50879	ARM	1		
31	R50034	LEAF SPRING	1		
32	34H313	SPRING PIN	1	1/4" X 1-1/8"	

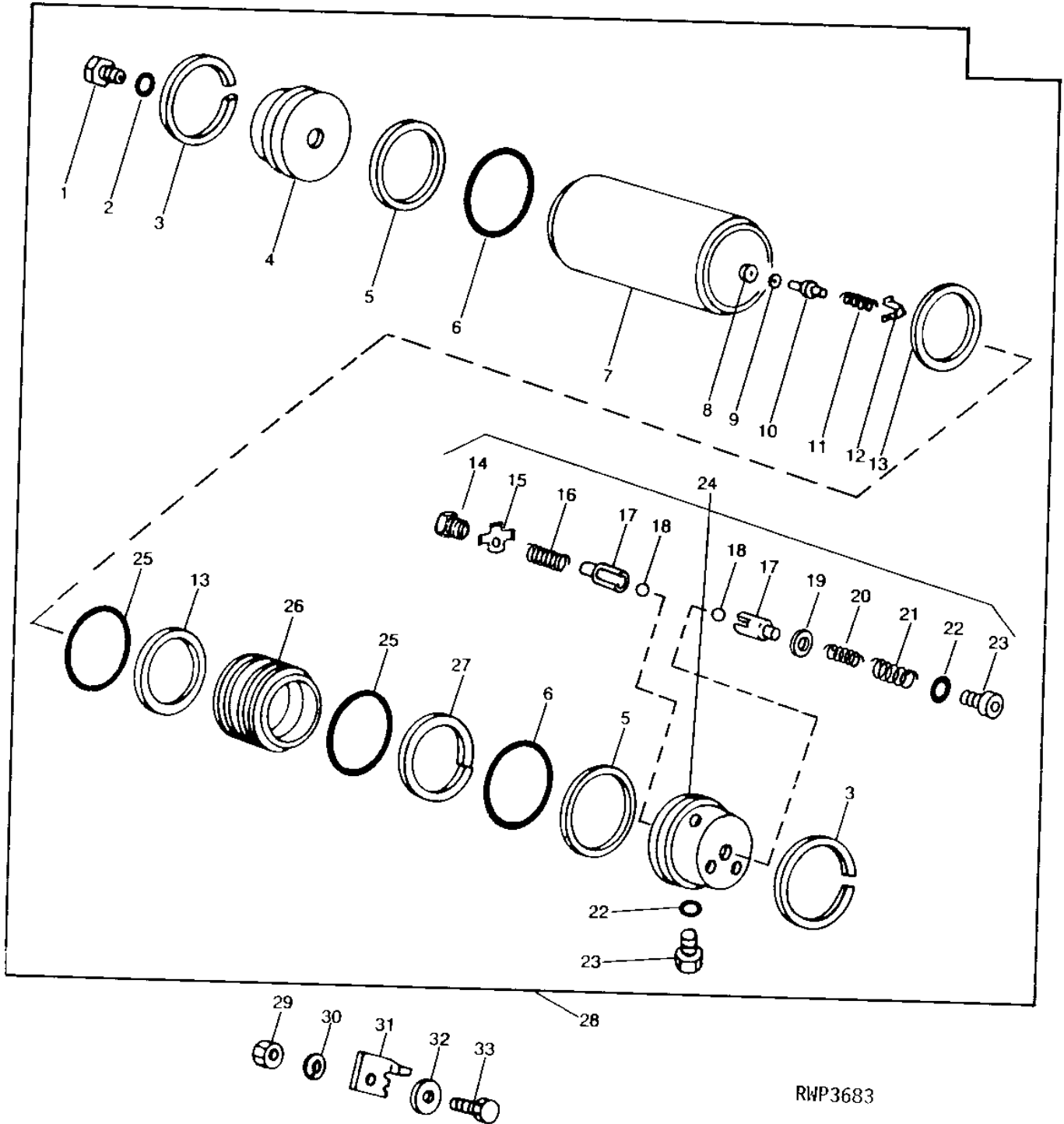
3115

STEERING AND BRAKES

ACCUMULATOR

RWP3683

-UN-02JAN94



RWP3683

3116

STEERING AND BRAKES

ACCUMULATOR - CONTINUED

KEY	PART NO.	PART NAME	QTY	MODEL NO.	REMARKS
1	R27094	DRAIN PLUG	1		
2	R26286	O-RING	1		
3	U10136	SNAP RING	2		(USE WITH R46987)
	R78101	SNAP RING	2		(USE WITH R77867)
4	R48957	END	1		
5	R35684	BACK-UP RING	2		
6	R86192	O-RING	2		(SUB U12331)
7	R46987	HYDRAULIC CYLINDER BARREL	1		
8	R60038	PACKING	1		(SUB FOR R26760) (SUB R77867 AND (2) R78101)
9	R47087	WASHER	1		
10	R47085	VALVE	1		
11	R47086	SPRING	1		
12	R41877	GUIDE	1		
13	L29015	BACK-UP RING	2	14HA2-	
14	R33282	SNAP RING	1	-XXXXXX	
	R74022	RETAINER	1	XXXXXX-	
15	R48013	WASHER	1	-XXXXXX	
	R75866	LOCK PLATE	1	XXXXXX-	
16	R44256	SPRING	1		
17	R44254	GUIDE	2		
18	400R	BALL	2		6MM (1/4")
19	R31632	SHIM	2		
20	R47606	SPRING	1		
21	R47605	SPRING	1		
22	R26286	O-RING	2		
23	R47607	PIPE PLUG	2		
24	AR93259	CAP	1		(SUB FOR AR67781)
25	A4728R	O-RING	2	-14HA1	(USE WITH R49345)
	A4728R	O-RING	2	14HA2-	
26	AR55711	PISTON	1	-14HA1	(MARKED R49345)
	R57103	PISTON	1	14HA2-	(SUB FOR AL23523)
27	R27649	BACK-UP RING	1	14HA2-	
28	RE11956	ACCUMULATOR	1		(SUB FOR AR61049 OR AR67778) (ALSO ORDER AR74310, AR35710 AND R26286) (UNLESS PREVIOUSLY INSTALLED) (ALSO ORDER R120109, R120110, R80754 OR R82337)
29	14H785	NUT	1		5/16"
30	12H303	LOCK WASHER	1	-XXXXXX	5/16"
31	R51851	CLIP	1		
32	24H1299	WASHER	1		3/8" X 1-1/4" X 0.065"
33	19H1905	CAP SCREW	1		5/16" X 1"

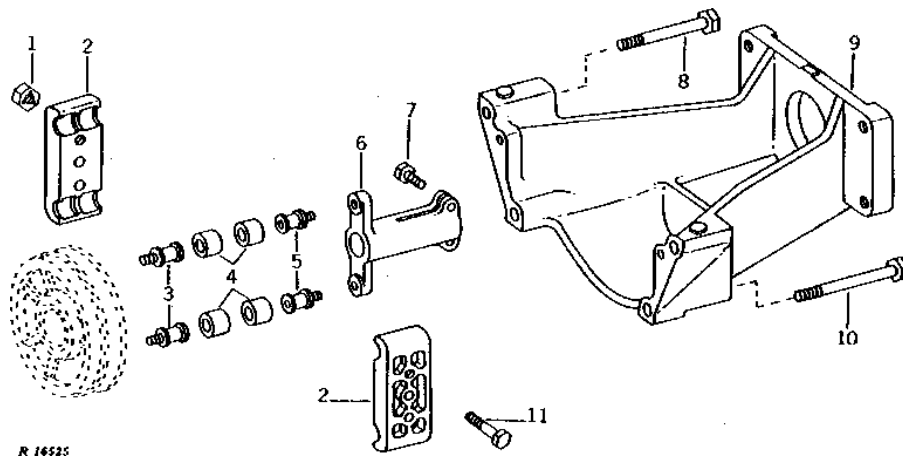
MEMORANDA

4B7

HYDRAULICS

R16525 -UN-01JAN94

HYDRAULIC PUMP DRIVE AND SUPPORT



KEY	PART NO.	PART NAME	QTY	TRACTOR SERIAL NO.	REMARKS
1	M63440	LOCK NUT	2		(SUB FOR C744DN) (SUB T11234)
2	R34362	EXTERNAL HALF COUPLER	2		
3	R46345	SCREW	2		
4	R45822	BUSHING	4		(SUB FOR AR49427)
5	R34360	SCREW	2		
6	R50215	SHAFT	1		
7	19H1732	CAP SCREW	2	3/8" X 1-1/4"	
8	19H3586	CAP SCREW	2	1/2" X 4-1/4" HS, SAE 8	
9	R55009	SUPPORT	1		(SUB FOR R50229)
10	19H3224	CAP SCREW	2	1/2" X 6-1/4"	
	T23088	BOLT	2		(POWER FRONT WHEEL DRIVE)
11	19H2116	CAP SCREW	2	3/8" X 2-1/2"	

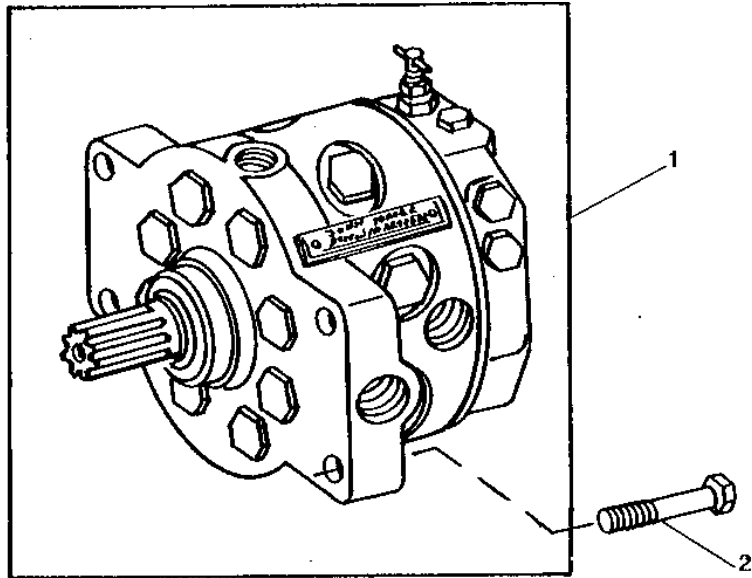
MEMORANDA

4B8

HYDRAULICS

RP3196 -UN-01JAN94

REPLACEMENT HYDRAULIC PUMP ASSEMBLY



RP3196

KEY	PART NO.	PART NAME	QTY	TRACTOR SERIAL NO.	REMARKS
1	AR94660	HYDRAULIC PUMP	1		(A) 50 CM3 (3 IN.3) (MODEL GA1) (ALSO ORDER AT49331, P47908 AND F3171R) (SUB FOR AR56161)
	AR94661	HYDRAULIC PUMP	1		(B) 65 CM3 (4 IN.3) (MODEL JA1) (ALSO ORDER P47908) (SUB FOR AR46246, AR70722, AR73106 OR AR99839)
2	19H1990	CAP SCREW	4		1/2" X 2-1/4"

(A) LESS POWER FRONT WHEEL DRIVE
(B) POWER FRONT WHEEL DRIVE

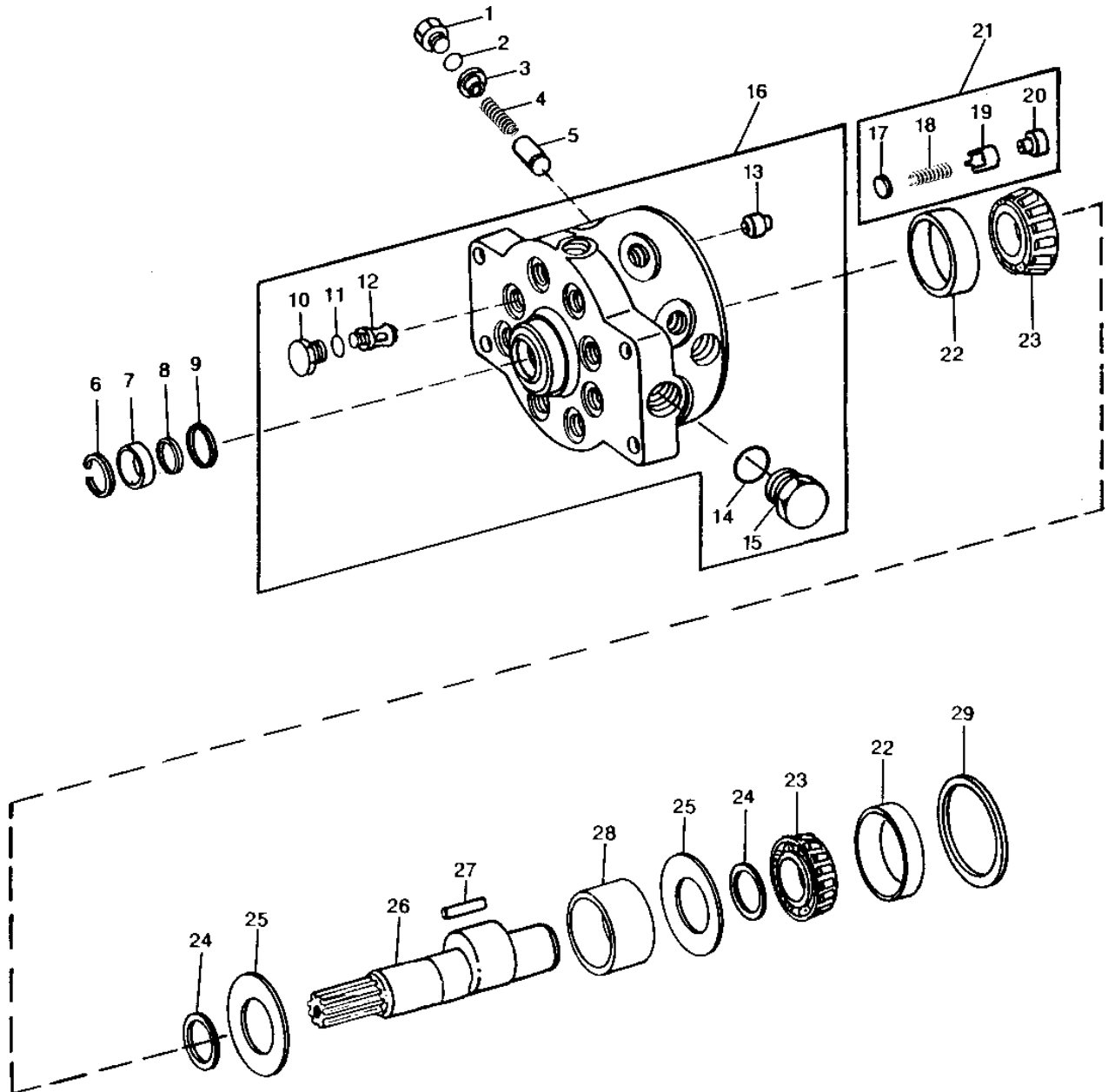
4B9

HYDRAULICS

RP3261

-UN-01JAN94

HYDRAULIC PUMP
49 CM3 (3 IN.3)
(PUMP LESS SERIAL PLATE)



4B10

HYDRAULICS

HYDRAULIC PUMP - CONTINUED
49 CM3 (3 IN.3)
(PUMP LESS SERIAL PLATE)

KEY	PART NO.	PART NAME	QTY	TRACTOR SERIAL NO.	REMARKS
1	R45438	FITTING	8		
2	R56463	O-RING	8		
3	AR101236	SHIELD	1		(SET OF 8) (SUB FOR R56749)
4	AR76762	SPRING	1		(SET OF 8) (SUB FOR AR55186)
5	R27150	PISTON	8		
6	R26137	SNAP RING	1		
7	RE28790	SEAL	1		(SUB FOR AR52224)
8	R56753	SHIM	1		
9	R39729	O-RING	1		
10	R78293	FITTING	8		(SUB FOR R44823)
11	R27149	O-RING	8		
12	AR53301	VALVE	8		(INLET)
13	R105583	SEAT	8		
14	U13639	O-RING	1		(USE WITH R45228)
	F3171R	O-RING	1		(USE WITH R45227)
15	R39741	DRAIN PLUG	1		1-5/8", (USE WITH R45228)
	R27175	DRAIN PLUG	1		1-1/16", (USE WITH R45227)
16	AR47580	HOUSING	1		(MARKED R45227, R45228 OR R60494) (SUB AR94660) (ALSO ORDER AT49331, P47908 AND F3171R)
17	R49297	DISK	8		
18	R39228	SPRING	8		
19	R48738	GUIDE	8		
20	R83508	STOP	8		(SUB FOR R49298 OR R72886)
21	RE23382	VALVE	8		(OUTLET) (SUB FOR AR52785 OR AR96613)
22	JD8223	BEARING CUP	2		
23	JD8192	BEARING CONE	2		
24	R34349	WASHER	2		
25	R60732	WASHER	2		(SUB FOR R42467)
26	R34348	SHAFT	1		
27	R27145	NEEDLE ROLLER	36		
28	R45874	BEARING RACE	1		
29	R27478	SHIM	AR		0.15MM (.006")
	R27479	SHIM	AR		0.25MM (.010")
..	AR56161	HYDRAULIC PUMP	1		(SUB AR94660) (ALSO ORDER AT49331, P47908 AND F3171R)

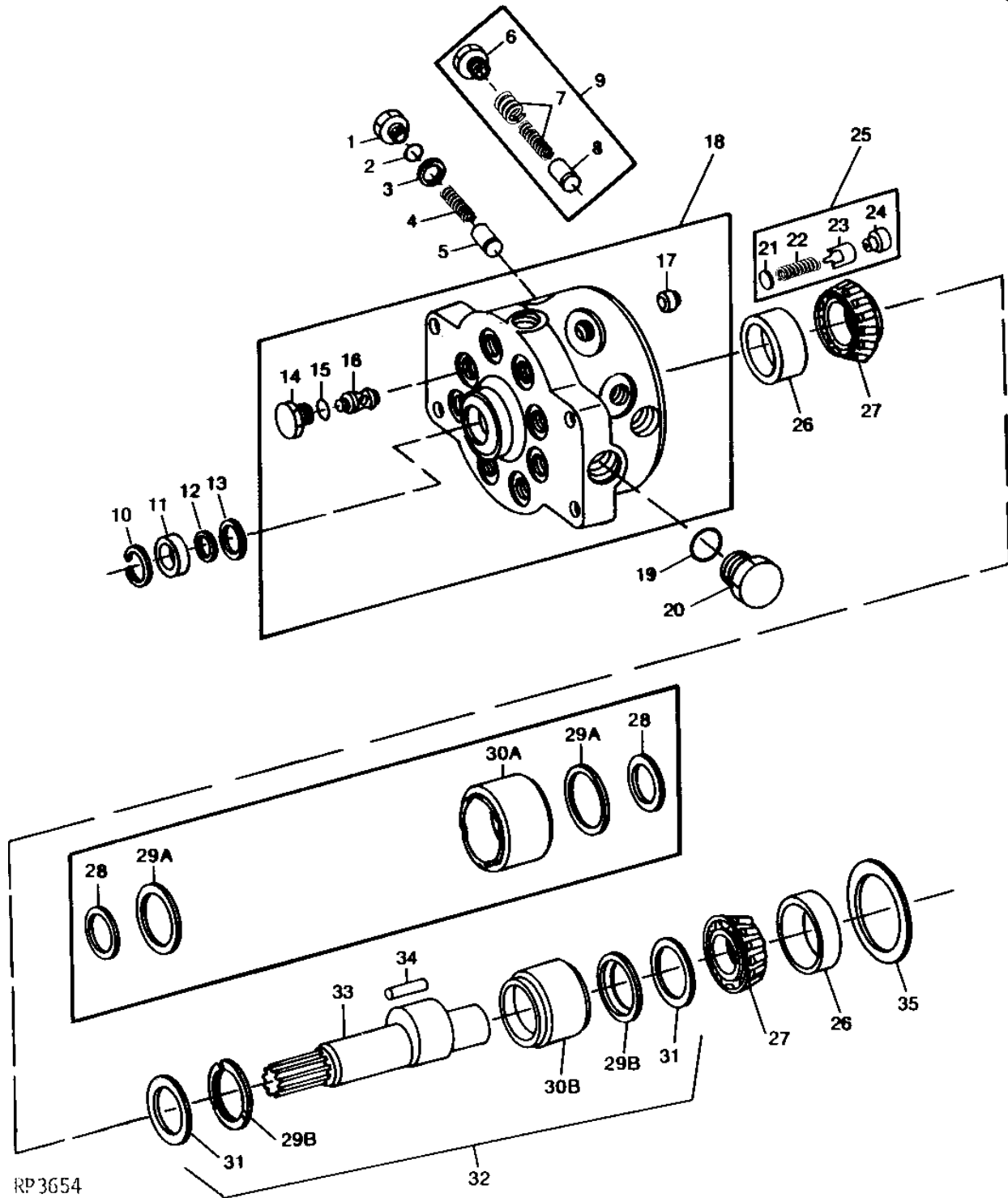
4B11

HYDRAULICS

HYDRAULIC PUMP
66 CM³ (4 IN.³)
(PUMP LESS SERIAL PLATE)
(POWER FRONT WHEEL DRIVE)

RP3654

-UN-12OCT94



RP3654

32

4B12

HYDRAULICS

HYDRAULIC PUMP - CONTINUED
66 CM3 (4 IN.3)
(PUMP LESS SERIAL PLATE)
(POWER FRONT WHEEL DRIVE)

KEY	PART NO.	PART NAME	QTY	TRACTOR SERIAL NO.	REMARKS
1	R75642	DRAIN PLUG	8		(SUB FOR R44745)
2	R56751	O-RING	8		
3	AR101237	SHIELD	1		(SET OF 8) (SUB FOR R56750)
4	AR55330	SPRING	1		(SET OF 8)
5	R51827	PISTON	8		(SUB RE11814) (SUB FOR R44824)
6	R70648	DRAIN PLUG	8		
7	AR96408	SPRING	1		(SET OF 16)
8	R70976	PISTON	8		
9	RE11814	KIT	1		
10	R26137	SNAP RING	1		
11	RE28790	SEAL	1		(SUB FOR AR52224)
12	R56753	SHIM	1	XXXXXX-	
13	R39729	O-RING	1		
14	R78293	FITTING	8		(SUB FOR R44823)
15	R27149	O-RING	8		
16	AR53301	VALVE	8		(INLET)
17	R105583	SEAT	8		
18	AR70723	HOUSING	1		(MARKED R44801, R55010 OR R58773) (SUB AR94661) (ALSO ORDER P47908) (SUB FOR AR48770)
19	U13639	O-RING	1		(USE WITH R44801)
	F3171R	O-RING	1		(USE WITH R58773)
20	R39741	DRAIN PLUG	1		1-5/8", (USE WITH R44801)
	R27175	DRAIN PLUG	1		1-1/16", (USE WITH R58773)
21	R49297	DISK	8		
22	R39228	SPRING	8		
23	R48738	GUIDE	8		
24	R83508	STOP	8		(SUB FOR R49298 OR R72886)
25	RE23382	VALVE	8		(SUB FOR AR52785 OR AR96613)
26	JD8223	BEARING CUP	2		
27	JD8192	BEARING CONE	2		
28	R45423	WASHER	2	-XXXXXX	(SUB RE12038) (ALSO ORDER RE11814)
29A	R72429	WASHER	2	-XXXXXX	(BRONZE) (SUB RE12038) (ALSO ORDER RE11814) (SUB FOR R45424)
29B	R72507	THRUST WASHER	2	XXXXXX-	
30A	R44744	BEARING RACE	1	-XXXXXX	(SUB RE12038) (ALSO ORDER RE11814)
30B	R80558	BEARING RACE	1	XXXXXX-	(SUB FOR R72509)
31	R77903	WASHER	2		(SUB FOR R45425)
32	RE12038	KIT	1		(ALSO ORDER RE11814) (SUB FOR AR95470)
33	R44743	SHAFT	1		(A) (SUB R79156 AND (2) R79151)
34	R45422	NEEDLE ROLLER	25		(SUB FOR R77904)
35	R27478	SHIM	AR		0.15MM (0.006")
	R27479	SHIM	AR		0.25MM (0.010")
..	AR46246	HYDRAULIC PUMP	1		(SUB AR94661) (ALSO ORDER P47908)
..	AR70722	HYDRAULIC PUMP	1		(SUB AR94661) (ALSO ORDER P47908) (SUB FOR AR46246 OR AR73106)
..	AR99839	HYDRAULIC PUMP	1		(SUB AR94661) (ALSO ORDER P47908) (SUB FOR AR46246, AR70722 OR AR73106)

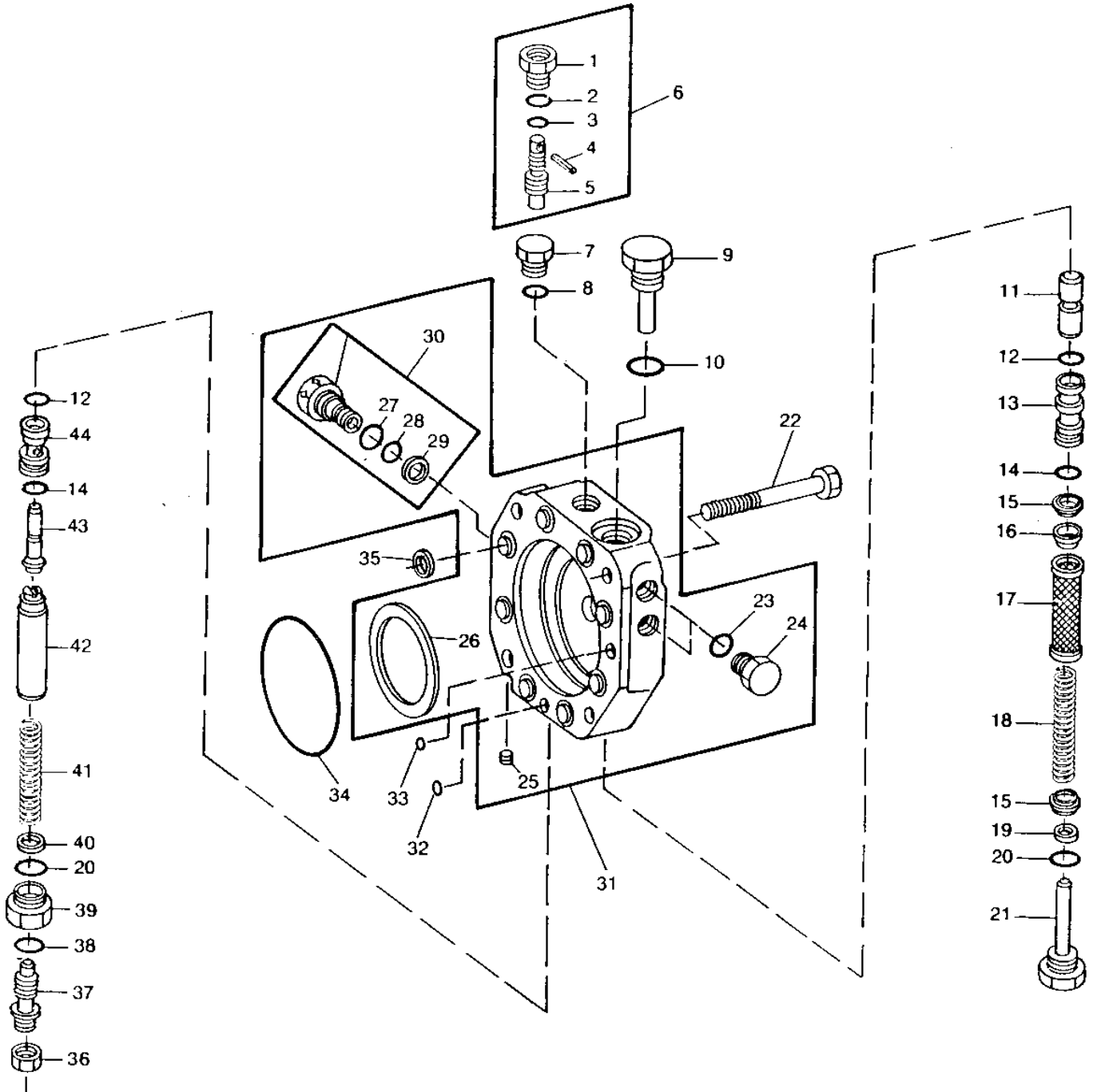
(A) ALSO ORDER R80558 AND (2) R72507 IF RE12038 KIT HAS NOT BEEN PREVIOUSLY INSTALLED

4B13

HYDRAULICS

HYDRAULIC PUMP STROKE CONTROL VALVE
49 CM3 (3 IN.3) - 66 CM3 (4 IN.3)
(PUMP LESS SERIAL PLATE)

RP3510 -UN-01JAN94



RP 3510

4B14

HYDRAULICS

HYDRAULIC PUMP STROKE CONTROL VALVE - CONTINUED
 49 CM3 (3 IN.3) - 66 CM3 (4 IN.3)
 (PUMP LESS SERIAL PLATE)

KEY	PART NO.	PART NAME	QTY	TRACTOR SERIAL NO.	REMARKS
1	R27475	FITTING	1		
2	R26448	O-RING	1		
3	A4365R	O-RING	1		
4	34H254	SPRING PIN	1		1/8" X 1-1/2"
5	R27171	SCREW	1		
6	AR33249	SCREW	1		(MANUAL DESTROKE)
7	R27218	FITTING PLUG	1		(LESS MANUAL DESTROKE)
8	R26448	O-RING	1		(LESS MANUAL DESTROKE)
9	AR51745	DRAIN PLUG	1		
10	R26906	O-RING	1		
11	R27172	VALVE	1		
12	R27564	O-RING	2		
13	R70351	SLEEVE	1		(SUB FOR R27476)
14	R27166	O-RING	2		
15	R27174	PACKING	2		
16	R27167	GUIDE	1		
17	R27173	FILTER ELEMENT	1		
18	R27159	SPRING	1		
19	R27170	SHIM	AR		0.010"
	24H1298	WASHER	AR		0.030"
20	R56751	O-RING	2		
21	AR26646	DRAIN PLUG	1		
22	19H3520	CAP SCREW	4		1/2" X 3-1/4"
23	R26287	O-RING	2		
24	R27216	DRAIN PLUG	2		
25	15H560	PIPE PLUG	1		1/16", (USE WITH R49071)
26	R49072	WASHER	1		(NOT USED IN ALL APPLICATIONS)
27	R26375	O-RING	1		(USE WITH R49071)
28	T40308	O-RING	1		(USE WITH R49071)
29	T57374	BACK-UP RING	1		(USE WITH R49071)
30	AR90378	PLUG	1		(USE WITH R49071)
31	AR38714	HOUSING	1		(MARKED R42663, R44802 OR R49071)
32	R56755	WASHER	1		
33	R56756	O-RING	1		
34	R56757	O-RING	1		
35	R69279	WASHER	8		(SUB FOR R56754)
36	14H1021	NUT	1		7/16"
37	AR52254	SET SCREW	1		
38	R28782	O-RING	1		
39	R28781	FITTING	1		
40	R42260	WASHER	1		
41	R31781	SPRING	1		
42	R71321	GUIDE	1		(SUB FOR R32344)
43	R70559	CONTROL VALVE	1		(SUB RE10712, R27166 AND R41057) (SUB FOR R27472 OR R65194)
44	R69262	SLEEVE	1		(SUB RE10712, R27166 AND R41057) (SUB FOR R27471, R58499 OR R65192)

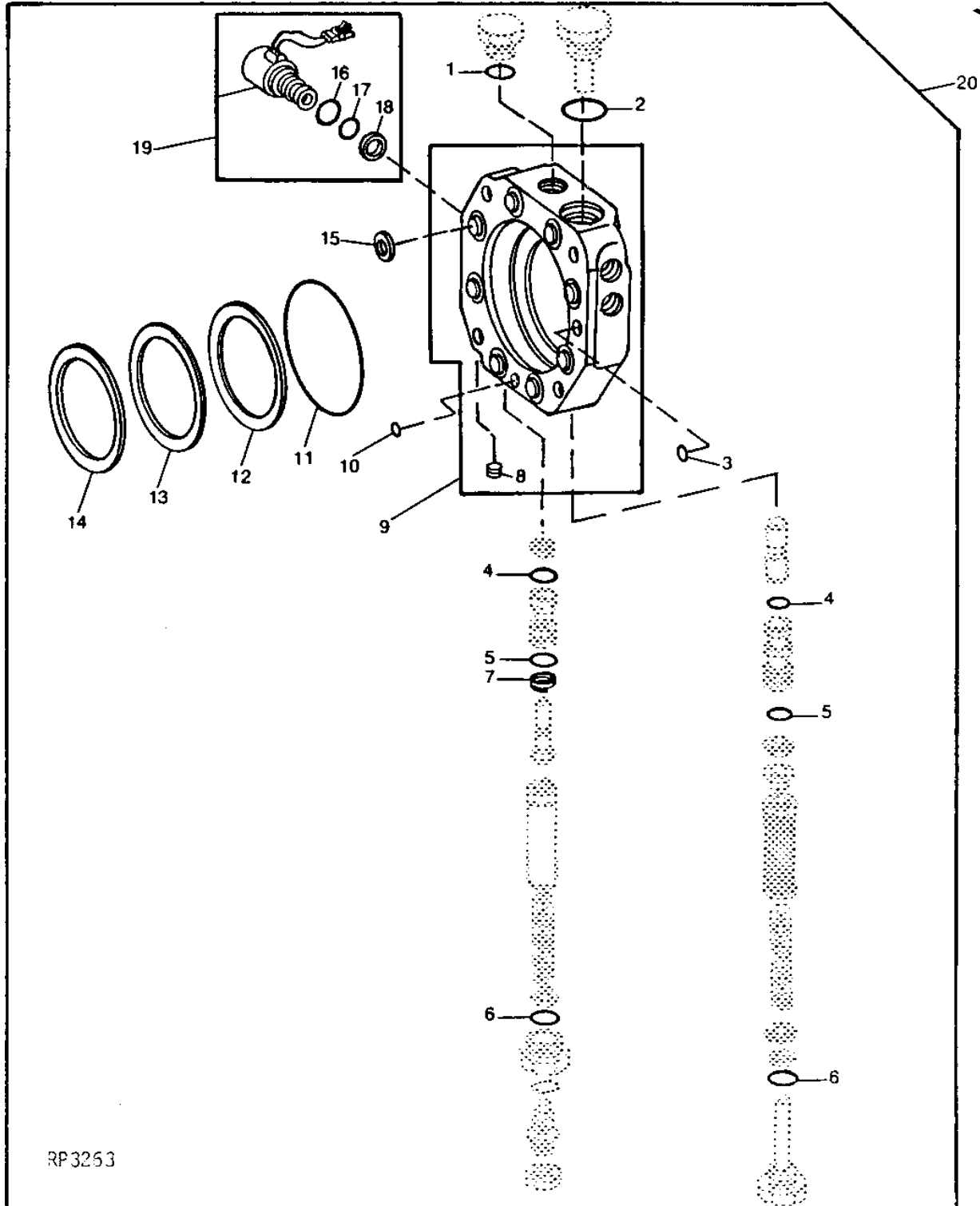
4B15

HYDRAULICS

HYDRAULIC PUMP ELECTRIC DESTROKE KIT
49 CM3 (3 IN.3) - 66 CM3 (4 IN.3)
(PUMP LESS SERIAL PLATE)

RP3263

-UN-01JAN94



RP3263

4B16

HYDRAULICS

HYDRAULIC PUMP ELECTRIC DESTROKE KIT - CONTINUED
49 CM3 (3 IN.3) - 66 CM3 (4 IN.3)
(PUMP LESS SERIAL PLATE)

KEY	PART NO.	PART NAME	QTY	TRACTOR SERIAL NO.	REMARKS
1	R26448	O-RING	1		
2	R26906	O-RING	1		
3	R56756	O-RING	1		
4	R27564	O-RING	2		
5	R27166	O-RING	2		
6	F3171R	O-RING	2		
7	R41057	BACK-UP RING	1		
8	15H560	PIPE PLUG	1		1/16"
9	AR52494	HOUSING	1		(MARKED R49071)
10	R56755	WASHER	1		
11	R56757	O-RING	1		
12	R27478	SHIM	2		0.15MM (.006")
13	R27479	SHIM	2		0.25MM (.010")
14	R49072	WASHER	1		(NOT USED IN ALL APPLICATIONS)
15	R69279	WASHER	8		
16	R26375	O-RING	1		
17	T40308	O-RING	1		
18	T57374	BACK-UP RING	1		
19	RE32529	SOLENOID VALVE	1		(SUB FOR RE21725)
20	RE14868	KIT	1		(A) (SUB RE40463)

(A) INCLUDES RE12330 WIRE CONNECTORS

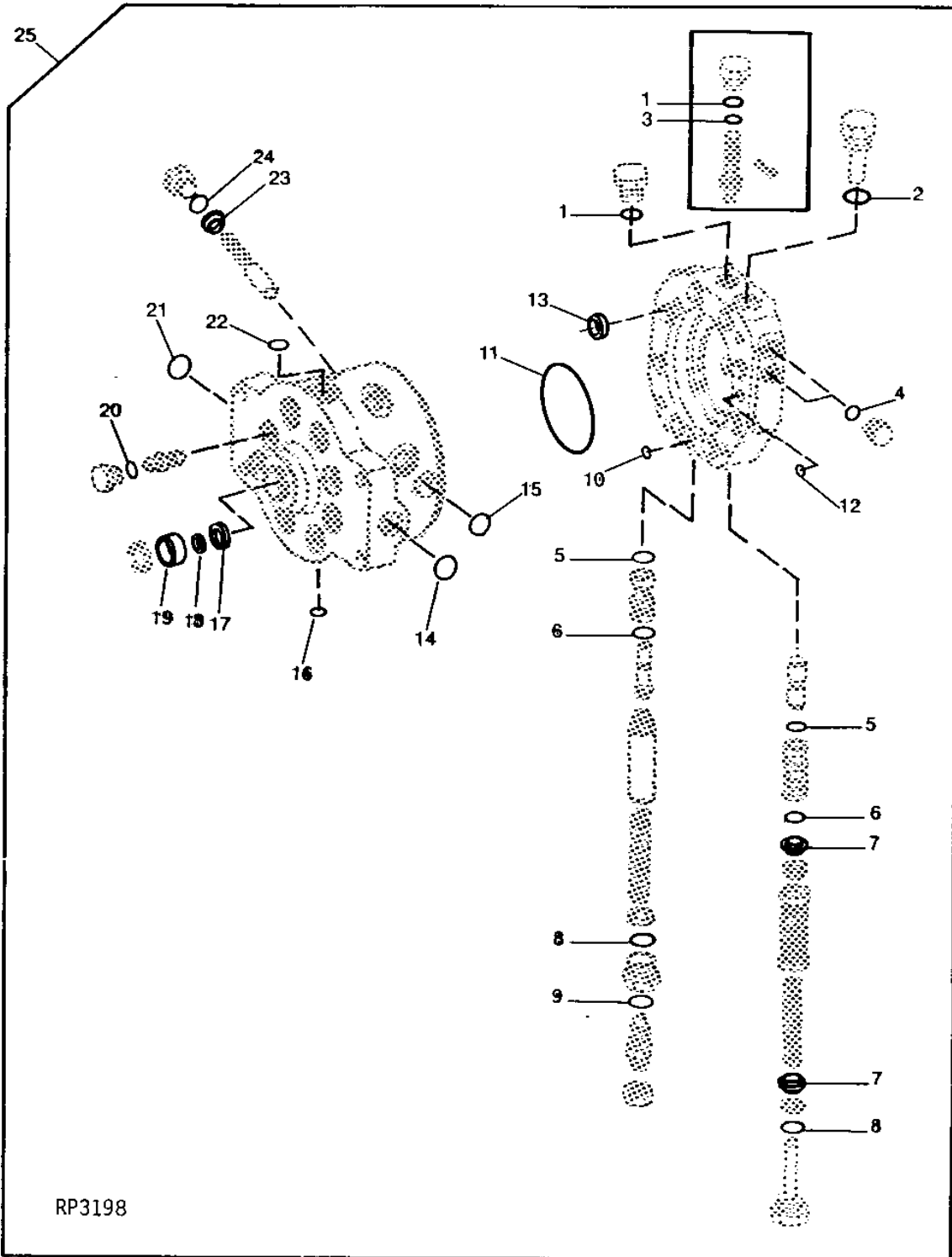
4B17

HYDRAULICS

HYDRAULIC PUMP AND STROKE CONTROL VALVE OVERHAUL KIT 49 CM3 (3 IN.3) - 66 CM3 (4 IN.3) (PUMP LESS SERIAL PLATE)

RP3198

-UN-01JAN94



4B18

HYDRAULICS

HYDRAULIC PUMP AND STROKE CONTROL VALVE OVERHAUL KIT - CONTINUED
 49 CM3 (3 IN.3) - 66 CM3 (4 IN.3)
 (PUMP LESS SERIAL PLATE)

KEY	PART NO.	PART NAME	QTY	TRACTOR SERIAL NO.	REMARKS
1	R26448	O-RING	1		
2	R26906	O-RING	1		
3	A4365R	O-RING	1		
4	R26287	O-RING	2		
5	R27564	O-RING	2		
6	R27166	O-RING	2		
7	R27174	PACKING	2		
8	R56751	O-RING	2		
9	R28782	O-RING	1		
10	R56755	WASHER	1		
11	R56757	O-RING	1		
12	R56756	O-RING	1		
13	R69279	WASHER	8		
14	U13639	O-RING	1		
15	R26906	O-RING	1	(B)	
	R56751	O-RING	1	(C)	
16	R26287	O-RING	1		
17	R39729	O-RING	1		
18	R56753	SHIM	1		
19	RE28790	SEAL	1		
20	R27149	O-RING	8		
21	R56751	O-RING	1		
	R29936	O-RING	1	(A) (C)	
22	R27928	O-RING	2	(A) (TOP)	
	P47908	O-RING	1	(A) (BOTTOM)	
	R35827	WASHER	1	(A) (B)	
23	AR101236	SHIELD	1	(B) (SET OF 8)	
	AR101237	SHIELD	1	(C) (SET OF 8)	
24	R56463	O-RING	8	(B)	
	R56751	O-RING	8	(C)	
25	RE29103	KIT	1	(D) 49 CM3 (3 IN.3) (SUB FOR AR67718)	
	RE29104	KIT	1	(D) 66 CM3 (4 IN.3) (SUB FOR AR67720)	

(A) UNIVERSAL KIT - APPLICATIONS WILL VARY

(B) INCLUDED IN RE29103

(C) INCLUDED IN RE29104

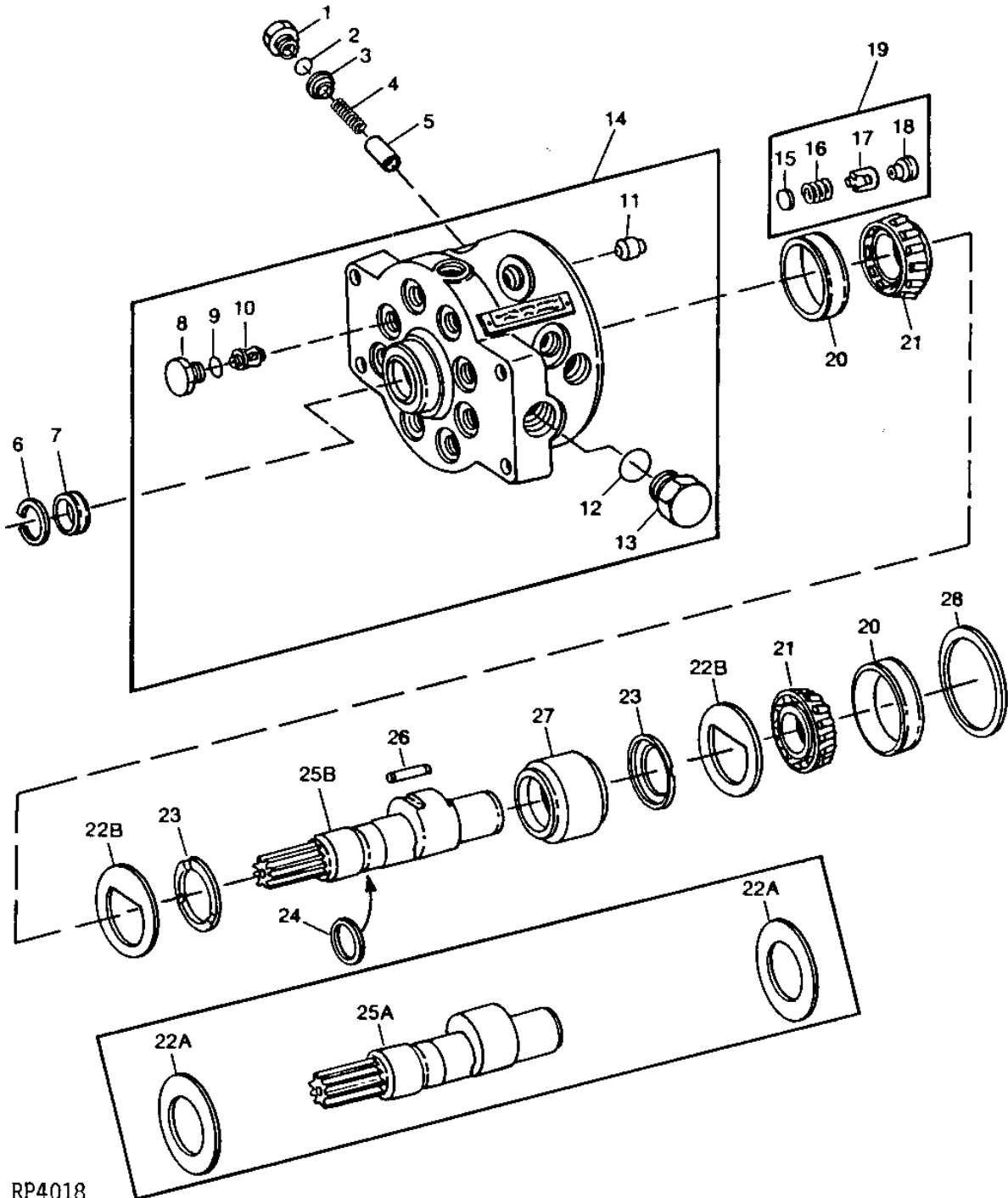
(D) ALSO ORDER (2) R27166 AND (2) R41057, IF STROKE CONTROL VALVE HAS BEEN REPLACED.

4B19

HYDRAULICS

HYDRAULIC PUMP - MODEL GA1
50 CM3 (3 IN.3)
(REPLACEMENT PUMP WITH SERIAL PLATE)

RP4018 -UN-18OCT94



RP4018

4B20

HYDRAULICS

HYDRAULIC PUMP - MODEL GA1 - CONTINUED
50 CM3 (3 IN.3)
(REPLACEMENT PUMP WITH SERIAL PLATE)

KEY	PART NO.	PART NAME	QTY	PUMP SERIAL NO.	REMARKS
1	R45438	FITTING	8		
2	R56463	O-RING	8		
3	AR101236	SHIELD	1		(SET OF 8)
4	AR76762	SPRING	1		(SET OF 8)
5	R27150	PISTON	8		
6	R26137	SNAP RING	1		
7	RE28790	SEAL	1		(SUB FOR AR52224)
8	R78293	FITTING	8		
9	R27149	O-RING	8		
10	AR53301	VALVE	8		(INLET)
11	R105583	SEAT	8		
12	F3171R	O-RING	1		(USE WITH R71586)
	U13639	O-RING	1		(USE WITH R73741)
13	R27175	DRAIN PLUG	1		(USE WITH R71586)
	R39741	DRAIN PLUG	1		(USE WITH R73741)
14	RE11804	HOUSING	1		(MODEL PJ1) (MARKED R71586 OR R73741)
15	R49297	DISK	8		
16	R39228	SPRING	8		
17	R48738	GUIDE	8		
18	R83508	STOP	8		(SUB FOR R49298 OR R72886)
19	RE23382	VALVE	8		(OUTLET) (SUB FOR AR96613)
20	JD8223	BEARING CUP	2		
21	JD8192	BEARING CONE	2		
22A	R77903	WASHER	2	-023628	(SUB FOR R45425)
22B	R79151	LOCK WASHER	2	023629-	(USE WITH R79152)
23	R72507	THRUST WASHER	2		
24	R77611	RING	1		(SEALING) (SUB FOR R68252 OR RE11777)
25A	R71598	SHAFT	1	-023628	(SUB R79152) (ALSO ORDER (2) R79151)
25B	R79152	SHAFT	1	023629-	
26	R45422	NEEDLE ROLLER	25		
27	R80558	BEARING RACE	1		(SUB FOR R72506)
28	R27478	SHIM	AR		0.15MM (.006")
	R27479	SHIM	AR		0.25MM (.010")
..	AR94660	HYDRAULIC PUMP	1		

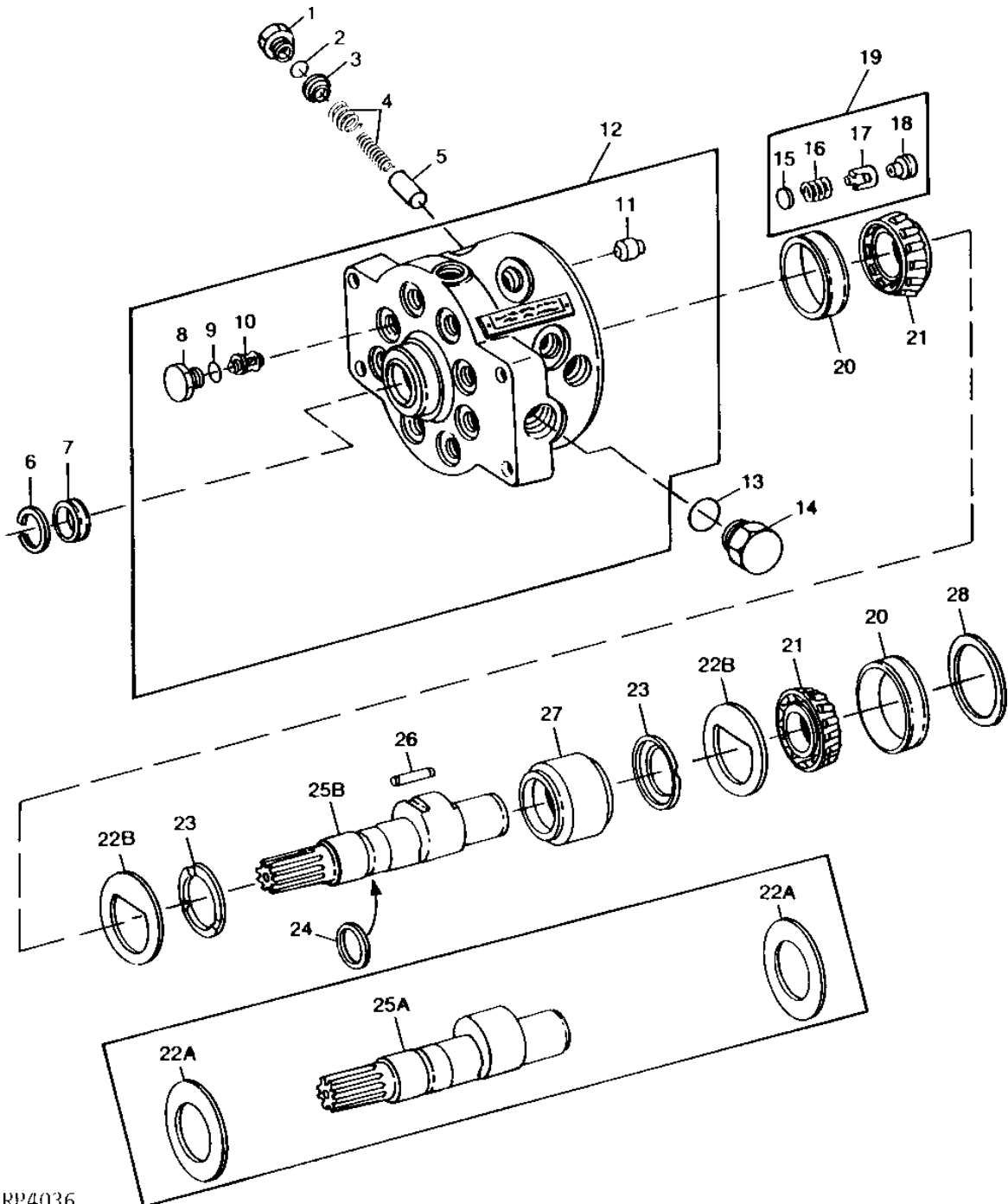
4B21

HYDRAULICS

HYDRAULIC PUMP - MODEL JA1
65 CM3 (4 IN.3)
(REPLACEMENT PUMP WITH SERIAL PLATE)
(POWER FRONT WHEEL DRIVE)

RP4036

-UN-23SEP94



RP4036

4B22

HYDRAULICS

HYDRAULIC PUMP - MODEL JA1 - CONTINUED
 65 CM3 (4 IN.3)
 (REPLACEMENT PUMP WITH SERIAL PLATE)
 (POWER FRONT WHEEL DRIVE)

KEY	PART NO.	PART NAME	QTY	PUMP SERIAL NO.	REMARKS
1	R70648	DRAIN PLUG	8		
2	R56751	O-RING	8		
3	AR101237	SHIELD	1		(SET OF 8)
4	AR96408	SPRING	1		(SET OF 16)
5	R70976	PISTON	8		
6	R26137	SNAP RING	1		
7	RE28790	SEAL	1		(SUB FOR AR52224)
8	R78293	FITTING	8		
9	R27149	O-RING	8		
10	AR53301	VALVE	8		(INLET)
11	R105583	SEAT	8		
12	RE11810	HOUSING	1		(MODEL TG1) (MARKED R71587)
13	F3171R	O-RING	1		
14	R27175	DRAIN PLUG	1		
15	R49297	DISK	8		
16	R39228	SPRING	8		
17	R48738	GUIDE	8		
18	R83508	STOP	8		(SUB FOR R49298 OR R72886)
19	RE23382	VALVE	8		(OUTLET) (SUB FOR AR96613)
20	JD8223	BEARING CUP	2		
21	JD8192	BEARING CONE	2		
22A	R77903	WASHER	2	-010138	(SUB FOR R45425)
22B	R79151	LOCK WASHER	2	010139-	(USE WITH R79154)
23	R72507	THRUST WASHER	2		
24	R77611	RING	1		(SEALING) (SUB FOR R68252 OR RE11777)
25A	R71599	SHAFT	1	-010138	(SUB R79154) (ALSO ORDER (2) R79151)
25B	R79154	SHAFT	1	010139-	
26	R45422	NEEDLE ROLLER	25		
27	R80558	BEARING RACE	1		(SUB FOR R72509)
28	R27478	SHIM	AR		0.15MM (.006")
	R27479	SHIM	AR		0.25MM (.010")
..	AR94661	HYDRAULIC PUMP	1		

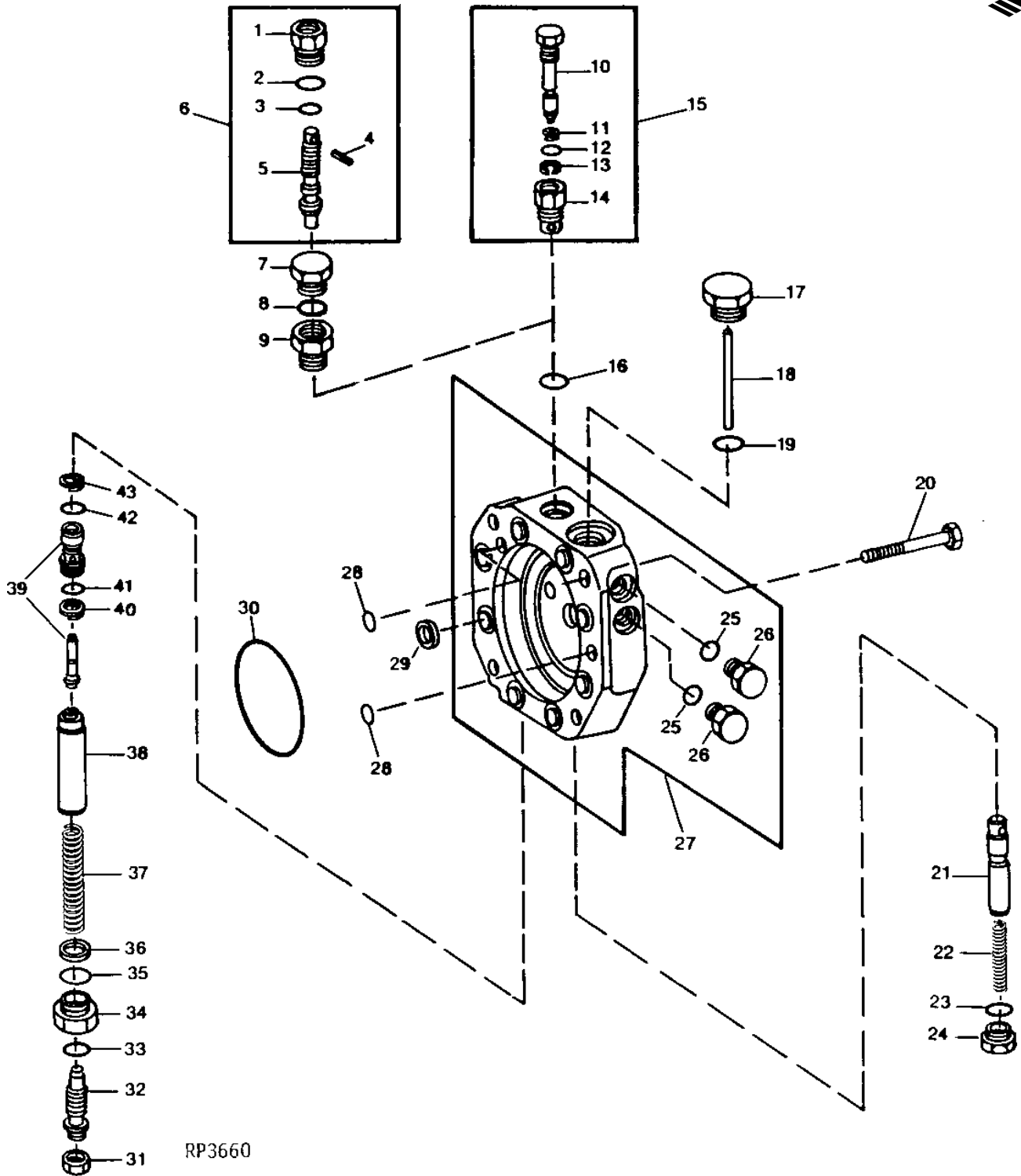
4B23

HYDRAULICS

HYDRAULIC PUMP STROKE CONTROL VALVE
50 CM3 (3 IN.3) - 65 CM3 (4 IN.3)
(REPLACEMENT PUMP WITH SERIAL PLATE)

RP3660

-UN-14SEP94



4B24

HYDRAULICS

HYDRAULIC PUMP STROKE CONTROL VALVE - CONTINUED
 50 CM3 (3 IN.3) - 65 CM3 (4 IN.3)
 (REPLACEMENT PUMP WITH SERIAL PLATE)

KEY	PART NO.	PART NAME	QTY	PUMP SERIAL NO.	REMARKS
1	R27475	FITTING	1		
2	R26448	O-RING	1		
3	A4365R	O-RING	1		
4	34H254	SPRING PIN	1	1/8" X 1-1/2"	
5	R75879	SCREW	1		
6	AR96625	SCREW	1		(A) (MANUAL DESTROKE)
7	R27218	FITTING PLUG	1		(LESS MANUAL DESTROKE)
8	R26448	O-RING	1		(LESS MANUAL DESTROKE)
9	R70617	PIPE PLUG	1		
10	R79266	SCREW	1		
11	R36358	BACK-UP RING	1		
12	R34802	O-RING	1		
13	R79268	SNAP RING	1		
14	R79267	PLUG	1		
15	RE13271	SCREW	1		(A) (MANUAL DESTROKE)
16	R26906	O-RING	1		
17	R75642	DRAIN PLUG	1		
18	R75564	PIN	1		
19	R56751	O-RING	1		
20	19H3520	CAP SCREW	4	1/2" X 3-1/4"	
21	R70867	VALVE	1		
22	R70868	SPRING	1		
23	R26375	O-RING	1		
24	R73736	PLUG	1		
25	R26448	O-RING	2		
26	R75376	DRAIN PLUG	2		
27	RE12470	HOUSING	1		(MARKED R77714)
28	R56755	WASHER	2		
29	R69279	WASHER	8		
30	R56757	O-RING	1		
31	14H1021	NUT	1	7/16"	
32	AR52254	SET SCREW	1		
33	R28782	O-RING	1		
34	R28781	FITTING	1		
35	F3171R	O-RING	1		
36	R42260	WASHER	1		
37	R31781	SPRING	1		
38	R71321	GUIDE	1		
39	RE10712	CONTROL VALVE	1		
40	R41057	BACK-UP RING	1		
41	R27166	O-RING	1		
42	R27564	O-RING	1		
43	R75938	WASHER	1		

(A) DESIGNS INTERCHANGEABLE

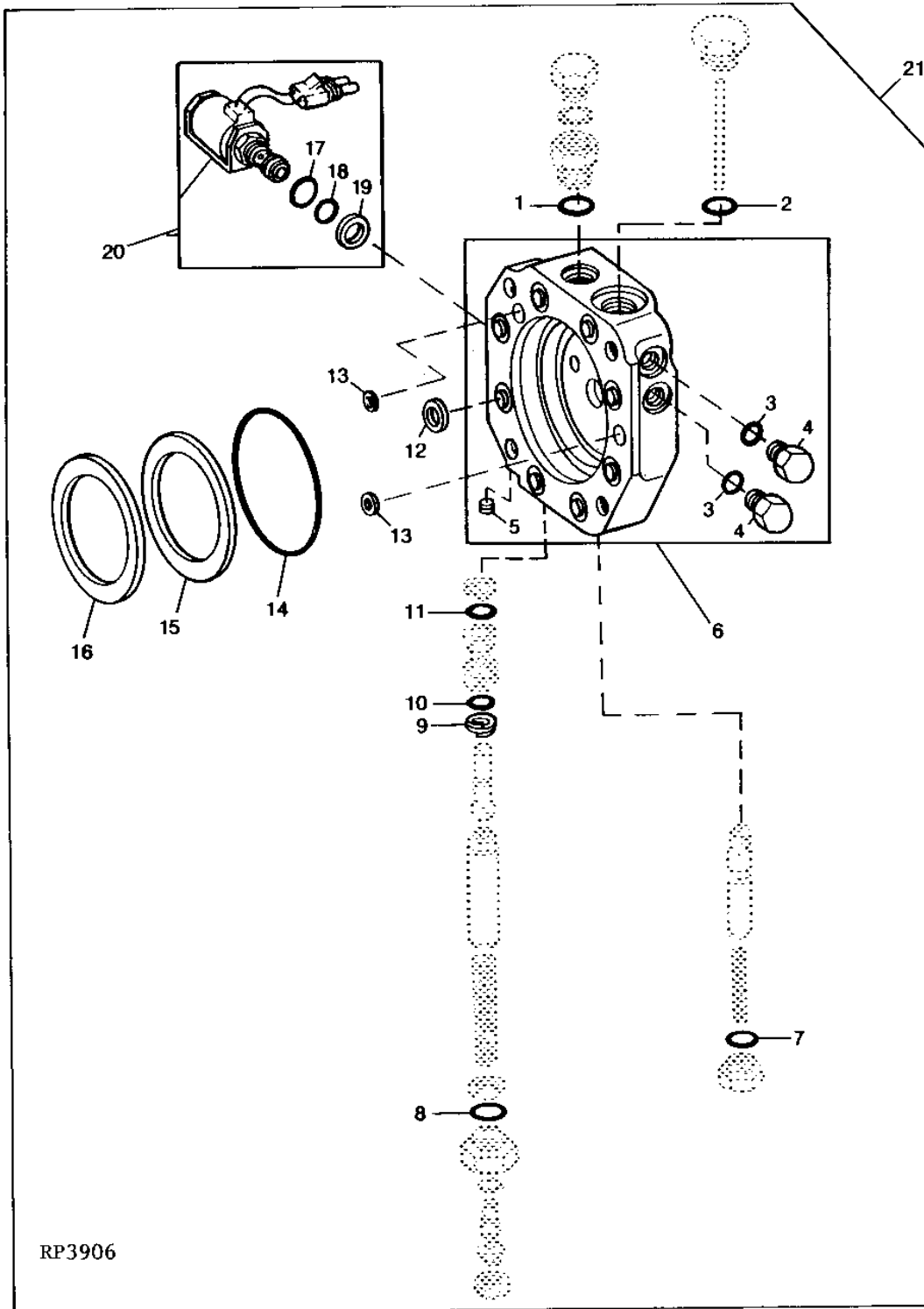
4C1

HYDRAULICS

HYDRAULIC PUMP ELECTRIC DESTROKE KIT
50 CM3 (3 IN.3) - 65 CM3 (4 IN.3)
(REPLACEMENT PUMP WITH SERIAL PLATE)

RP3906

-UN-12OCT94



4C2

HYDRAULICS

HYDRAULIC PUMP ELECTRIC DESTROKE KIT - CONTINUED
50 CM3 (3 IN.3) - 65 CM3 (4 IN.3)
(REPLACEMENT PUMP WITH SERIAL PLATE)

KEY	PART NO.	PART NAME	QTY	PUMP SERIAL NO.	REMARKS
1	R26906	O-RING	1		
2	R56751	O-RING	1		
3	R26448	O-RING	2		
4	R75376	DRAIN PLUG	2		
5	15H560	PIPE PLUG	1	1/16"	
6	AR101632	HOUSING	1	(MARKED R77712)	
7	R26375	O-RING	1		
8	F3171R	O-RING	1		
9	R41057	BACK-UP RING	1		
10	R27166	O-RING	1		
11	R27564	O-RING	1		
12	R69279	WASHER	8		
13	R56755	WASHER	2		
14	R56757	O-RING	1		
15	R27478	SHIM	2	0.15MM (.006")	
16	R27479	SHIM	2	0.25MM (.010")	
17	R26375	O-RING	1		
18	T40308	O-RING	1		
19	T57374	BACK-UP RING	1		
20	RE32529	SOLENOID VALVE	1		
21	RE24647	KIT	1	(A) (SUB RE40463)	

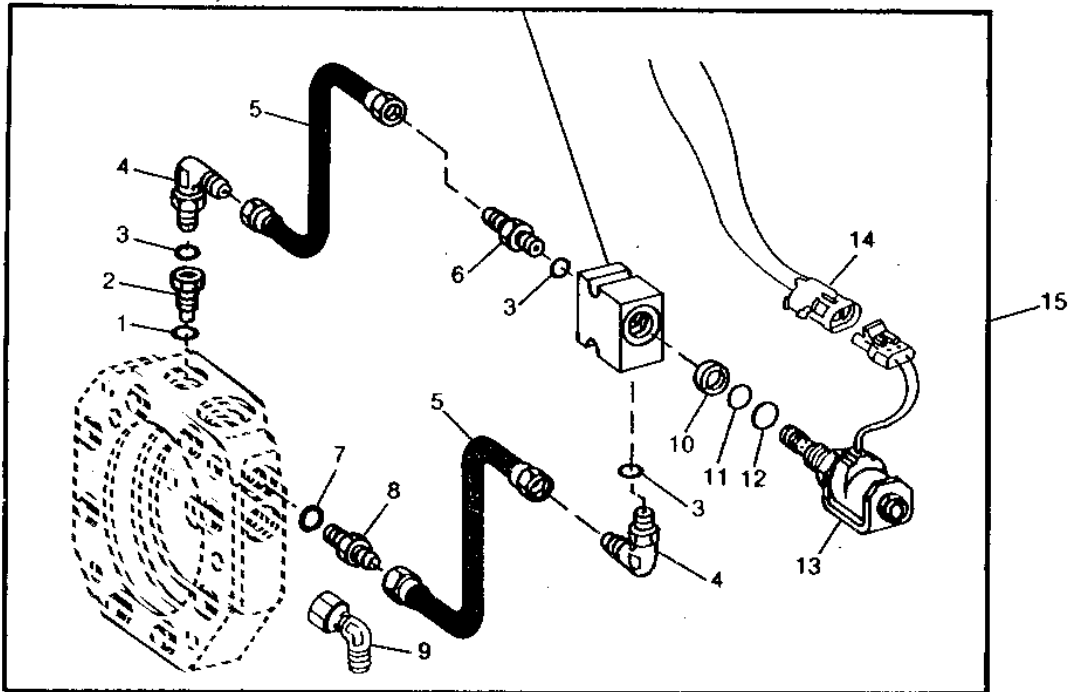
(A) INCLUDES RE12330 WIRE CONNECTORS

4C3

HYDRAULICS

RXP9501 -UN-01JAN94

HYDRAULIC PUMP ELECTRIC DESTROKE KIT



RXP9501

KEY	PART NO.	PART NAME	QTY	PUMP SERIAL NO.	REMARKS
1	R26906	O-RING	1		
2	R70617	PIPE PLUG	1		
3	R26448	O-RING	4		
4	AT35121	ELBOW FITTING	2		
5	AN250096	HYDRAULIC HOSE	2		
6	R27212	FITTING	1		
7	R26287	O-RING	1	(A)	
	R26448	O-RING	1	(B)	
8	T43535	FITTING	1	(A)	
	Z36276	ADAPTER	1	(B)	
9	AE24616	ELBOW FITTING	1	(USE WITH T43535 OR Z36276)	
10	T57374	BACK-UP RING	1		
11	T40308	O-RING	1		
12	R26375	O-RING	1		
13	RE32529	SOLENOID VALVE	1		
14	RE50017	WIRING HARNESS	1		
15	RE40463	KIT	1		

(A) NON-SERIALIZED PUMP
(B) SERIALIZED PUMP

MEMORANDA

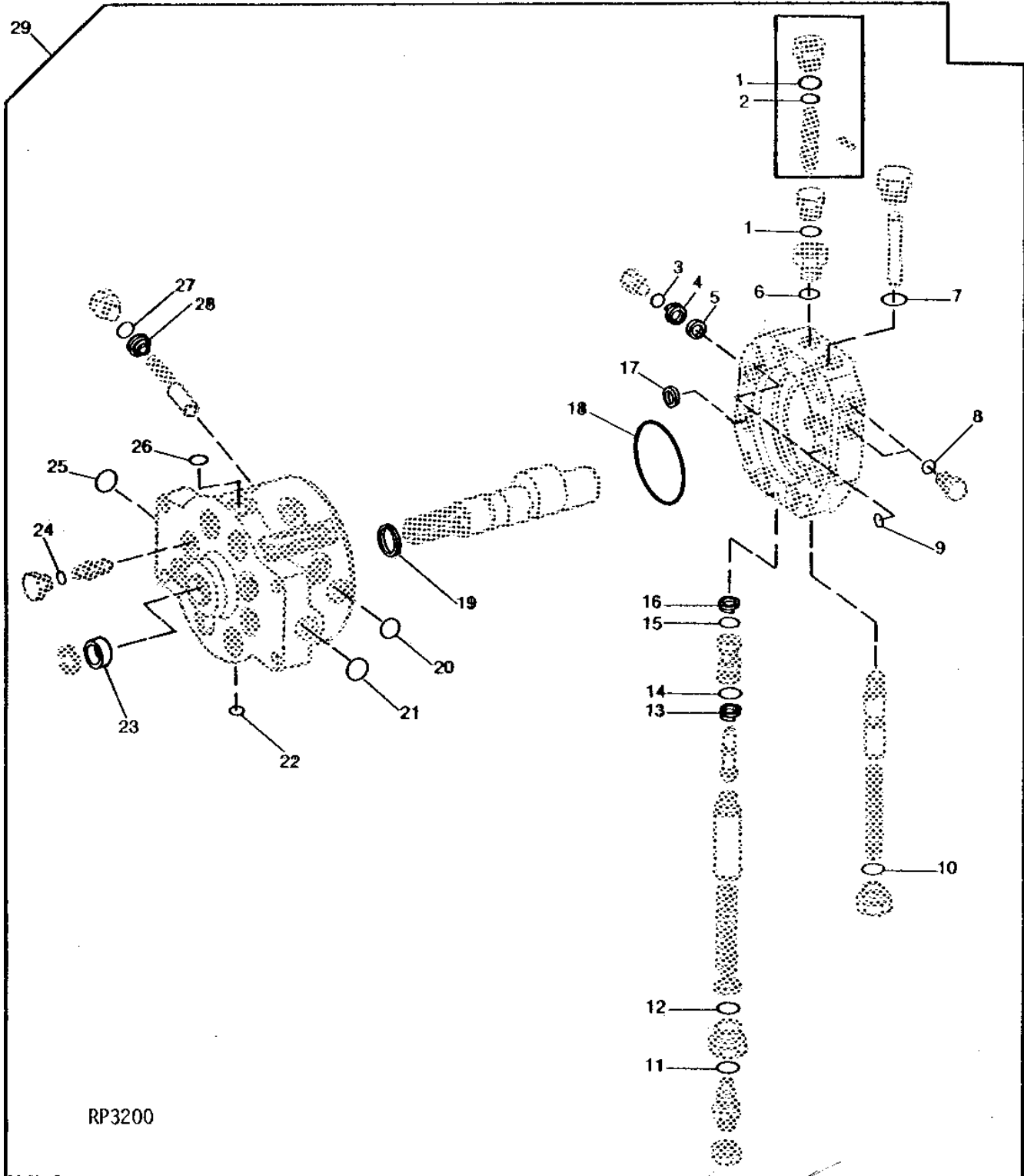
4C4

HYDRAULICS

HYDRAULIC PUMP AND STROKE CONTROL VALVE OVERHAUL KIT 50 CM3 (3 IN.3) - 65 CM3 (4 IN.3) (REPLACEMENT PUMP WITH SERIAL PLATE)

RP3200

-UN-01JAN94



4C5

HYDRAULICS

HYDRAULIC PUMP AND STROKE CONTROL VALVE OVERHAUL KIT - CONTINUED
50 CM3 (3 IN.3) - 65 CM3 (4 IN.3)
(REPLACEMENT PUMP WITH SERIAL PLATE)

KEY	PART NO.	PART NAME	QTY	PUMP SERIAL NO.	REMARKS
1	R26448	O-RING	1		
2	A4365R	O-RING	1		
3	R26375	O-RING	1	(A)	
4	T40308	O-RING	1	(A)	
5	T57374	BACK-UP RING	1	(A)	
6	R26906	O-RING	1		
7	R56751	O-RING	1		
8	R26448	O-RING	2		
	R26287	O-RING	2	(A) (C)	
9	R56755	WASHER	2		
10	R26375	O-RING	1		
11	R28782	O-RING	1		
12	R56751	O-RING	1		
13	R41057	BACK-UP RING	1		
14	R27166	O-RING	1		
15	R27564	O-RING	1		
16	R75938	WASHER	1		
17	R69279	WASHER	8		
18	R56757	O-RING	1		
19	R77611	RING	1	(SEALING)	
20	R56751	O-RING	1		
21	U13639	O-RING	1	(A)	
	R56751	O-RING	1	(A)	
	R29936	O-RING	1	(A)	
22	R26287	O-RING	1		
23	RE28790	SEAL	1		
24	R27149	O-RING	8		
25	R56751	O-RING	1	(A)	
	R29936	O-RING	1	(A)	
26	R27928	O-RING	1	(A) TOP	
	P47908	O-RING	1	(A) BOTTOM	
	R26906	O-RING	1	(A)	
27	R56463	O-RING	8	(B)	
	R56751	O-RING	8	(C)	
28	AR101236	SHIELD	1	(B) (SET OF 8)	
	AR101237	SHIELD	1	(C) (SET OF 8)	
29	RE29107	KIT	1	50 CM3 (3 IN.3) (SUB FOR AR96321)	
	RE29109	KIT	1	65 CM3 (4 IN.3) (SUB FOR AR96323)	

(A) UNIVERSAL KIT - APPLICATIONS WILL VARY

(B) INCLUDED IN RE29107

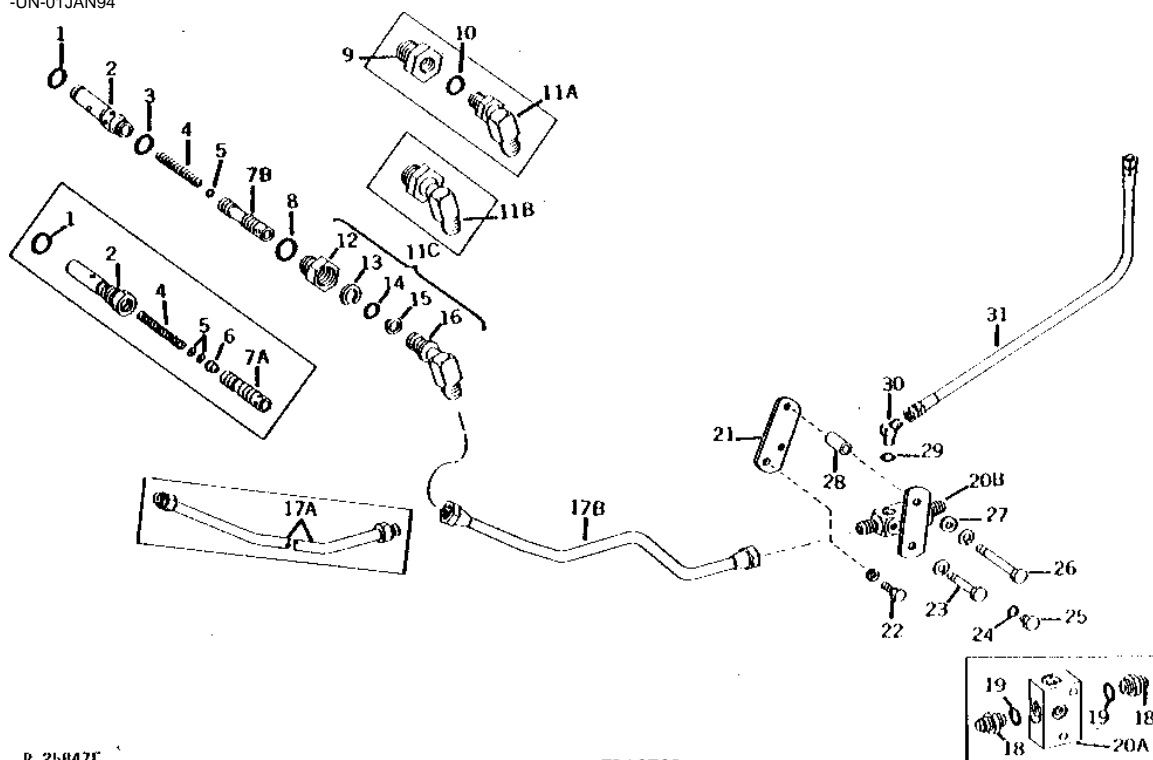
(C) INCLUDED IN RE29109

4C6

HYDRAULICS

R25847 -UN-01JAN94

HYDRAULIC PRESSURE REAR OIL PIPE AND PRESSURE CONTROL VALVE



R 25847T

KEY	PART NO.	PART NAME	QTY	TRACTOR SERIAL NO.	REMARKS
1	U15192	O-RING	1		(SUB FOR R55023)
2A	R50216	HOUSING	1	-001103	(SUB R56741, AR74194 AND U15192)
2B	R55134	HOUSING	1	001104-008386	(SUB R56741, AR74194 AND U15192)
	R56741	CONTROL VALVE	1	008387-	
3	U15192	O-RING	1	001104-	
4	R40072	SPRING	1		
5	24H1283	WASHER	AR		7/32" X 1/2" X 0.049"
6	ORIFICE	1	-001103	(SUB AR63906)
7A	R41001	SPOOL VALVE	1	-001103	(SUB AR63906)
7B	AR63906	VALVE	1	001104-	
8	R29936	O-RING	1	008387-	
9	R55133	PLUG	1	001104-008386	(SUB R56741, AR74194 AND U15192)
10	R26906	O-RING	1	-008386	
11A	AR26724	ELBOW FITTING	1	-008386	
11B	AR67679	ELBOW FITTING	1	008387-019437	
11C	AR74194	ELBOW FITTING	1	019438-	
12	R61259	ADAPTER	1	019438-	
13	A4275R	SNAP RING	1	019438-	
14	R21722	O-RING	1	019438-	
15	R26546	BACK-UP RING	1	019438-	
16	AR74195	ELBOW FITTING	1	019438-	
17A	AR60375	HYDRAULIC LINE	1	-013120	HYDRAULIC PRESSURE, REAR
17B	AR81386	HYDRAULIC LINE	1	013121-	HYDRAULIC PRESSURE, REAR, (SUB FOR AR69627)
18	R27270	FITTING	2	-024443	7/8"-14
19	R26906	O-RING	2	-024443	
20A	R53181	MANIFOLD	1	-024443	(SUB AR72834 AND 28H1496) (ALSO ORDER AR86054) LESS SOUND-GARD BODY
20B	AR72834	FITTING	1	024444-	
21	R53106	SUPPORT	1		(A)

4C7

HYDRAULICS

HYDRAULIC PRESSURE REAR OIL PIPE AND PRESSURE CONTROL VALVE - CONT.

KEY	PART NO.	PART NAME	QTY	TRACTOR SERIAL NO.	REMARKS
22	19H1731	CAP SCREW	1		3/8" X 1"
	12H304	LOCK WASHER	1		3/8"
23	19H1736	CAP SCREW	1		5/16" X 2"
24	R26287	O-RING	1		
25	R27216	DRAIN PLUG	1		(SUB FOR R31631)
26	19H1765	CAP SCREW	2		(A) 3/8" X 1-3/4"
	19H1801	CAP SCREW	1		(B) 3/8" X 2"
	12H304	LOCK WASHER	2		(A) 3/8"
	12H304	LOCK WASHER	1		(B) 3/8"
27	24H1309	WASHER	2		(A) 13/32" X 1-1/16" X 0.120"
28	28H1496	SPACER	1	024444-	(B) 3/8" X 1-1/8", ((2) USED (A))
29	R26448	O-RING	1		(B)
30	AT38033	ELBOW FITTING	1		((2) USED (A)) (SUB FOR AR26722)
31	AR86054	HYDRAULIC HOSE	1		(SUB FOR AR72835) (LESS SOUND-GARD)

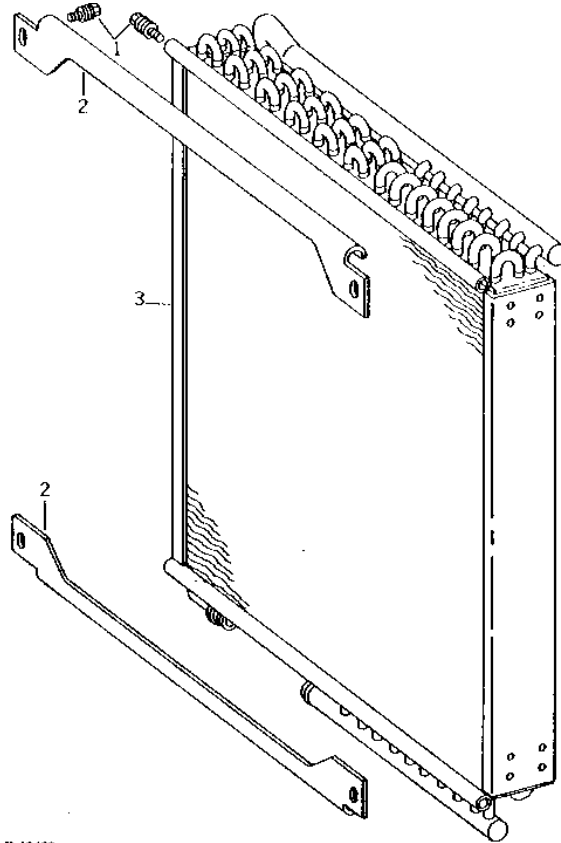
(A) SYNCRO-RANGE AND QUAD-RANGE
(B) POWER SHIFT

4C8

HYDRAULICS

R19469 -UN-01JAN94

HYDRAULIC OIL COOLER AND CONDENSER



R 19469

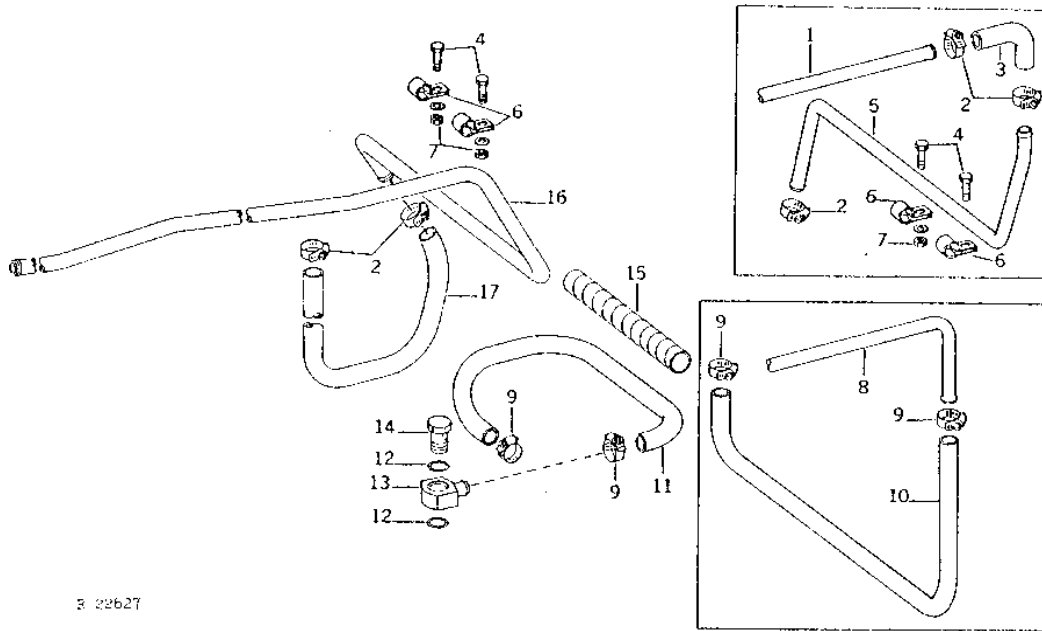
KEY	PART NO.	PART NAME	QTY	TRACTOR SERIAL NO.	REMARKS
1	AR58652	BOLT	6		
2	R53616	SUPPORT	2		
3	AR61885	OIL COOLER	1		(AIR CONDITIONING)
	AR61886	OIL COOLER	1		(LESS AIR CONDITIONING)

4C9

HYDRAULICS

HYDRAULIC COOLER RETURN LINES, FRONT (QUAD-RANGE AND SYNCRO-RANGE WITH PERMA-CLUTCH AND POWER SHIFT)

R22627 -UN-01JAN94



R 22627

KEY	PART NO.	PART NAME	QTY	TRACTOR SERIAL NO.	REMARKS
1	R53662	SELF-LOCKING SCREW	1	-XXXXXX	(A) FRONT, (SUB R57719)
2	TY22467	CLAMP	4		(A) (SUB FOR AR21839)
3	T22958	HOSE	1	-006999	(A) (SUB FOR T40167) (SUB L35843)
4	19H2552	CAP SCREW	2		3/8" X 1-1/8"
5	R53501	TUBE	1	-XXXXXX	(A) CENTER, (SUB R57719)
6	T27523	CLAMP	2		(A)
7	14H812	NUT	2		3/8"
	12H304	LOCK WASHER	2		3/8"
8	R53707	TUBE	1	-010646	HYDRAULIC RETURN, FRONT, (SUB R56675)
	R56675	TUBE	1	010647-	HYDRAULIC RETURN, FRONT
9	TY22467	CLAMP	4		(SUB FOR AR21839)
10	HOSE	1		737MM (29") (MAKE FROM TY22329) (SUB FOR R53613)
11	HOSE	1		737MM (29") (PUMP TO COOLER) (MAKE FROM TY22329) (SUB FOR R53613)
12	R27928	O-RING	2		(TOP) (REPLACEMENT PUMP WITH SERIAL PLATE)
	R27928	O-RING	1		(BOTTOM) (REPLACEMENT PUMP WITH SERIAL PLATE)
	P47908	O-RING	1		
13	R27926	FITTING	1		
14	R27927	HOLLOW SCREW	1		
15	R55144	HOSE GUARD	1		
16	R57719	TUBE	1	XXXXXX-	(SUB FOR R57030)
17	HOSE	1		(A) 610MM (24") (MAKE FROM TY22329) (SUB FOR R52438)

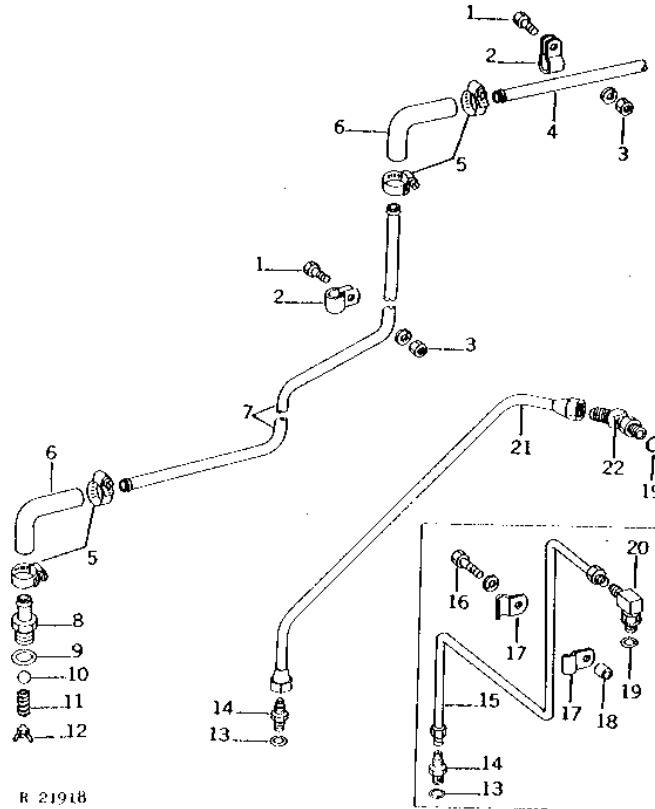
(A) AIR CONDITIONING

4C10

HYDRAULICS

R21918 -UN-01JAN94

HYDRAULIC COOLER RETURN LINES, REAR (QUAD-RANGE AND SYNCRO-RANGE)



R 21918

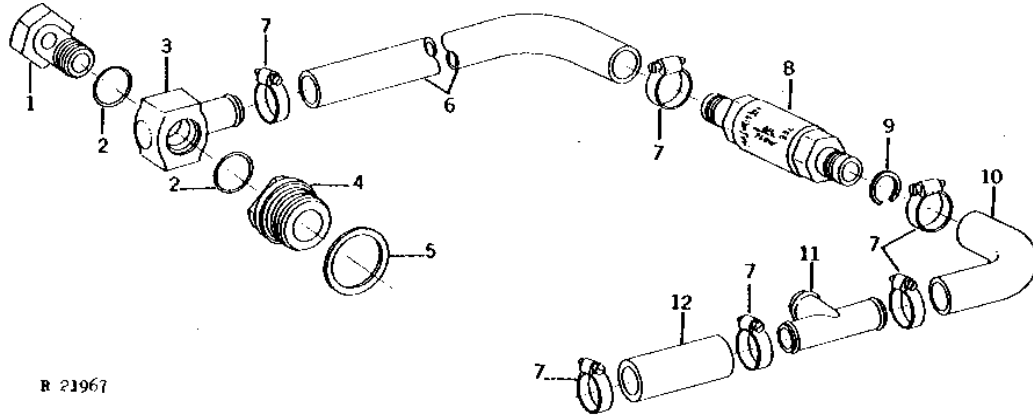
KEY	PART NO.	PART NAME	QTY	TRACTOR SERIAL NO.	REMARKS
1	19H1134	CAP SCREW	2		3/8" X 3/4"
2	T24959	CLAMP	1		
3	14H812	NUT	2		3/8"
	12H304	LOCK WASHER	2		3/8"
4	R53707	TUBE	1	-010646	(SUB R56675)
	R56675	TUBE	1	010647-	
5	AR21839	CLAMP	4		
6	T22958	HOSE	2		(SUB FOR T40167) (SUB L35843)
7	R53623	TUBE	1	-006999	
	R55481	TUBE	1	007000-	
8	R53540	HOSE FITTING	1		
9	F3171R	O-RING	1		
10	R1818R	BALL	1		19MM (3/4")
11	A4979R	SPRING	1		
12	R53045	RETAINER	1		
13	R26286	O-RING	1		
14	R27237	FITTING	1		
	R57298	FITTING	1	-005247	(USE WITH AR68786)
15	AR58199	HYDRAULIC LINE	1	-006999	RELIEF VALVE BYPASS
16	19H1732	CAP SCREW	1	-006999	3/8" X 1-1/4"
	12H304	LOCK WASHER	1	-006999	3/8"
17	R27539	CLAMP	2	-006999	
18	28H1519	WASHER	1	-006999	0.493" X 0.675" X 3/8"
19	R26375	O-RING	1		
20	AT32332	ELBOW FITTING	1	-006999	(SUB FOR AR26763)
21	AR63958	HYDRAULIC LINE	1	007000-	RELIEF VALVE BYPASS
22	AR26745	ELBOW FITTING	1	007000-	

4C11

HYDRAULICS

**HYDRAULIC THERMOSTAT BYPASS VALVE
(SYNCRO-RANGE TRANSMISSION)
(TRACTOR SERIAL NO. -010102)**

R21967 -UN-01JAN94



R 21967

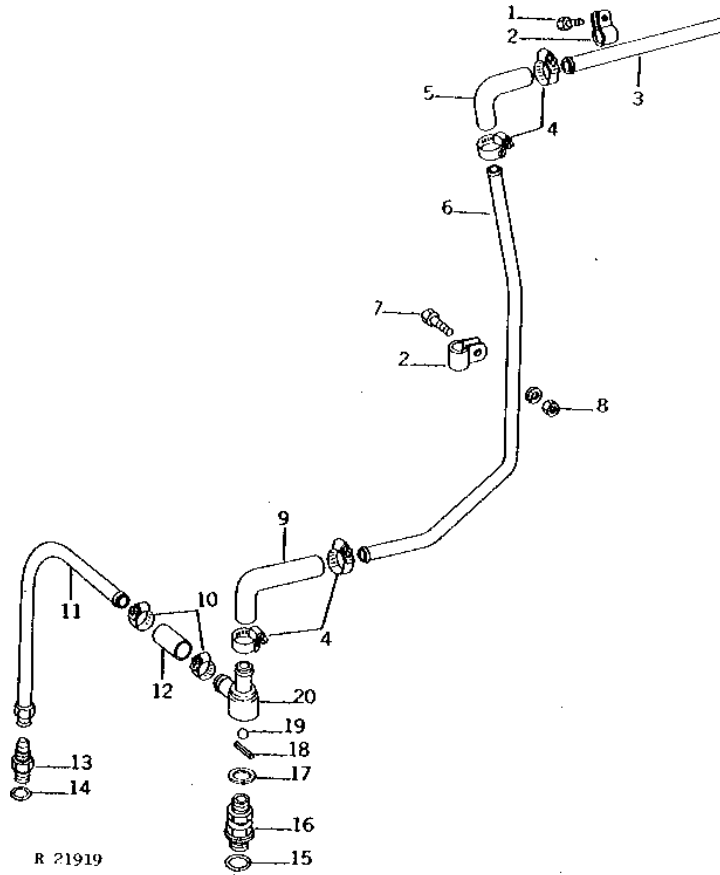
KEY	PART NO.	PART NAME	QTY	TRACTOR SERIAL NO.	REMARKS
1	R27927	HOLLOW SCREW	1		
2	R27928	O-RING	2		
3	R27926	FITTING	1		
4	R57299	BUSHING	1		
5	A4808R	WASHER	1		
6	HOSE	1		19 X 3048MM (3/4" X 120") LUBE BYPASS RETURN, (MAKE FROM TY22329)
7	TY22467	CLAMP	6		(SUB FOR AR21839)
8	RE54318	VALVE	1		(SUB FOR AR68787)
9	R57448	SNAP RING	1		
10	R47756	HOSE	1		(SUB TY22425)
11	R61955	TEE FITTING	1		
12	HOSE	1		19 X 64MM (3/4" X 2-1/2") (PUMP TO TEE) (MAKE FROM TY22329)
..	R44302	TIE BAND	AR		
..	R76477	TIE BAND	AR		(SUB FOR R45440)

4C12

HYDRAULICS

R21919 -UN-01JAN94

HYDRAULIC COOLER RETURN LINES, REAR (POWER SHIFT)



4C13

HYDRAULICS

HYDRAULIC COOLER RETURN LINES, REAR - CONTINUED (POWER SHIFT)

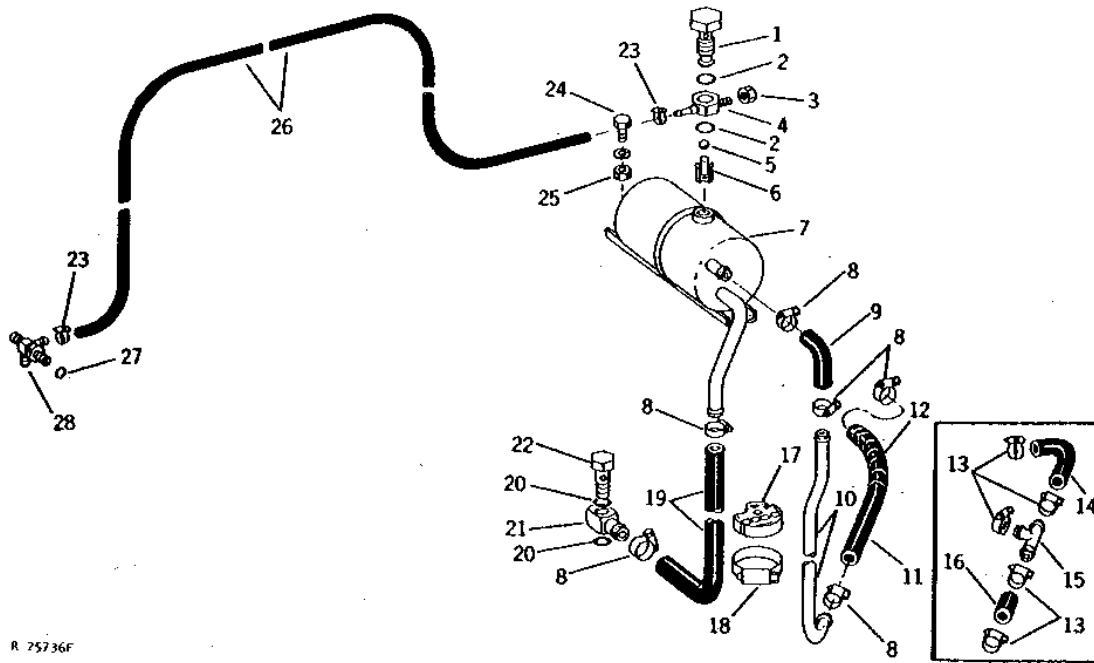
KEY	PART NO.	PART NAME	QTY	TRACTOR SERIAL NO.	REMARKS
1	19H1134	CAP SCREW	1		3/8" X 3/4"
2	T24959	CLAMP	2		
3	R53707	TUBE	1	-010646	(SUB R56675)
	R56675	TUBE	1	010647-	
4	TY22467	CLAMP	4		(SUB FOR AR21839)
5	T22958	HOSE	1		(SUB L35843)
6	R53624	HYDRAULIC LINE	1		
7	19H1936	CAP SCREW	1		3/8" X 3/4"
8	14H812	NUT	1		3/8"
	12H304	LOCK WASHER	1		3/8"
9	TY22425	HOSE	1		(SUB FOR R46485)
10	TY22465	CLAMP	2		LUBRICATION BYPASS, (SUB FOR AR21837)
11	AR55873	HYDRAULIC LINE	1		
12	HOSE	1		(2-1/2") (MAKE FROM R20922)
13	R27270	FITTING	1		
14	R26906	O-RING	1		
15	F3171R	O-RING	1		
16	AR59285	THREADED NIPPLE	1	-022108	(SUB AR77284, R62708, R495R, R51571 AND 34H247)
	AR77284	THREADED NIPPLE	1	022109-	
17	R53262	WASHER	1	-022108	(SUB R495R, AR77284, R62708, R51571 AND 34H247)
	R495R	O-RING	1	022109-	
18	34H184	SPRING PIN	1	-022108	1/8" X 1-1/8"
	34H247	SPRING PIN	1	022109-	1/8" X 3/4"
19	R51571	BALL	1	-022108	
	R51571	BALL	1	022109-	
20	R53259	TEE FITTING	1	-022108	(SUB R62708, AR77284, R495R, R51571 AND 34H247)
	R62708	TEE FITTING	1	022109-	

4C14

HYDRAULICS

R25736 -UN-01JAN94

HYDRAULIC OIL RESERVOIR



KEY	PART NO.	PART NAME	QTY	TRACTOR SERIAL NO.	REMARKS
1	T22970	PLUG	1		
2	U11343	O-RING	2		
3	R40583	FITTING	1		
4	AT20983	FITTING	1		
5	R48084	BALL	1		
6	R39076	GUIDE	1		
7	AR77241	RESERVOIR	1		
8	TY22467	CLAMP	6		(SUB FOR AR21839)
9	T22958	HOSE	1	010647-	(SUB FOR T40167) (SUB L35843)
10	R62661	TUBE	1	-010646	(RESERVOIR TO COOLER)
	R63812	TUBE	1	010647-	(RESERVOIR TO COOLER)
11	HOSE	1	010647-	737MM (29") (MAKE FROM TY22329) (SUB FOR R53613)
12	R55144	HOSE GUARD	1	010647-	
13	TY22467	CLAMP	5	-010646	(SUB FOR AR21839)
14	R47756	HOSE	1	-010646	(SUB TY22425)
15	R61955	TEE FITTING	1	-010646	
16	HOSE	1	-010646	1045MM (41") (MAKE FROM TY22329) (SUB FOR R54078)
17	R50711	SPACER	1	-010646	
	R56953	SPACER	1	010647-XXXXXX	(SUB R61522)
	R61522	SPACER	1	XXXXXX-	
18	TY22470	CLAMP	1	-010646	(SUB FOR AR21840)
	AR21999	CLAMP	1	010647-	
19	R62660	HOSE	1		534MM (21") (RESERVOIR TO PUMP)
20	R27928	O-RING	2		
	R27928	O-RING	1		(TOP) (REPLACEMENT PUMP WITH SERIAL PLATE)
	P47908	O-RING	1		(BOTTOM) (REPLACEMENT PUMP WITH SERIAL PLATE)
21	R62663	FITTING	1		(SUB R67243, R27094 AND R26286)
22	R62662	SCREW	1		
23	AR21836	CLAMP	2		
24	19H2284	CAP SCREW	2		3/8" X 7/8"
25	14H812	NUT	2		3/8"
	12H304	LOCK WASHER	2		3/8"

4C15

HYDRAULICS

HYDRAULIC OIL RESERVOIR - CONTINUED

KEY	PART NO.	PART NAME	QTY	TRACTOR SERIAL NO.	REMARKS
26	HOSE	1		3150MM (124") (MAKE FROM R78325)
27	R26286	O-RING	1		
28	AR77242	TEE FITTING	1		
	R62659	FITTING	1		
..	AR77240	KIT	1	001000-010646	(A)
..	AR78905	KIT	1	010647-	(A)

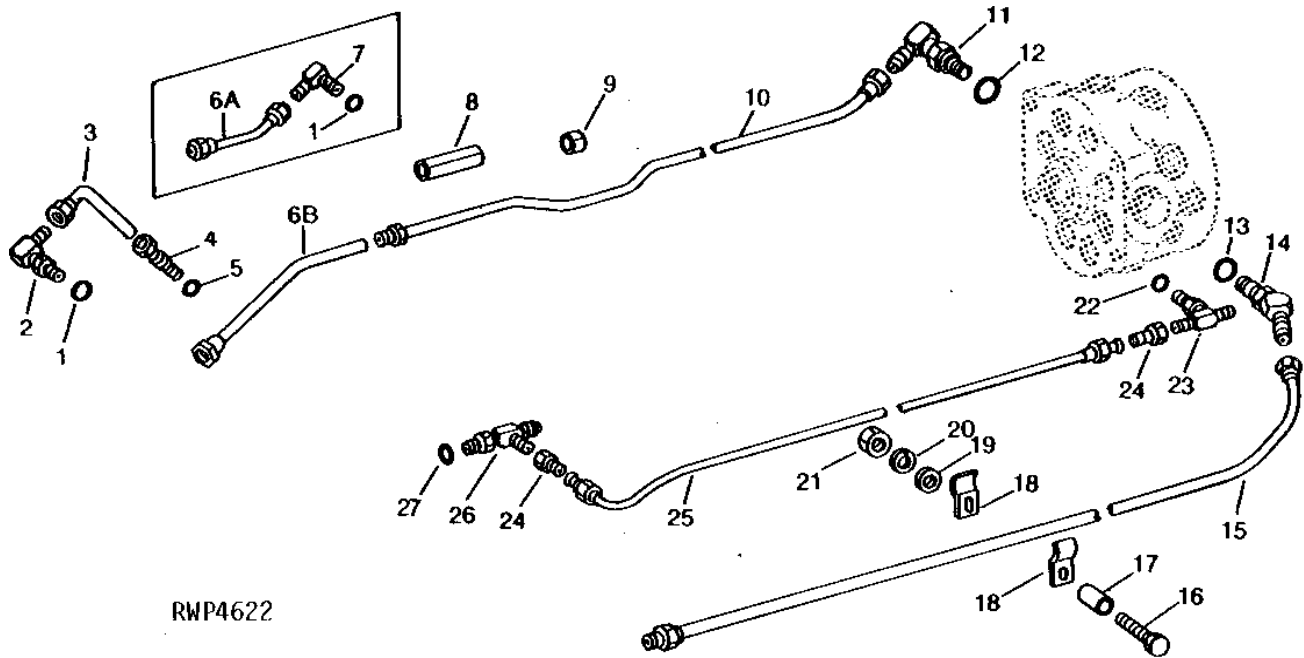
(A) HYDRAULIC OIL RESERVOIR

4C16

HYDRAULICS

RWP4622 -UN-01JAN94

HYDRAULIC PUMP LINES



RWP4622

KEY	PART NO.	PART NAME	QTY	TRACTOR SERIAL NO.	REMARKS
1	F3171R	O-RING	2		
2	AT32331	ELBOW FITTING	1		(SUB FOR AR26723)
3	AR59628	HYDRAULIC LINE	1	-013120	(A) (C) (E)
	AR69626	OIL LINE	1	013121-	(A) (C) (E) (SUB AR103687 AND AR57030)
	AR59629	HYDRAULIC LINE	1	-013120	(B) (E)
	AR69628	OIL LINE	1	013121-	(B) (E) (SUB RE10096)
4	R33610	FITTING	1	-013120	(A) (C) (SUB R76494)
5	B2762R	O-RING	1		(A) (C)
6A	AR60057	HYDRAULIC LINE	1	-006999	(A) (F)
6B	AR66532	HYDRAULIC LINE	1	007000-	(A) (C) (F)
7	AR32331	ELBOW FITTING	1		(SUB FOR AR26723)
8	T21959	ISOLATOR	1	-013120	
9	T29317	ISOLATOR	1	-013120	
	TY22467	CLAMP	2	-013120	(SUB FOR AR21839)
	R43479	SPACER	1	013121-	
	R76477	TIE BAND	1	013121-	(SUB FOR R45440)
10	AR71321	HYDRAULIC LINE	1	-006999	(A) (G) (ALSO ORDER R43479 AND R76477) (SUB FOR AR58546)
	AR58547	HYDRAULIC LINE	1	-006999	(A) (D) (G)
	AR62084	HYDRAULIC LINE	1		(B) (D) (G)
	AR71320	HYDRAULIC LINE	1		(B) (G) (ALSO ORDER R43479 AND R76477) (SUB FOR AR60327)
	AR71319	HYDRAULIC LINE	1	007000-	(A) (C) (G) (ALSO ORDER R43479 AND R76477) (SUB FOR AR64621)
	AR65207	HYDRAULIC LINE	1	007000-	(A) (C) (D) (G)
11	AR27888	ELBOW FITTING	1		
12	F3171R	O-RING	1		
13	R26906	O-RING	1		
	F3171R	O-RING	1		(REPLACEMENT PUMP WITH SERIAL PLATE)
14	AT32338	FITTING	1		(SUB FOR AR26828)
	AT49331	ELBOW FITTING	1		(REPLACEMENT PUMP WITH SERIAL PLATE)

4C17

HYDRAULICS

HYDRAULIC PUMP PIPES - CONTINUED

KEY	PART NO.	PART NAME	QTY	TRACTOR SERIAL NO.	REMARKS
15	AR73921	HYDRAULIC LINE	1	(F)	(SUB FOR AR60377)
16	R52028	CAP SCREW	1		
17	28H1878	SPACER	1	3/8" X .44"	
18	R47576	CLAMP	2		
19	24M7096	WASHER	1	10.500 X 18 X 1.600 MM	
20	12H304	LOCK WASHER	1	3/8"	
21	14H812	NUT	1	3/8"	
22	R26287	O-RING	1		
23	AR56615	TEE FITTING	1		
24	R64170	ADAPTER	2		
25	AR87535	OIL LINE	1	(A) (C) (H)	(ALSO ORDER (2) R64170) (SUB FOR AR60482 OR AR79713) (NYLON)
	AR79711	HYDRAULIC LINE	1	(B) (H)	(ALSO ORDER (2) R64170) (SUB FOR AR60483) (NYLON)
26	AR30762	TEE FITTING	1	(A) (C)	
	AR59519	TEE FITTING	1	(B)	
27	R26286	O-RING	1		

- (A) SYNCRO-RANGE
- (B) POWER SHIFT
- (C) QUAD-RANGE
- (D) POWER FRONT WHEEL DRIVE
- (E) RETURN
- (F) PRESSURE
- (G) PUMP INLET
- (H) PUMP SEAL DRAIN

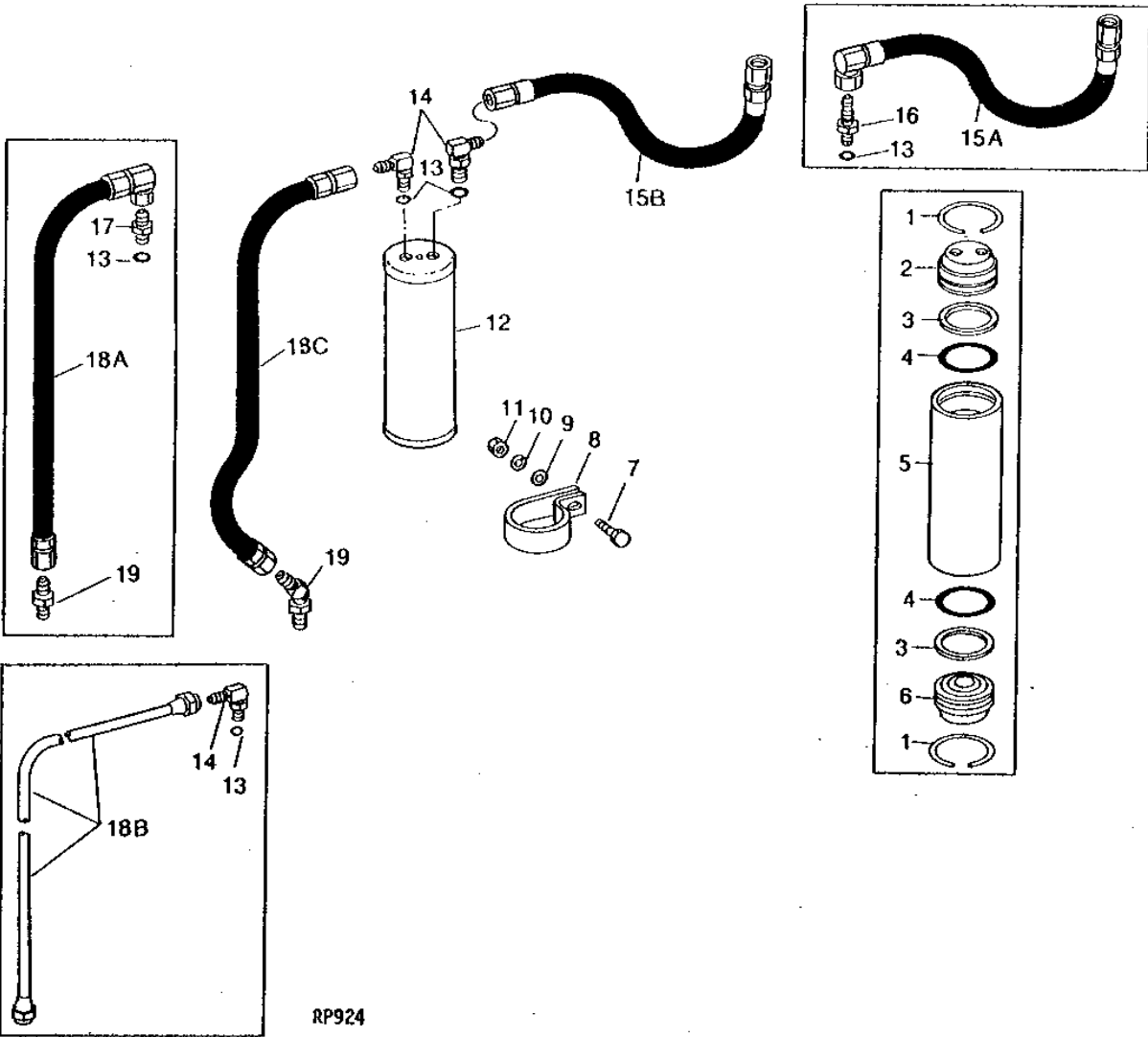
4C18

HYDRAULICS

RP924

-UN-01JAN94

HYDRAULIC OIL ATTENUATOR



4C19

HYDRAULICS

HYDRAULIC OIL ATTENUATOR - CONTINUED

KEY	PART NO.	PART NAME	QTY	TRACTOR SERIAL NO.	REMARKS
1	U10136	SNAP RING	2	-009788	
2	R55293	END	1	-009788	(SUB AR75693, THIS APPLICATION)
3	R35684	BACK-UP RING	2	-009788	
4	U12331	O-RING	2	-009788	
5	R46987	HYDRAULIC CYLINDER BARREL	1	-009788	(SUB AR75693, THIS APPLICATION)
6	R55294	END	1	-009788	(SUB AR75693, THIS APPLICATION)
7	19H988	CAP SCREW	2		3/8" X 1-1/4"
8	R35794	CLAMP	2		
9	24H1309	WASHER	2		13/32" X 1-1/16" X 0.120"
10	12H304	LOCK WASHER	2		3/8"
11	14H812	NUT	2		3/8"
12	AR75693	ATTENUATOR	1	009789-	(SUB FOR AR64220 OR AR68439)
13	R26448	O-RING	2		(A)
14	AT35121	ELBOW FITTING	2	XXXXXX-	(SUB FOR AT35121)
15A	AR61508	OIL LINE	1	-024372	UPPER, (SUB AR78830, AT35121 AND R26448)
15B	AR78830	HYDRAULIC HOSE	1	024373-	
16	R27238	FITTING	1	-024372	
17	R27212	FITTING	1	-024372	(B)
18A	AR61508	OIL LINE	1	-XXXXXX	(B) (SUB AR78830, AR26725 AND R26448)
18B	AR77405	OIL LINE	1	XXXXXX-XXXXXX	(B)
18C	AR78830	HYDRAULIC HOSE	1	024373-	(A)
19	AT38033	ELBOW FITTING	1		(A) (SUB FOR AR26722)
..	AR81296	LINE	1	-XXXXXX	PRESSURE, LOWER, (SUB FOR AR77401)

(A) INCLUDED IN AR81296

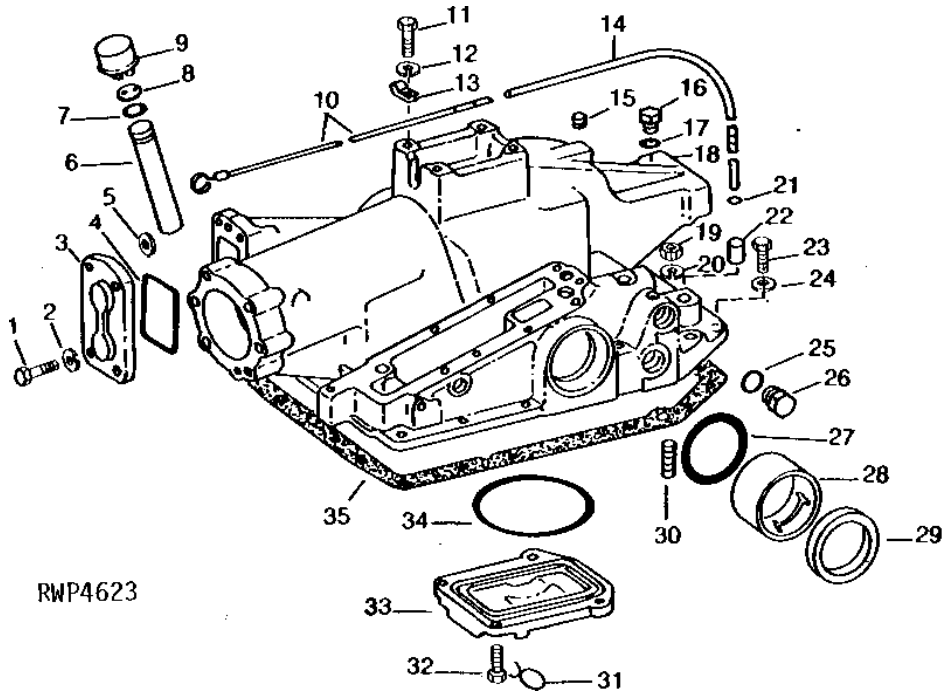
(B) LOWER

4C20

HYDRAULICS

ROCKSHAFT HOUSING WITH BUSHINGS AND OIL SEAL
(TRACTOR SERIAL NO. -013120)

RWP4623 -UN-01JAN94



RWP4623

4C21

HYDRAULICS

ROCKSHAFT HOUSING WITH BUSHINGS AND OIL SEAL - CONTINUED
(TRACTOR SERIAL NO. -013120)

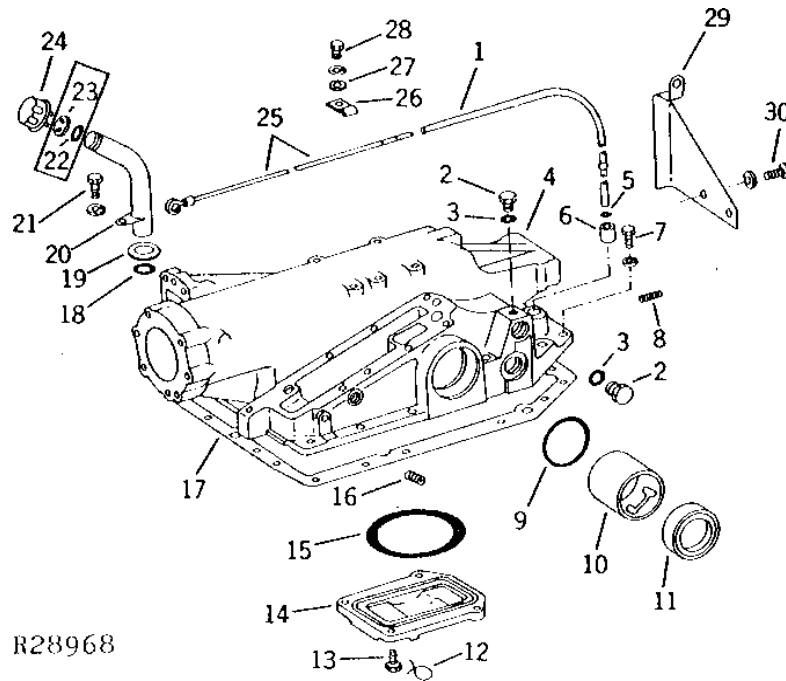
KEY	PART NO.	PART NAME	QTY	TRACTOR SERIAL NO.	REMARKS
1	19H2731	CAP SCREW	4		7/16" X 1-3/8"
2	12H293	LOCK WASHER	4		7/16"
3	R41446	COVER	1		(LESS SELECTIVE CONTROL)
4	R40922	PACKING	1		
5	F2741R	PACKING	1		
6	R51190	TUBE	1		
7	R1225R	O-RING	1		
8	R57550	ISOLATOR	1		
9	AR55304	CAP	1		
10	AR89228	DIPSTICK	1		(SUB FOR AR54616)
11	19H1936	CAP SCREW	2		3/8" X 3/4"
12	12H304	LOCK WASHER	2		3/8"
13	T13814	CLAMP	1		
14	AR56083	LINE	1		
15	15H559	PIPE PLUG	1		1/4"
16	R39112	FITTING	1		
17	R26375	O-RING	1		
18	AR54726	HOUSING	1		(MARKED R50250) (SUB AR68112 AND R51190)
19	14H1040	NUT	1		1/2"
20	12H301	LOCK WASHER	1		1/2"
21	A3917R	O-RING	1	XXXXXX-	
22	R55214	BUSHING	1		(ALSO ORDER A3917R) (SUB FOR R49955)
23	19H1721	CAP SCREW	13		1/2" X 1-1/2"
	19H1805	CAP SCREW	3		1/2" X 2-1/4"
	19H1781	CAP SCREW	13		1/2" X 3-1/2"
24	12H301	LOCK WASHER	17		1/2"
25	R26906	O-RING	2		
26	R39164	PLUG	2		
27	A5598R	O-RING	1		R.H.
	R36424	O-RING	1		L.H.
28	R36379	BUSHING	1		L.H.
	R36378	BUSHING	1		R.H.
29	R36423	SEAL	2		
30	D488R	STUD	1		
31	WIRE	2	-XXXXXX	356MM (14") (16 GAUGE)
32	R57725	SCREW	4		(SUB FOR R61762)
33	R55080	COVER	1		(SUB FOR R51551) (SUB R58544)
34	R36425	WASHER	1		
35	R43408	GASKET	1		

4C22

HYDRAULICS

ROCKSHAFT HOUSING WITH BUSHINGS AND OIL SEALS (TRACTOR SERIAL NO. 013121-)

R28968 -UN-01JAN94



R28968

KEY	PART NO.	PART NAME	QTY	TRACTOR SERIAL NO.	REMARKS
1	AR56083	LINE	1		
2	R39164	PLUG	3	-XXXXXX	
	R39164	PLUG	2	XXXXXX-	
3	R26906	O-RING	3	-XXXXXX	
	R26906	O-RING	2	XXXXXX-	
4	AR68774	HOUSING	1		(MARKED R57284, R71982 OR R76946) (ALSO ORDER R39164 AND R26906) (FOR SERIAL NUMBERS 021798 AND ABOVE) (POWER SHIFT) (SUB AR94622, R26906, R39164, AR57030, AND RE10098) OR (QUAD-RANGE) (SUB AR94622, R26906, R39164 AR103687 AND AR57030)
5	A3917R	O-RING	1		
6	R55214	BUSHING	1		
7	19H1721	CAP SCREW	9		1/2" X 1-1/2"
	19H1805	CAP SCREW	7		1/2" X 2-1/4"
	19H3586	CAP SCREW	9		1/2" X 4-1/4", HS, SAE 8
	12H301	LOCK WASHER	17		1/2"
	R43406	CAP SCREW	1		(SUB R115437)
8	15H571	PIPE PLUG	2		3/8"
9	A5598R	O-RING	1		R.H.
	R36424	O-RING	1		L.H.
10	R36379	BUSHING	1		L.H.
	R36378	BUSHING	1		R.H.
11	R36423	SEAL	2		
12	WIRE	2	-XXXXXX	356MM (14") (16 GAUGE)
13	R57725	SCREW	4		(SUB FOR R61762)
14	R58544	COVER	1		
15	R36425	WASHER	1		
16	15H559	PIPE PLUG	1		1/4"
17	R43408	GASKET	1		
18	R30319	O-RING	1		
19	24H1520	WASHER	1		1-15/32" X 2" X 0.105"

4C23

HYDRAULICS

ROCKSHAFT HOUSING WITH BUSHINGS AND OIL SEALS - CONTINUED
(TRACTOR SERIAL NO. 013121-)

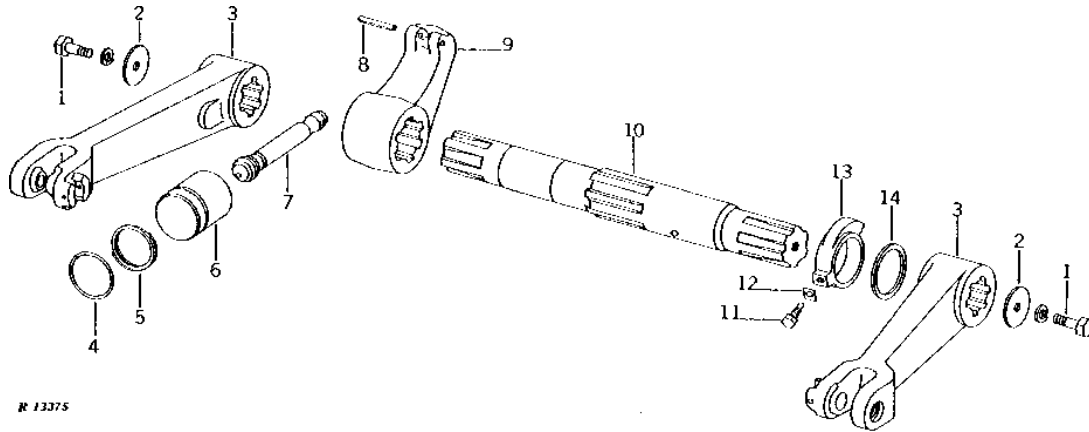
KEY	PART NO.	PART NAME	QTY	TRACTOR SERIAL NO.	REMARKS
20	AR54439	TUBE	1	-030211	(SUB RE20058 AND AR30697)
	AR83383	OIL TUBE	1	030212-	(SUB RE20058)
21	19H2284	CAP SCREW	1		3/8" X 7/8"
	12H304	LOCK WASHER	1		3/8"
22	R1225R	O-RING	1	-030211	
23	R57550	ISOLATOR	1		
24	AR55304	CAP	1	-030211	(ALSO ORDER R57550)
	AR30697	CAP	1	030212-	
25	AR89228	DIPSTICK	1		(SUB FOR AR54616)
26	R34933	CLAMP	2		
27	24H1303	WASHER	2		13/32" X 11/16" X 0.065"
28	19H1936	CAP SCREW	2		3/8" X 3/4"
	12H304	LOCK WASHER	2		3/8"
29	R63082	SUPPORT	1	024779-	
30	19H1792	CAP SCREW	2	024779-	1/2" X 1"
	12H301	LOCK WASHER	2	024779-	1/2"
..	R42093	GROMMET	1		

4C24

HYDRAULICS

R13375 -UN-01JAN94

ROCKSHAFT, ROCKSHAFT PISTON, AND LIFT ARMS



R 13375

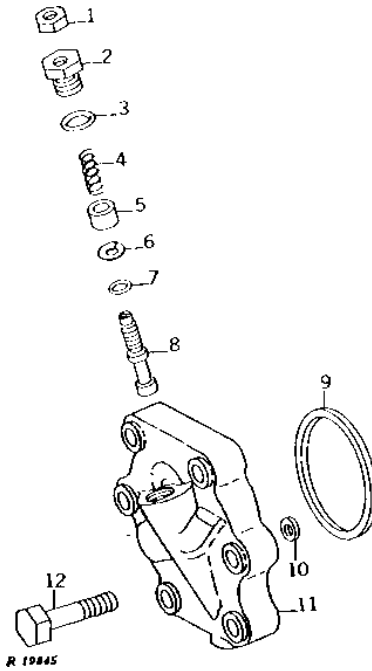
KEY	PART NO.	PART NAME	QTY	TRACTOR SERIAL NO.	REMARKS
1	19H2589	CAP SCREW	2		3/4" X 1-7/8"
	12H236	LOCK WASHER	2	-XXXXXX	3/4"
2	R36402	WASHER	2		
3	R43314	LIFT ARM	2	-013120	
	R57676	LIFT ARM	2	013121-	
4	R59968	WASHER	1	-013120	
	R60543	WASHER	1	013121-	
5	R59969	WASHER	1	-013120	
	R60544	WASHER	1	013121-	
6	R49885	PISTON	1	-013120	(SUB R64233)
	R57324	PISTON	1	013121-	
7	AR43547	ROD	1	-013120	
	AR69081	ROD	1	013121-	
8	34H323	SPRING PIN	1		1/4" X 3"
9	R54165	ARM	1	-013120	
	R57553	LEVER	1	013121-	
10	R43324	ROCKSHAFT	1	-013120	
	R56964	ROCKSHAFT	1	013121-	(SUB R74106)
11	R69642	CAP SCREW	1		(SUB FOR R26626)
12	F3173R	LOCK PLATE	1		
13	R43312	CAM	1	-027079	(SUB R69643)
	R69643	CAM	1	027080-	(SUB FOR R62500)
14	R43601	WASHER	2		

4C25

HYDRAULICS

R19845 -UN-01JAN94

PISTON COVER AND ROCKSHAFT THROTTLE VALVE



KEY	PART NO.	PART NAME	QTY	TRACTOR SERIAL NO.	REMARKS
1	14H774	NUT	1	3/8"	
2	R26458	FITTING	1		
3	R26906	O-RING	1		
4	B3686R	SPRING	1		
5	R26457	VALVE	1	-013120	(SUB R59684)
	R59684	BUSHING	1	013121-	
6	R31136	BACK-UP RING	1		
7	A4365R	O-RING	1		
8	R26625	SHAFT	1		
9	R49888	PACKING	1	-013120	(SUB R65503)
	R65335	WASHER	1	013121-	
10	F2741R	PACKING	1		
11	R49887	COVER	1	-013120	(A)
	R58117	COVER	1	013121-	(A)
	R50197	CAP	1	-013120	(A) (B)
	R63882	COVER	1	013121-	(A) (B) (SUB FOR R58248)
	R50202	COVER	1	-013120	(A) (C)
	R58247	COVER	1	013121-	(A) (C)
12	15H558	PIPE PLUG	1	1/8"	
	19H3244	CAP SCREW	6	5/8" X 2-1/4"	
	12H294	LOCK WASHER	6	5/8"	

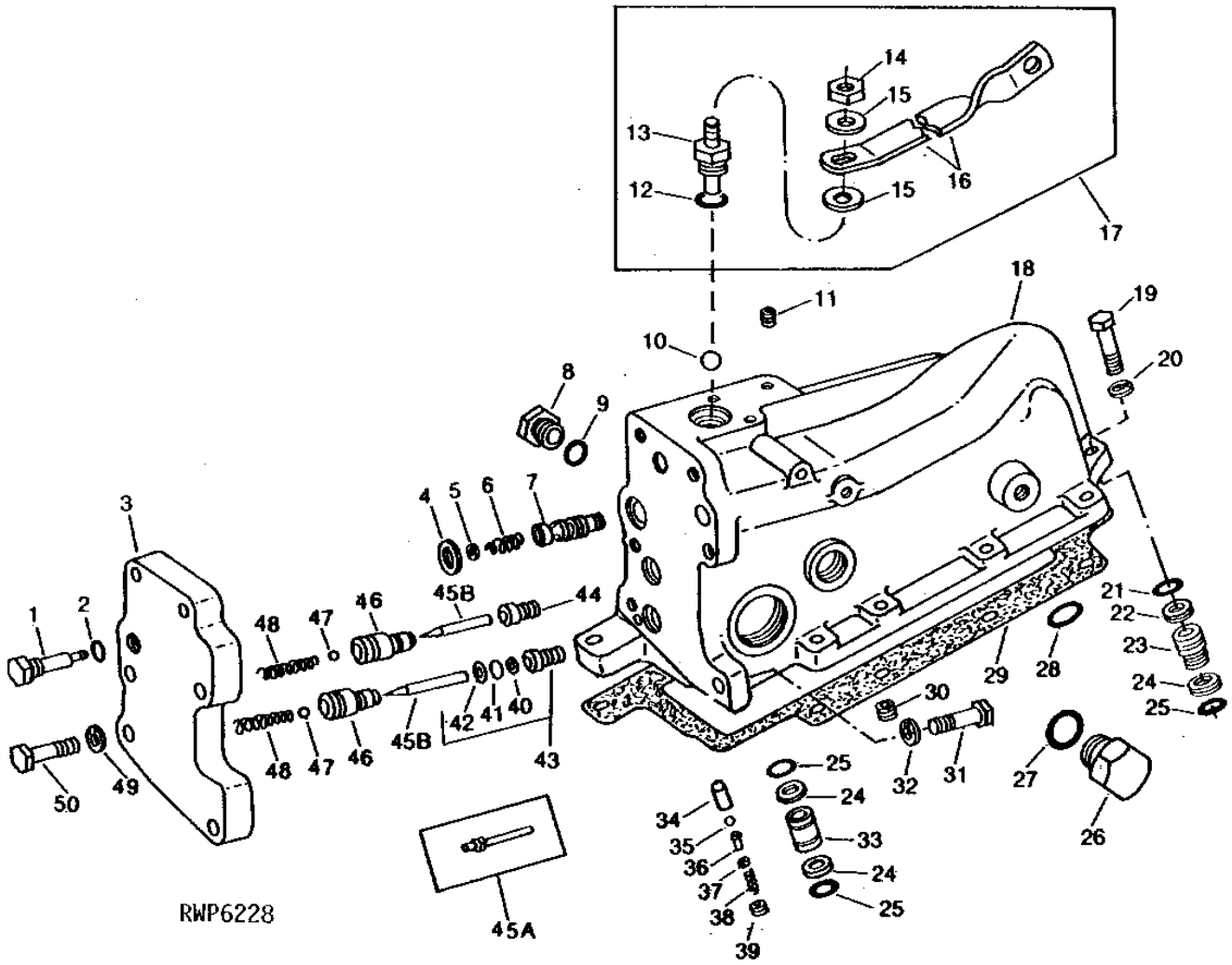
- (A) PISTON
- (B) LESS ROCKSHAFT
- (C) WITH POWER WEIGHT TRANSFER HITCH

4D1

HYDRAULICS

ROCKSHAFT CONTROL VALVE HOUSING (TRACTOR SERIAL NO. -016902)

RWP6228 -UN-01JAN94



4D2

HYDRAULICS

ROCKSHAFT CONTROL VALVE HOUSING - CONTINUED
(TRACTOR SERIAL NO. -016902)

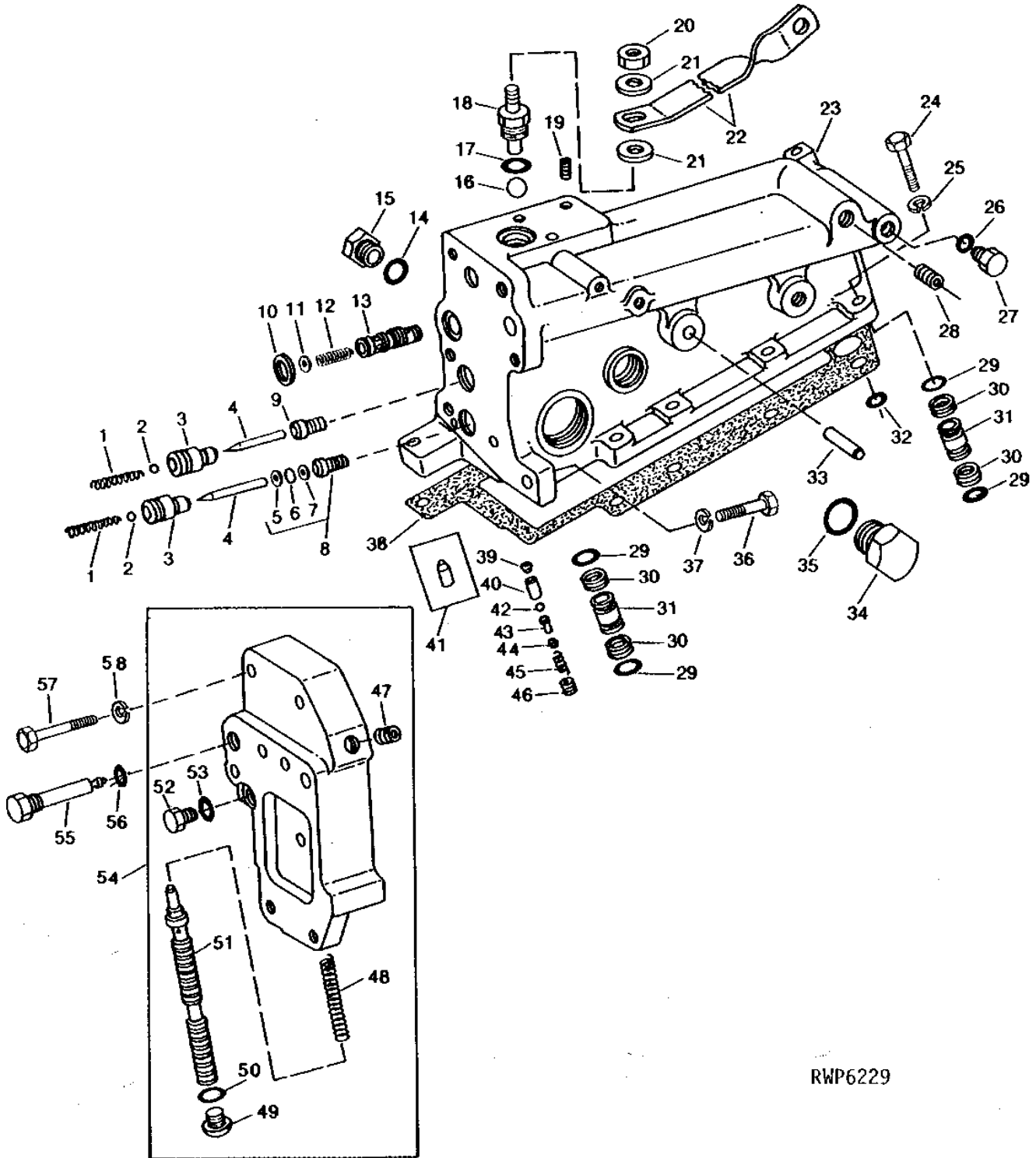
KEY	PART NO.	PART NAME	QTY	TRACTOR SERIAL NO.	REMARKS
1	R40881	FITTING	1		
2	R26448	O-RING	1		
3	R50065	VALVE COVER	1	-011814	(SUB R59080 AND (2) R59082)
	R59080	COVER	1	011815-	
4	R26149	PACKING	5		
5	B1664R	SHIM	AR		
6	R26566	SPRING	1		
7	R43791	CONTROL VALVE	1	-12RS1	(FLOW CONTROL)
	R57675	VALVE	1	13RS1-	(FLOW CONTROL)
8	R39112	FITTING	1		
9	R26375	O-RING	1		
10	M886T	BALL	1		16MM (5/8")
11	15H558	PIPE PLUG	4		1/8"
	15H571	PIPE PLUG	4	13RS1-	3/8"
12	R26906	O-RING	1		
13	AR26761	PLUG	1	-008930	(SUB R56916, THIS APPLICATION)
	R56916	PLUG	1	008931-	
14	14H1040	NUT	1		1/2"
15	R58230	LOCK WASHER	2		
16	R58234	LINK	1		
17	AR68810	KIT	1	-008930	ROCKSHAFT CONTROL STABILIZER (ALSO INCLUDES AR68010, (4) R41076 AND (5) R42093)
18	AR76340	HOUSING	1	-12RS1	(MARKED R57899, R50064, AR94165 OR AR76277)
	AR73901	HOUSING	1	13RS1-	(SUB FOR AR54329) (MARKED R60179) (SUB FOR AR69931) (SUB AR78507 AND 19H2128)
19	19H1732	CAP SCREW	9	-013120	3/8" X 1-1/4"
	19H1732	CAP SCREW	6	013121-	3/8" X 1-1/4"
	19H2128	CAP SCREW	9	013121-	3/8" X 3"
	19H2054	CAP SCREW	9	013121-	3/8" X 4-3/4"
20	12H304	LOCK WASHER	9	-013120	3/8"
	12H304	LOCK WASHER	8	013121-	3/8"
21	R27564	O-RING	1	-013120	
	R27166	O-RING	1	013121-	
22	R45925	BACK-UP RING	1	-013120	
	R41057	BACK-UP RING	1	013121-	
23	R45924	BUSHING	1	-013120	
	R40945	VALVE	1	013121-	
24	R41057	BACK-UP RING	3		
25	R27166	O-RING	3		
26	R27175	DRAIN PLUG	1		
27	F3171R	O-RING	1		
28	T17882	WASHER	1	013121-	
29	R40896	GASKET	1	-013120	
	R67121	GASKET	1	013121-	(SUB FOR R57665)
30	R66895	ORIFICE	1		(USE WITH AR94165)
31	19H2731	CAP SCREW	1		7/16" X 1-3/8"
32	12H293	LOCK WASHER	1		7/16"
33	R40945	VALVE	1		THERMAL RELIEF
34	R40893	VALVE SEAT INSERT	1		(SUB R61349 AND R61350)
35	R41776	BALL	1		2MM (3/32")
36	R41777	PIN	1		
37	R40895	SHIM	AR		0.25MM (.010")
38	R59766	SPRING	1		
39	R40894	PLUG	1		
40	R41337	WASHER	1		
41	R26977	BACK-UP RING	1		
42	R26976	O-RING	1		
43	AR78483	GUIDE	1		PRESSURE, (SUB FOR AR31703)
44	R31024	GUIDE	1		RETURN
45A	R44298	SHAFT	2	-012741	
45B	R62336	SHAFT	2	012742-	(SUB FOR R59111)
46	R44299	VALVE	2	-013120	(SUB R28124)
	R59083	VALVE	2	013121-	(SUB R28124)
47	400R	BALL	2		6MM (1/4")
48	R26565	SPRING	2	-013120	
	R59082	SPRING	2	013121-	
49	12H293	LOCK WASHER	5		7/16"
50	19H1978	CAP SCREW	5		7/16" X 1-1/2"

4D3

HYDRAULICS

ROCKSHAFT CONTROL VALVE HOUSING (TRACTOR SERIAL NO. 016903-)

RWP6229 -UN-01JAN94



RWP6229

4D4

HYDRAULICS

ROCKSHAFT CONTROL VALVE HOUSING - CONTINUED
(TRACTOR SERIAL NO. 016903-)

KEY	PART NO.	PART NAME	QTY	TRACTOR SERIAL NO.	REMARKS
1	R59082	SPRING	2		
2	400R	BALL	2		6MM (1/4")
3	R59083	VALVE	2		(SUB R28124)
4	R62336	SHAFT	2		(SUB FOR R59111)
5	R26976	O-RING	1		
6	R26977	BACK-UP RING	1		
7	R41337	WASHER	1		
8	AR78483	GUIDE	1		PRESSURE, (SUB FOR AR31703)
9	R31024	GUIDE	1		RETURN
10	R26149	PACKING	5		
11	B1664R	SHIM	AR		
12	R26566	SPRING	1		
13	R57675	VALVE	1		FLOW CONTROL
14	R26375	O-RING	1		
15	R39112	FITTING	1		
16	M886T	BALL	1		16MM (5/8")
17	R26906	O-RING	1		
18	R56916	PLUG	1		
19	15H558	PIPE PLUG	4		1/8"
	15H571	PIPE PLUG	4		3/8"
20	14H1040	NUT	1		1/2"
21	R58230	LOCK WASHER	2		(SOUND-GARD BODY)
22	R58234	LINK	1		(SOUND-GARD BODY)
23	AR73901	HOUSING	1	-021797	(MARKED R60179) (SUB AR78507 AND 19H2128)
	AR78507	HOUSING	1	021798-	(MARKED R63573, R66893 OR R71585) (ALSO ORDER 19H2128)
24	19H1732	CAP SCREW	6		3/8" X 1-1/4"
	19H2128	CAP SCREW	6		3/8" X 3"
	19H2054	CAP SCREW	6		3/8" X 4-3/4"
25	12H304	LOCK WASHER	8		3/8"
26	R26448	O-RING	1		
27	R27218	FITTING PLUG	1		
28	15H571	PIPE PLUG	1		3/8"
29	R27166	O-RING	4		
30	R41057	BACK-UP RING	4		
31	R40945	VALVE	2		
32	T17882	WASHER	1		
33	R60317	GROOVE PIN	1	-XXXXXX	
	R71583	DOWEL PIN	1	XXXXXX-	
34	R27175	DRAIN PLUG	1		
35	F3171R	O-RING	1		
36	19H2731	CAP SCREW	1		7/16" X 1-3/8"
37	12H293	LOCK WASHER	1		7/16"
38	R67121	GASKET	1		(SUB FOR R57665)
39	R61349	VALVE SEAT INSERT	1	018526-	THERMO RELIEF VALVE
40	R61350	BUSHING	1	018526-	THERMO RELIEF VALVE
41	R40893	VALVE SEAT INSERT	1	-018525	THERMO RELIEF VALVE
42	R41776	BALL	1		2MM (3/32")
43	R41777	PIN	1		
44	R40895	SHIM	AR		0.25MM (.010")
45	R59766	SPRING	1		
46	R40894	PLUG	1		THERMO RELIEF VALVE
47	15H558	PIPE PLUG	1		1/8"
48	R28914	SPRING	1		
49	R33138	FITTING	1		
50	R26375	O-RING	1		
51	R60096	VALVE	1		DIRECTIONAL
52	R27094	DRAIN PLUG	1		
53	R26286	O-RING	1		
54	AR73899	COVER	1		(MARKED R60081 AND R60334)
55	R60420	PLUG	1		FLOW CONTROL VALVE ADJUSTING
56	R26448	O-RING	1		
57	19H1899	CAP SCREW	2		7/16" X 2"
	19H1146	CAP SCREW	2		7/16" X 2-1/2"
	19H2731	CAP SCREW	2		7/16" X 1-3/8"
58	12H293	LOCK WASHER	5		7/16"

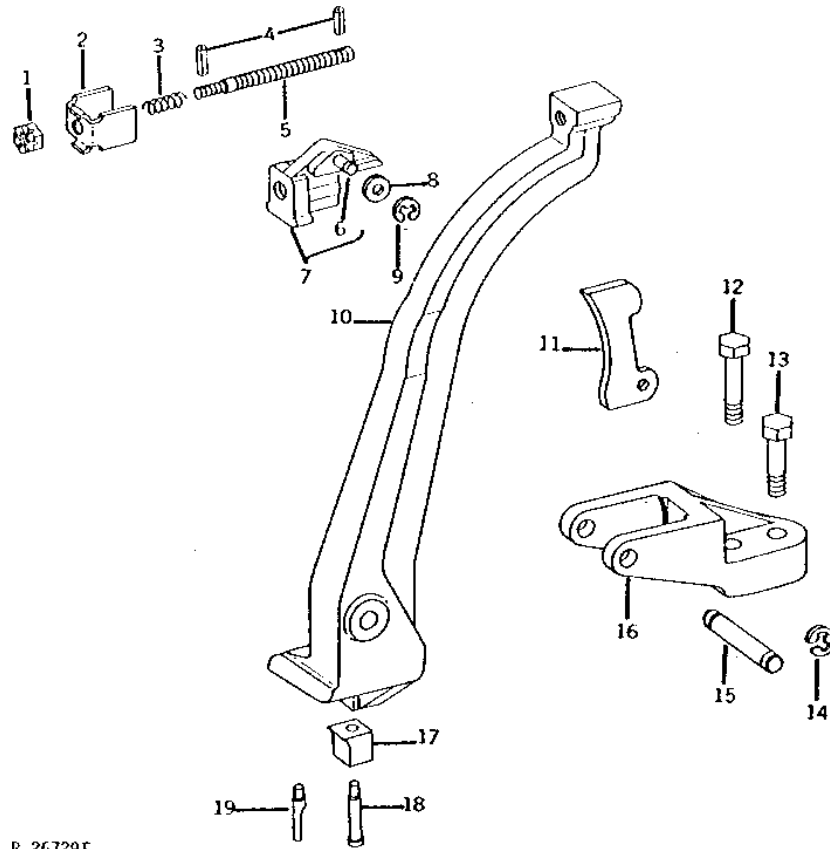
MEMORANDA

4D5

HYDRAULICS

R26729 -UN-01JAN94

LOAD CONTROL



R 26729F

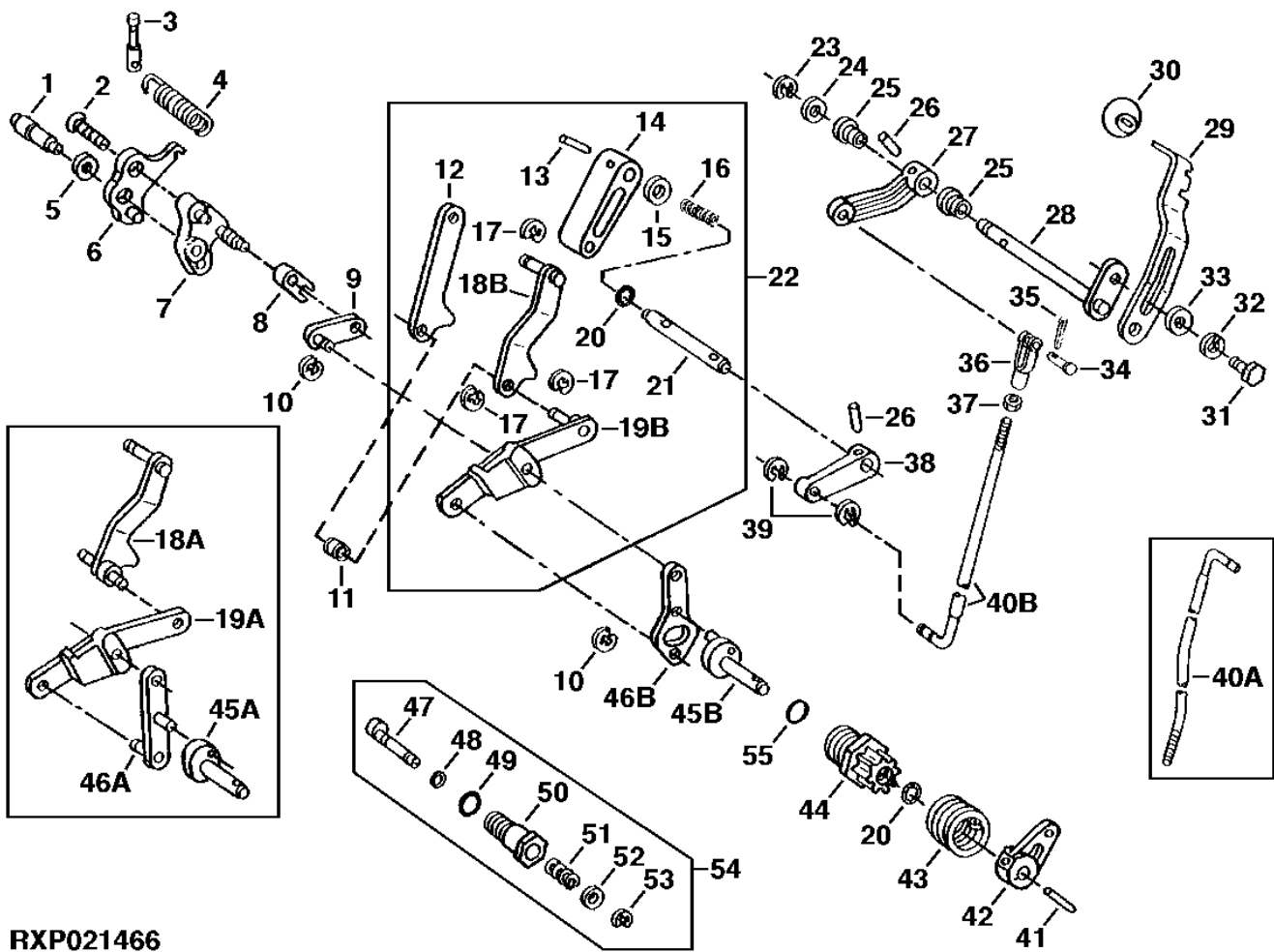
KEY	PART NO.	PART NAME	QTY	TRACTOR SERIAL NO.	REMARKS
1	14H936	NUT	1		3/8"
2	R46443	LOCK PLATE	1		
3	F1463R	SPRING	1		
4	34H243	SPRING PIN	2		1/8" X 1/2"
5	R26628	STUD	1		
6	R26869	PIN	1		(USE WITH R41121 OR R57988)
7	R64295	SPRING PIN	1		(USE WITH R62932)
	AR40785	EXTENSION	1	-013120	(MARKED R41121) (SUB AR77700)
	AR69692	EXTENSION	1	013121-021557	(MARKED R57988)
	AR77701	EXTENSION	1	021558-	(MARKED R62932)
8	24H1287	WASHER	1		9/32" X 5/8" X 0.065"
9	R72654	SNAP RING	1		(SUB FOR R27507)
10	R43921	ARM	1		
11	R49336	CAM FOLLOWER	1		
12	R43369	SELF-LOCKING SCREW	1		(SUB FOR R42407)
13	R43369	SELF-LOCKING SCREW	2		(SUB FOR R42407)
14	F2863R	SNAP RING	2		
15	R43769	PIN	1		
16	R51751	SUPPORT FOLLOWER	1		(NLA)
17	R40889	FOLLOWER	1		
18	R40891	PIN	1		
19	R43922	PIN	1		

4D6

HYDRAULICS

ROCKSHAFT CONTROL LINKAGE AND LOAD CONTROL (TRACTOR SERIAL NO. -021797)

RXP021466 -UN-22FEB96



RXP021466

4D7

HYDRAULICS

ROCKSHAFT CONTROL LINKAGE AND LOAD CONTROL - CONTINUED
(TRACTOR SERIAL NO. -021797)

KEY	PART NO.	PART NAME	QTY	TRACTOR SERIAL NO.	REMARKS
1	R40949	SHAFT	1	-026875	VALVE CAM, (SUB R64296)
	R64296	SHAFT	1	026876-	VALVE CAM
2	T22228	SCREW	1		
3	R41108	PIN	1	-XXXXXX	
	R66894	PIN	1	XXXXXX-	
4	R53033	SPRING	1	-XXXXXX	(SUB R60730)
	R60730	SPRING	1	XXXXXX-	
5	24H1321	SHIM	1		0.018"
6	AR40676	LEVER	1		(B)
7	AR40754	LINK	1		(B) (SUB AR81783, R64845, T519T AND R64843)
8	R40885	NUT	1		
9	AR40675	LEVER	1		
10	R72653	SNAP RING	2		(SUB FOR M2396T)
11	R41661	BUSHING	1		
12	R52828	LINK	1		LOAD SELECTOR, INNER
13	R56504	SPRING PIN	1		7/32" X 1"
14	R56821	ARM	1		(A) (SUB FOR R52824)
15	24H1341	WASHER	1		17/32" X 15/16" X 0.060"
16	B423R	SPRING	1		
17	R72653	SNAP RING	3		(SUB FOR M2396T)
18A	AR58236	LINK	1	-014013	LOAD SELECTOR, OUTER, (SUB AR72294 AND AR72293)
18B	AR72294	LINK	1	014014-	LOAD SELECTOR, OUTER
19A	AR55084	LINK	1	-014013	VALVE OPERATING, (SUB AR72293 AND AR72294)
19B	AR72293	LINK	1	014014-	VALVE OPERATING
20	R394R	O-RING	2		(NOT INCLUDED IN AR86775)
21	R52823	SHAFT	1		
22	AR86775	KIT	1		LOAD SELECTIVE CONTROL LINKAGE
23	P44982	PISTON RING	1		(SUB FOR R26871)
24	24H1227	WASHER	1		17/32" X 13/16" X 0.060"
25	R41076	GROMMET	2		
26	R56504	SPRING PIN	2		
27	R40915	LEVER	1		
28	AR74767	SHAFT	1		(SUB FOR AR55625)
29	R51353	LEVER	1		(A)
30	R49932	KNOB	1		LOAD SELECTOR CONTROL LEVER
31	19H1813	CAP SCREW	1		5/16" X 5/8"
32	12H303	LOCK WASHER	1		5/16"
33	24H1294	WASHER	1		11/32" X 1-1/8" X 1/16"
34	R72660	PIN	1		(SUB FOR R662R)
35	11H233	COTTER PIN	1		3/32" X 1/2"
36	R42282	YOKE	1		(SUB T54033 AND R82766)
37	14H882	NUT	1		5/16"
38	R40892	LEVER	1	-016902	(A)
	R61592	ARM	1	016903-	(A)
39	R72654	SNAP RING	2		(SUB FOR R27507)
40A	R52657	ROD	1	-016902	(A)
40B	R61591	HOOK BOLT	1	016903-	(A)
41	34H284	SPRING PIN	1		3/16" X 1-1/4"
42	R51359	ARM	1		ROCKSHAFT OPERATING, LOWER
43	R51747	SPRING	1		
44	R52174	QUILL	1		VALVE OPERATING LEVER SHAFT
45A	R54128	SHAFT	1	-014013	ROCKSHAFT VALVE OPERATING, (SUB AR79505 AND AR72292)
45B	AR79505	SHAFT	1	014014-	ROCKSHAFT VALVE OPERATING, (SUB FOR AR72291)
46A	AR40753	LINK	1	-014013	OPERATING, (SUB AR72292 AND AR79505)
46B	AR72292	LINK	1	014014-	OPERATING
47	R55373	ECCENTRIC	1		
48	A4365R	O-RING	1		
49	R26906	O-RING	1		
50	R55374	BUSHING	1		
51	R50559	SPRING	1		
52	24H1303	WASHER	1		13/32" X 11/16" X 0.065"
53	R72653	SNAP RING	1		
54	AR59026	BUSHING	1		
55	U13639	O-RING	1		

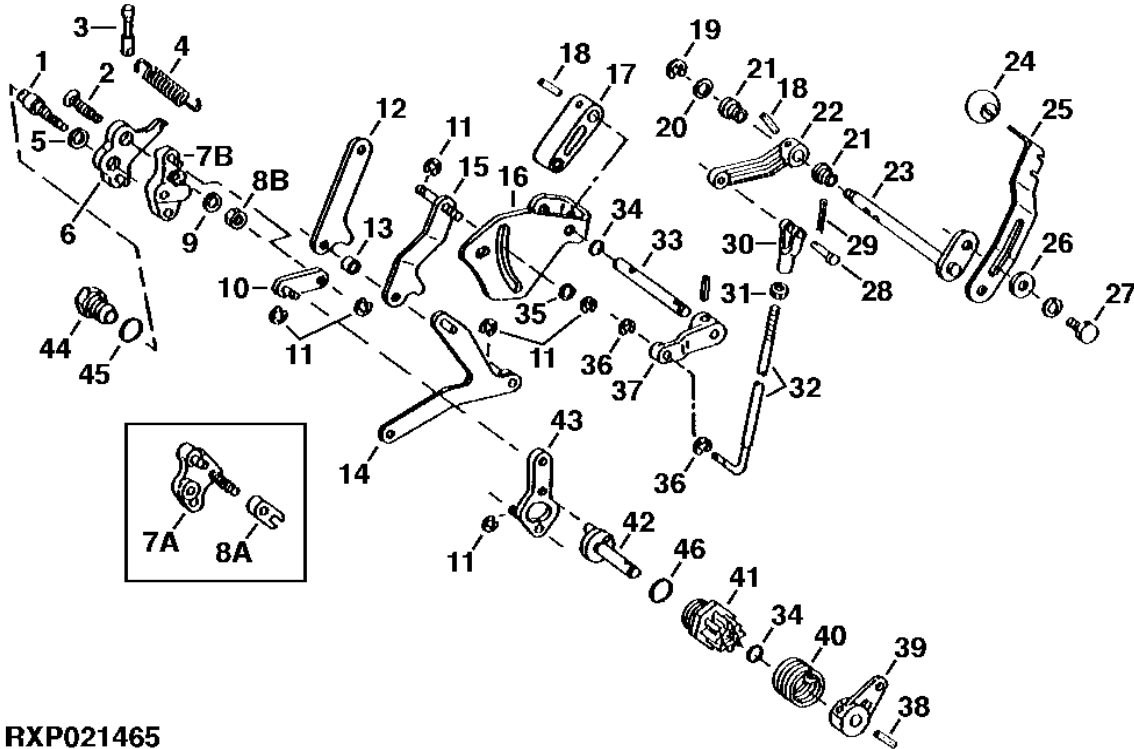
(A) LOAD SELECTOR CONTROL
(B) CONTROL VALVE ADJUSTING

4D8

HYDRAULICS

ROCKSHAFT CONTROL LINKAGE AND LOAD CONTROL (TRACTOR SERIAL NO. 021798-)

RXP021465 -UN-22FEB96



RXP021465

KEY	PART NO.	PART NAME	QTY	TRACTOR SERIAL NO.	REMARKS
1	R40949	SHAFT	1	-026875	(A) (SUB R64296)
	R64296	SHAFT	1	026876-XXXXXX	(A)
	R64843	SHAFT	1	XXXXXX-	(A)
2	T22228	SCREW	1		
3	R41108	PIN	1		
4	R53033	SPRING	1	-XXXXXX	(SUB R60730)
	R60730	SPRING	1	XXXXXX-	
5	24H1321	SHIM	1		0.018"
6	AR40676	LEVER	1		(D)
7A	AR40754	LINK	1	-XXXXXX	(D) (SUB AR81783, R64845, T519T AND R64843)
7B	AR81783	LEVER	1	XXXXXX-	(D)
8A	R40885	NUT	1	-XXXXXX	
8B	R64845	NUT	1	XXXXXX-	
9	T519T	WASHER	1	XXXXXX-	
10	AR40675	LEVER	1		
11	R72653	SNAP RING	6		(SUB FOR M2396T)
12	R52828	LINK	1		LOAD SELECTOR, INNER
13	R62401	WASHER	1	-025493	
	R41661	BUSHING	1	025494-	
14	AR78646	LEVER	1		(B) (SUB FOR AR67850)
15	AR67849	LINK	1		(C)
16	R56816	CAM	1	-025493	(B) (SUB R41661 AND R64013)
	R64013	GUIDE	1	025494-	(B)
17	R56821	ARM	1		(C)

4D9

HYDRAULICS

ROCKSHAFT CONTROL LINKAGE AND LOAD CONTROL - CONTINUED
(TRACTOR SERIAL NO. 021798-)

KEY	PART NO.	PART NAME	QTY	TRACTOR SERIAL NO.	REMARKS
18	R56504	SPRING PIN	3		
19	R26871	SNAP RING	1		
20	24H1227	WASHER	1		17/32" X 13/16" X 0.060"
21	R41076	GROMMET	2		
22	R40915	LEVER	1		OPERATING, UPPER
23	AR74767	SHAFT	1		LOAD SELECTOR CONTROL LEVER
24	R49932	KNOB	1		
25	R51353	LEVER	1		(C)
26	24H1294	WASHER	1		11/32" X 1-1/8" X 1/16"
27	19H1813	CAP SCREW	1		5/16" X 5/8"
	12H303	LOCK WASHER	1		5/16"
28	R72660	PIN	1		(SUB FOR R662R)
29	11H233	COTTER PIN	1		3/32" X 1/2"
30	R42282	YOKE	1		(SUB T54033 AND R82766)
31	14H882	NUT	1		5/16"
32	R61591	HOOK BOLT	1		(C)
33	R52823	SHAFT	1		
34	R394R	O-RING	2		(C)
35	24H1290	WASHER	1		21/64" X 3/4" X 0.035"
36	R72654	SNAP RING	2		(SUB FOR R27507)
37	R61592	ARM	1		LOAD SELECTOR CONTROL OPERATING, LOWER
38	34H284	SPRING PIN	1		3/16" X 1-1/4"
39	R62860	ARM	1		ROCKSHAFT OPERATING, LOWER
40	R51747	SPRING	1		
41	R52174	QUILL	1		ROCKSHAFT VALVE OPERATING, LOWER
42	AR79505	SHAFT	1		ROCKSHAFT VALVE OPERATING, (SUB FOR AR72291)
43	AR72292	LINK	1		
44	R27474	DRAIN PLUG	1		
45	R26906	O-RING	1		
46	U13639	O-RING	1		

- (A) VALVE CAM
- (B) NEGATIVE SIGNAL LIMIT
- (C) LOAD SELECTOR CONTROL
- (D) CONTROL VALVE ADJUSTING

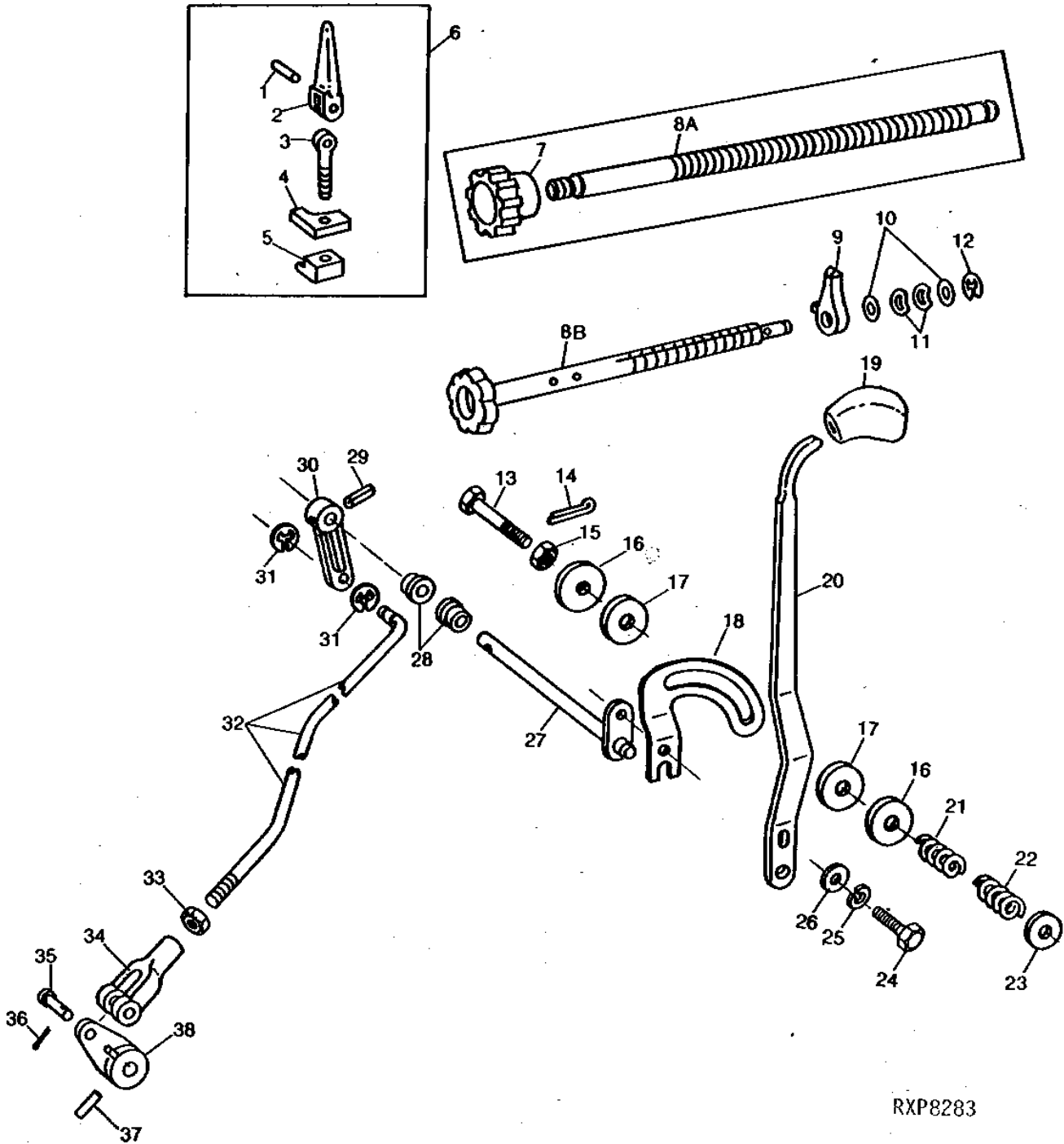
4D10

HYDRAULICS

RXP8283

-UN-01JAN94

ROCKSHAFT CONTROL VALVE LEVER AND LINKAGE



4D11

HYDRAULICS

ROCKSHAFT CONTROL VALVE LEVER AND LINKAGE - CONTINUED

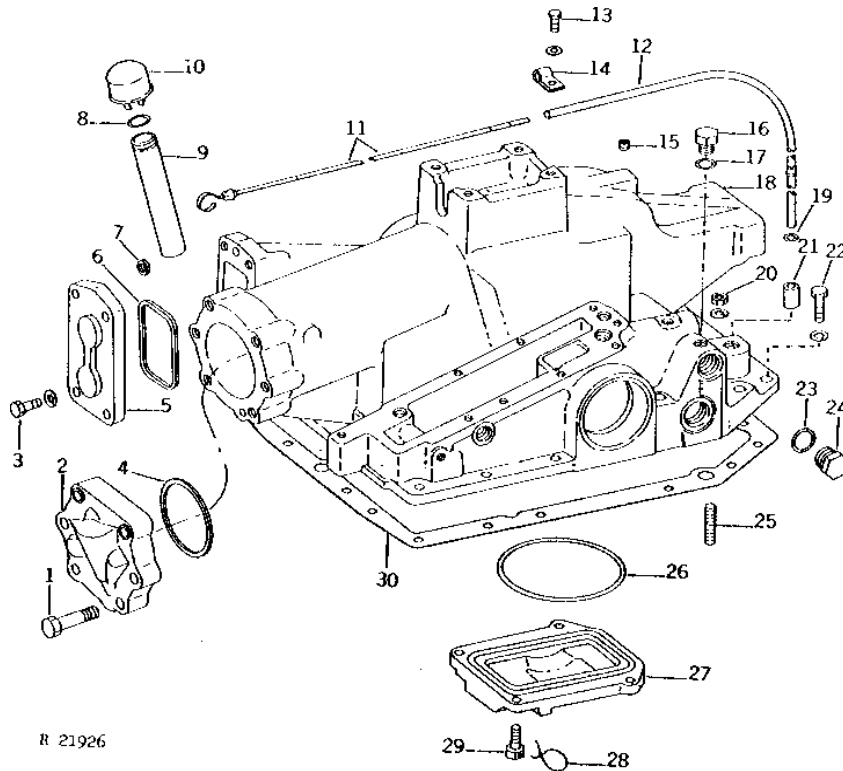
KEY	PART NO.	PART NAME	QTY	TRACTOR SERIAL NO.	REMARKS
1	34H387	SPRING PIN	1		3/16" X 3/4"
2	R34537	CAM	1		
3	R42641	EYEBOLT	1		
4	R53475	STOP	1		
5	R53476	NUT	1		
6	AR60331	STOP	1		(NLA)
7	R41385	KNOB	1	-011017	
8A	R47300	SCREW	1	-011017	(SUB R58204)
8B	R58204	SCREW	1	011018-	
9	R41386	STOP	1		
10	R47301	WASHER	2		
11	T519T	WASHER	2		
12	R26871	SNAP RING	1		
13	R49924	BOLT	1		
14	11M7059	COTTER PIN	1		3.200 X 20 MM
15	14H732	NUT	1		3/8"
16	R41968	WASHER	2		(SUB FOR AR42287)
17	AR105813	WASHER	2		(SUB FOR AR42287)
18	R49411	PLATE	1		
	R52282	PLATE	1		(SOUND-GARD BODY)
19	R51161	KNOB	1		
20	R100341	LEVER	1		(SUB FOR R51160)
21	R44313	SPRING	1		
22	R41147	SPRING	1		
23	24H1299	WASHER	1		3/8" X 1-1/4" X 0.065"
24	19H1900	CAP SCREW	1		5/16" X 3/4"
25	12H303	LOCK WASHER	1		5/16"
26	24H1136	WASHER	1		11/32" X 11/16" X 0.065"
27	AR55626	SHAFT	1		
28	R41076	GROMMET	2		
29	34H297	SPRING PIN	1		7/32" X 1"
30	R52280	ARM	1		
31	R72653	SNAP RING	2		(SUB FOR M2396T)
32	R52656	ROD	1		23" LONG
	R52281	ROD	1		13" LONG
33	14H882	NUT	1		5/16"
34	R42282	YOKE	1		(SUB T54033 AND R82766)
35	R72660	PIN	1		(SUB FOR R662R)
36	11M7079	COTTER PIN	1		0.098" X 0.472"
37	34H284	SPRING PIN	1		3/16" X 1-1/4"
38	R51359	ARM	1	-021797	
	R62860	ARM	1	021798-	

4D12

HYDRAULICS

**TRANSMISSION REAR COVER
(LESS ROCKSHAFT)
(TRACTOR SERIAL NO. -013120)**

R21926 -UN-01JAN94



R 21926

KEY	PART NO.	PART NAME	QTY	TRACTOR SERIAL NO.	REMARKS
1	19H3244	CAP SCREW	6	5/8" X 2-1/4"	
	12H294	LOCK WASHER	6	5/8"	
2	R50197	CAP	1		
3	19H2731	CAP SCREW	4	7/16" X 1-3/8"	
	12H293	LOCK WASHER	4	7/16"	
4	R43403	WASHER	1		
5	R41446	COVER	1		(LESS SELECTIVE CONTROL)
6	R40922	PACKING	1		
7	F2741R	PACKING	1		
8	R1225R	O-RING	1		
9	R51190	TUBE	1		
10	AR55304	CAP	1		(ALSO ORDER R57550)
	R57550	ISOLATOR	1		
11	AR89228	DIPSTICK	1		(SUB FOR AR54616)
12	AR56083	LINE	1		
13	19H1936	CAP SCREW	2	3/8" X 3/4"	
	12H304	LOCK WASHER	2	3/8"	
14	T13814	CLAMP	2		
15	15H559	PIPE PLUG	1	1/4"	
16	R39112	FITTING	1		
17	R26375	O-RING	1		
18	AR55868	COVER	1		(MARKED R50260 OR R50250)
19	A3917R	O-RING	1		
20	14H1040	NUT	1	1/2"	
	12H301	LOCK WASHER	1	1/2"	
21	R55214	BUSHING	1		(ALSO ORDER A3917R) (SUB FOR R49955)

4D13

HYDRAULICS

TRANSMISSION REAR COVER - CONTINUED
(LESS ROCKSHAFT)
(TRACTOR SERIAL NO. -013120)

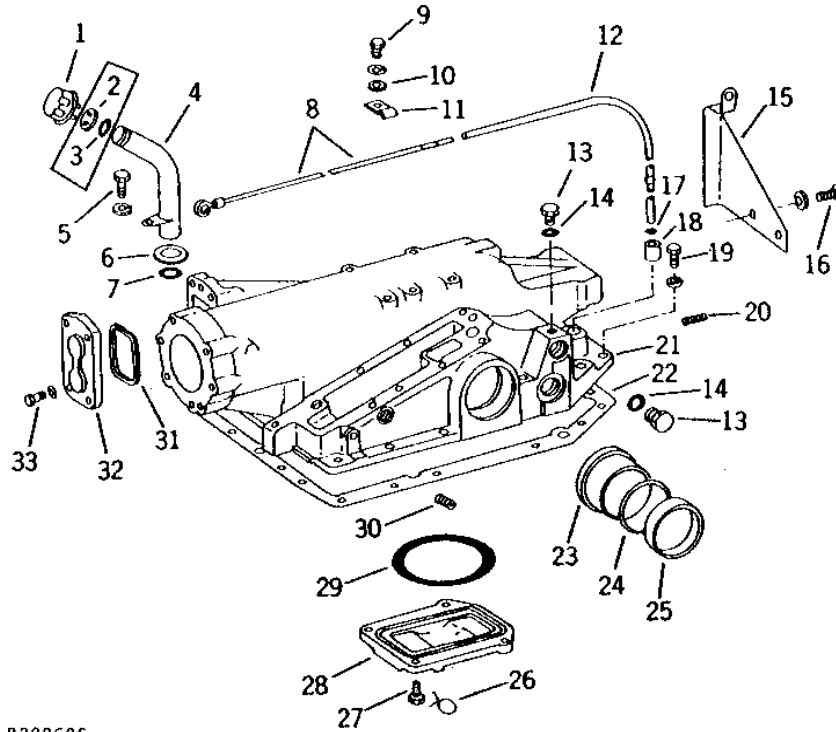
KEY	PART NO.	PART NAME	QTY	TRACTOR SERIAL NO.	REMARKS
22	19H1721	CAP SCREW	13		1/2" X 1-1/2"
	19H1805	CAP SCREW	3		1/2" X 2-1/4"
	19H1781	CAP SCREW	13		1/2" X 3-1/2"
	12H301	LOCK WASHER	17		1/2"
23	R26906	O-RING	2		
24	R27474	DRAIN PLUG	2		
25	D488R	STUD	1		
26	R36425	WASHER	1		
27	R55080	COVER	1		(SUB FOR R51551) (SUB R58544)
28	WIRE	2	-XXXXXX	356MM (14") (16 GAUGE)
29	R57725	SCREW	4		(SUB FOR R61762)
30	R43408	GASKET	1		

4D14

HYDRAULICS

TRANSMISSION REAR COVER (LESS ROCKSHAFT) (TRACTOR SERIAL NO. 013121-)

R28969 -UN-01JAN94



R28969F

KEY	PART NO.	PART NAME	QTY	TRACTOR SERIAL NO.	REMARKS
1	AR55304	CAP	1	-030211	(ALSO ORDER R57550)
	AR30697	CAP	1	030212-	
2	R57550	ISOLATOR	1	-030211	
3	R1225R	O-RING	1	-030211	
4	AR54439	TUBE	1	-030211	(SUB RE20058 AND AR30697)
	AR83383	OIL TUBE	1	030212-	(SUB RE20058)
5	19H2284	CAP SCREW	1		3/8" X 7/8"
	12H304	LOCK WASHER	1		3/8"
6	24H1520	WASHER	1		1-15/32" X 2" X 0.105"
7	R30319	O-RING	1		
8	AR89228	DIPSTICK	1		(SUB FOR AR54616)
9	19H1731	CAP SCREW	2		3/8" X 1"
	12H304	LOCK WASHER	2		3/8"
10	24H1303	WASHER	2		13/32" X 11/16" X 0.065"
	12H304	LOCK WASHER	2		3/8"
11	R34933	CLAMP	2		
12	AR56083	LINE	1		
13	R27474	DRAIN PLUG	3		
14	R26906	O-RING	3		
15	R63082	SUPPORT	1	024779-	
16	19H1792	CAP SCREW	2	024779-	1/2" X 1"
	12H301	LOCK WASHER	2	024779-	1/2"
17	A3917R	O-RING	1		
18	R55214	BUSHING	1		
19	19H1721	CAP SCREW	9		1/2" X 1-1/2"
	19H1805	CAP SCREW	7		1/2" X 2-1/4"
	19H3586	CAP SCREW	9		1/2" X 4-1/4" HS, SAE 8
	12H301	LOCK WASHER	17		1/2"
	R43406	CAP SCREW	1		(SUB R115437)
20	15H571	PIPE PLUG	2		3/8"

4D15

HYDRAULICS

TRANSMISSION REAR COVER - CONTINUED
 (LESS ROCKSHAFT)
 (TRACTOR SERIAL NO.013121-)

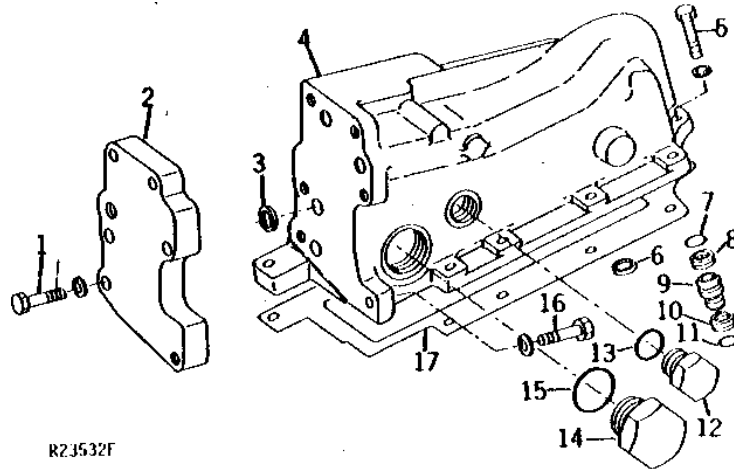
KEY	PART NO.	PART NAME	QTY	TRACTOR SERIAL NO.	REMARKS
21	AR70445	COVER	1		(MARKED R57284) ((POWER SHIFT (SUB AR94620 AND RE10096) OR (QUAD-RANGE) (SUB AR94620 AR103687 AND AR57030)
22	R43408	GASKET	1		
23	R47351	PLUG	1		(NOT AVAILABLE)
	R47353	PLUG	1		(NOT AVAILABLE)
24	A5598R	O-RING	1		
	R26543	O-RING	1		
25	R58615	PLUG	2		
26	WIRE	2	-XXXXXX	356MM (14") (16 GAUGE)
27	R57725	SCREW	4		(SUB FOR R61762)
28	R58544	COVER	1		
29	R36425	WASHER	1		
30	15H559	PIPE PLUG	1		1/4"
31	R40922	PACKING	1		
32	R41446	COVER	1		(LESS SELECTIVE CONTROL)
33	19H2731	CAP SCREW	4		7/16" X 1-3/8"
	12H293	LOCK WASHER	4		7/16"
..	R42093	GROMMET	1		

4D16

HYDRAULICS

SELECTIVE CONTROL VALVE SUPPORT
(LESS ROCKSHAFT)
(TRACTOR SERIAL NO. -XXXXXX)

R23532 -UN-01JAN94



KEY	PART NO.	PART NAME	QTY	TRACTOR SERIAL NO.	REMARKS
1	19H1978	CAP SCREW	5		7/16" X 1-1/2"
	12H293	LOCK WASHER	5		7/16"
2	R50065	VALVE COVER	1	-011814	(SUB R59080 AND (2) R59082)
	R59080	COVER	1	011815-	
3	R26149	PACKING	5		
4	AR76279	SUPPORT	1	-013120	(MARKED R62152)
	R58760	SUPPORT	1	013121-	
5	19H1732	CAP SCREW	9	-013120	3/8" X 1-1/4"
	12H304	LOCK WASHER	9	-013120	3/8"
	19H1732	CAP SCREW	6	013121-	3/8" X 1-1/4"
	19H1925	CAP SCREW	9	013121-	3/8" X 4-1/4"
	19H2054	CAP SCREW	9	013121-	3/8" X 4-3/4"
	12H304	LOCK WASHER	8	013121-	3/8"
6	T17882	WASHER	1	013121-	
7	R27564	O-RING	1	-013120	
	R27166	O-RING	1	013121-	
8	R45925	BACK-UP RING	1	-013120	
	R41057	BACK-UP RING	1	013121-	
9	R45924	BUSHING	1	-013120	
	R40945	VALVE	1	013121-	
10	R41057	BACK-UP RING	1		
11	R27166	O-RING	1		
12	R27175	DRAIN PLUG	1		
13	F3171R	O-RING	1		
14	R39741	DRAIN PLUG	1		
15	U13639	O-RING	1		
16	19H2731	CAP SCREW	1		7/16" X 1-3/8"
	12H293	LOCK WASHER	1		7/16"
17	R40896	GASKET	1	-013120	
	R67121	GASKET	1	013121-	(SUB FOR R57665)

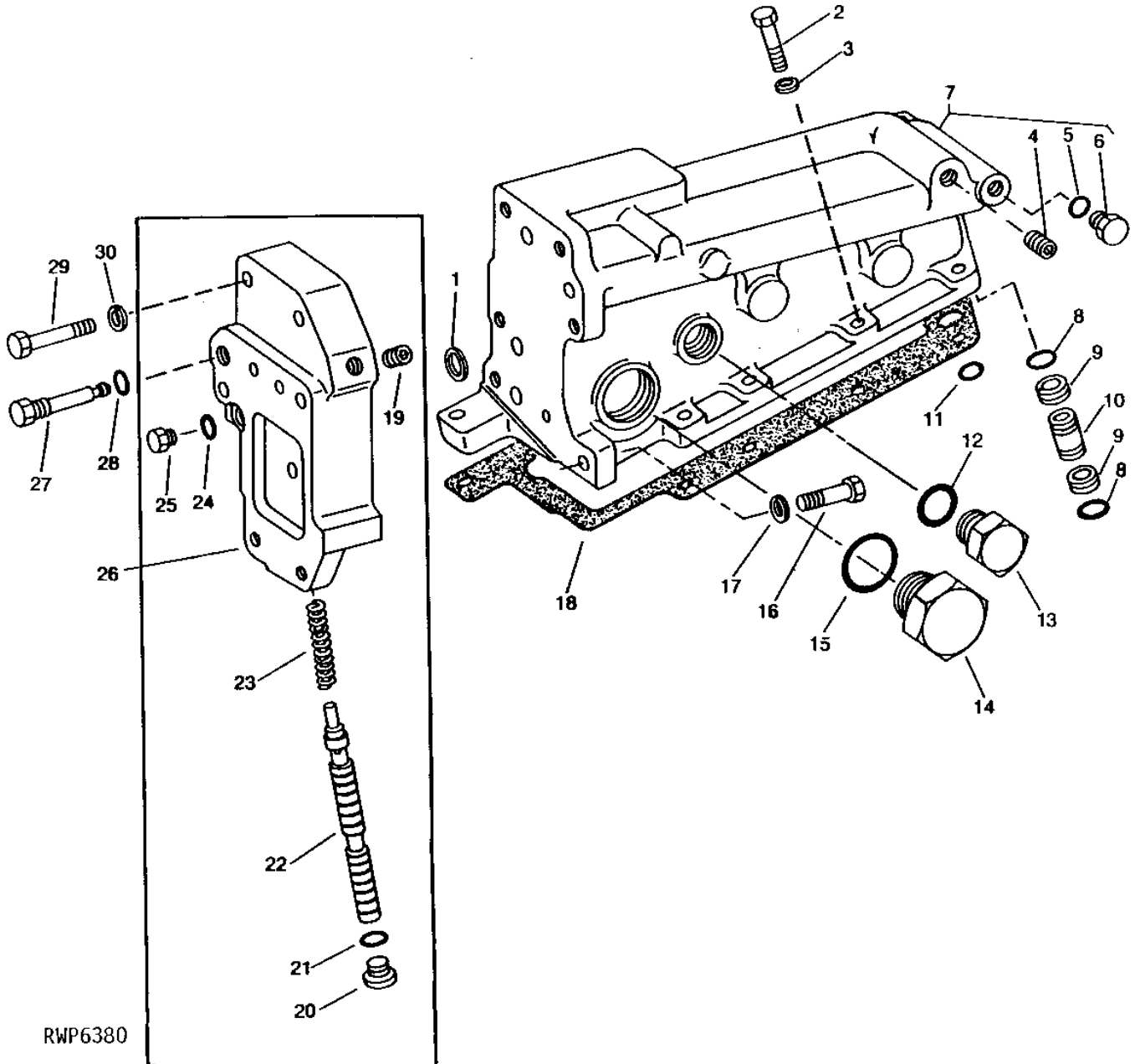
MEMORANDA

4D17

HYDRAULICS

SELECTIVE CONTROL VALVE SUPPORT (LESS ROCKSHAFT) (TRACTOR SERIAL NO. XXXXXX-)

RWP6380 -UN-17OCT94



4D18

HYDRAULICS

SELECTIVE CONTROL VALVE SUPPORT - CONTINUED
(LESS ROCKSHAFT)
(TRACTOR SERIAL NO. XXXXXX-)

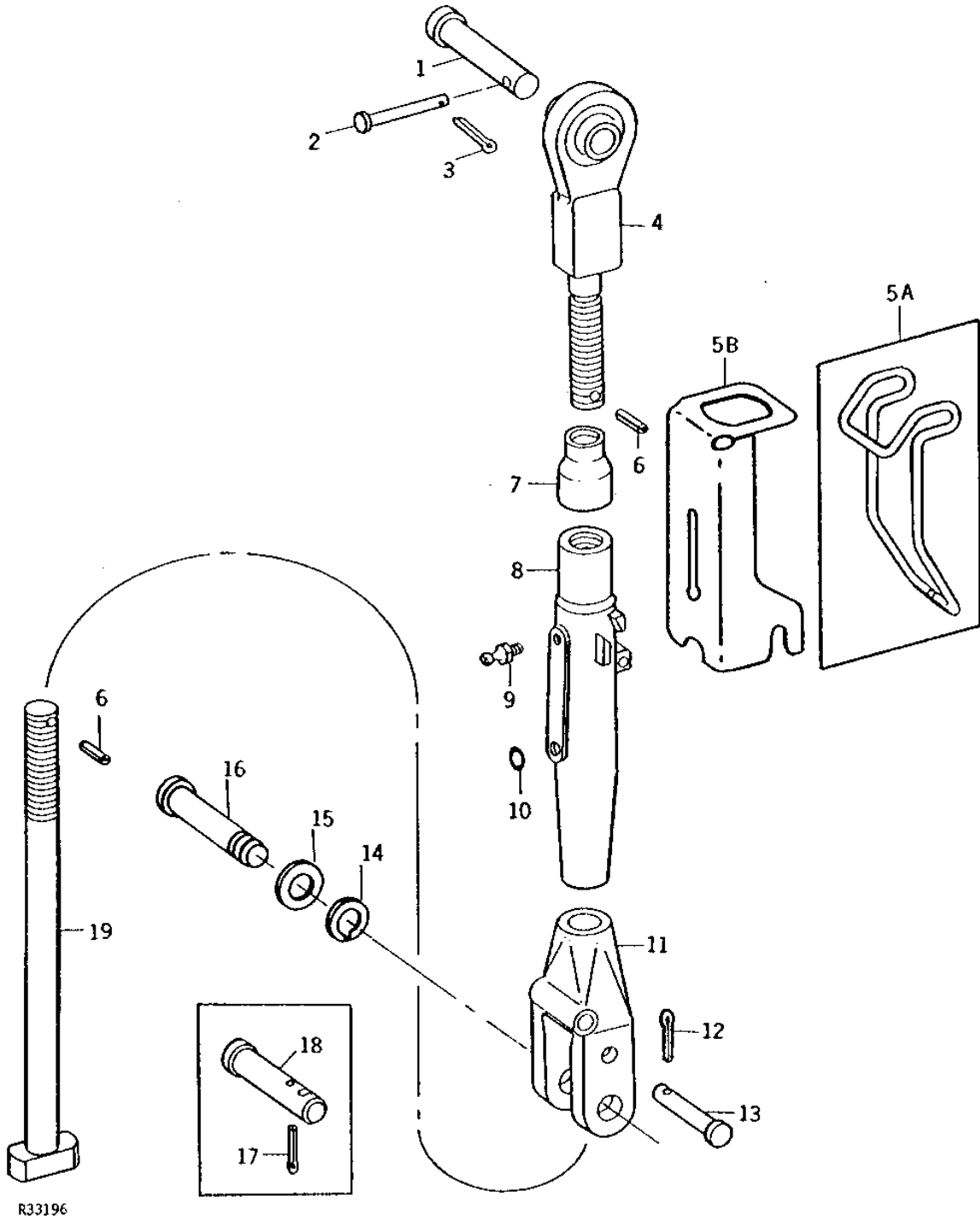
KEY	PART NO.	PART NAME	QTY	TRACTOR SERIAL NO.	REMARKS
1	R26149	PACKING	5		
2	19H1732	CAP SCREW	6		3/8" X 1-1/4"
	19H2128	CAP SCREW	6		3/8" X 3"
	19H2054	CAP SCREW	6		3/8" X 4-3/4"
3	12H304	LOCK WASHER	8		3/8"
4	15H571	PIPE PLUG	1		3/8"
5	R26448	O-RING	1		
6	R27218	FITTING PLUG	1		
7	AR73906	SUPPORT	1	-021797	(MARKED R60253) (SUB AR78509 AND 19H2128)
	AR78509	SUPPORT	1	021798-	(MARKED R66890) (ALSO ORDER 19H2128)
8	R27166	O-RING	2		
9	R41057	BACK-UP RING	2		
10	R40945	VALVE	1		
11	T17882	WASHER	1		
12	F3171R	O-RING	1		
13	R27175	DRAIN PLUG	1		
14	R39741	DRAIN PLUG	1		
15	U13639	O-RING	1		
16	19H2731	CAP SCREW	1		7/16" X 1-3/8"
17	12H293	LOCK WASHER	1		7/16"
18	R67121	GASKET	1		(SUB FOR R57665)
19	15H558	PIPE PLUG	1		1/8"
20	R33138	FITTING	1		
21	R26375	O-RING	1		
22	R60096	VALVE	1		
23	R28914	SPRING	1		
24	R26286	O-RING	1		
25	R27094	DRAIN PLUG	1		
26	AR73899	COVER	1		(MARKED R60081 OR R60334)
27	R60420	PLUG	1		
28	R26448	O-RING	1		
29	19H1899	CAP SCREW	2		7/16" X 2"
	19H2227	CAP SCREW	2		7/16" X 2-1/2"
	19H2731	CAP SCREW	2		7/16" X 1-3/8"
30	12H293	LOCK WASHER	4		7/16"

4D19

HYDRAULICS

R33196 -UN-01JAN94

LIFT LINK



4D20

HYDRAULICS

LIFT LINK - CONTINUED

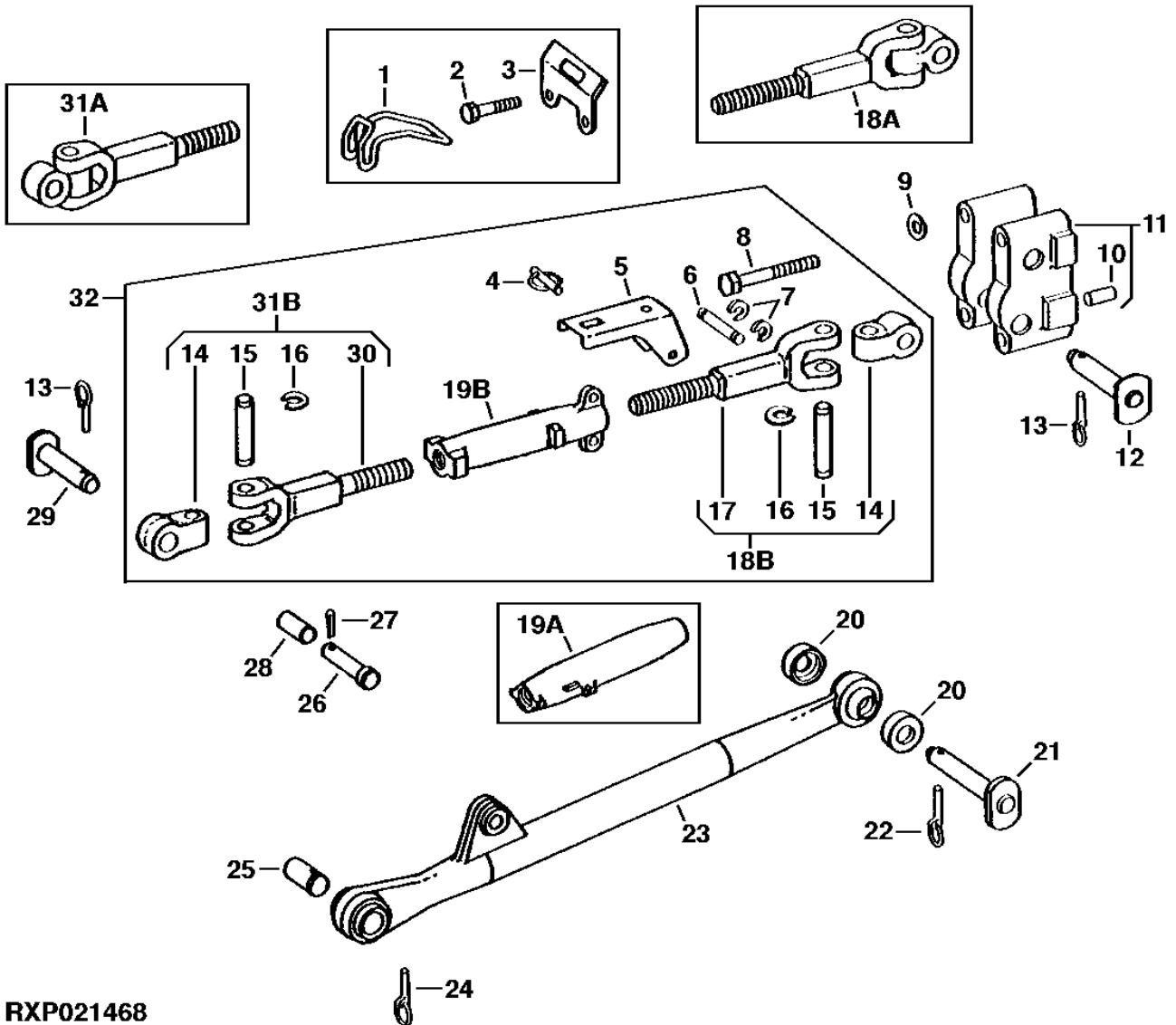
KEY	PART NO.	PART NAME	QTY	TRACTOR SERIAL NO.	REMARKS
1	R79916	DOWEL PIN	1		(SUB FOR AR70027)
2	R68672	PIN	1		(ALSO ORDER 11H211) (SUB FOR AR62152 OR AR83396, THIS APPLICATION)
3	11H211	COTTER PIN	1		1/8" X 3/4"
4	AR43059	END	1	-025246	(SUB RE44555)
	AR78526	DRAFT LINK END	1	025247-	(SUB RE44555)
5A	R42495	HANDLE	1	-024997	
5B	R59808	LOCK	1	024998-	
6	34H284	SPRING PIN	2		3/16" X 1-1/4"
7	R43706	SLEEVE	1		
8	R43079	LINK BODY	1		
9	JD7759	LUBRICATION FITTING	1		
10	30H6	PLUG	3		9/16"
11	R58934	YOKE	1		(SUB FOR R42171) (SUB R106408)
12	11H239	COTTER PIN	1		5/32" X 1"
13	R63737	PIN	1		
14	A602R	SNAP RING	1	XXXXXX-	
15	R65240	WASHER	1	XXXXXX-	
16	R65239	PIN	1	XXXXXX-	
17	11H218	COTTER PIN	1	-XXXXXX	3/16" X 1-1/2"
18	R58264	PIN	1	-XXXXXX	(SUB R65239, R65240 AND A602R)
19	R43259	LIFT LINK	1	-013183	
	R57280	LIFT LINK	1	013184-	(SUB RE47814)

4D21

HYDRAULICS

RXP021468 -UN-28FEB96

DRAFT LINKS AND CENTER LINK



RXP021468

THIS PARTS LISTING IS CONTINUED

4D22

HYDRAULICS

DRAFT LINKS AND CENTER LINK - CONTINUED

KEY	PART NO.	PART NAME	QTY	TRACTOR SERIAL NO.	REMARKS
1	R42495	HANDLE	1	-030390	
2	19H1847	CAP SCREW	2	-013120	5/8" X 2-1/2"
3	AR59149	BRACKET	1	-013120	(SUB R53236 AND (2) 19H1847)
4	AR60372	QUICK LOCK PIN	1	030391-	
5	R64084	YOKE	1	030391-	
6	R64085	SPRING PIN	1	030391-	
7	F3396R	SNAP RING	2	030391-	
8	19H2001	CAP SCREW	4	-013120	3/4" X 5-1/2"
	19H2113	CAP SCREW	4	013121-	3/4" X 3-1/4"
9	12H236	LOCK WASHER	4		3/4"
10	R26277	DOWEL PIN	1		
11	AR43316	BRACKET	1	-013120	(MARKED R43081)
	AR70163	BRACKET	1	013121-XXXXXX	(MARKED R57281) (SUB AR80154)
	AR80154	BRACKET	1	XXXXXX-	(MARKED R64389)
12	R125450	PIN	1		(SUB FOR AR70025 OR AR89302)
13	M115827	QUICK LOCK PIN	2		(SUB FOR AR62151)
14	R62065	PIVOT	2		(USE WITH AR87888 OR AR87889)
	R106911	PIVOT	2		(USE WITH RE44559 OR RE44561)
15	R67477	PIN	2		(USE WITH AR87888 OR AR87889)
16	R26643	SNAP RING	4		(USE WITH AR87888 OR AR87889)
17	R67476	CENTER LINK END	1		(USE WITH AR87889) (SUB RE44559)
18A	AR60109	CENTER LINK END	1	-030390	
	AR76115	CENTER LINK END	1	030391-XXXXXX	(SUB RE44559)
18B	AR87889	CENTER LINK END	1	XXXXXX-	(SUB RE44559)
19A	R47067	LINK BODY	1	-030390	
19B	R107281	LINK BODY	1	030391-	(SUB FOR R64083 OR R70589) (ALSO ORDER JD7798)
	JD7759	LUBRICATION FITTING	2	030391-	(USE WITH R70589)
	JD7798	LUBRICATION FITTING	1		(USE WITH R107281)
20	R26608	WASHER	4		
21	AR60295	PIN	2		
22	AR62149	QUICK LOCK PIN	2		
23	AR55150	DRAFT LINK	1		R.H.
	AR55151	DRAFT LINK	1		L.H.
24	AR62150	QUICK LOCK PIN	2		
25	R66435	BUSHING	2		(SUB FOR R36470)
26	R53296	PIN	1		(SUB FOR R44918)
27	11H249	COTTER PIN	1		1/4" X 2"
28	R66434	BUSHING	1		(SUB FOR R36469)
29	AR70026	PIN	1	-030390	
	R125450	PIN	1	030391-	(SUB FOR AR70025 OR AR89302)
30	R67475	CENTER LINK END	1		(USE WITH AR87888) (SUB RE44561)
31A	AR60110	CENTER LINK END	1	-030390	
	AR76114	CENTER LINK END	1	030391-XXXXXX	(SUB RE44559)
31B	AR87888	CENTER LINK END	1	XXXXXX-	(SUB RE44561)
32	RE44558	CENTER LINK END	1		

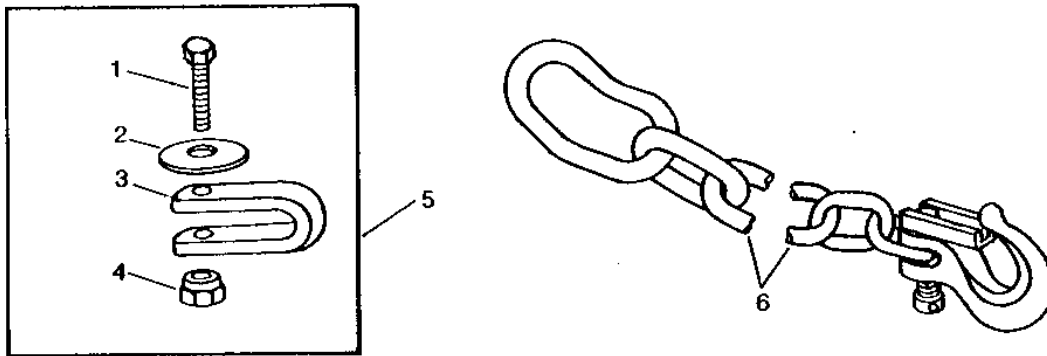
MEMORANDA

4D23

HYDRAULICS

RWP5796 -UN-01JAN94

IMPLEMENT SAFETY CHAIN



RWP5796

KEY	PART NO.	PART NAME	QTY	TRACTOR SERIAL NO.	REMARKS
1	19H1768	CAP SCREW	1	(A) (B)	
	19H2084	CAP SCREW	1	(A)	
	19H2174	CAP SCREW	1	(B)	
2	R36402	WASHER	1		
3	R69408	CLEVIS	1	(A)	
	R69409	CLEVIS	1	(B)	
4	T25879	NUT	2		
5	AR90577	SAFETY CHAIN ADAPTER KIT	1		CATEGORY IV DRAWBARS
	AR90578	CHAIN KIT	1		CATEGORY II AND III DRAWBARS
6	RE26739	LINK CHAIN	1		61 LINKS 6.4MM (1/4") DIA CHAIN (6,000 LB)
	AR90581	LINK CHAIN	1		61 LINKS 6.4MM (1/4") DIA CHAIN (10,000 LB)
	AR90579	LINK CHAIN	1		42 LINKS 9.5MM (3/8") DIA CHAIN
	AR90583	LINK CHAIN	1		43 LINKS 11.1MM (7/16") DIA CHAIN
	AN212996	LINK CHAIN	1		42 LINKS 12.7MM (1/2") DIA CHAIN, (SUB FOR RE26740)

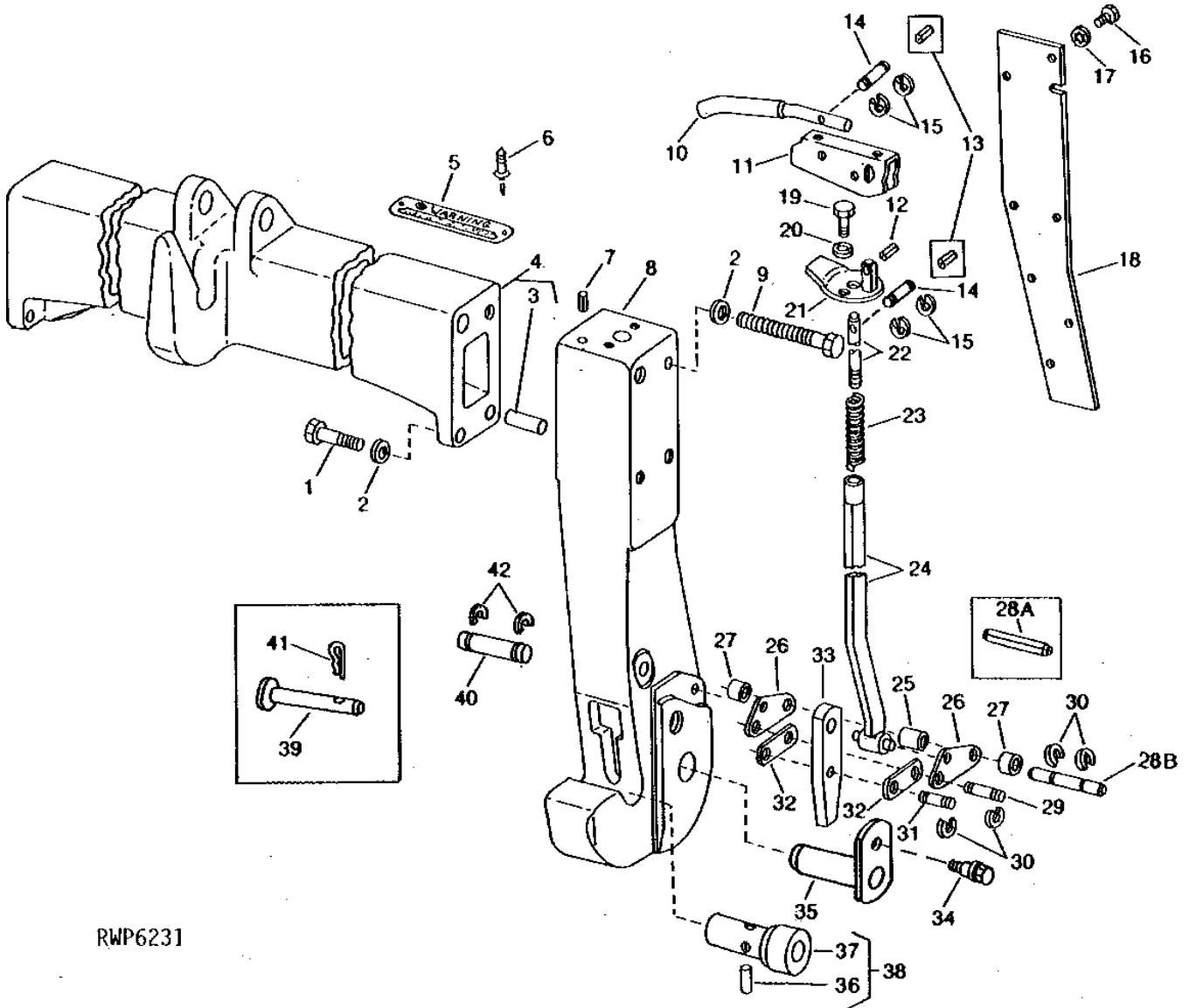
(A) INCLUDED IN AR90577
 (B) INCLUDED IN AR90578

4D24

HYDRAULICS

RWP6231 -UN-01JAN94

IMPLEMENT QUICK COUPLER



RWP6231

4D25

HYDRAULICS

IMPLEMENT QUICK COUPLER - CONTINUED

KEY	PART NO.	PART NAME	QTY	TRACTOR SERIAL NO.	REMARKS
1	19H2588	CAP SCREW	4	-013120	5/8" X 1-7/8"
	19H2588	CAP SCREW	2	013121-	5/8" X 1-7/8"
2	12H294	LOCK WASHER	4		5/8"
3	A776R	PIN	4		
4	AR84904	QUICK COUPLER	1		(MARKED R36448, R65203 OR R65817) (ALSO ORDER AR70025) (SUB FOR AR35851 OR AR82263)
5	R56038	DECAL	1		(SUB R120103)
6	R125955	RIVET	2		
7	34H311	SPRING PIN	2		1/4" X 7/8"
8	R47585	QUICK COUPLER	1	-013120	(A) (B) R.H. (SUB R66985, R65082, (2) F2208R, AR89303, AR78289, R66987 AND (2) R73380)
	R47586	QUICK COUPLER	1	-013120	(A) (B) L.H. (SUB R66986, R65082, (2) F2208R, AR89303, AR78289, R66987 AND (2) R73380)
	R57384	QUICK COUPLER	1	013121-030311	(A) (B) R.H. (SUB R66983, R65082, (2) F2208R, AR89303, AR78289, R66987 AND (2) R73380)
	R57385	QUICK COUPLER	1	013121-030311	(A) (B) L.H. (SUB R66984, R65082, (2) F2208R, AR89303, AR78289, R66987 AND (2) R73380)
	R65083	QUICK COUPLER	1	030312-	(B) R.H. (SUB R66983, R66987 AND (2) R73380)
	R65084	QUICK COUPLER	1	030312-	(B) L.H. (SUB R66984, R66987 AND (2) R73380)
9	19H2076	CAP SCREW	2	013121-	5/8" X 5"
10	R48163	HANDLE	1		
11	R48164	LEVER	1		
12	34H311	SPRING PIN	2		1/4" X 7/8"
13	34H311	SPRING PIN	2	-XXXXXX	1/4" X 7/8"
14	R66901	SPRING PIN	2	XXXXXX-	
15	R72654	SNAP RING	4	XXXXXX-	(SUB FOR R27507)
16	19H1227	CAP SCREW	14		1/4" X 1/2"
17	12H302	LOCK WASHER	14		1/4"
18	R36444	SHIELD	2	-013120	
	R58617	SHIELD	2	013121-	
19	19H2284	CAP SCREW	4		3/8" X 7/8"
20	12H304	LOCK WASHER	4		3/8"
21	AR50374	BRACKET	1		
22	R47578	STUD	2		
23	R43444	SPRING	2		
24	AR50377	BAR	2		
25	28H1919	BUSHING	2		1/2" X 15/16"
26	R65243	LINK	4		(SUB FOR R47581 OR R58203)
27	F2206R	WASHER	4		
28A	34H375	SPRING PIN	2	-030311	1/2" X 3"
28B	R65082	PIN	2	030312-	
29	R47679	PIN	2		
30	F2208R	SNAP RING	12		
31	R47678	PIN	2		
32	R65242	STRAP	4		(SUB FOR R47590)
33	R36441	LATCH	2		
34	AR74673	CAP SCREW	2	-XXXXXX	(SUB FOR AR48110)
	AR78289	CAP SCREW	2	XXXXXX-	
35	AR48112	PIN	2	-XXXXXX	(SUB FOR AR76161)
	AR89303	PIN	2	XXXXXX-	
36	R27999	SPRING PIN	2		
37	R27998	HALF SLEEVE	2		
38	AR27093	ADAPTER	1		
39	R28556	PIN	2	-XXXXXX	
40	R66987	PIN	2	XXXXXX-	
41	11H240	COTTER PIN	2	-XXXXXX	5/32" X 1-1/2"
42	R73380	SNAP RING	4	XXXXXX-	(SUB FOR A369R)

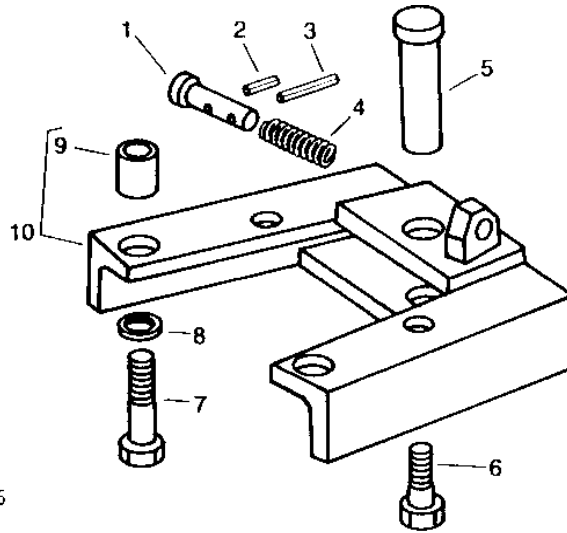
(A) CATAGORY II
(B) CATAGORY III

4E1

HYDRAULICS

RP955 -UN-16NOV94

DRAWBAR FRONT SUPPORT (REGULAR)



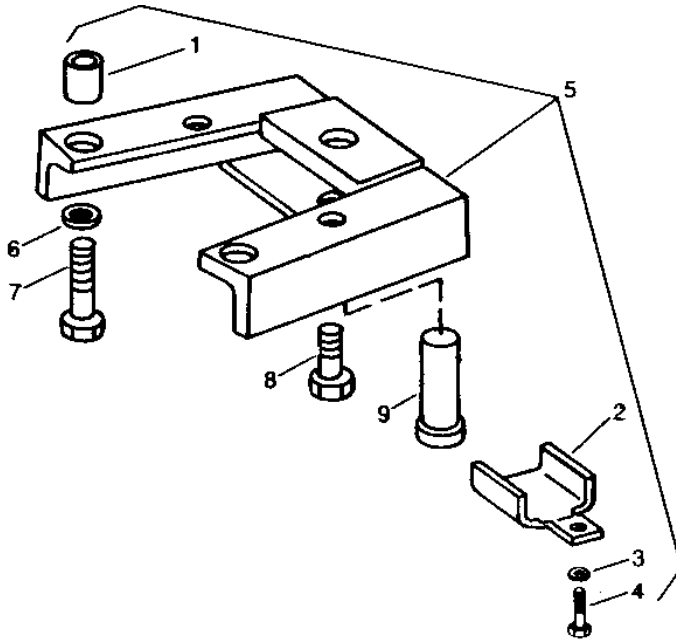
KEY	PART NO.	PART NAME	QTY	TRACTOR SERIAL NO.	REMARKS
1	R43319	PIN	1		
2	34H279	SPRING PIN	1	3/16" X 13/16"	
3	34H391	SPRING PIN	1	5/16" X 15/16"	
4	B423R	SPRING	1		
5	R62760	PIN	1	(SUB FOR R43320)	
6	19H2009	CAP SCREW	2	3/4" X 1-5/8"	
7	19H1707	CAP SCREW	2	3/4" X 2-3/4"	
8	B3627R	WASHER	2		
9	R35479	BUSHING	2		
10	AR70263	SUPPORT	1	(SUB RE21320)	
	AR55074	SUPPORT	1	(HEAVY-DUTY DRAWBAR)	

4E2

HYDRAULICS

RWP4090 -UN-17NOV94

DRAWBAR FRONT SUPPORT (REGULAR)



RWP 4090

KEY	PART NO.	PART NAME	QTY	TRACTOR SERIAL NO.	REMARKS
1	R35479	BUSHING	2		
2	R72682	RETAINER	1	-XXXXXX	(SUB A147R, R74553 AND R82344)
	R82344	RETAINER	1	XXXXXX-	
3	12H304	LOCK WASHER	1	-XXXXXX	3/8"
4	19H2284	CAP SCREW	1	-XXXXXX	3/8" X 7/8"
	19H2367	CAP SCREW	1	XXXXXX-	5/8" X 3/4"
5	RE12565	SUPPORT	1	-XXXXXX	(SUB RE21320)
	RE21320	SUPPORT	1	XXXXXX-	
6	B3627R	WASHER	2		
7	19H1707	CAP SCREW	2		3/4" X 2-3/4"
8	19H2009	CAP SCREW	2		3/4" X 1-5/8"
9	R62760	PIN	2		

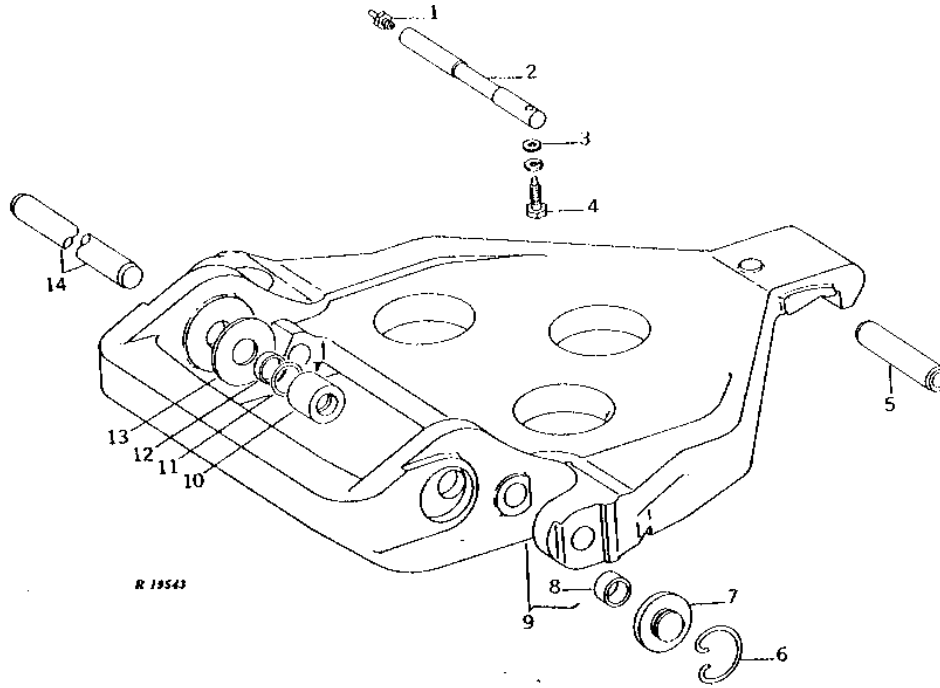
MEMORANDA

4E3

HYDRAULICS

R19543 -UN-01JAN94

DRAFT LINK SUPPORT



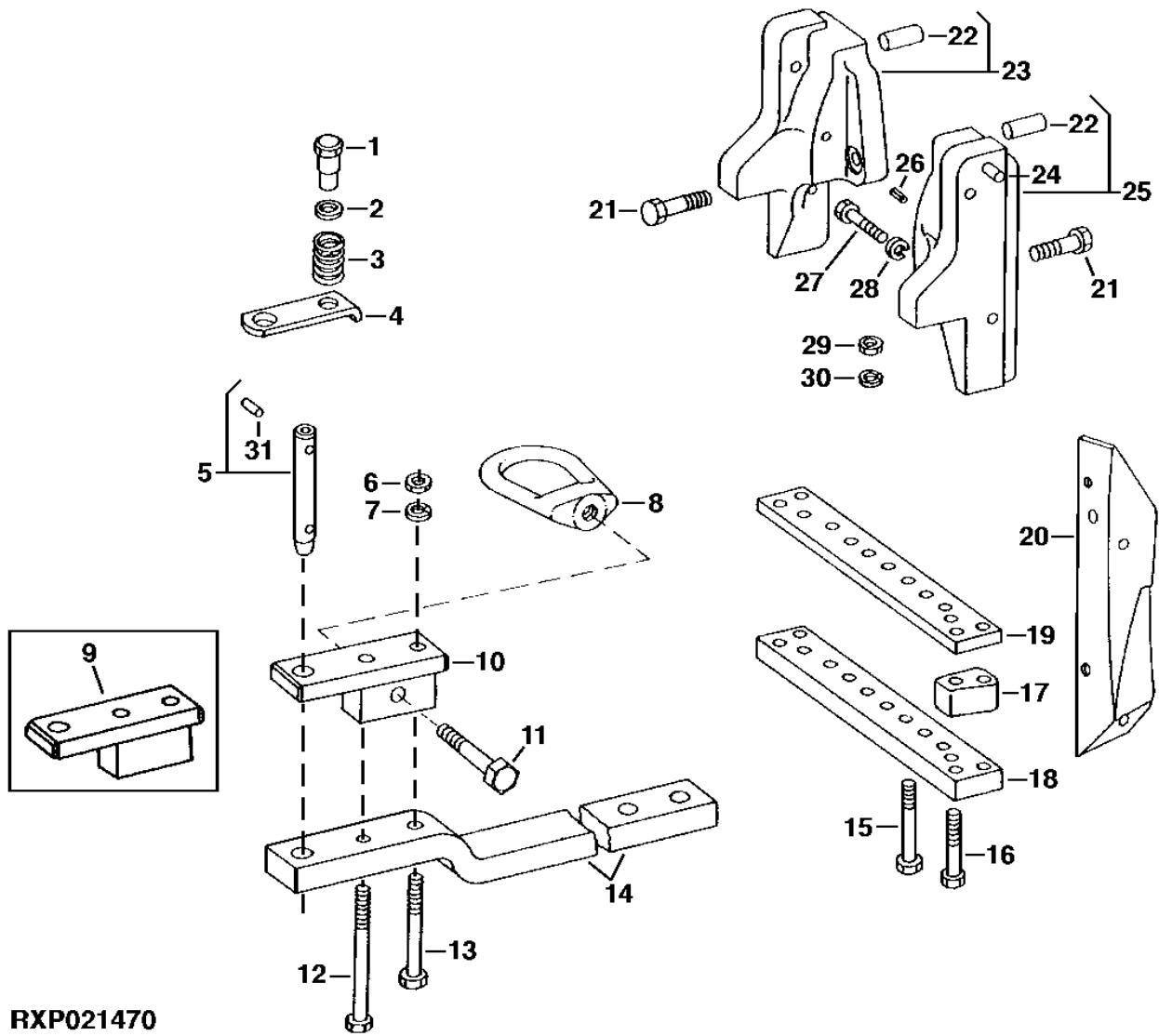
KEY	PART NO.	PART NAME	QTY	TRACTOR SERIAL NO.	REMARKS
1	JD7759	LUBRICATION FITTING	1		
2	R43298	PIN	1		
3	A147R	LOCK WASHER	1		
4	R43450	SET SCREW	1		
	12H304	LOCK WASHER	1	3/8"	
5	R43326	BUSHING	1		
6	R43764	SNAP RING	2		
7	R53189	RETAINER	2		
8	R43316	BUSHING	2		
9	AR58920	SUPPORT	1		(MARKED R53389)
10	AR56769	BUSHING	2		(SUB FOR AR85460) (INCLUDES R53198 AND R52184)
11	R53198	O-RING	2		
12	R52184	WASHER	2		
13	R51154	WASHER	AR	1.27MM (.050")	
	R51155	WASHER	AR	1.52MM (.060")	
	R51156	WASHER	AR	1.83MM (.072")	
14	R52185	PIN	1		

4E4

HYDRAULICS

RXP021470 -UN-28FEB96

REGULAR DRAWBAR



RXP021470

4E5

HYDRAULICS

REGULAR DRAWBAR - CONTINUED

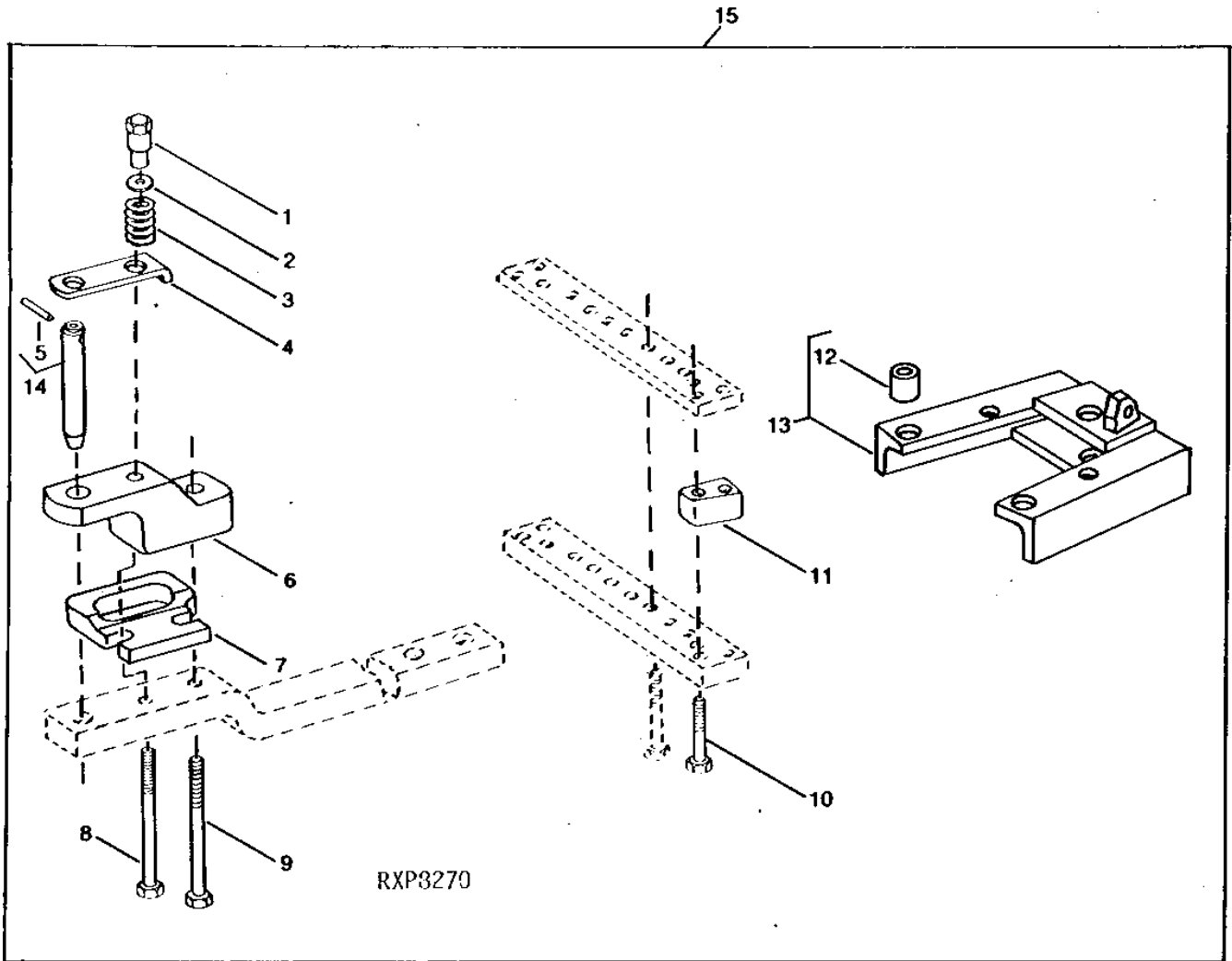
KEY	PART NO.	PART NAME	QTY	TRACTOR SERIAL NO.	REMARKS
1	R72433	NUT	1		(SUB FOR R54065)
2	24H1513	WASHER	1		1-13/32" X 2" X 0.060"
3	F304R	SPRING	1		
4	R54064	RETAINER	1		
5	AR69988	PIN	1		
	AR69987	PIN	1		(HEAVY-DUTY)
6	14H794	NUT	1		3/4"
7	12H312	LOCK WASHER	1		3/4"
8	R81245	SUPPORT	1	XXXXXX-	(USE WITH RE19377)
9	AR35912	STRAP	1	-XXXXXX	(SUB R78214, R105478, 19H3196 AND 19H3612)
	AR53877	STRAP	1	-XXXXXX	(HEAVY-DUTY) (SUB R80447, R105478, 19H2825 AND 19H3225)
10	RE19375	STRAP	1	XXXXXX-	(SUB R78214, R105478, 19H3196 AND 19H3612)
	RE19377	STRAP	1	XXXXXX-	(HEAVY-DUTY) (SUB R80447, R105478, 19H2825 AND 19H3225, THIS APPLICATION)
11	19H2728	CAP SCREW	1	XXXXXX-	3/4" X 3"
12	19H1988	CAP SCREW	1		3/4" X 6"
13	19H1988	CAP SCREW	1		3/4" X 6"
14	R36608	DRAWBAR	1		
	R50984	DRAWBAR	1		(HEAVY-DUTY)
15	19H2827	CAP SCREW	2		3/4" X 4-3/4"
16	19H2000	CAP SCREW	4		3/4" X 5"
17	R36509	SPACER	2		
	R40028	SPACER	2		(HEAVY-DUTY)
18	R36273	SUPPORT	1		
19	R36272	STRAP	1		
20	R48815	SWAY BLOCK	1		R.H.
	R48816	SWAY BLOCK	1		L.H.
21	19H2089	CAP SCREW	6		7/8" X 2-3/4"
22	R35482	DOWEL PIN	4		
23	AR35862	BRACKET	1		(MARKED R36508)
24	R26277	DOWEL PIN	2		
25	AR35861	BRACKET	1		(MARKED R36507)
26	34H348	SPRING PIN	2		3/8" X 1"
27	19H1863	CAP SCREW	2		5/8" X 3"
28	12H294	LOCK WASHER	2		5/8"
29	14H794	NUT	2		3/4"
30	12H236	LOCK WASHER	2		3/4"
31	25H1191	GROOVE PIN	1		(USE WITH AR69987) (SUB FOR T56005)

4E6

HYDRAULICS

DRAWBAR SUPPORT KIT (REGULAR DRAWBAR) (HEAVY-DUTY)

RXP8270 -UN-01JAN94



4E7

HYDRAULICS

**DRAWBAR SUPPORT KIT - CONTINUED
(REGULAR DRAWBAR)
(HEAVY-DUTY)**

KEY	PART NO.	PART NAME	QTY	TRACTOR SERIAL NO.	REMARKS
1	R72433	NUT	1		
2	24H1513	WASHER	1		
3	F304R	SPRING	1		1-13/32" X 2" X 0.060"
4	R54064	RETAINER	1		
5	25H1191	GROOVE PIN	1		1/2" X 4", (SUB FOR T56005)
6	R80447	STRAP	1		
7	R105478	RETAINER	1		(SUB FOR R83170)
8	19H3225	CAP SCREW	1		3/4" X 6-1/2"
9	19H2825	CAP SCREW	1		3/4" X 4-1/4"
10	19H3219	CAP SCREW	4		3/8" X 1-3/8"
11	R40028	SPACER	2		
12	R35479	BUSHING	2		
13	AR55074	SUPPORT	1		
14	AR69987	PIN	1		
15	AR71026	SUPPORT	1		

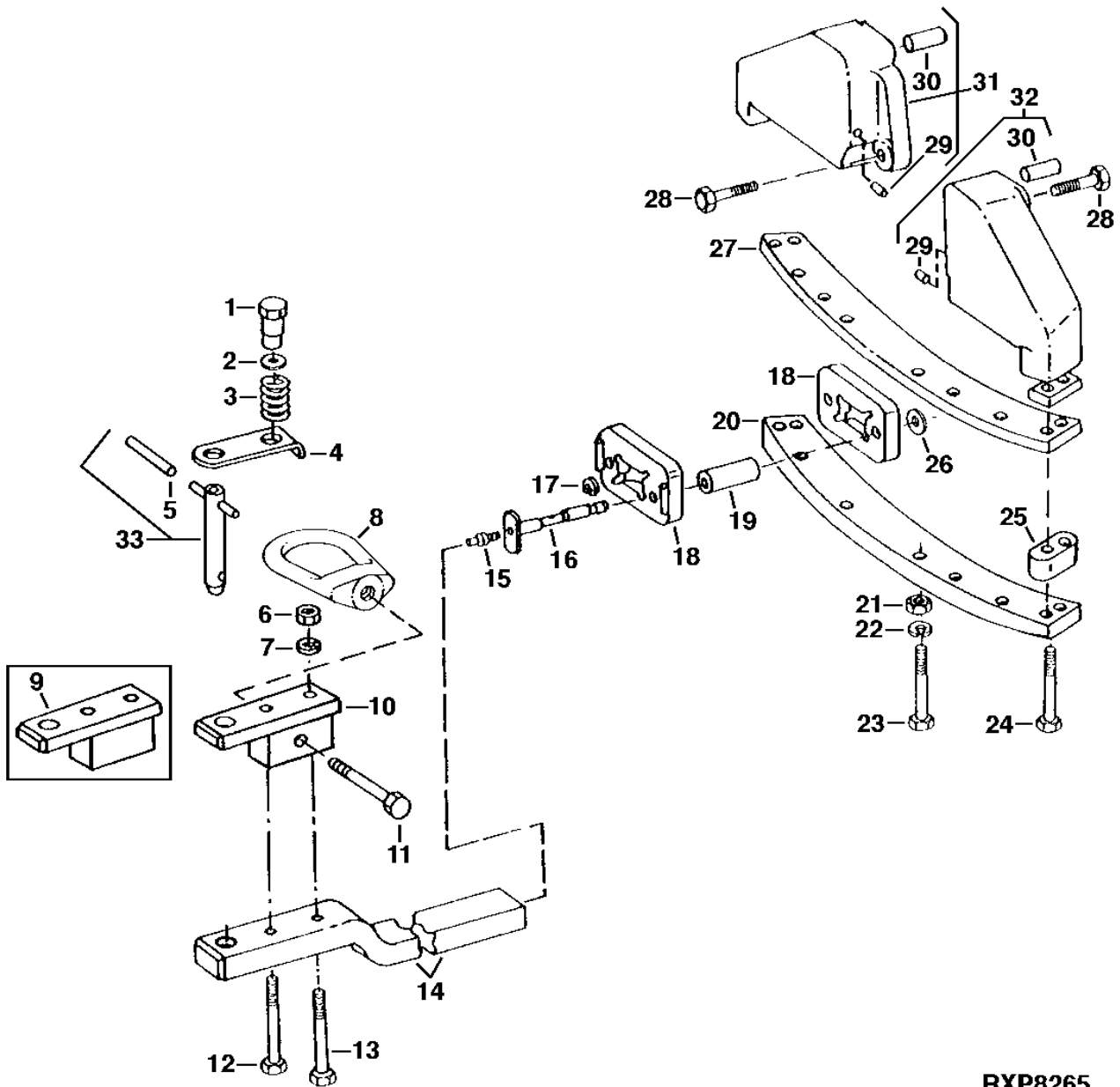
4E8

HYDRAULICS

RXP8265

-UN-19MAR96

WIDE SWING DRAWBAR



RXP8265

4E9

HYDRAULICS

WIDE SWING DRAWBAR - CONTINUED

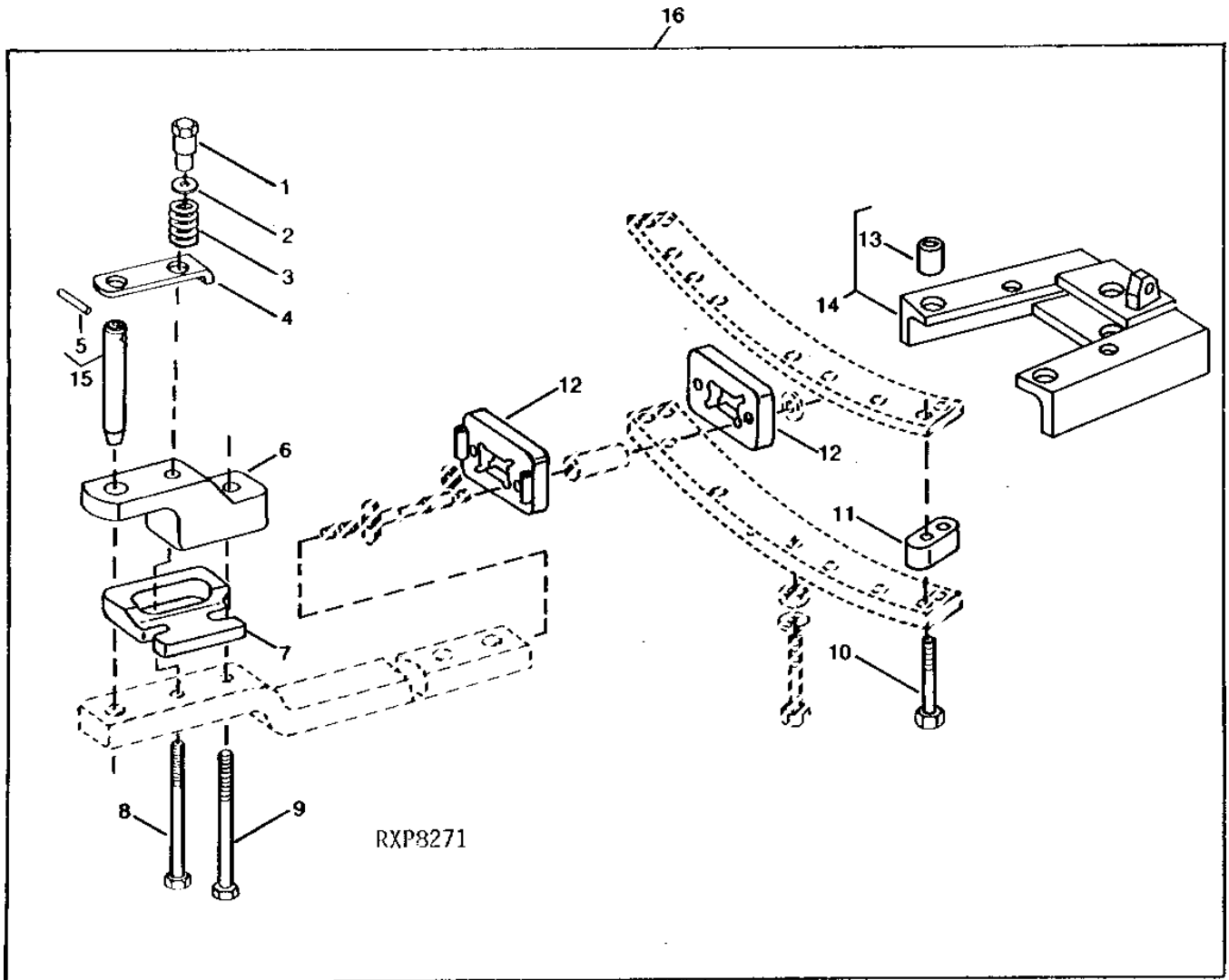
KEY	PART NO.	PART NAME	QTY	TRACTOR SERIAL NO.	REMARKS
1	R72433	NUT	1		(SUB FOR R54065)
2	24H1513	WASHER	1		1-13/32" X 2" X 0.060"
3	F304R	SPRING	1		
4	R54064	RETAINER	1		
5	25H1191	GROOVE PIN	1		1/2" X 4", (USE WITH AR69987) (SUB FOR T56005)
6	14H794	NUT	1		3/4"
7	12H312	LOCK WASHER	1		3/4"
8	R81245	SUPPORT	1	XXXXXX-	(USE WITH RE19377)
9	AR35912	STRAP	1	-XXXXXX	(SUB R78214, R105478, 19H3196 AND 19H3612)
	AR53877	STRAP	1	-XXXXXX	(HEAVY-DUTY) (SUB R80447, R105478, 19H2825 AND 19H3225)
10	RE19375	STRAP	1	XXXXXX-	(SUB R78214, R105478, 19H3196 AND 19H3612)
	RE19377	STRAP	1	XXXXXX-	(HEAVY-DUTY) (SUB R80447, R105478, 19H2825 AND 19H3225, THIS APPLICATION)
11	19H2728	CAP SCREW	1	XXXXXX-	3/4" X 3"
12	19H1988	CAP SCREW	1		3/4" X 6"
13	19H1988	CAP SCREW	1		3/4" X 6"
14	R36608	DRAWBAR	1		
	R50984	DRAWBAR	1		(HEAVY-DUTY)
15	JD7759	LUBRICATION FITTING	2		
16	AR61656	PIN	2		(SUB FOR AR44820)
17	R73380	SNAP RING	1		(SUB FOR A369R)
18	R52390	HANGER	2		(SUB FOR R35838)
	R49879	HANGER	2		(HEAVY-DUTY)
19	R54141	BUSHING	2		(SUB FOR R35839)
20	R35476	SUPPORT	1		(SUB R83111)
21	14H794	NUT	2		3/4"
22	12H236	LOCK WASHER	2		3/4"
23	19H1910	CAP SCREW	2		3/4" X 4-3/4"
24	19H2000	CAP SCREW	4		3/4" X 5"
25	R35835	SPACER	2		
	R49878	SPACER	2		(HEAVY-DUTY)
26	R42660	WASHER	2		
27	R35483	SUPPORT	1		(SUB R83112)
28	19H2089	CAP SCREW	6		7/8" X 2-3/4"
29	34H348	SPRING PIN	2		3/8" X 1"
30	R35482	DOWEL PIN	4		
31	AR35527	BRACKET	1	-XXXXXX	(MARKED R35468)
	AR71405	BRACKET	1	XXXXXX-	(MARKED R59198)
32	AR35526	BRACKET	1	-XXXXXX	(MARKED R35467)
	AR71404	BRACKET	1	XXXXXX-	(MARKED R59197)
33	AR69988	PIN	1		
	AR69987	PIN	1		(HEAVY-DUTY)

4E10

HYDRAULICS

DRAWBAR SUPPORT KIT
(WIDE SWING DRAWBAR)
(HEAVY-DUTY)

RXP8271 -UN-01JAN94



4E11

HYDRAULICS

**DRAWBAR SUPPORT KIT - CONTINUED
(WIDE SWING DRAWBAR)
(HEAVY-DUTY)**

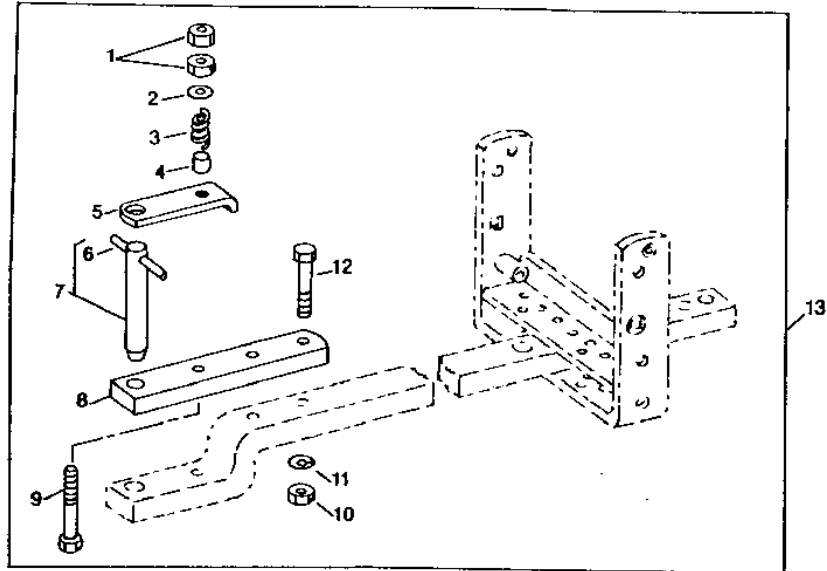
KEY	PART NO.	PART NAME	QTY	TRACTOR SERIAL NO.	REMARKS
1	R72433	NUT	1		
2	24H1513	WASHER	1		1-13/32" X 2" X 0.060"
3	F304R	SPRING	1		
4	R54064	RETAINER	1		
5	25H1191	GROOVE PIN	1		1/2" X 4", (SUB FOR T56005)
6	R80447	STRAP	1		
7	R105478	RETAINER	1		(SUB FOR R83170)
8	19H3225	CAP SCREW	1		3/4" X 6-1/2"
9	19H2825	CAP SCREW	1		3/4" X 4-1/4"
10	19H3219	CAP SCREW	4		3/8" X 1-3/8"
11	R49878	SPACER	2		
12	R49879	HANGER	2		
13	R35479	BUSHING	2		
14	AR55074	SUPPORT	1		
15	AR69987	PIN	1		
16	AR71025	SUPPORT	1		

4E12

HYDRAULICS

RWP1907 -UN-06OCT94

DRAWBAR CLEVIS PIN KIT



RWP1907

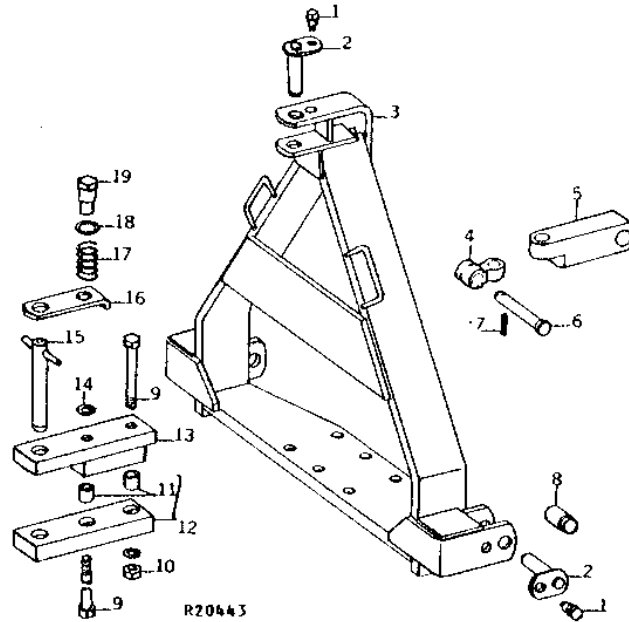
KEY	PART NO.	PART NAME	QTY	TRACTOR SERIAL NO.	REMARKS
1	14H263	NUT	2	5/8"	
2	24H1372	WASHER	1	21/32" X 1-1/2" X 0.060"	
3	F3541R	SPRING	1		
4	F3542R	BUSHING	1		
5	F3539R	RETAINER	1		
6	34H363	SPRING PIN	1	3/8" X 4"	
7	AR26462	PIN	1		
8	R26584	STRAP	1		
9	19H2124	CAP SCREW	1	5/8" X 4-1/4"	
10	14H794	NUT	2	3/4"	
11	12H236	LOCK WASHER	2	3/4"	
12	19H2113	CAP SCREW	2	3/4" X 3-1/4"	
13	AR27033	CLEVIS	1		

4E13

HYDRAULICS

COUPLER (POWER WEIGHT TRANSFER HITCH)

R20443 -UN-01JAN94



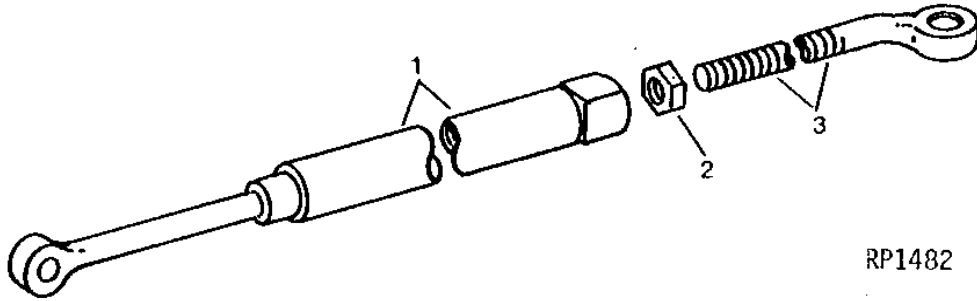
KEY	PART NO.	PART NAME	QTY	TRACTOR SERIAL NO.	REMARKS
1	AR74673	CAP SCREW	3		(SUB FOR AR48110)
2	AR48111	PIN	3		
3	AR46828	COUPLING	1		
4	R44848	PIVOT	1		(NO LONGER AVAILABLE)
5	R44847	PIVOT	1		
6	R58261	PIN	1		
7	11H214	COTTER PIN	1	5/16" X 1-1/2"	
8	R67798	BUSHING	2		(SUB FOR R45065)
9	19H3234	CAP SCREW	2	3/4" X 8-1/2"	
10	14H794	NUT	1	3/4"	
	12H236	LOCK WASHER	1	3/4"	
11	R35479	BUSHING	2		
12	AR47567	DRAWBAR	1		
13	AR46256	STRAP	1		
14	12H236	LOCK WASHER	1	3/4"	
15	AR69988	PIN	1		
16	R54064	RETAINER	1		
17	F304R	SPRING	1		
18	24H1513	WASHER	1	1-13/32" X 2" X 0.060"	
19	R54065	NUT	1	(SUB R72433)	

4E14

HYDRAULICS

RP1482 -UN-01JAN94

IMPLEMENT LINK
(POWER WEIGHT TRANSFER HITCH)



RP1482

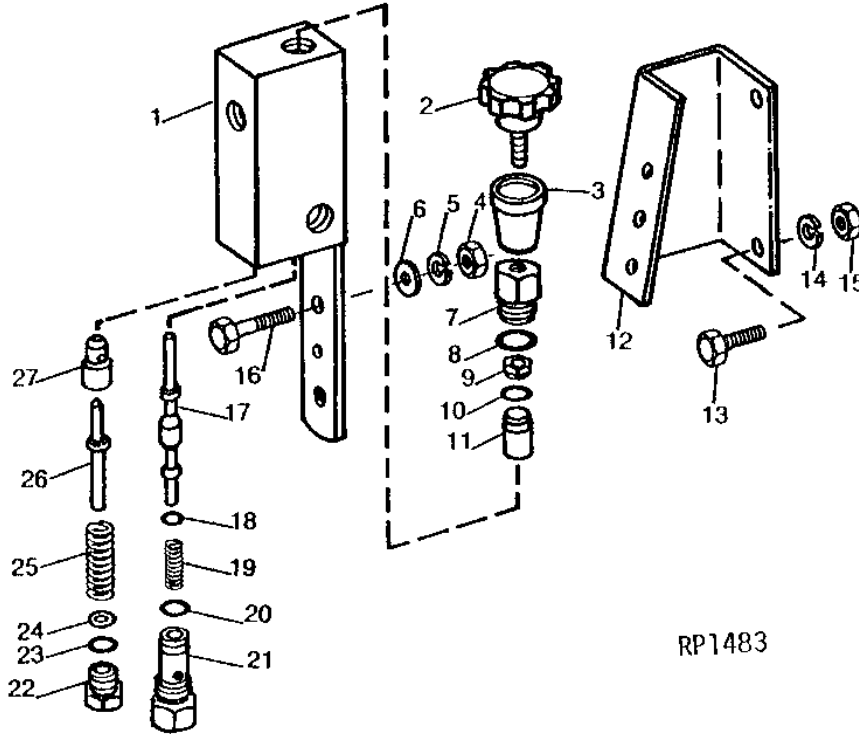
KEY	PART NO.	PART NAME	QTY	TRACTOR SERIAL NO.	REMARKS
1	AR47490	LINK	1		
2	14H887	NUT	1	1-1/8"	
3	R45447	EYEBOLT	1		

4E15

HYDRAULICS

RP1483 -UN-01JAN94

CONTROL VALVE (POWER WEIGHT TRANSFER HITCH)



RP1483

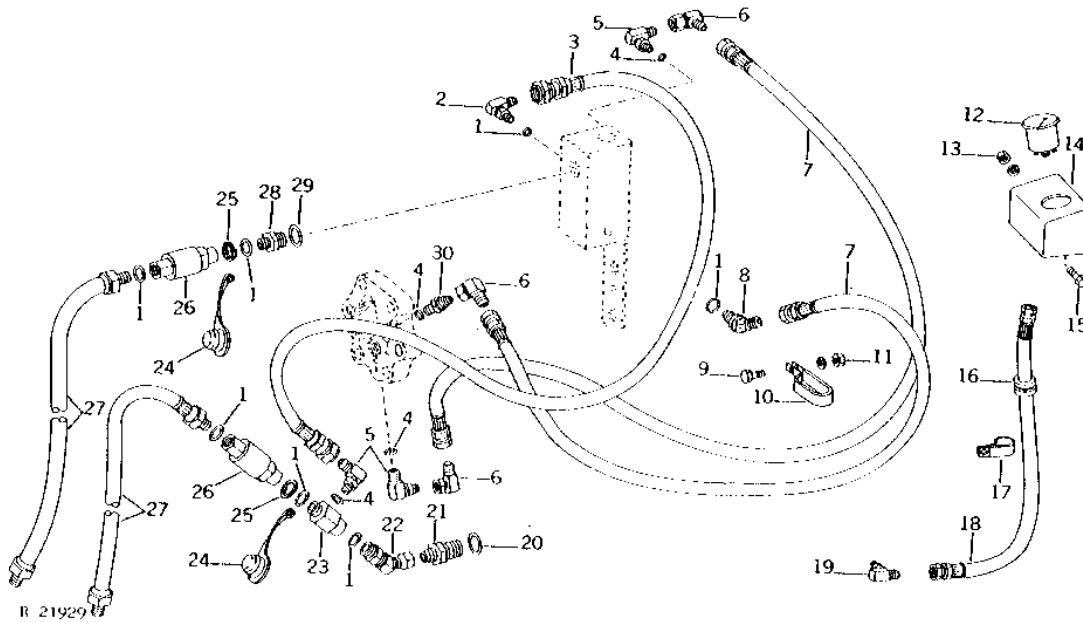
KEY	PART NO.	PART NAME	QTY	TRACTOR SERIAL NO.	REMARKS
1	AR49622	HOUSING	1		
2	AR49578	KNOB	1		
3	R54059	BOOT	1		
4	14H812	NUT	2	3/8"	
5	12H304	LOCK WASHER	2	3/8"	
6	24H1305	WASHER	2	13/32" X 13/16" X 0.065"	
7	R47016	ADAPTER	1		
8	F3171R	O-RING	1		
9	F3220R	LOCK NUT	1		
10	R26375	O-RING	1		
11	R47018	SHAFT	1		
12	R54179	BRACKET	1		
13	19H3265	CAP SCREW	2	1/2" X 1-7/8"	
	19H1792	CAP SCREW	2	1/2" X 1", (ROLL-GARD OR SOUND-GARD BODY)	
14	12H301	LOCK WASHER	2	1/2"	
15	14H1040	NUT	2	1/2"	
16	19H218	CAP SCREW	2	3/8" X 1"	
17	R44840	VALVE	1		
18	R375R	O-RING	1		
19	R26477	SPRING	1		
20	R495R	O-RING	1		
21	R47095	PLUG	1		
22	R27474	DRAIN PLUG	1		
23	R26906	O-RING	1		
24	R45189	SHIM	AR	0.51MM (.020")	
25	R35871	SPRING	1		
26	R45215	GUIDE	1		
27	R38543	VALVE	1		

4E16

HYDRAULICS

HYDRAULIC OIL PRESSURE GAUGE AND LINES (POWER WEIGHT TRANSFER HITCH)

R21929 -UN-01JAN94



KEY	PART NO.	PART NAME	QTY	TRACTOR SERIAL NO.	REMARKS
1	R26375	O-RING	7		
2	AT32332	ELBOW FITTING	1	(SUB FOR AR26763)	
3	AU41729	HYDRAULIC HOSE	1	(SUB AT64802)	
	AR62297	HYDRAULIC HOSE	1	(A)	
4	R26448	O-RING	4		
5	AT35120	ELBOW FITTING	3	(SUB FOR AR37017 AND AT32337)	
6	AH75164	ELBOW FITTING	3	(SUB FOR AU43691)	
7	AR40465	HYDRAULIC HOSE	2		
	AR62297	HYDRAULIC HOSE	2	(A)	
8	AR26745	ELBOW FITTING	1		
9	19H444	CAP SCREW	1	1/2" X 1"	
10	R54506	CLIP	1		
11	14H1040	NUT	1	1/2"	
	12H301	LOCK WASHER	1	1/2"	
12	AR47486	PRESSURE GAUGE	1	(NO LONGER AVAILABLE)	
13	14H786	NUT	2	1/4"	
	12H302	LOCK WASHER	2	1/4"	
14	R54336	SUPPORT	1	(NO LONGER AVAILABLE)	
15	19H2036	CAP SCREW	2	1/4" X 7/8"	
16	H80306	GROMMET	1		
17	R34557	CLAMP	1		
18	AR62298	HOSE	1		
19	U45538	ELBOW FITTING	1		
20	H851R	WASHER	1		
21	A15532	ADAPTER	1		
22	AA14850	ELBOW FITTING	1		
23	R45106	FITTING	1		
24	R32419	COVER	2		
25	R36946	SPRING	2		
26	AR31611	COUPLING	2	(SUB RE15361)	
27	HOSE	1	(MAKE FROM BULK SUPPLY)	
28	R36945	FITTING	1		
29	F3171R	O-RING	1		
30	R39249	ADAPTER	1		

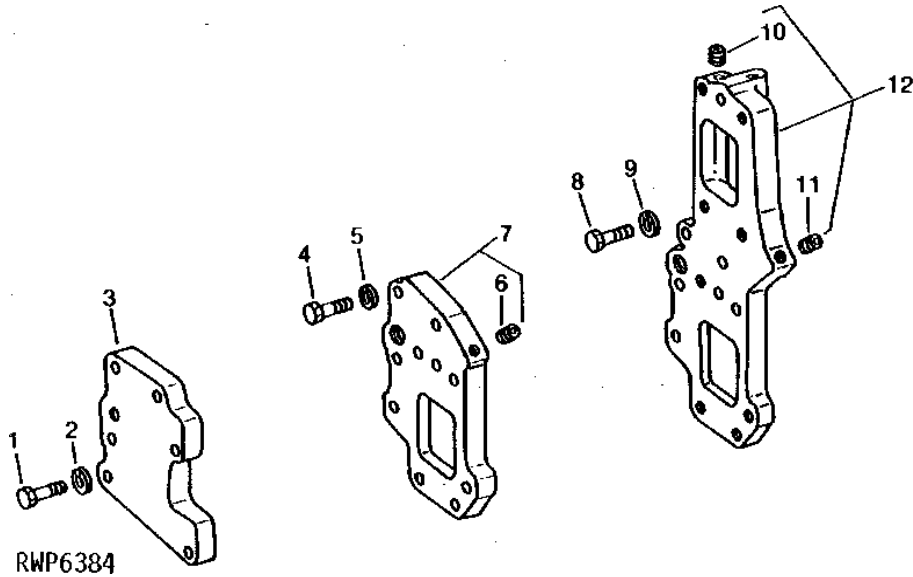
(A) ROLL-GARD AND SOUND-GARD BODY

4E17

HYDRAULICS

RWP6384 -UN-01JAN94

ROCKSHAFT CONTROL VALVE HOUSING COVER



KEY	PART NO.	PART NAME	QTY	TRACTOR SERIAL NO.	REMARKS
1	19H1978	CAP SCREW	5		7/16" X 1-1/2"
	19H2500	CAP SCREW	5		7/16" X 1-3/8"
2	12H293	LOCK WASHER	6		7/16"
3	R50065	VALVE COVER	1	-011814	(A)
	R59080	COVER	1	011815-	(A)
4	19H1978	CAP SCREW	4		7/16" X 1-1/2"
	19H2731	CAP SCREW	4		7/16" X 1-3/8"
5	12H293	LOCK WASHER	5		7/16"
6	15H559	PIPE PLUG	1		1/4"
7	AR71188	COVER	1		DUAL SELECTIVE CONTROL VALVE, (MARKED R50066 OR R59081) (SUB FOR AR54331) (ORDER DUAL DIRECTIONAL CONTROL VALVE KIT UNLESS PREVIOUSLY INSTALLED)
8	19H1978	CAP SCREW	4		7/16" X 1-1/2"
	19H2731	CAP SCREW	4		7/16" X 1-3/8"
9	12H293	LOCK WASHER	5		7/16"
10	15H558	PIPE PLUG	1		1/8"
11	15H559	PIPE PLUG	1		1/4"
12	AR71189	COVER	1		TRIPLE SELECTIVE CONTROL VALVE, (MARKED R50067 OR R59084) (SUB FOR AR54332) (ORDER TRIPLE DIRECTIONAL CONTROL VALVE KIT UNLESS PREVIOUSLY INSTALLED)

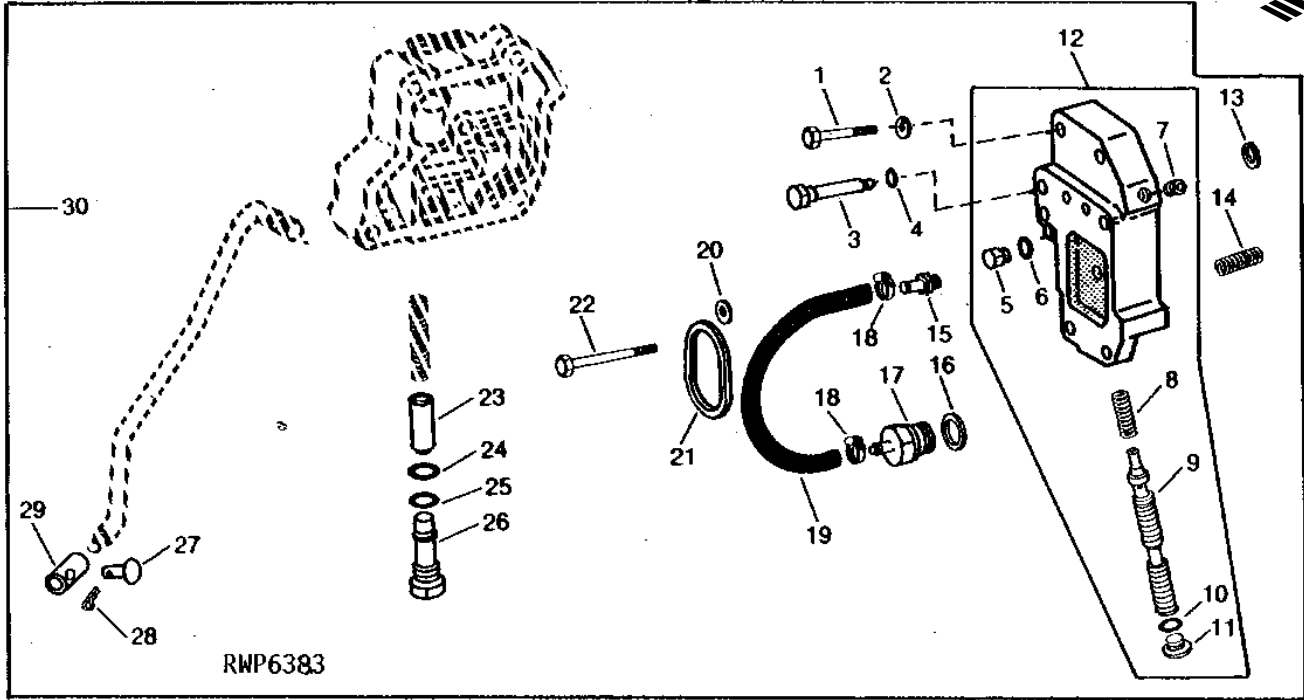
(A) SINGLE OR NO SELECTIVE CONTROL

4E18

HYDRAULICS

RWP6383 -UN-01JAN94

DIRECTIONAL CONTROL VALVE KIT FOR DUAL SELECTIVE CONTROL



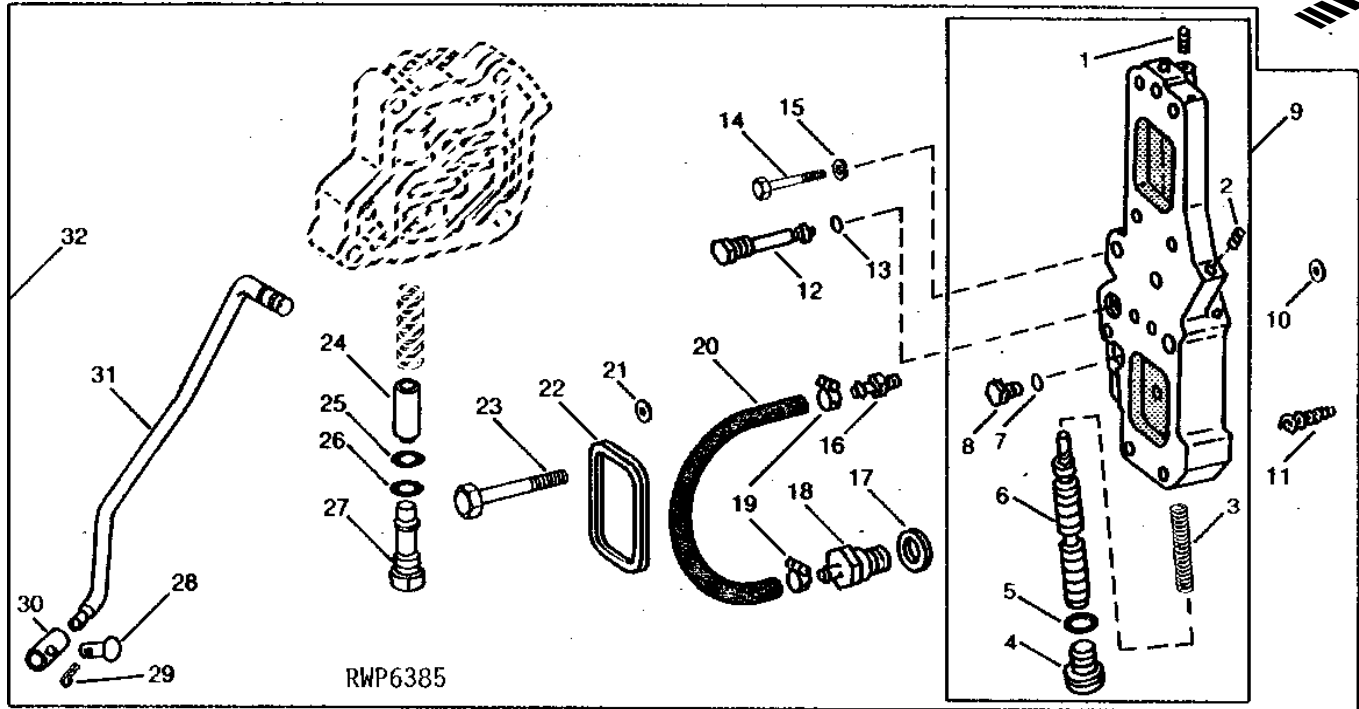
KEY	PART NO.	PART NAME	QTY	TRACTOR SERIAL NO.	REMARKS
1	19H1899	CAP SCREW	2	7/16" X 2"	
	19H2227	CAP SCREW	2	7/16" X 2-1/2"	
	19H2500	CAP SCREW	2	7/16" X 1-3/8"	
2	12H293	LOCK WASHER	4	7/16"	
3	R60420	PLUG	1		
4	R26448	O-RING	1		
5	R27094	DRAIN PLUG	1		
6	R26286	O-RING	1		
7	15H558	PIPE PLUG	1	1/8"	
8	R28914	SPRING	1		
9	R60096	VALVE	1		
10	R26375	O-RING	1		
11	R33138	FITTING	1		
12	AR73899	COVER	1	(MARKED R60334)	
13	R26149	PACKING	6		
14	R59082	SPRING	2		
15	R65684	FITTING	1	-016902	(SUB FOR R55525)
16	H851R	WASHER	1	-016902	
17	R60335	PLUG	1	-016902	
18	AR21836	CLAMP	2	-016902	
19	R60333	HYDRAULIC HOSE	1	-016902	
20	F2741R	PACKING	1		
21	R40922	PACKING	1		
22	19H2253	CAP SCREW	1	7/16" X 3-1/2"	
23	R60092	CHECK VALVE	1		
24	R26375	O-RING	1		
25	R28776	O-RING	1		
26	R60396	FITTING	1		
27	U11004	PIN	1		
28	11H211	COTTER PIN	1	1/8" X 3/4"	
29	R52881	ROD	1		
30	AR73691	KIT	1	-016902	(ALSO ORDER R60397) (ORDER COMPONENT PARTS)
..	R60397	ROD	1		(USE WITH AR73691)

4E19

HYDRAULICS

RWP6385 -UN-01JAN94

DIRECTIONAL CONTROL VALVE KIT FOR TRIPLE SELECTIVE CONTROL



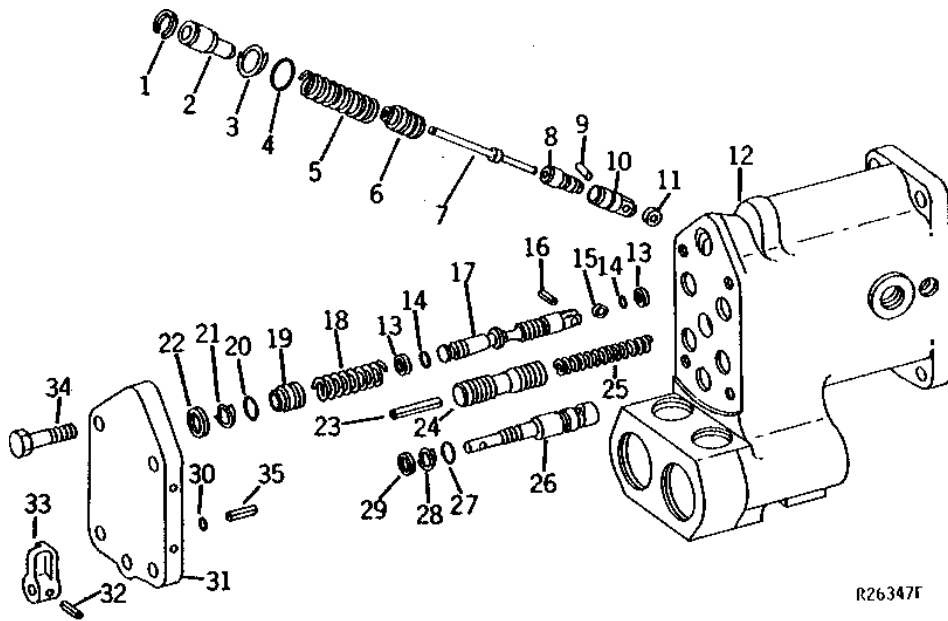
KEY	PART NO.	PART NAME	QTY	TRACTOR SERIAL NO.	REMARKS
1	15H558	PIPE PLUG	2		1/8"
2	15H559	PIPE PLUG	1		1/4"
3	R28914	SPRING	1		
4	R33138	FITTING	1		
5	R26375	O-RING	1		
6	R60096	VALVE	1		
7	R26286	O-RING	1		
8	R27094	DRAIN PLUG	1		
9	AR73897	COVER	1		(MARKED R60395)
10	R26149	PACKING	6		
11	R59082	SPRING	2		
12	R60420	PLUG	1		
13	R26448	O-RING	1		
14	19H2227	CAP SCREW	3		7/16" X 2-1/2"
15	12H293	LOCK WASHER	4		7/16"
16	R65684	FITTING	1	-016902	(SUB FOR R55525)
17	H851R	WASHER	1	-016902	
18	R60335	PLUG	1	-016902	
19	AR21836	CLAMP	2	-016902	
20	R60333	HYDRAULIC HOSE	1	-016902	
21	F2741R	PACKING	2		
22	R40922	PACKING	2		
23	19H2253	CAP SCREW	1		7/16" X 3-1/2"
24	R60092	CHECK VALVE	1		
25	R26375	O-RING	1		
26	R28776	O-RING	1		
27	R60396	FITTING	1		
28	U11004	PIN	1		
29	11H211	COTTER PIN	1		1/8" X 3/4"
30	R52881	ROD	1		
31	R60398	ROD	1		
32	AR73692	KIT	1	-016902	(ORDER COMPONENT PARTS)

4E20

HYDRAULICS

SELECTIVE CONTROL VALVE HOUSING AND VALVES
(TRACTOR SERIAL NO. -030271)

R26347 -UN-01JAN94



R26347F

4E21

HYDRAULICS

SELECTIVE CONTROL VALVE HOUSING AND VALVES - CONTINUED
(TRACTOR SERIAL NO. -030271)

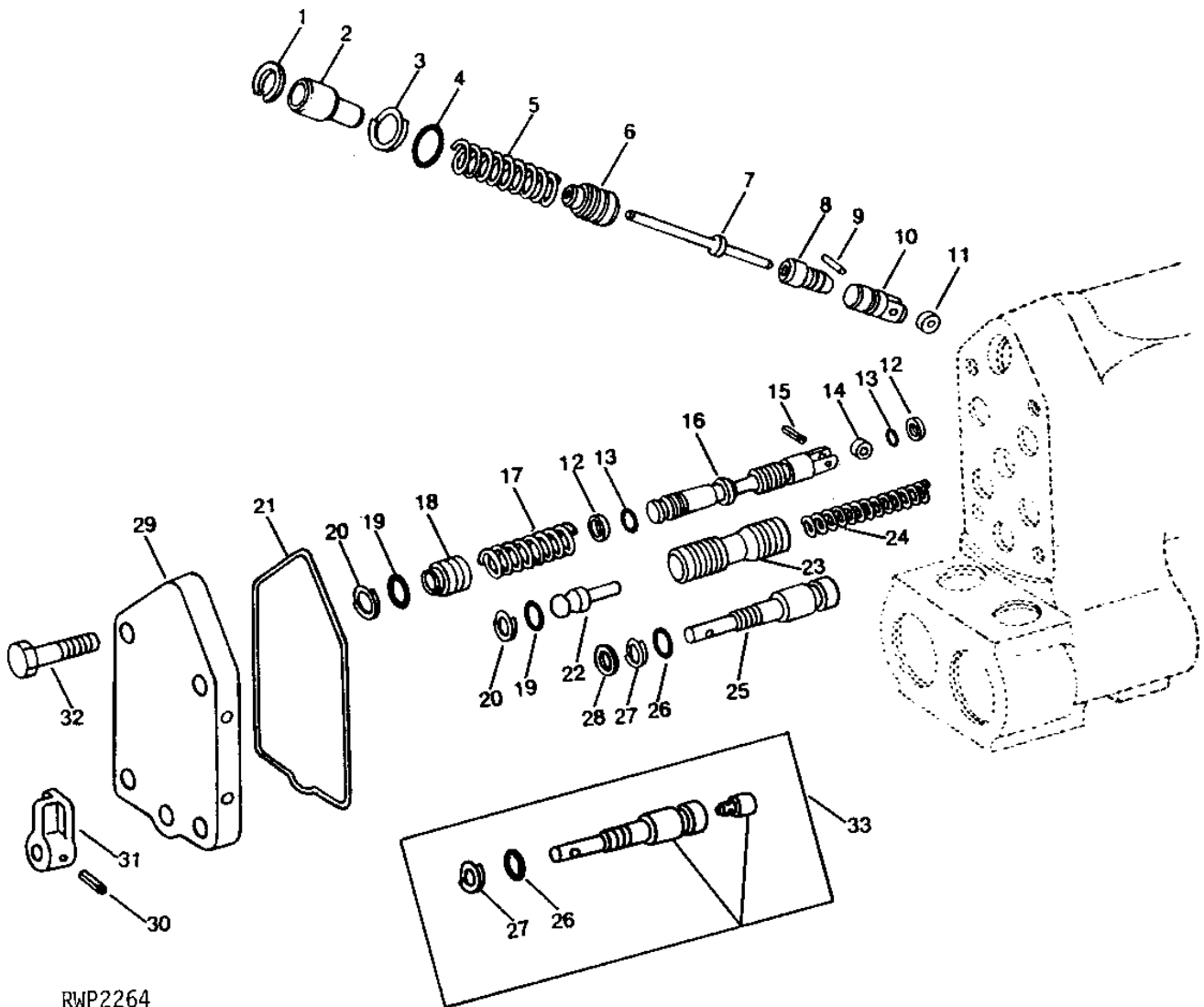
KEY	PART NO.	PART NAME	QTY	TRACTOR SERIAL NO.	REMARKS
1	R46722	SNAP RING	1		
2	R55397	GUIDE	1		(ALSO ORDER R55398) (SUB FOR R48979)
3	R26546	BACK-UP RING	1		
4	B2762R	O-RING	1		
5	R41055	SPRING	1		
6	R48980	PISTON	1		
7	R55398	PIN	1		(SUB FOR R48981)
8	R48978	GUIDE	1		
9	R51411	PIN	1		
10	R51410	CAM FOLLOWER	1		
11	R51409	SPACER	1		
12	AR40827	HOUSING	1		(MARKED R40499) (SUB AR82572, R59629, R65289, R66916, R49187, R27166, R41057, (2) R65501, (2) R65502 AND R74695)
13	R26484	BACK-UP RING	6		(4 USED PRESSURE, 2 USED RETURN)
14	R65286	O-RING	6		(4 USED PRESSURE, 2 USED RETURN) (SUB FOR A3917R, THIS APPLICATION)
15	R51409	SPACER	4		
16	34H242	SPRING PIN	4		1/8" X 7/16"
17	AR86535	VALVE	4		(SUB FOR AR56120, AR70150 OR AR78396)
18	R65501	SPRING	2		
	R65502	SPRING	2		(SUB FOR R44310)
19	R41156	GUIDE	4		
20	R27166	O-RING	4		
21	R41057	BACK-UP RING	4		
22	R26149	PACKING	6		
23	34H284	SPRING PIN	1		3/16" X 1-1/4"
24	R52549	SHUT-OFF VALVE	1		FLOW CONTROL
25	R41549	SPRING	1		
26	R52547	VALVE	1		METERING, (USE WITH R40499)
	R65289	VALVE	1		METERING, (USE WITH R65284)
27	P46051	O-RING	1		
28	R40937	BACK-UP RING	1		
29	R41339	SHIM	1		
30	R34812	O-RING	1		
31	AR40688	COVER	1		(MARKED R49708) (USE WITH R40499)
	AR85628	COVER	1		(MARKED R59629) (USE WITH R65284) (SUB R27166, R41057, R59629, R65501, R65502, R66916 AND R74695)
	R74695	WASHER	1		(USE WITH R59629)
	R41933	LABEL	1		REMOTE CYLINDER, L.H.
	R44315	LABEL	1		REMOTE CYLINDER, R.H.
32	34H231	SPRING PIN	1		3/32" X 3/4"
33	R41338	ARM	1		(SUB R62652)
34	19H988	CAP SCREW	4		3/8" X 1-1/4"
35	34H275	SPRING PIN	1		3/16" X 1/2"

4E22

HYDRAULICS

SELECTIVE CONTROL VALVE HOUSING AND VALVES (TRACTOR SERIAL NO. 030272-)

RWP2264 -UN-17OCT94



RWP2264

4E23

HYDRAULICS

SELECTIVE CONTROL VALVE HOUSING AND VALVES - CONTINUED
(TRACTOR SERIAL NO. 030272-)

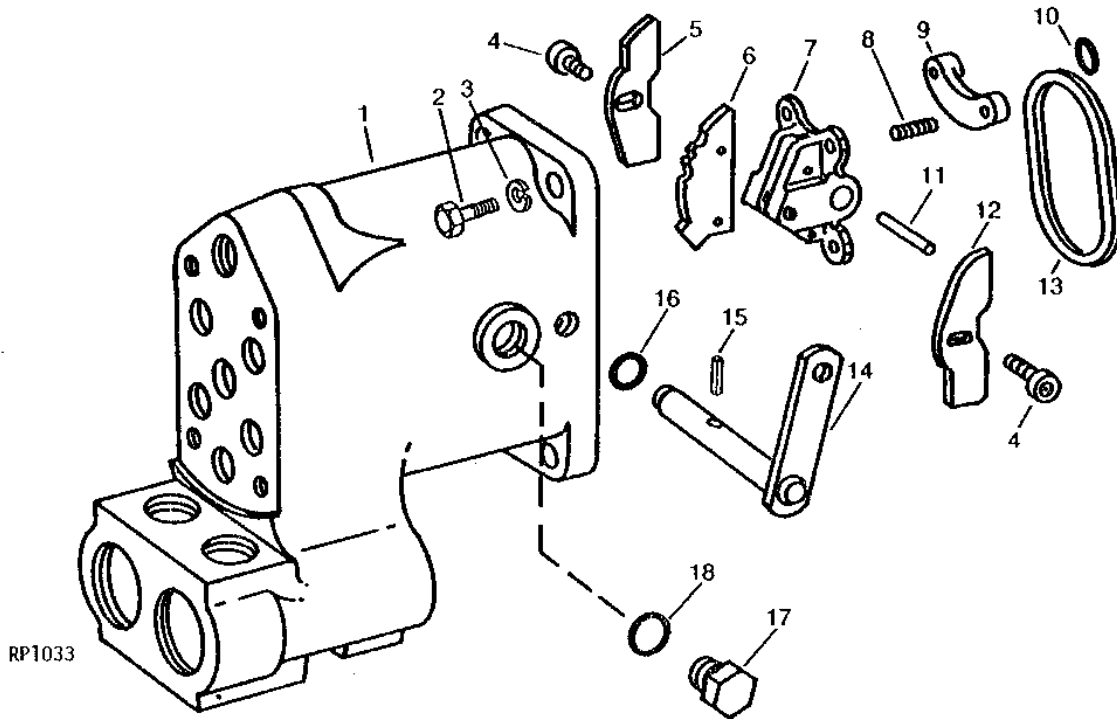
KEY	PART NO.	PART NAME	QTY	TRACTOR SERIAL NO.	REMARKS
1	R46722	SNAP RING	1		
2	R55397	GUIDE	1		
3	R26546	BACK-UP RING	1		
4	B2762R	O-RING	1		
5	R41055	SPRING	1		
6	R48980	PISTON	1		
7	R55398	PIN	1		
8	R48978	GUIDE	1		
9	R51411	PIN	1		
10	R51410	CAM FOLLOWER	1		
11	R51409	SPACER	1		
12	R26484	BACK-UP RING	6		(4 PRESSURE, 2 RETURN)
13	R65286	O-RING	6		(4 PRESSURE, 2 RETURN)
14	R51409	SPACER	4		
15	34H242	SPRING PIN	4		1/8" X 7/16"
16	AR86535	VALVE	4		(SUB FOR AR78396)
17	R65501	SPRING	2		RETURN
	R65502	SPRING	2		PRESSURE
18	R66416	BUSHING	4		
19	R27166	O-RING	5		
20	R41057	BACK-UP RING	5		
21	R74695	WASHER	1		
22	R66916	STOP	1		(SUB FOR R65354)
23	R52549	SHUT-OFF VALVE	1		FLOW CONTROL
24	R41549	SPRING	1		
25	R65289	VALVE	1		METERING
26	P46051	O-RING	1		
27	R40937	BACK-UP RING	1		
28	R41339	SHIM	1		
29	R59629	CAP	1		
30	34H231	SPRING PIN	1		3/32" X 3/4", (SUB R62652)
31	R41338	ARM	1		
32	19H1732	CAP SCREW	4		3/8" X 1-1/4"
33	AR82573	VALVE	1		CHECK
..	AR82572	HOUSING	1		(MARKED R65284)
..	R61482	VALVE	1		(SCV)

4E24

HYDRAULICS

RP1033 -UN-01JAN94

SELECTIVE CONTROL VALVE HOUSING, ROCKER, AND OPERATING CAMS



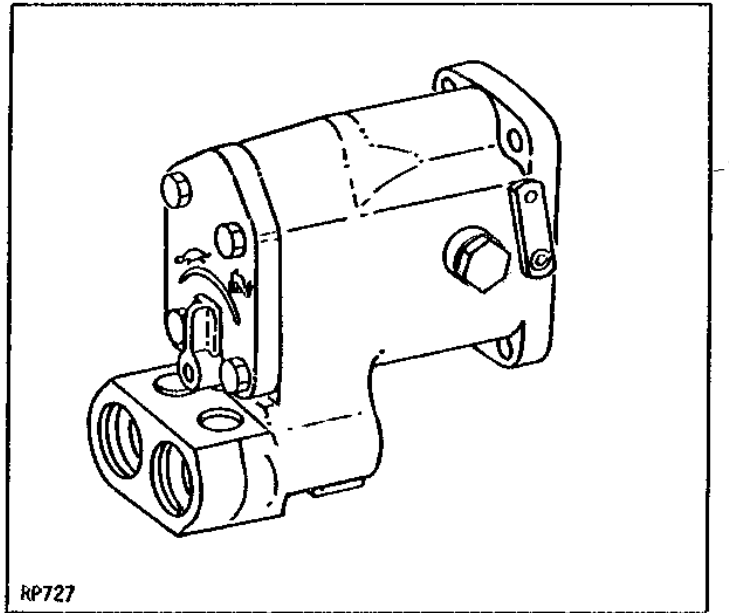
KEY	PART NO.	PART NAME	QTY	TRACTOR SERIAL NO.	REMARKS
1	AR40827	HOUSING	1	-030271	(MARKED R40499) (SUB AR82572, R59629, R65289, R66916, R49187, R27166, R41057, (2) R65501, (2) R65502 AND R74695)
2	AR82572	HOUSING	1	030272-	(MARKED R65284)
	19H2731	CAP SCREW	AR	-030271	7/16" X 1-3/8", (4 USED SINGLE) (7 USED DUAL) (11 USED TRIPLE)
	19H2731	CAP SCREW	AR	030272-	7/16" X 1-3/8", (3 USED SINGLE) (7 USED DUAL) (11 USED TRIPLE)
	19H2055	CAP SCREW	1	-030271	7/16" X 2-1/4", (DUAL OR TRIPLE)
	19H2253	CAP SCREW	1	030272-	7/16" X 3-1/2", (SINGLE OR TRIPLE)
3	12H293	LOCK WASHER	AR		7/16", (4 USED SINGLE) (8 USED DUAL) (12 USED TRIPLE)
4	R27233	SCREW	2		
5	R51414	CAM	1		
6	R51413	CAM	1		
7	R51412	ROCKER	1		
8	22H1025	SET SCREW	4		1/4" X 7/8"
9	R49221	RETAINER	2		
10	F2741R	PACKING	1		
11	R28744	PIN	2		
12	R51415	CAM	1		
13	R40922	PACKING	1		
14	AR54252	ARM	1		(SINGLE OR DUAL SELECTIVE CONTROL)
	AR54253	ARM	1		(TRIPLE SELECTIVE CONTROL)
15	34H297	SPRING PIN	1		7/32" X 1"
16	R65287	O-RING	2		
17	R41155	PLUG	2		
18	R26375	O-RING	2		

4E25

HYDRAULICS

RP727 -UN-01JAN94

SELECTIVE CONTROL VALVE KITS



KEY	PART NO.	PART NAME	QTY	TRACTOR SERIAL NO.	REMARKS
1	AR65849	CONTROL	1	-016902	(A) (D)
	AR76006	CONTROL	1	-016902	(B) (D) (INCLUDES DIRECTIONAL CONTROL VALVE) (ALSO ORDER R60397) (NO LONGER AVAILABLE)
	AR65849	CONTROL	2	016903-	(B) (D)
	AR85251	CONTROL	1		(C) (D) (INCLUDES DIRECTIONAL CONTROL VALVE)

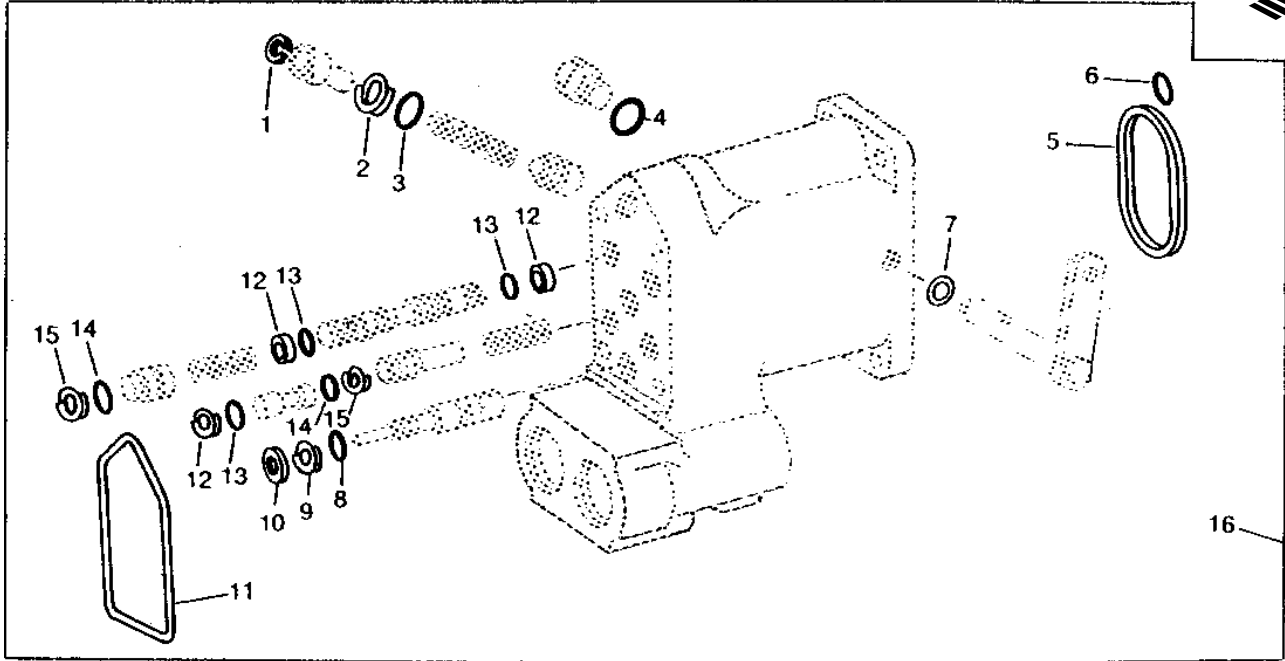
- (A) SINGLE SELECTIVE CONTROL
- (B) DUAL SELCTIVE CONTROL
- (C) TRIPLE SELECTIVE CONTROL WHEN EQUIPPED WITH DUAL
- (D) COMPLETE - INCLUDES ROD, SHAFT, LEVER AND KNOB

4F1

HYDRAULICS

RWP3167 -UN-01JAN94

SELECTIVE CONTROL VALVE OVERHAUL KIT



RWP3167

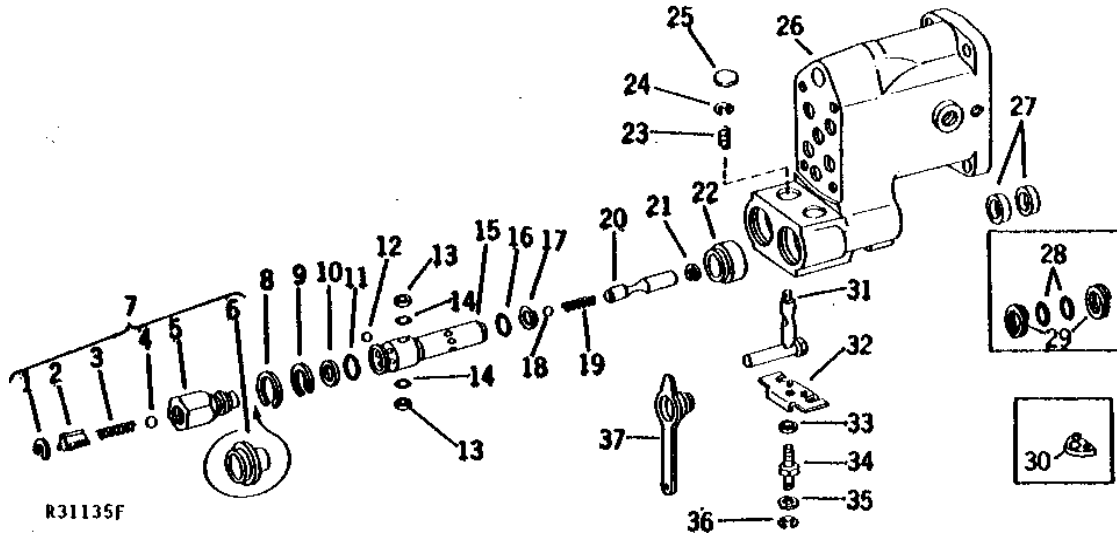
KEY	PART NO.	PART NAME	QTY	TRACTOR SERIAL NO.	REMARKS
1	R46722	SNAP RING	1		
2	R26546	BACK-UP RING	1		
3	B2762R	O-RING	1		
4	R26375	O-RING	1		
5	R40922	PACKING	1		
6	F2741R	PACKING	1		
7	R65287	O-RING	1		
8	P46051	O-RING	1		
9	R40937	BACK-UP RING	1		
10	R41339	SHIM	1		
11	R74695	WASHER	1		
12	R26484	BACK-UP RING	3		
13	R65286	O-RING	3		
14	R27166	O-RING	2		
15	R41057	BACK-UP RING	2		
16	RE10924	KIT	1	(SUB FOR AR82571)	

4F2

HYDRAULICS

R31135 -UN-01JAN94

BREAKAWAY COUPLER (TRACTOR SERIAL NO. -030271)



KEY	PART NO.	PART NAME	QTY	MODEL NO.	REMARKS
1	R59633	WEAR RING	2		(SUB FOR R28204)
2	R28085	GUIDE	2		(ORDER AR93819 OR AR93820, THIS APPLICATION)
3	R28084	SPRING	2		
4	D2361R	BALL	2		13MM (1/2")
5	R27430	HYD. QUICK-CONNECT COUPLER	1		(PRESSURE) (SUB AR93819)
	R45630	HYD. QUICK-CONNECT COUPLER	1		(RETURN) (SUB AR93820)
6	R28006	CAP	2		
7	AR30210	INTERNAL HALF COUPLER	1		(PRESSURE) (SUB AR93819)
	AR47643	BREAKAWAY COUPLER	1		(RETURN) (SUB AR93820)
8	R34399	SNAP RING	2		
9	R32356	SNAP RING	2		
10	R26485	BACK-UP RING	2		
11	R59343	RING	2		
12	400R	BALL	12		6MM (1/4")
13	R26484	BACK-UP RING	4		
14	R65286	O-RING	4		(SUB FOR A3917R, THIS APPLICATION)
15	R34397	SOCKET OUTLET	2		
16	R375R	O-RING	2		
17	R26482	RING	2		
18	D2361R	BALL	2		13MM (1/2")
19	R28084	SPRING	2		
20	R34400	PLUG	2		
21	R26483	SNAP RING	2		
22	R34398	SLEEVE	2		
23	R31890	SPRING	2		
24	R72653	SNAP RING	2		(SUB FOR M2396T)
25	30H15	PLUG	2		1-1/8"
26	AR40827	HOUSING	1	-030271	(MARKED R40499) (SUB AR82572, R59629, R65289, R66916, R49187, R27166, R41057, (2) R65501, (2) R65502 AND R74695)
	AR82572	HOUSING	1	030272-	(MARKED R65284)
27	R65285	SEAL	4	XXXXXX-	(SUB R79311)
28	A4730R	O-RING	4	-XXXXXX	(SUB (4) R79311, THIS APPLICATION)
29	R26480	BACK-UP RING	4	-XXXXXX	(SUB (4) R79311, THIS APPLICATION)
30	R51285	PLATE	1	-021909	(SUB AR75958, THIS APPLICATION)
31	AR82576	LEVER	2		(SUB FOR AR33877) (SUB AR99100)
32	AR75958	CAM	1	021910-	
33	12H303	LOCK WASHER	1		5/16"
34	R49191	SCREW	1		
35	24H1286	WASHER	1		9/32" X 1/2" X 1/16"
36	R72654	SNAP RING	1		(SUB FOR R27507)
37	R32419	COVER	2		(SUB R80324)
..	AR82570	KIT	1		BREAKAWAY COUPLER OVERHAUL, (SUB FOR AR30685)

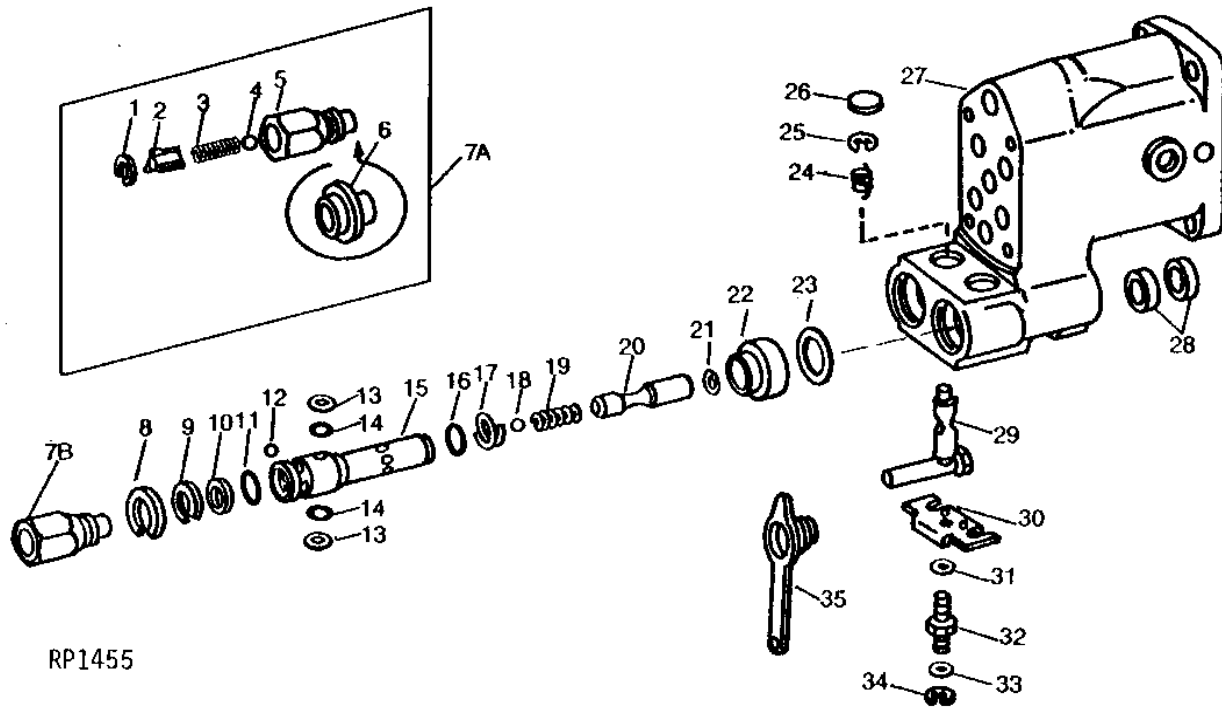
4F3

HYDRAULICS

RP1455

-UN-01JAN94

BREAKAWAY COUPER
(TRACTOR SERIAL NO. 030272-)



4F4

HYDRAULICS

BREAKAWAY COUPLER - CONTINUED
(TRACTOR SERIAL NO. 030272-)

KEY	PART NO.	PART NAME	QTY	TRACTOR SERIAL NO.	REMARKS
1	R59633	WEAR RING	2		
2	R28085	GUIDE	2		(ORDER AR93819 OR AR93820, THIS APPLICATION)
3	R28084	SPRING	2		
4	D2361R	BALL	1		13MM (1/2")
5	R27430	HYD. QUICK-CONNECT COUPLER	1		(PRESSURE) (SUB AR93819)
	R45630	HYD. QUICK-CONNECT COUPLER	1		(RETURN) (SUB AR93820)
6	R28006	CAP	2		
7A	AR30210	INTERNAL HALF COUPLER	1	-XXXXXX	(PRESSURE) (SUB AR93819)
	AR47643	BREAKAWAY COUPLER	1	-XXXXXX	(RETURN) (SUB AR93820)
7B	AR93819	HYD. QUICK-CONNECT COUPLER	1	XXXXXX-	(PRESSURE)
	AR93820	FITTING	1	XXXXXX-	(RETURN)
8	R34399	SNAP RING	2		
9	R32356	SNAP RING	2		
10	R26485	BACK-UP RING	2		
11	R59343	RING	2		
12	400R	BALL	12		6MM (1/4")
13	R26484	BACK-UP RING	4		
14	R65286	O-RING	4		
15	R34397	SOCKET OUTLET	2		
16	R375R	O-RING	2		
17	R26482	RING	2		
18	D2361R	BALL	2		13MM (1/2")
19	R28084	SPRING	2		
20	R34400	PLUG	2		
21	R26483	SNAP RING	2		
22	R34398	SLEEVE	2		
23	R56753	SHIM	2		
24	R31890	SPRING	2		
25	R72653	SNAP RING	2		(SUB FOR M2396T)
26	30H15	PLUG	2		1-1/8"
27	AR82572	HOUSING	1		(MARKED R65284)
28	R74530	SEAL	4		(SUB FOR R65285) (SUB R79311)
29	AR82576	LEVER	2		(SUB AR99100)
30	AR75958	CAM	1		
31	12H303	LOCK WASHER	1		5/16"
32	R49191	SCREW	1		
33	24H1286	WASHER	1		9/32" X 1/2" X 1/16"
34	R72654	SNAP RING	1		
35	R32419	COVER	2		

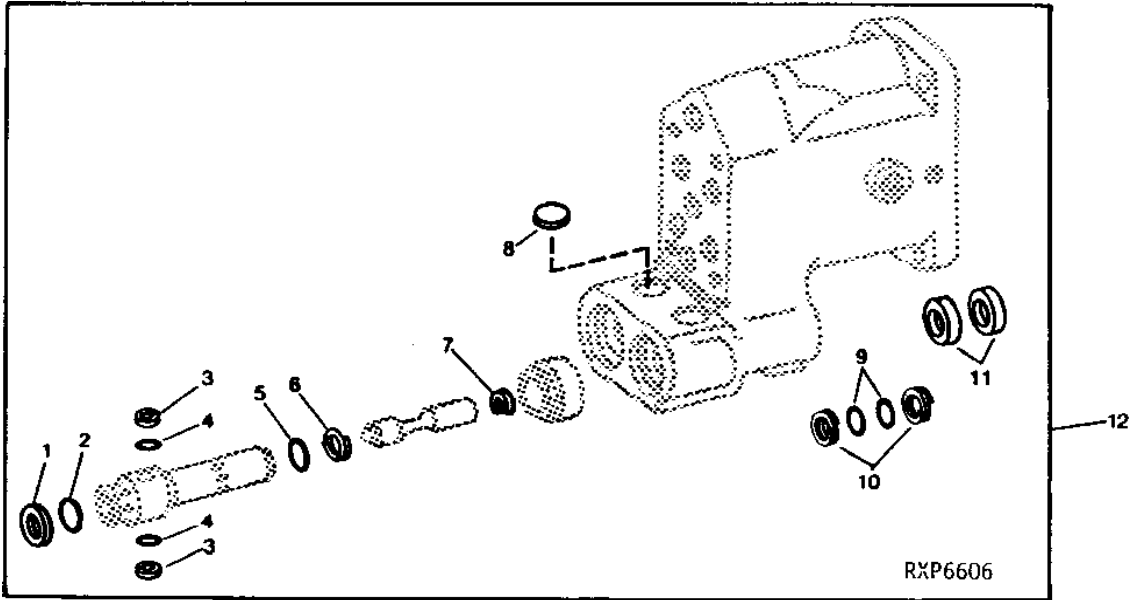
4F5

HYDRAULICS

RXP6606

-UN-06OCT94

BREAKAWAY COUPLER OVERHAUL KIT



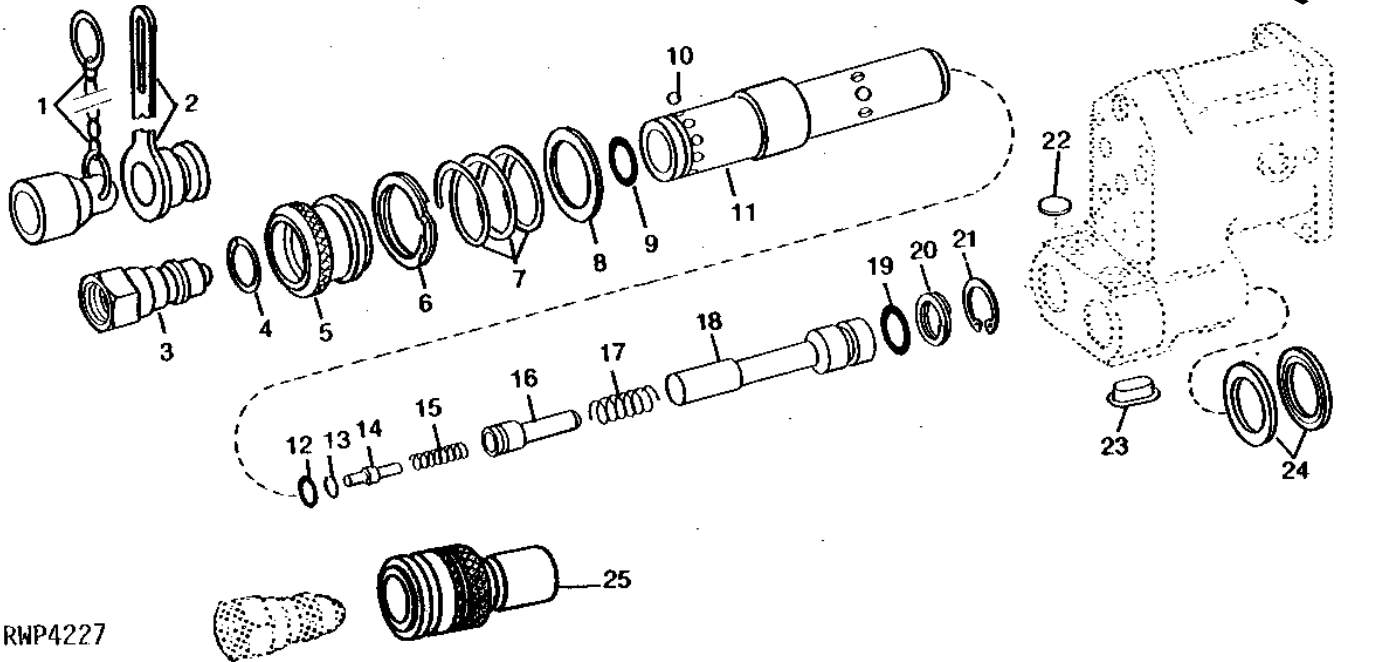
KEY	PART NO.	PART NAME	QTY	TRACTOR SERIAL NO.	REMARKS
1	R26485	BACK-UP RING	2		
2	R59343	RING	2		
3	R26484	BACK-UP RING	4		
4	R65286	O-RING	4		
5	R375R	O-RING	2		
6	R26482	RING	2		
7	R26483	SNAP RING	2		
8	30H15	PLUG	2	1-1/8"	
9	A4730R	O-RING	4	(NOT REQUIRED)	
10	R26480	BACK-UP RING	4	(NOT REQUIRED)	
11	R79311	SEAL	4	(SUB FOR R65285 AND R74530)	
12	AR82570	KIT	1	(SUB FOR AR30685)	

4F6

HYDRAULICS

ISO BREAKAWAY COUPLER
(SERVICE PARTS FOR AR80911)
(TRACTOR SERIAL NO. -030271)

RWP4227 -UN-01JAN94



RWP4227

KEY	PART NO.	PART NAME	QTY	TRACTOR SERIAL NO.	REMARKS
1	A15898	CAP	1		
2	A15899	CAP	1		
3	AL26973	INTERNAL HALF COUPLER	1		
4	R64617	SNAP RING	1	(A)	
5	R64618	SLEEVE	1	(A)	
6	R64615	SNAP RING	1	(A)	
7	R64609	SPRING	1	(A)	
8	R64608	WASHER	1	(A)	
9	R21722	O-RING	1	(A)	
10	H871R	BALL	8	(A)	5MM (3/16")
11	R64605	EXTERNAL HALF COUPLER	1	(A)	
12	R64613	O-RING	1	(A)	
13	R64614	SNAP RING	1	(A)	
14	R64612	PIN	1	(A)	
15	R64611	SPRING	1	(A)	
16	R64610	POPPET	1	(A)	
17	R64607	SPRING	1	(A)	
18	R64606	GUIDE	1	(A)	
19	R375R	O-RING	1	(A)	
20	R26482	RING	1	(A)	
21	U15969	SNAP RING	1	(A)	
22	30H15	PLUG	1		1-1/8"
23	R64561	PLUG	1		
24	R74530	SEAL	2	(SUB R79311)	
25	AL26972	EXTERNAL HALF COUPLER	1		

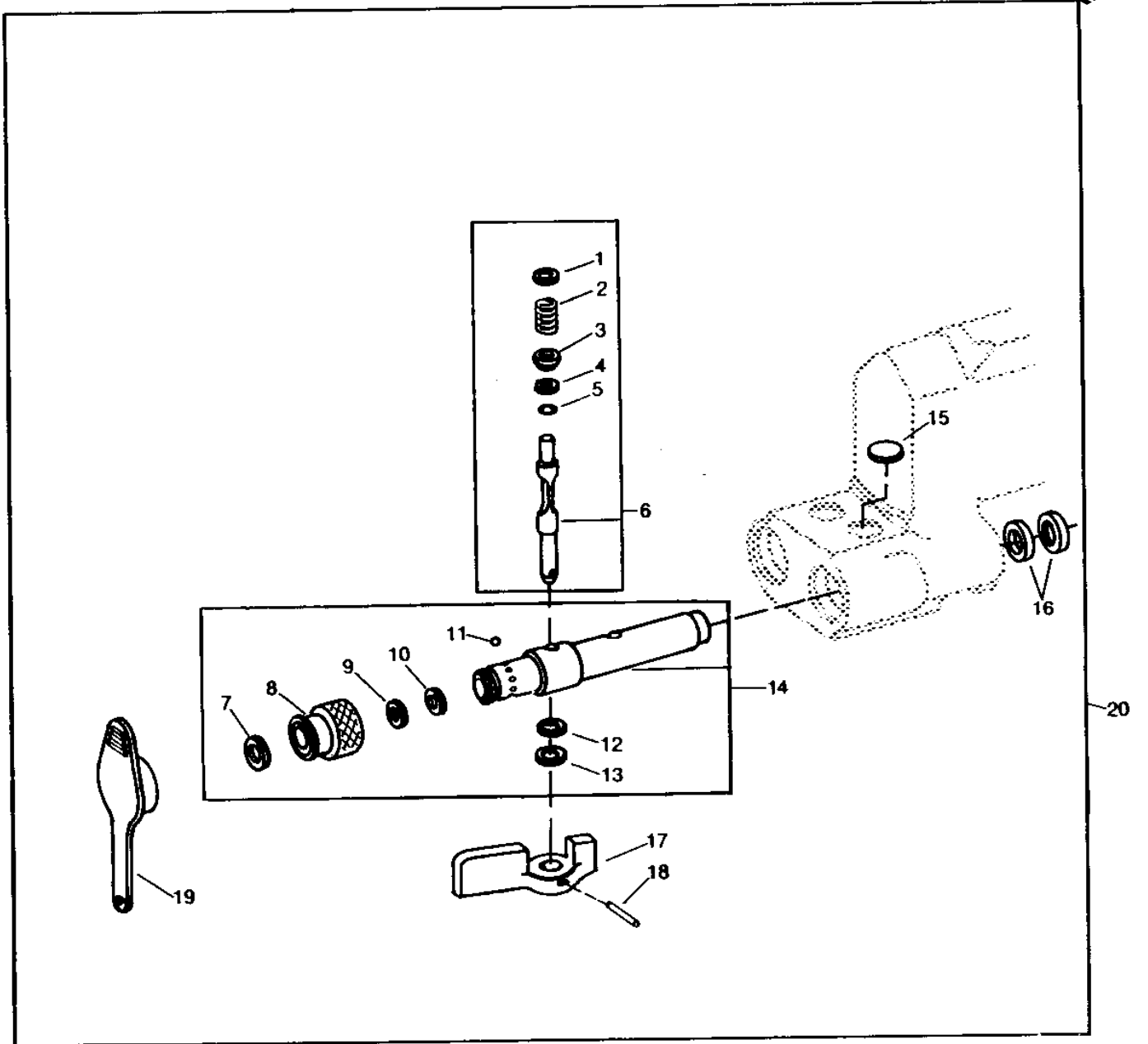
(A) SUB RE12121, R49191, R61957, R34399, AND 12H303

4F7

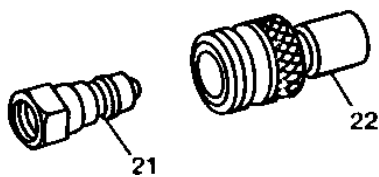
HYDRAULICS

JOHN DEERE TO ISO COUPLER CONVERSION KIT
(TRACTOR SERIAL NO. 030272-)

RWP4194 -UN-12OCT94



RWP4194



4F8

HYDRAULICS

JOHN DEERE TO ISO COUPLER CONVERSION KIT - CONTINUED
(TRACTOR SERIAL NO. XXXXXX-)

KEY	PART NO.	PART NAME	QTY	TRACTOR SERIAL NO.	REMARKS
1	R54242	SNAP RING	2		
2	R78767	SPRING	2		
3	R48698	WASHER	2		
4	R31136	BACK-UP RING	2		
5	R10093	O-RING	2		
6	RE13814	SHAFT	2		
7	40M4378	SNAP RING	2		
8	R78765	SLEEVE	2		
9	R71387	WASHER	2		
10	R74210	O-RING	2		
11	H871R	BALL	16		
12	P51212	O-RING	2		
13	R78766	BACK-UP RING	2		
14	RE13813	RECEPTACLE	2		
15	30H15	PLUG	2		1-1/8"
16	R74530	SEAL	2		(SUB R79311)
17	R78769	HANDLE	2		
18	34H247	SPRING PIN	2		1/8" X 3/4"
19	R78768	COVER	2		
20	RE12121	RECEIVER	1		(SUB FOR AR80911)
21	AL26973	INTERNAL HALF COUPLER	AR		
22	AL26972	EXTERNAL HALF COUPLER	AR		

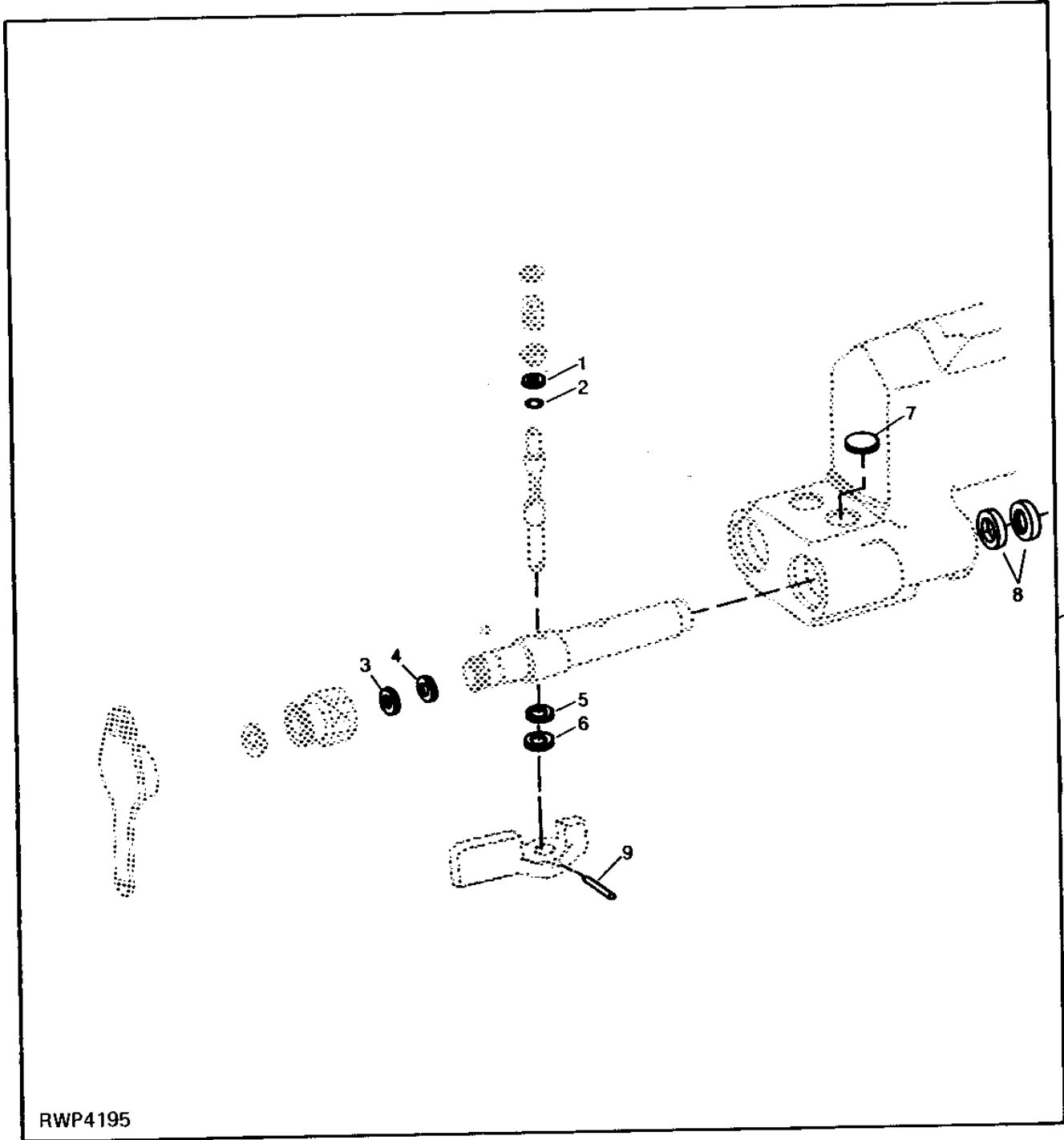
4F9

HYDRAULICS

RWP4195

-UN-12OCT94

ISO COUPLER OVERHAUL KIT



4F10

HYDRAULICS

ISO COUPLER OVERHAUL KIT - CONTINUED

KEY	PART NO.	PART NAME	QTY	TRACTOR SERIAL NO.	REMARKS
1	R31136	BACK-UP RING	2		
2	R10093	O-RING	2		
3	R71387	WASHER	2		
4	R74210	O-RING	2		
5	P51212	O-RING	2		
6	R78766	BACK-UP RING	2		
7	30H15	PLUG	2	1-1/8"	
8	R74530	SEAL	4	(SUB R79311)	
9	34H247	SPRING PIN	2	1/8" X 3/4"	
10	RE13815	KIT	1		

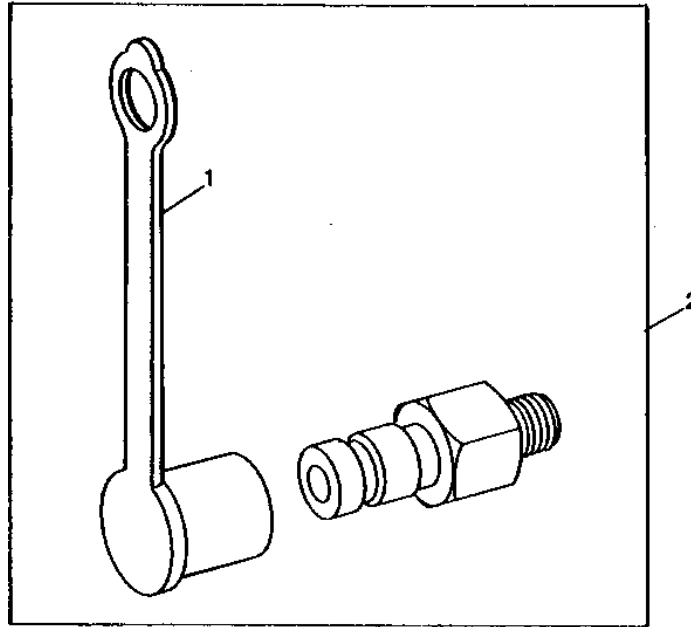
MEMORANDA

4F11

HYDRAULICS

RWP5202 -UN-01JAN94

DIAGNOSTIC RECEPTACLE



RWP5202

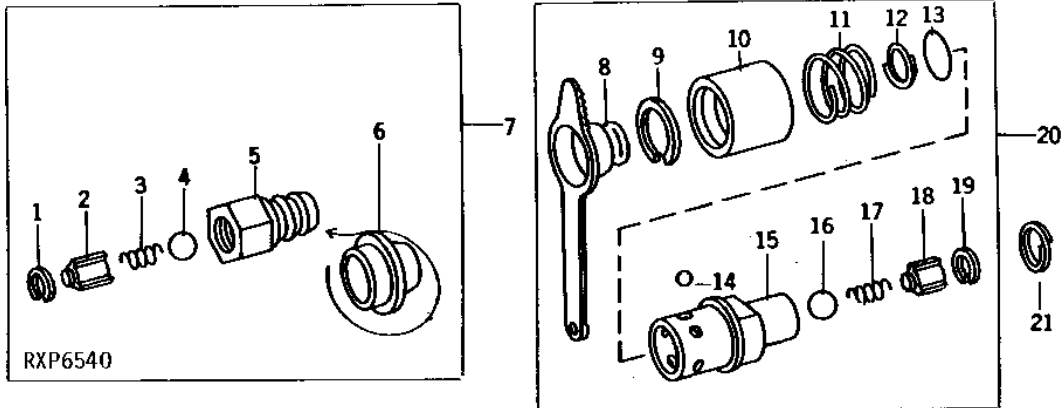
KEY	PART NO.	PART NAME	QTY	TRACTOR SERIAL NO.	REMARKS
1	R77175	COVER	1		
2	RE13561	RECEPTACLE	1	12.7MM (1/2") PORT	
	RE13562	RECEPTACLE	1	9.525MM (3/8") PORT	

4F12

HYDRAULICS

RXP6540 -UN-06OCT94

FLEXIBLE OIL LINE COUPLER



KEY	PART NO.	PART NAME	QTY	TRACTOR SERIAL NO.	REMARKS
1	R59633	WEAR RING	1		
2	R28085	GUIDE	1		(ORDER AR93819 OR AR93820, THIS APPLICATION)
3	R28084	SPRING	1		
4	D2361R	BALL	1	13MM (1/2")	
5	R27430	HYD. QUICK-CONNECT COUPLER	1	(A) (SUB AR93819)	
	R45630	HYD. QUICK-CONNECT COUPLER	1	(B) (SUB AR93820)	
6	R28006	CAP	1		
7	AR30210	INTERNAL HALF COUPLER	1	(A) (SUB AR93819)	
	AR47643	BREAKAWAY COUPLER	1	(B) (SUB AR93820)	
8	R32419	COVER	1		
9	R32356	SNAP RING	1		
10	R32355	SLEEVE	1		
11	R32354	SPRING	1	(SUB RE15361)	
12	R26485	BACK-UP RING	1		
13	R495R	O-RING	1		
14	400R	BALL	6	6MM (1/4")	
15	R32353	SOCKET OUTLET	1		
16	D2361R	BALL	1	13MM (1/2")	
17	R28084	SPRING	1		
18	R28085	GUIDE	1	(ORDER RE15361)	
19	R59633	WEAR RING	1		
20	AR47331	SOCKET OUTLET	1	(SUB RE15361)	
21	R36946	SPRING	1		

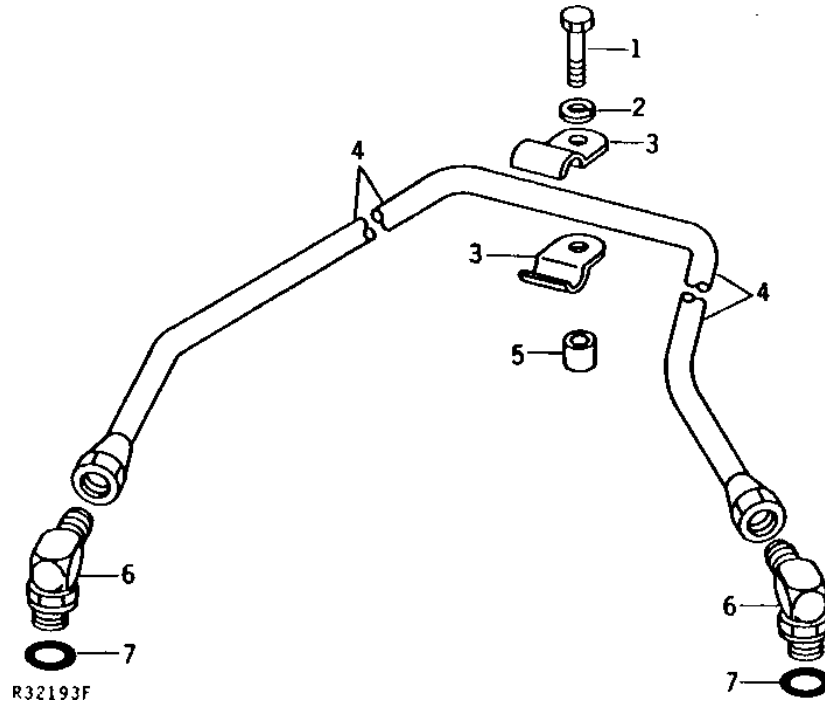
(A) PRESSURE
(B) RETURN

4F13

HYDRAULICS

SELECTIVE CONTROL PRESSURE PIPE
(ROCKSHAFT)
(TRACTOR SERIAL NO. 013121-)

R32193 -UN-16NOV94



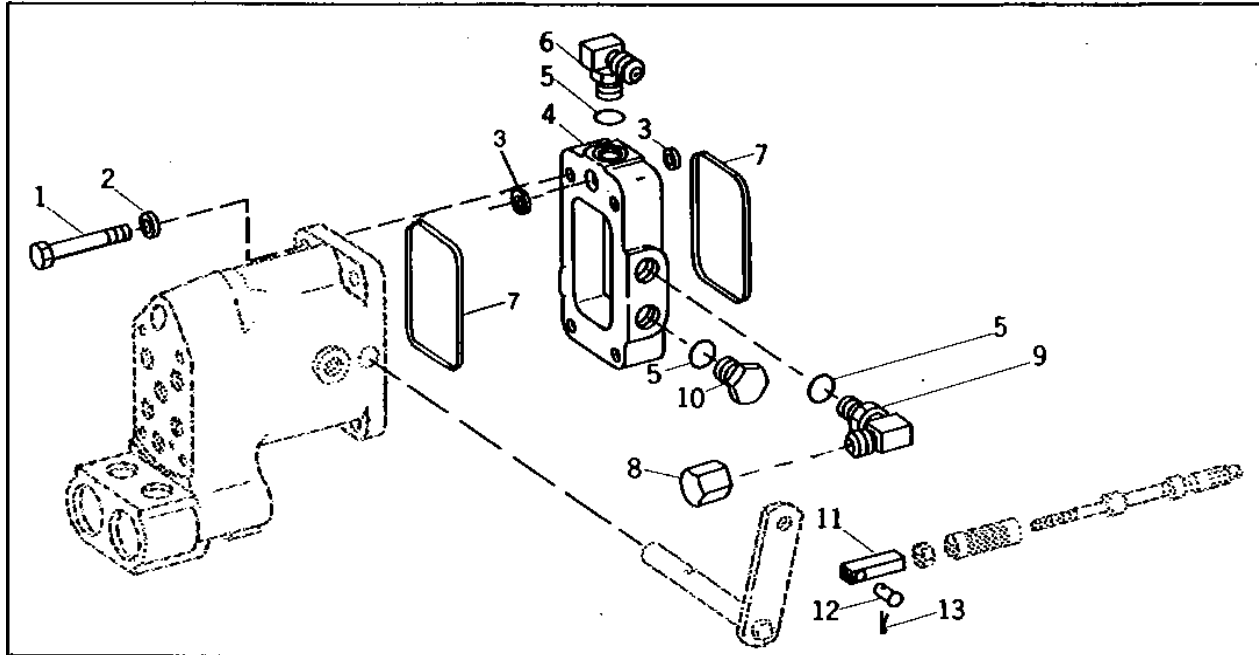
KEY	PART NO.	PART NAME	QTY	TRACTOR SERIAL NO.	REMARKS
1	19H1732	CAP SCREW	1	3/8" X 1-1/4"	
2	12H304	LOCK WASHER	1	3/8"	
3	R27539	CLAMP	2		
4	AR80929	HYDRAULIC LINE	1	(SUB FOR AR69404)	
5	28H1519	WASHER	1	3/8" X 3/8"	
6	AT32332	ELBOW FITTING	2	90°	
7	R26375	O-RING	2		

4F14

HYDRAULICS

RP3439 -UN-01JAN94

AUXILIARY HYDRAULIC OUTLET KIT



RP3439

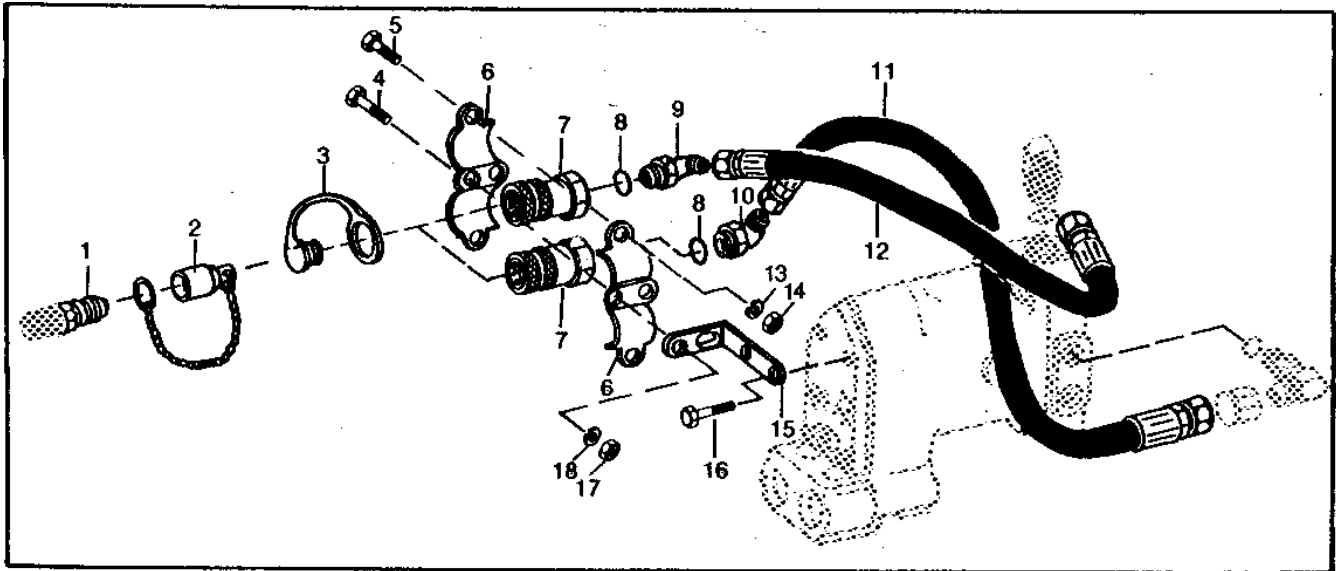
KEY	PART NO.	PART NAME	QTY	TRACTOR SERIAL NO.	REMARKS
1	19H2106	CAP SCREW	4		
2	12H293	LOCK WASHER	4		7/16" X 2-3/4"
3	F2741R	PACKING	2		7/16"
4	R54312	MANIFOLD	1		
5	R26375	O-RING	3		
6	AR27738	ELBOW FITTING	1		90°
7	R40922	PACKING	2		
8	R31736	FITTING	2		
9	AR27699	ELBOW FITTING	1		
10	R39112	FITTING	1		90°
11	R52881	ROD	1		
12	U11004	PIN	1		
13	11H211	COTTER PIN	1		1/8" X 3/4"
14	AR71331	KIT	1		(FI)

4F15

HYDRAULICS

RP3065 -UN-01JAN94

AUXILIARY OUTLET COUPLER KIT



RP3065

19

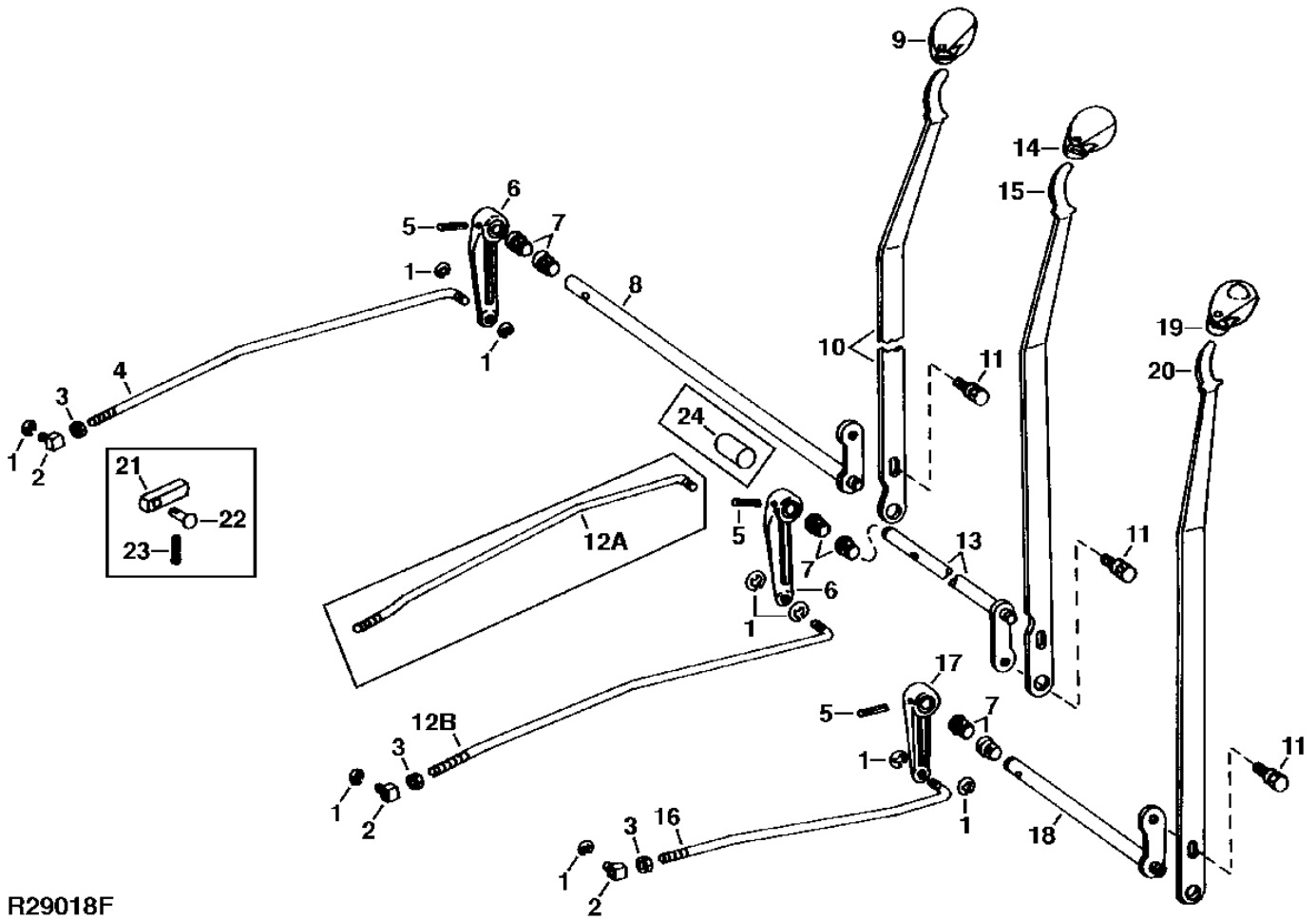
KEY	PART NO.	PART NAME	QTY	TRACTOR SERIAL NO.	REMARKS
1	AR94522	INTERNAL HALF COUPLER	2		
2	A15898	CAP	2		
3	A15899	CAP	2		
4	19H1905	CAP SCREW	2	5/16" X 1"	
5	19H1948	CAP SCREW	2	1/4" X 3/4"	
6	R79043	BRACKET	2		
7	AH75167	HYD. QUICK-CONNECT COUPLER	2		(INCLUDES R21722)
	R21722	O-RING	1		
8	R26375	O-RING	2		
9	AT32332	ELBOW FITTING	1	90°	
10	AT35599	ELBOW FITTING	1	45°	
11	AT47763	HOSE	1		
12	AT47763	HOSE	1		(SUB FOR AN190895)
13	12H302	LOCK WASHER	2	1/4"	
14	14H786	NUT	2	1/4"	
15	R79044	BRACKET	1		
16	19H1800	CAP SCREW	2	3/8" X 1-1/2"	
17	14H785	NUT	2	5/16"	
18	12H303	LOCK WASHER	2	5/16"	
19	RE13724	KIT	1	(FI)	

4F16

HYDRAULICS

R29018F -UN-19MAR96

SELECTIVE CONTROL LEVERS AND LINKAGE



R29018F

4F17

HYDRAULICS

SELECTIVE CONTROL LEVERS AND LINKAGE - CONTINUED

KEY	PART NO.	PART NAME	QTY	TRACTOR SERIAL NO.	REMARKS
1	R72653	SNAP RING	3		(SUB FOR M2396T)
2	R51370	SWIVEL	1	-XXXXXX	(SUB R79521 AND 14H882)
	R79521	SWIVEL	1	XXXXXX-	
3	14H650	NUT	1	-XXXXXX	5/16"
	14H882	NUT	2	XXXXXX-	5/16"
4	R50106	ROD	1	-016902	(A)
	R61513	ROD	1	016903-	(B)
5	34H313	SPRING PIN	1		1/4" X 1-1/8"
6	R50012	LEVER	AR		(1 USED SINGLE) (2 USED DUAL)
7	R42093	GROMMET	2		
8	AR54799	SHAFT	1	-016902	(A)
	AR54799	SHAFT	1	016903-	(B)
9	R52690	GRIP	1	-016902	(A)
	R52690	GRIP	1	016903-	(B)
10	R52693	LEVER	1	-016902	(A)
	R52693	LEVER	1	016903-	(B)
11	AR58652	BOLT	1		
12	R50107	ROD	1	-016902	(B) (SUB R61513)
12A	R60397	ROD	1	016903-	(A)
12B	R62865	ROD	1		
13	AR54800	SHAFT	1	-016902	(B)
	AR54800	SHAFT	1	016903-	(A)
14	R52691	GRIP	1	-016902	(B)
	R52691	GRIP	1	016903-	(A)
15	R52694	LEVER	1	-016902	(B)
	R52694	LEVER	1	016903-	(A)
16	R50108	ROD	1		(C)
	R60398	ROD	1		(C) (SUB R65888) (USE WITH DIRECTIONAL CONTROL VALVE)
17	R65887	ARM	1		(C) (SUB FOR R50013)
18	AR54801	SHAFT	1		(C)
19	R52692	GRIP	1		(C)
20	R52695	LEVER	1		(C)
21	R52881	ROD	1		(D)
22	U11004	PIN	1		(D)
23	11H211	COTTER PIN	1		(D) 1/8" X 3/4"
24	28H81	WASHER	1	-XXXXXX	0.364" X 0.540" X 3/16"

- (A) SINGLE SELECTIVE CONTROL
- (B) DUAL SELECTIVE CONTROL
- (C) TRIPLE SELECTIVE CONTROL
- (D) WITH AUXILIARY HYDRAULIC OUTLET ONLY

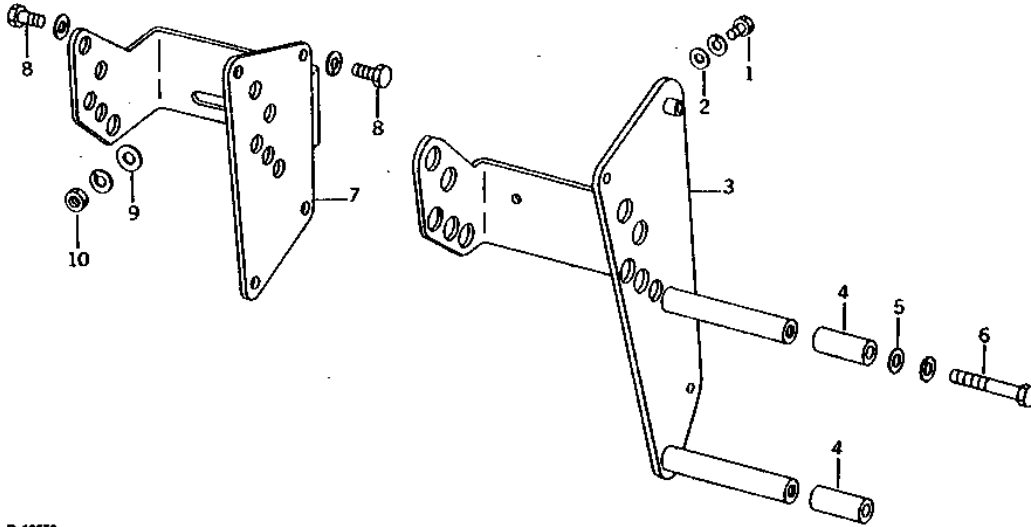
MEMORANDA

4F18

HYDRAULICS

R19670 -UN-01JAN94

HYDRAULIC CONTROL LEVER SUPPORT



R 19670

KEY	PART NO.	PART NAME	QTY	TRACTOR SERIAL NO.	REMARKS
1	19H2021	CAP SCREW	1		3/8" X 5/8"
	12H304	LOCK WASHER	1		3/8"
2	24H1305	WASHER	1		13/32" X 13/16" X 0.065"
3	AR56672	SUPPORT	1		(NLA)
4	28H3377	BUSHING	2		(A) 3/8" X 1-3/4"
5	24H1303	WASHER	2		(A) 13/32" X 11/16" X 0.065"
6	R53663	SELF-LOCKING SCREW	2		
	R53668	THRUST WASHER	2		
	19H1733	CAP SCREW	2		(A) 3/8" X 2-1/2"
	12H304	LOCK WASHER	2		(A) 3/8"
7	AR55081	SUPPORT	1	-008930	(B) (SUB AR68810)
	AR68010	SUPPORT	1	008931-	(B)
8	19H1936	CAP SCREW	4		(B) 3/8" X 3/4"
	12H304	LOCK WASHER	4		(B) 3/8"
9	24H1305	WASHER	1		(B) 13/32" X 13/16" X 0.065"
10	14H1076	NUT	1		(B) 3/8"
	12H304	LOCK WASHER	1		(B) 3/8"

- (A) ROLL-GARD
- (B) SOUND-GARD BODY

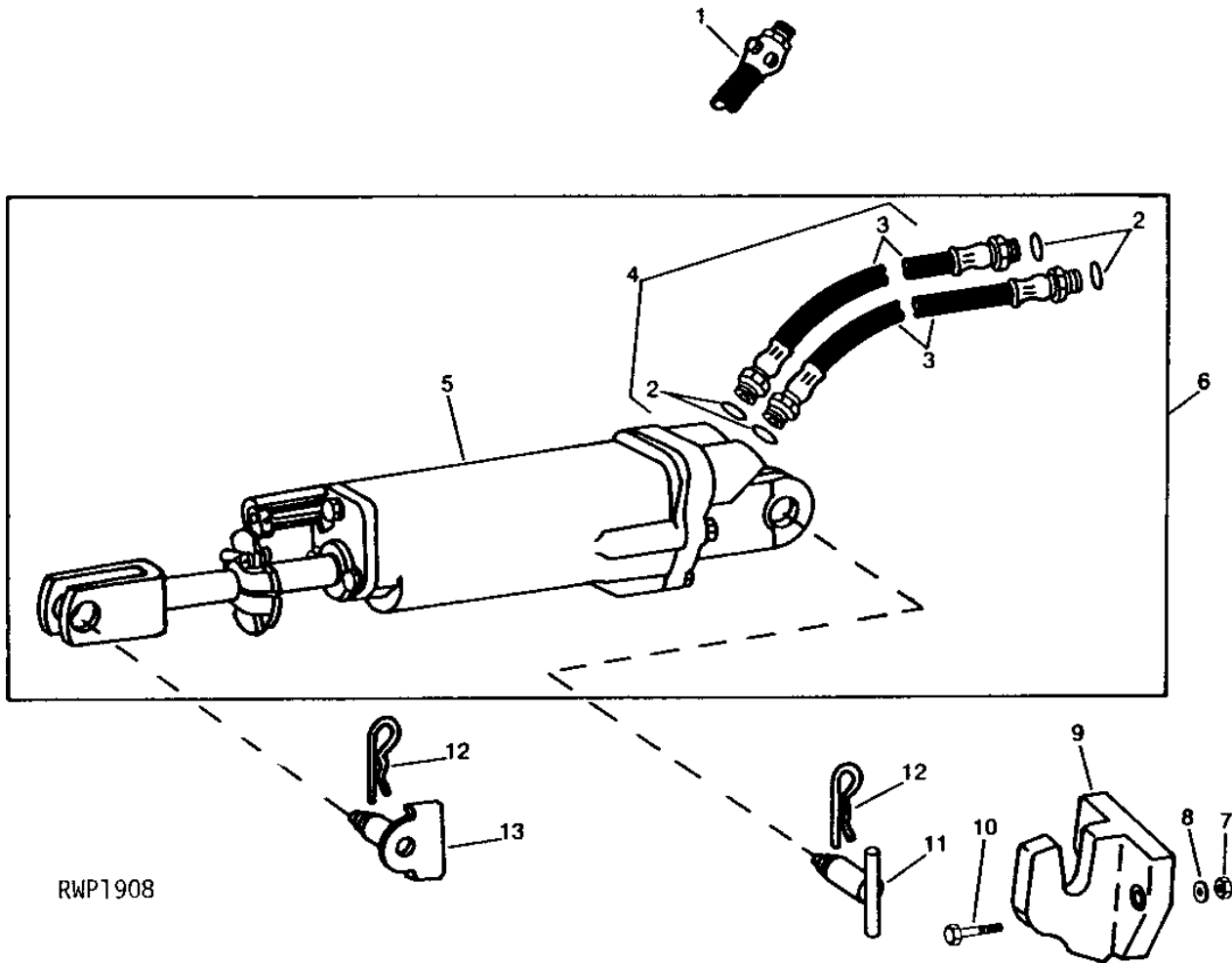
4F19

HYDRAULICS

RWP1908

-UN-17OCT94

REMOTE CYLINDER, HOSES, AND ARM



RWP1908

4F20

HYDRAULICS

REMOTE CYLINDER, HOSES AND ARM - CONTINUED

KEY	PART NO.	PART NAME	QTY	TRACTOR SERIAL NO.	REMARKS
1	AR30784	TEE FITTING	1		FOR 3/8" SINGLE WIRE BRAID LINE
2	R26375	O-RING	4		
3	AR26407	HYDRAULIC HOSE	2		9.5 X 2337MM (3/8" X 92")
	R32183	HYDRAULIC HOSE	2		9.5 X 2337MM (3/8" X 92") REINFORCED
	R36795	HYDRAULIC HOSE	2		12 X 3048MM (1/2" X 120")
4	AR27440	HYDRAULIC HOSE	1		9.5 X 2337MM (3/8" X 92") (SUB (2) AR26407, (4) R26375)
	AR36158	OIL LINE	1		12 X 3048MM (1/2" X 120")
5	AR27437	CYLINDER	1		(A) 3" X 8", (NLA)
	AR35261	CYLINDER	1		(A) 3-1/2" X 8"
	AR36303	CYLINDER	1		(B) 3-1/2" X 8"
6	AR27062	CYLINDER	1		(A) 3" X 8", (ORDER COMPONENT PARTS)
	AR36157	CYLINDER	1		(A) 3-1/2" X 8", (SUB AR35261 AND AR36158)
	AR36301	CYLINDER	1		(B) 3-1/2" X 8", (SUB AR36303 AND AR36158)
7	14H1040	NUT	AR		1/2", (2 USED SINGLE) (4 USED DUAL)
8	12H301	LOCK WASHER	AR		1/2", (2 USED SINGLE) (4 USED DUAL)
9	R53763	ARM	AR		(1 USED SINGLE) (2 USED DUAL) (SOUND-GARD BODY)
	R54166	ARM	AR		(1 USED SINGLE) (2 USED DUAL)
10	19H1831	CAP SCREW	AR		1/2" X 2", (2 USED SINGLE) (4 USED DUAL)
11	AR47825	PIN	1		
	AR47825	PIN	2		(USE WITH AR34829, AR35261 AND AR36303)
12	A3581R	SPRING LOCKING PIN	2		
13	AR71902	PIN	1		(SUB FOR AA6307R)

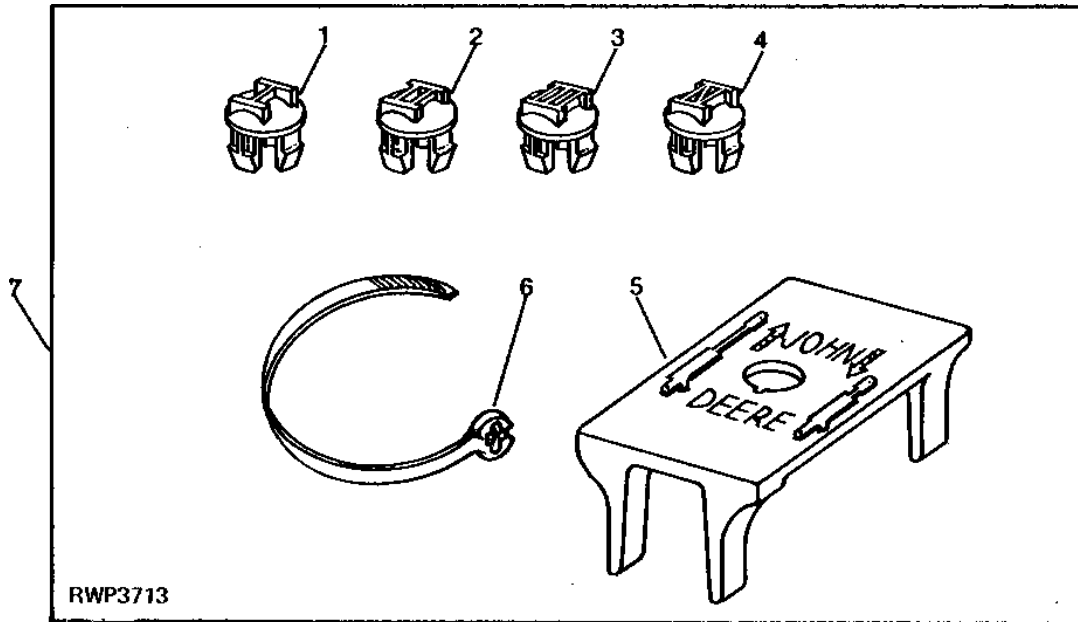
(A) HYDRAULIC STOP
(B) MECHANICAL STOP

4F21

HYDRAULICS

RWP3713 -UN-01JAN94

REMOTE CYLINDER HOSE IDENTIFICATION KIT



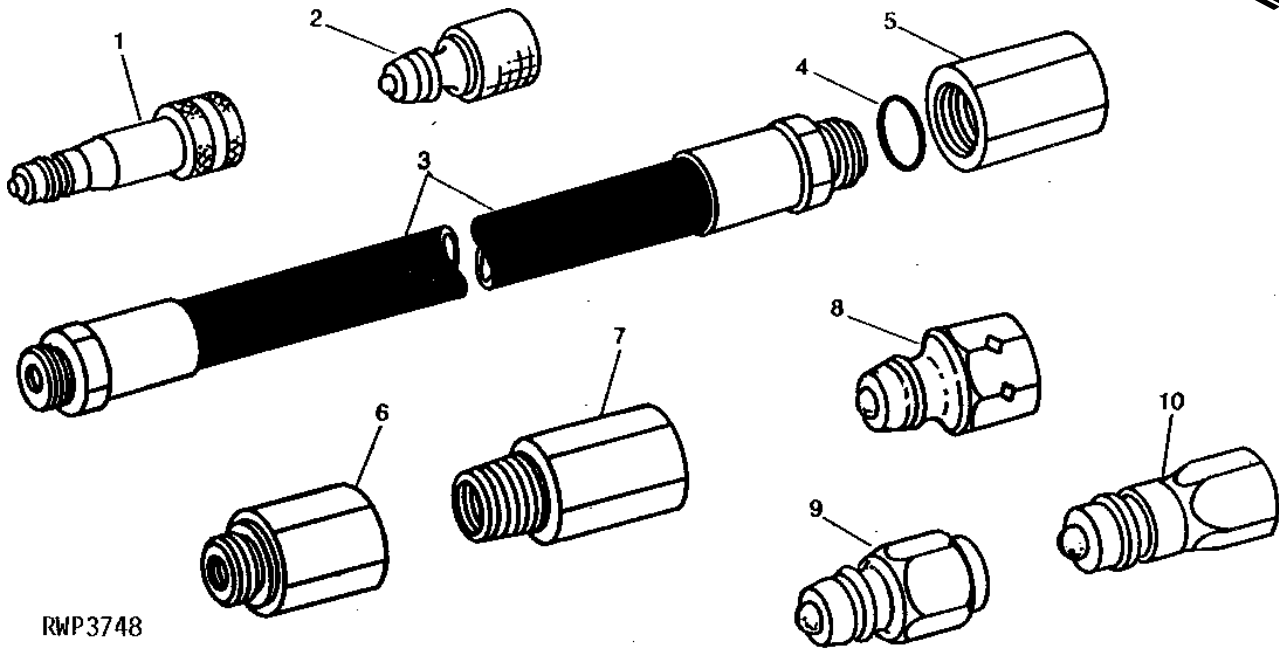
KEY	PART NO.	PART NAME	QTY	TRACTOR SERIAL NO.	REMARKS
1	R74242	PLUG	1		
2	R74243	PLUG	1		
3	R74244	PLUG	1		
4	R74246	PLUG	1		
5	R76459	TAG	1		
6	R76477	TIE BAND	2		
7	AR103808	KIT	1		

4F22

HYDRAULICS

RWP3748 -UN-01JAN94

IMPLEMENT HYDRAULIC OIL LINES AND FITTINGS



RWP3748

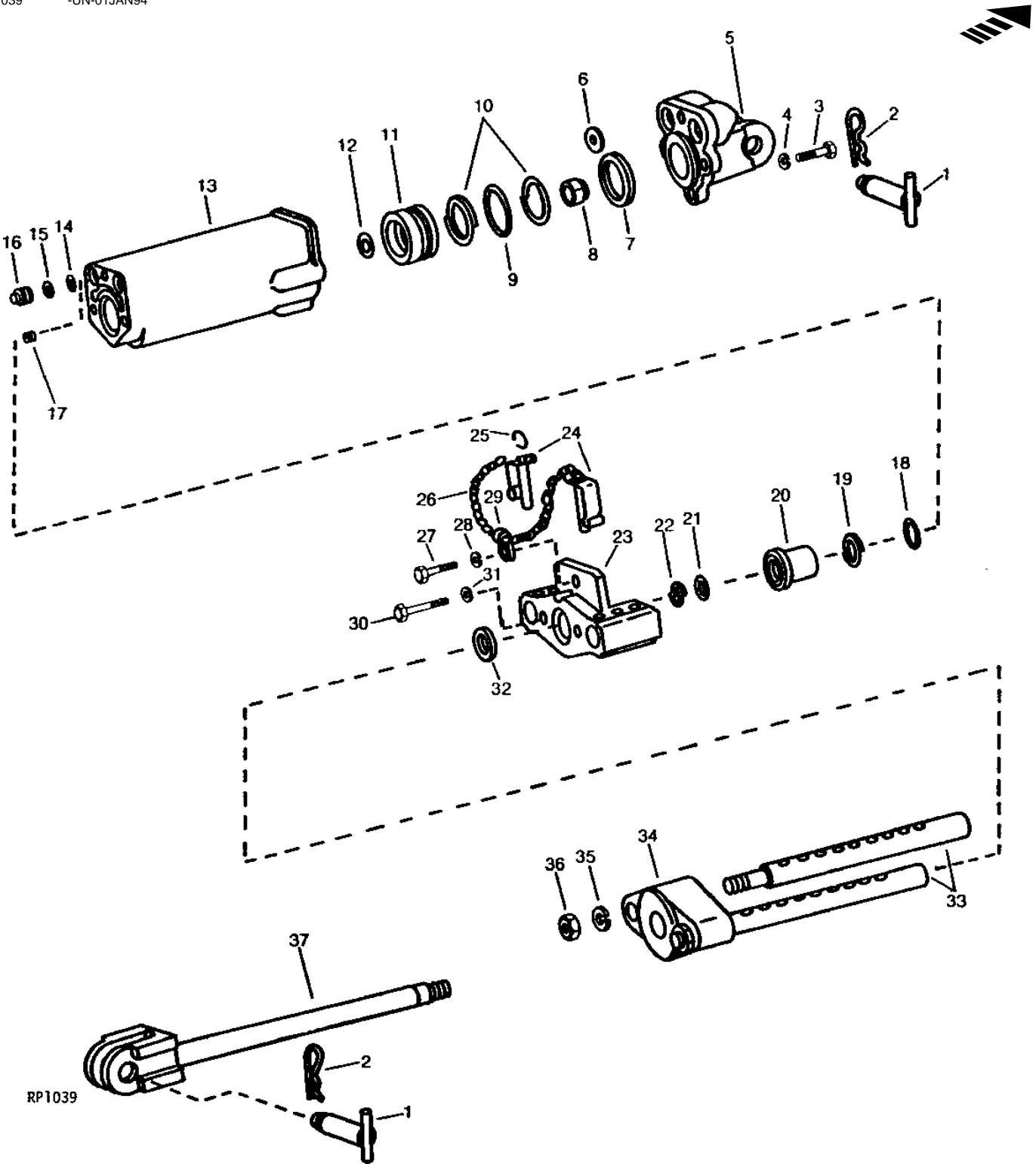
KEY	PART NO.	PART NAME	QTY	TRACTOR SERIAL NO.	REMARKS
1	AR98202	HYD. QUICK-CONNECT COUPLER	1	JOHN DEERE TO ISO	
	R21722	O-RING	1	(INCLUDED IN AR98202)	
	RE11457	ADAPTER	1	IHC TO ISO	
2	U11647	O-RING	1	(INCLUDED IN RE11457)	
	AR98201	HYD. QUICK-CONNECT COUPLER	1	ISO TO JOHN DEERE (FI)	
	R21722	O-RING	1	(INCLUDED IN AR98201, RE11458 AND RE11463)	
	R71387	WASHER	1	(INCLUDED IN AR98201) (FI)	
	RE11456	ADAPTER	1	IHC TO JOHN DEERE	
	RE11458	ADAPTER	1	JOHN DEERE TO IHC	
	RE11463	ADAPTER	1	ISO TO IHC	
3	AR28754	HYDRAULIC HOSE	1	10 X 610MM (3/8" X 24") (SUB TY3018)	
	AR28755	HYDRAULIC HOSE	1	10 X 914MM (3/8" X 36")	
	R36658	HYDRAULIC HOSE	1	13 X 610MM (1/2" X 24")	
	R36659	HYDRAULIC HOSE	1	13 X 914MM (1/2" X 36")	
4	R26375	O-RING	1		
5	R30815	FITTING	1	3/4" THREAD	
6	R30817	ADAPTER	1	3/4"-16UNF MALE X 1/2"-14NPT FEMALE	
7	R30816	ADAPTER	1	1/2"-14NPT MALE X 3/4"-16UNF FEMALE	
8	AR93820	FITTING	1	JOHN DEERE, 3/4"-16 UNF	
9	RE11447	FITTING	1	JOHN DEERE, 1/2"-14NPT	
10	AR94522	INTERNAL HALF COUPLER	1	ISO, 3/4"-16UNF	

4F23

HYDRAULICS

RP1039 -UN-01JAN94

REMOTE CYLINDER PARTS (3" X 8" MECHANICAL STOP)



4F24

HYDRAULICS

REMOTE CYLINDER PARTS - CONTINUED
(3" X 8" MECHANICAL STOP)

KEY	PART NO.	PART NAME	QTY	TRACTOR SERIAL NO.	REMARKS
1	AR47825	PIN	2		
2	A3581R	SPRING LOCKING PIN	2		
3	19H2473	CAP SCREW	4		1/2" X 1-3/4"
4	12H301	LOCK WASHER	4		1/2"
5	R27427	HYDRAULIC CYLINDER CAP	1		
6	A4723R	WASHER	2		
7	A4722R	WASHER	1		
8	R45620	LOCK NUT	1		
9	A4728R	O-RING	1		
10	R27649	BACK-UP RING	2		
11	R44296	PISTON	1		
12	R27564	O-RING	1		
13	R27421	CYLINDER	1		
14	R459R	O-RING	1		
15	R32588	BACK-UP RING	1		
16	R34131	PLUG	1		
17	15H624	PIPE PLUG	1		1/2"
18	R1138R	O-RING	1		
19	R34966	BACK-UP RING	1		
20	R34965	GUIDE	1		
21	A3606R	O-RING	1		
22	R26441	BACK-UP RING	1		
23	R44285	GUIDE	1		
24	AR68145	QUICK LOCK PIN	2		
25	D2913R	LINK	2		
26	AN163885	LINK CHAIN	1		(SUB FOR R49193)
27	19H2552	CAP SCREW	1		3/8" X 1-1/8"
28	12H304	LOCK WASHER	1		3/8"
29	T13073	CLIP	1		
30	19H1726	CAP SCREW	2		3/8" X 2-1/4"
31	12H304	LOCK WASHER	2		3/8"
32	AP19547	SEAL	1		
33	R44287	ROD	2		
34	R36952	STOP	1		
35	12H236	LOCK WASHER	2		3/4"
36	14H905	NUT	2		3/4"
37	AR45545	ROD	1		

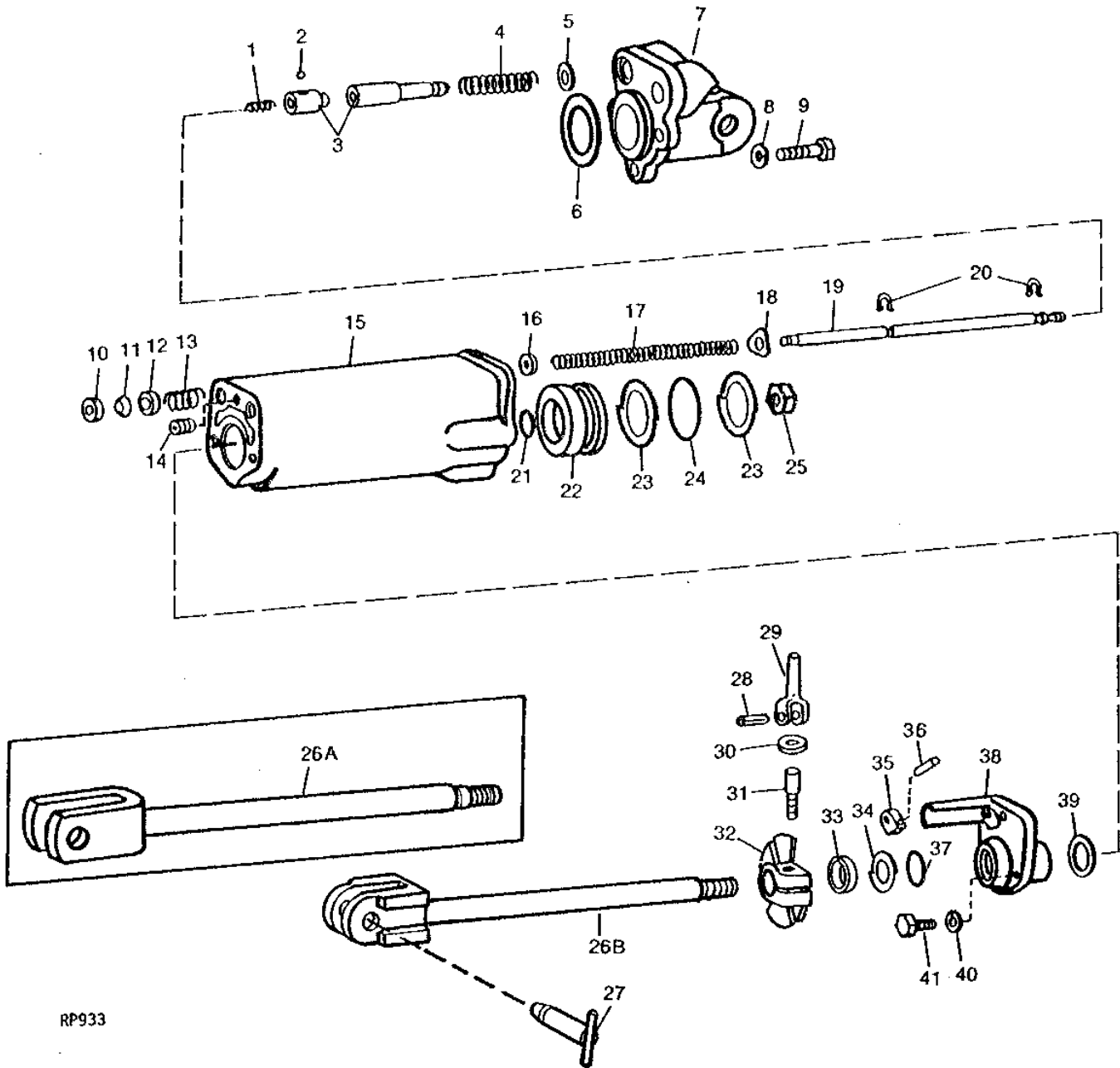
4G1

HYDRAULICS

RP933

-UN-01JAN94

REMOTE CYLINDER PARTS (3" X 8" HYDRAULIC STOP)



RP933

4G2

HYDRAULICS

REMOTE CYLINDER PARTS - CONTINUED (3" X 8" HYDRAULIC STOP)

KEY	PART NO.	PART NAME	QTY	TRACTOR SERIAL NO.	REMARKS
1	A4741R	SPRING	1		(FIELD OPTION)
2	A4742R	BALL	1		(FIELD OPTION)
3	AA5731R	VALVE	1		(FIELD OPTION) (ILLUSTRATED)
	R39012	VALVE	1		
4	R49352	SPRING	1		
5	A4723R	WASHER	2		
6	A4722R	WASHER	1		
7	R27427	HYDRAULIC CYLINDER CAP	1		
8	12H301	LOCK WASHER	4		1/2"
9	19H2473	CAP SCREW	4		1/2" X 1-3/4"
10	A4746R	ADAPTER	1		
11	A4745R	PACKING	3		
12	A4747R	WASHER	1		
13	A4748R	SPRING ASSEMBLY	1		
14	15H624	PIPE PLUG	1		1/2"
15	R27421	CYLINDER	1		
16	24H1301	WASHER	1		13/32" X 9/16" X 0.065"
17	A4737R	SPRING	1		
18	R57696	WASHER	1		(SUB FOR A4738R)
19	A4736R	ROD	1		
20	A4739R	RING	2		
21	R27564	O-RING	1		
22	R44296	PISTON	1		
23	R27649	BACK-UP RING	2		
24	A4728R	O-RING	1		
25	R45620	LOCK NUT	1		
26A	AR45543	ROD	1		(SUB AR45545 AND AR47825)
26B	AR45545	ROD	1		
27	AR47825	PIN	1		
28	34H264	SPRING PIN	1		5/32" X 7/8"
29	A5302R	YOKE	1		
30	R1870R	WASHER	1		(SUB R57696)
31	A5301R	SCREW	1		
32	R27423	STOP	1		
33	AP19547	SEAL	1		
34	R26441	BACK-UP RING	1		
35	R27426	ARM	1		
36	25H760	GROOVE PIN	1		7/32" X 1-1/4"
37	A3606R	O-RING	1		
38	R40218	GUIDE	1		
39	F1441R	WASHER	1		
40	12H304	LOCK WASHER	3		3/8"
41	19H1731	CAP SCREW	3		3/8" X 1"
..	AR67389	KIT	1		REMOTE CYLINDER OVERHAUL, (SUB FOR AR30686)

MEMORANDA

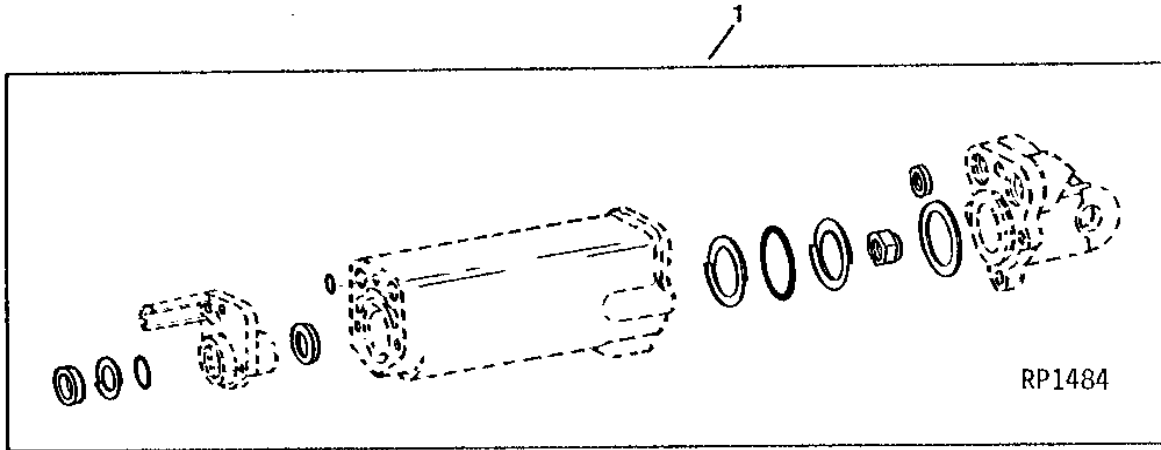
4G3

HYDRAULICS

REMOTE CYLINDER OVERHAUL KIT (3" X 8" HYDRAULIC STOP)

RP1484

-UN-01JAN94



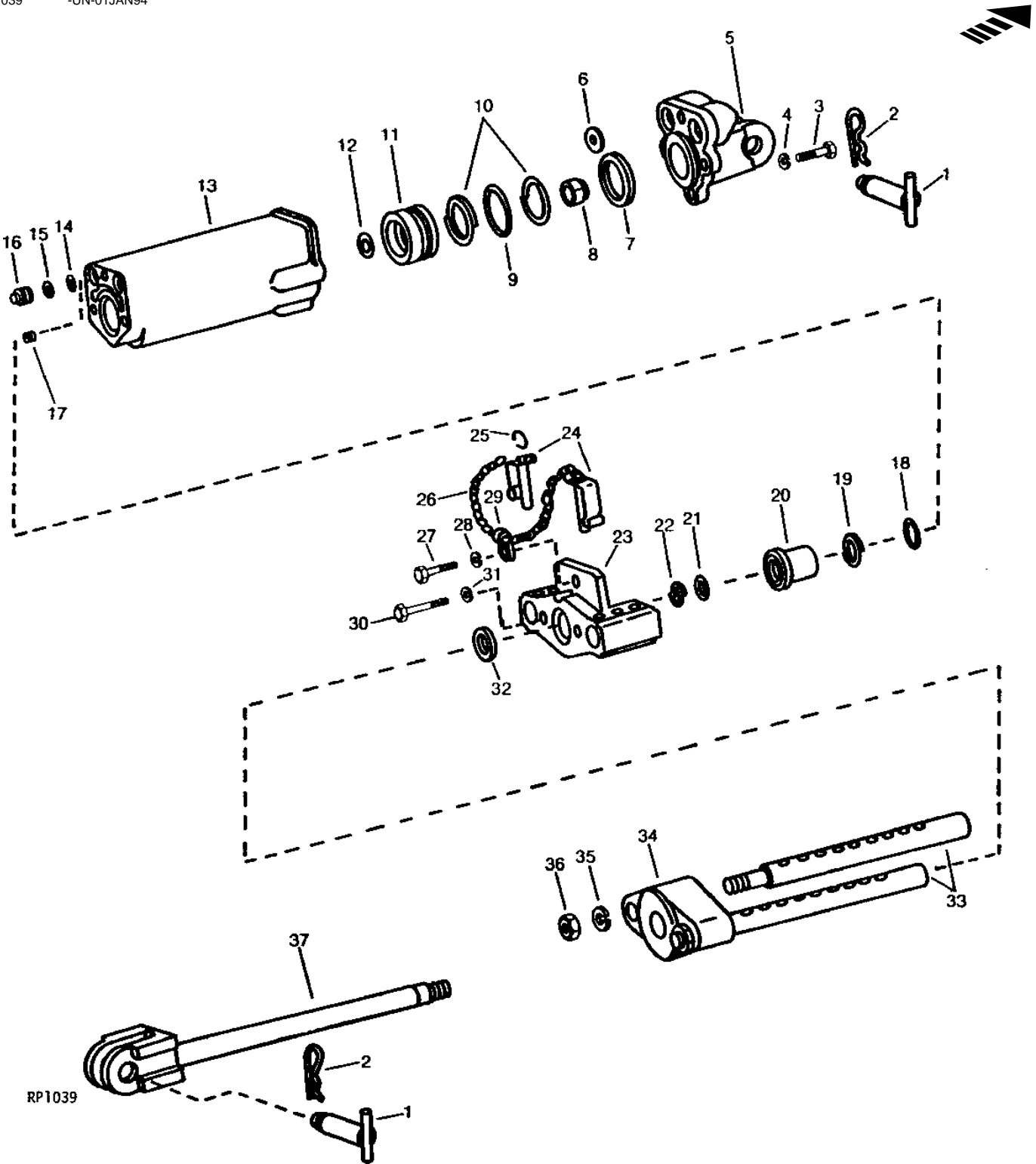
KEY	PART NO.	PART NAME	QTY	TRACTOR SERIAL NO.	REMARKS
1	AR67389	KIT	1		

4G4

HYDRAULICS

RP1039 -UN-01JAN94

REMOTE CYLINDER PARTS (3-1/2" X 8" MECHANICAL STOP)



4G5

HYDRAULICS

REMOTE CYLINDER PARTS - CONTINUED
(3-1/2" X 8" MECHANICAL STOP)

KEY	PART NO.	PART NAME	QTY	TRACTOR SERIAL NO.	REMARKS
1	AR47825	PIN	2		
2	A3581R	SPRING LOCKING PIN	2		
3	19H2357	CAP SCREW	4		9/16" X 2"
4	12H317	LOCK WASHER	2		9/16"
5	R35452	CYLINDER HEAD	1		
6	A4723R	WASHER	2		
7	F1427R	WASHER	1		
8	R45620	LOCK NUT	1		
9	F1430R	O-RING	1		
10	R35472	BACK-UP RING	2		
11	R44297	PISTON	1		
12	R27564	O-RING	1		
13	R35447	CYLINDER	1		
14	R459R	O-RING	1		
15	R32588	BACK-UP RING	1		
16	R34131	PLUG	1		
17	15H624	PIPE PLUG	1		1/2"
18	T19687	O-RING	1		(SUB FOR T11220)
19	R35474	BACK-UP RING	1		
20	R36951	GUIDE	1		
21	R29463	O-RING	1		
22	R35473	BACK-UP RING	1		
23	R44286	GUIDE	1		
24	AR68145	QUICK LOCK PIN	2		(SUB FOR AR45536)
25	D2913R	LINK	2		
26	R49193	LINK CHAIN	1		(SUB FOR A3184R) (SUB AN163885)
27	19H2552	CAP SCREW	1		3/8" X 1-1/8"
28	12H304	LOCK WASHER	1		3/8"
29	T13073	CLIP	1		
30	19H1726	CAP SCREW	2		3/8" X 2-1/4"
31	12H304	LOCK WASHER	2		3/8"
32	R35738	SEAL	1		
33	R44287	ROD	2		
34	R36952	STOP	1		
35	12H236	LOCK WASHER	2		3/4"
36	14H905	NUT	2		3/4"
37	AR45544	ROD	1		

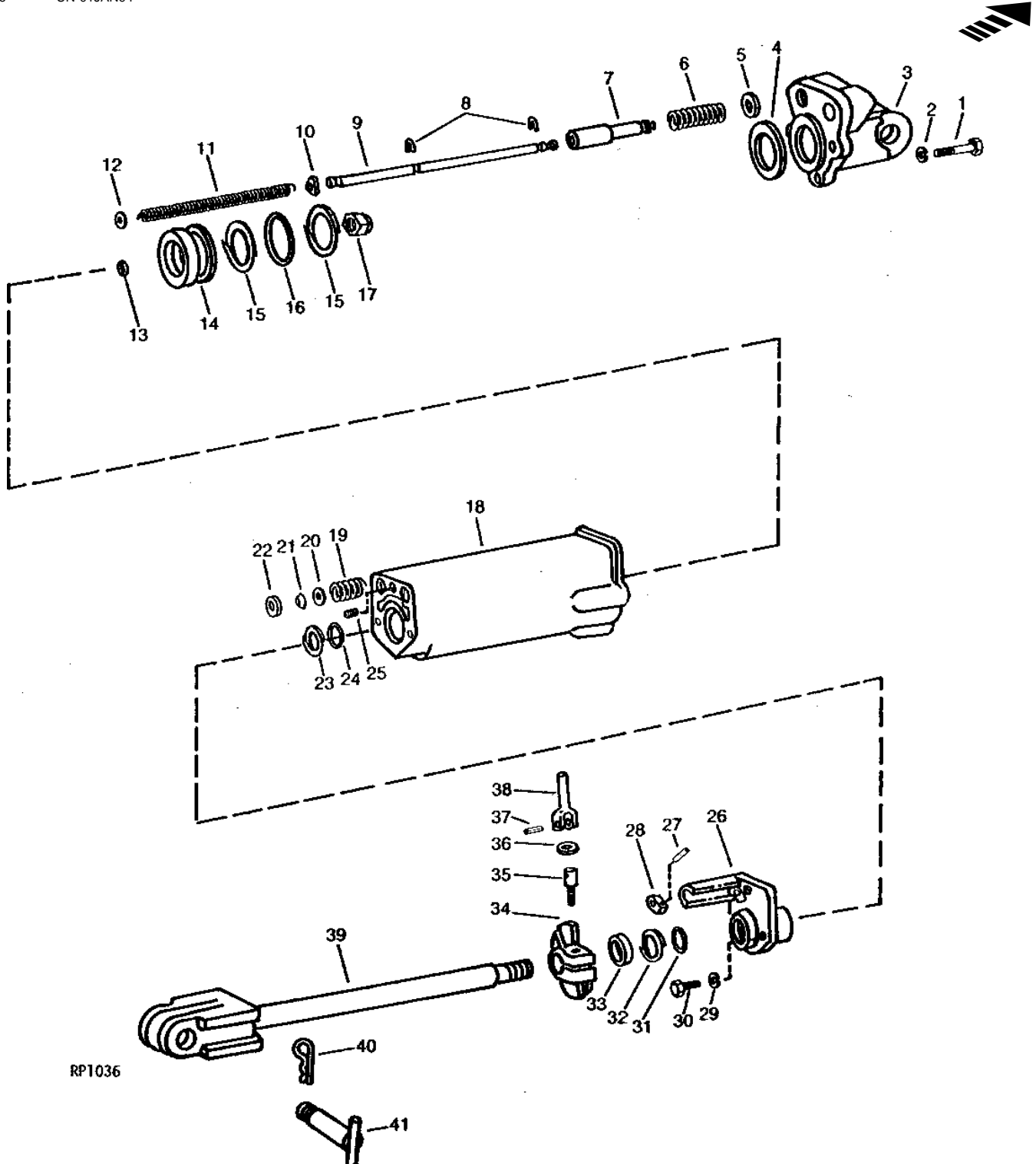
4G6

HYDRAULICS

RP1036

-UN-01JAN94

REMOTE CYLINDER PARTS (3-1/2" X 8" HYDRAULIC STOP)



4G7

HYDRAULICS

REMOTE CYLINDER PARTS - CONTINUED
(3-1/2" X 8" HYDRAULIC STOP)

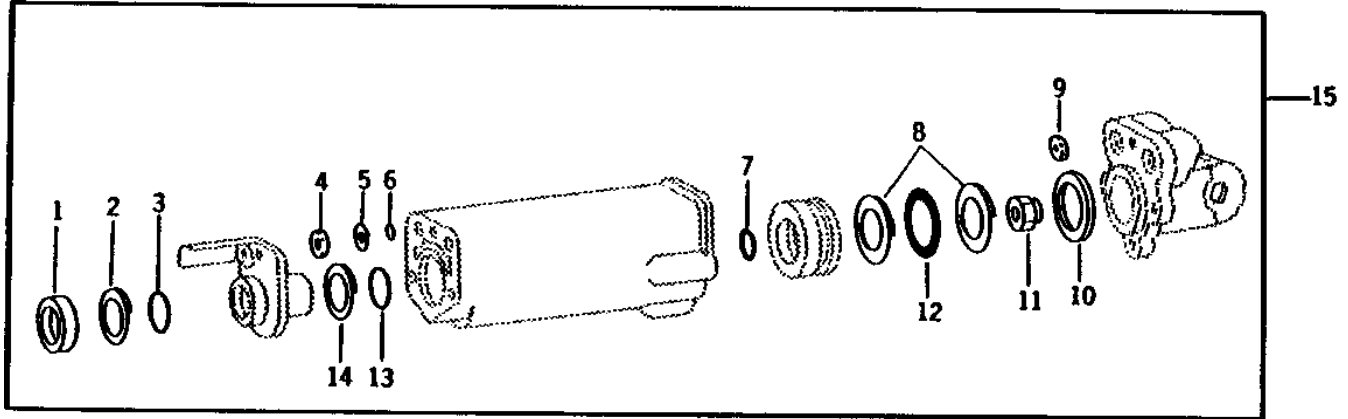
KEY	PART NO.	PART NAME	QTY	TRACTOR SERIAL NO.	REMARKS
1	19H2357	CAP SCREW	4		9/16" X 2"
2	12H317	LOCK WASHER	4		9/16"
3	R35452	CYLINDER HEAD	1		
4	F1427R	WASHER	1		
5	A4723R	WASHER	2		
6	R49352	SPRING	1		
7	R39012	VALVE	1		
8	A4739R	RING	2		
9	A4736R	ROD	1		
10	R57696	WASHER	1		(SUB FOR A4738R)
11	A4737R	SPRING	1		
12	24H1301	WASHER	1		13/32" X 9/16" X 0.065"
13	R27564	O-RING	1		
14	R44297	PISTON	1		
15	R35472	BACK-UP RING	2		
16	F1430R	O-RING	1		
17	R45620	LOCK NUT	1		
18	R35447	CYLINDER	1		
19	A4748R	SPRING ASSEMBLY	1		
20	A4747R	WASHER	1		
21	A4745R	PACKING	3		
22	A4746R	ADAPTER	1		
23	R35474	BACK-UP RING	1		
24	T19687	O-RING	1		(SUB FOR T11220)
25	15H624	PIPE PLUG	1		1/2"
26	R40219	GUIDE	1		
27	25H760	GROOVE PIN	1		7/32" X 1-1/4"
28	A5304R	ARM	1		
29	12H304	LOCK WASHER	3		3/8"
30	19H1731	CAP SCREW	3		3/8" X 1"
31	R29463	O-RING	1		
32	R35473	BACK-UP RING	1		
33	R35738	SEAL	1		
34	R35448	STOP	1		
35	A5301R	SCREW	1		
36	R57696	WASHER	1		(SUB FOR R1870R)
37	34H264	SPRING PIN	1		5/32" X 7/8"
38	A5302R	YOKE	1		
39	AR45544	ROD	1		
40	A3581R	SPRING LOCKING PIN	2		
41	AR47825	PIN	2		

4G8

HYDRAULICS

R32035 -UN-23SEP94

REMOTE CYLINDER OVERHAUL KIT (3-1/2" X 8" HYDRAULIC OR MECHANICAL STOP)



R 320 35F

KEY	PART NO.	PART NAME	QTY	TRACTOR SERIAL NO.	REMARKS
1	R35738	SEAL	1		
2	R35473	BACK-UP RING	1		
3	R29463	O-RING	1		
4	A4745R	PACKING	3	(HYDRAULIC STOP)	
5	R32588	BACK-UP RING	1	(A)	
6	R459R	O-RING	1	(A)	
7	R27564	O-RING	1		
8	R35472	BACK-UP RING	2		
9	A4723R	WASHER	2		
10	F1427R	WASHER	1		
11	R45620	LOCK NUT	1		
12	F1430R	O-RING	1		
13	T11220	O-RING	1		
14	R35474	BACK-UP RING	1		
15	AR31945	KIT	1		

(A) MECHANICAL STOP

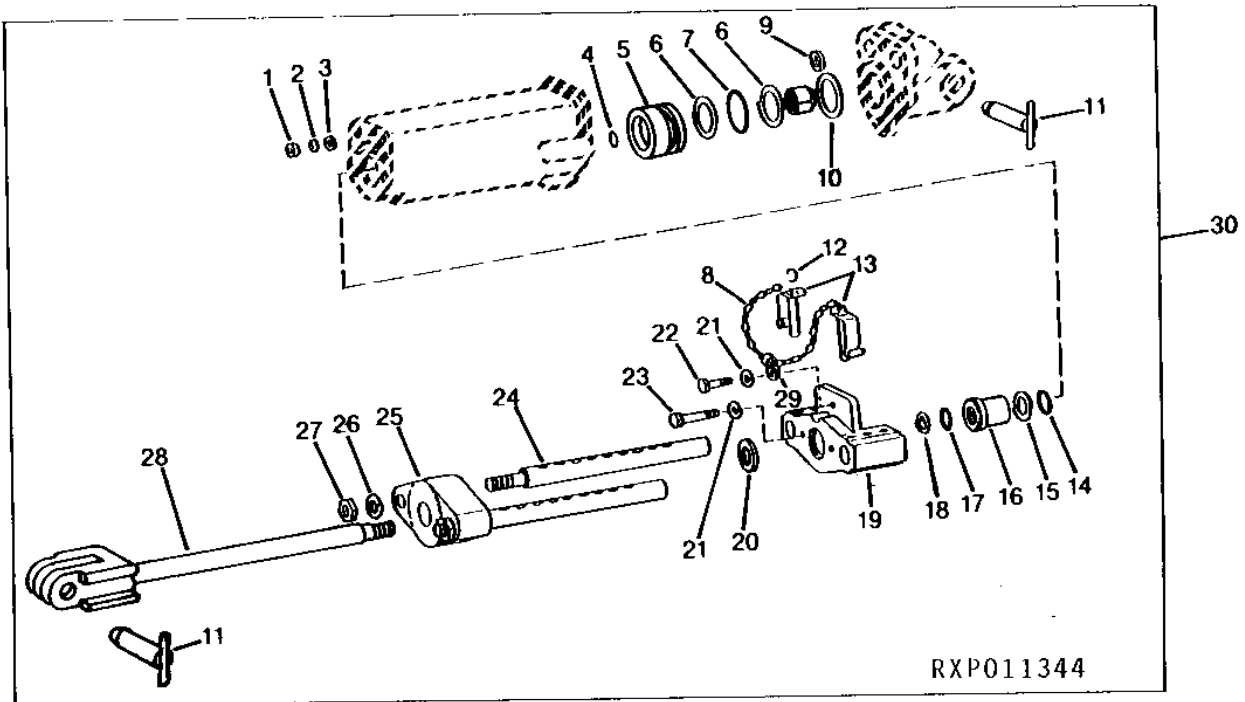
MEMORANDA

4G9

HYDRAULICS

RXP011344 -UN-12OCT94

REMOTE CYLINDER CONVERSION KIT (3" X 8" HYDRAULIC STOP TO MECHANICAL STOP)



4G10

HYDRAULICS

REMOTE CYLINDER CONVERSION KIT - CONTINUED
(3" X 8" HYDRAULIC STOP TO MECHANICAL STOP)

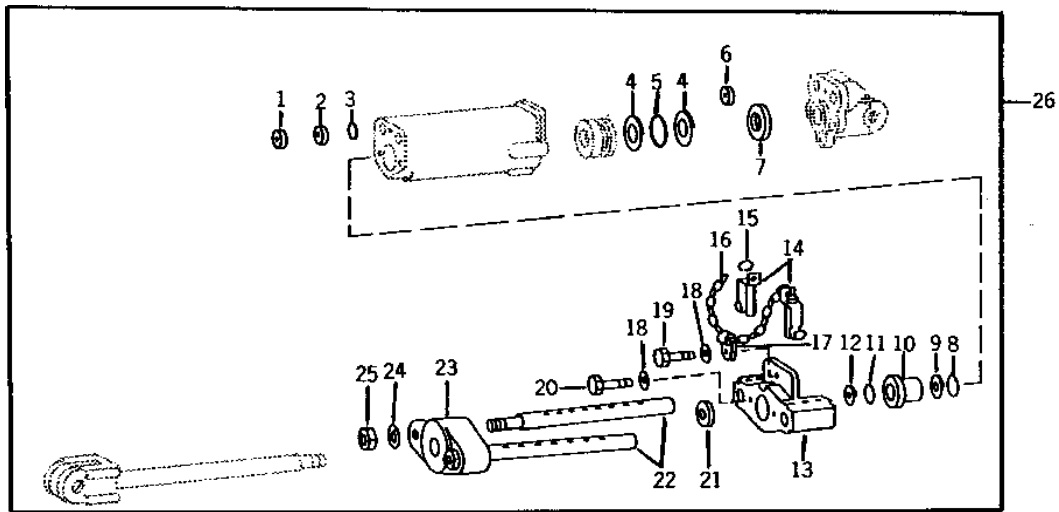
KEY	PART NO.	PART NAME	QTY	TRACTOR SERIAL NO.	REMARKS
1	AR45535	KIT	1		

4G11

HYDRAULICS

R32034 -UN-06OCT94

REMOTE CYLINDER CONVERSION KIT (3-1/2" X 8" HYDRAULIC STOP TO MECHANICAL STOP)



R32034F

KEY	PART NO.	PART NAME	QTY	TRACTOR SERIAL NO.	REMARKS
1	R34131	PLUG	1		
2	R32588	BACK-UP RING	1		
3	R459R	O-RING	1		
4	R35472	BACK-UP RING	2		
5	F1430R	O-RING	1		
6	A4723R	WASHER	2		
7	F1427R	WASHER	1		
8	T11220	O-RING	1		
9	R35474	BACK-UP RING	1		
10	R36951	GUIDE	1		
11	R29463	O-RING	1		
12	R35473	BACK-UP RING	1		
13	R44286	GUIDE	1		
14	AR68145	QUICK LOCK PIN	2		
15	D2913R	LINK	2		
16	AN163885	LINK CHAIN	1	(SUB FOR R49193)	
17	T13073	CLIP	1		
18	12H304	LOCK WASHER	3	3/8"	
19	19H2552	CAP SCREW	1	3/8" X 1-1/8"	
20	19H1726	CAP SCREW	2	3/8" X 2-1/4"	
21	R35738	SEAL	1		
22	R44287	ROD	2		
23	R36952	STOP	1		
24	12H236	LOCK WASHER	2	3/4"	
25	14H905	NUT	2	3/4"	
26	AR45534	KIT	1		

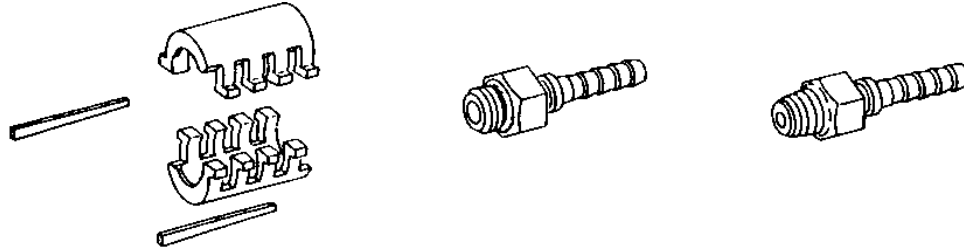
4G12

HYDRAULICS

RXP7733

-UN-23SEP94

BULK FLEXIBLE OIL LINE AND REUSABLE LOK-PIN COUPLINGS



Oil Line (Length) Approx. 50 ft.)		Set of Ferrules with Pins*	Stem-Straight Thread with O-ring	Stem-Pipe Thread
R 34790	3/8" I.D. — 1 Wire	AR 39635* *	R 39687
R 34791	1/2" I.D. — 1 Wire	AR 39636* *	R 39688
R 34792	3/4" I.D. — 1 Wire	AR 39637#	R 39689
R 34793	3/8" I.D. — 2 Wire	AR 39632	AR 39635* *	R 39687
R 34794	1/2" I.D. — 2 Wire	AR 39636* *	R 39688
R 34795	3/4" I.D. — 2 Wire	AR 39637#	R 39689

* Each set of ferrules includes two R39681 pins - extra pins may be ordered, packed 20 in a package.
 **Includes R26375 O-ring.
 # Includes F3171R O-ring.

REUSABLE COUPLINGS (Use With Braid Flexible Oil Line)



1 WR Single Wire		2 WR Double Wire		I.D.	Thread
Coupling No.		Coupling No.			
AF 3585	R	AR 21629		3/8"	3/8" — 18 NPTF
AF 3586	R	AR 21630		1/2"	1/2" — 14 NPTF
AF 3587	R		5/8"	3/4" — 14 NPTF
AF 3588	R	AR 21632		3/4"	3/4" — 14 NPTF
R 34644		AR 21634		1"	1" — 11-1/2" NPTF
R 34646		R 34647		3/8"	3/4" — 16 O-ring type thread
				1/2"	3/4" — 16 O-ring type thread

BULK SINGLE WIRE BRAID FLEXIBLE OIL LINE (Use With Reusable Coupling for Single Wire Braid Flexible Oil Line)

Part No.	I.D.	O.D.	Length
A 5776 R	1/2"	29/32"	Approx. 50 ft.
A 5777 R	5/8"	1-1/32"	Approx. 50 ft.

BULK DOUBLE WIRE BRAID FLEXIBLE OIL LINE (Use with Reusable Coupling for Double Wire Braid Flexible Oil Line)

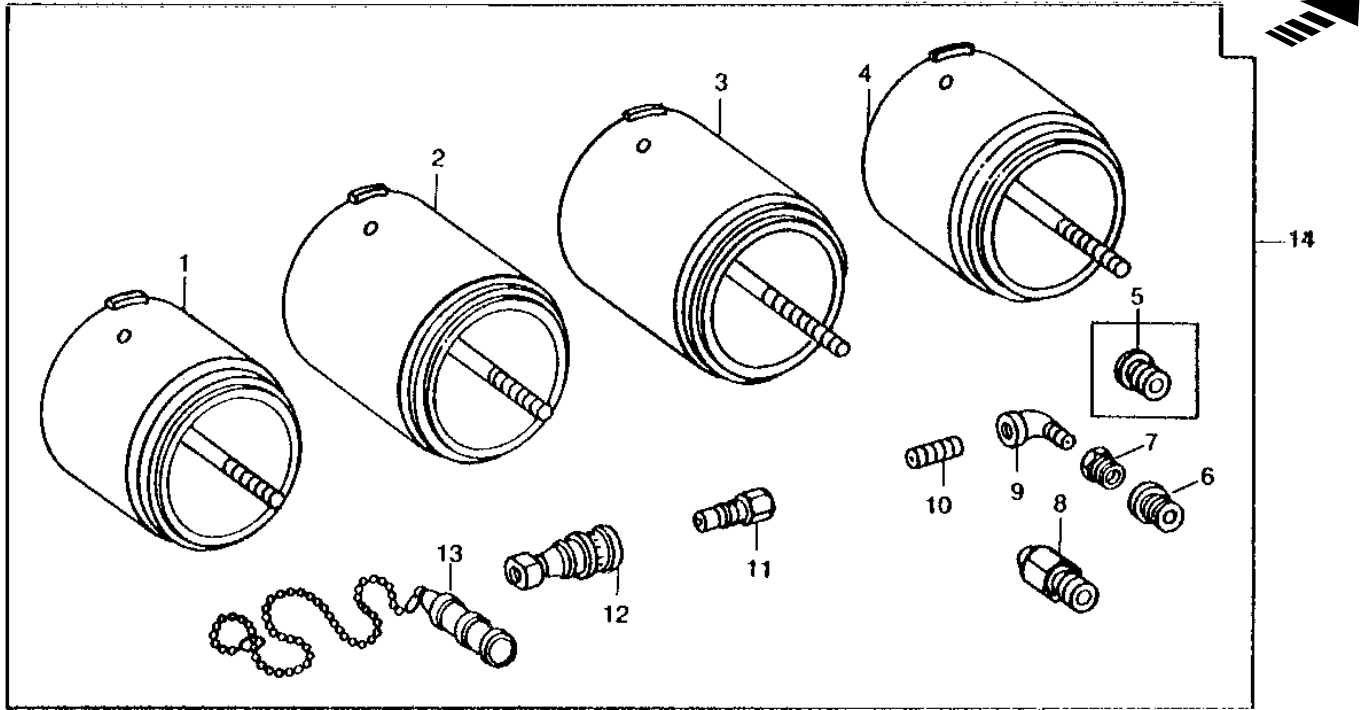
Part No.	I.D.	O.D.	Length
R 21531	3/8"	29/32"	Approx. 50 ft.
R 21532 RXP7733	1/2"	31/32"	Approx. 50 ft.

4G13

HYDRAULICS

RP1321 -UN-01JAN94

HYDRAULIC OIL CLEAN-UP KIT



RP1321

KEY	PART NO.	PART NAME	QTY	TRACTOR SERIAL NO.	REMARKS
1	AR86241	COVER	1		
2	AR86243	COVER	1		
3	AR86244	COVER	1		
4	AR86242	COVER	1		
5	R66475	ADAPTER	1	-XXXXXX	(B) (SUB R73216 AND 15H639)
6	R73216	PLUG	1	XXXXXX-	(B)
7	15H639	PIPE BUSHING	1	XXXXXX-	(B) 1/4" X 1/8"
8	R66474	ADAPTER	1		(D)
9	15H197	ELBOW FITTING	1		1/8", 90°
10	29H483	THREADED NIPPLE	2		1/8" X 3/4"
11	R66469	PLUG	2		
12	COUPLING	1		(SUB AR86239)
13	R66473	COVER	2		
14	AR86239	KIT	1		

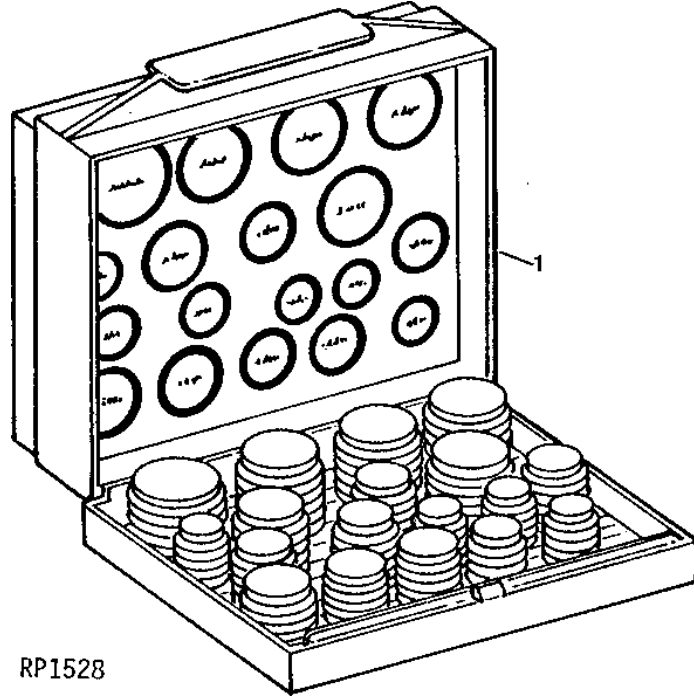
(B) QUAD-RANGE TRANSMISSION
(D) POWER SHIFT TRANSMISSION

4G14

HYDRAULICS

RP1528 -UN-01JAN94

O-RING KIT



RP1528

KEY	PART NO.	PART NAME	QTY	TRACTOR SERIAL NO.	REMARKS
1	AR73500 TY15939	KIT O-RING KIT	1 1		HYDRAULIC AIR CONDITIONING, (SUB FOR AT66632)

4G15

HYDRAULICS

RE026740 -UN-20FEB96

TRANSMISSION AND HYDRAULIC OIL



RE026740



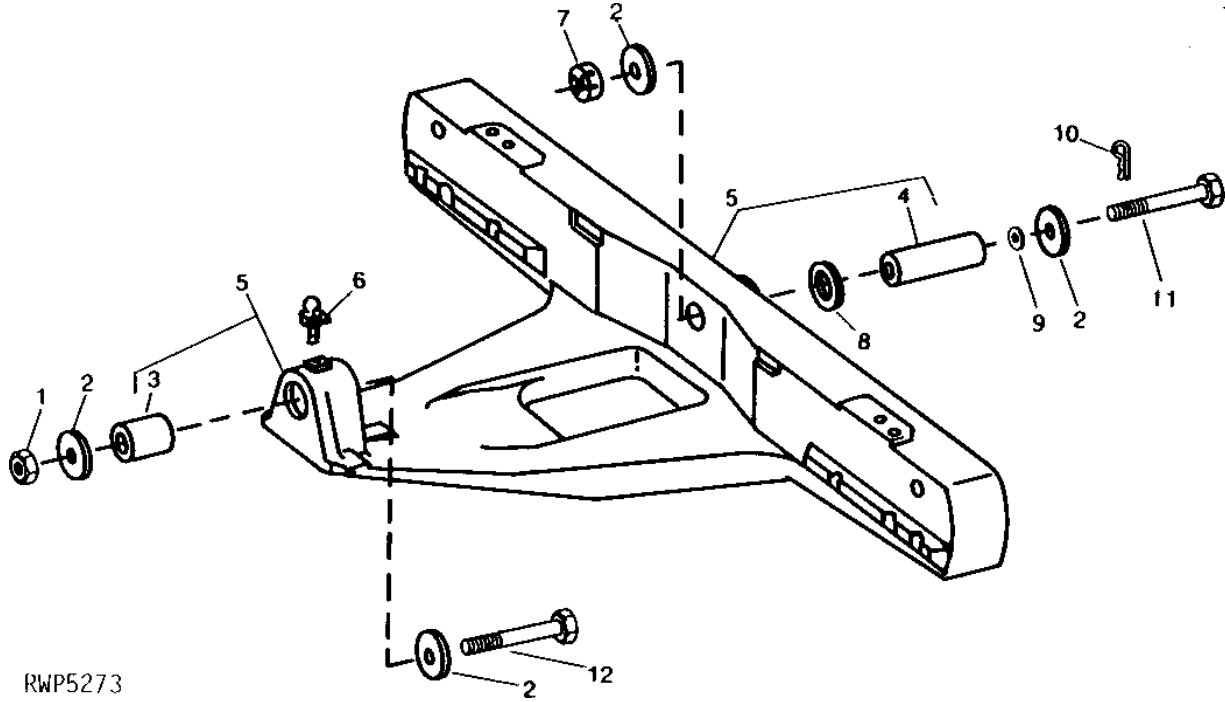
KEY	PART NO.	PART NAME	QTY	TRACTOR SERIAL NO.	REMARKS
1	AR69444	HY-GARD	1		19L (5 GAL)
	AR69445	HY-GARD	1		208L (55 GAL) (EMPTY DRUMS NOT RETURNABLE)
2	TY22043	OIL	1		(1 GAL)
	TY22044	OIL	1		19 L (5 GAL)
	TY22063	OIL	1		208 L (55 GAL)

4G18

WHEELS, FRONT AXLES, SHEET METAL

RWP5273 -UN-17NOV94

ADJUSTABLE TREAD FRONT AXLE



RWP5273

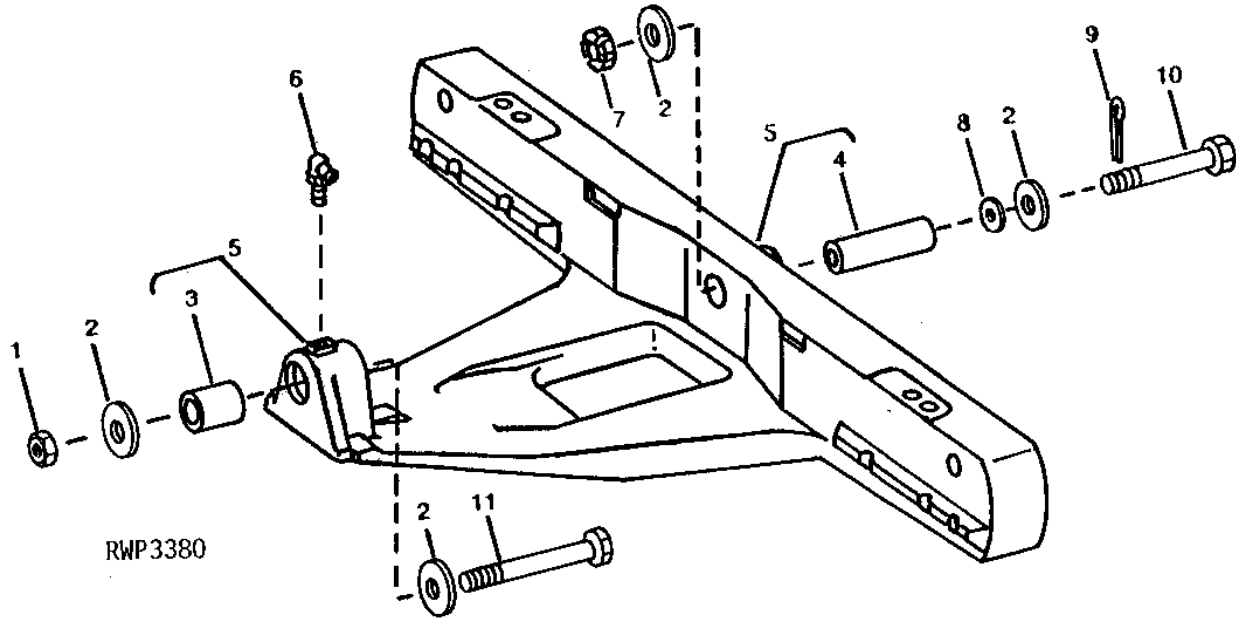
KEY	PART NO.	PART NAME	QTY	TRACTOR SERIAL NO.	REMARKS
1	14H794	NUT	1	3/4"	
2	R20136	WASHER	4		
3	R109808	BUSHING	1		(SUB FOR R52188, THIS APPLICATION) (SUB R109808)
4	R79996	PIN	1		(SUB FOR R49847)
5	AR85368	FRONT AXLE	1		REGULAR, (MARKED R49601) (SUB FOR AR59192)
	AR85373	FRONT AXLE	1		WIDE, (MARKED R49604) (SUB FOR AR59193)
6	JD7799	LUBRICATION FITTING	1		
7	14H902	NUT	1	3/4"	
8	R33022	THRUST WASHER	AR		0.91MM (.036")
9	T25921	SHIM	AR		
10	11M7030	COTTER PIN	1		0.197" X 1.575"
11	T29210	CAP SCREW	1		
12	19H1988	CAP SCREW	1		3/4" X 6"

4G19

WHEELS, FRONT AXLES, SHEET METAL

ADJUSTABLE TREAD FRONT AXLE (POWER FRONT WHEEL DRIVE)

RWP3380 -UN-01JAN94



KEY	PART NO.	PART NAME	QTY	TRACTOR SERIAL NO.	REMARKS
1	R40121	LOCK NUT	1		
2	R20136	WASHER	4		
3	R109808	BUSHING	1		(SUB FOR R52188, THIS APPLICATION) (SUB R109808)
4	R79996	PIN	1		(SUB FOR R49847)
5	AR85392	FRONT AXLE	1		(MARKED R52367) (SUB FOR AR59151)
6	JD7799	LUBRICATION FITTING	1		
7	14H902	NUT	1	3/4"	
8	T25921	SHIM	AR		
9	11M7087	COTTER PIN	1	0.157" X 1.575"	
10	T29210	CAP SCREW	1		
11	19H1988	CAP SCREW	1	3/4" X 6"	

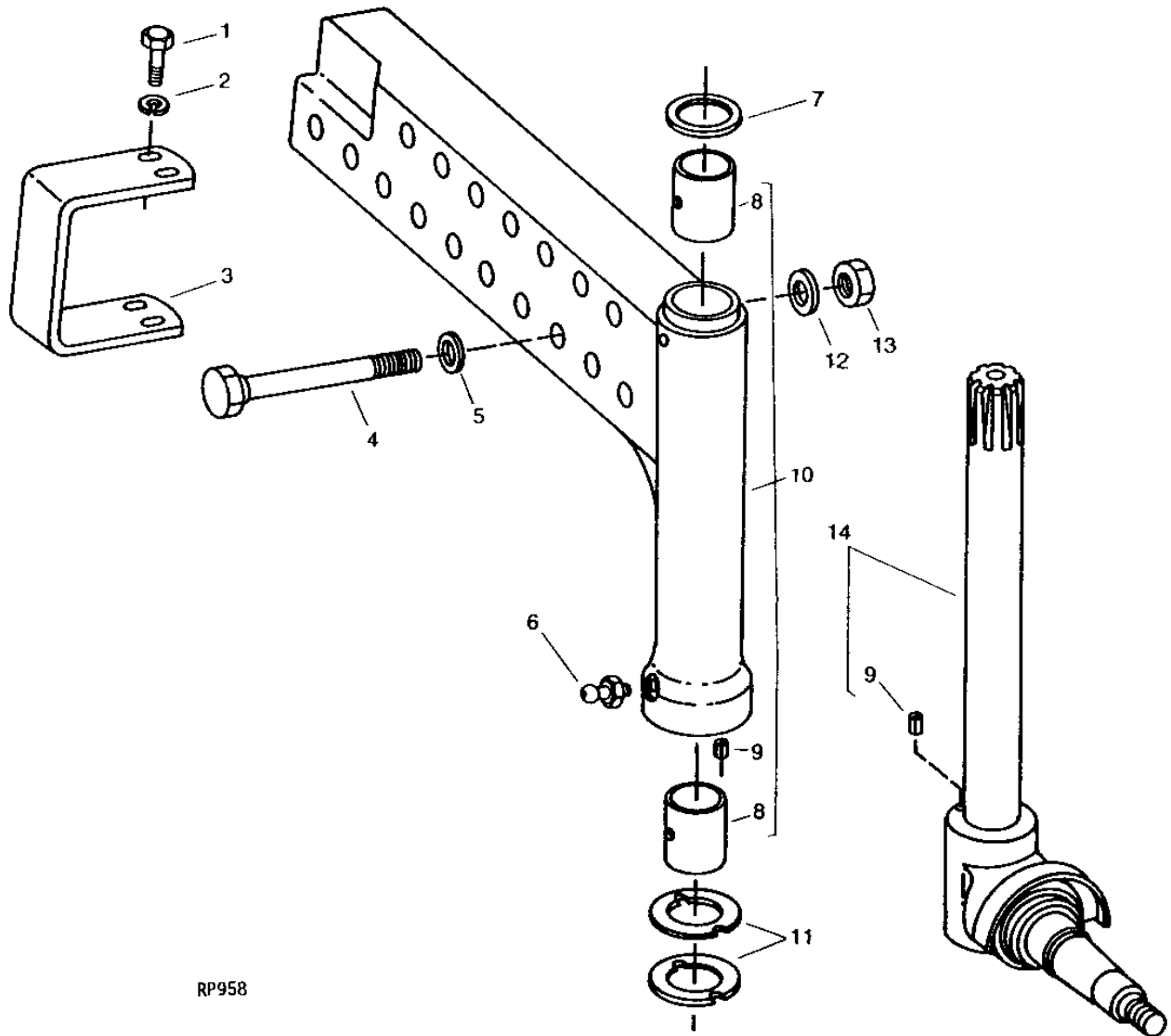
MEMORANDA

4G20

WHEELS, FRONT AXLES, SHEET METAL

RP958 -UN-16NOV94

ADJUSTABLE TREAD FRONT AXLE KNEE AND KNUCKLE



RP958

4G21

WHEELS, FRONT AXLES, SHEET METAL

ADJUSTABLE TREAD FRONT AXLE KNEE AND KNUCKLE - CONTINUED

KEY	PART NO.	PART NAME	QTY	TRACTOR SERIAL NO.	REMARKS
1	19H1731	CAP SCREW	8		3/8" X 1"
2	12H310	LOCK WASHER	8		3/8"
3	R49848	CLEVIS	2		
4	R52283	CAP SCREW	2		(SUB 19H3630 AND 14H1077)
	R52284	CAP SCREW	6		(SUB 19H3629 AND 14H1077)
5	R52006	WASHER	8		
6	JD7798	LUBRICATION FITTING	4		
7	R31251	WASHER	AR		
8	R52188	BUSHING	4		
9	34H308	SPRING PIN	4		1/4" X 1/2"
10	AR59216	AXLE	1		REGULAR, R.H. (MARKED R49603)
	AR59217	AXLE	1		REGULAR, L.H. (MARKED R49602)
	AR59218	AXLE	1		WIDE, R.H. (MARKED R49605)
	AR59219	AXLE	1		WIDE, L.H. (MARKED R49606)
11	R30398	WASHER	4		
12	R52006	WASHER	8		
13	R52045	NUT	8		
14	AR53880	KNUCKLE	1		(SUB RE57644, R121183, 19M8639 AND 24M7243)

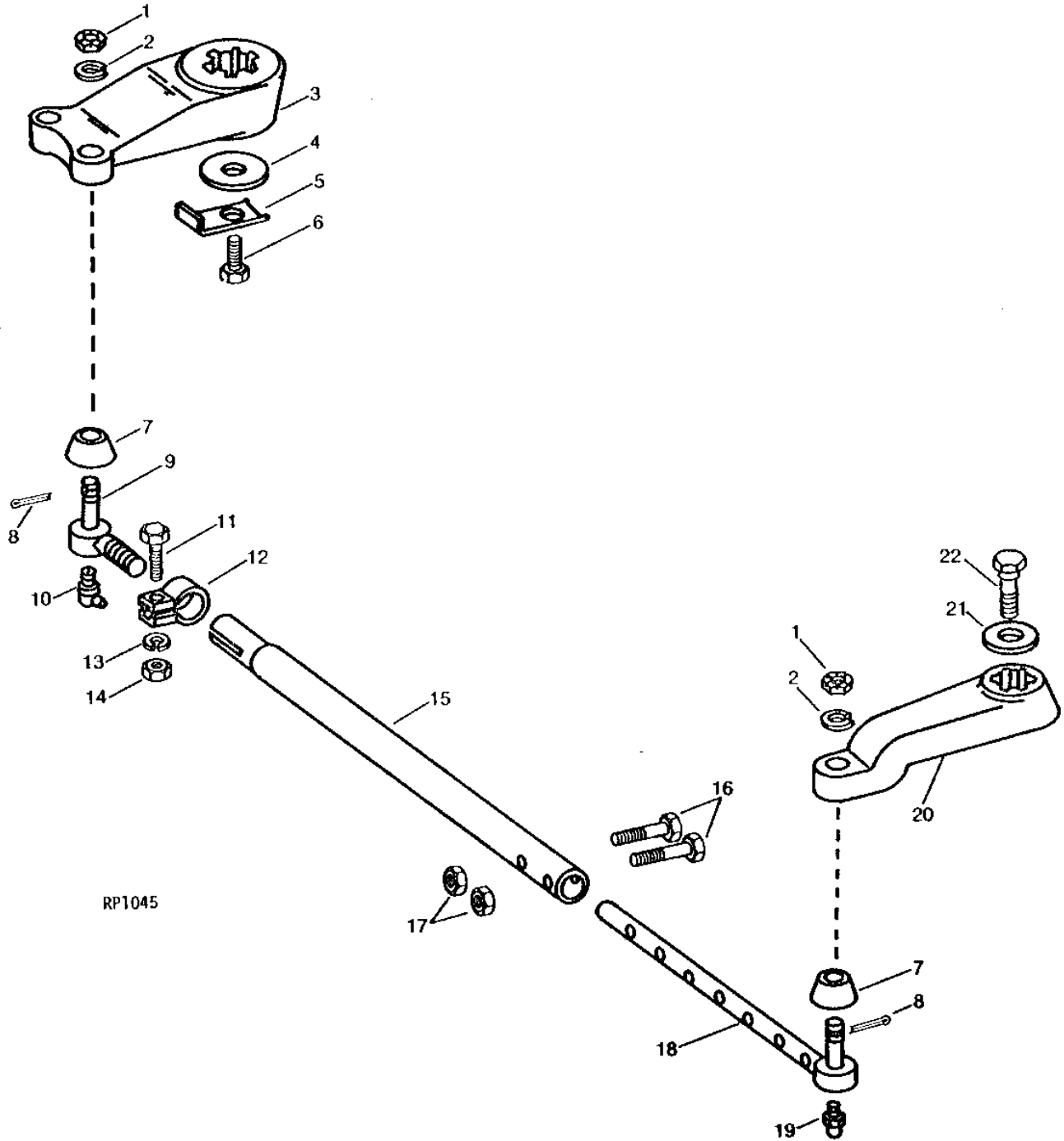
4G22

WHEELS, FRONT AXLES, SHEET METAL

RP1045

-UN-01JAN94

ADJUSTABLE FRONT AXLE TIE RODS



4G23

WHEELS, FRONT AXLES, SHEET METAL

ADJUSTABLE FRONT AXLE TIE RODS - CONTINUED

KEY	PART NO.	PART NAME	QTY	TRACTOR SERIAL NO.	REMARKS
1	14H918	NUT	4		5/8"
2	12H294	LOCK WASHER	4		5/8"
3	R51121	STEERING ARM	1		
4	R20136	WASHER	1		
5	R50075	LOCK PLATE	1		
6	19H1782	CAP SCREW	1		3/4" X 2-1/4"
7	R21101	COVER	4		
8	11M7015	COTTER PIN	4		3.200 X 25 MM
9	AR63589	TIE ROD END	2		(A)
	AR63590	TIE ROD END	2		(B)
10	JD7781	LUBRICATION FITTING	1		
11	19H1990	CAP SCREW	2		1/2" X 2-1/4"
12	M2301T	CLAMP	2		
13	12H301	LOCK WASHER	2		1/2"
14	14H1040	NUT	2		1/2"
15	R55075	TUBE	2		(A) 441MM (17-11/32") (ALSO ORDER AR63833) (SUB FOR R54967)
	R54968	TUBE	2		(B) 503MM (19-13/16")
16	19H3065	CAP SCREW	4		3/8" X 2"
	R28024	CLAMP	8	-XXXXXX	
17	K40003	LOCK NUT	4		
18	AR63833	TIE ROD END	2		(A) (ALSO ORDER R55075) (SUB FOR AR63594)
	AR63595	TIE ROD END	2		(B)
19	JD7759	LUBRICATION FITTING	1		
20	R49849	STEERING ARM	1		R.H.
	R49851	STEERING ARM	1		L.H.
21	R26333	WASHER	2		
22	19H1863	CAP SCREW	2		5/8" X 3"

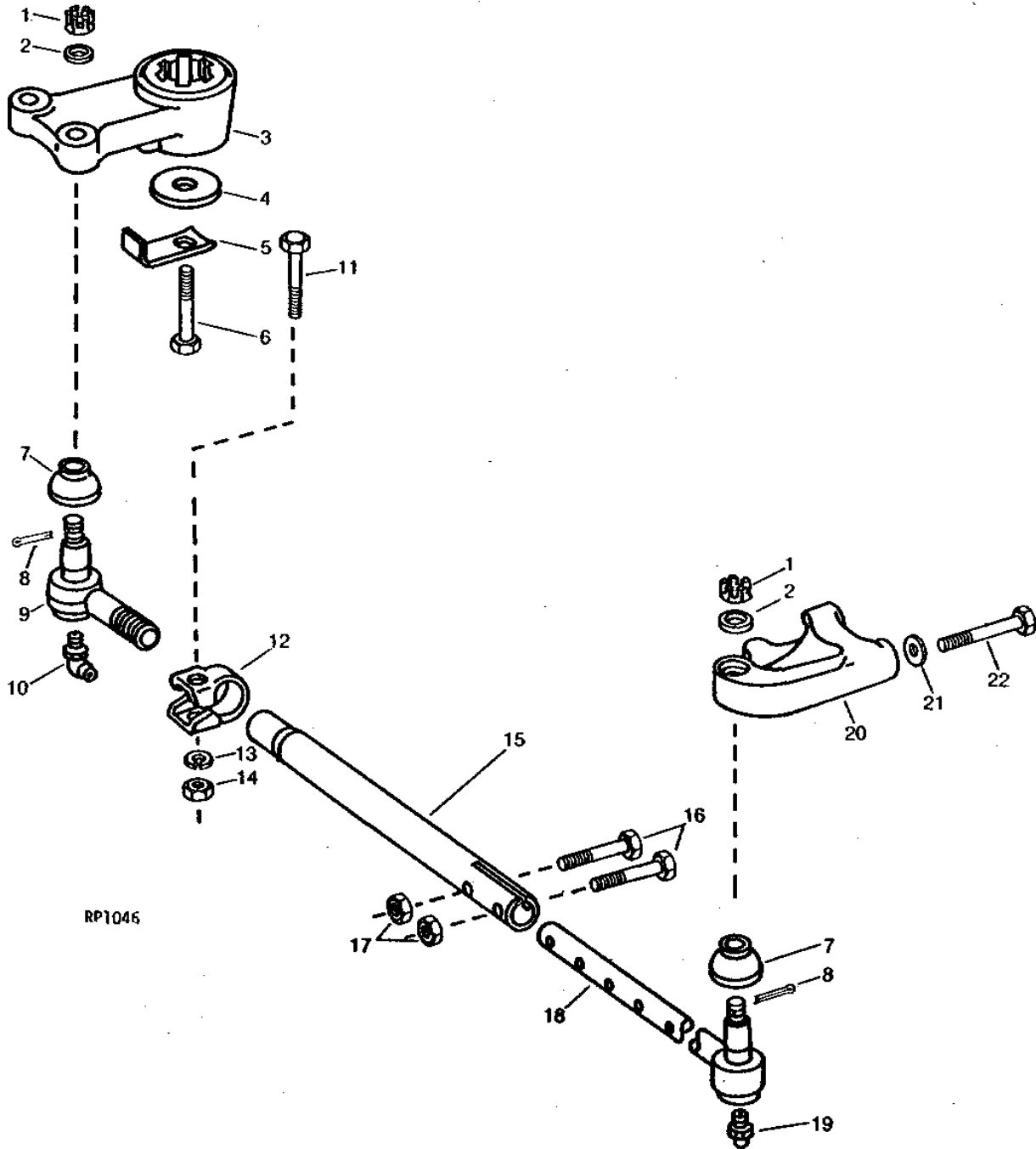
(A) REGULAR ADJUSTABLE TREAD
(B) WIDE ADJUSTABLE TREAD

4G24

WHEELS, FRONT AXLES, SHEET METAL

ADJUSTABLE FRONT AXLE TIE RODS (POWER FRONT WHEEL DRIVE)

RP1046 -UN-01JAN94



4G25

WHEELS, FRONT AXLES, SHEET METAL

ADJUSTABLE FRONT AXLE TIE RODS - CONTINUED (POWER FRONT WHEEL DRIVE)

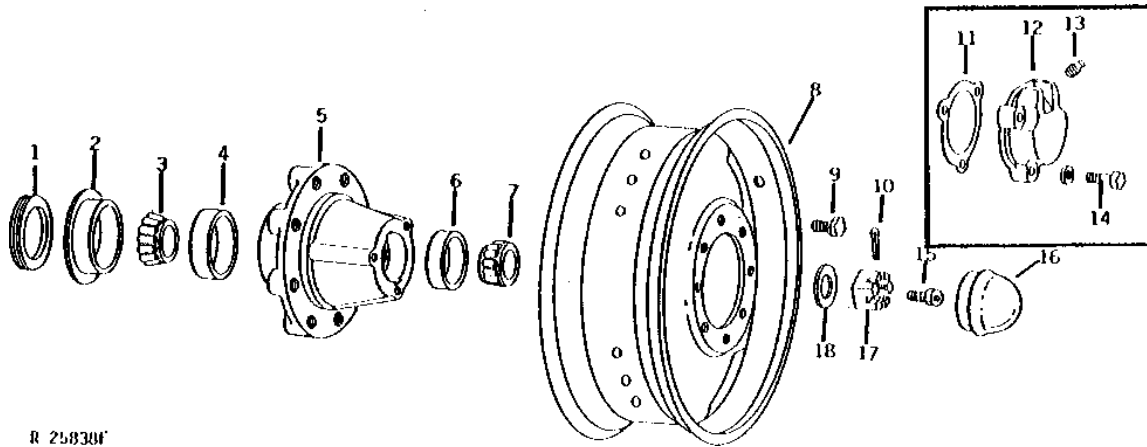
KEY	PART NO.	PART NAME	QTY	TRACTOR SERIAL NO.	REMARKS
1	14H918	NUT	4	5/8"	
2	12H294	LOCK WASHER	4	5/8"	
3	R52793	STEERING ARM	1		
4	R20136	WASHER	1		
5	R50075	LOCK PLATE	1		
6	19H1782	CAP SCREW	1	3/4" X 2-1/4"	
7	R21101	COVER	4		
8	11M7015	COTTER PIN	8	3.200 X 25 MM	
9	AR63590	TIE ROD END	2		
10	JD7781	LUBRICATION FITTING	2		
11	19H1990	CAP SCREW	2	1/2" X 2-1/4"	
12	M2301T	CLAMP	2		
13	12H301	LOCK WASHER	2	1/2"	
14	14H1040	NUT	2	1/2"	
15	R55075	TUBE	2		
16	19H1733	CAP SCREW	4	3/8" X 2-1/2"	
	R28024	CLAMP	4		
17	M63440	LOCK NUT	4	(SUB T11234)	
	R28024	CLAMP	4		
18	AR63587	TIE ROD END	1		
19	JD7759	LUBRICATION FITTING	2		
20	R52266	ARM	1	R.H.	
	R52267	ARM	1	L.H.	
21	R1836R	WASHER	4		
22	19H2233	CAP SCREW	4	5/8" X 3-1/2"	

4H1

WHEELS, FRONT AXLES, SHEET METAL

R25838 -UN-01JAN94

FRONT WHEELS



R 25838F

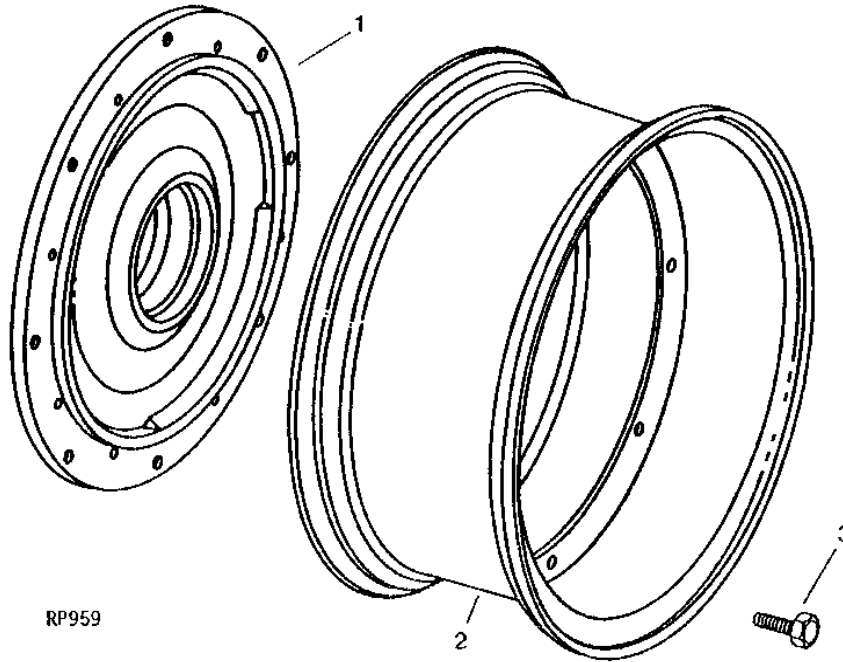
KEY	PART NO.	PART NAME	QTY	TRACTOR SERIAL NO.	REMARKS
1	AR27806	SEAL	1		
2	R28574	SEAL	1		
3	JD8131	BEARING CONE	1		
4	JD7439	BEARING CUP	1		
5	R40194	HUB	1	-024767	(SUB R63556, DT2127W, 22H841 AND (8) 19H3418)
	R63555	HUB	1	024768-	(SUB R63556 AND (8) 19H3418)
6	JD7266	BEARING CUP	1		
7	JD8981	BEARING CONE	1		(SUB JD10190)
8	JD3207	WHEEL	1		(11.00 - 16, 6-PLY RATED OR 8-PLY RATED TIRE)
	JD3213	WHEEL	1		(9.50 - 20, 8 PLY RATED TIRE)
	JD3216	WHEEL	1		(10.00 - 16, 6-PLY RATED TIRE) (SUB RE51671 AND (8) 19H3570)
	JD3232	RIM	1		(14L - 16, 6-PLY RATED TIRE) (SUB FOR JD3221) (SUB AR90898)
9	JD16	WHEEL BOLT	8		(USE WITH JD3207, JD3213, JD3216, JD3232)
	19H3418	CAP SCREW	8		(USE WITH R63556)
10	11M7032	COTTER PIN	1		0.197" X 1.969"
11	A1556R	GASKET	1	-024767	
12	A1555R	CAP	1	-024767	
13	15H638	PIPE PLUG	1	-024767	1/8"
14	19H2915	CAP SCREW	3	-024767	5/16" X 1-1/4"
	24H1136	WASHER	3	-024767	11/32" X 11/16" X 0.065"
15	22H841	SET SCREW	1	024768-	1/4" X 1/4"
16	DT2127W	CAP	1	024768-	
17	14H920	NUT	1		1"
18	R28575	WASHER	1		
..	AM30347	TIRE VALVE STEM	1		(SUB FOR AR55282)

4H2

WHEELS, FRONT AXLES, SHEET METAL

FRONT WHEEL (POWER FRONT WHEEL DRIVE)

RP959 -UN-01JAN94



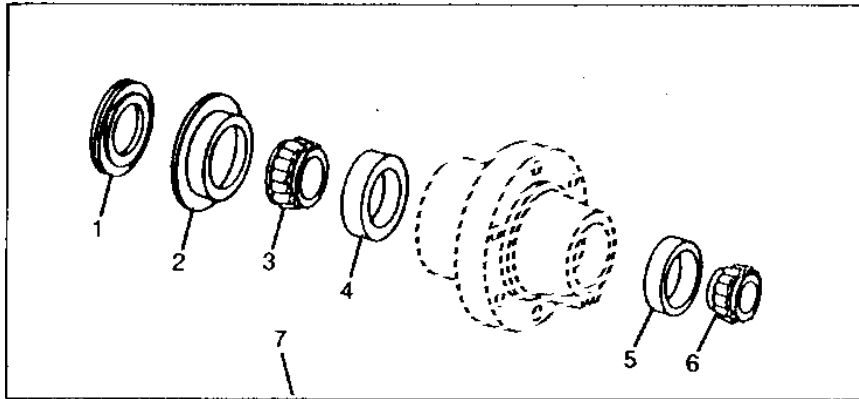
KEY	PART NO.	PART NAME	QTY	TRACTOR SERIAL NO.	REMARKS
1	R41958	HUB	1		
2	RE19431	RIM	1		(14.9 X 24 TIRE) (SUB FOR AR49138)
3	JD17	WHEEL BOLT	8		

4H3

WHEELS, FRONT AXLES, SHEET METAL

FRONT WHEEL BEARING KIT

RXP9981 -UN-01JAN94



RXP9981

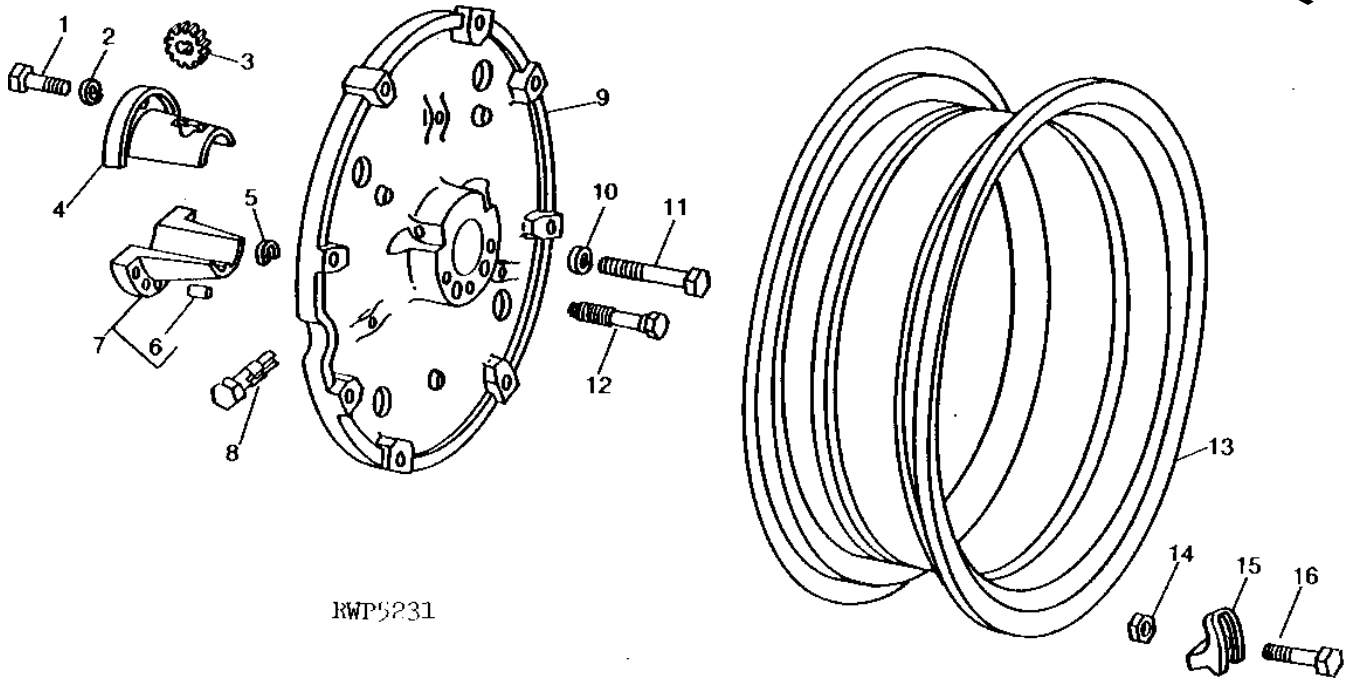
KEY	PART NO.	PART NAME	QTY	TRACTOR SERIAL NO.	REMARKS
1	AR27806	SEAL	1		
2	R28574	SEAL	1		
3	JD8131	BEARING CONE	1		
4	JD7439	BEARING CUP	1		
5	JD7266	BEARING CUP	1		
6	JD10190	BEARING CONE	1		
7	RE54816	BEARING KIT	1		

4H4

WHEELS, FRONT AXLES, SHEET METAL

RWP5231 -UN-01JAN94

REAR WHEELS



RWP5231

KEY	PART NO.	PART NAME	QTY	TRACTOR SERIAL NO.	REMARKS
1	19H2600	CAP SCREW	3	3/4" X 2-5/8"	
2	12H236	LOCK WASHER	3	3/4"	
3	A4379R	PINION	1		
	R58865	PINION	1	(A)	
4	R35302	HALF SLEEVE	1		
	R58864	HALF SLEEVE	1	(A)	
5	R35333	SNAP RING	2		
6	R35335	DOWEL PIN	1		
7	AR83354	SLEEVE	2	(SUB FOR R35303)	
	AR83356	SLEEVE	1	(A) (SUB FOR R59899)	
8	A4380R	PINION SHAFT	1		
9	R36190	WHEEL	1	(24.5-32 TIRE)	
	R49860	WHEEL	1	(18.4-38 TIRE)	
	R43530	WHEEL	1	(12.4-42 TIRE)	
10	12H245	LOCK WASHER	3	7/8"	
11	08H4486	CAP SCREW	3	(SUB FOR R35334)	
12	R35332	SCREW	2		
13	R36097	RIM	1	(24.5-32 TIRE)	
	R80306	RIM	1	(18.4-38 TIRE) (SUB FOR R41012)	
	R43743	RIM	1	(12.4-42 TIRE)	
	R74851	RIM	1	(20.8-38 TIRE) (SUB FOR R43744)	
14	14H800	NUT	AR	5/8", (12 USED WITH R36190) (16 USED WITH R49860 AND R43530)	
15	B634R	CLAMP	12	(USE WITH R36190)	
	A4388R	CLAMP	16	(USE WITH R49860 AND R43530)	
16	A4064R	BOLT	12	(USE WITH R36190) (SUB R34801)	
	08H4694	BOLT	16	5/8" X 4", (USE WITH R49860 AND R43530)	
..	AT25226	STEM	1	(USE WITH TUBELESS TIRES) (HOLE DIA. .625")	
..	R55151	PLUG	1	(SECOND HOLE IN RIM)	

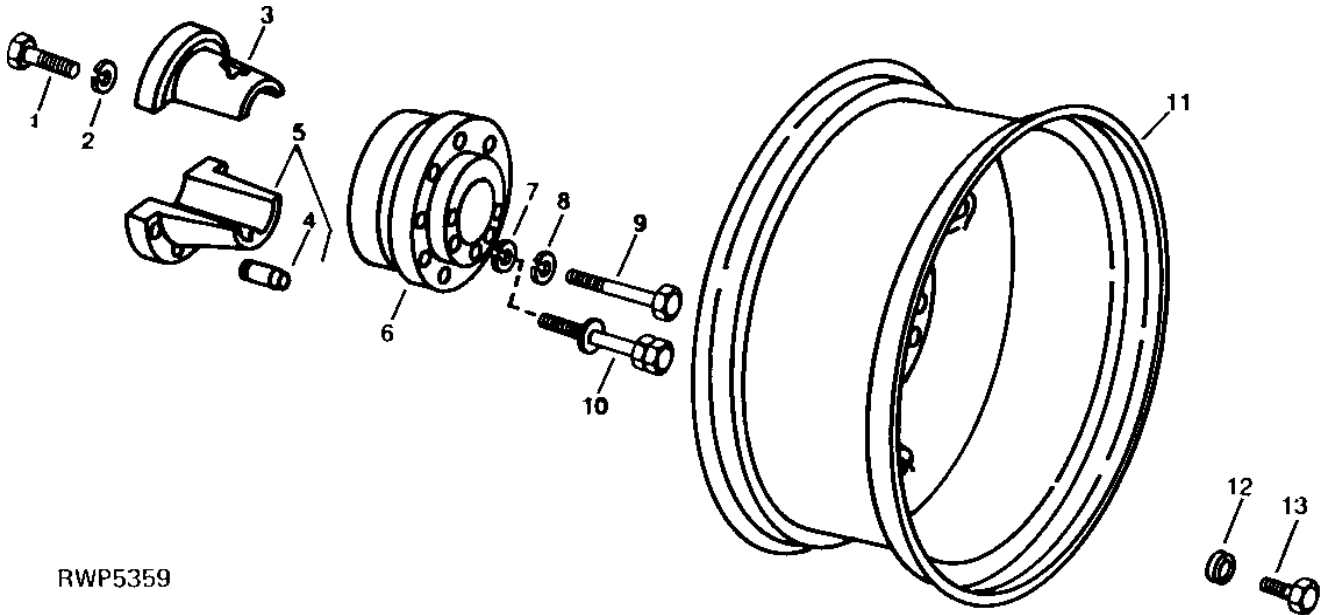
(A) 100MM AXLE

4H5

WHEELS, FRONT AXLES, SHEET METAL

RWP5359 -UN-17NOV94

DUAL WHEELS



RWP5359

KEY	PART NO.	PART NAME	QTY	TRACTOR SERIAL NO.	REMARKS
1	19H1707	CAP SCREW	3	3/4" X 2-3/4"	
2	12H236	LOCK WASHER	3	3/4"	
3	R35302	HALF SLEEVE	1		
	R58864	HALF SLEEVE	1	(A)	
4	R35335	DOWEL PIN	2		
5	AR83354	SLEEVE	1	(SUB FOR R35303)	
	AR83356	SLEEVE	1	(A) (SUB FOR R59899)	
6	R54160	HUB	1		
7	R35333	SNAP RING	2		
8	12H245	LOCK WASHER	3	7/8"	
9	08H4486	CAP SCREW	3	7/8" X 7-1/2", (SUB FOR R45351)	
10	R35332	SCREW	2		
11	AR89140	WHEEL	1	(18.4-38 TIRES) (SUB FOR JD3230) (NLA)	
	AR89141	WHEEL	1	(20.8-38 TIRES) (SUB FOR JD3231) (SUB RE51962)	
12	R52006	WASHER	10		
13	19H2587	CAP SCREW	10	7/8" X 1-3/4"	

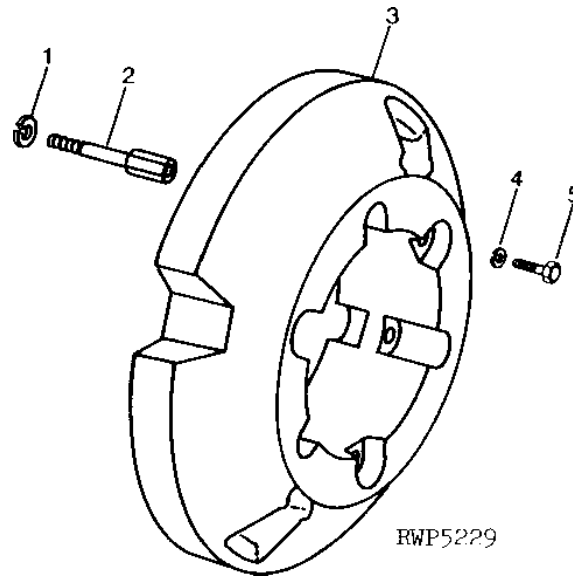
(A) 100MM AXLES

4H6

WHEELS, FRONT AXLES, SHEET METAL

**REAR WHEEL WEIGHT
(38" CAST WHEEL)
(USE WITH R43530 OR R49860 ONLY)**

RWP5229 -UN-17NOV94



KEY	PART NO.	PART NAME	QTY	TRACTOR SERIAL NO.	REMARKS
1	12H236	LOCK WASHER	3	3/4"	
2	R41256	SCREW	3	(C)	
3	R41030	WEIGHT	2	200KG (440 LB)	
4	12H236	LOCK WASHER	3	3/4"	
5	19H2174	CAP SCREW	3	(A) 3/4" X 4-1/4"	
	19H1782	CAP SCREW	3	(B) 3/4" X 2-1/4"	

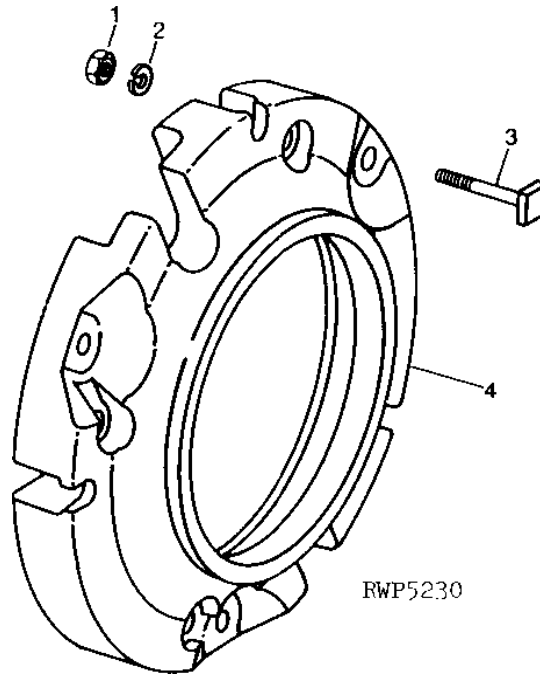
- (A) INSIDE OR OUTSIDE WEIGHT
- (B) FIRST OUTSIDE WEIGHT USED WITH INSIDE WEIGHT
- (C) INSIDE OR SECOND OUTSIDE WEIGHT

4H7

WHEELS, FRONT AXLES, SHEET METAL

RWP5230 -UN-17NOV94

REAR OUTSIDE WHEEL WEIGHT (32" CAST WHEEL)



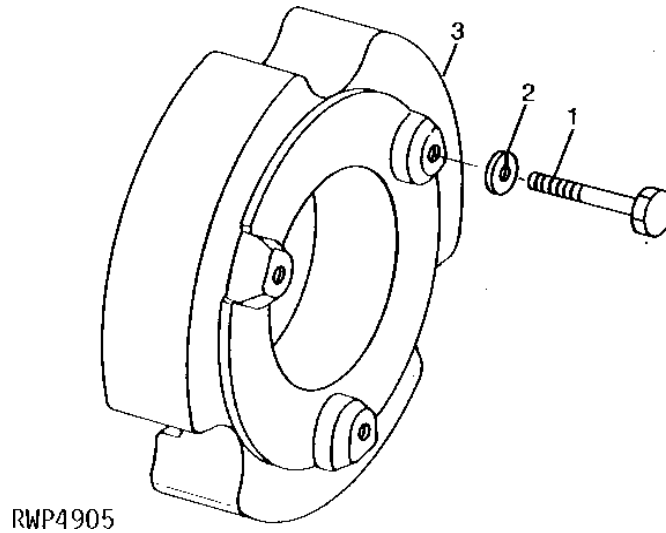
KEY	PART NO.	PART NAME	QTY	TRACTOR SERIAL NO.	REMARKS
1	14H1039	NUT	3	5/8"	
2	12H294	LOCK WASHER	3	5/8"	
3	R34801	BOLT	3		
4	T21689	WEIGHT	2	49KG (110 LB) (NLA)	

4H8

WHEELS, FRONT AXLES, SHEET METAL

REAR WHEEL INNER WEIGHT (32" CAST WHEEL)

RWP4905 -UN-01JAN94



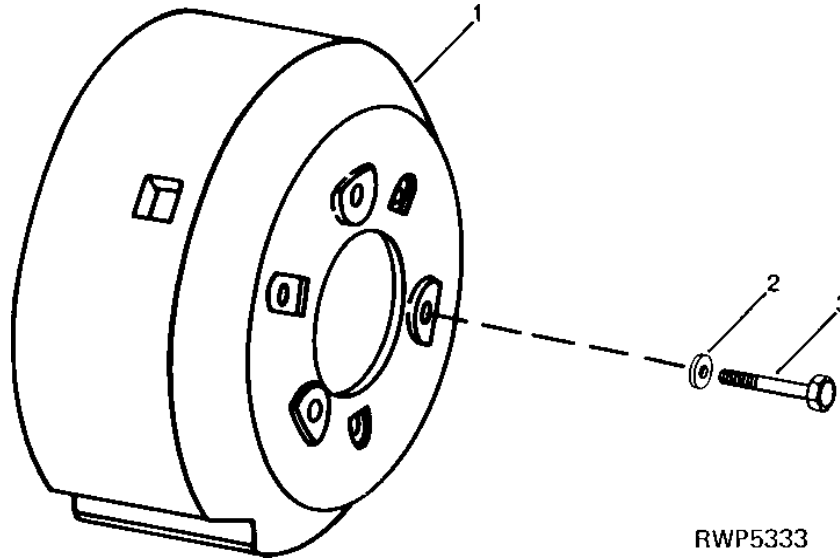
KEY	PART NO.	PART NAME	QTY	TRACTOR SERIAL NO.	REMARKS
1	19H1862	CAP SCREW	3		3/4" X 2-1/2"
2	12H236	LOCK WASHER	3		3/4"
3	R35780	WEIGHT	1		129KG (285 LB)

4H9

WHEELS, FRONT AXLES, SHEET METAL

REAR WHEEL INNER WEIGHT (32" CAST WHEEL)

RWP5333 -UN-17NOV94



RWP5333

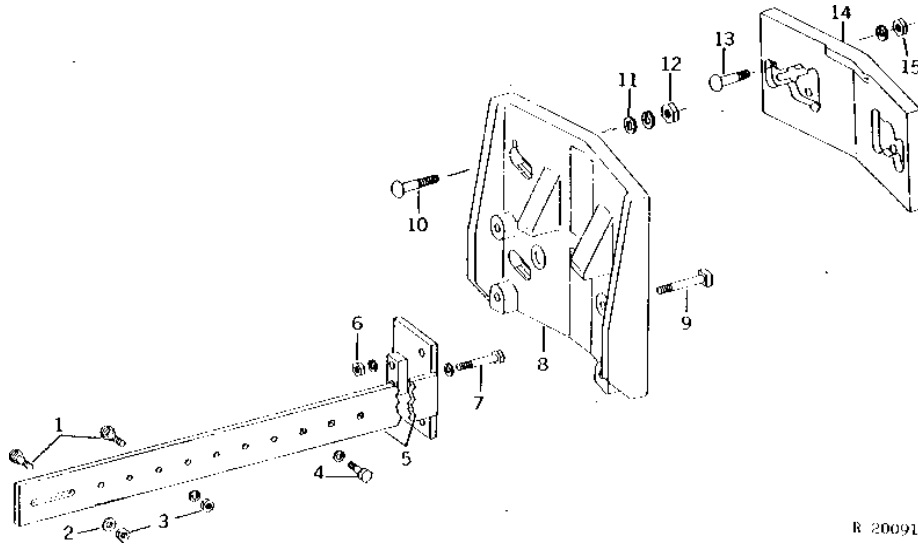
KEY	PART NO.	PART NAME	QTY	TRACTOR SERIAL NO.	REMARKS
1	R72266	WEIGHT	2		680KG (1500 LB) (SUB FOR R49630)
2	B3627R	WASHER	3		
3	19H1862	CAP SCREW	3		3/4" X 2-1/2", (USE WITH R49630)
	19H3167	CAP SCREW	3		3/4" X 3-1/4" HS, SAE 8, (USE WITH R72266)

4H10

WHEELS, FRONT AXLES, SHEET METAL

R20091 -UN-01JAN94

DOUBLE FRONT WEIGHT



R 20091

KEY	PART NO.	PART NAME	QTY	TRACTOR SERIAL NO.	REMARKS
1	03H1399	BOLT	6	5/8" X 1-3/4"	
2	24H1367	WASHER	2	21/32" X 1-1/4" X 1/4"	
3	14H1039	NUT	6	5/8"	
	12H294	LOCK WASHER	4	5/8"	
4	19H1708	CAP SCREW	2	5/8" X 1-3/4"	
	12H294	LOCK WASHER	2	5/8"	
5	AR58357	SUPPORT	2	(NO LONGER AVAILABLE)	
6	14H794	NUT	4	3/4"	
	12H236	LOCK WASHER	4	3/4"	
7	19H2725	CAP SCREW	2	3/4" X 3-3/4"	
	12H236	LOCK WASHER	2	3/4"	
8	R44350	WEIGHT	1	(NO LONGER AVAILABLE)	
9	08H4222	BOLT	4	3/4" X 3-3/4"	
10	03H1858	BOLT	4	5/8" X 3-1/2"	
11	R44890	NUT	4		
12	14H1039	NUT	4	5/8"	
	12H294	LOCK WASHER	4	5/8"	
13	03H1858	BOLT	2	5/8" X 3-1/2"	
14	R27643	WEIGHT	1		
15	14H1039	NUT	2	5/8"	
	12H294	LOCK WASHER	2	5/8"	

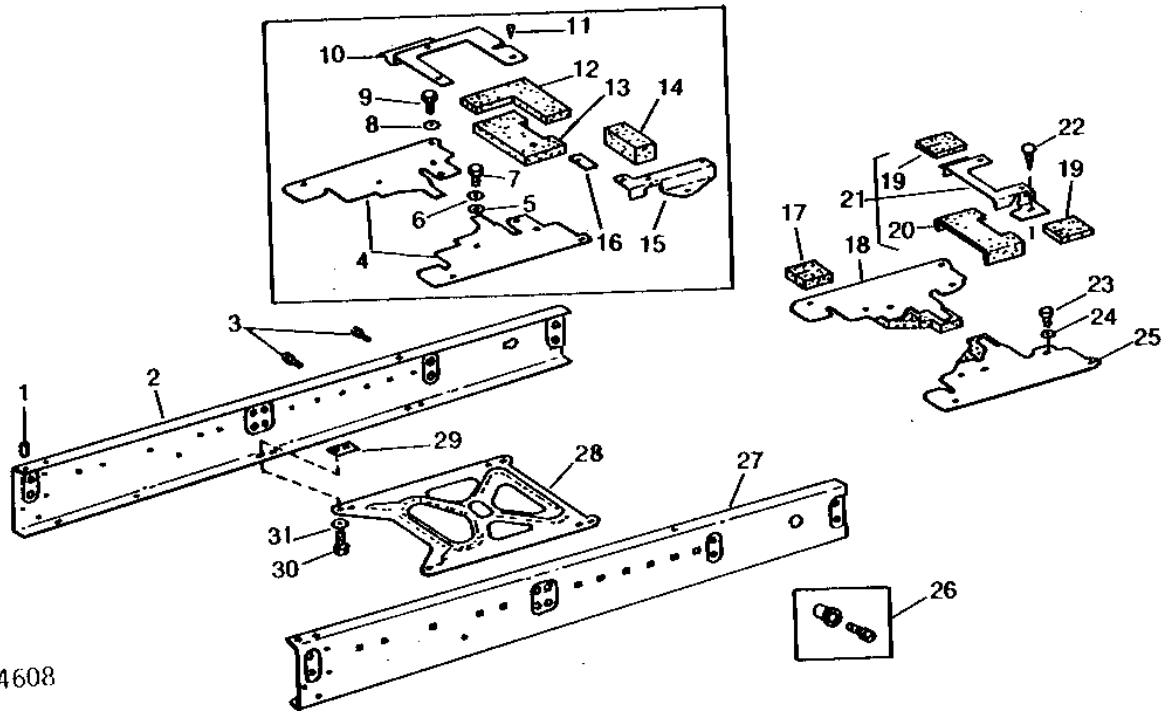
4H11

WHEELS, FRONT AXLES, SHEET METAL

RWP4608

-UN-01JAN94

SIDE FRAMES, FRAME PLATE AND BAFFLES



RWP4608

4H12

WHEELS, FRONT AXLES, SHEET METAL

SIDE FRAMES, FRAME PLATE AND BAFFLES - CONTINUED

KEY	PART NO.	PART NAME	QTY	TRACTOR SERIAL NO.	REMARKS
1	34H312	SPRING PIN	4		1/4" X 1"
2	R60580	FRAME	1		(SUB FOR R52700)
3	R31505	BOLT	20		
4	R53467	PLATE	2	-010646	
5	24H1305	WASHER	2		13/32" X 13/16" X 0.065"
6	12H304	LOCK WASHER	2		3/8"
7	19H2552	CAP SCREW	2		3/8" X 1-1/8"
8	12H304	LOCK WASHER	2	-010646	3/8"
9	19H1936	CAP SCREW	2	-010646	3/8" X 3/4"
10	AR60020	PLATE	1	-010646	
11	37H29	SCREW	2	-010646	5/16" X 5/8"
12	R53462	ISOLATOR	1	-010646	
13	R53463	ISOLATOR	1	-010646	
14	FOAM PAD	1	-010646	51 X 51 X 152MM 2" X 2" X 6", (MAKE FROM R44791)
15	AR60018	PLATE	1	-010646	
16	R53460	ISOLATOR	1	-010646	
17	R52784	FOAM PAD	2		
18	AR65081	PLATE	1	010647-	(NLA)
19	R55675	ISOLATOR	2	010647-	
20	R55674	FOAM PAD	1	010647-	
21	AR65079	PLATE	1	010647-	
22	37H54	SCREW	2	010647-	5/16" X 3/8", (SUB FOR R52930, THIS APPLICATION)
23	19H1936	CAP SCREW	4	010647-	3/8" X 3/4"
24	12H304	LOCK WASHER	4	010647-	3/8"
25	AR65080	PLATE	1	010647-	
26	RE13945	KIT	12		RECLAIM HARDWARE (INCLUDES SCREW AND DOWEL)
27	R60579	FRAME	1		(SUB FOR R52699)
28	R53457	PLATE	1		
	R55108	PLATE	1		(A) (SUB R66914)
	R66914	PLATE	1		(A) (SUB FOR R59844)
29	AR77308	PLATE	4		(SUB FOR AR60010)
	RE13554	KIT	1		BOTTOM FRAME SUPPORT HARDWARE, (INCLUDES (4) R73410 AND (8) R77347) (SUB FOR RE12036)
30	19H2964	CAP SCREW	8		7/16" X 1-1/8"
	19H2731	CAP SCREW	8	-010646	7/16" X 1-3/8"
31	24H1325	WASHER	8		15/32" X 59/64" X 0.065"

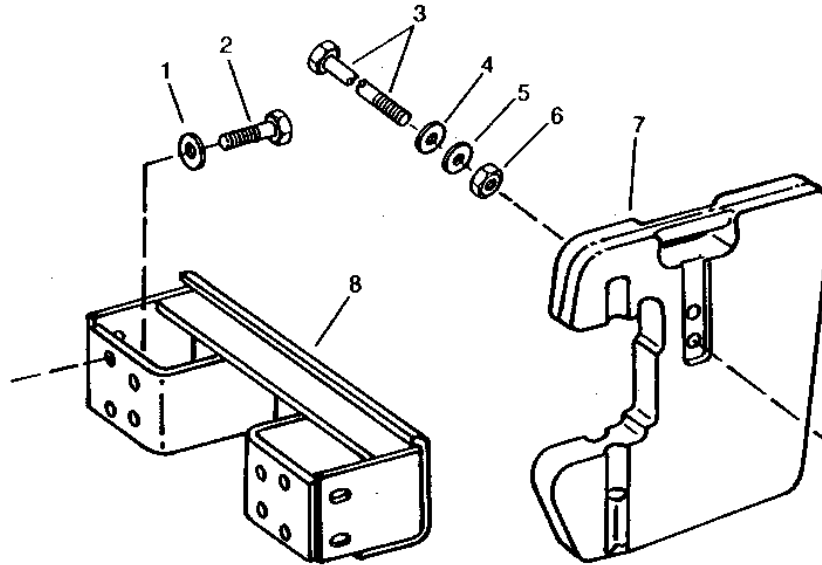
(A) POWER FRONT WHEEL DRIVE

4H13

WHEELS, FRONT AXLES, SHEET METAL

FRONT WEIGHTS (TWO, FOUR OR SIX QUIK-TATCH WEIGHTS)

RWP5971 -UN-01JAN94



RWP5971

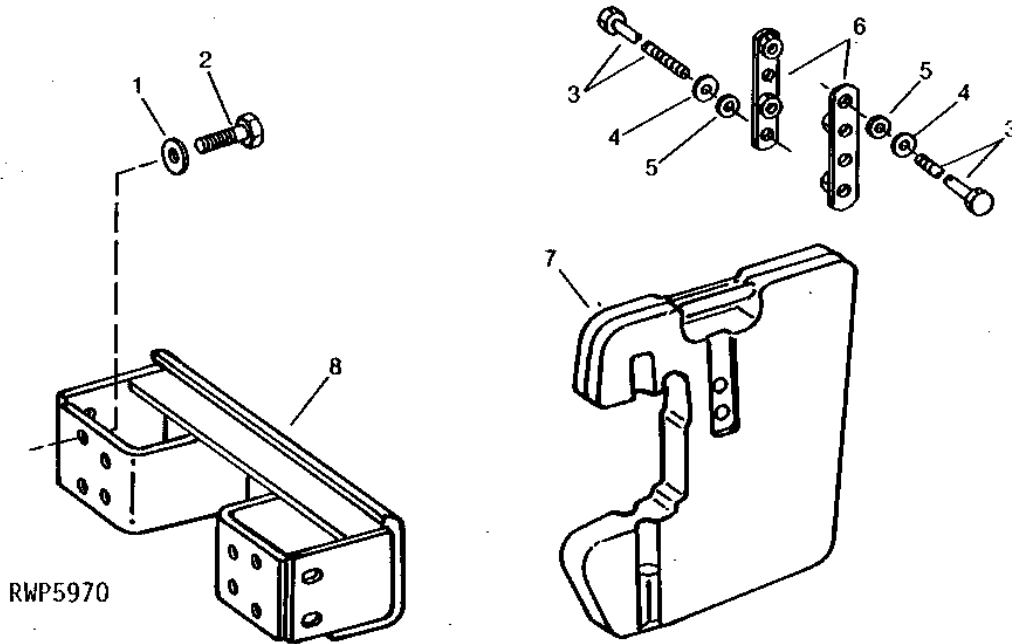
KEY	PART NO.	PART NAME	QTY	TRACTOR SERIAL NO.	REMARKS
1	12H236	LOCK WASHER	4	-XXXXXX	
	R54124	WASHER	4	XXXXXX-	
2	08H4304	CAP SCREW	4	-XXXXXX	3/4" X 6-1/2"
3	19H3158	CAP SCREW	4	XXXXXX-	3/4" X 2" HS, SAE 8
	19H1926	CAP SCREW	1		5/8" X 4-3/4", (USE WITH 2 QUIK-TATCH WEIGHTS)
	08H4260	CAP SCREW	1		5/8" X 9", (USE WITH 4 QUIK-TATCH WEIGHTS)
	R51681	CAP SCREW	1		5/8" X 13-3/8", (USE WITH 6 QUIK-TATCH WEIGHTS)
4	24H1139	WASHER	1		11/16" X 1-1/4" X 0.105"
5	24M7241	WASHER	1		17 X 34 X 4 MM
6	14H1039	NUT	1		5/8"
7	R51680	WEIGHT	1		
8	R53614	SUPPORT	1	-XXXXXX	(NLA)
	AR72132	SUPPORT	1	XXXXXX-	(NLA)

4H14

WHEELS, FRONT AXLES, SHEET METAL

RWP5970 -UN-01JAN94

QUIK-TATCH FRONT WEIGHTS



RWP5970

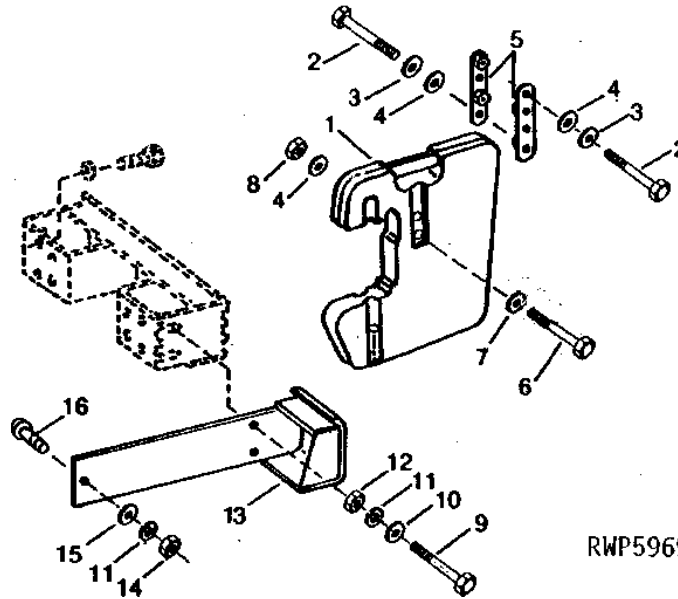
KEY	PART NO.	PART NAME	QTY	TRACTOR SERIAL NO.	REMARKS
1	12H236	LOCK WASHER	4	-XXXXXX	3/4"
	R54124	WASHER	4	XXXXXX-	
2	08H4304	CAP SCREW	4	-XXXXXX	3/4" X 6-1/2"
	19H3158	CAP SCREW	4	XXXXXX-	3/4" X 2" HS, SAE 8
3	R51681	CAP SCREW	2		5/8" X 13-3/8"
4	24H1139	WASHER	2		11/16" X 1-1/4" X 0.105"
5	12H294	LOCK WASHER	2		5/8"
6	AR68801	RETAINER	2		(NLA)
7	R51680	WEIGHT	AR		45KG (99 LBS)
8	R53614	SUPPORT	1	-XXXXXX	(NLA)
	AR72132	SUPPORT	1	XXXXXX-	(NLA)

4H15

WHEELS, FRONT AXLES, SHEET METAL

RWP5969 -UN-01JAN94

ADDITIONAL QUIK-TATCH FRONT WEIGHTS



RWP5969

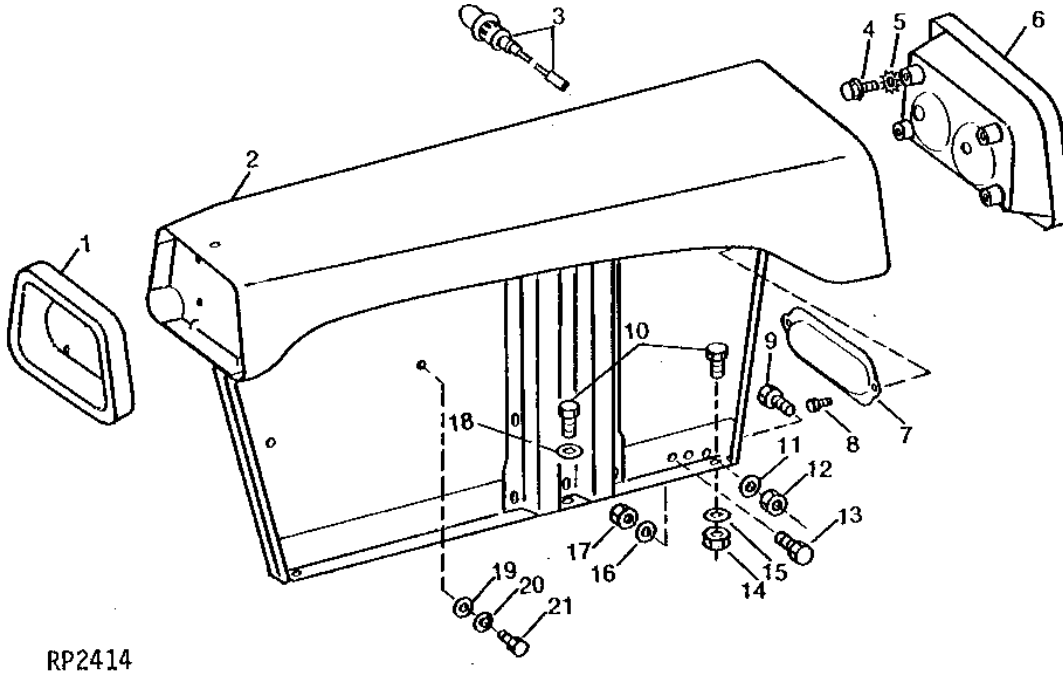
KEY	PART NO.	PART NAME	QTY	TRACTOR SERIAL NO.	REMARKS
1	R51680	WEIGHT	1		
2	R51681	CAP SCREW	2	5/8" X 13-3/8", (USE WITH 8 OR 10 QUIK-TATCH WEIGHTS)	
	R59761	CAP SCREW	2	5/8" X 17-1/2", (USE WITH 14 QUIK-TATCH WEIGHTS)	
3	24H1139	WASHER	2	11/16" X 1-1/4" X 0.105"	
4	24M7241	WASHER	3	17 X 34 X 4 MM	
5	AR68801	RETAINER	2		
6	19H1926	CAP SCREW	1	5/8" X 4-3/4", (USE WITH 2 QUIK-TATCH WEIGHTS)	
	08H4260	CAP SCREW	1	5/8" X 9", (USE WITH 4 QUIK-TATCH WEIGHTS)	
	R51681	CAP SCREW	1	(USE WITH 6 QUIK-TATCH WEIGHTS)	
7	24H1139	WASHER	1	11/16" X 1-1/4" X 0.105"	
8	14H1039	NUT	1	5/8"	
9	19H2706	CAP SCREW	4	5/8" X 2", HS, SAE 8	
10	R70268	WASHER	4	(SUB FOR R42363)	
11	12H294	LOCK WASHER	6	5/8"	
12	14H1039	NUT	4	5/8"	
13	RE14935	SUPPORT	1	R.H.	
	RE14936	SUPPORT	1	L.H.	
14	14H1039	NUT	2	5/8"	
15	R70268	WASHER	2	(SUB FOR R42363)	
16	03H1399	BOLT	2	5/8" X 1-3/4"	

4H16

WHEELS, FRONT AXLES, SHEET METAL

RP2414 -UN-01JAN94

FENDERS



RP2414

KEY	PART NO.	PART NAME	QTY	TRACTOR SERIAL NO.	REMARKS
1	R52561	SHIELD	1	(A)	
	R52562	SHIELD	1	(B)	
2	AR54627	FENDER	1	(A)	
	AR60623	FENDER	1	(B)	
3	AR60251	LAMP	1	-009522	
	AR70699	LAMP	1	009523-	
	R26287	O-RING	1		
4	AR58652	BOLT	8	-XXXXXX	
	R81698	SCREW	8	XXXXXX-	
5	12H291	LOCK WASHER	2		
6	AR57235	PANEL	1	-XXXXXX	(A) (SUB R81699 AND (4) R81698)
	R81699	PANEL	1	XXXXXX-	(A)
	AR53988	PANEL	1	-XXXXXX	(B) (SUB R81700 AND (4) R81698)
	R81700	PANEL	1	XXXXXX-	(B)
7	R53233	COVER	2		
8	R52938	CAP SCREW	4		
9	R53664	SELF-LOCKING SCREW	1	(A)	
	R53663	SELF-LOCKING SCREW	2	(B)	
10	19H3239	CAP SCREW	4	(A) 3/8" X 1-1/4"	
11	R53668	THRUST WASHER	1	(A)	
	R53668	THRUST WASHER	2	(B)	
12	14H1087	NUT	1	(A) 3/8"	
	14H1087	NUT	2	(B) 3/8"	
13	19H3239	CAP SCREW	2	(A) 3/8" X 1-1/4"	
14	14H1087	NUT	4	3/8"	
15	R53668	THRUST WASHER	4		
16	R53668	THRUST WASHER	2	(A)	
17	14H1087	NUT	2	(A) 3/8"	
18	R53665	WASHER	1		
19	R53665	WASHER	2	(A)	
20	R53668	THRUST WASHER	2	(A)	
21	R53663	SELF-LOCKING SCREW	2	(A)	

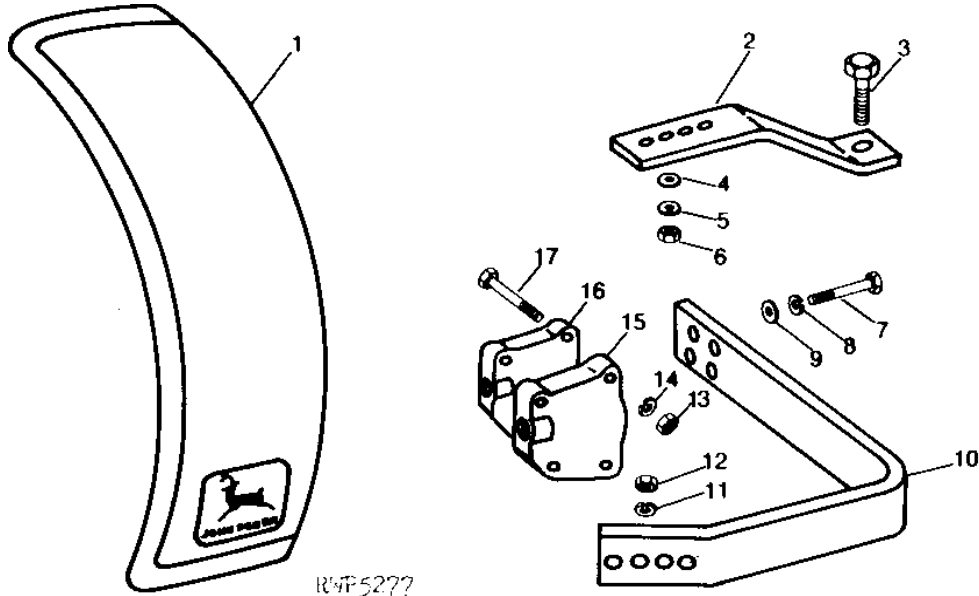
(A) RIGHT-HAND
(B) LEFT-HAND

4H17

WHEELS, FRONT AXLES, SHEET METAL

RWP5277 -UN-16NOV94

FRONT FENDERS



RWP5277

KEY	PART NO.	PART NAME	QTY	TRACTOR SERIAL NO.	REMARKS
1	AR86405	FENDER	2	(A)	
	AR86406	FENDER	2	(B)	
2	R66530	SUPPORT	2	(A)	
	R66536	SUPPORT	2	(11.00X16, 14LX16, 9.50X20 TIRES)	
	R66543	SUPPORT	2	(16.5LX16.1 TIRES)	
3	19H2233	CAP SCREW	2	5/8" X 3-1/2"	
4	24H1305	WASHER	4	13/32" X 13/16" X 0.065", (16.5L X 16.1 TIRES)	
5	12H304	LOCK WASHER	4	3/8"	
6	14H1076	NUT	4	3/8"	
7	19H1721	CAP SCREW	4	1/2" X 1-1/2"	
8	12H301	LOCK WASHER	4	1/2"	
9	24H1625	WASHER	4	17/32" X 1" X 0.120"	
10	R66531	SUPPORT	2	(A)	
	R66537	SUPPORT	2	(11.00X16, 14LX16, 9.50X20 TIRES)	
	R70724	SUPPORT	2	(16.5LX16.1 TIRES)	
11	12H304	LOCK WASHER	4	3/8"	
12	14H1076	NUT	4	3/8"	
13	14H1076	NUT	8	3/8"	
14	12H304	LOCK WASHER	8	3/8"	
15	R66538	BRACKET	2	(R.H. FRONT, L.H. REAR)	
16	R66539	BRACKET	2	(R.H. REAR, L.H. FRONT)	
17	19H2345	CAP SCREW	8	3/8" X 5-1/2"	

(A) TIRE SIZE 10.00X16, 11LX15, 9.5LX15, 7.5LX15, 7.50X16, 6.00X16, 7.50X18, 7.50X20

(B) TIRE SIZE 11.00X16, 14LX16, 9.50X20, 16.5LX16.1

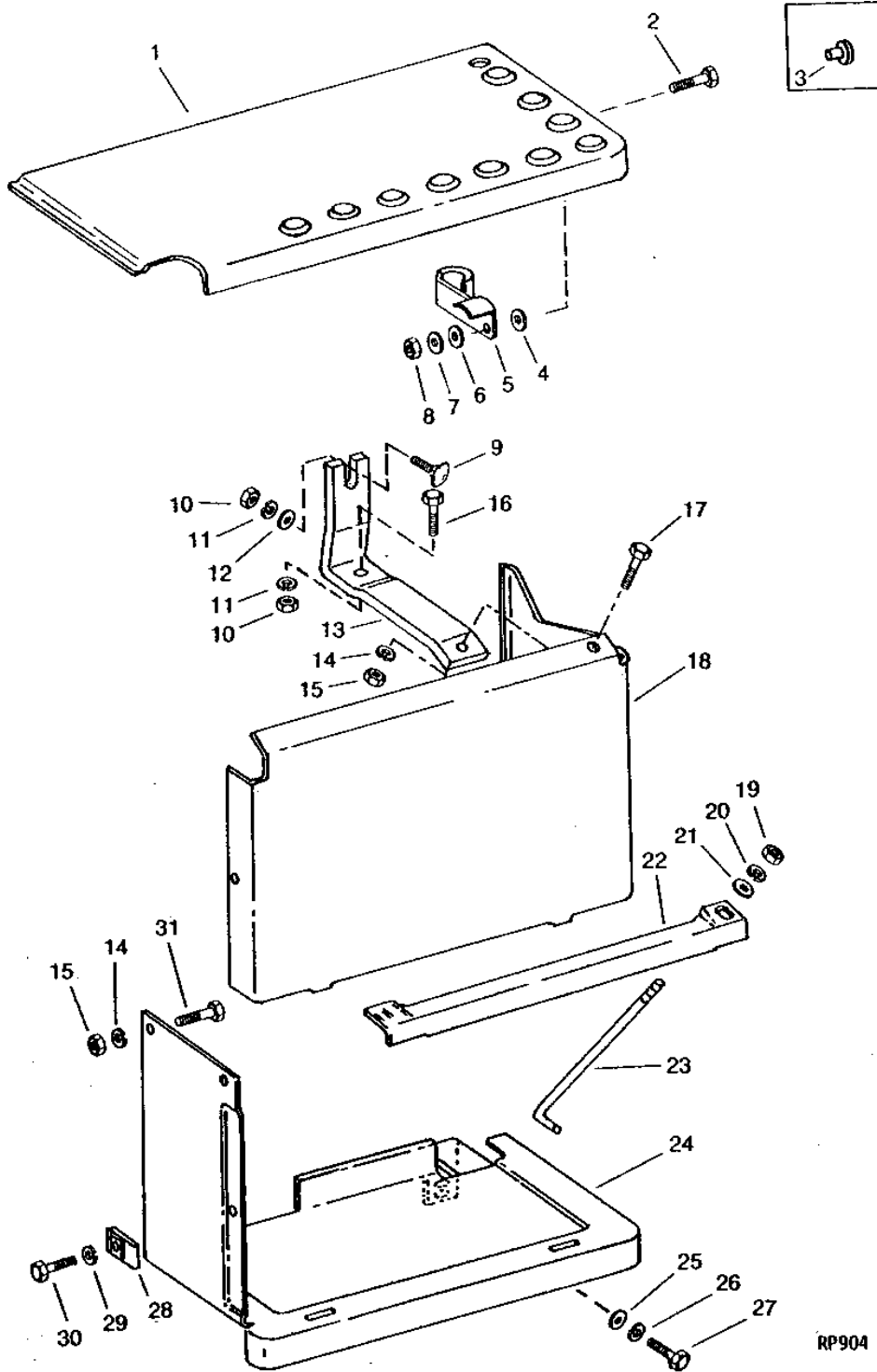
MEMORANDA

4H18

WHEELS, FRONT AXLES, SHEET METAL

RP904 -UN-01JAN94

BATTERY BOX



RP904

4H19

WHEELS, FRONT AXLES, SHEET METAL

BATTERY BOX - CONTINUED

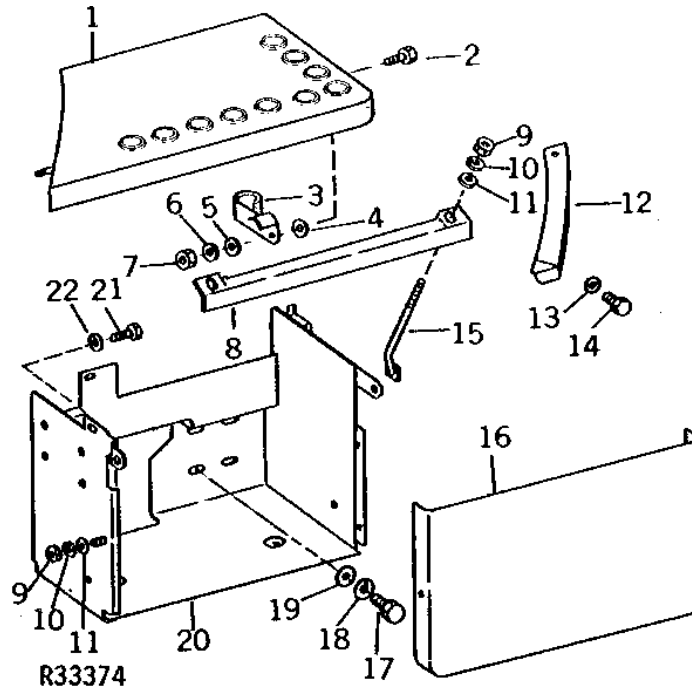
KEY	PART NO.	PART NAME	QTY	TRACTOR SERIAL NO.	REMARKS
1	AR54874	EXTENSION	1	-032048	R.H. (SUB R65923, R50724, R54697, R65925, R40685, BP12232 AND 24H1822)
	AR54875	EXTENSION	1	-032048	L.H. (SUB R65924, R50725, R54697, R65925, R40685, 24H1822 AND BP12232)
	R65923	EXTENSION	1	032049-	R.H.
	R65924	EXTENSION	1	032049-	L.H.
2	R54697	GANG BOLT	2	032049-	
3	R27345	RIVET	2	-032048	
4	R65925	SHIM	2	032049-	
5	R50724	LATCH	1		
	R50725	LATCH	1		
6	24H1822	WASHER	2	032049-	11/32" X 7/8" X 1/16"
7	R40685	WASHER	2	032049-	
8	BP12232	LOCK NUT	2	032049-	
9	03H2070	BOLT	1		3/8" X 1-1/8"
10	14H812	NUT	2		3/8"
11	12H304	LOCK WASHER	2		3/8"
12	24H1305	WASHER	1		13/32" X 13/16" X 0.065"
13	R51653	SUPPORT	1		
14	12H303	LOCK WASHER	3		5/16"
15	14H785	NUT	3		5/16"
16	19H1731	CAP SCREW	1		3/8" X 1"
17	19H1905	CAP SCREW	1		5/16" X 1"
18	R65926	HOUSING	1		R.H. (SUB FOR R50820)
	R65927	HOUSING	1		L.H. (SUB FOR R50821)
19	14H786	NUT	4		1/4"
20	12H302	LOCK WASHER	4		1/4"
21	24H1287	WASHER	4		9/32" X 5/8" X 0.065"
22	AR78504	CLAMP	2		
23	R50819	BOLT	4		
24	AR56029	BASE	1		
	AR56030	BASE	1		
25	24H1341	WASHER	1		17/32" X 15/16" X 0.060"
26	12H301	LOCK WASHER	1		1/2"
27	19H1815	CAP SCREW	1		1/2" X 1-1/4"
28	AR54482	NUT	1		
29	12H303	LOCK WASHER	1		5/16"
30	19H2020	CAP SCREW	1		5/16" X 1/2"
31	19H1900	CAP SCREW	2		5/16" X 3/4"

4H20

WHEELS, FRONT AXLES, SHEET METAL

BATTERY BOX (ROLL-GARD AND SOUND-GARD BODY)

R33374 -UN-01JAN94



KEY	PART NO.	PART NAME	QTY	TRACTOR SERIAL NO.	REMARKS
1	AR65024	COVER	1	-032048	R.H. (SUB FOR AR64346) (SUB AR85335, R54697, R65925, R40685, 24H1822, T16464 AND R50724)
	AR65025	COVER	1	-032048	L.H. (SUB FOR AR64347) (SUB AR85336, R54697, R65925, R40685, 24H1822, T16464 AND R50725)
	AR85335	COVER	1	032049-	R.H.
	AR85336	COVER	1	032049-	L.H.
2	R54697	GANG BOLT	2	032049-	
3	R50724	LATCH	1		R.H.
	R50725	LATCH	1		L.H.
4	R65925	SHIM	2	032049-	
	R27345	RIVET	2	-032048	
5	24H1822	WASHER	2	032049-	11/32" X 7/8" X 1/16"
6	R40685	WASHER	2	032049-	
7	BP12232	LOCK NUT	2	032049-	
8	AR78504	CLAMP	2		
9	14H786	NUT	6		1/4"
10	12H302	LOCK WASHER	6		1/4"
11	24H1287	WASHER	6		9/32" X 5/8" X 0.065"
12	AR88961	RISER	1		R.H. (ALSO ORDER (2) R87345) (SUB FOR AR54876)
	AR88962	RISER	1		L.H. (ALSO ORDER (2) R87345) (SUB FOR AR54877)
13	12H303	LOCK WASHER	4		5/16"
14	19H1900	CAP SCREW	4		5/16" X 3/4"
	R87345	LOCK NUT	4		(SUB FOR R44454 OR R72380)
15	R59069	ROD	1	XXXXXX-	

4H21

WHEELS, FRONT AXLES, SHEET METAL

**BATTERY BOX - CONTINUED
(ROLL-GARD AND SOUND-GARD BODY)**

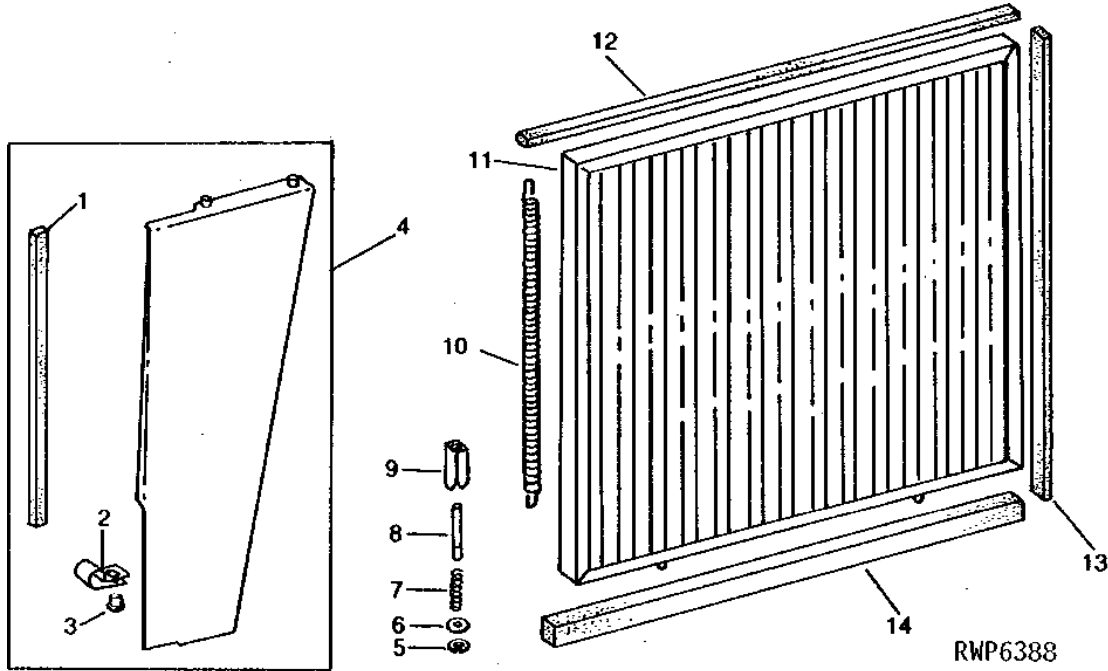
KEY	PART NO.	PART NAME	QTY	TRACTOR SERIAL NO.	REMARKS
16	R57970	COVER	1		R.H. (SUB FOR AR56011)
	R57971	COVER	1		L.H. (SUB FOR AR56012)
17	19H1731	CAP SCREW	4		3/8" X 1"
18	12H304	LOCK WASHER	4		3/8"
19	24H1305	WASHER	4		13/32" X 13/16" X 0.065"
20	AR71163	BOX	1		R.H. (ALSO ORDER (2) R59069) (SUB FOR AR65043, AR64348 AND AR65022) (SUB AR73982)
	AR71164	BOX	1		L.H. (ALSO ORDER (2) R59069) (SUB FOR AR65044, AR64349 AND AR65023) (SUB AR73983)
21	19H2284	CAP SCREW	4		3/8" X 7/8"
22	12H304	LOCK WASHER	4		3/8"

4H22

WHEELS, FRONT AXLES, SHEET METAL

RWP6388 -UN-01JAN94

SIDE SHIELDS AND GRILLES



RWP6388

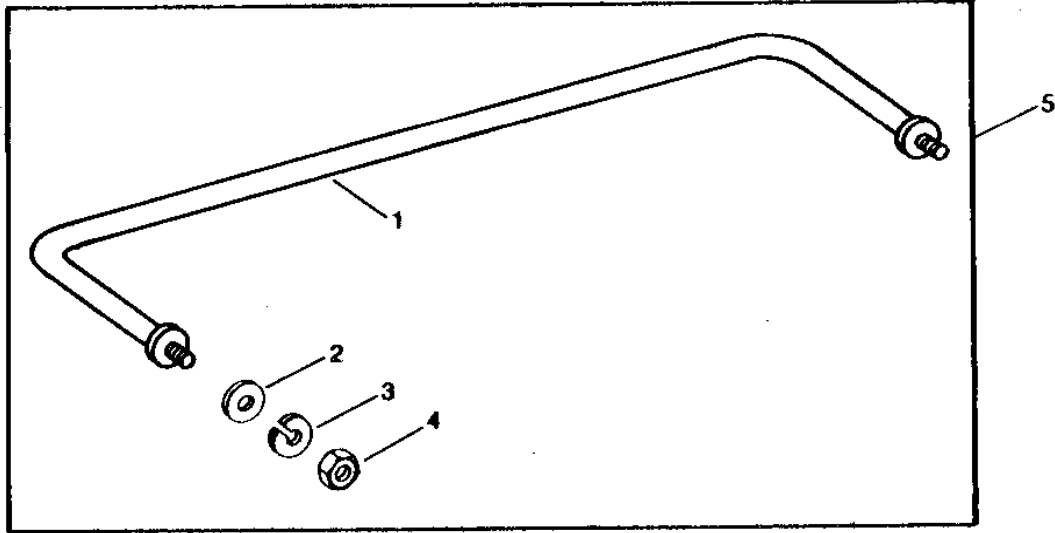
KEY	PART NO.	PART NAME	QTY	TRACTOR SERIAL NO.	REMARKS
1	FOAM PAD	2		25 X 25 X 318MM (1" X 1" X 13") (MAKE FROM R30937)
2	R60644	CLIP	2	XXXXXX-	
3	16H630	RIVET	2	XXXXXX-	1/4" X 3/8"
4	AR59703	SHIELD	1		R.H.
	AR59704	SHIELD	1		L.H.
5	R27507	SNAP RING	2	-XXXXXX	(SUB R72654)
6	24H1286	WASHER	2	-XXXXXX	9/32" X 1/2" X 1/16"
7	R45582	SPRING	2	-XXXXXX	
8	R50207	PIN	2	-XXXXXX	(SUB R60644 AND 16H630)
9	R51442	RETAINER	2	-XXXXXX	(SUB R60644 AND 16H630)
10	R35769	SPRING	2		
11	AR65461	GRILLE	2		
12	FOAM PAD	2	009093-	8 X 17 X 603MM (5/16" X 11/16" X 23-3/4") (MAKE FROM R21676)
13	FOAM PAD	4	009093-	8 X 17 X 516MM (5/16" X 11/16" X 20-3/8") (MAKE FROM R21676)
14	FOAM PAD	2	009093-	25 X 25 X 572MM (1" X 1" X 22-1/2") (MAKE FROM R30937)

4H23

WHEELS, FRONT AXLES, SHEET METAL

RWP4191 -UN-01JAN94

FRONT HOOD HANDLE KIT



RWP 4191

KEY	PART NO.	PART NAME	QTY	TRACTOR SERIAL NO.	REMARKS
1	R78991	HANDLE	1		
2	24H1306	WASHER	2	13/32" X 1" X 0.035"	
3	12H304	LOCK WASHER	2	3/8"	
4	14H812	NUT	2	3/8"	
5	RE15118	KIT	1	(FI)	

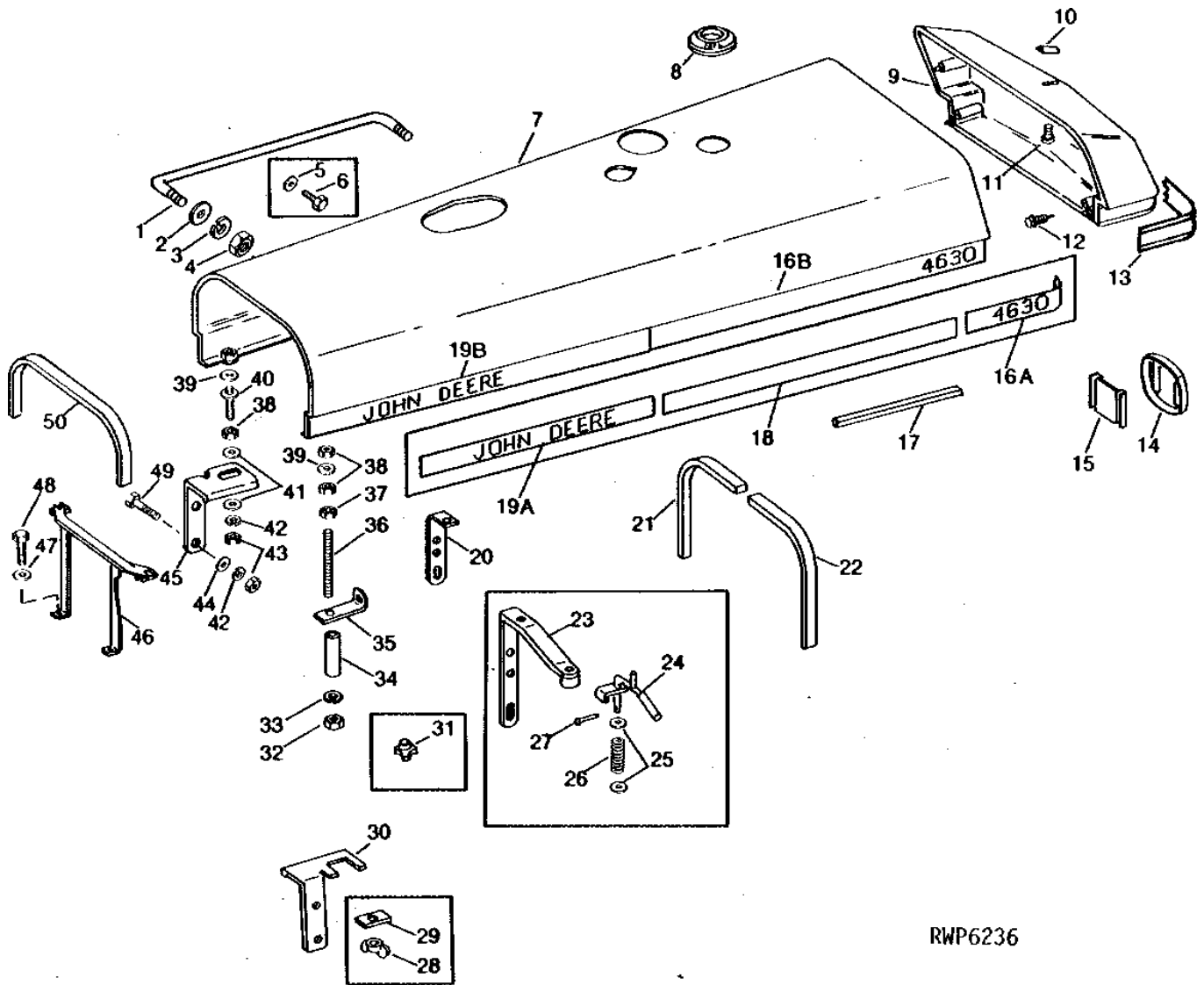
4H24

WHEELS, FRONT AXLES, SHEET METAL

RWP6236

-UN-01JAN94

HOOD, SUPPORTS, AND BAFFLES



RWP6236

4H25

WHEELS, FRONT AXLES, SHEET METAL

HOOD, SUPPORTS, AND BAFFLES - CONTINUED

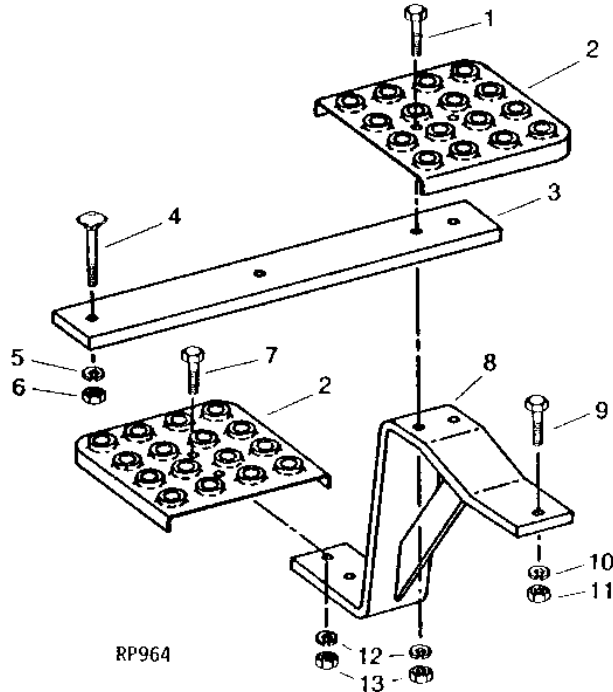
KEY	PART NO.	PART NAME	QTY	TRACTOR SERIAL NO.	REMARKS
1	R57135	HANDLE	1		(SUB FOR R53209) (ALSO ORDER (2) 14H1076)
2	24M7096	WASHER	1	010647-	10.500 X 18 X 1.600 MM
3	12H304	LOCK WASHER	2	010647-	3/8"
4	14H1076	NUT	2	010647-	3/8"
5	24H1305	WASHER	2	-010646	13/32" X 13/16" X 0.065"
6	19H1936	CAP SCREW	2	-010646	3/8" X 3/4"
7	AR56277	HOOD	1	-XXXXXX	(AIR INTAKE) (SUB RE15117, R62087, 14H1076 AND 12H304)
	AR55271	HOOD	1	-010646	(NO AIR INTAKE) (SUB RE15116, R62087, 14H1076 AND 12H304)
	AR68856	HOOD	1	010647-019836	(SUB RE15112, R62087, 14H1076 AND 12H304)
	AR76141	HOOD	1	019837-XXXXXX	(SUB RE15112)
	AR72090	HOOD	1	XXXXXX-	(SUB RE15112)
8	R39613	GROMMET	1		
9	R52363	EXTENSION	1		
10	R50736	MOLDING	1		
11	37H49	SCREW	2		NO. 10 X 1/2"
12	R52760	SCREW	6		
13	R63414	DECAL	1	021849-	FRONT HOOD
14	AR77663	MEDALLION	1	-XXXXXX	(SUB FOR R53602) (SUB R82804 AND (2) R63933)
	R67028	MEDALLION	1	XXXXXX-	(SUB FOR R62896) (SUB R82804)
15	AR60518	BRACKET	1	-XXXXXX	
	AR79161	BRACKET	1	XXXXXX-	
	R63933	TAPE	1	XXXXXX-	
16A	R53706	LABEL	1	-021848	(SUB R63411, R63424, R63412, R63425 AND R63414)
16B	R63424	LABEL	1	021849-	R.H.
	R63425	LABEL	1	021849-	L.H.
17	R51172	ISOLATOR	2		
18	R53699	LABEL	2	-021848	(SUB R63411, R63424, R63412, R63425 AND R63414)
19A	R53700	LABEL	1	-021848	R.H. (SUB R63411, R63424, R63412, R63425 AND R63414)
	R53701	LABEL	1	-021848	L.H. (SUB R63411, R63424, R63412, R63425 AND R63414)
19B	R63411	LABEL	1	021849-	R.H.
	R63412	LABEL	1	021849-	L.H.
20	R85140	SUPPORT	1		(SUB FOR R62089 OR R63858)
21	FOAM PAD	1		(38 X 38 X 355MM) L.H. (MAKE FROM R43753)
22	FOAM PAD	1		(38 X 38 X 622MM) R.H. (MAKE FROM R43753)
23	R63858	SUPPORT	1		(SUB R62087, R85140, 14H1076 AND 12H304)
24	AR62773	LEVER	1		(SUB R62087, 14H1076 AND 12H304)
25	24M7096	WASHER	7		10.500 X 18 X 1.600 MM
26	H312R	SPRING	1		
27	11M7059	COTTER PIN	1		3.200 X 20 MM
28	14H827	WING NUT	1	-XXXXXX	3/8"
29	R54068	STRAP	1	-XXXXXX	
30	R54070	BRACKET	1		R.H.
31	R62088	KNOB	1		(SUB 14H1076 AND 12H304)
32	14H1076	NUT	1		3/8"
33	12H304	LOCK WASHER	1		3/8"
34	28H1635	SPACER	1		3/8" X 2-1/8"
35	R62087	RETAINER	1		
36	R54067	STUD	1		
37	R54069	WELD NUT	1		
38	14H732	NUT	3		3/8"
39	24H1122	WASHER	2		3/8" X 7/8" X 0.083"
40	R50199	SCREW	1		
41	24H1305	WASHER	2		13/32" X 13/16" X 0.065"
42	12H304	LOCK WASHER	5		3/8"
43	14H1076	NUT	5		3/8"
44	24M7096	WASHER	4		10.500 X 18 X 1.600 MM
45	R52997	BRACKET	1		L.H.
46	AR58917	SUPPORT	1		(SOUND-GARD BODY)
47	12H304	LOCK WASHER	2		3/8"
48	19H2552	CAP SCREW	2		3/8" X 1-1/8"
49	19H1134	CAP SCREW	4		3/8" X 3/4"
50	R56493	FOAM PAD	1		

411

WHEELS, FRONT AXLES, SHEET METAL

LEFT-HAND STEP (ROLL-GARD OR SOUND-GARD BODY)

RP964 -UN-01JAN94



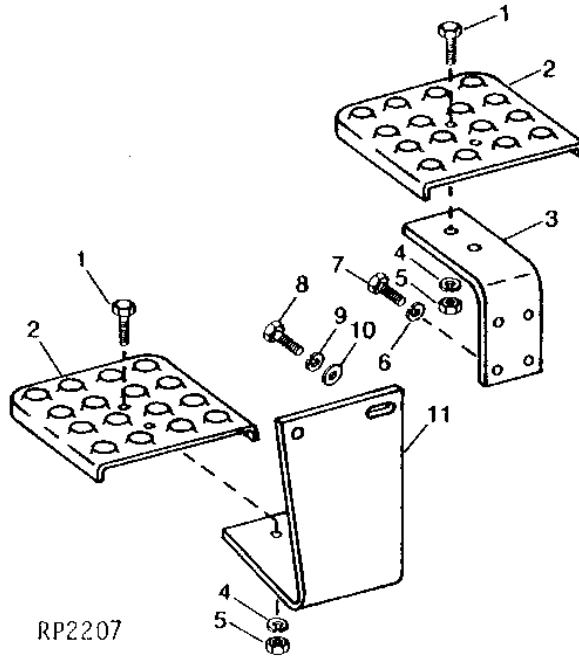
KEY	PART NO.	PART NAME	QTY	TRACTOR SERIAL NO.	REMARKS
1	19H2791	CAP SCREW	2	3/8" X 1-3/4"	
2	R84943	STEP	2	(SUB FOR R51109)	
3	R52090	SUPPORT	1		
4	03H1731	BOLT	2	1/2" X 1-1/2"	
5	12H301	LOCK WASHER	2	1/2"	
6	14H1040	NUT	2	1/2"	
7	19H1732	CAP SCREW	2	3/8" X 1-1/4"	
8	AR73202	SUPPORT	1	(SUB FOR AR58187)	
9	19H1721	CAP SCREW	1	1/2" X 1-1/2"	
10	12H301	LOCK WASHER	1	1/2"	
11	14H1040	NUT	1	1/2"	
12	12H304	LOCK WASHER	4	3/8"	
13	14H1076	NUT	4	3/8"	

412

WHEELS, FRONT AXLES, SHEET METAL

LEFT-HAND STEP (LESS ROLL-GARD OR SOUND-GARD BODY)

RP2207 -UN-01JAN94



KEY	PART NO.	PART NAME	QTY	TRACTOR SERIAL NO.	REMARKS
1	19H1732	CAP SCREW	2	3/8" X 1-1/4"	
2	R84943	STEP	2	(SUB FOR R51109)	
3	R51552	SUPPORT	1		
4	12H304	LOCK WASHER	4	3/8"	
5	14H1076	NUT	4	3/8"	
6	12H304	LOCK WASHER	2	3/8"	
7	19H1731	CAP SCREW	2	3/8" X 1"	
8	19H3579	CAP SCREW	2	1/2" X 1-3/8"	
9	12H301	LOCK WASHER	2	1/2"	
10	24H1341	WASHER	1	17/32" X 15/16" X 0.060"	
11	R51557	SUPPORT	1		

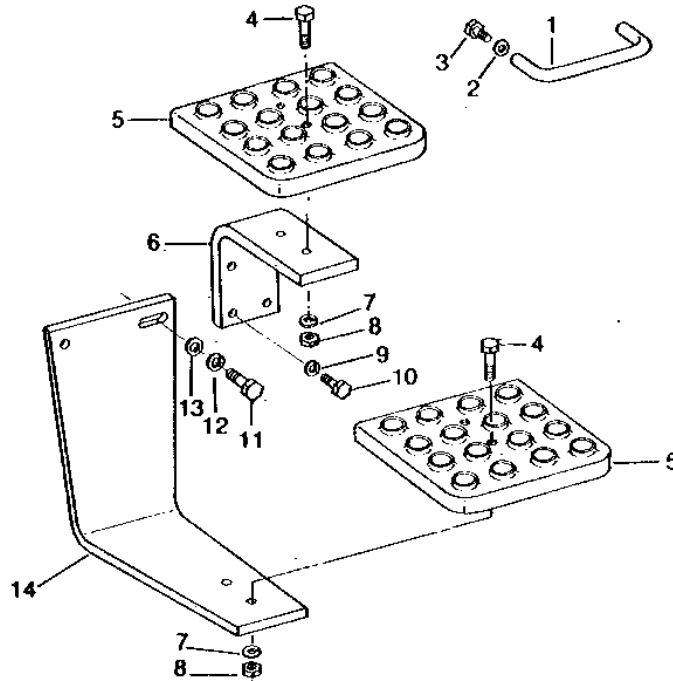
413

WHEELS, FRONT AXLES, SHEET METAL

RIGHT-HAND STEP AND MOUNTING HANDLE (LESS ROLL-GARD OR SOUND-GARD BODY)

RWP5974 -UN-01JAN94

RWP5974



KEY	PART NO.	PART NAME	QTY	TRACTOR SERIAL NO.	REMARKS
1	R31618	HANDLE	1		
2	24H1305	WASHER	2	13/32" X 13/16" X 0.065"	
3	19H1936	CAP SCREW	2	3/8" X 3/4"	
4	19H1732	CAP SCREW	4	3/8" X 1-1/4"	
5	R84943	STEP	2	(SUB FOR R51109)	
6	R51552	SUPPORT	1		
7	12H304	LOCK WASHER	4	3/8"	
8	14H1076	NUT	4	3/8"	
9	12H304	LOCK WASHER	2	3/8"	
10	19H1731	CAP SCREW	2	3/8" X 1"	
11	19H3579	CAP SCREW	2	1/2" X 1-3/8"	
12	12H301	LOCK WASHER	2	1/2"	
13	24H1341	WASHER	1	17/32" X 15/16" X 0.060"	
14	R51556	SUPPORT	1		

MEMORANDA

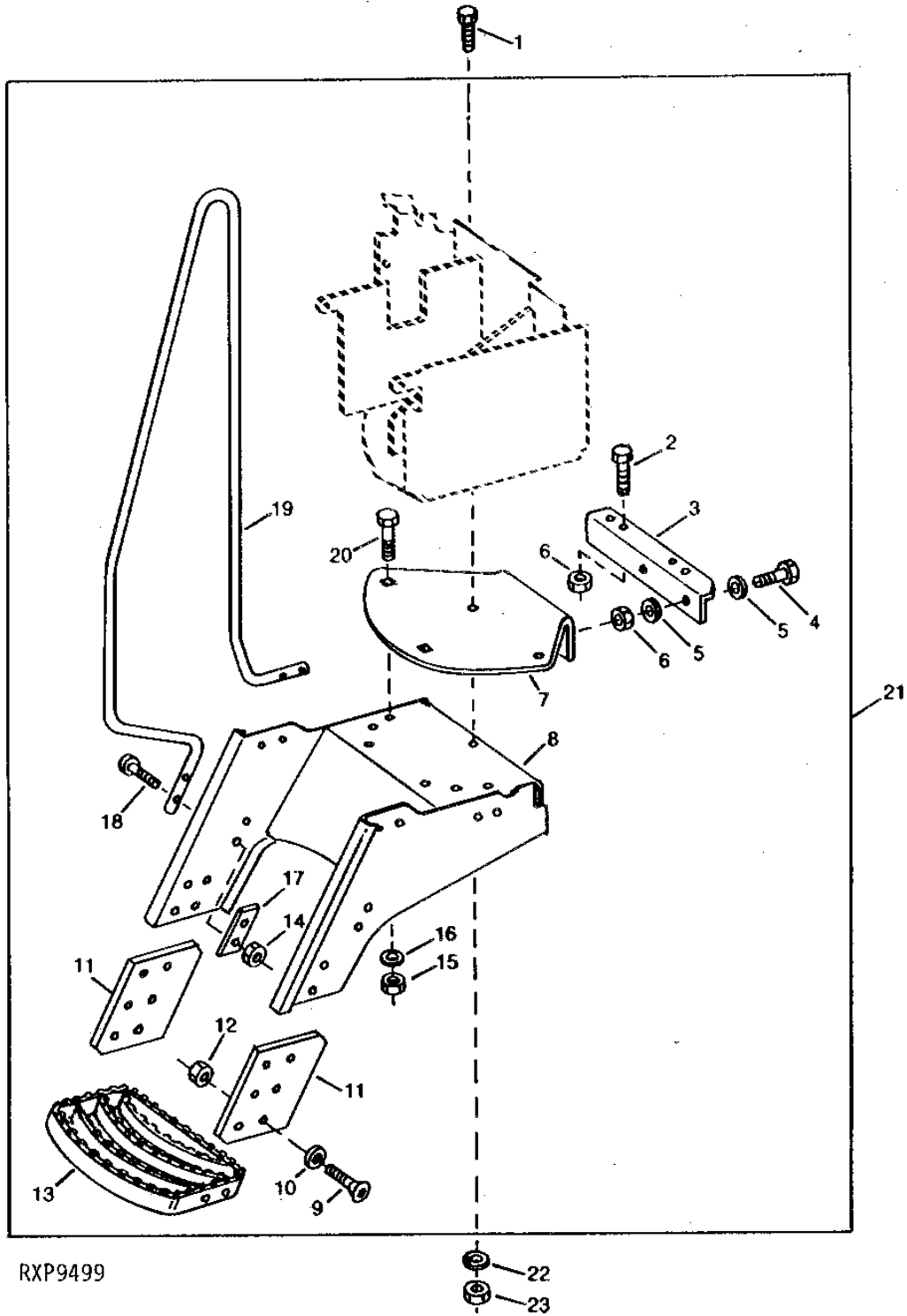
414

WHEELS, FRONT AXLES, SHEET METAL

RXP9499

-UN-01JAN94

STEPS KIT (AFTER-MARKET)



415

WHEELS, FRONT AXLES, SHEET METAL

STEPS KIT (AFTER-MARKET)-CONTINUED

KEY	PART NO.	PART NAME	QTY	TRACTOR SERIAL NO.	REMARKS
1	03H1492	BOLT	2		1/2" X 2"
2	19H2898	CAP SCREW	4		1/2" X 1-1/4"
3	R117017	ANGLE	1		
4	19H2898	CAP SCREW	2		1/2" X 1-1/4"
5	24H1254	WASHER	4		17/32" X 1-1/8" X 0.105"
6	14H1040	NUT	4		1/2"
7	R120464	PLATE	1		
8	RE48040	SUPPORT	1		
9	19H1731	CAP SCREW	16		3/8" X 1"
10	24H1305	WASHER	16		13/32" X 13/16" X 0.065"
11	R112919	PLATE	2		
12	14H1076	NUT	16		3/8"
13	RE49428	STEP	3		
14	K40003	LOCK NUT	4		
15	14H1040	NUT	2		1/2"
16	24H1254	WASHER	2		17/32" X 1-1/8" X 0.105"
17	R113614	STRAP	2		
18	03H1558	BOLT	3		3/8" X 1-1/2"
19	R116468	HANDLE	1		
20	03H1522	BOLT	2		1/2" X 1-1/4"
21	RE61690	KIT	1		
22	12H301	LOCK WASHER	2		1/2"
23	14H1040	NUT	2		

RXP021364 -UN-06NOV95

DECAL REFINISHING KIT

21 — Large gear shift panel with gear positions (D, C, B, A), numbers (18-29), and labels (TOW, POWER ASSIST PARK RELEASE).

1 — REVERSE **N** **P**

2 — FORWARD **N**

3 — Gear shift panel (bottom section)

4 — **CAUTION** label with text: "CAUTION: TO PREVENT DAMAGE TO THE ELECTRICAL SYSTEM, ALWAYS CONNECT NEGATIVE TO NEGATIVE WHEN USING BOOSTER BATTERY OR CHARGER. ALWAYS CONNECT POSITIVE TO POSITIVE."

5 — Electrical diagram showing "ENCLOSURE & P/W" and "KEY SERVICE REPAIRS".

6 — **IMPORTANT** label: "CLUTCH PEDAL. KEEP TRAVEL 2 1/8 INCH MAXIMUM WITH ENGINE RUNNING AT FAST IDLE. SEE OPERATOR MANUAL FOR ADJUSTING INSTRUCTIONS."

7 — **IMPORTANT** label: "To prevent damage to its electrical system when using booster battery or charger, always connect NEGATIVE TO NEGATIVE."

8 — **CAUTION** label with text: "CAUTION: TO PREVENT DAMAGE TO THE ELECTRICAL SYSTEM, ALWAYS CONNECT NEGATIVE TO NEGATIVE WHEN USING BOOSTER BATTERY OR CHARGER. ALWAYS CONNECT POSITIVE TO POSITIVE."

9 — **IMPORTANT** label: "To prevent damage to its electrical system when using booster battery or charger, always connect NEGATIVE TO NEGATIVE."

10 — **STOP — SHIFT TO P BEFORE DISMOUNTING**

11 — Gear shift lever diagram with positions (P, 1, 2, 3, 4, 5, 6, 7, 8, 9, 10, 11, 12, 13, 14, 15, 16, 17, 18, 19, 20, 21, 22, 23, 24, 25, 26, 27, 28, 29, 30, 31, 32, 33, 34, 35, 36, 37, 38, 39, 40, 41, 42, 43, 44, 45, 46, 47, 48, 49, 50, 51, 52, 53, 54, 55, 56, 57, 58, 59, 60, 61, 62, 63, 64, 65, 66, 67, 68, 69, 70, 71, 72, 73, 74, 75, 76, 77, 78, 79, 80, 81, 82, 83, 84, 85, 86, 87, 88, 89, 90, 91, 92, 93, 94, 95, 96, 97, 98, 99, 100).

12 — **WARNING** label with text: "WARNING: TO PREVENT DAMAGE TO THE ELECTRICAL SYSTEM, ALWAYS CONNECT NEGATIVE TO NEGATIVE WHEN USING BOOSTER BATTERY OR CHARGER. ALWAYS CONNECT POSITIVE TO POSITIVE."

13 — Gear shift lever diagram with positions (D, C, B, A, P).

14 — Gear shift lever diagram with positions (4, 3, 2, 1, 2R, 1R).

15 — Gear shift lever diagram with positions (D, C, B, A, P).

16 — **WARNING** label with text: "WARNING: TO PREVENT DAMAGE TO THE ELECTRICAL SYSTEM, ALWAYS CONNECT NEGATIVE TO NEGATIVE WHEN USING BOOSTER BATTERY OR CHARGER. ALWAYS CONNECT POSITIVE TO POSITIVE."

17 — Gear shift lever diagram with positions (D, C, B, A, P).

18 — **WARNING** label with text: "WARNING: TO PREVENT DAMAGE TO THE ELECTRICAL SYSTEM, ALWAYS CONNECT NEGATIVE TO NEGATIVE WHEN USING BOOSTER BATTERY OR CHARGER. ALWAYS CONNECT POSITIVE TO POSITIVE."

19 — Gear shift lever diagram with positions (D, C, B, A, P).

20 — Gear shift lever diagram with positions (D, C, B, A, P).

22 — **CAUTION** label with text: "CAUTION: TO PREVENT DAMAGE TO THE ELECTRICAL SYSTEM, ALWAYS CONNECT NEGATIVE TO NEGATIVE WHEN USING BOOSTER BATTERY OR CHARGER. ALWAYS CONNECT POSITIVE TO POSITIVE."

23 — **WARNING** label with text: "WARNING: TO PREVENT DAMAGE TO THE ELECTRICAL SYSTEM, ALWAYS CONNECT NEGATIVE TO NEGATIVE WHEN USING BOOSTER BATTERY OR CHARGER. ALWAYS CONNECT POSITIVE TO POSITIVE."

RXP021364

417

WHEELS, FRONT AXLES, SHEET METAL

DECAL SET - CONTINUED

KEY	PART NO.	PART NAME	QTY	TRACTOR SERIAL NO.	REMARKS
1	R55291	LABEL	1	(A)	(SUB FOR R53485)
2	R55290	LABEL	1	(A)	(SUB FOR R53484)
3	R64726	LABEL	1		(LESS SOUND-GARD BODY OR ROLL-GARD) (SUB FOR R53503, R56200 AND R63109) (SUB R74909)
4	R87529	LABEL	1		(B) (LESS SOUND-GARD BODY OR ROLL-GARD) (SUB FOR R51821) (SUB R76341)
5	R63465	LABEL	1		(SUB FOR R54039)
6	R34483	LABEL	1	(A)	
7	LABEL	1		BATTERY (NO LONGER AVAILABLE)
8	R87527	LABEL	1		(SUB FOR R55286)
9	R67041	LABEL	1		(SUB FOR R54034 OR R55284)
10	R55287	LABEL	1	(A)	(SUB FOR R53483)
11	R55289	LABEL	1	(B)	(SUB FOR R53194)
	R55940	LABEL	1	(C)	
12	R83103	LABEL	1		PTO, (SUB FOR R64391) (SUB R120111)
13	R62957	LABEL	1	XXXXXX-	
14	R55292	LABEL	1	-XXXXXX	HI-LOW
	R62956	LABEL	1	XXXXXX-	
15	R55288	LABEL	1	(B)	(SUB FOR R53195)
	R55941	LABEL	1	(C)	
16	R83316	LABEL	1		ROPS WARNING, (SUB R120124)
17	R44315	LABEL	1		
18	R56902	LABEL	1	-XXXXXX	(SUB FOR R48632)
19	R53482	LABEL	1	(A)	
20	R41933	LABEL	1		
21	AR63586	LABEL	1		
22	T146102	WARNING LABEL	1		(ENGLISH) BY-PASS START, (SUB FOR T84409 OR T134459)
	T146106	WARNING LABEL	1		(ESPAÑOL) (SUB FOR T84410 OR T134452)
	T146104	WARNING LABEL	1		(FRANCAIS) (SUB FOR T84411 OR T134453)
	T146515	WARNING LABEL	1		(DEUTSCH) (SUB FOR T84412 OR T134454)
	T146516	WARNING LABEL	1		(ITALIANO) (SUB FOR T84413 OR T134455)
	T146517	WARNING LABEL	1		(ENGLISH/FRANCAIS) (SUB FOR T84578 OR T134456)
23	R80752	LABEL	1		ACCUMULATOR (ENGLISH) (SUB R120109)
	R80753	LABEL	1		ACCUMULATOR (ESPAÑOL) (SUB R120110)
	R80754	LABEL	1		ACCUMULATOR (FRANCAIS)
	R82337	LABEL	1		ACCUMULATOR (DEUTSCH)
..	R74903	PLATE	1		GROUND SPEED CHART (ROLL-GARD) (SUB FOR R53505, R58037 OR R63107)
..	R63108	PLATE	1		GROUND SPEED CHART (SOUND-GARD BODY) (SUB FOR R53506 AND R58038)

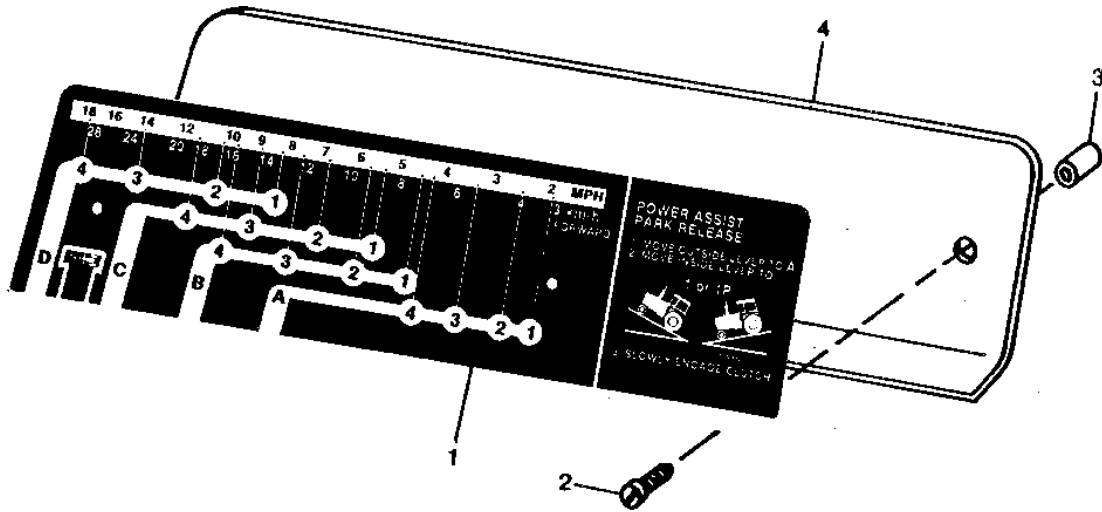
- (A) POWER SHIFT
- (B) SYNCHRO-RANGE
- (C) CREEPER

418

WHEELS, FRONT AXLES, SHEET METAL

GROUND SPEED CHART

RWP2734 -UN-01JAN94



RWP 2734

KEY	PART NO.	PART NAME	QTY	TRACTOR SERIAL NO.	REMARKS
1	R74898	LABEL	1	(A) (D)	
	R74904	LABEL	1	(B) (D)	
	R74909	LABEL	1	(C) (D)	
	R74899	LABEL	1	(A) (E)	
	R74899	LABEL	1	(B) (E) (SUB FOR R74905)	
	R74910	LABEL	1	(C) (E)	
	R74901	LABEL	1	(A) (F)	
	R74907	LABEL	1	(B) (F)	
	R74912	LABEL	1	(C) (F)	
2	37H196	SCREW	3	(B)	
	R53508	SCREW	3	(A)	
3	R53478	SLEEVE	3	(A)	
4	R74903	PLATE	1	(B) (SUB FOR R63107) (SUB R74897) (ALSO ORDER LABEL)	
	R74897	PLATE	1	(A) (SUB FOR R63108) (ALSO ORDER LABEL)	

- (A) SOUND-GARD BODY
- (B) ROLL-GARD
- (C) LESS SOUND-GARD BODY OR ROLL-GARD
- (D) ENGLISH
- (E) SPANISH
- (F) BI-LINGUAL

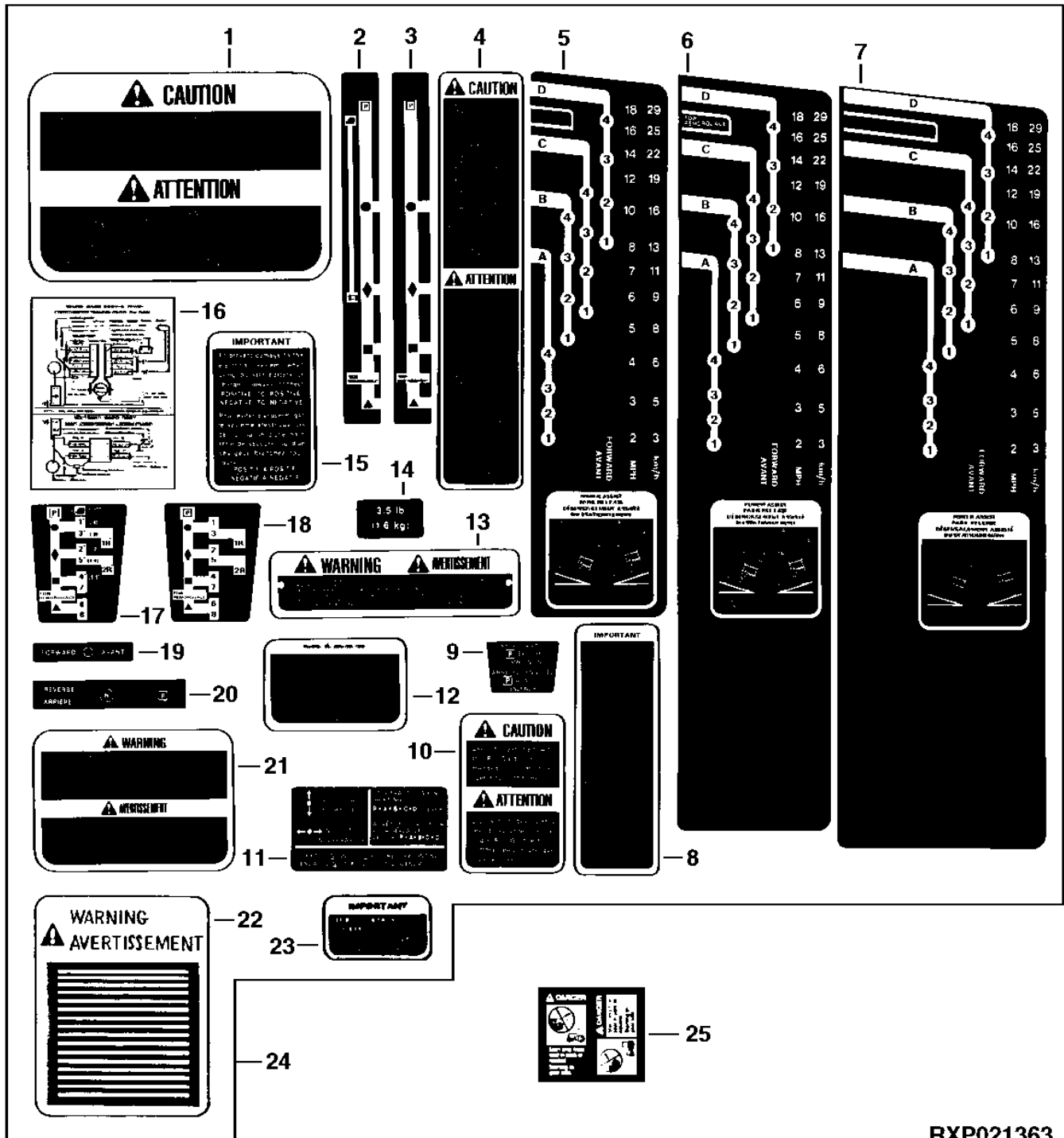
MEMORANDA

419

WHEELS, FRONT AXLES, SHEET METAL

BI-LINGUAL DECAL SET
(ENGLISH AND FRENCH)
(NOT USED IN U.S.)

RXP021363 -UN-06NOV95



RXP021363

4110

WHEELS, FRONT AXLES, SHEET METAL

BI-LINGUAL DECAL SET - CONTINUED
(ENGLISH AND FRENCH)
(NOT USED IN U.S.)

KEY	PART NO.	PART NAME	QTY	TRACTOR SERIAL NO.	REMARKS
1	R70072	LABEL	1		SAFETY, (SUB R117680)
2	R66017	LABEL	1		
3	R66009	LABEL	1		
4	R81088	LABEL	1		SAFETY, (SUB FOR R70085)
5	R74912	LABEL	1		(SUB FOR R66021) SAFETY
6	R74901	LABEL	1		(SOUND-GARD BODY) (SUB FOR R66620)
	R74907	LABEL	1		(ROLL-GARD) (SUB FOR R66619)
7	R74901	LABEL	1		(SOUND-GARD BODY) (SUB FOR R66006)
	R74907	LABEL	1		(ROLL-GARD) (SUB FOR R66005)
	R74912	LABEL	1		(LESS SOUND-GARD BODY OR ROLL-GARD) (SUB FOR R66021)
8	R70086	LABEL	1		INSTRUCTION
9	R66024	LABEL	1		PARK
10	R66015	DECAL	1		(ROLL-GARD)
11	R66013	LABEL	1		SHIFT
12	R66010	LABEL	1	-XXXXXX	DRY AIR
13	R66019	DECAL	1		SAFETY
14	R66018	LABEL	1		COMPRESSOR
15	LABEL	1		BATTERY (NO LONGER AVAILABLE)
16	R66011	LABEL	1		WIRING
17	R66016	LABEL	1		
18	R66008	LABEL	1		
19	R66023	LABEL	1		
20	R66022	LABEL	1		
21	R66004	LABEL	1		PTO, (SUB R120112)
22	R83319	LABEL	1		(ROPS WARNING) (SUB R120125)
23	R71311	LABEL	1		
24	AR85633	KIT	1		(CANADA) (SUB AR104079) (NO LONGER AVAILABLE)
	AR85451	KIT	1		(CANADA) SLOW SPEED OVERLOAD
25	T146102	WARNING LABEL	1		(ENGLISH) BY-PASS START, (SUB FOR T84409 OR T134459)
	T146104	WARNING LABEL	1		(FRANCAIS) (SUB FOR T84411 OR T134453)
	T146515	WARNING LABEL	1		(DEUTSCH) (SUB FOR T84412 OR T134454)
	T146516	WARNING LABEL	1		(ITALIANO) (SUB FOR T84413 OR T134455)
	T146106	WARNING LABEL	1		(ESPANOL) (SUB FOR T84410 OR T134452)
	T146517	WARNING LABEL	1		(ENGLISH/FRANCAIS) (SUB FOR T84578 OR T134456)

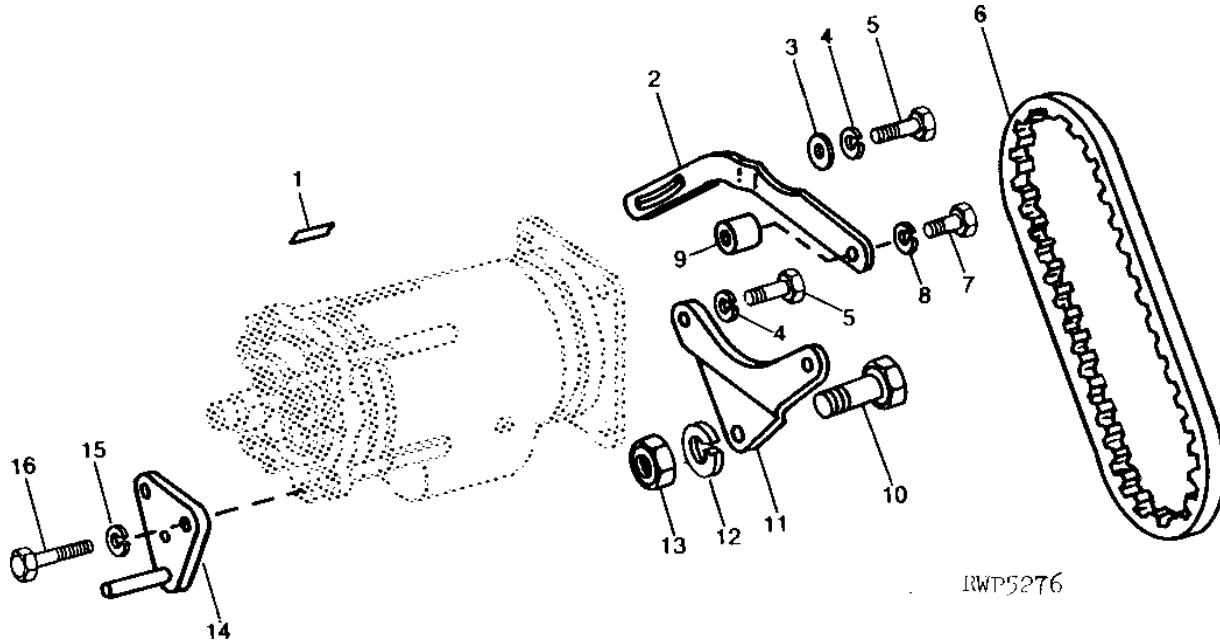
MEMORANDA

5B7

OPERATORS STATION

RWP5276 -UN-16NOV94

COMPRESSOR BELT AND MOUNTING BRACKETS



RWP5276

KEY	PART NO.	PART NAME	QTY	TRACTOR SERIAL NO.	REMARKS
1	R42822	LABEL	1		
2	R46099	STRAP	1		
3	R56397	WASHER	1		
4	12H303	LOCK WASHER	3	-XXXXXX	5/16"
	12M7065	LOCK WASHER	3	XXXXXX-	M8
5	19H2529	CAP SCREW	3	-XXXXXX	5/16" X 1"
	19M7163	CAP SCREW	3	XXXXXX-	M8 X 25
6	R71603	BELT	1		(SUB FOR R46098 OR R69562, THIS APPLICATION)
7	19H1800	CAP SCREW	1		3/8" X 1-1/2"
8	12H304	LOCK WASHER	1		3/8"
9	28H3381	SPACER	1		3/8" X 5/8"
10	19H1831	CAP SCREW	1		1/2" X 2"
11	R45981	BRACKET	1		
12	12H301	LOCK WASHER	1		1/2"
13	14H1040	NUT	1		1/2"
14	AR77342	SUPPORT	1		(ALSO ORDER R77405) (SUB FOR AR49485)
15	12H304	LOCK WASHER	2	-XXXXXX	3/8"
	12M7066	LOCK WASHER	2	XXXXXX-	M10
16	19H1731	CAP SCREW	2	-XXXXXX	3/8" X 1"
	19M7662	CAP SCREW	2	XXXXXX-	M10 X 30
..	TY6384	OIL	1		0.9L (1 QT)

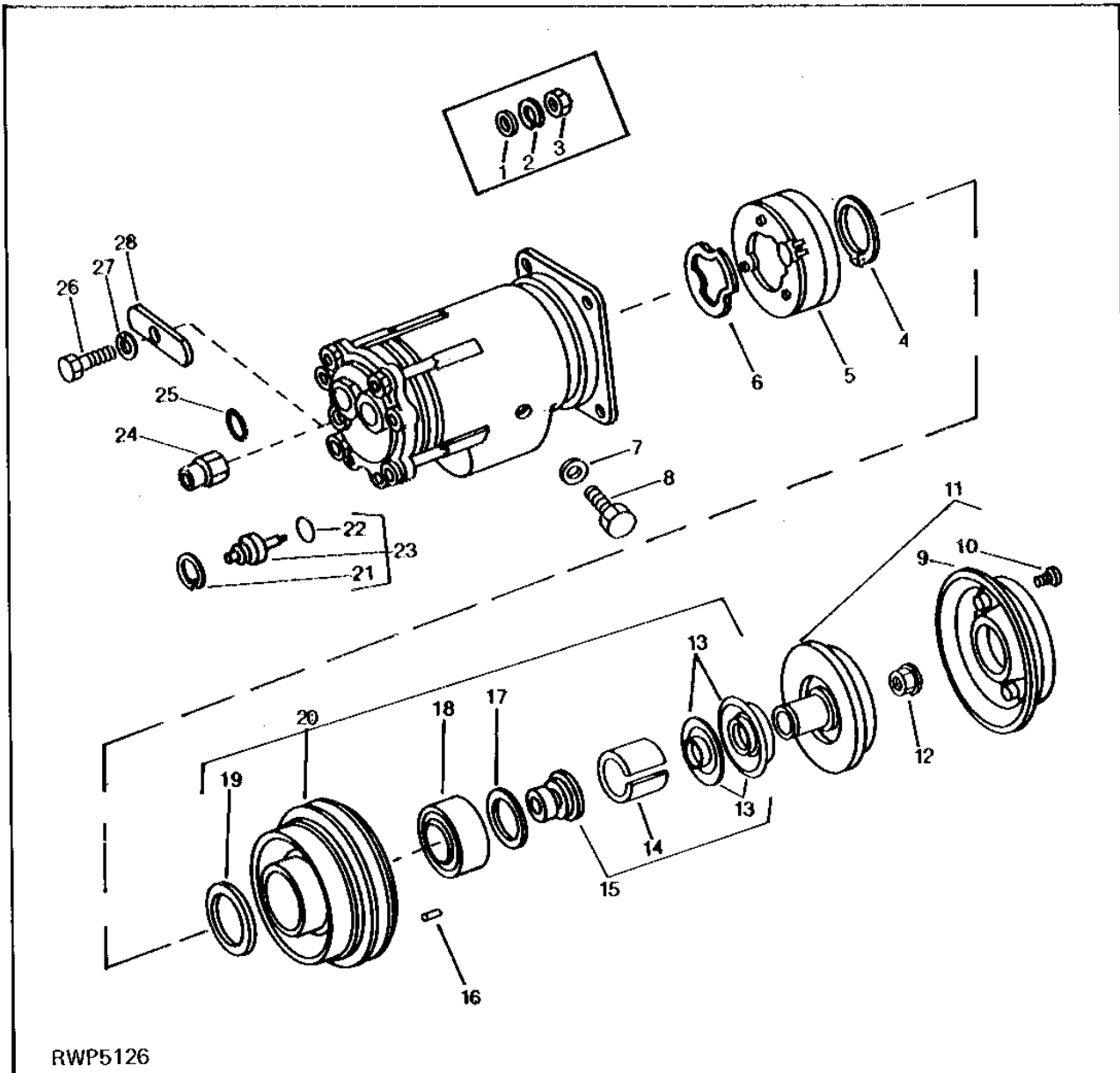
5B8

OPERATORS STATION

RWP5126

-UN-01JAN94

COMPRESSOR, COIL, CLUTCH AND PULLEY



5B9

OPERATORS STATION

COMPRESSOR, COIL, CLUTCH AND PULLEY - CONTINUED

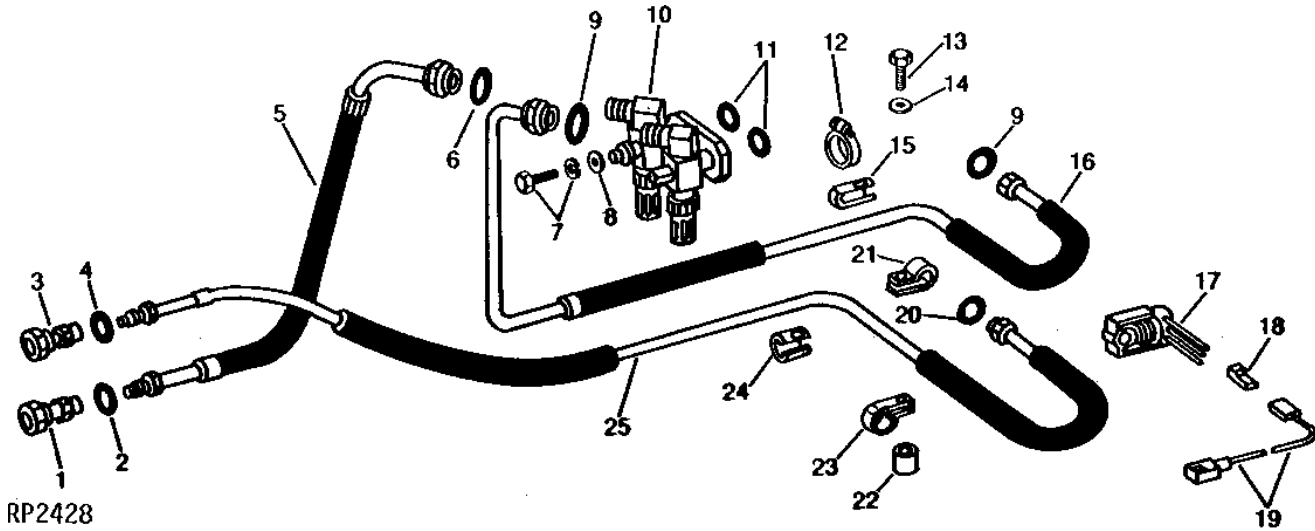
KEY	PART NO.	PART NAME	QTY	TRACTOR SERIAL NO.	REMARKS
1	R47230	WASHER	1	-021335	(SUB R69297, THIS APPLICATION)
2	R47231	SNAP RING	1	-021335	(SUB R69297)
3	R47232	NUT	1	-021335	(SUB R69297, THIS APPLICATION)
4	R47224	SNAP RING	1		(ALSO ORDER AR71289)
5	AR49803	ELECTRICAL COIL	1		(ALSO ORDER AR71289)
6	R56246	GASKET	1		(ALSO ORDER AR71289)
7	R47234	WASHER	1		
8	R47233	PLUG	1		
9	AR71290	COVER	1		(SUB FOR AR53446)
10	37H32	SCREW	3		0.190" X 3/8"
11	AR71286	CLUTCH	1		(SUB FOR AR63255)
12	R69297	FLANGE NUT	1	021336-	
13	AR71289	SHIELD	1		(SUB FOR R47228 OR AR63254)
14	R47227	SEAL	1		(ALSO ORDER AR71289)
15	AR71285	KIT	1		COMPRESSOR SHAFT SEAL WITH PULLEY BEARING FRONT SHIELD, (SUB FOR AR49806)
16	R47229	SHAFT KEY	1		
17	R47226	SNAP RING	1		(ALSO ORDER AR71289) (NOT INCLUDED IN AR71287)
18	AR71288	BALL BEARING	1		(SUB FOR AR49805)
19	R54766	WASHER	1		(ALSO ORDER AR71289)
20	AR71287	PULLEY	1		(SUB FOR AR49804)
21	R63571	SNAP RING	1	021336-	
22	32240	O-RING	1	021336-	
23	AR78501	KIT	1	021336-	SUPERHEAT SHUT-OFF
24	AR49808	VALVE	1		
25	R74210	O-RING	2		(SUB FOR R47235)
26	19H2959	CAP SCREW	1	-021335	3/8" X 2"
	19M7170	CAP SCREW	1	021336-	M10 X 50
27	12M7066	LOCK WASHER	1	021336-	10.200 MM
28	R60171	STRAP	1		
29	AR77343	COMPRESSOR	1	-021335	(SUB AR92109, 19M7170, (3) 19M7163, (2) 19M7662, (3) 12M7065 AND (3) 12M7066) (SUB FOR AR68802)
..	AR92109	COMPRESSOR	1	021336-	
..	TY6665	COMPRESSOR	1		(REMANUFACTURED)
..	TY6384	OIL	1		0.9L (1 QT)

5B10

OPERATORS STATION

RP2428 -UN-01JAN94

SERVICE VALVE AND CONDENSER LINES
(SOUND-GARD BODY SERIAL NO. -082433)



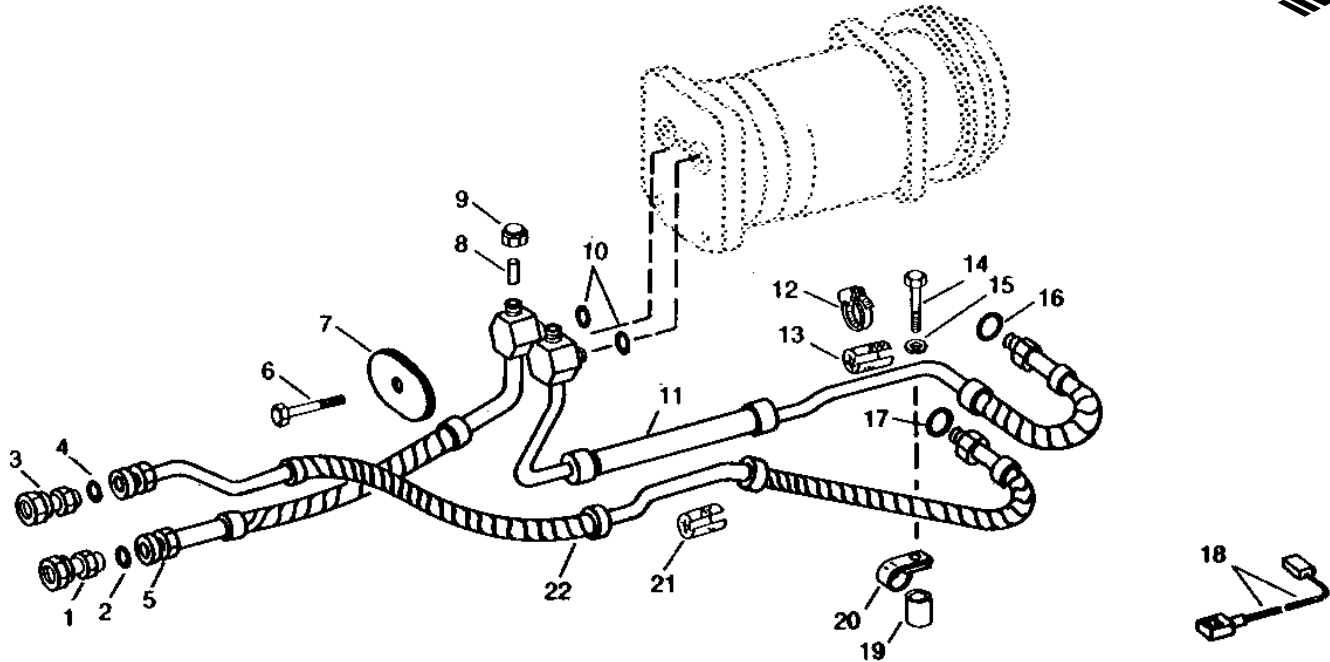
KEY	PART NO.	PART NAME	QTY	TRACTOR SERIAL NO.	REMARKS
1	AR58287	EXTERNAL HALF COUPLER	1		
2	B15646	O-RING	1		
3	AH21763	EXTERNAL HALF COUPLER	1		(SUB FOR AR58285)
4	P50883	RING	1		
5	AR58286 AR65750	HOSE LINE	1 1	-004069 004070-	(SUB RE57314) (SUB RE57319)
6	R33259	O-RING	1		(SUB FOR U11646)
7	19H1938 12H304	CAP SCREW LOCK WASHER	1 1		3/8" X 13/16" 3/8"
8	24H1884	WASHER	1		13/32" X 13/16" X 0.120"
9	P51212	O-RING	2		
10	AR58283 AR69997	VALVE CAP	1 2		
11	R74210	O-RING	2		(SUB FOR R47235)
12	TY22465	CLAMP	1		(SUB FOR AR21837)
13	19H1732	CAP SCREW	1		3/8" X 1-1/4"
14	12H304	LOCK WASHER	1		3/8"
15	ISOLATOR	1		2 X 38 X 102MM (1/16" X 1-1/2" X 4") (MAKE FROM R30596)
16	AR59786	LINE	1		1241MM (49") (SUB FOR AR61644) (SUB RE57316) (ALSO ORDER R44302) (MAKE FROM R30596)
17	AR55214 R56453	THERMOSTAT CLIP	1 1	-XXXXXX -XXXXXX	
18	T28583	RECEPTACLE	3	-XXXXXX	
19	AR51569 AR69977	WIRING LEAD WIRING LEAD	1 1	-XXXXXX XXXXXX-	
20	R10093	O-RING	1		
21	CLAMP	1		(NO LONGER REQUIRED)
22	28H1519	WASHER	1		0.493" X 0.675" X 3/8"
23	R54102	HALF CLAMP	1		
24	ISOLATOR	1		2 X 102 X 127MM (1/16" X 4" X 5") (MAKE FROM R30596)
25	RE57317	HOSE	1	-004069	102MM (4") (SUB FOR AR61643 OR AR59787) (ALSO ORDER R44302) (MAKE FROM R30596)
	AR65752	LINE	1	004070-	102MM (4") (ALSO ORDER R44302) (MAKE FROM R30596) (SUB RE57320)
	R65436	SHIELD	1		
..	R44302	TIE BAND	AR		

5B11

OPERATORS STATION

RP2429 -UN-01JAN94

SERVICE VALVE AND CONDENSER LINES
(SOUND-GARD BODY SERIAL NO. 082434-)



RP2429

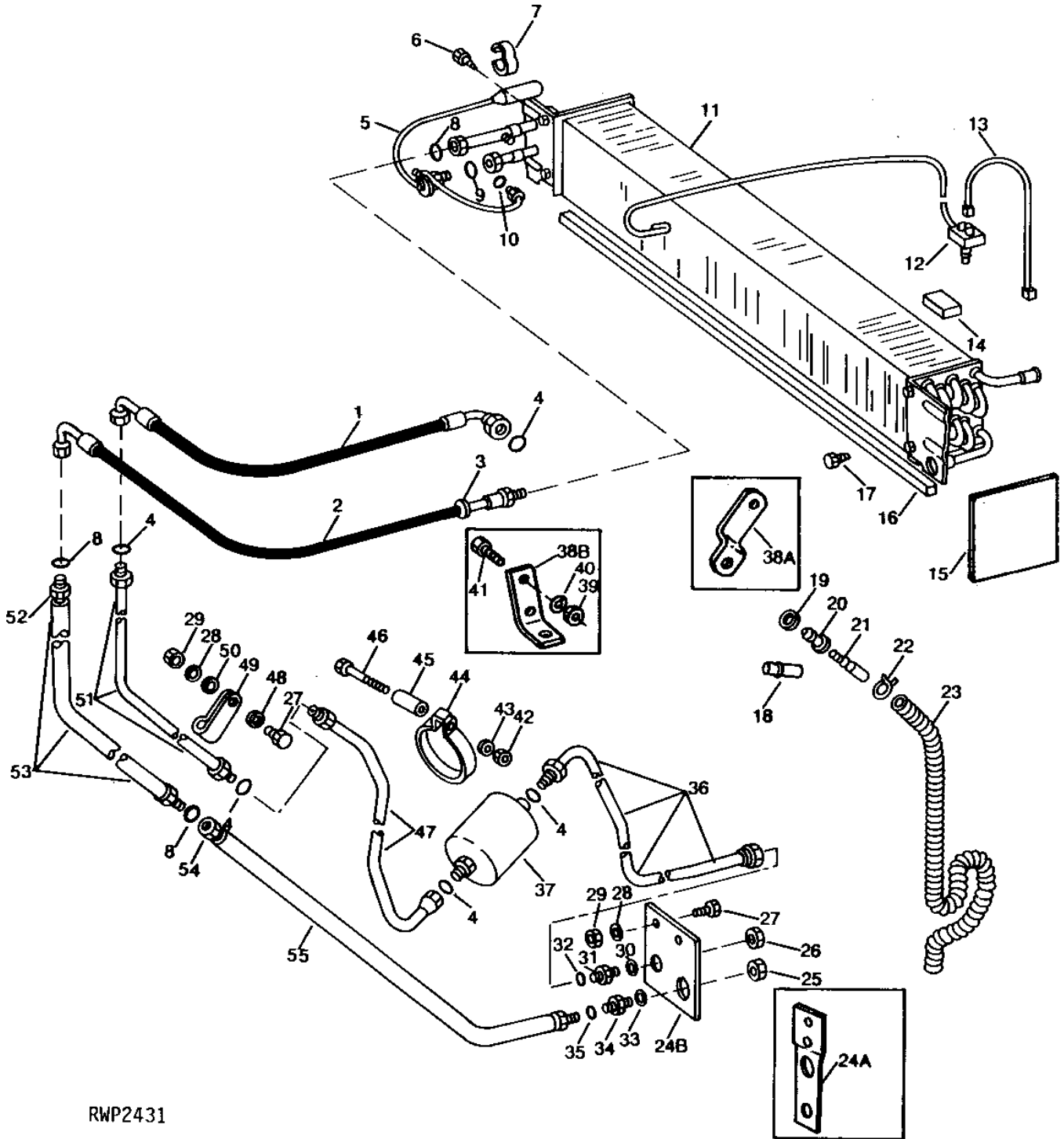
KEY	PART NO.	PART NAME	QTY	TRACTOR SERIAL NO.	REMARKS
1	AR58287	EXTERNAL HALF COUPLER	1		
2	B15646	O-RING	1		
3	AH21763	EXTERNAL HALF COUPLER	1		
4	P50883	RING	1		
5	RE57328	LINE	1		(SUB FOR AR75568)
6	19H2959	CAP SCREW	1		3/8" X 2", (USE WITH AR77343 OR AR68802)
	19M7170	CAP SCREW	1		M10 X 50, (USE WITH AR92109)
	12M7066	LOCK WASHER	1		10.200 MM, (USE WITH AR92109)
7	R60171	STRAP	1		
8	R60170	VALVE	2		
9	R60172	NUT	2		
10	R74210	O-RING	2		(SUB FOR R47235)
11	RE57327	LINE	1		(SUB FOR AR75567)
	R65436	SHIELD	1		
12	TY22465	CLAMP	1		(SUB FOR AR21837)
13	ISOLATOR	1		2 X 38 X 102MM (1/16" X 1-1/2" X 4") (MAKE FROM R30596)
14	19H1732	CAP SCREW	1		3/8" X 1-1/4"
15	12H304	LOCK WASHER	1		3/8"
16	P51212	O-RING	1		
17	R10093	O-RING	1		
18	AR69977	WIRING LEAD	1	-021335	
	AR77346	WIRING LEAD	1	021336-	
19	28H1519	WASHER	1		0.493" X 0.675" X 3/8"
20	R54102	HALF CLAMP	1		
21	ISOLATOR	1		2 X 38 X 102MM (1/16" X 1-1/2" X 4") (MAKE FROM R30596)
22	AR65752	LINE	1		102MM (4") (ALSO ORDER R44302) (MAKE FROM R30596) (SUB RE57320)
	R65436	SHIELD	1		HOSE
..	R44302	TIE BAND	AR		
..	R57003	TAPE	1		9144MM (360") (SUB TY15709)
..	TY15939	O-RING KIT	1		AIR CONDITIONING O-RINGS, (SUB FOR AT66632)

5B12

OPERATORS STATION

RWP2431 -UN-01JAN94

EVAPORATOR AND REAR PIPES



RWP2431

5B13

OPERATORS STATION

EVAPORATOR AND REAR PIPES - CONTINUED

KEY	PART NO.	PART NAME	QTY	TRACTOR OR SG BODY NO.	REMARKS
1	AR58282	HOSE	1		PRESSURE, (SUB RE57312)
	AR83521	HOSE	1		(A) PRESSURE, (SUB RE55554)
2	AR58277	HOSE	1		RETURN, (SUB RE57351)
3	R50456	GROMMET	1		
	R65476	GROMMET	1		(A)
4	R10093	O-RING	5		
5	AH140818	VALVE	1		(SUB FOR AR58482) (ALSO ORDER R130737)
6	37M7245	SCREW	2	106889-	NO. 10 X 3/8"
7	R66645	CLIP	2		SUB. FOR R50480
8	R33259	O-RING	3		(SUB FOR U11646)
9	P51212	O-RING	1		
10	R34812	O-RING	1		
11	AR58152	EVAPORATOR	1	-076109	
	AR88076	EVAPORATOR	1	076110-	(A) (WITH HEATER) (SUB FOR AR79362, AR85245 OR AR73463)
12	AR59779	AC/HEAT TEMPERATURE SWITCH	1		
13	WIRING LEAD	1		76MM (3") (MAKE FROM R32007 AND (2) R32028)
14	R52133	FOAM PAD	2		
15	R52128	FOAM PAD	2	-106109	
16	R50696	ISOLATOR	1		
17	37H49	SCREW	6	-106888	NO. 10 X 1/2"
	37H49	SCREW	3	106889-	NO. 10 X 1/2"
18	R50693	TUBE	2	-064017	
19	F2741R	PACKING	2	064018-	
20	R60263	BUSHING	2	064018-	
21	R60264	HOSE	2	064018-	
22	TY22462	CLAMP	2		(SUB FOR AR48236)
	TY22462	CLAMP	2		(A) (SUB FOR R69319)
23	H97644	CONDUIT	2		(SUB FOR R50452)
24A	R52320	BRACKET	1	-004069	
24B	R56005	BRACKET	1	004070-	
25	R52998	NUT	1		
26	R53000	NUT	1		
27	19H1731	CAP SCREW	4		3/8" X 1"
28	12H304	LOCK WASHER	4		3/8", (SUB FOR R53668)
29	14H1087	NUT	4		3/8", (SUB FOR R53670)
30	R57637	WASHER	1		
31	AH21762	INTERNAL HALF COUPLER	1		(SUB FOR AR58148)
32	P50883	RING	1		
33	R57636	WASHER	1		
34	AR58147	INTERNAL HALF COUPLER	1		
35	B15646	O-RING	1		
36	AR59781	LINE	1	-004069	PRESSURE
	AR65754	LINE	1	004070-	PRESSURE, (SUB RE37063)
37	AR74486	RECEIVER	1		(SUB FOR AR59780) (SUB RE49169)
38A	R53421	SUPPORT	1	-004069	
38B	R56006	SUPPORT	1	004070-004936	
39	14H1087	NUT	1	-040936	3/8"
40	R53668	THRUST WASHER	1	-040936	
41	R53663	SELF-LOCKING SCREW	1	-040936	
42	14H1087	NUT	1		3/8", (SUB FOR R53670)
43	24H1303	WASHER	1		13/32" X 11/16" X 0.065", (SUB FOR R53668)
44	99M7102	CLAMP	1		(SUB FOR R53422)
45	28H3380	SPACER	1	040937-	3/8" X 1-5/8"
46	19H1800	CAP SCREW	1	-040936	3/8" X 1-1/2"
	19H1912	CAP SCREW	1	040937-	3/8" X 3-1/2"
47	AR58280	LINE	1	-004069	PRESSURE
	AR65756	LINE	1	004070-	PRESSURE
48	A4231R	WASHER	2		(SUB FOR A2764R)
49	R51891	CLAMP	1		(PRESSURE PIPE)
	R51892	CLAMP	1		(RETURN PIPE)
50	24H1884	WASHER	2		13/32" X 13/16" X 0.120"
51	AR58281	LINE	1		PRESSURE
52	AR58278	LINE	1		RETURN
53	R77896	INSULATOR	1		(SUB FOR R53098 OR R55823)
54	AR58279	LINE	1	-004069	RETURN
	AR65755	LINE	1	004070-	RETURN
55	R79350	INSULATOR	1		(SUB FOR R53098 AND R54783)
..	AR71722	CLAMP	1		KIT, AIR CONDITION CLAMPS AND HARDWARE
..	TY15939	O-RING KIT	1		(SUB FOR AT66632)
..	R57003	TAPE	1		

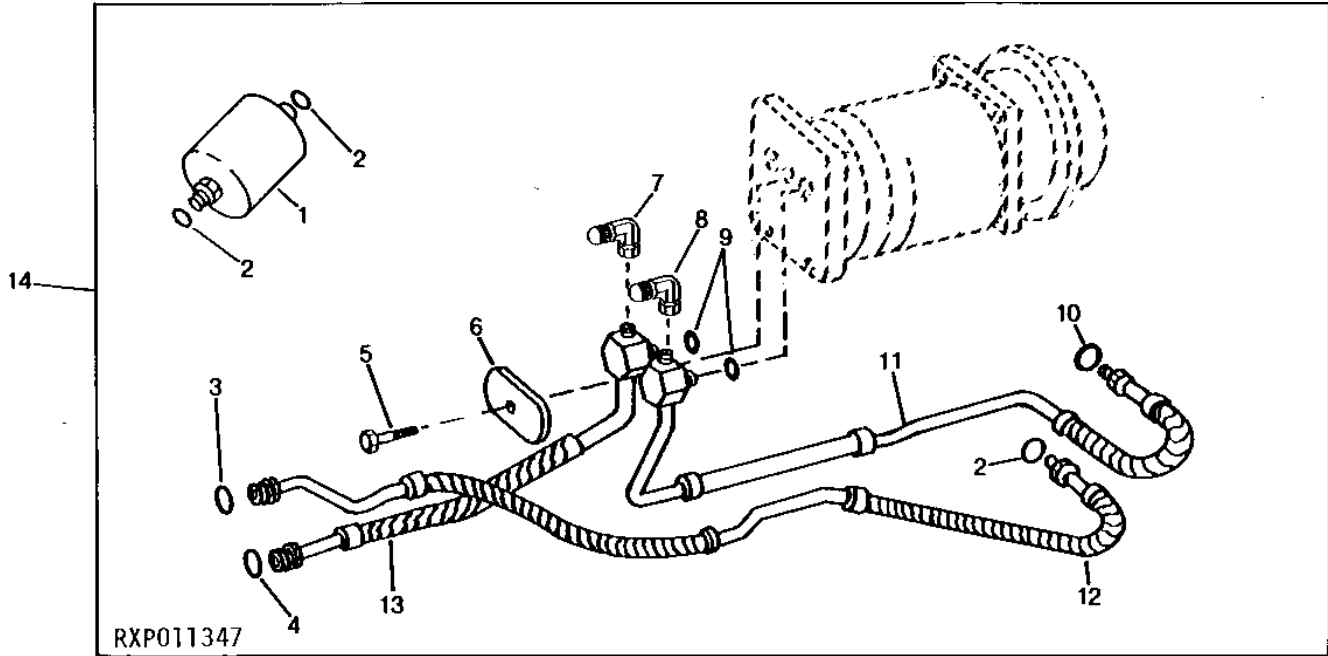
(A) REPLACEMENT SOUND-GARD BODY OR REPLACEMENT INNER ROOF

5B14

OPERATORS STATION

AIR CONDITIONING RETROFIT KIT

RXP011347 -UN-24OCT94



KEY	PART NO.	PART NAME	QTY	TRACTOR SERIAL NO.	REMARKS
1	RE49169	RECEIVER-DRYER	1		
2	R10093	O-RING	1		
3	T143166	O-RING	1		
4	T143169	O-RING	1		
5	19H2959	CAP SCREW	1	3/8" X 2"	
6	R60171	STRAP	1		
7	RE60812	FITTING	1		
8	RE60813	FITTING	1		
9	R74210	O-RING	2		
10	R113050	RING	1		
11	RE57327	LINE	1		
12	RE57320	LINE	1		
13	RE57328	LINE	1		
14	RE62126	KIT	1		
..	PT18520	DECAL KIT	1		

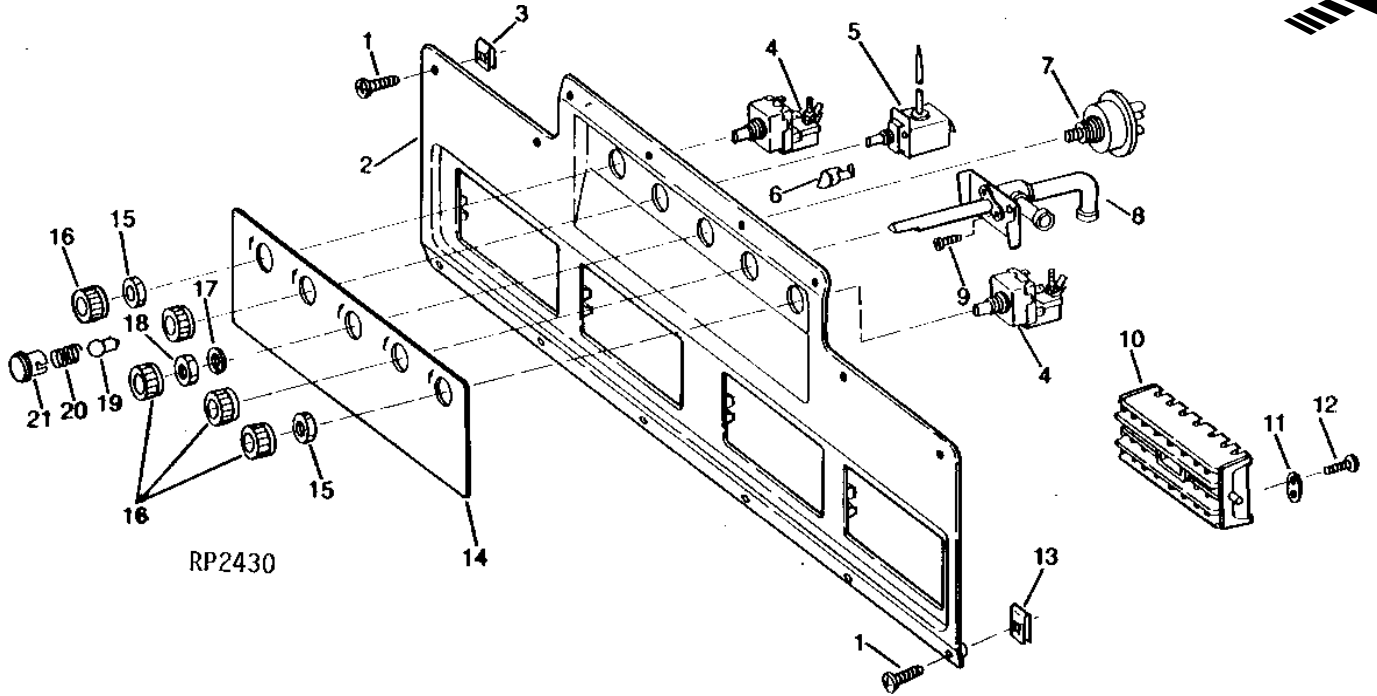
MEMORANDA

5B15

OPERATORS STATION

RP2430 -UN-01JAN94

AIR LOUVER AND PANEL



KEY	PART NO.	PART NAME	QTY	SG BODY SERIAL NO.	REMARKS
1	37H203	SCREW	14	-049926	(SUB FOR R50499)
	R81456	SCREW	14	049927-	
2	R50589	BEZEL	1	-049926	(SUB AH118028)
	R58003	PANEL	1	049927-	(SUB AH118028)
	H121828	BEZEL	1		(INCLUDED IN AH118028)
3	R52130	LOCK NUT	8		(REAR)
4	AR64992	WIPER SWITCH	2		WIPER, (SUB FOR AR57228)
5	AR59779	AC/HEAT TEMPERATURE SWITCH	1		THERMOSTAT
6	AH80591	DIRECTION INDICATOR	1	-049926	(B)
7	AR53155	SWITCH	1		BLOWER
8	AR70418	REGULATOR	1		(SUB FOR AR54523) (SUB AR100056 AND TY22399)
9	37H98	SCREW	2		NO.10 X 7/8"
10	AR56699	LOUVER	4	-049926	
	AR69697	LOUVER	4	049927-	
	AR93533	AIR DUCT	8		(USE WITH H121828) (INCLUDED IN AH118028)
11	R50455	SLAT	8	-049926	
12	A4997R	SCREW	16	-049926	
13	R50500	NUT	6		(FRONT)
14	R52237	LABEL	1	-049926	(A)
	R59221	LABEL	1	049927-	(A) (SUB R87574, THIS APPLICATION)
	R52236	LABEL	1		BLOWER, WIPER, AIR CONDITIONING
	R52235	LABEL	1		BLOWER, WIPER, HEATER
	R52234	LABEL	1		BLOWER, WIPER
15	R44165	LOCK NUT	2		
16	AR69370	KNOB	5		(SUB FOR AR49969)
17	12H292	LOCK WASHER	1		1/2"
18	A4655R	NUT	1		
19	AH61036	LAMP	1	-049926	(B)
20	R30378	SPRING	1	-049926	(B)
21	AR60653	LENS	1	-049926	(B) (SUB AT34928)

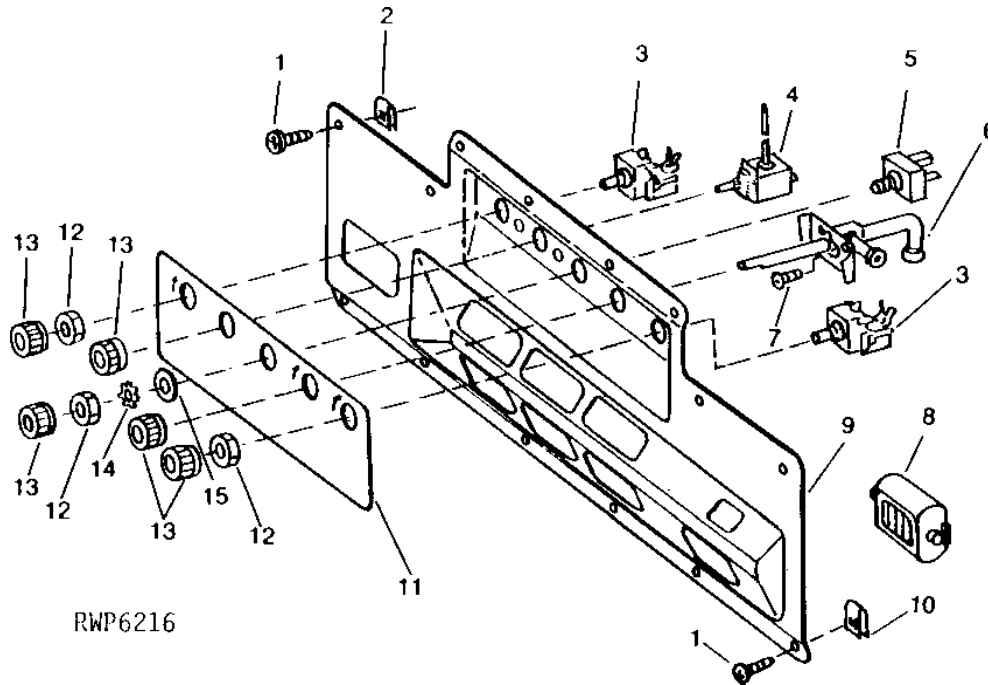
(A) BLOWER, WIPER, HEATER, AIR CONDITIONING
 (B) CONDENSER RESTRICTOR

5B16

OPERATORS STATION

RWP6216 -UN-17NOV94

AIR LOUVER AND PANEL (REPLACEMENT SOUND-GARD BODY OR REPLACEMENT INNER ROOF)



RWP6216

KEY	PART NO.	PART NAME	QTY	SG BODY SERIAL NO.	REMARKS
1	R81456	SCREW	14		
2	R52130	LOCK NUT	8		
3	AR64992	WIPER SWITCH	2		WIPERS
4	AR59779	AC/HEAT TEMPERATURE SWITCH	1		COOLING TEMPERATURE CONTROL
5	AR82014	BLOWER SWITCH	1		BLOWER
6	AR100056	CONTROL VALVE	1		HEATER CONTROL
7	37H98	SCREW	2		
8	AR93533	AIR DUCT	8		(BLACK)
	AR95969	AIR DUCT	8		(BROWN)
9	AH118028	BEZEL	1		(BLACK) (INCLUDES AR93533)
	R79307	PANEL	1		(BROWN)
10	R50500	NUT	6		
11	R72398	LABEL	1	-XXXXXX	(A) (ENGLISH) (REPLACEMENT INNER ROOF) (SUB L38859, THIS APPLICATION)
	R87574	LABEL	1	XXXXXX-	(A) (SYMBOLS)
12	R44165	LOCK NUT	3		
13	AR69370	KNOB	5		
14	12H325	LOCK WASHER	1		7/16"
15	24H1325	WASHER	1		15/32" X 59/64" X 0.065"

(A) BLOWER, WIPERS, HEATER, AIR CONDITIONING

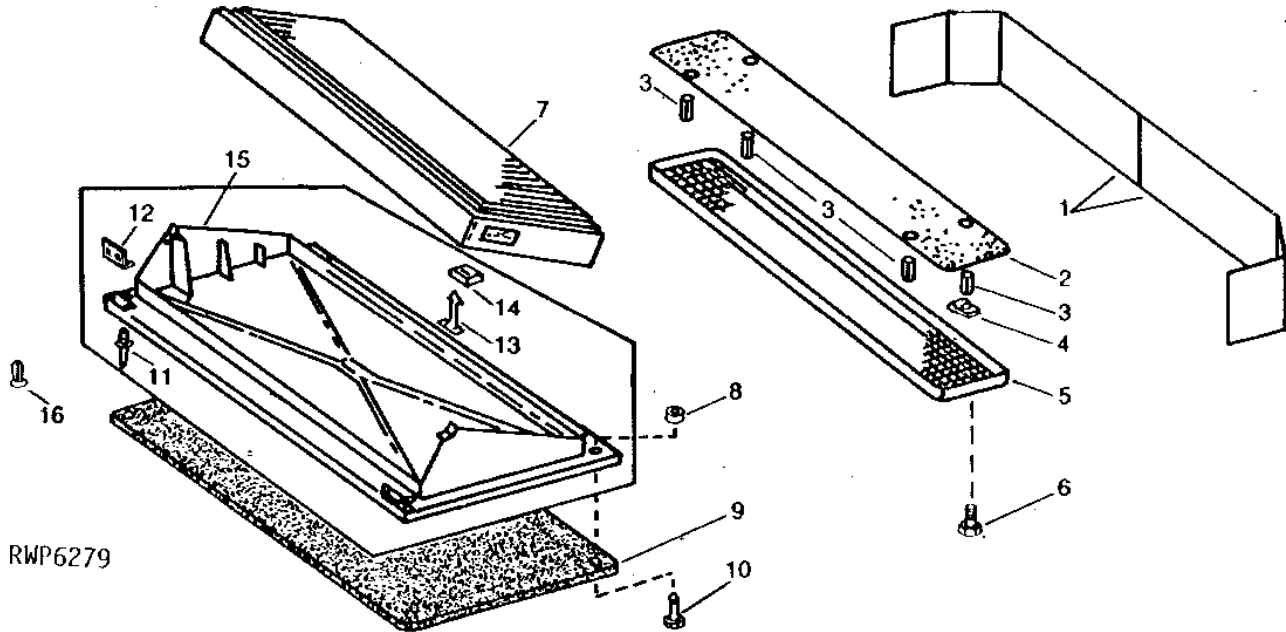
MEMORANDA

5B17

OPERATORS STATION

RWP6279 -UN-01JAN94

PRESSURIZER FILTERS



RWP6279

KEY	PART NO.	PART NAME	QTY	SG BODY SERIAL NO.	REMARKS
1	R52127	FOAM PAD	2	-075970	
	R60560	INSULATOR	2	075971-	
2	R50481	FILTER	1		(SUB R60846)
	R65450	AIR FILTER	1		(A)
3	R66418	SPACER	4		
4	R50279	NUT	4		
5	R60845	FRAME	1		(BLACK) (SUB FOR AR55083)
	R72487	FRAME	1		(A) (BROWN)
6	R53678	SCREW	4		
7	AR61903	AIR FILTER	1		
8	R72653	SNAP RING	2		(SUB FOR R43661)
9	AR58153	PANEL	1		
	AR83435	PANEL	1		(A) (BLACK)
	RE13288	PANEL	1		(A) (BROWN)
10	AR54437	KNOB	2		
	AR83434	KNOB	2		(A)
11	R54477	RIVET	6		
12	R51015	HANGER	2		
13	R51023	CATCH	1		
14	FOAM PAD	1		13 X 25 X 51MM (1/2" X 1" X 2") (MAKE FROM R30936)
15	AR61222	DOOR	1		
16	R54748	STUD	6		
	R65505	STUD	6	-XXXXXX	(A)

(A) REPLACEMENT SOUND-GARD BODY

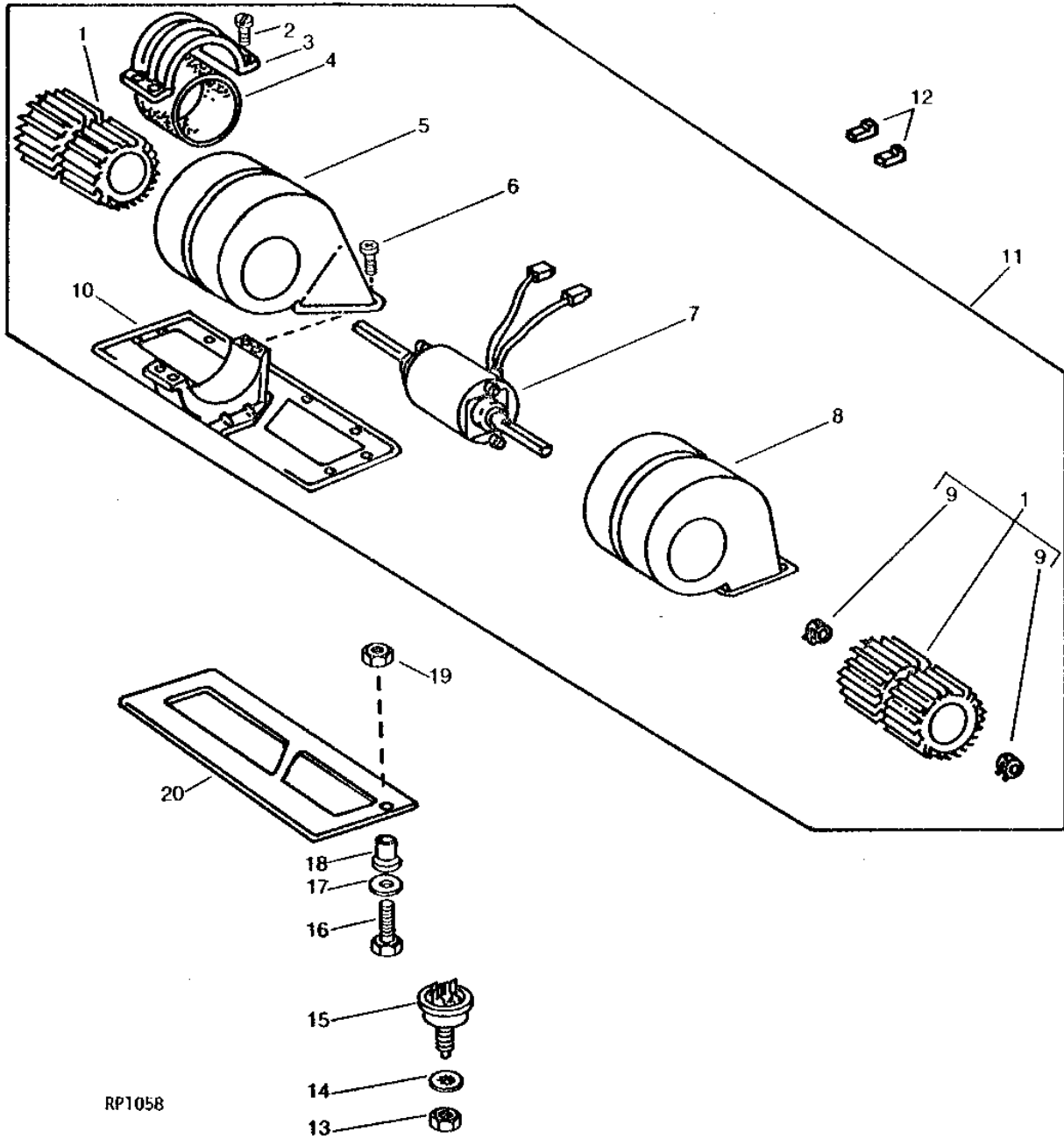
5B18

OPERATORS STATION

RP1058

-UN-01JAN94

PRESSURIZER BLOWER



5B19

OPERATORS STATION

PRESSURIZER BLOWER - CONTINUED

KEY	PART NO.	PART NAME	QTY	SG BODY SERIAL NO.	REMARKS
1	AR66028	IMPELLER	2	(A)	(SUB AR66034)
2	R66117	SCREW	4	(A)	
3	R59450	RETAINER	1	(A)	
4	R57606	CUSHION	1	(A)	
5	AR69011	HOUSING	2	(A)	
6	37H127	SCREW	4	(A)	0.138" X 5/16"
7	AR62497	MOTOR	2	(A)	
8	AR69012	HOUSING	2	(A)	
9	R56101	CLIP	4	(A)	
10	AR74020	BASE	2	(A)	(SUB FOR AR68974)
11	AR74019	BLOWER	2	(A)	(SUB FOR AR68973)
12	T28583	RECEPTACLE	4		
13	A4655R	NUT	1		
14	12H292	LOCK WASHER	1	1/2"	
15	AR53155	SWITCH	1		
	WIRING LEAD	1		178MM (7") (MAKE FROM R65593, (2) R65600 AND (2) R65604)
16	21H1376	SCREW	10		0.164" X 1-1/4"
17	B1085R	WASHER	10		
18	R59841	SLEEVE	10		
19	T19977	LOCK NUT	10		
20	R59840	FOAM PAD	2		

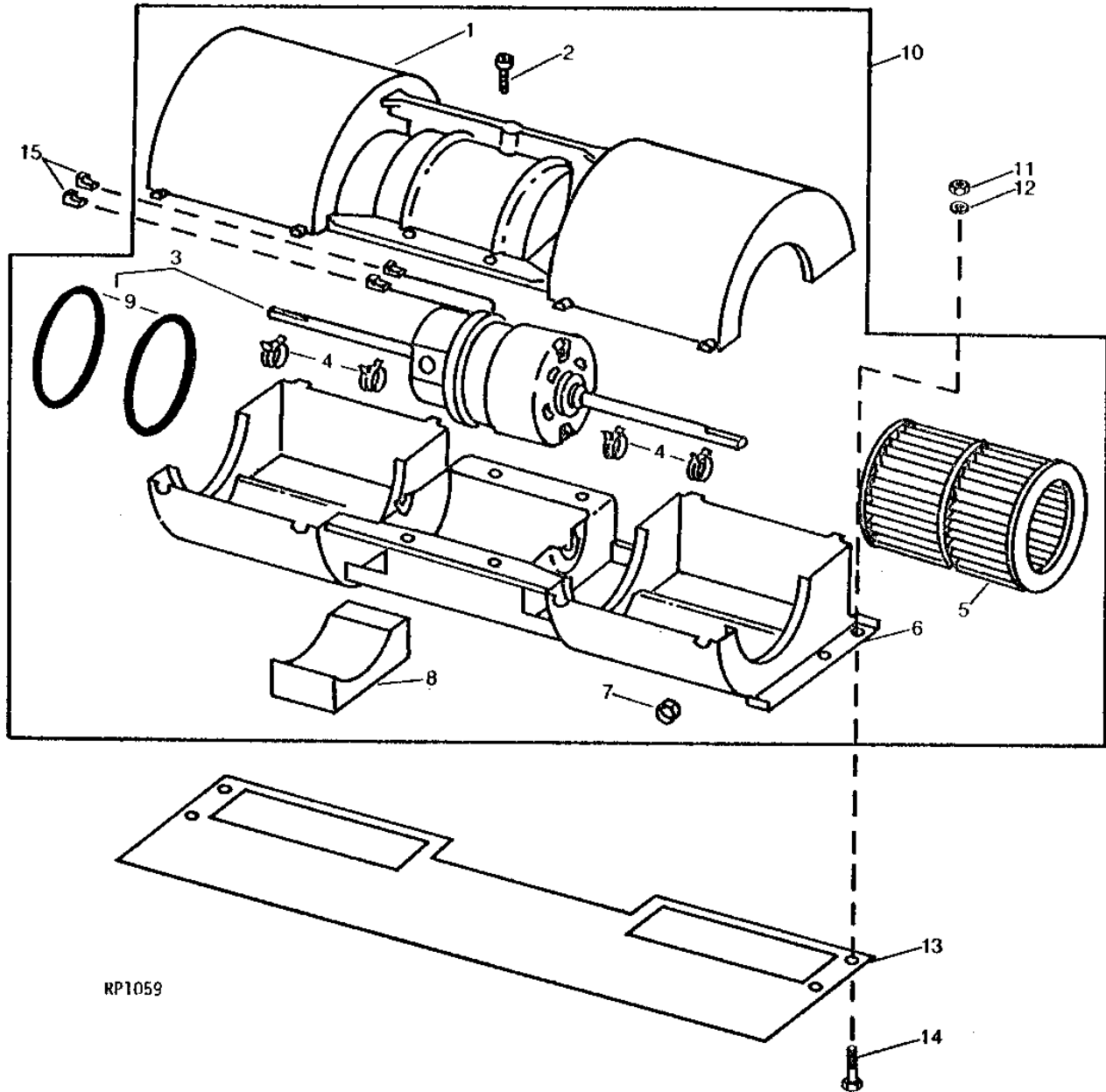
(A) AMOUNT PER MOTOR

5B20

OPERATORS STATION

PRESSURIZER BLOWER
(REPLACEMENT SOUND-GARD BODY)
(SOUND-GARD BODY SERIAL NO. -XXXXXX)

RP1059 -UN-01JAN94



RP1059

5B21

OPERATORS STATION

**PRESSURIZER BLOWER - CONTINUED
(REPLACEMENT SOUND-GARD BODY)
(SOUND-GARD BODY SERIAL NO. -XXXXXX)**

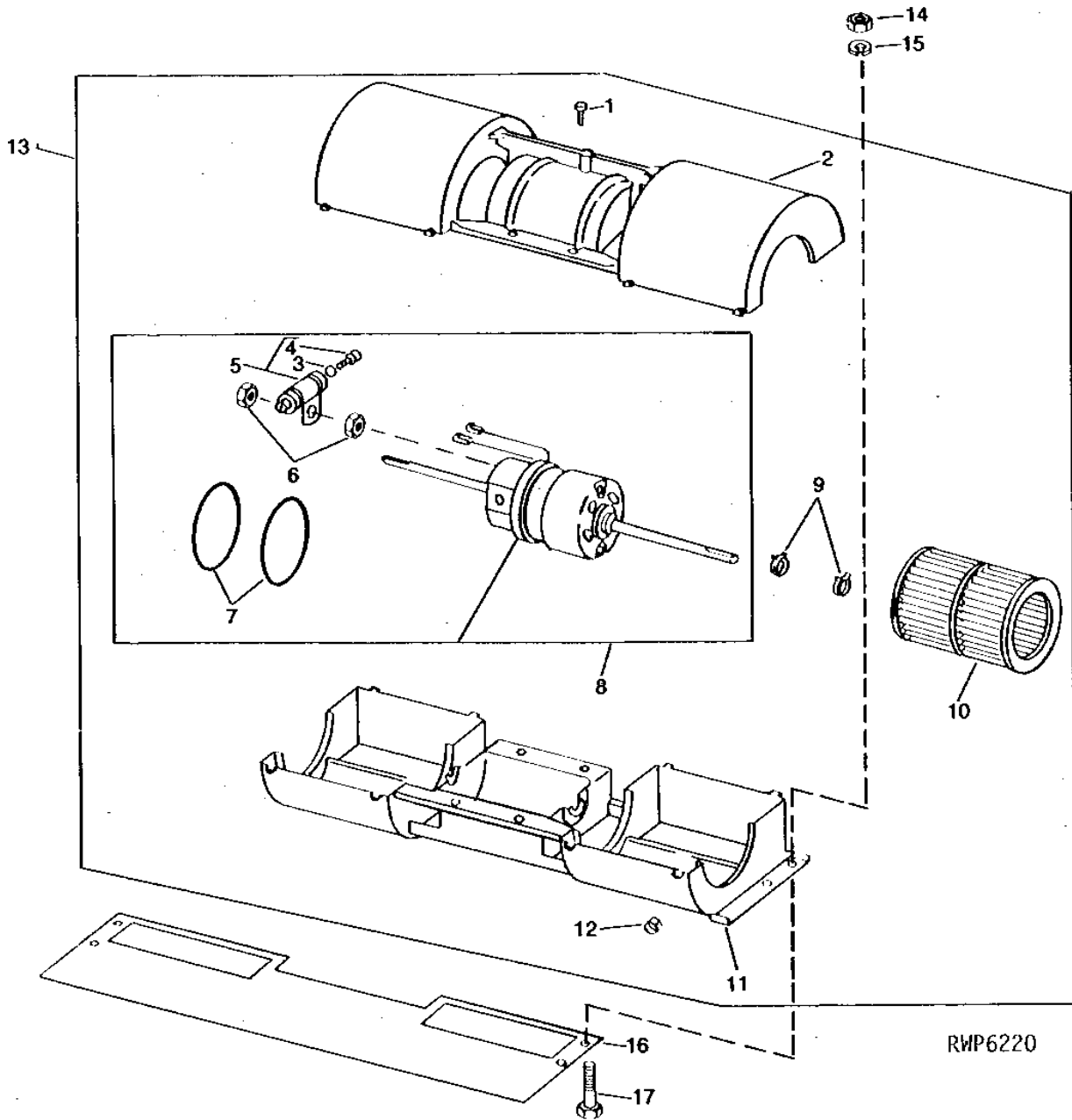
KEY	PART NO.	PART NAME	QTY	SG BODY SERIAL NO.	REMARKS
1	R65147	HOUSING	1		(SUB R77618)
2	37M7073	SCREW	4		
3	AR82005	MOTOR	1		(SUB RE25160)
4	R56101	CLIP	4		
5	R81111	IMPELLER	2		(SUB FOR R65832)
6	R65148	HOUSING	1		(SUB R77619)
7	R67054	RING	8		
8	R65150	FILTER	1		
9	F1430R	O-RING	2		(.21" THICK)
	R85234	RING	2		(.31" THICK)
10	AR82006	BLOWER	1		(SUB RE10998)
11	14H786	NUT	4		1/4"
12	12H297	LOCK WASHER	4		1/4"
13	R69301	INSULATOR	1		
14	19H1948	CAP SCREW	4		1/4" X 3/4"
15	T28583	RECEPTACLE	2		

5B22

OPERATORS STATION

PRESSURIZER BLOWER
(REPLACEMENT SOUND-GARD BODY OR REPLACEMENT INNER ROOF)
(SOUND-GARD BODY SERIAL NO. XXXXXX-)

RWP6220 -UN-01JAN94



5B23

OPERATORS STATION

PRESSURIZER BLOWER - CONTINUED
(REPLACEMENT SOUND-GARD BODY OR REPLACEMENT INNER ROOF)
(SOUND-GARD BODY SERIAL NO. XXXXXX-)

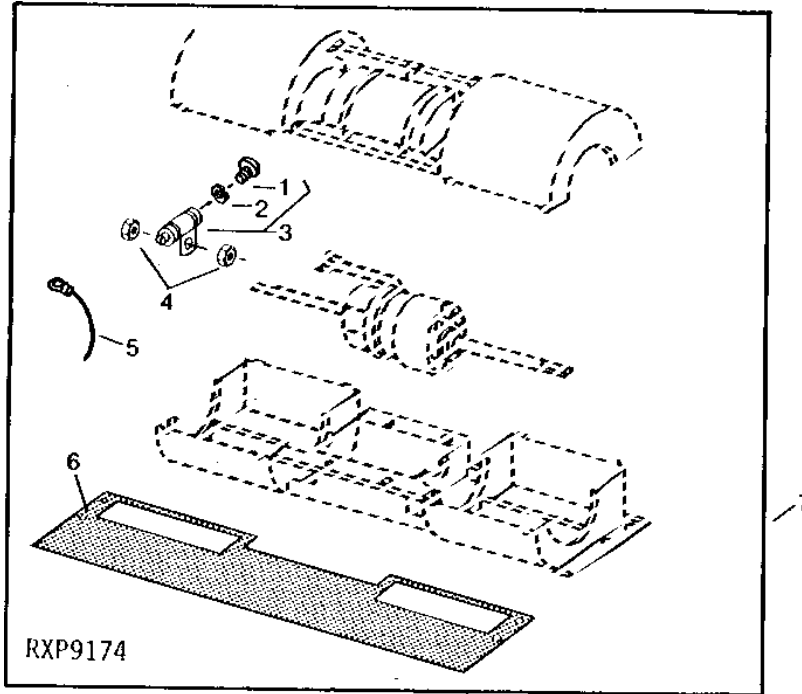
KEY	PART NO.	PART NAME	QTY	SG BODY SERIAL NO.	REMARKS
1	37M7073	SCREW	4		
2	R77618	HOUSING	1		
3	12H246	LOCK WASHER	2	0.190"	
4	21H1327	SCREW	2	0.190" X 1/4"	
5	RE10134	CAPACITOR	1		
6	14H631	NUT	2	0.190"	
7	F1430R	O-RING	2	(.21" THICK)	
	R85234	RING	2	(.31" THICK)	
8	AR82005	MOTOR	1	(SUB RE25160)	
9	R56101	CLIP	4		
10	R81111	IMPELLER	2	(SUB FOR R65832)	
11	R77619	HOUSING	1		
12	R67054	RING	8		
13	RE10998	BLOWER	1		
14	14H786	NUT	4	1/4"	
15	12H297	LOCK WASHER	4	1/4"	
16	R69301	INSULATOR	1		
17	19H1948	CAP SCREW	4	1/4" X 3/4"	

5B24

OPERATORS STATION

RXP9174 -UN-01JAN94

BLOWER MOTOR FILTER CAPACITOR KIT
(SOUND-GARD BODY SERIAL NO. XXXXXX-)



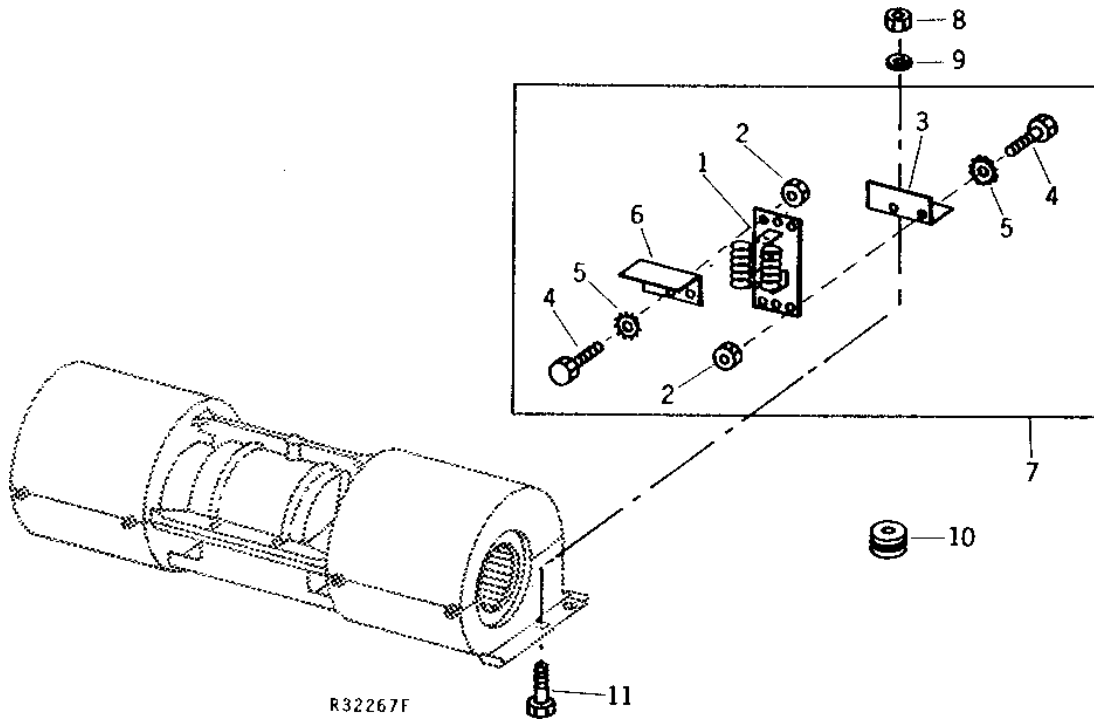
KEY	PART NO.	PART NAME	QTY	SG BODY SERIAL NO.	REMARKS
1	21H1327	SCREW	2	0.190" X 1/4"	
2	12H246	LOCK WASHER	2	0.190"	
3	RE10134	CAPACITOR	1		
4	14H631	NUT	2		
5	R32018	TERMINAL	4		
6	R69301	INSULATOR	1		
7	RE10133	KIT	1		

5B25

OPERATORS STATION

R32267 -UN-01JAN94

BLOWER MOTOR RESISTOR (REPLACEMENT SOUND-GARD BODY OR REPLACEMENT INNER ROOF)



R32267F

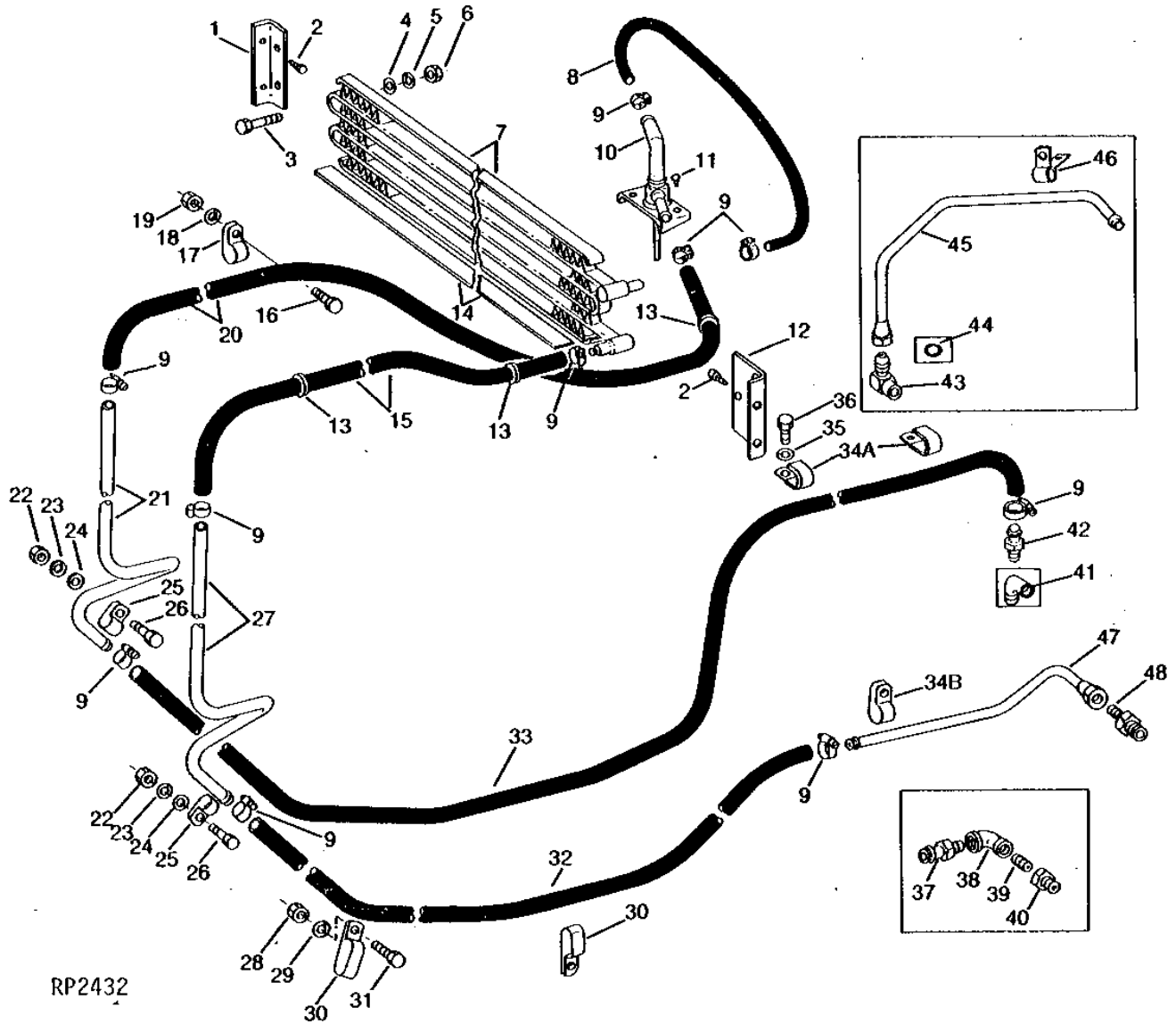
KEY	PART NO.	PART NAME	QTY	TRACTOR SERIAL NO.	REMARKS
1	AR90771	RESISTOR	1		
2	14H631	NUT	4	0.190"	
3	R69521	BASE	1		
4	19H3204	SCREW	4	0.190" X 5/8"	
5	12M7060	WASHER	4	0.209"	
6	R69522	DEFLECTOR	1		
7	AR90770	RESISTOR	1		
8	14H786	NUT	1	1/4"	
9	12H297	LOCK WASHER	1	1/4"	
10	R65476	GROMMET	1		
11	19H1948	CAP SCREW	1	1/4" X 3/4"	

5C1

OPERATORS STATION

RP2432 -UN-01JAN94

HEATER



RP2432

THIS PARTS LISTING IS CONTINUED

5C2

OPERATORS STATION

HEATER - CONTINUED

KEY	PART NO.	PART NAME	QTY	TRACTOR SERIAL NO.	REMARKS
1	R60561	BRACKET	1	076110-	
2	37M7245	SCREW	4	076110-	NO.10 X 3/8"
3	19H2831	CAP SCREW	3		(A) 5/16" X 1-1/2"
4	24H1291	WASHER	3		(A) 21/64" X 1-15/32" X 7/64"
5	12H303	LOCK WASHER	3		(A) 5/16"
6	14H785	NUT	3		(A) 5/16"
7	AR49965	CORE	1	-076109	(A)
	AR88076	EVAPORATOR	1	076110-	(C) (WITH HEATER) (SUB FOR AR85245 OR AR73463)
8	HOSE	1		787MM (31") (MAKE FROM TY22328) (SUB FOR R45847) (SUB TY22399)
9	TY22465	CLAMP	10		(SUB FOR AR21837)
10	AR89913	VALVE	1		(A) (SUB FOR AR54523 OR AR70418)
11	37H98	SCREW	2		(A) NO. 10 X 7/8"
12	R60562	BRACKET	1	076110-	
13	R50456	GROMMET	3		(A)
	R65475	GROMMET	3		(C)
	R72040	GROMMET	3		(C)
14	R47468	ISOLATOR	1		
15	R69747	HOSE	1		
16	19H2021	CAP SCREW	1		(A) 3/8" X 5/8"
17	R40791	CLAMP	1		(A)
18	12H304	LOCK WASHER	1		(A) 3/8"
19	14H812	NUT	1		(A) 3/8"
20	R69748	HOSE	1		
21	R50461	OIL TUBE	1		(A)
22	14H1087	NUT	2		(A) 3/8"
	R53668	THRUST WASHER	2		(A)
24	24H1884	WASHER	2		(A) 13/32" X 13/16" X 0.120"
25	R51892	CLAMP	2		(A)
26	19H1731	CAP SCREW	2		(A) 3/8" X 1"
27	R50462	OIL TUBE	1		(A)
28	14H812	NUT	1		(A) 3/8"
29	12H304	LOCK WASHER	1		(A) 3/8"
30	R50454	CLAMP	2		(A) (B)
31	19H1731	CAP SCREW	1		(A) 3/8" X 1"
32	HOSE	1		2997MM (118") SUPPLY, (MAKE FROM TY22328) (SUB FOR R45847)
33	HOSE	1		3200MM (126") RETURN, (MAKE FROM TY22328) (SUB FOR R45847)
34A	R45211	CLAMP	3	077944-	(B)
34B	R46414	CLAMP	1	096911-	
35	12H304	LOCK WASHER	1	077944-	(B) 3/8"
36	19H1936	CAP SCREW	1	077944-	(B) 3/8" X 3/4"
37	R42312	HOSE FITTING	1	077944-	(B)
38	15H97	ELBOW FITTING	1	077944-	(B)
39	29H587	THREADED NIPPLE	1	077944-	(B)
40	15H619	PIPE BUSHING	1	077944-	(B)
41	15H622	ELBOW FITTING	1	-077943	(B)
42	R42312	HOSE FITTING	1		(B)
43	R35800	ADAPTER	1	-001402	
	AR64090	FITTING	1	001403-077943	
44	R375R	O-RING	1	-001402	
45	R51839	TUBE	1	-001402	(SUB AR64091 AND AR64090)
	AR64091	LINE	1	001403-077943	(B)
46	R54382	HALF CLAMP	1	-077943	(B)
47	AR78891	LINE	1	096911-	TUBE, HEATER SUPPLY
48	R48384	FITTING	1	096911-	CONNECTOR

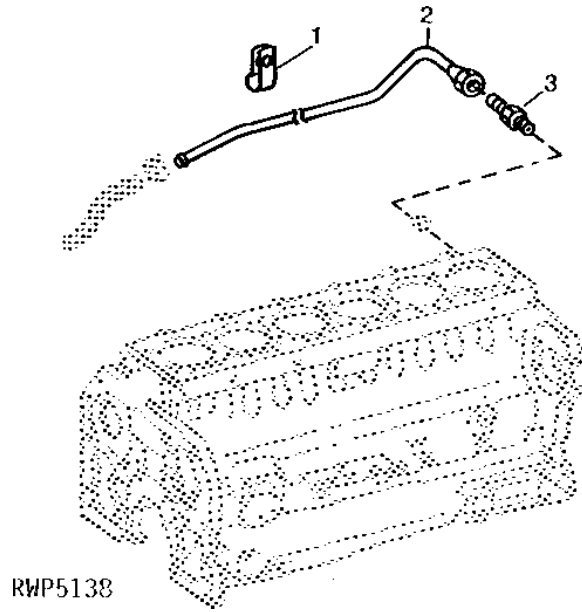
- (A) SOUND-GARD BODY PARTS REQUIRED TO INSTALL HEATER
- (B) TRACTOR PARTS REQUIRED TO INSTALL HEATER
- (C) REPLACEMENT SOUND-GARD BODY

5C3

OPERATORS STATION

HEATER SUPPLY LINE
(SOUND-GARD BODY SERIAL NO. -001402)

RWP5138 -UN-01JAN94



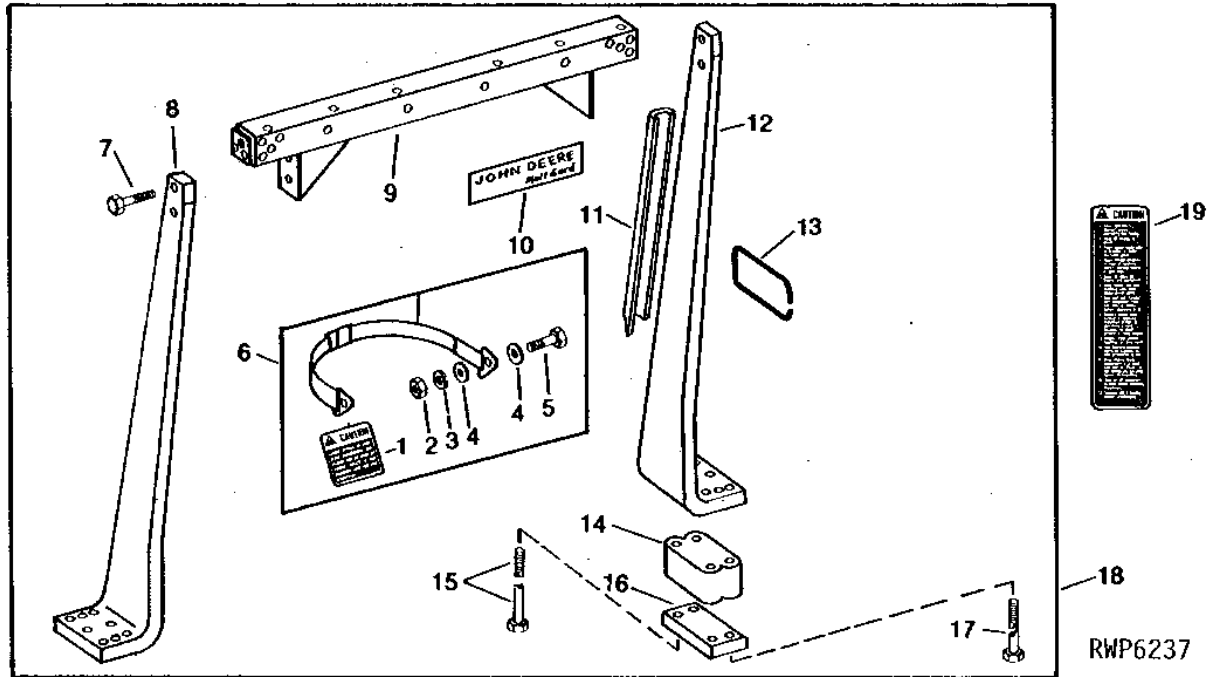
KEY	PART NO.	PART NAME	QTY	SG BODY SERIAL NO.	REMARKS
1	R46414	CLAMP	1		
2	AR80797	LINE	1		(SOUND-GARD BODY) (USE WITH RE13553) (SUB RE51829)
3	R48384	FITTING	1		

5C4

OPERATORS STATION

TWO-POST ROLL-GARD (HI-CROP)

RWP6237 -UN-01JAN94



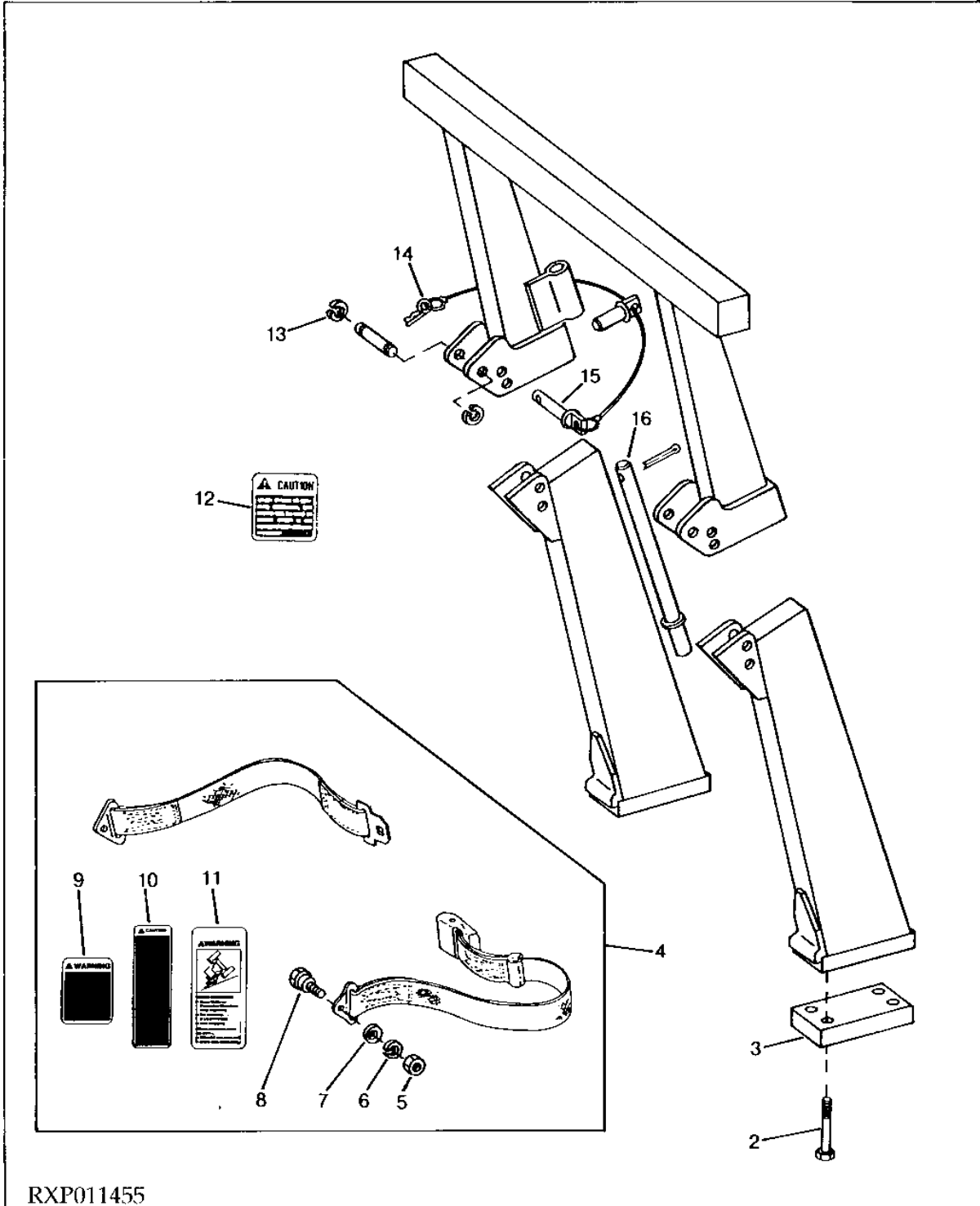
KEY	PART NO.	PART NAME	QTY	TRACTOR SERIAL NO.	REMARKS
1	R81424	LABEL	1	(SUB FOR R42732)	
2	14H807	NUT	2	7/16"	
3	12H293	LOCK WASHER	2	7/16"	
4	24H1226	WASHER	4	1/2" X 1-1/4" X 0.083"	
5	R41778	BOLT	2		
6	AR41761	SEAT BELT	1	51MM (2") (WIDTH)	
	AT38518	SEAT BELT	1	76MM (3") (WIDTH) (NOT INCLUDED IN KIT)	
7	19H2728	CAP SCREW	4	3/4" X 3"	
8	FRAME	1	(ORDER AR62536)	
9	FRAME	1	(ORDER AR62536)	
10	R47292	LABEL	1		
11	R42646	FOAM PAD	2		
12	FRAME	1	(ORDER AR62536)	
13	AR93828	MOLDING	2	(SUB FOR R50451)	
14	R53101	SPACER	2		
15	R53102	CAP SCREW	4		
16	R44582	PLATE	2		
17	R53103	CAP SCREW	4		
18	AR62536	ROLL-GARD	1		
19	R87527	LABEL	1	CAUTION, (SUB FOR R41781)	

5C5

OPERATORS STATION

ROPS W/SEAT BELT
(NO HI-CROP)

RXP011455 -UN-12DEC94



RXP011455

5C6

OPERATORS STATION

ROPS W/SEAT BELT - CONTINUED
(NO HI-CROP)

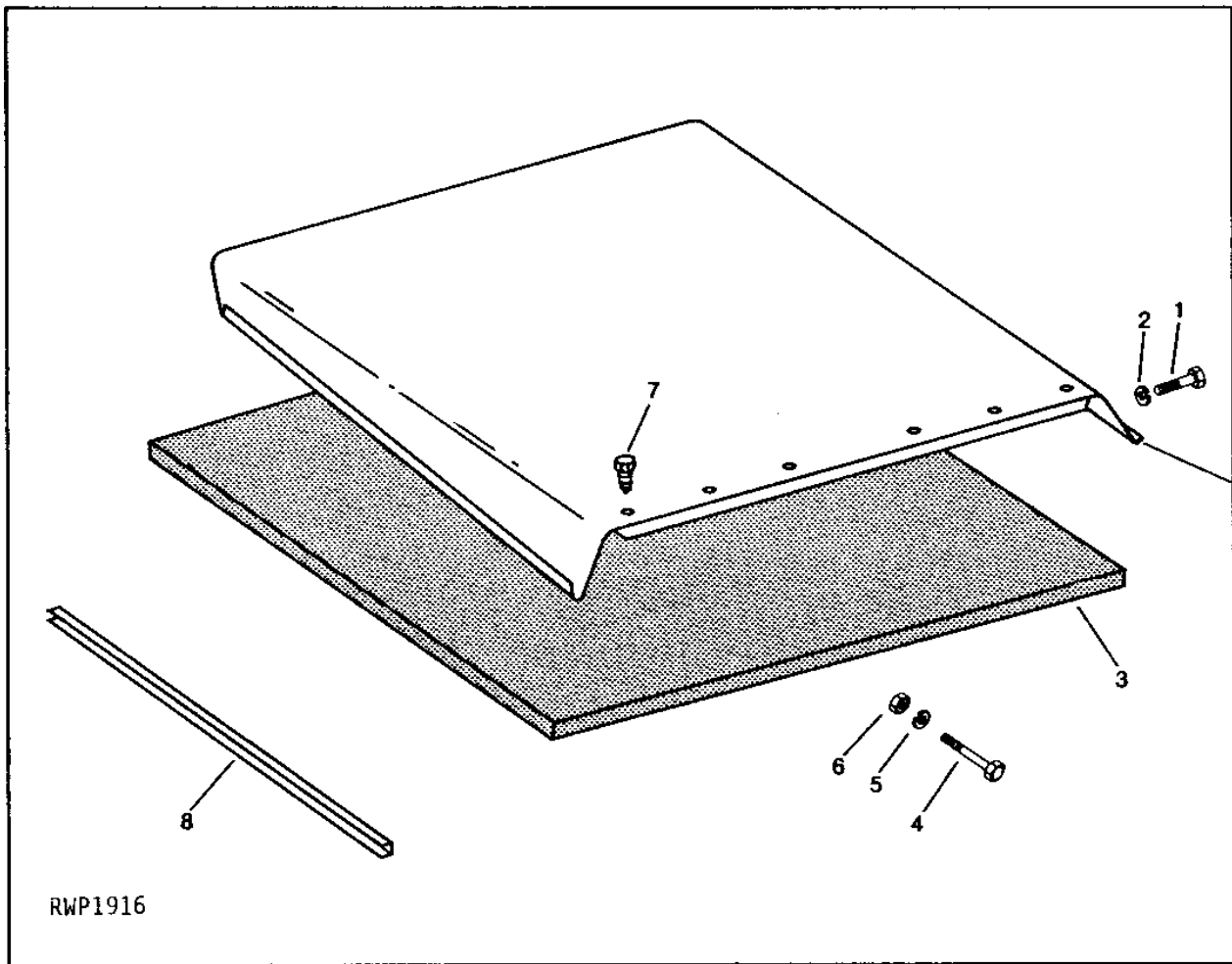
KEY	PART NO.	PART NAME	QTY	CAB SERIAL NO.	REMARKS
1	RE58262	ROLL-GARD	1	(FI)	
2	R42439	BOLT	8		
3	R41355	PLATE	2		
4	AR41762	BELT	1	(FI)	
5	14H807	NUT	2	7/16"	
6	12H293	LOCK WASHER	2	7/16"	
7	24H1226	WASHER	2	1/2" X 1-1/4" X 0.083"	
8	R41778	BOLT	2		
9	R117491	DECAL	1		
10	R120124	LABEL	1		
11	R120128	LABEL	1		
12	R81424	LABEL	1		
13	40M7195	SNAP RING	4		
14	99M7080	SPRING LOCKING PIN	1		
15	RE58679	HINGE	2		
16	RE58612	ROD	2		
..	37M7131	SCREW	1		

5C7

OPERATORS STATION

RWP1916 -UN-01JAN94

CANOPY
(TWO-POST ROLL-GARD)



5C8

OPERATORS STATION

**CANOPY - CONTINUED
(TWO-POST ROLL-GARD)**

KEY	PART NO.	PART NAME	QTY	TRACTOR SERIAL NO.	REMARKS
1	19H1731	CAP SCREW	6		3/8" X 1"
2	12H304	LOCK WASHER	6		3/8"
3	R47197	FOAM PAD	1		
4	19H2054	CAP SCREW	6		3/8" X 4-3/4"
5	12H304	LOCK WASHER	6		3/8"
6	14H1076	NUT	6		3/8"
7	37H29	SCREW	10		5/16" X 5/8"
8	R41358	ISOLATOR	2		
9	AR51452	CANOPY	1		

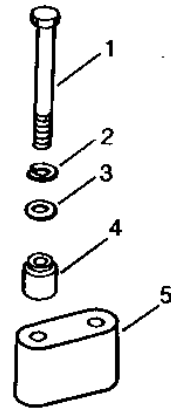
MEMORANDA

5C9

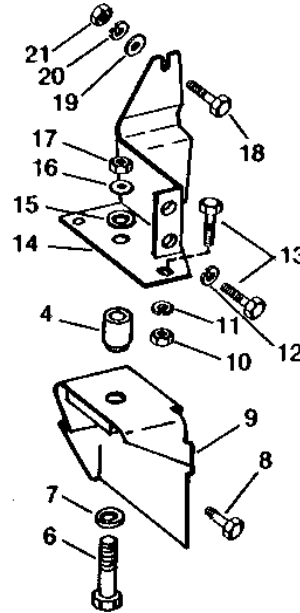
OPERATORS STATION

RP2434 -UN-01JAN94

FOUR-POST ROLL-GARD MOUNTING



RP2434



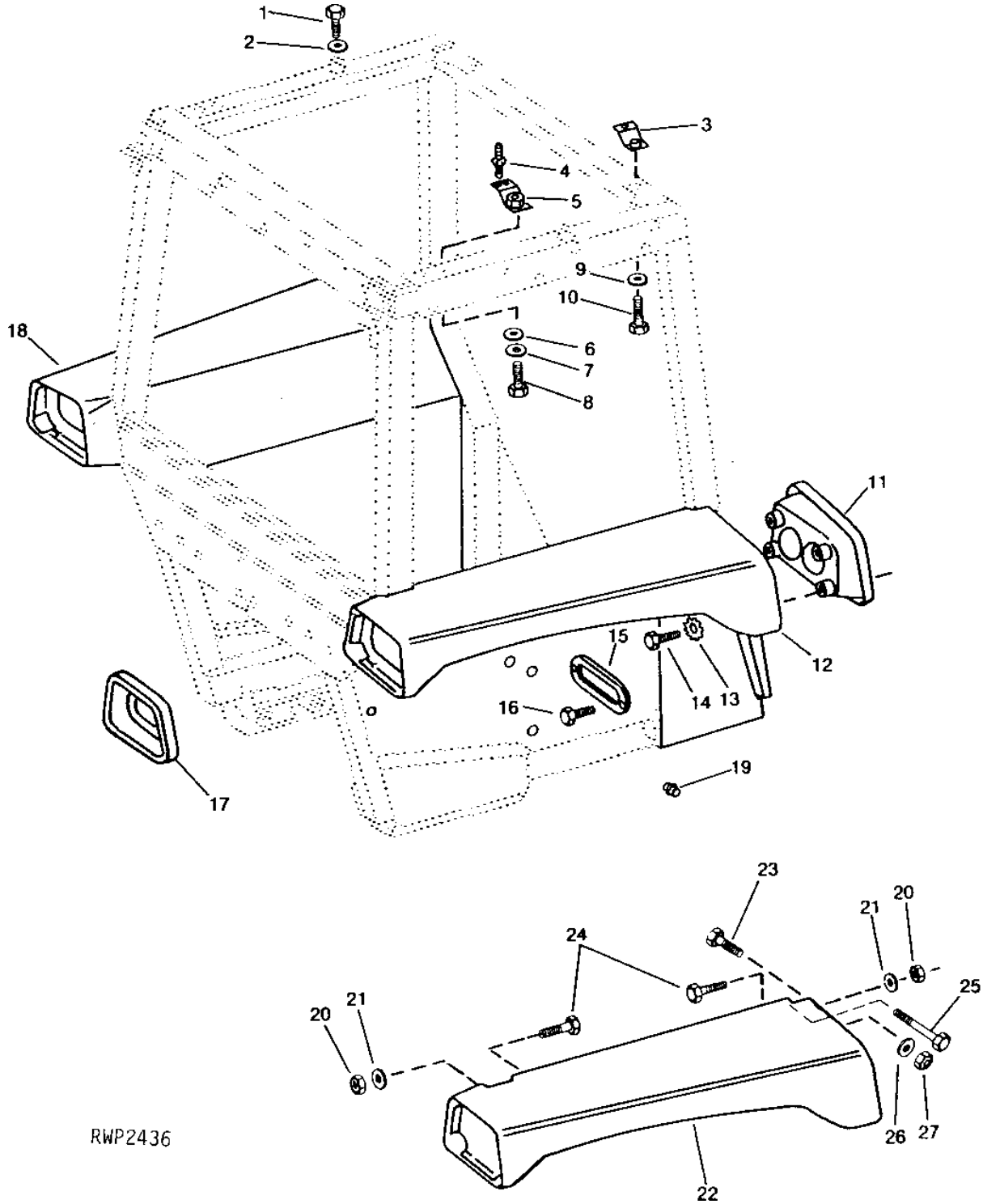
KEY	PART NO.	PART NAME	QTY	TRACTOR SERIAL NO.	REMARKS
1	R54744	CAP SCREW	4		(SUB FOR R50439) (SUB R77720)
2	12H236	LOCK WASHER	4		3/4"
3	R54124	WASHER	4		
4	R53711	SPACER	6		
5	R52423	SPACER	2		(NO LONGER AVAILABLE)
6	19H2725	CAP SCREW	2		3/4" X 3-3/4"
7	24H1400	WASHER	2		25/32" X 1-5/8" X 1/4"
8	19H3299	CAP SCREW	4		1/2" X 1-1/4", (ALSO ORDER (2) R42408) (SUB FOR R52524)
9	AR55879	BRACKET	1	-011304	(SUB AR70857, (2) R42408, (2) 19H3299 AND (2) 12H301)
	AR70857	BRACKET	1	011305-	
	AR55880	BRACKET	1	-011304	(SUB AR70856, (2) R42408) (SUB AR70856, (2) R42408, (2) 12H301 AND (2) 19H3299)
	AR70856	BRACKET	1	011305-	
10	14H1040	NUT	2		1/2"
11	12H301	LOCK WASHER	2		1/2"
12	12H301	LOCK WASHER	4		1/2"
13	19H1815	CAP SCREW	6		1/2" X 1-1/4"
14	AR72480	BRACKET	1		(SUB FOR AR55331) (SUB AR84566)
	AR84567	BRACKET	1		(SUB FOR AR55332 OR AR73479) (SUB RE37512)
15	24H1648	WASHER	2		25/32" X 1-3/4" X 0.060"
16	12H236	LOCK WASHER	2		3/4"
17	14H794	NUT	2		3/4"
18	03H2070	BOLT	2		3/8" X 1-1/8"
19	24H1305	WASHER	2		13/32" X 13/16" X 0.065"
20	12H304	LOCK WASHER	2		3/8"
21	14H1076	NUT	2		3/8"

5C10

OPERATORS STATION

RWP2436 -UN-16NOV94

FOUR-POST ROLL-GARD BODY



RWP2436

5C11

OPERATORS STATION

FOUR-POST ROLL-GARD BODY - CONTINUED

KEY	PART NO.	PART NAME	QTY	TRACTOR SERIAL NO.	REMARKS
1	19H2367	CAP SCREW	2		5/8" X 3/4"
2	24H1106	WASHER	2		11/16" X 1-3/4" X 0.134"
3	AR54894	BRACKET	2		
4	R55326	RIVET	8		(SUB FOR R50217)
5	AR54896	BRACKET	2		
6	24H1822	WASHER	4		11/32" X 7/8" X 1/16"
7	12H303	LOCK WASHER	4		5/16"
8	19H2127	CAP SCREW	4		5/16" X 7/8"
9	12H297	LOCK WASHER	4		1/4"
10	21H1303	SCREW	4		1/4" X 3/4"
11	AR57235	PANEL	1	-XXXXXX	R.H. (SUB R81699 AND (4) R81698)
	R81699	PANEL	1	XXXXXX-	R.H.
	AR53988	PANEL	1	-XXXXXX	L.H. (SUB R81700 AND (4) R81698)
	R81700	PANEL	1	XXXXXX-	L.H.
12	AR61223	FENDER	1		
	R50788	BRACE	1		
	R51699	BRACE	1		
13	12M7032	LOCK WASHER	2		0.331"
14	AR58652	BOLT	8	-XXXXXX	
	R81698	SCREW	8	XXXXXX-	
15	R53233	COVER	2		
16	R52938	CAP SCREW	4		
17	R52561	SHIELD	1		R.H.
	R52562	SHIELD	1		L.H.
18	AR61224	FENDER	1		
	R50789	BRACE	1		
	R51700	BRACE	1		
19	R52233	PLUG	1		
20	14H812	NUT	10		(A) 3/8"
21	24H1305	WASHER	10		(A) 13/32" X 13/16" X 0.065"
22	RE11221	FENDER	1		(A) R.H. (SUB FOR AR89290)
	RE11222	FENDER	1		(A) L.H. (SUB FOR AR89291)
23	03H1540	BOLT	6		(A) 5/16" X 3/4"
24	19H1731	CAP SCREW	10		(A) 3/8" X 1"
25	19H1900	CAP SCREW	4		(A) 5/16" X 3/4"
26	24H1136	WASHER	6		(A) 11/32" X 11/16" X 0.065"
27	14H785	NUT	6		(A) 5/16"
..	19H1900	CAP SCREW	2		(B) 5/16" X 3/4"
..	12H303	LOCK WASHER	2		(B) 5/16"
..	19H1732	CAP SCREW	2		(B) 3/8" X 1-1/4"
..	14H1076	NUT	2		(B) 3/8"
..	12H304	LOCK WASHER	2		(B) 3/8"

(A) REPLACEMENT ROLL-GARD

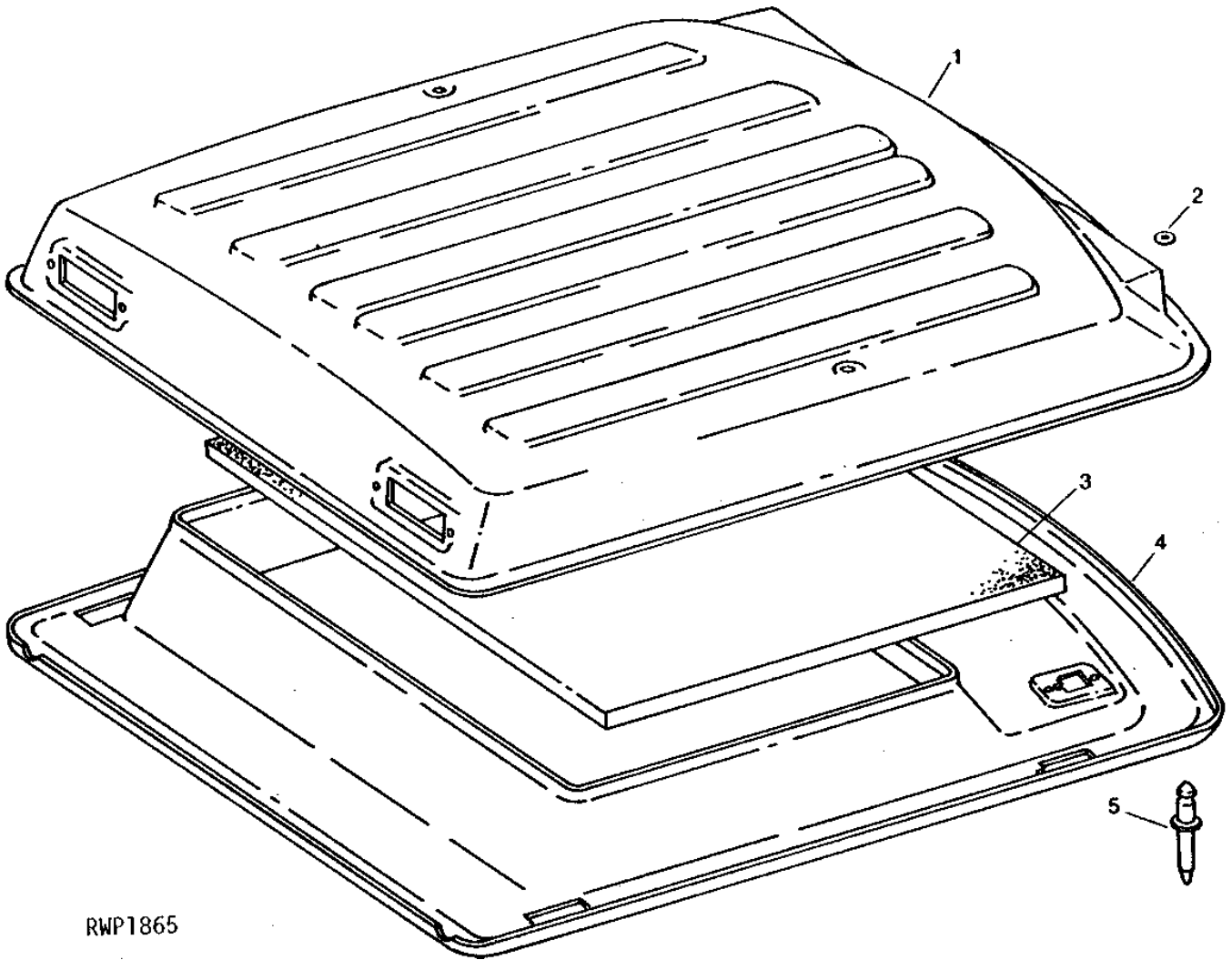
(B) FLOOR TO CONTROL SUPPORT SIDE

5C12

OPERATORS STATION

RWP1865 -UN-01JAN94

CANOPY
(FOUR-POST ROLL-GARD)



RWP1865

5C13

OPERATORS STATION

**CANOPY - CONTINUED
(FOUR-POST ROLL-GARD)**

KEY	PART NO.	PART NAME	QTY	TRACTOR SERIAL NO.	REMARKS
1	AR56167	CANOPY	1		
2	R52119	WASHER	32		
3	R49930	FOAM PAD	1		
4	R50624	PANEL	1		
5	R52118	RIVET	32		

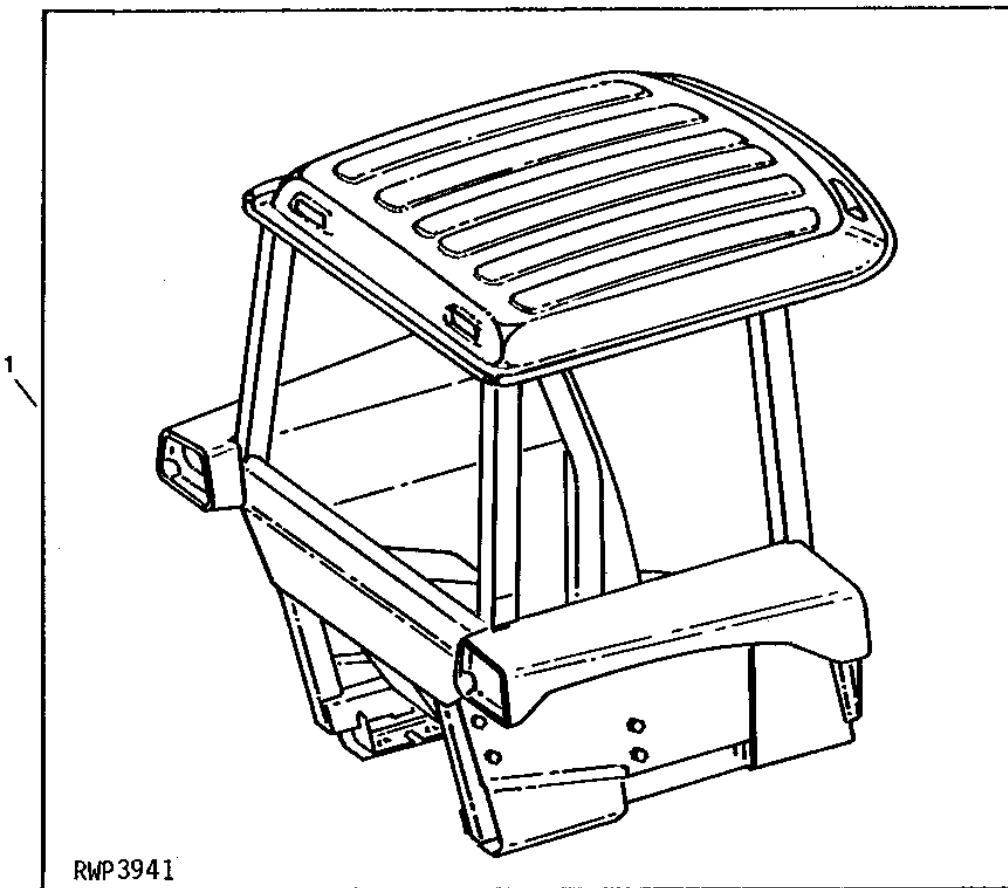
5C14

OPERATORS STATION

RWP3941

-UN-01JAN94

FOUR-POST ROLL-GARD WITH CANOPY FOR REPLACEMENT



5C15

OPERATORS STATION

FOUR-POST ROLL-GARD WITH CANOPY FOR REPLACEMENT - CONTINUED

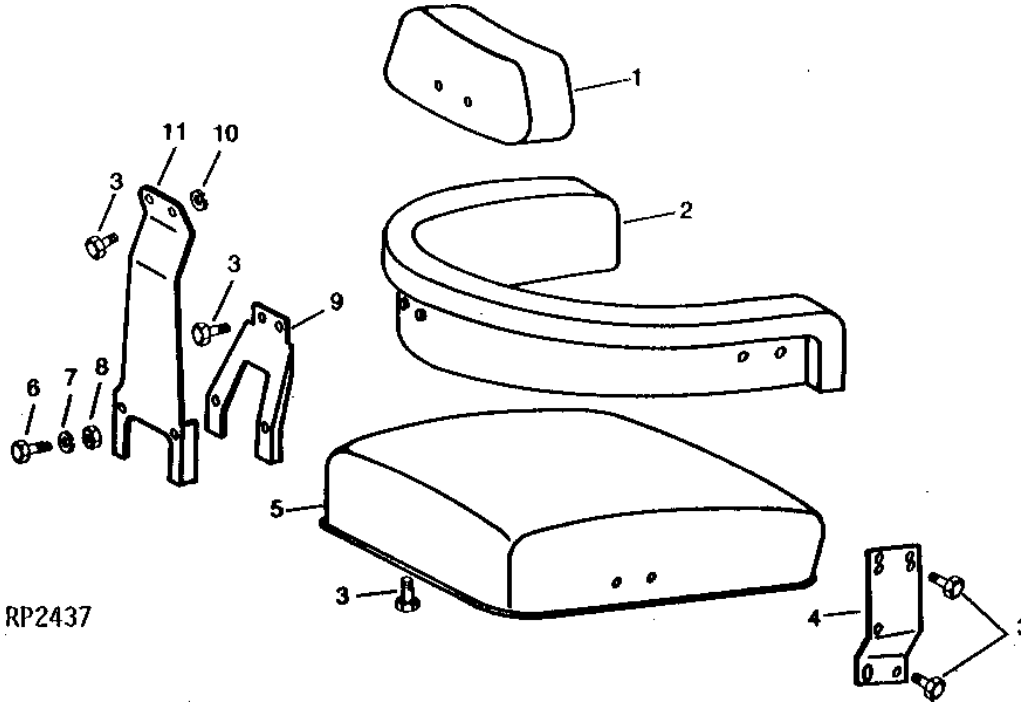
KEY	PART NO.	PART NAME	QTY	TRACTOR SERIAL NO.	REMARKS
1	AR94710	ROLL-GARD	1		(NO CONSOLE, NO SEAT)

5C16

OPERATORS STATION

RP2437 -UN-01JAN94

DELUXE SEAT



RP2437

KEY	PART NO.	PART NAME	QTY	TRACTOR SERIAL NO.	REMARKS
1	R34267	SEAT BACK	1	(A) (SUB FOR AR59679)	
	AR59676	CUSHION	1	(A) (B)	
	R34619	CUSHION COVER	1		
2	AR59680	ARMREST	1	(A)	
	AR59677	ARMREST	1	(B)	
	R34620	CUSHION COVER	1	(A)	
3	19H1813	CAP SCREW	16	5/16" X 5/8", (4 USED, SOUND-GARD BODY)	
	AR58652	BOLT	12	(SOUND-GARD BODY)	
4	R41938	SUPPORT	1	L.H. (SUB R57275)	
	R41937	SUPPORT	1	R.H. (SUB R57274)	
5	AR59681	CUSHION	1	(A) (SUB AR44763)	
	AR59678	CUSHION	1	(B) (SUB AR69761)	
6	19H1905	CAP SCREW	2	5/16" X 1"	
7	12H303	LOCK WASHER	2	5/16"	
8	14H785	NUT	2	5/16"	
9	R27785	SUPPORT	1		
10	24H448	WASHER	2	25/32" X 1-1/8" X 0.090"	
11	R34272	SUPPORT	1		
..	AR41761	SEAT BELT	1	(C) 51MM (2") WIDTH	
..	AT38518	SEAT BELT	1	(C) 76MM (3") WIDTH	

(A) YELLOW
 (B) BROWN
 (C) USE WITH ROLL-GARD OR SOUND-GARD BODY

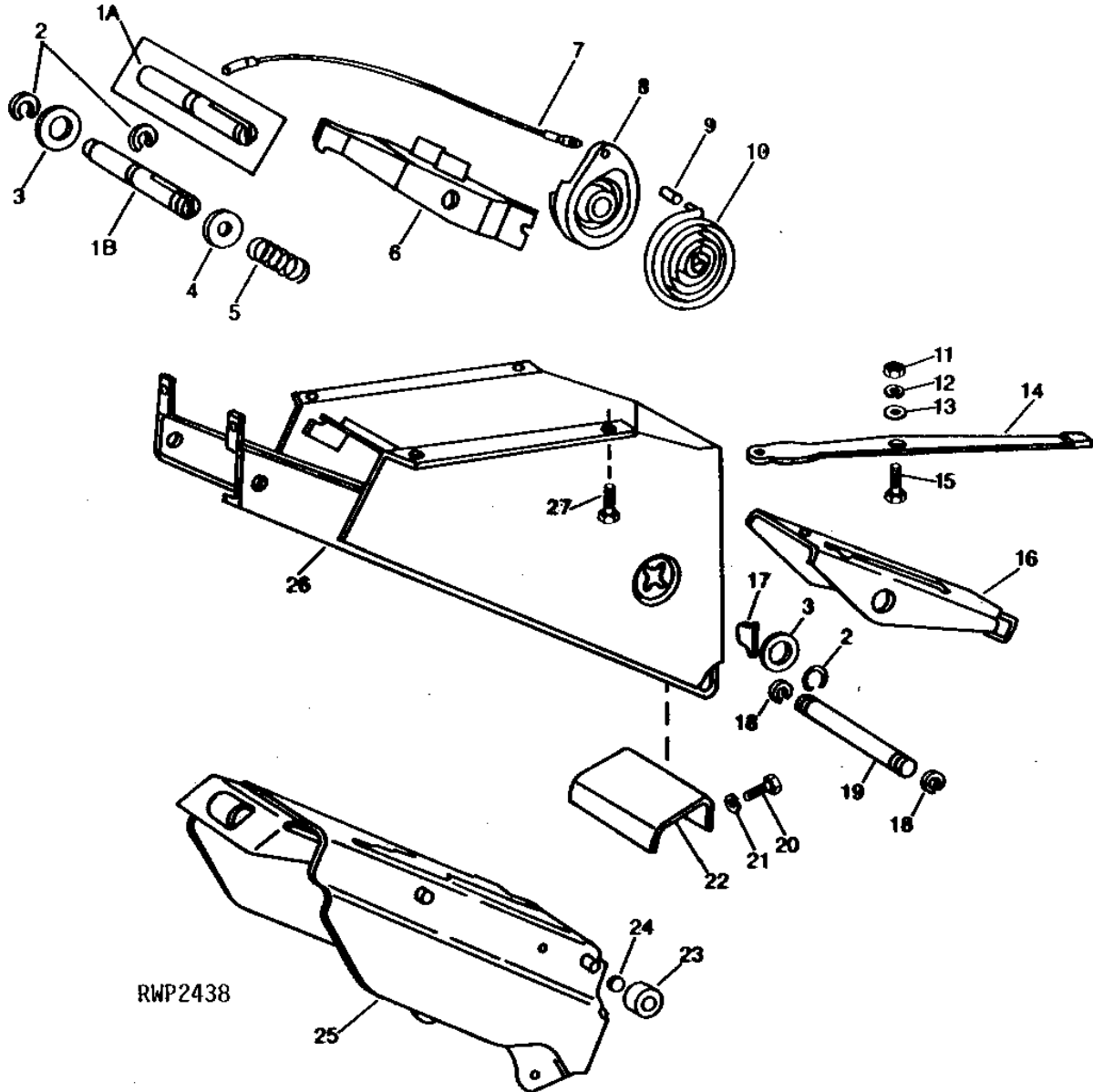
MEMORANDA

5C17

OPERATORS STATION

RWP2438 -UN-01JAN94

DELUXE SEAT SUPPORT



RWP2438

5C18

OPERATORS STATION

DELUXE SEAT SUPPORT - CONTINUED

KEY	PART NO.	PART NAME	QTY	TRACTOR SERIAL NO.	REMARKS
1A	R26874	SHAFT	1	-007055	
1B	R57572	PIN	1	007056-	(ALSO ORDER R73380 AND (2) 24H1384) (SUB FOR R56064)
2	R73380	SNAP RING	2	-007055	(SUB FOR A369R)
	R73380	SNAP RING	3	007056-	(SUB FOR A369R)
3	24H1384	WASHER	2	007056-	49/64" X 1-1/16" X 0.036"
4	24H1395	WASHER	1		25/32" X 1-7/16" X 0.060"
5	A4744R	SPRING	1		
6	R26828	LATCH	1		
7	AR26403	CABLE	1		(SUB R78257)
8	R26432	REEL	1		
9	34H282	SPRING PIN	1		3/16" X 1"
10	R31260	SPRING	1		
11	14H786	NUT	1		1/4"
12	12H302	LOCK WASHER	1		1/4"
13	24H1287	WASHER	1		9/32" X 5/8" X 0.065"
14	R27439	LEVER	1		
15	R26431	SCREW	1		
16	R26830	HANDLE	1		
17	R26434	LATCH	1		
18	R26871	SNAP RING	2		
19	R26829	PIN	1		
20	19H1900	CAP SCREW	2	-XXXXXX	5/16" X 3/4"
21	12H303	LOCK WASHER	2	-XXXXXX	5/16"
22	AR54598	STOP	1	-XXXXXX	(ROLL-GARD OR SOUND-GARD BODY)
23	R26436	ROLLER	4		
24	R26872	SHIM	1		0.25MM (.010")
	R26873	SHIM	1		0.51MM (.020")
25	AR53927	FRAME	1		
26	AR68728	SUPPORT	1		(ALSO ORDER R57572, R73380, (2) 24H1384 AND (2) 28H1517) (SUB FOR AR54261 OR AR65883)
27	19H1813	CAP SCREW	4		5/16" X 5/8"

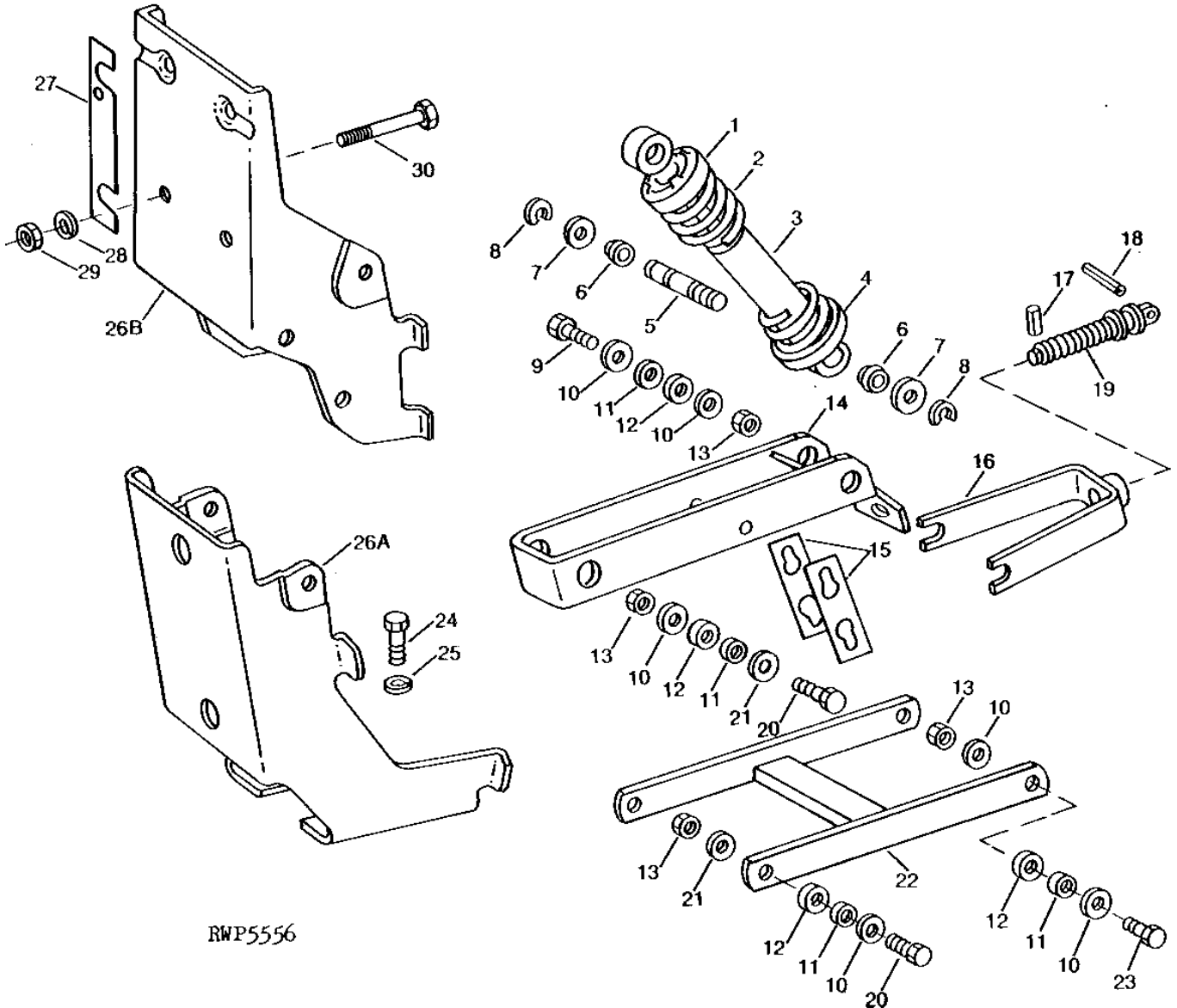
5C19

OPERATORS STATION

RWP5556

-UN-01JAN94

DELUXE SEAT SUSPENSION



RWP5556

5C20

OPERATORS STATION

DELUXE SEAT SUSPENSION - CONTINUED

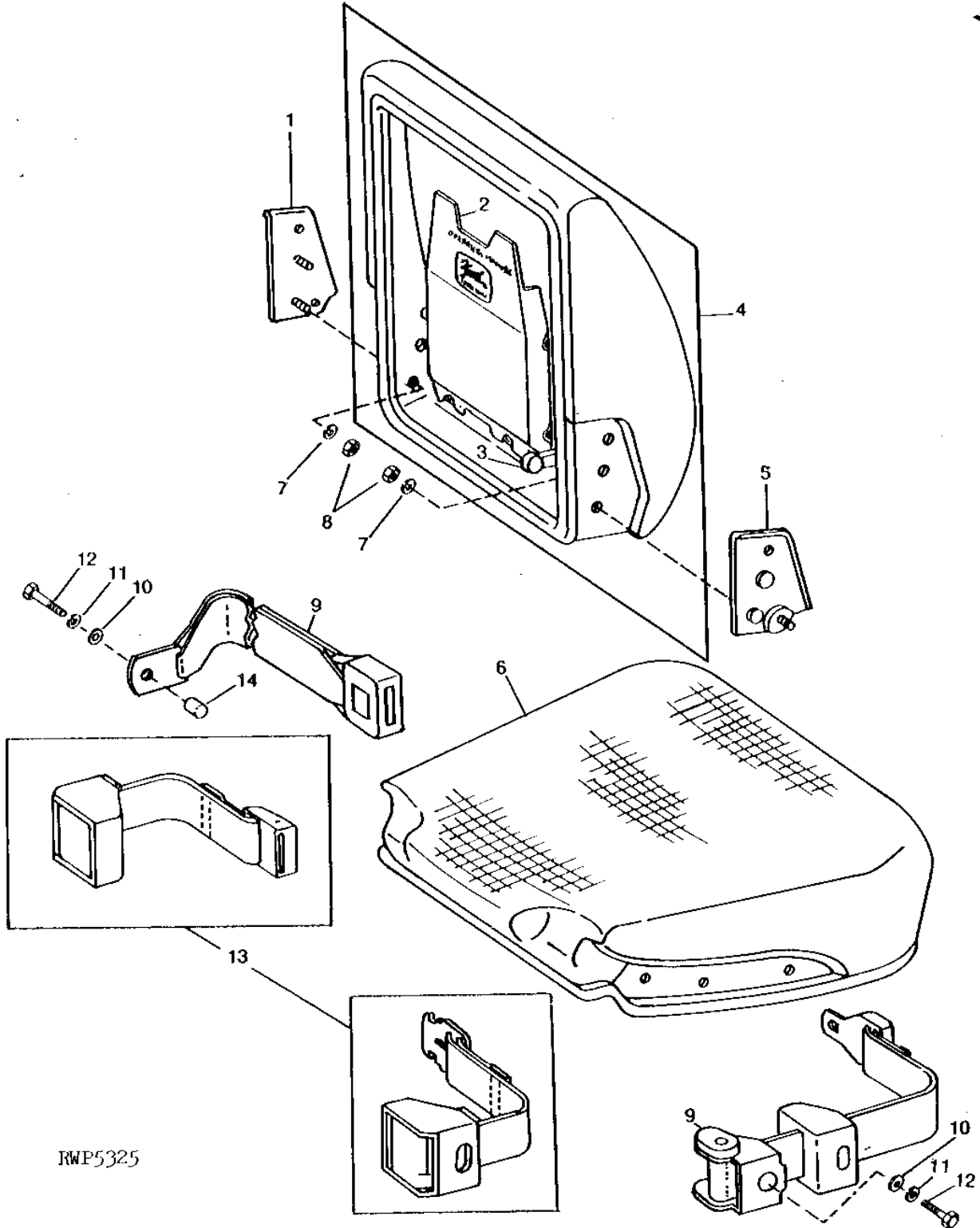
KEY	PART NO.	PART NAME	QTY	TRACTOR SERIAL NO.	REMARKS
1	R27442	CAP	1		
2	R26877	SPRING	1		
3	AR71976	ABSORBER	1		(SUB FOR AR26529 OR AR69854) (SUB RE62234)
4	R26879	CAP	1		
5	R26876	SHAFT	1		
6	R26832	BUSHING	2		
7	R1836R	WASHER	2		
8	F2863R	SNAP RING	2		
9	19H2552	CAP SCREW	2		3/8" X 1-1/8"
10	R27441	WASHER	8		
11	R51649	BEARING RACE	8		
12	R51648	WASHER	8		
13	M63440	LOCK NUT	8		(SUB T11234)
14	AR36048	ARM	1		(SUB AR60029)
15	R26878	LINK	2		
16	AR69272	FORK	1		(SUB FOR AR53926)
17	34H247	SPRING PIN	1		1/8" X 3/4"
18	34H323	SPRING PIN	1		1/4" X 3"
19	R57623	SCREW	1		(ALSO ORDER 34H323) (SUB FOR R27121)
20	19H1800	CAP SCREW	4		3/8" X 1-1/2"
21	R53436	WASHER	6		
22	AR69266	LINK	1		(SUB FOR AR60030)
23	19H2552	CAP SCREW	2		3/8" X 1-1/8"
24	19H1731	CAP SCREW	4		3/8" X 1"
25	12H304	LOCK WASHER	4		3/8"
26A	AR69240	SUPPORT	1		(SUB FOR AR54263)
26B	AR68727	SUPPORT	1		(ROLL-GARD OR (SOUND-GARD BODY) (SUB FOR AR55936)
27	R56324	SHIM	AR		
28	12H301	LOCK WASHER	4		1/2"
29	14H1040	NUT	4		1/2"
30	19H1815	CAP SCREW	2		1/2" X 1-1/4"

5C21

OPERATORS STATION

RWP5325 -UN-01JAN94

SEAT CUSHIONS AND SEAT BELT (PERSONAL-POSTURE SEAT)



RWP5325

5C22

OPERATORS STATION

SEAT CUSHIONS AND SEAT BELT - CONTINUED (PERSONAL-POSTURE SEAT)

KEY	PART NO.	PART NAME	QTY	SG BODY SERIAL NO.	REMARKS
1	AR71109	PLATE	1		
2	RE13541	KIT	1		OPERATOR'S MANUAL HOLDER
3	R41387	KNOB	1		
4	AR71107	CUSHION	1		(SUB RE12049)
5	AR71108	PLATE	1		
6	AR76515	CUSHION	1		(PERSONAL-POSTURE SEAT)
	AR82944	CUSHION	1		(HYDRACUSHIONED SEAT)
7	R53668	THRUST WASHER	4		
8	R53670	WELD NUT	4		
9	RE19989	SEAT BELT	1		
10	24M7044	WASHER	2		13 X 20 X 2 MM
11	R59897	LOCK WASHER	2		
12	R59030	CAP SCREW	2		
13	AR71111	SEAT BELT	1		
14	R81560	CAP	1		(USE WITH RE19989)

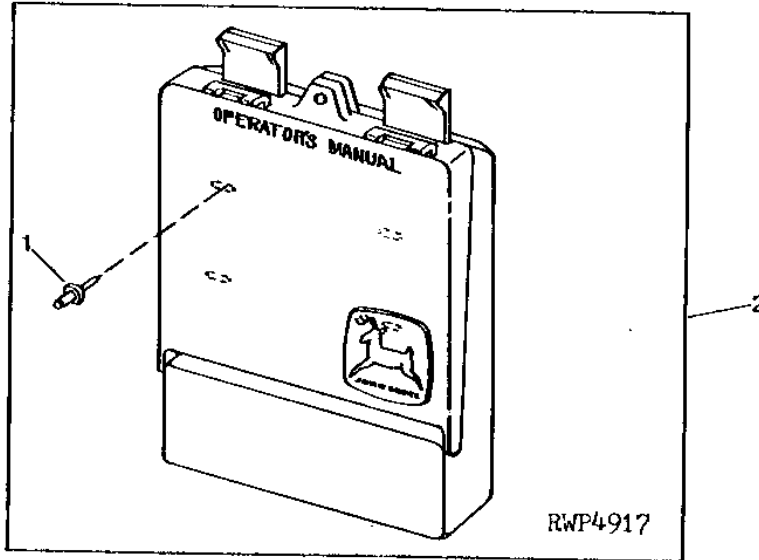
MEMORANDA

5C23

OPERATORS STATION

RWP4917 -UN-01JAN94

OPERATOR'S MANUAL HOLDER
(LESS SOUND-GARD BODY)



KEY	PART NO.	PART NAME	QTY	TRACTOR SERIAL NO.	REMARKS
1	R77914	RIVET	4		
2	AT104505	KIT	1	(SUB FOR RE14245)	(SUB RE14246 AND (4) R79033)

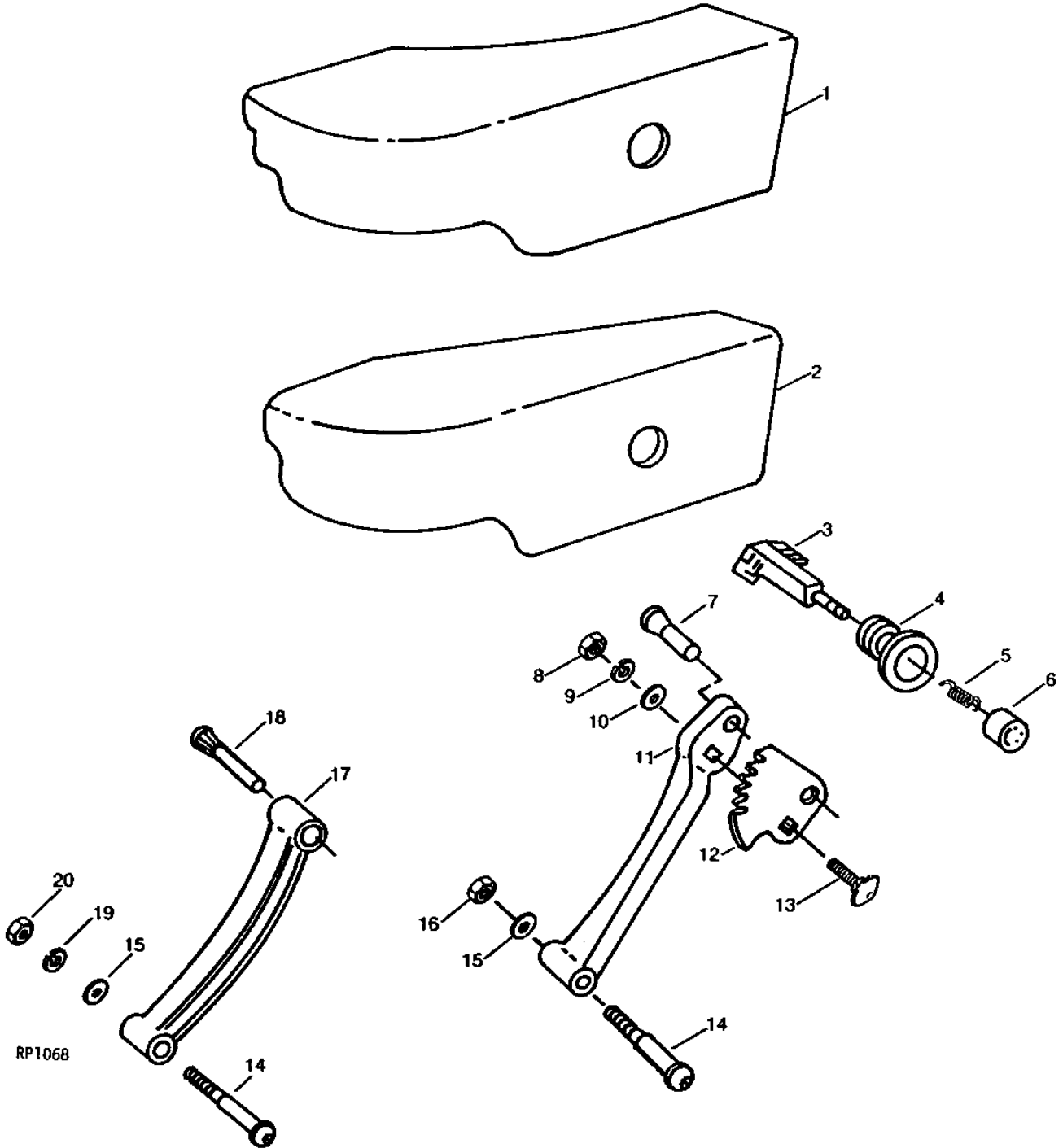
5C24

OPERATORS STATION

RP1068

-UN-01JAN94

ARMREST (PERSONAL-POSTURE SEAT)



RP1068

5C25

OPERATORS STATION

ARMREST - CONTINUED
(PERSONAL-POSTURE SEAT)

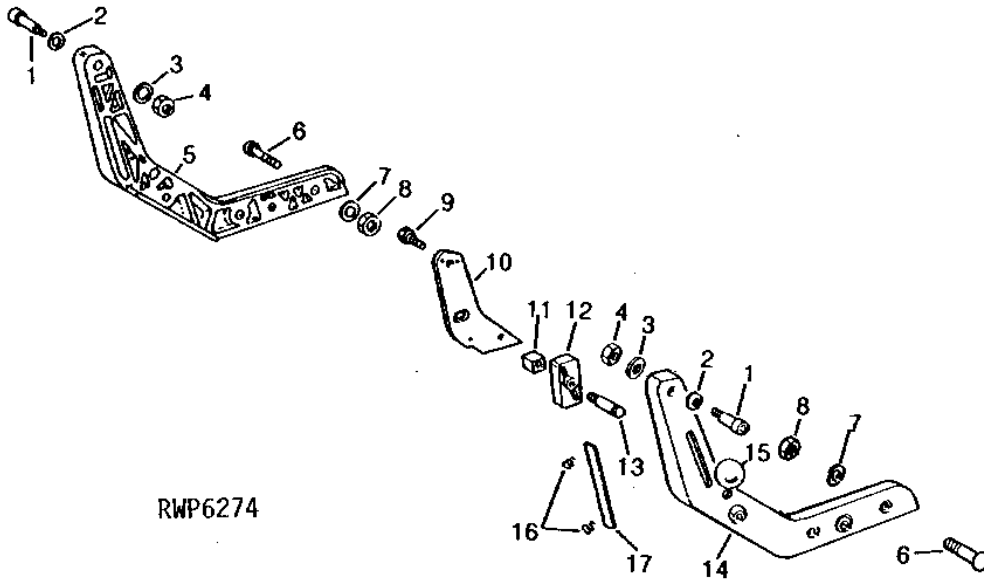
KEY	PART NO.	PART NAME	QTY	SG BODY SERIAL NO.	REMARKS
1	R59280	CUSHION	1		R.H.
	R59025	CUSHION	1		L.H.
2	R58817	ARMREST	1		R.H.
	R58816	ARMREST	1		L.H.
3	R59320	SHAFT KEY	1		R.H.
	R59070	SHAFT KEY	1		L.H.
4	R59028	BUSHING	2		
5	A4741R	SPRING	2		
6	R59029	KNOB	2		
7	R59183	PIN	1		
	R59021	PIN	1		
8	14H732	NUT	2		3/8"
9	12H304	LOCK WASHER	2		3/8"
10	24H1302	WASHER	2		13/32" X 11/16" X 0.035"
11	R59020	LINK	2		
12	R61862	PLATE	2		
13	03H2275	BOLT	1		3/8" X 5/8", L.H.
	10H1025	BOLT	1		3/8" X 3/4", R.H.
14	R59022	SCREW	4		
15	R27441	WASHER	4		
16	K40003	LOCK NUT	2		
17	R59013	LINK	2		
18	R59023	PIN	2		
19	R53668	THRUST WASHER	2		
20	R53670	WELD NUT	2		

5D1

OPERATORS STATION

SEAT BACKREST SUPPORTS (PERSONAL-POSTURE SEAT)

RWP6274 -UN-01JAN94



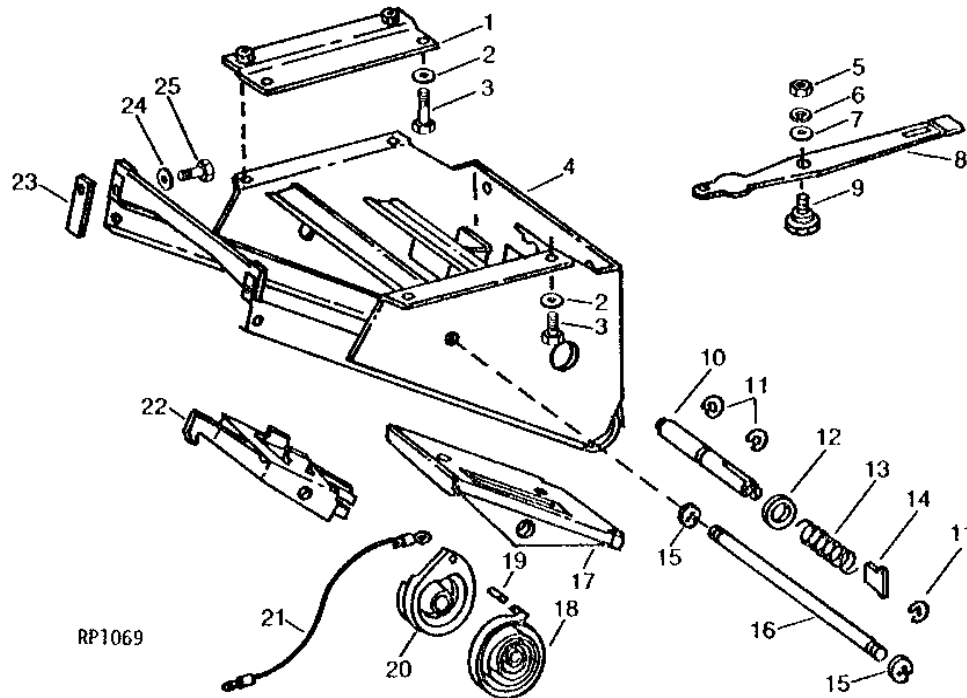
KEY	PART NO.	PART NAME	QTY	TRACTOR SERIAL NO.	REMARKS
1	R59019	SCREW	2		
2	T519T	WASHER	2		
3	R53668	THRUST WASHER	2		
4	R53670	WELD NUT	2		
5	R58814	SUPPORT	1		(SUB R89143)
6	R59015	GANG BOLT	4		
7	R53668	THRUST WASHER	4		
8	R53670	WELD NUT	4		
9	37H196	SCREW	3		
10	R59011	PLATE	1		
11	R59018	BUSHING	1		
12	R59010	ADJUSTER	1		(SUB R105581)
13	R59012	WELD STUD	1		
14	R58813	SUPPORT	1		(SUB R89142)
15	R60458	KNOB	1		
16	R31890	SPRING	2		
17	R59009	REINFORCEMENT	1		

5D2

OPERATORS STATION

RP1069 -UN-01JAN94

SEAT SUPPORT AND LATCH (PERSONAL-POSTURE SEAT)



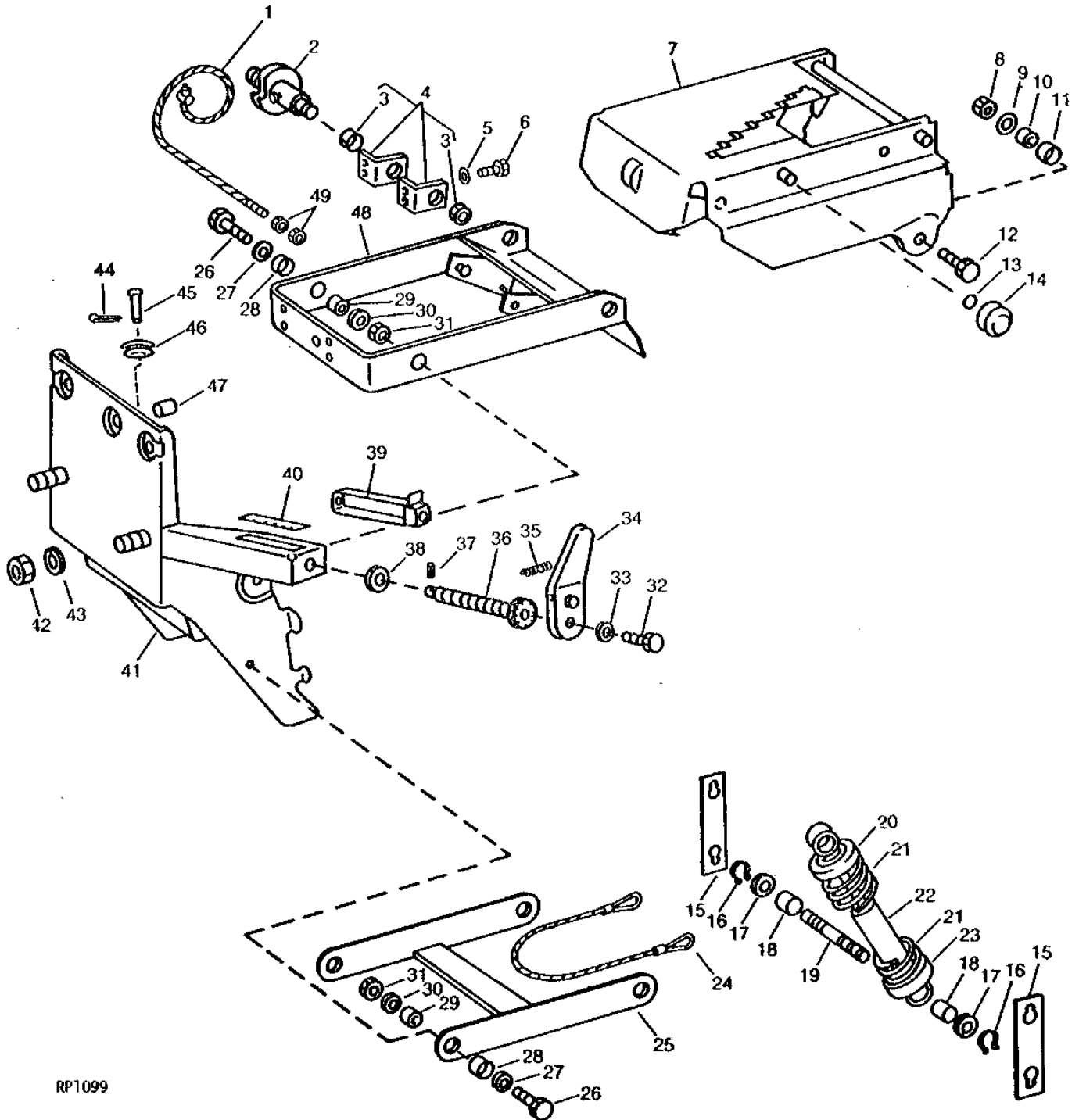
KEY	PART NO.	PART NAME	QTY	SG BODY SERIAL NO.	REMARKS
1	AR72055	ADAPTER	1		
2	12H303	LOCK WASHER	6	5/16"	
3	19H1813	CAP SCREW	6	5/16" X 5/8"	
4	AR71095	SUPPORT	1	(SUB AR75924)	
5	14H786	NUT	1	1/4"	
6	12H302	LOCK WASHER	1	1/4"	
7	24H1287	WASHER	1	9/32" X 5/8" X 0.065"	
8	R27439	LEVER	1		
9	R26431	SCREW	1		
10	R57572	PIN	1		
11	R73380	SNAP RING	3	(SUB FOR A369R)	
12	24H1384	WASHER	1	49/64" X 1-1/16" X 0.036"	
13	A4744R	SPRING	1		
14	R26434	LATCH	1		
15	R26871	SNAP RING	2		
16	R58999	PIN	1		
17	R26830	HANDLE	1		
18	R26433	SPRING	1		
19	34H282	SPRING PIN	1	3/16" X 1"	
20	R26432	REEL	1		
21	AR26403	CABLE	1	(SUB R78257)	
22	R26828	LATCH	1		
23	R61286	STOP	2		
24	12H303	LOCK WASHER	2	5/16"	
25	R53662	SELF-LOCKING SCREW	2		

5D3

OPERATORS STATION

SEAT SUSPENSION (PERSONAL-POSTURE SEAT)

RP1099 -UN-01JAN94



RP1099

5D4

OPERATORS STATION

SEAT SUSPENSION - CONTINUED
(PERSONAL-POSTURE SEAT)

KEY	PART NO.	PART NAME	QTY	SG BODY SERIAL NO.	REMARKS
1	AR72840	CABLE	1		
2	AR72842	REEL	1		
	R27434	SNAP RING	2	-XXXXXX	
3	R51648	WASHER	2		
4	AR72848	BRACKET	2		
5	12H303	LOCK WASHER	4	5/16"	
6	19H2127	CAP SCREW	4	5/16" X 7/8"	
7	AR71099	FRAME	1		
8	M63440	LOCK NUT	4	(SUB T11234)	
9	R27441	WASHER	4		
10	R51649	BEARING RACE	4		
11	R51648	WASHER	4		
12	19H2552	CAP SCREW	4	3/8" X 1-1/8"	
13	R26872	SHIM	AR	0.25MM (.010")	
	R26873	SHIM	AR	0.51MM (.020")	
14	R26436	ROLLER	4		
15	R60024	LINK	2		
16	F2863R	SNAP RING	2		
17	R1836R	WASHER	2		
18	R26832	BUSHING	2		
19	R60025	SHAFT	1		
20	R27442	CAP	1		
21	R60319	SPRING	1		
22	RE62234	ABSORBER	1	(SUB FOR AR71976)	
23	R26879	CAP	1		
24	AR72841	CABLE	1		
25	AR71098	FRAME	1	(SUB AR88527)	
26	19H1800	CAP SCREW	4	3/8" X 1-1/2"	
27	R27441	WASHER	4		
28	R51648	WASHER	4		
29	R51649	BEARING RACE	4		
30	R53436	WASHER	4		
31	M63440	LOCK NUT	4	(SUB T11234)	
32	R43569	CAP SCREW	1	(SUB R72371)	
33	24H1305	WASHER	1	13/32" X 13/16" X 0.065"	
34	AR73562	LEVER	1		
35	R60657	SPRING	1		
36	AR73561	SCREW	1		
37	34H228	SPRING PIN	1	3/32" X 9/16"	
38	R70268	WASHER	1	-XXXXXX (SUB FOR R42363)	
	R60021	WASHER	1		
39	AR72838	FORK	1		
40	R60173	LABEL	1	(SUB R65442)	
41	AR72056	SUPPORT	1		
42	14H1040	NUT	4	1/2"	
43	12H301	LOCK WASHER	4	1/2"	
44	11M7081	COTTER PIN	1	0.098" X 0.787"	
45	R31044	PIN	1		
46	R60019	PULLEY	1		
47	R59792	CAP	1		
48	AR71097	ARM	1		
49	14H850	NUT	2	1/4"	

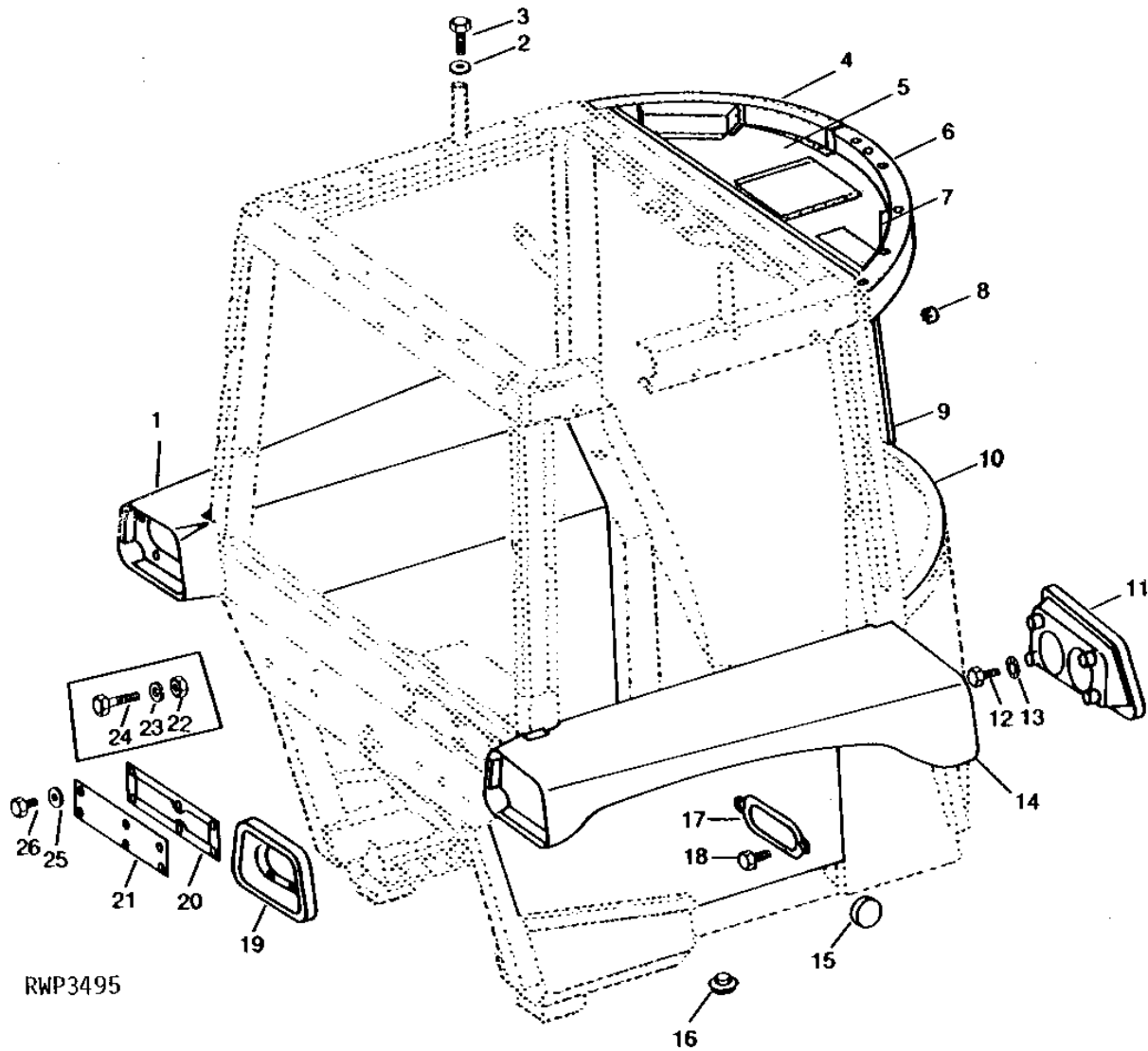
5D5

OPERATORS STATION

RWP3495

-UN-01JAN94

SOUND-GARD BODY



5D6

OPERATORS STATION

SOUND-GARD BODY - CONTINUED

KEY	PART NO.	PART NAME	QTY	SG BODY SERIAL NO.	REMARKS
1	RE15078	FENDER	1		(SUB FOR AR56953 OR AR77112) (ALSO ORDER M42229)
	R50789	BRACE	1		FRONT
	R51700	BRACE	1		REAR
2	24H1106	WASHER	2		11/16" X 1-3/4" X 0.134"
3	19H2367	CAP SCREW	2		5/8" X 3/4"
4	AR54673	FRAME	1		DOOR HEADER
5	R50740	PANEL	1		FRONT HEADLINER
6	R50446	CAB ROOF FRAME	1		WINDSHIELD HEADER
7	R59910	BRACKET	1		R.H. WIPER, (SUB FOR AR55973)
8	R28473	PLUG	2		(LESS R.H. MIRROR)
9	R50445	SUPPORT	1		
10	R50449	PANEL	1		FRONT L.H.
	R51704	PANEL	1		FRONT R.H.
	R50443	BRACE	1		FRONT UPPER, (SUB R65506)
	R53099	SUPPORT	1		FRONT PANEL
11	AR57235	PANEL	1	-XXXXXX	R.H. (SUB R81699 AND (4) R81698)
	R81699	PANEL	1	XXXXXX-	R.H.
	AR53988	PANEL	1	-XXXXXX	L.H. (SUB R81700 AND (4) R81698)
	R81700	PANEL	1	XXXXXX-	L.H.
12	AR58652	BOLT	8	-XXXXXX	
	R81698	SCREW	2	XXXXXX-	
13	12M7032	LOCK WASHER	8		0.331"
14	RE15077	FENDER	1		(ALSO ORDER M42229) (SUB FOR AR61225 OR AR77111)
	R50788	BRACE	1		FRONT
	R51699	BRACE	1		REAR
15	R52233	PLUG	1		
16	R67363	PLUG	1		
17	R53233	COVER	2		
18	R52938	CAP SCREW	2		
19	R52561	SHIELD	1		R.H.
	R52562	SHIELD	1		L.H.
20	R50470	GASKET	1		
21	R50469	COVER	1		
22	14H785	NUT	6	-XXXXXX	5/16"
23	12H303	LOCK WASHER	6	-XXXXXX	5/16"
24	19H1900	CAP SCREW	6	-XXXXXX	5/16" X 3/4"
25	12H303	LOCK WASHER	6	XXXXXX-	5/16"
26	37H27	SCREW	6	XXXXXX-	5/16" X 7/8"
..	AR55840	ASHTRAY	1		(SUB (2) R53678, R62545, R62546 AND R77404)
..	R52233	PLUG	2		(LESS AIR CONDITIONING) (3 USED LESS HEATER)
..	AR69003	GROMMET	1		ROPE OPENING
..	R52698	PLUG	2		BOTTOM FRONT UPRIGHTS
..	R32289	GROMMET	1	-093813	UNDER BODY DRAIN
..	R52233	PLUG	1	093814-	UNDER BODY DRAIN
..	R46663	SEALING TRIM	1		
..	R53745	TAPE	1		

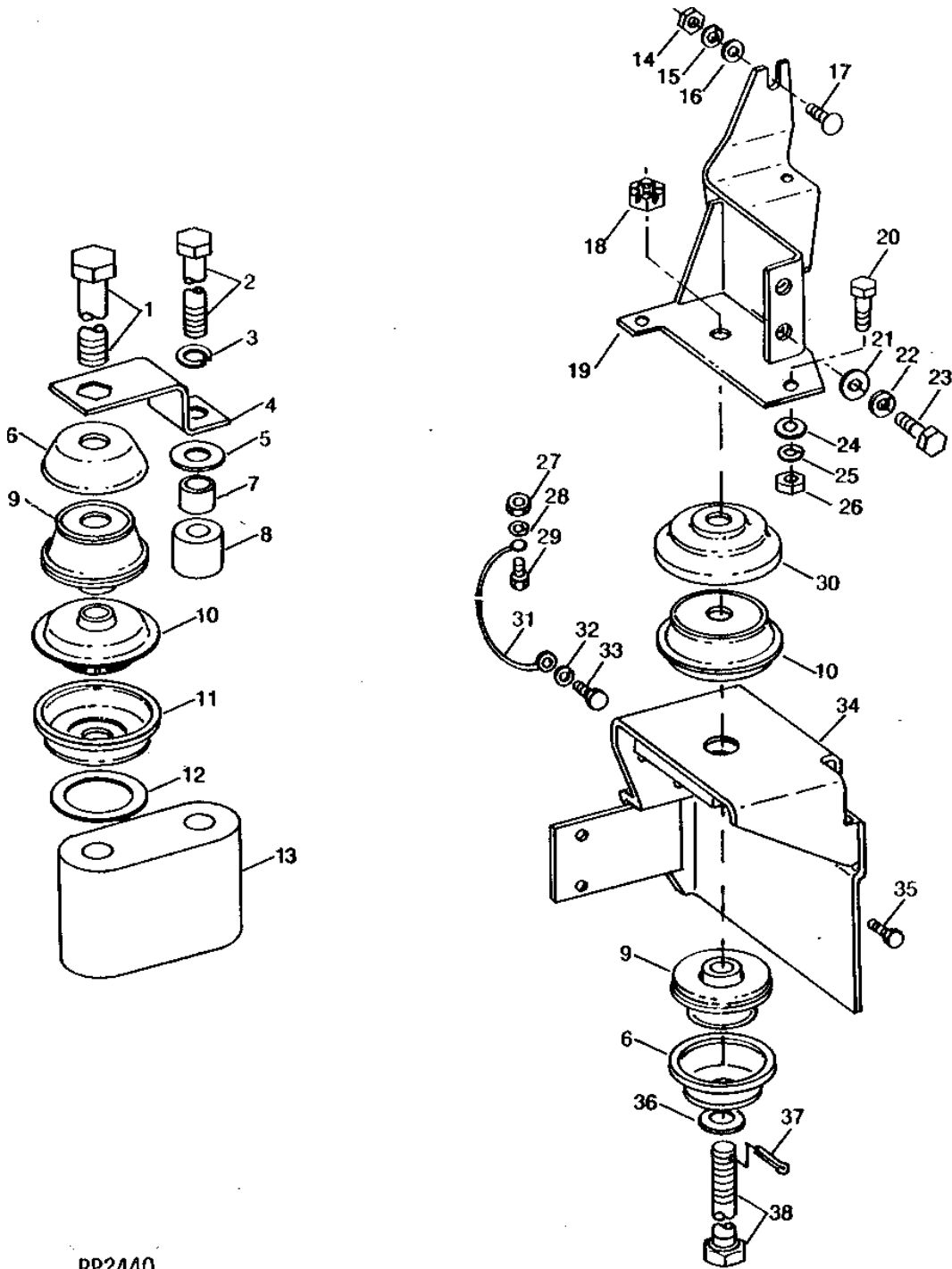
5D7

OPERATORS STATION

RP2440

-UN-01JAN94

SOUND-GARD BODY MOUNTS



RP2440

5D8

OPERATORS STATION

SOUND-GARD BODY MOUNTS - CONTINUED

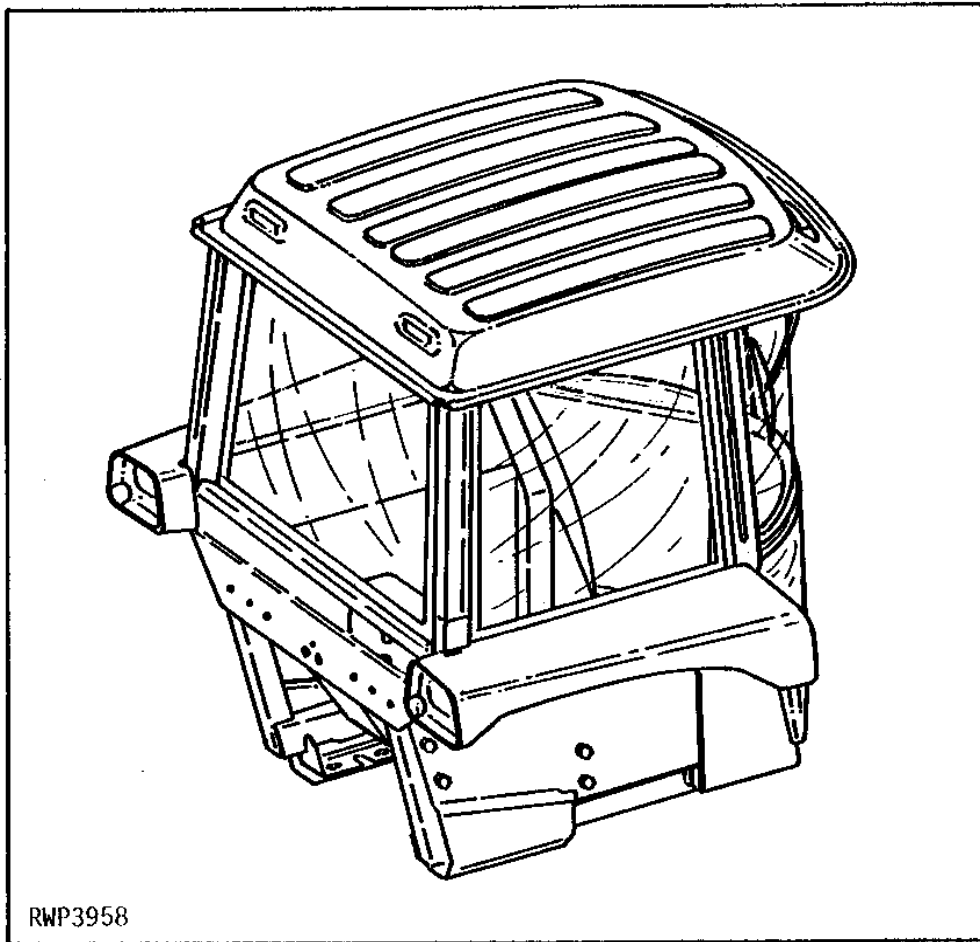
KEY	PART NO.	PART NAME	QTY	TRACTOR SERIAL NO.	REMARKS
1	R54740	BOLT	2		(SUB FOR R52734)
2	R54744	CAP SCREW	2		(SUB FOR R50439) (SUB R77720)
3	12H236	LOCK WASHER	2		3/4"
4	R50244	PLATE	2		
5	R54124	WASHER	2		
6	R53708	CAP	4		(SUB R59865)
7	R51929	BUSHING	2		(SUB AR70862)
	AR70862	ISOLATOR	2		
8	R53712	SPACER	2		
9	AR59872	ISOLATOR	4		
10	AR58397	ISOLATOR	4		
11	R53710	CAP	2		(SUB R59863)
12	R55914	WASHER	2		
13	R52423	SPACER	2		(NO LONGER AVAILABLE)
14	14H812	NUT	2		3/8"
15	12H304	LOCK WASHER	2		3/8"
16	24H1305	WASHER	2		13/32" X 13/16" X 0.065"
17	03H2070	BOLT	2		3/8" X 1-1/8"
18	14H1034	NUT	2		3/4"
19	AR72480	BRACKET	1		R.H. (SUB FOR AR55331) (SUB AR84566)
	AR72479	BRACKET	1		L.H. (SUB FOR AR55332)
20	19H1792	CAP SCREW	2		1/2" X 1"
21	24H1211	WASHER	4		9/16" X 1-3/8" X 0.105"
22	12H301	LOCK WASHER	4		1/2"
23	19H1792	CAP SCREW	4		1/2" X 1"
24	24H1211	WASHER	2		9/16" X 1-3/8" X 0.105"
25	12H301	LOCK WASHER	2		1/2"
26	14H1040	NUT	2		1/2"
27	14H812	NUT	1		3/8"
28	12H304	LOCK WASHER	1		3/8"
29	19H1731	CAP SCREW	1		3/8" X 1"
30	R53709	CAP	2		(SUB R59864)
31	AR56758	WIRING LEAD	1		
32	12H304	LOCK WASHER	1		3/8"
33	19H2021	CAP SCREW	1		3/8" X 5/8"
34	AR61512	BRACKET	1	-011304	R.H.
	AR70855	BRACKET	1	011305-	R.H.
	AR55880	BRACKET	1	-011304	L.H.
	AR70856	BRACKET	1	011305-	L.H.
	R42408	WASHER	4	011305-	
35	19H3299	CAP SCREW	4		1/2" X 1-1/4", (ALSO ORDER (2) R42408) (SUB FOR R52524)
36	24H1392	WASHER	2		25/32" X 1-3/8" X 0.120"
37	11M7030	COTTER PIN	2		0.197" X 1.575"
38	R54742	CAP SCREW	2	-015402	(SUB FOR R50437) (SUB R59866)
	R59866	CAP SCREW	2	015403-	

5D9

OPERATORS STATION

SOUND-GARD BODY FOR REPLACEMENT
(BASIC UNIT)

RWP3958 -UN-01JAN94



5D10

OPERATORS STATION

**SOUND-GARD BODY FOR REPLACEMENT - CONTINUED
(BASIC UNIT)**

KEY	PART NO.	PART NAME	QTY	TRACTOR SERIAL NO.	REMARKS
1	SOUND-GARD BODY	1		(A) (INCLUDES HEATER, AIR CONDITIONING, UPHOLSTERY, WINDOW GLASS, WIPERS, LIGHTS, AND FENDERS)

(A) ORDER THROUGH BRANCH SERVICE MANAGER OR COMPLETE GOODS MANAGER

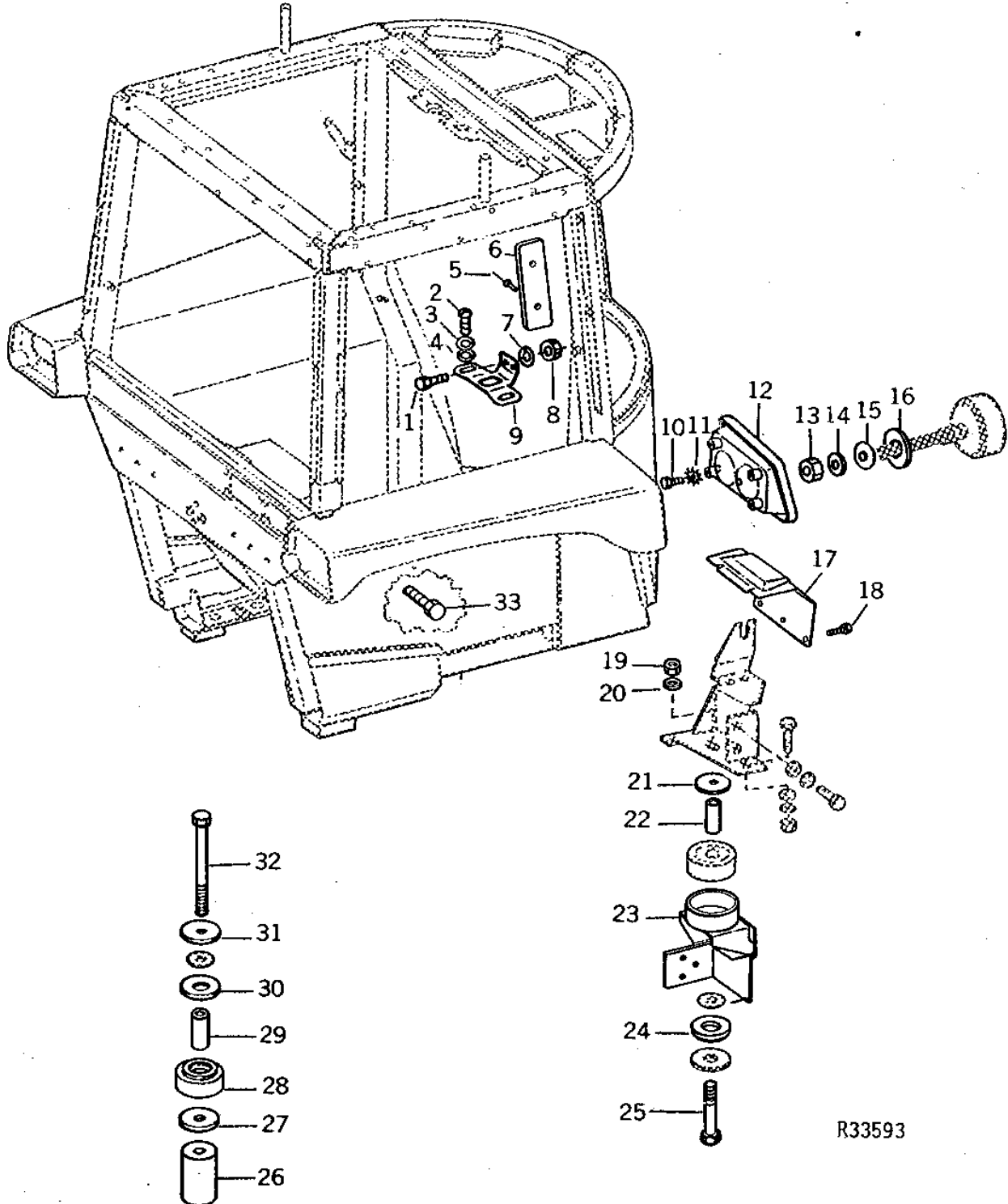
5D11

OPERATORS STATION

SOUND-GARD BODY MOUNTING (FOR REPLACEMENT SOUND-GARD BODY)

R33593

-UN-01JAN94



R33593

5D12

OPERATORS STATION

**SOUND-GARD BODY MOUNTING - CONTINUED
(FOR REPLACEMENT SOUND-GARD BODY)**

KEY	PART NO.	PART NAME	QTY	TRACTOR SERIAL NO.	REMARKS
1	19H2127	CAP SCREW	2		5/16" X 7/8"
2	03H1540	BOLT	2		5/16" X 3/4"
3	12H303	LOCK WASHER	2		5/16"
4	R53668	THRUST WASHER	2		
5	R66087	RIVET	2		
6	R66383	PLATE	1		
7	12H303	LOCK WASHER	2		5/16"
8	14H785	NUT	2		5/16"
9	R65508	BRACKET	1		
10	AR58652	BOLT	8	-XXXXXX	
	R81698	SCREW	8	XXXXXX-	
11	12M7032	LOCK WASHER	2		0.331"
12	AR84969	SHIELD	1	-XXXXXX	R.H. (SUB R81696 AND (4) R81698)
	R81696	PANEL	1	XXXXXX-	R.H.
	AR84970	SHIELD	1	-XXXXXX	L.H. (SUB R81697 AND (4) R81698)
	R81697	PANEL	1	XXXXXX-	L.H.
13	14H809	NUT	2		1/2"
14	12H301	LOCK WASHER	2		1/2"
15	F2935R	WASHER	2		
16	R48663	WASHER	2		
17	L40528	COVER	1		(SUB FOR R63839)
18	R52937	CAP SCREW	5		
19	14H794	NUT	2		3/4"
20	24H1393	WASHER	2		25/32" X 1-3/8" X 0.180"
21	R63263	WASHER	4		
22	R66373	SLEEVE	2		
23	AR71436	BRACKET	1		R.H.
	AR71435	BRACKET	1		L.H.
24	R66374	RUBBER MOUNT	2		
25	R54745	SELF-LOCKING SCREW	2		
26	R63259	SPACER	2		
27	R63263	WASHER	2		
28	R65624	RUBBER MOUNT	2		
29	R66373	SLEEVE	2		
30	R66375	RUBBER MOUNT	2		
31	R63263	WASHER	2		
32	R54744	CAP SCREW	2		(SUB R77720)
33	19H1731	CAP SCREW	1		3/8" X 1"
..	R59575	SLEEVE	2		LOWER MOUNT

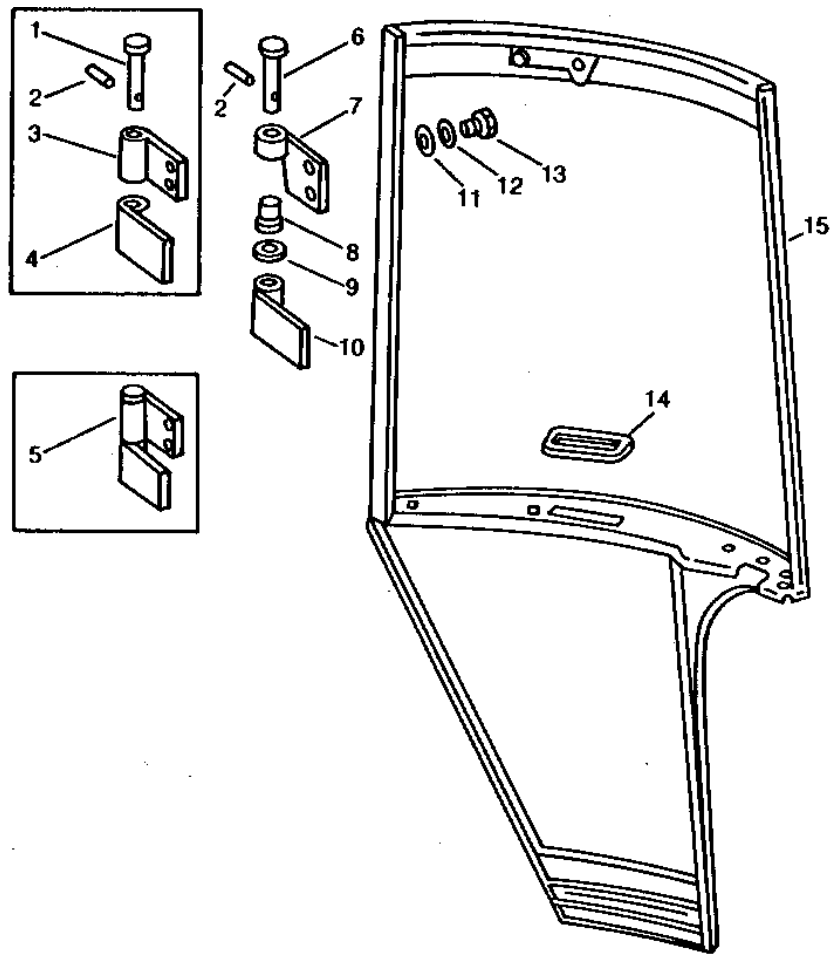
5D13

OPERATORS STATION

RXP8641

-UN-01JAN94

SOUND-GARD BODY DOORS



RXP8641

5D14

OPERATORS STATION

SOUND-GARD BODY DOORS - CONTINUED

KEY	PART NO.	PART NAME	QTY	TRACTOR SERIAL NO.	REMARKS
1	R63019	PIN	2	-XXXXXX	(SUB FOR R51127)
2	34H247	SPRING PIN	2		1/8" X 3/4"
3	HINGE	2	-XXXXXX	(B) (SUB AR77443)
4	HINGE	2	-XXXXXX	(A) (SUB AR77443)
5	AR77443	HINGE	1	XXXXXX-XXXXXX	(SUB AR86997, RE16546, R65570, R68459, 24H1302 AND 34H247)
6	R66930	PIN	2	XXXXXX-	(SUB R68459)
7	AR86997	HINGE	2	XXXXXX-	(B)
8	R65570	BUSHING	2	XXXXXX-	
9	24H1302	WASHER	2	XXXXXX-	13/32" X 11/16" X 0.035"
10	AR77445	HINGE	2	XXXXXX-	(A) (SUB RE16546)
11	24H1305	WASHER	4		13/32" X 13/16" X 0.065"
12	12H303	LOCK WASHER	4		5/16"
13	19H1900	CAP SCREW	4		5/16" X 3/4"
14	R20759	GROMMET	1		
15	AR89232	DOOR	1		(ALSO ORDER AR73257 AND R60469) (SUB FOR AR54897 OR AR73256) (SUB AR103633, RE22994, AR103636 AND RE10922)
	37H196	SCREW	7	012006-	

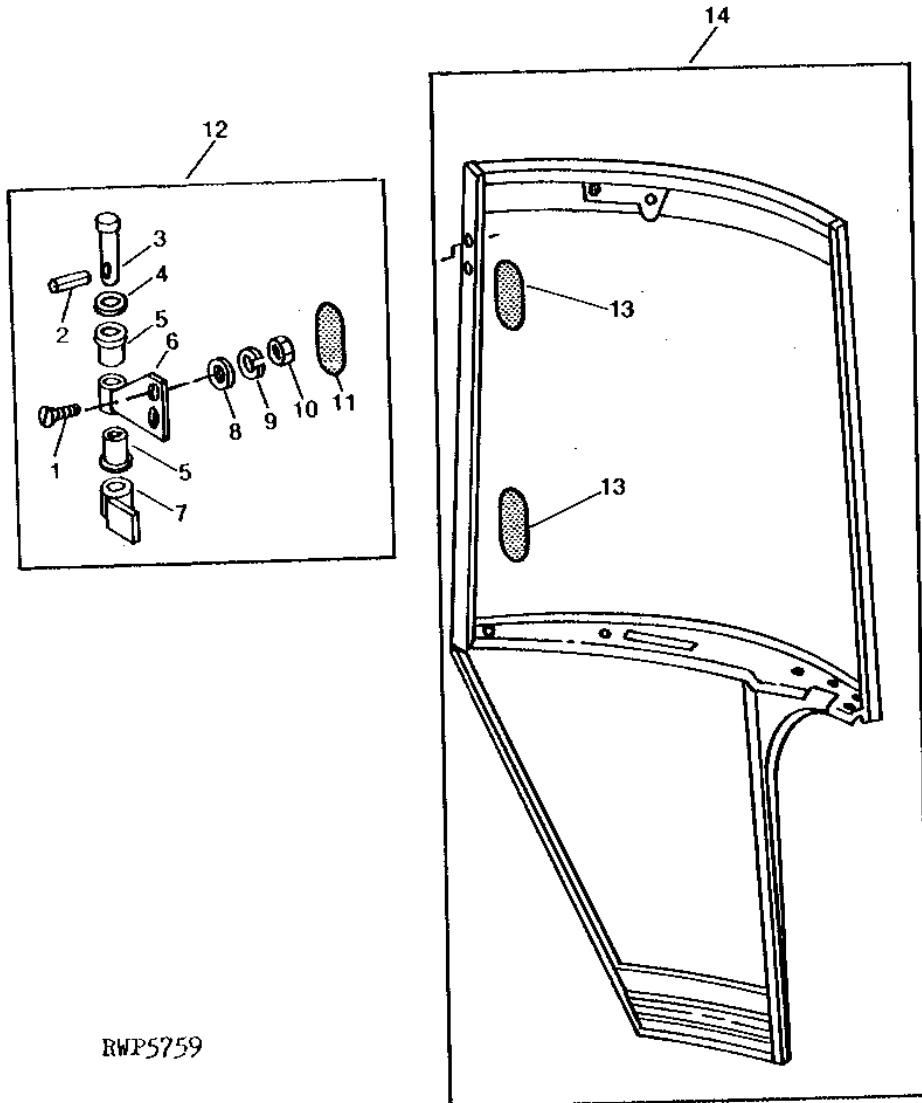
(A) BODY HALF
(B) DOOR HALF

5D15

OPERATORS STATION

SOUND-GARD BODY DOOR KITS
(AUTOMOTIVE DOOR LATCH)
(SOUND-GARD BODY SERIAL NO. XXXXXX-)

RWP5759 -UN-01JAN94



RWP5759

5D16

OPERATORS STATION

**SOUND-GARD BODY DOOR KITS - CONTINUED
(AUTOMOTIVE DOOR LATCH)
(SOUND-GARD BODY SERIAL NO. XXXXXX-)**

KEY	PART NO.	PART NAME	QTY	SG BODY SERIAL NO.	REMARKS
1	21H1226	SCREW	4	5/16" X 7/8"	
2	34H247	SPRING PIN	2	1/8" X 3/4"	
3	R63019	PIN	2		
4	24H1302	WASHER	2	13/32" X 11/16" X 0.035"	
5	R65570	BUSHING	4		
6	RE11778	HINGE	2	(SUB RE16547)	
7	AR77445	HINGE	2	(SUB RE16546)	
8	24M7149	WASHER	4	10.500 X 30 X 2.500 MM	
9	12H303	LOCK WASHER	4	5/16"	
10	14H785	NUT	4	5/16"	
11	R81207	COVER	2	(SUB FOR R68461)	
12	AR103633	KIT	1		
13	R81207	COVER	3		
14	AR103636	KIT	1		

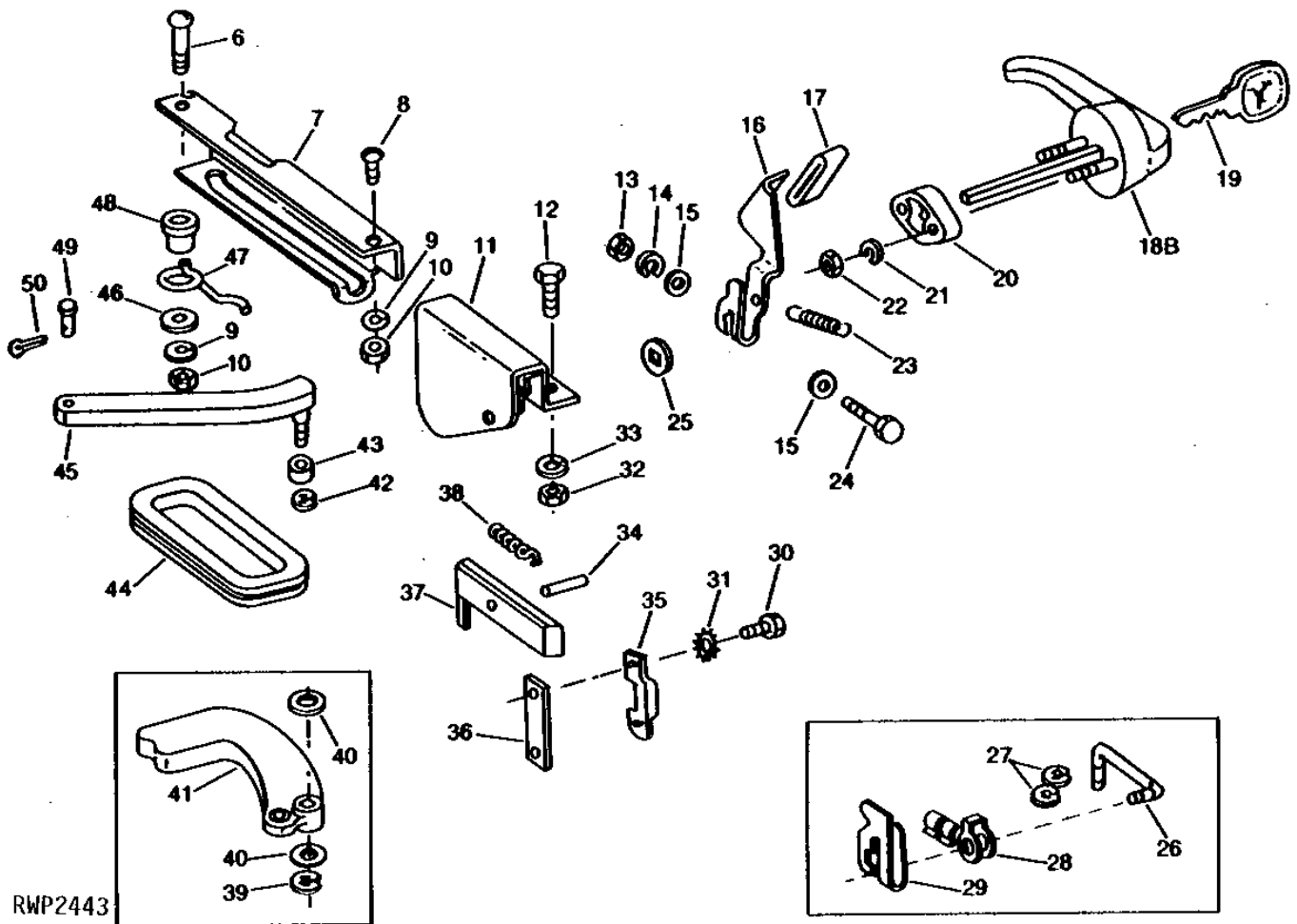
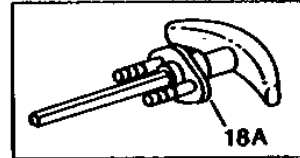
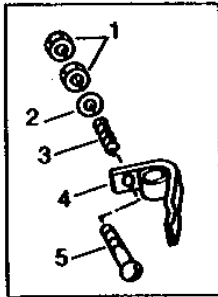
5D17

OPERATORS STATION

RWP2443

-UN-01JAN94

DOOR HANDLE AND LATCH



5D18

OPERATORS STATION

DOOR HANDLE AND LATCH - CONTINUED

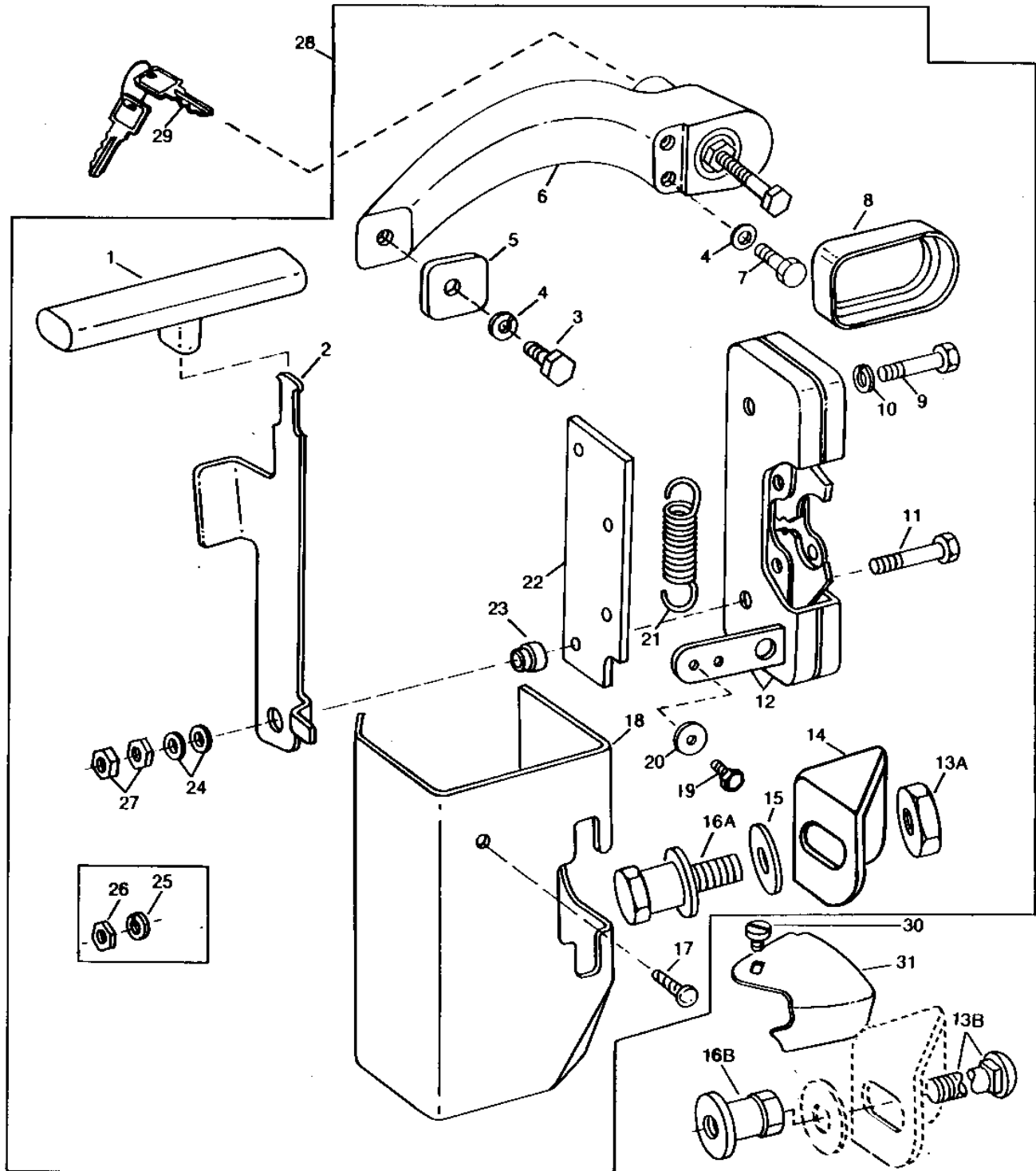
KEY	PART NO.	PART NAME	QTY	SG BODY SERIAL NO.	REMARKS
1	14H608	NUT	2	-092081	0.216"
2	24H1286	WASHER	1	-092081	9/32" X 1/2" X 1/16"
3	R47605	SPRING	1	-092081	
4	AR59638	LATCH	1	-031874	
5	21H1374	SCREW	1	-031874	0.216" X 1-7/8"
6	R54697	GANG BOLT	1		
7	AR77227	STOP	1		(ALSO ORDER R62635, R62636 AND 24H1822) (SUB FOR AR56680)
8	R54798	GANG BOLT	1		
9	12H303	LOCK WASHER	2		5/16", (SUB FOR R53669, THIS APPLICATION)
10	14H785	NUT	2		5/16", (SUB FOR R53671, THIS APPLICATION)
11	AR56678	HOUSING	1	-071233	(SUB AR73257 AND R60469)
	AR73257	SUPPORT	1	071234-	
12	R54057	SCREW	3		
13	14H785	NUT	1		5/16"
14	12H303	LOCK WASHER	1		5/16"
15	24H1136	WASHER	2		11/32" X 11/16" X 0.065"
16	R60469	HANDLE	1	071234-	
17	R60964	GRIP	1	071234-	
18A	AR67784	HANDLE	1	-095672	(SUB FOR AR58396) (SUB AR78804 AND R63760)
18B	AR78804	HANDLE	1	095673-	
19	AR51481	KEY	1		
20	R52863	SPACER	1	-095672	(SUB R63760 AND AR78804)
	R63760	SPACER	1	095673-	
21	12H296	WASHER	2		0.216"
22	14H608	NUT	2		0.216"
23	R52097	SPRING	1		
24	19H2831	CAP SCREW	1		5/16" X 1-1/2"
25	R52098	BUSHING	1		
	R63387	WASHER	1		(REPLACEMENT SOUND-GARD BODY)
26	R52100	PIN	1	-071233	
27	R72654	SNAP RING	3	-071233	
28	R26524	CLIP	1	-071233	
29	R52099	ARM	1	-071233	
30	R54057	SCREW	2		
31	12H356	LOCK WASHER	2		1/4"
32	14H786	NUT	3		1/4"
33	12H302	LOCK WASHER	3		1/4"
34	34H312	SPRING PIN	1		1/4" X 1"
35	R52108	PLATE	1		
36	R52109	ADJUSTING STRAP	1		
37	AR56676	LATCH	1		
38	R52097	SPRING	1		
39	R26871	SNAP RING	1	-071233	
40	D2865R	WASHER	2	-071233	(SUB 24H1111)
41	R52101	HANDLE	1	-071233	(SUB R60469 AND AR73257)
42	R72653	SNAP RING	1		
43	R52516	BUSHING	1		
44	R20759	GROMMET	1		
45	AR58242	STOP	1		
46	24H1289	WASHER	1	-031874	21/64" X 5/8" X 0.049"
	24H1822	WASHER	1	031875-	11/32" X 7/8" X 1/16"
47	R62636	SPRING	1	031875-	
48	R53393	SLEEVE	1	-092081	
	R62635	SLEEVE	1	092082-	
49	R52107	PIN	1		
50	11M7077	COTTER PIN	1		0.063" X 0.984"

5D19

OPERATORS STATION

RXP8520 -UN-01JAN94

DOOR HANDLE AND LATCH
(SOUND-GARD BODY SERIAL NO. XXXXXX-XXXXXX)



RXP8520

5D20

OPERATORS STATION

DOOR HANDLE AND LATCH - CONTINUED
(SOUND-GARD BODY SERIAL NO. XXXXXX-XXXXXX)

KEY	PART NO.	PART NAME	QTY	SG BODY SERIAL NO.	REMARKS
1	R70271	KNOB	1		
2	R75869	HANDLE	1	-XXXXXX	INNER, (SUB R78552)
	R78552	HANDLE	1	XXXXXX-	
3	19M6614	CAP SCREW	1		M6 X 12
4	12H302	LOCK WASHER	3		1/4", (NO LONGER REQUIRED)
5	R70275	SPACER	1		
6	AR91895	HANDLE	1		OUTER
7	19M7077	CAP SCREW	2		M6 X 20
8	R70274	SPACER	1		
9	19H1791	CAP SCREW	3		1/4" X 1-1/4"
10	12H297	LOCK WASHER	3		1/4"
11	19H1996	CAP SCREW	1		1/4" X 2"
12	AR91893	LATCH	1		(SUB RE50874)
13A	14H849	NUT	1	-XXXXXX	7/16"
13B	03M7191	BOLT	1	XXXXXX-	M10 X 25
14	RE13693	SUPPORT	1		DOOR LATCH STRIKER SUPPORT, (SUB R70277)
15	24H1309	WASHER	1		13/32" X 1-1/16" X 0.120"
	24H1219	WASHER	1		7/16" X 1" X 0.083"
16A	AR91896	STRIKER	1	-XXXXXX	
16B	R82272	STRIKER	1	XXXXXX-	
17	37H196	SCREW	2		(SUB FOR R52708, THIS APPLICATION)
	24H1219	WASHER	1		7/16" X 1" X 0.083"
18	R82456	COVER	1		(SUB FOR R70273)
19	R52938	CAP SCREW	1	-XXXXXX	
20	24M7100	WASHER	1	-XXXXXX	6.600 X 22 X 2 MM
21	R31877	SPRING	1		
22	R70269	PLATE	1		(SUB R82455)
23	R82482	BUSHING	1		(SUB FOR R75870)
24	24H1287	WASHER	2		9/32" X 5/8" X 0.065"
25	12H297	LOCK WASHER	1	-XXXXXX	1/4"
26	14H786	NUT	1	-XXXXXX	1/4"
27	14H850	NUT	2	XXXXXX-	1/4"
28	AR103634	KIT	1		(SUB RE22994)
29	AR51481	KEY	1		
30	R79877	SCREW	1	XXXXXX-	
31	R81540	SHIELD	1	XXXXXX-	

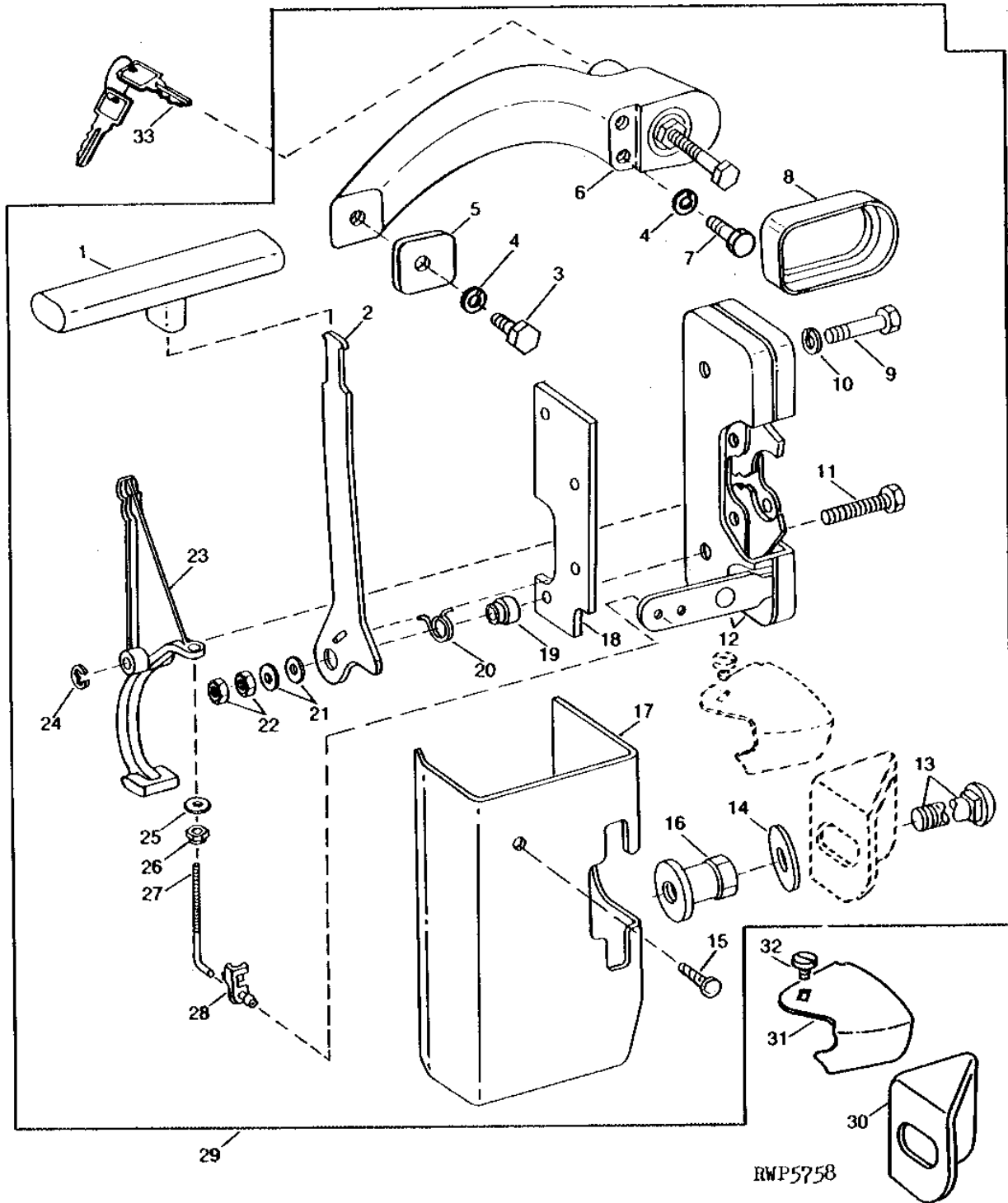
5D21

OPERATORS STATION

RWP5758

-UN-01JAN94

DOOR HANDLE AND LATCH
(SOUND-GARD BODY SERIAL NO. XXXXXX-)



5D22

OPERATORS STATION

DOOR HANDLE AND LATCH - CONTINUED
(SOUND-GARD BODY SERIAL NO. XXXXXX-)

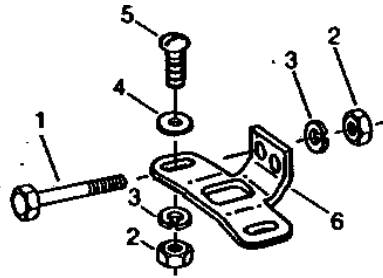
KEY	PART NO.	PART NAME	QTY	SG BODY SERIAL NO.	REMARKS
1	R70271	KNOB	1		
2	R82447	HANDLE	1		
3	19M6614	CAP SCREW	1	M6 X 12	
4	12H302	LOCK WASHER	3	1/4"	
5	R70275	SPACER	1		
6	AR91895	HANDLE	1		
7	19M7077	CAP SCREW	2	M6 X 20	
8	R70274	SPACER	1		
9	19H1791	CAP SCREW	3	1/4" X 1-1/4"	
10	12H297	LOCK WASHER	3	1/4"	
11	19H1738	CAP SCREW	1	1/4" X 2"	
12	AR91893	LATCH	1	(SUB RE50874)	
13	03M7191	BOLT	1	M10 X 25	
14	24H1254	WASHER	1	17/32" X 1-1/8" X 0.105"	
15	37H196	SCREW	2	(SUB FOR R52708, THIS APPLICATION)	
16	R82272	STRIKER	1		
17	R82456	COVER	1		
18	R82455	PLATE	1		
19	R82482	BUSHING	1		
20	R82448	SPRING	1		
21	24H1287	WASHER	2	9/32" X 5/8" X 0.065"	
22	14H850	NUT	2	1/4"	
23	R82442	BELLCRANK	1		
24	R72654	SNAP RING	1		
25	24H1286	WASHER	1	9/32" X 1/2" X 1/16"	
26	U45916	LOCK NUT	1		
27	R82444	HOOK BOLT	1		
28	R82445	RETAINER	1		
29	RE22994	KIT	1		
30	RE13693	SUPPORT	1	(SUB R70277)	
31	R81540	SHIELD	1		
32	R79877	SCREW	1		
33	AR51481	KEY	1		

5D23

OPERATORS STATION

RXP8281 -UN-01JAN94

CONTROL SUPPORT BRACKET KIT (FOR AUTOMOTIVE DOOR LATCH)



RXP8281

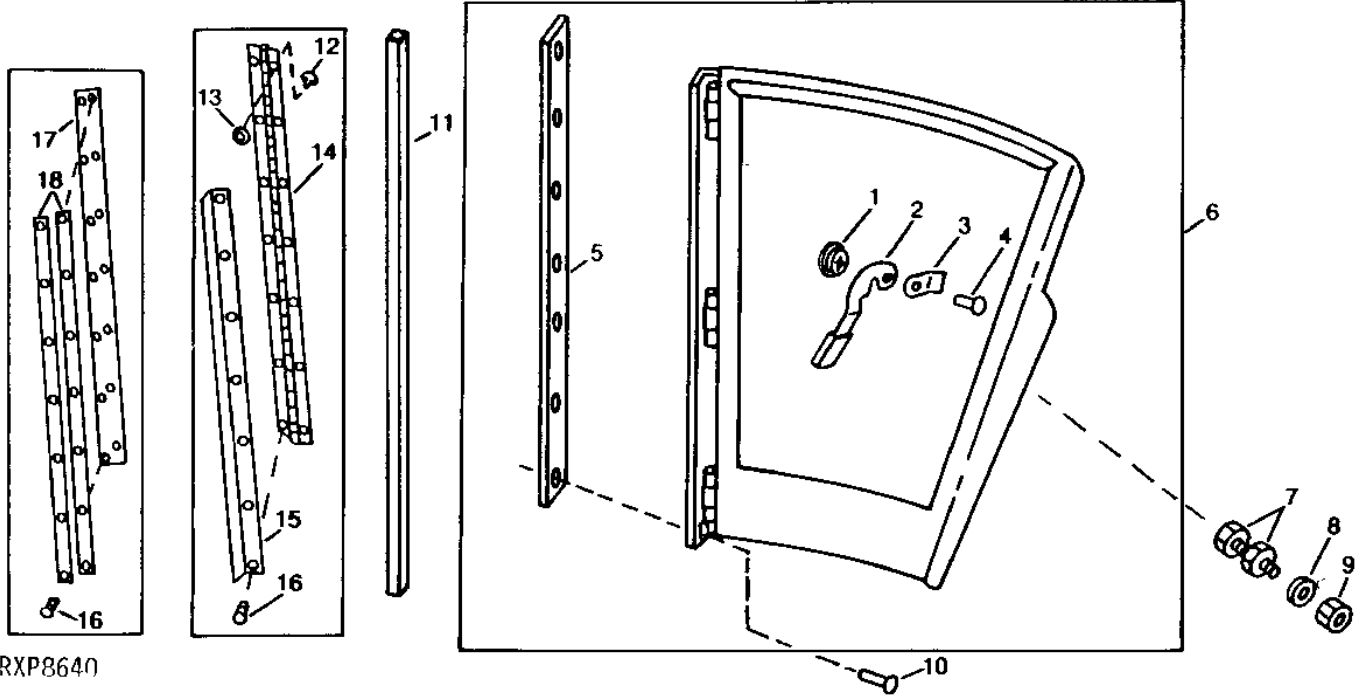
KEY	PART NO.	PART NAME	QTY	SG BODY SERIAL NO.	REMARKS
1	19H2127	CAP SCREW	2	5/16" X 7/8"	
2	14H785	NUT	4	5/16"	
3	12H303	LOCK WASHER	4	5/16"	
4	R53665	WASHER	2		
5	03H1540	BOLT	2	5/16" X 3/4"	
6	R65508	BRACKET	1		

5D24

OPERATORS STATION

SOUND-GARD BODY SERVICE DOOR

RXP8640 -UN-01JAN94



RXP8640

KEY	PART NO.	PART NAME	QTY	SG BODY SERIAL NO.	REMARKS
1	R70235	RETAINER	1		
2	R52942	LATCH	1		
3	R52943	ANGLE	1		
4	45M7071	PIN	1	8 X 14 MM	
5	R67486	SEAL	1		
6	RE14480	KIT	1		
7	R77019	SCREW	1	(SUB FOR R52948)	
8	24H1822	WASHER	1	11/32" X 7/8" X 1/16"	
9	14H785	NUT	1	5/16"	
10	37H196	SCREW	7		
11	MOLDING	1	21 X 813MM (13/16" X 32") (MAKE FROM RE15998)	
12	R52118	RIVET	7	-012005	
13	R52119	WASHER	7	-082742	
14	AR60556	HINGE	1	012006-	
15	R59806	PLATE	1	012006-	
16	R125955	RIVET	7	-012005	
17	R53609	SEAL	1	-012005	
18	R52945	PLATE	2	-012005 (NLA)	

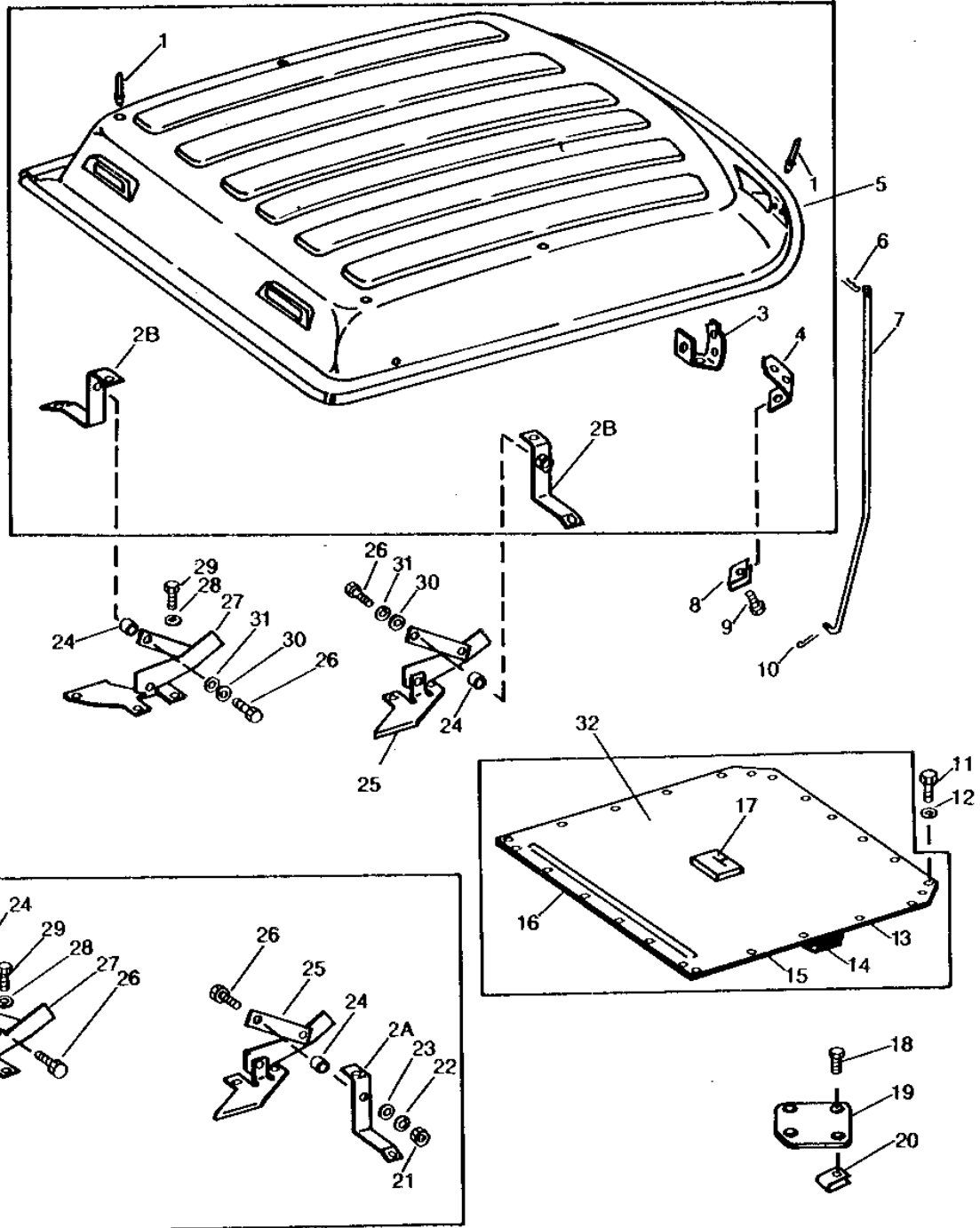
5E1

OPERATORS STATION

RWP5490

-UN-01JAN94

PRESSURIZER COVER AND SOUND-GARD BODY ROOF



RWP5490

5E2

OPERATORS STATION

PRESSURIZER COVER AND SOUND-GARD BODY ROOF - CONTINUED

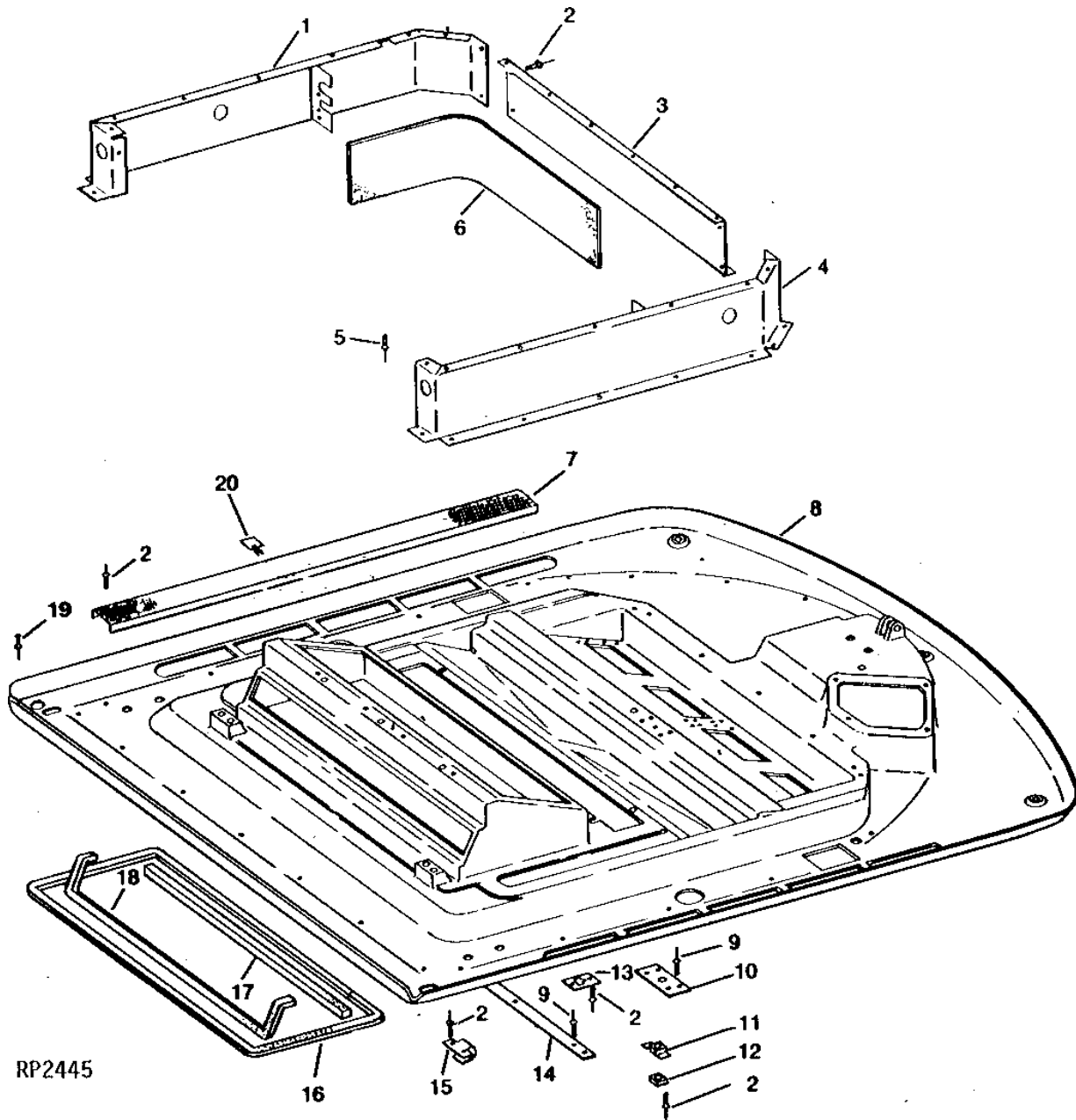
KEY	PART NO.	PART NAME	QTY	SG BODY SERIAL NO.	REMARKS
1	R55326	RIVET	10		(SUB FOR R50217)
2A	RE11000	BRACKET	2		(SUB FOR R51012 OR AR67980)
2B	RE11000	BRACKET	2		(SUB FOR AR67980)
3	R51011	BRACKET	1		
4	R54529	BRACKET	2		OUTER
5	AR74143	ROOF	1		(SUB FOR AR56682)
6	A5067R	SPRING LOCKING PIN	1		
7	R51589	ROD	1		
8	R50198	NUT	3		
9	R55426	SCREW	3		(SUB FOR R50501) (SUB 11M7082)
10	11H234	COTTER PIN	1		3/32" X 1"
11	R52937	CAP SCREW	24		
12	12H356	LOCK WASHER	24		1/4"
13	R52132	INSULATOR	1		
14	R52149	WEATHERSTRIP	1		
15	R50459	INSULATOR	2		
16	R50460	INSULATOR	1		
17	R45397	INSULATOR	1		
18	R52937	CAP SCREW	4		
19	R50272	COVER	1		
20	R53677	LOCK NUT	4		
21	14H785	NUT	2		5/16"
22	12H303	LOCK WASHER	2		5/16"
23	A5659R	WASHER	2		(SUB R67694)
24	R51590	WASHER	2		
25	AR55881	SUPPORT	1		
26	19H1900	CAP SCREW	2		5/16" X 3/4"
27	AR55882	SUPPORT	1		
28	12H303	LOCK WASHER	4		5/16"
29	19H1905	CAP SCREW	4		5/16" X 1"
30	A5659R	WASHER	2		(SUB R67694)
31	12H303	LOCK WASHER	2		5/16"
32	AR56697	COVER	1	-076109	
	AR73464	COVER	1	076110-	(SUB AR77006, R45397, (2) R50459, R50460, R52132 AND R52149)

5E3

OPERATORS STATION

RP2445 -UN-01JAN94

INNER ROOF



RP2445

5E4

OPERATORS STATION

INNER ROOF - CONTINUED

KEY	PART NO.	PART NAME	QTY	SG BODY SERIAL NO.	REMARKS
1	AR56093	PANEL	1	-076109	
	AR73466	PANEL	1	076110-106888	
	R63956	PANEL	1	106889-	
2	R55326	RIVET	14	-XXXXXX	(SUB FOR R50217)
	R53608	RIVET	12	XXXXXX-	
3	R51371	PANEL	1		
4	AR55648	PANEL	1	-076109	
	AR73465	PANEL	1	076110-	
5	R55326	RIVET	23		
6	R52127	FOAM PAD	2	-076109	
	R60560	INSULATOR	2	076110-	
7	R50457	SCREEN	2		
8	AR55646	ROOF	1	-106888	(SUB RE18180)
	AR79361	ROOF	1	106889-	(SUB RE18180)
9	R50689	RIVET	15	-XXXXXX	
	R50689	RIVET	7	XXXXXX-	
10	R50690	PLATE	1		HEATER VALVE
	R50688	PLATE	4	-XXXXXX	FRONT
11	R50692	RETAINER	2		
12	14H818	NUT	2		5/16"
13	R50694	PLATE	1		
14	R50691	STRIP	1		
15	R50695	HANGER	2		
16	R50698	ISOLATOR	2		
17	R50697	ISOLATOR	1		
18	R50696	ISOLATOR	1		
19	R68332	RIVET	20		
20	R56952	CLIP	12	-XXXXXX	
..	RE18180	ROOF	1		(ASSEMBLY INCLUDES PRESSURIZER COVER, EVAPORATOR, BLOWER, BLOWER MOTOR RESISTOR, BLOWER SWITCH, SUPPORT ROD, CONNECTING LINES AND WIRING HARNESS)

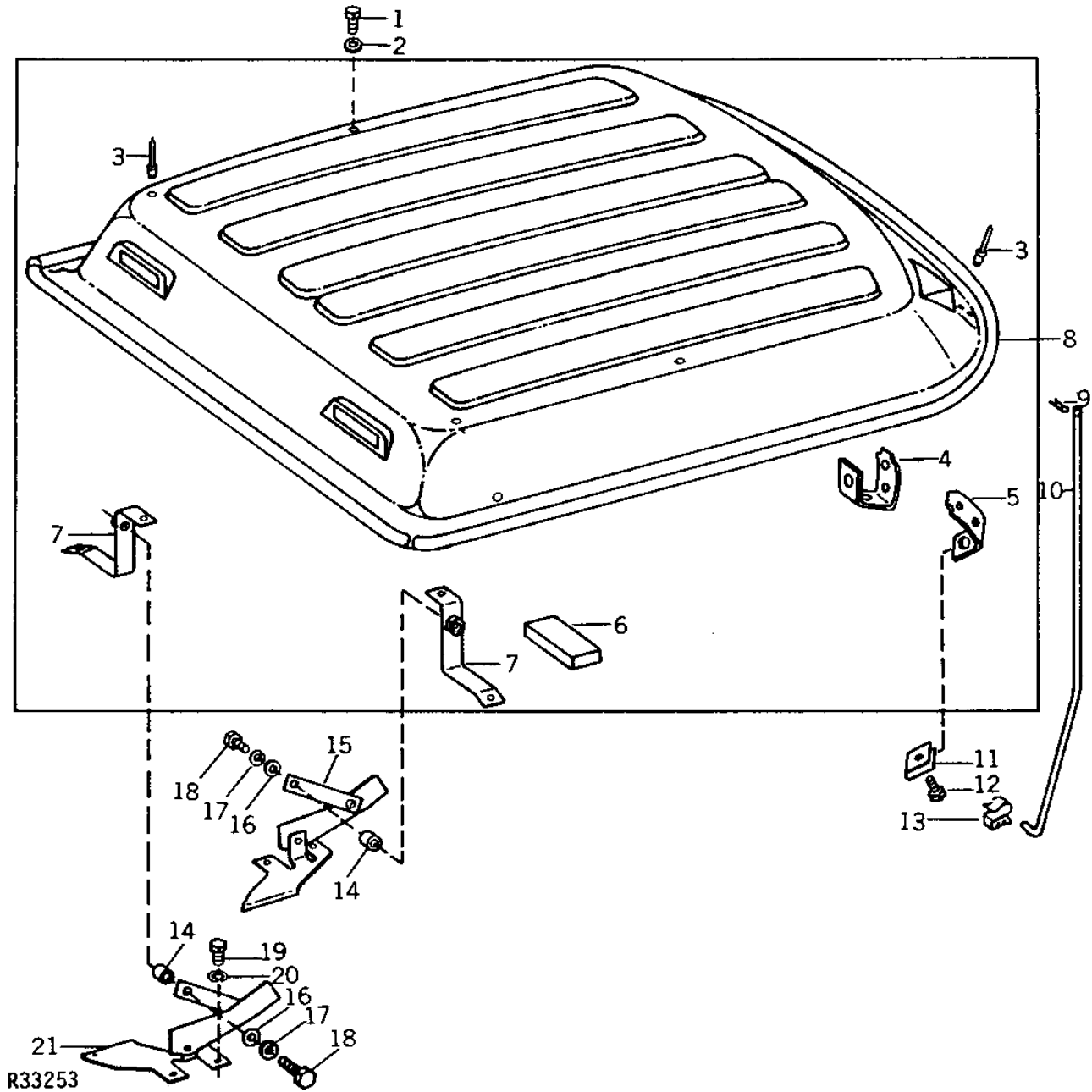
5E5

OPERATORS STATION

R33253

-UN-01JAN94

SOUND-GARD BODY ROOF (REPLACEMENT SOUND-GARD BODY OR REPLACEMENT INNER ROOF)



5E6

OPERATORS STATION

**SOUND-GARD BODY ROOF - CONTINUED
(REPLACEMENT SOUND-GARD BODY OR REPLACEMENT INNER ROOF)**

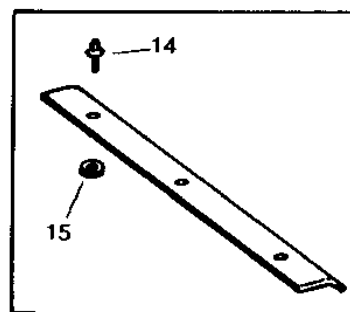
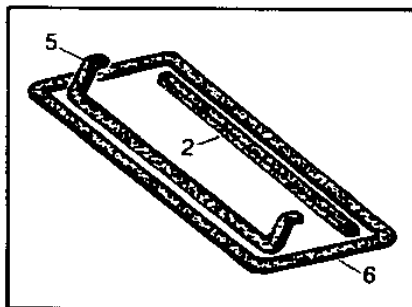
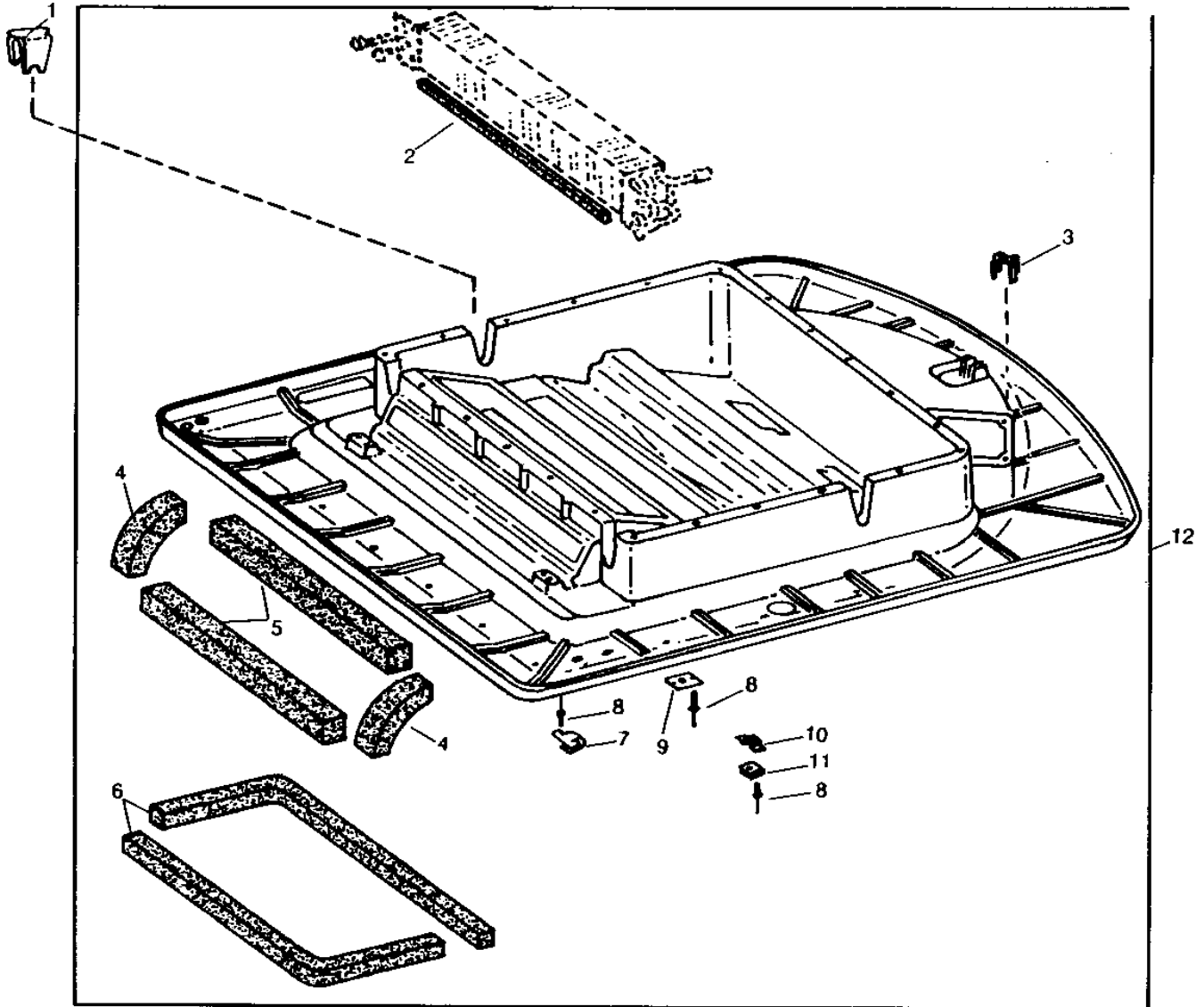
KEY	PART NO.	PART NAME	QTY	SG BODY SERIAL NO.	REMARKS
1	19H2367	CAP SCREW	2		5/8" X 3/4"
2	24H1106	WASHER	2		11/16" X 1-3/4" X 0.134"
3	R55326	RIVET	10		
4	R51011	BRACKET	1		
5	R54529	BRACKET	2		
6	R74058	ISOLATOR	1		19 X 38 X 724MM (3/4" X 1-1/2" X 28")
7	RE11000	BRACKET	2		(SUB FOR AR67980)
8	AR74143	ROOF	1		
9	R46528	SPRING LOCKING PIN	1		
10	R65473	ROD	1		
11	R50198	NUT	3		
12	R55426	SCREW	3		
13	R69320	CLAMP	1		
14	R51590	WASHER	2		
15	AR55881	SUPPORT	1		
16	R67694	WASHER	2		(SUB FOR A5659R)
17	12H303	LOCK WASHER	2	-XXXXXX	5/16"
18	19H1900	CAP SCREW	2		5/16" X 3/4"
19	19H1849	CAP SCREW	4		5/16" X 1-1/4"
20	12H303	LOCK WASHER	4	-XXXXXX	5/16"
21	AR55882	SUPPORT	1		
..	AR49923	ADHESIVE	1		552G (19.5 OZ)

5E7

OPERATORS STATION

INNER ROOF (REPLACEMENT SOUND-GARD BODY OR REPLACEMENT INNER ROOF)

RWP4343 -UN-01JAN94



RWP4343

5E8

OPERATORS STATION

INNER ROOF - CONTINUED
(REPLACEMENT SOUND-GARD BODY OR REPLACEMENT INNER ROOF)

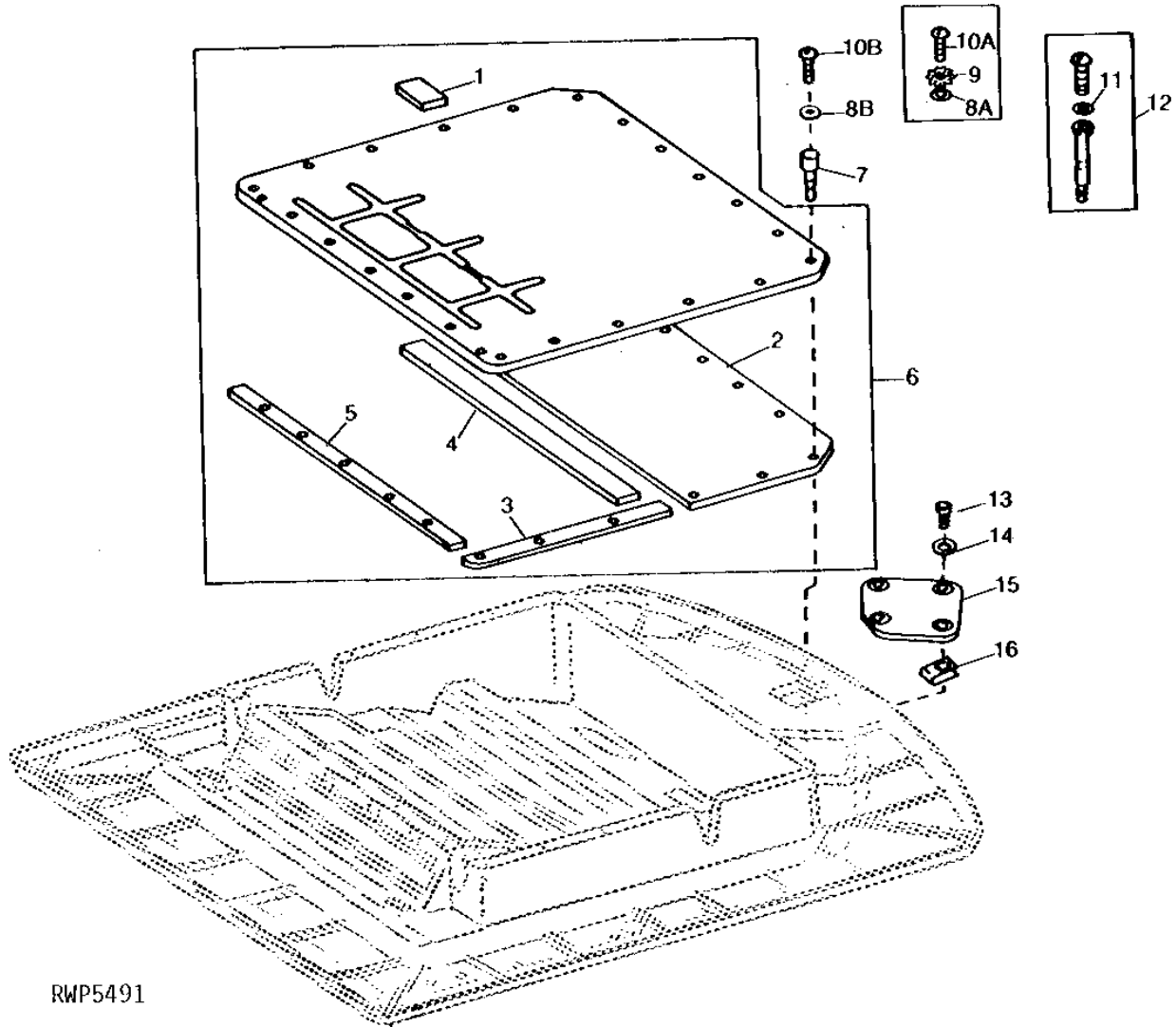
KEY	PART NO.	PART NAME	QTY	SG BODY SERIAL NO.	REMARKS
1	R65472	PANEL	4		
2	R50696	ISOLATOR	2		
3	R71523	NUT	26	-XXXXXX	
4	R77665	FOAM PAD	2	XXXXXX-	
5	R50697	ISOLATOR	1	-XXXXXX	
	R50697	ISOLATOR	2	XXXXXX-	
6	R50698	ISOLATOR	2		
7	R50695	HANGER	2		
8	R55326	RIVET	10		
9	R65471	WEAR PLATE	1		
10	R50692	RETAINER	2		
11	14H818	NUT	2	5/16"	
12	AR94105	ROOF	1	(SUB RE38906 AND (26) R80979)	
13	R68332	RIVET	20		
	R80979	BOLT	26	(REPLACEMENT INNER ROOF)	
14	R55326	RIVET	3	(REPLACEMENT SOUND-GARD BODY)	
	R68332	RIVET	26	(REPLACEMENT INNER ROOF)	
15	24H1283	WASHER	3	7/32" X 1/2" X 0.049"	
16	AR91315	KIT	1	BAFFLE	
..	R46663	SEALING TRIM	AR		
..	AR49923	ADHESIVE	1	552G (19.5 OZ)	

5E9

OPERATORS STATION

RWP5491 -UN-01JAN94

PRESSURIZER COVER (REPLACEMENT SOUND-GARD BODY OR REPLACEMENT INNER ROOF)



RWP5491

5E10

OPERATORS STATION

PRESSURIZER COVER - CONTINUED
(REPLACEMENT SOUND-GARD BODY OR REPLACEMENT INNER ROOF)

KEY	PART NO.	PART NAME	QTY	SG BODY SERIAL NO.	REMARKS
1	R45397	INSULATOR	1		
2	R65465	FOAM PAD	1		(ALSO ORDER R83066)
3	R65467	SEAL	2		(SUB R83066)
4	R52149	WEATHERSTRIP	1		
5	R65466	SEAL	1		(SUB R83066, THIS APPLICATION)
6	AR83516	COVER	1		
7	R71523	NUT	22	-XXXXXX	
8A	24H1287	WASHER	22	-XXXXXX	9/32" X 5/8" X 0.065"
8B	24H1284	WASHER	22	XXXXXX-	7/32" X 7/8" X 0.065"
9	12H356	LOCK WASHER	22	-XXXXXX	1/4"
10A	21H1410	SCREW	22	-XXXXXX	1/4" X 1"
10B	R50641	SCREW	22	XXXXXX-XXXXXX	
	R80979	BOLT	22	XXXXXX-	
11	24H1282	WASHER	AR		5/32" X 3/4" X 0.120"
12	AR94073	ANCHOR	AR		(PKG OF 6)
13	R50641	SCREW	4	-XXXXXX	
	R80979	BOLT	4	XXXXXX-	
14	24H1284	WASHER	4	XXXXXX-	7/32" X 7/8" X 0.065"
15	R50272	COVER	1		
16	R53677	LOCK NUT	4		
..	R53745	TAPE	AR		(140 FT)
..	AR49923	ADHESIVE	1		552G (19.5 OZ)

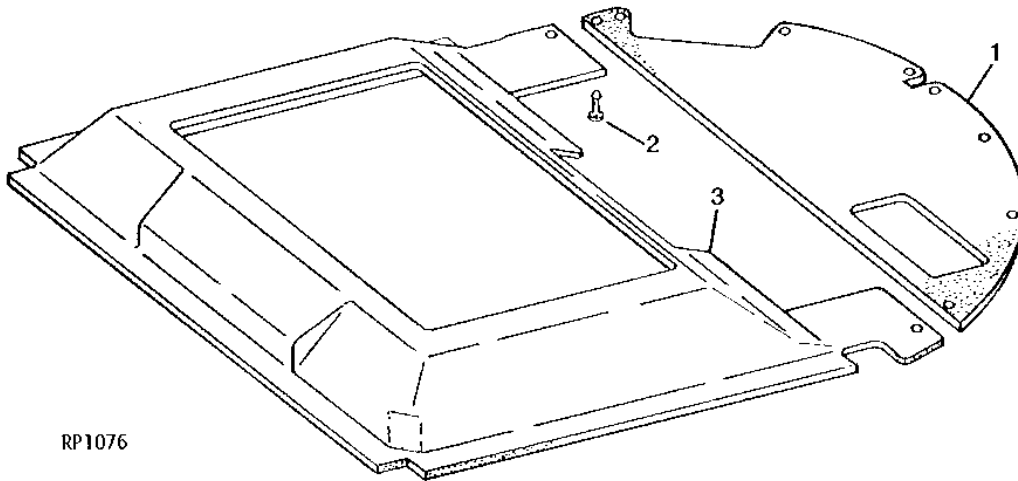
MEMORANDA

5E11

OPERATORS STATION

RP1076 -UN-01JAN94

SOUND-GARD BODY HEADLINER



KEY	PART NO.	PART NAME	QTY	SG BODY SERIAL NO.	REMARKS
1	AR56683	HEADLINER	1	-109562	
	AR78419	HEADLINER	1	109563-	
	AR97385	HEADLINER	1		(A) (BROWN) (SUB RE33754)
2	R54748	STUD	10		
	R73317	STUD	10		(A)
3	AR70126	HEADLINER	1	-109562	(SUB FOR AR56684)
	AR78421	HEADLINER	1	109563-	
	AR84261	HEADLINER	1		(A) (BLACK)
	RE10595	HEADLINER	1		(A) (BROWN)

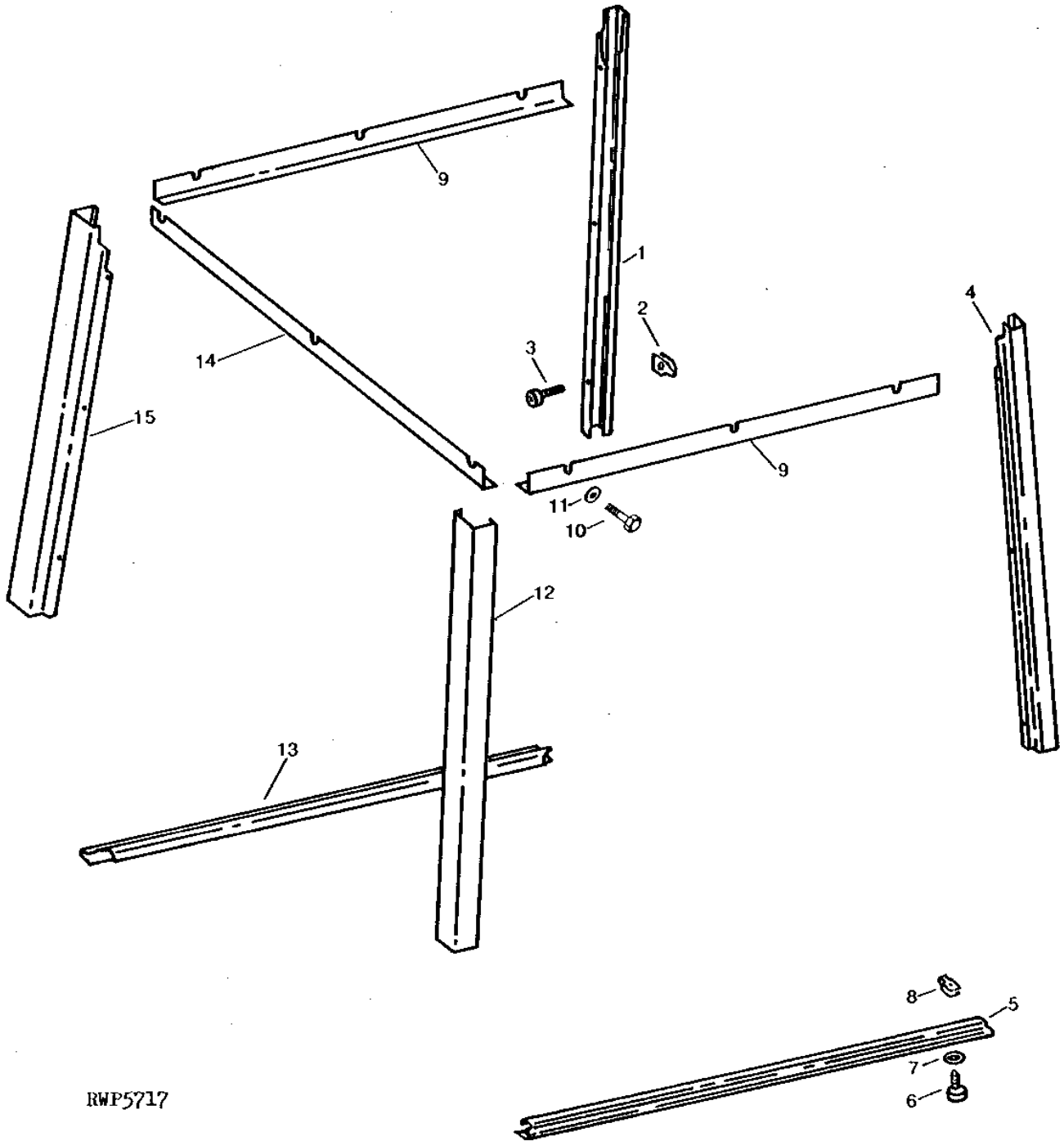
(A) REPLACEMENT SOUND-GARD BODY

5E12

OPERATORS STATION

RWP5717 -UN-01JAN94

SOUND-GARD BODY METAL TRIM



RWP5717

5E13

OPERATORS STATION

SOUND-GARD BODY METAL TRIM - CONTINUED

KEY	PART NO.	PART NAME	QTY	SG BODY SERIAL NO.	REMARKS
1	R52637	MOLDING	1		
2	R52640	NUT	18		
3	37H196	SCREW	18		
4	R52636	MOLDING	1		
5	R52513	MOLDING	1		
6	AR58652	BOLT	6		
7	R50719	SHIM	9		
8	AW20941	NUT	6		
9	R65907	MOLDING	2		(SUB FOR R50213)
10	R52938	CAP SCREW	9		
11	R50719	SHIM	9		
12	R52638	MOLDING	1		
13	R52514	MOLDING	1		
14	R65906	MOLDING	1		(SUB FOR R50209)
15	R52639	MOLDING	1		

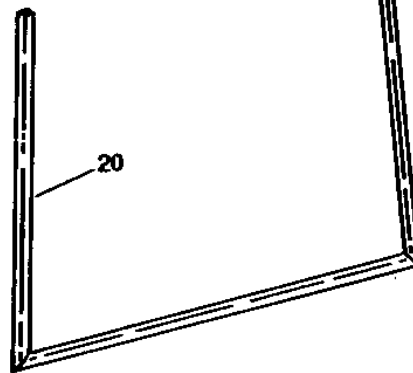
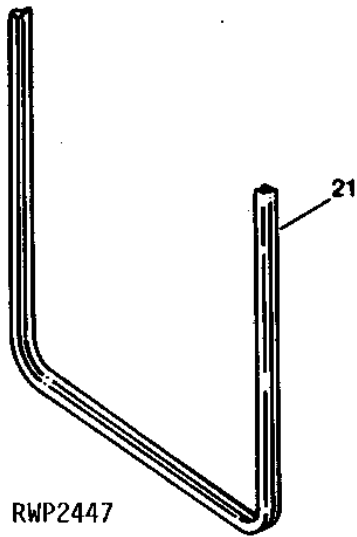
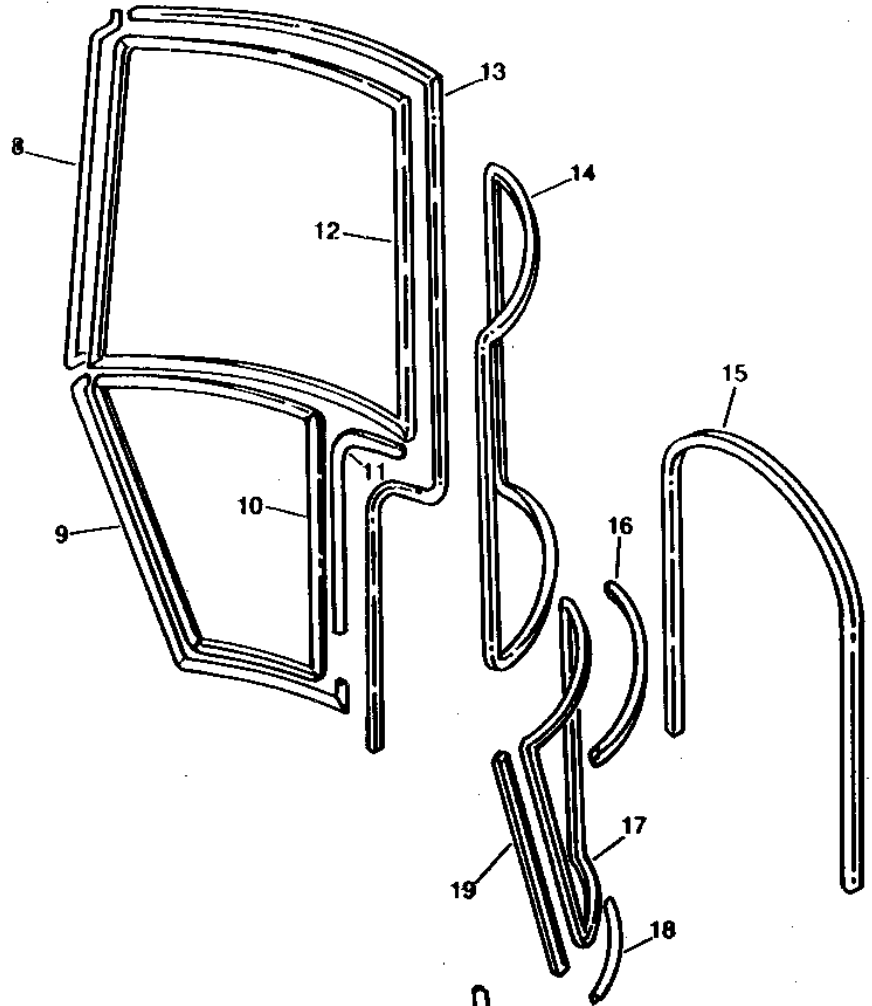
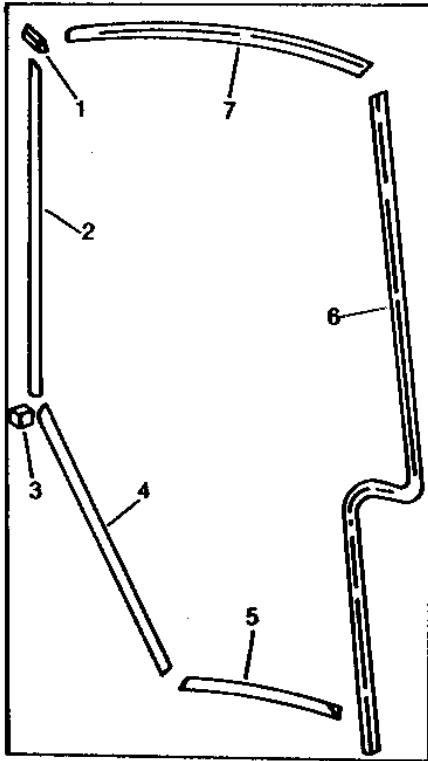
5E14

OPERATORS STATION

RWP2447

-UN-01JAN94

SOUND-GARD BODY GLASS SEALS AND MOLDING



5E15

OPERATORS STATION

SOUND-GARD BODY GLASS SEALS AND MOLDINGS - CONTINUED

KEY	PART NO.	PART NAME	QTY	SG BODY SERIAL NO.	REMARKS
1	MOLDING	1	-XXXXXX	(ORDER AR85558, AR85559, RE22488 AND R68460)
2	MOLDING	1	-XXXXXX	(ORDER AR85558, AR85559, RE22488 AND R68460)
3	MOLDING	1	-XXXXXX	(ORDER AR85558, AR85559, RE22488 AND R68460)
4	MOLDING	1	-XXXXXX	(ORDER AR85558, AR85559, RE22488 AND R68460)
5	MOLDING	1	-XXXXXX	(ORDER AR85558, AR85559, RE22488 AND R68460)
6	MOLDING	1	-XXXXXX	(ORDER AR85558, AR85559, RE22488 AND R68460)
7	MOLDING	1	-XXXXXX	(ORDER AR85558, AR85559, RE22488 AND R68460)
8	AR85559	WEATHERSTRIP	1	XXXXXX-	
9	RE22488	SEALING TRIM	1	XXXXXX-	(SUB FOR AR85560)
10	R52113	WEATHERSTRIP	1	-XXXXXX	2108MM (83") (SUB L40413)
	L40413	WEATHERSTRIP	1	XXXXXX-	
11	AR93828	MOLDING	1		743MM (29-1/4") (SUB RE17519, THIS APPLICATION)
12	R52114	WEATHERSTRIP	1	-XXXXXX	2972MM (117") (SUB L40414)
	L40414	WEATHERSTRIP	1	XXXXXX-	
13	AR85558	MOLDING	1	XXXXXX-	
14	R52112	WEATHERSTRIP	1	-XXXXXX	3308MM (130-1/4") (SUB L40412)
	L40412	WEATHERSTRIP	1	XXXXXX-	
15	R50541	SEAL	1		1664MM (65-1/2")
16	R83716	WEATHERSTRIP	1		639MM (25-1/8") (SUB FOR R75761)
17	R52115	WEATHERSTRIP	1	-XXXXXX	2110MM (83-1/16") R.H. (SUB L40415)
	L40415	WEATHERSTRIP	1	XXXXXX-	
18	SEAL	1		338MM (13-5/16") (MAKE FROM R50541)
19	R58341	BARRIER	1		752MM (29-5/8") (SUB FOR R52590)
20	AR86111	WEATHERSTRIP	2		
21	RE29728	SEAL	1		3048MM (120") (SUB FOR R52936 OR AR86110)
..	AR85792	ADHESIVE	1		.15L (5 OZ)

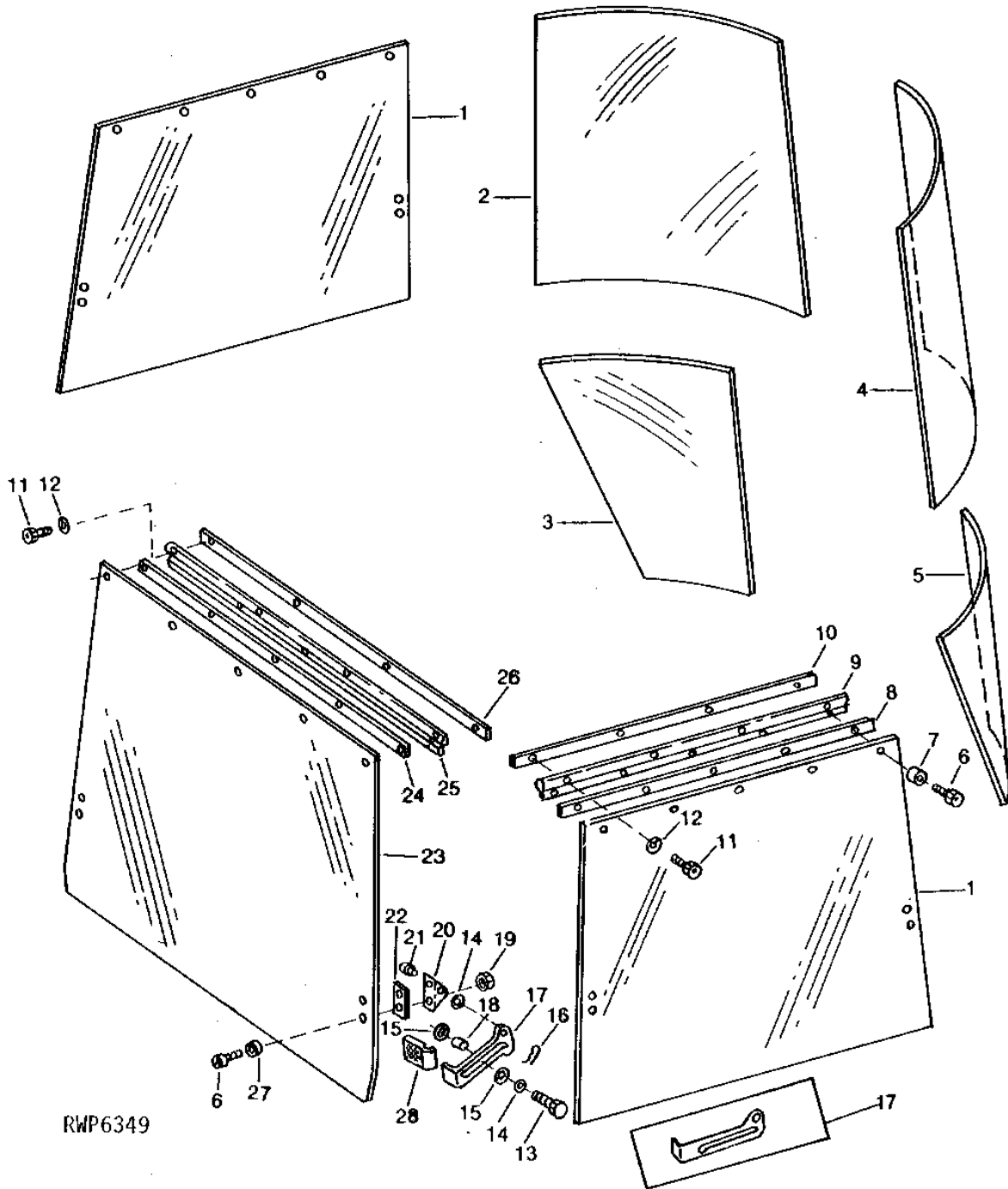
5E16

OPERATORS STATION

RWP6349

-UN-01JAN94

SOUND-GARD BODY GLASS WITH MOLDING, STRAPS AND LATCHES



5E17

OPERATORS STATION

SOUND-GARD BODY GLASS WITH MOLDING, STRAPS AND LATCHES - CONTINUED

KEY	PART NO.	PART NAME	QTY	SG BODY SERIAL NO.	REMARKS
1	R50757	WINDOWPANE	2		
2	R50755	WINDOWPANE	1		
3	R50756	WINDOWPANE	1		
4	R50753	WINDOWPANE	1		
5	R50754	WINDOWPANE	1		
6	R50641	SCREW	27		
7	R78425	BUSHING	15		
8	R50643	STRAP	2		
9	R52487	MOLDING	2		
10	R50638	STRAP	2		
11	R50639	SCREW	12		
12	12H297	LOCK WASHER	12		1/4"
13	AR58338	SCREW	6	-006780	(SUB R56317)
	R50719	SHIM	6	-006780	
	R56317	CAP SCREW	6	006781-	
14	R52862	SPRING WASHER	12		
15	R52921	WASHER	12		
16	R50647	SPRING LOCKING PIN	6		
17	RE27441	LATCH	3		L.H. REAR, (SUB FOR R50649)
	RE27442	LATCH	3		(ILLUSTRATED) R.H. REAR, (SUB FOR R50650)
18	R52922	WASHER	6		
19	R52952	NUT	12		
	12H297	LOCK WASHER	12		1/4"
20	R50734	ANGLE	6		
21	R50645	PIN	6		
22	R50648	STRAP	6		
23	R50758	WINDOWPANE	1		(ALSO ORDER RE29728) (SUB FOR AR79738 OR AR86109)
24	R50644	STRAP	1		
25	R50735	MOLDING	1		
26	R50640	STRAP	1		
27	R50642	WASHER	12		
28	L55211	GRIP	6		LATCH
..	AR85792	ADHESIVE	1		.15L (5 OZ) (SUB FOR AR79739)

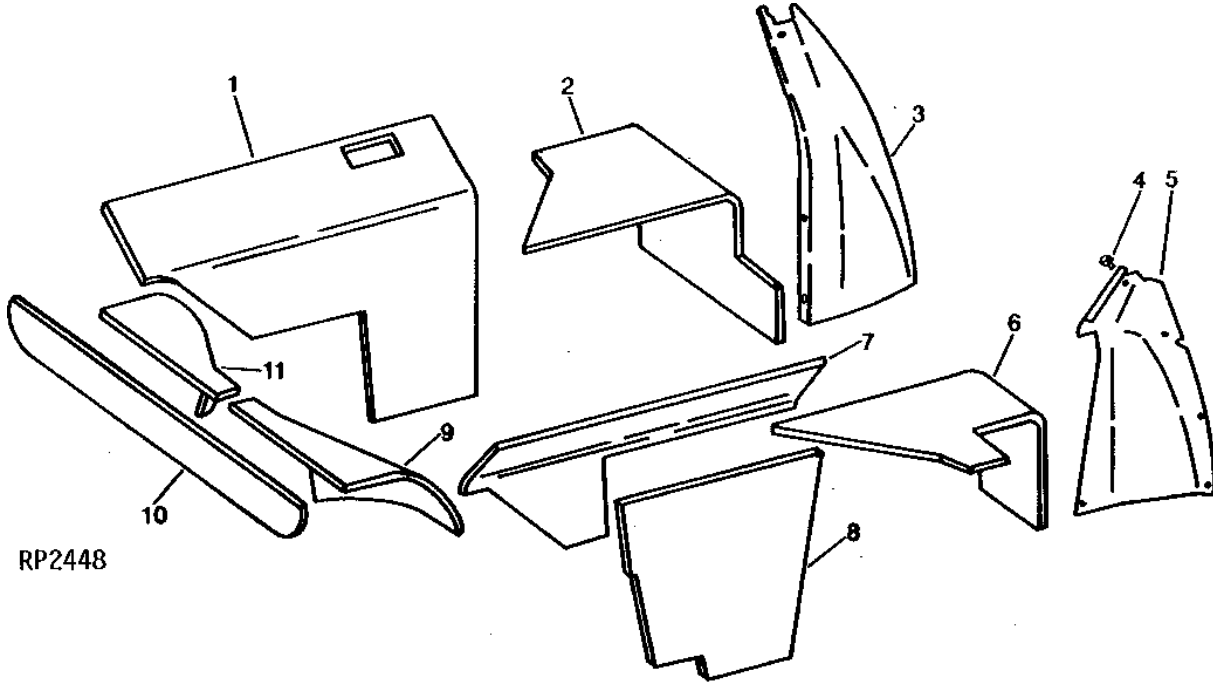
MEMORANDA

5E18

OPERATORS STATION

RP2448 -UN-01JAN94

SOUND-GARD BODY UPHOLSTERY



RP2448

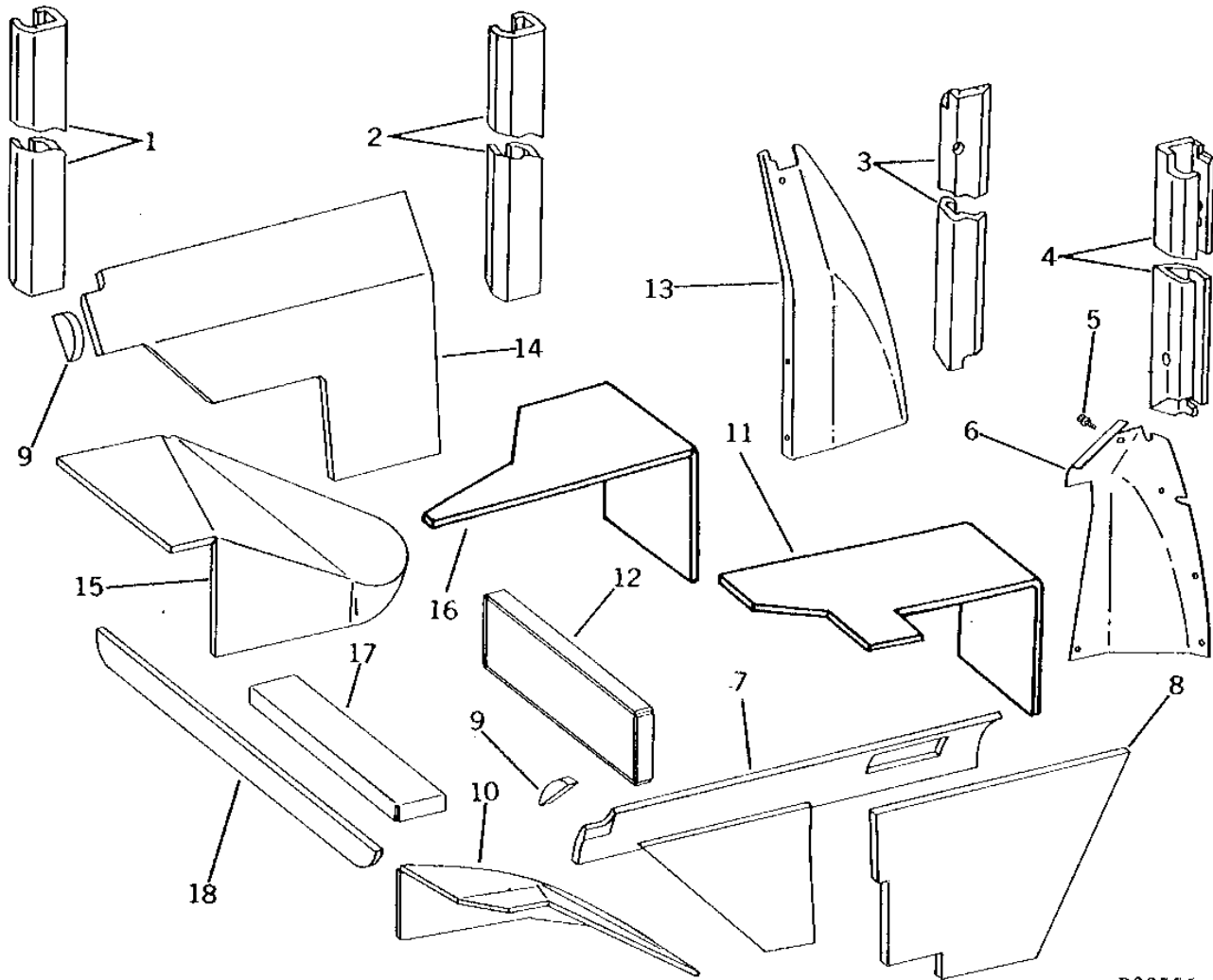
KEY	PART NO.	PART NAME	QTY	SG BODY SERIAL NO.	REMARKS
1	R62544	FOAM PAD	1		(SUB FOR R53634)
2	R53633	FOAM PAD	1	-063329	
	R59555	FOAM PAD	1	063330-	
3	R52707	PANEL	1		
4	R52937	CAP SCREW	10		
5	R52706	PANEL	1		
6	R53630	FOAM PAD	1	-063329	
	R59554	FOAM PAD	1	063330-	
7	R53631	FOAM PAD	1		
8	R53470	BARRIER	1		
9	R53629	FOAM PAD	1	-063329	
	R59552	FOAM PAD	1	063330-	
	R60205	FOAM PAD	1	063330-	
10	R52687	BARRIER	1		
11	R53632	FOAM PAD	1	-063329	
	R59553	FOAM PAD	1	063330-	
..	AR49923	ADHESIVE	1		148CC (6.5 OZ) PRESSURIZED CAN

5E19

OPERATORS STATION

SOUND-GARD BODY UPHOLSTERY
(REPLACEMENT SOUND-GARD BODY)
(BLACK UPHOLSTERY)

R33556 -UN-01JAN94



R33556

5E20

OPERATORS STATION

**SOUND-GARD BODY UPHOLSTERY - CONTINUED
(REPLACEMENT SOUND-GARD BODY)
(BLACK UPHOLSTERY)**

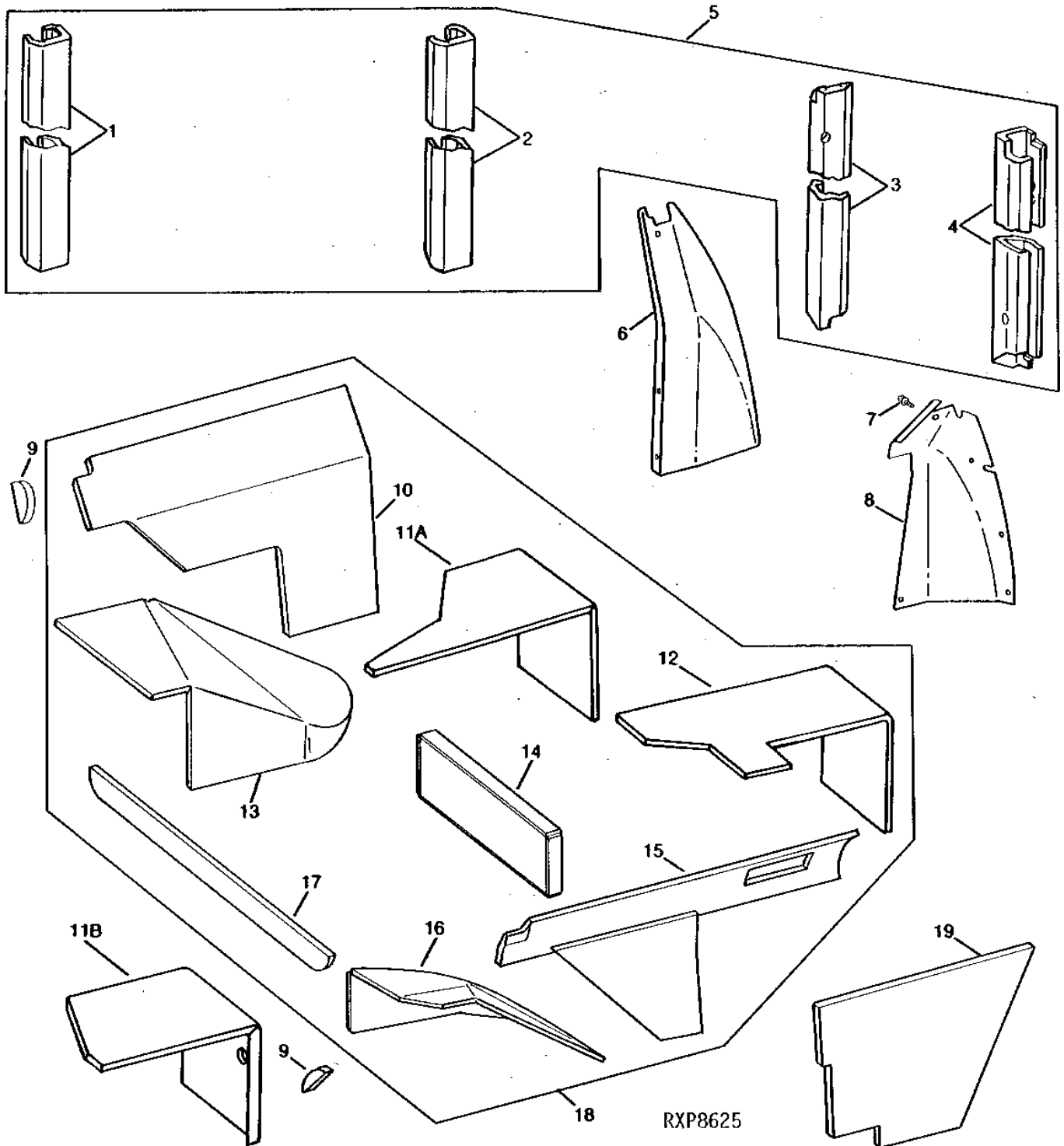
KEY	PART NO.	PART NAME	QTY	SG BODY SERIAL NO.	REMARKS
1	AR89829	ACOUSTICAL UPHOLSTERY	1		REAR, L.H.
2	AR89828	ACOUSTICAL UPHOLSTERY	1		REAR, R.H.
3	AR89827	ACOUSTICAL UPHOLSTERY	1		FRONT, L.H.
4	RE23101	ACOUSTICAL UPHOLSTERY	1		FRONT, R.H. (SUB FOR AR89826 OR RE19451)
5	R52937	CAP SCREW	10		
6	R65301	PANEL	1		
7	R68360	PAD	1		
8	R53470	BARRIER	1		
9	R68359	FOAM PAD	1		(SUB R65844)
10	AR89021	FOAM PAD	1		
11	R68362	FOAM PAD	1		
12	R68365	FOAM PAD	1		(PERSONAL-POSTURE SEAT)
13	R65302	PANEL	1		
14	R68361	FOAM PAD	1		
15	AR89022	FOAM PAD	1		
16	R68366	PAD	1		(PERSONAL-POSTURE SEAT)
17	R68364	FOAM PAD	1		
18	R52687	BARRIER	1		
..	AR49923	ADHESIVE	1		148CC (6.5 OZ) PRESSURIZED CAN
..	RE48531	ACOUSTICAL UPHOLSTERY	1		(BELTLINE REFURBISHING KIT)
..	RE48532	ACOUSTICAL UPHOLSTERY	1		(POST KIT)

5E21

OPERATORS STATION

SOUND-GARD BODY UPHOLSTERY
(REPLACEMENT SOUND-GARD BODY)
(BROWN UPHOLSTERY)

RXP8625 -UN-01JAN94



5E22

OPERATORS STATION

**SOUND-GARD BODY UPHOLSTERY - CONTINUED
(REPLACEMENT SOUND-GARD BODY)
(BROWN UPHOLSTERY)**

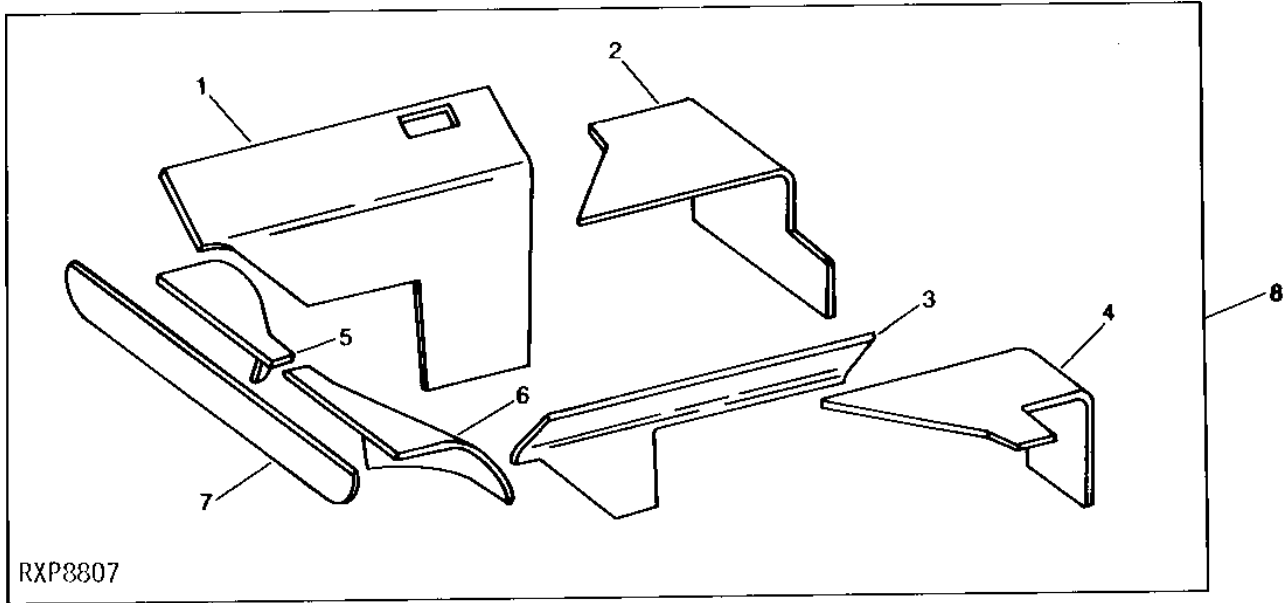
KEY	PART NO.	PART NAME	QTY	TRACTOR SERIAL NO.	REMARKS
1	AR94485	ACOUSTICAL UPHOLSTERY	1		
2	L55117	PAD	1		(SUB FOR AR95490)
3	AR94486	ACOUSTICAL UPHOLSTERY	1		
4	RE23099	ACOUSTICAL UPHOLSTERY	1		(SUB FOR AR95489 OR RE19449)
5	R52937	CAP SCREW	10		
6	R80323	PANEL	1		
7	R87481	PAD	1		
8	R109853	ACOUSTICAL UPHOLSTERY	1		(SUB FOR R76317)
9	R65844	FOAM PAD	2		(SUB FOR R68359)
10	R73187	ACOUSTICAL UPHOLSTERY	1		UPPER REAR
	R73188	ACOUSTICAL UPHOLSTERY	1		LOWER REAR
11	R73320	ACOUSTICAL UPHOLSTERY	1		
12	R72884	PAD	1		(PERSONAL-POSTURE SEAT) (NOT USED WITH GRAMMER SEAT SUSPENSION)
13	L40893	SHIELD	1		(SUB FOR R78168) (SUB L58684)
14	R72882	ACOUSTICAL UPHOLSTERY	1		
15	R73313	ACOUSTICAL UPHOLSTERY	1		L.H. UPPER REAR
	R73314	ACOUSTICAL UPHOLSTERY	1		L.H. LOWER REAR
16	R72883	FOAM PAD	1		(HYDRACUSHIONED SEAT)
17	R75965	ACOUSTICAL UPHOLSTERY	1		
..	AR49923	ADHESIVE	1		148CC (6.5 OZ) PRESSURIZED CAN
..	RE47961	ACOUSTICAL UPHOLSTERY	1		(POST KIT)
..	RE47051	ACOUSTICAL UPHOLSTERY	1		(SGB KIT)

5E23

OPERATORS STATION

SOUND-GARD BODY UPHOLSTERY KIT (BLACK)

RXP8807 -UN-29NOV95



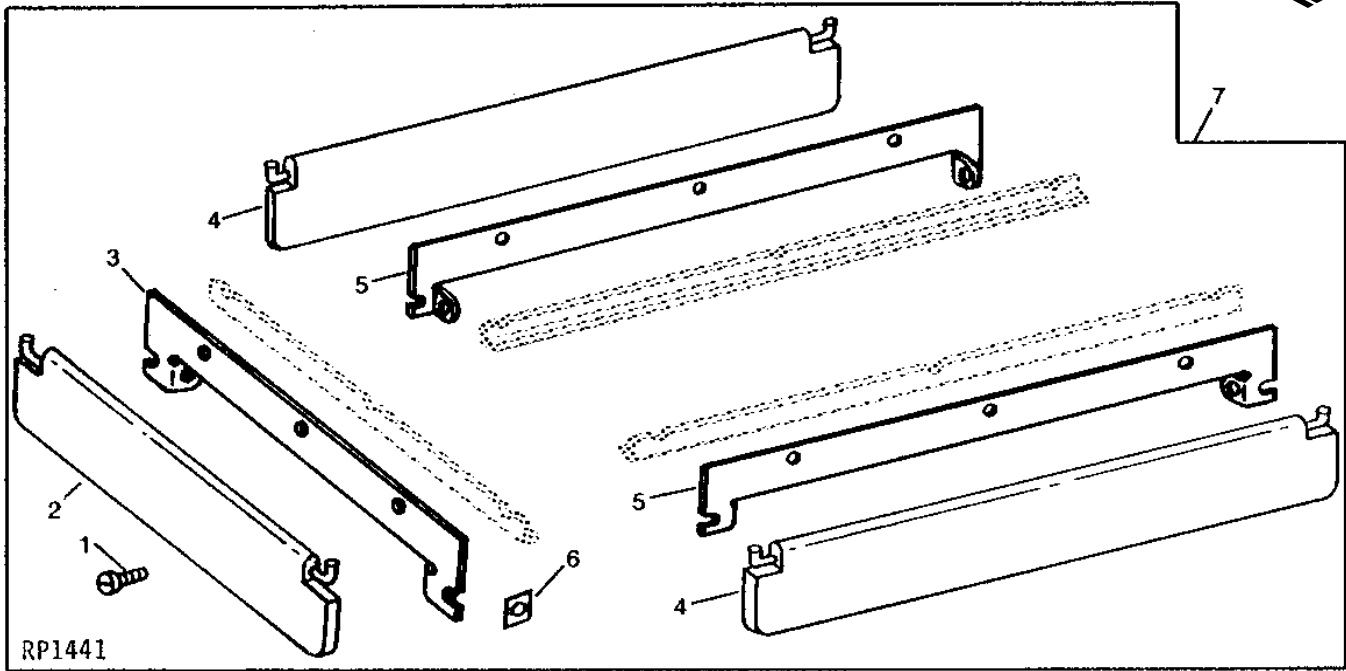
KEY	PART NO.	PART NAME	QTY	SG BODY SERIAL NO.	REMARKS
1	R62544	FOAM PAD	1		(SUB FOR R53634)
2	R53633	FOAM PAD	1		
3	R53631	FOAM PAD	1		
4	R53630	FOAM PAD	1		
5	R52687	BARRIER	1		
6	R53629	FOAM PAD	1		
7	R52687	BARRIER	1		
8	RE52944	ACOUSTICAL UPHOLSTERY	1	-063623	(BLACK)
	RE52946	ACOUSTICAL UPHOLSTERY	1	063624-	(SUB RE57259)
..	AR49923	ADHESIVE	1		140.0 CC (6.5 OZ) PRESSURIZED CAN

5E24

OPERATORS STATION

RP1441 -UN-01JAN94

SIDE AND REAR SUN VISOR



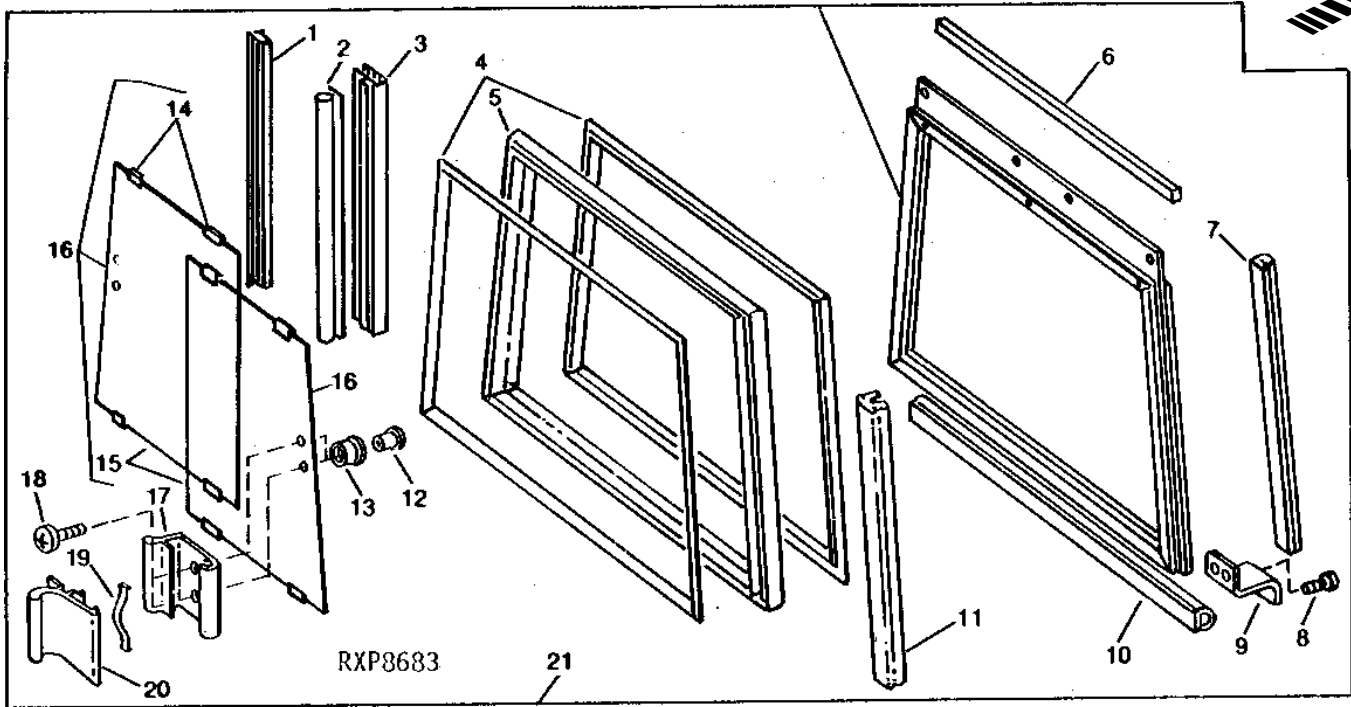
KEY	PART NO.	PART NAME	QTY	TRACTOR SERIAL NO.	REMARKS
1	21H1210	SCREW	9	1/4" X 3/4"	
2	AR89670	SUN VISOR	1		
3	R68793	PLATE	1		
4	AR89669	SUN VISOR	2		
5	R68791	PLATE	2		
6	R68792	RETAINER	6		
7	AR89666	SUN VISOR	1	(FI)	

5E25

OPERATORS STATION

RXP8683 -UN-01JAN94

REAR SLIDING WINDOW KIT



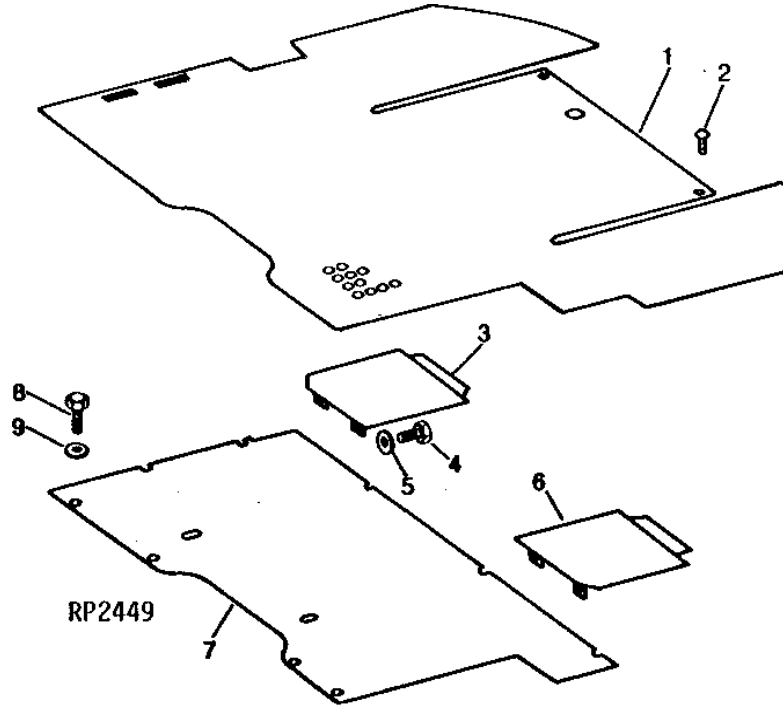
KEY	PART NO.	PART NAME	QTY	SG BODY SERIAL NO.	REMARKS
1	R67566	CHANNEL	1		
2	R67565	SEAL	1		
3	R67570	STRIP	1		
4	R67563	SEAL	1		
5	R67562	SEAL	2		
6	R67568	ISOLATOR	3		
7	R67564	SEAL	2		
8	21H1301	SCREW	6	0.190" X 1/2"	
9	R67571	CLIP	3		
10	R67569	SEAL	1		
11	R81186	SEAL	1		
12	R72316	BUSHING	4		
13	R72315	WASHER	4		
14	R99573	GUIDE	2		
15	R99574	SHOE	2		
16	AR87997	WINDOWPANE	2		
17	R72312	BASE	2		
18	21H1315	SCREW	4	0.164" X 3/4"	
19	R72314	CLIP	2		
20	R72313	LATCH	2		
21	RE22863	WINDOWPANE	1	(SUB FOR AR85878) (FI)	

5F1

OPERATORS STATION

RP2449 -UN-01JAN94

PLATFORM AND MAT (ROLL-GARD AND SOUND-GARD BODY)



KEY	PART NO.	PART NAME	QTY	TRACTOR SERIAL NO.	REMARKS
1	R50762	MAT	1	(A)	
	R50761	MAT	1	(B)	
2	R51548	STUD	2		
3	AR54624	PANEL	1	-004348 (B)	
	R56090	COVER	1	004349- (B)	
4	19H1900	CAP SCREW	4	5/16" X 3/4"	
5	12H303	LOCK WASHER	4	5/16"	
6	AR54623	PANEL	1	-004348 (B)	
	R56089	COVER	1	004349- (B)	
7	R65695	PLATFORM	1	(A) (SUB FOR R50587)	
	R50196	PANEL	1	(B)	
8	19H1813	CAP SCREW	8	5/16" X 5/8"	
9	24H1822	WASHER	8	11/32" X 7/8" X 1/16"	
..	R53745	TAPE	AR	54.86M (180 FT) (SUB FOR R46662)	
..	R46663	SEALING TRIM	AR	18.29M (60 FT)	

(A) ROLL-GARD
(B) SOUND-GARD BODY

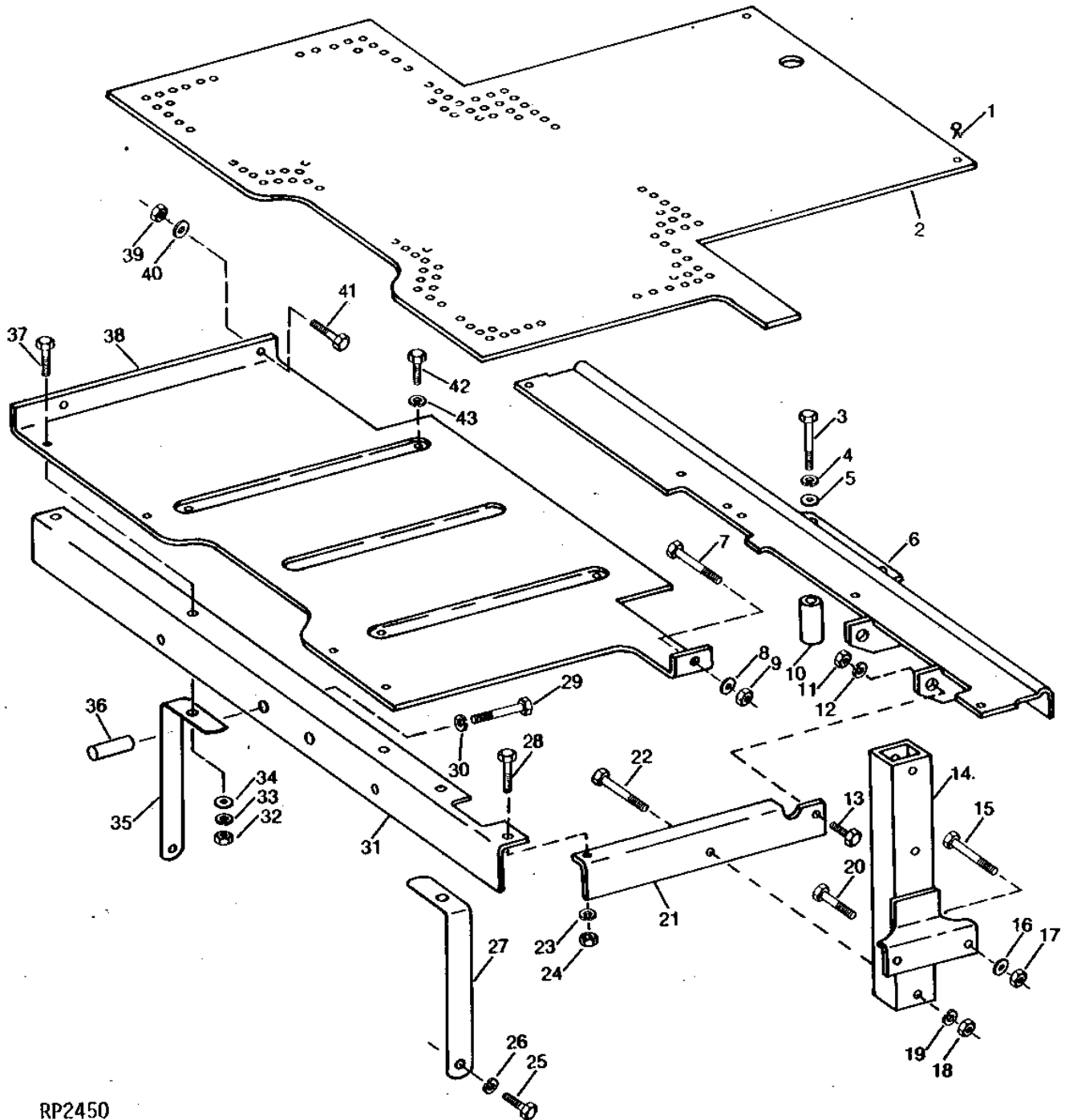
5F2

OPERATORS STATION

RP2450

-UN-01JAN94

PLATFORM AND CONSOLE SUPPORT



RP2450

5F3

OPERATORS STATION

PLATFORM AND CONSOLE SUPPORT - CONTINUED

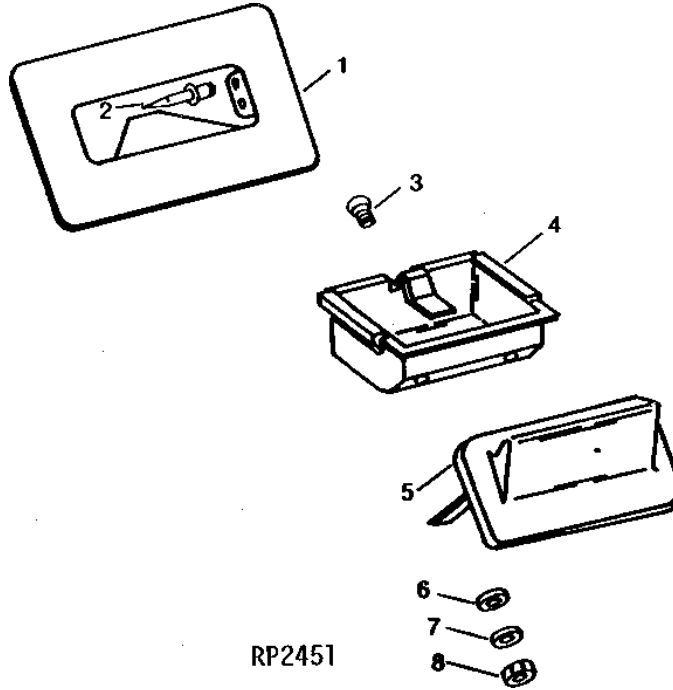
KEY	PART NO.	PART NAME	QTY	TRACTOR SERIAL NO.	REMARKS
1	R51548	STUD	2		
2	R53694	MAT	1		
3	19H2104	CAP SCREW	2		
4	12H304	LOCK WASHER	2		3/8" X 5"
5	24H1305	WASHER	2		3/8"
6	AR55328	SUPPORT	1		13/32" X 13/16" X 0.065"
7	R53664	SELF-LOCKING SCREW	1		
8	R53668	THRUST WASHER	3		
9	R53670	WELD NUT	1		
10	R51215	SPACER	2		
11	R53670	WELD NUT	2		
12	R53668	THRUST WASHER	2		
13	R53663	SELF-LOCKING SCREW	2		
14	AR54700	SUPPORT	1		
15	19H3239	CAP SCREW	2		3/8" X 1-1/4"
16	R53668	THRUST WASHER	2		
17	R53670	WELD NUT	2		
18	R53670	WELD NUT	1		
19	R53668	THRUST WASHER	1		
20	19H3239	CAP SCREW	1		3/8" X 1-1/4"
21	R50591	BRACKET	1		
22	19H1944	CAP SCREW	1		3/8" X 2-3/4"
23	R53668	THRUST WASHER	1		
24	R53670	WELD NUT	1		
25	19H2284	CAP SCREW	2		3/8" X 7/8"
26	12H304	LOCK WASHER	2		3/8"
27	R51213	BRACKET	1		
28	R53663	SELF-LOCKING SCREW	1		
29	19H1781	CAP SCREW	2		1/2" X 3-1/2"
30	12H304	LOCK WASHER	2		3/8"
31	R51212	SUPPORT	1		
32	R53670	WELD NUT	1		
33	R53668	THRUST WASHER	1		
34	24M7096	WASHER	2		10.500 X 18 X 1.600 MM
35	R51213	BRACKET	1		
36	28H2642	SPACER	2		1/2" X 2-1/2"
37	19H1732	CAP SCREW	2		3/8" X 1-1/4"
38	R65696	PLATFORM	1		(SUB FOR R50588)
39	R53670	WELD NUT	2		
40	R53665	WASHER	2		
41	R53663	SELF-LOCKING SCREW	2		
42	19H2284	CAP SCREW	2		3/8" X 7/8"
43	12H304	LOCK WASHER	2		3/8"

5F4

OPERATORS STATION

RP2451 -UN-01JAN94

ASH TRAY
(SOUND-GARD BODY SERIAL NO. -021848)



RP2451

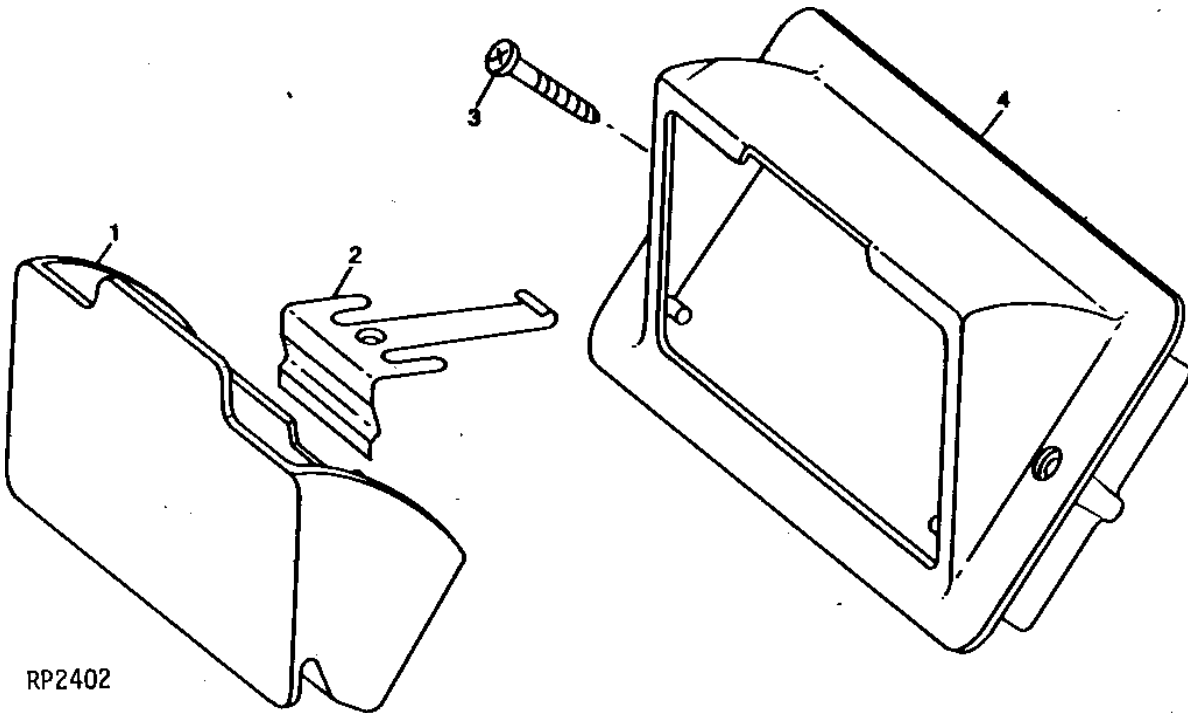
KEY	PART NO.	PART NAME	QTY	SG BODY SERIAL NO.	REMARKS
1	R52368	BEZEL	1		
2	RIVET	4	(NOT SOLD)	
3	21H1301	SCREW	2	0.190" X 1/2"	
4	AR55823	ASHTRAY	1	(SUB R62545, R62546, R77404 AND (2) R53678)	
5	R51517	COVER	1	(NLA)	
6	24H1283	WASHER	2	7/32" X 1/2" X 0.049"	
7	12M7060	WASHER	2	0.209"	
8	14H778	NUT	2	0.190"	

5F5

OPERATORS STATION

RP2402 -UN-25OCT94

ASH TRAY
(SOUND-GARD BODY SERIAL NO. 021849-)



KEY	PART NO.	PART NAME	QTY	SG BODY SERIAL NO.	REMARKS
1	R62545	ASHTRAY	1		
2	R62547	SPRING	1		
3	37M7140	SCREW	2		
4	R62546	ASHTRAY	1		

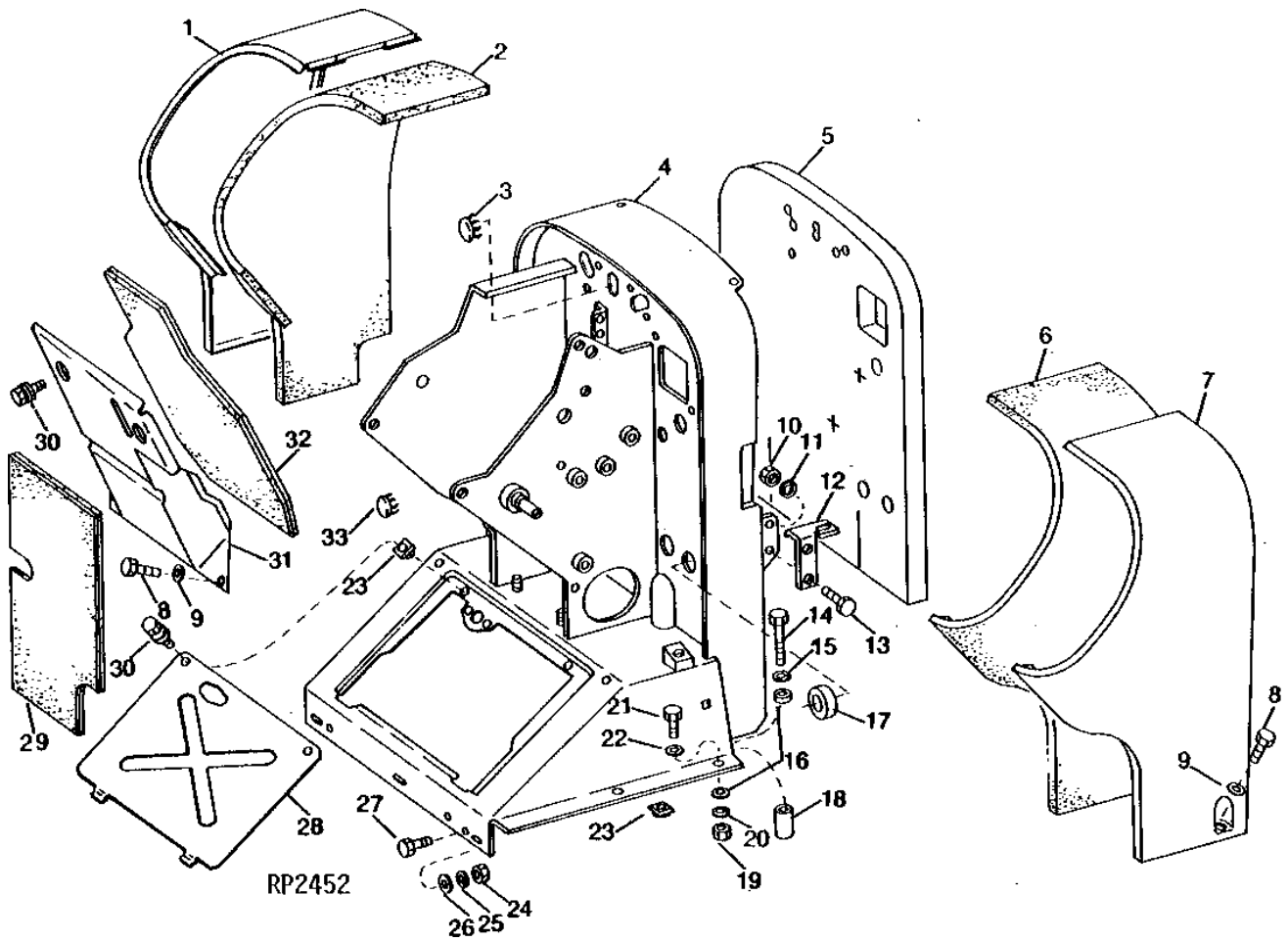
5F6

OPERATORS STATION

RP2452

-UN-01JAN94

CONTROL SUPPORT, COVERS AND COWL



5F7

OPERATORS STATION

CONTROL SUPPORT, COVERS AND COWL - CONTINUED

KEY	PART NO.	PART NAME	QTY	TRACTOR SERIAL NO.	REMARKS
1	R65775	COWL	1		(ALSO ORDER R65774) (SUB FOR R52520)
2	R53473	FOAM PAD	1		(A)
3	R36590	PLUG	1		(C)
4	AR87158	SUPPORT	1		(SUB FOR AR62973, AR66272, AR68505, AR76504, AR78388 OR AR87187)
5	R51959	FOAM PAD	1	-010646	
	R56852	ISOLATOR	1	010647-	
6	R53473	FOAM PAD	1		(A) (SUB FOR R53472)
7	R65774	COWL	1		(ALSO ORDER R65775) (SUB FOR R52519)
8	19H1905	CAP SCREW	4		5/16" X 1"
9	24H1136	WASHER	4		11/32" X 11/16" X 0.065"
10	14H812	NUT	4		3/8"
11	12H304	LOCK WASHER	4		3/8"
	R52997	BRACKET	1		(B)
12	R54070	BRACKET	1		(B)
13	19H1134	CAP SCREW	4		3/8" X 3/4"
14	19H1726	CAP SCREW	2	-004515	3/8" X 2-1/4"
	19H1733	CAP SCREW	2	004516-	3/8" X 2-1/2"
15	12H304	LOCK WASHER	2		
16	24H1305	WASHER	4		13/32" X 13/16" X 0.065"
17	R51849	SPACER	3		
18	R51439	SPACER	2	-004515	(B)
	R56139	BUSHING	2	004516-	
19	14H812	NUT	2		3/8"
20	12H304	LOCK WASHER	2		3/8"
21	19H1732	CAP SCREW	2		3/8" X 1-1/4"
22	24H1884	WASHER	2		13/32" X 13/16" X 0.120"
23	AR54482	NUT	4		
24	14H812	NUT	1		3/8"
25	12H304	LOCK WASHER	1		3/8"
26	24H1305	WASHER	1		13/32" X 13/16" X 0.065"
27	19H1732	CAP SCREW	1		3/8" X 1-1/4"
28	R51438	COVER	1		
29	R54140	FOAM PAD	1	-010646	
	R56853	FOAM PAD	1	010647-	
30	AR58652	BOLT	4		
31	R62590	COVER	1		(SUB FOR R51780)
32	R53474	ISOLATOR	1		(A)
	R44720	PLUG	1		(LESS STARTING AID)
33	R36590	PLUG	1		(C)

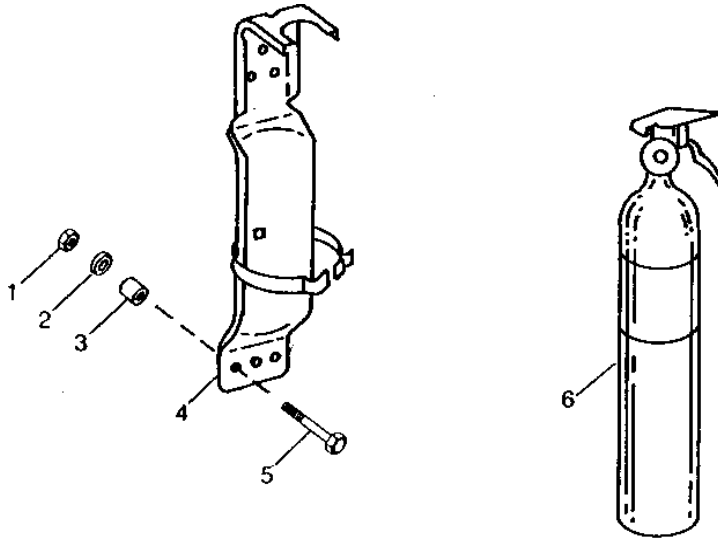
- (A) SOUND-GARD BODY
- (B) LESS SOUND-GARD BODY
- (C) LESS DIFFERENTIAL LOCK

5F8

OPERATORS STATION

RWP2787 -UN-01JAN94

FIRE EXTINGUISHER



RWP2787

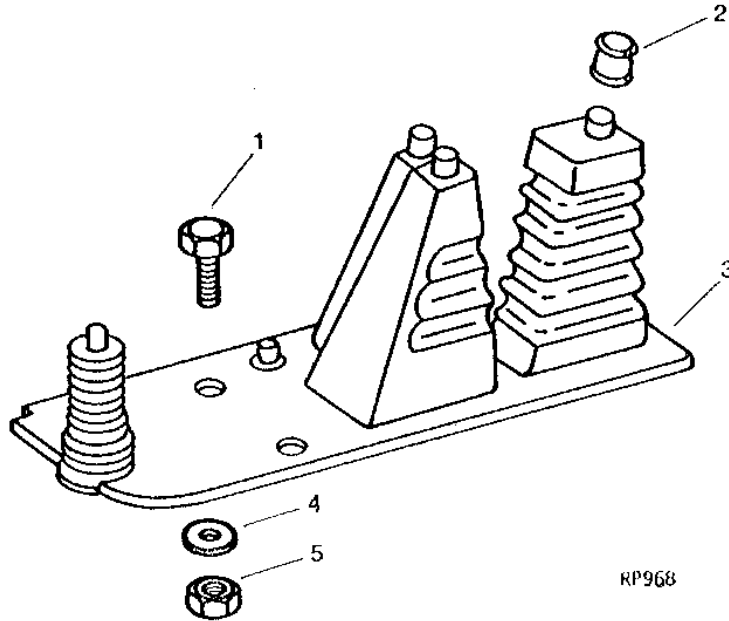
KEY	PART NO.	PART NAME	QTY	SG BODY SERIAL NO.	REMARKS
1	14H786	NUT	2	1/4"	
2	24H1287	WASHER	2	9/32" X 5/8" X 0.065"	
3	28H1914	BUSHING	2		
4	AT75387	BRACKET	1	(SUB FOR AT62019)	
5	21H1035	SCREW	2	1/4" X 1-1/2"	
6	AT81764	FIRE EXTINGUISHER	1	(SUB FOR AT62018)	

5F9

OPERATORS STATION

RP968 -UN-01JAN94

SHIFTER ROD BOOT



RP968

KEY	PART NO.	PART NAME	QTY	SG BODY SERIAL NO.	REMARKS
1	19H1900	CAP SCREW	2	5/16" X 3/4"	
2	R57936	BUSHING	1	(B)	
	R45537	GROMMET	1	(A) (C)	
3	AR78239	BOOT	1	(A) (SUB FOR AR64908) (SUB RE12512 AND R32239)	
	AR58655	BOOT	1	(B) (C)	
4	24H1136	WASHER	2	11/32" X 11/16" X 0.065"	
5	14H785	NUT	2	5/16"	

- (A) SYNCRO-RANGE TRANSMISSION
- (B) QUAD-RANGE TRANSMISSION
- (C) POWER SHIFT TRANSMISSION

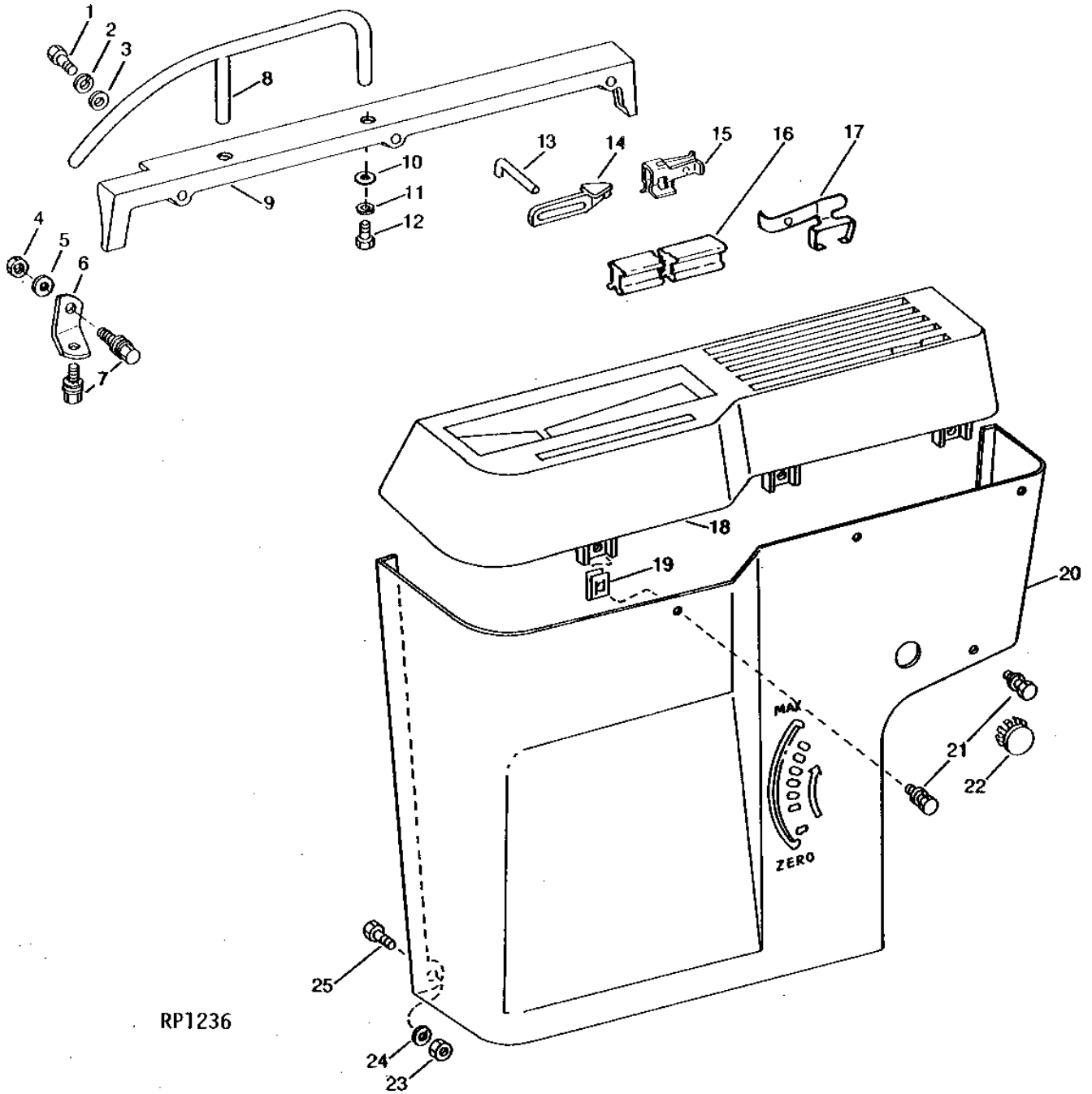
5F10

OPERATORS STATION

RP1236

-UN-01JAN94

CONTROL CONSOLE



5F11

OPERATORS STATION

CONTROL CONSOLE - CONTINUED

KEY	PART NO.	PART NAME	QTY	TRACTOR SERIAL NO.	REMARKS
1	AR58652	BOLT	3	(E)	
	R82123	SCREW	3	(A) (E)	(USE WITH R82124 OR R82127)
	R53743	SELF-LOCKING SCREW	3	(D)	
	R82121	SCREW	3	(A) (D)	(USE WITH R82124 OR R82127)
2	12H303	LOCK WASHER	3	(D)	5/16", (SUB FOR R53699, THIS APPLICATION)
3	R53667	LOCK WASHER	3	(D)	
4	14H785	NUT	2	(C) (E)	5/16"
5	12H303	LOCK WASHER	2	(C) (E)	5/16"
6	R61679	CLIP	2	(C) (E)	
7	19H1905	CAP SCREW	2	(C) (E)	5/16" X 1", REAR
	19H1813	CAP SCREW	2	(C) (E)	5/16" X 5/8", FRONT
8	AR56622	HANDRAIL	1	(C)	
9	R89652	SUPPORT	1	(A) (B) (D)	(SUB FOR R50936)
	R52042	ADAPTER	1	(C) (D)	
10	24H1136	WASHER	2	(C) (D)	11/32" X 11/16" X 0.065"
11	12H303	LOCK WASHER	2	(C)	5/16"
12	19H1813	CAP SCREW	2	(C)	5/16" X 5/8"
13	R51677	NEEDLE ROLLER	1		
14	R56479	STOP	1		(SUB FOR R50670)
15	R52667	LEVER	1		(SUB FOR AR59805)
16	R54533	STOP	1		(SUB FOR AR62598)
17	AR93210	SPRING	1		(USE WITH MODEL 85 CULTIVATOR) (SUB R70959)
18	R82124	GUIDE	1	(A) (E)	(ALSO ORDER (3) R82123) (SUB FOR R51867 OR R74391)
	R82124	GUIDE	1	(A) (D)	(ALSO ORDER (3) R82121) (SUB FOR R51867 OR R74391)
	R55574	GUIDE	1	(A) (D) (F)	(SUB R82127 AND (3) R82121)
	R55574	GUIDE	1	(A) (E) (F)	(SUB R82127 AND (3) R82123)
	R51868	GUIDE	1	(B)	(SUB R82122, (3) R82121, R62956 AND R58204)
	R51796	GUIDE	1	(C)	
19	R50198	NUT	3		
20	R51009	COVER	1		
	R51010	COVER	1		(ROLL-GARD)
	R51008	COVER	1		(SOUND-GARD BODY)
	AR62278	COVER	1		(LOW PROFILE)
21	AR58652	BOLT	5		
22	R34444	PLUG	1		(SUB R66561 OR R66562)
	R66561	PLUG	1		BLACK
	R66562	PLUG	1		GREEN
23	14H785	NUT	1		5/16"
24	12H303	LOCK WASHER	1		5/16"
25	19H1900	CAP SCREW	1		5/16" X 3/4"

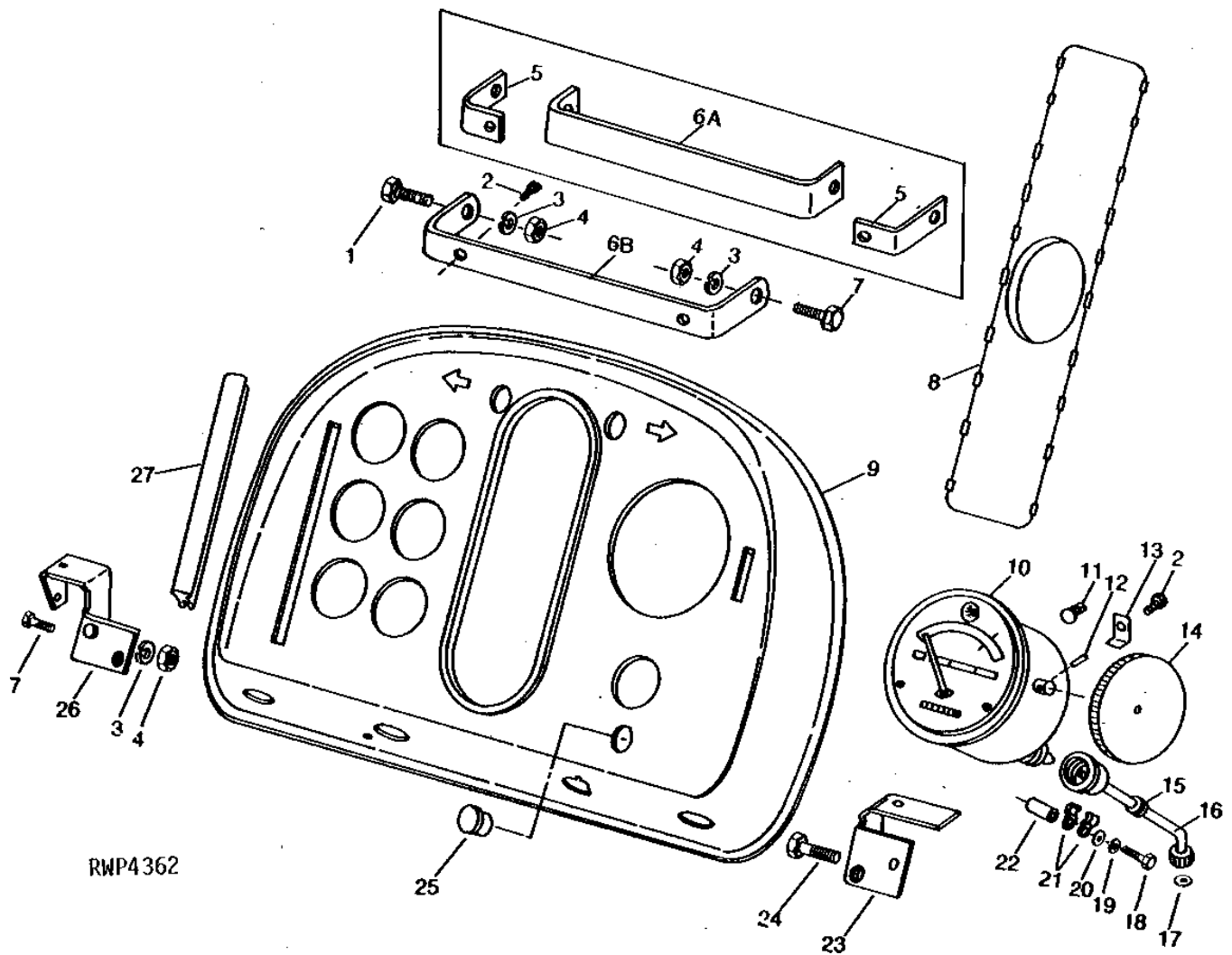
- (A) SYNCRO-RANGE TRANSMISSION
- (B) QUAD-RANGE TRANSMISSION
- (C) POWER SHIFT TRANSMISSION
- (D) ROLL-GARD OR SOUND-GARD BODY
- (E) LESS ROLL-GARD OR SOUND-GARD BODY
- (F) NOT USED IN U.S. AND CANADA

5F12

OPERATORS STATION

RWP4362 -UN-01JAN94

INSTRUMENT PANEL



RWP4362

5F13

OPERATORS STATION

INSTRUMENT PANEL - CONTINUED

KEY	PART NO.	PART NAME	QTY	TRACTOR SERIAL NO.	REMARKS
1	19H1732	CAP SCREW	1		3/8" X 1-1/4"
2	R53028	CAP SCREW	8		
3	12H304	LOCK WASHER	3		3/8"
4	14H1076	NUT	3		3/8"
5	R51182	BRACKET	2		(SUB R78386)
6A	R52089	SPACER	1		(SUB R78386)
6B	R57263	BRACKET	1		(SUB R78386)
7	19H1731	CAP SCREW	2		3/8" X 1"
8	R52953	SHIELD	1		
9	R55993	INSTRUMENT PANEL	1	007000-018966	(A) (SUB R61339, (2) AR74339 LESS TURN SIGNALS) (SUB R61339, (2) AR74339, (2) R61341 AND (3) R53028 WITH TURN SIGNALS)
	R61339	INSTRUMENT PANEL	1	018967-	(A)
	R54393	INSTRUMENT PANEL	1	-006999	(A) (B) (SUB R55994, R50198 AND R75887)
	R55994	INSTRUMENT PANEL	1	007000-018966	(A) (B) (SUB R61340, LESS TURN SIGNALS) (SUB R61340, (2) AR74339, (2) R61341, AND (3) R53028 WITH TURN SIGNALS)
	R61340	INSTRUMENT PANEL	1	018967-	(A) (B)
	R50477	INSTRUMENT PANEL	1	-006999	(C) (SUB R55991, R50198 AND R75887)
	R55991	INSTRUMENT PANEL	1	007000-018966	(C)
	R54394	INSTRUMENT PANEL	1	-006999	(B) (C) (SUB R55992, R50198 AND R75887)
	R55992	INSTRUMENT PANEL	1	007000-018966	(B) (C)
	R50476	INSTRUMENT PANEL	1	-006999	(A) (SUB R61339, R50198 AND R75887)
10	AR60515	TACHOMETER	1		(QUAD-RANGE)
	AR60514	TACHOMETER	1		(POWER SHIFT)
	AR60513	TACHOMETER	1		(SYNCRO-RANGE)
11	AR56675	BULB	2		
12	34H231	SPRING PIN	1		3/32" X 3/4"
13	R52088	ANGLE	4		
14	R50652	COVER	1		
15	R41440	GROMMET	1	-006999	
	R55990	GROMMET	1	007000-	(SUB R41440)
16	AR21085	DRIVE SHAFT	1		
	AR62310	CABLE	1		
17	B3285R	WASHER	1		
18	19H2569	CAP SCREW	1		(D) 5/16" X 1-5/8"
19	12H303	LOCK WASHER	1		(D) 5/16"
20	24H1136	WASHER	1		(D) 11/32" X 11/16" X 0.065"
21	T24168	CLAMP	2		(D)
22	28H1697	SPACER	1		(D)
23	AR58653	RETAINER	1		(D) (SUB R50198 AND R75887)
24	19H1765	CAP SCREW	1		3/8" X 1-3/4"
25	R56264	PLUG	3	007000-018966	
	R56264	PLUG	1	018967-	
26	AR58654	BRACKET	1		(SUB R50198 AND R53079)
27	R53742	BARRIER	1		(LESS PTO)

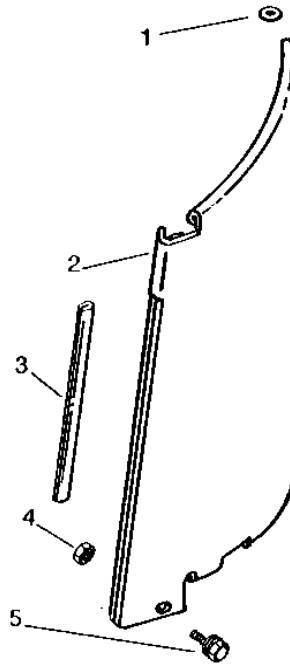
- (A) TELESCOPING STEERING
- (B) POWER FRONT WHEEL DRIVE
- (C) FIXED STEERING
- (D) SOUND-GARD BODY

5F14

OPERATORS STATION

RWP4981 -UN-01JAN94

OPERATOR SHIELD



RWP4981

KEY	PART NO.	PART NAME	QTY	TRACTOR SERIAL NO.	REMARKS
1	R53665	WASHER	2	(A)	
2	AR62268	SHIELD	1	(B) R.H.	
	AR62264	SHIELD	1	(A) R.H.	
	AR62269	SHIELD	1	(B) L.H.	
	AR62265	SHIELD	1	(A) L.H.	
3	R28122	ISOLATOR	1	(A) (B)	
4	R53671	WELD NUT	4	(B)	
5	AR58652	BOLT	4	(B)	

(A) ROLL-GARD

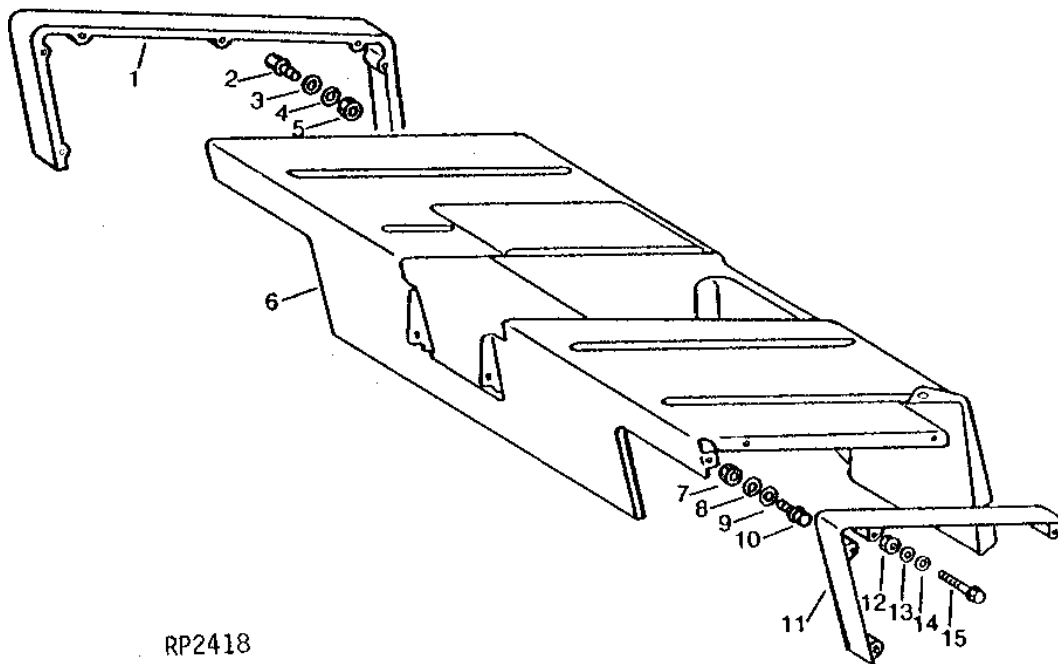
(B) LESS ROLL-GARD OR SOUND-GARD BODY

5F15

OPERATORS STATION

RP2418 -UN-01JAN94

REAR OPERATOR SHIELD



RP2418

KEY	PART NO.	PART NAME	QTY	TRACTOR SERIAL NO.	REMARKS
1	R49984	ADAPTER	1	(A)	
2	AR58652	BOLT	4	(B)	
	R53662	SELF-LOCKING SCREW	2	(B)	
3	R53667	LOCK WASHER	2	(B)	
4	12H303	LOCK WASHER	2	(B) 5/16", (SUB FOR R53669, THIS APPLICATION)	
5	14H785	NUT	6	(B) 5/16", (SUB FOR R53671, THIS APPLICATION)	
6	AR85591	SHIELD	1	(A) (SUB FOR AR72217, AR63571, AR56288 OR AR81653)	
	AR85592	SHIELD	1	(B) (SUB FOR AR72218, AR63570, AR55212 OR AR81654)	
7	14H785	NUT	3	(B) 5/16", (SUB FOR R53671, THIS APPLICATION)	
8	R53668	THRUST WASHER	2	(B)	
9	R53665	WASHER	2	(B)	
10	AR58652	BOLT	3	(B)	
	R53663	SELF-LOCKING SCREW	3	(B)	
11	R49983	ADAPTER	1	(A) (SUB R66290)	
12	14H785	NUT	11	(A) 5/16", (SUB FOR R53671, THIS APPLICATION)	
13	12H303	LOCK WASHER	11	(A) 5/16", (SUB FOR R53669, THIS APPLICATION)	
14	R53667	LOCK WASHER	11	(A)	
15	R53743	SELF-LOCKING SCREW	11	(A)	

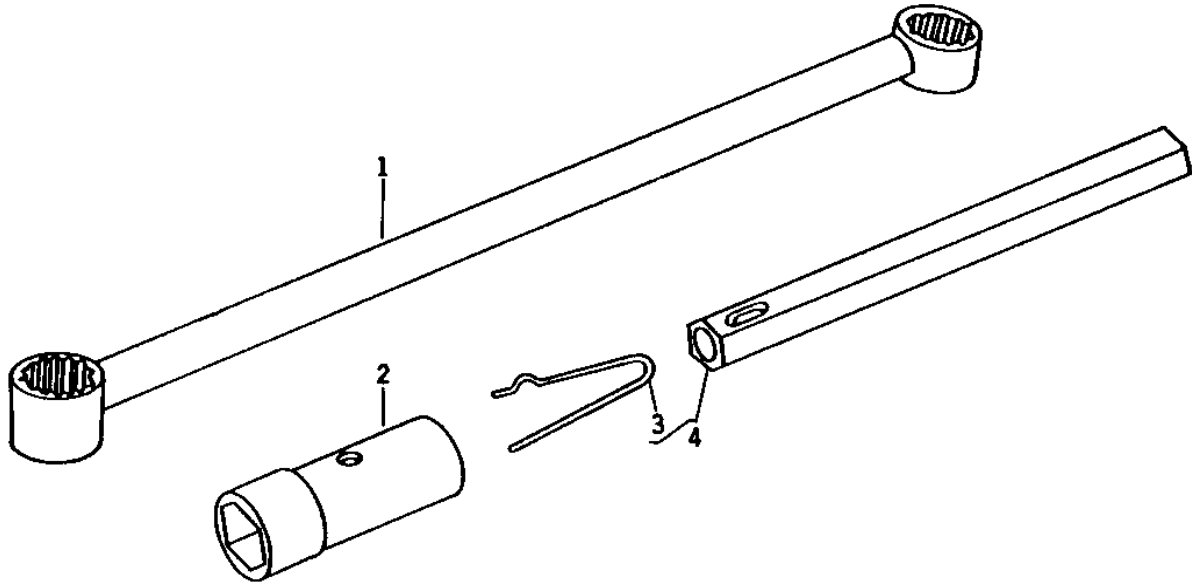
(A) ROLL-GARD
(B) LESS ROLL-GARD

5F16

OPERATORS STATION

R32260 -UN-12OCT94

TOOLS



R32260F

KEY	PART NO.	PART NAME	QTY	TRACTOR SERIAL NO.	REMARKS
1	R34827	WRENCH	1		
2	AR39683	WRENCH	1		
3	R39739	SPRING LOCKING PIN	1		
4	AR39682	EXTENSION	1		

5F17

OPERATORS STATION

R32259 -UN-01JAN94

LOCTITE SEALANT



R32259F

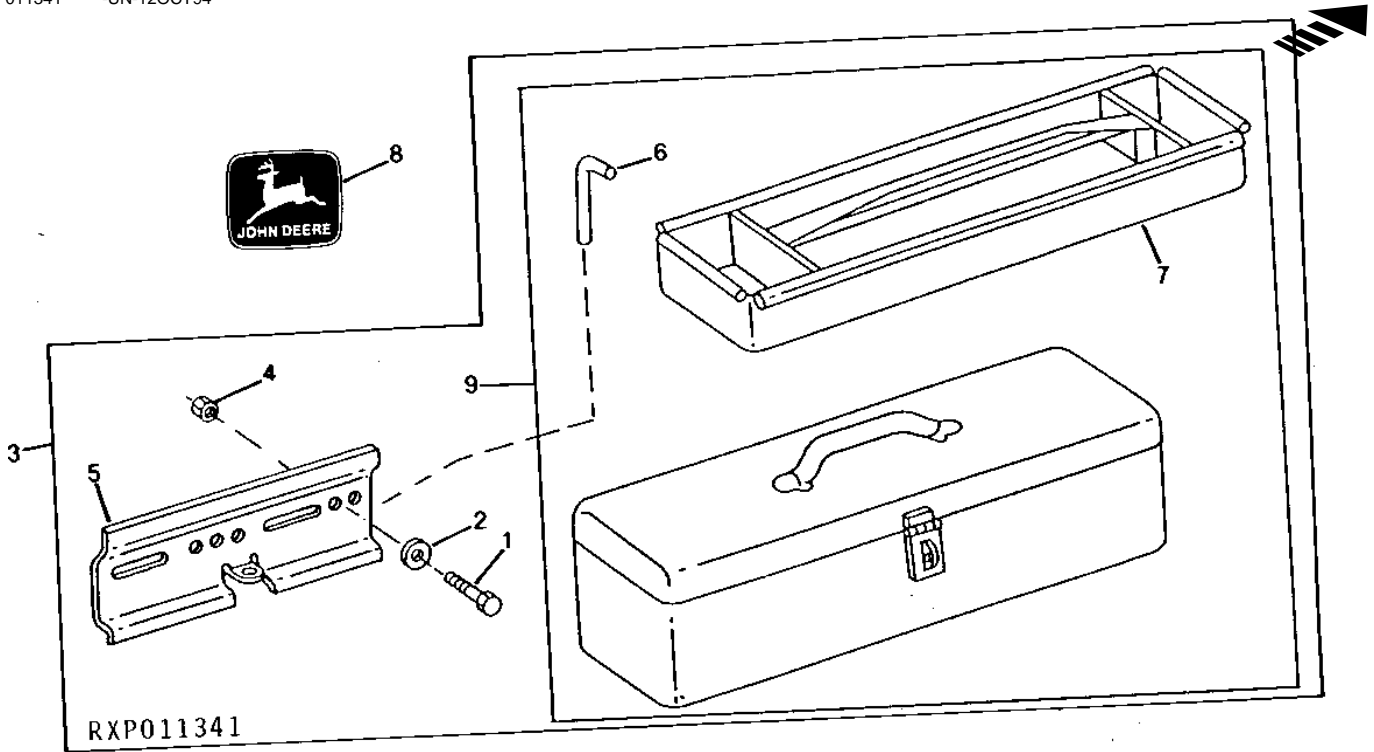
KEY	PART NO.	PART NAME	QTY	TRACTOR SERIAL NO.	REMARKS
1	TY9371	ADHESIVE	1		6CC. (SUB FOR AT14927 AND AT24538)

5F18

OPERATORS STATION

RXP011341 -UN-12OCT94

TOOLBOX AND SUPPORTS



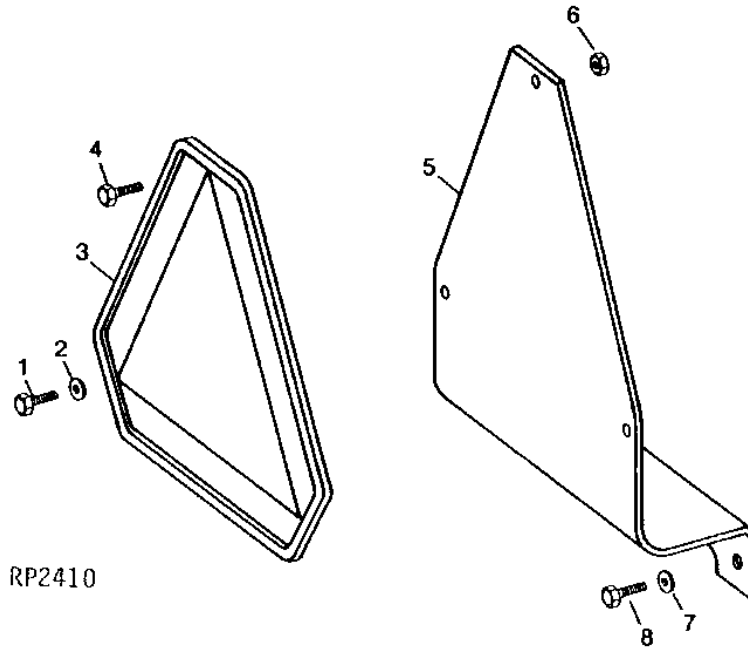
KEY	PART NO.	PART NAME	QTY	TRACTOR SERIAL NO.	REMARKS
1	19H1833	CAP SCREW	2	5/8" X 1-1/4"	
2	24H1363	WASHER	2	41/64" X 1-1/16" X 0.105"	
3	RE53839	TOOLBOX	1	(FI)	
4	14H1039	NUT	2	5/8"	
5	T23033	BRACKET	1	(SUB L39119)	
6	T23027	PIN	1		
7	AT22073	HOLDER	1		
8	JD5272	LABEL	1	-XXXXXX	
	JD5602	LABEL	1	XXXXXX-XXXXXX	
9	AT22070	TOOLBOX	1		

5F19

OPERATORS STATION

RP2410 -UN-01JAN94

SLOW MOVING VEHICLE EMBLEM



KEY	PART NO.	PART NAME	QTY	TRACTOR SERIAL NO.	REMARKS
1	37H132	SCREW	2	(A) 0.216" X 3/4"	
2	B1664R	SHIM	2	(A)	
3	TY2615	SMV EMBLEM	1	(SUB FOR AR61194)	
	JD5400	SIGN	1	DECAL	
4	19H1948	CAP SCREW	3	1/4" X 3/4"	
5	R53828	BRACKET	1	(B)	
6	14H786	NUT	3	1/4"	
7	12H304	LOCK WASHER	2	3/8"	
8	19H2117	CAP SCREW	2	5/16" X 1-1/8"	

(A) ROLL-GARD OR SOUND-GARD BODY
 (B) LESS ROLL-GARD OR SOUND-GARD BODY

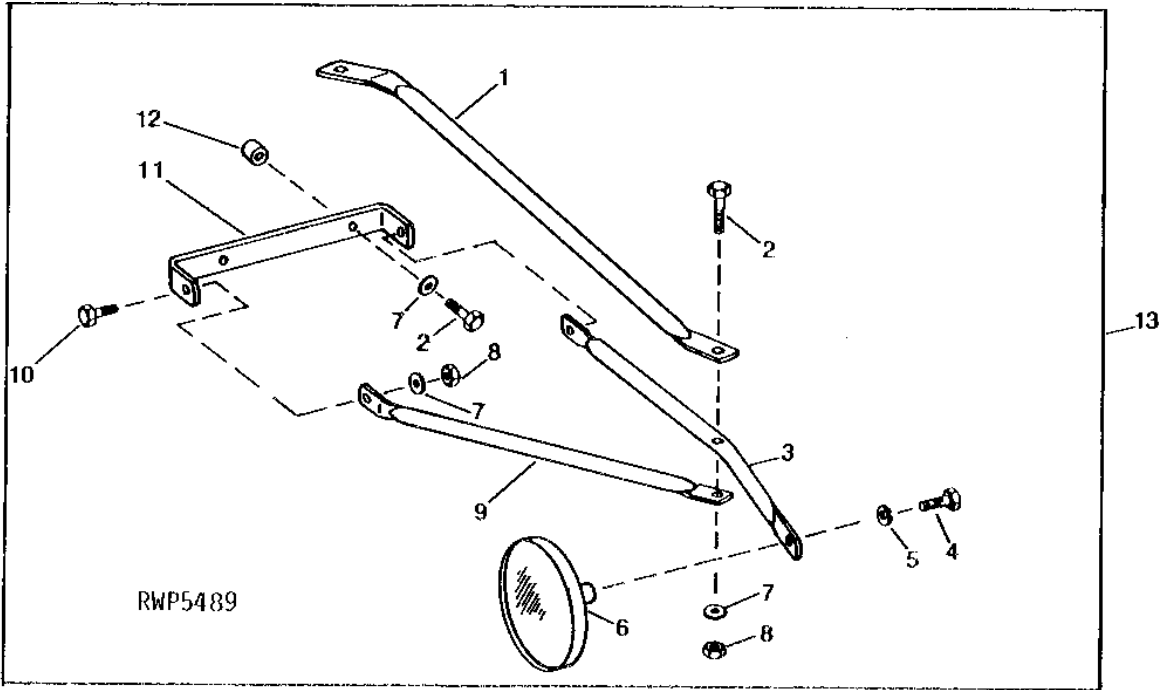
5F20

OPERATORS STATION

RWP5489

-UN-01JAN94

OUTSIDE REAR VIEW MIRROR



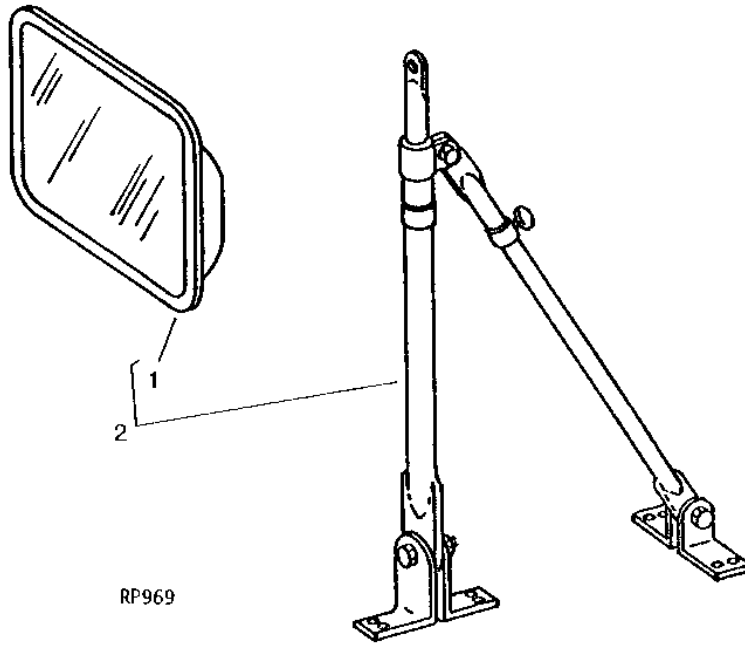
KEY	PART NO.	PART NAME	QTY	TRACTOR SERIAL NO.	REMARKS
1	R81874	ARM	1		
2	19H1898	CAP SCREW	3	1/4" X 1-1/2"	
3	R81873	ARM	1		
4	19H1919	CAP SCREW	1	1/4" X 5/8"	
5	12H302	LOCK WASHER	1	1/4"	
6	AH99408	REAR VIEW MIRROR	1		
7	24H1287	WASHER	5	9/32" X 5/8" X 0.065"	
8	14H786	NUT	3	1/4"	
9	R81875	ARM	1		
10	19H1948	CAP SCREW	2	1/4" X 3/4"	
11	R81872	BRACKET	1		
12	28H1509	WASHER	2	0.269" X 0.405" X 3/8"	
13	RE20352	REAR VIEW MIRROR	1		

5F21

OPERATORS STATION

RP969 -UN-01JAN94

REAR VIEW MIRROR



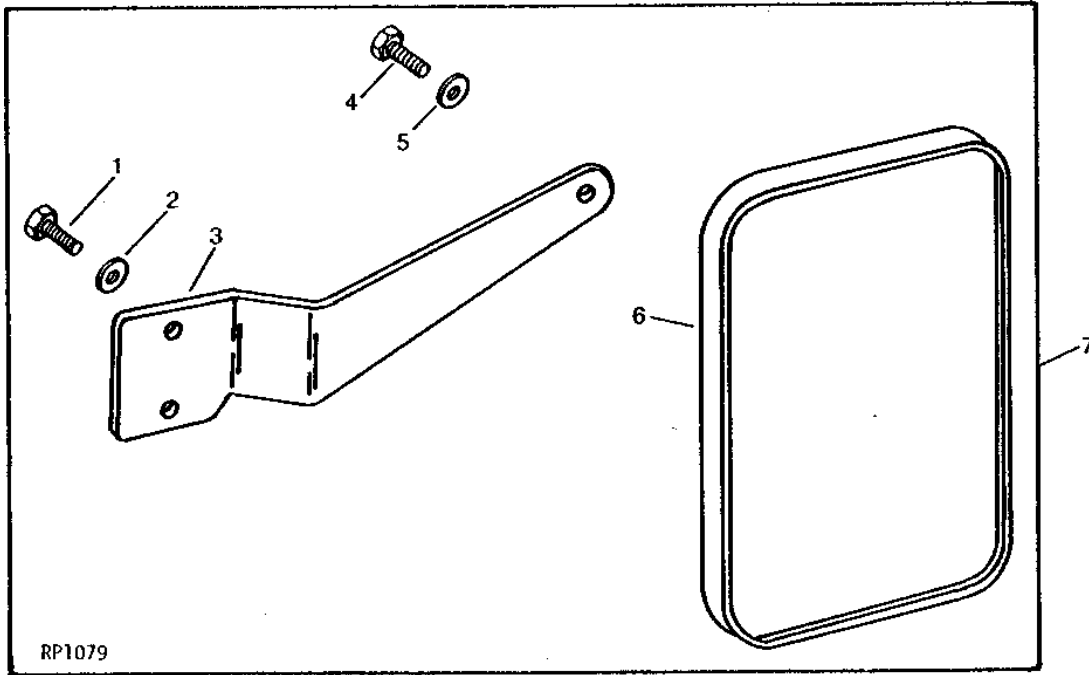
KEY	PART NO.	PART NAME	QTY	TRACTOR SERIAL NO.	REMARKS
1	AR89137	REAR VIEW MIRROR	1	(SUB FOR AR44255)	
2	AR44254	REAR VIEW MIRROR	1	(SUB AR89137, (3) AH85483 AND (6) H78354)	

5F22

OPERATORS STATION

RP1079 -UN-01JAN94

REAR VIEW MIRROR



RP1079

KEY	PART NO.	PART NAME	QTY	SG BODY SERIAL NO.	REMARKS
1	37H57	SCREW	2	5/16" X 3/4"	
2	R53667	LOCK WASHER	2		
3	R53477	BRACKET	1		
4	19H1919	CAP SCREW	1	1/4" X 5/8"	
5	12H302	LOCK WASHER	2	1/4"	
6	AR89137	REAR VIEW MIRROR	1		
7	AR65048	KIT	1	(FI)	

1J12

4630 TRACTOR

NUMERICAL INDEX

PART NO.	GRID	KEY	PAGE	PART NO.	GRID	KEY	PAGE	PART NO.	GRID	KEY	PAGE
AA14850	4E16	22	70 - 88	AN163885	4F24	26	70 - 123	AR105813	4D11	17	70 - 55
AA32178	2G6	..	40 - 105A	AN163885	4G5	26	70 - 129	AR11001	2C21	15	40 - 37
AA3495R	2D14	15	40 - 49	AN163885	4G11	16	70 - 134	AR11001	2D2	14	40 - 43
AA3495R	2D16	22	40 - 51	AN190895	4F15	12	70 - 113	AR11051	2C22	7	40 - 38
AA3495R	2D18	22	40 - 53	AN212996	4D23	6	70 - 69	AR11051	2D3	4	40 - 44
AA34967	2G6	3	40 - 105A	AN250096	4C3	5	70 - 21A	AR111058	2E12	20	40 - 69B
AA34968	2G6	23	40 - 105A	AP19547	4F24	32	70 - 123	AR111163	3F18	15	50 - 117
AA5692R	2G4	12	40 - 104	AP19547	4G2	33	70 - 125	AR11124	2C21	17	40 - 37
AA5731R	4G2	3	70 - 125	AR100056	5B15	8	90 - 8	AR11126	2C19	21	40 - 35
AA6307R	4F20	13	70 - 119	AR100056	5B16	6	90 - 9	AR11127	2C19	2	40 - 35
AD2062R	2D16	30	40 - 51	AR100161	2D10	1	40 - 45F	AR11128	2C19	14	40 - 35
AD2062R	2D18	30	40 - 53	AR100384	1B13	4	20 - 11	AR11132	2C19	28	40 - 35
AD2062R	2D20	2	40 - 55	AR100385	1B13	4	20 - 11	AR11140	2C21	24	40 - 37
AD2062R	2D21	1	40 - 56	AR100478	1B16	27	20 - 15	AR116199	3C12	10	50 - 30
AD2062R	2G6	2	40 - 105A	AR100478	1B16	35	20 - 15	AR21059	2D14	10	40 - 49
AE23861	2B23	19	40 - 15	AR100478	1B16	36	20 - 15	AR21059	2D16	17	40 - 51
AE23861	2C1	16	40 - 17	AR100478	1B16	37	20 - 15	AR21059	2D19	9	40 - 54
AE24616	3H24	18	60 - 29	AR100478	1B18	1	20 - 17	AR21085	5F13	16	90 - 109
AE24616	4C3	9	70 - 21A	AR100478	1B20	1	20 - 17B	AR21739	2D23	4	40 - 58
AF2907R	3B17	4	50 - 12	AR100478	1B24	..	20 - 17F	AR21739	2D24	6	40 - 59
AF2907R	3D15	17	50 - 61	AR101137	1E21	36	30 - 43	AR21823	2B10	27	40 - 3
AH109555	2D24	7	40 - 59	AR101236	4B10	3	70 - 5	AR21823	2E7	13	40 - 66
AH118028	5B15	2	90 - 8	AR101236	4B18	23	70 - 13	AR21823	2E15	2	40 - 70
AH118028	5B15	10	90 - 8	AR101236	4B20	3	70 - 15	AR21823	2E16	10	40 - 71
AH118028	5B16	9	90 - 9	AR101236	4C5	28	70 - 23	AR21823	2E17	10	40 - 72
AH140818	5B13	5	90 - 7	AR101237	4B12	3	70 - 7	AR21836	4C14	23	70 - 32
AH21762	5B13	31	90 - 7	AR101237	4B18	23	70 - 13	AR21836	4E18	18	70 - 90
AH21763	5B10	3	90 - 4	AR101237	4B22	3	70 - 17	AR21836	4E19	19	70 - 91
AH21763	5B11	3	90 - 5	AR101237	4C5	28	70 - 23	AR21837	3G20	4	50 - 146
AH61036	5B15	19	90 - 8	AR101245	2E19	15	40 - 74	AR21837	4C13	10	70 - 31
AH75164	4E16	6	70 - 88	AR101549	1C25	8	20 - 40	AR21837	5B10	12	90 - 4
AH75167	4F15	7	70 - 113	AR101549	1C25	9	20 - 40	AR21837	5B11	12	90 - 5
AH80591	2B11	9	40 - 4	AR101549	1C25	10	20 - 40	AR21837	5C2	9	90 - 21
AH80591	5B15	6	90 - 8	AR101549	1C25	11	20 - 40	AR21839	1B11	1	20 - 9
AH80916	1D15	11	30 - 11	AR101624	3F14	9	50 - 111	AR21839	1D1	3	20 - 41
AH85483	5F21	2	90 - 117	AR101624	3F14	..	50 - 111	AR21839	1D13	15	30 - 9
AH93625	2G6	12	40 - 105A	AR101624	3F16	21	50 - 113	AR21839	3G19	3	50 - 145
AH93852	3F22	1	50 - 121	AR101624	3F16	..	50 - 113	AR21839	4C9	2	70 - 27
AH98337	2B23	19	40 - 15	AR101624	3F18	15	50 - 117	AR21839	4C9	9	70 - 27
AH98337	2C1	16	40 - 17	AR101632	4C2	6	70 - 21	AR21839	4C10	5	70 - 28
AH99408	5F20	6	90 - 116	AR102454	2E15	..	40 - 70	AR21839	4C11	7	70 - 29
AL14896	2B9	14	40 - 2	AR102454	2E16	12	40 - 71	AR21839	4C13	4	70 - 31
AL14896	2E15	5	40 - 70	AR102454	2E17	12	40 - 72	AR21839	4C14	8	70 - 32
AL23523	3I16	26	60 - 47	AR102797	3B20	21	50 - 15	AR21839	4C14	13	70 - 32
AL24194	1D9	7	30 - 3	AR103505	1B9	15	20 - 6	AR21839	4C16	9	70 - 34
AL24194	2B9	9	40 - 2	AR103633	5D14	15	90 - 59	AR21840	1C20	24	20 - 35
AL25073	2G7	2	40 - 105B	AR103633	5D16	12	90 - 61	AR21840	3H10	9	60 - 14
AL26972	4F6	25	70 - 103	AR103634	5D20	28	90 - 65	AR21840	4C14	18	70 - 32
AL26972	4F8	22	70 - 105	AR103636	5D14	15	90 - 59	AR21841	1D9	10	30 - 3
AL26973	4F6	3	70 - 103	AR103636	5D16	14	90 - 61	AR21842	1D9	12	30 - 3
AL26973	4F8	21	70 - 105	AR103687	4C16	3	70 - 34	AR21969	1B6	..	20 - 1
AL27809	2C4	10	40 - 20	AR103687	4C22	4	70 - 40	AR21969	3H10	..	60 - 14
AL27809	2C5	12	40 - 21	AR103687	4D15	21	70 - 59	AR21969	3I7	..	60 - 37
AL2976T	2G11	20	40 - 109	AR103750	2F3	10	40 - 83	AR21999	1C20	26	20 - 35
AL32975	1D9	7	30 - 3	AR103808	4F21	7	70 - 120	AR21999	3H24	14	60 - 29
AL32975	2B9	9	40 - 2	AR103811	1B11	2	20 - 9	AR21999	4C14	18	70 - 32
AL35750	2F22	16	40 - 97B	AR104079	4I10	24	80 - 43	AR26375	3D3	26	50 - 48
AL35751	2F22	15	40 - 97B	AR104119	2D18	17	40 - 53	AR26375	3F5	25	50 - 101
AL61306	2F22	15	40 - 97B	AR104436	3D22	10	50 - 68A	AR26402	3H2	5	60 - 5
AL67715	2C4	10	40 - 20	AR104516	2F6	1	40 - 87	AR26403	5C18	7	90 - 37
AL67715	2C4	11	40 - 20	AR104517	2F6	5	40 - 87	AR26403	5D2	21	90 - 47
AL67715	2C5	12	40 - 21	AR104518	2F6	3	40 - 87	AR26407	4F20	3	70 - 119
AL67715	2C5	13	40 - 21	AR104520	2F3	5	40 - 83	AR26407	4F20	4	70 - 119
AM30347	4H1	..	80 - 10	AR104573	2E23	1	40 - 78	AR26444	1B12	3	20 - 10
AM52191	2B9	16	40 - 2	AR104574	2E23	5	40 - 78	AR26444	1B12	7	20 - 10
AM53945	2B9	16	40 - 2	AR104650	1E13	19	30 - 34	AR26448	3H2	2	60 - 5
AN150015	2B23	16	40 - 15	AR105510	1C16	22	20 - 31	AR26462	4E12	7	70 - 84

1J13

4630 TRACTOR

NUMERICAL INDEX - CONTINUED

PART NO.	GRID	KEY	PAGE	PART NO.	GRID	KEY	PAGE	PART NO.	GRID	KEY	PAGE
AR26516	1B11	5	20 - 9	AR30210	4F4	7A	70 - 101	AR389R	3C15	18	50 - 33
AR26529	5C20	3	90 - 39	AR30210	4F12	7	70 - 110	AR389R	3C16	12	50 - 34
AR26571	2G4	1	40 - 104	AR30297	3G23	17	60 - 1	AR389R	3D1	8	50 - 46
AR26646	4B14	21	70 - 9	AR30298	3G23	17	60 - 1	AR39128	3C9	32	50 - 27
AR26674	1E11	4	30 - 32	AR30685	4F2	..	70 - 99	AR39585	3H6	34	60 - 9
AR26707	3B23	7	50 - 18	AR30685	4F5	12	70 - 102	AR39682	5F16	4	90 - 112
AR26707	3D8	18	50 - 53	AR30686	4G2	..	70 - 125	AR39683	5F16	2	90 - 112
AR26707	3D9	3	50 - 54	AR30697	4C23	20	70 - 41	AR39774	3F8	11	50 - 104
AR26707	3D24	2	50 - 70	AR30697	4C23	24	70 - 41	AR40171	2D2	5	40 - 43
AR26707	3F9	19	50 - 105	AR30697	4D14	1	70 - 58	AR40174	2D10	1	40 - 45F
AR26722	4C7	30	70 - 25	AR30697	4D14	4	70 - 58	AR40465	4E16	7	70 - 88
AR26722	4C19	19	70 - 37	AR30762	3I7	16B	60 - 37	AR40666	3D7	24	50 - 52
AR26723	3B18	35	50 - 13	AR30762	4C17	26	70 - 35	AR40675	4D7	9	70 - 51
AR26723	3F6	1	50 - 102	AR30784	4F20	1	70 - 119	AR40675	4D8	10	70 - 52
AR26723	4C16	2	70 - 34	AR31016	3I11	21	60 - 41	AR40676	4D7	6	70 - 51
AR26723	4C16	7	70 - 34	AR31611	4E16	26	70 - 88	AR40676	4D8	6	70 - 52
AR26724	4C6	11A	70 - 24	AR31703	4D2	43	70 - 45	AR40680	1B12	17	20 - 10
AR26725	3H7	17	60 - 10	AR31703	4D4	8	70 - 47	AR40688	4E21	31	70 - 93
AR26725	3H9	12	60 - 13	AR31945	4G8	15	70 - 132	AR40710	2G4	13	40 - 104
AR26725	4C19	18A	70 - 37	AR31946	3I12	14	60 - 42	AR40753	4D7	46A	70 - 51
AR26745	4C10	22	70 - 28	AR32243	3I4	9	60 - 34	AR40754	4D7	7	70 - 51
AR26745	4E16	8	70 - 88	AR32331	4C16	7	70 - 34	AR40754	4D8	7A	70 - 52
AR26746	3I9	24	60 - 39	AR33249	4B14	6	70 - 9	AR40785	4D5	7	70 - 49
AR26761	4D2	13	70 - 45	AR33877	4F2	31	70 - 99	AR40827	4E21	12	70 - 93
AR26763	3E9	1	50 - 80	AR34569	3F11	25	50 - 107	AR40827	4E24	1	70 - 96
AR26763	3G19	15	50 - 145	AR34829	4F20	11	70 - 119	AR40827	4F2	26	70 - 99
AR26763	4C10	20	70 - 28	AR35261	4F20	5	70 - 119	AR41006	1B12	22	20 - 10
AR26763	4E16	2	70 - 88	AR35261	4F20	6	70 - 119	AR41056	1C3	4	20 - 21
AR26771	3F10	6	50 - 106	AR35261	4F20	11	70 - 119	AR41691	1C25	8	20 - 40
AR26771	3F11	1	50 - 107	AR35403	3C5	16	50 - 23	AR41694	2B21	14	40 - 13
AR26771	3H7	11	60 - 10	AR35526	4E9	32	70 - 81	AR41754	2E20	8	40 - 75
AR26771	3H9	10	60 - 13	AR35527	4E9	31	70 - 81	AR41756	2E19	2	40 - 74
AR26771	3I9	7	60 - 39	AR35710	3I9	17A	60 - 39	AR41756	2E20	1	40 - 75
AR26782	3D8	20	50 - 53	AR35710	3I9	19	60 - 39	AR41758	2E19	1	40 - 74
AR26782	3D9	1	50 - 54	AR35710	3I16	28	60 - 47	AR41758	2E20	10	40 - 75
AR26782	3F9	21	50 - 105	AR35782	2B9	2	40 - 2	AR41758	2F2	9	40 - 82
AR26828	3G19	17	50 - 145	AR35782	2B11	1	40 - 4	AR41758	5C4	6	90 - 23
AR26828	4C16	14	70 - 34	AR35782	2D14	16	40 - 49	AR41761	5C16	..	90 - 34
AR27033	4E12	13	70 - 84	AR35782	2D16	23	40 - 51	AR41762	5C6	4	90 - 23B
AR27062	4F20	6	70 - 119	AR35851	4D25	4	70 - 71	AR41785	1B6	..	20 - 1
AR27093	4D25	38	70 - 71	AR35861	4E5	25	70 - 77	AR41870	1B6	..	20 - 1
AR27437	4F20	5	70 - 119	AR35862	4E5	23	70 - 77	AR41885	3F5	34	50 - 101
AR27440	4F20	4	70 - 119	AR35912	4E5	9	70 - 77	AR41950	2E19	6	40 - 74
AR27699	4F14	9	70 - 112	AR35912	4E9	9	70 - 81	AR41950	2E20	3	40 - 75
AR27738	3G20	1	50 - 146	AR35981	3H9	16	60 - 13	AR41951	2E19	5	40 - 74
AR27738	4F14	6	70 - 112	AR36048	5C20	14	90 - 39	AR41951	2E20	2	40 - 75
AR27806	4H1	1	80 - 10	AR36097	3F10	13	50 - 106	AR42009	3G23	11	60 - 1
AR27806	4H3	1	80 - 12	AR36097	3F11	7	50 - 107	AR42009	3G24	3	60 - 2
AR27814	1D24	1	30 - 20	AR36097	3I9	11	60 - 39	AR42009	3G24	13	60 - 2
AR27814	1E1	16	30 - 22	AR36105	3I9	11	60 - 39	AR42119	2D18	17	40 - 53
AR27888	4C16	11	70 - 34	AR36157	4F20	6	70 - 119	AR42287	4D11	16	70 - 55
AR27940	1D24	6	30 - 20	AR36158	4F20	4	70 - 119	AR42287	4D11	17	70 - 55
AR27940	1D25	4	30 - 21	AR36158	4F20	6	70 - 119	AR42591	2D18	17	40 - 53
AR28271	3D4	11	50 - 49	AR36301	4F20	6	70 - 119	AR42990	3C5	11	50 - 23
AR28271	3F4	11	50 - 100	AR36303	4F20	5	70 - 119	AR43001	3D22	15	50 - 68A
AR28403	2B21	17	40 - 13	AR36303	4F20	6	70 - 119	AR43005	3E2	18	50 - 73
AR28403	2C3	17	40 - 19	AR36303	4F20	11	70 - 119	AR43017	3D19	14	50 - 66
AR28403	2G4	10	40 - 104	AR36668	1C25	10	20 - 40	AR43026	3C15	3	50 - 33
AR28403	2G9	19	40 - 107	AR37017	3G20	11	50 - 146	AR43026	3C16	3	50 - 34
AR28482	1C20	2	20 - 35	AR37017	3G20	17	50 - 146	AR43027	3C15	5	50 - 33
AR28488	3I4	2	60 - 34	AR37017	4E16	5	70 - 88	AR43027	3C16	5	50 - 34
AR28488	3I4	8	60 - 34	AR38456	2B9	1	40 - 2	AR43046	3I4	5	60 - 34
AR28754	4F22	3	70 - 121	AR38456	2D14	27	40 - 49	AR43057	3D22	13	50 - 68A
AR28755	4F22	3	70 - 121	AR38456	2D20	3	40 - 55	AR43057	3D23	11	50 - 69
AR29690	1D10	13	30 - 5	AR38714	4B14	31	70 - 9	AR43057	3E2	26	50 - 73
AR29690	3H10	8	60 - 14	AR389R	3C13	23	50 - 31	AR43058	3D3	16	50 - 48
AR30210	4F2	7	70 - 99	AR389R	3C14	16	50 - 32	AR43059	4D20	4	70 - 65

1J14

4630 TRACTOR

NUMERICAL INDEX - CONTINUED

PART NO.	GRID	KEY	PAGE	PART NO.	GRID	KEY	PAGE	PART NO.	GRID	KEY	PAGE
AR43074	3D23	21	50 - 69	AR45535	4G10	1	70 - 133B	AR48015	2B12	15	40 - 5
AR43086	3F16	10	50 - 113	AR45536	4G5	24	70 - 129	AR48015	2D24	2	40 - 59
AR43097	3C15	10	50 - 33	AR45543	4G2	26A	70 - 125	AR48034	2F24	23	40 - 99
AR43101	3E9	3	50 - 80	AR45544	4G5	37	70 - 129	AR48041	2D14	4	40 - 49
AR43114	3F14	9	50 - 111	AR45544	4G7	39	70 - 131	AR48041	2D16	4	40 - 51
AR43114	3F16	21	50 - 113	AR45545	4F24	37	70 - 123	AR48041	2D18	4	40 - 53
AR43125	3F6	6	50 - 102	AR45545	4G2	26A	70 - 125	AR48041	2G6	22	40 - 105A
AR43126	3F6	7	50 - 102	AR45545	4G2	26B	70 - 125	AR48096	3E2	9	50 - 73
AR43134	3F11	23	50 - 107	AR45723	1C3	11	20 - 21	AR48096	3E3	12	50 - 74
AR43243	3F14	7	50 - 111	AR45723	1C9	9	20 - 25A	AR48096	3E4	9	50 - 75
AR43243	3F16	9	50 - 113	AR45723	1C10	9	20 - 25B	AR48096	3E5	3	50 - 76
AR43253	1E4	34	30 - 25	AR45734	2C4	8	40 - 20	AR48110	4D25	34	70 - 71
AR43261	1C16	1	20 - 31	AR45734	2C5	8	40 - 21	AR48110	4E13	1	70 - 85
AR43261	1C16	2	20 - 31	AR45781	3G3	9	50 - 128	AR48111	4E13	2	70 - 85
AR43261	1C16	3	20 - 31	AR45782	3G3	13	50 - 128	AR48112	4D25	35	70 - 71
AR43316	4D22	11	70 - 67	AR45975	2B16	9	40 - 8	AR48236	1D11	8	30 - 6
AR43547	4C24	7	70 - 42	AR46184	1E1	13	30 - 22	AR48236	1E13	13	30 - 34
AR43569	3E10	3	50 - 81	AR46246	4B8	1	70 - 3	AR48236	3G17	2	50 - 143
AR43569	3E10	6	50 - 81	AR46246	4B12	..	70 - 7	AR48236	5B13	22	90 - 7
AR43586	3E6	17	50 - 77	AR46256	4E13	13	70 - 85	AR48527	3G4	16	50 - 129
AR43592	3E10	8	50 - 81	AR46281	1E4	8	30 - 25	AR48594	2B21	14	40 - 13
AR43634	1C16	2	20 - 31	AR46395	1C3	11	20 - 21	AR48594	2B23	9	40 - 15
AR43634	1C16	3	20 - 31	AR46396	1C3	11	20 - 21	AR48594	2C1	8	40 - 17
AR43634	1F8	5	30 - 57	AR46396	1C6	2	20 - 24	AR48594	2C3	14	40 - 19
AR43652	1B14	8	20 - 12	AR46396	1C7	9	20 - 24A	AR48675	1D1	13	20 - 41
AR43704	1D23	13	30 - 19	AR46397	1C3	11	20 - 21	AR48690	3E17	6	50 - 89
AR43744	3C13	7	50 - 31	AR46398	1C3	11	20 - 21	AR48721	2B9	8	40 - 2
AR43744	3C14	7	50 - 32	AR46399	1C12	6	20 - 27	AR48721	2B12	21	40 - 5
AR43809	3G25	10	60 - 3	AR46400	1C12	6	20 - 27	AR48721	2B12	24	40 - 5
AR43809	3H1	4	60 - 4	AR46401	1C12	6	20 - 27	AR48721	2D14	34	40 - 49
AR43954	1C4	15	20 - 22	AR46402	1C12	6	20 - 27	AR48721	2D16	33	40 - 51
AR43998	1D10	23	30 - 5	AR46403	1C12	1	20 - 27	AR48722	2D19	8	40 - 54
AR44254	5F21	2	90 - 117	AR46404	1C12	1	20 - 27	AR48723	2D14	33	40 - 49
AR44255	5F21	1	90 - 117	AR46405	1C12	1	20 - 27	AR48723	2D16	32	40 - 51
AR44376	3G2	27	50 - 127	AR46406	1C12	1	20 - 27	AR48723	2D18	32	40 - 53
AR44402	1B7	1	20 - 2	AR46407	1C12	1	20 - 27	AR48724	2B9	19	40 - 2
AR44423	3E11	6	50 - 82	AR46828	4E13	3	70 - 85	AR48724	2E7	8	40 - 66
AR44553	3E10	3	50 - 81	AR46984	2F4	3	40 - 85	AR48725	2B10	30	40 - 3
AR44554	3E10	15	50 - 81	AR46985	2E19	..	40 - 74	AR48725	2E8	1	40 - 67
AR44624	1C12	1	20 - 27	AR46986	2E19	15	40 - 74	AR48770	4B12	18	70 - 7
AR44625	1C12	6	20 - 27	AR46986	2E19	16	40 - 74	AR48902	3G12	6	50 - 138
AR44698	2C19	32	40 - 35	AR46986	2F4	1	40 - 85	AR48903	3G12	14	50 - 138
AR44699	2C21	2	40 - 37	AR47132	3E6	20	50 - 77	AR48904	3G15	13	50 - 141
AR44700	2C19	12	40 - 35	AR47137	3G2	12A	50 - 127	AR48912	2B16	4	40 - 8
AR44763	5C16	5	90 - 34	AR47148	3E6	19	50 - 77	AR48926	1E11	12	30 - 32
AR44820	4E9	16	70 - 81	AR47293	3G24	4	60 - 2	AR48940	1C12	1	20 - 27
AR44999	2B9	16	40 - 2	AR47295	3I7	15B	60 - 37	AR48957	2B8	5	40 - 1
AR44999	2D11	3	40 - 46	AR47296	1E5	13	30 - 26	AR48957	2B12	28	40 - 5
AR44999	2D12	7	40 - 47	AR47297	1E11	5	30 - 32	AR49025	1C13	1	20 - 28
AR45034	3G2	1	50 - 127	AR47299	3I7	15A	60 - 37	AR49032	2E15	..	40 - 70
AR45034	3G3	14	50 - 128	AR47331	4F12	20	70 - 110	AR49032	2E17	12	40 - 72
AR45099	2B9	5	40 - 2	AR47373	1E1	13	30 - 22	AR49036	2B9	14	40 - 2
AR45099	2B12	19	40 - 5	AR47455	2B17	1	40 - 9	AR49039	2E15	5	40 - 70
AR45099	2D14	7	40 - 49	AR47486	4E16	12	70 - 88	AR49138	4H2	2	80 - 11
AR45099	2D16	7	40 - 51	AR47490	4E14	1	70 - 86	AR49146	3B23	14	50 - 18
AR45099	2D18	7	40 - 53	AR47567	4E13	12	70 - 85	AR49232	1C12	1	20 - 27
AR45234	3G20	15	50 - 146	AR47580	4B10	16	70 - 5	AR49233	1C12	1	20 - 27
AR45255	3F1	24	50 - 96	AR47643	4F2	7	70 - 99	AR49234	1C12	1	20 - 27
AR45316	2C7	17	40 - 23	AR47643	4F4	7A	70 - 101	AR49235	1C12	1	20 - 27
AR45316	2C9	18	40 - 25	AR47643	4F12	7	70 - 110	AR49236	1C12	1	20 - 27
AR45381	3D15	16	50 - 61	AR47803	3G18	7	50 - 144	AR49298	2C4	7	40 - 20
AR45381	3E17	1	50 - 89	AR47825	4F20	11	70 - 119	AR49298	2C5	7	40 - 21
AR45414	3F25	7	50 - 124	AR47825	4F24	1	70 - 123	AR49352	2G9	17	40 - 107
AR45414	3G2	6	50 - 127	AR47825	4G2	26A	70 - 125	AR49426	3E7	1	50 - 78
AR45438	2F24	26	40 - 99	AR47825	4G2	27	70 - 125	AR49427	4B7	4	70 - 1
AR45530	1B11	2	20 - 9	AR47825	4G5	1	70 - 129	AR49485	5B7	14	90 - 1
AR45534	4G11	26	70 - 134	AR47825	4G7	41	70 - 131	AR49535	3G25	8	60 - 3

1J15

4630 TRACTOR

NUMERICAL INDEX - CONTINUED

PART NO.	GRID	KEY	PAGE	PART NO.	GRID	KEY	PAGE	PART NO.	GRID	KEY	PAGE
AR49536	3G25	8	60 - 3	AR52065	1D9	21	30 - 3	AR54525	3F16	25	50 - 113
AR49578	4E15	2	70 - 87	AR52066	1D9	18	30 - 3	AR54526	3B20	32A	50 - 15
AR49622	4E15	1	70 - 87	AR52180	2C5	16	40 - 21	AR54527	3B20	5A	50 - 15
AR49650	1C14	6	20 - 29	AR52180	3F1	24	50 - 96	AR54528	3C9	36A	50 - 27
AR49652	3C13	5	50 - 31	AR52224	4B10	7	70 - 5	AR54552	1C3	8	20 - 21
AR49653	3D22	19	50 - 68A	AR52224	4B12	11	70 - 7	AR54554	1B9	15	20 - 6
AR49653	3D23	2	50 - 69	AR52224	4B20	7	70 - 15	AR54556	1D13	1	30 - 9
AR49797	2F24	1	40 - 99	AR52224	4B22	7	70 - 17	AR54556	1D13	10	30 - 9
AR49798	2F24	1	40 - 99	AR52230	3E6	15	50 - 77	AR54556	1D13	19	30 - 9
AR49803	5B9	5	90 - 3	AR52251	3F2	8	50 - 97	AR54556	1D13	24	30 - 9
AR49804	5B9	20	90 - 3	AR52254	4B14	37	70 - 9	AR54557	1B16	36	20 - 15
AR49805	5B9	18	90 - 3	AR52254	4B24	32	70 - 19	AR54558	1C15	14	20 - 30
AR49806	5B9	15	90 - 3	AR52302	2E4	2	40 - 63	AR54559	1C15	4	20 - 30
AR49808	5B9	24	90 - 3	AR52335	3F2	12	50 - 97	AR54563	1D22	13	30 - 18
AR49923	5E6	..	90 - 75	AR52375	1E19	9	30 - 40	AR54576	1D15	10	30 - 11
AR49923	5E8	..	90 - 77	AR52392	2G1	4	40 - 101	AR54577	1D15	20	30 - 11
AR49923	5E10	..	90 - 79	AR52494	4B16	9	70 - 11	AR54578	1C25	15	20 - 40
AR49923	5E18	..	90 - 89	AR52497	3I11	30	60 - 41	AR54590	1E5	11	30 - 26
AR49923	5E20	..	90 - 91	AR52570	1C15	11	20 - 30	AR54590	1E6	11	30 - 27
AR49923	5E22	..	90 - 93	AR52785	4B10	21	70 - 5	AR54591	1E5	14	30 - 26
AR49923	5E23	..	90 - 94	AR52785	4B12	25	70 - 7	AR54591	1E12	1	30 - 33
AR49965	5C2	7	90 - 21	AR53039	3E5	1	50 - 76	AR54592	1C25	18	20 - 40
AR49969	2F9	10	40 - 91	AR53039	3E6	22	50 - 77	AR54592	1C25	..	20 - 40
AR49969	2F11	28	40 - 93	AR53046	3G12	18	50 - 138	AR54596	3B10	7	50 - 4
AR49969	5B15	16	90 - 8	AR53047	3G12	16	50 - 138	AR54596	3D15	7	50 - 61
AR50041	1E5	16	30 - 26	AR53155	2B11	11	40 - 4	AR54598	5C18	22	90 - 37
AR50041	1E6	21	30 - 27	AR53155	5B15	7	90 - 8	AR54616	4C21	10	70 - 39
AR50041	1F8	6	30 - 57	AR53155	5B19	15	90 - 13	AR54616	4C23	25	70 - 41
AR50136	1C4	10	20 - 22	AR53301	4B10	12	70 - 5	AR54616	4D12	11	70 - 56
AR50374	4D25	21	70 - 71	AR53301	4B12	16	70 - 7	AR54616	4D14	8	70 - 58
AR50377	4D25	24	70 - 71	AR53301	4B20	10	70 - 15	AR54617	3E15	10	50 - 87
AR50399	1C23	5	20 - 38	AR53301	4B22	10	70 - 17	AR54618	3E15	9	50 - 87
AR50411	1C23	1	20 - 38	AR53443	1C3	10	20 - 21	AR54623	5F1	6	90 - 97
AR50411	1C24	1	20 - 39	AR53446	5B9	9	90 - 3	AR54624	5F1	3	90 - 97
AR50489	1D9	9	30 - 3	AR53447	3G18	4	50 - 144	AR54627	4H16	2	80 - 25
AR50489	1D11	6	30 - 6	AR53461	1E14	30	30 - 35	AR54659	3C19	16B	50 - 37
AR50489	2B9	9	40 - 2	AR53840	3F1	10	50 - 96	AR54673	5D6	4	90 - 51
AR50518	1C23	6	20 - 38	AR53841	3F1	7	50 - 96	AR54677	3C6	13	50 - 24
AR50732	1E13	5	30 - 34	AR53843	3F1	7	50 - 96	AR54679	3C3	5	50 - 21B
AR50779	2F24	2	40 - 99	AR53844	3F1	10	50 - 96	AR54700	5F3	14	90 - 99
AR50780	2F24	2	40 - 99	AR53877	4E5	9	70 - 77	AR54726	4C21	18	70 - 39
AR50834	2D19	1	40 - 54	AR53877	4E9	9	70 - 81	AR54728	3B12	9	50 - 7
AR50834	2G9	8	40 - 107	AR53880	4G21	14	80 - 5	AR54737	3F20	12	50 - 119
AR50926	2G1	14	40 - 101	AR53926	5C20	16	90 - 39	AR54738	3F20	12	50 - 119
AR50927	2F24	20	40 - 99	AR53927	5C18	25	90 - 37	AR54749	1B7	4	20 - 2
AR50927	2G1	20	40 - 101	AR53988	4H16	6	80 - 25	AR54796	2C11	1	40 - 27
AR50928	2F24	18	40 - 99	AR53988	5C11	11	90 - 29	AR54796	2C13	..	40 - 29
AR50929	2G1	19	40 - 101	AR53988	5D6	11	90 - 51	AR54796	2C15	29	40 - 31
AR50930	2G1	15	40 - 101	AR54252	4E24	14	70 - 96	AR54799	4F17	8	70 - 115
AR50931	2G1	23	40 - 101	AR54253	4E24	14	70 - 96	AR54800	4F17	13	70 - 115
AR51372	2C4	10	40 - 20	AR54261	5C18	26	90 - 37	AR54801	4F17	18	70 - 115
AR51372	2C5	12	40 - 21	AR54263	5C20	26A	90 - 39	AR54808	3H4	3	60 - 7
AR51452	5C8	9	90 - 25	AR54329	4D2	18	70 - 45	AR54808	3H15	3	60 - 19
AR51463	3E3	4	50 - 74	AR54331	4E17	7	70 - 89	AR54808	3H17	5	60 - 19B
AR51481	2E7	15	40 - 66	AR54332	4E17	12	70 - 89	AR54874	4H19	1	80 - 27
AR51481	5D18	19	90 - 63	AR54437	5B17	10	90 - 11	AR54875	4H19	1	80 - 27
AR51481	5D20	29	90 - 65	AR54439	4C23	20	70 - 41	AR54876	4H20	12	80 - 28
AR51481	5D22	33	90 - 67	AR54439	4D14	4	70 - 58	AR54877	4H20	12	80 - 28
AR51569	2B8	1	40 - 1	AR54445	2E7	3	40 - 66	AR54894	5C11	3	90 - 29
AR51569	2B12	29	40 - 5	AR54482	4H19	28	80 - 27	AR54896	5C11	5	90 - 29
AR51569	5B10	19	90 - 4	AR54482	5F7	23	90 - 103	AR54897	5D14	15	90 - 59
AR51741	1C3	7	20 - 21	AR54484	2B21	24	40 - 13	AR54904	1B12	16	20 - 10
AR51745	4B14	9	70 - 9	AR54484	2C3	23	40 - 19	AR54905	1B12	12	20 - 10
AR51762	1D10	15	30 - 5	AR54523	5B15	8	90 - 8	AR54934	1D16	4	30 - 12
AR51913	3D19	10	50 - 66	AR54523	5C2	10	90 - 21	AR54934	1D17	3	30 - 13
AR51988	1D16	18	30 - 12	AR54525	3C3	1	50 - 21B	AR54951	3E13	30	50 - 85
AR51988	1D17	12	30 - 13	AR54525	3F14	12	50 - 111	AR54956	3E13	5	50 - 85

1J16

4630 TRACTOR

NUMERICAL INDEX - CONTINUED

PART NO.	GRID	KEY	PAGE	PART NO.	GRID	KEY	PAGE	PART NO.	GRID	KEY	PAGE
AR54957	3E13	16	50 - 85	AR55694	2F24	23	40 - 99	AR56167	5C13	1	90 - 31
AR54961	3C6	7	50 - 24	AR55694	2F24	24	40 - 99	AR56196	2B12	23	40 - 5
AR54961	3C6	8	50 - 24	AR55701	3E15	30	50 - 87	AR56197	2B12	23	40 - 5
AR54975	2D21	1	40 - 56	AR55711	3I16	26	60 - 47	AR56198	2B12	26	40 - 5
AR54983	3B23	4	50 - 18	AR55722	1D10	1	30 - 5	AR56199	2B11	7	40 - 4
AR54983	3D3	23	50 - 48	AR55823	5F4	4	90 - 100	AR56199	2F9	18	40 - 91
AR54990	2D5	4	40 - 45A	AR55824	3E17	2	50 - 89	AR56202	2B10	32	40 - 3
AR54991	2D8	15	40 - 45D	AR55827	2C13	13	40 - 29	AR56203	2B10	33	40 - 3
AR54992	2D5	7	40 - 45A	AR55827	2C15	6	40 - 31	AR56203	2B10	35	40 - 3
AR54993	2D5	15	40 - 45A	AR55828	2C13	19	40 - 29	AR56203	2B12	31	40 - 5
AR54996	2D6	1	40 - 45B	AR55829	2C13	18	40 - 29	AR56203	3E23	..	50 - 95
AR54997	2D7	4	40 - 45C	AR55830	2C13	10	40 - 29	AR56204	2B10	38	40 - 3
AR55021	2F11	11	40 - 93	AR55831	2C13	5	40 - 29	AR56205	2B9	6	40 - 2
AR55074	4E1	10	70 - 72	AR55831	2C15	13	40 - 31	AR56208	2B10	22	40 - 3
AR55074	4E7	13	70 - 79	AR55832	2C13	8	40 - 29	AR56211	2B11	4	40 - 4
AR55074	4E11	14	70 - 83	AR55832	2C15	12	40 - 31	AR56213	2B12	..	40 - 5
AR55081	4F18	7	70 - 117	AR55833	2C13	14	40 - 29	AR56213	2B21	6	40 - 13
AR55083	5B17	5	90 - 11	AR55834	2C13	11	40 - 29	AR56213	2C3	6	40 - 19
AR55084	4D7	19A	70 - 51	AR55834	2C15	4	40 - 31	AR56224	1E14	21	30 - 35
AR55150	4D22	23	70 - 67	AR55835	2C13	2	40 - 29	AR56230	3C19	16A	50 - 37
AR55151	4D22	23	70 - 67	AR55835	2C15	17	40 - 31	AR56261	3E15	11	50 - 87
AR55162	3H3	10	60 - 6	AR55836	2C13	22	40 - 29	AR56262	3E15	30	50 - 87
AR55167	3D8	14	50 - 53	AR55836	2C15	22	40 - 31	AR56277	4H25	7	80 - 33
AR55167	3D10	21	50 - 55	AR55837	2C13	18	40 - 29	AR56288	5F15	6	90 - 111
AR55167	3F9	15	50 - 105	AR55837	2C15	19	40 - 31	AR56611	3G17	26	50 - 143
AR55186	4B10	4	70 - 5	AR55840	5D6	..	90 - 51	AR56611	3G19	14	50 - 145
AR55212	5F15	6	90 - 111	AR55868	4D12	18	70 - 56	AR56612	3G19	2	50 - 145
AR55214	2B12	30	40 - 5	AR55873	4C13	11	70 - 31	AR56615	3H24	29	60 - 29
AR55214	5B10	17	90 - 4	AR55879	5C9	9	90 - 27	AR56615	4C17	23	70 - 35
AR55216	3D8	12	50 - 53	AR55880	5C9	9	90 - 27	AR56622	5F11	8	90 - 107
AR55216	3D10	16	50 - 55	AR55880	5D8	34	90 - 53	AR56639	1C15	6	20 - 30
AR55216	3F9	13	50 - 105	AR55881	5E2	25	90 - 71	AR56643	1F6	12	30 - 55
AR55271	4H25	7	80 - 33	AR55881	5E6	15	90 - 75	AR56646	3F11	9	50 - 107
AR55282	4H1	..	80 - 10	AR55882	5E2	27	90 - 71	AR56646	3F11	14	50 - 107
AR55289	3H4	6	60 - 7	AR55882	5E6	21	90 - 75	AR56646	3H9	18	60 - 13
AR55304	4C21	9	70 - 39	AR55936	5C20	26B	90 - 39	AR56646	3H21	17	60 - 25
AR55304	4C23	24	70 - 41	AR55947	2D5	18	40 - 45A	AR56660	3H7	13	60 - 10
AR55304	4D12	10	70 - 56	AR55948	2D8	4	40 - 45D	AR56660	3H9	6	60 - 13
AR55304	4D14	1	70 - 58	AR55949	2D8	13	40 - 45D	AR56662	3H9	4	60 - 13
AR55328	5F3	6	90 - 99	AR55973	5D6	7	90 - 51	AR56668	2B12	25	40 - 5
AR55330	4B12	4	70 - 7	AR56007	3G23	2	60 - 1	AR56669	2D23	3	40 - 58
AR55331	5C9	14	90 - 27	AR56010	2C11	15	40 - 27	AR56670	2B11	13	40 - 4
AR55331	5D8	19	90 - 53	AR56011	4H21	16	80 - 29	AR56670	2D23	6	40 - 58
AR55332	5C9	14	90 - 27	AR56012	4H21	16	80 - 29	AR56671	2B21	8	40 - 13
AR55332	5D8	19	90 - 53	AR56029	4H19	24	80 - 27	AR56671	2B23	13	40 - 15
AR55487	1B13	9	20 - 11	AR56030	4H19	24	80 - 27	AR56671	2B23	16	40 - 15
AR55487	1E14	24	30 - 35	AR56055	3E18	7	50 - 90	AR56671	2C1	10	40 - 17
AR55487	1E20	27	30 - 42	AR56056	3E17	9	50 - 89	AR56671	2C3	8	40 - 19
AR55625	4D7	28	70 - 51	AR56056	3E18	16	50 - 90	AR56672	4F18	3	70 - 117
AR55626	4D11	27	70 - 55	AR56060	3H3	21	60 - 6	AR56675	5F13	11	90 - 109
AR55638	2C16	6	40 - 32	AR56060	3H4	21	60 - 7	AR56676	5D18	37	90 - 63
AR55638	2C17	..	40 - 33	AR56065	3H10	23	60 - 14	AR56678	5D18	11	90 - 63
AR55638	2C19	..	40 - 35	AR56065	3H24	28	60 - 29	AR56680	5D18	7	90 - 63
AR55638	2C21	..	40 - 37	AR56083	4C21	14	70 - 39	AR56682	5E2	5	90 - 71
AR55638	2C22	..	40 - 38	AR56083	4C22	1	70 - 40	AR56683	5E11	1	90 - 81
AR55638	2C24	..	40 - 41	AR56083	4D12	12	70 - 56	AR56684	5E11	3	90 - 81
AR55638	2D2	..	40 - 43	AR56083	4D14	12	70 - 58	AR56685	1F6	42	30 - 55
AR55638	2D10	..	40 - 45F	AR56093	5E4	1	90 - 73	AR56687	2F11	23	40 - 93
AR55646	5E4	8	90 - 73	AR56104	3H4	16	60 - 7	AR56688	2F11	35	40 - 93
AR55648	5E4	4	90 - 73	AR56104	3H15	24	60 - 19	AR56690	2F11	24	40 - 93
AR55649	2B21	9	40 - 13	AR56105	3F12	10	50 - 108	AR56690	2F13	26	40 - 93B
AR55649	2B21	18	40 - 13	AR56106	3I11	48	60 - 41	AR56690	2F15	26	40 - 93D
AR55649	2C3	9	40 - 19	AR56107	3F12	16	50 - 108	AR56690	2F17	28	40 - 93F
AR55667	1E4	11	30 - 25	AR56117	3B14	19	50 - 9	AR56691	2B11	6	40 - 4
AR55669	1D9	13	30 - 3	AR56120	4E21	17	70 - 93	AR56691	2B11	7	40 - 4
AR55671	3I14	25	60 - 45	AR56161	4B8	1	70 - 3	AR56691	2F9	5	40 - 91
AR55672	3I14	27	60 - 45	AR56161	4B10	..	70 - 5	AR56691	2F9	18	40 - 91

1J17

4630 TRACTOR

NUMERICAL INDEX - CONTINUED

PART NO.	GRID	KEY	PAGE	PART NO.	GRID	KEY	PAGE	PART NO.	GRID	KEY	PAGE
AR56692	2F9	6	40-91	AR57268	3D16	10	50-62	AR58653	5F13	23	90-109
AR56692	2F23	21	40-98	AR57268	3D17	9	50-63	AR58654	5F13	26	90-109
AR56694	2F9	7	40-91	AR58126	2B10	26	40-3	AR58655	5F9	3	90-105
AR56694	2F11	31	40-93	AR58126	2E7	10	40-66	AR58690	3F12	4	50-108
AR56694	2F13	33	40-93B	AR58147	5B13	34	90-7	AR58704	1B24	1	20-17F
AR56694	2F15	33	40-93D	AR58148	5B13	31	90-7	AR58704	1C3	8	20-21
AR56694	2F17	35	40-93F	AR58152	5B13	11	90-7	AR58760	3H11	6	60-15
AR56694	2F23	20	40-98	AR58153	5B17	9	90-11	AR58917	4H25	46	80-33
AR56697	5E2	32	90-71	AR58159	3G19	7	50-145	AR58920	4E3	9	70-75
AR56699	5B15	10	90-8	AR58170	2B21	10	40-13	AR58935	3E13	25	50-85
AR56701	3G19	4	50-145	AR58170	2C3	10	40-19	AR58937	3E13	21	50-85
AR56728	2C11	1	40-27	AR58184	3F10	12	50-106	AR58952	1C17	9	20-32
AR56728	2C13	..	40-29	AR58184	3F11	5	50-107	AR58952	1D3	21	20-43
AR56728	2C15	29	40-31	AR58184	3G11	19	50-137	AR58986	1B16	37	20-15
AR56758	5D8	31	90-53	AR58184	3G17	20	50-143	AR59026	4D7	54	70-51
AR56759	3D19	21	50-66	AR58187	4I1	8	80-34	AR59113	3H10	19	60-14
AR56764	3D20	1	50-67	AR58199	4C10	15	70-28	AR59115	1E14	25	30-35
AR56766	2B10	25	40-3	AR58230	3F11	16	50-107	AR59115	1E20	28	30-42
AR56766	2E7	12	40-66	AR58231	2B10	21	40-3	AR59149	4D22	3	70-67
AR56767	3I9	26	60-39	AR58231	2E10	22	40-69	AR59151	4G19	5	80-2
AR56769	4E3	10	70-75	AR58233	1B9	3	20-6	AR59158	3B10	13	50-4
AR56773	3H9	23	60-13	AR58233	2B9	18	40-2	AR59158	3D15	10	50-61
AR56773	3I9	27	60-39	AR58234	1B16	28	20-15	AR59192	4G18	5	80-1
AR56774	2E21	20	40-76	AR58234	2B9	15	40-2	AR59193	4G18	5	80-1
AR56776	3H9	2	60-13	AR58236	4D7	18A	70-51	AR59216	4G21	10	80-5
AR56795	3G19	8	50-145	AR58242	5D18	45	90-63	AR59217	4G21	10	80-5
AR56813	3I9	3	60-39	AR58274	3G19	5	50-145	AR59218	4G21	10	80-5
AR56814	3I9	12	60-39	AR58277	5B13	2	90-7	AR59219	4G21	10	80-5
AR56815	3I9	17A	60-39	AR58278	5B13	52	90-7	AR59280	3I11	49	60-41
AR56821	3I7	14B	60-37	AR58279	5B13	54	90-7	AR59285	4C13	16	70-31
AR56922	3C21	28B	50-39	AR58280	5B13	47	90-7	AR59443	1F1	1	30-50
AR56949	2B16	2	40-8	AR58281	5B13	51	90-7	AR59444	2F11	13	40-93
AR56953	5D6	1	90-51	AR58282	5B13	1	90-7	AR59444	2F17	16	40-93F
AR56987	2B11	5	40-4	AR58283	5B10	10	90-4	AR59444	2F17	18	40-93F
AR57019	3I9	8	60-39	AR58285	5B10	3	90-4	AR59511	3D18	1	50-64
AR57022	1E4	1	30-25	AR58286	5B10	5	90-4	AR59514	3I7	15A	60-37
AR57023	1D9	25	30-3	AR58287	5B10	1	90-4	AR59515	3I7	22	60-37
AR57024	1D9	20	30-3	AR58287	5B11	1	90-5	AR59516	3I7	7	60-37
AR57025	1D9	17	30-3	AR58288	3F11	6	50-107	AR59517	3I7	22	60-37
AR57027	3H9	7	60-13	AR58338	5E17	13	90-87	AR59518	3I7	7	60-37
AR57027	3H9	8	60-13	AR58357	4H10	5	80-19	AR59519	3I7	16A	60-37
AR57030	3F6	3	50-102	AR58390	1E4	27	30-25	AR59519	4C17	26	70-35
AR57030	4C16	3	70-34	AR58390	2B9	13	40-2	AR59521	3I7	15B	60-37
AR57030	4C22	4	70-40	AR58396	5D18	18A	90-63	AR59627	2E25	1	40-80
AR57030	4D15	21	70-59	AR58397	5D8	10	90-53	AR59628	4C16	3	70-34
AR57083	3F11	9	50-107	AR58431	3C17	13	50-35	AR59629	3F6	3	50-102
AR57084	3F11	14	50-107	AR58431	3C22	3	50-41	AR59629	4C16	3	70-34
AR57084	3H9	18	60-13	AR58478	3B10	19	50-4	AR59638	5D18	4	90-63
AR57084	3H21	17	60-25	AR58478	3D15	33	50-61	AR59639	3H10	24	60-14
AR57087	3D22	10	50-68A	AR58482	5B13	5	90-7	AR59639	3H24	19	60-29
AR57098	2B16	9	40-8	AR58511	3H3	7	60-6	AR59662	3F11	22	50-107
AR57099	2B16	4	40-8	AR58546	4C16	10	70-34	AR59663	2F7	2	40-88
AR57112	3C20	6	50-38	AR58547	4C16	10	70-34	AR59676	5C16	1	90-34
AR57113	3C20	15	50-38	AR58652	4C8	1	70-26	AR59677	5C16	2	90-34
AR57115	3C21	28A	50-39	AR58652	4F17	11	70-115	AR59678	5C16	5	90-34
AR57156	2E19	15	40-74	AR58652	4H16	4	80-25	AR59679	5C16	1	90-34
AR57227	3F11	3	50-107	AR58652	5C11	14	90-29	AR59680	5C16	2	90-34
AR57228	2B11	8	40-4	AR58652	5C16	3	90-34	AR59681	5C16	5	90-34
AR57228	2F9	12	40-91	AR58652	5D6	12	90-51	AR59703	4H22	4	80-30
AR57228	2F11	26	40-93	AR58652	5D12	10	90-57	AR59704	4H22	4	80-30
AR57228	5B15	4	90-8	AR58652	5E13	6	90-83	AR59757	3H10	20	60-14
AR57233	3G19	10	50-145	AR58652	5F7	30	90-103	AR59758	3F11	17	50-107
AR57235	4H16	6	80-25	AR58652	5F11	1	90-107	AR59779	2B11	10	40-4
AR57235	5C11	11	90-29	AR58652	5F11	21	90-107	AR59779	5B13	12	90-7
AR57235	5D6	11	90-51	AR58652	5F14	5	90-110	AR59779	5B15	5	90-8
AR57266	1C25	18	20-40	AR58652	5F15	2	90-111	AR59779	5B16	4	90-9
AR57266	2C11	6	40-27	AR58652	5F15	10	90-111	AR59780	5B13	37	90-7

1J18

4630 TRACTOR

NUMERICAL INDEX - CONTINUED

PART NO.	GRID	KEY	PAGE	PART NO.	GRID	KEY	PAGE	PART NO.	GRID	KEY	PAGE
AR59781	5B13	36	90 - 7	AR60937	2E7	7	40 - 66	AR61903	5B17	7	90 - 11
AR59786	5B10	16	90 - 4	AR60939	2B9	11	40 - 2	AR61918	3B14	7	50 - 9
AR59787	5B10	25	90 - 4	AR60948	2B12	27	40 - 5	AR61933	2B10	22	40 - 3
AR59805	5F11	15	90 - 107	AR61011	3G19	18	50 - 145	AR61933	2C4	1	40 - 20
AR59872	5D8	9	90 - 53	AR61049	3I16	28	60 - 47	AR61933	2C5	1	40 - 21
AR59977	2B12	15	40 - 5	AR61144	3B21	7	50 - 16	AR61934	2C7	26	40 - 23
AR59977	2D24	8	40 - 59	AR61145	3B14	35	50 - 9	AR61936	2C7	12	40 - 23
AR60008	1C4	5	20 - 22	AR61146	3B16	32	50 - 11	AR61941	3C21	20	50 - 39
AR60009	1C4	5	20 - 22	AR61179	1F6	28	30 - 55	AR61942	3C20	12	50 - 38
AR60010	4H12	29	80 - 21	AR61194	5F19	3	90 - 115	AR61943	2B10	33	40 - 3
AR60011	2B16	2	40 - 8	AR61216	3D3	14	50 - 48	AR61943	2B12	31	40 - 5
AR60012	2B16	9	40 - 8	AR61217	3D3	3	50 - 48	AR61970	2B10	29	40 - 3
AR60017	1C20	23	20 - 35	AR61222	5B17	15	90 - 11	AR61970	3D12	14	50 - 57
AR60018	4H12	15	80 - 21	AR61223	5C11	12	90 - 29	AR61984	2C4	5	40 - 20
AR60020	4H12	10	80 - 21	AR61224	5C11	18	90 - 29	AR61984	2C5	5	40 - 21
AR60029	5C20	14	90 - 39	AR61225	5D6	14	90 - 51	AR61987	2C9	23	40 - 25
AR60030	5C20	22	90 - 39	AR61290	3D3	8	50 - 48	AR61996	1E14	29	30 - 35
AR60051	2F11	25	40 - 93	AR61298	2D19	8	40 - 54	AR62037	3G18	2	50 - 144
AR60051	2F11	..	40 - 93	AR61325	2B12	21	40 - 5	AR62038	3G18	1	50 - 144
AR60054	2E25	16	40 - 80	AR61325	2D18	33	40 - 53	AR62041	1E4	35	30 - 25
AR60055	3D19	21	50 - 66	AR61326	2B12	24	40 - 5	AR62052	1C25	20	20 - 40
AR60057	4C16	6A	70 - 34	AR61326	2D18	33	40 - 53	AR62062	1E13	17	30 - 34
AR60082	3B12	14	50 - 7	AR61417	2D19	16	40 - 54	AR62063	3B14	28	50 - 9
AR60109	4D22	18A	70 - 67	AR61423	2D19	16	40 - 54	AR62066	3C19	15	50 - 37
AR60110	4D22	31A	70 - 67	AR61508	4C19	15A	70 - 37	AR62069	3C19	10	50 - 37
AR60250	2B11	3	40 - 4	AR61508	4C19	18A	70 - 37	AR62072	2C9	8	40 - 25
AR60250	2D16	28	40 - 51	AR61512	5D8	34	90 - 53	AR62080	3G20	6	50 - 146
AR60250	2D18	28	40 - 53	AR61513	1E13	15	30 - 34	AR62084	3G19	1	50 - 145
AR60251	2B10	37	40 - 3	AR61514	1E14	28	30 - 35	AR62084	4C16	10	70 - 34
AR60251	2D14	8	40 - 49	AR61515	1E5	15	30 - 26	AR62149	4D22	22	70 - 67
AR60251	4H16	3	80 - 25	AR61516	1E13	11	30 - 34	AR62150	4D22	24	70 - 67
AR60295	4D22	21	70 - 67	AR61517	1E13	10	30 - 34	AR62151	4D22	13	70 - 67
AR60297	3H7	8	60 - 10	AR61518	1E13	9	30 - 34	AR62152	4D20	2	70 - 65
AR60298	3H7	4	60 - 10	AR61519	1E13	8	30 - 34	AR62155	2C5	9	40 - 21
AR60299	3H7	7	60 - 10	AR61520	1E13	6	30 - 34	AR62172	2B11	14	40 - 4
AR60303	3H10	6	60 - 14	AR61521	1E13	3	30 - 34	AR62173	2B11	14	40 - 4
AR60304	3H10	4	60 - 14	AR61533	1B16	33	20 - 15	AR62189	3C5	18	50 - 23
AR60305	3H10	5	60 - 14	AR61550	3C6	4	50 - 24	AR62190	3B15	7	50 - 10
AR60327	4C16	10	70 - 34	AR61560	3B14	7	50 - 9	AR62191	3D10	4	50 - 55
AR60331	4D11	6	70 - 55	AR61564	3D7	5	50 - 52	AR62217	3G20	3	50 - 146
AR60372	4D22	4	70 - 67	AR61572	3B20	21	50 - 15	AR62218	3G20	16	50 - 146
AR60375	4C6	17A	70 - 24	AR61589	1B16	31	20 - 15	AR62234	3B14	26	50 - 9
AR60377	4C17	15	70 - 35	AR61590	1D15	8	30 - 11	AR62238	2C4	11	40 - 20
AR60378	3H10	13	60 - 14	AR61608	2F2	1	40 - 82	AR62238	2C5	13	40 - 21
AR60401	1C25	20	20 - 40	AR61608	2F2	4	40 - 82	AR62239	1F1	30	30 - 50
AR60443	1C20	5	20 - 35	AR61609	3E17	6	50 - 89	AR62240	1F1	27	30 - 50
AR60444	1C20	5	20 - 35	AR61610	2B10	28	40 - 3	AR62258	3C19	8	50 - 37
AR60482	4C17	25	70 - 35	AR61610	3D12	9	50 - 57	AR62259	3C19	8	50 - 37
AR60483	4C17	25	70 - 35	AR61610	3E19	7	50 - 91	AR62260	2E19	..	40 - 74
AR60506	3D16	2	50 - 62	AR61610	3E21	8	50 - 93	AR62264	5F14	2	90 - 110
AR60506	3D17	2	50 - 63	AR61614	3H9	3	60 - 13	AR62265	5F14	2	90 - 110
AR60506	3D19	27	50 - 66	AR61643	5B10	25	90 - 4	AR62267	2C16	6	40 - 32
AR60506	3D22	2	50 - 68A	AR61644	5B10	16	90 - 4	AR62267	2C16	..	40 - 32
AR60513	2B10	23	40 - 3	AR61645	2B12	15	40 - 5	AR62267	2C17	..	40 - 33
AR60513	5F13	10	90 - 109	AR61645	2D24	1	40 - 59	AR62267	2C19	..	40 - 35
AR60514	2B10	23	40 - 3	AR61656	4E9	16	70 - 81	AR62267	2C21	..	40 - 37
AR60514	5F13	10	90 - 109	AR61861	2B21	11	40 - 13	AR62267	2C22	..	40 - 38
AR60515	2B10	23	40 - 3	AR61861	2B23	12	40 - 15	AR62267	2C24	..	40 - 41
AR60515	5F13	10	90 - 109	AR61861	2C1	13	40 - 17	AR62267	2D2	..	40 - 43
AR60518	4H25	15	80 - 33	AR61861	2C3	11	40 - 19	AR62267	2D10	..	40 - 45F
AR60519	3E23	15	50 - 95	AR61884	1C20	5	20 - 35	AR62268	5F14	2	90 - 110
AR60556	5D24	14	90 - 69	AR61885	4C8	3	70 - 26	AR62269	5F14	2	90 - 110
AR60557	2E25	24	40 - 80	AR61886	4C8	3	70 - 26	AR62278	5F11	20	90 - 107
AR60623	4H16	2	80 - 25	AR61890	1C20	5	20 - 35	AR62287	2B11	14	40 - 4
AR60641	3C21	39	50 - 39	AR61900	3C20	2	50 - 38	AR62288	2B11	14	40 - 4
AR60653	5B15	21	90 - 8	AR61901	3C20	2	50 - 38	AR62294	2F20	9	40 - 97
AR60875	3D15	36	50 - 61	AR61903	1F8	1	30 - 57	AR62294	2F22	9	40 - 97B

1J19

4630 TRACTOR

NUMERICAL INDEX - CONTINUED

PART NO.	GRID	KEY	PAGE	PART NO.	GRID	KEY	PAGE	PART NO.	GRID	KEY	PAGE
AR62296	2F20	25	40 - 97	AR63269	1D3	42	20 - 43	AR63944	3H21	1	60 - 25
AR62297	4E16	3	70 - 88	AR63270	1D3	41	20 - 43	AR63958	4C10	21	70 - 28
AR62297	4E16	7	70 - 88	AR63271	1B16	27	20 - 15	AR63979	1B6	1	20 - 1
AR62298	4E16	18	70 - 88	AR63272	1B22	1	20 - 17D	AR64090	5C2	43	90 - 21
AR62309	1D9	22	30 - 3	AR63272	1C3	8	20 - 21	AR64090	5C2	45	90 - 21
AR62310	5F13	16	90 - 109	AR63280	1B13	4	20 - 11	AR64091	5C2	45	90 - 21
AR62322	1D7	..	30 - 1	AR63307	3D19	10	50 - 66	AR64094	3H9	23	60 - 13
AR62359	2G3	1	40 - 103	AR63311	3B23	10	50 - 18	AR64094	3H21	18	60 - 25
AR62360	2F25	1	40 - 100	AR63323	3D24	9	50 - 70	AR64094	3I9	27	60 - 39
AR62377	1D7	..	30 - 1	AR63327	3I2	9	60 - 31	AR64220	4C19	12	70 - 37
AR62395	2C13	18	40 - 29	AR63338	3D13	4	50 - 58	AR64245	3C9	15	50 - 27
AR62396	3D10	3	50 - 55	AR63339	3B8	4	50 - 2	AR64247	3B16	34	50 - 11
AR62397	3D10	2	50 - 55	AR63372	3C3	1	50 - 21B	AR64346	4H20	1	80 - 28
AR62399	1C24	5	20 - 39	AR63372	3F14	12	50 - 111	AR64347	4H20	1	80 - 28
AR62405	1D9	24	30 - 3	AR63372	3F16	25	50 - 113	AR64348	4H21	20	80 - 29
AR62406	2E10	6	40 - 69	AR63373	3E8	1	50 - 79	AR64349	4H21	20	80 - 29
AR62407	2E10	1	40 - 69	AR63373	3F14	13	50 - 111	AR64358	1D10	23	30 - 5
AR62407	2E10	6	40 - 69	AR63373	3F16	26	50 - 113	AR64359	1D10	15	30 - 5
AR62408	2E10	11	40 - 69	AR63564	1E18	5	30 - 39	AR64372	3C9	7	50 - 27
AR62409	2E10	12	40 - 69	AR63565	1E18	10	30 - 39	AR64373	3B23	14	50 - 18
AR62410	2E10	13	40 - 69	AR63565	1F1	15	30 - 50	AR64400	3B10	1	50 - 4
AR62411	2E10	10	40 - 69	AR63565	1F2	35	30 - 51	AR64401	3B16	45	50 - 11
AR62412	2E10	9	40 - 69	AR63565	1F3	36	30 - 52	AR64422	2D22	17	40 - 57
AR62413	2E10	2	40 - 69	AR63565	1F4	16	30 - 53	AR64563	3B22	4	50 - 17
AR62414	2E10	5	40 - 69	AR63570	5F15	6	90 - 111	AR64564	3B22	9	50 - 17
AR62455	3C22	26	50 - 41	AR63571	5F15	6	90 - 111	AR64619	3I7	15A	60 - 37
AR62489	1D24	23	30 - 20	AR63586	4I7	21	80 - 39	AR64621	4C16	10	70 - 34
AR62492	1C24	8	20 - 39	AR63587	4G25	18	80 - 9	AR64634	3G18	3	50 - 144
AR62497	5B19	7	90 - 13	AR63589	4G23	9	80 - 7	AR64640	3B23	10	50 - 18
AR62536	5C4	8	90 - 23	AR63590	4G23	9	80 - 7	AR64908	5F9	3	90 - 105
AR62536	5C4	9	90 - 23	AR63590	4G25	9	80 - 9	AR64922	3E10	3	50 - 81
AR62536	5C4	12	90 - 23	AR63594	4G23	18	80 - 7	AR64922	3E10	6	50 - 81
AR62536	5C4	18	90 - 23	AR63595	4G23	18	80 - 7	AR64923	3E10	3	50 - 81
AR62559	2B11	12	40 - 4	AR63699	1D16	24	30 - 12	AR64978	3H24	24A	60 - 29
AR62598	5F11	16	90 - 107	AR63778	1D18	21	30 - 14	AR64978	3H24	24B	60 - 29
AR62693	3C3	1	50 - 21B	AR63778	1D19	13	30 - 15	AR64979	3H24	15A	60 - 29
AR62693	3F14	12	50 - 111	AR63780	1D17	14	30 - 13	AR64979	3H24	15B	60 - 29
AR62693	3F16	25	50 - 113	AR63781	1D16	13	30 - 12	AR64992	2B11	8	40 - 4
AR62698	2C7	21	40 - 23	AR63781	1D17	10	30 - 13	AR64992	2F9	12	40 - 91
AR62772	1D9	32	30 - 3	AR63783	1D19	14	30 - 15	AR64992	2F11	26	40 - 93
AR62773	4H25	24	80 - 33	AR63831	1E14	27	30 - 35	AR64992	2F13	28	40 - 93B
AR62934	1C25	10	20 - 40	AR63831	1E20	30	30 - 42	AR64992	2F15	28	40 - 93D
AR62939	3D3	10	50 - 48	AR63831	1E25	22	30 - 49	AR64992	2F17	30	40 - 93F
AR62963	2C19	36	40 - 35	AR63833	4G23	15	80 - 7	AR64992	2F23	7	40 - 98
AR62964	2C19	34	40 - 35	AR63833	4G23	18	80 - 7	AR64992	5B15	4	90 - 8
AR62964	2C24	25	40 - 41	AR63865	1C15	12	20 - 30	AR64992	5B16	3	90 - 9
AR62973	5F7	4	90 - 103	AR63866	2B15	..	40 - 7A	AR65005	2G17	1	40 - 115
AR62986	1E13	2	30 - 34	AR63867	2B15	..	40 - 7A	AR65006	2G17	2	40 - 115
AR62986	1E19	13	30 - 40	AR63868	2B15	..	40 - 7A	AR65022	4H21	20	80 - 29
AR63095	1C14	6	20 - 29	AR63869	2B10	33	40 - 3	AR65023	4H21	20	80 - 29
AR63196	3H7	3	60 - 10	AR63869	2B10	35	40 - 3	AR65024	4H20	1	80 - 28
AR63197	3H7	2	60 - 10	AR63869	2B12	31	40 - 5	AR65025	4H20	1	80 - 28
AR63210	3G18	21	50 - 144	AR63869	2B15	..	40 - 7A	AR65043	4H21	20	80 - 29
AR63211	3B16	40	50 - 11	AR63870	2B15	..	40 - 7A	AR65044	4H21	20	80 - 29
AR63211	3D2	1	50 - 47	AR63871	2B15	..	40 - 7A	AR65048	5F22	7	90 - 118
AR63218	1B6	1	20 - 1	AR63872	2B10	33	40 - 3	AR65079	4H12	21	80 - 21
AR63219	1B6	1	20 - 1	AR63872	2B10	35	40 - 3	AR65080	4H12	25	80 - 21
AR63222	1B6	1	20 - 1	AR63872	2B12	31	40 - 5	AR65081	4H12	18	80 - 21
AR63254	5B9	13	90 - 3	AR63872	2B15	..	40 - 7A	AR65207	3G19	1	50 - 145
AR63255	5B9	11	90 - 3	AR63872	2C4	2	40 - 20	AR65207	4C16	10	70 - 34
AR63258	3H15	14	60 - 19	AR63872	2C5	2	40 - 21	AR65211	3H12	14	60 - 16
AR63258	3H17	3	60 - 19B	AR63888	1E4	11	30 - 25	AR65235	1C12	1	20 - 27
AR63259	3H12	17	60 - 16	AR63906	4C6	6	70 - 24	AR65236	1C12	1	20 - 27
AR63259	3H15	18	60 - 19	AR63906	4C6	7A	70 - 24	AR65237	1C12	1	20 - 27
AR63259	3H17	3	60 - 19B	AR63906	4C6	7B	70 - 24	AR65238	1C12	1	20 - 27
AR63267	1B18	1	20 - 17	AR63929	3G8	21	50 - 133	AR65239	1C12	1	20 - 27
AR63267	1B20	1	20 - 17B	AR63930	3G6	9	50 - 131	AR65240	1C12	1	20 - 27

1J20

4630 TRACTOR

NUMERICAL INDEX - CONTINUED

PART NO.	GRID	KEY	PAGE	PART NO.	GRID	KEY	PAGE	PART NO.	GRID	KEY	PAGE
AR65347	1D10	..	30 - 5	AR67784	5D18	18A	90 - 63	AR68436	3E21	33	50 - 93
AR65347	1D10	..	30 - 5	AR67823	2D22	16	40 - 57	AR68437	3E21	33	50 - 93
AR65370	2C9	33	40 - 25	AR67827	2D5	9	40 - 45A	AR68439	4C19	12	70 - 37
AR65371	2C7	26	40 - 23	AR67849	4D8	15	70 - 52	AR68454	1E5	13	30 - 26
AR65372	2C4	9	40 - 20	AR67850	4D8	14	70 - 52	AR68455	3H21	2	60 - 25
AR65411	3H24	21	60 - 29	AR67854	3E19	13	50 - 91	AR68495	1E1	15	30 - 22
AR65413	3H24	25	60 - 29	AR67854	3F6	6	50 - 102	AR68499	1E1	..	30 - 22
AR65461	4H22	11	80 - 30	AR67855	2E14	14	40 - 69D	AR68501	2E25	1	40 - 80
AR65507	1C3	10	20 - 21	AR67855	2F2	7	40 - 82	AR68505	5F7	4	90 - 103
AR65507	1D3	38	20 - 43	AR67855	2F20	8	40 - 97	AR68529	1C4	5	20 - 22
AR65636	2F2	4	40 - 82	AR67855	2F22	8	40 - 97B	AR68530	3H22	11	60 - 26
AR65750	5B10	5	90 - 4	AR67855	2F23	9	40 - 98	AR68531	3H22	9	60 - 26
AR65752	5B10	25	90 - 4	AR67855	2G5	9	40 - 105	AR68532	3H22	4	60 - 26
AR65752	5B11	22	90 - 5	AR67855	2G9	2	40 - 107	AR68533	3H22	10	60 - 26
AR65754	5B13	36	90 - 7	AR67882	3H18	1	60 - 20	AR68646	1C4	5	20 - 22
AR65755	5B13	54	90 - 7	AR67882	3H22	7	60 - 26	AR68649	2E19	..	40 - 74
AR65756	5B13	47	90 - 7	AR67950	1E1	14	30 - 22	AR68651	3G23	17	60 - 1
AR65796	1F2	1	30 - 51	AR67951	2F2	11	40 - 82	AR68651	3G23	19	60 - 1
AR65796	1F3	1	30 - 52	AR67952	2B11	12	40 - 4	AR68652	3G23	17	60 - 1
AR65796	1F4	1	30 - 53	AR67979	3C7	1	50 - 25	AR68721	3F22	1	50 - 121
AR65849	4E25	1	70 - 97	AR67980	5E2	2A	90 - 71	AR68727	5C20	26B	90 - 39
AR65883	5C18	26	90 - 37	AR67980	5E2	2B	90 - 71	AR68728	5C18	26	90 - 37
AR65893	1E4	35	30 - 25	AR67980	5E6	7	90 - 75	AR68733	1D11	13	30 - 6
AR66028	5B19	1	90 - 13	AR68010	4D2	17	70 - 45	AR68734	1D11	12	30 - 6
AR66034	5B19	1	90 - 13	AR68010	4F18	7	70 - 117	AR68735	3C17	13	50 - 35
AR66272	5F7	4	90 - 103	AR68012	2C4	6	40 - 20	AR68735	3C22	3	50 - 41
AR66532	4C16	6B	70 - 34	AR68012	2C5	6	40 - 21	AR68742	1D23	..	30 - 19
AR66778	2D5	20	40 - 45A	AR68016	1E1	..	30 - 22	AR68774	4C22	4	70 - 40
AR66778	2D7	1	40 - 45C	AR68017	1E1	..	30 - 22	AR68786	3D12	10	50 - 57
AR66778	2D7	2	40 - 45C	AR68019	1E1	..	30 - 22	AR68786	4C10	14	70 - 28
AR66778	2D7	3	40 - 45C	AR68022	2B10	33	40 - 3	AR68787	4C11	8	70 - 29
AR66962	3E13	21	50 - 85	AR68022	2B10	35	40 - 3	AR68801	4H14	6	80 - 23
AR66963	3E13	25	50 - 85	AR68022	2B12	31	40 - 5	AR68801	4H15	5	80 - 24
AR67044	3G19	10	50 - 145	AR68064	3B16	34	50 - 11	AR68802	2B12	27	40 - 5
AR67046	3G19	7	50 - 145	AR68094	1C4	10	20 - 22	AR68802	5B9	29	90 - 3
AR67339	2B10	22	40 - 3	AR68112	4C21	18	70 - 39	AR68802	5B11	6	90 - 5
AR67340	2D22	12	40 - 57	AR68140	1D18	23	30 - 14	AR68810	4D2	17	70 - 45
AR67341	2D22	15	40 - 57	AR68145	4F24	24	70 - 123	AR68810	4F18	7	70 - 117
AR67342	2B10	22	40 - 3	AR68145	4G5	24	70 - 129	AR68855	1D10	20	30 - 5
AR67343	2D21	5	40 - 56	AR68145	4G11	14	70 - 134	AR68856	4H25	7	80 - 33
AR67389	4G2	..	70 - 125	AR68181	1E4	29	30 - 25	AR68858	1D9	25	30 - 3
AR67389	4G3	1	70 - 127	AR68185	1E4	11	30 - 25	AR68859	1C20	5	20 - 35
AR67398	2D22	17	40 - 57	AR68185	1E4	33	30 - 25	AR68860	1C20	5	20 - 35
AR67551	1D18	17	30 - 14	AR68275	2D21	6	40 - 56	AR68871	1C20	5	20 - 35
AR67551	1D19	11	30 - 15	AR68313	1C15	4	20 - 30	AR68872	1C20	5	20 - 35
AR67562	3H24	20	60 - 29	AR68332	1E13	19	30 - 34	AR68945	3D23	11	50 - 69
AR67564	3H13	14	60 - 17	AR68332	1E14	21	30 - 35	AR68945	3E2	26	50 - 73
AR67564	3H17	31	60 - 19B	AR68345	3E2	9	50 - 73	AR68961	1E13	5	30 - 34
AR67582	3H24	8	60 - 29	AR68345	3E3	12	50 - 74	AR68973	5B19	11	90 - 13
AR67583	3H24	7	60 - 29	AR68345	3E4	9	50 - 75	AR68974	5B19	10	90 - 13
AR67584	3H24	6	60 - 29	AR68345	3E5	3	50 - 76	AR68978	3B9	4	50 - 3
AR67585	3H24	9	60 - 29	AR68352	3D22	13	50 - 68A	AR69003	5D6	..	90 - 51
AR67586	3H24	18	60 - 29	AR68352	3D23	11	50 - 69	AR69011	5B19	5	90 - 13
AR67640	1C4	5	20 - 22	AR68352	3E2	26	50 - 73	AR69012	5B19	8	90 - 13
AR67679	4C6	11B	70 - 24	AR68353	3D22	15	50 - 68A	AR69081	4C24	7	70 - 42
AR67690	2D22	9	40 - 57	AR68354	3D22	16	50 - 68A	AR69107	2B16	4	40 - 8
AR67710	3B12	2	50 - 7	AR68356	3D22	19	50 - 68A	AR69108	1C15	4	20 - 30
AR67718	4B18	25	70 - 13	AR68356	3D23	2	50 - 69	AR69155	3C5	11	50 - 23
AR67720	4B18	25	70 - 13	AR68358	3D16	2	50 - 62	AR69158	1E16	19	30 - 37
AR67778	3I16	28	60 - 47	AR68358	3D17	2	50 - 63	AR69238	2B16	9	40 - 8
AR67781	3I16	24	60 - 47	AR68358	3D19	27	50 - 66	AR69240	5C20	26A	90 - 39
AR67783	3G23	11	60 - 1	AR68358	3D22	2	50 - 68A	AR69265	3E13	16	50 - 85
AR67783	3G24	3	60 - 2	AR68361	2E19	15	40 - 74	AR69266	5C20	22	90 - 39
AR67783	3G24	13	60 - 2	AR68391	3C6	13	50 - 24	AR69268	3D12	15	50 - 57
AR67783	3H6	6	60 - 9	AR68393	3C9	7	50 - 27	AR69269	2C13	14	40 - 29
AR67783	3H6	28	60 - 9	AR68411	3H18	21	60 - 20	AR69270	1B13	4	20 - 11
AR67783	3H6	29	60 - 9	AR68430	2D5	15	40 - 45A	AR69272	5C20	16	90 - 39

1J21

4630 TRACTOR

NUMERICAL INDEX - CONTINUED

PART NO.	GRID	KEY	PAGE	PART NO.	GRID	KEY	PAGE	PART NO.	GRID	KEY	PAGE
AR69370	2F9	10	40-91	AR70084	1F2	..	30-51	AR71188	4E17	7	70-89
AR69370	2F11	28	40-93	AR70126	5E11	3	90-81	AR71189	4E17	12	70-89
AR69370	2F13	30	40-93B	AR70150	4E21	17	70-93	AR71256	2D8	4	40-45D
AR69370	2F15	30	40-93D	AR70163	4D22	11	70-67	AR71280	3D15	36	50-61
AR69370	2F17	32	40-93F	AR70233	3E13	30	50-85	AR71285	5B9	15	90-3
AR69370	2F23	14	40-98	AR70252	1F9	22	30-58	AR71286	5B9	11	90-3
AR69370	5B15	16	90-8	AR70257	1F9	7	30-58	AR71287	5B9	17	90-3
AR69370	5B16	13	90-9	AR70263	4E1	10	70-72	AR71287	5B9	20	90-3
AR69404	4F13	4	70-111	AR70344	1E14	29	30-35	AR71288	5B9	18	90-3
AR69444	4G15	1	70-138	AR70406	3D19	20	50-66	AR71289	5B9	4	90-3
AR69445	4G15	1	70-138	AR70406	3E1	3	50-72	AR71289	5B9	5	90-3
AR69446	1E20	16	30-42	AR70418	5B15	8	90-8	AR71289	5B9	6	90-3
AR69447	1E20	15	30-42	AR70418	5C2	10	90-21	AR71289	5B9	13	90-3
AR69448	1E20	14	30-42	AR70437	1D13	1	30-9	AR71289	5B9	14	90-3
AR69449	1E20	13	30-42	AR70437	1D13	10	30-9	AR71289	5B9	17	90-3
AR69450	1E20	12	30-42	AR70437	1D13	19	30-9	AR71289	5B9	19	90-3
AR69451	1E20	11	30-42	AR70437	1D13	24	30-9	AR71290	5B9	9	90-3
AR69538	1F2	22	30-51	AR70442	3H15	23	60-19	AR71319	4C16	10	70-34
AR69539	1F2	18	30-51	AR70442	3H15	24	60-19	AR71320	4C16	10	70-34
AR69539	1F3	19	30-52	AR70445	4D15	21	70-59	AR71321	4C16	10	70-34
AR69541	1F2	16	30-51	AR70458	3I2	28	60-31	AR71331	4F14	14	70-112
AR69541	1F3	17	30-52	AR70480	3F20	12	50-119	AR71404	4E9	32	70-81
AR69585	2E22	18	40-77	AR70506	3D4	11	50-49	AR71405	4E9	31	70-81
AR69588	2E22	3	40-77	AR70506	3F4	11	50-100	AR71435	5D12	23	90-57
AR69588	2E25	10	40-80	AR70507	3H13	11	60-17	AR71436	5D12	23	90-57
AR69589	2E25	24	40-80	AR70507	3H17	23	60-19B	AR71462	2B10	32	40-3
AR69615	3D19	21	50-66	AR70564	1B9	15	20-6	AR71463	2B12	26	40-5
AR69626	4C16	3	70-34	AR70590	2E21	13	40-76	AR71464	2B12	23	40-5
AR69627	4C6	17B	70-24	AR70590	2E22	12	40-77	AR71465	2B12	23	40-5
AR69628	3F6	3	50-102	AR70590	2E25	1	40-80	AR71466	2B11	12	40-4
AR69628	4C16	3	70-34	AR70636	3D5	7	50-50	AR71560	3C9	36B	50-27
AR69672	3H18	9	60-20	AR70699	2B10	37	40-3	AR71560	3C11	38	50-29
AR69672	3H22	5	60-26	AR70699	2D14	8	40-49	AR71561	3C9	32	50-27
AR69692	4D5	7	70-49	AR70699	4H16	3	80-25	AR71561	3C11	34	50-29
AR69697	5B15	10	90-8	AR70705	3G20	3	50-146	AR71569	2F18	6	40-94
AR69761	5C16	5	90-34	AR70722	4B8	1	70-3	AR71570	2F11	39	40-93
AR69854	5C20	3	90-39	AR70722	4B12	..	70-7	AR71570	2F13	39	40-93B
AR69931	4D2	18	70-45	AR70723	4B12	18	70-7	AR71570	2F15	39	40-93D
AR69977	2B8	1	40-1	AR70855	5D8	34	90-53	AR71570	2F17	41	40-93F
AR69977	2B12	29	40-5	AR70856	5C9	9	90-27	AR71570	2F18	3	40-94
AR69977	5B10	19	90-4	AR70856	5D8	34	90-53	AR71571	2F9	22	40-91
AR69977	5B11	18	90-5	AR70857	5C9	9	90-27	AR71571	2F18	5	40-94
AR69980	2B9	17	40-2	AR70862	5D8	7	90-53	AR71709	1B13	4	20-11
AR69982	2B10	31	40-3	AR70866	3H21	8	60-25	AR71722	5B13	..	90-7
AR69983	2B9	11	40-2	AR70895	3F20	12	50-119	AR71850	1B16	27	20-15
AR69983	2B10	33	40-3	AR70900	3C20	2	50-38	AR71850	1B16	34	20-15
AR69983	2B10	35	40-3	AR70912	1C3	4	20-21	AR71850	1B16	36	20-15
AR69987	4E5	5	70-77	AR70920	3G12	18	50-138	AR71850	1B16	37	20-15
AR69987	4E5	31	70-77	AR70921	3G12	6	50-138	AR71902	4F20	13	70-119
AR69987	4E7	14	70-79	AR70922	3G12	16	50-138	AR71960	3B20	21	50-15
AR69987	4E9	5	70-81	AR71025	4E11	16	70-83	AR71976	5C20	3	90-39
AR69987	4E9	33	70-81	AR71026	4E7	15	70-79	AR71976	5D4	22	90-49
AR69987	4E11	15	70-83	AR71095	5D2	4	90-47	AR72055	5D2	1	90-47
AR69988	4E5	5	70-77	AR71097	5D4	48	90-49	AR72056	5D4	41	90-49
AR69988	4E9	33	70-81	AR71098	5D4	25	90-49	AR72090	4H25	7	80-33
AR69988	4E13	15	70-85	AR71099	5D4	7	90-49	AR72132	4H13	8	80-22
AR69997	5B10	10	90-4	AR71107	5C22	4	90-41	AR72132	4H14	8	80-23
AR70025	4D22	12	70-67	AR71108	5C22	5	90-41	AR72217	5F15	6	90-111
AR70025	4D22	29	70-67	AR71109	5C22	1	90-41	AR72218	5F15	6	90-111
AR70025	4D25	4	70-71	AR71111	5C22	13	90-41	AR72257	2D20	3	40-55
AR70026	4D22	29	70-67	AR71115	1C15	14	20-30	AR72291	4D7	45B	70-51
AR70027	4D20	1	70-65	AR71120	1B18	1	20-17	AR72291	4D9	42	70-53
AR70052	2B23	14	40-15	AR71120	1B20	1	20-17B	AR72292	4D7	45A	70-51
AR70052	2B23	15	40-15	AR71122	1C15	4	20-30	AR72292	4D7	46A	70-51
AR70052	2C1	11	40-17	AR71123	1C15	11	20-30	AR72292	4D7	46B	70-51
AR70052	2C1	12	40-17	AR71163	4H21	20	80-29	AR72292	4D9	43	70-53
AR70052	2C3	8	40-19	AR71164	4H21	20	80-29	AR72293	4D7	18A	70-51

1J22

4630 TRACTOR

NUMERICAL INDEX - CONTINUED

PART NO.	GRID	KEY	PAGE	PART NO.	GRID	KEY	PAGE	PART NO.	GRID	KEY	PAGE
AR72293	4D7	19A	70 - 51	AR73357	3D24	9	50 - 70	AR74310	3I9	17A	60 - 39
AR72293	4D7	19B	70 - 51	AR73359	3F8	24	50 - 104	AR74310	3I9	17B	60 - 39
AR72294	4D7	18A	70 - 51	AR73463	5B13	11	90 - 7	AR74310	3I16	28	60 - 47
AR72294	4D7	18B	70 - 51	AR73463	5C2	7	90 - 21	AR74322	2E6	10	40 - 65
AR72294	4D7	19A	70 - 51	AR73464	5E2	32	90 - 71	AR74323	2E2	3	40 - 61
AR72318	1B9	11	20 - 6	AR73465	5E4	4	90 - 73	AR74324	2E6	14	40 - 65
AR72318	1B16	11	20 - 15	AR73466	5E4	1	90 - 73	AR74325	2E6	8	40 - 65
AR72319	1B9	9	20 - 6	AR73468	2E4	17	40 - 63	AR74326	2E6	9	40 - 65
AR72319	1B16	6	20 - 15	AR73479	5C9	14	90 - 27	AR74327	2E6	12	40 - 65
AR72337	1D10	23	30 - 5	AR73500	4G14	1	70 - 137	AR74339	2D22	12	40 - 57
AR72338	3H20	11	60 - 23	AR73518	1E20	26	30 - 42	AR74339	5F13	9	90 - 109
AR72380	2C7	26	40 - 23	AR73542	3D16	10	50 - 62	AR74383	3B16	34	50 - 11
AR72381	2C7	12	40 - 23	AR73542	3D17	9	50 - 63	AR74411	2B19	3	40 - 11
AR72382	2C9	33	40 - 25	AR73544	1F2	22	30 - 51	AR74411	2G9	11	40 - 107
AR72383	2C9	23	40 - 25	AR73544	1F2	25	30 - 51	AR74486	5B13	37	90 - 7
AR72391	2B12	..	40 - 5	AR73544	1F3	23	30 - 52	AR74611	1F3	..	30 - 52
AR72391	2B21	6	40 - 13	AR73561	5D4	36	90 - 49	AR74624	1C4	10	20 - 22
AR72391	2B23	5	40 - 15	AR73562	5D4	34	90 - 49	AR74664	1B24	1	20 - 17F
AR72391	2C1	5	40 - 17	AR73577	3C21	28A	50 - 39	AR74664	1E20	7	30 - 42
AR72391	2C3	6	40 - 19	AR73578	3C21	28B	50 - 39	AR74664	1E24	5	30 - 47
AR72479	5D8	19	90 - 53	AR73579	2B9	14	40 - 2	AR74664	1E24	13	30 - 47
AR72480	5C9	14	90 - 27	AR73579	2E15	5	40 - 70	AR74667	1E24	10	30 - 47
AR72480	5D8	19	90 - 53	AR73580	2E15	3	40 - 70	AR74673	4D25	34	70 - 71
AR72834	4C6	20A	70 - 24	AR73676	1B11	..	20 - 9	AR74673	4E13	1	70 - 85
AR72834	4C6	20B	70 - 24	AR73677	1B11	3	20 - 9	AR74767	4D7	28	70 - 51
AR72835	4C7	31	70 - 25	AR73691	4E18	30	70 - 90	AR74767	4D9	23	70 - 53
AR72838	5D4	39	90 - 49	AR73691	4E18	..	70 - 90	AR74814	1C6	5	20 - 24
AR72840	5D4	1	90 - 49	AR73692	4E19	32	70 - 91	AR74814	1C7	3	20 - 24A
AR72841	5D4	24	90 - 49	AR73717	2B10	21	40 - 3	AR74814	1C12	6	20 - 27
AR72842	5D4	2	90 - 49	AR73717	2E10	22	40 - 69	AR74815	1C12	6	20 - 27
AR72848	5D4	4	90 - 49	AR73751	2E10	10	40 - 69	AR74816	1C8	3	20 - 25
AR72894	3D12	26B	50 - 57	AR73815	1D15	20	30 - 11	AR74816	1C9	3	20 - 25A
AR72894	3D12	..	50 - 57	AR73822	1E6	20	30 - 27	AR74816	1C10	3	20 - 25B
AR72894	3E21	49	50 - 93	AR73824	1E7	3	30 - 28	AR74816	1C12	6	20 - 27
AR72894	3E21	..	50 - 93	AR73824	1E10	2	30 - 31	AR74817	1C12	6	20 - 27
AR72894	3E21	..	50 - 93	AR73857	1E25	20	30 - 49	AR74818	1C12	6	20 - 27
AR72973	3D12	15	50 - 57	AR73888	1E6	17	30 - 27	AR74832	2F2	17	40 - 82
AR72973	3D12	..	50 - 57	AR73888	1E10	5	30 - 31	AR75563	2F4	4	40 - 85
AR72998	1C12	3	20 - 27	AR73897	4E19	9	70 - 91	AR75564	2F4	2	40 - 85
AR73106	4B8	1	70 - 3	AR73899	4D4	54	70 - 47	AR75567	5B11	11	90 - 5
AR73106	4B12	..	70 - 7	AR73899	4D18	26	70 - 63	AR75568	5B11	5	90 - 5
AR73146	2E21	3	40 - 76	AR73899	4E18	12	70 - 90	AR75570	3H24	21	60 - 29
AR73146	2E25	10	40 - 80	AR73901	4D2	18	70 - 45	AR75571	3H24	25	60 - 29
AR73158	3C13	5	50 - 31	AR73901	4D4	23	70 - 47	AR75601	3D4	11	50 - 49
AR73158	3C14	5	50 - 32	AR73905	3D12	15	50 - 57	AR75601	3F4	11	50 - 100
AR73202	411	8	80 - 34	AR73906	4D18	7	70 - 63	AR75603	1F8	2	30 - 57
AR73207	2E2	1	40 - 61	AR73921	4C17	15	70 - 35	AR75603	3D4	11	50 - 49
AR73207	2E6	16	40 - 65	AR73922	2E21	19	40 - 76	AR75603	3F4	11	50 - 100
AR73212	3G2	1	50 - 127	AR73923	2E21	6	40 - 76	AR75606	2F11	12	40 - 93
AR73212	3G3	9	50 - 128	AR73933	3B10	1	50 - 4	AR75693	4C19	2	70 - 37
AR73212	3G3	14	50 - 128	AR73934	3B22	9	50 - 17	AR75693	4C19	5	70 - 37
AR73213	3G3	9	50 - 128	AR73982	4H21	20	80 - 29	AR75693	4C19	6	70 - 37
AR73214	3G3	10	50 - 128	AR73983	4H21	20	80 - 29	AR75693	4C19	12	70 - 37
AR73229	1D9	8	30 - 3	AR74019	5B19	11	90 - 13	AR75694	2G5	10	40 - 105
AR73229	1D9	9	30 - 3	AR74020	5B19	10	90 - 13	AR75695	2G5	2	40 - 105
AR73229	2B9	9	40 - 2	AR74081	3C15	10	50 - 33	AR75696	2G5	8	40 - 105
AR73256	5D14	15	90 - 59	AR74098	1E4	1	30 - 25	AR75893	1C15	14	20 - 30
AR73257	5D14	15	90 - 59	AR74143	5E2	5	90 - 71	AR75905	2D2	23	40 - 43
AR73257	5D18	11	90 - 63	AR74143	5E6	8	90 - 75	AR75908	2D2	16	40 - 43
AR73257	5D18	41	90 - 63	AR74144	1B13	4	20 - 11	AR75912	3E13	16	50 - 85
AR73271	1C12	3	20 - 27	AR74194	4C6	2A	70 - 24	AR75924	5D2	4	90 - 47
AR73272	1C12	3	20 - 27	AR74194	4C6	2B	70 - 24	AR75958	4F2	30	70 - 99
AR73273	1C12	3	20 - 27	AR74194	4C6	9	70 - 24	AR75958	4F2	32	70 - 99
AR73274	1C12	3	20 - 27	AR74194	4C6	11C	70 - 24	AR75958	4F4	30	70 - 101
AR73275	1C12	2	20 - 27	AR74195	4C6	16	70 - 24	AR76006	4E25	1	70 - 97
AR73276	1C12	2	20 - 27	AR74265	2F2	15	40 - 82	AR76060	1C18	2	20 - 33
AR73311	2F7	1	40 - 88	AR74305	3E21	33	50 - 93	AR76060	2C11	..	40 - 27

1J23

4630 TRACTOR

NUMERICAL INDEX - CONTINUED

PART NO.	GRID	KEY	PAGE	PART NO.	GRID	KEY	PAGE	PART NO.	GRID	KEY	PAGE
AR76095	1C4	5	20-22	AR77342	5B7	14	90-1	AR77751	1C12	3	20-27
AR76114	4D22	31A	70-67	AR77343	2B12	27	40-5	AR77751	1C12	5	20-27
AR76115	4D22	18A	70-67	AR77343	5B9	29	90-3	AR77752	1C12	1	20-27
AR76141	4H25	7	80-33	AR77343	5B11	6	90-5	AR77752	1C12	3	20-27
AR76158	1E21	32	30-43	AR77344	2B8	9	40-1	AR77752	1C12	5	20-27
AR76161	4D25	35	70-71	AR77345	2B8	6	40-1	AR77753	1C8	4	20-25
AR76277	4D2	18	70-45	AR77346	2B8	1	40-1	AR77753	1C9	4	20-25A
AR76279	4D16	4	70-60	AR77346	5B11	18	90-5	AR77753	1C10	4	20-25B
AR76326	1E6	12	30-27	AR77390	3B10	1	50-4	AR77753	1C12	1	20-27
AR76326	1E21	33	30-43	AR77390	3B10	9	50-4	AR77753	1C12	2	20-27
AR76326	1E21	37	30-43	AR77391	3D15	36	50-61	AR77753	1C12	3	20-27
AR76340	4D2	18	70-45	AR77401	4C19	..	70-37	AR77753	1C12	4	20-27
AR76424	1D15	10	30-11	AR77405	4C19	18B	70-37	AR77774	2E2	1	40-61
AR76488	1E21	36	30-43	AR77443	5D14	3	90-59	AR77774	2E6	15	40-65
AR76502	1E20	25	30-42	AR77443	5D14	4	90-59	AR77775	2E2	3	40-61
AR76504	5F7	4	90-103	AR77443	5D14	5	90-59	AR77775	2E6	6	40-65
AR76508	3I7	15A	60-37	AR77445	5D14	10	90-59	AR77776	2E6	5	40-65
AR76508	3I7	15B	60-37	AR77445	5D16	7	90-61	AR77777	2E6	4	40-65
AR76515	5C22	6	90-41	AR77448	1E20	20	30-42	AR77778	2E6	1	40-65
AR76535	3H12	17	60-16	AR77462	3C15	10	50-33	AR77779	2E6	3	40-65
AR76535	3H15	18	60-19	AR77463	3B23	10	50-18	AR77780	2E6	2	40-65
AR76535	3H17	3	60-19B	AR77466	3C18	3	50-36	AR77851	2C13	10	40-29
AR76538	3H3	21	60-6	AR77466	3C24	21	50-43	AR77851	2C15	2	40-31
AR76538	3H4	21	60-7	AR77466	3D1	21	50-46	AR77892	3H24	24B	60-29
AR76582	1C16	28	20-31	AR77467	3C18	9	50-36	AR77893	3H24	15B	60-29
AR76704	1E14	30	30-35	AR77467	3D1	17	50-46	AR77962	3H21	5	60-25
AR76762	4B10	4	70-5	AR77468	3C24	29	50-43	AR78019	1D18	4	30-14
AR76762	4B20	4	70-15	AR77468	3D1	17	50-46	AR78019	1D20	3	30-16
AR76841	2C19	12	40-35	AR77489	1B18	1	20-17	AR78020	1D20	14	30-16
AR76841	2C24	10	40-41	AR77489	1B20	1	20-17B	AR78020	1D21	16	30-17
AR77006	5E2	32	90-71	AR77489	1C15	14	20-30	AR78021	1D20	16	30-16
AR77111	5D6	14	90-51	AR77494	1C15	4	20-30	AR78021	1D21	12	30-17
AR77112	5D6	1	90-51	AR77523	3C10	13	50-28	AR78022	1D20	23	30-16
AR77215	2C24	..	40-41	AR77526	3C7	1	50-25	AR78023	1D20	14	30-16
AR77215	2D2	..	40-43	AR77527	3C9	15	50-27	AR78023	1D21	11	30-17
AR77224	3G2	12A	50-127	AR77663	4H25	14	80-33	AR78052	2G9	21	40-107
AR77224	3G2	14	50-127	AR77678	1F2	1	30-51	AR78093	2C13	19	40-29
AR77227	5D18	7	90-63	AR77678	1F2	10	30-51	AR78093	2C15	20	40-31
AR77240	4C15	..	70-33	AR77678	1F3	10	30-52	AR78099	3E21	33	50-93
AR77241	4C14	7	70-32	AR77678	1F4	10	30-53	AR78100	3E21	33	50-93
AR77242	4C15	28	70-33	AR77679	1F1	1	30-50	AR78102	3E21	33	50-93
AR77254	2C16	6	40-32	AR77679	1F1	11	30-50	AR78239	3D1	24	50-46
AR77254	2C16	..	40-32	AR77700	4D5	7	70-49	AR78239	5F9	3	90-105
AR77254	2D4	..	40-45	AR77701	4D5	7	70-49	AR78252	3C6	13	50-24
AR77254	2D5	..	40-45A	AR77725	3C15	10	50-33	AR78252	3C9	7	50-27
AR77254	2D6	..	40-45B	AR77725	3C16	23	50-34	AR78252	3C10	6	50-28
AR77254	2D7	..	40-45C	AR77747	1C6	6	20-24	AR78256	3C6	13	50-24
AR77254	2D8	..	40-45D	AR77747	1C7	4	20-24A	AR78256	3C9	7	50-27
AR77254	2D9	..	40-45E	AR77747	1C12	1	20-27	AR78256	3C10	6	50-28
AR77255	2C24	30	40-41	AR77747	1C12	2	20-27	AR78289	4D25	8	70-71
AR77255	2D3	1	40-44	AR77747	1C12	3	20-27	AR78289	4D25	34	70-71
AR77256	2C24	31	40-41	AR77747	1C12	4	20-27	AR78303	3G2	33	50-127
AR77257	2C24	27	40-41	AR77748	1C6	7	20-24	AR78303	3G2	37	50-127
AR77258	2D2	1	40-43	AR77748	1C7	5	20-24A	AR78303	3G2	38	50-127
AR77259	2C24	7	40-41	AR77748	1C12	1	20-27	AR78311	3H13	14	60-17
AR77260	2C24	22	40-41	AR77748	1C12	3	20-27	AR78311	3H17	31	60-19B
AR77261	2C24	13	40-41	AR77748	1C12	5	20-27	AR78345	1B13	9	20-11
AR77262	3C24	4	50-43	AR77749	1C12	1	20-27	AR78345	1E20	27	30-42
AR77267	1E4	11	30-25	AR77749	1C12	3	20-27	AR78381	2B18	1	40-10
AR77267	1E4	..	30-25	AR77749	1C12	5	20-27	AR78381	2B19	5	40-11
AR77268	1E4	11	30-25	AR77750	1C8	5	20-25	AR78383	2B10	22	40-3
AR77268	1E4	29	30-25	AR77750	1C9	5	20-25A	AR78384	2B19	1	40-11
AR77273	1E4	11	30-25	AR77750	1C10	5	20-25B	AR78384	2B23	20	40-15
AR77284	4C13	16	70-31	AR77750	1C12	1	20-27	AR78384	2C1	17	40-17
AR77284	4C13	17	70-31	AR77750	1C12	3	20-27	AR78385	2B10	22	40-3
AR77284	4C13	20	70-31	AR77750	1C12	5	20-27	AR78385	2B23	17	40-15
AR77308	4H12	29	80-21	AR77751	1C12	1	20-27	AR78385	2C1	14	40-17

1J24

4630 TRACTOR

NUMERICAL INDEX - CONTINUED

PART NO.	GRID	KEY	PAGE	PART NO.	GRID	KEY	PAGE	PART NO.	GRID	KEY	PAGE
AR78386	2B23	18	40 - 15	AR79049	3C25	3	50 - 44	AR81386	4C6	17B	70 - 24
AR78386	2C1	15	40 - 17	AR79129	3I4	5	60 - 34	AR81571	3E10	15	50 - 81
AR78388	5F7	4	90 - 103	AR79161	4H25	15	80 - 33	AR81615	1B9	15	20 - 6
AR78396	4E21	17	70 - 93	AR79237	3H24	6	60 - 29	AR81653	5F15	6	90 - 111
AR78396	4E23	16	70 - 95	AR79238	3H24	25	60 - 29	AR81654	5F15	6	90 - 111
AR78418	2B11	13	40 - 4	AR79361	5E4	8	90 - 73	AR81783	4D7	7	70 - 51
AR78418	2B12	15	40 - 5	AR79362	5B13	11	90 - 7	AR81783	4D8	7A	70 - 52
AR78418	2D24	8	40 - 59	AR79427	2F23	27	40 - 98	AR81783	4D8	7B	70 - 52
AR78419	5E11	1	90 - 81	AR79428	2F23	15	40 - 98	AR81856	1E12	2	30 - 33
AR78421	5E11	3	90 - 81	AR79429	2F23	1	40 - 98	AR81935	3G17	23	50 - 143
AR78447	2F2	8	40 - 82	AR79430	2F23	8	40 - 98	AR81935	3G19	10	50 - 145
AR78483	4D2	43	70 - 45	AR79431	2F23	5	40 - 98	AR81936	3G11	18	50 - 137
AR78483	4D4	8	70 - 47	AR79505	4D7	45A	70 - 51	AR81968	3G11	1	50 - 137
AR78501	5B9	23	90 - 3	AR79505	4D7	45B	70 - 51	AR81968	3G11	5	50 - 137
AR78504	4H19	22	80 - 27	AR79505	4D7	46A	70 - 51	AR81968	3G11	6	50 - 137
AR78504	4H20	8	80 - 28	AR79505	4D9	42	70 - 53	AR81968	3G17	12	50 - 143
AR78507	4D2	18	70 - 45	AR79547	2F20	27	40 - 97	AR82005	5B21	3	90 - 15
AR78507	4D4	23	70 - 47	AR79547	2F22	26	40 - 97B	AR82005	5B23	8	90 - 17
AR78509	4D18	7	70 - 63	AR79548	2F20	5	40 - 97	AR82006	5B21	10	90 - 15
AR78522	1B16	26	20 - 15	AR79548	2F22	5	40 - 97B	AR82012	2B14	4	40 - 7
AR78526	4D20	4	70 - 65	AR79549	2F20	22	40 - 97	AR82014	2B14	3	40 - 7
AR78538	2C16	6	40 - 32	AR79550	2F20	20	40 - 97	AR82014	5B16	5	90 - 9
AR78538	2C16	..	40 - 32	AR79551	2F20	11	40 - 97	AR82034	3D15	6	50 - 61
AR78538	2C17	..	40 - 33	AR79551	2F22	11	40 - 97B	AR82034	3D15	10	50 - 61
AR78538	2C24	..	40 - 41	AR79610	1B13	4	20 - 11	AR82034	3D15	11	50 - 61
AR78538	2D2	..	40 - 43	AR79653	1C25	..	20 - 40	AR82034	3D15	36	50 - 61
AR78538	2D3	..	40 - 44	AR79711	4C17	25	70 - 35	AR82263	4D25	4	70 - 71
AR78548	3I7	15A	60 - 37	AR79713	4C17	25	70 - 35	AR82265	3G18	3	50 - 144
AR78548	3I7	15B	60 - 37	AR79738	5E17	23	90 - 87	AR82373	3C10	13	50 - 28
AR78577	2E2	1	40 - 61	AR79739	5E17	..	90 - 87	AR82376	3C9	15	50 - 27
AR78577	2E4	26	40 - 63	AR79946	3B9	4	50 - 3	AR82381	3C7	1	50 - 25
AR78594	2F11	23	40 - 93	AR80119	3C9	7	50 - 27	AR82382	3C7	1	50 - 25
AR78595	2F11	11	40 - 93	AR80119	3C10	6	50 - 28	AR82455	3D1	25	50 - 46
AR78595	2F13	11	40 - 93B	AR80154	4D22	11	70 - 67	AR82456	3D1	25	50 - 46
AR78595	2F15	11	40 - 93D	AR80216	3C6	13	50 - 24	AR82509	3C6	13	50 - 24
AR78595	2F17	11	40 - 93F	AR80294	1B16	2	20 - 15	AR82509	3C6	15	50 - 24
AR78596	2F11	35	40 - 93	AR80297	3F22	9	50 - 121	AR82534	3E21	33	50 - 93
AR78596	2F13	37	40 - 93B	AR80299	3F14	..	50 - 111	AR82570	4F2	..	70 - 99
AR78596	2F15	37	40 - 93D	AR80299	3F16	..	50 - 113	AR82570	4F5	12	70 - 102
AR78596	2F17	39	40 - 93F	AR80591	3G17	8	50 - 143	AR82571	4F1	16	70 - 98
AR78646	4D8	14	70 - 52	AR80595	3G17	33	50 - 143	AR82572	4E21	12	70 - 93
AR78652	3D3	10	50 - 48	AR80622	1E4	27	30 - 25	AR82572	4E23	..	70 - 95
AR78652	3D3	..	50 - 48	AR80622	2B9	13	40 - 2	AR82572	4E24	1	70 - 96
AR78653	3D3	10	50 - 48	AR80652	1D9	20	30 - 3	AR82572	4F2	26	70 - 99
AR78653	3D3	..	50 - 48	AR80652	1F8	4	30 - 57	AR82572	4F4	27	70 - 101
AR78755	2C13	22	40 - 29	AR80797	5C3	2	90 - 22	AR82573	4E23	33	70 - 95
AR78755	2C15	22	40 - 31	AR80911	4F8	20	70 - 105	AR82576	4F2	31	70 - 99
AR78804	5D18	18A	90 - 63	AR80929	4F13	4	70 - 111	AR82576	4F4	29	70 - 101
AR78804	5D18	18B	90 - 63	AR81175	3G12	18	50 - 138	AR82707	2E24	6	40 - 79
AR78804	5D18	20	90 - 63	AR81176	3G12	6	50 - 138	AR82708	2E24	7	40 - 79
AR78806	3C6	15	50 - 24	AR81176	3G12	10	50 - 138	AR82761	3C20	6	50 - 38
AR78825	2B9	5	40 - 2	AR81178	2E16	12	40 - 71	AR82909	2G9	16	40 - 107
AR78825	2B12	19	40 - 5	AR81178	2E17	12	40 - 72	AR82910	2G9	4	40 - 107
AR78825	2D14	7	40 - 49	AR81184	3H12	17	60 - 16	AR82911	2G9	7	40 - 107
AR78825	2D16	7	40 - 51	AR81184	3H15	14	60 - 19	AR82912	2G9	6	40 - 107
AR78825	2D18	7	40 - 53	AR81184	3H15	18	60 - 19	AR82915	1D9	20	30 - 3
AR78830	4C19	15A	70 - 37	AR81184	3H15	26	60 - 19	AR82944	5C22	6	90 - 41
AR78830	4C19	15B	70 - 37	AR81184	3H17	3	60 - 19B	AR83354	4H4	7	80 - 13
AR78830	4C19	18A	70 - 37	AR81189	2C9	33	40 - 25	AR83354	4H5	5	80 - 14
AR78830	4C19	18C	70 - 37	AR81190	2C9	23	40 - 25	AR83356	4H4	7	80 - 13
AR78891	5C2	47	90 - 21	AR81245	3C20	2	50 - 38	AR83356	4H5	5	80 - 14
AR78904	3C20	2	50 - 38	AR81296	4C19	..	70 - 37	AR83383	4C23	20	70 - 41
AR78905	4C15	..	70 - 33	AR81313	1D9	17	30 - 3	AR83383	4D14	4	70 - 58
AR78914	1C4	5	20 - 22	AR81313	1D9	20	30 - 3	AR83396	4D20	2	70 - 65
AR78968	3E15	30	50 - 87	AR81313	1F8	3	30 - 57	AR83425	2B9	19	40 - 2
AR78972	3I7	14B	60 - 37	AR81327	3C6	8	50 - 24	AR83425	2E7	9	40 - 66
AR79048	3C25	5	50 - 44	AR81329	3C6	11	50 - 24	AR83425	2G17	8	40 - 115

1J25

4630 TRACTOR

NUMERICAL INDEX - CONTINUED

PART NO.	GRID	KEY	PAGE	PART NO.	GRID	KEY	PAGE	PART NO.	GRID	KEY	PAGE
AR83434	5B17	10	90 - 11	AR85460	4E3	10	70 - 75	AR86754	1E12	13	30 - 33
AR83435	5B17	9	90 - 11	AR85463	3G17	22	50 - 143	AR86755	1E12	11	30 - 33
AR83516	5E10	6	90 - 79	AR85464	3G11	24	50 - 137	AR86756	1E12	10	30 - 33
AR83521	5B13	1	90 - 7	AR85464	3G11	26	50 - 137	AR86775	4D7	20	70 - 51
AR83654	3C25	5	50 - 44	AR85464	3G17	21	50 - 143	AR86775	4D7	22	70 - 51
AR83798	3C9	32	50 - 27	AR85538	3D3	10	50 - 48	AR86809	1D23	6	30 - 19
AR83798	3C11	34	50 - 29	AR85558	5E15	1	90 - 85	AR86969	2D23	4	40 - 58
AR83846	1E4	33	30 - 25	AR85558	5E15	2	90 - 85	AR86969	2D24	6	40 - 59
AR83973	3B10	1	50 - 4	AR85558	5E15	3	90 - 85	AR86974	2C4	10	40 - 20
AR83973	3B10	12	50 - 4	AR85558	5E15	4	90 - 85	AR86975	3G17	23	50 - 143
AR83973	3B10	13	50 - 4	AR85558	5E15	5	90 - 85	AR86975	3G19	10	50 - 145
AR83974	3B22	9	50 - 17	AR85558	5E15	6	90 - 85	AR86977	1F6	39	30 - 55
AR84126	2B14	7	40 - 7	AR85558	5E15	7	90 - 85	AR86980	1C3	4	20 - 21
AR84129	2B14	8	40 - 7	AR85558	5E15	13	90 - 85	AR86997	5D14	5	90 - 59
AR84132	2B14	5	40 - 7	AR85559	5E15	1	90 - 85	AR86997	5D14	7	90 - 59
AR84134	2B14	1	40 - 7	AR85559	5E15	2	90 - 85	AR87006	1F9	22	30 - 58
AR84261	5E11	3	90 - 81	AR85559	5E15	3	90 - 85	AR87115	3E23	15	50 - 95
AR84306	2C11	1	40 - 27	AR85559	5E15	4	90 - 85	AR87115	3E25	19	50 - 95B
AR84306	2C13	..	40 - 29	AR85559	5E15	5	90 - 85	AR87158	5F7	4	90 - 103
AR84306	2C15	12	40 - 31	AR85559	5E15	6	90 - 85	AR87187	5F7	4	90 - 103
AR84306	2C15	29	40 - 31	AR85559	5E15	7	90 - 85	AR87194	3H24	24A	60 - 29
AR84566	5C9	14	90 - 27	AR85559	5E15	8	90 - 85	AR87194	3H24	24B	60 - 29
AR84566	5D8	19	90 - 53	AR85560	5E15	9	90 - 85	AR87195	3H24	15A	60 - 29
AR84567	5C9	14	90 - 27	AR85574	3G17	29	50 - 143	AR87195	3H24	15B	60 - 29
AR84904	4D25	4	70 - 71	AR85578	2E16	8	40 - 71	AR87199	3F20	16	50 - 119
AR84969	5D12	12	90 - 57	AR85578	2E17	8	40 - 72	AR87340	2B11	7	40 - 4
AR84970	5D12	12	90 - 57	AR85591	5F15	6	90 - 111	AR87340	2F9	18	40 - 91
AR85152	1E4	33	30 - 25	AR85592	5F15	6	90 - 111	AR87484	3D22	13	50 - 68A
AR85153	2E18	6	40 - 73	AR85628	4E21	31	70 - 93	AR87484	3E2	26	50 - 73
AR85155	1E4	33	30 - 25	AR85633	4I10	24	80 - 43	AR87493	2F11	38	40 - 93
AR85228	3H21	1	60 - 25	AR85705	3H13	14	60 - 17	AR87493	2F18	1	40 - 94
AR85230	3H21	2	60 - 25	AR85705	3H17	31	60 - 19B	AR87526	2B14	10	40 - 7
AR85245	5B13	11	90 - 7	AR85759	2C4	10	40 - 20	AR87527	2B14	9	40 - 7
AR85245	5C2	7	90 - 21	AR85759	2C5	12	40 - 21	AR87535	4C17	25	70 - 35
AR85251	4E25	1	70 - 97	AR85760	2C4	11	40 - 20	AR87700	1B13	9	20 - 11
AR85261	2B14	2	40 - 7	AR85760	2C5	13	40 - 21	AR87888	4D22	14	70 - 67
AR85263	2B14	11	40 - 7	AR85792	5E15	..	90 - 85	AR87888	4D22	15	70 - 67
AR85263	2D18	33	40 - 53	AR85792	5E17	..	90 - 87	AR87888	4D22	16	70 - 67
AR85264	2B14	6	40 - 7	AR85878	5E25	21	90 - 96	AR87888	4D22	30	70 - 67
AR85264	2D18	33	40 - 53	AR85892	1C25	20	20 - 40	AR87888	4D22	31B	70 - 67
AR85271	3D5	8	50 - 50	AR85892	1C25	..	20 - 40	AR87889	4D22	14	70 - 67
AR85272	3F3	10	50 - 98	AR85940	2C13	18	40 - 29	AR87889	4D22	15	70 - 67
AR85283	2B10	33	40 - 3	AR85941	2C15	8	40 - 31	AR87889	4D22	16	70 - 67
AR85283	2B10	34	40 - 3	AR86054	4C6	20A	70 - 24	AR87889	4D22	17	70 - 67
AR85283	2B12	31	40 - 5	AR86054	4C7	31	70 - 25	AR87889	4D22	18B	70 - 67
AR85283	2B25	2	40 - 16	AR86109	5E17	23	90 - 87	AR87997	5E25	16	90 - 96
AR85311	3F20	16	50 - 119	AR86110	5E15	21	90 - 85	AR88040	3D15	16	50 - 61
AR85323	2B10	36	40 - 3	AR86111	5E15	20	90 - 85	AR88040	3E17	1	50 - 89
AR85323	2C5	14	40 - 21	AR86239	4G13	12	70 - 136	AR88076	5B13	11	90 - 7
AR85323	3C13	13	50 - 31	AR86239	4G13	14	70 - 136	AR88076	5C2	7	90 - 21
AR85323	3C14	24	50 - 32	AR86241	4G13	1	70 - 136	AR88242	3F14	7	50 - 111
AR85323	3E23	19	50 - 95	AR86242	4G13	4	70 - 136	AR88242	3F16	9	50 - 113
AR85327	1D10	13	30 - 5	AR86243	4G13	2	70 - 136	AR88527	5D4	25	90 - 49
AR85327	3H10	8	60 - 14	AR86244	4G13	3	70 - 136	AR88536	3C20	6	50 - 38
AR85331	1E6	16	30 - 27	AR86405	4H17	1	80 - 25A	AR88539	3B24	3	50 - 19
AR85332	1E6	13	30 - 27	AR86406	4H17	1	80 - 25A	AR88550	3F16	10	50 - 113
AR85332	1E8	2	30 - 29	AR86494	3H17	33	60 - 19B	AR88771	3H17	31	60 - 19B
AR85333	1E6	15	30 - 27	AR86495	3B10	19	50 - 4	AR88775	3F18	3	50 - 117
AR85333	1E21	33	30 - 43	AR86495	3D15	33	50 - 61	AR88880	2C19	12	40 - 35
AR85333	1E21	37	30 - 43	AR86535	4E21	17	70 - 93	AR88880	2C24	10	40 - 41
AR85335	4H20	1	80 - 28	AR86535	4E23	16	70 - 95	AR88905	1B13	9	20 - 11
AR85336	4H20	1	80 - 28	AR86538	3F25	7	50 - 124	AR88905	1E14	24	30 - 35
AR85368	4G18	5	80 - 1	AR86538	3G2	6	50 - 127	AR88905	1E20	27	30 - 42
AR85373	4G18	5	80 - 1	AR86551	2E24	12	40 - 79	AR88961	4H20	12	80 - 28
AR85392	4G19	5	80 - 2	AR86552	2E24	4	40 - 79	AR88962	4H20	12	80 - 28
AR85407	2D10	1	40 - 45F	AR86599	1D23	8	30 - 19	AR88965	1B13	9	20 - 11
AR85451	4I10	24	80 - 43	AR86600	1D23	7	30 - 19	AR88965	1E14	24	30 - 35

1K1

4630 TRACTOR

NUMERICAL INDEX - CONTINUED

PART NO.	GRID	KEY	PAGE	PART NO.	GRID	KEY	PAGE	PART NO.	GRID	KEY	PAGE
AR88965	1E20	27	30 - 42	AR91035	1C21	1	20 - 36	AR94105	5E8	12	90 - 77
AR89021	5E20	10	90 - 91	AR91055	3F14	9	50 - 111	AR94165	4D2	18	70 - 45
AR89022	5E20	15	90 - 91	AR91055	3F14	..	50 - 111	AR94165	4D2	30	70 - 45
AR89136	3C22	26	50 - 41	AR91055	3F16	21	50 - 113	AR94485	5E22	1	90 - 93
AR89137	5F21	1	90 - 117	AR91055	3F16	..	50 - 113	AR94486	5E22	3	90 - 93
AR89137	5F21	2	90 - 117	AR91055	3F18	15	50 - 117	AR94510	3F3	9	50 - 98
AR89137	5F22	6	90 - 118	AR91166	2B18	1	40 - 10	AR94515	3E2	9	50 - 73
AR89140	4H5	11	80 - 14	AR91166	2B19	5	40 - 11	AR94515	3E3	12	50 - 74
AR89141	4H5	11	80 - 14	AR91166	2B21	24	40 - 13	AR94515	3E4	9	50 - 75
AR89199	3H17	33	60 - 19B	AR91166	2C3	23	40 - 19	AR94515	3E5	3	50 - 76
AR89228	4C21	10	70 - 39	AR91167	2B19	1	40 - 11	AR94517	3D23	11	50 - 69
AR89228	4C23	25	70 - 41	AR91315	5E8	16	90 - 77	AR94517	3E2	26	50 - 73
AR89228	4D12	11	70 - 56	AR91667	2B11	6	40 - 4	AR94522	4F15	1	70 - 113
AR89228	4D14	8	70 - 58	AR91667	2F9	5	40 - 91	AR94522	4F22	10	70 - 121
AR89232	5D14	15	90 - 59	AR91793	2G15	42	40 - 113	AR94560	1B25	3	20 - 18
AR89290	5C11	22	90 - 29	AR91893	5D20	12	90 - 65	AR94560	1C1	8	20 - 19
AR89291	5C11	22	90 - 29	AR91893	5D22	12	90 - 67	AR94620	4D15	21	70 - 59
AR89302	4D22	12	70 - 67	AR91895	5D20	6	90 - 65	AR94622	4C22	4	70 - 40
AR89302	4D22	29	70 - 67	AR91895	5D22	6	90 - 67	AR94660	4B8	1	70 - 3
AR89303	4D25	8	70 - 71	AR91895	5D20	16A	90 - 65	AR94660	4B10	16	70 - 5
AR89303	4D25	35	70 - 71	AR92109	2B12	27	40 - 5	AR94660	4B10	..	70 - 5
AR89320	3B12	2	50 - 7	AR92109	5B9	29	90 - 3	AR94660	4B20	..	70 - 15
AR89353	1E21	36	30 - 43	AR92109	5B11	6	90 - 5	AR94661	4B8	1	70 - 3
AR89394	3E21	33	50 - 93	AR92122	1F9	7	30 - 58	AR94661	4B12	18	70 - 7
AR89501	3G17	45	50 - 143	AR92396	2F2	8	40 - 82	AR94661	4B12	..	70 - 7
AR89561	2F1	1	40 - 81	AR92396	2F2	15	40 - 82	AR94661	4B22	..	70 - 17
AR89666	5E24	7	90 - 95	AR93172	1B11	3	20 - 9	AR94710	5C15	1	90 - 33
AR89669	5E24	4	90 - 95	AR93210	5F11	17	90 - 107	AR94760	2B10	..	40 - 3
AR89670	5E24	2	90 - 95	AR93211	2F1	2	40 - 81	AR94820	1B20	1	20 - 17B
AR89691	2B10	36	40 - 3	AR93259	3I16	24	60 - 47	AR94840	1B16	27	20 - 15
AR89691	2C5	14	40 - 21	AR93446	2C11	1	40 - 27	AR94976	3F20	..	50 - 119
AR89691	2E18	6	40 - 73	AR93446	2C13	..	40 - 29	AR95431	3F14	2	50 - 111
AR89691	3C13	13	50 - 31	AR93446	2C15	12	40 - 31	AR95431	3F14	7	50 - 111
AR89691	3C14	24	50 - 32	AR93446	2C15	29	40 - 31	AR95431	3F16	2	50 - 113
AR89691	3E23	19	50 - 95	AR93533	5B15	10	90 - 8	AR95431	3F16	9	50 - 113
AR89714	3H17	33	60 - 19B	AR93533	5B16	8	90 - 9	AR95447	3F14	7	50 - 111
AR89826	5E20	4	90 - 91	AR93533	5B16	9	90 - 9	AR95447	3F16	9	50 - 113
AR89827	5E20	3	90 - 91	AR93819	4F2	2	70 - 99	AR95470	4B12	32	70 - 7
AR89828	5E20	2	90 - 91	AR93819	4F2	5	70 - 99	AR95489	5E22	4	90 - 93
AR89829	5E20	1	90 - 91	AR93819	4F2	7	70 - 99	AR95490	5E22	2	90 - 93
AR89913	5C2	10	90 - 21	AR93819	4F4	2	70 - 101	AR95571	2B12	15	40 - 5
AR90058	2C15	7	40 - 31	AR93819	4F4	5	70 - 101	AR95803	3D15	36	50 - 61
AR90070	2D8	15	40 - 45D	AR93819	4F4	7A	70 - 101	AR95827	3B12	2	50 - 7
AR90070	2D9	10	40 - 45E	AR93819	4F4	7B	70 - 101	AR95903	3E23	15	50 - 95
AR90071	2D8	4	40 - 45D	AR93819	4F12	2	70 - 110	AR95903	3E25	19	50 - 95B
AR90071	2D9	9	40 - 45E	AR93819	4F12	5	70 - 110	AR95904	2C5	16	40 - 21
AR90378	4B14	30	70 - 9	AR93819	4F12	7	70 - 110	AR95904	3F1	24	50 - 96
AR90454	3D19	14	50 - 66	AR93820	4F2	2	70 - 99	AR95906	2B10	33	40 - 3
AR90517	3D18	1	50 - 64	AR93820	4F2	5	70 - 99	AR95906	2B10	35	40 - 3
AR90531	3D20	1	50 - 67	AR93820	4F2	7	70 - 99	AR95969	5B16	8	90 - 9
AR90577	4D23	5	70 - 69	AR93820	4F4	2	70 - 101	AR95971	2D24	7	40 - 59
AR90577	4D23	..	70 - 69	AR93820	4F4	5	70 - 101	AR95971	2D24	8	40 - 59
AR90578	4D23	5	70 - 69	AR93820	4F4	7A	70 - 101	AR96189	1C5	5	20 - 23
AR90578	4D23	..	70 - 69	AR93820	4F4	7B	70 - 101	AR96321	4C5	29	70 - 23
AR90579	4D23	6	70 - 69	AR93820	4F12	2	70 - 110	AR96323	4C5	29	70 - 23
AR90581	4D23	6	70 - 69	AR93820	4F12	5	70 - 110	AR96408	4B12	7	70 - 7
AR90583	4D23	6	70 - 69	AR93820	4F12	7	70 - 110	AR96408	4B22	4	70 - 17
AR90611	3H20	11	60 - 23	AR93820	4F22	8	70 - 121	AR96608	2E25	26	40 - 80
AR90770	5B25	7	90 - 19	AR93828	5C4	13	90 - 23	AR96613	4B10	21	70 - 5
AR90771	5B25	1	90 - 19	AR93828	5E15	11	90 - 85	AR96613	4B12	25	70 - 7
AR90772	2F2	6	40 - 82	AR93887	2B14	10	40 - 7	AR96613	4B20	19	70 - 15
AR90773	2F2	6	40 - 82	AR93945	2C13	11	40 - 29	AR96613	4B22	19	70 - 17
AR90840	2B25	4	40 - 16	AR93945	2C15	4	40 - 31	AR96625	4B24	6	70 - 19
AR90841	2B25	1	40 - 16	AR94047	2F9	4	40 - 91	AR96857	1B24	1	20 - 17F
AR90898	4H1	8	80 - 10	AR94047	2F23	19	40 - 98	AR96857	1E20	16	30 - 42
AR90959	3D20	1	50 - 67	AR94073	5E10	12	90 - 79	AR96858	1B24	1	20 - 17F
AR90960	3D19	21	50 - 66	AR94084	1C16	28	20 - 31	AR96858	1E20	15	30 - 42

1K2

4630 TRACTOR

NUMERICAL INDEX - CONTINUED

PART NO.	GRID	KEY	PAGE	PART NO.	GRID	KEY	PAGE	PART NO.	GRID	KEY	PAGE
AR96859	1B24	1	20 - 17F	AT32331	3B18	35	50 - 13	AT66632	5B11	..	90 - 5
AR96859	1E20	14	30 - 42	AT32331	3F6	1	50 - 102	AT66632	5B13	..	90 - 7
AR96860	1B24	1	20 - 17F	AT32331	4C16	2	70 - 34	AT66865	2B10	..	40 - 3
AR96860	1E20	13	30 - 42	AT32332	3E9	1	50 - 80	AT68973	1E1	..	30 - 22
AR96861	1B24	1	20 - 17F	AT32332	3G17	27	50 - 143	AT68973	2B9	16	40 - 2
AR96861	1E20	12	30 - 42	AT32332	3G19	15	50 - 145	AT68973	2D11	3	40 - 46
AR96862	1B24	1	20 - 17F	AT32332	4C10	20	70 - 28	AT68973	2D12	7	40 - 47
AR96862	1E20	11	30 - 42	AT32332	4E16	2	70 - 88	AT75387	5F8	4	90 - 104
AR97385	5E11	1	90 - 81	AT32332	4F13	6	70 - 111	AT80421	3G13	5	50 - 139
AR98098	1F8	2	30 - 57	AT32332	4F15	9	70 - 113	AT80421	3G13	7	50 - 139
AR98098	3D4	11	50 - 49	AT32333	3F10	6	50 - 106	AT80421	3G13	8	50 - 139
AR98098	3D5	7	50 - 50	AT32333	3F11	1	50 - 107	AT81764	5F8	6	90 - 104
AR98098	3F3	9	50 - 98	AT32333	3H7	11	60 - 10	AT85153	2B10	35	40 - 3
AR98098	3F4	11	50 - 100	AT32333	3H9	10	60 - 13	AT85153	2B10	36	40 - 3
AR98146	3E17	6	50 - 89	AT32333	3I9	7	60 - 39	AU41729	4E16	3	70 - 88
AR98201	4F22	2	70 - 121	AT32335	3I9	24	60 - 39	AU42023	2F11	35	40 - 93
AR98202	4F22	1	70 - 121	AT32336	3I9	11	60 - 39	AU43691	4E16	6	70 - 88
AR98329	1C16	1	20 - 31	AT32337	3G20	11	50 - 146	AU43853	2F11	20	40 - 93
AR98518	3D6	1	50 - 51	AT32337	3G20	17	50 - 146	AU43854	2F11	15	40 - 93
AR98547	1C25	15	20 - 40	AT32337	4E16	5	70 - 88	AU43855	2F11	22	40 - 93
AR98649	3F20	16	50 - 119	AT32338	3G19	17	50 - 145	AU43857	2F11	18	40 - 93
AR98649	3F22	5	50 - 121	AT32338	4C16	14	70 - 34	AU43857	2F13	21	40 - 93B
AR98801	3C25	3	50 - 44	AT34928	5B15	21	90 - 8	AU43857	2F15	21	40 - 93D
AR99100	4F2	31	70 - 99	AT35120	3G20	11	50 - 146	AU43857	2F17	24	40 - 93F
AR99100	4F4	29	70 - 101	AT35120	3G20	17	50 - 146	AU43954	2F11	17	40 - 93
AR99332	3H13	11	60 - 17	AT35120	4E16	5	70 - 88	AU43954	2F13	20	40 - 93B
AR99332	3H17	23	60 - 19B	AT35121	3H7	17	60 - 10	AU43954	2F15	20	40 - 93D
AR99334	3H13	5	60 - 17	AT35121	3H9	12	60 - 13	AU43954	2F17	23	40 - 93F
AR99334	3H17	19	60 - 19B	AT35121	3H17	33	60 - 19B	AW20941	5E13	8	90 - 83
AR99335	3H13	16	60 - 17	AT35121	3H18	18	60 - 20	A1197R	3I14	23	60 - 45
AR99335	3H17	26	60 - 19B	AT35121	3H22	13	60 - 26	A147R	3H12	13	60 - 16
AR99521	2B10	33	40 - 3	AT35121	4C3	4	70 - 21A	A147R	3H15	12	60 - 19
AR99521	2B10	35	40 - 3	AT35121	4C19	14	70 - 37	A147R	4E2	2	70 - 73
AR99524	2B10	33	40 - 3	AT35121	4C19	15A	70 - 37	A147R	4E3	3	70 - 75
AR99524	2B10	35	40 - 3	AT35599	4F15	10	70 - 113	A15532	4E16	21	70 - 88
AR99527	2B10	35	40 - 3	AT36766	1E4	34	30 - 25	A1555R	4H1	12	80 - 10
AR99647	3I4	5	60 - 34	AT37518	3H10	24	60 - 14	A1556R	4H1	11	80 - 10
AR99839	4B8	1	70 - 3	AT37518	3H24	19	60 - 29	A15898	4F6	1	70 - 103
AR99839	4B12	..	70 - 7	AT38033	4C7	30	70 - 25	A15898	4F15	2	70 - 113
AT101691	2B11	13	40 - 4	AT38033	4C19	19	70 - 37	A15899	4F6	2	70 - 103
AT101691	2D23	6	40 - 58	AT38518	5C4	6	90 - 23	A15899	4F15	3	70 - 113
AT104505	5C23	2	90 - 43	AT38518	5C16	..	90 - 34	A2444R	3H3	8	60 - 6
AT107509	1B9	14	20 - 6	AT39043	2E16	9	40 - 71	A2444R	3H12	19	60 - 16
AT12889	3D23	24	50 - 69	AT39043	2E17	9	40 - 72	A2764R	5B13	48	90 - 7
AT12889	3E9	12	50 - 80	AT39623	1E1	10	30 - 22	A2899R	2D14	14	40 - 49
AT13740	1B16	1	20 - 15	AT40955	2B9	16	40 - 2	A2899R	2D16	21	40 - 51
AT13740	1C20	20	20 - 35	AT44165	2F24	23	40 - 99	A2899R	2D18	21	40 - 53
AT13740	1E4	16	30 - 25	AT45396	1E1	10	30 - 22	A3184R	4G5	26	70 - 129
AT14927	5F17	1	90 - 113	AT47763	4F15	11	70 - 113	A3411R	2B11	2	40 - 4
AT151388	3E9	28	50 - 80	AT47763	4F15	12	70 - 113	A3411R	2B11	14	40 - 4
AT20911	1E4	9	30 - 25	AT48673	2F24	23	40 - 99	A3411R	2G7	3	40 - 105B
AT20983	4C14	4	70 - 32	AT48673	2F24	26	40 - 99	A3581R	4F20	12	70 - 119
AT22070	5F18	9	90 - 114	AT49215	3H11	12	60 - 15	A3581R	4F24	2	70 - 123
AT22073	5F18	7	90 - 114	AT49215	3I2	39	60 - 31	A3581R	4G5	2	70 - 129
AT23188	2C13	23	40 - 29	AT49331	4B8	1	70 - 3	A3581R	4G7	40	70 - 131
AT23188	2C15	23	40 - 31	AT49331	4B10	16	70 - 5	A3606R	3F5	29	50 - 101
AT24538	5F17	1	90 - 113	AT49331	4B10	..	70 - 5	A3606R	3G23	9	60 - 1
AT25038	1C17	8	20 - 32	AT49331	4C16	14	70 - 34	A3606R	3G24	1	60 - 2
AT25226	4H4	..	80 - 13	AT55441	2G6	25	40 - 105A	A3606R	3H6	8	60 - 9
AT25266	1D24	20	30 - 20	AT57288	1E1	10	30 - 22	A3606R	3H6	26	60 - 9
AT25266	1D25	14	30 - 21	AT58342	3E19	13	50 - 91	A3606R	3I11	12	60 - 41
AT25266	1E1	3	30 - 22	AT58342	3E21	33	50 - 93	A3606R	3I12	1	60 - 42
AT25266	1E1	10	30 - 22	AT62018	5F8	6	90 - 104	A3606R	3I14	12	60 - 45
AT25266	1E2	1	30 - 23	AT62019	5F8	4	90 - 104	A3606R	4F24	21	70 - 123
AT30373	3G13	1	50 - 139	AT64802	4E16	3	70 - 88	A3606R	4G2	37	70 - 125
AT30373	3G13	9	50 - 139	AT66481	2F17	16	40 - 93F	A364R	3D8	10	50 - 53
AT30373	3G19	11	50 - 145	AT66632	4G14	1	70 - 137	A364R	3D10	13	50 - 55

1K3

4630 TRACTOR

NUMERICAL INDEX - CONTINUED

PART NO.	GRID	KEY	PAGE	PART NO.	GRID	KEY	PAGE	PART NO.	GRID	KEY	PAGE
A364R	3D10	15	50 - 55	A4730R	3D13	12	50 - 58	BP12232	4H19	8	80 - 27
A364R	3D19	22	50 - 66	A4730R	4F2	28	70 - 99	BP12232	4H20	7	80 - 28
A364R	3E9	19	50 - 80	A4730R	4F5	9	70 - 102	B1085R	2C3	5	40 - 19
A364R	3F9	10	50 - 105	A4736R	4G2	19	70 - 125	B1085R	5B19	17	90 - 13
A364R	3F9	12	50 - 105	A4736R	4G7	9	70 - 131	B15646	5B10	2	90 - 4
A369R	4D25	42	70 - 71	A4737R	4G2	17	70 - 125	B15646	5B11	2	90 - 5
A369R	4E9	17	70 - 81	A4737R	4G7	11	70 - 131	B15646	5B13	35	90 - 7
A369R	5C18	2	90 - 37	A4738R	4G2	18	70 - 125	B161R	1E4	21	30 - 25
A369R	5D2	11	90 - 47	A4738R	4G7	10	70 - 131	B1664R	1F2	23	30 - 51
A3910R	3E23	10	50 - 95	A4739R	4G2	20	70 - 125	B1664R	1F3	24	30 - 52
A3917	3B25	6	50 - 20	A4739R	4G7	8	70 - 131	B1664R	1F6	37	30 - 55
A3917R	2C24	21	40 - 41	A4741R	4G2	1	70 - 125	B1664R	1F9	13	30 - 58
A3917R	3D3	15	50 - 48	A4741R	5C25	5	90 - 45	B1664R	2F9	15	40 - 91
A3917R	3D13	3	50 - 58	A4742R	3C5	15	50 - 23	B1664R	3E15	25	50 - 87
A3917R	3E17	5	50 - 89	A4742R	4G2	2	70 - 125	B1664R	4D2	5	70 - 45
A3917R	4C21	21	70 - 39	A4744R	5C18	5	90 - 37	B1664R	4D4	11	70 - 47
A3917R	4C21	22	70 - 39	A4744R	5D2	13	90 - 47	B1664R	5F19	2	90 - 115
A3917R	4C22	5	70 - 40	A4745R	4G2	11	70 - 125	B169R	3H3	27	60 - 6
A3917R	4D12	19	70 - 56	A4745R	4G7	21	70 - 131	B169R	3H4	24	60 - 7
A3917R	4D12	21	70 - 56	A4745R	4G8	4	70 - 132	B169R	3H12	6	60 - 16
A3917R	4D14	17	70 - 58	A4746R	4G2	10	70 - 125	B169R	3H15	28	60 - 19
A3917R	4E21	14	70 - 93	A4746R	4G7	22	70 - 131	B178R	3D15	38	50 - 61
A3917R	4F2	14	70 - 99	A4747R	4G2	12	70 - 125	B2641R	3G5	6	50 - 130
A39716	2G6	1	40 - 105A	A4747R	4G7	20	70 - 131	B2762	3B25	7	50 - 20
A4064R	4H4	16	80 - 13	A4748R	4G2	13	70 - 125	B2762R	3B18	30	50 - 13
A4231R	5B13	48	90 - 7	A4748R	4G7	19	70 - 131	B2762R	3D3	12	50 - 48
A4275R	4C6	13	70 - 24	A4806R	3D3	24	50 - 48	B2762R	3D12	7	50 - 57
A4365R	1B16	30	20 - 15	A4806R	3F5	23	50 - 101	B2762R	3D24	11	50 - 70
A4365R	2C24	19	40 - 41	A4808R	3D3	25	50 - 48	B2762R	3E10	12	50 - 81
A4365R	3G25	21	60 - 3	A4808R	3F5	24	50 - 101	B2762R	3F6	9	50 - 102
A4365R	3H6	19	60 - 9	A4808R	4C11	5	70 - 29	B2762R	3G25	15	60 - 3
A4365R	4B14	3	70 - 9	A4816R	3G11	3	50 - 137	B2762R	3H6	17	60 - 9
A4365R	4B18	3	70 - 13	A4816R	3G17	10	50 - 143	B2762R	4C16	5	70 - 34
A4365R	4B24	3	70 - 19	A4816R	3G23	16	60 - 1	B2762R	4E21	4	70 - 93
A4365R	4C5	2	70 - 23	A4816R	3111	23	60 - 41	B2762R	4E23	4	70 - 95
A4365R	4C25	7	70 - 43	A4827R	1B25	8	20 - 18	B2762R	4F1	3	70 - 98
A4365R	4D7	48	70 - 51	A4827R	3B9	9	50 - 3	B3118R	3B12	12	50 - 7
A4379R	4H4	3	80 - 13	A4827R	3C13	18	50 - 31	B3169R	3D19	25	50 - 66
A4380R	4H4	8	80 - 13	A4827R	3C14	20	50 - 32	B3285R	5F13	17	90 - 109
A4388R	4H4	15	80 - 13	A4827R	3C15	15	50 - 33	B3310R	3E9	29	50 - 80
A4609R	3D7	18	50 - 52	A4827R	3C16	17	50 - 34	B3595R	3D15	18	50 - 61
A4609R	3D8	4	50 - 53	A48331	2G6	3	40 - 105A	B3627R	4E1	8	70 - 72
A4609R	3D8	9	50 - 53	A48332	2G6	23	40 - 105A	B3627R	4E2	6	70 - 73
A4609R	3D10	12	50 - 55	A4847R	3B14	31	50 - 9	B3627R	4H9	2	80 - 18
A4609R	3F9	4	50 - 105	A4979R	4C10	11	70 - 28	B3686R	4C25	4	70 - 43
A4609R	3F9	9	50 - 105	A4997R	5B15	12	90 - 8	B3690R	3H3	2	60 - 6
A4624R	2B16	8	40 - 8	A5067R	5E2	6	90 - 71	B3690R	3H4	33	60 - 7
A4624R	3B24	2	50 - 19	A5203R	1D1	5	20 - 41	B3690R	3H12	2	60 - 16
A4624R	3D25	3	50 - 71	A5301R	4G2	31	70 - 125	B3690R	3H15	38	60 - 19
A4624R	3I7	8	60 - 37	A5301R	4G7	35	70 - 131	B423R	4D7	16	70 - 51
A4655R	2E7	4	40 - 66	A5302R	4G2	29	70 - 125	B423R	4E1	4	70 - 72
A4655R	5B15	18	90 - 8	A5302R	4G7	38	70 - 131	B474R	3G17	7	50 - 143
A4655R	5B19	13	90 - 13	A5304R	4G7	28	70 - 131	B634R	4H4	15	80 - 13
A4681R	3E13	22	50 - 85	A5598R	3I3	7	60 - 33	C1067R	3B21	10	50 - 16
A4722R	4F24	7	70 - 123	A5598R	4C21	27	70 - 39	C1067R	3E18	3	50 - 90
A4722R	4G2	6	70 - 125	A5598R	4C22	9	70 - 40	C11884	3H11	11	60 - 15
A4723R	4F24	6	70 - 123	A5598R	4D15	24	70 - 59	C11884	3I2	40	60 - 31
A4723R	4G2	5	70 - 125	A5659R	5E2	23	90 - 71	C1220R	3B8	8	50 - 2
A4723R	4G5	6	70 - 129	A5659R	5E2	30	90 - 71	C1220R	3B9	6	50 - 3
A4723R	4G7	5	70 - 131	A5659R	5E6	16	90 - 75	C1220R	3D13	8	50 - 58
A4723R	4G8	9	70 - 132	A602R	4D20	14	70 - 65	C16054	1D9	15	30 - 3
A4723R	4G11	6	70 - 134	A602R	4D20	18	70 - 65	C16054	1D10	18	30 - 5
A4728R	3I4	12	60 - 34	A776R	3B9	2	50 - 3	C284R	3B21	11	50 - 16
A4728R	3I5	7	60 - 35	A776R	3B23	20	50 - 18	C744DN	4B7	1	70 - 1
A4728R	3I16	25	60 - 47	A776R	3D24	8	50 - 70	DT2127W	4H1	5	80 - 10
A4728R	4F24	9	70 - 123	A776R	4D25	3	70 - 71	DT2127W	4H1	16	80 - 10
A4728R	4G2	24	70 - 125	BP12232	4H19	1	80 - 27	D1761R	3I4	3	60 - 34

1K4

4630 TRACTOR

NUMERICAL INDEX - CONTINUED

PART NO.	GRID	KEY	PAGE	PART NO.	GRID	KEY	PAGE	PART NO.	GRID	KEY	PAGE
D1761R	3I4	7	60 - 34	F2741R	3D5	5	50 - 50	F3171R	4D2	27	70 - 45
D2361	3E25	17	50 - 95B	F2741R	3F3	7	50 - 98	F3171R	4D4	35	70 - 47
D2361R	3E23	12	50 - 95	F2741R	4C21	5	70 - 39	F3171R	4D16	13	70 - 60
D2361R	4F2	4	70 - 99	F2741R	4C25	10	70 - 43	F3171R	4D18	12	70 - 63
D2361R	4F2	18	70 - 99	F2741R	4D12	7	70 - 56	F3171R	4E15	8	70 - 87
D2361R	4F4	4	70 - 101	F2741R	4E18	20	70 - 90	F3171R	4E16	29	70 - 88
D2361R	4F4	18	70 - 101	F2741R	4E19	21	70 - 91	F3173R	4C24	12	70 - 42
D2361R	4F12	4	70 - 110	F2741R	4E24	10	70 - 96	F3220R	3B12	25	50 - 7
D2361R	4F12	16	70 - 110	F2741R	4F1	6	70 - 98	F3220R	4E15	9	70 - 87
D2491R	2E21	2	40 - 76	F2741R	4F14	3	70 - 112	F3221R	3F1	19	50 - 96
D2491R	2E22	2	40 - 77	F2741R	5B13	19	90 - 7	F3353R	3F10	2	50 - 106
D2491R	2E25	9	40 - 80	F2811R	3E15	21	50 - 87	F3396R	4D22	7	70 - 67
D2491R	3C17	7	50 - 35	F2846R	3D12	23	50 - 57	F3463R	3G17	4	50 - 143
D2491R	3C22	8	50 - 41	F2846R	3D12	33	50 - 57	F3539R	4E12	5	70 - 84
D2865R	5D18	40	90 - 63	F2846R	3E19	9	50 - 91	F3541R	4E12	3	70 - 84
D2913R	4F24	25	70 - 123	F2846R	3E21	41	50 - 93	F3542R	4E12	4	70 - 84
D2913R	4G5	25	70 - 129	F2847R	3D12	22	50 - 57	F3646R	1B16	9	20 - 15
D2913R	4G11	15	70 - 134	F2847R	3D12	34	50 - 57	F3646R	1C16	16	20 - 31
D488R	3B23	12	50 - 18	F2847R	3E19	8	50 - 91	H104855	2G13	9	40 - 111
D488R	3D24	6	50 - 70	F2847R	3E21	42	50 - 93	H121828	5B15	2	90 - 8
D488R	4C21	30	70 - 39	F2863R	4D5	14	70 - 49	H121828	5B15	10	90 - 8
D488R	4D13	25	70 - 57	F2863R	5C20	8	90 - 39	H21957	3B10	10	50 - 4
E16050	2F24	16	40 - 99	F2863R	5D4	16	90 - 49	H312R	4H25	26	80 - 33
E17421	1D9	19	30 - 3	F2935R	2D14	38	40 - 49	H343R	3E3	11	50 - 74
E17421	3C13	6	50 - 31	F2935R	2D16	37	40 - 51	H78354	5F21	2	90 - 117
E17421	3C14	6	50 - 32	F2935R	2D18	35	40 - 53	H80306	4E16	16	70 - 88
E17421	3C15	4	50 - 33	F2935R	2D19	5	40 - 54	H819R	3D4	5	50 - 49
E17421	3C16	4	50 - 34	F2935R	5D12	15	90 - 57	H819R	3F4	5	50 - 100
E17421	3D1	1	50 - 46	F304R	4E5	3	70 - 77	H851R	3B23	9	50 - 18
E55662	1C16	15	20 - 31	F304R	4E7	3	70 - 79	H851R	3D24	4	50 - 70
E55662	1C16	27	20 - 31	F304R	4E9	3	70 - 81	H851R	4E16	20	70 - 88
E55662	1D15	1	30 - 11	F304R	4E11	3	70 - 83	H851R	4E18	16	70 - 90
E55662	1E14	26	30 - 35	F304R	4E13	17	70 - 85	H851R	4E19	17	70 - 91
E55662	1E20	29	30 - 42	F3128R	3B9	10	50 - 3	H871R	3C6	5	50 - 24
F1334R	3H11	10	60 - 15	F3171R	3B18	16	50 - 13	H871R	3E6	5	50 - 77
F1334R	3I2	41	60 - 31	F3171R	3B18	32	50 - 13	H871R	3G4	10	50 - 129
F1427R	4G5	7	70 - 129	F3171R	3B18	34	50 - 13	H871R	3G23	15	60 - 1
F1427R	4G7	4	70 - 131	F3171R	3B23	5	50 - 18	H871R	4F6	10	70 - 103
F1427R	4G8	10	70 - 132	F3171R	3D3	22	50 - 48	H871R	4F8	11	70 - 105
F1427R	4G11	7	70 - 134	F3171R	3D12	12	50 - 57	H97644	2B12	23	40 - 5
F1430R	4G5	9	70 - 129	F3171R	3E19	15	50 - 91	H97644	5B13	23	90 - 7
F1430R	4G7	16	70 - 131	F3171R	3E21	13	50 - 93	H987R	2F24	19	40 - 99
F1430R	4G8	12	70 - 132	F3171R	3F6	2	50 - 102	JD10003	3F20	6	50 - 119
F1430R	4G11	5	70 - 134	F3171R	3F6	5	50 - 102	JD10003	3F20	18	50 - 119
F1430R	5B21	9	90 - 15	F3171R	3F7	2	50 - 103	JD10005	3C1	2	50 - 21
F1430R	5B23	7	90 - 17	F3171R	3F24	7	50 - 123	JD10050	3F8	19	50 - 104
F1441R	4G2	39	70 - 125	F3171R	3G8	2	50 - 133	JD10051	3F8	18	50 - 104
F1462R	3D8	17	50 - 53	F3171R	3G8	8	50 - 133	JD10190	4H1	7	80 - 10
F1462R	3D9	5	50 - 54	F3171R	3G8	15	50 - 133	JD10190	4H3	6	80 - 12
F1462R	3F9	18	50 - 105	F3171R	3G15	11	50 - 141	JD126	2F24	10	40 - 99
F1463R	3D8	16	50 - 53	F3171R	3G18	6	50 - 144	JD126	2G6	10	40 - 105A
F1463R	3D9	4	50 - 54	F3171R	3G19	6	50 - 145	JD16	4H1	9	80 - 10
F1463R	3F9	17	50 - 105	F3171R	4B8	1	70 - 3	JD17	4H2	3	80 - 11
F1463R	4D5	3	70 - 49	F3171R	4B10	14	70 - 5	JD3207	4H1	8	80 - 10
F1743R	1B9	14	20 - 6	F3171R	4B10	16	70 - 5	JD3207	4H1	9	80 - 10
F1743R	1B16	15	20 - 15	F3171R	4B10	..	70 - 5	JD3213	4H1	8	80 - 10
F2197R	3D23	22	50 - 69	F3171R	4B12	19	70 - 7	JD3213	4H1	9	80 - 10
F2206R	4D25	27	70 - 71	F3171R	4B16	6	70 - 11	JD3216	4H1	8	80 - 10
F2208R	4D25	8	70 - 71	F3171R	4B20	12	70 - 15	JD3216	4H1	9	80 - 10
F2208R	4D25	30	70 - 71	F3171R	4B22	13	70 - 17	JD3221	4H1	8	80 - 10
F2367R	3E9	26	50 - 80	F3171R	4B24	35	70 - 19	JD3230	4H5	11	80 - 14
F2380R	3F20	22	50 - 119	F3171R	4C2	8	70 - 21	JD3231	4H5	11	80 - 14
F2411R	1C20	14	20 - 35	F3171R	4C10	9	70 - 28	JD3232	4H1	8	80 - 10
F2622R	3D23	14	50 - 69	F3171R	4C13	15	70 - 31	JD3232	4H1	9	80 - 10
F2622R	3F8	6	50 - 104	F3171R	4C16	1	70 - 34	JD5272	5F18	8	90 - 114
F2664R	3E9	30	50 - 80	F3171R	4C16	12	70 - 34	JD5400	5F19	3	90 - 115
F2741R	2E4	15	40 - 63	F3171R	4C16	13	70 - 34	JD5602	5F18	8	90 - 114

1K5

4630 TRACTOR

NUMERICAL INDEX - CONTINUED

PART NO.	GRID	KEY	PAGE	PART NO.	GRID	KEY	PAGE	PART NO.	GRID	KEY	PAGE
JD7155	3D8	11	50 - 53	JD8298	3F16	21	50 - 113	JD9894	3F8	1	50 - 104
JD7155	3D10	14	50 - 55	JD8298	3F16	..	50 - 113	JD9916	3B14	22	50 - 9
JD7155	3E9	21	50 - 80	JD8298	3F16	..	50 - 113	JD9916	3B15	3	50 - 10
JD7155	3F9	11	50 - 105	JD8298	3F18	15	50 - 117	JD9917	3B14	16	50 - 9
JD7232	3C5	3	50 - 23	JD8298	3F18	19	50 - 117	JD9917	3B15	10	50 - 10
JD7266	4H1	6	80 - 10	JD8338	3D7	7	50 - 52	JD9918	3B14	23	50 - 9
JD7266	4H3	5	80 - 12	JD8339	3D8	3	50 - 53	JD9918	3B15	4	50 - 10
JD7359	3C3	21	50 - 21B	JD8339	3F9	3	50 - 105	JD9918	3D7	2	50 - 52
JD7383	3C1	3	50 - 21	JD8505	3D10	9	50 - 55	JD9919	3B14	17	50 - 9
JD7403	3G2	17	50 - 127	JD8514	3D19	23	50 - 66	JD9919	3B15	9	50 - 10
JD7425	3E9	8	50 - 80	JD8645	3F8	7	50 - 104	JD9920	3D7	1	50 - 52
JD7439	4H1	4	80 - 10	JD8731	3D8	5	50 - 53	JD9926	3C6	2	50 - 24
JD7439	4H3	4	80 - 12	JD8731	3F9	5	50 - 105	JD9931	3H4	4	60 - 7
JD7446	3E8	9	50 - 79	JD8735	3B16	43	50 - 11	JD9931	3H12	21	60 - 16
JD7561	3E9	27	50 - 80	JD8735	3D2	5	50 - 47	JD9931	3H15	4	60 - 19
JD7759	3G2	7	50 - 127	JD8856	3E10	11	50 - 81	JD9931	3H17	6	60 - 19B
JD7759	4D20	9	70 - 65	JD8875	3H4	5	60 - 7	K40003	4G23	17	80 - 7
JD7759	4D22	19B	70 - 67	JD8875	3H12	22	60 - 16	K40003	4I5	14	80 - 37B
JD7759	4E3	1	70 - 75	JD8875	3H15	5	60 - 19	K40003	5C25	16	90 - 45
JD7759	4E9	15	70 - 81	JD8875	3H17	7	60 - 19B	L29015	3I16	13	60 - 47
JD7759	4G23	19	80 - 7	JD8907	3C5	22	50 - 23	L324T	3E18	13	50 - 90
JD7759	4G25	19	80 - 9	JD8930	3D7	9	50 - 52	L35843	4C9	3	70 - 27
JD7781	3F20	8	50 - 119	JD8941	3E9	16	50 - 80	L35843	4C10	6	70 - 28
JD7781	3G2	4	50 - 127	JD8962	3F14	4	50 - 111	L35843	4C13	5	70 - 31
JD7781	4G23	10	80 - 7	JD8962	3F14	9	50 - 111	L35843	4C14	9	70 - 32
JD7781	4G25	10	80 - 9	JD8962	3F14	..	50 - 111	L38115	2F22	14	40 - 97B
JD7798	3H11	19	60 - 15	JD8962	3F14	..	50 - 111	L38132	2F22	13	40 - 97B
JD7798	3I2	27	60 - 31	JD8962	3F16	4	50 - 113	L38135	2F22	24	40 - 97B
JD7798	4D22	19B	70 - 67	JD8962	3F16	21	50 - 113	L38859	5B16	11	90 - 9
JD7798	4G21	6	80 - 5	JD8962	3F16	..	50 - 113	L39119	5F18	5	90 - 114
JD7799	4G18	6	80 - 1	JD8962	3F16	..	50 - 113	L40412	5E15	14	90 - 85
JD7799	4G19	6	80 - 2	JD8962	3F18	15	50 - 117	L40413	5E15	10	90 - 85
JD7838	2C4	10	40 - 20	JD8962	3F18	18	50 - 117	L40414	5E15	12	90 - 85
JD7838	2C5	12	40 - 21	JD8962	3F20	6	50 - 119	L40415	5E15	17	90 - 85
JD7951	3E9	28	50 - 80	JD8962	3F20	18	50 - 119	L40528	5D12	17	90 - 57
JD8113	3C1	2	50 - 21	JD8981	4H1	7	80 - 10	L40893	5E22	13	90 - 93
JD8131	4H1	3	80 - 10	JD9002	3E9	9	50 - 80	L55117	5E22	2	90 - 93
JD8131	4H3	3	80 - 12	JD9015	3C1	8	50 - 21	L55211	5E17	28	90 - 87
JD8192	4B10	23	70 - 5	JD9019	3F14	4	50 - 111	L58684	5E22	13	90 - 93
JD8192	4B12	27	70 - 7	JD9019	3F16	4	50 - 113	L61115	2F23	..	40 - 98
JD8192	4B20	21	70 - 15	JD9019	3F18	1	50 - 117	L65000	2E12	10	40 - 69B
JD8192	4B22	21	70 - 17	JD9028	3G2	18	50 - 127	L985T	2C7	2	40 - 23
JD8195	3E8	10	50 - 79	JD9029	3G2	16	50 - 127	L985T	2C9	16	40 - 25
JD8214	3F14	3	50 - 111	JD9030	3F24	20	50 - 123	L987T	2C7	5	40 - 23
JD8214	3F16	3	50 - 113	JD9058	3D7	16	50 - 52	L987T	2C9	14	40 - 25
JD8223	4B10	22	70 - 5	JD9059	3F8	18	50 - 104	M115827	4D22	13	70 - 67
JD8223	4B12	26	70 - 7	JD9066	3C3	2	50 - 21B	M2036T	3H4	13	60 - 7
JD8223	4B20	20	70 - 15	JD9066	3E8	2	50 - 79	M2301T	4G23	12	80 - 7
JD8223	4B22	20	70 - 17	JD9092	3F20	6	50 - 119	M2301T	4G25	12	80 - 9
JD8235	3C3	20	50 - 21B	JD9121	3D7	17	50 - 52	M2396T	1F6	21	30 - 55
JD8240	3C5	21	50 - 23	JD9122	3F8	19	50 - 104	M2396T	1F9	21	30 - 58
JD8248	3F20	7	50 - 119	JD9147	3F20	7	50 - 119	M2396T	3C22	15	50 - 41
JD8248	3F20	17	50 - 119	JD9257	1C25	13	20 - 40	M2396T	3C24	8	50 - 43
JD8252	3D7	10	50 - 52	JD9320	3D23	15	50 - 69	M2396T	3C24	10	50 - 43
JD8262	3C1	2	50 - 21	JD9320	3F8	5	50 - 104	M2396T	3E15	32	50 - 87
JD8280	3C3	3	50 - 21B	JD9320	3H11	9	60 - 15	M2396T	3E18	8	50 - 90
JD8280	3E8	3	50 - 79	JD9320	3I2	42	60 - 31	M2396T	3I14	28	60 - 45
JD8287	3E9	17	50 - 80	JD9433	3F8	7	50 - 104	M2396T	4D7	10	70 - 51
JD8288	3C1	9	50 - 21	JD9440	3D23	17	50 - 69	M2396T	4D7	17	70 - 51
JD8291	3C5	2	50 - 23	JD9440	3F8	3	50 - 104	M2396T	4D8	11	70 - 52
JD8292	3G2	19	50 - 127	JD9449	2C13	23	40 - 29	M2396T	4D11	31	70 - 55
JD8293	3F24	19	50 - 123	JD9449	2C15	23	40 - 31	M2396T	4F2	24	70 - 99
JD8298	3F14	3	50 - 111	JD9449	3D16	11	50 - 62	M2396T	4F4	25	70 - 101
JD8298	3F14	9	50 - 111	JD9449	3D17	10	50 - 63	M2396T	4F17	1	70 - 115
JD8298	3F14	..	50 - 111	JD9502	3D7	6	50 - 52	M3636T	2C16	1	40 - 32
JD8298	3F14	..	50 - 111	JD9812	3E10	10	50 - 81	M3636T	2C19	6	40 - 35
JD8298	3F16	3	50 - 113	JD9886	3F8	2	50 - 104	M3742T	1F9	14	30 - 58

1K6

4630 TRACTOR

NUMERICAL INDEX - CONTINUED

PART NO.	GRID	KEY	PAGE	PART NO.	GRID	KEY	PAGE	PART NO.	GRID	KEY	PAGE
M42229	2D23	2	40-58	P47908	4C9	12	70-27	RE11814	4B12	30A	70-7
M42229	2E19	..	40-74	P47908	4C14	20	70-32	RE11814	4B12	32	70-7
M42229	5D6	1	90-51	P48347	3G2	36	50-127	RE11956	3I16	28	60-47
M42229	5D6	14	90-51	P48347	3H1	6	60-4	RE12036	4H12	29	80-21
M4224T	3B9	4	50-3	P48347	3H6	22	60-9	RE12038	4B12	28	70-7
M4224T	3B9	8	50-3	P50883	5B10	4	90-4	RE12038	4B12	29A	70-7
M42827	1E12	5	30-33	P50883	5B11	4	90-5	RE12038	4B12	30A	70-7
M43835	2G13	2	40-111	P50883	5B13	32	90-7	RE12038	4B12	32	70-7
M63440	4B7	1	70-1	P51212	4F8	12	70-105	RE12038	4B12	..	70-7
M63440	4G25	17	80-9	P51212	4F10	5	70-107	RE12049	5C22	4	90-41
M63440	5C20	13	90-39	P51212	5B10	9	90-4	RE12121	4F6	..	70-103
M63440	5D4	8	90-49	P51212	5B11	16	90-5	RE12121	4F8	20	70-105
M63440	5D4	31	90-49	P51212	5B13	9	90-7	RE12130	2F13	25	40-93B
M63707	3G12	17	50-138	RE10096	4C16	3	70-34	RE12162	3E10	15	50-81
M72490	1C15	12	20-30	RE10096	4D15	21	70-59	RE12330	4C2	..	70-21
M72490	1C15	13	20-30	RE10098	3F6	3	50-102	RE12411	2B10	35	40-3
M72490	1E14	26	30-35	RE10098	4C22	4	70-40	RE12434	1C6	10	20-24
M72490	1E20	29	30-42	RE10133	5B24	7	90-18	RE12434	1C7	10	20-24A
M886T	3C13	15	50-31	RE10134	5B23	5	90-17	RE12434	1C7	12	20-24A
M886T	3C14	23	50-32	RE10134	5B24	3	90-18	RE12470	4B24	27	70-19
M886T	3C15	12	50-33	RE10533	3D10	4	50-55	RE12512	3D1	24	50-46
M886T	3C16	20	50-34	RE10595	5E11	3	90-81	RE12512	5F9	3	90-105
M886T	4D2	10	70-45	RE10712	4B14	43	70-9	RE12565	4E2	5	70-73
M886T	4D4	16	70-47	RE10712	4B14	44	70-9	RE12597	3E13	7	50-85
N102039	3E23	10	50-95	RE10712	4B24	39	70-19	RE12842	1B7	2	20-2
N107859	3G3	4	50-128	RE10713	3B12	9	50-7	RE12848	1D1	1	20-41
N115096	2G13	11	40-111	RE10761	2B11	13	40-4	RE12848	1D1	9	20-41
N31772	3G12	8	50-138	RE10761	2B12	15	40-5	RE13271	4B24	15	70-19
N31772	3G15	9	50-141	RE10761	2D24	7	40-59	RE13280	2B12	17	40-5
PMJD57	2F3	7	40-83	RE10761	2D24	8	40-59	RE13280	2F13	15	40-93B
PM797NA	2G18	1	40-116	RE10834	1C16	20	20-31	RE13280	2F17	16	40-93F
PT1294	2G6	7	40-105A	RE10922	5D14	15	90-59	RE13280	2F17	18	40-93F
PT1296	2G6	14	40-105A	RE10924	4F1	16	70-98	RE13281	2F11	12	40-93
PT1624	2G6	5	40-105A	RE10962	2B14	11	40-7	RE13281	2F13	14	40-93B
PT18180	2G6	5	40-105A	RE10962	2D18	33	40-53	RE13281	2F15	14	40-93D
PT18181	2G6	17	40-105A	RE10963	2B14	6	40-7	RE13281	2F17	17	40-93F
PT18520	5B14	..	90-7A	RE10963	2D18	33	40-53	RE13282	2F13	22	40-93B
PT9318	2G6	7	40-105A	RE10966	2B14	2	40-7	RE13282	2F17	25	40-93F
PT9319	2G6	5	40-105A	RE10995	2F13	27	40-93B	RE13283	2F13	18	40-93B
PT9320	2G6	17	40-105A	RE10998	5B21	10	90-15	RE13283	2F15	18	40-93D
PT9321	2G6	25	40-105A	RE10998	5B23	13	90-17	RE13283	2F17	21	40-93F
PT9390	2G6	6	40-105A	RE11000	5E2	2A	90-71	RE13284	2F13	20	40-93B
P29861	3B12	7	50-7	RE11000	5E2	2B	90-71	RE13284	2F15	20	40-93D
P44982	3F12	18	50-108	RE11000	5E6	7	90-75	RE13284	2F17	23	40-93F
P44982	4D7	23	70-51	RE11127	1E4	27	30-25	RE13288	5B17	9	90-11
P46051	1E7	4	30-28	RE11127	2B9	13	40-2	RE13478	3F22	9	50-121
P46051	3F24	2	50-123	RE11156	2G15	36	40-113	RE13479	3F20	11	50-119
P46051	3G8	1	50-133	RE11157	2G15	37	40-113	RE13479	3F22	3	50-121
P46051	4E21	27	70-93	RE11221	5C11	22	90-29	RE13482	3F20	11	50-119
P46051	4E23	26	70-95	RE11222	5C11	22	90-29	RE13541	5C22	2	90-41
P46051	4F1	8	70-98	RE11344	2G7	1	40-105B	RE13553	1B20	1	20-17B
P46402	3H4	2	60-7	RE11410	1B12	22	20-10	RE13553	5C3	2	90-22
P46402	3H15	2	60-19	RE11414	1F6	28	30-55	RE13554	4H12	29	80-21
P46402	3H15	9	60-19	RE11447	4F22	9	70-121	RE13561	4F11	2	70-109
P46402	3H15	28	60-19	RE11456	4F22	2	70-121	RE13562	4F11	2	70-109
P46402	3H17	4	60-19B	RE11457	4F22	1	70-121	RE13693	5D20	14	90-65
P46402	3H17	10	60-19B	RE11458	4F22	2	70-121	RE13693	5D22	30	90-67
P47908	3G11	8	50-137	RE11463	4F22	2	70-121	RE13722	2C16	6	40-32
P47908	3G15	1	50-141	RE11777	4B20	24	70-15	RE13722	2D5	..	40-45A
P47908	3G17	14	50-143	RE11777	4B22	24	70-17	RE13722	2D6	..	40-45B
P47908	4B8	1	70-3	RE11778	5D16	6	90-61	RE13722	2D7	..	40-45C
P47908	4B10	16	70-5	RE11804	4B20	14	70-15	RE13724	4F15	19	70-113
P47908	4B10	..	70-5	RE11810	4B22	12	70-17	RE13731	2D6	1	40-45B
P47908	4B12	18	70-7	RE11814	4B12	5	70-7	RE13732	2D8	15	40-45D
P47908	4B12	..	70-7	RE11814	4B12	9	70-7	RE13732	2D9	10	40-45E
P47908	4B18	22	70-13	RE11814	4B12	28	70-7	RE13733	2D8	4	40-45D
P47908	4C5	26	70-23	RE11814	4B12	29A	70-7	RE13733	2D9	9	40-45E

1K7

4630 TRACTOR

NUMERICAL INDEX - CONTINUED

PART NO.	GRID	KEY	PAGE	PART NO.	GRID	KEY	PAGE	PART NO.	GRID	KEY	PAGE
RE13797	2C11	1	40 - 27	RE17420	3B12	14	50 - 7	RE21731	2G17	5	40 - 115
RE13797	2C13	..	40 - 29	RE17515	1D9	7	30 - 3	RE21732	2G17	6	40 - 115
RE13797	2C15	12	40 - 31	RE17515	2B9	9	40 - 2	RE21738	2E14	15	40 - 69D
RE13797	2C15	29	40 - 31	RE17519	5E15	11	90 - 85	RE21740	2B16	9	40 - 8
RE13798	2C13	5	40 - 29	RE18119	2G7	4	40 - 105B	RE21741	2B16	4	40 - 8
RE13798	2C15	13	40 - 31	RE18180	5E4	8	90 - 73	RE21744	2B16	2	40 - 8
RE13799	2C15	12	40 - 31	RE18180	5E4	..	90 - 73	RE21790	1D24	20	30 - 20
RE13800	2C15	19	40 - 31	RE18943	2B11	6	40 - 4	RE21790	1D25	14	30 - 21
RE13801	2C13	19	40 - 29	RE18943	2B11	7	40 - 4	RE21790	1E1	3	30 - 22
RE13801	2C15	20	40 - 31	RE18943	2F9	5	40 - 91	RE21790	1E1	10	30 - 22
RE13813	4F8	14	70 - 105	RE18943	2F9	18	40 - 91	RE21790	1E2	1	30 - 23
RE13814	4F8	6	70 - 105	RE18944	2B11	7	40 - 4	RE22065	3I2	9	60 - 31
RE13815	4F10	10	70 - 107	RE18944	2F9	18	40 - 91	RE22319	3F1	10	50 - 96
RE13839	2F2	15	40 - 82	RE18946	2F13	20	40 - 93B	RE22320	3F1	7	50 - 96
RE13945	4H12	26	80 - 21	RE18946	2F15	20	40 - 93D	RE22488	5E15	1	90 - 85
RE14061	2B10	33	40 - 3	RE18946	2F17	23	40 - 93F	RE22488	5E15	2	90 - 85
RE14061	2B10	35	40 - 3	RE19075	2B11	1	40 - 4	RE22488	5E15	3	90 - 85
RE14064	2B10	33	40 - 3	RE19075	2B14	2	40 - 7	RE22488	5E15	4	90 - 85
RE14064	2B10	35	40 - 3	RE19075	2D18	17	40 - 53	RE22488	5E15	5	90 - 85
RE14069	2B10	35	40 - 3	RE19075	2D18	23	40 - 53	RE22488	5E15	6	90 - 85
RE14069	2B12	31	40 - 5	RE19080	2D19	8	40 - 54	RE22488	5E15	7	90 - 85
RE14069	2E18	5	40 - 73	RE19081	2B14	11	40 - 7	RE22488	5E15	9	90 - 85
RE14070	2B10	36	40 - 3	RE19081	2D18	33	40 - 53	RE22589	2E14	2	40 - 69D
RE14072	2B10	35	40 - 3	RE19082	2B14	6	40 - 7	RE22764	1C14	5	20 - 29
RE14191	2B10	29	40 - 3	RE19082	2D18	33	40 - 53	RE22764	1C14	6	20 - 29
RE14191	3D12	14	50 - 57	RE19375	4E5	10	70 - 77	RE22863	5E25	21	90 - 96
RE14245	5C23	2	90 - 43	RE19375	4E9	10	70 - 81	RE22994	5D14	15	90 - 59
RE14246	5C23	2	90 - 43	RE19377	4E5	8	70 - 77	RE22994	5D20	28	90 - 65
RE14480	5D24	6	90 - 69	RE19377	4E5	10	70 - 77	RE22994	5D22	29	90 - 67
RE14868	4B16	20	70 - 11	RE19377	4E9	8	70 - 81	RE23099	5E22	4	90 - 93
RE14935	4H15	13	80 - 24	RE19377	4E9	10	70 - 81	RE23101	5E20	4	90 - 91
RE14936	4H15	13	80 - 24	RE19431	4H2	2	80 - 11	RE23155	1E8	1	30 - 29
RE14953	1C14	5	20 - 29	RE19449	5E22	4	90 - 93	RE23155	1E8	2	30 - 29
RE15058	2D8	13	40 - 45D	RE19451	5E20	4	90 - 91	RE23155	1E16	4	30 - 37
RE15058	2D9	15	40 - 45E	RE19783	1D20	23	30 - 16	RE23155	1E21	37	30 - 43
RE15077	5D6	14	90 - 51	RE19989	5C22	9	90 - 41	RE23182	1B7	2	20 - 2
RE15078	5D6	1	90 - 51	RE19989	5C22	14	90 - 41	RE23382	4B10	21	70 - 5
RE15112	4H25	7	80 - 33	RE20023	1C25	15	20 - 40	RE23382	4B12	25	70 - 7
RE15116	4H25	7	80 - 33	RE20058	4C23	20	70 - 41	RE23382	4B20	19	70 - 15
RE15117	4H25	7	80 - 33	RE20058	4D14	4	70 - 58	RE23382	4B22	19	70 - 17
RE15118	4H23	5	80 - 31	RE20133	3D22	13	50 - 68A	RE24359	1E5	1	30 - 26
RE15361	4E16	26	70 - 88	RE20223	1D23	14	30 - 19	RE24359	1E6	1	30 - 27
RE15361	4F12	11	70 - 110	RE20224	1D23	8	30 - 19	RE24359	1E6	11	30 - 27
RE15361	4F12	18	70 - 110	RE20224	1D23	15	30 - 19	RE24359	1E7	7	30 - 28
RE15361	4F12	20	70 - 110	RE20352	5F20	13	90 - 116	RE24647	4C2	21	70 - 21
RE15427	1C20	3	20 - 35	RE20529	3I3	15	60 - 33	RE24706	1C16	28	20 - 31
RE15583	1B16	28	20 - 15	RE20530	3I3	5	60 - 33	RE25125	2D14	33	40 - 49
RE15583	2B9	15	40 - 2	RE20725	3D10	4	50 - 55	RE25125	2D14	35	40 - 49
RE15998	5D24	11	90 - 69	RE20733	3F8	11	50 - 104	RE25125	2D16	32	40 - 51
RE16151	1D24	19	30 - 20	RE20734	3D7	24	50 - 52	RE25125	2D16	34	40 - 51
RE16151	1E1	12	30 - 22	RE20832	3E23	15	50 - 95	RE25125	2D18	32	40 - 53
RE16151	1E2	4	30 - 23	RE20832	3E25	19	50 - 95B	RE25126	2B9	8	40 - 2
RE16182	1D24	23	30 - 20	RE20918	3D3	10	50 - 48	RE25126	2B12	21	40 - 5
RE16182	1D25	17	30 - 21	RE20918	3D3	..	50 - 48	RE25126	2B12	24	40 - 5
RE16371	3E10	3	50 - 81	RE21073	2E12	17	40 - 69B	RE25126	2B14	11	40 - 7
RE16371	3E10	6	50 - 81	RE21096	2E12	11	40 - 69B	RE25126	2D14	34	40 - 49
RE16371	3E10	7	50 - 81	RE21112	2E14	3	40 - 69D	RE25126	2D14	36	40 - 49
RE16546	5D14	5	90 - 59	RE21113	2E14	10	40 - 69D	RE25126	2D16	33	40 - 51
RE16546	5D14	10	90 - 59	RE21304	3F1	10	50 - 96	RE25126	2D16	35	40 - 51
RE16546	5D16	7	90 - 61	RE21305	2C5	16	40 - 21	RE25126	2D18	33	40 - 53
RE16547	5D16	6	90 - 61	RE21305	3F1	24	50 - 96	RE25127	2B9	8	40 - 2
RE16963	2B23	7	40 - 15	RE21320	4E1	10	70 - 72	RE25127	2B12	21	40 - 5
RE16963	2B24	5	40 - 15B	RE21320	4E2	5	70 - 73	RE25127	2B12	24	40 - 5
RE16963	2C1	7	40 - 17	RE21328	3D19	14	50 - 66	RE25127	2B14	6	40 - 7
RE17282	2G5	10	40 - 105	RE21510	2E12	20	40 - 69B	RE25127	2D14	34	40 - 49
RE17352	1C14	5	20 - 29	RE21725	4B16	19	70 - 11	RE25127	2D14	36	40 - 49
RE17414	1E12	17	30 - 33	RE21730	2G17	5	40 - 115	RE25127	2D16	33	40 - 51

1K8

4630 TRACTOR

NUMERICAL INDEX - CONTINUED

PART NO.	GRID	KEY	PAGE	PART NO.	GRID	KEY	PAGE	PART NO.	GRID	KEY	PAGE
RE25127	2D16	35	40 - 51	RE35246	1E8	5	30 - 29	RE41875	2D6	17	40 - 45B
RE25127	2D18	33	40 - 53	RE35992	1B7	3	20 - 2	RE41875	2D6	..	40 - 45B
RE25160	5B21	3	90 - 15	RE36108	2F11	24	40 - 93	RE41875	2D7	..	40 - 45C
RE25160	5B23	8	90 - 17	RE36108	2F13	26	40 - 93B	RE41875	2D8	..	40 - 45D
RE25404	3E6	4	50 - 77	RE36108	2F15	26	40 - 93D	RE41875	2D9	..	40 - 45E
RE25621	2G3	1	40 - 103	RE36108	2F17	28	40 - 93F	RE42134	2B10	33	40 - 3
RE26739	4D23	6	70 - 69	RE36215	2F11	35	40 - 93	RE42134	2B12	31	40 - 5
RE26740	4D23	6	70 - 69	RE36215	2F13	37	40 - 93B	RE42399	1E1	..	30 - 22
RE27099	2D14	16	40 - 49	RE36215	2F15	37	40 - 93D	RE42399	2B15	3	40 - 7A
RE27109	2C11	1	40 - 27	RE36215	2F17	39	40 - 93F	RE42400	1E1	..	30 - 22
RE27109	2C11	10	40 - 27	RE36416	1C8	8	20 - 25	RE42400	2B15	4	40 - 7A
RE27109	2C13	..	40 - 29	RE36416	1C10	10	20 - 25B	RE42400	2B15	..	40 - 7A
RE27109	2C15	29	40 - 31	RE36416	1C10	12	20 - 25B	RE42401	1E1	..	30 - 22
RE27109	2C15	31	40 - 31	RE36647	3I5	2	60 - 35	RE42401	2B15	5	40 - 7A
RE27441	5E17	17	90 - 87	RE36818	2F20	27	40 - 97	RE42401	2B15	..	40 - 7A
RE27442	5E17	17	90 - 87	RE36818	2F22	26	40 - 97B	RE42671	1C5	5	20 - 23
RE28023	3D22	12	50 - 68A	RE36906	2F22	24	40 - 97B	RE42672	1C9	10	20 - 25A
RE28023	3D22	13	50 - 68A	RE37063	5B13	36	90 - 7	RE42672	1C10	10	20 - 25B
RE28291	1B20	1	20 - 17B	RE37120	3C5	11	50 - 23	RE42672	1C10	12	20 - 25B
RE28308	1B16	27	20 - 15	RE37340	1E8	2	30 - 29	RE42673	1C7	10	20 - 24A
RE28790	4B10	7	70 - 5	RE37340	1E8	5	30 - 29	RE42673	1C7	12	20 - 24A
RE28790	4B12	11	70 - 7	RE37340	1E9	2	30 - 30	RE42675	1C5	4	20 - 23
RE28790	4B18	19	70 - 13	RE37448	1B11	3	20 - 9	RE42675	1C5	6	20 - 23
RE28790	4B20	7	70 - 15	RE37512	5C9	14	90 - 27	RE42675	1C9	2	20 - 25A
RE28790	4B22	7	70 - 17	RE37996	2E18	4	40 - 73	RE42678	1C9	10	20 - 25A
RE28790	4C5	23	70 - 23	RE38361	3F1	7	50 - 96	RE42678	1C10	2	20 - 25B
RE28950	1E8	2	30 - 29	RE38390	2B10	36	40 - 3	RE42678	1C10	10	20 - 25B
RE28950	1E8	5	30 - 29	RE38390	2B12	31	40 - 5	RE42679	1C7	2	20 - 24A
RE29103	4B18	25	70 - 13	RE38390	2C5	14	40 - 21	RE42679	1C7	10	20 - 24A
RE29103	4B18	..	70 - 13	RE38390	2E18	6	40 - 73	RE43025	2E12	17	40 - 69B
RE29104	4B18	25	70 - 13	RE38390	3C13	13	50 - 31	RE44555	4D20	4	70 - 65
RE29104	4B18	..	70 - 13	RE38390	3C14	24	50 - 32	RE44558	4D22	32	70 - 67
RE29107	4C5	29	70 - 23	RE38390	3E23	19	50 - 95	RE44559	4D22	14	70 - 67
RE29107	4C5	..	70 - 23	RE38390	3E25	19	50 - 95B	RE44559	4D22	17	70 - 67
RE29109	4C5	29	70 - 23	RE38391	1E1	..	30 - 22	RE44559	4D22	18A	70 - 67
RE29109	4C5	..	70 - 23	RE38391	2B9	16	40 - 2	RE44559	4D22	18B	70 - 67
RE29429	3F16	10	50 - 113	RE38391	2D11	3	40 - 46	RE44559	4D22	31A	70 - 67
RE29603	3D16	10	50 - 62	RE38391	2D12	7	40 - 47	RE44561	4D22	14	70 - 67
RE29603	3D17	9	50 - 63	RE38707	2E12	11	40 - 69B	RE44561	4D22	30	70 - 67
RE29728	5E15	21	90 - 85	RE38906	5E8	12	90 - 77	RE44561	4D22	31B	70 - 67
RE29728	5E17	23	90 - 87	RE39063	2C17	5	40 - 33	RE44657	2G1	28	40 - 101
RE29815	3C6	13	50 - 24	RE39063	2D4	10	40 - 45	RE45284	2B10	33	40 - 3
RE29815	3C9	7	50 - 27	RE39064	2D4	13	40 - 45	RE45284	2B12	31	40 - 5
RE29815	3C9	36A	50 - 27	RE39064	2D8	15	40 - 45D	RE46317	2E12	11	40 - 69B
RE29815	3C9	36B	50 - 27	RE39064	2D9	10	40 - 45E	RE46328	3F20	31	50 - 119
RE29815	3C11	38	50 - 29	RE40280	1D13	1	30 - 9	RE46328	3F22	8	50 - 121
RE29815	3C12	3	50 - 30	RE40280	1D13	10	30 - 9	RE46328	3I4	5	60 - 34
RE29816	3C12	5	50 - 30	RE40280	1D13	19	30 - 9	RE46328	3I4	6	60 - 34
RE31694	2C11	1	40 - 27	RE40280	1D13	24	30 - 9	RE46328	3I4	9	60 - 34
RE31694	2C11	10	40 - 27	RE40463	4B16	20	70 - 11	RE46328	3I5	4	60 - 35
RE31694	2C13	..	40 - 29	RE40463	4C2	21	70 - 21	RE46334	3F20	31	50 - 119
RE31694	2C15	29	40 - 31	RE40463	4C3	15	70 - 21A	RE46334	3F22	8	50 - 121
RE31694	2C15	31	40 - 31	RE41171	1E6	13	30 - 27	RE46334	3I4	5	60 - 34
RE31702	3F20	3	50 - 119	RE41171	1E6	15	30 - 27	RE46334	3I4	6	60 - 34
RE31702	3F22	1	50 - 121	RE41171	1E6	16	30 - 27	RE46334	3I4	9	60 - 34
RE32529	4B16	19	70 - 11	RE41171	1E8	1	30 - 29	RE46334	3I5	2	60 - 35
RE32529	4C2	20	70 - 21	RE41171	1E8	2	30 - 29	RE46412	2F13	27	40 - 93B
RE32529	4C3	13	70 - 21A	RE41171	1E8	5	30 - 29	RE46414	2E12	12	40 - 69B
RE32550	2B10	33	40 - 3	RE41171	1E9	2	30 - 30	RE46459	3E23	15	50 - 95
RE32550	2B10	35	40 - 3	RE41242	3F22	9	50 - 121	RE46459	3E25	19	50 - 95B
RE32681	3I4	6	60 - 34	RE41287	2D12	7	40 - 47	RE47051	5E22	..	90 - 93
RE32681	3I5	4	60 - 35	RE41817	2F23	27	40 - 98	RE47814	4D20	19	70 - 65
RE33622	1C8	8	20 - 25	RE41875	2C16	6	40 - 32	RE47961	5E22	..	90 - 93
RE33636	1D24	1	30 - 20	RE41875	2C16	..	40 - 32	RE48040	4I5	8	80 - 37B
RE33636	1E1	16	30 - 22	RE41875	2D4	..	40 - 45	RE48048	1E25	1	30 - 49
RE33754	5E11	1	90 - 81	RE41875	2D5	11	40 - 45A	RE48066	3H18	21	60 - 20
RE35246	1E8	2	30 - 29	RE41875	2D5	..	40 - 45A	RE48310	1E1	10	30 - 22

1K9

4630 TRACTOR

NUMERICAL INDEX - CONTINUED

PART NO.	GRID	KEY	PAGE	PART NO.	GRID	KEY	PAGE	PART NO.	GRID	KEY	PAGE
RE48321	1E1	10	30 - 22	RE56380	2F17	18	40 - 93F	R105478	4E5	9	70 - 77
RE48322	2B12	16	40 - 5	RE57259	5E23	8	90 - 94	R105478	4E5	10	70 - 77
RE48322	2F11	..	40 - 93	RE57312	5B13	1	90 - 7	R105478	4E7	7	70 - 79
RE48322	2F15	27	40 - 93D	RE57314	5B10	5	90 - 4	R105478	4E9	9	70 - 81
RE48322	2F17	29	40 - 93F	RE57316	5B10	16	90 - 4	R105478	4E9	10	70 - 81
RE48531	5E20	..	90 - 91	RE57317	5B10	25	90 - 4	R105478	4E11	7	70 - 83
RE48532	5E20	..	90 - 91	RE57319	5B10	5	90 - 4	R105488	1C5	4	20 - 23
RE48783	2B11	6	40 - 4	RE57320	5B10	25	90 - 4	R105488	1C7	2	20 - 24A
RE48783	2B11	7	40 - 4	RE57320	5B11	22	90 - 5	R105488	1C9	1	20 - 25A
RE48783	2F9	5	40 - 91	RE57320	5B14	12	90 - 7A	R105488	1C9	2	20 - 25A
RE48783	2F9	18	40 - 91	RE57320	5B11	11	90 - 5	R105488	1C10	2	20 - 25B
RE48784	2F15	25	40 - 93D	RE57327	5B14	11	90 - 7A	R105581	5D1	12	90 - 46
RE49169	5B13	37	90 - 7	RE57328	5B11	5	90 - 5	R105583	4B10	13	70 - 5
RE49169	5B14	1	90 - 7A	RE57328	5B14	13	90 - 7A	R105583	4B12	17	70 - 7
RE49428	4I5	13	80 - 37B	RE57351	5B13	2	90 - 7	R105583	4B20	11	70 - 15
RE50017	4C3	14	70 - 21A	RE57394	1C16	1	20 - 31	R105583	4B22	11	70 - 17
RE50139	1D24	12	30 - 20	RE57644	4G21	14	80 - 5	R105814	1F6	6	30 - 55
RE50139	1D25	11	30 - 21	RE58262	5C6	1	90 - 23B	R105942	2E12	10	40 - 69B
RE50139	1E2	3	30 - 23	RE58612	5C6	16	90 - 23B	R106408	4D20	11	70 - 65
RE50874	5D20	12	90 - 65	RE58679	5C6	15	90 - 23B	R106859	1B16	9	20 - 15
RE50874	5D22	12	90 - 67	RE58851	2B12	17	40 - 5	R106859	1C16	16	20 - 31
RE51671	4H1	8	80 - 10	RE58851	2F11	13	40 - 93	R106911	4D22	14	70 - 67
RE51829	1B16	..	20 - 15	RE58851	2F11	..	40 - 93	R107178	3I5	2	60 - 35
RE51829	1B18	..	20 - 17	RE58851	2F13	15	40 - 93B	R107281	4D22	19B	70 - 67
RE51829	5C3	2	90 - 22	RE58851	2F15	15	40 - 93D	R108663	3F1	28	50 - 96
RE51962	4H5	11	80 - 14	RE58851	2F17	18	40 - 93F	R109478	3C16	22	50 - 34
RE52576	1C5	5	20 - 23	RE60812	5B14	7	90 - 7A	R109489	3F14	15	50 - 111
RE52944	5E23	8	90 - 94	RE60813	5B14	8	90 - 7A	R109489	3F16	19	50 - 113
RE52946	5E23	8	90 - 94	RE61099	2F17	15	40 - 93F	R109489	3F18	5	50 - 117
RE53203	1C5	4	20 - 23	RE61690	4I5	21	80 - 37B	R109808	3H11	2	60 - 15
RE53203	1C5	7	20 - 23	RE62126	5B14	14	90 - 7A	R109808	3I2	8	60 - 31
RE53203	1C5	8	20 - 23	RE62234	5C20	3	90 - 39	R109808	3I3	4	60 - 33
RE53204	1C10	2	20 - 25B	RE62234	5D4	22	90 - 49	R109808	4G18	3	80 - 1
RE53204	1C10	11	20 - 25B	RE62897	3E2	9	50 - 73	R109808	4G19	3	80 - 2
RE53204	1C10	12	20 - 25B	RE62897	3E3	12	50 - 74	R109853	5E22	8	90 - 93
RE53205	1C7	2	20 - 24A	RE62897	3E4	9	50 - 75	R109986	3H15	7	60 - 19
RE53205	1C7	11	20 - 24A	RE62897	3E5	3	50 - 76	R109986	3H17	12	60 - 19B
RE53205	1C7	12	20 - 24A	RG17892	1B22	1	20 - 17D	R11000	2C21	9	40 - 37
RE53286	1F6	42	30 - 55	RG22790	1C2	1	20 - 20	R11003	2C21	1	40 - 37
RE53422	1C4	10	20 - 22	RG22859	1B22	1	20 - 17D	R11003	2D2	2	40 - 43
RE53422	1C5	5	20 - 23	RG23076	1B24	1	20 - 17F	R11011	2D2	8	40 - 43
RE53422	1C5	8	20 - 23	RG23427	1C2	1	20 - 20	R11016	2C19	20	40 - 35
RE53423	1C5	7	20 - 23	RG23428	1B22	1	20 - 17D	R11026	2C19	22	40 - 35
RE53424	1C4	10	20 - 22	RG23436	1B22	1	20 - 17D	R11026	2C24	14	40 - 41
RE53424	1C6	1	20 - 24	RW26466	2E12	20	40 - 69B	R11026	2C24	37	40 - 41
RE53424	1C6	10	20 - 24	R100094	3C13	10	50 - 31	R11039	2C22	20	40 - 38
RE53424	1C7	10	20 - 24A	R100094	3C14	10	50 - 32	R11039	2D3	17	40 - 44
RE53424	1C7	12	20 - 24A	R100308	3E23	3	50 - 95	R110464	3I4	2	60 - 34
RE53425	1C4	10	20 - 22	R100341	4D11	20	70 - 55	R110464	3I4	8	60 - 34
RE53425	1C8	8	20 - 25	R100380	2D4	3	40 - 45	R11049	2C11	7	40 - 27
RE53425	1C9	10	20 - 25A	R100797	3I4	5	60 - 34	R11049	2C13	30	40 - 29
RE53425	1C10	10	20 - 25B	R100797	3I4	6	60 - 34	R11049	2C15	28	40 - 31
RE53425	1C10	12	20 - 25B	R100797	3I4	9	60 - 34	R11058	2C21	3	40 - 37
RE53485	1B18	1	20 - 17	R100797	3I5	3	60 - 35	R11059	2C21	4	40 - 37
RE53485	1B20	1	20 - 17B	R10093	3G8	10	50 - 133	R11066	2C22	8	40 - 38
RE53496	2B12	17	40 - 5	R10093	4F8	5	70 - 105	R11066	2D3	5	40 - 44
RE53496	2F17	16	40 - 93F	R10093	4F10	2	70 - 107	R11087	2C21	6	40 - 37
RE53496	2F17	18	40 - 93F	R10093	5B10	20	90 - 4	R11095	2C19	13	40 - 35
RE53839	5F18	3	90 - 114	R10093	5B11	17	90 - 5	R11095	2C24	12	40 - 41
RE54226	3B25	10	50 - 20	R10093	5B13	4	90 - 7	R11096	2C19	31	40 - 35
RE54227	3E1	9	50 - 72	R10093	5B14	2	90 - 7A	R11096	2C24	28	40 - 41
RE54318	4C11	8	70 - 29	R104517	2F23	10	40 - 98	R11109	2C13	22	40 - 29
RE54816	4H3	7	80 - 12	R104592	1B16	17	20 - 15	R11109	2C15	22	40 - 31
RE55554	5B13	1	90 - 7	R104592	1C16	5	20 - 31	R11117	2C19	8	40 - 35
RE56380	2B12	17	40 - 5	R104592	1D13	19	30 - 9	R11117	2C24	8	40 - 41
RE56380	2F15	15	40 - 93D	R104592	1E7	2	30 - 28	R11118	2C19	11	40 - 35
RE56380	2F17	16	40 - 93F	R105346	1D3	8	20 - 43	R11120	2C24	24	40 - 41

1K10

4630 TRACTOR

NUMERICAL INDEX - CONTINUED

PART NO.	GRID	KEY	PAGE	PART NO.	GRID	KEY	PAGE	PART NO.	GRID	KEY	PAGE
R11121	2C24	18	40-41	R115050	1C14	3	20-29	R20136	4G18	2	80-1
R11126	2C19	25	40-35	R115437	4C22	7	70-40	R20136	4G19	2	80-2
R11126	2C24	34	40-41	R115437	4D14	19	70-58	R20136	4G23	4	80-7
R11127	2C19	26	40-35	R116253	1C3	9	20-21	R20136	4G25	4	80-9
R11127	2C24	33	40-41	R116311	1C5	7	20-23	R20497	1F1	4	30-50
R11128	2C19	24	40-35	R116311	1C7	11	20-24A	R20759	5D14	14	90-59
R11128	2C24	35	40-41	R116311	1C10	11	20-25B	R20759	5D18	44	90-63
R11129	2C19	23	40-35	R116468	4I5	19	80-37B	R20922	4C13	12	70-31
R11129	2C24	36	40-41	R116714	2F15	22	40-93D	R21101	4G23	7	80-7
R11133	2C24	17	40-41	R117017	4I5	3	80-37B	R21101	4G25	7	80-9
R11138	2C24	32	40-41	R117491	5C6	9	90-23B	R21629	3B16	34	50-11
R11146	2D2	4	40-43	R117680	4I10	1	80-43	R21629	3C9	18	50-27
R11197	2C22	2	40-38	R120103	4D25	5	70-71	R21629	3C10	19	50-28
R11197	2D3	2	40-44	R120106	2E12	10	40-69B	R21630	1B16	17	20-15
R11198	2C22	3	40-38	R120107	2E12	10	40-69B	R21630	3B18	29	50-13
R11201	2C19	20	40-35	R120108	2E12	10	40-69B	R21630	3B20	19	50-15
R11209	2C21	19	40-37	R120109	3I16	28	60-47	R21630	3C9	18	50-27
R11209	2D2	18	40-43	R120109	4I7	23	80-39	R21630	3C10	19	50-28
R11212	2C19	35	40-35	R120110	3I16	28	60-47	R21676	4H22	12	80-30
R11212	2C24	23	40-41	R120110	4I7	23	80-39	R21676	4H22	13	80-30
R11215	2C19	16	40-35	R120111	4I7	12	80-39	R21722	4C6	14	70-24
R112169	3F16	17	50-113	R120112	4I10	21	80-43	R21722	4F6	9	70-103
R112169	3F18	14	50-117	R120124	4I7	16	80-39	R21722	4F15	7	70-113
R11221	2C19	27	40-35	R120124	5C6	10	90-23B	R21722	4F22	1	70-121
R11221	2C24	32	40-41	R120125	4I10	22	80-43	R21722	4F22	2	70-121
R11222	2C19	15	40-35	R120128	5C6	11	90-23B	R21727	3E13	12	50-85
R11223	2C19	17	40-35	R120464	4I5	7	80-37B	R21727	3E13	21	50-85
R11233	2C21	16	40-37	R120752	1C4	8	20-22	R21727	3E13	25	50-85
R11250	2D2	13	40-43	R120752	1C5	3	20-23	R21736	1C20	10	20-35
R11253	2C21	5	40-37	R120752	1C6	4	20-24	R227R	3G11	22	50-137
R11278	2E16	1	40-71	R120752	1C7	1	20-24A	R227R	3G17	17	50-143
R11278	2E17	1	40-72	R120752	1C8	1	20-25	R227R	3H18	7	60-20
R112876	3C9	21	50-27	R120752	1C9	1	20-25A	R227R	3I11	46	60-41
R112876	3C11	24	50-29	R120752	1C10	1	20-25B	R26011	3F20	29	50-119
R11290	2C21	20	40-37	R120841	3D22	6	50-68A	R26012	3F20	30	50-119
R11290	2D2	19	40-43	R120841	3D23	4	50-69	R26049	1C4	9	20-22
R11291	2C19	33	40-35	R120841	3E2	20	50-73	R26049	1C5	4	20-23
R11291	2C24	26	40-41	R121183	4G21	14	80-5	R26049	1C6	3	20-24
R112919	4I5	11	80-37B	R1225R	4C21	7	70-39	R26049	1C8	2	20-25
R11292	2C19	29	40-35	R1225R	4C23	22	70-41	R26058	1C14	4	20-29
R11292	2C22	1	40-38	R1225R	4D12	8	70-56	R26058	1D3	26	20-43
R11293	2C22	4	40-38	R1225R	4D14	3	70-58	R26079	1B12	9	20-10
R11293	2D3	3	40-44	R122595	1D22	5	30-18	R26081	1B12	6	20-10
R11294	2C22	11	40-38	R125027	1C14	2	20-29	R26115	1B16	23	20-15
R11295	2C22	5	40-38	R125027	1C14	3	20-29	R26125	1B12	21	20-10
R11296	2C21	11	40-37	R125450	4D22	12	70-67	R26137	4B10	6	70-5
R11298	2C21	30	40-37	R125450	4D22	29	70-67	R26137	4B12	10	70-7
R113050	5B14	10	90-7A	R125955	4D25	6	70-71	R26137	4B20	6	70-15
R113614	4I5	17	80-37B	R125955	5D24	16	90-69	R26137	4B22	6	70-17
R113732	3F14	15	50-111	R130737	5B13	5	90-7	R26149	1D24	3	30-20
R113732	3F16	19	50-113	R1612R	1B16	14	20-15	R26149	1D25	3	30-21
R113732	3F18	15	50-117	R1612R	3D13	2	50-58	R26149	4D2	4	70-45
R113732	3F20	31	50-119	R1612R	3G4	15	50-129	R26149	4D4	10	70-47
R113733	3F14	15	50-111	R1742R	3B18	23	50-13	R26149	4D16	3	70-60
R113733	3F16	17	50-113	R1742R	3D12	20	50-57	R26149	4D18	1	70-63
R113733	3F16	19	50-113	R1742R	3E19	21	50-91	R26149	4E18	13	70-90
R113733	3F18	15	50-117	R1742R	3E21	20	50-93	R26149	4E19	10	70-91
R113733	3F20	31	50-119	R1742R	3E21	25	50-93	R26149	4E21	22	70-93
R113733	3F22	7	50-121	R1818R	4C10	10	70-28	R26151	1C15	21	20-30
R113741	3F20	31	50-119	R1836R	4G25	21	80-9	R26151	1C16	7	20-31
R113741	3F22	8	50-121	R1836R	5C20	7	90-39	R26151	3G25	19	60-3
R113741	3I4	5	60-34	R1836R	5D4	17	90-49	R26169	3E11	4	50-82
R113741	3I4	6	60-34	R1870R	4G2	30	70-125	R26172	1B14	4	20-12
R113741	3I4	9	60-34	R1870R	4G7	36	70-131	R26182	3C19	9	50-37
R113741	3I5	3	60-35	R1932R	3B16	33	50-11	R26182	3C20	11	50-38
R1138R	4F24	18	70-123	R1932R	3D10	5	50-55	R26187	3C19	11	50-37
R115050	1C14	2	20-29	R20136	3I2	35	60-31	R26202	3C13	14	50-31

1K11

4630 TRACTOR

NUMERICAL INDEX - CONTINUED

PART NO.	GRID	KEY	PAGE	PART NO.	GRID	KEY	PAGE	PART NO.	GRID	KEY	PAGE
R26202	3C15	11	50 - 33	R26287	3I11	34	60 - 41	R26375	4E18	10	70 - 90
R26203	3C15	14	50 - 33	R26287	3I12	11	60 - 42	R26375	4E18	24	70 - 90
R26206	3C15	1	50 - 33	R26287	4B14	23	70 - 9	R26375	4E19	5	70 - 91
R26206	3C16	2	50 - 34	R26287	4B18	4	70 - 13	R26375	4E19	25	70 - 91
R26207	3C15	2	50 - 33	R26287	4B18	16	70 - 13	R26375	4E24	18	70 - 96
R26207	3C16	1	50 - 34	R26287	4C3	7	70 - 21A	R26375	4F1	4	70 - 98
R26277	4D22	10	70 - 67	R26287	4C5	8	70 - 23	R26375	4F13	7	70 - 111
R26277	4E5	24	70 - 77	R26287	4C5	22	70 - 23	R26375	4F14	5	70 - 112
R26286	3B17	7	50 - 12	R26287	4C7	24	70 - 25	R26375	4F15	8	70 - 113
R26286	3B20	15	50 - 15	R26287	4C17	22	70 - 35	R26375	4F20	2	70 - 119
R26286	3B20	17	50 - 15	R26287	4H16	3	80 - 25	R26375	4F20	4	70 - 119
R26286	3D12	5	50 - 57	R26325	1C3	1	20 - 21	R26375	4F22	4	70 - 121
R26286	3D13	9	50 - 58	R26333	1C4	17	20 - 22	R26376	3I11	47	60 - 41
R26286	3D15	19	50 - 61	R26333	4G23	21	80 - 7	R26384	3I11	4	60 - 41
R26286	3D24	13	50 - 70	R26367	3H18	23	60 - 20	R26384	3I14	4	60 - 45
R26286	3E21	10	50 - 93	R26367	3H20	10	60 - 23	R26385	3F12	1	50 - 108
R26286	3E23	8	50 - 95	R26369	3I11	28	60 - 41	R26386	3F12	11	50 - 108
R26286	3E23	30	50 - 95	R26372	1F3	32	30 - 52	R26413	1C20	18	20 - 35
R26286	3F10	7	50 - 106	R26372	3I11	40	60 - 41	R26417	1C20	15	20 - 35
R26286	3F11	2	50 - 107	R26372	1E22	9	30 - 44	R26425	3H1	17	60 - 4
R26286	3G11	25	50 - 137	R26373	3F10	15	50 - 106	R26431	5C18	15	90 - 37
R26286	3G17	15	50 - 143	R26375	3D12	3	50 - 57	R26431	5D2	9	90 - 47
R26286	3H1	3	60 - 4	R26375	3D12	11	50 - 57	R26432	5C18	8	90 - 37
R26286	3H6	11	60 - 9	R26375	3D12	15	50 - 57	R26432	5D2	20	90 - 47
R26286	3H6	12	60 - 9	R26375	3D12	27	50 - 57	R26433	5D2	18	90 - 47
R26286	3H6	33	60 - 9	R26375	3D12	30	50 - 57	R26434	5C18	17	90 - 37
R26286	3H7	1	60 - 10	R26375	3D12	36	50 - 57	R26434	5D2	14	90 - 47
R26286	3H7	12	60 - 10	R26375	3D12	38	50 - 57	R26436	5C18	23	90 - 37
R26286	3H9	1	60 - 13	R26375	3E9	2	50 - 80	R26436	5D4	14	90 - 49
R26286	3H9	11	60 - 13	R26375	3E17	23	50 - 89	R26441	3G23	10	60 - 1
R26286	3H9	27	60 - 13	R26375	3E17	26	50 - 89	R26441	3G24	2	60 - 2
R26286	3I7	3	60 - 37	R26375	3E19	26	50 - 91	R26441	3H6	7	60 - 9
R26286	3I7	5	60 - 37	R26375	3E21	28	50 - 93	R26441	3H6	27	60 - 9
R26286	3I7	17	60 - 37	R26375	3E21	38	50 - 93	R26441	4F24	22	70 - 123
R26286	3I9	6	60 - 39	R26375	3E21	44	50 - 93	R26441	4G2	34	70 - 125
R26286	3I9	17A	60 - 39	R26375	3E21	48	50 - 93	R26448	2C5	16	40 - 21
R26286	3I9	20	60 - 39	R26375	3E21	48	50 - 93	R26448	2E18	2	40 - 73
R26286	3I11	29	60 - 41	R26375	3F24	12	50 - 123	R26448	3D15	15	50 - 61
R26286	3I12	8	60 - 42	R26375	3F24	26	50 - 123	R26448	3E23	34	50 - 95
R26286	3I16	2	60 - 47	R26375	3G4	17	50 - 129	R26448	3E25	11	50 - 95B
R26286	3I16	22	60 - 47	R26375	3G6	7	50 - 131	R26448	3E25	11	50 - 95B
R26286	3I16	28	60 - 47	R26375	3G8	4	50 - 133	R26448	3F1	24	50 - 96
R26286	4C10	13	70 - 28	R26375	3G8	18	50 - 133	R26448	3F10	11	50 - 106
R26286	4C14	21	70 - 32	R26375	3G17	28	50 - 143	R26448	3F11	4	50 - 107
R26286	4C15	27	70 - 33	R26375	3G19	16	50 - 145	R26448	3F25	15	50 - 124
R26286	4C17	27	70 - 35	R26375	3G20	2	50 - 146	R26448	3G8	9	50 - 133
R26286	4D4	53	70 - 47	R26375	3H1	10	60 - 4	R26448	3G8	11	50 - 133
R26286	4D18	24	70 - 63	R26375	3H6	24	60 - 9	R26448	3G8	16	50 - 133
R26286	4E18	6	70 - 90	R26375	3H8	3	60 - 20	R26448	3G11	2	50 - 137
R26286	4E19	7	70 - 91	R26375	3I11	43	60 - 41	R26448	3G11	20	50 - 137
R26287	2C5	16	40 - 21	R26375	3I12	13	60 - 42	R26448	3G17	9	50 - 143
R26287	3F1	24	50 - 96	R26375	4B14	27	70 - 9	R26448	3G17	19	50 - 143
R26287	3F10	14	50 - 106	R26375	4B16	16	70 - 11	R26448	3G18	10	50 - 144
R26287	3F11	8	50 - 107	R26375	4B24	23	70 - 19	R26448	3G20	12	50 - 146
R26287	3F24	10	50 - 123	R26375	4C2	7	70 - 21	R26448	3G20	18	50 - 146
R26287	3F24	31	50 - 123	R26375	4C2	17	70 - 21	R26448	3H6	5	60 - 9
R26287	3G2	26	50 - 127	R26375	4C2	17	70 - 21	R26448	3H7	16	60 - 10
R26287	3G6	3	50 - 131	R26375	4C3	12	70 - 21A	R26448	3H9	13	60 - 13
R26287	3G8	3	50 - 133	R26375	4C5	3	70 - 23	R26448	3H10	18	60 - 14
R26287	3G8	17	50 - 133	R26375	4C5	10	70 - 23	R26448	3H18	5	60 - 20
R26287	3G23	13	60 - 1	R26375	4C10	19	70 - 28	R26448	3H18	5	60 - 20
R26287	3H1	18	60 - 4	R26375	4C21	17	70 - 39	R26448	3H20	5	60 - 23
R26287	3H13	7	60 - 17	R26375	4D2	9	70 - 45	R26448	3H22	6	60 - 26
R26287	3H17	18	60 - 19B	R26375	4D4	14	70 - 47	R26448	3H22	8	60 - 26
R26287	3H18	16	60 - 20	R26375	4D4	50	70 - 47	R26448	3H22	12	60 - 26
R26287	3I9	10	60 - 39	R26375	4D12	17	70 - 56	R26448	3H24	17	60 - 29
R26287	3I9	21	60 - 39	R26375	4D18	21	70 - 63	R26448	3I2	2	60 - 31
R26287	3I9	21	60 - 39	R26375	4E15	10	70 - 87	R26448	4B14	2	70 - 9
R26287	3I9	21	60 - 39	R26375	4E16	1	70 - 88	R26448	4B14	8	70 - 9

1K12

4630 TRACTOR

NUMERICAL INDEX - CONTINUED

PART NO.	GRID	KEY	PAGE	PART NO.	GRID	KEY	PAGE	PART NO.	GRID	KEY	PAGE
R26448	4B16	1	70 - 11	R26559	1B12	14	20 - 10	R26906	3E21	12	50 - 93
R26448	4B18	1	70 - 13	R26565	3G25	5	60 - 3	R26906	3E23	13	50 - 95
R26448	4B24	2	70 - 19	R26565	4D2	48	70 - 45	R26906	3E25	9	50 - 95B
R26448	4B24	8	70 - 19	R26566	4D2	6	70 - 45	R26906	3G17	24	50 - 143
R26448	4B24	25	70 - 19	R26566	4D4	12	70 - 47	R26906	3G19	12	50 - 145
R26448	4C2	3	70 - 21	R26572	3H9	24	60 - 13	R26906	4B14	10	70 - 9
R26448	4C3	3	70 - 21A	R26572	3H13	17	60 - 17	R26906	4B16	2	70 - 11
R26448	4C3	7	70 - 21A	R26572	3H17	27	60 - 19B	R26906	4B18	2	70 - 13
R26448	4C5	1	70 - 23	R26572	3H21	19	60 - 25	R26906	4B18	15	70 - 13
R26448	4C5	8	70 - 23	R26572	3I9	28	60 - 39	R26906	4B24	16	70 - 19
R26448	4C7	29	70 - 25	R26584	4E12	8	70 - 84	R26906	4C2	1	70 - 21
R26448	4C19	13	70 - 37	R26608	4D22	20	70 - 67	R26906	4C3	1	70 - 21A
R26448	4C19	15A	70 - 37	R26616	3B23	11	50 - 18	R26906	4C5	6	70 - 23
R26448	4C19	18A	70 - 37	R26616	3D24	5	50 - 70	R26906	4C5	26	70 - 23
R26448	4D2	2	70 - 45	R26622	1B16	9	20 - 15	R26906	4C6	10	70 - 24
R26448	4D4	26	70 - 47	R26622	1C16	16	20 - 31	R26906	4C6	19	70 - 24
R26448	4D4	56	70 - 47	R26625	4C25	8	70 - 43	R26906	4C13	14	70 - 31
R26448	4D18	5	70 - 63	R26626	4C24	11	70 - 42	R26906	4C16	13	70 - 34
R26448	4D18	28	70 - 63	R26628	4D5	5	70 - 49	R26906	4C21	25	70 - 39
R26448	4E16	4	70 - 88	R26643	4D22	16	70 - 67	R26906	4C22	3	70 - 40
R26448	4E18	4	70 - 90	R26650	3B23	27	50 - 18	R26906	4C22	4	70 - 40
R26448	4E19	13	70 - 91	R26650	3C9	17	50 - 27	R26906	4C25	3	70 - 43
R26457	4C25	5	70 - 43	R26650	3C10	16	50 - 28	R26906	4D2	12	70 - 45
R26458	4C25	2	70 - 43	R26650	3D8	24	50 - 53	R26906	4D4	17	70 - 47
R26477	4E15	19	70 - 87	R26650	3F9	25	50 - 105	R26906	4D7	49	70 - 51
R26480	4F2	29	70 - 99	R26686	3F4	19	50 - 100	R26906	4D9	45	70 - 53
R26480	4F5	10	70 - 102	R26727	1B25	9	20 - 18	R26906	4D13	23	70 - 57
R26482	4F2	17	70 - 99	R26728	1E13	7	30 - 34	R26906	4D14	14	70 - 58
R26482	4F4	17	70 - 101	R26748	1B12	15	20 - 10	R26906	4E15	23	70 - 87
R26482	4F5	6	70 - 102	R26755	3G24	5	60 - 2	R26919	3B14	36	50 - 9
R26482	4F6	20	70 - 103	R26760	3I16	8	60 - 47	R26919	3B16	27	50 - 11
R26483	4F2	21	70 - 99	R26762	3H2	4	60 - 5	R26919	3B25	9	50 - 20
R26483	4F4	21	70 - 101	R26789	1E13	7	30 - 34	R26919	3D13	11	50 - 58
R26483	4F5	7	70 - 102	R26790	1E13	7	30 - 34	R26933	3H3	23	60 - 6
R26484	4E21	13	70 - 93	R26828	5C18	6	90 - 37	R26933	3H4	23	60 - 7
R26484	4E23	12	70 - 95	R26828	5D2	22	90 - 47	R26933	3H12	9	60 - 16
R26484	4F1	12	70 - 98	R26829	5C18	19	90 - 37	R26933	3H15	29	60 - 19
R26484	4F2	13	70 - 99	R26830	5C18	16	90 - 37	R26936	2E19	..	40 - 74
R26484	4F4	13	70 - 101	R26830	5D2	17	90 - 47	R26941	2F9	17	40 - 91
R26484	4F5	3	70 - 102	R26832	5C20	6	90 - 39	R26976	4D2	42	70 - 45
R26485	3H6	31	60 - 9	R26832	5D4	18	90 - 49	R26976	4D4	5	70 - 47
R26485	4F2	10	70 - 99	R26863	3H11	23	60 - 15	R26977	4D2	41	70 - 45
R26485	4F4	10	70 - 101	R26869	4D5	6	70 - 49	R26977	4D4	6	70 - 47
R26485	4F5	1	70 - 102	R26870	1F6	35	30 - 55	R27003	3B17	11	50 - 12
R26485	4F12	12	70 - 110	R26870	3E15	7	50 - 87	R27003	3B18	12	50 - 13
R26524	5D18	28	90 - 63	R26871	3C21	41	50 - 39	R27003	3B18	15	50 - 13
R26543	4D15	24	70 - 59	R26871	3F12	18	50 - 108	R27033	3D17	5	50 - 63
R26546	3G25	16	60 - 3	R26871	4D7	23	70 - 51	R27036	1B16	3	20 - 15
R26546	3H6	16	60 - 9	R26871	4D9	19	70 - 53	R27089	3G24	9	60 - 2
R26546	4C6	15	70 - 24	R26871	4D11	12	70 - 55	R27091	3G24	6	60 - 2
R26546	4E21	3	70 - 93	R26871	5C18	18	90 - 37	R27092	3B14	33	50 - 9
R26546	4E23	3	70 - 95	R26871	5D2	15	90 - 47	R27092	3B16	30	50 - 11
R26546	4F1	2	70 - 98	R26871	5D18	39	90 - 63	R27094	1D1	7	20 - 41
R26547	3H6	25	60 - 9	R26872	5C18	24	90 - 37	R27094	3B17	8	50 - 12
R26548	3B14	32	50 - 9	R26872	5D4	13	90 - 49	R27094	3B17	11	50 - 12
R26548	3B16	29	50 - 11	R26873	5C18	24	90 - 37	R27094	3B18	14	50 - 13
R26551	3H6	20	60 - 9	R26873	5D4	13	90 - 49	R27094	3D12	6	50 - 57
R26552	3C9	19	50 - 27	R26874	5C18	1A	90 - 37	R27094	3D13	10	50 - 58
R26552	3E23	9	50 - 95	R26876	5C20	5	90 - 39	R27094	3D15	20	50 - 61
R26552	3E25	6	50 - 95B	R26877	5C20	2	90 - 39	R27094	3D24	14	50 - 70
R26552	3G2	34	50 - 127	R26878	5C20	15	90 - 39	R27094	3E21	16	50 - 93
R26552	3G11	4	50 - 137	R26879	5C20	4	90 - 39	R27094	3E23	7	50 - 95
R26552	3G17	11	50 - 143	R26879	5D4	23	90 - 49	R27094	3E23	29	50 - 95
R26552	3H1	16	60 - 4	R26892	1E8	5	30 - 29	R27094	3E25	12	50 - 95B
R26552	3H18	22	60 - 20	R26906	3B23	25	50 - 18	R27094	3I16	1	60 - 47
R26552	3H20	9	60 - 23	R26906	3D24	20	50 - 70	R27094	4C14	21	70 - 32
R26554	3H2	1	60 - 5	R26906	3E19	12	50 - 91	R27094	4D4	52	70 - 47

1K13

4630 TRACTOR

NUMERICAL INDEX - CONTINUED

PART NO.	GRID	KEY	PAGE	PART NO.	GRID	KEY	PAGE	PART NO.	GRID	KEY	PAGE
R27094	4D18	25	70 - 63	R27209	1C20	1	20 - 35	R27329	3D9	2	50 - 54
R27094	4E18	5	70 - 90	R27212	3H10	21	60 - 14	R27329	3D10	19	50 - 55
R27094	4E19	8	70 - 91	R27212	3H18	13	60 - 20	R27329	3D24	1	50 - 70
R27095	3H7	6	60 - 10	R27212	3H24	5	60 - 29	R27329	3F9	20	50 - 105
R27095	3H24	23	60 - 29	R27212	3H24	16	60 - 29	R27345	4H19	3	80 - 27
R27121	5C20	19	90 - 39	R27212	3I2	3	60 - 31	R27345	4H20	4	80 - 28
R27137	3I11	31	60 - 41	R27212	4C3	6	70 - 21A	R27370	2F20	16	40 - 97
R27137	3I12	9	60 - 42	R27212	4C19	17	70 - 37	R27370	2F22	18	40 - 97B
R27145	3B14	37	50 - 9	R27216	2C5	16	40 - 21	R27421	4F24	13	70 - 123
R27145	3B16	28	50 - 11	R27216	3F1	24	50 - 96	R27421	4G2	15	70 - 125
R27145	4B10	27	70 - 5	R27216	3F24	9	50 - 123	R27423	4G2	32	70 - 125
R27149	1B16	32	20 - 15	R27216	3F24	32	50 - 123	R27426	4G2	35	70 - 125
R27149	3I11	32	60 - 41	R27216	3G2	25	50 - 127	R27427	4F24	5	70 - 123
R27149	3I12	10	60 - 42	R27216	3H1	19	60 - 4	R27427	4G2	7	70 - 125
R27149	4B10	11	70 - 5	R27216	3H13	6	60 - 17	R27430	4F2	5	70 - 99
R27149	4B12	15	70 - 7	R27216	3H17	17	60 - 19B	R27430	4F4	5	70 - 101
R27149	4B18	20	70 - 13	R27216	3H18	17	60 - 20	R27430	4F12	5	70 - 110
R27149	4B20	9	70 - 15	R27216	4B14	24	70 - 9	R27434	5D4	2	90 - 49
R27149	4B22	9	70 - 17	R27216	4C7	25	70 - 25	R27439	5C18	14	90 - 37
R27149	4C5	24	70 - 23	R27218	2C5	16	40 - 21	R27439	5D2	8	90 - 47
R27150	4B10	5	70 - 5	R27218	3B23	22	50 - 18	R27441	3E13	6	50 - 85
R27150	4B20	5	70 - 15	R27218	3D15	14	50 - 61	R27441	5C20	10	90 - 39
R27159	4B14	18	70 - 9	R27218	3D24	16	50 - 70	R27441	5C25	15	90 - 45
R27166	1E10	1	30 - 31	R27218	3E23	33	50 - 95	R27441	5D4	9	90 - 49
R27166	4B14	14	70 - 9	R27218	3E25	13	50 - 95B	R27441	5D4	27	90 - 49
R27166	4B14	43	70 - 9	R27218	3F1	24	50 - 96	R27442	5C20	1	90 - 39
R27166	4B14	44	70 - 9	R27218	3F25	16	50 - 124	R27442	5D4	20	90 - 49
R27166	4B16	5	70 - 11	R27218	3H18	14	60 - 20	R27443	1B12	10	20 - 10
R27166	4B18	6	70 - 13	R27218	3H20	6	60 - 23	R27453	3G23	4	60 - 1
R27166	4B18	..	70 - 13	R27218	4B14	7	70 - 9	R27460	2D14	24	40 - 49
R27166	4B24	41	70 - 19	R27218	4B24	7	70 - 19	R27460	2D16	13	40 - 51
R27166	4C2	10	70 - 21	R27218	4D4	27	70 - 47	R27460	2D18	13	40 - 53
R27166	4C5	14	70 - 23	R27218	4D18	6	70 - 63	R27471	4B14	44	70 - 9
R27166	4D2	21	70 - 45	R27233	4E24	4	70 - 96	R27472	4B14	43	70 - 9
R27166	4D2	25	70 - 45	R27237	3D12	10	50 - 57	R27474	3B23	26	50 - 18
R27166	4D4	29	70 - 47	R27237	4C10	14	70 - 28	R27474	3D24	21	50 - 70
R27166	4D16	7	70 - 60	R27238	4C19	16	70 - 37	R27474	3E23	14	50 - 95
R27166	4D16	11	70 - 60	R27256	1E20	19	30 - 42	R27474	3E25	10	50 - 95B
R27166	4D18	8	70 - 63	R27267	3B18	17	50 - 13	R27474	4D9	44	70 - 53
R27166	4E21	12	70 - 93	R27267	3D12	13	50 - 57	R27474	4D13	24	70 - 57
R27166	4E21	20	70 - 93	R27267	3E19	16	50 - 91	R27474	4D14	13	70 - 58
R27166	4E21	31	70 - 93	R27267	3E21	14	50 - 93	R27474	4E15	22	70 - 87
R27166	4E23	19	70 - 95	R27267	3F6	4	50 - 102	R27475	4B14	1	70 - 9
R27166	4E24	1	70 - 96	R27267	3G18	16	50 - 144	R27475	4B24	1	70 - 19
R27166	4F1	14	70 - 98	R27270	3E19	11	50 - 91	R27476	4B14	13	70 - 9
R27166	4F2	26	70 - 99	R27270	3E21	11	50 - 93	R27478	4B10	29	70 - 5
R27167	4B14	16	70 - 9	R27270	4C6	18	70 - 24	R27478	4B12	35	70 - 7
R27170	4B14	19	70 - 9	R27270	4C13	13	70 - 31	R27478	4B16	12	70 - 11
R27171	4B14	5	70 - 9	R27272	3H7	15	60 - 10	R27478	4B20	28	70 - 15
R27172	4B14	11	70 - 9	R27272	3H9	26	60 - 13	R27478	4B22	28	70 - 17
R27173	4B14	17	70 - 9	R27272	3H17	33	60 - 19B	R27478	4C2	15	70 - 21
R27174	4B14	15	70 - 9	R27272	3I7	6	60 - 37	R27479	4B10	29	70 - 5
R27174	4B18	7	70 - 13	R27272	3I9	18	60 - 39	R27479	4B12	35	70 - 7
R27175	3B18	33	50 - 13	R27285	1B16	38	20 - 15	R27479	4B16	13	70 - 11
R27175	4B10	15	70 - 5	R27285	1D3	30	20 - 43	R27479	4B20	28	70 - 15
R27175	4B12	20	70 - 7	R27286	1B16	39	20 - 15	R27479	4B22	28	70 - 17
R27175	4B20	13	70 - 15	R27296	3H1	2	60 - 4	R27479	4C2	16	70 - 21
R27175	4B22	14	70 - 17	R27296	3H7	9	60 - 10	R27483	3B23	8	50 - 18
R27175	4D2	26	70 - 45	R27296	3H9	17	60 - 13	R27483	3D24	3	50 - 70
R27175	4D4	34	70 - 47	R27296	3H13	18	60 - 17	R27490	3G2	8	50 - 127
R27175	4D16	12	70 - 60	R27296	3H17	28	60 - 19B	R27490	3G6	1	50 - 131
R27175	4D18	13	70 - 63	R27296	3H21	9	60 - 25	R27507	1F9	10	30 - 58
R27180	1D24	17	30 - 20	R27296	3I7	2	60 - 37	R27507	3E13	44	50 - 85
R27180	1D25	13	30 - 21	R27296	3I9	16	60 - 39	R27507	4D5	9	70 - 49
R27180	2B10	39	40 - 3	R27299	3G23	3	60 - 1	R27507	4D7	39	70 - 51
R27180	2B12	19	40 - 5	R27329	3B23	6	50 - 18	R27507	4D9	36	70 - 53
R27181	1E4	26	30 - 25	R27329	3D8	19	50 - 53	R27507	4D25	15	70 - 71

1K14

4630 TRACTOR

NUMERICAL INDEX - CONTINUED

PART NO.	GRID	KEY	PAGE	PART NO.	GRID	KEY	PAGE	PART NO.	GRID	KEY	PAGE
R27507	4F2	36	70 - 99	R28085	4F4	2	70 - 101	R29463	3C14	13	50 - 32
R27507	4H22	5	80 - 30	R28085	4F12	2	70 - 110	R29463	3C16	10	50 - 34
R27528	1E20	18	30 - 42	R28085	4F12	18	70 - 110	R29463	3D1	4	50 - 46
R27528	1E20	21	30 - 42	R28110	3F5	26	50 - 101	R29463	4G5	21	70 - 129
R27529	1B12	2	20 - 10	R28122	5F14	3	90 - 110	R29463	4G7	31	70 - 131
R27531	3G18	15	50 - 144	R28124	3G25	7	60 - 3	R29463	4G8	3	70 - 132
R27533	3H7	5	60 - 10	R28124	4D2	46	70 - 45	R29463	4G11	11	70 - 134
R27539	4C10	17	70 - 28	R28124	4D4	3	70 - 47	R29936	3H18	11	60 - 20
R27539	4F13	3	70 - 111	R28204	4F2	1	70 - 99	R29936	3H20	2	60 - 23
R27562	3D8	21	50 - 53	R28277	3H11	7	60 - 15	R29936	4B18	21	70 - 13
R27562	3D9	7	50 - 54	R28277	3I2	6	60 - 31	R29936	4C5	21	70 - 23
R27562	3F9	22	50 - 105	R28277	3I3	2	60 - 33	R29936	4C5	25	70 - 23
R27564	4B14	12	70 - 9	R28401	3E17	4	50 - 89	R29936	4C6	8	70 - 24
R27564	4B16	4	70 - 11	R28401	3E17	7	50 - 89	R30165	3B20	1	50 - 15
R27564	4B18	5	70 - 13	R28473	5D6	8	90 - 51	R30165	3C9	38	50 - 27
R27564	4B24	42	70 - 19	R28538	3G20	9	50 - 146	R30165	3C11	40	50 - 29
R27564	4C2	11	70 - 21	R28539	3G20	8	50 - 146	R30165	3C12	1	50 - 30
R27564	4C5	15	70 - 23	R28556	4D25	39	70 - 71	R30165	3E6	1	50 - 77
R27564	4D2	21	70 - 45	R28574	4H1	2	80 - 10	R30165	3I14	26	60 - 45
R27564	4D16	7	70 - 60	R28574	4H3	2	80 - 12	R30181	2D14	15	40 - 49
R27564	4F24	12	70 - 123	R28575	4H1	18	80 - 10	R30181	2D16	22	40 - 51
R27564	4G2	21	70 - 125	R28583	1D24	21	30 - 20	R30181	2D18	22	40 - 53
R27564	4G5	12	70 - 129	R28583	1D25	16	30 - 21	R30182	2D14	9	40 - 49
R27564	4G7	13	70 - 131	R28583	1E1	1	30 - 22	R30182	2D14	32	40 - 49
R27564	4G8	7	70 - 132	R28594	3D4	9	50 - 49	R30182	2D16	16	40 - 51
R27583	2B9	3	40 - 2	R28594	3F4	9	50 - 100	R30182	2D16	31	40 - 51
R27583	2F23	2	40 - 98	R28640	3D10	7	50 - 55	R30182	2D19	10	40 - 54
R27612	3D24	12	50 - 70	R28671	3E2	17	50 - 73	R30319	4C22	18	70 - 40
R27612	3E15	29	50 - 87	R28671	3F24	14	50 - 123	R30319	4D14	7	70 - 58
R27640	3D25	3	50 - 71	R28671	3G4	14	50 - 129	R30323	3H1	7	60 - 4
R27643	4H10	14	80 - 19	R28744	4E24	11	70 - 96	R30323	3H6	23	60 - 9
R27649	3I16	27	60 - 47	R28774	3I11	44	60 - 41	R30378	2D22	10	40 - 57
R27649	4F24	10	70 - 123	R28774	3D12	29	50 - 57	R30378	2F24	23	40 - 99
R27649	4G2	23	70 - 125	R28776	3E21	18	50 - 93	R30378	2F24	25	40 - 99
R27693	1B25	6	20 - 18	R28776	3E21	37	50 - 93	R30378	2G15	43	40 - 113
R27730	3C5	14	50 - 23	R28776	3F24	25	50 - 123	R30378	5B15	20	90 - 8
R27730	3G2	35	50 - 127	R28776	3G8	19	50 - 133	R30398	4G21	11	80 - 5
R27785	5C16	9	90 - 34	R28776	3H13	15	60 - 17	R30587	3C9	4	50 - 27
R27906	3I7	1	60 - 37	R28776	3H17	25	60 - 19B	R30587	3D22	14	50 - 68A
R27926	4C9	13	70 - 27	R28776	3I11	41	60 - 41	R30596	5B10	15	90 - 4
R27926	4C11	3	70 - 29	R28776	3I12	12	60 - 42	R30596	5B10	16	90 - 4
R27927	4C9	14	70 - 27	R28776	4E18	25	70 - 90	R30596	5B10	24	90 - 4
R27927	4C11	1	70 - 29	R28776	4E19	26	70 - 91	R30596	5B10	25	90 - 4
R27928	4B18	22	70 - 13	R28781	4B14	39	70 - 9	R30596	5B11	13	90 - 5
R27928	4C5	26	70 - 23	R28781	4B24	34	70 - 19	R30596	5B11	21	90 - 5
R27928	4C9	12	70 - 27	R28782	3C22	28	50 - 41	R30596	5B11	22	90 - 5
R27928	4C11	2	70 - 29	R28782	3C24	2	50 - 43	R30725	1F1	22	30 - 50
R27928	4C14	20	70 - 32	R28782	3H18	20	60 - 20	R30725	1F2	28	30 - 51
R27976	2C21	27	40 - 37	R28782	3H20	8	60 - 23	R30725	1F3	29	30 - 52
R27983	2E19	..	40 - 74	R28782	4B14	38	70 - 9	R30815	4F22	5	70 - 121
R27998	4D25	37	70 - 71	R28782	4B18	9	70 - 13	R30816	4F22	7	70 - 121
R27999	4D25	36	70 - 71	R28782	4B24	33	70 - 19	R30817	4F22	6	70 - 121
R28006	4F2	6	70 - 99	R28782	4C5	11	70 - 23	R30903	3F11	27	50 - 107
R28006	4F4	6	70 - 101	R28811	1C4	4	20 - 22	R30903	3I11	20	60 - 41
R28006	4F12	6	70 - 110	R28914	3D12	25	50 - 57	R30903	3I12	7	60 - 42
R28015	1C20	4	20 - 35	R28914	3E19	24	50 - 91	R30936	1C20	11A	20 - 35
R28024	4G23	16	80 - 7	R28914	3E21	46	50 - 93	R30936	1C20	19	20 - 35
R28024	4G25	16	80 - 9	R28914	4D4	48	70 - 47	R30936	1E4	12	30 - 25
R28024	4G25	17	80 - 9	R28914	4D18	23	70 - 63	R30936	1E4	22	30 - 25
R28035	3H4	17	60 - 7	R28914	4E18	8	70 - 90	R30936	5B17	14	90 - 11
R28084	4F2	3	70 - 99	R28914	4E19	3	70 - 91	R30937	1C20	17	20 - 35
R28084	4F2	19	70 - 99	R29301	3E18	5	50 - 90	R30937	1E4	12	30 - 25
R28084	4F4	3	70 - 101	R29354	3G2	29	50 - 127	R30937	1E4	14	30 - 25
R28084	4F4	19	70 - 101	R29354	3G2	30	50 - 127	R30937	4H22	1	80 - 30
R28084	4F12	3	70 - 110	R29354	3G6	4	50 - 131	R30937	4H22	14	80 - 30
R28084	4F12	17	70 - 110	R29354	3G6	5	50 - 131	R30959	3B23	15	50 - 18
R28085	4F2	2	70 - 99	R29354	3G17	35	50 - 143	R31024	4D2	44	70 - 45

1K15

4630 TRACTOR

NUMERICAL INDEX - CONTINUED

PART NO.	GRID	KEY	PAGE	PART NO.	GRID	KEY	PAGE	PART NO.	GRID	KEY	PAGE
R31024	4D4	9	70 - 47	R32016	2D14	11	40 - 49	R32192	3D16	9	50 - 62
R31044	5D4	45	90 - 49	R32016	2D16	18	40 - 51	R32192	3D17	8	50 - 63
R31131	3C20	9	50 - 38	R32016	2D18	18	40 - 53	R32239	3D1	24	50 - 46
R31132	3B12	27	50 - 7	R32016	2G11	10	40 - 109	R32239	5F9	3	90 - 105
R31136	4C25	6	70 - 43	R32017	2G11	11	40 - 109	R32276	2F24	..	40 - 99
R31136	4F8	4	70 - 105	R32018	2B15	1	40 - 7A	R32276	2G1	11	40 - 101
R31136	4F10	1	70 - 107	R32018	2D12	4	40 - 47	R32289	5D6	..	90 - 51
R31147	1E13	4	30 - 34	R32018	2E4	1	40 - 63	R32306	1D24	4	30 - 20
R31201	3G23	14	60 - 1	R32018	2F2	8	40 - 82	R32306	1D25	2	30 - 21
R31202	3G23	12	60 - 1	R32018	2F2	15	40 - 82	R32320	2B9	4	40 - 2
R31217	3H2	4	60 - 5	R32018	2G9	9	40 - 107	R32320	2B12	..	40 - 5
R31250	2D14	9	40 - 49	R32018	2G9	15	40 - 107	R32344	4B14	42	70 - 9
R31250	2D14	32	40 - 49	R32018	2G11	12	40 - 109	R32353	4F12	15	70 - 110
R31250	2D16	16	40 - 51	R32018	5B24	5	90 - 18	R32354	4F12	11	70 - 110
R31250	2D16	31	40 - 51	R32019	2G11	13	40 - 109	R32355	4F12	10	70 - 110
R31250	2D19	10	40 - 54	R32021	2B10	24	40 - 3	R32356	4F2	9	70 - 99
R31251	4G21	7	80 - 5	R32021	2E21	7	40 - 76	R32356	4F4	9	70 - 101
R31260	5C18	10	90 - 37	R32021	2E22	6	40 - 77	R32356	4F12	9	70 - 110
R31271	1F6	3	30 - 55	R32021	2E25	10	40 - 80	R32419	4E16	24	70 - 88
R31271	3I11	8	60 - 41	R32021	2G9	14	40 - 107	R32419	4F2	37	70 - 99
R31271	3I14	8	60 - 45	R32021	2G11	14	40 - 109	R32419	4F4	35	70 - 101
R31278	3H1	9	60 - 4	R32022	2B9	7	40 - 2	R32419	4F12	8	70 - 110
R31292	3D7	8	50 - 52	R32022	2B9	10	40 - 2	R32426	1B14	2	20 - 12
R31378	1C23	3	20 - 38	R32022	2B10	31	40 - 3	R32507	3D4	10	50 - 49
R31378	3F8	10	50 - 104	R32022	2B19	1	40 - 11	R32507	3F4	10	50 - 100
R31378	3I2	12	60 - 31	R32022	2D19	15	40 - 54	R32511	1E14	26	30 - 35
R31455	3I11	15	60 - 41	R32022	2G11	15	40 - 109	R32511	1E20	29	30 - 42
R31455	3I12	2	60 - 42	R32023	2B9	7	40 - 2	R32588	3G25	3	60 - 3
R31455	3I14	14	60 - 45	R32023	2B12	20	40 - 5	R32588	3H6	15	60 - 9
R31459	3I11	7	60 - 41	R32023	2D19	15	40 - 54	R32588	4F24	15	70 - 123
R31459	3I14	7	60 - 45	R32023	2G11	16	40 - 109	R32588	4G5	15	70 - 129
R31464	3I11	14	60 - 41	R32024	2G9	9	40 - 107	R32588	4G8	5	70 - 132
R31465	3I11	17	60 - 41	R32024	2G17	3	40 - 115	R32588	4G11	2	70 - 134
R31467	3I11	16	60 - 41	R32025	2E25	10	40 - 80	R32593	1B11	4	20 - 9
R31468	3I11	19	60 - 41	R32025	2G9	14	40 - 107	R32593	1D3	2	20 - 43
R31468	3I12	6	60 - 42	R32025	2G17	4	40 - 115	R32639	1E13	14	30 - 34
R31469	3I11	18	60 - 41	R32026	2G11	17	40 - 109	R32702	3I11	45	60 - 41
R31469	3I12	5	60 - 42	R32026	2G15	48	40 - 113	R32730	3H3	22	60 - 6
R31488	3H6	13	60 - 9	R32027	2B9	10	40 - 2	R32730	3H4	22	60 - 7
R31489	3H6	30	60 - 9	R32027	2B10	24	40 - 3	R32730	3H12	10	60 - 16
R31505	4H12	3	80 - 21	R32027	2B10	31	40 - 3	R32730	3H13	3	60 - 17
R31618	4I3	1	80 - 36	R32027	2E4	19	40 - 63	R32730	3H15	27	60 - 19
R31631	3F1	24	50 - 96	R32027	2E21	7	40 - 76	R32730	3H17	1	60 - 19B
R31631	3F24	9	50 - 123	R32027	2E22	6	40 - 77	R32730	3H17	16	60 - 19B
R31631	3G2	25	50 - 127	R32027	2E25	10	40 - 80	R32731	3C17	13	50 - 35
R31631	3H1	19	60 - 4	R32027	2G9	5	40 - 107	R32731	3C18	12	50 - 36
R31631	3H17	17	60 - 19B	R32027	2G9	9	40 - 107	R32731	3C24	32	50 - 43
R31631	3H18	17	60 - 20	R32027	2G9	14	40 - 107	R32731	3D1	18	50 - 46
R31631	4C7	25	70 - 25	R32027	2G11	18	40 - 109	R32731	3H6	2	60 - 9
R31632	3I16	19	60 - 47	R32028	2B19	1	40 - 11	R33022	4G18	8	80 - 1
R31655	1E20	22	30 - 42	R32028	2G11	19	40 - 109	R33029	3F20	20	50 - 119
R31665	3G17	25	50 - 143	R32028	5B13	13	90 - 7	R33054	3E2	8	50 - 73
R31665	3G19	13	50 - 145	R32029	2G11	20	40 - 109	R33054	3E4	8	50 - 75
R31698	3F10	10	50 - 106	R32042	3D24	7	50 - 70	R33054	3E5	6	50 - 76
R31725	3E17	29	50 - 89	R32042	3D25	7	50 - 71	R33058	3F10	17	50 - 106
R31736	4F14	8	70 - 112	R32090	3I11	27	60 - 41	R33077	3F2	12	50 - 97
R31781	4B14	41	70 - 9	R32091	3I11	26	60 - 41	R33083	3C6	7	50 - 24
R31781	4B24	37	70 - 19	R32092	3I11	24	60 - 41	R33135	3D16	5	50 - 62
R31877	3E11	7	50 - 82	R32092	3I12	3	60 - 42	R33136	3E17	22	50 - 89
R31877	5D20	21	90 - 65	R32101	2D16	14	40 - 51	R33137	3E17	16	50 - 89
R31890	4F2	23	70 - 99	R32101	2D18	14	40 - 53	R33138	3D12	37	50 - 57
R31890	4F4	24	70 - 101	R32101	3D10	23	50 - 55	R33138	3E17	24	50 - 89
R31890	5D1	16	90 - 46	R32136	1E5	12	30 - 26	R33138	3E17	25	50 - 89
R32007	2E25	10	40 - 80	R32183	4F20	3	70 - 119	R33138	3E19	27	50 - 91
R32007	5B13	13	90 - 7	R32186	3G23	6	60 - 1	R33138	3E21	27	50 - 93
R32011	2G11	1	40 - 109	R32192	1C4	3	20 - 22	R33138	4D4	49	70 - 47
R32016	1E1	..	30 - 22	R32192	1C4	5	20 - 22	R33138	4D18	20	70 - 63

1K16

4630 TRACTOR

NUMERICAL INDEX - CONTINUED

PART NO.	GRID	KEY	PAGE	PART NO.	GRID	KEY	PAGE	PART NO.	GRID	KEY	PAGE
R33138	4E18	11	70 - 90	R34131	4F24	16	70 - 123	R34933	3H21	13	60 - 25
R33138	4E19	4	70 - 91	R34131	4G5	16	70 - 129	R34933	4C23	26	70 - 41
R33145	3B20	4A	50 - 15	R34131	4G11	1	70 - 134	R34933	4D14	11	70 - 58
R33145	3B20	34A	50 - 15	R34175	3F2	4	50 - 97	R34965	4F24	20	70 - 123
R33145	3E17	3	50 - 89	R34267	5C16	1	90 - 34	R34966	4F24	19	70 - 123
R33145	3E17	8	50 - 89	R34272	5C16	11	90 - 34	R35002	3F22	2	50 - 121
R33162	3B18	19	50 - 13	R34328	3D8	7	50 - 53	R35155	3F2	7	50 - 97
R33162	3D12	26A	50 - 57	R34328	3F9	7	50 - 105	R35155	3F2	8	50 - 97
R33162	3E19	25	50 - 91	R34348	4B10	26	70 - 5	R35164	3C5	1	50 - 23
R33162	3F4	17	50 - 100	R34349	4B10	24	70 - 5	R35165	3C5	1	50 - 23
R33173	3E17	18	50 - 89	R34360	4B7	5	70 - 1	R35166	3C5	1	50 - 23
R33174	3E17	19	50 - 89	R34362	4B7	2	70 - 1	R35167	3C5	1	50 - 23
R33175	3E17	20	50 - 89	R34388	1D24	18	30 - 20	R35256	1B13	10	20 - 11
R33227	3E11	14	50 - 82	R34394	1D24	7	30 - 20	R35274	3B23	2	50 - 18
R33228	3E11	12	50 - 82	R34394	1D25	6	30 - 21	R35286	3B17	11	50 - 12
R33240	3E11	17	50 - 82	R34395	1D24	8	30 - 20	R35302	4H4	4	80 - 13
R33248	3E9	6	50 - 80	R34395	1D25	7	30 - 21	R35302	4H5	3	80 - 14
R33259	3B18	27	50 - 13	R34397	4F2	15	70 - 99	R35303	4H4	7	80 - 13
R33259	3B18	28	50 - 13	R34397	4F4	15	70 - 101	R35303	4H5	5	80 - 14
R33259	3D12	17	50 - 57	R34398	4F2	22	70 - 99	R35332	4H4	12	80 - 13
R33259	3D12	18	50 - 57	R34398	4F4	22	70 - 101	R35332	4H5	10	80 - 14
R33259	3E11	15	50 - 82	R34399	4F2	8	70 - 99	R35333	4H4	5	80 - 13
R33259	3E19	23	50 - 91	R34399	4F4	8	70 - 101	R35333	4H5	7	80 - 14
R33259	3E19	25	50 - 91	R34399	4F6	..	70 - 103	R35334	4H4	11	80 - 13
R33259	3F4	17	50 - 100	R34400	4F2	20	70 - 99	R35335	4H4	6	80 - 13
R33259	3F4	18	50 - 100	R34400	4F4	20	70 - 101	R35335	4H5	4	80 - 14
R33259	5B10	6	90 - 4	R34404	3H1	6	60 - 4	R35365	3C3	1	50 - 21B
R33259	5B13	8	90 - 7	R34444	5F11	22	90 - 107	R35365	3C3	4	50 - 21B
R33268	3F1	24	50 - 96	R34447	1E5	7	30 - 26	R35365	3F14	12	50 - 111
R33275	3E25	8	50 - 95B	R34447	1E6	7	30 - 27	R35365	3F16	25	50 - 113
R33275	3F1	11	50 - 96	R34483	4I7	6	80 - 39	R35366	3C3	1	50 - 21B
R33276	3F2	3	50 - 97	R34537	4D11	2	70 - 55	R35366	3C3	4	50 - 21B
R33277	3E23	5	50 - 95	R34557	2B10	..	40 - 3	R35366	3F14	12	50 - 111
R33277	3E25	4	50 - 95B	R34557	2B12	..	40 - 5	R35366	3F16	25	50 - 113
R33282	3F2	11	50 - 97	R34557	4E16	17	70 - 88	R35367	3C3	4	50 - 21B
R33282	3F5	21	50 - 101	R34582	3F8	25	50 - 104	R35371	3C3	14	50 - 21B
R33282	3G2	32	50 - 127	R34619	5C16	1	90 - 34	R35372	3C3	6	50 - 21B
R33282	3I16	14	60 - 47	R34620	5C16	2	90 - 34	R35373	3C3	12	50 - 21B
R33290	3F1	4	50 - 96	R34656	1E4	23	30 - 25	R35377	3C1	1	50 - 21
R33291	3F1	1	50 - 96	R34688	1C20	16	20 - 35	R35377	3F8	23	50 - 104
R33307	3F2	2	50 - 97	R34733	3D4	4	50 - 49	R35381	3C5	20	50 - 23
R33363	3F5	33	50 - 101	R34733	3D4	11	50 - 49	R35382	3C5	20	50 - 23
R33364	3F5	32	50 - 101	R34733	3D5	4	50 - 50	R35383	3C5	20	50 - 23
R33410	3E8	4	50 - 79	R34733	3F3	6	50 - 98	R35384	3C5	20	50 - 23
R33411	3E8	4	50 - 79	R34733	3F4	4	50 - 100	R35385	3C5	6	50 - 23
R33412	3E8	4	50 - 79	R34733	3F4	11	50 - 100	R35386	3C5	8	50 - 23
R33498	3B23	17	50 - 18	R34733	3F7	6	50 - 103	R35422	1E4	7	30 - 25
R33521	3E17	17	50 - 89	R34733	3G25	1	60 - 3	R35426	3C3	11	50 - 21B
R33521	3E19	29	50 - 91	R34733	3H2	6	60 - 5	R35447	4G5	13	70 - 129
R33587	3F1	15	50 - 96	R34733	3H6	10	60 - 9	R35447	4G7	18	70 - 131
R33610	3D12	8	50 - 57	R34766	1E4	33	30 - 25	R35448	4G7	34	70 - 131
R33610	3F6	8	50 - 102	R34766	1E20	2	30 - 42	R35452	4G5	5	70 - 129
R33610	4C16	4	70 - 34	R34801	4H4	16	80 - 13	R35452	4G7	3	70 - 131
R33703	3E3	6	50 - 74	R34801	4H7	3	80 - 16	R35455	3C5	16	50 - 23
R33731	3C13	11	50 - 31	R34802	4B24	12	70 - 19	R35457	3C5	26	50 - 23
R33731	3C14	16	50 - 32	R34812	2E21	18	40 - 76	R35461	3C5	13	50 - 23
R33731	3C14	26	50 - 32	R34812	2E22	17	40 - 77	R35467	4E9	32	70 - 81
R33911	3F5	27	50 - 101	R34812	2E25	6	40 - 80	R35468	4E9	31	70 - 81
R34064	1E11	9	30 - 32	R34812	2E25	17	40 - 80	R35472	4G5	10	70 - 129
R34064	1E12	8	30 - 33	R34812	4E21	30	70 - 93	R35472	4G7	15	70 - 131
R34121	3G24	10	60 - 2	R34812	5B13	10	90 - 7	R35472	4G8	8	70 - 132
R34122	3G25	20	60 - 3	R34827	5F16	1	90 - 112	R35472	4G11	4	70 - 134
R34123	3G25	17	60 - 3	R34844	3C13	19	50 - 31	R35473	3G2	30	50 - 127
R34125	3G23	21	60 - 1	R34844	3C14	19	50 - 32	R35473	3G6	5	50 - 131
R34129	3G25	22	60 - 3	R34863	3F16	8	50 - 113	R35473	3G17	36	50 - 143
R34129	3H6	18	60 - 9	R34933	3F11	11	50 - 107	R35473	4G5	22	70 - 129
R34131	3G25	9	60 - 3	R34933	3H9	20	60 - 13	R35473	4G7	32	70 - 131

1K17

4630 TRACTOR

NUMERICAL INDEX - CONTINUED

PART NO.	GRID	KEY	PAGE	PART NO.	GRID	KEY	PAGE	PART NO.	GRID	KEY	PAGE
R35473	4G8	2	70 - 132	R36378	4C22	10	70 - 40	R38295	3B20	20	50 - 15
R35473	4G11	12	70 - 134	R36379	4C21	28	70 - 39	R38295	3C9	5	50 - 27
R35474	4G5	19	70 - 129	R36379	4C22	10	70 - 40	R38295	3C10	4	50 - 28
R35474	4G7	23	70 - 131	R36402	4C24	2	70 - 42	R38295	3C10	5	50 - 28
R35474	4G8	14	70 - 132	R36402	4D23	2	70 - 69	R38295	3E13	23	50 - 85
R35474	4G11	9	70 - 134	R36423	4C21	29	70 - 39	R38371	2D14	28	40 - 49
R35476	4E9	20	70 - 81	R36423	4C22	11	70 - 40	R38371	2D21	2	40 - 56
R35479	4E1	9	70 - 72	R36424	4C21	27	70 - 39	R38543	4E15	27	70 - 87
R35479	4E2	1	70 - 73	R36424	4C22	9	70 - 40	R38614	1C15	12	20 - 30
R35479	4E7	12	70 - 79	R36425	4C21	34	70 - 39	R38614	3D19	16	50 - 66
R35479	4E11	13	70 - 83	R36425	4C22	15	70 - 40	R39012	4G2	3	70 - 125
R35479	4E13	11	70 - 85	R36425	4D13	26	70 - 57	R39012	4G7	7	70 - 131
R35482	4E5	22	70 - 77	R36425	4D15	29	70 - 59	R39076	4C14	6	70 - 32
R35482	4E9	30	70 - 81	R36441	4D25	33	70 - 71	R39112	3D12	4	50 - 57
R35483	4E9	27	70 - 81	R36444	4D25	18	70 - 71	R39112	3D12	15	50 - 57
R35489	3C3	16	50 - 21B	R36448	4D25	4	70 - 71	R39112	3D12	35	50 - 57
R35491	3C3	7	50 - 21B	R36469	4D22	28	70 - 67	R39112	3E21	47	50 - 93
R35491	3C3	15	50 - 21B	R36470	4D22	25	70 - 67	R39112	3F24	11	50 - 123
R35500	3F14	17	50 - 111	R36507	4E5	25	70 - 77	R39112	3G4	18	50 - 129
R35501	3F14	5	50 - 111	R36508	4E5	23	70 - 77	R39112	3H1	11	60 - 4
R35501	3F16	5	50 - 113	R36509	4E5	17	70 - 77	R39112	3H18	4	60 - 20
R35502	3F14	5	50 - 111	R36575	3B12	12	50 - 7	R39112	4C21	16	70 - 39
R35502	3F16	5	50 - 113	R36590	5F7	3	90 - 103	R39112	4D2	8	70 - 45
R35503	3F14	5	50 - 111	R36590	5F7	33	90 - 103	R39112	4D4	15	70 - 47
R35503	3F16	5	50 - 113	R36608	4E5	14	70 - 77	R39112	4D12	16	70 - 56
R35621	3B23	3	50 - 18	R36608	4E9	14	70 - 81	R39112	4F14	10	70 - 112
R35634	3F20	3	50 - 119	R36658	4F22	3	70 - 121	R39133	3E21	29	50 - 93
R35642	3D19	20	50 - 66	R36659	4F22	3	70 - 121	R39164	4C21	26	70 - 39
R35684	3I16	5	60 - 47	R36666	3E3	2	50 - 74	R39164	4C22	2	70 - 40
R35684	4C19	3	70 - 37	R36666	3E5	13	50 - 76	R39164	4C22	4	70 - 40
R35735	3F20	16	50 - 119	R36666	3G2	9	50 - 127	R39228	4B10	18	70 - 5
R35738	4G5	32	70 - 129	R36678	3C5	10	50 - 23	R39228	4B12	22	70 - 7
R35738	4G7	33	70 - 131	R36732	2G1	24	40 - 101	R39228	4B20	16	70 - 15
R35738	4G8	1	70 - 132	R36742	3I9	22	60 - 39	R39228	4B22	16	70 - 17
R35738	4G11	21	70 - 134	R36742	3I11	33	60 - 41	R39249	4E16	30	70 - 88
R35769	4H22	10	80 - 30	R36757	1D7	..	30 - 1	R39259	3C9	33	50 - 27
R35780	4H8	3	80 - 17	R36764	3C3	18	50 - 21B	R39259	3C11	35	50 - 29
R35794	4C19	8	70 - 37	R36765	3C3	1	50 - 21B	R39259	3C12	4	50 - 30
R35800	5C2	43	90 - 21	R36765	3C3	19	50 - 21B	R39280	3C9	2	50 - 27
R35827	4B18	22	70 - 13	R36765	3F14	12	50 - 111	R39280	3C10	2	50 - 28
R35835	4E9	25	70 - 81	R36766	3C3	1	50 - 21B	R39299	3C9	31	50 - 27
R35838	4E9	18	70 - 81	R36766	3C3	19	50 - 21B	R39299	3C11	33	50 - 29
R35839	4E9	19	70 - 81	R36766	3F14	12	50 - 111	R39304	3C9	3	50 - 27
R35871	4E15	25	70 - 87	R36767	3C3	19	50 - 21B	R39304	3C10	3	50 - 28
R36040	3H7	10	60 - 10	R36795	4F20	3	70 - 119	R39304	3C12	7	50 - 30
R36040	3I9	13	60 - 39	R36881	3F16	24	50 - 113	R39305	3B12	26	50 - 7
R36097	4H4	13	80 - 13	R36881	3F18	2	50 - 117	R39322	3C9	9	50 - 27
R36119	3C21	38	50 - 39	R36926	3G17	23	50 - 143	R39322	3C10	9	50 - 28
R36190	4H4	9	80 - 13	R36926	3G19	10	50 - 145	R394R	3D4	2	50 - 49
R36190	4H4	14	80 - 13	R36945	4E16	28	70 - 88	R394R	3D4	7	50 - 49
R36190	4H4	15	80 - 13	R36946	4E16	25	70 - 88	R394R	3D5	2	50 - 50
R36190	4H4	16	80 - 13	R36946	4F12	21	70 - 110	R394R	3F3	2	50 - 98
R36235	2B11	13	40 - 4	R36951	4G5	20	70 - 129	R394R	3F4	2	50 - 100
R36235	2F24	22	40 - 99	R36951	4G11	10	70 - 134	R394R	3F4	7	50 - 100
R36265	2B10	36	40 - 3	R36952	4F24	34	70 - 123	R394R	3F7	3	50 - 103
R36265	2C5	14	40 - 21	R36952	4G5	34	70 - 129	R394R	3H6	21	60 - 9
R36265	3C13	13	50 - 31	R36952	4G11	23	70 - 134	R394R	4D7	20	70 - 51
R36265	3C14	24	50 - 32	R375R	1E7	5	30 - 28	R394R	4D9	34	70 - 53
R36265	3E23	19	50 - 95	R375R	1E10	3	30 - 31	R39554	1E1	13	30 - 22
R36272	4E5	19	70 - 77	R375R	4E15	18	70 - 87	R39587	3D12	24	50 - 57
R36273	4E5	18	70 - 77	R375R	4F2	16	70 - 99	R39587	3D12	32	50 - 57
R36295	3B16	44	50 - 11	R375R	4F4	16	70 - 101	R39587	3E19	10	50 - 91
R36295	3D2	6	50 - 47	R375R	4F5	5	70 - 102	R39587	3E21	40	50 - 93
R36295	3D22	3	50 - 68A	R375R	4F6	19	70 - 103	R39597	3F11	26	50 - 107
R36358	4B24	11	70 - 19	R375R	5C2	44	90 - 21	R39613	4H25	8	80 - 33
R36364	3F1	17	50 - 96	R38181	3C15	16	50 - 33	R39615	1E4	10	30 - 25
R36378	4C21	28	70 - 39	R38181	3C16	16	50 - 34	R39725	3E15	6	50 - 87

1K18

4630 TRACTOR

NUMERICAL INDEX - CONTINUED

PART NO.	GRID	KEY	PAGE	PART NO.	GRID	KEY	PAGE	PART NO.	GRID	KEY	PAGE
R39726	3E15	3	50-87	R40713	3C5	1	50-23	R41057	4B14	43	70-9
R39727	3E15	17	50-87	R40714	3C5	1	50-23	R41057	4B14	44	70-9
R39729	4B10	9	70-5	R40715	3C5	1	50-23	R41057	4B16	7	70-11
R39729	4B12	13	70-7	R40740	1C4	10	20-22	R41057	4B18	..	70-13
R39729	4B18	17	70-13	R40740	1C5	4	20-23	R41057	4B24	40	70-19
R39739	5F16	3	90-112	R40740	1C5	6	20-23	R41057	4C2	9	70-21
R39741	1B16	7	20-15	R40757	3H1	15	60-4	R41057	4C5	13	70-23
R39741	4B10	15	70-5	R40791	5C2	17	90-21	R41057	4D2	22	70-45
R39741	4B12	20	70-7	R40831	3D3	13	50-48	R41057	4D2	24	70-45
R39741	4B20	13	70-15	R40835	3B24	1	50-19	R41057	4D4	30	70-47
R39741	4D16	14	70-60	R40835	3C1	12	50-21	R41057	4D16	8	70-60
R39741	4D18	14	70-63	R40835	3C3	24	50-21B	R41057	4D16	10	70-60
R39794	3F4	3	50-100	R40835	3C5	17	50-23	R41057	4D18	9	70-63
R39795	3D4	1	50-49	R40835	3D7	23	50-52	R41057	4E21	12	70-93
R39795	3F4	1	50-100	R40835	3D17	3	50-63	R41057	4E21	21	70-93
R39796	3D4	3	50-49	R40881	4D2	1	70-45	R41057	4E21	31	70-93
R39796	3F4	14	50-100	R40885	4D7	8	70-51	R41057	4E23	20	70-95
R39797	3F4	13	50-100	R40885	4D8	8A	70-52	R41057	4E24	1	70-96
R39832	1E14	28	30-35	R40889	4D5	17	70-49	R41057	4F1	15	70-98
R39832	3H10	22	60-14	R40891	4D5	18	70-49	R41057	4F2	26	70-99
R39832	3H24	27	60-29	R40892	4D7	38	70-51	R41076	1F6	15	30-55
R39832	3I2	1	60-31	R40893	4D2	34	70-45	R41076	4D2	17	70-45
R39876	3D19	19	50-66	R40893	4D4	41	70-47	R41076	4D7	25	70-51
R40028	4E5	17	70-77	R40894	4D2	39	70-45	R41076	4D9	21	70-53
R40028	4E7	11	70-79	R40894	4D4	46	70-47	R41076	4D11	28	70-55
R40072	4C6	4	70-24	R40895	4D2	37	70-45	R41108	4D7	3	70-51
R40121	4G19	1	80-2	R40895	4D4	44	70-47	R41108	4D8	3	70-52
R40147	3D3	24	50-48	R40896	4D2	29	70-45	R41121	4D5	6	70-49
R40147	3F5	23	50-101	R40896	4D16	17	70-60	R41121	4D5	7	70-49
R40149	3G24	7	60-2	R40915	4D7	27	70-51	R41131	3E10	14	50-81
R40194	4H1	5	80-10	R40915	4D9	22	70-53	R41134	3E13	8	50-85
R40218	4G2	38	70-125	R40922	4C21	4	70-39	R41147	3C20	8	50-38
R40219	4G7	26	70-131	R40922	4D12	6	70-56	R41147	4D11	22	70-55
R40236	1C15	27	20-30	R40922	4D15	31	70-59	R41151	3D15	16	50-61
R40278	3B14	31	50-9	R40922	4E18	21	70-90	R41151	3E17	1	50-89
R40336	3F8	9	50-104	R40922	4E19	22	70-91	R41155	3B14	1	50-9
R40337	2C19	4	40-35	R40922	4E24	13	70-96	R41155	3B16	25	50-11
R40337	2C21	26	40-37	R40922	4F1	5	70-98	R41155	4E24	17	70-96
R40337	2C24	3	40-41	R40922	4F14	7	70-112	R41156	4E21	19	70-93
R40338	3H1	1	60-4	R40930	1C2	..	20-20	R41168	3E2	11	50-73
R40426	3E2	15	50-73	R40937	4E21	28	70-93	R41256	4H6	2	80-15
R40445	2G9	3	40-107	R40937	4E23	27	70-95	R41285	1D15	22	30-11
R40499	4E21	12	70-93	R40937	4F1	9	70-98	R41334	2C11	11	40-27
R40499	4E21	26	70-93	R40940	1C2	..	20-20	R41337	4D2	40	70-45
R40499	4E21	31	70-93	R40945	4D2	23	70-45	R41337	4D4	7	70-47
R40499	4E24	1	70-96	R40945	4D2	33	70-45	R41338	4E21	33	70-93
R40499	4F2	26	70-99	R40945	4D4	31	70-47	R41338	4E23	31	70-95
R40531	3G24	8	60-2	R40945	4D16	9	70-60	R41339	4E21	29	70-93
R40545	2C19	38	40-35	R40945	4D18	10	70-63	R41339	4E23	28	70-95
R40546	2C22	6	40-38	R40949	4D7	1	70-51	R41339	4F1	10	70-98
R40548	2C22	10	40-38	R40949	4D8	1	70-52	R41355	5C6	3	90-23B
R40548	2D3	7	40-44	R41001	4C6	7A	70-24	R41358	5C8	8	90-25
R40567	3G23	18	60-1	R41006	3D3	11	50-48	R41385	4D11	7	70-55
R40567	3H6	9	60-9	R41007	3D3	19	50-48	R41386	4D11	9	70-55
R40583	4C14	3	70-32	R41012	4H4	13	80-13	R41387	5C22	3	90-41
R40595	3H1	14	60-4	R41030	4H6	3	80-15	R41406	1C14	2	20-29
R40596	3H1	13	60-4	R41035	3D19	4	50-66	R41406	1C14	3	20-29
R40597	3H1	12	60-4	R41041	3B14	8	50-9	R41423	1C3	4	20-21
R40620	1C2	..	20-20	R41041	3B16	21	50-11	R41425	1C3	6	20-21
R40638	3F24	6	50-123	R41041	3B16	35	50-11	R41439	2G1	13	40-101
R40685	4H19	1	80-27	R41041	3C9	24	50-27	R41439	3H7	14	60-10
R40685	4H19	7	80-27	R41041	3C11	26	50-29	R41439	3H9	25	60-13
R40685	4H20	1	80-28	R41041	3F8	13	50-104	R41440	2B9	11	40-2
R40685	4H20	6	80-28	R41050	3F14	11	50-111	R41440	3H24	22	60-29
R40694	3H10	11	60-14	R41050	3F16	23	50-113	R41440	5F13	15	90-109
R40711	3C5	20	50-23	R41055	4E21	5	70-93	R41446	4C21	3	70-39
R40712	3C5	20	50-23	R41055	4E23	5	70-95	R41446	4D12	5	70-56

1K19

4630 TRACTOR

NUMERICAL INDEX - CONTINUED

PART NO.	GRID	KEY	PAGE	PART NO.	GRID	KEY	PAGE	PART NO.	GRID	KEY	PAGE
R41446	4D15	32	70 - 59	R42356	1B13	7	20 - 11	R42763	3G2	29	50 - 127
R41503	3E17	30	50 - 89	R42357	3C9	22	50 - 27	R42763	3G6	4	50 - 131
R41549	4E21	25	70 - 93	R42357	3C11	25	50 - 29	R42763	3G17	35	50 - 143
R41549	4E23	24	70 - 95	R42357	3I9	9	60 - 39	R42764	3G5	10	50 - 130
R41623	3E11	13	50 - 82	R42363	1B16	21	20 - 15	R42764	3G6	8	50 - 131
R41661	4D7	11	70 - 51	R42363	1D9	31	30 - 3	R42764	3G8	12	50 - 133
R41661	4D8	13	70 - 52	R42363	4H15	10	80 - 24	R42764	3G17	38	50 - 143
R41661	4D8	16	70 - 52	R42363	4H15	15	80 - 24	R42765	3G2	23	50 - 127
R41721	3H11	21	60 - 15	R42363	5D4	38	90 - 49	R42766	3G2	23	50 - 127
R41721	3I2	21	60 - 31	R42364	1B9	4	20 - 6	R42799	2E19	3	40 - 74
R41721	3I2	30	60 - 31	R42365	1B16	20	20 - 15	R42799	2E20	9	40 - 75
R41724	3G25	2	60 - 3	R42375	1D23	9	30 - 19	R42817	3G2	2	50 - 127
R41770	3I2	26	60 - 31	R42379	3E11	1	50 - 82	R42818	3F24	22	50 - 123
R41776	4D2	35	70 - 45	R42390	1C15	3	20 - 30	R42819	3F24	17	50 - 123
R41776	4D4	42	70 - 47	R42406	1C25	1	20 - 40	R42820	3F24	18	50 - 123
R41777	4D2	36	70 - 45	R42406	1D3	22	20 - 43	R42821	3F25	8	50 - 124
R41777	4D4	43	70 - 47	R42407	3F14	6	50 - 111	R42822	5B7	1	90 - 1
R41778	5C4	5	90 - 23	R42407	3F16	6	50 - 113	R42828	3E8	6	50 - 79
R41778	5C6	8	90 - 23B	R42407	4D5	12	70 - 49	R42849	3D19	5	50 - 66
R41781	5C4	19	90 - 23	R42407	4D5	13	70 - 49	R42849	3E23	11	50 - 95
R41850	3E19	30	50 - 91	R42408	5C9	8	90 - 27	R42849	3E25	16	50 - 95B
R41877	3I16	12	60 - 47	R42408	5C9	9	90 - 27	R42849	3G11	23	50 - 137
R41880	2E19	10	40 - 74	R42408	5D8	34	90 - 53	R42849	3G17	16	50 - 143
R41880	2E20	4	40 - 75	R42408	5D8	35	90 - 53	R42849	3H1	8	60 - 4
R41920	1C15	12	20 - 30	R42439	5C6	2	90 - 23B	R42849	3H18	6	60 - 20
R41920	1F6	1	30 - 55	R42467	4B10	25	70 - 5	R42849	3H20	3	60 - 23
R41933	4E21	31	70 - 93	R42468	3F24	13	50 - 123	R42849	3I7	4	60 - 37
R41933	4I7	20	80 - 39	R42492	3E11	18	50 - 82	R42849	3I11	39	60 - 41
R41934	1C4	6	20 - 22	R42495	4D20	5A	70 - 65	R42877	3G2	24	50 - 127
R41934	1C5	1	20 - 23	R42495	4D22	1	70 - 67	R42877	3G6	2	50 - 131
R41934	1C6	9	20 - 24	R42516	3G4	3	50 - 129	R42877	3G17	34	50 - 143
R41934	1C7	7	20 - 24A	R42518	3G4	13	50 - 129	R42878	3F24	15	50 - 123
R41934	1C8	7	20 - 25	R42519	3G5	8	50 - 130	R42878	3G8	5	50 - 133
R41934	1C9	7	20 - 25A	R42529	3F20	19	50 - 119	R42879	3F24	23	50 - 123
R41934	1C10	7	20 - 25B	R42574	2C21	21	40 - 37	R42879	3G8	6	50 - 133
R41937	5C16	4	90 - 34	R42574	2D2	20	40 - 43	R42880	3F24	21	50 - 123
R41938	5C16	4	90 - 34	R42629	3H3	26	60 - 6	R42880	3G8	7	50 - 133
R41958	3G2	22	50 - 127	R42629	3H4	25	60 - 7	R42881	3G2	5	50 - 127
R41958	4H2	1	80 - 11	R42629	3H12	7	60 - 16	R42882	3F24	16	50 - 123
R41968	4D11	16	70 - 55	R42629	3H15	8	60 - 19	R42883	3G4	12	50 - 129
R42009	3I9	9	60 - 39	R42629	3H15	30	60 - 19	R42884	3G5	4	50 - 130
R42058	3D16	7	50 - 62	R42629	3H17	9	60 - 19B	R42885	3F25	6	50 - 124
R42093	4C23	..	70 - 41	R42641	4D11	3	70 - 55	R42886	3F25	14	50 - 124
R42093	4D2	17	70 - 45	R42646	5C4	11	90 - 23	R42887	3F25	10	50 - 124
R42093	4D15	..	70 - 59	R42660	4E9	26	70 - 81	R42912	1F1	23	30 - 50
R42093	4F17	7	70 - 115	R42661	3G25	18	60 - 3	R42912	1F2	30	30 - 51
R42110	3D16	4	50 - 62	R42663	4B14	31	70 - 9	R42912	1F3	30	30 - 52
R42127	3C19	3	50 - 37	R42666	2D20	1	40 - 55	R42925	3F24	27	50 - 123
R42127	3C20	5	50 - 38	R42666	2D21	1	40 - 56	R42926	3F24	24	50 - 123
R42171	4D20	11	70 - 65	R42667	2D20	1	40 - 55	R42926	3G8	20	50 - 133
R42173	1C3	3	20 - 21	R42684	3I11	42	60 - 41	R42926	3G12	1	50 - 138
R42260	4B14	40	70 - 9	R42689	2D18	16	40 - 53	R42926	3G15	5	50 - 141
R42260	4B24	36	70 - 19	R42693	1D1	20	20 - 41	R42927	3G2	31	50 - 127
R42282	3C21	44	50 - 39	R42693	1D3	7	20 - 43	R42927	3G17	37	50 - 143
R42282	3C22	20	50 - 41	R42697	3E23	6	50 - 95	R42929	3G5	3	50 - 130
R42282	3C24	13	50 - 43	R42697	3E25	5	50 - 95B	R42930	3G5	5	50 - 130
R42282	4D7	36	70 - 51	R42726	1D7	..	30 - 1	R42931	3G4	9	50 - 129
R42282	4D9	30	70 - 53	R42729	1C15	13	20 - 30	R42932	3G4	11	50 - 129
R42282	4D11	34	70 - 55	R42729	1D23	11	30 - 19	R42935	3D22	16	50 - 68A
R42312	5C2	37	90 - 21	R42729	1E14	26	30 - 35	R42968	3G5	11	50 - 130
R42312	5C2	42	90 - 21	R42729	1E20	29	30 - 42	R42969	3G2	28	50 - 127
R42332	3F25	7	50 - 124	R42729	3G2	21	50 - 127	R42973	3F25	9	50 - 124
R42332	3G2	6	50 - 127	R42729	3G4	5	50 - 129	R42974	3F25	13	50 - 124
R42333	3G4	8	50 - 129	R42732	5C4	1	90 - 23	R42975	3F25	11	50 - 124
R42340	1B16	12	20 - 15	R42734	3G5	1	50 - 130	R42975	3G8	13	50 - 133
R42352	1B13	4	20 - 11	R42735	3G2	15	50 - 127	R42984	2C7	20	40 - 23
R42355	1B13	6	20 - 11	R42762	3G4	2	50 - 129	R42985	2C7	7	40 - 23

1K20

4630 TRACTOR

NUMERICAL INDEX - CONTINUED

PART NO.	GRID	KEY	PAGE	PART NO.	GRID	KEY	PAGE	PART NO.	GRID	KEY	PAGE
R42985	2C9	29	40 - 25	R43214	3D16	1	50 - 62	R43376	3D25	6	50 - 71
R42989	3F1	24	50 - 96	R43214	3D17	1	50 - 63	R43376	3E1	5	50 - 72
R43001	3F20	27	50 - 119	R43214	3D19	26	50 - 66	R43377	3E3	7	50 - 74
R43002	3F14	9	50 - 111	R43214	3D22	1	50 - 68A	R43377	3E5	10	50 - 76
R43002	3F16	21	50 - 113	R43215	3E6	10	50 - 77	R43378	3E2	5	50 - 73
R43003	3F14	9	50 - 111	R43216	3E6	7	50 - 77	R43378	3E3	8	50 - 74
R43003	3F16	21	50 - 113	R43217	3E6	6	50 - 77	R43378	3E4	4	50 - 75
R43009	3E5	12	50 - 76	R43217	3E6	18	50 - 77	R43378	3E5	9	50 - 76
R43011	3E4	1	50 - 75	R43218	3E6	16	50 - 77	R43379	3E2	4	50 - 73
R43013	3E2	3	50 - 73	R43219	3E3	9	50 - 74	R43379	3E4	3	50 - 75
R43014	3F20	25	50 - 119	R43219	3E5	8	50 - 76	R43380	3D22	6	50 - 68A
R43015	3F20	23	50 - 119	R43220	3E2	6	50 - 73	R43381	3D22	5	50 - 68A
R43016	3F20	31	50 - 119	R43220	3E4	5	50 - 75	R43381	3D23	3	50 - 69
R43018	3C3	10	50 - 21B	R43224	3I4	5	60 - 34	R43381	3E2	19	50 - 73
R43019	3C3	17	50 - 21B	R43227	3F20	15	50 - 119	R43382	3D22	8	50 - 68A
R43020	3C5	23	50 - 23	R43244	3F20	26	50 - 119	R43382	3D22	17	50 - 68A
R43023	3C3	1	50 - 21B	R43245	3F20	24	50 - 119	R43382	3D23	6	50 - 69
R43023	3E8	1	50 - 79	R43248	3E9	14	50 - 80	R43382	3E2	22	50 - 73
R43023	3F14	12	50 - 111	R43252	3D3	6	50 - 48	R43383	3D22	9	50 - 68A
R43023	3F16	25	50 - 113	R43256	3D3	18	50 - 48	R43383	3D23	7	50 - 69
R43023	3F16	26	50 - 113	R43259	4D20	19	70 - 65	R43383	3E2	23	50 - 73
R43031	3E8	1	50 - 79	R43260	3B24	4	50 - 19	R43391	3C15	10	50 - 33
R43031	3F16	26	50 - 113	R43260	3B25	4	50 - 20	R43393	3C13	10	50 - 31
R43032	3E6	17	50 - 77	R43273	3D23	18	50 - 69	R43393	3C14	10	50 - 32
R43033	3E5	2	50 - 76	R43274	3E9	7	50 - 80	R43403	4D12	4	70 - 56
R43034	3E4	11	50 - 75	R43275	3E9	7	50 - 80	R43406	4C22	7	70 - 40
R43035	3E3	14	50 - 74	R43276	3E9	7	50 - 80	R43406	4D14	19	70 - 58
R43036	3E2	27	50 - 73	R43298	4E3	2	70 - 75	R43408	3B25	5	50 - 20
R43046	3E6	12	50 - 77	R43304	3D22	7	50 - 68A	R43408	3E1	7	50 - 72
R43047	3E6	8	50 - 77	R43304	3D23	5	50 - 69	R43408	4C21	35	70 - 39
R43048	3E6	13	50 - 77	R43304	3E2	21	50 - 73	R43408	4C22	17	70 - 40
R43049	3E6	11	50 - 77	R43305	3D23	20	50 - 69	R43408	4D13	30	70 - 57
R43050	3E2	16	50 - 73	R43306	3E8	7	50 - 79	R43408	4D15	22	70 - 59
R43051	3E2	18	50 - 73	R43307	3E9	25	50 - 80	R43413	1D3	9	20 - 43
R43052	3E2	14	50 - 73	R43312	4C24	13	70 - 42	R43413	1D15	9	30 - 11
R43053	3E2	12	50 - 73	R43314	4C24	3	70 - 42	R43416	1D3	8	20 - 43
R43079	4D20	8	70 - 65	R43316	4E3	8	70 - 75	R43416	1D15	17	30 - 11
R43081	4D22	11	70 - 67	R43319	4E1	1	70 - 72	R43420	3E6	9	50 - 77
R43093	1C4	12	20 - 22	R43320	4E1	5	70 - 72	R43424	1C16	21	20 - 31
R43098	3D19	14	50 - 66	R43324	4C24	10	70 - 42	R43425	1C16	20	20 - 31
R43099	3D19	13	50 - 66	R43326	4E3	5	70 - 75	R43428	1C16	19	20 - 31
R43112	3E9	24	50 - 80	R43337	3F16	13	50 - 113	R43429	1C16	3	20 - 31
R43113	3E10	9	50 - 81	R43339	3F16	14	50 - 113	R43444	4D25	23	70 - 71
R43134	3C3	13	50 - 21B	R43340	3F16	10	50 - 113	R43450	4E3	4	70 - 75
R43135	3C15	3	50 - 33	R43340	3F16	12	50 - 113	R43460	3C13	9	50 - 31
R43135	3C16	3	50 - 34	R43343	3F16	10	50 - 113	R43460	3C14	9	50 - 32
R43136	3C15	5	50 - 33	R43343	3F16	11	50 - 113	R43460	3C15	6	50 - 33
R43136	3C16	5	50 - 34	R43345	3F16	27	50 - 113	R43460	3C16	6	50 - 34
R43137	3C13	7	50 - 31	R43346	3C1	10	50 - 21	R43461	3C13	8	50 - 31
R43137	3C14	7	50 - 32	R43347	3C1	10	50 - 21	R43461	3C14	8	50 - 32
R43139	3E4	12	50 - 75	R43348	3C1	10	50 - 21	R43479	4C16	9	70 - 34
R43140	3E2	24	50 - 73	R43349	3C3	9	50 - 21B	R43479	4C16	10	70 - 34
R43141	3E9	22	50 - 80	R43350	3C5	19	50 - 23	R43491	1D1	16	20 - 41
R43143	3E9	10	50 - 80	R43351	3C5	19	50 - 23	R43530	4H4	9	80 - 13
R43144	3E11	16	50 - 82	R43352	3C5	19	50 - 23	R43530	4H4	14	80 - 13
R43145	3D24	10	50 - 70	R43366	3D7	26	50 - 52	R43530	4H4	15	80 - 13
R43151	3D23	12	50 - 69	R43367	3D22	18	50 - 68A	R43530	4H4	16	80 - 13
R43170	1D22	11	30 - 18	R43367	3D23	1	50 - 69	R43548	1C16	24	20 - 31
R43179	3D25	5	50 - 71	R43368	3F14	8	50 - 111	R43569	5D4	32	90 - 49
R43182	3E6	21	50 - 77	R43368	3F16	20	50 - 113	R43593	3C15	9	50 - 33
R43183	3E6	4	50 - 77	R43369	3F14	6	50 - 111	R43593	3C16	22	50 - 34
R43184	3F14	7	50 - 111	R43369	3F16	6	50 - 113	R43595	1B9	16	20 - 6
R43184	3F16	9	50 - 113	R43369	4D5	12	70 - 49	R43595	1D3	28	20 - 43
R43186	3F14	2	50 - 111	R43369	4D5	13	70 - 49	R43601	4C24	14	70 - 42
R43186	3F16	2	50 - 113	R43370	3F11	21	50 - 107	R43603	2C11	4	40 - 27
R43190	3B24	3	50 - 19	R43372	3E6	3	50 - 77	R43621	1B16	18	20 - 15
R43191	3C3	8	50 - 21B	R43374	3D23	19	50 - 69	R43659	3E9	13	50 - 80

1K21

4630 TRACTOR

NUMERICAL INDEX - CONTINUED

PART NO.	GRID	KEY	PAGE	PART NO.	GRID	KEY	PAGE	PART NO.	GRID	KEY	PAGE
R43660	1C16	1	20 - 31	R44165	2F11	27	40 - 93	R44373	1D3	4	20 - 43
R43661	5B17	8	90 - 11	R44165	2F13	29	40 - 93B	R44373	1D22	15	30 - 18
R43662	2D14	25	40 - 49	R44165	2F15	29	40 - 93D	R44374	1D3	6	20 - 43
R43663	3H4	12	60 - 7	R44165	2F17	31	40 - 93F	R44374	1D22	14	30 - 18
R43677	1B13	4	20 - 11	R44165	2F23	13	40 - 98	R44378	1C3	11	20 - 21
R43684	3B10	18	50 - 4	R44165	5B15	15	90 - 8	R44378	1C9	9	20 - 25A
R43706	4D20	7	70 - 65	R44165	5B16	12	90 - 9	R44378	1C10	9	20 - 25B
R43724	1D22	7	30 - 18	R44254	3G25	23	60 - 3	R44406	3G3	2	50 - 128
R43738	3D19	24	50 - 66	R44254	3I11	36	60 - 41	R44407	3G3	12	50 - 128
R43743	4H4	13	80 - 13	R44254	3I16	17	60 - 47	R44408	3G3	11	50 - 128
R43744	4H4	13	80 - 13	R44255	3G25	25	60 - 3	R44409	3G3	6	50 - 128
R43746	3E9	5	50 - 80	R44255	3I11	38	60 - 41	R44411	3G3	10	50 - 128
R43751	1D3	3	20 - 43	R44256	3G25	24	60 - 3	R44412	3G3	8	50 - 128
R43751	1D15	16	30 - 11	R44256	3I11	37	60 - 41	R44414	3G3	5	50 - 128
R43752	3D19	3	50 - 66	R44256	3I16	16	60 - 47	R44415	3G3	1	50 - 128
R43752	3E1	4	50 - 72	R44285	4F24	23	70 - 123	R44416	3G3	7	50 - 128
R43753	4H25	21	80 - 33	R44286	4G5	23	70 - 129	R44417	3G3	3	50 - 128
R43753	4H25	22	80 - 33	R44286	4G11	13	70 - 134	R44454	4H20	14	80 - 28
R43761	3H10	1	60 - 14	R44287	4F24	33	70 - 123	R44582	5C4	16	90 - 23
R43764	4E3	6	70 - 75	R44287	4G5	33	70 - 129	R44720	2E7	6	40 - 66
R43766	3E9	4	50 - 80	R44287	4G11	22	70 - 134	R44720	5F7	32	90 - 103
R43769	4D5	15	70 - 49	R44296	4F24	11	70 - 123	R44743	4B12	33	70 - 7
R43774	1C16	18	20 - 31	R44296	4G2	22	70 - 125	R44744	4B12	30A	70 - 7
R43774	1D3	20	20 - 43	R44297	4G5	11	70 - 129	R44745	4B12	1	70 - 7
R43780	1D3	11	20 - 43	R44297	4G7	14	70 - 131	R44778	3G8	11	50 - 133
R43780	1D15	21	30 - 11	R44298	4D2	45A	70 - 45	R44778	3G18	9	50 - 144
R43791	4D2	7	70 - 45	R44299	4D2	46	70 - 45	R44791	4H12	14	80 - 21
R43801	1D16	9	30 - 12	R44302	1D11	..	30 - 6	R44801	4B12	18	70 - 7
R43801	1D17	5	30 - 13	R44302	1D24	..	30 - 20	R44801	4B12	19	70 - 7
R43803	1D16	21	30 - 12	R44302	1D25	12	30 - 21	R44801	4B12	20	70 - 7
R43803	1D17	8	30 - 13	R44302	1E1	..	30 - 22	R44802	4B14	31	70 - 9
R43804	1D16	20	30 - 12	R44302	1E2	2	30 - 23	R44823	4B10	10	70 - 5
R43804	1D17	11	30 - 13	R44302	1E11	..	30 - 32	R44823	4B12	14	70 - 7
R43805	1D16	12	30 - 12	R44302	1E12	4	30 - 33	R44824	4B12	5	70 - 7
R43805	1D17	9	30 - 13	R44302	2B10	..	40 - 3	R44840	4E15	17	70 - 87
R43806	1D16	8	30 - 12	R44302	2B12	..	40 - 5	R44845	3G24	4	60 - 2
R43806	1D17	4	30 - 13	R44302	2B15	2	40 - 7A	R44847	4E13	5	70 - 85
R43808	1D16	10	30 - 12	R44302	2B16	..	40 - 8	R44848	4E13	4	70 - 85
R43808	1D17	6	30 - 13	R44302	2B23	..	40 - 15	R44853	1B14	1	20 - 12
R43815	1D16	15	30 - 12	R44302	2B25	3	40 - 16	R44853	1D3	31	20 - 43
R43816	1D16	11	30 - 12	R44302	2C4	..	40 - 20	R44890	4H10	11	80 - 19
R43816	1D17	7	30 - 13	R44302	2C5	..	40 - 21	R44918	4D22	26	70 - 67
R43817	1D16	2	30 - 12	R44302	2C17	2	40 - 33	R44925	1C3	11	20 - 21
R43817	1D17	1	30 - 13	R44302	2D4	7	40 - 45	R44926	1C3	11	20 - 21
R43819	1D16	14	30 - 12	R44302	2E4	18	40 - 63	R44926	1C6	2	20 - 24
R43821	1D16	16	30 - 12	R44302	2E14	1	40 - 69D	R44926	1C7	9	20 - 24A
R43851	1B14	8	20 - 12	R44302	2E18	1	40 - 73	R44927	1C3	11	20 - 21
R43906	3C13	3	50 - 31	R44302	2G1	12	40 - 101	R44928	1C3	11	20 - 21
R43906	3C14	3	50 - 32	R44302	2G4	6	40 - 104	R44961	3F20	14	50 - 119
R43907	3C13	4	50 - 31	R44302	2G6	24	40 - 105A	R44961	3I4	1	60 - 34
R43907	3C14	4	50 - 32	R44302	2G7	5	40 - 105B	R44961	3I5	1	60 - 35
R43921	4D5	10	70 - 49	R44302	2G9	20	40 - 107	R44979	3F25	12	50 - 124
R43922	4D5	19	70 - 49	R44302	3G18	..	50 - 144	R44979	3G8	14	50 - 133
R43946	3E9	11	50 - 80	R44302	3H21	11	60 - 25	R45065	4E13	8	70 - 85
R43947	3E9	15	50 - 80	R44302	3H21	..	60 - 25	R45106	4E16	23	70 - 88
R43962	3G25	10	60 - 3	R44302	4C11	..	70 - 29	R45133	1C15	1	20 - 30
R43962	3H1	4	60 - 4	R44302	5B10	16	90 - 4	R45137	2B12	..	40 - 5
R43986	1D16	23	30 - 12	R44302	5B10	25	90 - 4	R45176	3G11	11	50 - 137
R44013	3G5	9	50 - 130	R44302	5B10	..	90 - 4	R45177	3G11	15	50 - 137
R44016	2C9	7	40 - 25	R44302	5B11	22	90 - 5	R45179	3G11	7	50 - 137
R44025	2C7	9	40 - 23	R44302	5B11	..	90 - 5	R45181	3G11	16	50 - 137
R44025	2C9	27	40 - 25	R44310	4E21	18	70 - 93	R45182	3G11	13	50 - 137
R44030	3F1	24	50 - 96	R44313	4D11	21	70 - 55	R45183	3G11	10	50 - 137
R44110	3E5	14	50 - 76	R44315	4E21	31	70 - 93	R45184	3G11	12	50 - 137
R44164	3D15	16	50 - 61	R44315	4I7	17	80 - 39	R45186	3G12	2	50 - 138
R44164	3E17	1	50 - 89	R44342	2E7	14	40 - 66	R45186	3G15	6	50 - 141
R44165	2F9	11	40 - 91	R44350	4H10	8	80 - 19	R45187	3G12	3	50 - 138

1K22

4630 TRACTOR

NUMERICAL INDEX - CONTINUED

PART NO.	GRID	KEY	PAGE	PART NO.	GRID	KEY	PAGE	PART NO.	GRID	KEY	PAGE
R45187	3G15	7	50 - 141	R45822	4B7	4	70 - 1	R46528	5E6	9	90 - 75
R45189	4E15	24	70 - 87	R45832	3E13	19	50 - 85	R46567	1C15	5	20 - 30
R45192	1B9	7	20 - 6	R45847	2B10	..	40 - 3	R46622	2B16	11	40 - 8
R45193	1B9	6	20 - 6	R45847	2B12	22	40 - 5	R46626	1D9	14	30 - 3
R45194	1B9	5	20 - 6	R45847	2B16	..	40 - 8	R46627	1D9	11	30 - 3
R45195	1B9	8	20 - 6	R45847	5C2	8	90 - 21	R46636	3F14	7	50 - 111
R45205	3D19	6	50 - 66	R45847	5C2	32	90 - 21	R46662	5F1	..	90 - 97
R45211	2B9	11	40 - 2	R45847	5C2	33	90 - 21	R46663	5D6	..	90 - 51
R45211	2B10	..	40 - 3	R45874	4B10	28	70 - 5	R46663	5E8	..	90 - 77
R45211	5C2	34A	90 - 21	R459R	3E2	2	50 - 73	R46663	5F1	..	90 - 97
R45212	3E6	15	50 - 77	R459R	3E3	5	50 - 74	R46673	3I4	11	60 - 34
R45215	4E15	26	70 - 87	R459R	3E4	2	50 - 75	R46673	3I5	6	60 - 35
R45225	3C5	12	50 - 23	R459R	3G25	4	60 - 3	R46674	3I4	10	60 - 34
R45227	4B10	14	70 - 5	R459R	3H6	14	60 - 9	R46674	3I5	5	60 - 35
R45227	4B10	15	70 - 5	R459R	3I12	4	60 - 42	R46679	1D18	20	30 - 14
R45227	4B10	16	70 - 5	R459R	4F24	14	70 - 123	R46679	1D19	12	30 - 15
R45228	4B10	14	70 - 5	R459R	4G5	14	70 - 129	R46681	1D18	16	30 - 14
R45228	4B10	15	70 - 5	R459R	4G8	6	70 - 132	R46681	1D19	10	30 - 15
R45228	4B10	16	70 - 5	R459R	4G11	3	70 - 134	R46682	1D18	11	30 - 14
R45250	3G12	10	50 - 138	R45924	4D2	23	70 - 45	R46682	1D19	7	30 - 15
R45251	3G12	11	50 - 138	R45924	4D16	9	70 - 60	R46682	1D20	9	30 - 16
R45269	3E3	3	50 - 74	R45925	4D2	22	70 - 45	R46682	1D21	6	30 - 17
R45271	3E6	23	50 - 77	R45925	4D16	8	70 - 60	R46683	1D18	13	30 - 14
R45351	4H5	9	80 - 14	R45936	2D14	2	40 - 49	R46684	1D18	15	30 - 14
R45356	3F24	3	50 - 123	R45936	2D16	2	40 - 51	R46684	1D19	9	30 - 15
R45357	3F24	1	50 - 123	R45936	2D18	2	40 - 53	R46685	1D18	9	30 - 14
R45358	3F24	4	50 - 123	R45937	2D14	3	40 - 49	R46685	1D19	5	30 - 15
R45359	3F24	5	50 - 123	R45937	2D16	3	40 - 51	R46685	1D20	8	30 - 16
R45397	5E2	17	90 - 71	R45937	2D18	3	40 - 53	R46685	1D21	5	30 - 17
R45397	5E2	32	90 - 71	R45950	1C2	..	20 - 20	R46686	1D18	7	30 - 14
R45397	5E10	1	90 - 79	R45981	5B7	11	90 - 1	R46686	1D19	3	30 - 15
R45422	4B12	34	70 - 7	R46004	3F16	15	50 - 113	R46686	1D20	6	30 - 16
R45422	4B20	26	70 - 15	R46098	5B7	6	90 - 1	R46686	1D21	3	30 - 17
R45422	4B22	26	70 - 17	R46099	5B7	2	90 - 1	R46687	1D18	8	30 - 14
R45423	4B12	28	70 - 7	R46205	3C15	7	50 - 33	R46688	1D18	10	30 - 14
R45424	4B12	29A	70 - 7	R46205	3C16	7	50 - 34	R46689	1D18	12	30 - 14
R45425	4B12	31	70 - 7	R46345	4B7	3	70 - 1	R46691	1D18	5	30 - 14
R45425	4B20	22A	70 - 15	R46414	1B16	..	20 - 15	R46691	1D19	1	30 - 15
R45425	4B22	22A	70 - 17	R46414	1B18	..	20 - 17	R46691	1D20	4	30 - 16
R45438	4B10	1	70 - 5	R46414	1D11	2	30 - 6	R46691	1D21	1	30 - 17
R45438	4B20	1	70 - 15	R46414	1D15	11	30 - 11	R46692	1D18	19	30 - 14
R45440	2B10	..	40 - 3	R46414	2B16	3	40 - 8	R46693	1D18	2	30 - 14
R45440	4C11	..	70 - 29	R46414	2D4	12	40 - 45	R46693	1D20	2	30 - 16
R45440	4C16	9	70 - 34	R46414	3H9	14	60 - 13	R46701	3G12	5	50 - 138
R45447	4E14	3	70 - 86	R46414	5C2	34B	90 - 21	R46702	3G12	9	50 - 138
R45526	1C20	11B	20 - 35	R46414	5C3	1	90 - 22	R46702	3G15	10	50 - 141
R45537	1F6	27	30 - 55	R46416	3E2	10	50 - 73	R46708	3G5	2	50 - 130
R45537	5F9	2	90 - 105	R46416	3E3	13	50 - 74	R46709	3G5	7	50 - 130
R45569	3G2	10	50 - 127	R46416	3E4	10	50 - 75	R46722	4E21	1	70 - 93
R45582	4H22	7	80 - 30	R46416	3E5	4	50 - 76	R46722	4E23	1	70 - 95
R45620	4F24	8	70 - 123	R46417	3E2	7	50 - 73	R46722	4F1	1	70 - 98
R45620	4G2	25	70 - 125	R46417	3E3	10	50 - 74	R468R	1E13	18	30 - 34
R45620	4G5	8	70 - 129	R46417	3E4	6	50 - 75	R46806	3F20	28	50 - 119
R45620	4G7	17	70 - 131	R46417	3E5	7	50 - 76	R46808	3D16	8	50 - 62
R45620	4G8	11	70 - 132	R46418	3D22	11	50 - 68A	R46815	3E17	15	50 - 89
R45630	4F2	5	70 - 99	R46418	3D22	12	50 - 68A	R46815	3E19	19	50 - 91
R45630	4F4	5	70 - 101	R46418	3D22	13	50 - 68A	R46815	3E21	36	50 - 93
R45630	4F12	5	70 - 110	R46418	3D23	9	50 - 69	R46855	3F10	9	50 - 106
R45638	3G12	4	50 - 138	R46418	3E2	25	50 - 73	R46862	3F10	3	50 - 106
R45638	3G15	8	50 - 141	R46419	3D23	10	50 - 69	R46863	3F10	1	50 - 106
R45638	3G17	5	50 - 143	R46443	4D5	2	70 - 49	R469R	1E13	18	30 - 34
R45692	1B9	22	20 - 6	R46450	3D19	17	50 - 66	R46901	3F10	4	50 - 106
R45693	1B8	2	20 - 5	R46451	3D19	18	50 - 66	R46902	3F12	2	50 - 108
R45693	1B9	20	20 - 6	R46472	1D22	4	30 - 18	R46903	1B13	1	20 - 11
R45693	1D9	27	30 - 3	R46479	1D1	12	20 - 41	R46903	1B16	24	20 - 15
R45811	3G25	10	60 - 3	R46479	1D3	24	20 - 43	R46919	3G18	13	50 - 144
R45811	3H1	4	60 - 4	R46485	4C13	9	70 - 31	R46987	3I16	3	60 - 47

1K23

4630 TRACTOR

NUMERICAL INDEX - CONTINUED

PART NO.	GRID	KEY	PAGE	PART NO.	GRID	KEY	PAGE	PART NO.	GRID	KEY	PAGE
R46987	3I16	7	60 - 47	R47449	3E23	21	50 - 95	R48253	3F14	16	50 - 111
R46987	4C19	5	70 - 37	R47450	3E23	22	50 - 95	R48253	3F16	18	50 - 113
R47016	4E15	7	70 - 87	R47468	5C2	14	90 - 21	R48291	1B9	21	20 - 6
R47018	4E15	11	70 - 87	R47474	2B10	..	40 - 3	R48291	1D3	1	20 - 43
R47020	1C2	..	20 - 20	R47474	2B12	23	40 - 5	R48293	2D18	16	40 - 53
R47067	4D22	19A	70 - 67	R47474	2B12	..	40 - 5	R48347	3G6	6	50 - 131
R47074	1C14	1	20 - 29	R47474	2C4	..	40 - 20	R48358	1E13	7	30 - 34
R47074	3C6	13	50 - 24	R47474	2E4	20	40 - 63	R48359	1E13	7	30 - 34
R47074	3C9	7	50 - 27	R47474	2E25	25	40 - 80	R48360	1E13	7	30 - 34
R47074	3C10	6	50 - 28	R47474	2F2	3	40 - 82	R48362	1D1	6	20 - 41
R47081	3E8	6	50 - 79	R47474	2F2	4	40 - 82	R48362	1D13	17	30 - 9
R47085	3I16	10	60 - 47	R47474	2F2	10	40 - 82	R48370	3F1	3	50 - 96
R47086	3I16	11	60 - 47	R47474	2F3	10	40 - 83	R48384	1B16	..	20 - 15
R47087	3I16	9	60 - 47	R47474	2F9	21	40 - 91	R48384	1B18	..	20 - 17
R47092	1B16	3	20 - 15	R47474	2F20	12	40 - 97	R48384	5C2	48	90 - 21
R47095	4E15	21	70 - 87	R47474	2F22	12	40 - 97B	R48384	5C3	3	90 - 22
R47110	1C2	..	20 - 20	R47509	3E17	27	50 - 89	R48396	1C4	14	20 - 22
R47117	3C5	7	50 - 23	R47576	2B12	23	40 - 5	R48398	1C15	1	20 - 30
R47118	3C5	5	50 - 23	R47576	2B12	25	40 - 5	R48401	3E3	4	50 - 74
R47119	3C5	4	50 - 23	R47576	4C17	18	70 - 35	R48440	1C2	..	20 - 20
R47121	3C13	5	50 - 31	R47578	4D25	22	70 - 71	R48465	3E11	11	50 - 82
R47123	3D22	19	50 - 68A	R47581	4D25	26	70 - 71	R48632	1D9	24	30 - 3
R47123	3D23	2	50 - 69	R47585	4D25	8	70 - 71	R48632	4I7	18	80 - 39
R47125	3D23	8	50 - 69	R47586	4D25	8	70 - 71	R48633	1D3	16	20 - 43
R47141	3G4	4	50 - 129	R47590	4D25	32	70 - 71	R48633	1E13	1	30 - 34
R47142	3G4	1	50 - 129	R47605	3I16	21	60 - 47	R48633	1E19	12	30 - 40
R47153	1C17	13	20 - 32	R47605	5D18	3	90 - 63	R48647	3F2	6	50 - 97
R47153	1D1	17	20 - 41	R47606	3I16	20	60 - 47	R48648	3D19	10	50 - 66
R47153	1D3	15	20 - 43	R47607	3I16	23	60 - 47	R48652	3D19	9	50 - 66
R47153	1D3	36	20 - 43	R47646	1F6	29	30 - 55	R48663	2D14	37	40 - 49
R47160	1D24	22	30 - 20	R47666	3B8	1	50 - 2	R48663	2D16	36	40 - 51
R47160	1D25	15	30 - 21	R47678	4D25	31	70 - 71	R48663	2D18	34	40 - 53
R47160	1E1	2	30 - 22	R47679	4D25	29	70 - 71	R48663	2D19	7	40 - 54
R47169	3F20	11	50 - 119	R47684	3D19	11	50 - 66	R48663	5D12	16	90 - 57
R47170	1C2	..	20 - 20	R47687	3F11	20	50 - 107	R48689	1E19	3	30 - 40
R47197	5C8	3	90 - 25	R47687	3I7	10	60 - 37	R48691	1E19	4	30 - 40
R47224	5B9	4	90 - 3	R47687	3I7	20	60 - 37	R48692	1E19	5	30 - 40
R47226	5B9	17	90 - 3	R47692	1C23	2	20 - 38	R48693	1D3	14	20 - 43
R47227	5B9	14	90 - 3	R47693	1C23	4	20 - 38	R48693	1E19	7	30 - 40
R47228	5B9	13	90 - 3	R47693	1C24	4	20 - 39	R48694	1E19	6	30 - 40
R47229	5B9	16	90 - 3	R47694	3G24	11	60 - 2	R48695	1E19	2	30 - 40
R47230	5B9	1	90 - 3	R47694	3H6	31	60 - 9	R48696	1E19	1	30 - 40
R47231	5B9	2	90 - 3	R47756	4C11	10	70 - 29	R48698	1E19	8	30 - 40
R47232	5B9	3	90 - 3	R47756	4C14	14	70 - 32	R48698	4F8	3	70 - 105
R47233	5B9	8	90 - 3	R47816	3E23	4	50 - 95	R48699	1E19	8	30 - 40
R47234	5B9	7	90 - 3	R47831	2D20	4	40 - 55	R48700	1E19	8	30 - 40
R47235	5B9	25	90 - 3	R47859	2G1	1	40 - 101	R48701	1E19	8	30 - 40
R47235	5B10	11	90 - 4	R47860	2F24	9	40 - 99	R48702	1E19	8	30 - 40
R47235	5B11	10	90 - 5	R47861	2F24	9	40 - 99	R48703	1E19	8	30 - 40
R47292	5C4	10	90 - 23	R47886	2D23	5	40 - 58	R48704	1E19	8	30 - 40
R47300	4D11	8A	70 - 55	R47998	3H3	1	60 - 6	R48705	1E19	8	30 - 40
R47301	4D11	10	70 - 55	R47998	3H4	34	60 - 7	R48706	1E19	8	30 - 40
R47314	1D13	3	30 - 9	R47998	3H12	1	60 - 16	R48709	1D16	5	30 - 12
R47319	3E23	20	50 - 95	R47998	3H15	39	60 - 19	R48710	1D16	6	30 - 12
R47320	1B24	1	20 - 17F	R48013	3F2	10	50 - 97	R48723	1D9	23	30 - 3
R47321	3E23	24	50 - 95	R48013	3F5	20	50 - 101	R48738	4B10	19	70 - 5
R47351	4D15	23	70 - 59	R48013	3I16	15	60 - 47	R48738	4B12	23	70 - 7
R47353	4D15	23	70 - 59	R48026	2F24	..	40 - 99	R48738	4B20	17	70 - 15
R47358	1E5	17	30 - 26	R48027	2F24	..	40 - 99	R48738	4B22	17	70 - 17
R47358	1E6	22	30 - 27	R48028	2F24	28	40 - 99	R48755	1B16	16	20 - 15
R47393	3F2	9	50 - 97	R48048	2F24	17	40 - 99	R48758	3F1	24	50 - 96
R47395	1D3	32	20 - 43	R48049	2F24	27	40 - 99	R48769	3F2	8	50 - 97
R47395	1D13	4	30 - 9	R48071	1E5	8	30 - 26	R48784	3G25	12	60 - 3
R47419	1C5	4	20 - 23	R48071	1E6	8	30 - 27	R48788	1D13	18	30 - 9
R47430	1D1	2	20 - 41	R48084	4C14	5	70 - 32	R48789	3E6	14	50 - 77
R47444	3F2	5	50 - 97	R48163	4D25	10	70 - 71	R48792	3B23	13	50 - 18
R47448	3E23	32	50 - 95	R48164	4D25	11	70 - 71	R48811	3G2	23	50 - 127

1K24

4630 TRACTOR

NUMERICAL INDEX - CONTINUED

PART NO.	GRID	KEY	PAGE	PART NO.	GRID	KEY	PAGE	PART NO.	GRID	KEY	PAGE
R48815	4E5	20	70 - 77	R495R	4C13	17	70 - 31	R49890	3D13	4	50 - 58
R48816	4E5	20	70 - 77	R495R	4C13	20	70 - 31	R49924	4D11	13	70 - 55
R48864	3I4	6	60 - 34	R495R	4E15	20	70 - 87	R49930	5C13	3	90 - 31
R48887	2G13	17	40 - 111	R495R	4F12	13	70 - 110	R49932	4D7	30	70 - 51
R48951	3D3	4	50 - 48	R49526	1D10	16	30 - 5	R49932	4D9	24	70 - 53
R48951	3D19	7	50 - 66	R49527	3D16	3	50 - 62	R49955	4C21	22	70 - 39
R48957	3I16	4	60 - 47	R49549	1E19	8	30 - 40	R49955	4D12	21	70 - 56
R48976	2C19	9	40 - 35	R49550	1C2	..	20 - 20	R49975	3H11	20	60 - 15
R48976	2C24	9	40 - 41	R49551	1E19	8	30 - 40	R49975	3I2	20	60 - 31
R48978	4E21	8	70 - 93	R49552	1E19	8	30 - 40	R49975	3I2	31	60 - 31
R48978	4E23	8	70 - 95	R49553	1E19	8	30 - 40	R49976	3H11	24	60 - 15
R48979	4E21	2	70 - 93	R49554	1E19	8	30 - 40	R49983	5F15	11	90 - 111
R48980	4E21	6	70 - 93	R49555	1E19	8	30 - 40	R49984	5F15	1	90 - 111
R48980	4E23	6	70 - 95	R49556	1E19	8	30 - 40	R49990	3D24	9	50 - 70
R48981	4E21	7	70 - 93	R49557	1E19	8	30 - 40	R50012	4F17	6	70 - 115
R490R	3C9	14	50 - 27	R49558	1E19	8	30 - 40	R50013	4F17	17	70 - 115
R49071	4B14	25	70 - 9	R49570	3H11	6	60 - 15	R50034	3I14	31	60 - 45
R49071	4B14	27	70 - 9	R49601	4G18	5	80 - 1	R50044	2B21	7	40 - 13
R49071	4B14	28	70 - 9	R49602	4G21	10	80 - 5	R50044	2C3	7	40 - 19
R49071	4B14	29	70 - 9	R49603	4G21	10	80 - 5	R50046	2B21	21	40 - 13
R49071	4B14	30	70 - 9	R49604	4G18	5	80 - 1	R50046	2C3	20	40 - 19
R49071	4B14	31	70 - 9	R49605	4G21	10	80 - 5	R50064	4D2	18	70 - 45
R49071	4B16	9	70 - 11	R49606	4G21	10	80 - 5	R50065	4D2	3	70 - 45
R49072	4B14	26	70 - 9	R49629	1E14	30	30 - 35	R50065	4D16	2	70 - 60
R49072	4B16	14	70 - 11	R49630	4H9	1	80 - 18	R50065	4E17	3	70 - 89
R49187	4E21	12	70 - 93	R49630	4H9	3	80 - 18	R50066	4E17	7	70 - 89
R49187	4E24	1	70 - 96	R49650	1B9	7	20 - 6	R50067	4E17	12	70 - 89
R49187	4F2	26	70 - 99	R49650	1B9	8	20 - 6	R50075	3I2	36	60 - 31
R49191	4F2	34	70 - 99	R49650	1B16	20	20 - 15	R50075	4G23	5	80 - 7
R49191	4F4	32	70 - 101	R49650	1B16	27	20 - 15	R50075	4G25	5	80 - 9
R49191	4F6	..	70 - 103	R49650	1B16	36	20 - 15	R50104	3H11	13	60 - 15
R49193	4F24	26	70 - 123	R49650	1B16	37	20 - 15	R50104	3I2	32	60 - 31
R49193	4G5	26	70 - 129	R49650	1B18	1	20 - 17	R50105	3H11	8	60 - 15
R49193	4G11	16	70 - 134	R49650	1B20	1	20 - 17B	R50106	4F17	4	70 - 115
R49221	4E24	9	70 - 96	R49650	1C2	..	20 - 20	R50107	4F17	12	70 - 115
R49297	4B10	17	70 - 5	R49708	4E21	31	70 - 93	R50108	4F17	16	70 - 115
R49297	4B12	21	70 - 7	R49803	3H11	11	60 - 15	R50149	3C6	1	50 - 24
R49297	4B20	15	70 - 15	R49804	3H11	15	60 - 15	R50152	3C6	13	50 - 24
R49297	4B22	15	70 - 17	R49804	3I2	22	60 - 31	R50152	3C9	7	50 - 27
R49298	4B10	20	70 - 5	R49805	3H11	17	60 - 15	R50152	3C9	34A	50 - 27
R49298	4B12	24	70 - 7	R49805	3I2	18	60 - 31	R50152	3C9	34B	50 - 27
R49298	4B20	18	70 - 15	R49816	3E15	22	50 - 87	R50152	3C11	36	50 - 29
R49298	4B22	18	70 - 17	R49816	3F1	21	50 - 96	R50152	3C12	2	50 - 30
R49336	4D5	11	70 - 49	R49817	3E15	23	50 - 87	R50153	3C9	37	50 - 27
R49345	3I16	25	60 - 47	R49817	3F1	20	50 - 96	R50153	3C11	39	50 - 29
R49345	3I16	26	60 - 47	R49819	3F1	16	50 - 96	R50155	3B14	30	50 - 9
R49352	4G2	4	70 - 125	R49840	3B23	10	50 - 18	R50155	3B16	37	50 - 11
R49352	4G7	6	70 - 131	R49840	3D8	7	50 - 53	R50155	3C6	9	50 - 24
R49411	4D11	18	70 - 55	R49847	4G18	4	80 - 1	R50156	3B12	18	50 - 7
R49415	1E13	12	30 - 34	R49847	4G19	4	80 - 2	R50157	3D7	13	50 - 52
R49464	1C15	20	20 - 30	R49848	3F25	18	50 - 124	R50158	3D7	12	50 - 52
R49464	1C16	6	20 - 31	R49848	4G21	3	80 - 5	R50159	3D7	11	50 - 52
R49465	1C15	23	20 - 30	R49849	4G23	20	80 - 7	R50162	3D8	2	50 - 53
R49465	1C16	9	20 - 31	R49851	4G23	20	80 - 7	R50162	3F9	2	50 - 105
R49465	1C16	11	20 - 31	R49860	4H4	9	80 - 13	R50189	3B12	8	50 - 7
R49465	1C16	12	20 - 31	R49860	4H4	14	80 - 13	R50196	5F1	7	90 - 97
R49470	1B16	20	20 - 15	R49860	4H4	15	80 - 13	R50197	4C25	11	70 - 43
R49470	1B16	27	20 - 15	R49860	4H4	16	80 - 13	R50197	4D12	2	70 - 56
R49470	1B16	36	20 - 15	R49866	1B11	4	20 - 9	R50198	5E2	8	90 - 71
R49470	1B16	37	20 - 15	R49866	1D3	2	20 - 43	R50198	5E6	11	90 - 75
R49470	1B20	1	20 - 17B	R49878	4E9	25	70 - 81	R50198	5F11	19	90 - 107
R495R	1B11	8	20 - 9	R49878	4E11	11	70 - 83	R50198	5F13	9	90 - 109
R495R	1D3	12	20 - 43	R49879	4E9	18	70 - 81	R50198	5F13	23	90 - 109
R495R	3G24	12	60 - 2	R49879	4E11	12	70 - 83	R50198	5F13	26	90 - 109
R495R	3H6	32	60 - 9	R49885	4C24	6	70 - 42	R50199	4H25	40	80 - 33
R495R	3I11	25	60 - 41	R49887	4C25	11	70 - 43	R50201	1E4	30	30 - 25
R495R	4C13	16	70 - 31	R49888	4C25	9	70 - 43	R50201	1E6	14	30 - 27

1K25

4630 TRACTOR

NUMERICAL INDEX - CONTINUED

PART NO.	GRID	KEY	PAGE	PART NO.	GRID	KEY	PAGE	PART NO.	GRID	KEY	PAGE
R50201	1E11	11	30 - 32	R50354	1C13	4	20 - 28	R50425	1E5	4	30 - 26
R50201	1E13	16	30 - 34	R50355	1C13	7	20 - 28	R50425	1E6	4	30 - 27
R50201	3F11	15	50 - 107	R50356	1B9	13	20 - 6	R50426	1E5	5	30 - 26
R50201	3I7	14A	60 - 37	R50357	1B12	20	20 - 10	R50426	1E6	5	30 - 27
R50202	4C25	11	70 - 43	R50358	1B12	19	20 - 10	R50427	1E5	1	30 - 26
R50207	4H22	8	80 - 30	R50359	3B10	12	50 - 4	R50427	1E6	1	30 - 27
R50209	5E13	14	90 - 83	R50359	3D15	9	50 - 61	R50427	1E7	1	30 - 28
R50213	5E13	9	90 - 83	R50359	3F12	15	50 - 108	R50437	5D8	38	90 - 53
R50215	4B7	6	70 - 1	R50360	1B9	15	20 - 6	R50439	5C9	1	90 - 27
R50216	4C6	2A	70 - 24	R50360	1B24	1	20 - 17F	R50439	5D8	2	90 - 53
R50217	5C11	4	90 - 29	R50365	3C3	23	50 - 21B	R50443	5D6	10	90 - 51
R50217	5E2	1	90 - 71	R50375	1C17	1	20 - 32	R50445	5D6	9	90 - 51
R50217	5E4	2	90 - 73	R50375	1C17	3	20 - 32	R50446	5D6	6	90 - 51
R50219	1F6	16	30 - 55	R50375	1C17	6	20 - 32	R50449	5D6	10	90 - 51
R50222	3C5	18	50 - 23	R50377	1C15	4	20 - 30	R50451	5C4	13	90 - 23
R50222	3C9	6	50 - 27	R50378	1B16	19	20 - 15	R50452	2B12	23	40 - 5
R50222	3C10	7	50 - 28	R50378	1C15	2	20 - 30	R50452	5B13	23	90 - 7
R50225	1F6	19	30 - 55	R50378	1C15	16	20 - 30	R50453	2F11	36	40 - 93
R50226	1F6	6	30 - 55	R50378	1D3	35	20 - 43	R50454	5C2	30	90 - 21
R50227	1F6	4	30 - 55	R50379	1C15	17	20 - 30	R50455	5B15	11	90 - 8
R50229	4B7	9	70 - 1	R50381	1C15	15	20 - 30	R50456	5B13	3	90 - 7
R50240	3F20	12	50 - 119	R50384	1C15	26	20 - 30	R50456	5C2	13	90 - 21
R50244	5D8	4	90 - 53	R50386	1C15	25	20 - 30	R50457	5E4	7	90 - 73
R50250	4C21	18	70 - 39	R50387	1B11	9	20 - 9	R50459	5E2	15	90 - 71
R50250	4D12	18	70 - 56	R50388	1B11	6	20 - 9	R50459	5E2	32	90 - 71
R50252	3D7	3	50 - 52	R50389	1B11	7	20 - 9	R50460	5E2	16	90 - 71
R50255	3D7	20	50 - 52	R50390	1C13	13	20 - 28	R50460	5E2	32	90 - 71
R50256	3D7	21	50 - 52	R50390	1D3	27	20 - 43	R50461	5C2	21	90 - 21
R50259	3B14	2	50 - 9	R50392	1D22	10	30 - 18	R50462	5C2	27	90 - 21
R50259	3B16	24	50 - 11	R50393	1C13	12	20 - 28	R50469	5D6	21	90 - 51
R50260	4D12	18	70 - 56	R50396	1D13	12	30 - 9	R50470	5D6	20	90 - 51
R50266	3D7	15	50 - 52	R50397	1D3	5	20 - 43	R50476	5F13	9	90 - 109
R50272	5E2	19	90 - 71	R50397	1D13	13	30 - 9	R50477	5F13	9	90 - 109
R50272	5E10	15	90 - 79	R50398	1D13	5	30 - 9	R50481	5B17	2	90 - 11
R50274	3H11	14	60 - 15	R50399	1D3	19	20 - 43	R50499	2D24	4	40 - 59
R50275	3H11	16	60 - 15	R50399	1D13	9	30 - 9	R50499	2E21	17	40 - 76
R50275	3I2	19	60 - 31	R50400	1D13	14	30 - 9	R50499	2E22	16	40 - 77
R50276	3H11	22	60 - 15	R50402	1D1	2	20 - 41	R50499	2E25	5	40 - 80
R50276	3I2	29	60 - 31	R50402	1D13	16	30 - 9	R50499	5B15	1	90 - 8
R50277	2F9	16	40 - 91	R50404	1D13	7	30 - 9	R50500	2F2	16	40 - 82
R50279	5B17	4	90 - 11	R50405	1D3	18	20 - 43	R50500	5B15	13	90 - 8
R50282	3C3	23	50 - 21B	R50405	1D13	6	30 - 9	R50500	5B16	10	90 - 9
R50282	3D7	22	50 - 52	R50406	1D3	17	20 - 43	R50501	5E2	9	90 - 71
R50287	3B10	7	50 - 4	R50406	1D13	8	30 - 9	R50505	1F6	8	30 - 55
R50290	3B8	4	50 - 2	R50408	1C25	15	20 - 40	R50506	1F6	7	30 - 55
R50300	3F9	8	50 - 105	R50409	1C25	5	20 - 40	R50523	3C19	12	50 - 37
R50302	3D8	1	50 - 53	R50410	1C25	6	20 - 40	R50526	3C19	1	50 - 37
R50302	3F9	1	50 - 105	R50410	1C25	15	20 - 40	R50526	3C20	4	50 - 38
R50312	3F8	24	50 - 104	R50411	1C25	7	20 - 40	R50541	5E15	15	90 - 85
R50313	3F8	21	50 - 104	R50413	1C25	2	20 - 40	R50541	5E15	18	90 - 85
R50314	3F8	14	50 - 104	R50414	1C4	16	20 - 22	R50550	3C6	12	50 - 24
R50329	3C3	1	50 - 21B	R50415	1D1	1	20 - 41	R50558	3F8	8	50 - 104
R50329	3F14	12	50 - 111	R50415	1D1	19	20 - 41	R50559	3F8	12	50 - 104
R50329	3F16	25	50 - 113	R50416	1D1	18	20 - 41	R50559	4D7	51	70 - 51
R50333	3B10	16	50 - 4	R50417	1D3	21	20 - 43	R50561	3C3	5	50 - 21B
R50333	3B17	3	50 - 12	R50418	1C17	10	20 - 32	R50562	3C1	7	50 - 21
R50334	3B17	5	50 - 12	R50419	1C17	7	20 - 32	R50563	3C1	11	50 - 21
R50341	3B12	1	50 - 7	R50419	1D3	23	20 - 43	R50564	3C5	18	50 - 23
R50348	3C9	30A	50 - 27	R50420	1C17	13	20 - 32	R50565	3E23	3	50 - 95
R50348	3C9	30B	50 - 27	R50420	1D1	17	20 - 41	R50565	3E23	15	50 - 95
R50348	3C11	32	50 - 29	R50420	1D3	15	20 - 43	R50566	3E23	2	50 - 95
R50349	3C9	8	50 - 27	R50420	1D3	36	20 - 43	R50567	3E23	1	50 - 95
R50349	3C10	8	50 - 28	R50421	1C17	4	20 - 32	R50568	3E23	3	50 - 95
R50349	3C12	6	50 - 30	R50422	1C17	14	20 - 32	R50569	3D23	16	50 - 69
R50352	1C13	3	20 - 28	R50423	1C17	12	20 - 32	R50569	3F8	4	50 - 104
R50353	1C13	2	20 - 28	R50424	1C17	11	20 - 32	R50570	3F8	20	50 - 104
R50353	1D3	39	20 - 43	R50424	1D3	34	20 - 43	R50571	3F8	22	50 - 104

1L1

4630 TRACTOR

NUMERICAL INDEX - CONTINUED

PART NO.	GRID	KEY	PAGE	PART NO.	GRID	KEY	PAGE	PART NO.	GRID	KEY	PAGE
R50572	3F8	15	50 - 104	R50753	5E17	4	90 - 87	R50893	2D5	13	40 - 45A
R50575	3E10	5	50 - 81	R50754	5E17	5	90 - 87	R50894	2D8	12	40 - 45D
R50587	5F1	7	90 - 97	R50755	5E17	2	90 - 87	R50894	2D9	11	40 - 45E
R50588	5F3	38	90 - 99	R50756	5E17	3	90 - 87	R50897	2D5	10	40 - 45A
R50589	5B15	2	90 - 8	R50757	5E17	1	90 - 87	R50899	2D6	11	40 - 45B
R50591	5F3	21	90 - 99	R50758	5E17	23	90 - 87	R50899	2D8	17	40 - 45D
R50624	5C13	4	90 - 31	R50761	5F1	1	90 - 97	R50899	2D9	17	40 - 45E
R50628	3D8	6	50 - 53	R50762	5F1	1	90 - 97	R50900	2D5	1	40 - 45A
R50628	3F9	6	50 - 105	R50779	1E4	18	30 - 25	R50901	2D5	21	40 - 45A
R50629	3D7	19	50 - 52	R50784	1D16	21	30 - 12	R50902	2D5	5	40 - 45A
R50630	3F20	12	50 - 119	R50785	1D16	21	30 - 12	R50903	2D5	6	40 - 45A
R50638	5E17	10	90 - 87	R50788	5C11	12	90 - 29	R50904	2D5	9	40 - 45A
R50639	5E17	11	90 - 87	R50788	5D6	14	90 - 51	R50905	2D5	24	40 - 45A
R50640	5E17	26	90 - 87	R50789	5C11	18	90 - 29	R50906	2D5	19	40 - 45A
R50641	5E10	10B	90 - 79	R50789	5D6	1	90 - 51	R50907	2D6	5	40 - 45B
R50641	5E10	13	90 - 79	R50799	3E13	25	50 - 85	R50909	2D6	12	40 - 45B
R50641	5E17	6	90 - 87	R50800	3E13	17	50 - 85	R50910	2D8	18	40 - 45D
R50642	5E17	27	90 - 87	R50802	3E13	29	50 - 85	R50910	2D9	16	40 - 45E
R50643	5E17	8	90 - 87	R50803	3E13	39	50 - 85	R50912	2D7	8	40 - 45C
R50644	5E17	24	90 - 87	R50804	3E13	43	50 - 85	R50913	2D6	2	40 - 45B
R50645	5E17	21	90 - 87	R50810	2D16	14	40 - 51	R50914	2D6	7	40 - 45B
R50647	5E17	16	90 - 87	R50810	2D18	14	40 - 53	R50915	2D6	8	40 - 45B
R50648	5E17	22	90 - 87	R50819	4H19	23	80 - 27	R50916	2D6	3	40 - 45B
R50649	5E17	17	90 - 87	R50820	4H19	18	80 - 27	R50917	2D6	10	40 - 45B
R50650	5E17	17	90 - 87	R50821	4H19	18	80 - 27	R50918	2D6	14	40 - 45B
R50652	5F13	14	90 - 109	R50823	3D7	14	50 - 52	R50919	2D6	15	40 - 45B
R50659	2C11	10	40 - 27	R50830	3D8	10	50 - 53	R50920	2D6	9	40 - 45B
R50659	2C13	27	40 - 29	R50830	3D10	13	50 - 55	R50921	2D6	18	40 - 45B
R50659	2C15	31	40 - 31	R50830	3D10	15	50 - 55	R50922	2D6	16	40 - 45B
R50670	5F11	14	90 - 107	R50830	3F9	10	50 - 105	R50923	2D7	1	40 - 45C
R50688	5E4	10	90 - 73	R50830	3F9	12	50 - 105	R50924	2D7	2	40 - 45C
R50689	5E4	9	90 - 73	R50832	3C6	3	50 - 24	R50925	2D7	3	40 - 45C
R50690	5E4	10	90 - 73	R50833	3C6	7	50 - 24	R50927	2D7	14	40 - 45C
R50691	5E4	14	90 - 73	R50833	3C6	11	50 - 24	R50928	2D7	17	40 - 45C
R50692	5E4	11	90 - 73	R50846	3D3	8	50 - 48	R50929	2D7	15	40 - 45C
R50692	5E8	10	90 - 77	R50846	3D3	10	50 - 48	R50930	2D7	12	40 - 45C
R50693	5B13	18	90 - 7	R50847	3D3	7	50 - 48	R50931	2D6	20	40 - 45B
R50694	5E4	13	90 - 73	R50850	3B14	13	50 - 9	R50931	2D7	9	40 - 45C
R50695	5E4	15	90 - 73	R50850	3B15	13	50 - 10	R50936	5F11	9	90 - 107
R50695	5E8	7	90 - 77	R50851	3B14	34	50 - 9	R50938	3B12	11	50 - 7
R50696	5B13	16	90 - 7	R50851	3B16	31	50 - 11	R50940	3B12	17	50 - 7
R50696	5E4	18	90 - 73	R50863	3B16	39	50 - 11	R50960	3B12	13	50 - 7
R50696	5E8	2	90 - 77	R50863	3D2	2	50 - 47	R50968	2B9	12	40 - 2
R50697	5E4	17	90 - 73	R50864	3C19	12	50 - 37	R50972	3B23	3	50 - 18
R50697	5E8	5	90 - 77	R50864	3C20	7	50 - 38	R50973	3D13	1	50 - 58
R50698	5E4	16	90 - 73	R50864	3E13	14	50 - 85	R50973	3E1	6	50 - 72
R50698	5E8	6	90 - 77	R50865	3E15	19	50 - 87	R50974	2E21	1	40 - 76
R50711	3H10	10	60 - 14	R50866	3E13	7	50 - 85	R50974	2E22	1	40 - 77
R50711	4C14	17	70 - 32	R50868	3H4	2	60 - 7	R50974	2E23	13	40 - 78
R50712	3G23	8	60 - 1	R50868	3H15	2	60 - 19	R50974	2E25	7	40 - 80
R50712	3H12	15	60 - 16	R50868	3H17	4	60 - 19B	R50984	4E5	14	70 - 77
R50712	3H15	15	60 - 19	R50869	3H15	6	60 - 19	R50984	4E9	14	70 - 81
R50719	5E13	7	90 - 83	R50869	3H17	8	60 - 19B	R50993	3B12	4	50 - 7
R50719	5E13	11	90 - 83	R50871	3H4	30	60 - 7	R51001	3B14	7	50 - 9
R50719	5E17	13	90 - 87	R50871	3H15	35	60 - 19	R51003	1C4	3	20 - 22
R50724	4H19	1	80 - 27	R50874	3G23	2	60 - 1	R51003	3B12	10	50 - 7
R50724	4H19	5	80 - 27	R50875	3H3	6	60 - 6	R51004	1C4	5	20 - 22
R50724	4H20	1	80 - 28	R50875	3H4	1	60 - 7	R51008	5F11	20	90 - 107
R50724	4H20	3	80 - 28	R50875	3H12	23	60 - 16	R51009	5F11	20	90 - 107
R50725	4H19	1	80 - 27	R50875	3H15	1	60 - 19	R51010	5F11	20	90 - 107
R50725	4H19	5	80 - 27	R50875	3H17	2	60 - 19B	R51011	5E2	3	90 - 71
R50725	4H20	1	80 - 28	R50879	3I14	30	60 - 45	R51011	5E6	4	90 - 75
R50725	4H20	3	80 - 28	R50883	3B20	14	50 - 15	R51012	5E2	2A	90 - 71
R50734	5E17	20	90 - 87	R50883	3B20	16	50 - 15	R51015	5B17	12	90 - 11
R50735	5E17	25	90 - 87	R50891	2D5	2	40 - 45A	R51023	5B17	13	90 - 11
R50736	4H25	10	80 - 33	R50891	2D7	13	40 - 45C	R51029	3D3	9	50 - 48
R50740	5D6	5	90 - 51	R50892	2D5	3	40 - 45A	R51030	3D3	20	50 - 48

1L2

4630 TRACTOR

NUMERICAL INDEX - CONTINUED

PART NO.	GRID	KEY	PAGE	PART NO.	GRID	KEY	PAGE	PART NO.	GRID	KEY	PAGE
R51052	3B14	29	50-9	R51351	3B14	3	50-9	R51557	4I2	11	80-35
R51067	3E15	31	50-87	R51351	3B16	23	50-11	R51563	3B8	2	50-2
R51073	1E4	11	30-25	R51352	3B14	15	50-9	R51563	3B8	4	50-2
R51079	3H3	24	60-6	R51352	3B15	11	50-10	R51563	3B9	13	50-3
R51080	3H3	25	60-6	R51353	4D7	29	70-51	R51571	4C13	16	70-31
R51080	3H12	8	60-16	R51353	4D9	25	70-53	R51571	4C13	17	70-31
R51100	3D8	8	50-53	R51359	4D7	42	70-51	R51571	4C13	19	70-31
R51101	3D8	14	50-53	R51359	4D11	38	70-55	R51571	4C13	20	70-31
R51101	3D10	21	50-55	R51365	3B14	25	50-9	R51572	3E19	13	50-91
R51101	3F9	15	50-105	R51365	3B15	6	50-10	R51573	3E17	13	50-89
R51109	4I1	2	80-34	R51370	4F17	2	70-115	R51573	3E19	17	50-91
R51109	4I2	2	80-35	R51371	5E4	3	90-73	R51574	3D12	19	50-57
R51109	4I3	5	80-36	R51379	1D10	6	30-5	R51574	3E19	31	50-91
R51120	3H11	4	60-15	R51380	1D10	19	30-5	R51575	3E17	14	50-89
R51120	3I2	17	60-31	R51382	1D10	10	30-5	R51575	3E19	18	50-91
R51121	3I2	38	60-31	R51384	3B14	21	50-9	R51576	3E19	22	50-91
R51121	4G23	3	80-7	R51384	3B15	2	50-10	R51577	3B18	25	50-13
R51127	5D14	1	90-59	R51409	4E21	11	70-93	R51577	3D12	21	50-57
R51133	1E6	13	30-27	R51409	4E21	15	70-93	R51577	3E19	20	50-91
R51133	1E6	15	30-27	R51409	4E23	11	70-95	R51577	3E21	26	50-93
R51133	1E6	16	30-27	R51409	4E23	14	70-95	R51589	5E2	7	90-71
R51133	1E8	1	30-29	R51410	4E21	10	70-93	R51590	5E2	24	90-71
R51133	1E8	2	30-29	R51410	4E23	10	70-95	R51590	5E6	14	90-75
R51133	1E8	5	30-29	R51411	4E21	9	70-93	R51603	1D3	13	20-43
R51153	3H4	26	60-7	R51411	4E23	9	70-95	R51603	1E19	10	30-40
R51153	3H15	31	60-19	R51412	4E24	7	70-96	R51603	1E24	2	30-47
R51154	4E3	13	70-75	R51413	4E24	6	70-96	R51648	5C20	12	90-39
R51155	4E3	13	70-75	R51414	4E24	5	70-96	R51648	5D4	3	90-49
R51156	4E3	13	70-75	R51415	4E24	12	70-96	R51648	5D4	11	90-49
R51159	3C6	14	50-24	R51438	5F7	28	90-103	R51648	5D4	28	90-49
R51160	4D11	20	70-55	R51439	5F7	18	90-103	R51649	5C20	11	90-39
R51161	4D11	19	70-55	R51442	4H22	9	80-30	R51649	5D4	10	90-49
R51172	4H25	17	80-33	R51445	1C20	7	20-35	R51649	5D4	29	90-49
R51182	5F13	5	90-109	R51446	1D10	3	30-5	R51651	3B8	7	50-2
R51190	4C21	6	70-39	R51458	3B10	1	50-4	R51651	3B9	7	50-3
R51190	4C21	18	70-39	R51460	3D12	15	50-57	R51653	4H19	13	80-27
R51190	4D12	9	70-56	R51461	3D12	16	50-57	R51654	3D4	3	50-49
R51192	3B10	6	50-4	R51494	3B23	23	50-18	R51654	3F4	14	50-100
R51192	3D15	5	50-61	R51494	3F1	12	50-96	R51659	2D7	7	40-45C
R51192	3I14	23	60-45	R51494	3F11	24	50-107	R51660	2D7	5	40-45C
R51192	3I14	25	60-45	R51494	3C9	12	50-27	R51661	2D5	23	40-45A
R51192	3I14	27	60-45	R51497	5F4	5	90-100	R51663	2D6	20	40-45B
R51196	3E8	8	50-79	R51517	5F4	5	90-100	R51664	2D6	19	40-45B
R51197	3E8	8	50-79	R51520	3D15	29	50-61	R51665	2D5	17	40-45A
R51198	3E8	8	50-79	R51521	3B10	14	50-4	R51666	2D5	16	40-45A
R51199	3E8	8	50-79	R51522	3D15	26	50-61	R51667	2D5	8	40-45A
R51200	3E8	11	50-79	R51526	1D10	17	30-5	R51668	2D8	2	40-45D
R51204	2D11	1	40-46	R51526	1D10	17	30-5	R51669	2D8	9	40-45D
R51212	5F3	31	90-99	R51528	2C13	25	40-29	R51669	2D9	14	40-45E
R51213	5F3	27	90-99	R51528	2C13	25	40-31	R51670	2D8	14	40-45D
R51213	5F3	35	90-99	R51529	2C13	12	40-29	R51671	2D8	6	40-45D
R51215	5F3	10	90-99	R51530	2C13	17	40-29	R51671	2D9	5	40-45E
R51216	3D7	4	50-52	R51530	2C15	10	40-31	R51671	2D8	3	40-45D
R51217	3B12	5	50-7	R51531	2C13	16	40-29	R51672	2D8	3	40-45D
R51230	3B12	6	50-7	R51532	2C13	20	40-29	R51674	3D3	14	50-48
R51231	3B12	23	50-7	R51533	2C13	26	40-29	R51676	3D23	10	50-69
R51232	3B12	21	50-7	R51533	2C13	26	40-29	R51677	5F11	13	90-107
R51284	1B16	5	20-15	R51534	2C13	24	40-29	R51680	4H13	7	80-22
R51285	4F2	30	70-99	R51534	2C15	24	40-31	R51680	4H14	7	80-23
R51340	3B14	24	50-9	R51535	2C13	9	40-29	R51680	4H15	1	80-24
R51340	3B15	5	50-10	R51535	2C15	1	40-31	R51681	4H13	3	80-22
R51341	3B12	29	50-7	R51548	5F1	2	90-97	R51681	4H14	3	80-23
R51341	3B14	18	50-9	R51548	5F1	2	90-97	R51681	4H15	2	80-24
R51341	3B15	8	50-10	R51548	5F3	1	90-99	R51681	4H15	6	80-24
R51343	3I14	25	60-45	R51551	4C21	33	70-39	R51684	1C25	14	20-40
R51344	3I14	27	60-45	R51551	4D13	27	70-57	R51684	1C25	15	20-40
R51347	1B9	17	20-6	R51552	4I2	3	80-35	R51684	1C25	15	20-40
				R51552	4I3	6	80-36	R51699	5C11	12	90-29
				R51556	4I3	14	80-36	R51699	5D6	14	90-51

1L3

4630 TRACTOR

NUMERICAL INDEX - CONTINUED

PART NO.	GRID	KEY	PAGE	PART NO.	GRID	KEY	PAGE	PART NO.	GRID	KEY	PAGE
R51700	5C11	18	90 - 29	R52045	3F25	17	50 - 124	R52168	3I11	9	60 - 41
R51700	5D6	1	90 - 51	R52045	4G21	13	80 - 5	R52168	3I14	9	60 - 45
R51704	5D6	10	90 - 51	R52048	1C15	8	20 - 30	R52169	3I11	11	60 - 41
R51747	4D7	43	70 - 51	R52049	1C15	7	20 - 30	R52169	3I14	11	60 - 45
R51747	4D9	40	70 - 53	R52053	1D3	33	20 - 43	R52174	4D7	44	70 - 51
R51748	3H2	7	60 - 5	R52056	3I9	25	60 - 39	R52174	4D9	41	70 - 53
R51749	3H3	15	60 - 6	R52056	3B21	1	50 - 16	R52179	3C20	12	50 - 38
R51751	4D5	16	70 - 49	R52056	3B22	1	50 - 17	R52180	3C21	20	50 - 39
R51755	3D16	6	50 - 62	R52064	3E18	1	50 - 90	R52184	4E3	10	70 - 75
R51780	5F7	31	90 - 103	R52065	1F6	12	30 - 55	R52184	4E3	12	70 - 75
R51784	1F6	39	30 - 55	R52065	3B21	2	50 - 16	R52185	4E3	14	70 - 75
R51795	3F1	28	50 - 96	R52065	3B22	2	50 - 17	R52187	1D10	7	30 - 5
R51796	5F11	18	90 - 107	R52081	3E18	4	50 - 90	R52188	3H11	2	60 - 15
R51800	3B12	15	50 - 7	R52088	2D23	2	40 - 58	R52188	3I2	8	60 - 31
R51804	3F12	16	50 - 108	R52089	5F13	13	90 - 109	R52188	4G18	3	80 - 1
R51808	3E18	6	50 - 90	R52090	5F13	6A	90 - 109	R52188	4G19	3	80 - 2
R51809	3E18	9	50 - 90	R52097	4I1	3	80 - 34	R52188	4G21	8	80 - 5
R51815	3H4	15	60 - 7	R52097	5D18	23	90 - 63	R52189	2C13	28	40 - 29
R51815	3H15	23	60 - 19	R52097	5D18	38	90 - 63	R52200	3H11	5	60 - 15
R51816	3H4	10	60 - 7	R52098	5D18	25	90 - 63	R52200	3I2	5	60 - 31
R51821	4I7	4	80 - 39	R52099	5D18	29	90 - 63	R52226	3D19	21	50 - 66
R51827	4B12	5	70 - 7	R52100	5D18	26	90 - 63	R52226	3D20	1	50 - 67
R51839	5C2	45	90 - 21	R52101	5D18	41	90 - 63	R52228	3D19	17	50 - 66
R51842	3C5	9	50 - 23	R52107	5D18	49	90 - 63	R52229	3D19	18	50 - 66
R51848	3I11	13	60 - 41	R52108	5D18	35	90 - 63	R52229	3D19	21	50 - 66
R51848	3I14	13	60 - 45	R52109	5D18	36	90 - 63	R52233	5C11	19	90 - 29
R51849	3I11	50	60 - 41	R52112	5E15	14	90 - 85	R52233	5D6	15	90 - 51
R51849	5F7	17	90 - 103	R52113	5E15	10	90 - 85	R52233	5D6	..	90 - 51
R51851	3I16	31	60 - 47	R52114	5E15	12	90 - 85	R52234	5B15	14	90 - 8
R51852	3I14	24	60 - 45	R52115	5E15	17	90 - 85	R52235	5B15	14	90 - 8
R51853	3I14	22	60 - 45	R52117	1F6	5	30 - 55	R52236	5B15	14	90 - 8
R51855	3B20	21	50 - 15	R52118	5C13	5	90 - 31	R52237	5B15	14	90 - 8
R51856	3B20	13	50 - 15	R52118	5D24	12	90 - 69	R52240	3F12	8	50 - 108
R51856	3B20	24	50 - 15	R52119	5C13	2	90 - 31	R52241	3F12	14	50 - 108
R51857	3B20	23	50 - 15	R52119	5D24	13	90 - 69	R52266	4G25	20	80 - 9
R51858	3B17	11	50 - 12	R52127	5B17	1	90 - 11	R52267	4G25	20	80 - 9
R51860	1C4	5	20 - 22	R52127	5E4	6	90 - 73	R52272	2E21	12	40 - 76
R51865	3C13	17	50 - 31	R52128	5B13	15	90 - 7	R52272	2E22	11	40 - 77
R51865	3C14	21	50 - 32	R52130	2D24	3	40 - 59	R52273	2E21	21	40 - 76
R51867	5F11	18	90 - 107	R52130	2E25	27	40 - 80	R52275	3F10	8	50 - 106
R51868	5F11	18	90 - 107	R52130	2F9	1	40 - 91	R52276	3F12	4	50 - 108
R51891	5B13	49	90 - 7	R52130	2F23	11	40 - 98	R52280	4D11	30	70 - 55
R51892	5B13	49	90 - 7	R52130	5B15	3	90 - 8	R52281	4D11	32	70 - 55
R51892	5C2	25	90 - 21	R52130	5B16	2	90 - 9	R52282	4D11	18	70 - 55
R51923	3B8	3	50 - 2	R52132	5E2	13	90 - 71	R52282	4D11	18	70 - 55
R51923	3B8	4	50 - 2	R52132	5E2	32	90 - 71	R52283	3F25	3	50 - 124
R51923	3B9	3	50 - 3	R52133	5E2	32	90 - 71	R52283	4G21	4	80 - 5
R51929	5D8	7	90 - 53	R52133	5B13	14	90 - 7	R52284	3F25	3	50 - 124
R51930	1F6	14	30 - 55	R52138	3E13	11	50 - 85	R52284	4G21	4	80 - 5
R51936	1E14	20	30 - 35	R52140	3D15	27	50 - 61	R52304	3C21	45	50 - 39
R51936	1E21	36	30 - 43	R52140	3E19	2	50 - 91	R52305	3C21	25	50 - 39
R51937	1E14	20	30 - 35	R52140	3E21	3	50 - 93	R52317	3I14	15	60 - 45
R51944	1B25	9	20 - 18	R52149	5E2	14	90 - 71	R52320	5B13	24A	90 - 7
R51959	5F7	5	90 - 103	R52149	5E2	32	90 - 71	R52329	3B20	14	50 - 15
R51987	3D3	1	50 - 48	R52154	5E10	4	90 - 79	R52363	4H25	9	80 - 33
R51988	3D3	21	50 - 48	R52154	3F14	10	50 - 111	R52367	4G19	5	80 - 2
R51993	3E6	3	50 - 77	R52154	3F16	22	50 - 113	R52368	5F4	1	90 - 100
R52006	3F25	2	50 - 124	R52155	3F14	15	50 - 111	R52385	2D8	1	40 - 45D
R52006	4G21	5	80 - 5	R52155	3F16	19	50 - 113	R52386	2D6	13	40 - 45B
R52006	4G21	12	80 - 5	R52156	3F16	17	50 - 113	R52387	2D5	12	40 - 45A
R52006	4H5	12	80 - 14	R52157	3F14	14	50 - 111	R52390	4E9	18	70 - 81
R52013	3B14	10	50 - 9	R52157	3F16	16	50 - 113	R52408	2E19	4	40 - 74
R52013	3B16	18	50 - 11	R52159	2C11	9	40 - 27	R52422	1F6	24	30 - 55
R52014	3B14	14	50 - 9	R52161	2C11	9	40 - 27	R52423	5C9	5	90 - 27
R52014	3B15	12	50 - 10	R52161	2C13	28	40 - 29	R52423	5D8	13	90 - 53
R52028	4C17	16	70 - 35	R52161	2C15	30	40 - 31	R52429	1C20	25	20 - 35
R52042	5F11	9	90 - 107	R52167	3I11	5	60 - 41	R52430	1C20	25	20 - 35
				R52167	3I14	5	60 - 45	R52435	3C15	21	50 - 33

1L4

4630 TRACTOR

NUMERICAL INDEX - CONTINUED

PART NO.	GRID	KEY	PAGE	PART NO.	GRID	KEY	PAGE	PART NO.	GRID	KEY	PAGE
R52435	3C17	9	50 - 35	R52661	3C17	5	50 - 35	R52910	3B15	1	50 - 10
R52437	3C13	21	50 - 31	R52665	3B20	8	50 - 15	R52911	3B14	9	50 - 9
R52437	3C17	6	50 - 35	R52665	3B20	29	50 - 15	R52911	3B16	19	50 - 11
R52438	4C9	17	70 - 27	R52666	3B20	7	50 - 15	R52912	3B14	12	50 - 9
R52446	3B20	9	50 - 15	R52666	3B20	30	50 - 15	R52912	3B16	16	50 - 11
R52446	3B20	28	50 - 15	R52667	5F11	15	90 - 107	R52921	5E17	15	90 - 87
R52447	3B20	11	50 - 15	R52668	3E13	38	50 - 85	R52922	5E17	18	90 - 87
R52447	3B20	26	50 - 15	R52687	5E18	10	90 - 89	R52930	4H12	22	80 - 21
R52448	3B20	10	50 - 15	R52687	5E20	18	90 - 91	R52931	2F23	12	40 - 98
R52448	3B20	27	50 - 15	R52687	5E23	5	90 - 94	R52936	5E15	21	90 - 85
R52466	3C13	21	50 - 31	R52687	5E23	7	90 - 94	R52937	5D12	18	90 - 57
R52466	3C22	11	50 - 41	R52690	4F17	9	70 - 115	R52937	5E2	11	90 - 71
R52468	3C15	21	50 - 33	R52691	4F17	14	70 - 115	R52937	5E2	18	90 - 71
R52468	3C22	9	50 - 41	R52692	4F17	19	70 - 115	R52937	5E18	4	90 - 89
R52469	3C15	19	50 - 33	R52693	4F17	10	70 - 115	R52937	5E20	5	90 - 91
R52471	3D22	4	50 - 68A	R52694	4F17	15	70 - 115	R52937	5E22	5	90 - 93
R52472	3D22	10	50 - 68A	R52695	4F17	20	70 - 115	R52938	2D12	8	40 - 47
R52480	3E18	15	50 - 90	R52698	5D6	..	90 - 51	R52938	4H16	8	80 - 25
R52487	5E17	9	90 - 87	R52699	4H12	27	80 - 21	R52938	5C11	16	90 - 29
R52513	5E13	5	90 - 83	R52700	4H12	2	80 - 21	R52938	5D6	18	90 - 51
R52514	5E13	13	90 - 83	R52704	3C1	5	50 - 21	R52938	5D20	19	90 - 65
R52516	5D18	43	90 - 63	R52705	3C1	4	50 - 21	R52938	5E13	10	90 - 83
R52517	3F25	1	50 - 124	R52706	5E18	5	90 - 89	R52942	5D24	2	90 - 69
R52518	3F25	1	50 - 124	R52707	5E18	3	90 - 89	R52943	5D24	3	90 - 69
R52519	5F7	7	90 - 103	R52708	5D20	17	90 - 65	R52945	5D24	18	90 - 69
R52520	5F7	1	90 - 103	R52708	5D22	15	90 - 67	R52948	5D24	7	90 - 69
R52524	5C9	8	90 - 27	R52725	2E7	11	40 - 66	R52952	5E17	19	90 - 87
R52524	5D8	35	90 - 53	R52727	3G9	5	50 - 134	R52953	5F13	8	90 - 109
R52547	4E21	26	70 - 93	R52734	5D8	1	90 - 53	R52954	3C17	11	50 - 35
R52549	4E21	24	70 - 93	R52756	2B21	30	40 - 13	R52954	3C22	5	50 - 41
R52549	4E23	23	70 - 95	R52756	2C3	29	40 - 19	R52958	3C17	12	50 - 35
R52557	3F23	1	50 - 122	R52760	2B23	6	40 - 15	R52958	3C18	10	50 - 36
R52561	4H16	1	80 - 25	R52760	2B23	21	40 - 15	R52958	3C22	4	50 - 41
R52561	5C11	17	90 - 29	R52760	2C1	6	40 - 17	R52958	3C24	30	50 - 43
R52561	5D6	19	90 - 51	R52760	2C1	18	40 - 17	R52971	3E23	23	50 - 95
R52562	4H16	1	80 - 25	R52760	4H25	12	80 - 33	R52982	2C9	1	40 - 25
R52562	5C11	17	90 - 29	R52771	3B12	16	50 - 7	R52988	3B16	42	50 - 11
R52562	5D6	19	90 - 51	R52773	1B12	18	20 - 10	R52988	3D2	4	50 - 47
R52568	3D19	1	50 - 66	R52773	1B13	2	20 - 11	R52997	4H25	45	80 - 33
R52589	3B18	24	50 - 13	R52775	1D15	15	30 - 11	R52997	5F7	11	90 - 103
R52589	3E19	28	50 - 91	R52784	4H12	17	80 - 21	R52998	5B13	25	90 - 7
R52589	3E21	21	50 - 93	R52793	3I2	38	60 - 31	R53000	5B13	26	90 - 7
R52590	5E15	19	90 - 85	R52793	4G25	3	80 - 9	R53013	1B25	3	20 - 18
R52592	1C25	19	20 - 40	R52811	1D3	10	20 - 43	R53013	1C1	8	20 - 19
R52593	1C25	19	20 - 40	R52811	1D13	11	30 - 9	R53014	1B16	29	20 - 15
R52593	1C25	..	20 - 40	R52823	4D7	21	70 - 51	R53016	3G24	14	60 - 2
R52634	1C4	1	20 - 22	R52823	4D9	33	70 - 53	R53028	2D22	14	40 - 57
R52634	3F14	1	50 - 111	R52824	4D7	14	70 - 51	R53028	2E10	7	40 - 69
R52634	3F16	1	50 - 113	R52828	4D7	12	70 - 51	R53028	5F13	2	90 - 109
R52636	5E13	4	90 - 83	R52828	4D8	12	70 - 52	R53028	5F13	9	90 - 109
R52637	5E13	1	90 - 83	R52862	5E17	14	90 - 87	R53033	4D7	4	70 - 51
R52638	5E13	12	90 - 83	R52863	5D18	20	90 - 63	R53033	4D8	4	70 - 52
R52639	5E13	15	90 - 83	R52881	4E18	29	70 - 90	R53045	4C10	12	70 - 28
R52640	5E13	2	90 - 83	R52881	4E19	30	70 - 91	R53048	3C9	16	50 - 27
R52645	3C22	18	50 - 41	R52881	4F14	11	70 - 112	R53049	3C9	26	50 - 27
R52645	3C24	17	50 - 43	R52881	4F17	21	70 - 115	R53050	3C9	25	50 - 27
R52646	1F9	5	30 - 58	R52882	3C19	6	50 - 37	R53050	3C11	30	50 - 29
R52646	3C22	17	50 - 41	R52900	3B20	22	50 - 15	R53052	3C9	20	50 - 27
R52646	3C24	16	50 - 43	R52902	3B18	21	50 - 13	R53055	3C5	24	50 - 23
R52647	3C22	16	50 - 41	R52903	3B18	20	50 - 13	R53076	3B20	12	50 - 15
R52648	3C22	16	50 - 41	R52904	3B17	6	50 - 12	R53076	3B20	25	50 - 15
R52648	3C24	9	50 - 43	R52904	3B17	9	50 - 12	R53079	5F13	26	90 - 109
R52656	4D11	32	70 - 55	R52904	3B17	11	50 - 12	R53098	5B13	53	90 - 7
R52657	4D7	40A	70 - 51	R52905	3B18	18	50 - 13	R53098	5B13	55	90 - 7
R52658	3C15	19	50 - 33	R52906	3B17	10	50 - 12	R53099	5D6	10	90 - 51
R52659	3C17	10	50 - 35	R52907	3B17	9	50 - 12	R53101	5C4	14	90 - 23
R52660	3C13	22	50 - 31	R52910	3B14	20	50 - 9	R53102	5C4	15	90 - 23

1L5

4630 TRACTOR

NUMERICAL INDEX - CONTINUED

PART NO.	GRID	KEY	PAGE	PART NO.	GRID	KEY	PAGE	PART NO.	GRID	KEY	PAGE
R53103	5C4	17	90 - 23	R53423	1D1	14	20 - 41	R53613	4C9	11	70 - 27
R53106	4C6	21	70 - 24	R53436	5C20	21	90 - 39	R53613	4C14	11	70 - 32
R53107	3B16	41	50 - 11	R53436	5D4	30	90 - 49	R53614	4H13	8	80 - 22
R53107	3B16	46	50 - 11	R53439	3B12	29	50 - 7	R53614	4H14	8	80 - 23
R53107	3D2	3	50 - 47	R53457	4H12	28	80 - 21	R53616	4C8	2	70 - 26
R53108	1D3	29	20 - 43	R53460	4H12	16	80 - 21	R53620	1F6	26	30 - 55
R53108	2C16	7	40 - 32	R53462	4H12	12	80 - 21	R53621	3C3	22	50 - 21B
R53108	2C19	3	40 - 35	R53463	4H12	13	80 - 21	R53623	4C10	7	70 - 28
R53114	3D12	15	50 - 57	R53467	4H12	4	80 - 21	R53624	4C13	6	70 - 31
R53157	3D19	21	50 - 66	R53470	5E18	8	90 - 89	R53625	3B12	19	50 - 7
R53157	3D20	1	50 - 67	R53470	5E20	8	90 - 91	R53629	5E18	9	90 - 89
R53161	1E25	23	30 - 49	R53472	5F7	6	90 - 103	R53629	5E23	6	90 - 94
R53162	1E14	23	30 - 35	R53473	5F7	2	90 - 103	R53630	5E18	6	90 - 89
R53162	1E16	9	30 - 37	R53473	5F7	6	90 - 103	R53630	5E23	4	90 - 94
R53162	1E16	35	30 - 37	R53474	5F7	32	90 - 103	R53631	5E18	7	90 - 89
R53169	3D3	26	50 - 48	R53475	4D11	4	70 - 55	R53631	5E23	3	90 - 94
R53169	3F5	25	50 - 101	R53476	4D11	5	70 - 55	R53632	5E18	11	90 - 89
R53181	4C6	20A	70 - 24	R53477	5F22	3	90 - 118	R53633	5E18	2	90 - 89
R53189	4E3	7	70 - 75	R53478	2E2	5	40 - 61	R53633	5E23	2	90 - 94
R53194	4I7	11	80 - 39	R53478	4I8	3	80 - 40	R53634	5E18	1	90 - 89
R53195	4I7	15	80 - 39	R53479	2E25	21	40 - 80	R53634	5E23	1	90 - 94
R53198	4E3	10	70 - 75	R53482	4I7	19	80 - 39	R53635	3F20	5	50 - 119
R53198	4E3	11	70 - 75	R53483	4I7	10	80 - 39	R53651	3F20	2	50 - 119
R53201	3I11	10	60 - 41	R53484	4I7	2	80 - 39	R53652	3F20	2	50 - 119
R53201	3I14	10	60 - 45	R53485	4I7	1	80 - 39	R53653	3F20	2	50 - 119
R53209	4H25	1	80 - 33	R53490	1C20	21	20 - 35	R53659	3F20	1	50 - 119
R53213	3C21	49	50 - 39	R53492	3D19	21	50 - 66	R53662	4C9	1	70 - 27
R53226	3I14	29	60 - 45	R53493	3D19	2	50 - 66	R53662	5D2	25	90 - 47
R53233	4H16	7	80 - 25	R53494	3D19	16	50 - 66	R53662	5F15	2	90 - 111
R53233	5C11	15	90 - 29	R53495	3D19	15	50 - 66	R53663	4F18	6	70 - 117
R53233	5D6	17	90 - 51	R53496	3D23	23	50 - 69	R53663	4H16	9	80 - 25
R53236	4D22	3	70 - 67	R53497	3D16	1	50 - 62	R53663	4H16	21	80 - 25
R53244	3C21	16	50 - 39	R53497	3D16	2	50 - 62	R53663	5B13	41	90 - 7
R53245	3B14	4	50 - 9	R53497	3D17	1	50 - 63	R53663	5F3	13	90 - 99
R53245	3B16	22	50 - 11	R53497	3D17	2	50 - 63	R53663	5F3	28	90 - 99
R53247	3C19	14	50 - 37	R53497	3D19	26	50 - 66	R53663	5F3	41	90 - 99
R53259	4C13	20	70 - 31	R53497	3D19	27	50 - 66	R53663	5F15	10	90 - 111
R53262	4C13	17	70 - 31	R53497	3D22	1	50 - 68A	R53664	3E13	36	50 - 85
R53268	3B20	2	50 - 15	R53497	3D22	2	50 - 68A	R53664	4H16	9	80 - 25
R53282	1B25	4	20 - 18	R53501	4C9	5	70 - 27	R53664	5F3	7	90 - 99
R53282	1C1	1	20 - 19	R53503	4I7	3	80 - 39	R53665	4H16	18	80 - 25
R53290	1C3	1	20 - 21	R53505	4I7	..	80 - 39	R53665	4H16	19	80 - 25
R53292	1C3	2	20 - 21	R53506	4I7	..	80 - 39	R53665	5D23	4	90 - 68
R53296	4D22	26	70 - 67	R53508	2E2	6	40 - 61	R53665	5F3	40	90 - 99
R53300	1F1	13	30 - 50	R53508	4I8	2	80 - 40	R53665	5F14	1	90 - 110
R53300	1F2	37	30 - 51	R53510	3C20	13	50 - 38	R53665	5F15	9	90 - 111
R53300	1F3	39	30 - 52	R53511	3C21	19	50 - 39	R53667	5F11	3	90 - 107
R53300	1F4	12	30 - 53	R53514	1D22	10	30 - 18	R53667	5F15	3	90 - 111
R53303	3E8	5	50 - 79	R53528	2D16	29	40 - 51	R53667	5F15	14	90 - 111
R53304	3C9	13	50 - 27	R53528	2D18	29	40 - 53	R53667	5F22	2	90 - 118
R53385	2E21	14	40 - 76	R53540	4C10	8	70 - 28	R53668	3E13	35	50 - 85
R53385	2E22	13	40 - 77	R53552	1C20	33	20 - 35	R53668	4F18	6	70 - 117
R53385	2E23	2	40 - 78	R53553	1C20	27	20 - 35	R53668	4H16	11	80 - 25
R53385	2E25	2	40 - 80	R53568	3H10	14	60 - 14	R53668	4H16	15	80 - 25
R53386	2E21	15	40 - 76	R53575	1C20	27	20 - 35	R53668	4H16	16	80 - 25
R53386	2E22	14	40 - 77	R53586	2E25	11	40 - 80	R53668	4H16	20	80 - 25
R53386	2E23	3	40 - 78	R53589	3H10	7	60 - 14	R53668	5B13	28	90 - 7
R53386	2E25	3	40 - 80	R53602	4H25	14	80 - 33	R53668	5B13	40	90 - 7
R53389	4E3	9	70 - 75	R53604	3E23	3	50 - 95	R53668	5B13	43	90 - 7
R53393	5D18	48	90 - 63	R53604	3E23	15	50 - 95	R53668	5C2	22	90 - 21
R53398	2E25	8	40 - 80	R53605	1D9	26	30 - 3	R53668	5C22	7	90 - 41
R53407	1C20	39	20 - 35	R53606	3H3	20	60 - 6	R53668	5C25	19	90 - 45
R53409	2F7	1	40 - 88	R53606	3H4	20	60 - 7	R53668	5D1	3	90 - 46
R53410	2F7	3	40 - 88	R53608	2B11	5	40 - 4	R53668	5D1	7	90 - 46
R53415	3F5	30	50 - 101	R53608	5E4	2	90 - 73	R53668	5D12	4	90 - 57
R53421	5B13	38A	90 - 7	R53609	5D24	17	90 - 69	R53668	5F3	8	90 - 99
R53422	5B13	44	90 - 7	R53613	4C9	10	70 - 27	R53668	5F3	12	90 - 99

1L6

4630 TRACTOR

NUMERICAL INDEX - CONTINUED

PART NO.	GRID	KEY	PAGE	PART NO.	GRID	KEY	PAGE	PART NO.	GRID	KEY	PAGE
R53668	5F3	16	90 - 99	R53901	1E21	37	30 - 43	R54070	5F7	12	90 - 103
R53668	5F3	19	90 - 99	R53901	1E25	6	30 - 49	R54078	4C14	16	70 - 32
R53668	5F3	23	90 - 99	R53902	1E16	3	30 - 37	R54088	1E13	19	30 - 34
R53668	5F3	33	90 - 99	R53902	1E25	8	30 - 49	R54100	3G23	1	60 - 1
R53668	5F15	8	90 - 111	R53903	1E14	22	30 - 35	R54102	5B10	23	90 - 4
R53669	5D18	9	90 - 63	R53903	1E16	1	30 - 37	R54102	5B11	20	90 - 5
R53669	5F15	4	90 - 111	R53903	1E16	8	30 - 37	R54111	3B12	3	50 - 7
R53669	5F15	13	90 - 111	R53903	1E25	7	30 - 49	R54114	1C3	5	20 - 21
R53670	5B13	29	90 - 7	R53917	1E18	16	30 - 39	R54123	1B16	27	20 - 15
R53670	5B13	42	90 - 7	R53918	1E18	8	30 - 39	R54123	1B18	1	20 - 17
R53670	5C22	8	90 - 41	R53937	1E18	6	30 - 39	R54123	1B20	1	20 - 17B
R53670	5C25	20	90 - 45	R53955	1E18	15	30 - 39	R54123	1C24	7	20 - 39
R53670	5D1	4	90 - 46	R53956	1E18	13	30 - 39	R54124	4H13	1	80 - 22
R53670	5D1	8	90 - 46	R53975	1E18	29	30 - 39	R54124	4H14	1	80 - 23
R53670	5F3	9	90 - 99	R53976	1E18	2	30 - 39	R54124	5C9	3	90 - 27
R53670	5F3	11	90 - 99	R54004	1E16	25	30 - 37	R54124	5D8	5	90 - 53
R53670	5F3	17	90 - 99	R54011	1E25	11	30 - 49	R54128	4D7	45A	70 - 51
R53670	5F3	18	90 - 99	R54013	1E25	12	30 - 49	R54140	5F7	29	90 - 103
R53670	5F3	24	90 - 99	R54015	1E25	9	30 - 49	R54141	4E9	19	70 - 81
R53670	5F3	32	90 - 99	R54016	1E25	10	30 - 49	R54159	3H9	5	60 - 13
R53670	5F3	39	90 - 99	R54021	1E25	21	30 - 49	R54160	4H5	6	80 - 14
R53671	5D18	10	90 - 63	R54022	1E25	5	30 - 49	R54165	4C24	9	70 - 42
R53671	5F14	4	90 - 110	R54023	1E25	4	30 - 49	R54166	4F20	9	70 - 119
R53671	5F15	5	90 - 111	R54024	1E25	2	30 - 49	R54173	3F24	33	50 - 123
R53671	5F15	7	90 - 111	R54025	1E25	3	30 - 49	R54174	3F24	29	50 - 123
R53671	5F15	12	90 - 111	R54026	1E25	13	30 - 49	R54179	4E15	12	70 - 87
R53677	2E21	10	40 - 76	R54027	1E25	15	30 - 49	R54206	3C21	47	50 - 39
R53677	2E22	9	40 - 77	R54028	1E25	19	30 - 49	R54207	2C9	12	40 - 25
R53677	2E25	20	40 - 80	R54029	1E25	14	30 - 49	R54208	2C9	17	40 - 25
R53677	5E2	20	90 - 71	R54030	1E25	17	30 - 49	R54213	3B23	24	50 - 18
R53677	5E10	16	90 - 79	R54031	1E25	16	30 - 49	R54213	3D24	19	50 - 70
R53678	5B17	6	90 - 11	R54032	1E25	18	30 - 49	R54242	4F8	1	70 - 105
R53678	5D6	..	90 - 51	R54033	1E25	1	30 - 49	R54263	1C3	6	20 - 21
R53678	5F4	4	90 - 100	R54034	4I7	9	80 - 39	R54264	1C3	6	20 - 21
R53692	3C21	18	50 - 39	R54035	2C4	3	40 - 20	R54281	1F6	22	30 - 55
R53694	5F3	2	90 - 99	R54035	2C5	3	40 - 21	R54282	1F6	32	30 - 55
R53699	4H25	18	80 - 33	R54036	2D19	6	40 - 54	R54294	1F1	21	30 - 50
R53699	5F11	2	90 - 107	R54039	4I7	5	80 - 39	R54294	1F2	29	30 - 51
R53700	4H25	19A	80 - 33	R54042	3B18	28	50 - 13	R54294	1F3	28	30 - 52
R53701	4H25	19A	80 - 33	R54042	3D12	17	50 - 57	R54308	3B14	27	50 - 9
R53706	4H25	16A	80 - 33	R54042	3E19	23	50 - 91	R54312	4F14	4	70 - 112
R53707	4C9	8	70 - 27	R54047	2D18	31	40 - 53	R54335	3E19	13	50 - 91
R53707	4C10	4	70 - 28	R54047	2D19	10	40 - 54	R54336	4E16	14	70 - 88
R53707	4C13	3	70 - 31	R54048	3H3	11	60 - 6	R54343	2C5	19	40 - 21
R53708	5D8	6	90 - 53	R54048	3H4	7	60 - 7	R54344	3C9	35	50 - 27
R53709	5D8	30	90 - 53	R54057	5D18	12	90 - 63	R54345	3B16	20	50 - 11
R53710	5D8	11	90 - 53	R54057	5D18	30	90 - 63	R54345	3B16	34	50 - 11
R53711	5C9	4	90 - 27	R54058	3H3	12	60 - 6	R54346	3C9	15	50 - 27
R53712	5D8	8	90 - 53	R54058	3H4	8	60 - 7	R54347	3C9	1	50 - 27
R53726	1F6	14	30 - 55	R54059	3I11	6	60 - 41	R54348	3C9	10	50 - 27
R53742	5F13	27	90 - 109	R54059	3I14	6	60 - 45	R54349	3B16	38	50 - 11
R53743	5F11	1	90 - 107	R54059	4E15	3	70 - 87	R54349	3C6	6	50 - 24
R53743	5F15	15	90 - 111	R54063	3H3	13	60 - 6	R54350	3B9	4	50 - 3
R53745	5D6	..	90 - 51	R54063	3H4	9	60 - 7	R54351	3B12	4	50 - 7
R53745	5E10	..	90 - 79	R54063	3H6	4	60 - 9	R54352	3B12	13	50 - 7
R53745	5F1	..	90 - 97	R54064	4E5	4	70 - 77	R54353	3B16	40	50 - 11
R53763	4F20	9	70 - 119	R54064	4E7	4	70 - 79	R54353	3D2	1	50 - 47
R53772	3B21	9	50 - 16	R54064	4E9	4	70 - 81	R54354	3C6	10	50 - 24
R53828	5F19	5	90 - 115	R54064	4E11	4	70 - 83	R54356	3D10	3	50 - 55
R53899	1E16	5	30 - 37	R54064	4E13	16	70 - 85	R54357	3D10	6	50 - 55
R53900	1E16	31	30 - 37	R54065	4E5	1	70 - 77	R54380	3B23	21	50 - 18
R53901	1E6	13	30 - 27	R54065	4E9	1	70 - 81	R54380	3D24	18	50 - 70
R53901	1E6	15	30 - 27	R54065	4E13	19	70 - 85	R54380	3F20	13	50 - 119
R53901	1E6	16	30 - 27	R54067	4H25	36	80 - 33	R54382	5C2	46	90 - 21
R53901	1E8	4	30 - 29	R54068	4H25	29	80 - 33	R54383	3B20	13	50 - 15
R53901	1E9	4	30 - 30	R54069	4H25	37	80 - 33	R54383	3B20	21	50 - 15
R53901	1E16	2	30 - 37	R54070	4H25	30	80 - 33	R54388	2C4	4	40 - 20

1L7

4630 TRACTOR

NUMERICAL INDEX - CONTINUED

PART NO.	GRID	KEY	PAGE	PART NO.	GRID	KEY	PAGE	PART NO.	GRID	KEY	PAGE
R54388	2C5	4	40 - 21	R54588	3B20	18	50 - 15	R55023	4C6	1	70 - 24
R54392	1F1	24	30 - 50	R54616	3H3	9	60 - 6	R55024	1D16	19	30 - 12
R54393	5F13	9	90 - 109	R54616	3H12	20	60 - 16	R55024	1D17	13	30 - 13
R54394	5F13	9	90 - 109	R54693	3B16	36	50 - 11	R55025	1D16	3	30 - 12
R54396	3B10	4	50 - 4	R54697	4H19	1	80 - 27	R55025	1D17	2	30 - 13
R54396	3D15	3	50 - 61	R54697	4H19	2	80 - 27	R55027	1D16	1	30 - 12
R54398	2C7	11	40 - 23	R54697	4H20	1	80 - 28	R55028	1D16	17	30 - 12
R54399	2C7	23A	40 - 23	R54697	4H20	2	80 - 28	R55029	1D18	6	30 - 14
R54402	2C7	23B	40 - 23	R54697	5D18	6	90 - 63	R55029	1D19	2	30 - 15
R54403	2C7	19	40 - 23	R54740	5D8	1	90 - 53	R55030	1D18	1	30 - 14
R54440	1D24	9	30 - 20	R54742	5D8	38	90 - 53	R55031	1D18	22	30 - 14
R54440	1D25	8	30 - 21	R54744	5C9	1	90 - 27	R55055	1B12	19	20 - 10
R54445	2F20	24	40 - 97	R54744	5D8	2	90 - 53	R55056	1B12	20	20 - 10
R54445	2F22	23	40 - 97B	R54744	5D12	32	90 - 57	R55057	1B12	19	20 - 10
R54447	2F20	1	40 - 97	R54745	5D12	25	90 - 57	R55058	1B12	20	20 - 10
R54447	2F22	1	40 - 97B	R54748	5B17	16	90 - 11	R55059	1B12	19	20 - 10
R54467	2F24	15	40 - 99	R54748	5E11	2	90 - 81	R55060	1B12	20	20 - 10
R54477	5B17	11	90 - 11	R54750	3D4	1	50 - 49	R55061	1B9	13	20 - 6
R54487	1F6	20	30 - 55	R54750	3F3	3	50 - 98	R55065	1E18	28	30 - 39
R54489	2C7	3	40 - 23	R54750	3F4	1	50 - 100	R55065	1F1	19	30 - 50
R54494	3C13	10	50 - 31	R54750	3F4	13	50 - 100	R55065	1F2	33	30 - 51
R54494	3C14	10	50 - 32	R54750	3F7	4	50 - 103	R55065	1F3	34	30 - 52
R54495	3C5	9	50 - 23	R54751	3F4	13	50 - 100	R55066	1E18	34	30 - 39
R54496	3C1	5	50 - 21	R54759	3H12	18	60 - 16	R55066	1F1	12	30 - 50
R54497	3C3	10	50 - 21B	R54763	3H13	13	60 - 17	R55066	1F2	38	30 - 51
R54498	3C1	7	50 - 21	R54763	3H17	30	60 - 19B	R55066	1F3	40	30 - 52
R54499	3C3	13	50 - 21B	R54766	5B9	19	90 - 3	R55066	1F4	11	30 - 53
R54500	1D15	3	30 - 11	R54769	3H13	5	60 - 17	R55069	1E25	9	30 - 49
R54500	1D15	4	30 - 11	R54769	3H17	19	60 - 19B	R55075	4G23	15	80 - 7
R54500	1D22	9	30 - 18	R54771	3H13	16	60 - 17	R55075	4G23	18	80 - 7
R54500	1D22	11	30 - 18	R54771	3H17	26	60 - 19B	R55075	4G25	15	80 - 9
R54506	4E16	10	70 - 88	R54778	2D16	14	40 - 51	R55078	1D15	3	30 - 11
R54509	3D10	1	50 - 55	R54778	2D18	14	40 - 53	R55078	1D22	11	30 - 18
R54510	1C24	2	20 - 39	R54779	2D16	26	40 - 51	R55080	4C21	33	70 - 39
R54511	1C24	3	20 - 39	R54779	2D18	26	40 - 53	R55080	4D13	27	70 - 57
R54516	2E10	14	40 - 69	R54781	2D16	27	40 - 51	R55081	3F18	12	50 - 117
R54517	2E10	18	40 - 69	R54781	2D18	27	40 - 53	R55083	1E19	11	30 - 40
R54518	2E10	4	40 - 69	R54782	2D16	24	40 - 51	R55092	3H15	7	60 - 19
R54520	2E10	8	40 - 69	R54782	2D18	24	40 - 53	R55092	3H17	12	60 - 19B
R54521	2E10	20	40 - 69	R54783	5B13	55	90 - 7	R55108	4H12	28	80 - 21
R54522	2E10	19	40 - 69	R54791	3D19	10	50 - 66	R55133	4C6	9	70 - 24
R54524	2E10	17	40 - 69	R54793	1D10	12	30 - 5	R55134	4C6	2B	70 - 24
R54526	2E10	16	40 - 69	R54794	1D10	14	30 - 5	R55144	4C9	15	70 - 27
R54527	2E10	16	40 - 69	R54798	5D18	8	90 - 63	R55144	4C14	12	70 - 32
R54528	2E10	15	40 - 69	R54800	3I2	9	60 - 31	R55151	4H4	..	80 - 13
R54529	5E2	4	90 - 71	R54853	1E16	17	30 - 37	R55169	3C21	47	50 - 39
R54529	5E6	5	90 - 75	R54854	1E16	16	30 - 37	R55176	2B16	1	40 - 8
R54533	5F11	16	90 - 107	R54855	1E16	13	30 - 37	R55183	3G24	14	60 - 2
R54544	3C3	1	50 - 21B	R54856	1B24	1	20 - 17F	R55196	3I2	11	60 - 31
R54544	3F14	12	50 - 111	R54856	1E16	14	30 - 37	R55202	1F1	1	30 - 50
R54544	3F16	25	50 - 113	R54857	1E16	11	30 - 37	R55202	1F1	5	30 - 50
R54545	3D10	11	50 - 55	R54858	1E16	12	30 - 37	R55202	1F2	1	30 - 51
R54546	3C22	7	50 - 41	R54859	1E16	10	30 - 37	R55202	1F2	4	30 - 51
R54547	3C22	12	50 - 41	R54873	1E16	21	30 - 37	R55202	1F3	4	30 - 52
R54548	3C22	24	50 - 41	R54875	1E16	23	30 - 37	R55202	1F4	4	30 - 53
R54561	1C16	19	20 - 31	R54880	1E22	6	30 - 44	R55214	4C21	22	70 - 39
R54561	1C16	28	20 - 31	R54881	1E16	15	30 - 37	R55214	4C22	6	70 - 40
R54562	1D9	16	30 - 3	R54892	1E16	18	30 - 37	R55214	4D12	21	70 - 56
R54564	1B12	5	20 - 10	R54922	1E18	14	30 - 39	R55214	4D14	18	70 - 58
R54564	1B12	7	20 - 10	R54926	1E18	33	30 - 39	R55226	3G9	1	50 - 134
R54565	1B12	3	20 - 10	R54928	1E16	20	30 - 37	R55233	1C16	13	20 - 31
R54565	1B12	5	20 - 10	R54962	3F4	16	50 - 100	R55234	3C9	21	50 - 27
R54565	1B12	7	20 - 10	R54967	4G23	15	80 - 7	R55234	3C11	24	50 - 29
R54567	3C5	23	50 - 23	R54968	4G23	15	80 - 7	R55243	3H13	8	60 - 17
R54571	2C9	32	40 - 25	R55009	3G9	..	50 - 134	R55243	3H17	20	60 - 19B
R54572	2C9	21	40 - 25	R55009	4B7	9	70 - 1	R55244	3C22	29	50 - 41
R54573	2C9	21	40 - 25	R55010	4B12	18	70 - 7	R55244	3C24	1	50 - 43

1L8

4630 TRACTOR

NUMERICAL INDEX - CONTINUED

PART NO.	GRID	KEY	PAGE	PART NO.	GRID	KEY	PAGE	PART NO.	GRID	KEY	PAGE
R55284	4I7	9	80 - 39	R55596	1C12	1	20 - 27	R56352	3E21	23	50 - 93
R55286	4I7	8	80 - 39	R55597	1C12	1	20 - 27	R56397	2C11	3	40 - 27
R55287	4I7	10	80 - 39	R55618	2G4	5	40 - 104	R56397	5B7	3	90 - 1
R55288	4I7	15	80 - 39	R55662	1E4	3	30 - 25	R56409	2D22	11	40 - 57
R55289	4I7	11	80 - 39	R55662	1E13	15	30 - 34	R56410	2D22	4	40 - 57
R55290	4I7	2	80 - 39	R55663	1E4	5	30 - 25	R56411	2D22	1	40 - 57
R55291	4I7	1	80 - 39	R55663	1E13	15	30 - 34	R56412	2D22	3	40 - 57
R55292	4I7	14	80 - 39	R55674	4H12	20	80 - 21	R56413	2D22	8	40 - 57
R55293	4C19	2	70 - 37	R55675	4H12	19	80 - 21	R56453	5B10	17	90 - 4
R55294	4C19	6	70 - 37	R55737	1C12	1	20 - 27	R56462	3B25	8	50 - 20
R55326	2F6	14	40 - 87	R55738	1C12	1	20 - 27	R56462	3D3	2	50 - 48
R55326	2F20	7	40 - 97	R55739	1C12	1	20 - 27	R56463	4B10	2	70 - 5
R55326	2F22	7	40 - 97B	R55740	1C12	1	20 - 27	R56463	4B18	24	70 - 13
R55326	5C11	4	90 - 29	R55741	1C12	1	20 - 27	R56463	4B20	2	70 - 15
R55326	5E2	1	90 - 71	R55742	1C12	1	20 - 27	R56463	4C5	27	70 - 23
R55326	5E4	2	90 - 73	R55743	1C12	1	20 - 27	R56479	5F11	14	90 - 107
R55326	5E4	5	90 - 73	R55744	1C12	1	20 - 27	R56481	2C16	1	40 - 32
R55326	5E6	3	90 - 75	R55745	1C12	1	20 - 27	R56493	4H25	50	80 - 33
R55326	5E8	8	90 - 77	R55746	1C12	1	20 - 27	R56503	3F1	9	50 - 96
R55326	5E8	14	90 - 77	R55789	3H18	15	60 - 20	R56504	3F1	8	50 - 96
R55373	4D7	47	70 - 51	R55789	3H20	4	60 - 23	R56504	4D7	13	70 - 51
R55374	4D7	50	70 - 51	R55823	5B13	53	90 - 7	R56504	4D7	26	70 - 51
R55388	3C9	11	50 - 27	R55824	3H21	7	60 - 25	R56504	4D9	18	70 - 53
R55389	3C9	7	50 - 27	R55910	3C16	22	50 - 34	R56505	3F1	23	50 - 96
R55390	3B9	1	50 - 3	R55914	5D8	12	90 - 53	R56506	3F1	22	50 - 96
R55390	3B25	1	50 - 20	R55933	2D14	1	40 - 49	R56522	3D23	23	50 - 69
R55391	3B10	16	50 - 4	R55933	2D16	1	40 - 51	R56545	1B16	13	20 - 15
R55391	3B17	3	50 - 12	R55933	2D18	1	40 - 53	R56607	1C15	4	20 - 30
R55392	3B17	5	50 - 12	R55940	4I7	11	80 - 39	R56609	1C15	12	20 - 30
R55394	3D10	10	50 - 55	R55941	4I7	15	80 - 39	R56626	1D18	8	30 - 14
R55395	1B16	10	20 - 15	R55990	5F13	15	90 - 109	R56626	1D19	4	30 - 15
R55395	1C16	17	20 - 31	R55991	5F13	9	90 - 109	R56626	1D20	7	30 - 16
R55396	1B16	4	20 - 15	R55992	5F13	9	90 - 109	R56626	1D21	4	30 - 17
R55396	1E14	26	30 - 35	R55993	5F13	9	90 - 109	R56627	1D18	14	30 - 14
R55396	1E20	29	30 - 42	R55994	5F13	9	90 - 109	R56627	1D19	8	30 - 15
R55396	2C16	1	40 - 32	R56005	5B13	24B	90 - 7	R56627	1D20	11	30 - 16
R55397	4E21	2	70 - 93	R56006	5B13	38B	90 - 7	R56627	1D21	8	30 - 17
R55397	4E23	2	70 - 95	R56012	2C11	11	40 - 27	R56628	1D18	10	30 - 14
R55398	4E21	2	70 - 93	R56038	4D25	5	70 - 71	R56628	1D19	6	30 - 15
R55398	4E21	7	70 - 93	R56064	5C18	1B	90 - 37	R56628	1D20	10	30 - 16
R55398	4E23	7	70 - 95	R56089	5F1	6	90 - 97	R56628	1D21	7	30 - 17
R55407	3I2	14	60 - 31	R56090	5F1	3	90 - 97	R56629	1D18	18	30 - 14
R55408	3I2	15	60 - 31	R56101	5B19	9	90 - 13	R56630	1D18	4	30 - 14
R55409	3I2	7	60 - 31	R56101	5B21	4	90 - 15	R56631	1D18	3	30 - 14
R55426	5E2	9	90 - 71	R56101	5B23	9	90 - 17	R56643	3H13	12	60 - 17
R55426	5E6	12	90 - 75	R56104	3F16	9	50 - 113	R56643	3H17	24	60 - 19B
R55433	3B16	38	50 - 11	R56139	5F7	18	90 - 103	R56645	3H13	1	60 - 17
R55443	3H12	11	60 - 16	R56199	3B21	9	50 - 16	R56645	3H17	14	60 - 19B
R55443	3H15	13	60 - 19	R56200	4I7	3	80 - 39	R56646	3H21	3	60 - 25
R55443	3H17	3	60 - 19B	R56226	2B10	29	40 - 3	R56666	3H22	2	60 - 26
R55458	3G11	21	50 - 137	R56226	3D12	14	50 - 57	R56667	3H22	3	60 - 26
R55458	3G17	18	50 - 143	R56236	3C19	1	50 - 37	R56675	4C9	8	70 - 27
R55458	3H18	8	60 - 20	R56236	3C20	4	50 - 38	R56675	4C10	4	70 - 28
R55480	3B23	10	50 - 18	R56246	5B9	6	90 - 3	R56675	4C13	3	70 - 31
R55480	3D8	7	50 - 53	R56251	3G23	1	60 - 1	R56709	3C17	11	50 - 35
R55481	4C10	7	70 - 28	R56251	3H3	20	60 - 6	R56709	3C18	11	50 - 36
R55486	1D24	16	30 - 20	R56251	3H4	20	60 - 7	R56709	3C22	5	50 - 41
R55489	3D8	7	50 - 53	R56257	3B17	11	50 - 12	R56709	3C24	31	50 - 43
R55497	3H12	26	60 - 16	R56258	3B18	31	50 - 13	R56712	3C21	19	50 - 39
R55498	3H15	10	60 - 19	R56264	5F13	25	90 - 109	R56718	1C4	5	20 - 22
R55498	3H17	11	60 - 19B	R56282	3G23	1	60 - 1	R56719	1C4	3	20 - 22
R55525	3B18	13	50 - 13	R56315	3E13	25	50 - 85	R56719	1C4	5	20 - 22
R55525	3E21	9	50 - 93	R56316	3E13	7	50 - 85	R56720	3D17	7	50 - 63
R55525	4E18	15	70 - 90	R56317	5E17	13	90 - 87	R56721	3D17	4	50 - 63
R55525	4E19	16	70 - 91	R56324	5C20	27	90 - 39	R56724	3D17	6	50 - 63
R55553	3C19	12	50 - 37	R56351	3B18	22	50 - 13	R56730	3B12	30	50 - 7
R55574	5F11	18	90 - 107	R56351	3E21	24	50 - 93	R56741	4C6	2A	70 - 24

1L9

4630 TRACTOR

NUMERICAL INDEX - CONTINUED

PART NO.	GRID	KEY	PAGE	PART NO.	GRID	KEY	PAGE	PART NO.	GRID	KEY	PAGE
R56741	4C6	2B	70 - 24	R56829	3E21	35	50 - 93	R57280	4D20	19	70 - 65
R56741	4C6	9	70 - 24	R56852	5F7	5	90 - 103	R57281	4D22	11	70 - 67
R56746	3B12	11	50 - 7	R56853	5F7	29	90 - 103	R57284	4C22	4	70 - 40
R56749	4B10	3	70 - 5	R56862	3B12	13	50 - 7	R57284	4D15	21	70 - 59
R56750	4B12	3	70 - 7	R56875	1E1	9	30 - 22	R57286	1D11	7	30 - 6
R56751	4B12	2	70 - 7	R56886	2D23	2	40 - 58	R57289	1B13	4	20 - 11
R56751	4B14	20	70 - 9	R56902	1D9	24	30 - 3	R57291	1D23	..	30 - 19
R56751	4B18	8	70 - 13	R56902	417	18	80 - 39	R57298	3D12	10	50 - 57
R56751	4B18	15	70 - 13	R56911	3B21	4	50 - 16	R57298	4C10	14	70 - 28
R56751	4B18	21	70 - 13	R56911	3B22	6	50 - 17	R57299	4C11	4	70 - 29
R56751	4B18	24	70 - 13	R56916	4D2	13	70 - 45	R57320	1D10	19	30 - 5
R56751	4B22	2	70 - 17	R56916	4D4	18	70 - 47	R57324	4C24	6	70 - 42
R56751	4B24	19	70 - 19	R56934	1C5	6	20 - 23	R57330	3B12	11	50 - 7
R56751	4C2	2	70 - 21	R56952	5E4	20	90 - 73	R57382	3E23	3	50 - 95
R56751	4C5	7	70 - 23	R56953	3H24	13	60 - 29	R57382	3E23	15	50 - 95
R56751	4C5	12	70 - 23	R56953	4C14	17	70 - 32	R57384	4D25	8	70 - 71
R56751	4C5	20	70 - 23	R56960	3B12	16	50 - 7	R57385	4D25	8	70 - 71
R56751	4C5	21	70 - 23	R56960	3B12	29	50 - 7	R57442	3B14	7	50 - 9
R56751	4C5	25	70 - 23	R56961	3B12	17	50 - 7	R57442	3B16	28	50 - 11
R56751	4C5	27	70 - 23	R56964	4C24	10	70 - 42	R57442	3B16	34	50 - 11
R56753	4B10	8	70 - 5	R56979	1C4	10	20 - 22	R57448	4C11	9	70 - 29
R56753	4B12	12	70 - 7	R56979	1C5	4	20 - 23	R57449	3C19	8	50 - 37
R56753	4B18	18	70 - 13	R56979	1C5	6	20 - 23	R57449	3C20	1	50 - 38
R56753	4F4	23	70 - 101	R56994	1D22	10	30 - 18	R57549	3F11	20	50 - 107
R56754	4B14	35	70 - 9	R56995	1D22	13	30 - 18	R57549	3I7	10	60 - 37
R56755	4B14	32	70 - 9	R57003	5B11	..	90 - 5	R57549	3I7	20	60 - 37
R56755	4B16	10	70 - 11	R57003	5B13	..	90 - 7	R57549	3I9	2	60 - 39
R56755	4B18	10	70 - 13	R57030	4C9	16	70 - 27	R57550	4C21	8	70 - 39
R56755	4B24	28	70 - 19	R57031	3B12	29	50 - 7	R57550	4C23	23	70 - 41
R56755	4C2	13	70 - 21	R57034	3H2	7	60 - 5	R57550	4C23	24	70 - 41
R56755	4C5	9	70 - 23	R57083	3D16	1	50 - 62	R57550	4D12	10	70 - 56
R56756	4B14	33	70 - 9	R57083	3D17	1	50 - 63	R57550	4D14	1	70 - 58
R56756	4B16	3	70 - 11	R57083	3D19	26	50 - 66	R57550	4D14	2	70 - 58
R56756	4B18	12	70 - 13	R57083	3D22	1	50 - 68A	R57553	4C24	9	70 - 42
R56757	4B14	34	70 - 9	R57087	3D22	16	50 - 68A	R57554	1C20	27	20 - 35
R56757	4B16	11	70 - 11	R57089	3D22	19	50 - 68A	R57555	1C20	27	20 - 35
R56757	4B18	11	70 - 13	R57089	3D23	2	50 - 69	R57556	1C15	4	20 - 30
R56757	4B24	30	70 - 19	R57090	3D16	1	50 - 62	R57558	3C9	12	50 - 27
R56757	4C2	14	70 - 21	R57090	3D16	2	50 - 62	R57558	3C10	12	50 - 28
R56757	4C5	18	70 - 23	R57090	3D17	1	50 - 63	R57558	3C12	8	50 - 30
R56776	3C22	14	50 - 41	R57090	3D17	2	50 - 63	R57559	3B18	19	50 - 13
R56776	3C24	18	50 - 43	R57090	3D19	26	50 - 66	R57559	3D12	26A	50 - 57
R56776	3D1	16	50 - 46	R57090	3D19	27	50 - 66	R57559	3E19	25	50 - 91
R56778	3E21	17	50 - 93	R57090	3D22	1	50 - 68A	R57559	3F4	17	50 - 100
R56778	3E21	30	50 - 93	R57090	3D22	2	50 - 68A	R57560	3B18	27	50 - 13
R56778	3E21	33	50 - 93	R57092	3B17	11	50 - 12	R57560	3B18	28	50 - 13
R56781	3D12	26B	50 - 57	R57103	3I16	26	60 - 47	R57560	3D12	17	50 - 57
R56781	3E21	49	50 - 93	R57109	3H24	10	60 - 29	R57560	3E19	23	50 - 91
R56782	3E21	19	50 - 93	R57114	3C9	7	50 - 27	R57572	5C18	1B	90 - 37
R56783	3E21	29	50 - 93	R57115	3C6	13	50 - 24	R57572	5C18	26	90 - 37
R56784	3E21	32	50 - 93	R57115	3C6	16	50 - 24	R57572	5D2	10	90 - 47
R56785	3E21	17	50 - 93	R57115	3C9	7	50 - 27	R57584	1C6	5	20 - 24
R56785	3E21	30	50 - 93	R57115	3C10	6	50 - 28	R57584	1C7	3	20 - 24A
R56785	3E21	31	50 - 93	R57127	3H24	4	60 - 29	R57585	3B18	26	50 - 13
R56792	2D8	14	40 - 45D	R57135	4H25	1	80 - 33	R57585	3E19	22	50 - 91
R56792	2D9	2	40 - 45E	R57158	1B16	22	20 - 15	R57606	5B19	4	90 - 13
R56793	2D8	3	40 - 45D	R57159	1B16	22	20 - 15	R57607	3G23	1	60 - 1
R56793	2D9	3	40 - 45E	R57218	1C4	5	20 - 22	R57614	3F20	31	50 - 119
R56802	2D6	13	40 - 45B	R57258	1E5	17	30 - 26	R57615	3F20	25	50 - 119
R56816	4D8	16	70 - 52	R57258	1E6	22	30 - 27	R57615	3F22	6	50 - 121
R56821	4D7	14	70 - 51	R57263	5F13	6B	90 - 109	R57616	3F20	11	50 - 119
R56821	4D8	17	70 - 52	R57267	3C3	23	50 - 21B	R57616	3F22	3	50 - 121
R56826	3E17	13	50 - 89	R57267	3D7	22	50 - 52	R57617	3I4	6	60 - 34
R56826	3E21	34	50 - 93	R57268	3F20	4	50 - 119	R57623	5C20	19	90 - 39
R56829	3E17	14	50 - 89	R57268	3F22	2	50 - 121	R57636	5B13	33	90 - 7
R56829	3E19	13	50 - 91	R57274	5C16	4	90 - 34	R57637	5B13	30	90 - 7
R56829	3E19	18	50 - 91	R57275	5C16	4	90 - 34	R57641	1E13	12	30 - 34

1L10

4630 TRACTOR

NUMERICAL INDEX - CONTINUED

PART NO.	GRID	KEY	PAGE	PART NO.	GRID	KEY	PAGE	PART NO.	GRID	KEY	PAGE
R57641	1E20	17	30 - 42	R58204	4D11	8A	70 - 55	R58865	4H4	3	80 - 13
R57641	1E21	31	30 - 43	R58204	4D11	8B	70 - 55	R58866	3F20	12	50 - 119
R57656	3D12	16	50 - 57	R58204	5F11	18	90 - 107	R58882	1C3	4	20 - 21
R57657	3D12	15	50 - 57	R58219	3H18	2	60 - 20	R58884	3G12	6	50 - 138
R57658	3D12	15	50 - 57	R58230	4D2	15	70 - 45	R58884	3G12	10	50 - 138
R57665	4D2	29	70 - 45	R58230	4D4	21	70 - 47	R58900	3B25	3	50 - 20
R57665	4D4	38	70 - 47	R58234	4D2	16	70 - 45	R58900	3D8	13	50 - 53
R57665	4D16	17	70 - 60	R58234	4D4	22	70 - 47	R58900	3D10	22	50 - 55
R57665	4D18	18	70 - 63	R58247	4C25	11	70 - 43	R58900	3E1	1	50 - 72
R57675	4D2	7	70 - 45	R58248	4C25	11	70 - 43	R58900	3F9	14	50 - 105
R57675	4D4	13	70 - 47	R58261	4E13	6	70 - 85	R58914	3E9	5	50 - 80
R57676	4C24	3	70 - 42	R58264	4D20	18	70 - 65	R58934	4D20	11	70 - 65
R57696	3F18	10	50 - 117	R58294	3F20	12	50 - 119	R58939	3B20	32B	50 - 15
R57696	4G2	18	70 - 125	R58295	3F20	15	50 - 119	R58940	3B20	33	50 - 15
R57696	4G2	30	70 - 125	R58341	5E15	19	90 - 85	R58941	3B20	3	50 - 15
R57696	4G7	10	70 - 131	R58424	3F14	10	50 - 111	R58941	3B20	4B	50 - 15
R57696	4G7	36	70 - 131	R58424	3F16	22	50 - 113	R58941	3B20	5A	50 - 15
R57714	1F2	26	30 - 51	R58499	4B14	44	70 - 9	R58941	3B20	5B	50 - 15
R57719	4C9	1	70 - 27	R58500	3B21	4	50 - 16	R58941	3B20	32A	50 - 15
R57719	4C9	5	70 - 27	R58500	3B22	6	50 - 17	R58941	3B20	32B	50 - 15
R57719	4C9	16	70 - 27	R58507	1F9	2	30 - 58	R58941	3B20	33	50 - 15
R57725	3B23	16	50 - 18	R58508	1F9	11	30 - 58	R58941	3B20	34B	50 - 15
R57725	3B24	1	50 - 19	R58509	1F9	18	30 - 58	R58942	3B20	5B	50 - 15
R57725	3C1	12	50 - 21	R58510	1F9	19	30 - 58	R58999	5D2	16	90 - 47
R57725	3C3	24	50 - 21B	R58511	1F9	21	30 - 58	R59009	5D1	17	90 - 46
R57725	3C5	17	50 - 23	R58512	1F9	20	30 - 58	R59010	5D1	12	90 - 46
R57725	3D7	23	50 - 52	R58519	1F9	6	30 - 58	R59011	5D1	10	90 - 46
R57725	3D17	3	50 - 63	R58544	4C21	33	70 - 39	R59012	5D1	13	90 - 46
R57725	4C21	32	70 - 39	R58544	4C22	14	70 - 40	R59013	5C25	17	90 - 45
R57725	4C22	13	70 - 40	R58544	4D13	27	70 - 57	R59015	5D1	6	90 - 46
R57725	4D13	29	70 - 57	R58544	4D15	28	70 - 59	R59018	5D1	11	90 - 46
R57725	4D15	27	70 - 59	R58588	3B15	1	50 - 10	R59019	5D1	1	90 - 46
R57742	3I11	48	60 - 41	R58602	3F20	12	50 - 119	R59020	5C25	11	90 - 45
R57743	3B17	11	50 - 12	R58608	1E14	21	30 - 35	R59021	5C25	7	90 - 45
R57756	3E9	5	50 - 80	R58608	1E14	23	30 - 35	R59022	5C25	14	90 - 45
R57757	3H21	20	60 - 25	R58608	1E16	9	30 - 37	R59023	5C25	18	90 - 45
R57758	3H21	20	60 - 25	R58614	3H4	15	60 - 7	R59025	5C25	1	90 - 45
R57778	1C12	2	20 - 27	R58614	3H15	23	60 - 19	R59028	5C25	4	90 - 45
R57779	1C12	3	20 - 27	R58614	3H15	24	60 - 19	R59029	5C25	6	90 - 45
R57780	1C12	3	20 - 27	R58615	4D15	25	70 - 59	R59030	5C22	12	90 - 41
R57838	1F2	25	30 - 51	R58617	4D25	18	70 - 71	R59033	1C15	4	20 - 30
R57840	1F2	27	30 - 51	R58618	1C20	25	20 - 35	R59069	4H20	15	80 - 28
R57841	1F2	13	30 - 51	R58624	3C6	3	50 - 24	R59069	4H21	20	80 - 29
R57841	1F3	13	30 - 52	R58652	3F3	4	50 - 98	R59070	5C25	3	90 - 45
R57885	1F2	20	30 - 51	R58652	3F4	3	50 - 100	R59074	3F20	3	50 - 119
R57892	2E25	21	40 - 80	R58653	3H13	9	60 - 17	R59074	3F20	4	50 - 119
R57895	3B23	24	50 - 18	R58653	3H17	21	60 - 19B	R59074	3F22	2	50 - 121
R57899	4D2	18	70 - 45	R58654	3H13	10	60 - 17	R59080	4D2	3	70 - 45
R57913	3D19	21	50 - 66	R58654	3H17	22	60 - 19B	R59080	4D16	2	70 - 60
R57936	5F9	2	90 - 105	R58673	1B9	15	20 - 6	R59080	4E17	3	70 - 89
R57970	4H21	16	80 - 29	R58743	3B16	38	50 - 11	R59081	4E17	7	70 - 89
R57971	4H21	16	80 - 29	R58744	3B16	38	50 - 11	R59082	4D2	3	70 - 45
R57977	3C5	19	50 - 23	R58744	3C6	6	50 - 24	R59082	4D2	48	70 - 45
R57978	3C5	19	50 - 23	R58760	4D16	4	70 - 60	R59082	4D4	1	70 - 47
R57979	3C5	19	50 - 23	R58765	3D4	12	50 - 49	R59082	4D16	2	70 - 60
R57988	4D5	6	70 - 49	R58765	3F4	12	50 - 100	R59082	4E18	14	70 - 90
R57988	4D5	7	70 - 49	R58773	4B12	18	70 - 7	R59082	4E19	11	70 - 91
R58003	5B15	2	90 - 8	R58773	4B12	19	70 - 7	R59083	4D2	46	70 - 45
R58008	3B12	23	50 - 7	R58773	4B12	20	70 - 7	R59083	4D4	3	70 - 47
R58033	3H18	10	60 - 20	R58813	5D1	14	90 - 46	R59084	4E17	12	70 - 89
R58037	4I7	..	80 - 39	R58814	5D1	5	90 - 46	R59104	1E20	6	30 - 42
R58038	4I7	..	80 - 39	R58816	5C25	2	90 - 45	R59111	4D2	45B	70 - 45
R58109	1D22	5	30 - 18	R58817	5C25	2	90 - 45	R59111	4D4	4	70 - 47
R58117	4C25	11	70 - 43	R58860	3F20	2	50 - 119	R59137	3C9	11	50 - 27
R58186	1E14	30	30 - 35	R58861	3F20	5	50 - 119	R59137	3C10	11	50 - 28
R58186	1E21	34	30 - 43	R58864	4H4	4	80 - 13	R59138	3B10	9	50 - 4
R58203	4D25	26	70 - 71	R58864	4H5	3	80 - 14	R59138	3D15	11	50 - 61

1L11

4630 TRACTOR

NUMERICAL INDEX - CONTINUED

PART NO.	GRID	KEY	PAGE	PART NO.	GRID	KEY	PAGE	PART NO.	GRID	KEY	PAGE
R59144	3B10	1	50 - 4	R59822	3H18	19	60 - 20	R60153	3E21	17	50 - 93
R59160	2D14	19	40 - 49	R59822	3H20	7	60 - 23	R60153	3E21	30	50 - 93
R59160	2D16	10	40 - 51	R59827	3C5	9	50 - 23	R60153	3E21	33	50 - 93
R59160	2D18	10	40 - 53	R59828	3C5	9	50 - 23	R60154	3E21	17	50 - 93
R59183	5C25	7	90 - 45	R59840	5B19	20	90 - 13	R60154	3E21	30	50 - 93
R59197	4E9	32	70 - 81	R59841	5B19	18	90 - 13	R60154	3E21	33	50 - 93
R59198	4E9	31	70 - 81	R59843	3F20	1	50 - 119	R60170	5B11	8	90 - 5
R59221	5B15	14	90 - 8	R59844	4H12	28	80 - 21	R60171	5B9	28	90 - 3
R59253	1E20	4	30 - 42	R59845	3F8	24	50 - 104	R60171	5B11	7	90 - 5
R59280	5C25	1	90 - 45	R59847	3D24	9	50 - 70	R60171	5B14	6	90 - 7A
R59293	1E20	4	30 - 42	R59848	3F8	17	50 - 104	R60172	5B11	9	90 - 5
R59293	1E20	5	30 - 42	R59850	1B9	7	20 - 6	R60173	5D4	40	90 - 49
R59294	1E20	5	30 - 42	R59850	1B9	8	20 - 6	R60174	3H17	13	60 - 19B
R59299	1E21	38	30 - 43	R59850	1B16	20	20 - 15	R60179	4D2	18	70 - 45
R59300	1E21	38	30 - 43	R59850	1B16	27	20 - 15	R60179	4D4	23	70 - 47
R59302	1E21	35	30 - 43	R59850	1B16	36	20 - 15	R60205	5E18	9	90 - 89
R59304	1E21	35	30 - 43	R59850	1B16	37	20 - 15	R60253	4D18	7	70 - 63
R59305	1E14	30	30 - 35	R59850	1B18	1	20 - 17	R60263	5B13	20	90 - 7
R59305	1E21	34	30 - 43	R59850	1B20	1	20 - 17B	R60264	5B13	21	90 - 7
R59306	2B12	23	40 - 5	R59850	1C2	..	20 - 20	R60272	1E24	5	30 - 47
R59320	5C25	3	90 - 45	R59860	3C5	14	50 - 23	R60273	1E24	7	30 - 47
R59343	4F2	11	70 - 99	R59860	3G2	35	50 - 127	R60274	1E24	8	30 - 47
R59343	4F4	11	70 - 101	R59863	5D8	11	90 - 53	R60275	1E24	9	30 - 47
R59343	4F5	2	70 - 102	R59864	5D8	30	90 - 53	R60276	1E24	11	30 - 47
R59378	3C15	14	50 - 33	R59865	5D8	6	90 - 53	R60277	1E24	1	30 - 47
R59378	3C16	18	50 - 34	R59866	5D8	38	90 - 53	R60278	1E24	4	30 - 47
R59420	1B13	4	20 - 11	R59876	1B9	15	20 - 6	R60279	1E24	3	30 - 47
R59439	3F20	21	50 - 119	R59876	1B24	1	20 - 17F	R60280	1E24	14	30 - 47
R59440	3F20	21	50 - 119	R59897	5C22	11	90 - 41	R60281	1E24	14	30 - 47
R59450	5B19	3	90 - 13	R59899	4H4	7	80 - 13	R60282	1E24	14	30 - 47
R59483	1C16	19	20 - 31	R59899	4H5	5	80 - 14	R60283	1E24	14	30 - 47
R59483	1C16	28	20 - 31	R59910	5D6	7	90 - 51	R60284	1E24	14	30 - 47
R59543	3I2	25	60 - 31	R59942	2C7	23A	40 - 23	R60285	1E24	14	30 - 47
R59552	5E18	9	90 - 89	R59943	2C7	11	40 - 23	R60286	1E24	14	30 - 47
R59553	5E18	11	90 - 89	R59944	2C7	23B	40 - 23	R60287	1E24	14	30 - 47
R59554	5E18	6	90 - 89	R59945	2C9	32	40 - 25	R60288	1E24	14	30 - 47
R59555	5E18	2	90 - 89	R59945	2C9	33	40 - 25	R60289	1E24	14	30 - 47
R59575	5D12	..	90 - 57	R59946	2C9	21	40 - 25	R60290	1E24	14	30 - 47
R59597	3B20	21	50 - 15	R59946	2C9	23	40 - 25	R60291	1E24	14	30 - 47
R59598	3B20	23	50 - 15	R59947	2C9	21	40 - 25	R60292	1E24	14	30 - 47
R59629	4E21	12	70 - 93	R59953	3H15	22	60 - 19	R60293	1E24	14	30 - 47
R59629	4E21	31	70 - 93	R59956	3D23	5	50 - 69	R60294	1E24	14	30 - 47
R59629	4E23	29	70 - 95	R59956	3E2	21	50 - 73	R60295	1E24	14	30 - 47
R59629	4E24	1	70 - 96	R59968	4C24	4	70 - 42	R60296	1E24	14	30 - 47
R59629	4F2	26	70 - 99	R59969	4C24	5	70 - 42	R60297	1E24	14	30 - 47
R59633	4F2	1	70 - 99	R60019	5D4	46	90 - 49	R60298	1E24	14	30 - 47
R59633	4F4	1	70 - 101	R60021	5D4	38	90 - 49	R60299	1E24	14	30 - 47
R59633	4F12	1	70 - 110	R60024	5D4	15	90 - 49	R60317	4D4	33	70 - 47
R59633	4F12	19	70 - 110	R60025	5D4	19	90 - 49	R60319	5D4	21	90 - 49
R59684	4C25	5	70 - 43	R60032	3F20	29	50 - 119	R60333	4E18	19	70 - 90
R59687	1D24	16	30 - 20	R60038	3C10	15	50 - 28	R60333	4E19	20	70 - 91
R59689	3B12	15	50 - 7	R60038	3C12	9	50 - 30	R60334	4D4	54	70 - 47
R59690	3B12	3	50 - 7	R60038	3I16	8	60 - 47	R60334	4D18	26	70 - 63
R59711	3C21	25	50 - 39	R60081	4D4	54	70 - 47	R60334	4E18	12	70 - 90
R59744	3C9	35	50 - 27	R60081	4D18	26	70 - 63	R60335	4E18	17	70 - 90
R59744	3C11	37	50 - 29	R60092	3D12	26C	50 - 57	R60335	4E19	18	70 - 91
R59745	3C9	10	50 - 27	R60092	3E21	45	50 - 93	R60339	3C13	5	50 - 31
R59745	3C10	10	50 - 28	R60092	4E18	23	70 - 90	R60339	3C14	5	50 - 32
R59746	3C9	1	50 - 27	R60092	4E19	24	70 - 91	R60364	3E4	1	50 - 75
R59746	3C10	1	50 - 28	R60093	3D12	31	50 - 57	R60365	3E4	12	50 - 75
R59747	1D13	12	30 - 9	R60093	3E21	39	50 - 93	R60395	4E19	9	70 - 91
R59761	4H15	2	80 - 24	R60096	4D4	51	70 - 47	R60396	3D12	28	50 - 57
R59766	4D2	38	70 - 45	R60096	4D18	22	70 - 63	R60396	3E21	43	50 - 93
R59766	4D4	45	70 - 47	R60096	4E18	9	70 - 90	R60396	4E18	26	70 - 90
R59792	5D4	47	90 - 49	R60096	4E19	6	70 - 91	R60396	4E19	27	70 - 91
R59806	5D24	15	90 - 69	R60151	3D12	15	50 - 57	R60397	4E18	30	70 - 90
R59808	4D20	5B	70 - 65	R60152	3D12	15	50 - 57	R60397	4E18	..	70 - 90

1L12

4630 TRACTOR

NUMERICAL INDEX - CONTINUED

PART NO.	GRID	KEY	PAGE	PART NO.	GRID	KEY	PAGE	PART NO.	GRID	KEY	PAGE
R60397	4E25	1	70 - 97	R60831	3H7	14	60 - 10	R61473	3I3	9	60 - 33
R60397	4F17	12A	70 - 115	R60831	3H9	25	60 - 13	R61474	3I3	6	60 - 33
R60398	4E19	31	70 - 91	R60831	3H21	6	60 - 25	R61482	4E23	..	70 - 95
R60398	4F17	16	70 - 115	R60831	3I7	15A	60 - 37	R61497	1B8	1	20 - 5
R60401	3D12	15	50 - 57	R60831	3I7	15B	60 - 37	R61511	3I2	14	60 - 31
R60402	3D12	15	50 - 57	R60845	5B17	5	90 - 11	R61513	4F17	4	70 - 115
R60420	4D4	55	70 - 47	R60846	5B17	2	90 - 11	R61513	4F17	12	70 - 115
R60420	4D18	27	70 - 63	R60863	1E10	4	30 - 31	R61514	3F25	9	50 - 124
R60420	4E18	3	70 - 90	R60876	1E20	9	30 - 42	R61521	1B9	15	20 - 6
R60420	4E19	12	70 - 91	R60877	1E20	8	30 - 42	R61521	1B24	1	20 - 17F
R60427	2E2	4	40 - 61	R60914	1E18	16	30 - 39	R61522	3H24	13	60 - 29
R60428	3G3	10	50 - 128	R60921	1E18	11	30 - 39	R61522	4C14	17	70 - 32
R60458	5D1	15	90 - 46	R60921	1F1	17	30 - 50	R61529	3B12	26	50 - 7
R60469	5D14	15	90 - 59	R60921	1F2	34	30 - 51	R61591	4D7	40B	70 - 51
R60469	5D18	11	90 - 63	R60921	1F3	35	30 - 52	R61591	4D9	32	70 - 53
R60469	5D18	16	90 - 63	R60921	1F4	15	30 - 53	R61592	4D7	38	70 - 51
R60469	5D18	41	90 - 63	R60964	5D18	17	90 - 63	R61592	4D9	37	70 - 53
R60472	1C12	6	20 - 27	R61066	3B12	15	50 - 7	R61608	1C12	6	20 - 27
R60473	1C8	3	20 - 25	R61108	3C15	10	50 - 33	R61609	1C12	6	20 - 27
R60473	1C9	3	20 - 25A	R61128	1D1	4	20 - 41	R61610	1C12	6	20 - 27
R60473	1C10	3	20 - 25B	R61144	1E14	30	30 - 35	R61611	1C12	6	20 - 27
R60473	1C12	6	20 - 27	R61144	1E21	34	30 - 43	R61659	3B14	3	50 - 9
R60474	1C12	6	20 - 27	R61146	1E21	38	30 - 43	R61659	3B14	4	50 - 9
R60475	1C12	6	20 - 27	R61147	1E21	35	30 - 43	R61659	3B16	22	50 - 11
R60476	1C12	3	20 - 27	R61150	1B13	4	20 - 11	R61659	3B16	23	50 - 11
R60477	1C12	3	20 - 27	R61179	2D16	25	40 - 51	R61659	3B16	34	50 - 11
R60478	1C12	3	20 - 27	R61179	2D18	25	40 - 53	R61660	3B14	3	50 - 9
R60479	1C12	3	20 - 27	R61259	4C6	12	70 - 24	R61660	3B14	4	50 - 9
R60480	1C12	3	20 - 27	R61267	2F2	13	40 - 82	R61660	3B14	7	50 - 9
R60481	1C12	3	20 - 27	R61268	2F2	14	40 - 82	R61660	3B16	22	50 - 11
R60482	1C12	3	20 - 27	R61286	5D2	23	90 - 47	R61660	3B16	23	50 - 11
R60483	1C12	3	20 - 27	R61288	1B16	25	20 - 15	R61660	3B16	34	50 - 11
R60484	1C12	2	20 - 27	R61289	1C6	5	20 - 24	R61678	3F22	3	50 - 121
R60494	4B10	16	70 - 5	R61289	1C7	3	20 - 24A	R61679	5F11	6	90 - 107
R60524	3C9	21	50 - 27	R61289	1C12	6	20 - 27	R61680	3E13	15	50 - 85
R60524	3C11	24	50 - 29	R61292	1C4	7	20 - 22	R61711	3F20	..	50 - 119
R60543	4C24	4	70 - 42	R61292	1C6	8	20 - 24	R61711	3F22	7	50 - 121
R60544	4C24	5	70 - 42	R61316	3I2	7	60 - 31	R61711	3I5	..	60 - 35
R60560	5B17	1	90 - 11	R61316	3I3	3	60 - 33	R61712	3F22	8	50 - 121
R60560	5E4	6	90 - 73	R61318	3I2	9	60 - 31	R61712	3I4	6	60 - 34
R60561	5C2	1	90 - 21	R61321	2E6	13	40 - 65	R61758	1F3	26	30 - 52
R60562	5C2	12	90 - 21	R61322	2E6	11	40 - 65	R61762	3B24	1	50 - 19
R60579	4H12	27	80 - 21	R61323	2E6	7	40 - 65	R61762	4C21	32	70 - 39
R60580	4H12	2	80 - 21	R61339	5F13	9	90 - 109	R61762	4C22	13	70 - 40
R60644	4H22	2	80 - 30	R61340	5F13	9	90 - 109	R61762	4D13	29	70 - 57
R60644	4H22	8	80 - 30	R61341	2D22	13	40 - 57	R61762	4D15	27	70 - 59
R60644	4H22	9	80 - 30	R61341	5F13	9	90 - 109	R61771	3F20	28	50 - 119
R60649	1F2	22	30 - 51	R61349	4D2	34	70 - 45	R61775	2G5	7	40 - 105
R60649	1F2	25	30 - 51	R61349	4D4	39	70 - 47	R61776	2G5	3	40 - 105
R60649	1F3	25	30 - 52	R61350	4D2	34	70 - 45	R61862	5C25	12	90 - 45
R60650	1B12	5	20 - 10	R61350	4D4	40	70 - 47	R61909	1C8	3	20 - 25
R60650	1B12	7	20 - 10	R61371	3E21	22	50 - 93	R61909	1C9	3	20 - 25A
R60657	5D4	35	90 - 49	R61386	3B15	8	50 - 10	R61909	1C10	3	20 - 25B
R60668	3C21	28A	50 - 39	R61387	3B16	34	50 - 11	R61909	3H11	23	60 - 15
R60668	3C21	28B	50 - 39	R61388	3B16	18	50 - 11	R61909	3I2	23	60 - 31
R60668	3C21	35	50 - 39	R61389	3B15	13	50 - 10	R61910	3H11	24	60 - 15
R60670	3C21	28A	50 - 39	R61390	3B15	12	50 - 10	R61910	3I2	24	60 - 31
R60670	3C21	28B	50 - 39	R61391	3B15	2	50 - 10	R61932	2C21	23	40 - 37
R60670	3C21	34	50 - 39	R61420	1C4	5	20 - 22	R61932	2D2	22	40 - 43
R60671	3C21	28A	50 - 39	R61458	1F3	27	30 - 52	R61933	2D2	15	40 - 43
R60671	3C21	28B	50 - 39	R61461	3F20	21	50 - 119	R61934	2D2	25	40 - 43
R60671	3C21	36	50 - 39	R61462	3G8	9	50 - 133	R61939	3B20	3	50 - 15
R60730	4D7	4	70 - 51	R61462	3G18	8	50 - 144	R61951	1C4	5	20 - 22
R60730	4D8	4	70 - 52	R61462	3G18	9	50 - 144	R61955	4C11	11	70 - 29
R60732	4B10	25	70 - 5	R61463	3G8	10	50 - 133	R61955	4C14	15	70 - 32
R60753	1B11	10	20 - 9	R61463	3G18	9	50 - 144	R61957	4F6	..	70 - 103
R60754	1C15	8	20 - 30	R61471	3I3	13	60 - 33	R61974	1B13	4	20 - 11

1L13

4630 TRACTOR

NUMERICAL INDEX - CONTINUED

PART NO.	GRID	KEY	PAGE	PART NO.	GRID	KEY	PAGE	PART NO.	GRID	KEY	PAGE
R61983	3C14	17	50 - 32	R62544	5E18	1	90 - 89	R62834	3B16	18	50 - 11
R61983	3C24	25	50 - 43	R62544	5E23	1	90 - 94	R62837	3C10	13	50 - 28
R61983	3D1	22	50 - 46	R62545	5D6	..	90 - 51	R62837	3C10	19	50 - 28
R61987	3C14	17	50 - 32	R62545	5F4	4	90 - 100	R62839	3C9	15	50 - 27
R61987	3C18	5	50 - 36	R62545	5F5	1	90 - 101	R62839	3C10	13	50 - 28
R61987	3D1	22	50 - 46	R62546	5D6	..	90 - 51	R62839	3C10	19	50 - 28
R61988	3C18	8	50 - 36	R62546	5F4	4	90 - 100	R62840	3C10	14	50 - 28
R62041	3B20	3	50 - 15	R62546	5F5	4	90 - 101	R62841	3C11	29	50 - 29
R62041	3B20	33	50 - 15	R62547	5F5	2	90 - 101	R62842	3C10	17	50 - 28
R62042	3B20	3	50 - 15	R62590	5F7	31	90 - 103	R62843	3C10	18	50 - 28
R62042	3B20	5B	50 - 15	R62622	3H18	12	60 - 20	R62860	4D9	39	70 - 53
R62043	3B20	32A	50 - 15	R62635	5D18	7	90 - 63	R62860	4D11	38	70 - 55
R62043	3B20	32B	50 - 15	R62635	5D18	48	90 - 63	R62865	4F17	12B	70 - 115
R62043	3B20	33	50 - 15	R62636	5D18	7	90 - 63	R62880	3H21	10	60 - 25
R62065	4D22	14	70 - 67	R62636	5D18	47	90 - 63	R62896	4H25	14	80 - 33
R62087	1D9	32	30 - 3	R62652	4E21	33	70 - 93	R62899	1F1	1	30 - 50
R62087	4H25	7	80 - 33	R62652	4E23	30	70 - 95	R62899	1F1	7	30 - 50
R62087	4H25	23	80 - 33	R62659	4C15	28	70 - 33	R62899	1F2	1	30 - 51
R62087	4H25	24	80 - 33	R62660	4C14	19	70 - 32	R62899	1F2	6	30 - 51
R62087	4H25	35	80 - 33	R62661	4C14	10	70 - 32	R62899	1F3	6	30 - 52
R62088	4H25	31	80 - 33	R62662	4C14	22	70 - 32	R62899	1F4	6	30 - 53
R62089	1D9	32	30 - 3	R62663	4C14	21	70 - 32	R62900	1F1	1	30 - 50
R62089	4H25	20	80 - 33	R62667	2D3	6	40 - 44	R62900	1F1	8	30 - 50
R62096	1C20	7	20 - 35	R62668	2D3	8	40 - 44	R62900	1F2	1	30 - 51
R62097	1C20	7	20 - 35	R62669	2D2	11	40 - 43	R62900	1F2	7	30 - 51
R62104	1E22	7	30 - 44	R62670	2C24	20	40 - 41	R62900	1F3	7	30 - 52
R62105	1E22	8	30 - 44	R62671	2C24	38	40 - 41	R62900	1F4	7	30 - 53
R62106	1E22	11	30 - 44	R62672	2D2	3	40 - 43	R62927	3C19	1	50 - 37
R62107	1E22	10	30 - 44	R62673	2C24	11	40 - 41	R62927	3C20	4	50 - 38
R62110	1C16	19	20 - 31	R62674	2C24	2	40 - 41	R62932	4D5	6	70 - 49
R62110	1C16	28	20 - 31	R62698	3B14	10	50 - 9	R62932	4D5	7	70 - 49
R62152	4D16	4	70 - 60	R62698	3B16	18	50 - 11	R62955	3B14	33	50 - 9
R62175	3H21	20	60 - 25	R62708	4C13	16	70 - 31	R62955	3B16	30	50 - 11
R62239	1D15	10	30 - 11	R62708	4C13	17	70 - 31	R62956	4I7	14	80 - 39
R62239	1D15	15	30 - 11	R62708	4C13	20	70 - 31	R62956	5F11	18	90 - 107
R62245	1E20	10	30 - 42	R62724	3B20	24	50 - 15	R62957	4I7	13	80 - 39
R62278	3H12	17	60 - 16	R62725	3B20	30	50 - 15	R62972	3C15	10	50 - 33
R62278	3H12	21	60 - 16	R62726	3B20	28	50 - 15	R62972	3C16	23	50 - 34
R62278	3H15	4	60 - 19	R62727	3B20	26	50 - 15	R62986	1C6	6	20 - 24
R62278	3H15	18	60 - 19	R62730	3B12	5	50 - 7	R62986	1C7	4	20 - 24A
R62278	3H17	3	60 - 19B	R62732	3B10	1	50 - 4	R62986	1C8	4	20 - 25
R62278	3H17	6	60 - 19B	R62732	3B10	9	50 - 4	R62986	1C9	4	20 - 25A
R62280	3H4	2	60 - 7	R62732	3B10	12	50 - 4	R62986	1C10	4	20 - 25B
R62280	3H15	2	60 - 19	R62732	3B10	13	50 - 4	R62986	1C12	4	20 - 27
R62280	3H17	4	60 - 19B	R62732	3D15	10	50 - 61	R62987	1C6	7	20 - 24
R62281	3H12	18	60 - 16	R62732	3D15	11	50 - 61	R62987	1C7	5	20 - 24A
R62336	4D2	45B	70 - 45	R62740	3B10	1	50 - 4	R62987	1C12	5	20 - 27
R62336	4D4	4	70 - 47	R62740	3B10	13	50 - 4	R62988	1C6	7	20 - 24
R62401	4D8	13	70 - 52	R62743	3B16	20	50 - 11	R62988	1C7	5	20 - 24A
R62410	1B14	1	20 - 12	R62743	3B16	34	50 - 11	R62988	1C12	5	20 - 27
R62410	1D3	31	20 - 43	R62760	4E1	5	70 - 72	R62990	3C5	7	50 - 23
R62418	1B9	4	20 - 6	R62760	4E2	9	70 - 73	R62991	3C5	5	50 - 23
R62418	1B9	7	20 - 6	R62790	1E4	4	30 - 25	R63001	3H11	22	60 - 15
R62419	1B9	4	20 - 6	R62803	3C15	10	50 - 33	R63001	3I2	29	60 - 31
R62419	1B9	6	20 - 6	R62810	3B23	10	50 - 18	R63002	1C12	5	20 - 27
R62420	1B9	4	20 - 6	R62811	3C14	11	50 - 32	R63003	1C8	5	20 - 25
R62420	1B9	5	20 - 6	R62811	3D1	19	50 - 46	R63003	1C9	5	20 - 25A
R62421	1B9	4	20 - 6	R62812	3C16	8	50 - 34	R63003	1C10	5	20 - 25B
R62421	1B9	8	20 - 6	R62812	3D1	2	50 - 46	R63003	1C12	5	20 - 27
R62500	4C24	13	70 - 42	R62813	3C14	14	50 - 32	R63004	1C12	5	20 - 27
R62512	3F24	1	50 - 123	R62813	3C16	11	50 - 34	R63005	1C12	5	20 - 27
R62513	3F24	1	50 - 123	R62815	3C16	14	50 - 34	R63006	1C12	5	20 - 27
R62513	3F24	2	50 - 123	R62815	3C18	8	50 - 36	R63007	1C8	5	20 - 25
R62513	3G8	1	50 - 133	R62815	3D1	11	50 - 46	R63007	1C9	5	20 - 25A
R62515	3G2	13	50 - 127	R62818	3C16	14	50 - 34	R63007	1C10	5	20 - 25B
R62516	3G2	11	50 - 127	R62818	3C24	28	50 - 43	R63007	1C12	5	20 - 27
R62533	3E6	6	50 - 77	R62818	3D1	11	50 - 46	R63008	1C12	5	20 - 27

1L14

4630 TRACTOR

NUMERICAL INDEX - CONTINUED

PART NO.	GRID	KEY	PAGE	PART NO.	GRID	KEY	PAGE	PART NO.	GRID	KEY	PAGE
R63009	1C12	5	20 - 27	R63326	1C10	8	20 - 25B	R63672	2F13	38	40 - 93B
R63010	1C8	4	20 - 25	R63387	5D18	25	90 - 63	R63672	2F15	38	40 - 93D
R63010	1C9	4	20 - 25A	R63399	3H13	12	60 - 17	R63672	2F17	40	40 - 93F
R63010	1C10	4	20 - 25B	R63399	3H17	24	60 - 19B	R63673	3H18	12	60 - 20
R63010	1C12	4	20 - 27	R63411	4H25	16A	80 - 33	R63673	3H20	1	60 - 23
R63017	3B14	29	50 - 9	R63411	4H25	18	80 - 33	R63709	3D3	10	50 - 48
R63019	5D14	1	90 - 59	R63411	4H25	19A	80 - 33	R63737	4D20	13	70 - 65
R63019	5D16	3	90 - 61	R63411	4H25	19B	80 - 33	R63760	5D18	18A	90 - 63
R63034	2E2	3	40 - 61	R63412	4H25	16A	80 - 33	R63760	5D18	20	90 - 63
R63034	2E4	5	40 - 63	R63412	4H25	18	80 - 33	R63812	4C14	10	70 - 32
R63052	3B20	3	50 - 15	R63412	4H25	19A	80 - 33	R63839	5D12	17	90 - 57
R63052	3B20	5A	50 - 15	R63412	4H25	19B	80 - 33	R63845	1D22	2	30 - 18
R63052	3B20	5B	50 - 15	R63414	4H25	13	80 - 33	R63845	1E14	25	30 - 35
R63052	3B20	32A	50 - 15	R63414	4H25	16A	80 - 33	R63845	1E20	28	30 - 42
R63052	3B20	32B	50 - 15	R63414	4H25	18	80 - 33	R63849	3B20	26	50 - 15
R63052	3B20	33	50 - 15	R63414	4H25	19A	80 - 33	R63857	1E1	9	30 - 22
R63059	1E22	1	30 - 44	R63424	4H25	16A	80 - 33	R63858	1D9	32	30 - 3
R63060	1E22	2	30 - 44	R63424	4H25	16B	80 - 33	R63858	1E1	9	30 - 22
R63061	1E22	12	30 - 44	R63424	4H25	18	80 - 33	R63858	4H25	20	80 - 33
R63062	1E22	4	30 - 44	R63424	4H25	19A	80 - 33	R63858	4H25	23	80 - 33
R63063	1E22	5	30 - 44	R63425	4H25	16A	80 - 33	R63882	4C25	11	70 - 43
R63065	1B24	1	20 - 17F	R63425	4H25	16B	80 - 33	R63917	3I4	5	60 - 34
R63065	1E16	13	30 - 37	R63425	4H25	18	80 - 33	R63927	3C24	23	50 - 43
R63082	4C23	29	70 - 41	R63425	4H25	19A	80 - 33	R63927	3D1	10	50 - 46
R63082	4D14	15	70 - 58	R63451	1C4	10	20 - 22	R63933	4H25	14	80 - 33
R63093	3D4	3	50 - 49	R63451	1C5	4	20 - 23	R63933	4H25	15	80 - 33
R63093	3D5	3	50 - 50	R63451	1C5	5	20 - 23	R63956	5E4	1	90 - 73
R63093	3F3	5	50 - 98	R63451	1C5	6	20 - 23	R63976	3D12	16	50 - 57
R63093	3F4	14	50 - 100	R63460	2B23	7	40 - 15	R63979	3E21	30	50 - 93
R63106	3F20	5	50 - 119	R63460	2C1	7	40 - 17	R63979	3E21	33	50 - 93
R63107	4I7	..	80 - 39	R63461	2B23	22	40 - 15	R63980	3E21	17	50 - 93
R63107	4I8	4	80 - 40	R63461	2C1	19	40 - 17	R63980	3E21	22	50 - 93
R63108	4I7	..	80 - 39	R63462	2B23	1	40 - 15	R63980	3E21	30	50 - 93
R63108	4I8	4	80 - 40	R63462	2C1	1	40 - 17	R63983	2F23	16	40 - 98
R63109	4I7	3	80 - 39	R63465	4I7	5	80 - 39	R64013	4D8	16	70 - 52
R63118	1D20	1	30 - 16	R63496	2D24	5	40 - 59	R64056	2F20	14	40 - 97
R63119	1D20	15	30 - 16	R63531	2E4	25	40 - 63	R64057	2F20	6	40 - 97
R63120	1D20	18	30 - 16	R63555	4H1	5	80 - 10	R64057	2F22	6	40 - 97B
R63121	1D20	19	30 - 16	R63556	4H1	5	80 - 10	R64058	2F20	19	40 - 97
R63122	1D20	20	30 - 16	R63556	4H1	9	80 - 10	R64059	2F20	21	40 - 97
R63123	1D20	17	30 - 16	R63571	5B9	21	90 - 3	R64059	2F22	21	40 - 97B
R63123	1D21	13	30 - 17	R63573	4D4	23	70 - 47	R64060	2F20	13	40 - 97
R63124	1D20	21	30 - 16	R63666	2F11	8	40 - 93	R64061	2F20	2	40 - 97
R63124	1D21	14	30 - 17	R63666	2F13	8	40 - 93B	R64061	2F22	2	40 - 97B
R63125	1D20	22	30 - 16	R63666	2F15	8	40 - 93D	R64062	2F20	26	40 - 97
R63125	1D21	15	30 - 17	R63666	2F17	8	40 - 93F	R64062	2F22	25	40 - 97B
R63126	1D20	13	30 - 16	R63667	2F11	7	40 - 93	R64063	2F20	10	40 - 97
R63126	1D21	10	30 - 17	R63667	2F13	7	40 - 93B	R64063	2F22	10	40 - 97B
R63127	1D20	12	30 - 16	R63667	2F15	7	40 - 93D	R64083	4D22	19B	70 - 67
R63127	1D21	9	30 - 17	R63667	2F17	7	40 - 93F	R64084	4D22	5	70 - 67
R63128	1D20	5	30 - 16	R63668	2F11	6	40 - 93	R64085	4D22	6	70 - 67
R63128	1D21	2	30 - 17	R63668	2F13	6	40 - 93B	R64086	1B13	4	20 - 11
R63137	1D20	15	30 - 16	R63668	2F15	6	40 - 93D	R64097	3C22	24	50 - 41
R63193	3E21	17	50 - 93	R63668	2F17	6	40 - 93F	R64097	3C24	7	50 - 43
R63193	3E21	30	50 - 93	R63669	2F11	5	40 - 93	R64129	3C5	26	50 - 23
R63193	3E21	33	50 - 93	R63669	2F13	5	40 - 93B	R64170	4C17	24	70 - 35
R63195	3E21	17	50 - 93	R63669	2F15	5	40 - 93D	R64170	4C17	25	70 - 35
R63195	3E21	30	50 - 93	R63670	2F17	5	40 - 93F	R64233	4C24	6	70 - 42
R63195	3E21	33	50 - 93	R63670	2F11	4	40 - 93	R64257	3F14	15	50 - 111
R63196	3E21	17	50 - 93	R63670	2F13	4	40 - 93B	R64257	3F16	19	50 - 113
R63259	5D12	26	90 - 57	R63670	2F15	4	40 - 93D	R64295	4D5	6	70 - 49
R63263	5D12	21	90 - 57	R63670	2F17	4	40 - 93F	R64296	4D7	1	70 - 51
R63263	5D12	27	90 - 57	R63671	2F11	2	40 - 93	R64296	4D8	1	70 - 52
R63263	5D12	31	90 - 57	R63671	2F13	2	40 - 93B	R64384	3C9	7	50 - 27
R63326	1C5	2	20 - 23	R63671	2F15	2	40 - 93D	R64384	3C10	6	50 - 28
R63326	1C7	8	20 - 24A	R63671	2F17	2	40 - 93F	R64389	4D22	11	70 - 67
R63326	1C9	8	20 - 25A	R63672	2F11	36	40 - 93	R64391	4I7	12	80 - 39

1L15

4630 TRACTOR

NUMERICAL INDEX - CONTINUED

PART NO.	GRID	KEY	PAGE	PART NO.	GRID	KEY	PAGE	PART NO.	GRID	KEY	PAGE
R64423	3C6	13	50 - 24	R65227	3C9	15	50 - 27	R65501	4E21	31	70 - 93
R64491	3G17	6	50 - 143	R65229	3C10	14	50 - 28	R65501	4E23	17	70 - 95
R64561	4F6	23	70 - 103	R65230	3C10	13	50 - 28	R65501	4E24	1	70 - 96
R64568	1C15	1	20 - 30	R65230	3C11	20	50 - 29	R65501	4F2	26	70 - 99
R64605	4F6	11	70 - 103	R65231	3C10	13	50 - 28	R65502	4E21	12	70 - 93
R64606	4F6	18	70 - 103	R65231	3C11	22	50 - 29	R65502	4E21	18	70 - 93
R64607	4F6	17	70 - 103	R65239	4D20	16	70 - 65	R65502	4E21	31	70 - 93
R64608	4F6	8	70 - 103	R65239	4D20	18	70 - 65	R65502	4E23	17	70 - 95
R64609	4F6	7	70 - 103	R65240	4D20	15	70 - 65	R65502	4E24	1	70 - 96
R64610	4F6	16	70 - 103	R65240	4D20	18	70 - 65	R65502	4F2	26	70 - 99
R64611	4F6	15	70 - 103	R65242	4D25	32	70 - 71	R65503	4C25	9	70 - 43
R64612	4F6	14	70 - 103	R65243	4D25	26	70 - 71	R65505	5B17	16	90 - 11
R64613	4F6	12	70 - 103	R65261	3D1	7	50 - 46	R65506	5D6	10	90 - 51
R64614	4F6	13	70 - 103	R65269	3D1	20	50 - 46	R65508	5D12	9	90 - 57
R64615	4F6	6	70 - 103	R65270	3D1	5	50 - 46	R65508	5D23	6	90 - 68
R64617	4F6	4	70 - 103	R65284	4E21	26	70 - 93	R65541	3H11	23	60 - 15
R64618	4F6	5	70 - 103	R65284	4E21	31	70 - 93	R65541	3H11	24	60 - 15
R64697	3G12	11	50 - 138	R65284	4E23	..	70 - 95	R65541	3I2	23	60 - 31
R64697	3G12	12	50 - 138	R65284	4E24	1	70 - 96	R65541	3I2	24	60 - 31
R64698	3G12	11	50 - 138	R65284	4F2	26	70 - 99	R65542	3H11	23	60 - 15
R64699	2E16	3	40 - 71	R65284	4F4	27	70 - 101	R65542	3H11	24	60 - 15
R64700	2E16	7	40 - 71	R65285	4F2	27	70 - 99	R65542	3I2	23	60 - 31
R64700	2E17	7	40 - 72	R65285	4F4	28	70 - 101	R65542	3I2	24	60 - 31
R64704	3H12	17	60 - 16	R65285	4F5	11	70 - 102	R65550	3B14	9	50 - 9
R64704	3H15	14	60 - 19	R65286	4E21	14	70 - 93	R65550	3B16	19	50 - 11
R64704	3H15	18	60 - 19	R65286	4E23	13	70 - 95	R65551	3B15	1	50 - 10
R64704	3H15	20	60 - 19	R65286	4F1	13	70 - 98	R65563	3B21	10	50 - 16
R64704	3H17	3	60 - 19B	R65286	4F2	14	70 - 99	R65563	3E18	3	50 - 90
R64704	3H17	33	60 - 19B	R65286	4F4	14	70 - 101	R65570	5D14	5	90 - 59
R64726	4I7	3	80 - 39	R65286	4F5	4	70 - 102	R65570	5D14	8	90 - 59
R64780	1D20	13	30 - 16	R65287	4E24	16	70 - 96	R65570	5D16	5	90 - 61
R64780	1D21	10	30 - 17	R65287	4F1	7	70 - 98	R65588	3E3	9	50 - 74
R64781	1D20	13	30 - 16	R65289	4E21	12	70 - 93	R65588	3E5	8	50 - 76
R64781	1D21	10	30 - 17	R65289	4E21	26	70 - 93	R65589	3E2	6	50 - 73
R64826	3D15	31	50 - 61	R65289	4E23	25	70 - 95	R65589	3E4	5	50 - 75
R64826	3D15	36	50 - 61	R65289	4E24	1	70 - 96	R65590	2D12	4	40 - 47
R64840	1D3	16	20 - 43	R65289	4F2	26	70 - 99	R65593	2D12	4	40 - 47
R64840	1E13	1	30 - 34	R6530R	3E13	20	50 - 85	R65593	2F2	8	40 - 82
R64840	1E19	12	30 - 40	R6530R	3E13	24	50 - 85	R65593	2F2	15	40 - 82
R64840	1E20	6	30 - 42	R65301	5E20	6	90 - 91	R65593	2G11	4	40 - 109
R64840	1E24	12	30 - 47	R65302	5E20	13	90 - 91	R65593	5B19	15	90 - 13
R64843	4D7	7	70 - 51	R65308	3F20	15	50 - 119	R65594	2G11	2	40 - 109
R64843	4D8	1	70 - 52	R65308	3F22	4	50 - 121	R65595	2G11	21	40 - 109
R64843	4D8	7A	70 - 52	R65322	3D8	10	50 - 53	R65595	2G13	11	40 - 111
R64845	4D7	7	70 - 51	R65322	3D10	13	50 - 55	R65596	2G11	22	40 - 109
R64845	4D8	7A	70 - 52	R65322	3D10	15	50 - 55	R65597	2B10	24	40 - 3
R64845	4D8	8B	70 - 52	R65322	3F9	10	50 - 105	R65597	2B10	31	40 - 3
R64861	1E25	10	30 - 49	R65322	3F9	12	50 - 105	R65597	2B12	20	40 - 5
R65053	3E6	6	50 - 77	R65323	2E24	1	40 - 79	R65597	2E21	7	40 - 76
R65055	1C15	19	20 - 30	R65335	4C25	9	70 - 43	R65597	2E22	6	40 - 77
R65055	1D3	25	20 - 43	R65354	4E23	22	70 - 95	R65597	2G11	23	40 - 109
R65082	4D25	8	70 - 71	R65436	5B10	25	90 - 4	R65598	2G11	24	40 - 109
R65082	4D25	28B	70 - 71	R65436	5B11	11	90 - 5	R65599	2G11	25	40 - 109
R65083	4D25	8	70 - 71	R65436	5B11	22	90 - 5	R65600	2B9	10	40 - 2
R65084	4D25	8	70 - 71	R65442	5D4	40	90 - 49	R65600	2B10	31	40 - 3
R65095	1E11	3	30 - 32	R65450	5B17	2	90 - 11	R65600	2G11	26	40 - 109
R65147	5B21	1	90 - 15	R65465	5E10	2	90 - 79	R65600	5B19	15	90 - 13
R65148	5B21	6	90 - 15	R65466	5E10	5	90 - 79	R65601	2G11	27	40 - 109
R65150	5B21	8	90 - 15	R65467	5E10	3	90 - 79	R65602	2G11	28	40 - 109
R65192	4B14	44	70 - 9	R65471	5E8	9	90 - 77	R65602	2G15	49	40 - 113
R65194	4B14	43	70 - 9	R65472	5E8	1	90 - 77	R65603	2G11	29	40 - 109
R65203	4D25	4	70 - 71	R65473	5E6	10	90 - 75	R65604	2G11	30	40 - 109
R65205	3F23	1	50 - 122	R65475	5C2	13	90 - 21	R65604	5B19	15	90 - 13
R65207	3G17	40	50 - 143	R65476	5B13	3	90 - 7	R65605	2G11	31	40 - 109
R65212	3G9	5	50 - 134	R65476	5B25	10	90 - 19	R65606	2G11	32	40 - 109
R65225	3C10	13	50 - 28	R65501	4E21	12	70 - 93	R65607	2G11	33	40 - 109
R65225	3C10	19	50 - 28	R65501	4E21	18	70 - 93	R65607	2G15	46	40 - 113

1L16

4630 TRACTOR

NUMERICAL INDEX - CONTINUED

PART NO.	GRID	KEY	PAGE	PART NO.	GRID	KEY	PAGE	PART NO.	GRID	KEY	PAGE
R65608	2G11	5	40 - 109	R66024	4I10	9	80 - 43	R66531	4H17	10	80 - 25A
R65609	2G11	8	40 - 109	R66067	3G17	1	50 - 143	R66536	4H17	2	80 - 25A
R65610	2G11	9	40 - 109	R66068	3F7	7	50 - 103	R66537	4H17	10	80 - 25A
R65624	5D12	28	90 - 57	R66069	2E16	3	40 - 71	R66538	4H17	15	80 - 25A
R65683	1C15	17	20 - 30	R66087	5D12	5	90 - 57	R66539	4H17	16	80 - 25A
R65684	3B18	13	50 - 13	R66102	3B14	13	50 - 9	R66543	4H17	2	80 - 25A
R65684	3E21	9	50 - 93	R66102	3B15	13	50 - 10	R66561	5F11	22	90 - 107
R65684	4E18	15	70 - 90	R66117	2C17	4	40 - 33	R66562	5F11	22	90 - 107
R65684	4E19	16	70 - 91	R66117	2D4	9	40 - 45	R66619	4I10	6	80 - 43
R65685	3H13	12	60 - 17	R66117	5B19	2	90 - 13	R66620	4I10	6	80 - 43
R65685	3H17	24	60 - 19B	R66143	3E6	10	50 - 77	R66623	3B17	11	50 - 12
R65687	3H21	20	60 - 25	R66145	3E6	16	50 - 77	R66645	5B13	7	90 - 7
R65689	2E22	10	40 - 77	R66155	3H11	6	60 - 15	R66650	3F25	7	50 - 124
R65690	2E21	11	40 - 76	R66196	3E6	9	50 - 77	R66650	3G2	6	50 - 127
R65695	5F1	7	90 - 97	R66197	3E6	7	50 - 77	R66658	2E24	3	40 - 79
R65696	5F3	38	90 - 99	R662R	1F9	16	30 - 58	R66659	2E24	8	40 - 79
R65765	3F16	25	50 - 113	R662R	3C21	42	50 - 39	R66660	2E24	11	40 - 79
R65766	3F16	25	50 - 113	R662R	3C22	22	50 - 41	R66688	1D23	4	30 - 19
R65774	5F7	1	90 - 103	R662R	3C24	12	50 - 43	R66689	1D23	3	30 - 19
R65774	5F7	7	90 - 103	R662R	4D7	34	70 - 51	R66690	1D23	5	30 - 19
R65775	5F7	1	90 - 103	R662R	4D9	28	70 - 53	R66788	3F14	14	50 - 111
R65775	5F7	7	90 - 103	R662R	4D11	35	70 - 55	R66788	3F16	16	50 - 113
R65817	4D25	4	70 - 71	R66205	2F1	4	40 - 81	R66821	1E5	17	30 - 26
R65832	5B21	5	90 - 15	R66206	2F1	3	40 - 81	R66821	1E6	22	30 - 27
R65832	5B23	10	90 - 17	R66290	5F15	11	90 - 111	R66821	1E12	12	30 - 33
R65844	5E20	9	90 - 91	R66301	2C15	5	40 - 31	R66890	4D18	7	70 - 63
R65844	5E22	9	90 - 93	R66302	2C15	11	40 - 31	R66893	4D4	23	70 - 47
R65849	3H21	3	60 - 25	R66317	3F16	17	50 - 113	R66894	4D7	3	70 - 51
R65887	4F17	17	70 - 115	R66387	2B9	7	40 - 2	R66895	4D2	30	70 - 45
R65888	4F17	16	70 - 115	R66319	2B9	10	40 - 2	R66901	4D25	14	70 - 71
R65892	3D4	8	50 - 49	R66319	2B10	24	40 - 3	R66914	4H12	28	80 - 21
R65892	3D5	6	50 - 50	R66319	2B10	31	40 - 3	R66916	4E21	12	70 - 93
R65892	3F3	8	50 - 98	R66319	2B12	20	40 - 5	R66916	4E21	31	70 - 93
R65892	3F4	8	50 - 100	R66319	2D14	11	40 - 49	R66916	4E23	22	70 - 95
R65894	3D4	1	50 - 49	R66319	2D16	18	40 - 51	R66916	4E24	1	70 - 96
R65894	3D4	12	50 - 49	R66319	2D18	18	40 - 53	R66916	4F2	26	70 - 99
R65894	3D5	1	50 - 50	R66319	2D19	15	40 - 54	R66922	1C3	4	20 - 21
R65894	3F3	1	50 - 98	R66319	2E4	1	40 - 63	R66930	5D14	6	90 - 59
R65894	3F4	1	50 - 100	R66319	2E21	7	40 - 76	R66983	4D25	8	70 - 71
R65894	3F4	12	50 - 100	R66319	2E22	6	40 - 77	R66984	4D25	8	70 - 71
R65906	5E13	14	90 - 83	R66319	2G9	1	40 - 107	R66985	4D25	8	70 - 71
R65907	5E13	9	90 - 83	R66319	2G9	9	40 - 107	R66986	4D25	8	70 - 71
R65923	4H19	1	80 - 27	R66319	2G9	14	40 - 107	R66987	4D25	8	70 - 71
R65924	4H19	1	80 - 27	R66319	2G9	15	40 - 107	R66987	4D25	40	70 - 71
R65925	4H19	1	80 - 27	R66319	2G11	3	40 - 109	R67028	4H25	14	80 - 33
R65925	4H19	4	80 - 27	R66320	2G11	7	40 - 109	R67035	1C22	1	20 - 37
R65925	4H20	1	80 - 28	R66320	2G13	24	40 - 111	R67037	3E23	3	50 - 95
R65925	4H20	4	80 - 28	R66321	2G4	7	40 - 104	R67037	3E23	15	50 - 95
R65926	4H19	18	80 - 27	R66321	2G4	11	40 - 104	R67041	4I7	9	80 - 39
R65927	4H19	18	80 - 27	R66321	2G11	6	40 - 109	R67054	5B21	7	90 - 15
R66004	4I10	21	80 - 43	R66321	2G13	24	40 - 111	R67054	5B23	12	90 - 17
R66005	4I10	7	80 - 43	R66373	5D12	22	90 - 57	R67068	3B15	13	50 - 10
R66006	4I10	7	80 - 43	R66373	5D12	29	90 - 57	R67074	1E25	19	30 - 49
R66008	4I10	18	80 - 43	R66374	5D12	24	90 - 57	R67092	1E9	1	30 - 30
R66009	4I10	3	80 - 43	R66375	5D12	30	90 - 57	R67121	4D2	29	70 - 45
R66010	4I10	12	80 - 43	R66383	5D12	6	90 - 57	R67121	4D4	38	70 - 47
R66011	4I10	16	80 - 43	R66416	4E23	18	70 - 95	R67121	4D16	17	70 - 60
R66013	4I10	11	80 - 43	R66418	5B17	3	90 - 11	R67121	4D18	18	70 - 63
R66015	4I10	10	80 - 43	R66434	4D22	28	70 - 67	R67193	3F1	14	50 - 96
R66016	4I10	17	80 - 43	R66435	4D22	25	70 - 67	R67243	4C14	21	70 - 32
R66017	4I10	2	80 - 43	R66452	1C3	1	20 - 21	R67306	3C11	20	50 - 29
R66018	4I10	14	80 - 43	R66469	4G13	11	70 - 136	R67315	3C10	18	50 - 28
R66019	4I10	13	80 - 43	R66473	4G13	13	70 - 136	R67363	5D6	16	90 - 51
R66021	4I10	5	80 - 43	R66474	4G13	8	70 - 136	R67364	1C16	29	20 - 31
R66021	4I10	7	80 - 43	R66475	4G13	5	70 - 136	R67366	3G17	44	50 - 143
R66022	4I10	20	80 - 43	R66476	1F9	11	30 - 58	R67409	1C16	19	20 - 31
R66023	4I10	19	80 - 43	R66530	4H17	2	80 - 25A	R67409	1C16	28	20 - 31

1L17

4630 TRACTOR

NUMERICAL INDEX - CONTINUED

PART NO.	GRID	KEY	PAGE	PART NO.	GRID	KEY	PAGE	PART NO.	GRID	KEY	PAGE
R67475	4D22	30	70 - 67	R68460	5E15	7	90 - 85	R70211	2G15	40	40 - 113
R67476	4D22	17	70 - 67	R68461	5D16	11	90 - 61	R70212	2G15	41	40 - 113
R67477	4D22	15	70 - 67	R68648	3F10	1	50 - 106	R70213	2G15	40	40 - 113
R67486	5D24	5	90 - 69	R68672	4D20	2	70 - 65	R70214	2G15	41	40 - 113
R67560	2F2	12	40 - 82	R68791	5E24	5	90 - 95	R70215	2G15	40	40 - 113
R67562	5E25	5	90 - 96	R68792	5E24	6	90 - 95	R70216	2G15	41	40 - 113
R67563	5E25	4	90 - 96	R68793	5E24	3	90 - 95	R70217	2G15	40	40 - 113
R67564	5E25	7	90 - 96	R68817	3E23	1	50 - 95	R70218	2G15	41	40 - 113
R67565	5E25	2	90 - 96	R68818	3E23	3	50 - 95	R70219	2G15	40	40 - 113
R67566	5E25	1	90 - 96	R68820	3E23	23	50 - 95	R70220	2G15	50	40 - 113
R67568	5E25	6	90 - 96	R68821	3F2	3	50 - 97	R70221	2G15	39	40 - 113
R67569	5E25	10	90 - 96	R68956	3B16	41	50 - 11	R70222	2G15	38	40 - 113
R67570	5E25	3	90 - 96	R68956	3B16	46	50 - 11	R70235	5D24	1	90 - 69
R67571	5E25	9	90 - 96	R68956	3D2	3	50 - 47	R70236	3F14	11	50 - 111
R67643	3C1	5	50 - 21	R69109	2G1	1	40 - 101	R70236	3F16	23	50 - 113
R67694	5E2	23	90 - 71	R69262	4B14	44	70 - 9	R70250	3D19	11	50 - 66
R67694	5E2	30	90 - 71	R69279	4B14	35	70 - 9	R70268	1B16	21	20 - 15
R67694	5E6	16	90 - 75	R69279	4B16	15	70 - 11	R70268	1D9	31	30 - 3
R67782	3F18	9	50 - 117	R69279	4B18	13	70 - 13	R70268	4H15	10	80 - 24
R67784	3F18	6	50 - 117	R69279	4B24	29	70 - 19	R70268	4H15	15	80 - 24
R67798	4E13	8	70 - 85	R69279	4C2	12	70 - 21	R70268	5D4	38	90 - 49
R67877	1E16	24	30 - 37	R69279	4C5	17	70 - 23	R70269	5D20	22	90 - 65
R67879	1E16	28	30 - 37	R69281	3I11	22	60 - 41	R70271	5D20	1	90 - 65
R67879	1E25	23	30 - 49	R69281	3I11	35	60 - 41	R70271	5D22	1	90 - 67
R67885	1E22	4	30 - 44	R69297	5B9	1	90 - 3	R70273	5D20	18	90 - 65
R67886	1E22	3	30 - 44	R69297	5B9	2	90 - 3	R70274	5D20	8	90 - 65
R67886	1E22	4	30 - 44	R69297	5B9	3	90 - 3	R70274	5D22	8	90 - 67
R67906	1B9	15	20 - 6	R69297	5B9	12	90 - 3	R70275	5D20	5	90 - 65
R67906	1B24	1	20 - 17F	R69301	5B21	13	90 - 15	R70275	5D22	5	90 - 67
R67981	3B20	5A	50 - 15	R69301	5B23	16	90 - 17	R70277	5D20	14	90 - 65
R67981	3B20	5B	50 - 15	R69301	5B24	6	90 - 18	R70277	5D22	30	90 - 67
R67982	2B19	2	40 - 11	R69303	3D19	14	50 - 66	R70351	4B14	13	70 - 9
R68154	3E6	3	50 - 77	R69305	3D19	1	50 - 66	R70535	3C19	12	50 - 37
R68155	3E6	4	50 - 77	R69306	3D19	11	50 - 66	R70558	3C13	8	50 - 31
R68165	3F18	3	50 - 117	R69319	5B13	22	90 - 7	R70559	4B14	43	70 - 9
R68166	3F18	8	50 - 117	R69320	5E6	13	90 - 75	R70589	4D22	19B	70 - 67
R68167	3F18	7	50 - 117	R69389	3I2	25	60 - 31	R70617	4B24	9	70 - 19
R68220	3H17	24	60 - 19B	R69408	4D23	3	70 - 69	R70617	4C3	2	70 - 21A
R68222	2D9	8	40 - 45E	R69409	4D23	3	70 - 69	R70648	4B12	6	70 - 7
R68224	2D9	1	40 - 45E	R69479	3I3	12	60 - 33	R70648	4B22	1	70 - 17
R68252	4B20	24	70 - 15	R69481	3I3	11	60 - 33	R70724	4H17	10	80 - 25A
R68252	4B22	24	70 - 17	R69483	3I3	14	60 - 33	R708R	3I4	4	60 - 34
R68274	1E14	24	30 - 35	R69484	3I3	10	60 - 33	R70826	1B12	3	20 - 10
R68274	1E20	27	30 - 42	R69500	3H22	2	60 - 26	R70826	1B12	7	20 - 10
R68284	3H11	16	60 - 15	R69501	3H22	3	60 - 26	R70867	4B24	21	70 - 19
R68284	3I2	19	60 - 31	R69521	5B25	3	90 - 19	R70868	4B24	22	70 - 19
R68332	5E4	19	90 - 73	R69522	5B25	6	90 - 19	R70870	2C11	15	40 - 27
R68332	5E8	13	90 - 77	R69562	5B7	6	90 - 1	R70959	5F11	17	90 - 107
R68332	5E8	14	90 - 77	R69642	4C24	11	70 - 42	R70976	4B12	8	70 - 7
R68359	5E20	9	90 - 91	R69643	4C24	13	70 - 42	R70976	4B22	5	70 - 17
R68359	5E22	9	90 - 93	R69644	2C13	25	40 - 29	R71095	3I2	13	60 - 31
R68360	5E20	7	90 - 91	R69644	2C15	25	40 - 31	R71208	1B12	8	20 - 10
R68361	5E20	14	90 - 91	R69645	2C13	25	40 - 29	R71311	4I10	23	80 - 43
R68362	5E20	11	90 - 91	R69645	2C15	26	40 - 31	R71321	4B14	42	70 - 9
R68364	5E20	17	90 - 91	R69747	5C2	15	90 - 21	R71321	4B24	38	70 - 19
R68365	5E20	12	90 - 91	R69748	5C2	20	90 - 21	R71387	4F8	9	70 - 105
R68366	5E20	16	90 - 91	R70027	3D22	8	50 - 68A	R71387	4F10	3	70 - 107
R68435	1E16	23	30 - 37	R70027	3D22	17	50 - 68A	R71387	4F22	2	70 - 121
R68438	1E18	13	30 - 39	R70027	3D23	6	50 - 69	R71399	2C15	25	40 - 31
R68459	5D14	5	90 - 59	R70027	3E2	22	50 - 73	R71400	2C15	5	40 - 31
R68459	5D14	6	90 - 59	R70072	4I10	1	80 - 43	R71483	1C16	9	20 - 31
R68460	5E15	1	90 - 85	R70085	4I10	4	80 - 43	R71483	1C16	10	20 - 31
R68460	5E15	2	90 - 85	R70086	4I10	8	80 - 43	R71483	1C16	11	20 - 31
R68460	5E15	3	90 - 85	R70135	1E25	1	30 - 49	R71484	1C16	19	20 - 31
R68460	5E15	4	90 - 85	R70206	3G2	13	50 - 127	R71484	1C16	28	20 - 31
R68460	5E15	5	90 - 85	R70209	2F9	19	40 - 91	R71523	5E8	3	90 - 77
R68460	5E15	6	90 - 85	R70210	2G15	41	40 - 113	R71523	5E10	7	90 - 79

1L18

4630 TRACTOR

NUMERICAL INDEX - CONTINUED

PART NO.	GRID	KEY	PAGE	PART NO.	GRID	KEY	PAGE	PART NO.	GRID	KEY	PAGE
R71529	1B13	3	20 - 11	R72586	3F18	4	50 - 117	R72884	5E22	12	90 - 93
R71529	1B13	4	20 - 11	R72653	1F6	21	30 - 55	R72886	4B10	20	70 - 5
R71531	1B13	3	20 - 11	R72653	3C22	15	50 - 41	R72886	4B12	24	70 - 7
R71531	1B13	4	20 - 11	R72653	3C24	8	50 - 43	R72886	4B20	18	70 - 15
R71583	4D4	33	70 - 47	R72653	3C24	10	50 - 43	R72886	4B22	18	70 - 17
R71585	4D4	23	70 - 47	R72653	3E15	32	50 - 87	R73101	3G17	36	50 - 143
R71586	4B20	12	70 - 15	R72653	3E18	8	50 - 90	R73102	3F25	12	50 - 124
R71586	4B20	13	70 - 15	R72653	3I14	28	60 - 45	R73102	3G8	14	50 - 133
R71586	4B20	14	70 - 15	R72653	4D7	10	70 - 51	R73187	5E22	10	90 - 93
R71587	4B22	12	70 - 17	R72653	4D7	17	70 - 51	R73188	5E22	10	90 - 93
R71598	4B20	25A	70 - 15	R72653	4D7	53	70 - 51	R73216	4G13	5	70 - 136
R71599	4B22	25A	70 - 17	R72653	4D8	11	70 - 52	R73216	4G13	6	70 - 136
R71603	5B7	6	90 - 1	R72653	4D11	31	70 - 55	R73273	3F14	7	50 - 111
R71732	1B16	19	20 - 15	R72653	4F2	24	70 - 99	R73273	3F16	9	50 - 113
R71732	1C15	2	20 - 30	R72653	4F4	25	70 - 101	R73274	3F14	2	50 - 111
R71732	1C15	16	20 - 30	R72653	4F17	1	70 - 115	R73274	3F14	3	50 - 111
R71732	1D3	35	20 - 43	R72653	5B17	8	90 - 11	R73274	3F14	4	50 - 111
R71867	3B18	21	50 - 13	R72653	5D18	42	90 - 63	R73274	3F14	9	50 - 111
R71909	1C1	8	20 - 19	R72654	1F6	11	30 - 55	R73274	3F14	..	50 - 111
R71918	1B25	4	20 - 18	R72654	1F9	10	30 - 58	R73274	3F14	..	50 - 111
R71918	1C1	1	20 - 19	R72654	3E13	44	50 - 85	R73274	3F16	2	50 - 113
R71918	1D3	37	20 - 43	R72654	4D5	9	70 - 49	R73274	3F16	3	50 - 113
R71982	4C22	4	70 - 40	R72654	4D7	39	70 - 51	R73274	3F16	4	50 - 113
R72040	5C2	13	90 - 21	R72654	4D9	36	70 - 53	R73274	3F16	21	50 - 113
R72128	1B9	7	20 - 6	R72654	4D25	15	70 - 71	R73274	3F16	..	50 - 113
R72128	1B9	8	20 - 6	R72654	4F2	36	70 - 99	R73274	3F16	..	50 - 113
R72128	1B16	20	20 - 15	R72654	4F4	34	70 - 101	R73274	3F18	15	50 - 117
R72128	1B16	27	20 - 15	R72654	4H22	5	80 - 30	R73274	3F18	20	50 - 117
R72128	1B16	34	20 - 15	R72654	5D18	27	90 - 63	R73292	2B16	11	40 - 8
R72128	1B16	35	20 - 15	R72654	5D22	24	90 - 67	R73313	5E22	15	90 - 93
R72128	1B18	1	20 - 17	R72655	1C20	6	20 - 35	R73314	5E22	15	90 - 93
R72128	1B20	1	20 - 17B	R72655	1C20	7	20 - 35	R73317	5E11	2	90 - 81
R72128	1C2	..	20 - 20	R72655	3B10	15	50 - 4	R73320	5E22	11	90 - 93
R72232	3F20	..	50 - 119	R72655	3B17	2	50 - 12	R73380	4D25	8	70 - 71
R72266	4H9	1	80 - 18	R72655	3B21	3	50 - 16	R73380	4D25	42	70 - 71
R72266	4H9	3	80 - 18	R72655	3B22	3	50 - 17	R73380	4E9	17	70 - 81
R72312	5E25	17	90 - 96	R72655	3B22	9	50 - 17	R73380	5C18	1B	90 - 37
R72313	5E25	20	90 - 96	R72655	3B22	11	50 - 17	R73380	5C18	2	90 - 37
R72314	5E25	19	90 - 96	R72655	3C21	48	50 - 39	R73380	5C18	26	90 - 37
R72315	5E25	13	90 - 96	R72660	1F9	16	30 - 58	R73380	5D2	11	90 - 47
R72316	5E25	12	90 - 96	R72660	3C21	42	50 - 39	R73410	4H12	29	80 - 21
R72328	1D3	11	20 - 43	R72660	3C22	22	50 - 41	R73433	3C24	23	50 - 43
R72328	1D15	21	30 - 11	R72660	3C24	12	50 - 43	R73433	3D1	10	50 - 46
R72341	3G17	44	50 - 143	R72660	4D7	34	70 - 51	R73444	3C16	22	50 - 34
R72371	5D4	32	90 - 49	R72660	4D9	28	70 - 53	R73445	1C1	4	20 - 19
R72380	4H20	14	80 - 28	R72660	4D11	35	70 - 55	R73635	3H11	5	60 - 15
R72398	5B16	11	90 - 9	R72682	4E2	2	70 - 73	R73635	3I2	5	60 - 31
R72408	3E23	3	50 - 95	R72820	3H3	22	60 - 6	R73635	3I3	1	60 - 33
R72408	3E23	15	50 - 95	R72820	3H4	22	60 - 7	R73679	3B17	11	50 - 12
R72411	3F1	1	50 - 96	R72820	3H17	1	60 - 19B	R73719	3D15	26	50 - 61
R72414	3F1	24	50 - 96	R72820	3H17	15	60 - 19B	R73736	4B24	24	70 - 19
R72415	3E25	15	50 - 95B	R72834	3H17	17	60 - 19B	R73741	4B20	12	70 - 15
R72429	4B12	29A	70 - 7	R72855	3C17	2	50 - 35	R73741	4B20	13	70 - 15
R72433	4E5	1	70 - 77	R72855	3C18	1	50 - 36	R73741	4B20	14	70 - 15
R72433	4E7	1	70 - 79	R72855	3C22	2	50 - 41	R74022	3I16	14	60 - 47
R72433	4E9	1	70 - 81	R72855	3C24	20	50 - 43	R74058	5E6	6	90 - 75
R72433	4E11	1	70 - 83	R72855	3D1	10	50 - 46	R74106	4C24	10	70 - 42
R72433	4E13	19	70 - 85	R72858	3H3	22	60 - 6	R74210	4F8	10	70 - 105
R72487	5B17	5	90 - 11	R72858	3H4	22	60 - 7	R74210	4F10	4	70 - 107
R72506	4B20	27	70 - 15	R72858	3H6	1	60 - 9	R74210	5B9	25	90 - 3
R72507	4B12	29B	70 - 7	R72858	3H6	3	60 - 9	R74210	5B10	11	90 - 4
R72507	4B12	..	70 - 7	R72858	3H12	10	60 - 16	R74210	5B11	10	90 - 5
R72507	4B20	23	70 - 15	R72858	3H13	3	60 - 17	R74210	5B14	9	90 - 7A
R72507	4B22	23	70 - 17	R72858	3H15	27	60 - 19	R74242	4F21	1	70 - 120
R72509	4B12	30B	70 - 7	R72858	3H17	16	60 - 19B	R74243	4F21	2	70 - 120
R72509	4B22	27	70 - 17	R72882	5E22	14	90 - 93	R74244	4F21	3	70 - 120
R72586	3F16	16	50 - 113	R72883	5E22	16	90 - 93	R74246	4F21	4	70 - 120

1L19

4630 TRACTOR

NUMERICAL INDEX - CONTINUED

PART NO.	GRID	KEY	PAGE	PART NO.	GRID	KEY	PAGE	PART NO.	GRID	KEY	PAGE
R74350	3I4	5	60 - 34	R76341	4I7	4	80 - 39	R77481	2G13	7	40 - 111
R74391	5F11	18	90 - 107	R76384	1B9	15	20 - 6	R77482	2G13	8	40 - 111
R74417	3F10	9	50 - 106	R76384	1B24	1	20 - 17F	R77483	2G13	16	40 - 111
R74418	3F10	9	50 - 106	R76459	4F21	5	70 - 120	R77484	2G13	19	40 - 111
R74418	3F10	10	50 - 106	R76477	2B10	..	40 - 3	R77485	2G13	21	40 - 111
R74530	4F4	28	70 - 101	R76477	2C17	3	40 - 33	R77486	2G13	22	40 - 111
R74530	4F5	11	70 - 102	R76477	2D4	6	40 - 45	R77487	2G13	23	40 - 111
R74530	4F6	24	70 - 103	R76477	2D4	8	40 - 45	R77488	1D9	5	30 - 3
R74530	4F8	16	70 - 105	R76477	4C11	..	70 - 29	R77488	2G15	51	40 - 113
R74530	4F10	8	70 - 107	R76477	4C16	9	70 - 34	R77489	2E14	13	40 - 69D
R74553	4E2	2	70 - 73	R76477	4C16	10	70 - 34	R77489	2G15	51	40 - 113
R74695	4E21	12	70 - 93	R76477	4F21	6	70 - 120	R77490	2G15	51	40 - 113
R74695	4E21	31	70 - 93	R76493	3B18	31	50 - 13	R77491	2G15	54	40 - 113
R74695	4E23	21	70 - 95	R76494	3D12	8	50 - 57	R77492	2G15	54	40 - 113
R74695	4E24	1	70 - 96	R76494	3F6	8	50 - 102	R77493	2G4	7	40 - 104
R74695	4F1	11	70 - 98	R76494	4C16	4	70 - 34	R77493	2G4	11	40 - 104
R74695	4F2	26	70 - 99	R76495	2F6	7	40 - 87	R77493	2G15	51	40 - 113
R74851	4H4	13	80 - 13	R76496	2F6	6	40 - 87	R77494	2G15	55	40 - 113
R74852	3E2	8	50 - 73	R76497	2E23	7	40 - 78	R77495	2G15	52	40 - 113
R74852	3E4	8	50 - 75	R76500	2F3	6	40 - 83	R77496	2G15	52	40 - 113
R74852	3E5	6	50 - 76	R76500	2F3	9	40 - 83	R77497	2G15	53	40 - 113
R74897	4I8	4	80 - 40	R76504	3E10	5	50 - 81	R77498	2G13	24	40 - 111
R74898	4I8	1	80 - 40	R76658	1E12	3	30 - 33	R77499	2G13	24	40 - 111
R74899	4I8	1	80 - 40	R76686	1D20	4	30 - 16	R77500	2G13	24	40 - 111
R74901	4I8	1	80 - 40	R76686	1D21	1	30 - 17	R77501	1D9	5	30 - 3
R74901	4I10	6	80 - 43	R76694	2F6	10	40 - 87	R77501	2G13	24	40 - 111
R74901	4I10	7	80 - 43	R76695	2F6	12	40 - 87	R77502	2G15	56	40 - 113
R74903	4I7	..	80 - 39	R76731	3D17	7	50 - 63	R77503	2G15	56	40 - 113
R74903	4I8	4	80 - 40	R76732	3D17	7	50 - 63	R77551	1E20	4	30 - 42
R74904	4I8	1	80 - 40	R76946	4C22	4	70 - 40	R77551	1E20	5	30 - 42
R74905	4I8	1	80 - 40	R77003	1C16	19	20 - 31	R77611	4B20	24	70 - 15
R74907	4I8	1	80 - 40	R77019	5D24	7	90 - 69	R77611	4B22	24	70 - 17
R74907	4I10	6	80 - 43	R77175	4F11	1	70 - 109	R77611	4C5	19	70 - 23
R74907	4I10	7	80 - 43	R77308	3E13	29	50 - 85	R77618	5B21	1	90 - 15
R74909	4I7	3	80 - 39	R77308	3E13	39	50 - 85	R77618	5B23	2	90 - 17
R74909	4I8	1	80 - 40	R77347	4H12	29	80 - 21	R77619	5B21	6	90 - 15
R74910	4I8	1	80 - 40	R77364	3B8	7	50 - 2	R77619	5B23	11	90 - 17
R74912	4I8	1	80 - 40	R77364	3B9	7	50 - 3	R77665	5E8	4	90 - 77
R74912	4I10	5	80 - 43	R77404	5D6	..	90 - 51	R77673	1D1	8	20 - 41
R74912	4I10	7	80 - 43	R77404	5F4	4	90 - 100	R77712	4C2	6	70 - 21
R74993	2D12	3	40 - 47	R77405	5B7	14	90 - 1	R77714	4B24	27	70 - 19
R75078	1F6	8	30 - 55	R77456	2G13	27	40 - 111	R77720	5C9	1	90 - 27
R75376	4B24	26	70 - 19	R77457	2G13	29	40 - 111	R77720	5D8	2	90 - 53
R75376	4C2	4	70 - 21	R77458	2G13	28	40 - 111	R77720	5D12	32	90 - 57
R75564	4B24	18	70 - 19	R77459	2G13	28	40 - 111	R77867	3I16	3	60 - 47
R75642	4B12	1	70 - 7	R77460	2G13	28	40 - 111	R77867	3I16	8	60 - 47
R75642	4B24	17	70 - 19	R77461	2G13	28	40 - 111	R77896	5B13	53	90 - 7
R75761	5E15	16	90 - 85	R77462	2G13	25	40 - 111	R77903	4B12	31	70 - 7
R75833	2E16	3	40 - 71	R77463	2G13	30	40 - 111	R77903	4B20	22A	70 - 15
R75833	2E17	2	40 - 72	R77464	2G13	26	40 - 111	R77903	4B22	22A	70 - 17
R75866	3I16	15	60 - 47	R77465	2G13	31	40 - 111	R77904	4B12	34	70 - 7
R75869	5D20	2	90 - 65	R77466	2G13	33	40 - 111	R77914	5C23	1	90 - 43
R75870	5D20	23	90 - 65	R77467	2G13	34	40 - 111	R78020	3B12	30	50 - 7
R75879	4B24	5	70 - 19	R77468	2G13	32	40 - 111	R78095	2B23	7	40 - 15
R75887	5F13	9	90 - 109	R77469	2G15	35	40 - 113	R78095	2C1	7	40 - 17
R75887	5F13	23	90 - 109	R77470	2G15	45	40 - 113	R78101	3I16	3	60 - 47
R75938	4B24	43	70 - 19	R77471	2G4	7	40 - 104	R78101	3I16	8	60 - 47
R75938	4C5	16	70 - 23	R77471	2G15	45	40 - 113	R78102	1C6	1	20 - 24
R75965	5E22	17	90 - 93	R77472	2G15	45	40 - 113	R78102	1C6	10	20 - 24
R76126	1B9	4	20 - 6	R77473	2G15	45	40 - 113	R78123	1D1	9	20 - 41
R76312	3E6	23	50 - 77	R77474	2G15	44	40 - 113	R78123	1D1	19	20 - 41
R76317	5E22	8	90 - 93	R77475	2G13	13	40 - 111	R78124	1C14	2	20 - 29
R76329	2F3	8	40 - 83	R77476	2G13	3	40 - 111	R78124	1C14	3	20 - 29
R76330	2F3	1	40 - 83	R77477	2G13	4	40 - 111	R78168	5E22	13	90 - 93
R76331	2F3	8	40 - 83	R77478	2G13	15	40 - 111	R78214	4E5	9	70 - 77
R76332	2E23	12	40 - 78	R77479	2G13	5	40 - 111	R78214	4E5	10	70 - 77
R76333	2E23	14	40 - 78	R77480	2G13	6	40 - 111	R78214	4E9	9	70 - 81

1L20

4630 TRACTOR

NUMERICAL INDEX - CONTINUED

PART NO.	GRID	KEY	PAGE	PART NO.	GRID	KEY	PAGE	PART NO.	GRID	KEY	PAGE
R78214	4E9	10	70 - 81	R79521	4F17	2	70 - 115	R81698	5C11	11	90 - 29
R78257	5C18	7	90 - 37	R79524	3C9	10	50 - 27	R81698	5C11	14	90 - 29
R78257	5D2	21	90 - 47	R79525	3C6	13	50 - 24	R81698	5D6	11	90 - 51
R78265	3C9	21	50 - 27	R79525	3C9	7	50 - 27	R81698	5D6	12	90 - 51
R78265	3C11	24	50 - 29	R79525	3C9	10	50 - 27	R81698	5D12	10	90 - 57
R78293	4B10	10	70 - 5	R79525	3C10	10	50 - 28	R81698	5D12	12	90 - 57
R78293	4B12	14	70 - 7	R79850	1B13	3	20 - 11	R81699	4H16	6	80 - 25
R78293	4B20	8	70 - 15	R79852	3E23	24	50 - 95	R81699	5C11	11	90 - 29
R78293	4B22	8	70 - 17	R79877	5D20	30	90 - 65	R81699	5D6	11	90 - 51
R78325	4C15	26	70 - 33	R79877	5D22	32	90 - 67	R81700	4H16	6	80 - 25
R78386	5F13	5	90 - 109	R79916	4D20	1	70 - 65	R81700	5C11	11	90 - 29
R78386	5F13	6A	90 - 109	R79985	3E10	5	50 - 81	R81700	5D6	11	90 - 51
R78386	5F13	6B	90 - 109	R79996	4G18	4	80 - 1	R81872	5F20	11	90 - 116
R78416	2E10	21	40 - 69	R79996	4G19	4	80 - 2	R81873	5F20	3	90 - 116
R78425	5E17	7	90 - 87	R80306	4H4	13	80 - 13	R81874	5F20	1	90 - 116
R78498	2F13	16	40 - 93B	R80323	5E22	6	90 - 93	R81875	5F20	9	90 - 116
R78498	2F15	16	40 - 93D	R80324	4F2	37	70 - 99	R81922	3E2	25	50 - 73
R78498	2F17	19	40 - 93F	R80334	2B24	1	40 - 15B	R81938	3I3	5	60 - 33
R78499	2F13	24	40 - 93B	R80335	2B24	2	40 - 15B	R82024	3E25	7	50 - 95B
R78499	2F15	24	40 - 93D	R80447	4E5	9	70 - 77	R82024	3F1	1	50 - 96
R78499	2F17	27	40 - 93F	R80447	4E5	10	70 - 77	R82100	3E23	15	50 - 95
R78552	5D20	2	90 - 65	R80447	4E7	6	70 - 79	R82121	5F11	1	90 - 107
R78662	3E2	16	50 - 73	R80447	4E9	9	70 - 81	R82121	5F11	18	90 - 107
R78702	1B9	13	20 - 6	R80447	4E9	10	70 - 81	R82122	5F11	18	90 - 107
R78742	3E23	3	50 - 95	R80447	4E11	6	70 - 83	R82123	5F11	1	90 - 107
R78742	3E23	15	50 - 95	R80480	2E23	7	40 - 78	R82123	5F11	18	90 - 107
R78765	4F8	8	70 - 105	R80558	4B12	30B	70 - 7	R82124	5F11	1	90 - 107
R78766	4F8	13	70 - 105	R80558	4B12	..	70 - 7	R82124	5F11	18	90 - 107
R78766	4F10	6	70 - 107	R80558	4B20	27	70 - 15	R82127	5F11	1	90 - 107
R78767	4F8	2	70 - 105	R80558	4B22	27	70 - 17	R82127	5F11	18	90 - 107
R78768	4F8	19	70 - 105	R80752	4I7	23	80 - 39	R82133	3F10	9	50 - 106
R78769	4F8	17	70 - 105	R80753	4I7	23	80 - 39	R82133	3F10	10	50 - 106
R78991	4H23	1	80 - 31	R80754	3I16	28	60 - 47	R82134	3F10	9	50 - 106
R78995	2F13	17	40 - 93B	R80754	4I7	23	80 - 39	R82134	3F10	10	50 - 106
R78995	2F15	17	40 - 93D	R80979	5E8	12	90 - 77	R82163	3D3	10	50 - 48
R78995	2F17	20	40 - 93F	R80979	5E8	13	90 - 77	R82175	3F20	29	50 - 119
R79033	5C23	2	90 - 43	R80979	5E10	10B	90 - 79	R82236	2E12	16	40 - 69B
R79043	4F15	6	70 - 113	R80979	5E10	13	90 - 79	R82237	2E12	14	40 - 69B
R79044	4F15	15	70 - 113	R81R	3E9	18	50 - 80	R82238	2E12	15	40 - 69B
R79134	3F10	9	50 - 106	R81088	4I10	4	80 - 43	R82239	2E12	13	40 - 69B
R79135	3F12	2	50 - 108	R81111	5B21	5	90 - 15	R82243	2E12	18	40 - 69B
R79151	4B12	33	70 - 7	R81111	5B23	10	90 - 17	R82272	5D20	16B	90 - 65
R79151	4B20	22B	70 - 15	R81186	5E25	11	90 - 96	R82272	5D22	16	90 - 67
R79151	4B20	25A	70 - 15	R81207	5D16	11	90 - 61	R82331	2C5	16	40 - 21
R79151	4B22	22B	70 - 17	R81207	5D16	13	90 - 61	R82331	3F1	24	50 - 96
R79151	4B22	25A	70 - 17	R81245	4E5	8	70 - 77	R82337	3I16	28	60 - 47
R79152	4B20	22B	70 - 15	R81245	4E9	8	70 - 81	R82337	4I7	23	80 - 39
R79152	4B20	25A	70 - 15	R81366	3I3	8	60 - 33	R82344	4E2	2	70 - 73
R79152	4B20	25B	70 - 15	R81424	5C4	1	90 - 23	R82355	2E12	4	40 - 69B
R79154	4B22	22B	70 - 17	R81424	5C6	12	90 - 23B	R82362	3D19	14	50 - 66
R79154	4B22	25A	70 - 17	R81456	5B15	1	90 - 8	R82364	3D19	17	50 - 66
R79154	4B22	25B	70 - 17	R81456	5B16	1	90 - 9	R82364	3D19	21	50 - 66
R79156	4B12	33	70 - 7	R81459	1E7	1	30 - 28	R82423	2E14	8	40 - 69D
R79266	4B24	10	70 - 19	R81460	1E7	6	30 - 28	R82442	5D22	23	90 - 67
R79267	4B24	14	70 - 19	R81461	1E7	6	30 - 28	R82444	5D22	27	90 - 67
R79268	4B24	13	70 - 19	R81507	2C11	9	40 - 27	R82445	5D22	28	90 - 67
R79307	5B16	9	90 - 9	R81507	2C13	28	40 - 29	R82447	5D22	2	90 - 67
R79311	4F2	27	70 - 99	R81507	2C15	30	40 - 31	R82448	5D22	20	90 - 67
R79311	4F2	28	70 - 99	R81540	5D20	31	90 - 65	R82455	5D20	22	90 - 65
R79311	4F2	29	70 - 99	R81540	5D22	31	90 - 67	R82455	5D22	18	90 - 67
R79311	4F4	28	70 - 101	R81544	2B11	5	40 - 4	R82456	5D20	18	90 - 65
R79311	4F5	11	70 - 102	R81560	5C22	14	90 - 41	R82456	5D22	17	90 - 67
R79311	4F6	24	70 - 103	R81655	3D22	12	50 - 68A	R82482	5D20	23	90 - 65
R79311	4F8	16	70 - 105	R81696	5D12	12	90 - 57	R82482	5D22	19	90 - 67
R79311	4F10	8	70 - 107	R81697	5D12	12	90 - 57	R82508	1B9	13	20 - 6
R79337	3D10	3	50 - 55	R81698	4H16	4	80 - 25	R82719	1D1	7	20 - 41
R79350	5B13	55	90 - 7	R81698	4H16	6	80 - 25	R82766	3C21	44	50 - 39

1L21

4630 TRACTOR

NUMERICAL INDEX - CONTINUED

PART NO.	GRID	KEY	PAGE	PART NO.	GRID	KEY	PAGE	PART NO.	GRID	KEY	PAGE
R82766	3C22	20	50 - 41	R83734	1E24	6	30 - 47	R89837	3F18	11	50 - 117
R82766	3C24	13	50 - 43	R83734	1E24	14	30 - 47	R90086	3I4	2	60 - 34
R82766	4D7	36	70 - 51	R83735	1E24	6	30 - 47	R90086	3I4	8	60 - 34
R82766	4D9	30	70 - 53	R83735	1E24	14	30 - 47	R90869	3F16	17	50 - 113
R82766	4D11	34	70 - 55	R83736	1E24	6	30 - 47	R91298	3H4	30	60 - 7
R82804	4H25	14	80 - 33	R83736	1E24	14	30 - 47	R91298	3H15	35	60 - 19
R83000	1D13	7	30 - 9	R83737	1E24	6	30 - 47	R91558	1E4	13	30 - 25
R83020	1D3	4	20 - 43	R83737	1E24	14	30 - 47	R91631	2F20	23	40 - 97
R83020	1D22	15	30 - 18	R83738	1E24	6	30 - 47	R91631	2F22	22	40 - 97B
R83021	1D3	6	20 - 43	R83738	1E24	14	30 - 47	R91826	3F16	17	50 - 113
R83021	1D22	14	30 - 18	R83739	1E24	6	30 - 47	R91826	3F22	8	50 - 121
R83034	1D22	7	30 - 18	R83739	1E24	14	30 - 47	R91826	3I4	6	60 - 34
R83055	2E14	9	40 - 69D	R84158	2E14	13	40 - 69D	R92205	2F11	29	40 - 93
R83066	5E10	2	90 - 79	R84270	3F5	27	50 - 101	R92205	2F13	31	40 - 93B
R83066	5E10	3	90 - 79	R84396	3F5	27	50 - 101	R92205	2F15	31	40 - 93D
R83066	5E10	5	90 - 79	R84943	4I1	2	80 - 34	R92205	2F17	33	40 - 93F
R83096	3F20	24	50 - 119	R84943	4I2	2	80 - 35	R92474	3E25	3	50 - 95B
R83103	4I7	12	80 - 39	R84943	4I3	5	80 - 36	R92474	3F2	3	50 - 97
R83109	2E14	11	40 - 69D	R84946	1C16	26	20 - 31	R92483	3E17	13	50 - 89
R83111	4E9	20	70 - 81	R84946	1C16	28	20 - 31	R92483	3E19	13	50 - 91
R83112	4E9	27	70 - 81	R84947	1C16	26	20 - 31	R92483	3E21	34	50 - 93
R83170	4E7	7	70 - 79	R84947	1C16	28	20 - 31	R93019	3F18	13	50 - 117
R83170	4E11	7	70 - 83	R85027	1B12	17	20 - 10	R93219	2G17	7	40 - 115
R83316	4I7	16	80 - 39	R85140	1D9	32	30 - 3	R93220	2G17	7	40 - 115
R83319	4I10	22	80 - 43	R85140	4H25	20	80 - 33	R93221	2G17	7	40 - 115
R83489	1E6	13	30 - 27	R85140	4H25	23	80 - 33	R93222	2G17	7	40 - 115
R83489	1E6	15	30 - 27	R85234	5B21	9	90 - 15	R93238	1B13	3	20 - 11
R83489	1E6	16	30 - 27	R85234	5B23	7	90 - 17	R94286	3B18	18	50 - 13
R83489	1E8	3	30 - 29	R86162	3F10	1	50 - 106	R94321	3E23	1	50 - 95
R83489	1E9	3	30 - 30	R86192	3I16	6	60 - 47	R94321	3E25	1	50 - 95B
R83489	1E21	37	30 - 43	R86696	1B9	15	20 - 6	R94322	3E23	3	50 - 95
R83490	1E16	4	30 - 37	R86696	1B24	1	20 - 17F	R94322	3E25	2	50 - 95B
R83508	4B10	20	70 - 5	R86700	1B9	15	20 - 6	R94323	3D19	1	50 - 66
R83508	4B12	24	70 - 7	R86700	1B24	1	20 - 17F	R94326	3D19	11	50 - 66
R83508	4B20	18	70 - 15	R86768	3F10	8	50 - 106	R94326	3E1	2	50 - 72
R83508	4B22	18	70 - 17	R87082	1E20	4	30 - 42	R94331	3E17	15	50 - 89
R83558	1E20	4	30 - 42	R87345	4H20	12	80 - 28	R94331	3E19	19	50 - 91
R83558	1E20	5	30 - 42	R87345	4H20	14	80 - 28	R94331	3E21	36	50 - 93
R83716	5E15	16	90 - 85	R87481	5E22	7	90 - 93	R94631	3F14	7	50 - 111
R83720	1E24	6	30 - 47	R87527	4I7	8	80 - 39	R94631	3F14	9	50 - 111
R83720	1E24	14	30 - 47	R87527	5C4	19	90 - 23	R94631	3F14	..	50 - 111
R83721	1E24	6	30 - 47	R87529	4I7	4	80 - 39	R94631	3F14	..	50 - 111
R83721	1E24	14	30 - 47	R87558	1B9	7	20 - 6	R94631	3F16	9	50 - 113
R83722	1E24	6	30 - 47	R87558	1B9	..	20 - 6	R94631	3F16	21	50 - 113
R83722	1E24	14	30 - 47	R87558	1B16	27	20 - 15	R94631	3F16	..	50 - 113
R83723	1E24	6	30 - 47	R87558	1B20	1	20 - 17B	R94631	3F16	..	50 - 113
R83723	1E24	14	30 - 47	R87558	1C2	..	20 - 20	R94631	3F18	15	50 - 117
R83724	1E24	6	30 - 47	R87574	5B15	14	90 - 8	R94631	3F18	17	50 - 117
R83724	1E24	14	30 - 47	R87574	5B16	11	90 - 9	R96460	1C8	8	20 - 25
R83725	1E24	6	30 - 47	R87764	2C11	10	40 - 27	R97316	3C13	4	50 - 31
R83725	1E24	14	30 - 47	R87764	2C15	31	40 - 31	R97316	3C14	4	50 - 32
R83726	1E24	6	30 - 47	R88042	1B9	8	20 - 6	R97346	1D3	32	20 - 43
R83726	1E24	14	30 - 47	R88042	1B9	..	20 - 6	R97346	1D13	4	30 - 9
R83727	1E24	6	30 - 47	R88043	1B9	7	20 - 6	R97347	1D3	19	20 - 43
R83727	1E24	14	30 - 47	R88043	1B9	..	20 - 6	R97347	1D13	9	30 - 9
R83728	1E24	6	30 - 47	R88043	1B16	27	20 - 15	R97348	1D3	9	20 - 43
R83728	1E24	14	30 - 47	R88043	1B18	1	20 - 17	R97348	1D15	9	30 - 11
R83729	1E24	6	30 - 47	R88043	1B20	1	20 - 17B	R97349	1D3	8	20 - 43
R83729	1E24	14	30 - 47	R88044	1B9	6	20 - 6	R97349	1D15	17	30 - 11
R83730	1E24	6	30 - 47	R88044	1B9	..	20 - 6	R97350	1B16	38	20 - 15
R83730	1E24	14	30 - 47	R88045	1B9	5	20 - 6	R97350	1D3	30	20 - 43
R83731	1E24	6	30 - 47	R88045	1B9	..	20 - 6	R97770	3E1	8	50 - 72
R83731	1E24	14	30 - 47	R88397	1D1	20	20 - 41	R97801	3I5	3	60 - 35
R83732	1E24	6	30 - 47	R88397	1D3	7	20 - 43	R97993	3I5	2	60 - 35
R83732	1E24	14	30 - 47	R89142	5D1	14	90 - 46	R97997	2F11	35	40 - 93
R83733	1E24	6	30 - 47	R89143	5D1	5	90 - 46	R97997	2F13	37	40 - 93B
R83733	1E24	14	30 - 47	R89652	5F11	9	90 - 107	R97997	2F15	37	40 - 93D

1L22

4630 TRACTOR

NUMERICAL INDEX - CONTINUED

PART NO.	GRID	KEY	PAGE	PART NO.	GRID	KEY	PAGE	PART NO.	GRID	KEY	PAGE
R97997	2F17	39	40 - 93F	TY22399	5B15	8	90 - 8	TY6617	2D9	..	40 - 45E
R98371	2B16	1	40 - 8	TY22399	5C2	8	90 - 21	TY6618	2C16	6	40 - 32
R98926	3E17	13	50 - 89	TY22414	1D9	12	30 - 3	TY6618	2C17	..	40 - 33
R98926	3E19	17	50 - 91	TY22418	1E13	14	30 - 34	TY6618	2C24	..	40 - 41
R98928	3E6	3	50 - 77	TY22421	1E4	33	30 - 25	TY6618	2D2	..	40 - 43
R98929	3E23	23	50 - 95	TY22425	4C11	10	70 - 29	TY6618	2D3	..	40 - 44
R98929	3E25	14	50 - 95B	TY22425	4C13	9	70 - 31	TY6625	2C11	1	40 - 27
R99288	3B8	7	50 - 2	TY22425	4C14	14	70 - 32	TY6625	2C15	29	40 - 31
R99288	3B9	7	50 - 3	TY22450	1B11	10	20 - 9	TY6665	2B12	27	40 - 5
R99288	3B25	2	50 - 20	TY22462	1D11	8	30 - 6	TY6665	5B9	..	90 - 3
R99291	3B8	1	50 - 2	TY22462	1E13	13	30 - 34	TY6667	2C16	6	40 - 32
R99350	2D16	29	40 - 51	TY22462	3G17	2	50 - 143	TY6667	2C17	..	40 - 33
R99350	2D18	29	40 - 53	TY22462	5B13	22	90 - 7	TY6667	2C19	..	40 - 35
R99386	3B20	21	50 - 15	TY22465	3G20	4	50 - 146	TY6667	2C21	..	40 - 37
R99386	3B20	23	50 - 15	TY22465	4C13	10	70 - 31	TY6667	2C22	..	40 - 38
R99394	3F20	15	50 - 119	TY22465	5B10	12	90 - 4	TY6686	2C11	1	40 - 27
R99394	3F22	4	50 - 121	TY22465	5B11	12	90 - 5	TY6686	2C13	..	40 - 29
R99556	3C13	11	50 - 31	TY22465	5C2	9	90 - 21	TY6686	2C15	29	40 - 31
R99556	3C14	26	50 - 32	TY22467	1D1	3	20 - 41	TY6701	2C16	6	40 - 32
R99573	5E25	14	90 - 96	TY22467	1D13	15	30 - 9	TY6701	2C16	..	40 - 32
R99574	5E25	15	90 - 96	TY22467	3G19	3	50 - 145	TY6701	2C17	..	40 - 33
R99793	1B11	10	20 - 9	TY22467	4C9	2	70 - 27	TY6701	2C24	..	40 - 41
TY15154	2E23	15	40 - 78	TY22467	4C9	9	70 - 27	TY6701	2D2	6	40 - 43
TY15155	2E19	15	40 - 74	TY22467	4C11	7	70 - 29	TY6701	2D2	..	40 - 43
TY15156	2F4	4	40 - 85	TY22467	4C13	4	70 - 31	TY6701	2D3	..	40 - 44
TY15156	2F6	15	40 - 87	TY22467	4C14	8	70 - 32	TY6710	2C16	6	40 - 32
TY15157	2F3	7	40 - 83	TY22467	4C14	13	70 - 32	TY6710	2C16	..	40 - 32
TY15163	2E23	15	40 - 78	TY22467	4C16	9	70 - 34	TY6710	2C17	..	40 - 33
TY15175	2E23	15	40 - 78	TY22470	1B11	1	20 - 9	TY6710	2C19	..	40 - 35
TY15263	2G6	26	40 - 105A	TY22470	1C20	24	20 - 35	TY6710	2C21	7	40 - 37
TY15276	2E19	15	40 - 74	TY22470	3H10	9	60 - 14	TY6710	2C21	..	40 - 37
TY15278	2E23	6	40 - 78	TY22470	4C14	18	70 - 32	TY6710	2C22	..	40 - 38
TY15278	2E23	15	40 - 78	TY22473	1D9	10	30 - 3	TY6713	2C16	6	40 - 32
TY15279	2E23	6	40 - 78	TY22475	1D9	15	30 - 3	TY6713	2C16	..	40 - 32
TY15279	2E23	15	40 - 78	TY22475	1D10	18	30 - 5	TY6713	2D4	..	40 - 45
TY15691	2F3	7	40 - 83	TY22475	1D10	23	30 - 5	TY6713	2D5	11	40 - 45A
TY15709	5B11	..	90 - 5	TY2615	5F19	3	90 - 115	TY6713	2D5	..	40 - 45A
TY15939	4G14	1	70 - 137	TY3018	4F22	3	70 - 121	TY6713	2D6	17	40 - 45B
TY15939	5B11	..	90 - 5	TY6119	2B17	1	40 - 9	TY6713	2D6	..	40 - 45B
TY15939	5B13	..	90 - 7	TY6280	1B6	1	20 - 1	TY6713	2D7	..	40 - 45C
TY1597	2C16	6	40 - 32	TY6297	1B6	1	20 - 1	TY6713	2D8	..	40 - 45D
TY1597	2C17	..	40 - 33	TY6298	1B6	1	20 - 1	TY6713	2D9	..	40 - 45E
TY1597	2C19	..	40 - 35	TY6300	1B6	1	20 - 1	TY6742	1C25	15	20 - 40
TY1597	2C21	..	40 - 37	TY6301	1B6	1	20 - 1	TY6770	2B12	27	40 - 5
TY1597	2C22	..	40 - 38	TY6311	1B6	1	20 - 1	TY6772	2C11	1	40 - 27
TY16004	1B7	2	20 - 2	TY6312	1B6	1	20 - 1	TY6772	2C13	..	40 - 29
TY16005	1B7	3	20 - 2	TY6313	1B6	1	20 - 1	TY6790	2C11	1	40 - 27
TY16005	1B7	..	20 - 2	TY6359	1B6	1	20 - 1	TY6790	2C15	29	40 - 31
TY16055	2G6	26	40 - 105A	TY6360	1B6	1	20 - 1	TY9305	2G6	26	40 - 105A
TY21735	2B17	1	40 - 9	TY6361	1B6	1	20 - 1	TY9371	5F17	1	90 - 113
TY22043	4G15	2	70 - 138	TY6364	1B6	1	20 - 1	T10187	3C17	2	50 - 35
TY22044	4G15	2	70 - 138	TY6384	5B7	..	90 - 1	T10187	3C18	1	50 - 36
TY22063	4G15	2	70 - 138	TY6384	5B9	..	90 - 3	T10187	3C22	2	50 - 41
TY22327	3G20	5	50 - 146	TY6389	1B6	2	20 - 1	T10187	3C24	20	50 - 43
TY22328	2B10	..	40 - 3	TY6390	1B6	2	20 - 1	T10187	3D1	10	50 - 46
TY22328	2B12	22	40 - 5	TY6391	1B6	2	20 - 1	T10187	3D1	23	50 - 46
TY22328	2B16	..	40 - 8	TY6392	1B6	2	20 - 1	T10745	2C11	8	40 - 27
TY22328	5C2	8	90 - 21	TY6393	1B6	2	20 - 1	T10745	2C13	29	40 - 29
TY22328	5C2	32	90 - 21	TY6394	1B6	2	20 - 1	T10745	2C15	27	40 - 31
TY22328	5C2	33	90 - 21	TY6600	2C11	1	40 - 27	T11220	4G5	18	70 - 129
TY22329	4C9	10	70 - 27	TY6600	2C13	..	40 - 29	T11220	4G7	24	70 - 131
TY22329	4C9	11	70 - 27	TY6617	2C16	6	40 - 32	T11220	4G8	13	70 - 132
TY22329	4C9	17	70 - 27	TY6617	2D4	..	40 - 45	T11220	4G11	8	70 - 134
TY22329	4C11	6	70 - 29	TY6617	2D5	..	40 - 45A	T11234	4B7	1	70 - 1
TY22329	4C11	12	70 - 29	TY6617	2D6	..	40 - 45B	T11234	4G25	17	80 - 9
TY22329	4C14	11	70 - 32	TY6617	2D7	..	40 - 45C	T11234	5C20	13	90 - 39
TY22329	4C14	16	70 - 32	TY6617	2D8	..	40 - 45D	T11234	5D4	8	90 - 49

1L23

4630 TRACTOR

NUMERICAL INDEX - CONTINUED

PART NO.	GRID	KEY	PAGE	PART NO.	GRID	KEY	PAGE	PART NO.	GRID	KEY	PAGE
T11234	5D4	31	90 - 49	T146515	4I7	22	80 - 39	T21158	3D1	14	50 - 46
T11651	2B21	31	40 - 13	T146515	4I10	25	80 - 43	T21397	3B8	6	50 - 2
T11651	2C3	30	40 - 19	T146516	2C17	6	40 - 33	T21397	3B9	12	50 - 3
T11708	2D23	2	40 - 58	T146516	2D4	1	40 - 45	T21397	3B23	18	50 - 18
T11739	2C21	23	40 - 37	T146516	4I7	22	80 - 39	T21397	3D13	5	50 - 58
T11743	2C19	1	40 - 35	T146516	4I10	25	80 - 43	T21689	4H7	4	80 - 16
T11743	2C24	1	40 - 41	T146517	2C17	6	40 - 33	T21959	4C16	8	70 - 34
T12250	1C22	2	20 - 37	T146517	2D4	1	40 - 45	T22228	4D7	2	70 - 51
T12808	1C20	6	20 - 35	T146517	4I7	22	80 - 39	T22228	4D8	2	70 - 52
T12808	3B10	15	50 - 4	T146517	4I10	25	80 - 43	T22534	1D24	2	30 - 20
T12808	3B17	2	50 - 12	T15539	1B16	20	20 - 15	T22534	1D25	5	30 - 21
T12808	3B21	3	50 - 16	T15712	1E1	10	30 - 22	T22875	3H3	5	60 - 6
T12808	3B22	3	50 - 17	T15737	2B8	2	40 - 1	T22875	3H4	27	60 - 7
T12808	3B22	11	50 - 17	T16464	4H20	1	80 - 28	T22875	3H12	5	60 - 16
T12808	3C21	48	50 - 39	T16911	2C5	15	40 - 21	T22875	3H15	32	60 - 19
T13073	1D9	2	30 - 3	T16911	2E18	3	40 - 73	T22958	4C9	3	70 - 27
T13073	4F24	29	70 - 123	T16911	3C13	12	50 - 31	T22958	4C10	6	70 - 28
T13073	4G5	29	70 - 129	T16911	3C14	25	50 - 32	T22958	4C13	5	70 - 31
T13073	4G11	17	70 - 134	T16911	3D24	17	50 - 70	T22958	4C14	9	70 - 32
T13119	1E1	10	30 - 22	T16911	3E23	18	50 - 95	T22970	4C14	1	70 - 32
T134452	2C17	6	40 - 33	T16911	5F1	13	50 - 96	T23027	5F18	6	90 - 114
T134452	2D4	1	40 - 45	T17148	3H3	4	60 - 6	T23033	5F18	5	90 - 114
T134452	4I7	22	80 - 39	T17148	3H4	28	60 - 7	T23088	4B7	10	70 - 1
T134452	4I10	25	80 - 43	T17148	3H12	4	60 - 16	T23425	1E20	3	30 - 42
T134453	2C17	6	40 - 33	T17148	3H15	33	60 - 19	T23856	3C13	17	50 - 31
T134453	2D4	1	40 - 45	T17882	4D2	28	70 - 45	T23891	1C4	2	20 - 22
T134453	4I7	22	80 - 39	T17882	4D4	32	70 - 47	T24167	2B11	6	40 - 4
T134453	4I10	25	80 - 43	T17882	4D16	6	70 - 60	T24168	5F13	21	90 - 109
T134454	2C17	6	40 - 33	T17882	4D18	11	70 - 63	T24224	1E16	24	30 - 37
T134454	2D4	1	40 - 45	T17951	3G2	8	50 - 127	T24229	1E16	27	30 - 37
T134454	4I7	22	80 - 39	T17951	3G6	1	50 - 131	T24229	1E18	3	30 - 39
T134454	4I10	25	80 - 43	T18012	1E20	20	30 - 42	T24229	1F1	16	30 - 50
T134455	2C17	6	40 - 33	T18098	2C21	14	40 - 37	T24229	1F4	13	30 - 53
T134455	2D4	1	40 - 45	T18098	2D2	13	40 - 43	T24959	4C10	2	70 - 28
T134455	4I7	22	80 - 39	T18105	2C22	9	40 - 38	T24959	4C13	2	70 - 31
T134455	4I10	25	80 - 43	T18105	2D3	6	40 - 44	T25317	3B23	21	50 - 18
T134456	2C17	6	40 - 33	T18106	2C22	16	40 - 38	T25317	3D24	18	50 - 70
T134456	2D4	1	40 - 45	T18106	2D3	13	40 - 44	T25317	3F20	13	50 - 119
T134456	4I7	22	80 - 39	T18107	2C22	12	40 - 38	T25879	4D23	4	70 - 69
T134456	4I10	25	80 - 43	T18107	2D3	9	40 - 44	T25921	4G18	9	80 - 1
T134459	2C17	1	40 - 33	T18110	2C22	2	40 - 38	T25921	4G19	8	80 - 2
T134459	2D4	5	40 - 45	T18110	2D3	2	40 - 44	T26565	3B8	4	50 - 2
T134459	4I7	22	80 - 39	T19079	3C13	16	50 - 31	T26565	3B8	8	50 - 2
T134459	4I10	25	80 - 43	T19079	3C14	22	50 - 32	T26565	3B9	6	50 - 3
T13814	1E6	18	30 - 27	T19079	3C15	13	50 - 33	T26565	3D13	8	50 - 58
T13814	4C21	13	70 - 39	T19079	3C16	19	50 - 34	T27261	1C25	9	20 - 40
T13814	4D12	14	70 - 56	T19566	1B7	2	20 - 2	T27523	3G18	5	50 - 144
T14264	1E4	2	30 - 25	T19607	2C22	22	40 - 38	T27523	4C9	6	70 - 27
T14264	2G1	8	40 - 101	T19687	4G5	18	70 - 129	T27860	1C14	2	20 - 29
T143166	5B14	3	90 - 7A	T19687	4G7	24	70 - 131	T27860	1C14	3	20 - 29
T143169	5B14	4	90 - 7A	T19802	3H11	12	60 - 15	T28583	2B10	24	40 - 3
T14587	3G11	9	50 - 137	T19802	3I2	39	60 - 31	T28583	2B10	31	40 - 3
T14587	3G15	2	50 - 141	T19909	2C19	30	40 - 35	T28583	2B12	20	40 - 5
T146102	2C17	1	40 - 33	T19909	2C24	29	40 - 41	T28583	2G11	34	40 - 109
T146102	2D4	5	40 - 45	T19977	2C7	8	40 - 23	T28583	2G13	1	40 - 111
T146102	4I7	22	80 - 39	T19977	2C9	28	40 - 25	T28583	5B10	18	90 - 4
T146102	4I10	25	80 - 43	T19977	5B19	19	90 - 13	T28583	5B19	12	90 - 13
T146104	2C17	6	40 - 33	T20077	1B12	23	20 - 10	T28583	5B21	15	90 - 15
T146104	2D4	1	40 - 45	T20129	1B12	24	20 - 10	T28585	2B9	8	40 - 2
T146104	4I7	22	80 - 39	T20173	1B16	9	20 - 15	T28585	2B9	10	40 - 2
T146104	4I10	25	80 - 43	T20294	1C13	6	20 - 28	T28585	2B10	29	40 - 3
T146106	2C17	6	40 - 33	T20328	1C13	5	20 - 28	T28585	2B10	31	40 - 3
T146106	2D4	1	40 - 45	T20328	1D3	40	20 - 43	T28585	2D19	2	40 - 54
T146106	4I7	22	80 - 39	T21158	3C17	3	50 - 35	T28585	2E21	7	40 - 76
T146106	4I10	25	80 - 43	T21158	3C18	7	50 - 36	T28585	2E22	6	40 - 77
T146515	2C17	6	40 - 33	T21158	3C22	13	50 - 41	T28585	2G4	7	40 - 104
T146515	2D4	1	40 - 45	T21158	3C24	24	50 - 43	T28585	2G11	35	40 - 109

1L24

4630 TRACTOR

NUMERICAL INDEX - CONTINUED

PART NO.	GRID	KEY	PAGE	PART NO.	GRID	KEY	PAGE	PART NO.	GRID	KEY	PAGE
T28585	2G13	12	40 - 111	T67028	3E21	34	50 - 93	U15192	4C6	2B	70 - 24
T28585	3D12	14	50 - 57	T67029	3E17	15	50 - 89	U15192	4C6	3	70 - 24
T28586	2G13	14	40 - 111	T67029	3E19	19	50 - 91	U15192	4C6	9	70 - 24
T28949	2B12	23	40 - 5	T67029	3E21	36	50 - 93	U15242	3G13	4	50 - 139
T29210	4G18	11	80 - 1	T738T	2C21	18	40 - 37	U15969	4F6	21	70 - 103
T29210	4G19	10	80 - 2	T738T	2D2	17	40 - 43	U17409	1C15	22	20 - 30
T29317	4C16	9	70 - 34	T75972	3G13	3	50 - 139	U17409	1C16	8	20 - 31
T29527	1E4	31	30 - 25	T77072	3G13	2	50 - 139	U17409	1C16	23	20 - 31
T30367	1E6	18	30 - 27	T84409	2C17	1	40 - 33	U17409	3G15	12	50 - 141
T31170	3F7	5	50 - 103	T84409	2D4	5	40 - 45	U17409	3G17	3	50 - 143
T31483	1D11	9	30 - 6	T84409	4I7	22	80 - 39	U17409	3G19	9	50 - 145
T31556	1E16	26	30 - 37	T84409	4I10	25	80 - 43	U40727	3G11	17	50 - 137
T31556	1E18	9	30 - 39	T84410	2C17	6	40 - 33	U40727	3G15	3	50 - 141
T32231	2B8	2	40 - 1	T84410	2D4	1	40 - 45	U40727	3G17	13	50 - 143
T32231	2G4	5	40 - 104	T84410	4I7	22	80 - 39	U40750	1C16	25	20 - 31
T32255	2F11	19	40 - 93	T84410	4I10	25	80 - 43	U42417	1E13	16	30 - 34
T32255	2F13	23	40 - 93B	T84411	2C17	6	40 - 33	U45538	1E5	14	30 - 26
T32255	2F15	23	40 - 93D	T84411	2D4	1	40 - 45	U45538	1E12	1	30 - 33
T32255	2F17	26	40 - 93F	T84411	4I7	22	80 - 39	U45538	1E16	32	30 - 37
T33483	3E15	28	50 - 87	T84411	4I10	25	80 - 43	U45538	1E21	33	30 - 43
T34067	2G13	18	40 - 111	T84412	2C17	6	40 - 33	U45538	4E16	19	70 - 88
T35440	2F9	9	40 - 91	T84412	2D4	1	40 - 45	U45916	5D22	26	90 - 67
T35440	2F11	30	40 - 93	T84412	4I7	22	80 - 39	U46370	2G11	36	40 - 109
T35440	2F13	32	40 - 93B	T84412	4I10	25	80 - 43	U46370	2G13	20	40 - 111
T35440	2F15	32	40 - 93D	T84413	2C17	6	40 - 33	U46506	2F11	21	40 - 93
T35440	2F17	34	40 - 93F	T84413	2D4	1	40 - 45	U46506	2F13	24	40 - 93B
T35441	2F9	8	40 - 91	T84413	4I7	22	80 - 39	U46506	2F15	24	40 - 93D
T40167	4C9	3	70 - 27	T84413	4I10	25	80 - 43	U46506	2F17	27	40 - 93F
T40167	4C10	6	70 - 28	T84578	2C17	6	40 - 33	U46507	2F11	1	40 - 93
T40167	4C14	9	70 - 32	T84578	2D4	1	40 - 45	U46507	2F13	1	40 - 93B
T40308	4B14	28	70 - 9	T84578	4I7	22	80 - 39	U46507	2F15	1	40 - 93D
T40308	4B16	17	70 - 11	T84578	4I10	25	80 - 43	U46507	2F17	1	40 - 93F
T40308	4C2	18	70 - 21	U10136	3I16	3	60 - 47	U46508	2F11	16	40 - 93
T40308	4C3	11	70 - 21A	U10136	4C19	1	70 - 37	U46508	2F13	19	40 - 93B
T40308	4C5	4	70 - 23	U10289	3I2	10	60 - 31	U46508	2F15	19	40 - 93D
T43535	4C3	8	70 - 21A	U11004	4E18	27	70 - 90	U46508	2F17	22	40 - 93F
T43535	4C3	9	70 - 21A	U11004	4E19	28	70 - 91	U46509	2F11	8	40 - 93
T46726	1E1	10	30 - 22	U11004	4F14	12	70 - 112	U46510	2F11	7	40 - 93
T50222	2C22	16	40 - 38	U11004	4F17	22	70 - 115	U46511	2F11	6	40 - 93
T519T	4D7	7	70 - 51	U11326	3D1	6	50 - 46	U46512	2F11	5	40 - 93
T519T	4D8	7A	70 - 52	U11343	4C14	2	70 - 32	U46513	2F11	4	40 - 93
T519T	4D8	9	70 - 52	U11646	5B10	6	90 - 4	U46514	2F11	2	40 - 93
T519T	4D11	11	70 - 55	U11646	5B13	8	90 - 7	U46515	2F11	14	40 - 93
T519T	5D1	2	90 - 46	U11647	3F25	11	50 - 124	U46662	2E14	12	40 - 69D
T54033	3C21	44	50 - 39	U11647	3G8	13	50 - 133	U46662	2G4	7	40 - 104
T54033	3C22	20	50 - 41	U11647	4F22	1	70 - 121	U46662	2G11	37	40 - 109
T54033	3C24	13	50 - 43	U12198	3F5	22	50 - 101	U46662	2G13	10	40 - 111
T54033	4D7	36	70 - 51	U12331	3I16	6	60 - 47	U46663	2G11	38	40 - 109
T54033	4D9	30	70 - 53	U12331	4C19	4	70 - 37	U46664	2G11	39	40 - 109
T54033	4D11	34	70 - 55	U12547	3G12	13	50 - 138	U46664	2G15	47	40 - 113
T55501	2E7	6	40 - 66	U13639	1B16	8	20 - 15	W19903	3G13	6	50 - 139
T55501	2E15	1	40 - 70	U13639	1B16	27	20 - 15	Y1912C	3F7	1	50 - 103
T55501	2E16	11	40 - 71	U13639	1B18	1	20 - 17	Z36276	4C3	8	70 - 21A
T55501	2E17	11	40 - 72	U13639	1B20	1	20 - 17B	Z36276	4C3	9	70 - 21A
T55585	1E1	14	30 - 22	U13639	1C15	18	20 - 30	1873796	2C19	10	40 - 35
T56005	4E5	31	70 - 77	U13639	1C24	6	20 - 39	31415	3D10	8	50 - 55
T56005	4E7	5	70 - 79	U13639	4B10	14	70 - 5	31415	3E9	20	50 - 80
T56005	4E9	5	70 - 81	U13639	4B12	19	70 - 7	32240	3G11	14	50 - 137
T56005	4E11	5	70 - 83	U13639	4B18	14	70 - 13	32240	3G15	4	50 - 141
T57374	4B14	29	70 - 9	U13639	4B20	12	70 - 15	32240	5B9	22	90 - 3
T57374	4B16	18	70 - 11	U13639	4C5	21	70 - 23	400R	3B14	11	50 - 9
T57374	4C2	19	70 - 21	U13639	4D7	55	70 - 51	400R	3B16	17	50 - 11
T57374	4C3	10	70 - 21A	U13639	4D9	46	70 - 53	400R	3C11	21	50 - 29
T57374	4C5	5	70 - 23	U13639	4D16	15	70 - 60	400R	3D3	5	50 - 48
T57822	1E12	3	30 - 33	U13639	4D18	15	70 - 63	400R	3D19	8	50 - 66
T60314	3E21	23	50 - 93	U15192	4C6	1	70 - 24	400R	3E2	13	50 - 73
T67028	3E17	13	50 - 89	U15192	4C6	2A	70 - 24	400R	3F10	16	50 - 106

1L25

4630 TRACTOR

NUMERICAL INDEX - CONTINUED

<i>PART NO.</i>	<i>GRID</i>	<i>KEY</i>	<i>PAGE</i>	<i>PART NO.</i>	<i>GRID</i>	<i>KEY</i>	<i>PAGE</i>	<i>PART NO.</i>	<i>GRID</i>	<i>KEY</i>	<i>PAGE</i>
400R	3F24	28	50 - 123								
400R	3G23	5	60 - 1								
400R	3G25	6	60 - 3								
400R	3I16	18	60 - 47								
400R	4D2	47	70 - 45								
400R	4D4	2	70 - 47								
400R	4F2	12	70 - 99								
400R	4F4	12	70 - 101								
400R	4F12	14	70 - 110								
811912	2D2	9	40 - 43								