

# 1A2

8430 TRACTOR

R23034 -UN-01JAN94



*JOHN DEERE 8430 4-WHEEL-DRIVE TRACTOR*

*(SPECIFICATIONS AND DESIGN SUBJECT TO CHANGE WITHOUT NOTICE)*

*COPYRIGHT (C) 1995. DEERE & COMPANY, MOLINE, ILLINOIS. ALL RIGHTS RESERVED.*

# 1A3

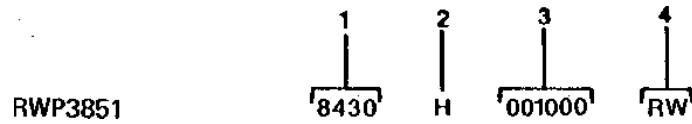
8430 TRACTOR

## SERIAL NUMBERS

EACH 8430 TRACTOR HAS THE FOLLOWING SERIAL NUMBER PLATES: BASIC TRACTOR, ENGINE AND SOUND-GARD BODY.

### BASIC TRACTOR SERIAL NUMBER

RWP3851 -UN-01JAN94



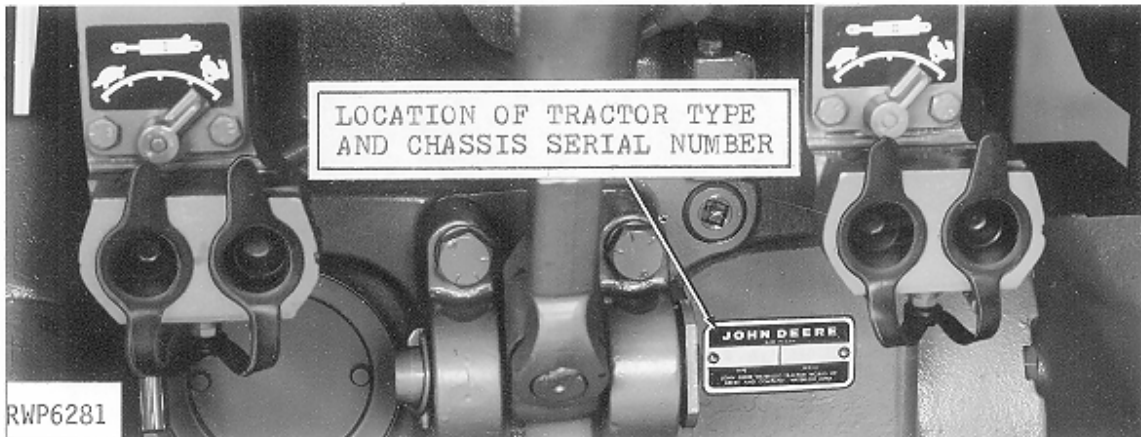
1. DESIGNATES TRACTOR MODEL
2. DESIGNATES TRANSMISSION TYPE
3. DESIGNATES TRACTOR SERIAL NUMBER
4. DESIGNATES TRACTOR MANUFACTURER

8430

H - QUAD-RANGE

RW- JOHN DEERE TRACTOR WORKS

RWP6281 -UN-16NOV94



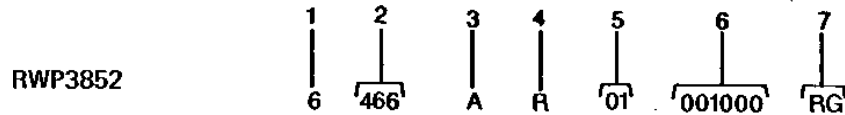
THE BASIC TRACTOR SERIAL NUMBER PLATE IS LOCATED AT THE REAR OF THE TRANSMISSION CASE.

# 1A4

8430 TRACTOR

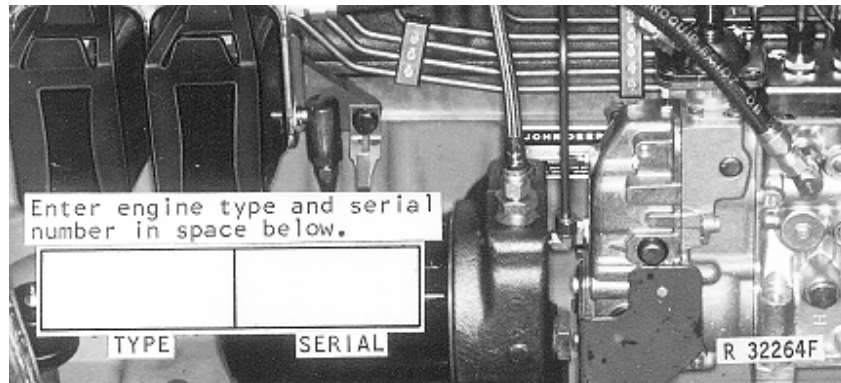
## ENGINE SERIAL NUMBER

RWP3852 -UN-01JAN94



- |   |                                  |
|---|----------------------------------|
| 1. DESIGNATES NUMBER OF CYLINDERS       | 6                                |
| 2. DESIGNATES CUBIC INCH DISPLACEMENT   | 466                              |
| 3. DESIGNATES TYPE OF AIR INTAKE SYSTEM | A - TURBOCHARGED AND INTERCOOLED |
| 4. DESIGNATES FACTORY USER              | R - JOHN DEERE TRACTOR WORKS     |
| 5. DESIGNATES VERSION                   | 01- FIRST                        |
| 6. DESIGNATES ENGINE SERIAL NUMBER      |                                  |
| 7. DESIGNATES ENGINE MANUFACTURER       | RG- JOHN DEERE ENGINE WORKS      |

R32264 -UN-18OCT94



THE ENGINE SERIAL NUMBER PLATE IS LOCATED ON THE RIGHT-HAND SIDE OF THE ENGINE BEHIND THE INJECTION PUMP.

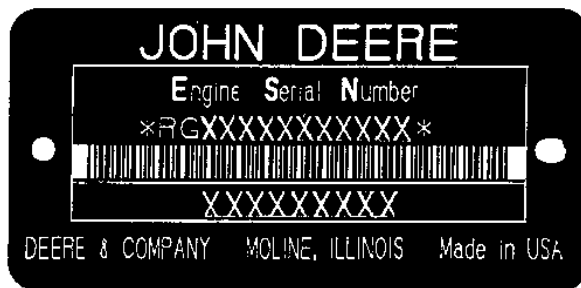
# 1A5

8430 TRACTOR

## SHORT BLOCK SERIAL NUMBER PLATE

( -RGSB466882500)

RGP3513 -UN-01JAN94



RGP3513

A SHORT BLOCK SERIAL NUMBER PLATE PLUS 2-37H44 DRIVE SCREWS ARE USED TO ATTACH TO REPLACEMENT SHORT BLOCK ASSEMBLIES. THIS NUMBER WILL BE REFERRED TO WHEN NEW PARTS AFFECT THE SHORT BLOCK ASSEMBLY. THE PREVIOUS ENGINE SERIAL NUMBER SHOULD BE STAMPED INTO THE BLANK SPACE PROVIDED, AS A REFERENCE FOR YOUR DEALER.

- |                                       |                            |
|---------------------------------------|----------------------------|
| 1. DESIGNATES ENGINE MANUFACTURER     | RG - WATERLOO ENGINE WORKS |
| 2. DESIGNATES REPLACEMENT SHORT BLOCK | SB                         |
| 3. DESIGNATES CUBIC INCH              | XXX- 466                   |
| 4. DESIGNATES THE PRODUCTION DATE     | 1234                       |
| 5. DESIGNATES COMPONENT SEQUENCE      | 56                         |



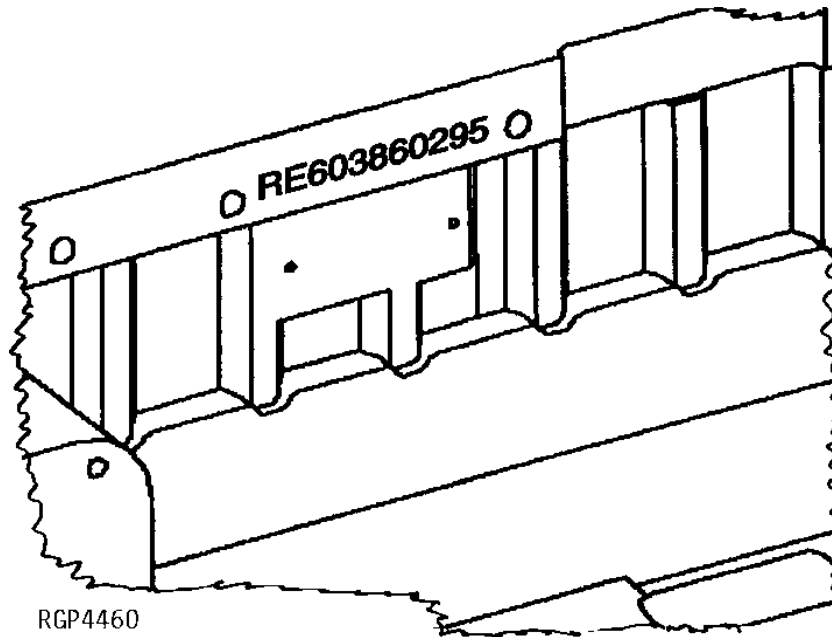
# 1A6

8430 TRACTOR

## SHORT BLOCK SERIAL NUMBER IDENTIFICATION

(RE603860295- )

RGP4460 -UN-04MAR95



SERIAL NUMBER STAMPED INTO CASTING OF BLOCK NEAR PREVIOUS SERIAL NUMBER PLATE.

EXAMPLE: RE603860295

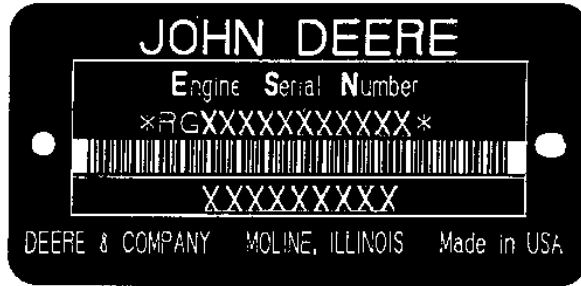
- |                                   |         |
|-----------------------------------|---------|
| 1. DESIGNATES SERVICE PART NUMBER | RE60386 |
| 2. DESIGNATES MONTH ASSEMBLED     | 02      |
| 3. DESIGNATES YEAR ASSEMBLED      | 95      |

# 1A7

8430 TRACTOR

## TWO LINE BAR CODED ENGINE SERIAL NUMBER PLATE (LOCATED ON FUEL INJECTION PUMP SIDE OF ENGINE)

RGP3513 -UN-01JAN94



RGP3513

### FIRST LINE

### DEFINES

RG - WATERLOO ENGINE WORKS

DESIGNATES ENGINE MANUFACTURER.

6

DESIGNATES NUMBER OF CYLINDERS.

466

DESIGNATES CUBIC INCH DISPLACEMENT.

A - TURBOCHARGED AND AFTERCOOLED

DESIGNATES TYPE OF AIR INTAKE SYSTEM.

XXXXXX

DESIGNATES ENGINE SERIAL NUMBER.

### SECOND LINE

6466AR-01

8430

# 1A8

8430 TRACTOR

## SERIAL NUMBER LISTING INFORMATION

SERIAL NUMBER INFORMATION IS LISTED TO SHOW ON WHICH MACHINES EACH PART CAN BE USED; FOR EXAMPLE:

- THE PART CAN BE USED ON ALL MACHINES.
- 000000- THE PART CAN BE USED ON ALL MACHINES BEGINNING WITH THE SERIAL NUMBER LISTED.
- 000000 THE PART CAN BE USED ON ALL MACHINES UP TO AND INCLUDING THE SERIAL NUMBER LISTED.
- 000000-000000 THE PART CAN BE USED ON ALL MACHINES BETWEEN AND INCLUDING THE SERIAL NUMBERS LISTED.
  
- 15BV1- WHEN A MODEL NUMBER BEGINS WITH 15BV, 14HA, 15PP, 25SC, 2RC, 4RC, 15RS, 3CY, 2SP, OR 31SV, IT REFERS TO THE MODEL NUMBER OF THE BRAKE VALVE, HYDRAULIC ACCUMULATOR, HYDRAULIC PUMP, REMOTE CYLINDER SELECTIVE CONTROL VALVE FOR NO ROCKSHAFT, REMOTE CYLINDER SELECTIVE CONTROL VALVES, REMOTE CYLINDERS, REMOTE CYLINDERS WITH MECHANICAL STOPS, ROCKSHAFT CONTROL VALVE, STEERING CYLINDER, STEERING METERING PUMP, OR STEERING VALVE.

WHEN XXXXXX'S ARE LISTED IN PLACE OF A SERIAL NUMBER, A SERIAL NUMBER CHANGE WAS MADE BUT THE EXACT SERIAL NUMBER WAS NOT AVAILABLE WHEN THE CATALOG WAS PRODUCED.

## MODEL NUMBERS

THE FOLLOWING COMPONENTS HAVE MODEL NUMBERS:

BRAKE VALVE .....	15BV1
HYDRAULIC ACCUMULATOR .....	14HA2
HYDRAULIC PUMP (39.3CM3 (2.4 IN3)) .....	15PP1
REMOTE CYLINDER SELECTIVE CONTROL VALVE FOR NO ROCKSHAFT - SINGLE, DULE OR TRIPLE .....	25SC1
REMOTE CYLINDER SELECTIVE CONTROL VALVE FOR ROCKSHAFT - SINGLE, DUAL OR TRIPLE .....	23SC2
REMOTE CYLINDER (76 X 203 MM (3" X 8")) .....	2RC4
REMOTE CYLINDER WITH MECHANICAL STOP (76 X 203 MM (3" X 8")) .....	4RC3
ROCKSHAFT CONTROL VALVE .....	15RS1
STEERING CYLINDER .....	3CY1
STEERING METERING PUMP .....	2SP1
STEERING VALVE .....	31SV1

EACH OF THE ABOVE COMPONENTS HAS A MODEL NUMBER. WHEN THE DESIGN OF ONE OF THESE COMPONENTS IS CHANGED, THE MODEL NUMBER FOR THE NEWLY DESIGNED COMPONENT IS CHANGED.

## QUANTITY COLUMN OR REMARKS COLUMN

GENERALLY THE QUANTITY SHOWN IS FOR THE ENTIRE TRACTOR AT ANY GIVEN LOCATION. THERE ARE EXCEPTIONS AS IN WHEEL HARDWARE WHERE ONLY ENOUGH IS SHOWN FOR ONE WHEEL.

THE FOLLOWING ABBREVIATIONS ARE USED IN THE REMARKS COLUMN:

NLR - NO LONGER REQUIRED

NA - NOT APPLICABLE

NLA - NO LONGER AVAILABLE

**FI - FIELD INSTALLED**

**CA - COMPLETE GOODS ATTACHMENT**

CA AND FI ARE OPTIONS THAT MUST BE ORDERED DIRECT FROM THE PRODUCING FACTORY.

## DIRECTION ARROW

ARROWS ARE USED WITH ILLUSTRATIONS TO INDICATE THE FRONT OF THE UNIT. "RIGHT-HAND" AND "LEFT-HAND" SIDES ARE DETERMINED BY FACING IN THE DIRECTION OF MACHINE FORWARD TRAVEL.

## BOX-ENCLOSED ILLUSTRATIONS

A KEY NUMBER, SHOWN IN THE PARTS LIST, IS ASSIGNED TO A BOX ENCLOSING ALL PARTS SOLD AS A SERVICE ASSEMBLY.

## BOLT AND CAP SCREW STRENGTH IDENTIFICATION

U.S. CUSTOMARY DIMENSIONED PRODUCT: BOLTS AND CAP SCREWS REQUIRED TO HAVE HIGH-STRENGTH QUALITIES EQUIVALENT TO SAE GRADE 8 ARE IDENTIFIED THROUGHOUT THIS CATALOG BY THE DESCRIPTION HS SAE 8. ALL STANDARD BOLTS AND CAP SCREWS ARE SAE GRADE 5 OR LOWER.

METRIC DIMENSIONED PRODUCT: BOLTS AND CAP SCREWS REQUIRED TO HAVE HIGH-STRENGTH QUALITIES EQUIVALENT TO PROPERTY CLASS 10.9 ARE IDENTIFIED THROUGHOUT THIS CATALOG BY THE DESCRIPTION HS 10.9. ALL STANDARAD BOLTS AND CAP SCREWS ARE PROPERTY CLASS 8.8 OR LOWER.

## JDM REMANUFACTURED COMPONENTS

THE SERVICE PARTS LISTED IN THIS CATALOG ARE INTENDED FOR THE REPAIR OF ORIGINAL EQUIPMENT COMPONENTS. ALTHOUGH MOST SERVICE PARTS MAY BE USED TO REPAIR REMANUFACTURED COMPONENTS, THE REMANUFACTURING PROCESS MAY CHANGE PARTS SUFFICIENTLY SO THAT SERVICE PARTS ARE INADEQUATE OR NOT USABLE.

## TRADEMARKS

THROUGHOUT THIS PARTS CATALOG, YOU WILL FIND THE FOLLOWING TRADEMARKS:

HYDRACUSHIONED™  
INVESTIGATOR™ II  
PERFORMANCE TRAK™ II  
PERSONAL-POSTURE™  
QUAD-RANGE™  
QUIK-TATCH™

ROLL-GARD®  
SOUND-GARD®  
TORQ-GARD SUPREME®  
HY-GARD®  
LOCTITE®

## CHANGE INDICATOR LINE

*(MICROFICHE ONLY)*

CHANGES AFFECTING THE ORDERING OF PARTS ARE IDENTIFIED BY VERTICAL LINES MARKED IN THE LEFT-HAND MARGIN OF REVISED PARTS LISTING IMAGES. A LINE IS ALSO AT THE LEFT-HAND EDGE OF THE SAME PART NUMBER IN THE NUMERICAL INDEX TO SHOW THE LOCATION OF REVISED INFORMATION.

# 1A10

8430 TRACTOR

---

## SECTION INDEX

GENERAL INFORMATION .....	10
ENGINE .....	20
FUEL AND AIR .....	30
ELECTRICAL .....	40
POWER TRAIN .....	50
STEERING AND BRAKES .....	60
HYDRAULICS .....	70
WHEELS, FRONT AXLES, SHEET METAL .....	80
OPERATOR'S STATION .....	90
NUMERICAL INDEX .....	95

# 1A11

8430 TRACTOR

## ALPHABETICAL INDEX

GRID		PAGE	GRID		PAGE
<b>A</b>					
5C5	ABSORBER, SHOCK, SEAT SUPPORT.....	90-28	2F1	ANTENNA KIT, RADIO.....	40-84
2B15	ACCESSORY RELAY.....	40-10	3F20	ANTI-FRICTION DIFFERENTIAL KIT (REAR) .....	50-108
2B14	ACCESSORY RELAY (SECOND DESIGN) .....	40-9	3B10	ARM, CLUTCH OPERATING VALVE .....	50-2
3I1	ACCUMULATOR.....	60-32	4D22	ARM, DRAFT LINK.....	70-66
3I14	ACCUMULATOR AUXILIARY BRAKE.....	60-46	4D5	ARM, LIFT.....	70-49
3I8	ACCUMULATOR, AUXILIARY BRAKE .....	60-40	3E13	ARM, PARK RELEASE .....	50-76
1G17	ACTIVATOR KIT, HYDRAULIC ANEROID (6466) .....	30-58	3E15	ARM, PARK RELEASE .....	50-78
1G19	ACTIVATOR LINES, ANEROID .....	30-60	3E17	ARM, PARK RELEASE .....	50-80
1C17	ADAPTER, CLUTCH SHAFT PILOT BUSHING (6466AR).....	20-32	3B10	ARM, PTO CLUTCH OPERATING .....	50-2
1F3	ADAPTER, COLD WEATHER STARTING AID.....	30-16	3E17	ARM, RANGE SELECTOR .....	50-80
5E12	ADHESIVE .....	90-84	1B14	ARM, ROCKER (6466).....	20-8
1F1	AFTERCOOLER (6466) .....	30-14	4D5	ARM, ROCKSHAFT CRANK .....	70-49
5B16	AIR CIRCULATION PRESSURIZER BLOWER.....	90-13	3E13	ARM, SPEED RANGE SELECTOR SHIFTER .....	50-76
5B17	AIR CIRCULATION PRESSURIZER BLOWER (REPLACEMENT).....	90-14	3E15	ARM, SPEED RANGE SELECTOR SHIFTER .....	50-78
5B14	AIR CIRCULATION PRESSURIZER BLOWER (SGB) .....	90-10	3E17	ARM, SPEED SELECTOR.....	50-80
1E14	AIR CLEANER .....	30-2	3E9	ARM, SPEED SELECTOR SHIFTER .....	50-72
1H2	AIR CLEANER ELEMENT .....	30-68	3E15	ARM, SPEED SELECTOR SHIFTER .....	50-78
1E16	AIR CLEANER ELEMENT CLEANING GUN.....	30-5	2F18	ARM, WINDSHIELD WIPER .....	40-99C
5B5	AIR COMPRESSOR WIRING .....	90-1	2C16	ARMATURE, STARTER (DELCO-REMY) .....	40-32
5B6	AIR CONDITIONING CLUTCH .....	90-2	2C22	ARMATURE, STARTER (JOHN DEERE) .....	40-36
5B6	AIR CONDITIONING COIL.....	90-2	5C1	ARMREST.....	90-24
5B6	AIR CONDITIONING COMPRESSOR.....	90-2	5D22	ASHTRAY, SOUND-GARD BODY.....	90-68
5B8	AIR CONDITIONING COMPRESSOR BRACKETS .....	90-4	1E7	ASSEMBLY, COMPLETE BLOCK (6466) .....	20-63C
5B10	AIR CONDITIONING EVAPORATOR .....	90-6	2B23	ATLERNATOR BRUSHES .....	40-18
5B6	AIR CONDITIONING PULLEY .....	90-2	4B7	ATTENUATOR, HYDRAULIC OIL .....	70-2
5B10	AIR CONDITIONING RECEIVER-DEHYDRATOR .....	90-6	3I8	AUXILIARY BRAKE ACCUMULATOR.....	60-40
5B10	AIR CONDITIONING THERMOSTAT SWITCH.....	90-6	3I14	AUXILIARY BRAKE ACCUMULATOR.....	60-46
1H2	AIR FILTER.....	30-68	3I6	AUXILIARY BRAKE LEVER AND LINKAGE .....	60-38
1E17	AIR INTAKE PIPE .....	30-6	3I14	AUXILIARY BRAKE SENDER .....	60-46
1E18	AIR INTAKE PIPE .....	30-7	3I12	AUXILIARY BRAKE VALVE .....	60-44
5B21	AIR LOUVER, CONTROL PANEL (SGB) .....	90-18	2G7	AUXILIARY ELECTRICAL OUTLET, 7-TERMINAL.....	40-111
1E13	AIR STACK .....	30-1	4G2	AUXILIARY HYDRAULIC OUTLET KIT.....	70-118
1D19	AIR STACK SUPPORT .....	20-52	2D18	AUXILIARY LIGHTING (NOT USED IN U.S. AND CANADA) .....	40-53
2B23	ALTERNATOR .....	40-18	4G3	AUXILIARY OUTLET COUPLER KIT .....	70-120
2C1	ALTERNATOR (COMPLETE) (EARLY DESIGN) .....	40-20	4H2	AUXILIARY STEP.....	80-17
2B21	ALTERNATOR (EARLY DESIGN) .....	40-16	4H3	AUXILIARY STEP.....	80-18
2C5	ALTERNATOR (90 AMP) .....	40-24	3G15	AXLE BEARING GREASE KIT .....	50-128
2C3	ALTERNATOR (90 AMP) (LATE DESIGN) .....	40-22	3F7	AXLE REAR PIVOT BUSHING, FRONT .....	50-94
2C7	ALTERNATOR ADJUSTING STRAP .....	40-26	4G17	AXLE STOP .....	80-8
2C7	ALTERNATOR BRACKET .....	40-26	3G7	AXLE, FRONT DRIVE .....	50-120
2C3	ALTERNATOR FAN (90 AMP) (LATE DESIGN).....	40-22	3G9	AXLE, REAR.....	50-120B
2E9	ALTERNATOR GAUGE .....	40-68	<b>B</b>		
2B20	ALTERNATOR MOUNTING BRACKET.....	40-15	5C2	BACK, SEAT.....	90-25
2C8	ALTERNATOR MOUNTING KIT (METRIC).....	40-27	5B24	BACKREST, SEAT (SOUND-GARD BODY) .....	90-22
2B20	ALTERNATOR PULLEY.....	40-15	4H10	BAFFLE, HOOD .....	80-27
2C3	ALTERNATOR PULLEY (90 AMP) (LATE DESIGN) .....	40-22	4G24	BAR, HINGE LOCK .....	80-14
2C5	ALTERNATOR RECTIFIER (90 AMP).....	40-24	2B12	BATTERY .....	40-7
2C5	ALTERNATOR REGULATOR (90 AMP) .....	40-24	2B12	BATTERY CABLES .....	40-7
2C5	ALTERNATOR ROTOR (90 AMP).....	40-24	2B12	BATTERY CLAMPS .....	40-7
2C3	ALTERNATOR SHIELD (90 AMP) (LATE DESIGN).....	40-22	4H4	BATTERY SUPPORT .....	80-19
2B20	ALTERNATOR WITH REGULATOR .....	40-15	3G11	BEARING AND SEAL KIT, FRONT AXLE (STANDARD AXLE).....	50-123
2E22	AM RADIO .....	40-80	3G12	BEARING AND SEAL KIT, FRONT AXLE (UNDERSIZE AXLE) .....	50-124
2E22	AM-FM PUSH-BUTTON RADIO.....	40-80	3G13	BEARING AND SEAL KIT, REAR AXLE (STANDARD AXLE).....	50-125
2E13	ANALOG TACHOMETER.....	40-72	3G14	BEARING AND SEAL KIT, REAR AXLE (UNDERSIZE AXLE) .....	50-126
1G19	ANEROID ACTIVATOR LINES .....	30-60	1C19	BEARING, MAIN THRUST (6466).....	20-34
1G16	ANEROID CONTROL BRACKET.....	30-57	3E21	BELL CRANK, RANGE SELECTOR (INNER).....	50-84
1G11	ANEROID, FUEL INJECTION PUMP (NIPPONDENSO) (6466) .....	30-51	3E22	BELL CRANK, RANGE SELECTOR (OUTER) .....	50-85
1G5	ANEROID, FUEL INJECTION PUMP (ROBERT BOSCH) (6466).....	30-44	3E21	BELL CRANK, SPEED SELECTOR (INNER) .....	50-84
2E23	ANTENNA .....	40-81	3E22	BELL CRANK, SPEED SELECTOR (OUTER) .....	50-85
2F7	ANTENNA BRACKET, CB RADIO.....	40-91			

# 1A12

8430 TRACTOR

## ALPHABETICAL INDEX - CONTINUED

GRID	PAGE	GRID	PAGE		
5B8	BELT, COMPRESSOR .....	90-4	3C19	BRAKE, PTO, OIL LINES .....	50-36
2C3	BELT, FAN (90 AMP) (LATE DESIGN) .....	40-22	3I14	BRAKE, SENDER AUXILIARY .....	60-46
5B24	BELT, SEAT (SOUND-GARD BODY) .....	90-22	3I4	BRAKE, TRAILER .....	60-36
1D13	BELT, V .....	20-45	4E25	BREAKAWAY COUPLER .....	70-91
3F13	BEVEL GEAR, DIFFERENTIAL .....	50-101	4F1	BREAKAWAY COUPLER .....	70-92
3G1	BEVEL GEAR, DIFFERENTIAL (REAR) .....	50-114	4F5	BREAKAWAY COUPLER (ISO CONVERSION KIT) .....	70-96
2F18	BLADE, WINDSHIELD WIPER .....	40-99C	4F4	BREAKAWAY COUPLER (ISO) .....	70-95
2F14	BLADE, WIPER .....	40-98	4F9	BREAKAWAY COUPLER OVERHAUL KIT .....	70-100
2F16	BLADE, WIPER .....	40-99A	4F10	BREAKAWAY COUPLER OVERHAUL KIT .....	70-101
1E7	BLOCK ASSEMBLY, COMPLETE (6466) .....	20-63C	2B13	BREAKER, CIRCUIT (EARLY DESIGN) .....	40-8
1C1	BLOCK, CYLINDER (6466AR) (LATE DESIGN)(WITHOUT HEAD BOLTS) .....	20-20	2B14	BREAKER, CIRCUIT (SECOND DESIGN) .....	40-9
1C3	BLOCK, CYLINDER REPLACEMENT (6466AR) (WITH HEAD BOLTS) .....	20-21A	2G6	BREAKER, ELECTRICAL OUTLET CIRCUIT .....	40-110
1B18	BLOCK, CYLINDER, ENGINE (6466AR) (EARLY DESIGN) .....	20-12	2B23	BRUSHES, ALTERNATOR .....	40-18
1B20	BLOCK, ENGINE SHORT .....	20-14	4E5	BUSHING KIT, CATEGORY II IMPLEMENT .....	70-72
1C5	BLOCK, ENGINE SHORT (6466AR) .....	20-22	4E6	BUSHING KIT, CATEGORY II IMPLEMENT ADAPTER .....	70-73
1C7	BLOCK, ENGINE SHORT (6466AR) (EARLY DESIGN) .....	20-23A	1B16	BUSHING, CAMSHAFT (6466) .....	20-10
1E5	BLOCK, REPLACEMENT ENGINE SHORT (6466AR) (WITH HEAD BOLTS) .....	20-63A	4B16	BYPASS FILTER ASSEMBLY, OIL COOLER RETURN CHECK VALVE .....	70-11
4E11	BLOCK, SWAY CONTROL .....	70-78	2C10	BYPASS STARTER LABEL .....	40-28A
3E1	BLOCKERS, TRANSMISSION .....	50-64	1D7	BYPASS VALVE, ENGINE OIL COOLER (6466AR) (EARLY DESIGN) .....	20-40
5B19	BLOWER MOTOR FILTER CAPACITOR KIT .....	90-16	1D8	BYPASS VALVE, OIL COOLER (6466AR) .....	20-41
5B20	BLOWER MOTOR RESISTOR .....	90-17	2C21	BYPASS, STARTER LABEL .....	40-35B
5B16	BLOWER, PRESSURIZER .....	90-13			
5B17	BLOWER, PRESSURIZER, (REPLACEMENT) .....	90-14		C	
5B14	BLOWER, PRESSURIZER, AIR CIRCULATION(SGB) .....	90-10	2B12	CABLE, BATTERY .....	40-7
5C9	BODY, REPLACEMENT SOUND-GARD .....	90-31A	4D18	CABLE, LOAD SELECTOR CONTROL .....	70-62
1B8	BOLTS, HEAD (6466) .....	20-4	1G21	CABLE, PUSH-PULL (FUEL SHUT-OFF) .....	30-62
1B10	BOLTS, HEAD (6466) .....	20-5A	1G22	CABLE, PUSH-PULL (FUEL SHUT-OFF) .....	30-63
3B16	BOOT, CLUTCH PEDAL .....	50-8	4D16	CABLE, ROCKSHAFT CONTROL .....	70-60
5D23	BOOT, SHIFTER ROD .....	90-69	4E23	CABLE, SELECTIVE CONTROL VALVE .....	70-90
2C7	BRACKET, ALTERNATOR .....	40-26	5E4	CABLE, SPEED-HOUR METER .....	90-76
2B20	BRACKET, ALTERNATOR MOUNTING .....	40-15	3E15	CABLE, TRANSMISSION SHIFTER CONTROL .....	50-78
1G16	BRACKET, ANEROID CONTROL .....	30-57	3E17	CABLE, TRANSMISSION SHIFTER CONTROL .....	50-80
3H22	BRACKET, BRAKE .....	60-29	1B14	CAM FOLLOWERS (6466) .....	20-8
5B8	BRACKET, COMPRESSOR MOUNTING .....	90-4	3E9	CAM, SHIFTER .....	50-72
5B9	BRACKET, CONDENSER LINE .....	90-5	3E13	CAM, SHIFTER .....	50-76
4D19	BRACKET, DRAFT SENSING CYLINDER .....	70-63	1B16	CAMSHAFT (6466) .....	20-10
2G1	BRACKET, ELECTRICAL REMOTE CONTROL .....	40-104	1B16	CAMSHAFT BUSHING (6466) .....	20-10
1G20	BRACKET, FUEL SHUT-OFF (6466) .....	30-61	1B16	CAMSHAFT GEAR (6466) .....	20-10
3H14	BRACKET, STEERING CYLINDER .....	60-22	1E13	CAP, AIR STACK .....	30-1
5E5	BRACKET, TOOLBOX .....	90-77	1F9	CAP, FUEL FILLER .....	30-22
2F18	BRACKET, WINDSHIELD WIPER .....	40-99C	1D16	CAP, RADIATOR .....	20-48
2E11	BRACKET, RADAR SENSOR .....	40-70	3D22	CAP, TRANSMISSION CASE OIL FILLER .....	50-60
2D21	BRACKET, REAR REFLECTOR (NOT USED IN U.S. AND CANADA) .....	40-56	3C2	CARRIER, PLANET PINION .....	50-19
4B22	BRACKETS, HINGE OIL LINE .....	70-17	3C6	CARRIER, PLANET PINION .....	50-24
3I1	BRAKE ACCUMULATOR .....	60-32	3G9	CARRIER, PLANET PINION .....	50-120B
3I14	BRAKE ACCUMULATOR AUXILIARY .....	60-46	3F9	CASE, FRONT DIFFERENTIAL .....	50-96
3H22	BRAKE BRACKET .....	60-29	3D17	CASE, TRANSMISSION .....	50-58
3H19	BRAKE FACING .....	60-26A	3D19	CASE, TRANSMISSION .....	50-58B
3I3	BRAKE LIGHT SENSING SWITCH .....	60-35	4G11	CAST DISK WHEELS .....	80-2
3H24	BRAKE LINES (REAR) .....	60-31	4G13	CAST WHEEL .....	80-4
3I10	BRAKE LINES, AUXILIARY .....	60-42	2F7	CB RADIO MOUNTING KIT .....	40-91
3H23	BRAKE OIL LINES (FRONT) .....	60-30	1E22	CENTER HOUSING, TURBOCHARGER (AIRESEARCH) .....	30-11
3H22	BRAKE PEDAL .....	60-29	1E24	CENTER HOUSING, TURBOCHARGER (6466A) (SCHWITZER) .....	30-13
3B24	BRAKE PISTON HOUSING .....	50-16	4E3	CENTER LINK .....	70-70
3H19	BRAKE PLATE .....	60-26A	4E10	CHAIN, IMPLEMENT SAFETY .....	70-77
3H20	BRAKE VALVE .....	60-27	1F12	CHECK VALVE, FUEL .....	30-25
3H22	BRAKE VALVE COVER .....	60-29	1F16	CHECK VALVE, FUEL (6466A) .....	30-30
3H21	BRAKE VALVE OVERHAUL KIT .....	60-28	2E8	CIGAR LIGHTER .....	40-67
3I12	BRAKE VALVE, AUXILIARY .....	60-44	2B13	CIRCUIT BREAKER (EARLY DESIGN) .....	40-8
3H18	BRAKE, FACING .....	60-26	2B14	CIRCUIT BREAKER (SECOND DESIGN) .....	40-9
3H18	BRAKE, PLATES .....	60-26			

# 1A13

8430 TRACTOR

## ALPHABETICAL INDEX - CONTINUED

GRID	PAGE	GRID	PAGE
2B16	CIRCUIT BREAKER SUPPORT KIT .....	40-11	
2G6	CIRCUIT BREAKER, ELECTRICAL OUTLET .....	40-110	
2G10	CIRCUIT BREAKER, SUPPLEMENTARY WIRING .....	40-114	
2B15	CIRCUIT BREAKERS .....	40-10	
2B12	CLAMP, BATTERY .....	40-7	
4C3	CLEAN-UP, HYDRAULIC OIL, KIT .....	70-25	
1E14	CLEANER, AIR .....	30-2	
1E16	CLEANING GUN, AIR CLEANER ELEMENT .....	30-5	
1E15	CLEANING GUN, DRY AIR CLEANER ELEMENT .....	30-3	
2E9	CLUSTER GAUGE .....	40-68	
3B15	CLUTCH DISK .....	50-7	
3B24	CLUTCH DRUM .....	50-16	
4B19	CLUTCH FILTER RELIEF VALVE BYPASS LINE .....	70-14	
3B7	CLUTCH HOUSING .....	50-1	
3B21	CLUTCH HOUSING BREATHER HOSE .....	50-13	
3B8	CLUTCH HOUSING REPLACEMENT KIT .....	50-1A	
4B17	CLUTCH OIL FILTER .....	70-12	
4B17	CLUTCH OIL FILTER COVER .....	70-12	
3B20	CLUTCH OIL FILTER RELIEF BYPASS LINE .....	50-12	
4B17	CLUTCH OIL FILTER RELIEF VALVE HOUSING .....	70-12	
2E15	CLUTCH OIL PRESSURE GAUGE .....	40-74	
3B10	CLUTCH OIL PRESSURE VALVE HOUSING .....	50-2	
3B20	CLUTCH OIL PRESSURE VALVE PRESSURE LINE .....	50-12	
4B25	CLUTCH OIL PUMP .....	70-21	
4B25	CLUTCH OIL PUMP DRIVE GEAR .....	70-21	
3C14	CLUTCH OIL PUMP DRIVE GEAR AND SHAFT .....	50-33	
3B14	CLUTCH OIL PUMP DRIVE SHAFT .....	50-6	
4B25	CLUTCH OIL PUMP DRIVE SHAFT .....	70-21	
4C1	CLUTCH OIL PUMP FRONT INTAKE TUBE .....	70-22	
4B25	CLUTCH OIL PUMP HOUSING .....	70-21	
4C2	CLUTCH OIL PUMP INTAKE SCREEN .....	70-23	
4C2	CLUTCH OIL PUMP INTAKE TUBES .....	70-23	
4C1	CLUTCH OIL PUMP REAR INTAKE TUBE .....	70-22	
3B18	CLUTCH OIL TRANSFER PUMP LINE .....	50-10	
3B15	CLUTCH OPERATING LEVER .....	50-7	
3B14	CLUTCH OPERATING PISTON HOUSING .....	50-6	
3B16	CLUTCH OPERATING ROD .....	50-8	
3B10	CLUTCH OPERATING VALVE ARM .....	50-2	
3C2	CLUTCH OUTPUT U-JOINT YOKE .....	50-19	
3B16	CLUTCH PEDAL .....	50-8	
3B16	CLUTCH PEDAL BOOT .....	50-8	
3B24	CLUTCH PLATES .....	50-16	
3C12	CLUTCH PLATES .....	50-31	
3B15	CLUTCH PRESSURE PLATE .....	50-7	
3B15	CLUTCH SEPARATOR PLATE .....	50-7	
3B14	CLUTCH SHAFT .....	50-6	
1C17	CLUTCH SHAFT PILOT BUSHING ADAPTER (6466AR) .....	20-32	
3B12	CLUTCH VALVE .....	50-4	
3B12	CLUTCH VALVE HOUSING .....	50-4	
5B6	CLUTCH, AIR CONDITIONING .....	90-2	
3C12	CLUTCH, INDEPENDENT PTO .....	50-31	
2C23	COIL STARTER (JOHN DEERE) .....	40-37	
5B6	COIL, AIR CONDITIONING .....	90-2	
1F3	COLD WEATHER STARTING AID .....	30-16	
3E1	COLLAR, SYNCHRONIZE DRIVE .....	50-64	
3E5	COLLAR, SYNCHRONIZER DRIVE .....	50-68	
2C24	COMMUTATOR END FRAME, STARTER (JOHN DEERE) .....	40-38	
1E7	COMPLETE BLOCK ASSEMBLY (6466) .....	20-63C	
5B8	COMPRESSOR BELT .....	90-4	
5B8	COMPRESSOR MOUNTING BRACKET .....	90-4	
5B6	COMPRESSOR, AIR CONDITIONING .....	90-2	
5B9	CONDENSER LINE .....	90-5	
1D23	CONDITIONER, COOLANT FILTER KIT (6466) .....	20-56	
1C13	CONNECTING RODS (6466) (EARLY DESIGN) .....	20-28	
1C14	CONNECTING RODS (6466) (LATE DESIGN) .....	20-29	
1G1	CONNECTORS, FUEL INJECTION PUMP HOUSING .....	30-40	
1G7	CONNECTORS, FUEL INJECTION PUMP HOUSING (6466) .....	30-46	
1F20	CONNECTORS, INJECTION PUMP HOUSING (6466A) .....	30-34	
2G12	CONNECTORS, ELECTRICAL .....	40-116	
2G14	CONNECTORS, ELECTRICAL .....	40-118	
2G16	CONNECTORS, ELECTRICAL .....	40-120	
2E6	CONSOLE LIGHT/DOME LIGHT .....	40-65	
5D16	CONSOLE, ROCKSHAFT .....	90-62	
2G12	CONTAINER, ELECTRICAL PARTS .....	40-116	
5D16	CONTROL CONSOLE .....	90-62	
5D18	CONTROL LEVER GUIDE .....	90-64	
5E2	CONTROL SUPPORT .....	90-74	
5E2	CONTROL SUPPORT COVER .....	90-74	
4D8	CONTROL VALVE HOUSING COVER .....	70-52	
4D15	CONTROL VALVE, LOAD .....	70-59	
1G21	CONTROL, ANEROID .....	30-62	
1G25	CONTROL, FOOT, SPEED .....	30-66	
4D13	CONTROL, LINKAGE, ROCKSHAFT .....	70-56	
4D13	CONTROL, LOAD SELECTOR .....	70-56	
4D16	CONTROL, ROCKSHAFT .....	70-60	
4D6	CONTROL, VALVE HOUSING, ROCKSHAFT .....	70-50	
3H8	CONTROLLER, SECONDARY STEERING .....	60-16	
3E11	CONVERSION KIT, LONG SHIFT CABLES .....	50-74	
4G1	CONVERSION KIT, REMOTE CYLINDER .....	70-117	
1D3	CONVERSION KIT, SHORT BLOCK (6466AR) (EARLY DESIGN) .....	20-39A	
1D5	CONVERSION KIT, SHORT BLOCK (6466AR) (LATE DESIGN) .....	20-39C	
1D23	COOLANT CONDITIONER FILTER KIT (6466) .....	20-56	
1D14	COOLANT HEATER, ENGINE .....	20-46	
1D15	COOLANT HEATER, ENGINE .....	20-47	
1D25	COOLANT TEMPERATURE SENDER .....	20-59	
5E6	COOLER .....	90-78	
1D11	COOLER, ENGINE OIL (6466AR) .....	20-43	
4B9	COOLER, HYDRAULIC OIL .....	70-4	
5E6	COOLER, TRAY AND COVER .....	90-78	
3E8	COUNTERSHAFT .....	50-71	
4H1	COUNTERWEIGHT .....	80-16	
4F7	COUPLER OVERHAUL KIT (ISO) .....	70-98	
4E25	COUPLER, BREAKAWAY .....	70-91	
4F1	COUPLER, BREAKAWAY .....	70-92	
4F5	COUPLER, BREAKAWAY (ISO CONVERSION KIT) .....	70-96	
4F4	COUPLER, BREAKAWAY (ISO) .....	70-95	
4F3	COUPLER, FLEXIBLE OIL LINE .....	70-94	
4E7	COUPLER, IMPLEMENT QUICK .....	70-74	
4F5	COUPLER, ISO CONVERSION KIT .....	70-96	
4C4	COUPLER, MAIN PUMP DRIVE .....	70-26	
4G6	COUPLINGS, REUSABLE .....	70-123	
3H22	COVER, BRAKE VALVE .....	60-29	
4B17	COVER, CLUTCH OIL FILTER .....	70-12	
5D16	COVER, CONTROL CONSOLE .....	90-62	
5E2	COVER, CONTROL SUPPORT .....	90-74	
5E6	COVER, COOLER .....	90-78	
4E25	COVER, DUST, BREAKAWAY COUPLER .....	70-91	
4F1	COVER, DUST, BREAKAWAY COUPLER .....	70-92	
4F3	COVER, DUST, BREAKAWAY COUPLER .....	70-94	
1F6	COVER, MUFFLER .....	30-19	
3F4	COVER, OIL FILTER (QUAD-RANGE) .....	50-91	
5C23	COVER, PRESSURIZER .....	90-44	
3D17	COVER, PTO OPENING .....	50-58	



# 1A14

8430 TRACTOR

## ALPHABETICAL INDEX - CONTINUED

<i>GRID</i>	<i>PAGE</i>	<i>GRID</i>	<i>PAGE</i>
1B12	COVER, ROCKER ARM (6466AR) .....	20-6	
4D1	COVER, ROCKSHAFT CONTROL VALVE HOUSING .....	70-46	
4D8	COVER, ROCKSHAFT HOUSING .....	70-52	
4D9	COVER, ROCKSHAFT HOUSING (LATE DESIGN) .....	70-53A	
4D3	COVER, ROCKSHAFT PISTON .....	70-48	
2C21	COVER, STARTER SOLENOID (JOHN DEERE) .....	40-35B	
5E11	COVER, TAIL LAMP .....	90-83	
1C22	COVER, TIMING GEAR (6466) .....	20-36A	
3D21	COVER, TRANSMISSION CASE, FRONT .....	50-59	
3D22	COVER, TRANSMISSION CASE, REAR .....	50-60	
3F3	COVER, TRANSMISSION OIL FILTER .....	50-90	
5E2	COWL .....	90-74	
4D5	CRANK, ROCKSHAFT ARM .....	70-49	
1C15	CRANKSHAFT (6466) (EARLY DESIGN) .....	20-30	
1C16	CRANKSHAFT (6466) (LATE DESIGN) .....	20-31	
1C18	CRANKSHAFT DAMPER .....	20-33	
1C15	CRANKSHAFT GEAR (6466) (EARLY DESIGN) .....	20-30	
1C21	CRANKSHAFT OIL SEAL HOUSING (6466) .....	20-36	
1C21	CRANKSHAFT OIL SEAL, REAR (6466) .....	20-36	
1C18	CRANKSHAFT PULLEY .....	20-33	
5C1	CUSHION, SEAT ARMREST .....	90-24	
1C1	CYLINDER BLOCK (6466AR) (LATE DESIGN)(WITHOUT HEAD BOLTS) .....	20-20	
1B18	CYLINDER BLOCK, ENGINE (6466AR) (EARLY DESIGN) .....	20-12	
1B8	CYLINDER HEAD (6466) .....	20-4	
1B10	CYLINDER HEAD (6466) .....	20-5A	
1B8	CYLINDER HEAD GASKET (6466) .....	20-4	
1B10	CYLINDER HEAD GASKET (6466) .....	20-5A	
1E1	CYLINDER HEAD GASKET KIT (6466A) .....	20-60	
4F20	CYLINDER HOSE IDENTIFICATION KIT .....	70-111	
1C13	CYLINDER LINER (6466) .....	20-28	
1C14	CYLINDER LINERS (6466) .....	20-29	
3I1	CYLINDER, ACCUMULATOR .....	60-32	
4D20	CYLINDER, DRAFT SENSING .....	70-64	
3H17	CYLINDER, FEEDBACK .....	60-25	
4F19	CYLINDER, REMOTE .....	70-110	
4F21	CYLINDER, REMOTE (HYDRAULIC STOP) .....	70-112	
4F23	CYLINDER, REMOTE (MECHANICAL STOP) .....	70-114	
4D23	CYLINDER, ROCKSHAFT LIFT ASSIST .....	70-67	
3H10	CYLINDER, STEERING .....	60-18	
3H15	CYLINDER, STEERING FEEDBACK .....	60-23	
<b>D</b>			
1C18	DAMPER, CRANKSHAFT .....	20-33	
5E4	DASH ASSEMBLY .....	90-76	
5E4	DASH SUPPORT .....	90-76	
4H17	DECAL SET .....	80-34	
4H20	DECALS (CANADA) .....	80-38	
4H19	DECALS (UNITED KINGDOM) .....	80-36	
4G11	DEMOUNTABLE RIMS .....	80-2	
3F13	DIFFERENTIAL .....	50-101	
3G1	DIFFERENTIAL (REAR) .....	50-114	
3F22	DIFFERENTIAL ASSEMBLY, FRONT AXLE .....	50-110	
3F24	DIFFERENTIAL ASSEMBLY, FRONT AXLE .....	50-112	
3F9	DIFFERENTIAL CASE, FRONT .....	50-96	
3E7	DIFFERENTIAL DRIVE SHAFT .....	50-70	
3F11	DIFFERENTIAL DRIVE, FRONT .....	50-98	
3F16	DIFFERENTIAL FRONT AXLE ASSEMBLY .....	50-104	
3F18	DIFFERENTIAL KIT, ANTI-FRICTION (FRONT) .....	50-106	
3F20	DIFFERENTIAL KIT, ANTI-FRICTION (REAR) .....	50-108	
3G2	DIFFERENTIAL LOCK (REAR) .....	50-115	
3G3	DIFFERENTIAL LOCK VALVE .....	50-116	
3G5	DIFFERENTIAL LOCK VALVE LINE .....	50-118	
3F8	DIFFERENTIAL VENT KIT, FRONT .....	50-95	
2D22	DIMMER SWITCH .....	40-57	
1C1	DIPSTICK (6466AR) .....	20-20	
1C3	DIPSTICK (6466AR) .....	20-21A	
1C12	DIPSTICK, ENGINE (6466) .....	20-27	
3D22	DIPSTICK, TRANSMISSION OIL .....	50-60	
4D1	DIPSTICK, TRANSMISSION OIL (ROCKSHAFT) .....	70-46	
4D1	DIRECTIONAL VALVE .....	70-46	
3E5	DISK SYNCHRONIZER .....	50-68	
3H18	DISK, BRAKE .....	60-26	
3B15	DISK, CLUTCH .....	50-7	
3E1	DISK, TRANSMISSION SYNCHRONIZER .....	50-64	
2E6	DOME LIGHT/CONSOLE LIGHT .....	40-65	
2E5	DOME LIGHT, SOUND-GARD BODY .....	40-64	
5C19	DOOR HANDLE (EARLY DESIGN) .....	90-40	
5C21	DOOR HANDLE AND LATCH (LATE DESIGN) .....	90-42	
5C17	DOOR HANDLE, SOUND-GARD BODY .....	90-38	
5C13	DOOR HINGE KIT .....	90-34	
5C19	DOOR LATCH (EARLY DESIGN) .....	90-40	
5C17	DOOR LATCH, SOUND-GARD BODY .....	90-38	
5C17	DOOR STOP .....	90-38	
5C15	DOOR TRIM KIT .....	90-36	
5C12	DOOR, SOUND-GARD BODY .....	90-33	
5C13	DOOR, SOUND-GARD BODY .....	90-34	
4D22	DRAFT LINK ARM .....	70-66	
4D22	DRAFT LINK SHAFT .....	70-66	
4E3	DRAFT LINKS .....	70-70	
4D20	DRAFT SENSING CYLINDER .....	70-64	
4D19	DRAFT SENSING CYLINDER BRACKET .....	70-63	
4D19	DRAFT SENSING CYLINDER LINE .....	70-63	
1C11	DRAIN PIPE, ENGINE OIL .....	20-26	
4E9	DRAWBAR FRONT SUPPORT .....	70-76	
4E11	DRAWBAR, REGULAR .....	70-78	
4E13	DRAWBAR, WIDE SWING .....	70-80	
1C16	DRIVE GEAR, OIL PUMP (6466) (LATE DESIGN) .....	20-31	
3E10	DRIVE SHAFT KIT, TRANSMISSION .....	50-73	
3E3	DRIVE SHAFT, TRANSMISSION .....	50-66	
4G16	DRIVE WHEEL HUB .....	80-7	
4G15	DRIVE WHEEL HUB ASSEMBLY .....	80-6	
4C4	DRIVE, HYDRAULIC PUMP .....	70-26	
1B17	DRIVE, TACHOMETER (6466) .....	20-11	
3E5	DRUM SYNCHRONIZER .....	50-68	
3B24	DRUM, CLUTCH .....	50-16	
3C12	DRUM, CLUTCH .....	50-31	
3E1	DRUM, SYNCHRONIZER .....	50-64	
1E15	DRY AIR CLEANER ELEMENT CLEANING GUN .....	30-3	
2E19	DUAL HORN .....	40-77B	
4G14	DUAL WHEELS .....	80-5	
4E25	DUST COVER, BREAKAWAY COUPLER .....	70-91	
4F1	DUST COVER, BREAKAWAY COUPLER .....	70-92	
4F3	DUST COVER, BREAKAWAY COUPLER .....	70-94	
<b>E</b>			
1F5	ELBOW, EXHAUST (6466AR) .....	30-18	
4C21	ELECTRIC DESTROKE SOLENOID .....	70-41C	
2E19	ELECTRIC HORN .....	40-77B	
2D23	ELECTRIC REMOTE CONTROLLED SPOTLIGHT .....	40-58	
1F3	ELECTRIC STARTING AID .....	30-16	
2G20	ELECTRICAL CONNECTOR AND TERMINAL KIT .....	40-124	
2G12	ELECTRICAL CONNECTORS .....	40-116	
2G14	ELECTRICAL CONNECTORS .....	40-118	
2G16	ELECTRICAL CONNECTORS .....	40-120	
2G12	ELECTRICAL CRIMPING TOOL .....	40-116	
2G6	ELECTRICAL OUTLET CIRCUIT BREAKER .....	40-110	

# 1A15

8430 TRACTOR

## ALPHABETICAL INDEX - CONTINUED

GRID	PAGE	GRID	PAGE
2G6	ELECTRICAL OUTLET PLUG .....	40-110	
2G6	ELECTRICAL OUTLET SOCKET .....	40-110	
2G9	ELECTRICAL OUTLET SOCKET (NOT USED IN U.S. AND CANADA) .....	40-113	
2G8	ELECTRICAL OUTLET SOCKET (SGB) .....	40-112	
2G7	ELECTRICAL OUTLET SOCKET, 7-TERMINAL .....	40-111	
2G12	ELECTRICAL PARTS CONTAINER .....	40-116	
2G1	ELECTRICAL REMOTE CONTROL .....	40-104	
2G1	ELECTRICAL REMOTE CONTROL BRACKETS .....	40-104	
2G2	ELECTRICAL REMOTE CONTROL KIT .....	40-105	
2G1	ELECTRICAL REMOTE CONTROL SWITCH .....	40-104	
2G3	ELECTRICAL REMOTE CONTROL WIRING .....	40-107	
2G4	ELECTRICAL REMOTE CONTROL WIRING KIT .....	40-108	
2G12	ELECTRICAL TERMINALS .....	40-116	
2G14	ELECTRICAL TERMINALS .....	40-118	
2G16	ELECTRICAL TERMINALS .....	40-120	
2G20	ELECTRICAL TOOLS .....	40-124	
2G12	ELECTRICAL WIRING .....	40-116	
2G14	ELECTRICAL WIRING .....	40-118	
2G16	ELECTRICAL WIRING .....	40-120	
2B11	ELECTRICAL WIRING (NOT USED IN U.S. AND CANADA) .....	40-6	
1E14	ELEMENT, DRY AIR CLEANER .....	30-2	
3F3	ELEMENT, OIL FILTER, TRANSMISSION .....	50-90	
5E9	EMBLEM, SLOW MOVING VEHICLE .....	90-81	
3G21	EMBLEM, STEERING WHEEL .....	60-4	
2C24	END FRAME, STARTER COMMUTATOR (JOHN DEERE) .....	40-38	
1D14	ENGINE COOLANT HEATER .....	20-46	
1D15	ENGINE COOLANT HEATER .....	20-47	
1B18	ENGINE CYLINDER BLOCK (6466AR) (EARLY DESIGN) .....	20-12	
4G23	ENGINE FRONT SUPPORT .....	80-13	
1D11	ENGINE OIL COOLER (6466AR) .....	20-43	
1D7	ENGINE OIL COOLER BYPASS VALVE (6466AR) (EARLY DESIGN) .....	20-40	
1C12	ENGINE OIL DIPSTICK (6466) .....	20-27	
1C11	ENGINE OIL DRAIN PIPE .....	20-26	
1D9	ENGINE OIL FITER (6466AR) .....	20-42	
1D9	ENGINE OIL PRESSURE REGULATING HOUSING (6466AR) .....	20-42	
1B18	ENGINE OIL PRESSURE SENDER (6466AR) (EARLY DESIGN) .....	20-12	
1D1	ENGINE OIL PUMP (6466) (EARLY DESIGN) (CAMSHAFT DRIVEN) .....	20-38	
1C23	ENGINE OIL PUMP (6466AR) (CAMSHAFT DRIVEN) .....	20-36B	
1C24	ENGINE OIL PUMP, REPLACEMENT (6466A) (CAMSHAFT DRIVEN) .....	20-37	
1E3	ENGINE OVERHAUL KIT (6466) .....	20-62	
1E1	ENGINE REBUILD GASKET KIT (6466A) .....	20-60	
1B20	ENGINE SHORT BLOCK .....	20-14	
1C5	ENGINE SHORT BLOCK (6466AR) .....	20-22	
1C7	ENGINE SHORT BLOCK (6466AR) (EARLY DESIGN) .....	20-23A	
1E9	ENGINE UNDERHAUL KIT (6466) .....	20-64	
1B12	ENGINE VENTILATOR TUBE (6466AR) .....	20-6	
5B10	EVAPORATOR, AIR CONDITIONING .....	90-6	
1F5	EXHAUST ELBOW (6466AR) .....	30-18	
1F5	EXHAUST MANIFOLD GASKETS (6466AR) .....	30-18	
1F5	EXHAUST MANIFOLDS (6466AR) .....	30-18	
1E13	EXHAUST PIPE, AIR STACK .....	30-1	
1B8	EXHAUST VALVES (6466) .....	20-4	
1B10	EXHAUST VALVES (6466) .....	20-5A	
1F11	EXTENSION KIT, FUEL FILLER .....	30-24	
1D19	EXTENSION, FAN SHROUD .....	20-52	
1F6	EXTENSION, MUFFLER .....	30-19	
5E8	EXTINGUISHER, FIRE .....	90-80	
<b>F</b>			
3H18	FACING, BRAKE .....	60-26	
3H19	FACING, BRAKE .....	60-26A	
1D13	FAN .....	20-45	
2C3	FAN BELT (90 AMP) (LATE DESIGN) .....	40-22	
1D21	FAN GUARD (NOT USED IN U.S. AND CANADA) .....	20-54	
1D19	FAN SHROUD .....	20-52	
1D19	FAN SHROUD EXTENSION .....	20-52	
2C3	FAN, ALTERNATOR (90 AMP) (LATE DESIGN) .....	40-22	
3H17	FEEDBACK CYLINDER .....	60-25	
3H16	FEEDBACK CYLINDER OVERHAUL KIT .....	60-24	
3H15	FEEDBACK CYLINDER, STEERING .....	60-23	
4H15	FENDER (FRONT OR REAR) .....	80-32	
4H13	FENDERS, FRONT .....	80-30	
1F11	FILLER NECK EXTENSION KIT .....	30-24	
4B16	FILTER ASSEMBLY, OIL COOLER RETURN CHECK VALVE BYPASS .....	70-11	
3F5	FILTER KIT, 10-MICRON .....	50-92	
1E14	FILTER, AIR CLEANER .....	30-2	
4B17	FILTER, CLUTCH OIL .....	70-12	
1D23	FILTER, COOLANT CONDITIONER, KIT (6466) .....	20-56	
1H2	FILTER, ENGINE OIL .....	30-68	
1D9	FILTER, ENGINE OIL (6466AR) .....	20-42	
5B12	FILTER, FRESH AIR .....	90-8	
1F12	FILTER, FUEL .....	30-25	
1H2	FILTER, FUEL .....	30-68	
1H2	FILTER, HYDRAULIC OIL .....	30-68	
4D15	FILTER, LOAD CONTROL VALVE .....	70-59	
5B12	FILTER, RECIRCULATING .....	90-8	
3F3	FILTER, TRANSMISSION HYDRAULIC OIL .....	50-90	
1H2	FILTER, TRANSMISSION OIL .....	30-68	
3F4	FILTER, TRANSMISSION OIL (QUAD-RANGE) .....	50-91	
5E8	FIRE EXTINGUISHER .....	90-80	
4F3	FLEXIBLE OIL LINE COUPLER .....	70-94	
4G6	FLEXIBLE OIL LINE, BULK .....	70-123	
2D5	FLOOD LAMPS .....	40-42	
2D13	FLOOD LAMPS, REAR (FENDERS) .....	40-48	
2D7	FLOOD LAMPS, REAR (LESS FENDERS) .....	40-44	
2D9	FLOOD LAMPS, REAR (LESS FENDERS) .....	40-45A	
2D11	FLOOD LAMPS, REAR (LESS FENDERS) .....	40-46	
5D21	FLOOR MAT (SOUND-GARD BODY) .....	90-67	
1F3	FLUID, STARTING .....	30-16	
1C17	FLYWHEEL (6466AR) .....	20-32	
1D18	FOAM PAD, RADIATOR .....	20-51	
1B14	FOLLOWERS, CAM (6466) .....	20-8	
1G25	FOOT SPEED CONTROL .....	30-66	
1H1	FOOT SPEED CONTROL KIT .....	30-67	
4G22	FRAME .....	80-12	
5B12	FRESH AIR FILTER .....	90-8	
5B12	FRESH AIR FILTER DOOR ASSEMBLY KIT .....	90-8	
3G7	FRONT AXLE .....	50-120	
3F16	FRONT AXLE DIFFERENTIAL ASSEMBLY .....	50-104	
3F22	FRONT AXLE DIFFERENTIAL ASSEMBLY .....	50-110	
3F24	FRONT AXLE DIFFERENTIAL ASSEMBLY .....	50-112	
3D1	FRONT AXLE DRIVE SHAFT .....	50-43	
3G7	FRONT AXLE HOUSING .....	50-120	
4G10	FRONT AXLE SUPPORT .....	80-1	
3F13	FRONT DIFFERENTIAL .....	50-101	
3F9	FRONT DIFFERENTIAL CASE .....	50-96	
3F11	FRONT DIFFERENTIAL DRIVE .....	50-98	
3F14	FRONT DIFFERENTIAL KIT, NO SPIN (EARLY DESIGN) .....	50-102	

# 1A16

8430 TRACTOR

## ALPHABETICAL INDEX - CONTINUED

GRID	PAGE	GRID	PAGE
3F15	FRONT DIFFERENTIAL KIT, NO SPIN (LATE DESIGN).....	50-103	
4H13	FRONT FENDERS .....	80-30	
4G22	FRONT FRAME PLATE .....	80-12	
3B22	FRONT HINGE .....	50-14	
3C8	FRONT HINGE CAP SCREW LOCATION .....	50-26	
2D5	FRONT LAMPS.....	40-42	
1C22	FRONT OIL SEAL (6466).....	20-36A	
2B7	FRONT WIRING .....	40-2	
1F16	FUEL CHECK VALVE (6466A) .....	30-30	
1F11	FUEL FILLER EXTENSION KIT .....	30-24	
1F12	FUEL FILTER .....	30-25	
1H2	FUEL FILTER .....	30-68	
1F15	FUEL FILTER REPLACEMENT KIT (6466A) .....	30-29	
2E9	FUEL GAUGE .....	40-68	
1F18	FUEL INJECTION LINES .....	30-32	
1F24	FUEL INJECTION LINES .....	30-38	
1F18	FUEL INJECTION NOZZLE .....	30-32	
1F24	FUEL INJECTION NOZZLE .....	30-38	
1G14	FUEL INJECTION NOZZLE (ROBERT BOSCH) (6466) .....	30-54	
1F18	FUEL INJECTION PUMP .....	30-32	
1F24	FUEL INJECTION PUMP .....	30-38	
1G11	FUEL INJECTION PUMP ANEROID (NIPPONDENSO) (6466) .....	30-51	
1G5	FUEL INJECTION PUMP ANEROID (ROBERT BOSCH) (6466).....	30-44	
1F22	FUEL INJECTION PUMP GOVERNOR.....	30-36	
1G3	FUEL INJECTION PUMP GOVERNOR LEVERS AND CONTROLS .....	30-42	
1G8	FUEL INJECTION PUMP GOVERNOR LEVERS AND CONTROL (6466) (NIPPONDENSO) .....	30-48	
1G7	FUEL INJECTION PUMP HOUSING CONNECTOR (6466) .....	30-46	
1G1	FUEL INJECTION PUMP HOUSING CONNECTORS .....	30-40	
1F12	FUEL LINES .....	30-25	
1F9	FUEL PUCKUP TUBE REPAIR .....	30-22	
1F7	FUEL RETURN LINE KIT.....	30-20	
1G20	FUEL SHUT-OFF BRACKET (6466) .....	30-61	
1F11	FUEL STRAINER .....	30-24	
1G6	FUEL TRANSFER PUMP (6466).....	30-45	
1G12	FUEL TRANSFER PUMP (6466).....	30-52	
1F17	FUEL-WATER SEPARATOR .....	30-31	
1F8	FUEL, GAUGE SENDER .....	30-21	
1G21	FUEL, SHUT-OFF.....	30-62	
1G22	FUEL, SHUT-OFF.....	30-63	
1F8	FUEL, TANKS.....	30-21	
1F9	FUEL, TANKS.....	30-22	
<b>G</b>			
1E1	GASKET KIT, CYLINDER HEAD (6466A).....	20-60	
1E1	GASKET KIT, ENGINE REBUILD (6466A) .....	20-60	
1B8	GASKET, CYLINDER HEAD (6466) .....	20-4	
1B10	GASKET, CYLINDER HEAD (6466) .....	20-5A	
1C9	GASKET, OIL PAN (6466AR) .....	20-24	
1C22	GASKET, TIMING GEAR COVER (6466) .....	20-36A	
1D12	GASKET, WATER PUMP.....	20-44	
1F5	GASKETS, EXHAUST MANIFOLD (6466AR) .....	30-18	
2E9	GAUGE, CLUSTER .....	40-68	
2E15	GAUGE, CLUTCH OIL PRESSURE .....	40-74	
2E9	GAUGE, FUEL .....	40-68	
2E9	GAUGE, OIL TEMPERATURE.....	40-68	
2E9	GAUGE, WATER TEMPERATURE .....	40-68	
3E13	GEAR SHIFTERS.....	50-76	
3E7	GEAR, BEVEL, DIFFERENTIAL .....	50-70	
3G1	GEAR, BEVEL, DIFFERENTIAL (REAR) .....	50-114	
1B16	GEAR, CAMSHAFT (6466) .....	20-10	
4B25	GEAR, CLUTCH OIL PUMP DRIVE .....	70-21	
3C14	GEAR, CLUTCH OIL PUMP DRIVE AND IDLER.....	50-33	
3E8	GEAR, COUNTERSHAFT .....	50-71	
1C15	GEAR, CRANKSHAFT (6466) (EARLY DESIGN).....	20-30	
3F13	GEAR, DIFFERENTIAL BEVEL .....	50-101	
3F11	GEAR, DIFFERENTIAL DRIVE GEAR .....	50-98	
3C13	GEAR, INDEPENDENT PTO CLUTCH INPUT.....	50-32	
3D2	GEAR, LOWER TRANSMISSION INPUT .....	50-44	
1C15	GEAR, OIL PUMP DRIVE (6466) (EARLY DESIGN).....	20-30	
1C16	GEAR, OIL PUMP DRIVE (6466) (LATE DESIGN) .....	20-31	
3D4	GEAR, PTO DRIVE .....	50-45	
3D5	GEAR, PTO LOWER IDLER .....	50-46	
3G2	GEAR, SPIRAL BEVEL AND DRIVE GEAR (REAR) .....	50-115	
3E7	GEARS, TRANSMISSION .....	50-70	
5D9	GLASS SEALS, SOUND-GARD BODY.....	90-54	
5D15	GLASS, REAR SLIDING .....	90-61	
1G3	GOVERNOR LEVERS AND CONTROLS, FUEL INJECTION PUMP .....	30-42	
1G8	GOVERNOR LEVERS AND CONTROLS, FUEL INJECTION PUMP (6466) (NIPPONDENSO).....	30-48	
1F22	GOVERNOR, FUEL INJECTION PUMP .....	30-36	
4H5	GRILLE, FRONT.....	80-20	
2E20	GRILLE, RADIO, AM (MOTOROLA) .....	40-78	
2E21	GRILLE, RADIO, AM-FM (MOTOROLA) .....	40-79	
4H7	GRILLE, SIDE.....	80-22	
2E23	GRILLE, SPEAKER, RADIO.....	40-81	
2B12	GROUND CABLE, BATTERY .....	40-7	
1D21	GUARD, FAN (NOT USED IN U.S. AND CANADA) .....	20-54	
3C17	GUARD, REAR PTO .....	50-34	
3D12	GUARD, UNIVERSAL JOINT.....	50-53	
2F11	GUARD, WINDSHIELD WIPER MOTOR .....	40-95	
5D18	GUIDE, CONTROL LEVER .....	90-64	
1E16	GUN, AIR CLEANER ELEMENT CLEANING .....	30-5	
<b>H</b>			
4E3	HANDLE, CENTER LINK ADJUSTING .....	70-70	
5C19	HANDLE, DOOR (EARLY DESIGN) .....	90-40	
5C21	HANDLE, DOOR (LATE DESIGN).....	90-42	
5C17	HANDLE, DOOR (SOUND-GARD BODY).....	90-38	
5C11	HANDLE, TRACTOR MOUNTING .....	90-32	
3I8	HARNES, ACCUMULATOR WIRING .....	60-40	
5B5	HARNES, AIR COMPRESSOR WIRING.....	90-1	
2E17	HARNES, HORN WIRING .....	40-76	
2B7	HARNES, WIRING .....	40-2	
2B9	HARNES, WIRING (SOUND-GARD BODY) .....	40-4	
2E23	HARNES, WIRING, RADIO SPEAKER .....	40-81	
2G10	HARNES, WIRING, SUPPLEMENTARY WIRING KIT.....	40-114	
1B8	HEAD BOLTS (6466) .....	20-4	
1B10	HEAD BOLTS (6466) .....	20-5A	
1B8	HEAD, CYLINDER (6466) .....	20-4	
1B10	HEAD, CYLINDER (6466) .....	20-5A	
5D5	HEADLINER, SOUND-GARD BODY .....	90-50	
5B22	HEATER AND HOSES.....	90-20	
1D14	HEATER, ENGINE COOLANT.....	20-46	
1D15	HEATER, ENGINE COOLANT.....	20-47	
3F6	HEATER, OIL FILTER .....	50-93	
3C3	HI-LO CLUTCH DISKS REPLACEMENT KIT .....	50-20	
3C5	HI-LO PLANETARY REPLACEMENT KIT.....	50-23	
3C2	HIGH RANGE PLANET SUN PINION.....	50-19	

# 1A17

8430 TRACTOR

## ALPHABETICAL INDEX - CONTINUED

GRID		PAGE	GRID		PAGE
3C8	HINGE CAP SCREW LOCATION, FRONT .....	50-26	4B6	HYDRAULIC AND TRANSMISSION OIL .....	70-1
3C10	HINGE CAP SCREW LOCATION, REAR .....	50-28	1G17	HYDRAULIC ANEROID ACTIVATOR KIT (6466) .....	30-58
3D16	HINGE COVER .....	50-57	4B7	HYDRAULIC OIL ATTENUATOR .....	70-2
5C13	HINGE KIT, DOOR .....	90-34	4C3	HYDRAULIC OIL CLEAN-UP KIT .....	70-25
4G24	HINGE LOCK BAR .....	80-14	4B9	HYDRAULIC OIL COOLER .....	70-4
4B22	HINGE OIL LINE BRACKETS .....	70-17	4B11	HYDRAULIC OIL COOLER RETURN TUBES .....	70-6
4B22	HINGE OIL LINES .....	70-17	1H2	HYDRAULIC OIL FILTER .....	30-68
3B22	HINGE, FRONT .....	50-14	4G5	HYDRAULIC OIL LINES, IMPLEMENT .....	70-122
3D13	HINGE, REAR .....	50-54	4B15	HYDRAULIC OIL PRESSURE LINES .....	70-10
4E1	HITCH LIFT LINK, 3-POINT .....	70-69A	4B23	HYDRAULIC OIL PRESSURE LINES .....	70-18
4E3	HITCH, 3-POINT, CENTER LINK .....	70-70	4B11	HYDRAULIC OIL RETURN LINES .....	70-6
4D24	HITCH, 3-POINT, LIFT LINKS .....	70-68	4C7	HYDRAULIC PUMP (4 IN3) .....	70-30
4H10	HOOD .....	80-27	4C6	HYDRAULIC PUMP ASSEMBLY, REPLACEMENT .....	70-29
4H10	HOOD BAFFLE .....	80-27	4C4	HYDRAULIC PUMP DRIVE .....	70-26
1D19	HOOD FRONT SUPPORT .....	20-52	4C11	HYDRAULIC PUMP ELECTRIC DESTROKE KIT .....	70-34
4H10	HOOD ORNAMENT .....	80-27	4C19	HYDRAULIC PUMP ELECTRIC DESTROKE KIT .....	70-41A
4G25	HOOK, TOW .....	80-15	4C21	HYDRAULIC PUMP ELECTRIC-DESTROKE KIT .....	70-41C
2E17	HORN .....	40-76	4C24	HYDRAULIC PUMP LINES .....	70-45
3I6	HORN INDICATOR, AUXILIARY BRAKE .....	60-38	4C13	HYDRAULIC PUMP OVERHAUL KIT (4 IN3) .....	70-36
2E19	HORN SWITCH .....	40-77B	4C22	HYDRAULIC PUMP OVERHAUL KIT (4 IN3) .....	70-42
2E18	HORN, DUAL .....	40-77	4C5	HYDRAULIC PUMP SHIELD .....	70-27
2E19	HORN, ELECTRIC .....	40-77B	4C9	HYDRAULIC PUMP STROKE CONTROL VALVE .....	70-32
4F20	HOSE IDENTIFICATION KIT, REMOTE CYLINDER .....	70-111	4C17	HYDRAULIC PUMP STROKE CONTROL VALVE .....	70-40
1E17	HOSE, AIR INTAKE .....	30-6	4C15	HYDRAULIC PUMP, REPLACEMENT (4 IN3) .....	70-38
1E18	HOSE, AIR INTAKE .....	30-7	4B15	HYDRAULIC RETURN OIL LINES, REAR .....	70-10
3B21	HOSE, CLUTCH HOUSING BREATHER .....	50-13			
5B22	HOSE, HEATER .....	90-20			
1D16	HOSE, RADIATOR .....	20-48			
4G6	HOSE, REMOTE CYLINDER .....	70-123			
1D22	HOSE, WATER BYPASS .....	20-55			
4F19	HOSES, REMOTE CYLINDER .....	70-110			
1G1	HOUSING CONNECTORS, FUEL INJECTION PUMP .....	30-40	2E8	IGNITION SWITCH .....	40-67
3H22	HOUSING COVER, BRAKE VALVE .....	60-29	1D12	IMPELLER, WATER PUMP .....	20-44
2C5	HOUSING, ALTERNATOR (90 AMP) .....	40-24	4E6	IMPLEMENT ADAPTER KIT CATEGORY II .....	70-73
3B24	HOUSING, BRAKE PISTON .....	50-16	4E5	IMPLEMENT ADAPTER KIT, CATEGORY II .....	70-72
1E24	HOUSING, CENTER, TURBOCHARGER (6466A) (SCHWITZER) .....	30-13	4G5	IMPLEMENT HYDRAULIC OIL LINES .....	70-122
3B7	HOUSING, CLUTCH .....	50-1	4E7	IMPLEMENT QUICK COUPLER .....	70-74
4B17	HOUSING, CLUTCH OIL FILTER RELIEF VALVE .....	70-12	4E10	IMPLEMENT SAFETY CHAIN .....	70-77
3B10	HOUSING, CLUTCH OIL PRESSURE VALVE .....	50-2	2D16	IMPLEMENT WARNING LAMP KIT .....	40-51
4B25	HOUSING, CLUTCH OIL PUMP .....	70-21	3C12	INDEPENDENT PTO CLUTCH .....	50-31
3B14	HOUSING, CLUTCH OPERATING PISTON .....	50-6	2E9	INDICATOR LAMPS .....	40-68
3B12	HOUSING, CLUTCH VALVE .....	50-4	2E16	INDICATOR, TRANSMISSION LUBE .....	40-75
1C21	HOUSING, CRANKSHAFT OIL SEAL (6466) .....	20-36	1F22	INJECTION PUMP GOVERNOR, FUEL .....	30-36
3F13	HOUSING, DIFFERENTIAL .....	50-101	1G1	INJECTION PUMP HOUSING CONNECTORS, FUEL .....	30-40
3G1	HOUSING, DIFFERENTIAL (REAR) .....	50-114	1F20	INJECTION PUMP HOUSING CONNECTORS, FUEL (6466A) .....	30-34
1D9	HOUSING, ENGINE OIL PRESSURE (6466AR) .....	20-42	1F18	INJECTION PUMP, FUEL .....	30-32
4B25	HOUSING, OIL TRANSFER PUMP .....	70-21	4G18	INNER REAR WHEEL WEIGHT .....	80-9
3G9	HOUSING, REAR AXLE .....	50-120B	5D1	INNER ROOF (REPLACEMENT) .....	90-48
4D1	HOUSING, ROCKSHAFT .....	70-46	5D3	INNER ROOF, REPLACEMENT .....	90-49A
4D6	HOUSING, ROCKSHAFT CONTROL VALVE .....	70-50	5C25	INNER ROOF, SOUND-GARD BODY .....	90-47
4F1	HOUSING, SELECTIVE CONTROL VALVE .....	70-92	3C22	INPUT GEAR LUBRICATION LINE .....	50-39
4F11	HOUSING, SELECTIVE CONTROL VALVE .....	70-102	1B8	INSERTS, VALVE SEAT (6466) .....	20-4
4F13	HOUSING, SELECTIVE CONTROL VALVE .....	70-104	1B10	INSERTS, VALVE SEAT (6466) .....	20-5A
4F15	HOUSING, SELECTIVE CONTROL VALVE .....	70-106	5E4	INSTRUMENT PANEL AND INSTRUMENTS .....	90-76
4F16	HOUSING, SELECTIVE CONTROL VALVE .....	70-107	5D20	INSULATION, SOUND-GARD BODY .....	90-66
2C22	HOUSING, STARTER DRIVE (JOHN DEERE) .....	40-36	1F1	INTAKE MANIFOLD (6466) .....	30-14
3G24	HOUSING, STEERING VALVE .....	60-6	1B8	INTAKE VALVES (6466) .....	20-4
3C21	HOUSING, TORQUE DIVIDER .....	50-38	1B10	INTAKE VALVES (6466) .....	20-5A
1E21	HOUSING, TURBOCHARGER (6466)(AIRESEARCH) (EARLY DESIGN) .....	30-10	1B24	INTAKE, OIL PUMP (6466) (LATE DESIGN) .....	20-18
1E23	HOUSING, TURBOCHARGER (6466A)(SCHWITZER) .....	30-12	1E16	INTAKE, VERTICAL AIR .....	30-5
1E22	HOUSING, TURBOCHARGER CENTER (AIRESEARCH) .....	30-11	4F5	ISO COUPLER CONVERSION KIT .....	70-96
4G16	HUB, DRIVE WHEEL .....	80-7	4F7	ISO COUPLER OVERHAUL KIT .....	70-98
4G15	HUB, DRIVE WHEEL, ASSEMBLY .....	80-6	4F5	ISO COUPLER RECEPTACLE .....	70-96
4G14	HUB, DUAL DRIVE WHEEL .....	80-5	4F5	ISO TO JOHN DEERE COUPLER CONVERSION .....	70-96

# 1A18

8430 TRACTOR

## ALPHABETICAL INDEX - CONTINUED

GRID	PAGE	GRID	PAGE
<b>J</b>			
3D9	JOINT, UNIVERSAL (DANA) .....	50-50	
3D11	JOINT, UNIVERSAL (DANA) .....	50-52	
3D7	JOINT, UNIVERSAL (MECHANICS) .....	50-48	
3D6	JOINT, UNIVERSAL (ROCKWELL) .....	50-47	
3D8	JOINT, UNIVERSAL (ROCKWELL) .....	50-49	
3D10	JOINT, UNIVERSAL (ROCKWELL) .....	50-51	
<b>K</b>			
2B7	KEY SWITCH .....	40-2	
2E8	KEY SWITCH .....	40-67	
2C8	KIT, ALTERNATOR MOUNTING (METRIC) .....	40-27	
2F6	KIT, AM RADIO (BOMAN) .....	40-89	
2E20	KIT, AM RADIO (MOTOROLA) .....	40-78	
2F6	KIT, AM-FM RADIO (BOMAN) .....	40-89	
2E21	KIT, AM-FM RADIO (MOTOROLA) .....	40-79	
3F18	KIT, ANTI-FRICTION DIFFERENTIAL (FRONT) .....	50-106	
3I12	KIT, AUXILIARY BRAKE VALVE .....	60-44	
2G7	KIT, AUXILIARY ELECTRICAL OUTLET SOCKET .....	40-111	
4G2	KIT, AUXILIARY HYDRAULIC OUTLET .....	70-118	
4G3	KIT, AUXILIARY OUTLET COUPLER .....	70-120	
3G13	KIT, AXLE BEARING AND SEAL (REAR) (STANDARD AXLE) .....	50-125	
3G14	KIT, AXLE BEARING AND SEAL (REAR) (UNDERSIZE AXLE) .....	50-126	
5B19	KIT, BLOWER MOTOR FILTER CAPACITOR .....	90-16	
3H21	KIT, BRAKE VALVE OVERHAUL .....	60-28	
4E25	KIT, BREAKAWAY COUPLER OVERHAUL .....	70-91	
4F10	KIT, BREAKAWAY COUPLER OVERHAUL .....	70-101	
4E5	KIT, CATEGORY II IMPLEMENT ADAPTER .....	70-72	
4E6	KIT, CATEGORY II IMPLEMENT ADAPTER .....	70-73	
2B16	KIT, CIRCUIT BREAKER SUPPORT .....	40-11	
2G8	KIT, CONVENIENCE ELECTRICAL OUTLET SOCKET .....	40-112	
1D23	KIT, COOLANT CONDITIONER FILTER (6466) .....	20-56	
4F20	KIT, CYLINDER HOSE IDENTIFICATION .....	70-111	
4D11	KIT, DIRECTIONAL CONTROL VALVE (DUAL) .....	70-54	
4D12	KIT, DIRECTIONAL CONTROL VALVE (TRIPLE) .....	70-55	
4E15	KIT, DIRECTIONAL VALVE .....	70-81	
5B12	KIT, DOOR ASSEMBLY, FRESH AIR FILTER .....	90-8	
5C15	KIT, DOOR TRIM .....	90-36	
2G2	KIT, ELECTRICAL REMOTE CONTROL .....	40-105	
2G4	KIT, ELECTRICAL REMOTE CONTROL WIRING .....	40-108	
1E3	KIT, ENGINE OVERHAUL (6466) .....	20-62	
1F4	KIT, ETHER STARTING TUBE .....	30-17	
3H16	KIT, FEEDBACK CYLINDER OVERHAUL .....	60-24	
3G11	KIT, FRONT AXLE BEARING AND SEAL (STANDARD AXLE) .....	50-123	
3G12	KIT, FRONT AXLE BEARING AND SEAL (UNDERSIZE AXLE) .....	50-124	
3F7	KIT, FRONT AXLE REAR PIVOT BUSHING .....	50-94	
3F8	KIT, FRONT DIFFERENTIAL VENT .....	50-95	
3F14	KIT, FRONT DIFFERENTIAL, NO SPIN (EARLY DESIGN) .....	50-102	
3F15	KIT, FRONT DIFFERENTIAL, NO SPIN (LATE DESIGN) .....	50-103	
1F15	KIT, FUEL FILTER REPLACEMENT (6466A) .....	30-29	
1F7	KIT, FUEL RETURN LINE .....	30-20	
3C3	KIT, HI-LO CLUTCH DISKS REPLACEMENT .....	50-20	
4C3	KIT, HYDRAULIC OIL CLEAN-UP .....	70-25	
4C19	KIT, HYDRAULIC PUMP ELECTRIC DESTORKE .....	70-41A	
4C11	KIT, HYDRAULIC PUMP ELECTRIC DESTROKE .....	70-34	
4C21	KIT, HYDRAULIC PUMP ELECTRIC DESTROKE .....	70-41C	
4C13	KIT, HYDRAULIC PUMP OVERHAUL (4 IN3) .....	70-36	
4C22	KIT, HYDRAULIC PUMP OVERHAUL (4 IN3) .....	70-42	
2D16	KIT, IMPLEMENT WARNING LAMP .....	40-51	
3C3	KIT, LOW RANGE PINION REPLACEMENT .....	50-20	
2D3	KIT, NEUTRAL START SWITCH .....	40-40B	
4G7	KIT, O-RING .....	70-124	
1C9	KIT, OIL PAN (6466AR) .....	20-24	
5B24	KIT, OPERATOR'S MANUAL HOLDER (SOUND-GARD BODY) .....	90-22	
1C13	KIT, PISTON LINER (6466) (EARLY DESIGN) .....	20-28	
1C14	KIT, PISTON LINER (6466) (LATE DESIGN) .....	20-29	
3C15	KIT, PTO CLUTCH .....	50-33A	
2E23	KIT, RADIO NOISE SUPPRESSION .....	40-81	
2E23	KIT, RADIO SPEAKER .....	40-81	
3G15	KIT, REMOTE AXLE BEARING GREASE .....	50-128	
4G1	KIT, REMOTE CYLINDER CONVERSION .....	70-117	
4F25	KIT, REMOTE CYLINDER OVERHAUL .....	70-116	
4F17	KIT, SELECTIVE CONTROL VALVE .....	70-108	
4E16	KIT, SELECTIVE CONTROL VALVE MANIFOLD .....	70-82	
4F11	KIT, SELECTIVE CONTROL VALVE OVERHAUL .....	70-102	
4F13	KIT, SELECTIVE CONTROL VALVE OVERHAUL .....	70-104	
4F15	KIT, SELECTIVE CONTROL VALVE OVERHAUL .....	70-106	
4F18	KIT, SELECTIVE CONTROL VALVE OVERHAUL .....	70-109	
5C16	KIT, SERVICE DOOR TRIM .....	90-37	
2B19	KIT, SERVICE WIRE RESISTANCE .....	40-14	
2E24	KIT, SPEAKER .....	40-83	
2C10	KIT, STARTER SOLENOID COVER (DELCO-REMY) .....	40-28A	
2D2	KIT, STARTING MOTOR SEALING .....	40-40A	
4C9	KIT, STROKE CONTROL VALVE SHUT-OFF .....	70-32	
4C17	KIT, STROKE CONTROL VALVE SHUT-OFF .....	70-40	
2G10	KIT, SUPPLEMENTARY WIRING .....	40-114	
2F4	KIT, TAPE PLAYER (BOMAN) .....	40-87	
3D24	KIT, TRANSMISSION BEARING AND SHIM .....	50-62	
3D23	KIT, TRANSMISSION DRIVE SHAFT BEARING .....	50-61	
1E9	KIT, UNDERHAUL ENGINE (6466) .....	20-64	
2F10	KIT, WIPER MOTOR SUPPRESSION .....	40-94	
2B17	KIT, WIRING ACCESSORY RELAY (EARLY DESIGN) .....	40-12	
3F5	KIT, 10-MICRON FILTER .....	50-92	
2G20	KIT, ELECTRICAL CONNECTOR AND TERMINAL .....	40-124	
2B18	KIT, WIRING ACCESSORY RELAY (LATE DESIGN) .....	40-13	
<b>L</b>			
4H20	LABEL (CANADA) .....	80-38	
2C10	LABEL, BYPASS STARTER .....	40-28A	
2C21	LABEL, BYPASS STARTER .....	40-35B	
4H10	LABEL, TRACTOR DESIGNATION .....	80-27	
4H17	LABELS .....	80-34	
2D5	LAMP, FLOOD .....	40-42	
2D5	LAMP, FRONT .....	40-42	
2E9	LAMP, INDICATOR .....	40-68	
2D5	LAMP, REAR .....	40-42	
2D13	LAMP, REAR FLOOD (FENDERS) .....	40-48	
5D5	LAMP, SOUND-GARD BODY .....	90-50	
2E7	LAMP, TURN SIGNAL .....	40-66	
2D15	LAMP, WARNING .....	40-50	
2D11	LAMPS, REAR FLOOD (LESS FENDERS) .....	40-46	
5C19	LATCH, DOOR (EARLY DESIGN) .....	90-40	
5C21	LATCH, DOOR (LATE DESIGN) .....	90-42	
5C17	LATCH, DOOR (SOUND-GARD BODY) .....	90-38	
5D13	LATCHES, WINDOW (NOT USED IN U.S. AND CANADA) .....	90-58	
3I6	LEVER AND LINKAGE, AUXILIARY BRAKE .....	60-38	

# 1A19

8430 TRACTOR

## ALPHABETICAL INDEX - CONTINUED

GRID		PAGE	GRID		PAGE
3B15	LEVER, CLUTCH OPERATING .....	50-7	4E3	LINK, DRAFT .....	70-70
4D18	LEVER, LOAD SELECTOR CONTROL.....	70-62	4D24	LINK, LIFT.....	70-68
3B17	LEVER, PTO CLUTCH.....	50-9	4E1	LINK, LIFT.....	70-69A
3E19	LEVER, RANGE SELECTOR.....	50-82	4D13	LINKAGE, ROCKSHAFT CONTROL.....	70-56
4D16	LEVER, ROCKSHAFT CONTROL VALVE .....	70-60	1G23	LINKAGE, SPEED CONTROL .....	30-64
5C4	LEVER, SEAT.....	90-27	4D15	LOAD CONTROL VALVE.....	70-59
3E23	LEVER, SELECTOR, STOP.....	50-86	4D15	LOAD CONTROL VALVE FILTER.....	70-59
1G23	LEVER, SPEED CONTROL .....	30-64	4D13	LOAD SELECTOR CONTROL.....	70-56
3E19	LEVER, SPEED SELECTOR .....	50-82	4D18	LOAD SELECTOR CONTROL CABLE .....	70-62
4E19	LEVERS, SELECTIVE CONTROL.....	70-86	3G3	LOCK VALVE, DIFFERENTIAL .....	50-116
4E21	LEVERS, SELECTIVE CONTROL.....	70-88	3G2	LOCK, DIFFERENTIAL (REAR).....	50-115
2D19	LICENSE PLATE (NOT USED IN U.S. AND CANADA) .....	40-54	3E11	LONG SHIFT CABLES CONVERSION KIT .....	50-74
4E1	LIFT LINK .....	70-69A	1E7	ONGBLOCK, "COMPLETE BLOCK ASSEMBLY" (6466) .....	20-63C
4D24	LIFT LINKS .....	70-68	2E24	LOUD SPEAKER, RADIO .....	40-83
1B15	LIFT STRAPS (6466) .....	20-9	3C3	LOW RANGE PINION REPLACEMENT KIT.....	50-20
2E8	LIGHT SWITCH .....	40-67	3C2	LOW RANGE SUN PINION .....	50-19
2E5	LIGHT, DOME (SOUND-GARD BODY).....	40-64	3E3	LOW RANGE SYNCHRONIZER .....	50-66
2D19	LIGHT, LICENSE PLATE (NOT USED IN U.S. AND CANADA).....	40-54	3E5	LOW RANGE SYNCHRONIZER .....	50-68
2D17	LIGHTING KIT, SUPPLEMENTARY .....	40-52	3D4	LOWER PTO DRIVE GEAR.....	50-45
2D18	LIGHTING SUPPORT, AUXILIARY (NOT USED IN U.S. AND CANADA) .....	40-53	3D2	LOWER TRANSMISSION INPUT GEAR.....	50-44
2D20	LIGHTING SUPPORT, REAR SIGNAL .....	40-55	3D2	LOWER TRANSMISSION INPUT SHAFT .....	50-44
2D18	LIGHTING, AUXILIARY (NOT USED IN U.S. AND CANADA).....	40-53	M		
2D20	LIGHTING, REAR SIGNAL .....	40-55	1C19	MAIN BEARING (6466) .....	20-34
4B19	LINE, BYPASS, CLUTCH FILTER RELIEF VALVE .....	70-14	2C23	MAIN FRAME, STARTER (JOHN DEERE).....	40-37
3B18	LINE, CLUTCH TRANSFER PUMP OIL .....	50-10	1C19	MAIN THRUST BEARING (6466) .....	20-34
3G5	LINE, DIFFERENTIAL LOCK VALVE .....	50-118	4E16	MANIFOLD KIT, SELECTIVE CONTROL VALVE.....	70-82
4D19	LINE, DRAFT SENSING CYLINDER.....	70-63	4B8	MANIFOLD TEE, PRESSURE .....	70-3
5B9	LINE, FLEXIBLE, AIR CONDITIONING.....	90-5	3I10	MANIFOLD, AUXILIARY BRAKE .....	60-42
1F24	LINE, FUEL INJECTION .....	30-38	1F1	MANIFOLD, INTAKE (6466).....	30-14
4C24	LINE, HYDRAULIC PUMP .....	70-45	4E15	MANIFOLD, SELECTIVE CONTROL VALVE .....	70-81
3B20	LINE, OIL, CLUTCH FILTER RELIEF BYPASS .....	50-12	1D22	MANIFOLD, WATER OUTLET.....	20-55
3B20	LINE, OIL, CLUTCH VALVE PRESSURE .....	50-12	1F5	MANIFOLDS, EXHAUST (6466AR) .....	30-18
3C22	LINE, OIL, INPUT GEAR LUBRICATION .....	50-39	5D21	MAT, PLATFORM (SOUND-GARD BODY).....	90-67
4E18	LINE, OIL, SELECTIVE CONTROL .....	70-84	4H5	MEDALLION .....	80-20
4B21	LINE, PRESSURE CONTROL VALVE (LESS ROCKSHAFT).....	70-16	5D7	METAL TRIM, SOUND-GARD BODY .....	90-52
4B20	LINE, PRESSURE CONTROL VALVE (ROCKSHAFT) .....	70-15	5E4	METER, SPEED-HOUR .....	90-76
1F13	LINE, REPLACEMENT FUEL FILTER.....	30-26	3G23	METERING PUMP .....	60-5A
4D23	LINE, ROCKSHAFT LIFT ASSIST CYLINDER .....	70-67	5E1	MIRROR, L.H. (NOT USED IN U.S. AND CANADA) .....	90-73
1C13	LINER SHIM (6466) .....	20-28	5D25	MIRROR, OUTSIDE REAR VIEW .....	90-71
1C14	LINER SHIM (6466) .....	20-29	5D24	MIRROR, REAR VIEW.....	90-70
1C13	LINER, CYLINDER (6466) .....	20-28	3C1	MODIFIED TRACTOR REPLACEMENT PARTS .....	50-18
1C14	LINERS, CYLINDER (6466).....	20-29	5D11	MOLDING, SOUND-GARD BODY .....	90-56
1G19	LINES, ANEROID ACTIVATOR .....	30-60	2C9	MOTOR, STARTING.....	40-28
3I10	LINES, AUXILIARY BRAKE .....	60-42	2C11	MOTOR, STARTING (DELCO-REMY).....	40-28B
1F12	LINES, FUEL .....	30-25	2F18	MOTOR, WINDSHIELD WIPER.....	40-99C
1G1	LINES, FUEL CONTROL (6619A) .....	30-40	2F8	MOTOR, WINDSHIELD WIPER (L.H.) .....	40-92
1F18	LINES, FUEL INJECTION .....	30-32	2F12	MOTOR, WINDSHIELD WIPER (R.H.) .....	40-96
3H23	LINES, OIL, BRAKE (FRONT).....	60-30	2F14	MOTOR, WINDSHIELD WIPER, R.H. ....	40-98
4B11	LINES, OIL, COOLER RETURN .....	70-6	2F16	MOTOR, WINDSHIELD WIPER, R.H. ....	40-99A
4B22	LINES, OIL, HINGE .....	70-17	2F20	MOTOR, WINDSHIELD WIPER, REAR.....	40-100
4B15	LINES, OIL, HYDRAULIC RETURN .....	70-10	2F21	MOTOR, REAR WINDSHIELD WIPER.....	40-101
4G5	LINES, OIL, IMPLEMENT HYDRAULIC .....	70-122	5B8	MOUNTING BRACKET, COMPRESSOR .....	90-4
4B23	LINES, OIL, MAIN HYDRAULIC .....	70-18	5C11	MOUNTING HANDLE.....	90-32
3C18	LINES, OIL, PTO CLUTCH LUBRICATION .....	50-35	2F7	MOUNTING KIT, CB RADIO .....	40-91
3C18	LINES, OIL, PTO CLUTCH PRESSURE.....	50-35	1F6	MUFFLER .....	30-19
3H3	LINES, OIL, STEERING (L.H.).....	60-10	1F6	MUFFLER COVER .....	30-19
3H1	LINES, OIL, STEERING (R.H.) .....	60-8	1F6	MUFFLER EXTENSION .....	30-19
3C19	LINES, PTO BRAKE OIL .....	50-36	N		
3H24	LINES, REAR BRAKE .....	60-31	1F11	NECK, FUEL FILLER EXTENSION .....	30-24
1G10	LINES, REPLACEMENT FUEL INJECTION LUBE (6466AR-01) .....	30-50			
4E3	LINK, CENTER .....	70-70			

# 1A20

8430 TRACTOR

## ALPHABETICAL INDEX - CONTINUED

GRID	PAGE	GRID	PAGE
2D3	NEUTRAL START SWITCH KIT .....	40-40B	
3F14	NO SPIN FRONT DIFFERENTIAL KIT (EARLY DESIGN).....	50-102	
3F15	NO SPIN FRONT DIFFERENTIAL KIT (LATE DESIGN).....	50-103	
2F10	NOISE SUPPRESSION KIT, WIPER MOTOR .....	40-94	
1F18	NOZZLE, FUEL INJECTION .....	30-32	
1F24	NOZZLE, FUEL INJECTION .....	30-38	
1G14	NOZZLE, FUEL INJECTION (ROBERT BOSCH) (6466) .....	30-54	
<b>O</b>			
4G7	O-RING PACKING KIT.....	70-124	
4B7	OIL ATTENUATOR, HYDRAULIC .....	70-2	
1D8	OIL COOLER BYPASS VALVE (6466AR) .....	20-41	
4B16	OIL COOLER RETURN CHECK VALVE BYPASS FILTER ASSEMBLY.....	70-11	
1D11	OIL COOLER, ENGINE (6466AR).....	20-43	
4B9	OIL COOLER, HYDRAULIC .....	70-4	
1C11	OIL DRAIN PIPE, ENGINE .....	20-26	
3F4	OIL FILTER COVER (QUAD-RANGE) .....	50-91	
3F4	OIL FILTER ELEMENT (QUAD-RANGE) .....	50-91	
3F6	OIL FILTER HEATER.....	50-93	
4B13	OIL FILTER RELIEF VALVE .....	70-8	
1D9	OIL FILTER, ENGINE (6466AR) .....	20-42	
3F4	OIL FILTER, TRANSMISSION (QUAD-RANGE).....	50-91	
1E19	OIL INLET LINE, TURBOCHARGER (6466).....	30-8	
3C22	OIL LINE, INPUT GEAR LUBRICATION .....	50-39	
3G20	OIL LINES AND HOSES, STEERING (REAR) .....	60-3	
3H23	OIL LINES, BRAKE (FRONT) .....	60-30	
3B20	OIL LINES, CLUTCH FILTER RELIEF BYPASS .....	50-12	
3B18	OIL LINES, CLUTCH TRANSFER PUMP .....	50-10	
3B20	OIL LINES, CLUTCH VALVE PRESSURE .....	50-12	
4B22	OIL LINES, HINGE.....	70-17	
4B15	OIL LINES, HYDRAULIC SYSTEM .....	70-10	
4B23	OIL LINES, HYDRAULIC SYSTEM .....	70-18	
4G5	OIL LINES, HYDRAULIC, IMPLEMENT .....	70-122	
3C19	OIL LINES, PTO BRAKE .....	50-36	
3C18	OIL LINES, PTO CLUTCH LUBRICATION .....	50-35	
3C18	OIL LINES, PTO CLUTCH PRESSURE .....	50-35	
3H3	OIL LINES, STEERING (L.H.) .....	60-10	
3H1	OIL LINES, STEERING (R.H.).....	60-8	
1C9	OIL PAN (6466AR).....	20-24	
1C9	OIL PAN GASKET (6466AR).....	20-24	
1C9	OIL PAN KIT (6466AR) .....	20-24	
1D9	OIL PRESSURE REGULATING VALVE (6466AR).....	20-42	
1B18	OIL PRESSURE SENDER, ENGINE (6466AR) (EARLY DESIGN).....	20-12	
1C15	OIL PUMP DRIVE GEAR (6466) (EARLY DESIGN).....	20-30	
1C16	OIL PUMP DRIVE GEAR (6466) (LATE DESIGN) .....	20-31	
1B24	OIL PUMP INTAKE (6466) (LATE DESIGN) .....	20-18	
4C2	OIL PUMP INTAKE SCREEN, CLUTCH .....	70-23	
4C2	OIL PUMP INTAKE TUBES, CLUTCH .....	70-23	
4B25	OIL PUMP, CLUTCH .....	70-21	
1D1	OIL PUMP, ENGINE (6466) (EARLY DESIGN) (CAMSHAFT DRIVEN).....	20-38	
1C24	OIL PUMP, ENGINE (6466A) (CAMSHAFT DRIVEN).....	20-37	
1C23	OIL PUMP, ENGINE (6466AR) (CAMSHAFT DRIVEN).....	20-36B	
3G19	OIL PUMP, STEERING METERING .....	60-2	
3F1	OIL PUMP, TRANSMISSION.....	50-88	
1E19	OIL RETURN LINE, TURBOCHARGER (6466) .....	30-8	
1C21	OIL SEAL, CRANKSHAFT (REAR) (6466) .....	20-36	
1C22	OIL SEAL, FRONT (6466) .....	20-36A	
4B25	OIL TRANSFER PUMP HOUSING .....	70-21	
3B19	OIL TRANSFER PUMP SCREEN .....	50-11	
3B19	OIL TRANSFER PUMP SUCTION TUBE .....	50-11	
4B6	OIL, TRANSMISSION AND HYDRAULIC .....	70-1	
5B24	OPERATOR'S MANUAL HOLDER (SOUND-GARD BODY).....	90-22	
4H10	ORNAMENT, HOOD.....	80-27	
2G9	OUTLET SOCKET, ELECTRICAL (NOT USED IN U.S. AND CANADA) .....	40-113	
4F9	OVERHAUL KIT, BREAKAWAY COUPLER .....	70-100	
4F10	OVERHAUL KIT, BREAKAWAY COUPLER .....	70-101	
1E3	OVERHAUL KIT, ENGINE (6466) .....	20-62	
4C13	OVERHAUL KIT, HYDRAULIC PUMP (4 IN3) .....	70-36	
4C22	OVERHAUL KIT, HYDRAULIC PUMP (4 IN3) .....	70-42	
4F7	OVERHAUL KIT, ISO COUPLER .....	70-98	
4F25	OVERHAUL KIT, REMOTE CYLINDER .....	70-116	
4F18	OVERHAUL KIT, SELECTIVE CONTROL VALVE .....	70-109	
3H12	OVERHAUL KIT, STEERING CYLINDER .....	60-20	
<b>P</b>			
1C9	PAN, OIL (6466AR) .....	20-24	
5B21	PANEL, CONTROL (SOUND-GARD BODY).....	90-18	
5E4	PANEL, INSTRUMENT.....	90-76	
5C11	PANEL, SIDE .....	90-32	
3E17	PARK RELEASE ARM .....	50-80	
3C1	PARTS, REPLACEMENT, MODIFIED TRACTOR .....	50-18	
3H22	PEDAL, BRAKE .....	60-29	
3B16	PEDAL, CLUTCH .....	50-8	
1G25	PEDAL, FOOT SPEED CONTROL .....	30-66	
2E13	PERFORMANCE TRAK II MINI-MONITOR .....	40-72	
5C5	PERSONAL-POSTURE SEAT SUSPENSION .....	90-28	
4E11	PIN, DRAWBAR .....	70-78	
3D15	PIN, PIVOT .....	50-56	
3E7	PINION, BEVEL, DIFFERENTIAL REAR.....	50-70	
3E1	PINION, HIGH RANGE.....	50-64	
3C2	PINION, HIGH RANGE PLANET SUN .....	50-19	
3C6	PINION, HIGH RANGE SUN .....	50-24	
3E1	PINION, LOW RANGE .....	50-64	
3C2	PINION, LOW RANGE SUN .....	50-19	
3C6	PINION, LOW RANGE SUN .....	50-24	
3C2	PINION, PLANET .....	50-19	
3D2	PINION, PTO DRIVE .....	50-44	
3E1	PINION, REVERSE RANGE .....	50-64	
1E17	PIPE, AIR INTAKE .....	30-6	
1E18	PIPE, AIR INTAKE .....	30-7	
1F9	PIPES, FUEL .....	30-22	
1C13	PISTON LINER KIT (6466) (EARLY DESIGN).....	20-28	
1C14	PISTON LINER KIT (6466) (LATE DESIGN) .....	20-29	
1C13	PISTON RINGS (6466).....	20-28	
1C14	PISTON RINGS (6466).....	20-29	
1C13	PISTON, ENGINE (6466).....	20-28	
1C14	PISTON, ENGINE (6466) .....	20-29	
3D4	PISTON, PTO BRAKE .....	50-45	
4D5	PISTON, ROCKSHAFT.....	70-49	
3G24	PISTON, STEERING VALVE .....	60-6	
4C4	PISTONS, HYDRAULIC PUMP .....	70-26	
3D15	PIVOT, UPPER HINGE .....	50-56	
3C2	PLANET PINION.....	50-19	
3C6	PLANET PINION.....	50-24	
3C2	PLANET PINION CARRIER .....	50-19	

# 1A21

8430 TRACTOR

## ALPHABETICAL INDEX - CONTINUED

GRID		PAGE	GRID		PAGE
3C6	PLANET PINION CARRIER .....	50-24	3G19	PUMP, STEERING METERING .....	60-2
3G7	PLANET PINION CARRIER .....	50-120	1D12	PUMP, WATER.....	20-44
3G9	PLANET PINION CARRIER .....	50-120B	2F24	PUMP,WINDSHIELD WASHER .....	40-103A
3C6	PLANET SUN PINION .....	50-24	1B14	PUSH ROD (6466).....	20-8
3C5	PLANETARY REPLACEMENT KIT, HI-LO .....	50-23	2F3	PUSH-BUTTON RADIO AND TAPE PLAYER (MOTOROLA).....	40-86
3H19	PLATE, BRAKE .....	60-26A			
3H18	PLATE, BRAKE FACING .....	60-26		Q	
3H18	PLATE, BRAKE PRESSURE .....	60-26			
3B15	PLATE, CLUTCH PRESSURE.....	50-7			
3B15	PLATE, CLUTCH SEPARATOR .....	50-7			
4G22	PLATE, FRONT .....	80-12	3E24	QUAD-RANGE PLANETARY LOWER SHIFTER .....	50-87
3C12	PLATES, CLUTCH .....	50-31	3C2	QUILL, CLUTCH OUTPUT YOKE BEARING .....	50-19
5D21	PLATFORM (SOUND-GARD BODY).....	90-67	3C11	QUILL, PTO CLUTCH OUTPUT BEARING .....	50-30
5D21	PLATFORM MAT (SOUND-GARD BODY) .....	90-67			
1E16	PRE-CLEANER.....	30-5		R	
4B21	PRESSURE CONTROL VALVE (LESS ROCKSHAFT) .....	70-16			
4B20	PRESSURE CONTROL VALVE (ROCKSHAFT).....	70-15			
4B8	PRESSURE MANIFOLD TEE .....	70-3	2E11	RADAR SENSOR .....	40-70
3B10	PRESSURE SWITCH .....	50-2	2E11	RADAR SENSOR BRACKET .....	40-70
3F1	PRESSURE SWITCH .....	50-88	2E11	RADAR SENSOR WIRING HARNESS .....	40-70
4B17	PRESSURE SWITCH.....	70-12	1D16	RADIATOR .....	20-48
5B16	PRESSURIZER BLOWER .....	90-13	1D18	RADIATOR BAFFLES .....	20-51
5B17	PRESSURIZER BLOWER, (REPLACEMENT) .....	90-14	1D16	RADIATOR CAP.....	20-48
5B14	PRESSURIZER BLOWER,AIR CIRCULATION (SGB) .....	90-10	2F5	RADIO AND TAPE PLAYER (BOMAN).....	40-88
5C23	PRESSURIZER COVER.....	90-44	2F3	RADIO AND TAPE PLAYER (MOTOROLA) .....	40-86
5B12	PRESSURIZER FILTERS.....	90-8	2F1	RADIO ANTENNA KIT .....	40-84
3C17	PTO ADAPTER TO INSTALL 1-3/8" SHAFT .....	50-34	2E22	RADIO GRILLE.....	40-80
3C19	PTO BRAKE OIL LINES .....	50-36	2F7	RADIO MOUNTING KIT, CB .....	40-91
3D4	PTO BRAKE PISTON.....	50-45	2E23	RADIO NOISE SUPPRESSION KIT .....	40-81
3C12	PTO CLUTCH.....	50-31	2E23	RADIO SPEAKER KIT .....	40-81
3C12	PTO CLUTCH DRUM.....	50-31	2E24	RADIO SPEAKERS .....	40-83
3C13	PTO CLUTCH INPUT GEAR .....	50-32	2F6	RADIO, AM (BOMAN) .....	40-89
3C15	PTO CLUTCH KIT .....	50-33A	2E20	RADIO, AM (MOTOROLA).....	40-78
3B17	PTO CLUTCH LEVER .....	50-9	2E22	RADIO, AM PUSH-BUTTON .....	40-80
3C18	PTO CLUTCH LUBRICATING LINES .....	50-35	2E22	RADIO, AM-FM.....	40-80
3C18	PTO CLUTCH OIL PRESSURE LINES.....	50-35	2F6	RADIO, AM-FM (BOMAN) .....	40-89
3C11	PTO CLUTCH OUTPUT U-JOINT YOKE .....	50-30	2E21	RADIO, AM-FM (MOTOROLA) .....	40-79
3B12	PTO CLUTCH VALVE .....	50-4	3E17	RANGE SELECTOR ARM .....	50-80
3D2	PTO DRIVE PINION.....	50-44	3E21	RANGE SELECTOR BELL CRANK (INNER) .....	50-84
3D2	PTO DRIVE PINION U-JOINT YOKE .....	50-44	3E22	RANGE SELECTOR BELL CRANK (OUTER) .....	50-85
3D5	PTO LOWER IDLER GEAR.....	50-46	3E19	RANGE SELECTOR LEVER .....	50-82
3C17	PTO SHAFT .....	50-34	3E21	RANGE SELECTOR ROD (INNER) .....	50-84
3B10	PTO, CLUTCH OPERATING ARM .....	50-2	3E22	RANGE SELECTOR ROD (OUTER).....	50-85
3B17	PTOCLUTCH OPERATING ROD .....	50-9	3G9	REAR AXLE HOUSING .....	50-120B
5B6	PULLEY, AIR CONDITIONING .....	90-2	3G9	REAR AXLE SHAFT.....	50-120B
2B20	PULLEY, ALTERNATOR .....	40-15	3H24	REAR BRAKE LINES.....	60-31
1C18	PULLEY, CRANKSHAFT .....	20-33	2D7	REAR FLOOD LAMPS (LESS FENDERS) .....	40-44
1D12	PULLEY, WATER PUMP .....	20-44	2D9	REAR FLOOD LAMPS (LESS FENDERS) .....	40-45A
1F20	PUMP CONNECTORS, FUEL INJECTION HOUSING (6466A).....	30-34	3D13	REAR HINGE .....	50-54
1G7	PUMP HOUSING CONNECTORS, FUEL INJECTION (6466) .....	30-46	3C10	REAR HINGE CAP SCREW LOCATION .....	50-28
4C24	PUMP LINES, HYDRAULIC .....	70-45	5D15	REAR SLIDING WINDOW .....	90-61
4C15	PUMP REPLACEMENT, HYDRAULIC (4 IN3) .....	70-38	3G20	REAR STEERING OIL LINES AND HOSES.....	60-3
4C4	PUMP, DRIVE COUPLER .....	70-26	5D6	REAR SUN VISOR.....	90-51
1D1	PUMP, ENGINE OIL (6466) (EARLY DESIGN) (CAMSHAFT DRIVEN).....	20-38	5D24	REAR VIEW MIRROR .....	90-70
1C23	PUMP, ENGINE OIL (6466AR) (CAMSHAFT DRIVEN).....	20-36B	5D25	REAR VIEW, MIRROR OUTSIDE .....	90-71
1F24	PUMP, FUEL INJECTION .....	30-38	4G18	REAR WHEEL WEIGHT (INNER) .....	80-9
1G6	PUMP, FUEL TRANSFER (6466) .....	30-45	4G19	REAR WHEEL WEIGHT (OUTSIDE).....	80-10
1G12	PUMP, FUEL TRANSFER (6466) .....	30-52	2F20	REAR WINDSHIELD WIPER .....	40-100
4C7	PUMP, HYDRAULIC (4 IN3) .....	70-30	2F21	REAR WINDSHIELD WIPER .....	40-101
3F1	PUMP, OIL, TRANSMISSION .....	50-88	2F21	REAR WINDSHIELD WIPER MOTOR .....	40-101
1C24	PUMP, REPLACEMENT ENGINE OIL (6466A) (CAMSHAFT DRIVEN).....	20-37	5B10	RECEIVER-DEHYDRATOR, AIR CONDITIONING .....	90-6
3H7	PUMP, SECONDARY STEERING.....	60-15	5B12	RECIRCULATING FILTERS.....	90-8
			2D21	REFLECTOR BRACKET, REAR (NOT USED IN U.S. AND CANADA) .....	40-56
			2D21	REFLECTOR, REAR (NOT USED IN U.S. AND CANADA) .....	40-56
			4E11	REGULAR DRAWBAR .....	70-78



# 1A22

8430 TRACTOR

## ALPHABETICAL INDEX - CONTINUED

GRID	PAGE	GRID	PAGE
2B23	REGULATOR .....	40-18	
2B20	REGULATOR, ALTERNATOR .....	40-15	
2C5	REGULATOR, ALTERNATOR (90 AMP) .....	40-24	
2D4	RELAY, STARTING CIRCUIT .....	40-41	
2G10	RELAY, SUPPLEMENTARY WIRING .....	40-114	
2G2	REMOTE CONTROL KIT, ELECTRICAL .....	40-105	
2G4	REMOTE CONTROL WIRING KIT, ELECTRICAL .....	40-108	
2G3	REMOTE CONTROL WIRING, ELECTRICAL.....	40-107	
2G1	REMOTE CONTROL, ELECTRICAL .....	40-104	
2D23	REMOTE CONTROLLED SPOTLIGHT .....	40-58	
2E3	REMOTE CONTROLLED SPOTLIGHT .....	40-62	
2E1	REMOTE CONTROLLED SPOTLIGHT INSTALLATION KIT .....	40-60	
4F19	REMOTE CYLINDER .....	70-110	
4F21	REMOTE CYLINDER (HYDRAULIC STOP) .....	70-112	
4F23	REMOTE CYLINDER (MECHANICAL STOP).....	70-114	
4G1	REMOTE CYLINDER CONVERSION KIT.....	70-117	
4F20	REMOTE CYLINDER HOSE IDENTIFICATION KIT.....	70-111	
4F25	REMOTE CYLINDER OVERHAUL KIT .....	70-116	
1E5	REPLACEMENT ENGINE SHORT BLOCK (6466AR) (WITH HEAD BOLTS) .....	20-63A	
3B8	REPLACEMENT CLUTCH HOUSING KIT .....	50-1A	
1C3	REPLACEMENT CYLINDER BLOCK (6466AR) (WITH HEAD BOLTS) .....	20-21A	
1C24	REPLACEMENT ENGINE OIL PUMP (6466A) (CAMSHAFT DRIVEN).....	20-37	
1F13	REPLACEMENT FUEL FILTER LINE .....	30-26	
1G10	REPLACEMENT FUEL INJECTION LUBE LINE (6466AR-01) .....	30-50	
4C15	REPLACEMENT HYDRAULIC PUMP (4 IN3).....	70-38	
4C6	REPLACEMENT HYDRAULIC PUMP ASSEMBLY.....	70-29	
5D3	REPLACEMENT INNER ROOF .....	90-49A	
3C5	REPLACEMENT KIT, HI-LO PLANETARY .....	50-23	
3C1	REPLACEMENT PARTS, MODIFIED TRACTOR .....	50-18	
5C9	REPLACEMENT SOUND-GARD BODY .....	90-31A	
5C9	REPLACEMENT SOUND-GARD BODY (BASIC) .....	90-31A	
5B20	RESISTOR, BLOWER MOTOR .....	90-17	
4G11	RIM, DEMOUNTABLE .....	80-2	
1C13	RINGS, PISTON (6466) .....	20-28	
1C14	RINGS, PISTON (6466) .....	20-29	
1B12	ROCKER ARM COVER (6466AR).....	20-6	
1B14	ROCKER ARM SHAFT (6466).....	20-8	
1B14	ROCKER ARMS (6466) .....	20-8	
4D5	ROCKSHAFT .....	70-49	
4D16	ROCKSHAFT CONTROL CABLE .....	70-60	
4D6	ROCKSHAFT CONTROL VALVE HOUSING .....	70-50	
4D5	ROCKSHAFT CRANK ARM.....	70-49	
4D1	ROCKSHAFT HOUSING .....	70-46	
4D8	ROCKSHAFT HOUSING COVER .....	70-52	
4D9	ROCKSHAFT HOUSING COVER (LATE DESIGN) .....	70-53A	
4D23	ROCKSHAFT LIFT ASSIST CYLINDER .....	70-67	
4D5	ROCKSHAFT PISTON .....	70-49	
4D3	ROCKSHAFT PISTON COVER .....	70-48	
4D3	ROCKSHAFT THROTTLE VALVE .....	70-48	
4D13	ROCKSHAFT, CONTROL LEVER .....	70-56	
4D13	ROCKSHAFT, LINKAGE AND CONTROL .....	70-56	
4B15	ROCKSHAFT, OIL LINES, RETURN .....	70-10	
3B16	ROD, CLUTCH OPERATING.....	50-8	
4D20	ROD, DRAFT SENSING CYLINDER.....	70-64	
1G25	ROD, FOOT SPEED CONTROL .....	30-66	
3B17	ROD, PTO CLUTCH OPERATING .....	50-9	
3E21	ROD, RANGE SELECTOR (INNER) .....	50-84	
3E22	ROD, RANGE SELECTOR (OUTER) .....	50-85	
3E21	ROD, SPEED SELECTOR (INNER) .....	50-84	
3E22	ROD, SPEED SELECTOR (OUTER).....	50-85	
1C13	RODS, CONNECTING (6466) (EARLY DESIGN).....	20-28	
1C14	RODS, CONNECTING (6466) (LATE DESIGN) .....	20-29	
1B14	RODS, PUSH (6466) .....	20-8	
5D1	ROOF, INNER (REPLACEMENT) .....	90-48	
5C25	ROOF, INNER (SOUND-GARD BODY).....	90-47	
5D3	ROOF, INNER, REPLACEMENT .....	90-49A	
5C23	ROOF, SOUND-GARD BODY .....	90-44	

### S

4E10	SAFETY CHAIN, IMPLEMENT .....	70-77
4C2	SCREEN, CLUTCH OIL INTAKE PUMP .....	70-23
3B19	SCREEN, OIL TRANSFER PUMP.....	50-11
1C22	SEAL, OIL (FRONT) (6466).....	20-36A
1C21	SEAL, REAR CRANKSHAFT OIL (6466) .....	20-36
1D12	SEAL, WATER PUMP .....	20-44
5E12	SEALANT .....	90-84
2D2	SEALING KIT, STARTING MOTOR .....	40-40A
5C1	SEAT ARMREST .....	90-24
5C2	SEAT BACKREST SUPPORT .....	90-25
5B24	SEAT BELT (SOUND-GARD BODY).....	90-22
5B24	SEAT CUSHIONS (SOUND-GARD BODY).....	90-22
5C4	SEAT LEVER .....	90-27
5C4	SEAT SUPPORT .....	90-27
5C5	SEAT SUSPENSION .....	90-28
5C3	SEAT SWIVEL AND LATCH .....	90-26
3H5	SECONDARY STEERING .....	60-12
3H8	SECONDARY STEERING CONTROLLER .....	60-16
4E19	SELECTIVE CONTROL LEVERS .....	70-86
4E21	SELECTIVE CONTROL LEVERS .....	70-88
4F1	SELECTIVE CONTROL VALVE.....	70-92
4F11	SELECTIVE CONTROL VALVE.....	70-102
4F13	SELECTIVE CONTROL VALVE.....	70-104
4F16	SELECTIVE CONTROL VALVE.....	70-107
4E23	SELECTIVE CONTROL VALVE CABLE .....	70-90
4F15	SELECTIVE CONTROL VALVE HOUSING .....	70-106
4F17	SELECTIVE CONTROL VALVE KIT .....	70-108
4E18	SELECTIVE CONTROL VALVE LINE .....	70-84
4E15	SELECTIVE CONTROL VALVE MANIFOLD.....	70-81
4E16	SELECTIVE CONTROL VALVE MANIFOLD KIT .....	70-82
4F18	SELECTIVE CONTROL VALVE OVERHAUL KIT.....	70-109
3E23	SELECTOR LEVER STOP.....	50-86
1B18	SENDER, ENGINE OIL PRESSURE (6466AR) (EARLY DESIGN).....	20-12
1F8	SENDER, FUEL GAUGE .....	30-21
2E11	SENSOR, RADAR .....	40-70
1F17	SEPARATOR, WATER.....	30-31
5C16	SERVICE DOOR TRIM KIT .....	90-37
2B19	SERVICE WIRE RESISTANCE KIT .....	40-14
3C24	SHAFT AND GEAR, TRANSMISSION INPUT IDLER .....	50-41
3C25	SHAFT AND GEAR, UPPER PTO IDLER.....	50-42
3C23	SHAFT AND GEAR, UPPER TRANSMISSION INPUT.....	50-40
3B14	SHAFT, CLUTCH DRIVE .....	50-6
3B14	SHAFT, CLUTCH OIL PUMP DRIVE .....	50-6
3C14	SHAFT, CLUTCH OIL PUMP DRIVE .....	50-33
4B25	SHAFT, CLUTCH OIL PUMP DRIVE .....	70-21
4D22	SHAFT, DRAFT LINK.....	70-66
3G1	SHAFT, DRIVE AND PINION (REAR).....	50-114
3G7	SHAFT, FINAL DRIVE .....	50-120
3G9	SHAFT, FINAL DRIVE .....	50-120B
3D1	SHAFT, FRONT AXLE DRIVE.....	50-43
3G7	SHAFT, PLANET PINION.....	50-120
3G9	SHAFT, PLANET PINION.....	50-120B
3C17	SHAFT, PTO DRIVE.....	50-34
3G9	SHAFT, REAR AXLE .....	50-120B
1B14	SHAFT, ROCKER ARM (6466) .....	20-8

# 1A23

8430 TRACTOR

## ALPHABETICAL INDEX - CONTINUED

<i>GRID</i>		<i>PAGE</i>	<i>GRID</i>		<i>PAGE</i>
3G21	SHAFT, STEERING .....	60-4	5C25	SOUND-GARD BODY INNER ROOF .....	90-47
3D2	SHAFT, TRANSMISSION, LOWER INPUT .....	50-44	5D1	SOUND-GARD BODY INNER ROOF (REPLACEMENT) .....	90-48
3E9	SHAFTS, SHIFTER .....	50-72	5D5	SOUND-GARD BODY LAMP .....	90-50
3E13	SHAFTS, SHIFTER .....	50-76	5D7	SOUND-GARD BODY METAL TRIM .....	90-52
4C5	SHIELD, HYDRAULIC PUMP .....	70-27	5D9	SOUND-GARD BODY MOLDING .....	90-54
3C17	SHIELD, PTO MASTER .....	50-34	5C7	SOUND-GARD BODY MOUNTING .....	90-30
4H11	SHIELD, TRANSMISSION CASE .....	80-28	5D21	SOUND-GARD BODY PLATFORM .....	90-67
4H8	SHIELD, TRASH .....	80-24	5B16	SOUND-GARD BODY PRESSURIZER BLOWER .....	90-13
2C3	SHIELD,ALTERNATOR (90 AMP) (LATE DESIGN) .....	40-22	5B17	SOUND-GARD BODY PRESSURIZER BLOWER (REPLACEMENT).....	90-14
3E9	SHIFTER CAM .....	50-72	5C23	SOUND-GARD BODY ROOF.....	90-44
3E13	SHIFTER CAM .....	50-76	5C16	SOUND-GARD BODY SERVICE DOOR TRIM KIT .....	90-37
5D23	SHIFTER ROD BOOT, SOUND-GARD BODY .....	90-69	5D23	SOUND-GARD BODY SHIFTER ROD BOOT .....	90-69
3E9	SHIFTER SHAFTS .....	50-72	5D19	SOUND-GARD BODY UPHOLSTERY .....	90-65
3E13	SHIFTER SHAFTS .....	50-76	5D11	SOUND-GARD BODY WINDOWS.....	90-56
3E9	SHIFTER, LOW AND HIGH .....	50-72	2B9	SOUND-GARD BODY WIRING .....	40-4
3E24	SHIFTER, PLANETARY LOWER BELL CRANK .....	50-87	5D22	SOUND-GARD BODY, ASHTRAY .....	90-68
3E9	SHIFTER, REVERSE .....	50-72	2E23	SPEAKER, RADIO .....	40-81
3E13	SHIFTERS, GEAR .....	50-76	2E24	SPEAKER, RADIO .....	40-83
1C13	SHIM, LINER (6466).....	20-28	1H1	SPEED CONTROL KIT, FOOT .....	30-67
1C14	SHIM, LINER (6466).....	20-29	1G23	SPEED CONTROL LINKAGE .....	30-64
5C5	SHOCK ABSORBER, SEAT.....	90-28	3E17	SPEED SELECTOR ARM .....	50-80
1D3	SHORT BLOCK CONVERSION KIT (6466AR) (EARLY DESIGN).....	20-39A	3E21	SPEED SELECTOR BELL CRANK (INNER) .....	50-84
1D5	SHORT BLOCK CONVERSION KIT (6466AR) (LATE DESIGN) .....	20-39C	3E22	SPEED SELECTOR BELL CRANK (OUTER).....	50-85
1B20	SHORT BLOCK, ENGINE .....	20-14	3E19	SPEED SELECTOR LEVER .....	50-82
1C5	SHORT BLOCK, ENGINE (6466AR) .....	20-22	3E21	SPEED SELECTOR ROD (INNER) .....	50-84
1C7	SHORT BLOCK, ENGINE (6466AR) (EARLY DESIGN).....	20-23A	3E22	SPEED SELECTOR ROD (OUTER) .....	50-85
1E5	SHORT BLOCK, REPLACEMENT ENGINE (6466AR) (WITH HEAD BOLTS) .....	20-63A	5E4	SPEED-HOUR METER.....	90-76
1D19	SHROUD, FAN .....	20-52	2E1	SPOTLIGHT INSTALLATION KIT, REMOTE CONTROLLED .....	40-60
4G22	SIDE FRAME .....	80-12	2D23	SPOTLIGHT, REMOTE CONTROLLED .....	40-58
4H7	SIDE PANEL .....	80-22	2E3	SPOTLIGHT, REMOTE CONTROLLED .....	40-62
5D6	SIDE SUN VISOR .....	90-51	1E13	STACK, AIR .....	30-1
2D20	SIGNAL LIGHTING, REAR .....	40-55	3E9	START-SAFETY SWITCH .....	50-72
4G14	SLEEVE, DUAL DRIVE WHEEL .....	80-5	2C9	STARTER .....	40-28
5D15	SLIDING WINDOW, REAR .....	90-61	2C11	STARTER (DELCO-REMY) .....	40-28B
5E9	SLOW MOVING VEHICLE EMBLEM.....	90-81	2C13	STARTER (DELCO-REMY) .....	40-30
2G6	SOCKET, ELECTRICAL OUTLET .....	40-110	2C22	STARTER ARMATURE (JOHN DEERE).....	40-36
2G9	SOCKET, ELECTRICAL OUTLET (NOT USED IN U.S. AND CANADA) .....	40-113	2C24	STARTER COMMUTATOR END FRAME (JOHN DEERE) .....	40-38
2G7	SOCKET, ELECTRICAL OUTLET, 7-TERMINAL .....	40-111	2C16	STARTER DRIVE HOUSING (DELCO-REMY) .....	40-32
2G8	SOCKET,CONVENIENCE ELECTRICAL OUTLET (SGB) .....	40-112	2C22	STARTER DRIVE HOUSING (JOHN DEERE) .....	40-36
2C11	SOLENOID SWITCH (DELCO-REMY) .....	40-28B	2C16	STARTER GEAR (DELCO-REMY) .....	40-32
2C15	SOLENOID SWITCH (DELCO-REMY) .....	40-31B	2C18	STARTER MAIN FRAME (DELCO-REMY) .....	40-34
2C20	SOLENOID SWITCH (DELCO-REMY) .....	40-35A	2C23	STARTER MAIN FRAME (JOHN DEERE) .....	40-37
2C25	SOLENOID SWITCH, STARTER (JOHN DEERE) .....	40-39	2C21	STARTER SOLENOID COVER (JOHN DEERE) .....	40-35B
2D1	SOLENOID SWITCH, STARTER (JOHN DEERE) .....	40-40	2C10	STARTER SOLENOID COVER KIT (DELCO-REMY).....	40-28A
4C21	SOLENOID, DESTROKE (ELECTRIC) .....	70-41C	2C20	STARTER SOLENOID SWITCH (DELCO-REMY) .....	40-35A
5C9	SOUND-GARD BODY (REPLACEMENT) .....	90-31A	2C25	STARTER SOLENOID SWITCH (JOHN DEERE).....	40-39
5C8	SOUND-GARD BODY BRACKET .....	90-31	2D1	STARTER SOLENOID SWITCH (JOHN DEERE).....	40-40
2B13	SOUND-GARD BODY CIRCUIT BREAKER (EARLY DESIGN).....	40-8	2C23	STARTER, COIL (JOHN DEERE) .....	40-37
5C8	SOUND-GARD BODY COVER .....	90-31	1F4	STARTING AID TUBE KIT.....	30-17
2E5	SOUND-GARD BODY DOME LIGHT .....	40-64	1F3	STARTING AID, ELECTRIC.....	30-16
5C12	SOUND-GARD BODY DOOR .....	90-33	2D4	STARTING CIRCUIT RELAY .....	40-41
5C13	SOUND-GARD BODY DOOR .....	90-34	1F3	STARTING FLUID.....	30-16
5C17	SOUND-GARD BODY DOOR HANDLE .....	90-38	1F4	STARTING FLUID TUBE KIT .....	30-17
5C15	SOUND-GARD BODY DOOR TRIM .....	90-36	2C9	STARTING MOTOR .....	40-28
5D21	SOUND-GARD BODY FLOOR MAT .....	90-67	2C11	STARTING MOTOR (DELCO-REMY) .....	40-28B
5D11	SOUND-GARD BODY GLASS .....	90-56	2D2	STARTING MOTOR SEALING KIT .....	40-40A
5D9	SOUND-GARD BODY GLASS SEALS .....	90-54	3H10	STEERING CYLINDER.....	60-18
5C8	SOUND-GARD BODY HARDWARE .....	90-31	3H14	STEERING CYLINDER BRACKET .....	60-22
5D5	SOUND-GARD BODY HEADLINER .....	90-50	3H12	STEERING CYLINDER OVERHAUL KIT .....	60-20
5B22	SOUND-GARD BODY HEATER AND HOSES .....	90-20	3H15	STEERING FEEDBACK CYLINDER .....	60-23
			3H17	STEERING FEEDBACK CYLINDER .....	60-25
			3G19	STEERING METERING PUMP .....	60-2
			3H3	STEERING OIL LINES (L.H.).....	60-10
			3H1	STEERING OIL LINES (R.H.) .....	60-8

# 1A24

8430 TRACTOR

## ALPHABETICAL INDEX - CONTINUED

GRID	PAGE	GRID	PAGE
3G20	STEERING OIL LINES AND HOSES (REAR) .....	60-3	
3H7	STEERING PUMP, SECONDARY .....	60-15	
3G23	STEERING SHAFT AND SUPPORT .....	60-5A	
3D13	STEERING STOP .....	50-54	
3G24	STEERING VALVE ASSEMBLY .....	60-6	
3G25	STEERING VALVE ASSEMBLY .....	60-7	
3G24	STEERING VALVE PISTON .....	60-6	
3G21	STEERING WHEEL .....	60-4	
3G21	STEERING WHEEL EMBLEM .....	60-4	
3H5	STEERING, SECONDARY .....	60-12	
3G21	STEERING, TELESCOPING .....	60-4	
4H2	STEP, AUXILIARY .....	80-17	
4H3	STEP, AUXILIARY .....	80-18	
4G17	STOP, AXLE .....	80-8	
3D13	STOP, STEERING .....	50-54	
1F11	STRAINER, FUEL .....	30-24	
2C7	STRAP, ALTERNATOR ADJUSTING .....	40-26	
3H22	STRAP, BRAKE .....	60-29	
1B15	STRAPS, LIFT (6466) .....	20-9	
5C13	STRIKER SPACER KIT .....	90-34	
4C9	STROKE CONTROL VALVE SHUT-OFF KIT .....	70-32	
4C17	STROKE CONTROL VALVE SHUT-OFF KIT .....	70-40	
4C9	STROKE CONTROL VALVE, HYDRAULIC PUMP .....	70-32	
4C17	STROKE CONTROL VALVE, HYDRAULIC PUMP .....	70-40	
5D6	SUN VISOR .....	90-51	
2D17	SUPPLEMENTARY LIGHTING KIT .....	40-52	
2G7	SUPPLEMENTARY OUTLET, 7-TERMINAL .....	40-111	
2G18	SUPPLEMENTARY TERMINALS AND CONNECTORS .....	40-122	
2G10	SUPPLEMENTARY WIRING KIT .....	40-114	
2B16	SUPPORT KIT, CIRCUIT BREAKER .....	40-11	
1D19	SUPPORT, AIR STACK .....	20-52	
2D18	SUPPORT, AUXILIARY LIGHTING (NOT USED IN U.S. AND CANADA) .....	40-53	
4H4	SUPPORT, BATTERY .....	80-19	
5E2	SUPPORT, CONTROL .....	90-74	
5E4	SUPPORT, DASH .....	90-76	
4E9	SUPPORT, DRAWBAR FRONT .....	70-76	
4G23	SUPPORT, ENGINE FRONT .....	80-13	
4G10	SUPPORT, FRONT AXLE .....	80-1	
1D19	SUPPORT, HOOD FRONT .....	20-52	
4C4	SUPPORT, HYDRAULIC PUMP DRIVE .....	70-26	
3F11	SUPPORT, OSCILLATING DIFFERENTIAL .....	50-98	
3C13	SUPPORT, PTO CLUTCH BEARING .....	50-32	
2D20	SUPPORT, REAR SIGNAL LIGHTING .....	40-55	
5C4	SUPPORT, SEAT .....	90-27	
5C2	SUPPORT, SEAT BACKREST .....	90-25	
5C7	SUPPORT, SOUND-GARD BODY .....	90-30	
4E11	SWAY CONTROL BLOCKS .....	70-78	
3I3	SWITCH, BRAKE LIGHT SENSING .....	60-35	
2B9	SWITCH, DIMMER .....	40-4	
2D22	SWITCH, DIMMER .....	40-57	
2G1	SWITCH, ELECTRICAL REMOTE CONTROL .....	40-104	
2B7	SWITCH, HORN .....	40-2	
2E8	SWITCH, HORN .....	40-67	
2E17	SWITCH, HORN .....	40-76	
2E19	SWITCH, HORN .....	40-77B	
1E14	SWITCH, INDICATOR .....	30-2	
2B7	SWITCH, KEY .....	40-2	
2E8	SWITCH, KEY .....	40-67	
2B7	SWITCH, LIGHT .....	40-2	
2E8	SWITCH, LIGHT .....	40-67	
3B10	SWITCH, PRESSURE .....	50-2	
3F1	SWITCH, PRESSURE .....	50-88	
4B17	SWITCH, PRESSURE .....	70-12	
2C11	SWITCH, SOLENOID (DELCO-REMY) .....	40-28B	
2C15	SWITCH, SOLENOID (DELCO-REMY) .....	40-31B	
2C20	SWITCH, SOLENOID (DELCO-REMY) .....	40-35A	
2B9	SWITCH, START-SAFETY .....	40-4	
3E9	SWITCH, START-SAFETY .....	50-72	
2E8	SWITCH, STARTER .....	40-67	
2C25	SWITCH, STARTER SOLENOID (JOHN DEERE) .....	40-39	
2D1	SWITCH, STARTER SOLENOID (JOHN DEERE) .....	40-40	
2B9	SWITCH, TRANSMISSION LUBE .....	40-4	
2E7	SWITCH, TURN SIGNAL .....	40-66	
2F8	SWITCH, WINDSHIELD WIPER (L.H.) .....	40-92	
2F12	SWITCH, WINDSHIELD WIPER (R.H.) .....	40-96	
5C3	SWIVEL, SEAT .....	90-26	
3E1	SYNCHRONIZER DISK .....	50-64	
3E1	SYNCHRONIZER DRUM .....	50-64	
3E5	SYNCHRONIZER, DISK .....	50-68	
3E5	SYNCHRONIZER, DRUM .....	50-68	
3E3	SYNCHRONIZER, LOW RANGE .....	50-66	
3E5	SYNCHRONIZER, LOW RANGE .....	50-68	

### T

1B17	TACHOMETER DRIVE (6466) .....	20-11
5E11	TAIL LAMP COVER .....	90-83
1F8	TANK, FUEL .....	30-21
1F9	TANK, FUEL .....	30-22
2F5	TAPE PLAYER AND RADIO (BOMAN) .....	40-88
2F3	TAPE PLAYER AND RADIO (MOTOROLA) .....	40-86
2F4	TAPE PLAYER KIT (BOMAN) .....	40-87
4B8	TEE, PRESSURE MANIFOLD .....	70-3
3G21	TELESCOPING STEERING .....	60-4
1D25	TEMPERATURE SENDER, COOLANT .....	20-59
2G18	TERMINALS AND CONNECTORS, SUPPLEMENTARY .....	40-122
2G12	TERMINALS, ELECTRICAL .....	40-116
2G14	TERMINALS, ELECTRICAL .....	40-118
2G16	TERMINALS, ELECTRICAL .....	40-120
1D22	THERMOSTAT .....	20-55
3H8	TIMER, SECONDARY STEERING .....	60-16
1C22	TIMING GEAR COVER (6466) .....	20-36A
1C22	TIMING GEAR COVER GASKET (6466) .....	20-36A
5E5	TOOLBOX .....	90-77
5E5	TOOLBOX BRACKET .....	90-77
5E10	TOOLS .....	90-82
3C21	TORQUE DIVIDER HOUSING .....	50-38
3C24	TORQUE DIVIDER INPUT IDLER GEAR .....	50-41
3D5	TORQUE DIVIDER TRANSMISSION OUTPUT YOKE .....	50-46
3D2	TORQUE-DIVIDER INPUT SHAFT, LOWER .....	50-44
3C23	TORQUE-DIVIDER INPUT SHAFT, UPPER .....	50-40
4G25	TOW HOOK .....	80-15
3I4	TRAILER BRAKE .....	60-36
1G6	TRANSFER PUMP, FUEL (6466) .....	30-45
1G12	TRANSFER PUMP, FUEL (6466) .....	30-52
4B6	TRANSMISSION AND HYDRAULIC OIL .....	70-1
3D24	TRANSMISSION BEARING AND SHIM KIT .....	50-62
3E1	TRANSMISSION BLOCKERS .....	50-64
3D17	TRANSMISSION CASE .....	50-58
3D19	TRANSMISSION CASE .....	50-58B
3D21	TRANSMISSION CASE COVER, FRONT .....	50-59
3D22	TRANSMISSION CASE REAR COVER .....	50-60
4H11	TRANSMISSION CASE SHIELD .....	80-28
3E3	TRANSMISSION DRIVE SHAFT .....	50-66
3D23	TRANSMISSION DRIVE SHAFT BEARING KIT .....	50-61
3E10	TRANSMISSION DRIVE SHAFT KIT .....	50-73
3D5	TRANSMISSION FRONT OUTPUT U-JOINT YOKE .....	50-46
3E7	TRANSMISSION GEARS .....	50-70
2E16	TRANSMISSION LUBE INDICATOR .....	40-75
1H2	TRANSMISSION OIL FILTER .....	30-68
3F3	TRANSMISSION OIL FILTER .....	50-90
3F4	TRANSMISSION OIL FILTER (QUAD-RANGE) .....	50-91

# 1A25

8430 TRACTOR

## ALPHABETICAL INDEX - CONTINUED

<i>GRID</i>		<i>PAGE</i>	<i>GRID</i>		<i>PAGE</i>
3F3	TRANSMISSION OIL FILTER ELEMENT .....	50-90	3I8	VALVE, AUXILIARY BRAKE .....	60-40
3F6	TRANSMISSION OIL HEATER .....	50-93	3H20	VALVE, BRAKE .....	60-27
3F1	TRANSMISSION OIL PUMP .....	50-88	3I12	VALVE, BRAKE, AUXILIARY .....	60-44
3E17	TRANSMISSION SHIFTER CONTROL CABLES .....	50-80	3B12	VALVE, CLUTCH .....	50-4
3E21	TRANSMISSION SHIFTER CONTROL RODS .....	50-84	4D1	VALVE, DIRECTIONAL .....	70-46
3E22	TRANSMISSION SHIFTER CONTROL RODS .....	50-85	4D11	VALVE, DIRECTIONAL CONTROL (DUAL) .....	70-54
3E1	TRANSMISSION SYNCHRONIZER DISK .....	50-64	1D7	VALVE, ENGINE OIL COOLER BYPASS (6466AR) (EARLY DESIGN).....	20-40
3E19	TRANSMISSION, SHIFTER CONTROL .....	50-82	1F12	VALVE, FUEL CHECK .....	30-25
3E15	TRANSMISSION, SHIFTER CONTROL CABLES.....	50-78	1F16	VALVE, FUEL CHECK (6466A).....	30-30
4H8	TRASH SHIELD .....	80-24	4D15	VALVE, LOAD CONTROL .....	70-59
5E5	TRAY, TOOLBOX .....	90-77	1D8	VALVE, OIL COOLER BYPASS (6466AR) .....	20-41
5D7	TRIM, METAL (SOUND-GARD BODY) .....	90-52	4B13	VALVE, OIL FILTER RELIEF .....	70-8
4C1	TUBE, CLUTCH OIL PUMP FRONT INTAKE.....	70-22	1D9	VALVE, OIL PRESSURE REGULATING (6466AR) .....	20-42
4C1	TUBE, CLUTCH OIL PUMP REAR INTAKE .....	70-22	4B21	VALVE, PRESSURE CONTROL (LESS ROCKSHAFT) .....	70-16
1B12	TUBE, ENGINE VENTILATOR (6466AR) .....	20-6	4B20	VALVE, PRESSURE CONTROL (ROCKSHAFT) .....	70-15
1F9	TUBE, FUEL PICKUP REPAIR .....	30-22	3B12	VALVE, PTO CLUTCH .....	50-4
3B19	TUBE, OIL TRANSFER PUMP SUCTION.....	50-11	4D3	VALVE, ROCKSHAFT PISTON RELIEF .....	70-48
4C2	TUBES, CLUTCH OIL INTAKE PUMP .....	70-23	4D3	VALVE, ROCKSHAFT THROTTLE .....	70-48
1E21	TURBOCHARGER (6466) (AIRESEARCH) (EARLY DESIGN).....	30-10	4F1	VALVE, SELECTIVE CONTROL .....	70-92
1E23	TURBOCHARGER (6466A) (SCHWITZER).....	30-12	4F11	VALVE, SELECTIVE CONTROL .....	70-102
1E22	TURBOCHARGER CENTER HOUSING (AIRESEARCH) .....	30-11	4F13	VALVE, SELECTIVE CONTROL .....	70-104
1E24	TURBOCHARGER CENTER HOUSING (6466A) (SCHWITZER) .....	30-13	4F16	VALVE, SELECTIVE CONTROL .....	70-107
1E21	TURBOCHARGER HOUSING (6466) (AIRESEARCH) (EARLY DESIGN).....	30-10	1B8	VALVES, EXHAUST (6466) .....	20-4
1E23	TURBOCHARGER HOUSING (6466A) (SCHWITZER) .....	30-12	1B10	VALVES, EXHAUST (6466) .....	20-5A
1E19	TURBOCHARGER OIL INLET LINE (6466) .....	30-8	1B8	VALVES, INTAKE (6466) .....	20-4
1E19	TURBOCHARGER OIL RETURN LINE (6466) .....	30-8	1B10	VALVES, INTAKE (6466) .....	20-5A
2E7	TURN SIGNAL CONTROL AND INDICATORS .....	40-66	5D6	VISOR, SUN .....	90-51
2D5	TURN SIGNAL LAMPS .....	40-42			
				W	
	U		2D15	WARNING LAMP .....	40-50
3D1	U-JOINT YOKE .....	50-43	2B7	WARNING LAMP FLASHER .....	40-2
1E9	UNDERHAUL KIT, ENGINE (6466) .....	20-64	2D16	WARNING LAMP KIT, IMPLEMENT .....	40-51
3D11	UNIVERSAL JOINT (CLUTCH TO DIVIDER) (DANA) .....	50-52	1D22	WATER BYPASS HOSE .....	20-55
3D10	UNIVERSAL JOINT (CLUTCH TO DIVIDER) (ROCKWELL) .....	50-51	1D22	WATER OUTLET MANIFOLD .....	20-55
3D7	UNIVERSAL JOINT (FRONT AXLE DRIVE) (MECHANICS) .....	50-48	1D12	WATER PUMP .....	20-44
3D6	UNIVERSAL JOINT (FRONT AXLE DRIVE) (ROCKWELL) .....	50-47	1D12	WATER PUMP GASKET .....	20-44
3D9	UNIVERSAL JOINT (PTO CLUTCH TO DIVIDER) (DANA) .....	50-50	1D12	WATER PUMP PULLEY .....	20-44
3D8	UNIVERSAL JOINT (PTO CLUTCH TO DIVIDER) (ROCKWELL) .....	50-49	1D12	WATER PUMP SEAL .....	20-44
3D12	UNIVERSAL JOINT GUARDS .....	50-53	1F17	WATER SEPARATOR .....	30-31
5D19	UPHOLSTERY, SOUND-GARD BODY .....	90-65	2E9	WATER TEMPERATURE GAUGE.....	40-68
3C25	UPPER PTO IDLER GEAR AND SHAFT .....	50-42	4G21	WEIGHT, REAR INNER WHEEL (32") (1500 LB) .....	80-11B
3C23	UPPER TRANSMISSION INPUT GEAR U-JOINT .....	50-40	4G18	WEIGHT, REAR WHEEL (INNER).....	80-9
3C24	UPPER TRANSMISSION INPUT IDLER GEAR .....	50-41	4G19	WEIGHT, REAR WHEEL (OUTSIDE) .....	80-10
3C23	UPPER TRANSMISSION INPUT SHAFT AND GEAR .....	50-40	4G20	WEIGHT, WHEEL .....	80-11
			4G20	WHEEL WEIGHT .....	80-11
			4G18	WHEEL WEIGHT, REAR (INNER).....	80-9
			4G19	WHEEL WEIGHT, REAR (OUTSIDE) .....	80-10
			4G21	WHEEL WEIGHT, REAR INNER (32") (1500 LB) .....	80-11B
			4G13	WHEEL, CAST .....	80-4
			4G11	WHEEL, DRIVE .....	80-2
			3G21	WHEEL, STEERING .....	60-4
			4G14	WHEELS, DUAL .....	80-5
			4E13	WIDE SWING DRAWBAR .....	70-80
			5D13	WINDOW LATCHES (NOT USED IN U.S. AND CANADA) .....	90-58
			5D9	WINDOW MOLDING, SOUND-GARD BODY .....	90-54
			5D9	WINDOW SEALS, SOUND-GARD BODY .....	90-54
			5D15	WINDOW, REAR SLIDING .....	90-61
1D13	V-BELT .....	20-45	5D11	WINDOWS, SOUND-GARD BODY .....	90-56
3G24	VALVE ASSEMBLY, STEERING .....	60-6	2F24	WINDSHIELD WASHER .....	40-103A
3G25	VALVE ASSEMBLY, STEERING .....	60-7	2F24	WINDSHIELD WASHER PUMP .....	40-103A
3H22	VALVE COVER, BRAKE .....	60-29	2F8	WINDSHIELD WIPER (L.H.) .....	40-92
4D12	VALVE KIT, DIRECTIONAL CONTROL (TRIPLE) .....	70-55	2F12	WINDSHIELD WIPER (R.H.) .....	40-96
1B8	VALVE SEAT INSERTS (6466) .....	20-4	2F18	WINDSHIELD WIPER ARM .....	40-99C
1B10	VALVE SEAT INSERTS (6466) .....	20-5A			

# 1B1

8430 TRACTOR

## ALPHABETICAL INDEX - CONTINUED

<i>GRID</i>		<i>PAGE</i>	<i>GRID</i>	<i>PAGE</i>
2F18	WINDSHIELD WIPER BLADE .....	40-99C		
2F18	WINDSHIELD WIPER MOTOR .....	40-99C		
2F11	WINDSHIELD WIPER MOTOR GUARD .....	40-95		
2F18	WINDSHIELD WIPER WIRING HARNESS .....	40-99C		
2F14	WINDSHIELD WIPER, R.H. ....	40-98		
2F16	WINDSHIELD WIPER, R.H. ....	40-99A		
2F20	WINDSHIELD WIPER, REAR .....	40-100		
2F21	WINDSHIELD WIPER,REAR .....	40-101		
2F14	WIPER BLADE .....	40-98		
2F16	WIPER BLADE .....	40-99A		
2F10	WIPER MOTOR SUPPRESSION KIT .....	40-94		
2F20	WIPER, REAR WINDSHIELD .....	40-100		
2F8	WIPER, WINDSHIELD (L.H.) .....	40-92		
2F12	WIPER, WINDSHIELD (R.H.).....	40-96		
2F14	WIPER, WINDSHIELD, R.H. ....	40-98		
2F16	WIPER, WINDSHIELD, R.H. ....	40-99A		
2F21	WIPER,REAR WINDSHIELD .....	40-101		
2B19	WIRE RESISTANCE SERVICE KIT .....	40-14		
2B17	WIRING ACCESSORY RELAY KIT (EARLY DESIGN).....	40-12		
2B18	WIRING ACCESSORY RELAY KIT (LATE DESIGN).....	40-13		
2B7	WIRING HARNESS .....	40-2		
2E23	WIRING HARNESS, RADIO SPEAKER .....	40-81		
2B9	WIRING HARNESS, SOUND-GARD BODY .....	40-4		
2F18	WIRING HARNESS, WINDSHIELD WIPER .....	40-99C		
2E11	WIRING HARNESS,RADAR SENSOR .....	40-70		
2G4	WIRING KIT, ELECTRICAL REMOTE CONTROL .....	40-108		
5B5	WIRING, AIR COMPRESSOR .....	90-1		
2B11	WIRING, ELECTRICAL (NOT USED IN U.S. AND CANADA) .....	40-6		
2G7	WIRING, ELECTRICAL OUTLET, 7-TERMINAL .....	40-111		
2G3	WIRING, ELECTRICAL REMOTE CONTROL.....	40-107		
2B7	WIRING, FRONT .....	40-2		
2G10	WIRING, SUPPLEMENTARY .....	40-114		
5E10	WRENCH .....	90-82		
Y				
3D1	YOKE, U-JOINT .....	50-43		
3C2	YOKE, U-JOINT CLUTCH OUTPUT .....	50-19		
3C11	YOKE, U-JOINT, PTO CLUTCH OUTPUT .....	50-30		
3D2	YOKE, U-JOINT, PTO DRIVE PINION .....	50-44		
3D5	YOKE, U-JOINT, TRANSMISSION FRONT OUTPUT .....	50-46		
3C23	YOKE, U-JOINT, UPPER TRANSMISSION INPUT .....	50-40		

---

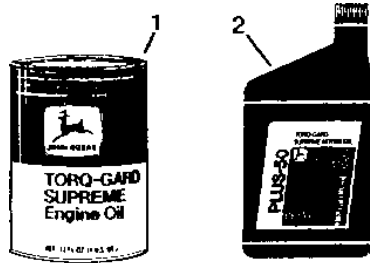
MEMORANDA

# 1B6

ENGINE

RGP3291 -UN-01JAN94

## TORQ-GARD SUPREME AND PLUS-50 ENGINE OIL



RGP 3291

TORQ-GARD SUPREME ENGINE					
KEY	PART NO.	PART NAME	QTY	SERIAL NO.	REMARKS
1	TY6359	OIL	1		(SAE 5W/30), 0.9 L (1 QUART) CAN
	TY6360	OIL	1		(SAE 5W/30), 19 L (5 GALLON) CAN
	TY6361	OIL	1		(SAE 5W/30), 208 L (55 GALLON) DRUM
	TY6364	OIL	1		(SAE 10W/30), 0.9 L (1 QUART) (BREAKIN)
	TY6297	OIL	1		(SAE 15W/40), 0.9 L (1 QUART) CAN
	TY6298	OIL	1		(SAE 15W/40), 19 L (5 GALLON) CAN
	TY6300	OIL	1		(SAE 15W/40), 114 L (30 GALLON) DRUM
	TY6301	OIL	1		(SAE 15W/40), 208 L (55 GALLON) DRUM
	TY6311	OIL	1		(SAE 10W), 0.9 L (1 QUART) CAN
	TY22009	OIL	1		(SAE 10W), 3.8 L (1 GALLON)
	TY6312	OIL	1		(SAE 10W), 19 L (5 GALLON) CAN
	TY6313	OIL	1		(SAE 10W), 208 L (55 GALLON) DRUM
	AR63979	OIL	1		(SAE 30W), 0.2 L (1 HALF PINT) CAN
	AR63218	OIL	1		(SAE 30W), 0.9 L (1 QUART) CAN
	AR63219	OIL	1		(SAE 30W), 19 L (5 GALLON) CAN
	TY6280	OIL	1		(SAE 30W), 114 L (30 GALLON) DRUM
	AR63222	OIL	1		(SAE 30W), 208 L (55 GALLON) DRUM

TORQ-GARD PLUS-50 ENGINE					
KEY	PART NO.	PART NAME	QTY	SERIAL NO.	REMARKS
2	TY6389	OIL	1		(SAE 15W/40), 0.9 L (1 QUART)
	TY22008	OIL	1		(SAE 15W/40), 3.8 L (1 GALLON)
	TY6390	OIL	1		(SAE 15W/40), 19 L (5 GALLON)
	TY22010	OIL	1		(SAE 15W/40), 113.6 L (30 GALLON)
	TY6391	OIL	1		(SAE 15W/40), 208 L (55 GALLON)
	TY6392	OIL	1		(SAE 30W), 0.9 L (1 QUART)
	TY22007	OIL	1		(SAE 30W), 3.8 L (1 GALLON)
	TY6393	OIL	1		(SAE 30W), 19 L (5 GALLON)
	TY22011	OIL	1		(SAE 30W), 113.6 L (30 GALLON)
	TY6394	OIL	1		(SAE 30W), 208 L (55 GALLON)
	..	TY22041	OIL	1	
..	TY22042	OIL	1		(SAE 10W/30), 208 L (55 GALLON) (FACTORY SPEC. BREAKIN)

KITS (NOT ILLUSTRATED) ENGINE					
KEY	PART NO.	PART NAME	QTY	SERIAL NO.	REMARKS
..	AR41785	KIT	1		CONTAINS 0.9 L (1 QT.) CAN OF INTERNAL CORROSION INHIBITOR, 1 ROLL OF TAPE, AND 6 PLASTIC BAGS (OFF-SEASON STORAGE)
..	AR41870	RUST INHIBITOR	1		0.9 L (1 QT.) CAN, (SUB AR41785)
..	AR21969	KIT	1		(DUST CAP/COVER KIT)

---

MEMORANDA

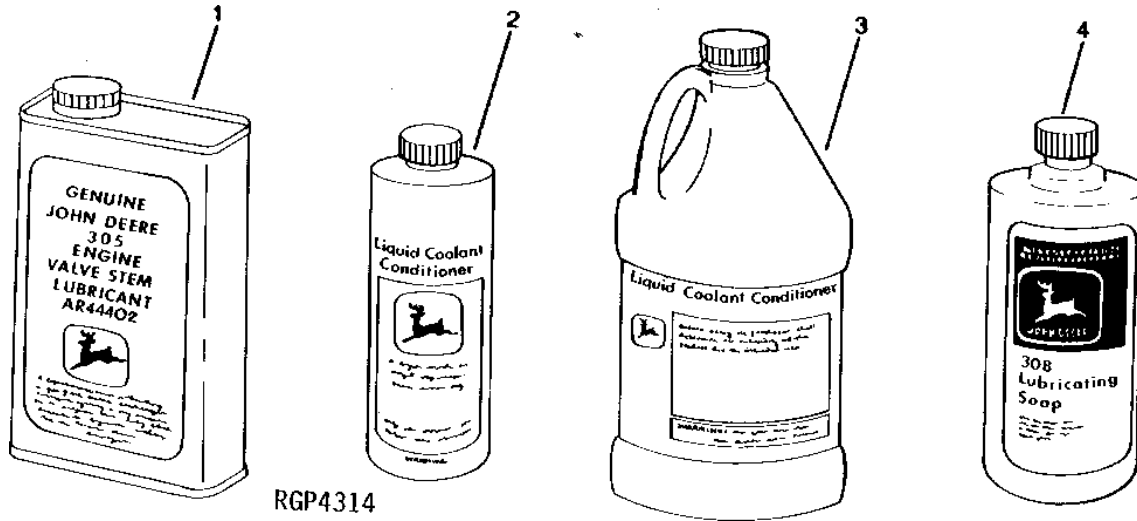


# 1B7

ENGINE

RGP4314 -UN-01JAN94

## COOLANT CONDITIONER AND ENGINE PART LUBRICANTS



### VALVE STEM LUBRICANT

KEY	PART NO.	PART NAME	QTY	SERIAL NO.	REMARKS
1	AR44402	OIL	1	0.9 L (1 QT.)	

### COOLANT CONDITIONER

KEY	PART NO.	PART NAME	QTY	SERIAL NO.	REMARKS
2	RE23182	ENGINE COOLANT CONDITIONER	1	0.473 L (16 OZ.) (PHOSPHATE - FREE) (SUB TY16004)	
	TY16004	ENGINE COOLANT CONDITIONER	1	0.472 L (16 OZ.)	
3	RE35992	ENGINE COOLANT CONDITIONER	1	3.8 L (1 GAL.) (PHOSPHATE - FREE) (SUB TY16005)	
..	TY16005	ENGINE COOLANT CONDITIONER	1	1.9 L (1/2 GAL.)	

### CYLINDER LINER PACKING LUBRICANT

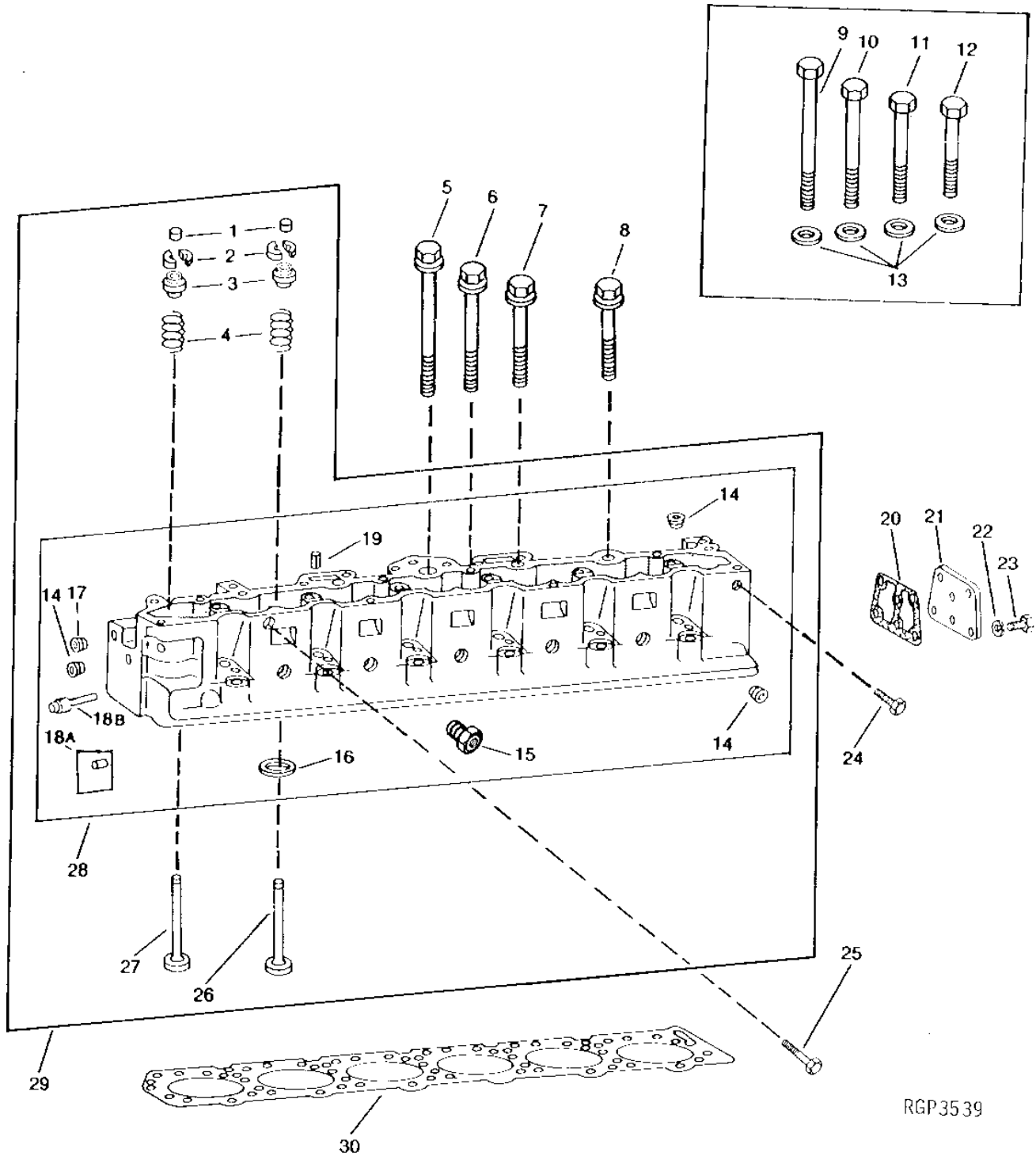
KEY	PART NO.	PART NAME	QTY	ENGINE SERIAL NO.	REMARKS
4	AR54749	LUBRICANT	1	0.9 L (1 QT.)	

# 1B8

ENGINE

## CYLINDER HEAD AND VALVES (6466A)

RGP3539 -UN-01JAN94



# 1B9

ENGINE

## CYLINDER HEAD AND VALVES - CONTINUED

KEY	PART NO.	PART NAME	QTY	ENGINE SERIAL NO.	REMARKS
1	T20129	CAP	12		
2	T20077	RETAINER	24		
3	RE11410	ROTATOR	12		(SUB FOR AR41006)
4	R26125	SPRING	12		
5	R88045	SCREW	7	348831-	(A) (9/16" X 7.4")
	R121322	SCREW	7		(B) (MARKED "SPECIAL") (9/16" X 7.4")
6	R88044	SCREW	8	348831-	(A) (9/16" X 6.3")
	R121321	SCREW	8		(B) (MARKED "SPECIAL") (9/16" X 6.3")
7	R88043	SCREW	5	348831-	(A) (9/16" X 5.3")
	R88043	SCREW	11	348831-	(A) (9/16" X 5.3") (USE WITH R87555, R87556, R87557 OR R87559)
	R121320	CAP SCREW	11		(B) (MARKED "SPECIAL") (9/16" X 5.3")
8	R88042	SCREW	6		(A) (9/16" X 3.2")
9	R62420	SCREW	7	-348830	(A) (9/16" X 7.4") (SUB R88045)
10	R62419	SCREW	8	-348830	(A) (9/16" X 6.3") (SUB R88044)
11	R62418	SCREW	5	-317192	(A) (9/16" X 5.3") (SUB R88043)
	R62418	SCREW	11	317193-348830	(A) (9/16" X 5.3") (USE WITH R87564, R87555, R87556, R87557 OR R87559) (SUB R88043)
12	R62421	SCREW	6	-317192	(A) (9/16" X 3.3") (SUB R88042)
13	R76126	WASHER	26	-348830	(A) 14.681 X 25.400 X 2.667 MM (37/64" X 1" X 0.105") (SUB FOR R42364) (USE WITH R62418, R62419, R62420, R62421, R64530 OR R78505)
14	15H690	PIPE PLUG	11		3/4", (SUB FOR AR72318)
15	R76491	PIPE PLUG	1	XXXXXX-	(SUB FOR RE10132)
16	R78702	VALVE SEAT INSERT	12		STD (SUB FOR R50356, APPL)
	R82508	VALVE SEAT INSERT	12		0.25 MM (.010") OS (SUB FOR R55061, APPL)
17	15H624	PIPE PLUG	6		1/2", (SUB FOR AR72319)
18A	F1743R	DOWEL PIN	1	-357406	
18B	AT107509	PLUG	1	357407-	
19	34H387	SPRING PIN	1		3/16" X 3/4"
20	R43595	GASKET	1		
21	R51347	COVER	1		
22	12H331	LOCK WASHER	6		3/8"
23	19H2284	CAP SCREW	6		3/8" X 7/8"
24	19H1756	CAP SCREW	2		5/8" X 1-1/2", (SUB FOR R45693)

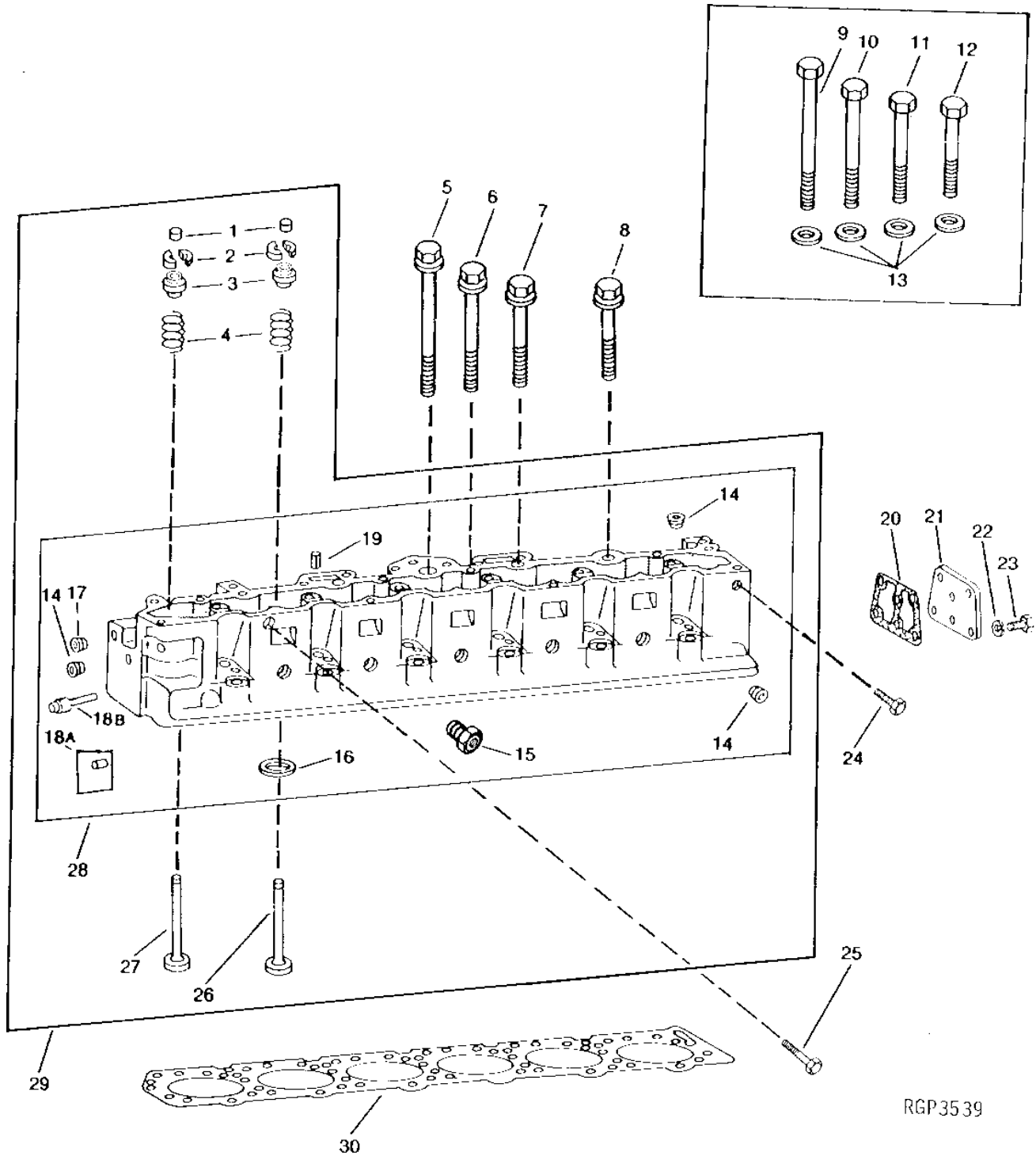
(A) USE WITH BLOCKS MARKED BELOW R122724  
 (B) USE WITH BLOCKS MARKED R122724 AND ABOVE

# 1B10

ENGINE

## CYLINDER HEAD AND VALVES (6466A)

RGP3539 -UN-01JAN94



RGP3539

# 1B11

ENGINE

## CYLINDER HEAD AND VALVES - CONTINUED

KEY	PART NO.	PART NAME	QTY	ENGINE SERIAL NO.	REMARKS
25	19H2367	CAP SCREW	1		5/8" X 3/4", (SUB FOR R45692, ALL OTHERS)
	19H3651	SCREW	1		5/8" X 1-1/4", (SUB FOR RE10901) (8450)
26	R50357	EXHAUST VALVE	6		STD
	R55056	EXHAUST VALVE	6		0.08 MM (.003") OS
	R55058	EXHAUST VALVE	6		0.38 MM (.015") OS
	R55060	EXHAUST VALVE	6		0.76 MM (.030") OS
27	R50358	INTAKE VALVE	6		STD
	R55055	INTAKE VALVE	6		0.08 MM (.003") OS
	R55057	INTAKE VALVE	6		0.38 MM (.015") OS
	R55059	INTAKE VALVE	6		0.76 MM (.030") OS
28	AR103505	CYLINDER HEAD	1		(MARKED R61521, R76384 OR R86696) (SUB FOR AR81615)
29	RE11470	CYLINDER HEAD	1		(MARKED R76384 OR R86696)
30	RE47336	GASKET	1		(SUB FOR R55182, RE34010 OR R80026)

(A) USE WITH R54720,R60552,R62907,R63198,R64530,R65693,R65733,R65734,R71685,R71688,R71689,R72131,  
R72132,R72133,R74352,R78505 OR R80481

(B) USE WITH R87554,R87555,R87556,R87557,R87558,R87559,R87560,R87562,R87563 OR R87564,  
BUT BELOW R122724

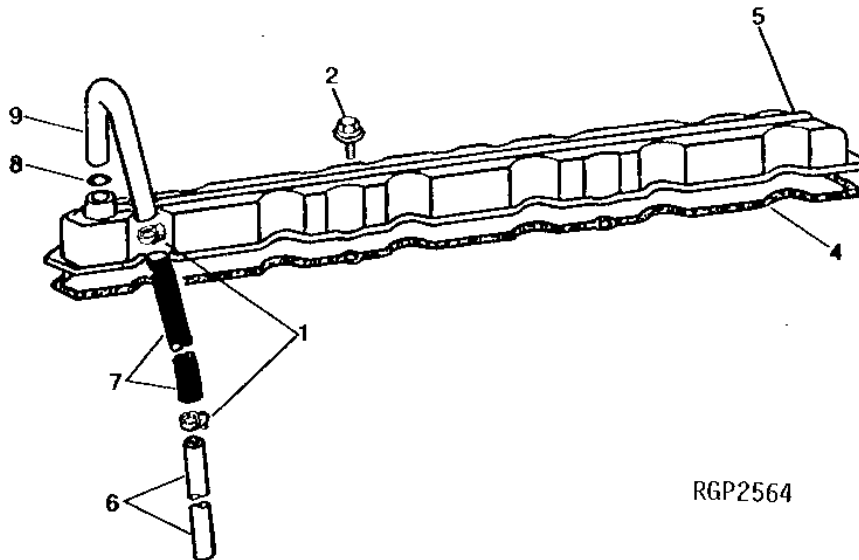
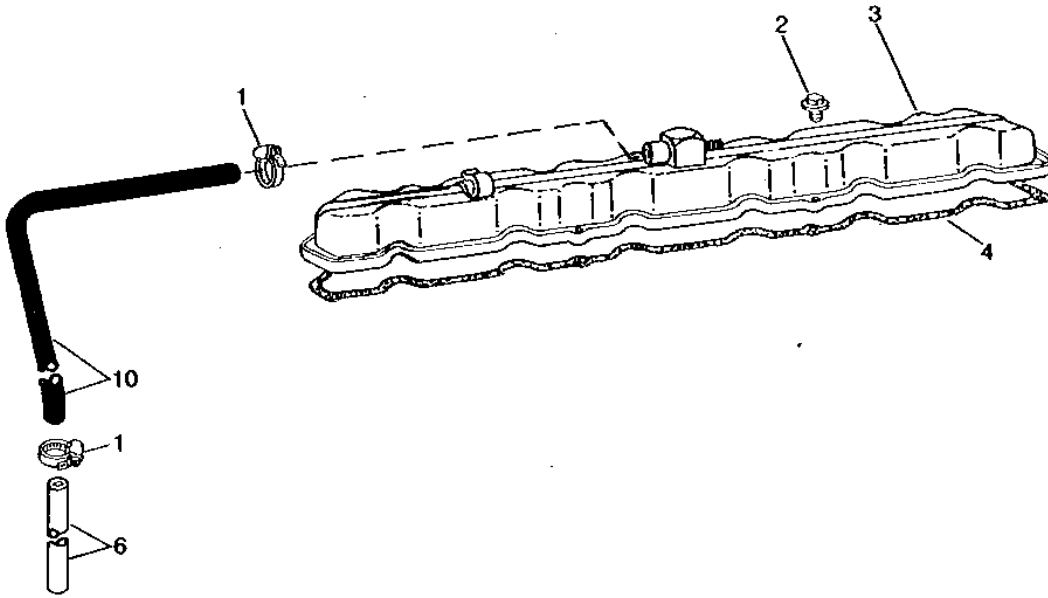
(C) USE WITH BLOCKS MARKED R122724 AND ABOVE

# 1B12

ENGINE

## ROCKER ARM COVER AND VENTILATOR TUBE (6466A)

RGP2564 -UN-01JAN94



RGP2564

# 1B13

ENGINE

**ROCKER ARM COVER AND VENTILATOR TUBE - CONTINUED  
(6466A)**

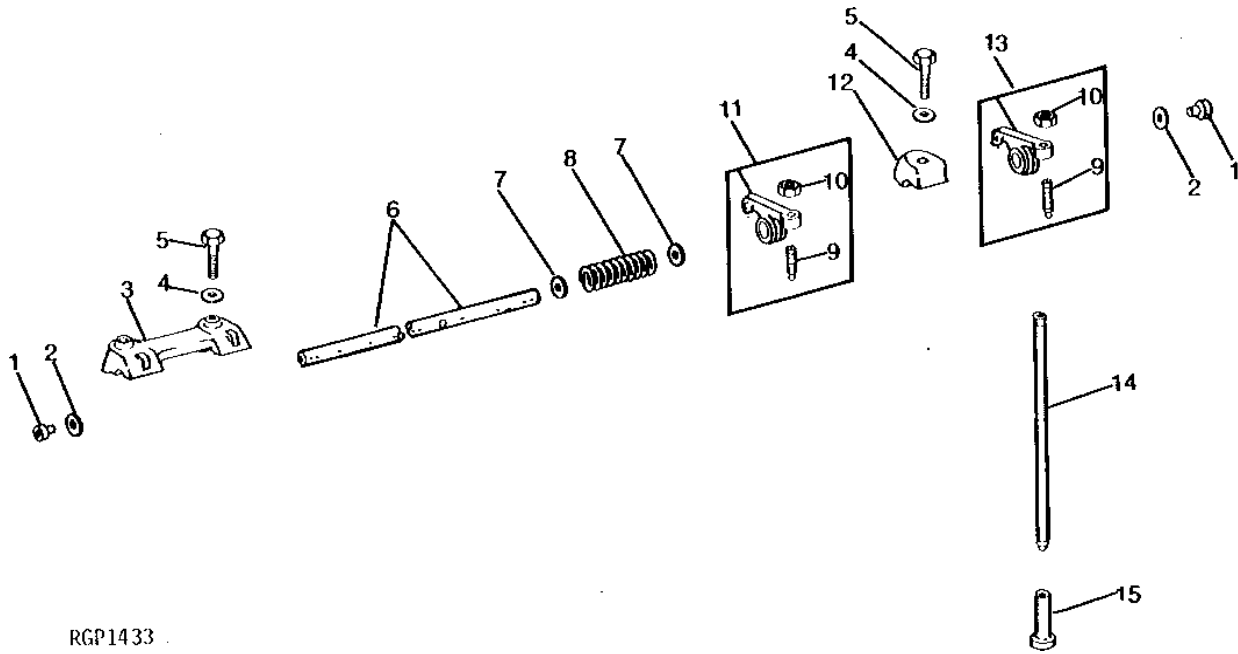
KEY	PART NO.	PART NAME	QTY	ENGINE SERIAL NO.	REMARKS
1	TY22467	CLAMP	2		(SUB FOR AR21839) (1 USED 4640, 4840, 8440)
2	AR103811	SCREW, WITH WASHER	8		(SUB FOR AR45530)
3	RE37448	COVER	1	001267-	(SUB FOR AR73677 OR AR93172)
4	R49866	GASKET	1		(SUB FOR R32593)
5	AR26516	COVER	1	-001266	
6	R50388	TUBE	1		
7	R50389	HOSE	1	-001266	
8	R495R	O-RING	1	-001266	
9	R50387	LINE	1	-001266	
10	R99793	HOSE	1	001267-	(SUB FOR R60753) (SUB TY22450)
	TY22450	BULK HOSE	AR		(BULK)

# 1B14

ENGINE

## ROCKER ARMS AND ROCKER ARM SHAFT (6466)

RGP1433 -UN-01JAN94



RGP1433

KEY	PART NO.	PART NAME	QTY	ENGINE SERIAL NO.	REMARKS
1	R54565	PLUG	2		
2	R26081	WASHER	2		
3	R65553	CLAMP	2	073297-	
4	R26559	WASHER	6		
5	19H1740	CAP SCREW	6		7/16" X 1-3/4"
6	R70826	ROCKER ARM SHAFT	1		(SUB FOR R54564 OR R60650)
7	R71208	WASHER	10		19.500 X 26 X 0.910 MM (0.768" X 1.024" X 0.036")
8	R26079	SPRING	5		
9	R27443	SET SCREW	12		
10	14H846	NUT	12		3/8"
11	AR54905	ROCKER ARM	6		(A) (1I, 2E, 3I, 4E, 5I, 6E) (LH)
12	R26748	CLAMP	6	-073296	
	R26748	CLAMP	2	073297-	
13	AR54904	ROCKER ARM	6		(A) (1E, 2I, 3E, 4I, 5E, 6I) (RH)
14	AR40680	PUSH ROD	12	-320189	(SUB R85027)
	R85027	PUSH ROD	12	320190-	
15	R52773	CAM FOLLOWER	12		

(A) E - (EXHAUST VALVE) I - (INTAKE VALVE)

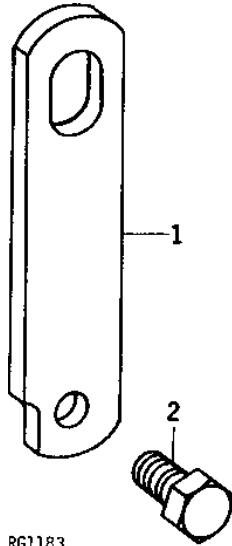


# 1B15

ENGINE

## LIFT STRAPS (6466)

RG1183 -UN-01JAN94



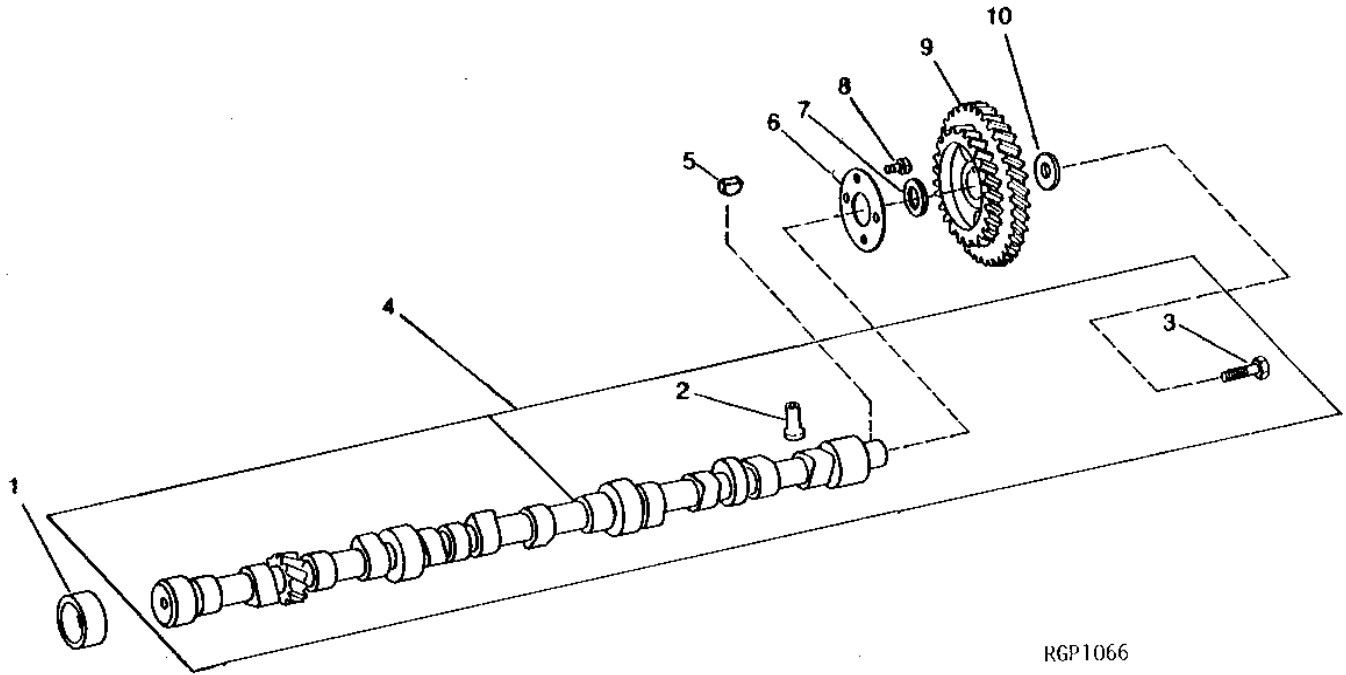
KEY	PART NO.	PART NAME	QTY	ENGINE SERIAL NO.	REMARKS
1	R61497	STRAP	AR		
2	19H1756	CAP SCREW	AR	5/8" X 1-1/2", (SUB FOR R45693 OR RE10901, APPL)	

# 1B16

ENGINE

## CAMSHAFT AND GEAR (6466)

RGP1066 -UN-01JAN94



RGP1066

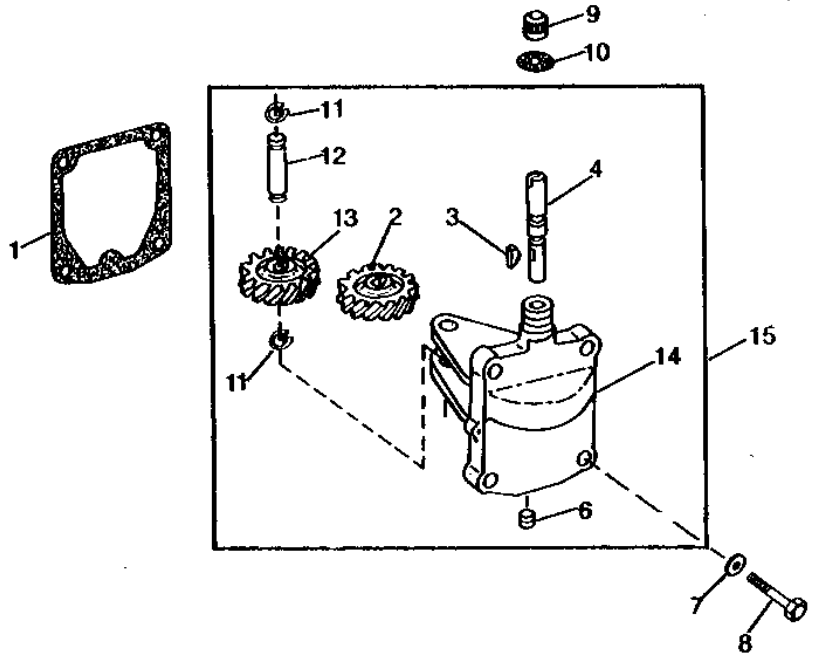
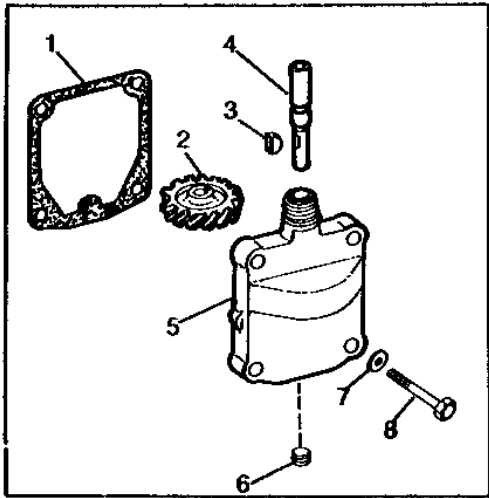
KEY	PART NO.	PART NAME	QTY	ENGINE SERIAL NO.	REMARKS
1	R46903	BUSHING	4		
2	R52773	CAM FOLLOWER	12		
3	19H1721	CAP SCREW	1	-001123	1/2" X 1-1/2"
	19H1777	CAP SCREW	1	001124-	1/2" X 1-3/4", (USE WITH R64086 OR R65565)
	R93238	CAP SCREW	1		12.700 X 50.800 MM (1/2" X 2") (USE WITH R71530, R71531, R71529 OR R77259) (SUB FOR 19H1831 OR R79850, THIS APPLICATION)
4	AR74144	CAMSHAFT	1	-XXXXXX	(MARKED R59420, R61150 OR R71531) (SUB AR100385, APPL) (SUB FOR AR71709)
	AR100385	CAMSHAFT	1	XXXXXX-	(MARKED R64086, R71529, R77259 OR R78316) (SUB FOR AR79610)
5	26H72	SHAFT KEY	1		1/8" X 5/8"
6	R42355	THRUST WASHER	1		
7	R42356	WASHER	1		
8	19H1813	CAP SCREW	1		5/16" X 5/8"
9	AR87700	GEAR	1		(SUB FOR AR71243, AR74292 OR AR87699)
10	R35256	WASHER	1		

# 1B17

ENGINE

## TACHOMETER DRIVE (6466AR)

RGP1753 -UN-01JAN94



RGP1753

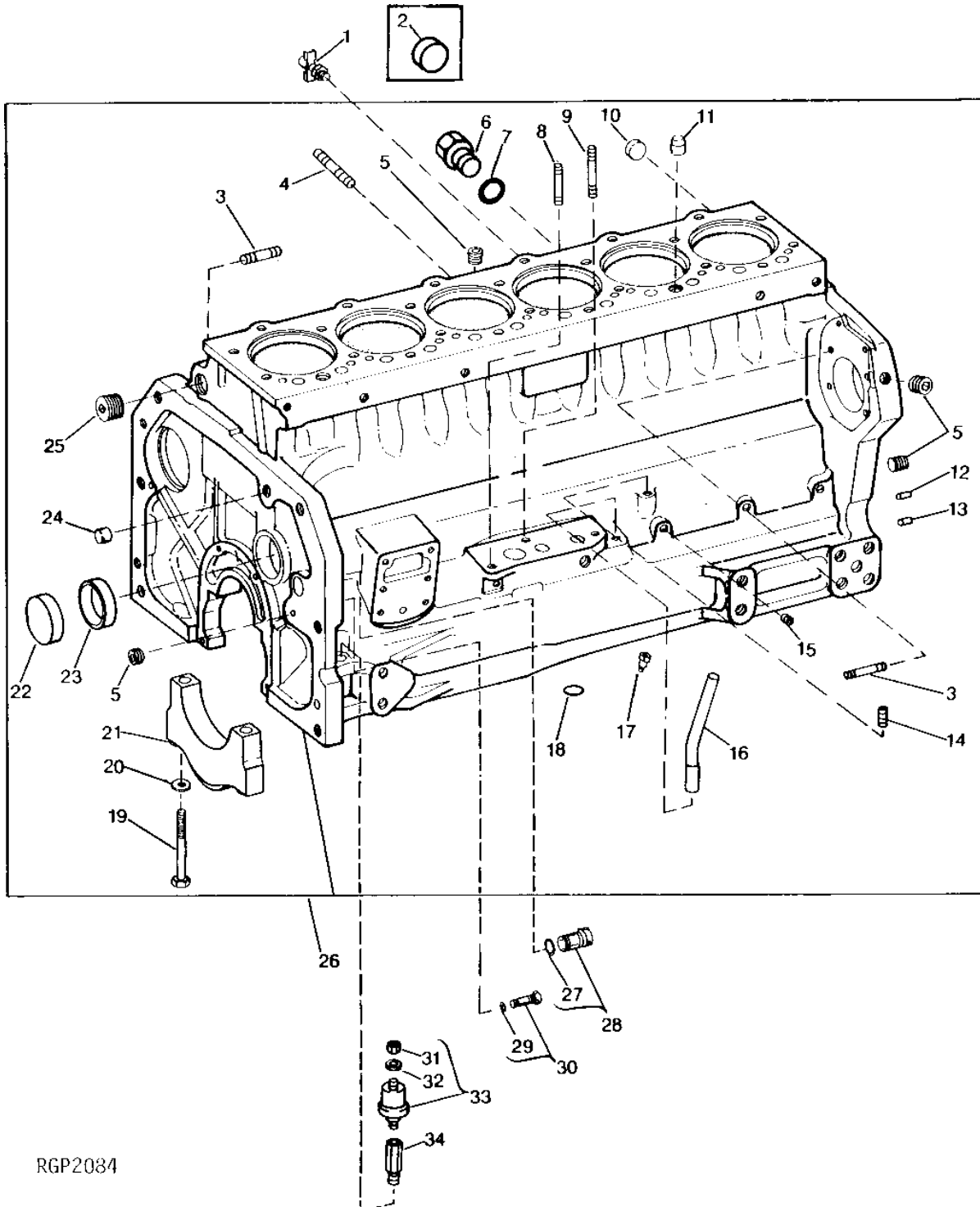
KEY	PART NO.	PART NAME	QTY	ENGINE SERIAL NO.	REMARKS
1	R62410	GASKET	1		
2	R32426	GEAR	1		
3	26H3	SHAFT KEY	1		3/32" X 3/8"
4	R26172	SHAFT	1		
5	R43851	HOUSING	1	-161132	
6	15H559	PIPE PLUG	1		1/4"
7	24H1303	WASHER	4		13/32" X 11/16" X 0.065"
8	19H1732	CAP SCREW	4		3/8" X 1-1/4"
9	B3362R	CAP	1	161133-	
10	B3285R	WASHER	1	161133-	
11	R72655	SNAP RING	2	161133-	(SUB FOR T12808)
12	R63287	GROOVE PIN	1	161133-	
13	R89785	GEAR	1	161133-	(SUB FOR R63286)
14	R63285	HOUSING	1	161133-	
15	RE29234	HOUSING	1	161133-	(SUB FOR AR80682)

# 1B18

ENGINE

## CYLINDER BLOCK, FITTINGS AND MAIN BEARING CAPS (6466AR 01, 06 ESN -161132)

RGP2084 -UN-16NOV94



RGP2084

# 1B19

ENGINE

**CYLINDER BLOCK, FITTINGS AND MAIN BEARING CAPS - CONTINUED**  
(6466AR 01, 06 ESN -161132)

KEY	PART NO.	PART NAME	QTY	ENGINE SERIAL NO.	REMARKS
1	AT13740	DRAIN VALVE	1		
2	AR80294	PLUG	1		(USE WITH R65734)
3	R114130	STUD	5		3/8" X 1-11/16", (SUB FOR R55396)
4	R50375	STUD	2		5/16" X 3"
5	15H624	PIPE PLUG	4		1/2" 1/2", (SUB FOR AR72319)
6	R39741	DRAIN PLUG	1		(USE WITH R72131) (USE WITH BLOCK MARKED R72131)
7	U13639	O-RING	1		(USE WITH R72131) (USE WITH BLOCK MARKED R72131)
8	R106859	STUD	1		3/8" X 2-3/4", (SUB FOR F3646R OR R26622)
9	R55395	STUD	1		3/8" X 3-5/8"
10	15H690	PIPE PLUG	2		3/4" 3/4", (TRACTOR LESS HEATER) (SUB FOR AR72318)
11	15H690	PIPE PLUG	1		(SUB FOR AR72318)
	R42340	BUSHING	2		
12	R1612R	DOWEL PIN	2		
13	F1743R	DOWEL PIN	2		
14	R104592	PIPE PLUG	1		
15	R104592	PIPE PLUG	4		(SUB FOR R21630, APPL)
16	AR71850	DIPSTICK TUBE	1		
17	R43621	ORIFICE	6		
18	R71732	O-RING	1		(SUB FOR R50378)
19	R42365	BOLT	14		
20	R70268	WASHER	14		(SUB FOR R42363)
21	R57158	BEARING CAP	6		MAIN
22	R57159	BEARING CAP	1		MAIN THRUST
	R26115	CAP	1		
23	R46903	BUSHING	4		
24	R43634	DOWEL PIN	1	-022455	
	R61288	DOWEL PIN	1	022456-	
25	15H686	PIPE PLUG	1		1" 1", (SUB FOR AR78522)
26	AR71567	CYLINDER BLOCK	1	-022396	(MARKED R54270) (SUB RE28309, R54123, U13639, AR92392, AR77554, (4) 19H1782, (4) R78019 AND (6) R88043)
	AR82446	CYLINDER BLOCK	1	022397-XXXXXX	(MARKED R60552) (SUB RE28309, R54123, U13639 AND (6) R88043) (8430)
	AR84747	CYLINDER BLOCK	1	XXXXXX-XXXXXX	(MARKED R65734) (SUB RE28309 AND (6) R88043) (ALSO ORDER R54123 AND U13639) (8430, 8440)
	AR94843	CYLINDER BLOCK	1	XXXXXX-	(MARKED R72131) (SUB RE28309 AND (6) R88043) (8430, 8440)
	RE28309	CYLINDER BLOCK	1		(MARKED R87559 OR R87564) (8430, 8440)
27	R27149	O-RING	1		
28	AR61533	PLUG	1		
29	A4365R	O-RING	1		
30	AR61589	PLUG	1		
31	14H631	NUT	1		0.190"
32	12H295	LOCK WASHER	1		0.190"
33	RE15583	ENGINE OIL PRESSURE SENDER	1		OIL PRESSURE, (SUB FOR AR58234) (ONE PRONG)
	RE12175	SENSOR	1		(THREE PRONGED)
	RE12332	CONNECTOR	1		(USE WITH RE12175)
34	R53014	FITTING	1		



# 1B21

ENGINE

**ENGINE SHORT BLOCK - CONTINUED**  
**(SHORT BLOCK SERIAL NO. -530500)**

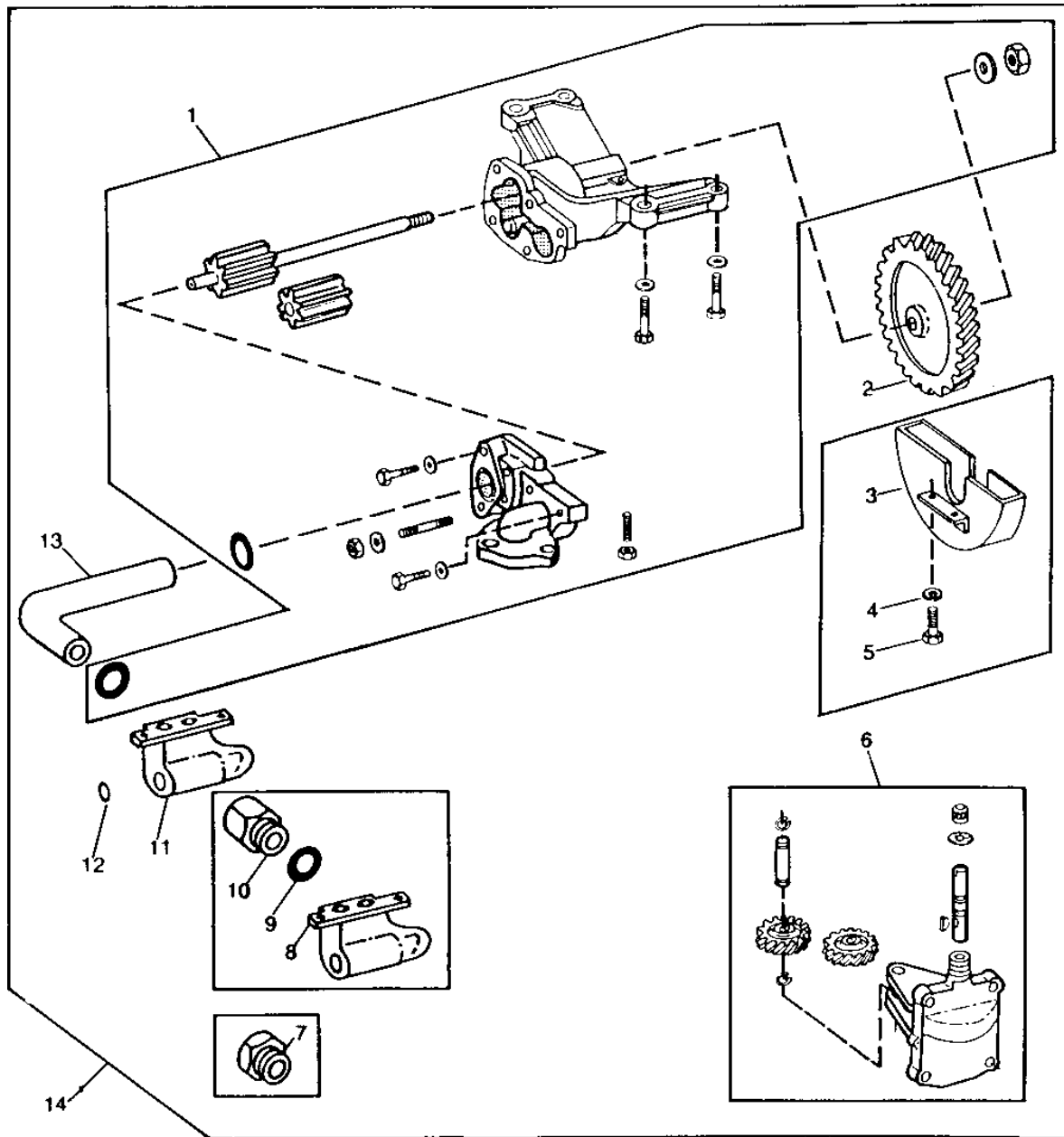
KEY	PART NO.	PART NAME	QTY	ENGINE SERIAL NO.	REMARKS
1	RE28293	SHORT BLOCK ASSEMBLY	1	-022396	(MARKED R54270) (SUB RE53486 AND AR103298) (ALSO ORDER AR92392, AR77555, (4) 19H1782, (4) R78019, R76547, RE10090 AND (6) R88043)
	RE28293	SHORT BLOCK ASSEMBLY	1	022397-XXXXXX	(MARKED R60552) (SUB RE53486 AND AR103298) (ALSO ORDER (4) R78019, (4) 19H3167, R76547, RE10090 AND (6) R88043)
	RE28293	SHORT BLOCK ASSEMBLY	1		(MARKED R65734) (SUB RE53486 AND AR103298) (ALSO ORDER (4) R78019, (4) 19H3167, R76547, RE10090 AND (6) R88043)

# 1B22

ENGINE

## SHORT BLOCK INSTALLATION KIT (CRANK DRIVEN OIL PUMP)

RGP1971 -UN-02JAN94



RGP1971



# 1B23

ENGINE

SHORT BLOCK INSTALLATION KIT - CONTINUED  
(CRANK DRIVEN OIL PUMP)

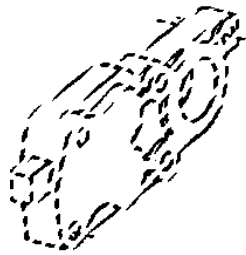
KEY	PART NO.	PART NAME	QTY	ENGINE SERIAL NO.	REMARKS
1	AR96190	OIL PUMP	1		(SUB RE44118, RE53510, R100569, R119364, (4) R57696, R71732, (2) 19H2545 AND (2) 19H2549)
2	R62938	GEAR	1		
3	AR77713	SHIELD	1		(NO LONGER REQUIRED)
4	12H303	LOCK WASHER	2		5/16", (NO LONGER REQUIRED)
5	19H1813	CAP SCREW	2		5/16" X 5/8", (NO LONGER REQUIRED)
6	RE29234	HOUSING	1		(SUB FOR AR80682)
7	R54123	ADAPTER	1		(COOLANT HEATER)
8	R62954	HOUSING	1		(SUB R78134)
9	U13639	O-RING	1		
10	R65683	FITTING	1		
11	R78134	HOUSING	1		(SUB FOR R62954)
12	U17409	O-RING	1		
13	R62952	OIL TUBE	1		
14	AR103298	KIT	1		

# 1B24

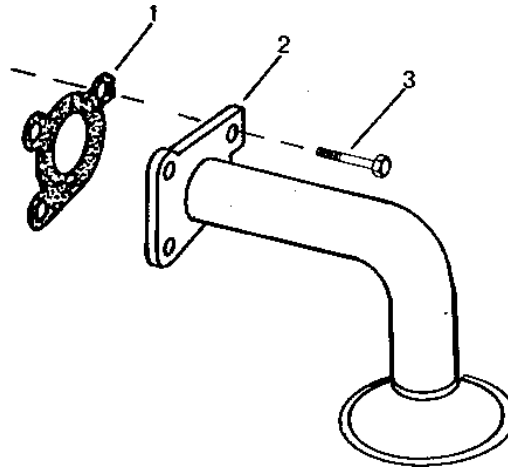
ENGINE

RGP3827 -UN-01JAN94

## ENGINE OIL PUMP INTAKE (LATE DESIGN)



RGP3827



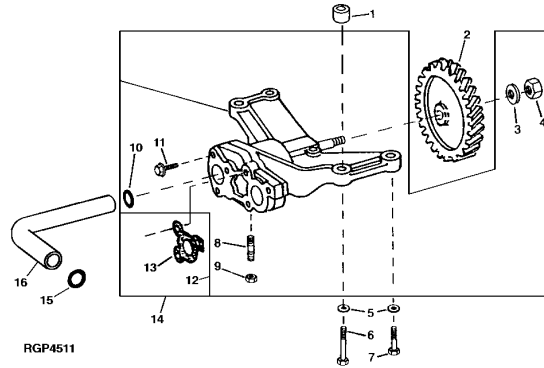
KEY	PART NO.	PART NAME	QTY	ENGINE SERIAL NO.	REMARKS
1	R100569	GASKET	1		
2	RE42637	OIL PUMP INTAKE	1		(FLAT BOTTOM INSIDE OIL PAN) (USE WITH RE44118)
	RE53510	OIL PUMP INTAKE	1		(BOTTOM OF OIL PAN INSIDE - NOT FLAT) (USE W/ RE44118)
3	R104628	CAP SCREW	3		

# 1B25

ENGINE

## ENGINE OIL PUMP (LATE DESIGN) (CRANKSHAFT DRIVEN) - CONTINUED (6466)

RGP4511 -UN-16JUN95



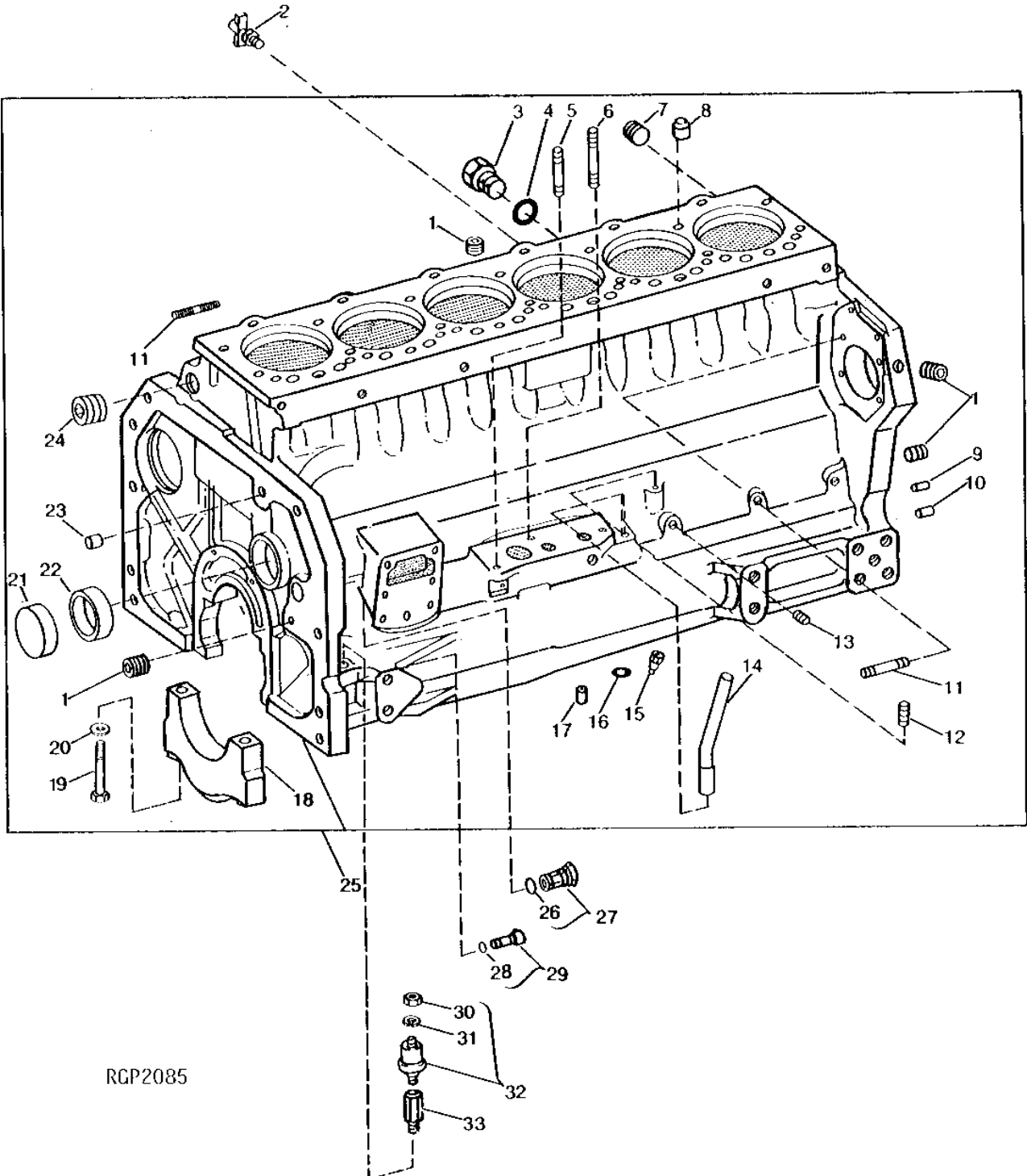
KEY	PART NO.	PART NAME	QTY	ENGINE SERIAL NO.	REMARKS
1	R62930	BUSHING	2		
2	R62938	GEAR	1		
3	T21242	WASHER	1		
4	14H826	NUT	1		
5	R57696	WASHER	4		
6	19H2549	CAP SCREW	2	3/8" X 1-7/8"	
7	19H3219	CAP SCREW	2	3/8" X 1-3/8"	
8	22H1040	SET SCREW	1	5/16" X 1-1/4"	
9	14H785	NUT	1	5/16"	
10	R71732	O-RING	1		
11	R104628	CAP SCREW	2		
	R104628	CAP SCREW	3		(INTAKE COVER TO HOUSING)
12	RE44118	OIL PUMP	1		(SUB FOR AR99341 OR AR96190) (SUB RE60622)
13	R100569	GASKET	1		
14	RE60622	OIL PUMP	1		
15	R71732	O-RING	1		
16	R62952	OIL TUBE	1		

# 1C1

ENGINE

CYLINDER BLOCK, FITTINGS AND MAIN BEARING CAPS  
(6466AR 01,06,13,14,17,18 ESN 161133- ) (SHORT BLOCK SERIAL NO. 530501- )  
(WITHOUT HEAD BOLTS)

RGP2085 -UN-01JAN94



RGP2085

# 1C2

ENGINE

**CYLINDER BLOCK, FITTINGS AND MAIN BEARING CAPS - CONTINUED**  
**(6466AR 01,06,13,14,17,18 ESN 161133- ) (S.B.S.N. 530501- )**  
**(WITHOUT HEAD BOLTS)**

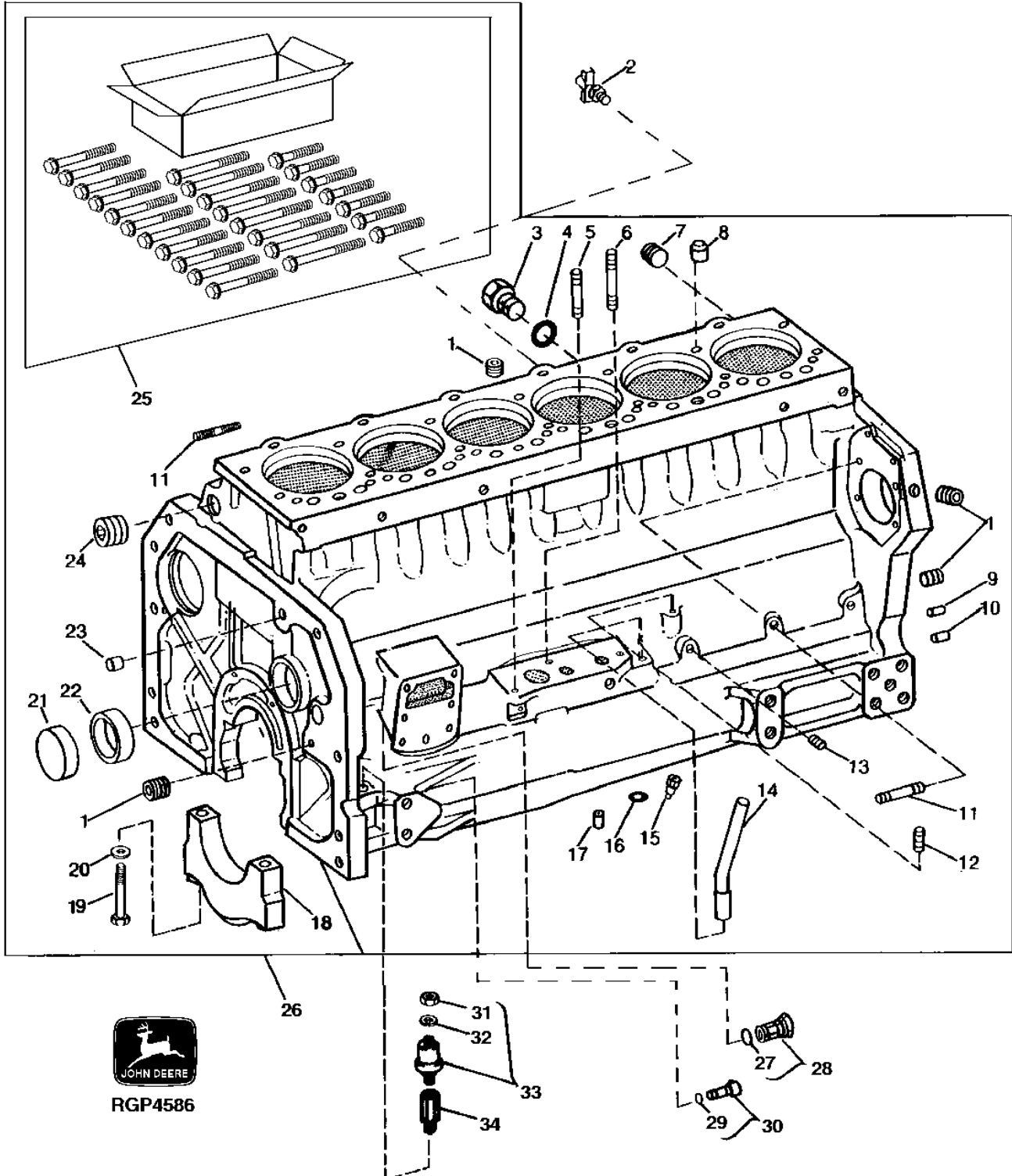
KEY	PART NO.	PART NAME	QTY	ENGINE SERIAL NO.	REMARKS
1	15H624	PIPE PLUG	4		1/2" 1/2", (SUB FOR AR72319)
2	AT13740	DRAIN VALVE	1		
3	R39741	DRAIN PLUG	1		
4	U13639	O-RING	1		
5	R106859	STUD	1		3/8" X 2-3/4", (SUB FOR F3646R OR R26622)
6	R55395	STUD	1		3/8" X 3-5/8"
7	15H690	PIPE PLUG	1		3/4" 3/4", (SUB FOR AR72318)
8	R42340	BUSHING	2		
9	R1612R	DOWEL PIN	2		
10	F1743R	DOWEL PIN	2		
11	R114130	STUD	5		3/8" X 1-11/16", (SUB FOR R55396)
12	R104592	PIPE PLUG	1		
13	R104592	PIPE PLUG	4		(SUB FOR R21630, APPL)
14	AR71850	DIPSTICK TUBE	1		(NOT USED 8450)
15	R43621	ORIFICE	6		
16	R71732	O-RING	1		
17	R62930	BUSHING	2		
18	R57158	BEARING CAP	6		MAIN
	R57159	BEARING CAP	1		MAIN THRUST
19	R42365	BOLT	14		
20	R70268	WASHER	14		(SUB FOR R42363)
21	R26115	CAP	1		
22	R46903	BUSHING	4		
23	R61288	DOWEL PIN	1		
24	15H562	PIPE PLUG	1		1", (SUB FOR AR78522)
25	AR98843	CYLINDER BLOCK	1	-231857	(MARKED R62907 OR R74352) (SUB FOR AR96198) (SUB RE65074, (4) R78019, (4) 19H3167 AND R76547)
	AR100957	CYLINDER BLOCK	1	231858-317193	(MARKED R71689) (SUB FOR AR98843) (SUB RE65074, (4) R78019, (4) 19H3167 AND R76547)
	RE28311	CYLINDER BLOCK	1	317194-	(MARKED R87564) (SUB RE65074)
	RE60443	CYLINDER BLOCK	1		(MARKED R122735) (SUB RE65074)
	RE65074	CYLINDER BLOCK	1		(MARKED R122735) (INCLUDES (26) HEAD BOLTS)
26	R27149	O-RING	1		
27	AR61533	PLUG	1		
28	A4365R	O-RING	1		
	R50894	O-RING	2	310900-312200	(AS REQUIRED) (8450)
29	AR61589	PLUG	1		
30	14H631	NUT	1		0.190", (4640,4650,4840,4850,8430,8450)
31	12H295	LOCK WASHER	1		0.190", (4640,4650,4840,8430,8450)
32	RE15583	ENGINE OIL PRESSURE SENDER	1		(OIL) (SUB FOR AR58234) (4640,4650,4840,4850,8430) (ONE PRONG)
	RE12175	SENSOR	1		(OIL) (THREE PRONGED)
	RE12332	CONNECTOR	1		(USE WITH RE12175)
33	R53014	FITTING	1		(4640,4650,4840,4850,8430)

# 1C3

ENGINE

## REPLACEMENT CYLINDER BLOCK, FITTINGS AND MAIN BEARING CAPS (WITH HEAD BOLTS)

RGP4586 -UN-16OCT95



# 1C4

ENGINE

REPLACEMENT CYLINDER BLOCK, FITTINGS AND MAIN BEARING CAPS - CONTINUED  
(WITH HEAD BOLTS)

KEY	PART NO.	PART NAME	QTY	ENGINE SERIAL NO.	REMARKS
1	15H624	PIPE PLUG	4		1/2" 1/2"
2	AT13740	DRAIN VALVE	1		
3	R39741	DRAIN PLUG	1		
4	U13639	O-RING	1		
5	R106859	STUD	1		3/8" X 2-3/4"
6	R55395	STUD	1		3/8" X 3-5/8"
7	15H690	PIPE PLUG	1		3/4" 3/4"
8	R42340	BUSHING	2		
9	R1612R	DOWEL PIN	2		
10	F1743R	DOWEL PIN	2		
11	R114130	STUD	5		3/8" X 1-11/16"
12	R104592	PIPE PLUG	1		
13	R104592	PIPE PLUG	4		
14	AR71850	DIPSTICK TUBE	1		(NOT USED 8450)
15	R43621	ORIFICE	6		
16	R71732	O-RING	1		
17	R62930	BUSHING	2		
18	R57158	BEARING CAP	6		MAIN
	R57159	BEARING CAP	1		MAIN THRUST
19	R42365	BOLT	14		
20	R70268	WASHER	14		
21	R26115	CAP	1		
22	R46903	BUSHING	4		
23	R61288	DOWEL PIN	1		
24	15H686	PIPE PLUG	1		1"
25	RG24025	KIT	1		
26	RE65074	CYLINDER BLOCK	1		(MARKED R122735) (INCLUDES (26) HEAD BOLTS)
27	R27149	O-RING	1		
28	AR61533	PLUG	1		
29	A4365R	O-RING	1		
	R50894	O-RING	2	310900-312200	(AS REQUIRED) (8450)
30	AR61589	PLUG	1		
31	14H631	NUT	1		0.190", (4650,8430,8450)
32	12H295	LOCK WASHER	1		0.190", (4650,8430,8450)
33	RE15583	ENGINE OIL PRESSURE SENDER	1		(OIL) (4650,4850,8430) (ONE PRONG)
	RE12175	SENSOR	1		(OIL) (THREE PRONGED)
	RE12332	CONNECTOR	1		(USE WITH RE12175)
34	R53014	FITTING	1		(4650,4850,8430)

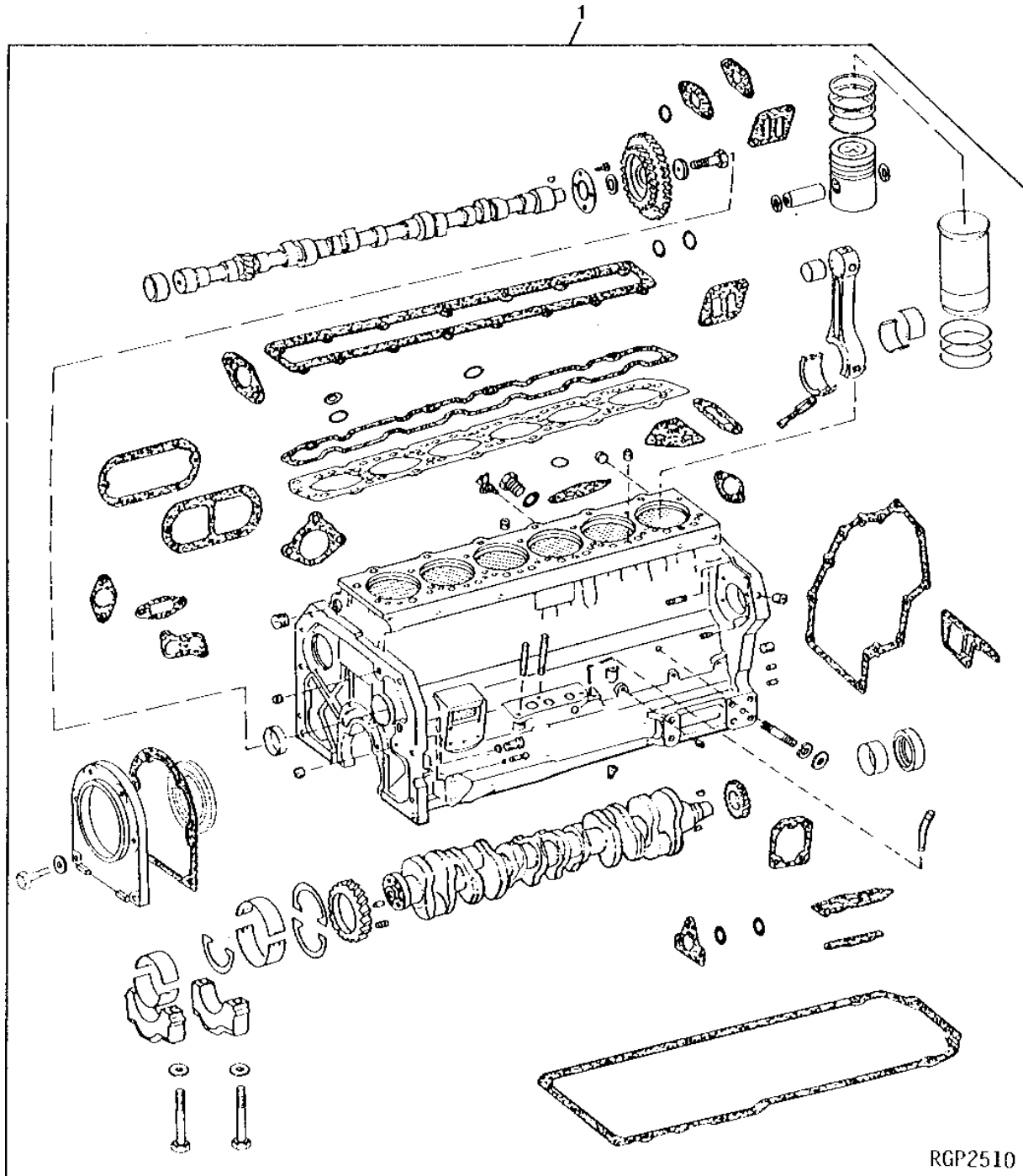
# 1C5

ENGINE

ENGINE SHORT BLOCK (FOR CRANKSHAFT DRIVEN OIL PUMP)  
(6466AR ENGINE SERIAL NO. 161133- )  
(SHORT BLOCK SERIAL NO. 530501- )

RGP2510

-UN-01JAN94





# 1C6

ENGINE

## ENGINE SHORT BLOCK ( FOR CRANKSHAFT DRIVEN OIL PUMP)

KEY	PART NO.	PART NAME	QTY	ENGINE SERIAL NO.	REMARKS
1	AR98844	SHORT BLOCK ASSEMBLY	1	-231856	(A) (MARKED R62907 OR R74352) (SUB FOR AR94828) (SUB RE65075 AND RE10090)
	AR100958	SHORT BLOCK ASSEMBLY	1	231857-317193	(B) (MARKED R71689) (SUB FOR AR98844) (SUB RE65075)
	RE28293	SHORT BLOCK ASSEMBLY	1	317194-	(MARKED R87564) (SUB RE65075)
	RE53486	SHORT BLOCK ASSEMBLY	1		(MARKED R87564) (SUB RE65075) (USE WITH RE53200)
	RE60444	SHORT BLOCK ASSEMBLY	1		(MARKED R122735) (SUB RE65075)

(A) SHORT BLOCK SERIAL NO. -572026)

(B) SHORT BLOCK SERIAL NO. 572027- )



# 1C8

ENGINE

**ENGINE SHORT BLOCK (FOR CAMSHAFT DRIVEN OIL PUMP) - CONTINUED**  
**(6466AR 01,06 ESN -161132) (SHORT BLOCK SERIAL NO. -530500)**

KEY	PART NO.	PART NAME	QTY	ENGINE SERIAL NO.	REMARKS
1	AR72082	SHORT BLOCK ASSEMBLY	1	-022396	(A) (MARKED R54270) (SUB RE65075, AR103298, AR92392, AR77555, (4) 19H1782, (4) R78019, R76547, RE10090 AND RE42637) (8430)
	AR82444	SHORT BLOCK ASSEMBLY	1	022397-XXXXXX	(A) (MARKED R60552) (SUB RE65075, AR103298, (4) R78019, (4) 19H3167, R76547, RE10090 AND RE42637) (8430)
	AR84753	SHORT BLOCK ASSEMBLY	1		(A) (MARKED R65734) (SUB RE65075, AR103298, (4) R78019, (4) 19H3167, R76547, RE10090 AND RE42637) (8430,8440)

(A) OIL PUMP NOT INCLUDED W/NEW SHORT BLOCK

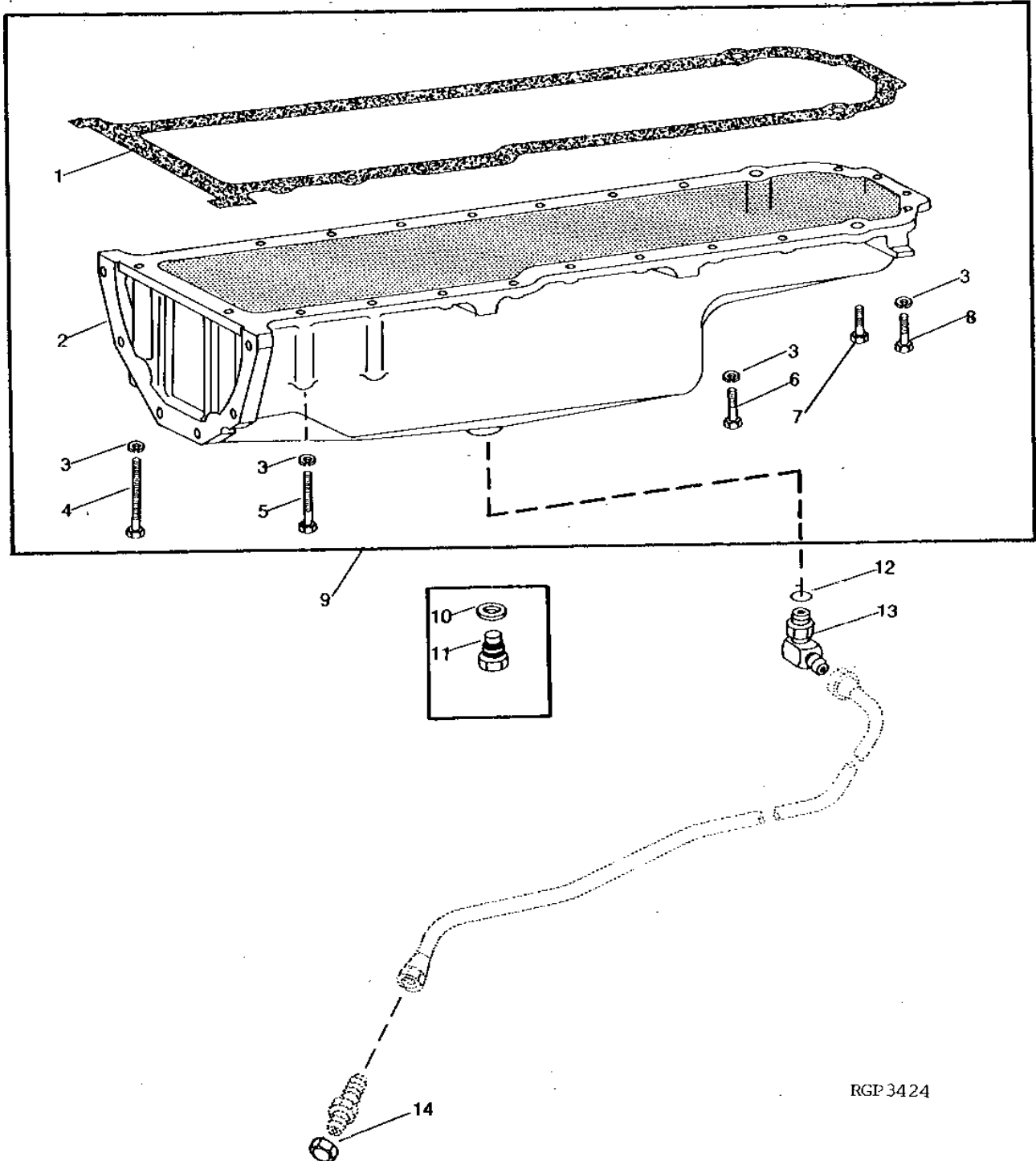
# 1C9

ENGINE

RGP3424

-UN-01JAN94

OIL PAN  
(6466AR)



RGP 34 24

# 1C10

ENGINE

## OIL PAN - CONTINUED (6466AR)

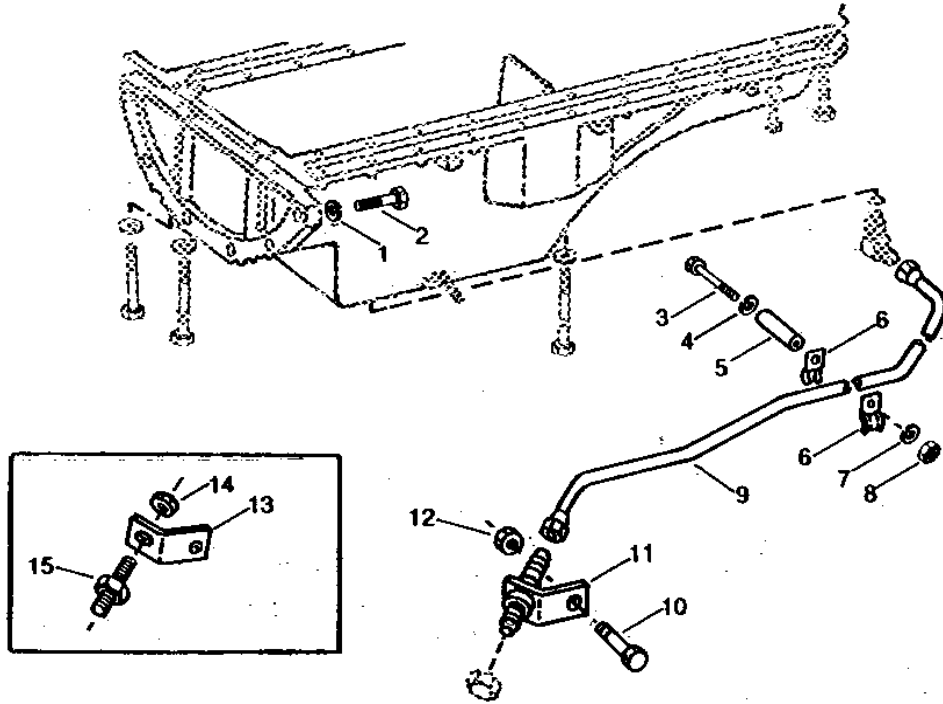
KEY	PART NO.	PART NAME	QTY	ENGINE SERIAL NO.	REMARKS
1	R71918	GASKET	1		(SUB FOR R53282)
2	R58717	OIL PAN	1	-116920	(SUB AR94561)
	R71910	OIL PAN	1	116921-	(SUB AR94561)
3	12H304	LOCK WASHER	22		3/8"
4	19H2205	CAP SCREW	2	-116920	3/8" X 6"
	19H3562	CAP SCREW	2	161921-	3/8" X 6-1/8", (GR. G)
5	19H2104	CAP SCREW	2	-161920	3/8" X 5"
	19H3504	CAP SCREW	2	161921-	3/8" X 5-3/8"
6	19H3483	CAP SCREW	16	-161920	3/8" X 1-1/8"
	19H3267	CAP SCREW	16	161921-	3/8" X 1-5/8"
7	R27693	SCREW	2	-161920	
	R73445	SCREW	2	161921-	
8	19H1765	CAP SCREW	2	-161920	3/8" X 1-3/4"
	19H3485	CAP SCREW	2	161921-	3/8" X 2"
9	AR94561	KIT	1		(SUB FOR R71910 AND R58717)
10	A4827R	WASHER	1	-161920	(USE WITH R58717)
11	R26727	DRAIN PLUG	1	-161920	(USE WITH R58717) (SUB FOR R51944) (1-14NS)
	R27175	DRAIN PLUG	AR		(USE WITH R58717) (1 1/16-12 UN)
12	F3171R	O-RING	1		
13	AT32331	ELBOW FITTING	1		
14	T29439	FITTING	1		
..	R89441	GASKET	1		(SPLIT REAR GASKET)

# 1C11

ENGINE

RWP3591 -UN-01JAN94

## ENGINE OIL DRAIN LINE



RWP3591

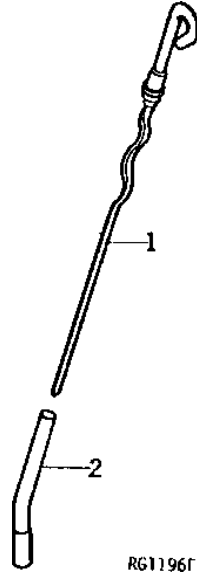
KEY	PART NO.	PART NAME	QTY	TRACTOR SERIAL NO.	REMARKS
1	12H301	LOCK WASHER	6		1/2"
2	19H2473	CAP SCREW	6		1/2" X 1-3/4"
3	19H1854	CAP SCREW	1		3/8" X 3-3/4"
4	24M7096	WASHER	1		10.500 X 18 X 1.600 MM
5	28H1535	SPACER	1		
6	R51655	HALF CLAMP	2		
7	12H304	LOCK WASHER	1		3/8"
8	14H1076	NUT	1		3/8"
9	AR71273	OIL LINE	1		
10	R59410	BOLT	1		
11	AR97613	SUPPORT	1	XXXXXX-	
12	14H794	NUT	1		3/4"
13	R59129	BRACKET	1	-XXXXX	(SUB AR97613)
14	R27390	NUT	1	-XXXXX	
15	R47876	FITTING	1	-XXXXX	(SUB AR97613)

# 1C12

ENGINE

RG1196 -UN-01JAN94

DIPSTICK  
(6466)



RG1196F

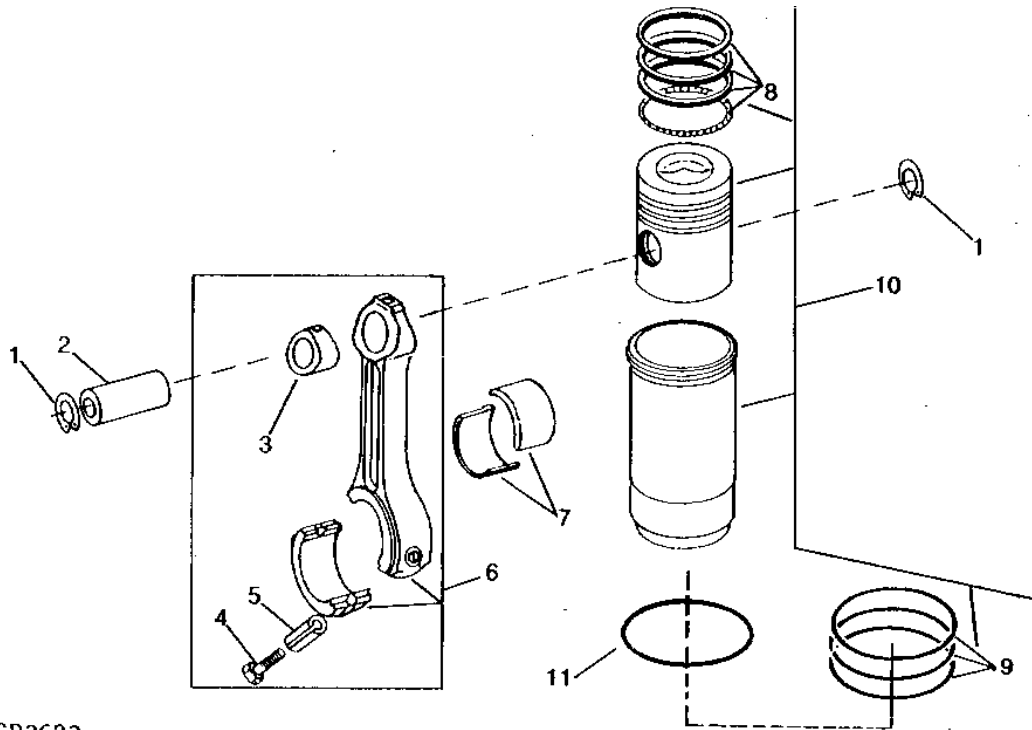
KEY	PART NO.	PART NAME	QTY	ENGINE SERIAL NO.	REMARKS
1	AR74021	DIPSTICK	1		
2	AR71850	DIPSTICK TUBE	1		

# 1C13

ENGINE

PISTON, RINGS, LINERS AND CONNECTING RODS  
(6466AR 01,06) (6466AR 13 ESN -241468) (6466AR 13,14,19 SBSN -572026)

RGP3623 -UN-01JAN94



RGP3623

KEY	PART NO.	PART NAME	QTY	ENGINE SERIAL NO.	REMARKS
1	E1343FN	SNAP RING	12		
2	R57771	PISTON PIN	6		
3	R60724	BUSHING	6		
4	R66452	CAP SCREW	12		
5	R53292	SLEEVE	12		
6	AR87638	CONNECTING ROD	6		(MARKED R57303 OR R67320) (SUB FOR AR68790)
7	AR73277	BEARING	AR		STD (PKG (2) R57583)
	AR73278	BEARING	AR		0.05 MM (.002") US (PKG (2) R60485)
	AR73279	BEARING	AR		0.25 MM (.010") US (PKG (2) R60486)
	AR73280	BEARING	AR		0.51 MM (.020") US (PKG (2) R60487)
	AR73281	BEARING	AR		0.76 MM (.030") US (PKG (2) R60488)
8	RE48380	PISTON RING	6		(SUB FOR AR73627)
9	AR98850	KIT	6		(SUB FOR AR73628)
10	RE60288	PISTON-LINER KIT	6		(MARKED AR63062, AR79177, AR93629 OR AR93627) (USE WITH R57303 OR R67320) (SUB FOR AR72079)
11	R93948	SHIM	AR		



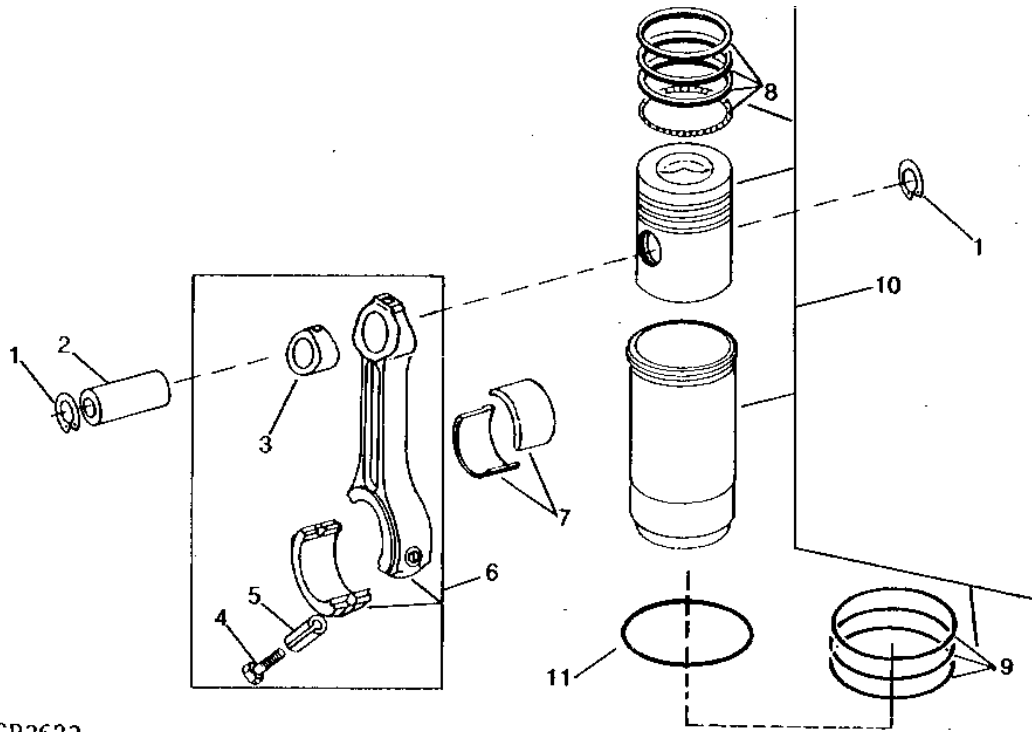
# 1C14

ENGINE

PISTON, RINGS, LINERS AND CONNECTING RODS

(6466AR 01,06,14,19 SBSN 572027- ) (6466AR 14,19 ESN 241469- )

RGP3623 -UN-01JAN94



RGP3623

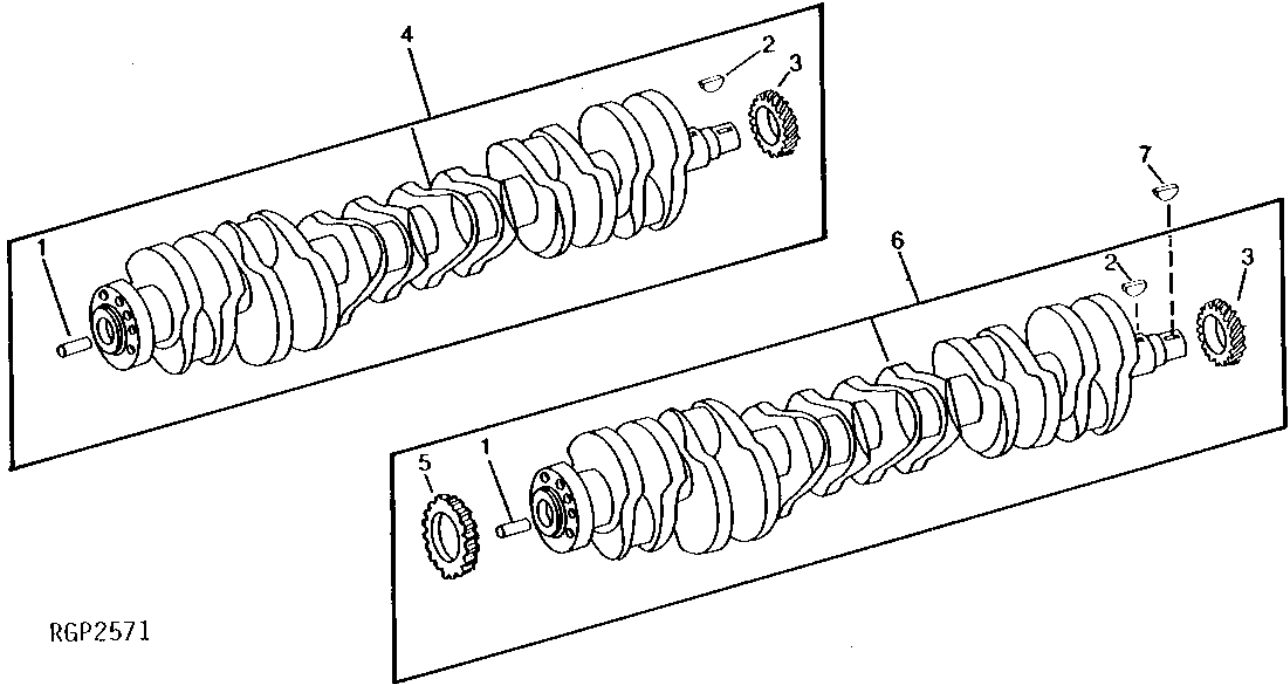
KEY	PART NO.	PART NAME	QTY	ENGINE SERIAL NO.	REMARKS
1	E1343FN	SNAP RING	12		
2	R57771	PISTON PIN	6		
3	R74008	BUSHING	6		
4	R66452	CAP SCREW	12		
5	R53292	SLEEVE	12		
6	AR93341	CONNECTING ROD	6		(MARKED R71074)
7	AR73277	BEARING	AR		STD (PKG (2) R57583)
	AR73278	BEARING	AR		0.05MM (.002") US (PKG (2) R60485)
	AR73279	BEARING	AR		0.25MM (.010") US (PKG (2) R60486)
	AR73280	BEARING	AR		0.51MM (.020") US (PKG (2) R60487)
	AR73281	BEARING	AR		0.76MM (.030") US (PKG (2) R60488)
8	RE48380	PISTON RING	6		(SUB FOR AR73627)
9	AR98850	KIT	6		
10	RE60284	PISTON-LINER KIT	6		(MARKED AR100673 OR AR100672) (USE WITH R71074) (SUB FOR AR100960)
11	R93948	SHIM	AR		

# 1C15

ENGINE

## CRANKSHAFT (EARLY DESIGN) (6466)

RGP2571 -UN-01JAN94



RGP2571

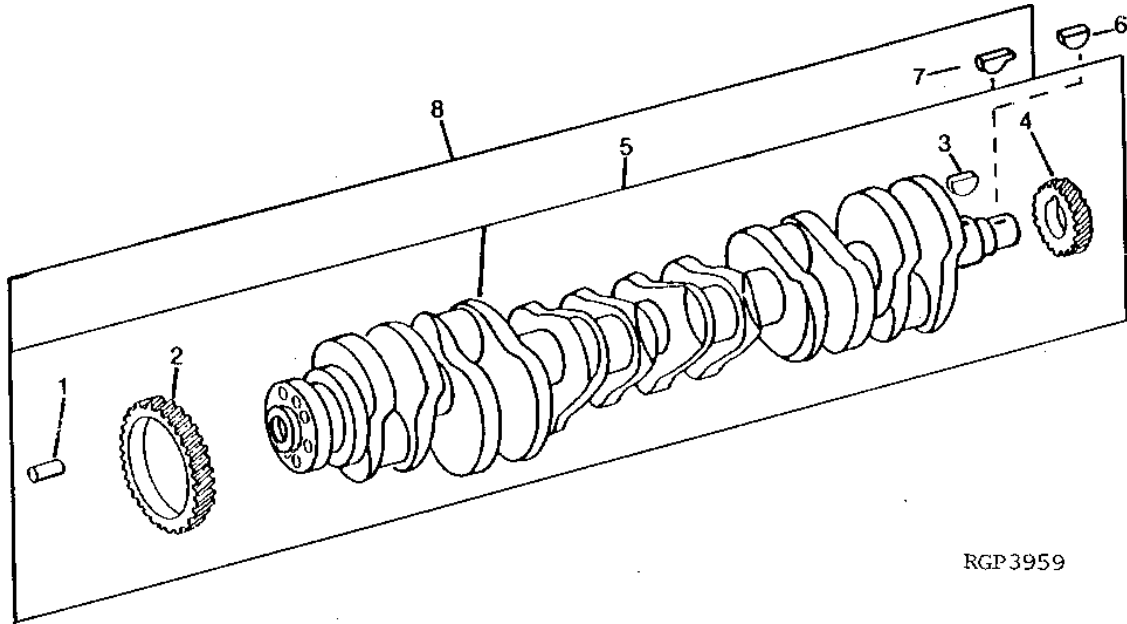
KEY	PART NO.	PART NAME	QTY	ENGINE SERIAL NO.	REMARKS
1	R41934	DOWEL PIN	1		
2	R120752	KEY	1		
3	R26049	GEAR	1		(USE WITH R56979 OR R63451)
4	R105488	GEAR	1		(USE WITH RE42675)
4	AR74624	CRANKSHAFT	1	-161132	(MARKED R56979) (SUB RE53422)
5	R63326	GEAR	1	161133-	
6	AR96189	CRANKSHAFT	1	161133-	(MARKED R63451) (SUB RE53422)
	RE42671	CRANKSHAFT	1		(MARKED RE42675) (SUB RE53422)
7	26H85	SHAFT KEY	1		1/4" X 1"

# 1C16

ENGINE

## CRANKSHAFT (LATE DESIGN) (6466)

RGP3959 -UN-01JAN94



RGP 3959

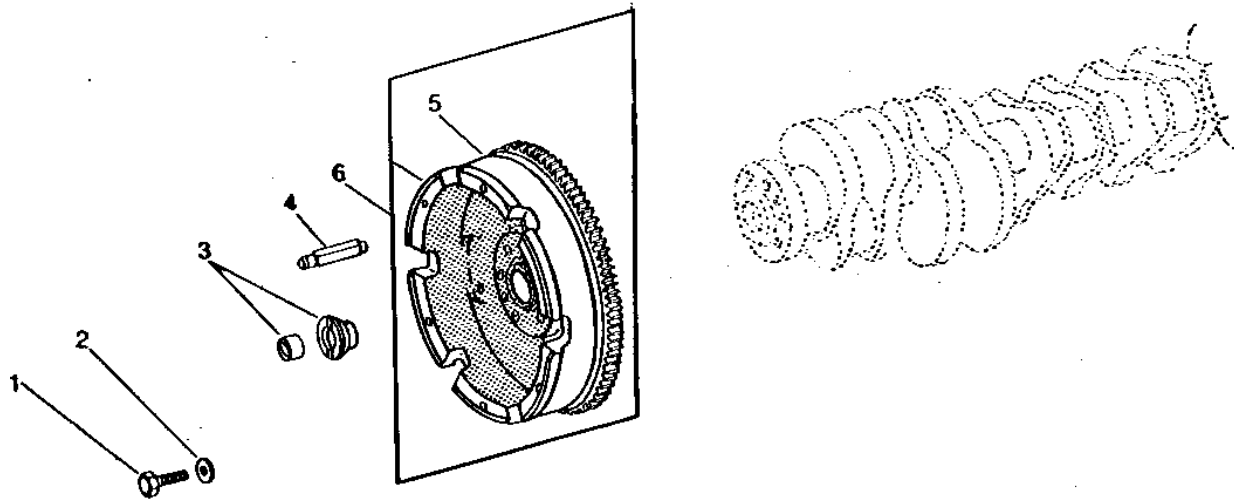
KEY	PART NO.	PART NAME	QTY	ENGINE SERIAL NO.	REMARKS
1	R41934	DOWEL PIN	1		
2	R63326	GEAR	1		
3	R120752	KEY	1		
4	R26049	GEAR	1	-359495	(USE WITH R63451)
	R105488	GEAR	1	359496-	(USE WITH RE42675 OR RE53203)
5	AR96189	CRANKSHAFT	1	-359495	(MARKED R63451) (SUB RE53422)
	RE42671	CRANKSHAFT	1	359496-362571	(MARKED RE42675) (SUB RE53422)
6	26H85	SHAFT KEY	1	-362571	1/4" X 1", (USE WITH RE42675 OR R63451)
7	R116311	KEY	1	362572-	(USE WITH RE53203)
8	RE53422	CRANKSHAFT	1	362572-	(MARKED RE53203)

# 1C17

ENGINE

## FLYWHEEL & CLUTCH SHAFT PILOT BUSHING ADAPTER (6466AR)

RGP1063 -UN-01JAN94



RGP1063

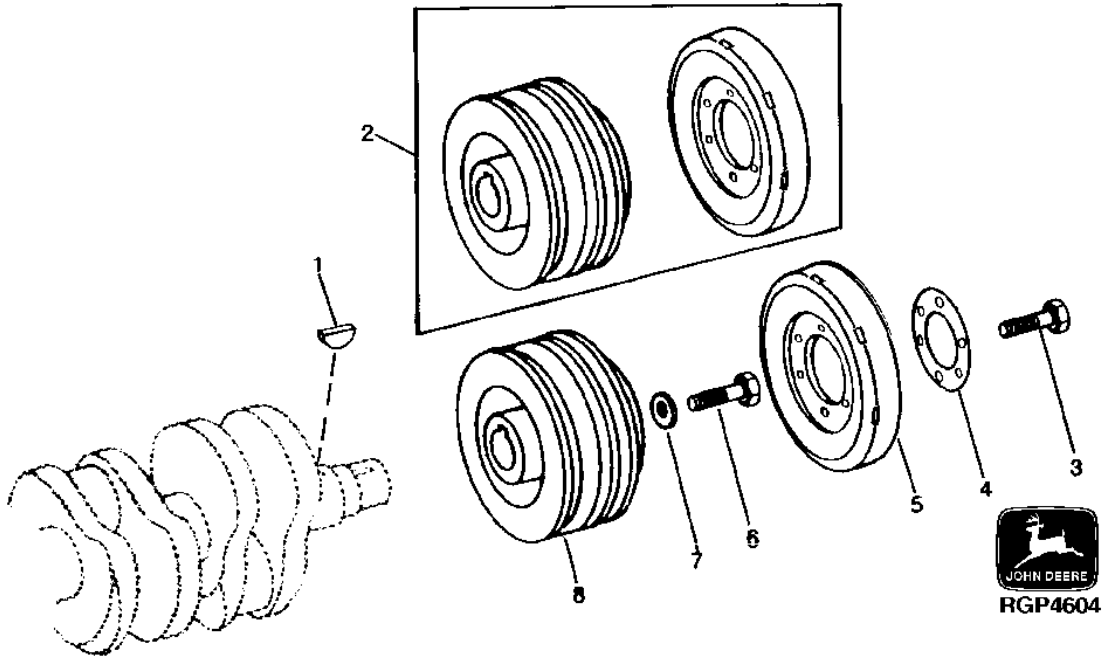
KEY	PART NO.	PART NAME	QTY	ENGINE SERIAL NO.	REMARKS
1	R41049	CAP SCREW	6		
2	T23891	WASHER	6		
3	RE10090	ADAPTER	1		
4	R57102	PIN	1		
5	R28811	GEAR	1		
6	AR68529	FLYWHEEL	1		(SUB FOR AR68646) (MARKED R57218)

# 1C18

ENGINE

RGP4604 -UN-08NOV95

## CRANKSHAFT PULLEY AND DAMPER



KEY	PART NO.	PART NAME	QTY	ENGINE SERIAL NO.	REMARKS
1	26H85	SHAFT KEY	1		
2	AR91692	ABSORBER	1		(SUB AR70834 AND AR72127)
3	19H1800	CAP SCREW	6		3/8" X 1-1/2"
4	R49519	WASHER	1		
5	AR70834	ABSORBER	1		
6	19H1734	CAP SCREW	1		
7	R26333	WASHER	1		
8	AR72127	PULLEY, WITH DAMPENER	1		

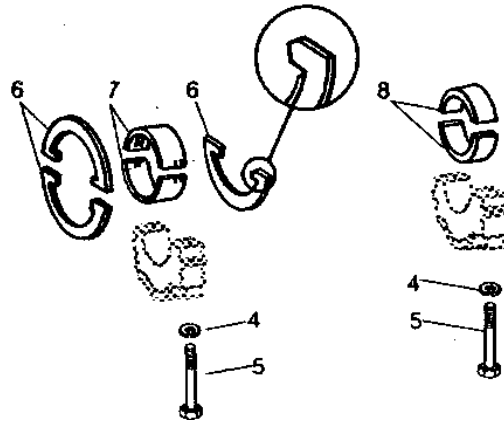
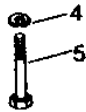
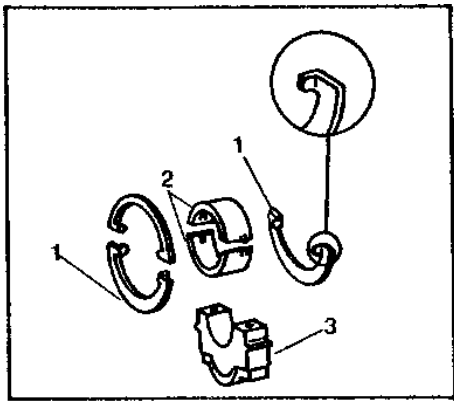
# 1C19

ENGINE

## MAIN AND MAIN THRUST BEARINGS (6466)

RGP228

-UN-01JAN94



RGP228

# 1C20

ENGINE

## MAIN AND MAIN THRUST BEARINGS - CONTINUED (6466)

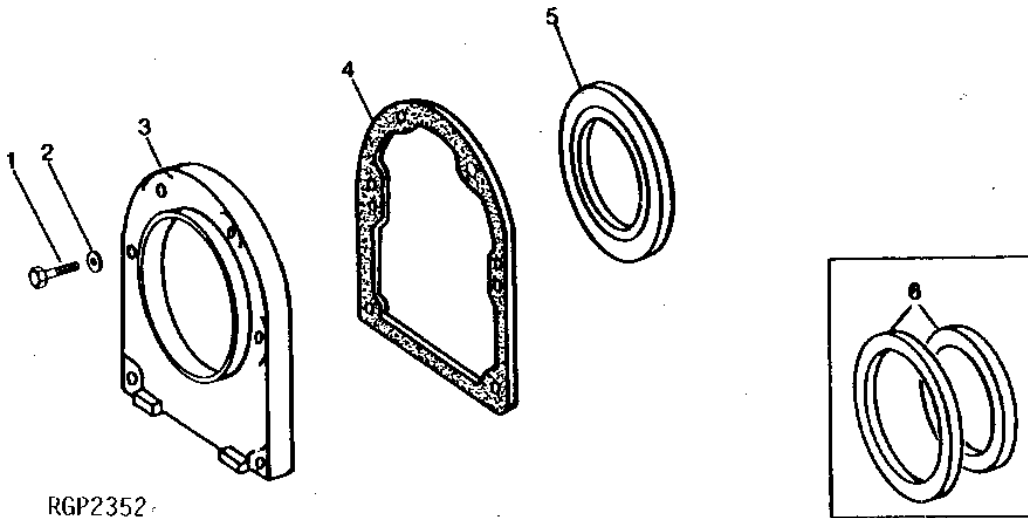
KEY	PART NO.	PART NAME	QTY	ENGINE SERIAL NO.	REMARKS
1	AR73275	THRUST WASHER	1	-XXXXXX	STD (PKG (3) R57778) (SUB AR77747)
	AR73276	THRUST WASHER	1	-XXXXXX	0.16MM (.007") (PKG (3) R60484) (SUB AR77753)
2	AR72998	THRUST BEARING	1	-XXXXXX	STD (PKG R57779 AND R57780) (SUB AR77748 AND AR77747)
	AR73271	THRUST BEARING	1	-XXXXXX	0.05MM (.002") US (PKG R60476 AND R60477) (SUB AR77749 AND AR77747 OR AR77753)
	AR73272	THRUST BEARING	1	-XXXXXX	0.24MM (.010") US (PKG R60478 AND R60479) (SUB AR77750 AND AR77747 OR AR77753)
	AR73273	THRUST BEARING	1	-XXXXXX	0.51MM (.020") US (PKG R60480 AND R60481) (SUB AR77751 AND AR77747 OR AR77753)
	AR73274	THRUST BEARING	1	-XXXXXX	0.76MM (.030") US (PKG R60482 AND R60483) (SUB AR77752 AND AR77753)
3	R57158	BEARING CAP	1		(MAIN)
	R57159	BEARING CAP	1		(THRUST)
4	R70268	WASHER	14		(SUB FOR R42363)
5	R42365	BOLT	14		
6	AR77747	THRUST WASHER	1	XXXXXX-	STD (PKG (3) R62986)
	AR77753	THRUST WASHER	1	XXXXXX-	0.18MM (.007") OS FLANGE (PKG (2) R63010 AND R62986)
7	AR77748	THRUST BEARING	1	XXXXXX-	STD (PKG R62987 AND R62988)
	AR77749	THRUST BEARING	1	XXXXXX-	0.05MM (.002") US (PKG R63002 AND R63006)
	AR77750	THRUST BEARING	1	XXXXXX-	0.25MM (.010") US (PKG R63003 AND R63007)
	AR77751	THRUST BEARING	1	XXXXXX-	0.51MM (.020") US (PKG R63004 AND R63008)
	AR77752	THRUST BEARING	1	XXXXXX-	0.76MM (.030") US (PKG R63005 AND R63009)
8	AR74814	BEARING	AR		STD (PKG R61289 AND R57584) (SUB FOR AR44625)
	AR74815	BEARING	AR		0.05MM (.002") US (PKG R61608 AND R60472) (SUB FOR AR46399)
	AR74816	BEARING	AR		0.25MM (.010") US (PKG R61609 AND R60473) (SUB FOR AR46400)
	AR74817	BEARING	AR		0.51MM (.020") US (PKG R61610 AND R60474) (SUB FOR AR46401)
	AR74818	BEARING	AR		0.76MM (.030") US (PKG R61611 AND R60475) (SUB FOR AR46402)

# 1C21

ENGINE

## CRANKSHAFT OIL SEAL AND HOUSING (6466)

RGP2352 -UN-01JAN94



KEY	PART NO.	PART NAME	QTY	ENGINE SERIAL NO.	REMARKS
1	R47074	CAP SCREW	6		
2	T27860	WASHER	6	243506-	11/32" X 11/16" X 0.065"
3	R41406	HOUSING	1	-243505	(SUB R125027 AND (6) T27860)
	R125027	HOUSING	1	243506-	(SUB FOR R41406, R78124 OR R115050)
4	R26058	GASKET	1		
5	RE22764	SEAL	1		(SUB FOR RE17352)
6	RE17352	SEAL	1		(SUB RE22764) (SUB FOR AR63095 OR RE14953)

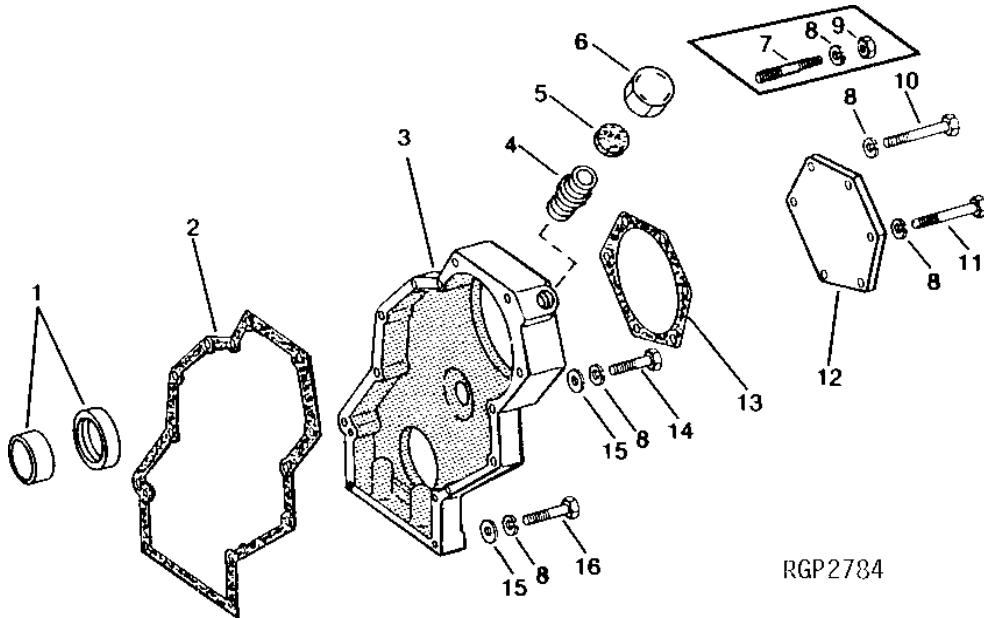


# 1C22

ENGINE

## TIMING GEAR COVER AND OIL SEAL (6466)

RGP2784 -UN-14SEP94



RGP2784

KEY	PART NO.	PART NAME	QTY	ENGINE SERIAL NO.	REMARKS
1	AR49025	SEAL	1		
2	R50353	GASKET	1		
3	R50352	COVER	1	(8430)	
	R67379	COVER	1	(A) (8440)	
4	R50354	THREADED NIPPLE	1		
5	T20328	GASKET	1		
6	T20294	CAP	1		
7	R50355	STUD	1	(SUB 19H1905 AND 12H303, APPL)	
8	12H303	LOCK WASHER	1	5/16", (USE WITH 19H1905)	
	12H303	LOCK WASHER	13	5/16", (NO LONGER REQUIRED)	
9	14H785	NUT	1	5/16"	
10	19H1905	CAP SCREW	1	5/16" X 1"	
11	19H1907	CAP SCREW	5	5/16" X 2-3/4"	
12	R50393	COVER	1		
13	R50390	GASKET	1		
14	19H2713	CAP SCREW	6	5/16" X 1-7/8"	
15	24H1136	WASHER	6	11/32" X 11/16" X 0.065"	
	24H1136	WASHER	2	11/32" X 11/16" X 0.065", (USE WITH 19H3552)	
16	19H3552	CAP SCREW	2	-XXXXXX 5/16" X 1-1/2"	
	R104859	CAP SCREW	2	XXXXXX-	

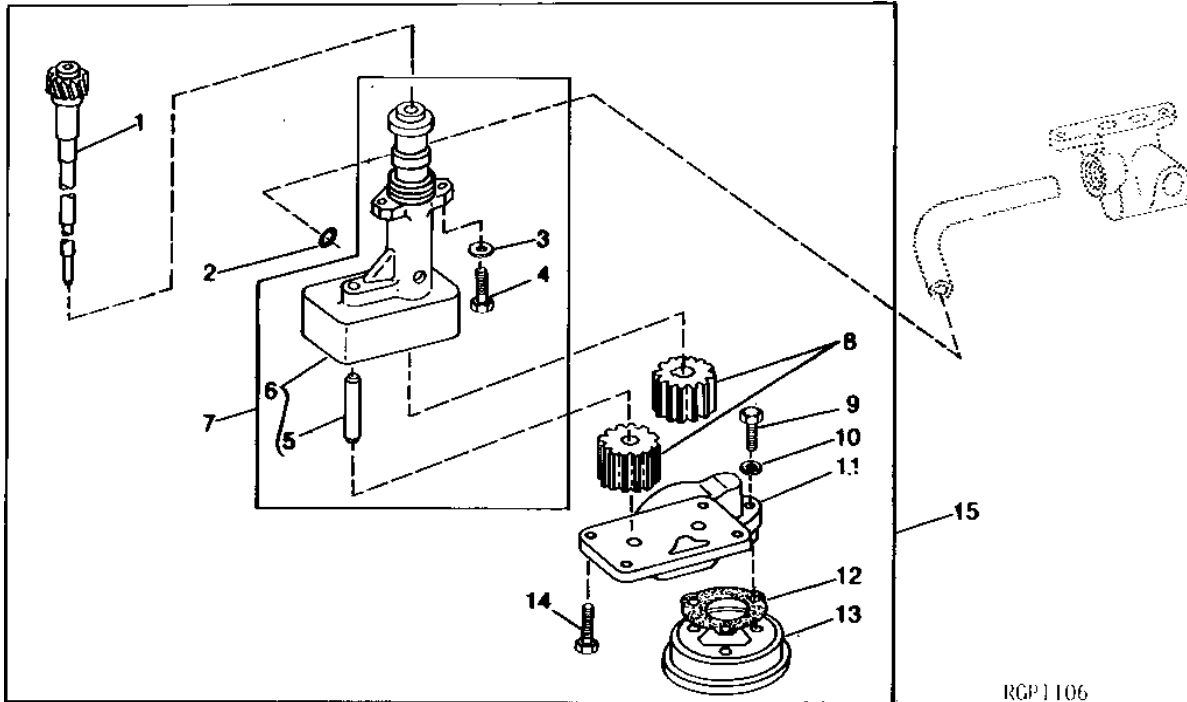
(A) WHEN USED WITH AR87494 ALSO ORDER AR96480, AR89151, R79915 AND T22404, APPL

# 1C23

ENGINE

## ENGINE OIL PUMP (CAMSHAFT DRIVEN) (6466AR)

RGP1106 -UN-18NOV94



RGP1106

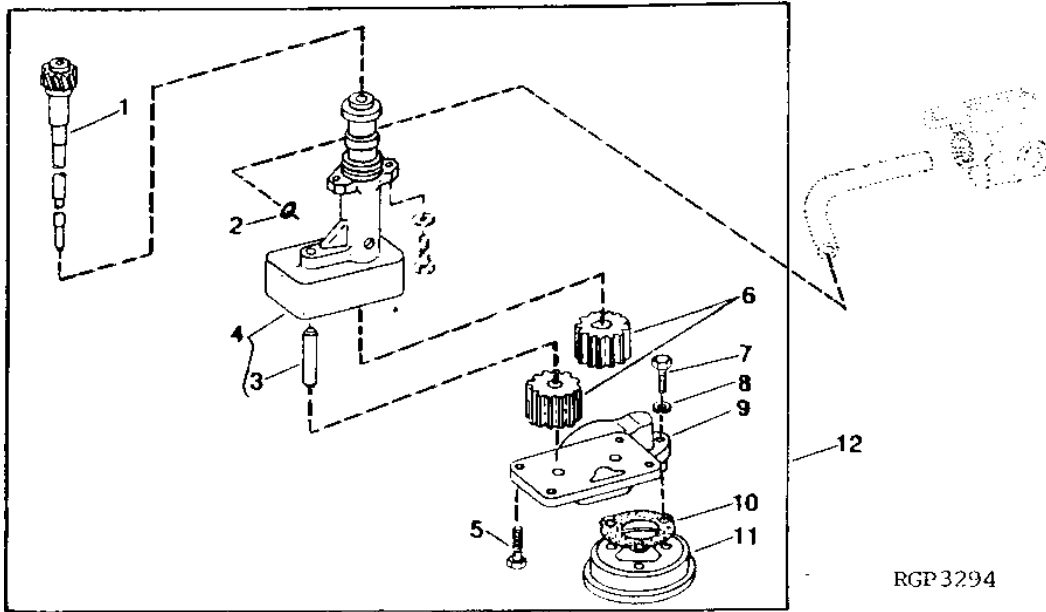
KEY	PART NO.	PART NAME	QTY	ENGINE SERIAL NO.	REMARKS
1	R64568	GEAR	1		
2	R71732	O-RING	1		(SUB FOR R50378)
3	M72490	WASHER	2		(SUB FOR R42729)
4	R38614	CAP SCREW	2		
5	R42390	SHAFT	1		
6	AR69108	HOUSING	1		(MARKED R57556)
7	AR77494	KIT	1		(MARKED R57556) (SUB AR69108) (ALSO ORDER (2) R38614 AND (2) M72490)
8	AR71123	GEAR	1		
9	19H1905	CAP SCREW	3		5/16" X 1"
10	12H303	LOCK WASHER	3		5/16"
11	R58669	COVER	1		
12	R52049	GASKET	1		
13	AR56639	OIL PUMP INTAKE	1		
14	R46567	CAP SCREW	4		
15	AR77493	OIL PUMP	1		(SUB AR69109 AND (2) R38614)

# 1C24

ENGINE

## REPLACEMENT ENGINE OIL PUMP (CAMSHAFT DRIVEN)

RGP3294 -UN-16NOV94



RGP3294

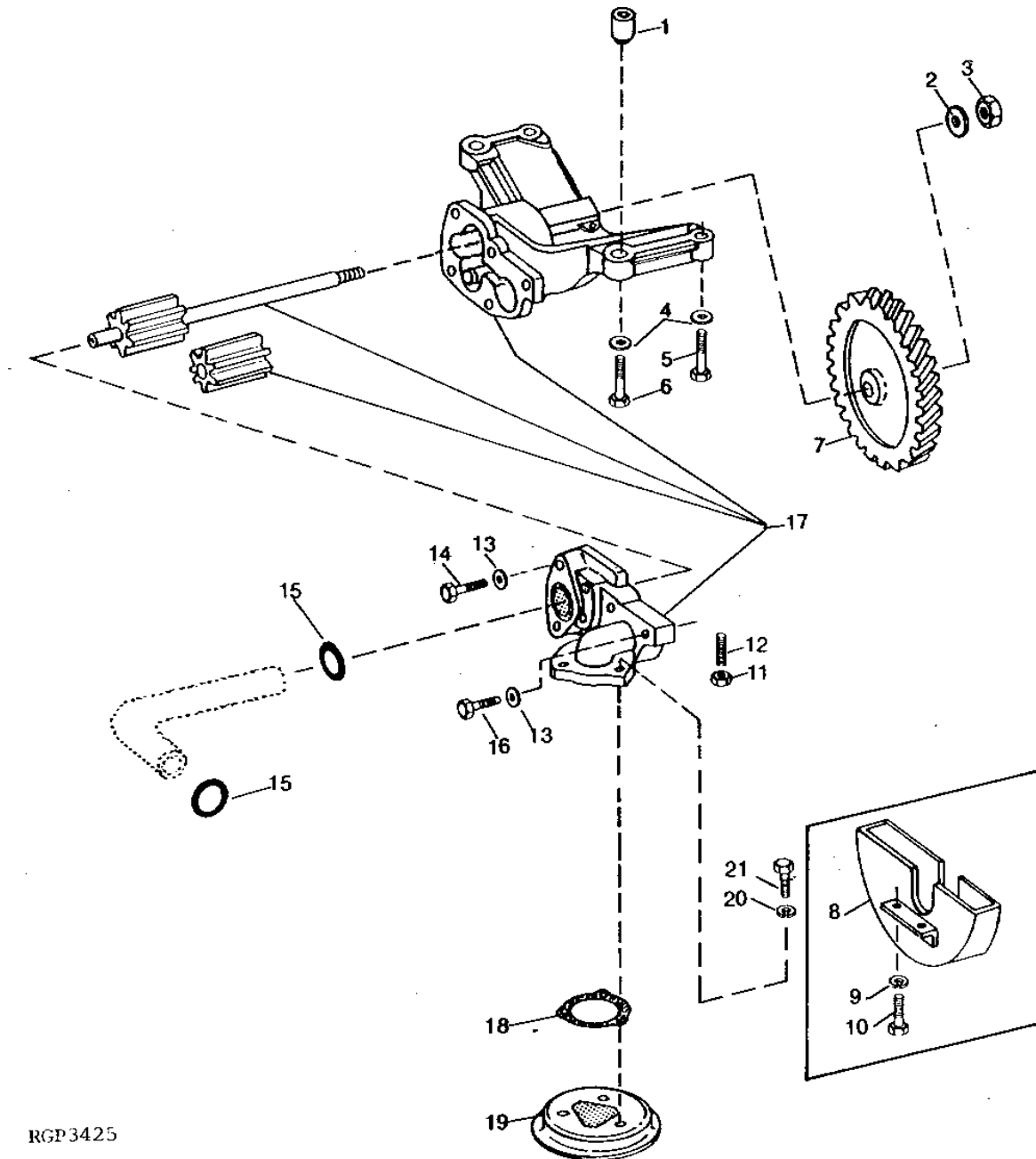
KEY	PART NO.	PART NAME	QTY	ENGINE SERIAL NO.	REMARKS
1	R64568	GEAR	1		
2	R71732	O-RING	1		
3	R42390	SHAFT	1		
4	AR69108	HOUSING	1	(MARKED R57556)	
5	R46567	CAP SCREW	4		
6	AR71123	GEAR	1		
7	19H1905	CAP SCREW	3	5/16" X 1"	
8	12H303	LOCK WASHER	3	5/16"	
9	R58669	COVER	1		
10	R52049	GASKET	1		
11	AR56639	OIL PUMP INTAKE	1		
12	AR69109	OIL PUMP	1		

# 1D1

ENGINE

## ENGINE OIL PUMP (CRANKSHAFT DRIVEN) (EARLY DESIGN) (6466AR 01, 06 ESN 161133- ) (6466AR 13, 14, 19)

RGP3425 -UN-01JAN94



RGP3425

# 1D2

ENGINE

**ENGINE OIL PUMP (CRANKSHAFT DRIVEN) (EARLY DESIGN) - CONTINUED**  
(6466AR 01, 06 ESN 161133- ) (6466AR 13, 14, 19)

KEY	PART NO.	PART NAME	QTY	ENGINE SERIAL NO.	REMARKS
1	R62930	BUSHING	2		
2	T21242	WASHER	1		
3	14H826	NUT	1		1/2", (SUB FOR R79187, APPL)
4	R57696	WASHER	4		
5	19H3219	CAP SCREW	2		3/8" X 1-3/8"
6	19H2549	CAP SCREW	2		3/8" X 1-7/8"
7	R62938	GEAR	1		
8	.....	SHIELD	1		( AR77713 NO LONGER REQUIRED)
9	.....	LOCK WASHER	2		(NO LONGER REQUIRED THIS LOCATION)
10	.....	CAP SCREW	2		(NO LONGER REQUIRED THIS LOCATION)
11	14H785	NUT	1		5/16"
12	22H1040	SET SCREW	1		5/16" X 1-1/4"
13	M72490	WASHER	5		(SUB FOR R70234 OR R42729)
14	19H2733	CAP SCREW	2		3/8" X 2-3/8"
15	R71732	O-RING	2		
16	19H1765	CAP SCREW	3		3/8" X 1-3/4"
17	AR99341	OIL PUMP	1		(A) (B) (SUB FOR AR96190) (SUB RE60622, RE42637 AND R100569)
	AR99341	OIL PUMP	1		(A) (B) (SUB FOR AR96190) (SUB RE60622, RE53510 AND R100569)
18	R52049	GASKET	1		
19	AR56639	OIL PUMP INTAKE	1		
20	12H303	LOCK WASHER	3		5/16"
21	19H1905	CAP SCREW	3		5/16" X 1"

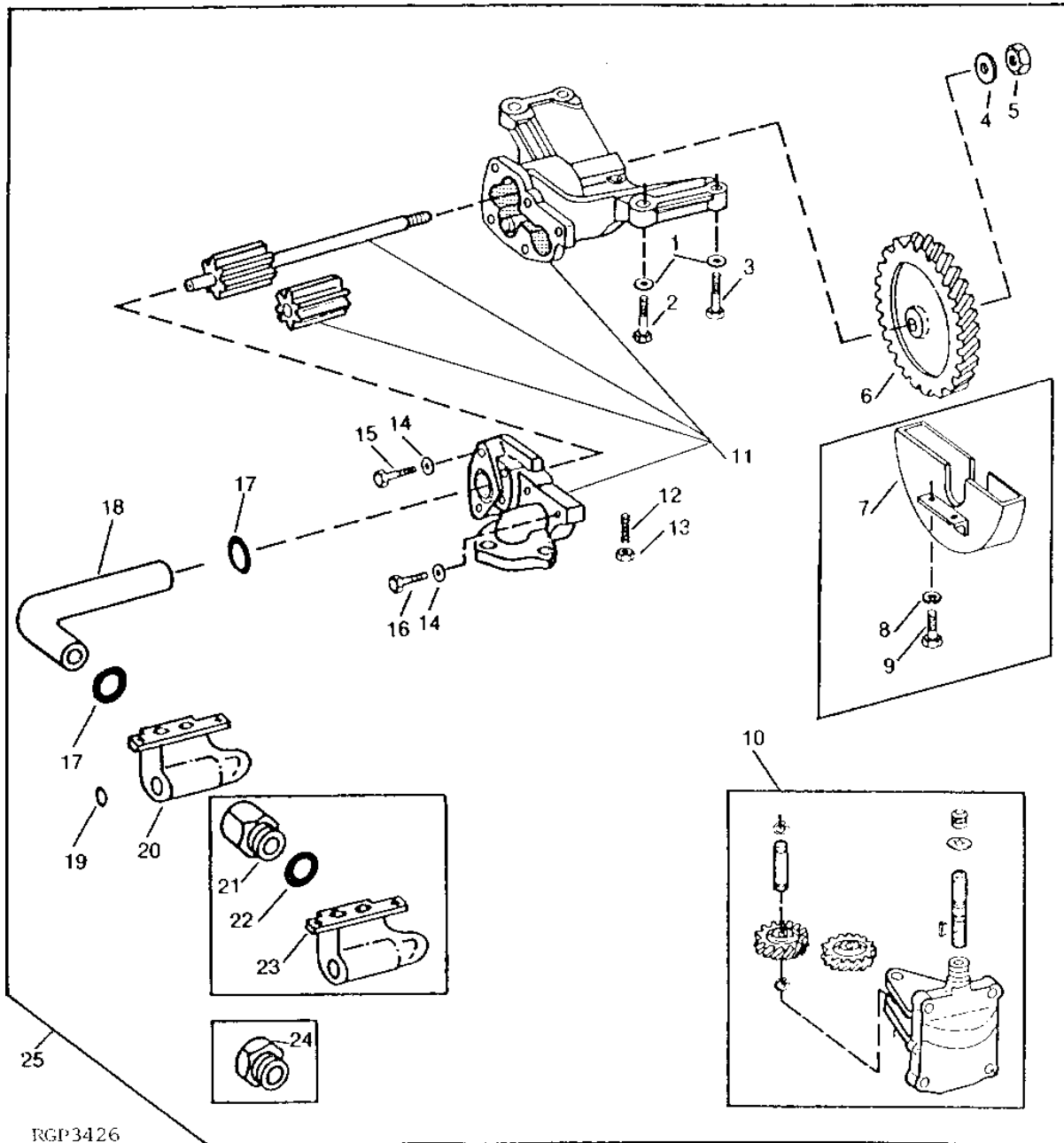
(A) USED WITH R62954. ALSO ORDER R119364  
(B) (SHORT BLOCK SERIAL NO. 530501- )

# 1D3

ENGINE

SHORT BLOCK CONVERSION KIT (WITH AR99341 OR AR96190)  
(6466AR 01, 06 ESN -161132)

RGP3426 -UN-01JAN94



RGP3426

# 1D4

ENGINE

SHORT BLOCK CONVERSION KIT (WITH AR99341 OR AR96190) - CONTINUED  
(6466AR 01, 06 ESN -161132)

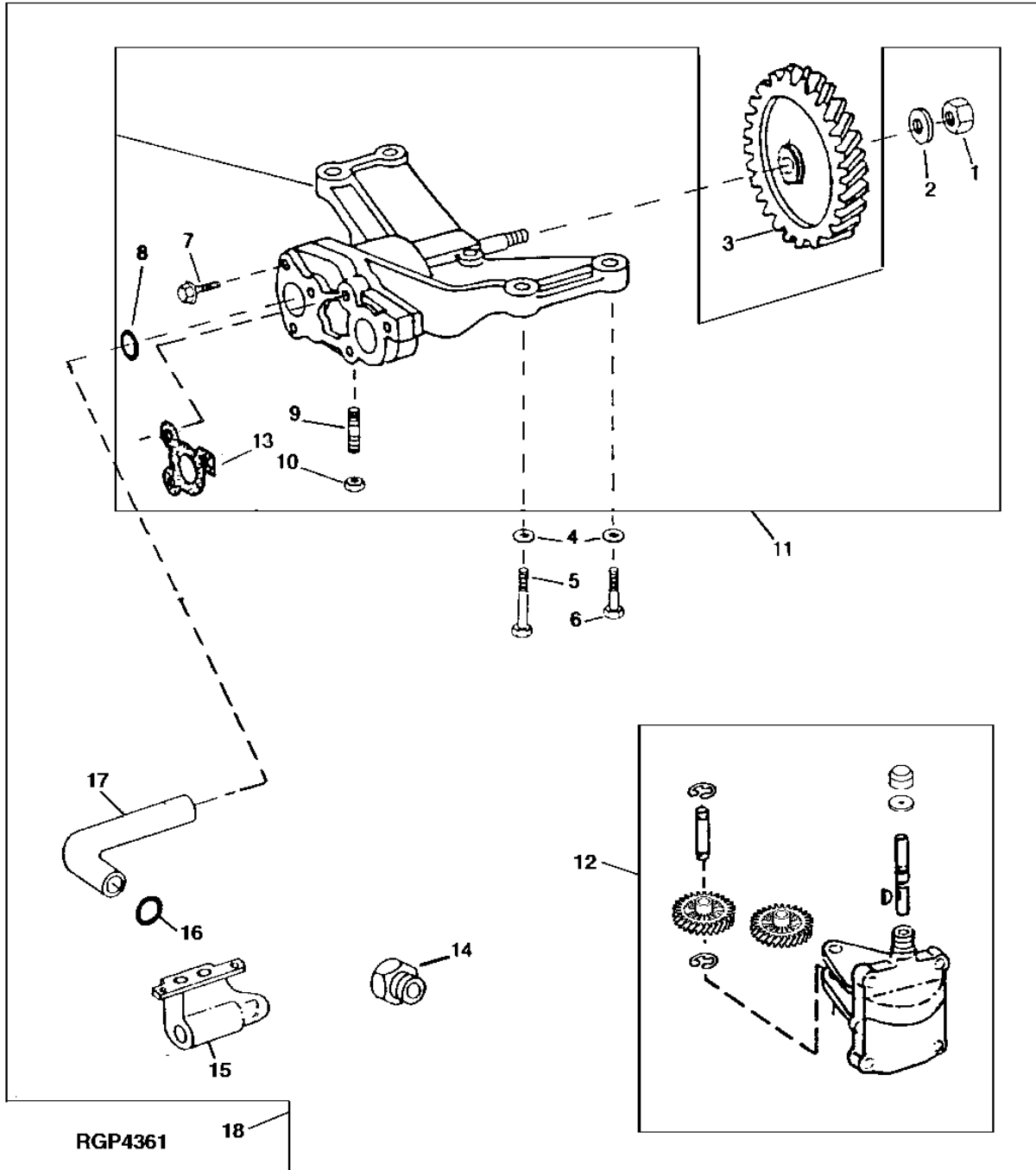
KEY	PART NO.	PART NAME	QTY	ENGINE SERIAL NO.	REMARKS
1	R57696	WASHER	4		
2	19H2549	CAP SCREW	2	3/8" X 1-7/8"	
3	19H3219	CAP SCREW	2	3/8" X 1-3/8"	
4	T21242	WASHER	1		
5	14H826	NUT	1	1/2"	
6	R62938	GEAR	1		
7	.....	SHIELD	1		( AR77713 NO LONGER REQUIRED)
8	.....	LOCK WASHER	2		(NO LONGER REQUIRED)
9	.....	CAP SCREW	2		(NO LONGER REQUIRED)
10	RE29234	HOUSING	1		(SUB FOR AR80682)
11	AR99341	OIL PUMP	1		(SUB FOR AR96190) (SUB RE60622 AND RE53510)
12	22H1040	SET SCREW	1	5/16" X 1-1/4"	
13	14H785	NUT	1	5/16"	
14	M72490	WASHER	1		(SUB FOR R70234 OR R42729)
15	19H2733	CAP SCREW	2	3/8" X 2-3/8"	
16	19H1765	CAP SCREW	3	3/8" X 1-3/4"	
17	R71732	O-RING	2		
18	R62952	OIL TUBE	1		
19	U17409	O-RING	1		
20	R78134	HOUSING	1		
21	R65683	FITTING	1		
22	U13639	O-RING	1		
23	R62954	HOUSING	1		(SUB R78134)
24	R54123	ADAPTER	1		(COOLANT HEATER)
25	AR103298	KIT	1		(SUB RG23553 AND RE53510)

# 1D5

ENGINE

SHORT BLOCK CONVERSION KIT (WITH RE44118)  
(6466AR 01,06 ESN -161132))

RGP4361 -UN-07JUL95





# 1D6

ENGINE

SHORT BLOCK CONVERSION KIT (WITH RE44118) - CONTINUED  
(6466AR 01, 06 ESN -161132)

KEY	PART NO.	PART NAME	QTY	ENGINE SERIAL NO.	REMARKS
1	14H826	NUT	1	1/2"	
2	T21242	WASHER	1		
3	R62938	GEAR	1		
4	R57696	WASHER	4		
5	19H2549	CAP SCREW	2	3/8" X 1-7/8"	
6	19H3219	CAP SCREW	2	3/8" X 1-3/8"	
7	R104628	CAP SCREW	2		
	R104628	CAP SCREW	3		(OIL PUMP INTAKE TO COVER)
8	R71732	O-RING	1		
9	22H1040	SET SCREW	1	5/16" X 1-1/4"	
10	14H785	NUT	1	5/16"	
11	RE44118	OIL PUMP	1		(MARKED R62946) (SUB RE60622)
12	RE29234	HOUSING	1		
13	R100569	GASKET	1		
14	R54123	ADAPTER	1		(COOLANT HEATER)
15	.....	O-RING	NA		
16	R78134	HOUSING	1		
17	R71732	O-RING	1		
18	R62952	OIL TUBE	1		
19	RG23553	KIT	1		(A) (SUB FOR AR103298)

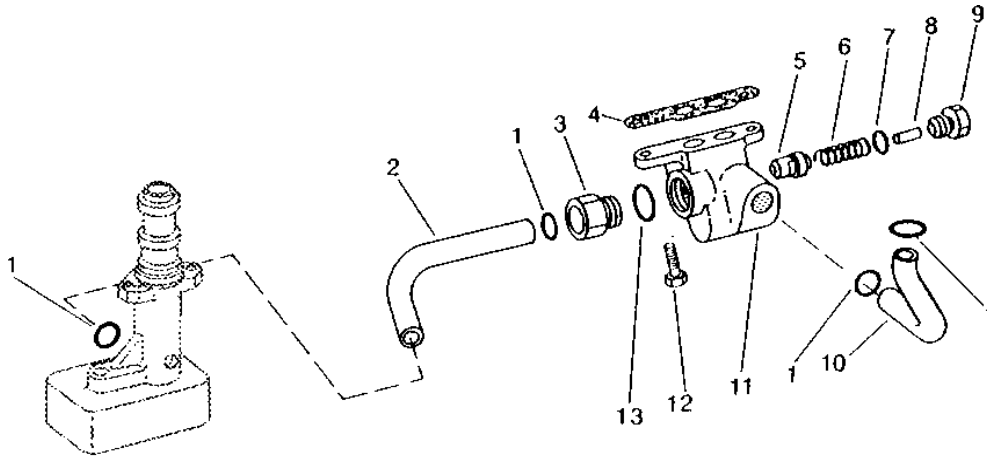
(A) 8430 OR 8440 - ALSO ORDER RE42637

# 1D7

ENGINE

**ENGINE OIL COOLER BYPASS VALVE (EARLY DESIGN)**  
**(6466AR) (ENGINE SERIAL NO. -161132)**

RGP180 -UN-01JAN94



RG P180

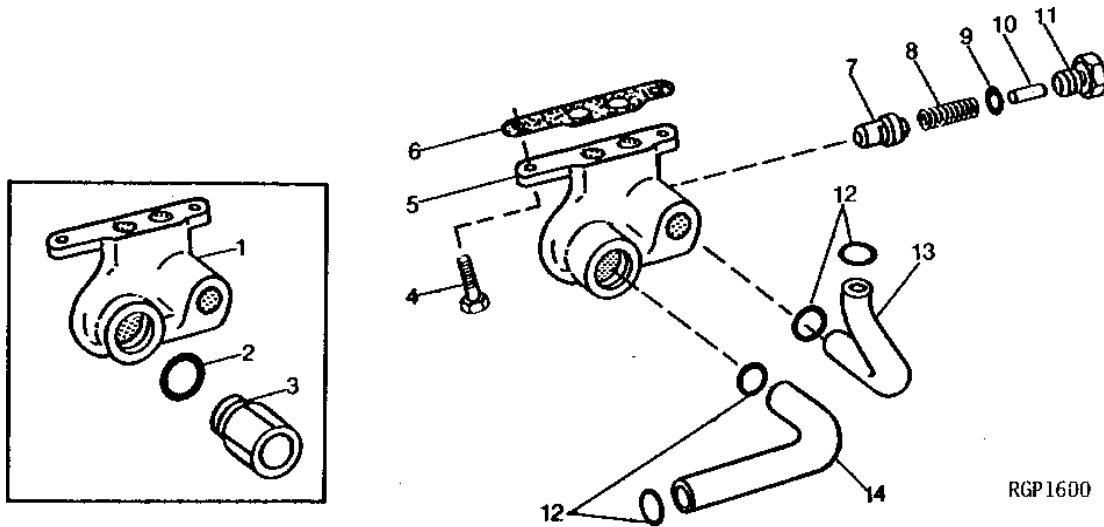
KEY	PART NO.	PART NAME	QTY	ENGINE SERIAL NO.	REMARKS
1	R71732	O-RING	4		(SUB FOR R50378)
2	R50381	OIL TUBE	1		
3	R65683	FITTING	1		(SUB FOR R50379)
4	R65055	GASKET	1		
5	R49464	VALVE	1		
6	R26151	SPRING	1		
7	U17409	O-RING	1		
8	34H313	SPRING PIN	1	1/4" X 1-1/8"	
9	R49465	DRAIN PLUG	1		
10	R50386	OIL TUBE	1		
11	R50384	HOUSING	1		
12	R40236	CAP SCREW	2		
13	U13639	O-RING	1		

# 1D8

ENGINE

OIL COOLER BYPASS VALVE  
(6466AR 01,06 ESN 161133-) (6466AR 13,14) (SBSN 530501- )

RGP1600 -UN-01JAN94



RGP1600

KEY	PART NO.	PART NAME	QTY	ENGINE SERIAL NO.	REMARKS
1	R62954	HOUSING	1	-231771	(SUB R78134)
2	U13639	O-RING	1	-231771	
3	R65683	FITTING	1	-231771	
4	R40236	CAP SCREW	2		
5	R78134	HOUSING	1	231772-	
6	R65055	GASKET	1		
7	R49464	VALVE	1		
8	R26151	SPRING	1		
9	U17409	O-RING	1		
10	34H313	SPRING PIN	1		1/4" X 1-1/8"
11	R49465	DRAIN PLUG	1		
12	R71732	O-RING	4		
13	R50386	OIL TUBE	1		
14	R62952	OIL TUBE	1		

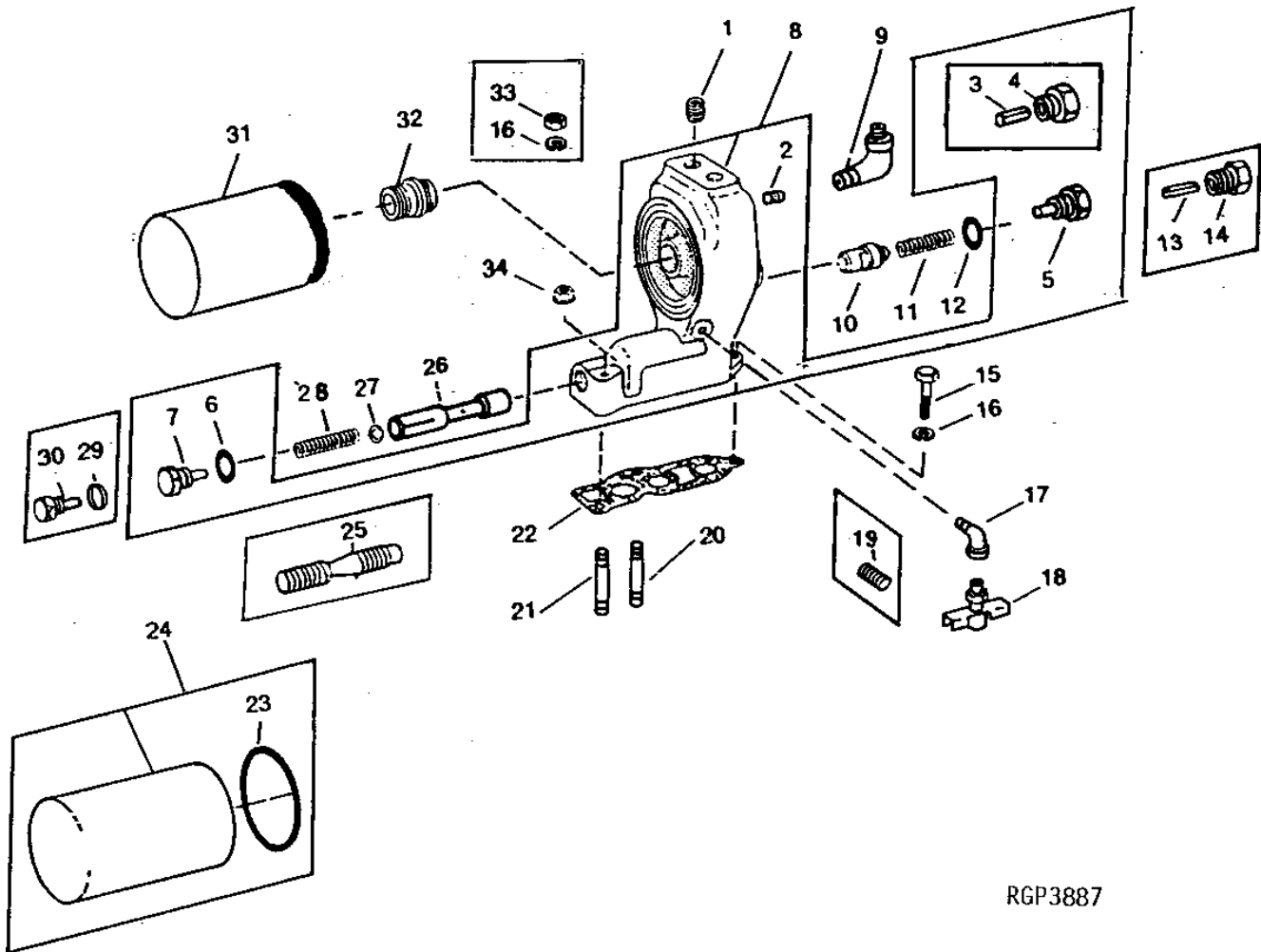
# 1D9

ENGINE

RGP3887

-UN-21OCT94

## ENGINE OIL FILTER



RGP3887

# 1D10

ENGINE

## ENGINE OIL FILTER - CONTINUED

KEY	PART NO.	PART NAME	QTY	ENGINE SERIAL NO.	REMARKS
1	15H690	PIPE PLUG	2		3/4"
2	R104592	PIPE PLUG	1	-009833	
3	34H313	SPRING PIN	1		1/4" X 1-1/8", (USE WITH R49465) (SUB FOR R86875, APPL)
4	R49465	DRAIN PLUG	1		(SUB FOR R71483) (SUB R86875, APPL)
5	R86875	FITTING	1		
6	U17409	O-RING	1	202959-	
7	AR105510	DRAIN PLUG	1	202959-	
8	AR89499	HOUSING	1	-202958	(MARKED R59483, R62110 OR R67409) (SUB RE24706 AND R84947) (ALSO ORDER AR101137 AND R84947)
	AR94084	HOUSING	1	202959-	(MARKED R71484) (SUB FOR AR76582) (ALSO ORDER AR101137) (SUB RE24706, AR101137 AND R84947)
	RE24706	HOUSING	1		(MARKED R84946)
9	R67364	ELBOW FITTING	1	009834-	
10	R49464	VALVE	1		
11	R26151	SPRING	1		
12	U17409	O-RING	1		
13	34H393	PIN	1		7/16" X 1-1/8", (USE WITH R71483)
14	R71483	DRAIN PLUG	1		(SUB R49465) (ALSO ORDER 34H313)
15	19H1732	CAP SCREW	1		3/8" X 1-1/4"
16	12H304	LOCK WASHER	1		3/8"
17	15H220	ELBOW FITTING	1	045803-	(8430, 8440)
18	AT13740	DRAIN VALVE	1	045803-	(8430, 8440)
19	R55233	PIPE PLUG	1	-045802	(8430, 8440)
20	R106859	STUD	1		(SUB FOR F3646R OR R26622, APPL)
21	R55395	STUD	1		
22	R43774	GASKET	1		
23	R43660	PACKING	1		(USE WITH AR43261, AR43634 OR RE57394)
24	AR43634	OIL FILTER	1		(MARKED AR43261, AR43634) (USE WITH R43429)
	RE57394	OIL FILTER	1		(MARKED RE57394) (SUB FOR AR101278 OR RE46380)
25	R77003	VALVE	1		(SUB FOR R43428) (USE WITH R59483, R62110, R62409 OR R71484)
26	R84947	VALVE	1		(USE WITH R84946)
27	U40750	WASHER	AR		
28	R43548	SPRING	1		
29	R43424	WASHER	1	-202958	
30	RE10834	DRAIN PLUG	1	-202958	(SUB FOR R43425)
31	RE46380	OIL FILTER	1		(MARKED RE46380) (SUB RE57394)
32	R43429	FITTING	1		(1-1/2-16 UN) (USE WITH AR43634 OR AR43261)
	R104621	ADAPTER	1		(1-1/2-12 UNF) (SUB FOR R73913) (USE WITH AR98329, RE46380 OR RE57394)
33	E55662	FLANGE NUT	2		
34	E55662	FLANGE NUT	2		

---

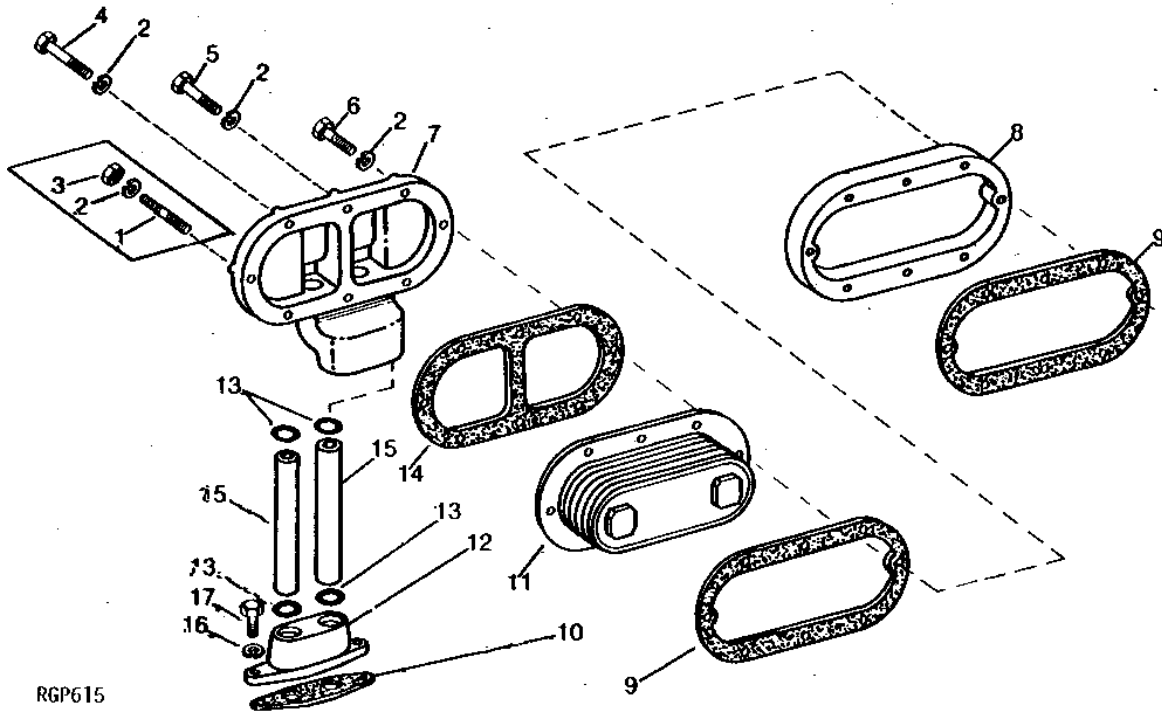
MEMORANDA

# 1D11

ENGINE

## ENGINE OIL COOLER (6466AR)

RGP615 -UN-01JAN94



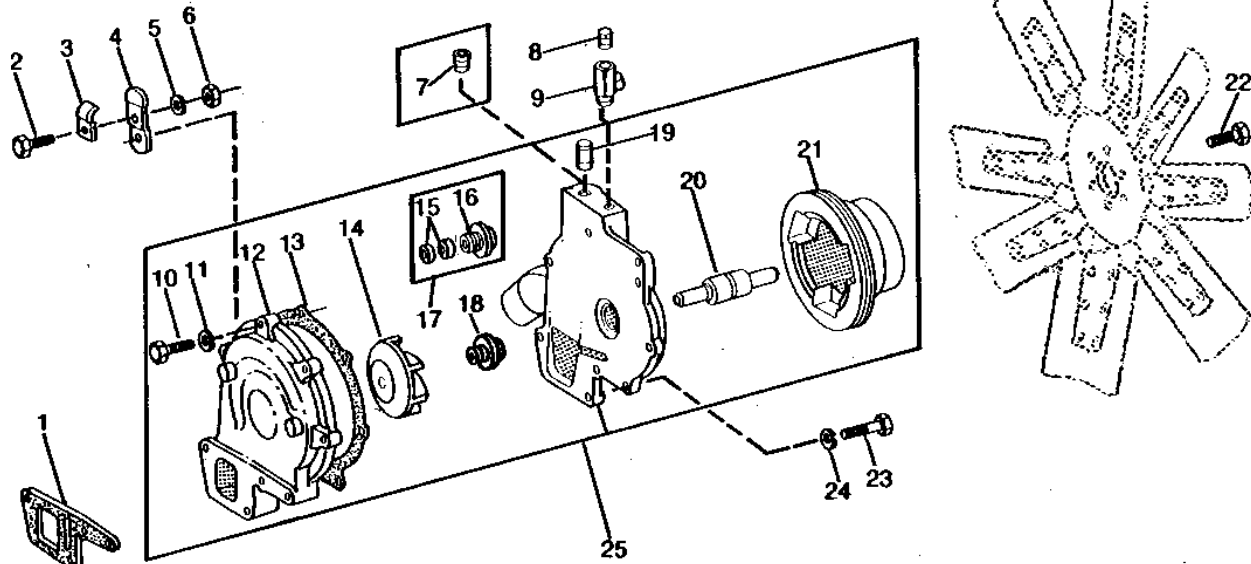
KEY	PART NO.	PART NAME	QTY	ENGINE SERIAL NO.	REMARKS
1	R50375	STUD	2	-127033	5/16" X 3", (SUB 19H1907)
2	12H303	LOCK WASHER	8		5/16"
3	14H785	NUT	2	-127033	5/16"
4	19H1921	CAP SCREW	1		5/16" X 3-1/4"
5	19H1907	CAP SCREW	3	-127033	5/16" X 2-3/4"
	19H1907	CAP SCREW	5	127034-	5/16" X 2-3/4"
6	19H1904	CAP SCREW	2		5/16" X 3"
7	R50421	COVER	1		
8	R50418	SPACER	1		
9	AR58952	GASKET	2		
10	R50424	GASKET	1		
11	AT25038	OIL COOLER	1		
12	R50423	ADAPTER	1		
13	R47153	O-RING	4		(SUB FOR R50420, APPL)
14	R50419	GASKET	1		
15	R50422	OIL TUBE	2		
16	12H304	LOCK WASHER	2		3/8"
17	19H1732	CAP SCREW	2		3/8" X 1-1/4"

# 1D12

ENGINE

RGP1107 -UN-01JAN94

## WATER PUMP



RGPI107

KEY	PART NO.	PART NAME	QTY	ENGINE SERIAL NO.	REMARKS
1	R42406	GASKET	1		
2	19H1813	CAP SCREW	1	044590-	5/16" X 5/8"
3	R66180	HALF CLAMP	1	044590-	
4	R66181	PLATE	1	044590-	
5	12H303	LOCK WASHER	1	044590-	5/16"
6	14H785	NUT	1	044590-	5/16"
7	15H666	PIPE PLUG	1	-047678	3/8"
8	15H623	PIPE PLUG	1	047679-	3/8"
9	L1836N	TEE FITTING	1	047679-	
10	19H1875	CAP SCREW	4		5/16" X 1-3/4"
11	12H303	LOCK WASHER	4		5/16"
12	R58714	HOUSING	1		
13	R58715	GASKET	1		
14	R58716	IMPELLER	1		
15	AR41691	INSERT	1		(SUB AR101549)
16	T27261	SEAL	1		(SUB AR101549)
17	AR62934	SEAL	1		(SUB AR101549)
18	AR101549	SEAL KIT	1		
19	R40083	HOSE FITTING	1		
20	JD9257	BALL BEARING	1		
21	R58719	PULLEY	1		
22	19H2284	CAP SCREW	6		3/8" X 7/8"
23	19H1944	CAP SCREW	4		3/8" X 2-3/4"
24	12H304	LOCK WASHER	4		3/8"
25	AR70661	WATER PUMP	1		(MARKED R58713) (NLA)



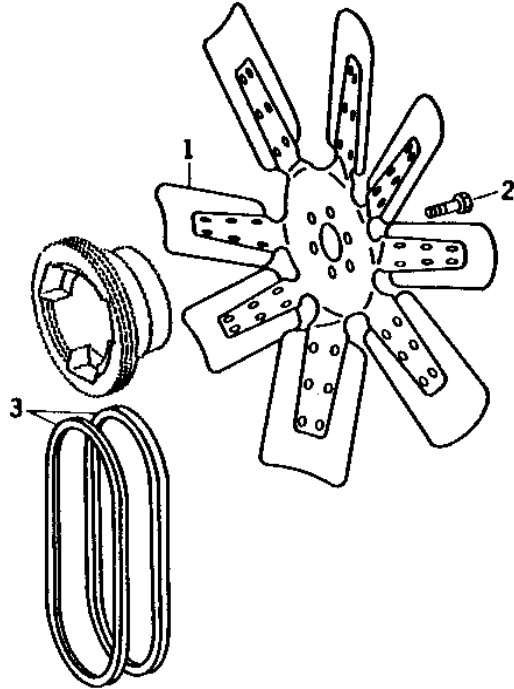
# 1D13

ENGINE

R32079 -UN-01JAN94

## FAN AND V-BELT

1



R32079F

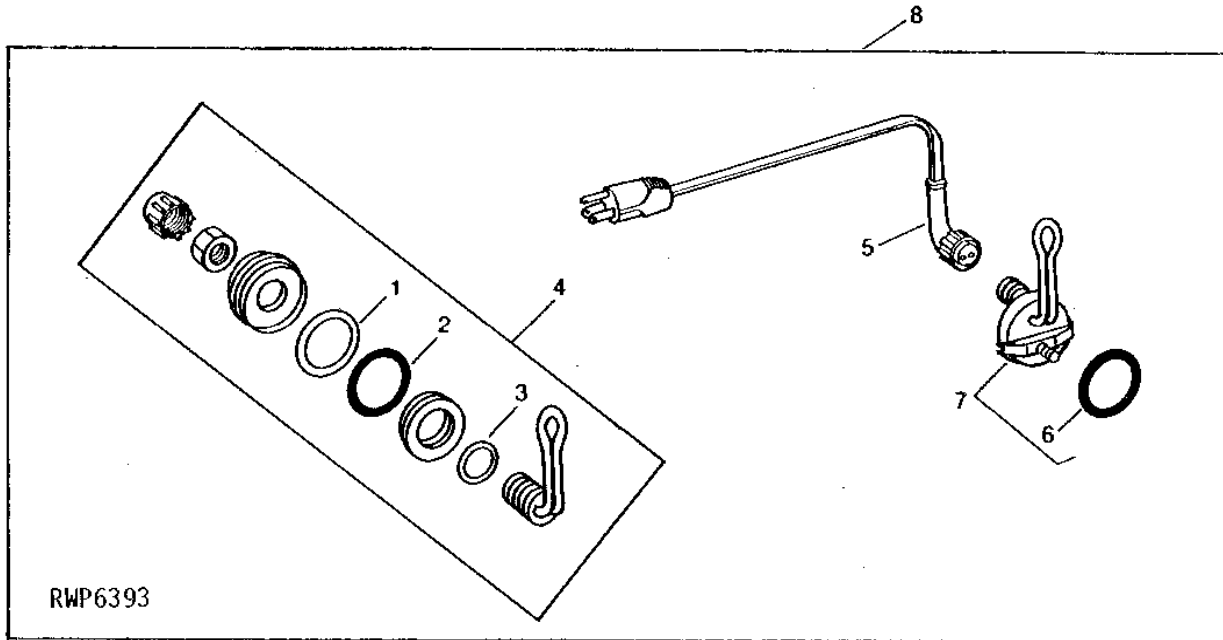
KEY	PART NO.	PART NAME	QTY	TRACTOR SERIAL NO.	REMARKS
1	AR70712	FAN	1		
2	19H2284	CAP SCREW	6		3/8" X 7/8"
3	AR74662	BELT SET	1		(MATCHED SET) (SUB RE29018)

# 1D14

ENGINE

RWP6393 -UN-01JAN94

## ENGINE COOLANT HEATER



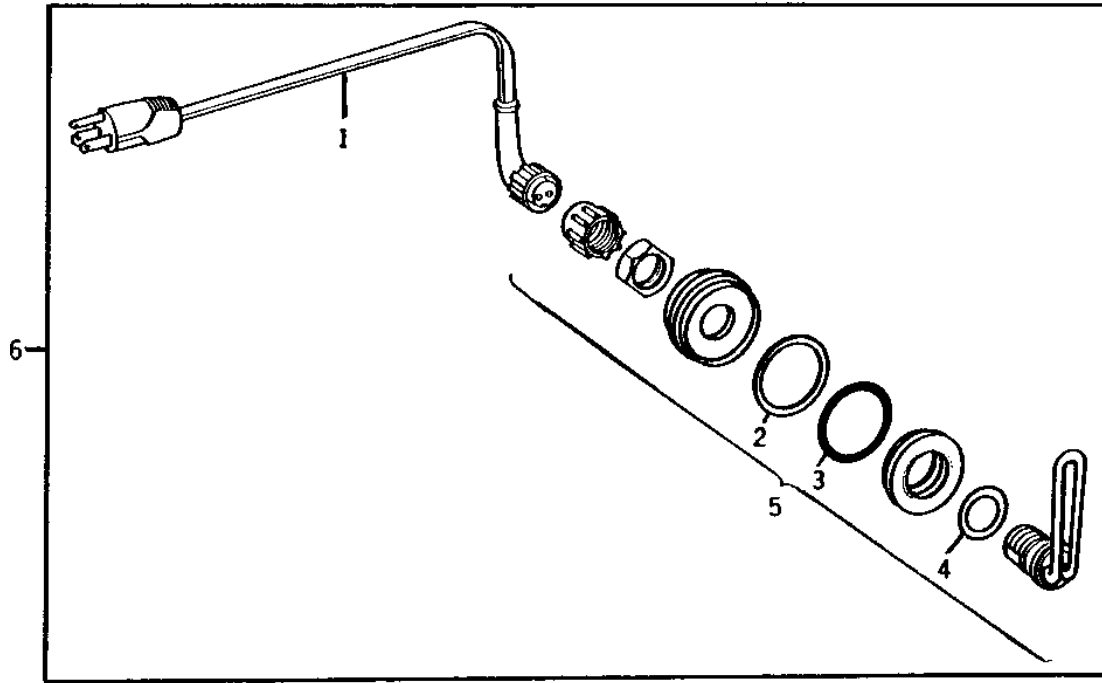
KEY	PART NO.	PART NAME	QTY	ENGINE SERIAL NO.	REMARKS
1	R47692	RING	1		
2	R31378	O-RING	1		
3	R47693	GASKET	1		
4	AR50399	HEATER	1	(SUB RE29408)	
5	AR50411	WIRING LEAD	1		
6	R30200	O-RING	1		
7	RE29408	COOLANT HEATER	1		
8	AR50518	COOLANT HEATER	1		

# 1D15

ENGINE

**ENGINE COOLANT HEATER  
(NOT USED IN U.S. AND CANADA)**

R32327 -UN-18OCT94



R32327F

KEY	PART NO.	PART NAME	QTY	ENGINE SERIAL NO.	REMARKS
1	AR87079	POWER CORD	1		(220-VOLT)
2	R47692	RING	1		
3	R31378	O-RING	1		
4	R47693	GASKET	1		
5	AR86499	HEATER	1		(220-VOLT)
6	AR86500	HEATER	1		

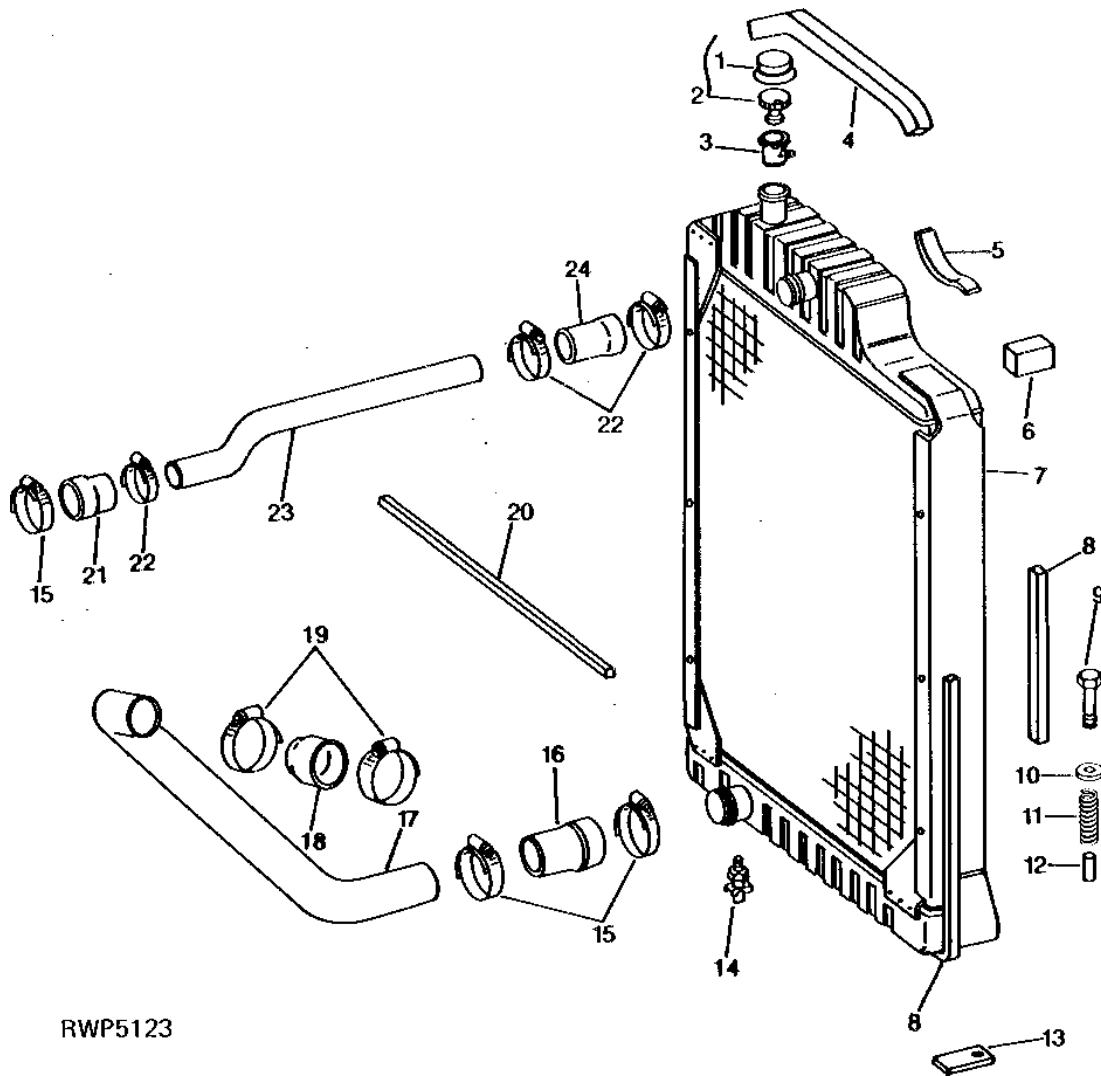
# 1D16

ENGINE

RWP5123

-UN-01JAN94

RADIATOR



RWP5123

# 1D17

ENGINE

## RADIATOR - CONTINUED

KEY	PART NO.	PART NAME	QTY	TRACTOR SERIAL NO.	REMARKS
1	R27209	COVER	1		
2	AR28482	CAP	1		
3	RE15427	FILLER NECK	1		
4	TY22324	BULK HOSE	1		(OVERFLOW) (SUB FOR R82454)
4	R58398	ISOLATOR	1		
5	.....	CUSHION	1		3 X 38 X 110 MM (1/8" X 1-1/2" X 4-7/16") (MAKE FROM R21736)
6	.....	CUSHION	1		51 X 51 X 114 MM (2" X 2" X 4-1/2") (MAKE FROM R35340)
7	AR73260	RADIATOR	1		
8	.....	CUSHION	4		13 X 25 X 610 MM (1/2" X 1" X 24") (MAKE FROM R30936)
9	19H3181	CAP SCREW	2		3/8" X 2"
10	24H1309	WASHER	2		13/32" X 1-1/16" X 0.120"
11	F2411R	SPRING	2		
12	R26417	SPACER	2		
13	R58400	ISOLATOR	2		
14	AT13740	DRAIN VALVE	1		
15	AR62936	CLAMP	5		
16	R57628	HOSE	1	-002853	(SUB R63696)
16	R63696	HOSE	1	002854-	
17	R62159	PIPE	1		(SUB FOR R57626)
18	R62891	HOSE	1		TO WATER PUMP, (SUB FOR R57389) (SUB TY22437)
19	AR21999	CLAMP	3		
20	.....	CUSHION	1		25 X 25 X 690 MM (1" X 1" X 27-3/32") (MAKE FROM R30937)
21	TY22338	BULK HOSE	1		TO WATER MANIFOLD, (SUB FOR R57388)
22	TY22470	CLAMP	3		(SUB FOR AR21840)
23	R57387	LINE	1		
24	R62286	HOSE	1		(SUB FOR R57393)

---

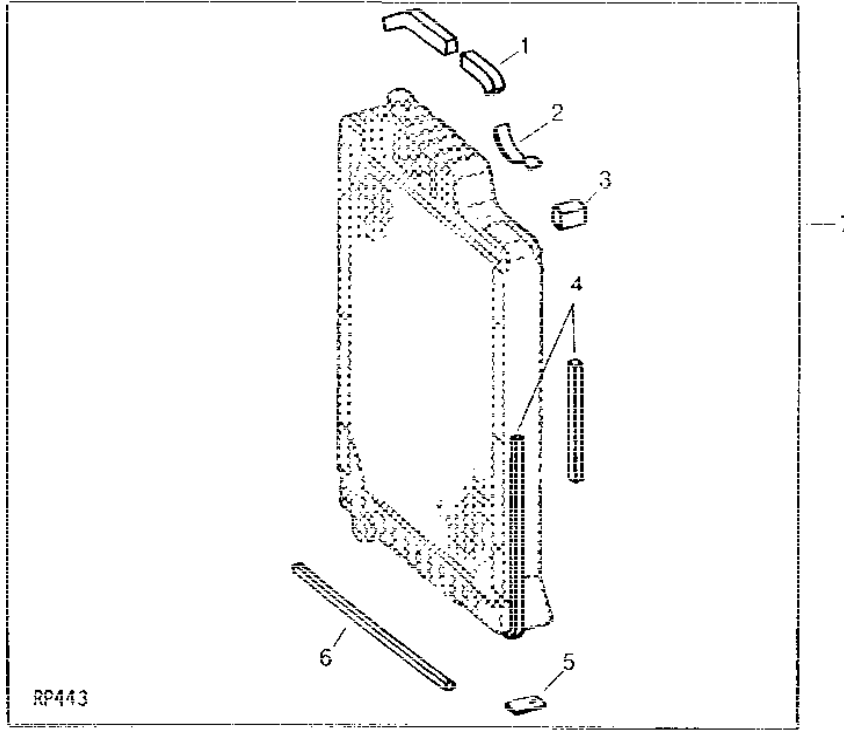
MEMORANDA

# 1D18

ENGINE

RP443 -UN-01JAN94

## RADIATOR BAFFLE AND CUSHION KIT



KEY	PART NO.	PART NAME	QTY	TRACTOR SERIAL NO.	REMARKS
1	R62809	FOAM PAD	1		
2	.....	CUSHION	1		3 X 38 X 110 MM (1/8" X 1-1/2" X 4-7/16") (MAKE FROM R21736)
3	.....	CUSHION	1		51 X 51 X 114 MM (2" X 2" X 4-1/2") (MAKE FROM R35340)
4	.....	CUSHION	4		13 X 25 X 610 MM (1/2" X 1" X 24") (MAKE FROM R30936)
5	R58400	ISOLATOR	2		
6	.....	CUSHION	1		25 X 25 X 690 MM (1" X 1" X 27-3/32") (MAKE FROM R30937)
7	AR91036	KIT	1		

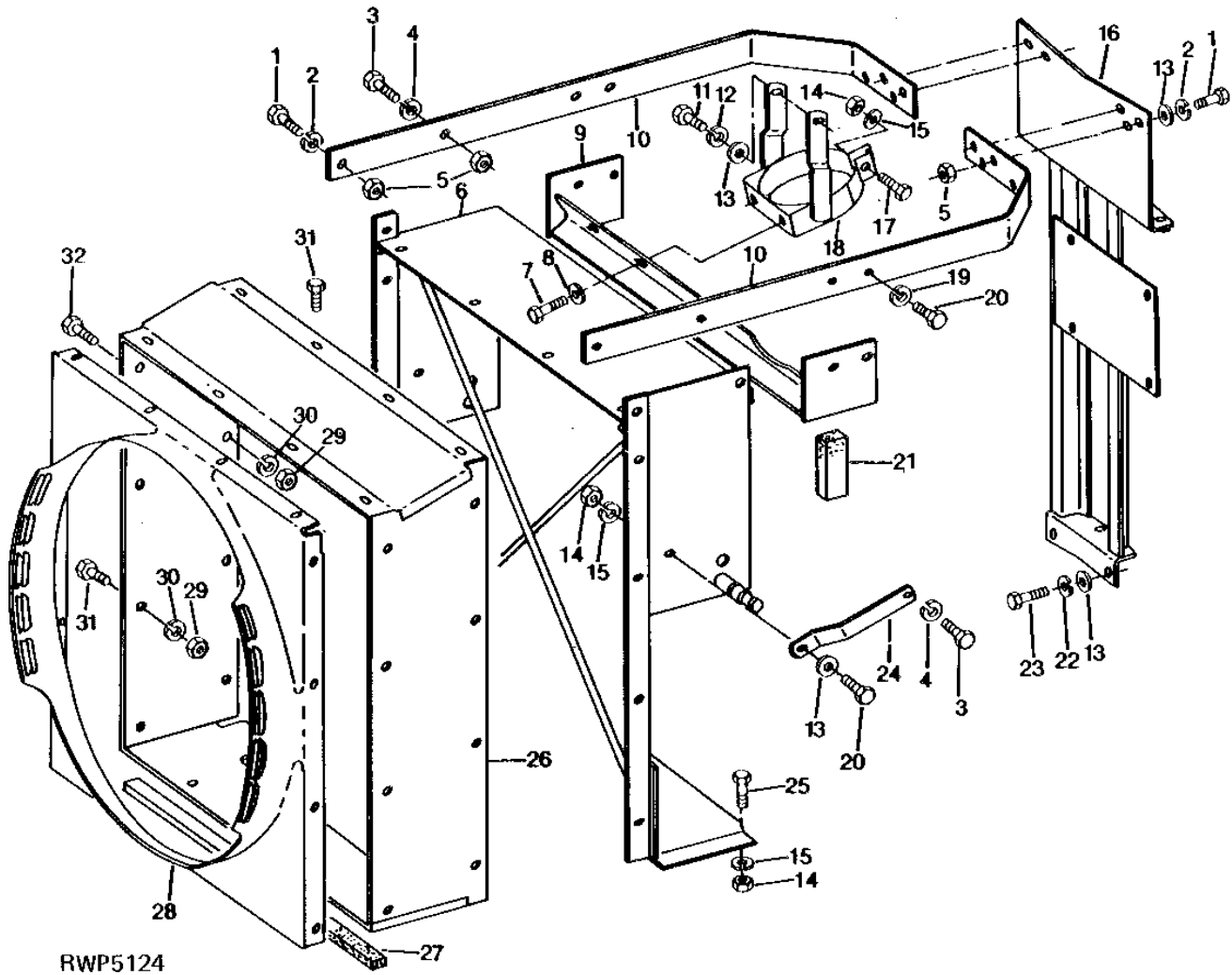
# 1D19

ENGINE

RWP5124

-UN-01JAN94

## FAN SHROUD EXTENSION AND FRONT HOOD SUPPORT





# 1D20

ENGINE

## FAN SHROUD EXTENSION AND FRONT HOOD SUPPORT - CONTINUED

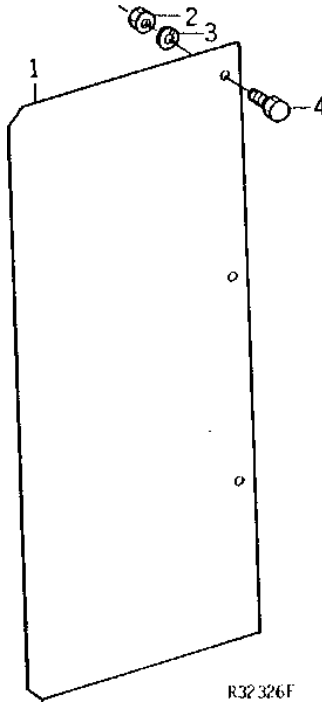
KEY	PART NO.	PART NAME	QTY	TRACTOR SERIAL NO.	REMARKS
1	19H2284	CAP SCREW	6	-001441	3/8" X 7/8"
	19H1732	CAP SCREW	6	001442-	3/8" X 1-1/4"
2	12H304	LOCK WASHER	6		3/8"
3	19H2021	CAP SCREW	2	-001441	3/8" X 5/8"
	19H1731	CAP SCREW	2	001442-	3/8" X 1"
4	12H304	LOCK WASHER	2		3/8"
5	14H1076	NUT	6	001442-	3/8"
6	AR68467	SUPPORT	1		FAN SHROUD (NLA)
7	19H1731	CAP SCREW	2		3/8" X 1"
8	12H304	LOCK WASHER	2		3/8"
9	AR69788	SUPPORT	1		AIR STACK
10	R58306	STRAP	2	-001441	(SUB (2) R62079, (6) 19H1732, (2) 19H1731, (8) 12H304 AND (8) 14H1076)
	R62079	STRAP	2	001442-	
11	19H2021	CAP SCREW	2		3/8" X 5/8"
12	12H304	LOCK WASHER	2		3/8"
13	24H1305	WASHER	10		13/32" X 13/16" X 0.065"
14	14H1076	NUT	7		3/8"
15	12H304	LOCK WASHER	7		3/8"
16	AR68956	SUPPORT	1		
17	19H1765	CAP SCREW	1		3/8" X 1-3/4"
18	AR69930	CLAMP	1		(SUB AR91977)
19	12H304	LOCK WASHER	4		3/8"
20	19H1936	CAP SCREW	6		3/8" X 3/4"
21	.....	CUSHION	2		25 X 38 X 102 MM (1" X 1-1/2" X 4") (MAKE FROM R91749) (SUB FOR R35416)
22	12H304	LOCK WASHER	2		3/8"
23	19H1731	CAP SCREW	2		3/8" X 1"
24	R57478	STRAP	2		
25	19H1732	CAP SCREW	4		3/8" X 1-1/4"
26	AR70882	EXTENSION	1		
27	R58284	ISOLATOR	1		
28	R58889	SHROUD	1		
29	14H786	NUT	24		1/4"
30	12H302	LOCK WASHER	24		1/4"
31	19H1227	CAP SCREW	16		1/4" X 1/2"
32	19H1948	CAP SCREW	8		1/4" X 3/4"

# 1D21

ENGINE

R32326 -UN-01JAN94

FAN GUARD  
(NOT USED IN U.S. AND CANADA)



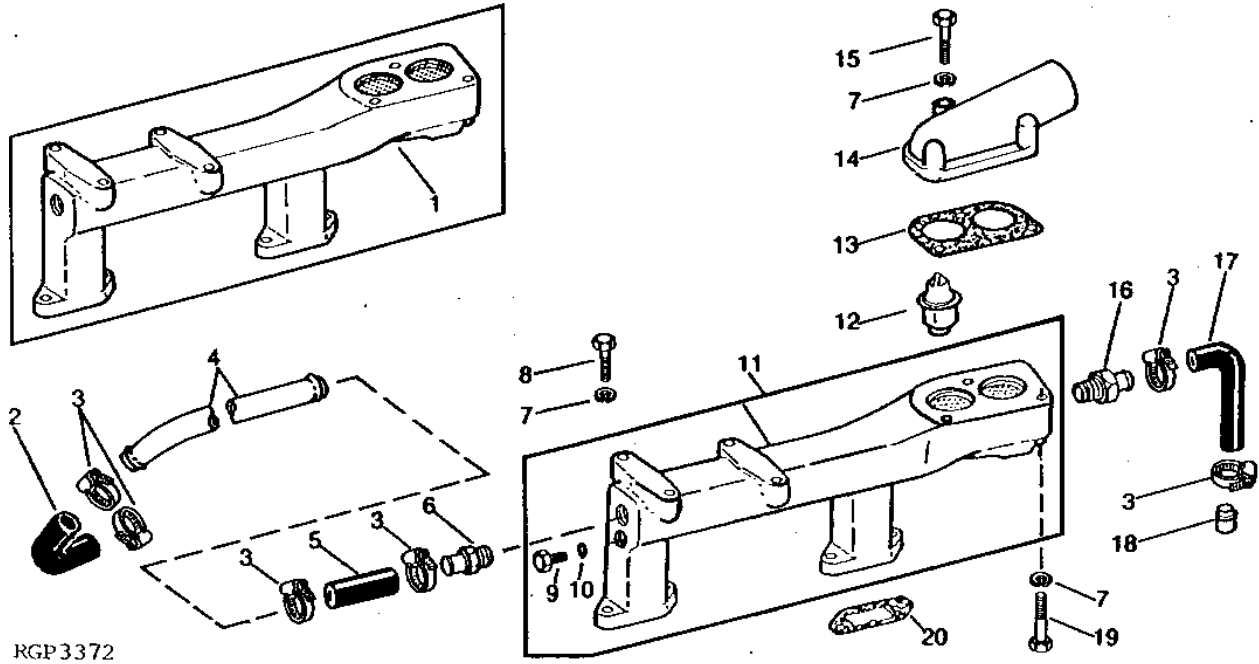
KEY	PART NO.	PART NAME	QTY	TRACTOR SERIAL NO.	REMARKS
1	R63859	GUARD	1		
2	14H786	NUT	6	1/4"	
3	12H302	LOCK WASHER	6	1/4"	
4	19H1948	CAP SCREW	6	1/4" X 3/4"	

# 1D22

ENGINE

RGP3372 -UN-01JAN94

## WATER MANIFOLD AND THERMOSTATS



RGP3372

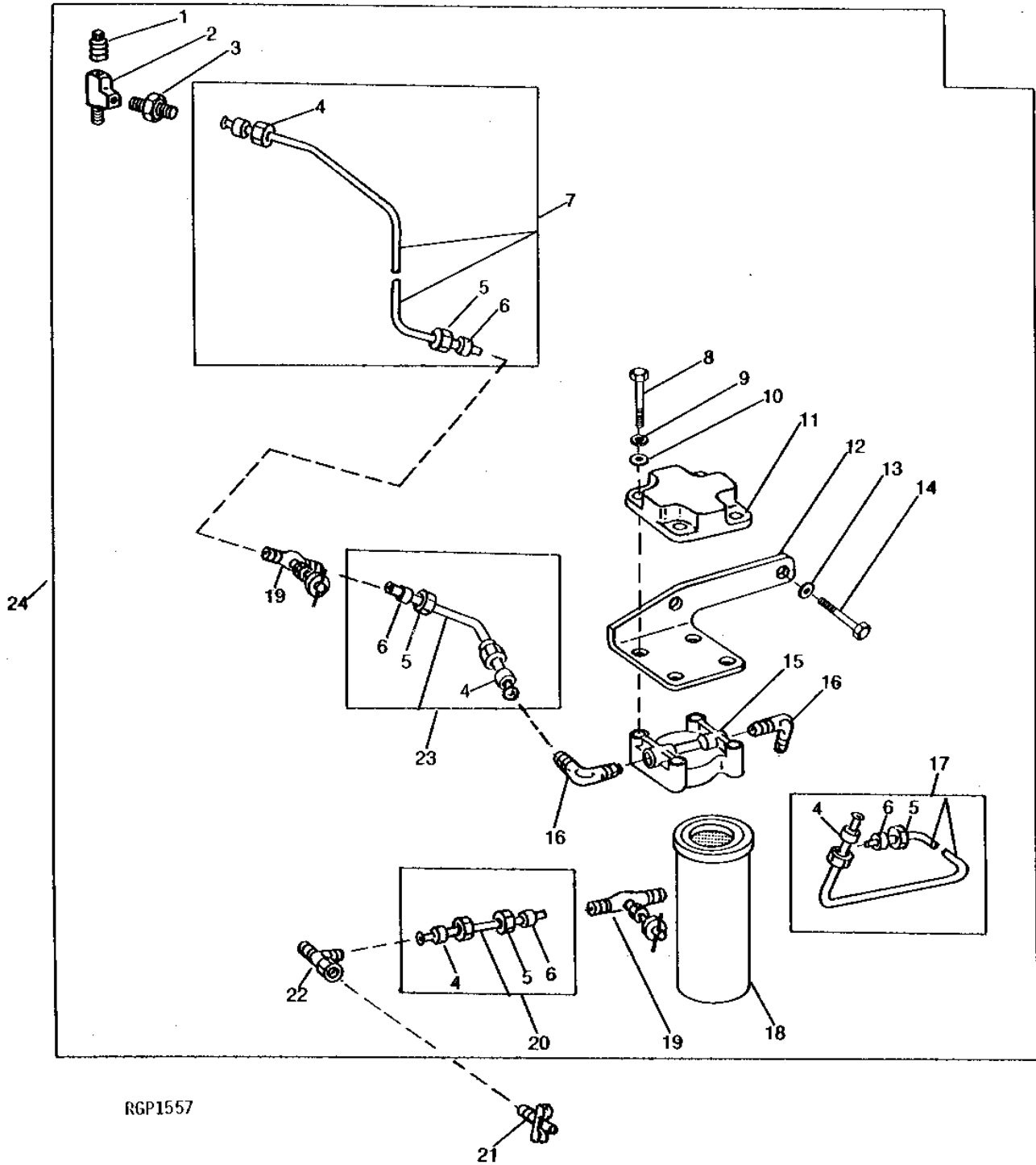
KEY	PART NO.	PART NAME	QTY	ENGINE SERIAL NO.	REMARKS
1	R50415	MANIFOLD	1	-227532	(SUB R78123, R82719 OR R77673)
2	R50402	HOSE	1		(SUB FOR R47430)
3	TY22467	CLAMP	6		(SUB FOR AR21839)
4	R61128	LINE	1		
5	A5203R	HOSE	1		22MM X 76MM (7/8" X 3") (20R2)
6	R48362	ADAPTER	1		
7	12H304	LOCK WASHER	7		3/8"
8	19H3219	CAP SCREW	4		3/8" X 1-3/8"
9	R82719	FITTING PLUG	1	227533-	(SUB FOR R27094, APPL)
10	R77673	O-RING	1	227533-	
11	RE12848	MANIFOLD	1	227533-	(MARKED R78123) (SUB INDIVIDUAL PARTS)
12	AR48675	THERMOSTAT	2		
13	R46479	GASKET	1		
14	R53423	COVER	1		-XXXXXX
	R58721	COVER	1	XXXXXX-	
15	19H1733	CAP SCREW	1		3/8" X 2-1/2"
16	R49518	FITTING	1		
17	R58718	HOSE	1		(SUB TY22404)
	TY22404	HOSE	AR		(BULK)
18	R40083	HOSE FITTING	1		
19	19H2128	CAP SCREW	2		3/8" X 3"
20	R88397	GASKET	2		(SUB FOR R42693)

# 1D23

ENGINE

ENGINE COOLANT CONDITIONER FILTER KIT  
(6466) (ENGINE SERIAL NO. -113246)

RGP1557 -UN-01JAN94



RGP1557

# 1D24

ENGINE

ENGINE COOLANT CONDITIONER FILTER KIT - CONTINUED  
(6466) (ENGINE SERIAL NO. -113246)

KEY	PART NO.	PART NAME	QTY	ENGINE SERIAL NO.	REMARKS
1	15H623	PIPE PLUG	1	3/8"	
2	L1836N	TEE FITTING	1		
3	R68199	FITTING	1		
4	R67092	PACKING	4		
5	R72144	FITTING	4		
6	R72143	SLEEVE FITTING	4		
7	AR94768	LINE	1		KIT, OUTLET LINE, (SUB FOR AR95771) (ALSO ORDER R72143 AND R72144)
8	19H1732	CAP SCREW	4	3/8" X 1-1/4"	
9	12H304	LOCK WASHER	4	3/8"	
10	24H1298	WASHER	1	3/8" X 5/8" X 0.032"	
11	R72095	SHIELD	1		
12	R68196	BRACKET	1		
13	12H303	LOCK WASHER	2	5/16"	
14	19H1904	CAP SCREW	2	5/16" X 3"	
15	AR87111	BASE	1		
16	R67803	FITTING	2		
17	AR95769	KIT	1		KIT, INLET LINE, (SUB AR94767, R72143 AND R72144)
18	AR94767	OIL LINE	1		
	AR94650	FILTER	1		(COOLANT FILTER W/COOLANT CONDITIONER) (SUB RE11992)
	RE11992	COOLANT FILTER	1		(COOLANT FILTER WITHOUT COOLANT CONDITIONER) (SUB FOR AR89379, AR89381 OR AR94650)
19	AR94769	VALVE	1		
20	AR95768	KIT	1		KIT, INLET LINE, (SUB AR94765, R72143 AND R72144)
	AR94765	OIL LINE	1		
21	AT13740	DRAIN VALVE	1		
22	R76710	TEE FITTING	1		(SUB FOR R67130)
23	AR95770	KIT	1		KIT, OUTLET LINE
24	AR94764	KIT	1		(COOLANT FILTER WITH COOLANT CONDITIONER) (SUB RE63678)
	RE63678	KIT	1		(COOLANT FILTER WITHOUT COOLANT CONDITIONER) (SUB FOR AR91956 AND AR94764)

---

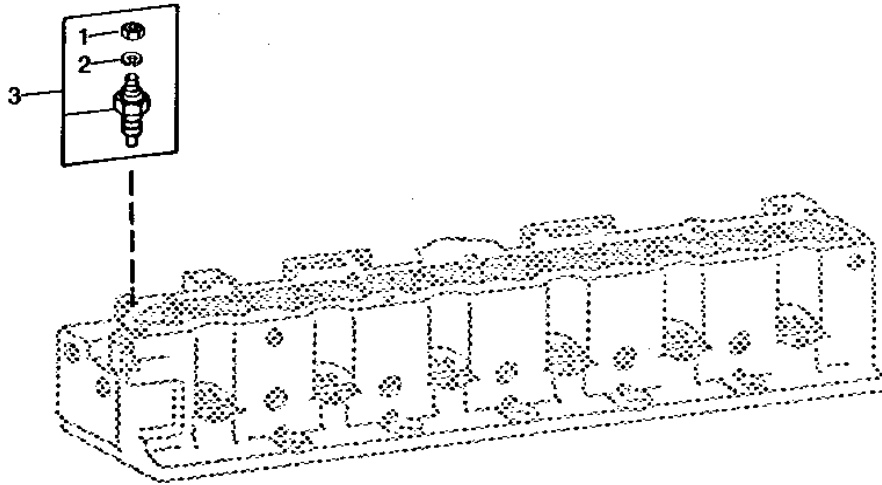
MEMORANDA

# 1D25

ENGINE

RGP1468 -UN-01JAN94

## COOLANT TEMPERATURE SENDER



RGP1468

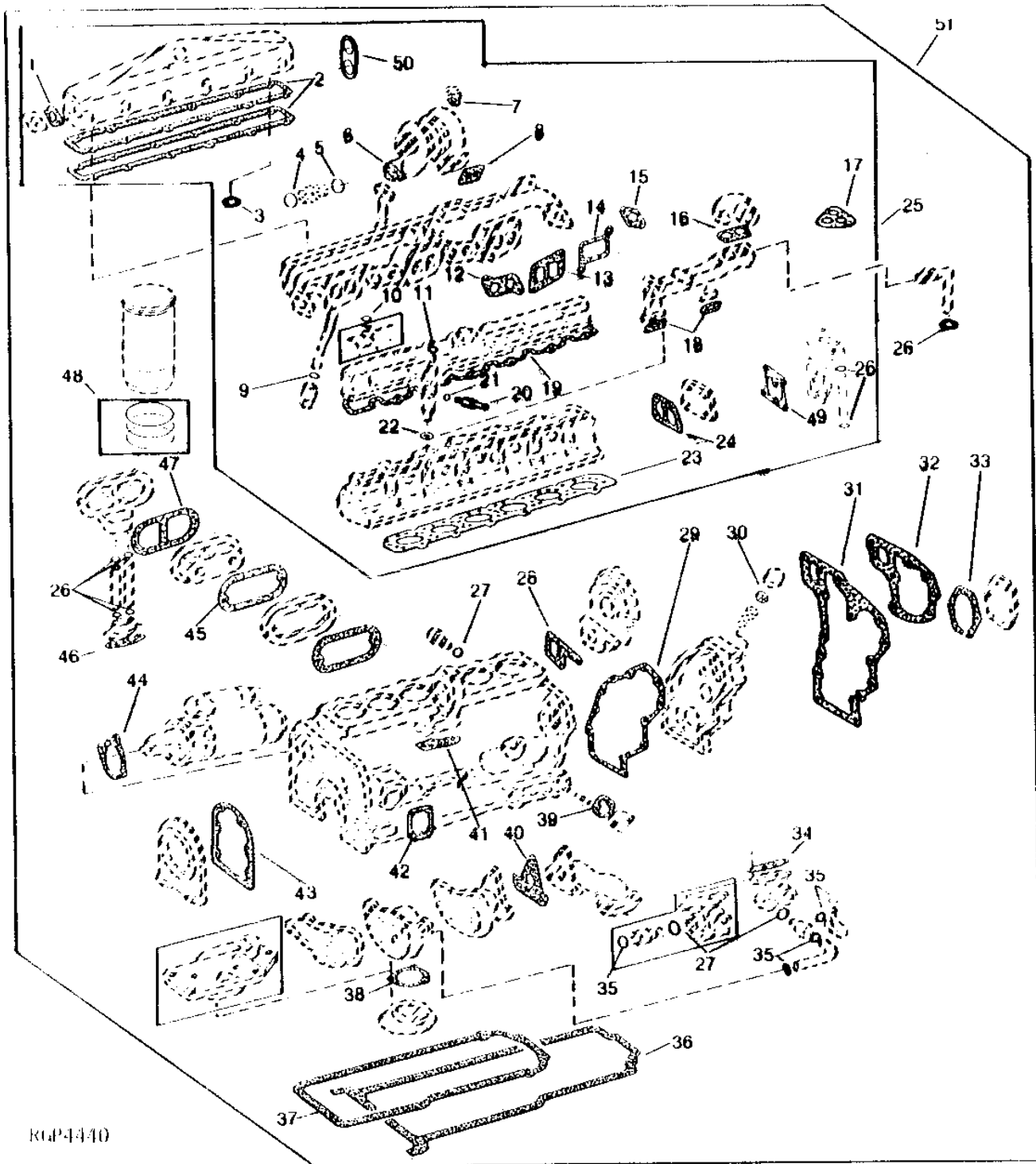
KEY	PART NO.	PART NAME	QTY	ENGINE SERIAL NO.	REMARKS
1	14H631	NUT	1	0.190"	
2	12H295	LOCK WASHER	1	0.190"	
3	AR58233	SENSOR	1		

# 1E1

ENGINE

## ENGINE GASKET KITS (6466A)

RGP4440 -UN-03MAR95



RGP4440



# 1E2

ENGINE

ENGINE GASKET KITS - CONTINUED  
(6466A)

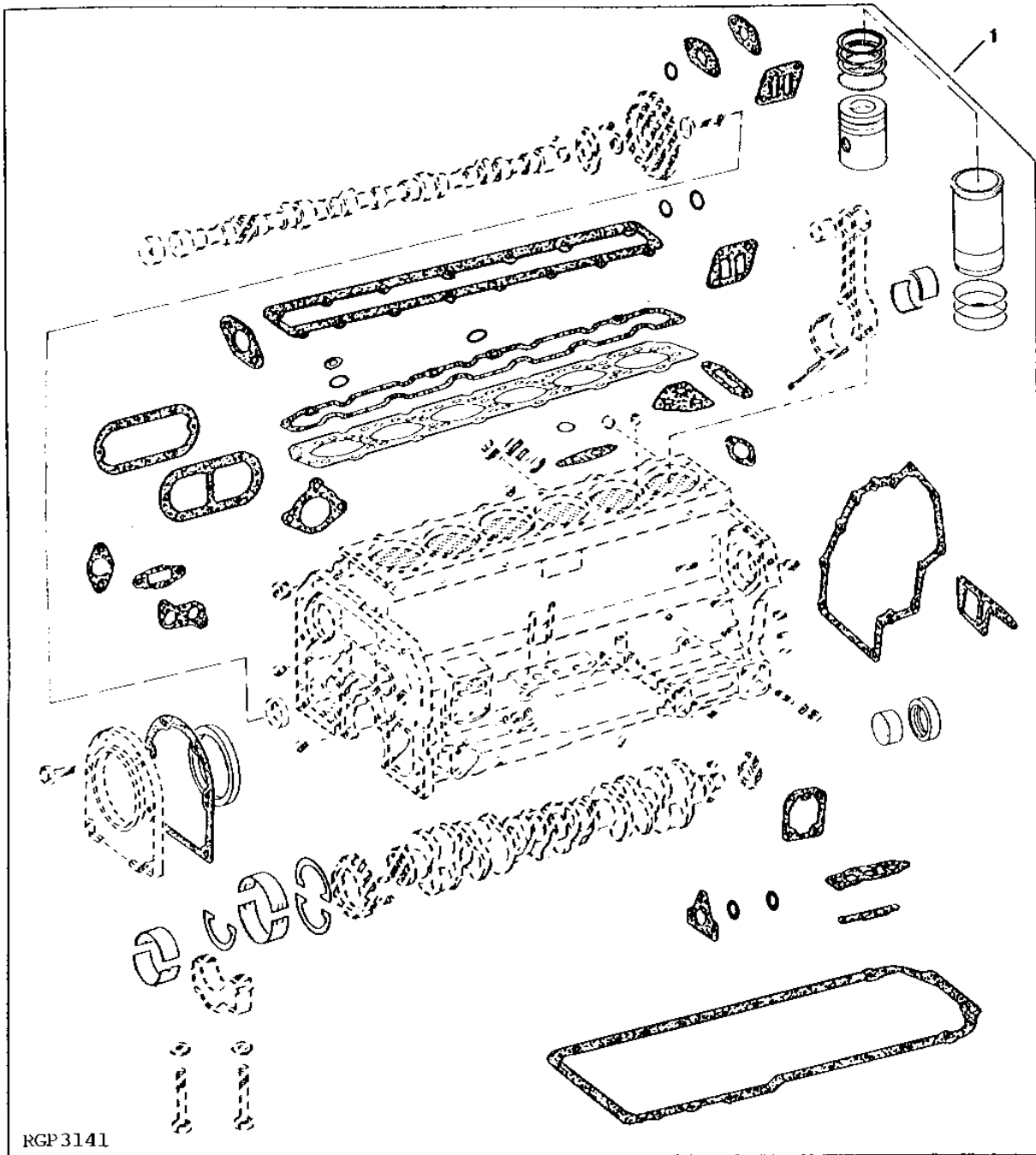
KEY	PART NO.	PART NAME	QTY	ENGINE SERIAL NO.	REMARKS
1	R97346	GASKET	1		(SUB FOR R47395)
2	R97347	GASKET	2		(SUB FOR R50399)
3	R52811	O-RING	2		
4	R50405	O-RING	1		
5	R50406	O-RING	1		
6	R105346	GASKET	1		(SUB FOR R43416 OR R97349)
7	R97348	GASKET	1		(SUB FOR R43413)
8	R43751	GASKET	1		
9	R72328	O-RING	1		
10	R495R	O-RING	1		(4640,4650, 4840 OR 4850)
11	R51603	O-RING	6		
12	R83020	GASKET	2		(SUB FOR R44373)
13	R50397	GASKET	3		
14	R102838	GASKET	3		(SUB FOR R87316)
15	R83021	GASKET	2		(SUB FOR R44374)
16	R46479	GASKET	1		(4640,4840,8430,8440,8450)
17	R81274	GASKET	1		(SUB FOR R49488) (4650 OR 4850)
18	R88397	GASKET	2		(SUB FOR R42693)
19	R49866	GASKET	1		(SUB FOR R32593)
20	R87082	FITTING	6		
21	R77551	O-RING	6		
22	R64840	WASHER	6		
23	RE47336	GASKET	1		(SUB FOR R55182, RE34010 OR R80026)
24	R43595	GASKET	1		
25	RG22247	GASKET KIT	1		CYLINDER HEAD, (SUB FOR AR72078 OR AR98851)
26	R47153	O-RING	6		(SUB FOR (4) R50420 ON 4640 OR 4840)
27	U13639	O-RING	2		
28	R42406	GASKET	1		(4640,4840,8430,8440)
29	R50353	GASKET	1		(4640,4840,8430,8440)
30	T20328	GASKET	1		
31	R71314	GASKET	1		(4650,4850,8450)
32	R71315	GASKET	1		(4650,4850,8450)
33	R50390	GASKET	1		
34	R65055	GASKET	1		
35	R71732	O-RING	4		(SUB FOR R50378)
36	R71918	GASKET	1		(SUB FOR R53282)
37	.....	GASKET	1		
38	R52049	GASKET	1		
39	R97350	GASKET	1		(SUB FOR R27285)
40	R71312	GASKET	1		(8430,8440)
41	R43774	GASKET	1		
42	R62410	GASKET	1		
43	R26058	GASKET	1		
44	R53108	GASKET	1		
45	AR58952	GASKET	2		(CONSISTS OF (2) R50417)
46	R50424	GASKET	1		
47	R50419	GASKET	1		
48	AR98850	KIT	6		(NO LONGER INCLUDED)
49	R86062	GASKET	1		
50	R100911	SEAL	1		
51	AR98845	GASKET KIT	1		ENGINE REBUILD, (SUB FOR AR72077 OR AR96201)

# 1E3

ENGINE

## ENGINE OVERHAUL KIT (6466)

RGP3141 -UN-01JAN94



RGP 3141

# 1E4

ENGINE

## ENGINE OVERHAUL KIT - CONTINUED

KEY	PART NO.	PART NAME	QTY	ENGINE SERIAL NO.	REMARKS
1	RE60289	ENGINE OVERHAUL KIT	1		(A) (CONTAINS (6) RE60288 PISTON LINERS, GASKET KIT, STD BEARINGS, FRONT/REAR SEALS AND SNAP RINGS) (ALSO ORDER (12) R66452 ROD BOLTS) (SUB FOR RG18845)
	RE60285	ENGINE OVERHAUL KIT	1		(B) (CONTAINS (6) RE60284 PISTON LINERS, GASKET KIT, STD BEARINGS, FRONT/REAR SEALS AND SNAP RINGS) (ALSO ORDER (12) R66452 ROD BOLTS) (SUB FOR RG20142)

(A) ORIGINAL ENGINE AND SHORT BLOCK SERIAL NO. ( -572026) AND CONNECTING RODS MARKED R57303 OR R67320

(B) SHORT BLOCK SERIAL NO. (572027- ) AND CONNECTING RODS MARKED R71074

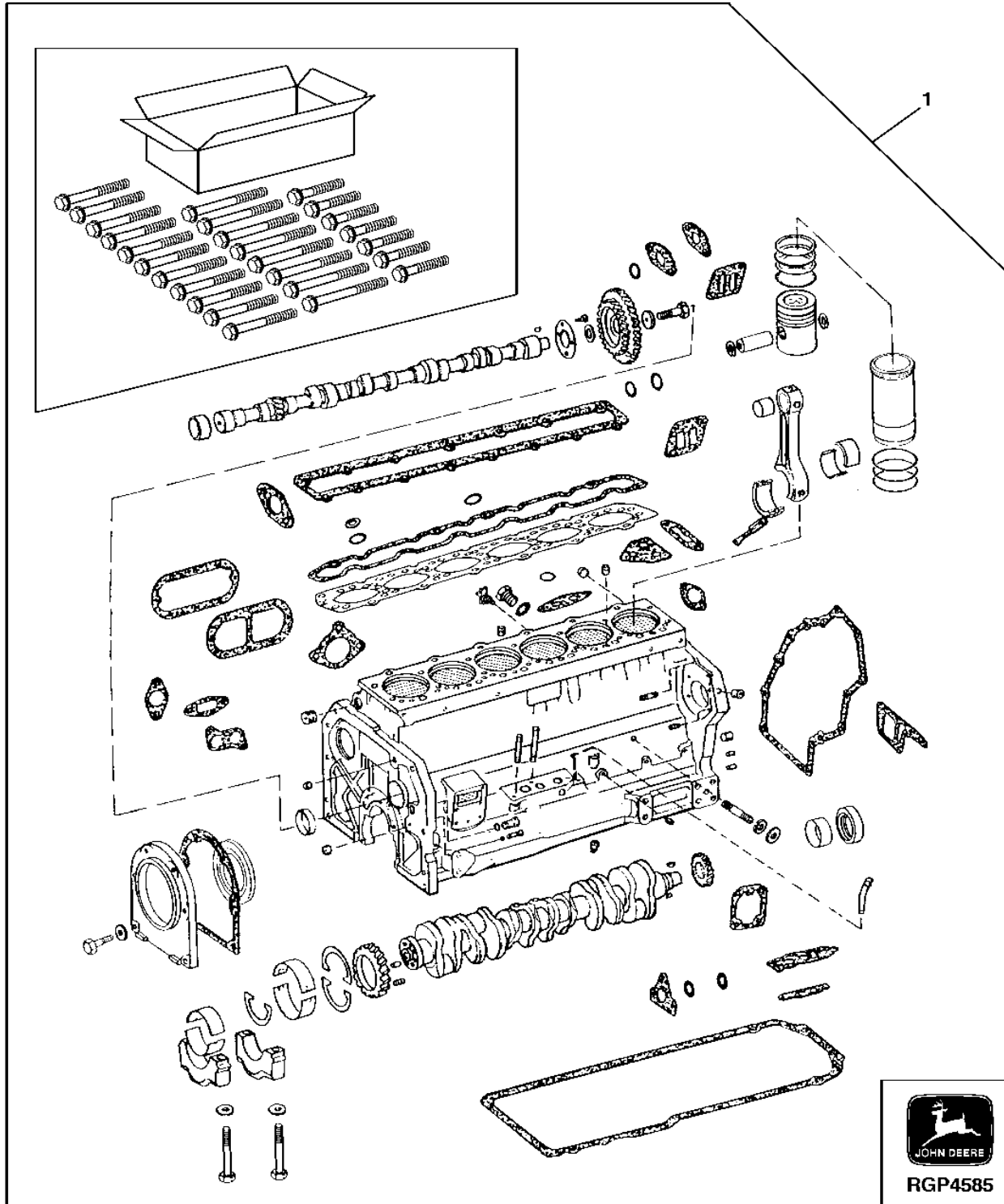
# 1E5

ENGINE

## REPLACEMENT ENGINE SHORT BLOCK (CRANKSHAFT DRIVEN OIL PUMP)

RGP4585

-UN-16OCT95



# 1E6

ENGINE

---

REPLACEMENT ENGINE SHORT BLOCK - CONTINUED  
(CRANKSHAFT DRIVEN OIL PUMP)

KEY	PART NO.	PART NAME	QTY	ENGINE SERIAL NO.	REMARKS
1	RE65075	SHORT BLOCK ASSEMBLY	1		(MARKED R122735) (INCLUDES (26) HEAD BOLTS)

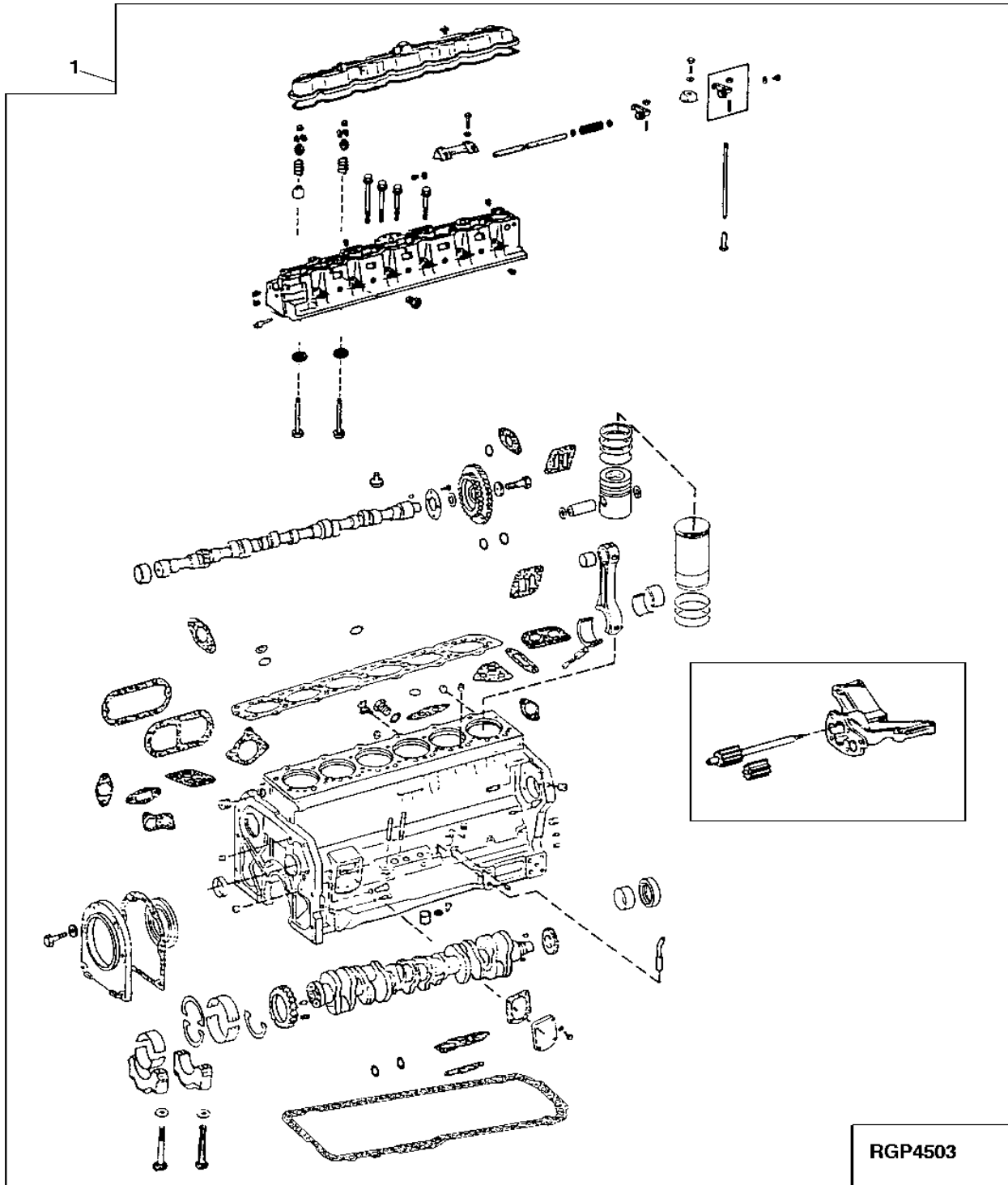
# 1E7

ENGINE

## COMPLETE BLOCK ASSEMBLY (6466)

RGP4503

-UN-13JUN95



# 1E8

ENGINE

**COMPLETE BLOCK ASSEMBLY - CONTINUED**  
**(6466)**

KEY	PART NO.	PART NAME	QTY	ENGINE SERIAL NO.	REMARKS
1	RG23047	COMPLETE BLOCK ASSEMBLY	1	-231771	(A)
	RG23047	COMPLETE BLOCK ASSEMBLY	1	231772-	(B) (ALSO ORDER RE53510, APPL)

(A) EARLY ENGINES W/ RE50384 OR R62954 OIL COOLER BYPASS HOUSING AND CAM DRIVEN OIL PUMP - ALSO ORDER RE53510 OIL PUMP INTAKE, RE29234 HOUSING, (4) R57696 WASHER, R62938 GEAR, R62952 TUBE, R78134 HOUSING, (2) 19H2549 AND (2) 19H3219

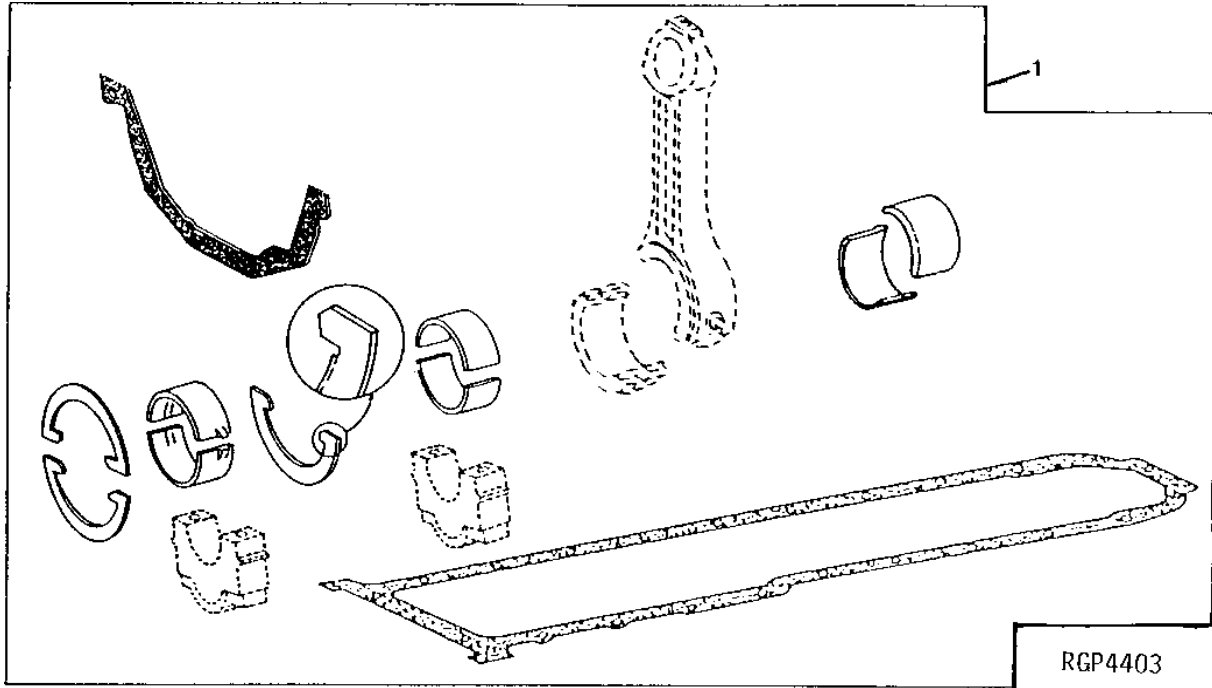
(B) LATE ENGINES WITH R78134 OIL COOLER BYPASS HOUSING - ALSO ORDER RE53510

# 1E9

ENGINE

## ENGINE UNDERHAUL KIT (6466)

RGP4403 -UN-14DEC94



KEY	PART NO.	PART NAME	QTY	ENGINE SERIAL NO.	REMARKS
1	RG23426	KIT	1		(INCLUDES BEARINGS, OIL PAN GASKET, AND SPLIT GASKETS) (SUB FOR RG22789)

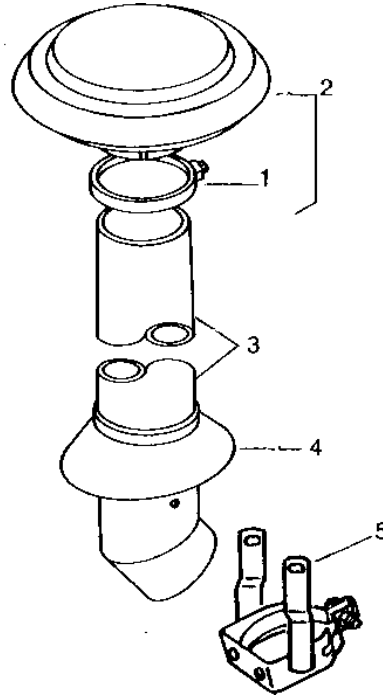


# 1E13

FUEL AND AIR

RWP4307 -UN-01JAN94

## AIR STACK WITH CAP



RWP4307

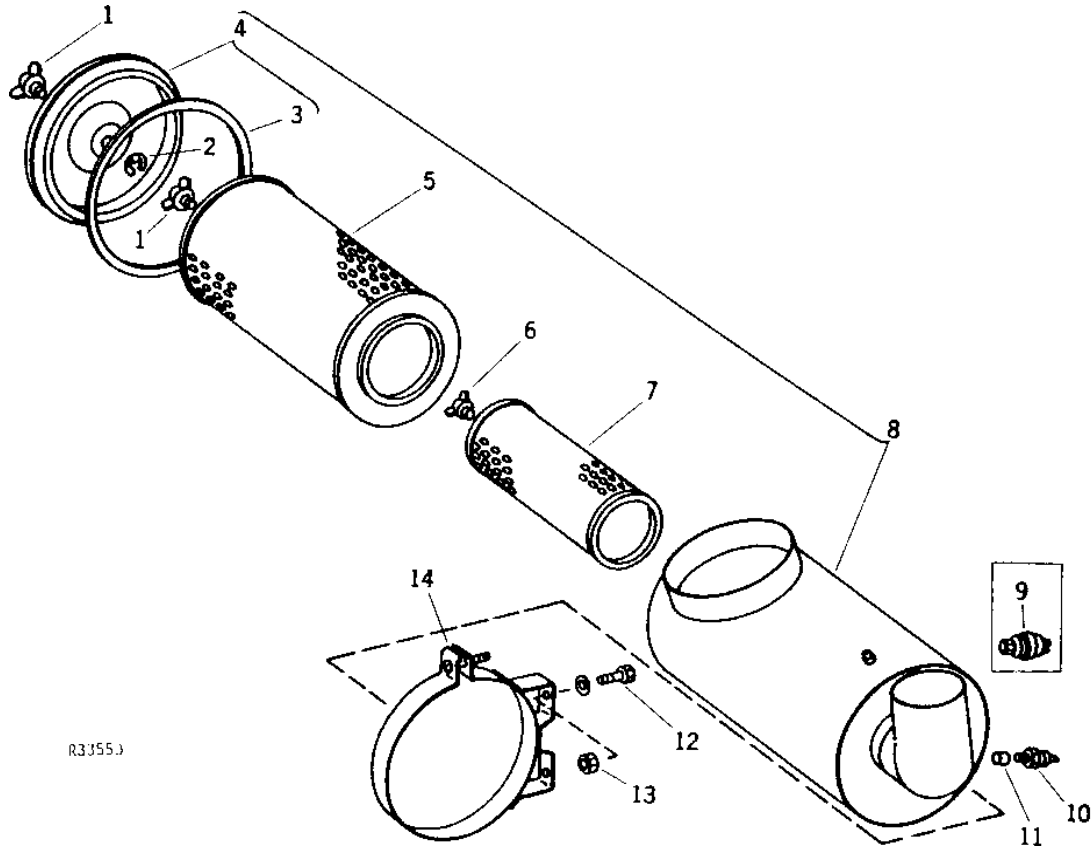
KEY	PART NO.	PART NAME	QTY	TRACTOR SERIAL NO.	REMARKS
1	AR29690	CLAMP	1		
2	RE11158	CAP	1		(SUB AR85327)
3	AR70103	AIR INTAKE STACK	1		(SUB FOR AR70105)
4	R58325	SEAL	1		
5	AR91977	CLAMP	1		

# 1E14

FUEL AND AIR

R33550 -UN-26SEP95

## DRY AIR CLEANER



R33550

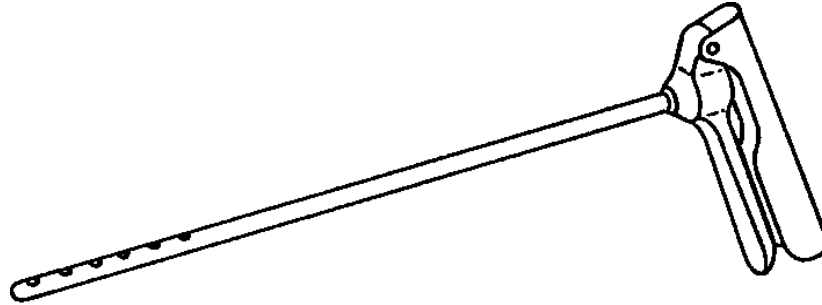
KEY	PART NO.	PART NAME	QTY	TRACTOR SERIAL NO.	REMARKS
1	AR73234	WING NUT	2		
2	P46402	SNAP RING	1		
3	R60463	RING	1		
4	AR73235	COVER	1		
5	AR70106	FILTER ELEMENT	1		PRIMARY
6	AH20849	WING NUT	1		(SUB FOR AR73236)
7	AR70107	FILTER ELEMENT	1		SECONDARY
8	AR70101	AIR CLEANER	1		
9	AR50489	SWITCH	1	-001548	
10	RE17515	SENSOR	1	001549-	(SUB FOR AL32975 OR AL24194)
11	15H73	COUPLING	1	001549-	
12	19H1731	CAP SCREW	4		3/8" X 1"
	12H304	LOCK WASHER	4		3/8"
13	14H1076	NUT	2		3/8"
14	AT27818	CLAMP	2		

# 1E15

FUEL AND AIR

RP474 -UN-01JAN94

## DRY AIR CLEANER ELEMENT CLEANING GUN



RP474

KEY	PART NO.	PART NAME	QTY	TRACTOR SERIAL NO.	REMARKS
..	AR62322	SPRAY GUN	1		(MARKED R42726) (SUB FOR AR62377) (NLA)
..	R36757	AIR CLEANER	1		(NLA)

---

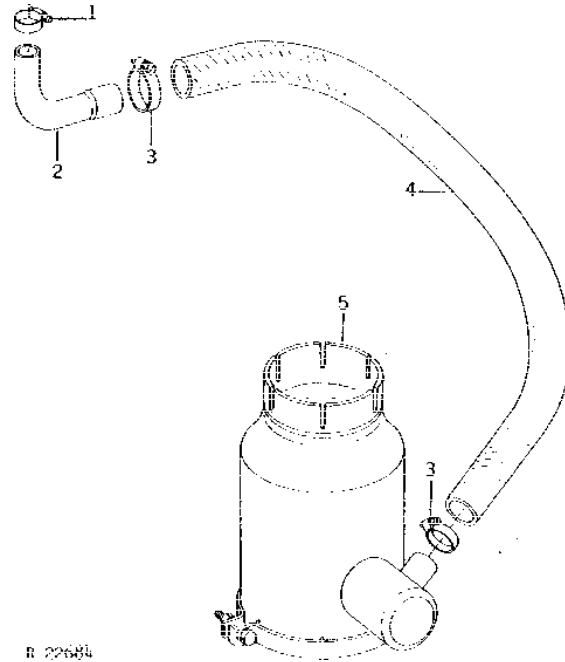
MEMORANDA

# 1E16

FUEL AND AIR

R22684 -UN-01JAN94

## PRE-CLEANER AND ASPIRATOR WITH TUBING



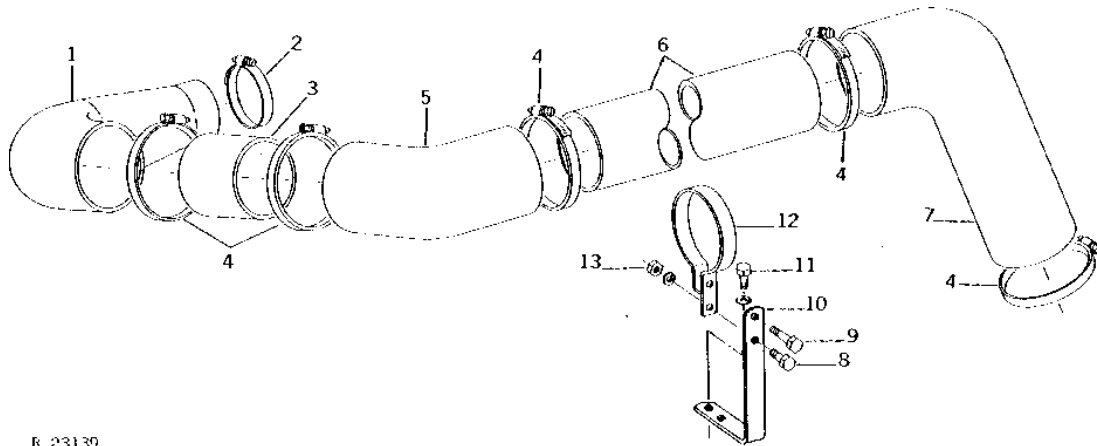
KEY	PART NO.	PART NAME	QTY	TRACTOR SERIAL NO.	REMARKS
1	TY22467	CLAMP	1		(SUB FOR AR21839)
2	AR78589	PIPE ELBOW	1		(SUB FOR R58323)
3	TY22470	CLAMP	2		(SUB FOR AR21840)
4	R66584	HOSE	1		(ALSO ORDER AR78589, UNLESS PREVIOUSLY INSTALLED) (SUB FOR R58324) (SUB TY22334)
5	AR70104	PRESCREENER	1		

# 1E17

FUEL AND AIR

**AIR INTAKE PIPES AND HOSES  
(TRACTOR SERIAL NO. -003614)**

R23139 -UN-01JAN94



R 23139

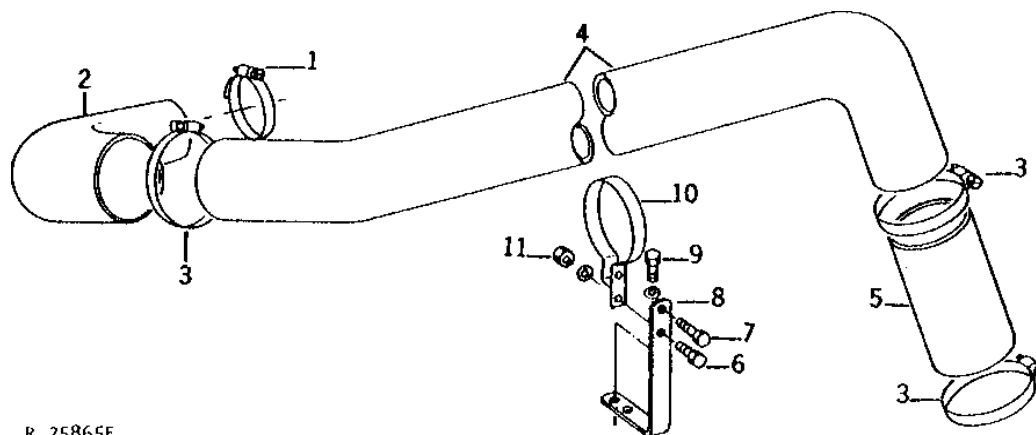
KEY	PART NO.	PART NAME	QTY	TRACTOR SERIAL NO.	REMARKS
1	R63895	HOSE	1		REAR, (SUB FOR R58313 OR R61173)
2	TY22487	CLAMP	1		(SUB FOR AR21841)
3	R58312	SLEEVE	1		REAR
4	AR85327	CLAMP	5		(SUB FOR AC15595, AR78422 OR AR81483)
5	R58319	HOSE	1		REAR
6	R58314	PIPE	1		MIDDLE, (NLA)
7	R58315	HOSE	1		FRONT
8	19H1731	CAP SCREW	1		3/8" X 1"
9	19H1765	CAP SCREW	1		3/8" X 1-3/4"
10	R58205	BRACKET	1		
11	19H1731	CAP SCREW	2		3/8" X 1"
	12H304	LOCK WASHER	2		3/8"
12	R58318	CLAMP	1		
13	14H1076	NUT	2		3/8"
	12H304	LOCK WASHER	2		3/8"
..	TY15130	SEALANT	1		85G (3 OZ) TUBE

# 1E18

FUEL AND AIR

## AIR INTAKE PIPES AND HOSES (TRACTOR SERIAL NO. 003615- )

R25865 -UN-01JAN94



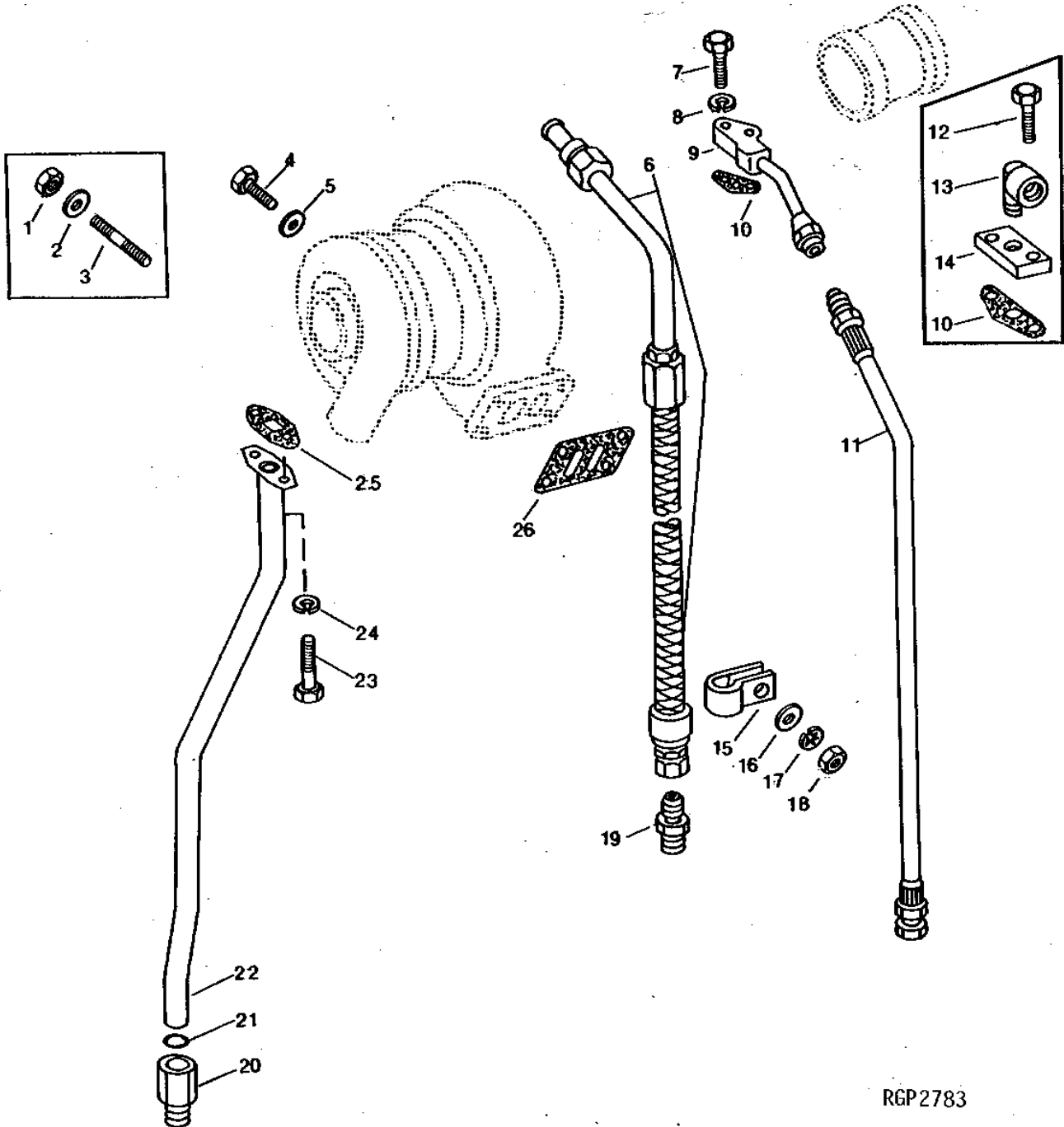
KEY	PART NO.	PART NAME	QTY	TRACTOR SERIAL NO.	REMARKS
1	TY22487	CLAMP	1	-004613	(SUB FOR AR21841)
	AR85328	CLAMP	1	004614-	
2	R63895	HOSE	1		TO TURBO
3	AR85327	CLAMP	3		(SUB FOR AR78422 OR AR81483)
4	R63893	PIPE	1		
5	R63894	HOSE	1		TO AIR CLEANER
6	19H1731	CAP SCREW	1		3/8" X 1"
7	19H1765	CAP SCREW	1		3/8" X 1-3/4"
8	R58205	BRACKET	1		
9	19H1731	CAP SCREW	2		3/8" X 1"
	12H304	LOCK WASHER	2		3/8"
10	R58318	CLAMP	1		
11	14H1076	NUT	2		3/8"
	12H304	LOCK WASHER	2		3/8"
..	TY15130	SEALANT	1		85G (3 OZ) TUBE

# 1E19

FUEL AND AIR

## TURBOCHARGER OIL INLET AND RETURN LINES (6466A)

RGP2783 -UN-01JAN94



RGP2783



# 1E20

FUEL AND AIR

## TURBOCHARGER OIL INLET AND RETURN LINES - CONTINUED (6466A)

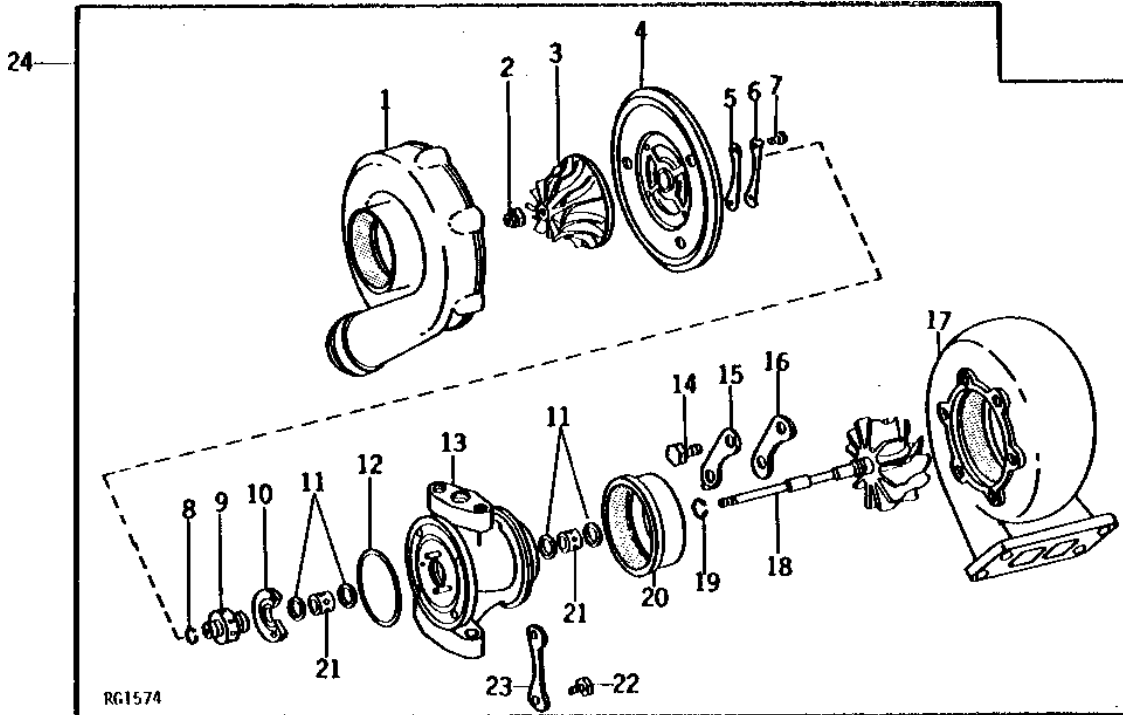
KEY	PART NO.	PART NAME	QTY	ENGINE SERIAL NO.	REMARKS
1	E55662	FLANGE NUT	4		
2	24H1303	WASHER	4		13/32" X 11/16" X 0.065"
3	R55078	STUD	4		(SUB R54500 AND 24H1305, APPL)
4	R54500	SCREW	4		
5	24H1305	WASHER	4		13/32" X 13/16" X 0.065"
6	RE20230	OIL LINE	1	296157-	(USE WITH RE19784)
7	19H3552	CAP SCREW	2	-296156	5/16" X 1-1/2"
8	12H303	LOCK WASHER	2	-296156	5/16"
9	AR61590	OIL LINE	1	-296156	
10	R97348	GASKET	1	-296156	(USE WITH AR73626 OR AR87421) (SUB FOR R43413)
11	AR54576	OIL LINE	1	-010084	(SUB AR76424 AND R62239)
	AR76424	OIL LINE	1	010085-296156	
12	19H1905	CAP SCREW	2		5/16" X 1" (NO LONGER REQUIRED)
13	T11180	ELBOW FITTING	1		(NO LONGER REQUIRED)
14	R79723	STRAP	1		(SUB AR61590, R97348, AR76424 AND R62239, APPL)
15	AH80916	CLIP	1	010215-	(SUB FOR R46414)
16	24H753	WASHER	1	010215-	9/32" X 5/8" X 0.049"
17	12H297	LOCK WASHER	1	010215-	1/4"
18	14H786	NUT	1	010215-	1/4"
19	R52775	FITTING	1	-010084	
	R62239	FITTING	1	010085-	
20	R41285	ADAPTER	1		
21	R72328	O-RING	1		
22	AR54577	OIL LINE	1		(SUB AR73815)
	AR73815	OIL LINE	1		
23	R122618	SCREW	2		
24	12H304	LOCK WASHER	2		3/8"
25	R105346	GASKET	1		(SUB FOR R43416 OR R97349)
26	R43751	GASKET	1		

# 1E21

FUEL AND AIR

**TURBOCHARGER**  
**(6466) (AIRESEARCH) (ENGINE SERIAL NO. -027604)**

RG1574 -UN-01JAN94



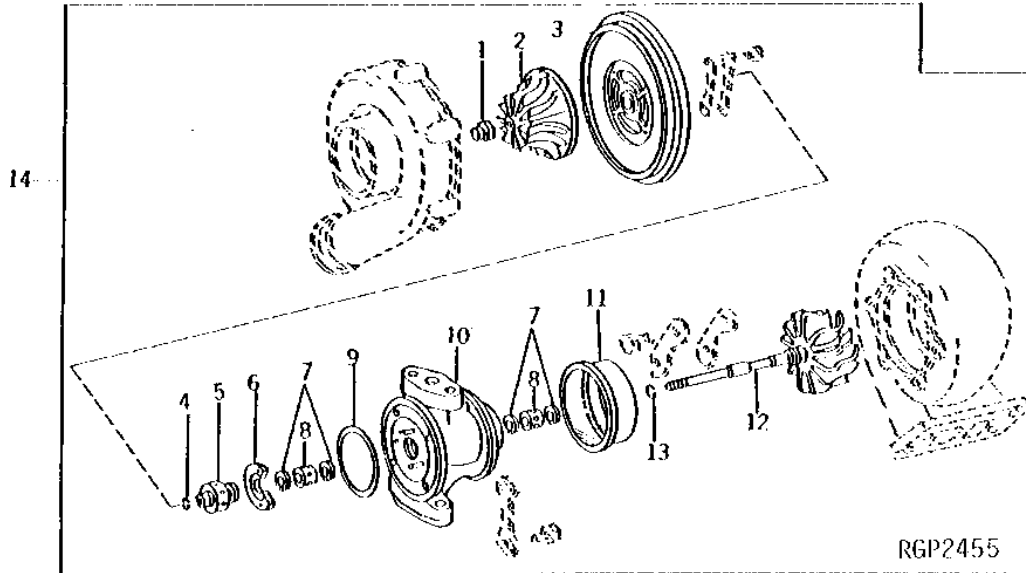
KEY	PART NO.	PART NAME	QTY	ENGINE SERIAL NO.	REMARKS
1	R60725	HOUSING	1		
2	R43817	LOCK NUT	1		
3	R57715	IMPELLER	1		
4	AR54934	COVER	1		
5	R48709	CLAMP	3		
6	R48710	LOCK PLATE	3		
7	19H2020	CAP SCREW	6	5/16" X 1/2"	
8	R43806	PISTON RING	1		
9	R43801	THRUST BEARING	1		
10	R43808	BEARING	1		
11	R43816	SNAP RING	4		
12	R43805	O-RING	1		
13	AR63781	HOUSING	1		
14	R60728	SELF-LOCKING SCREW	6		
15	R43815	LOCK PLATE	3		
16	R60729	CLAMP	3		
17	R60726	HOUSING	1		
18	AR51988	TURBINE	1		
19	R55024	PISTON RING	1		
20	R43804	SHROUD	1		
21	R43803	BEARING	2	STD	
	R50784	BEARING	2	(0.13 MM) (.005") US (NLA)	
	R50785	BEARING	2	(0.25 MM) (.010") US	
22	19H1919	CAP SCREW	4	1/4" X 5/8"	
23	R43986	LOCK PLATE	2		
24	AR73626	TURBOCHARGER	1	(MARKED AR64626) (SUB RE19778, APPL)	
	RE19778	TURBOCHARGER	1	(MARKED RE16971)	

# 1E22

FUEL AND AIR

## TURBOCHARGER CENTER HOUSING WITH ROTATING PARTS (AIRESEARCH) (ENGINE SERIAL NO. -027604)

RGP2455 -UN-01JAN94



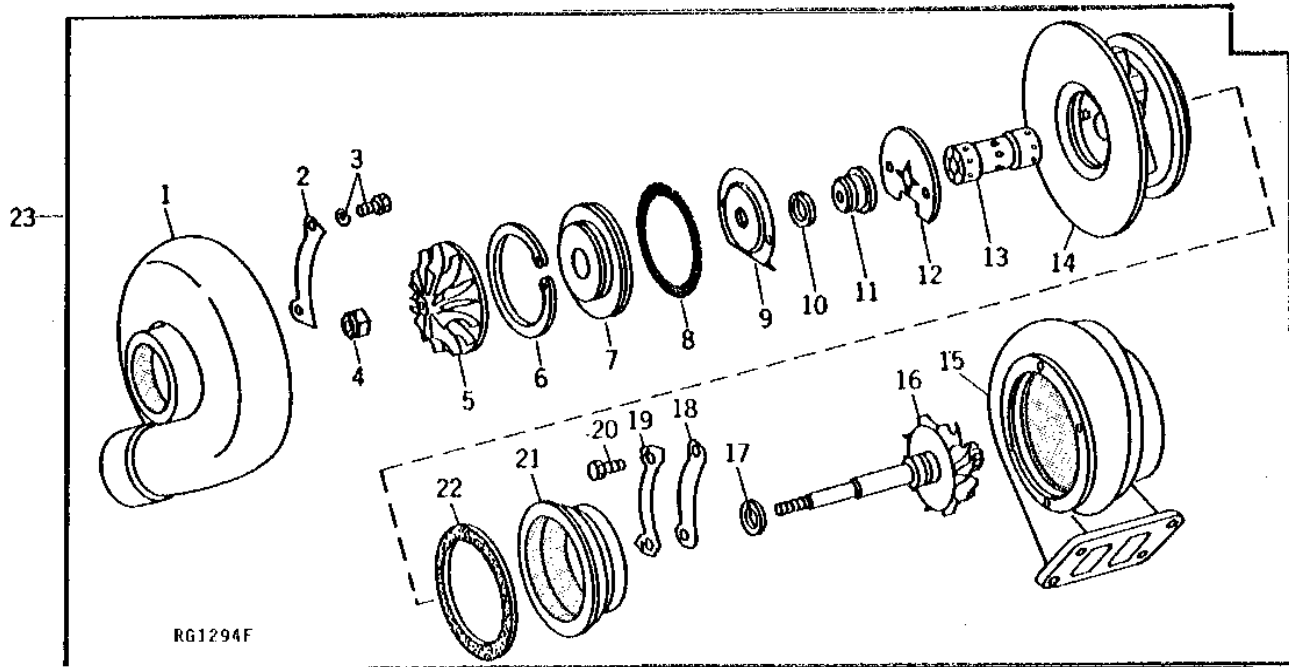
KEY	PART NO.	PART NAME	QTY	ENGINE SERIAL NO.	REMARKS
1	R43817	LOCK NUT	1		
2	R57715	IMPELLER	1		
3	AR54934	COVER	1		
4	R43806	PISTON RING	1		
5	R43801	THRUST BEARING	1		
6	R43808	BEARING	1		
7	R43816	SNAP RING	4		
8	R43803	BEARING	2		
9	R43805	O-RING	1		
10	AR63781	HOUSING	1		
11	R43804	SHROUD	1		
12	AR51988	TURBINE	1		
13	R55024	PISTON RING	1		
14	AR69308	HOUSING	1		
..	AR73626	TURBOCHARGER	1	(SUB RE19778, APPL)	
..	RE19778	TURBOCHARGER	1		

# 1E23

FUEL AND AIR

RG1294 -UN-01JAN94

**TURBOCHARGER**  
(SCHWITZER) (6466A) (ENGINE SERIAL NO. 027605-282880)



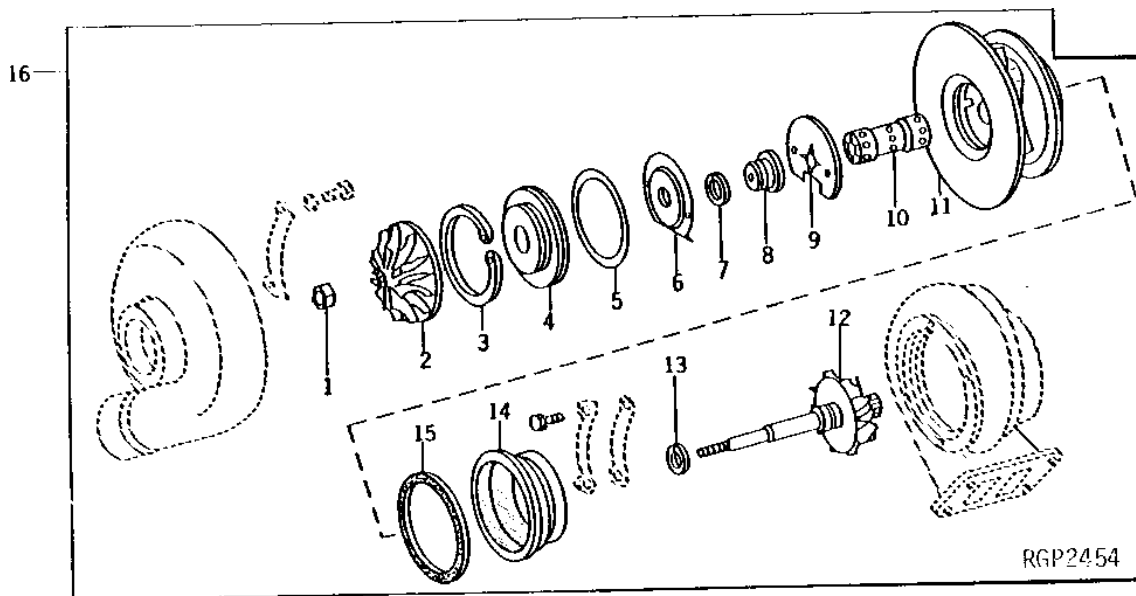
KEY	PART NO.	PART NAME	QTY	ENGINE SERIAL NO.	REMARKS
1	R63136	COVER	1		
2	R46693	CLAMP	3		
3	AR78019	SCREW	6		
4	R76686	LOCK NUT	1	(SUB FOR R46691, APPL)	
5	R63135	IMPELLER	1		
6	R46686	SNAP RING	1		
7	R56626	INSERT	1		
8	R46685	O-RING	1		
9	R46682	DEFLECTOR	1		
10	R56628	PISTON RING	1		
11	R56627	SLEEVE	1		
12	R63127	THRUST BEARING	1		
13	R63126	BEARING	1		
	R64780	BEARING	1	(0.25 MM) US	
	R64781	BEARING	1	(0.51 MM) US	
14	AR78023	HOUSING	1		
15	.....	HOUSING	1		
16	AR78021	TURBINE	1		
17	R63123	PISTON RING	1		
18	R63120	PLATE	2		
19	R63121	LOCK PLATE	2		
20	R63122	SELF-LOCKING SCREW	4		
21	R63124	PLATE	1		
22	R63125	GASKET	1		
23	RE19784	TURBOCHARGER	1	(SUB FOR AR87421) REMANUFACTURED (MARKED RE16967 OR RE20167)	

# 1E24

FUEL AND AIR

## TURBOCHARGER CENTER HOUSING WITH ROTATING PARTS (SCHWITZER) (6466A) (ENGINE SERIAL NO. 027605-282880)

RGP2454 -UN-23SEP94



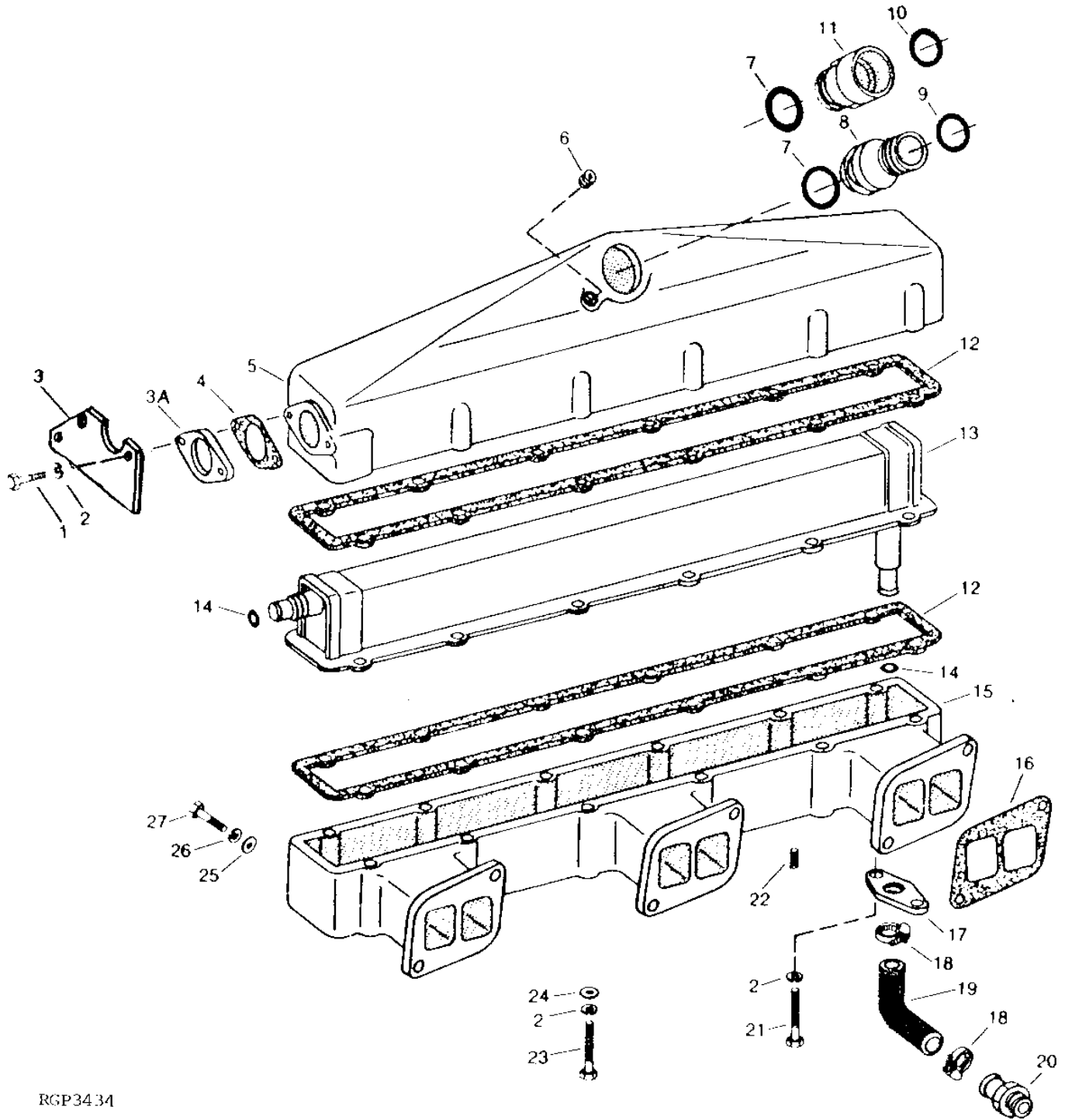
KEY	PART NO.	PART NAME	QTY	ENGINE SERIAL NO.	REMARKS
1	R76686	LOCK NUT	1		(SUB FOR R46691, APPL)
2	R63135	IMPELLER	1		
3	R46686	SNAP RING	1		
4	R56626	INSERT	1		
5	R46685	O-RING	1		
6	R46682	DEFLECTOR	1		
7	R56628	PISTON RING	1		
8	R56627	SLEEVE	1		
9	R63127	THRUST BEARING	1		
10	R63126	BEARING	1		
11	AR78023	HOUSING	1		
12	AR78021	TURBINE	1		
13	R63123	PISTON RING	1		
14	R63124	PLATE	1		
15	R63125	GASKET	1		
16	AR78035	HOUSING	1		
..	RE19784	TURBOCHARGER	1		(SUB FOR AR87421)
..	T11180	ELBOW FITTING	1		(FURNISHED WITH AR78035 HOUSING)

# 1F1

FUEL AND AIR

## AFTERCOOLER AND INTAKE MANIFOLD (6466) (ENGINE SERIAL NO. -345908)

RGP3434 -UN-01JAN94



RGP3434

# 1F2

FUEL AND AIR

**AFTERCOOLER AND INTAKE MANIFOLD - CONTINUED**  
**(6466) (ENGINE SERIAL NO. -345908)**

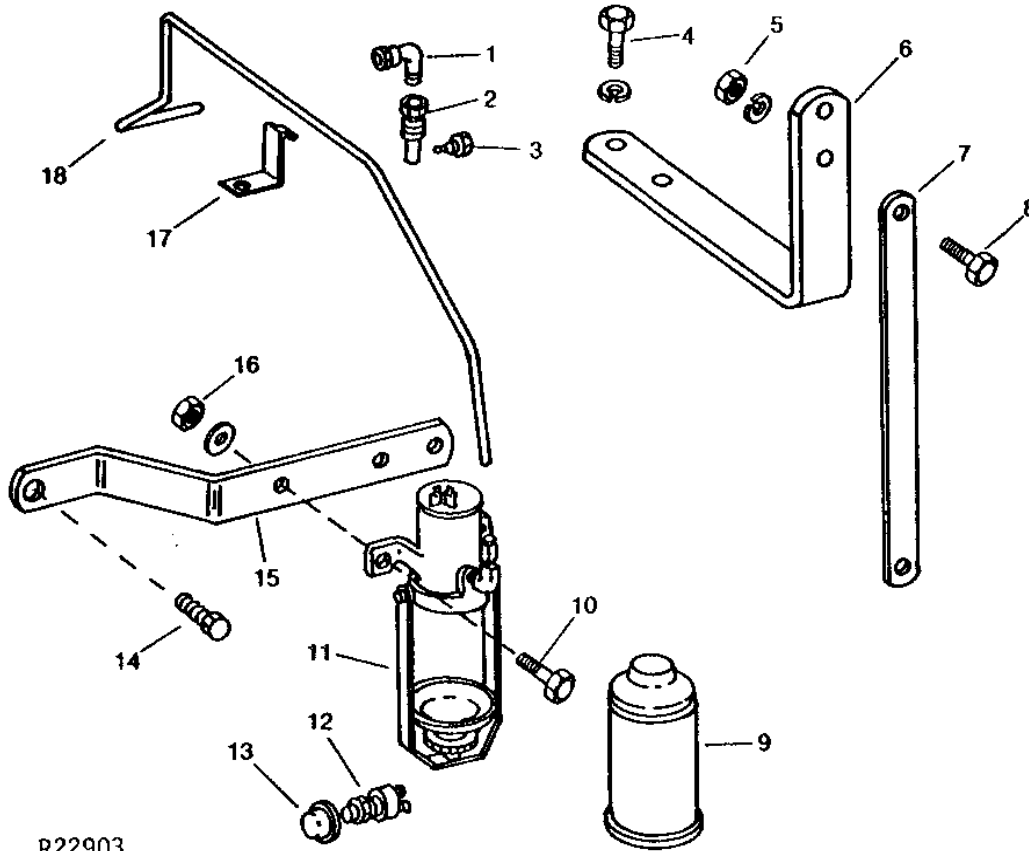
KEY	PART NO.	PART NAME	QTY	ENGINE SERIAL NO.	REMARKS
1	19H2661	CAP SCREW	2		5/16" X 1-3/8"
2	12H303	LOCK WASHER	12		5/16"
	24H1136	WASHER	2		11/32" X 11/16" X 0.065", (REAR ADAPTER COVER)
3	R59472	BRACKET	NA		(8430)
3A	R47314	ADAPTER	1		
4	R97346	GASKET	1		(SUB FOR R47395)
5	R50398	COVER	1		
6	15H666	PIPE PLUG	NA		3/8", (NOT USED APPL)
7	R50405	O-RING	1		
8	R83000	COUPLING	1		(8430, 8440, 8450)
	R83000	COUPLING	1	-324214	(SUB FOR R50404)
9	R50406	O-RING	1		(8430, 8440, 8450)
	R50406	O-RING	NA	-324214	
10	R50406	O-RING	NA	314215-	
11	R86091	COUPLING	NA	324215-	
12	R97347	GASKET	2		(SUB FOR R50399)
13	RE40280	AFTERCOOLER	1		(SUB FOR AR70437)
14	R52811	O-RING	2		
15	R59747	INTAKE MANIFOLD	1		(SUB FOR R50396)
16	R50397	GASKET	3		
17	R50400	ADAPTER	1		
18	TY22467	CLAMP	2		(SUB FOR AR21839)
19	R50402	HOSE	1		
20	R48362	ADAPTER	1		
21	19H2729	CAP SCREW	2		5/16" X 4-1/4"
22	R104592	PIPE PLUG	NA		
23	19H2852	CAP SCREW	10		5/16" X 4"
24	24H1136	WASHER	10		11/32" X 11/16" X 0.065"
25	24H1884	WASHER	8		13/32" X 13/16" X 0.120"
26	12H304	LOCK WASHER	6		3/8", (NO LONGER REQUIRED)
27	19H2545	CAP SCREW	6		3/8" X 1-3/8"

# 1F3

FUEL AND AIR

R22903 -UN-01JAN94

## ELECTRICALLY OPERATED COLD WEATHER STARTING AID



R22903

KEY	PART NO.	PART NAME	QTY	ENGINE SERIAL NO.	REMARKS
1	AT25266	ELBOW FITTING	1		(SUB RE21790)
2	R47160	NOZZLE HOLDER	1		
3	R28583	NOZZLE	1		
4	19H1731	CAP SCREW	2	3/8" X 1"	
	12H304	LOCK WASHER	2	3/8"	
5	14H1076	NUT	1	3/8"	
	12H304	LOCK WASHER	1	3/8"	
6	R58205	BRACKET	1		
7	R59463	SUPPORT	1		
8	19H1731	CAP SCREW	1	3/8" X 1"	
9	RE33636	STARTING FLUID	1		(SUB FOR AR27814, RE24561 OR RE30174)
10	19H2127	CAP SCREW	2	5/16" X 7/8"	
11	AR97514	STARTING AID SOLENOID	1		(SUB FOR AT39623) (SUB RE48310)
	AT45396	BAIL	1		ROUND, (SUB AT57288)
	AT25266	ELBOW FITTING	1		90°, (SUB RE21790)
	AT57288	BAIL	1		FLAT
	T46726	GASKET	1		
12	R39554	SWITCH	1		
13	T55585	CAP	1		(SUB FOR AR67950)
14	R45692	CAP SCREW	1		
15	R59462	BRACKET	1		
16	14H785	NUT	2	5/16"	
	12H303	LOCK WASHER	2	5/16"	
17	R40468	CLAMP	1		
18	.....	LINE	1		(ORDER RE16151)

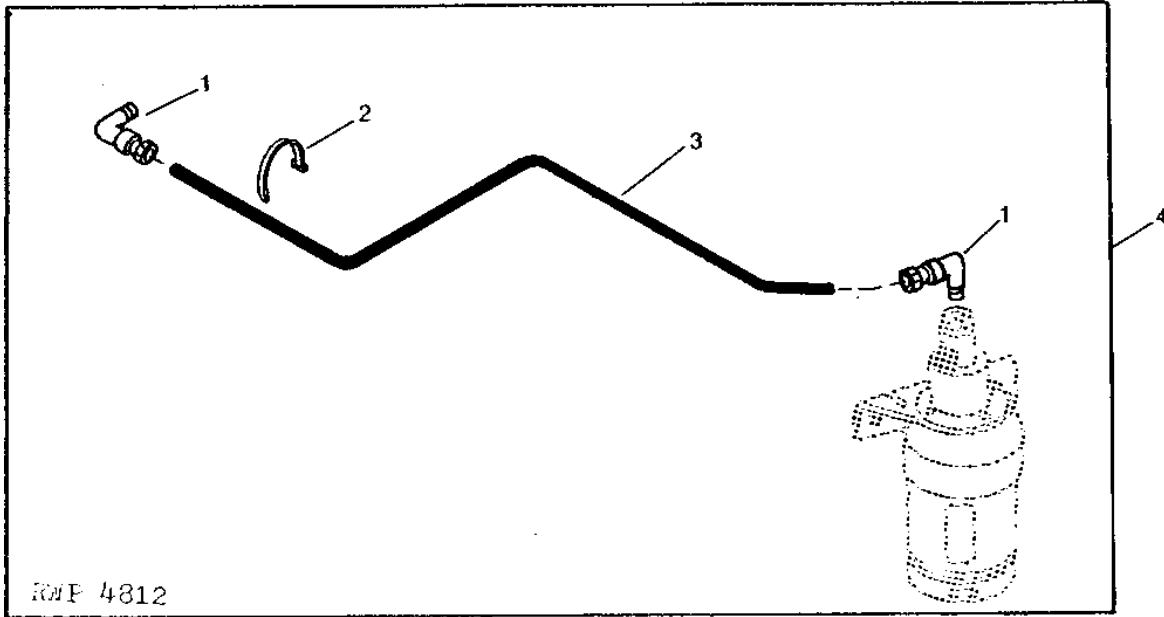


# 1F4

FUEL AND AIR

RWP4812 -UN-01JAN94

## STARTING FLUID TUBE KIT



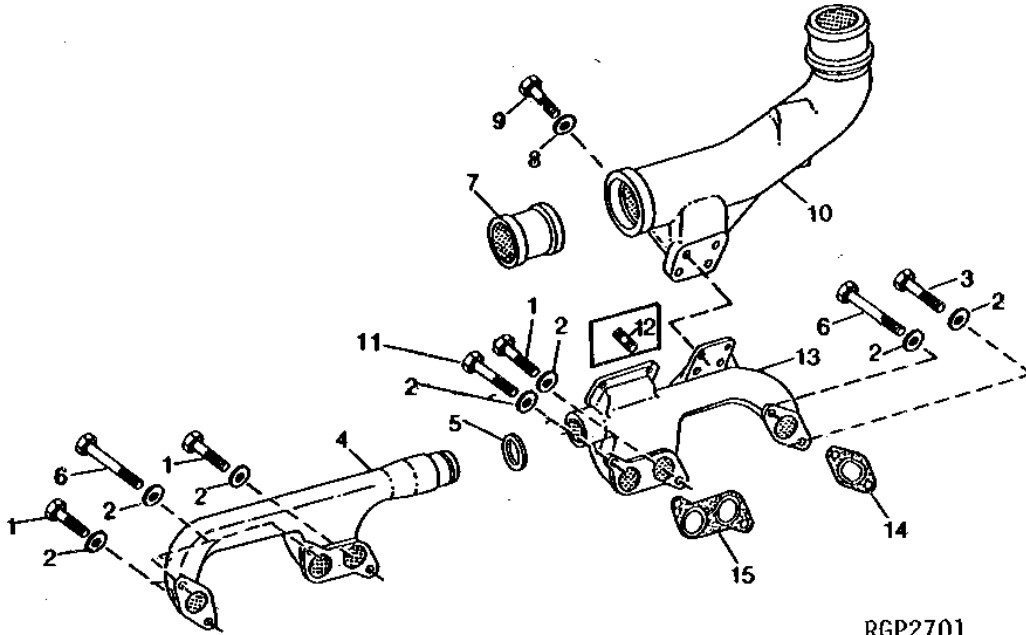
KEY	PART NO.	PART NAME	QTY	TRACTOR SERIAL NO.	REMARKS
1	AT25266	ELBOW FITTING	2		
2	R44302	TIE BAND	5		
3	.....	TUBE	1		(ORDER RE16151)
4	RE16151	KIT	1		

# 1F5

FUEL AND AIR

## EXHAUST MANIFOLDS AND ELBOW (6466AR)

RGP2701 -UN-01JAN94



RGP2701

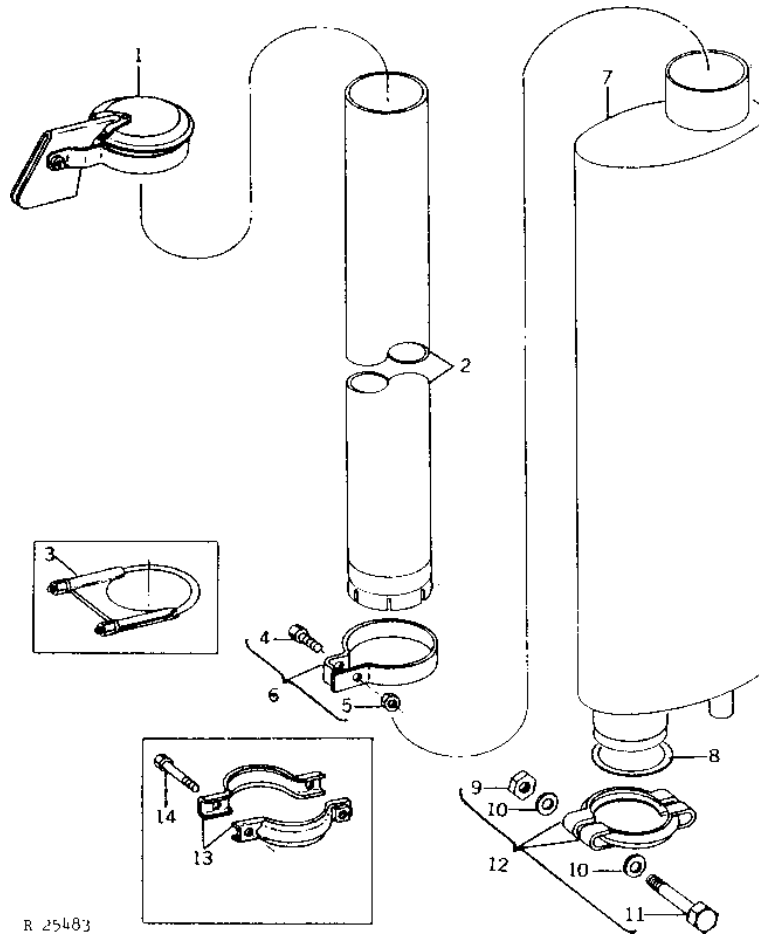
KEY	PART NO.	PART NAME	QTY	ENGINE SERIAL NO.	REMARKS
1	19H1765	CAP SCREW	3	3/8" X 1-3/4"	
2	R63845	WASHER	8		
3	19H2549	CAP SCREW	1	3/8" X 1-7/8"	
4	R46472	EXHAUST MANIFOLD	1		
5	R58109	RING	1		
6	19H2128	CAP SCREW	3	3/8" X 3"	
7	R43724	ADAPTER	1	(SUB FOR R83034, APPL)	
8	24M7096	WASHER	4	10.500 X 18 X 1.600 MM	
9	R54500	SCREW	4		
10	R57781	ELBOW FITTING	1		
11	19H2639	CAP SCREW	1	3/8" X 3-3/8"	
12	R55078	STUD	4	(SUB R54500 AND 24H1305, APPL)	
13	R56995	EXHAUST MANIFOLD	1	(SUB FOR AR54563)	
14	R83021	GASKET	2	(SUB FOR R44374)	
15	R83020	GASKET	2	(SUB FOR R44373)	

# 1F6

FUEL AND AIR

R25483 -UN-01JAN94

## MUFFLER, EXTENSION, AND COVER



R 25483

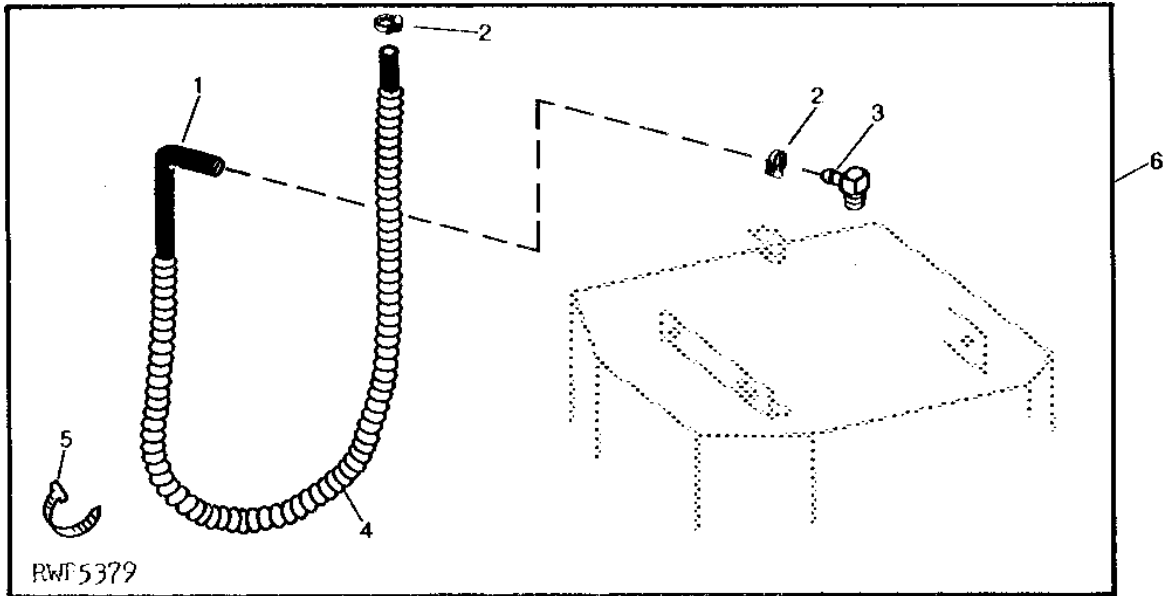
KEY	PART NO.	PART NAME	QTY	TRACTOR SERIAL NO.	REMARKS
1	AR86605	CAP	1		(SUB FOR AR69936)
2	R66693	MUFFLER EXTENSION	1		(SUB FOR R58245)
3	AR70100	CLAMP	1	-002049	(SUB AR77534)
4	19H1732	CAP SCREW	1	002050-	3/8" X 1-1/4"
5	14H1076	NUT	1	002050-	3/8"
6	AR77534	CLAMP	1	002050-	
7	AR86604	MUFFLER	1		(SUB FOR AR70098 OR AR70099)
8	R42375	WASHER	1		
9	14H1076	NUT	2		3/8"
10	R42729	WASHER	4		
11	19H2023	CAP SCREW	2		3/8" X 3-1/4"
12	AR43704	CLAMP	1		
13	AR72037	CLAMP	2		(SUB AR43704)
14	19H1732	CAP SCREW	2		3/8" X 1-1/4"

# 1F7

FUEL AND AIR

RWP5379 -UN-01JAN94

## FUEL RETURN LINE KIT



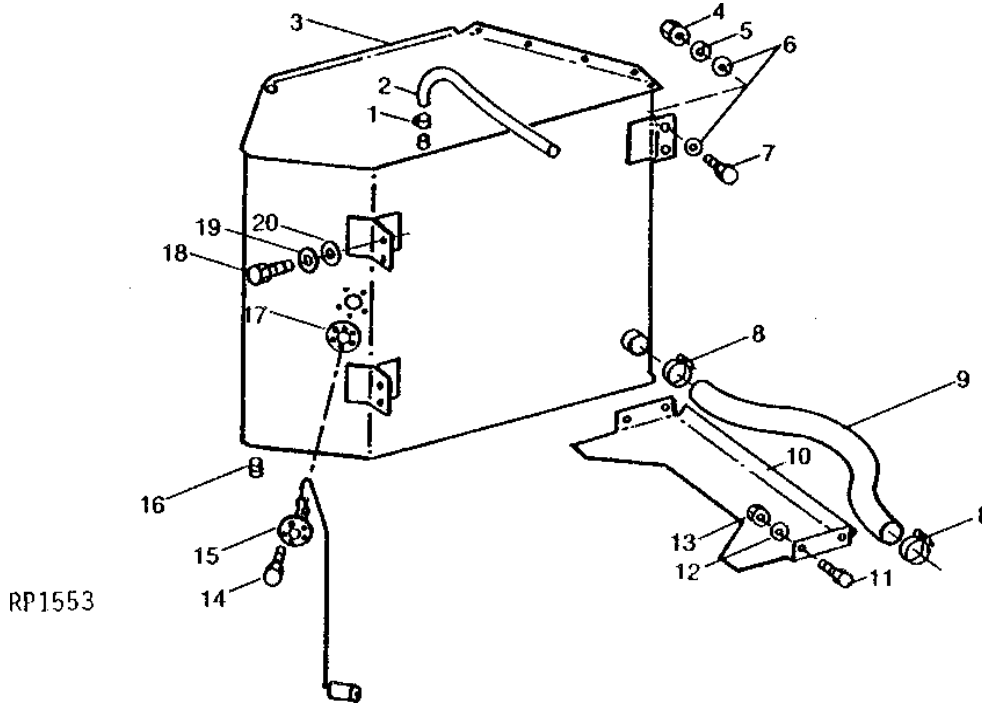
KEY	PART NO.	PART NAME	QTY	TRACTOR SERIAL NO.	REMARKS
1	H83966	HOSE	1		
2	TY22462	CLAMP	2		(SUB FOR AR48236)
3	M84497	ELBOW FITTING	1		
4	R82501	CONDUIT	1		
5	R76477	TIE BAND	2		(SUB FOR R45440)
	R44302	TIE BAND	1		
6	RE21728	KIT	1		

# 1F8

FUEL AND AIR

RP1553 -UN-01JAN94

## LEFT-HAND FUEL TANK WITH LINES



KEY	PART NO.	PART NAME	QTY	TRACTOR SERIAL NO.	REMARKS
1	TY22465	CLAMP	3		(SUB FOR AR21837)
2	.....	HOSE	1		660 MM (26") (MAKE FROM R45847) (FUEL TANK VENT)
3	AR81647	FUEL TANK	1		(SUB FOR AR68469)
	R63498	ABSORBER	1		INNER
	R63499	ABSORBER	1		OUTER
4	14H1040	NUT	2		1/2"
5	12H301	LOCK WASHER	2		1/2"
6	24H1625	WASHER	4		17/32" X 1" X 0.120"
7	19H1990	CAP SCREW	2		1/2" X 2-1/4"
8	TY22470	CLAMP	2		(SUB FOR AR21840)
9	R59075	HOSE	1		FUEL TRANSFER
10	R58308	SUPPORT	1		
11	19H1731	CAP SCREW	4		3/8" X 1"
12	12H304	LOCK WASHER	4		3/8"
13	14H1076	NUT	4		3/8"
14	21H981	SCREW	5		0.190" X 1/2"
15	RE10934	SENDER	1		(SUB FOR AR58390 OR AR79068) (SUB RE19411, RE19412, 12H295 AND 14H631)
	14H631	NUT	1		0.190"
	12M7060	WASHER	1		0.209"
16	R56871	PLUG	1		(FUEL TANK DRAIN)
17	R27181	GASKET	1		
18	19H1721	CAP SCREW	4		1/2" X 1-1/2"
19	12H301	LOCK WASHER	4		1/2"
20	24H1341	WASHER	4	-XXXXXX	17/32" X 15/16" X 0.060"

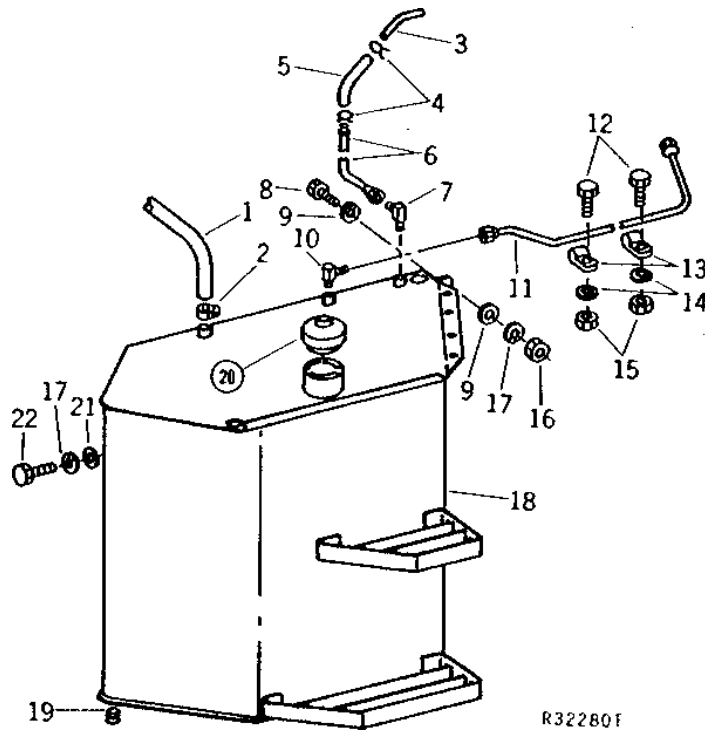
# 1F9

FUEL AND AIR

R32280

-UN-01JAN94

## RIGHT-HAND FUEL TANK WITH LINES



# 1F10

FUEL AND AIR

## RIGHT-HAND FUEL TANK WITH LINES - CONTINUED

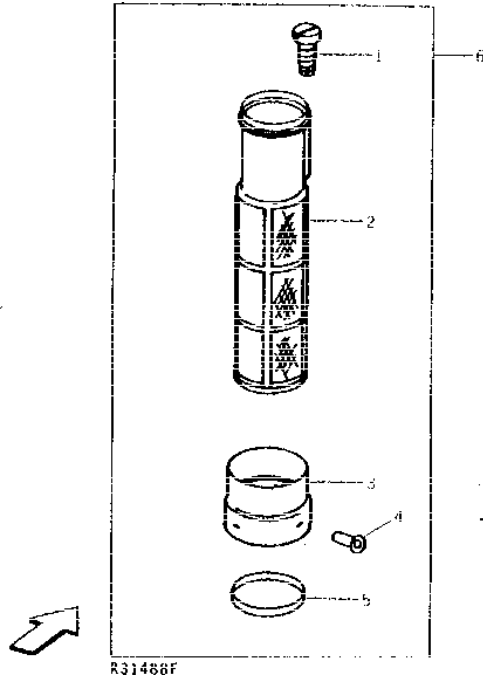
KEY	PART NO.	PART NAME	QTY	TRACTOR SERIAL NO.	REMARKS
1	.....	HOSE	1		660 MM (26") (FUEL TANK VENT) (MAKE FROM TY22465)
2	AR21837	CLAMP	1		
3	R59754	OIL TUBE	1		(REAR LEAK-OFF TEE) (SUB FOR R63585)
4	T19324	CLAMP	2		
5	R58668	HOSE	1		(REAR LEAK-OFF TEE TUBE)
6	AR81095	FUEL LINE	1		(LEAK-OFF TO TANK) (SUB FOR AR70721)
7	AR26670	ELBOW FITTING	1		90°
8	19H1990	CAP SCREW	2		1/2" X 2-1/4"
9	24H1625	WASHER	4		17/32" X 1" X 0.120"
10	AR26674	ELBOW FITTING	1		90°
11	AR70720	FUEL LINE	1		
	AR88404	TUBE	1		FUEL PICKUP REPAIR 9.53 MM (.375") O.D.
12	19H1731	CAP SCREW	2		3/8" X 1"
13	T14050	CLIP	2		(SUB T29527)
14	12H304	LOCK WASHER	2		3/8"
15	14H1076	NUT	2		3/8"
16	14H1040	NUT	2		1/2"
17	12H301	LOCK WASHER	6		1/2"
18	AR68468	FUEL TANK	1	-006003	(SUB RE20300, RE19301, R61845, (2) 24H1254, (2) 19H2644, R32639, 15H639, M84497, (2) 19H1974 AND (2) 24H1272)
	AR84614	FUEL TANK	1	006004-	(SUB RE20300, RE19301, R61845, (2) 24H1254, (2) 19H2644, R32639, 15H639, M84497, (2) 19H1974 AND (2) 24H1272)
	R59599	LABEL	1		
	R63499	ABSORBER	1		ANTI-SKID TREAD
19	AR100999	PIPE PLUG	1		(DRAIN) (SUB FOR R56871)
20	AR36752	CAP	1		
21	24H1341	WASHER	4		17/32" X 15/16" X 0.060"
22	19H1721	CAP SCREW	4		1/2" X 1-1/2"

# 1F11

FUEL AND AIR

R31488 -UN-01JAN94

## FUEL FILLER EXTENSION KIT



KEY	PART NO.	PART NAME	QTY	TRACTOR SERIAL NO.	REMARKS
1	37H80	SCREW	3	0.190" X 1/2"	
2	AT36652	STRAINER	1		
3	AR87592	EXTENSION	1		
4	R54477	RIVET	4		
5	R67292	WASHER	1		
6	AR87591	FILLER NECK	1	-006003 (NLA)	

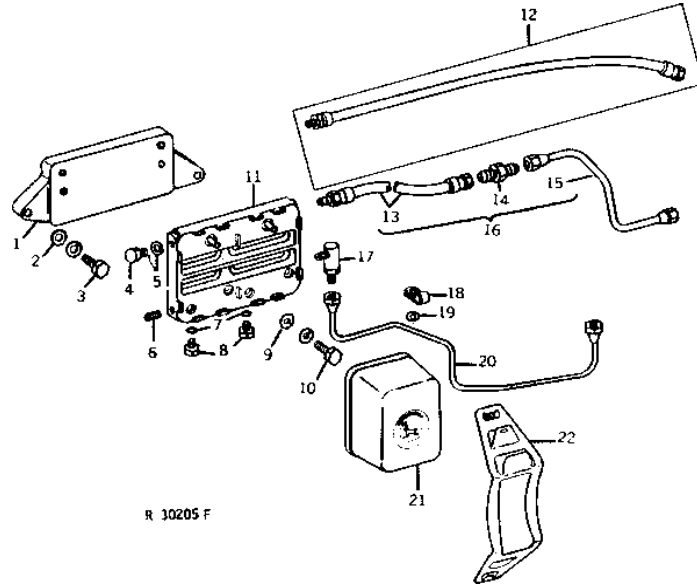


# 1F12

FUEL AND AIR

R30205F -UN-01JAN94

## FUEL FILTER AND FUEL LINES



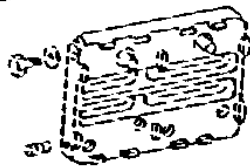
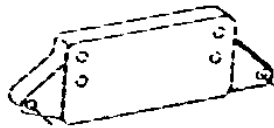
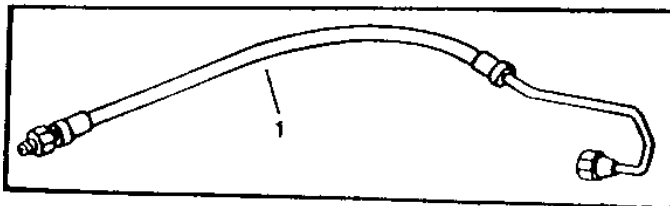
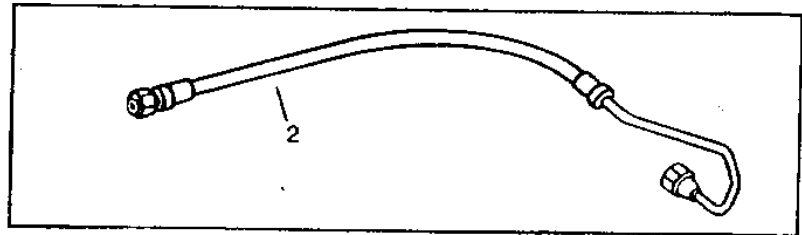
KEY	PART NO.	PART NAME	QTY	ENGINE SERIAL NO.	REMARKS
1	R50427	SUPPORT	1		(SUB RE24359) (ALSO ORDER (2) 12H293)
2	24H1323	WASHER	1		15/32" X 13/16" X 0.090"
3	19H2731	CAP SCREW	2		7/16" X 1-3/8"
	12H293	LOCK WASHER	2		7/16"
4	R50425	BLEED SCREW	1		
5	R50426	WASHER	1		
6	15H559	PIPE PLUG	1		1/4"
7	R34447	WASHER	2		
8	R48071	DRAIN PLUG	2		
9	24H1136	WASHER	4		11/32" X 11/16" X 0.065"
10	19H1905	CAP SCREW	4		5/16" X 1"
	12H303	LOCK WASHER	4		5/16"
11	AR54590	HOUSING	1		
12	AR76326	HOSE	1	-023415	(SUB RE41173, R51133, R83490 AND R53899)
13	AR85332	HOSE	1	023416-	(SUB RE41173, R51133, R83490 AND R53899)
14	R50201	FITTING	1	023416-	
15	AR85333	FUEL LINE	1	023416-	(SUB RE41173, R51133, R83490 AND R53899)
16	AR85331	KIT	1	023416-	(SUB RE41173, R51133, R83490 AND R53899)
17	.....	CHECK VALVE	1		(SUB AR73888)
18	T29527	CLAMP	1		(SUB FOR T14050)
19	24H1136	WASHER	1		11/32" X 11/16" X 0.065"
20	AR73823	FUEL LINE	1		
21	AR86745	FILTER ELEMENT	2		(SUB FOR AR50041, APPL)
22	R66821	CLAMP	2		(SUB FOR R57258)

# 1F13

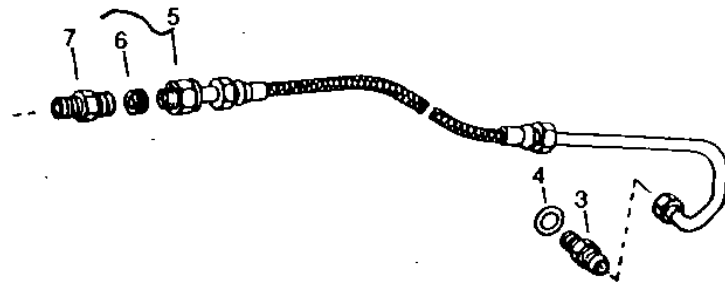
FUEL AND AIR

RGP3353 -UN-01JAN94

REPLACEMENT FUEL FILTER LINE



RGP3353



# 1F14

FUEL AND AIR

## REPLACEMENT FUEL FILTER LINE - CONTINUED

KEY	PART NO.	PART NAME	QTY	ENGINE SERIAL NO.	REMARKS
1	RE23156	FUEL LINE	1		(SUB FOR AR85332 OR AR85333) (SUB RE41173 AND R51133) (USE WITH AR81817)
	RE23156	FUEL LINE	1		(SUB RE41173 AND R51133) (USE WITH AR73239, AR76758 OR RE23748)
2	RE35247	FUEL LINE	1		(SUB RE41173 AND R51133)
	RE28951	FUEL LINE	1		(SUB RE41173)
3	R83490	FITTING	1		
	R26892	FITTING	1		(USE WITH AR81817)
4	R53899	WASHER	1		
5	RE41173	FUEL LINE	1		
6	R67092	PACKING	2		
7	R51133	FITTING	1		

---

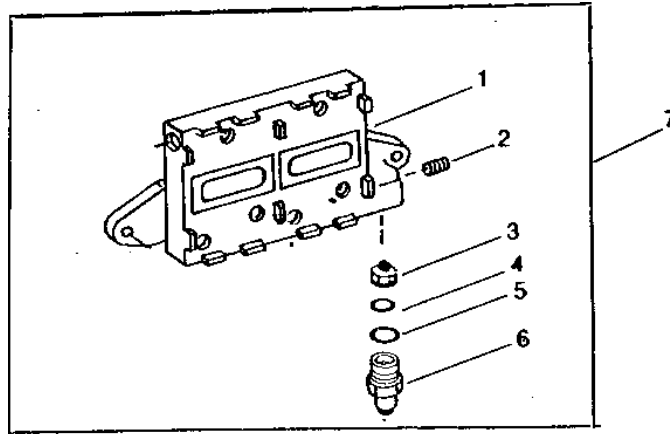
MEMORANDA

# 1F15

FUEL AND AIR

RGP3482 -UN-01JAN94

**REPLACEMENT FUEL FILTER BASE KIT  
(6466A) (ENGINE SERIAL NO. -299563)**



RGP 3482

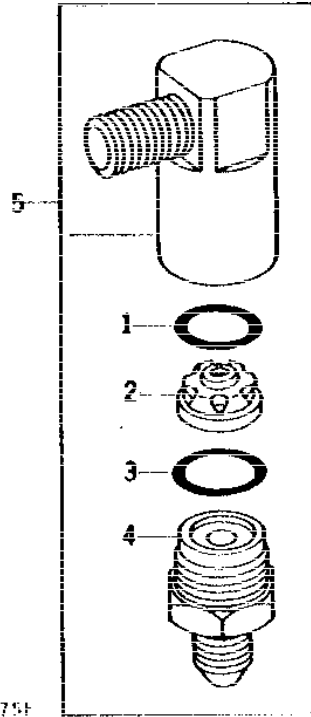
KEY	PART NO.	PART NAME	QTY	ENGINE SERIAL NO.	REMARKS
1	R81459	BASE	1		
2	R104592	PIPE PLUG	1		(SUB FOR R50427)
3	AR73824	CHECK VALVE	1		
4	P46051	O-RING	1		
5	R375R	O-RING	1		
6	R81460	FITTING	1		
	R81461	FITTING	NA		
7	RE24359	BASE	1		

# 1F16

FUEL AND AIR

FUEL CHECK VALVE  
(6466A) (ENGINE SERIAL NO. -299563)

RG1175 -UN-01JAN94



RG1175

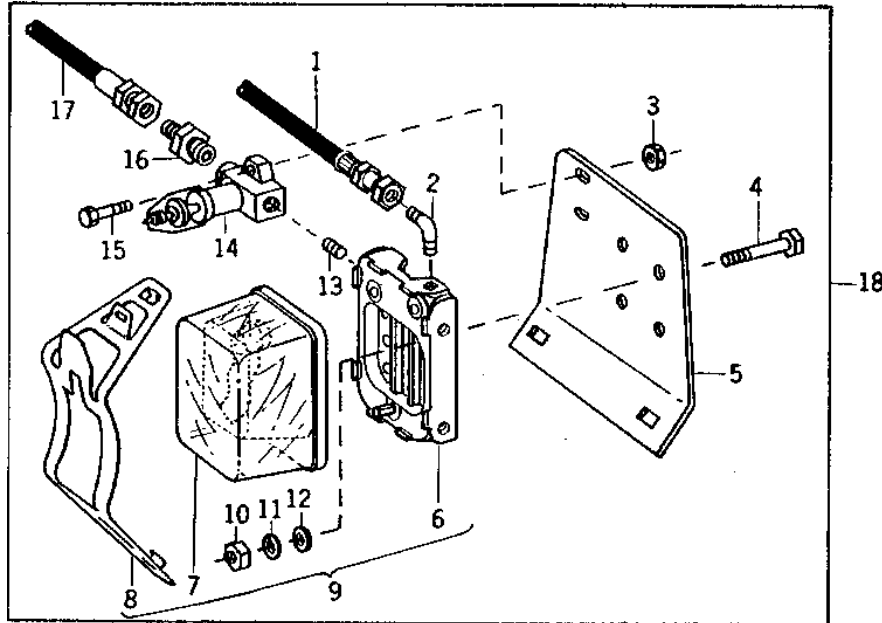
KEY	PART NO.	PART NAME	QTY	ENGINE SERIAL NO.	REMARKS
1	R27166	O-RING	1		
2	AR73824	CHECK VALVE	1		
3	R375R	O-RING	1		
4	R60863	FITTING	1		
5	AR73888	CHECK VALVE	1		

# 1F17

FUEL AND AIR

R31804 -UN-01JAN94

## WATER SEPARATOR



R 31804F

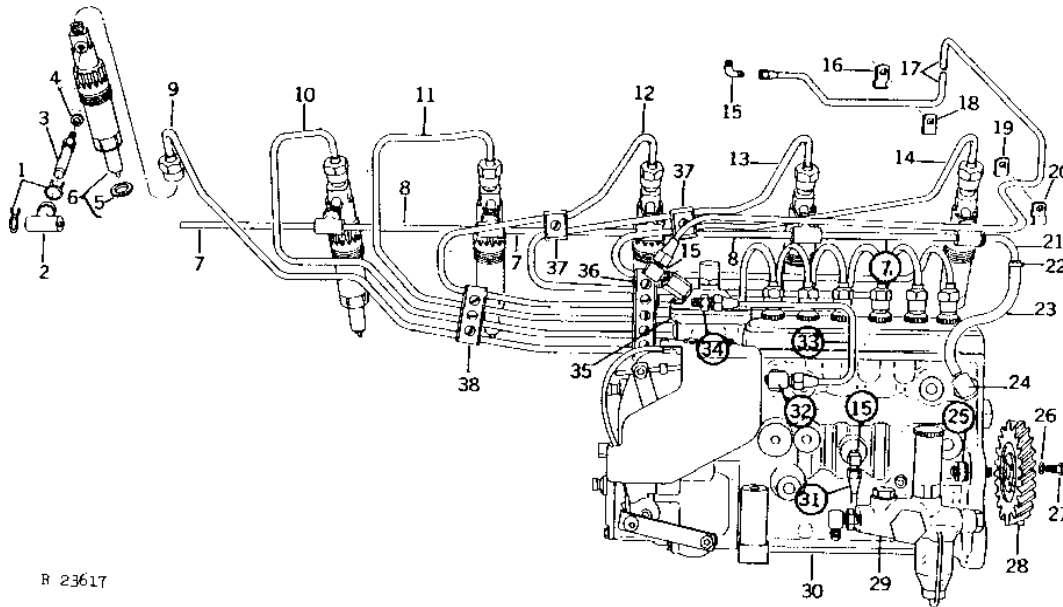
KEY	PART NO.	PART NAME	QTY	TRACTOR SERIAL NO.	REMARKS
1	RE13657	HYDRAULIC HOSE	1		OUTLET, (SUB FOR AU43487, THIS APPLICATION)
2	T30738	ELBOW FITTING	1		90°
3	14H778	NUT	2		0.190"
4	19H1731	CAP SCREW	4		3/8" X 1"
5	R66752	BRACKET	1		
6	AR86756	BASE	1		
7	AR86755	FILTER ELEMENT	1		
8	R66821	CLAMP	1		
9	AR86754	SEPARATOR	1		
10	14H1076	NUT	4		3/8"
11	12H304	LOCK WASHER	4		3/8"
12	24M7096	WASHER	4		10.500 X 18 X 1.600 MM
13	29H598	THREADED NIPPLE	1		
14	AR72964	PUMP	1		PRIMER
15	21H1148	SCREW	1		0.190" X 3/4"
16	R60863	FITTING	1		
17	AR54387	HOSE	1		INLET
18	AR86753	SEPARATOR	1		
..	R44302	TIE BAND	AR		

# 1F18

FUEL AND AIR

## FUEL INJECTION PUMP, NOZZLES, AND FUEL LINES (ENGINE SERIAL NO. -009833)

R23617 -UN-25SEP95



R 23617

KEY	PART NO.	PART NAME	QTY	ENGINE SERIAL NO.	REMARKS
1	R76170	CLAMP	8		(SUB FOR R34766 OR R69319)
2	T23425	BOOT	6		
3	R59293	FITTING	6		(SUB (6) R87082 AND (6) R77551)
4	R59294	WASHER	6		(USE WITH R59293 OR R83558)
5	R64840	WASHER	6		(SUB FOR R59104)
6	.....	INJECTION NOZZLE	6		(SUB AR73847)
7	R60877	LINE	3		
8	R60876	FUEL LINE	2		
9	AR76705	FUEL LINE	1		NO. 6, (SUB FOR AR69457)
10	AR94198	FUEL LINE	1		NO. 5, (SUB FOR AR69456)
11	AR69455	FUEL LINE	1		NO. 4
12	AR69454	FUEL LINE	1		NO. 3
13	AR69453	FUEL LINE	1		NO. 2
14	AR69452	FUEL LINE	1		NO. 1
15	R57641	ELBOW FITTING	4		
16	R27528	CLAMP	1		
17	AR70560	FUEL LINE	1		(SUB AR87569)
18	R27256	STRAP	1		
19	R55663	STRAP	1		
20	R55662	HALF CLAMP	1		
21	AR104650	FUEL LINE	1		(SUB FOR R54088)
22	R76170	CLAMP	1		(SUB FOR AR48236 OR R69319)
23	R32639	HOSE	1		(6MM X 13MM X 229MM) (SUB TY22418)
	TY22418	BULK HOSE	AR		(BULK)
24	AR74095	ELBOW FITTING	1		(SUB FOR T28051)
25	R114130	STUD	4		(SUB FOR R55396, APPL)
	M72490	WASHER	4		(SUB FOR R42729, APPL)
	12H304	LOCK WASHER	4		3/8"
	E55662	FLANGE NUT	4		(SUB FOR R32511)
26	R63845	WASHER	4		(SUB FOR R47230 OR R69536, APPL)
27	19H3336	CAP SCREW	4		3/8" X 7/8"
28	R67380	GEAR	1		(SUB FOR AR71243, AR74292 OR AR87699, APPL)
29	AR58812	FUEL PUMP	1		



# 1F19

FUEL AND AIR

FUEL INJECTION PUMP, NOZZLES AND FUEL LINES - CONTINUED  
(ENGINE SERIAL NO. -009833)

KEY	PART NO.	PART NAME	QTY	ENGINE SERIAL NO.	REMARKS
30	AR73239	FUEL INJECTION PUMP	1		(A) (ROBERT BOSCH)
31	RE14229	OIL LINE	1		(SUB RE38733, AR88903 AND R76822) (SUB FOR AR70561)
32	U45538	ELBOW FITTING	1		
33	AR62062	FUEL LINE	1		
34	R50201	FITTING	1		(SUB FOR U42417)
35	.....	ANEROID	NA		
36	R61147	RETAINER	1		(ALSO ORDER R59302)
	R59302	CLAMP	1		
	R59304	REINFORCEMENT	1		
	12H295	LOCK WASHER	5		0.190"
	21H1312	SCREW	5		0.190" X 1"
37	R61144	STRAP	2		(ALSO ORDER R58186)
	R58186	CLAMP	2		
	R59305	STRAP	2		
	12H295	LOCK WASHER	2		0.190"
	21H1312	SCREW	2		0.190" X 1"
38	R61146	STRAP	1		(ALSO ORDER R59299)
	R59299	CLAMP	1		
	R59300	STRAP	1		
	12H295	LOCK WASHER	3		0.190"
	21H1312	SCREW	3		0.190" X 1"

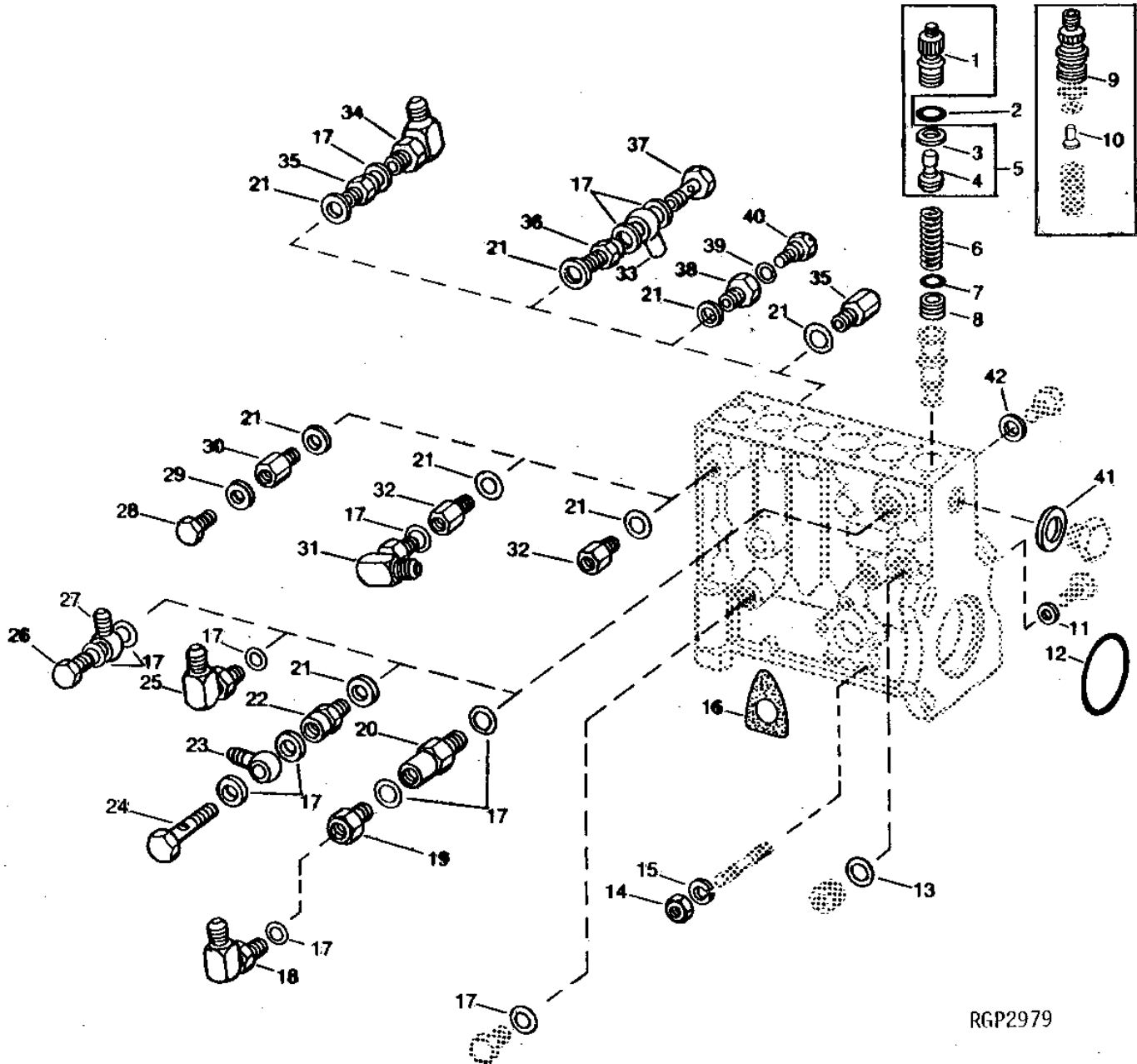
(A) SEE YOUR AUTHORIZED PUMP REPAIR STATION FOR PARTS NOT LISTED (NA)

# 1F20

FUEL AND AIR

FUEL INJECTION PUMP HOUSING CONNECTORS  
(ROBERT BOSCH)  
(6466AR 01 ENGINE SERIAL NO. -009833)

RGP2979 -UN-01JAN94



RGP2979

# 1F21

FUEL AND AIR

FUEL INJECTION PUMP HOUSING CONNECTORS - CONTINUED  
 (ROBERT BOSCH)  
 (6466AR 01 ENGINE SERIAL NO. -009833)

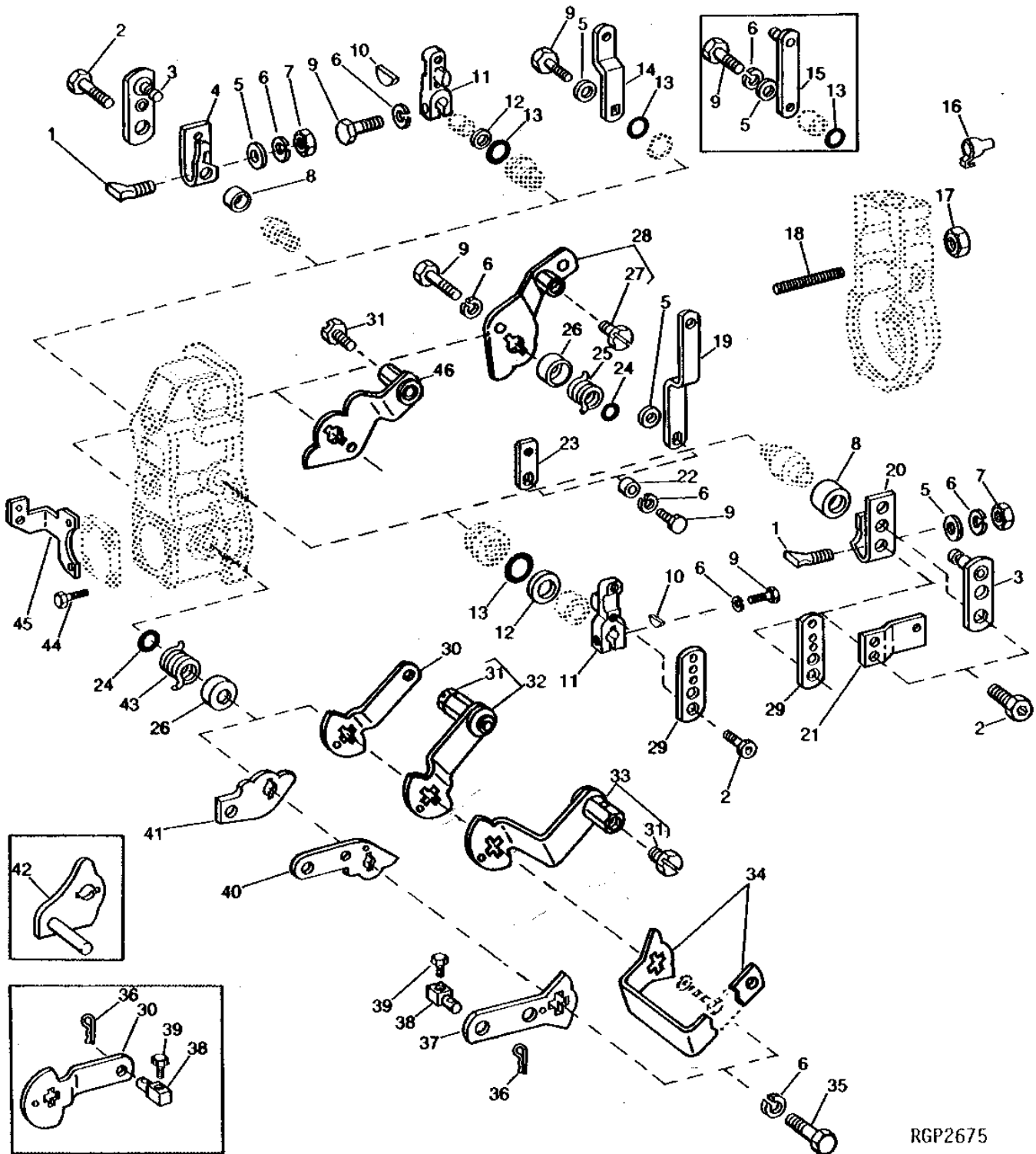
KEY	PART NO.	PART NAME	QTY	ENGINE SERIAL NO.	REMARKS
1	R68491	HOLDER	6		
2	T24210	O-RING	6		
3	R63014	SHIM	6		
4	R68492	PIN	6		
5	AR89521	KIT	6	(NLA)	
6	R60807	SPRING	6		
7	R68493	SHIM	6		
8	R60808	VALVE	6		
9	R60805	HOLDER	6		
10	R60806	PIN	6	(SUB AR89521)	
11	.....	WASHER	NA		
12	R53884	O-RING	1		
13	R53868	WASHER	1		
14	T31556	NUT	3		
15	T24229	LOCK WASHER	3		
16	R67879	GASKET	1		
17	R53901	WASHER	3		
18	.....	FITTING	NA		
19	.....	ADAPTER	NA		
20	.....	VALVE	NA		
21	R53899	WASHER	2		
22	.....	ADAPTER	NA		
23	.....	CONNECTOR	NA		
24	.....	FITTING	NA		
25	AR74095	ELBOW FITTING	1		
26	.....	FITTING	NA		
27	.....	FITTING	NA		
28	.....	CONNECTOR	NA		
29	.....	SCREW	NA		
30	.....	SEAL	NA		
31	.....	FITTING	NA		
32	.....	ELBOW FITTING	NA		
33	R63012	ADAPTER	1		
34	.....	FITTING	NA		
35	.....	ELBOW FITTING	NA		
36	.....	ADAPTER	NA		
37	.....	FITTING	NA		
38	R53905	FITTING	1	(NLA)	
39	T32369	SEAL	1	(NLA)	
40	T24294	SCREW	1		
41	R53868	WASHER	1		
42	.....	WASHER	NA		

# 1F22

FUEL AND AIR

## FUEL INJECTION PUMP GOVERNOR LEVERS AND CONTROLS (ROBERT BOSCH) (6466AR 01 ENGINE SERIAL NO. 009833)

RGP2675 -UN-01JAN94



RGP2675

# 1F23

FUEL AND AIR

FUEL INJECTION PUMP GOVERNOR LEVERS AND CONTROLS - CONTINUED  
 (ROBERT BOSCH)  
 (6466AR 01 ENGINE SERIAL NO. -009833)

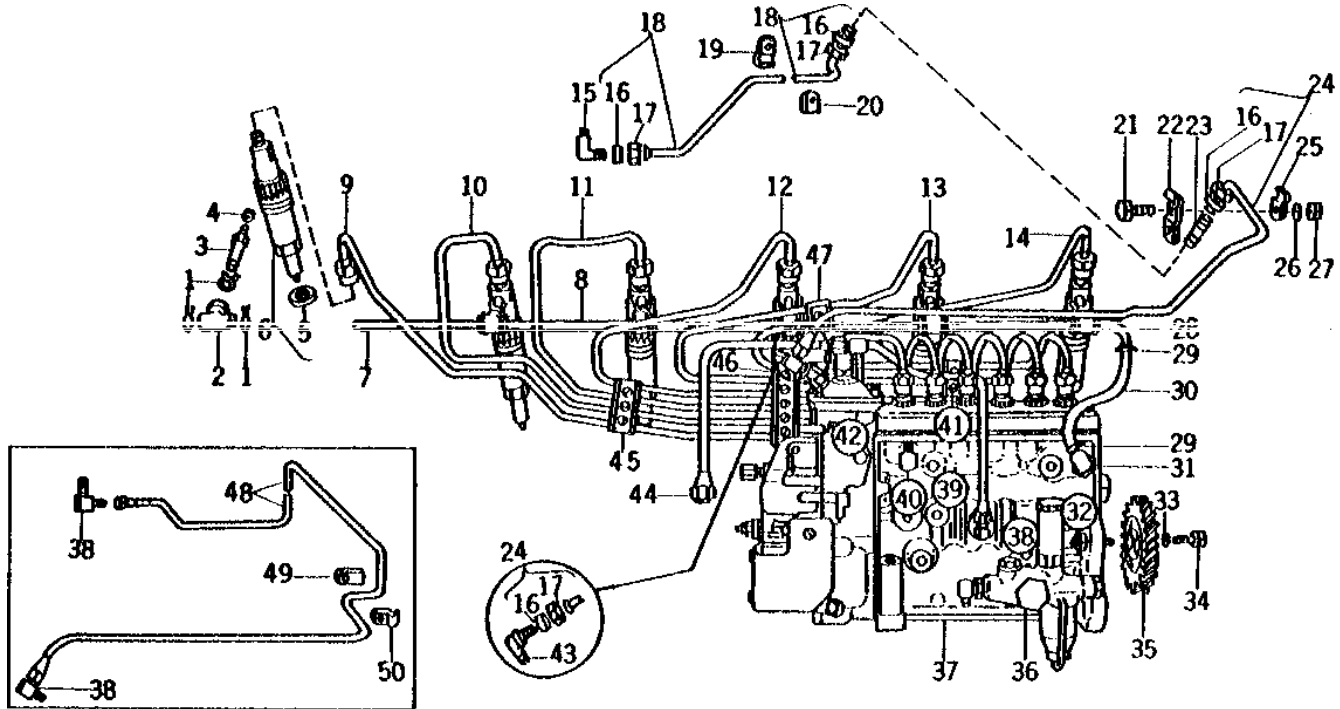
KEY	PART NO.	PART NAME	QTY	ENG. SER. NO. OR PUMP DATE	REMARKS
1	.....	PIN	NA		
2	.....	SCREW	NA		
3	.....	LEVER	NA		
4	.....	LEVER	NA		
5	24M7054	WASHER	2	-629	6.400 X 12 X 1.600 MM, (SUB FOR R53942)
6	T24229	LOCK WASHER	5		
7	.....	NUT	NA		
8	.....	SEAL	NA		
9	R53976	SCREW	2	-629	
	R53941	CAP SCREW	1	630-	
10	R64600	SHAFT KEY	1	630-	
11	R64599	LEVER	1	630-	
12	R68195	WASHER	AR	630-	
13	R53937	O-RING	2		
14	.....	BRACKET	NA		
15	AR63564	LEVER	1	-629	
16	R53918	PACKING	2		
17	T31556	NUT	1		
18	R60914	SET SCREW	1		
19	R60824	LEVER	1		
20	.....	LEVER	NA		
21	.....	LEVER	NA		
22	.....	SPACER	NA		
23	.....	LEVER	NA		
24	R53955	O-RING	1		
25	.....	SPRING	NA		
	.....	SPRING	NA		
26	R68438	RETAINER	NA		
27	.....	SCREW	NA		
28	.....	LEVER	NA		
29	.....	LEVER	NA		
	.....	LEVER	NA		
30	.....	LEVER	NA		
31	.....	SET SCREW	NA		
32	.....	LEVER	NA		
33	.....	LEVER	NA		
34	R60825	LEVER	1		
35	R53941	CAP SCREW	1		
36	.....	SPRING PIN	NA		
37	.....	LEVER	NA		
38	.....	SWIVEL	NA		
39	.....	SCREW	NA		
40	.....	LEVER	NA		
41	.....	LEVER	NA		
42	.....	LEVER	NA		
43	R53954	SPRING	1		
44	.....	CAP SCREW	NA		
45	.....	BRACKET	NA		
46	.....	LEVER	NA		

# 1F24

FUEL AND AIR

## FUEL INJECTION PUMP, NOZZLES AND FUEL LINES (ENGINE SERIAL NO. 009834- )

RG1476 -UN-01JAN94



RG1476F

KEY	PART NO.	PART NAME	QTY	ENGINE SERIAL NO.	REMARKS
1	R76170	CLAMP	18		
2	T23425	BOOT	6		
3	R59293	FITTING	6		(SUB (6) R87082 AND (6) R77551)
	R87082	FITTING	6		(SUB FOR R59293 OR R83558) (ALSO ORDER R77551)
4	R59294	WASHER	6		(USE WITH R59293 OR R83558)
	R77551	O-RING	6		(VITON) (USE WITH R87082)
5	R64840	WASHER	6		(SUB FOR R59104)
6	.....	INJECTION NOZZLE	6	-042951	(SUB AR73847)
	.....	INJECTION NOZZLE	6	042952-044114	(SUB AR73847)
	.....	INJECTION NOZZLE	6	044115-	(SUB AR73847)
7	R60877	LINE	3		
8	R60876	FUEL LINE	2		
9	AR76705	FUEL LINE	1		
10	AR94198	FUEL LINE	1		(SUB FOR AR69456)
11	AR69455	FUEL LINE	1		
12	AR69454	FUEL LINE	1		
13	AR69453	FUEL LINE	1		
14	AR69452	FUEL LINE	1		
15	R67364	ELBOW FITTING	1	044590-	(A)
16	R51936	PACKING	4	044590-	(A) (SUB FOR R63603)
17	R51937	TUBE NUT	4	044590-	(A)
18	AR87567	FUEL LINE	1	044590-	(A)
19	R27528	CLAMP	1		
20	R27256	STRAP	1		
21	19H1813	CAP SCREW	1		(A) 5/16" X 5/8"
22	R66181	PLATE	1		(A)
23	R67271	UNION FITTING	1		(A)

# 1F25

FUEL AND AIR

FUEL INJECTION PUMP, NOZZLES AND FUEL LINES - CONTINUED  
(ENGINE SERIAL NO. 009834- )

KEY	PART NO.	PART NAME	QTY	ENGINE SERIAL NO.	REMARKS
24	AR87568	FUEL LINE	1	044590-	(A)
25	R66180	HALF CLAMP	1	044590-	(A)
26	12H303	LOCK WASHER	1	044590-	(A) 5/16"
27	14H785	NUT	1	044590-	(A) 5/16"
28	AR104650	FUEL LINE	1		(SUB FOR R54088)
29	R69319	CLAMP	2		(SUB FOR AR48236) (SUB TY22462)
30	R32639	HOSE	1		(6 MM X 13 MM X 229 MM) (SUB TY22418)
	TY22418	BULK HOSE	AR		(BULK)
31	T28078	ELBOW FITTING	1		
32	R114130	STUD	4		(SUB FOR R55396, APPL)
	M72490	WASHER	4		(SUB FOR R42729, APPL)
	12H304	LOCK WASHER	4		3/8"
	E55662	FLANGE NUT	4		(SUB FOR R32511)
33	R63845	WASHER	4		(SUB FOR R47230 OR R69536, APPL)
34	19H3336	CAP SCREW	4		3/8" X 7/8"
35	R67380	GEAR	1		(SUB FOR AR71243, AR74292 OR AR87699, APPL)
36	.....	FUEL PUMP	1		(ROBERT BOSCH) (SUB AR58812)
	.....	FUEL PUMP	1		(B) (NIPPONDENSO) (SUB AR81819)
37	AR76758	FUEL INJECTION PUMP	1	-021845	(B) (C) (ROBERT BOSCH) (SUB RE23748) (ALSO ORDER AR81002 AND (2) 19M8731)
	AR76758	FUEL INJECTION PUMP	1	021846-	(B) (C) (ROBERT BOSCH) (SUB RE23748)
	AR81817	FUEL INJECTION PUMP	1		(B) (C) (NIPPONDENSO) (SUB FOR AR76758) (SUB RE23748)
	RE23748	FUEL INJECTION PUMP	1		(B) (C) (ROBERT BOSCH)
38	R57641	ELBOW FITTING	1		
	R57641	ELBOW FITTING	2	-044589	
39	.....	LINE	1		(SUB AR94339, AR94182, R54884, 19M7077 AND 24M7105) (SUB FOR AR76756 OR AR87691)
40	U45538	ELBOW FITTING	1		
41	R61145	STRAP	1		
	R59297	HALF CLAMP	2		
	R59298	STRAP	1		
	12H295	LOCK WASHER	2		0.190"
	21H1463	CAP SCREW	2		0.190" X 7/8"
42	.....	ANEROID	NA		
	.....	ANEROID	NA		
43	R67364	ELBOW FITTING	1	044590-	(SUB FOR AR86954)
44	AR89354	FUEL LINE	1		(SUB FOR AR76757)
	R51936	PACKING	1		
45	R61146	STRAP	1		
	R59299	CLAMP	2		
	R59300	STRAP	1		
	12H295	LOCK WASHER	3		0.190"
	21H1463	CAP SCREW	3		0.190" X 7/8"
46	R61147	RETAINER	1		
	R59302	CLAMP	2		
	R59304	REINFORCEMENT	1		
	12H295	LOCK WASHER	5		0.190"
	21H1463	CAP SCREW	5		0.190" X 7/8"
47	R61144	STRAP	1		
	R58186	CLAMP	2		
	R59305	STRAP	1		
	12H295	LOCK WASHER	1		0.190"
	21H1463	CAP SCREW	1		0.190" X 7/8"
48	AR87569	KIT	1	-044589	(SUB FOR AR70560)
49	R55663	STRAP	1	-044589	
50	R55662	HALF CLAMP	1	-044589	

(A) CONTAINED IN AR87569

(B) SEE YOUR AUTHORIZED PUMP REPAIR STATION FOR PARTS NOT LISTED (N.A.)

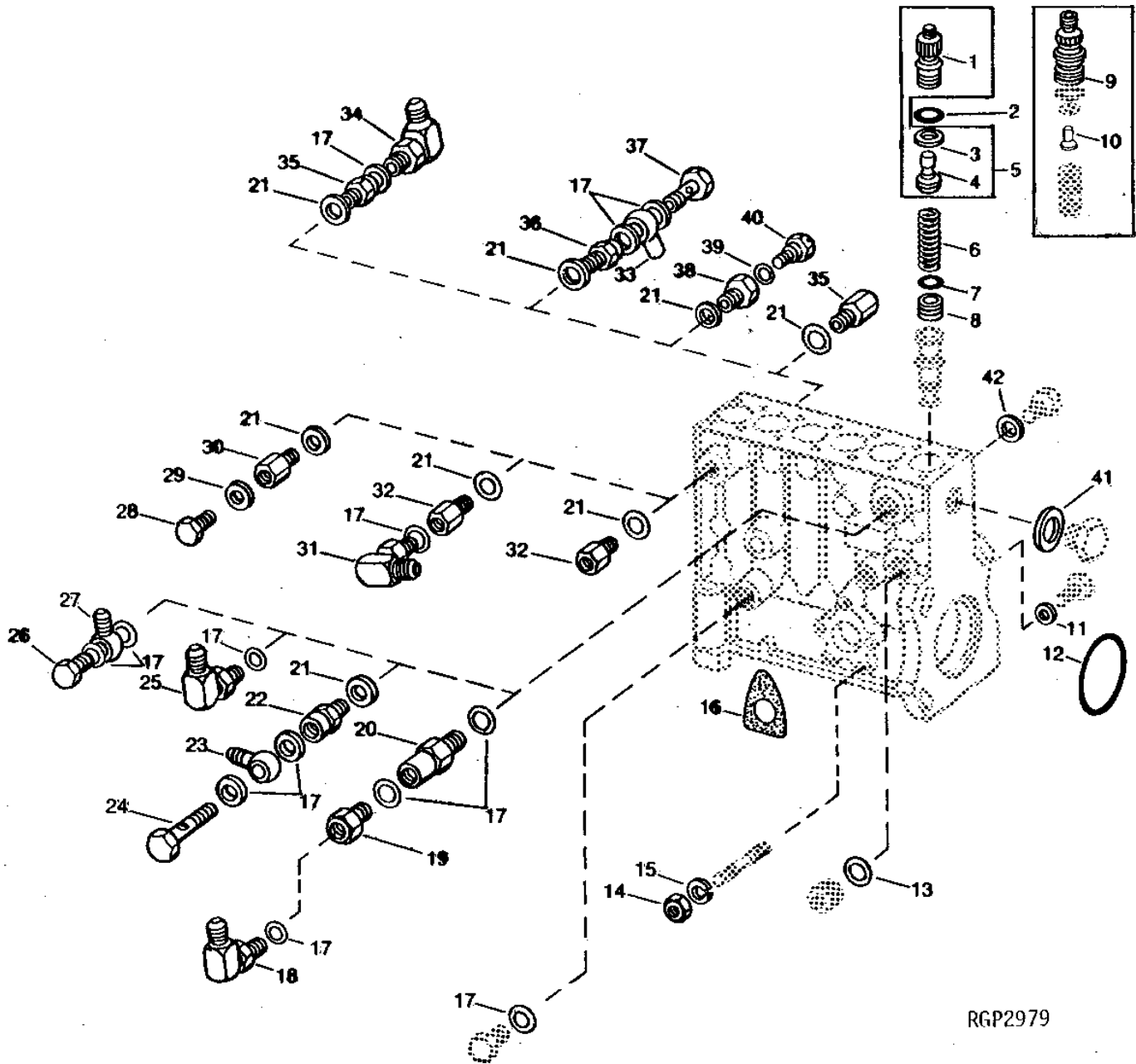
(C) SEE YOUR AUTHORIZED PUMP REPAIR STATION FOR PUMP ADJUSTMENTS.

# 1G1

FUEL AND AIR

## FUEL INJECTION PUMP HOUSING CONNECTORS (ROBERT BOSCH) (6466AR 01 ENGINE SERIAL NO. 009834- )

RGP2979 -UN-01JAN94



RGP2979



# 1G2

FUEL AND AIR

**FUEL INJECTION PUMP HOUSING CONNECTORS - CONTINUED  
(ROBERT BOSCH) (6466AR 01 ENGINE SERIAL NO. 009834- )**

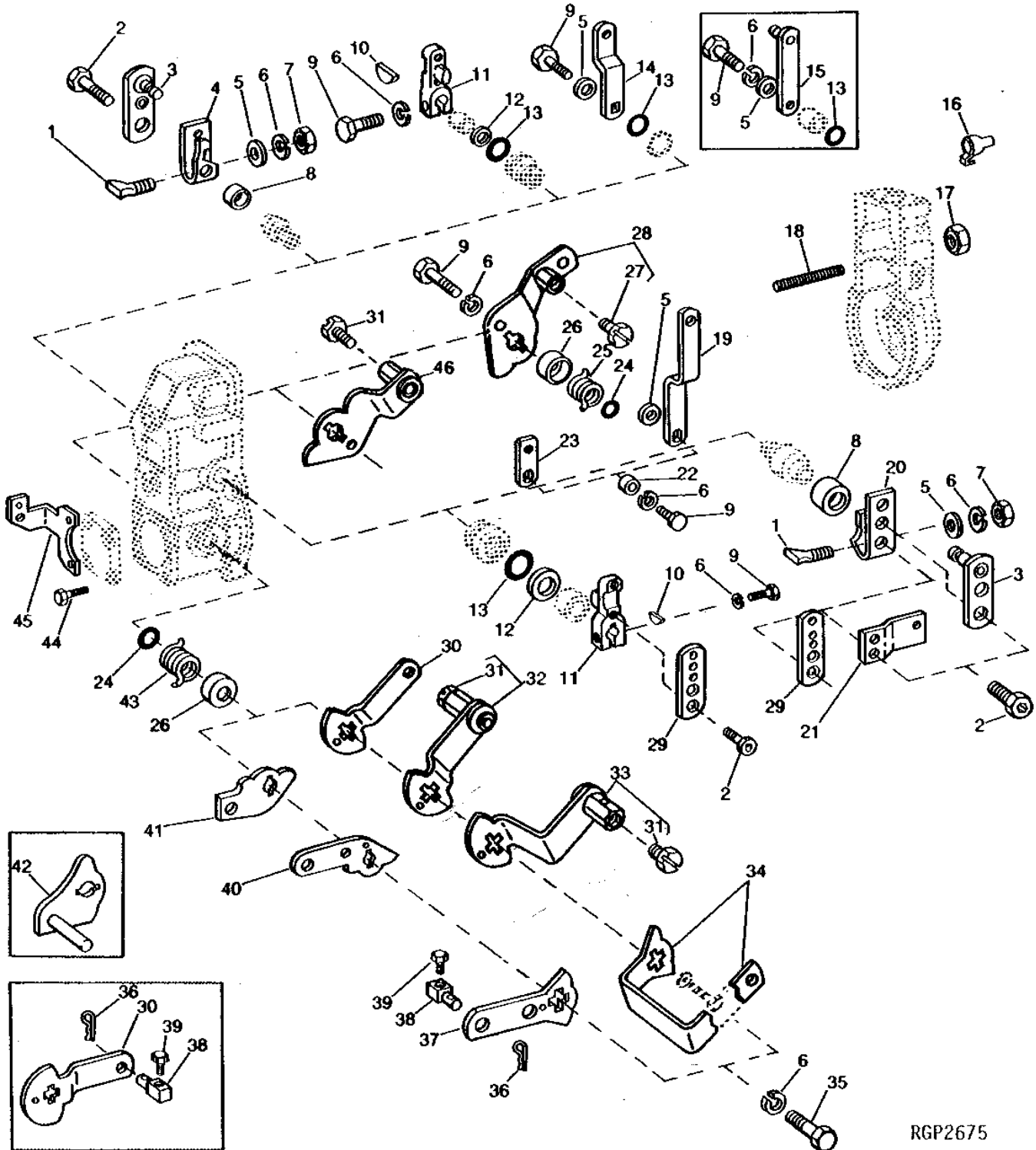
KEY	PART NO.	PART NAME	QTY	ENGINE SERIAL NO.	REMARKS
1	R68491	HOLDER	6		
2	T24210	O-RING	6		
3	R63014	SHIM	6		
4	R68492	PIN	6		
5	AR89521	KIT	6	(NLA)	
6	R60807	SPRING	6		
7	R68493	SHIM	6		
8	R60808	VALVE	6		
9	R60805	HOLDER	6		
10	R60806	PIN	6	(SUB AR89521)	
11	R62107	WASHER	6		
12	R53884	O-RING	1		
13	R53868	WASHER	1		
14	T31556	NUT	3		
15	T24229	LOCK WASHER	3		
16	R67879	GASKET	1		
17	R53901	WASHER	4		
18	T28078	ELBOW FITTING	1		
19	R63016	ADAPTER	1		
20	AR77114	CONTROL VALVE	1		
21	R53899	WASHER	1		
22	.....	ADAPTER	NA		
23	.....	CONNECTOR	NA		
24	.....	FITTING	NA		
25	.....	FITTING	NA		
26	.....	FITTING	NA		
27	.....	FITTING	NA		
28	.....	CONNECTOR	NA		
29	.....	SCREW	NA		
30	.....	SEAL	NA		
31	.....	FITTING	NA		
31	U45538	ELBOW FITTING	1		
32	R63012	ADAPTER	1		
33	R53902	FITTING	1		
34	.....	ELBOW FITTING	NA		
35	.....	ADAPTER	NA		
36	.....	ADAPTER	NA		
37	.....	FITTING	NA		
38	.....	FITTING	NA		
39	.....	SEAL	NA		
40	.....	SCREW	NA		
41	R53868	WASHER	1		
42	R53901	WASHER	1		

# 1G3

FUEL AND AIR

## FUEL INJECTION PUMP GOVERNOR LEVERS AND CONTROLS (ROBERT BOSCH) (6466AR 01 ENGINE SERIAL NO. 009834- ) (6466AR 17, 18)

RGP2675 -UN-01JAN94



RGP2675

# 1G4

FUEL AND AIR

FUEL INJECTION PUMP GOVERNOR LEVERS AND CONTROLS - CONTINUED  
(ROBERT BOSCH) (6466AR 01 ENGINE SERIAL NO. 009834- ) (6466AR 17, 18)

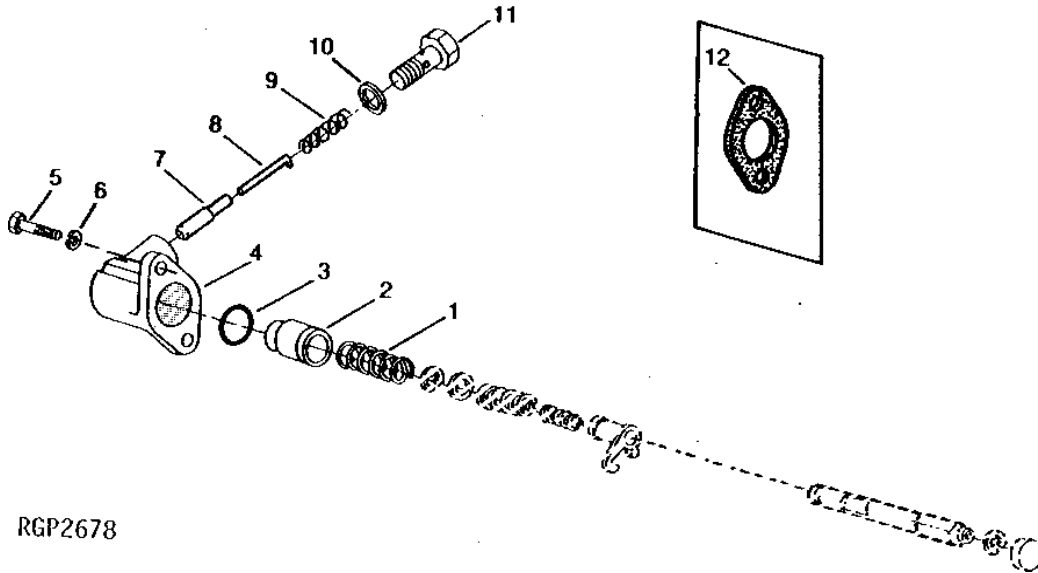
KEY	PART NO.	PART NAME	QTY	ENGINE SERIAL NO.	REMARKS
1	.....	PIN	NA		
2	.....	SCREW	NA		
3	.....	LEVER	NA		
4	.....	LEVER	NA		
5	24M7054	WASHER	1	-024165	6.400 X 12 X 1.600 MM, (SUB FOR R53942)
6	T24229	LOCK WASHER	2		
7	.....	NUT	NA		
8	.....	SEAL	NA		
9	R53976	SCREW	1	-024165	
	R53941	CAP SCREW	1	024166-	
10	R64600	SHAFT KEY	1	024166-	
11	R64599	LEVER	1	024166-	
12	R68195	WASHER	1		
13	R53937	O-RING	1		
14	.....	BRACKET	NA		
15	AR63564	LEVER	1	-024165	
16	R53918	PACKING	1		
17	T31556	NUT	1		
18	R60914	SET SCREW	1		
19	.....	LEVER	NA		
20	.....	LEVER	NA		
21	.....	LEVER	NA		
22	.....	SPACER	NA		
23	.....	LEVER	NA		
24	R53955	O-RING	1		
25	.....	SPRING	NA		
	.....	SPRING	NA		
26	R68438	RETAINER	1		
27	.....	SCREW	NA		
28	.....	LEVER	NA		
29	.....	LEVER	NA		
	.....	LEVER	NA		
30	R63053	LEVER	1		
31	R68238	SET SCREW	1		
32	AR80949	LEVER	1		(SHUT-OFF)
33	.....	LEVER	NA		
34	.....	LEVER	NA		
35	.....	CAP SCREW	NA		
	R53941	CAP SCREW	1		
36	R10185	SPRING PIN	1		
37	.....	LEVER	NA		
38	R10184	SWIVEL	1		
39	21H1293	SCREW	1		
40	.....	LEVER	NA		
41	.....	LEVER	NA		
42	.....	LEVER	NA		
43	R53954	SPRING	1		
44	.....	CAP SCREW	NA		
45	.....	BRACKET	NA		
46	.....	LEVER	NA		

# 1G5

FUEL AND AIR

FUEL INJECTION PUMP ANEROID  
(6466) (ENGINE SERIAL NO. 009834- ) (ROBERT BOSCH)

RGP2678 -UN-01JAN94



RGP2678

KEY	PART NO.	PART NAME	QTY	ENG. SER. NO. OR PUMP DATE	REMARKS
1	R63059	SPRING	1		
2	R63060	PISTON	1		
3	R67886	O-RING	1	823-	
4	R67885	HOUSING	1		(SUB FOR R63062) (ALSO ORDER R67886)
5	R63063	SCREW	2		
6	R54880	LOCK WASHER	2		
7	R62104	VALVE	1		
8	R62105	PIN	1		
9	R26373	SPRING	1		
10	R62107	WASHER	2		
11	R62106	SCREW	1		
12	R63061	GASKET	1	-822	

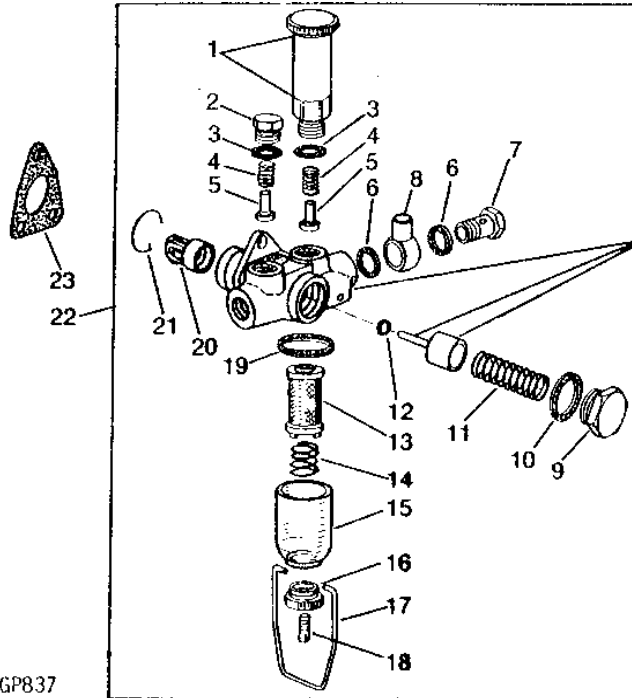
# 1G6

FUEL AND AIR

## FUEL TRANSFER PUMP (ROBERT BOSCH)

(6466AR 01,04,05,11,12 ESN -068222) (6466AR 07,08,09,10 ESN -069689)

RGP837 -UN-01JAN94



RGP837

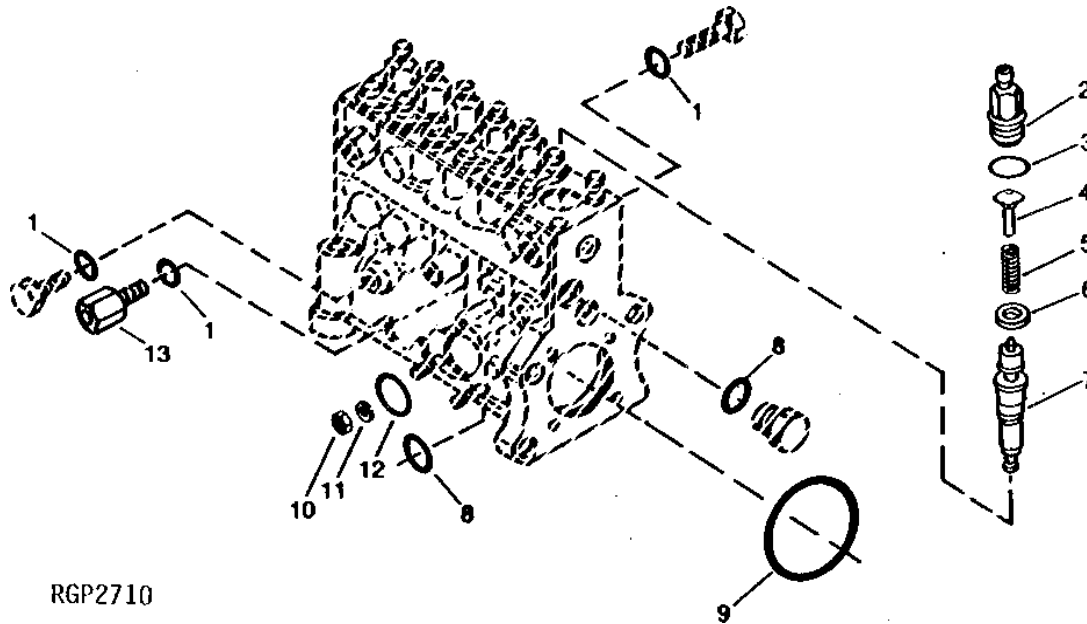
KEY	PART NO.	PART NAME	QTY	ENGINE SERIAL NO.	REMARKS
1	RE48048	HAND PRIMER	1		(SUB FOR R54033 OR R70135)
2	R54024	PLUG	1		
3	R54025	WASHER	2		
4	R54023	SPRING	2		
5	R54022	VALVE	2		
6	R53901	WASHER	4		
7	R53903	FITTING	2		
8	R53902	FITTING	2		
9	R54015	DRAIN PLUG	1		(SUB FOR R55069)
10	R64861	WASHER	1		(SUB FOR R54016)
11	R54011	SPRING	1		
12	R54013	O-RING	1		
13	R54026	FILTER	1		
14	R54029	SPRING	1		
15	R54027	HOUSING	1		
16	R54031	NUT	1		
17	R54030	CLIP	1		
18	R54032	STUD	1		
19	R67074	GASKET	1		(SUB FOR R54028)
20	AR73863	TAPPET	1		(4840, 8430)
	AR73857	TAPPET	1		(4640)
21	R54021	SNAP RING	1		
22	AR58812	FUEL PUMP	1		(4840, 8430)
	AR63831	FUEL PUMP	1		(4640)
23	R67879	GASKET	1		(SUB FOR R53161)

# 1G7

FUEL AND AIR

FUEL INJECTION PUMP HOUSING CONNECTORS  
(NIPPONDENSO)  
(6466AR 01,06,17 ENGINE SERIAL NO. 022000- )

RGP2710 -UN-01JAN94



RGP2710

KEY	PART NO.	PART NAME	QTY	ENGINE SERIAL NO.	REMARKS
1	R64857	WASHER	4		
2	R64899	HOLDER	6		(8430) (NLA)
	RE10583	HOLDER	6		(4850, 8440) (NLA)
	.....	NOZZLE HOLDER	NA		
3	R64900	O-RING	6		
4	R64901	PIN	6		
5	R64902	SPRING	6		
6	R77215	GASKET	6		
7	RE10580	VALVE	6		
	.....	VALVE	NA		
8	R64925	WASHER	1		
9	R64964	O-RING	1		
10	14M7272	NUT	3	M6	
11	R64926	LOCK WASHER	3		
12	R64927	O-RING	1		
13	RE10582	CONTROL VALVE	1		

---

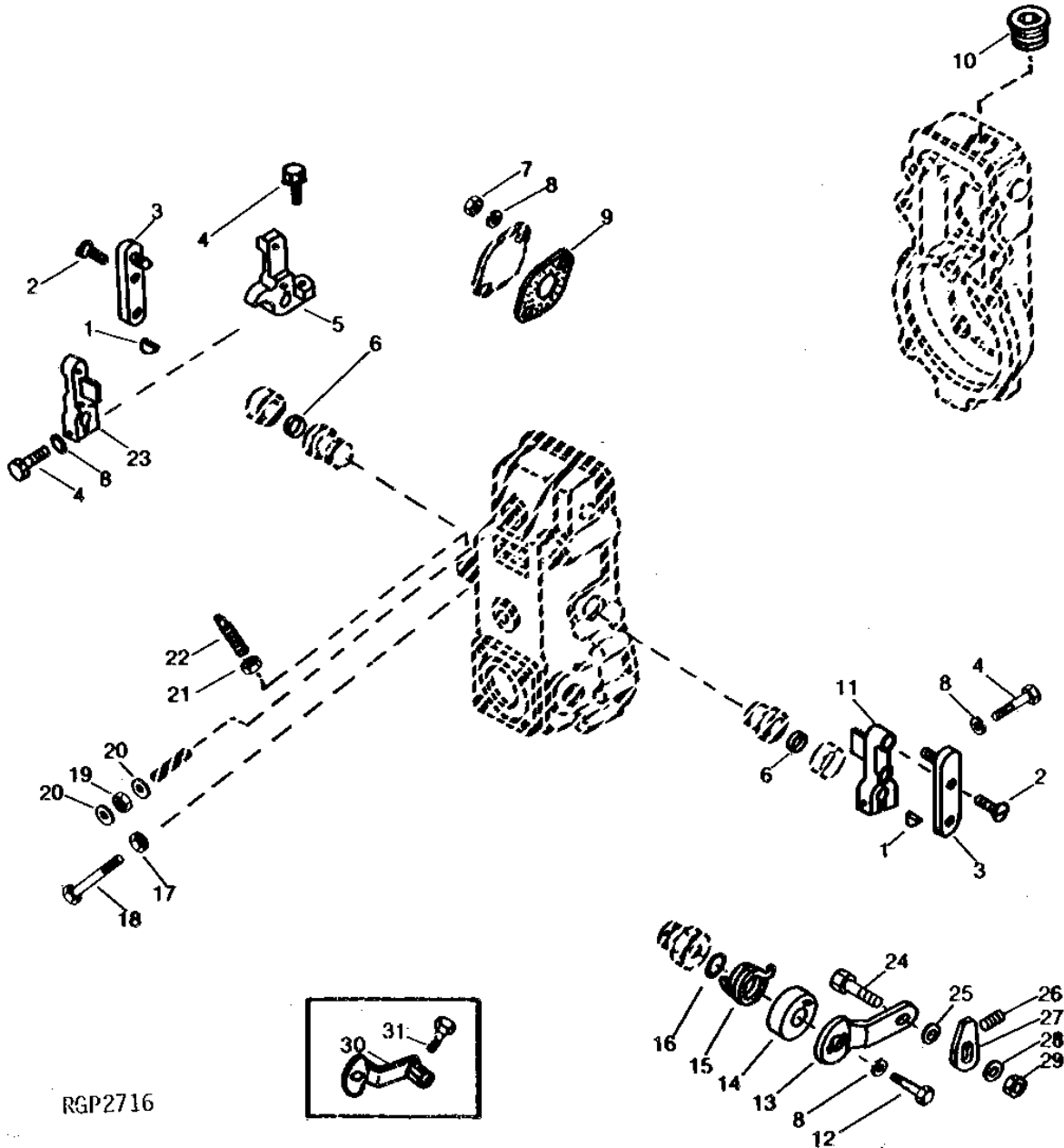
MEMORANDA

# 1G8

FUEL AND AIR

## FUEL INJECTION PUMP GOVERNOR LEVERS AND CONTROLS (NIPPONDENSO) (6466AR 01 ENGINE SERIAL NO. 022000- )

RGP2716 -UN-01JAN94



RGP2716



# 1G9

FUEL AND AIR

FUEL INJECTION PUMP GOVERNOR LEVERS AND CONTROLS - CONTINUED  
(NIPPONDENSO)  
(6466AR 01 ENGINE SERIAL NO. 022000- )

KEY	PART NO.	PART NAME	QTY	ENGINE SERIAL NO.	REMARKS
1	R64968	SHAFT KEY	1		
2	19M8731	SCREW	2		M6 X 16
3	AR81002	LEVER	1		
4	R64969	SCREW	1		
5	AR98286	LEVER	1		
6	AR81847	SEAL	1		
7	.....	NUT	NA		
8	R64926	LOCK WASHER	2		
9	.....	GASKET	NA		
10	.....	DRAIN PLUG	NA		
11	.....	LEVER	NA		
	.....	LEVER	NA		
12	R64895	CAP SCREW	1		
	R73877	SCREW	NA		
13	AR89552	LEVER	1		(SHUT-OFF)
	.....	LEVER	NA		
14	R64995	RETAINER	1		
15	R64996	SPRING	1		
16	R64997	O-RING	1		
17	R64989	LOCK NUT	1		
18	R65437	CAP SCREW	1		
19	R73883	LOCK NUT	1		
20	R64893	WASHER	2		
21	R73873	LOCK NUT	1		
22	R73878	SET SCREW	1		
23	R64967	LEVER	1		
24	19H1948	CAP SCREW	1		1/4" X 3/4"
25	R67142	WASHER	1		
26	22H1062	SET SCREW	1		0.164" X 1/2"
27	R67143	FITTING	1		
28	24H1287	WASHER	1		9/32" X 5/8" X 0.065"
29	14H786	NUT	1		1/4"
30	AR81839	STOP	1		
31	R64898	CAP SCREW	1		

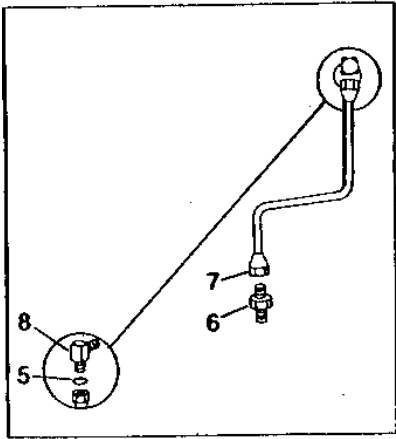
# 1G10

FUEL AND AIR

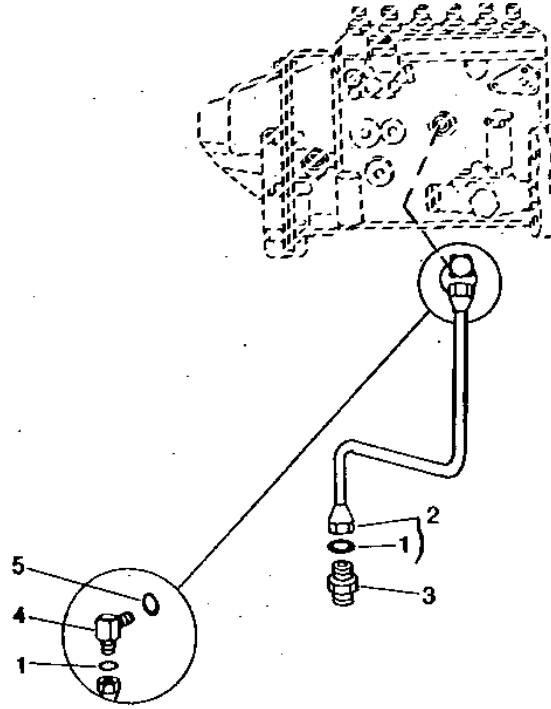
RGP3461

-UN-01JAN94

## FUEL INJECTION PUMP LUBE LINES



RGP3461



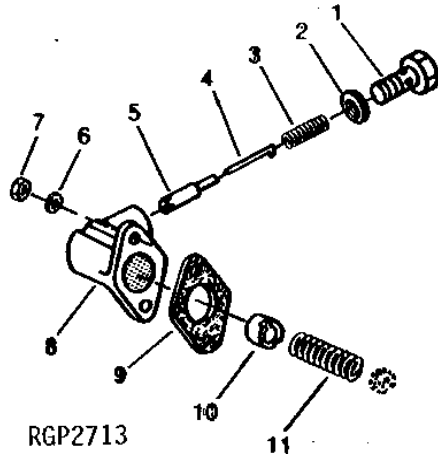
KEY	PART NO.	PART NAME	QTY	ENGINE SERIAL NO.	REMARKS
1	R67264	PACKING	2		
2	RE38733	OIL LINE	1	(SUB FOR RE14229)	
3	R76822	FITTING	1	(USE WITH RE38733)	
4	AR88903	ELBOW FITTING	1	(USE WITH RE38733)	
5	R73858	O-RING	2		
6	R39832	ADAPTER	1	(USE WITH RE14229)	
7	RE14229	OIL LINE	1	(SUB RE38733, AR88903 AND R76822)	
8	AT26746	OIL LINE	1	(USE WITH RE14229)	

# 1G11

FUEL AND AIR

RGP2713 -UN-01JAN94

INJECTION PUMP HYDRAULIC ANEROID ACTIVATOR  
(6466AR 01,06,17,19 ESN 022000- ) (NIPPONDENSO)



RGP2713

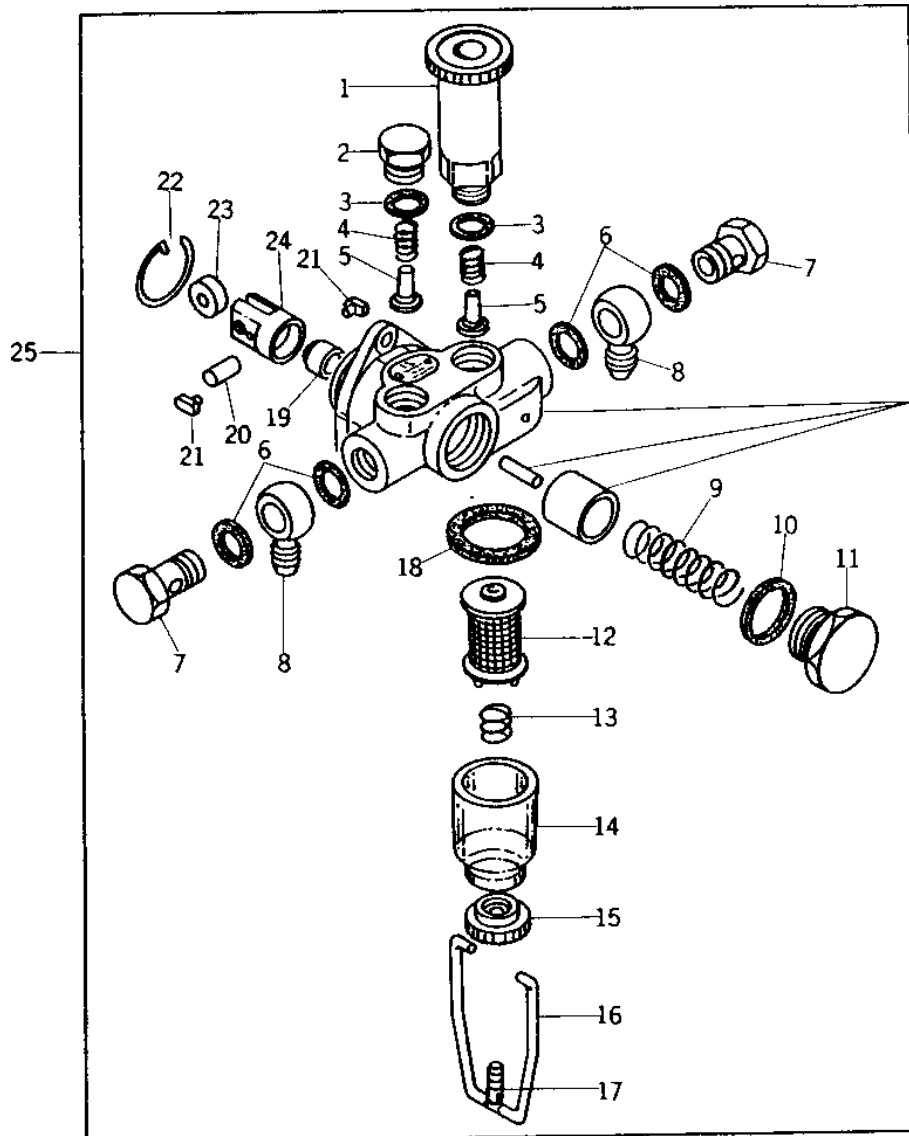
KEY	PART NO.	PART NAME	QTY	ENGINE SERIAL NO.	REMARKS
1	R62106	SCREW	1		
2	R62107	WASHER	1		
3	R26373	SPRING	1		
4	R62105	PIN	1		
5	R62104	VALVE	2		
6	R64926	LOCK WASHER	2		
7	14M7272	NUT	1	M6	
8	R65023	HOUSING	1		
9	R65024	GASKET	1		
10	R65025	PISTON	1		
11	R65026	SPRING	1		

# 1G12

FUEL AND AIR

FUEL TRANSFER PUMP  
(NIPPONDENSO)  
(ENGINE SERIAL NO. 022000- )

RG1463 -UN-01JAN94



RG1463F

# 1G13

FUEL AND AIR

FUEL TRANSFER PUMP - CONTINUED  
(NIPPONDENSO)  
(ENGINE SERIAL NO. 022000- )

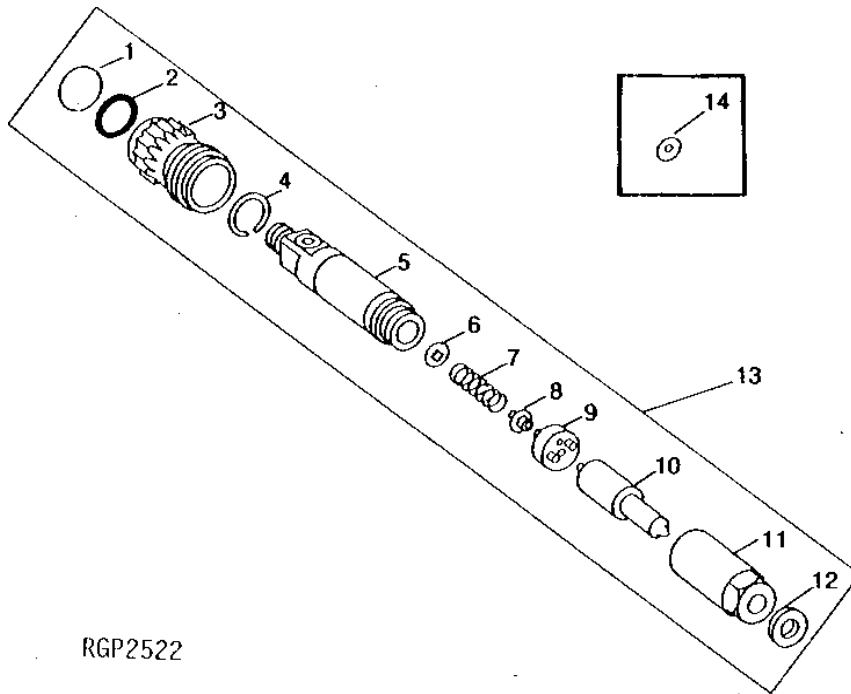
KEY	PART NO.	PART NAME	QTY	ENGINE SERIAL NO.	REMARKS
1	AR81825	HAND PRIMER	1		
2	R64853	DRAIN PLUG	1		
3	R64854	WASHER	2		
4	R64855	SPRING	2		
5	R64856	VALVE	2		
6	R64857	WASHER	4		
7	R64858	SCREW	2		
8	R64859	FITTING	2		
9	R64862	SPRING	1		
10	R64861	WASHER	1		
11	R64860	DRAIN PLUG	1		
12	R64868	FILTER	1		
13	R64867	SPRING	1		
14	R54027	HOUSING	1		(SUB FOR R64866)
15	R64865	NUT	1		
16	R64863	CLIP	1		
17	R64864	BOLT	1		
18	R64869	WASHER	1		
19	AR87663	SEAL	1		
20	R64873	DOWEL PIN	1		
21	R77207	GUIDE	2		(SUB FOR R64872)
22	R64871	SNAP RING	1		
23	R64874	WASHER	1		
24	R64870	TAPPET	1		
25	AR81819	FUEL PUMP	1		

# 1G14

FUEL AND AIR

RGP2522 -UN-01JAN94

FUEL INJECTION NOZZLE  
(ROBERT BOSCH) (6466)



RGP2522

# 1G15

FUEL AND AIR

FUEL INJECTION NOZZLE - CONTINUED  
(ROBERT BOSCH)  
(6466)

KEY	PART NO.	PART NAME	QTY	ENGINE SERIAL NO.	REMARKS
1	R60277	SNAP RING	1		
2	R51603	O-RING	1		
3	R60279	NUT	1		
4	R60278	SNAP RING	1		
5	R60272	NOZZLE HOLDER	1	(SUB AR73847)	
6	R83720	WASHER	1	1.02 MM (.0402")	
	R83721	WASHER	1	1.08 MM (.0425")	
	R83722	WASHER	1	1.12 MM (.0441")	
	R83723	WASHER	1	1.18 MM (.0465")	
	R83724	WASHER	1	1.22 MM (.0480")	
	R83725	WASHER	1	1.28 MM (.0504")	
	R83726	WASHER	1	1.30 MM (.0512")	
	R83727	WASHER	1	1.38 MM (.0543")	
	R83728	WASHER	1	1.42 MM (.0559")	
	R83729	WASHER	1	1.48 MM (.0583")	
	R83730	WASHER	1	1.50 MM (.0591")	
	R83731	WASHER	1	1.58 MM (.0622")	
	R83732	WASHER	1	1.60 MM (.0630")	
	R83733	WASHER	1	1.68 MM (.0661")	
	R83734	WASHER	1	1.70 MM (.0669")	
	R83735	WASHER	1	1.78 MM (.0701")	
	R83736	WASHER	1	1.82 MM (.0717")	
	R83737	WASHER	1	1.88 MM (.0740")	
	R83738	WASHER	1	1.90 MM (.0748")	
	R83739	WASHER	1	1.98 MM (.0780")	
7	R60273	SPRING	1		
8	R60274	SEAT	1		
9	R60275	PLATE	1		
10	AR73638	NOZZLE	1	(4 X 0.36) (8430, 8440)	
11	R60276	NUT	1		
12	R64840	WASHER	1		
13	AR73847	INJECTION NOZZLE	6	(8430, 8440)	
14	R60280	WASHER	1	0.99 MM (.039") (SUB R83720)	
	R60281	WASHER	1	1.04 MM (.041") (SUB R83721)	
	R60282	WASHER	1	1.09 MM (.043") (SUB R83722)	
	R60283	WASHER	1	1.14 MM (.045") (SUB R83723)	
	R60284	WASHER	1	1.19 MM (.047") (SUB R83724)	
	R60285	WASHER	1	1.24 MM (.049") (SUB R83725)	
	R60286	WASHER	1	1.29 MM (.051") (SUB R83726)	
	R60287	WASHER	1	1.34 MM (.053") (SUB R83727)	
	R60288	WASHER	1	1.39 MM (.055") (SUB R83728)	
	R60289	WASHER	1	1.44 MM (.057") (SUB R83729)	
	R60290	WASHER	1	1.49 MM (.059") (SUB R83730)	
	R60291	WASHER	1	1.54 MM (.061") (SUB R83731)	
	R60292	WASHER	1	1.60 MM (.063") (SUB R83732)	
	R60293	WASHER	1	1.65 MM (.065") (SUB R83733)	
	R60294	WASHER	1	1.70 MM (.067") (SUB R83734)	
	R60295	WASHER	1	1.75 MM (.069") (SUB R83735)	
	R60296	WASHER	1	1.80 MM (.071") (SUB R83736)	
	R60297	WASHER	1	1.85 MM (.073") (SUB R83737)	
	R60298	WASHER	1	1.90 MM (.075") (SUB R83738)	
	R60299	WASHER	1	1.95 MM (.077") (SUB R83739)	

---

MEMORANDA

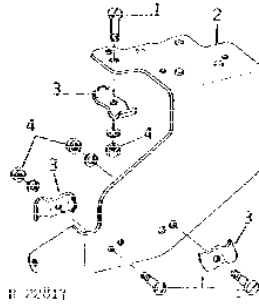


# 1G16

FUEL AND AIR

R22817 -UN-01JAN94

ANEROID CONTROL BRACKET  
(ENGINE SERIAL NO. -009833)



KEY	PART NO.	PART NAME	QTY	ENGINE SERIAL NO.	REMARKS
1	19H3204	SCREW	3		
2	AR74527	BRACKET	1		
3	R53300	CLIP	3		
4	14H631	NUT	3	0.190"	
	12H246	LOCK WASHER	3	0.190"	(SUB FOR AR71275) (NLA)

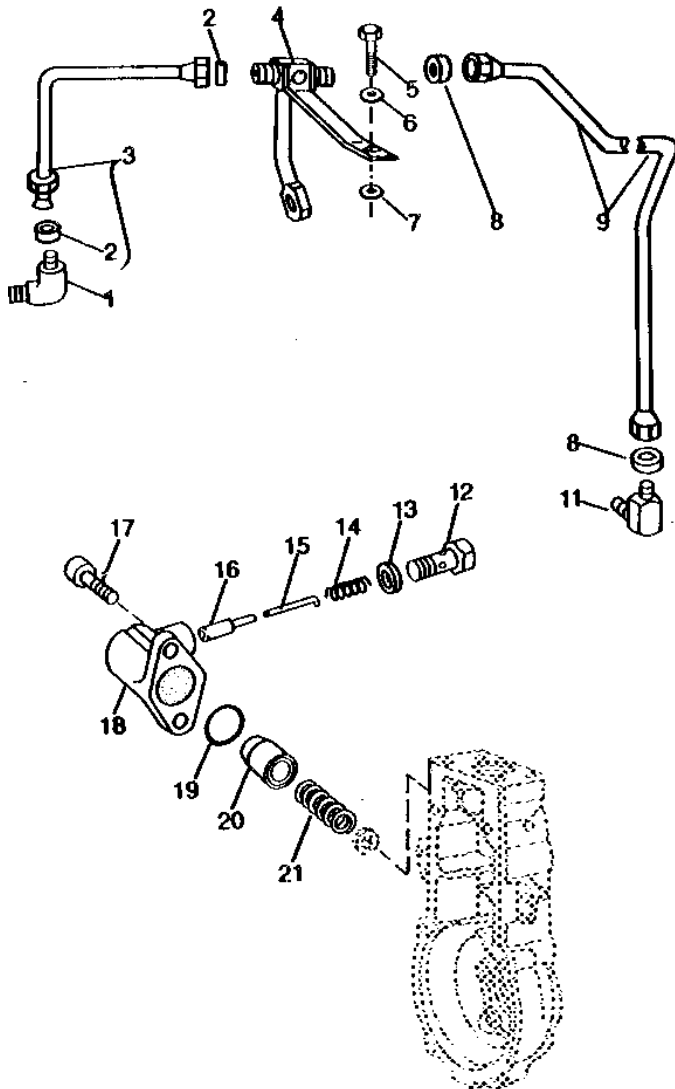
# 1G17

FUEL AND AIR

RGP2677

-UN-01JAN94

HYDRAULIC ANEROID ACTIVATOR KIT  
(ENGINE SERIAL NO. -009833)



RGP2677

# 1G18

FUEL AND AIR

HYDRAULIC ANEROID ACTIVATOR KIT - CONTINUED  
(ENGINE SERIAL NO. -009833)

KEY	PART NO.	PART NAME	QTY	ENGINE SERIAL NO.	REMARKS
1	R62109	ELBOW FITTING	1		
2	R51936	PACKING	2		
3	AR76757	FUEL LINE	1		
4	AR94339	TEE FITTING	1		
5	19M7077	CAP SCREW	1		M6 X 20
6	24M7105	WASHER	1		6 X 12 X 1.600 MM
7	R54884	WASHER	1		
8	T18015	WASHER	2		
9	AR94182	LINE	1		
10	AR87691	LINE	1		(SUB AR94182, AR94339, R54884, 19M7077 AND 24M7105)
11	R57641	ELBOW FITTING	1		
12	R62106	SCREW	1		
13	R62107	WASHER	2		
14	R26373	SPRING	1		
15	R62105	PIN	1		
16	R62104	VALVE	1		
17	R63063	SCREW	2		
18	R67885	HOUSING	1		
19	R67886	O-RING	1		
20	R63060	PISTON	1		
21	R63059	SPRING	1		

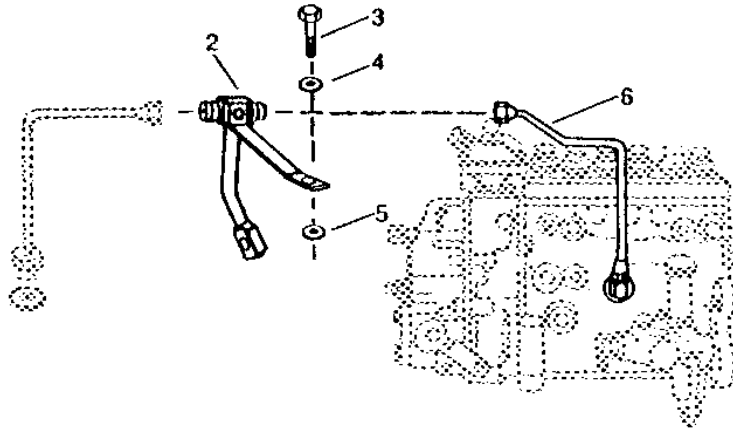
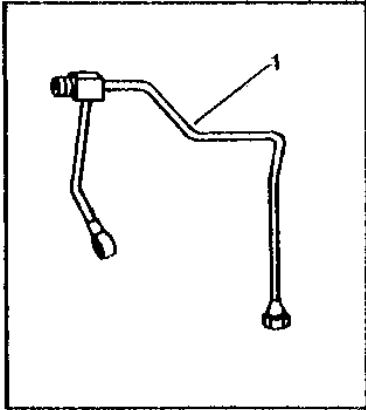
# 1G19

FUEL AND AIR

RGP463

-UN-01JAN94

## ANEROID ACTIVATOR LINES



RGP463

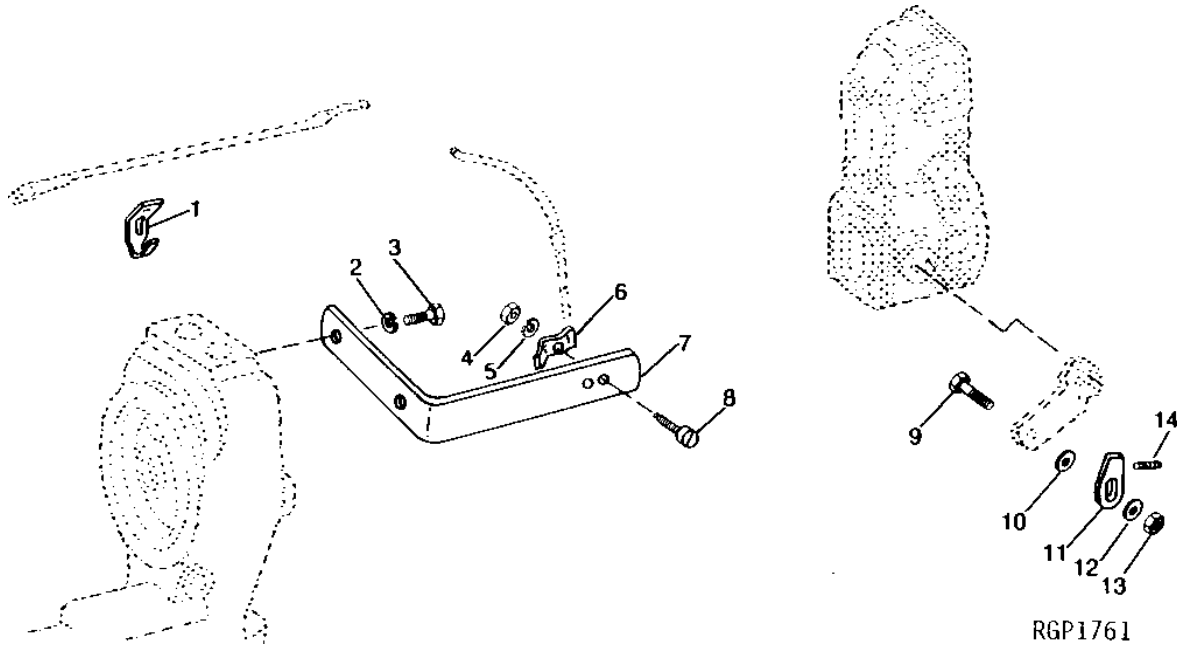
KEY	PART NO.	PART NAME	QTY	ENGINE SERIAL NO.	REMARKS
1	AR87691	LINE	1		(SUB AR94339, AR94182, R54884, 19M7077 AND 24M7105)
2	AR94339	TEE FITTING	1		
3	19M7077	CAP SCREW	1	M6 X 20	
4	24M7105	WASHER	1	6 X 12 X 1.600 MM	
5	R54884	WASHER	1		
6	AR94182	LINE	1		

# 1G20

FUEL AND AIR

FUEL SHUT-OFF BRACKET  
 (6466AR 04, 05, 11, 12 ENGINE SERIAL NO. 068223- )  
 (6466AR 01 SHORT BLOCK SERIAL NO. 572027- )  
 (6466AR 01, 06 ENGINE SERIAL NO. 065349- )

RGP1761 -UN-16NOV94



RGP1761

KEY	PART NO.	PART NAME	QTY	ENGINE SERIAL NO.	REMARKS
1	R53620	BRACKET	1		
2	12H302	LOCK WASHER	1	1/4"	
3	19H1948	CAP SCREW	2	1/4" X 3/4"	
	19H1914	CAP SCREW	2	(A) 1/4" X 1"	
4	14H605	NUT	1	0.164"	
5	12H315	LOCK WASHER	1	0.164"	
6	R53300	CLIP	1		
7	R67141	BRACKET	1	-XXXXXX	(USE WITH R62907 OR R65734)
	R76547	BRACKET	1	XXXXXX-	(USE WITH R71689)
8	21H1319	SCREW	1	0.164" X 7/8"	
9	19H1948	CAP SCREW	1	1/4" X 3/4"	
10	R67142	WASHER	1		
11	R67143	FITTING	1		
12	24H1287	WASHER	1	9/32" X 5/8" X 0.065"	
13	14H786	NUT	1	1/4"	
14	22H1062	SET SCREW	1	0.164" X 1/2"	

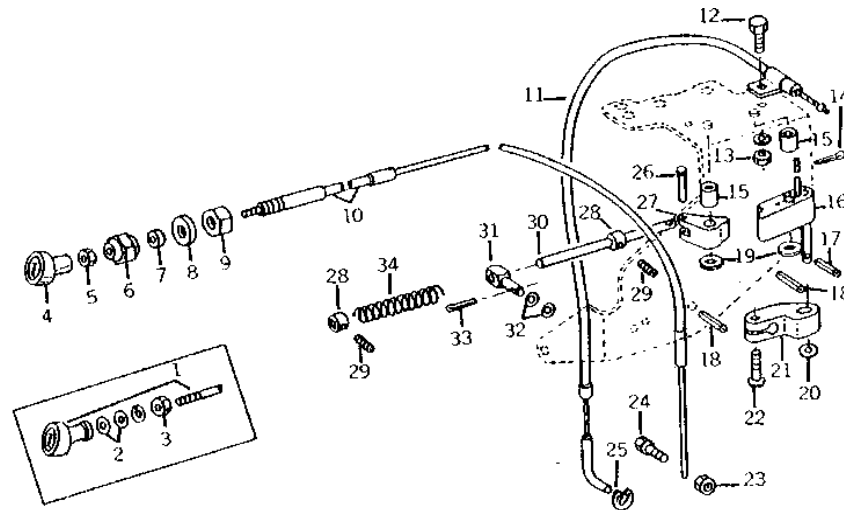
(A) NOT USED IN U.S. AND CANADA

# 1G21

FUEL AND AIR

## ANEROID CONTROL AND FUEL SHUT-OFF (ENGINE SERIAL NO. -009833)

R27539 -UN-01JAN94



R 27539f

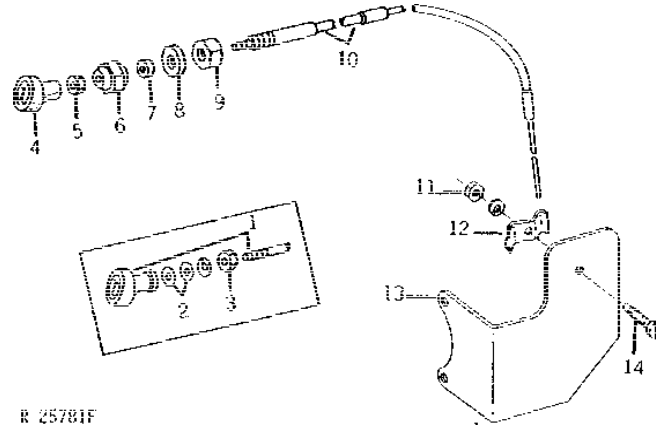
KEY	PART NO.	PART NAME	QTY	TRACTOR SERIAL NO.	REMARKS
1	AR59443	PUSH PULL CABLE	1	-002893	(FUEL SHUT-OFF) (SUB AR77679, R62899, R62900, R55202, 14H649, 12H304 AND 24M7096)
2	24H1299	WASHER	2	-002893	3/8" X 1-1/4" X 0.065"
3	14H774	NUT	1	-002893	3/8"
	12H304	LOCK WASHER	1	-002893	3/8"
4	R55202	KNOB	1	002894-	
5	14H649	NUT	1	002894-	1/4"
6	R62899	NUT	1	002894-	
7	R62900	WASHER	1	002894-	
8	24M7096	WASHER	1	002894-	10.500 X 18 X 1.600 MM
9	14H774	NUT	1	002894-	3/8"
10	AR77679	PUSH PULL CABLE	1	002894-	(FUEL SHUT-OFF)
	AR86467	PUSH PULL CABLE	1		(NOT USED IN U.S. AND CANADA)
11	AR69541	CABLE	1		STARTING FUEL CONTROL
12	21H1317	SCREW	1		0.190" X 5/8"
13	14H631	NUT	1		0.190"
	12H246	LOCK WASHER	1		0.190"
14	11M7077	COTTER PIN	1		0.063" X 0.984"
15	28H3082	WASHER	2		0.269" X 0.405" X 9/32"
16	AR74528	LEVER	1		
17	34H212	SPRING PIN	1		5/64" X 5/8"
18	34H228	SPRING PIN	2		3/32" X 9/16"
19	B1664R	SHIM	2		
20	24H1283	WASHER	1		7/32" X 1/2" X 0.049"
21	R58242	ARM	1		
22	21H1317	SCREW	1		0.190" X 5/8"
23	14H786	NUT	1		1/4"
24	R53151	BOLT	1		
25	R59132	CLIP	1		
26	R61758	PIN	1		
27	R60649	LATCH	1		
28	R54294	SHIFT COLLAR	2		
29	R30725	SCREW	1		
30	R61458	SHEAR PIN	1		
31	R42912	SWIVEL	1		
32	24H1286	WASHER	2		9/32" X 1/2" X 1/16"
33	11M7079	COTTER PIN	1		0.098" X 0.472"
34	R26372	SPRING	1		
..	T29577	LABEL	1		(NOT USED IN U.S. AND CANADA)

# 1G22

FUEL AND AIR

FUEL SHUT-OFF  
(ENGINE SERIAL NO. 009834- )

R25781 -UN-01JAN94



KEY	PART NO.	PART NAME	QTY	TRACTOR SERIAL NO.	REMARKS
1	AR59443	PUSH PULL CABLE	1	-002893	(SUB AR77679, R62899, R62900, R55202, 14H649, 12H304 AND 24M7096)
2	24H1299	WASHER	2	-002893	3/8" X 1-1/4" X 0.065"
3	14H774	NUT	1	-002893	3/8"
	12H304	LOCK WASHER	1	-002893	3/8"
4	R55202	KNOB	1	002894-	
5	14H649	NUT	1	002894-	1/4"
6	R62899	NUT	1	002894-	
7	R62900	WASHER	1	002894-	
8	24M7096	WASHER	1	002894-	10.500 X 18 X 1.600 MM
9	14H774	NUT	1	002894-	3/8"
10	AR77679	PUSH PULL CABLE	1	002894-	
11	14H605	NUT	1		0.164"
	12H315	LOCK WASHER	1		0.164"
12	R53300	CLIP	1		
13	AR76751	BRACKET	1		
14	21H1319	SCREW	1		0.164" X 7/8"

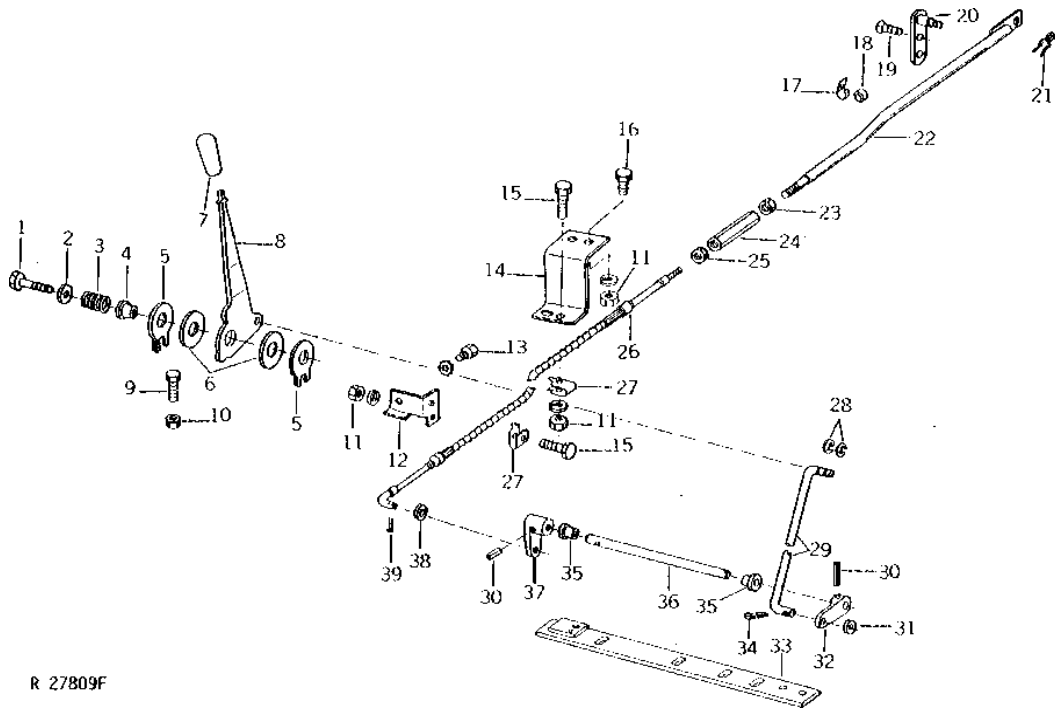
# 1G23

FUEL AND AIR

R27809

-UN-01JAN94

## SPEED CONTROL LEVER AND LINKAGE



R 27809F



# 1G24

FUEL AND AIR

## SPEED CONTROL LEVER AND LINKAGE - CONTINUED

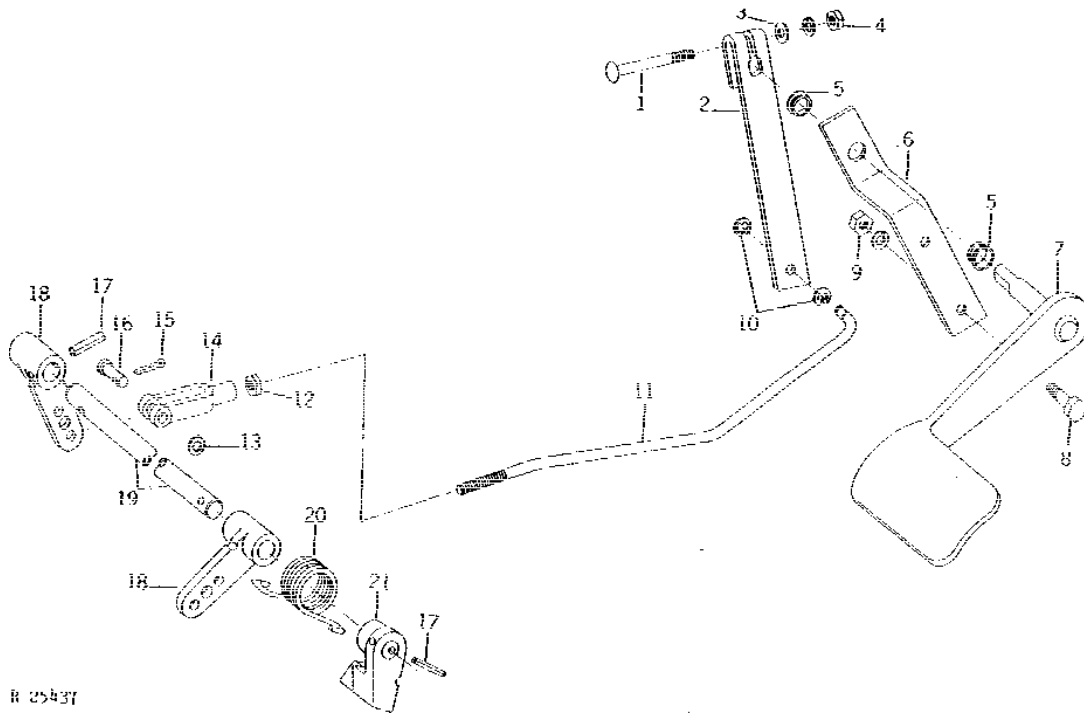
KEY	PART NO.	PART NAME	QTY	TRACTOR SERIAL NO.	REMARKS
1	R41920	CAP SCREW	1		
2	24M7096	WASHER	1		10.500 X 18 X 1.600 MM
3	R31271	SPRING	1		
4	R50227	RETAINER	1		
5	R52117	WASHER	2		
6	R50226	WASHER	2		(SUB R105814)
7	R50506	KNOB	1		
8	R57824	LEVER	1		
9	19H1849	CAP SCREW	1		5/16" X 1-1/4"
10	14H611	NUT	1		5/16"
11	14H785	NUT	4		5/16"
	12H303	LOCK WASHER	4		5/16"
12	AR86977	BRACKET	1		(SUB FOR R51784)
13	19H2038	CAP SCREW	1		3/8" X 1/2"
	12H310	LOCK WASHER	1		3/8"
14	R54282	BRACKET	1		
15	19H1849	CAP SCREW	2		5/16" X 1-1/4"
16	19H1900	CAP SCREW	2		5/16" X 3/4"
17	R53620	BRACKET	1	-XXXXXX	
18	R45537	GROMMET	1	-XXXXXX	
19	19M8731	SCREW	2		M6 X 16
20	AR81002	LEVER	1		
21	R47646	SPRING LOCKING PIN	1		
22	RE11519	SHIFTER ROD	1		(SUB FOR AR71518)
23	14H1025	NUT	1		1/4", L.H. THREAD
24	R52422	TURNBUCKLE	1		
25	14H649	NUT	1		1/4"
26	AR56685	PUSH PULL CABLE	1		(SUB RE21571, THIS APPLICATION)
27	R26870	CLAMP	2		
28	R72653	SNAP RING	2		(SUB FOR M2396T)
29	R54487	ROD	1		
30	34H279	SPRING PIN	2		3/16" X 13/16"
31	24H1289	WASHER	1		21/64" X 5/8" X 0.049"
32	R50225	ARM	1	-002404	
33	AR56643	STRAP	1		
34	11M7081	COTTER PIN	1		0.098" X 0.787"
35	R41076	GROMMET	2		
36	R57823	SHEAR PIN	1	-002404	
37	R51930	ARM	1	-002404	
38	B1664R	SHIM	1		
39	11M7077	COTTER PIN	1		0.063" X 0.984"

# 1G25

FUEL AND AIR

## FOOT SPEED CONTROL (TRACTOR SERIAL NO. 002405- )

R25437 -UN-01JAN94



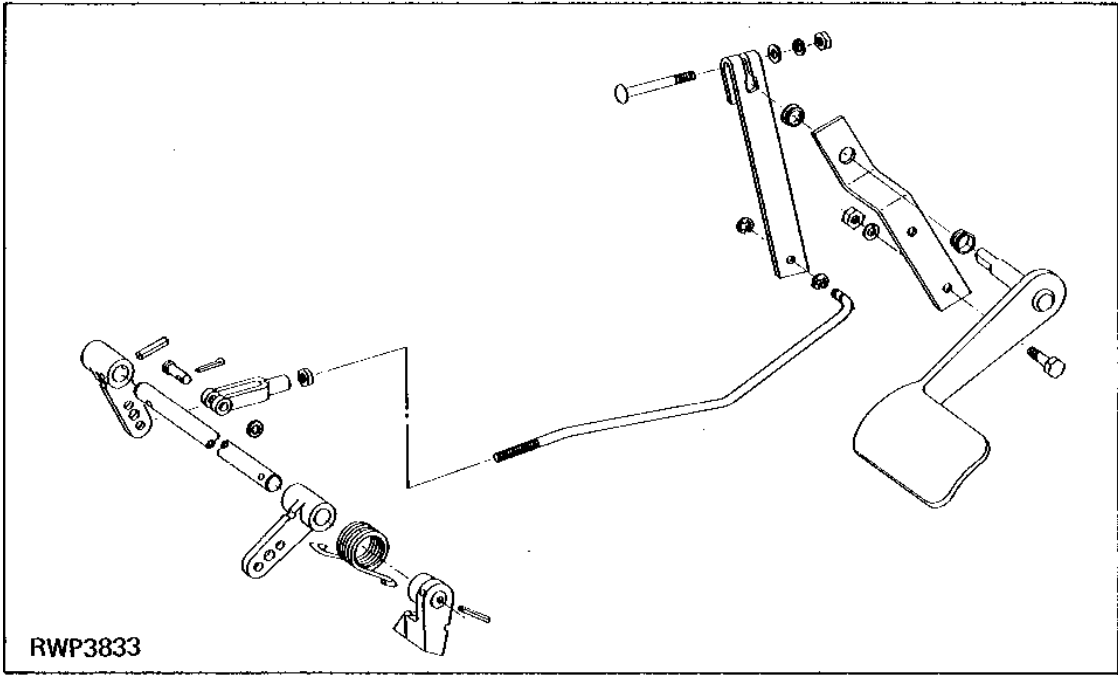
KEY	PART NO.	PART NAME	QTY	TRACTOR SERIAL NO.	REMARKS
1	03H1810	BOLT	1		1/4" X 1-1/2"
2	R58507	LEVER	1		
3	24H1287	WASHER	1		9/32" X 5/8" X 0.065"
4	14H850	NUT	1		1/4"
	12H302	LOCK WASHER	1	-XXXXXX	1/4"
5	R52646	WASHER	2		
6	R58519	BRACKET	1		
7	AR92122	PEDAL	1		(SUB FOR AR70257)
8	19H1900	CAP SCREW	2		5/16" X 3/4"
9	14H785	NUT	2		5/16"
	12H303	LOCK WASHER	2		5/16"
10	R72654	SNAP RING	2		(SUB FOR R27507)
11	R61824	ROD	1		
12	14H649	NUT	1		1/4"
13	B1664R	SHIM	1		
14	M3742T	YOKE	1		
15	11M7079	COTTER PIN	1		0.098" X 0.472"
16	R72660	PIN	1		(SUB FOR R662R)
17	34H279	SPRING PIN	2		3/16" X 13/16"
18	R58509	LEVER	2		
19	R61823	SHEAR PIN	1		
20	R58512	SPRING	1		
21	R58511	ARM	1		

# 1H1

FUEL AND AIR

RWP3833 -UN-01JAN94

FOOT SPEED CONTROL KIT  
(TRACTOR SERIAL NO. -002404)



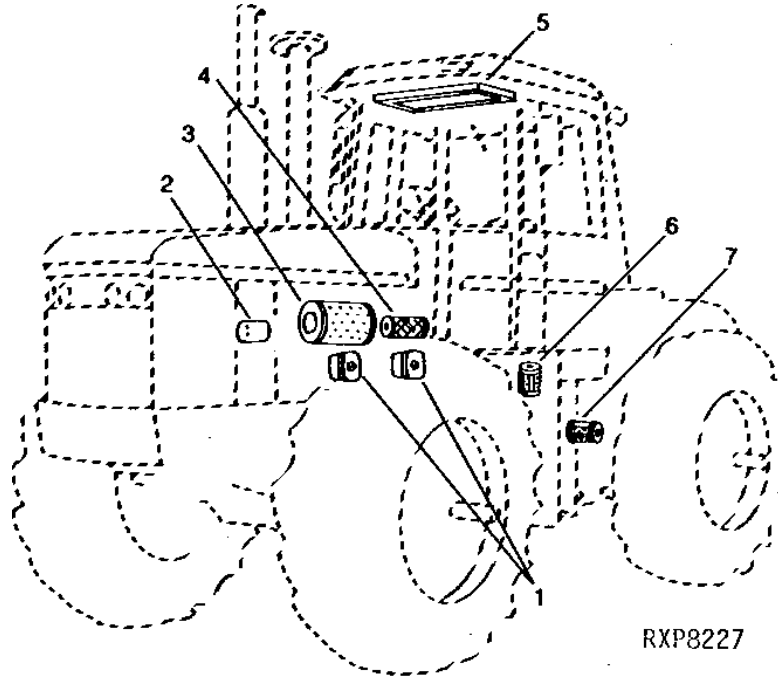
KEY	PART NO.	PART NAME	QTY	TRACTOR SERIAL NO.	REMARKS
1	AR77214	CONTROL	1	-003480	

# 1H2

FUEL AND AIR

RXP8227 -UN-01JAN94

## FILTERS



RXP8227

KEY	PART NO.	PART NAME	QTY	TRACTOR SERIAL NO.	REMARKS
1	AR50041	FUEL FILTER	2		FUEL
2	AR43634	OIL FILTER	1		ENGINE
3	AR70106	FILTER ELEMENT	1		AIR CLEANER
4	AR70107	FILTER ELEMENT	1		AIR CLEANER
5	RE12793	AIR FILTER	1		
6	AR75603	FILTER ELEMENT	1	-005625	CLUTCH OIL
	AR94510	FILTER ELEMENT	1	005626-	CLUTCH OIL
7	AR75603	FILTER ELEMENT	1	-005625	TRANSMISSION OIL
	AR94510	FILTER ELEMENT	1	005626-	TRANSMISSION OIL

---

MEMORANDA

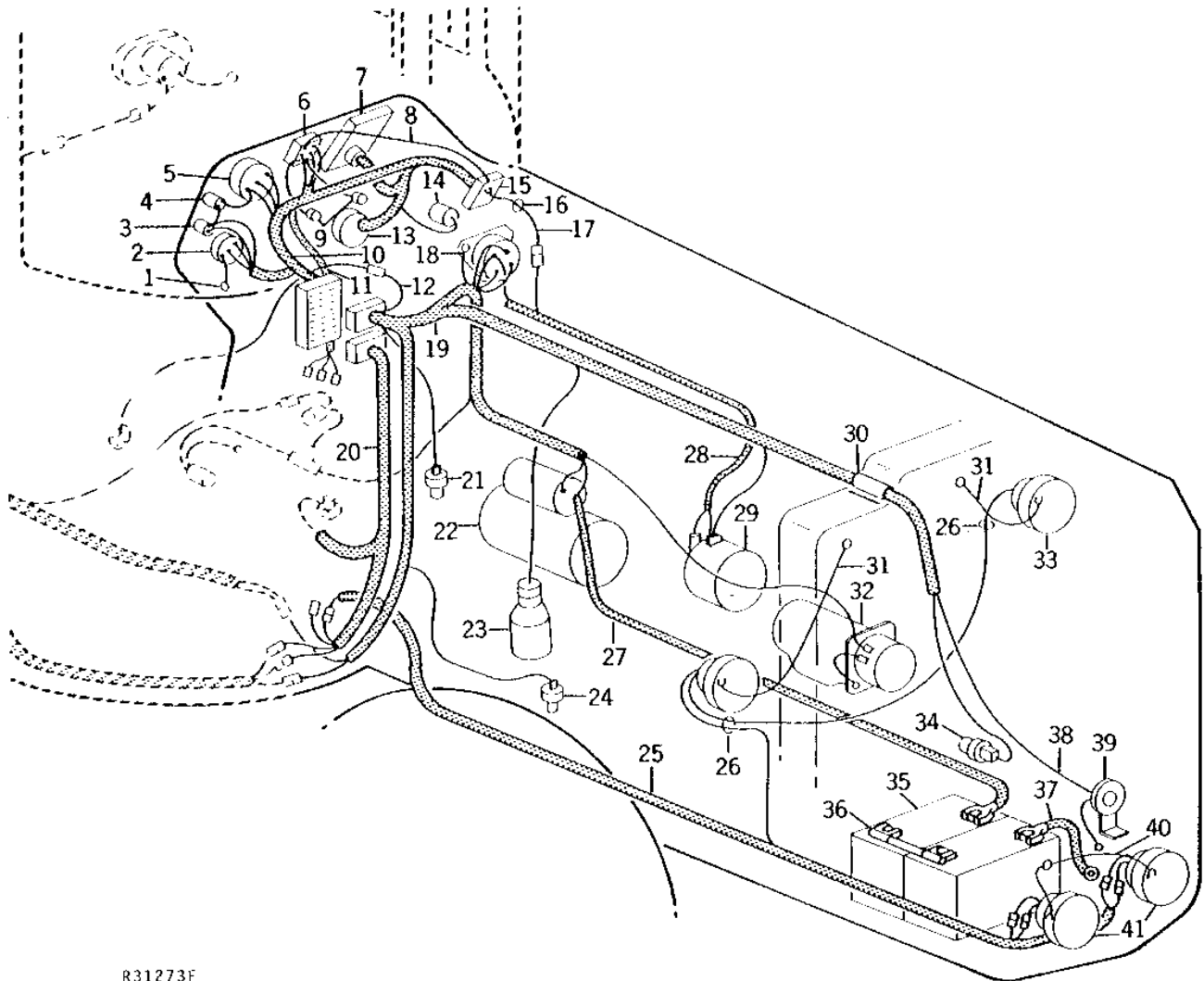
# 2B7

ELECTRICAL

R31273

-UN-01JAN94

## FRONT WIRING



R31273F

# 2B8

ELECTRICAL

## FRONT WIRING - CONTINUED

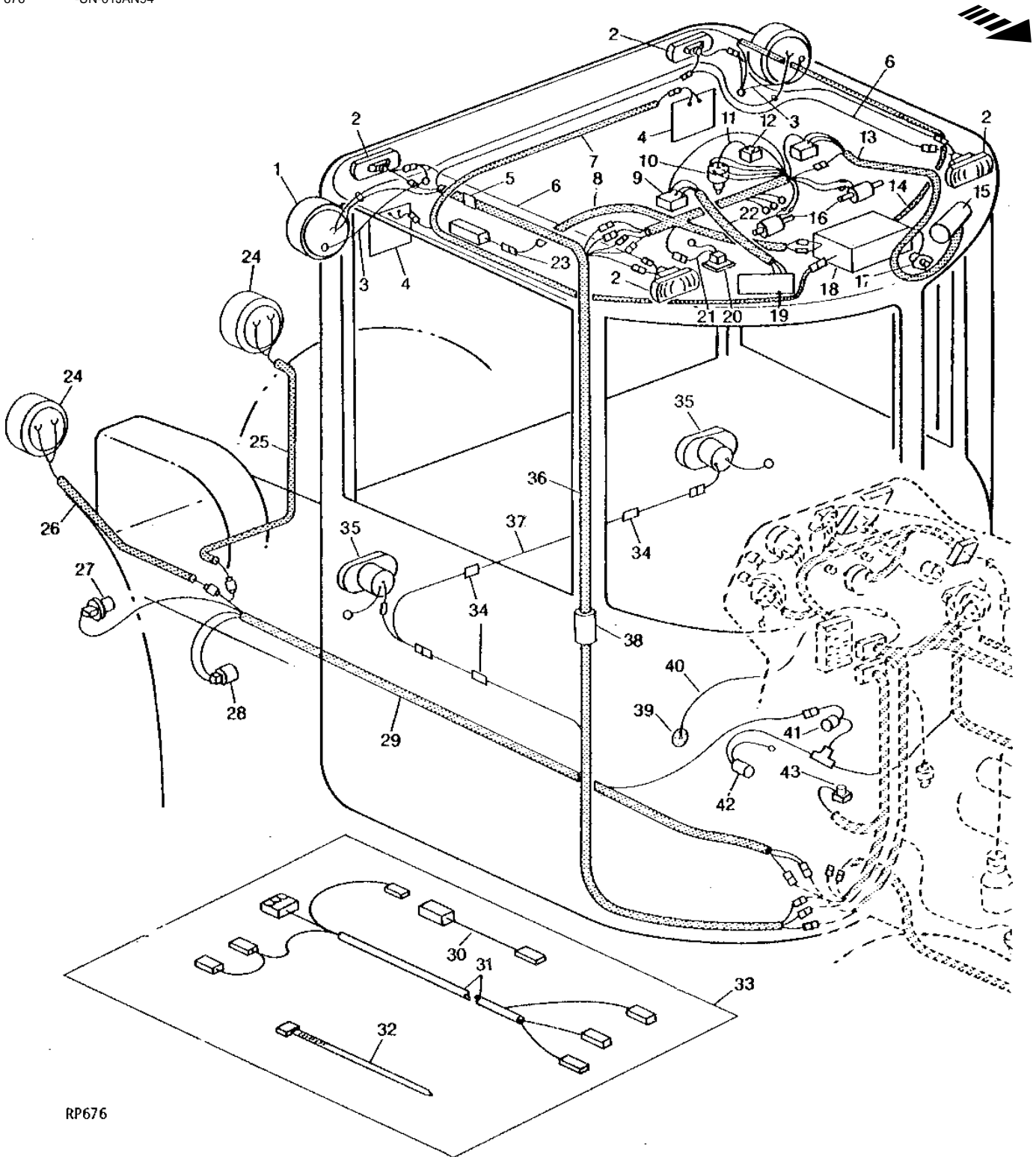
KEY	PART NO.	PART NAME	QTY	TRACTOR SERIAL NO.	REMARKS
1	.....	WIRING LEAD	1	-004352	152 MM (6") (MAKE FROM R66319, R65600, T28585, R32021 AND R32027)
2	AR58126	KEY SWITCH	1		KEY
3	AR21823	SWITCH	1		HORN
4	AR56766	HOUSING	1		LIGHTER
5	AR70111	TACHOMETER	1		
6	AR64422	TURN SIGNAL CONTROLLER	1		TURN SIGNAL, (SUB FOR AR67398)
7	AR73717	INSTRUMENT CLUSTER	1		(SUB FOR AR58231) (ORDER COMPONENT PARTS)
8	AR67341	WIRING LEAD	1		
9	AR67340	WIRING HARNESS	2		
10	AR67339	WIRING HARNESS	1	-004352	INSTRUMENT PANEL, (SUB AR78383 AND AR78385)
	AR78383	WIRING HARNESS	1	004353-005927	INSTRUMENT PANEL
	AR84130	WIRING HARNESS	1	005928-	INSTRUMENT PANEL
	R45211	CLAMP	1		
	19H1849	CAP SCREW	2		5/16" X 1-1/4"
	24H1136	WASHER	2		11/32" X 11/16" X 0.065"
	14H785	NUT	2		5/16"
	12H303	LOCK WASHER	2		5/16"
11	AR84131	WIRING HARNESS	1	005928-	LIGHT RELAYS
12	AR70114	WIRING LEAD	1		FUEL SENDER
13	AR48724	LIGHT SWITCH	1		LIGHT
	AR83425	RECEPTACLE CONNECTOR BODY	1		LIGHT SWITCH TO WIRING HARNESS
14	R39554	SWITCH	1		STARTING AID, (SUB FOR AR46184)
15	.....	JUMPER	1		BUSSBAR
16	R41440	GROMMET	1		
17	AR56213	WIRING LEAD	1		
18	RE38391	RELAY	1		STARTING CIRCUIT, (SUB FOR AT68973 OR AT40955)
19	RE42410	WIRING HARNESS	1		ENGINE, (SUB FOR AR68958)
20	AR70248	WIRING HARNESS	1	-005927	BULKHEAD
	AR85853	WIRING HARNESS	1	005928-	BULKHEAD TO CAB
21	AR58233	SENSOR	1		ENGINE WATER TEMPERATURE
22	.....	STARTER	1		
23	RE48310	STARTING AID SOLENOID	1		STARTING AID, (SUB FOR AT39623)
24	RE15583	ENGINE OIL PRESSURE SENDER	1		ENGINE OIL PRESSURE, (SUB FOR AR58234)
25	AR70247	WIRING HARNESS	1	-005927	FRONT HEAD LAMP
	AR85852	WIRING HARNESS	1	005928-	FRONT HEAD LAMPS TO BULKHEAD
	T28585	TERMINAL	4		
26	R1134R	EYELET	2		
27	AR88485	CABLE	1		POSITIVE
28	AR60939	WIRING HARNESS	1		CHARGING CIRCUIT
29	.....	ALTERNATOR	1		
	R30964	COVER	1		
30	R50968	CONDUIT	1		
31	AR89217	WIRING LEAD	2	005928-	FRONT WORK LAMP GROUND, (SUB FOR AR85856)
32	AR77343	COMPRESSOR	1	-XXXXXX	(SUB FOR AR68802) (SUB TY6665) (R12)
	TY6665	COMPRESSOR	1	XXXXXX-	(REMANUFACTURED) (SUB FOR AR77343 OR AR92109) (R12)
	TY6770	COMPRESSOR	1		(REMANUFACTURED) (R134A)
33	RE63228	LAMP	4	-005927	FRONT FLOOD (HOBBS OR GUIDE) (SUB FOR AR72386)
	RE19075	LAMP	2	005928-	FRONT FLOOD, (SUB FOR AR85858, THIS APPLICATION)
34	AR50489	SWITCH	1		VACUUM INDICATOR
35	TY21735	BATTERY	2		(6-VOLT), 850 COLD CRANKING AMPS AT 0°F, 280-MINUTE RESERVE CAPACITY AT 25 AMPS, (SUB FOR AR47455 OR TY6119)
36	RE21742	CABLE	1		CONNECTOR, (SUB FOR AR46231)
37	AR45975	CABLE	1		GROUND
38	AR73580	WIRING HARNESS	1		HORN, (SUB FOR AR49038)
39	AL14896	HORN	1	-004343	(12-VOLT) (SUB FOR AR49036 OR AR73579)
	AR102454	HORN	1	004344-	(ORDER COMPONENT PARTS)
40	AR84132	WIRING HARNESS	1	005928-	(LAMP TO HOOD FRONT SUPPORT)
41	AR48721	LAMP	2	-005927	
	RE25126	DUAL BEAM LAMP	1	005928-	R.H. (DUAL BEAM) (SUB FOR AR85257 OR RE19081)
	RE25127	DUAL BEAM LAMP	1	005928-	L.H. (DUAL BEAM) (SUB FOR AR85257 OR RE19082)
..	R44302	TIE BAND	AR		
..	R76477	TIE BAND	AR		(SUB FOR R45440)
..	AT66865	LUBRICANT	1		0.15L (5.3 OZ) TUBE, (SUB FOR AR94760)

# 2B9

ELECTRICAL

RP676 -UN-01JAN94

## REAR WIRING



RP676



# 2B10

ELECTRICAL

## REAR WIRING - CONTINUED

KEY	PART NO.	PART NAME	QTY	TRACTOR OR SG BODY NO.	REMARKS
1	RE63228	LAMP	2	-005927	FLOOD (HOBBS OR GUIDE) (SUB FOR AR72386)
	RE19075	LAMP	2	005928-	FLOOD, (SUB FOR AR85859)
	A3411R	GROMMET	2		
2	AR60250	LAMP	4		WARNING/TURN SIGNAL
3	AR84134	WIRING LEAD	2	005928-	REAR LAMP GROUND
4	AR60052	SPEAKER	2	-079392	(SUB AR74831, (4) R31933 AND (4) R61632)
	RE13839	SPEAKER	2	079393-	(SUB FOR AR74265)
5	R47474	CLIP	1		
6	AR56211	WIRING HARNESS	2		GROUND
7	AR67951	WIRING HARNESS	1		SPEAKERS
8	AR71466	WIRING HARNESS	1	-167883	
	R36235	GROMMET	1		
	19H1227	CAP SCREW	1		1/4" X 1/2"
	12H356	LOCK WASHER	1		1/4"
	14H786	NUT	1		1/4"
	AR82012	WIRING HARNESS	1	167884-	(A)
	AR82013	RESISTOR	1	167884-	
	37H80	SCREW	2	167884-	0.190" X 1/2"
9	AR64992	WIPER SWITCH	2		WIPER
10	AR53155	SWITCH	1	-167883	BLOWER
	AR82014	BLOWER SWITCH	1	167884-	(A) BLOWER
11	.....	WIRING LEAD	1		178 MM (7") (MAKE FROM (2) R65600, (2) T28585 AND R32027)
12	AR59779	AC/HEAT TEMPERATURE SWITCH	1		THERMOSTAT, (ALSO ORDER R44165)
13	RE13248	WIRING HARNESS	1		(SUB FOR AR70123 OR AR87339) (USE WITH AR56691)
	RE18945	WIRING HARNESS	1		(USE WITH RE18943 OR RE48783)
14	AR61608	ANTENNA	1		
15	RE48783	WIPER MOTOR	1		L.H. WINDSHIELD WIPER, (SUB FOR RE18943 OR AR56691)
	AR91667	SHAFT	1		(FOR AMERICAN BOSCH OR UTC ONLY)
16	AR62497	MOTOR	2	-167883	BLOWER
	RE25160	MOTOR	1	167884-	BLOWER, (SUB FOR AR82005)
17	AR56987	DOOR LIGHT SWITCH	1		DOME LAMP
	R53608	RIVET	1		
	R41337	WASHER	4		
18	.....	RADIO	1		
19	RE58851	MOTOR	1		R.H. WINDSHIELD WIPER, (SUB FOR AR59444, RE13280, RE53496 OR RE56380)
20	AR59977	HOUSING	1		CONSOLE LAMP
21	AR61645	CONSOLE LAMP WIRING HARNESS	1		CONSOLE LAMP
22	RE48322	WIPER MOTOR WIRING HARNESS	1		
23	AT101691	LAMP	1	-109590	DOME, (SUB FOR AR56670)
	RE10761	HOUSING	1	109591-	DOME LAMP, (SUB FOR AR78418)
24	RE19075	LAMP	2	005928-	(SUB FOR AR85861)
25	AR85854	WIRING HARNESS	1	005928-	L.H. FENDER LAMPS
26	AR85855	WIRING HARNESS	1	005928-	R.H. FENDER LAMPS
27	AH76862	SENDER	1		TRANSMISSION LUBE PRESSURE
	T13814	CLAMP	1	-103140	
	19H2284	CAP SCREW	1	-103140	3/8" X 7/8"
	12H304	LOCK WASHER	1	-103140	3/8"
28	RE38390	SWITCH	1		NEUTRAL START, (SUB FOR R36265, AR85323, AT85153 OR AR89691) (ALSO ORDER R98941)
29	AR68951	WIRING HARNESS	1	-005927	NEUTRAL START SWITCH, (SUB AR90352)
	AR85857	WIRING HARNESS	1	005928-	NEUTRAL START SWITCH WIRING, (SUB AR90352)
30	AR90354	WIRING LEAD	1		
31	AR90352	KIT	1		(SUB FOR RE90353)
32	R44302	TIE BAND	1		
33	AR90352	KIT	1		NEUTRAL START SWITCH WIRING
34	R21551	CLIP	3		(SUB FOR R32320 OR F2084R)
35	AR78825	TAIL LAMP	2		(SUB FOR AR45099)
36	AR68952	WIRING HARNESS	1	-005927	CAB LAMPS AND ACCESSORY, R.H.
	AR84467	WIRING HARNESS	1	005928-	CAB LAMPS AND ACCESSORY, R.H.
37	AR70110	WIRING HARNESS	1		
38	.....	HOSE	1		57 MM (2-1/4") (MAKE FROM R45847)
39	AR73995	FUEL SENDER	1		FUEL GAUGE, (SUB FOR AR56614) (ALSO ORDER 14H631 AND 12H295)
40	AR70114	WIRING LEAD	1		
41	AR72886	TOUCH SWITCH	1		CLUTCH OPERATING PRESSURE
42	AR61969	SENSOR	1		SYSTEM OIL PRESSURE
43	AR48725	DIMMER SWITCH	1		DIMMER

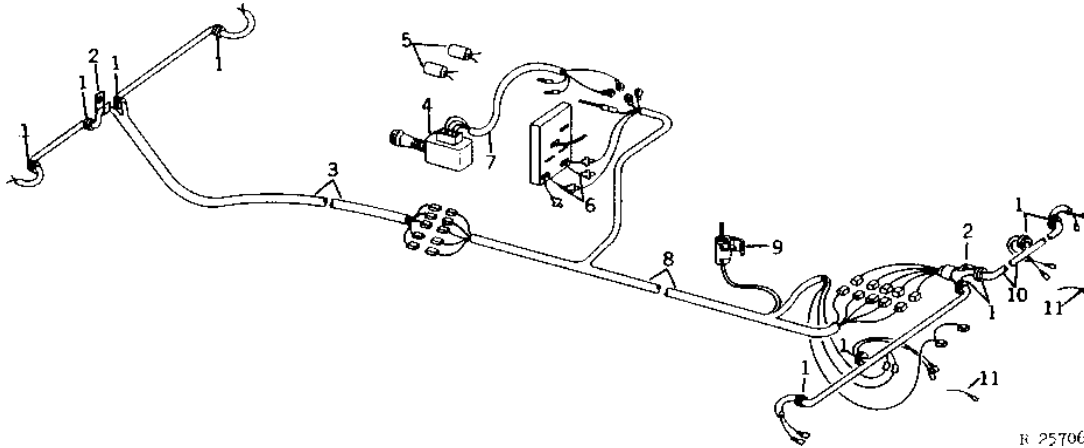
(A) REPLACEMENT INNER ROOF

# 2B11

ELECTRICAL

ELECTRICAL WIRING  
(NOT USED IN U.S. AND CANADA)

R25706 -UN-01JAN94



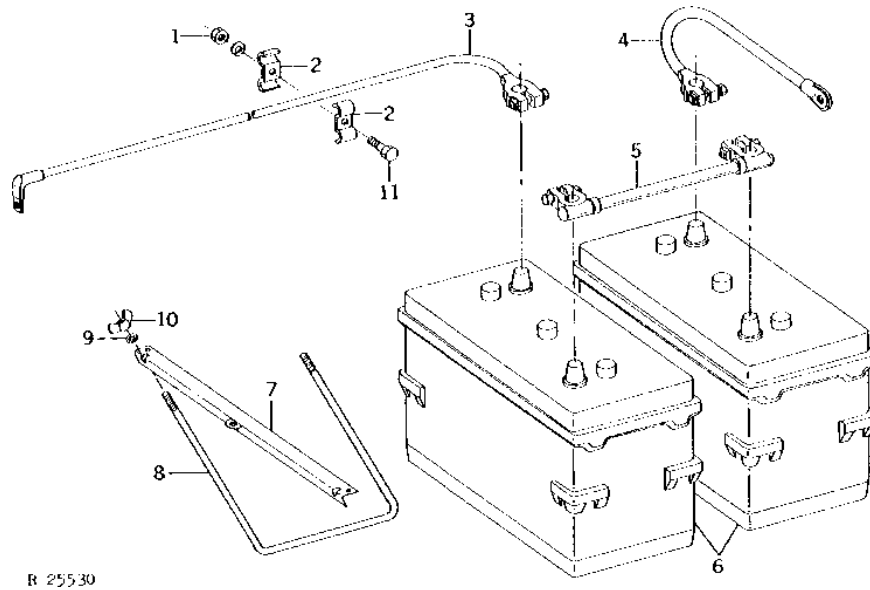
KEY	PART NO.	PART NAME	QTY	TRACTOR SERIAL NO.	REMARKS
1	H987R	GROMMET	10		
2	R45211	CLAMP	2		
3	AR92619	WIRING HARNESS	1		LIGHTS, (SUB FOR AL75533) (NLA)
4	AL23512	SWITCH	1		FLASHER
5	AR50440	LAMP	2		2 C.P.
6	AR67342	WIRING HARNESS	2		FLASHER ADAPTER
7	AR87177	WIRING HARNESS	1		(FLASHER SWITCH TO CIRCUIT) (BREAKER)
8	AR92620	WIRING HARNESS	1		(BULKHEAD TO FRONT LIGHTS) (SUB FOR AR75530) (NLA)
9	AR67855	CONNECTOR	1		
10	AR93305	WIRING HARNESS	1		LIGHTS, (SUB FOR AR83139) (NLA)
11	AR75535	WIRING LEAD	2		(NLA)

# 2B12

ELECTRICAL

R25530 -UN-01JAN94

## BATTERY AND BATTERY CABLES



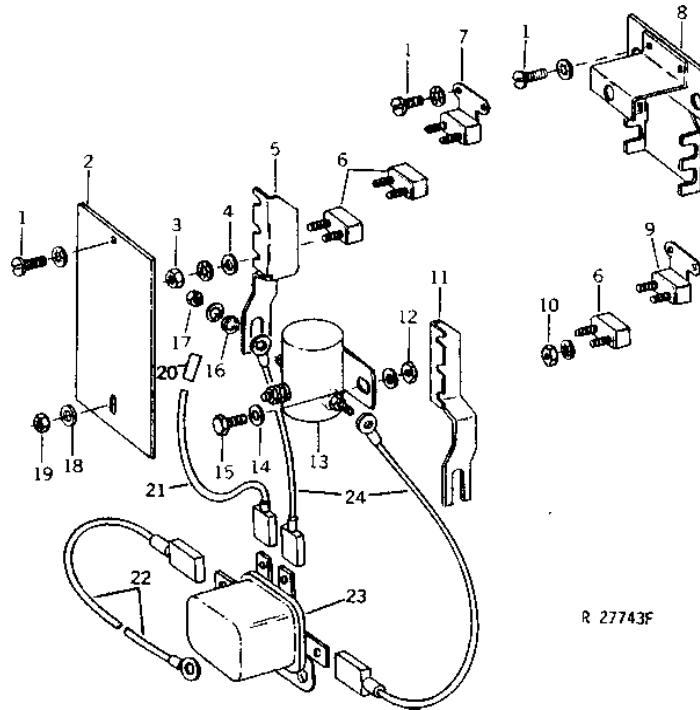
KEY	PART NO.	PART NAME	QTY	TRACTOR SERIAL NO.	REMARKS
1	14H785	NUT	2	5/16"	
	12H303	LOCK WASHER	2	5/16"	
2	R43475	CLAMP	4		
3	AR88485	CABLE	1		POSITIVE, (SUB FOR AR53096)
4	AR45975	CABLE	1		GROUND
5	RE21742	CABLE	1		CONNECTOR, (SUB FOR AR46231)
6	TY21735	BATTERY	2		(6-VOLT), 850 COLD CRANKING AMPS AT 0°F., 280-MINUTE RESERVE CAPACITY AT 25 AMPS, (SUB FOR AR47455 OR TY6119)
7	AR78502	CLAMP	2		
8	R61525	BOLT	2		(SUB FOR R57399)
9	24H1287	WASHER	4		9/32" X 5/8" X 0.065"
10	14H952	WING NUT	4		1/4"
11	19H1849	CAP SCREW	2		5/16" X 1-1/4"

# 2B13

ELECTRICAL

R27743 -UN-01JAN94

## CIRCUIT BREAKERS AND RELAY (TRACTOR SERIAL NO. -004352)



R 27743F

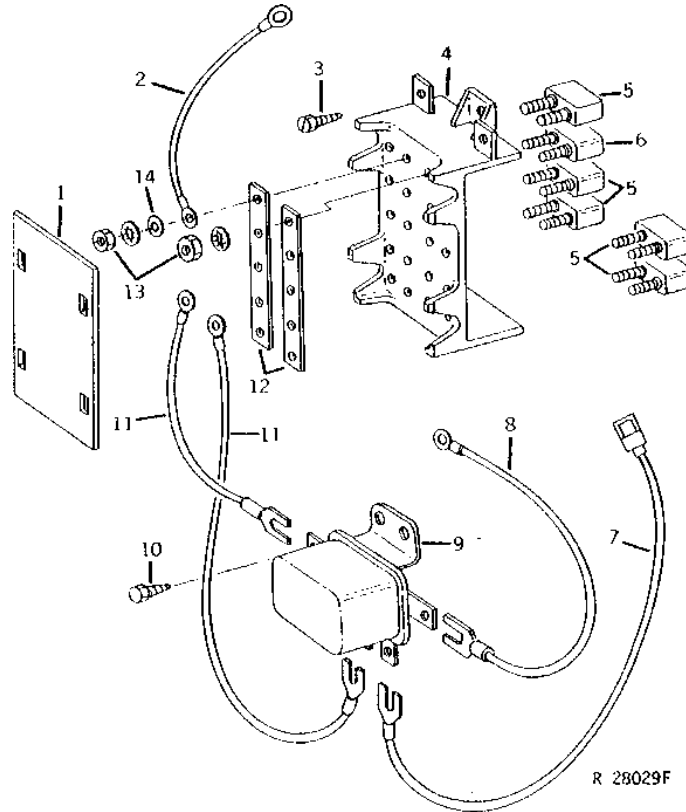
KEY	PART NO.	PART NAME	QTY	TRACTOR SERIAL NO.	REMARKS
1	21H1301	SCREW	5		0.190" X 1/2"
	12M7060	WASHER	5		0.209"
2	R52756	WASHER	1		
3	14H631	NUT	6		0.190"
	12M7060	WASHER	6		0.209"
4	24H1283	WASHER	6		7/32" X 1/2" X 0.049"
5	R50044	FUSE HOLDER	1		
6	AR56671	CIRCUIT BREAKER	4		(20 AMP)
7	AR55649	CIRCUIT BREAKER	1		(10 AMP)
8	AR58170	RETAINER	1		
9	AR28403	CIRCUIT BREAKER	1		(20 AMP)
10	14H631	NUT	6		0.190"
	12M7060	WASHER	6		0.209"
11	R50046	FUSE HOLDER	1		
12	14H786	NUT	2		1/4"
	12H302	LOCK WASHER	2		1/4"
13	AR54484	RELAY	1		(SUB AR91166, THIS APPLICATION)
14	24H1287	WASHER	2		9/32" X 5/8" X 0.065"
15	19H1919	CAP SCREW	1		1/4" X 5/8"
16	24H1136	WASHER	2		11/32" X 11/16" X 0.065"
17	14H650	NUT	2		5/16"
	12H303	LOCK WASHER	2		5/16"
18	12M7060	WASHER	1		0.209"
19	14H631	NUT	1		0.190"
20	R32027	CONNECTOR	1		
21	AR78392	WIRING LEAD	1		RELAY COIL
22	AR78386	WIRING LEAD	1		RELAY GROUND
23	AE23861	RELAY	1		ACCESSORY, (SUB AH98337)
24	AR78391	WIRING LEAD	2		(RELAY TO BUSSBAR)
..	AR56213	WIRING LEAD	1		(BUSSBAR TO CHARGING CIRCUIT HARNESS)

# 2B14

ELECTRICAL

R28029 -UN-01JAN94

## CIRCUIT BREAKERS AND ACCESSORY RELAY (TRACTOR SERIAL NO. 004353-005927)



R 28029F

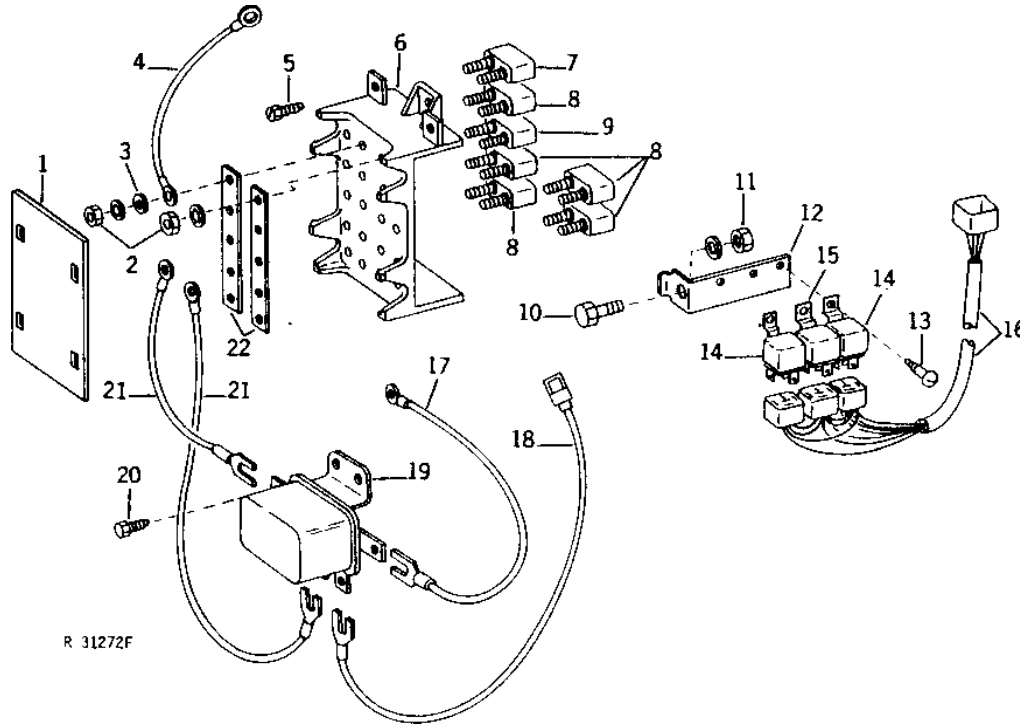
KEY	PART NO.	PART NAME	QTY	TRACTOR SERIAL NO.	REMARKS
1	R63462	COVER	1		
2	AR56213	WIRING LEAD	1		(CHARGING HARNESS TO BUSSBAR)
3	R52760	SCREW	2		
4	R78095	SUPPORT	1		(SUB FOR R63460) (SUB RE16963)
5	AR56671	CIRCUIT BREAKER	5		(20 AMP)
6	AR70052	CIRCUIT BREAKER	1		(10 AMP)
7	AR78385	WIRING LEAD	1		(ACCESSORY RELAY TO INSTRUMENT PANEL)
8	AR78386	WIRING LEAD	1		(RELAY GROUND)
9	AE23861	RELAY	1		(SUB AH98337)
10	R52760	SCREW	2		
11	AR78384	WIRING LEAD	2		
12	R63461	JUMPER	2		
13	14H631	NUT	12	0.190"	
	12M7060	WASHER	12	0.209"	
14	24H1283	WASHER	6	7/32" X 1/2" X 0.049"	
..	R44302	TIE BAND	AR		

# 2B15

ELECTRICAL

R31272 -UN-01JAN94

## CIRCUIT BREAKERS AND ACCESSORY RELAY (TRACTOR SERIAL NO. 005928- )



R 31272F

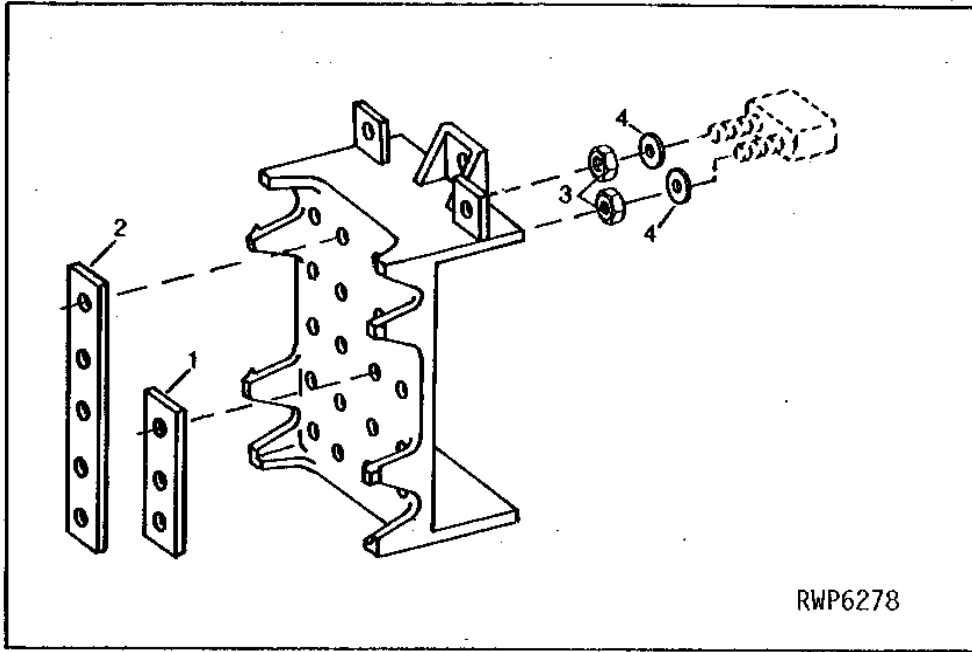
KEY	PART NO.	PART NAME	QTY	TRACTOR SERIAL NO.	REMARKS
1	R63462	COVER	1		
2	14H631	NUT	14	0.190"	
	12M7060	WASHER	14	0.209"	
3	24H1283	WASHER	8	7/32" X 1/2" X 0.049"	
4	AR56213	WIRING LEAD	1		(CHARGING HARNESS TO BUSSBAR)
5	R52760	SCREW	2		
6	R78095	SUPPORT	1		(SUB FOR R63460) (SUB RE16963)
7	AR49352	CIRCUIT BREAKER	1		(30 AMP)
8	AR56671	CIRCUIT BREAKER	5		(20 AMP)
	AN150015	CIRCUIT BREAKER	1		(30 AMP) (CAB ACCESSORY) (REPLACEMENT INNER ROOF)
9	AR70052	CIRCUIT BREAKER	1		(10 AMP)
10	19H2284	CAP SCREW	1	3/8" X 7/8"	
11	14H1076	NUT	1	3/8"	
	12H304	LOCK WASHER	1	3/8"	
12	R65630	BRACKET	1		
13	37H91	SCREW	3	0.190" X 1/2"	
14	AR74411	RELAY	2		LIGHT
15	AR84133	RELAY	1		LIGHT
16	AR84131	WIRING HARNESS	1		(RELAYS TO INSTRUMENT PANEL HARNESS)
17	AR78386	WIRING LEAD	1		(RELAY GROUND)
18	AR78385	WIRING LEAD	1		(INSTRUMENT PANEL HARNESS TO ACCESSORY RELAY)
19	AE23861	RELAY	1	-006693	ACCESSORY, (SUB AH98337)
	AH98337	RELAY	1	006694-	ACCESSORY
20	R52760	SCREW	2		
21	AR78384	WIRING LEAD	2		
22	R80335	STRAP	2		(SUB FOR R63461)
	R44302	TIE BAND	AR		

# 2B16

ELECTRICAL

RWP6278 -UN-01JAN94

## CIRCUIT BREAKER SUPPORT KIT



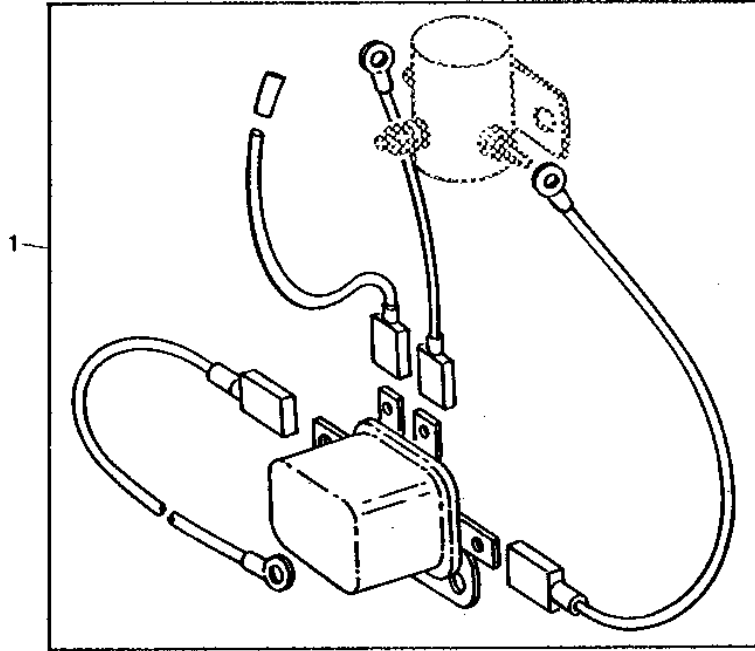
KEY	PART NO.	PART NAME	QTY	TRACTOR SERIAL NO.	REMARKS
1	R80334	STRAP	1		
2	R80335	STRAP	1		
3	14H631	NUT	20	0.190"	
4	24H1283	WASHER	20	7/32" X 1/2" X 0.049"	
5	RE16963	KIT	1		

# 2B17

ELECTRICAL

RP763 -UN-01JAN94

## WIRING ACCESSORY RELAY KIT



RP763

KEY	PART NO.	PART NAME	QTY	TRACTOR SERIAL NO.	REMARKS
1	AR78381	KIT	1	(SUB AR91166)	

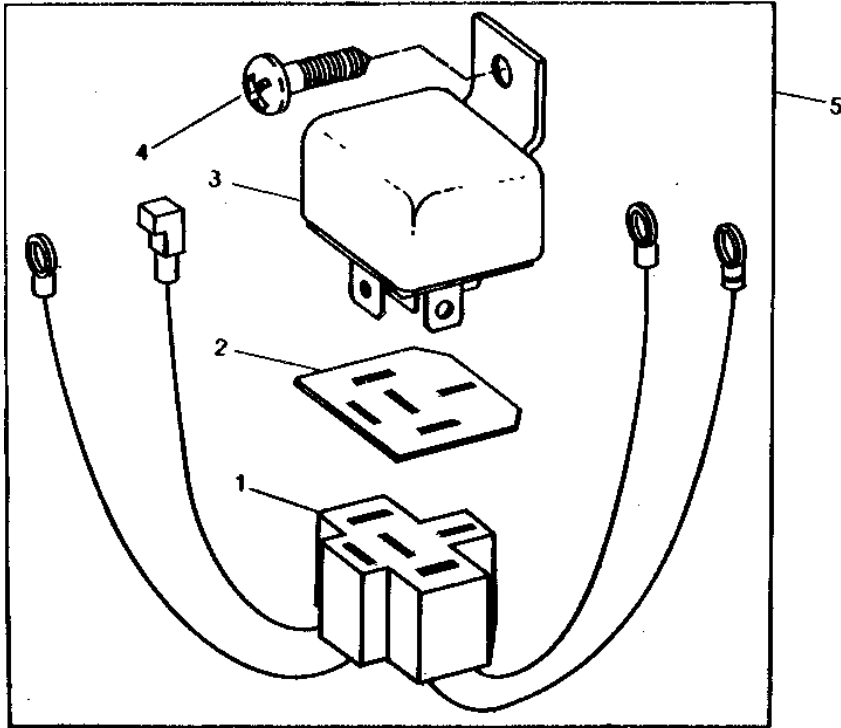


# 2B18

ELECTRICAL

RWP2586 -UN-01JAN94

## WIRING ACCESSORY RELAY KIT



RWP2586

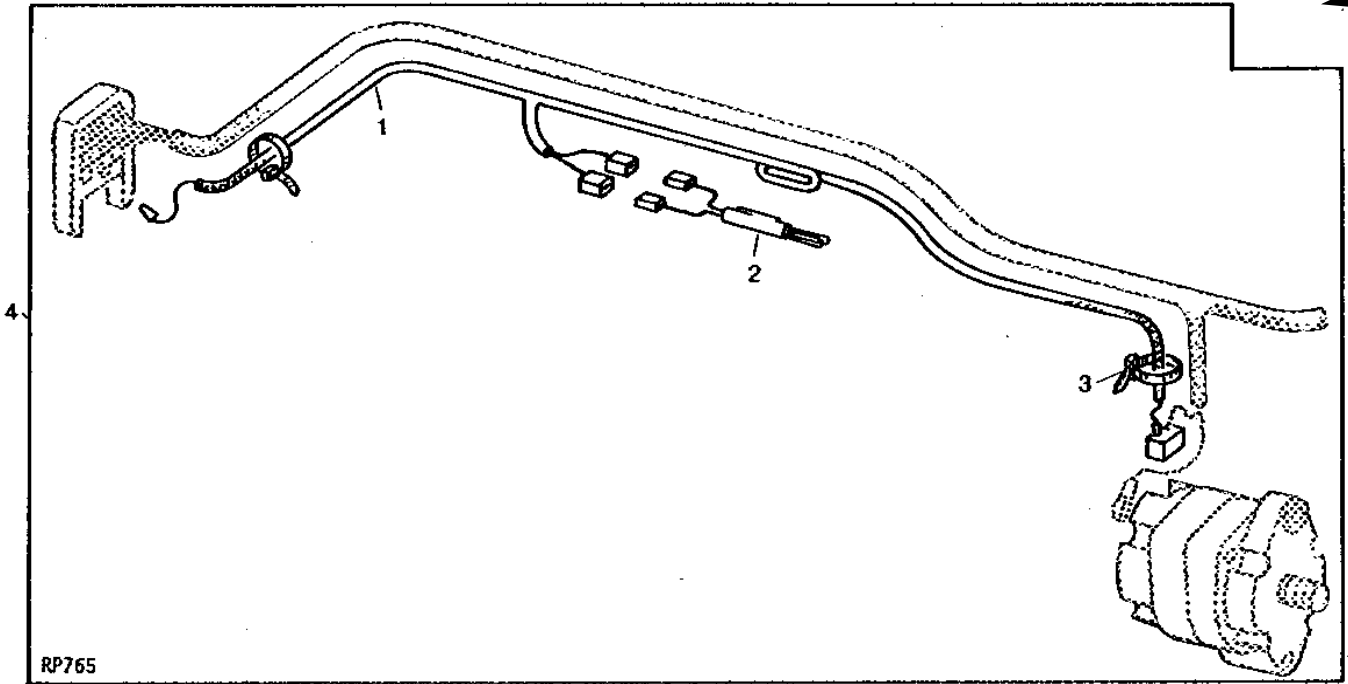
KEY	PART NO.	PART NAME	QTY	TRACTOR SERIAL NO.	REMARKS
1	AR91667	SHAFT	1		
	AR78384	WIRING LEAD	3		
	R32022	TERMINAL	2		
	R32028	TERMINAL	3		
2	R67982	COVER	1		
3	AR74411	RELAY	1		
4	37H52	SCREW	1	1/4" X 3/8"	
	19H1919	CAP SCREW	1	1/4" X 5/8"	
	12H302	LOCK WASHER	1	1/4"	
	14H786	NUT	1	1/4"	
5	AR91166	KIT	1		(SUB FOR AR54484 OR AR78381)

# 2B19

ELECTRICAL

RP765 -UN-01JAN94

## WIRE RESISTANCE KIT



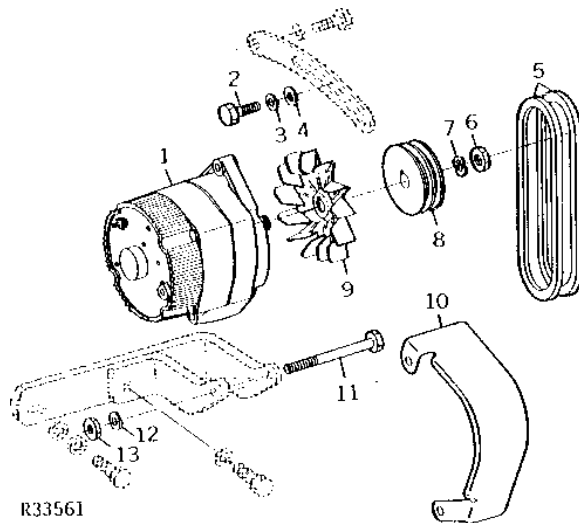
KEY	PART NO.	PART NAME	QTY	TRACTOR SERIAL NO.	REMARKS
1	AR90841	WIRING HARNESS	1		
2	AR85283	RECTIFIER	1		
3	R44302	TIE BAND	15		
4	AR90840	KIT	1		

# 2B20

ELECTRICAL

## ALTERNATOR AND MOUNTING BRACKETS (DELCO-REMY) (TRACTOR SERIAL NO. -006278)

R33561 -UN-01JAN94



KEY	PART NO.	PART NAME	QTY	TRACTOR SERIAL NO.	REMARKS
1	AR54793	ALTERNATOR	1	-004799	(A) (72 AMP) (DELCO-REMY NO. 1100490) (SUB RE31694, 14M7165, 12M7006, 12M7065 AND 19M7163 OR TY6772)
	AR84306	ALTERNATOR	1	004800-	(A) (72 AMP) (DELCO-REMY NO. 1102932) (SUB RE31694, 14M7165, 12M7006, 12M7065 AND 19M7163 OR TY6790)
	AR93446	ALTERNATOR	1		(72 AMP) (DELCO-REMY NO. 1103128) (SUB RE31694 OR TY6790)
	RE27109	ALTERNATOR	1	-006278	(78 AMP) (DELCO-REMY NO. 1101268)
	RE13797	ALTERNATOR	1	-006278	(72 AMP) (DELCO-REMY NO. 1105175) (SUB FOR AR54793, AR84306 OR AR93446) (SUB RE31694 OR TY6790)
	RE31694	ALTERNATOR	1		(78 AMP) (DELCO-REMY NO. 1101345) (INCLUDES R87764) (SUB FOR AR54793, AR84306, AR93446, RE13797 OR RE27109) (ALSO ORDER 12M7006, 12M7065, 14M7165 AND 19M7163)
	TY6772	ALTERNATOR	1	-004799	(72 AMP) (REMANUFACTURED) (SUB FOR AR54793 OR TY6600)
	TY6790	ALTERNATOR	1		(90 AMP) (REMANUFACTURED) (SUB FOR AR84306, AR93446, RE13694 OR TY6625)
	TY6686	ALTERNATOR	1		(78 AMP) (REMANUFACTURED)
2	19H2661	CAP SCREW	1		5/16" X 1-3/8"
3	12H303	LOCK WASHER	1		5/16"
4	24H1292	WASHER	2		11/32" X 3/4" X 0.120"
5	AR74662	BELT SET	1		(SUB FOR AR70663) (SUB RE29018)
6	R11049	NUT	1		
7	T10745	WASHER	1		
8	R81507	PULLEY	1		(SUB FOR R52161)
9	R50659	FAN	1		
	R87764	FAN	1		(USE WITH RE27109 OR RE31694)
10	R56012	SHIELD	1		
11	19H2023	CAP SCREW	1		3/8" X 3-1/4"
12	12H304	LOCK WASHER	1		3/8"
13	14H1076	NUT	1		3/8"

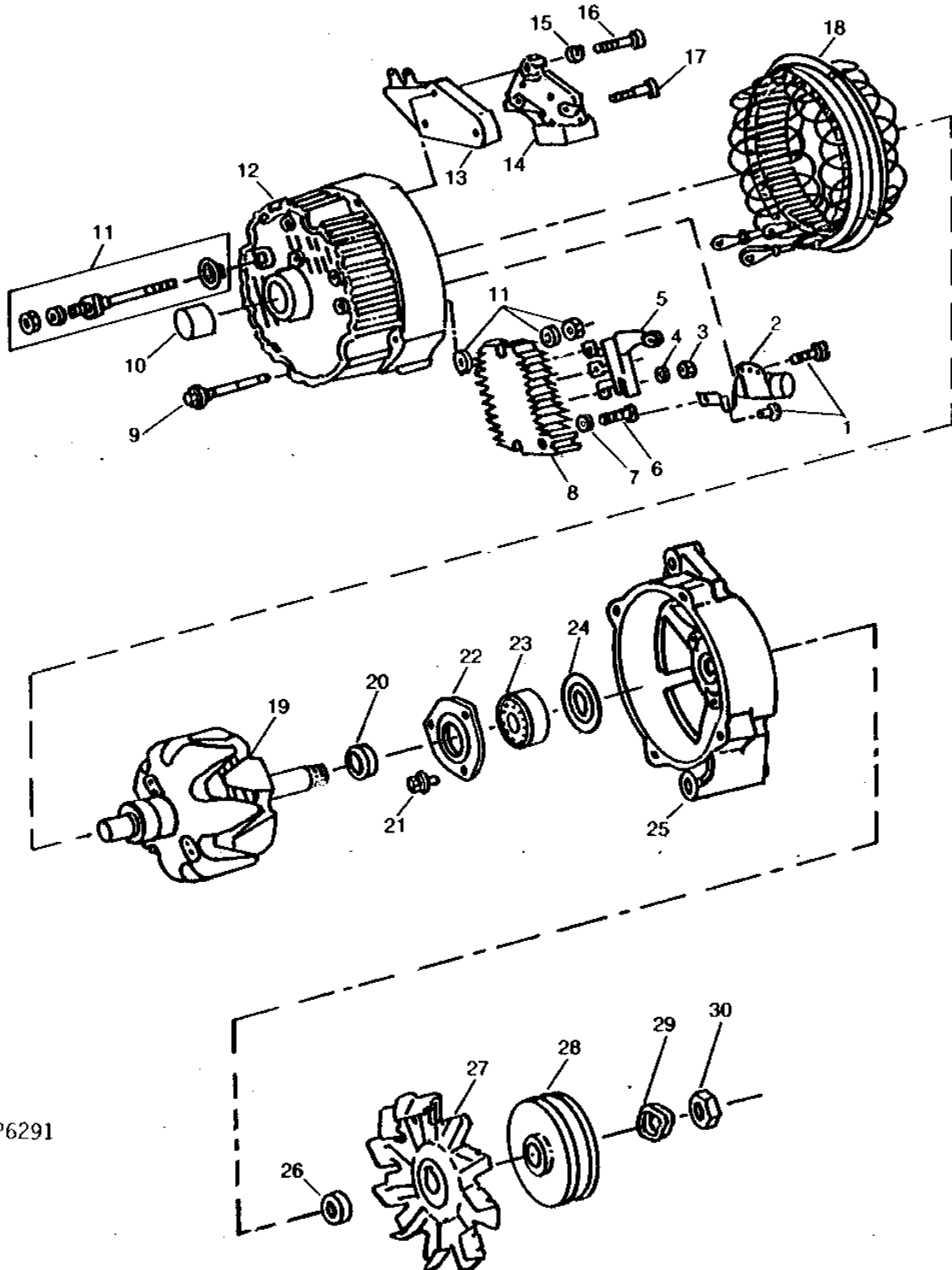
(A) WITH REGULATOR, LESS FAN AND PULLEY

# 2B21

ELECTRICAL

ALTERNATOR  
(12-VOLT) (DELCO-REMY)  
(TRACTOR SERIAL NO. -004799)

RWP6291 -UN-01JAN94



RWP6291

# 2B22

ELECTRICAL

**ALTERNATOR - CONTINUED  
(12-VOLT) (DELCO-REMY)  
(TRACTOR SERIAL NO. -004799)**

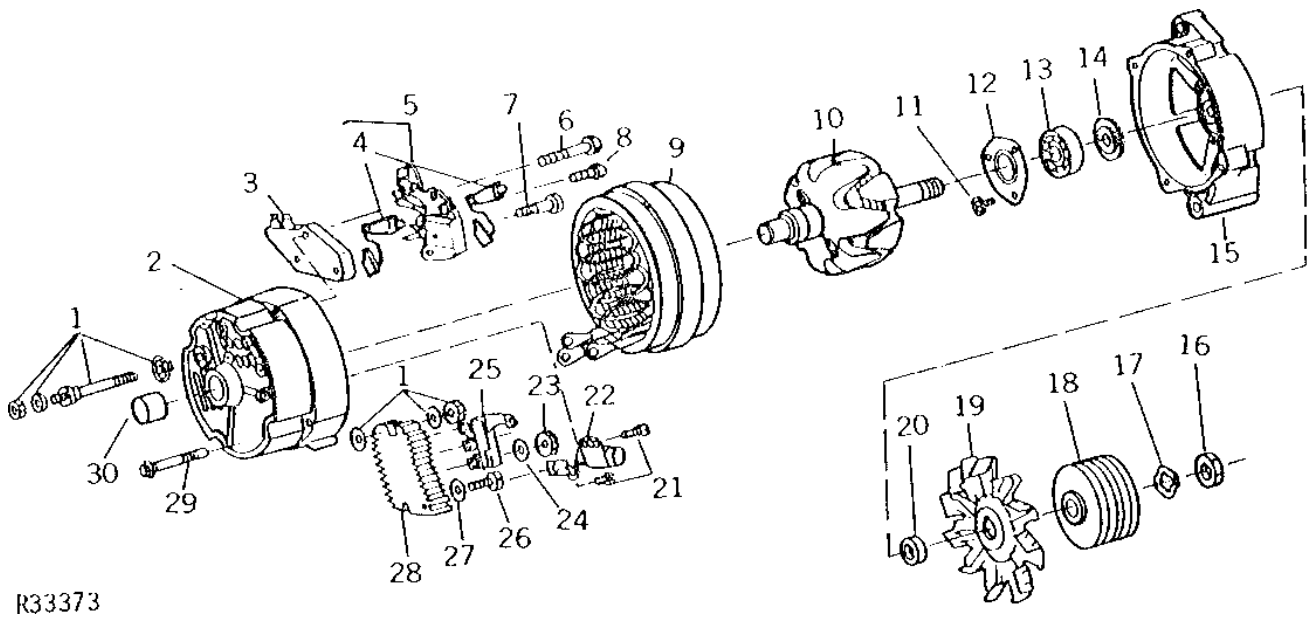
KEY	PART NO.	PART NAME	QTY	TRACTOR SERIAL NO.	REMARKS
1	37H2	SCREW	2		0.164" X 5/8"
2	AR55835	CAPACITOR	1		
3	14H605	NUT	3		0.164"
4	12M7084	LOCK WASHER	3		0.169"
5	RE13798	DIODE	1		(SUB FOR AR55831)
6	21H1319	SCREW	1		0.164" X 7/8"
7	12M7084	LOCK WASHER	1		0.169"
8	AR55832	RECTIFIER	1		
9	R51535	BOLT	4		
10	AR77851	ROLLER BEARING	1		(SUB FOR AR55830)
11	AR55834	TERMINAL	1		(SUB AR93945 AND 14M7165)
12	R71400	HOUSING	1		(SUB FOR R51529 OR R66301)
13	AR55827	VOLTAGE REGULATOR	1		(12-VOLT)
14	AR69269	BRUSH	1		(SUB FOR AR55833)
15	12M7084	LOCK WASHER	5		0.169"
16	R51531	SCREW	1		
17	R51530	SCREW	2		
18	AR55837	STATOR	1		(SUB FOR AR55829 OR AR85940)
19	RE13801	ROTOR	1		(SUB FOR AR55828 OR AR78093)
20	R51532	ECCENTRIC LOCKING COLLAR	1		
21	21H1301	SCREW	3		0.190" X 1/2"
22	R11109	PLATE	1		(SUB FOR AR55836)
23	JD9449	BALL BEARING	1		(SUB FOR AT23188)
24	R51534	SHIM	1		
25	R71399	HOUSING	1		(ALSO ORDER R69645) (SUB FOR R51528 OR R69644)
26	R51533	ECCENTRIC LOCKING COLLAR	1		
27	R50659	FAN	1		
28	R50660	PULLEY	1		
	R81507	PULLEY	1		(USE WITH AR93446) (SUB FOR R52161)
29	T10745	WASHER	1		
30	R11049	NUT	1		
..	AR54793	ALTERNATOR	1		(72 AMP) (SUB RE31694, 14M7165, 12M7065, 12M7006 AND 19M7163 OR TY6772)
..	AR31694	HOUSING	1		(78 AMP) (SUB FOR AR54793, AR84306, AR93446, RE13797 OR RE27109)
..	TY6772	ALTERNATOR	1		(72 MAP) (REMANUFACTURED) (SUB FOR AR54793 OR TY6600)
..	TY6686	ALTERNATOR	1		(78 AMP) (REMANUFACTURED)

# 2B23

ELECTRICAL

ALTERNATOR  
(12-VOLT) (DELCO-REMY)  
(TRACTOR SERIAL NO. 004800-006278)

R33373 -UN-01JAN94



R33373

# 2B24

ELECTRICAL

**ALTERNATOR - CONTINUED  
(12-VOLT) (DELCO-REMY)  
(TRACTOR SERIAL NO. 004800-006278)**

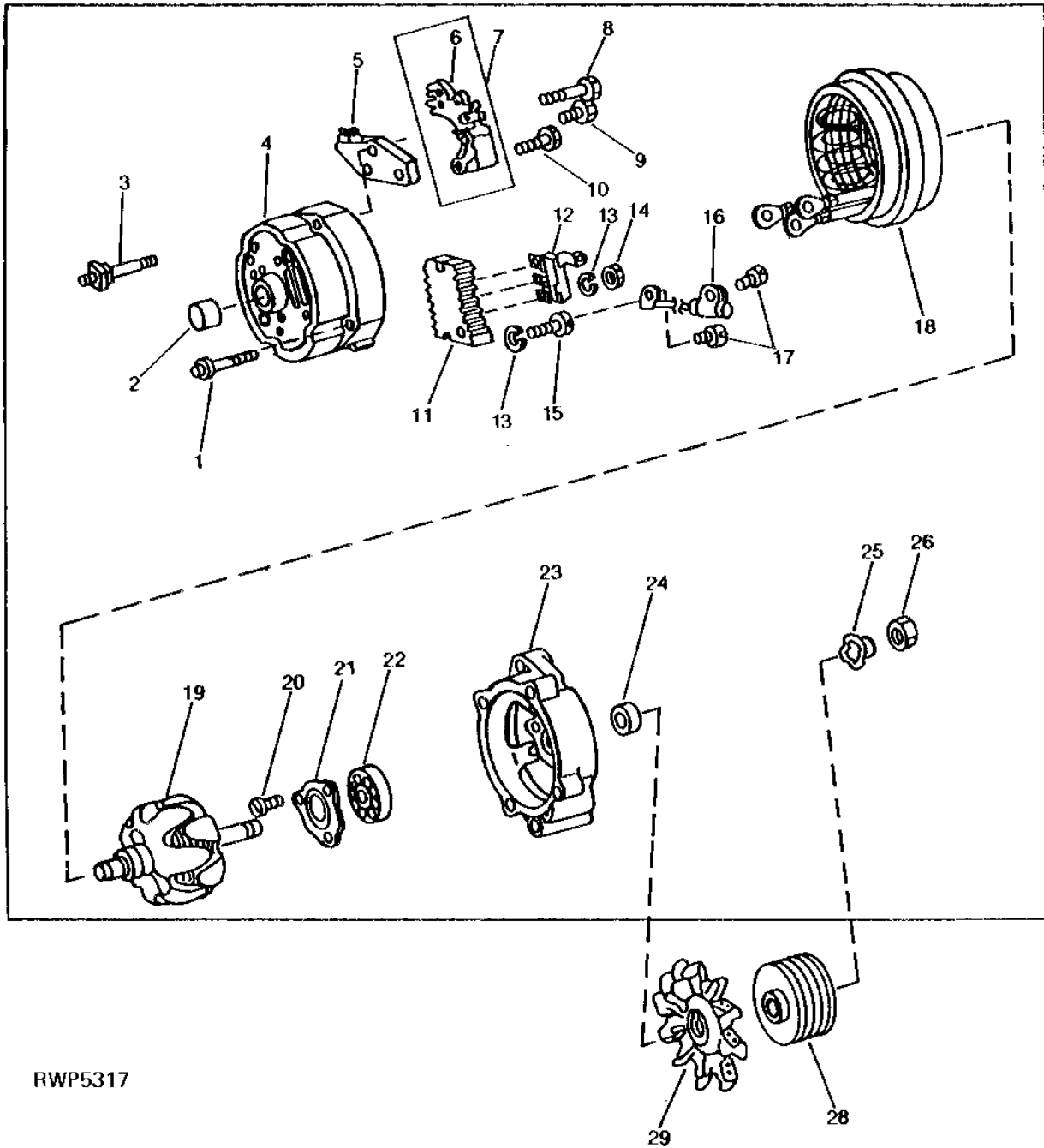
KEY	PART NO.	PART NAME	QTY	TRACTOR SERIAL NO.	REMARKS
1	AR55834	TERMINAL	1		(SUB AR93945 AND 14M7165)
2	R71400	HOUSING	1		(SUB FOR R66301)
3	AR55827	VOLTAGE REGULATOR	1		
4	AR90058	BRUSH	1		
5	AR85941	CARBON BRUSH HOLDER	1		
6	21H1376	SCREW	1		0.164" X 1-1/4"
7	R66302	SCREW	1		GROUND
8	R51530	SCREW	2		INSULATED
9	AR55837	STATOR	1		(USE WITH AR84306 OR AR93446)
10	RE13801	ROTOR	1		(SUB FOR AR78093)
11	21H1301	SCREW	3		0.190" X 1/2"
12	R11109	PLATE	1		(SUB FOR AR55836)
13	JD9449	BALL BEARING	1		(SUB FOR AT23188)
14	R51534	SHIM	1		
15	R71399	HOUSING	1		(ALSO ORDER R69645) (SUB FOR R51528 OR R69644)
16	R11049	NUT	1		
17	T10745	WASHER	1		
18	R81507	PULLEY	1		(SUB FOR R52161)
19	R50659	FAN	1		
20	R51533	ECCENTRIC LOCKING COLLAR	1		
21	37H2	SCREW	2		0.164" X 5/8"
22	AR55835	CAPACITOR	1		
23	14H605	NUT	3		0.164"
24	12M7084	LOCK WASHER	3		0.169"
25	RE13798	DIODE	1		NEGATIVE, (SUB FOR AR55831)
26	21H1319	SCREW	1		0.164" X 7/8"
27	12M7084	LOCK WASHER	1		0.169"
28	AR55832	RECTIFIER	1		POSITIVE, (USE WITH AR84306 OR AR93446)
29	R51535	BOLT	4		
30	AR77851	ROLLER BEARING	1		
..	AR84306	ALTERNATOR	1		(72 AMP) WITH REGULATOR, LESS FAN AND PULLEY, (SUB RE31694, 14M7165, 12M7006, 12M7065 AND 19M7163 OR TY6790)
..	AR93446	ALTERNATOR	1		(72 AMP) (SUB RE31694 OR TY6790)
..	RE31694	ALTERNATOR	1		(78 AMP) (SUB FOR AR54793, AR84306, AR93446, RE13797 OR RE27109) (ALSO ORDER 12M7006, 12M7065, 14M7165 AND 19M7163)
..	TY6790	ALTERNATOR	1		(90 AMP) (REMANUFACTURED)
..	TY6686	ALTERNATOR	1		(78 AMP) (REMANUFACTURED)

# 2C1

ELECTRICAL

ALTERNATOR  
(12-VOLT) (DELCO-REMY)  
(TRACTOR SERIAL NO. -006278)

RWP5317 -UN-01JAN94



RWP5317



# 2C2

ELECTRICAL

**ALTERNATOR - CONTINUED  
(12-VOLT) (DELCO-REMY)  
(TRACTOR SERIAL NO. -006278)**

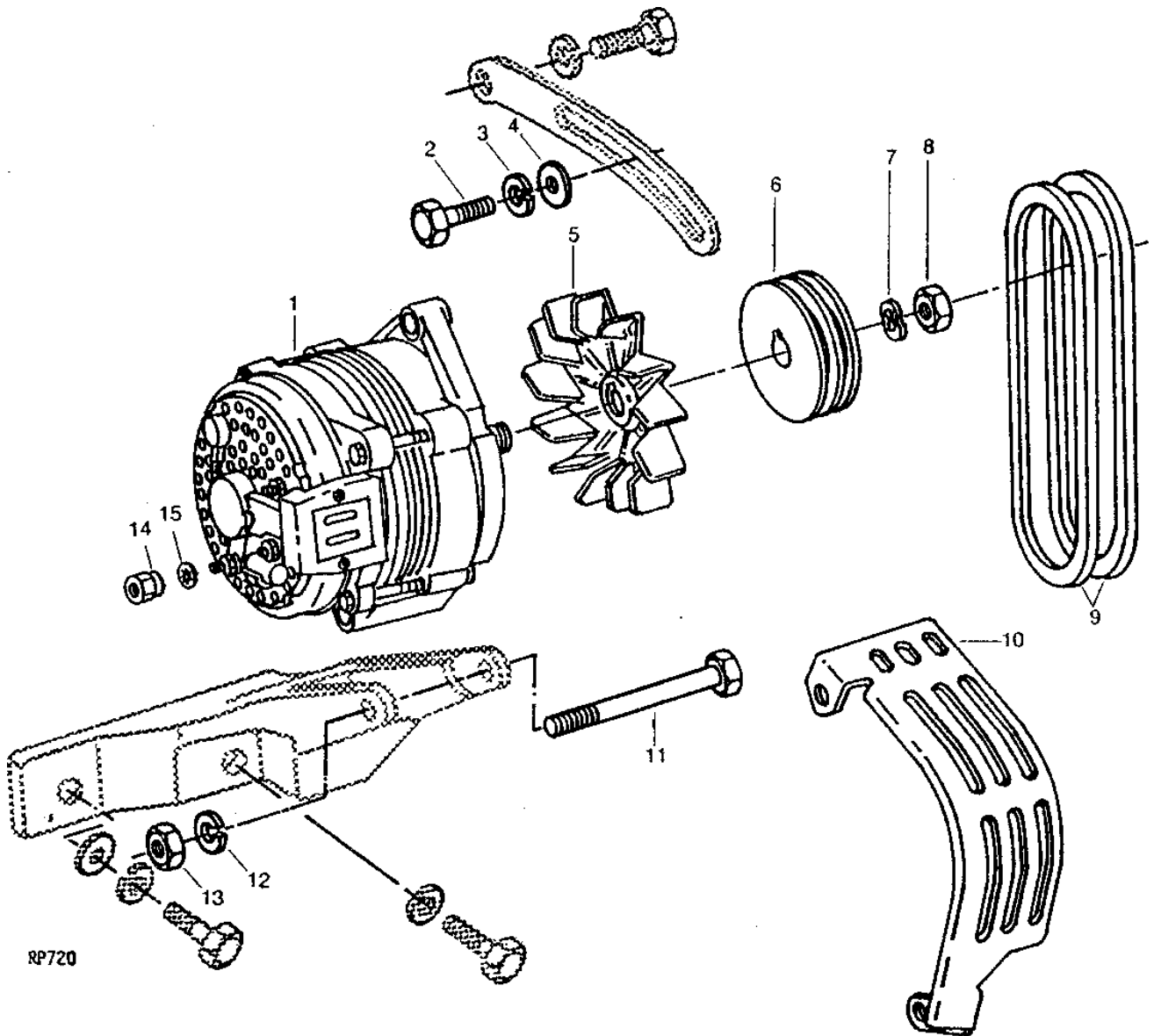
KEY	PART NO.	PART NAME	QTY	TRACTOR SERIAL NO.	REMARKS
1	R51535	BOLT	4		
2	AR77851	ROLLER BEARING	1		
3	AR93945	TERMINAL	1		
4	R71400	HOUSING	1		
5	AR55827	VOLTAGE REGULATOR	1		
6	AR90058	BRUSH	2		
7	AR85941	CARBON BRUSH HOLDER	1		
8	R76186	SCREW	1		
9	R51530	SCREW	2		
10	R66302	SCREW	1		
11	RE13799	RECTIFIER	1		
12	RE13798	DIODE	1		
13	12M7084	LOCK WASHER	4		0.169"
14	14H605	NUT	3		0.164"
15	21H1319	SCREW	1		0.164" X 7/8"
16	AR55835	CAPACITOR	1		
17	37H2	SCREW	2		0.164" X 5/8"
18	AR55837	STATOR	1		(SUB FOR RE13800)
19	RE13801	ROTOR	1		
20	21H1301	SCREW	3		0.190" X 1/2"
21	R11109	PLATE	1		
22	JD9449	BALL BEARING	1		
23	R71399	HOUSING	1		
24	R69645	WASHER	1		
25	T10745	WASHER	1		
26	R11049	NUT	1		
27	RE13797	ALTERNATOR	1		(72 AMP) (ALSO ORDER 14M7165, 12M7006, 12M7065 AND 19M7163) (SUB RE31694)
	RE27109	ALTERNATOR	1		(78 AMP) (ALSO ORDER 14M7165, 12M7006, 12M7065 AND 19M7163) (SUB RE31694)
	RE31694	ALTERNATOR	1		(78 AMP) (SUB FOR AR54793, AR84306, AR93446, RE13797 OR RE27109) (ALSO ORDER 14M7165, 12M7006, 12M7065 AND 19M7163)
	TY6686	ALTERNATOR	1		(78 AMP) (REMANUFACTURED)
	TY6790	ALTERNATOR	1		(90 AMP) (REMANUFACTURED) (SUB FOR TY6625)
28	R81507	PULLEY	1		(SUB FOR R52161)
29	R50659	FAN	1		(USE WITH RE13797)
	R87764	FAN	1		(USE WITH RE27109 OR RE31694)

# 2C3

ELECTRICAL

ALTERNATOR WITH REGULATOR  
(90 AMP) (JOHN DEERE)  
(TRACTOR SERIAL NO. 006279- )

RP720 -UN-01JAN94



# 2C4

ELECTRICAL

ALTERNATOR WITH REGULATOR - CONTINUED  
 (90 AMP) (JOHN DEERE)  
 (TRACTOR SERIAL NO. 006279- )

KEY	PART NO.	PART NAME	QTY	TRACTOR SERIAL NO.	REMARKS
1	AR87205	ALTERNATOR	1		WITH REGULATOR AND FAN, LESS PULLEY (NIPPENDENSO NO. 100211-0081) (SUB TY6621, 14M7165, 12M7065 AND 19M7922)
	AR93448	ALTERNATOR	1		WITH REGULATOR AND FAN, LESS PULLEY (NIPPENDENSO NO. 100211-0290) (SUB FOR AR87205) (SUB TY6621)
	TY6621	ALTERNATOR	1		(REMANUFACTURED) (SUB FOR AR87205 OR AR93448)
2	19H2661	CAP SCREW	1		(A) 5/16" X 1-3/8"
	19M7922	CAP SCREW	1		(B) M8 X 40
3	12H303	LOCK WASHER	1		(A) 5/16"
	12M7065	LOCK WASHER	1		(B) M8
4	24H1292	WASHER	2		11/32" X 3/4" X 0.120"
5	R50659	FAN	1		
6	R81507	PULLEY	1		(SUB FOR R52161)
7	R67586	LOCK WASHER	1		
8	14M7179	NUT	1		M16
9	RE29018	BELT SET	1		(SUB FOR AR74662)
10	R56012	SHIELD	1		
11	19H1912	CAP SCREW	1		(A) 3/8" X 3-1/2"
	19M7408	CAP SCREW	1		(B) M10 X 90
12	12H304	LOCK WASHER	1		(A) 3/8"
	12M7066	LOCK WASHER	1		(B) M10
13	14H1076	NUT	1		(A) 3/8"
	14M7274	NUT	1		(B) M10
14	14M7165	LOCK NUT	1		(B) M6, (SUB FOR R71248)
15	12H297	LOCK WASHER	1		(B) 1/4"

(A) USE WITH AR87205  
 (B) USE WITH AR93448

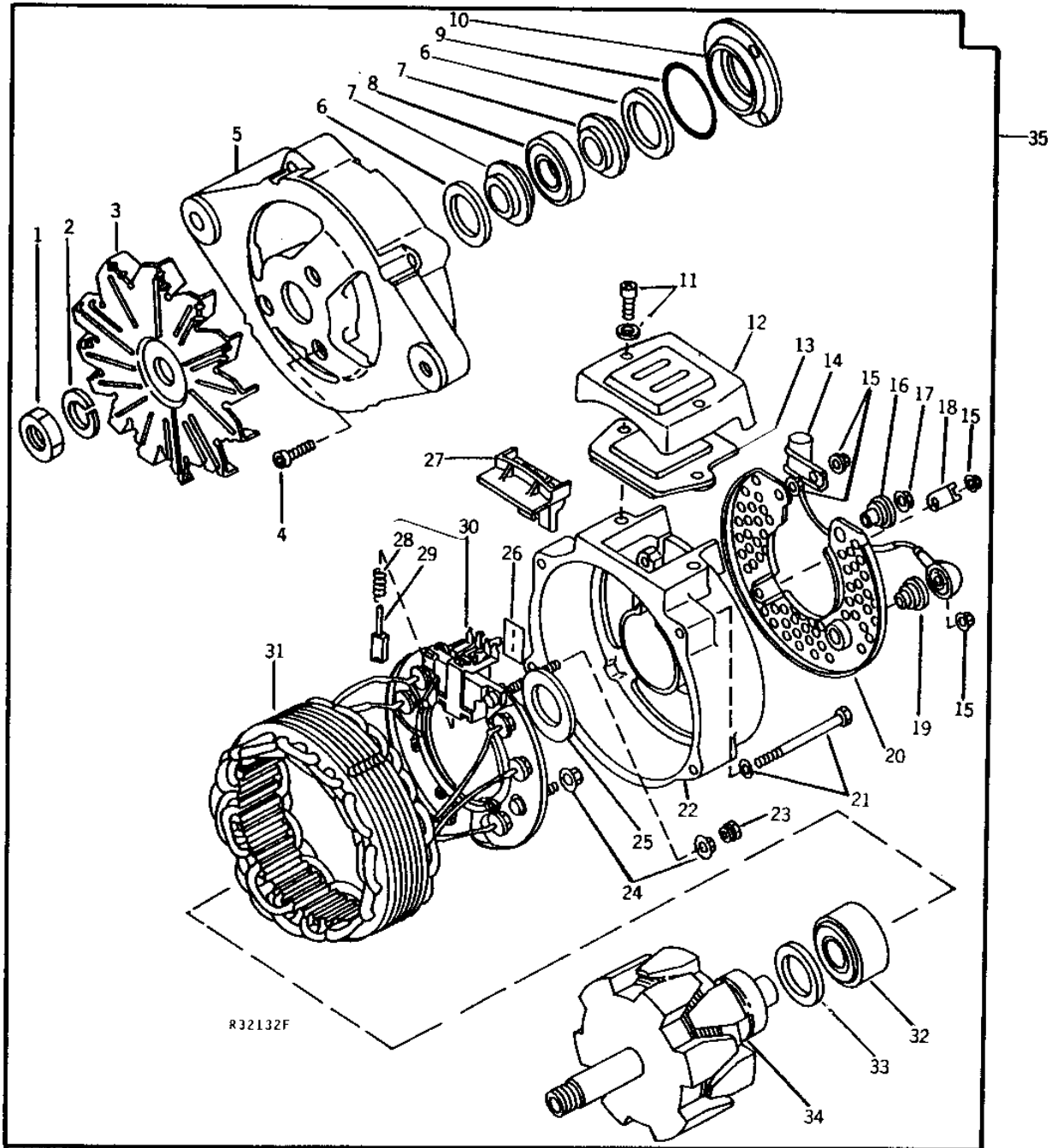
# 2C5

ELECTRICAL

ALTERNATOR  
(12-VOLT) (90 AMP) (JOHN DEERE)  
(TRACTOR SERIAL NO. 006279- )

R32132

-UN-18OCT94



# 2C6

ELECTRICAL

**ALTERNATOR - CONTINUED  
(12-VOLT) (90 AMP) (JOHN DEERE)  
(TRACTOR SERIAL NO. 006279- )**

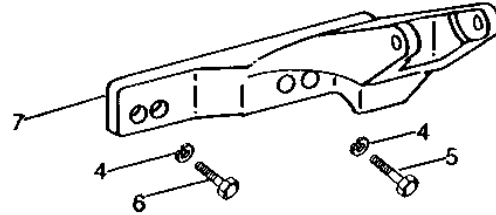
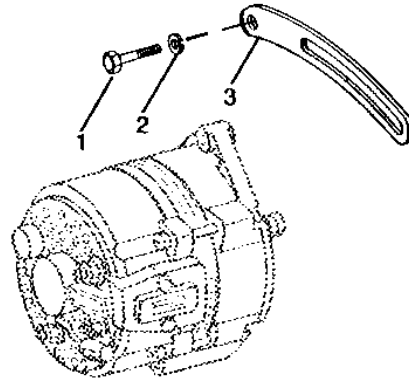
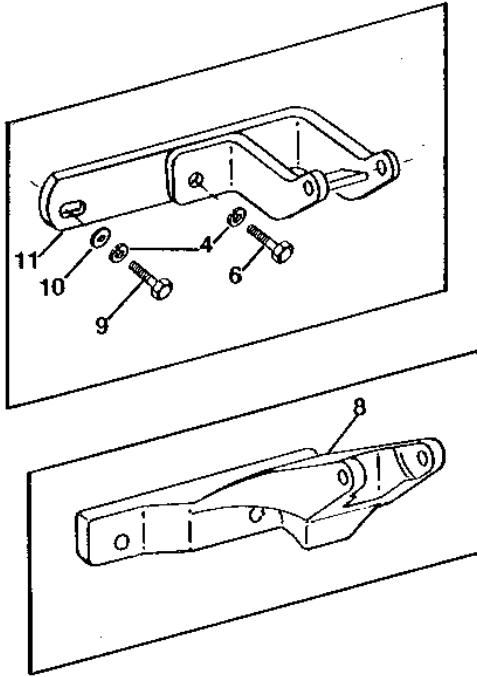
KEY	PART NO.	PART NAME	QTY	TRACTOR SERIAL NO.	REMARKS
1	14M7179	NUT	1	M16	
2	R67586	LOCK WASHER	1		
3	R50659	FAN	1		
4	RE15590	SCREW	3		(SUB FOR AR88024)
5	R67581	HOUSING	1		(SUB R71865 AND AR95467)
6	R67600	WASHER	2		
7	R67592	LOCKING COLLAR	2		
8	JD9449	BALL BEARING	1		
9	R67590	O-RING	1		
10	R67589	QUILL	1		
11	AR88026	SCREW	2		
12	R67583	COVER	1		
13	RE28438	VOLTAGE REGULATOR	1		(SUB FOR AR88018)
14	AR88025	CAPACITOR	1		
15	R67593	NUT	4		
16	R67599	BUSHING	1		
17	R71866	NUT	1		(SUB FOR R67598)
18	R67597	CLIP	1		
19	R67594	BUSHING	1		
20	R67584	COVER	1		
21	AR88027	SCREW	4		
22	R67582	HOUSING	1		
23	R67693	LOCK NUT	1		
24	R67596	WASHER	2		
25	R67595	WASHER	1		
26	R67587	INSULATOR	1		
27	R67585	COVER	1		
28	R67588	SPRING	2		
29	AR88023	BRUSH	2		
30	AR88020	RECTIFIER	1		(SUB AR94534 AND AR95467)
31	AR88022	STATOR	1		
32	AR88019	BALL BEARING	1		
33	R67591	WASHER	1		
34	AR88021	ROTOR	1		
35	AR87205	ALTERNATOR	1		WITH REGULATOR AND FAN, LESS PULLEY, (SUB TY6621, 14M7165, 12M7065 AND 19M7922)
	AR93448	ALTERNATOR	1		(SUB FOR AR87205) (SUB TY6621)
	TY6621	ALTERNATOR	1		(REMANUFACTURED) (SUB FOR AR87205 OR AR93448)

# 2C7

ELECTRICAL

## ALTERNATOR BRACKETS (6466AR)

RGP1271 -UN-01JAN94



RGP1271

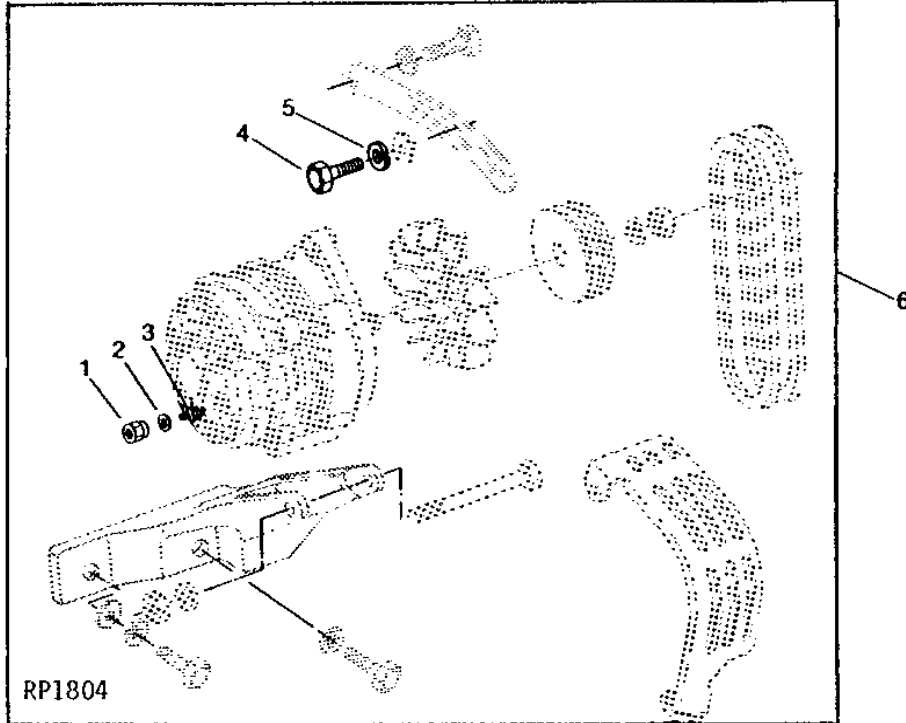
KEY	PART NO.	PART NAME	QTY	ENGINE SERIAL NO.	REMARKS
1	19H2284	CAP SCREW	1		3/8" X 7/8"
2	12H304	LOCK WASHER	1		3/8"
3	R71250	STRAP	1		(SUB FOR T20204)
4	12H293	LOCK WASHER	2		7/16"
5	19H1978	CAP SCREW	1	081569-	7/16" X 1-1/2"
6	19H2731	CAP SCREW	1		7/16" X 1-3/8"
7	R70372	BRACKET	1		
8	R69636	BRACKET	1	081569-	(SUB R70372)
9	19H1773	CAP SCREW	1	-081568	7/16" X 1-1/8"
10	24H1323	WASHER	1	-081568	15/32" X 13/16" X 0.090"
11	AR72363	BRACKET	1	-081568	(SUB R70372 AND 19H1978)

# 2C8

ELECTRICAL

RP1804 -UN-01JAN94

METRIC ALTERNATOR MOUNTING KIT  
(TRACTOR SERIAL NO. -081568)



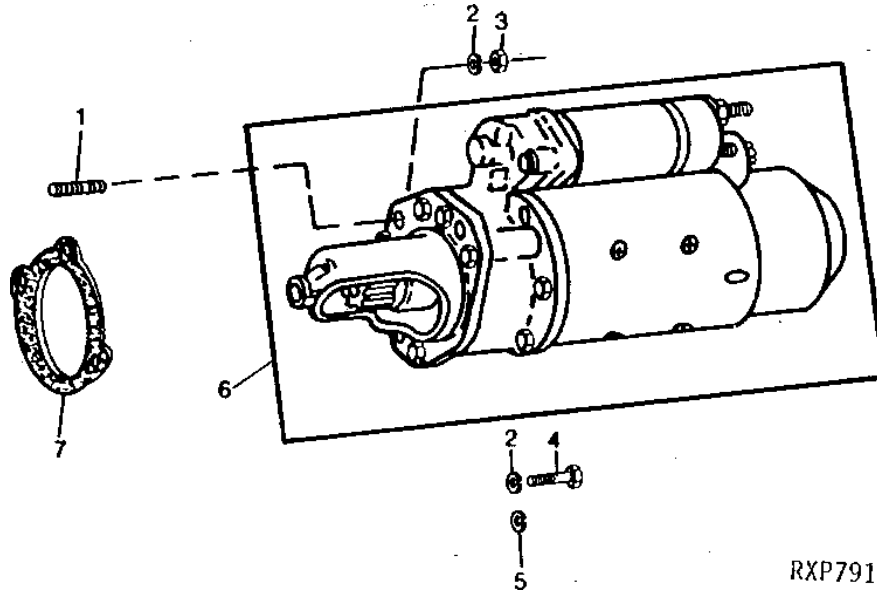
KEY	PART NO.	PART NAME	QTY	TRACTOR SERIAL NO.	REMARKS
1	14M7165	LOCK NUT	1		
2	12H297	LOCK WASHER	1		M6, (SUB FOR R71248)
3	R71866	NUT	1		1/4"
4	19M7922	CAP SCREW	1		M8 X 40
5	12M7065	LOCK WASHER	1		M8
6	AR95467	KIT	1		(USE WITH AR87205)

# 2C9

ELECTRICAL

RXP7911 -UN-01JAN94

## STARTING MOTOR



RXP7911

KEY	PART NO.	PART NAME	QTY	TRACTOR SERIAL NO.	REMARKS
1	R56481	STUD	1	(A)	(SUB FOR M3636T)
	R114130	STUD	1	(B)	3/8" X 1-11/16", (SUB FOR R55396)
2	12H304	LOCK WASHER	3	(C)	3/8", (NOT REQUIRED WITH E55662)
3	14H1076	NUT	1	(C)	3/8", (SUB E55662, THIS APPLICATION)
4	19H3219	CAP SCREW	2	(D)	3/8" X 1-3/8"
	19H1721	CAP SCREW	3	(E)	1/2" X 1-1/2"
	19H2552	CAP SCREW	2	(F)	3/8" X 1-1/8"
5	12H301	LOCK WASHER	3	(E)	1/2"
6	AR62267	STARTER	1		(DELCO-REMY NO. 1113402) (SUB FOR AR55638) (SUB TY6710)
	AR78538	STARTER	1		(DELO-REMY NO. 1113391) (SUB TY6701)
	AR77254	STARTER	1		(NIPPONDENSO NO. 028000-3290 OR 028000-3291) (SUB TY6713 OR RE41875)
	RE41875	STARTER	1		(NIPPONDENSO NO. 02800-3292) (MARKED RE13722) (SUB FOR AR77254)
	TY6701	STARTER	1		(DELCO-REMY) (REMANUFACTURED) (SUB FOR AR78538 OR TY6618)
	TY6710	STARTER	1		(DELCO-REMY) (REMANUFACTURED) (SUB FOR AR55638, AR62267, TY1597 OR TY6667)
	TY6713	STARTER	1		(NIPPONDENSO) (REMANUFACTURED) (SUB FOR AR77254 OR TY6617)
7	R53108	GASKET	1		

- (A) USE WITH AR62267, RE41875, TY6710 OR TY6713
- (B) USE WITH AR77254, AR78538, TY6701 OR TY6713
- (C) USE WITH AR62267, AR77254, RE41875, TY6701, TY6710 OR TY6713
- (D) USE WITH AR62267, AR77254, TY6710, TY6701 OR TY6713
- (E) USE WITH AR78538 OR TY6701
- (F) USE WITH RE41875 OR TY6713

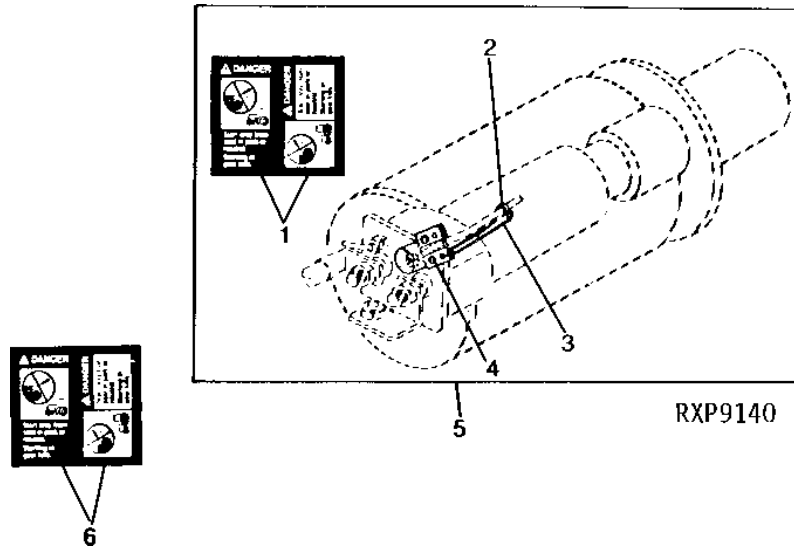


# 2C10

ELECTRICAL

RXP9140 -UN-11NOV94

## STARTER SOLENOID COVER KIT (DELCO-REMY)



KEY	PART NO.	PART NAME	QTY	TRACTOR SERIAL NO.	REMARKS
1	T146102	WARNING LABEL	1		(ENGLISH) (SUB FOR T84409 OR T134459)
2	R44302	TIE BAND	1		
3	R76477	TIE BAND	1		
4	R66117	SCREW	2		
5	RE39063	SHIELD	1	(A)	
6	T146106	WARNING LABEL	1		(ESPANOL) (SUB FOR T84410 OR T134452)
	T146104	WARNING LABEL	1		(FRANCAIS) (SUB FOR T84411 OR T134453)
	T146515	WARNING LABEL	1		(DEUTSCH) (SUB FOR T84412 OR T134454)
	T146516	WARNING LABEL	1		(ITALIANO) (SUB FOR T84413 OR T134455)
	T146517	WARNING LABEL	1		(ENGLISH/FRANCAIS) (SUB FOR T84578 OR T134456)

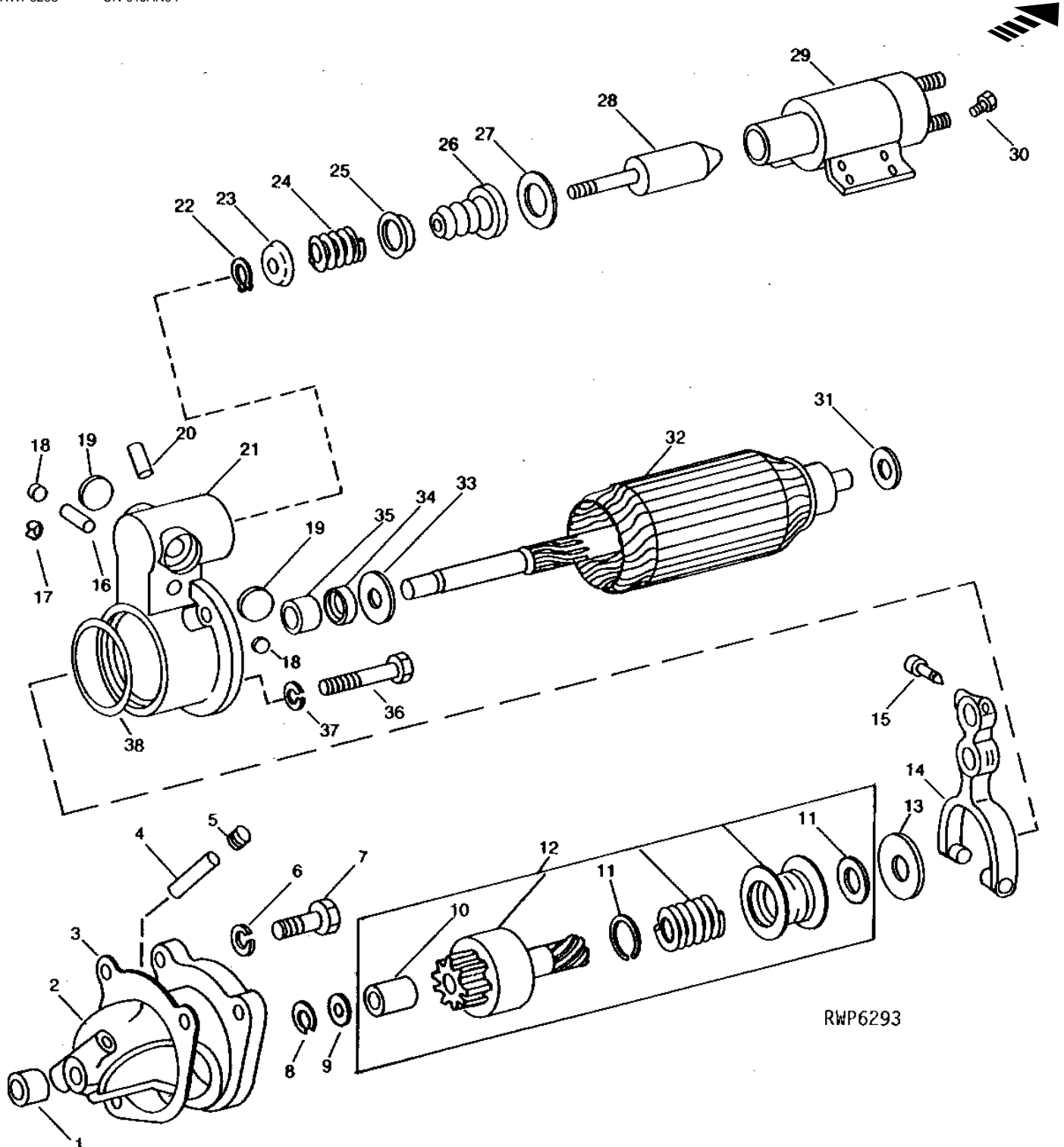
(A) USE WITH AR55638, AR62267, AR78538, TY1597, TY6667, TY6618, TY6701, OR TY6710

# 2C11

ELECTRICAL

STARTER DRIVE HOUSING, SOLENOID SWITCH AND ARMATURE  
(12-VOLT) (DELCO-REMY NO. 1113672 OR 1113402)  
(AR62267)

RWP6293 -UN-01JAN94



# 2C12

ELECTRICAL

**STARTER DRIVE HOUSING, SOLENOID SWITCH AND ARMATURE - CONTINUED**  
**(12-VOLT) (DELCO-REMY NO. 1113672 OR 1113402)**  
**(AR62267)**

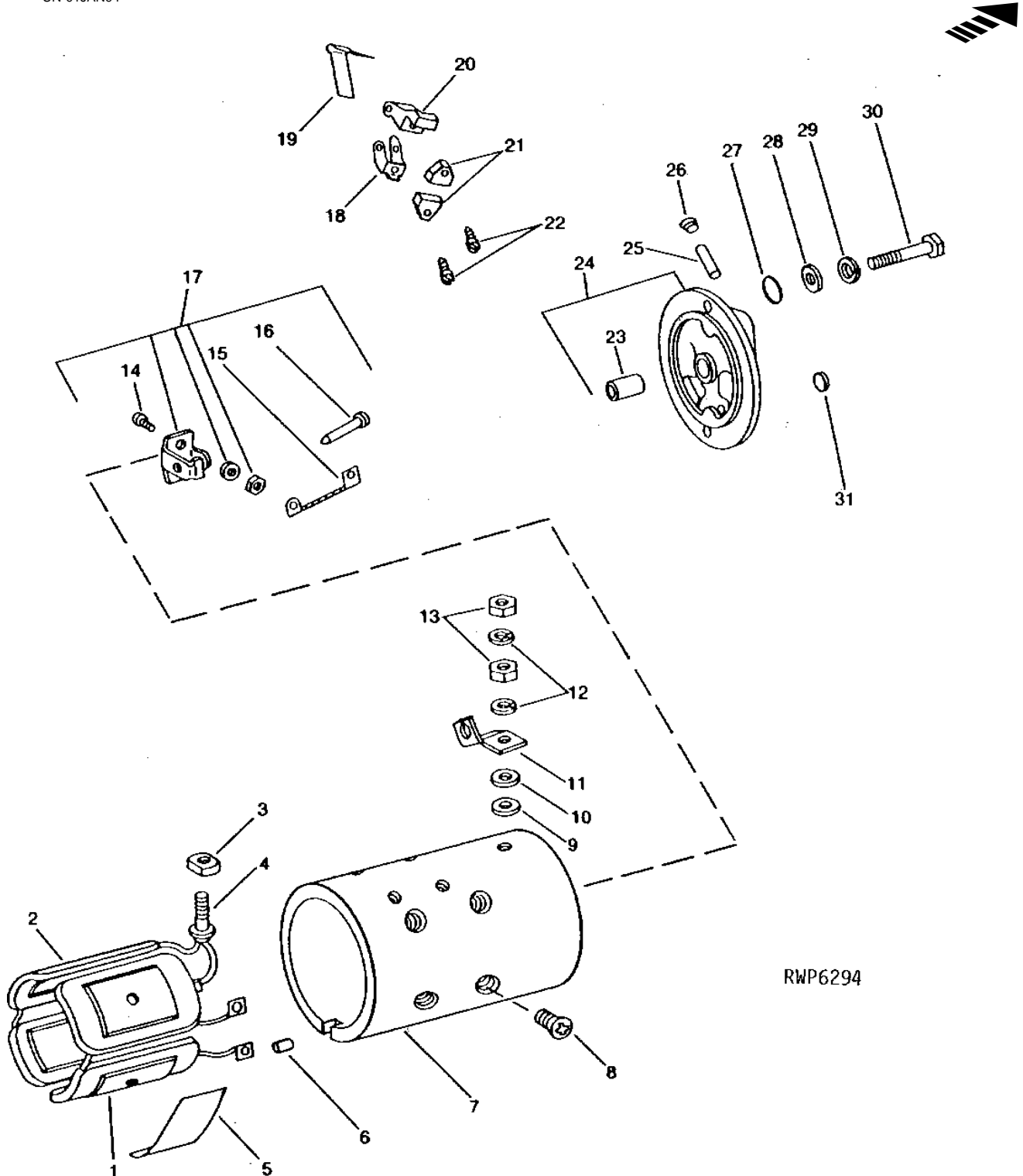
KEY	PART NO.	PART NAME	QTY	MODEL NO.	REMARKS
1	T11743	BUSHING	1		
2	AR11127	HOUSING	1		
3	R53108	GASKET	1		
4	R40337	WICK	1		
5	15H566	PIPE PLUG	1	1/8"	
6	12H304	LOCK WASHER	3	3/8", (NOT REQUIRED WITH E55662)	
	M3636T	STUD	1		
	14H1076	NUT	2	3/8"	
7	19H3219	CAP SCREW	2	3/8" X 1-3/8"	
8	R11117	SNAP RING	1		
9	R48976	STOP	1		
10	1873796	BUSHING	1		
11	R11118	WIRE	2		
12	AR88880	BENDIX DRIVE	1	(SUB FOR AR44700 OR AR76841)	
13	R11095	WASHER	1		
14	AR11128	LEVER	1		
15	R11222	PIN	1		
16	R11215	DOWEL PIN	2		
17	R11223	RETAINER	1		
18	30H7	PLUG	2	5/8"	
19	30H16	PLUG	2	1-3/16"	
20	R11201	WICK	1		
	R11016	PIPE PLUG	1		
21	AR11126	HOUSING	1		
22	R11026	SNAP RING	1		
23	R11129	CAP	1		
24	R11128	SPRING	1		
25	R11126	RETAINER	1		
26	R11127	BOOT	1		
27	R11221	WASHER	1		
28	AR11132	PLUNGER	1		
29	R11292	SWITCH	1	(DELCO-REMY NO. 1115510 OR 1115540)	
30	T19909	BOLT	4		
31	R11096	WASHER	1		
32	AR44698	ARMATURE	1		
33	R11291	WASHER	1		
34	AR62964	SEAL	1		
35	R11212	BUSHING	1		
36	AR62963	SCREW	4		
37	12H303	LOCK WASHER	4	5/16"	
38	R40545	GASKET	1		
..	AR62267	STARTER	1	(SUB FOR AR55638) (SUB TY6710)	
..	TY6710	STARTER	1	(REMANUFACTURED) (DELCO-REMY) (SUB FOR AR55638, AR62267, TY1597 OR TY6667)	

# 2C13

ELECTRICAL

STARTER MAIN FRAME, COIL, AND COMMUTATOR END FRAME  
(12-VOLT) (DELCO-REMY NO. 1113672 OR 1113402)  
(AR62267)

RWP6294 -UN-01JAN94



RWP6294

# 2C14

ELECTRICAL

STARTER MAIN FRAME, COIL, AND COMMUTATOR END FRAME - CONTINUED  
 (12-VOLT) (DELCO-REMY NO. 1113672 OR 1113402)  
 (AR62267)

KEY	PART NO.	PART NAME	QTY	ENGINE SERIAL NO.	REMARKS
1	R11003	SHOE	4		
2	AR44699	ELECTRICAL COIL	1		
3	R11058	BUSHING	2		
4	R11059	STUD	1		
5	R11253	INSULATOR	2		
6	R11087	DOWEL PIN	1		
7	.....	FRAME	1		(ORDER TY6710)
8	21H1280	SCREW	4		3/8" X 3/4"
9	R11000	WASHER	2		
10	24M7096	WASHER	1		10.500 X 18 X 1.600 MM
11	R11296	CONNECTOR	1		
12	12H304	LOCK WASHER	2		3/8"
13	14H732	NUT	2		3/8"
14	T18098	SCREW	2		
15	AR11001	WIRING LEAD	1		
16	R11233	PIN	2		
17	AR11124	SUPPORT	2		
18	T738T	HOLDER	2		
19	R11209	SPRING	2		
20	R11290	CARBON BRUSH HOLDER	2		
21	R42574	BRUSH	4		
22	37H78	SCREW	4		0.164" X 3/4"
23	R61932	BUSHING	1		(SUB FOR T11739)
24	AR11140	FRAME	1		
25	15H566	PIPE PLUG	1		1/8"
26	R40337	WICK	1		
27	R27976	O-RING	2		
28	24H1136	WASHER	2		11/32" X 11/16" X 0.065"
29	12H303	LOCK WASHER	2		5/16"
30	R11298	BOLT	2		
31	30H9	PLUG	1		3/4"
..	AR62267	STARTER	1		(SUB FOR AR55638) (SUB TY6710)
..	TY6710	STARTER	1		(REMANUFACTURED) (DELCO-REMY) (SUB FOR AR55638, AR62267, TY1597 OR TY6667)

---

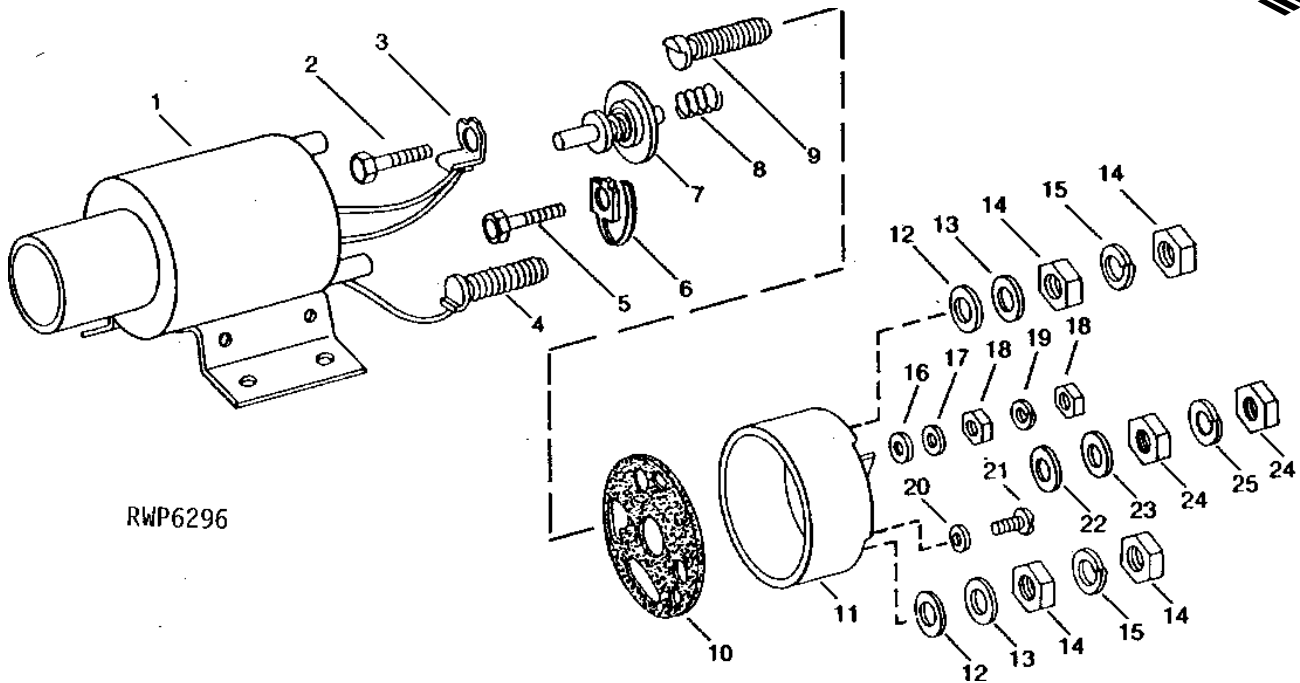
MEMORANDA

# 2C15

ELECTRICAL

**SOLENOID SWITCH  
(12-VOLT) (DELCO-REMY NO. 1113672 OR 1113402)  
(AR62267)**

RWP6296 -UN-01JAN94



RWP6296

KEY	PART NO.	PART NAME	QTY	ENGINE SERIAL NO.	REMARKS
1	R11292	SWITCH	1		(A) (DELCO-REMY NO. 1115540)
2	R11197	STUD	1		(SUB FOR T18110)
3	R11198	CLIP	1		(NLA)
4	R11293	STUD	1		
5	R11295	STUD	1		
6	R40546	CLIP	1		
7	AR11051	CONTACT	1		
8	R11066	SPRING	1		
9	T18105	STUD	1		
10	R40548	GASKET	1		
11	R11294	COVER	1		
12	T18107	WASHER	2		
13	24M7096	WASHER	1		10.500 X 18 X 1.600 MM
14	14H732	NUT	4		3/8"
15	12H304	LOCK WASHER	2		3/8"
16	T50222	WASHER	1		(SUB FOR T18106)
17	24H1283	WASHER	1		7/32" X 1/2" X 0.049"
18	14H631	NUT	2		0.190"
19	12H246	LOCK WASHER	2		0.190"
20	R11039	WASHER	2		
21	21H1298	SCREW	2		0.190" X 3/8"
22	T19607	WASHER	1		
23	24H1281	WASHER	1		5/32" X 3/8" X 0.049"
24	14H605	NUT	2		0.164"
25	12M7084	LOCK WASHER	2		0.169"

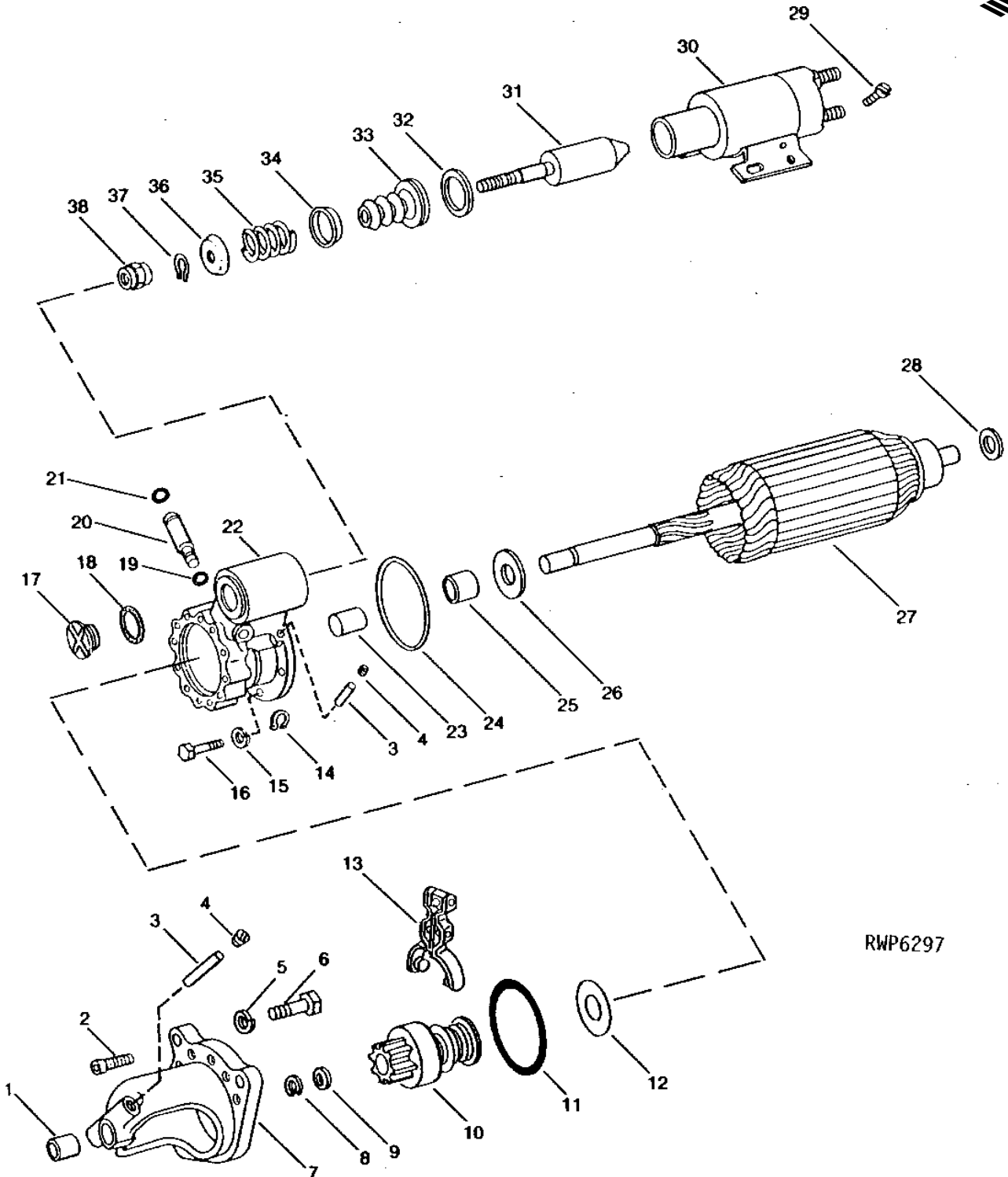
(A) USE WITH AR55638, AR62267, TY1597, TY6667 OR TY6710

# 2C16

ELECTRICAL

## STARTER ARMATURE, DRIVE END HOUSING AND DRIVE (12-VOLT) (DELCO-REMY NO. 1113391) (AR78538)

RWP6297 -UN-01JAN94





# 2C17

ELECTRICAL

**STARTER ARMATURE, DRIVE END HOUSING AND DRIVE - CONTINUED**  
**(12-VOLT) (DELCO-REMY NO. 1113391)**  
**(AR78538)**

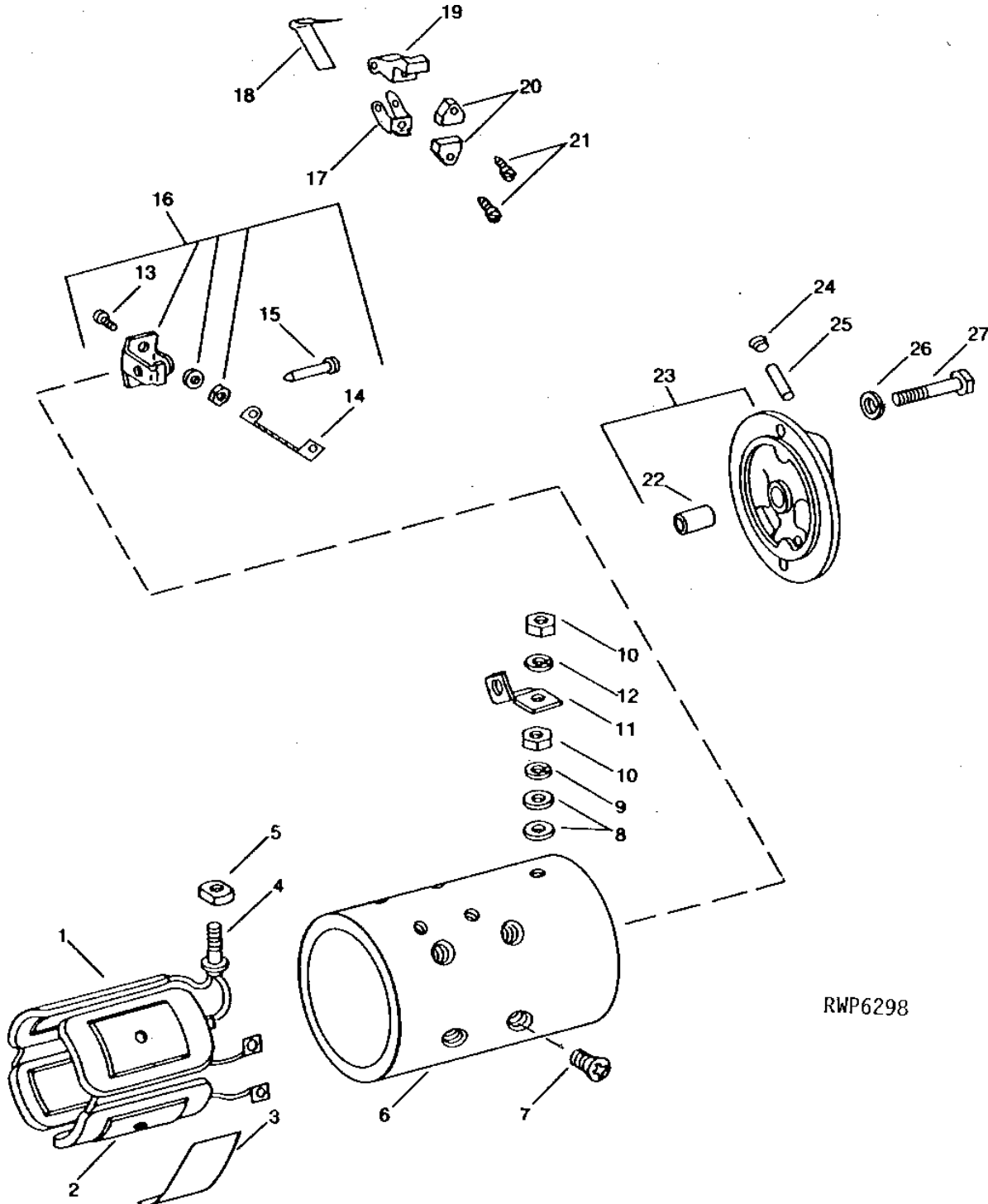
KEY	PART NO.	PART NAME	QTY	ENGINE SERIAL NO.	REMARKS
1	T11743	BUSHING	1		
2	R62674	SCREW	2		
3	R40337	WICK	2		
4	15H566	PIPE PLUG	2	1/8"	
5	12H301	LOCK WASHER	3	1/2"	
6	19H1721	CAP SCREW	3	1/2" X 1-1/2"	
7	AR77259	HOUSING	1		
8	R11117	SNAP RING	1		
9	R48976	STOP	1		
10	AR88880	BENDIX DRIVE	1		(SUB FOR AR76841)
11	R62673	O-RING	1		
12	R11095	WASHER	1		
13	AR77261	LEVER	1		
14	R11026	SNAP RING	1		
15	12H302	LOCK WASHER	5	1/4"	
16	19H3005	CAP SCREW	5	1/4" X 1"	
17	R11133	PLUG	1		
18	R11121	GASKET	1		
19	A4365R	O-RING	1		
20	R62670	SHAFT	1		
21	A3917R	O-RING	1		
22	AR77260	HOUSING	1		
23	R11212	BUSHING	1		
24	R11120	O-RING	1		
25	AR62964	SEAL	1		
26	R11291	WASHER	2		
27	AR77257	ARMATURE	1		
28	R11096	WASHER	1		
29	T19909	BOLT	4		
30	AR77255	SWITCH	1		
31	AR77256	PLUNGER	1		
32	R11138	SHIM	1		(SUB FOR R11221)
33	R11127	BOOT	1		
34	R11126	RETAINER	1		
35	R11128	SPRING	1		
36	R11129	CAP	1		
37	R11026	SNAP RING	1		
38	R62671	LOCK NUT	1		
..	AR78538	STARTER	1		(SUB FOR AR55638 OR AR62267) (SUB TY6701)
..	TY6701	STARTER	1		(REMANUFACTURED) (DELCO-REMY) (SUB FOR AR78538 OR TY6618)

# 2C18

ELECTRICAL

STARTER MAIN FRAME, COIL, AND COMMUTATOR END FRAME  
(12-VOLT) (DELCO-REMY NO. 1113391)  
(AR78538)

RWP6298 -UN-01JAN94



RWP6298

# 2C19

ELECTRICAL

STARTER MAIN FRAME, COIL, AND COMMUTATOR END FRAME - CONTINUED  
 (12-VOLT) (DELCO-REMY NO. 1113391)  
 (AR78538)

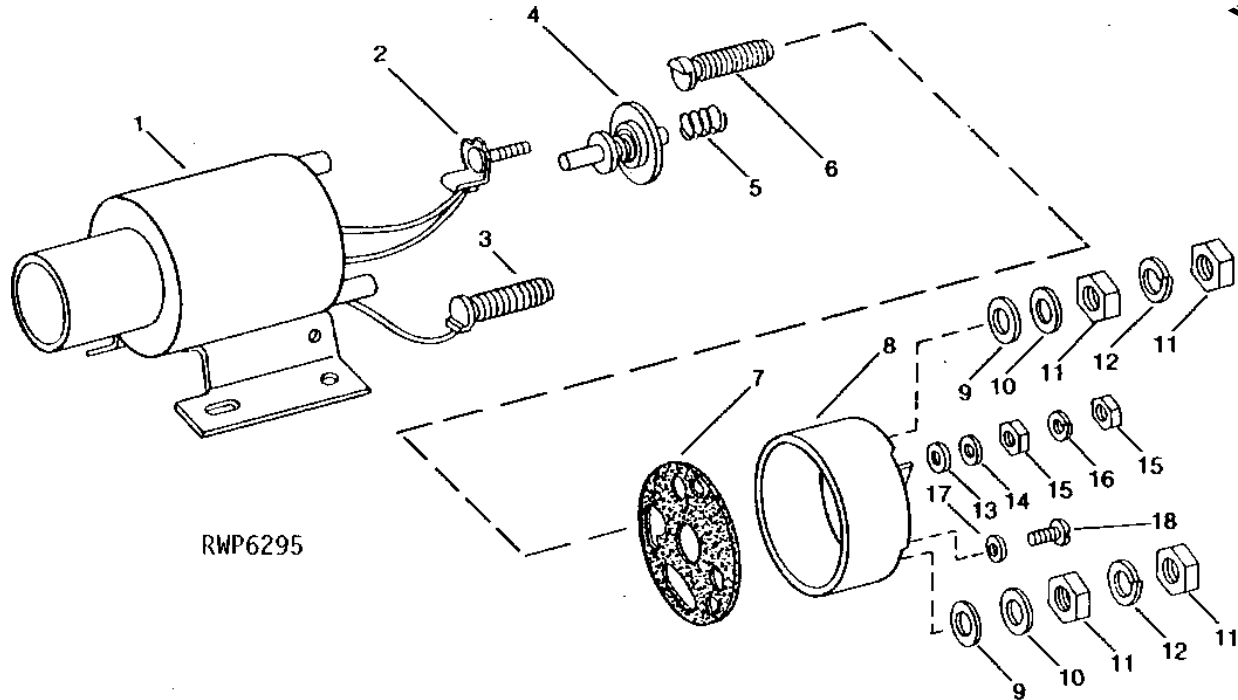
KEY	PART NO.	PART NAME	QTY	ENGINE SERIAL NO.	REMARKS
1	AR77258	FIELD WINDING COIL	1		
2	R11003	SHOE	4		
3	R62672	ISOLATOR	2		
4	R11146	SCREW	1		
5	AR40171	GROMMET	1		
6	.....	FRAME	1		(ORDER TY6701)
7	21H1280	SCREW	4		3/8" X 3/4"
8	R11011	WASHER	2		
9	R68625	WASHER	2		(SUB FOR 811912)
10	14H971	NUT	2		1/2"
11	R62669	CONNECTOR	1		
12	12H301	LOCK WASHER	1		1/2"
13	T18098	SCREW	2		
	R11250	RIVET	2		
14	AR11001	WIRING LEAD	1		
15	R61933	PIN	2		
16	AR75908	KIT	2		
17	T738T	HOLDER	2		
18	R11209	SPRING	2		
19	R11290	CARBON BRUSH HOLDER	2		
20	R42574	BRUSH	4		
21	37H78	SCREW	4		0.164" X 3/4"
22	R61932	BUSHING	1		
23	AR75905	FRAME	1		
24	15H566	PIPE PLUG	1		1/8"
25	R61934	WICK	1		
26	12H302	LOCK WASHER	4		1/4"
27	19H3005	CAP SCREW	4		1/4" X 1"
..	AR78538	STARTER	1		(SUB FOR AR55638 OR AR62267) (SUB TY6701)
..	TY6701	STARTER	1		(REMANUFACTURED) (DELCO-REMY) (SUB FOR AR78538 OR TY6618)

# 2C20

ELECTRICAL

RWP6295 -UN-01JAN94

## SOLENOID SWITCH (12-VOLT) (DELCO-REMY NO. 1115530)



KEY	PART NO.	PART NAME	QTY	ENGINE SERIAL NO.	REMARKS
1	AR77255	SWITCH	1	(A) (DELCO-REMY NO. 1115530)	
2	R11197	STUD	2	(SUB FOR T18110)	
3	R11293	STUD	1		
4	AR11051	CONTACT	1		
5	R11066	SPRING	1		
6	T18105	STUD	1	(SUB FOR R62667)	
7	R40548	GASKET	1		
8	R62668	COVER	1		
9	T18107	WASHER	2		
10	24M7096	WASHER	2	10.500 X 18 X 1.600 MM	
11	14H732	NUT	4	3/8"	
12	12H304	LOCK WASHER	2	3/8"	
13	T18106	WASHER	2		
14	24H1283	WASHER	2	7/32" X 1/2" X 0.049"	
15	14H631	NUT	4	0.190"	
16	12H246	LOCK WASHER	2	0.190"	
17	R11039	WASHER	2		
18	21H1298	SCREW	2	0.190" X 3/8"	

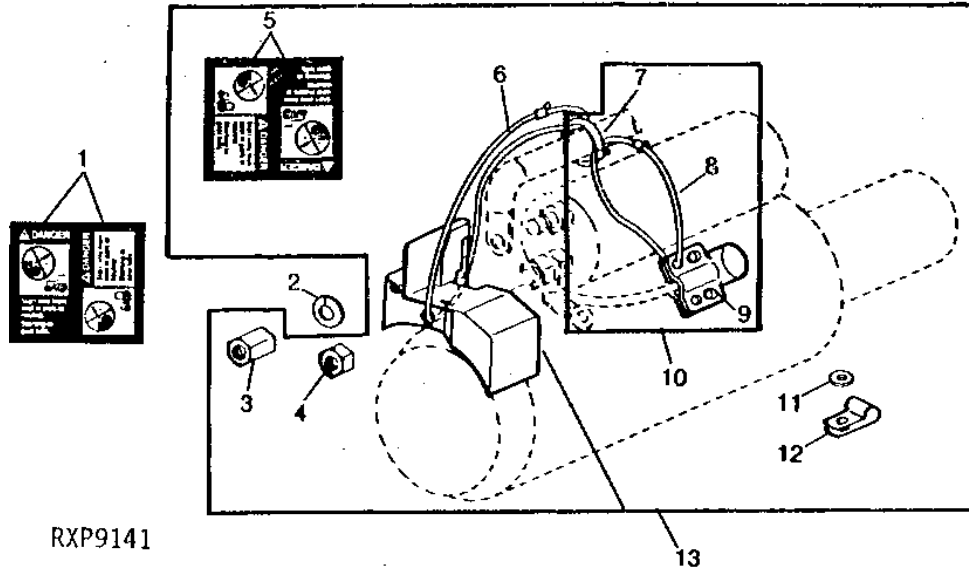
(A) USE WITH AR78538, TY6618 OR TY6701

# 2C21

ELECTRICAL

RXP9141 -UN-01JAN94

## STARTER SOLENOID COVER KIT (JOHN DEERE)



RXP9141

KEY	PART NO.	PART NAME	QTY	TRACTOR SERIAL NO.	REMARKS
1	T146106	WARNING LABEL	1		(ESPAÑOL) (SUB FOR T84410 OR T134452)
	T146104	WARNING LABEL	1		(FRANCAIS) (SUB FOR T84411 OR T134453)
	T146515	WARNING LABEL	1		(DEUTSCH) (SUB FOR T84412 OR T134454)
	T146516	WARNING LABEL	1		(ITALIANO) (SUB FOR T84413 OR T134455)
	T146517	WARNING LABEL	1		(ENGLISH/FRANCAIS) (SUB FOR T84578 OR T134456)
2	12H246	LOCK WASHER	1		0.190"
3	R100380	NUT	1		
4	14H732	NUT	1		3/8"
5	T146102	WARNING LABEL	1		(ENGLISH) (SUB FOR T84409 OR T134459)
6	R76477	TIE BAND	1		
7	R44302	TIE BAND	1		
8	R76477	TIE BAND	1		
9	R66117	SCREW	2		
10	RE39063	SHIELD	1		(A)
11	24H1289	WASHER	1		21/64" X 5/8" X 0.049"
12	R46414	CLAMP	1		
13	RE39064	SHIELD	1		(A)

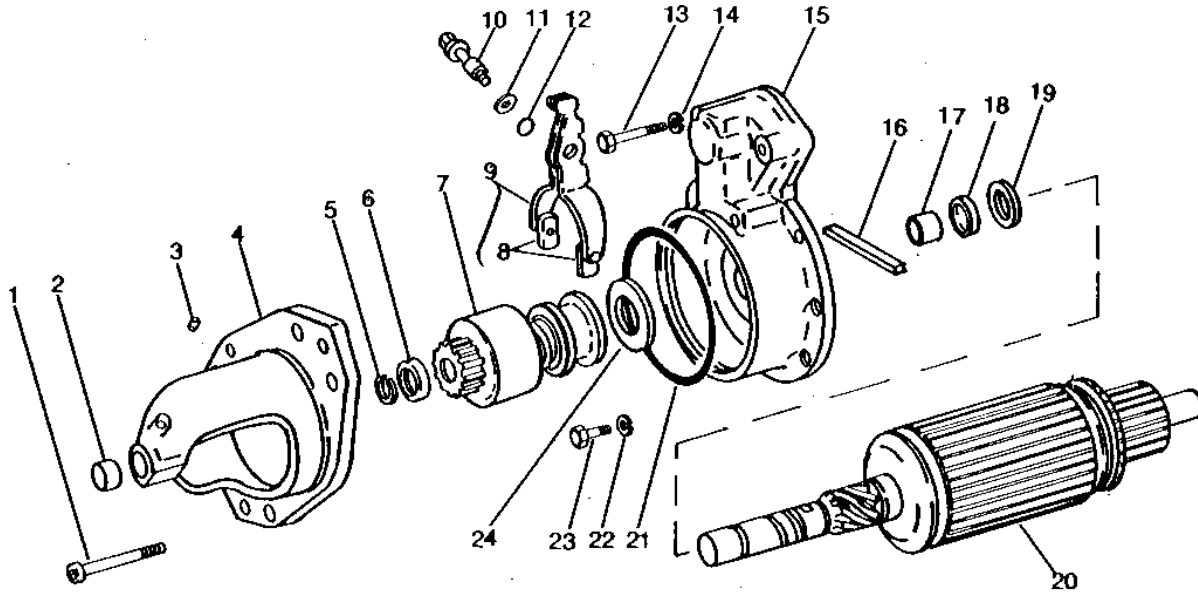
(A) USE WITH AR77254, RE13722, RE41875, TY6617 OR TY6713

# 2C22

ELECTRICAL

**STARTER DRIVE HOUSING AND ARMATURE**  
 (12 VOLT) (JOHN DEERE) (NIPPONDENSO NO. 028000-3291 OR 028000-3292)  
 (AR77254 OR RE41875)

RGP1947 -UN-01JAN94



RGP1947

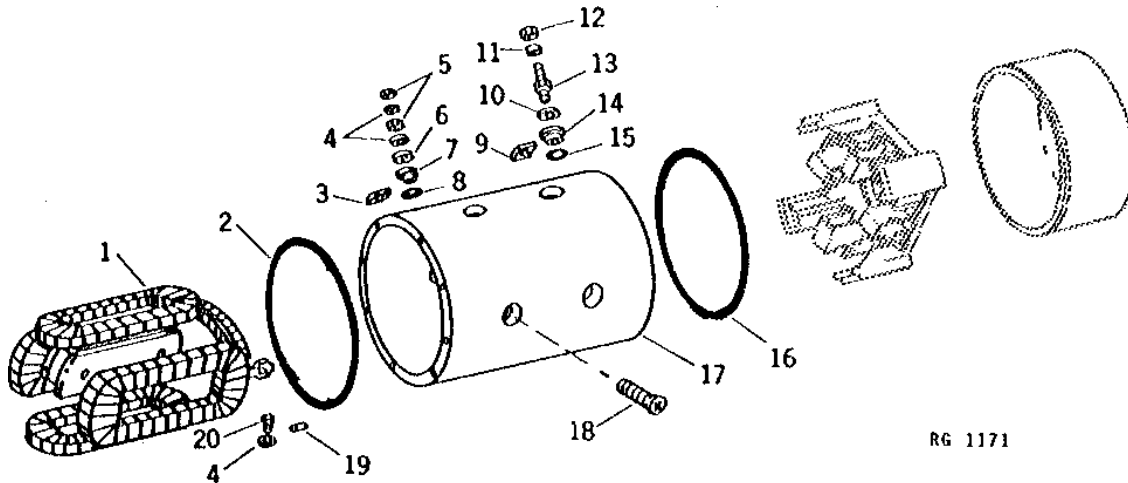
KEY	PART NO.	PART NAME	QTY	ENGINE SERIAL NO.	REMARKS
1	R50900	SCREW	6		
2	R50891	BUSHING	1		(INCLUDED W/AR54990)
3	R50892	PLUG	1		
4	AR54990	HOUSING	1		
5	R50902	SNAP RING	1		
6	R50903	STOP	1		
7	AR54992	DRIVE	1		
8	R51667	WEAR PLATE	2		
9	R50904	LEVER	1		(STARTER SERIAL NO. 11L0233 AND BELOW)
	AR67827	ARM	1		(STARTER SERIAL NO. 11L0234 AND ABOVE)
10	R50897	SHAFT	1		
11	24H1289	WASHER	1		(USE WITH RE41875 OR TY6713)
12	R52387	O-RING	1		
13	R50893	SCREW	2		
14	12H302	LOCK WASHER	2		1/4"
15	AR54993	HOUSING	1		(STARTER SERIAL NO. 11L0233 AND BELOW)
	AR68430	HOUSING	1		(STARTER SERIAL NO. 11L0234 AND ABOVE)
16	R51666	WICK	1		
17	R51665	BUSHING	1		
18	AR55947	SEAL	1		
19	R50906	THRUST WASHER	1		
20	AR66778	ARMATURE	1		
21	R50901	WASHER	1		
22	12H317	LOCK WASHER	2		9/16"
23	R51661	SCREW	2		
24	R50905	WEAR RING	1		
..	AR77254	STARTER	1		(NIPPONDENSO NO. 02800-3291) (SUB RE41875 OR TY6713)
..	RE41875	STARTER	1		(NIPPONDENSO NO. 028000-3292) (MARKED RE13722) (SUB FOR AR77254)
..	TY6713	STARTER	1		(REMANUFACTURED) (SUB FOR AR77254 OR TY6617)

# 2C23

ELECTRICAL

STARTER MAIN FRAME AND COIL  
(12 VOLT) (JOHN DEERE) (NIPPONDENSO NO. 028000-3291 OR 028000-3292)  
(AR77254 OR RE41875)

RG1171 -UN-01JAN94



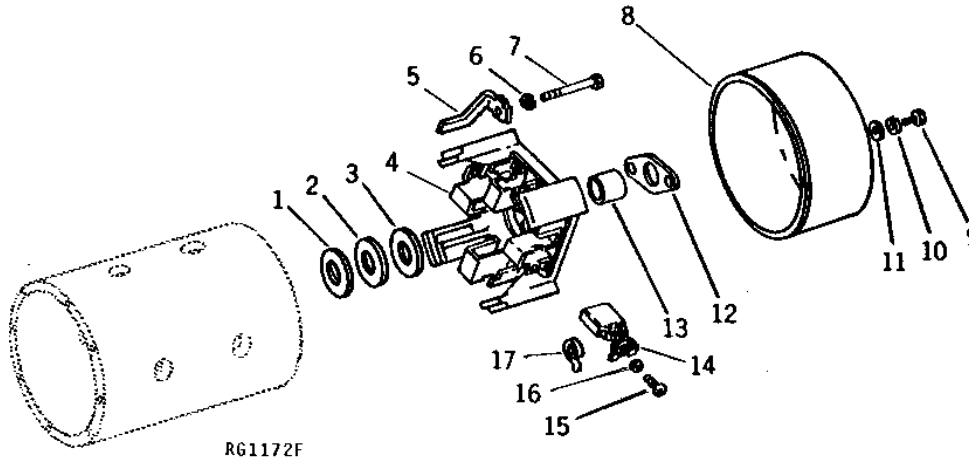
KEY	PART NO.	PART NAME	QTY	STARTER SERIAL NO.	REMARKS
1	AR54996	FIELD WINDING COIL	1	-8U0001	
	RE13731	FIELD WINDING COIL	1	9U0001-	
2	R50913	O-RING	1		
3	R50916	WASHER	1		
4	12H246	LOCK WASHER	3		0.190"
5	R50907	NUT	2		
6	24H1283	WASHER	1		7/32" X 1/2" X 0.049"
7	R50914	WASHER	1		
8	R50915	O-RING	1		
9	R50920	BUSHING	1		
10	R50917	WASHER	1		
11	R50899	LOCK WASHER	1		
12	R50909	NUT	1		
13	R56802	STUD	1		(SUB FOR R52386)
14	R50918	WASHER	1		
15	R50919	O-RING	1		
16	R50922	O-RING	1		
17	.....	FRAME	1		(ORDER RE41785 OR TY6713)
18	R50921	SCREW	8		
19	R51664	DOWEL PIN	1		
20	R50931	SCREW	1		(SUB FOR R51663)
..	AR77254	STARTER	1		(NIPPONDENSO NO. 028000-3291) (SUB RE41875 OR TY6713)
..	RE41875	STARTER	1		(NIPPONDENSO NO. 028000-3292) (MARKED RE13722) (SUB FOR AR77254)
..	TY6713	STARTER	1		(REMANUFACTURED) (SUB FOR AR77254 OR TY6617)

# 2C24

ELECTRICAL

**STARTER COMMUTATOR END FRAME**  
 (12-VOLT) (JOHN DEERE) (NIPPONDENSO NO. 028000-3291 OR 028000-3292)  
 (AR77254 OR RE41875)

RG1172 -UN-01JAN94



KEY	PART NO.	PART NAME	QTY	ENGINE SERIAL NO.	REMARKS
1	R50923	SHIM	AR		0.18 MM (.007") (USE WITH AR66778) (TYPE 1)
2	R50924	SHIM	AR		0.48 MM (.009") (USE WITH AR66778) (TYPE 1)
3	R50925	THRUST WASHER	1		
4	AR54997	FRAME	1		
5	R51660	BRACKET	2		
6	12H317	LOCK WASHER	2	9/16"	
7	R51659	SCREW	2		
8	R50912	COVER	1		
9	R50931	SCREW	2		
10	12H246	LOCK WASHER	6	0.190"	
11	24H1283	WASHER	2	7/32" X 1/2" X 0.049"	
12	R50930	GASKET	1		
13	R50891	BUSHING	1		
14	R50927	CARBON BRUSH CONDUCTOR	4		
15	R50929	SCREW	4		
16	12H246	LOCK WASHER	4	0.190"	
17	R50928	SPRING	4		
..	AR77254	STARTER	1		(NIPPONDENSO NO. 028000-3291) (SUB RE41875 OR TY6713)
..	RE41875	STARTER	1		(NIPPONDENSO NO. 028000-3292) (MARKED RE13722) (SUB FOR AR77254)
..	TY6713	STARTER	1		(REMANUFACTURED) (SUB FOR AR77254 OR TY6617)

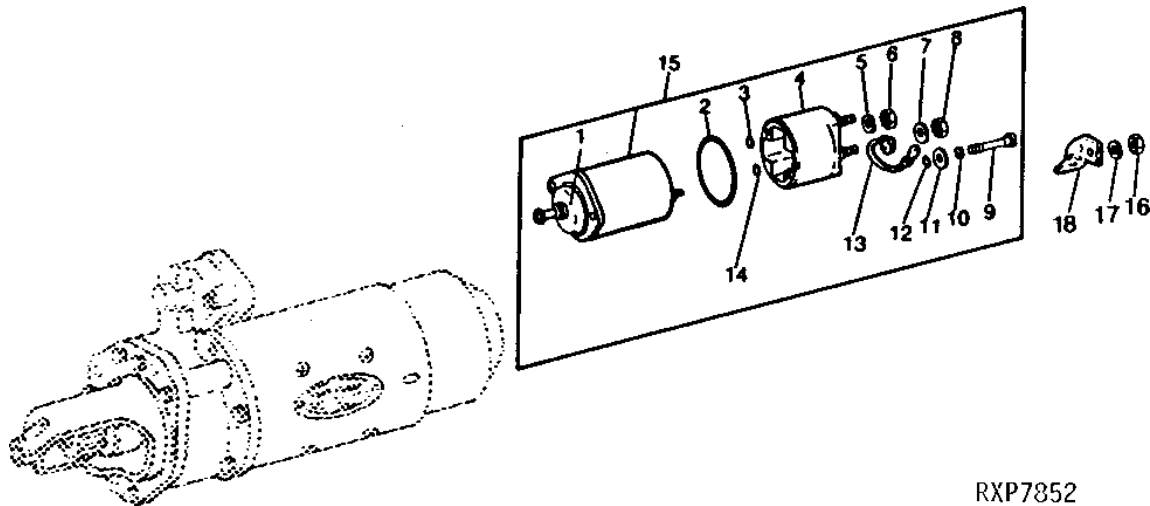


# 2C25

ELECTRICAL

STARTER SOLENOID SWITCH  
(12-VOLT) (JOHN DEERE)  
(STARTING MOTOR DATE CODE -8S2760)

RXP7852 -UN-18OCT94



RXP7852

KEY	PART NO.	PART NAME	QTY	ENGINE SERIAL NO.	REMARKS
1	R52385	BOOT	1		
2	R51668	WASHER	1		
3	R56793	SHIM	1		
4	RE13733	SWITCH	1		(SUB FOR AR55948, AR71256 OR AR90071)
5	12H303	LOCK WASHER	1		5/16"
6	R51671	NUT	1		
7	12H246	LOCK WASHER	2		0.190"
8	14H631	NUT	2		0.190"
9	R51669	SCREW	2		
10	12H302	LOCK WASHER	2		1/4"
11	24H1305	WASHER	2		13/32" X 13/16" X 0.065"
12	R50894	O-RING	1		
13	AR55949	WIRING LEAD	1		(SUB RE15058)
14	R56792	WASHER	1		
15	RE13732	SOLENOID	1		(A) (SUB FOR AR54991 OR AR90070) (ALSO ORDER RE39064)
16	14H732	NUT	3		3/8"
17	R50899	LOCK WASHER	3		
18	R50910	CONNECTOR	1		

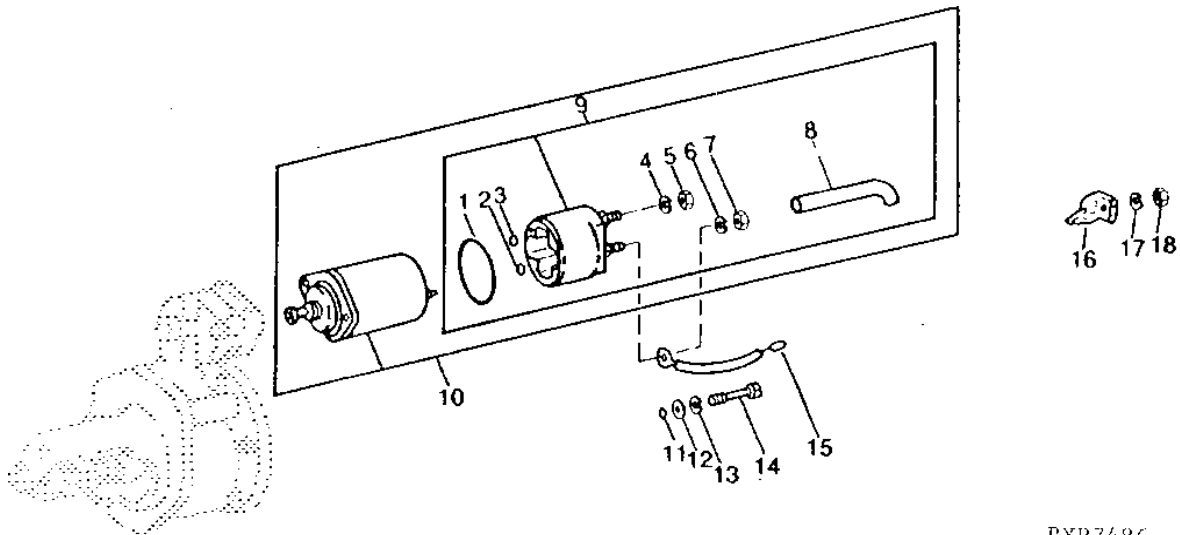
(A) USE WITH AR77254, RE41875, TY6617 OR TY6713

# 2D1

ELECTRICAL

**STARTER SOLENOID SWITCH  
(12-VOLT) (JOHN DEERE)  
(STARTING MOTOR DATE CODE 8S2761- )**

RXP7486 -UN-01JAN94



RXP7486

KEY	PART NO.	PART NAME	QTY	ENGINE SERIAL NO.	REMARKS
1	R68224	GASKET	1		
2	R56792	WASHER	1		
3	R56793	SHIM	1		
4	12H303	LOCK WASHER	1	5/16"	
5	R51671	NUT	1		
6	12H246	LOCK WASHER	1	0.190"	
7	14H631	NUT	2	0.190"	
8	R68222	HOSE	1		
9	RE13733	SWITCH	1		(NIPPONDENSO NO. 028099-3600) (SUB FOR AR90071)
10	AR90070	SWITCH	1		(SUB RE13732)
	RE13732	SOLENOID	1		(A) (NIPPONDENSO NO. 028099-3610) (SUB FOR AR90070) (ALSO ORDER RE39064)
11	R50894	O-RING	2		
12	24H1305	WASHER	2	13/32" X 13/16" X 0.065"	
13	12H302	LOCK WASHER	2	1/4"	
14	R51669	SCREW	2		
15	RE15058	WIRE	1		(SUB FOR AR55949)
16	R50910	CONNECTOR	1		
17	R50899	LOCK WASHER	2		
18	14H732	NUT	2	3/8"	

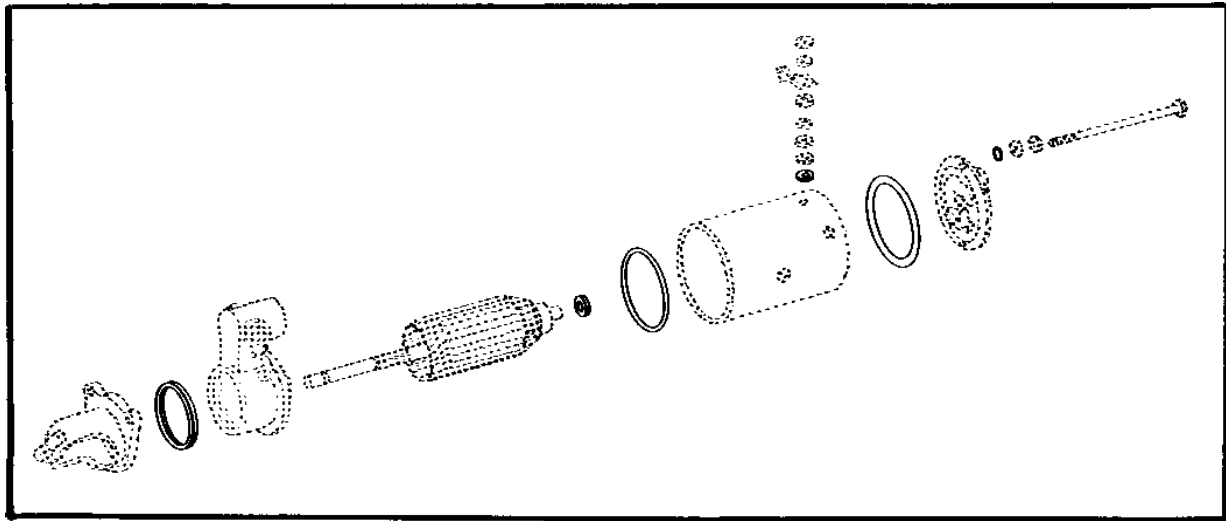
(A) USE WITH AR77254, RE41875, TY6617 OR TY6713

# 2D2

ELECTRICAL

## STARTING MOTOR SEALING KIT (12 AND 24-VOLT)

RP1234 -UN-20NOV95



RP1234

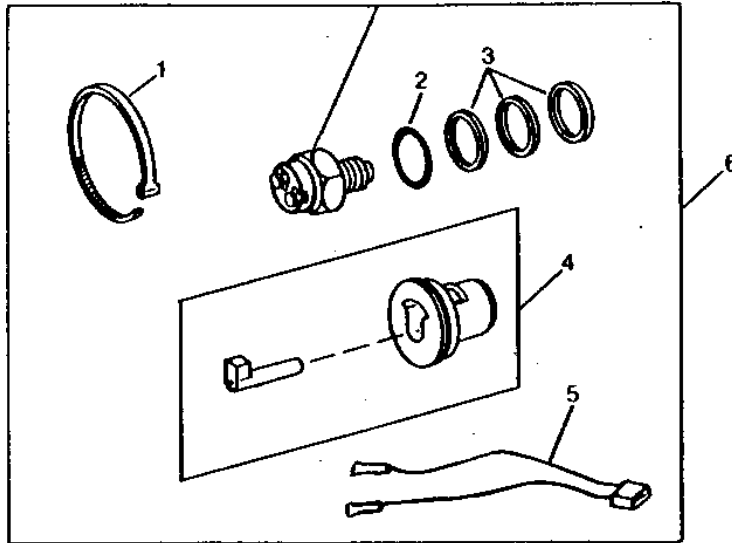
KEY	PART NO.	PART NAME	QTY	ENGINE SERIAL NO.	REMARKS
1	AR100161	SEAL KIT	1		(A) (SUB FOR AR40174 OR AR85407)
(A) USE WITH AR55638 OR AR62267					

# 2D3

ELECTRICAL

RXP8097 -UN-01JAN94

## NEUTRAL START SWITCH KIT



RXP8097

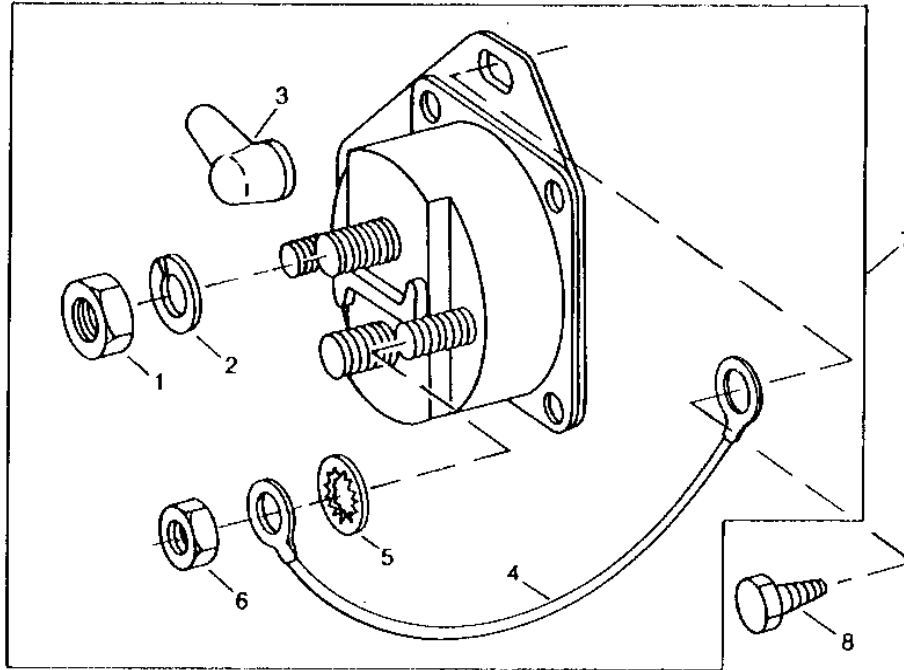
KEY	PART NO.	PART NAME	QTY	TRACTOR SERIAL NO.	REMARKS
1	R44302	TIE BAND	2		
2	R26448	O-RING	1		
3	T16911	SHIM	3		
4	RE37996	GAUGE	1		(NEUTRAL START SWITCH ADJ.)
5	RE14069	WIRING HARNESS	1		
6	RE38390	SWITCH	1		(SUB FOR AR89691 OR AR85153)

# 2D4

ELECTRICAL

RXP7387 -UN-01JAN94

## STARTING CIRCUIT RELAY



RXP7387

KEY	PART NO.	PART NAME	QTY	TRACTOR SERIAL NO.	REMARKS
1	14H785	NUT	2	5/16"	
2	12M7032	LOCK WASHER	2	0.331"	
3	R74993	BOOT	2		
4	.....	WIRING LEAD	1		(MAKE FROM R65593, R65599 AND R32018)
5	12M7060	WASHER	2	0.209"	
6	14H631	NUT	2	0.190"	
7	RE38391	KIT	1		(SUB FOR AT68973 OR AT40955) (ALSO ORDER RE41287)
8	R52938	CAP SCREW	2		

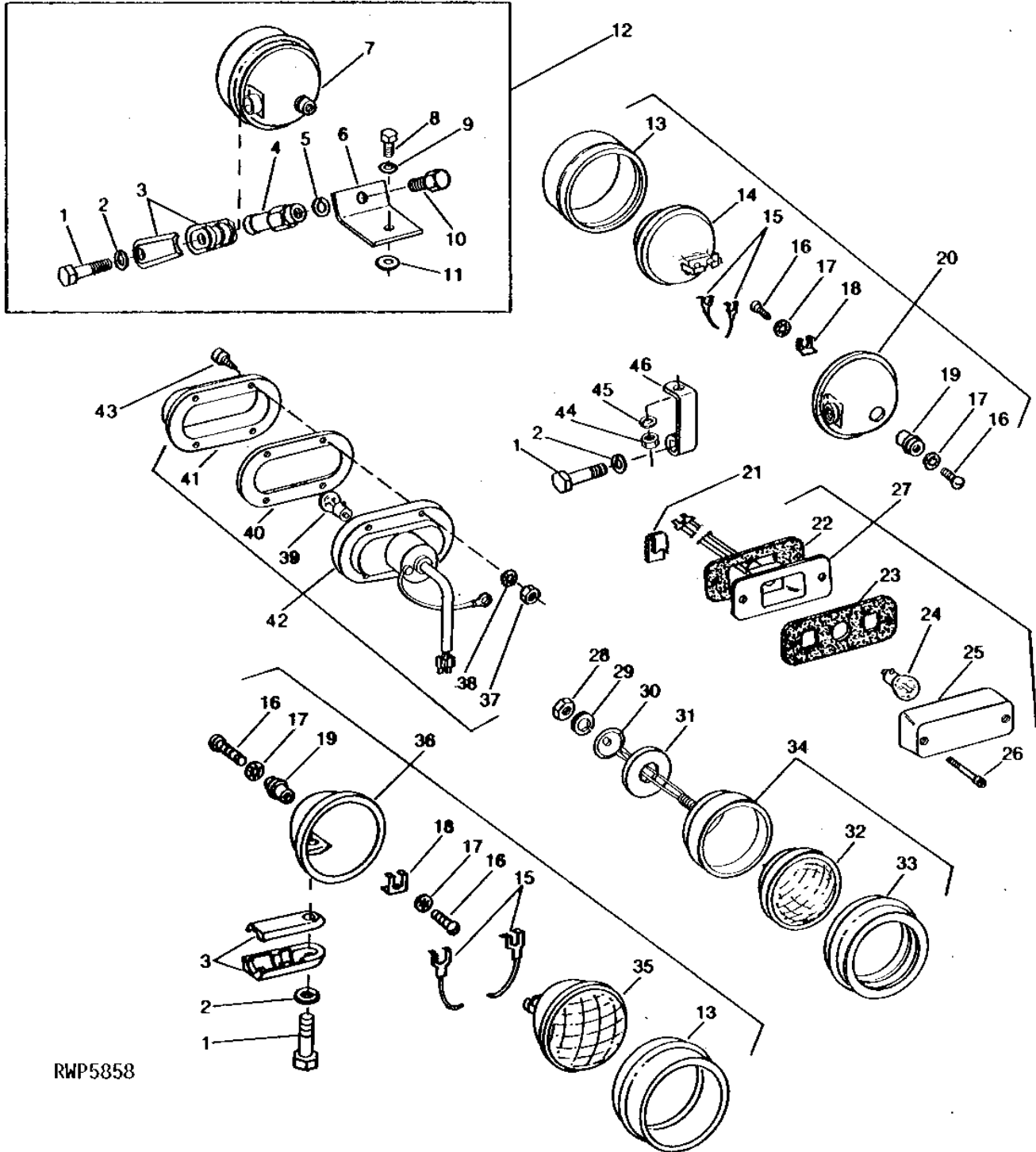
# 2D5

ELECTRICAL

RWP5858

-UN-01JAN94

## FRONT AND REAR LAMPS AND BRACKETS



RWP5858

# 2D6

ELECTRICAL

## FRONT AND REAR LAMPS AND BRACKETS - CONTINUED

KEY	PART NO.	PART NAME	QTY	TRACTOR SERIAL NO.	REMARKS
1	19H2644	CAP SCREW	5		1/2" X 2-1/2"
2	12H301	LOCK WASHER	3		1/2"
	12H292	LOCK WASHER	2		1/2"
3	R27460	CLAMP	6		
4	R54778	NUT	1		
5	12H301	LOCK WASHER	1		1/2"
6	R58327	BRACKET	1		(NLA)
7	RE63228	LAMP	1		(A) (SUB FOR AR72386)
8	19H1136	CAP SCREW	1		7/16" X 1-1/8"
9	12H304	LOCK WASHER	1		3/8"
10	19H1792	CAP SCREW	1		1/2" X 1"
11	24H1309	WASHER	1		13/32" X 1-1/16" X 0.120"
12	AR70919	LAMP	1		(NLA)
13	R42689	BEZEL	5		(HOBBS)
	R48293	BEZEL	5		(GUIDE)
	R71233	BEZEL	5		(MIDWEST)
14	AF3892R	HEADLIGHT	2		(A) (35 WATTS) (USE WITH AR72386, AR85859 OR RE63228)
	AR104119	HEADLIGHT	2		(50 WATTS) (HALOGEN) (SUB FOR AT25451) (USE WITH RE19075)
15	.....	WIRING LEAD	5		165 MM (6-1/2") (MAKE FROM R66319 AND (2) R32016)
16	21H1293	SCREW	10		0.164" X 5/16"
17	12M7084	LOCK WASHER	10		0.169"
18	A2899R	ASSEMBLY LINE PARTS	5		
19	R30181	PLATE	5		
20	RE63228	LAMP	2	-005927	(A) (SUB FOR AR72386)
	RE19075	LAMP	2	005928-	(A) (SUB FOR AR85859)
21	R53528	NUT	8		(SUB R99350, THIS APPLICATION)
22	R54782	GASKET	4		
23	R61179	GASKET	4		
24	AD2062R	BULB	4		
25	R54779	LENS	4		
26	R54781	SCREW	8		
27	AR60250	LAMP	4		
28	14H1040	NUT	2		1/2"
29	12H301	LOCK WASHER	2		1/2"
30	F2935R	WASHER	2		
31	R48663	WASHER	2		
32	RE25125	DUAL BEAM LAMP	2		(B) (SUB FOR AR48723 OR AR93335)
33	R30182	BEZEL	2		(HOBBS)
	R31250	BEZEL	2		(GUIDE)
	R71232	BEZEL	2		(MIDWEST)
34	AR48721	LAMP	2	-005927	(B)
	RE25126	DUAL BEAM LAMP	1	005928-	(B) R.H. (SUB FOR AR85257 OR RE19081)
	RE25127	DUAL BEAM LAMP	1	005928-	(B) L.H. (SUB FOR AR85257 OR RE19082)
35	AF3892R	HEADLIGHT	2		(A) (60 WATTS) (USE WITH AR72386, AR85259 OR RE63228)
	AR104119	HEADLIGHT	2		(50 WATTS) (HALOGEN) (USE WITH RE19075) (SUB FOR AT25451)
36	RE63228	LAMP	2	-005927	(SUB FOR AR72386)
	RE19075	LAMP	2	005928-	(SUB FOR AR85259)
37	14H605	NUT	2		0.164"
38	12M7084	LOCK WASHER	2		0.169"
39	AR48041	BULB	2		(A)
40	R45937	GASKET	2		
41	R45936	LENS	2		
42	AR78825	TAIL LAMP	2		(SUB FOR AR45099)
43	R55933	SCREW	8		
44	14H1040	NUT	2		1/2"
45	12H292	LOCK WASHER	2		1/2"
46	R59160	BRACKET	2		
..	AR73181	WIRING LEAD	2		

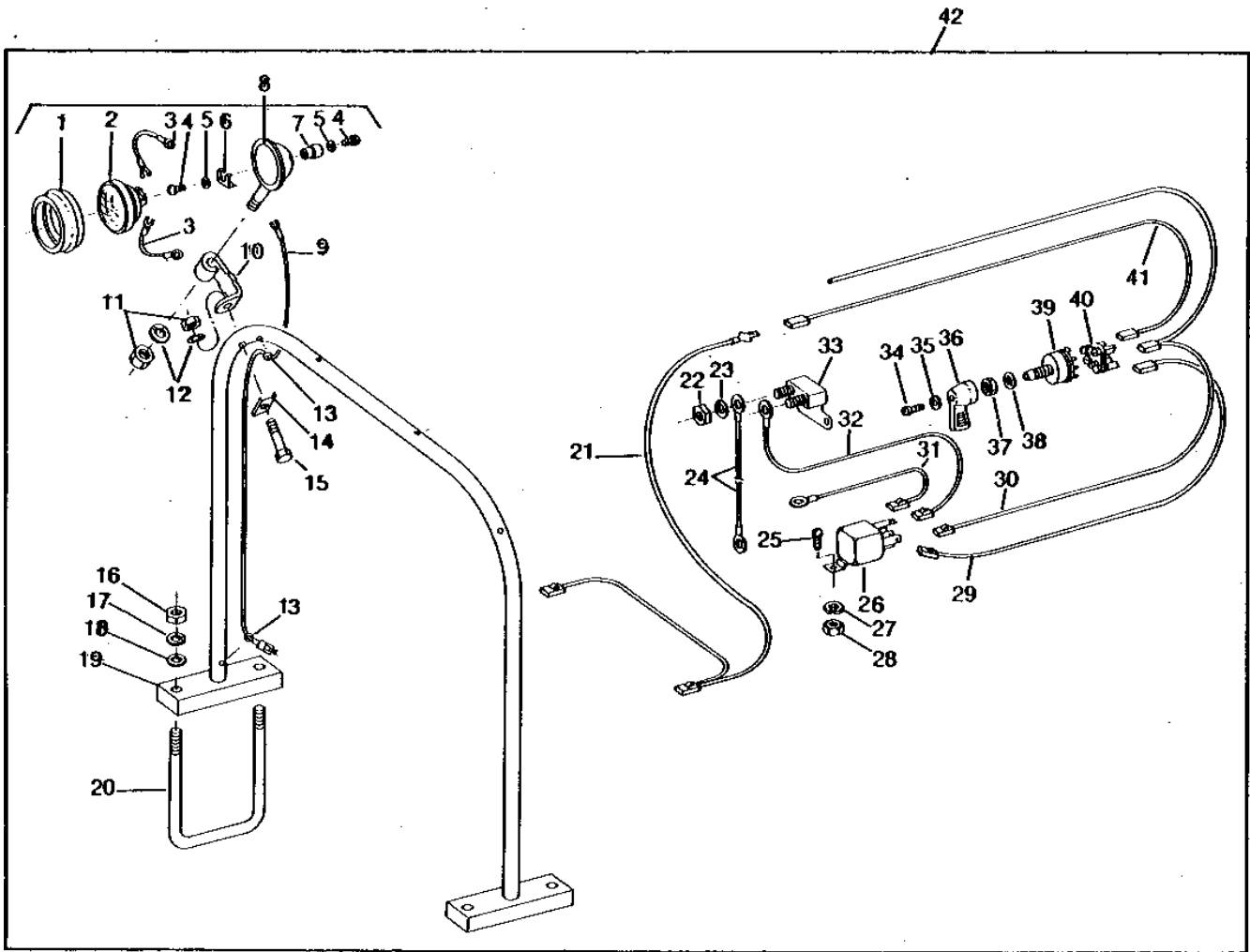
(A) 12-VOLT  
(B) 12-VOLT DUAL BEAM

# 2D7

ELECTRICAL

RWP3838 -UN-01JAN94

## REAR FLOOD LAMPS (LESS FENDERS)



RWP3838



# 2D8

ELECTRICAL

## REAR FLOOD LAMPS - CONTINUED (LESS FENDERS)

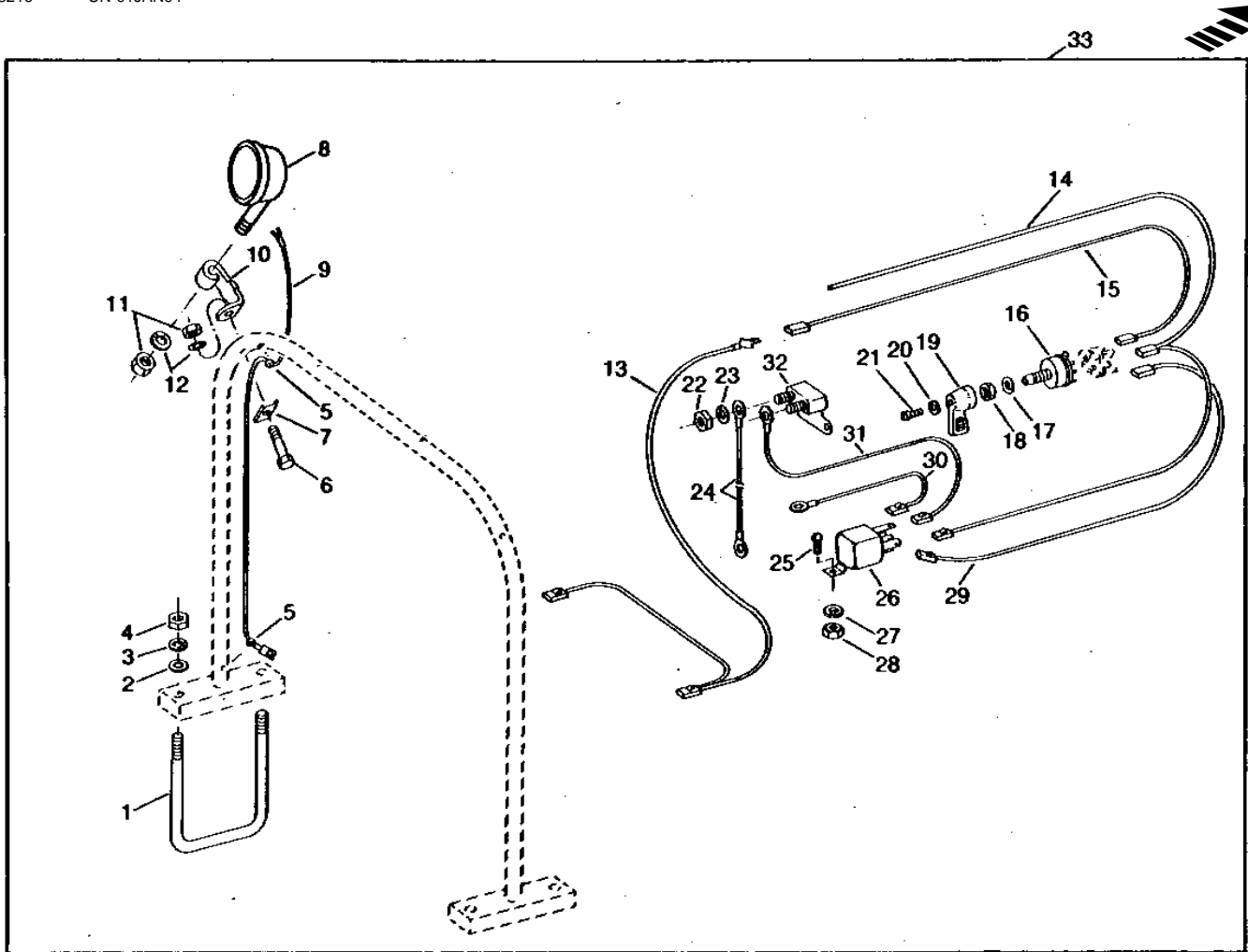
KEY	PART NO.	PART NAME	QTY	TRACTOR SERIAL NO.	REMARKS
1	R30182	BEZEL	2	(HOBBS)	
	R31250	BEZEL	2	(GUIDE)	
2	AR21059	HEADLIGHT	2	(12-VOLT)	
3	.....	WIRING LEAD	2		165 MM (6-1/2") (MAKE FROM R66319 AND (2) R32016)
4	21H1293	SCREW	4		0.164" X 5/16"
5	12M7084	LOCK WASHER	4		0.169"
6	A2899R	ASSEMBLY LINE PARTS	2		
7	R30181	PLATE	2	(HOBBS)	
	AA3495R	SUPPORT	2	(GUIDE)	
8	AR35782	LAMP	2		
9	.....	WIRING LEAD	2		1549 MM (61") (MAKE FROM R66319, R32016, R65600, T28585 AND R32027)
10	R59160	BRACKET	2		
11	14H1040	NUT	4		1/2"
12	12H301	LOCK WASHER	4		1/2"
13	A3411R	GROMMET	4		
14	R60331	STRAP	2		
15	19H1974	CAP SCREW	2		1/2" X 2-3/4"
16	14H1039	NUT	4		5/8"
17	12H294	LOCK WASHER	4		5/8"
18	24H1139	WASHER	4		11/16" X 1-1/4" X 0.105"
19	AR73156	SUPPORT	1		
20	R43390	U-BOLT	2		
21	AR73180	WIRING HARNESS	1	-005927	(JUNCTION BLOCK TO REAR LAMP)
22	14H631	NUT	2	-005927	0.190"
23	12M7060	WASHER	2	-005927	0.209"
24	AR73572	WIRING LEAD	1	-005927	TO REAR BUSSBAR
25	21H1295	SCREW	1	-005927	0.190" X 5/8"
26	AR74411	RELAY	1	-005927	
	R67982	COVER	1	-005927	
27	12M7060	WASHER	1	-005927	0.209"
28	14H631	NUT	1	-005927	0.190"
29	.....	WIRING LEAD	1	-005927	(1060 MM (42") (RELAY TO LIGHT SWITCH) (MAKE FROM R66319, (2) T28583 AND (2) U46662) (FROM AR84006)
30	AR74412	WIRING HARNESS	1	-005927	(RELAY TO LIGHT SWITCH)
31	.....	WIRING LEAD	1	-005927	152 MM (6") (MAKE FROM R32021, R65600, T28585 AND R32027)
32	.....	WIRING LEAD	1	-005927	310 MM (12-1/4") (MAKE FROM R66319, R32018, T28583 AND U46662)
33	AR49352	CIRCUIT BREAKER	1	-005927	30 AMP
34	21H1299	SCREW	1	-005927	0.164" X 3/8"
35	12H315	LOCK WASHER	1	-005927	0.164"
36	A4653R	KNOB	1	-005927	
37	A4655R	NUT	1	-005927	
38	12H292	LOCK WASHER	1	-005927	1/2"
39	AR48724	LIGHT SWITCH	1	-005927	LIGHT
40	AR83425	RECEPTACLE CONNECTOR BODY	1	-005927	(NOT INCLUDED IN KIT)
41	AR73570	WIRING LEAD	1	-005927	(SWITCH TO BULKHEAD CONNECTOR)
42	AR74024	KIT	1	-005927	(SUB AR74112 AND AR73156) (NLA)
..	R32027	CONNECTOR	2	-005927	SPLICE
..	AR65005	TERMINAL	2	-005927	(MALE BLADE WITH LEAD)
..	AR67855	CONNECTOR	1	-005927	WIRE TAP
..	R44302	TIE BAND	AR	-005927	

# 2D9

ELECTRICAL

REAR FLOOD LAMP KIT  
(LESS FENDERS)  
(TRACTOR SERIAL NO. -005927)

RXP8216 -UN-01JAN94



RXP8216

# 2D10

ELECTRICAL

**REAR FLOOD LAMP KIT - CONTINUED  
(LESS FENDERS)  
(TRACTOR SERIAL NO. -005927)**

KEY	PART NO.	PART NAME	QTY	TRACTOR SERIAL NO.	REMARKS
1	R43390	U-BOLT	2		
2	24H1139	WASHER	4		11/16" X 1-1/4" X 0.105"
3	12H294	LOCK WASHER	4		5/8"
4	14H1039	NUT	4		5/8"
5	A3411R	GROMMET	4		
6	19H1974	CAP SCREW	2		1/2" X 2-3/4"
7	R60331	STRAP	2		
8	RE27099	LAMP	2		
9	.....	WIRING LEAD	2		1549 MM (61") (MAKE FROM R66319, R32016, R65600, T28585 AND R32027)
10	R59160	BRACKET	2		
11	14H1040	NUT	4		1/2"
12	12H301	LOCK WASHER	4		1/2"
13	AR73180	WIRING HARNESS	1		(JUNCTION BLOCK TO REAR LAMP)
14	AR74412	WIRING HARNESS	1		(RELAY TO LIGHT SWITCH)
15	AR73570	WIRING LEAD	2		(SWITCH TO BULKHEAD CONNECTOR)
16	AR48724	LIGHT SWITCH	1		LIGHT
17	12H292	LOCK WASHER	1		1/2"
18	A4655R	NUT	1		
19	A4653R	KNOB	1		
20	12H315	LOCK WASHER	1		0.164"
21	21H1299	SCREW	1		0.164" X 3/8"
22	14H631	NUT	2		0.190"
23	12M7060	WASHER	2		0.209"
24	AR73572	WIRING LEAD	1		TO REAR BUSSBAR
25	21H1295	SCREW	1		0.190" X 5/8"
26	AR74411	RELAY	1		
27	R67982	COVER	1		
28	12M7060	WASHER	1		0.209"
29	14H631	NUT	1		0.190"
30	.....	WIRING LEAD	1		(1060 MM (42") (RELAY TO LIGHT SWITCH) (MAKE FROM R66319, (2) T28583 AND (2) U46662)
31	.....	WIRING LEAD	1		152 MM (6") (MAKE FROM R32021, R65600, T28585 AND R32027)
32	AR49352	CIRCUIT BREAKER	1		30 AMP
33	AR74112	LAMP	1		(ALSO ORDER AR73156) (NLA)
34	AR73156	SUPPORT	1		
..	R32027	CONNECTOR	2		SPLICE
..	AR65005	TERMINAL	2		(MALE BLADE WITH LEAD)
..	AR67855	CONNECTOR	1		WIRE TAP
..	R44302	TIE BAND	AR		
..	24H1283	WASHER	1		7/32" X 1/2" X 0.049"

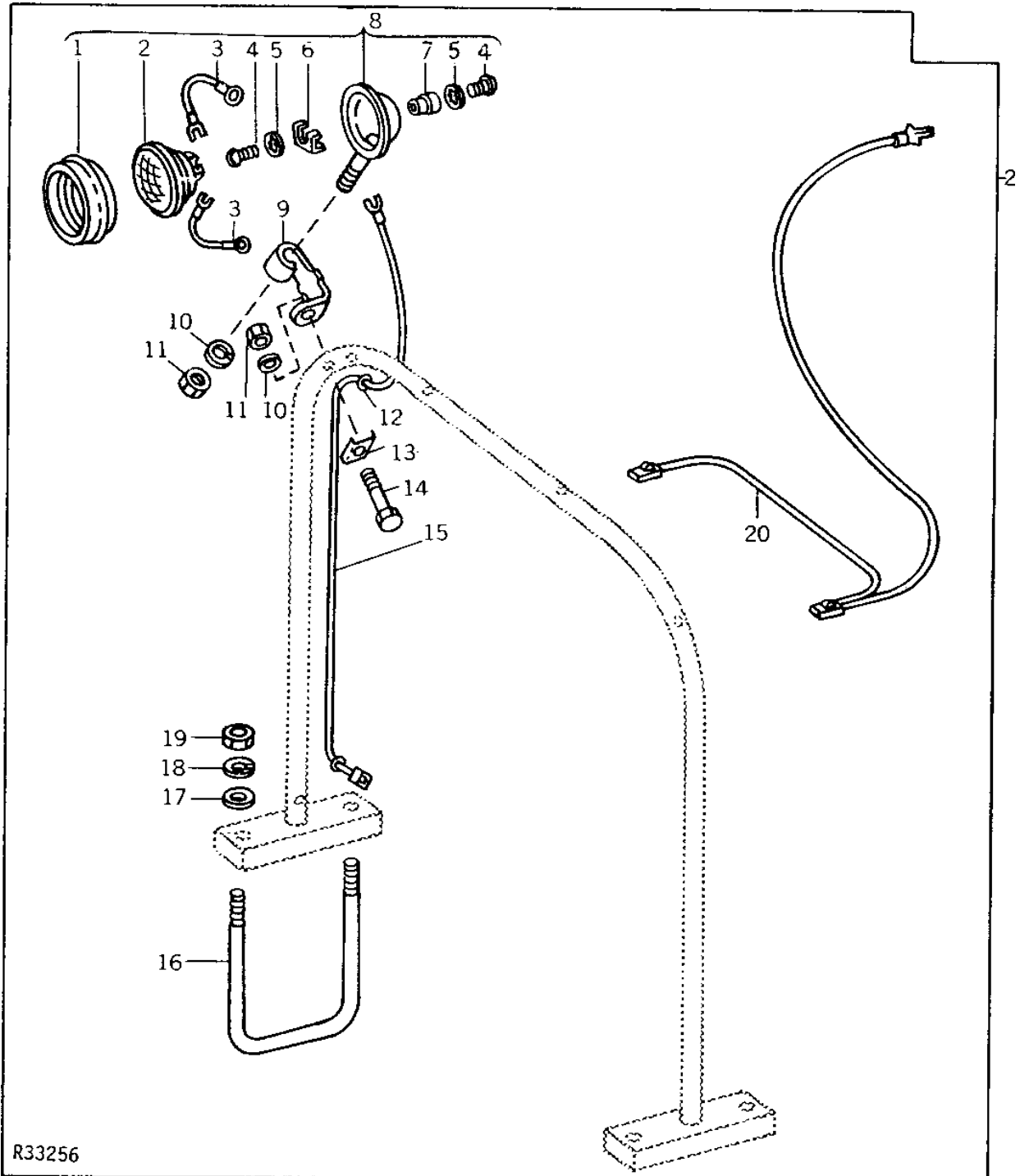
# 2D11

ELECTRICAL

## REAR FLOOD LAMPS (LESS FENDERS) (TRACTOR SERIAL NO. 005928- )

R33256

-UN-01JAN94



R33256

# 2D12

ELECTRICAL

REAR FLOOD LAMPS - CONTINUED  
(LESS FENDERS)  
(TRACTOR SERIAL NO. 005928- )

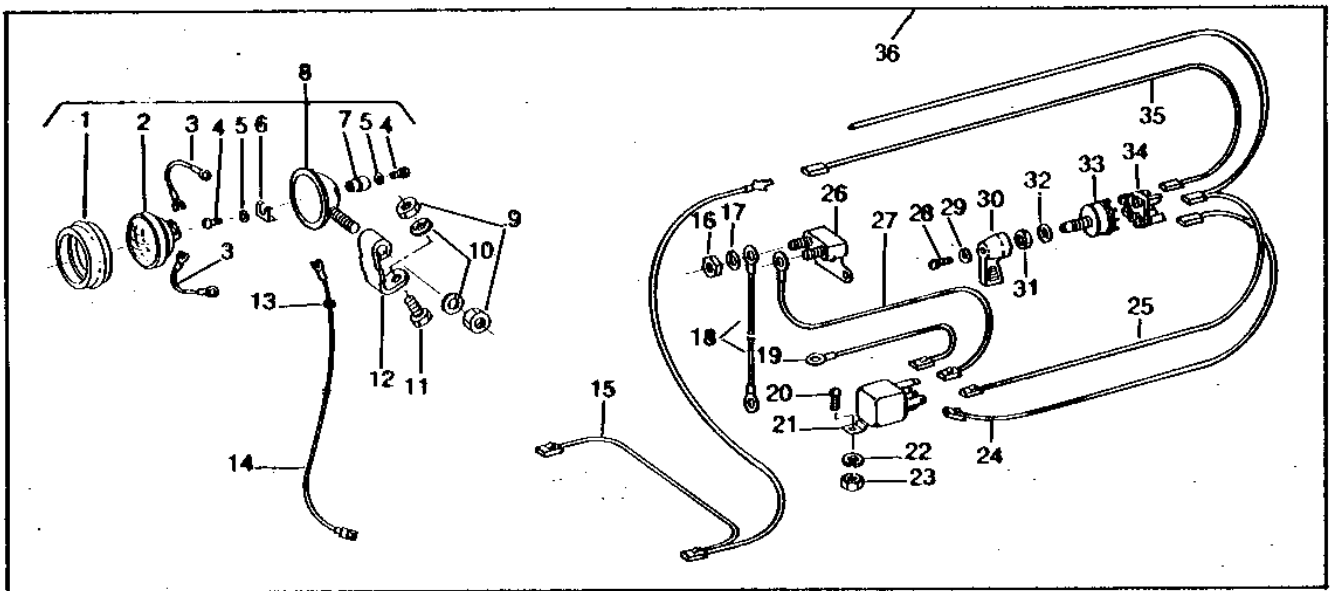
KEY	PART NO.	PART NAME	QTY	TRACTOR SERIAL NO.	REMARKS
1	R30182	BEZEL	2	(HOBBS)	
	R31250	BEZEL	2	(GUIDE)	
2	AR21059	HEADLIGHT	2	(12-VOLT)	
3	.....	WIRING LEAD	2	165 MM (6-1/2") (MAKE FROM R66319 AND (2) R32016)	
4	21H972	SCREW	4	0.164" X 5/16"	
5	12M7084	LOCK WASHER	4	0.169"	
6	A2899R	ASSEMBLY LINE PARTS	2		
7	R30181	PLATE	2	(HOBBS)	
	AA3495R	SUPPORT	2	(GUIDE)	
8	AR35782	LAMP	2		
9	R59160	BRACKET	2		
10	12H301	LOCK WASHER	4	1/2"	
11	14H1040	NUT	4	1/2", (NLA)	
12	A3411R	GROMMET	4		
13	R60331	STRAP	2		
14	19H1974	CAP SCREW	2	1/2" X 2-3/4"	
15	.....	WIRING LEAD	2	1549 MM (61") (MAKE FROM R66319, R32016, R65597, T28583 AND R32027)	
16	R43390	U-BOLT	2		
17	24H1139	WASHER	4	11/16" X 1-1/4" X 0.105"	
18	12H294	LOCK WASHER	4	5/8"	
19	14H760	NUT	4	5/8"	
20	AR89598	WIRING HARNESS	1	(NEUTRAL START SWITCH TO LAMP LEAD)	
21	AR89597	LAMP	1	(NLA)	
..	AR73156	SUPPORT	1		

# 2D13

ELECTRICAL

RWP3840 -UN-01JAN94

REAR FLOOD LAMPS  
(FENDERS)



RWP3840

# 2D14

ELECTRICAL

## REAR FLOOD LAMPS - CONTINUED (FENDERS)

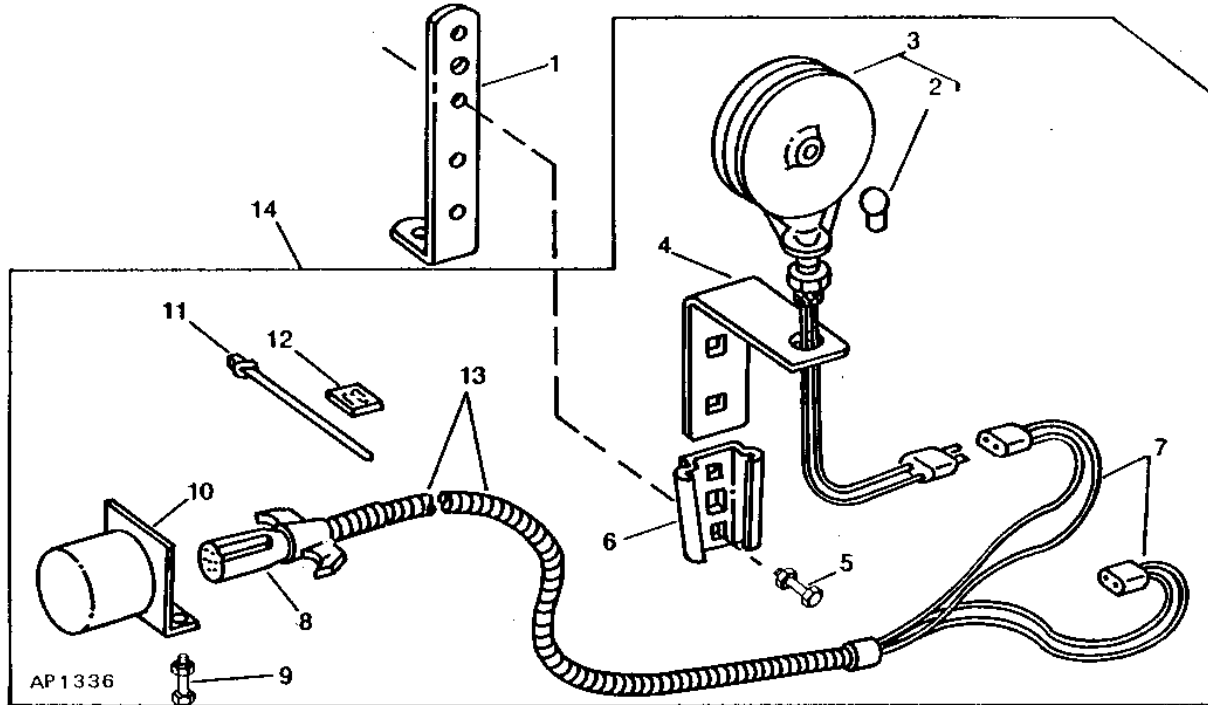
KEY	PART NO.	PART NAME	QTY	TRACTOR SERIAL NO.	REMARKS
1	R30182	BEZEL	2	(HOBBS)	
	R31250	BEZEL	2	(GUIDE)	
2	AR21059	HEADLIGHT	2	(12-VOLT) (USE WITH AR35782)	
	AR104119	HEADLIGHT	2	(USE WITH RE19075)	
3	.....	WIRING LEAD	2	165 MM (6-1/2") (MAKE FROM R66319 AND (2) R32016)	
4	21H972	SCREW	4	0.164" X 5/16"	
5	12M7084	LOCK WASHER	4	0.169"	
6	A2899R	ASSEMBLY LINE PARTS	2		
7	R30181	PLATE	2	(HOBBS)	
	AA3495R	SUPPORT	2	(GUIDE)	
8	AR35782	LAMP	2	-008117	
	RE19075	LAMP	2	008118-	(SUB FOR AR85861)
9	14H1040	NUT	4	-008117	1/2"
	14H1040	NUT	2	008118-	1/2"
	19H2644	CAP SCREW	2	008118-	1/2" X 2-1/2"
10	12H301	LOCK WASHER	4	-008117	1/2"
	12H301	LOCK WASHER	2	008118-	1/2"
11	19H1815	CAP SCREW	2		1/2" X 1-1/4"
12	R59160	BRACKET	2		
13	A3411R	GROMMET	2		
14	.....	WIRING LEAD	2		1549 MM (61") (MAKE FROM R66319, R32016, R65597, T28583 AND R32027)
15	AR73180	WIRING HARNESS	1	-005927	JUNCTION BLOCK TO LAMP
16	14H631	NUT	2	-005927	0.190"
17	12M7060	WASHER	2	-005927	0.209"
18	AR73572	WIRING LEAD	1	-005927	TO REAR BUSSBAR
19	.....	WIRING LEAD	1	-005927	152 MM (6") (MAKE FROM R32021, R65600, T28585 AND R32027)
20	21H1295	SCREW	1	-005927	0.190" X 5/8"
21	AR74411	RELAY	1	-005927	
	R67982	COVER	1	-005927	
22	12M7060	WASHER	1	-005927	0.209"
23	14H631	NUT	1	-005927	0.190"
24	.....	WIRING LEAD	1	-005927	1060 MM (42") RELAY TO LIGHT SWITCH, (MAKE FROM R66319, (2) T28583 AND (2) U46662)
25	AR74412	WIRING HARNESS	1	-005927	RELAY TO LIGHT SWITCH
26	AR49352	CIRCUIT BREAKER	1	-005927	30 AMP
27	.....	WIRING LEAD	1	-005927	310 MM (12-14") (MAKE FROM R66319, R32018, T28583 AND U46662)
28	21H1299	SCREW	1	-005927	0.164" X 3/8"
29	12H315	LOCK WASHER	1	-005927	0.164"
30	A4653R	KNOB	1	-005927	
31	A4655R	NUT	1	-005927	
32	12H292	LOCK WASHER	1	-005927	1/2"
33	AR48724	LIGHT SWITCH	1	-005927	LIGHT
34	AR83425	RECEPTACLE CONNECTOR BODY	1	-005927	(NOT INCLUDED IN KIT)
35	AR73570	WIRING LEAD	1	-005927	
36	AR74034	KIT	1	-005927	
..	R32027	CONNECTOR	2	-005927	SPLICE
..	AR65005	TERMINAL	2	-005927	MALE BLADE WITH LEAD
..	AR67855	CONNECTOR	1	-005927	WIRE TAP
..	R44302	TIE BAND	AR	-005927	

# 2D15

ELECTRICAL

AP1336 -UN-01JAN94

## WARNING LAMP (FLASHING)



KEY	PART NO.	PART NAME	QTY	TRACTOR SERIAL NO.	REMARKS
1	A39716	BRACKET	2		
2	AD2062R	BULB	2		
3	PT1293	LAMP	2		(SUB AA34967)
4	PT9319	BRACKET	2		(SUB FOR PT1624) (SUB PT18180)
5	37H57	SCREW	4		5/16" X 3/4"
	14H785	NUT	4		5/16"
6	JD126	SOCKET	2		
7	PT9318	WIRING HARNESS	2		(2-CONDUCTOR) (SUB FOR PT1294)
8	AH93625	PLUG	1		(7-PIN)
9	37H24	SCREW	4		1/4" X 3/4"
	14H786	NUT	4		1/4"
10	PT1296	BRACKET	1		(STORING, 7-PIN PLUG)
11	R44302	TIE BAND	AR		
12	PT1297	TAPE	AR		(ADHESIVE) (SUB AT55441)
13	PT1295	CONDUIT	1		(PROTECTIVE WIRING) (NO LONGER AVAILABLE)
14	TY15263	WARNING LIGHT KIT	1		(WITH DIRECTION) (SUB FOR TY9305) (SUB TY16055)

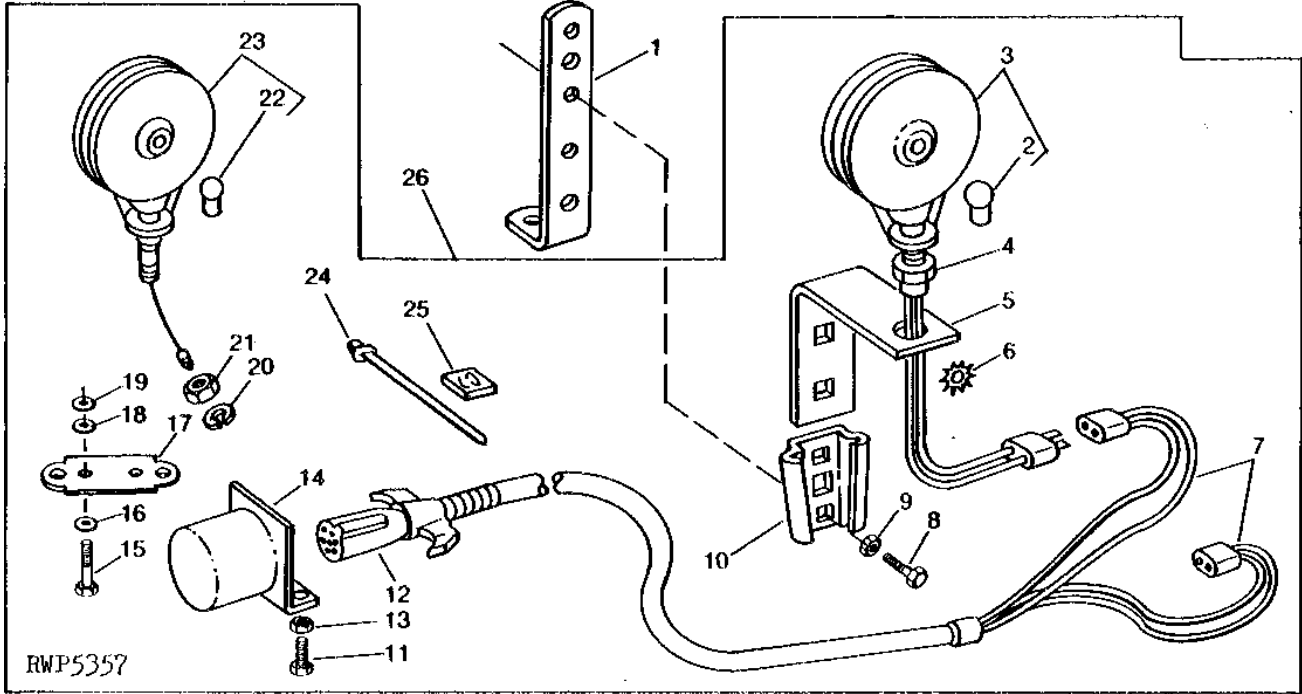


# 2D16

ELECTRICAL

RWP5357 -UN-01JAN94

## IMPLEMENT WARNING LAMP KIT



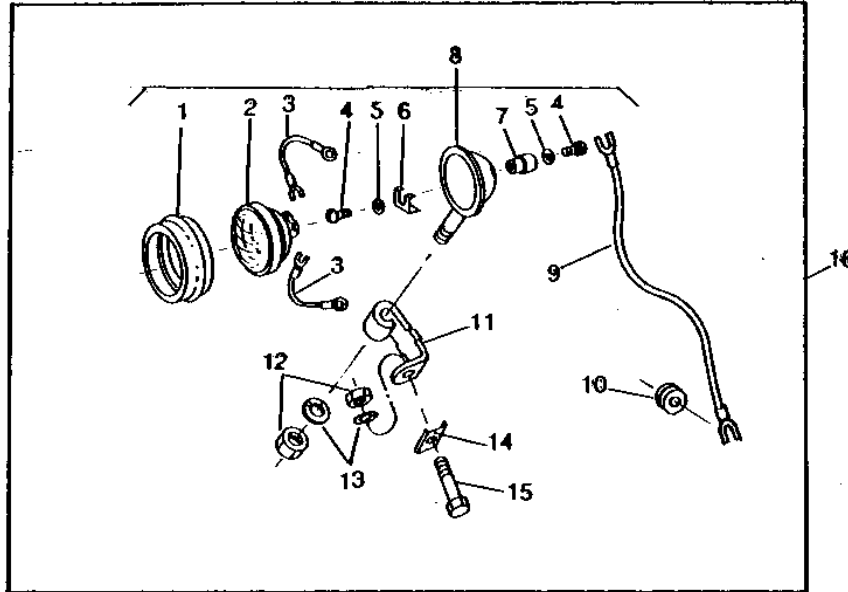
KEY	PART NO.	PART NAME	QTY	TRACTOR SERIAL NO.	REMARKS
1	A39716	BRACKET	2		
2	AD2062R	BULB	2		
3	AA34967	LAMP	2		
	A48331	LENS	2		
4	12H301	LOCK WASHER	2	1/2"	
	14H856	NUT	2	1/2"	
5	PT18180	BRACKET	2		(SUB FOR PT1624 OR PT9319)
6	PT9390	WASHER	1		
7	PT9318	WIRING HARNESS	1		(SUB FOR PT1294)
8	37H57	SCREW	5	5/16" X 3/4"	
9	14H785	NUT	5	5/16"	
10	JD126	SOCKET	2		
11	37H3	SCREW	2	1/4" X 5/8"	
12	AH93625	PLUG	1		
13	14H786	NUT	2	1/4"	
14	PT1296	BRACKET	1		
15	37H57	SCREW	5	5/16" X 3/4"	
16	24H1822	WASHER	1	11/32" X 7/8" X 1/16"	
17	PT9320	BRACKET	1		
18	24H1822	WASHER	1	11/32" X 7/8" X 1/16"	
19	14H788	NUT	5	3/8"	
20	12H301	LOCK WASHER	1	1/2"	
21	14H856	NUT	1	1/2"	
22	AR48041	BULB	1		
23	AA34968	TAIL LAMP	1		
	A48332	LENS	1		
24	R44302	TIE BAND	AR		
25	AT55441	BASE	AR		(SUB FOR PT9321)
26	TY16055	KIT	1		(SUB FOR TY9305 OR TY15263)
..	AA32178	WIRING LEAD	1		ACCESSORY

# 2D17

ELECTRICAL

RWP3839 -UN-01JAN94

## SUPPLEMENTARY LIGHTING KIT



RWP3839

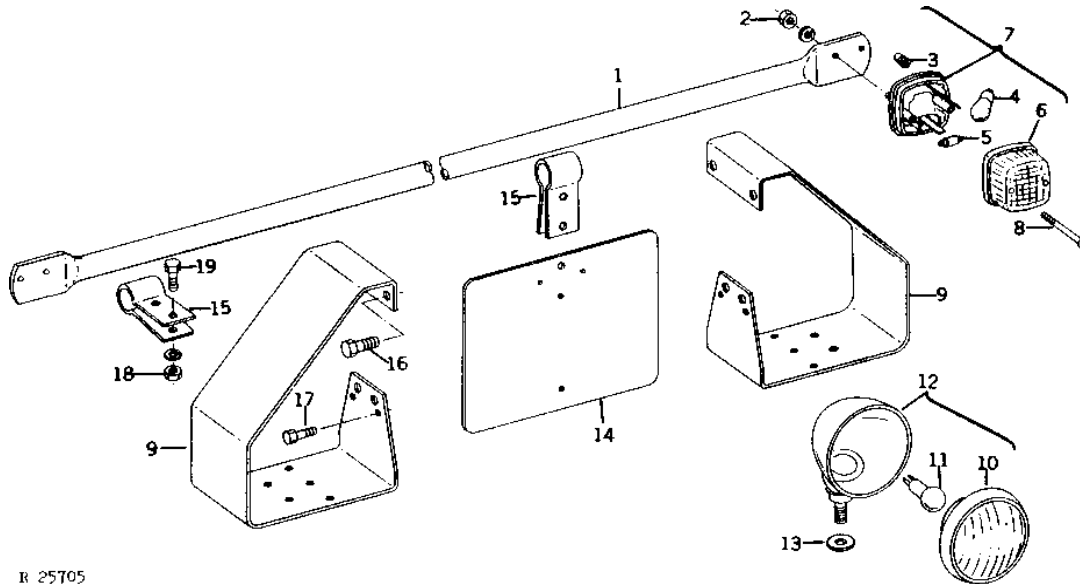
KEY	PART NO.	PART NAME	QTY	TRACTOR SERIAL NO.	REMARKS
1	R30182	BEZEL	2	(HOBBS)	
	R31250	BEZEL	2	(GUIDE)	
2	AR21059	HEADLIGHT	2		
3	.....	WIRING LEAD	2	165 MM (6-1/2") (MAKE FROM R66319 AND (2) R32016)	
4	21H1293	SCREW	4	0.164" X 5/16"	
5	12M7084	LOCK WASHER	4	0.169"	
6	A2899R	ASSEMBLY LINE PARTS	2		
7	R30181	PLATE	2	(HOBBS)	
	AA3495R	SUPPORT	2	(GUIDE)	
8	AR35782	LAMP	2		
9	AR73181	WIRING LEAD	2		
10	A3411R	GROMMET	2		
11	R59160	BRACKET	2		
12	14H1040	NUT	4	1/2"	
13	12H301	LOCK WASHER	4	1/2"	
14	R60331	STRAP	2		
15	19H1974	CAP SCREW	2	1/2" X 2-3/4", (LESS FENDERS)	
	19H1815	CAP SCREW	2	1/2" X 1-1/4", (FENDERS)	
16	AR74025	KIT	1	-005927	(USE AFTER AR74024 OR AR74034 HAS BEEN INSTALLED)

# 2D18

ELECTRICAL

AUXILIARY LIGHTING  
(NOT USED IN U.S. AND CANADA)

R25705 -UN-01JAN94



R 25705

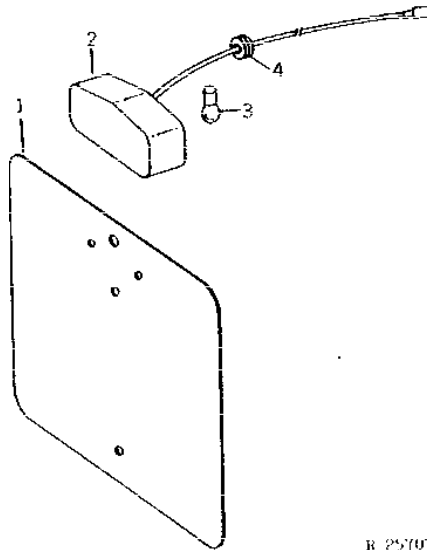
KEY	PART NO.	PART NAME	QTY	TRACTOR SERIAL NO.	REMARKS
1	R61666	SUPPORT	1		
2	14H605	NUT	4	0.164"	
	12M7084	LOCK WASHER	4	0.169"	
3	L31774	GROMMET	4		
4	57M7014	BULB	2		
5	57M6274	BULB	2		
6	AL27013	LENS	2	(SUB AL58739)	
7	AL58739	SIDE LIGHT	2	(SUB FOR AL25644)	
8	21H1315	SCREW	4	0.164" X 3/4"	
9	R61667	BRACKET	2		
10	57M6844	BULB	2		
11	57M6394	BULB	2		
12	AR74311	LAMP	2		
	AL28296	LAMP	2	(UNITED KINGDOM) (NLA)	
13	24H1625	WASHER	2	17/32" X 1" X 0.120"	
14	R61732	PLATE	1		
15	R61668	CLAMP	4	(NLA)	
16	19H1756	CAP SCREW	4	5/8" X 1-1/2"	
17	19H1821	CAP SCREW	2	7/16" X 1-1/4"	
18	14H1076	NUT	4	3/8"	
	12H304	LOCK WASHER	4	3/8"	
19	19H1731	CAP SCREW	4	3/8" X 1"	

# 2D19

ELECTRICAL

R25707 -UN-01JAN94

LICENSE PLATE AND LIGHT  
(NOT USED IN U.S. AND CANADA)



R 25707

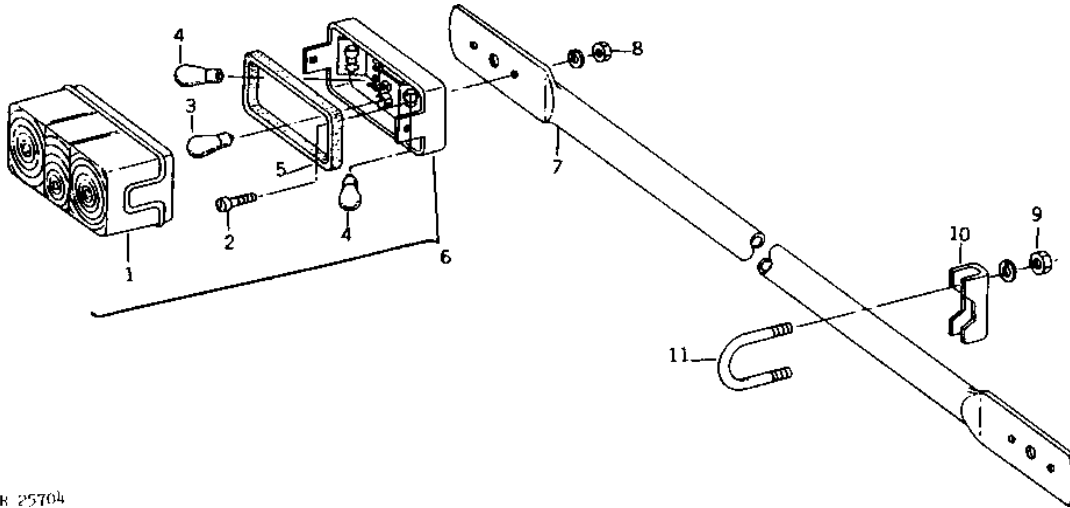
KEY	PART NO.	PART NAME	QTY	TRACTOR SERIAL NO.	REMARKS
1	R61732	PLATE	1		
2	DD12056	LAMP	1		
3	57M6274	BULB	1		
4	R26409	GROMMET	1		

# 2D20

ELECTRICAL

REAR SIGNAL LIGHTING  
(NOT USED IN U.S. AND CANADA)

R25704 -UN-01JAN94



R 25704

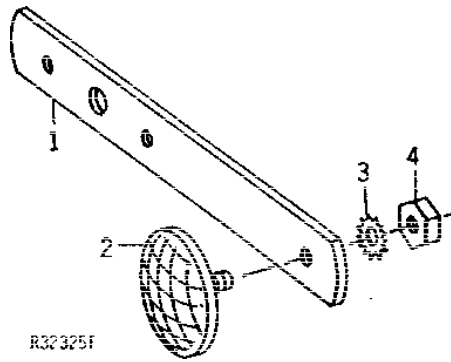
KEY	PART NO.	PART NAME	QTY	TRACTOR SERIAL NO.	REMARKS
1	AL27014	LAMP	1	L.H.	
	AL27008	LAMP	1	R.H.	
2	21H1348	SCREW	2	0.138" X 1-1/8"	
3	57M7013	BULB	1		
4	57M7014	BULB	2		
5	L31775	GASKET	1		
6	AL24544	TAIL LAMP	1	L.H.	
	AL24545	TAIL LAMP	1	R.H.	
	L31774	GROMMET	1		
7	R61663	SUPPORT	1		
8	14H1026	NUT	2	0.138"	
	12H321	WASHER	2	0.138"	
9	14H785	NUT	4	5/16"	
	12H303	LOCK WASHER	4	5/16"	
10	R61665	CLAMP	2	(NLA)	
11	R61664	WING SCREW	2	(NLA)	

# 2D21

ELECTRICAL

R32325 -UN-01JAN94

## REAR REFLECTOR (NOT USED IN U.S. AND CANADA)



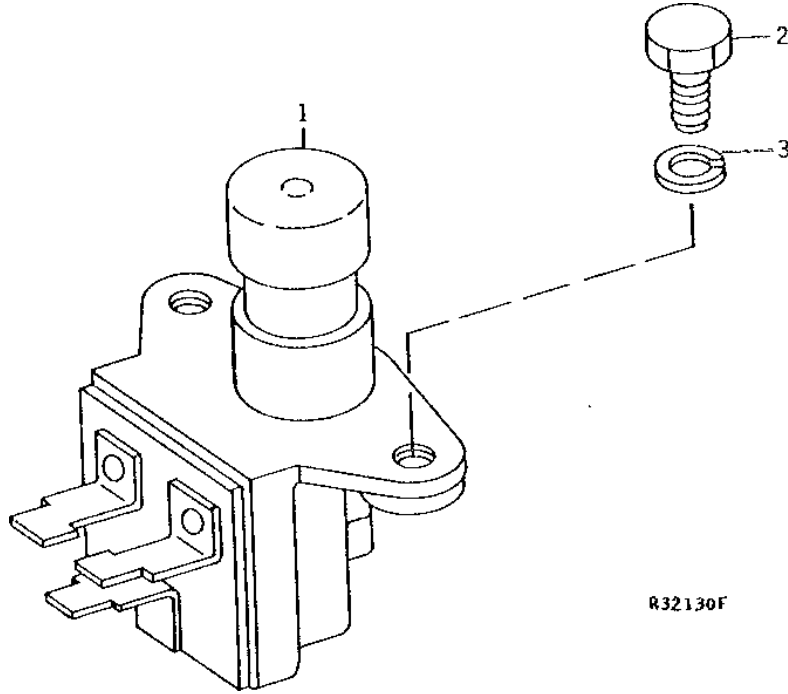
KEY	PART NO.	PART NAME	QTY	TRACTOR SERIAL NO.	REMARKS
1	R63879	STRAP	2	(NLA)	
2	L56488	REFLECTOR	2		
3	12H321	WASHER	2	0.138"	
4	14H1026	NUT	2	0.138"	

# 2D22

ELECTRICAL

R32130 -UN-01JAN94

DIMMER SWITCH



R32130F

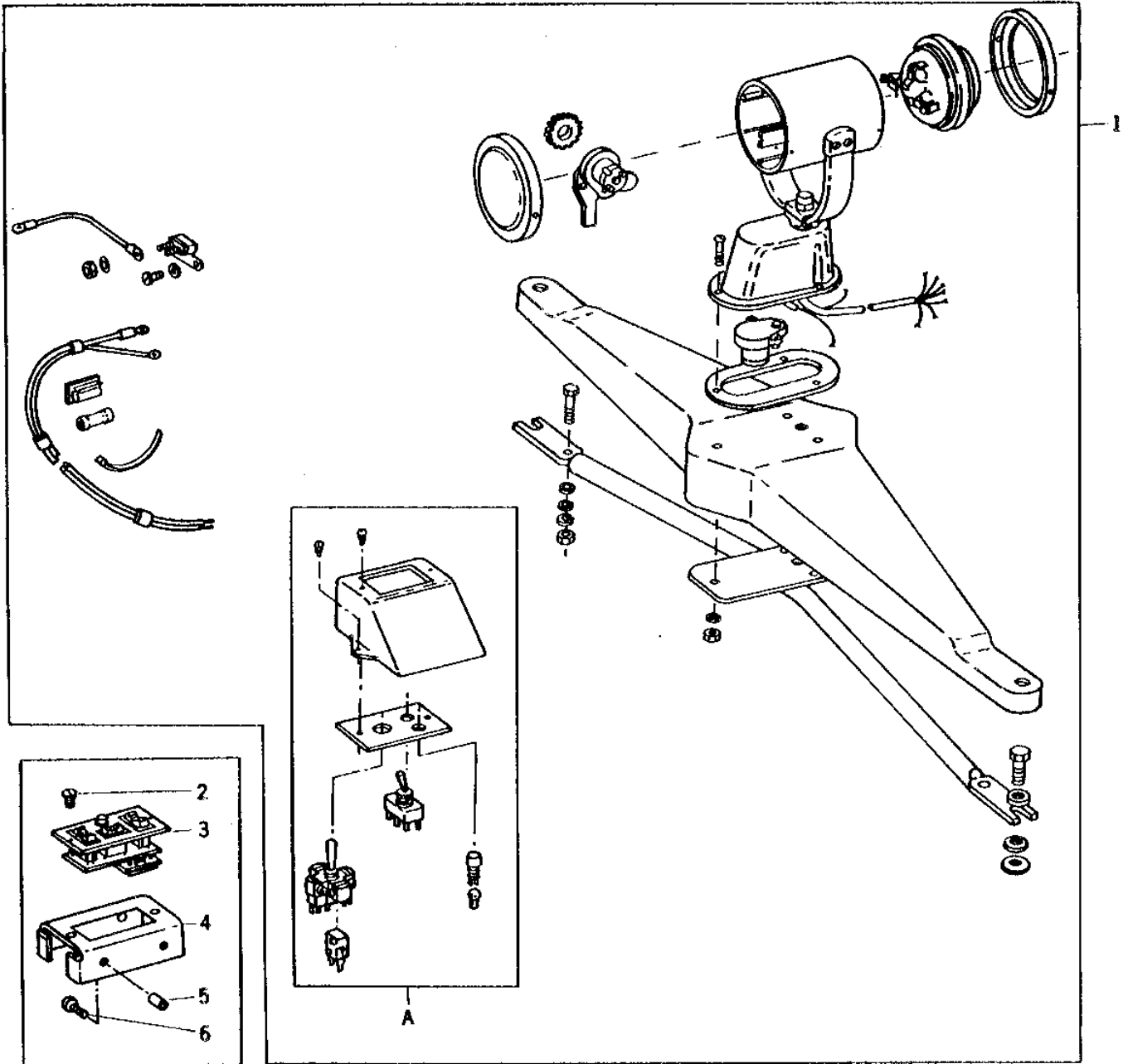
KEY	PART NO.	PART NAME	QTY	TRACTOR SERIAL NO.	REMARKS
1	AR48725	DIMMER SWITCH	1		
2	19H1919	CAP SCREW	2	1/4" X 5/8"	
3	12H302	LOCK WASHER	2	1/4"	

# 2D23

ELECTRICAL

RP769 -UN-01JAN94

ELECTRIC REMOTE CONTROLLED SPOTLIGHT



RP769  
B



# 2D24

ELECTRICAL

---

ELECTRIC REMOTE CONTROLLED SPOTLIGHT - CONTINUED

KEY	PART NO.	PART NAME	QTY	TRACTOR SERIAL NO.	REMARKS
1	.....	FLOODLAMP	1		(SUB AR73207, AR77774 AND AR78577)
2	21H1371	SCREW	2		0.112" X 1/2"
3	AR74323	SWITCH	1		(SUB AR77775, R63034 AND (2) 37H95)
4	R60427	BRACKET	1		
5	R53478	SLEEVE	2		
6	R53508	SCREW	2		TAPPING

NOTE: A AND B ARE ALTERNATE DESIGNS.

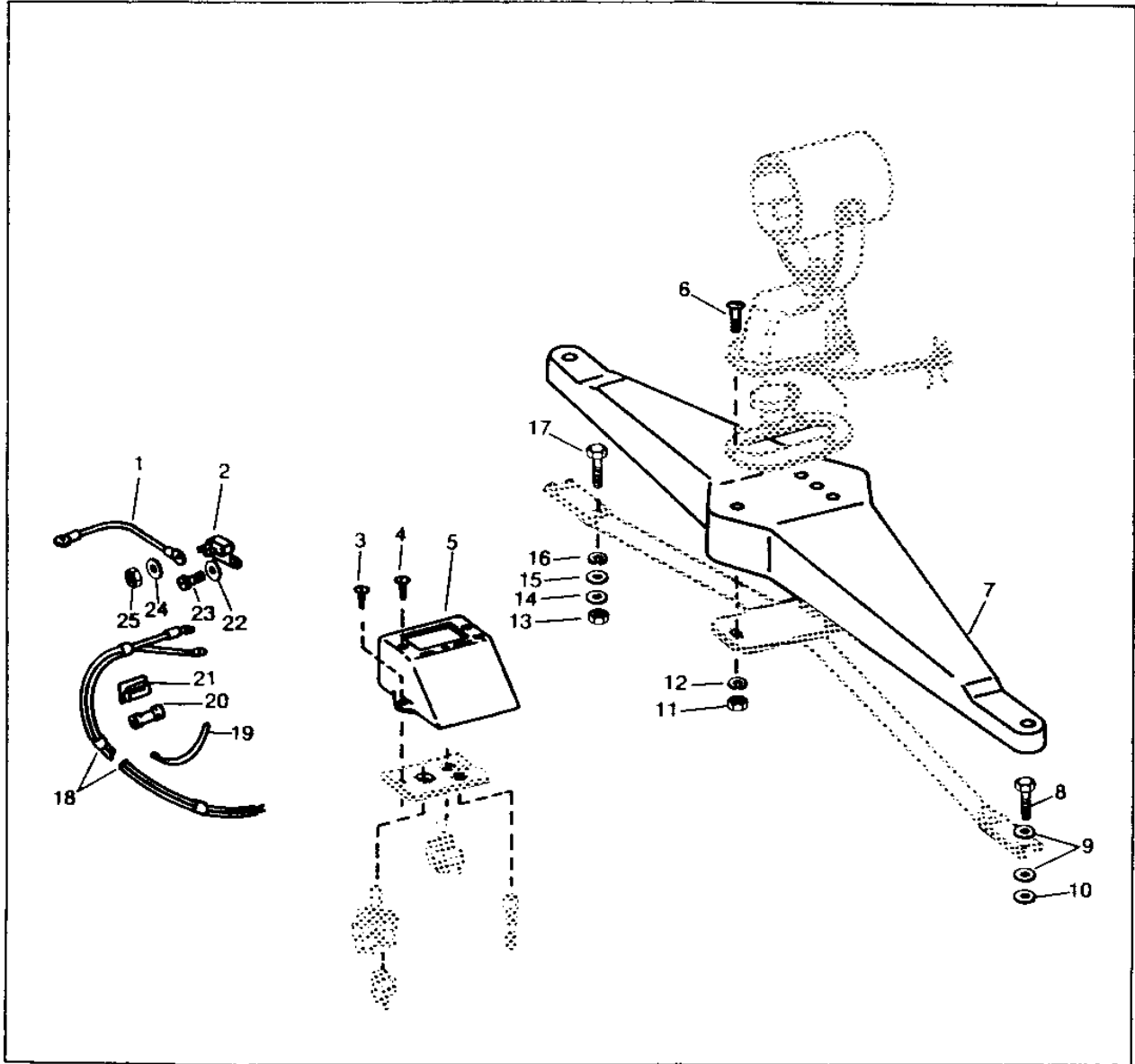
# 2E1

ELECTRICAL

RWP3087

-UN-01JAN94

## REMOTE CONTROLLED SPOTLIGHT INSTALLATION KIT



RWP3087

26

# 2E2

ELECTRICAL

## REMOTE CONTROLLED SPOTLIGHT INSTALLATION KIT - CONTINUED

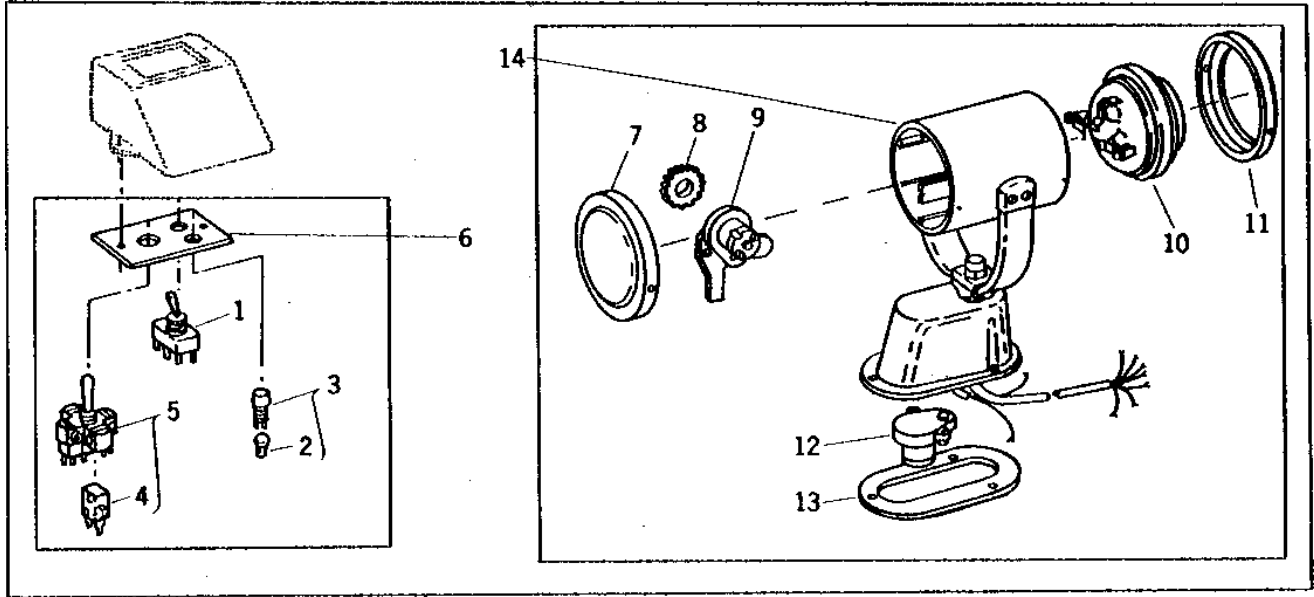
KEY	PART NO.	PART NAME	QTY	TRACTOR SERIAL NO.	REMARKS
1	.....	WIRING LEAD	1		152 MM (6") (MAKE FROM R66319 AND (2) R32018)
2	AR52302	CIRCUIT BREAKER	1		
3	37H95	SCREW	2		NO. 8 X 1/2"
4	37H46	SCREW	2		NO. 6 X 3/8"
5	R63034	HOUSING	1		
6	21H1366	SCREW	3		0.164" X 1-1/4"
7	R63531	COVER	1		
8	19H1833	CAP SCREW	2		5/8" X 1-1/4"
9	24H1658	WASHER	4		21/32" X 1" X 0.060"
10	24H1392	WASHER	6		25/32" X 1-3/8" X 0.120"
11	14H605	NUT	3		0.164"
12	12H315	LOCK WASHER	3		0.164"
13	14H1076	NUT	2		3/8"
14	12H304	LOCK WASHER	2		3/8"
15	24H1884	WASHER	2		13/32" X 13/16" X 0.120"
16	F2741R	PACKING	2		
17	19H1732	CAP SCREW	2		3/8" X 1-1/4"
18	AR73468	WIRING HARNESS	1		
19	R44302	TIE BAND	4		
20	R32027	CONNECTOR	2		14-16 GA. WIRE
21	R47474	CLIP	3		
22	12M7060	WASHER	1		0.209"
23	21H1301	SCREW	1		0.190" X 1/2"
24	12M7060	WASHER	2		0.209"
25	14H631	NUT	2		0.190"
26	<b>AR78577</b>	<b>KIT</b>	<b>1</b>		<b>(FI)</b>

# 2E3

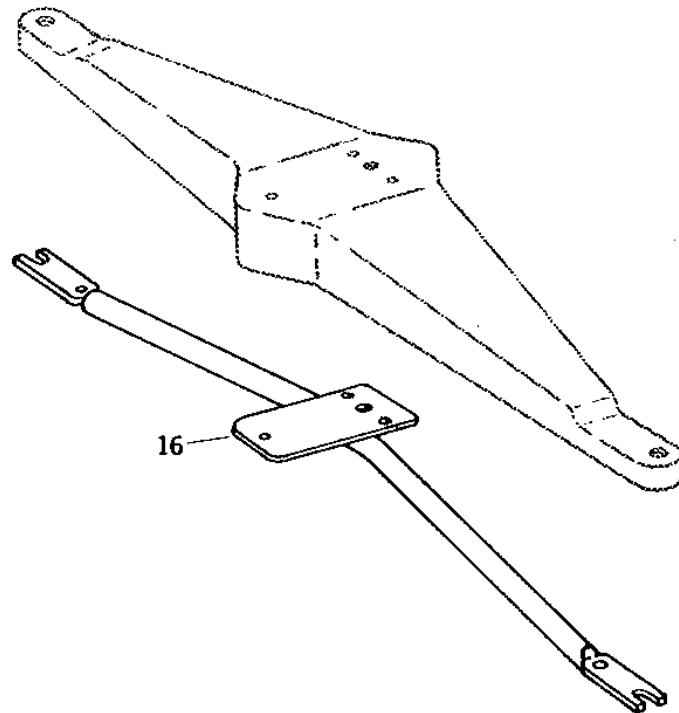
ELECTRICAL

RP771 -UN-01JAN94

## REMOTE CONTROLLED SPOTLIGHT



15



RP771

# 2E4

ELECTRICAL

## REMOTE CONTROLLED SPOTLIGHT - CONTINUED

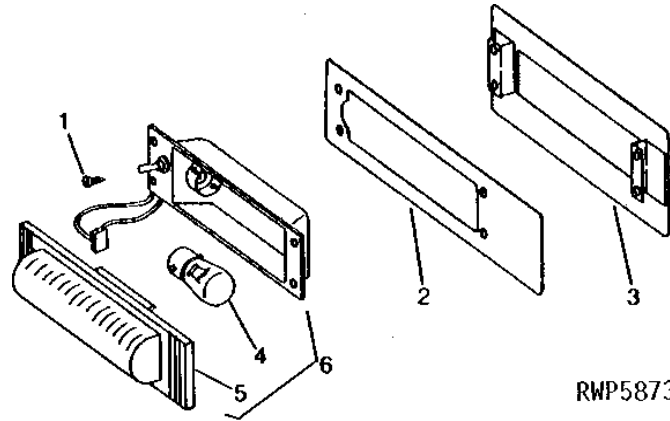
KEY	PART NO.	PART NAME	QTY	TRACTOR SERIAL NO.	REMARKS
1	AR77778	SWITCH	1		
2	AR77780	BULB	1		
3	AR77779	LAMP	1		
4	AR77777	SWITCH	4		
5	AR77776	HOUSING	1		
6	AR77775	SWITCH	1		
7	R61323	COVER	1		
8	AR74325	STEERING GEAR	1		
9	AR74326	MOTOR	1		(TILT)
10	AR74322	LAMP	1		
11	R61322	BEZEL	1		
12	AR74327	MOTOR	1		(ROTATION)
13	R61321	GASKET	1		
14	AR74324	FLOODLAMP	1		
15	AR77774	FLOODLAMP	1		
16	AR73207	SUPPORT	1		

# 2E5

ELECTRICAL

DOME LIGHT  
(SOUND-GARD BODY SERIAL NO. -109590)

RWP5873 -UN-01JAN94



RWP5873

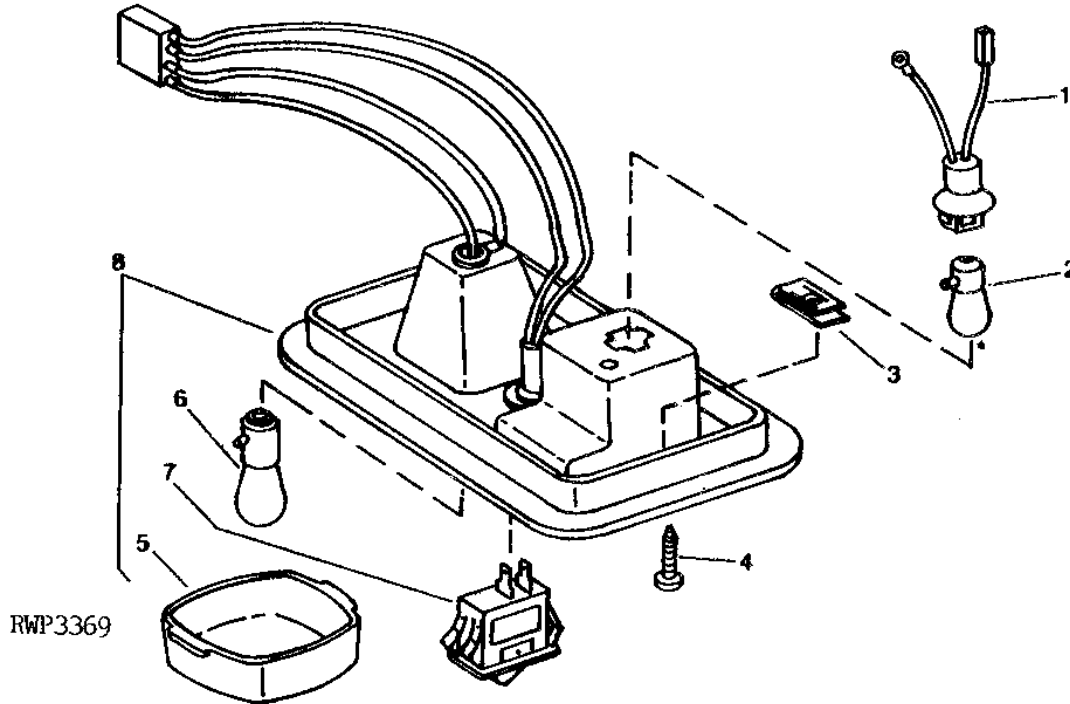
KEY	PART NO.	PART NAME	QTY	TRACTOR SERIAL NO.	REMARKS
1	37H46	SCREW	4		
2	R56886	PLATE	1		
3	AR56669	SUPPORT	1	(NLA)	
4	AR86969	BULB	1	15 C.P.	
5	R47886	LENS	1		
6	AT101691	LAMP	1	(SUB FOR AR56670)	

# 2E6

ELECTRICAL

## DOME LIGHT - CONSOLE LIGHT (SOUND-GARD BODY SERIAL NO. 109591- )

RWP3369 -UN-01JAN94



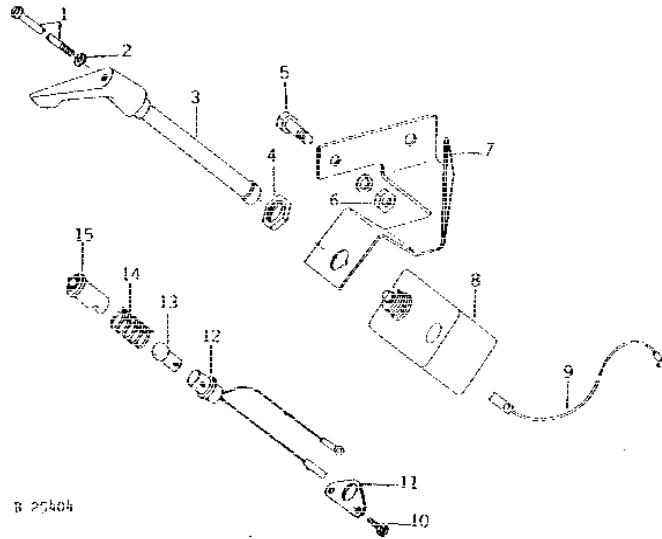
KEY	PART NO.	PART NAME	QTY	TRACTOR SERIAL NO.	REMARKS
1	AR61645	CONSOLE LAMP WIRING HARNES	1		
2	AR48015	BULB	1		
3	R52130	LOCK NUT	2		
4	R50499	SCREW	2		
5	R63496	LENS	1		
6	AR86969	BULB	1		
7	AH109555	ROCKER SWITCH	1		(USE WITH RE10761)
8	RE10761	HOUSING	1		(SUB FOR AR78418)

# 2E7

ELECTRICAL

R25404 -UN-01JAN94

## TURN SIGNAL CONTROL AND INDICATORS



8 25404

KEY	PART NO.	PART NAME	QTY	TRACTOR SERIAL NO.	REMARKS
1	R56411	SCREW	1		
2	12H233	LOCK WASHER	1	1/8"	
3	R56412	GRIP	1		
4	R56410	NUT	1		
5	19H1905	CAP SCREW	2	5/16" X 1"	
6	14H785	NUT	2	5/16"	
	12H303	LOCK WASHER	2	5/16"	
7	R67609	BRACKET	1		(SUB FOR R59708)
8	AR64422	TURN SIGNAL CONTROLLER	1		(SUB FOR AR67398)
9	AR67341	WIRING LEAD	1	-004352	
10	R53028	CAP SCREW	3	001896-	
11	R61341	BRACKET	2	001896-	
12	AR67340	WIRING HARNESS	2	-001895	
	AR74339	WIRING HARNESS	2	001896-004352	(SEE FRONT WIRING FOR SERIAL NUMBER AFTER 004352)
13	R56409	BULB	2		
14	R30378	SPRING	2	-001895	
15	AR67690	LENS	2	-001895	

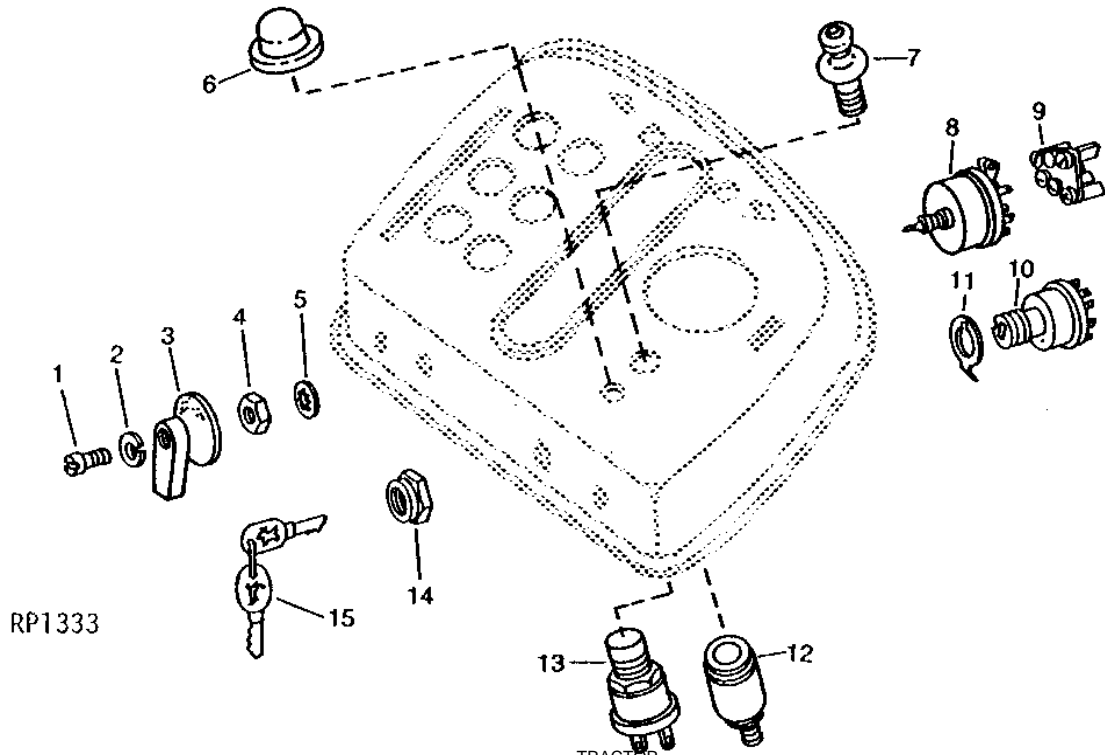


# 2E8

ELECTRICAL

RP1333 -UN-01JAN94

## LIGHT AND START SWITCH



KEY	PART NO.	PART NAME	QTY	TRACTOR SERIAL NO.	REMARKS
1	21H1299	SCREW	1		0.164" X 3/8"
2	12H315	LOCK WASHER	1		0.164"
3	AR54445	KNOB	1		
4	A4655R	NUT	1		
5	12H292	LOCK WASHER	1		1/2"
6	T55501	CAP	1		(SUB FOR AR47374, THIS APPLICATION)
	R56264	PLUG	1		(LESS HORN)
7	AR60937	LIGHTER	1		
8	AR48724	LIGHT SWITCH	1		LIGHT
9	AR83425	RECEPTACLE CONNECTOR BODY	1		
10	AR58126	KEY SWITCH	1		START, WITH KEYS
11	R52725	CONNECTOR	1		GROUND
12	AR56766	HOUSING	1		
13	AR21823	SWITCH	1		HORN
14	R44342	NUT	1		
15	AR51481	KEY	1		

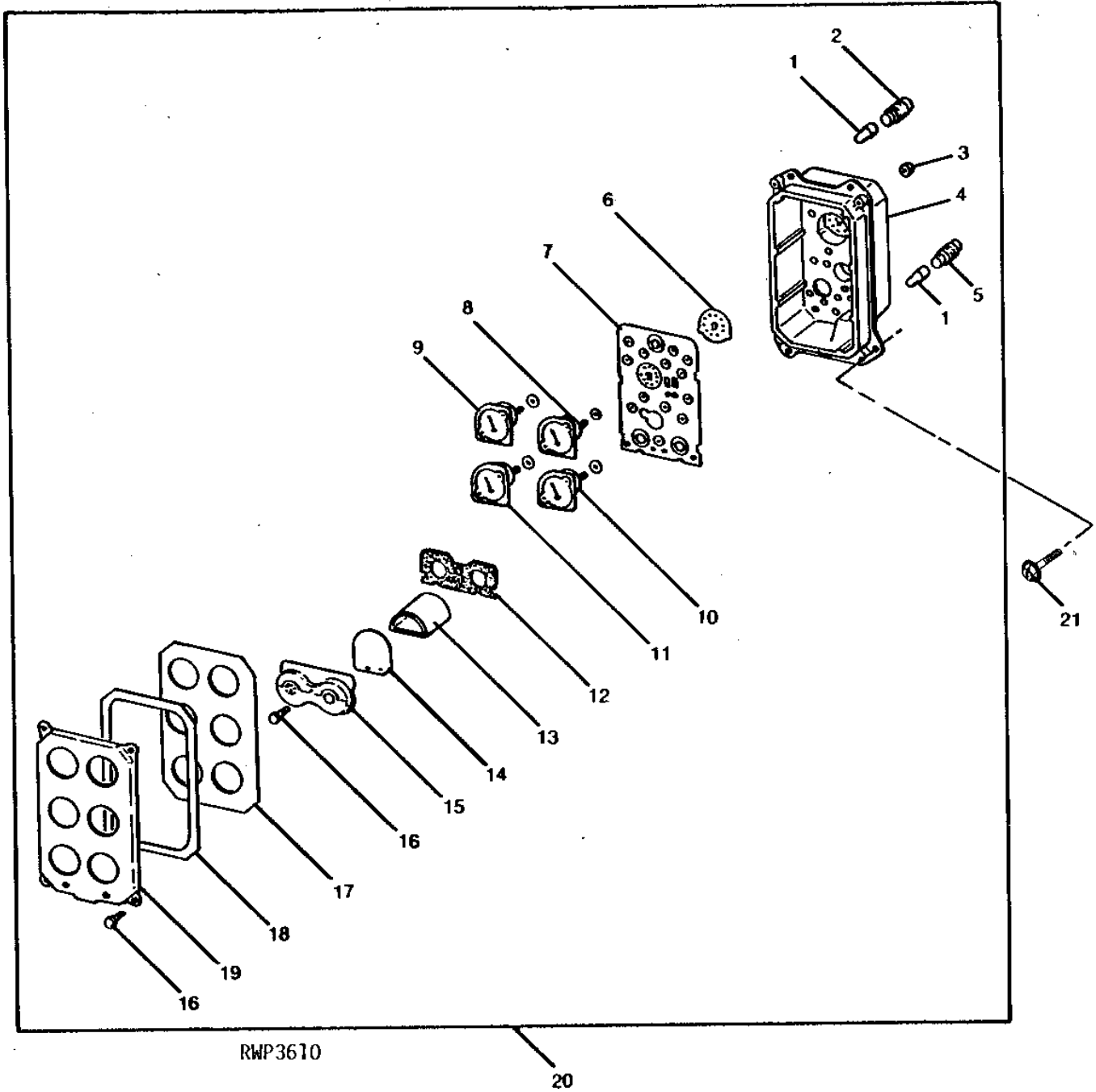
# 2E9

ELECTRICAL

RWP3610

-UN-01JAN94

## GAUGES AND INDICATOR LAMPS



# 2E10

ELECTRICAL

## GAUGES AND INDICATOR LAMPS - CONTINUED

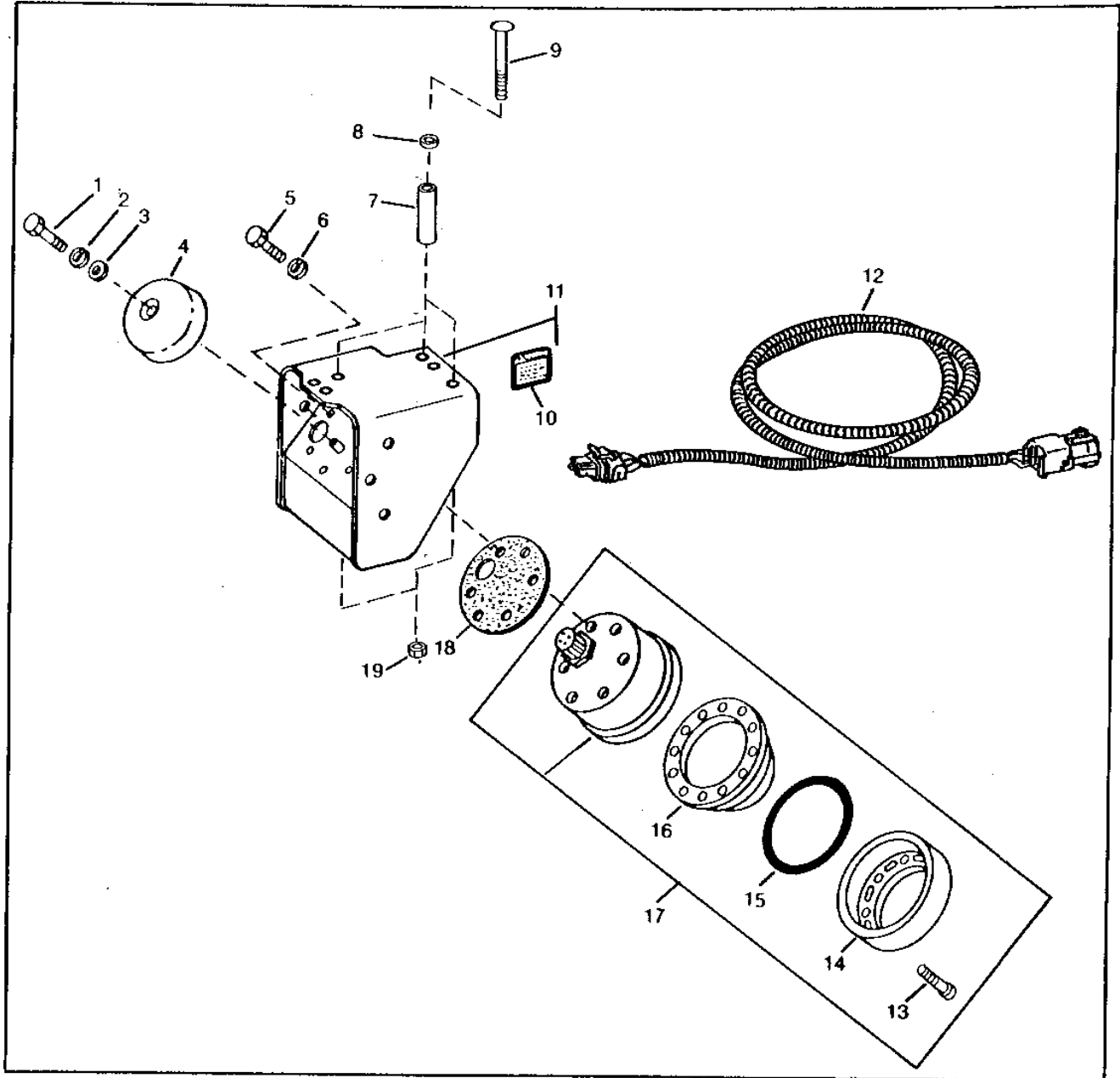
KEY	PART NO.	PART NAME	QTY	TRACTOR SERIAL NO.	REMARKS
1	AR62407	BULB	4		(SUB FOR AR62406)
2	AR62413	SOCKET	2		(BLACK)
3	14H1026	NUT	12		0.138"
4	R54518	CASE	1		
5	AR62414	SOCKET	2		(RED)
6	R54520	GASKET	1		
7	AR62412	CIRCUIT BOARD	1		
8	AR73751	GAUGE	1		WATER TEMPERATURE, (SUB FOR AR62411)
9	AR62408	GAUGE	1		FUEL
10	AR62410	VOLTMETER	1		
11	AR62409	INSTRUMENT	1		OIL PRESSURE
12	R54516	GASKET	1		
13	R54528	SLEEVE	2		
14	R54526	LENS	1		R.H. (AMBER)
	R54527	LENS	1		L.H. (RED)
15	R54524	LENS	1		
16	R54517	SCREW	5		
17	R54522	LENS	1		
18	R54521	GASKET	1		
19	R78416	RETAINER	1		(SUB FOR R54523)
20	AR73717	INSTRUMENT CLUSTER	1		(SUB FOR AR58231) (ORDER COMPONENT PARTS)
21	R53028	CAP SCREW	4		

# 2E11

ELECTRICAL

RXP9306 -UN-01JAN94

RADAR SENSOR



RXP9306

20

# 2E12

ELECTRICAL

## RADAR SENSOR - CONTINUED

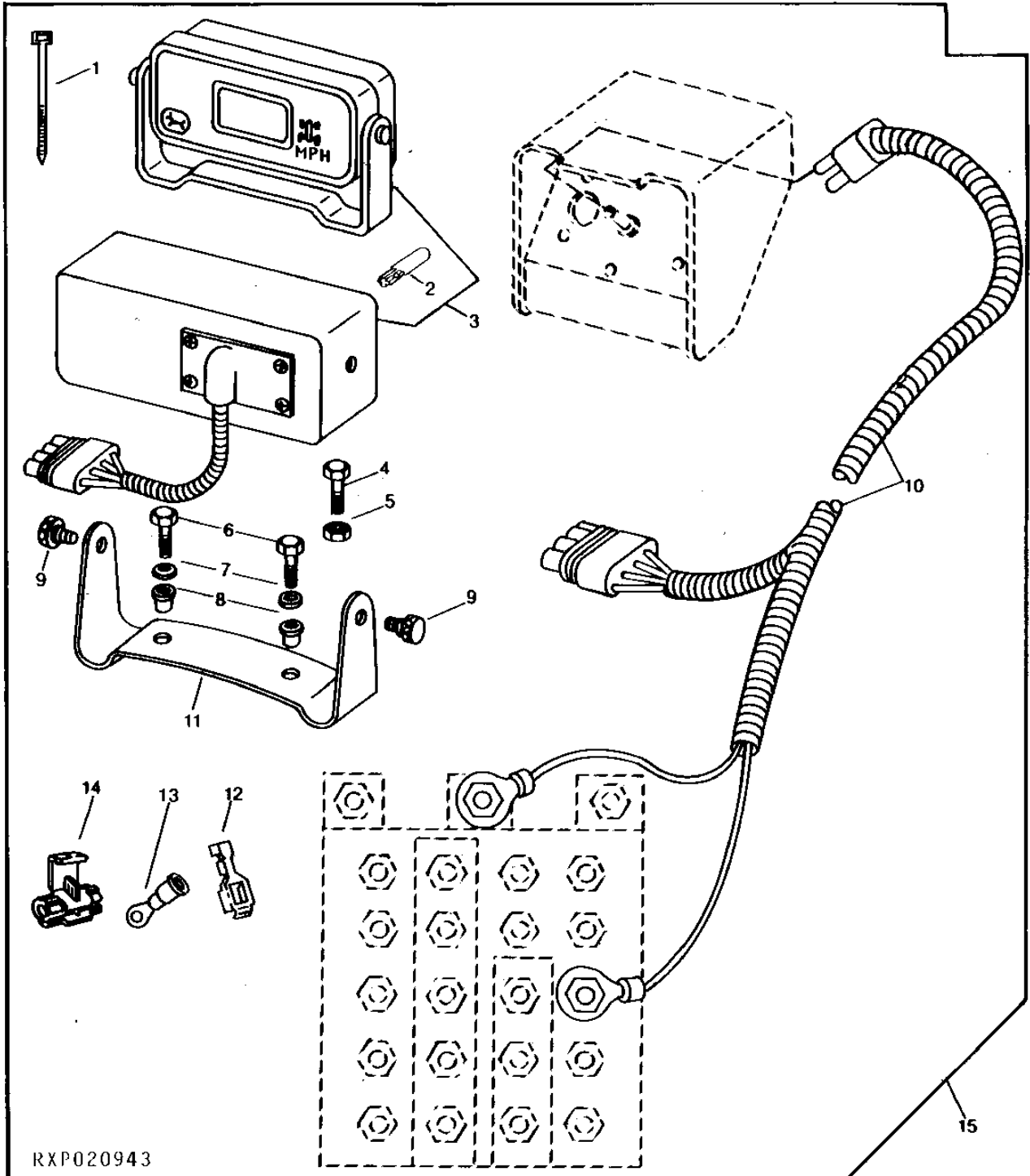
KEY	PART NO.	PART NAME	QTY	TRACTOR SERIAL NO.	REMARKS
1	19H1813	CAP SCREW	1	5/16" X 5/8"	
2	12H303	LOCK WASHER	1	5/16"	
3	24H1136	WASHER	1	11/32" X 11/16" X 0.065"	
4	R82355	SHIELD	1		
5	19H1813	CAP SCREW	6	5/16" X 5/8"	
6	12H303	LOCK WASHER	6	5/16"	
7	28H3343	BUSHING	3	0.546" X 0.840" X 5-3/8"	
8	24H1625	WASHER	2	17/32" X 1" X 0.120"	
9	03H2052	BOLT	3	1/2" X 6-1/2"	
10	R120107	LABEL	1	(ENGLISH)	
	R120106	LABEL	1	(FRENCH)	
	R105942	LABEL	1	(GERMAN)	
	R120108	LABEL	1	(SPANISH)	
	L65000	LABEL	1		
11	RE46317	BRACKET	1	(SUB FOR RE21096 OR RE38707)	
12	RE46414	WIRING HARNESS	1		
13	R82239	SCREW	12		
14	R82237	SNAP RING	1		
15	R82238	O-RING	1		
16	R82236	COVER	1		
17	RE43025	RADAR SENSOR	1	(SUB FOR RE21073)	
18	R82243	GASKET	1		
19	14H1040	NUT	3	1/2"	
20	AR111058	SENSOR	1	(SUB FOR RE21510 OR RW26466) (FI)	

# 2E13

ELECTRICAL

## PERFORMANCE TRAK II MINI-MONITOR (ANALOG TACHOMETER)

RXP020943 -UN-12OCT94



RXP020943

# 2E14

ELECTRICAL

PERFORMANCE TRAK II MINI-MONITOR - CONTINUED  
(ANALOG TACHOMETER)

KEY	PART NO.	PART NAME	QTY	TRACTOR SERIAL NO.	REMARKS
1	R44302	TIE BAND	AR		
2	RE22589	LAMP	1		
3	RE21112	MONITOR CONSOLE	1		
4	19H1978	CAP SCREW	3	7/16" X 1-1/2"	
	12H293	LOCK WASHER	3	7/16"	
5	14H1047	NUT	3	7/16"	
	14H786	NUT	2	1/4"	
6	19H1914	CAP SCREW	2	1/4" X 1"	
7	24H1287	WASHER	4	9/32" X 5/8" X 0.065"	
8	R82423	NUT	2	RUBBER	
9	R83055	WING SCREW	2		
10	RE21113	WIRING HARNESS	1	3500MM (138")	
11	R83109	BRACKET	1		
12	U46662	TERMINAL	1		
13	R77489	TERMINAL	1		
	R84158	TERMINAL	1		
14	AR67855	CONNECTOR	3		
15	RE21738	MONITOR CONSOLE	1	(FI)	

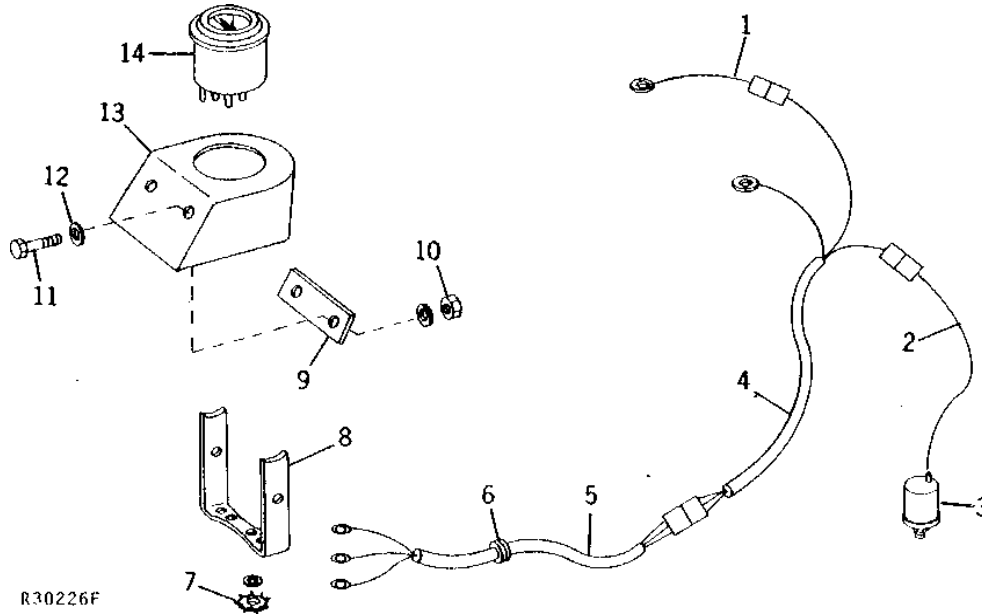
# 2E15

ELECTRICAL

R30226

-UN-01JAN94

## CLUTCH LUBRICATION PRESSURE GAUGE



KEY	PART NO.	PART NAME	QTY	TRACTOR SERIAL NO.	REMARKS
1	AR85303	WIRING LEAD	1	(NLA)	
2	AR85304	WIRING LEAD	1	(NLA)	
3	RE15583	ENGINE OIL PRESSURE SENDER	1	(SUB FOR AR58234)	
4	AR85302	WIRING HARNESS	1		
5	AR85301	WIRING HARNESS	1		
6	A3411R	GROMMET	1		
7	14H631	NUT	3	0.190"	
	14H605	NUT	3	0.164"	
	12H246	LOCK WASHER	3	0.190"	
	12H315	LOCK WASHER	3	0.164"	
8	T39395	BRACKET	1		
9	R65900	STRAP	1	(NLA)	
10	14H785	NUT	2	5/16"	
	12H303	LOCK WASHER	2	5/16"	
11	19H3552	CAP SCREW	2	5/16" X 1-1/2"	
12	24H1136	WASHER	2	11/32" X 11/16" X 0.065"	
13	R70628	COVER	1	(SUB FOR R65899)	
14	AR85300	PRESSURE GAUGE	1		

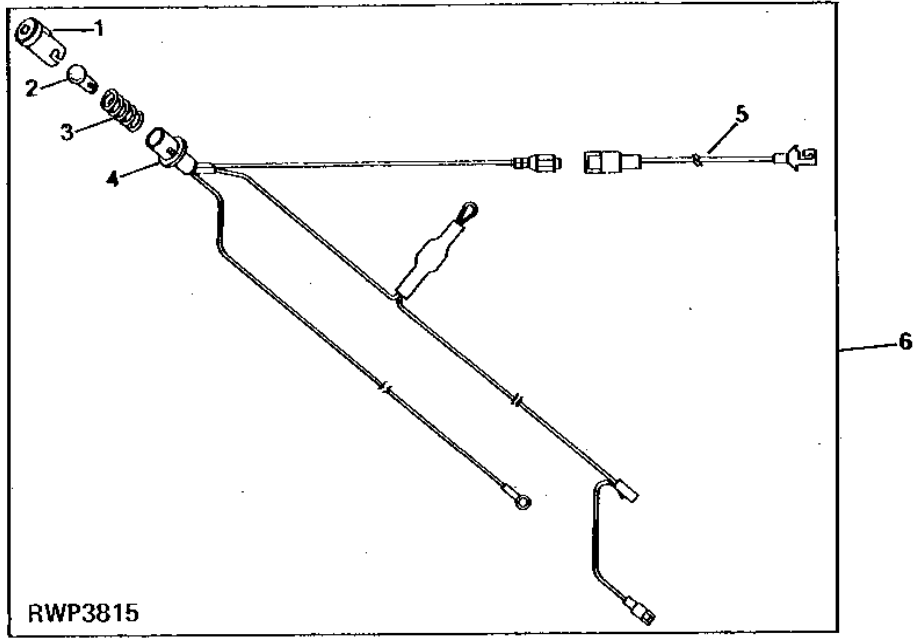


# 2E16

ELECTRICAL

RWP3815 -UN-01JAN94

## TRANSMISSION LUBE INDICATOR



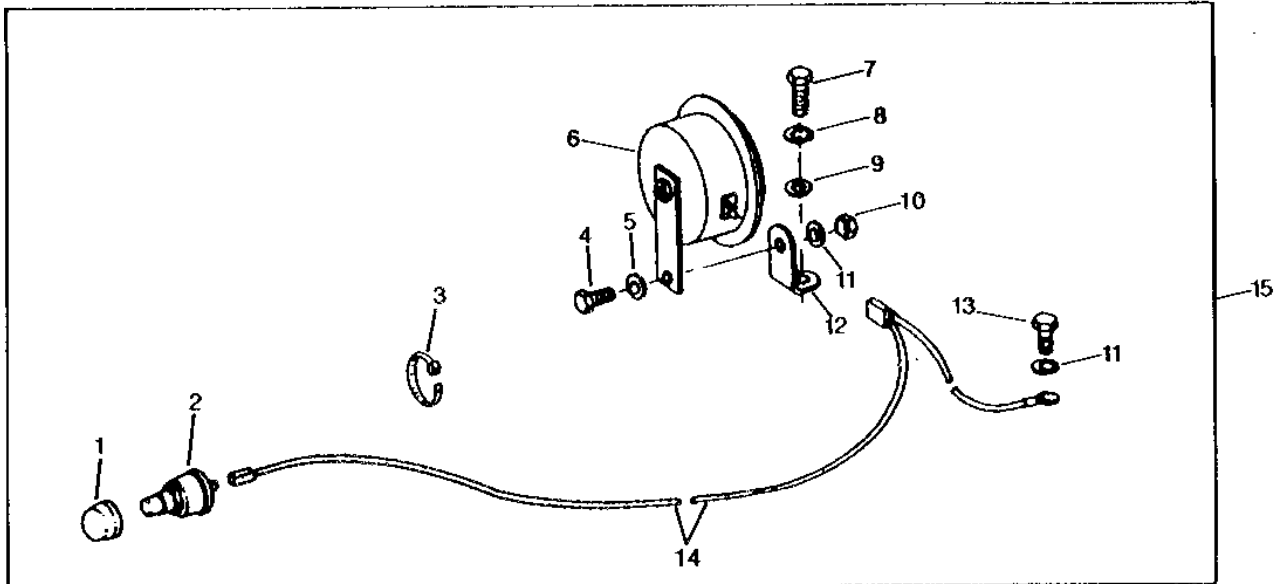
KEY	PART NO.	PART NAME	QTY	TRACTOR SERIAL NO.	REMARKS
1	AR77183	LENS	1	(NLA)	
2	AR55694	BULB	1		
3	R30378	SPRING	1		
4	AR77181	WIRING LEAD	1		
5	AR77182	WIRING LEAD	1	-001895	ENGINE HARNESS TO PRESSURE SWITCH (NLA)
6	AR77180	KIT	1	-001895	TRANSMISSION PRESSURE INDICATOR (NLA)
..	R44302	TIE BAND	AR		

# 2E17

ELECTRICAL

HORN  
(TRACTOR SERIAL NO. -004343)

RWP5198 -UN-01JAN94



RWP5198

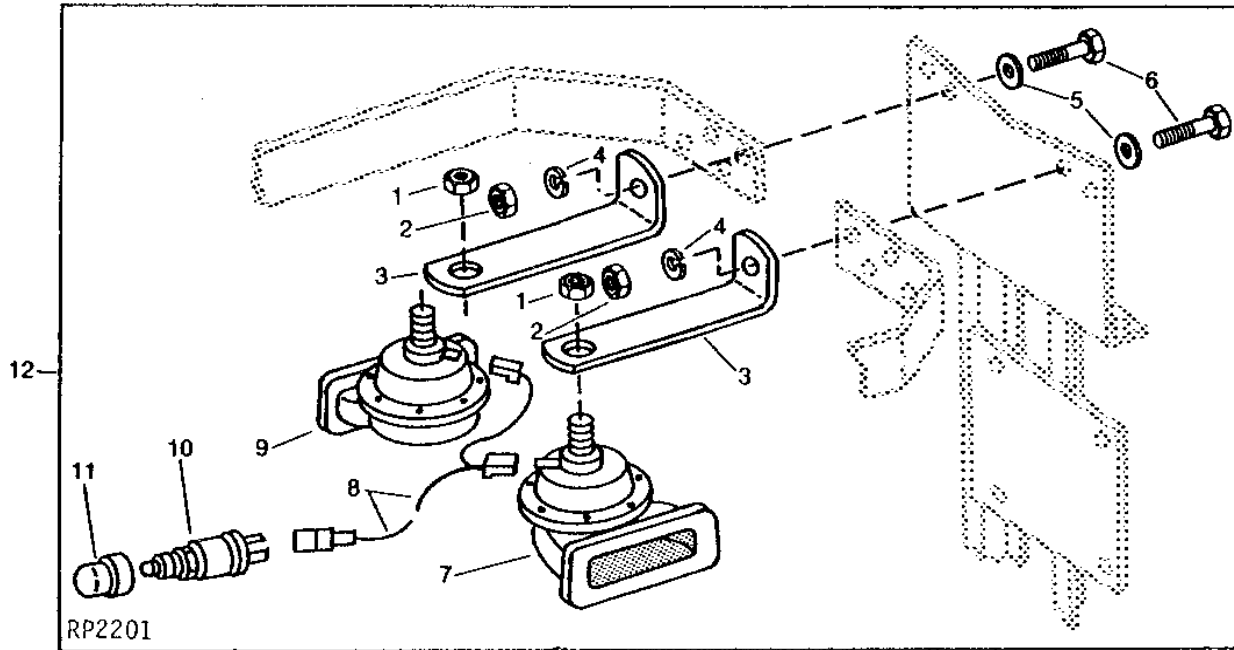
KEY	PART NO.	PART NAME	QTY	TRACTOR SERIAL NO.	REMARKS
1	T55501	CAP	1		
2	AR21823	SWITCH	1		
3	R44302	TIE BAND	2		
4	19H1813	CAP SCREW	1		5/16" X 5/8"
5	24H1136	WASHER	1		11/32" X 11/16" X 0.065"
6	AR73579	HORN	1	-002584	(12-VOLT) (SUB FOR AR49036) (SUB AL14896)
	AL14896	HORN	1	002585-004343	(12-VOLT)
7	19H1731	CAP SCREW	1		3/8" X 1"
8	12H304	LOCK WASHER	1		3/8"
9	24H1305	WASHER	1		13/32" X 13/16" X 0.065"
10	14H785	NUT	1		5/16"
11	12H303	LOCK WASHER	2		5/16"
12	R46791	BRACKET	1		
13	19H1900	CAP SCREW	1		5/16" X 3/4"
14	AR73580	WIRING HARNESS	1		(SUB FOR AR77702)
15	AR49032	HORN	1		(NLA)

# 2E18

ELECTRICAL

## DUAL HORN ASSEMBLY (TRACTOR SERIAL NO. 004344- )

RP2201 -UN-01JAN94



KEY	PART NO.	PART NAME	QTY	TRACTOR SERIAL NO.	REMARKS
1	R11278	NUT	2		
2	14H785	NUT	2	5/16"	
3	R64699	BRACKET	2		
4	12H303	LOCK WASHER	2	5/16"	
5	24H1136	WASHER	2	11/32" X 11/16" X 0.065"	
6	19H1849	CAP SCREW	2	5/16" X 1-1/4"	
7	R64700	LOW NOTE HORN	1	(12-VOLT) (HIGH NOTE)	
8	AR81179	WIRING HARNESS	1		
9	AT39043	HIGH NOTE HORN	1	(12-VOLT) (LOW NOTE)	
10	AR21823	SWITCH	1		
11	T55501	CAP	1	(SUB FOR AR47374)	
12	AR81178	HORN	1	(SUB FOR AR49032) (SUB AR102454)	

---

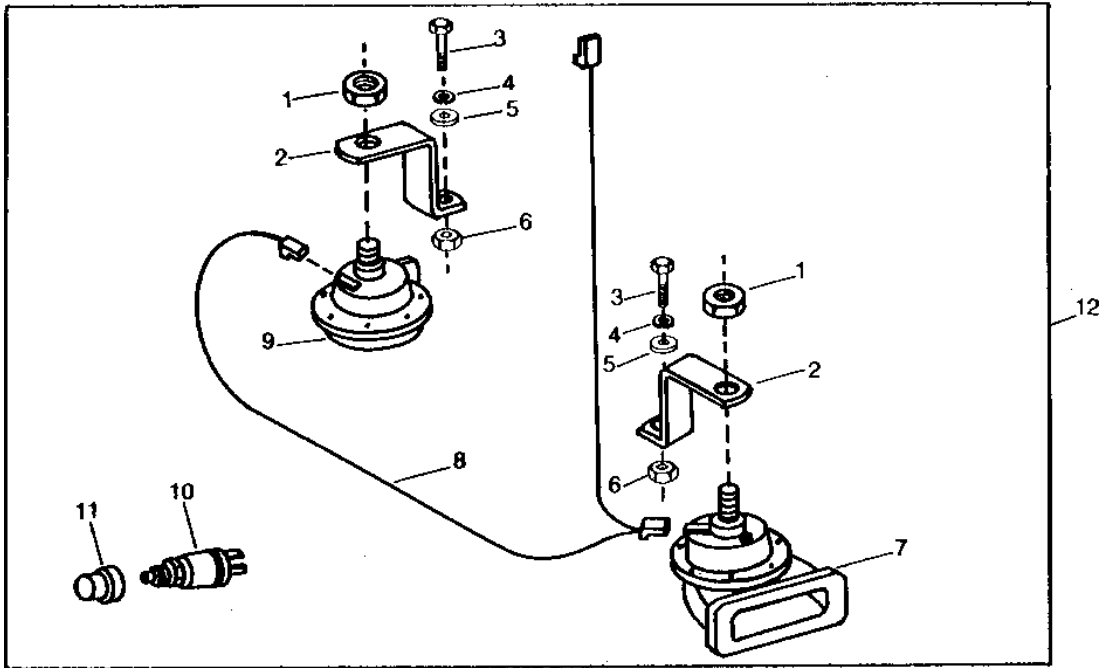
MEMORANDA

# 2E19

ELECTRICAL

RWP4230 -UN-01JAN94

## DUAL HORN ASSEMBLY (TRACTOR SERIAL NO. 004344- )



RWP4230

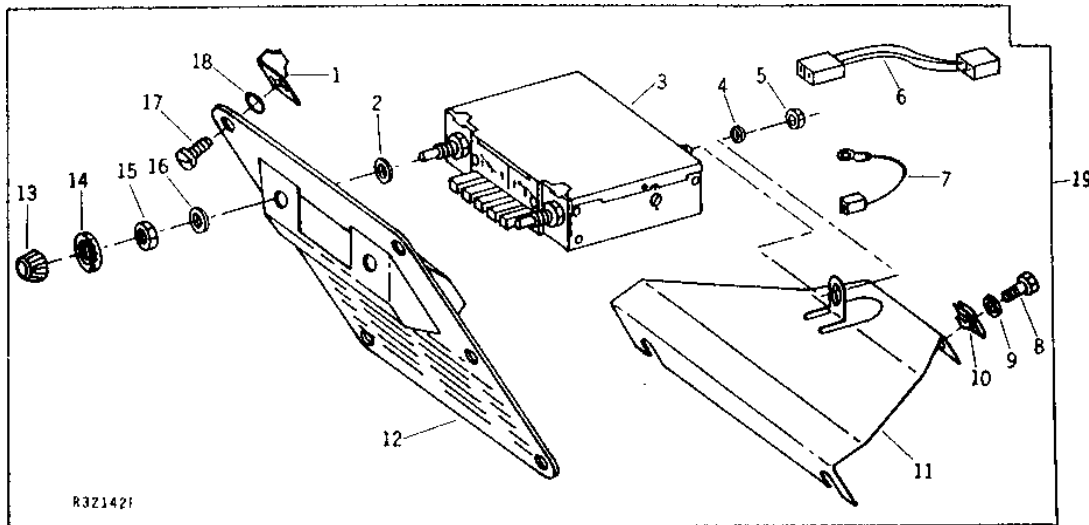
KEY	PART NO.	PART NAME	QTY	TRACTOR SERIAL NO.	REMARKS
1	R11278	NUT	2		
2	R75833	BRACKET	2		
3	19H1849	CAP SCREW	2	5/16" X 1-1/4"	
4	12H303	LOCK WASHER	2	5/16"	
5	24H1136	WASHER	2	11/32" X 11/16" X 0.065"	
6	14H785	NUT	2	5/16"	
7	R64700	LOW NOTE HORN	1	(12-VOLT) (HIGH NOTE)	
8	AR85578	WIRING HARNESS	1		
9	AT39043	HIGH NOTE HORN	1	(12-VOLT) (LOW NOTE)	
10	AR20235	SWITCH	1		
11	T55501	CAP	1		
12	AR102454	HORN	1	(ORDER COMPONENT PARTS)	

# 2E20

ELECTRICAL

AM PUSH-BUTTON RADIO  
(MOTOROLA)  
(SOUND-GARD BODY SERIAL NO. -XXXXXX)

R32142 -UN-27OCT94



KEY	PART NO.	PART NAME	QTY	SG BODY SERIAL NO.	REMARKS
1	R50974	NUT	6		
2	D2491R	SHIM	2		
3	AR73146	RADIO	1	(NLA)	
4	24H1287	WASHER	1	9/32" X 5/8" X 0.065"	
5	14H786	NUT	1	1/4"	
6	AR73923	WIRING HARNESS	1		
7	.....	WIRING LEAD	1		152 MM (6") RADIO GROUND, (MAKE FROM R66319, R32021, R32027, R65597 AND T28585)
8	19H1227	CAP SCREW	2		1/4" X 1/2"
9	24H136	WASHER	2		9/32" X 1" X 1/16"
10	R53677	LOCK NUT	2		
11	R52274	BRACKET	1	-XXXXXX	
	R65690	BRACKET	1	XXXXXX-	
12	R52272	GRILLE	1		
13	AR59627	KNOB	2	-079758	(SPLIT SHAFT) (SUB FOR AR68501) (NLA)
	AR70590	KNOB	2	079759-	(D-SHAFT)
14	R53385	KNOB	2		
15	R53386	NUT	2		
16	24H1227	WASHER	2		17/32" X 13/16" X 0.060"
17	R50499	SCREW	6		
18	R34812	O-RING	6		
19	AR73922	KIT	1		(A) (ALSO ORDER AR56774 AND R52273) (SUB FOR AR65049) (SUB TY15278)

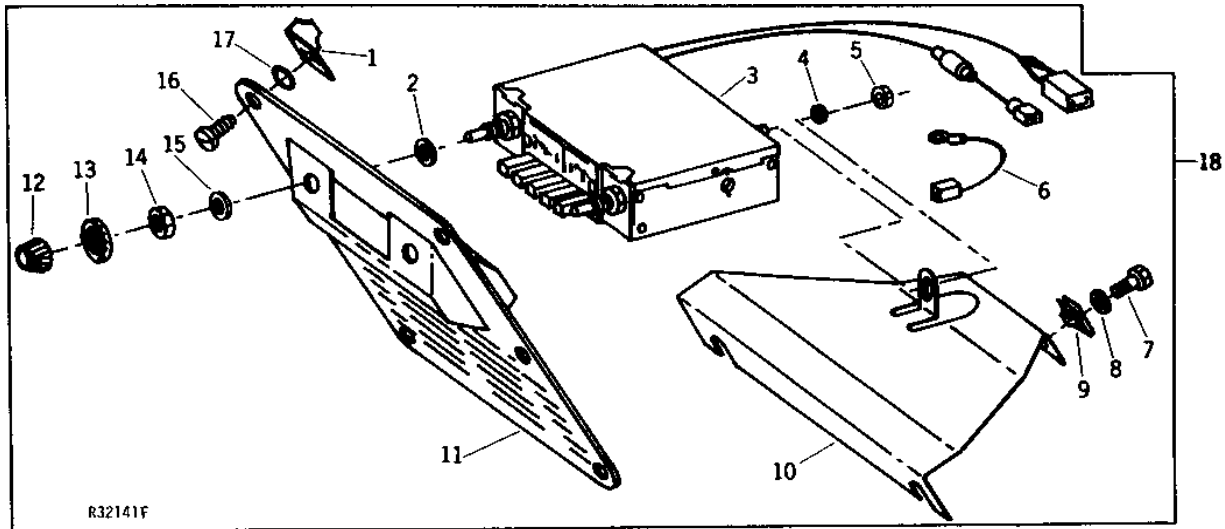
(A) CHECK AUDIOVOX DIRECT - SHIP PROGRAM GUIDE

# 2E21

ELECTRICAL

AM-FM PUSH-BUTTON RADIO  
(MOTOROLA)  
(SOUND-GARD BODY SERIAL NO. -XXXXXX)

R32141 -UN-18OCT94



KEY	PART NO.	PART NAME	QTY	TRACTOR SERIAL NO.	REMARKS
1	R50974	NUT	6		
2	D2491R	SHIM	2		
3	AR69588	RADIO	1		(A) (NO LONGER AVAILABLE)
4	24H1287	WASHER	1		9/32" X 5/8" X 0.065"
5	14H786	NUT	1		1/4"
6	.....	WIRING LEAD	1		152 MM (6") RADIO GROUND, (MAKE FROM R66319, R32021, R32027, R65597 AND T28585)
7	19H1227	CAP SCREW	2		1/4" X 1/2"
8	24H136	WASHER	2		9/32" X 1" X 1/16"
9	R53677	LOCK NUT	2		
10	R57891	BRACKET	1	-XXXXXX	
	R65689	BRACKET	1	XXXXXX-	
11	R52272	GRILLE	1		
12	AR70590	KNOB	2		
13	R53385	KNOB	2		
14	R53386	NUT	2		
15	24H1227	WASHER	2		17/32" X 13/16" X 0.060"
16	R50499	SCREW	6		
17	R34812	O-RING	6		
18	AR69585	KIT	1		(A) (SUB TY15279)

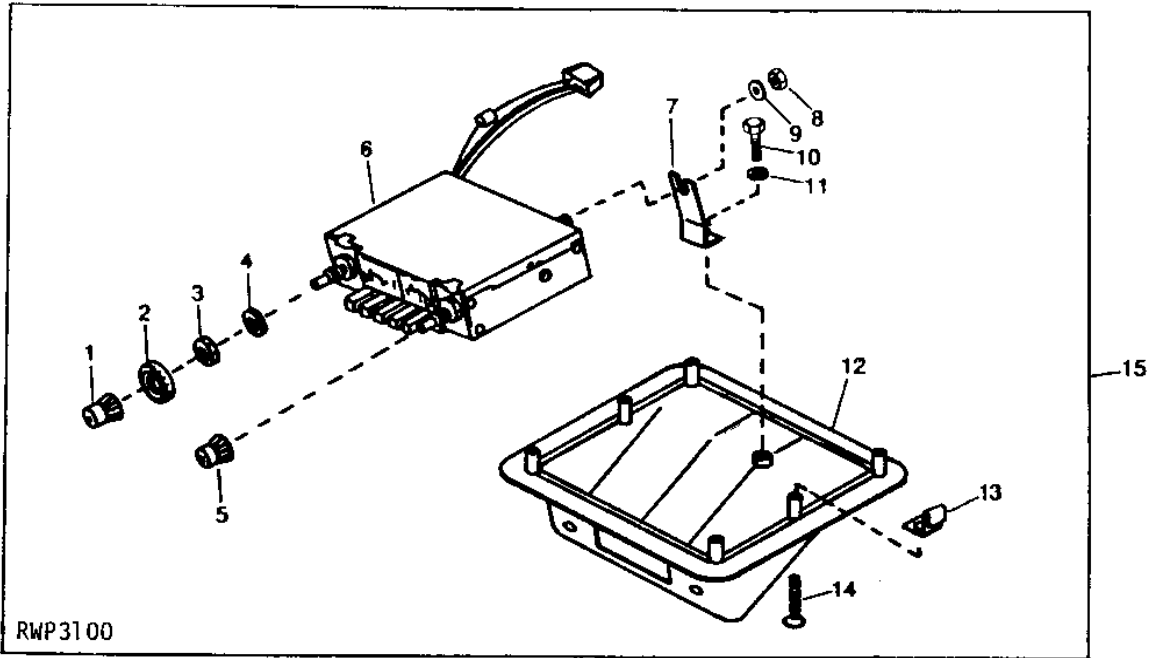
(A) CHECK AUDIOVOX DIRECT - SHIP PROGRAM GUIDE

# 2E22

ELECTRICAL

RWP3100 -UN-23SEP94

AM AND AM-FM PUSH-BUTTON RADIO  
(SOUND-GARD BODY SERIAL NO. XXXXXX- )



KEY	PART NO.	PART NAME	QTY	TRACTOR SERIAL NO.	REMARKS
1	AR104573	KNOB	1		VOLUME
2	R53385	KNOB	2		
3	R53386	NUT	2		
4	24H1227	WASHER	2		17/32" X 13/16" X 0.060"
5	AR104574	KNOB	1		TUNING
6	.....	RADIO	1		(A) AM, (ORDER TY15278)
	.....	RADIO	1		(A) AM-FM, (ORDER TY15279)
7	R76497	BRACKET	1	-XXXXXX	
	R85786	BRACKET	1	XXXXXX-	
	R85787	PLATE	1	XXXXXX-	
	R80480	BRACKET	1		(USE WITH TY15175)
8	14H786	NUT	1		1/4"
9	24H1287	WASHER	1		9/32" X 5/8" X 0.065"
10	21H1299	SCREW	1	-XXXXXX	0.164" X 3/8"
	21H1465	SCREW	1	XXXXXX-	0.164" X 3/8"
11	12M7084	LOCK WASHER	1		0.169"
12	R76334	GRILLE	1		
13	R50974	NUT	6		
14	R76333	SCREW	6		
15	TY15163	RADIO	1	-XXXXXX	(A) AM (MOTOROLA) (NLA)
	TY15154	RADIO	1	-XXXXXX	(A) AM-FM (MOTOROLA) (NLA)
	TY15175	KIT	1		(A) AM-FM CASSETTE (NO LONGER AVAILABLE)
	TY15278	RADIO	1	XXXXXX-	(A) AM (AUDIOVOX) (NLA)
	TY15279	KIT	1	XXXXXX-	(A) AM-FM (AUDIOVOX) (NLA)

(A) CHECK AUDIOVOX DIRECT - SHIP PROGRAM GUIDE

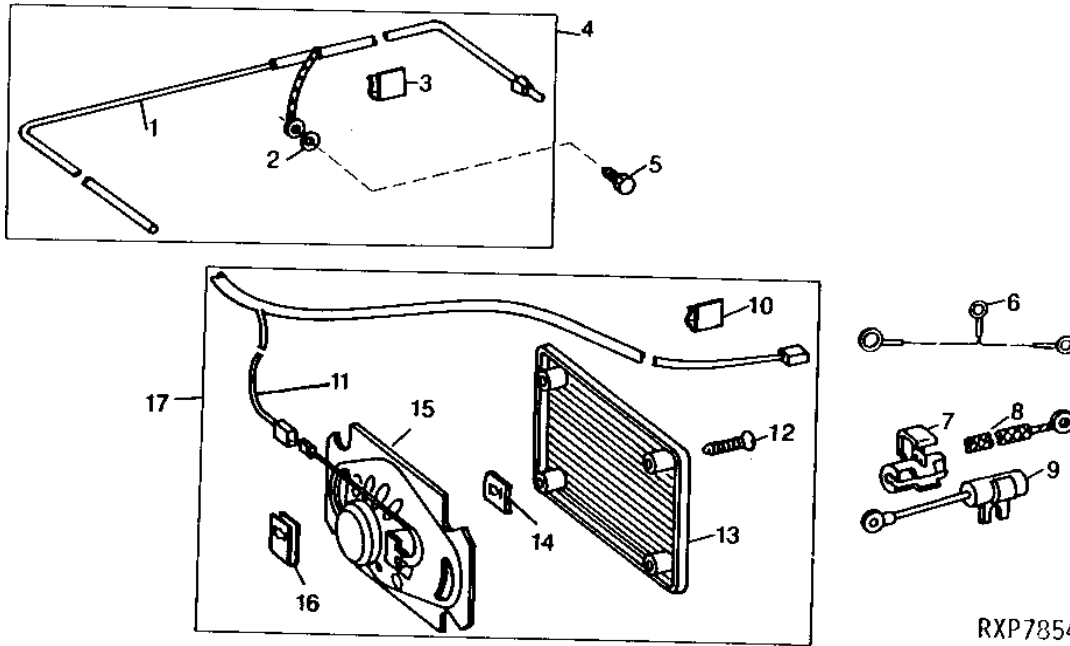


# 2E23

ELECTRICAL

## RADIO ANTENNA AND SPEAKER (SOUND-GARD BODY SERIAL NO. -XXXXXX)

RXP7854 -UN-18OCT94



RXP7854

KEY	PART NO.	PART NAME	QTY	SG BODY SERIAL NO.	REMARKS
1	AR61608	ANTENNA	1		
2	24H1136	WASHER	1	11/32" X 11/16" X 0.065"	
3	R47474	CLIP	1		
4	AR65636	KIT	1		ANTENNA, (SUB AR61608, R47474 AND 24H1136)
5	19H1905	CAP SCREW	1	5/16" X 1"	
6	AR90772	KIT	1	-167110	RADIO NOISE SUPPRESSION GROUND, (SUB AR90773)
7	AR67855	CONNECTOR	2		
8	AR78447	GROUND CABLE	2	-167110	
9	AR41758	CAPACITOR	2		
10	R47474	CLIP	3		
11	AR67951	WIRING HARNESS	1		
12	R67560	SCREW	8		
13	R61267	GRILLE	2		
14	R61268	LOCK NUT	4		
15	RE13839	SPEAKER	2		(A) (SUB FOR AR74265)
	R32018	TERMINAL	1	167111-	(ALSO ORDER R65593) (SUB FOR AR92396)
16	R50500	NUT	8		
17	AR74832	KIT	1		(A) SPEAKERS

(A) CHECK AUDIOVOX DIRECT - SHIP PROGRAM GUIDE

---

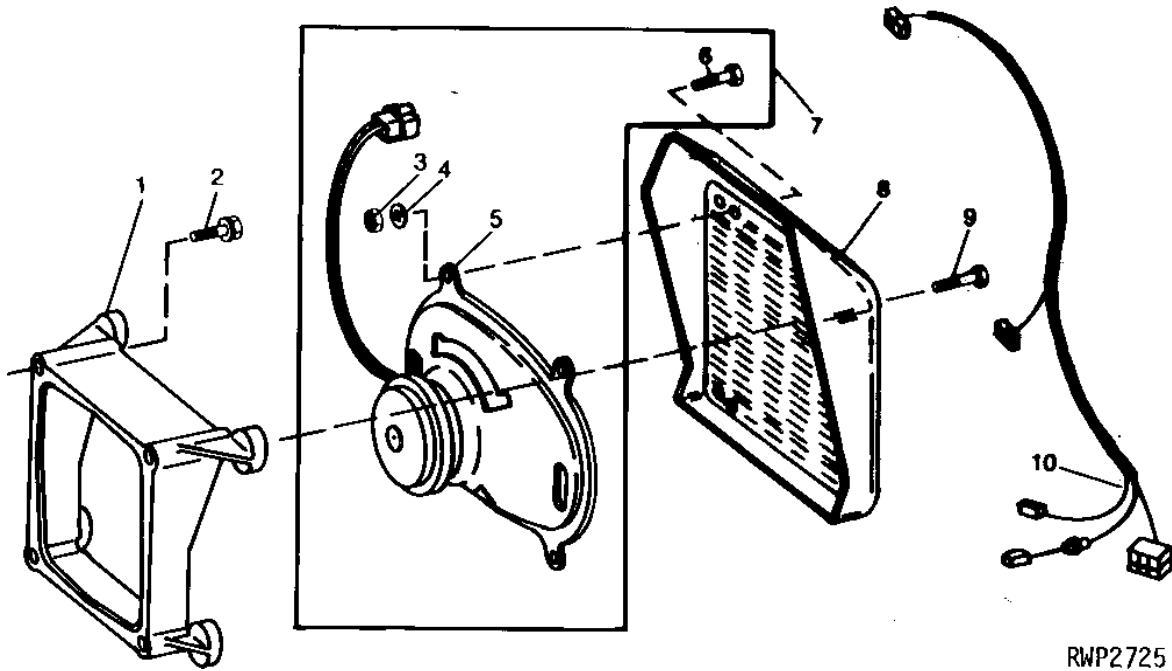
MEMORANDA

# 2E24

ELECTRICAL

RWP2725 -UN-18OCT94

## RADIO SPEAKER KIT (SOUND-GARD BODY SERIAL NO. XXXXXX- )



RWP2725

KEY	PART NO.	PART NAME	QTY	TRACTOR SERIAL NO.	REMARKS
1	R76330	ADAPTER	2		
2	37M7165	SCREW	8	M4.8 X 13	
3	14H778	NUT	8		
4	12M7060	WASHER	8		
5	AR104520	SPEAKER	2		
6	R76500	SCREW	8		
7	TY15157	KIT	1	(A) (SUB PMJD57)	
8	R76329	GRILLE	2		
9	R76500	SCREW	8		
10	AR103750	RADIO SPEAKER WRG HARNESS	1	(SPEAKERS TO RADIO)	

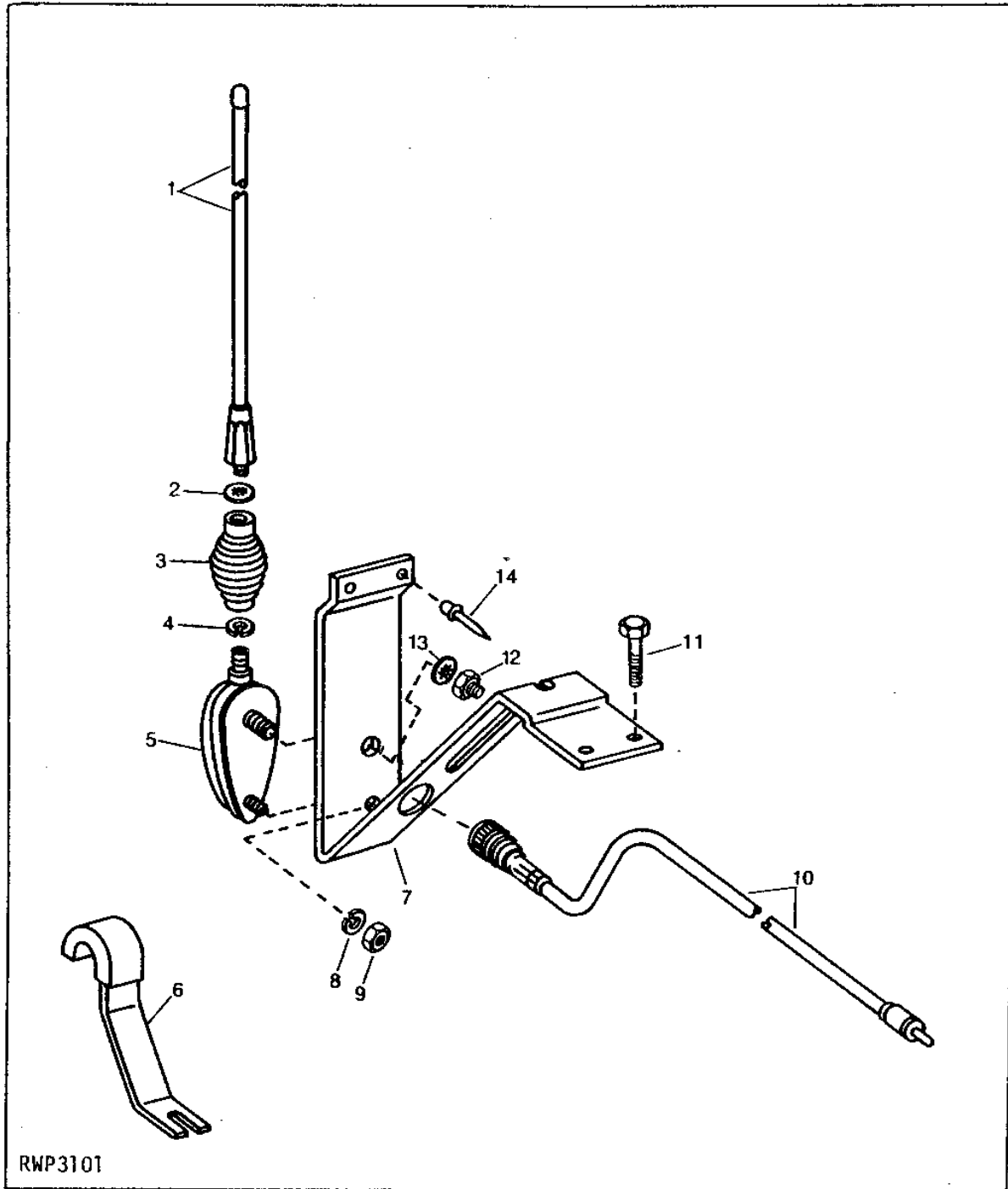
(A) CHECK AUDIOVOX DIRECT - SHIP PROGRAM GUIDE

# 2F1

ELECTRICAL

RWP3101 -UN-01JAN94

RADIO ANTENNA KIT  
(SOUND-GARD BODY SERIAL NO. XXXXXX- )



RWP3101

# 2F2

ELECTRICAL

RADIO ANTENNA KIT - CONTINUED  
(SOUND-GARD BODY SERIAL NO. XXXXXX- )

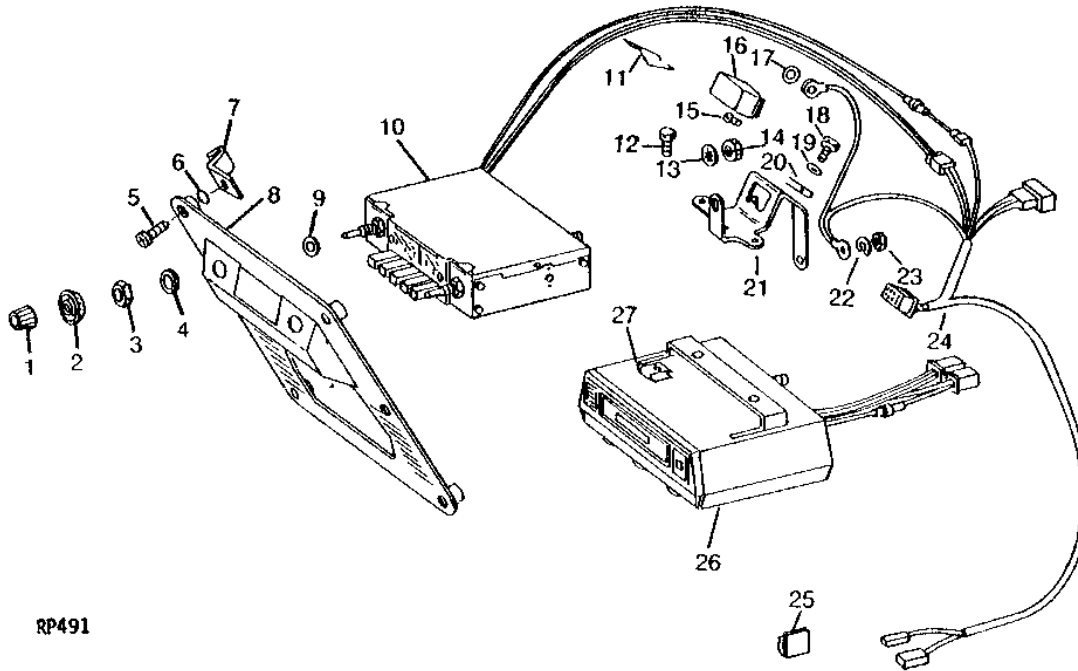
KEY	PART NO.	PART NAME	QTY	SG BODY SERIAL NO.	REMARKS
1	AR104516	ANTENNA	1		
2	12H310	LOCK WASHER	1	3/8"	
3	AR104518	SPRING	1		
4	12H302	LOCK WASHER	1	1/4"	
5	AR104517	BASE	1		
6	R76496	CLAMP	1		
7	R76495	BRACKET	1		
8	12H302	LOCK WASHER	1	1/4"	
9	14H786	NUT	1	1/4"	
10	R76694	ANTENNA CABLE	1		
11	37H27	SCREW	2	5/16" X 7/8"	
12	R76695	NUT	1		
13	12H292	LOCK WASHER	1	1/2"	
14	R55326	RIVET	2		
15	TY15156	KIT	1		

# 2F3

ELECTRICAL

## PUSH-BUTTON RADIO AND TAPE PLAYER (MOTOROLA)

RP491 -UN-01JAN94



RP491

KEY	PART NO.	PART NAME	QTY	TRACTOR SERIAL NO.	REMARKS
1	AR70590	KNOB	2		(D-SHAFT)
2	R53385	KNOB	2		
3	R53386	NUT	2		
4	24H1227	WASHER	2		17/32" X 13/16" X 0.060"
5	R50499	SCREW	6		
6	R34812	O-RING	6		
7	R50974	NUT	6		
8	R53398	GRILLE	1		
9	D2491R	SHIM	2		
10	AR73146	RADIO	1		(A) AM RADIO (NO LONGER AVAILABLE)
	AR69588	RADIO	1		(A) AM-FM RADIO (NO LONGER AVAILABLE)
	.....	WIRING LEAD	1		38 MM (1-1/2") RADIO GROUND, (MAKE FROM R32007, R32021, R32027 AND R32025)
11	R53586	RETAINER	1		
12	37M7245	SCREW	2		
13	12H297	LOCK WASHER	1		1/4"
14	14H786	NUT	1		1/4"
15	21H1176	SCREW	1		0.112" X 1/2"
	14H1000	NUT	1		0.112"
16	AR60054	RELAY	1		(NO LONGER AVAILABLE)
17	R34812	O-RING	1		
18	19H1948	CAP SCREW	2		1/4" X 3/4"
19	24H1288	WASHER	2		9/32" X 1" X 1/16"
20	R53677	LOCK NUT	2		
21	R53479	BRACKET	1		AM RADIO AND TAPE PLAYER
	R57892	BRACKET	1		AM-FM RADIO AND TAPE PLAYER
22	12H302	LOCK WASHER	1		1/4"
23	14H786	NUT	1		1/4"
24	AR60557	WIRING HARNESS	1		AM RADIO AND TAPE PLAYER
	AR69589	WIRING HARNESS	1		AM-FM RADIO AND TAPE PLAYER
25	R47474	CLIP	1		
26	AR96608	KIT	1		(NLA)
27	R52130	LOCK NUT	2		

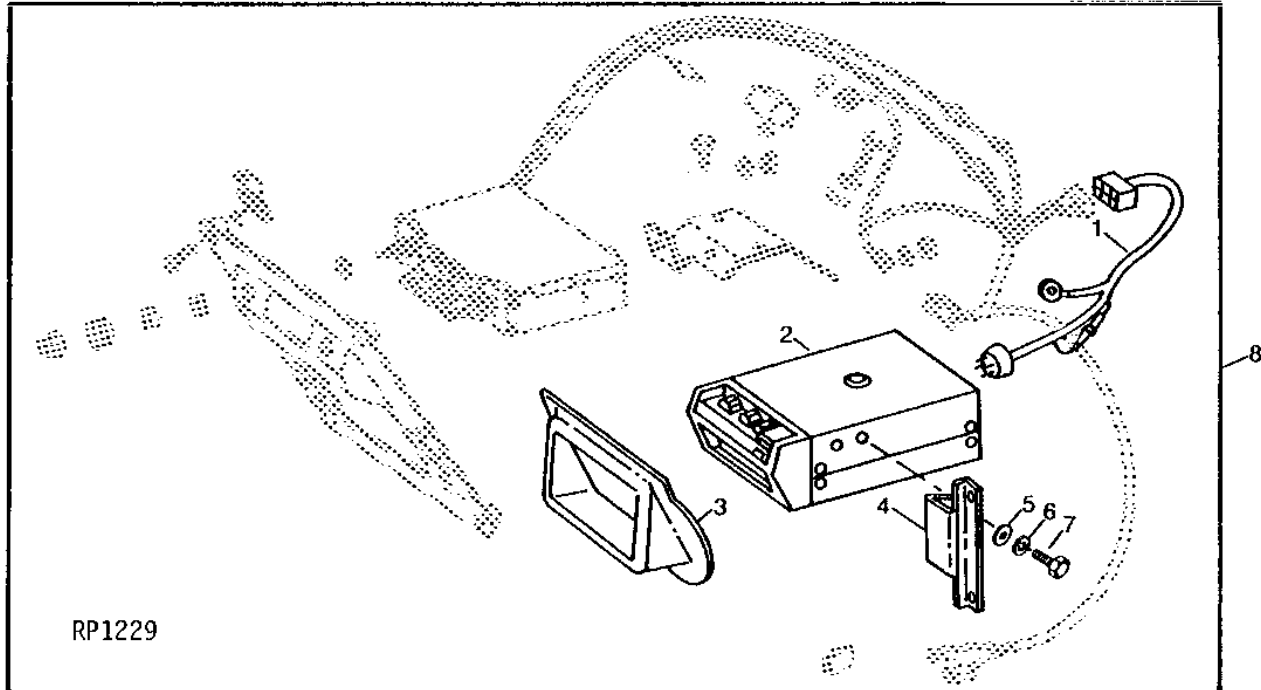
(A) CHECK AUDIOVOX DIRECT - SHIP PROGRAM GUIDE

# 2F4

ELECTRICAL

## BOMAN TAPE PLAYER KIT (FOR MOTOROLA RADIO)

RP1229 -UN-01JAN94



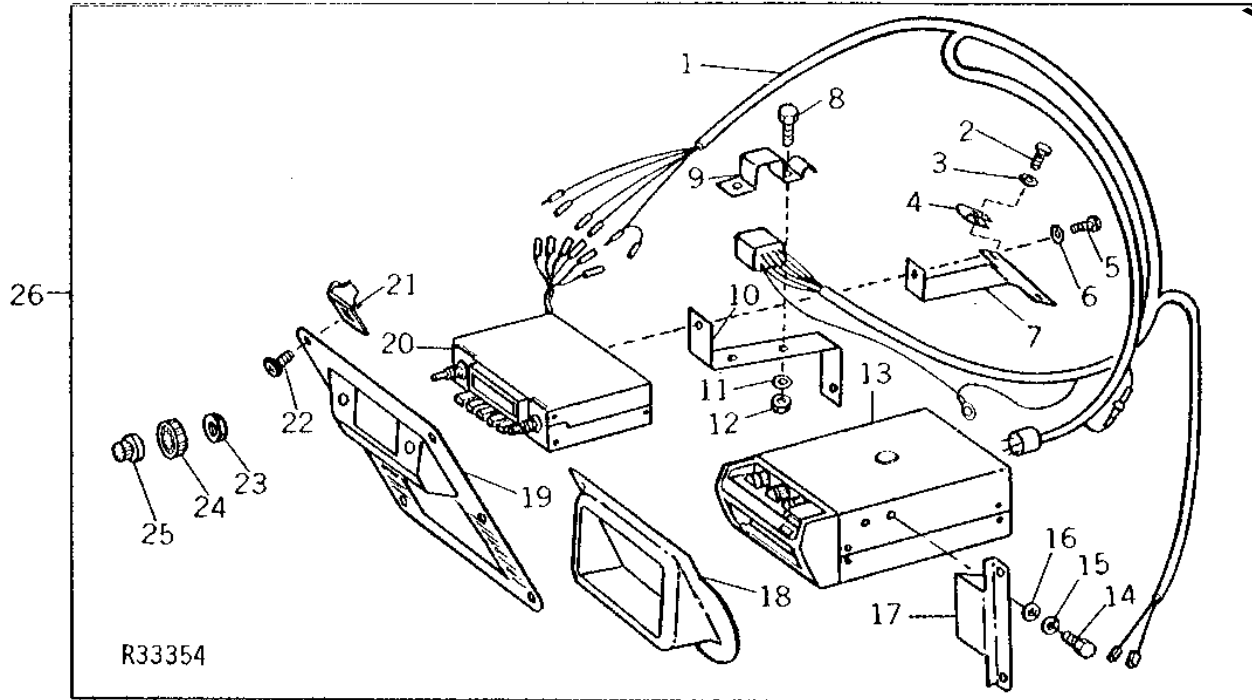
KEY	PART NO.	PART NAME	QTY	TRACTOR SERIAL NO.	REMARKS
1	AR89561	WIRING HARNESS	1	(NLA)	
2	AR93211	TAPE PLAYER	1		TAPE PLAYER CHASSIS (NLA)
3	R66206	COVER	1		
4	R66205	BRACKET	2		
5	24M7117	WASHER	2		4.300 X 9 X 0.800 MM
6	12M7063	LOCK WASHER	2		M4
7	19M7598	CAP SCREW	2		M4 X 10
8	AR96608	KIT	1		(NLA)

# 2F5

ELECTRICAL

## PUSH-BUTTON RADIO AND TAPE PLAYER (BOMAN)

R33354 -UN-01JAN94



KEY	PART NO.	PART NAME	QTY	TRACTOR SERIAL NO.	REMARKS
1	AR85840	WIRING HARNESS	1	(NLA)	
2	37H98	SCREW	2		
3	24H1288	WASHER	2	9/32" X 1" X 1/16"	
4	R53677	LOCK NUT	2		
5	21M7198	SCREW	1	M5 X 8	
6	12H297	LOCK WASHER	1	1/4"	
7	R66201	BRACKET	1		
8	37H43	SCREW	2		
9	R66204	BRACKET	1		
10	R66203	BRACKET	1		AM RADIO AND TAPE PLAYER
	R66207	BRACKET	1		AM-FM RADIO AND TAPE PLAYER
11	12H297	LOCK WASHER	1	1/4"	
12	14H786	NUT	1	1/4"	
13	AR85841	TAPE PLAYER	1		TAPE PLAYER (NLA)
14	19M7598	CAP SCREW	2	M4 X 10	
15	12M7063	LOCK WASHER	2	M4	
16	24M7117	WASHER	2	4.300 X 9 X 0.800 MM	
17	R66205	BRACKET	2		
18	R66206	COVER	1		
19	R53398	GRILLE	1		
20	AR85837	RADIO	1		(A) AM (NLA)
	AR85839	RADIO	1		(A) AM-FM (NO LONGER AVAILABLE)
	.....	WIRING LEAD	1		152 MM (6") RADIO GROUND, (MAKE FROM R66319, R32027, R65597 AND T28585)
21	R50974	NUT	6		
22	R50499	SCREW	6		
23	R66200	NUT	2		
24	R66198	KNOB	2		
25	R66199	KNOB	2		
26	AR85833	KIT	1		AM RADIO AND TAPE PLAYER, (SUB TY15278)
	AR85834	KIT	1		AM-FM RADIO AND TAPE PLAYER, (SUB TY15279)

(A) CHECK AUDIOVOX DIRECT - SHIP PROGRAM GUIDE

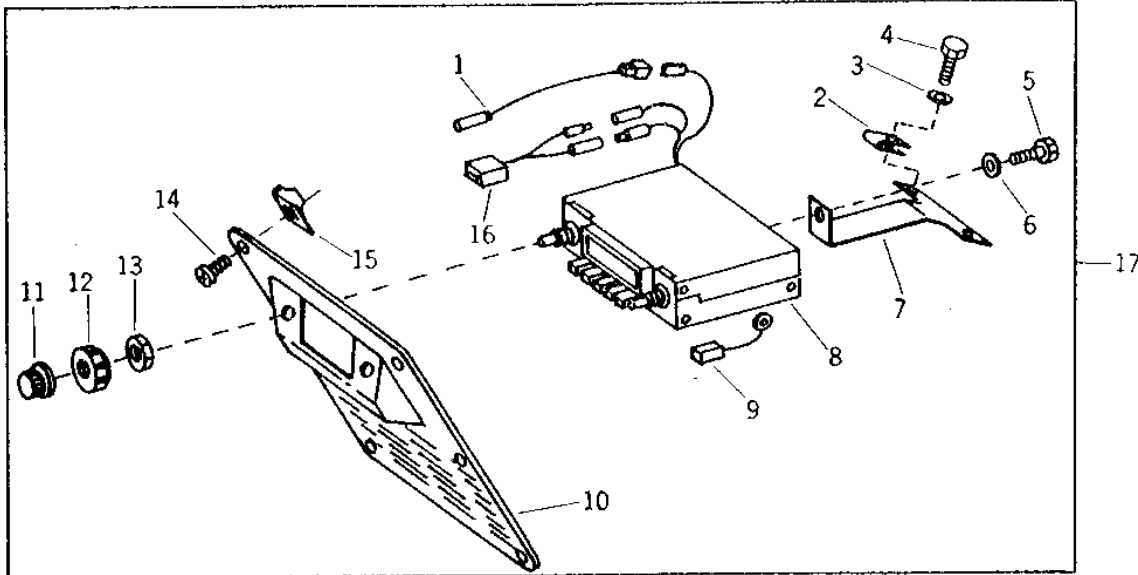


# 2F6

ELECTRICAL

R32143 -UN-01JAN94

## PUSH-BUTTON RADIO (BOMAN)



R32143F

KEY	PART NO.	PART NAME	QTY	TRACTOR SERIAL NO.	REMARKS
1	AR85836	WIRING HARNESS	1	(NLA)	
2	R53677	LOCK NUT	2		
3	24H1288	WASHER	2	9/32" X 1" X 1/16"	
4	37H98	SCREW	2		
5	21M7198	SCREW	1	M5 X 8	
6	12H297	LOCK WASHER	1	1/4"	
7	R66201	BRACKET	1	AM RADIO	
	R66202	BRACKET	1	AM-FM RADIO	
8	AR85837	RADIO	1	(A) AM (NLA)	
	AR85839	RADIO	1	(A) AM-FM (NLA)	
9	.....	WIRING LEAD	1	152 MM (6") RADIO GROUND, (MAKE FROM R66319, R32021, R32027, R65597 AND T28585)	
10	R52272	GRILLE	1		
11	R66199	KNOB	2		
12	R66198	KNOB	2		
13	R66200	NUT	2		
14	R50499	SCREW	6		
15	R50974	NUT	6		
16	AR85835	WIRING HARNESS	1	AM RADIO	
	AR85838	WIRING HARNESS	1	AM-FM RADIO	
17	AR85831	KIT	1	(A) AM RADIO, (SUB TY15278)	
	AR85832	KIT	1	(A) AM-FM RADIO, (SUB TY15279)	

(A) CHECK AUDIOVOX DIRECT - SHIP PROGRAM GUIDE

---

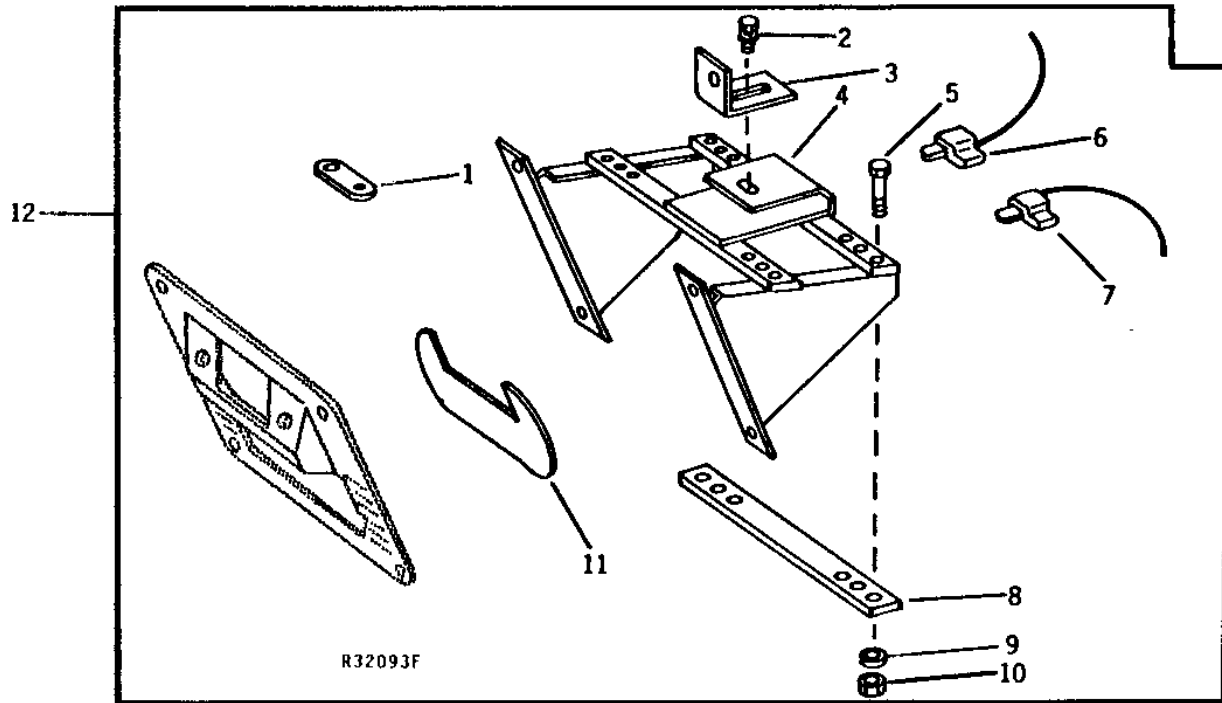
MEMORANDA

# 2F7

ELECTRICAL

R32093 -UN-01JAN94

## CB RADIO MOUNTING KIT



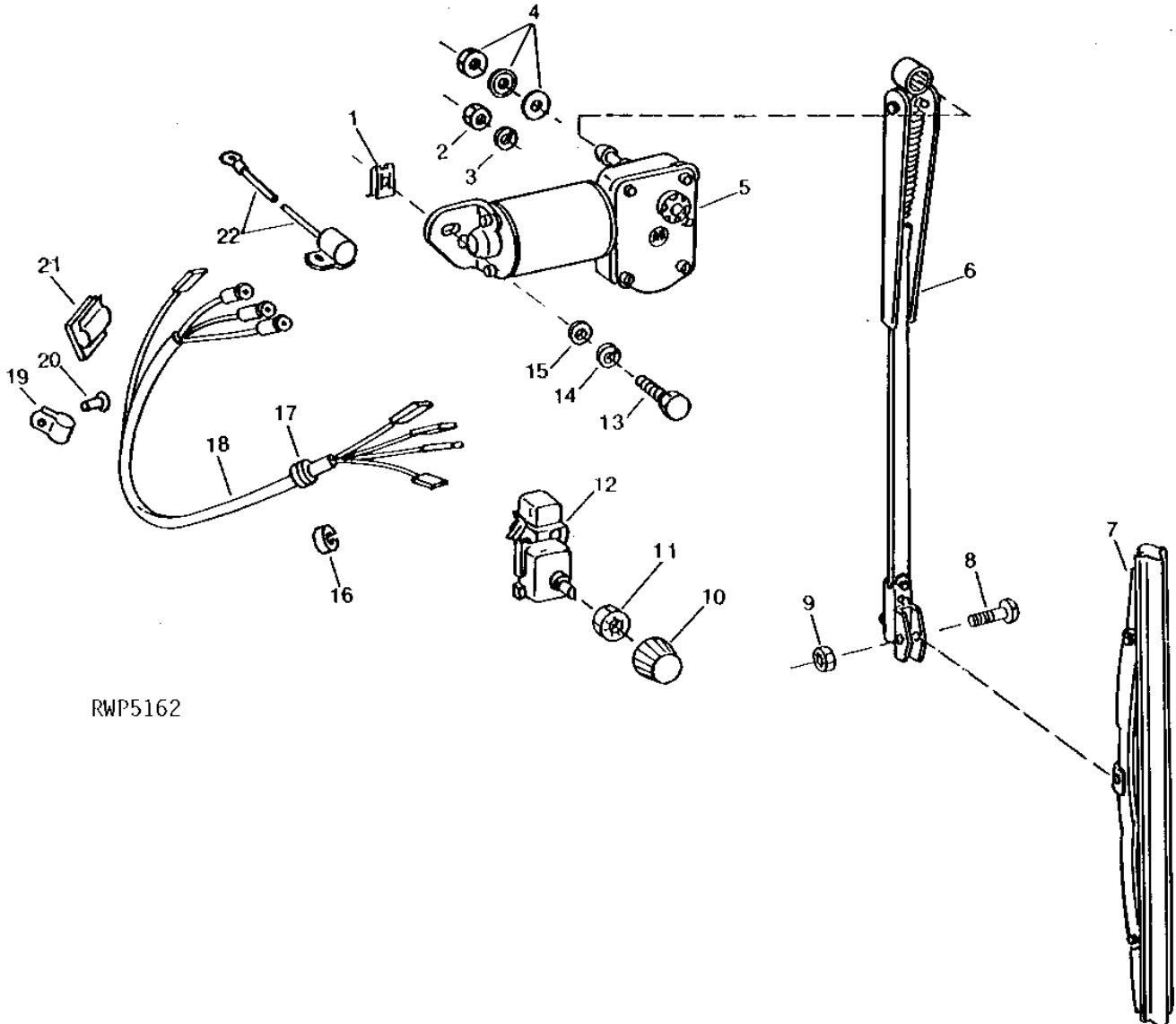
KEY	PART NO.	PART NAME	QTY	TRACTOR SERIAL NO.	REMARKS
1	R65323	STRAP	1		
2	37H43	SCREW	1		
3	R66658	ANGLE	1		
4	AR86552	BRACKET	1		
5	19H2336	CAP SCREW	4	1/4" X 3-1/2"	(NLA)
6	AR82707	WIRING LEAD	1		(NLA)
7	AR82708	WIRING LEAD	1		(NLA)
8	R66659	STRAP	1		
9	12H302	LOCK WASHER	4	1/4"	
10	14H786	NUT	4	1/4"	
11	R66660	INSERT	1		(NLA)
12	AR86551	KIT	1		(NLA)

# 2F8

ELECTRICAL

RWP5162 -UN-01JAN94

## LEFT-HAND WINDSHIELD WIPER AND MOTOR



RWP5162

# 2F9

ELECTRICAL

## LEFT-HAND WINDSHIELD WIPER AND MOTOR - CONTINUED

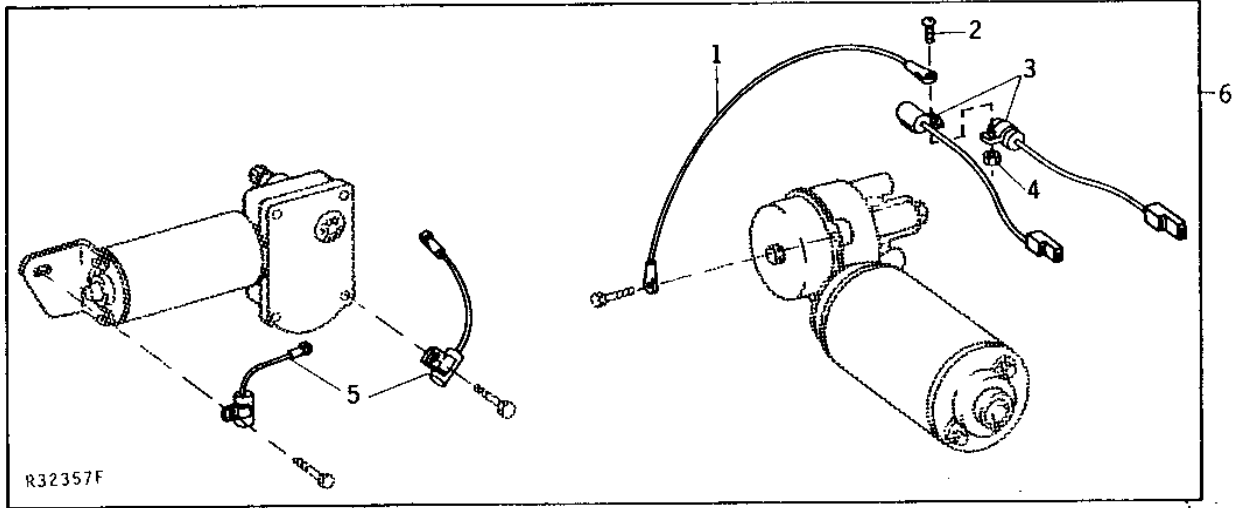
KEY	PART NO.	PART NAME	QTY	TRACTOR SERIAL NO.	REMARKS
1	R52130	LOCK NUT	1		(REPLACEMENT SOUND-GARD BODY)
2	14H1026	NUT	3		0.138"
3	12H321	WASHER	3		0.138"
4	AR94047	BUSHING	1		KIT, SPACER WITH NUT AND GASKET
5	RE48783	WIPER MOTOR	1		(SUB FOR RE18943 OR AR56691)
	AR91667	SHAFT	1		(AMERICAN BOSCH AND UTC ONLY)
6	AR56692	ARM	1		
7	AR56694	WINDSHIELD WIPER	1		
8	T35441	SCREW	1		
9	T35440	LOCK NUT	1		
10	AR69370	KNOB	1		
11	R44165	LOCK NUT	1		
12	AR64992	WIPER SWITCH	1		
13	21H1301	SCREW	1		0.190" X 1/2"
14	12M7060	WASHER	1		0.209"
15	B1664R	SHIM	1		
16	R50277	CLIP	1		
17	R41076	GROMMET	1		(USE WITH AR56691)
	R42093	GROMMET	1		(USE WITH RE18943)
18	RE13248	WIRING HARNESS	1		(SUB FOR AR70123 OR AR87339) (USE WITH AR56691)
	RE18945	WIRING HARNESS	1		(USE WITH RE18943 OR RE48783)
19	R70209	CLAMP	1	-XXXXXX	
20	37M7068	SCREW	1	-XXXXXX	
21	R47474	CLIP	1	-XXXXXX	
	R47474	CLIP	2	XXXXXX-	
22	AR71571	CAPACITOR	2		

# 2F10

ELECTRICAL

R32357 -UN-01JAN94

## WIPER MOTOR SUPPRESSION KIT



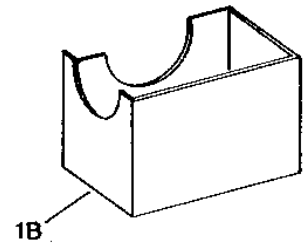
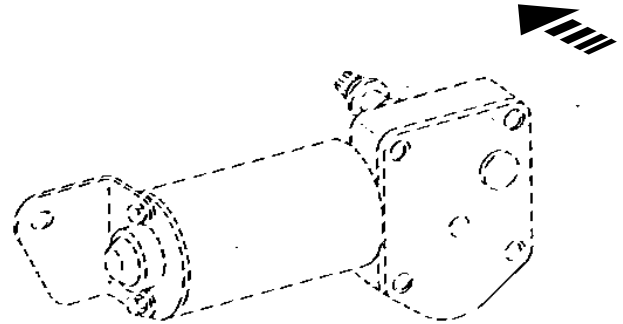
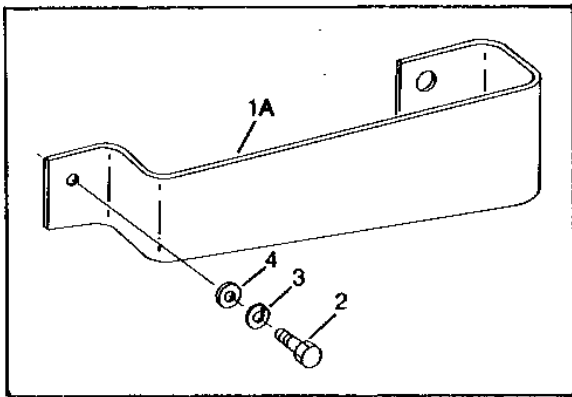
KEY	PART NO.	PART NAME	QTY	SG BODY SERIAL NO.	REMARKS
1	AR87493	WIRING LEAD	1	-167883	
2	21H1299	SCREW	1	-167883	0.164" X 3/8"
3	AR71570	CAPACITOR	2		
4	14H605	NUT	1	-167883	0.164"
5	AR71571	CAPACITOR	2		
6	AR71569	KIT	1		

# 2F11

ELECTRICAL

## WINDSHIELD WIPER MOTOR GUARD (NOT USED IN U.S. AND CANADA)

RWP6397 -UN-01JAN94



RWP6397

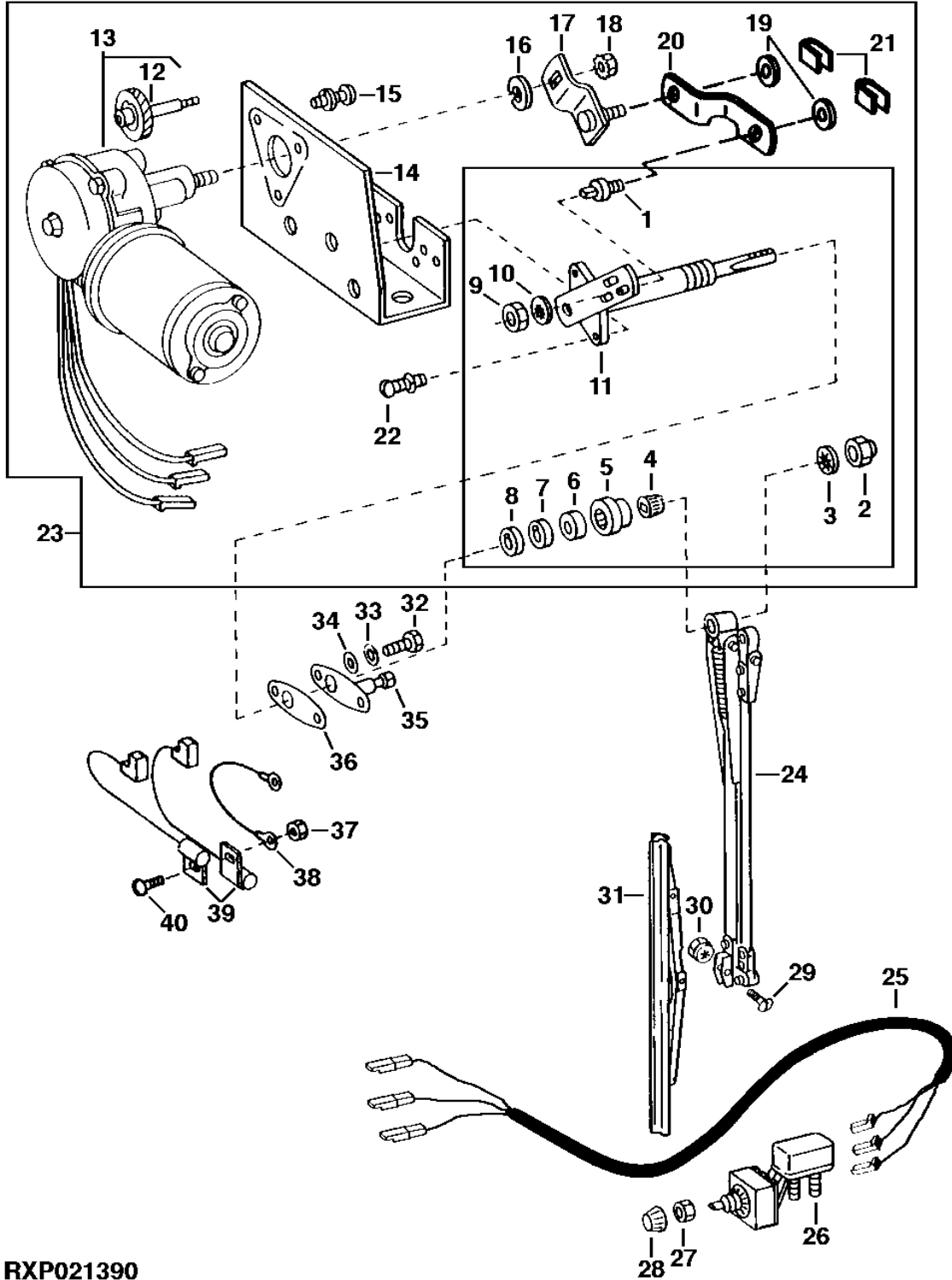
KEY	PART NO.	PART NAME	QTY	TRACTOR SERIAL NO.	REMARKS
1A	AL27267	GUARD	1		L.H. (SUB FOR R63880) (SUB R89995)
1B	R89995	GUARD	1		
2	21H1301	SCREW	1		0.190" X 1/2"
3	12M7060	WASHER	1		0.209"
4	B1664R	SHIM	1		

# 2F12

ELECTRICAL

RXP021390 -UN-29NOV95

RIGHT-HAND WINDSHIELD WIPER AND MOTOR



RXP021390



# 2F13

ELECTRICAL

## RIGHT-HAND WINDSHIELD WIPER AND MOTOR - CONTINUED

KEY	PART NO.	PART NAME	QTY	SG BODY SERIAL NO.	REMARKS
1	U46507	PIN	1		
2	U46514	NUT	1	-103699	
	R63671	NUT	1	103700-	
3	12H303	LOCK WASHER	1		5/16"
4	U46513	NUT	1	-103699	
	R63670	WELD NUT	1	103700-	
5	U46512	CAP	1	-103699	
	R63669	CAP	1	103700-	
6	U46511	NUT	1	-103699	
	R63668	NUT	1	103700-	
7	U46510	WASHER	1	-103699	
	R63667	WASHER	1	103700-	
8	U46509	WASHER	1	-103699	
	R63666	WASHER	1	103700-	
9	14H649	NUT	1		1/4"
10	12H297	LOCK WASHER	1		1/4"
11	AR55021	SHAFT	1	-103699	(SUB AR78595)
	AR78595	SHAFT	1	103700-	(SUB FOR AR55021)
12	RE13281	GEAR	1		(SUB FOR AR75606)
13	AR59444	MOTOR	1		(A) (SUB RE58851)
14	U46515	BRACKET	1		
15	AU43854	SCREW	3		
16	U46508	WASHER	1		
17	AU43954	ARM	1		
18	AU43857	LOCK NUT	1		
19	T32255	SHIM	2		
20	AU43853	LINK	1		
21	U46506	CLIP	2		(SUB FOR R78499)
22	AU43855	SCREW	2		(SUB 21H1298 AND 12M7060)
23	AR56687	MOTOR	1	-103699	(ORDER COMPONENT PARTS)
	AR78594	MOTOR	1	103700-	(ORDER COMPONENT PARTS)
24	RE36108	ARM	1		(SUB FOR AR56690)
25	AR60051	WIRING HARNESS	1		
26	AR64992	WIPER SWITCH	1		
27	R44165	LOCK NUT	1		
28	AR69370	KNOB	1		
29	T35441	SCREW	1		
30	T35440	LOCK NUT	1		
31	AR56694	WINDSHIELD WIPER	1		
32	19H3287	CAP SCREW	2		1/4" X 2-5/8"
33	12H302	LOCK WASHER	2		1/4"
34	24H1286	WASHER	1		9/32" X 1/2" X 1/16"
	12H356	LOCK WASHER	1		1/4"
35	AR56688	PLATE	1	-103699	(SUB RE36215)
	RE36215	PLATE	1	103700-	(SUB FOR AR56688, AR78596 OR AU42023)
	R97997	NUT	1		(USE WITH RE36215) (NLA)
36	R63672	ADAPTER	1		(SUB FOR R50453)
37	14H605	NUT	1	-167883	0.164"
38	AR87493	WIRING LEAD	1	-167883	
39	AR71570	CAPACITOR	2		
40	21H1299	SCREW	1	-167883	0.164" X 3/8"

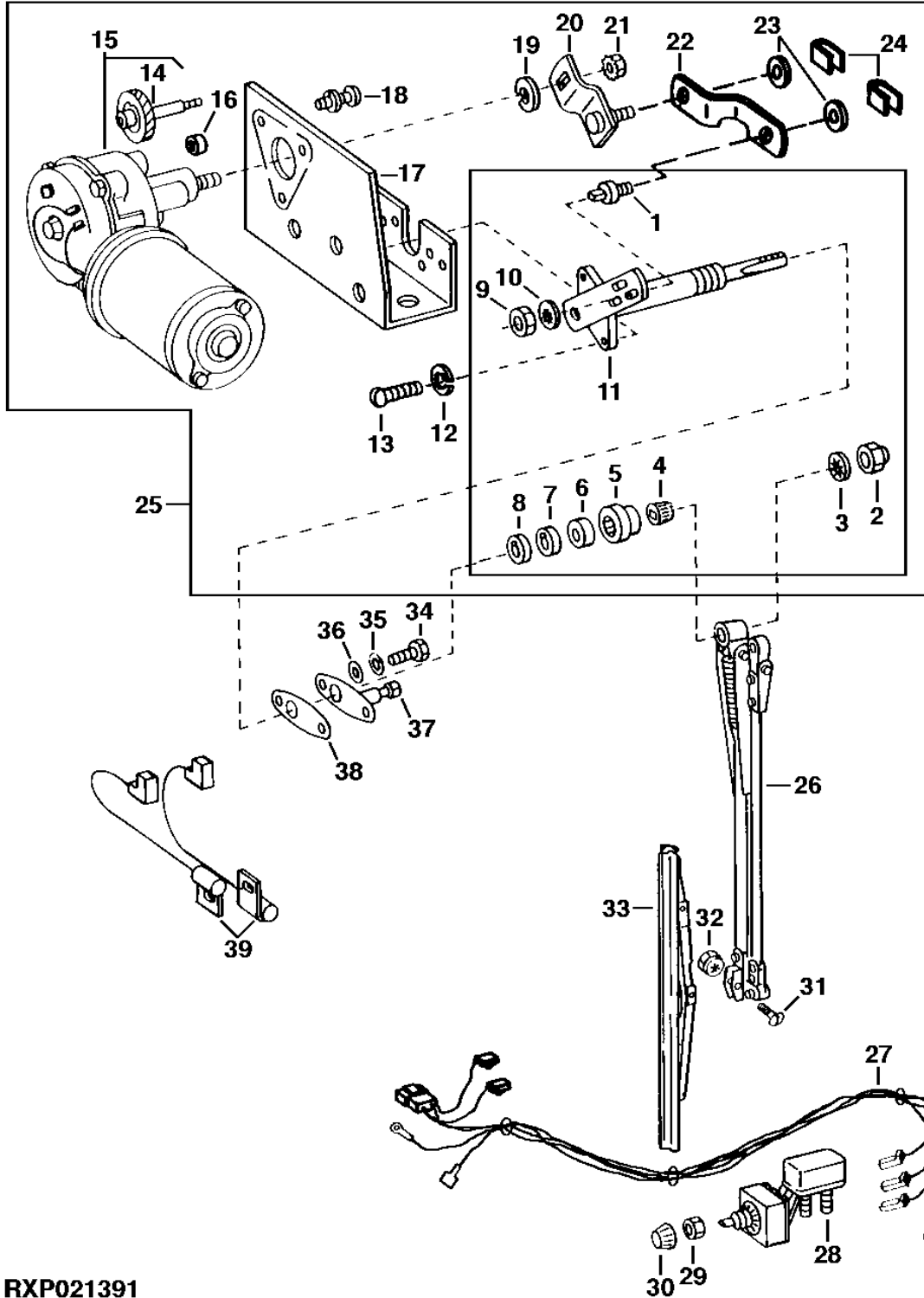
(A) WHEN RE58851 WIPER MOTOR IS INSTALLED, ALSO REPLACE AR60051 HARNESS WITH RE48322 HARNESS

# 2F14

ELECTRICAL

RXP021391 -UN-29NOV95

## RIGHT-HAND WINDSHIELD WIPER AND MOTOR



RXP021391

# 2F15

ELECTRICAL

## RIGHT-HAND WINDSHIELD WIPER AND MOTOR - CONTINUED

KEY	PART NO.	PART NAME	QTY	TRACTOR SERIAL NO.	REMARKS
1	U46507	PIN	1		
2	R63671	NUT	1		
3	12H303	LOCK WASHER	1	5/16"	
4	R63670	WELD NUT	1		
5	R63669	CAP	1		
6	R63668	NUT	1		
7	R63667	WASHER	1		
8	R63666	WASHER	1		
9	14H649	NUT	1	1/4"	
10	12H297	LOCK WASHER	1	1/4"	
11	AR78595	SHAFT	1		
12	12H295	LOCK WASHER	2	0.190"	
13	21H1298	SCREW	2	0.190" X 3/8"	
14	RE13281	GEAR	1		
15	RE13280	MOTOR	1	(A) (SUB RE58851)	
16	R78498	WASHER	3		
17	R78995	BRACKET	1		
18	RE13283	SCREW, WITH WASHER	3		
19	U46508	WASHER	1		
20	AU43954	ARM	1	(SUB FOR RE13284 OR RE18946)	
21	AU43857	LOCK NUT	1		
22	RE13282	ARM	1		
23	T32255	SHIM	2		
24	U46506	CLIP	2	(SUB FOR R78499)	
25	RE12130	MOTOR	1	(ORDER COMPONENT PARTS)	
26	RE36108	ARM	1	(SUB FOR AR56690)	
27	RE46412	WIPER MOTOR WIRING HARNESS	1	(SUB FOR RE10995)	
28	AR64992	WIPER SWITCH	1		
29	R44165	LOCK NUT	1		
30	AR69370	KNOB	1		
31	R92205	SCREW	1		
32	T35440	LOCK NUT	1		
33	AR56694	WINDSHIELD WIPER	1		
34	19H3287	CAP SCREW	2	1/4" X 2-5/8"	
35	12H302	LOCK WASHER	2	1/4"	
36	24H1286	WASHER	1	9/32" X 1/2" X 1/16"	
	12H356	LOCK WASHER	1	1/4"	
37	RE36215	PLATE	1	(SUB FOR AR78596)	
	R97997	NUT	1	(NLA)	
38	R63672	ADAPTER	1		
39	AR71570	CAPACITOR	2		

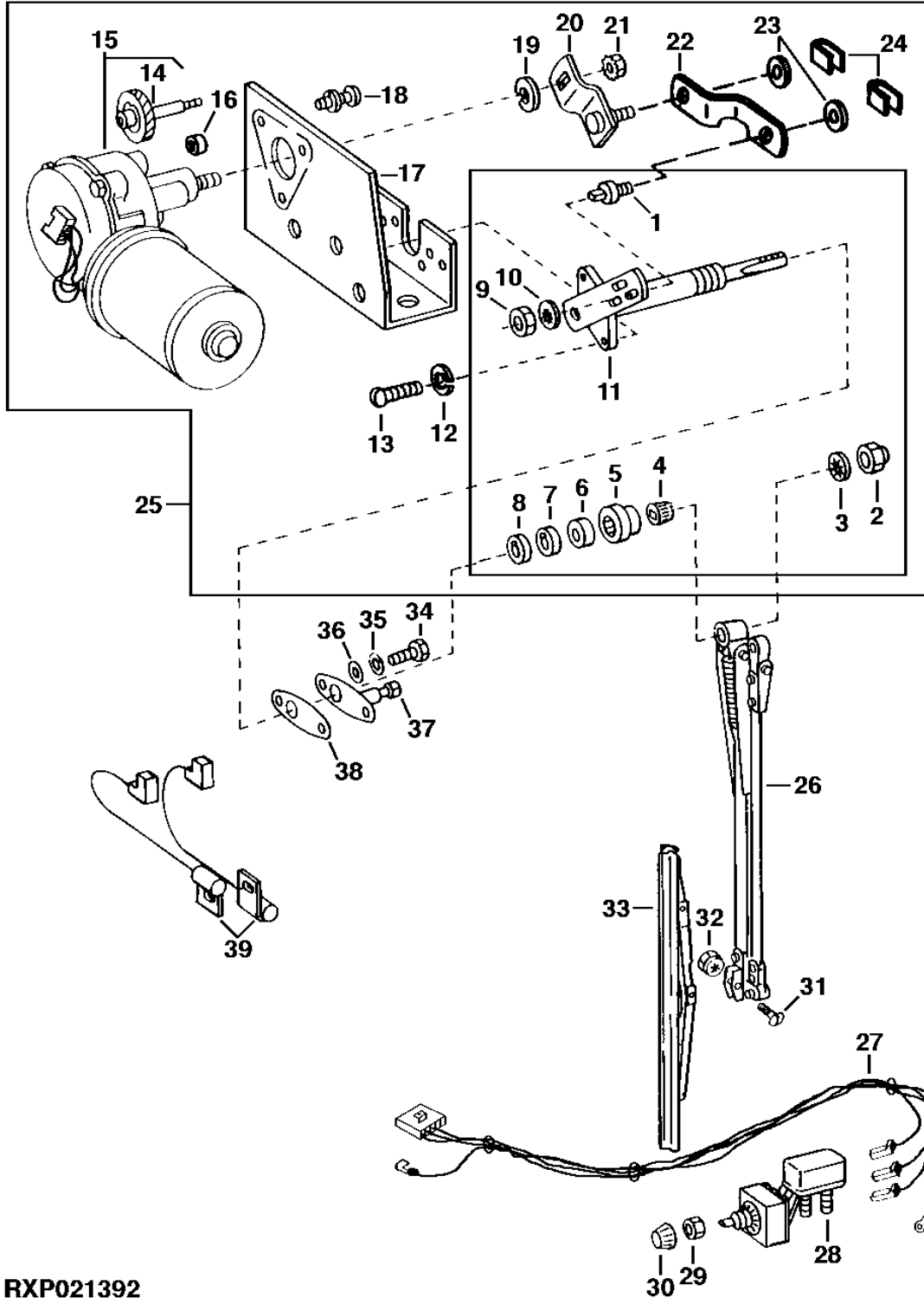
(A) WHEN RE58851 WIPER MOTOR IS INSTALLED, ALSO REPLACE RE46412 HARNESS WITH RE48322 HARNESS

# 2F16

ELECTRICAL

RXP021392 -UN-29NOV95

## RIGHT-HAND WINDSHIELD WIPER AND MOTOR



RXP021392

# 2F17

ELECTRICAL

## RIGHT-HAND WINDSHIELD WIPER AND MOTOR - CONTINUED

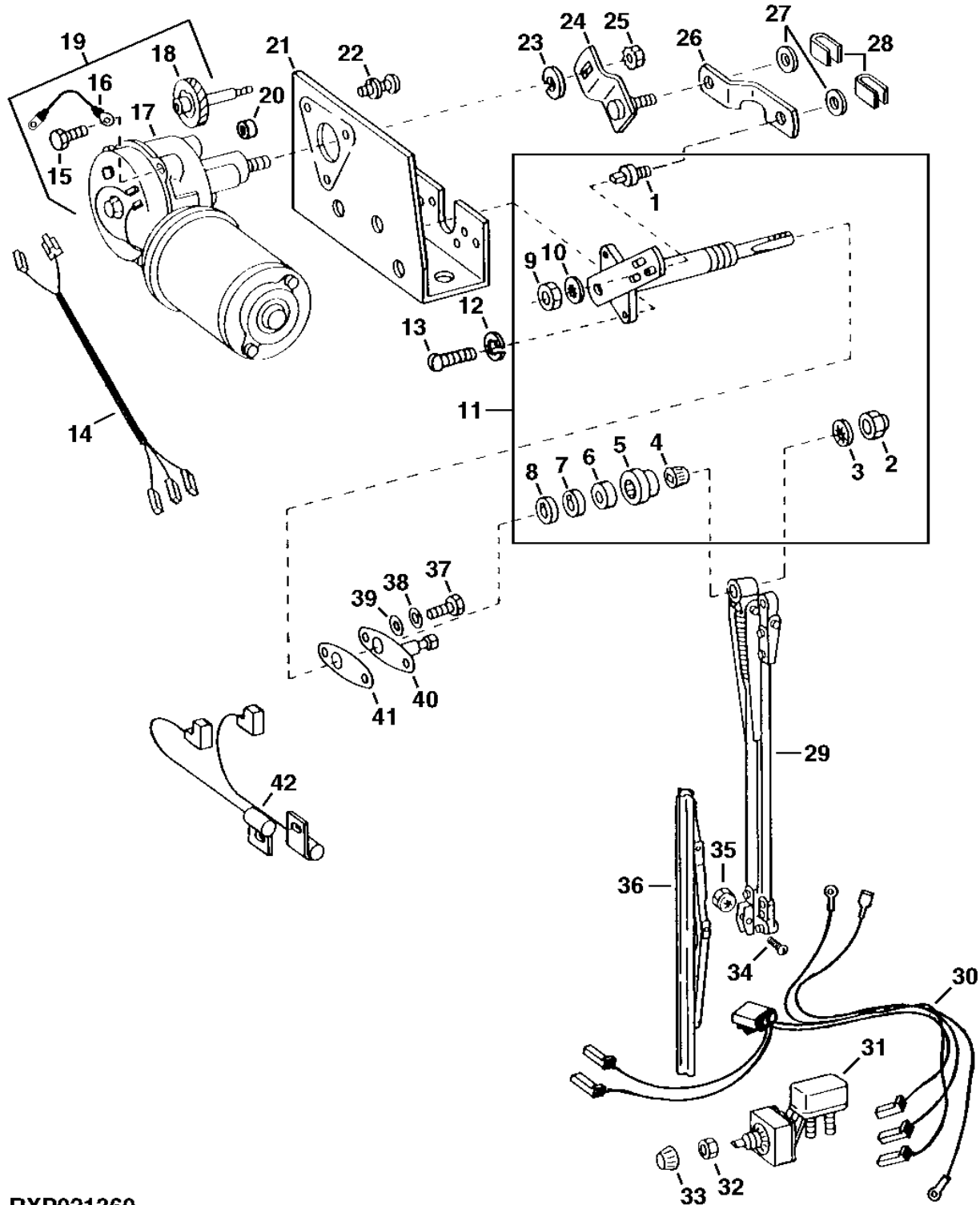
KEY	PART NO.	PART NAME	QTY	TRACTOR SERIAL NO.	REMARKS
1	U46507	PIN	1		
2	R63671	NUT	1		
3	12H303	LOCK WASHER	1	5/16"	
4	R63670	WELD NUT	1		
5	R63669	CAP	1		
6	R63668	NUT	1		
7	R63667	WASHER	1		
8	R63666	WASHER	1		
9	14H649	NUT	1	1/4"	
10	12H297	LOCK WASHER	1	1/4"	
11	AR78595	SHAFT	1		
12	12H295	LOCK WASHER	2	0.190"	
13	21H1298	SCREW	2	0.190" X 3/8"	
14	RE13281	GEAR	1		
15	RE56380	MOTOR	1	(SUB RE58851)	
16	R78498	WASHER	3		
17	R78995	BRACKET	1		
18	RE13283	SCREW, WITH WASHER	3		
19	U46508	WASHER	1		
20	AU43954	ARM	1	(SUB FOR RE13284 OR RE18946)	
21	AU43857	LOCK NUT	1		
22	R116714	ARM	1		
23	T32255	SHIM	2		
24	U46506	CLIP	2	(SUB FOR R78499)	
25	RE48784	WIPER MOTOR	1	(ORDER COMPONENT PARTS)	
26	RE36108	ARM	1	(SUB FOR AR56690)	
27	RE48322	WIPER MOTOR WIRING HARNESS	1		
28	AR64992	WIPER SWITCH	1		
29	R44165	LOCK NUT	1		
30	AR69370	KNOB	1		
31	R92205	SCREW	1		
32	T35440	LOCK NUT	1		
33	AR56694	WINDSHIELD WIPER	1		
34	19H3287	CAP SCREW	2	1/4" X 2-5/8"	
35	12H302	LOCK WASHER	2	1/4"	
36	24H1286	WASHER	1	9/32" X 1/2" X 1/16"	
	12H356	LOCK WASHER	1	1/4"	
37	RE36215	PLATE	1	(SUB FOR AR78596)	
	R97997	NUT	1	(NLA)	
38	R63672	ADAPTER	1		
39	AR71570	CAPACITOR	2		

# 2F18

ELECTRICAL

RXP021360 -UN-06NOV95

## RIGHT-HAND WINDSHIELD WIPER AND MOTOR



RXP021360

# 2F19

ELECTRICAL

## RIGHT-HAND WINDSHIELD WIPER AND MOTOR - CONTINUED

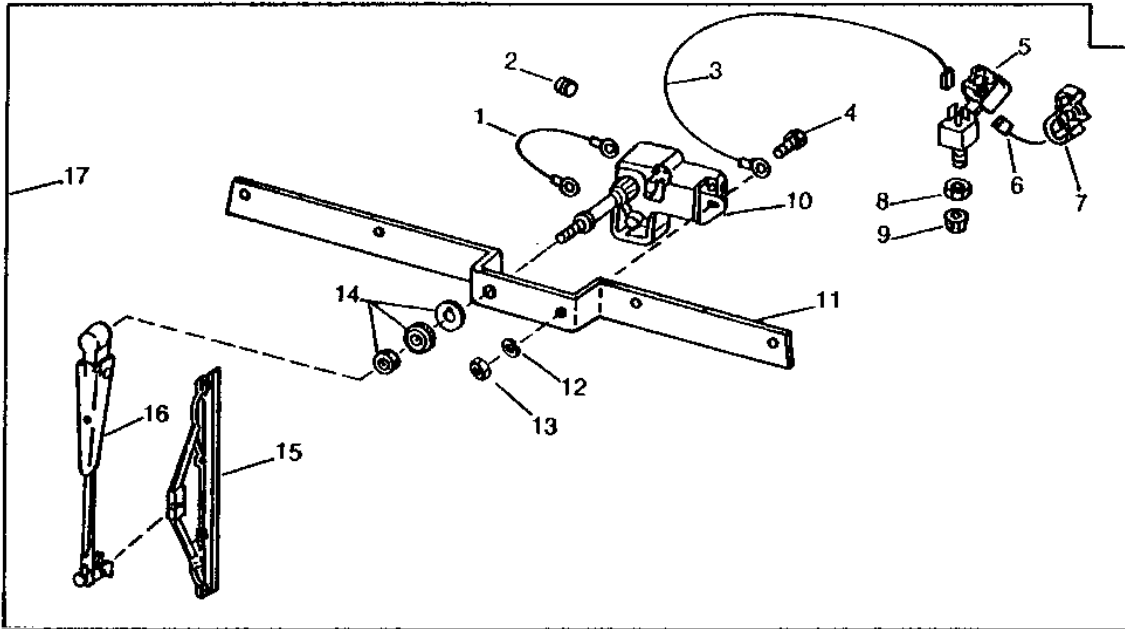
KEY	PART NO.	PART NAME	QTY	TRACTOR SERIAL NO.	REMARKS
1	U46507	PIN	1		
2	R63671	NUT	1		
3	12H303	LOCK WASHER	1	5/16"	
4	R63670	WELD NUT	1		
5	R63669	CAP	1		
6	R63668	NUT	1		
7	R63667	WASHER	1		
8	R63666	WASHER	1		
9	14H649	NUT	1	1/4"	
10	12H297	LOCK WASHER	1	1/4"	
11	AR78595	SHAFT	1		
12	12H295	LOCK WASHER	2	0.190"	
13	21H1298	SCREW	2	0.190" X 3/8"	
14	37H176	SCREW	1	0.138" X 1/4"	
15	RE61099	WIRING LEAD	1		
16	AT66481	MOTOR	1		(SUB FOR AR59444, RE13280, RE53496 OR RE56380)
17	RE13281	GEAR	1		
18	RE58851	MOTOR	1		(SUB FOR AR59444, RE13280, RE53496 OR RE56380)
19	R78498	WASHER	3		
20	R78995	BRACKET	1		
21	RE13283	SCREW, WITH WASHER	3		
22	U46508	WASHER	1		
23	AU43954	ARM	1		(SUB FOR RE13284 OR RE18946)
24	AU43857	LOCK NUT	1		
25	RE13282	ARM	1		
26	T32255	SHIM	2		
27	U46506	CLIP	2		(SUB FOR R78499)
28	RE36108	ARM	1		(SUB FOR AR56690)
29	RE48322	WIPER MOTOR WIRING HARNESS	1		
30	AR64992	WIPER SWITCH	1		
31	R44165	LOCK NUT	1		
32	AR69370	KNOB	1		
33	R92205	SCREW	1		
34	T35440	LOCK NUT	1		
35	AR56694	WINDSHIELD WIPER	1		
36	19H3287	CAP SCREW	2	1/4" X 2-5/8"	
37	12H302	LOCK WASHER	2	1/4"	
38	24H1286	WASHER	1	9/32" X 1/2" X 1/16"	
	12H356	LOCK WASHER	1	1/4"	
39	RE36215	PLATE	1		(SUB FOR AR78596)
	R97997	NUT	1		(NLA)
40	R63672	ADAPTER	1		
41	AR71570	CAPACITOR	2		

# 2F20

ELECTRICAL

RP1351 -UN-01JAN94

## REAR WINDSHIELD WIPER



RP1351

KEY	PART NO.	PART NAME	QTY	TRACTOR SERIAL NO.	REMARKS
1	AR79429	WIRING LEAD	1		813 MM (32")
2	R27583	GROMMET	1		
3	AR79431	WIRING LEAD	1		2210 MM (84")
4	21H1295	SCREW	1		0.190" X 5/8"
5	AR64992	WIPER SWITCH	1		
6	AR79430	WIRING LEAD	1		
7	AR67855	CONNECTOR	1		
8	R44165	LOCK NUT	1		
9	AR69370	KNOB	1		
10	AR79428	MOTOR	1		
11	R63983	BRACKET	1		
12	12M7060	WASHER	1		0.209"
13	14H778	NUT	1		0.190"
14	AR94047	BUSHING	1		KIT
15	AR56694	WINDSHIELD WIPER	1		
16	AR56692	ARM	1		
17	<b>AR79427</b>	<b>KIT</b>	<b>1</b>		<b>(SUB RE41817) (FI)</b>

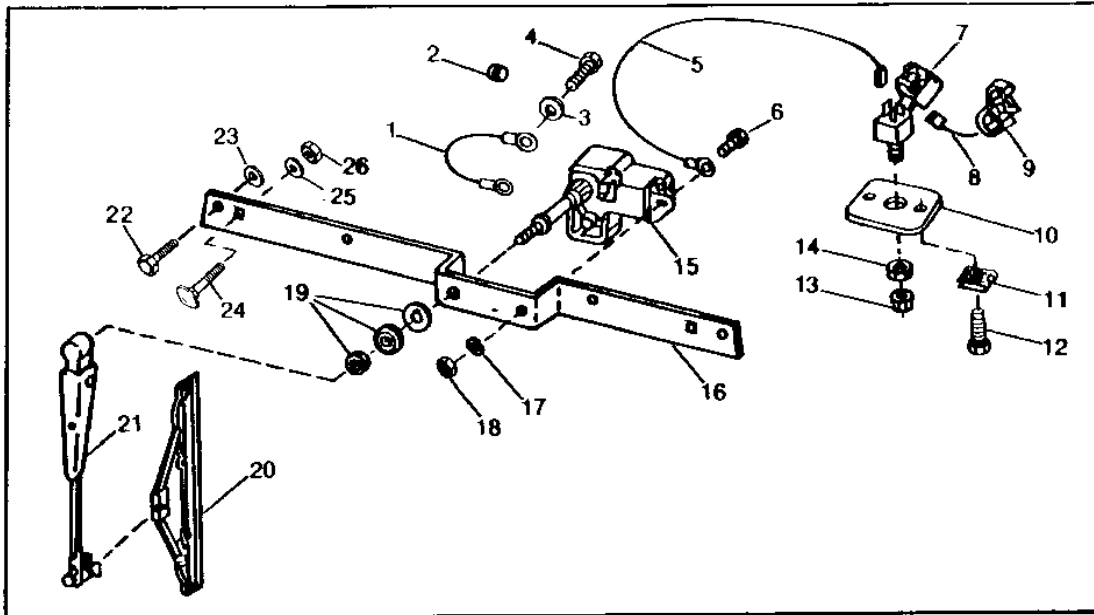


# 2F21

ELECTRICAL

RXP011340 -UN-27SEP94

## REAR WINDSHIELD WIPER



27

RXP011340

KEY	PART NO.	PART NAME	QTY	TRACTOR SERIAL NO.	REMARKS
1	AR79429	WIRING LEAD	1	813MM(32")	
2	R27583	GROMMET	1		
3	24H1283	WASHER	1	7/32" X 1/2" X 0.049"	
4	37H129	SCREW	1		
5	AR79431	WIRING LEAD	1		
6	21H1301	SCREW	1	0.190" X 1/2"	
7	AR64992	WIPER SWITCH	1		
8	AR79430	WIRING LEAD	1		
9	AR67855	CONNECTOR	1		
10	R104517	PLATE	1		
11	R52130	LOCK NUT	2		
12	R52931	SCREW	2		
13	R44165	LOCK NUT	1		
14	AR69370	KNOB	1		
15	AR79428	MOTOR	1		
16	R63983	BRACKET	1		
17	12M7060	WASHER	1	0.209"	
18	14H778	NUT	1	0.190"	
19	AR94047	BUSHING	1		
20	AR56694	WINDSHIELD WIPER	1		
21	AR56692	ARM	1		
22	21H1014	SCREW	4	1/4" X 1"	
23	24M7289	WASHER	2	9.500 X 28 X 3 MM	
24	03M7319	BOLT	2	M8 X 35	
25	24M7036	WASHER	2	9 X 16 X 1.600 MM	
26	14M7166	LOCK NUT	2	M8	
27	RE41817	KIT	1	(SUB FOR AR79427) (FI)	
..	L61115	WEATHERSTRIP	1		

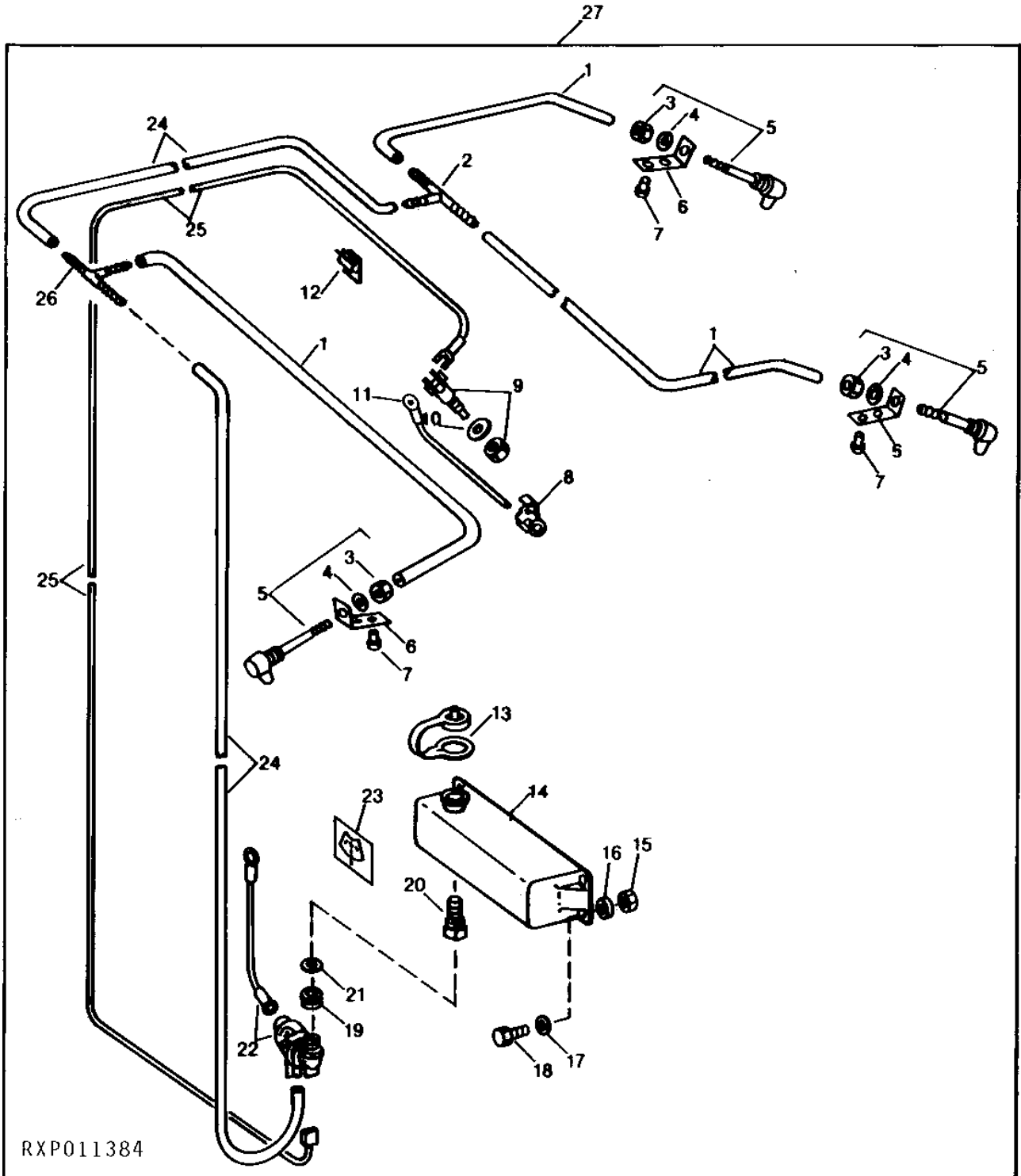
# 2F22

ELECTRICAL

## WINDSHIELD WASHER (AR79547)

RXP011384 -UN-17OCT94

45



# 2F23

ELECTRICAL

## WINDSHIELD WASHER - CONTINUED (AR79547)

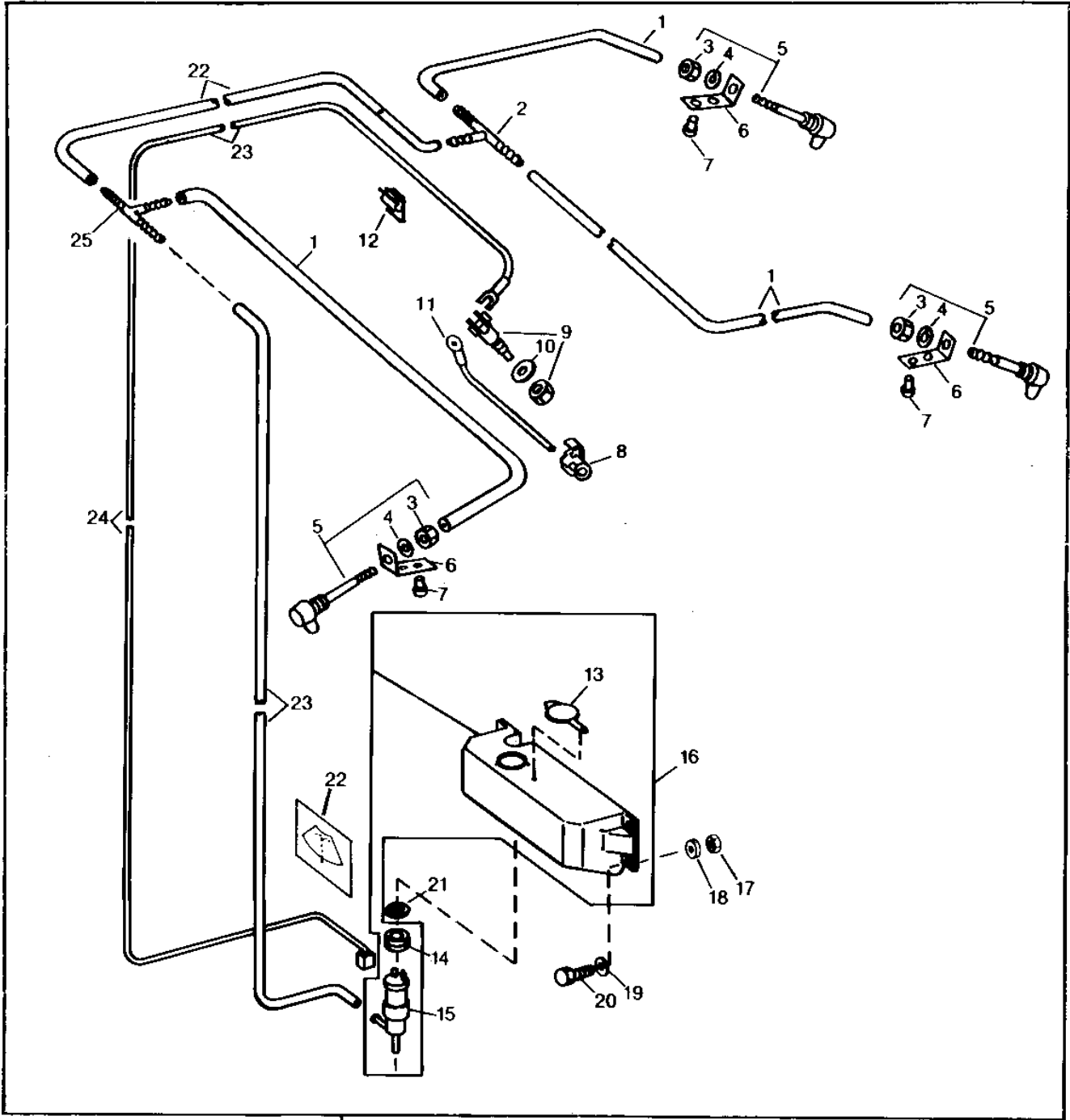
KEY	PART NO.	PART NAME	QTY	SG BODY SERIAL NO.	REMARKS
1	R54447	HOSE	1		
2	R64061	TEE FITTING	1		
3	14H650	NUT	3	5/16"	
4	12M7032	LOCK WASHER	3	0.331"	
5	AR79548	NOZZLE	3		
6	R64057	SUPPORT	3		
7	R55326	RIVET	5		
8	AR67855	CONNECTOR	1		
9	AR62294	WIPER/WASHER SWITCH	1		
10	R64063	PLATE	1		
11	AR79551	WIRING LEAD	1		
12	R47474	CLIP	3		
13	R64060	CAP	1		
14	R64056	RESERVOIR	1		
15	14H611	NUT	1	5/16"	
16	R27370	WASHER	4		
17	12H303	LOCK WASHER	1	5/16"	
18	19H1849	CAP SCREW	1	5/16" X 1-1/4"	
19	R64058	GROMMET	1		
20	AR79550	FILTER	1		
21	R64059	WASHER	1		
22	AR79549	PUMP	1		
23	R91631	LABEL	1		
24	R54445	HOSE	1		
25	AR62296	WIRING LEAD	1		
26	R64062	TEE FITTING	1		
27	<b>AR79547</b>	<b>WINDSHIELD WASHER</b>	<b>1</b>	<b>(SUB RE36818) (FI)</b>	

# 2F24

ELECTRICAL

## WINDSHIELD WASHER (RE36818)

RXP011385 -UN-17OCT94



RXP011385

# 2F25

ELECTRICAL

## WINDSHIELD WASHER - CONTINUED (RE36818)

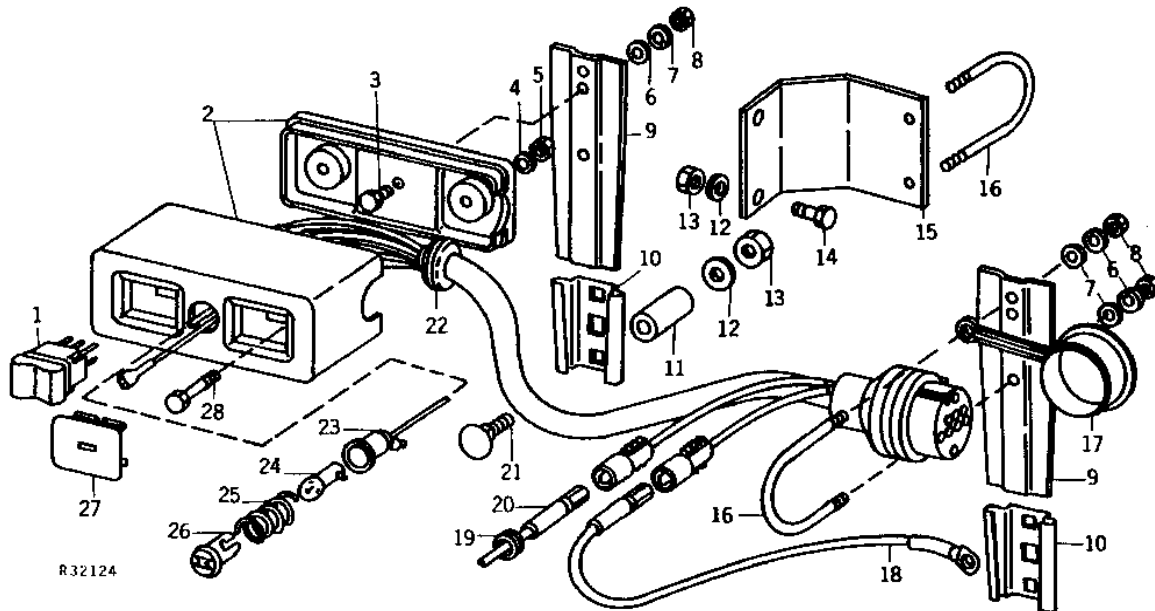
KEY	PART NO.	PART NAME	QTY	CAB SERIAL NO.	REMARKS
1	R54447	HOSE	1		
2	R64061	TEE FITTING	1		
3	14H650	NUT	3	5/16"	
4	12M7032	LOCK WASHER	3	0.331"	
5	AR79548	NOZZLE	3		
6	R64057	SUPPORT	3		
7	R55326	RIVET	5		
8	AR67855	CONNECTOR	1		
9	AR62294	WIPER/WASHER SWITCH	1		
10	R64063	PLATE	1		
11	AR79551	WIRING LEAD	1		
12	R47474	CLIP	3		
13	L38132	FILLER CAP	1		
14	L38115	GROMMET	1		
15	AL61306	PUMP	1		(SUB FOR AL35751)
16	AL35750	WINDSHIELD WASHER	1		
17	14H611	NUT	4	5/16"	
18	R27370	WASHER	4		
19	12H303	LOCK WASHER	4	5/16"	
20	19H1849	CAP SCREW	4	5/16" X 1-1/4"	
21	R64059	WASHER	1		
22	R91631	LABEL	1		
23	R54445	HOSE	1		
24	RE36906	WIRING HARNESS	1		(INCLUDES L38135)
25	R64062	TEE FITTING	1		
26	<b>RE36818</b>	<b>WINDSHIELD WASHER</b>	<b>1</b>		<b>(SUB FOR AR79547) (FI)</b>

# 2G1

ELECTRICAL

R32124 -UN-01JAN94

## ELECTRICAL REMOTE CONTROL



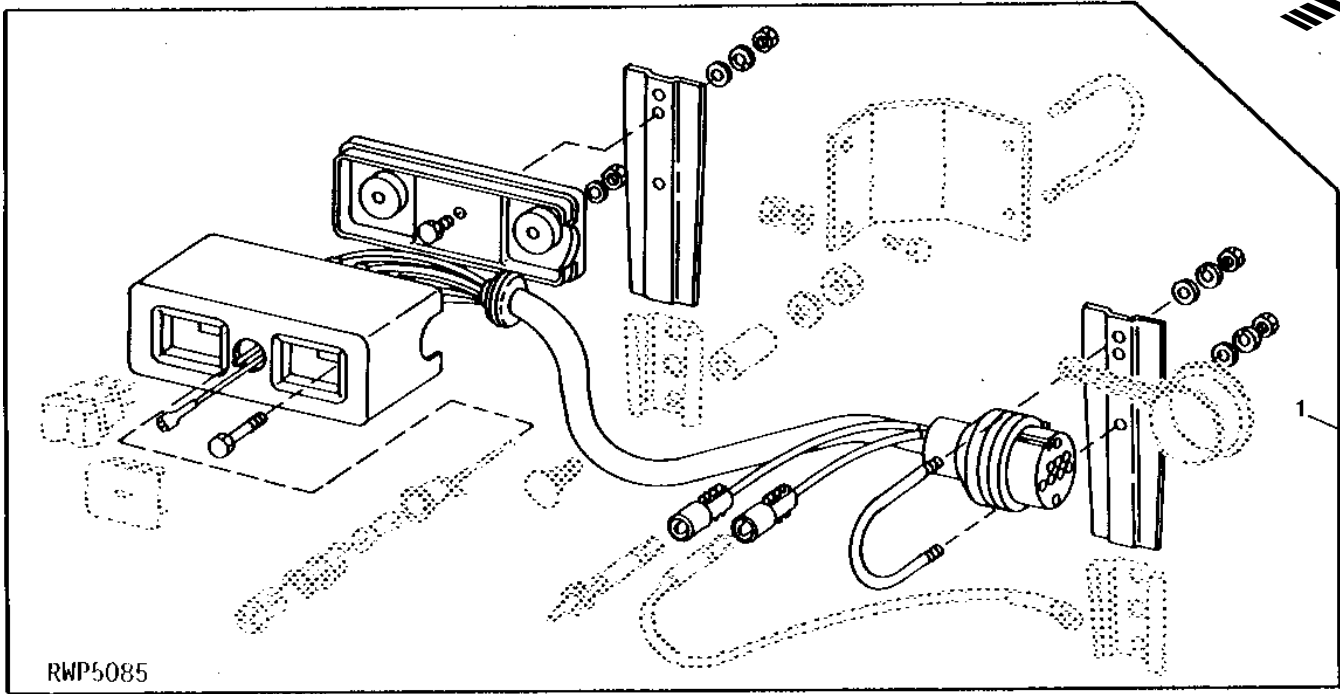
KEY	PART NO.	PART NAME	QTY	TRACTOR SERIAL NO.	REMARKS
1	AR49797	TOGGLE SWITCH	1		MOMENTARY ROCKER (FI)
	AR49798	ROCKER SWITCH	1		DETENT ROCKER (FI)
2	AR50779	WIRING HARNESS	1		TWO SWITCH CONTROL
	AR50780	WIRING HARNESS	1		FOUR SWITCH CONTROL
3	19H1914	CAP SCREW	1		1/4" X 1"
4	12H315	LOCK WASHER	2		0.164"
5	14H605	NUT	2		0.164"
6	24H1821	WASHER	3		9/32" X 47/64" X 1/16"
7	12H302	LOCK WASHER	3		1/4"
8	14H786	NUT	3		1/4"
9	R47861	BRACKET	AR		(2 USED, TWO SWITCH) (1 USED, FOUR SWITCH)
	R47860	BRACKET	1		(FOUR SWITCH)
10	JD126	SOCKET	2		
11	28H1495	SPACER	2		3/8" X 1"
12	24M7207	WASHER	4		8.400 X 24 X 2 MM
13	14H785	NUT	4		5/16"
14	21H1304	SCREW	2		5/16" X 3/4"
15	R54467	BRACKET	1		
16	E16050	U-BOLT	1		
17	R48048	CAP	1		
18	AR50928	WIRING LEAD	1		SWITCH BOX GROUND
19	H987R	GROMMET	4		
20	AR50927	WIRING LEAD	1		RELAY TO SWITCH BOX
21	03H1515	BOLT	2		5/16" X 2"
22	R36235	GROMMET	1		
23	AT44165	WIRING LEAD	1		INDICATOR
24	AR55694	BULB	1		
25	R30378	SPRING	1		
26	AT48673	LENS	1		
27	R48049	PLUG	1		
28	R48028	SCREW	2		
..	R48026	DECAL	1		WARNING
..	R48027	GROMMET	1		(CAB OPENING)
..	R32276	PLUG	1		(CAB OPENING)

# 2G2

ELECTRICAL

RWP5085 -UN-01JAN94

## ELECTRICAL REMOTE CONTROL KIT



KEY	PART NO.	PART NAME	QTY	TRACTOR SERIAL NO.	REMARKS
1	AR62360	KIT	1	(TWO SWITCHES) (FI)	

---

MEMORANDA

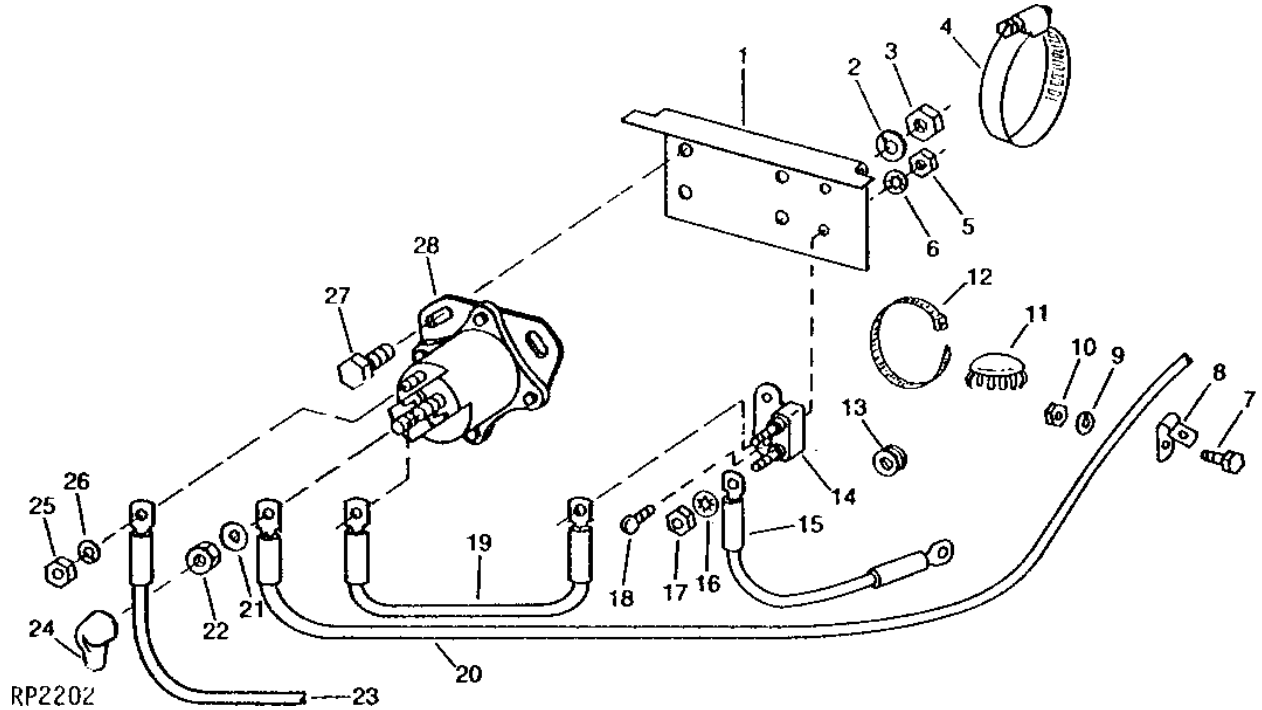


# 2G3

ELECTRICAL

RP2202 -UN-01JAN94

## ELECTRIC REMOTE CONTROL WIRING



KEY	PART NO.	PART NAME	QTY	TRACTOR SERIAL NO.	REMARKS
1	R69109	BRACKET	1	(SUB FOR R47859)	
2	12H297	LOCK WASHER	2	1/4"	
3	14H786	NUT	2	1/4"	
4	AR52392	CLAMP	2		
5	14H631	NUT	2	0.190"	
6	12M7060	WASHER	2	0.209"	
7	19H1731	CAP SCREW	2	3/8" X 1"	
8	T14264	CLAMP	2		
9	12H304	LOCK WASHER	2	3/8"	
10	14H732	NUT	2	3/8"	
11	R32276	PLUG	1	(CAB OPENING)	
12	R44302	TIE BAND	AR		
13	R41439	GROMMET	1	(USED FOR BANDING)	
14	AR50926	CIRCUIT BREAKER	1		
15	AR50930	WIRING LEAD	1	(CIRCUIT BREAKER TO STARTER)	
16	12M7060	WASHER	2	0.209"	
17	14H631	NUT	2	0.190"	
18	21H1295	SCREW	2	0.190" X 5/8"	
19	AR50929	WIRING LEAD	1	(CIRCUIT BREAKER TO RELAY)	
20	AR50927	WIRING LEAD	1	(RELAY TO SWITCH BOX)	
21	12H303	LOCK WASHER	2	5/16"	
22	14H785	NUT	2	5/16"	
23	AR50931	WIRING LEAD	1	(RELAY TO IGNITION SWITCH)	
24	R36732	BOOT	2		
25	14H631	NUT	1	0.190"	
26	12H246	LOCK WASHER	1	0.190"	
27	19H1919	CAP SCREW	2	1/4" X 5/8"	
28	RE44657	RELAY	1	(FI)	

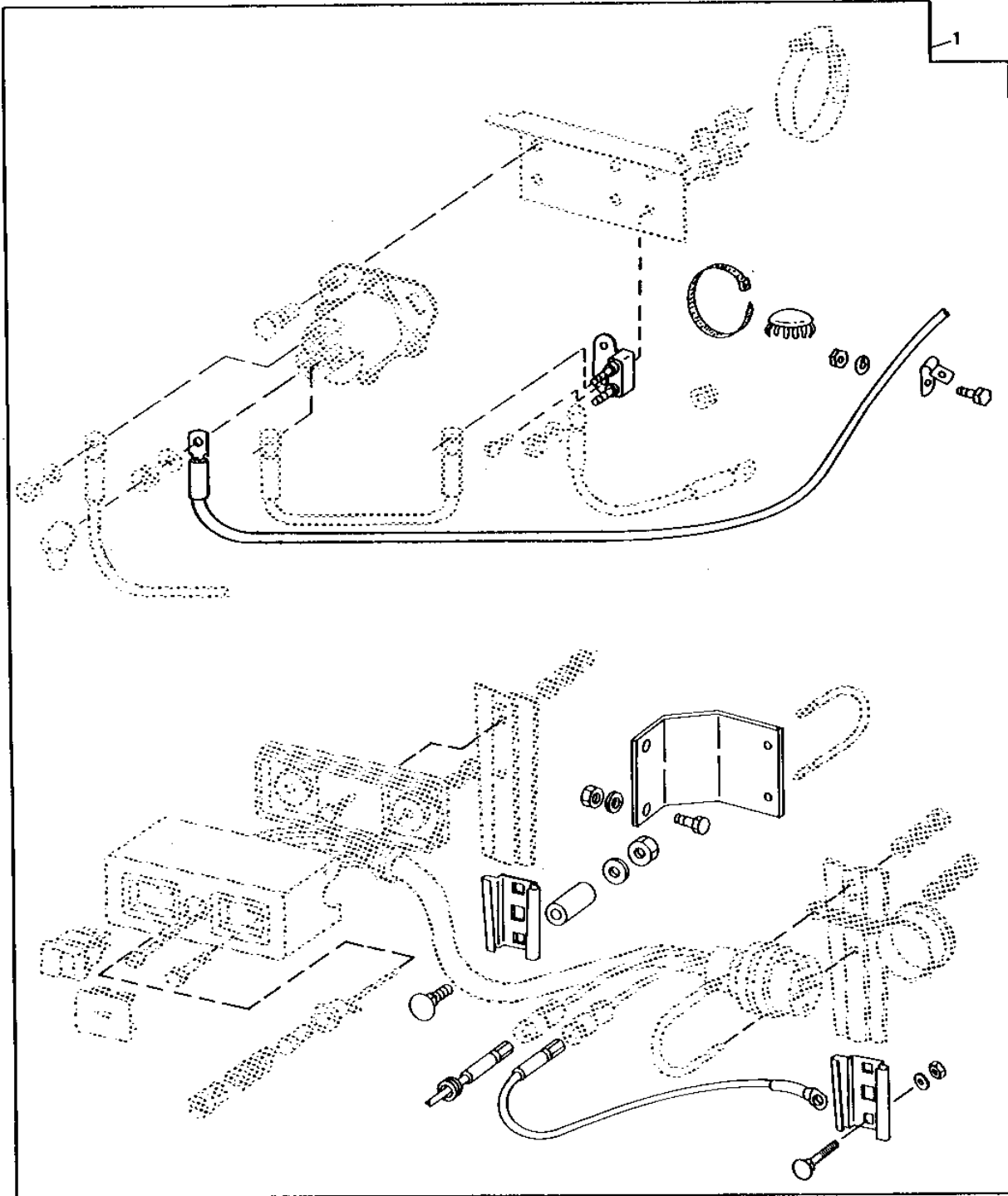
# 2G4

ELECTRICAL

RWP5666

-UN-01JAN94

## ELECTRICAL REMOTE CONTROL WIRING KIT



RWP5666

# 2G5

ELECTRICAL

---

ELECTRICAL REMOTE CONTROL WIRING KIT - CONTINUED

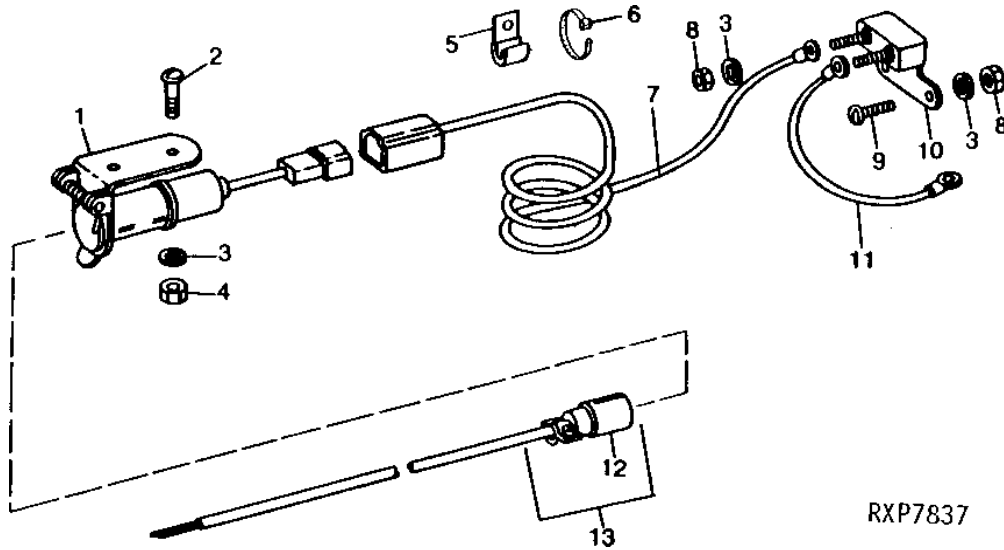
KEY	PART NO.	PART NAME	QTY	TRACTOR SERIAL NO.	REMARKS
1	RE25621	KIT	1	(SUB FOR AR62359)	

# 2G6

ELECTRICAL

RXP7837 -UN-23SEP94

## ELECTRICAL OUTLET SOCKET



RXP7837

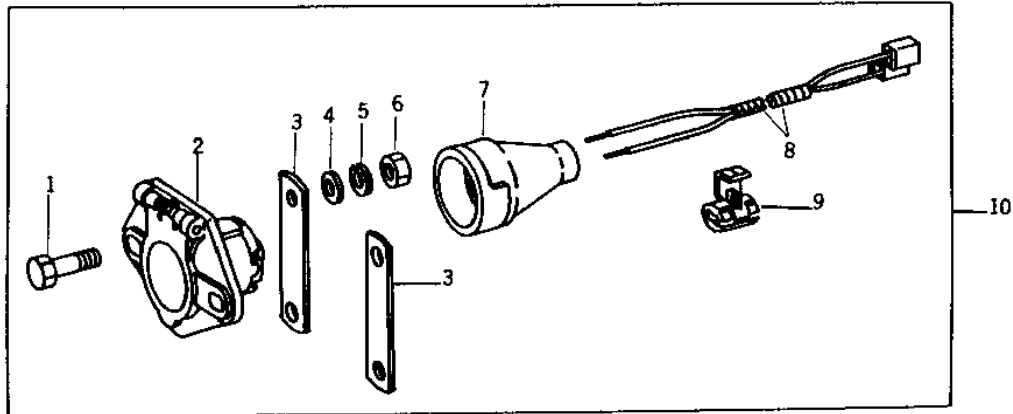
KEY	PART NO.	PART NAME	QTY	TRACTOR SERIAL NO.	REMARKS
1	AR26571	SOCKET	1		
2	21H1301	SCREW	2	0.190" X 1/2"	
3	12M7060	WASHER	6	0.209"	
4	14H778	NUT	2	0.190"	
5	T32231	CLAMP	2	(SUB FOR R55618)	
6	R44302	TIE BAND	5		
7	.....	WIRING LEAD	1	4150 MM (163-1/2") (MAKE FROM R66321, T28585, R65600, R32019 AND R32028)	
8	14H631	NUT	4	0.190"	
9	21H1295	SCREW	2	0.190" X 5/8"	
10	AR28403	CIRCUIT BREAKER	1		
11	.....	WIRING LEAD	1	152 MM (6") (MAKE FROM R66321 AND (2) R32019)	
12	AA5692R	ELECTRICAL PLUG	1	(SUB FOR AR40710)	
13	AR40710	PLUG	1		

# 2G7

ELECTRICAL

R32128 -UN-01JAN94

## 7-TERMINAL ELECTRICAL OUTLET SOCKET



R32128

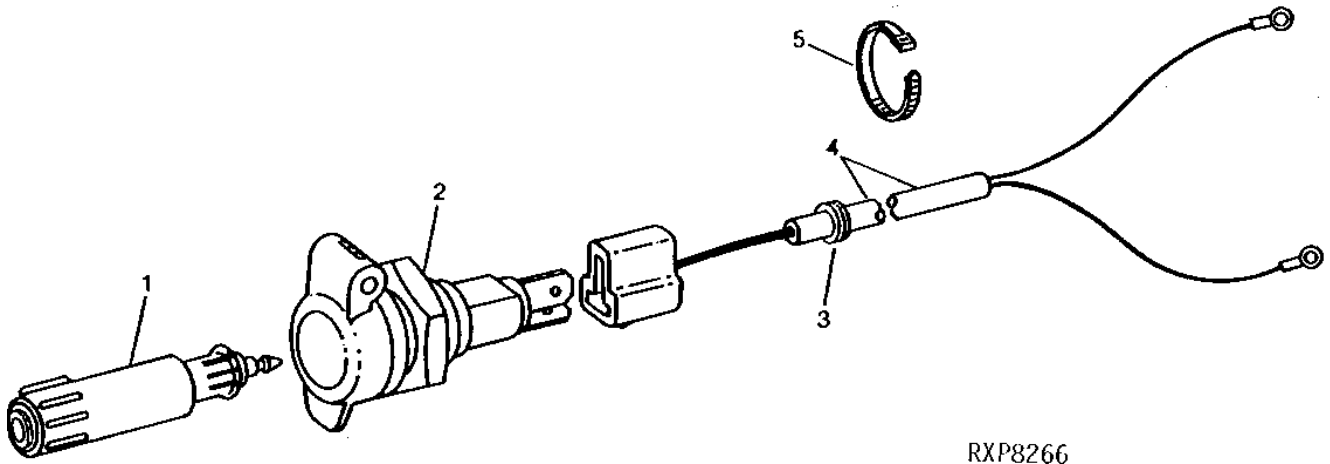
KEY	PART NO.	PART NAME	QTY	TRACTOR SERIAL NO.	REMARKS
1	19H1905	CAP SCREW	4	5/16" X 1"	
2	AR75695	SOCKET OUTLET	1		
3	R61776	STRAP	2		
4	24H1136	WASHER	4	11/32" X 11/16" X 0.065"	
5	12H303	LOCK WASHER	4	5/16"	
6	14H785	NUT	4	5/16"	
7	R61775	BOOT	1		
8	AR75696	WIRING HARNESS	1		
	.....	WIRING LEAD	1		TAIL LAMP
9	AR67855	CONNECTOR	3		
10	RE17282	KIT	1		(SUB FOR AR75694) (FI)

# 2G8

ELECTRICAL

RXP8266 -UN-01JAN94

## CONVENIENCE ELECTRICAL OUTLET SOCKET KIT



RXP8266

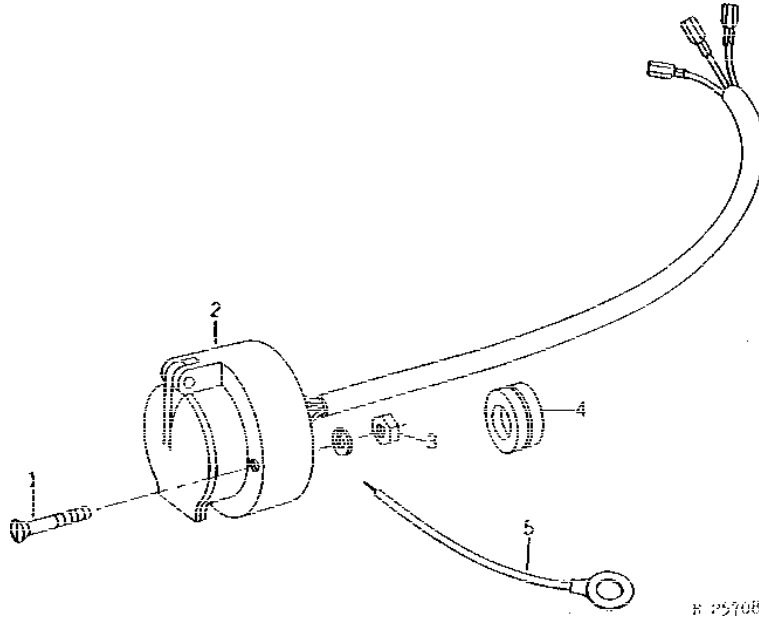
KEY	PART NO.	PART NAME	QTY	TRACTOR SERIAL NO.	REMARKS
1	RE11344	PLUG	1		
2	AL25073	SOCKET OUTLET	1		
3	A3411R	GROMMET	1		
4	RE18119	WIRING HARNESS	1		
5	R44302	TIE BAND	10		

# 2G9

ELECTRICAL

R25708 -UN-01JAN94

**ELECTRICAL OUTLET SOCKET  
(NOT USED IN U.S. AND CANADA)**



KEY	PART NO.	PART NAME	QTY	TRACTOR SERIAL NO.	REMARKS
1	21H1342	SCREW	3	0.190" X 1-3/8", (NLA)	
2	L83677	SOCKET OUTLET	1		
3	14H631	NUT	3	0.190"	
	12H246	LOCK WASHER	3	0.190"	
4	R40445	GROMMET	1		
5	AL17099	WIRING LEAD	1		

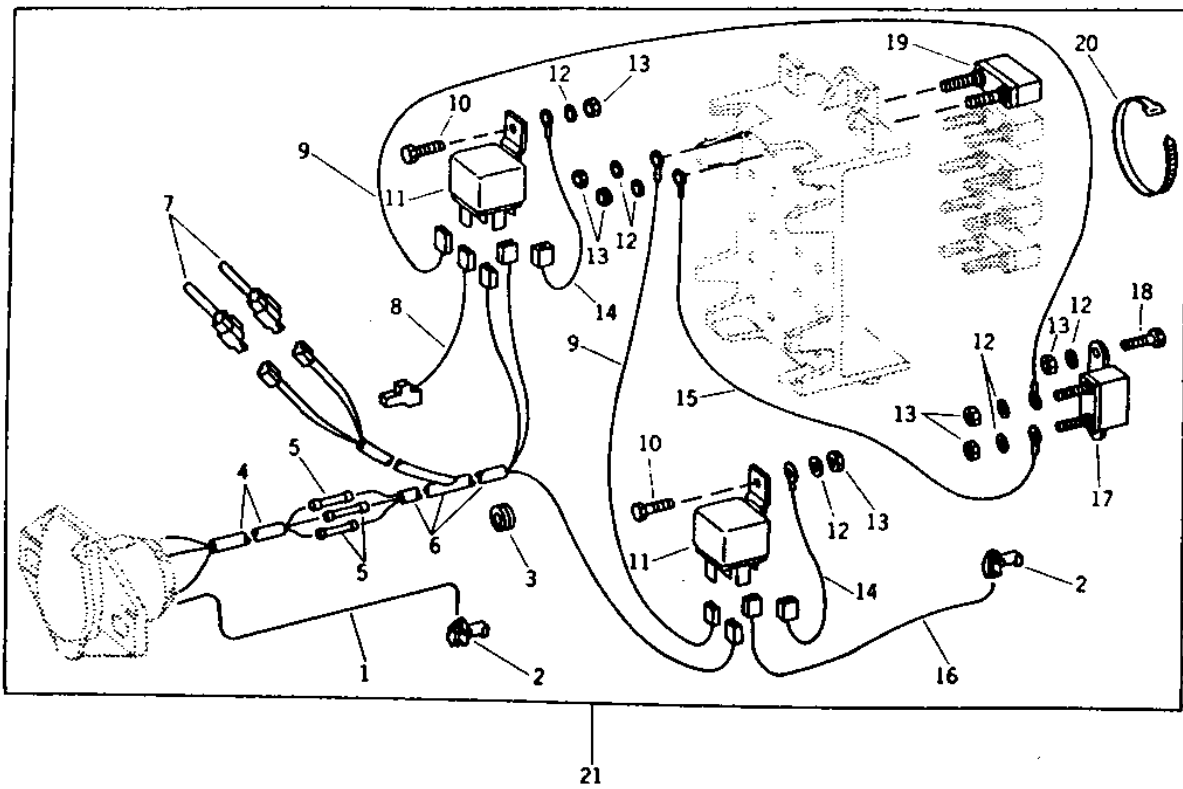
# 2G10

ELECTRICAL

R32129

-UN-07JAN91

## 7-TERMINAL SOCKET (SUPPLEMENTARY WIRING KIT)





# 2G11

ELECTRICAL

## 7-TERMINAL SOCKET - CONTINUED (SUPPLEMENTARY WIRING KIT)

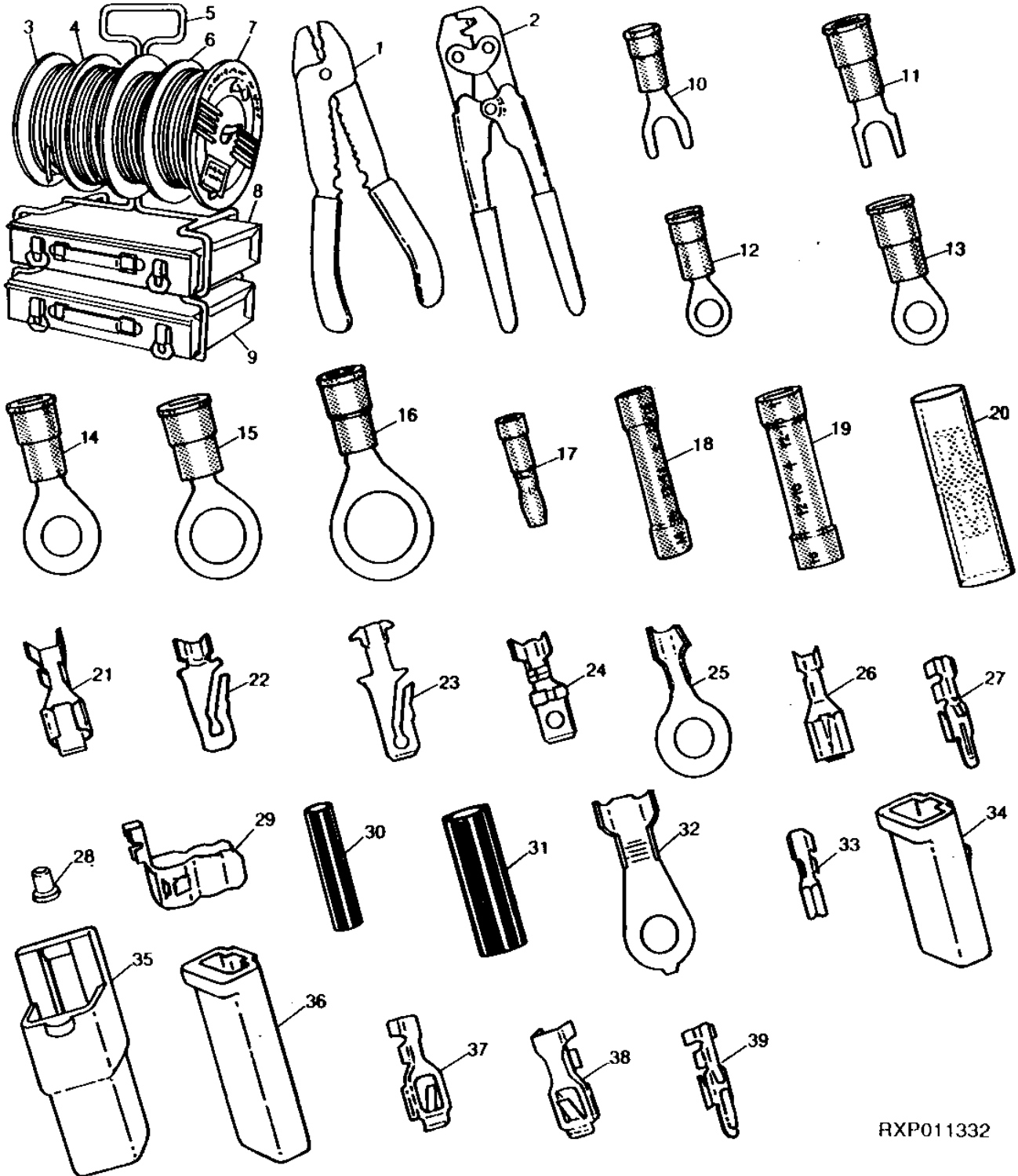
KEY	PART NO.	PART NAME	QTY	TRACTOR SERIAL NO.	REMARKS
1	.....	WIRING LEAD	1		3962 MM (156") OUTLET SOCKET, (MAKE FROM R66319)
2	AR67855	CONNECTOR	2		
3	R40445	GROMMET	1		
4	AR82910	WIRING HARNESS	1		
5	R32027	CONNECTOR	4		
6	AR82912	WIRING HARNESS	1		
7	AR82911	WIRING LEAD	2		
8	AR50834	WIRING LEAD	1		
9	.....	WIRING LEAD	3		311 MM (12-1/4") RELAY, (MAKE FROM R66319, R32018, R32027 AND R32024)
10	21H1282	SCREW	2		0.190" X 7/8"
11	AR74411	RELAY	2		
12	12M7060	WASHER	8		0.209"
13	14H631	NUT	8		0.190"
14	.....	WIRING LEAD	2		152 MM (6") RELAY GROUND, (MAKE FROM R66319, R32021, R32027 AND R32025)
15	.....	WIRING LEAD	2		152 MM (6") CIRCUIT BREAKER, (MAKE FROM R66319 AND (2) R32018)
16	AR82909	WIRING LEAD	1		
17	AR49352	CIRCUIT BREAKER	1		(30 AMP)
18	21H1295	SCREW	2		0.190" X 5/8"
19	AR28403	CIRCUIT BREAKER	1		(20 AMP)
20	R44302	TIE BAND	10		
21	AR78052	KIT	1		

# 2G12

ELECTRICAL

RXP011332 -UN-27SEP94

## ELECTRICAL TERMINALS,CONNECTORS AND WIRING



RXP011332

# 2G13

ELECTRICAL

## ELECTRICAL TERMINALS,CONNECTORS AND WIRING - CONTINUED

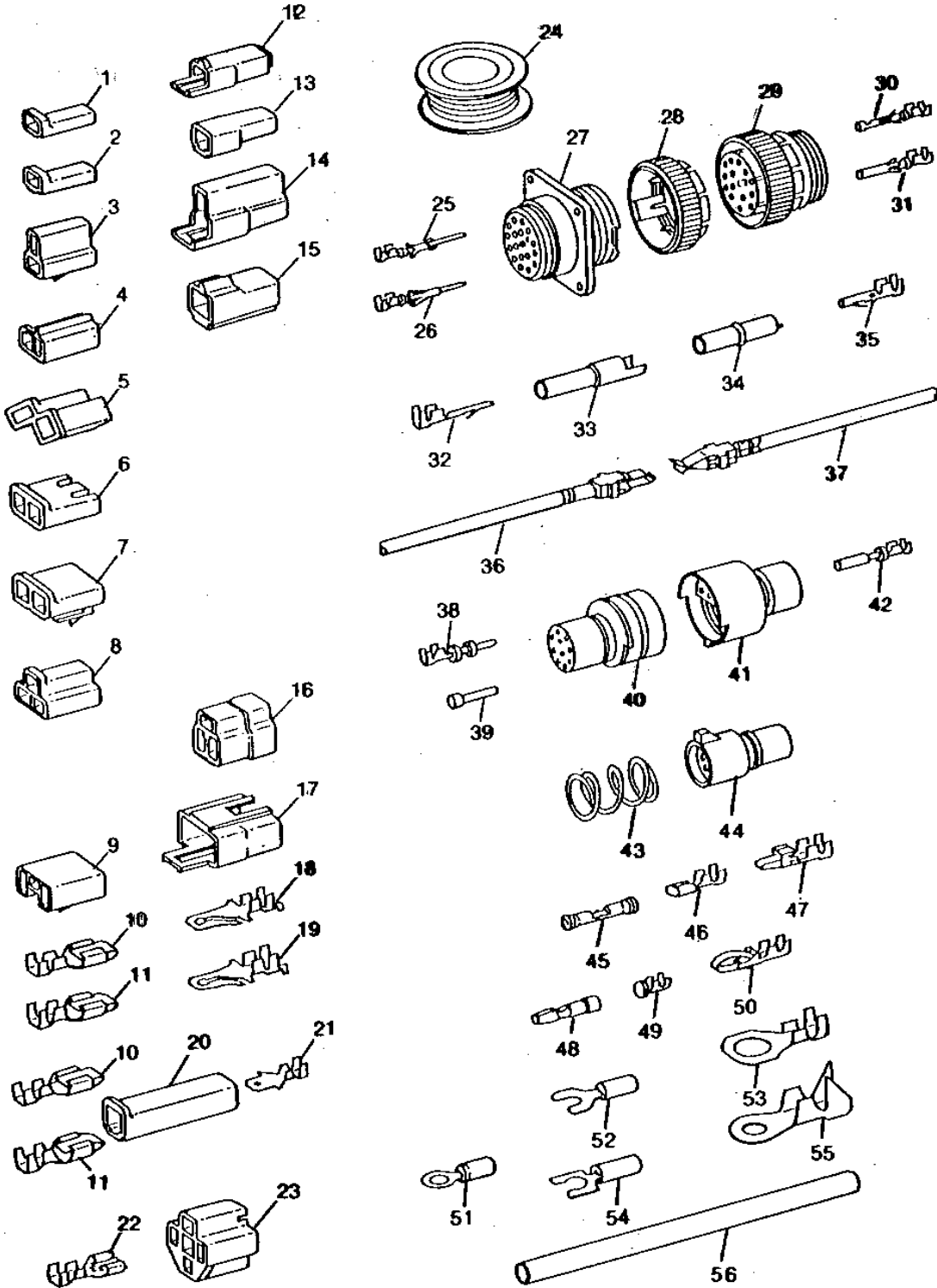
KEY	PART NO.	PART NAME	QTY	TRACTOR SERIAL NO.	REMARKS
1	R32011	TOOL	1	(NLA)	
2	R65594	TOOL	1		
3	R66319	WIRING LEAD	1	14 GA., 30.5 M (100 FT.) (1 SPOOL)	
4	R65593	WIRING LEAD	1	16 GA., 30.5 M (100 FT.) (1 SPOOL)	
5	R65608	RACK	1		
6	R66321	WIRING LEAD	1	10 GA., 15 M (50 FT.) (1 SPOOL)	
7	R66320	WIRING LEAD	1	12 GA., 30.5 M (100 FT.) (1 SPOOL)	
8	R65609	CONTAINER	1	(NLA)	
9	R65610	CONTAINER	1		
10	R32016	TERMINAL	1	14-16 GA., NO. 10 SPADE	
11	R32017	TERMINAL	1	10-12 GA., NO. 10 SPADE	
12	R32018	TERMINAL	1	14-16 GA., NO. 10 EYELET	
13	R32019	TERMINAL	1	10-12 GA., NO. 10 EYELET	
14	R32021	TERMINAL	1	10-12 GA., 1/4" EYELET	
15	R32022	TERMINAL	1	10-12 GA., 3/8" EYELET	
16	R32023	TERMINAL	1	10-12 GA., 1/2" EYELET	
17	R32026	TERMINAL	1	MALE BULLETT	
18	R32027	CONNECTOR	1	SPLICE, 14-16 GA.	
19	R32028	TERMINAL	1	SPLICE, 10-12 GA.	
20	AL2976T	CONNECTOR	1	(SUB FOR R32029) 2-WIRE BULLETT CONNECTOR	
21	R65595	TERMINAL	1	FEMALE, 10 GA.	
22	R65596	TERMINAL	1	MALE, 10 GA. OR TWO 14 GA. CABLES	
23	R65597	TERMINAL	1	MALE, 14-16 GA.	
24	R65598	TERMINAL	1	MALE, SHORT, 14-16 GA.	
25	R65599	TERMINAL	1	14-16 GA., 1/4" EYELET	
26	R65600	TERMINAL	1	FEMALE, 14-16 GA.	
27	R65601	TERMINAL	1	TWIN-LOCK, TWO 16 GA. CABLES	
28	R65602	SOCKET CONTACT	1	BULB SOCKET, 16-18 GA.	
29	R65603	TERMINAL NIPPLE	1	FUSE	
30	R65604	INSULATING SLEEVE	1	14-18 GA.	
31	R65605	INSULATING SLEEVE	1	8-12 GA.	
32	R65606	TERMINAL	1	6-8 GA., 1/4" EYELET	
33	R65607	TERMINAL	1	18-20 GA.	
34	T28583	RECEPTACLE	1	ONE CONTACT LOCK-TYPE, MALE	
35	T28585	TERMINAL	1	ONE CONTACT LOCK-TYPE, FEMALE	
36	U46370	CONNECTOR	1	CONNECTOR, ONE CONTACT SINGLE BODY, MALE	
37	U46662	TERMINAL	1	FEMALE	
38	U46663	TERMINAL	1	FEMALE	
39	U46664	TERMINAL	1	FEMALE	

# 2G14

ELECTRICAL

RXP010581 -UN-01JAN94

## ELECTRICAL CONNECTORS, TERMINALS AND WIRING



RXP010581

# 2G15

ELECTRICAL

## ELECTRICAL CONNECTORS, TERMINALS AND WIRING - CONTINUED

KEY	PART NO.	PART NAME	QTY	TRACTOR SERIAL NO.	REMARKS
1	T28583	RECEPTACLE	1	(B)	
2	M43835	FLAT CONNECTOR	1	(B)	
3	R77476	CONNECTOR	1	(A)	
4	R77477	CONNECTOR	1	(A)	
5	R77479	CONNECTOR	1	(A)	
6	R77480	CONNECTOR	1	(A)	
7	R77481	CONNECTOR	1	(A)	
8	R77482	CONNECTOR	1		
9	H104855	CONNECTOR	1		
10	U46662	TERMINAL	1	(E) (F)	
11	N115096	TERMINAL	1	(G) (SUB R65595) (PKG. OF 15)	
12	T28585	TERMINAL	1	(B)	
13	R77475	CONNECTOR	1	(B)	
14	T28586	CONNECTOR	1	(A)	
15	R77478	CONNECTOR	1	(A)	
16	R77483	CONNECTOR	1		
17	R48887	RECEPTACLE	1		
18	T34067	TERMINAL	1	(E) (F)	
19	R77484	TERMINAL	1	(G) (PKG. OF 15)	
20	U46370	CONNECTOR	1	(B)	
21	R77485	TAB	1	(C) (F)	
22	R77486	TERMINAL	1	(E) (F)	
23	R77487	CONNECTOR	1	(B)	
24	R66321	WIRING LEAD	1	15M (50 FT.) 10 GA.	
	R66320	WIRING LEAD	1	30.5M (100 FT.) 12 GA.	
	R77501	WIRE	1	30.5M (100 FT.) 14 GA.	
	R77500	WIRE	1	30.5M (100 FT.) 16 GA.	
	R77499	WIRE	1	30.5M (100 FT.) 18 GA.	
	R77498	WIRE	1	30.5M (100 FT.) 20 GA.	
25	R77462	PIN CONTACT	1	(PKG. OF 40) (20-22 OR 24 GA. WIRE)	
26	R77464	PIN CONTACT	1	(H) (PKG. OF 50)	
27	R77456	RECEPTACLE	1	(37 WAY)	
28	R77458	CONNECTOR	1	(A) (SIZE 23)	
	R77459	CONNECTOR	1	(A) (SIZE 17)	
	R77460	CONNECTOR	1	(A) (SIZE 13)	
	R77461	CONNECTOR	1	(A) (SIZE 11)	
29	R77457	ELECTRICAL PLUG	1	(37 WAY)	
30	R77463	SOCKET CONTACT	1	(PKG. OF 40) (20-22 OR 24 GA. WIRE)	
31	R77465	SOCKET CONTACT	1	(H) (PKG. OF 50)	
32	R77468	TERMINAL	1	(PKG. OF 5)	
33	R77466	CONNECTOR	1	(A)	
34	R77467	CONNECTOR	1	(A)	

(A) PKG. OF 2

(B) PKG. OF 3

(C) PKG. OF 10

(D) PKG. OF 20

(E) PKG. OF 25

(F) 14 OR 16 GA. WIRE

(G) 10 OR 12 GA. WIRE

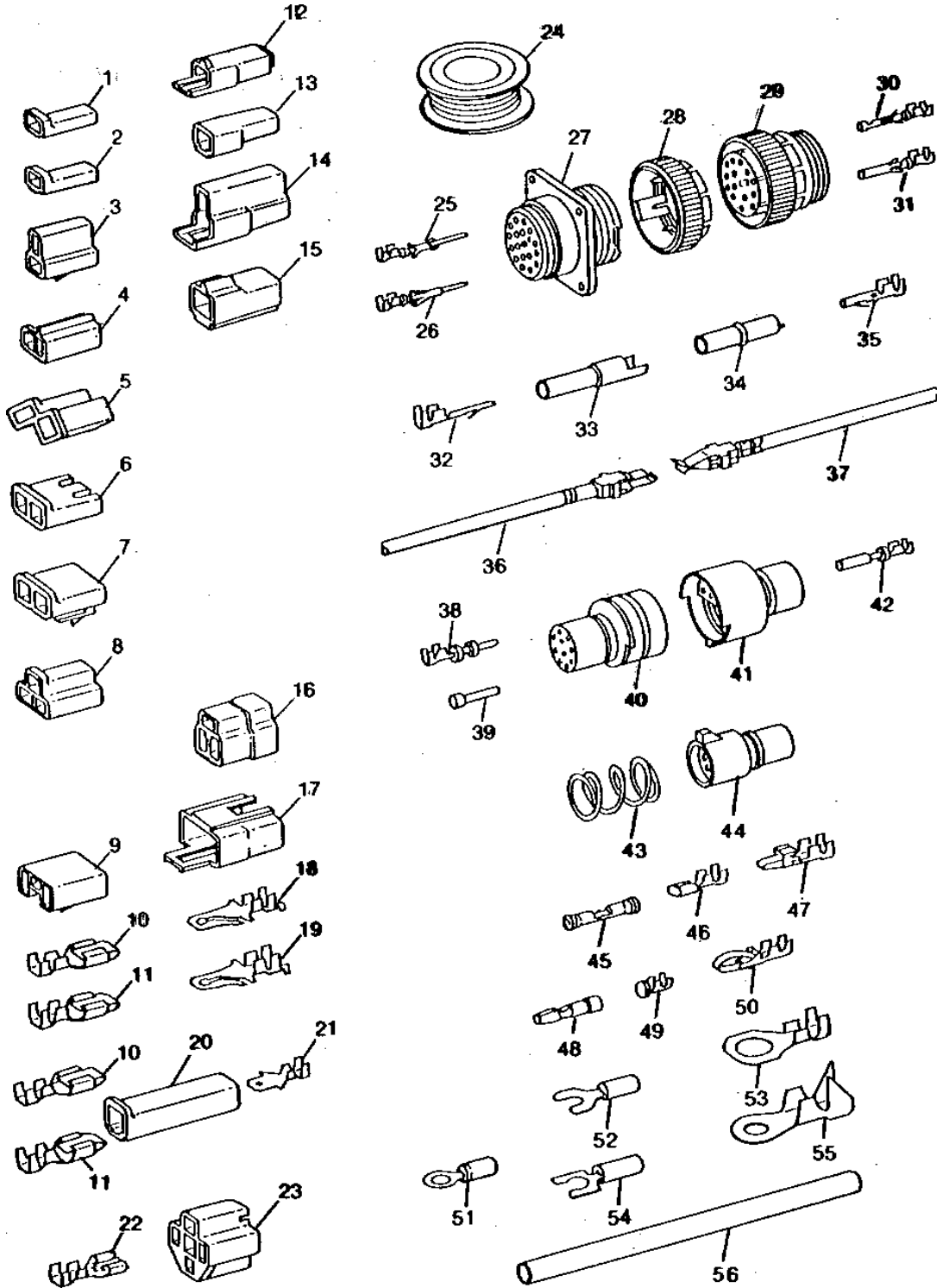
(H) 14-16 OR 18 GA. WIRE

# 2G16

ELECTRICAL

RXP010581 -UN-01JAN94

ELECTRICAL CONNECTORS, TERMINALS AND WIRING - CONTINUED



RXP010581

# 2G17

ELECTRICAL

## ELECTRICAL CONNECTORS, TERMINALS AND WIRING - CONTINUED

KEY	PART NO.	PART NAME	QTY	TRACTOR SERIAL NO.	REMARKS
35	R77469	TERMINAL	1		(PKG. OF 5)
36	RE11156	TERMINAL	1		(B) (MALE)
37	RE11157	TERMINAL	1		(B) (FEMALE)
38	R70222	PIN CONTACT	1		(D) (H)
39	R70221	ELECTRICAL PLUG	1		(E)
40	R70219	PLUG	1		(A) (10 WAY)
	R70217	PLUG	1		(A) (7 WAY)
	R70215	PLUG	1		(A) (4 WAY)
	R70213	PLUG	1		(A) (3 WAY)
41	R70211	CONNECTOR	1		(A) (2 WAY)
	R70218	RECEPTACLE	1		(A) (10 WAY)
	R70216	RECEPTACLE	1		(A) (7 WAY)
	R70214	RECEPTACLE	1		(A) (4 WAY)
	R70212	RECEPTACLE	1		(A) (3 WAY)
	R70210	RECEPTACLE	1		(A) (2 WAY)
42	AR91793	SOCKET CONTACT	1		(D)
43	R30378	SPRING	1		(C)
44	R77474	CONNECTOR	1		(A) (6 WAY)
45	R77470	TERMINAL	1		SPLICE (PKG. OF 15) (16-18-20 OR 22 GA. WIRE)
	R77471	TERMINAL	1		(C) (G) SPLICE
	R77472	TERMINAL	1		(A) SPLICE (8 GA. WIRE)
	R77473	TERMINAL	1		(A) SPLICE (6 GA. WIRE)
46	R65607	TERMINAL	1		(C) (18 OR 20 GA. WIRE)
47	U46664	TERMINAL	1		(C) (F)
48	R32026	TERMINAL	1		(D) (F)
49	R65602	SOCKET CONTACT	1		(C) (16 OR 18 GA. WIRE)
50	R70220	TERMINAL	1		(C) (18 OR 20 GA. WIRE)
51	R77489	TERMINAL	1		(D) (14-16-18 OR 20 GA. WIRE) (NO. 10 EYELET)
	R77493	TERMINAL	1		(D) (G) (NO. 10 EYELET)
	R77488	TERMINAL	1		(D) (14-16-18 OR 20 GA. WIRE) (3/8" EYELET)
	R77490	TERMINAL	1		(D) (G) (1/2" EYELET)
52	R77496	TERMINAL	1		(D) (F) (NO. 8 SPADE)
	R77495	TERMINAL	1		(D) (18 GA. WIRE) (NO. 10 SPADE)
53	R77497	TERMINAL	1		(D) (F) (NO. 6 SPADE)
54	R77491	TERMINAL	1		(D) (G) (3/8" EYELET)
	R77492	TERMINAL	1		(D) (G) (1/4" EYELET)
55	R77494	TERMINAL	1		(D) (6 OR 8 GA. WIRE) (1/4" EYELET)
56	R77502	TUBE	1		(PKG. OF 8) 3/8" (HEAT SHRINK)
	R77503	TUBE	1		(PKG. OF 8) 3/16" (HEAT SHRINK)

(A) PKG. OF 2

(B) PKG. OF 3

(C) PKG. OF 10

(D) PKG. OF 20

(E) PKG. OF 25

(F) 14 OR 16 GA. WIRE

(G) 10 OR 12 GA. WIRE

(H) 14-16 OR 18 GA. WIRE

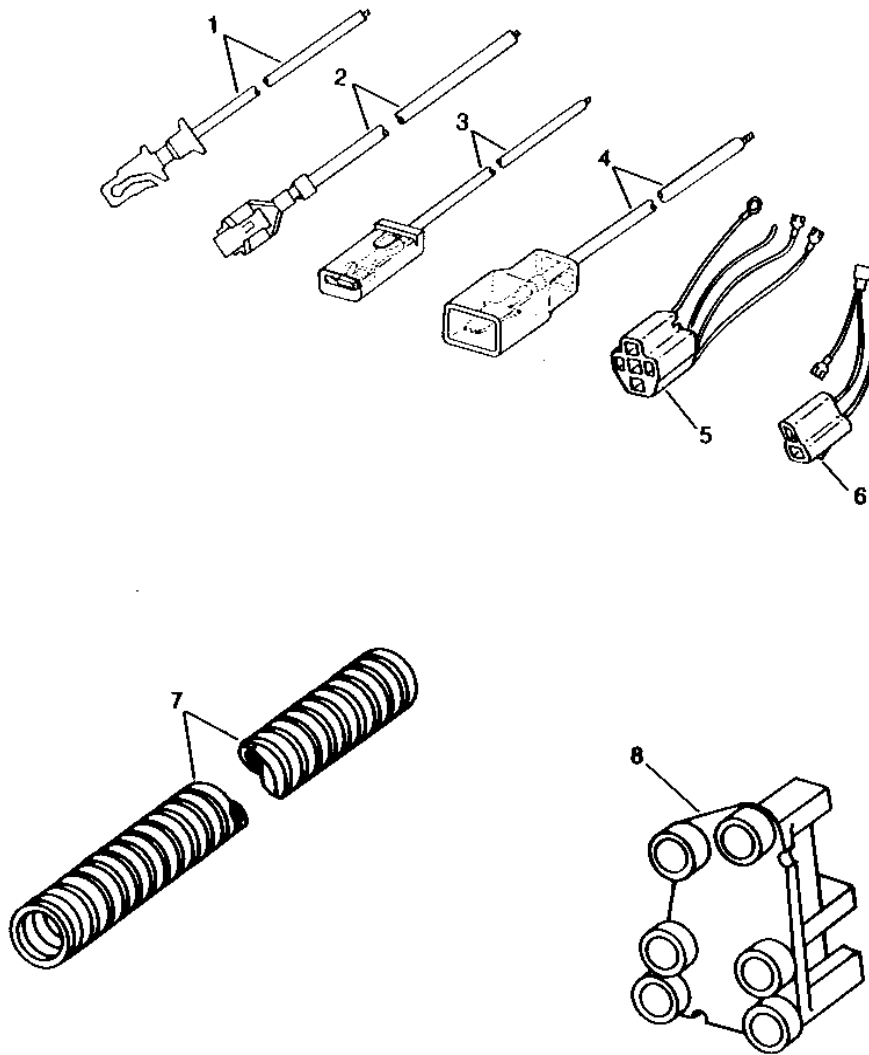
# 2G18

ELECTRICAL

RXP8619

-UN-28NOV94

## SUPPLEMENTARY TERMINALS AND CONNECTORS





# 2G19

ELECTRICAL

## SUPPLEMENTARY TERMINALS, CONNECTORS AND REPAIR CONDUIT - CONTINUED

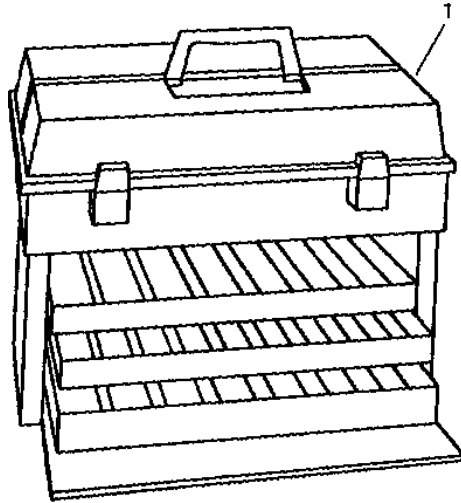
KEY	PART NO.	PART NAME	QTY	TRACTOR SERIAL NO.	REMARKS
1	AR65005	TERMINAL	1		
2	AR65006	TERMINAL	1		
3	R32024	WIRING LEAD	1		
4	R32025	WIRING LEAD	1		
5	RE21730	TERMINAL	1		
	RE21731	TERMINAL	1		
6	RE21732	TERMINAL	1		
7	R93219	CONDUIT	1		6.3 X 3048MM (1/4" X 120")
	R93220	CONDUIT	1		10.4 X 3048MM (13/32" X 120")
	R93221	CONDUIT	1		15.9 X 3048MM (5/8" X 120")
	R93222	CONDUIT	1		25.4 X 3048MM (1" X 120")
8	AR83425	RECEPTACLE CONNECTOR BODY	1		(LIGHT SWITCH)

# 2G20

ELECTRICAL

RXP010001 -UN-01JAN94

## ELECTRICAL CONNECTOR AND TERMINAL KIT



RXP010001

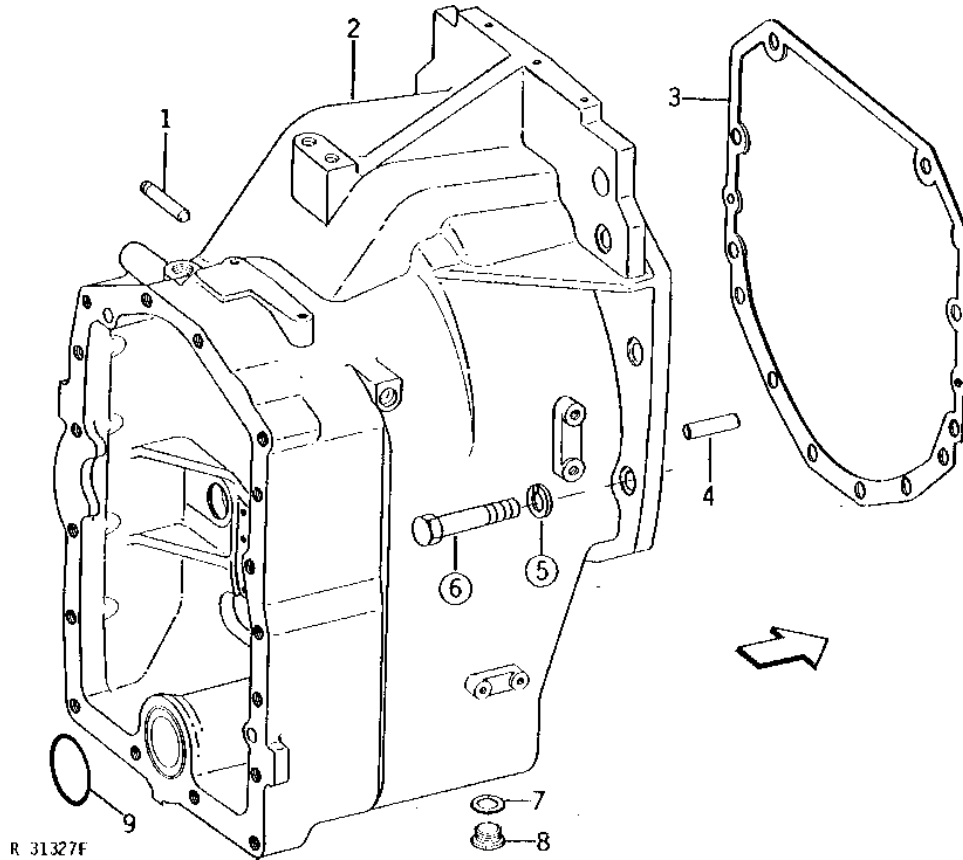
KEY	PART NO.	PART NAME	QTY	TRACTOR SERIAL NO.	REMARKS
1	PM797NA	KIT	1	(A)	
(A) KIT INCLUDES CONNECTORS,TERMINALS AND TOOLS					

# 3B7

POWER TRAIN

R31327 -UN-01JAN94

## CLUTCH HOUSING



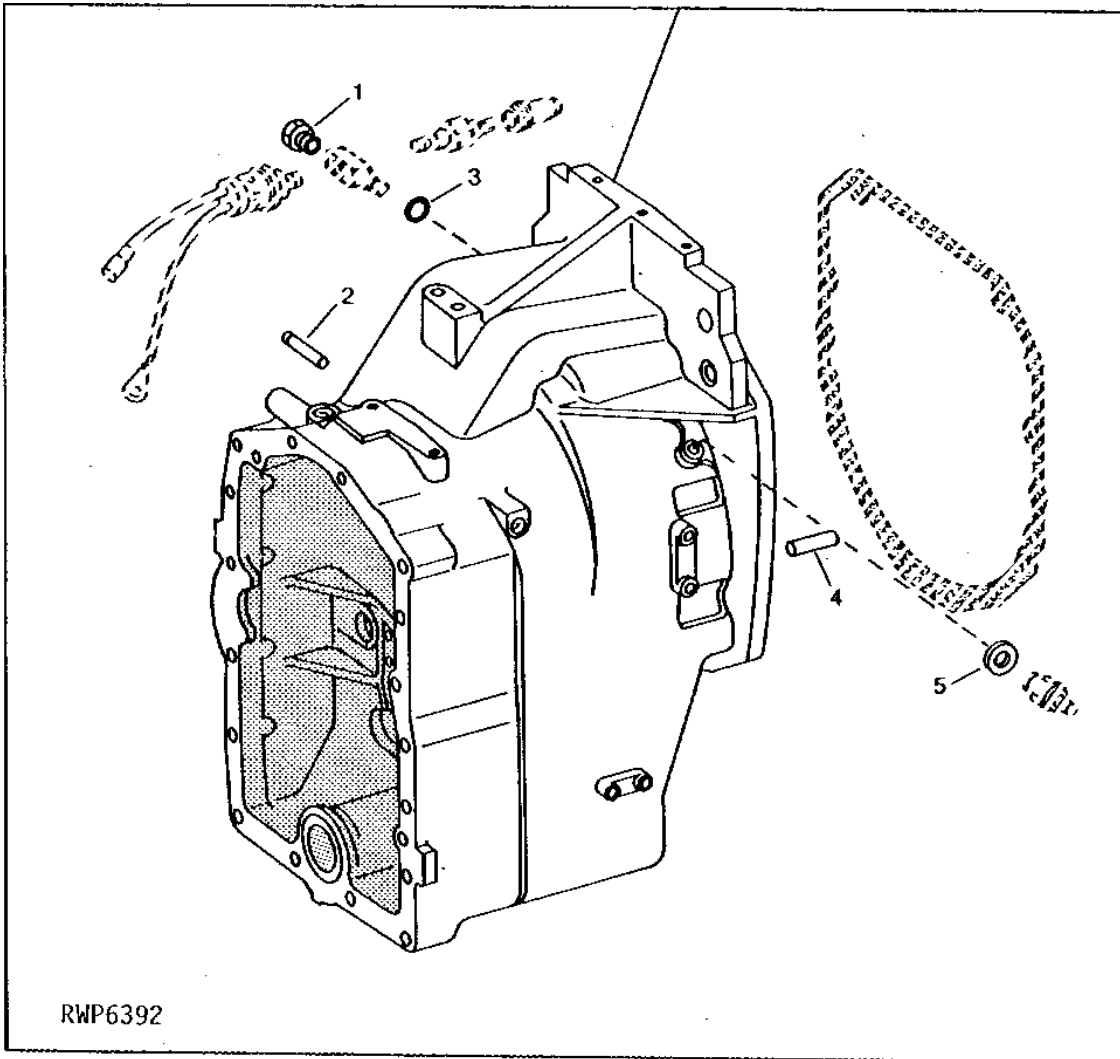
KEY	PART NO.	PART NAME	QTY	TRACTOR SERIAL NO.	REMARKS
1	R51923	PIN	1		
2	AR71689	HOUSING	1	-003594	(MARKED R57151) PTO (SUB RE20010, AR77263, R62690, 34H264 AND RE38000) LESS PTO (SUB AR85522, AR77263, R62690, 34H264, RE11574, (3) T31785, (3) R57696, R83045 AND T21242)
	AR77265	HOUSING	1	003595-	(MARKED R62692 OR R65634) (SUB AR85522)
3	R99288	GASKET	1		(SUB FOR R51651 OR R77364)
4	T26565	DOWEL PIN	2		(SUB FOR C1220R)
5	T21397	WASHER	6		
6	19H1707	CAP SCREW	6	3/4" X 2-3/4"	
7	A4808R	WASHER	1		
8	R40147	FITTING	1		
9	A5598R	O-RING	1		

# 3B8

POWER TRAIN

RWP6392 -UN-01JAN94

## CLUTCH HOUSING REPLACEMENT KIT



# 3B9

POWER TRAIN

---

## CLUTCH HOUSING REPLACEMENT KIT - CONTINUED

KEY	PART NO.	PART NAME	QTY	TRACTOR SERIAL NO.	REMARKS
1	R27094	DRAIN PLUG	1		
2	R51923	PIN	1		
3	R26286	O-RING	1		
4	T26565	DOWEL PIN	2		
5	F2222R	WASHER	1		
6	RE20010	HOUSING	1	(MARKED R81581)	

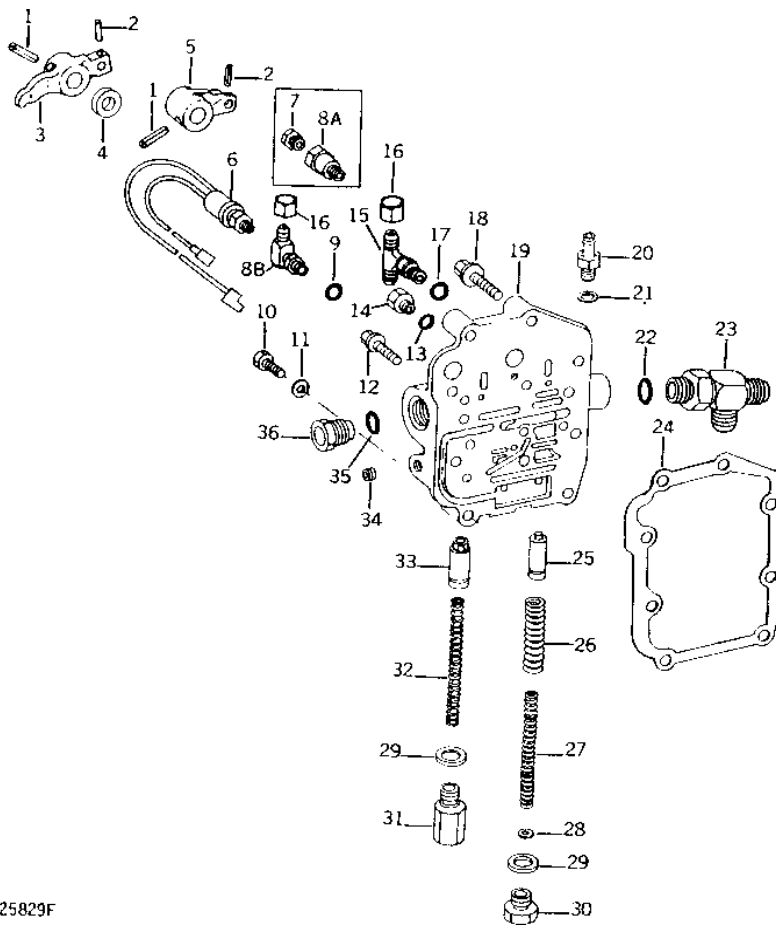
# 3B10

POWER TRAIN

R25829

-UN-01JAN94

## CLUTCH OIL PRESSURE REGULATING VALVE HOUSING AND VALVES



R 25829F

# 3B11

POWER TRAIN

## CLUTCH OIL PRESSURE REGULATING VALVE HOUSING AND VALVES - CONTINUED

KEY	PART NO.	PART NAME	QTY	TRACTOR SERIAL NO.	REMARKS
1	34H331	SPRING PIN	2		5/16" X 1-1/2"
2	34H247	SPRING PIN	2	-001086	1/8" X 3/4"
3	R55391	ARM	1		
4	AF2907R	SEAL	2		
5	R55392	ARM	1	-001086	
	R50334	ARM	1	001087-	
6	AR72886	TOUCH SWITCH	1		TRANSMISSION LUBE PRESSURE INDICATOR LAMP OVERRIDE
7	15H639	PIPE BUSHING	1	-002914	
8A	T27461	ADAPTER	1	-002914	
8B	AR78132	TEE FITTING	1	002915-	
9	R26286	O-RING	1		
10	19H1731	CAP SCREW	3		3/8" X 1"
11	24H1298	WASHER	3		3/8" X 5/8" X 0.032"
12	R52904	SCREW	8		
13	R26286	O-RING	AR		(1 USED WITH PTO) (2 USED LESS PTO)
14	R27094	DRAIN PLUG	AR		(1 USED WITH PTO) (2 USED LESS PTO)
15	AT27142	TEE FITTING	1		
16	R36926	FITTING	2		
17	R26286	O-RING	1		
18	R52906	SCREW	5		
19	R66623	HOUSING	1		(SUB FOR R57743)
	R35286	CAP	1		PTO CLUTCH VALVE ARM SHAFT BORE (LESS PTO)
20	R65684	FITTING	1	-006171	(SUB FOR R55525)
	R27272	FITTING	1	006172-	
21	R27003	WASHER	1		
22	F3171R	O-RING	1		
23	AR69281	TEE FITTING	1		
24	R94286	GASKET	1		(SUB FOR R52905)
25	R57559	VALVE	1		
26	R52903	SPRING	1		
27	R52394	SPRING	1		
28	R33521	SHIM	AR		
29	R1742R	WASHER	2		
30	R52589	FITTING PLUG	1		
31	R51577	FITTING PLUG	1		
32	R57585	SPRING	1		
33	R57560	VALVE	1		OIL COOLER RELIEF
34	R21630	PIPE PLUG	1		
35	B2762R	O-RING	1		
36	R76493	FITTING	1		(SUB FOR R56258)

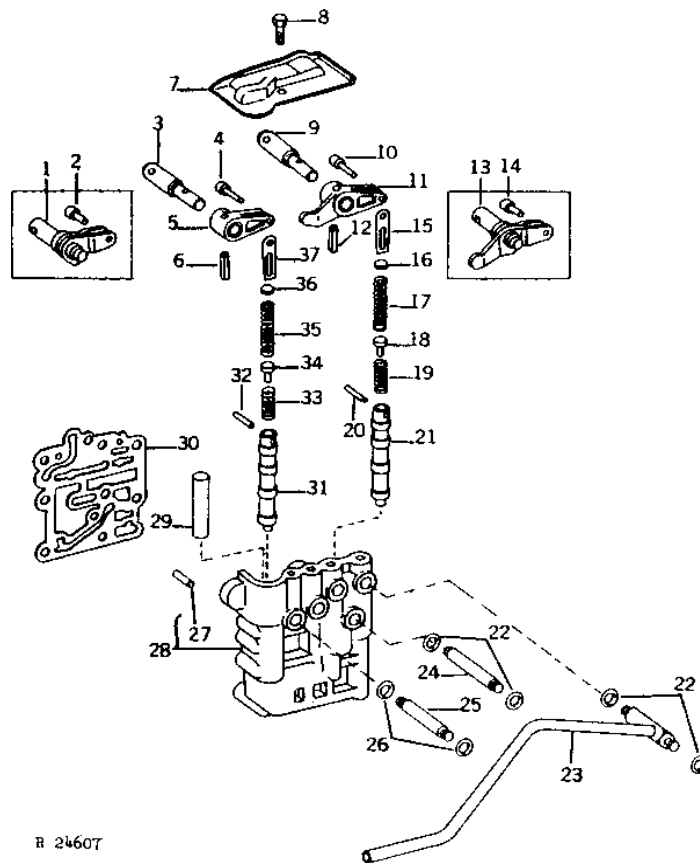
# 3B12

POWER TRAIN

R24607

-UN-01JAN94

## CLUTCH VALVE HOUSING AND VALVES





# 3B13

POWER TRAIN

## CLUTCH VALVE HOUSING AND VALVES - CONTINUED

KEY	PART NO.	PART NAME	QTY	TRACTOR SERIAL NO.	REMARKS
1	AR54526	SHAFT	1	-001144	(SUB R62043, R63052, R58941 AND 34H313)
2	R33145	PIN	1	-001144	
3	R63052	SHAFT	1	001145-	(ALSO ORDER R62043, R58941 AND 34H313) (SUB FOR R58940 OR R62041)
4	R58941	PIN	1	001145-	
5	R62043	ARM	1	001145-	(ALSO ORDER R63052, R58941 AND 34H313) (SUB FOR R58939)
6	34H328	SPRING PIN	1	001145-001220	5/16" X 1-1/8"
	34H313	SPRING PIN	1	001221-	1/4" X 1-1/8"
7	R53268	GUARD	1		
8	R30165	CAP SCREW	1		
9	R63052	SHAFT	1	001145-	(A) (ALSO ORDER R62042, R58941 AND 34H313) (SUB FOR R61939 OR R62041)
10	R58941	PIN	1	001145-	(A)
11	R67981	ARM	1	001145-	(A) (ALSO ORDER R63052, R58941 AND 34H313) (SUB FOR R58942 OR R62042)
12	34H328	SPRING PIN	1	001145-001220	(A) 5/16" X 1-1/8"
	34H313	SPRING PIN	1	001221-	(A) 1/4" X 1-1/8"
13	AR54527	SHAFT	1	-001144	(A) (SUB R62042, R63052, R58941 AND 34H313)
14	R33145	PIN	1	-001144	(A)
15	R52666	LINK	1		(A)
16	R52665	DISK	1		(A)
17	R52446	SPRING	1		(A)
18	R52448	PIN	1		(A)
19	R52447	SPRING	1		(A)
20	R53076	NEEDLE ROLLER	1		(A)
21	R51856	VALVE	1		(A) PTO CLUTCH
22	R26286	O-RING	4		
23	AR102449	HYDRAULIC LINE	1		PTO PRESSURE, (SUB FOR AR70737)
24	R50883	ADAPTER	1		
25	R52329	ADAPTER	3		
26	R26286	O-RING	6		
27	R38295	NEEDLE ROLLER	2		
28	AR102797	HOUSING	1		(MARKED R59597 OR R73809) (SUB FOR AR71960)
	R54383	SHEAR PIN	1		(LESS PTO) PTO CLUTCH VALVE BORE
	34H268	SPRING PIN	1		5/32" X 1-1/4"
29	R52900	QUICK LOCK PIN	1		(A)
30	R99386	GASKET	1		(SUB FOR R59598)
31	R62724	VALVE	1		
32	R53076	NEEDLE ROLLER	1		
33	R63849	SPRING	1		
34	R52448	PIN	1		
35	R62726	SPRING	1		
36	R52665	DISK	1		
37	R62725	LINK	1		

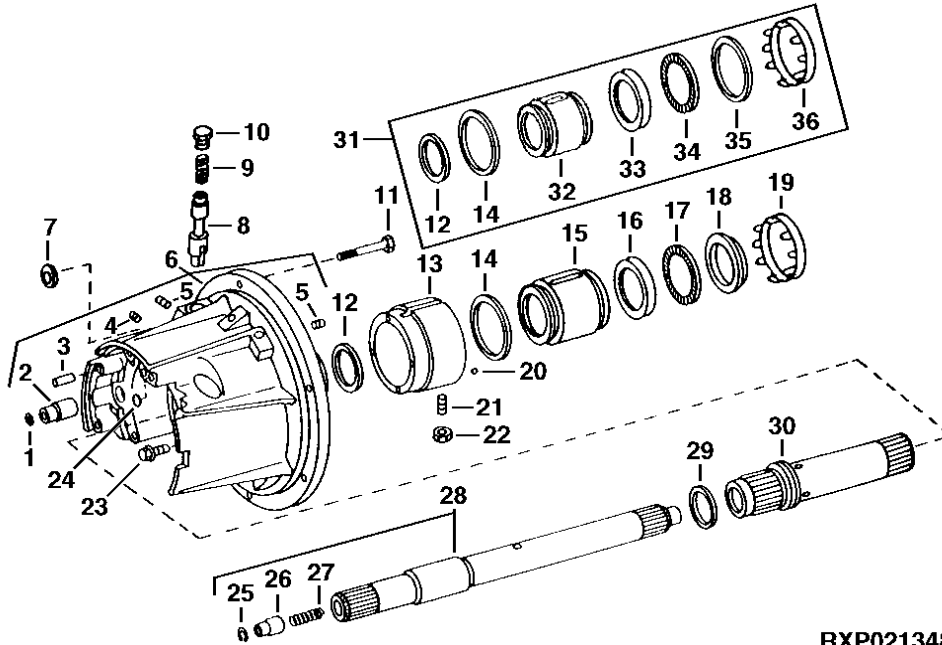
(A) NOT REQUIRED ON TRACTORS LESS PTO.

# 3B14

POWER TRAIN

RXP021348 -UN-26OCT95

## TRANSMISSION CLUTCH OPERATING PISTON HOUSING AND PISTON



**RXP021348**

KEY	PART NO.	PART NAME	QTY	TRACTOR SERIAL NO.	REMARKS
1	F2741R	PACKING	1		
2	R58755	SLEEVE	1		
3	R26650	DOWEL PIN	1		
4	15H559	PIPE PLUG	2		1/4"
5	15H558	PIPE PLUG	6		1/8"
6	AR70731	HOUSING	1	-003594	(MARKED R57208 OR R74198) (SUB AR99266 AND R60038)
	AR102977	HOUSING	1	003595-	(MARKED R62830 OR R74198) (SUB FOR AR77516) (SUB AR99266 AND R60038)
7	R26919	WASHER	1		
8	R63734	VALVE	1		
9	R50259	SPRING	1		
10	R41155	PLUG	1		
11	R41041	CAP SCREW	6		
12	R65550	PACKING	1		(SUB FOR R52911)
13	AR90871	CLUTCH	1		(SUB FOR R57476) (SUB R73757)
14	R65552	WASHER	1		(SUB FOR R58402)
15	AR90870	PISTON	1	-XXXXXX	(MARKED R57477) (SUB AR102978)
16	JD9916	BEARING	1	-XXXXXX	(USE WITH R57477)
17	JD9918	BEARING	1	-XXXXXX	(USE WITH R57477)
18	R51340	BEARING RACE	1	-XXXXXX	(USE WITH R57477)
19	R51365	RETAINER	1	-XXXXXX	(USE WITH R57477)
20	400R	BALL	1		(A) 6 MM (1/4")
21	22H1012	SET SCREW	1		(A) 1/4" X 3/4"
22	14H850	NUT	1		(A) 1/4"
23	AR61146	SCREW	4		
24	R60038	PACKING	1		
25	B474R	SNAP RING	1		
26	R77800	BUSHING	1		
27	A354R	SPRING	1		
28	RE11891	SHAFT	1		(ALSO ORDER RE10090) (SUB FOR R65538 OR AR104465)
29	R57315	RING	1		
30	R58415	DRIVE SHAFT	1		
31	AR102978	PISTON	1	XXXXXX-	(MARKED R73941 OR R73758) (SUB FOR AR98513)
32	R73758	PISTON	1		
33	JD10160	BEARING RACE	1		
34	JD10159	NEEDLE BEARING	1		
35	R73940	BEARING RACE	1		
36	R73939	RETAINER	1		

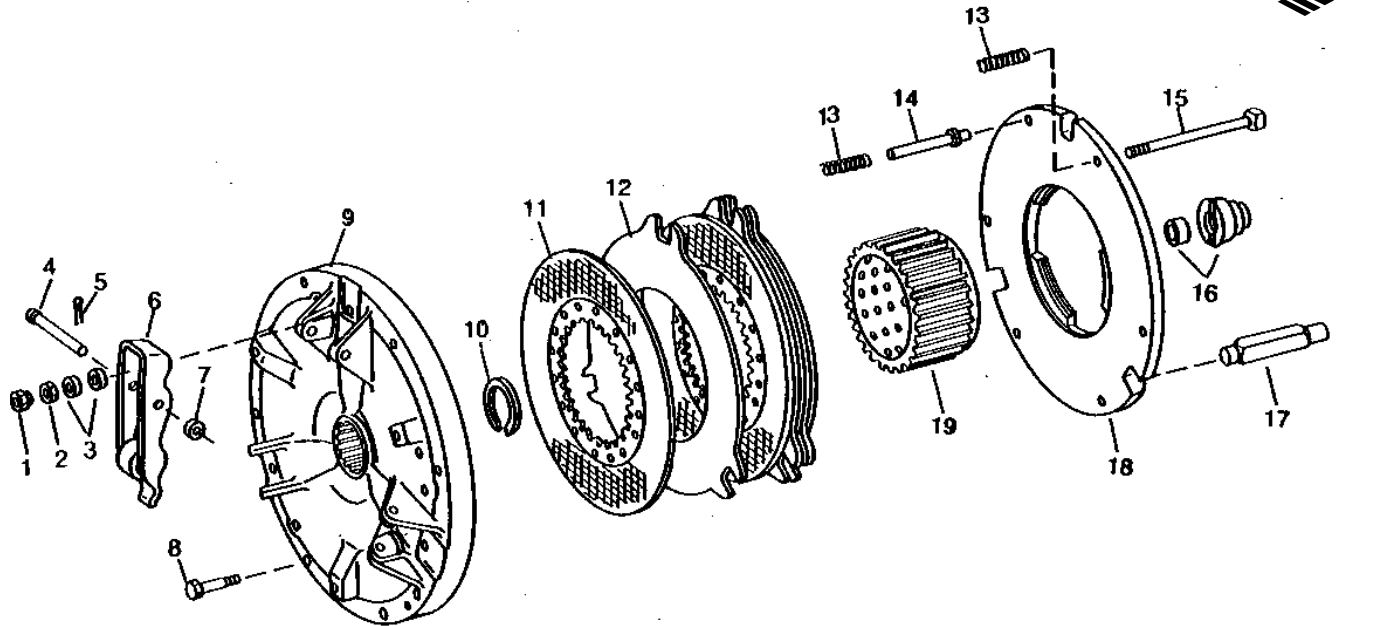
(A) NOT USED WHEN AR90870 OR AR90871 HAVE BEEN INSTALLED.

# 3B15

POWER TRAIN

RWP3841 -UN-01JAN94

## TRANSMISSION CLUTCH



RWP3841

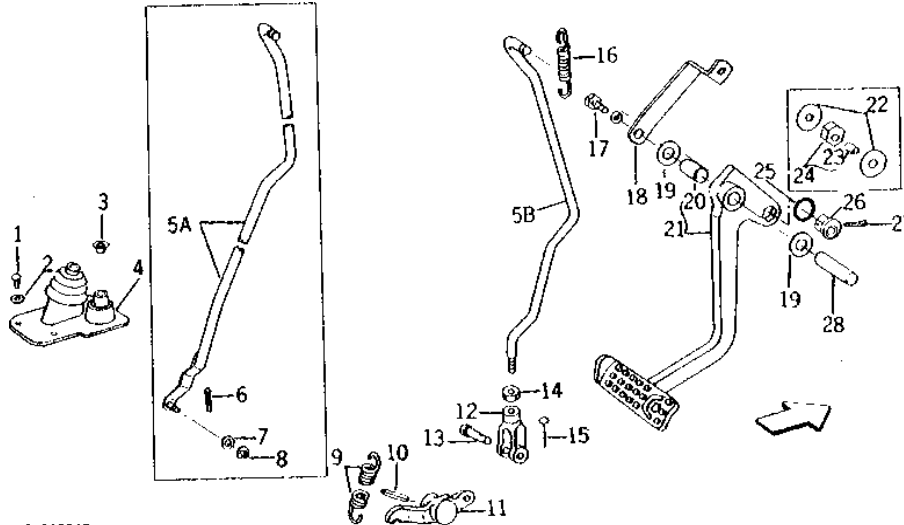
KEY	PART NO.	PART NAME	QTY	TRACTOR SERIAL NO.	REMARKS
1	F3220R	LOCK NUT	3		
2	14H1080	NUT	3	3/8"	
3	R58008	LOCK WASHER	6		
4	R53625	PIN	3		
5	11M7021	COTTER PIN	3	0.157" X 0.984"	
6	AR78926	LEVER	3	(SUB (3) R73457 AND (6) R73460)	
7	24M7096	WASHER	3	10.500 X 18 X 1.600 MM	
8	R41920	CAP SCREW	6		
9	R57010	COVER	1		
10	B3118R	SNAP RING	1		
11	AR89320	CLUTCH DISK	4	(SUB FOR AR73183 OR AR73712) (SUB AR95827)	
12	R59690	CLUTCH PLATE	3	(SUB FOR R54111)	
13	R58819	SPRING	6		
14	R57331	PIN	3		
15	R51230	BOLT	3		
16	RE10090	ADAPTER	1	(SUB FOR AR83618)	
17	R57102	PIN	3		
18	R57330	PLATE	1		
19	R66843	HUB	1	(SUB FOR R58428)	

# 3B16

POWER TRAIN

R31264 -UN-01JAN94

## CLUTCH PEDAL AND LINKAGE



R 31264F

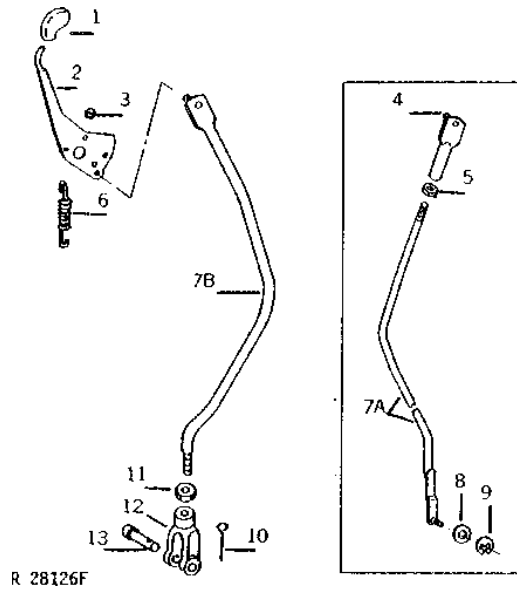
KEY	PART NO.	PART NAME	QTY	TRACTOR SERIAL NO.	REMARKS
1	R53028	CAP SCREW	4		
2	24H1283	WASHER	3		7/32" X 1/2" X 0.049"
3	B2983R	PLUG	1		(NO LONGER AVAILABLE)
4	AR86495	BOOT	1		(SUB FOR AR58478)
5A	AR64400	ROD	1	-001086	(SUB R65440, R65441, C284R, R65563, R62732, 11M7083, R56199, 14H732 AND 24H1302)
	AR73933	ROD	1	001087-002459	(SUB R65440, R65441, C284R, R65563, R62732, 11M7083, R56199, 14H732 AND 24H1302)
	AR77390	ROD	1	002460-004243	(SUB R65440, R65441, C284R, R65563, R62732, 11M7083, R56199, 14H732 AND 24H1302)
	AR83973	ROD	1	004244-004794	(SUB R65440, R65441, C284R, R65563, R62732, 11M7083, R56199, 14H732 AND 24H1302)
5B	R65440	ROD	1	004795-	
6	34H247	SPRING PIN	1	-001086	1/8" X 3/4"
7	24H1302	WASHER	1	001087-004794	13/32" X 11/16" X 0.035"
8	R72655	SNAP RING	1	001087-004794	(SUB FOR T12808)
9	R43684	SPRING	1		
10	34H331	SPRING PIN	1		5/16" X 1-1/2"
11	R55391	ARM	1	-004794	CLUTCH OPERATING VALVE
	R65441	ARM	1	004795-	CLUTCH OPERATING VALVE
12	C284R	YOKE	1	004795-	
13	R65563	PIN	1	004795-	
14	14H732	NUT	1	004795-	3/8"
15	R56199	PIN	1	004795-	
16	R66331	SPRING	1		
17	19H1731	CAP SCREW	1		3/8" X 1"
	12H304	LOCK WASHER	1		3/8"
18	R54396	STRAP	1		
19	24H1394	WASHER	2		25/32" X 1-7/16" X 0.036"
20	R51192	BUSHING	1		
21	AR54596	PEDAL	1		(MARKED R50287)
22	24H1345	WASHER	2	-001086	17/32" X 1-3/4" X 0.060"
23	R50359	BUSHING	1	-001086	
24	AR59158	ADAPTER	1	-001086	(SUB R65440, R65441, C284R, R65563, R62732, 11M7083, R56199, 14H732 AND 24H1302)
25	H21957	O-RING	1		(SUB FOR U17501)
26	R59138	ADAPTER	1	001087-002459	(SUB R65440, R65441, C284R, R65563, R62732, 11M7083, R56199, 14H732 AND 24H1302)
	R62732	ADAPTER	1	002460-	
27	11M7083	COTTER PIN	1	001087-	0.126" X 1.969"
28	R51521	PIN	1		

# 3B17

POWER TRAIN

R28126 -UN-01JAN94

## PTO CLUTCH LEVER AND OPERATING RODS



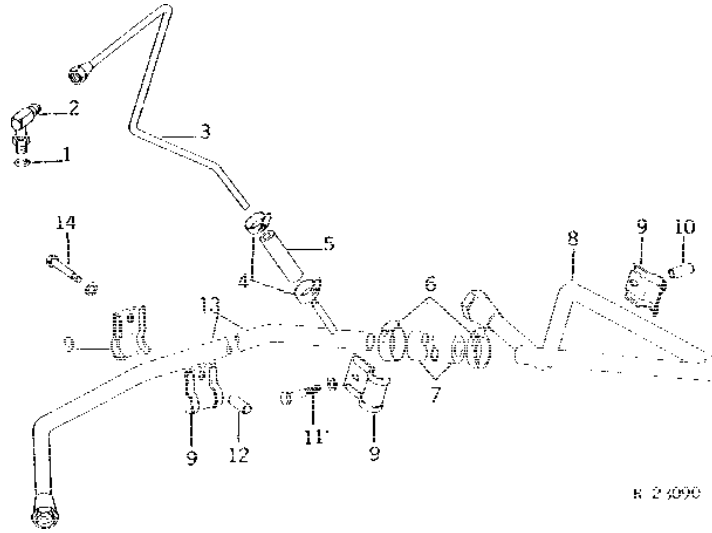
KEY	PART NO.	PART NAME	QTY	TRACTOR SERIAL NO.	REMARKS
1	R52056	GRIP	1		
2	R52065	LEVER	1		
3	R72655	SNAP RING	1		(SUB FOR T12808)
4	AR64563	PLUNGER	1	-004794	
5	14H886	NUT	1	-004794	9/16"
6	R58500	SPRING	1		
7A	AR64564	PLUNGER	1	-001086	(SUB R70884, C284R, R56199, R65563 AND 14H732)
	AR73934	ROD	1	001087-004243	(SUB R70884, C284R, R56199, R65563 AND 14H732)
	AR83974	ROD	1	004244-004794	(SUB R70884, C284R, R56199, R65563 AND 14H732)
7B	AR83429	ROD	1	004795-	(SUB R70884)
8	24H1302	WASHER	1	001087-004794	13/32" X 11/16" X 0.035"
9	R72655	SNAP RING	1	001087-004794	(SUB FOR T12808)
10	R56199	PIN	1	004795-	
11	14H732	NUT	1	004795-	3/8"
12	C284R	YOKE	1	004795-	
13	R65563	PIN	1	004795-	

# 3B18

POWER TRAIN

R23090 -UN-01JAN94

## CLUTCH OIL TRANSFER PUMP LINES



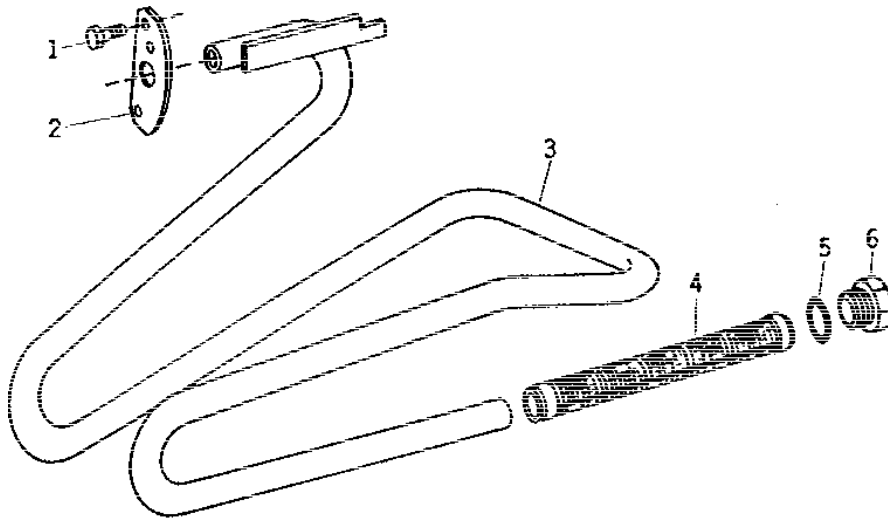
KEY	PART NO.	PART NAME	QTY	TRACTOR SERIAL NO.	REMARKS
1	R26286	O-RING	1		
2	AR36552	ELBOW FITTING	1	90°	
3	AR71020	HYDRAULIC LINE	1		TRANSMISSION INPUT GEAR LUBRICATION, FRONT
4	AR21836	CLAMP	2		
5	R58919	HOSE	1		
6	TY22467	CLAMP	2		(SUB FOR AR21839)
7	R58921	HOSE	1		
8	AR72209	HYDRAULIC LINE	1		CLUTCH OIL TRANSFER PUMP, FRONT
9	R51655	HALF CLAMP	4		
10	28H1526	BUSHING	1		
11	19H1733	CAP SCREW	1	3/8" X 2-1/2"	
	12H304	LOCK WASHER	1	3/8"	
12	28H1525	BUSHING	1		
13	AR71021	HYDRAULIC LINE	1		CLUTCH OIL TRANSFER PUMP, REAR
14	19H2549	CAP SCREW	1	3/8" X 1-7/8"	
	12H304	LOCK WASHER	1	3/8"	

# 3B19

POWER TRAIN

R32214 -UN-01JAN94

## OIL TRANSFER PUMP SUCTION TUBE AND SCREEN



R32214F

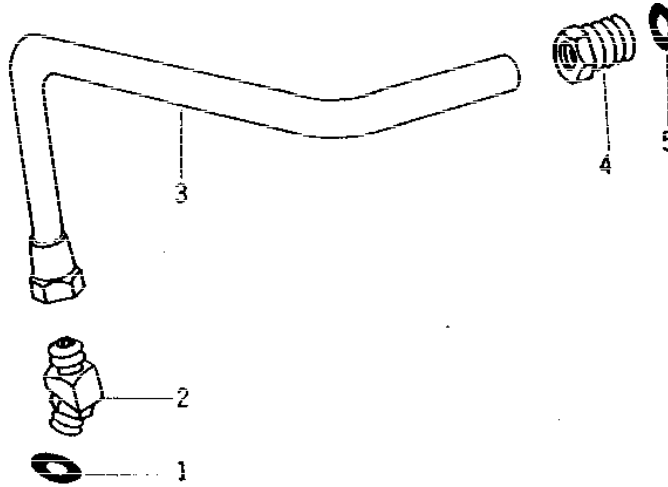
KEY	PART NO.	PART NAME	QTY	TRACTOR SERIAL NO.	REMARKS
1	R30165	CAP SCREW	2		
2	R58796	PLATE	1		
3	AR75537	HYDRAULIC LINE	1		(SUB FOR R58778)
4	AR26375	SCREEN	1		(STEEL)
	R53169	SCREEN	1		(NYLON)
5	A4808R	WASHER	1		
6	R40147	FITTING	1		

# 3B20

POWER TRAIN

R32215 -UN-01JAN94

## CLUTCH OIL PRESSURE REGULATING VALVE OIL PRESSURE LINE



R32215F

KEY	PART NO.	PART NAME	QTY	TRACTOR SERIAL NO.	REMARKS
1	F3171R	O-RING	1		
2	AR28251	ELBOW FITTING	1		45°, (SUB AT48506)
3	AR69695	OIL LINE	1		
4	R76493	FITTING	1		(SUB FOR R56258)
5	B2762R	O-RING	1		

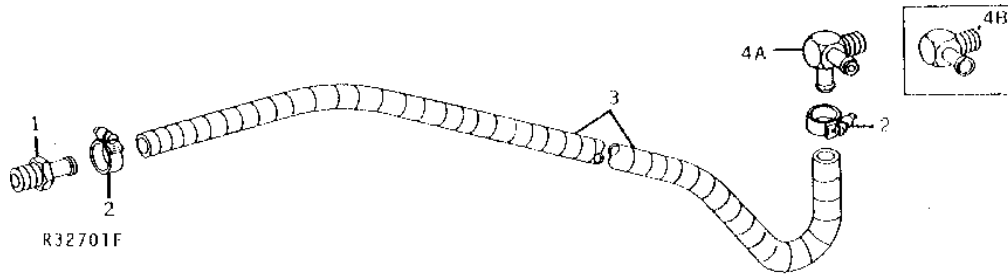


# 3B21

POWER TRAIN

R32701 -UN-01JAN94

## CLUTCH HOUSING BREATHER HOSE



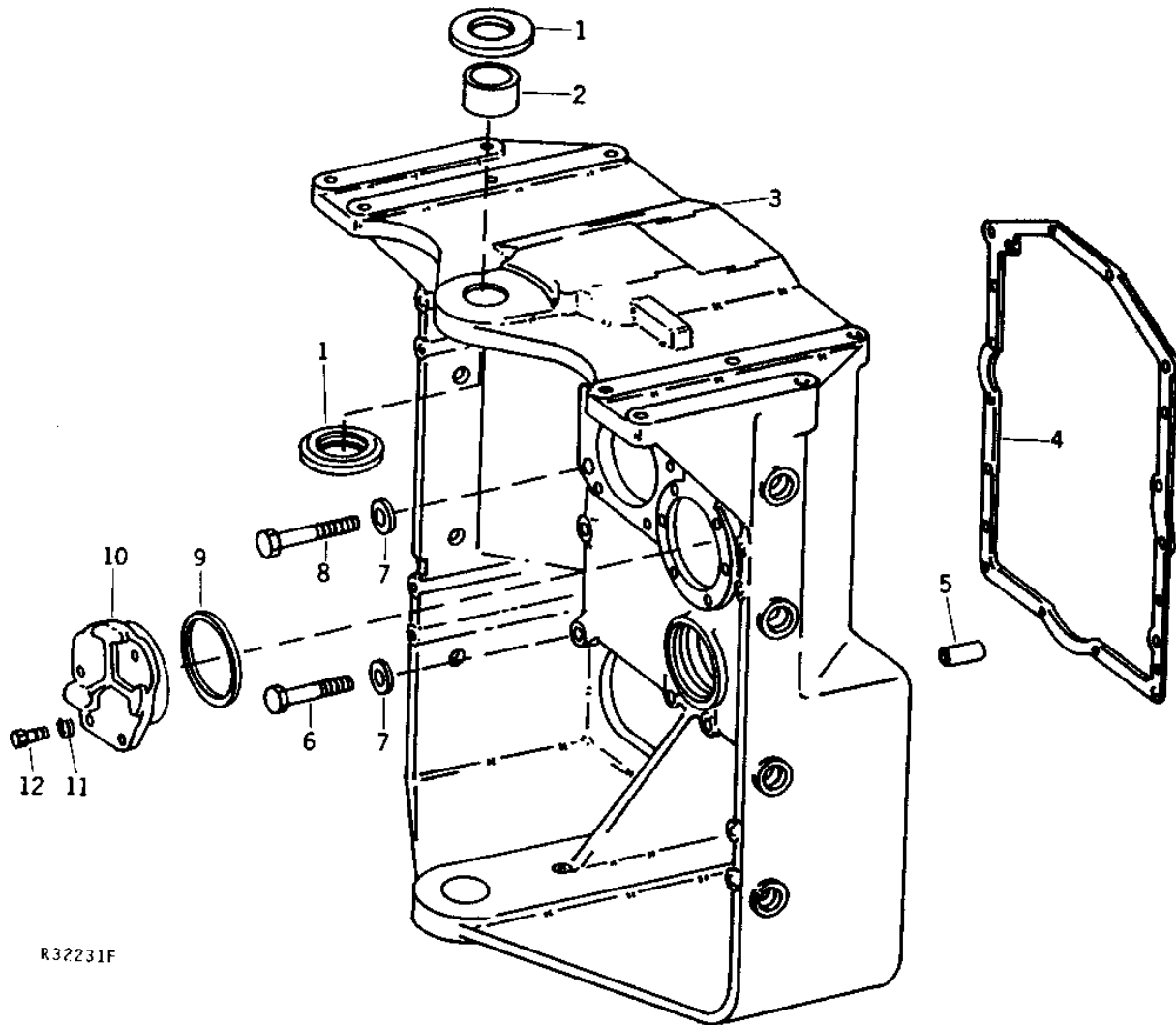
KEY	PART NO.	PART NAME	QTY	TRACTOR SERIAL NO.	REMARKS
1	R41071	FITTING	1		
2	AR21836	CLAMP	2	-002442	
	TY22465	CLAMP	2	002443-	(SUB FOR AR21837)
3	R59565	HOSE	1	-002442	(SUB TY22328 AND (2) TY22465)
	TY22328	BULK HOSE	1	002443-	(SUB FOR R63377)
	R44302	TIE BAND	1		
4A	AR86072	TEE FITTING	1	XXXXXX-	
4B	AR48369	ELBOW FITTING	1	-XXXXXX	90°

# 3B22

POWER TRAIN

R32231 -UN-01JAN94

FRONT HINGE



R32231F

# 3B23

POWER TRAIN

## FRONT HINGE - CONTINUED

KEY	PART NO.	PART NAME	QTY	TRACTOR SERIAL NO.	REMARKS
1	AR68955	LOCK WASHER	2		(HINGE UPPER PIVOT) (SUB AR98492)
2	R57400	BUSHING	1		(UPPER HINGE PIVOT PIN)
3	AR68515	HINGE	1	-002744	(MARKED R57189 OR R62774) (SUB AR79564, R62731, (5) 19H1800, (5) 12H304 AND 28H1697)
	AR79564	HINGE	1	002745-	(MARKED R62774)
4	R57430	GASKET	1		
5	A776R	PIN	2		
6	19H2827	CAP SCREW	10		3/4" X 4-3/4"
7	T21397	WASHER	13		
8	19H3210	CAP SCREW	3		3/4" X 5-1/4"
9	R47565	RING	1		
10	R58526	COVER	1		(INDEPENDENT PTO FRONT HINGE OPENING) (LESS PTO)
11	12H304	LOCK WASHER	4		3/8"
12	19H1732	CAP SCREW	4		3/8" X 1-1/4"

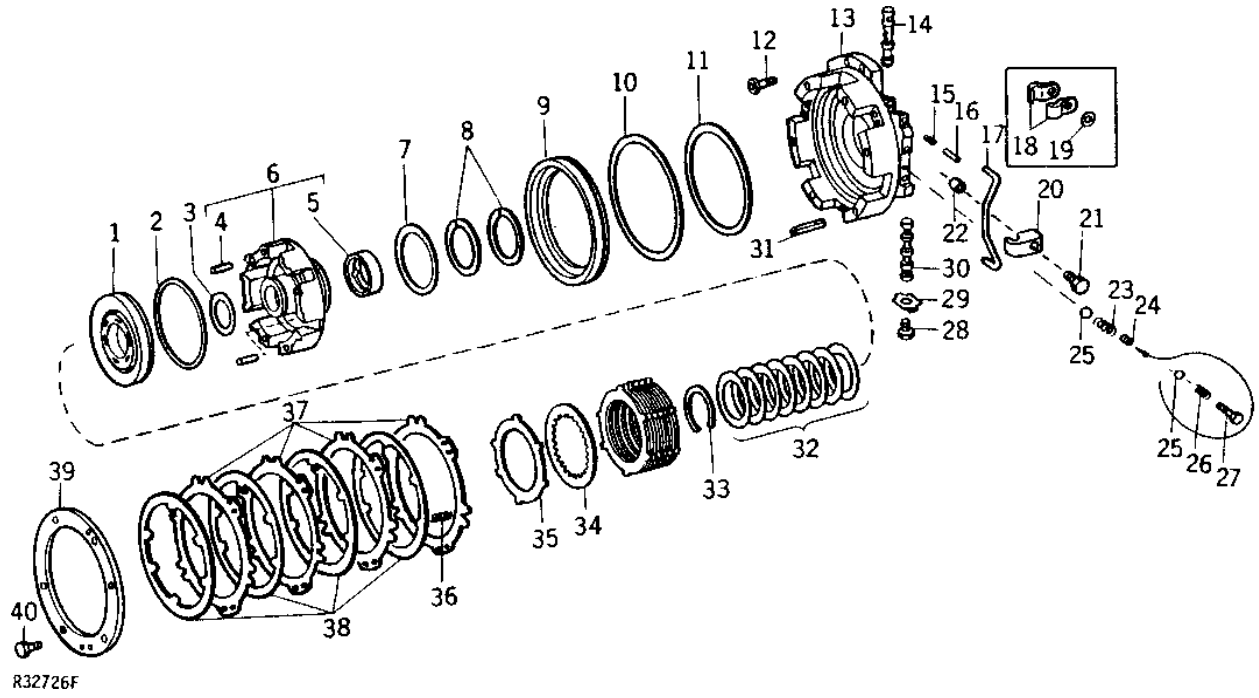
# 3B24

POWER TRAIN

R32726

-UN-01JAN94

## BRAKE PISTON HOUSING AND CLUTCH DRUM



# 3B25

POWER TRAIN

## BRAKE PISTON HOUSING AND CLUTCH DRUM - CONTINUED

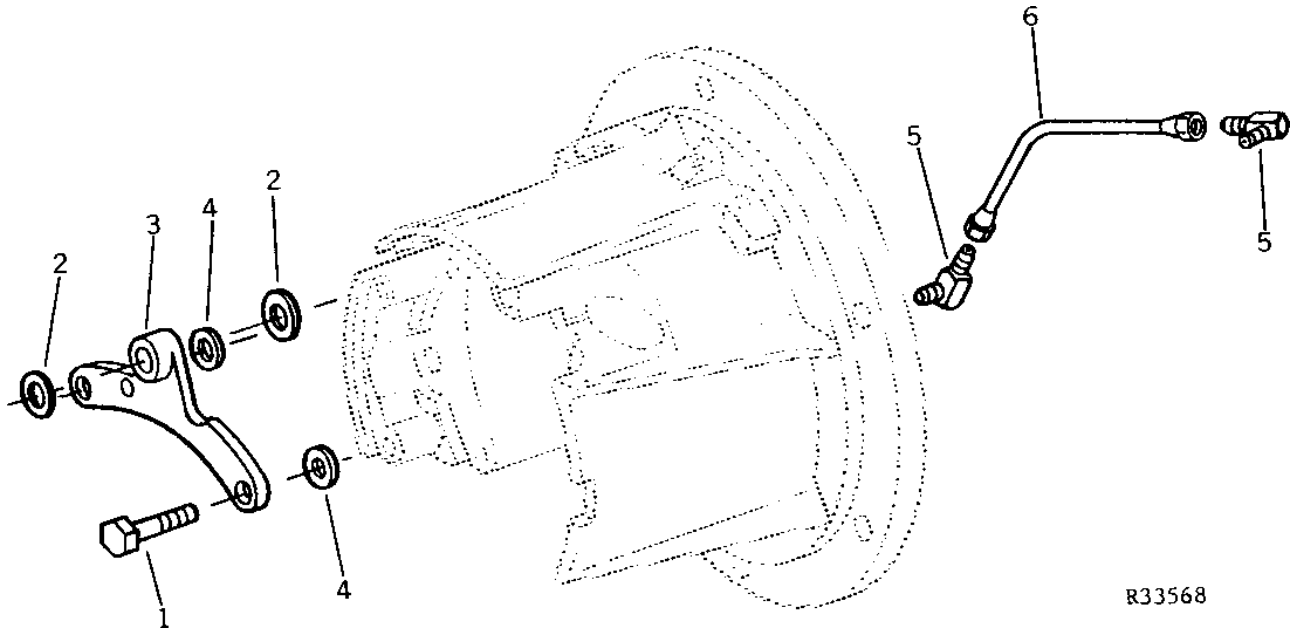
KEY	PART NO.	PART NAME	QTY	TRACTOR SERIAL NO.	REMARKS
1	R57045	PISTON	1		
2	R57046	WASHER	1		
3	R39304	WASHER	1		
4	R38295	NEEDLE ROLLER	3		
5	R50222	BUSHING	1		
6	AR68324	DRUM	1		(MARKED R57044)
7	R50349	WASHER	1		
8	R39322	RING	2		
9	R79831	PISTON	1		
10	R59137	WASHER	1		
11	R57558	PACKING	1		
12	R57047	CAP SCREW	5		
13	AR82371	HOUSING	1	-XXXXXX	BRAKE, (MARKED R62831, R65223 OR R65228) (SUB FOR AR79580) (SUB AR91836, R53050 AND 34H249)
	AR91836	HOUSING	1	XXXXXX-	BRAKE, (MARKED R70244)
14	R65229	CONTROL VALVE	1		(SUB FOR R62840)
15	R62842	SPRING	1		
16	R67315	PIN	1		(SUB FOR R62843)
17	R55234	TUBE	1	-006394	(SUB R67307, R60524, R112876 AND 28H1518)
	R78265	OIL TUBE	1	006395-	(SUB FOR R67307)
18	R42357	CLAMP	2	-006394	
19	24H1305	WASHER	1	-006394	13/32" X 13/16" X 0.065"
20	R60524	CLAMP	1	006395-	
21	R41041	CAP SCREW	1	-006394	
	R112876	CAP SCREW	1	006395-	(SUB FOR R40808)
22	28H1519	WASHER	1	-006394	0.493" X 0.675" X 3/8"
	28H1518	WASHER	1	006395-	0.493" X 0.675" X 5/16"
23	R64230	SPRING	1	-004851	
24	R21630	PIPE PLUG	6	-004851	
	R21630	PIPE PLUG	4	004852-XXXXXX	
	R21629	PIPE PLUG	6	-004851	
	R21629	PIPE PLUG	5	004852-XXXXXX	
	R21629	PIPE PLUG	4	XXXXXX-	
	R21630	PIPE PLUG	6	XXXXXX-	
25	400R	BALL	1		6 MM (1/4")
26	R65230	SPRING	1	004852-	
27	R65231	SCREW	1	004852-	
28	R36526	FITTING	1	-XXXXXX	(USE WITH R62831, R65223 OR R65228)
	R53050	PIN	1	XXXXXX-	(USE WITH R70244)
29	R35355	PLATE	1	001651-XXXXXX	(USE WITH R62831, R65223 OR R65228)
	34H249	SPRING PIN	1	XXXXXX-	1/8" X 7/8", (USE WITH R70244)
30	R62841	VALVE	1		
31	34H188	SPRING PIN	6		5/16" X 1-3/4"
32	R50348	DISK SPRING	8		
33	R39299	SNAP RING	1		
34	AR71561	DISK, INNER SPLINE	7		(SUB RE29816)
35	R39259	CLUTCH PLATE	8		
36	R50604	SPRING	6		
37	R50152	PLATE	4		
38	RE29815	DISK	4		(SUB FOR AR71560)
39	R50153	PLATE	1		
40	R30165	CAP SCREW	6		

# 3C1

POWER TRAIN

MODIFIED TRACTOR REPLACEMENT PARTS  
(TRACTOR SERIAL NO. -003594)

R33568 -UN-01JAN94



R33568

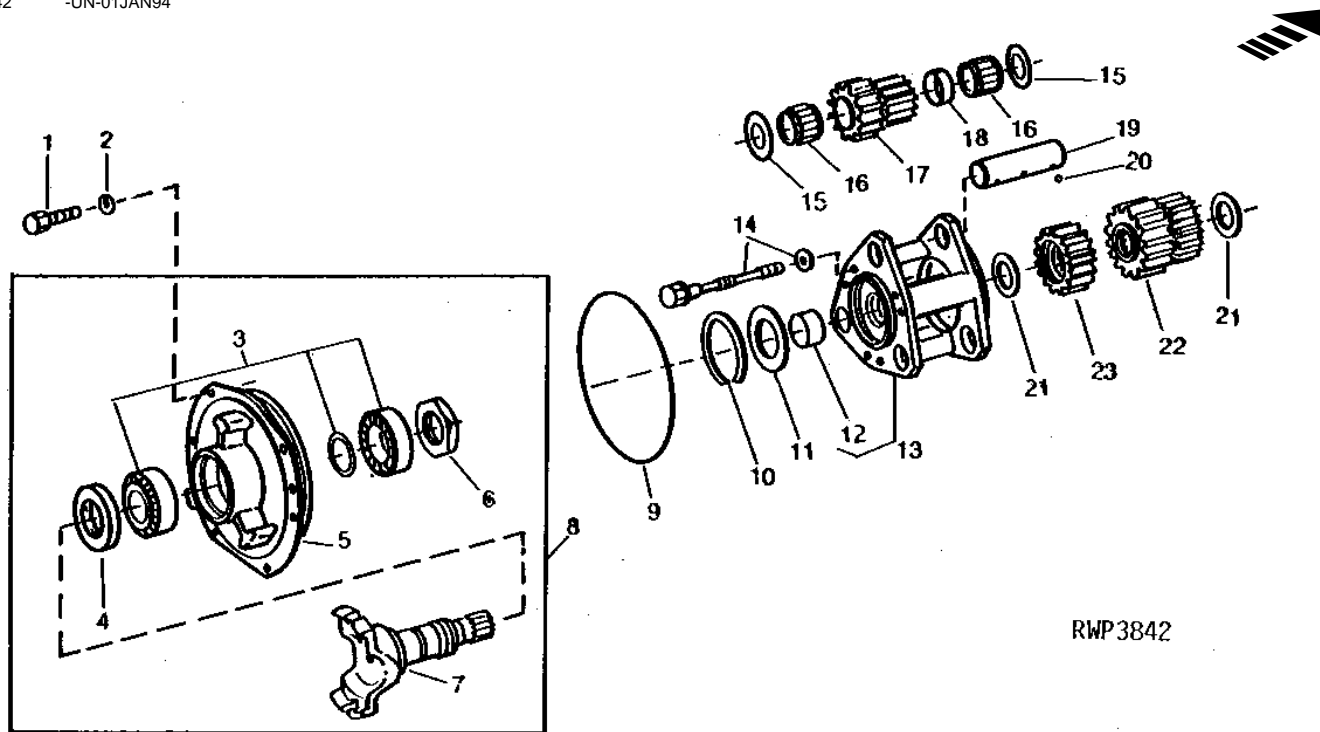
KEY	PART NO.	PART NAME	QTY	TRACTOR SERIAL NO.	REMARKS
1	R112876	CAP SCREW	2		(SUB FOR R40808)
2	R60038	PACKING	2		
3	R65720	ADAPTER	1		
4	M4T	SHIM	AR	0.051 MM (.002")	
	M6T	SHIM	AR	0.254 MM (.010")	
5	AR26674	ELBOW FITTING	2	90°	
6	AR84492	HYDRAULIC LINE	1		

# 3C2

POWER TRAIN

## PLANET PINION CARRIER AND CLUTCH OUTPUT U-JOINT YOKE (WITH STRAIGHT GEARS)

RWP3842 -UN-01JAN94



RWP3842

KEY	PART NO.	PART NAME	QTY	TRACTOR SERIAL NO.	REMARKS
1	19H1732	CAP SCREW	5	-002744	3/8" X 1-1/4"
	19H1765	CAP SCREW	5	002745-	3/8" X 1-3/4"
2	12H304	LOCK WASHER	5		3/8"
3	AR68323	ROLLER BEARING	1		
4	AR94262	SEAL	1		(SUB FOR R37410)
5	R57094	QUILL	1	-002744	(SUB R62731, 28H1697, (5) 19H1765 AND (5) 12H304)
	R62731	QUILL	1	002745-	
6	R57049	LOCK NUT	1	-002025	(R.H. THREAD)
	R74994	LOCK NUT	1	002026-	(L.H. THREAD) (SUB FOR R62368)
7	R57980	YOKE	1	-002025	(SUB R62366 AND R74994)
	R62366	UNIVERSAL JOINT YOKE	1	002026-	
8	AR70819	QUILL	1		
9	R57050	O-RING	1		
10	F1373R	SNAP RING	1		
11	R57048	WASHER	1		(SUB R78005)
12	R57039	BUSHING	1		
13	AR84259	PLANET PINION CARRIER	1		(MARKED R57038 OR R65682) (ALSO ORDER (6) AR84260) (SUB FOR AR68322) (SUB RE12772) (SUB FOR AR77435 OR AR82508)
14	AR84260	CAP SCREW	6		
15	R42931	THRUST WASHER	6		
16	JD9942	NEEDLE BEARING	6		
17	R57041	PINION	3		
18	R57042	SLEEVE	3		
19	AR70726	PINION SHAFT	3		
20	H871R	BALL	3		5 MM (3/16")
21	R33083	WASHER	2		
22	AR90973	PINION	1		LOW RANGE SUN, (SUB FOR R57099 OR AR86219)
23	R57040	PINION	1		HIGH RANGE PLANET SUN

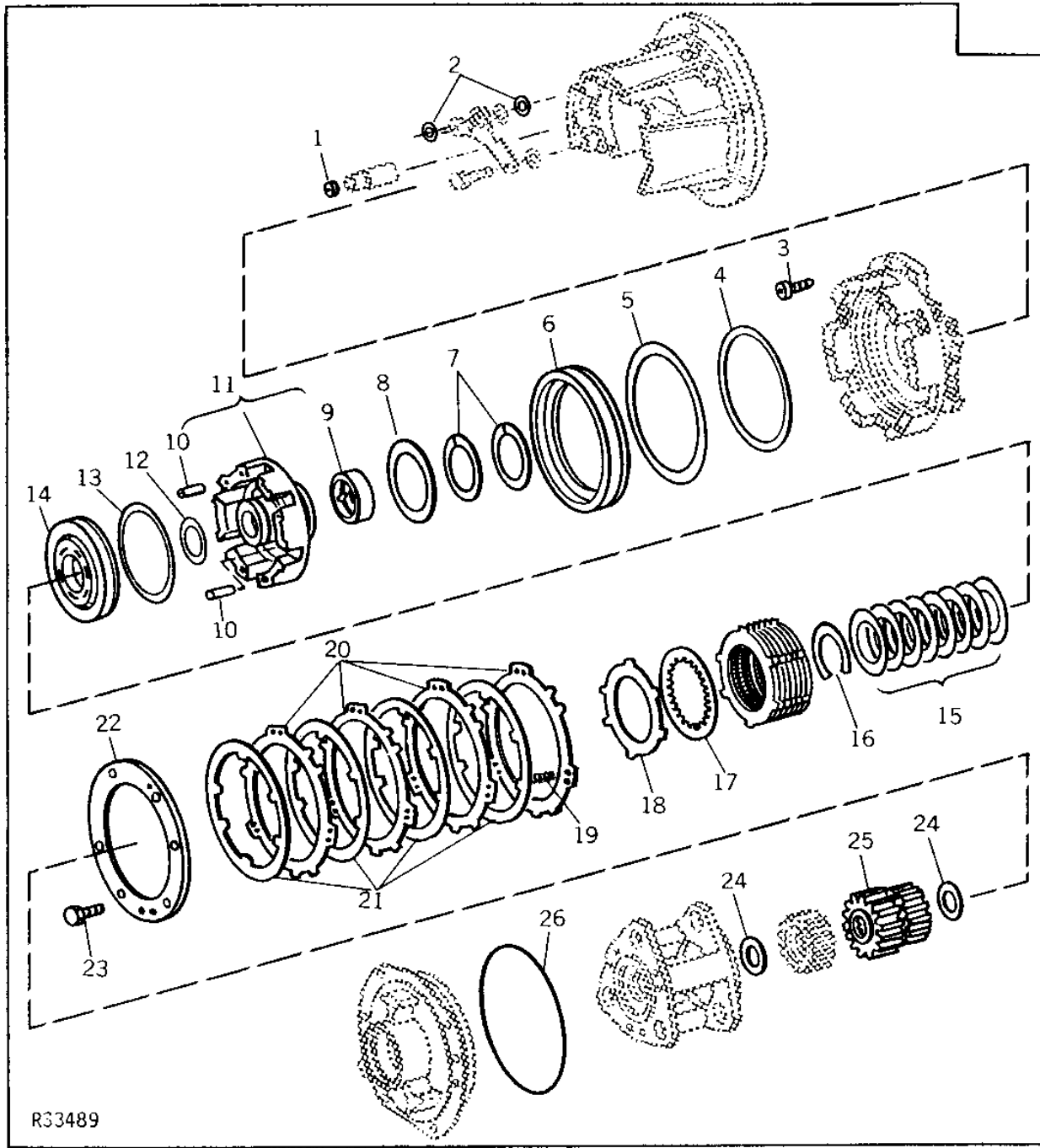
# 3C3

POWER TRAIN

R33489

-UN-01JAN94

## HI-LO CLUTCH DISKS AND LOW RANGE PINION REPLACEMENT KIT



R33489

27



# 3C4

POWER TRAIN

## HI-LO CLUTCH DISKS AND LOW RANGE PINION REPLACEMENT KIT - CONTINUED

KEY	PART NO.	PART NAME	QTY	TRACTOR SERIAL NO.	REMARKS
1	F2741R	PACKING	1		
2	R60038	PACKING	2		
3	R57047	CAP SCREW	5		
4	R57558	PACKING	1		
5	R59137	WASHER	1		
6	R79831	PISTON	1		
7	R39322	RING	2		
8	R50349	WASHER	1		
9	R50222	BUSHING	1		
10	R38295	NEEDLE ROLLER	3		
11	AR68324	DRUM	1		(MARKED R57044)
12	R39304	WASHER	1		
13	R57046	WASHER	1		
14	R57045	PISTON	1		
15	R50348	DISK SPRING	8		
16	R39299	SNAP RING	1		
17	RE29816	DISK	7		(SUB FOR AR71561)
18	R39259	CLUTCH PLATE	8		
19	R50604	SPRING	6		
20	R50152	PLATE	4		
21	RE29815	DISK	4		(SUB FOR AR71560)
22	R50153	PLATE	1		
23	R30165	CAP SCREW	6		
24	R33083	WASHER	2		
25	AR90973	PINION	1		LOW RANGE SUN, (SUB FOR R57099)
26	R57050	O-RING	1		
27	AR92554	KIT	1		

---

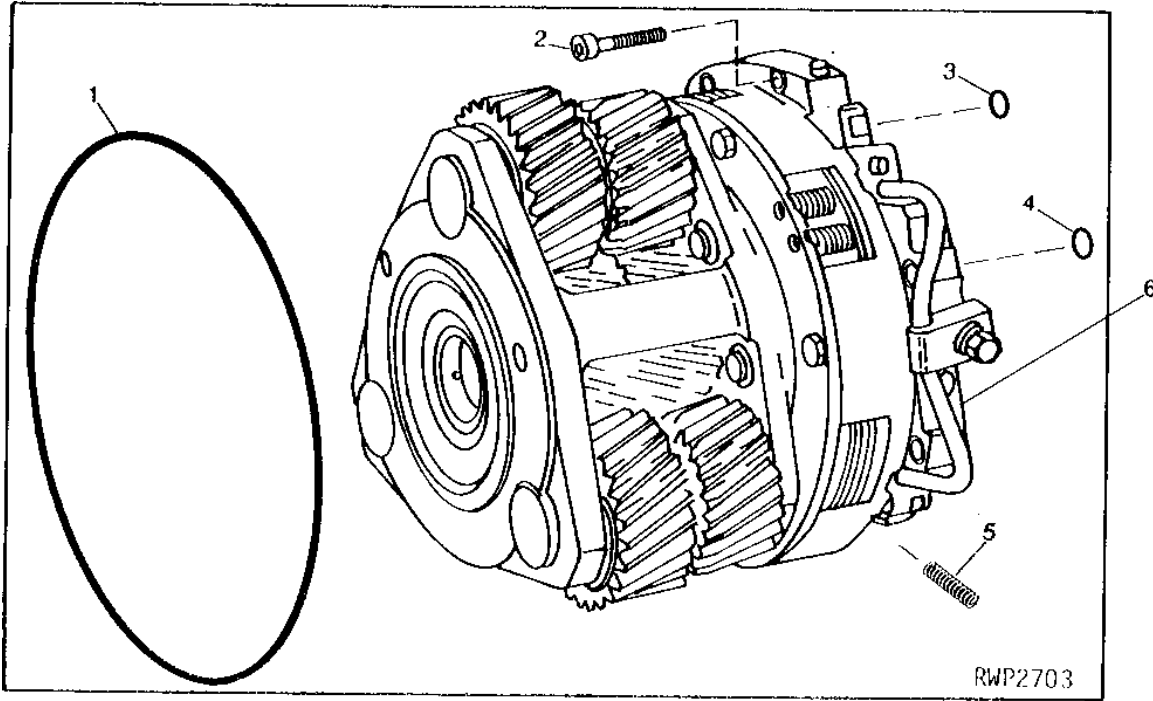
MEMORANDA

# 3C5

POWER TRAIN

RWP2703 -UN-01JAN94

## HI-LO PLANETARY REPLACEMENT KIT



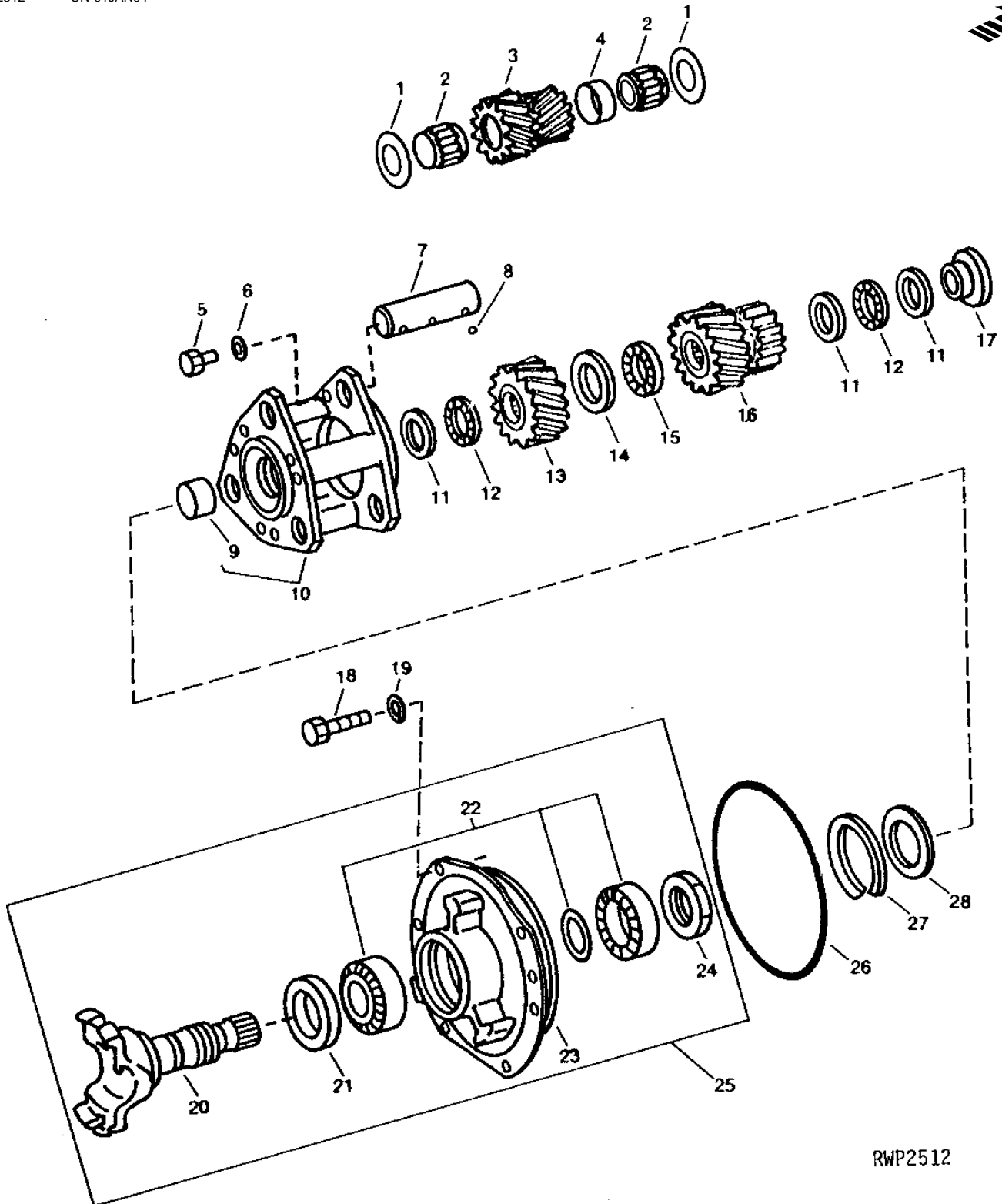
KEY	PART NO.	PART NAME	QTY	TRACTOR SERIAL NO.	REMARKS
1	R57050	O-RING	1		
2	R57047	CAP SCREW	5		
3	F2741R	PACKING	1		
4	R60038	PACKING	1		
5	R62842	SPRING	1		
6	RE12772	HIGH-LOW CLUTCH	1	(SUB FOR AR82370, AR97024 OR RE10769)	

# 3C6

POWER TRAIN

## PLANET PINION CARRIER AND CLUTCH OUTPUT U-JOINT YOKE (WITH HELICAL GEARS)

RWP2512 -UN-01JAN94



RWP2512

# 3C7

POWER TRAIN

PLANET PINION CARRIER AND CLUTCH OUTPUT U-JOINT YOKE - CONTINUED  
(WITH HELICAL GEARS)

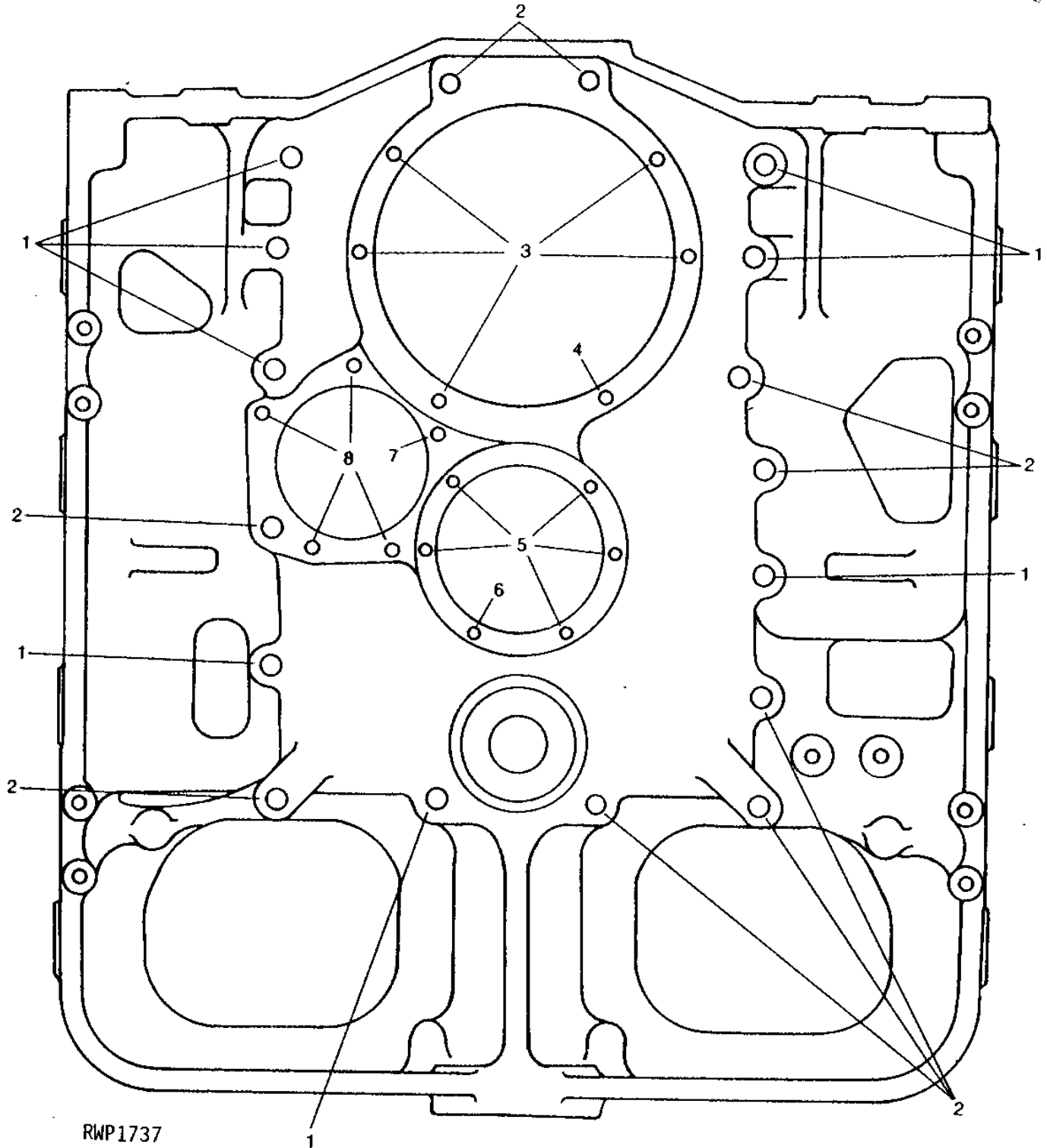
KEY	PART NO.	PART NAME	QTY	TRACTOR SERIAL NO.	REMARKS
1	R42931	THRUST WASHER	6		
2	JD9942	NEEDLE BEARING	6		
3	R68617	PINION	3		
4	R57042	SLEEVE	6		
5	R47074	CAP SCREW	6		
6	R57115	WASHER	6		
7	AR70726	PINION SHAFT	3		
8	H871R	BALL	3	5 MM (3/16")	
9	R57039	BUSHING	1		
10	AR82940	PLANET PINION CARRIER	1	(MARKED R65388)	
11	JD9976	BEARING RACE	3		
12	JD9886	THRUST BEARING	2		
13	R65328	PINION	1		
14	JD9920	BEARING RACE	1	HIGH RANGE	
15	JD9918	BEARING	1		
16	AR90972	PINION	1	LOW RANGE, (SUB FOR AR89318)	
17	R65331	BUSHING	1		
18	19H1800	CAP SCREW	5	3/8" X 1-1/2"	
19	12H304	LOCK WASHER	5	3/8"	
20	R62366	UNIVERSAL JOINT YOKE	1		
21	AR94262	SEAL	1	(SUB FOR R37410)	
22	AR68323	ROLLER BEARING	1		
23	R62731	QUILL	1		
24	R74994	LOCK NUT	1	(SUB FOR R62368)	
25	AR70819	QUILL	1		
26	R57050	O-RING	1		
27	F1373R	SNAP RING	1		
28	R57048	WASHER	1	(SUB R78005)	

# 3C8

POWER TRAIN

RWP1737 -UN-01JAN94

## FRONT HINGE CAP SCREW LOCATION



RWP1737

# 3C9

POWER TRAIN

## FRONT HINGE CAP SCREW LOCATION - CONTINUED

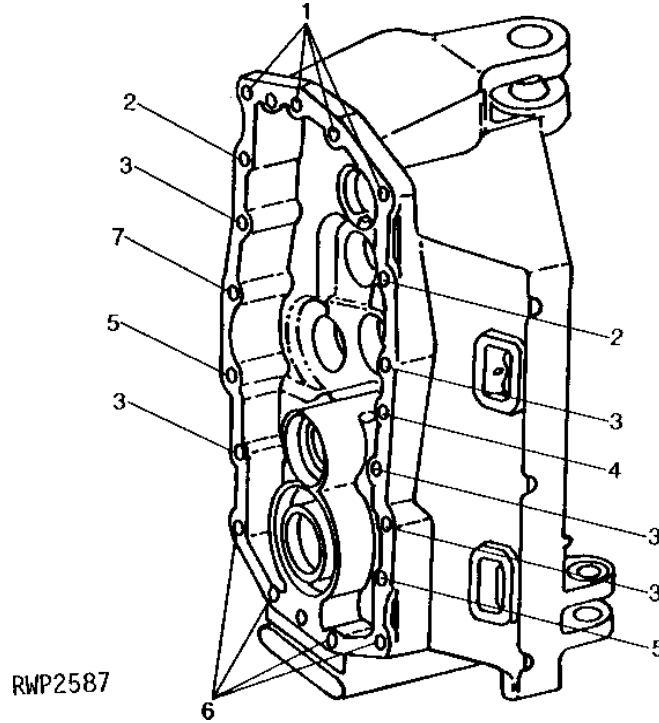
KEY	PART NO.	PART NAME	QTY	TRACTOR SERIAL NO.	REMARKS
1	19H2682	CAP SCREW	8		3/4" X 4-3/4"
2	19H1892	CAP SCREW	9		3/4" X 5-1/4"
3	19H1732	CAP SCREW	5	-XXXXXX	3/8" X 1-1/4"
	19H1765	CAP SCREW	5	XXXXXX-	3/8" X 1-3/4"
4	19H1733	CAP SCREW	1		3/8" X 2-1/2"
5	19H1732	CAP SCREW	5		3/8" X 1-1/4"
6	19H1800	CAP SCREW	1		3/8" X 1-1/2"
7	19H1944	CAP SCREW	1		3/8" X 2-3/4"
8	R41920	CAP SCREW	4		

# 3C10

POWER TRAIN

RWP2587 -UN-01JAN94

## REAR HINGE CAP SCREW LOCATION



RWP2587

KEY	PART NO.	PART NAME	QTY	TRACTOR SERIAL NO.	REMARKS
1	19H3167	CAP SCREW	4	(A) 3/4" X 3-1/4"	
2	19H3415	CAP SCREW	2	(A) 3/4" X 5-1/2", (TRANSMISSION DRIVE GUARD)	
3	19H3415	CAP SCREW	5	(A) 3/4" X 5-1/2"	
4	19H3412	CAP SCREW	1	(A) 3/4" X 6-3/4", (PTO DRIVE GUARD)	
5	19H3415	CAP SCREW	2	(A) 3/4" X 5-1/2", (FRONT AXLE DRIVE GUARD)	
6	R65567	BOLT	4	(A)	
7	19H3406	CAP SCREW	1	(A) 3/4" X 7-1/2"	

(A) HS, SAE 8



---

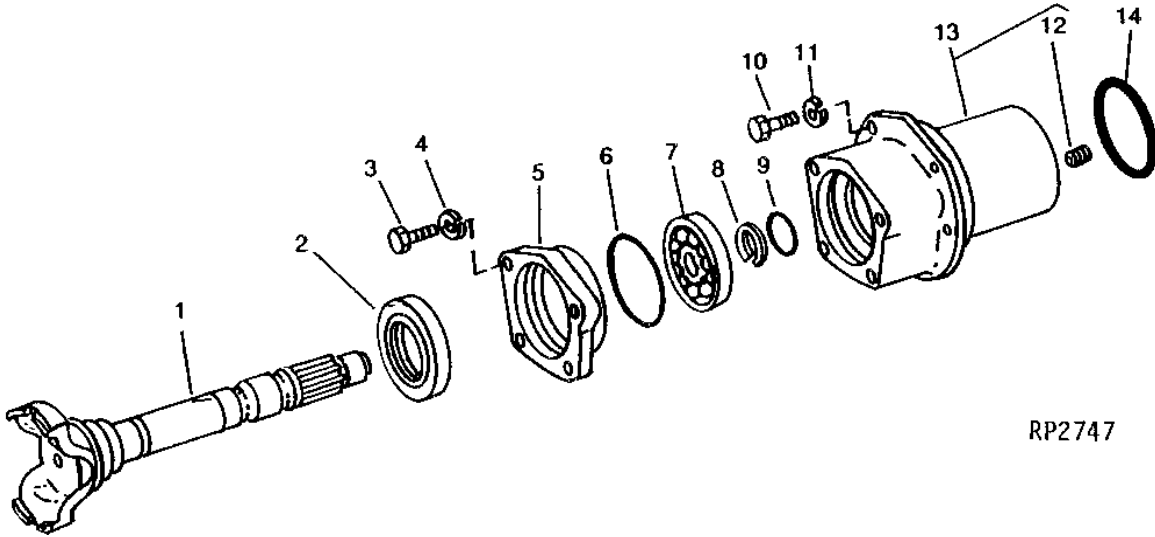
MEMORANDA

# 3C11

POWER TRAIN

RP2747 -UN-01JAN94

## INDEPENDENT PTO CLUTCH OUTPUT U-JOINT YOKE



RP2747

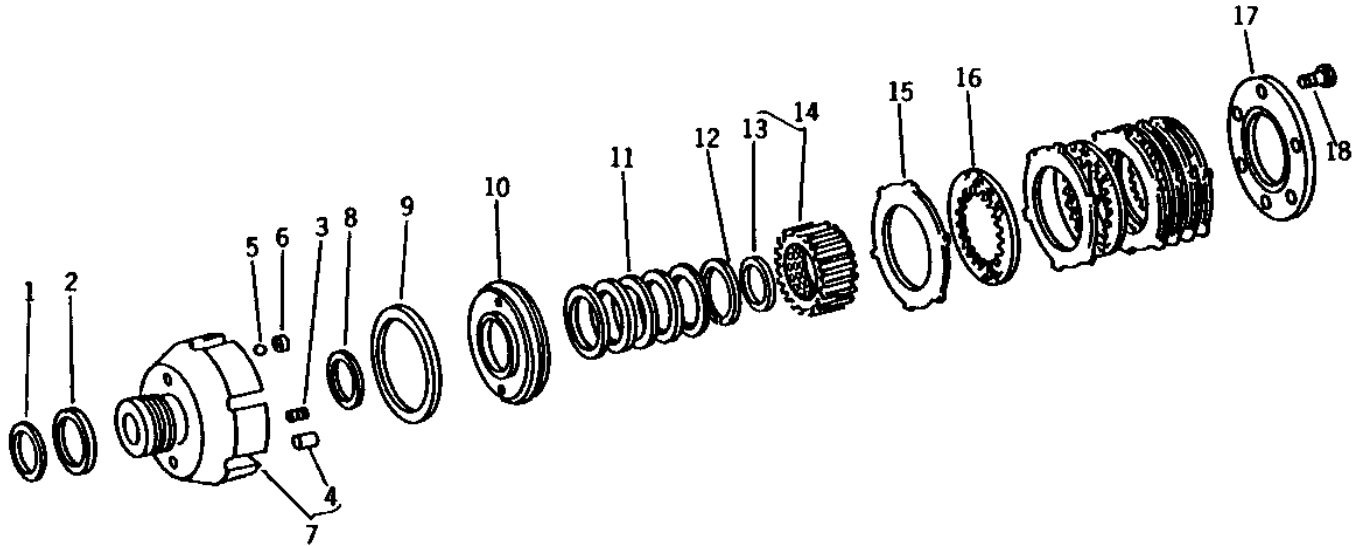
KEY	PART NO.	PART NAME	QTY	TRACTOR SERIAL NO.	REMARKS
1	R57982	UNIVERSAL JOINT YOKE	1		(ORDER RE38000)
2	AR94262	SEAL	1		(SUB FOR R37410)
3	19H1721	CAP SCREW	4		1/2" X 1-1/2"
4	12H301	LOCK WASHER	4		1/2"
5	R57692	RETAINER	1		
6	P46129	O-RING	1		
7	JD8520	BALL BEARING	1		
8	F267R	SNAP RING	1		
9	R30319	O-RING	1		
10	19H1732	CAP SCREW	5		3/8" X 1-1/4"
	19H1800	CAP SCREW	5		3/8" X 1-1/2"
11	12H304	LOCK WASHER	6		3/8"
12	15H558	PIPE PLUG	2		1/8"
13	AR70968	QUILL	1		(MARKED R57547) (ORDER RE38000)
14	R47565	RING	1		

# 3C12

POWER TRAIN

R32219 -UN-01JAN94

## INDEPENDENT PTO CLUTCH



R32219F

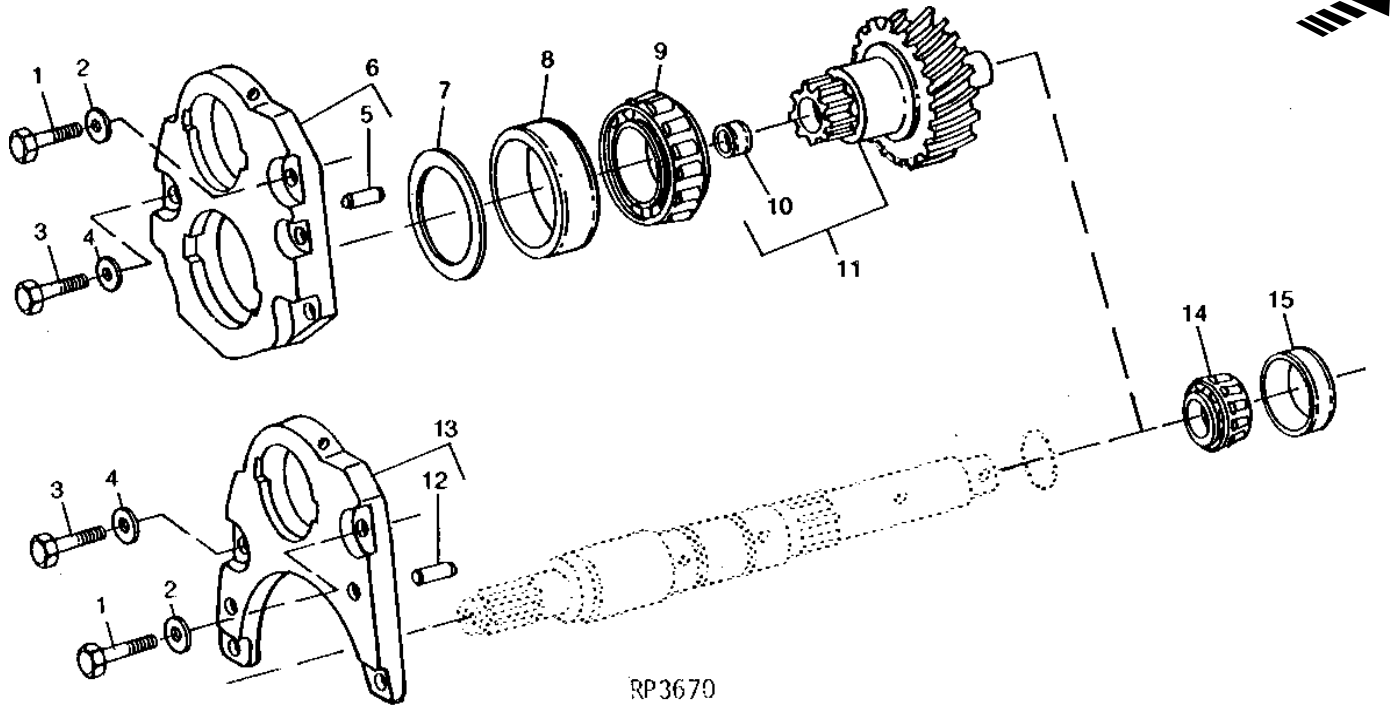
KEY	PART NO.	PART NAME	QTY	TRACTOR SERIAL NO.	REMARKS
1	R39322	RING	3		
2	R50349	WASHER	1		
3	15H560	PIPE PLUG	3	1/16"	
4	R28671	DOWEL PIN	1		
5	400R	BALL	1	6 MM (1/4")	
6	R40426	CAP	1		
7	AR68538	DRUM	1	(ORDER RE38000)	
8	R43381	WASHER	1		
9	R120841	SEAL	1	(SUB FOR R43380)	
10	R43304	PISTON	1		
11	R70027	DISK SPRING	11	(SUB FOR R43382)	
12	R43383	SNAP RING	1		
13	R57100	WASHER	1		
14	AR69654	HUB	1	(MARKED R57943) (ORDER RE38000)	
15	R46419	CLUTCH PLATE	6		
16	AR94517	DISK, INNER SPLINE	6	(SUB FOR AR68945)	
17	R43151	PLATE	1		
18	19H1900	CAP SCREW	6	5/16" X 3/4"	

# 3C13

POWER TRAIN

RP3670 -UN-01JAN94

## INDEPENDENT PTO CLUTCH INPUT GEAR AND SUPPORT



RP3670

KEY	PART NO.	PART NAME	QTY	TRACTOR SERIAL NO.	REMARKS
1	R83045	CAP SCREW	1	001475-	
2	T21242	WASHER	1	001475-	
3	R112876	CAP SCREW	4	-001474	(SUB FOR R40808)
	T31785	BOLT	3	001475-	
4	R57696	WASHER	3	001475-	(SUB FOR R1870R)
5	R48685	DOWEL PIN	2	-XXXXXX	
6	AR70384	SUPPORT	1	-001474	(MARKED R57294) (ORDER RE38000) (PTO)
	AR70384	SUPPORT	1	-001474	(MARKED R57294) (LESS PTO) (SUB RE11574, (3) T31785, (3) R57696, R83045 AND T21242)
	AR76988	SUPPORT	1	001475-003594	(MARKED R62284) (ORDER RE38000) (PTO)
	AR76988	SUPPORT	1	001475-003594	(MARKED R62284) (LESS PTO) (SUB RE11574)
	AR79510	SUPPORT	1	003595-XXXXXX	(MARKED R64015 OR R64016) (ORDER RE38000) (PTO)
	AR79510	SUPPORT	1	003595-XXXXXX	(MARKED R64015 OR R64016) (LESS PTO) (SUB RE11574)
7	T20516	SHIM	AR	-XXXXXX	0.08 MM (.003")
	T20515	SHIM	AR	-XXXXXX	0.25 MM (.010")
8	JD7416	BEARING CUP	1	-XXXXXX	
9	JD7392	BEARING CONE	1	-XXXXXX	
10	R30829	BUSHING	1	-XXXXXX	
11	AR69252	GEAR	1	-XXXXXX	(A) (MARKED R57635 OR R77048)
12	R48685	DOWEL PIN	2	XXXXXX-	
13	RE11574	QUILL	1	XXXXXX-	(MARKED R77657)
14	JD7220	BEARING CONE	1		
15	JD7270	BEARING CUP	1		

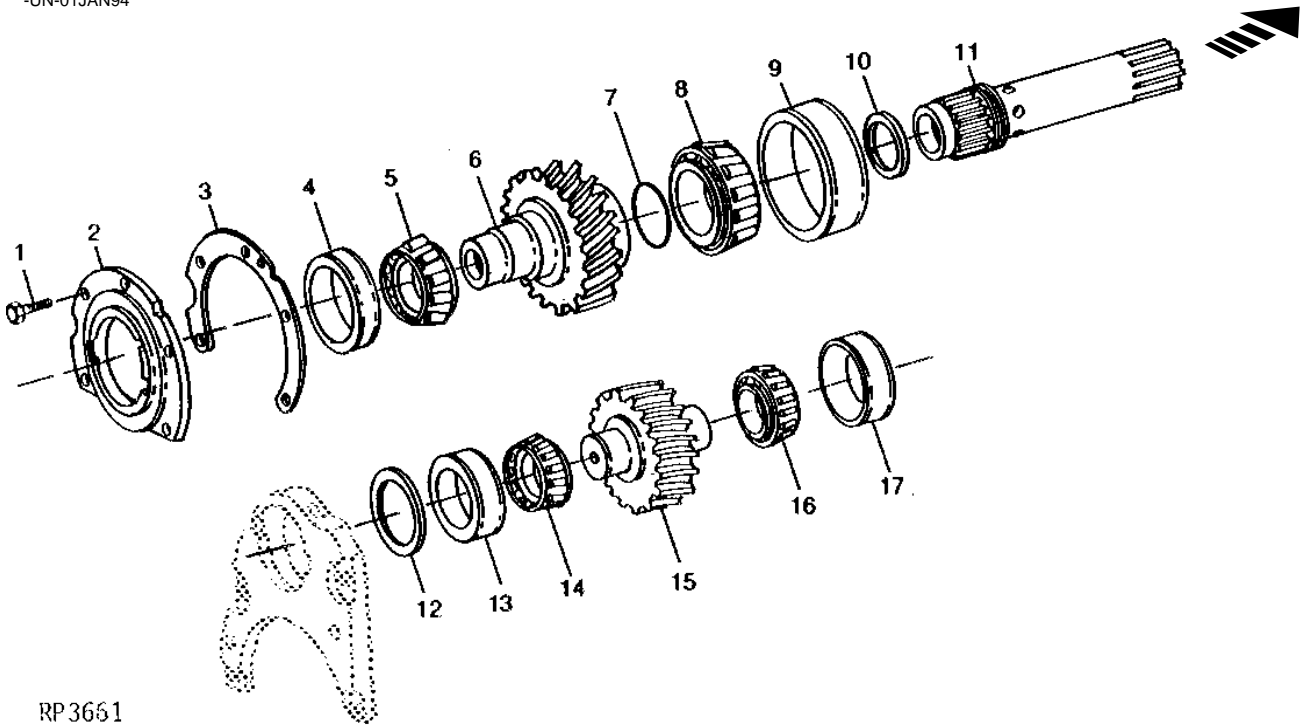
# 3C14

POWER TRAIN

RP3661

-UN-01JAN94

## CLUTCH OIL PUMP DRIVE GEAR AND SHAFT



RP3661

KEY	PART NO.	PART NAME	QTY	TRACTOR SERIAL NO.	REMARKS
1	R46567	CAP SCREW	5		
2	R57128	QUILL	1		
3	R57129	SHIM	AR	0.08 MM (.003")	
	R57130	SHIM	AR	0.13 MM (.005")	
	R57131	SHIM	AR	0.25 MM (.010")	
4	JD8206	BEARING CUP	1		
5	JD8992	BEARING CONE	1		
6	R58414	GEAR	1		
7	F1870R	O-RING	1		
8	JD8191	BEARING CONE	1		
9	JD8290	BEARING CUP	1		
10	R57315	RING	1		
11	R58415	DRIVE SHAFT	1		
12	T14320	SHIM	AR	0.05 MM (.002")	
	T14321	SHIM	AR	0.13 MM (.005")	
	T14322	SHIM	AR	0.25 MM (.010")	
13	JD7444	BEARING CUP	1		
14	JD8140	BEARING CONE	1		
15	R57941	GEAR	1		
16	JD8140	BEARING CONE	1		
17	JD7444	BEARING CUP	1		

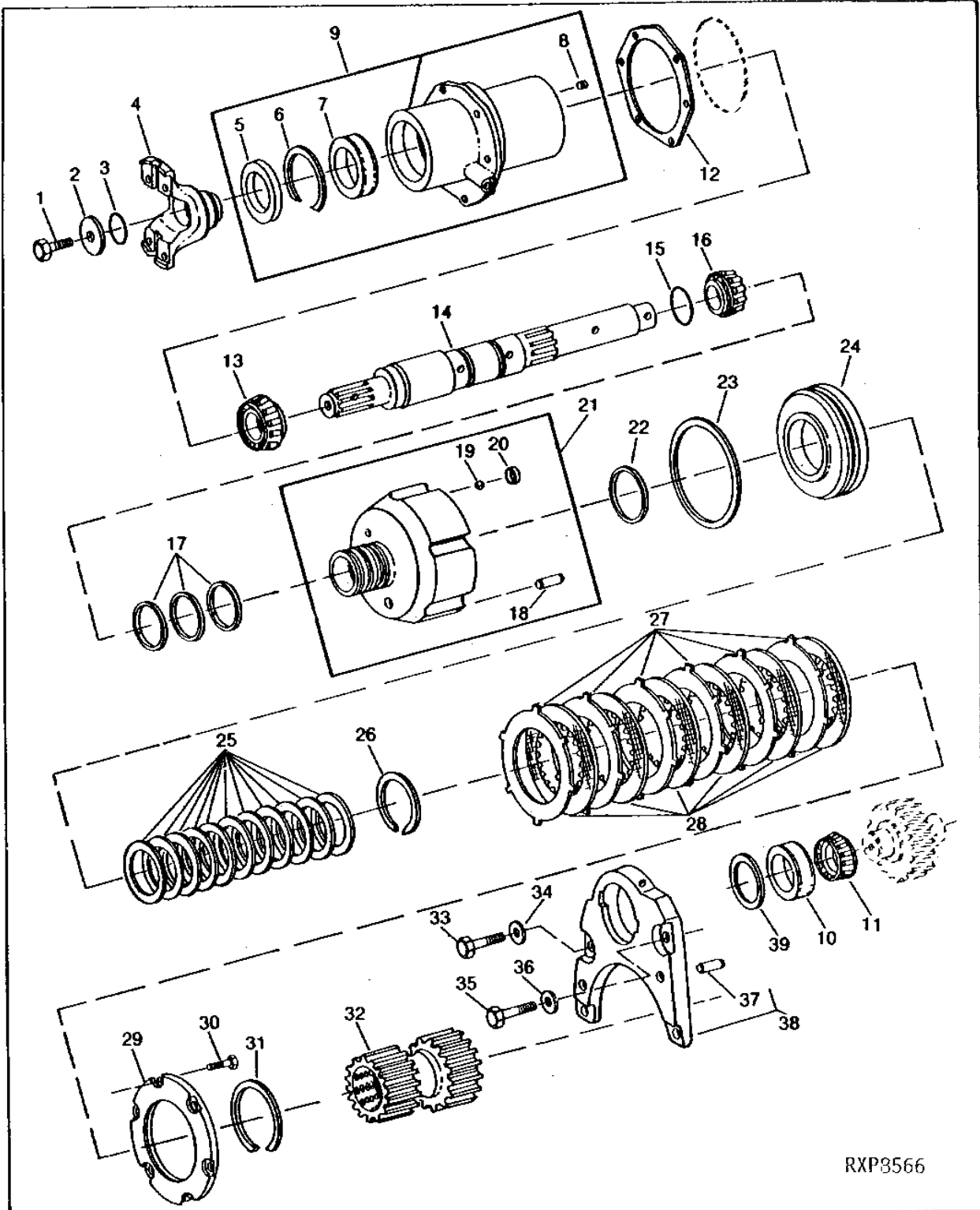
# 3C15

POWER TRAIN

RXP8566

-UN-01JAN94

PTO CLUTCH KIT



# 3C16

POWER TRAIN

## PTO CLUTCH KIT - CONTINUED

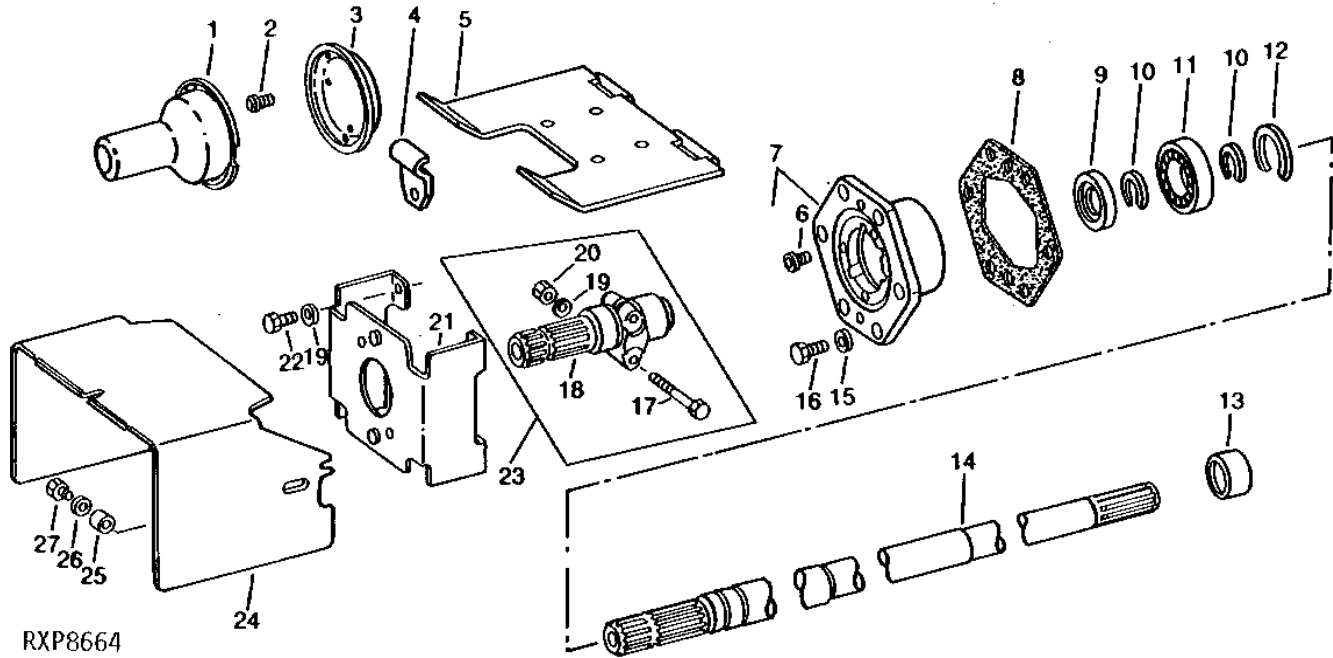
KEY	PART NO.	PART NAME	QTY	TRANSMISSION SERIAL NO.	REMARKS
1	R45693	CAP SCREW	1		
2	R20135	WASHER	1		
3	U10289	O-RING	1		
4	R47655	UNIVERSAL JOINT YOKE	1		
5	AR94262	SEAL	1		
6	F561R	SNAP RING	1		
7	JD7442	BEARING CUP	1		
8	15H558	PIPE PLUG	3	1/8"	
9	RE37999	QUILL	1	(MARKED R99197)	
10	JD7444	BEARING CUP	1		
11	JD8140	BEARING CONE	1		
12	R77093	SHIM	AR	0.076 MM (.003")	
	R77094	SHIM	AR	0.127 MM (.005")	
	R77095	SHIM	AR	0.254 MM (.010")	
13	JD8123	BEARING CONE	1		
14	R77091	SHAFT	1		
15	R56905	O-RING	2		
16	JD7220	BEARING CONE	1		
17	R39322	RING	3		
18	A4681R	DOWEL PIN	1		
19	400R	BALL	1		
20	R40426	CAP	1		
21	RE25480	DRUM	1	(MARKED R77088)	
22	R43381	WASHER	1		
23	R120841	SEAL	1	(SUB FOR R43380)	
24	R63266	PISTON	1		
25	R70027	DISK SPRING	17		
26	R43383	SNAP RING	1		
27	R51676	CLUTCH PLATE	8		
28	AR94517	DISK, INNER SPLINE	8		
29	R77090	COVER	1		
30	R30165	CAP SCREW	6		
31	R79587	SNAP RING	1		
32	RE10349	HELICAL GEAR	1		
33	T31785	BOLT	3	3/8" X 1-3/4" HS, SAE 8	
34	R57696	WASHER	3		
35	R83045	CAP SCREW	1		
36	T21242	WASHER	1		
37	R48685	DOWEL PIN	2		
38	RE11574	QUILL	1	(MARKED R77657)	
39	T14320	SHIM	AR	0.05 MM (.002")	
	T14321	SHIM	AR	0.13 MM (.005")	
	T14322	SHIM	AR	0.25 MM (.010")	
40	RE38000	KIT	1	(SUB FOR RE25483)	

# 3C17

POWER TRAIN

RXP8664 -UN-01JAN94

## 1000-RPM PTO SHAFT, MASTER SHIELD AND GUARD



RXP8664

KEY	PART NO.	PART NAME	QTY	TRACTOR SERIAL NO.	REMARKS
1	AR26701	GUARD	1		
2	R27329	SCREW	2		
3	AR26707	RETAINER	1		
4	R62793	CLIP	2	002005-	
5	AR77452	SHIELD	1		(ALSO ORDER R62793) (SUB FOR R58678)
6	R27329	SCREW	2		
7	AR78445	QUILL	1		(MARKED R58659 OR R63529) (SUB FOR AR70637)
8	R58900	GASKET	1		
9	AR72992	SEAL	1		
10	R40712	SNAP RING	2		
11	JD7123	BALL BEARING	1		
12	A4609R	SNAP RING	1		
13	R55489	BUSHING	1	-008462	
	R55394	BUSHING	1	008463-	
14	R57946	SHAFT	1	-008462	(SUB R74443 AND R55394)
	R65290	SHAFT	1	008463-	(SUB R74443, R55394 AND R55489)
15	12H301	LOCK WASHER	6		1/2"
16	19H1721	CAP SCREW	6		1/2" X 1-1/2"
17	19H1974	CAP SCREW	2		1/2" X 2-3/4"
18	R58764	ADAPTER	1	-XXXXXX	(SUB AR89543)
	AR89543	ADAPTER	1	XXXXXX-	
	R68682	LABEL	1	XXXXXX-	PTO SHAFT
19	12H301	LOCK WASHER	6		1/2"
20	14H1040	NUT	2		1/2"
21	AR77229	SUPPORT	1	002005-	(SUB FOR AR71035)
22	19H1792	CAP SCREW	4		1/2" X 1"
23	<b>AR72476</b>	<b>ADAPTER</b>	1		<b>KIT, ADAPTER TO INSTALL 1-3/8" PTO SHAFT,</b> <b>(SUB AR89543)</b>
	R62640	SHIELD	1	-002004	(SUB FOR R58677) (SUB R79392)
	R79392	SHIELD	1	002005-	(SUB FOR R62640)
25	28H1517	WASHER	2		0.493" X 0.675" X 1/4"
26	24H1682	WASHER	2		13/32" X 7/8" X 0.120"
27	19H1732	CAP SCREW	2		3/8" X 1-1/4"

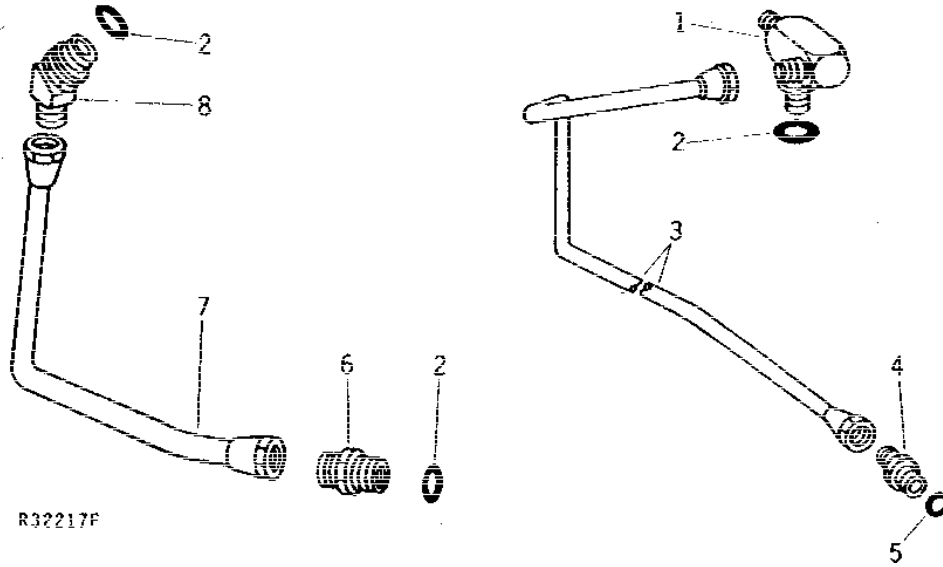


# 3C18

POWER TRAIN

R32217 -UN-01JAN94

## INDEPENDENT PTO CLUTCH OIL PRESSURE AND LUBRICATION LINES



KEY	PART NO.	PART NAME	QTY	TRACTOR SERIAL NO.	REMARKS
1	AR32665	TEE FITTING	1	-005138	
	AR84178	TEE FITTING	1	005139-	
2	R26375	O-RING	3		
3	AR70969	LINE	1		PTO CLUTCH LUBRICATION
4	R27212	FITTING	1		
5	R26448	O-RING	1		
6	R27237	FITTING	1		
7	AR70970	HYDRAULIC LINE	1		PTO CLUTCH PRESSURE
8	AR26745	ELBOW FITTING	1		45°

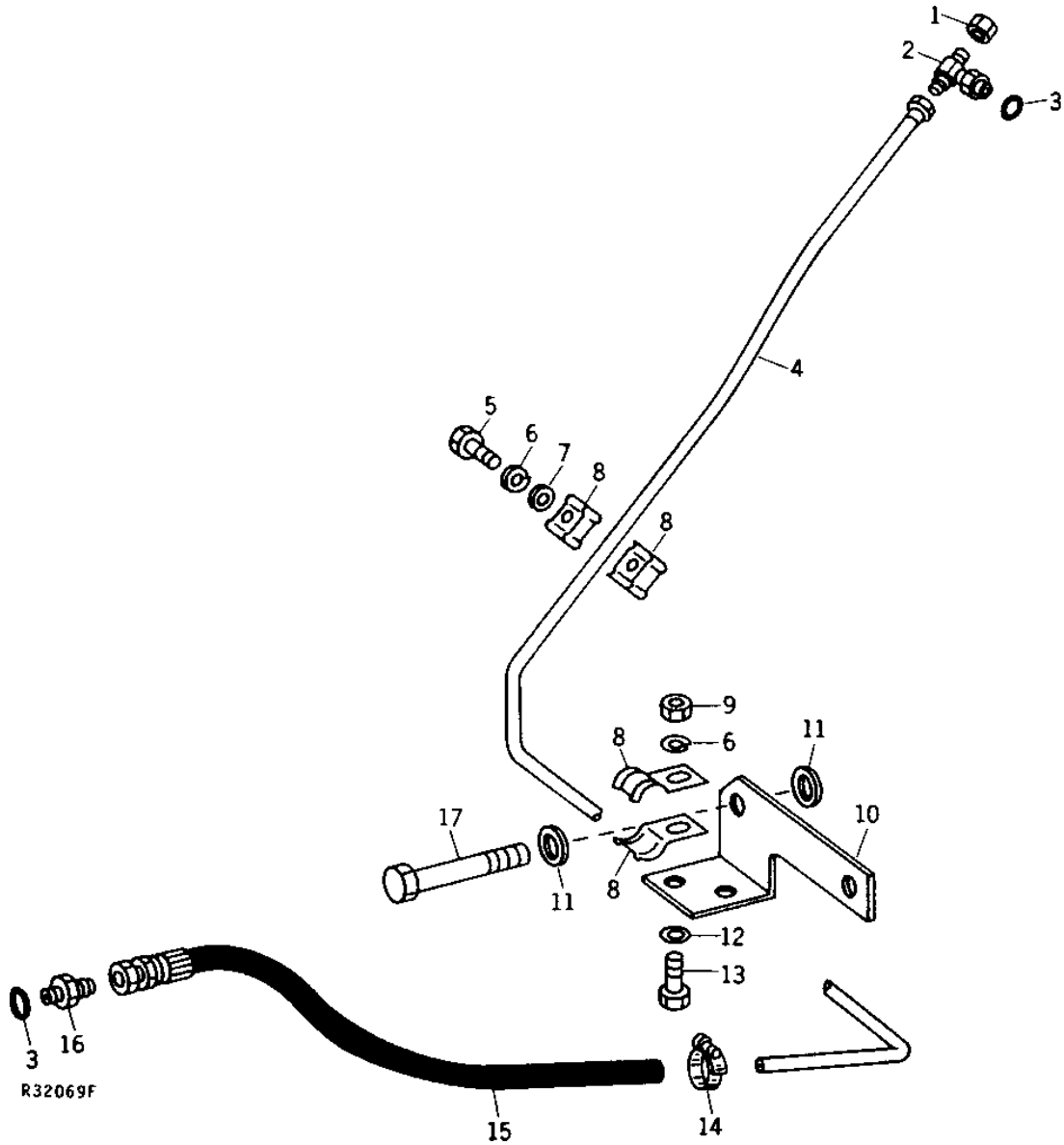
# 3C19

POWER TRAIN

R32069

-UN-01JAN94

PTO BRAKE OIL LINES



# 3C20

POWER TRAIN

## PTO BRAKE OIL LINES - CONTINUED

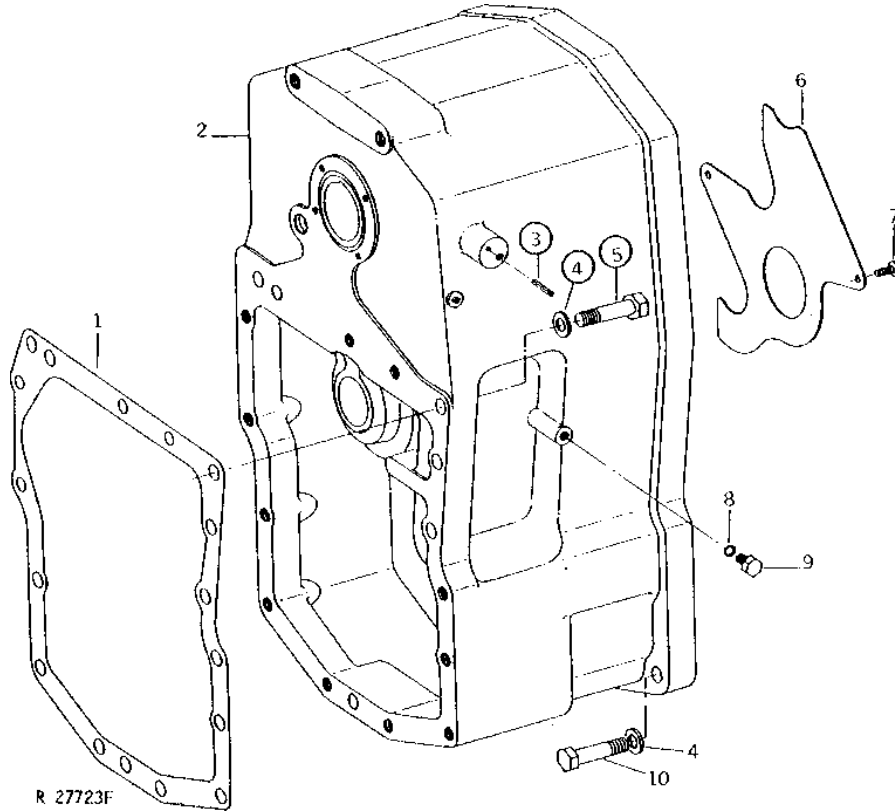
KEY	PART NO.	PART NAME	QTY	TRACTOR SERIAL NO.	REMARKS
1	R36926	FITTING	1		
2	AT27142	TEE FITTING	1		
3	R26286	O-RING	2		
4	AR70977	HYDRAULIC LINE	1		
5	19H1731	CAP SCREW	1		3/8" X 1"
6	12H304	LOCK WASHER	2		3/8"
7	24M7096	WASHER	1		10.500 X 18 X 1.600 MM
8	R57549	CLAMP	4		
9	14H1076	NUT	1		3/8"
10	R63638	BRACKET	1		
11	T21397	WASHER	4		
12	24M7096	WASHER	1		10.500 X 18 X 1.600 MM
13	19H1732	CAP SCREW	1		3/8" X 1-1/4"
14	TY22465	CLAMP	1		(SUB FOR AR21837)
15	AR70978	OIL LINE	1		
16	R27272	FITTING	1		
17	19H3210	CAP SCREW	2		3/4" X 5-1/4"

# 3C21

POWER TRAIN

R27723 -UN-01JAN94

## TORQUE DIVIDER HOUSING



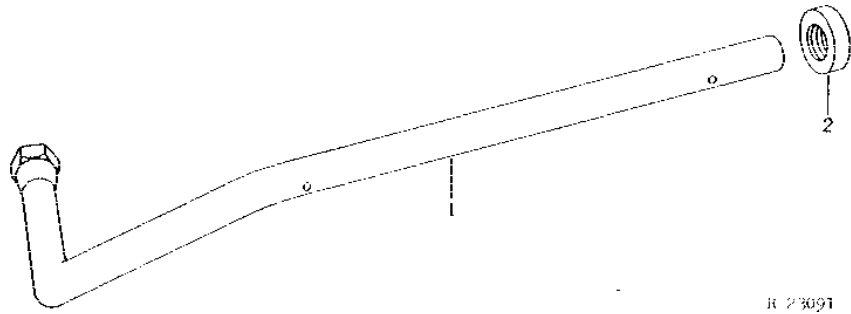
KEY	PART NO.	PART NAME	QTY	TRACTOR SERIAL NO.	REMARKS
1	R57441	GASKET	1		(SUB R100302)
2	AR71694	HOUSING	1	-001474	(MARKED R57191) (SUB AR74377, A4808R, R29463, R53169, R40147, R61287, R61334, 12H304, (2) 19H1731, 19H1726, (2) 19H3168, 24M7096 AND 28H1525)
	AR74377	HOUSING	1	001475-	(MARKED R61333)
3	34H254	SPRING PIN	1		1/8" X 1-1/2"
4	T21397	WASHER	8		
5	19H1707	CAP SCREW	4		3/4" X 2-3/4"
6	R58076	FOOTREST	1		
7	R43569	CAP SCREW	2		(SUB R72371)
8	R26286	O-RING	1		
9	R27094	DRAIN PLUG	1		
10	19H1707	CAP SCREW	4	-004243	3/4" X 2-3/4"
	R65567	BOLT	4	004244-	

# 3C22

POWER TRAIN

R23091 -UN-01JAN94

## INPUT GEAR LUBRICATION LINE



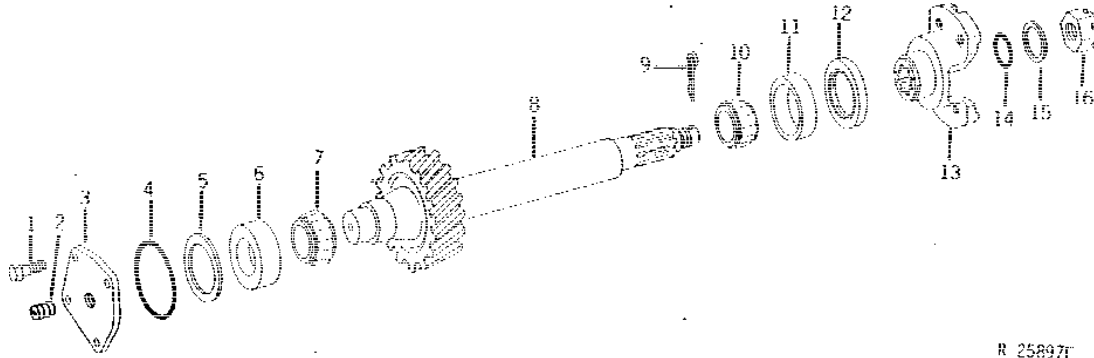
KEY	PART NO.	PART NAME	QTY	TRACTOR SERIAL NO.	REMARKS
1	AR68717	HYDRAULIC LINE	1		
2	AR39043	SEAL	1		

# 3C23

POWER TRAIN

R25897 -UN-01JAN94

## UPPER TRANSMISSION INPUT SHAFT AND GEAR



R 25897T

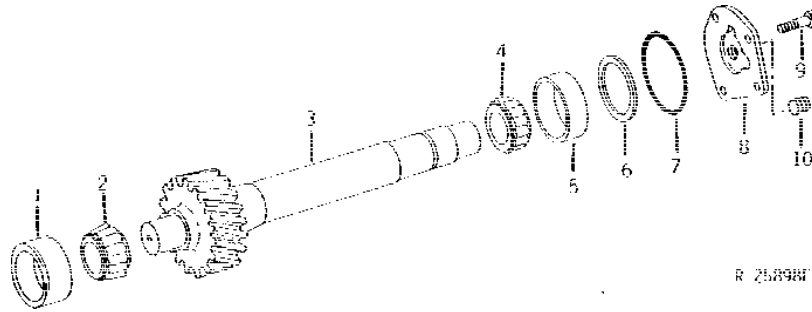
KEY	PART NO.	PART NAME	QTY	TRACTOR SERIAL NO.	REMARKS
1	R57725	SCREW	4		
2	15H571	PIPE PLUG	1	3/8"	
3	R63067	COVER	1		(ALSO ORDER 15H571) (SUB FOR R58057) (SUB R78417 AND 15H690)
4	T20758	O-RING	1		
5	R59223	SHIM	AR	0.08 MM (.003")	
	J10537	SHIM	AR	0.13 MM (.005")	
	J6382H	SHIM	AR	0.25 MM (.010")	
	J10538	SHIM	AR	0.76 MM (.030")	
	J10539	WASHER	AR	1.22 MM (.048")	
6	JD8223	BEARING CUP	1		
7	JD8182	BEARING CONE	1		
8	R59530	GEAR	1		
9	11M7032	COTTER PIN	1	0.197" X 1.969"	
10	JD8901	BEARING CONE	1		
11	JD8236	BEARING CUP	1		
12	AR94262	SEAL	1		(SUB FOR R37410)
13	R47655	UNIVERSAL JOINT YOKE	1		
14	U10289	O-RING	1		
15	R48733	WASHER	1	6.350 MM (.250")	
	R48734	WASHER	1	6.292 MM (.248")	
	R48735	WASHER	1	6.233 MM (.245")	
16	R48776	NUT	1		

# 3C24

POWER TRAIN

R25898 -UN-01JAN94

## UPPER TRANSMISSION INPUT IDLER SHAFT AND GEAR



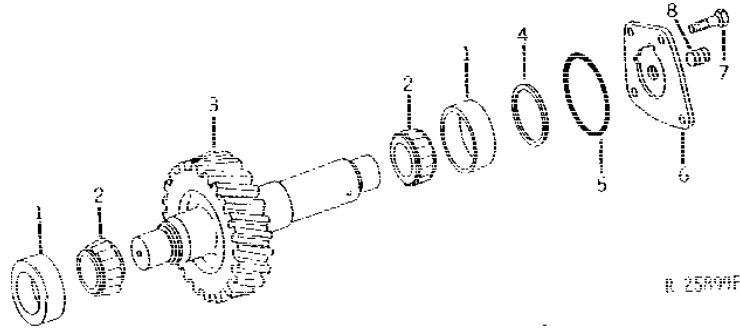
KEY	PART NO.	PART NAME	QTY	TRACTOR SERIAL NO.	REMARKS
1	JD8283	BEARING CUP	1		
2	JD9006	BEARING CONE	1		
3	R59531	GEAR	1		
4	JD8182	BEARING CONE	1		
5	JD8223	BEARING CUP	1		
6	R59223	SHIM	AR	0.08 MM (.003")	
	J10537	SHIM	AR	0.13 MM (.005")	
	J6382H	SHIM	AR	0.25 MM (.010")	
	J10538	SHIM	AR	0.76 MM (.030")	
	J10539	WASHER	AR	1.22 MM (.048")	
7	U10746	O-RING	1	(SUB FOR R52404)	
8	R63067	COVER	1	(ALSO ORDER 15H571) (SUB FOR R58057) (SUB R78417 AND 15H690)	
9	R57725	SCREW	4		
10	15H571	PIPE PLUG	1	3/8"	

# 3C25

POWER TRAIN

R25899 -UN-01JAN94

## UPPER PTO IDLER GEAR AND SHAFT



KEY	PART NO.	PART NAME	QTY	TRACTOR SERIAL NO.	REMARKS
1	JD8223	BEARING CUP	2		
2	JD8182	BEARING CONE	2		
3	R58049	GEAR	1		
4	R59223	SHIM	AR	0.08 MM (.003")	
	J10537	SHIM	AR	0.13 MM (.005")	
	J6382H	SHIM	AR	0.25 MM (.010")	
	J10538	SHIM	AR	0.76 MM (.030")	
	J10539	WASHER	AR	1.22 MM (.048")	
5	T20758	O-RING	1		
6	R63067	COVER	1		(ALSO ORDER 15H571) (SUB FOR R58057) (SUB R78417 AND 15H690)
7	R57725	SCREW	4		
8	15H571	PIPE PLUG	1	3/8"	

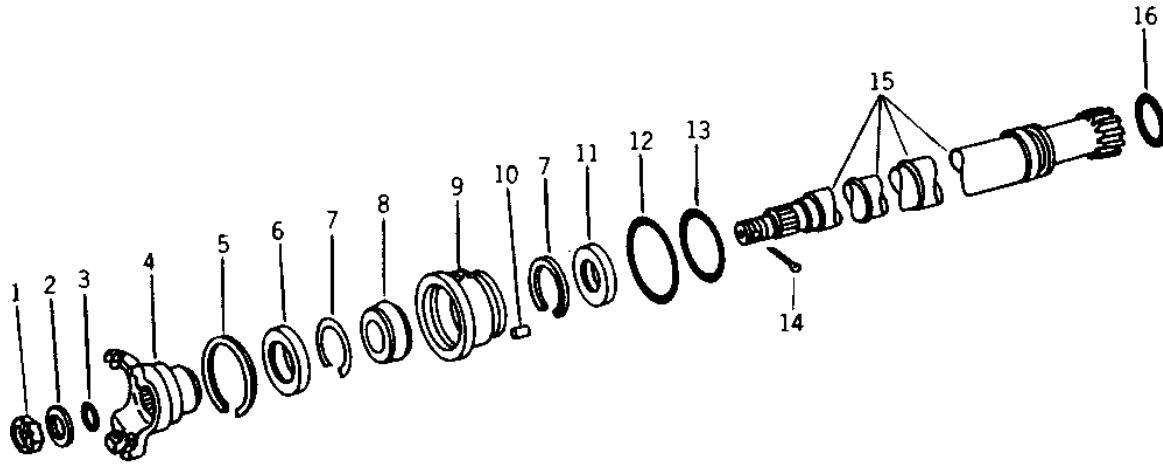


# 3D1

POWER TRAIN

R32228 -UN-01JAN94

## FRONT AXLE DRIVE SHAFT



R32228BF

KEY	PART NO.	PART NAME	QTY	TRACTOR SERIAL NO.	REMARKS
1	R48776	NUT	1		
2	R48733	WASHER	1	6.350 MM (.250")	
	R48734	WASHER	1	6.292 MM (.248")	
	R48735	WASHER	1	6.233 MM (.245")	
3	A4540A	O-RING	1		
4	R67064	UNIVERSAL JOINT YOKE	1		(SUB FOR R58536) (SUB R72672 AND A4540R)
5	A5596R	SNAP RING	1		
6	AR94262	SEAL	1		(SUB FOR R37410)
7	F564R	SNAP RING	2		
8	AR70077	ROLLER BEARING	1		
9	R58058	QUILL	1		
10	R490R	PIN	1		
11	AR69776	SEAL	1		
12	U44083	O-RING	1		
13	R26621	O-RING	1		
14	11M7032	COTTER PIN	1	0.197" X 1.969"	
15	R57265	SHAFT	1		
16	F1056R	O-RING	1		

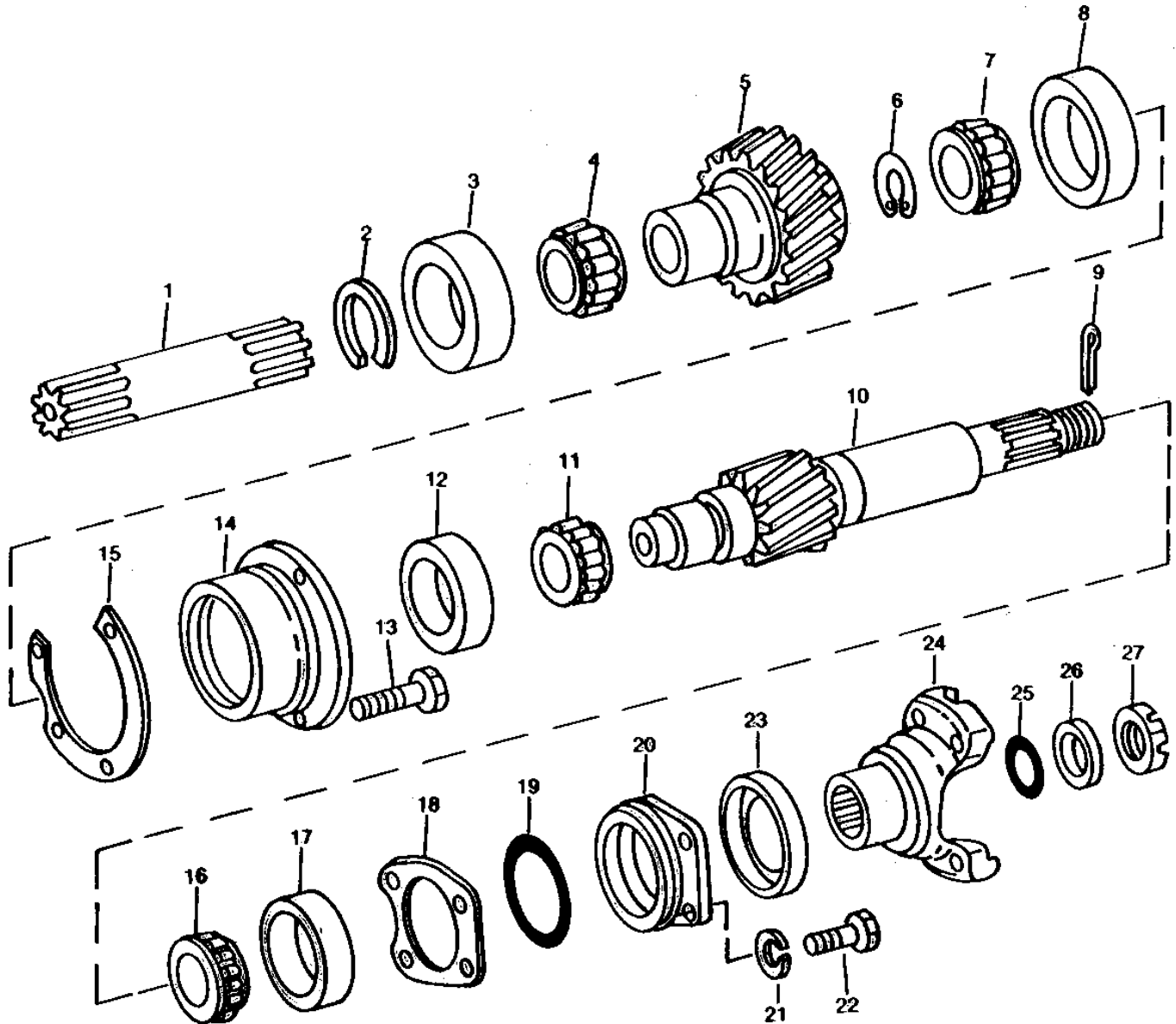
# 3D2

POWER TRAIN

RP2517

-UN-01JAN94

## LOWER TRANSMISSION INPUT GEAR AND PTO DRIVE PINION



RP2517

# 3D3

POWER TRAIN

## LOWER TRANSMISSION INPUT GEAR AND PTO DRIVE PINION - CONTINUED

KEY	PART NO.	PART NAME	QTY	TRACTOR SERIAL NO.	REMARKS
1	R57818	SHAFT	1		
2	R58528	SNAP RING	1	1.93 MM (.076")	
	R58529	SNAP RING	1	2.01 MM (.079")	
	R58530	SNAP RING	1	2.08 MM (.082")	
	R58531	SNAP RING	1	2.16 MM (.085")	
	R58532	SNAP RING	1	2.24 MM (.088")	
	R58533	SNAP RING	1	2.31 MM (.091)	
3	JD8255	BEARING CUP	1		
4	JD9068	BEARING CONE	1		
5	R59569	HELICAL GEAR	1		
6	R58534	WEAR RING	1		
7	JD8158	BEARING CONE	1		
8	JD7417	BEARING CUP	1		
9	11M7032	COTTER PIN	1	0.197" X 1.969"	
10	R63329	PINION SHAFT	1	(SUB FOR R57295)	
11	JD9068	BEARING CONE	1		
12	JD8255	BEARING CUP	1		
13	R57725	SCREW	4		
14	R57239	QUILL	1		
15	R57240	SHIM	AR	0.08 MM (.003")	
	R57241	SHIM	AR	0.13 MM (.005")	
	R57242	SHIM	AR	0.25 MM (.010")	
16	JD8965	BEARING CONE	1		
17	JD8255	BEARING CUP	1		
18	R58902	SHIM	AR	0.08 MM (.003")	
	R58903	SHIM	AR	0.13 MM (.005")	
	R58904	SHIM	AR	0.25 MM (.010")	
	R62713	SHIM	AR	0.64 MM (.025")	
19	P46129	O-RING	1		
20	R57692	RETAINER	1		
21	12H301	LOCK WASHER	4	1/2"	
22	19H1721	CAP SCREW	4	1/2" X 1-1/2"	
23	AR94262	SEAL	1	(SUB FOR R37410)	
24	R47655	UNIVERSAL JOINT YOKE	1		
25	U10289	O-RING	1		
26	R48733	WASHER	1	6.350 MM (.250")	
	R48734	WASHER	1	6.292 MM (.248")	
	R48735	WASHER	1	6.233 MM (.245")	
27	R48776	NUT	1		

---

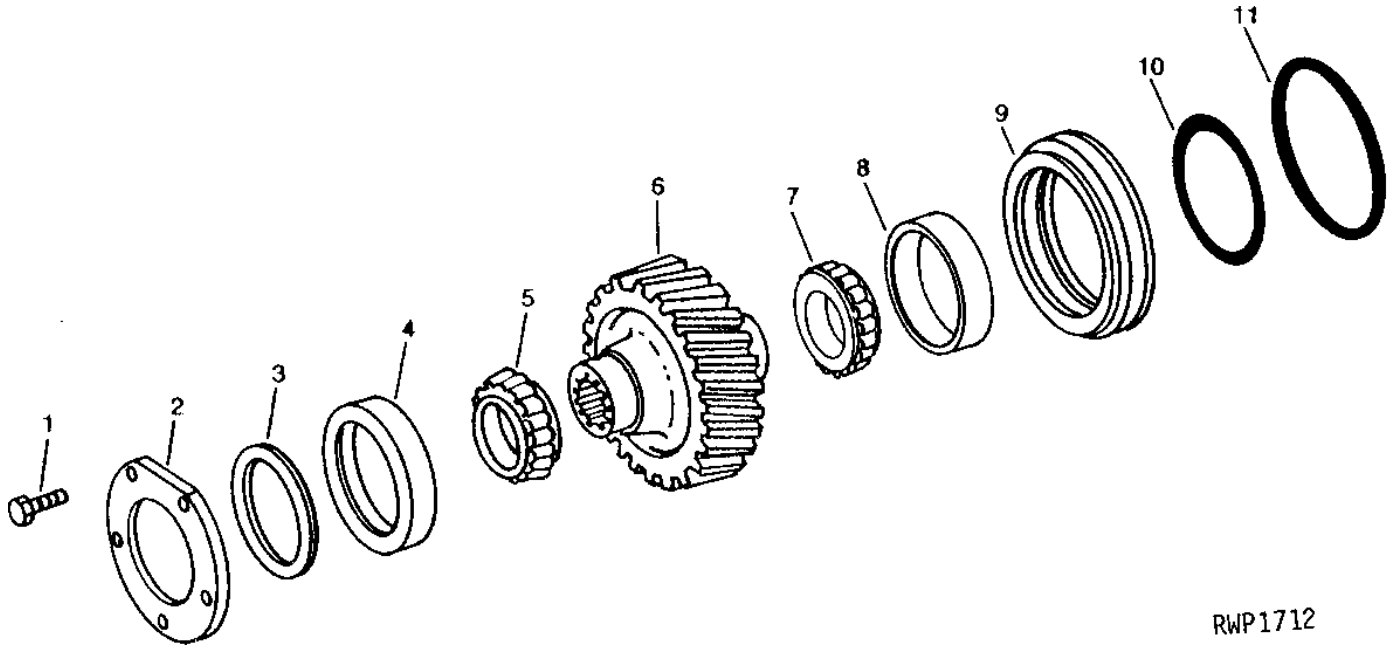
MEMORANDA

# 3D4

POWER TRAIN

RWP1712 -UN-01JAN94

## PTO LOWER DRIVE GEAR AND BRAKE PISTON



RWP1712

KEY	PART NO.	PART NAME	QTY	TRACTOR SERIAL NO.	REMARKS
1	R57725	SCREW	5		
2	R62857	COVER	1		(SUB FOR R57310)
3	R57311	SHIM	AR		0.13 MM (.005")
	R57312	SHIM	AR		0.25 MM (.010")
	R57313	WASHER	AR		1.22 MM (.048")
4	JD7446	BEARING CUP	1		
5	JD8130	BEARING CONE	1		
6	R58901	GEAR	1		
7	JD7378	BEARING CONE	1		
8	JD7292	BEARING CUP	1		
9	AR83524	PISTON	1		(SUB FOR AR68647 OR AR77656) (SUB RE29832)
10	T12275	O-RING	1		
11	R59532	RING	1		

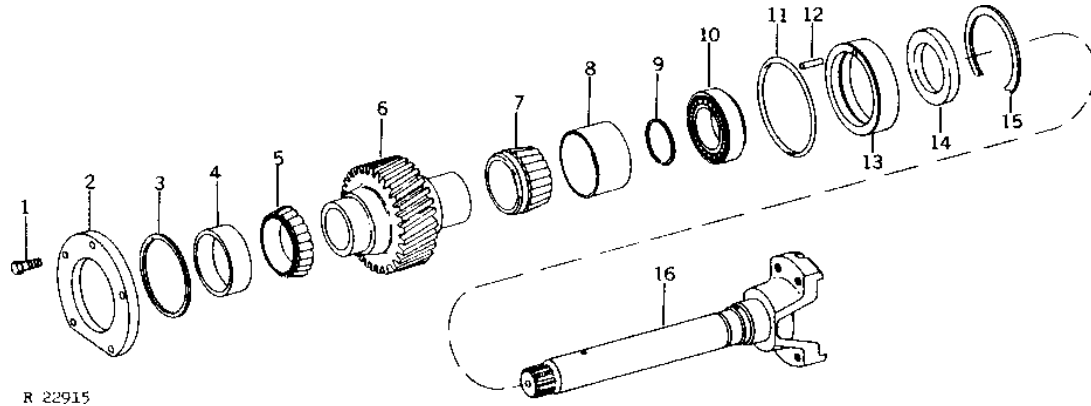
# 3D5

POWER TRAIN

R22915

-UN-01JAN94

## TRANSMISSION FRONT OUTPUT U-JOINT YOKE AND LOWER PTO IDLER GEAR



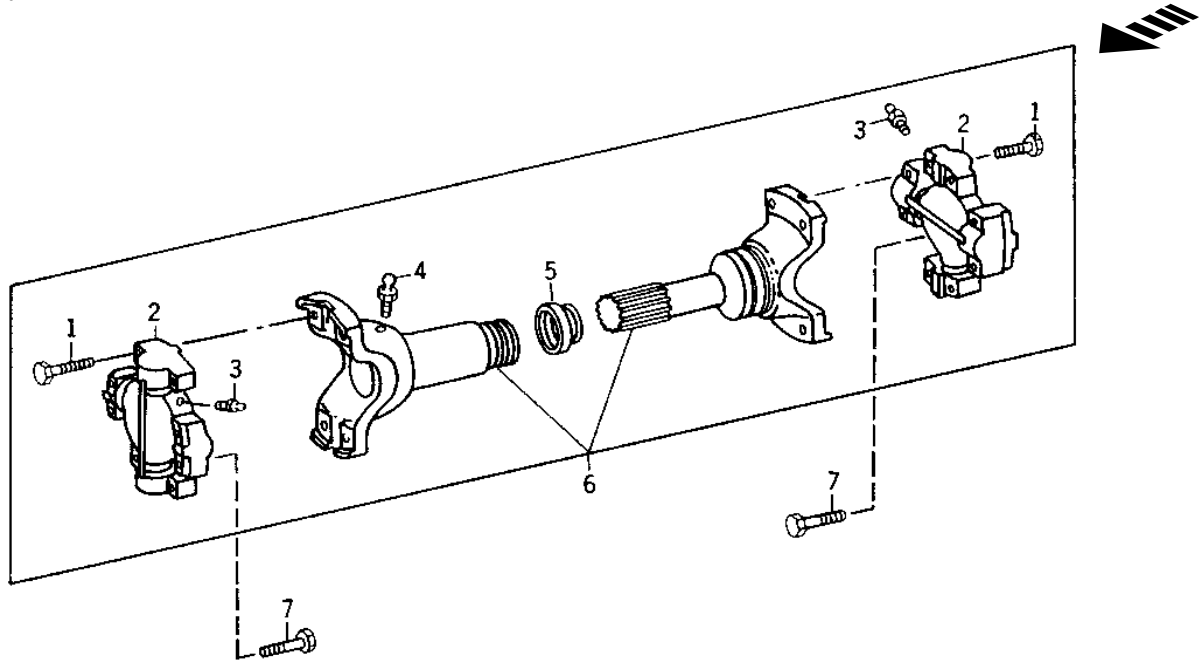
KEY	PART NO.	PART NAME	QTY	TRACTOR SERIAL NO.	REMARKS
1	R57725	SCREW	5		
2	R62857	COVER	1		(SUB FOR R57310)
3	R57744	SHIM	AR		0.13 MM (.005")
	R57745	SHIM	AR		0.25 MM (.010")
	R57746	WASHER	AR		1.22 MM (.048")
4	JD7416	BEARING CUP	1		
5	JD8939	BEARING CONE	1		
6	R57095	GEAR	1		
7	JD9087	BEARING CONE	1		
8	JD8246	BEARING CUP	1		
9	H441R	SNAP RING	1		
10	JD9279	BALL BEARING	1		
11	U44083	O-RING	1		
12	34H316	SPRING PIN	1		1/4" X 1-1/2"
13	R58220	QUILL	1		
14	AR94262	SEAL	1		(SUB FOR R37410)
15	A5596R	SNAP RING	1		
16	R78792	UNIVERSAL JOINT YOKE	1		(SUB FOR R57983 OR R64559)

# 3D6

POWER TRAIN

## UNIVERSAL TELESCOPING JOINT (ROCKWELL) (FRONT AXLE DRIVE)

R32439 -UN-01JAN94



R32439

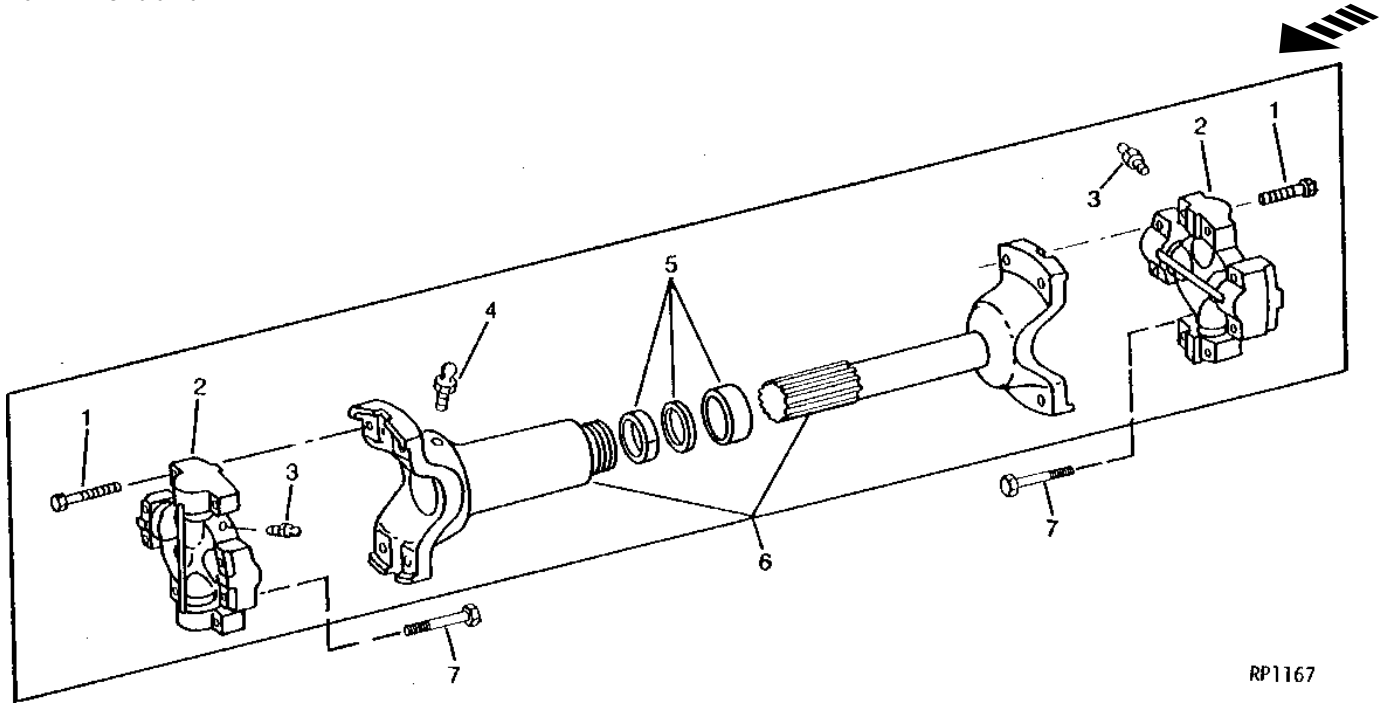
KEY	PART NO.	PART NAME	QTY	TRACTOR SERIAL NO.	REMARKS
1	R58296	CAP SCREW	8		
2	AR90543	CROSS AND BEARING ASSEMBLY	2		(SUB FOR AR84046) (SUB RE40111)
3	JD7782	LUBRICATION FITTING	AR		1/8", (4 USED WITH AR90543) (8 USED WITH RE40111)
4	JD7759	LUBRICATION FITTING	2		1/8"
5	R66563	CAP	1		
6	AR90542	UNIVERSAL JOINT	1		(SUB FOR AR84045) (SUB AR95972)
7	R58296	CAP SCREW	8		

# 3D7

POWER TRAIN

## UNIVERSAL TELESCOPING JOINT (MECHANICS) (FRONT AXLE DRIVE)

RP1167 -UN-01JAN94



RP1167

KEY	PART NO.	PART NAME	QTY	TRACTOR SERIAL NO.	REMARKS
1	R58296	CAP SCREW	16		
2	AR90543	CROSS AND BEARING ASSEMBLY	2		(SUB FOR AR84046) (SUB RE40111)
3	JD7782	LUBRICATION FITTING	AR		1/8", (4 USED WITH AR90543) (8 USED WITH RE40111)
	R61943	FITTING	4		1/4", (USE WITH AR84045)
4	JD7797	LUBRICATION FITTING	2		1/4"
	JD7759	LUBRICATION FITTING	2		1/8", (USE WITH AR95972)
5	AT62180	KIT	1		
6	AR90542	UNIVERSAL JOINT	1		(SUB FOR AR84045) (SUB AR95972)
7	R58296	CAP SCREW	8		

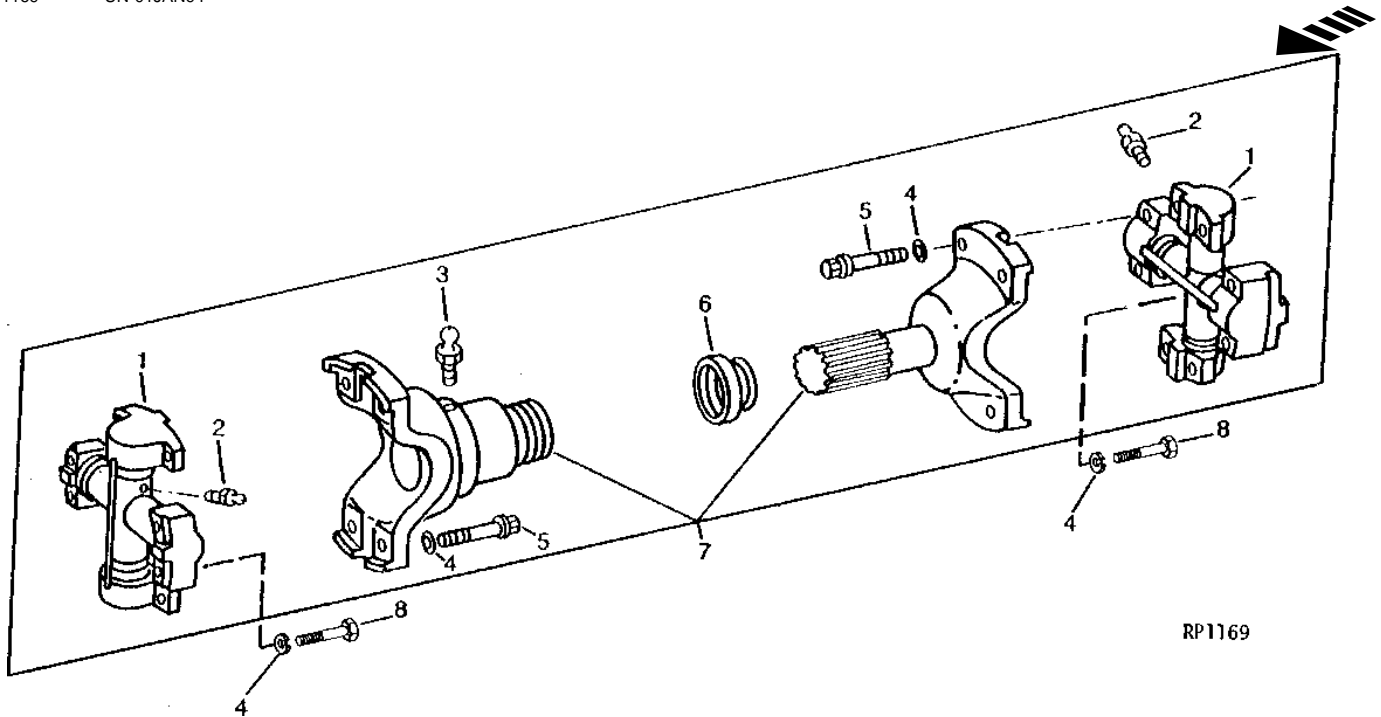


# 3D8

POWER TRAIN

## UNIVERSAL TELESCOPING JOINT (ROCKWELL) (PTO CLUTCH TO TORQUE DIVIDER)

RP1169 -UN-01JAN94



RP1169

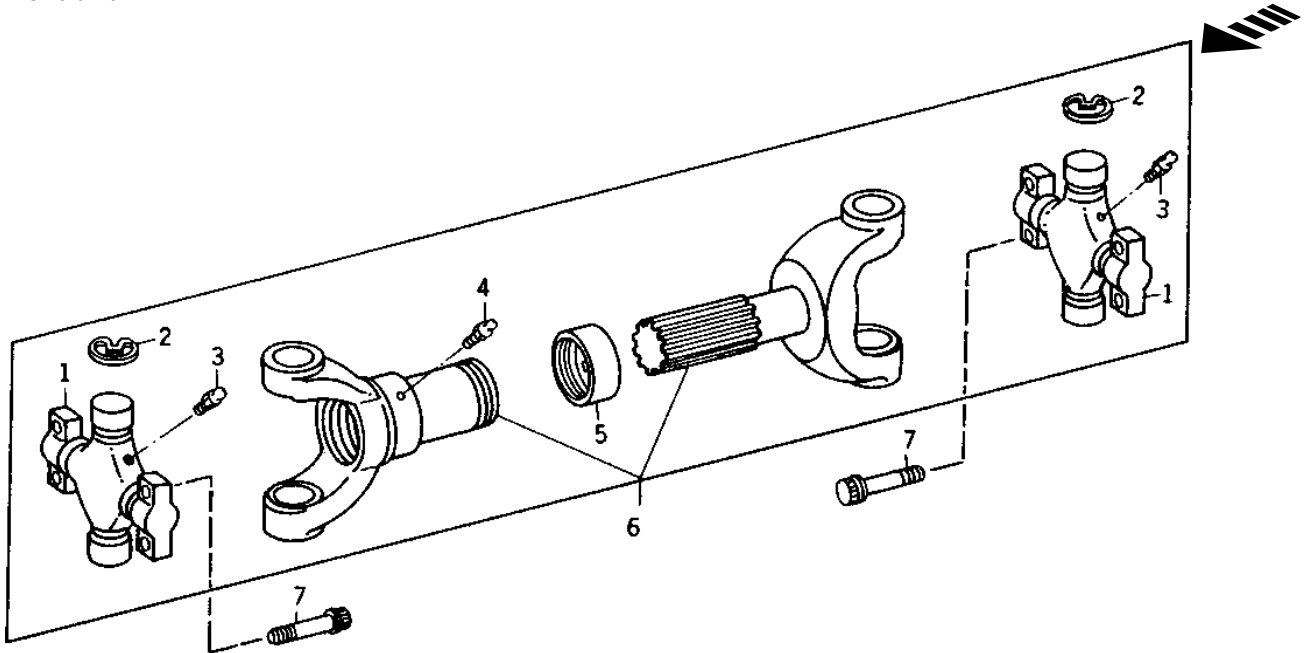
KEY	PART NO.	PART NAME	QTY	TRACTOR SERIAL NO.	REMARKS
1	AT59126	KIT	2		REPAIR CENTER PARTS, (SUB FOR AT23096) (SUB AT74268 AND (4) T76091)
2	JD7797	LUBRICATION FITTING	2		1/4"
3	JD7759	LUBRICATION FITTING	1		1/8"
4	R37419	WASHER	16		(SUB T77706)
5	T82430	CAP SCREW	8		(SUB FOR T25247 OR T66881)
6	T61641	SEAL	1		
7	AR87393	UNIVERSAL JOINT	1		
8	T66730	CAP SCREW	8		(SUB FOR R37418)

# 3D9

POWER TRAIN

## UNIVERSAL TELESCOPING JOINT (DANA) (PTO CLUTCH TO TORQUE DIVIDER)

R32444 -UN-01JAN94



R32444

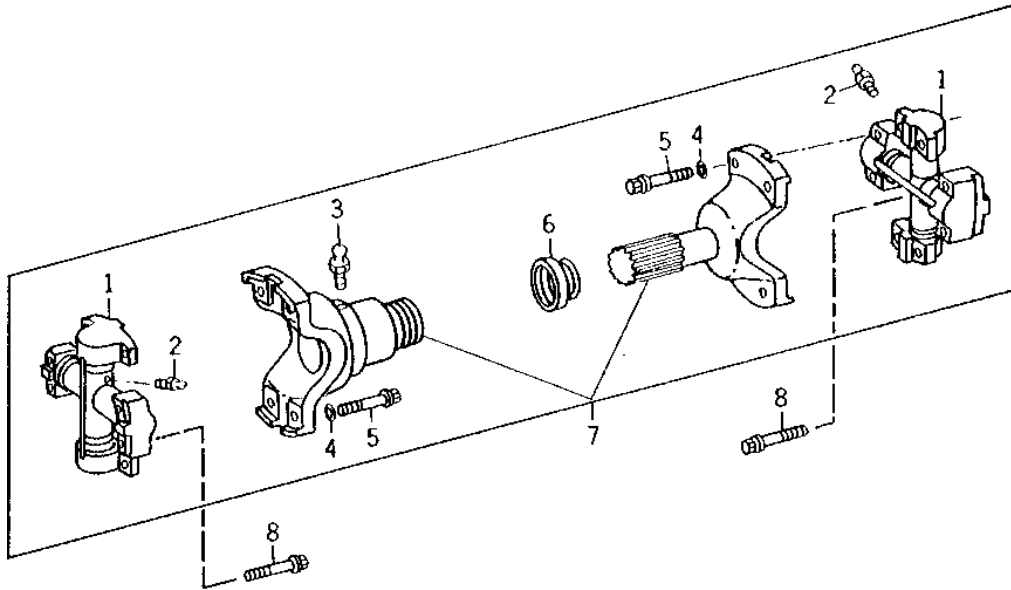
KEY	PART NO.	PART NAME	QTY	TRACTOR SERIAL NO.	REMARKS
1	AT43767	KIT	2		
2	T29634	SNAP RING	4		
3	JD7797	LUBRICATION FITTING	2	1/4"	
4	JD7759	LUBRICATION FITTING	1	1/8"	
5	AT59480	SEAL KIT	1	SEAL	
6	AR87393	UNIVERSAL JOINT	1		
7	T66730	CAP SCREW	8	(SUB FOR R37418)	

# 3D10

POWER TRAIN

## UNIVERSAL TELESCOPING JOINT (ROCKWELL) (CLUTCH TO TORQUE DIVIDER)

R32443 -UN-01JAN94



R32443

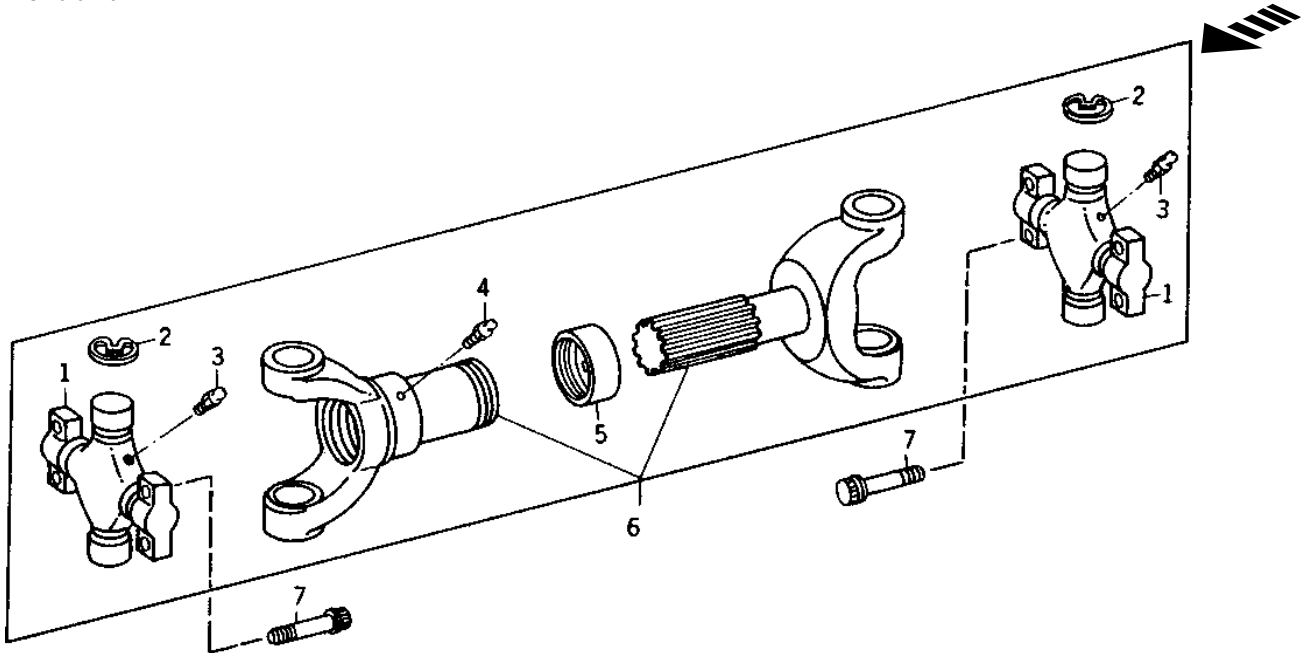
KEY	PART NO.	PART NAME	QTY	TRACTOR SERIAL NO.	REMARKS
1	AT59126	KIT	2	(SUB FOR AT23096)	(SUB AT74268 AND (4) T76091)
2	JD7797	LUBRICATION FITTING	2	1/4"	
3	JD7759	LUBRICATION FITTING	1	1/8"	
4	R37419	WASHER	8	(SUB T77706)	
5	T82430	CAP SCREW	8	(SUB FOR T25247 OR T66881)	
6	T61641	SEAL	1		
7	AR87395	UNIVERSAL JOINT	1		
8	T66730	CAP SCREW	8	(SUB FOR R37418)	

# 3D11

POWER TRAIN

## UNIVERSAL TELESCOPING JOINT (DANA) (CLUTCH TO TORQUE DIVIDER)

R32444 -UN-01JAN94



R32444

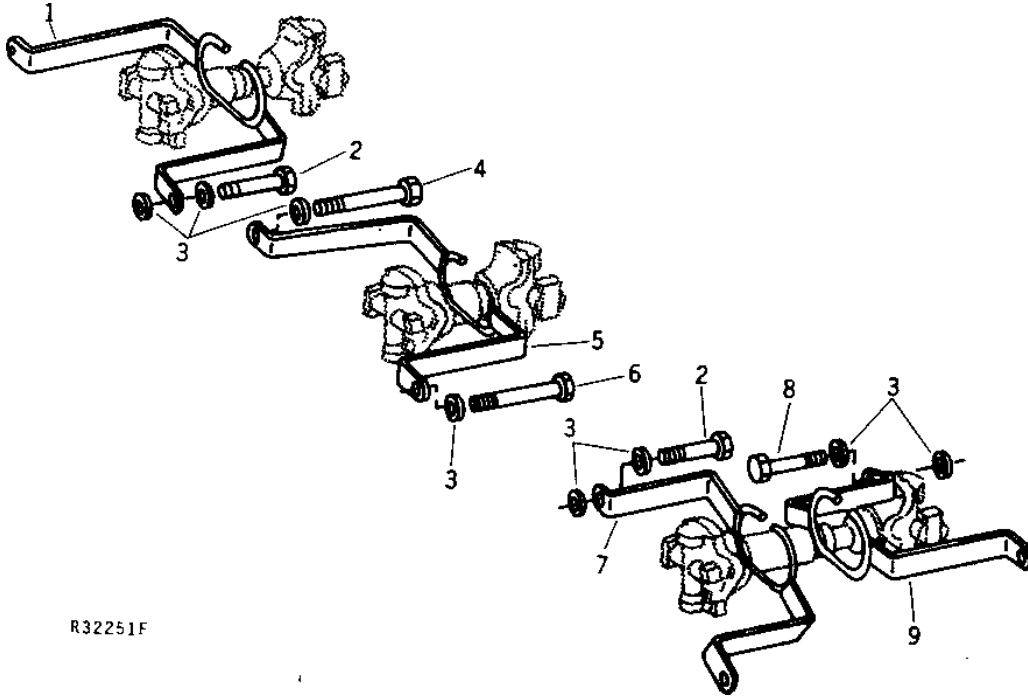
KEY	PART NO.	PART NAME	QTY	TRACTOR SERIAL NO.	REMARKS
1	AT43767	KIT	2		
2	T29634	SNAP RING	4		
3	JD7797	LUBRICATION FITTING	2	1/4"	
4	JD7759	LUBRICATION FITTING	1	1/8"	
5	AT59480	SEAL KIT	1	SEAL, (SUB FOR T29636)	
6	AR87395	UNIVERSAL JOINT	1		
7	T66730	CAP SCREW	8	(SUB FOR R37418)	

# 3D12

POWER TRAIN

R32251 -UN-01JAN94

## U-JOINT GUARDS



R32251F

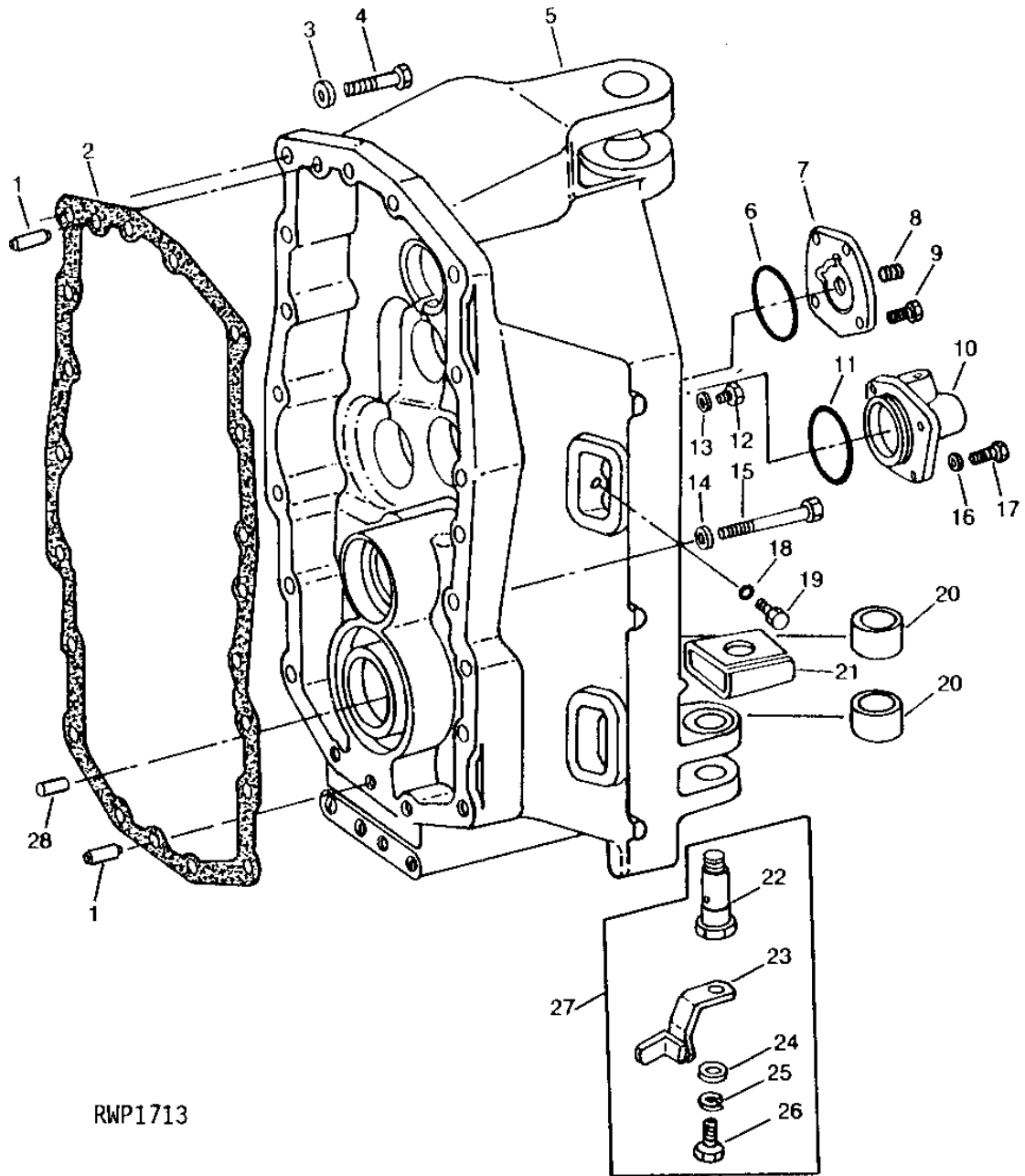
KEY	PART NO.	PART NAME	QTY	TRACTOR SERIAL NO.	REMARKS
1	AR77733	GUARD	1		(TOP REAR HINGE) (SUB FOR AR70331) (SUB AR78190)
2	19H3415	CAP SCREW	4		(A) 3/4" X 5-1/2", HS, SAE 8
3	T21397	WASHER	14		
4	19H3406	CAP SCREW	1		3/4" X 7-1/2", HS, SAE 8
5	AR70495	GUARD	1		(CENTER REAR HINGE) (SUB AR79067)
6	19H3600	CAP SCREW	1	-005341	3/4" X 7", HS, SAE 8
	19H3412	CAP SCREW	1	005342-	3/4" X 6-3/4", HS, SAE 8
7	AR70478	GUARD	1		(BOTTOM REAR HINGE) (SUB AR75719)
8	19H3210	CAP SCREW	2		3/4" X 5-1/4"
9	AR85308	GUARD	1		(BOTTOM FRONT HINGE) (SUB FOR AR70479) (SUB AR75720)

# 3D13

POWER TRAIN

RWP1713 -UN-01JAN94

REAR HINGE



RWP1713

# 3D14

POWER TRAIN

## REAR HINGE - CONTINUED

KEY	PART NO.	PART NAME	QTY	TRACTOR SERIAL NO.	REMARKS
1	A776R	PIN	2		(INPUT GEAR HOUSING TO REAR HINGE)
2	R57601	GASKET	1		
3	T21397	WASHER	4		
4	19H3167	CAP SCREW	4		3/4" X 3-1/4"
5	AR79024	HINGE	1		(SUB FOR AR69961) (MARKED R57221 OR R63860)
6	T20758	O-RING	1		
7	R63067	COVER	1		(ALSO ORDER 15H571) (SUB FOR R58057) (SUB R78417 AND 15H690)
8	15H571	PIPE PLUG	1		3/8"
9	R57725	SCREW	4		(SUB FOR R40835)
10	R57309	RETAINER	1		(POWER SHAFT DRIVE PINION) (LESS PTO)
11	P46129	O-RING	1		
12	19H2038	CAP SCREW	1		3/8" X 1/2", POWER SHAFT SHIFTER RETURN PISTON STOP HOLE
13	A5364R	WASHER	1		
14	T21397	WASHER	4		
15	19H3415	CAP SCREW	4		(A) 3/4" X 5-1/2"
	19H3415	CAP SCREW	4		(A) 3/4" X 5-1/2", L.H.
	19H3412	CAP SCREW	4		(A) 3/4" X 6-3/4", R.H.
16	12H301	LOCK WASHER	4		1/2"
17	19H1721	CAP SCREW	4		1/2" X 1-1/2"
18	R26286	O-RING	1		
19	R27094	DRAIN PLUG	1		(POWER SHAFT SHIFTER PISTON HOLE)
20	R57400	BUSHING	2		(LOWER HINGE PIVOT PIN)
21	AR79208	RETAINER	1	-XXXXXX	(SUB AR85485, F1334R AND JD7760)
22	R66171	PIN	1		(B)
23	AR85786	STOP	1		(B) R.H.
	AR85787	STOP	1		(B) L.H.
24	24H1211	WASHER	1		9/16" X 1-3/8" X 0.105"
25	12H301	LOCK WASHER	2		1/2"
26	19H1815	CAP SCREW	2		(B) 1/2" X 1-1/4"
27	AR94528	STOP	1		KIT, STEERING STOP, FOR OVERSIZE TIRES
28	R1800R	DOWEL PIN	1		(POWER SHAFT BRAKE PISTON RETAINING)

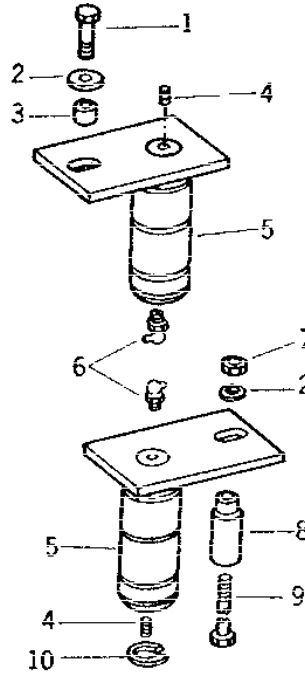
(A) REAR HINGE TO INPUT GEAR HOUSING  
 (B) TO BE USED WITH OVERSIZE TIRES

# 3D15

POWER TRAIN

R32178 -UN-01JAN94

## UPPER AND LOWER HINGE PINS



R321781

KEY	PART NO.	PART NAME	QTY	TRACTOR SERIAL NO.	REMARKS
1	19H3579	CAP SCREW	1		1/2" X 1-3/8"
2	24H1211	WASHER	2		9/16" X 1-3/8" X 0.105"
3	R58621	SLEEVE	1		
4	15H558	PIPE PLUG	2		1/8"
5	AR85485	PIN	2		(ALSO ORDER F1334R AND JD7760) (SUB FOR AR68466)
6	JD7781	LUBRICATION FITTING	2	-005522	90°
	JD7760	LUBRICATION FITTING	2	005523-	65°
7	14H1040	NUT	1		1/2"
8	R58444	SPACER	1		(LOWER HINGE PIVOT PIN TO FRONT HINGE SCREW)
9	19H3544	CAP SCREW	1		1/2" X 4-1/2"
10	F1334R	SNAP RING	2	005523-	

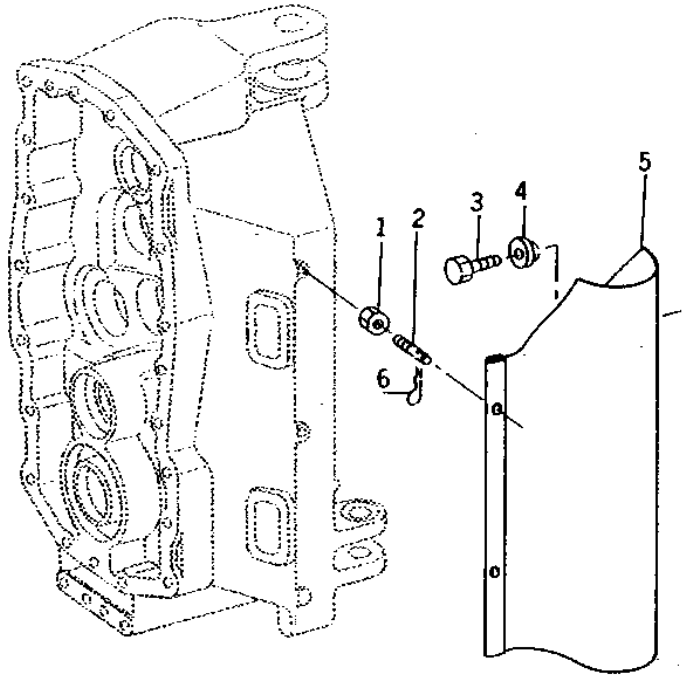


# 3D16

POWER TRAIN

R32321 -UN-01JAN94

**HINGE COVER  
(NOT USED IN U.S. AND CANADA)**



R32321F

KEY	PART NO.	PART NAME	QTY	TRACTOR SERIAL NO.	REMARKS
1	14H732	NUT	4		
2	R63863	STUD	4		
3	19H2473	CAP SCREW	6		
4	R63864	LOCK WASHER	6		
5	AR79047	COVER	2		
6	A5067R	SPRING LOCKING PIN	4		

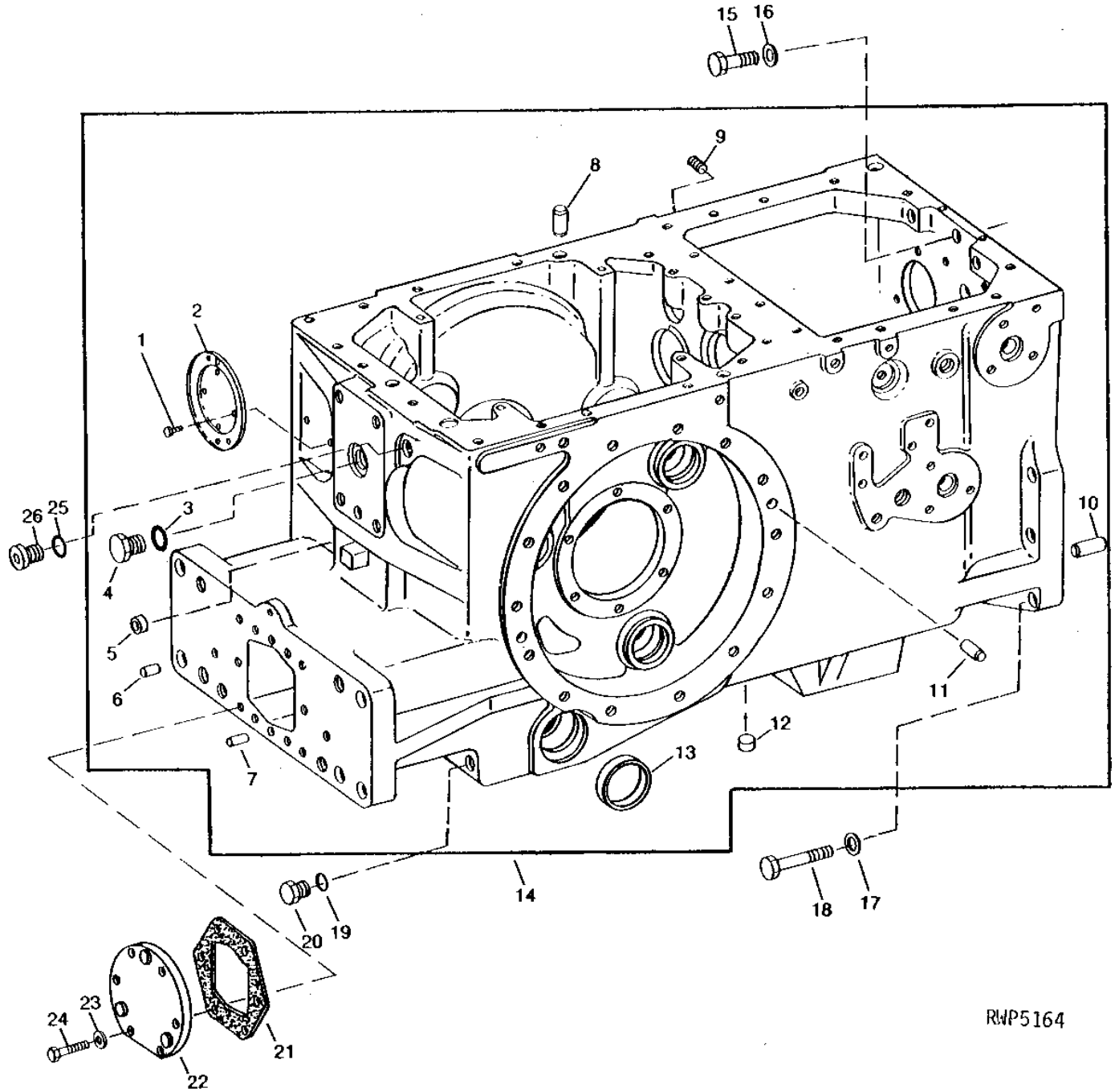
# 3D17

POWER TRAIN

RWP5164

-UN-01JAN94

## TRANSMISSION CASE



RWP5164

# 3D18

POWER TRAIN

## TRANSMISSION CASE - CONTINUED

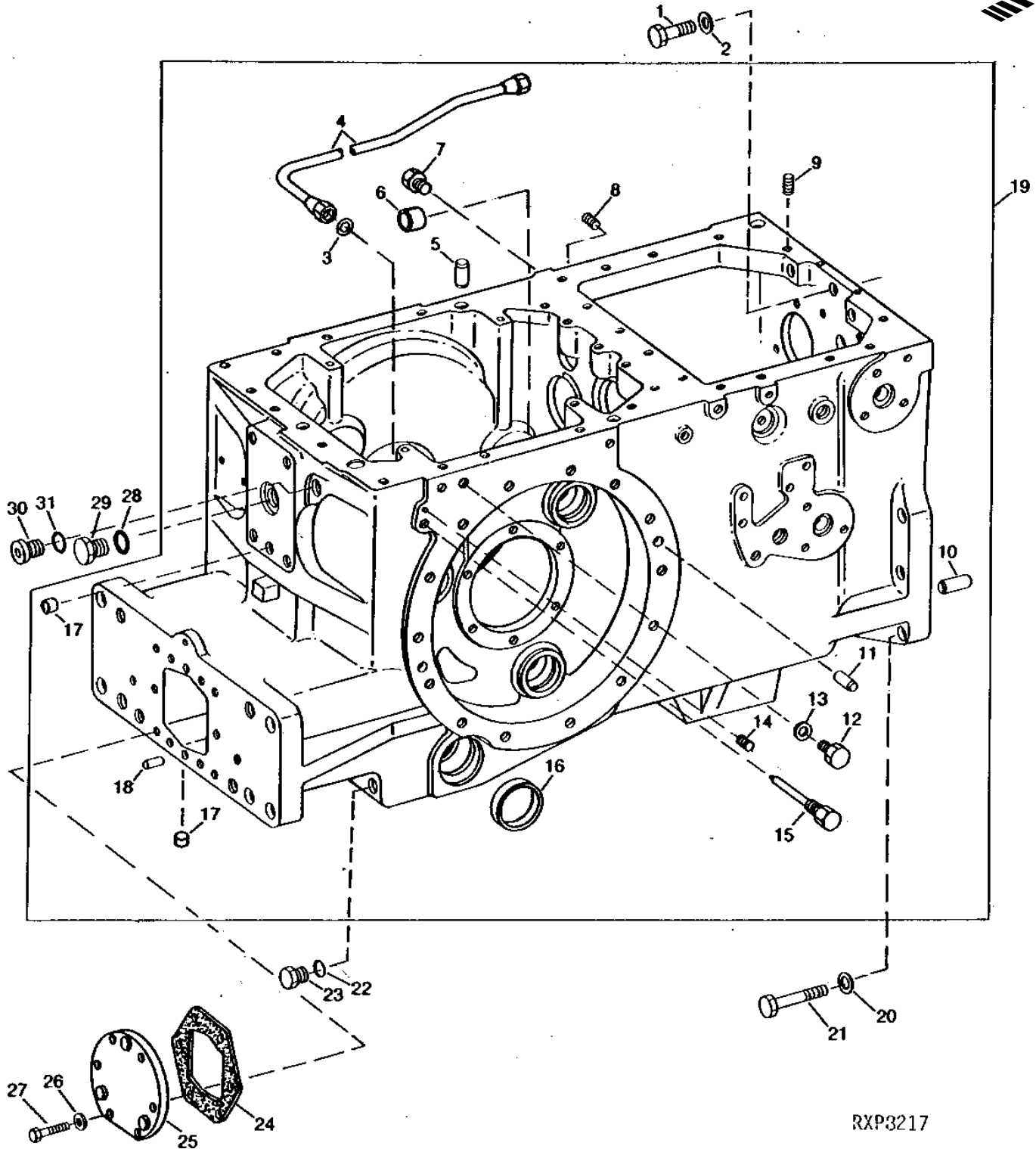
KEY	PART NO.	PART NAME	QTY	TRACTOR SERIAL NO.	REMARKS
1	R27329	SCREW	2		
2	AR26707	RETAINER	1		
3	F3171R	O-RING	1		
4	AR54983	FITTING PLUG	1		
5	R73365	PLUG	1		PTO SPEED INDICATOR HOLE
6	R48685	DOWEL PIN	2		
7	R26650	DOWEL PIN	2		
8	R26616	DOWEL PIN	3		
9	15H624	PIPE PLUG	1		1/2"
10	A776R	PIN	2		
11	R54380	DOWEL PIN	4		
12	R73365	PLUG	1		GROUND SPEED INDICATOR HOLE
13	R57895	PLUG	2		(LESS ROCKSHAFT)
14	AR76897	TRANSMISSION CASE	1	-XXXXXX	(MARKED R62417, R57150 OR AR76898) (SUB FOR AR71691) (SUB RE36542)
	AR100434	TRANSMISSION CASE	1	XXXXXX-	(MARKED R68464 OR R70755) (ILLUSTRATED) (SUB FOR AR89207 OR AR76897) (SUB RE36542)
15	19H1768	CAP SCREW	1		3/4" X 2"
16	T21397	WASHER	1		
17	T21397	WASHER	10		
18	19H1707	CAP SCREW	10		3/4" X 2-3/4"
19	R26906	O-RING	1		
20	R27474	DRAIN PLUG	1		
21	R58900	GASKET	1		(SUB FOR R50972)
22	R35274	COVER	1		(LESS PTO)
23	12H301	LOCK WASHER	6		1/2"
24	19H2473	CAP SCREW	6		1/2" X 1-3/4"
25	H851R	WASHER	1		
26	R27483	PLUG	1		

# 3D19

POWER TRAIN

RXP8217 -UN-01JAN94

## TRANSMISSION CASE



RXP3217

# 3D20

POWER TRAIN

## TRANSMISSION CASE - CONTINUED

KEY	PART NO.	PART NAME	QTY	TRANSMISSION SERIAL NO.	REMARKS
1	19H1768	CAP SCREW	1		3/4" X 2"
2	T21397	WASHER	1		
3	R51494	WASHER	1		
4	AR100438	HYDRAULIC LINE	1		
5	R26616	DOWEL PIN	3		
6	R55489	BUSHING	1		
7	R43569	CAP SCREW	1		(SUB R72371)
8	15H624	PIPE PLUG	1		1/2"
9	R32042	STUD	1		
10	A776R	PIN	2		
11	R54380	DOWEL PIN	4		
12	R27218	FITTING PLUG	1		
13	R51494	WASHER	1		
14	15H558	PIPE PLUG	2		1/8"
15	AR100437	FITTING	1		
16	R57895	PLUG	2		(B)
	AR86923	SEAL	2		(A) (NOT INCLUDED IN KIT)
17	R73365	PLUG	2		
18	R26650	DOWEL PIN	2		
19	RE36542	TRANSMISSION CASE	1		(MARKED R90951 OR R90952)
20	T21397	WASHER	11		
21	19H1707	CAP SCREW	11		3/4" X 2-3/4"
22	R26906	O-RING	1		
23	R27474	DRAIN PLUG	1		
24	R58900	GASKET	1		(SUB FOR R50972)
25	R35274	COVER	1		(LESS PTO)
26	12H301	LOCK WASHER	6		1/2"
27	19H2473	CAP SCREW	6		1/2" X 1-3/4"
28	F3171R	O-RING	1		
29	AR54983	FITTING PLUG	1		
30	R27483	PLUG	1		
31	H851R	WASHER	1		

(A) ROCKSHAFT

(B) LESS ROCKSHAFT

---

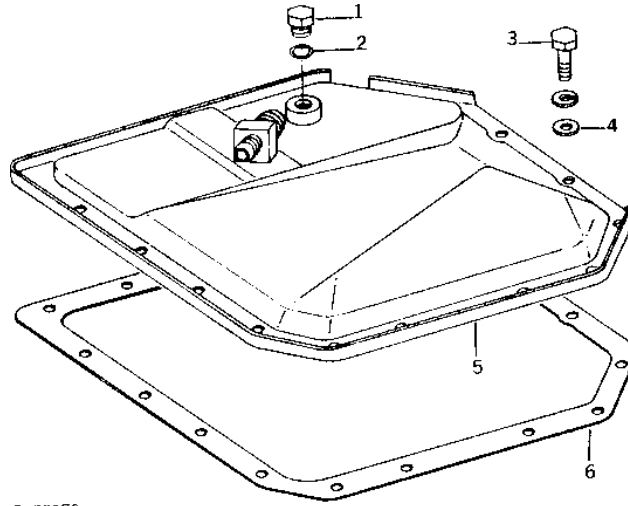
MEMORANDA

# 3D21

POWER TRAIN

R23170 -UN-01JAN94

## TRANSMISSION CASE FRONT COVER



R 23170

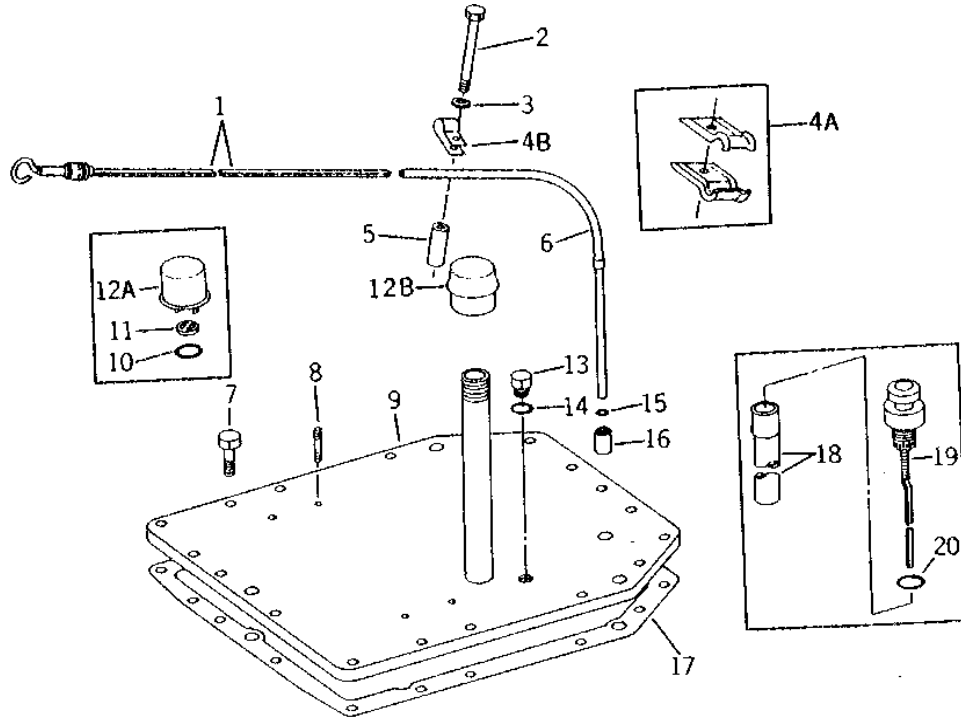
KEY	PART NO.	PART NAME	QTY	TRACTOR SERIAL NO.	REMARKS
1	R27218	FITTING PLUG	1		
2	R26448	O-RING	1		
3	19H1731	CAP SCREW	12	3/8" X 1"	
	12H304	LOCK WASHER	12	3/8"	
4	A4624R	WASHER	12		
5	AR50872	COVER	1		
6	R43260	GASKET	1		

# 3D22

POWER TRAIN

## TRANSMISSION CASE REAR COVER (LESS ROCKSHAFT)

R30583 -UN-01JAN94



R30583F

KEY	PART NO.	PART NAME	QTY	TRACTOR SERIAL NO.	REMARKS
1	AR89736	DIPSTICK	1	001252-	(SUB FOR AR74198)
2	19H2228	CAP SCREW	1	001252-	3/8" X 4"
3	24M7096	WASHER	1	001252-	10.500 X 18 X 1.600 MM
4A	R57549	CLAMP	2	001252-XXXXXX	(SUB T13814, THIS APPLICATION)
4B	T13814	CLAMP	1	XXXXXX-	
5	28H1532	SPACER	1	001252-	
6	AR74197	LINE	1	001252-	
7	19H1721	CAP SCREW	18		1/2" X 1-1/2"
8	R55396	STUD	4		
9	AR70490	COVER	1	-001251	(SUB AR84576, AR30697, AR55304, AR74197, AR74198, A3917R, R1225R, R26375, R39112, (2) R57549, R57550, 19H2228, 24M7096 AND 28H1532)
	AR75944	COVER	1	001252-004798	(SUB AR84576 AND AR30697)
	AR84576	COVER	1	004799-	
10	R1225R	O-RING	1	001252-004798	
11	R57550	ISOLATOR	1	001252-004798	
12A	AR55304	CAP	1	001252-004798	
12B	AR30697	CAP	1	004799-	WITH GASKET
13	R39112	FITTING	1	001252-	
14	R26375	O-RING	1	001252-	
15	A3917R	O-RING	1	001252-	
16	R55214	BUSHING	1	001252-	
17	R43408	GASKET	2		
18	R47466	PIPE	1	-001251	(NO LONGER AVAILABLE)
19	AR50470	DIPSTICK	1	-001251	
20	A4730R	O-RING	3	-001251	

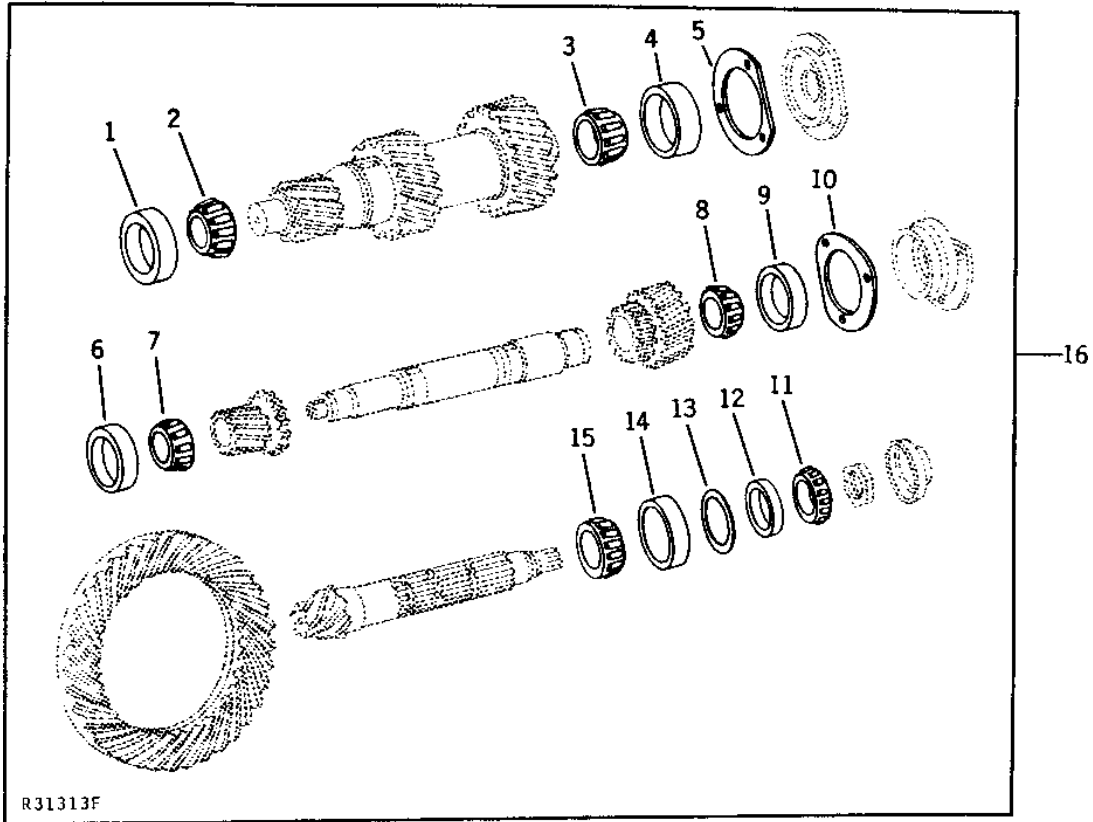


# 3D23

POWER TRAIN

R31313 -UN-01JAN94

## TRANSMISSION DRIVE SHAFT BEARING KIT



KEY	PART NO.	PART NAME	QTY	TRACTOR SERIAL NO.	REMARKS
1	JD10005	BEARING CUP	1		
2	JD8113	BEARING CONE	1		
3	JD9015	BEARING CONE	1		
4	JD8288	BEARING CUP	1		
5	R43346	SHIM	AR	0.15 MM (.006")	
	R43347	SHIM	AR	0.25 MM (.010")	
	R43348	SHIM	AR	0.46 MM (.018")	
6	JD8232	BEARING CUP	1		
7	JD9089	BEARING CONE	1		
8	JD9068	BEARING CONE	1		
9	JD8255	BEARING CUP	1		
10	R57977	SHIM	AR	0.15 MM (.006")	
	R57978	SHIM	AR	0.25 MM (.010")	
	R57979	SHIM	AR	0.46 MM (.018")	
11	JD7242	BEARING CONE	1		
12	JD7292	BEARING CUP	1		
13	R35365	SHIM	AR	0.08 MM (.003")	
	R35366	SHIM	AR	0.13 MM (.005")	
	R35367	SHIM	AR	0.25 MM (.010")	
14	JD8280	BEARING CUP	1		(SUB FOR R61921)
15	AR75848	BEARING CONE	1		
16	AR90882	BEARING KIT	1		(SUB FOR AR87343) (SUB RE22931)

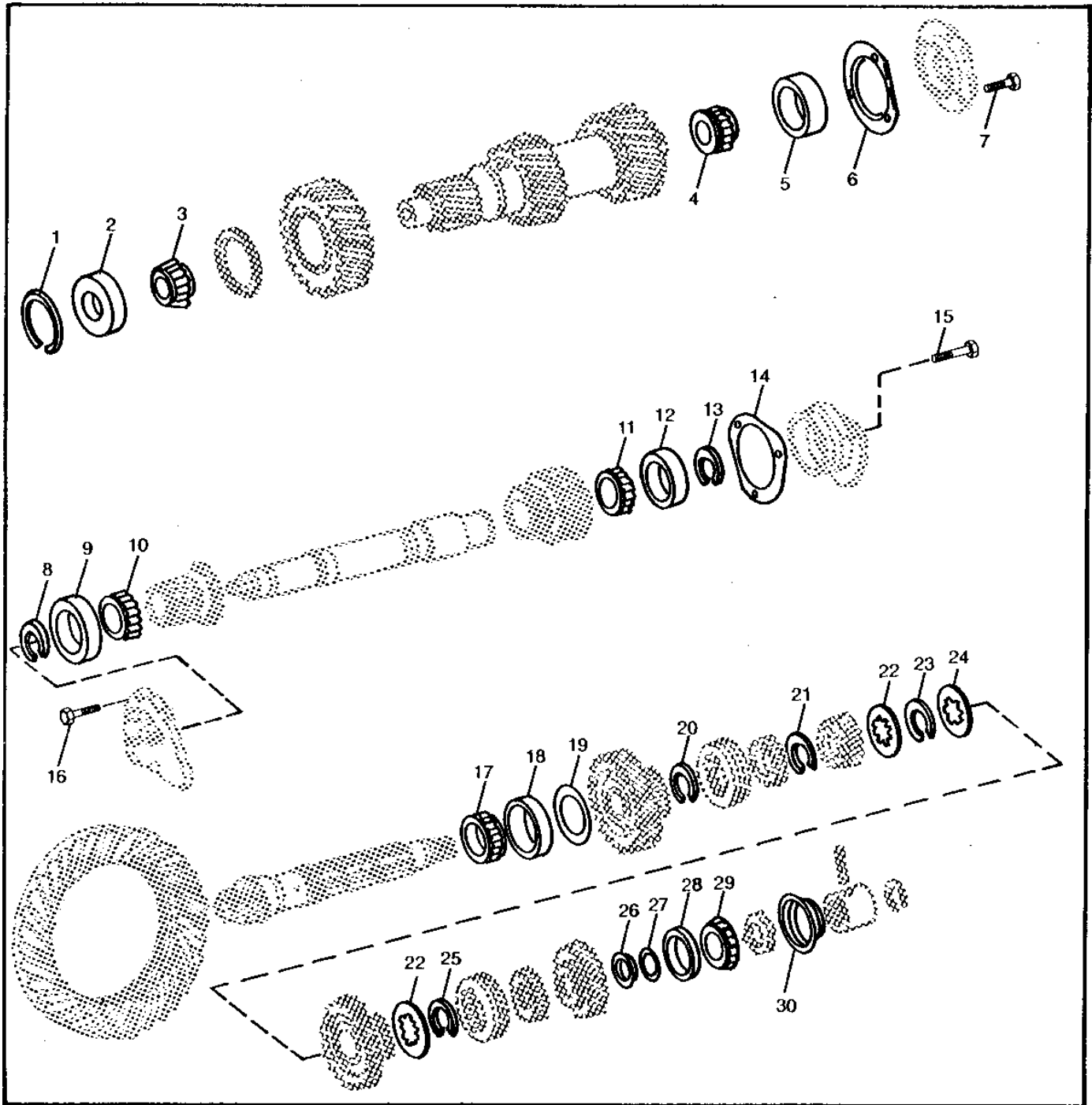
# 3D24

POWER TRAIN

RP2789

-UN-01JAN94

## TRANSMISSION BEARING AND SHIM KIT



RP2789

31

# 3D25

POWER TRAIN

## TRANSMISSION BEARING AND SHIM KIT - CONTINUED

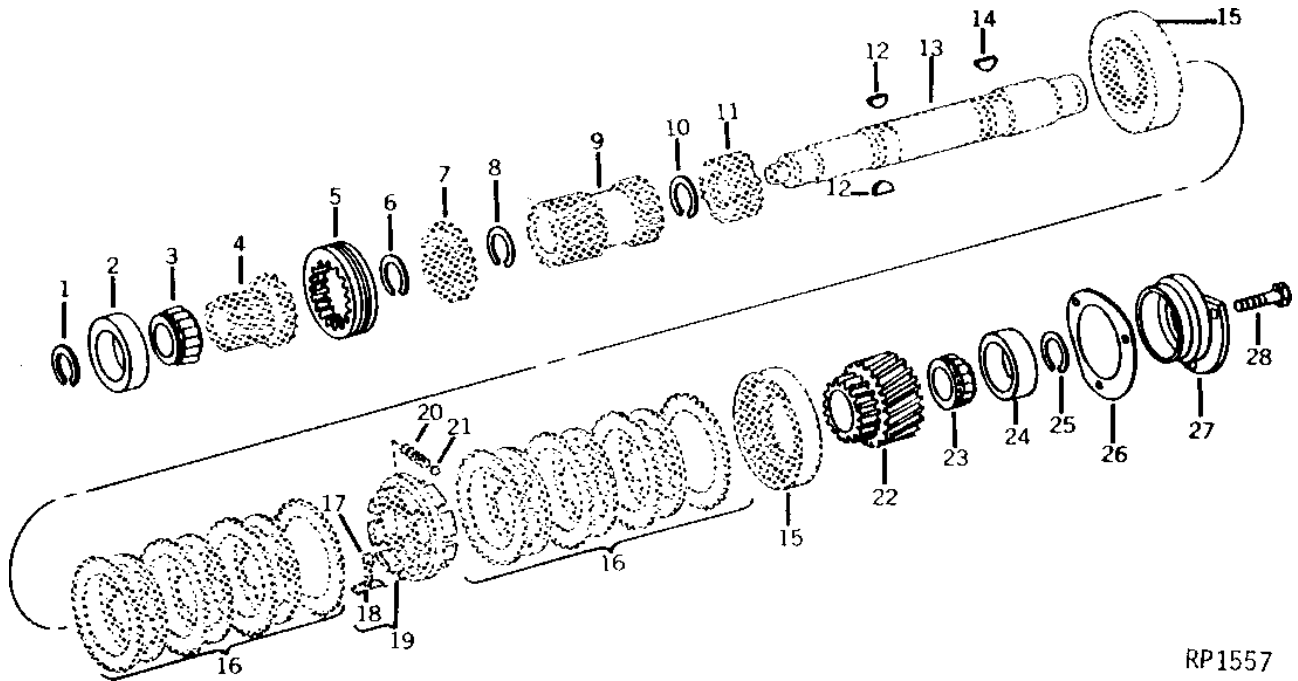
KEY	PART NO.	PART NAME	QTY	TRANSMISSION SERIAL NO.	REMARKS
1	R35377	SNAP RING	1		
2	JD10005	BEARING CUP	1		
3	JD8113	BEARING CONE	1		
4	JD9015	BEARING CONE	1		
5	JD8288	BEARING CUP	1		
6	R43346	SHIM	AR	0.15 MM (.006")	
	R43347	SHIM	AR	0.25 MM (.010")	
	R43348	SHIM	AR	0.46 MM (.018")	
7	R57725	SCREW	3		
8	R49430	SNAP RING	1	1.93 MM (.076")	
	R49431	SNAP RING	1	2.01 MM (.079")	
	R49432	SNAP RING	1	2.08 MM (.082")	
	R49433	SNAP RING	1	2.16 MM (.085")	
	R49434	SNAP RING	1	2.24 MM (.088")	
	R49435	SNAP RING	1	2.31 MM (.091")	
	R49436	SNAP RING	1	2.39 MM (.094")	
9	JD8232	BEARING CUP	1		
10	JD9089	BEARING CONE	1		
11	JD9068	BEARING CONE	1		
12	JD8255	BEARING CUP	1		
13	R58528	SNAP RING	1	1.93 MM (.076")	
	R58529	SNAP RING	1	2.01 MM (.079")	
	R58530	SNAP RING	1	2.08 MM (.082")	
	R58531	SNAP RING	1	2.16 MM (.085")	
	R58532	SNAP RING	1	2.24 MM (.088")	
	R58533	SNAP RING	1	2.31 MM (.091")	
14	R57977	SHIM	AR	0.15 MM (.006")	
	R57978	SHIM	AR	0.25 MM (.010")	
	R57979	SHIM	AR	0.46 MM (.018")	
15	R57725	SCREW	3		
16	R42432	CAP SCREW	4		TRANS. LUBE MANIFOLD
17	JD9066	BEARING CONE	1		
18	JD8280	BEARING CUP	1		
19	R35365	SHIM	AR	0.08 MM (.003")	
	R35366	SHIM	AR	0.13 MM (.005")	
	R35367	SHIM	AR	0.25 MM (.010")	
20	R63846	SNAP RING	1		
21	R63848	SNAP RING	1		
22	R83359	THRUST WASHER	2		(SUB FOR R75766)
23	R63739	SNAP RING	1		
24	R63740	THRUST WASHER	1		
25	R63847	SNAP RING	1		
26	R49112	BUSHING	1		
27	R49002	SHIM	AR	0.08 MM (.003")	
	R49003	SHIM	AR	0.13 MM (.005")	
	R49004	SHIM	AR	0.25 MM (.010")	
28	JD7292	BEARING CUP	1		
29	JD7242	BEARING CONE	1		
30	R57794	RETAINER	1		
31	RE22931	BEARING	1		KIT, (SUB FOR AR90882 OR RE10925)

# 3E1

POWER TRAIN

## TRANSMISSION DRIVE SHAFT ASSEMBLY (4 X 4 DISK SYNCHRONIZER)

RP1557 -UN-01JAN94



RP1557

# 3E2

POWER TRAIN

## TRANSMISSION DRIVE SHAFT ASSEMBLY - CONTINUED (4 X 4 DISK SYNCHRONIZER)

KEY	PART NO.	PART NAME	QTY	TRACTOR SERIAL NO.	REMARKS
1	R49430	SNAP RING	1		1.93 MM (.076")
	R49431	SNAP RING	1		2.01 MM (.079")
	R49432	SNAP RING	1		2.08 MM (.082")
	R49433	SNAP RING	1		2.16 MM (.085")
	R49434	SNAP RING	1		2.24 MM (.088")
	R49435	SNAP RING	1		2.31 MM (.091")
	R49436	SNAP RING	1		2.39 MM (.094")
2	JD8232	BEARING CUP	1		
3	JD9089	BEARING CONE	1		
4	.....	PINION	1		(A) REVERSE RANGE
5	R57947	SHIFT COLLAR	1		REVERSE
6	R49254	SNAP RING	1		
7	.....	SHIFT COLLAR	1		(A) REVERSE RANGE DRIVE
8	R63183	SNAP RING	1		(SUB FOR R49008)
9	.....	PINION	1		(A) LOW RANGE, (SUB FOR R57146)
10	R49253	SNAP RING	1		
11	.....	LOCKING COLLAR	1		(A) LOW AND HIGH RANGE SYNCHRONIZER DRIVE
12	26H78	SHAFT KEY	2		1/4" X 3/4"
13	.....	SHAFT	1		(A)
14	26H89	SHAFT KEY	1		1/4" X 1-1/8"
15	.....	DRUM	2		(A)
16	.....	SYNCHRONIZER	1		(A) (SET OF 4 DISKS AND 3 PLATES) (2 SETS USED)
17	.....	STUD	2		(A)
18	.....	CLAMP	2		(A)
19	.....	PLATE	1		(A) LOW AND HIGH RANGE SYNCHRONIZER
20	.....	SPRING	4		(A) (SUB FOR R27730, THIS APPLICATION)
21	.....	BALL	4		(A) 4 MM (5/32")
22	R57145	PINION	1		HIGH RANGE (NLA)
23	JD9068	BEARING CONE	1		
24	JD8255	BEARING CUP	1		
25	R58528	SNAP RING	1		1.93 MM (.076")
	R58529	SNAP RING	1		2.01 MM (.079")
	R58530	SNAP RING	1		2.08 MM (.082")
	R58531	SNAP RING	1		2.16 MM (.085")
	R58532	SNAP RING	1		2.24 MM (.088")
	R58533	SNAP RING	1		2.31 MM (.091")
26	R57977	SHIM	AR		0.15 MM (.006")
	R57978	SHIM	AR		0.25 MM (.010")
	R57979	SHIM	AR		0.46 MM (.018")
27	R57290	QUILL	1		
28	R57725	SCREW	3		
..	AT35125	SEALANT	1		(10 CC TUBE) (RETAINER TO BLOCKER)

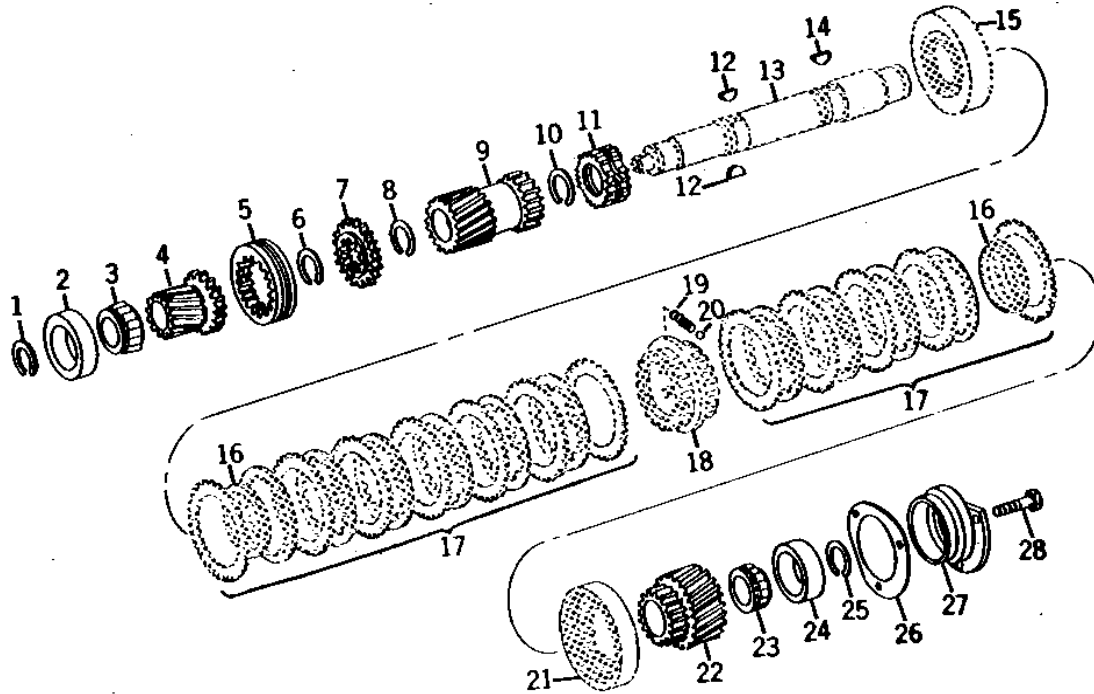
(A) ORDER AR87664

# 3E3

POWER TRAIN

## TRANSMISSION DRIVE SHAFT ASSEMBLY (5 X 7 DISK SYNCHRONIZER)

RWP2097 -UN-01JAN94



RWP2097

# 3E4

POWER TRAIN

## TRANSMISSION DRIVE SHAFT ASSEMBLY - CONTINUED (5 X 7 DISK SYNCHRONIZER)

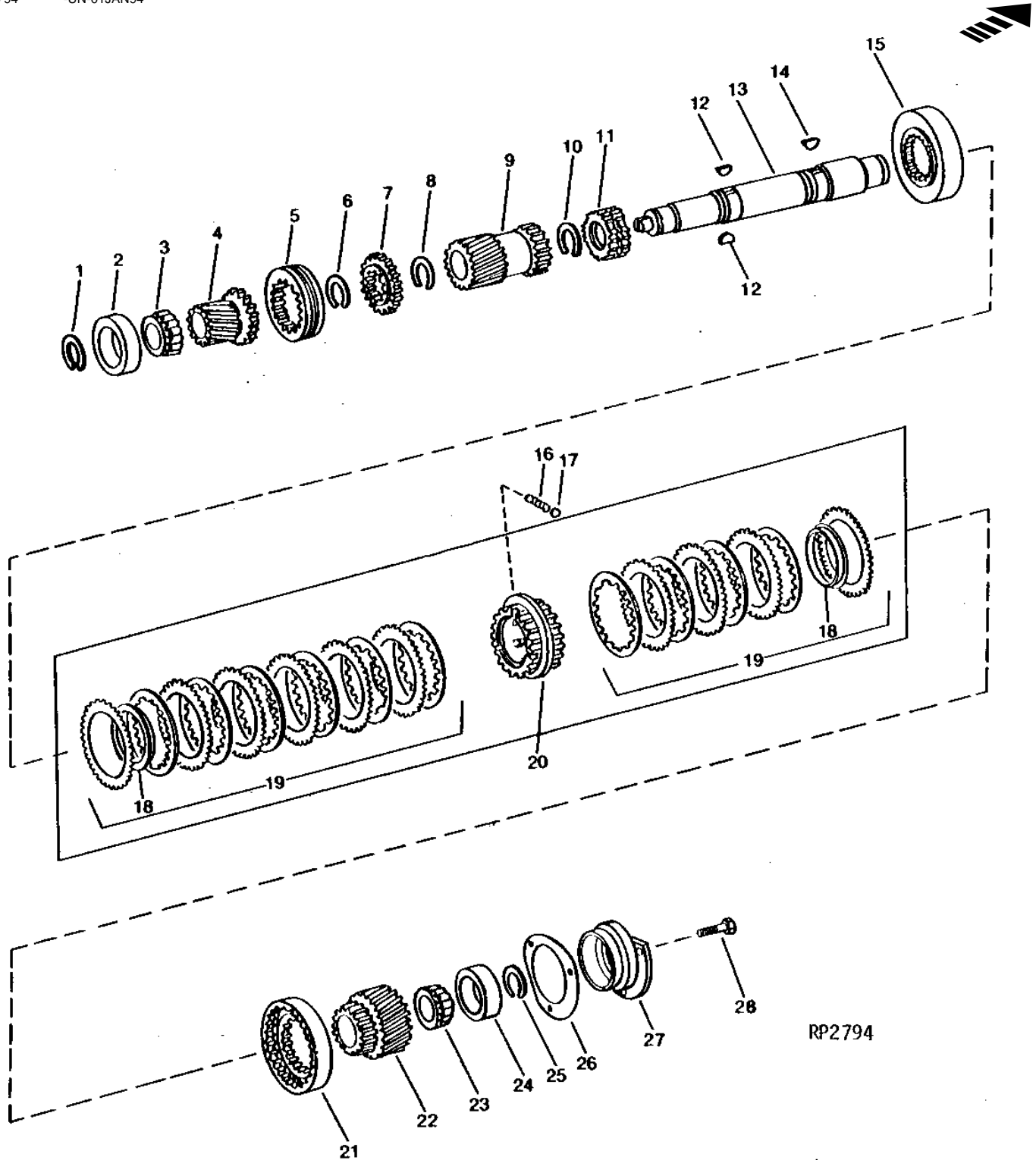
KEY	PART NO.	PART NAME	QTY	TRACTOR SERIAL NO.	REMARKS
1	R49430	SNAP RING	1		1.93 MM (.076")
	R49431	SNAP RING	1		2.01 MM (.079")
	R49432	SNAP RING	1		2.08 MM (.082")
	R49433	SNAP RING	1		2.16 MM (.085")
	R49434	SNAP RING	1		2.24 MM (.088")
	R49435	SNAP RING	1		2.31 MM (.091")
	R49436	SNAP RING	1		2.39 MM (.094")
2	JD8232	BEARING CUP	1		
3	JD9089	BEARING CONE	1		
4	R63929	PINION	1		REVERSE RANGE
5	R57947	SHIFT COLLAR	1		
6	R49254	SNAP RING	1		
7	R63930	SHIFT COLLAR	1		
8	R63183	SNAP RING	1		
9	R69427	PINION	1		LOW RANGE, (SUB FOR R64096)
10	R49253	SNAP RING	1		2.36 MM (.093") (USE WITH R64094)
	R69426	SNAP RING	1		3.18 MM (.125") (USE WITH R69428)
11	R76478	SHIFT COLLAR	1		(SUB FOR R64087 OR R66962)
12	26H78	SHAFT KEY	2		1/4" X 3/4"
13	.....	SHAFT	1		(SUB R69428, R69427, R69426, R78984, R78985 AND AR87998) (SUB FOR R64094)
14	26H96	SHAFT KEY	1		1/4" X 1-3/8"
15	.....	DRUM	1		LOW RANGE, (SUB R78985, R78984 AND AR87998)
16	.....	RETAINER	2		(SUB R78985, R78984 AND AR87998)
17	.....	DISK	1		(SUB AR87998) (ALSO ORDER R78984 AND R78985) (SET OF (10) DISKS, (10) PLATES AND (2) R64090)
18	.....	PLATE	1		(SUB FOR AR83688) (SUB AR87998, R78984 AND R78985)
19	R64091	SPRING	6		
20	H871R	BALL	6		5 MM (3/16")
21	.....	DRUM	1		HIGH RANGE, (SUB R78984, R78985 AND AR87998)
22	R64095	PINION	1		HIGH RANGE
23	JD9068	BEARING CONE	1		
24	JD8255	BEARING CUP	1		
25	R58528	SNAP RING	1		1.93 MM (.076")
	R58529	SNAP RING	1		2.01 MM (.079")
	R58530	SNAP RING	1		2.08 MM (.082")
	R58531	SNAP RING	1		2.16 MM (.085")
	R58532	SNAP RING	1		2.24 MM (.088")
	R58533	SNAP RING	1		2.31 MM (.091")
26	R57977	SHIM	AR		0.15 MM (.006")
	R57978	SHIM	AR		0.25 MM (.010")
	R57979	SHIM	AR		.046 MM (.018")
27	R57290	QUILL	1		
28	R57725	SCREW	3		
..	AT35125	SEALANT	1		(10 CC TUBE) (RETAINER TO BLOCKER)

# 3E5

POWER TRAIN

RP2794 -UN-01JAN94

## TRANSMISSION DRIVE SHAFT ASSEMBLY (4 X 6 DISK SYNCHRONIZER)



RP2794



# 3E6

POWER TRAIN

## TRANSMISSION DRIVE SHAFT ASSEMBLY - CONTINUED (4 X 6 DISK SYNCHRONIZER)

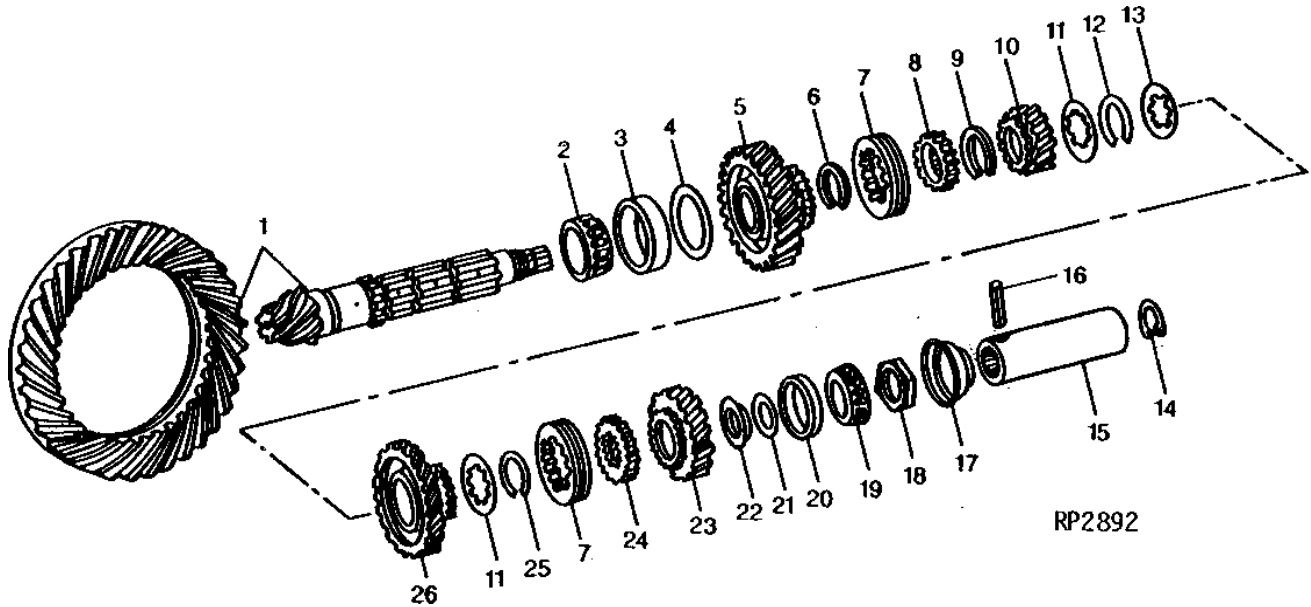
KEY	PART NO.	PART NAME	QTY	TRACTOR SERIAL NO.	REMARKS
1	R49430	SNAP RING	1		1.93 MM (.076")
	R49431	SNAP RING	1		2.01 MM (.079")
	R49432	SNAP RING	1		2.08 MM (.082")
	R49433	SNAP RING	1		2.16 MM (.085")
	R49434	SNAP RING	1		2.24 MM (.088")
	R49435	SNAP RING	1		2.31 MM (.091")
	R49436	SNAP RING	1		2.39 MM (.094")
2	JD8232	BEARING CUP	1		
3	JD9089	BEARING CONE	1		
4	R63929	PINION	1		REVERSE RANGE
5	R57947	SHIFT COLLAR	1		
6	R49254	SNAP RING	1		
7	R63930	SHIFT COLLAR	1		
8	R63183	SNAP RING	1		
9	R69427	PINION	1		LOW RANGE, (SUB FOR R64096) (ALSO ORDER R69426 AND R69428)
10	R49253	SNAP RING	1		2.36 MM (.093") (USE WITH R64094)
	R69426	SNAP RING	1		3.18 MM (.125") (USE WITH R69428)
11	R66962	SHIFT COLLAR	1		
12	26H78	SHAFT KEY	2		1/4" X 3/4"
13	R64094	SHAFT	1		(SUB R69428, R69427 AND R69426)
14	26H96	SHAFT KEY	1		1/4" X 1-3/8"
15	R67574	DRUM	1		LOW RANGE, (SUB R73647)
16	R64091	SPRING	6		
17	H871R	BALL	6		5 MM (3/16")
18	R64090	RETAINER	2		
19	AR87999	KIT	1		(SET OF (10) DISKS, (10) PLATES AND (2) R64090)
20	AR87998	SYNCHRONIZER	1		
21	R67573	DRUM	1		HIGH RANGE, (SUB R78984)
22	R64095	PINION	1		HIGH RANGE
23	JD9068	BEARING CONE	1		
24	JD8255	BEARING CUP	1		
25	R58528	SNAP RING	1		1.93 MM (.076")
	R58529	SNAP RING	1		2.01 MM (.079")
	R58530	SNAP RING	1		2.08 MM (.082")
	R58531	SNAP RING	1		2.16 MM (.085")
	R58532	SNAP RING	1		2.24 MM (.088")
	R58533	SNAP RING	1		2.31 MM (.091")
26	R57977	SHIM	AR		0.15 MM (.006")
	R57978	SHIM	AR		0.25 MM (.010")
	R57979	SHIM	AR		0.46 MM (.018")
27	R57290	QUILL	1		
28	R57725	SCREW	3		(SUB FOR R61762)
..	AT35125	SEALANT	1		(10 CC TUBE) (RETAINER TO BLOCKER)

# 3E7

POWER TRAIN

RP2892 -UN-01JAN94

## REAR DIFFERENTIAL DRIVE AND BEVEL PINION ASSEMBLY



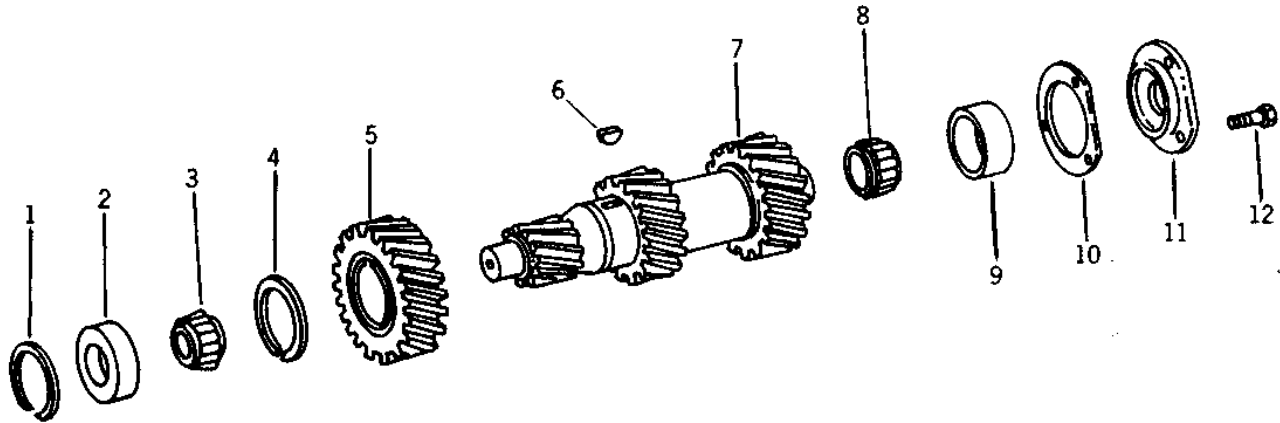
KEY	PART NO.	PART NAME	QTY	TRACTOR SERIAL NO.	REMARKS
1	AR71696	GEAR	1		(MATCHED SET) (INCLUDES SHIMS) (MARKED R57148 AND R57149)
2	JD9066	BEARING CONE	1		
3	JD8280	BEARING CUP	1		
4	R35365	SHIM	AR		0.08 MM (.003")
	R35366	SHIM	AR		0.13 MM (.005")
	R35367	SHIM	AR		0.25 MM (.010")
5	AR78536	STEERING GEAR	1	-004852	(MARKED R62885) (SUB FOR AR77580) (SUB AR102081)
	AR102081	GEAR	1	004853-	(MARKED R64681, R67218 OR R70880) (SUB FOR AR81166, AR87485 OR AR93137)
6	R63846	SNAP RING	1		
7	R62875	SHIFT COLLAR	2		
8	R58527	SHIFT COLLAR	1		
9	R63848	SNAP RING	1		
10	R63931	GEAR	1		(D-RANGE) (SUB FOR R57767)
11	R83359	THRUST WASHER	2		(SUB FOR R49113 OR R75766)
12	R63739	SNAP RING	1		
13	R63740	THRUST WASHER	1		
14	E1343FN	SNAP RING	1	002737-	
15	R58538	COUPLING	1	-002736	(SUB R73461 AND E1343FN)
	R73461	SPLINED COUPLING	1	002737-	(SUB FOR R62805) (ILLUSTRATED)
16	34H282	SPRING PIN	2		3/16" X 1"
17	R57794	RETAINER	1		
18	R64677	NUT	1		(SUB FOR R57793)
19	JD7242	BEARING CONE	1		
20	JD7292	BEARING CUP	1		
21	R49002	SHIM	AR		0.08 MM (.003")
	R49003	SHIM	AR		0.13 MM (.005")
	R49004	SHIM	AR		0.25 MM (.010")
22	R49112	BUSHING	1		
23	R57768	GEAR	1		(C-RANGE)
24	R59596	SHIFT COLLAR	1		
25	R63847	SNAP RING	1		
26	R57769	GEAR	1		(B-RANGE)

# 3E8

POWER TRAIN

R32224 -UN-01JAN94

## COUNTERSHAFT



R32224F

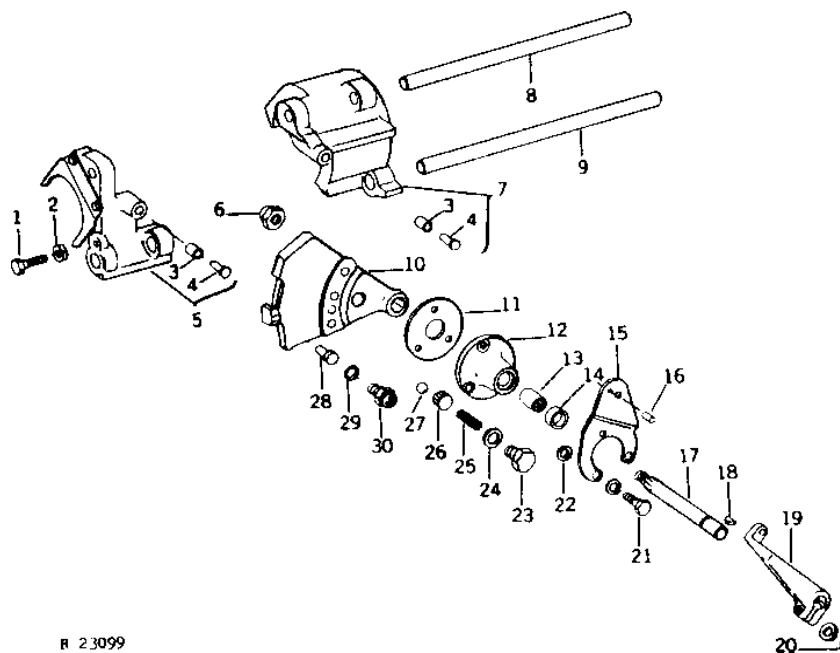
KEY	PART NO.	PART NAME	QTY	TRACTOR SERIAL NO.	REMARKS
1	R35377	SNAP RING	1		
2	JD8262	BEARING CUP	1		(SUB JD10005 AND JD8113)
3	JD7383	BEARING CONE	1		(SUB JD8113 AND JD10005)
4	R49791	SNAP RING	1		
5	R57766	GEAR	1	-002435	(D-RANGE) (SUB R62884)
	R62884	GEAR	1	002436-	(D-RANGE)
6	26H99	SHAFT KEY	1		1/4" X 1-1/2"
7	R67220	COUNTERSHAFT	1		(SUB FOR R57610)
8	JD9015	BEARING CONE	1		
9	JD8288	BEARING CUP	1		
10	R43346	SHIM	AR		0.15 MM (.006")
	R43347	SHIM	AR		0.25 MM (.010")
	R43348	SHIM	AR		0.46 MM (.018")
11	R50563	RETAINER	1		
12	R57725	SCREW	3		

# 3E9

POWER TRAIN

R23099 -UN-01JAN94

## SHIFTERS AND SHIFTER SHAFTS



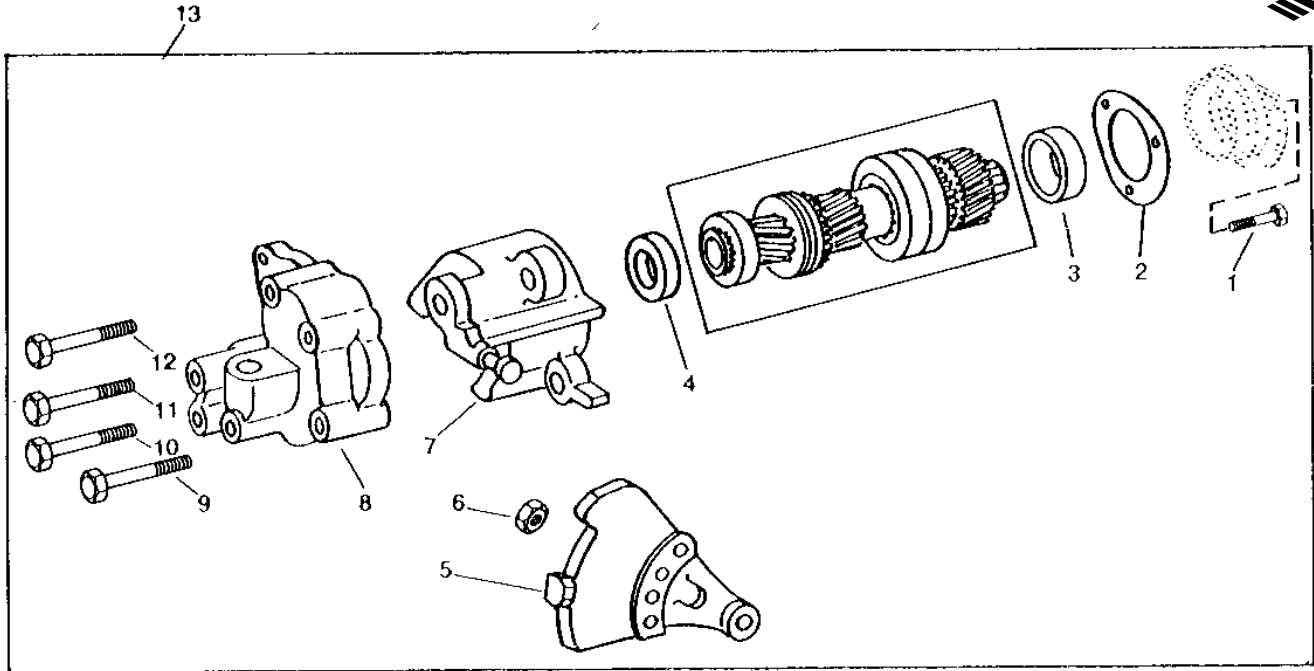
KEY	PART NO.	PART NAME	QTY	TRACTOR SERIAL NO.	REMARKS
1	19H1974	CAP SCREW	1		1/2" X 2-3/4"
2	14H1040	NUT	1		1/2"
3	R43906	SPACER	2		
4	R97316	PIN	2		(SUB FOR R43907)
5	AR70864	LEVER	1		REVERSE, (MARKED R58850)
6	E17421	LOCK NUT	1		
7	AR69787	SHIFTER	1	-005248	(MARKED R58066) (4 X 4 DISK SHYCHRONIZER)
	AR80062	SHIFTER	1	005249-	(MARKED R64365) (5 X 7 DISK SYNCHRONIZER)
8	R70558	SHAFT	1		(SUB FOR R43461)
9	R43460	SHAFT	1		
10	R58874	CAM	1	-005248	(4 X 4 DISK SYNCHRONIZER) (NLA)
	R64620	CAM	1	005249-	(5 X 7 DISK SYNCHRONIZER)
11	R58798	GASKET	1		
12	R64528	SUPPORT	1		(SUB FOR R58797)
13	JD8806	NEEDLE BEARING	1		
14	AR389R	SEAL	1		
15	R58871	BRACKET	1	-002754	
	R62362	BRACKET	1	002755-	
16	34H245	SPRING PIN	1	-002754	1/8" X 5/8"
	34H254	SPRING PIN	1	002755-	1/8" X 1-1/2"
17	R58799	SHAFT	1		
18	26H17	SHAFT KEY	1		3/16" X 7/8"
19	R57760	ARM	1		
20	19H1800	CAP SCREW	1		3/8" X 1-1/2"
	12H304	LOCK WASHER	1		3/8"
21	19H1765	CAP SCREW	3		3/8" X 1-3/4"
	12H304	LOCK WASHER	3		3/8"
22	28H1862	WASHER	3		0.493" X 0.675" X 7/32"
23	R38181	FITTING	1		
24	A4827R	WASHER	1		
25	R51865	SPRING	1		
26	T19079	RETAINER	1		
27	M886T	BALL	1		16MM (5/8")
28	R99556	PIN	1		(SUB FOR R33731)
29	T16911	SHIM	AR		
30	RE38390	SWITCH	1		NEUTRAL START, (SUB FOR R36265, AR85323, AR89691 OR AT85153) (ALSO ORDER R98941)

# 3E10

POWER TRAIN

## TRANSMISSION DRIVE SHAFT KIT (CONVERT 4 X 4 TO 4 X 6 DISK SYNCHRONIZER)

RWP2180 -UN-01JAN94



RWP2180

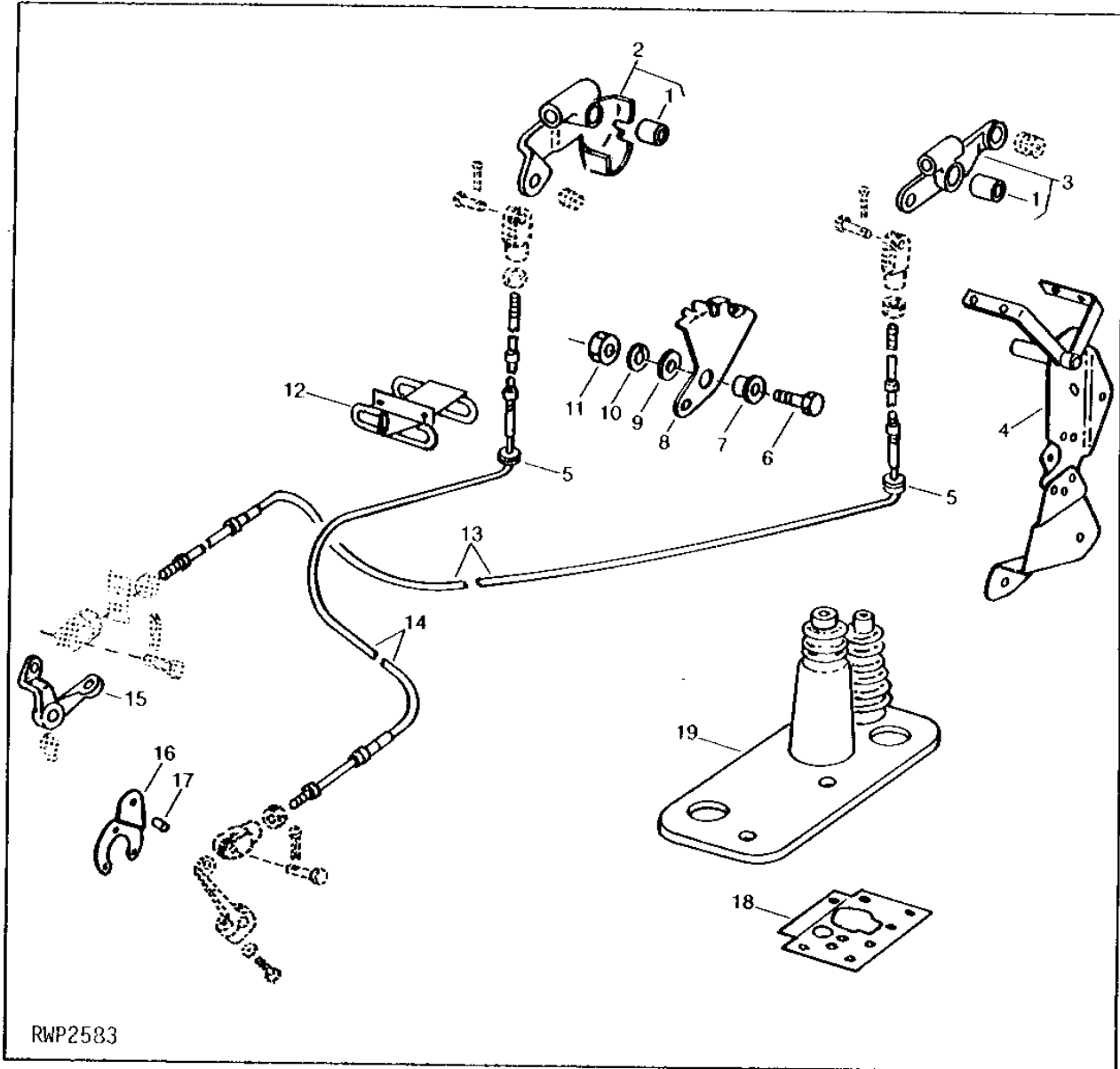
KEY	PART NO.	PART NAME	QTY	TRACTOR SERIAL NO.	REMARKS
1	R57725	SCREW	3		
2	R57977	SHIM	2	0.15 MM (.006")	
	R57978	SHIM	1	0.25 MM (.010")	
	R57979	SHIM	1	0.46 MM (.018")	
3	JD8255	BEARING CUP	1		
4	JD8232	BEARING CUP	1		
5	R64620	CAM	1		
6	E17421	LOCK NUT	1		
7	AR80062	SHIFTER	1		
8	AR88600	MANIFOLD	1		
9	R41007	CAP SCREW	2		
10	R41009	CAP SCREW	2		
11	R51030	CAP SCREW	1		
12	R43252	CAP SCREW	1		
13	AR87664	SHAFT	1		

# 3E11

POWER TRAIN

LONG SHIFT CABLES CONVERSION KIT  
(TRACTOR SERIAL NO. -002754)

RWP2583 -UN-01JAN94



# 3E12

POWER TRAIN

**LONG SHIFT CABLES CONVERSION KIT - CONTINUED**  
(TRACTOR SERIAL NO. -002754)

KEY	PART NO.	PART NAME	QTY	TRACTOR SERIAL NO.	REMARKS
1	R26182	BUSHING	2		(NLA)
2	AR76745	ARM	1		SPEED SELECTOR LEVER, (MARKED R62358)
3	AR86998	ARM	1		RANGE SELECTOR LEVER, (MARKED R66931) (SUB FOR AR76744)
4	AR78348	SUPPORT	1		
5	R62356	GROMMET	2		
6	19H1732	CAP SCREW	1		3/8" X 1-1/4"
7	R60670	LOCK WASHER	1		
8	R65337	LATCH	1		
9	R60671	WASHER	1		
10	12H304	LOCK WASHER	3		3/8"
11	14H1076	NUT	3		3/8"
12	AR78349	GUIDE	1		
13	AR76747	PUSH PULL CABLE	1		(SPEED SELECTOR)
	R48718	SEAL	1		(CONDUIT TO TERMINAL SLEEVE)
	R48720	SEAL	1		(SLEEVE TO INNER MEMBER INPUT END) (SUB FOR R48719)
	R48720	SEAL	1		(SLEEVE TO INNER MEMBER OUTPUT END)
14	AR76746	PUSH PULL CABLE	1		(SPEED SELECTOR)
	R48718	SEAL	1		(CONDUIT TO TERMINAL SLEEVE)
	R48720	SEAL	1		(SLEEVE TO INNER MEMBER) (SUB FOR R48719)
15	R64003	ARM	1		RANGE SELECTOR, (SUB FOR R62361)
16	R62362	BRACKET	1		
17	34H254	SPRING PIN	4		1/8" X 1-1/2"
18	AR85299	PLATE	1		
19	AR76743	BOOT	1		
20	AR101970	KIT	1		

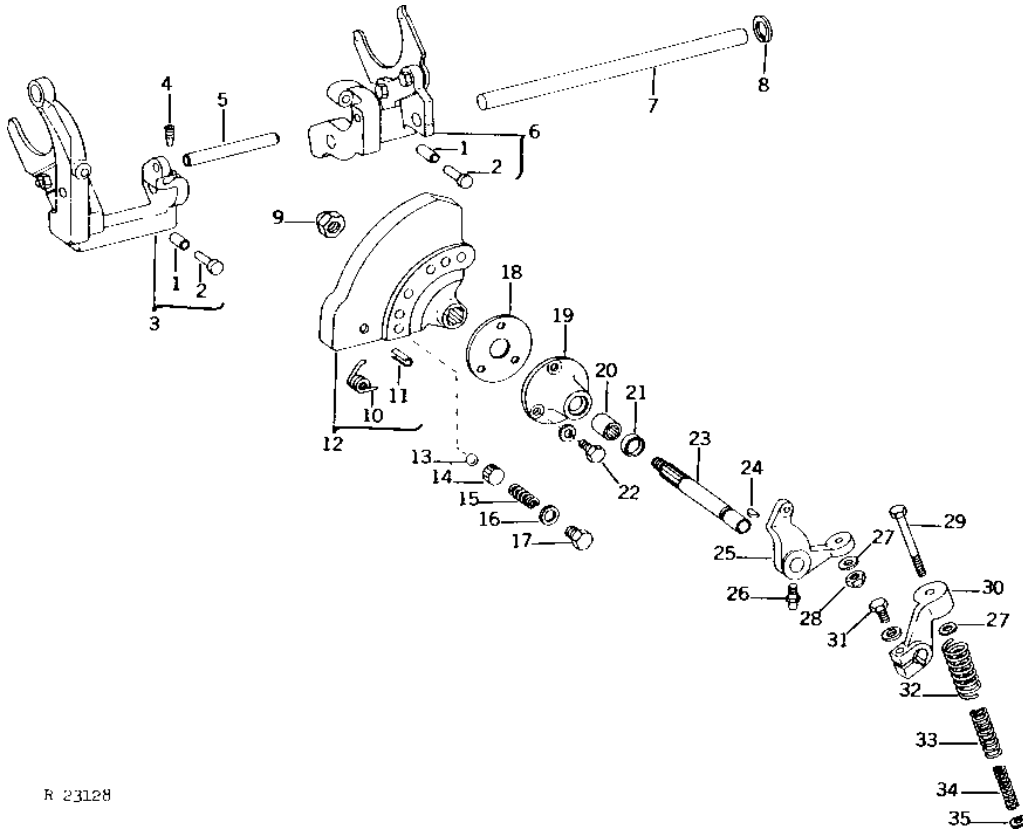
# 3E13

POWER TRAIN

R23128

-UN-01JAN94

## GEAR SHIFTERS AND SHIFTER SHAFTS



R 23128



# 3E14

POWER TRAIN

## GEAR SHIFTERS AND SHIFTER SHAFTS - CONTINUED

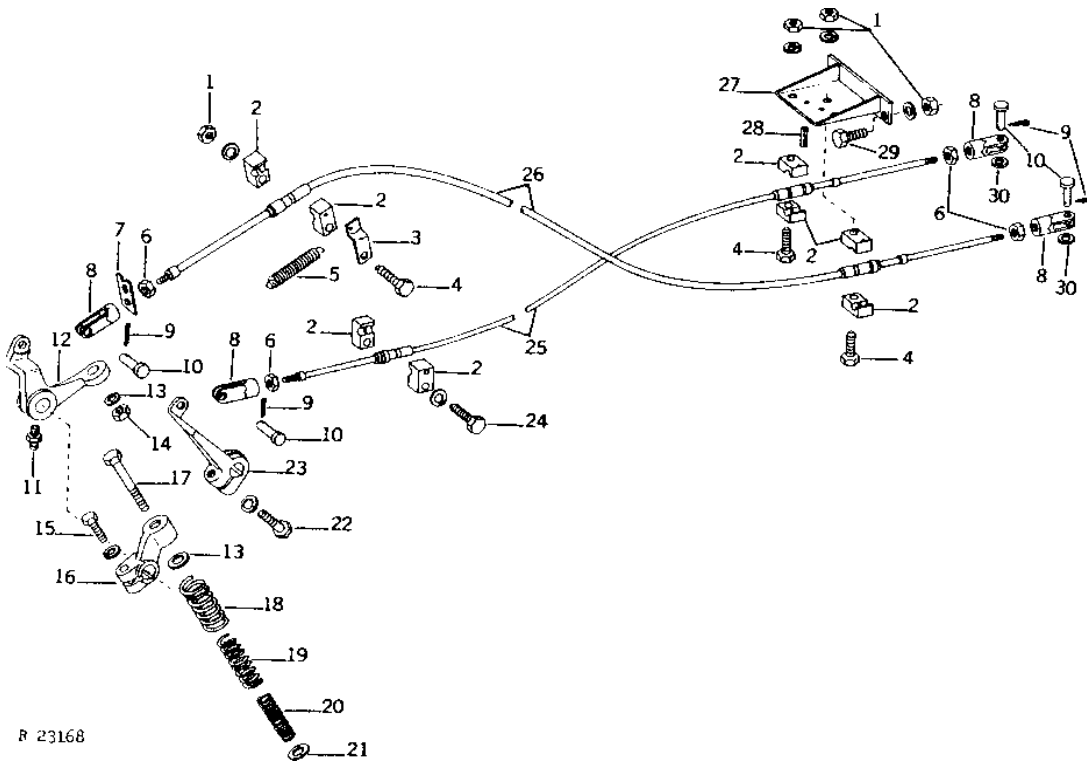
KEY	PART NO.	PART NAME	QTY	TRACTOR SERIAL NO.	REMARKS
1	R26207	ROLLER	2		
2	R26206	PIN	2		
3	AR82838	SHIFTER	1		(A AND D RANGE) (MARKED R62881 OR R65352) (SUB FOR AR77578 OR AR81987)
4	T25614	SET SCREW	1		
5	R59566	PIN	1		
6	AR82839	SHIFTER	1		(B AND C RANGE) (MARKED R62883 OR R65353) (SUB FOR AR81988 OR AR77579)
7	R43460	SHAFT	1		
8	R46205	RING	1		
9	E17421	LOCK NUT	1		
10	R43593	SPRING	1		(SUB FOR R73444)
11	34H365	SPRING PIN	1		1/2" X 7/8"
12	AR77725	CAM	1		(MARKED R43391, R61108, R62803 OR R62972) (SUB FOR AR43097, AR74081 OR AR77462)
13	M886T	BALL	1		16 MM (5/8")
14	T19079	RETAINER	1		
15	R59378	SPRING	1		
16	A4827R	WASHER	1		
17	R38181	FITTING	1		
18	R58798	GASKET	1		
19	R64528	SUPPORT	1		(SUB FOR R58797)
20	JD8806	NEEDLE BEARING	1		
21	AR389R	SEAL	1		
22	19H1732	CAP SCREW	3		3/8" X 1-1/4"
	12H304	LOCK WASHER	3		3/8"
23	R58872	SHAFT	1		
24	26H17	SHAFT KEY	1		3/16" X 7/8"
25	R57761	ARM	1	-002754	RANGE SELECTOR
	R64003	ARM	1	002755-	RANGE SELECTOR, (SUB FOR R62361)
26	JD7759	LUBRICATION FITTING	1		
27	R1870R	WASHER	2		(SUB R57696)
28	T11234	LOCK NUT	1		
29	19H2228	CAP SCREW	1		3/8" X 4"
30	R58873	ARM	1		PARK RELEASE
31	19H1800	CAP SCREW	1		3/8" X 1-1/2"
	12H304	LOCK WASHER	1		3/8"
32	R26637	SPRING	1		
33	R26638	SPRING	1		
34	R26369	SPRING	1		
35	R1870R	WASHER	1		(SUB R57696)

# 3E15

POWER TRAIN

## TRANSMISSION SHIFTER CONTROL CABLES AND ARMS (TRACTOR SERIAL NO. -002754)

R23168 -UN-01JAN94



# 3E16

POWER TRAIN

TRANSMISSION SHIFTER CONTROL CABLES AND ARMS - CONTINUED  
(TRACTOR SERIAL NO. -002754)

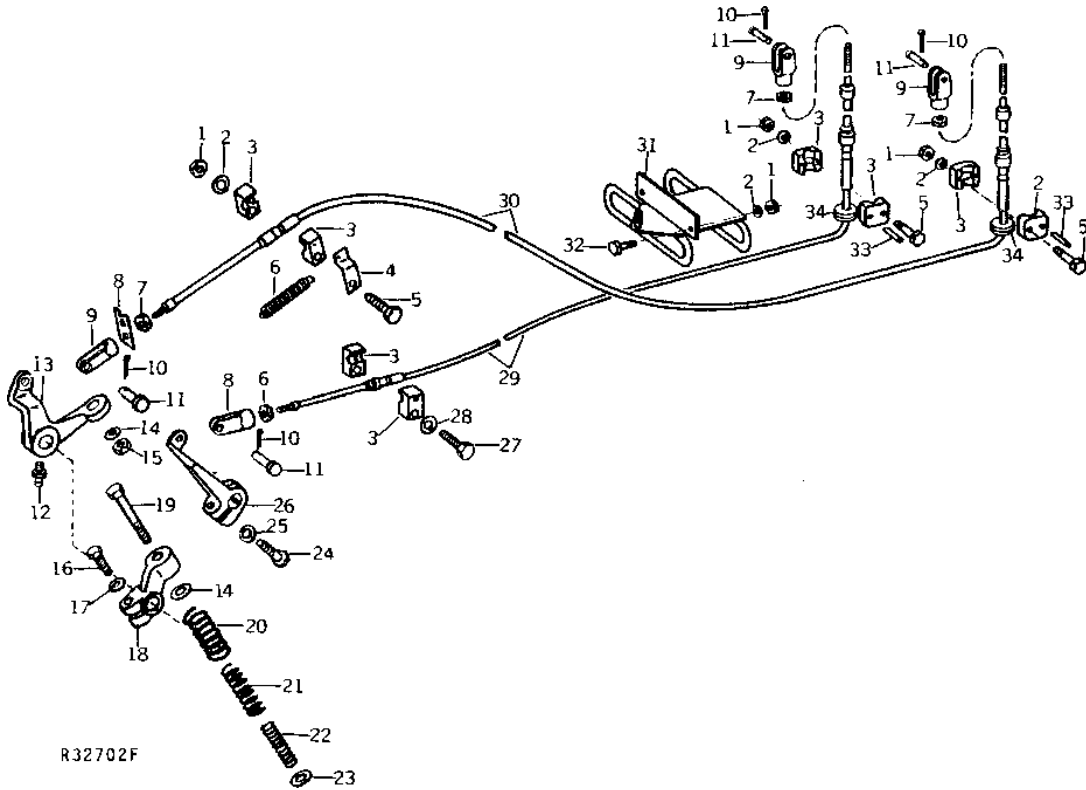
KEY	PART NO.	PART NAME	QTY	TRACTOR SERIAL NO.	REMARKS
1	14H1076	NUT	5	3/8"	
	12H304	LOCK WASHER	5	3/8"	
2	R47806	CLAMP	8		
3	R59354	BRACKET	1		
4	19H3181	CAP SCREW	3	3/8" X 2"	
5	R59352	SPRING	1		
6	14H774	NUT	4	3/8"	
7	R59353	STRAP	1		PARK RELEASE (NLA)
8	T13606	YOKE	4		
9	11M7081	COTTER PIN	4	0.098" X 0.787"	
10	R65563	PIN	4	(SUB FOR C1067R)	
11	JD7759	LUBRICATION FITTING	1		
12	R57761	ARM	1		RANGE SELECTOR
13	R57696	WASHER	2	(SUB FOR R1870R)	
14	T11234	LOCK NUT	1		
15	19H1800	CAP SCREW	1	3/8" X 1-1/2"	
	12H304	LOCK WASHER	1	3/8"	
16	R58873	ARM	1		PARK RELEASE
17	19H2228	CAP SCREW	1	3/8" X 4"	
18	R26637	SPRING	1		
19	R26638	SPRING	1		
20	R26369	SPRING	1		
21	24H1219	WASHER	1	7/16" X 1" X 0.083"	
22	19H1800	CAP SCREW	1	3/8" X 1-1/2"	
	12H304	LOCK WASHER	1	3/8"	
23	R57760	ARM	1		SPEED SELECTOR
24	19H3181	CAP SCREW	1	3/8" X 2"	
	12H304	LOCK WASHER	1	3/8"	
25	AR81646	PUSH PULL CABLE	1		SPEED SELECTOR, (SUB FOR AR70907)
	R48718	SEAL	1		(CONDUIT TO TERMINAL SLEEVE)
	R48720	SEAL	1		(SLEEVE TO INNER MEMBER INPUT END) (SUB FOR R48719)
	R48720	SEAL	1		(SLEEVE TO INNER MEMBER OUTPUT END)
26	AR70906	PUSH PULL CABLE	1		RANGE SELECTOR
	R48718	SEAL	1		(CONDUIT TO TERMINAL SLEEVE)
	R48720	SEAL	1		(SLEEVE TO INNER MEMBER INPUT END) (SUB FOR R48719)
	R48720	SEAL	1		(SLEEVE TO INNER MEMBER OUTPUT END)
27	AR70896	BRACKET	1		(NLA)
28	34H254	SPRING PIN	2	1/8" X 1-1/2"	
29	19H1731	CAP SCREW	2	3/8" X 1"	
30	24H1302	WASHER	2	13/32" X 11/16" X 0.035"	

# 3E17

POWER TRAIN

## TRANSMISSION SHIFTER CONTROL CABLES AND ARMS (TRACTOR SERIAL NO. 002755- )

R32702 -UN-01JAN94



# 3E18

POWER TRAIN

TRANSMISSION SHIFTER CONTROL CABLES AND ARMS - CONTINUED  
(TRACTOR SERIAL NO. 002755- )

KEY	PART NO.	PART NAME	QTY	TRACTOR SERIAL NO.	REMARKS
1	14H1076	NUT	5		3/8"
2	12H304	LOCK WASHER	5		3/8"
3	R47806	CLAMP	8		
4	R59354	BRACKET	1		
5	19H3181	CAP SCREW	3		3/8" X 2"
6	R59352	SPRING	1		
7	14H774	NUT	4		3/8"
8	R59353	STRAP	1		(NLA)
9	T13606	YOKE	4		
10	11M7081	COTTER PIN	4		0.098" X 0.787"
11	R65563	PIN	4		(SUB FOR C1067R)
12	JD7759	LUBRICATION FITTING	1		
13	R64003	ARM	1		RANGE SELECTOR, (SUB FOR R62361)
14	R57696	WASHER	2		(SUB FOR R1870R)
15	T11234	LOCK NUT	1		
16	19H1800	CAP SCREW	1		3/8" X 1-1/2"
17	12H304	LOCK WASHER	1		3/8"
18	R58873	ARM	1		PARK RELEASE
19	19H2228	CAP SCREW	1		3/8" X 4"
20	R26637	SPRING	1		
21	R26638	SPRING	1		
22	R26369	SPRING	1		
23	24H1219	WASHER	1		7/16" X 1" X 0.083"
24	19H1800	CAP SCREW	1		3/8" X 1-1/2"
25	12H304	LOCK WASHER	1		3/8"
26	R57760	ARM	1		SPEED SELECTOR
27	19H3181	CAP SCREW	1		3/8" X 2"
28	12H304	LOCK WASHER	1		3/8"
29	AR76746	PUSH PULL CABLE	1		(SPEED SELECTOR)
	R48718	SEAL	1		(CONDUIT TO TERMINAL SLEEVE)
	R48720	SEAL	1		(SLEEVE TO INNER MEMBER INPUT END) (SUB FOR R48719)
	R48720	SEAL	1		(SLEEVE TO INNER MEMBER OUTPUT END)
30	AR76747	PUSH PULL CABLE	1		(RANGE SELECTOR)
	R48718	SEAL	1		(CONDUIT TO TERMINAL SLEEVE)
	R48720	SEAL	1		(SLEEVE TO INNER MEMBER INPUT END) (SUB FOR R48719)
	R48720	SEAL	1		(SLEEVE TO INNER MEMBER OUTPUT END)
31	AR78349	GUIDE	1		
32	19H1731	CAP SCREW	2		3/8" X 1"
33	34H254	SPRING PIN	2		1/8" X 1-1/2"
34	R62356	GROMMET	2		

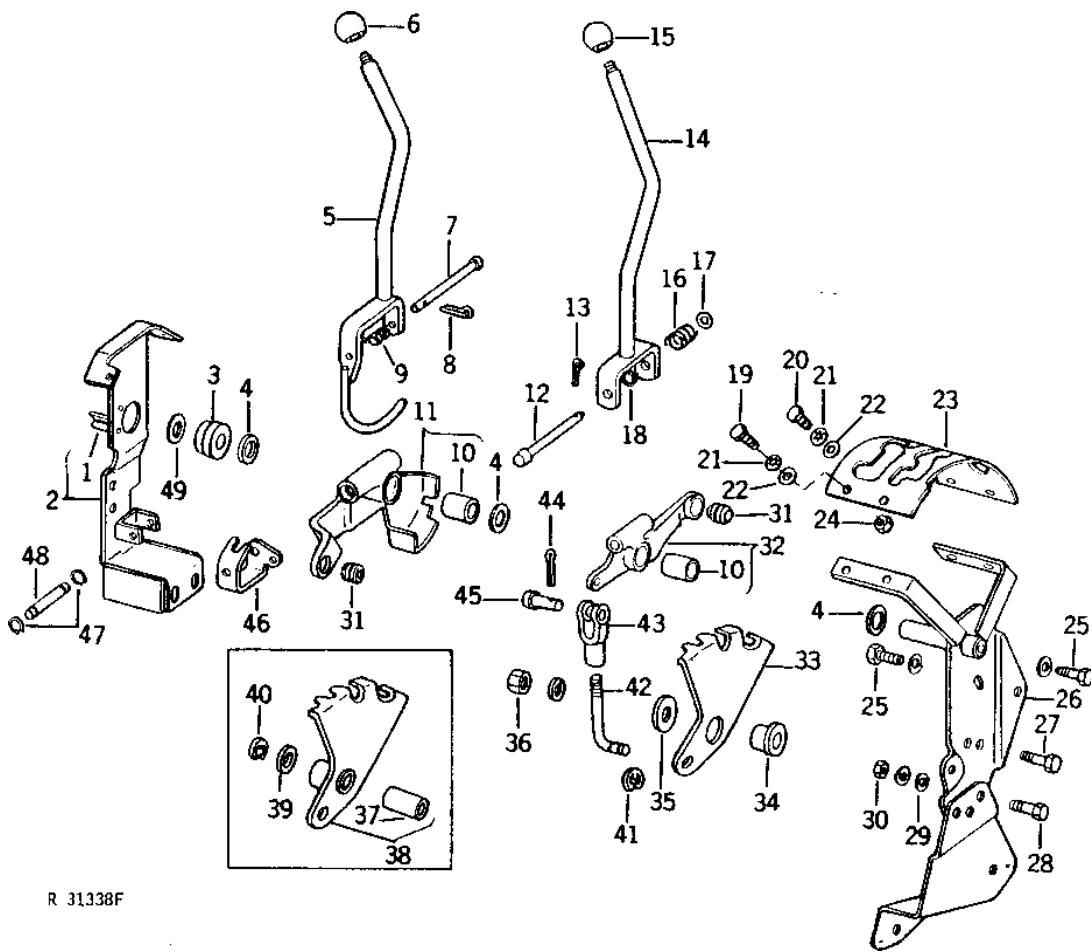
# 3E19

POWER TRAIN

R31338

-UN-01JAN94

## TRANSMISSION SHIFTER CONTROL LEVERS, LINKAGE AND SUPPORT



R 31338F

# 3E20

POWER TRAIN

## TRANSMISSION SHIFTER CONTROL LEVERS, LINKAGE AND SUPPORT - CONTINUED

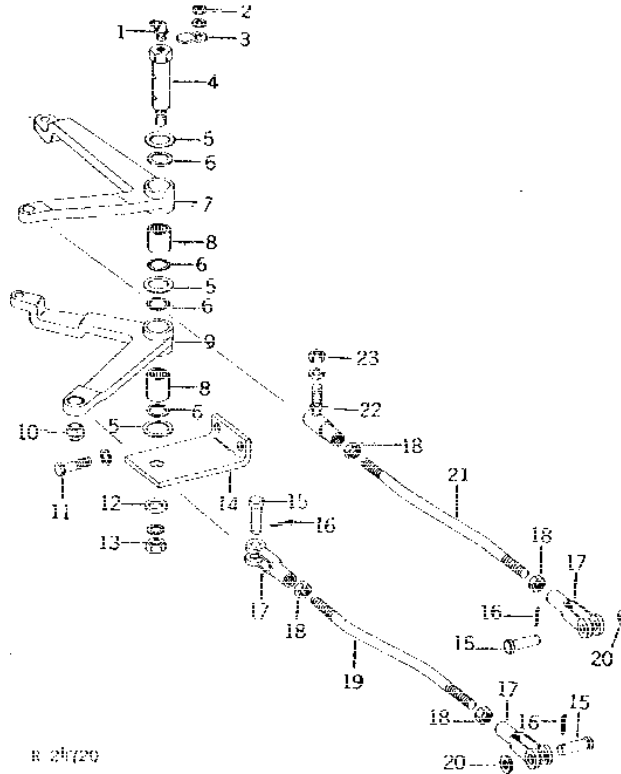
KEY	PART NO.	PART NAME	QTY	TRACTOR SERIAL NO.	REMARKS
1	R57449	PIN	1		
2	AR70900	SUPPORT	1		
3	R62927	SPACER	1		(ALSO ORDER 24H1422) (SUB FOR R56236)
4	R42127	WASHER	3		
5	AR82762	LEVER	1		SPEED SELECTOR, (SUB FOR AR69533)
6	R50864	KNOB	1		
7	R31131	PIN	1		
8	11M7021	COTTER PIN	1		0.157" X 0.984"
9	R41147	SPRING	1		
10	R26182	BUSHING	2		
11	AR70152	ARM	1	-002754	(MARKED R58387)
	AR76745	ARM	1	002755-	(MARKED R62358)
12	R53510	PIN	1		
13	11M7021	COTTER PIN	1		0.157" X 0.984"
14	AR69534	LEVER	1		RANGE SELECTOR
15	R53244	KNOB	1		
16	R53692	SPRING	1		
17	24M7096	WASHER	1		10.500 X 18 X 1.600 MM
18	R56712	WASHER	1		
19	19H1905	CAP SCREW	2		5/16" X 1"
20	19H2020	CAP SCREW	2		5/16" X 1/2"
21	12M7032	LOCK WASHER	4		0.331"
22	24H1292	WASHER	4		11/32" X 3/4" X 0.120"
23	R59711	GUIDE	1		(SUB FOR R52305)
24	14H785	NUT	2		5/16"
25	19H1731	CAP SCREW	3		3/8" X 1"
	12H304	LOCK WASHER	3		3/8"
26	AR57115	SUPPORT	1	-001339	(SUB AR73577, R65337, R60670, R60671, 12H304, 14H1076 AND 19H1732, THIS APPLICATION)
	AR73577	SUPPORT	1	001340-002754	
	AR78348	SUPPORT	1	002755-	
27	19H1732	CAP SCREW	1	001340-	3/8" X 1-1/4"
28	19H1731	CAP SCREW	2	-002754	3/8" X 1"
	19H2542	CAP SCREW	2	002755-	3/8" X 3-1/4"
29	24H1884	WASHER	2		13/32" X 13/16" X 0.120"
30	14H1076	NUT	2		3/8"
	12H304	LOCK WASHER	2		3/8"
31	AR69719	BUSHING	2	-002754	
32	AR70164	ARM	1	-002754	(MARKED R58446)
	AR86998	ARM	1	002755-	(MARKED R62357 OR R66931) (SUB FOR AR76744)
33	R65337	LATCH	1	001340-	
34	R60670	LOCK WASHER	1	001340-	
35	R60671	WASHER	1	001340-	
36	14H1076	NUT	1	001340-	3/8"
	12H304	LOCK WASHER	1	001340-	3/8"
37	R36119	BUSHING	1	-001339	
38	AR82758	LATCH	1	-001339	
39	24H1341	WASHER	1	-001339	17/32" X 15/16" X 0.060"
40	R26871	SNAP RING	1	-001339	
41	R72653	SNAP RING	2		(SUB FOR M2396T)
42	R65338	HOOK BOLT	1		
43	L299T	YOKE	1		
44	11M7059	COTTER PIN	1		3.200 X 20 MM
45	P46404	PIN	1		
46	R55169	ARM	1		
47	R72655	SNAP RING	2		(SUB FOR T12808)
48	R53213	PIN	1		
49	24H1422	SHIM	AR	002755-	0.46 MM (.018")

# 3E21

POWER TRAIN

## TRANSMISSION SHIFTER CONTROL RODS AND BELL CRANKS, INNER (TRACTOR SERIAL NO. -002754)

R24720 -UN-01JAN94



KEY	PART NO.	PART NAME	QTY	TRACTOR SERIAL NO.	REMARKS
1	JD7760	LUBRICATION FITTING	1		
2	14H732	NUT	1	3/8"	
	12H304	LOCK WASHER	1	3/8"	
3	R58551	RETAINER	1		
4	R58547	BOLT	1		
5	R42127	WASHER	3		
6	R58447	WASHER	4		
7	R58385	BELLCRANK	1		RANGE SELECTOR
8	JD8806	NEEDLE BEARING	2		
9	R58388	BELLCRANK	1		SPEED SELECTOR
10	AR69719	BUSHING	1		
11	19H2284	CAP SCREW	2	3/8" X 7/8"	
	12H304	LOCK WASHER	2	3/8"	
12	24H448	WASHER	1	25/32" X 1-1/8" X 0.090"	
13	14H914	NUT	1	5/8"	
	12H294	LOCK WASHER	1	5/8"	
14	R58448	SUPPORT	1		
15	D1994R	PIN	3		
16	11M7015	COTTER PIN	3	3.200 X 25 MM	
17	T21158	YOKE	3		
18	14H856	NUT	4	1/2"	
19	R58549	LEVER	1		
20	24H1305	WASHER	2	13/32" X 13/16" X 0.065"	
21	R58548	LEVER	1	(NLA)	
22	AR70165	BALL JOINT	1		
23	14H865	NUT	1	1/2"	
	12H301	LOCK WASHER	1	1/2"	

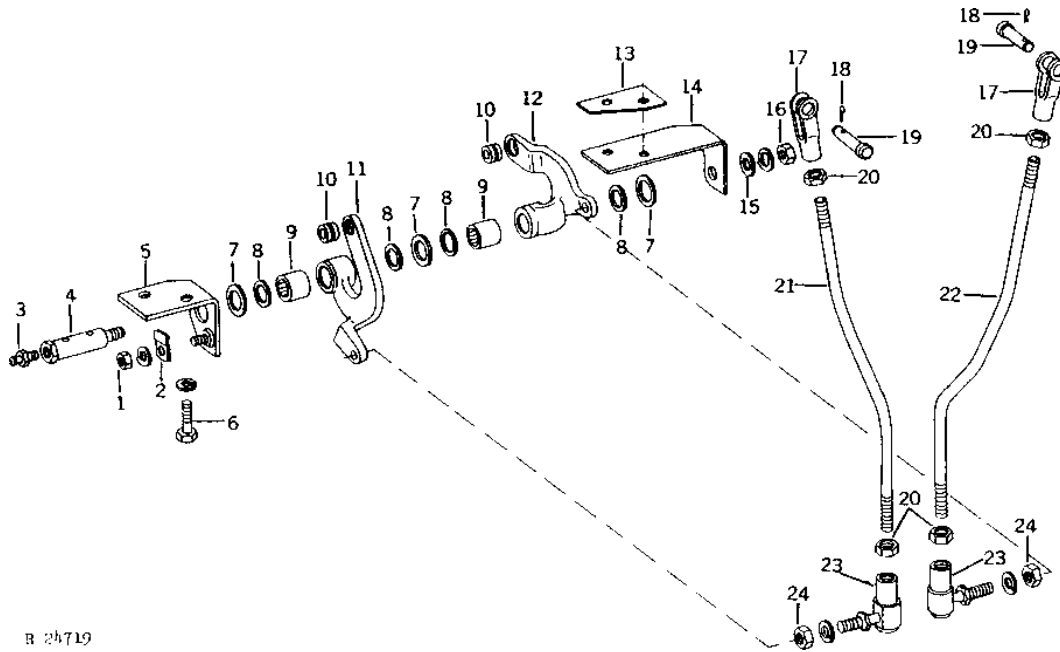


# 3E22

POWER TRAIN

## TRANSMISSION SHIFTER CONTROL RODS AND BELL CRANKS, OUTER (TRACTOR SERIAL NO. -002754)

R24719 -UN-01JAN94



R 24719

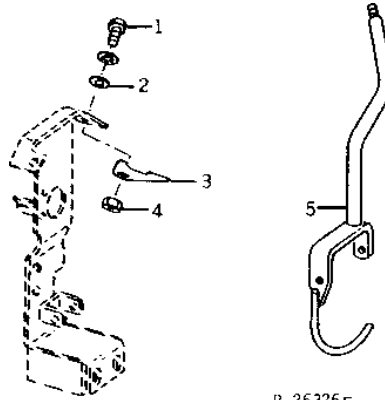
KEY	PART NO.	PART NAME	QTY	TRACTOR SERIAL NO.	REMARKS
1	14H732	NUT	1		3/8"
	12H304	LOCK WASHER	1		3/8"
2	R58551	RETAINER	1		
3	JD7759	LUBRICATION FITTING	1		
4	R58547	BOLT	1		
5	AR70350	PLATE	1		
6	19H1732	CAP SCREW	2	-001540	3/8" X 1-1/4"
	19H1800	CAP SCREW	2	001541-	3/8" X 1-1/2"
	12H304	LOCK WASHER	2		3/8"
7	R42127	WASHER	3		
8	R58447	WASHER	4		
9	JD8806	NEEDLE BEARING	2		
10	AR69719	BUSHING	2		
11	R58389	BELLCRANK	1		SPEED SELECTOR, (ON TRACTORS BUILT PRIOR TO SERIAL NO. 001541, ALSO ORDER R62432, (2) 19H1800 AND (2) 12H304)
12	R58386	BELLCRANK	1		RANGE SELECTOR, (ON TRACTORS BUILT PRIOR TO SERIAL NO. 001541, ALSO ORDER R62432, (2) 19H1800 AND (2) 12H304)
13	R62432	GUSSET	1	001541-	
14	R58552	BRACKET	1		
15	24H448	WASHER	1		25/32" X 1-1/8" X 0.090"
16	14H914	NUT	1		5/8"
	12H294	LOCK WASHER	1		5/8"
17	T21158	YOKE	2		
18	11M7015	COTTER PIN	2		3.200 X 25 MM
19	D1994R	PIN	2		
20	14H856	NUT	4		1/2"
21	R58550	ROD	1		
22	R58546	SHIFTER ROD	1		
23	AR70165	BALL JOINT	2		
24	14H865	NUT	2		1/2"
	12H301	LOCK WASHER	2		1/2"

# 3E23

POWER TRAIN

**SPEED SELECTOR LEVER AND STOP  
(TRACTOR SERIAL NO. 004729- )  
(NOT USED IN U.S. AND CANADA)**

R26326 -UN-02JAN94



R 26326F

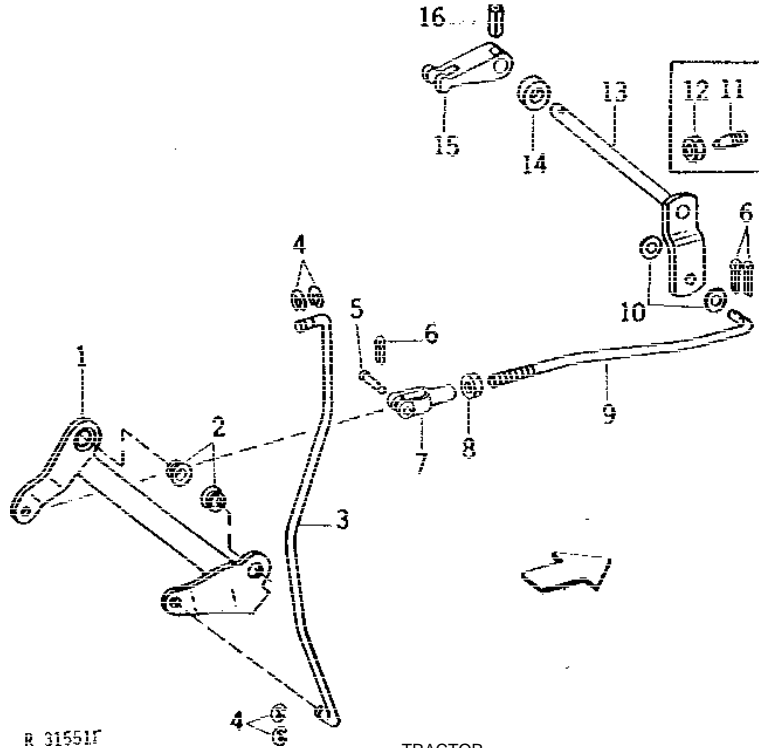
KEY	PART NO.	PART NAME	QTY	TRACTOR SERIAL NO.	REMARKS
1	19H2661	CAP SCREW	1	5/16" X 1-3/8"	
	12M7032	LOCK WASHER	1	0.331"	
2	24H1292	WASHER	1	11/32" X 3/4" X 0.120"	
3	AR98801	ARM	1	(SUB FOR AR79049)	
4	14H611	NUT	1	5/16"	
5	AR83654	LEVER	1	(SUB FOR AR79048)	

# 3E24

POWER TRAIN

R31551 -UN-01JAN94

## QUAD-RANGE PLANETARY LOWER BELL CRANK SHIFTER



R 31551F

KEY	PART NO.	PART NAME	QTY	TRACTOR SERIAL NO.	REMARKS
1	R57822	LEVER	1		
2	R52646	WASHER	2		
3	R57827	ROD	1		
4	R72653	SNAP RING	4		(SUB FOR M2396T)
5	R72660	PIN	1		(SUB FOR R662R)
6	11M7079	COTTER PIN	1		0.098" X 0.472"
7	R42282	YOKE	1		(SUB T54033 AND R82766)
8	14H882	NUT	1		5/16"
9	R64099	ROD	1		(SUB FOR R57828)
10	24H1290	WASHER	2		21/64" X 3/4" X 0.035"
11	T25614	SET SCREW	1	-003594	
12	14H732	NUT	1	-003594	3/8"
13	AR77263	SHAFT	1		CONTROL VALVE OPERATING
14	AR39043	SEAL	1		
15	R62690	ARM	1		
16	34H264	SPRING PIN	1		5/32" X 7/8"

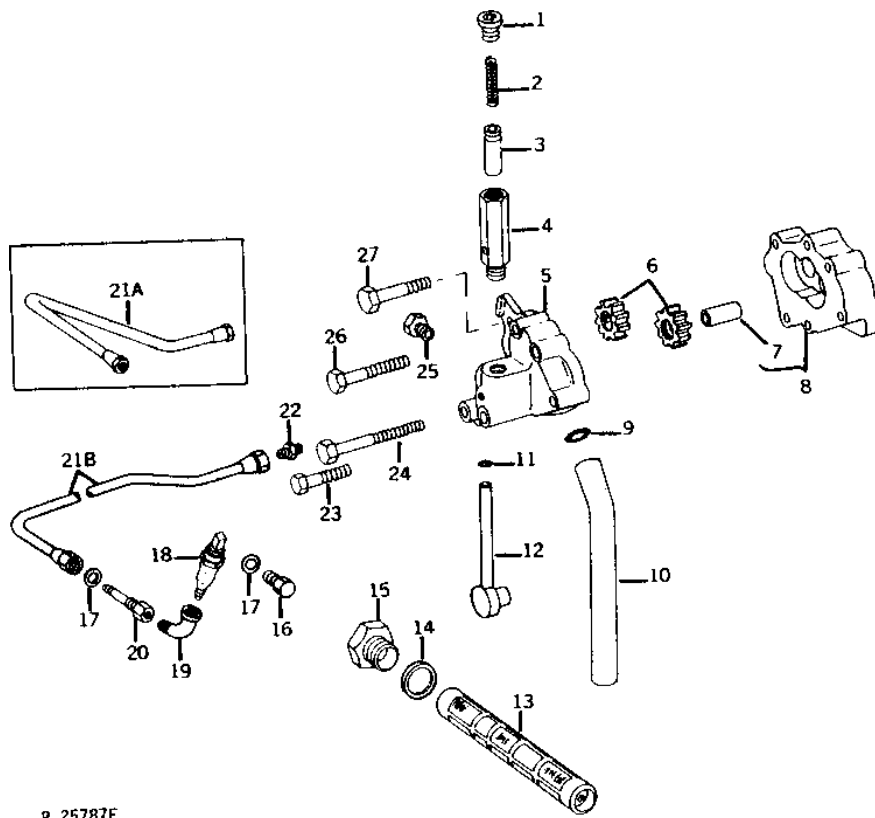
# 3F1

POWER TRAIN

R25787

-UN-01JAN94

## TRANSMISSION OIL PUMP



R 25787F

# 3F2

POWER TRAIN

## TRANSMISSION OIL PUMP - CONTINUED

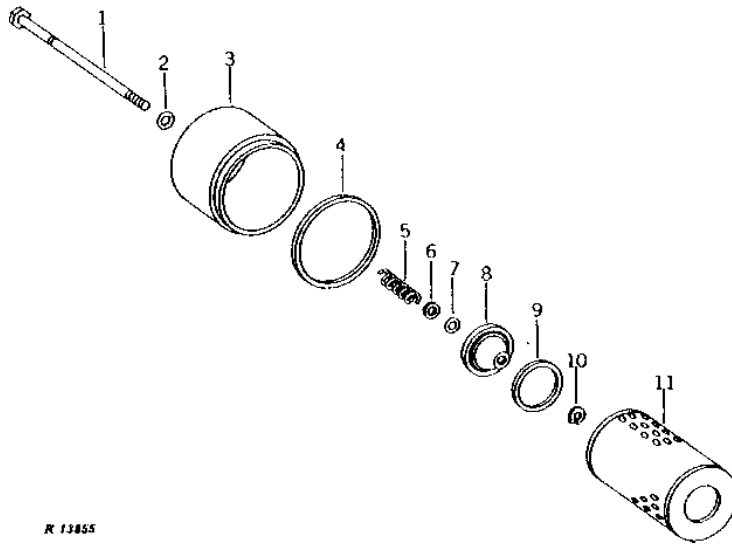
KEY	PART NO.	PART NAME	QTY	TRACTOR SERIAL NO.	REMARKS
1	R39112	FITTING	1		
2	R64394	SPRING	1		
3	R57561	VALVE	1		
4	R64393	HOUSING	1		
5	AR88600	MANIFOLD	1		(MARKED R67297) (SUB FOR R57661)
6	AR79582	GEAR	1		(INCLUDES R64073)
	R64073	BUSHING	1		(IDLER GEAR)
7	R58661	DOWEL PIN	1		
8	AR70635	HOUSING	1		(MARKED R58660)
9	A3606R	O-RING	1		
10	R58916	HYDRAULIC LINE	1		INTAKE
11	A3917R	O-RING	1		
12	AR71016	HYDRAULIC LINE	1		DIFFERENTIAL DRIVE SHAFT
13	AR26375	SCREEN	1	-001474	STEEL
	R53169	SCREEN	1	-001474	NYLON
	R68836	SCREEN	1	001475-	
14	A4808R	WASHER	1		
15	R58616	FITTING	1	-001474	
	R40147	FITTING	1	001475-	
16	R27218	FITTING PLUG	1	003543-	(LESS DIFFERENTIAL LOCK)
17	R51494	WASHER	1	-003542	
	R51494	WASHER	2	003543-	
18	AH76862	SENDER	1		TRANSMISSION LUBE PRESSURE
19	15H197	ELBOW FITTING	1	003543-	
20	AR72967	FITTING	1		
	AR100437	FITTING	1		(USE WITH RE36542)
21A	AR72885	HYDRAULIC LINE	1	-003542	
21B	AR78574	HYDRAULIC LINE	1	003543-	
	AR100438	HYDRAULIC LINE	1		(USE WITH RE36542)
22	R39832	ADAPTER	1		
23	R41007	CAP SCREW	2		
24	R41009	CAP SCREW	2		
25	R51031	FITTING	1		
26	R51030	CAP SCREW	1		
27	R43252	CAP SCREW	1		

# 3F3

POWER TRAIN

TRANSMISSION OIL FILTER  
(TRACTOR SERIAL NO. -005625)

R13855 -UN-01JAN94



R 13855

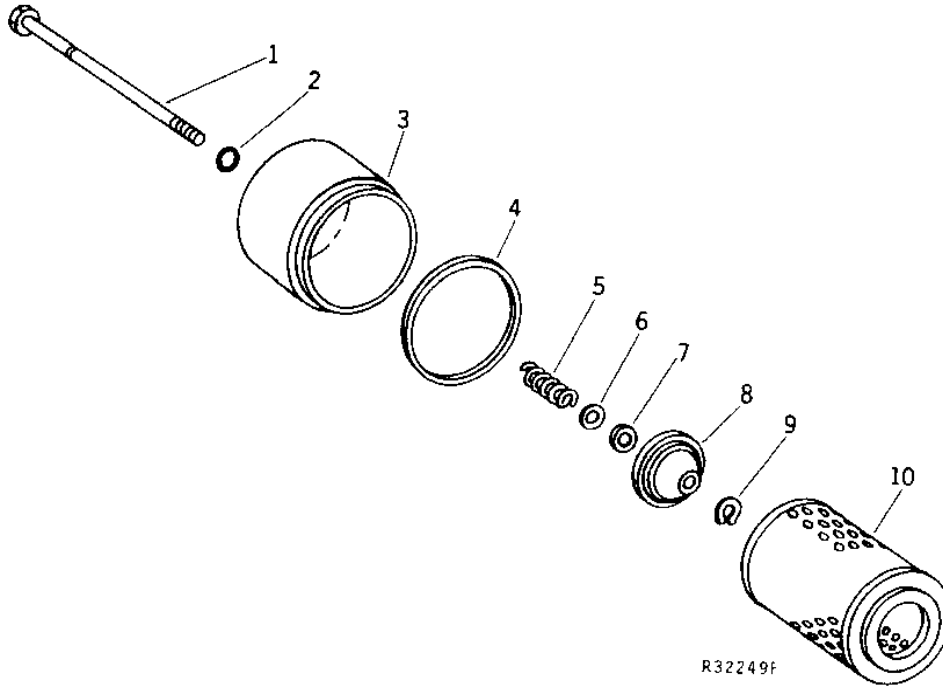
KEY	PART NO.	PART NAME	QTY	TRACTOR SERIAL NO.	REMARKS
1	R54750	CAP SCREW	1		
2	R394R	O-RING	1		
3	R39796	COVER	1		
4	R34733	WASHER	1		
5	H819R	SPRING	1		
6	24H1227	WASHER	1		17/32" X 13/16" X 0.060"
7	R394R	O-RING	1		
8	R65892	RETAINER	1		(SUB FOR R28593)
9	R28594	WASHER	1	-002418	
10	R32507	SNAP RING	1		
11	AR75603	FILTER ELEMENT	1		(ALSO ORDER R34733) (SUB FOR AR28271, AT34670 OR AR75601)

# 3F4

POWER TRAIN

R32249 -UN-01JAN94

## TRANSMISSION OIL FILTER (TRACTOR SERIAL NO. 005626- )



R32249f

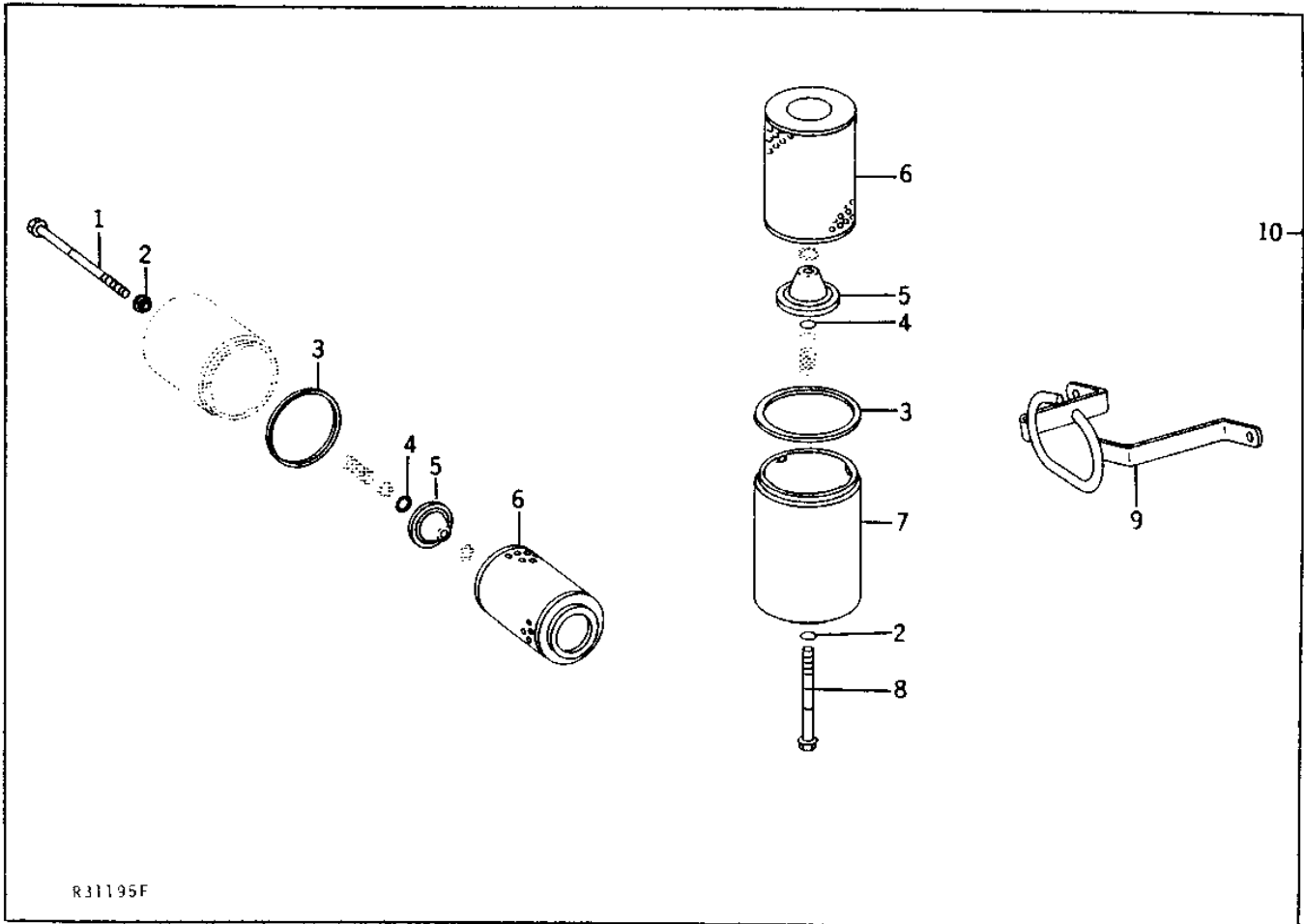
KEY	PART NO.	PART NAME	QTY	TRACTOR SERIAL NO.	REMARKS
1	R65894	CAP SCREW	1		
2	R394R	O-RING	1		
3	R63093	COVER	1		
4	R34733	WASHER	1		
5	R66064	SPRING	1		
6	24H1227	WASHER	1		17/32" X 13/16" X 0.060"
7	F2741R	PACKING	1		
8	R65892	RETAINER	1		
9	R32507	SNAP RING	1		
10	AR94510	FILTER ELEMENT	1		(SUB FOR AR70636)

# 3F5

POWER TRAIN

10-MICRON FILTER KIT  
(TRACTOR SERIAL NO. -005625)

R31195 -UN-01JAN94



KEY	PART NO.	PART NAME	QTY	TRACTOR SERIAL NO.	REMARKS
1	R65894	CAP SCREW	1		
2	R394R	O-RING	2		
3	R34733	WASHER	2		
4	F2741R	PACKING	2		
5	R65892	RETAINER	2		
6	AR98098	FILTER ELEMENT	2		
7	R65901	COVER	1		
8	R65904	CAP SCREW	1		
9	AR85308	GUARD	1		
10	AR85307	KIT	1		

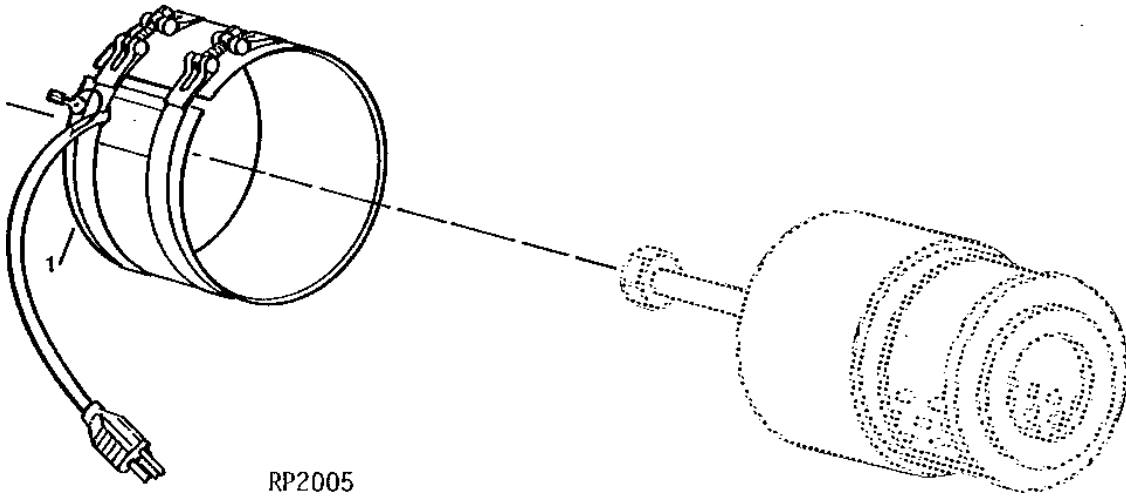


# 3F6

POWER TRAIN

RP2005 -UN-01JAN94

OIL FILTER HEATER



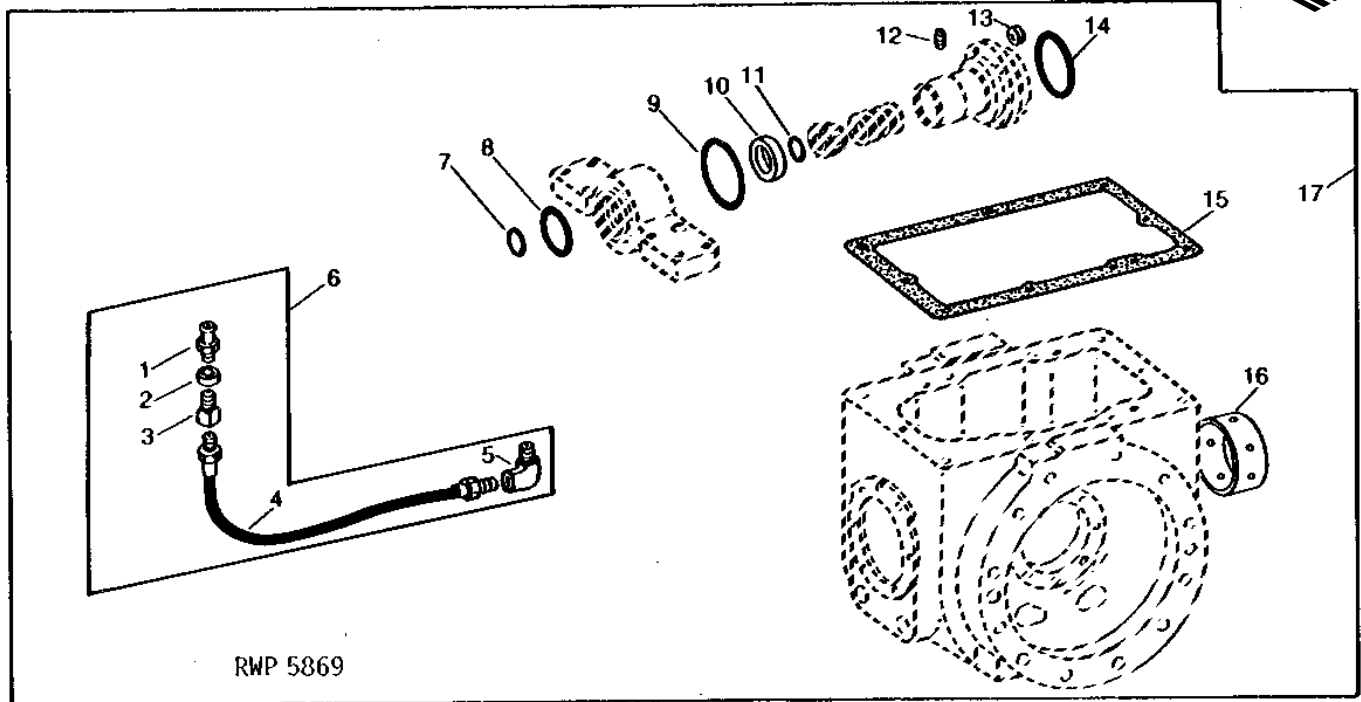
KEY	PART NO.	PART NAME	QTY	TRACTOR SERIAL NO.	REMARKS
1	AR98518	HEATER	1		

# 3F7

POWER TRAIN

RWP5869 -UN-01JAN94

## FRONT AXLE REAR PIVOT BUSHING GREASE BANK ADAPTER KIT



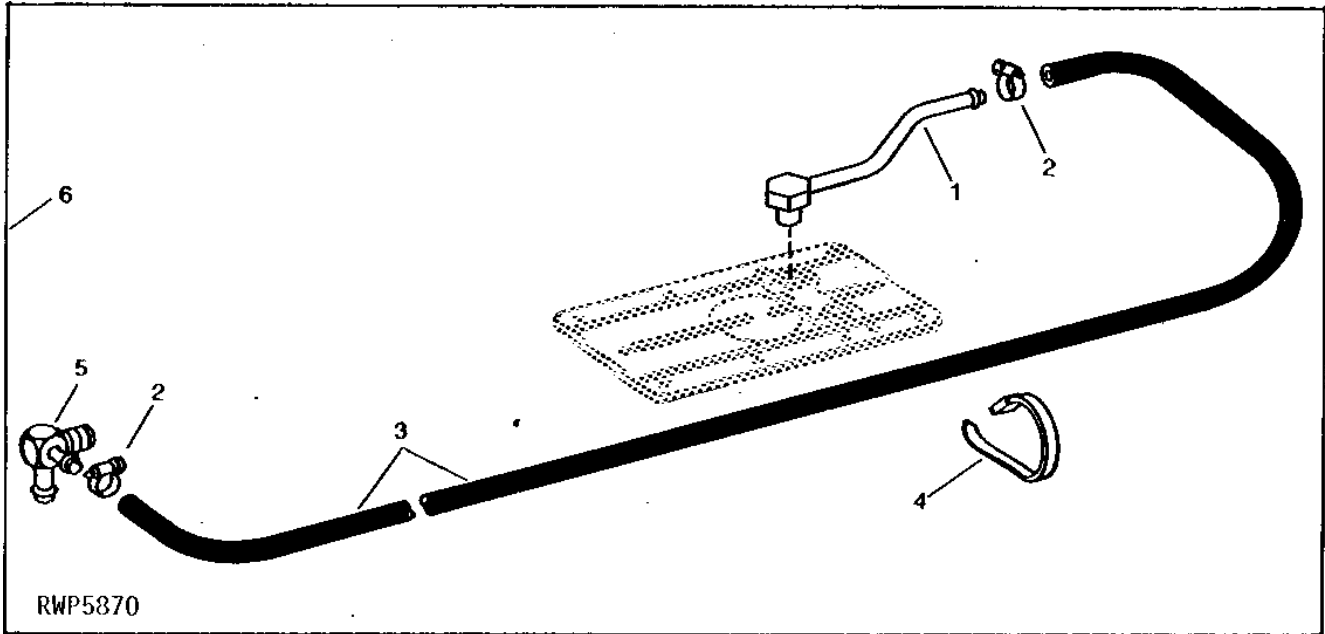
KEY	PART NO.	PART NAME	QTY	TRACTOR SERIAL NO.	REMARKS
1	JD7797	LUBRICATION FITTING	1		
2	E12379	NUT	1		
3	R36311	FITTING	1		
4	AR70381	HOSE	1		
5	15H197	ELBOW FITTING	1		90°
6	RE11201	KIT	1		(NO LONGER AVAILABLE)
7	U11017	O-RING	1		
8	R68543	O-RING	1		
9	R68544	O-RING	1		
10	AR82993	SEAL	1		
11	B3690R	O-RING	1		
12	15H558	PIPE PLUG	1		1/8"
13	15H560	PIPE PLUG	1		1/16"
14	R26149	PACKING	1		
15	R27796	O-RING	1		
16	R94319	GASKET	1		(SUB FOR R74305)
17	R78266	BUSHING	1		
17	RE11210	KIT	1		

# 3F8

POWER TRAIN

RWP5870 -UN-01JAN94

## FRONT DIFFERENTIAL VENT KIT



KEY	PART NO.	PART NAME	QTY	TRACTOR SERIAL NO.	REMARKS
1	AR86073	ADAPTER	1		
2	AR21836	CLAMP	2		
3	TY22325	BULK HOSE	1	(SUB FOR R66388)	
4	R44302	TIE BAND	4		
5	AR86072	TEE FITTING	1		
6	RE11211	KIT	1	(SUB (2) AR21836, AR86072, AR86073, (4) R44302 AND TY22325)	

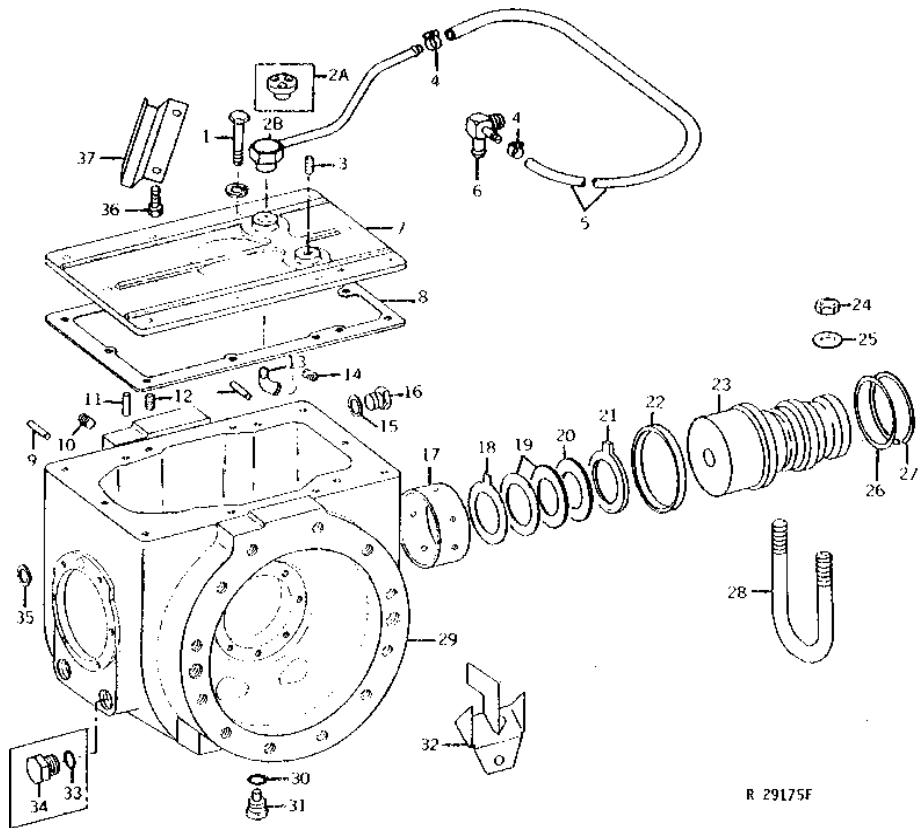
# 3F9

POWER TRAIN

R29175

-UN-01JAN94

## FRONT DIFFERENTIAL CASE AND PIN



R 29175F

# 3F10

POWER TRAIN

## FRONT DIFFERENTIAL CASE AND PIN - CONTINUED

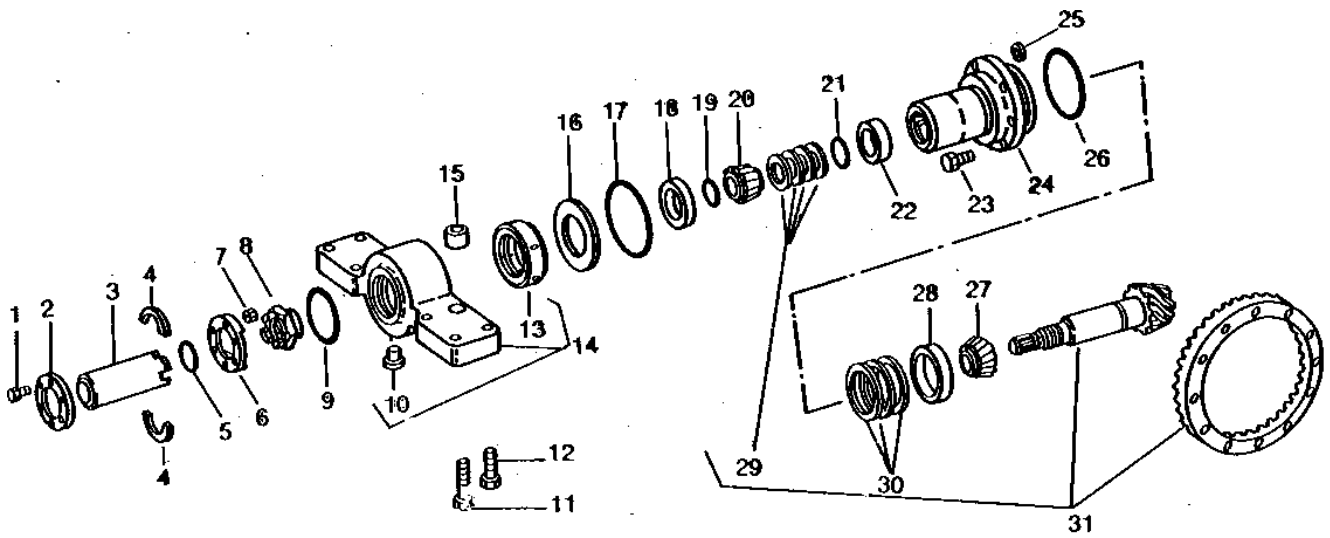
KEY	PART NO.	PART NAME	QTY	TRACTOR SERIAL NO.	REMARKS
1	19H3579	CAP SCREW	10		1/2" X 1-3/8"
	12H301	LOCK WASHER	10		1/2"
2A	AM1074T	BREATHER	1	XXXXXX-XXXXXX	
2B	AR86073	ADAPTER	1	XXXXXX-	
3	15H571	PIPE PLUG	1	XXXXXX-	3/8"
4	AR21836	CLAMP	2	XXXXXX-	
5	TY22325	BULK HOSE	1	XXXXXX-	10 X 3000 MM (3/8" X 118") (SUB FOR R66388)
	R44302	TIE BAND	AR	XXXXXX-	
6	AR86072	TEE FITTING	1	XXXXXX-	
7	AR72959	COVER	1		(MARKED R52486, R59485, R59432 OR R60125) (ALSO ORDER AM1074T, 15H221, 22H994 AND 29H146) (SUB R100128) (ON TRACTORS BUILT PRIOR TO SERIAL NO. XXXXXX (SUB FOR R42103 OR R74305)
8	R94319	GASKET	1		
9	R54380	DOWEL PIN	4		
10	22H994	SET SCREW	1	XXXXXX-	3/8" X 5/8"
11	R48685	DOWEL PIN	2		
12	15H558	PIPE PLUG	1	-XXXXXX	1/8"
13	15H221	ELBOW FITTING	1	XXXXXX-	45°
14	29H146	THREADED NIPPLE	1	XXXXXX-	
15	A4827R	WASHER	1		
16	R26727	DRAIN PLUG	1		
17	R78266	BUSHING	1		(SUB FOR R58696)
18	R65526	THRUST WASHER	AR	-004812	(SUB FOR R57836)
	R65526	THRUST WASHER	1	004813-	
19	R65895	SHIM	AR	004813-	0.381 MM (.015")
20	R65905	SHIM	AR	004813-	0.635 MM (.025")
21	R68581	WASHER	2		(SUB FOR R57532)
22	AR72475	SEAL	1	-004818	(SUB AR82992)
	AR82992	SEAL	1	004819-	
23	R57847	PIN	1		
24	14H854	NUT	4		1"
25	R28575	WASHER	4		
26	R60155	WASHER	1		
27	C667R	SNAP RING	1		
28	R62850	U-BOLT	2		(SUB FOR R57890)
29	AR71697	CASE	1	-004770	(MARKED R57600)
	AR80625	CASE	1	004771-	(MARKED R64502)
30	R26375	O-RING	1	-004770	
	R26375	O-RING	2	004771-	
31	R33138	FITTING	1	-004770	
	R64474	BOLT	2	004771-	
32	RE27291	FUNNEL	2	004771-	(SUB FOR AR71734)
33	U13639	O-RING	2	-XXXXXX	
34	R39741	DRAIN PLUG	2	-XXXXXX	
35	R26149	PACKING	1		
36	R59444	EYEBOLT	2	004771-	
37	R59443	TROUGH	1	004771-	

# 3F11

POWER TRAIN

RWP3821 -UN-01JAN94

## FRONT DIFFERENTIAL DRIVE AND SUPPORT ASSEMBLY



RWP3821

# 3F12

POWER TRAIN

## FRONT DIFFERENTIAL DRIVE AND SUPPORT ASSEMBLY - CONTINUED

KEY	PART NO.	PART NAME	QTY	TRACTOR SERIAL NO.	REMARKS
1	19H1800	CAP SCREW	6		3/8" X 1-1/2"
2	R62784	RETAINER	1		
3	R57251	SPLINED COUPLING	1		
4	R62785	WASHER	2		
5	U11017	O-RING	1		
6	R62783	RETAINER	1		
7	T11234	LOCK NUT	6		
8	R57051	NUT	1		
9	R64075	RING	1		-XXXXXX (USE WITH R57156)
	R68543	O-RING	1	XXXXXX-	
10	.....	FITTING	1		
11	19H2090	CAP SCREW	2		7/8" X 3-1/2"
	19H2693	CAP SCREW	2		7/8" X 4-1/4"
12	19H2113	CAP SCREW	4		3/4" X 3-1/4"
13	R78266	BUSHING	1		(SUB FOR R58696)
14	AR68471	SUPPORT	1		-XXXXXX (MARKED R57156 OR R70308) (SUB AR103874 AND (4) 19H1782)
	AR89741	SUPPORT	1	XXXXXX-	(MARKED R68633 OR R70308) (SUB AR103874 AND (4) 19H1782)
15	T30008	BUSHING	2		
16	R37439	WASHER	1		
17	R64074	RING	1		-XXXXXX (USE WITH R57156)
	R68544	O-RING	1	XXXXXX-	
18	AR82993	SEAL	1		
19	B3690R	O-RING	1		
20	JD9068	BEARING CONE	1		
21	R58479	WASHER	1		
22	JD8255	BEARING CUP	1		
23	R46162	SCREW	6		
24	R57759	QUILL	1		(SUB R72849, R68543 AND R68544)
	R72849	QUILL	1		
25	R26149	PACKING	1		
26	R27796	O-RING	1		
27	JD9004	BEARING CONE	1		(SUB JD10377)
28	JD8280	BEARING CUP	1		
29	R58255	SHIM	AR		0.18 MM (.007")
	R58256	SHIM	AR		0.25 MM (.010")
	R58257	SHIM	AR		0.31 MM (.012")
	R58258	SHIM	AR		0.38 MM (.015")
30	R35365	SHIM	AR		0.08 MM (.003")
	R35366	SHIM	AR		0.13 MM (.005")
	R35367	SHIM	AR		0.25 MM (.010")
31	AR99193	GEAR	1		(MATCHED SET) (MARKED R51973 AND R57250) (SUB FOR AR71695)

---

MEMORANDA

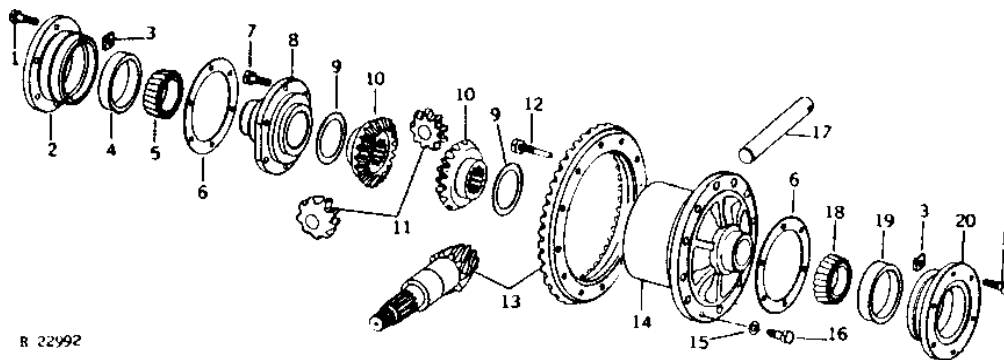


# 3F13

POWER TRAIN

R22992 -UN-01JAN94

## FRONT DIFFERENTIAL



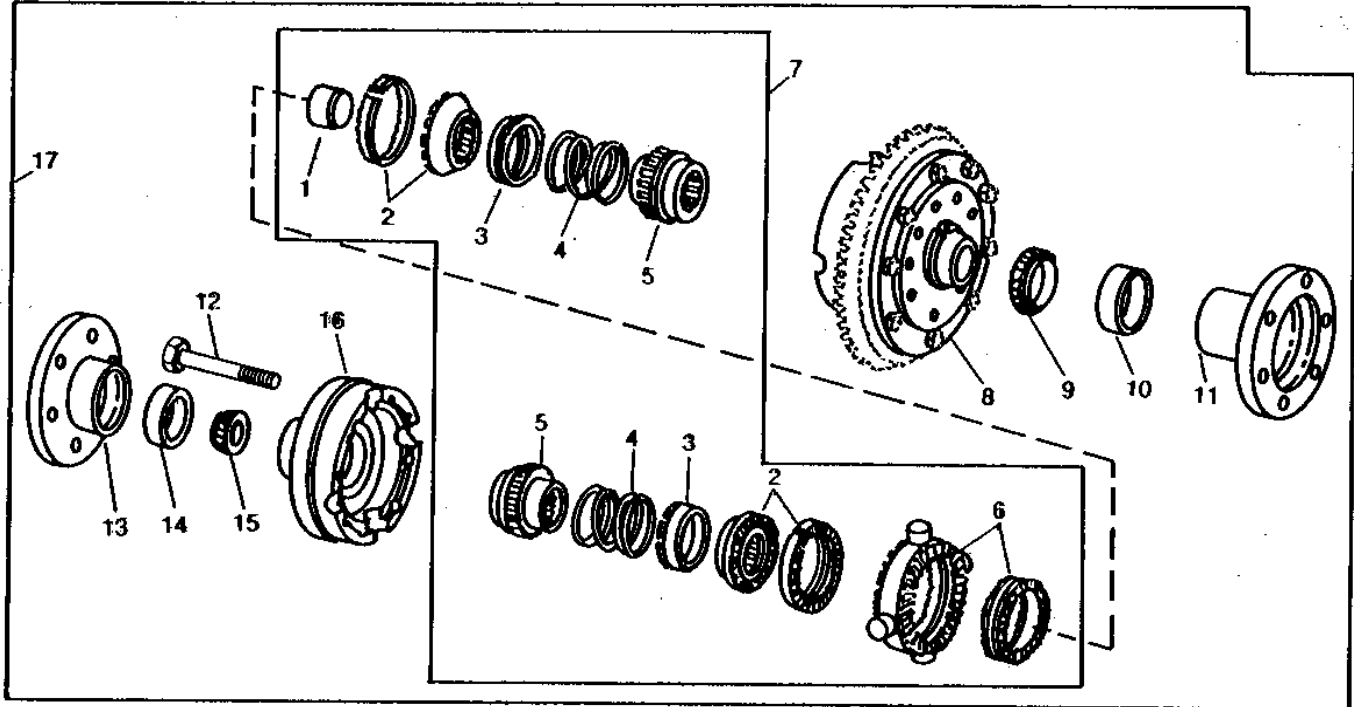
KEY	PART NO.	PART NAME	QTY	TRACTOR SERIAL NO.	REMARKS
1	R46162	SCREW	12		
2	R31196	QUILL	1	-004770	L.H.
	R62465	QUILL	1	004771-	L.H.
3	14H823	NUT	2		1/2"
4	JD8210	BEARING CUP	1		
5	JD8159	BEARING CONE	1		
6	R46323	SHIM	AR		0.08MM (.003")
	R46324	SHIM	AR		0.13MM (.005")
	R46325	SHIM	AR		0.25MM (.010")
7	R52634	CAP SCREW	5		
8	R31195	COVER	1	-004770	
	R63478	COVER	1	004771-	
9	R77145	WASHER	2		(SUB FOR R53202, R65741 OR R72587)
10	R63477	BEVEL GEAR	2		(SUB FOR R54182)
11	R42444	PINION	2		
12	R70236	CAP SCREW	1		(SUB FOR R41050)
13	AR99193	GEAR	1		(MATCHED SET) (MARKED R51973 AND R57250) (SUB FOR AR71695)
14	R58784	HOUSING	1	-004770	(SUB AR101619, R59419 AND JD9118)
	R64475	HOUSING	1	004771-	(SUB AR101619)
15	R48429	WASHER	12		
16	R58692	SELF-LOCKING SCREW	12		
17	R58425	SHAFT	1		
18	JD8954	BEARING CONE	1	-004770	
	JD9055	BEARING CONE	1	004771-	
19	JD8259	BEARING CUP	1	-004770	
	JD9118	BEARING CUP	1	004771-	
20	R31190	QUILL	1	-004770	R.H.
	R59419	QUILL	1	004771-	R.H.

# 3F14

POWER TRAIN

NO SPIN FRONT DIFFERENTIAL KIT  
(TRACTOR SERIAL NO. -004771)

RWP3823 -UN-01JAN94



RWP3823

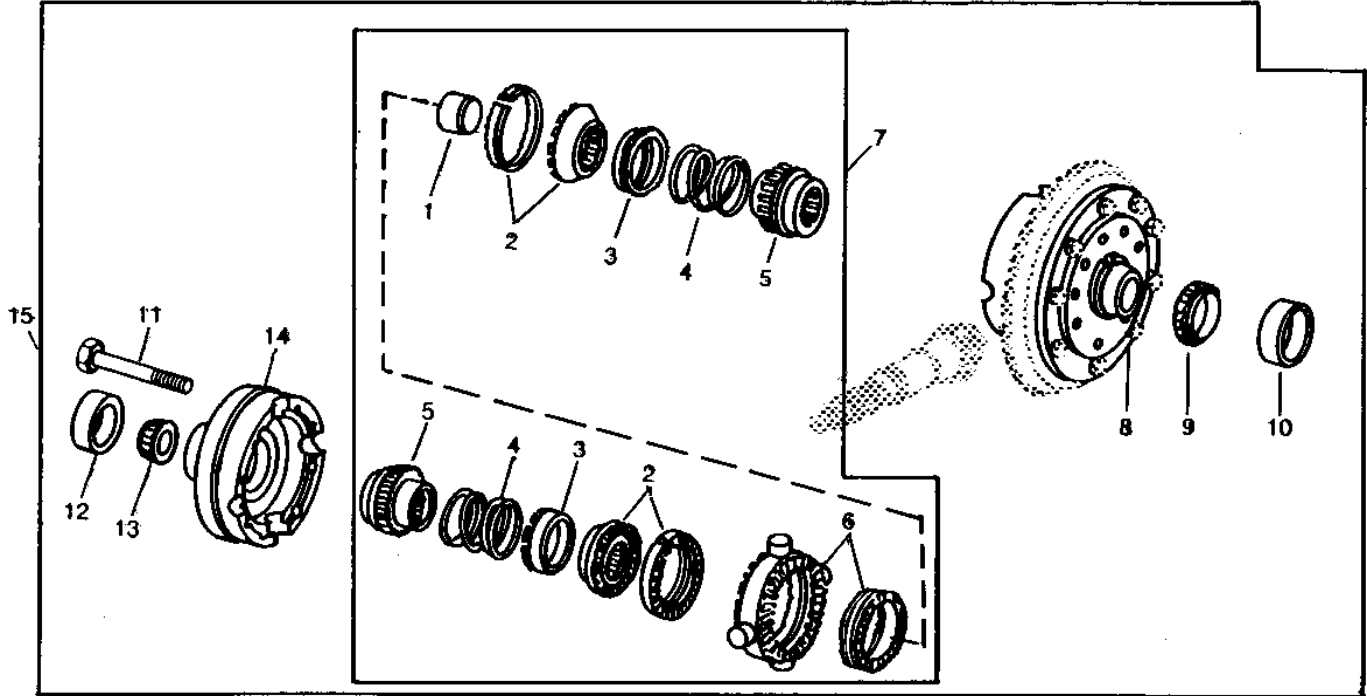
KEY	PART NO.	PART NAME	QTY	TRACTOR SERIAL NO.	REMARKS
1	R42142	STOP	1		
2	AR72857	CLUTCH	2		
3	R60044	GUIDE	2		
4	R60045	SPRING	2		
5	R60048	GEAR	2		
6	AR72856	SPIDER	1		
7	AR72855	DIFFERENTIAL	1		
8	R56295	HOUSING	1		
9	JD9055	BEARING CONE	1		R.H.
10	JD9118	BEARING CUP	1		R.H.
11	R59419	QUILL	1		R.H.
12	R44888	CAP SCREW	8		(NLA)
13	R62465	QUILL	1		L.H.
14	JD8210	BEARING CUP	1		L.H.
15	JD8159	BEARING CONE	1		L.H.
16	R62466	COVER	1		
17	AR92453	KIT	1		

# 3F15

POWER TRAIN

## NO SPIN FRONT DIFFERENTIAL KIT (TRACTOR SERIAL NO. 004772- )

RWP3824 -UN-01JAN94



RWP3824

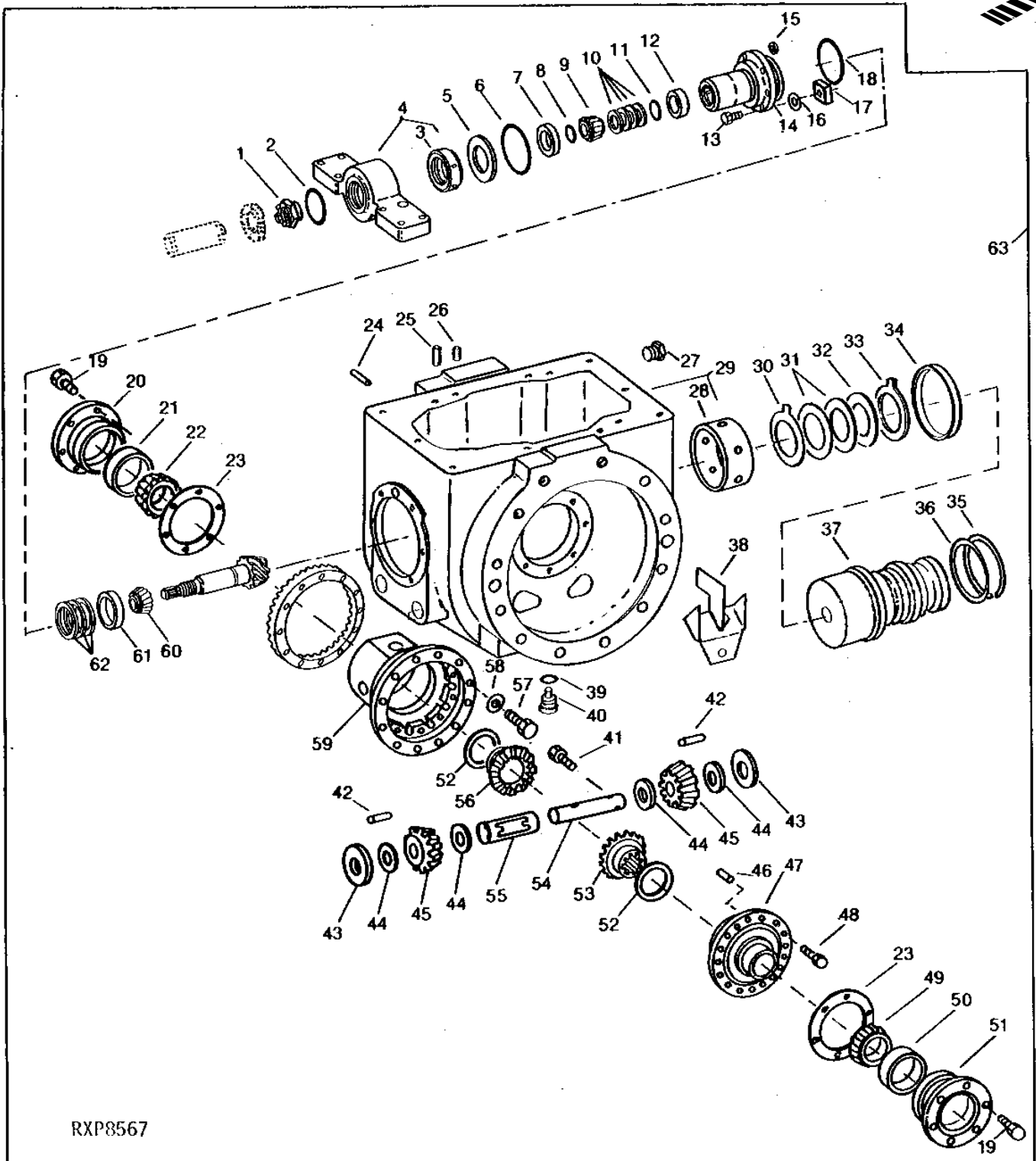
KEY	PART NO.	PART NAME	QTY	TRACTOR SERIAL NO.	REMARKS
1	R42142	STOP	1		
2	AR72857	CLUTCH	2		
3	R60044	GUIDE	2		
4	R60045	SPRING	2		
5	R60048	GEAR	2		
6	AR72856	SPIDER	1		
7	AR72855	DIFFERENTIAL	1		
8	R56295	HOUSING	1		
9	JD9055	BEARING CONE	1		R.H.
10	JD9118	BEARING CUP	1		R.H.
11	R44888	CAP SCREW	8		(NLA)
12	JD8210	BEARING CUP	1		L.H.
13	JD8159	BEARING CONE	1		L.H.
14	R62466	COVER	1		
15	AR92452	KIT	1		

# 3F16

POWER TRAIN

## DIFFERENTIAL FRONT AXLE ASSEMBLY (EARLY DESIGN)

RXP8567 -UN-01JAN94



RXP8567

# 3F17

POWER TRAIN

## DIFFERENTIAL FRONT AXLE ASSEMBLY - CONTINUED (EARLY DESIGN)

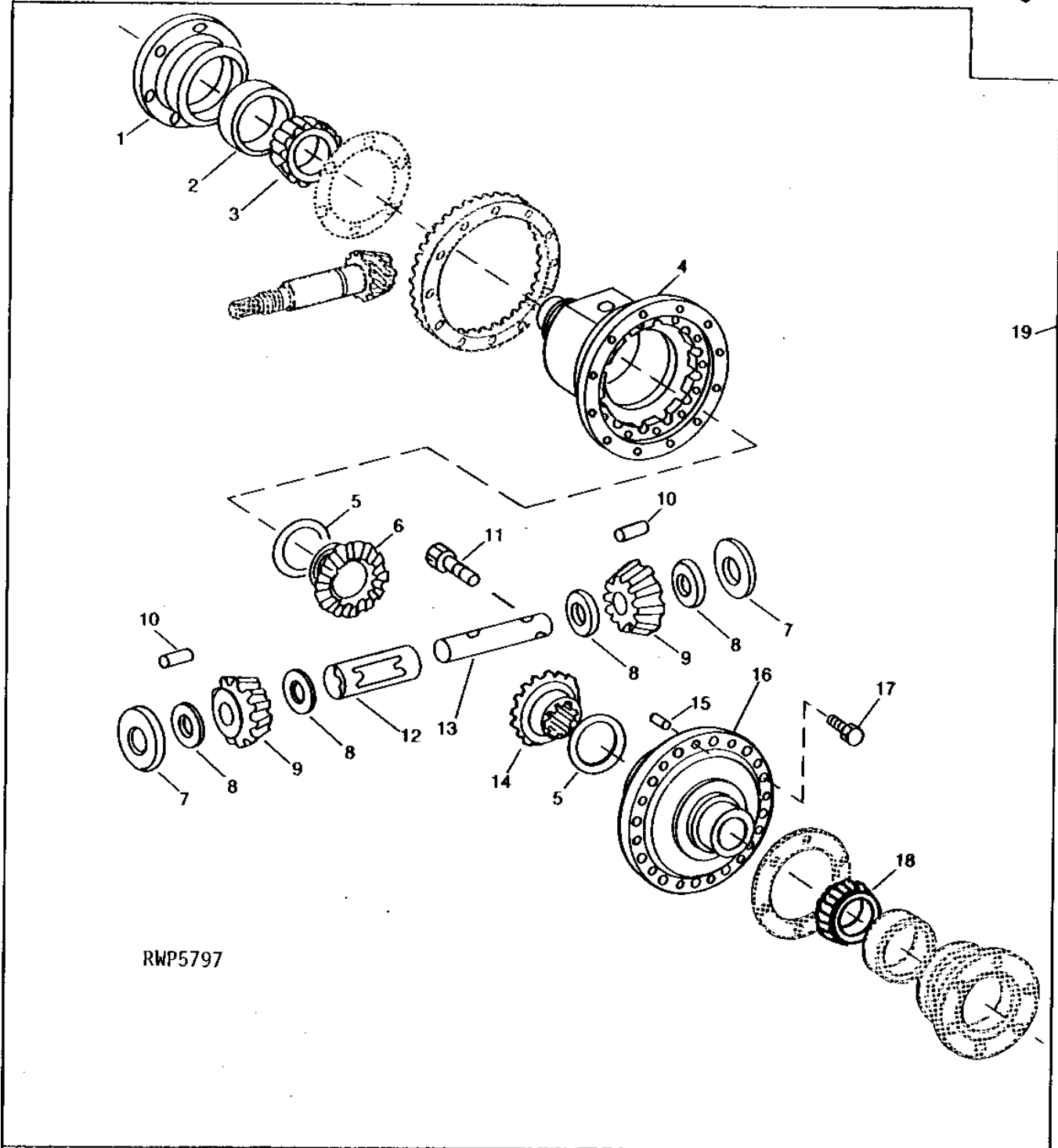
KEY	PART NO.	PART NAME	QTY	TRACTOR SERIAL NO.	REMARKS
1	R57051	NUT	1		
2	R68544	O-RING	1		
3	R78266	BUSHING	1		(SUB FOR R58696)
4	AR103874	SUPPORT	1		(MARKED R70838) (ALSO ORDER (4) 19H1782)
5	R37439	WASHER	1		
6	R68543	O-RING	1		
7	AR82993	SEAL	1		
8	B3690R	O-RING	1		
9	JD8941	BEARING CONE	1		(SUB FOR JD9068, THIS APPLICATION)
10	R58255	SHIM	AR		0.18 MM (.007")
	R58256	SHIM	AR		0.25 MM (.010")
	R58257	SHIM	AR		0.30 MM (.012")
	R58258	SHIM	AR		0.38 MM (.015")
11	R58479	WASHER	1		
12	JD8255	BEARING CUP	1		
13	R46162	SCREW	6		
14	R72849	QUILL	1		(SUB FOR R64005)
15	R26149	PACKING	1		
16	R47172	WASHER	2		(USE WITH AR71734 OR RE27291)
17	14H823	NUT	2		1/2"
18	R27796	O-RING	1		
19	R46162	SCREW	12		
20	R34856	QUILL	1		L.H.
21	JD8210	BEARING CUP	1		L.H.
22	JD8159	BEARING CONE	1		L.H.
23	R46323	SHIM	AR		0.08 MM (.003")
	R46324	SHIM	AR		0.13 MM (.005")
	R46325	SHIM	AR		0.25 MM (.010")
24	R54380	DOWEL PIN	4		
25	R48685	DOWEL PIN	2		
26	15H558	PIPE PLUG	1		1/8"
27	R26727	DRAIN PLUG	1		
28	R78266	BUSHING	1		(SUB FOR R58696)
29	AR80625	CASE	1		(MARKED R64502)
30	R65526	THRUST WASHER	1		
31	R65895	SHIM	2		
32	R65905	SHIM	1		
33	R68581	WASHER	2		
34	AR82992	SEAL	1		
35	C667R	SNAP RING	1		
36	R60155	WASHER	1		
37	R57847	PIN	1		
38	AR71734	FUNNEL	2		(SUB RE27291)
39	R26375	O-RING	2		
40	R64474	BOLT	2		
41	R70236	CAP SCREW	1		
42	R68171	NEEDLE ROLLER	46		
43	R59460	THRUST WASHER	2		
44	R68167	WASHER	4		
45	R68170	PINION	2		
46	34H311	SPRING PIN	3		1/4" X 7/8"
47	R94632	COVER	1		(MARKED R73267 OR R82274) (SUB FOR AR95425 OR RE21188)
48	R40236	CAP SCREW	12		
49	JD9055	BEARING CONE	1		R.H.
50	JD9118	BEARING CUP	1		R.H.
51	R59419	QUILL	1		R.H.
52	R77145	WASHER	2		
53	R63477	BEVEL GEAR	1		
54	R68173	SHAFT	1		
55	R74675	RETAINER	1		
56	R66715	BEVEL GEAR	1		
57	R48787	CAP SCREW	12		
58	R73290	WASHER	12		(SUB FOR T497T)
59	R71386	HOUSING	1		
60	JD10377	BEARING CONE	1		(SUB FOR JD9004)
61	JD8280	BEARING CUP	1		
62	R35365	SHIM	AR		0.08 MM (.003")
	R35366	SHIM	AR		0.13 MM (.005")
	R35367	SHIM	AR		0.25 MM (.010")
63	AR101623	DIFFERENTIAL	1		(SUB AR104625)

# 3F18

POWER TRAIN

## ANTI-FRICTION DIFFERENTIAL KIT (FRONT) (TWO-PINION)

RWP5797 -UN-01JAN94



# 3F19

POWER TRAIN

ANTI-FRICTION DIFFERENTIAL KIT - CONTINUED  
(FRONT) (TWO-PINION)

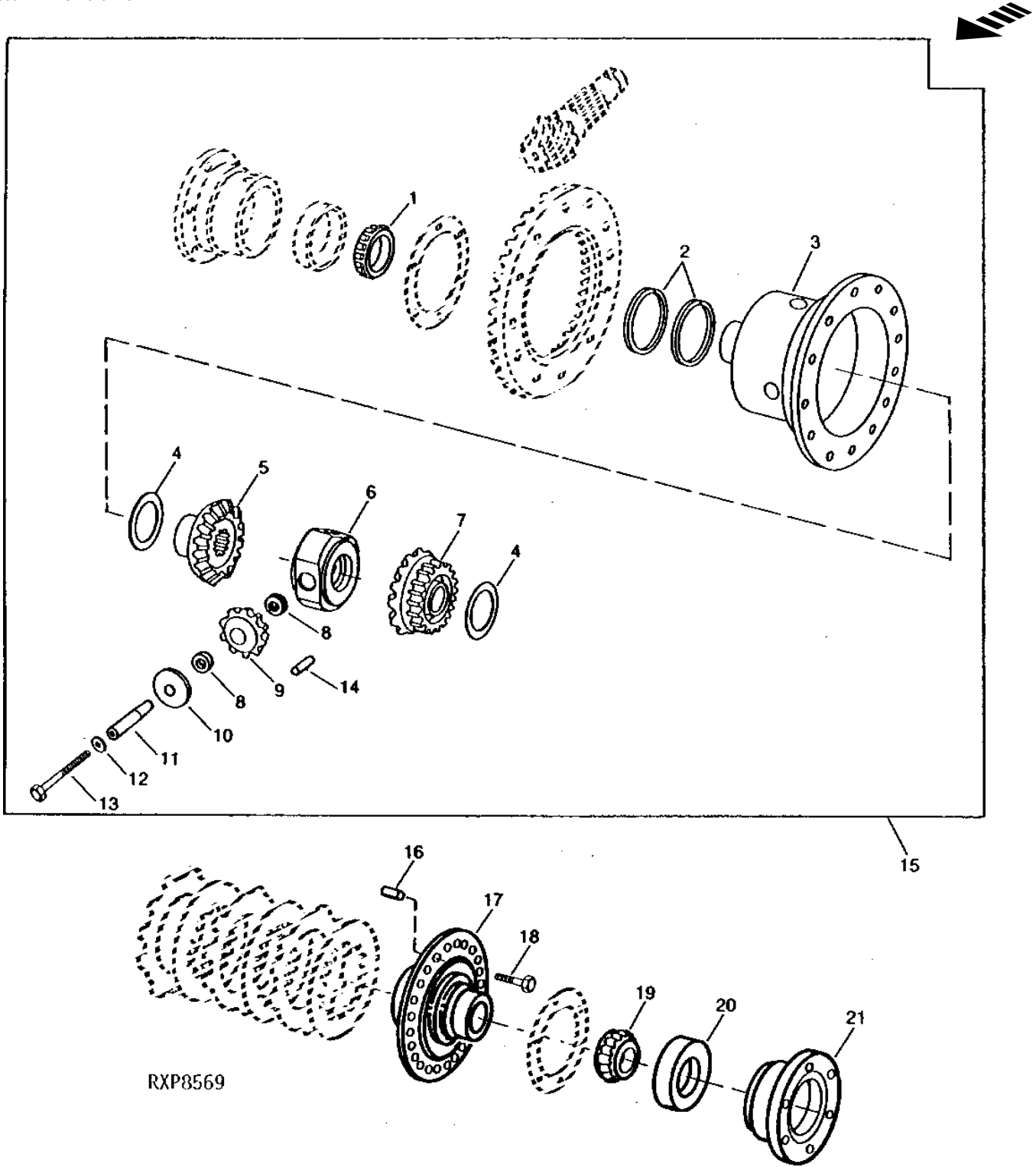
KEY	PART NO.	PART NAME	QTY	TRACTOR SERIAL NO.	REMARKS
1	R34856	QUILL	1		
2	JD8210	BEARING CUP	1		
3	JD8159	BEARING CONE	1		
4	R71386	HOUSING	1		
	400R	BALL	2		
5	R77145	WASHER	2		
6	R66715	BEVEL GEAR	1		
7	R59460	THRUST WASHER	2		
8	R68167	WASHER	4		
9	R68170	PINION	2		
10	R68171	NEEDLE ROLLER	46		
11	R70236	CAP SCREW	1		
12	R74675	RETAINER	1		
13	R68173	SHAFT	1		
14	R63477	BEVEL GEAR	1		
15	34H311	SPRING PIN	3		
16	R94632	COVER	1		1/4" X 7/8" (MARKED R73267 OR R82274) (SUB FOR AR95425 OR RE21188)
17	R40236	CAP SCREW	12		
18	JD9055	BEARING CONE	1		
19	AR101619	KIT	1		

# 3F20

POWER TRAIN

RXP8569 -UN-01JAN94

## ANTI-FRICTION DIFFERENTIAL KIT (REAR) (THREE PINION)





# 3F21

POWER TRAIN

## ANTI-FRICTION DIFFERENTIAL KIT - CONTINUED (REAR) (THREE-PINION)

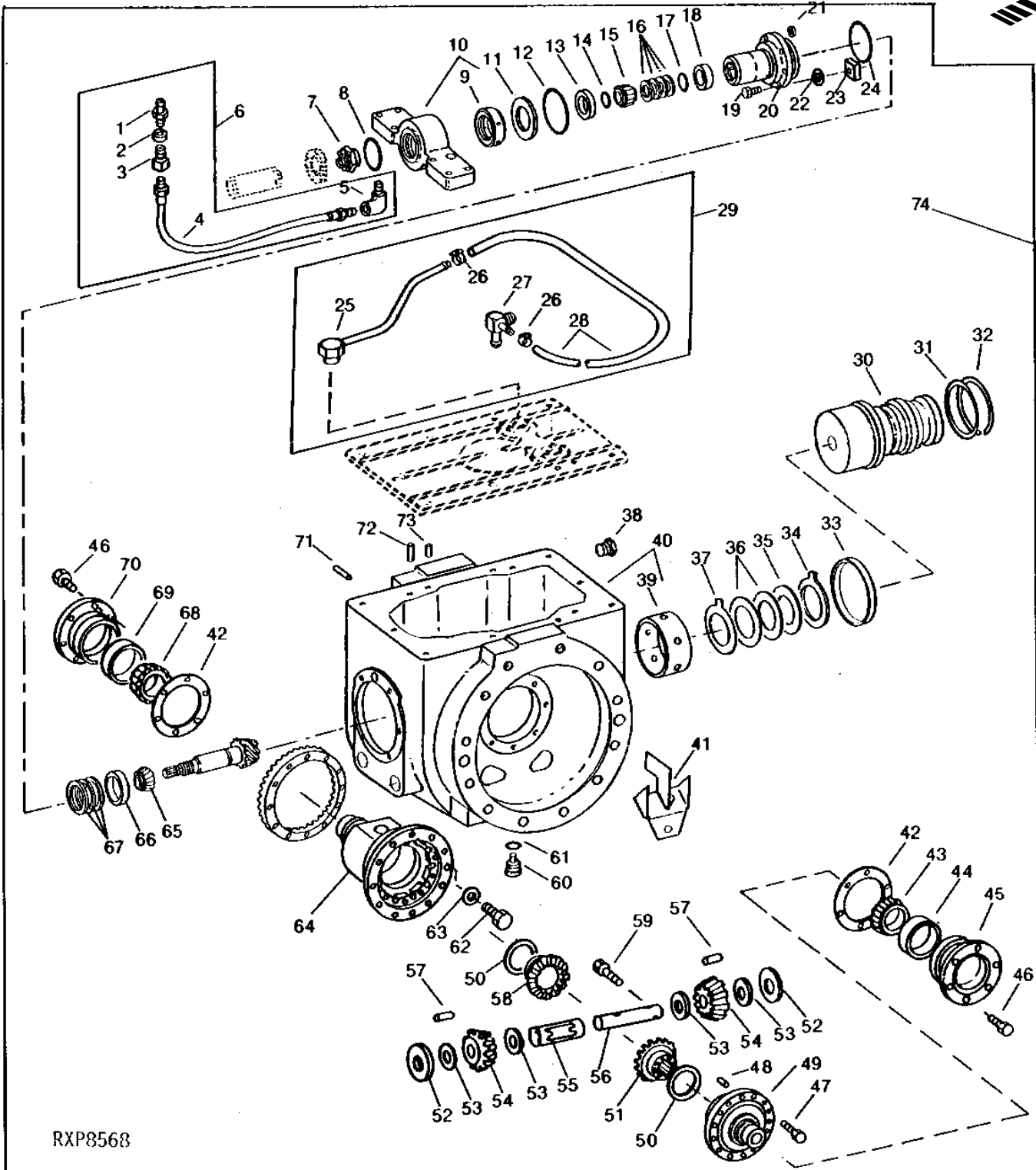
KEY	PART NO.	PART NAME	QTY	TRACTOR SERIAL NO.	REMARKS
1	JD9019	BEARING CONE	1		
2	R36881	RING	2		
3	AR88775	HOUSING	1		(MARKED R68165)
4	R72586	THRUST WASHER	2		
5	R109489	BEVEL GEAR	1		
6	R93019	HUB	1		
7	R112169	BEVEL GEAR	1		(SUB FOR R90869)
8	R68167	WASHER	6		
9	R67784	PINION	3		
10	R68166	THRUST WASHER	3		
11	R67782	SHAFT	3		
12	R57696	WASHER	3		
13	R89837	CAP SCREW	3		(SUB FOR R71309)
14	R55081	NEEDLE ROLLER	54		
15	AR101624	KIT	1		(ALSO ORDER JD8298, JD8962, R73274, R94631, (12) R43369 AND (3) 34H311) (SUB AR111163 AND AR113733 OR R112834)
16	34H311	SPRING PIN	3		1/4" X 7/8"
17	R94631	COVER	1		
18	R43369	SELF-LOCKING SCREW	12		
19	JD8962	BEARING CONE	1		
20	JD8298	BEARING CUP	1		
21	R73274	QUILL	1		

# 3F22

POWER TRAIN

## DIFFERENTIAL FRONT AXLE ASSEMBLY (LATE DESIGN)

RXP8568 -UN-01JAN94



RXP8568

# 3F23

POWER TRAIN

## DIFFERENTIAL FRONT AXLE ASSEMBLY - CONTINUED (LATE DESIGN)

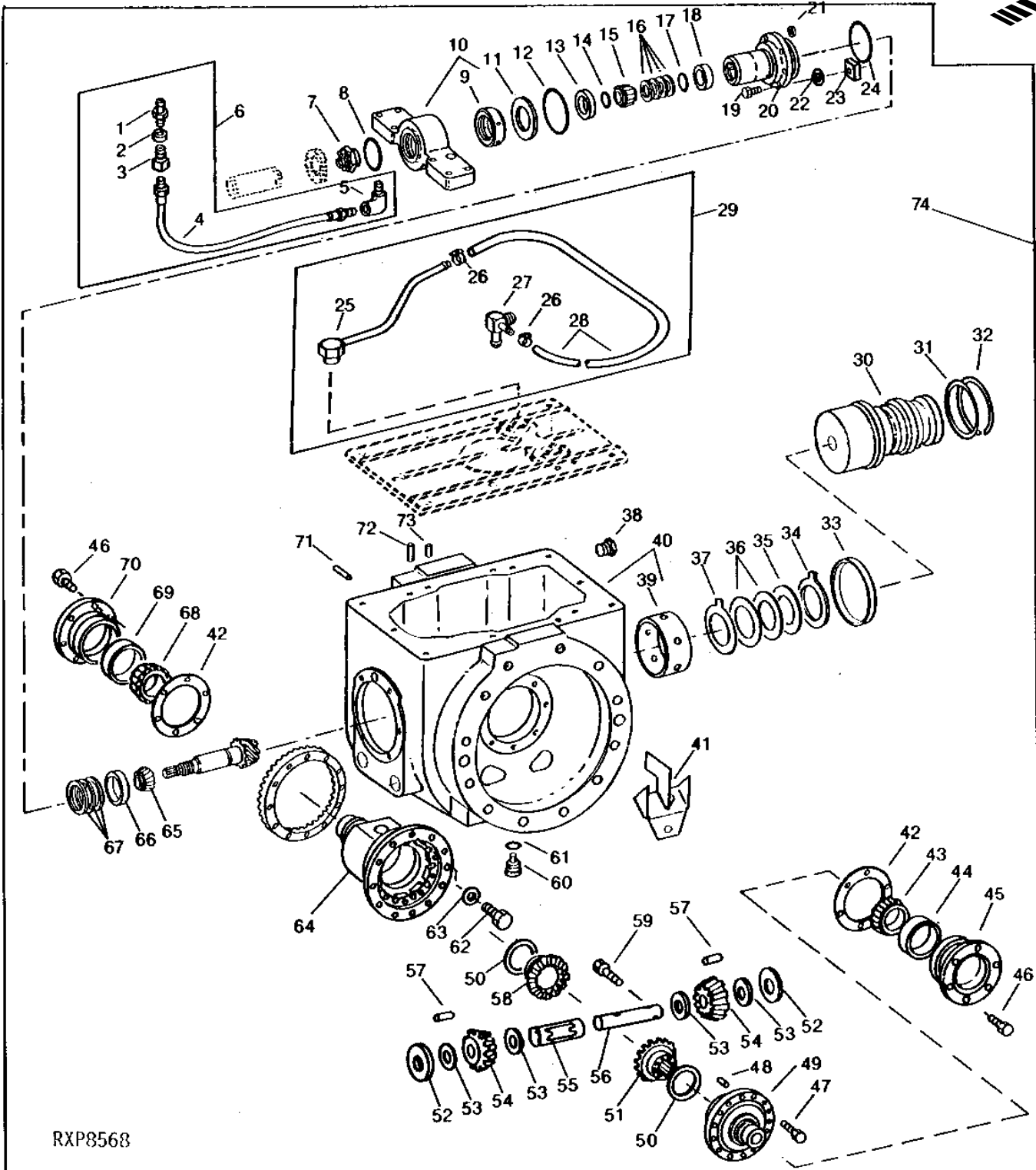
KEY	PART NO.	PART NAME	QTY	TRACTOR SERIAL NO.	REMARKS
1	JD7797	LUBRICATION FITTING	1		
2	E12379	NUT	1		
3	R36311	FITTING	1		
4	AR70381	HOSE	1		
5	15H197	ELBOW FITTING	1	90°	
6	RE11201	KIT	1		(NO LONGER AVAILABLE)
7	R57051	NUT	1		
8	R68544	O-RING	1		
9	R78266	BUSHING	1		(SUB FOR R58696)
10	AR103874	SUPPORT	1		(MARKED R70838) (ALSO ORDER (4) 19H1782)
11	R37439	WASHER	1		
12	R68543	O-RING	1		
13	AR82993	SEAL	1		
14	B3690R	O-RING	1		
15	JD8941	BEARING CONE	1		(SUB FOR JD9068, THIS APPLICATION)
16	R58255	SHIM	AR		0.18 MM (.007")
	R58256	SHIM	AR		0.25 MM (.010")
	R58257	SHIM	AR		0.30 MM (.012")
	R58258	SHIM	AR		0.38 MM (.015")
17	R58479	WASHER	1		
18	JD8255	BEARING CUP	1		
19	R46162	SCREW	6		
20	R72849	QUILL	1		(SUB FOR R64005)
21	R26149	PACKING	1		
22	R47172	WASHER	2		(USE WITH AR71734 OR RE27291)
23	14H823	NUT	2		1/2"
24	R27796	O-RING	1		
25	AR86073	ADAPTER	1		
26	AR21836	CLAMP	2		
27	AR86072	TEE FITTING	1		
28	TY22325	BULK HOSE	1		(SUB FOR R66388)
	R44302	TIE BAND	4		
29	RE11211	KIT	1		(SUB (2) AR21836, AR86072, AR86073, (4) R44302 AND TY22325)
30	R57847	PIN	1		
31	R60155	WASHER	1		
32	C667R	SNAP RING	1		
33	AR82992	SEAL	1		
34	R68581	WASHER	2		
35	R65905	SHIM	1		
36	R65895	SHIM	2		
37	R65526	THRUST WASHER	1		
38	R26727	DRAIN PLUG	1		
39	R78266	BUSHING	1		(SUB FOR R58696)
40	AR80625	CASE	1		(MARKED R64502)
..	AR104625	KIT	1		

# 3F24

POWER TRAIN

## DIFFERENTIAL FRONT AXLE ASSEMBLY - CONTINUED (LATE DESIGN)

RXP8568 -UN-01JAN94



RXP8568

# 3F25

POWER TRAIN

## DIFFERENTIAL FRONT AXLE ASSEMBLY - CONTINUED (LATE DESIGN)

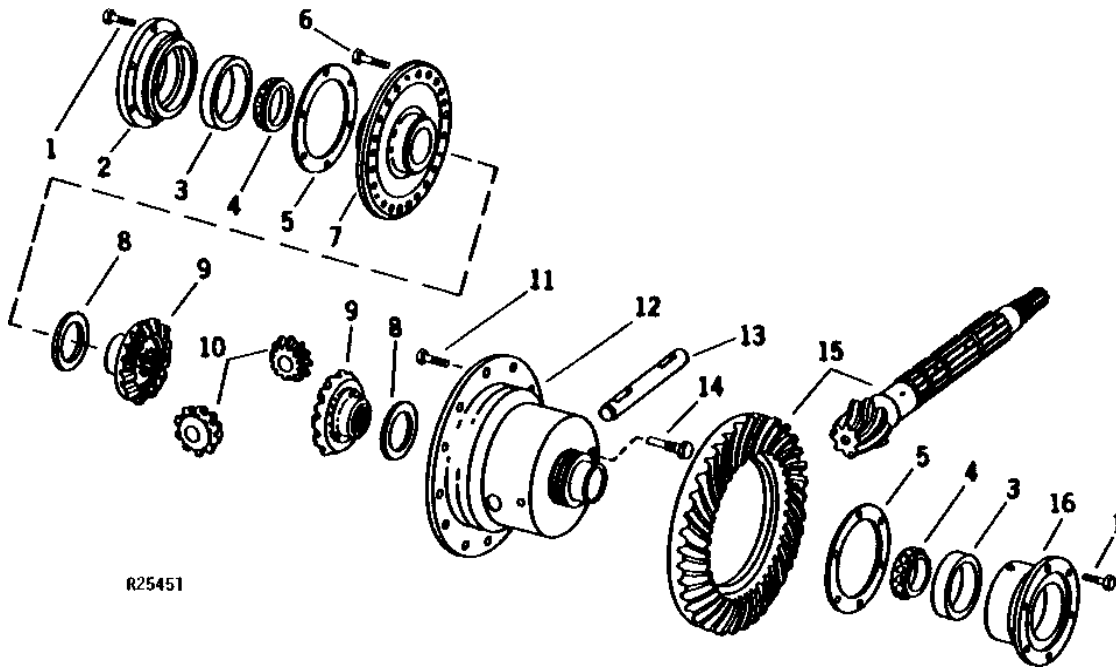
KEY	PART NO.	PART NAME	QTY	TRACTOR SERIAL NO.	REMARKS
41	AR71734	FUNNEL	2		(SUB RE27291)
42	R46323	SHIM	AR		0.08 MM (.003")
	R46324	SHIM	AR		0.13 MM (.005")
	R46325	SHIM	AR		0.25 MM (.010")
43	JD9055	BEARING CONE	1		R.H.
44	JD9118	BEARING CUP	1		R.H.
45	R59419	QUILL	1		R.H.
46	R46162	SCREW	12		
47	R40236	CAP SCREW	12		
48	34H311	SPRING PIN	3		1/4" X 7/8"
49	R94632	COVER	1		(MARKED R73267 OR R82274) (SUB FOR AR95425 OR RE21188)
50	R77145	WASHER	2		
51	R63477	BEVEL GEAR	1		
52	R59460	THRUST WASHER	2		
53	R68167	WASHER	4		
54	R68170	PINION	2		
55	R74675	RETAINER	1		
56	R68173	SHAFT	1		
57	R68171	NEEDLE ROLLER	46		
58	R66715	BEVEL GEAR	1		
59	R70236	CAP SCREW	1		
60	R64474	BOLT	2		
61	R26375	O-RING	2		
62	R48787	CAP SCREW	12		
63	R73290	WASHER	12		(SUB FOR T497T)
64	R71386	HOUSING	1		
65	JD10377	BEARING CONE	1		(SUB FOR JD9004)
66	JD8280	BEARING CUP	1		
67	R35365	SHIM	AR		0.08 MM (.003")
	R35366	SHIM	AR		0.13 MM (.005")
	R35367	SHIM	AR		0.25 MM (.010")
68	JD8159	BEARING CONE	1		L.H.
69	JD8210	BEARING CUP	1		L.H.
70	R34856	QUILL	1		L.H.
71	R54380	DOWEL PIN	4		
72	R48685	DOWEL PIN	2		
73	15H558	PIPE PLUG	1		1/8"
74	AR104625	KIT	1		

# 3G1

POWER TRAIN

R25451 -UN-01JAN94

## REAR DIFFERENTIAL (LESS DIFFERENTIAL LOCK)



R25451

KEY	PART NO.	PART NAME	QTY	TRACTOR SERIAL NO.	REMARKS
1	R52634	CAP SCREW	12	(SUB FOR R41049)	
2	R43186	QUILL	1	(A) L.H.	
3	JD8214	BEARING CUP	1	(A) L.H.	
4	JD8214	BEARING CUP	1	R.H.	
4	JD9019	BEARING CONE	1	(A) L.H.	
	JD9019	BEARING CONE	1	R.H.	
5	R35501	SHIM	AR	0.08 MM (.003")	
	R35502	SHIM	AR	0.13 MM (.005")	
	R35503	SHIM	AR	0.25 MM (.010")	
6	R43369	SELF-LOCKING SCREW	12	(SUB FOR R42407)	
7	AR88242	COVER	1	(A) (MARKED R43184, R46636 OR R56105) (SUB FOR AR43243)	
	34H311	SPRING PIN	3	1/4" X 7/8"	
8	R66788	WASHER	2	(SUB FOR R52157)	
9	R64257	BEVEL GEAR	2	(SUB FOR R52155) (SUB R109849 AND R113733)	
10	R48253	PINION	2		
11	R43368	CAP SCREW	12		
12	AR43114	HOUSING	1	(MARKED R43002, R43003, R60971 OR R68165) (SUB FOR AR91055) (SUB AR101624) (ALSO ORDER JD8298, JD8962, R73274, R94631, (12) R43369 AND (3) 34H311)	
13	R58424	PINION SHAFT	1		
14	R70236	CAP SCREW	1	(SUB FOR R41050)	
15	AR71696	GEAR	1	(MATCHED SET) (INCLUDES SHIMS) (MARKED R57148 AND R57149)	
16	R35500	QUILL	1	R.H.	

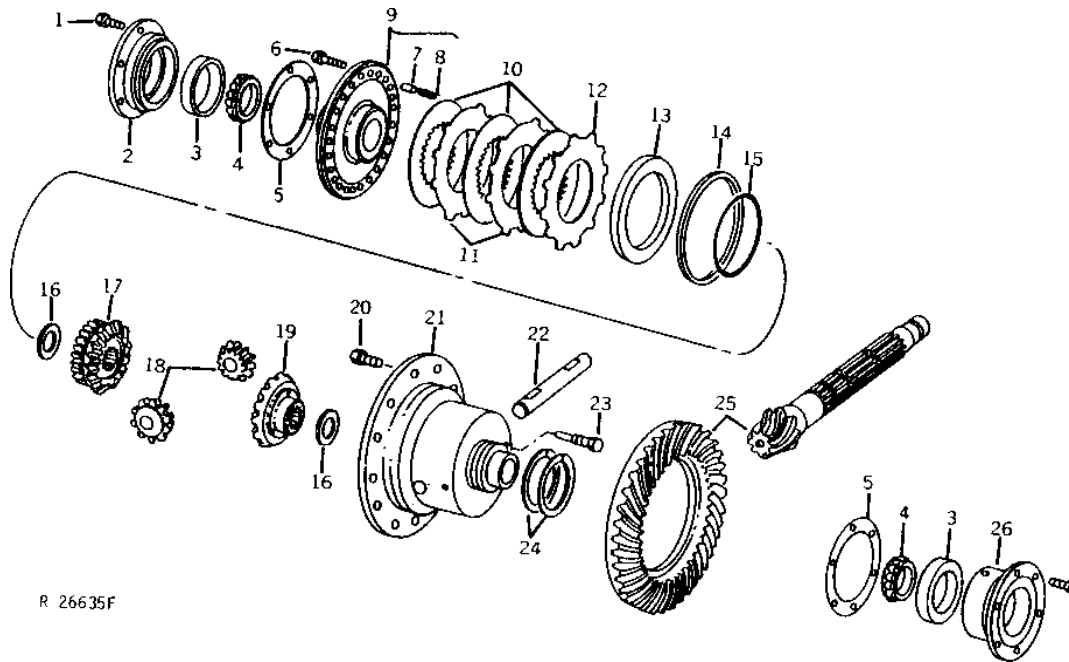
(A) SUB JD8298, JD8962, R73274, R94631, (12) R43369 AND (3) 34H311

# 3G2

POWER TRAIN

R26635 -UN-01JAN94

## REAR DIFFERENTIAL (DIFFERENTIAL LOCK)



R 26635F

KEY	PART NO.	PART NAME	QTY	TRACTOR SERIAL NO.	REMARKS
1	R52634	CAP SCREW	12	(SUB FOR R41049)	
2	R43186	QUILL	1	(A) L.H.	
3	JD8214	BEARING CUP	1	(A) L.H.	
4	JD8214	BEARING CUP	1	R.H.	
4	JD9019	BEARING CONE	1	(A) L.H.	
	JD9019	BEARING CONE	1	R.H.	
5	R35501	SHIM	AR	0.08 MM (.003")	
	R35502	SHIM	AR	0.13 MM (.005")	
	R35503	SHIM	AR	0.25 MM (.010")	
6	R43369	SELF-LOCKING SCREW	12	(SUB FOR R42407)	
7	34H311	SPRING PIN	3	1/4" X 7/8"	
8	R34863	SPRING	3		
9	AR88242	COVER	1	(A) (MARKED R43184 OR R56104) (SUB FOR AR43243)	
10	AR88550	DISK	3	(SUB (3) RE29429, R43340 AND (2) R43343)	
11	R43343	CLUTCH PLATE	2		
12	R43340	PLATE	1		
13	R43337	PISTON	1		
14	R43339	WASHER	1		
15	R46004	PACKING	1		
16	R66788	WASHER	2	(SUB FOR R52157)	
17	R66317	BEVEL GEAR	1	(SUB FOR R52156) (SUB R112169 AND R113733)	
18	R48253	PINION	2		
19	R64257	BEVEL GEAR	1	(SUB FOR R52155) (SUB R109489 AND R113733)	
20	R43368	CAP SCREW	12		
21	AR43114	HOUSING	1	(MARKED R43002, R43003, R60971 OR R68165) (SUB FOR AR91055) (SUB AR101624) (ALSO ORDER JD8298, JD8962, R73274, R94631, (12) R43369 AND (3) 34H311)	
22	R58424	PINION SHAFT	1	(SUB FOR R52154)	
23	R70236	CAP SCREW	1	(SUB FOR R41050)	
24	R36881	RING	2		
25	AR71696	GEAR	1	(MATCHED SET) (INCLUDES SHIMS) (MARKED R57148 AND R57149)	
26	R43345	QUILL	1	R.H.	

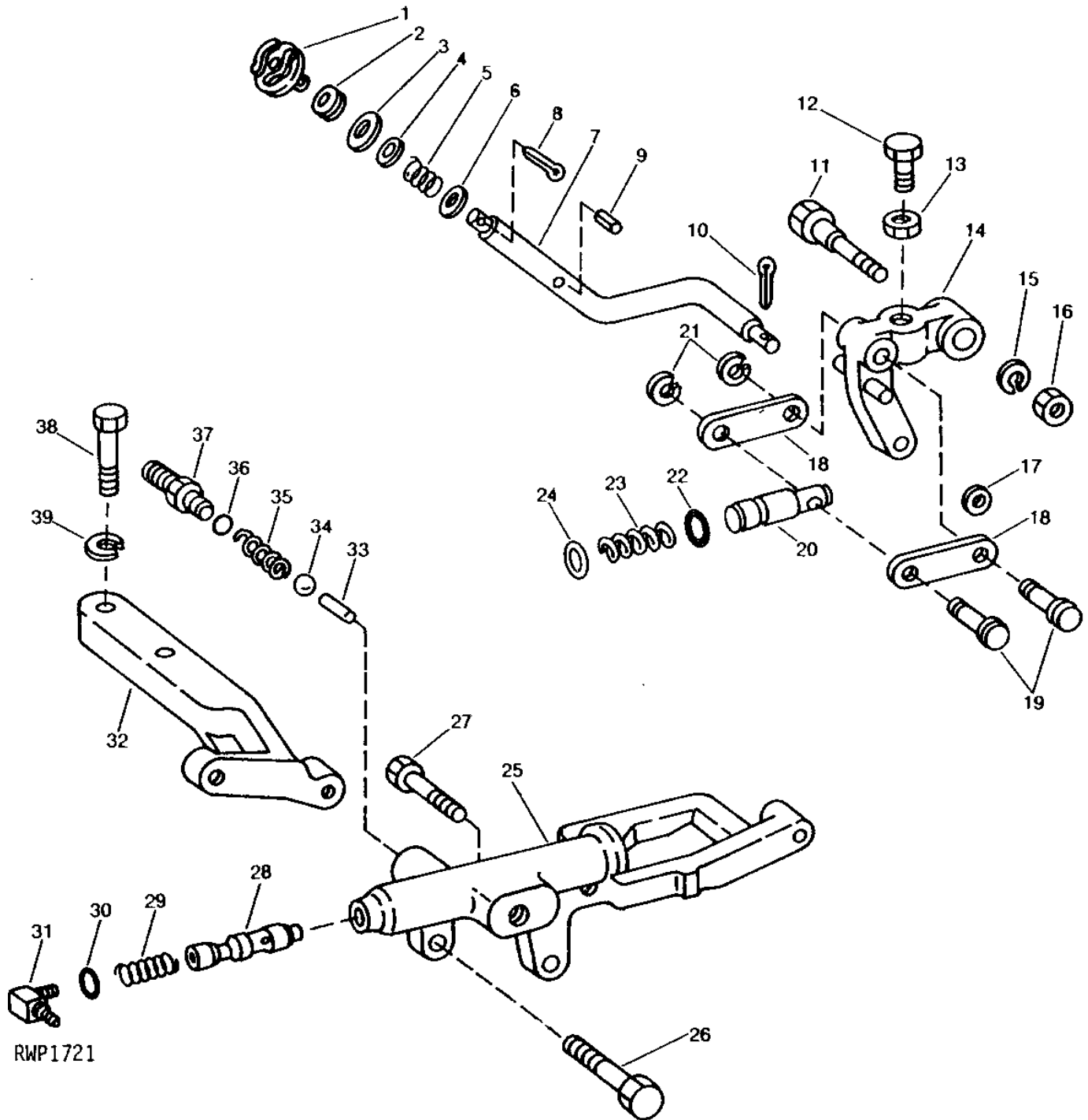
(A) SUB JD8298, JD8962, R73274, R94631, (12) R43369 AND (3) 34H311

# 3G3

POWER TRAIN

RWP1721 -UN-01JAN94

## DIFFERENTIAL LOCK VALVE



RWP1721



# 3G4

POWER TRAIN

## DIFFERENTIAL LOCK VALVE - CONTINUED

KEY	PART NO.	PART NAME	QTY	TRACTOR SERIAL NO.	REMARKS
1	R63632	PEDAL	1		
2	R40445	GROMMET	1		
3	R63641	WASHER	1		
4	24H1345	WASHER	1	17/32" X 1-3/4" X 0.060"	
5	R447R	SPRING	1		
6	24H1227	WASHER	1	17/32" X 13/16" X 0.060"	
7	R63631	ROD	1		
8	11M7015	COTTER PIN	1	3.200 X 25 MM	
9	34H247	SPRING PIN	1	1/8" X 3/4"	
10	11M7059	COTTER PIN	1	3.200 X 20 MM	
11	R52240	SCREW	1		
12	19H3342	CAP SCREW	1	3/8" X 1-3/8"	
13	14H732	NUT	1	3/8"	
14	AR78557	ARM	1		
15	12H304	LOCK WASHER	1	3/8"	
16	14H342	NUT	1	3/8"	
17	24H1289	WASHER	1	21/64" X 5/8" X 0.049"	
18	R46902	STRAP	2	(SUB R79135)	
19	R26385	PIN	2		
20	R68648	PLUNGER	1		(SUB FOR R46863) (SUB R86162)
21	R26386	SNAP RING	2		
22	F3353R	O-RING	1		(USE WITH R52275)
	AT14620	SEAL	1		(USE WITH R68647)
23	R46862	SPRING	1		
24	R46901	SHIM	AR	0.51 MM (.020")	
25	R52275	HOUSING	1	-XXXXXX	(SUB R86768)
	R68647	HOUSING	1	XXXXXX-	
26	19H1820	CAP SCREW	1		1/2" X 3"
27	19H2473	CAP SCREW	1		1/2" X 1-3/4"
28	R74417	VALVE	1		(ALSO ORDER R74418) (SUB FOR R46855) (SUB R79134)
29	R31698	SPRING	1		(SUB R74418 AND R79134)
30	R26448	O-RING	1		
31	AR58184	ELBOW FITTING	1	90°	
32	R63633	BRACKET	1		
33	R33058	NEEDLE ROLLER	1		
34	400R	BALL	1	6 MM (1/4")	
35	R26373	SPRING	1		
36	R26287	O-RING	1		
37	R36742	COUPLING	1		
38	19H1831	CAP SCREW	1		1/2" X 2"
39	12H301	LOCK WASHER	1		1/2"

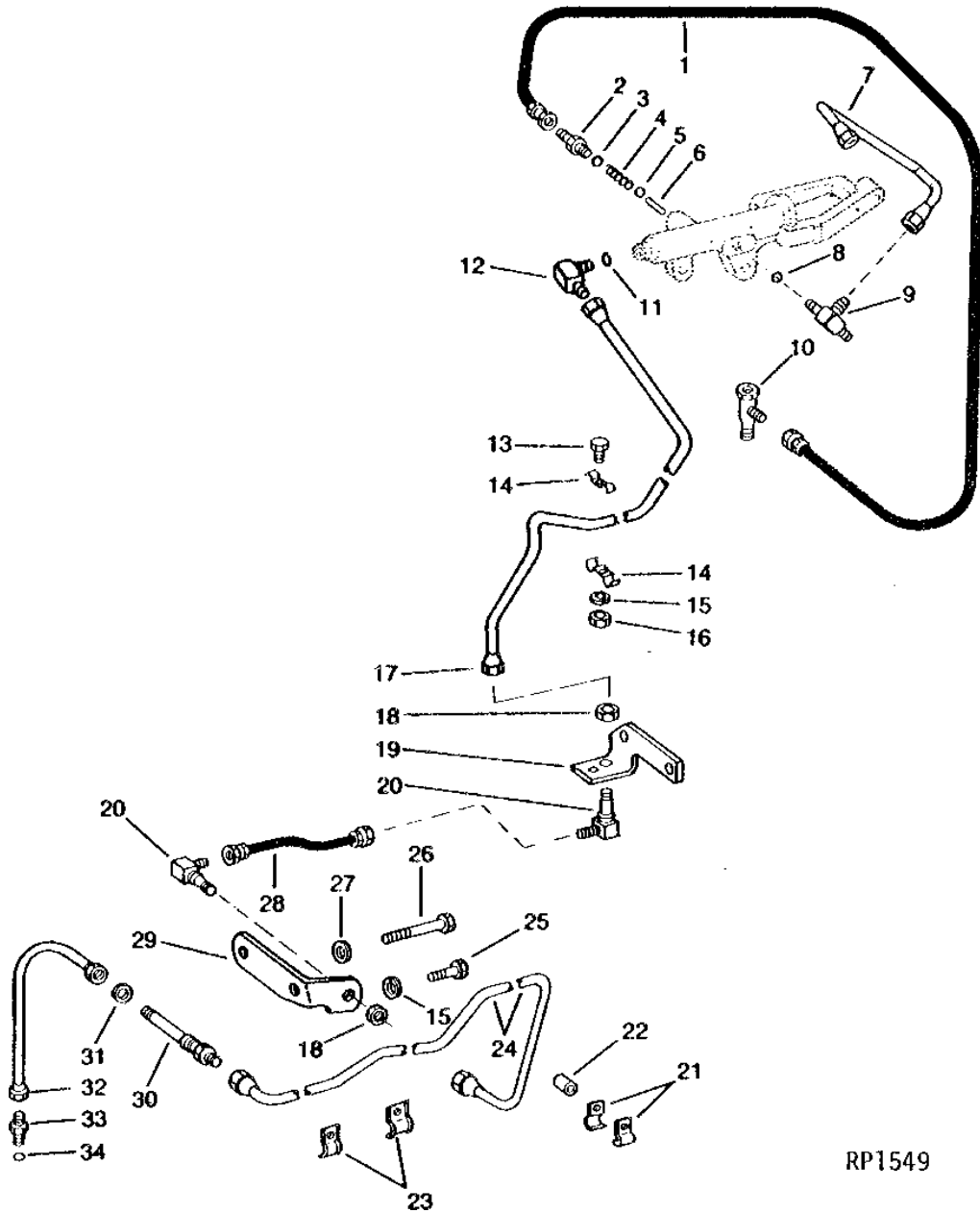
# 3G5

POWER TRAIN

RP1549

-UN-01JAN94

## DIFFERENTIAL LOCK VALVE LINES



RP1549

# 3G6

POWER TRAIN

## DIFFERENTIAL LOCK VALVE LINES - CONTINUED

KEY	PART NO.	PART NAME	QTY	TRACTOR SERIAL NO.	REMARKS
1	AR78560	HYDRAULIC HOSE	1		
2	R36742	COUPLING	1		
3	R26287	O-RING	1		
4	R26373	SPRING	1		
5	400R	BALL	1		6 MM (1/4")
6	R33058	NEEDLE ROLLER	1		
7	AR78561	HYDRAULIC LINE	1		RETURN
8	R26286	O-RING	1		
9	AR49789	TEE FITTING	1		
10	AT36921	TEE FITTING	1		
11	R26448	O-RING	1		
12	AR58184	ELBOW FITTING	1		90°
13	19H2284	CAP SCREW	1		3/8" X 7/8"
14	R42009	CLAMP	2		
15	12H304	LOCK WASHER	2		3/8"
16	14H1076	NUT	1		3/8"
17	AR78562	HYDRAULIC LINE	1		
18	R27296	NUT	2		
19	R63638	BRACKET	1		
20	AR35981	ELBOW FITTING	2		90°
21	R42357	CLAMP	2		
22	28H1517	WASHER	1		0.493" X 0.675" X 1/4"
23	R57549	CLAMP	2		
24	AR88044	HYDRAULIC LINE	1		(HINGE BRACKET TO DIFFERENTIAL) (SUB FOR AR78558)
25	19H246	CAP SCREW	1		3/8" X 1-3/4"
26	19H3210	CAP SCREW	1	-005341	3/4" X 5-1/4"
	19H3415	CAP SCREW	1	005342-	3/4" X 5-1/2"
27	T21397	WASHER	1		
28	AR78559	HOSE	1		
29	R63637	BRACKET	1		
30	AR34569	FITTING	1		
31	R51494	WASHER	1		
32	AR43134	HYDRAULIC LINE	1		
33	R39597	ADAPTER	1		
34	R30903	O-RING	1		

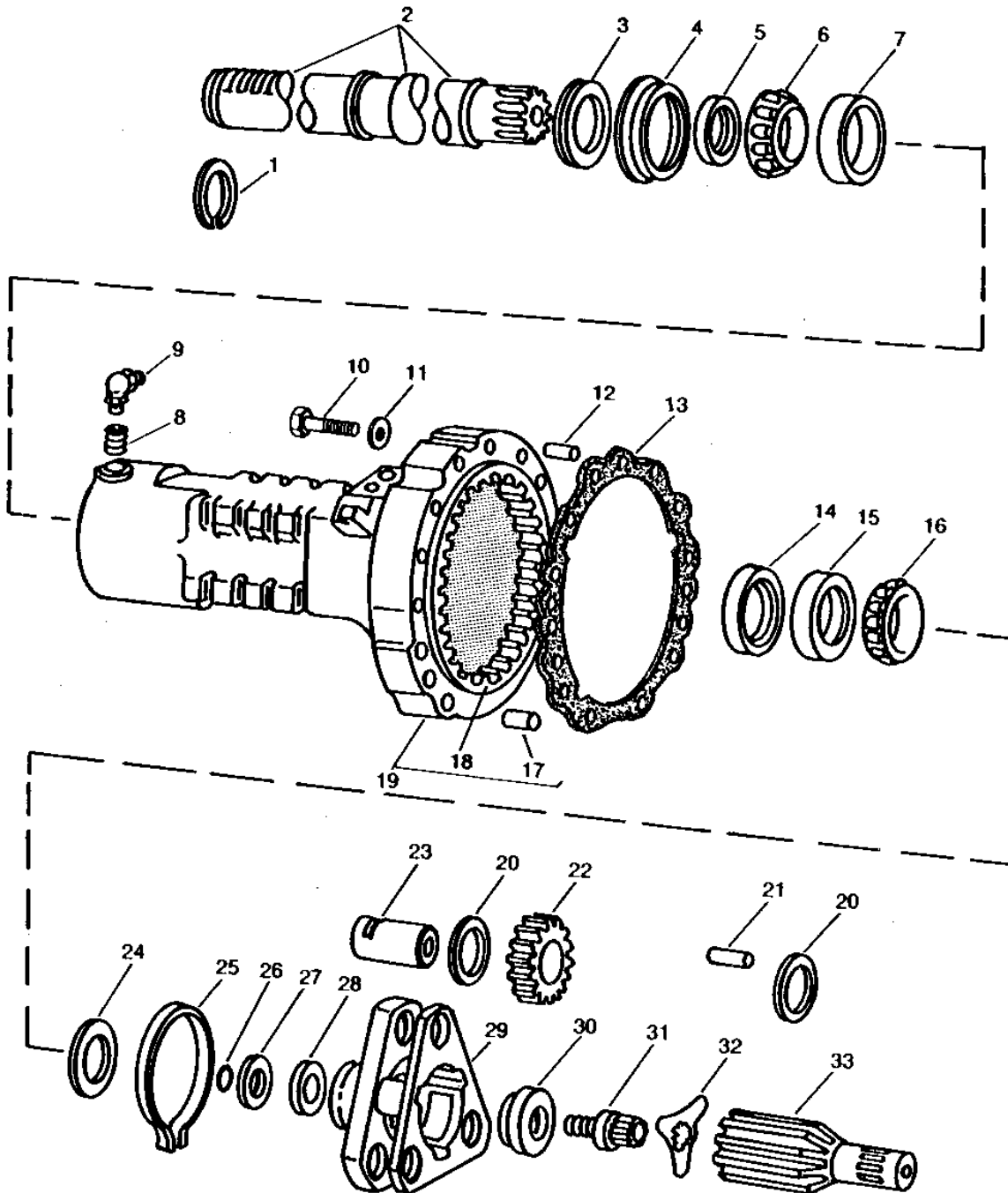
# 3G7

POWER TRAIN

RWP5859

-UN-01JAN94

## PLANETARY AND FRONT AXLE



RWP5859

# 3G8

POWER TRAIN

## PLANETARY AND FRONT AXLE - CONTINUED

KEY	PART NO.	PART NAME	QTY	TRACTOR SERIAL NO.	REMARKS
1	R53659	SNAP RING	1		
2	R57949	SHAFT	1		(LENGTH 919 MM (36.21"))
	R57404	SHAFT	1		(LENGTH 1206 MM (47.51"))
3	RE31702	SEAL	1		(ALSO ORDER R59074) (SUB FOR R35634, AR68721 OR AH93852)
4	R59074	OIL CUP	1		(SUB FOR R57268)
5	R63106	SPACER	1		(SUB FOR R53635)
6	JD8962	BEARING CONE	1		
	JD10003	BEARING CONE	1		UNDERSIZE
7	JD8248	BEARING CUP	1		
8	15H559	PIPE PLUG	1		1/4"
9	JD7781	LUBRICATION FITTING	1		90°
10	R48438	CAP SCREW	12		
11	R48429	WASHER	1	XXXXXX-	
12	R54380	DOWEL PIN	3		(LOCATING)
13	R94311	GASKET	1		(SUB FOR R42289 OR R74155)
14	AR51561	SEAL	1		(SUB AR98650)
15	JD8214	BEARING CUP	1		
16	JD8191	BEARING CONE	1		
17	R65499	DOWEL PIN	3		(SUB FOR R37401)
18	R57412	GEAR	1		(SUB FOR RE13483)
19	AR89895	HOUSING	1		(MARKED R57405 OR R58484) (SUB FOR AR68958 OR AR70229)
20	R33022	THRUST WASHER	6		
21	R57254	QUICK LOCK PIN	72		
22	R65635	PINION	3		(SUB FOR R57402)
23	R57403	SHAFT	3	-001194	(SUB R61127)
	R61127	SHAFT	3	001195-	
24	R48437	SHIM	1		
25	R61428	SNAP RING	1		(SUB FOR R57952)
26	F3171R	O-RING	1	XXXXXX-	
27	R61461	SHIM	AR		0.08 MM (.003")
	R59439	SHIM	AR		0.13 MM (.005")
	R59440	SHIM	AR		0.51 MM (.020")
28	F2380R	WASHER	1		
29	R57953	PLANET PINION CARRIER	1		
30	R61770	SPACER	1		(SUB FOR R58293)
31	R81162	BOLT	1		HS, SAE 8, (SUB FOR R52388 OR R60034)
32	R69549	PLATE	1		(SUB FOR R59124)
33	R67199	SHAFT	1		(SUB FOR R57401)

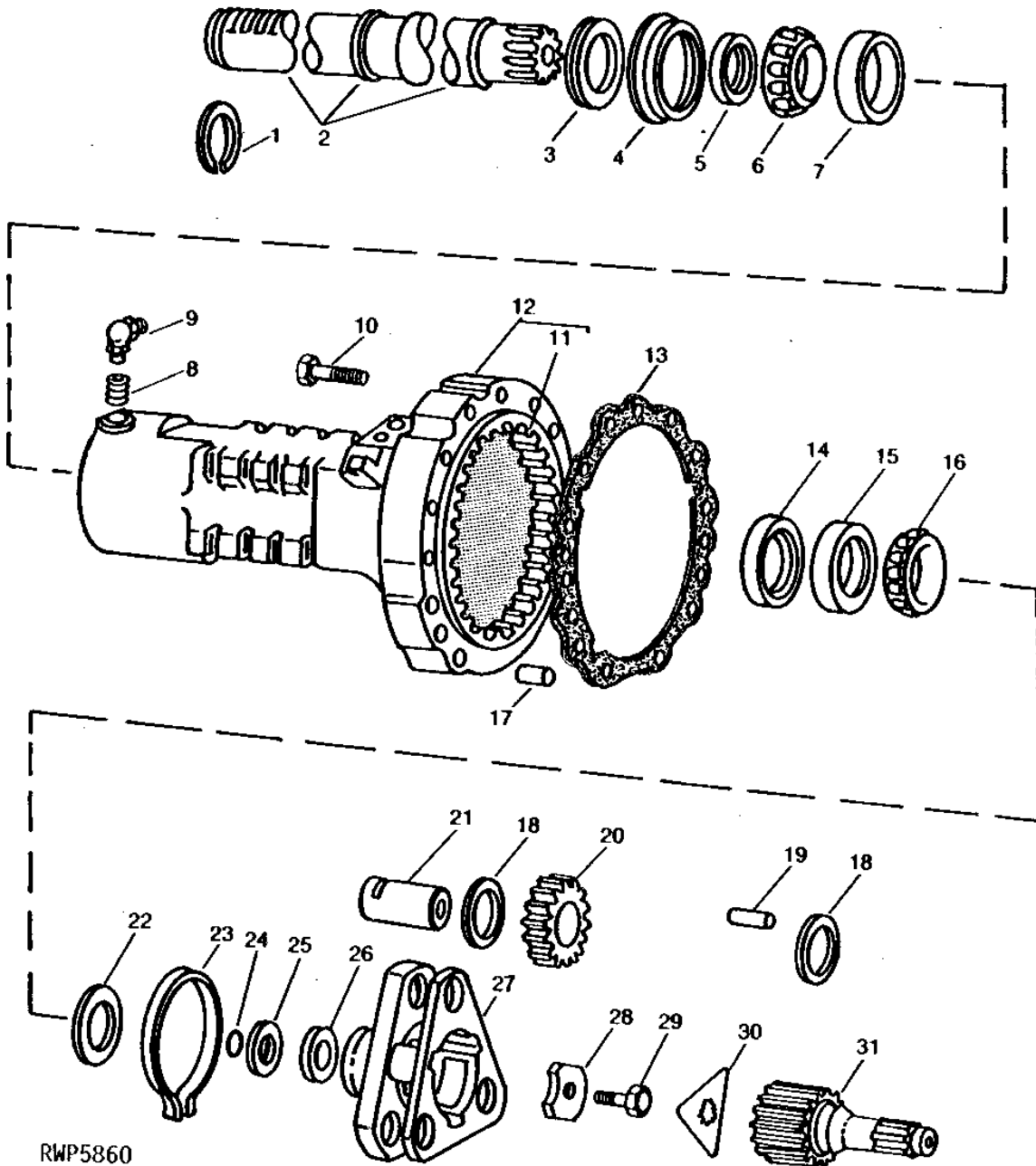
# 3G9

POWER TRAIN

RWP5860

-UN-01JAN94

## PLANETARY AND REAR AXLE



RWP5860

# 3G10

POWER TRAIN

## PLANETARY AND REAR AXLE - CONTINUED

KEY	PART NO.	PART NAME	QTY	TRACTOR SERIAL NO.	REMARKS
1	R53659	SNAP RING	1		
2	R53651	SHAFT	1		(LENGTH 908 MM (35.75"))
	R53653	SHAFT	1		(LENGTH 1195 MM (47.06"))
3	RE31702	SEAL	1		(ALSO ORDER R59074) (SUB FOR R35634, AR68721 OR AH93852) (SUB FOR R57268)
4	R59074	OIL CUP	1		(SUB FOR R57268)
5	R63106	SPACER	1		(SUB FOR R53635)
6	JD8962	BEARING CONE	1		
	JD10003	BEARING CONE	1		UNDERSIZE
7	JD8248	BEARING CUP	1		
8	15H559	PIPE PLUG	1		1/4"
9	JD7781	LUBRICATION FITTING	1		90°
10	19H3168	CAP SCREW	14		5/8" X 3-3/4"
11	R57616	GEAR	1		(SUB FOR RE13479)
12	AR70480	HOUSING	1		(MARKED R58294 OR R58602)
13	R58295	GASKET	1	-004430	
	R99394	GASKET	1	004431-	(SUB FOR R58295 OR R65308)
14	AR85311	SEAL	1		(SUB FOR R35735)
	AR98649	SEAL	1		UNDERSIZE, (SUB FOR AR87199)
15	JD8248	BEARING CUP	1		
16	JD8962	BEARING CONE	1		
	JD10003	BEARING CONE	1		UNDERSIZE
17	R44961	DOWEL PIN	3		
18	R43245	THRUST WASHER	6		(SUB R83096)
19	R43244	NEEDLE ROLLER	126		
20	R57615	PLANET PINION	3		
21	R43015	SHAFT	3		
22	R42529	SHIM	1		
23	R33029	SNAP RING	1		
24	F3171R	O-RING	1	002586-	(NO LONGER USED)
25	R61461	SHIM	AR	002586-	0.08 MM (.003")
	R59439	SHIM	AR		0.13 MM (.005")
	R59440	SHIM	AR		0.51 MM (.020")
26	F2380R	WASHER	1		
27	R43001	PLANET PINION CARRIER	1		
28	R61771	RETAINER	1		(SUB FOR R46806)
29	R82175	CAP SCREW	1		HS, SAE 8, (SUB FOR R26011 OR R60032)
30	R26012	LOCK PLATE	1		
31	R57614	SHAFT	1	-002585	(SUB R113733, RE46334, (3) RE46328 AND R113741)
	R113733	SHAFT	1	002586-	(SUB R113733)

---

MEMORANDA

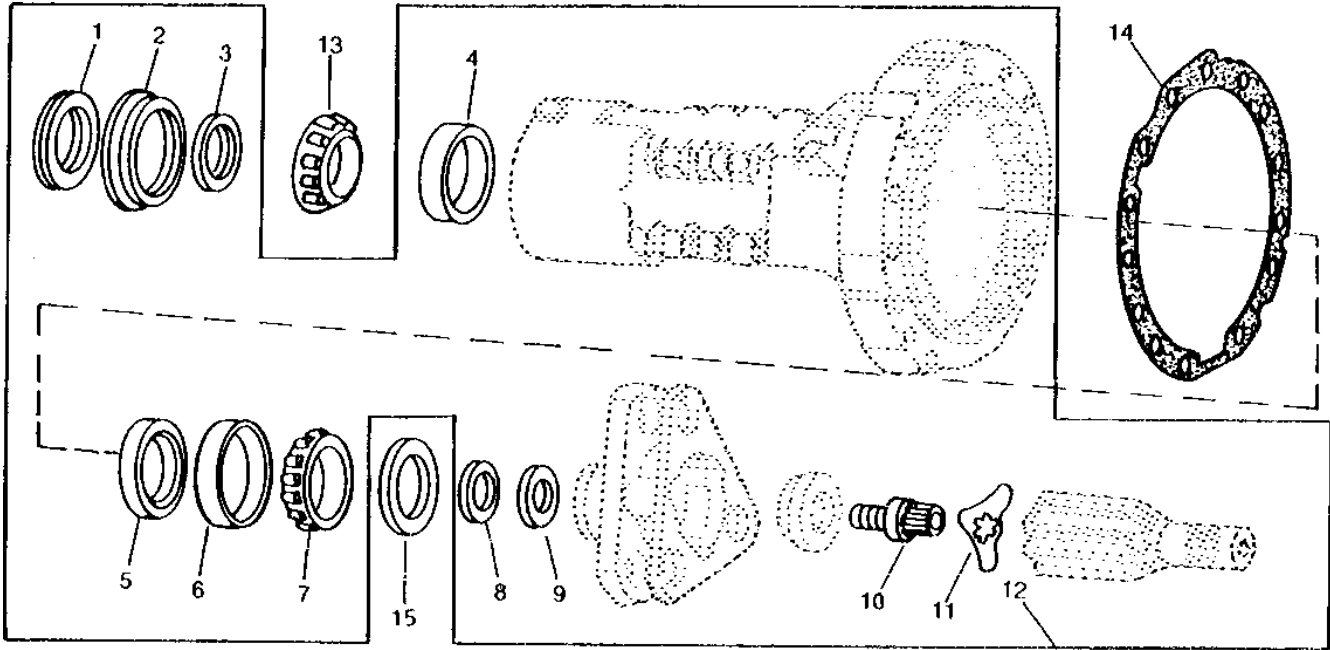


# 3G11

POWER TRAIN

## FRONT AXLE BEARING AND SEAL KIT (92MM STANDARD AXLE)

RWP2705 -UN-01JAN94



RWP2705

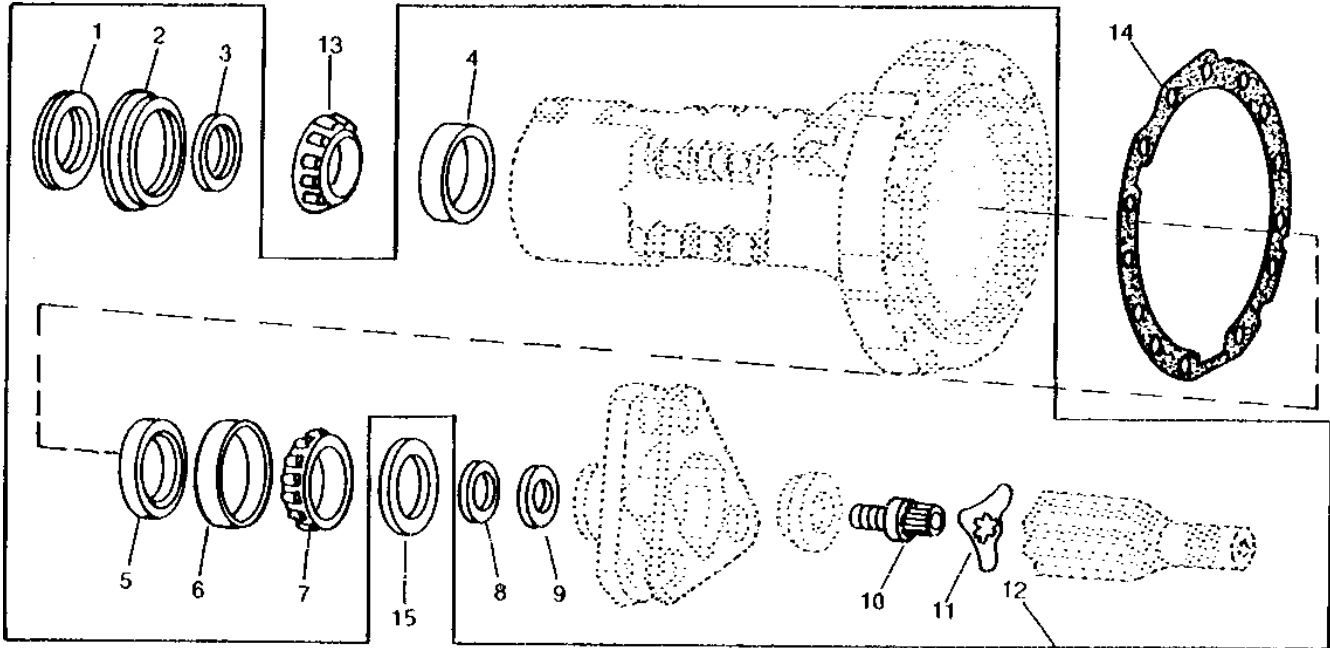
KEY	PART NO.	PART NAME	QTY	TRACTOR SERIAL NO.	REMARKS
1	RE31702	SEAL	1		(SUB FOR AH93852)
2	R59074	OIL CUP	1		
3	R63106	SPACER	1		
4	JD8248	BEARING CUP	1		
5	AR98650	SEAL	1		
6	JD8214	BEARING CUP	1		
7	JD8191	BEARING CONE	1		
8	R61461	SHIM	3	0.08 MM (.003")	
	R59439	SHIM	4	0.13 MM (.005")	
	R59440	SHIM	2	0.51 MM (.020")	
9	F2380R	WASHER	1		
10	R81162	BOLT	1	HS, SAE 8, (SUB FOR R60034)	
11	R69549	PLATE	1		
12	RE11209	KIT	1		
13	JD8962	BEARING CONE	1		
14	R94311	GASKET	1		(SUB FOR R74155)
15	R48437	SHIM	1		
..	R72232	BALL	AR		AXLE SHIM GAUGE

# 3G12

POWER TRAIN

## FRONT AXLE BEARING AND SEAL KIT (92MM UNDERSIZE AXLE)

RWP2705 -UN-01JAN94



RWP2705

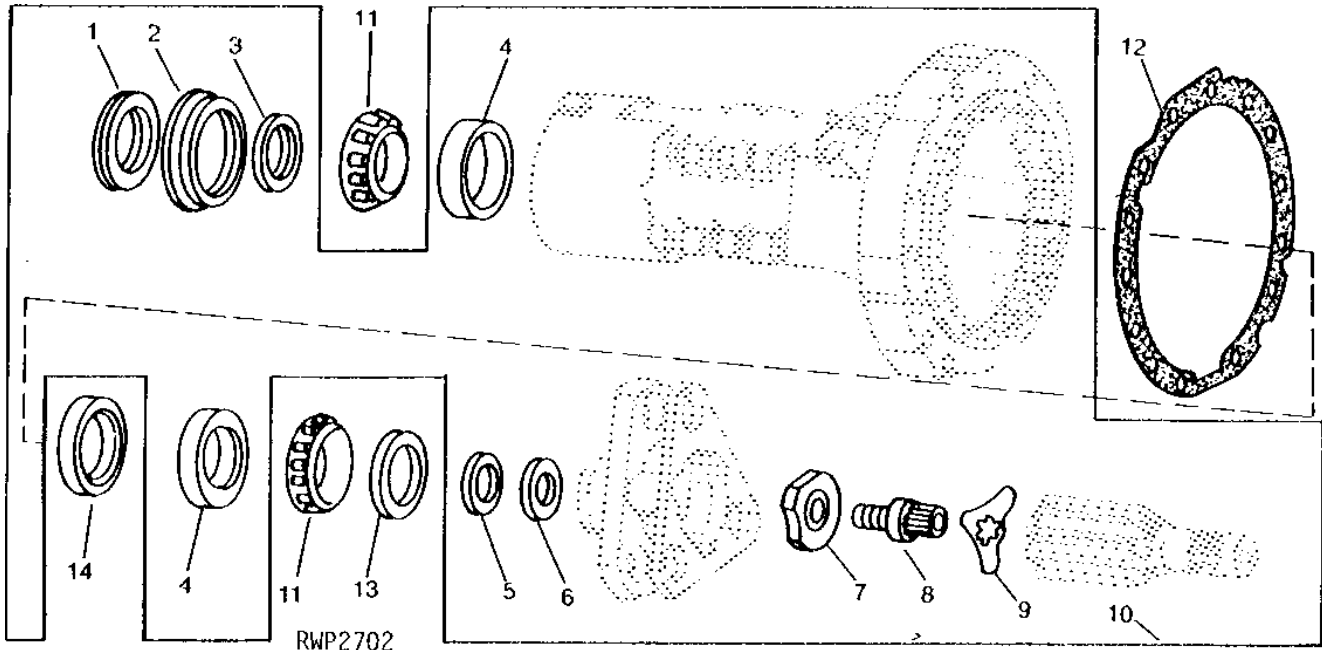
KEY	PART NO.	PART NAME	QTY	TRACTOR SERIAL NO.	REMARKS
1	RE31702	SEAL	1		(SUB FOR AH93852)
2	R59074	OIL CUP	1		
3	R63106	SPACER	1		
4	JD8248	BEARING CUP	1		
5	AR98650	SEAL	1		
6	JD8214	BEARING CUP	1		
7	JD8191	BEARING CONE	1		
8	R61461	SHIM	3	0.08 MM (.003")	
	R59439	SHIM	4	0.13 MM (.005")	
	R59440	SHIM	2	0.51 MM (.020")	
9	F2380R	WASHER	1		
10	R81162	BOLT	1	HS, SAE 8, (SUB FOR R60034)	
11	R69549	PLATE	1		
12	RE11209	KIT	1		
13	JD10003	BEARING CONE	1		
14	R94311	GASKET	1		(SUB FOR R74155)
15	R48437	SHIM	1		
..	R72232	BALL	AR		AXLE SHIM GAUGE

# 3G13

POWER TRAIN

## REAR AXLE BEARING AND SEAL KIT (92MM STANDARD AXLE)

RWP2702 -UN-01JAN94



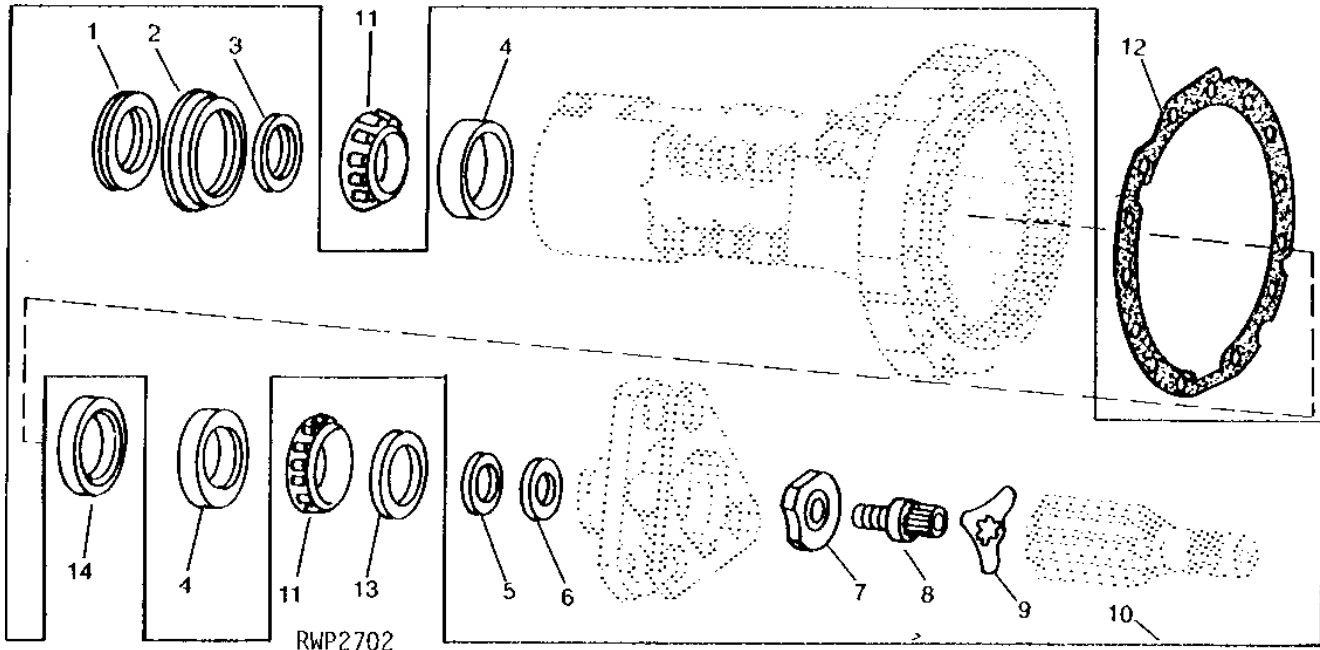
KEY	PART NO.	PART NAME	QTY	TRACTOR SERIAL NO.	REMARKS
1	RE31702	SEAL	1		(SUB FOR AH93852)
2	R59074	OIL CUP	1		
3	R63106	SPACER	1		
4	JD8248	BEARING CUP	2		
5	R61461	SHIM	3		0.08 MM (.003")
	R59439	SHIM	4		0.13 MM (.005")
	R59440	SHIM	2		0.51 MM (.020")
6	F2380R	WASHER	1		
7	R61771	RETAINER	1		
8	R82175	CAP SCREW	1		HS, SAE 8, (SUB FOR R60032)
9	R26012	LOCK PLATE	1		
10	RE11208	KIT	1		
11	JD8962	BEARING CONE	2		
12	R99394	GASKET	1		(SUB FOR R65308)
13	R42529	SHIM	1		
14	AR85311	SEAL	1		
..	R72232	BALL	AR		AXLE SHIM GAUGE

# 3G14

POWER TRAIN

## REAR AXLE BEARING AND SEAL KIT (92MM UNDERSIZE AXLE)

RWP2702 -UN-01JAN94



RWP2702

KEY	PART NO.	PART NAME	QTY	TRACTOR SERIAL NO.	REMARKS
1	RE31702	SEAL	1		(SUB FOR AH93852)
2	R59074	OIL CUP	1		
3	R63106	SPACER	1		
4	JD8248	BEARING CUP	2		
5	R61461	SHIM	3		0.08 MM (.003")
	R59439	SHIM	4		0.13 MM (.005")
	R59440	SHIM	2		0.51 MM (.020")
6	F2380R	WASHER	1		
7	R61771	RETAINER	1		
8	R82175	CAP SCREW	1		HS, SAE 8, (SUB FOR R60032)
9	R26012	LOCK PLATE	1		
10	RE11208	KIT	1		
11	JD10003	BEARING CONE	2		
12	R99394	GASKET	1		(SUB FOR R65308)
13	R42529	SHIM	1		
14	AR98649	SEAL	1		(SUB FOR AR87199)
..	R72232	BALL	AR		AXLE SHIM GAUGE

---

MEMORANDA

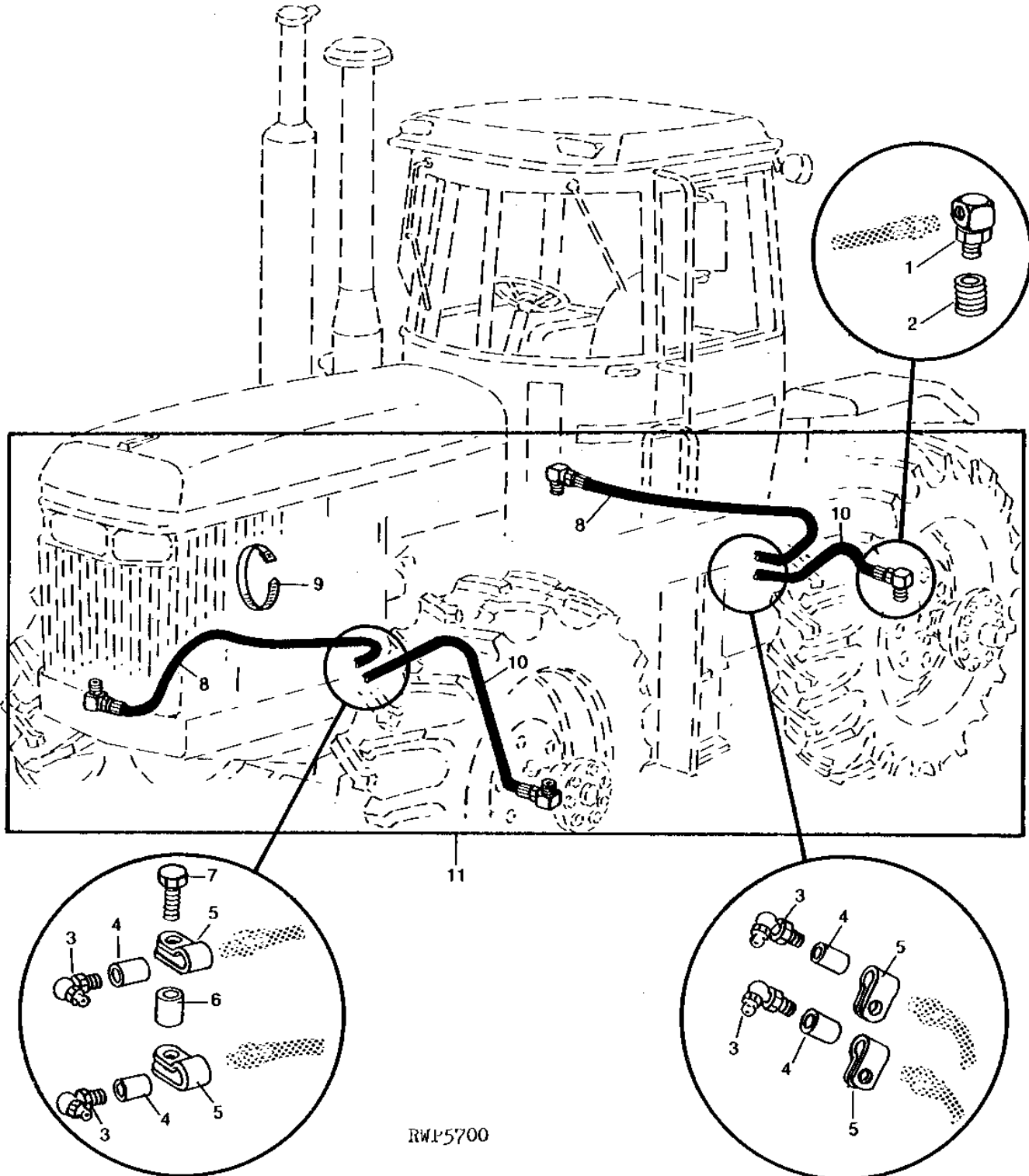
# 3G15

POWER TRAIN

RWP5700

-UN-01JAN94

## REMOTE AXLE BEARING GREASE BANK KIT



RWP5700

# 3G16

POWER TRAIN

## REMOTE AXLE BEARING GREASE BANK KIT - CONTINUED

KEY	PART NO.	PART NAME	QTY	TRACTOR SERIAL NO.	REMARKS
1	AR100388	ELBOW FITTING	4		90°
2	15H681	PIPE BUSHING	4		1/8", (IF REQUIRED)
3	JD7781	LUBRICATION FITTING	4		90°
4	15H73	COUPLING	4		1/8"
5	T13814	CLAMP	4		
6	28H1527	SPACER	1		0.493" X 0.675" X 1-3/8"
7	19H1726	CAP SCREW	1		3/8" X 2-1/4"
8	AR88832	HYDRAULIC HOSE	2		
9	R76477	TIE BAND	8		(SUB FOR R45440)
10	AR88831	HYDRAULIC HOSE	2		
11	RE22250	KIT	1		

---

MEMORANDA



---

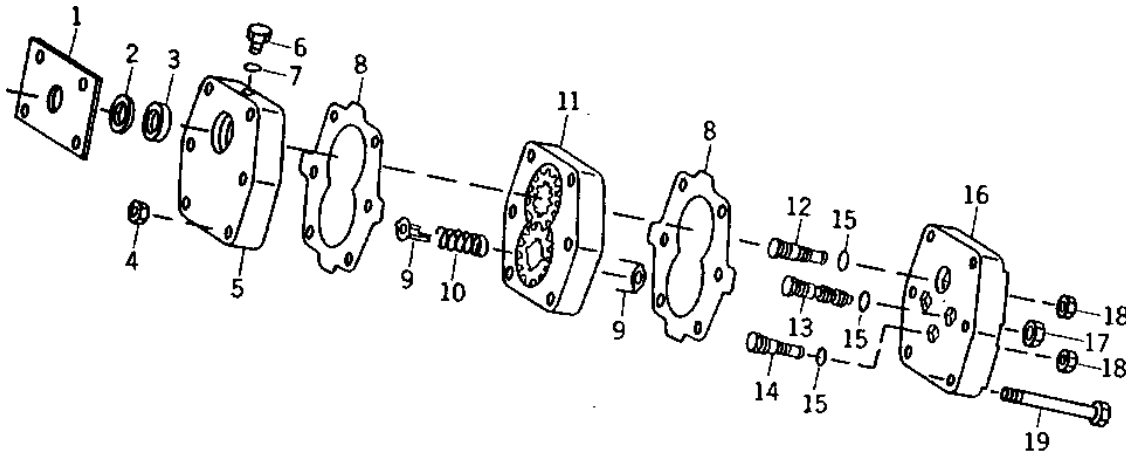
MEMORANDA

# 3G19

STEERING AND BRAKES

R32033 -UN-01JAN94

## STEERING METERING PUMP



R32033F

KEY	PART NO.	PART NAME	QTY	TRACTOR SERIAL NO.	REMARKS
1	R56645	PLATE	1		
2	24H1422	SHIM	1	0.018"	
3	R72858	SEAL	1	(SUB FOR R32730)	
4	14H1076	NUT	6	3/8"	
5	AR99334	BASE	1	(SUB FOR R54769)	
6	R27216	DRAIN PLUG	1	(SUB FOR R31631)	
7	R26287	O-RING	1		
8	R55243	SHIM	2		
9	R56347	PLATE	2		
10	R56346	SPRING	1		
11	AR99331	HOUSING	1	(SUB FOR AR63235)	
12	R56643	FITTING	1	-003493 (A) (SUB R65685)	
	R65685	FITTING	1	003494-006171 (A) (SUB FOR R63399)	
	R68220	FITTING	1	006172- (A) (SUB FOR R66621)	
13	R54763	FITTING	2	(B)	
14	R56643	FITTING	1	-003493 (A) (SUB R65685)	
	R65685	FITTING	1	003494-006171 (A) (SUB FOR R63399)	
	R68220	FITTING	1	006172- (A) (SUB FOR R66621)	
15	R28776	O-RING	4		
16	AR99335	COVER	1	(SUB FOR R54771)	
17	R26572	NUT	2		
18	R27296	NUT	2		
19	19H1912	CAP SCREW	6	3/8" X 3-1/2"	

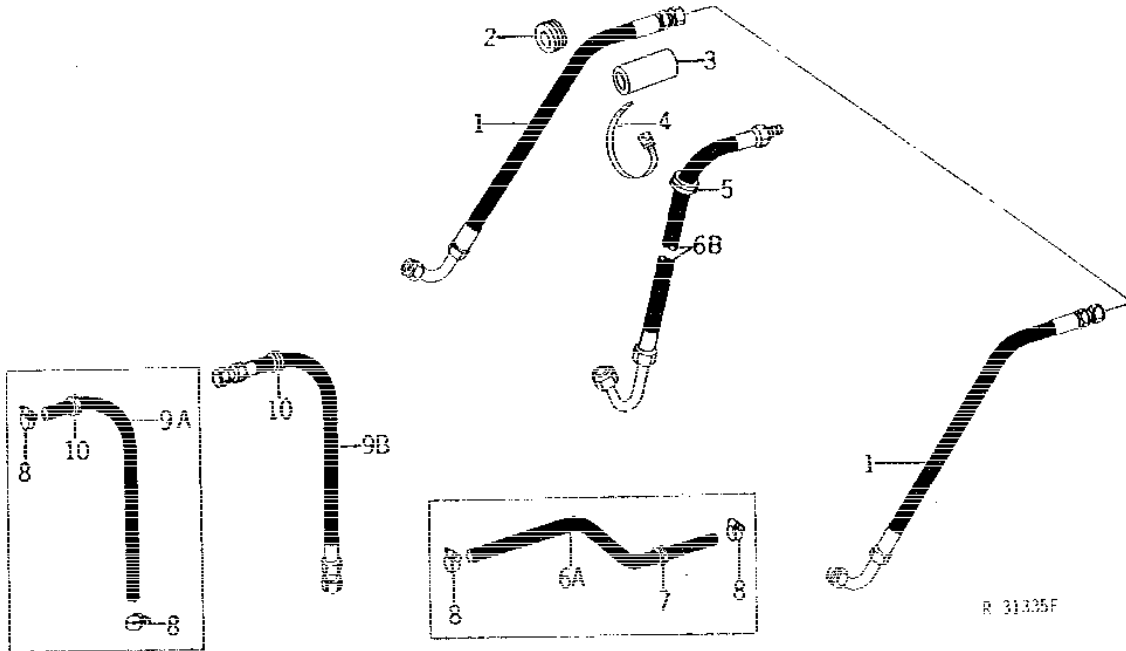
(A) RETURN OIL CIRCUIT  
(B) CONTROL OIL CIRCUIT

# 3G20

STEERING AND BRAKES

R31335 -UN-01JAN94

## REAR STEERING OIL LINE AND HOSES



KEY	PART NO.	PART NAME	QTY	TRACTOR SERIAL NO.	REMARKS
1	AR67565	HYDRAULIC HOSE	2		(METERING PUMP TO VALVE)
2	R40445	GROMMET	2	-002624	
	R45210	GROMMET	2	002625-	
3	R62880	FOAM PAD	2	002625-	
4	R44302	TIE BAND	2	002625-	
5	R66718	GROMMET	1	006172-	
6A	R55824	HYDRAULIC HOSE	1	-006171	(RETURN TO METERING PUMP)
6B	AR86973	HYDRAULIC HOSE	1	006172-	(RETURN TO METERING PUMP)
7	R65688	GROMMET	1	-006171	
	R66718	GROMMET	1	006172-	
8	AR77962	CLAMP	4	-006171	
9A	R65687	HOSE	1	-006171	(METERING PUMP RETURN) (SUB FOR R57757 OR R62175)
9B	AR86492	HYDRAULIC HOSE	1	006172-	(METERING PUMP RETURN)
10	R60831	GROMMET	1	-006171	
	R66626	GROMMET	1	006172-	

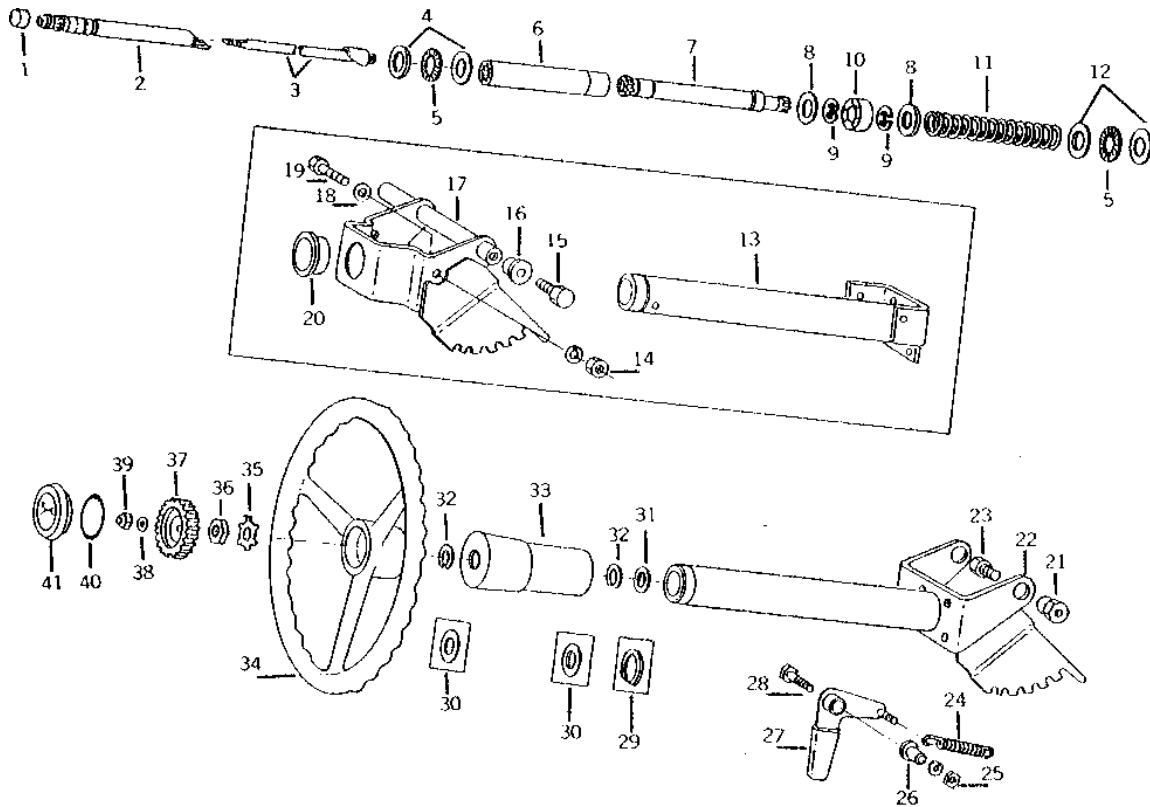
# 3G21

STEERING AND BRAKES

R28036

-UN-01JAN94

## TELESCOPING STEERING



R 28036F

# 3G22

STEERING AND BRAKES

## TELESCOPING STEERING - CONTINUED

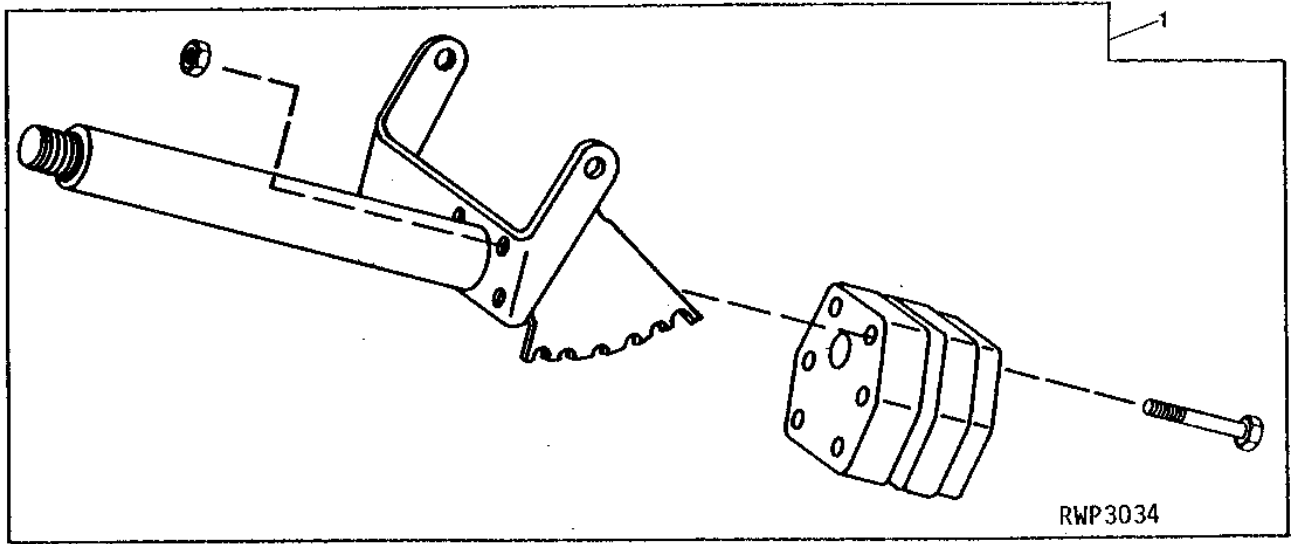
KEY	PART NO.	PART NAME	QTY	TRACTOR SERIAL NO.	REMARKS
1	R50875	BUSHING	1		
2	R50868	STEERING WHEEL SHAFT	1	-002455	(SUB R62280 AND P46402)
	R62280	SHAFT	1	002456-	
3	AR54808	ROD	1		
4	JD9931	THRUST BEARING	2	-002455	
	R62278	THRUST WASHER	2	002456-	
5	JD8875	NEEDLE BEARING	2		
6	R50869	SPLINED COUPLING	1		
7	R109986	SHAFT	1		(SUB FOR R55092)
8	R42629	WASHER	2		
9	P46402	SNAP RING	2		
10	R55498	BUSHING	1		
11	R60174	SPRING	1		
12	JD9931	THRUST BEARING	2	-002455	
	R62278	THRUST WASHER	2	002456-	
13	AR63259	STEERING SYSTEM	1	-002455	(SUB AR81184, (2) R64704, (2) 19H1792 AND (2) R62278)
	AR76535	TUBE	1	002456-004772	(SUB AR81184, (2) R64704 AND (2) 19H1792)
14	14H1076	NUT	2	-004772	3/8"
	12H304	LOCK WASHER	2	-004772	3/8"
15	19H1815	CAP SCREW	2	-004772	1/2" X 1-1/4"
16	R50712	BUSHING	2	-004772	
17	AR63258	BRACKET	1	-004772	
18	A147R	LOCK WASHER	1	-004772	
19	19H1731	CAP SCREW	2	-004772	3/8" X 1"
20	R55443	GROMMET	1	-004772	
21	R64704	BUSHING	2	004773-	
22	AR81184	TUBE	1	004773-	
23	19H1792	CAP SCREW	2	004773-	1/2" X 1"
24	R59953	SPRING	1		
	19H1849	CAP SCREW	1	-XXXXXX	5/16" X 1-1/4", (SPRING TO CONTROL SUPPORT)
	12H303	LOCK WASHER	1	-XXXXXX	5/16", (SPRING TO CONTROL SUPPORT SCREW)
	14H611	NUT	2	-XXXXXX	5/16", (SPRING TO CONTROL SUPPORT SCREW)
25	14H1076	NUT	1		3/8"
	12H304	LOCK WASHER	1		3/8"
26	R58614	SPACER	1		
27	AR70442	LEVER	1		
28	19H3181	CAP SCREW	1		3/8" X 2"
29	R26933	SNAP RING	1	-002455	
30	R42629	WASHER	2	-002455	
31	R72858	SEAL	1		(SUB FOR R32730)
32	B169R	SNAP RING	2	-002455	
	P46402	SNAP RING	2	002456-	
33	R51153	SLEEVE	1		
34	T22875	STEERING WHEEL	1		
35	T17148	LOCK WASHER	1		
36	14H904	NUT	1		3/4"
37	R91298	KNOB	1		(SUB FOR R50871)
38	12H303	LOCK WASHER	1		5/16"
39	14H650	NUT	1		5/16"
40	B3690R	O-RING	1		
41	R47998	CAP	1		

# 3G23

STEERING AND BRAKES

RWP3034 -UN-01JAN94

METERING PUMP WITH SHAFT AND SUPPORT



KEY	PART NO.	PART NAME	QTY	MODEL NO.	REMARKS
1	AR86481	STEERING METERING PUMP	1		

---

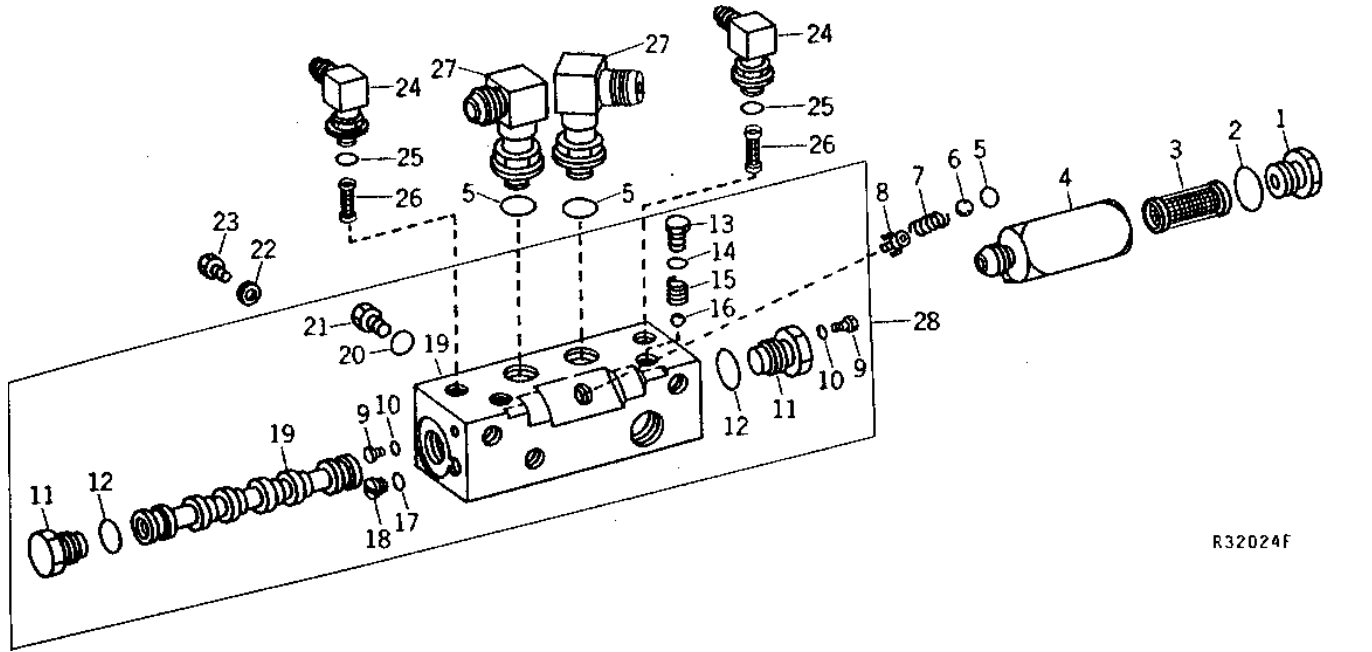
MEMORANDA

# 3G24

STEERING AND BRAKES

R32024 -UN-01JAN94

## STEERING VALVE WITH FITTINGS



R32024F

KEY	PART NO.	PART NAME	QTY	TRACTOR SERIAL NO.	REMARKS
1	R27175	DRAIN PLUG	1		
2	F3171R	O-RING	1		
3	R58119	SCREEN	1		
4	AR78077	TEE FITTING	1	(SUB FOR AR69167)	
5	R26906	O-RING	3		
6	M886T	BALL	1	16 MM (5/8") (SUB FOR A174R)	
7	R39228	SPRING	1		
8	R58301	GUIDE	1		
9	R27216	DRAIN PLUG	2	(SUB FOR R31631)	
10	R26287	O-RING	2		
11	R63673	FITTING	2	(SUB FOR R62622, THIS APPLICATION)	
12	R29936	O-RING	2		
13	R27218	FITTING PLUG	2		
14	R26448	O-RING	2		
15	R60313	SPRING	2		
16	R42849	BALL	2	10 MM (3/8")	
17	R26375	O-RING	1		
18	R58964	DRAIN PLUG	1		
19	.....	VALVE	1	(ORDER AR77223)	
20	R26448	O-RING	1	(USE WITH REPLACEMENT STEERING VALVE)	
21	R27218	FITTING PLUG	1	(USE WITH REPLACEMENT STEERING VALVE)	
22	12H304	LOCK WASHER	2	3/8"	
23	19H2284	CAP SCREW	2	3/8" X 7/8"	
24	AR69672	ELBOW FITTING	2	90°	
25	R26448	O-RING	2		
26	R58033	SCREEN	2		
27	AR40516	ELBOW FITTING	2	90°	
28	AR77223	VALVE	1	(SUB FOR AR96051)	

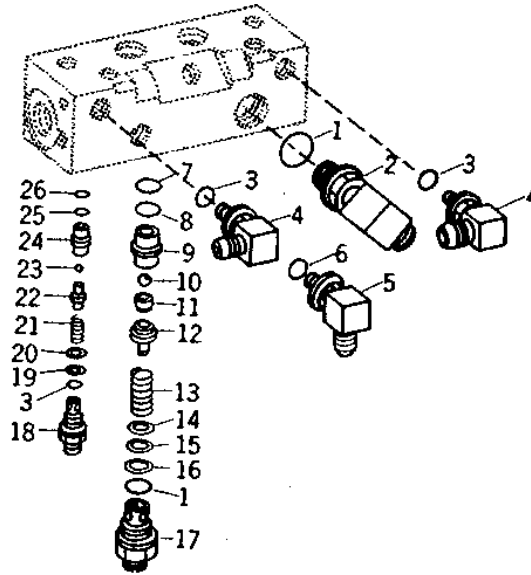


# 3G25

STEERING AND BRAKES

R32025 -UN-01JAN94

## STEERING VALVE FITTINGS



R32025F

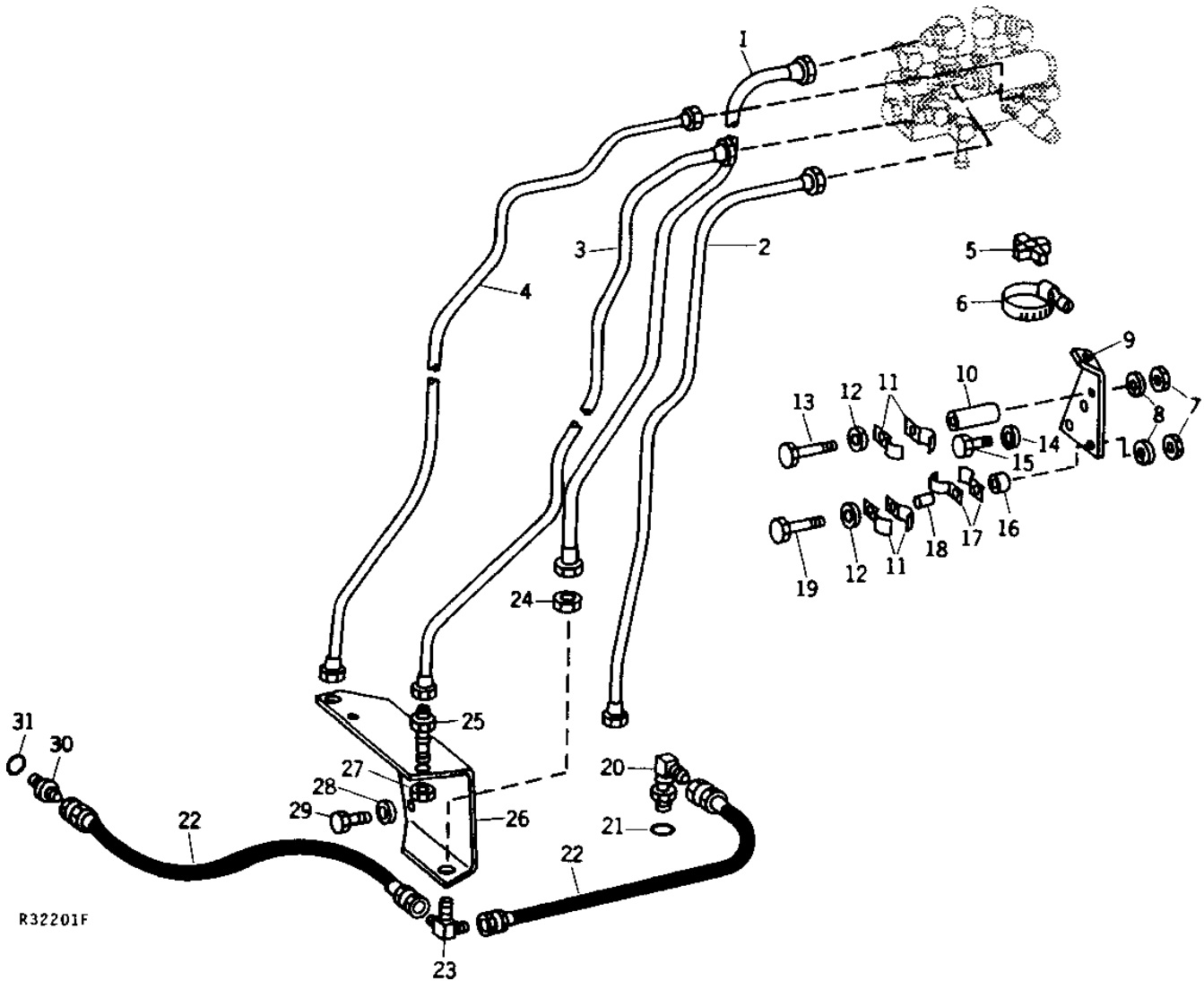
KEY	PART NO.	PART NAME	QTY	TRACTOR SERIAL NO.	REMARKS
1	F3171R	O-RING	3		
2	AR72288	ELBOW FITTING	1	90°	
3	R26448	O-RING	4		
4	AT35121	ELBOW FITTING	2	90°, (SUB FOR R26725)	
5	AR31674	FITTING	1	90°	
6	R26375	O-RING	1		
7	R394R	O-RING	2		
8	R26551	BACK-UP RING	2		
9	R59186	VALVE SEAT	2		
10	R26552	BALL	2	8 MM (5/16")	
11	R60315	RETAINER	2		
12	R60314	GUIDE	2		
13	R59853	SPRING	2		
14	R39730	SHIM	4	0.13 MM (.005")	
15	U13968	SHIM	4	0.46 MM (.018")	
16	24H1286	WASHER	4	9/32" X 1/2" X 1/16"	
17	AR71403	FITTING PLUG	2	(SUB RE56621)	
18	AR71346	FITTING PLUG	2		
19	R60665	SHIM	4	0.51 MM (.020")	
20	R60664	SHIM	4	0.13 MM (.005")	
21	T27716	SPRING	2		
22	R59171	GUIDE	2		
23	H871R	BALL	2	5 MM (3/16")	
24	R59185	VALVE SEAT	2		
25	R31136	BACK-UP RING	2		
26	R10093	O-RING	2		

# 3H1

STEERING AND BRAKES

R32201 -UN-01JAN94

STEERING LINES  
(RIGHT-HAND SIDE)



# 3H2

STEERING AND BRAKES

## STEERING LINES - CONTINUED (RIGHT-HAND SIDE)

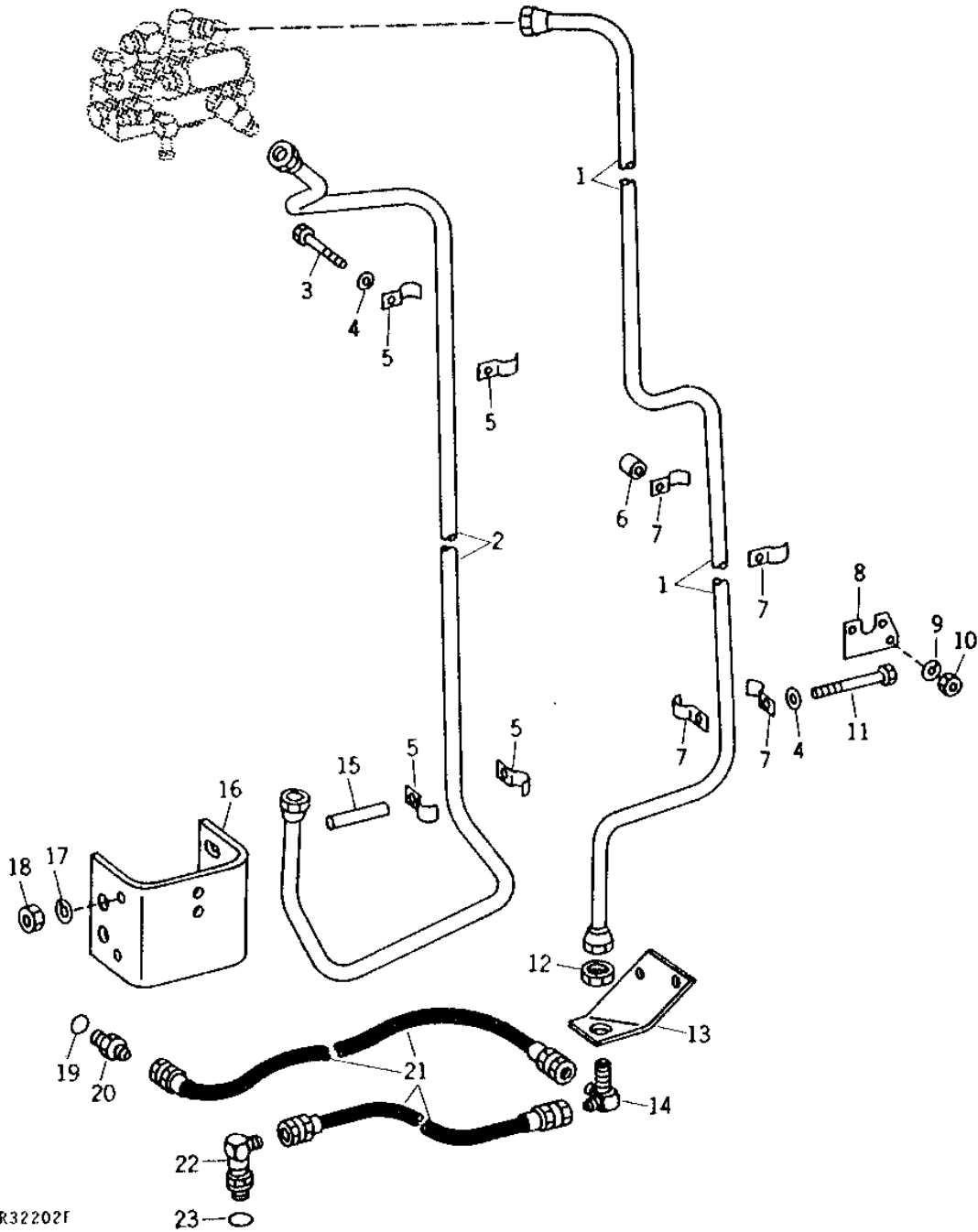
KEY	PART NO.	PART NAME	QTY	TRACTOR SERIAL NO.	REMARKS
1	AR94941	HYDRAULIC LINE	1		(SUB FOR AR70958 OR AR79916)
2	AR70956	HYDRAULIC LINE	1		
3	AR71086	OIL LINE	1	-003769	(SUB AR79918)
4	AR79918	HYDRAULIC LINE	1	003770-	
	AR71087	OIL LINE	1	-003769	(SUB AR79919)
	AR79919	HYDRAULIC LINE	1	003770-	
5	R59350	BUSHING	1		
6	TY22470	CLAMP	1		(SUB FOR AR21840)
7	14H1076	NUT	2		3/8"
8	12H304	LOCK WASHER	2		3/8"
9	R58954	BRACKET	1		
10	28H1496	SPACER	1	-003769	0.493" X 0.675" X 1-1/8"
	28H1532	SPACER	1	003770-	0.493" X 0.675" X 2"
11	R57549	CLAMP	4		
12	24M7096	WASHER	2		10.500 X 18 X 1.600 MM
13	19H1944	CAP SCREW	2		3/8" X 2-3/4"
14	12H301	LOCK WASHER	2		1/2"
15	19H1792	CAP SCREW	2		1/2" X 1"
16	28H1495	SPACER	1	003770-	
17	R47576	CLAMP	2		
18	28H1697	SPACER	2	-003769	
	28H1697	SPACER	1	003770-	
19	19H2128	CAP SCREW	1		3/8" X 3"
20	AR31674	FITTING	2		90°
21	R26375	O-RING	2		
22	AR69300	HYDRAULIC HOSE	2		
23	AR103170	TEE FITTING	1		(SUB FOR AR71139)
24	R26627	NUT	1		
25	R27238	FITTING	2		
26	R66152	BRACKET	1		(SUB FOR R59798, R58894 OR R61787)
27	R26572	NUT	2		
28	19H2284	CAP SCREW	4		3/8" X 7/8"
29	12H304	LOCK WASHER	4		3/8"
30	R63541	FITTING	1		
31	R26375	O-RING	1		

# 3H3

STEERING AND BRAKES

R32202 -UN-01JAN94

STEERING LINES  
(LEFT-HAND SIDE)



R32202F

# 3H4

STEERING AND BRAKES

## STEERING LINES - CONTINUED (LEFT-HAND SIDE)

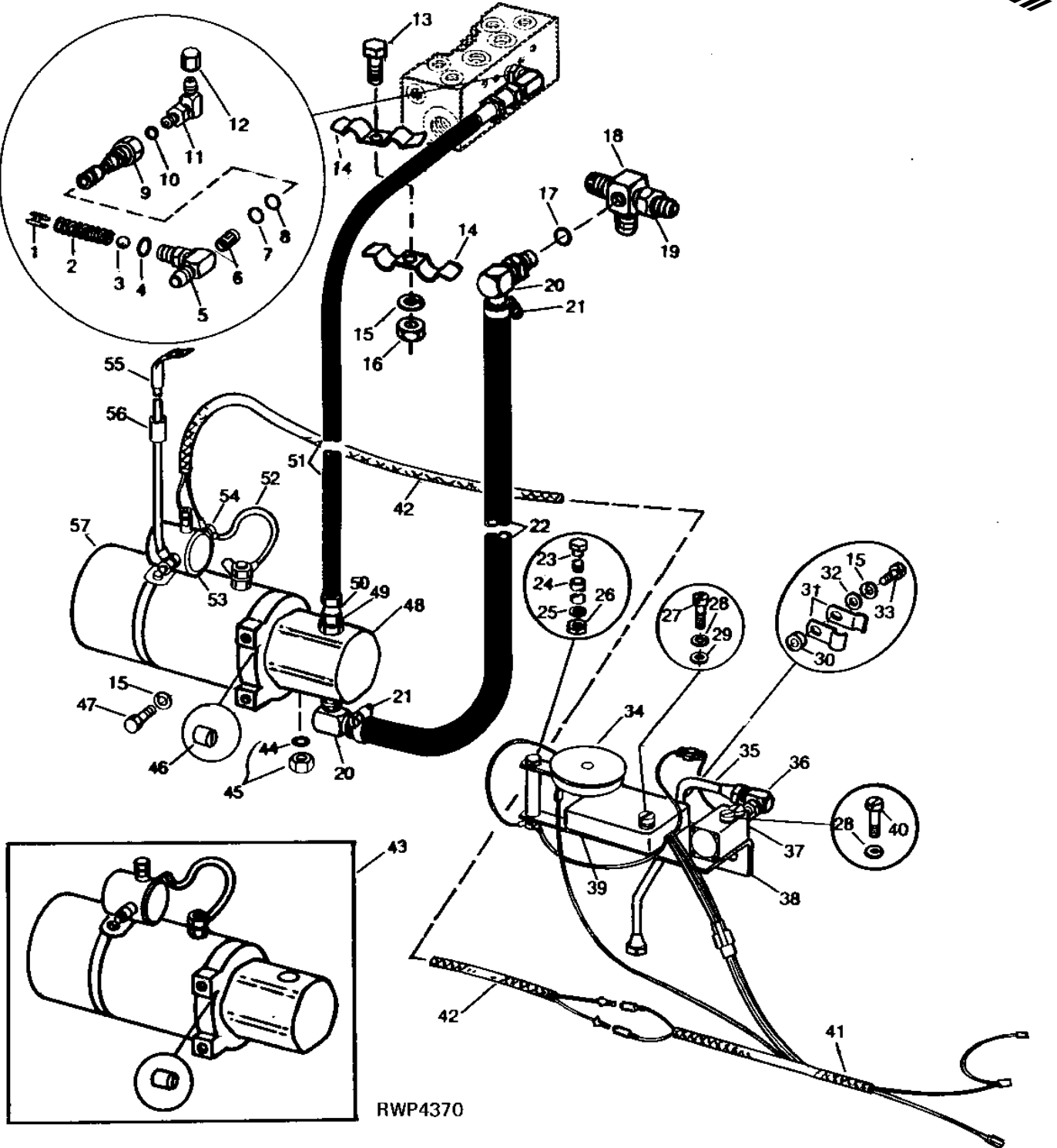
KEY	PART NO.	PART NAME	QTY	TRACTOR SERIAL NO.	REMARKS
1	AR70959	OIL LINE	1	-003769	(SUB AR82118)
	AR82118	HYDRAULIC LINE	1	003770-	
2	AR70957	OIL LINE	1	-003769	(SUB AR82117)
	AR82117	HYDRAULIC LINE	1	003770-	
3	19H1854	CAP SCREW	1	-XXXXXX	3/8" X 3-3/4"
	19H1733	CAP SCREW	1	XXXXXX-	3/8" X 2-1/2"
4	24M7096	WASHER	2		10.500 X 18 X 1.600 MM
5	R51655	HALF CLAMP	4		
6	28H1524	SPACER	1	-XXXXXX	
	28H1496	SPACER	1	XXXXXX-	
7	R47576	CLAMP	4		
8	R59472	BRACKET	1		
9	12H304	LOCK WASHER	2		3/8"
10	14H1076	NUT	1		3/8"
11	19H2228	CAP SCREW	1		3/8" X 4"
12	R26627	NUT	1		
13	R58895	BRACKET	1		
14	AR103170	TEE FITTING	1		(SUB FOR AR71139)
15	28H1535	SPACER	1		
16	R67140	BRACE	1		(SUB FOR R60060)
17	12H304	LOCK WASHER	1		3/8"
18	14H1076	NUT	1		3/8"
19	R26375	O-RING	1		
20	R63541	FITTING	1		
21	AR69300	HYDRAULIC HOSE	2		
22	AR31674	FITTING	1		90°
23	R26375	O-RING	1		

# 3H5

STEERING AND BRAKES

SECONDARY STEERING  
(NOT USED IN U.S. AND CANADA)

RWP4370 -UN-01JAN94



# 3H6

STEERING AND BRAKES

**SECONDARY STEERING - CONTINUED  
(NOT USED IN U.S. AND CANADA)**

KEY	PART NO.	PART NAME	QTY	TRACTOR SERIAL NO.	REMARKS
1	R55458	GUIDE	1		
2	R227R	SPRING	1		
3	R42849	BALL	3		9 MM (3/8")
4	R26448	O-RING	1		
5	AR67882	ELBOW FITTING	1		90°
6	R42684	STRAINER	1		
7	R28776	O-RING	1		
8	R26375	O-RING	1		
9	R61612	FITTING	1		
10	R26287	O-RING	1		
11	AR26746	ELBOW FITTING	1		90°
12	R40583	FITTING	1		
13	19H2284	CAP SCREW	1		3/8" X 7/8"
14	R31433	HALF CLAMP	2		
15	12H304	LOCK WASHER	4		3/8"
16	14H1076	NUT	1		3/8"
17	R26906	O-RING	2		
18	AR74693	TEE FITTING	1		
19	F3171R	O-RING	1		
20	AR52206	ELBOW FITTING	2		
21	TY22467	CLAMP	2		(SUB FOR AR21839)
22	.....	HOSE	1		(MAKE FROM TY22329) (SUB FOR R25471)
23	19H1913	CAP SCREW	1		5/16" X 2-1/4"
24	28H1497	BUSHING	1		
25	12H303	LOCK WASHER	1		5/16"
26	14H785	NUT	1		5/16"
27	21H1296	SCREW	2	-XXXXXX	0.190" X 1-1/4"
	21H1295	SCREW	2	XXXXXX-	0.190" X 5/8"
28	12M7060	WASHER	4		0.209"
29	24H1283	WASHER	2	-XXXXXX	7/32" X 1/2" X 0.049"
30	28H1519	WASHER	1		3/8" X 3/8"
31	R34933	CLAMP	2		
32	24M7096	WASHER	1		10.500 X 18 X 1.600 MM
33	19H1731	CAP SCREW	1		3/8" X 1"
34	AL14896	HORN	1		
35	AR74720	HYDRAULIC LINE	1		9 MM (3/8")
36	AR26674	ELBOW FITTING	1		
37	AR74718	SWITCH	1	-XXXXXX	
	RE15429	SWITCH	1	XXXXXX-	
38	R61542	BRACKET	1	-XXXXXX	
	R78676	BRACKET	1	XXXXXX-	LOWER
	R79536	BRACKET	1	XXXXXX-	UPPER
39	AR74744	CONTROL	1	-XXXXXX	(SUB RE15428, RE15429, R78676, R79536 AND (2) 21H1295)
	RE15428	TIMER	1	XXXXXX-	
40	21H1383	SCREW	2		0.190" X 2"
41	AR87390	WIRING HARNESS	1		
42	AR74722	WIRING HARNESS	1		
43	RE23393	PUMP	1		(SUB FOR AR80237) (SUB AT166083)
44	U15980	O-RING	1		
45	RE13550	CAP	1		(USE WITH AR80237) (SUB AT73741)
46	R64426	COUPLING	1		(SUB R83471) (USE WITH AR80237)
47	19H2284	CAP SCREW	2		3/8" X 7/8"
48	AR80239	PUMP	1		(USE WITH AR80237) (SUB RE23393)
49	R26375	O-RING	1		
50	R36426	FITTING	1		
51	AR90081	HYDRAULIC HOSE	1		
52	AR80240	STRAP	1		(USE WITH AR80237)
53	AR101429	SOLENOID	1		(SUB FOR AR80241) (USE WITH AR80237)
54	R30964	COVER	1		
55	AR74724	CABLE	1		
56	R45847	HOSE	1		
57	AR80238	MOTOR	1		(USE WITH AR80237)
..	R44302	TIE BAND	AR		
..	R76477	TIE BAND	1		(SUB FOR R45440)

---

MEMORANDA

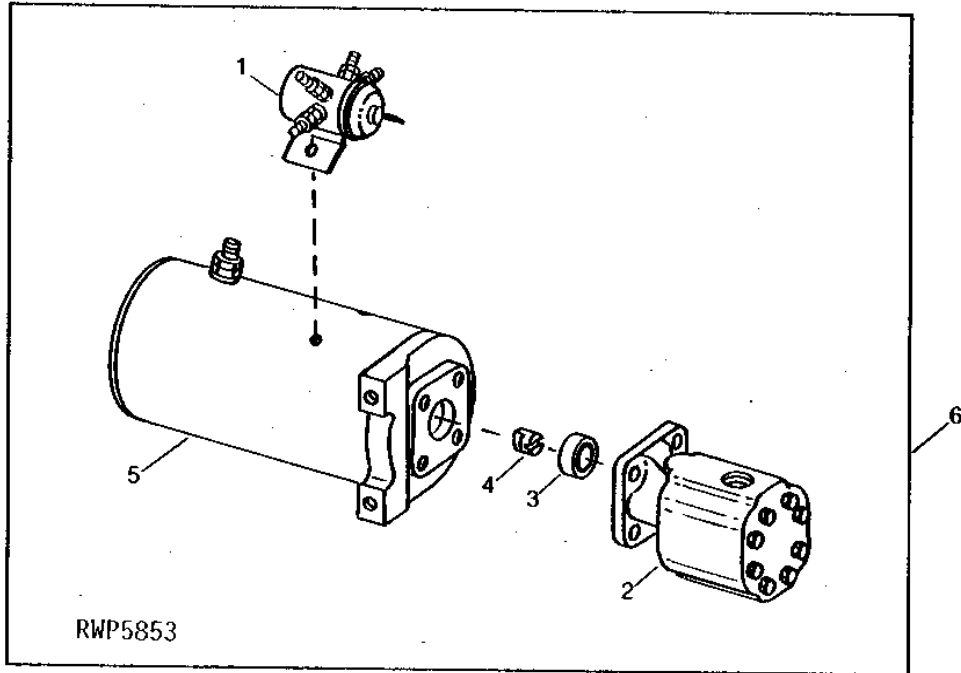


# 3H7

STEERING AND BRAKES

**SECONDARY STEERING PUMP  
(NOT USED IN U.S. AND CANADA)**

RWP5853 -UN-01JAN94



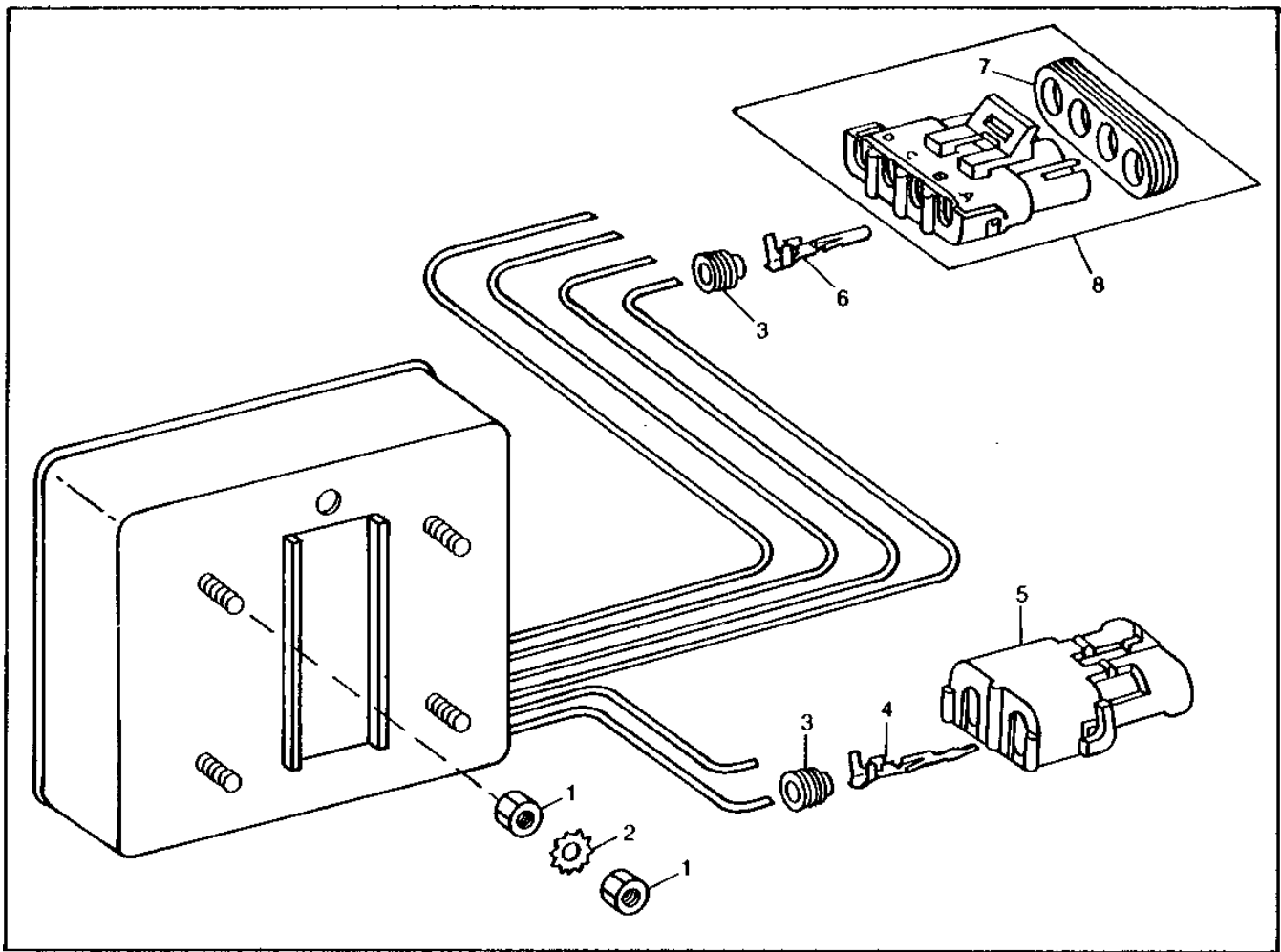
KEY	PART NO.	PART NAME	QTY	TRACTOR SERIAL NO.	REMARKS
1	RE27161	SWITCH	1		
2	RE27159	PUMP	1		
3	RE27162	SEAL	1		
4	R87565	COUPLING	1		
5	AT166227	MOTOR	1		(SUB FOR RE27160)
6	AT166083	PUMP	1		(SUB FOR RE23393)

# 3H8

STEERING AND BRAKES

RWP5699 -UN-01JAN94

SECONDARY STEERING SYSTEM CONTROLLER  
(NOT USED IN U.S. AND CANADA)



RWP5699

9

# 3H9

STEERING AND BRAKES

**SECONDARY STEERING SYSTEM CONTROLLER - CONTINUED  
(NOT USED IN U.S. AND CANADA)**

KEY	PART NO.	PART NAME	QTY	TRACTOR SERIAL NO.	REMARKS
1	14H1072	NUT	8	0.164"	
2	12H379	LOCK WASHER	4	0.164"	
3	R78059	TERMINAL NIPPLE	6		
4	R78058	PIN CONTACT	2		
5	R78053	CONNECTOR	1		
6	R78057	SOCKET CONTACT	4		
7	R78050	SEAL	1		
8	RE12365	CONNECTOR	1		
9	RE15428	TIMER	1		

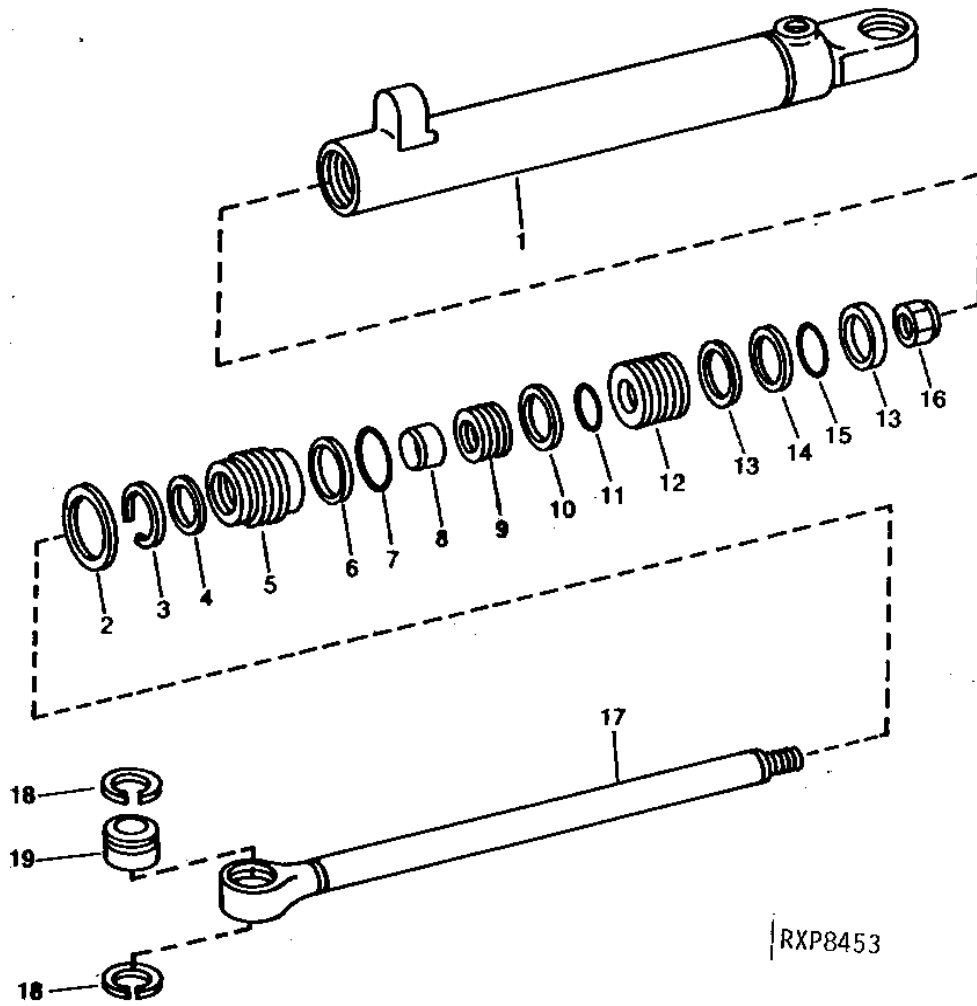
# 3H10

STEERING AND BRAKES

RXP8453

-UN-01JAN94

STEERING CYLINDER



# 3H11

STEERING AND BRAKES

## STEERING CYLINDER - CONTINUED

KEY	PART NO.	PART NAME	QTY	TRACTOR SERIAL NO.	REMARKS
1	AR69632	HYDRAULIC CYLINDER BARREL	1		
2	U10139	NUT	1		
3	U10136	SNAP RING	1		
4	U10296	SEAL	1		
5	U42642	GUIDE	1		
6	R35684	BACK-UP RING	1		(SUB FOR U13431)
7	U12331	O-RING	1		
8	U41825	WEAR RING	1		
9	R76804	SEAL	1		(SUB FOR T37123)
10	N51168	SNAP RING	1		
11	N131838	O-RING	1		(SUB FOR R77155)
12	R57933	PISTON	1		
13	T36524	WEAR RING	2		
14	T19830	WASHER	1		(OUTER)
15	T19832	O-RING	1		(INNER)
16	P45231	LOCK NUT	1		
17	AR69634	ROD	1		
18	F2367R	SNAP RING	4		
19	AT61453	BUSHING	2		(SUB FOR AT54529)

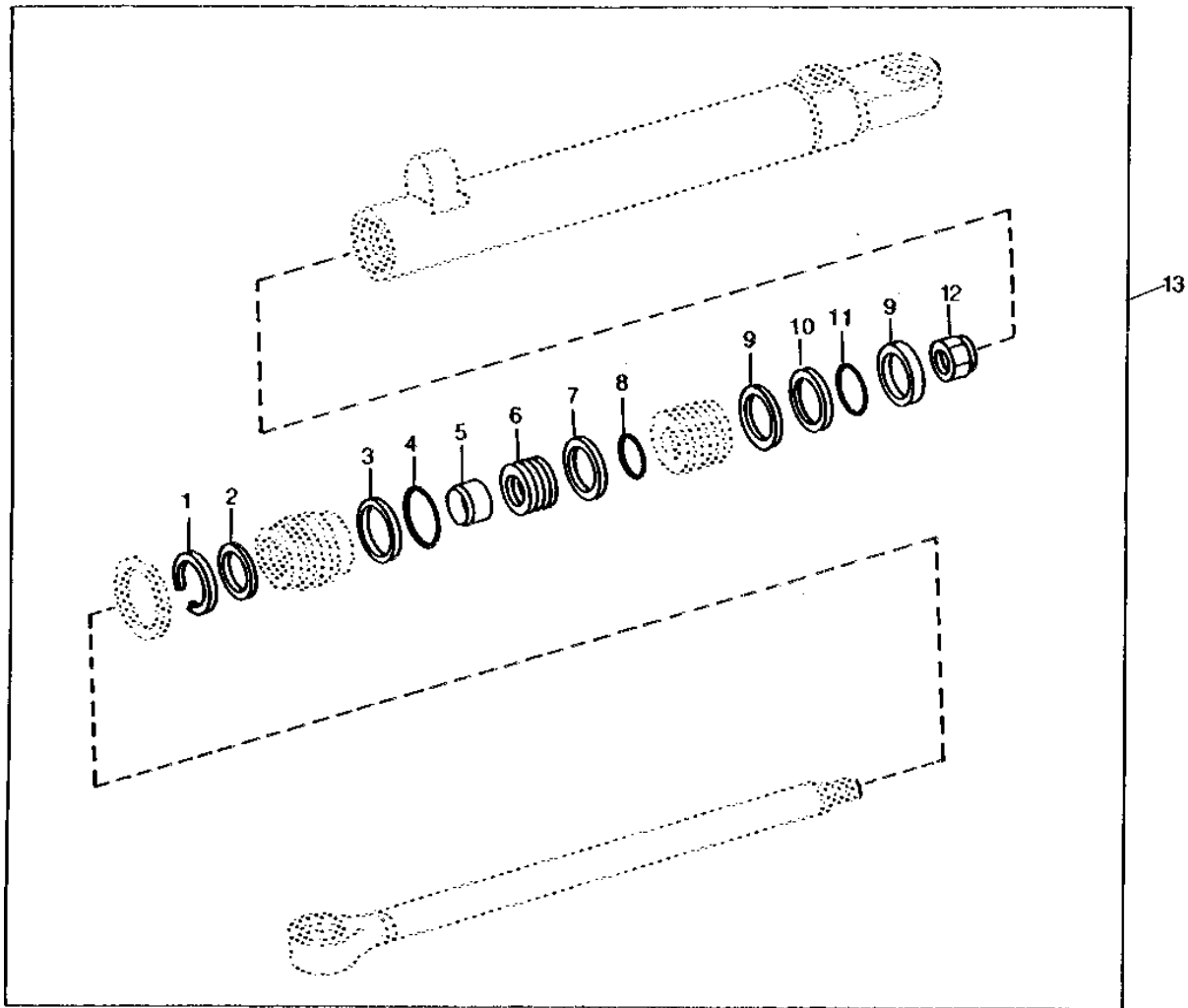
# 3H12

STEERING AND BRAKES

RWP5128

-UN-01JAN94

STEERING CYLINDER OVERHAUL KIT



RWP5128

# 3H13

STEERING AND BRAKES

## STEERING CYLINDER OVERHAUL KIT - CONTINUED

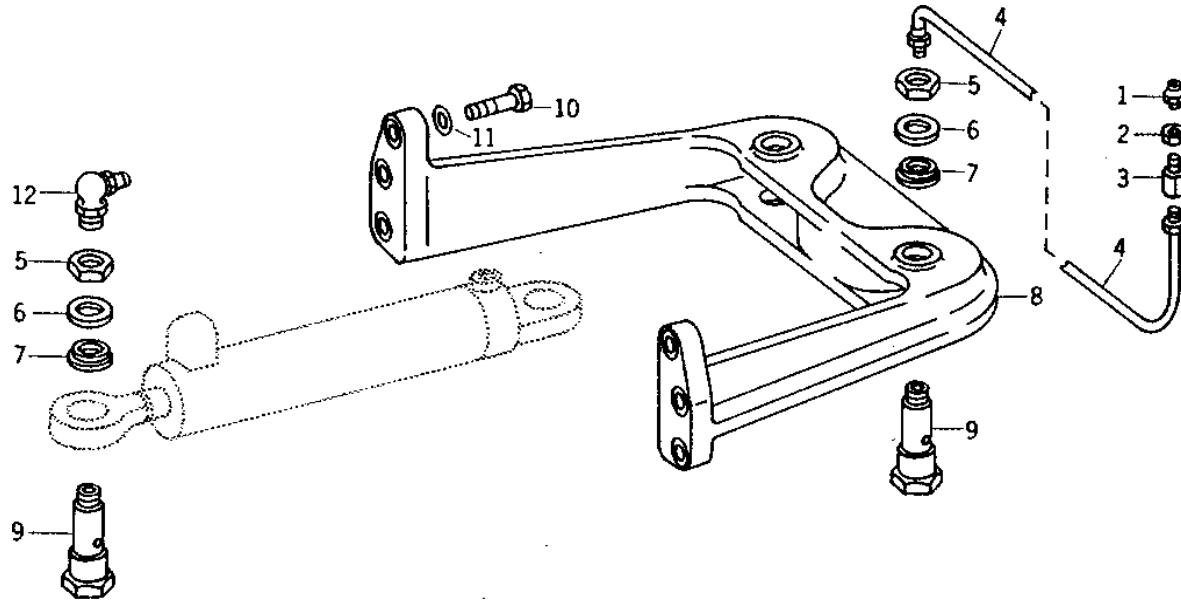
KEY	PART NO.	PART NAME	QTY	TRACTOR SERIAL NO.	REMARKS
1	U10136	SNAP RING	1		
2	U10296	SEAL	1		
3	R35684	BACK-UP RING	1		
4	U12331	O-RING	1		
5	U41825	WEAR RING	1		
6	R76804	SEAL	1		
7	N51168	SNAP RING	1		
8	U10289	O-RING	1		
9	T36524	WEAR RING	2		
10	T19830	WASHER	1		
11	T19832	O-RING	1		
12	P45231	LOCK NUT	1		
13	AR105718	KIT	1		

# 3H14

STEERING AND BRAKES

R32030 -UN-01JAN94

## STEERING CYLINDER BRACKET



R32030F

KEY	PART NO.	PART NAME	QTY	TRACTOR SERIAL NO.	REMARKS
1	JD7797	LUBRICATION FITTING	2		
2	E12379	NUT	2		
3	R36311	FITTING	2		
4	AR70381	HOSE	2		
5	T27821	LOCK NUT	4		
6	R26681	THRUST WASHER	4		
7	T27278	WASHER	4		
8	R57190	BRACKET	1		
9	T59402	PIN	4		(SUB FOR T27277)
	R66171	PIN	2		REAR, (USE WITH AR85786 AND AR85787)
10	19H1862	CAP SCREW	6		3/4" X 2-1/2"
11	T21397	WASHER	6		
12	JD7781	LUBRICATION FITTING	2		

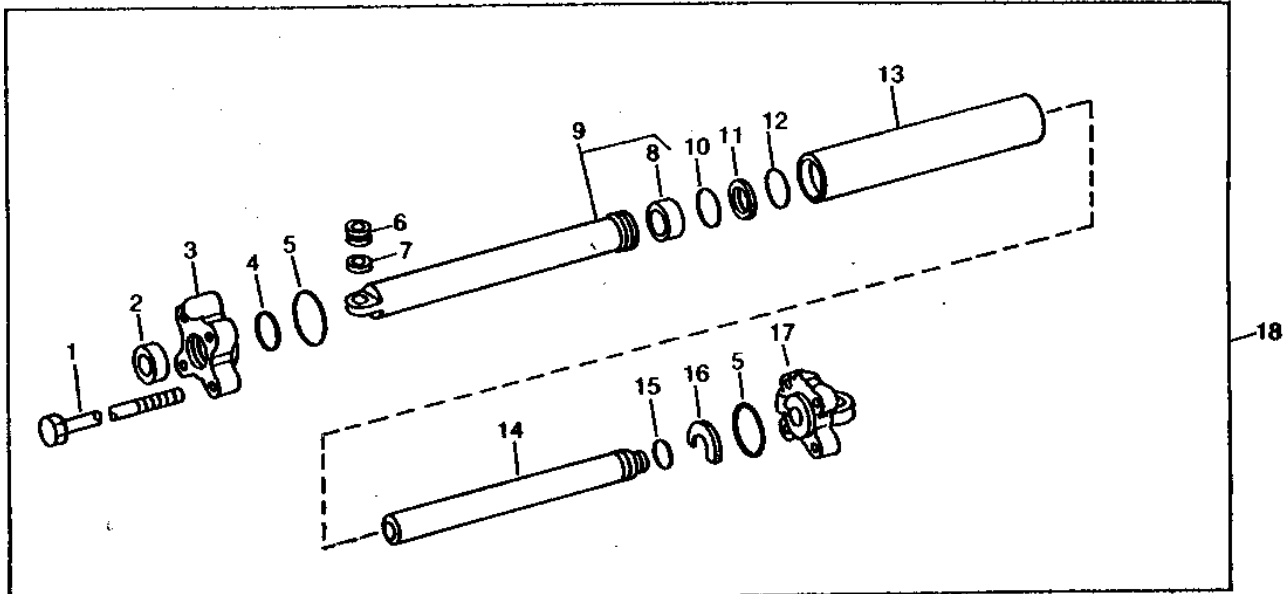


# 3H15

STEERING AND BRAKES

RWP3008 -UN-01JAN94

## FEEDBACK STEERING CYLINDER



RWP3008

KEY	PART NO.	PART NAME	QTY	TRACTOR SERIAL NO.	REMARKS
1	08H4742	CAP SCREW	4	5/16" X 12"	
2	U10296	SEAL	1		
3	R58032	GUIDE	1		
4	RE24480	SEAL	1		
5	T25335	O-RING	2		
6	AR69719	BUSHING	2		
7	R58462	WASHER	2		
8	R115347	BUSHING	1	(SUB FOR R58029)	
9	AR69720	ROD	1		
10	A3606R	O-RING	1		
11	R26441	BACK-UP RING	1		
12	T11220	O-RING	1		
13	R58025	HYDRAULIC CYLINDER BARREL	1		
14	R58026	ROD	1		
15	R27564	O-RING	1		
16	R58028	LOCK WASHER	1		
17	R58031	CYLINDER HEAD	1		
18	AR70380	CYLINDER	1		

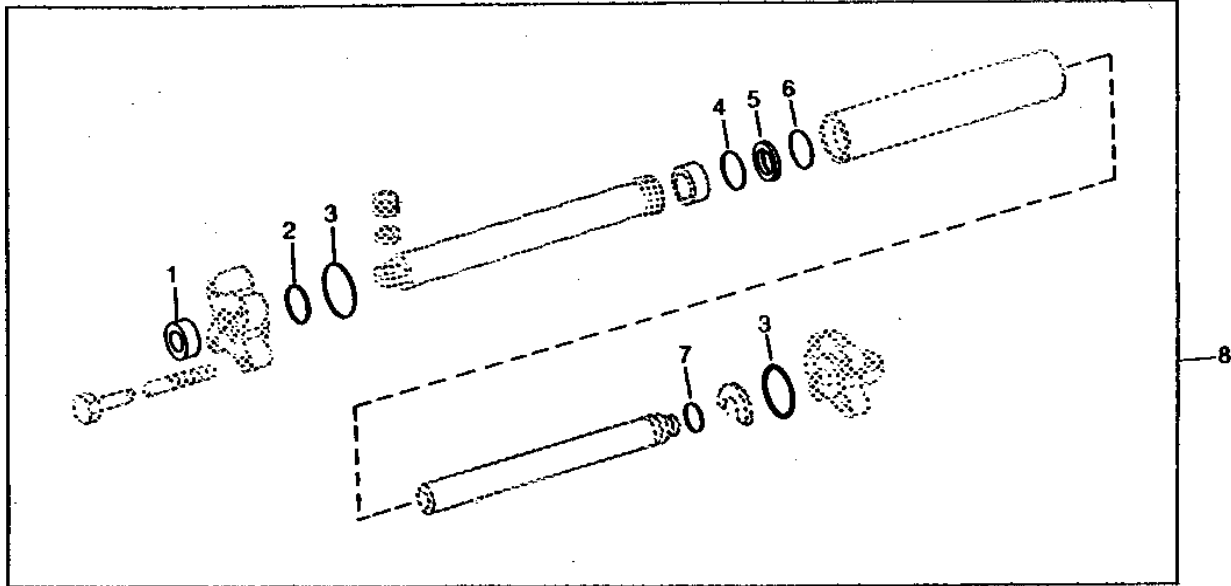
# 3H16

STEERING AND BRAKES

RWP3037

-UN-01JAN94

## FEEDBACK STEERING CYLINDER OVERHAUL KIT



RWP3037

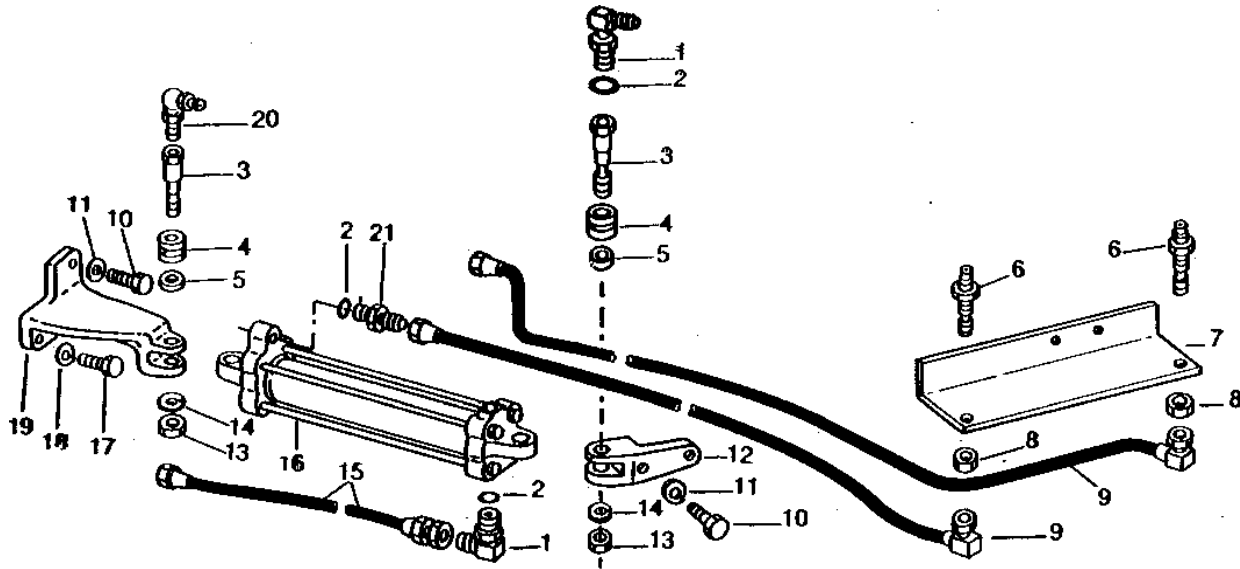
KEY	PART NO.	PART NAME	QTY	TRACTOR SERIAL NO.	REMARKS
1	U10296	SEAL	1		
2	U10289	O-RING	1		
3	T25335	O-RING	2		
4	A3606R	O-RING	1		
5	R26441	BACK-UP RING	1		
6	T11220	O-RING	1		
7	R27564	O-RING	1		
8	RE11143	KIT	1		

# 3H17

STEERING AND BRAKES

RWP3826 -UN-01JAN94

## FEEDBACK CYLINDER, BRACKETS AND LINES



RWP3826

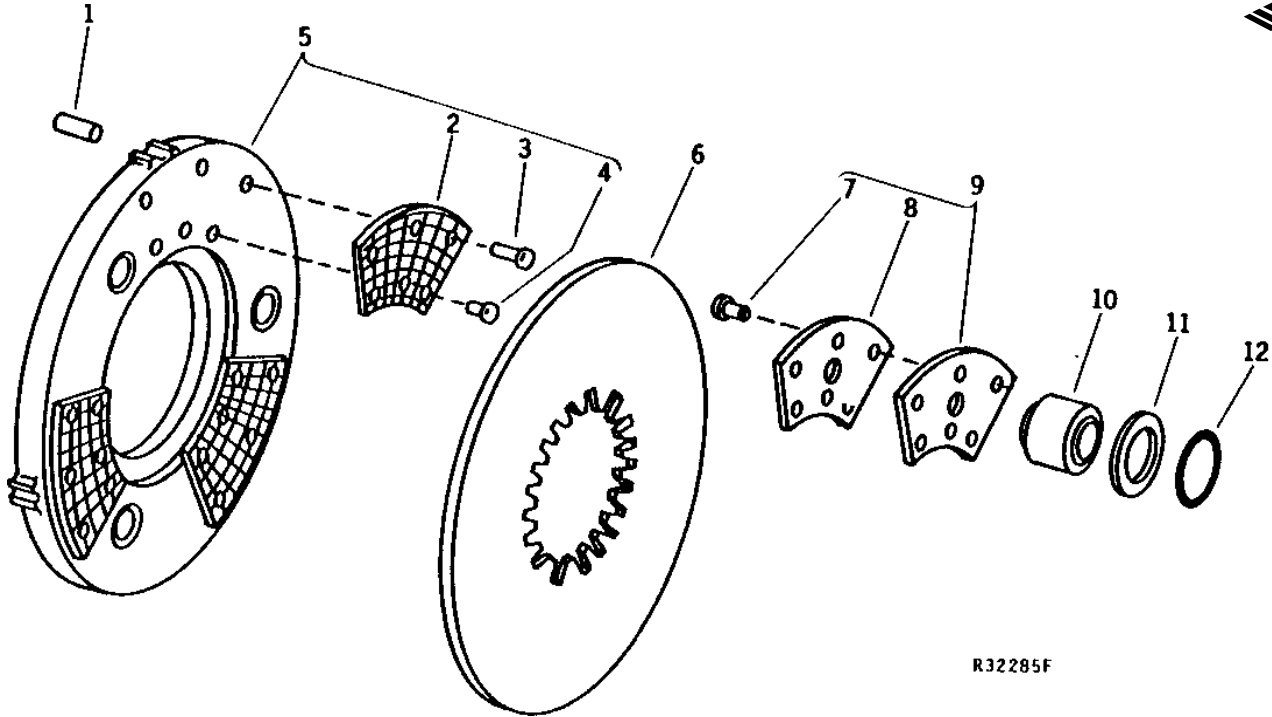
KEY	PART NO.	PART NAME	QTY	TRACTOR SERIAL NO.	REMARKS
1	AT35121	ELBOW FITTING	2		90°, (SUB FOR AR26725)
2	R26448	O-RING	3		
3	R58461	ADAPTER	2		
4	AR69719	BUSHING	2		
5	R58462	WASHER	2		
6	R27238	FITTING	2		
7	R59798	BRACKET	1		
8	R26572	NUT	2		
9	AR67565	HYDRAULIC HOSE	2		
10	19H1732	CAP SCREW	3		3/8" X 1-1/4"
11	12H304	LOCK WASHER	3		3/8"
12	R58459	BRACKET	1		
13	14H1047	NUT	2		7/16"
14	12H293	LOCK WASHER	2		7/16"
15	AR36555	HYDRAULIC HOSE	1		(TO FILTER RELIEF VALVE HOUSING)
16	AR70380	CYLINDER	1		
17	19H1732	CAP SCREW	1		3/8" X 1-1/4", (LESS DIFFERENTIAL LOCK)
18	19H1765	CAP SCREW	1		3/8" X 1-3/4", (DIFFERENTIAL LOCK)
19	12H304	LOCK WASHER	1		3/8"
20	R58460	BRACKET	1		
21	JD7781	LUBRICATION FITTING	1		
21	R27212	FITTING	1		

# 3H18

STEERING AND BRAKES

R32285 -UN-01JAN94

## BRAKE PLATES AND FACINGS



R32285F

KEY	PART NO.	PART NAME	QTY	TRACTOR SERIAL NO.	REMARKS
1	R44961	DOWEL PIN	6		
2	R90086	BRAKE SHOE	6	(SUB FOR AR28488)	(SUB R110464)
3	D1761R	RIVET	18		
4	R708R	RIVET	18		
5	AR99647	PLATE	2		(MARKED R63917, R43224 OR R74350) (SUB FOR AR43046 OR AR79129) (SUB RE46334, (3) RE46328 AND R113741)
6	R91826	BRAKE DISK	2		(SUB FOR R57617 OR R61712) (SUB RE46334, (3) RE46328 AND R113741)
7	D1761R	RIVET	36		
8	R90086	BRAKE SHOE	6	(SUB FOR AR28488)	(SUB R110464)
9	AR32243	PLATE	6		(SUB RE46334, (3) RE46328 AND R113741)
10	R46674	PISTON	6		
11	R46673	WASHER	6		
12	A4728R	O-RING	6		

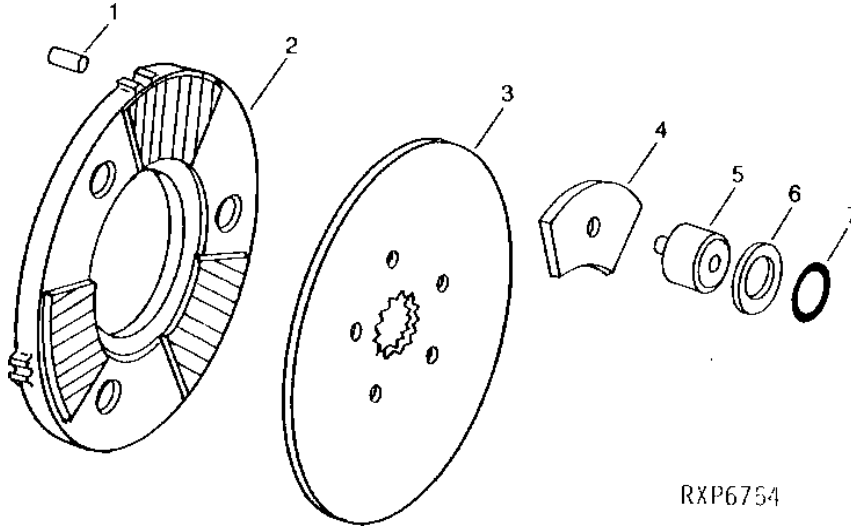
NOTE: THREE-PART SUBS ARE DUE TO INTRODUCTION OF NON-ASBESTOS LININGS.

# 3H19

STEERING AND BRAKES

RXP6754 -UN-01JAN94

## BRAKE PLATES AND FACINGS



RXP6754

KEY	PART NO.	PART NAME	QTY	TRACTOR SERIAL NO.	REMARKS
1	R44961	DOWEL PIN	6		
2	RE46334	PLATE	2		(MARKED R107178) (SUB FOR RE44415)
3	R113741	BRAKE DISK	2		
4	RE46328	PLATE	6		(SUB RE46328)
5	R46674	PISTON	6		
6	R46673	WASHER	6		
7	A4728R	O-RING	6		

---

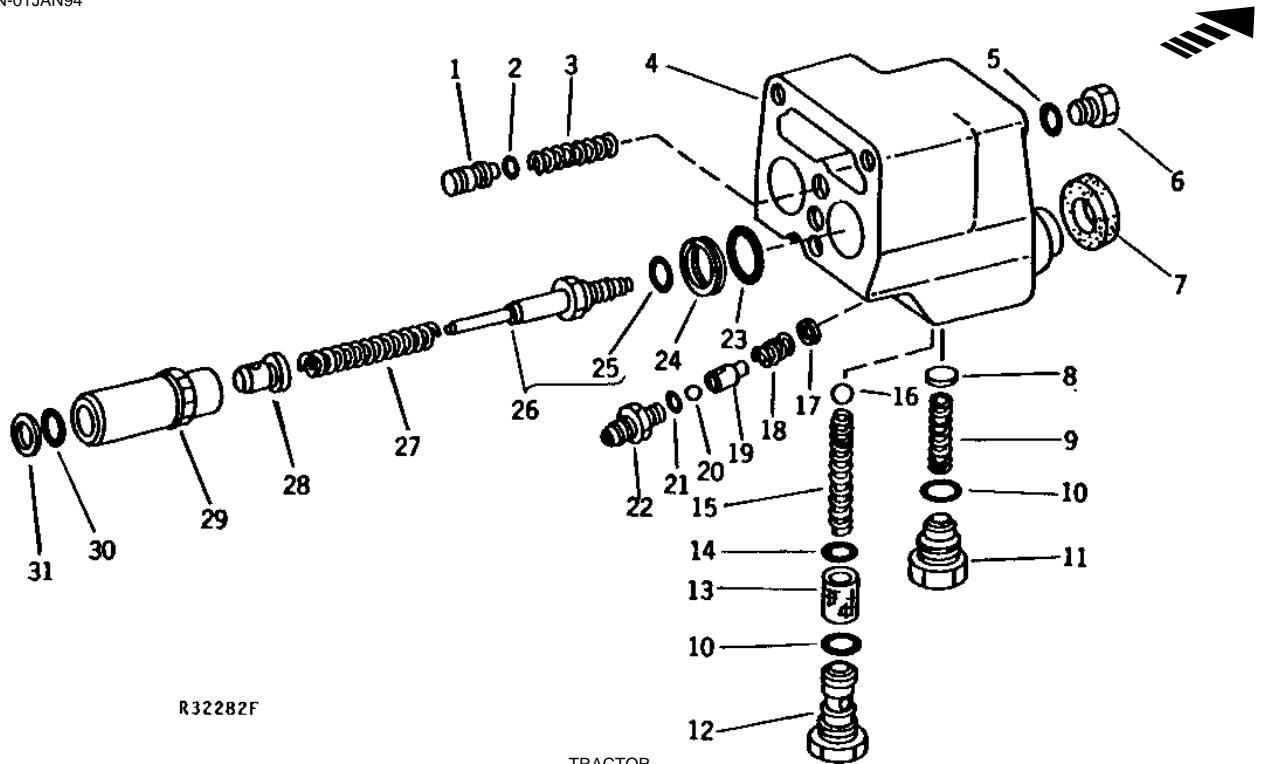
MEMORANDA

# 3H20

STEERING AND BRAKES

R32282 -UN-01JAN94

## BRAKE VALVE



R32282F

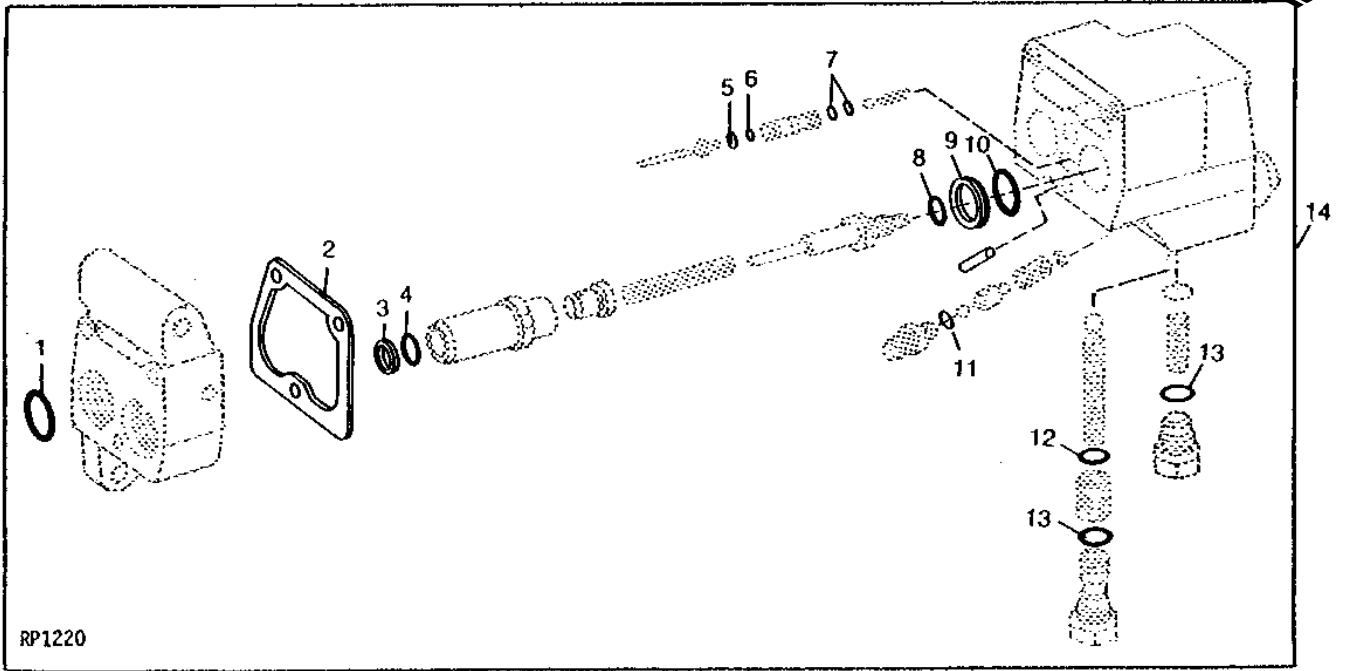
KEY	PART NO.	PART NAME	QTY	TRACTOR SERIAL NO.	REMARKS
1	R47791	PLUG	2		
2	R30903	O-RING	2		
3	R26421	SPRING	2		
4	AR56106	HOUSING	1		(MARKED R57742) (INCLUDES (3) 15H560)
	15H560	PIPE PLUG	3		1/16"
5	R26286	O-RING	1		
6	R27094	DRAIN PLUG	1		
7	R51849	SPACER	2		
8	R26376	DISK	2		
9	R227R	SPRING	2		
10	R26375	O-RING	3		
11	R32702	FITTING	2		
12	R28774	FITTING	1		
13	R42684	STRAINER	1		
14	R28776	O-RING	1		
15	R26372	SPRING	1		
16	R42849	BALL	1		10 MM (3/8")
17	R44255	WASHER	1		
18	R44256	SPRING	1		
19	R44254	GUIDE	1		
20	400R	BALL	1		6 MM (1/4")
21	R26287	O-RING	1		
22	R36742	COUPLING	1		
23	R27149	O-RING	2		
24	R27137	BACK-UP RING	2		
25	R26286	O-RING	2		
26	AR52497	VALVE	2		
27	R26369	SPRING	2		
28	R32090	PLUNGER	2		
29	R32091	PISTON	2		
30	R459R	O-RING	2		
31	R32092	WASHER	2		
..	AR59280	VALVE	1		COMPLETE (MODEL 12BV1)

# 3H21

STEERING AND BRAKES

RP1220 -UN-01JAN94

## BRAKE VALVE OVERHAUL KIT



KEY	PART NO.	PART NAME	QTY	TRACTOR SERIAL NO.	REMARKS
1	A3606R	O-RING	2		
2	R31455	GASKET	1		
3	R32092	WASHER	2		
4	R495R	O-RING	2		
5	R31469	SHIM	2		
6	R31468	O-RING	2		
7	R30903	O-RING	4		
8	R26286	O-RING	2		
9	R27137	BACK-UP RING	2		
10	R27149	O-RING	2		
11	R26287	O-RING	1		
12	R28776	O-RING	1		
13	R26375	O-RING	3		
14	AR31946	KIT	1		

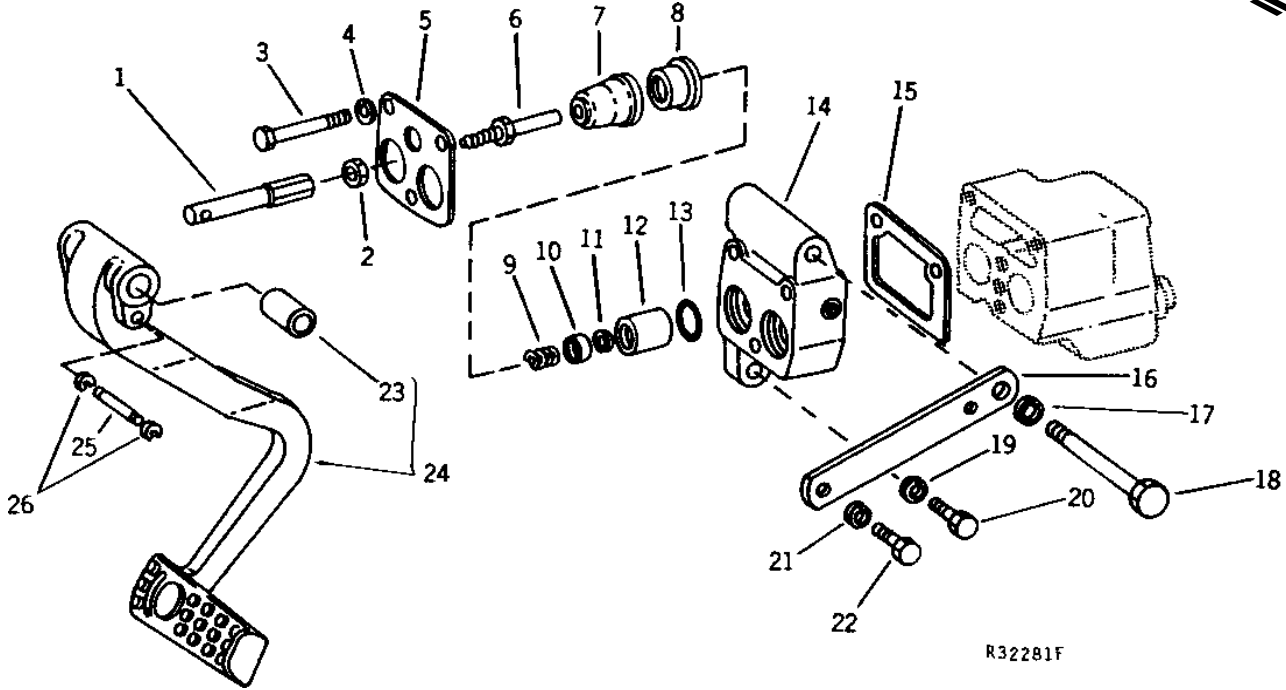


# 3H22

STEERING AND BRAKES

R32281 -UN-01JAN94

## BRAKE PEDAL, BRACKETS AND VALVE COVER



R32281F

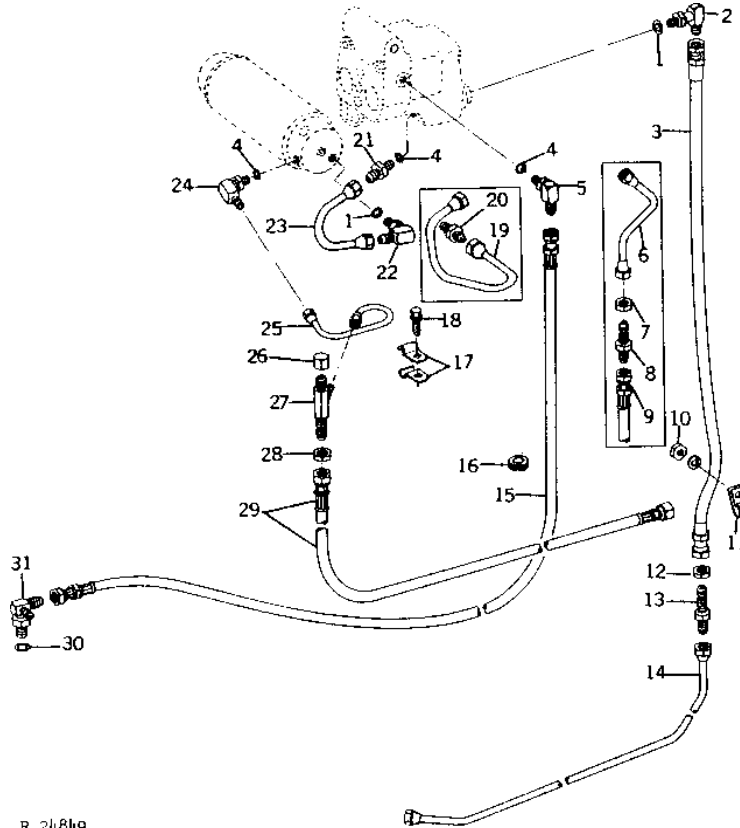
KEY	PART NO.	PART NAME	QTY	TRACTOR SERIAL NO.	REMARKS
1	R51853	EXTENSION	2		
2	14H849	NUT	2	7/16"	
3	19H268	CAP SCREW	3	3/8" X 2-1/2"	
4	12H304	LOCK WASHER	3	3/8"	
5	R26384	RETAINER	1		
6	R52167	ROD	2		
7	R54059	BOOT	2		
8	R31459	RETAINER	2		
9	R31271	SPRING	2		
10	R52168	STOP	2		
11	R53201	SNAP RING	2		
12	R52169	GUIDE	2		
13	A3606R	O-RING	2		
14	R51848	COVER	1		
15	R31455	GASKET	1		
16	R52317	STRAP	1		
17	12H301	LOCK WASHER	1	1/2"	
18	19H2211	CAP SCREW	1	1/2" X 5"	
19	12H301	LOCK WASHER	1	1/2"	
20	19H1721	CAP SCREW	1	1/2" X 1-1/2"	
21	12H304	LOCK WASHER	1	3/8"	
22	19H1731	CAP SCREW	1	3/8" X 1"	
23	R51192	BUSHING	2	(SUB FOR A1197R)	
24	AR68642	PEDAL	1	(MARKED R57229)	
25	R57230	GROOVE PIN	1		
26	R72653	SNAP RING	2	(SUB FOR M2396T)	

# 3H23

## STEERING AND BRAKES

R24849 -UN-01JAN94

### FRONT BRAKE LINES



R 24849

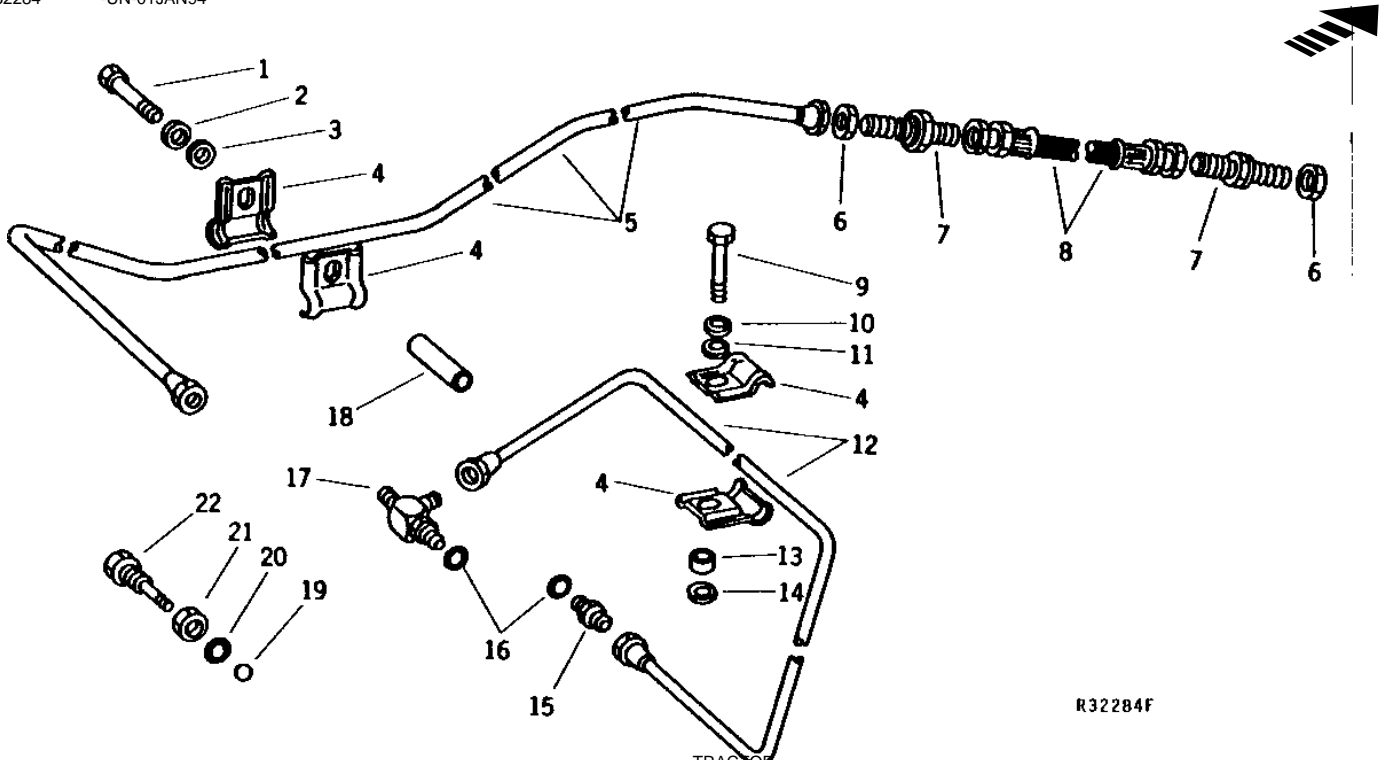
KEY	PART NO.	PART NAME	QTY	TRACTOR SERIAL NO.	REMARKS
1	R26286	O-RING	2		
2	AR36552	ELBOW FITTING	1		90°
3	AR69278	HOSE	1		
4	R26287	O-RING	3		
5	AT32336	ELBOW FITTING	1		90°, (SUB FOR AR36105)
6	AR56814	HYDRAULIC LINE	1	-002404	FRONT RETURN
7	R27296	NUT	1	-002404	
8	R36040	FITTING	1	-002404	
9	AR47295	HYDRAULIC HOSE	1	-002404	(TO CLUTCH HOUSING)
10	14H1076	NUT	1		3/8"
	12H304	LOCK WASHER	1		3/8"
11	R40791	CLAMP	1		
12	R26572	NUT	1		
13	R27238	FITTING	1		
14	AR70192	HYDRAULIC LINE	1		FRONT
15	AR78548	HYDRAULIC HOSE	1	002405-	(TO CLUTCH HOUSING) (SUB FOR AR76508)
16	R60831	GROMMET	1	002405-	
17	R52053	CLAMP	2		
18	37H27	SCREW	1		5/16" X 7/8"
19	AR56815	OIL LINE	1	-001206	PRESSURE, (SUB AR74310, AR35710 AND R26286)
20	R27272	FITTING	1	-001206	
21	R36742	COUPLING	1		
22	AR35710	ELBOW FITTING	1	001207-	90°
23	AR74310	HYDRAULIC LINE	1	001207-	PRESSURE
24	AT32335	ELBOW FITTING	1		90°, (SUB FOR AR26746)
25	AR56767	HYDRAULIC LINE	1		ACCUMULATOR PRESSURE
26	R36926	FITTING	1		
27	AR64094	TEE FITTING	1		
28	R26572	NUT	1		
29	AR69277	HYDRAULIC HOSE	1		
30	R26286	O-RING	1		
31	AR69296	TEE FITTING	1		

# 3H24

STEERING AND BRAKES

R32284 -UN-01JAN94

## REAR BRAKE LINES



R32284F

KEY	PART NO.	PART NAME	QTY	TRACTOR SERIAL NO.	REMARKS
1	19H2128	CAP SCREW	1		3/8" X 3"
2	12H304	LOCK WASHER	1		3/8"
3	24M7096	WASHER	1		10.500 X 18 X 1.600 MM
4	R57549	CLAMP	6		
5	AR70193	HYDRAULIC LINE	1		
6	R26572	NUT	2		
7	R27238	FITTING	2		
8	AR69278	HOSE	1		
9	19H1123	CAP SCREW	2		3/8" X 1-7/8", (LESS ROCKSHAFT)
	19H1944	CAP SCREW	2		3/8" X 2-3/4"
10	12H304	LOCK WASHER	2		3/8"
11	24M7096	WASHER	2		10.500 X 18 X 1.600 MM
12	AR71559	HYDRAULIC LINE	1		
13	28H1697	SPACER	2		
14	A4624R	WASHER	2		
15	R27272	FITTING	1		
16	R26286	O-RING	1		
17	AR50796	TEE FITTING	1		
18	28H1532	SPACER	1		
19	R42849	BALL	2		10 MM (3/8")
20	R26286	O-RING	2		
21	R27296	NUT	2		
22	R27906	SCREW	2		BRAKE BLEED

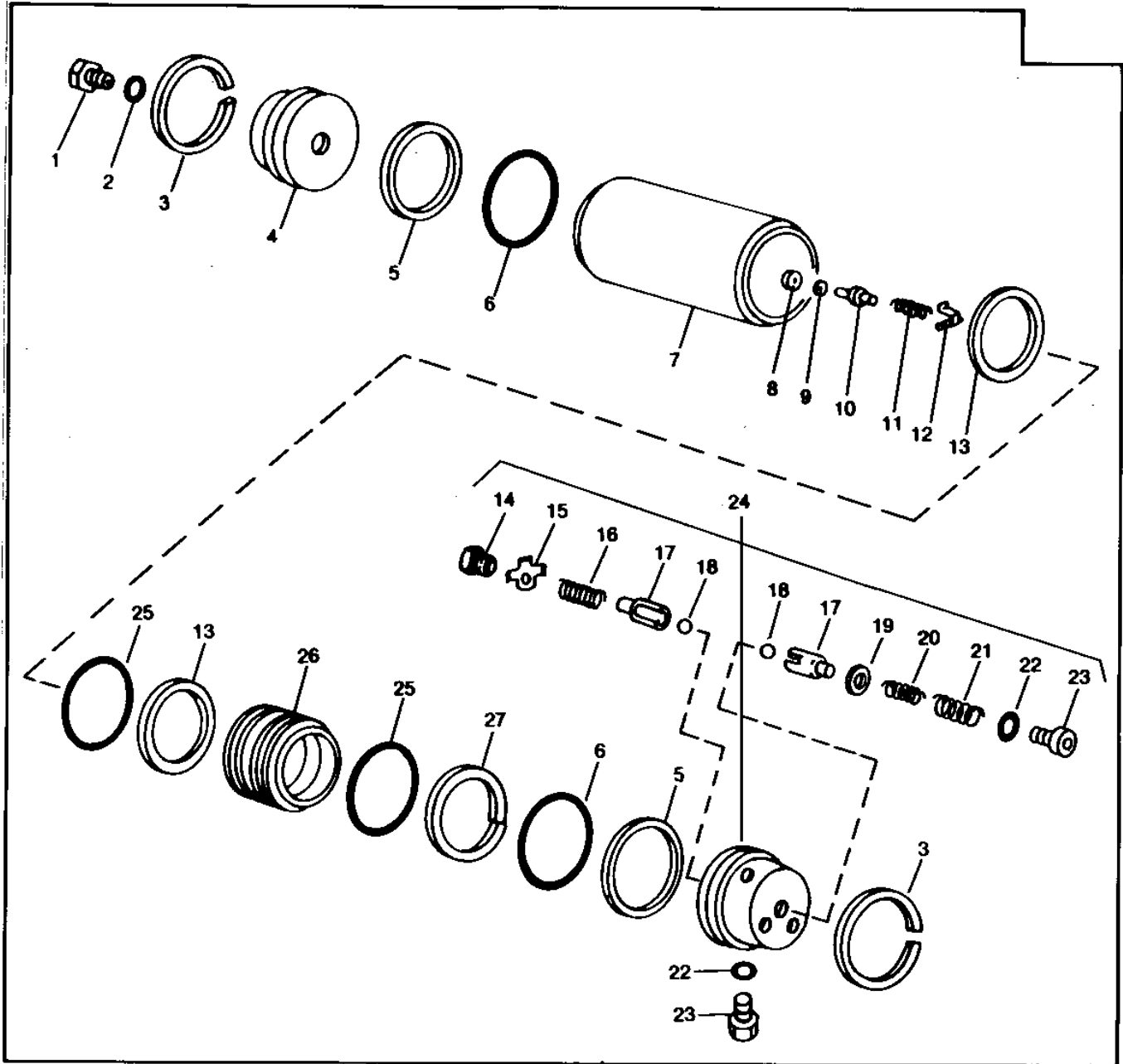
# 311

STEERING AND BRAKES

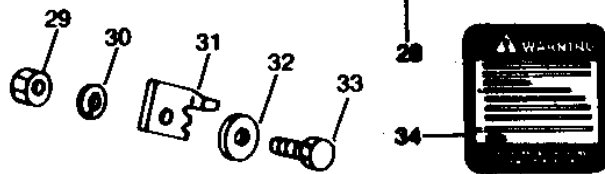
RP3888

-UN-25OCT94

## ACCUMULATOR



RP3888



# 312

STEERING AND BRAKES

## ACCUMULATOR - CONTINUED

KEY	PART NO.	PART NAME	QTY	TRACTOR SERIAL NO.	REMARKS
1	R27094	DRAIN PLUG	1		
2	R26286	O-RING	1		
3	U10136	SNAP RING	2		(USE WITH R46987)
	R78101	SNAP RING	2		(USE WITH R77867)
4	R48957	END	1		
5	R35684	BACK-UP RING	2		
6	R86192	O-RING	2		(SUB FOR U12331)
7	R46987	HYDRAULIC CYLINDER BARREL	1		(SUB R77867 AND (2) R78101)
8	R60038	PACKING	1		
9	R47087	WASHER	1		
10	R47085	VALVE	1		
11	R47086	SPRING	1		
12	R41877	GUIDE	1		
13	L29015	BACK-UP RING	2		
14	R74022	RETAINER	1		
15	R75866	LOCK PLATE	1		
16	R44256	SPRING	1		
17	R44254	GUIDE	2		
18	400R	BALL	2		6 MM (1/4")
19	R31632	SHIM	AR		
20	R47606	SPRING	1		
21	R47605	SPRING	1		
22	R26286	O-RING	2		
23	R47607	PIPE PLUG	2		
24	AR93259	CAP	1		
25	A4728R	O-RING	2		
26	R57103	PISTON	1		
27	R27649	BACK-UP RING	1		
28	RE11956	ACCUMULATOR	1		(ALSO ORDER R120109, R120110, R80754 OR R82337) (SUB FOR AR67778)
29	14H785	NUT	1		5/16"
30	12H303	LOCK WASHER	1	-XXXXXX	5/16"
31	R51851	CLIP	1		
32	24H1299	WASHER	1		3/8" X 1-1/4" X 0.065"
33	19H1905	CAP SCREW	1		5/16" X 1"
34	R80752	LABEL	1		WARNING (ENGLISH) (SUB R120109)
	R80753	LABEL	1		WARNING (SPANISH) (SUB R120110)
	R80754	LABEL	1		WARNING (FRENCH)
	R82337	LABEL	1		WARNING (GERMAN)

---

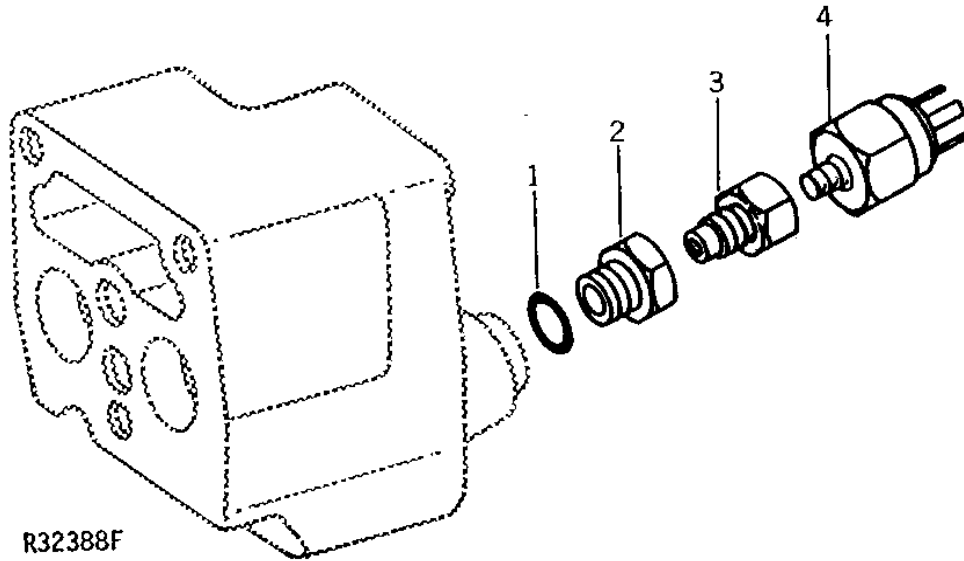
MEMORANDA

# 313

STEERING AND BRAKES

R32388 -UN-01JAN94

**BRAKE LIGHT SENSING SWITCH  
(NOT USED IN U.S. AND CANADA)**

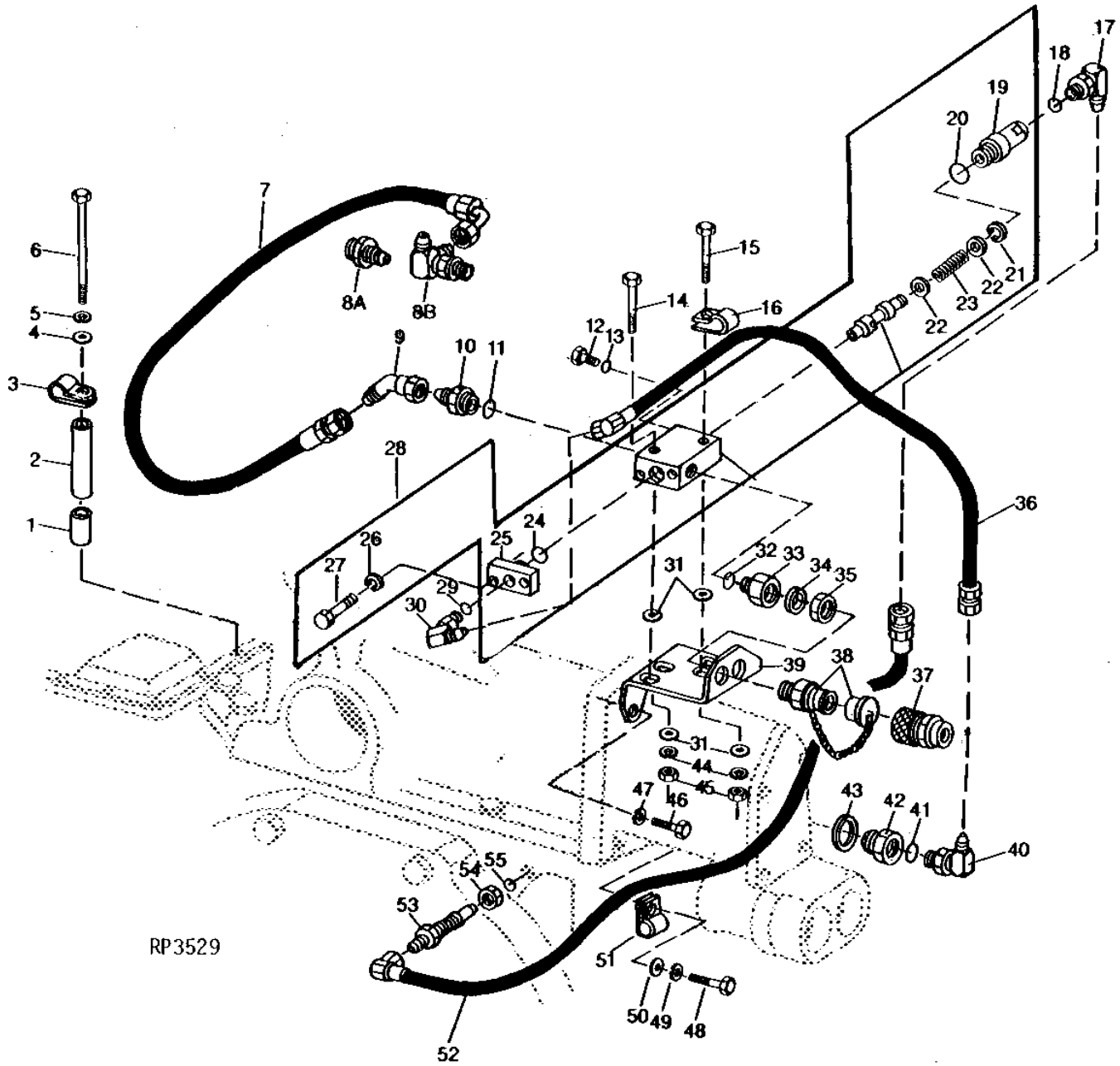


KEY	PART NO.	PART NAME	QTY	TRACTOR SERIAL NO.	REMARKS
1	R26286	O-RING	1		
2	T27461	ADAPTER	1		
3	R27908	ADAPTER	1		
4	R32548	TOUCH SWITCH	1		

# 314

## TRAILER BRAKE (NOT USED IN U.S. AND CANADA)

RP3529 -UN-01JAN94



RP3529



# 315

STEERING AND BRAKES

**TRAILER BRAKE - CONTINUED  
(NOT USED IN U.S. AND CANADA)**

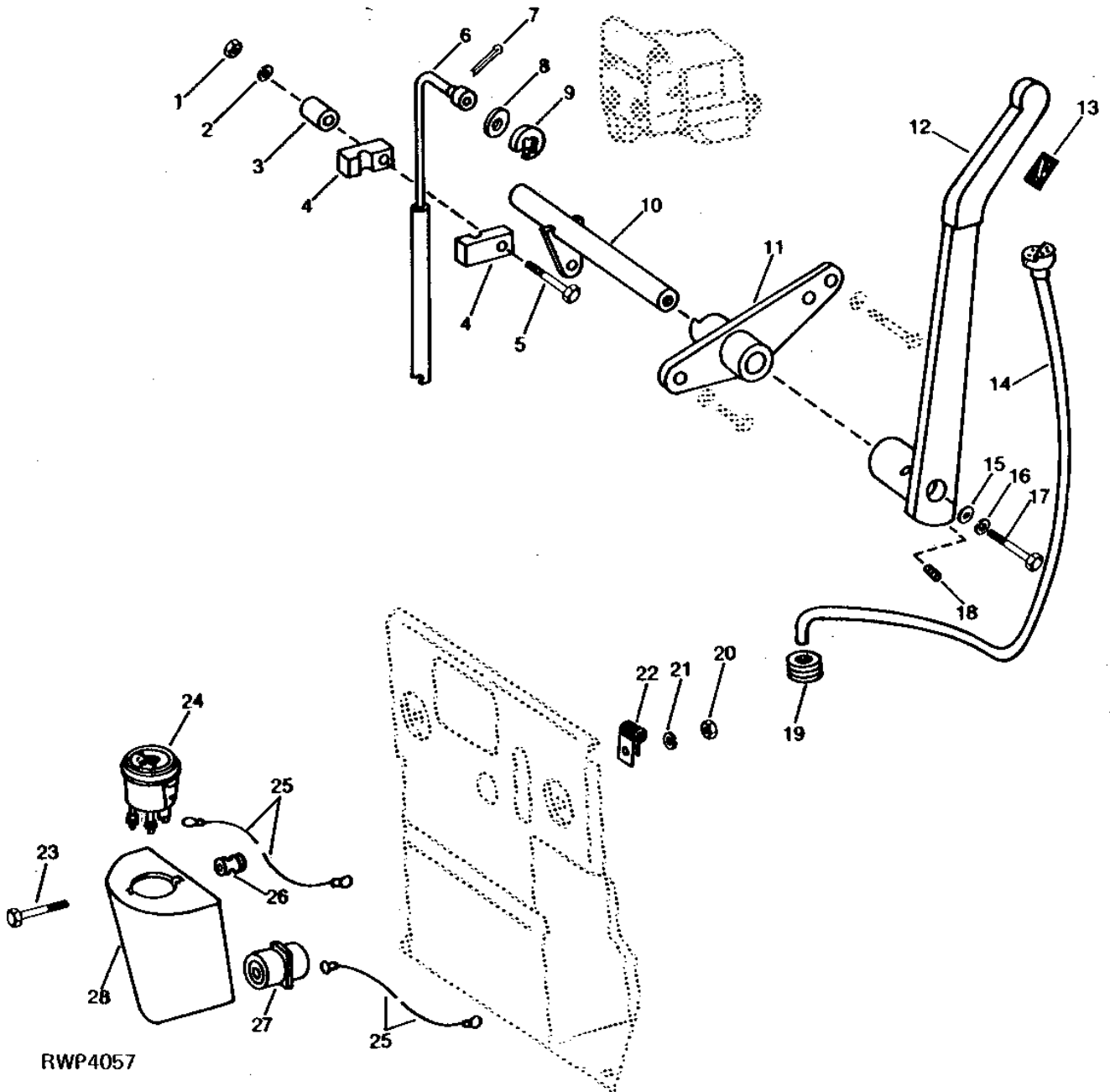
KEY	PART NO.	PART NAME	QTY	TRACTOR SERIAL NO.	REMARKS
1	28H1497	BUSHING	1		3/8" X 1-1/2"
2	28H3327	SPACER	1		3/8" X 4-1/8"
3	R73384	CLAMP	1		
4	24M7106	WASHER	1		10 X 18 X 2.500 MM
5	12H304	LOCK WASHER	1		3/8"
6	19H2104	CAP SCREW	1		3/8" X 5"
7	AR85747	HYDRAULIC HOSE	1		(PRESSURE)
8A	AR36247	FITTING	1		(ROCKSHAFT)
8B	R54199	COUPLING	1		(LESS ROCKSHAFT)
9	AT47130	FITTING	1		45°
10	R46856	FITTING	1		
11	R26448	O-RING	1		
12	R27216	DRAIN PLUG	1		(SUB FOR R72834)
13	R26287	O-RING	1		
14	19H1913	CAP SCREW	1		5/16" X 2-1/4"
15	19H1901	CAP SCREW	1		5/16" X 2"
16	H75541	CLAMP	1		(SUB FOR R46415)
17	AR26746	ELBOW FITTING	1		
18	R26287	O-RING	1		
19	R48919	CAP	1		
20	R495R	O-RING	1		
21	L18893	SNAP RING	1		
22	L20095	WASHER	2		
23	T31673	SPRING	1		
24	U11343	O-RING	1		
25	L34348	COVER	1		
26	12H302	LOCK WASHER	2		1/4"
27	19H1948	CAP SCREW	2		1/4" X 3/4"
28	AR66575	VALVE	1		
29	R26287	O-RING	1		
30	AR26746	ELBOW FITTING	1		
31	24H1292	WASHER	4		11/32" X 3/4" X 0.120"
32	R26448	O-RING	1		
33	R66566	ADAPTER	1		
34	L37599	RING	1		(SUB FOR R49440)
35	R49441	NUT	1		
36	AR61938	HYDRAULIC HOSE	1		(RETURN)
37	AR52361	HYD. QUICK-CONNECT COUPLER	1		
38	AR52372	SOCKET OUTLET	1		
39	R60888	BRACKET	1		
40	AR26746	ELBOW FITTING	1		
41	R26287	O-RING	1		
42	R49444	FITTING	1		
43	H851R	WASHER	1		
44	12H303	LOCK WASHER	2		5/16"
45	14H785	NUT	2		5/16"
46	19H1740	CAP SCREW	2		7/16" X 1-3/4"
47	12H293	LOCK WASHER	2		7/16"
48	19H1978	CAP SCREW	1		7/16" X 1-1/2"
49	12H293	LOCK WASHER	2		7/16"
50	24H1325	WASHER	1		15/32" X 59/64" X 0.065"
51	R73384	CLAMP	1		
52	AR61938	HYDRAULIC HOSE	1		PILOT
53	R54198	COUPLING	1		
54	R27296	NUT	1		
55	R26286	O-RING	1		

# 316

STEERING AND BRAKES

## AUXILIARY BRAKE LEVER AND LINKAGE (UNITED KINGDOM)

RWP4057 -UN-01JAN94



RWP4057

# 317

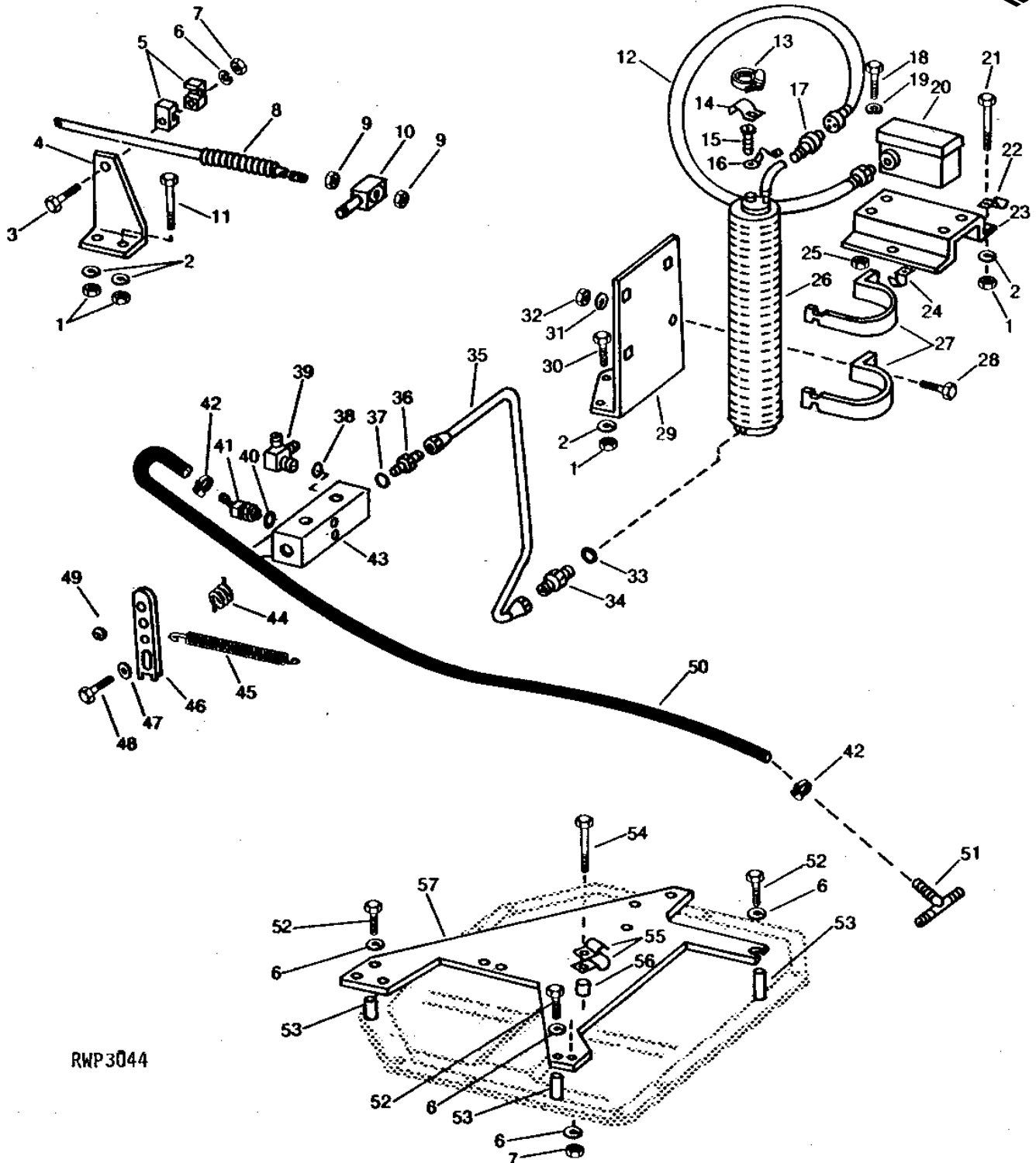
STEERING AND BRAKES

**AUXILIARY BRAKE LEVER AND LINKAGE - CONTINUED  
(UNITED KINGDOM)**

KEY	PART NO.	PART NAME	QTY	TRACTOR SERIAL NO.	REMARKS
1	14H1076	NUT	1	3/8"	
2	12H304	LOCK WASHER	1	3/8"	
3	28H3377	BUSHING	1	0.423" X 0.675" X 1-3/4" 3/8" X 1-3/4"	
4	T33483	CLAMP	2		
5	19H1912	CAP SCREW	1	3/8" X 3-1/2"	
6	AR103306	PUSH PULL CABLE	1	(ALSO ORDER 11M7077 AND 24H1821) (SUB FOR AR86731)	
7	11M7077	COTTER PIN	1	0.063" X 0.984"	
8	24H1821	WASHER	1	9/32" X 47/64" X 1/16"	
9	R72654	SNAP RING	1	(SUB FOR R27507)	
10	AR94531	SHAFT	1		
11	AR94529	SUPPORT	1		
12	AR94532	LEVER	1		
13	R71864	LABEL	1	(SUB R78675)	
14	AR93144	WIRING HARNESS	1		
	R56226	BLADE	1		
	T28583	RECEPTACLE	1		
	T28585	TERMINAL	1		
15	24H1306	WASHER	1	13/32" X 1" X 0.035"	
16	12H304	LOCK WASHER	1	3/8"	
17	19H2038	CAP SCREW	1	3/8" X 1/2"	
18	22H979	SET SCREW	1	3/8" X 3/8"	
19	R41440	GROMMET	1		
20	14H785	NUT	2	5/16"	
21	12H303	LOCK WASHER	2	5/16"	
22	R34557	CLAMP	1		
23	19H1813	CAP SCREW	2	5/16" X 5/8"	
24	AR93143	PRESSURE GAUGE	1		
25	AR93147	WIRING LEAD	2		
26	R27583	GROMMET	1		
27	AR84545	BACK-UP ALARM	1		
28	R70628	COVER	1	OIL PRESSURE GAUGE	
..	R44302	TIE BAND	AR		

## AUXILIARY BRAKE ACCUMULATOR AND VALVE (UNITED KINGDOM)

RWP3044 -UN-01JAN94



RWP3044

**AUXILIARY BRAKE ACCUMULATOR AND VALVE - CONTINUED  
(UNITED KINGDOM)**

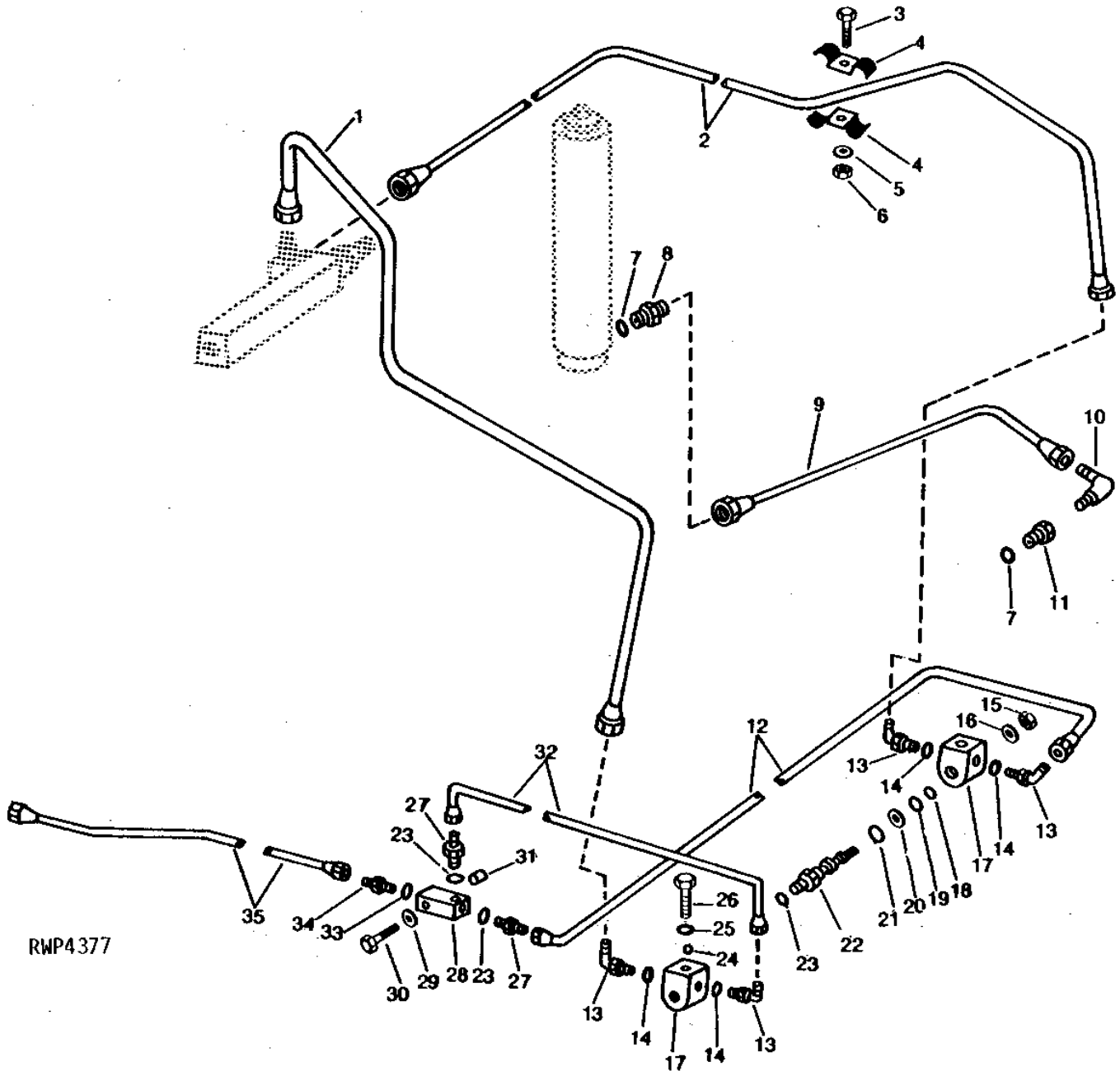
KEY	PART NO.	PART NAME	QTY	TRACTOR SERIAL NO.	REMARKS
1	14H785	NUT	7	5/16"	
2	12H303	LOCK WASHER	7	5/16"	
3	19H1801	CAP SCREW	1	3/8" X 2"	
4	R70673	BRACKET	1		
5	T33483	CLAMP	2		
6	12H304	LOCK WASHER	5	3/8"	
7	14H1076	NUT	2	3/8"	
8	AR103306	PUSH PULL CABLE	1	(SUB FOR AR86731)	
9	14H850	NUT	2	1/4"	
10	R69136	SWIVEL	1		
11	19H1905	CAP SCREW	2	5/16" X 1"	
12	AR98061	WIRING LEAD	1		
13	AR21841	CLAMP	1		
14	R65099	CLIP	1		
15	21H1299	SCREW	1	0.164" X 3/8"	
16	AR98060	WIRING LEAD	1		
17	AR91789	FITTING	1	(SUB R70212 AND R70213)	
18	19H1227	CAP SCREW	4	1/4" X 1/2"	
19	12H302	LOCK WASHER	4	1/4"	
20	AR93145	MODULE	1		
21	19H2020	CAP SCREW	2	5/16" X 1/2"	
22	U45824	CLAMP	1		
23	R70671	PLATE	1		
24	U45824	CLAMP	1		
25	14H786	NUT	4	1/4"	
26	RE11971	ACCUMULATOR	1	(ALSO ORDER R120109, R120110, R80754 OR R82337) (SUB FOR AR93104)	
27	R70680	STRAP	2		
28	19H1800	CAP SCREW	2	3/8" X 1-1/2"	
29	AR92820	BRACKET	1	(SUB RE14447)	
30	19H1905	CAP SCREW	3	5/16" X 1"	
31	12H304	LOCK WASHER	2	3/8"	
32	14H1076	NUT	2	3/8"	
33	R26286	O-RING	1		
34	R27272	FITTING	1		
35	AR92786	HYDRAULIC LINE	1		
36	R36742	COUPLING	1		
37	R26287	O-RING	1		
38	R26286	O-RING	1		
39	AR49789	TEE FITTING	1	90°	
40	R26287	O-RING	1		
41	AR87917	HOSE FITTING	1	45°	
42	TY22462	CLAMP	4	(SUB FOR AR48236)	
43	AR93098	VALVE	1		
44	R36596	SPRING	1		
45	R58500	SPRING	1		
46	R70675	ARM	1		
47	24H1309	WASHER	1	13/32" X 1-1/16" X 0.120"	
48	19H1134	CAP SCREW	1	3/8" X 3/4"	
49	R72654	SNAP RING	1	(SUB FOR R27507)	
50	R70679	HOSE	1	(NLA)	
51	N154080	TEE FITTING	1		
52	19H2229	CAP SCREW	3	3/8" X 5-1/4"	
53	E60452	BUSHING	3		
54	19H2791	CAP SCREW	1	3/8" X 1-3/4"	
55	R57549	CLAMP	2		
56	28H1697	SPACER	1	3/8" X 3/4"	
57	R70672	SUPPORT	1		

# 3110

STEERING AND BRAKES

## AUXILIARY BRAKE LINES (UNITED KINGDOM)

RWP4377 -UN-01JAN94



RWP4377

# 3111

STEERING AND BRAKES

AUXILIARY BRAKE LINES - CONTINUED  
(UNITED KINGDOM)

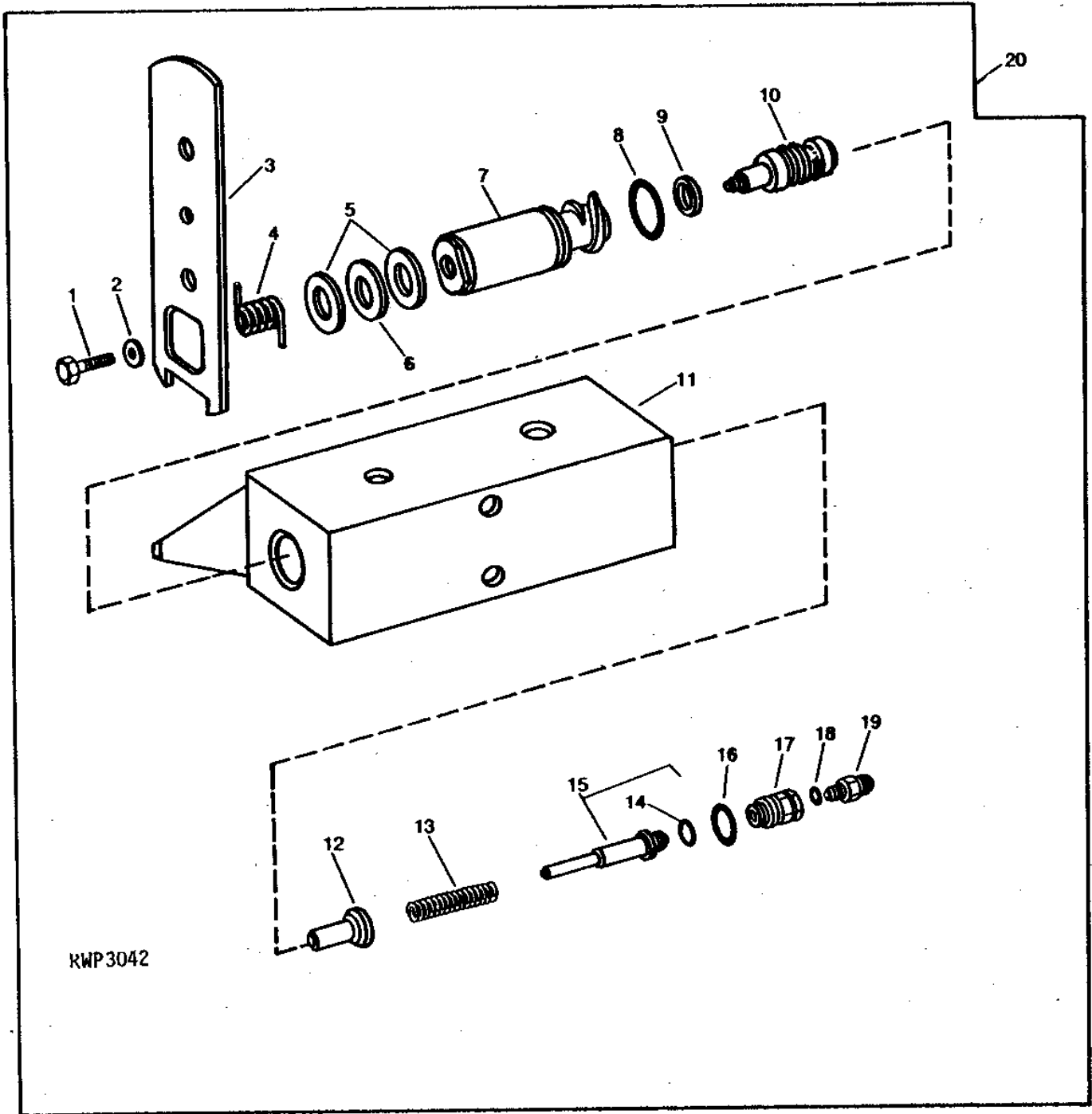
KEY	PART NO.	PART NAME	QTY	TRACTOR SERIAL NO.	REMARKS
1	AR92784	HYDRAULIC LINE	1		
2	AR92785	HYDRAULIC LINE	1		
3	19H1936	CAP SCREW	1		3/8" X 3/4"
4	R42009	CLAMP	2		
5	12H304	LOCK WASHER	1		3/8"
6	14H1076	NUT	1		3/8"
7	R26287	O-RING	2		
8	R46704	FITTING	1		
9	AR92783	HYDRAULIC LINE	1		
10	AT32336	ELBOW FITTING	1		
11	R70676	FITTING	1		
12	AR92782	HYDRAULIC LINE	1		
13	AR92821	ELBOW FITTING	4		
14	R26287	O-RING	4		
15	14H971	NUT	2		1/2"
16	12H301	LOCK WASHER	2		1/2"
17	R70677	MANIFOLD	2		
18	R66426	BACK-UP RING	2		
19	P51212	O-RING	2		
20	R28776	O-RING	2		
21	R66427	BACK-UP RING	2		
22	R70678	SCREW	2		
23	R26286	O-RING	3		
24	400R	BALL	2		
25	R26287	O-RING	2		
26	R27216	DRAIN PLUG	2		
27	R27272	FITTING	1		
28	R70674	MANIFOLD	1		
29	12H304	LOCK WASHER	1		3/8"
30	19H1801	CAP SCREW	1		3/8" X 2"
31	28H1884	SPACER	1		3/8" X 1/2"
32	AR92781	HYDRAULIC LINE	1		
33	R26448	O-RING	1		
34	R27212	FITTING	1		
35	AR92780	HYDRAULIC LINE	1		

# 3112

STEERING AND BRAKES

RWP3042 -UN-01JAN94

## AUXILIARY BRAKE VALVE (UNITED KINGDOM)



RWP3042



# 3113

STEERING AND BRAKES

## AUXILIARY BRAKE VALVE - CONTINUED (UNITED KINGDOM)

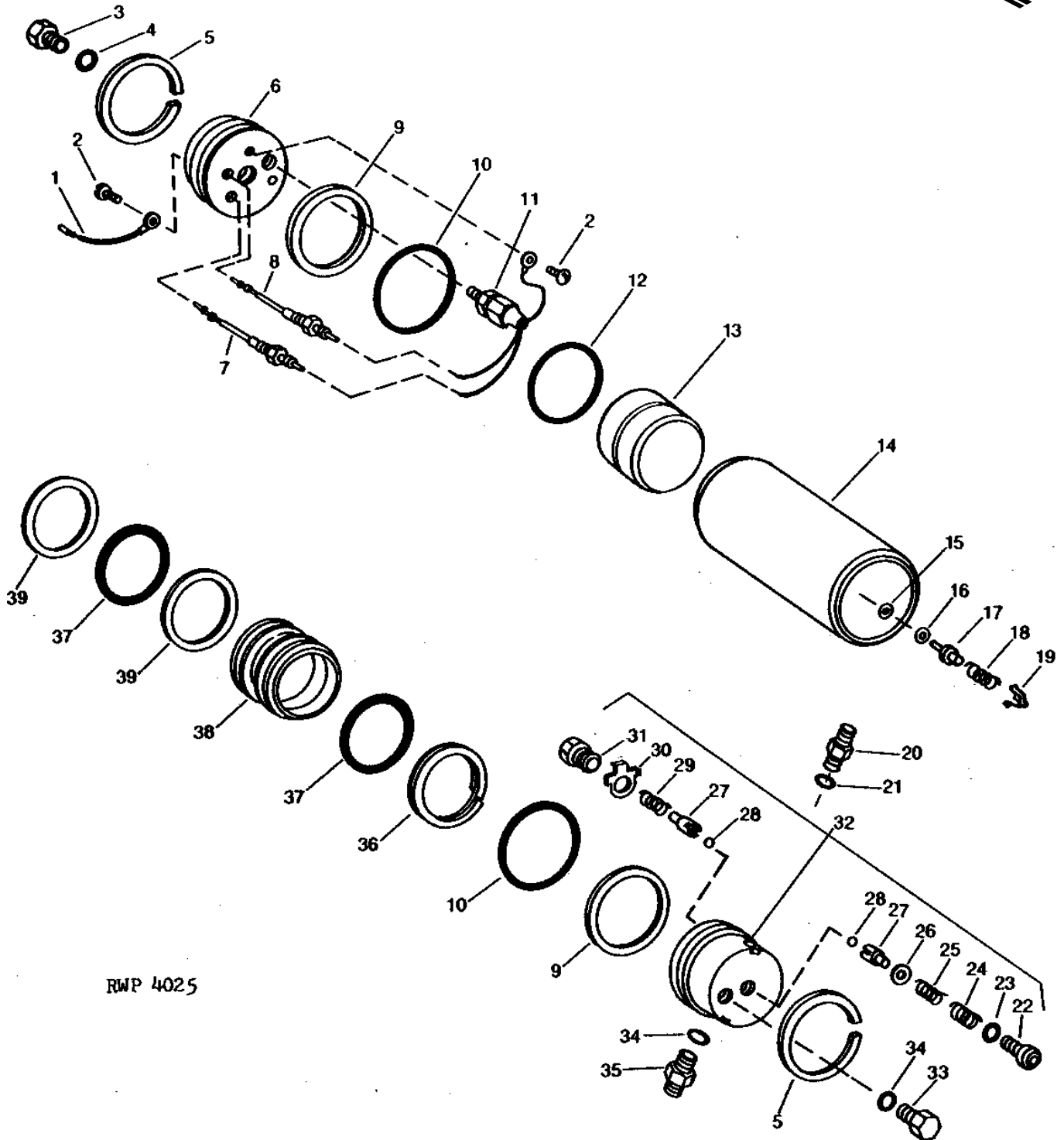
KEY	PART NO.	PART NAME	QTY	MODEL NO.	REMARKS
1	19H1134	CAP SCREW	1		3/8" X 3/4"
2	24H1309	WASHER	1		13/32" X 1-1/16" X 0.120"
3	R70675	ARM	1		
4	R36596	SPRING	1		
5	24H1423	WASHER	2		29/32" X 1-1/2" X 0.036"
6	R36623	WASHER	1		
7	R36595	SHAFT	1		
8	R27564	O-RING	1		
9	R1110R	SHIM	AR		0.20 MM (.008")
	R1111R	SHIM	AR		0.51 MM (.020")
	R1115R	SHIM	AR		0.05 MM (.002")
10	AR46286	GUIDE	1		
11	AR92823	HOUSING	1		
12	R41201	PLUNGER	1		
13	R26369	SPRING	1		
14	R26286	O-RING	1		
15	AR52498	VALVE	1		
16	R26906	O-RING	1		
17	AR35902	ADAPTER	1		
18	R26287	O-RING	1		
19	R36742	COUPLING	1		
20	AR93098	VALVE	1		

# 3114

STEERING AND BRAKES

## AUXILIARY BRAKE ACCUMULATOR WITH SENDER (UNITED KINGDOM)

RWP4025 -UN-01JAN94



RWP 4025

# 3115

STEERING AND BRAKES

**AUXILIARY BRAKE ACCUMULATOR WITH SENDER - CONTINUED  
(UNITED KINGDOM)**

KEY	PART NO.	PART NAME	QTY	TRACTOR SERIAL NO.	REMARKS
1	AR98060	WIRING LEAD	1		
2	21H1299	SCREW	1	0.164" X 3/8"	
3	R27094	DRAIN PLUG	1		
4	R26286	O-RING	1		
5	U10136	SNAP RING	2	(USE WITH R46986)	
	R78101	SNAP RING	2	(USE WITH R77866)	
6	R73732	END	1		
7	AR98057	WIRING LEAD	1	INPUT	
8	AR98058	WIRING LEAD	1	OUTPUT	
9	R35684	BACK-UP RING	2		
10	R86192	O-RING	2	(SUB FOR U12331)	
11	AR98056	SENDER	1		
12	R57653	RING	1		
13	R73731	SPACER	1		
14	R46986	HYDRAULIC CYLINDER BARREL	1	(SUB R77866 AND (2) R78101)	
15	R60038	PACKING	1		
16	R47087	WASHER	1		
17	R47085	VALVE	1		
18	R47086	SPRING	1		
19	R41877	GUIDE	1		
20	R46704	FITTING	1		
21	R26287	O-RING	1		
22	R47607	PIPE PLUG	1		
23	R26286	O-RING	1		
24	R47605	SPRING	1	OUTER	
25	R47606	SPRING	1	INNER	
26	R31632	SHIM	2		
27	R44254	GUIDE	2		
28	400R	BALL	2	6 MM (1/4")	
29	R44256	SPRING	1		
30	R75866	LOCK PLATE	1		
31	R74022	RETAINER	1		
32	AR93259	CAP	1		
33	R47607	PIPE PLUG	1		
34	R26286	O-RING	2		
35	R27272	FITTING	1		
36	R27649	BACK-UP RING	1		
37	A4728R	O-RING	2		
38	R57103	PISTON	1		
39	L29015	BACK-UP RING	2		

---

MEMORANDA

# 4B6

HYDRAULICS

R32261 -UN-01JAN94

TRANSMISSION AND HYDRAULIC OIL



R32261F

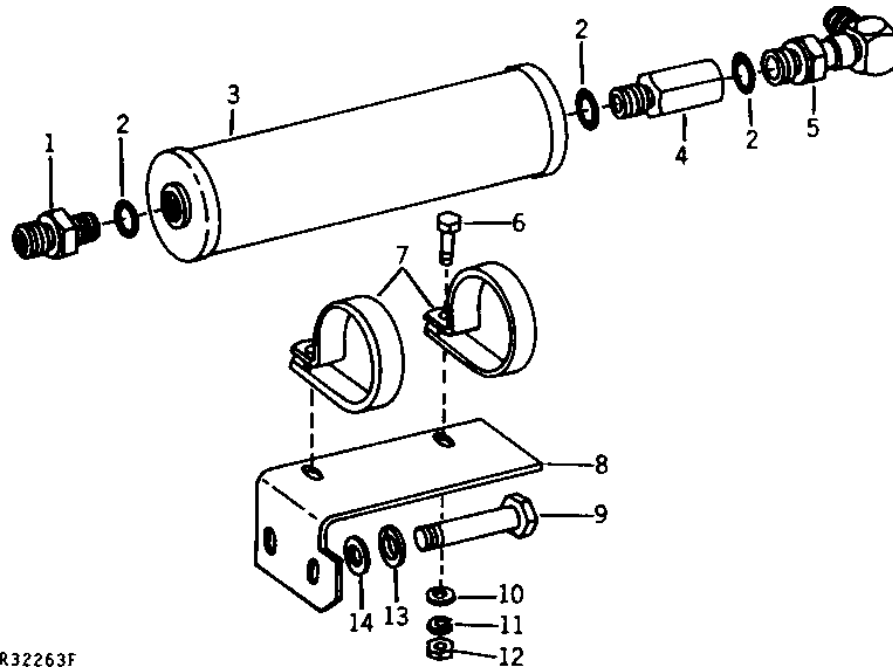
KEY	PART NO.	PART NAME	QTY	TRACTOR SERIAL NO.	REMARKS
1	AR69444	HY-GARD	1		19 L (5 GAL)
	AR69445	HY-GARD	1		208 L (55 GAL) (EMPTY DRUMS NOT RETURNABLE)

# 4B7

HYDRAULICS

R32263 -UN-01JAN94

## ATTENUATOR



R32263F

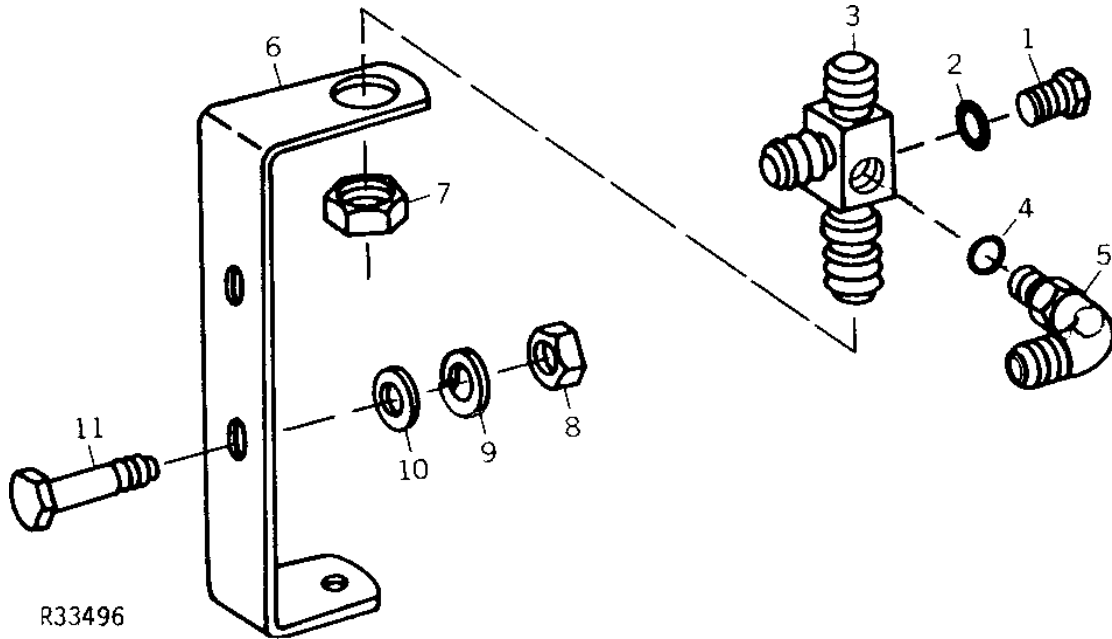
KEY	PART NO.	PART NAME	QTY	TRACTOR SERIAL NO.	REMARKS
1	R58774	FITTING	1		
2	U17409	O-RING	3		
3	AR71033	ATTENUATOR	1	-002246	(SUB AR76843)
	AR76843	ATTENUATOR	1	002247-	
4	R60157	ADAPTER	1		
5	AR44384	ELBOW FITTING	1		90°
6	19H1732	CAP SCREW	2		3/8" X 1-1/4"
7	R35794	CLAMP	2		
8	R66296	BRACKET	1		(ALSO ORDER (2) T21397) (SUB FOR R60775)
9	19H2113	CAP SCREW	2		3/4" X 3-1/4"
10	24H1298	WASHER	2		3/8" X 5/8" X 0.032"
11	12H304	LOCK WASHER	2		3/8"
12	14H1076	NUT	2		3/8"
13	12H236	LOCK WASHER	2		3/4"
14	T21397	WASHER	2		

# 4B8

HYDRAULICS

R33496 -UN-26SEP95

## PRESSURE MANIFOLD TEE



KEY	PART NO.	PART NAME	QTY	TRACTOR SERIAL NO.	REMARKS
1	R27216	DRAIN PLUG	1		(SUB FOR R31631)
2	R26287	O-RING	1		
3	AR73976	TEE FITTING	1		(ALSO ORDER R26287 AND R27216) (SUB FOR AR73148)
4	R26448	O-RING	1		
5	AT35121	ELBOW FITTING	1		90°, (SUB FOR AR26725)
6	R60142	BRACKET	1		
7	R42345	NUT	1		
8	14H1076	NUT	2		3/8"
9	12H304	LOCK WASHER	2		3/8"
10	24M7096	WASHER	2		10.500 X 18 X 1.600 MM
11	19H2552	CAP SCREW	2		3/8" X 1-1/8"

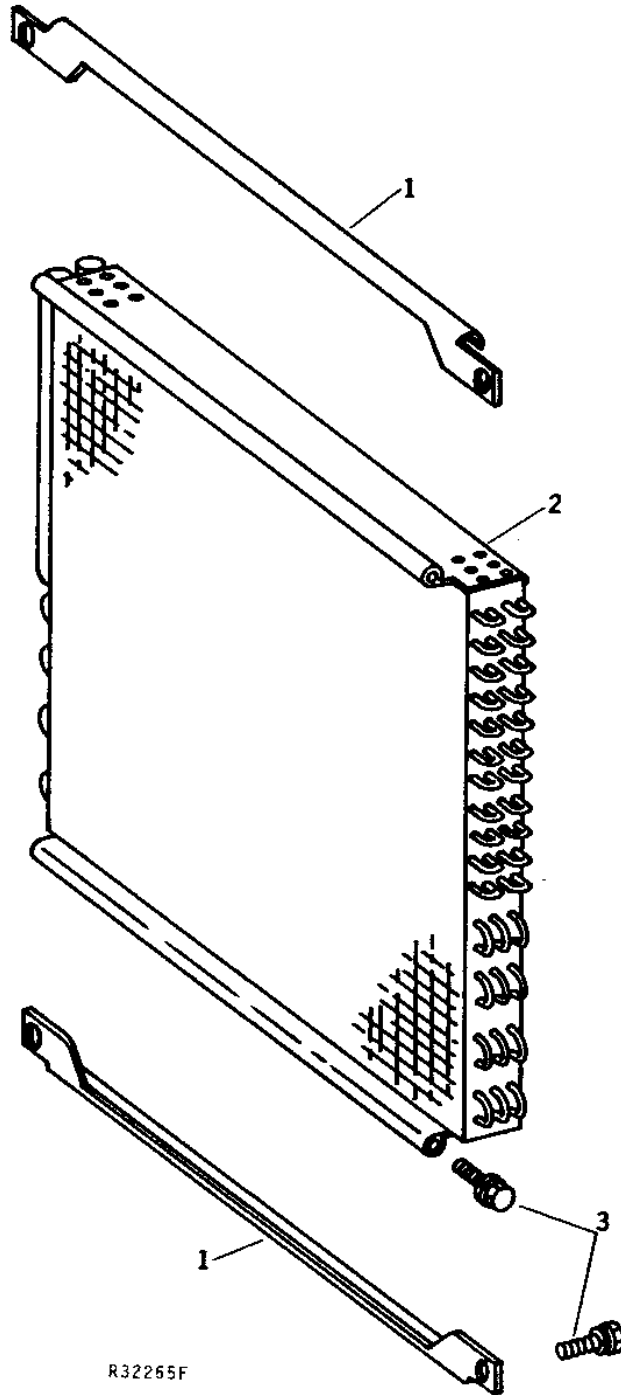
# 4B9

HYDRAULICS

R32265

-UN-01JAN94

HYDRAULIC OIL COOLER AND CONDENSER





# 4B10

HYDRAULICS

---

## HYDRAULIC OIL COOLER AND CONDENSER - CONTINUED

KEY	PART NO.	PART NAME	QTY	TRACTOR SERIAL NO.	REMARKS
1	R58543	BRACKET	2		
2	AR70387	OIL COOLER	1		(AIR CONDITIONING) (NLA)
	AR70386	OIL COOLER	1		
3	AR58652	BOLT	6		

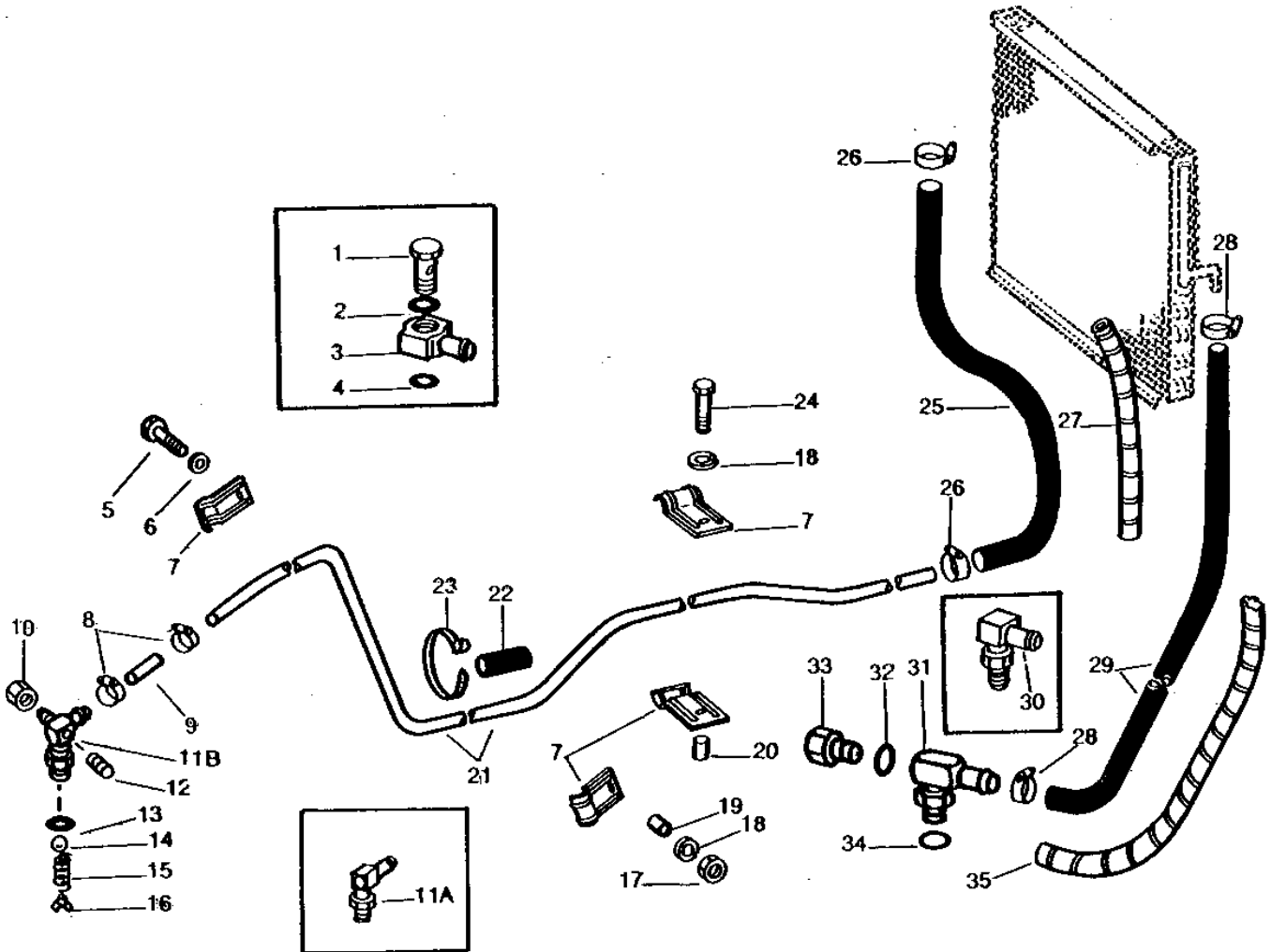
# 4B11

HYDRAULICS

RWP3827

-UN-01JAN94

## HYDRAULIC OIL COOLER RETURN LINES



RWP3827

# 4B12

HYDRAULICS

## HYDRAULIC OIL COOLER RETURN LINES - CONTINUED

KEY	PART NO.	PART NAME	QTY	TRACTOR SERIAL NO.	REMARKS
1	R27927	HOLLOW SCREW	1	-008414	
2	R27928	O-RING	1	-008414	
3	R27926	FITTING	1	-008414	
4	P47908	O-RING	1	-008414	
5	19H3175	CAP SCREW	1		3/8" X 3-5/8", HS, SAE 8
6	24M7096	WASHER	1		10.500 X 18 X 1.600 MM
7	R51655	HALF CLAMP	4		
8	TY22467	CLAMP	2		(SUB FOR AR21839)
9	.....	HOSE	1		19 X 64 MM (3/4" X 2-1/2") (MAKE FROM TY22329)
10	R31736	FITTING	1		
11A	AR78534	HOSE FITTING	1		90°, (SUB FOR AR77538) (SUB AR97622, R31736 AND 15H558)
11B	AR97622	FITTING	1		
12	15H558	PIPE PLUG	1		1/8"
13	F3171R	O-RING	1		
14	R1818R	BALL	1		19 MM (3/4")
15	F3221R	SPRING	1		
16	R53045	RETAINER	1		
17	14H1076	NUT	1		3/8"
18	12H304	LOCK WASHER	2		3/8"
19	28H1535	SPACER	1		
20	28H1527	SPACER	1		
21	R58945	HYDRAULIC LINE	1		
22	.....	HOSE	1		16 X 47 MM (5/8" X 1-7/8") (MAKE FROM R45847)
23	R44302	TIE BAND	AR		
24	19H3175	CAP SCREW	1		3/8" X 3-5/8", HS, SAE 8
25	.....	HOSE	1		19 X 1143 MM (3/4" X 45") (MAKE FROM TY22329) (SUB FOR R61973)
26	TY22467	CLAMP	2		(SUB FOR AR21839)
27	R55144	HOSE GUARD	1		
28	AT18904	CLAMP	2		
29	TY22329	BULK HOSE	1		(SUB FOR R61971)
30	AR52206	ELBOW FITTING	1	008415-XXXXXX	
31	AR87537	HOSE FITTING	1	XXXXXX-XXXXXX	(SUB AR52206)
	RE11884	ELBOW FITTING	1	XXXXXX-	(SUB AR52206)
32	R26286	O-RING	1	XXXXXX-XXXXXX	(USE WITH AR87537)
	R26448	O-RING	1	XXXXXX-	(USE WITH RE11884)
33	R27094	DRAIN PLUG	1	XXXXXX-XXXXXX	(USE WITH AR87537)
	R75376	DRAIN PLUG	1	XXXXXX-	(USE WITH RE11884)
34	R26906	O-RING	1	008415-	
35	R61972	GUARD	1		

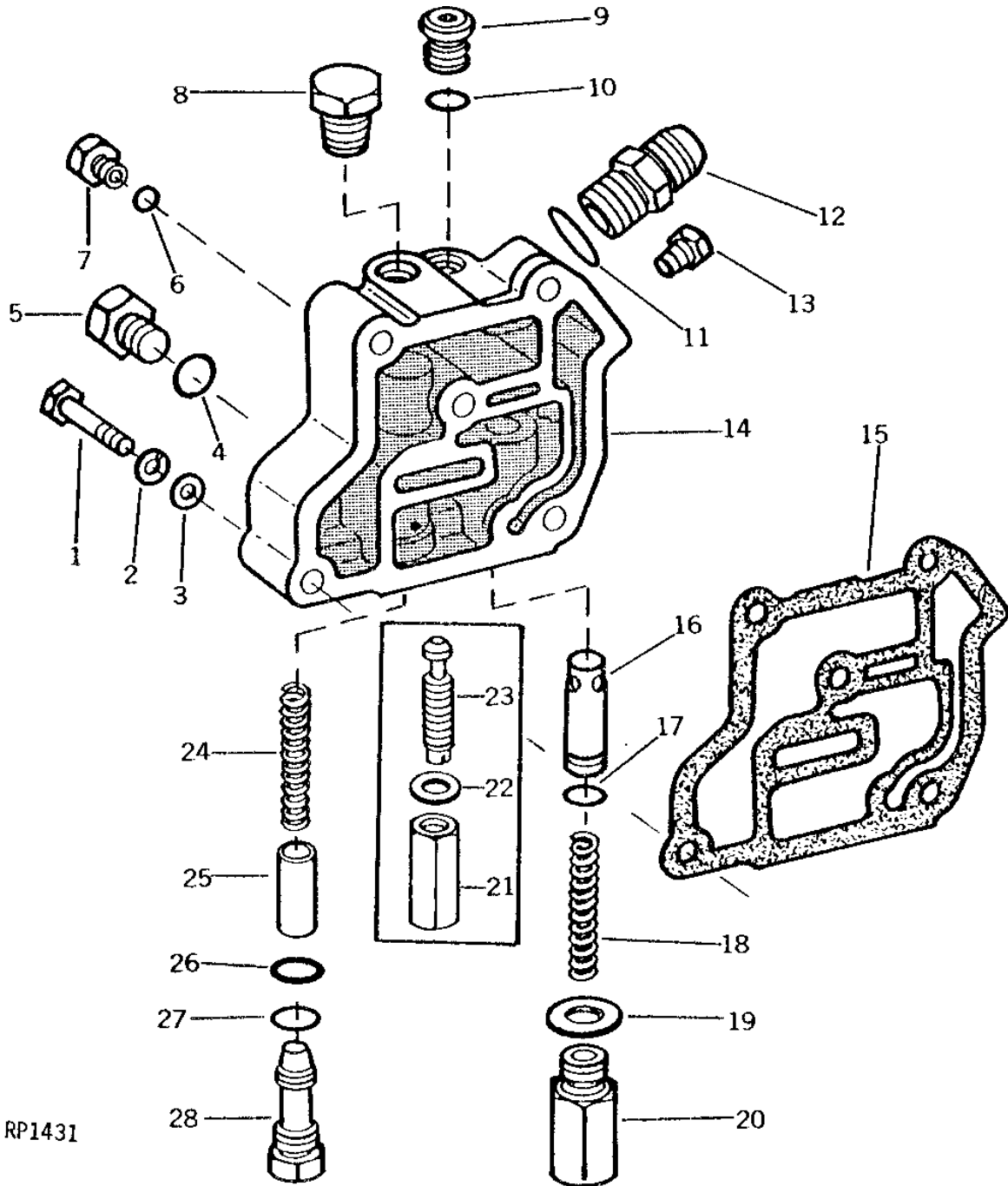
# 4B13

HYDRAULICS

RP1431

-UN-01JAN94

## OIL FILTER RELIEF VALVE HOUSING



RP1431

# 4B14

HYDRAULICS

## OIL FILTER RELIEF VALVE HOUSING - CONTINUED

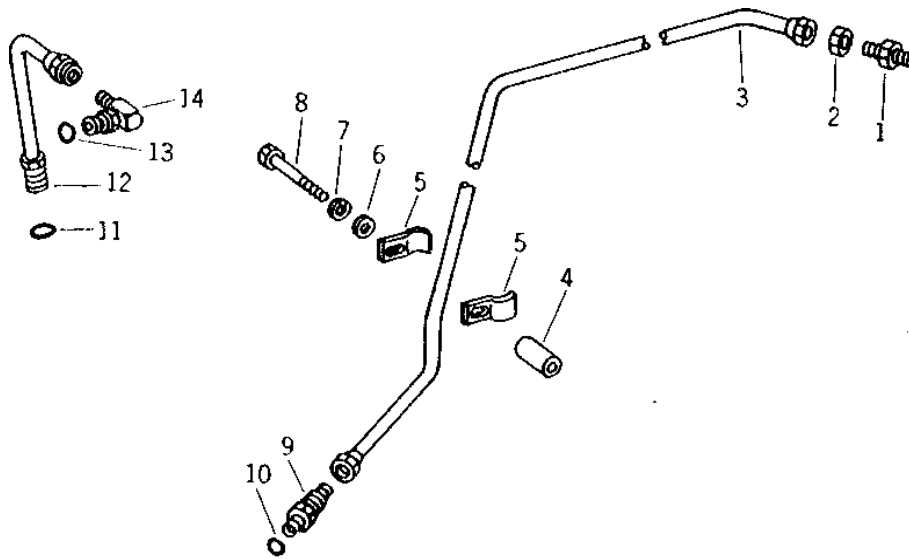
KEY	PART NO.	PART NAME	QTY	TRACTOR SERIAL NO.	REMARKS
1	19H1146	CAP SCREW	1		7/16" X 2-1/2"
	19H1828	CAP SCREW	1		7/16" X 4"
	19H2055	CAP SCREW	2		7/16" X 2-1/4"
	19H2500	CAP SCREW	1		7/16" X 1-3/8"
2	12H293	LOCK WASHER	5		7/16"
3	24H1325	WASHER	5		15/32" X 59/64" X 0.065"
4	R26375	O-RING	1	001741-	
5	R39112	FITTING	1	001741-	
6	R26286	O-RING	1		
7	R27094	DRAIN PLUG	1		
8	15H624	PIPE PLUG	1	001741-	1/2"
9	R33138	FITTING	1		
10	R26375	O-RING	1		
11	F3171R	O-RING	1		
12	R27267	FITTING	1		
13	15H638	PIPE PLUG	1		1/8"
14	R60259	HOUSING	1	-001740	(ALSO ORDER R26375, R28776, R28914, R60092 AND R60396)
	AR73905	HOUSING	1	001741-	(MARKED R60401 OR R60402) (INCLUDES R26375, R39112 AND 15H638)
					(SUB FOR R57656 OR R51461)
15	R63976	GASKET	1		
16	R57560	VALVE	1		
17	R33259	O-RING	1		
18	R51574	SPRING	1		
19	R1742R	WASHER	1		
20	R51577	FITTING PLUG	1		
21	F2847R	NUT	1	-001740	
22	F2846R	WASHER	1	-001740	
23	R39587	SET SCREW	1	-001740	
24	R28914	SPRING	1		
25	R60092	CHECK VALVE	1		
26	R28776	O-RING	1		
27	R26375	O-RING	1		
28	R60396	FITTING	1		

# 4B15

HYDRAULICS

R32274 -UN-01JAN94

## HYDRAULIC OIL RETURN LINES, REAR



R32274F

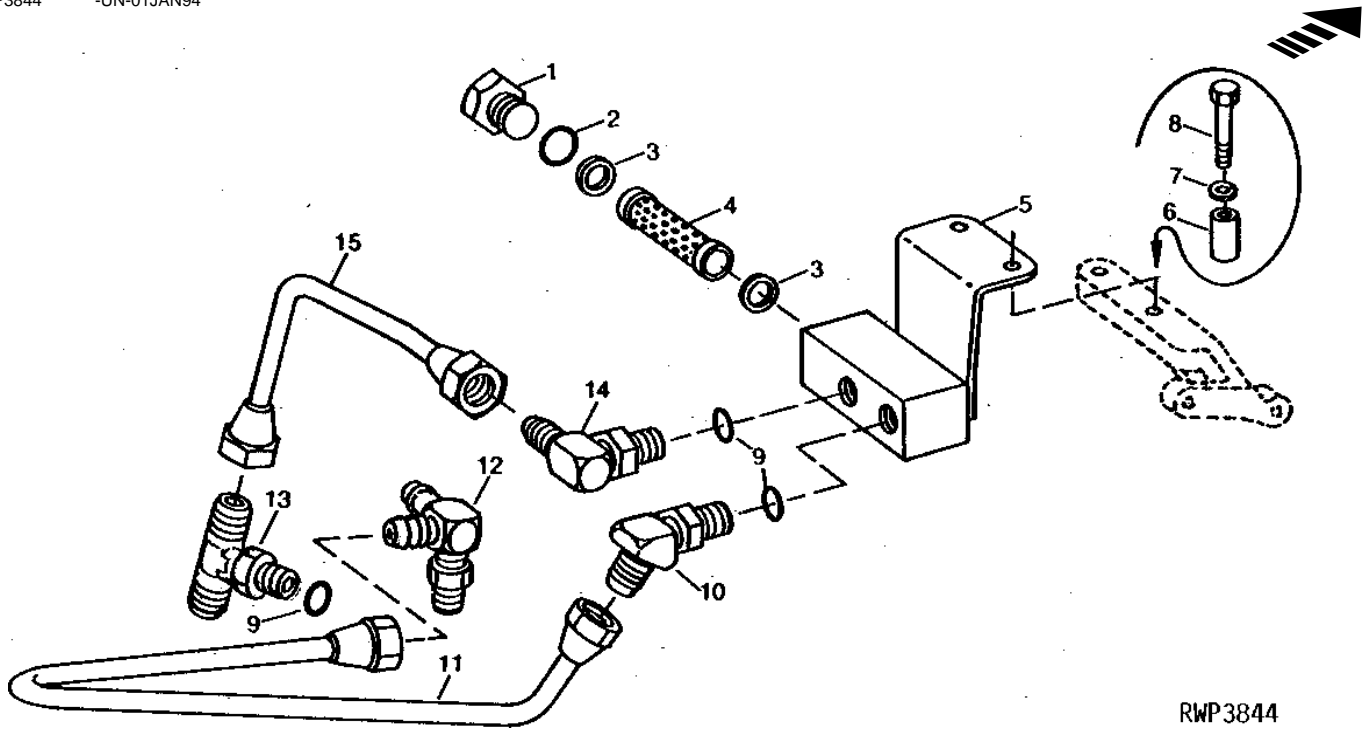
KEY	PART NO.	PART NAME	QTY	TRACTOR SERIAL NO.	REMARKS
1	R47876	FITTING	1		
2	R27390	NUT	1		
3	AR71041	HYDRAULIC LINE	1		
4	28H1535	SPACER	1		
5	R51655	HALF CLAMP	2		
6	24M7096	WASHER	1	10.500 X 18 X 1.600 MM	
7	12H304	LOCK WASHER	1	3/8"	
8	19H1854	CAP SCREW	1	3/8" X 3-3/4"	
9	R27267	FITTING	1		
10	F3171R	O-RING	1		
11	B2762R	O-RING	1		
12	AR69626	OIL LINE	1	-XXXXXX	ROCKSHAFT RETURN (ILLUSTRATED) (USE WITH R57284)
	AR94628	OIL LINE	1	XXXXXX-	ROCKSHAFT RETURN, (USE WITH R71981 OR R71982)
	AR70894	HYDRAULIC LINE	1		SCV RETURN (LESS ROCKSHAFT)
13	F3171R	O-RING	1		
14	AT32331	ELBOW FITTING	1		90°, (SUB FOR AR26723)

# 4B16

HYDRAULICS

RWP3844 -UN-01JAN94

## OIL COOLER RETURN CHECK VALVE BYPASS FILTER ASSEMBLY



RWP3844

KEY	PART NO.	PART NAME	QTY	TRANSMISSION SERIAL NO.	REMARKS
1	R27175	DRAIN PLUG	1		
2	F3171R	O-RING	1		
3	R27174	PACKING	2		
4	R27173	FILTER ELEMENT	1		
5	AR97623	HOUSING	1		
6	28H1656	BUSHING	2		(LESS DIFFERENTIAL LOCK)
7	12H301	LOCK WASHER	2	1/2"	
8	19H1831	CAP SCREW	2	1/2" X 2"	
9	R26375	O-RING	3		
10	AR26745	ELBOW FITTING	1	45°	
11	AR97625	HYDRAULIC LINE	1		(TO OIL COOLER RETURN TUBE TEE)
12	AR97622	FITTING	1		90° TEE
13	AR101634	TEE FITTING	1		90° TEE, (SUB AN140263)
14	AT32332	ELBOW FITTING	1		90°, (SUB FOR AR26763)
15	AR97624	HYDRAULIC LINE	1		(TO FILTER BYPASS LINE TEE)

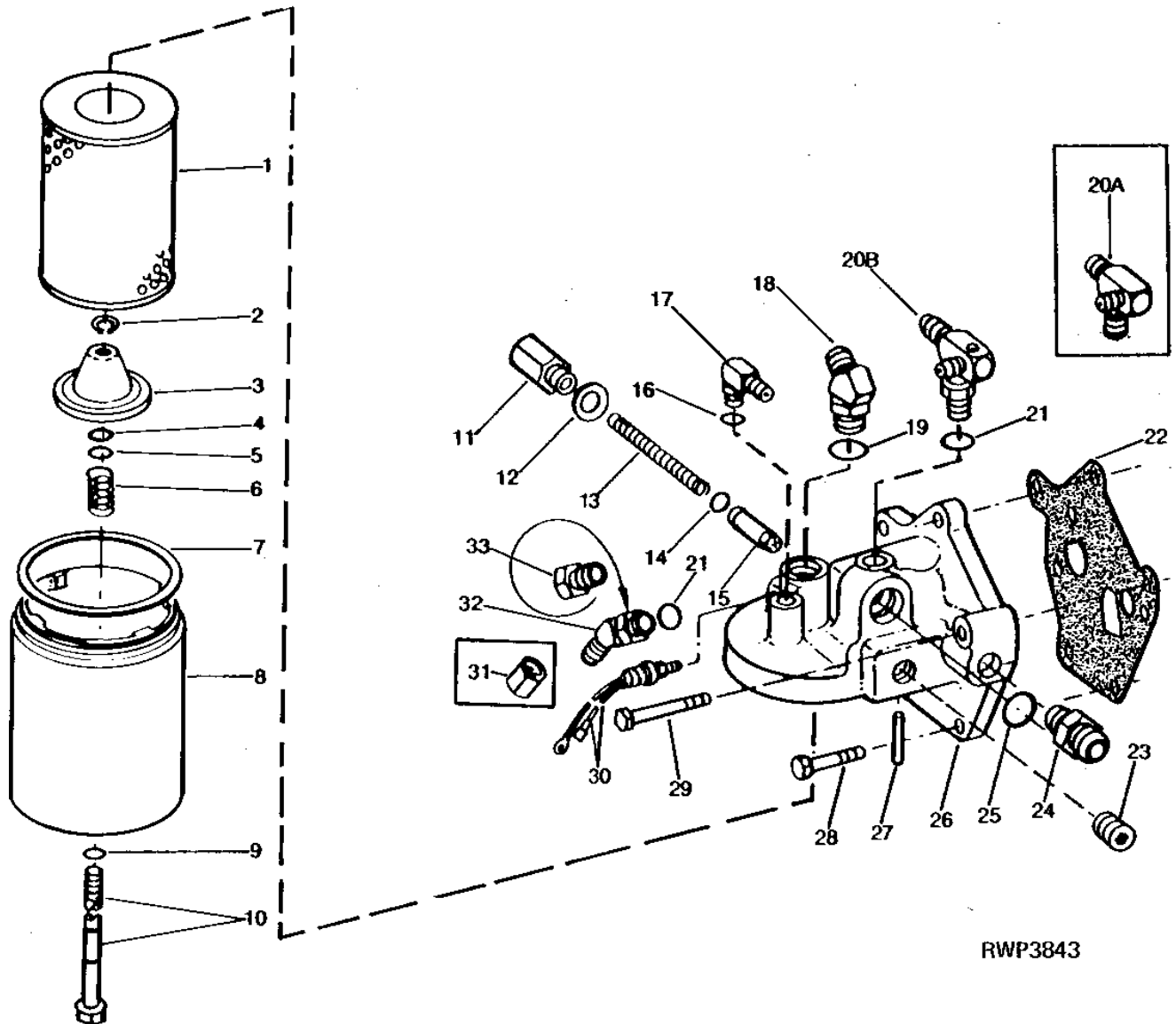
# 4B17

HYDRAULICS

RWP3843

-UN-01JAN94

## CLUTCH OIL FILTER RELIEF VALVE HOUSING





# 4B18

HYDRAULICS

## CLUTCH OIL FILTER RELIEF VALVE HOUSING - CONTINUED

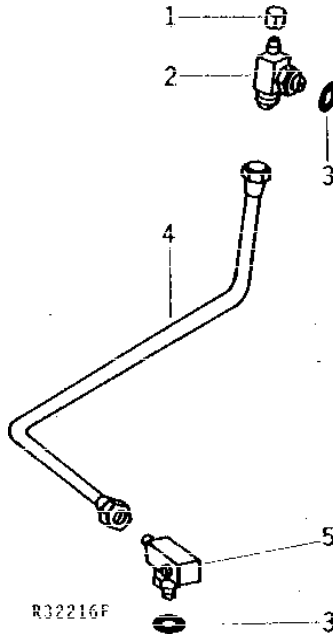
KEY	PART NO.	PART NAME	QTY	TRACTOR SERIAL NO.	REMARKS
1	AR75603	FILTER ELEMENT	1	-005625	(ALSO ORDER R34733) (SUB FOR AR28271, AT34670 OR AR75601)
	AR94510	FILTER ELEMENT	1	005626-	(SUB FOR AR70636)
2	R32507	SNAP RING	1		
3	R28593	RETAINER	1	-005625	(SUB R65892 AND F2741R)
	R65892	RETAINER	1	005626-	
4	R394R	O-RING	1	-005625	
	F2741R	PACKING	1	005626-	
5	24H1227	WASHER	1		17/32" X 13/16" X 0.060"
6	H819R	SPRING	1	-005625	
	R66064	SPRING	1	005626-	
7	R34733	WASHER	1		
8	R63093	COVER	1	-001804	
	R51654	COVER	1	001805-005625	
	R65901	COVER	1	005626-	
9	R394R	O-RING	1		
10	R82731	CAP SCREW	1	-005625	(SUB FOR R54753)
	R65904	CAP SCREW	1	005626-	
11	R51577	FITTING PLUG	1		
12	R1742R	WASHER	1		
13	R51574	SPRING	1		
14	R33259	O-RING	1		(USE WITH R57560)
	R28776	O-RING	1		(USE WITH R65650)
15	R57560	VALVE	1		(USE WITH R57153 OR R62444)
	R65650	VALVE	1		(USE WITH R65649)
16	R26448	O-RING	1		
17	AT35121	ELBOW FITTING	1		90°
18	AR28251	ELBOW FITTING	1		45°, (SUB AT48506)
19	F3171R	O-RING	1		
20A	AR32665	TEE FITTING	1	-005138	
20B	AR84178	TEE FITTING	1	005139-	
21	R26375	O-RING	2		
22	R57154	GASKET	1		
23	15H624	PIPE PLUG	1		1/2", (USE WITH R65649)
24	R30935	ADAPTER	1		
25	R29463	O-RING	1		
26	AR70414	HOUSING	1	-001804	(MARKED R57153) (SUB R65649, R65650, R28776 AND 15H624)
	R62444	HOUSING	1	001805-	(SUB R65649, R65650, R28776 AND 15H624)
	R65649	HOUSING	1		(SUB FOR R62444 OR AR70414)
27	R36882	DOWEL PIN	1	-001804	(SUB R55081)
28	R41920	CAP SCREW	4		
29	19H1944	CAP SCREW	1		3/8" X 2-3/4"
30	AR61969	SENSOR	1		OIL PRESSURE
31	R31736	FITTING	1	-001804	(LESS PTO)
32	AR26745	ELBOW FITTING	1		45°, (WITH PTO)
33	R39112	FITTING	1	001805-	(LESS PTO)
..	AR85307	KIT	1	-005625	10 MICRON FILTER

# 4B19

HYDRAULICS

R32216 -UN-01JAN94

## CLUTCH OIL FILTER RELIEF VALVE BYPASS LINE



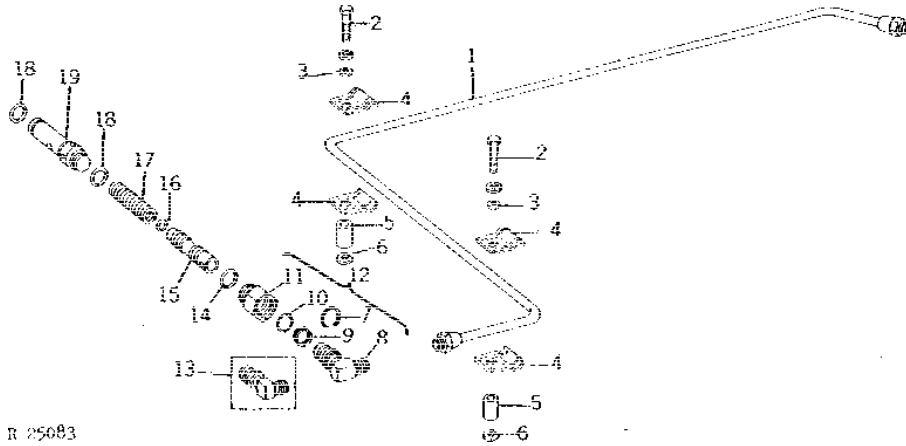
KEY	PART NO.	PART NAME	QTY	TRACTOR SERIAL NO.	REMARKS
1	R40583	FITTING	1		
2	AR47933	TEE FITTING	1	90°	
3	R26375	O-RING	2		
4	AR70664	HYDRAULIC LINE	1		TO CLUTCH HOUSING
5	AR32665	TEE FITTING	1	-005138	
	AR84178	TEE FITTING	1	005139-	

# 4B20

HYDRAULICS

## PRESSURE CONTROL VALVE, PRESSURE LINE (ROCKSHAFT)

R25083 -UN-01JAN94



R 25083

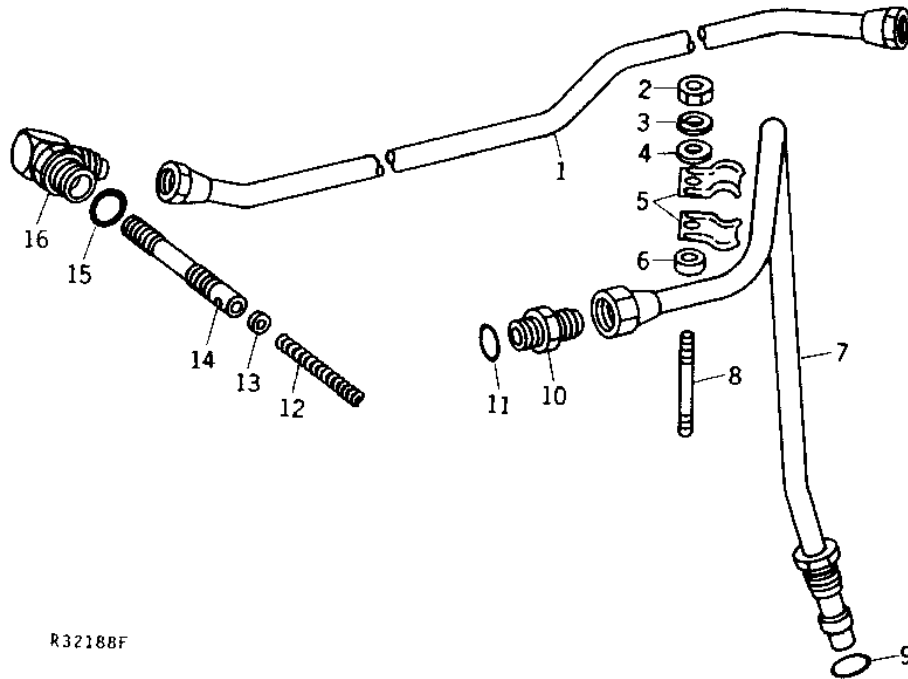
KEY	PART NO.	PART NAME	QTY	TRACTOR SERIAL NO.	REMARKS
1	AR70492	HYDRAULIC LINE	1		
2	19H1944	CAP SCREW	2	3/8" X 2-3/4"	
	12H304	LOCK WASHER	2	3/8"	
3	24M7096	WASHER	2	10.500 X 18 X 1.600 MM	
4	R47576	CLAMP	4		
5	28H1697	SPACER	2		
6	A4624R	WASHER	2		
7	A4275R	SNAP RING	1	002038-	
8	AR74195	ELBOW FITTING	1	002038-	90°
9	R26546	BACK-UP RING	1	002038-	
10	R21722	O-RING	1	002038-	
11	R61259	ADAPTER	1	002038-	
12	AR74194	ELBOW FITTING	1	002038-	90°
13	AR67679	ELBOW FITTING	1	-002037	90°, (SUB AR74194)
14	R29936	O-RING	1		
15	AR63906	VALVE	1		
16	24H1283	WASHER	AR	7/32" X 1/2" X 0.049"	
17	R40072	SPRING	1		
18	U15192	O-RING	2		
19	R56741	CONTROL VALVE	1		

# 4B21

HYDRAULICS

## PRESSURE CONTROL VALVE, PRESSURE LINE (LESS ROCKSHAFT)

R32188 -UN-01JAN94



R32188F

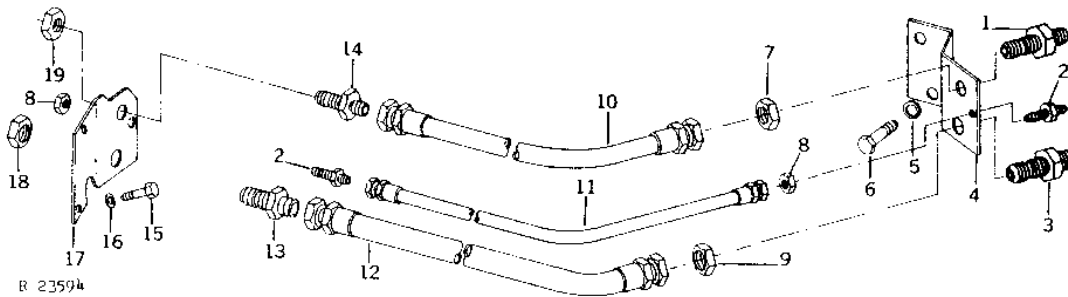
KEY	PART NO.	PART NAME	QTY	TRACTOR SERIAL NO.	REMARKS
1	AR70951	HYDRAULIC LINE	1		PRESSURE
2	14H1076	NUT	1		3/8"
3	12H304	LOCK WASHER	1		3/8"
4	24M7096	WASHER	1		10.500 X 18 X 1.600 MM
5	R51655	HALF CLAMP	2		
6	28H1531	BUSHING	1		
7	AR70894	HYDRAULIC LINE	1		RETURN
8	R26622	STUD	1		(SUB R106859)
9	B2762R	O-RING	1		
10	R27267	FITTING	1		
11	F3171R	O-RING	1		
12	R40072	SPRING	1		
13	24H1283	WASHER	AR		7/32" X 1/2" X 0.049"
14	AR63906	VALVE	1		
15	R26906	O-RING	1		
16	AR26724	ELBOW FITTING	1		90°

# 4B22

HYDRAULICS

R23594 -UN-01JAN94

## HINGE FLEXIBLE OIL LINES AND BRACKETS



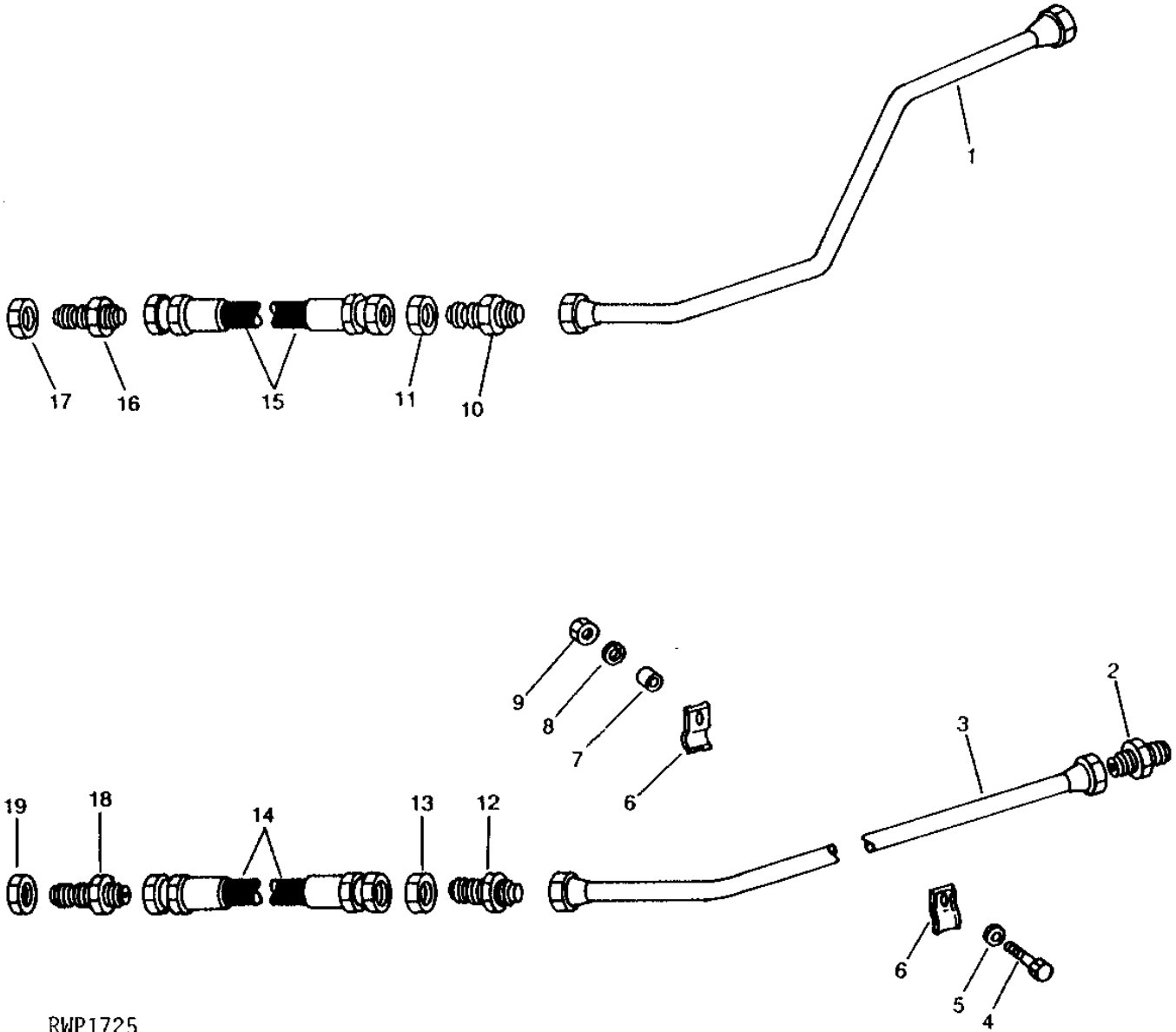
KEY	PART NO.	PART NAME	QTY	TRACTOR SERIAL NO.	REMARKS
1	R47876	FITTING	1		
2	R27238	FITTING	2		
3	R58953	FITTING	1		
4	R57710	BRACKET	1		
5	T21397	WASHER	2		
6	19H3210	CAP SCREW	2	3/4" X 5-1/4"	
7	R27390	NUT	1		
8	R26572	NUT	2		
9	R42345	NUT	1		
10	AR69299	HOSE	1		
11	AR69278	HOSE	1		
12	AR71040	HYDRAULIC HOSE	1		
13	R47876	FITTING	1		
14	N112216	FITTING	1		
15	R41041	CAP SCREW	2		
16	24H1652	WASHER	2	13/32" X 11/16" X 7/64"	
17	R58950	BRACKET	1		
18	R27390	NUT	1		
19	R26627	NUT	1		

# 4B23

HYDRAULICS

RWP1725 -UN-01JAN94

CENTER HYDRAULIC LINES



RWP1725

# 4B24

HYDRAULICS

## CENTER HYDRAULIC LINES - CONTINUED

KEY	PART NO.	PART NAME	QTY	TRACTOR SERIAL NO.	REMARKS
1	AR72917	HYDRAULIC LINE	1		PRESSURE CONTROL VALVE PRESSURE, FRONT
2	R58952	FITTING	1		
3	AR72916	HYDRAULIC LINE	1		HYDRAULIC OIL FILTER RELIEF VALVE RETURN
4	19H1732	CAP SCREW	1		3/8" X 1-1/4"
5	24M7096	WASHER	1		10.500 X 18 X 1.600 MM
6	R58948	CLIP	2		
7	28H1517	WASHER	1		0.493" X 0.675" X 1/4"
8	12H304	LOCK WASHER	1		3/8"
9	14H1076	NUT	1		3/8"
10	R47876	FITTING	1		
11	R27390	NUT	1		
12	R58953	FITTING	1		
13	R42345	NUT	1		
14	AR71040	HYDRAULIC HOSE	1		
15	AR69299	HOSE	1		
16	N112216	FITTING	1		
17	R26627	NUT	1		
18	R47876	FITTING	1		
19	R27390	NUT	1		

---

MEMORANDA

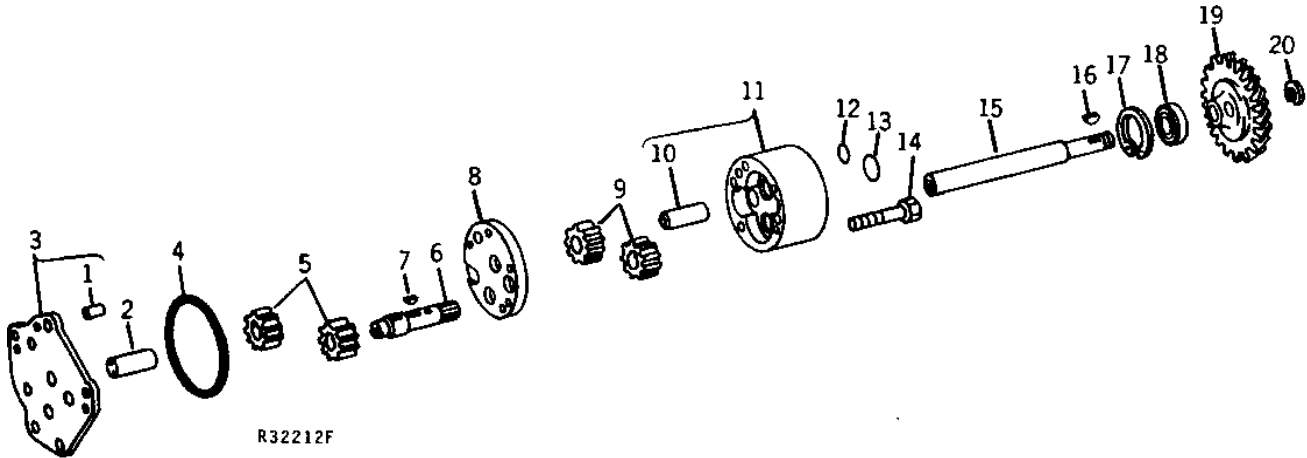


# 4B25

HYDRAULICS

R32212 -UN-01JAN94

## CLUTCH OIL PUMP AND OIL TRANSFER PUMP



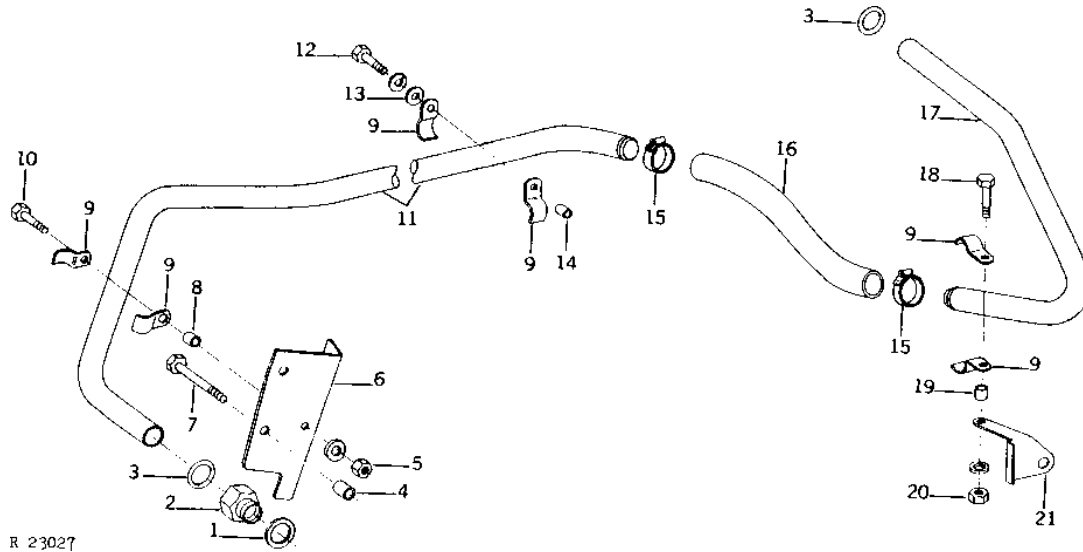
KEY	PART NO.	PART NAME	QTY	TRACTOR SERIAL NO.	REMARKS
1	R40336	DOWEL PIN	3		
2	R51029	DOWEL PIN	1		
3	AR68503	HOUSING	1		CLUTCH OIL PUMP
4	U44083	O-RING	1		
5	AR72225	GEAR	1		
6	R57207	SHAFT	1		
7	26H73	SHAFT KEY	2	5/32" X 5/8"	
8	R57205	COVER	1		
9	AR40218	GEAR	1		
10	R26144	SHAFT	1		
11	AR68504	HOUSING	1		OIL TRANSFER PUMP
12	R394R	O-RING	1		
13	A3606R	O-RING	1		
14	R43252	CAP SCREW	4		
15	R57203	SHAFT	1		
16	26H73	SHAFT KEY	1	5/32" X 5/8"	
17	R55408	WEAR RING	1		
18	JD8509	BALL BEARING	1		
19	R57942	GEAR	1		
20	M40514	SNAP RING	1		

# 4C1

HYDRAULICS

## CLUTCH OIL PUMP INTAKE TUBES (TRACTOR SERIAL NO. -001474)

R23027 -UN-01JAN94



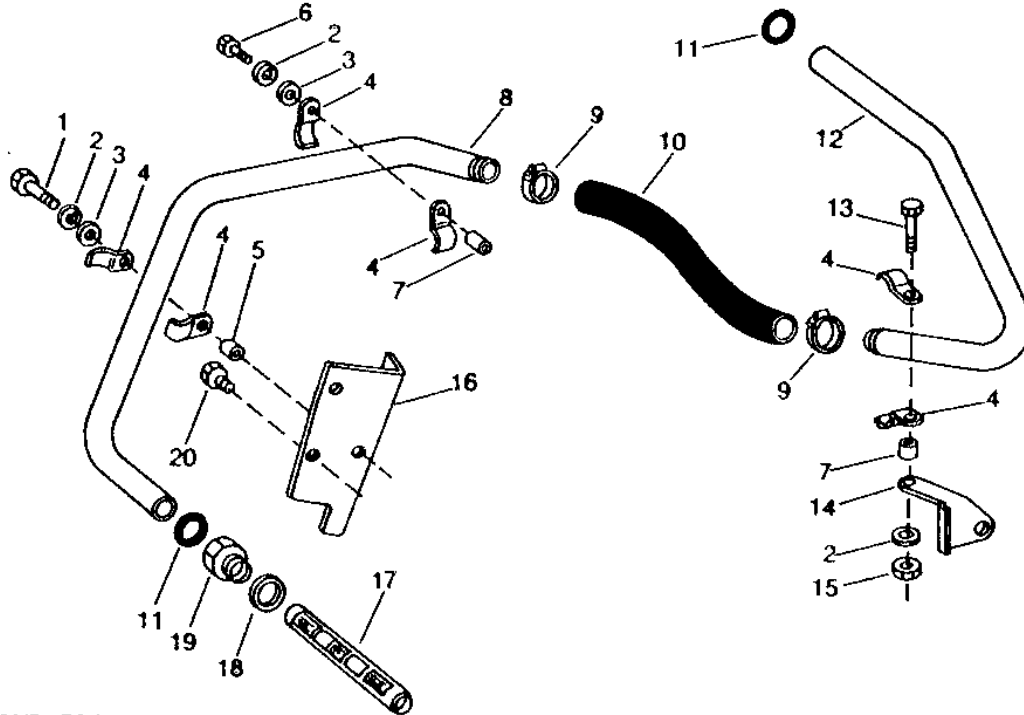
KEY	PART NO.	PART NAME	QTY	TRACTOR SERIAL NO.	REMARKS
1	A4808R	WASHER	1		
2	R58616	FITTING	1		
3	R29463	O-RING	2		HYDRAULIC OIL FILTER RELIEF VALVE RETURN
4	C14757	BUSHING	2		
5	14H1076	NUT	1	3/8"	
	12H304	LOCK WASHER	1	3/8"	
6	R61334	BRACKET	1		(SUB FOR R59351)
7	19H3174	CAP SCREW	2		5/8" X 5-1/4"
8	28H1526	BUSHING	1		
9	R58925	CLAMP	6		
10	19H1733	CAP SCREW	1		3/8" X 2-1/2"
11	R58927	OIL TUBE	1		REAR
12	19H2549	CAP SCREW	1		3/8" X 1-7/8"
	12H304	LOCK WASHER	1		3/8"
13	24M7096	WASHER	1		10.500 X 18 X 1.600 MM
14	28H1697	SPACER	1		
15	TY22467	CLAMP	2		(SUB FOR AR21839)
16	R58926	HOSE	1		
17	R58924	OIL TUBE	1		FRONT
18	19H2529	CAP SCREW	1		5/16" X 1"
19	28H1697	SPACER	1		
20	14H1076	NUT	1	3/8"	
	12H304	LOCK WASHER	1	3/8"	
21	R58928	BRACKET	1		

# 4C2

HYDRAULICS

## CLUTCH OIL PUMP INTAKE TUBES (TRACTOR SERIAL NO. 001475- )

RWP1726 -UN-01JAN94



RWP1726

KEY	PART NO.	PART NAME	QTY	TRACTOR SERIAL NO.	REMARKS
1	19H1726	CAP SCREW	1		3/8" X 2-1/4"
2	12H304	LOCK WASHER	3		3/8"
3	24M7096	WASHER	2		10.500 X 18 X 1.600 MM
4	R58925	CLAMP	6		
5	28H1525	BUSHING	1		
6	19H2549	CAP SCREW	1		3/8" X 1-7/8"
7	28H1697	SPACER	2		
8	R61287	OIL TUBE	1		
9	TY22467	CLAMP	2		(SUB FOR AR21839)
10	R58926	HOSE	1		
11	R29463	O-RING	2		
12	R58924	OIL TUBE	1		
13	19H2529	CAP SCREW	1		5/16" X 1"
14	R58928	BRACKET	1		
15	14H1076	NUT	1		3/8"
16	R61334	BRACKET	1		
17	AR26375	SCREEN	1		STEEL
	R53169	SCREEN	1		NYLON
18	A4808R	WASHER	1		
19	R58616	FITTING	1		
20	19H1731	CAP SCREW	2		3/8" X 1"

---

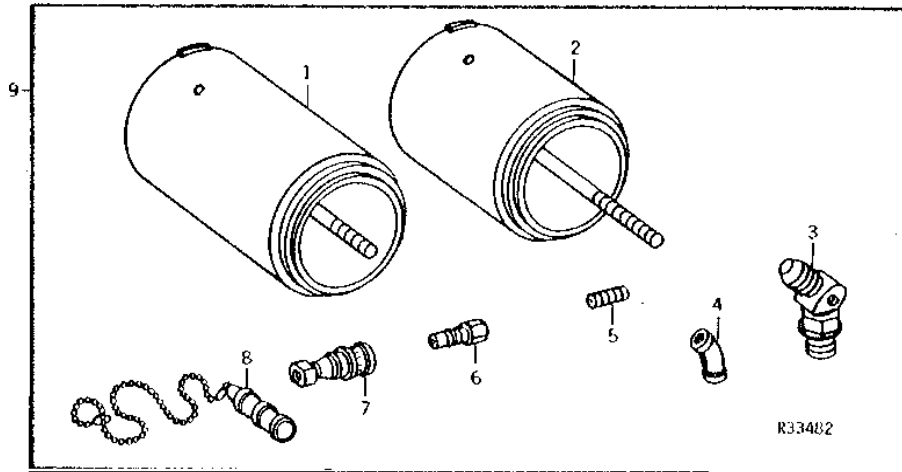
MEMORANDA

# 4C3

HYDRAULICS

R33482 -UN-01JAN94

## HYDRAULIC OIL CLEAN-UP KIT



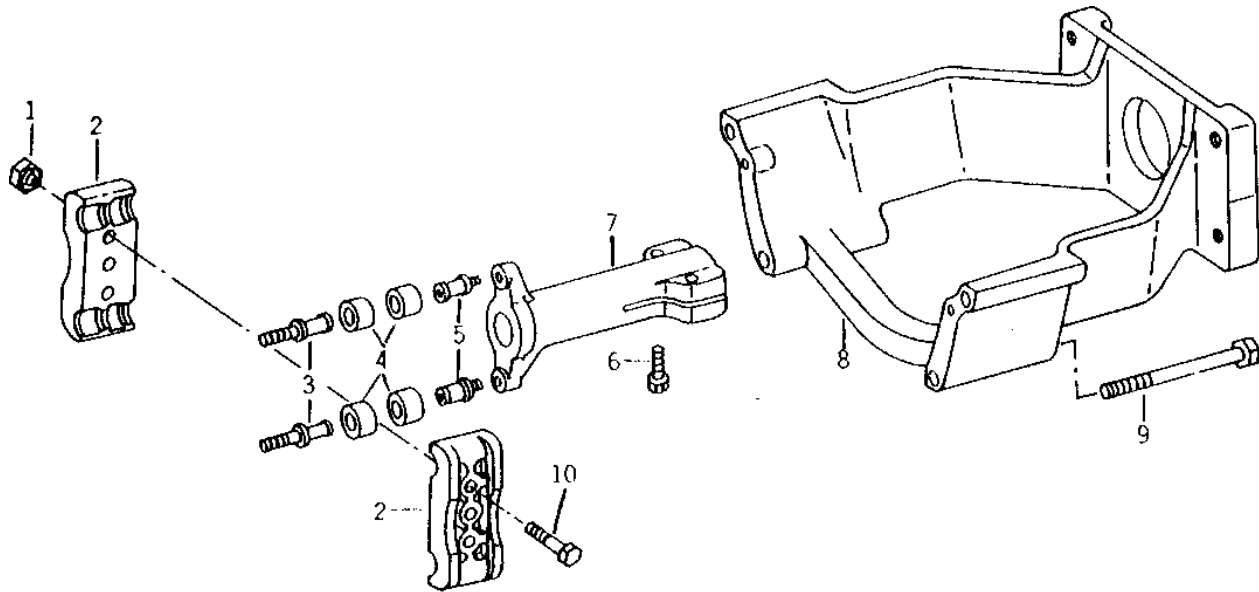
KEY	PART NO.	PART NAME	QTY	TRACTOR SERIAL NO.	REMARKS
1	AR86245	COVER	1		
2	AR86244	COVER	1		(SUB FOR AR86246)
3	AR86247	ELBOW FITTING	1		45°
4	15H155	ELBOW FITTING	1		45°
5	29H483	THREADED NIPPLE	2		
6	R66469	PLUG	2		
7	.....	COUPLING	1		(ORDER AR86240)
8	R66473	COVER	2		
9	AR86240	KIT	1		

# 4C4

HYDRAULICS

R32256 -UN-01JAN94

## HYDRAULIC PUMP DRIVE AND SUPPORT



R32256F

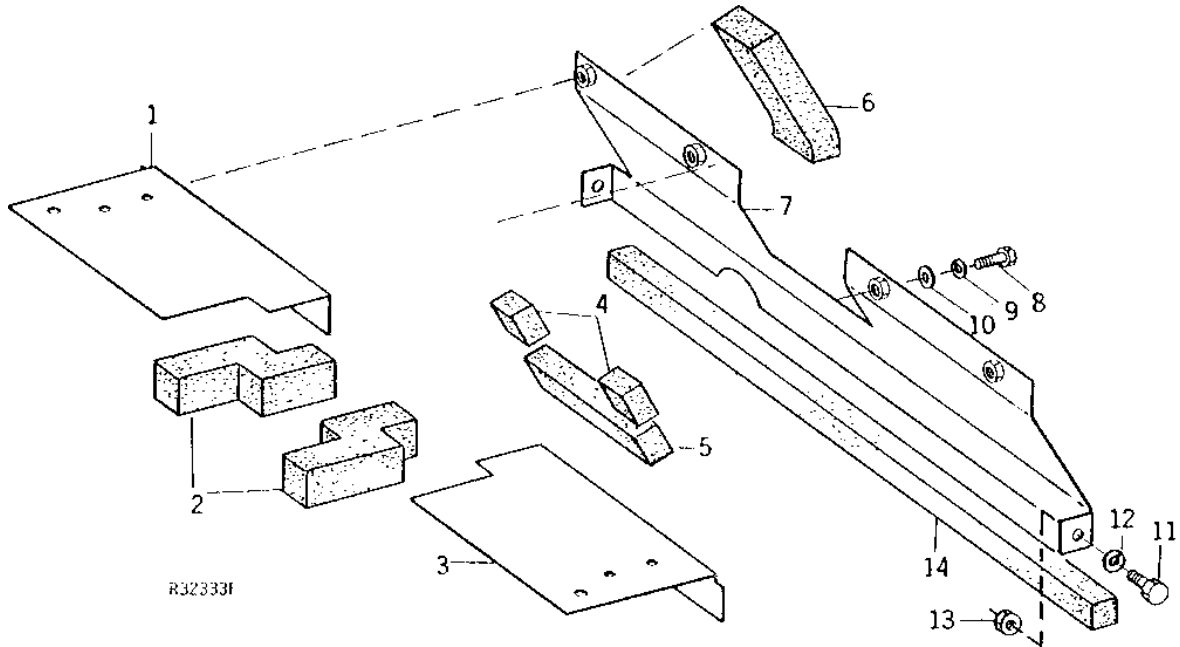
KEY	PART NO.	PART NAME	QTY	TRACTOR SERIAL NO.	REMARKS
1	M63440	LOCK NUT	2		(SUB FOR C744DN) (SUB E50102)
2	R34362	EXTERNAL HALF COUPLER	2		
3	R49724	SCREW	2		
4	AR49427	BUSHING	1		(PKG. OF 4) (SUB (4) R45822)
5	R34360	SCREW	2		
6	19H1732	CAP SCREW	2		3/8" X 1-1/4"
7	R59620	SHAFT	1		
8	R58101	SUPPORT	1		
.....		FOAM PAD	1		25 X 25 X 187 MM (1" X 1" X 7-3/8") (HYDRUALIC PUMP SUPPORT TO HYDRAULIC PUMP) (MAKE FROM R30937)
9	19H3586	CAP SCREW	2		1/2" X 4-1/4", HS, SAE 8
	19H1991	CAP SCREW	2		1/2" X 8"
10	19H2116	CAP SCREW	2		3/8" X 2-1/2"

# 4C5

HYDRAULICS

R32333 -UN-01JAN94

## HYDRAULIC PUMP SHIELDS



KEY	PART NO.	PART NAME	QTY	TRACTOR SERIAL NO.	REMARKS
1	AR70037	PLATE	1	-002430	(SUB AR77437)
	AR77437	PLATE	1	002431-	
2	R58276	ISOLATOR	2		
3	AR70036	PLATE	1	-002430	(SUB AR77436)
	AR77436	PLATE	1	002431-	
4	.....	FOAM PAD	2		25 X 51 X 51 MM (1" X 2" X 2") (MAKE FROM R28123)
5	.....	FOAM PAD	1		25 X 38 X 229 MM (1" X 1-1/2" X 9") (MAKE FROM R91749) (SUB FOR R35416)
6	.....	FOAM PAD	1		25 X 51 X 186 MM (1" X 2" X 7-5/16") (MAKE FROM R28123)
7	AR70044	PLATE	1	-002430	(SUB AR77439)
	AR77439	PLATE	1	002431-	
8	19H2021	CAP SCREW	4		3/8" X 5/8"
9	12H304	LOCK WASHER	4		3/8"
10	24M7096	WASHER	4		10.500 X 18 X 1.600 MM
11	03H1572	BOLT	2		7/16" X 1"
12	12H293	LOCK WASHER	2		7/16"
13	14H1047	NUT	2		7/16"
14	.....	FOAM PAD	1		25 X 25 X 813 MM (1" X 1" X 32") (MAKE FROM R30937)

---

MEMORANDA

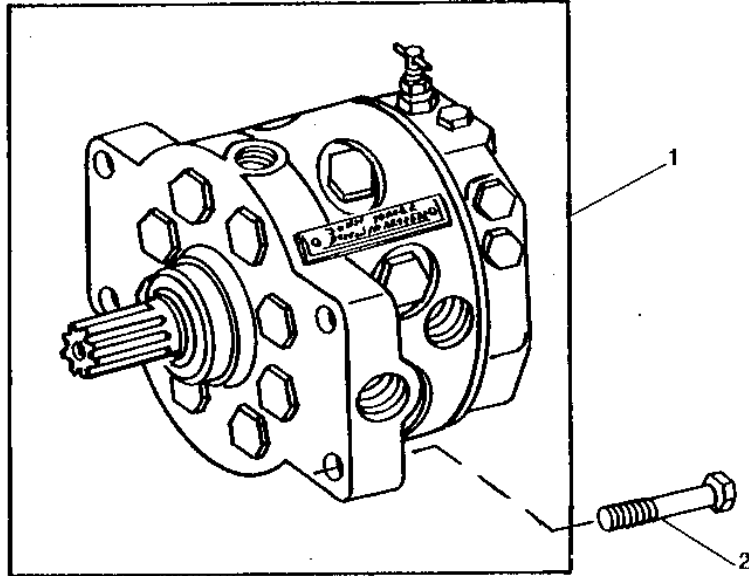


# 4C6

HYDRAULICS

RP3196 -UN-01JAN94

## REPLACEMENT HYDRAULIC PUMP ASSEMBLY



RP3196

KEY	PART NO.	PART NAME	QTY	TRACTOR SERIAL NO.	REMARKS
1	AR94661	HYDRAULIC PUMP	1	65 CM3 (4 IN.3) (MODEL JA1) (SUB FOR AR46246, AR70722, AR73106 OR AR99839)	
2	19H1990	CAP SCREW	4	1/2" X 2-1/4"	

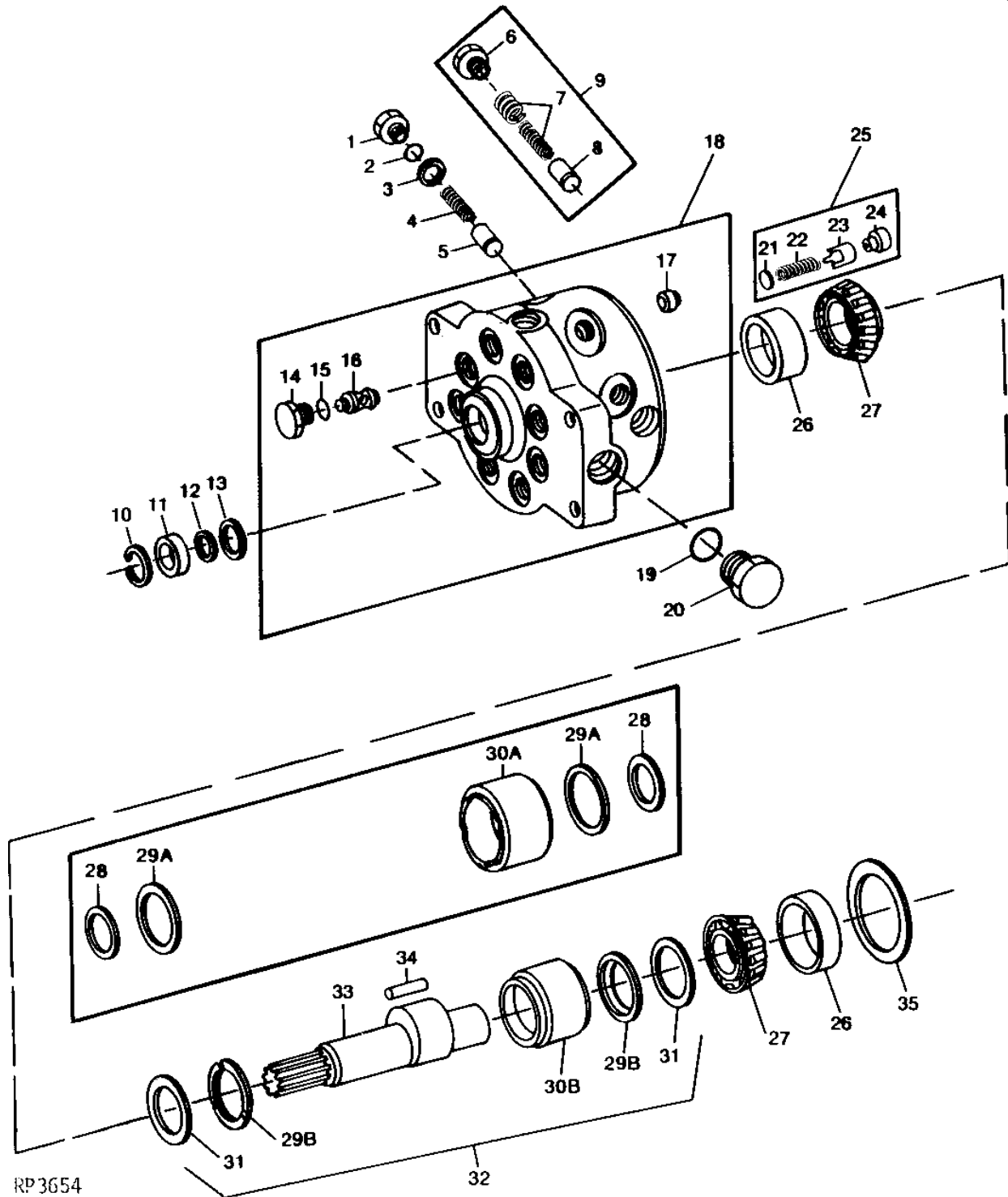
# 4C7

HYDRAULICS

HYDRAULIC PUMP  
66 CM3 (4 IN.3)  
(PUMP LESS SERIAL PLATE)

RP3654

-UN-12OCT94



RP3654

32

# 4C8

HYDRAULICS

HYDRAULIC PUMP - CONTINUED  
66 CM3 (4 IN.3)  
(PUMP LESS SERIAL PLATE)

KEY	PART NO.	PART NAME	QTY	TRACTOR SERIAL NO.	REMARKS
1	R75642	PLUG	8		(SUB FOR R44745)
2	R56751	O-RING	8		
3	AR101237	SHIELD	1		(SET OF 8) (SUB FOR R56750)
4	AR55330	SPRING	1		(SET OF 8)
5	R51827	PISTON	8		(SUB RE11814)
6	R70648	PLUG	8		
7	AR96408	SPRING	1		(SET OF 16)
8	R70976	PISTON	8		
9	RE11814	KIT	1		
10	R26137	SNAP RING	1		
11	RE28790	SEAL	1		(SUB FOR AR52224)
12	R56753	SHIM	1		
13	R39729	O-RING	1		
14	R78293	FITTING	8		(SUB FOR R44823)
15	R27149	O-RING	8		
16	AR53301	VALVE	8		(INLET)
17	R105583	SEAT	8		(SUB FOR R39067)
18	AR70723	HOUSING	1		(MARKED R55010 OR R58773) (SUB AR94661) (SUB FOR AR48770)
19	F3171R	O-RING	1		(USE WITH R58773)
20	R27175	PLUG	1		1-1/16", (USE WITH R58773)
21	R49297	DISK	8		
22	R39228	SPRING	8		
23	R48738	GUIDE	8		
24	R83508	STOP	8		(SUB FOR R49298 OR R72886)
25	RE23382	VALVE	8		(OUTLET) (SUB FOR AR52785 OR AR96613)
26	JD8223	BEARING CUP	2		
27	JD8192	BEARING CONE	2		
28	R45423	WASHER	2	-XXXXXX	(SUB RE12038) (ALSO ORDER RE11814)
29A	R72429	WASHER	2	-XXXXXX	(BRONZE) (SUB RE12038) (ALSO ORDER RE11814) (SUB FOR R45424)
29B	R72507	THRUST WASHER	2	XXXXXX-	
30A	R44744	BEARING RACE	1	-XXXXXX	(SUB RE12038) (ALSO ORDER RE11814)
30B	R80558	BEARING RACE	1	XXXXXX-	(SUB FOR R72509)
31	R77903	WASHER	2		(SUB FOR R45425)
32	RE12038	KIT	1		(ALSO ORDER RE11814)
33	R44743	SHAFT	1		(A) (SUB R79156 AND (2) R79151)
34	R45422	NEEDLE ROLLER	25		(SUB FOR R77904)
35	R27478	SHIM	AR		0.15 MM (0.006")
	R27479	SHIM	AR		0.25 MM (0.010")
..	AR46246	HYDRAULIC PUMP	1		(SUB AR94661)
..	AR70722	HYDRAULIC PUMP	1		(SUB FOR AR46246 OR AR73106) (SUB AR94661)
..	AR99839	HYDRAULIC PUMP	1		(SUB FOR AR46246, AR70722 OR AR73106) (SUB AR94661)

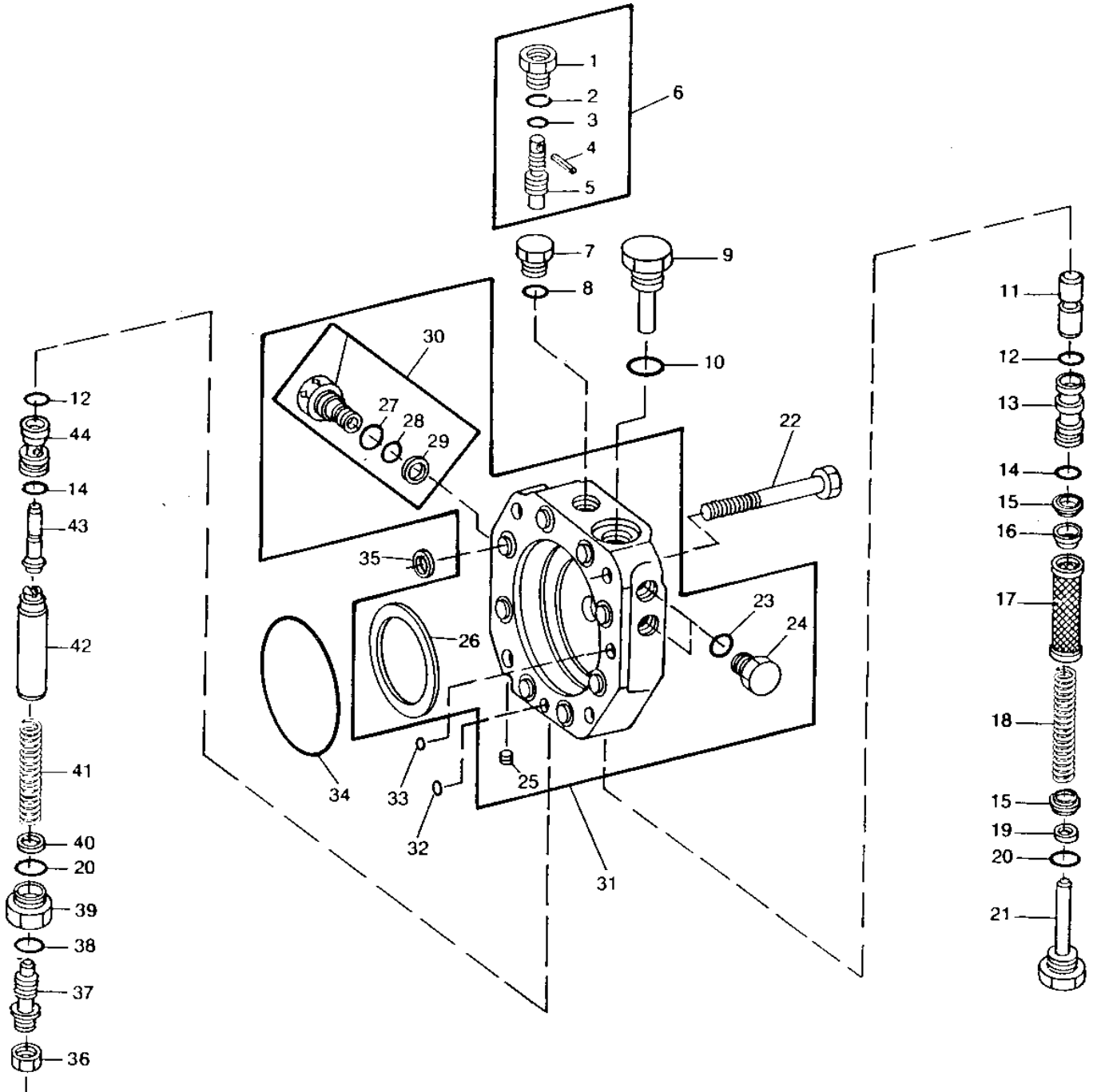
(A) ALSO ORDER R80558 AND (2) R72507 IF RE12038 KIT HAS NOT BEEN PREVIOUSLY INSTALLED

# 4C9

HYDRAULICS

## HYDRAULIC PUMP STROKE CONTROL VALVE 66 CM<sup>3</sup> (4 IN.<sup>3</sup>) (PUMP LESS SERIAL PLATE)

RP3510 -UN-01JAN94



RP 3510

# 4C10

HYDRAULICS

HYDRAULIC PUMP STROKE CONTROL VALVE - CONTINUED  
66 CM3 (4 IN.3)  
(PUMP LESS SERIAL PLATE)

KEY	PART NO.	PART NAME	QTY	TRACTOR SERIAL NO.	REMARKS
1	R27475	FITTING	1		
2	R26448	O-RING	1		
3	A4365R	O-RING	1		
4	34H254	SPRING PIN	1		1/8" X 1-1/2"
5	R27171	SCREW	1		
6	AR33249	SCREW	1		(MANUAL DESTROKE)
7	R27218	FITTING PLUG	1		(LESS MANUAL DESTROKE)
8	R26448	O-RING	1		(LESS MANUAL DESTROKE)
9	AR51745	PLUG	1		
10	R26906	O-RING	1		
11	R27172	VALVE	1		
12	R27564	O-RING	2		
13	R70351	SLEEVE	1		(SUB FOR R27476)
14	R27166	O-RING	2		
15	R27174	PACKING	2		
16	R27167	GUIDE	1		
17	R27173	FILTER ELEMENT	1		
18	R27159	SPRING	1		
19	R27170	SHIM	AR		0.010"
	24H1298	WASHER	AR		0.030"
20	F3171R	O-RING	2		
21	AR26646	PLUG	1		
22	19H3520	CAP SCREW	4		1/2" X 3-1/4"
23	R26287	O-RING	2		
24	R27216	PLUG	2		
25	15H560	PIPE PLUG	1		1/16", (USE WITH R49071)
26	R49072	WASHER	1		(USE WITH R49071)
27	R26375	O-RING	1		(USE WITH R49071)
28	T40308	O-RING	1		(USE WITH R49071)
29	T57374	BACK-UP RING	1		(USE WITH R49071)
30	AR90378	PLUG	1		(USE WITH R49071)
31	AR38714	HOUSING	1		(MARKED R44802 OR R49071) (SUB FOR RE13611)
32	R56755	WASHER	1		(SUB FOR A4847R)
33	R56756	O-RING	1		(SUB FOR A3917R)
34	R56757	O-RING	1		(SUB FOR R26621)
35	R69279	WASHER	8		(SUB FOR R56754)
36	14H1021	NUT	1		7/16"
37	AR52254	SET SCREW	1		(SUB FOR AR51929, THIS APPLICATION)
38	R28782	O-RING	1		
39	R28781	FITTING	1		
40	R42260	WASHER	1		
41	R31781	SPRING	1		
42	R71321	GUIDE	1		(SUB FOR R32344)
43	R70559	CONTROL VALVE	1		(SUB RE10712, R27166 AND R41057) (SUB FOR R65194 OR R65194)
44	R69262	SLEEVE	1		(SUB RE10712, R27166 AND R41057) (SUB FOR R27471, R58499 OR R65192)

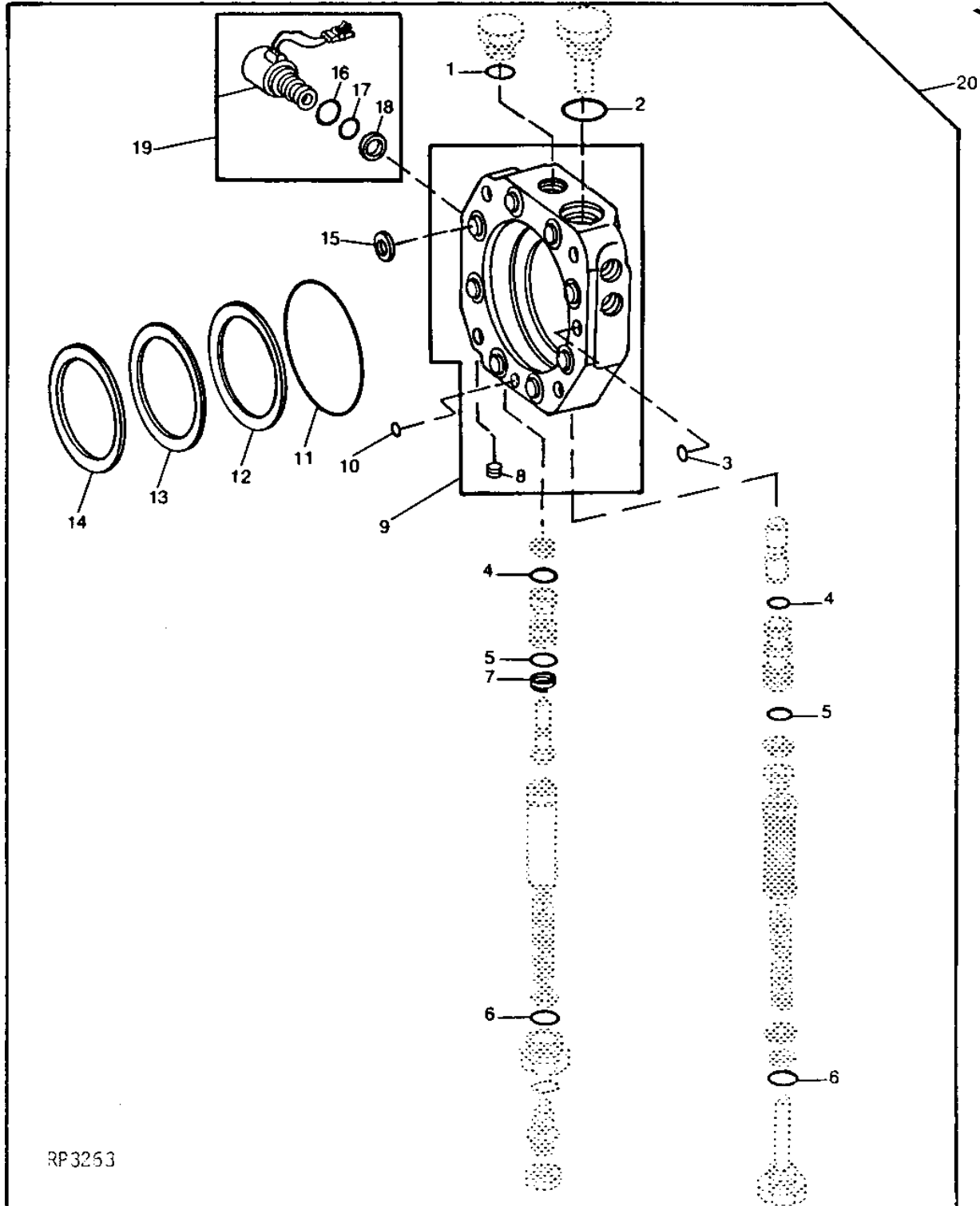
# 4C11

HYDRAULICS

## HYDRAULIC PUMP ELECTRIC DESTROKE KIT 66 CM3 (4 IN.3) (PUMP LESS SERIAL PLATE)

RP3263

-UN-01JAN94



# 4C12

HYDRAULICS

HYDRAULIC PUMP ELECTRIC DESTROKE KIT - CONTINUED  
66 CM3 (4 IN.3)  
(PUMP LESS SERIAL PLATE)

KEY	PART NO.	PART NAME	QTY	TRACTOR SERIAL NO.	REMARKS
1	R26448	O-RING	1		
2	R26906	O-RING	1		
3	R56756	O-RING	1		
4	R27564	O-RING	2		
5	R27166	O-RING	2		
6	F3171R	O-RING	2		
7	R41057	BACK-UP RING	1		
8	15H560	PIPE PLUG	1		1/16"
9	AR52494	HOUSING	1		(MARKED R49071) (SUB AR38714)
10	R56755	WASHER	1		
11	R56757	O-RING	1		
12	R27478	SHIM	2		0.15 MM (.006")
13	R27479	SHIM	2		0.25 MM (.010")
14	R49072	WASHER	1		(NOT USED IN ALL APPLICATIONS)
15	R69279	WASHER	8		
16	R26375	O-RING	1		
17	T40308	O-RING	1		
18	T57374	BACK-UP RING	1		
19	RE21725	SOLENOID VALVE	1		(SUB RE32529)
20	RE14868	KIT	1		(A) (SUB RE40463)

(A) INCLUDES RE12330 WIRE CONNECTORS

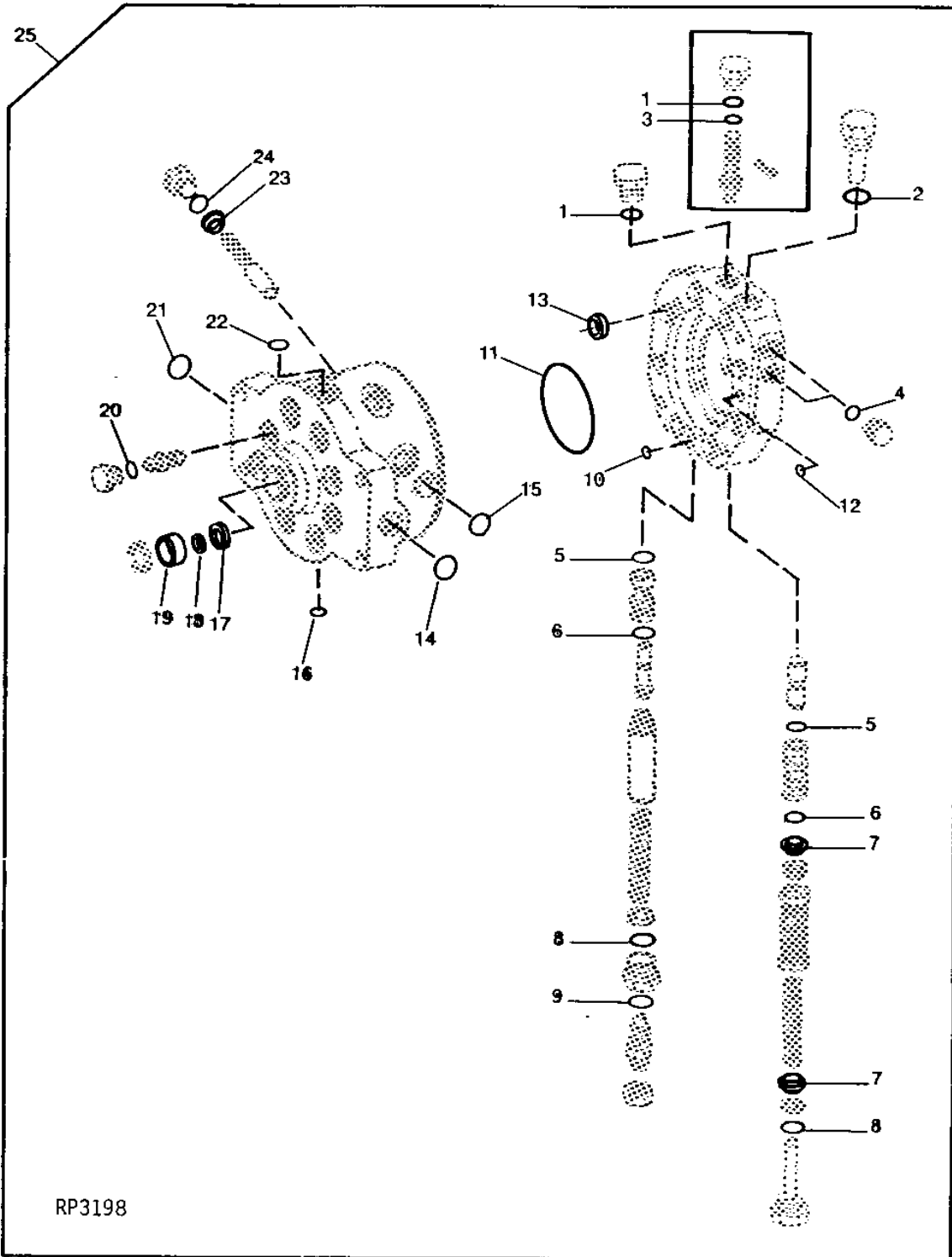
# 4C13

HYDRAULICS

## HYDRAULIC PUMP AND STROKE CONTROL VALVE OVERHAUL KIT 66 CM3 (4 IN.3) (PUMP LESS SERIAL PLATE)

RP3198

-UN-01JAN94



RP3198



# 4C14

HYDRAULICS

HYDRAULIC PUMP AND STROKE CONTROL VALVE OVERHAUL KIT - CONTINUED  
 66 CM3 (4 IN.3)  
 (PUMP LESS SERIAL PLATE)

KEY	PART NO.	PART NAME	QTY	TRACTOR SERIAL NO.	REMARKS
1	R26448	O-RING	1		
2	R26906	O-RING	1		
3	A4365R	O-RING	1		
4	R26287	O-RING	2		
5	R27564	O-RING	2		
6	R27166	O-RING	2		
7	R27174	PACKING	2		
8	R56751	O-RING	2		
9	R28782	O-RING	1		
10	R56755	WASHER	1		
11	R56757	O-RING	1		
12	R56756	O-RING	1		
13	R69279	WASHER	8		
14	U13639	O-RING	1		
15	R56751	O-RING	1		
16	R26287	O-RING	1		
17	R39729	O-RING	1		
18	R56753	SHIM	1		
19	RE28790	SEAL	1		
20	R27149	O-RING	8		
21	R56751	O-RING	1	(A)	
	R29936	O-RING	1	(A)	
22	R27928	O-RING	2	(A) (TOP)	
	P47908	O-RING	1	(A) (BOTTOM)	
23	AR101237	SHIELD	1	(SET OF 8)	
24	R56751	O-RING	8		
25	RE29104	KIT	1	(B) (SUB FOR AR67720)	

(A) UNIVERSAL KIT - APPLICATIONS WILL VARY

(B) ALSO ORDER (2) R27166 AND (2) R41057, IF STROKE CONTROL VALVE HAS BEEN REPLACED

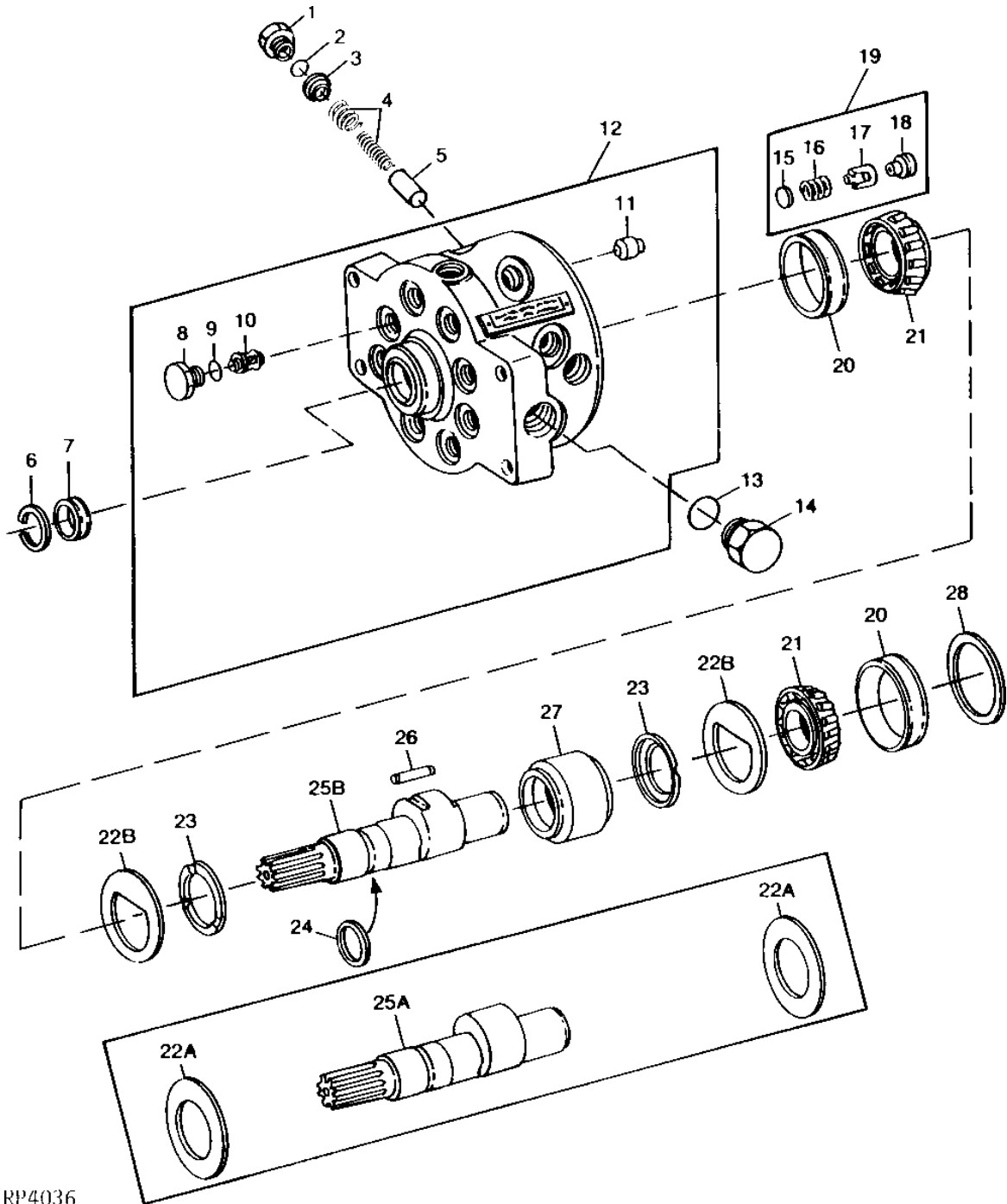
# 4C15

HYDRAULICS

HYDRAULIC PUMP - MODEL JA1  
65 CM3 (4 IN.3)  
(REPLACEMENT PUMP WITH SERIAL PLATE)

RP4036

-UN-23SEP94



RP4036

# 4C16

HYDRAULICS

HYDRAULIC PUMP - MODEL JA1 - CONTINUED  
 65 CM3 (4 IN.3)  
 (REPLACEMENT PUMP WITH SERIAL PLATE)

KEY	PART NO.	PART NAME	QTY	PUMP SERIAL NO.	REMARKS
1	R70648	PLUG	8		
2	R56751	O-RING	8		
3	AR101237	SHIELD	1		(SET OF 8)
4	AR96408	SPRING	1		(SET OF 16)
5	R70976	PISTON	8		
6	R26137	SNAP RING	1		
7	RE28790	SEAL	1		(SUB FOR AR52224)
8	R78293	FITTING	8		
9	R27149	O-RING	8		
10	AR53301	VALVE	8		(INLET)
11	R105583	SEAT	8		(SUB FOR R39067)
12	RE11810	HOUSING	1		(MODEL TG1) (MARKED R71587)
13	F3171R	O-RING	1		
14	R27175	PLUG	1		
15	R49297	DISK	8		
16	R39228	SPRING	8		
17	R48738	GUIDE	8		
18	R83508	STOP	8		(SUB FOR R49298 OR R72886)
19	RE23382	VALVE	8		(OUTLET) (SUB FOR AR96613)
20	JD8223	BEARING CUP	2		
21	JD8192	BEARING CONE	2		
22A	R77903	WASHER	2	-010138	(SUB FOR R45425)
22B	R79151	LOCK WASHER	2	010139-	(USE WITH R79154)
23	R72507	THRUST WASHER	2		
24	R77611	RING	1		(SEALING) (SUB FOR R68252 OR RE11777)
25A	R71599	SHAFT	1	-010138	(SUB R79154) (ALSO ORDER (2) R79151)
25B	R79154	SHAFT	1	010139-	
26	R45422	NEEDLE ROLLER	25		
27	R80558	BEARING RACE	1		(SUB FOR R72509)
28	R27478	SHIM	AR		0.15 MM (.006")
	R27479	SHIM	AR		0.25 MM (.010")
..	AR94661	HYDRAULIC PUMP	1		

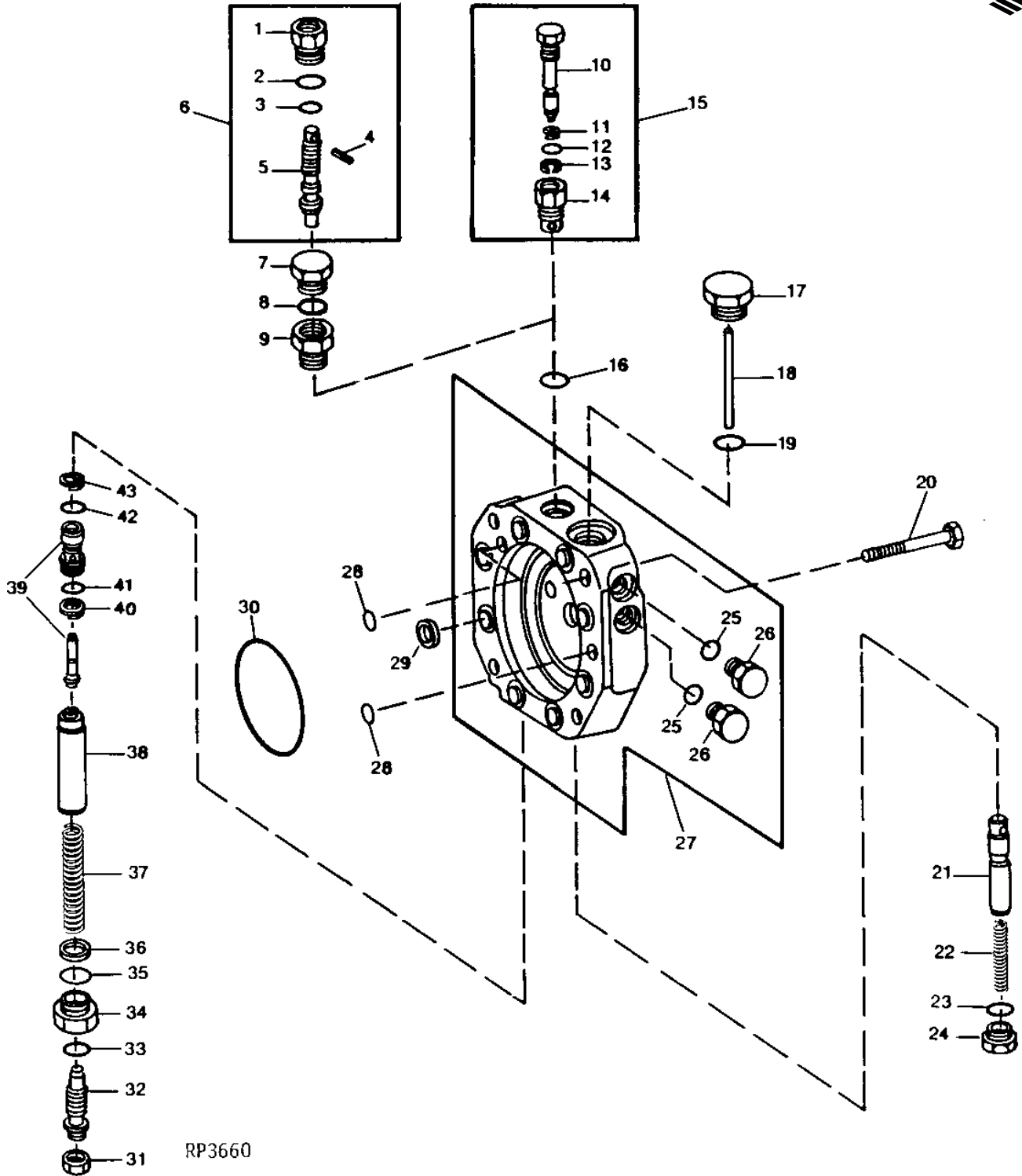
# 4C17

HYDRAULICS

HYDRAULIC PUMP STROKE CONTROL VALVE  
65 CM<sup>3</sup> (4 IN.<sup>3</sup>)  
(REPLACEMENT PUMP WITH SERIAL PLATE)

RP3660

-UN-14SEP94



# 4C18

HYDRAULICS

HYDRAULIC PUMP STROKE CONTROL VALVE - CONTINUED  
65 CM3 (4 IN.3)  
(REPLACEMENT PUMP WITH SERIAL PLATE)

KEY	PART NO.	PART NAME	QTY	PUMP SERIAL NO.	REMARKS
1	R27475	FITTING	1		
2	R26448	O-RING	1		
3	A4365R	O-RING	1		
4	34H254	SPRING PIN	1	1/8" X 1-1/2"	
5	R75879	SCREW	1		
6	AR96625	SCREW	1		(A) (MANUAL DESTROKE)
7	R27218	FITTING PLUG	1		(LESS MANUAL DESTROKE)
8	R26448	O-RING	1		(LESS MANUAL DESTROKE)
9	R70617	PIPE PLUG	1		
10	R79266	SCREW	1		
11	R36358	BACK-UP RING	1		
12	R34802	O-RING	1		
13	R79268	SNAP RING	1		
14	R79267	PLUG	1		
15	RE13271	SCREW	1		(A) (MANUAL DESTROKE)
16	R26906	O-RING	1		
17	R75642	PLUG	1		
18	R75564	PIN	1		
19	R56751	O-RING	1		
20	19H3520	CAP SCREW	4	1/2" X 3-1/4"	
21	R70867	VALVE	1		
22	R70868	SPRING	1		
23	R26375	O-RING	1		
24	R73736	PLUG	1		
25	R26448	O-RING	2		
26	R75376	PLUG	2		
27	RE12470	HOUSING	1		(MARKED R77714)
28	R56755	WASHER	2		
29	R69279	WASHER	8		
30	R56757	O-RING	1		
31	14H1021	NUT	1	7/16"	
32	AR52254	SET SCREW	1		
33	R28782	O-RING	1		
34	R28781	FITTING	1		
35	F3171R	O-RING	1		
36	R42260	WASHER	1		
37	R31781	SPRING	1		
38	R71321	GUIDE	1		
39	RE10712	CONTROL VALVE	1		
40	R41057	BACK-UP RING	1		
41	R27166	O-RING	1		
42	R27564	O-RING	1		
43	R75938	WASHER	1		

(A) DESIGNS INTERCHANGEABLE

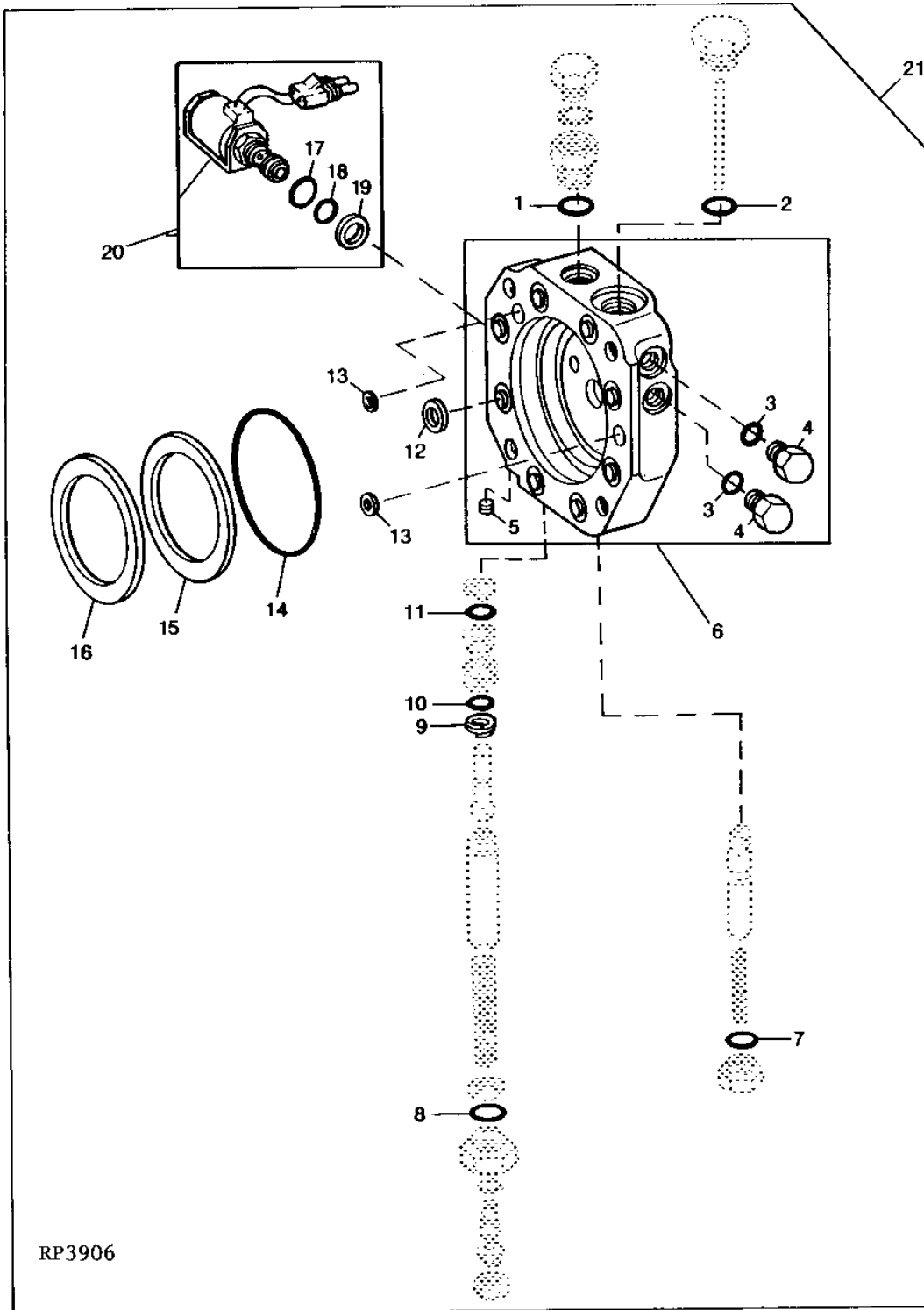
# 4C19

HYDRAULICS

## HYDRAULIC PUMP ELECTRIC DESTROKE KIT 65 CM<sup>3</sup> (4 IN.<sup>3</sup>) (REPLACEMENT PUMP WITH SERIAL PLATE)

RP3906

-UN-12OCT94



# 4C20

HYDRAULICS

HYDRAULIC PUMP ELECTRIC DESTROKE KIT - CONTINUED  
65 CM3 (4 IN.3)  
(REPLACEMENT PUMP WITH SERIAL PLATE)

KEY	PART NO.	PART NAME	QTY	PUMP SERIAL NO.	REMARKS
1	R26906	O-RING	1		
2	R56751	O-RING	1		
3	R26448	O-RING	2		
4	R75376	PLUG	2		
5	15H560	PIPE PLUG	1	1/16"	
6	AR101632	HOUSING	1	(MARKED R77712)	
7	R26375	O-RING	1		
8	F3171R	O-RING	1		
9	R41057	BACK-UP RING	1		
10	R27166	O-RING	1		
11	R27564	O-RING	1		
12	R69279	WASHER	8		
13	R56755	WASHER	2		
14	R56757	O-RING	1		
15	R27478	SHIM	2	0.15 MM (.006")	
16	R27479	SHIM	2	0.25 MM (.010")	
17	R26375	O-RING	1		
18	T40308	O-RING	1		
19	T57374	BACK-UP RING	1		
20	RE21725	SOLENOID VALVE	1	(SUB RE32529)	
21	RE24647	KIT	1	(A) (SUB RE40463)	

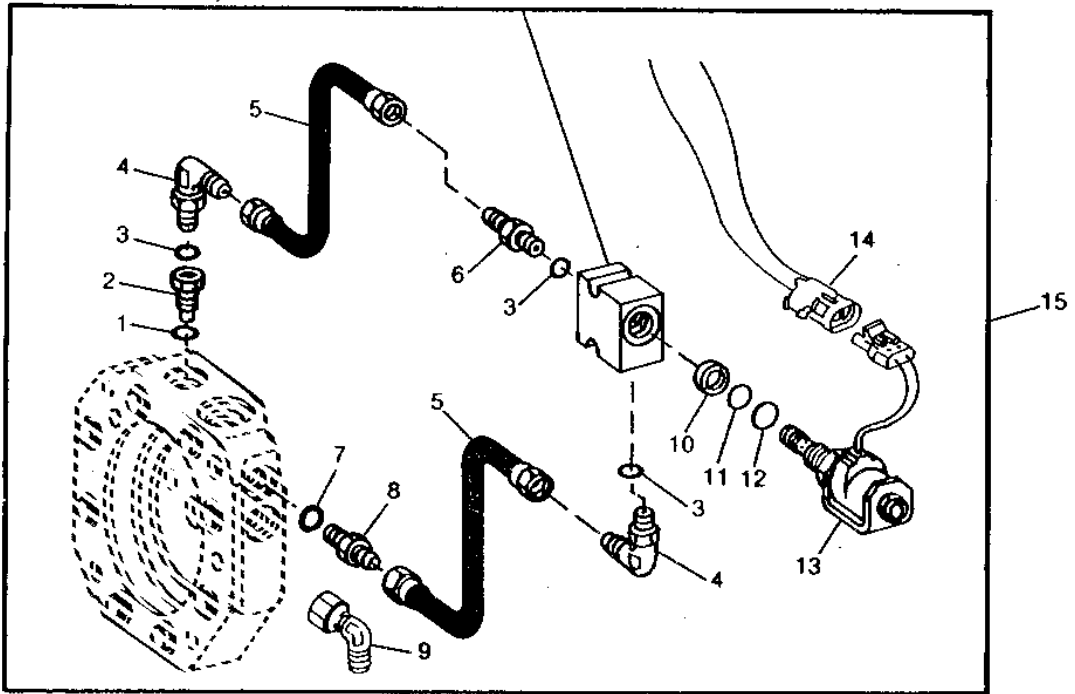
(A) INCLUDES RE12330 WIRE CONNECTORS

# 4C21

HYDRAULICS

RXP9501 -UN-01JAN94

## HYDRAULIC PUMP ELECTRIC DESTROKE KIT



RXP9501

KEY	PART NO.	PART NAME	QTY	PUMP SERIAL NO.	REMARKS
1	R26906	O-RING	1		
2	R70617	PIPE PLUG	1		
3	R26448	O-RING	4		
4	AT35121	ELBOW FITTING	2		
5	AN250096	HYDRAULIC HOSE	2		
6	R27212	FITTING	1		
7	R26287	O-RING	1	(A)	
	R26448	O-RING	1	(B)	
8	T43535	FITTING	1	(A)	
	Z36276	ADAPTER	1	(B)	
9	AE24616	ELBOW FITTING	1	(USE WITH T43535 OR Z36276)	
10	T57374	BACK-UP RING	1		
11	T40308	O-RING	1		
12	R26375	O-RING	1		
13	RE32529	SOLENOID VALVE	1		
14	RE50017	WIRING HARNESS	1		
15	RE40463	KIT	1		

(A) NON-SERIALIZED PUMP  
(B) SERIALIZED PUMP



---

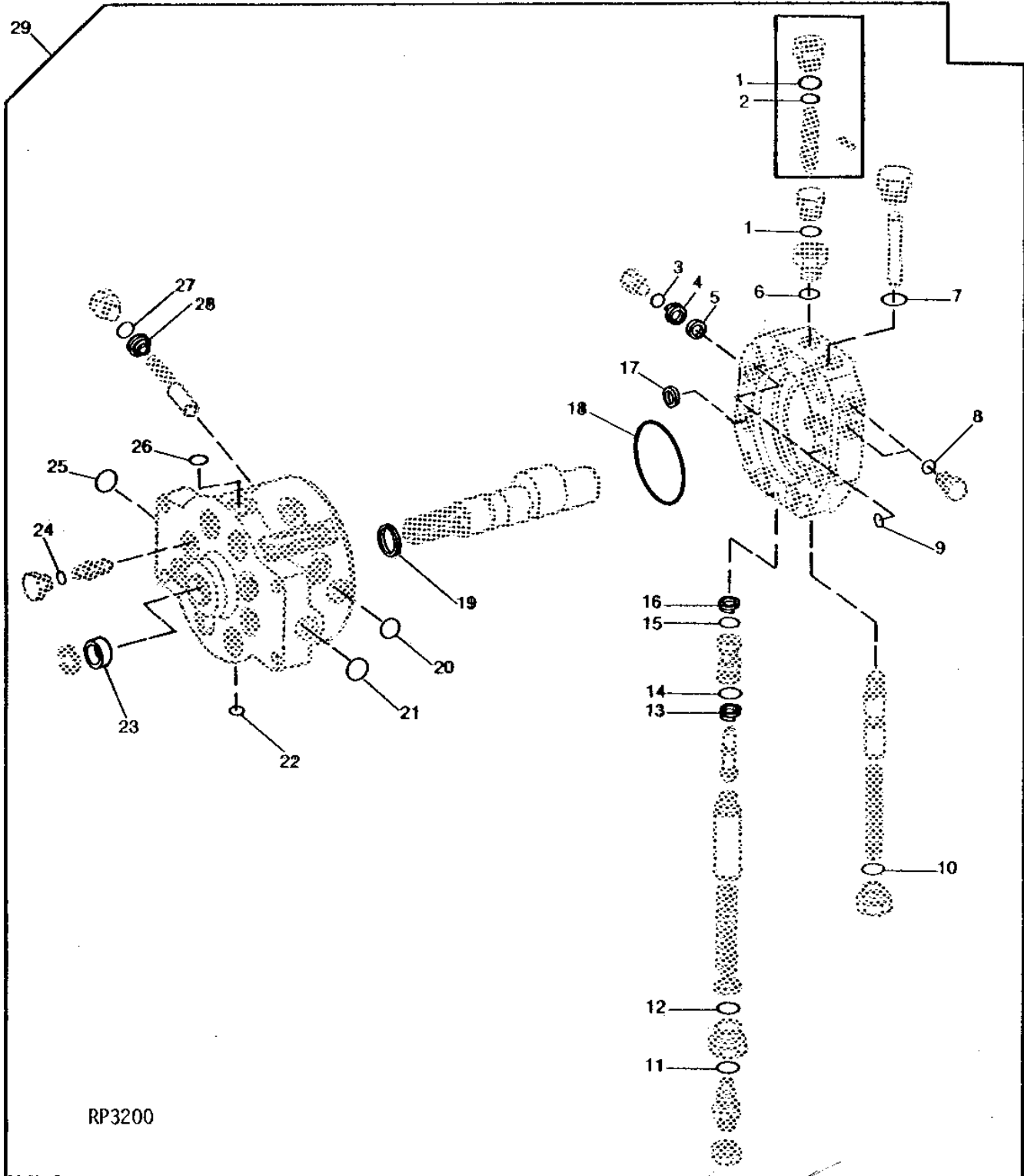
MEMORANDA

# 4C22

HYDRAULICS

## HYDRAULIC PUMP AND STROKE CONTROL VALVE OVERHAUL KIT 65 CM<sup>3</sup> (4 IN.<sup>3</sup>) (REPLACEMENT PUMP WITH SERIAL PLATE)

RP3200 -UN-01JAN94



RP3200

# 4C23

HYDRAULICS

HYDRAULIC PUMP AND STROKE CONTROL VALVE OVERHAUL KIT - CONTINUED  
 65 CM3 (4 IN.3)  
 (REPLACEMENT PUMP WITH SERIAL PLATE)

KEY	PART NO.	PART NAME	QTY	PUMP SERIAL NO.	REMARKS
1	R26448	O-RING	1		
2	A4365R	O-RING	1		
3	R26375	O-RING	1	(A)	
4	T40308	O-RING	1	(A)	
5	T57374	BACK-UP RING	1	(A)	
6	R26906	O-RING	1		
7	R56751	O-RING	1		
8	R26448	O-RING	2	(A)	
	R26287	O-RING	2	(A)	
9	R56755	WASHER	2		
10	R26375	O-RING	1		
11	R28782	O-RING	1		
12	R56751	O-RING	1		
13	R41057	BACK-UP RING	1		
14	R27166	O-RING	1		
15	R27564	O-RING	1		
16	R75938	WASHER	1		
17	R69279	WASHER	8		
18	R56757	O-RING	1		
19	R77611	RING	1	(SEALING) (SUB FOR RE11777)	
20	R56751	O-RING	1		
21	U13639	O-RING	1	(A)	
	R56751	O-RING	1	(A)	
	R29936	O-RING	1	(A)	
22	R26287	O-RING	1		
23	RE28790	SEAL	1		
24	R27149	O-RING	8		
25	R56751	O-RING	1	(A)	
	R29936	O-RING	1	(A)	
26	R27928	O-RING	1	(A) TOP	
	P47908	O-RING	1	(A) BOTTOM	
	R26906	O-RING	1	(A)	
27	R56751	O-RING	8		
28	AR101237	SHIELD	1	(SET OF 8)	
29	RE29109	KIT	1	(SUB FOR AR96323)	

(A) UNIVERSAL KIT - APPLICATIONS WILL VARY

---

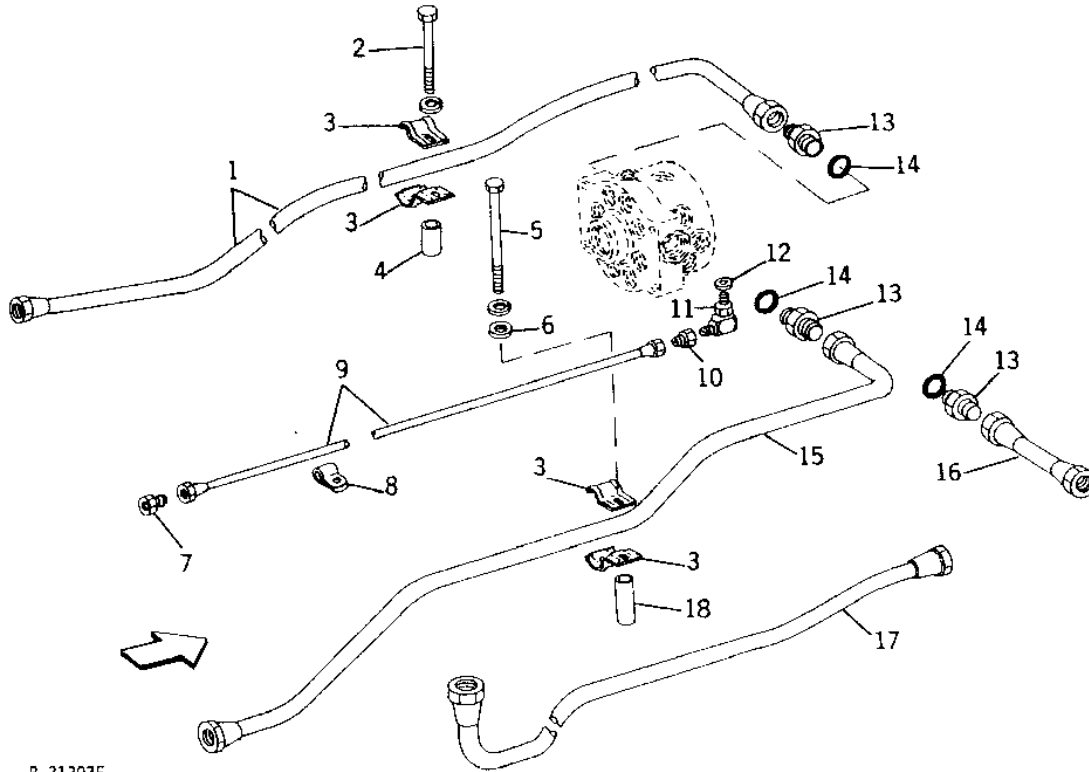
MEMORANDA

# 4C24

HYDRAULICS

R31303 -UN-01JAN94

## HYDRAULIC PUMP LINES



R 31303F

KEY	PART NO.	PART NAME	QTY	TRACTOR SERIAL NO.	REMARKS
1	AR71042	HYDRAULIC LINE	1		
2	19H3175	CAP SCREW	1	3/8" X 3-5/8", HS, SAE 8	
	12H304	LOCK WASHER	1	3/8"	
3	R58948	CLIP	4		
4	28H1496	SPACER	1		
5	19H3175	CAP SCREW	1	3/8" X 3-5/8", HS, SAE 8	
	12H304	LOCK WASHER	1	3/8"	
6	24H1298	WASHER	1	3/8" X 5/8" X 0.032"	
7	R64170	ADAPTER	1	XXXXXX-	
8	T14264	CLAMP	1		
9	AR83979	HYDRAULIC LINE	1		(NYLON) PUMP SEAL DRAIN, (ALSO ORDER (2) R64170) (SUB FOR AR54751)
10	R64170	ADAPTER	1	XXXXXX-	
11	AT32335	ELBOW FITTING	1		90°, (SUB FOR AR26746)
12	R26287	O-RING	1		
13	R62337	FITTING	3		(SUB FOR T39908)
14	F3171R	O-RING	3		
15	AR71044	HYDRAULIC LINE	1		OIL FILTER RELIEF VALVE RETURN
16	AR73694	HYDRAULIC LINE	1		PRESSURE
17	AR73693	HYDRAULIC LINE	1		PRESSURE (ATTENUATOR TO MANIFOLD)
18	28H1527	SPACER	1		

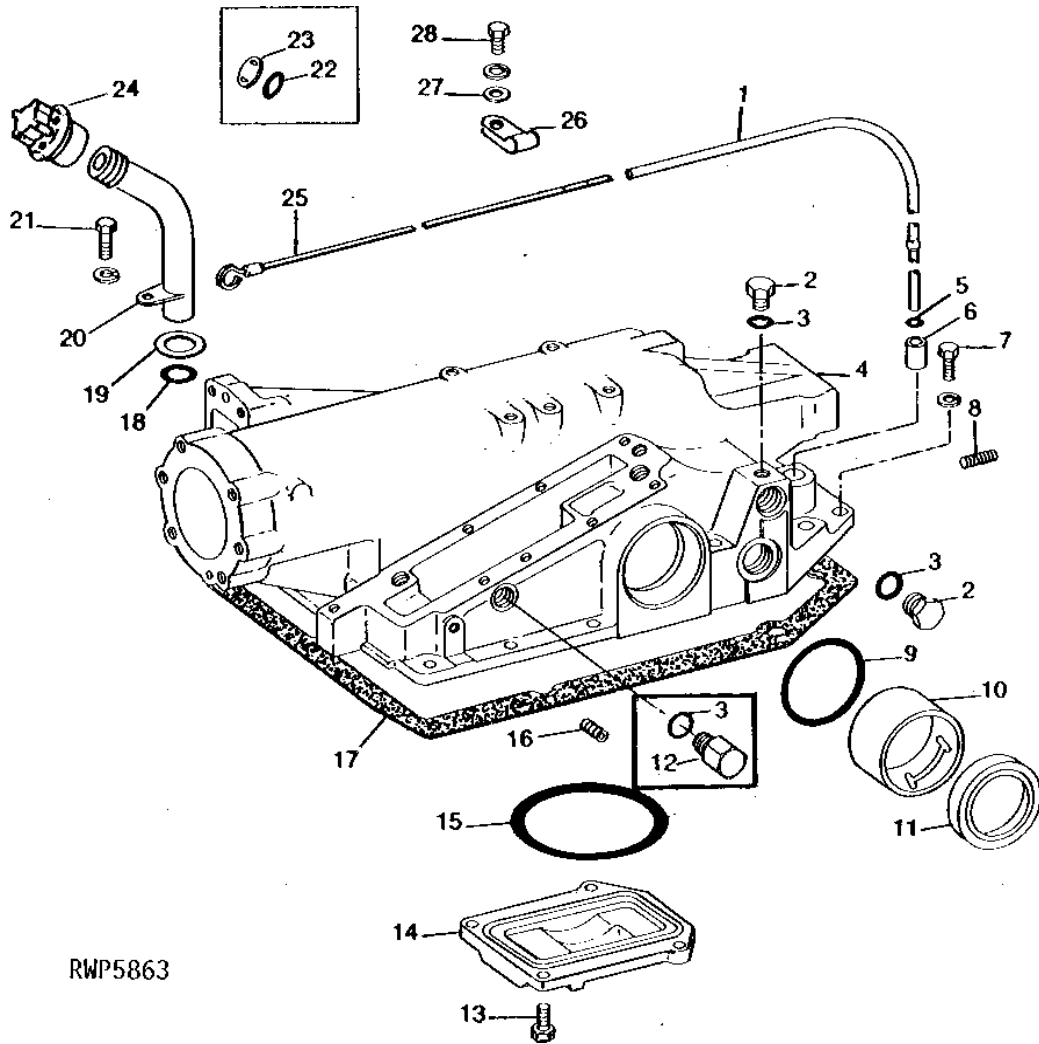
# 4D1

HYDRAULICS

RWP5863

-UN-01JAN94

## ROCKSHAFT HOUSING WITH BUSHINGS AND OIL SEALS



RWP5863

# 4D2

HYDRAULICS

## ROCKSHAFT HOUSING WITH BUSHINGS AND OIL SEALS - CONTINUED

KEY	PART NO.	PART NAME	QTY	TRACTOR SERIAL NO.	REMARKS
1	AR56083	LINE	1		
2	R27474	DRAIN PLUG	2		
3	R26906	O-RING	3	-004239	
4	R26906	O-RING	2	004240-	
4	AR68774	HOUSING	1	-005330	(MARKED R57284) (SUB AR94622, RE10096, AR103687, AR57030, R26906 AND R39164) (FOR SERIAL NUMBER 004240 AND ABOVE, ALSO ORDER R39164 AND R26906)
	AR78801	HOUSING	1	005331-	(MARKED R63729) (SUB AR90154, RE10096, AR103687 AND AR57030)
5	A3917R	O-RING	1		
6	R55214	BUSHING	1		
7	19H1721	CAP SCREW	9		1/2" X 1-1/2"
	19H1990	CAP SCREW	7		1/2" X 2-1/4"
	19H3586	CAP SCREW	9		1/2" X 4-1/4", HS, SAE 8
	12H301	LOCK WASHER	17		1/2"
	R43406	CAP SCREW	1		(SUB R115437)
8	15H571	PIPE PLUG	2	-005330	3/8"
	15H571	PIPE PLUG	3	005331-	3/8"
9	A5598R	O-RING	1		R.H.
	R36424	O-RING	1		L.H.
10	R36379	BUSHING	1		L.H.
	R36378	BUSHING	1		R.H.
11	R36423	SEAL	2		
12	R39164	PLUG	1	-004239	
13	R57725	SCREW	4		(SUB FOR R61762)
14	R58544	COVER	1		
15	R36425	WASHER	1		
16	15H559	PIPE PLUG	1	-005330	1/4"
17	R43408	GASKET	1		
18	R30319	O-RING	1		
19	24H1520	WASHER	1		1-15/32" X 2" X 0.105"
20	AR54439	TUBE	1	-004818	(SUB RE20058 AND AR30697)
	AR83383	OIL TUBE	1	004819-	(SUB RE20058)
21	19H1936	CAP SCREW	1		3/8" X 3/4"
	12H304	LOCK WASHER	1		3/8"
22	R1225R	O-RING	1	-004818	
23	R57550	ISOLATOR	1	-004818	
24	AR55304	CAP	1	-004818	(ALSO ORDER R57550)
	AR30697	CAP	1	004819-	
25	AR89228	DIPSTICK	1		(SUB FOR AR54616)
26	R51891	CLAMP	1		(SUB FOR R34933)
27	24M7096	WASHER	2		10.500 X 18 X 1.600 MM
28	19H1936	CAP SCREW	2		3/8" X 3/4"
	12H304	LOCK WASHER	2		3/8"

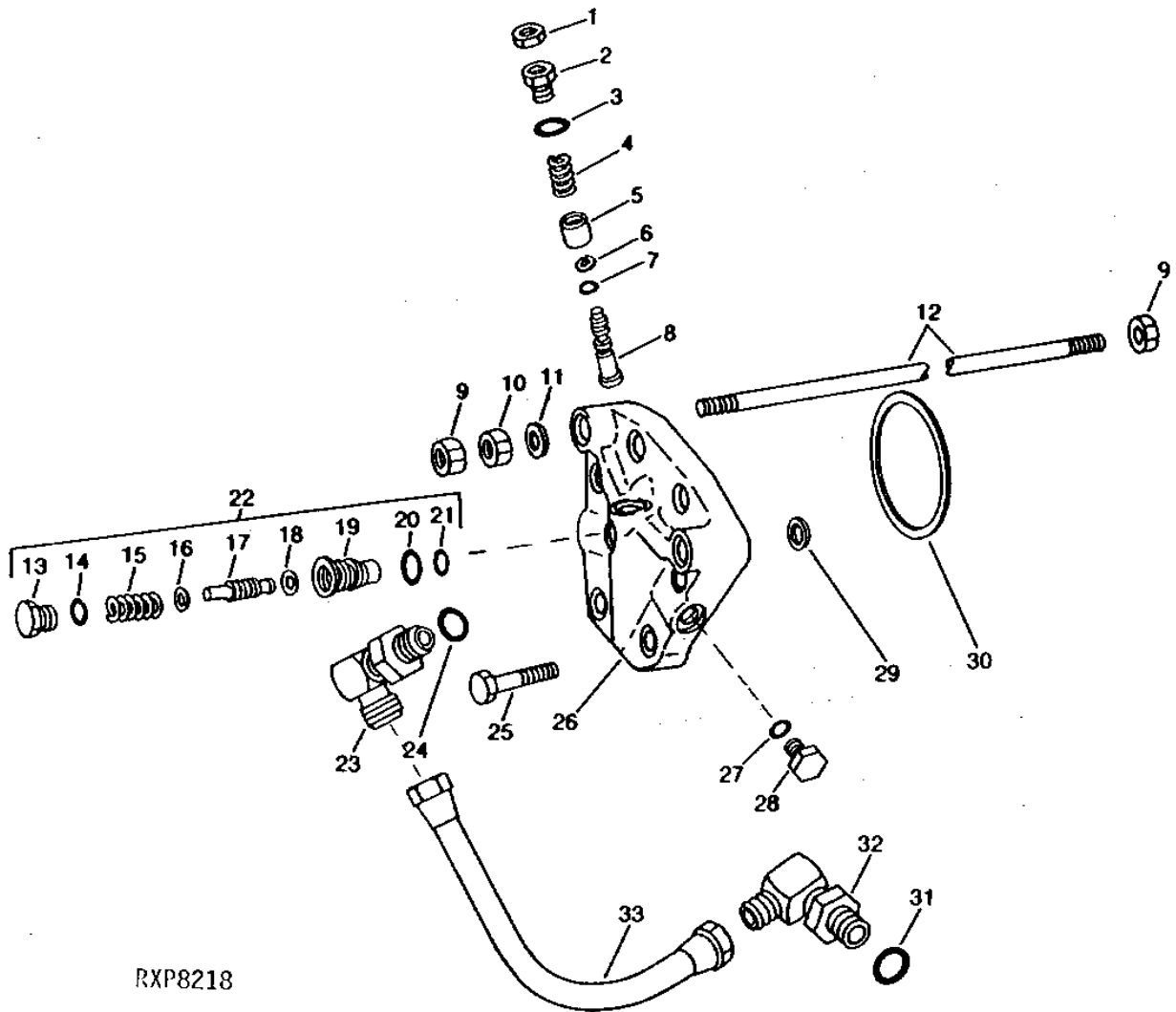
# 4D3

HYDRAULICS

RXP8218

-UN-01JAN94

ROCKSHAFT PISTON COVER, THROTTLE VALVE, RELIEF VALVE, AND TIE RODS



RXP8218



# 4D4

HYDRAULICS

## ROCKSHAFT PISTON COVER, THROTTLE VALVE, RELIEF VALVE, AND TIE RODS - CONTINUED

KEY	PART NO.	PART NAME	QTY	TRACTOR SERIAL NO.	REMARKS
1	14H774	NUT	1		3/8"
2	R26458	FITTING	1	-005330	
	R63730	ADAPTER	1	005331-	
3	R26906	O-RING	1	-005330	
	U17409	O-RING	1	005331-	
4	B3686R	SPRING	1		
5	R59684	BUSHING	1		
6	R31136	BACK-UP RING	1		
7	A4365R	O-RING	1		
8	R26625	SHAFT	1		
9	14H793	NUT	4		3/4"
10	14H794	NUT	2		3/4"
11	T21397	WASHER	2		
12	R57209	STUD	2		
13	W19900	CAP	1		
14	W19903	O-RING	1		
15	T37188	SPRING	1		
16	W19898	SHIM	1		0.25 MM (.010")
	W19897	SHIM	1		0.51 MM (.020")
	W20088	WASHER	1		1.02 MM (.040")
17	.....	POPPET	1		(ORDER RE36615)
18	.....	WASHER	1		(ORDER RE36615)
19	T37189	GUIDE	1		(SUB RE36615)
20	U15242	O-RING	1		
21	T44948	O-RING	1		(SUB FOR U40424)
22	AR103059	RELIEF VALVE	1		(SUB RE36615)
23	AT35120	ELBOW FITTING	1		90°, (SUB FOR AR37017 OR AT32337)
24	R26448	O-RING	1		
25	19H3244	CAP SCREW	6		5/8" X 2-1/4"
	19H1890	CAP SCREW	2		5/8" X 2-3/4"
26	R57575	COVER	1	-005330	(SUB R63732, R63730, T22851 AND U17409)
	R63732	COVER	1	005331-	
27	R26286	O-RING	1		
28	R27094	DRAIN PLUG	1		
29	F2741R	PACKING	1	-005330	
	T22851	WASHER	1	005331-	
30	R65335	WASHER	1		
31	R26375	O-RING	1		
32	AR26745	ELBOW FITTING	1		45°
33	AR69275	HYDRAULIC LINE	1	-001740	(RELIEF VALVE TO SCV)
	AR73915	HYDRAULIC LINE	1	001741-	(RELIEF VALVE TO SCV)

---

MEMORANDA

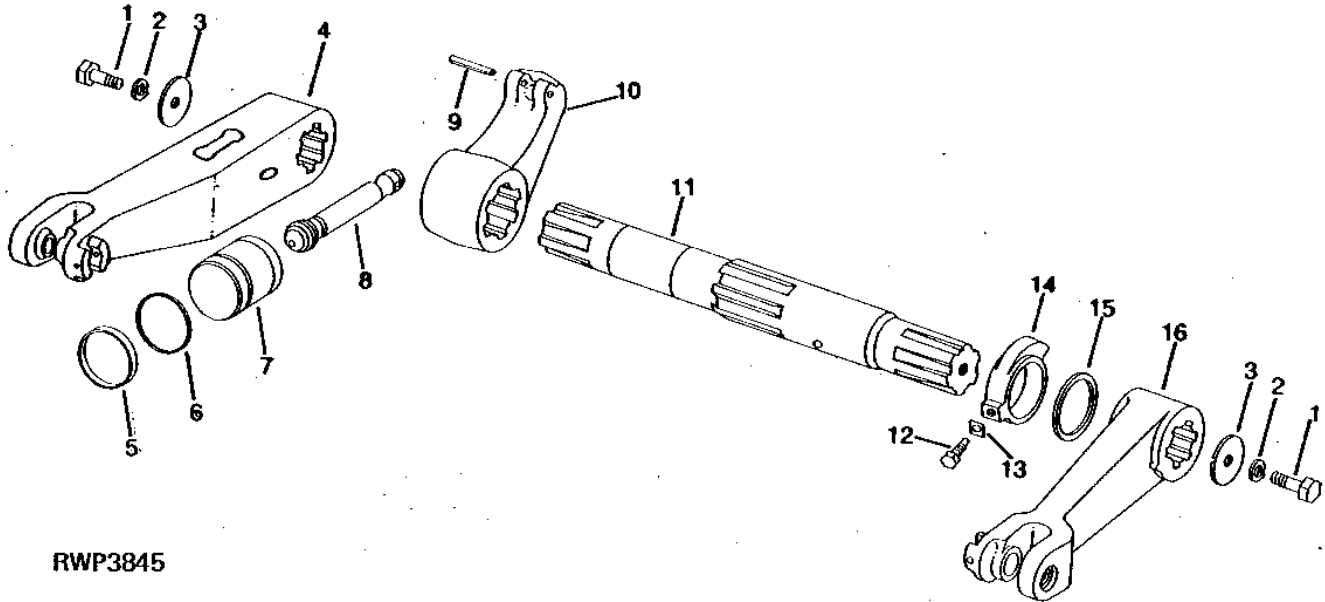
# 4D5

HYDRAULICS

RWP3845

-UN-01JAN94

## ROCKSHAFT, ROCKSHAFT PISTON, AND LIFT ARMS



RWP3845

KEY	PART NO.	PART NAME	QTY	TRACTOR SERIAL NO.	REMARKS
1	19H2589	CAP SCREW	2		3/4" X 1-7/8"
2	12H236	LOCK WASHER	2	-XXXXXX	3/4"
3	R36402	WASHER	2		
4	R57677	LIFT ARM	1		(SUB R86126)
5	R60544	WASHER	1		
6	R60543	WASHER	1		
7	R57324	PISTON	1		
8	AR69081	ROD	1		
9	34H323	SPRING PIN	1		1/4" X 3"
10	R57553	LEVER	1		
11	R56964	ROCKSHAFT	1		(SUB R74106)
12	R69642	CAP SCREW	1		(SUB FOR R26626)
13	F3173R	LOCK PLATE	1		
14	R69643	CAM	1		(SUB FOR R43312 OR R62500)
15	R43601	WASHER	2		
16	R57676	LIFT ARM	1		

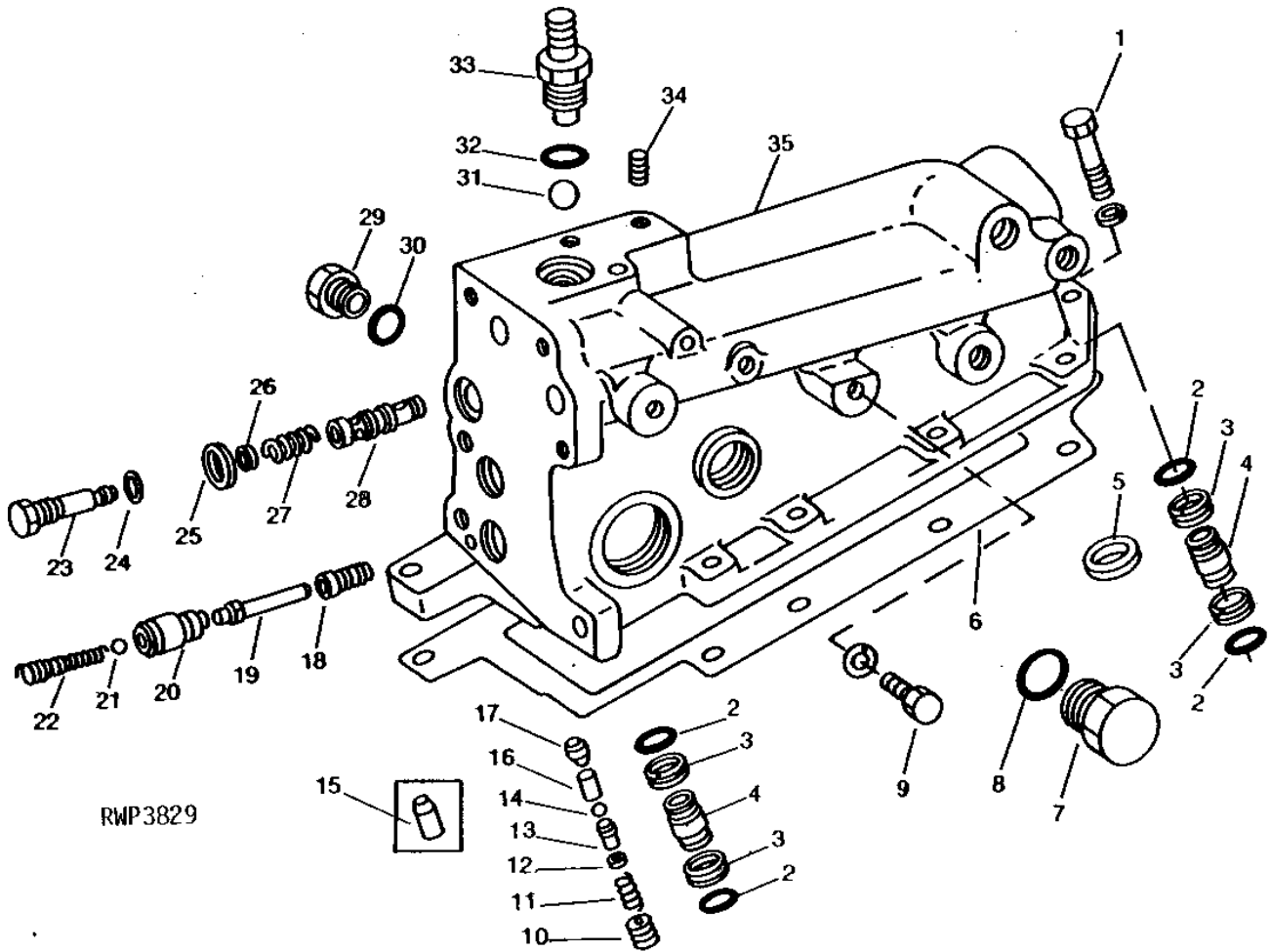
# 4D6

HYDRAULICS

RWP3829

-UN-01JAN94

## ROCKSHAFT CONTROL VALVE HOUSING



# 4D7

HYDRAULICS

## ROCKSHAFT CONTROL VALVE HOUSING - CONTINUED

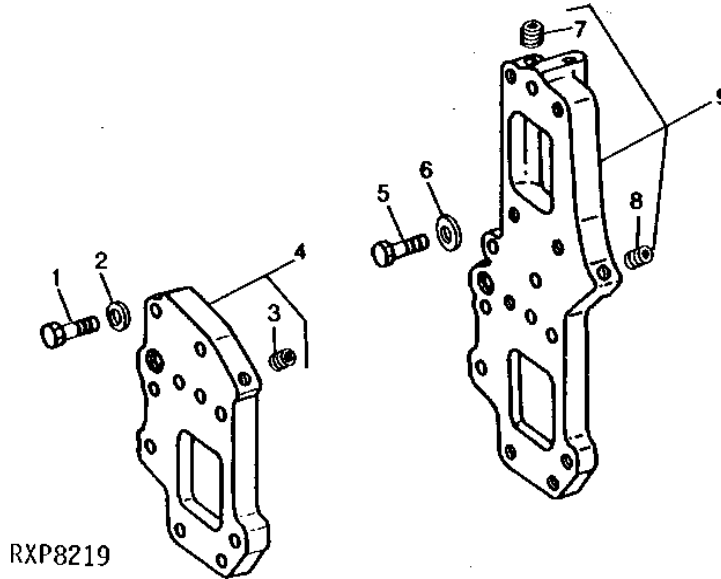
KEY	PART NO.	PART NAME	QTY	TRACTOR SERIAL NO.	REMARKS
1	19H1732	CAP SCREW	6		3/8" X 1-1/4"
	19H1925	CAP SCREW	1		3/8" X 4-1/4"
	19H2054	CAP SCREW	1		3/8" X 4-3/4"
	12H304	LOCK WASHER	8		3/8"
2	R27166	O-RING	4		
3	R41057	BACK-UP RING	4		
4	R40945	VALVE	2		
5	T17882	WASHER	1		
6	R67121	GASKET	1		(SUB FOR R57665)
7	R27175	DRAIN PLUG	1		
8	F3171R	O-RING	1		
9	19H2500	CAP SCREW	1		7/16" X 1-3/8"
	12H293	LOCK WASHER	1		7/16"
10	R40894	PLUG	1		
11	R59766	SPRING	1		(SUB FOR R27730, THIS APPLICATION)
12	R40895	SHIM	AR		0.51 MM (.020")
13	R41777	PIN	1		
14	R41776	BALL	1		2 MM (3/32")
15	R40893	VALVE SEAT INSERT	1	-002453	(SUB R61349 AND R61350)
16	R61350	BUSHING	1	002454-	
17	R61349	VALVE SEAT INSERT	1	002454-	
18	AR78483	GUIDE	1		LOWER, (SUB FOR AR31703)
	R31024	GUIDE	1		UPPER
19	R62336	SHAFT	2		(SUB FOR R59111)
20	R59083	VALVE	2		(SUB FOR R44299)
21	400R	BALL	2		6 MM (1/4")
22	R59082	SPRING	2		
23	R40881	FITTING	1	-001740	
	R60420	PLUG	1	001741-	
24	R26448	O-RING	1		
25	R26149	PACKING	5		
26	B1664R	SHIM	AR		
27	R26566	SPRING	1		
28	R57675	VALVE	1		
29	R39112	FITTING	1		
30	R26375	O-RING	1		
31	M886T	BALL	1		16 MM (5/8")
32	R26906	O-RING	1		
33	R56916	PLUG	1		
34	15H558	PIPE PLUG	4		1/8"
35	AR69324	HOUSING	1	-001740	(MARKED R57666) (SUB AR81441)
	AR73904	HOUSING	1	001741-004789	(MARKED R60254) (SUB AR81441) (ALSO ORDER R64799, 19H1765 AND (2) 19H2128)
	AR81441	HOUSING	1	004790-	(MARKED R64798 OR R66888)
	R66895	ORIFICE	1		(USE WITH R66888)

# 4D8

HYDRAULICS

ROCKSHAFT CONTROL VALVE HOUSING COVER  
(TRACTOR SERIAL NO. -001740)

RXP8219 -UN-01JAN94



RXP8219

KEY	PART NO.	PART NAME	QTY	TRACTOR SERIAL NO.	REMARKS
1	19H1978	CAP SCREW	4	7/16" X 1-1/2"	
	19H2500	CAP SCREW	1	7/16" X 1-3/8"	
2	12H293	LOCK WASHER	5	7/16"	
3	15H559	PIPE PLUG	1	1/4"	
4	AR71188	COVER	1	(DUAL) (MARKED R59081) (SUB AR73899, THIS APPLICATION)	
5	19H1978	CAP SCREW	4	7/16" X 1-1/2"	
	19H2500	CAP SCREW	1	7/16" X 1-3/8"	
6	12H293	LOCK WASHER	5	7/16"	
7	15H558	PIPE PLUG	1	1/8"	
8	15H559	PIPE PLUG	1	1/4"	
9	AR71189	COVER	1	(TRIPLE) (MARKED R59084) (SUB AR73897, THIS APPLICATION)	

---

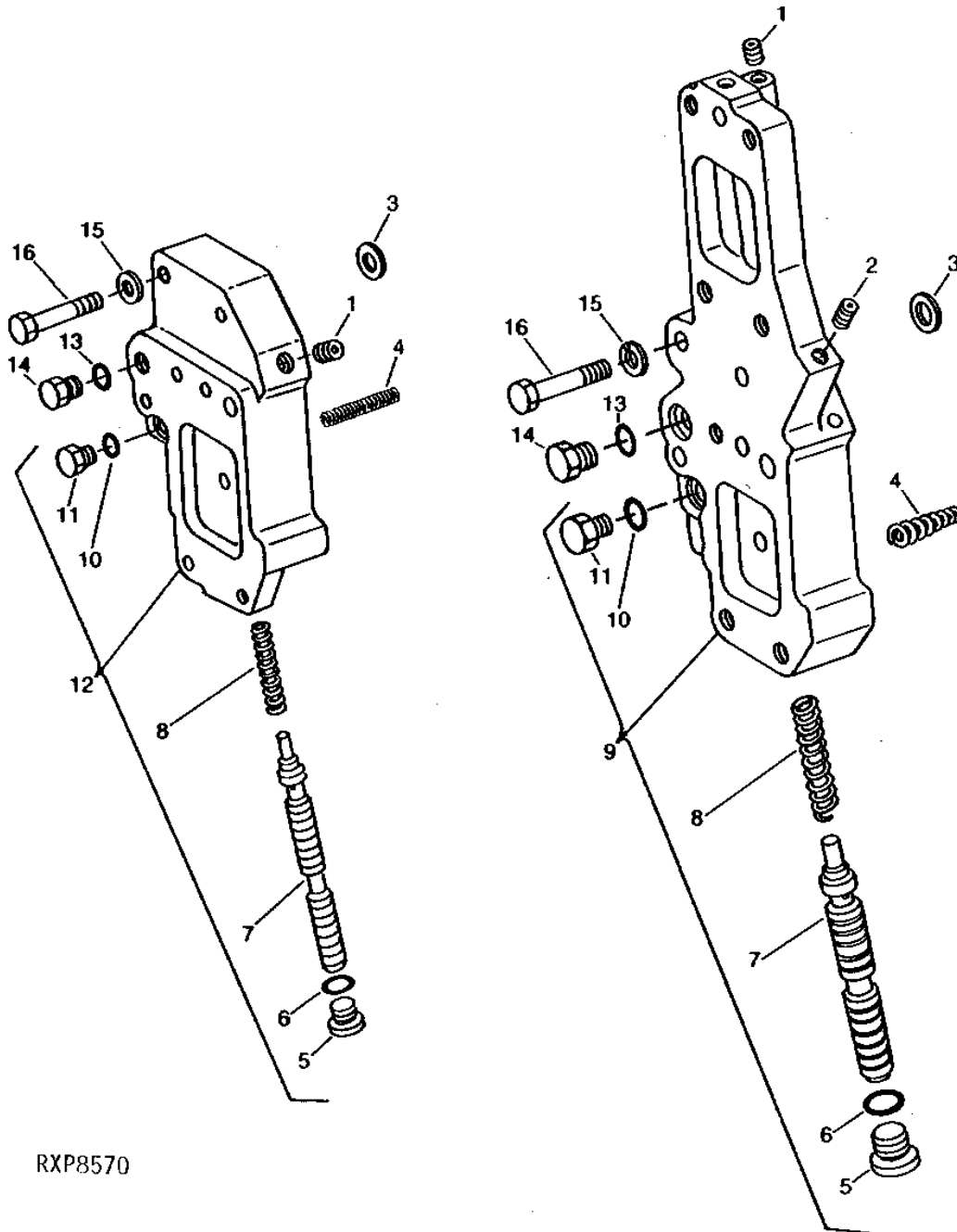
MEMORANDA

# 4D9

HYDRAULICS

## ROCKSHAFT CONTROL VALVE HOUSING COVER (TRACTOR SERIAL NO. 001741- )

RXP8570 -UN-01JAN94



RXP8570



# 4D10

HYDRAULICS

ROCKSHAFT CONTROL VALVE HOUSING COVER - CONTINUED  
(TRACTOR SERIAL NO. 001741- )

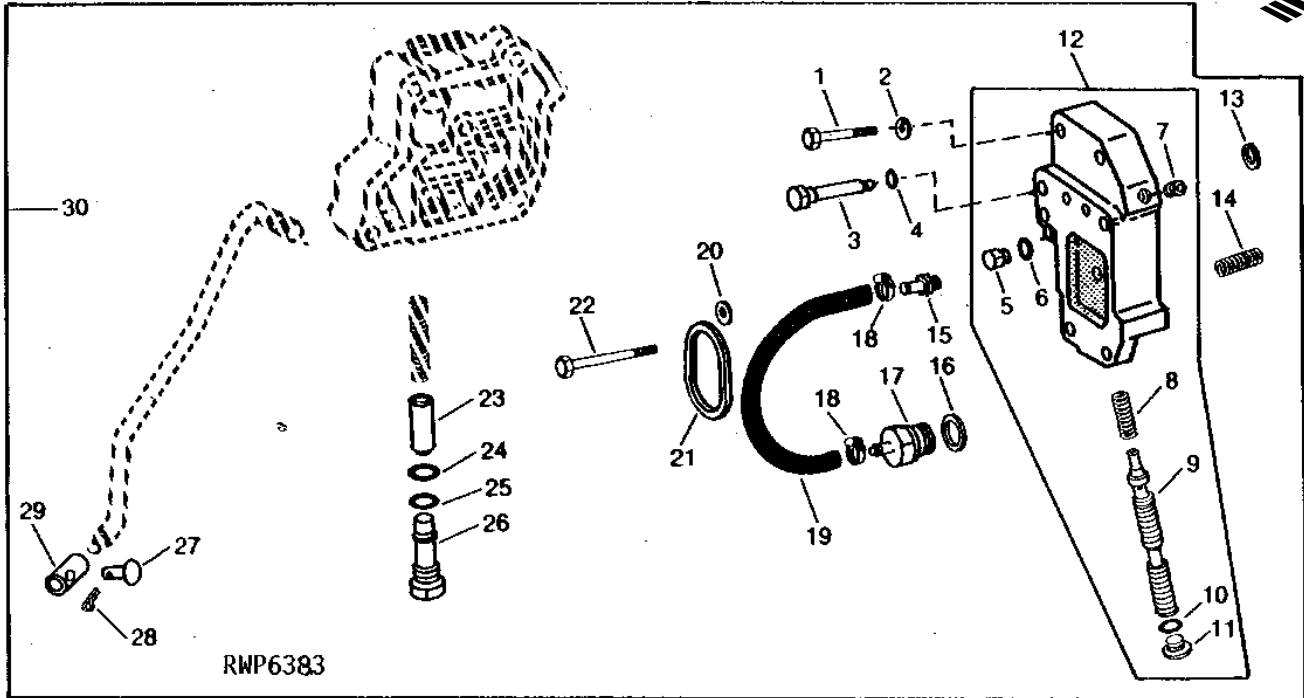
KEY	PART NO.	PART NAME	QTY	TRACTOR SERIAL NO.	REMARKS
1	15H558	PIPE PLUG	AR		1/8", (1 USED DUAL) (2 USED TRIPLE)
2	15H559	PIPE PLUG	1		1/4"
3	R26149	PACKING	5		
4	R59082	SPRING	2		
5	R33138	FITTING	1		
6	R26375	O-RING	1		
7	R60096	VALVE	1		
8	R28914	SPRING	1		
9	AR73897	COVER	1		(MARKED R60395) (INCLUDES 15H559 AND (2) 15H558)
10	R26286	O-RING	1		
11	R27094	DRAIN PLUG	1		
12	AR73899	COVER	1		(MARKED R60081) (INCLUDES 15H558)
13	R26448	O-RING	1		
14	R60420	PLUG	1		
15	12H293	LOCK WASHER	4		7/16"
16	19H1899	CAP SCREW	2		7/16" X 2"
	19H2227	CAP SCREW	1		7/16" X 2-1/2"
	19H2731	CAP SCREW	1		7/16" X 1-3/8"

# 4D11

HYDRAULICS

## DIRECTIONAL CONTROL VALVE KIT (DUAL SELECTIVE CONTROL)

RWP6383 -UN-01JAN94



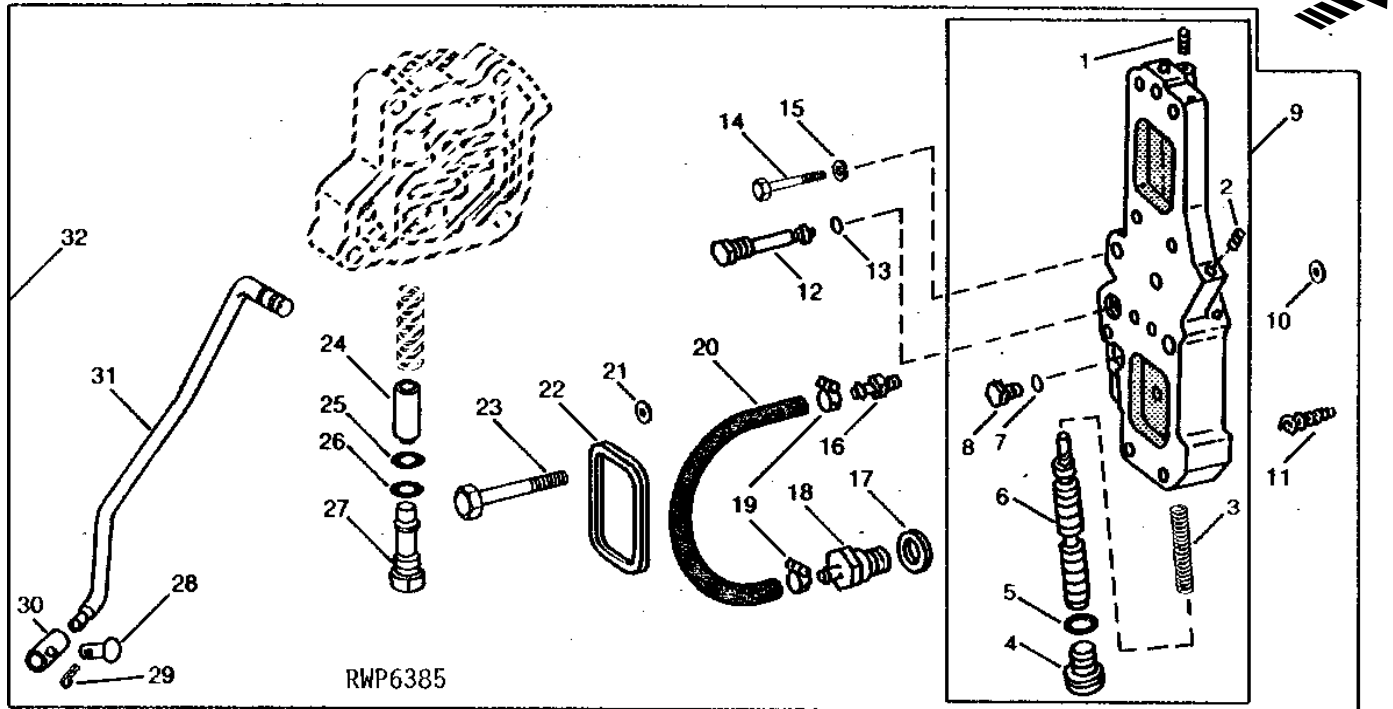
KEY	PART NO.	PART NAME	QTY	TRACTOR SERIAL NO.	REMARKS
1	19H1899	CAP SCREW	2	7/16" X 2"	
	19H2227	CAP SCREW	1	7/16" X 2-1/2"	
2	12H293	LOCK WASHER	4	7/16"	
3	R60420	PLUG	1		
4	R26448	O-RING	1		
5	R27094	DRAIN PLUG	1		
6	R26286	O-RING	1		
7	15H558	PIPE PLUG	1	1/8"	
8	R28914	SPRING	1		
9	R60096	VALVE	1		
10	R26375	O-RING	1		
11	R33138	FITTING	1		
12	AR73899	COVER	1	(MARKED R60334)	
13	R26149	PACKING	6		
14	R59082	SPRING	2		
15	R65684	FITTING	1	-001740	(SUB FOR R55525)
16	H851R	WASHER	1	-001740	
17	R60335	PLUG	1	-001740	
18	AR21836	CLAMP	2	-001740	
19	R60333	HYDRAULIC HOSE	1	-001740	
20	F2741R	PACKING	1		
21	R40922	PACKING	1		
22	19H2253	CAP SCREW	1	7/16" X 3-1/2"	
23	R60092	CHECK VALVE	1		
24	R26375	O-RING	1		
25	R28776	O-RING	1		
26	R60396	FITTING	1		
27	U11004	PIN	1		
28	11M7059	COTTER PIN	1	3.200 X 20 MM	
29	R52881	ROD	1		
30	AR73691	KIT	1	-001740	(ALSO ORDER R60397) (NO LONGER AVAILABLE)
..	R60397	ROD	1		(USE WITH AR73691)

# 4D12

HYDRAULICS

## DIRECTIONAL CONTROL VALVE KIT (TRIPLE SELECTIVE CONTROL)

RWP6385 -UN-01JAN94



KEY	PART NO.	PART NAME	QTY	TRACTOR SERIAL NO.	REMARKS
1	15H558	PIPE PLUG	1	1/8"	
2	15H559	PIPE PLUG	1	1/4"	
3	R28914	SPRING	1		
4	R33138	FITTING	1		
5	R26375	O-RING	1		
6	R60096	VALVE	1		
7	R26286	O-RING	1		
8	R27094	DRAIN PLUG	1		
9	AR73897	COVER	1	(MARKED R60395)	
10	R26149	PACKING	6		
11	R59082	SPRING	2		
12	R60420	PLUG	1		
13	R26448	O-RING	1		
14	19H1899	CAP SCREW	2	7/16" X 2"	
	19H2227	CAP SCREW	2	7/16" X 2-1/2"	
	19H2500	CAP SCREW	2	7/16" X 1-3/8"	
15	12H293	LOCK WASHER	4	7/16"	
16	R65684	FITTING	1	-001740	(SUB FOR R55525)
17	H851R	WASHER	1	-001740	
18	R60335	PLUG	1	-001740	
19	AR21836	CLAMP	2	-001740	
20	R60333	HYDRAULIC HOSE	1	-001740	
21	F2741R	PACKING	2		
22	R40922	PACKING	2		
23	19H2253	CAP SCREW	1	7/16" X 3-1/2"	
24	R60092	CHECK VALVE	1		
25	R26375	O-RING	1		
26	R28776	O-RING	1		
27	R60396	FITTING	1		
28	U11004	PIN	1		
29	11M7059	COTTER PIN	1	3.200 X 20 MM	
30	R52881	ROD	1		
31	R65888	ROD	1		(SUB FOR R60400)
32	AR73692	KIT	1	-001740	(NO LONGER AVAILABLE)

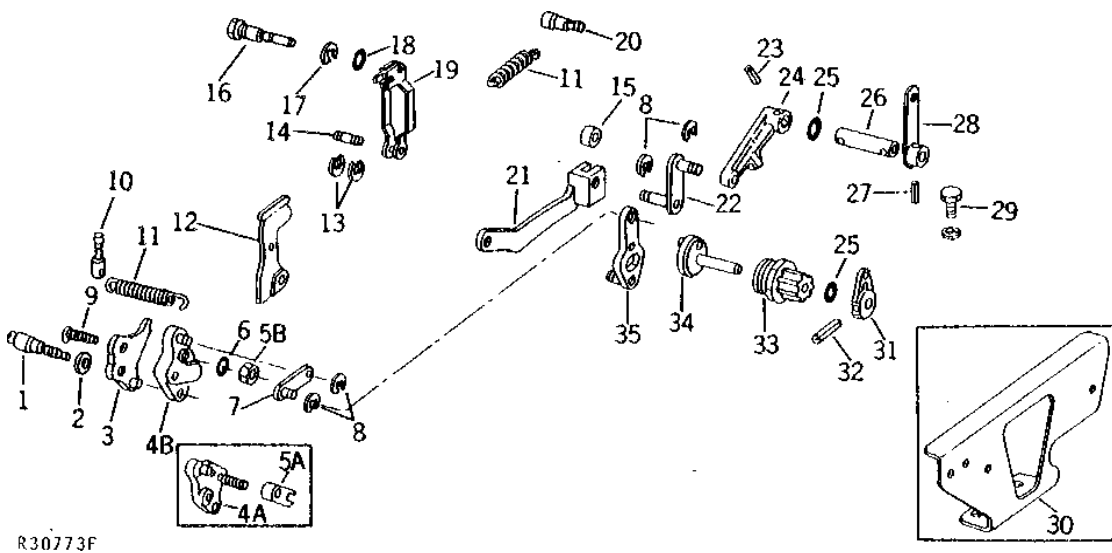
# 4D13

HYDRAULICS

R30773

-UN-01JAN94

## ROCKSHAFT CONTROL LINKAGE



# 4D14

HYDRAULICS

## ROCKSHAFT CONTROL LINKAGE - CONTINUED

KEY	PART NO.	PART NAME	QTY	TRACTOR SERIAL NO.	REMARKS
1	R40949	SHAFT	1	-004307	(SUB R64296)
	R64296	SHAFT	1	004308-006513	
	R64843	SHAFT	1	006514-	
2	24H1321	SHIM	1		0.018"
3	AR40676	LEVER	1		CONTROL VALVE ADJUSTING
4A	AR40754	LINK	1	-004698	(SUB AR81783, R64845, T519T AND R64843)
4B	AR81783	LEVER	1	004699-	
5A	R40885	NUT	1	-004698	
5B	R64845	NUT	1	004699-	
6	T519T	WASHER	1	004699-	
7	AR40675	LEVER	1		
8	R72653	SNAP RING	4		(SUB FOR M2396T)
9	T22228	SCREW	1		
10	R41108	PIN	1		(USE WITH R64798)
	R66894	PIN	1		(USE WITH R66888)
11	R60730	SPRING	2		
12	R57896	FOLLOWER	1		
13	R72654	SNAP RING	2		(SUB FOR R27507)
14	R59164	PIN	1		
15	R62401	WASHER	1		
16	R57671	FITTING PLUG	1		
17	R72655	SNAP RING	1		(SUB FOR T12808)
18	R26448	O-RING	1		
19	AR71343	LINK	1		SERVO CAM FOLLOWER
20	R59031	DOWEL PIN	1		
21	R57604	LINK	1		VALVE OPERATING
22	AR69291	LINK	1		LOAD SELECTOR CONTROL
23	R56504	SPRING PIN	1		
24	R57674	ARM	1		
25	R65287	O-RING	2		
26	R57670	SHEAR PIN	1	-004789	
	R64800	PIN	1	004790-	
27	34H297	SPRING PIN	1		7/32" X 1"
28	AR71867	ARM	1	-004789	(SUB R40915, R64800 AND R57723)
	R40915	LEVER	1	004790-	
29	19H1732	CAP SCREW	4		3/8" X 1-1/4"
	12H304	LOCK WASHER	2		3/8"
30	R59589	BRACKET	1	-002452	
	R60586	BRACKET	1	002453-004789	
31	R51359	ARM	1		
32	34H284	SPRING PIN	1		3/16" X 1-1/4"
33	R52174	QUILL	1		
34	AR79505	SHAFT	1		(ALSO ORDER AR72292) (SUB FOR R54128 OR AR72291)
35	AR72292	LINK	1		(ALSO ORDER AR79505) (SUB FOR AR40753)

---

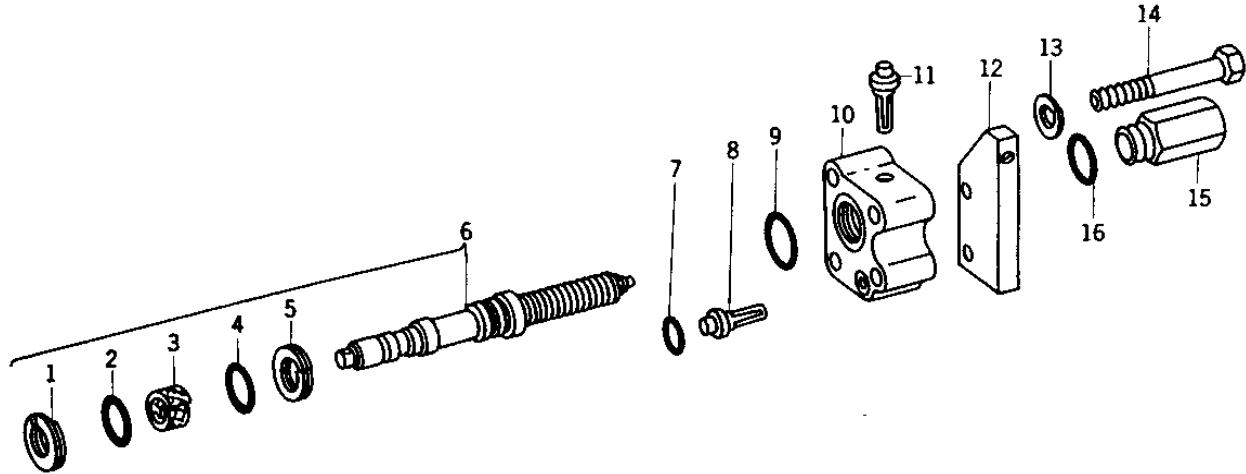
MEMORANDA

# 4D15

HYDRAULICS

R32117 -UN-01JAN94

## LOAD CONTROL VALVE



KEY	R32117F PART NO.	PART NAME	QTY	TRACTOR SERIAL NO.	REMARKS
1	R45925	BACK-UP RING	1		
2	R27564	O-RING	1		
3	R65498	SCREEN	1		(SUB FOR R60366)
4	R62070	RING	1		
5	R61653	BACK-UP RING	1		
6	AR80623	HOUSING	1		(SUB FOR AR71085)
7	R27166	O-RING	1		
8	AR77710	FILTER	1		(SUB FOR R57437)
9	T11220	O-RING	1		
10	R57730	RETAINER	1		
11	R58832	FILTER	1		
12	R64799	BRACKET	1	004790-	
13	12H304	LOCK WASHER	4		3/8"
14	19H1726	CAP SCREW	4	-004789	3/8" X 2-1/4"
	19H1726	CAP SCREW	2	004790-	3/8" X 2-1/4"
	19H2128	CAP SCREW	2	004790-	3/8" X 3"
15	R58112	FITTING	1		
16	R29936	O-RING	1		

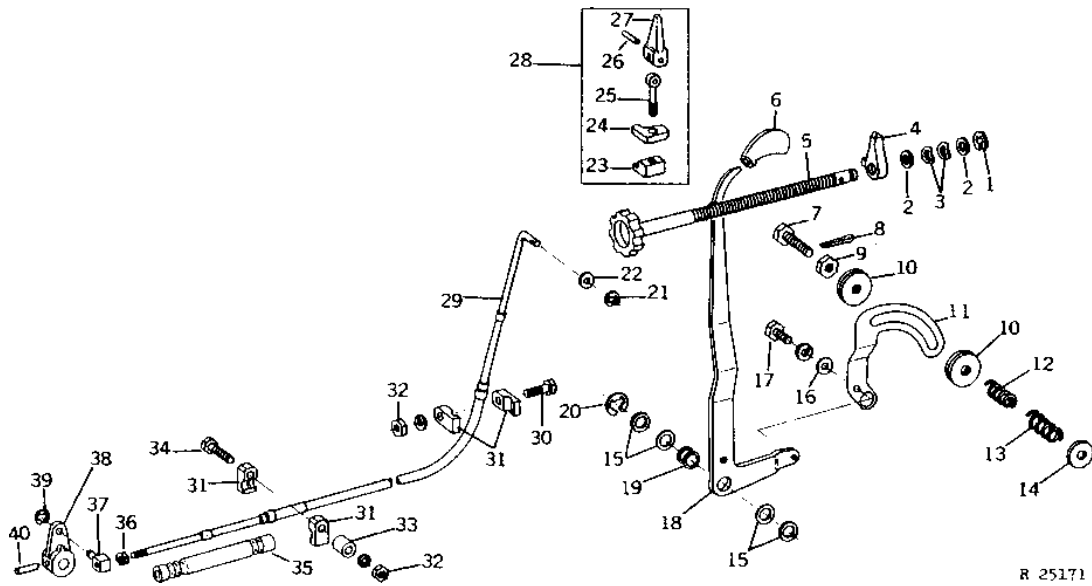
# 4D16

HYDRAULICS

R25171

-UN-01JAN94

## ROCKSHAFT CONTROL VALVE LEVER AND LINKAGE



R 25171



# 4D17

HYDRAULICS

## ROCKSHAFT CONTROL VALVE LEVER AND LINKAGE - CONTINUED

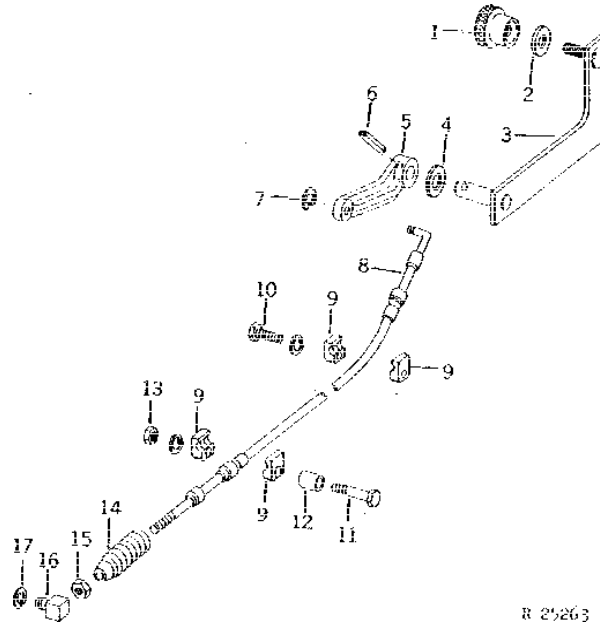
KEY	PART NO.	PART NAME	QTY	TRACTOR SERIAL NO.	REMARKS
1	R26871	SNAP RING	1		
2	R47301	WASHER	2		
3	T519T	WASHER	2		
4	R41386	STOP	1		
5	R58204	SCREW	1		
6	R51161	KNOB	1		
7	R49924	BOLT	1		
8	11M7059	COTTER PIN	1		3.200 X 20 MM
9	14H732	NUT	1		3/8"
10	AR42287	WASHER	2		(SUB R105813 AND R41968)
11	R70307	PLATE	1		(SUB FOR R58082 OR R63218)
12	R41147	SPRING	1		
13	R44313	SPRING	1		
14	24H1299	WASHER	1		3/8" X 1-1/4" X 0.065"
15	24H1658	WASHER	4	-006244	21/32" X 1" X 0.060"
	24H1658	WASHER	3	006245-	21/32" X 1" X 0.060"
16	24H1136	WASHER	1		11/32" X 11/16" X 0.065"
17	19H2020	CAP SCREW	1		5/16" X 1/2"
	12H303	LOCK WASHER	1		5/16"
18	R58091	LEVER	1	-003503	
	AR86088	ARM	1	003504-	(SUB FOR R63217)
19	R58081	WASHER	1	-006244	
20	F2863R	SNAP RING	1	-006244	
21	R72654	SNAP RING	1		(SUB FOR R27507)
22	24H1287	WASHER	1		9/32" X 5/8" X 0.065"
23	R53476	NUT	1		
24	R53475	STOP	1		
25	R42641	EYEBOLT	1		
26	34H387	SPRING PIN	1		3/16" X 3/4"
27	R34537	CAM	1		
28	<b>AR60331</b>	<b>STOP</b>	<b>1</b>		<b>KIT, ROCKSHAFT HEIGHT STOP (FI)</b>
29	AR69797	PUSH PULL CABLE	1		(SUB AR103305, 11M7077 AND 24H1821)
30	19H1765	CAP SCREW	1		3/8" X 1-3/4"
31	T33483	CLAMP	4		
32	14H1076	NUT	2	-004789	3/8"
	12H304	LOCK WASHER	2		3/8"
33	28H1697	SPACER	1		
34	19H1733	CAP SCREW	1	-004789	3/8" X 2-1/2"
	19H1765	CAP SCREW	1	004790-	3/8" X 1-3/4"
35	R59618	BOOT	1		
36	14H850	NUT	1		1/4"
37	R57723	SWIVEL	1		
38	R51359	ARM	1		
39	R72654	SNAP RING	1		(SUB FOR R27507)
40	34H284	SPRING PIN	1		3/16" X 1-1/4"

# 4D18

HYDRAULICS

R25263 -UN-01JAN94

## LOAD SELECTOR LEVER



R 25263

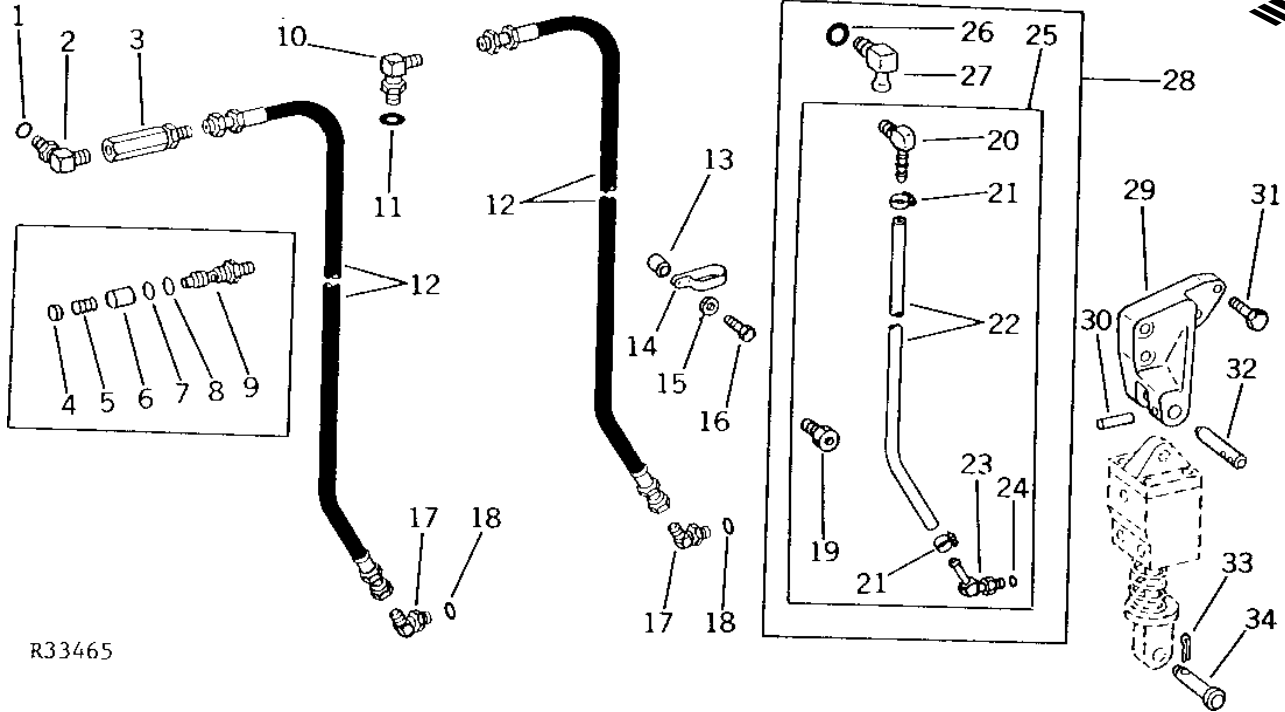
KEY	PART NO.	PART NAME	QTY	TRACTOR SERIAL NO.	REMARKS
1	R61676	KNOB	1		(SUB FOR AH77780)
2	A127R	WASHER	3		
3	AR71866	LEVER	1		(NLA)
4	A127R	WASHER	1		
5	R40915	LEVER	1		
6	34H297	SPRING PIN	1		7/32" X 1"
7	R72654	SNAP RING	1		(SUB FOR R27507)
8	AR103307	CONDUCTOR	1		(SUB FOR AR72390, THIS APPLICATION)
	R39725	SEAL	2		
	R39727	SEAL	2		
9	T33483	CLAMP	4		
10	19H1800	CAP SCREW	1		3/8" X 1-1/2"
	12H304	LOCK WASHER	1		3/8"
11	19H1765	CAP SCREW	1		3/8" X 1-3/4"
12	28H1697	SPACER	1	-004789	
13	14H1076	NUT	1	-004789	3/8"
	12H304	LOCK WASHER	1		3/8"
14	R59618	BOOT	1		
15	14H850	NUT	1		1/4"
16	R57724	SWIVEL	1	-004789	
	R57723	SWIVEL	1	004790-	
17	R72653	SNAP RING	1		(SUB FOR M2396T)

# 4D19

HYDRAULICS

R33465 -UN-01JAN94

## DRAFT SENSING CYLINDER BRACKET AND LINES



R33465

KEY	PART NO.	PART NAME	QTY	TRACTOR SERIAL NO.	REMARKS
1	R26448	O-RING	1		
2	AR58184	ELBOW FITTING	1	90°	
3	AR85480	HOUSING	1		
4	R49297	DISK	1		
5	R39228	SPRING	1		
6	R42684	STRAINER	1		
7	R28776	O-RING	1		
8	R26375	O-RING	1		
9	R65658	FITTING	1		
10	AR58184	ELBOW FITTING	1	90°	
11	R26448	O-RING	1		
12	AR78832	HYDRAULIC HOSE	2		
13	28H1532	SPACER	1		
14	R49921	CLAMP	1		
15	12H304	LOCK WASHER	1	3/8"	
16	19H1944	CAP SCREW	1	3/8" X 2-3/4"	
17	AR70602	ELBOW FITTING	2	60°	
18	R26286	O-RING	2		
19	R67491	BOLT	1	-XXXXXX	(USE WITH R67487)
20	T28077	ELBOW FITTING	1	-XXXXXX	90°, (USE WITH R67487)
21	TY22462	CLAMP	2		(USE WITH R67487) (SUB FOR AR48236)
22	R67488	HOSE	1		(USE WITH R67487)
23	AR87917	HOSE FITTING	1		45°, (USE WITH R67487)
24	R26287	O-RING	1		(USE WITH R67487)
25	AR87914	KIT	1		DRAFT CYLINDER VENTING, (USE WITH R67487)
26	R26286	O-RING	1	XXXXXX-	
27	AR87915	ELBOW FITTING	1	XXXXXX-	90°
28	AR91462	KIT	1	XXXXXX-	DRAFT CYLINDER VENTING
29	AR70626	BRACKET	1		(MARKED R57819)
30	34H291	SPRING PIN	1		3/16" X 2-1/8"
	.....	WIRE	1		16 GA. X 15.25 CM (16 GA. X 6")
31	19H1800	CAP SCREW	2		3/8" X 1-1/2"
	19H1726	CAP SCREW	2		3/8" X 2-1/4"
32	R57820	SHEAR PIN	1		
33	11M7084	COTTER PIN	1	5 X 25 MM	
34	R63736	PIN	1		

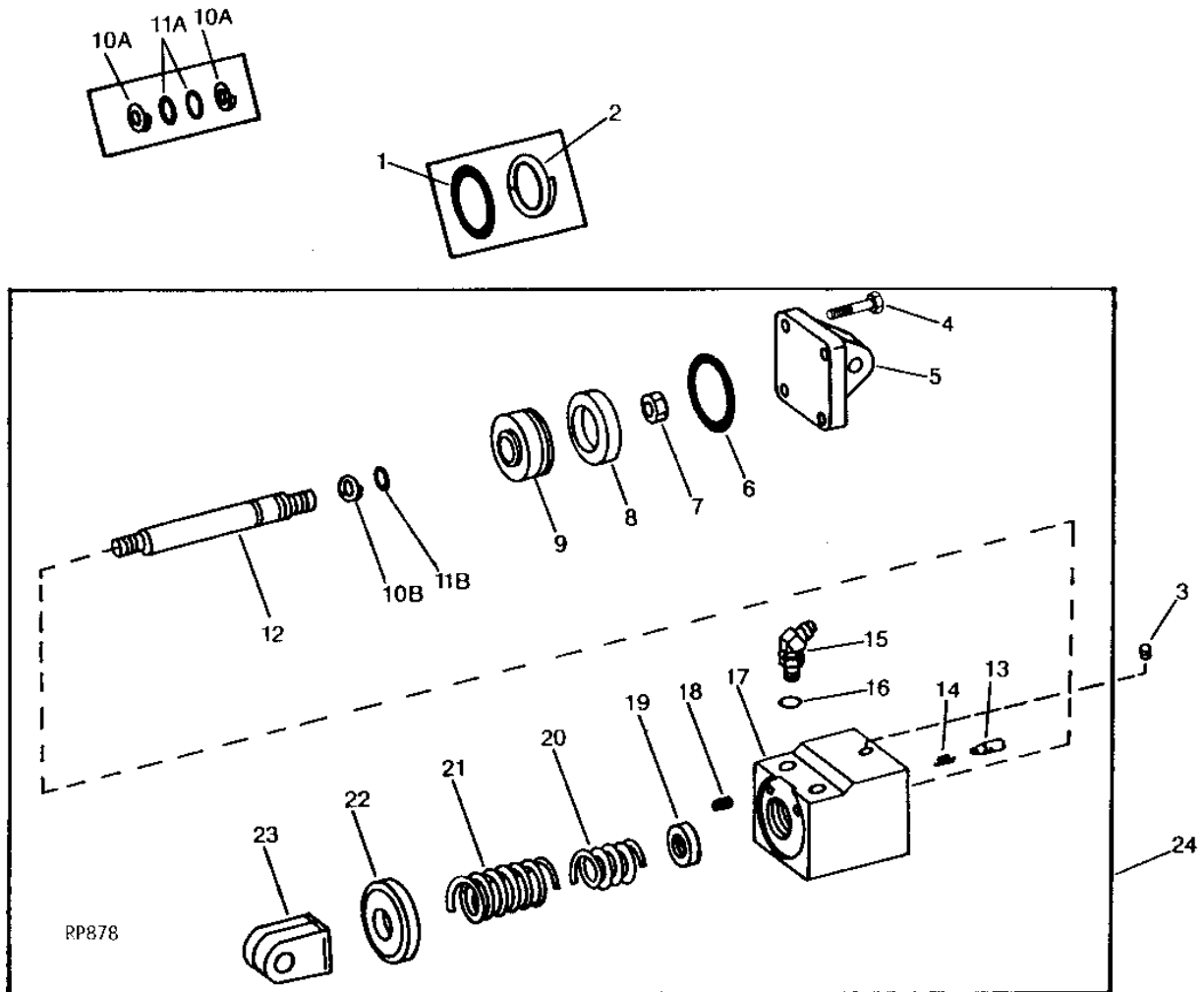
# 4D20

HYDRAULICS

RP878

-UN-16NOV94

## DRAFT SENSING CYLINDER



# 4D21

HYDRAULICS

## DRAFT SENSING CYLINDER - CONTINUED

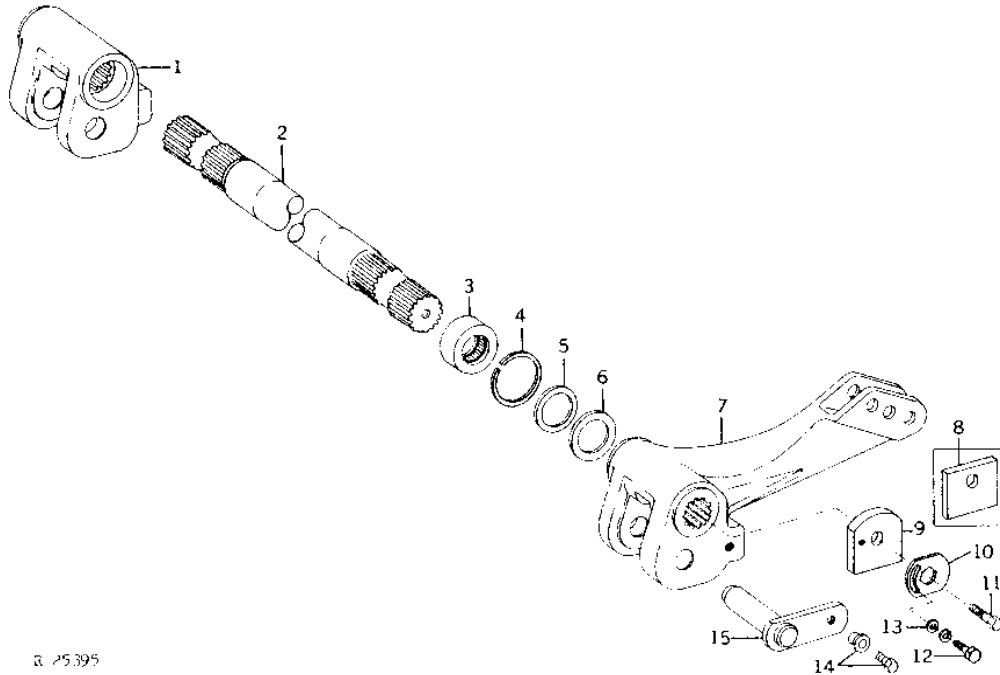
KEY	PART NO.	PART NAME	QTY	TRACTOR SERIAL NO.	REMARKS
1	L2104N	O-RING	1	-006492	(SUB AR87126, THIS APPLICATION)
2	R39009	BACK-UP RING	1	-006492	(SUB AR87126, THIS APPLICATION)
3	F1737R	FILTER	1	-XXXXXX	
4	19H1765	CAP SCREW	4		3/8" X 1-3/4"
5	R57652	END	1		
6	R57653	RING	1		
7	14H863	NUT	1		3/4"
8	AR87126	SEAL	1	006493-	
9	R66176	PISTON	1		(SUB FOR R57648)
10A	R26546	BACK-UP RING	2	-XXXXXX	
10B	R26546	BACK-UP RING	1	XXXXXX-	
11A	R69667	O-RING	2	-XXXXXX	
11B	R69667	O-RING	1	XXXXXX-	
12	R57645	ROD	1		
13	R65660	VALVE	1		
14	R64230	SPRING	1		
15	AR70602	ELBOW FITTING	2		60°
16	R26286	O-RING	2		
17	R66048	CYLINDER	1	-XXXXXX	(SUB R67487) (ALSO ORDER AR87914)
	R67487	CYLINDER	1	XXXXXX-	
18	15H569	PIPE PLUG	2		1/8"
19	AR39052	SEAL	1	-006492	(SUB AR87127, THIS APPLICATION)
	AR87127	SEAL	1	006493-	
20	R57651	SPRING	1		
21	R57650	SPRING	1		
22	R57654	BUSHING	1		
23	R57649	END	1		
24	AR90384	CYLINDER	1		
..	AR87914	KIT	1		DRAFT CYLINDER VENTING, (USE WITH R67487)

# 4D22

HYDRAULICS

R25395 -UN-01JAN94

## DRAFT LINK SHAFT AND ARMS



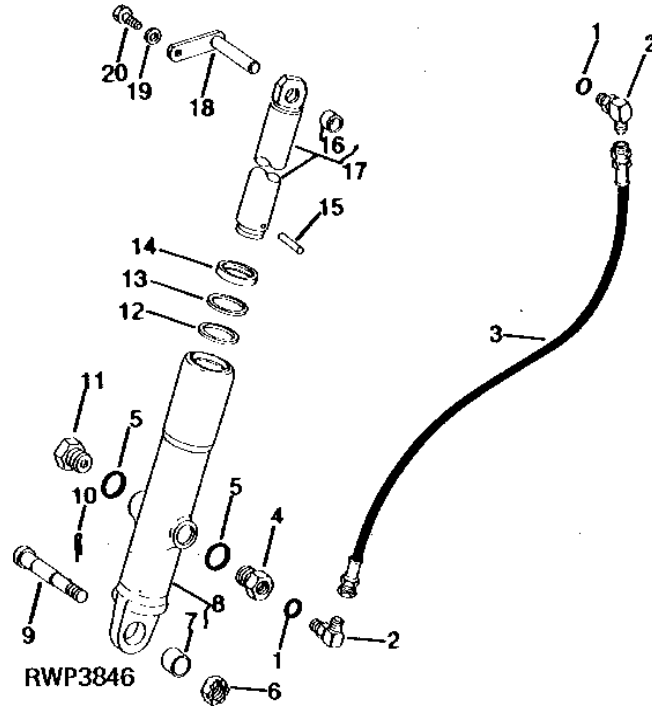
KEY	PART NO.	PART NAME	QTY	TRACTOR SERIAL NO.	REMARKS
1	R57531	ARM	1	-002102	L.H. (SUB R75722)
	R62416	ARM	1	002103-	L.H. (SUB R75722)
2	R57283	SHAFT	1		
3	JD9947	NEEDLE BEARING	2		(SUB FOR JD9946)
4	R60763	SNAP RING	2		
5	AR86923	SEAL	2		(SUB FOR AR71558 OR AR74813)
6	R59291	WASHER	2		
7	R57530	ARM	1	-002102	R.H. (SUB R75721 AND AR78289)
	R62415	ARM	1	002103-	R.H. (ALSO ORDER AR78289) (SUB FOR R57530) (SUB R75721)
8	R47538	BRACE	2	-002854	(SUB R62768, R62769, 19H1936, 12H304 AND 24H1884, THIS APPLICATION)
9	R62768	RETAINER	2	002855-	
10	R62769	RETAINER	2	002855-	
11	19H2706	CAP SCREW	2		5/8" X 2", HS, SAE 8
12	19H1936	CAP SCREW	2	002855-	3/8" X 3/4"
	12H304	LOCK WASHER	2	002855-	3/8"
13	24H1884	WASHER	2	002855-	13/32" X 13/16" X 0.120"
14	AR74673	CAP SCREW	2	-002102	(SUB FOR AR48110)
	AR76160	CAP SCREW	2	002103-002854	(SUB AR78289)
	AR78289	CAP SCREW	2	002855-	
15	AR69267	PIN	2	-004818	(SUB RE53777)
	RE53777	PIN	2	004819-	(SUB FOR AR83461)

# 4D23

HYDRAULICS

RWP3846 -UN-01JAN94

## ROCKSHAFT LIFT ASSIST CYLINDER



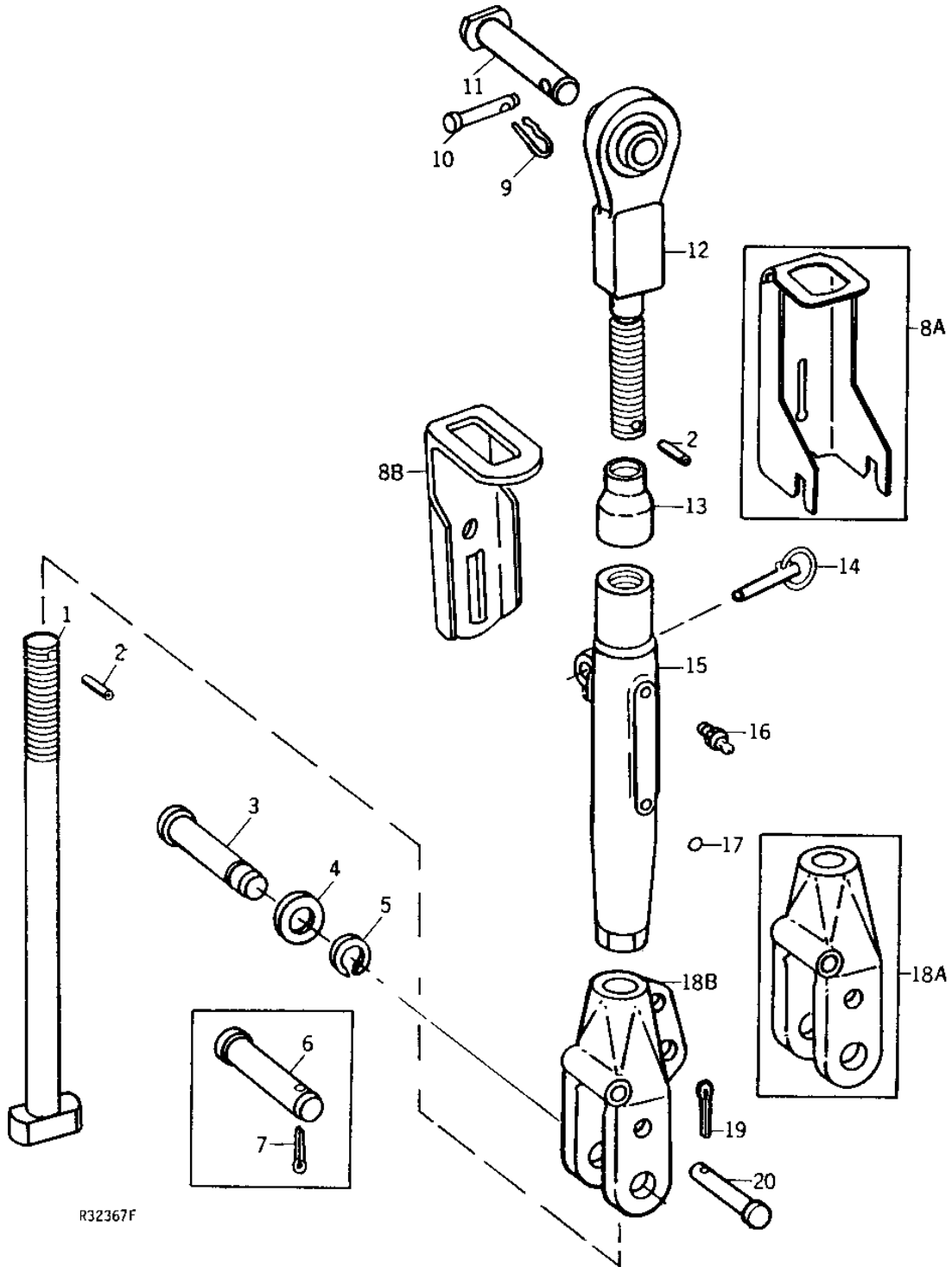
KEY	PART NO.	PART NAME	QTY	TRACTOR SERIAL NO.	REMARKS
1	R26286	O-RING	2		
2	AT32333	ELBOW FITTING	2	90°	
3	AR78831	HYDRAULIC HOSE	1		(SUB FOR AR47295, THIS APPLICATION)
4	R57987	FITTING	1		
5	F3171R	O-RING	2		
6	14H902	NUT	1	3/4"	
7	RL1396N	BUSHING	1		
8	AR69663	HOUSING	1		(SUB RE52142)
9	R119597	PIN	1		(SUB FOR R57968)
10	11M7030	COTTER PIN	1		0.197" X 1.575"
11	R27175	DRAIN PLUG	1		
12	R58641	SEAL	1		(SUB AR82412)
13	R58642	BACK-UP RING	1		(SUB AR82412)
14	U46283	SEAL	1		(SUB FOR AR70494)
15	34H282	SPRING PIN	1	-XXXXXX	3/16" X 1"
16	R61723	SLEEVE	1		
17	AR75569	PISTON	1		(SUB RE52142)
18	AR78288	PIN	1		(SUB FOR AR69662)
19	12H304	LOCK WASHER	1		3/8"
20	19H2284	CAP SCREW	1		3/8" X 7/8"
..	R86126	LIFT ARM	1		(SUB FOR R57677)

# 4D24

HYDRAULICS

R32367 -UN-01JAN94

LIFT LINK





# 4D25

HYDRAULICS

## LIFT LINK - CONTINUED

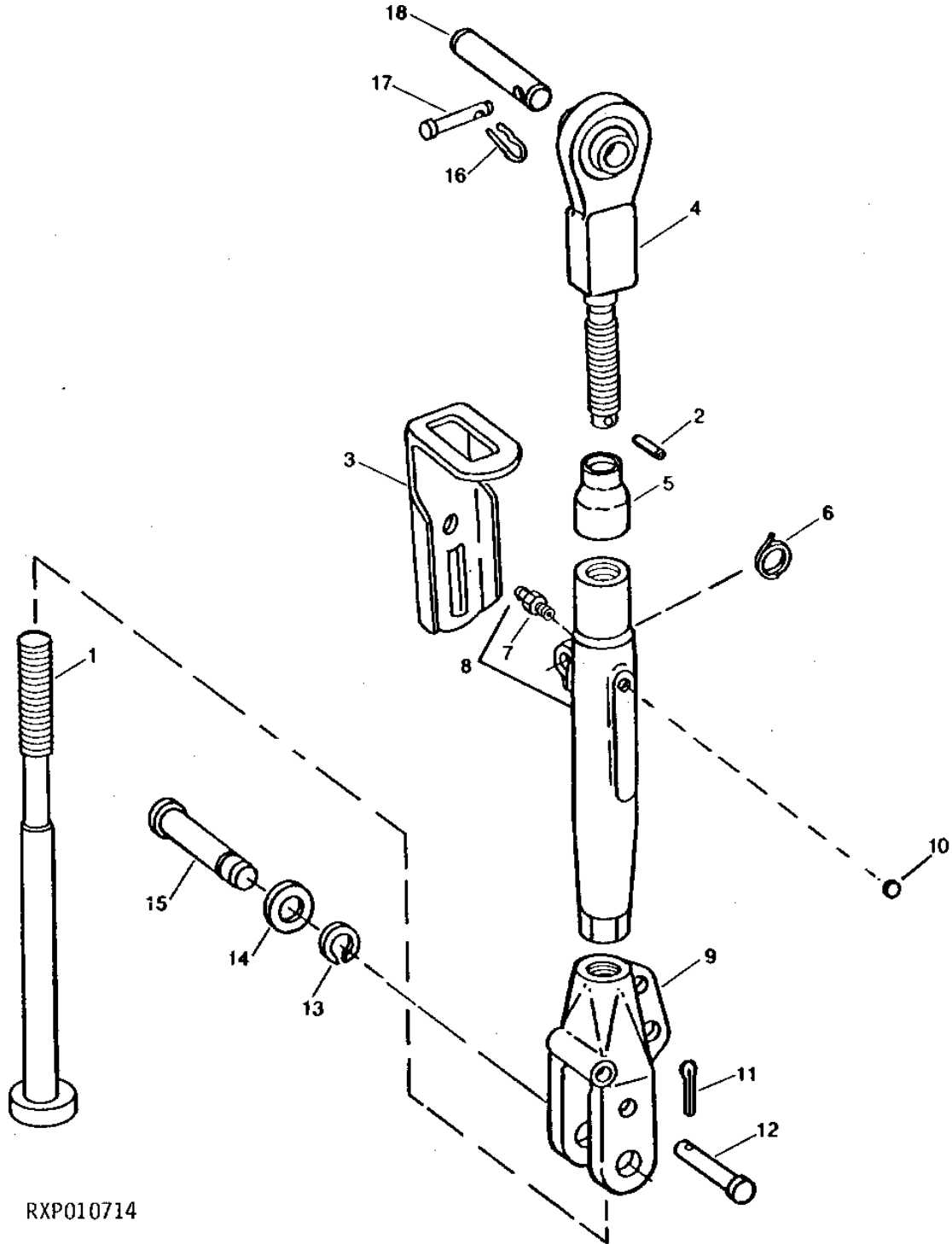
KEY	PART NO.	PART NAME	QTY	TRACTOR SERIAL NO.	REMARKS
1	R57280	LIFT LINK	1		(SUB RE47814 AND R106408)
2	34H284	SPRING PIN	2		3/16" X 1-1/4"
3	R65239	PIN	1	006478-	
4	R65240	WASHER	1	006478-	
5	A602R	SNAP RING	1	006478-	
6	11M7030	COTTER PIN	1	-006477	0.197" X 1.575"
7	R58264	PIN	1	-006477	(SUB R65239, R65240 AND A602R)
8A	R59808	LOCK	1	-005323	
8B	R64576	DIFFERENTIAL LOCK	1	005324-	
9	11M7059	COTTER PIN	1		3.200 X 20 MM
10	R68672	PIN	1		(ALSO ORDER 11M7059) (SUB FOR AR83396 OR AR62152, THIS APPLICATION)
11	R79916	DOWEL PIN	1		(SUB FOR AR70027)
12	AR78526	DRAFT LINK END	1		(SUB FOR AR43059) (SUB RE44555)
13	R43706	SLEEVE	1		
14	AR60372	QUICK LOCK PIN	1	005324-	
15	R43079	LINK BODY	1	-005323	
	R64514	LINK BODY	1	005324-	(SUB RE50532 AND JD7798)
16	JD7759	LUBRICATION FITTING	1	-005323	
	JD7805	LUBRICATION FITTING	1	005324-	
17	30H6	PLUG	3		9/16"
18A	R42171	YOKE	1	-005323	(SUB R106408)
18B	R58934	YOKE	1	005324-	(SUB R106408)
19	11M7021	COTTER PIN	1		0.157" X 0.984"
20	R63737	PIN	1		(SUB FOR R42172)

# 4E1

HYDRAULICS

RXP010714 -UN-01JAN94

## THREE POINT HITCH LIFT LINKS



# 4E2

HYDRAULICS

## THREE POINT HITCH LIFT LINKS

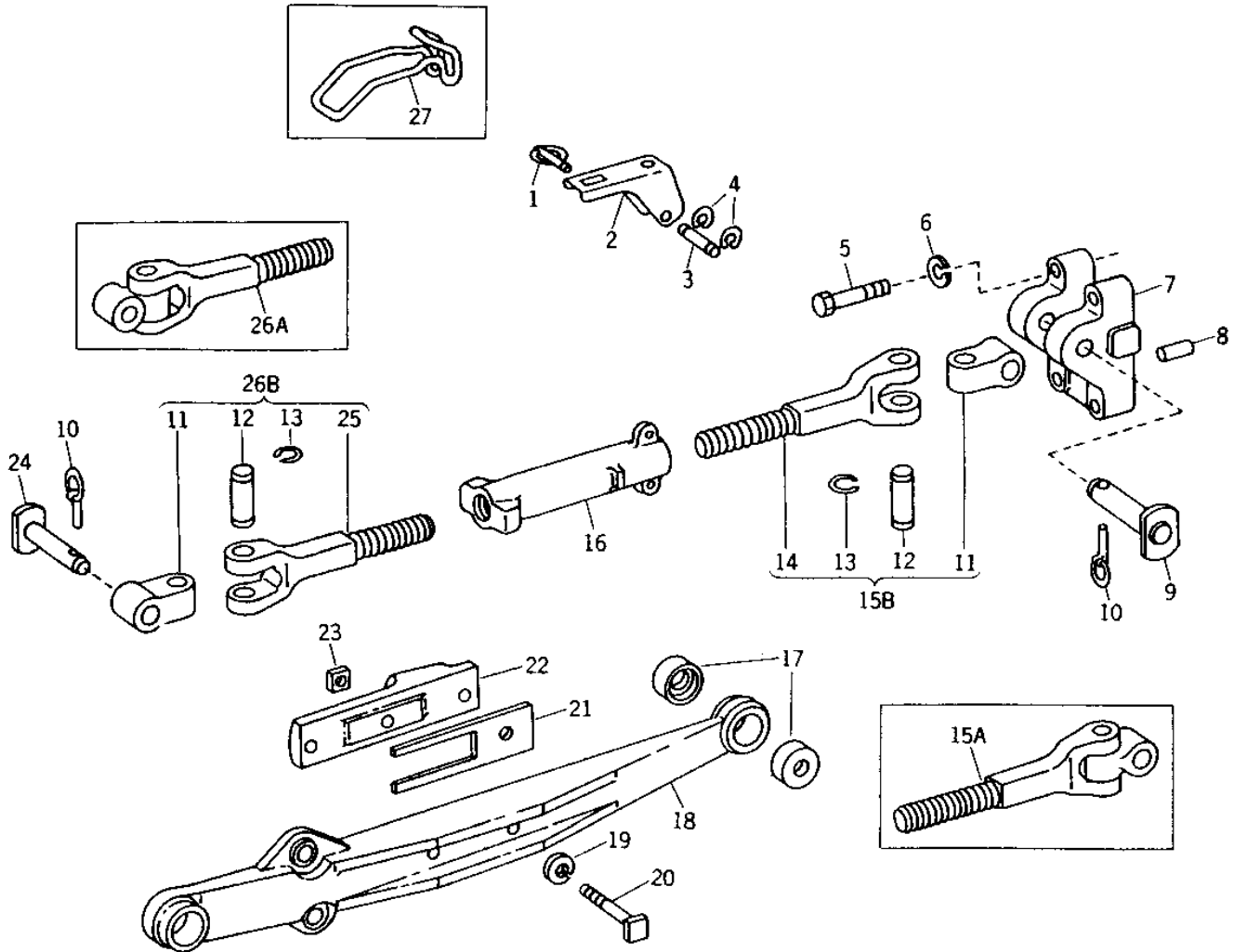
KEY	PART NO.	PART NAME	QTY	TRACTOR SERIAL NO.	REMARKS
1	RE47814	LIFT LINK	1		
2	34M7207	SPRING PIN	1		5 X 30 MM
3	R64576	DIFFERENTIAL LOCK	1		
4	RE44555	DRAFT LINK END	1		
5	R43706	SLEEVE	1		
6	R80436	RING	1		
7	JD7798	LUBRICATION FITTING	1		
8	RE50532	DRAG LINK	1		(MARKED R107283)
9	R106408	YOKE	1		
10	30H6	PLUG	1		9/16"
11	11M7021	COTTER PIN	1		4 X 25 MM
12	R63737	PIN	1		
13	A602R	SNAP RING	1		
14	R65240	WASHER	1		
15	R65239	PIN	1		
16	11M7059	COTTER PIN	1		3.200 X 20 MM
17	R68672	PIN	1		
18	R79916	DOWEL PIN	1		

# 4E3

HYDRAULICS

R31672 -UN-01JAN94

## DRAFT LINKS AND CENTER LINK



R31672F

# 4E4

HYDRAULICS

## DRAFT LINKS AND CENTER LINK - CONTINUED

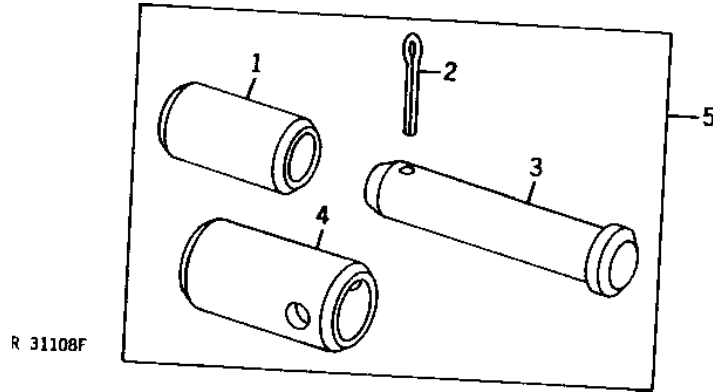
KEY	PART NO.	PART NAME	QTY	TRACTOR SERIAL NO.	REMARKS
1	AR60372	QUICK LOCK PIN	1	004504-	
2	R64084	YOKE	1	004504-	
3	R64085	SPRING PIN	1	004504-	
4	F3396R	SNAP RING	2	004504-	
5	19H2113	CAP SCREW	4		3/4" X 3-1/4"
6	12H236	LOCK WASHER	4		3/4"
7	AR80154	BRACKET	1		(MARKED R57281 OR R64389) (SUB FOR AR70163)
8	R26277	DOWEL PIN	1		
9	AR89302	PIN	1		(SUB FOR AR70025)
10	M115827	QUICK LOCK PIN	2		(SUB FOR AR62151)
11	R62065	PIVOT	2	006911-	(USE WITH AR87888 OR AR87889)
	R106911	PIVOT	2		(USE WITH RE44559 OR RE44561)
12	R67477	PIN	2	006911-	
13	R26643	SNAP RING	4	006911-	
14	R67476	CENTER LINK END	1	006911-	(SUB RE44560)
15A	AR68870	CENTER LINK END	1	-004503	
	AR76115	CENTER LINK END	1	004504-006910	(SUB RE44559)
15B	AR87889	CENTER LINK END	1	006911-	(SUB RE44559)
16	R57329	LINK BODY	1	-004503	
	R107281	LINK BODY	1	004504-	(SUB FOR R64083 OR R70589) (ALSO ORDER JD7798)
	JD7759	LUBRICATION FITTING	2		(USE WITH R70589)
	JD7798	LUBRICATION FITTING	1		(USE WITH R107281)
17	R66933	WASHER	4		(SUB FOR R57279)
18	AR86457	DRAFT LINK	2		(SUB FOR AR68470)
19	12H301	LOCK WASHER	4		1/2"
20	08H4781	BOLT	4		1/2" X 3-3/4"
21	R60771	SHIM	2		
22	R57172	ABSORBER	2		
23	14H823	NUT	4		1/2"
24	AR89302	PIN	1		(SUB FOR AR70025)
25	R67475	CENTER LINK END	1	006911-	(SUB RE44562)
26A	AR68869	CENTER LINK END	1	-004503	
	AR76114	CENTER LINK END	1	004504-006910	(SUB RE44561)
26B	AR87888	CENTER LINK END	1	006911-	(SUB RE44561)
27	R59266	HANDLE	1	-004503	

# 4E5

HYDRAULICS

R31108 -UN-18OCT94

**CATEGORY II IMPLEMENT ADAPTER KIT  
(CANTILEVER MOUNTED IMPLEMENTS)**



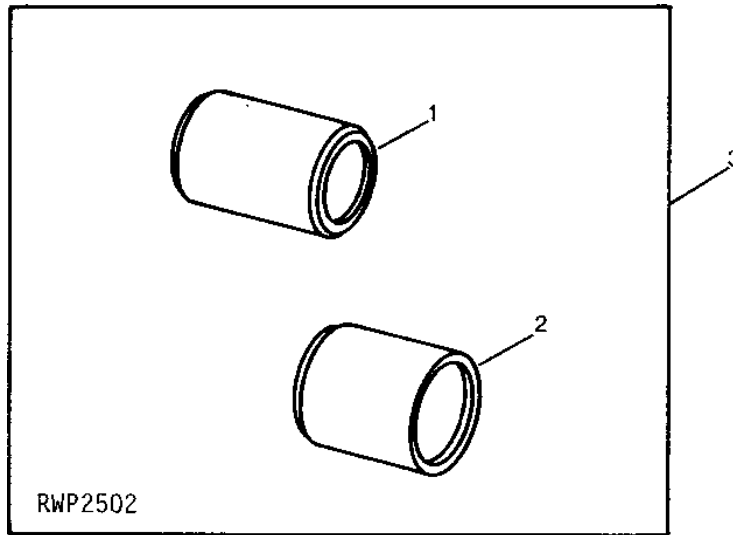
KEY	PART NO.	PART NAME	QTY	TRACTOR SERIAL NO.	REMARKS
1	R66434	BUSHING	1		(CENTER LINK)
2	11M7040	COTTER PIN	1		0.248" X 1.969"
3	R53296	PIN	1		
4	R66435	BUSHING	2		(DRAFT LINK BALL)
5	AR35857	BUSHING	1		

# 4E6

HYDRAULICS

CATEGORY II IMPLEMENT ADAPTER KIT  
(STEPPED STRADDLE MOUNTED IMPLEMENTS)

RWP2502 -UN-17OCT94



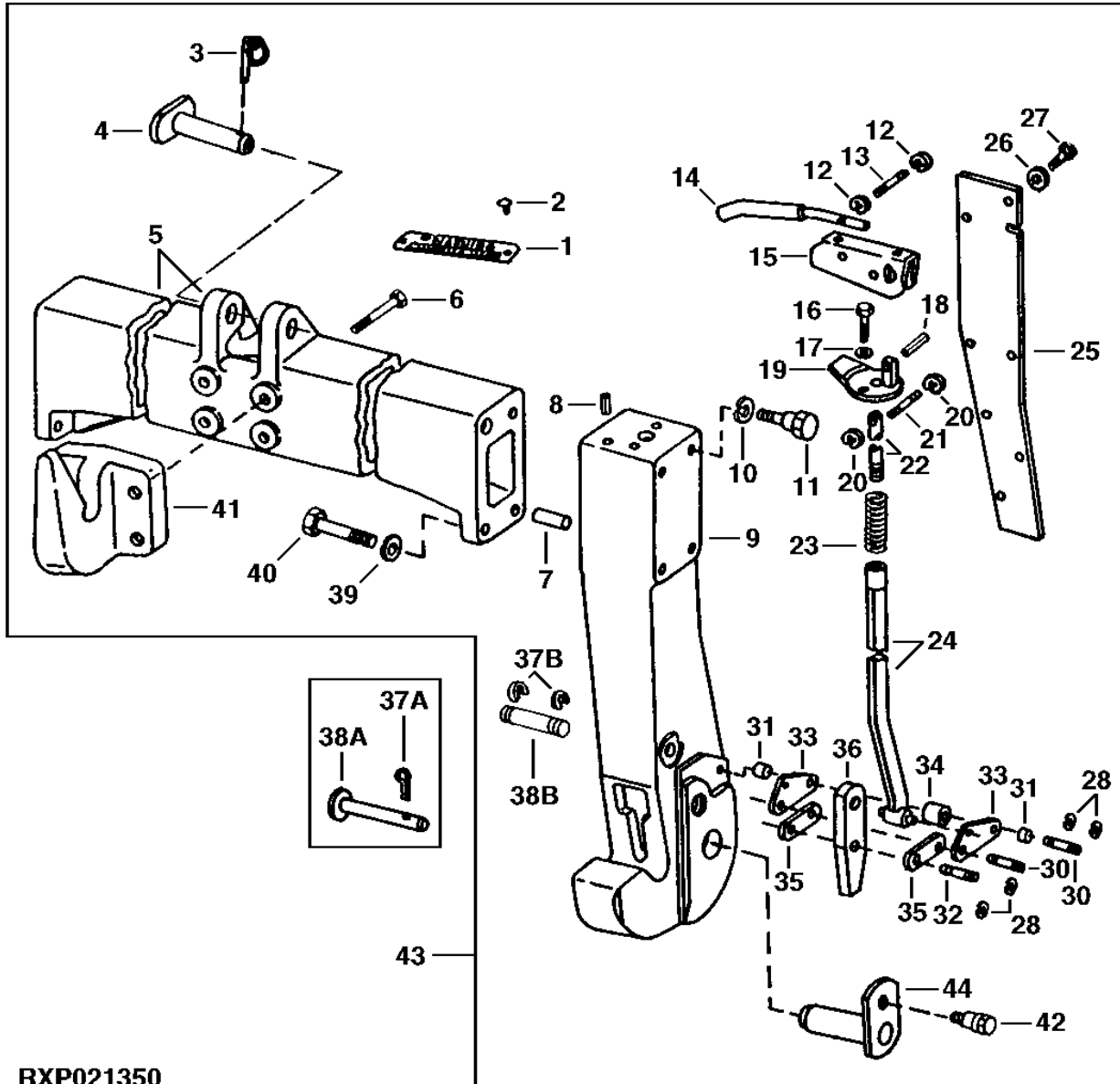
KEY	PART NO.	PART NAME	QTY	TRACTOR SERIAL NO.	REMARKS
1	R66434	BUSHING	1		CENTER LINK
2	R67798	BUSHING	2		DRAFT LINK
3	AR88263	KIT	1		

# 4E7

HYDRAULICS

RXP021350 -UN-11OCT95

IMPLEMENT QUICK COUPLER



RXP021350



# 4E8

HYDRAULICS

## IMPLEMENT QUICK COUPLER - CONTINUED

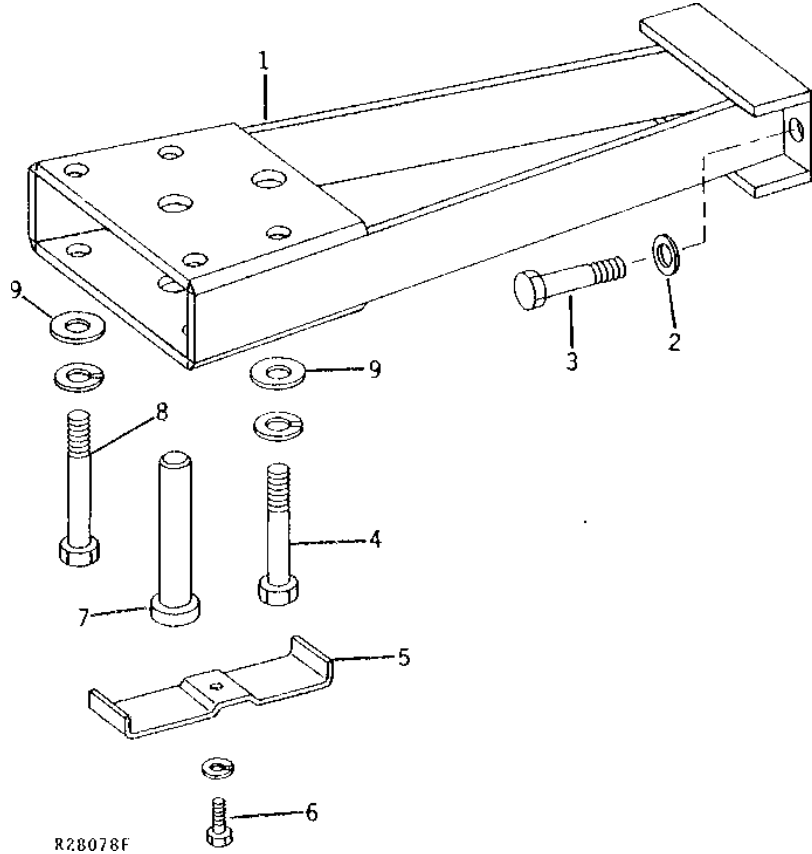
KEY	PART NO.	PART NAME	QTY	TRACTOR SERIAL NO.	REMARKS
1	R56038	DECAL	1		(SUB R120103)
2	R55427	RIVET	2		(SUB R125955)
3	M115827	QUICK LOCK PIN	1		(SUB FOR AR62151)
4	AR89302	PIN	1		
5	R57527	CROSSBAR	1	-004503	(SUB R69571)
	R69571	CROSSBAR	1	004504-	(SUB FOR R64390 OR R65814)
6	19H2174	CAP SCREW	4		3/4" X 4-1/4"
7	A776R	PIN	4		
8	34H311	SPRING PIN	2	-XXXXXX	1/4" X 7/8"
9	R65815	QUICK COUPLER	1		R.H. (ALSO ORDER AR78289, AR76161, R65082 AND (2) F2208R) (SUB FOR R57525 OR R62114 OR R64363)
	R65816	QUICK COUPLER	1		L.H. (ALSO ORDER AR78289, AR76161, R65082 AND (2) F2208R) (SUB FOR R57526 OR R62115 OR R64364)
10	12H294	LOCK WASHER	2		5/8"
11	19H3353	CAP SCREW	2		5/8" X 5"
12	R72654	SNAP RING	4		
13	R66901	SPRING PIN	2		
14	R48163	HANDLE	2		
15	R48164	LEVER	2		
16	19H2284	CAP SCREW	4		3/8" X 7/8"
17	12H304	LOCK WASHER	4		3/8"
18	34H311	SPRING PIN	2		1/4" X 7/8"
19	AR50374	BRACKET	1		
20	R72654	SNAP RING	4		
21	R66901	SPRING PIN	2		
22	R47578	STUD	2		
23	R43444	SPRING	2		
24	AR50377	BAR	2		
25	R58617	SHIELD	2		
26	12H302	LOCK WASHER	14		1/4"
27	19H1227	CAP SCREW	14		1/4" X 1/2"
28	F2208R	SNAP RING	12		
29	34H375	SPRING PIN	2	-004798	1/2" X 3"
	R65082	PIN	2	004799-	(ILLUSTRATED)
30	R119275	PIN	2		(SUB FOR R47679)
31	F2206R	WASHER	4		
32	R119276	PIN	2		(SUB FOR R47678)
33	R65243	LINK	4		(SUB FOR R58203)
34	28H1919	BUSHING	2		
35	R65242	STRAP	4		(SUB FOR R47590)
36	R36441	LATCH	2		
37A	11M7087	COTTER PIN	2	-XXXXXX	0.157" X 1.575"
37B	R73380	SNAP RING	4	XXXXXX-	(SUB FOR A369R)
38A	R28556	PIN	2	-XXXXXX	
38B	R66987	PIN	2	XXXXXX-	
39	12H294	LOCK WASHER	2		5/8"
40	19H2588	CAP SCREW	2		5/8" X 1-7/8"
41	R59478	HOOK	1		
42	AR74673	CAP SCREW	2	-001852	(SUB FOR AR48110)
	AR76160	CAP SCREW	2	001853-002295	(SUB AR78289)
	AR78289	CAP SCREW	2	002296-	
<b>43</b>	<b>RE60512</b>	<b>COUPLING</b>	<b>1</b>		<b>(SUB FOR AR98479) (FI)</b>
44	AR48112	PIN	2	-001852	
	AR76161	PIN	2	001853-	(SUB AR89303)

# 4E9

HYDRAULICS

R28078 -UN-01JAN94

## DRAWBAR FRONT SUPPORT



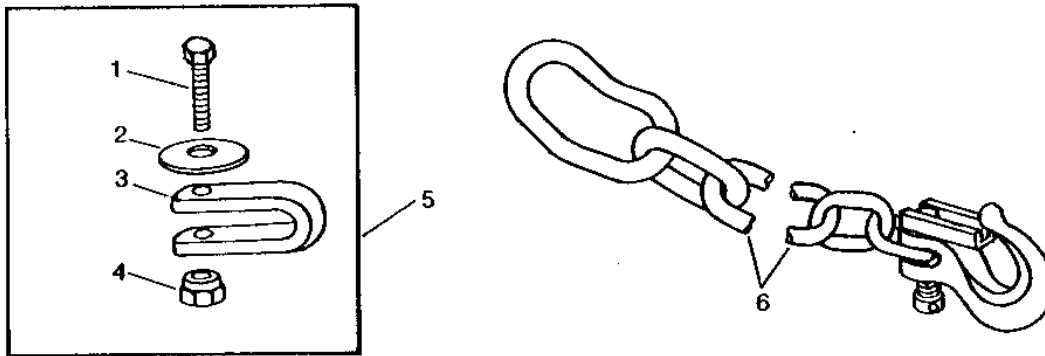
KEY	PART NO.	PART NAME	QTY	TRACTOR SERIAL NO.	REMARKS
1	AR70376	SUPPORT	1		
2	T21397	WASHER	4		
3	19H1768	CAP SCREW	4	3/4" X 2"	
4	19H2688	CAP SCREW	2	3/4" X 5"	
	12H236	LOCK WASHER	2	3/4"	
5	R58596	RETAINER	1	(SUB R82343, A147R AND R74553)	
6	19H1648	CAP SCREW	1	3/8" X 3/4"	
	12H304	LOCK WASHER	1	3/8"	
7	R43320	PIN	1	(SUB R62760)	
8	19H2001	CAP SCREW	2	3/4" X 5-1/2"	
	12H236	LOCK WASHER	2	3/4"	
9	T21397	WASHER	4		

# 4E10

HYDRAULICS

RWP5796 -UN-01JAN94

## IMPLEMENT SAFETY CHAIN



RWP5796

KEY	PART NO.	PART NAME	QTY	TRACTOR SERIAL NO.	REMARKS
1	19H1768	CAP SCREW	1	(A) (B) 3/4" X 2"	
	19H2084	CAP SCREW	1	(A) 3/4" X 4-1/2"	
	19H2174	CAP SCREW	1	(B) 3/4" X 4-1/4"	
2	R36402	WASHER	1		
3	R69408	CLEVIS	1	(A)	
	R69409	CLEVIS	1	(B)	
4	T25879	NUT	2		
5	AR90577	SAFETY CHAIN ADAPTER KIT	1		CATEGORY IV DRAWBARS
	AR90578	CHAIN KIT	1		CATEGORY II AND III DRAWBARS
6	RE26739	LINK CHAIN	1		61 LINKS 6.4 MM (1/4") DIA CHAIN (6,000 LB)
	AR90581	LINK CHAIN	1		61 LINKS 6.4 MM (1/4") DIA CHAIN (10,000 LB)
	AR90579	LINK CHAIN	1		42 LINKS 9.5 MM (3/8") DIA CHAIN
	AR90583	LINK CHAIN	1		43 LINKS 11.1 MM (7/16") DIA CHAIN
	AN212996	LINK CHAIN	1		42 LINKS 12.7 MM (1/2") DIA CHAIN, (SUB FOR RE26740)

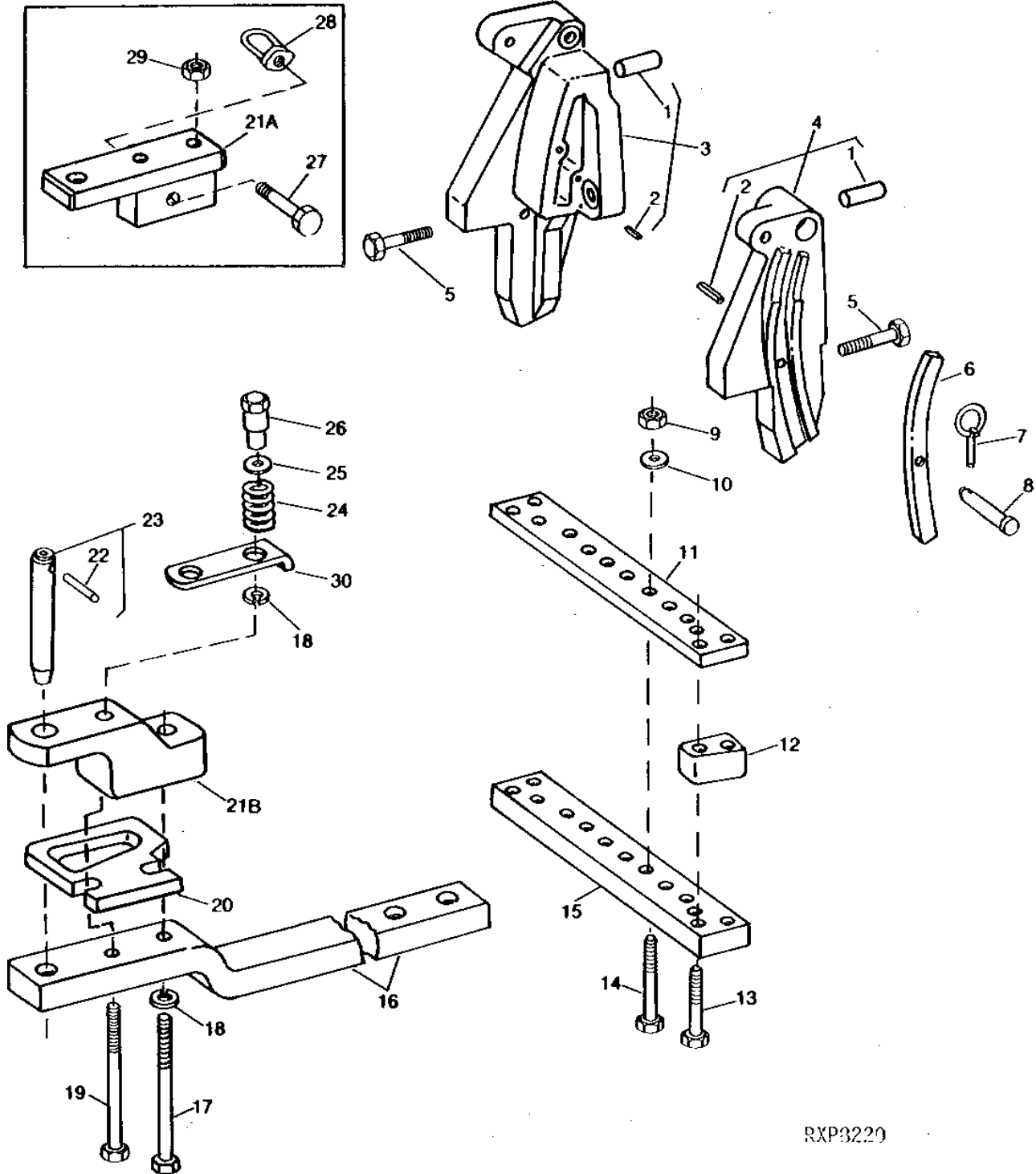
(A) INCLUDED IN AR90577  
 (B) INCLUDED IN AR90578

# 4E11

HYDRAULICS

RXP8220 -UN-01JAN94

REGULAR DRAWBAR



RXP3220

# 4E12

HYDRAULICS

## REGULAR DRAWBAR - CONTINUED

KEY	PART NO.	PART NAME	QTY	TRACTOR SERIAL NO.	REMARKS
1	R35482	DOWEL PIN	4		
2	34H348	SPRING PIN	2	3/8" X 1"	
3	AR69150	BRACKET	1	(MARKED R57278)	
4	AR69149	BRACKET	1	(MARKED R57277) (SUB AR80777)	
5	19H3333	CAP SCREW	6	7/8" X 2-3/4", HS, SAE 8	
6	R57282	SWAY BLOCK	2		
7	M115827	QUICK LOCK PIN	2	(SUB FOR AR62151)	
8	R57528	PIN	2		
9	14H794	NUT	2	3/4"	
10	12H236	LOCK WASHER	2	3/4"	
11	R36272	STRAP	1		
12	R58600	SPACER	2		
13	19H3210	CAP SCREW	4	3/4" X 5-1/4" HS, SAE 8	
14	19H2000	CAP SCREW	2	3/4" X 5"	
15	R59526	SUPPORT	1		
16	R57590	DRAWBAR	1		
17	19H2825	CAP SCREW	1	3/4" X 4-1/4", HS, SAE 8	
18	12H236	LOCK WASHER	2	3/4"	
19	19H3225	CAP SCREW	2	3/4" X 6-1/2", HS, SAE 8	
20	R83170	RETAINER	1		
21A	AR53877	STRAP	1	(SUB R80447, R83170, 19H2825 AND 19H3225)	
	RE19377	STRAP	1	(ILLUSTRATED) (SUB R80447, R83170, 19H2825 AND 19H3225)	
21B	R80447	STRAP	1		
22	25H1191	GROOVE PIN	1	(SUB FOR T56005)	
23	AR69987	PIN	1		
24	F304R	SPRING	1		
25	24H1513	WASHER	1	1-13/32" X 2" X 0.060"	
26	R54065	NUT	1	(SUB R72433)	
27	19H2728	CAP SCREW	1	3/4" X 3", HS, SAE 8	
28	R81245	SUPPORT	1		
29	14H794	NUT	2	3/4"	
30	R54064	RETAINER	1		

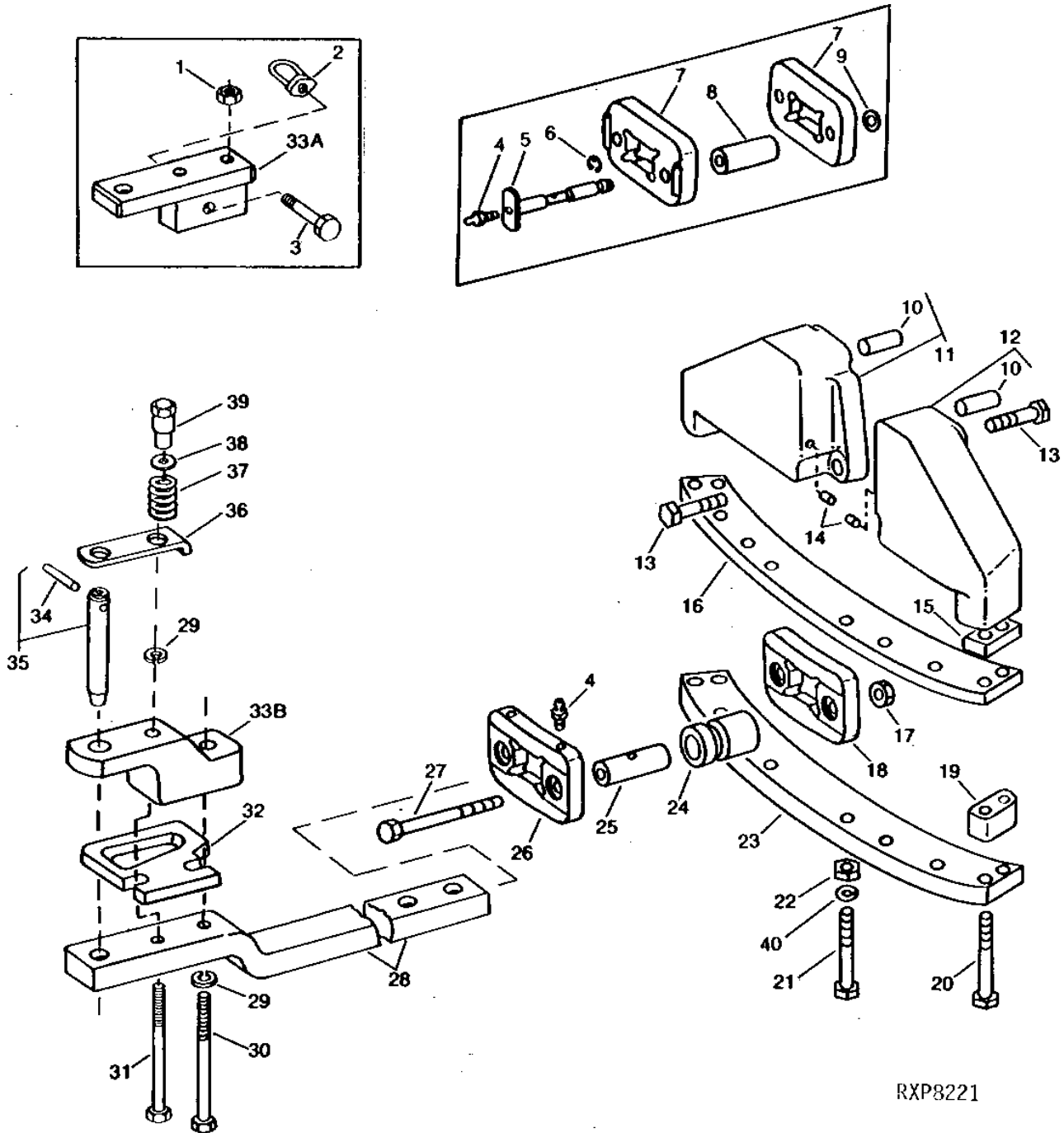
# 4E13

HYDRAULICS

RXP8221

-UN-01JAN94

WIDE SWING DRAWBAR



RXP8221

# 4E14

HYDRAULICS

## WIDE SWING DRAWBAR - CONTINUED

KEY	PART NO.	PART NAME	QTY	TRACTOR SERIAL NO.	REMARKS
1	14H794	NUT	1		3/4"
2	R81245	SUPPORT	1		
3	19H2728	CAP SCREW	1		3/4" X 3", HS, SAE 8
4	JD7759	LUBRICATION FITTING	2		
5	AR61656	PIN	2	-004227	
6	R73380	SNAP RING	2	-004227	(SUB FOR A369R)
7	R58597	HANGER	2	-004227	
8	R54141	BUSHING	2	-004227	
9	24M7353	WASHER	2	-004227	(SUB FOR R42660)
10	R35482	DOWEL PIN	4		
11	AR71405	BRACKET	1		(MARKED R59198)
12	AR71404	BRACKET	1		(MARKED R59197)
13	19H3333	CAP SCREW	6		7/8" X 2-3/4", HS, SAE 8
14	34H348	SPRING PIN	2		3/8" X 1"
15	R58598	STRAP	2		
16	R35483	SUPPORT	1		(SUB R83112)
17	14H847	NUT	2	004228-	9/16"
18	R62821	HANGER	1	004228-	
19	R58599	SPACER	2		
20	19H2723	CAP SCREW	4		3/4" X 6-1/4"
21	19H2000	CAP SCREW	2		3/4" X 5"
22	14H794	NUT	2		3/4"
	12H236	LOCK WASHER	2		3/4"
23	R35476	SUPPORT	1		(SUB R83111)
24	R62822	ROTARY VALVE SLEEVE	2	004228-	
25	R62823	SLEEVE	2	004228-	
26	R63450	HANGER	1	004228-	
27	19H2366	CAP SCREW	2	004228-	9/16" X 6"
28	R57590	DRAWBAR	1		
29	12H236	LOCK WASHER	2		3/4"
30	19H2825	CAP SCREW	1		3/4" X 4-1/4", HS, SAE 8
31	19H3225	CAP SCREW	1		3/4" X 6-1/2"
32	R83170	RETAINER	1		
33A	AR53877	STRAP	1		(SUB R80447, R83170, 19H2825 AND 19H3225)
	RE19377	STRAP	1		(ILLUSTRATED) (SUB FOR AR53877) (SUB R80447, R83170, 19H2825 AND 19H3225)
33B	R80447	STRAP	1		
34	25H1191	GROOVE PIN	1		1/2" X 4", (SUB FOR T56005)
35	AR69987	PIN	1		
36	R54064	RETAINER	1		
37	F304R	SPRING	1		
38	24H1513	WASHER	1		1-13/32" X 2" X 0.060"
39	R54065	NUT	1		(SUB R72433)
40	12H236	LOCK WASHER	2		3/4"

---

MEMORANDA

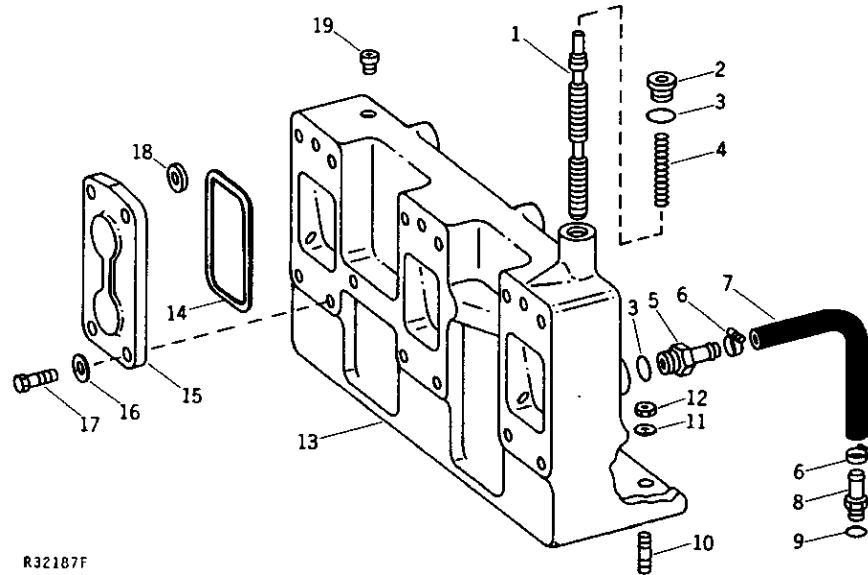


# 4E15

HYDRAULICS

R32187 -UN-01JAN94

## SELECTIVE CONTROL VALVE MANIFOLD (LESS ROCKSHAFT)



R32187F

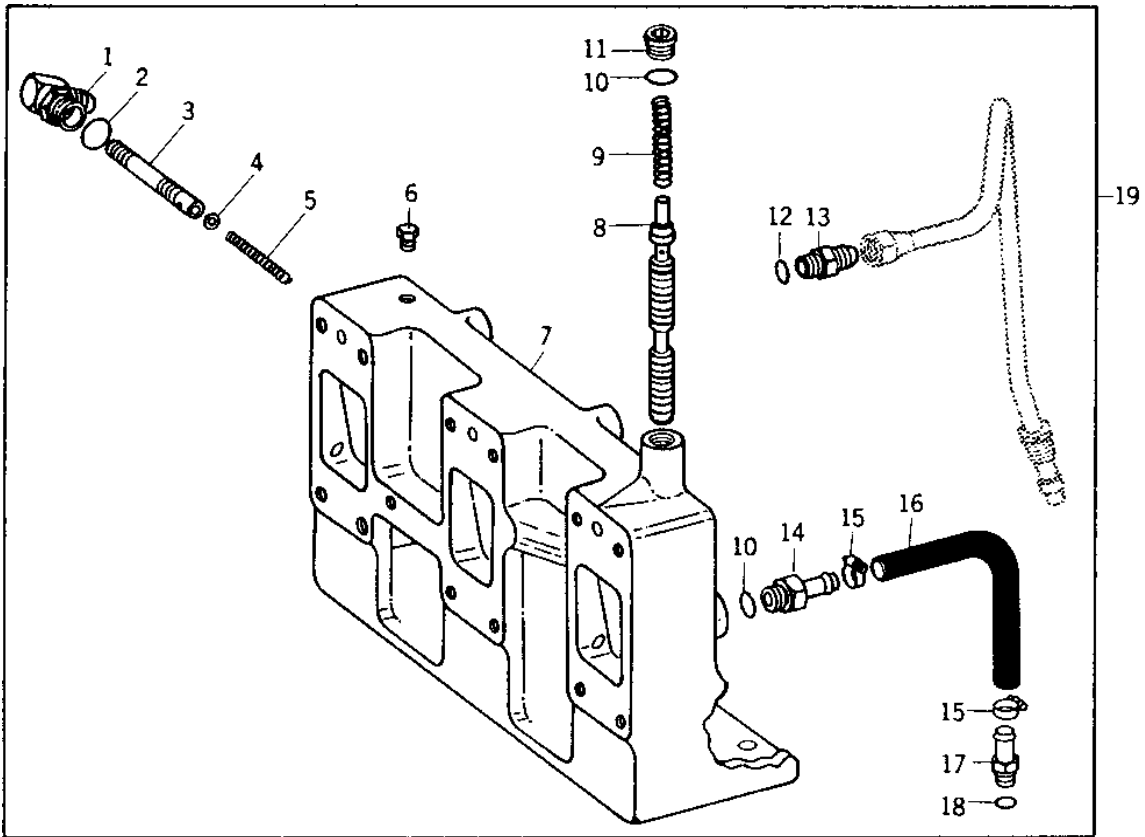
KEY	PART NO.	PART NAME	QTY	TRACTOR SERIAL NO.	REMARKS
1	R60096	VALVE	1	001252-	
2	R33138	FITTING	1	001252-	
3	R26375	O-RING	2	001252-	
4	R28914	SPRING	1	001252-	
5	T38282	HOSE FITTING	1	001252-	
6	TY22467	CLAMP	2	001252-	(SUB FOR AR21839)
7	R60421	HYDRAULIC HOSE	1	001252-	
8	T19651	HOSE FITTING	1	-001251	
	T38282	HOSE FITTING	1	001252-	
9	R26375	O-RING	1	001252-	
10	R55396	STUD	4		
11	12H304	LOCK WASHER	4		3/8"
12	14H1076	NUT	4		3/8"
13	R58779	MANIFOLD	1	-001251	(SUB AR73903)
	R60419	MANIFOLD	1	001252-	
14	R40922	PACKING	1		
15	R41446	COVER	1		(DUAL SELECTIVE CONTROL)
16	12H293	LOCK WASHER	4		7/16"
17	19H2500	CAP SCREW	4		7/16" X 1-3/8"
18	F2741R	PACKING	1		
19	15H558	PIPE PLUG	3		1/8"

# 4E16

HYDRAULICS

## SELECTIVE CONTROL VALVE MANIFOLD KIT (LESS ROCKSHAFT)

R32371 -UN-01JAN94



R32371F

# 4E17

HYDRAULICS

SELECTIVE CONTROL VALVE MANIFOLD KIT - CONTINUED  
(LESS ROCKSHAFT)

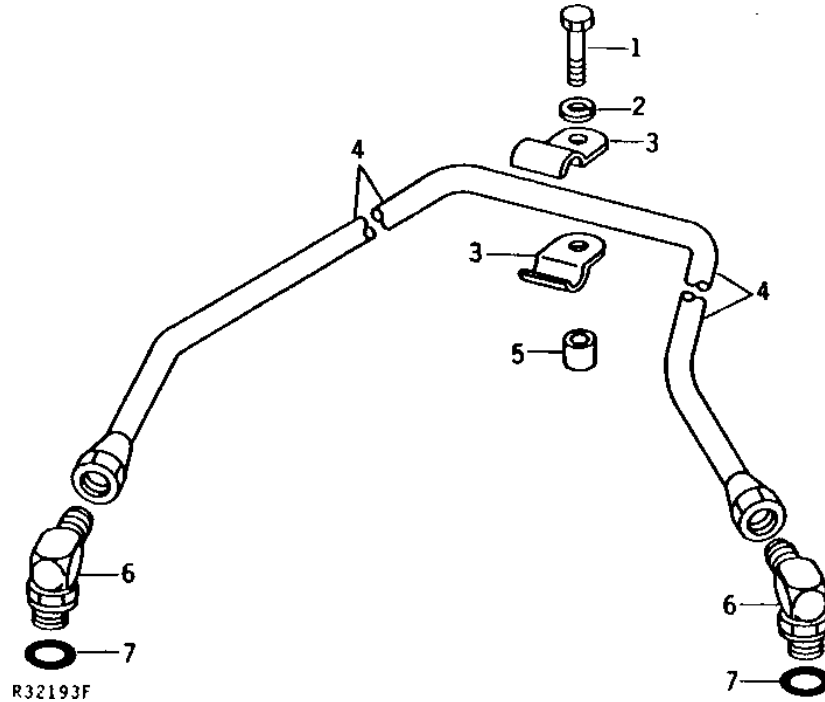
KEY	PART NO.	PART NAME	QTY	TRACTOR SERIAL NO.	REMARKS
1	AR26724	ELBOW FITTING	1	90°	
2	R26906	O-RING	1		
3	AR63906	VALVE	1		
4	24H1283	WASHER	1	7/32" X 1/2" X 0.049"	
5	R40072	SPRING	1		
6	15H558	PIPE PLUG	3	1/8"	
7	R60419	MANIFOLD	1		
8	R60096	VALVE	1		
9	R28914	SPRING	1		
10	R26375	O-RING	2		
11	R33138	FITTING	1		
12	F3171R	O-RING	1		
13	R27267	FITTING	1		
14	T38282	HOSE FITTING	1		
15	TY22467	CLAMP	2	(SUB FOR AR21839)	
16	R60421	HYDRAULIC HOSE	1		
17	T38282	HOSE FITTING	1		
18	R26375	O-RING	1		
19	AR73903	MANIFOLD	1	-001499 (NLA)	

# 4E18

HYDRAULICS

R32193 -UN-16NOV94

## SELECTIVE CONTROL PRESSURE LINE (ROCKSHAFT)



KEY	PART NO.	PART NAME	QTY	TRACTOR SERIAL NO.	REMARKS
1	19H1732	CAP SCREW	1	3/8" X 1-1/4"	
2	12H304	LOCK WASHER	1	3/8"	
3	R27539	CLAMP	2		
4	AR80929	HYDRAULIC LINE	1	(SUB FOR AR69404)	
5	28H1519	WASHER	1	0.493" X 0.675" X 3/8"	
6	AT32332	ELBOW FITTING	2	90°, (SUB FOR AR26763)	
7	R26375	O-RING	2		

---

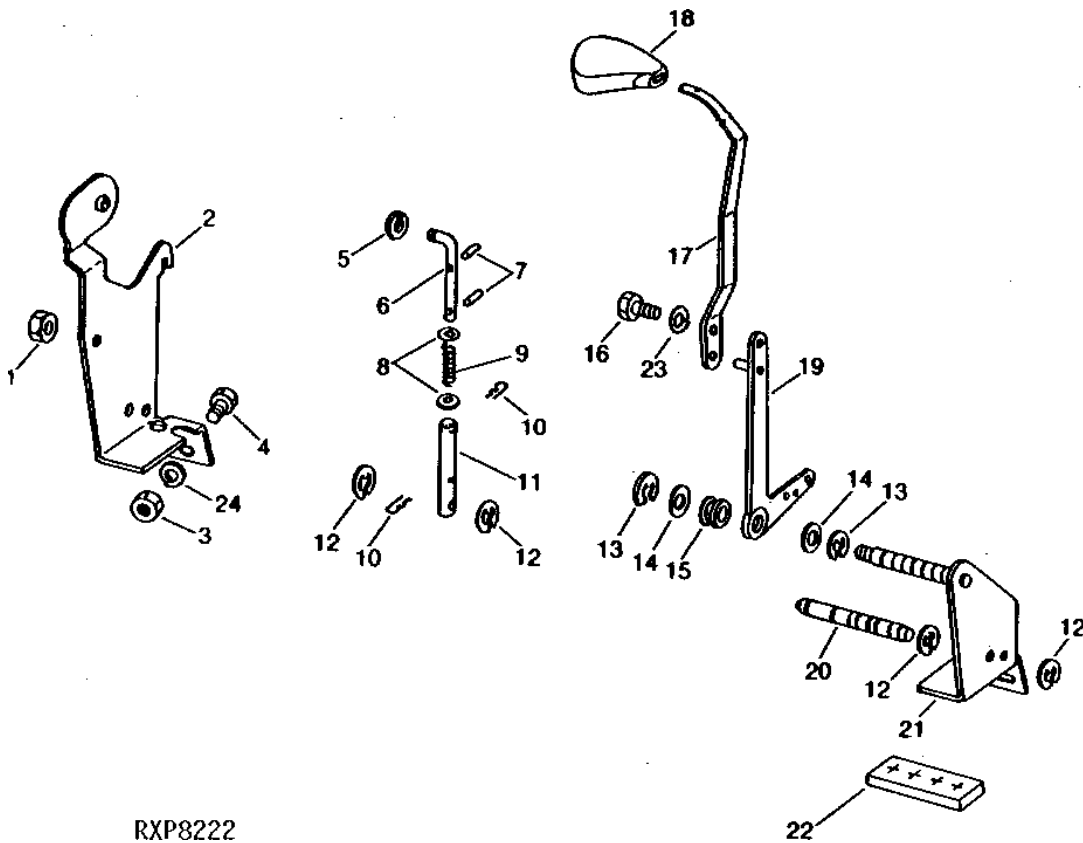
MEMORANDA

# 4E19

HYDRAULICS

RXP8222 -UN-01JAN94

SELECTIVE CONTROL LEVERS  
(TRACTOR SERIAL NO. -003503)



RXP8222

# 4E20

HYDRAULICS

**SELECTIVE CONTROL LEVERS -CONTINUED**  
(TRACTOR SERIAL NO. -003503)

KEY	PART NO.	PART NAME	QTY	TRACTOR SERIAL NO.	REMARKS
1	14H826	NUT	1		1/2"
	12H301	LOCK WASHER	1		1/2"
2	AR69794	BRACKET	1		(SUB AR78143, AR86087, AR86088, (3) RE20613, R81473, R81474, R81475, R63214, R63215, R70307, (6) 19H2020, (2) 19H2661, (2) 12H303 AND 19H2021)
3	14H732	NUT	2		3/8"
4	19H1900	CAP SCREW	2		5/16" X 3/4"
5	R72654	SNAP RING	AR		(A)
6	R58080	PIN	AR		(A)
7	34H241	SPRING PIN	AR		(B) 1/8" X 3/8"
8	24H1286	WASHER	AR		(B) 9/32" X 1/2" X 1/16"
9	R28914	SPRING	AR		(A)
10	R58078	RETAINER	AR		(B)
11	R58079	SLEEVE	AR		(A)
12	R72655	SNAP RING	AR		(C) (SUB FOR T12808)
13	F2863R	SNAP RING	AR		(C)
14	24H1658	WASHER	AR		21/32" X 1" X 0.060", (2 USED DUAL) (4 USED TRIPLE)
15	R58081	WASHER	AR		(A)
16	19H1919	CAP SCREW	AR		(A) 1/4" X 5/8"
17	R58088	LEVER	1		(SINGLE)
	R58089	LEVER	1		(DUAL)
	R58090	LEVER	1		(TRIPLE)
18	R52690	GRIP	1		(SINGLE)
	R52691	GRIP	1		(DUAL)
	R52692	GRIP	1		(TRIPLE)
19	RE11492	ARM	2		(A) (SUB FOR AR69796 OR AR78145) (SUB RE20613, (2) 19H2020 AND R81473 (SINGLE) OR R81474 (DUAL) OR R81475 (TRIPLE))
20	R58093	PIN	1		
21	AR69795	BRACKET	1	-001455	(ALSO ORDER F2863R) (SUB AR78143, AR86087, AR86088, (3) RE20613, R81473, R81474, R81475, R63214, R63215, R70307, (6) 19H2020, (2) 19H2661, (2) 12H303, AND 19H2021)
	AR74476	BRACKET	1	001456-	(SUB AR78143, AR86087, AR86088, (3) RE20613, R81473, R81474, R81475, R63214, R63215, R70307, (6) 19H2020, (2) 19H2661, (2) 12H303, AND 19H2021)
22	R58092	SEAL	1		(SUB R63214)
23	12H302	LOCK WASHER	AR		(A) 1/4"
24	12H304	LOCK WASHER	2		3/8"

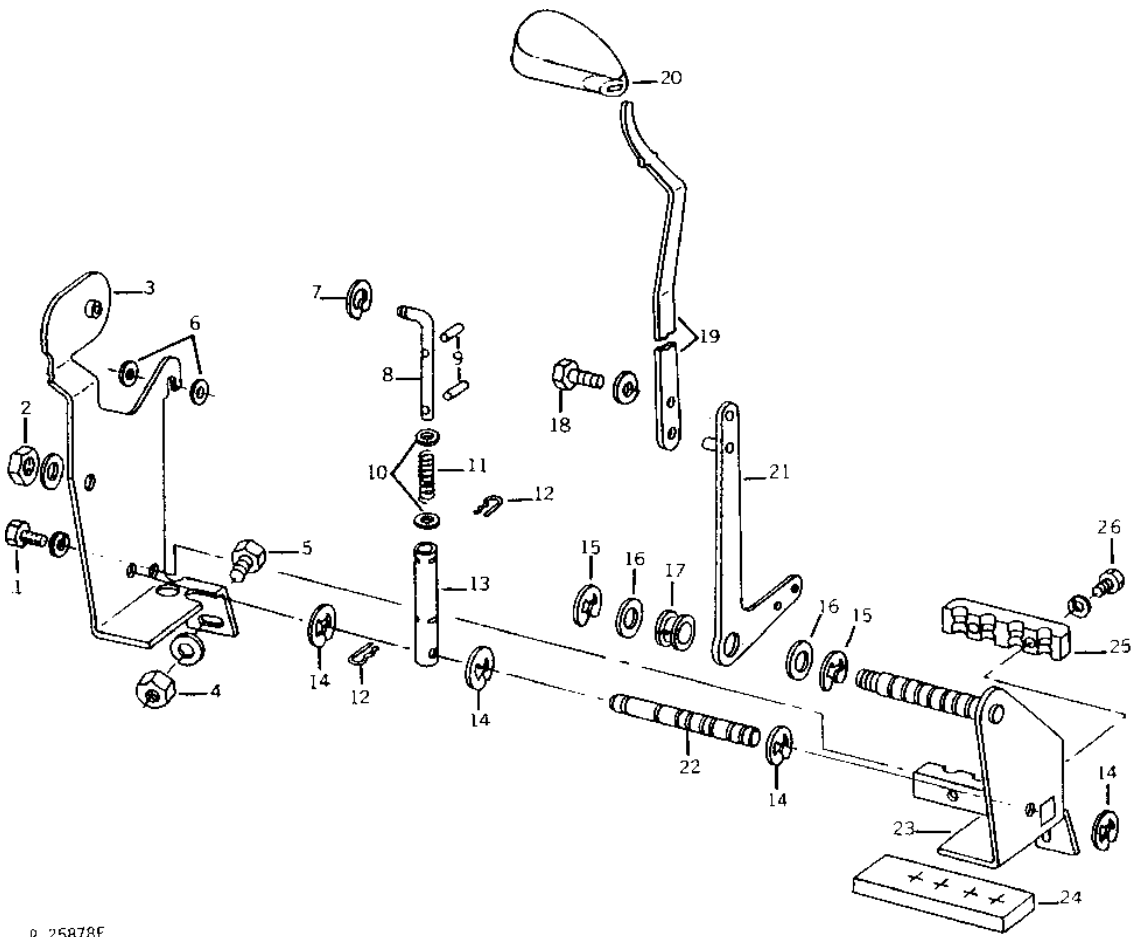
(A) 2 USED DUAL, 3 USED TRIPLE  
(B) 4 USED DUAL, 6 USED TRIPLE  
(C) 5 USED DUAL, 7 USED TRIPLE

# 4E21

HYDRAULICS

SELECTIVE CONTROL LEVERS  
(TRACTOR SERIAL NO. 003504- )

R25878 -UN-25SEP95



R 25878F



# 4E22

HYDRAULICS

SELECTIVE CONTROL LEVERS - CONTINUED  
(TRACTOR SERIAL NO. 003504- )

KEY	PART NO.	PART NAME	QTY	TRACTOR SERIAL NO.	REMARKS
1	19H2284	CAP SCREW	1		3/8" X 7/8"
	12H304	LOCK WASHER	1		3/8"
2	14H826	NUT	1		1/2"
	12H301	LOCK WASHER	1		1/2"
3	AR78143	BRACKET	1		
4	14H732	NUT	2		3/8"
	12H304	LOCK WASHER	2		3/8"
5	19H1900	CAP SCREW	2		5/16" X 3/4"
6	24H1305	WASHER	2		13/32" X 13/16" X 0.065"
7	R72654	SNAP RING	AR		(A)
8	R58080	PIN	AR		(A)
9	34H241	SPRING PIN	AR		(B) 1/8" X 3/8"
10	24H1286	WASHER	AR		(B) 9/32" X 1/2" X 1/16"
11	R28914	SPRING	AR		(A)
12	R58078	RETAINER	AR		(B)
13	R58079	SLEEVE	AR		(A)
14	R72655	SNAP RING	AR		(C) (SUB FOR T12808)
15	F2863R	SNAP RING	AR		(C)
16	24H1658	WASHER	AR		21/32" X 1" X 0.060", (2 USED DUAL) (4 USED TRIPLE)
17	R58081	WASHER	AR		(A)
18	19H1919	CAP SCREW	AR		(A) 1/4" X 5/8"
	12H302	LOCK WASHER	AR		(A) 1/4"
19	R63211	LEVER	1		(SINGLE) (SUB R81473, RE20613 AND (2) 19H2020)
	R63212	LEVER	1		(DUAL) (SUB R81474, RE20613 AND (2) 19H2020)
	R63213	LEVER	1		(TRIPLE) (SUB R81475, RE20613 AND (2) 19H2020)
20	R52690	GRIP	1		(BOSS INSIDE)
	R52691	GRIP	1		(PLAIN)
	R52692	GRIP	1		(BOSS OUTSIDE)
21	RE11492	ARM	AR		(A) (SUB FOR AR78145) (SUB RE20613, (2) 19H2020 AND R81473 OR R81474 OR R81475)
22	R58093	PIN	1		
23	AR78144	BRACKET	1	-006244	(SUB AR86087 AND AR86088)
	AR86087	BRACKET	1	006245-	
24	R63214	ISOLATOR	1		
25	R63215	CLAMP	1		
26	19H2661	CAP SCREW	2		5/16" X 1-3/8"
	12H303	LOCK WASHER	2		5/16"

- (A) 2 USED DUAL, 3 USED TRIPLE
- (B) 4 USED DUAL, 6 USED TRIPLE
- (C) 5 USED DUAL, 7 USED TRIPLE

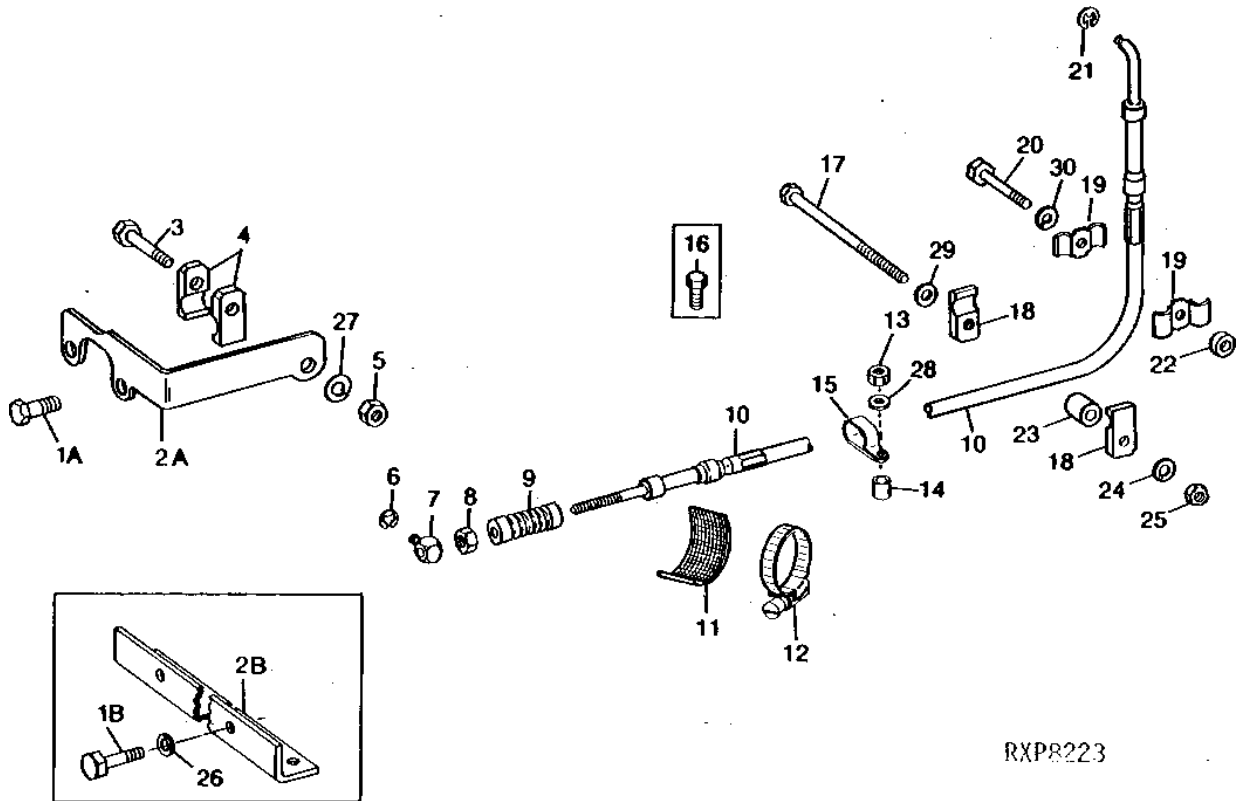
# 4E23

HYDRAULICS

RXP8223

-UN-01JAN94

## SELECTIVE CONTROL CABLE AND REAR BRACKET



RXP8223

# 4E24

HYDRAULICS

## SELECTIVE CONTROL CABLE AND REAR BRACKET - CONTINUED

KEY	PART NO.	PART NAME	QTY	TRACTOR SERIAL NO.	REMARKS
1A	19H1740	CAP SCREW	AR		7/16" X 1-3/4", (1 USED DUAL) (3 USED TRIPLE)
	19H2055	CAP SCREW	1		7/16" X 2-1/4"
1B	19H1731	CAP SCREW	2		3/8" X 1", (LESS ROCKSHAFT)
2A	R58858	BRACKET	AR		(A) (ROCKSHAFT)
	R64517	BRACKET	1		(TRIPLE)
2B	R58780	BRACKET	1		(LESS ROCKSHAFT)
3	19H1765	CAP SCREW	AR		(A) 3/8" X 1-3/4"
	19H2228	CAP SCREW	1		3/8" X 4"
4	T33483	CLAMP	AR		(C)
5	14H1076	NUT	AR	-004789	(B) 3/8"
6	R72653	SNAP RING	AR		(B) (SUB FOR M2396T)
7	R57724	SWIVEL	AR		(B)
8	14H850	NUT	AR		(B) 1/4"
9	R59618	BOOT	AR		(B)
10	AR69797	PUSH PULL CABLE	AR		(B) (SUB AR103305, 11M7077 AND 24H1821)
	R39725	SEAL	2		(PER CABLE) CABLE HOUSING
	R39727	SEAL	2		(PER CABLE) TOP AND BOTTOM END
	R44302	TIE BAND	1		
11	.....	CUSHION	1		4 X 38 X 130 MM (1/8" X 1-1/2" X 5") (MAKE FROM R21736)
12	TY22467	CLAMP	1		(SUB FOR AR21839)
13	14H1076	NUT	1		3/8"
14	28H1525	BUSHING	1		
15	R50454	CLAMP	1		
16	19H1801	CAP SCREW	1	-002754	3/8" X 2"
17	19H2229	CAP SCREW	1	-003503	3/8" X 5-1/4"
18	T33483	CLAMP	AR		(C)
19	R42009	CLAMP	2		
20	19H1849	CAP SCREW	1		5/16" X 1-1/4"
21	R72654	SNAP RING	AR		(B)
22	28H1517	WASHER	1		0.493" X 0.675" X 1/4"
23	28H1525	BUSHING	AR	-003503	(2 USED DUAL) (1 USED TRIPLE)
24	12H304	LOCK WASHER	1	-003503	3/8"
25	14H1076	NUT	1	-003503	3/8"
26	12H304	LOCK WASHER	2		3/8", (LESS ROCKSHAFT)
27	12H304	LOCK WASHER	AR		(B) 3/8"
28	12H304	LOCK WASHER	1		3/8"
29	24H1884	WASHER	1	-003503	13/32" X 13/16" X 0.120"
30	12H303	LOCK WASHER	1		5/16"

- (A) 2 USED DUAL, 2 USED TRIPLE
- (B) 2 USED DUAL, 3 USED TRIPLE
- (C) 4 USED DUAL, 6 USED TRIPLE

---

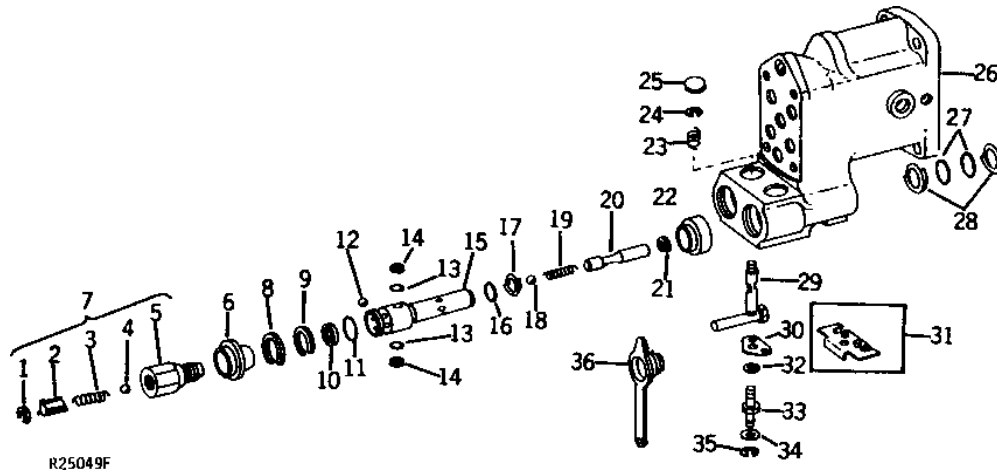
MEMORANDA

# 4E25

HYDRAULICS

## BREAKAWAY COUPLER (TRACTOR SERIAL NO. -004818)

R25049 -UN-01JAN94



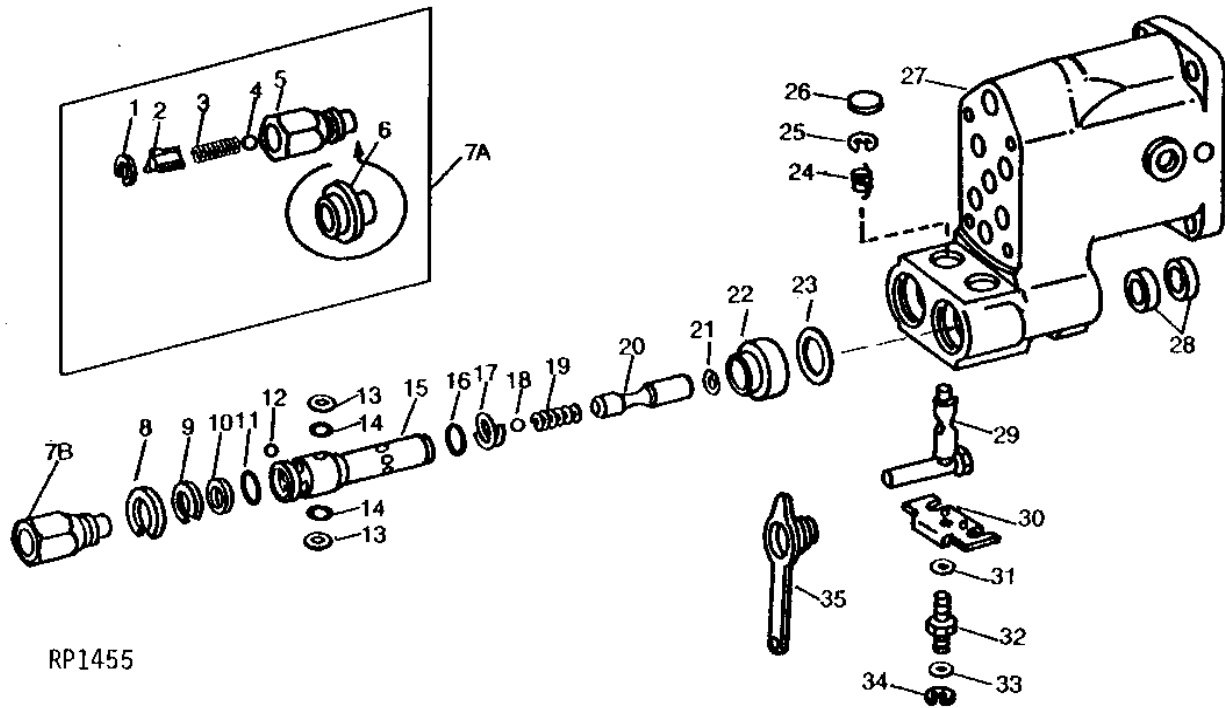
KEY	PART NO.	PART NAME	QTY	TRACTOR SERIAL NO.	REMARKS
1	R59633	WEAR RING	2		(SUB FOR R28204)
2	R28085	GUIDE	2		(SUB AR93819 OR AR93820, THIS APPLICATION)
3	R28084	SPRING	2		
4	D2361R	BALL	2		13 MM (1/2")
5	R27430	HYD. QUICK-CONNECT COUPLER	1		(PRESSURE) (SUB AR93819)
	R45630	HYD. QUICK-CONNECT COUPLER	1		(RETURN) (SUB AR93820)
6	R28006	CAP	2		
7	AR30210	INTERNAL HALF COUPLER	1		(PRESSURE) (SUB AR93819)
	AR47643	BREAKAWAY COUPLER	1		(RETURN) (SUB AR93820)
8	R34399	SNAP RING	2		
9	R32356	SNAP RING	2		
10	R26485	BACK-UP RING	2		
11	R59343	RING	2		
12	400R	BALL	12		6 MM (1/4")
13	R65286	O-RING	4		
14	R26484	BACK-UP RING	4		
15	R34397	SOCKET OUTLET	2		
16	R375R	O-RING	2		
17	R26482	RING	2		
18	D2361R	BALL	2		13 MM (1/2")
19	R28084	SPRING	2		
20	R34400	PLUG	2		
21	R26483	SNAP RING	2		
22	R34398	SLEEVE	2		
23	R31890	SPRING	2		
24	R72653	SNAP RING	2		(SUB FOR M2396T)
25	30H15	PLUG	2		1-1/8"
26	AR82572	HOUSING	1		(MARKED R40499 OR R65284) (ALSO ORDER R27166, R41057, R59629, (2) R65501, (2) R65502, R66916, R74695 AND R65289) (SUB FOR AR40827)
27	A4730R	O-RING	4		(SUB R79311)
28	R26480	BACK-UP RING	4		(SUB R79311)
29	AR99100	LEVER	2		(SUB FOR AR33877 OR AR82576)
30	R51285	PLATE	1	-002549	(SUB R61957)
31	R61957	LATCH	1	002550-	(SUB FOR AR75958)
32	12H303	LOCK WASHER	1		5/16"
33	R49191	SCREW	1		
34	24H1286	WASHER	1		9/32" X 1/2" X 1/16"
35	R72654	SNAP RING	1		(SUB FOR R27507)
36	R32419	COVER	2		

# 4F1

HYDRAULICS

## BREAKAWAY COUPLER (TRACTOR SERIAL NO. 004819- )

RP1455 -UN-01JAN94



# 4F2

HYDRAULICS

**BREAKAWAY COUPLER - CONTINUED**  
(TRACTOR SERIAL NO. 004819- )

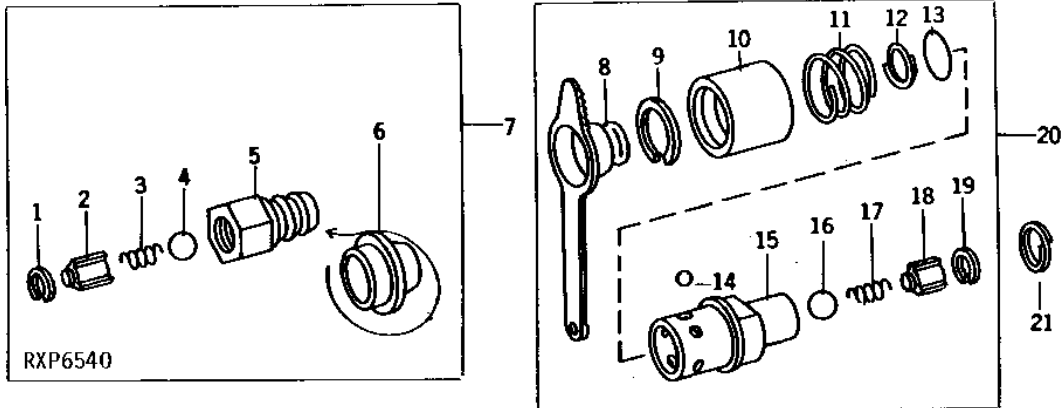
KEY	PART NO.	PART NAME	QTY	TRACTOR SERIAL NO.	REMARKS
1	R59633	WEAR RING	2		(SUB FOR R28204)
2	R28085	GUIDE	2		(SUB AR93819 OR AR93820, THIS APPLICATION)
3	R28084	SPRING	2		
4	D2361R	BALL	2		13 MM (1/2")
5	R27430	HYD. QUICK-CONNECT COUPLER	1		(PRESSURE) (SUB AR93819)
	R45630	HYD. QUICK-CONNECT COUPLER	1		(RETURN) (SUB AR93820)
6	R28006	CAP	2		
7A	AR30210	INTERNAL HALF COUPLER	1		(PRESSURE) (SUB AR93819)
	AR47643	BREAKAWAY COUPLER	1		(RETURN) (SUB AR93820)
7B	AR93819	HYD. QUICK-CONNECT COUPLER	1		(PRESSURE)
	AR93820	FITTING	1		(RETURN)
8	R34399	SNAP RING	2		
9	R32356	SNAP RING	2		
10	R26485	BACK-UP RING	2		
11	R59343	RING	2		
12	400R	BALL	12		6 MM (1/4")
13	R65286	O-RING	4		
14	R26484	BACK-UP RING	4		
15	R34397	SOCKET OUTLET	2		
16	R375R	O-RING	2		
17	R26482	RING	2		
18	D2361R	BALL	2		13 MM (1/2")
19	R28084	SPRING	2		
20	R34400	PLUG	2		
21	R26483	SNAP RING	2		
22	R34398	SLEEVE	2		
23	R56753	SHIM	2		
24	R31890	SPRING	2		
25	R72653	SNAP RING	2		(SUB FOR M2396T)
26	30H15	PLUG	2		1-1/8"
27	AR82572	HOUSING	1		(MARKED R65284)
28	R74530	SEAL	4		(SUB FOR R65285) (SUB R79311)
29	AR82576	LEVER	2		(SUB AR99100)
30	R61957	LATCH	1		(SUB FOR AR75958)
31	12H303	LOCK WASHER	1		5/16"
32	R49191	SCREW	1		
33	24H1286	WASHER	1		9/32" X 1/2" X 1/16"
34	R72654	SNAP RING	1		(SUB FOR R27507)
35	R32419	COVER	2		

# 4F3

HYDRAULICS

RXP6540 -UN-06OCT94

## FLEXIBLE OIL LINE COUPLER



KEY	PART NO.	PART NAME	QTY	TRACTOR SERIAL NO.	REMARKS
1	R59633	WEAR RING	1		(SUB FOR R28204)
2	R28085	GUIDE	1		(SUB AR93819 OR AR93820, THIS APPLICATION)
3	R28084	SPRING	1		
4	D2361R	BALL	1		13 MM (1/2")
5	R27430	HYD. QUICK-CONNECT COUPLER	1		(PRESSURE) (SUB AR93819)
	R45630	HYD. QUICK-CONNECT COUPLER	1		(RETURN) (SUB AR93820)
6	R28006	CAP	1		
7	AR30210	INTERNAL HALF COUPLER	1		(PRESSURE) (SUB AR93819)
	AR47643	BREAKAWAY COUPLER	1		(RETURN) (SUB AR93820)
8	R32419	COVER	1		(SUB R80324)
9	R32356	SNAP RING	1		
10	R32355	SLEEVE	1		
11	R32354	SPRING	1		
12	R26485	BACK-UP RING	1		
13	R495R	O-RING	1		
14	400R	BALL	6		6 MM (1/4")
15	R32353	SOCKET OUTLET	1		(SUB RE15361)
16	D2361R	BALL	1		13 MM (1/2")
17	R28084	SPRING	1		
18	R28085	GUIDE	1		(SUB RE15361)
19	R59633	WEAR RING	1		(SUB FOR R28204)
20	AR47331	SOCKET OUTLET	1		(SUB RE15361)
21	R36946	SPRING	1		

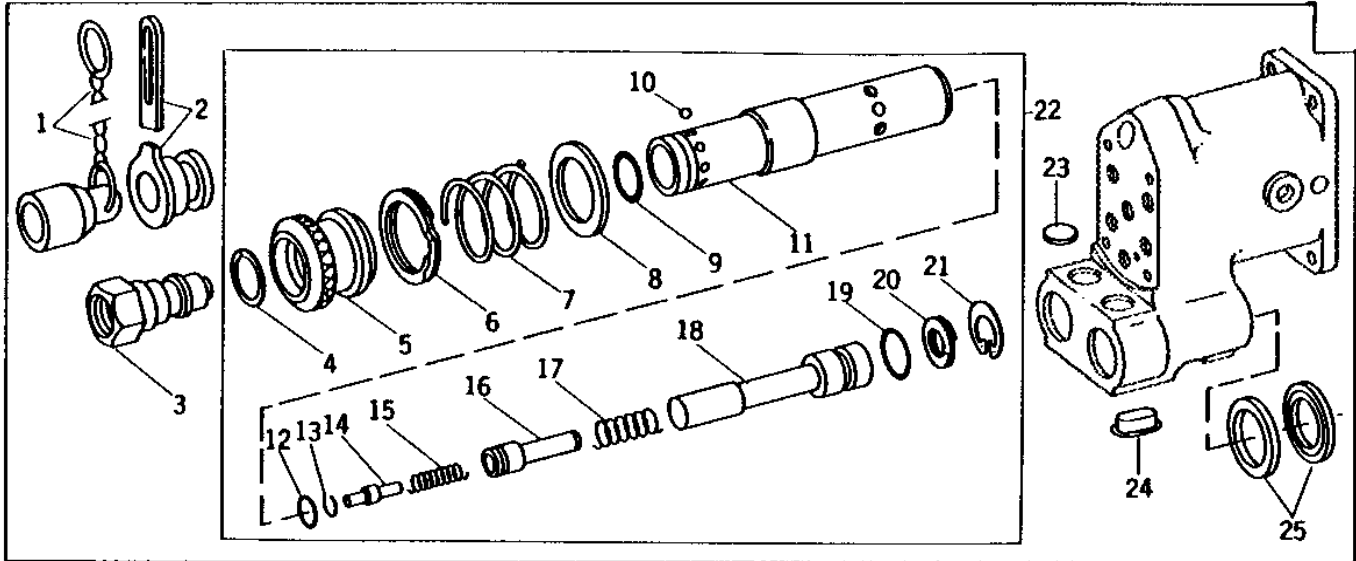


# 4F4

HYDRAULICS

R32186 -UN-01JAN94

ISO BREAKAWAY COUPLER  
(TRACTOR SERIAL NO. -XXXXXX)



R32186F

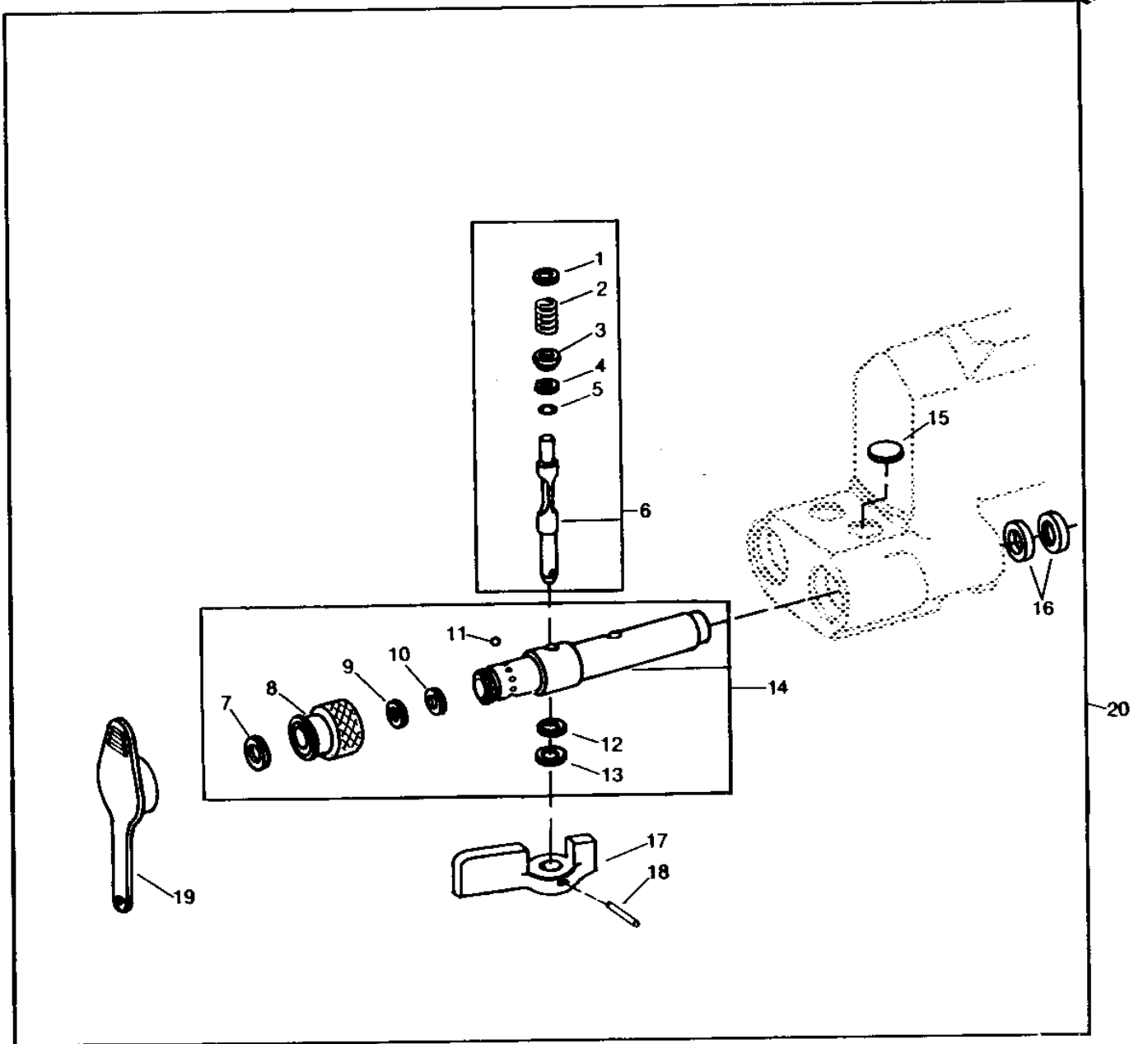
KEY	PART NO.	PART NAME	QTY	TRACTOR SERIAL NO.	REMARKS
1	A15898	CAP	1		
2	A15899	CAP	1		
3	AR94522	INTERNAL HALF COUPLER	1		(SUB FOR AL26973)
4	R64617	SNAP RING	1		
5	R64618	SLEEVE	1		
6	R64615	SNAP RING	1		
7	R64609	SPRING	1		
8	R64608	WASHER	1		
9	R21722	O-RING	1		
10	H871R	BALL	8		5 MM (3/16")
11	R64605	EXTERNAL HALF COUPLER	1		
12	R64613	O-RING	1		
13	R64614	SNAP RING	1		
14	R64612	PIN	1		
15	R64611	SPRING	1		
16	R64610	POPPET	1		
17	R64607	SPRING	1		
18	R64606	GUIDE	1		
19	R375R	O-RING	1		
20	R26482	RING	1		
21	U15969	SNAP RING	1		
22	AR80892	BREAKAWAY COUPLER	1		(SUB RE12121, R49191, R61957, R34399 AND 12H303)
23	30H15	PLUG	1		1-1/8"
24	R64561	PLUG	1		
25	R74530	SEAL	2		(SUB FOR R65285) (SUB R79311)
26	AR80911	BREAKAWAY COUPLER	1		(SUB RE12121)

# 4F5

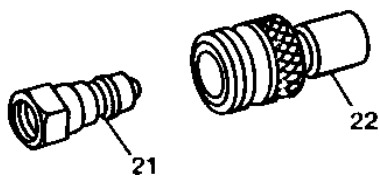
HYDRAULICS

JOHN DEERE TO ISO COUPLER CONVERSION KIT  
(TRACTOR SERIAL NO. XXXXXX- )

RWP4194 -UN-12OCT94



RWP4194



# 4F6

HYDRAULICS

JOHN DEERE TO ISO COUPLER CONVERSION KIT - CONTINUED  
(TRACTOR SERIAL NO. XXXXXX- )

KEY	PART NO.	PART NAME	QTY	TRACTOR SERIAL NO.	REMARKS
1	R54242	SNAP RING	2		
2	R78767	SPRING	2		
3	R48698	WASHER	2		
4	R31136	BACK-UP RING	2		
5	R10093	O-RING	2		
6	RE13814	SHAFT	2		
7	40M4378	SNAP RING	2		
8	R78765	SLEEVE	2		
9	R71387	WASHER	2		
10	R74210	O-RING	2		
11	H871R	BALL	16		
12	P51212	O-RING	2		
13	R78766	BACK-UP RING	2		
14	RE13813	RECEPTACLE	2		
15	30H15	PLUG	2	1-1/8"	
16	R74530	SEAL	2	(SUB R79311)	
17	R78769	HANDLE	2		
18	34H247	SPRING PIN	2	1/8" X 3/4"	
19	R78768	COVER	2		
20	RE12121	RECEIVER	1	(SUB FOR AR80911)	
21	AR94522	INTERNAL HALF COUPLER	AR	(SUB FOR AL26973)	
22	AL26972	EXTERNAL HALF COUPLER	AR		

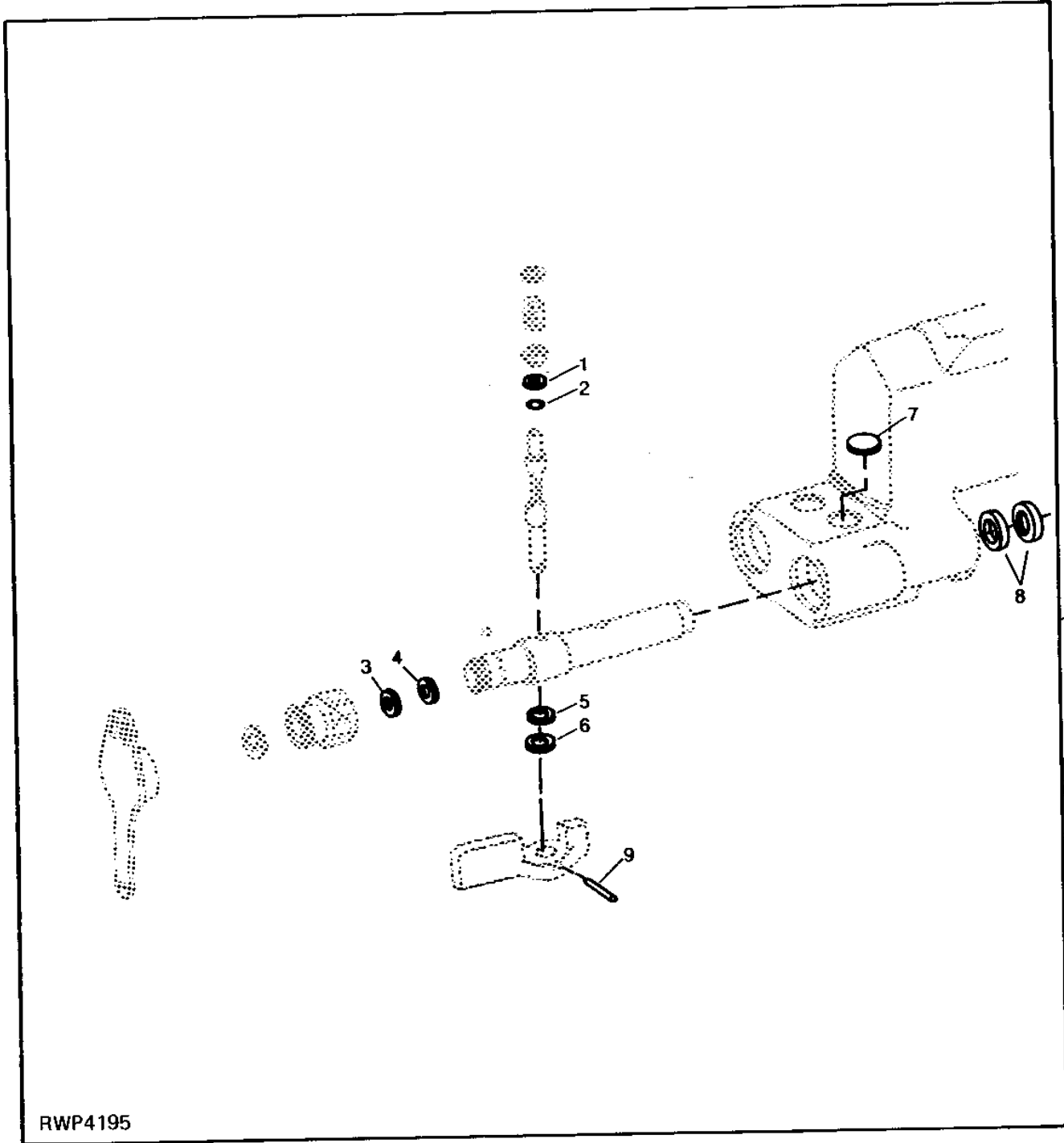
# 4F7

HYDRAULICS

RWP4195

-UN-12OCT94

## ISO COUPLER OVERHAUL KIT



# 4F8

HYDRAULICS

## ISO COUPLER OVERHAUL KIT - CONTINUED

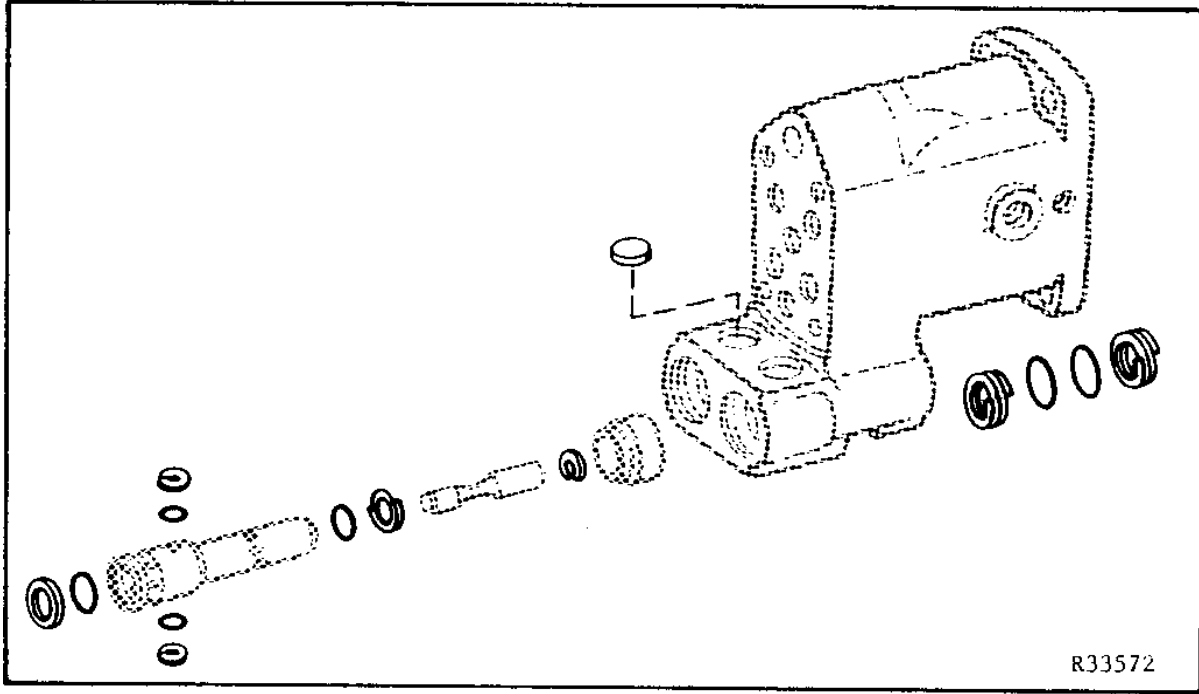
KEY	PART NO.	PART NAME	QTY	TRACTOR SERIAL NO.	REMARKS
1	R31136	BACK-UP RING	2		
2	R10093	O-RING	2		
3	R71387	WASHER	2		
4	R74210	O-RING	2		
5	P51212	O-RING	2		
6	R78766	BACK-UP RING	2		
7	30H15	PLUG	2	1-1/8"	
8	R74530	SEAL	4	(SUB R79311)	
9	34H247	SPRING PIN	2	1/8" X 3/4"	
10	RE13815	KIT	1		

# 4F9

HYDRAULICS

R33572 -UN-01JAN94

## BREAKAWAY COUPLER OVERHAUL KIT



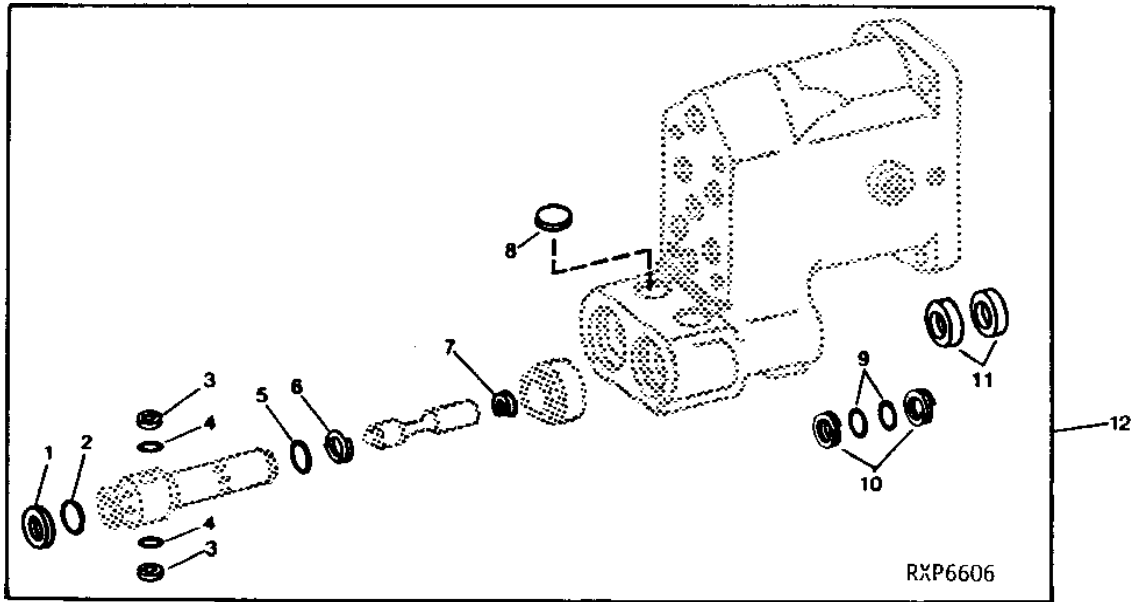
KEY	PART NO.	PART NAME	QTY	TRACTOR SERIAL NO.	REMARKS
1	AR30685	KIT	1	(SUB AR82570)	

# 4F10

HYDRAULICS

RXP6606 -UN-06OCT94

## BREAKAWAY COUPLER OVERHAUL KIT



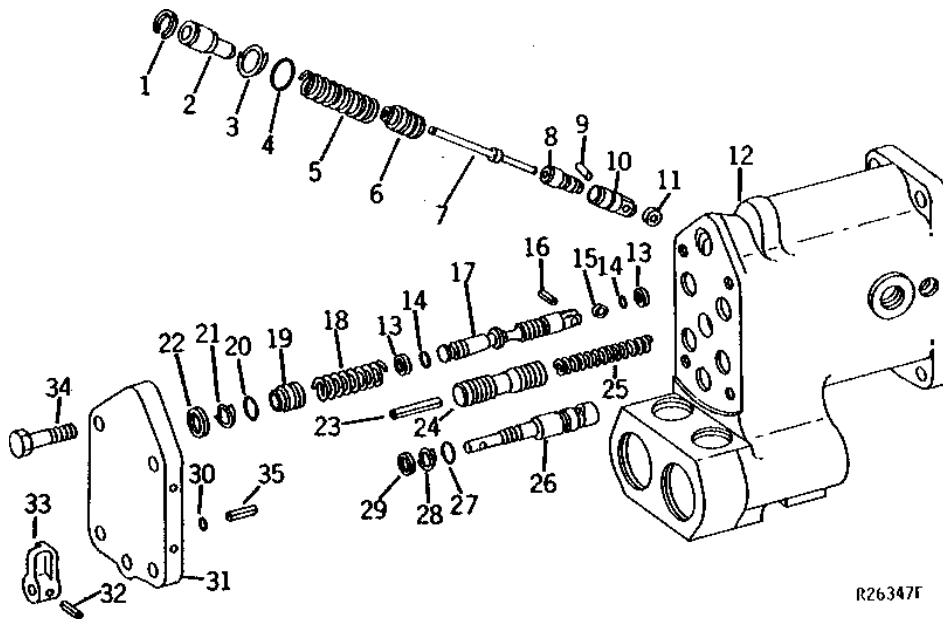
KEY	PART NO.	PART NAME	QTY	TRACTOR SERIAL NO.	REMARKS
1	R26485	BACK-UP RING	2		
2	R59343	RING	2		
3	R26484	BACK-UP RING	4		
4	R65286	O-RING	4		
5	R375R	O-RING	2		
6	R26482	RING	2		
7	R26483	SNAP RING	2		
8	30H15	PLUG	2	1-1/8"	
9	A4730R	O-RING	4		(EARLY DESIGN)
10	R26480	BACK-UP RING	4		(EARLY DESIGN)
11	R79311	SEAL	4		(LATE DESIGN)
12	AR82570	KIT	1		

# 4F11

HYDRAULICS

## SELECTIVE CONTROL VALVE HOUSING AND VALVES (TRACTOR SERIAL NO. -004818)

R26347 -UN-01JAN94



R26347F



# 4F12

HYDRAULICS

SELECTIVE CONTROL VALVE HOUSING AND VALVES - CONTINUED  
(TRACTOR SERIAL NO. -004818)

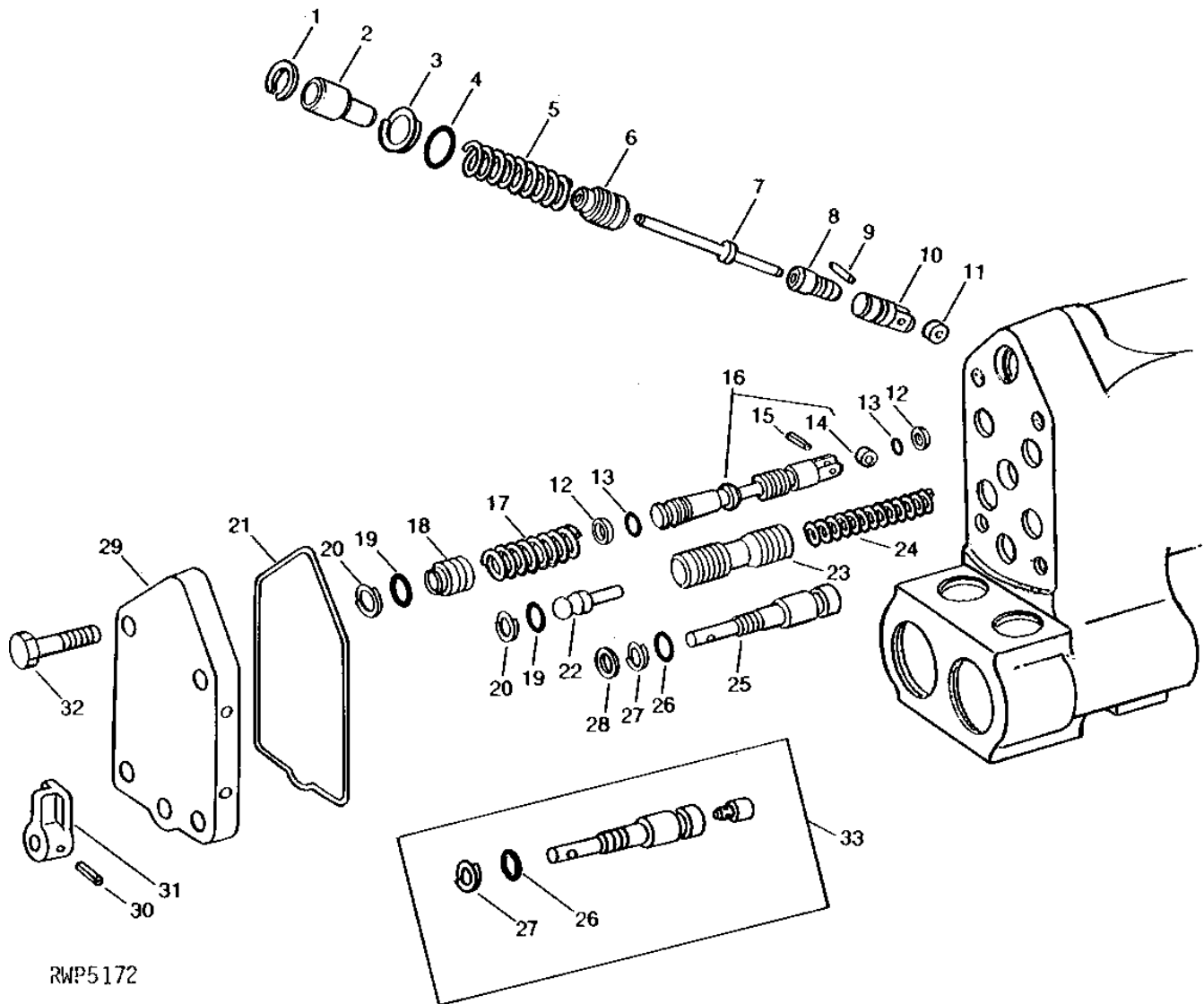
KEY	PART NO.	PART NAME	QTY	TRACTOR SERIAL NO.	REMARKS
1	R46722	SNAP RING	1		
2	R55397	GUIDE	1		(ALSO ORDER R55398) (SUB FOR R48979)
3	R26546	BACK-UP RING	1		
4	B2762R	O-RING	1		
5	R41055	SPRING	1		
6	R48980	PISTON	1		
7	R55398	PIN	1		(SUB FOR R48981)
8	R48978	GUIDE	1		
9	R51411	PIN	1		
10	R51410	CAM FOLLOWER	1		
11	R51409	SPACER	1		
12	AR82572	HOUSING	1		(MARKED R40499 OR R65284) (ALSO ORDER R27166, R41057, R59629, (2) R65501, (2) R65502, R66916, R74695 AND R65289) (SUB FOR AR40827)
13	R26484	BACK-UP RING	6		(4 PRESSURE, 2 RETURN)
14	A3917R	O-RING	6		(4 PRESSURE, 2 RETURN)
15	R51409	SPACER	4		
16	34H242	SPRING PIN	4		1/8" X 7/16"
17	AR86535	VALVE	4		(SUB FOR AR56120 OR AR78396)
18	R65501	SPRING	2		RETURN
	R65502	SPRING	2		PRESSURE, (SUB FOR R44310)
19	R41156	GUIDE	4		
20	R27166	O-RING	4		
21	R41057	BACK-UP RING	4		
22	R26149	PACKING	6		
23	34H284	SPRING PIN	1		3/16" X 1-1/4"
24	R52549	SHUT-OFF VALVE	1		
25	R41549	SPRING	1		
26	R52547	VALVE	1		(USE WITH R40499)
	R65289	VALVE	1		(USE WITH R65284)
27	P46051	O-RING	1		
28	R40937	BACK-UP RING	1		
29	R41339	SHIM	1		
30	R34812	O-RING	1		
31	AR40688	COVER	1		(MARKED R49708) (USE WITH R40499)
	AR85628	COVER	1		(MARKED R59629) (USE WITH R65284) (SUB R41057, R27166, R59629, (2) R65501, (2) R65502, R66916 AND R74695)
32	34H231	SPRING PIN	1		3/32" X 3/4"
33	R41338	ARM	1		(SUB R62652)
34	19H1732	CAP SCREW	4		3/8" X 1-1/4"
35	34H275	SPRING PIN	1		3/16" X 1/2"

# 4F13

HYDRAULICS

## SELECTIVE CONTROL VALVE HOUSING AND VALVES (TRACTOR SERIAL NO. 004819- )

RWP5172 -UN-01JAN94



RWP5172

# 4F14

HYDRAULICS

SELECTIVE CONTROL VALVE HOUSING AND VALVES - CONTINUED  
(TRACTOR SERIAL NO. 004819- )

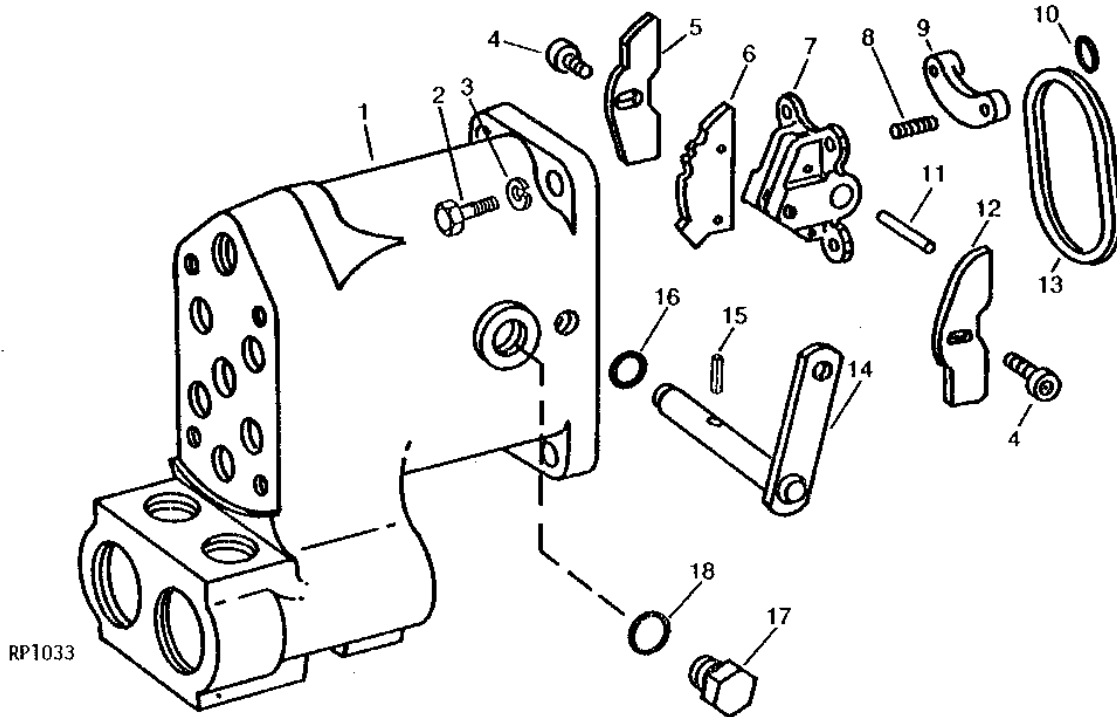
KEY	PART NO.	PART NAME	QTY	TRACTOR SERIAL NO.	REMARKS
1	R46722	SNAP RING	1		
2	R55397	GUIDE	1		
3	R26546	BACK-UP RING	1		
4	B2762R	O-RING	1		
5	R41055	SPRING	1		
6	R48980	PISTON	1		
7	R55398	PIN	1		
8	R48978	GUIDE	1		
9	R51411	PIN	1		
10	R51410	CAM FOLLOWER	1		
11	R51409	SPACER	1		
12	R26484	BACK-UP RING	6		(4 PRESSURE, 2 RETURN)
13	R65286	O-RING	6		(4 PRESSURE, 2 RETURN)
14	R51409	SPACER	4		
15	34H242	SPRING PIN	4		1/8" X 7/16"
16	AR86535	VALVE	4		(SUB FOR AR78396)
17	R65501	SPRING	2		RETURN
	R65502	SPRING	2		PRESSURE
18	R66416	BUSHING	4		
19	R27166	O-RING	5		
20	R41057	BACK-UP RING	5		
21	R74695	WASHER	1		
22	R65354	STOP	1		-005706
	R66916	STOP	1	005707-	
23	R52549	SHUT-OFF VALVE	1		
24	R41549	SPRING	1		
25	R65289	VALVE	1		
	AR82573	VALVE	1		(INCLUDES P46051 AND R40937)
26	P46051	O-RING	1		
27	R40937	BACK-UP RING	1		
28	R41339	SHIM	1		
29	R59629	CAP	1		
30	34H231	SPRING PIN	1		3/32" X 3/4"
31	R41338	ARM	1		(SUB R62652)
32	19H988	CAP SCREW	4		3/8" X 1-1/4"
33	AR82573	VALVE	1		

# 4F15

HYDRAULICS

## SELECTIVE CONTROL VALVE HOUSING, ROCKER AND OPERATING CAMS (TRACTOR SERIAL NO. -004818)

RP1033 -UN-01JAN94



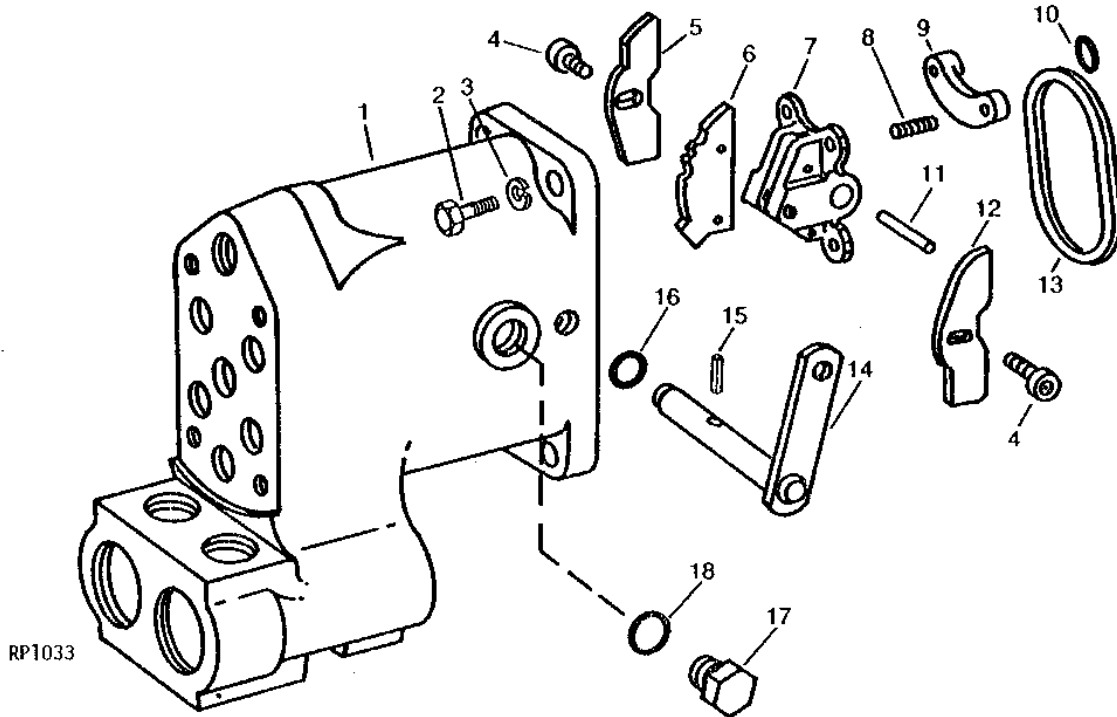
KEY	PART NO.	PART NAME	QTY	TRACTOR SERIAL NO.	REMARKS
1	AR82572	HOUSING	1		(MARKED R40499 OR R65284) (ALSO ORDER R27166, R41057, R59629, (2) R65501, (2) R65502, R66916, R74695 AND R65289) (SUB FOR AR40827)
2	19H2500	CAP SCREW	4		7/16" X 1-3/8"
3	12H293	LOCK WASHER	4		7/16"
4	R27233	SCREW	2		
5	R51414	CAM	1		
6	R51413	CAM	1		
7	R51412	ROCKER	1		
8	22H1025	SET SCREW	4		1/4" X 7/8"
9	R49221	RETAINER	2		
10	F2741R	PACKING	1		
11	R28744	PIN	2		
12	R51415	CAM	1		
13	R40922	PACKING	1		
14	AR54252	ARM	AR		(1 USED SINGLE) (2 USED DUAL) (2 USED TRIPLE)
	AR80719	ARM	1		(TRIPLE)
15	34H297	SPRING PIN	1		7/32" X 1"
16	R65287	O-RING	2		
17	R41155	PLUG	2		
18	R26375	O-RING	2		

# 4F16

HYDRAULICS

## SELECTIVE CONTROL VALVE HOUSING, ROCKER AND OPERATING CAMS (TRACTOR SERIAL NO. 004819- )

RP1033 -UN-01JAN94



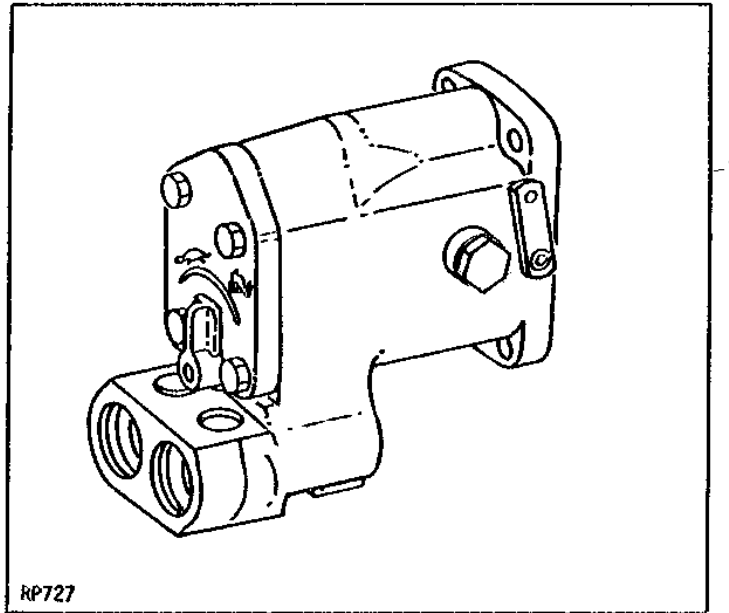
KEY	PART NO.	PART NAME	QTY	TRACTOR SERIAL NO.	REMARKS
1	AR82572	HOUSING	1		(MARKED R65284)
2	19H2500	CAP SCREW	4	-XXXXXX	7/16" X 1-3/8", (SINGLE) (7 USED DUAL) (11 USED TRIPLE)
	19H2500	CAP SCREW	3	XXXXXX-	7/16" X 1-3/8", (SINGLE) (7 USED DUAL) (11 USED TRIPLE)
	19H2055	CAP SCREW	1	-XXXXXX	7/16" X 2-1/4", (DUAL AND TRIPLE)
	19H2253	CAP SCREW	1	XXXXXX-	7/16" X 3-1/2", (SINGLE AND TRIPLE)
3	12H293	LOCK WASHER	4		7/16", (SINGLE) (8 USED DUAL) (12 USED TRIPLE)
4	R27233	SCREW	2		
5	R51414	CAM	1		
6	R51413	CAM	1		
7	R51412	ROCKER	1		
8	22H1025	SET SCREW	4		1/4" X 7/8"
9	R49221	RETAINER	2		
10	F2741R	PACKING	1		
11	R28744	PIN	2		
12	R51415	CAM	1		
13	R40922	PACKING	1		
14	AR54252	ARM	AR		(1 USED SINGLE) (2 USED DUAL) (2 USED TRIPLE)
	AR80719	ARM	1		(TRIPLE)
15	34H297	SPRING PIN	1		7/32" X 1"
16	R65287	O-RING	2		
17	R41155	PLUG	2		
18	R26375	O-RING	2		

# 4F17

HYDRAULICS

RP727 -UN-01JAN94

## SELECTIVE CONTROL VALVE KITS



KEY	PART NO.	PART NAME	QTY	TRACTOR SERIAL NO.	REMARKS
1	RE11490	CONTROL	1		(A) (ROCKSHAFT) (SUB RE20632 AND DIRECTIONAL CONTROL VALVE PARTS)
	RE11486	CONTROL	1		(A) (LESS ROCKSHAFT) (DIRECTIONAL VALVE NOT INCLUDED) (SUB RE20630)

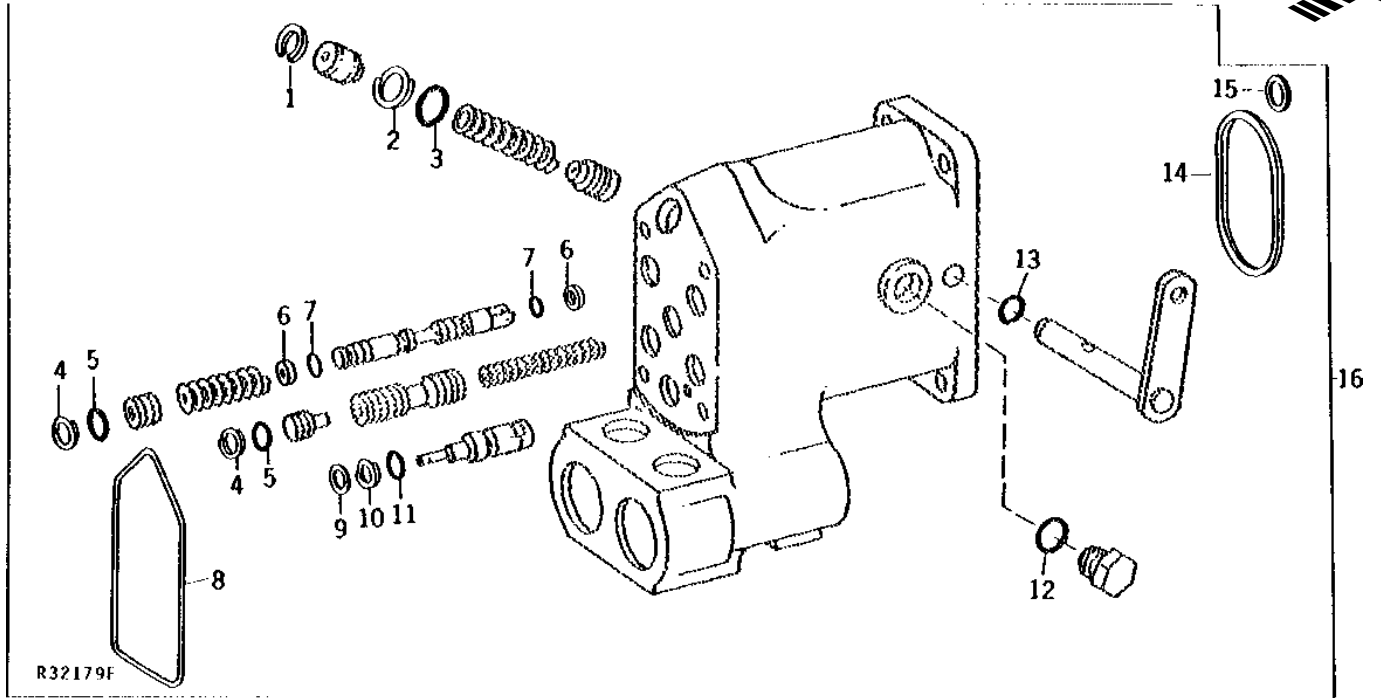
(A) TRIPLE SELECTIVE CONTROL FOR TRACTORS EQUIPPED WITH DUAL SELECTIVE CONTROLS

# 4F18

HYDRAULICS

R32179 -UN-01JAN94

## SELECTIVE CONTROL VALVE OVERHAUL KIT



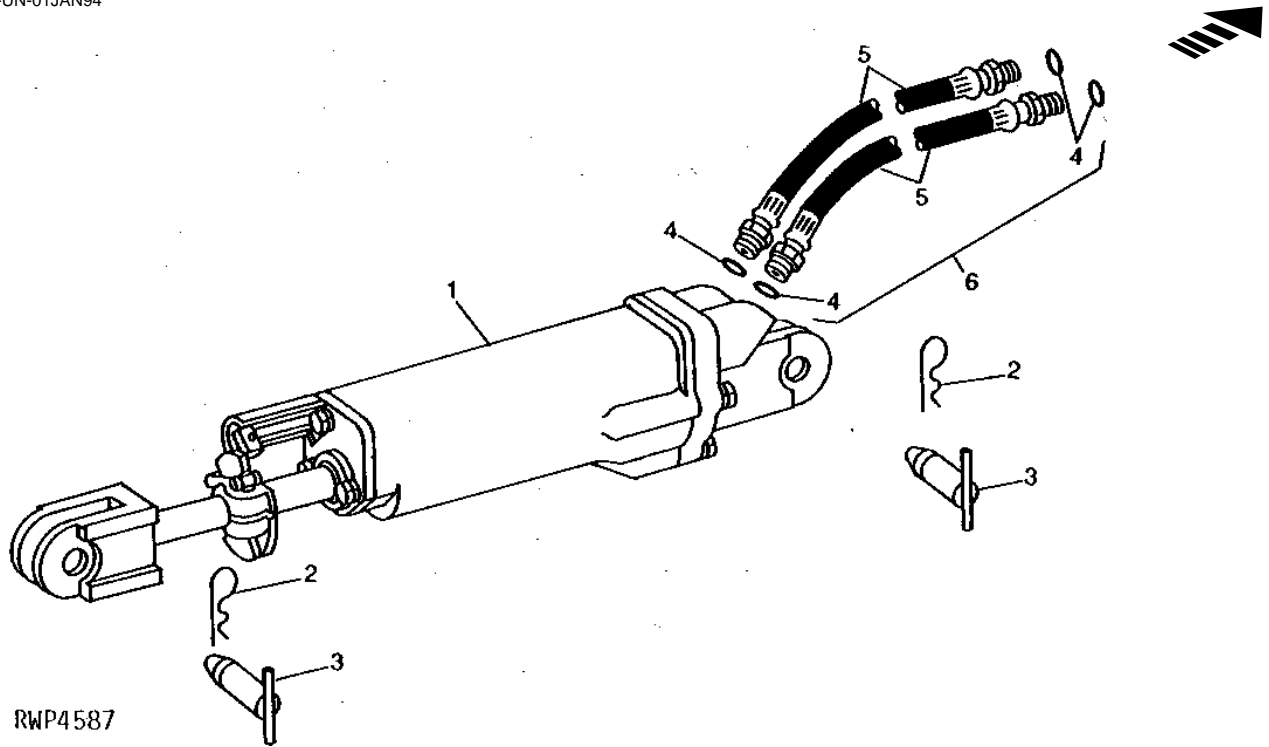
KEY	PART NO.	PART NAME	QTY	TRACTOR SERIAL NO.	REMARKS
1	R46722	SNAP RING	1		
2	R26546	BACK-UP RING	1		
3	B2762R	O-RING	1		
4	R41057	BACK-UP RING	5		
5	R27166	O-RING	5		
6	R26484	BACK-UP RING	6		(4 PRESSURE, 2 RETURN)
7	A3917R	O-RING	6		(4 PRESSURE, 2 RETURN) (SUB FOR R65286)
8	R74695	WASHER	1		
9	R41339	SHIM	1		
10	R40937	BACK-UP RING	1		
11	P46051	O-RING	1		
12	R26375	O-RING	2		
13	R65287	O-RING	2		
14	R40922	PACKING	1		
15	F2741R	PACKING	1		
16	RE10924	KIT	1		(SUB FOR AR82571)

# 4F19

HYDRAULICS

RWP4587 -UN-01JAN94

## REMOTE CYLINDER AND HOSES



RWP4587

KEY	PART NO.	PART NAME	QTY	MODEL NO.	REMARKS
1	AR35261	CYLINDER	1	(A)	
	AR36303	CYLINDER	1	(B)	
2	A3581R	SPRING LOCKING PIN	2		
3	AR47825	PIN	2		
4	R26375	O-RING	4		
5	R36795	HYDRAULIC HOSE	2		
6	AR36158	OIL LINE	1		

(A) HYDRAULIC STOP  
(B) MECHANICAL STOP

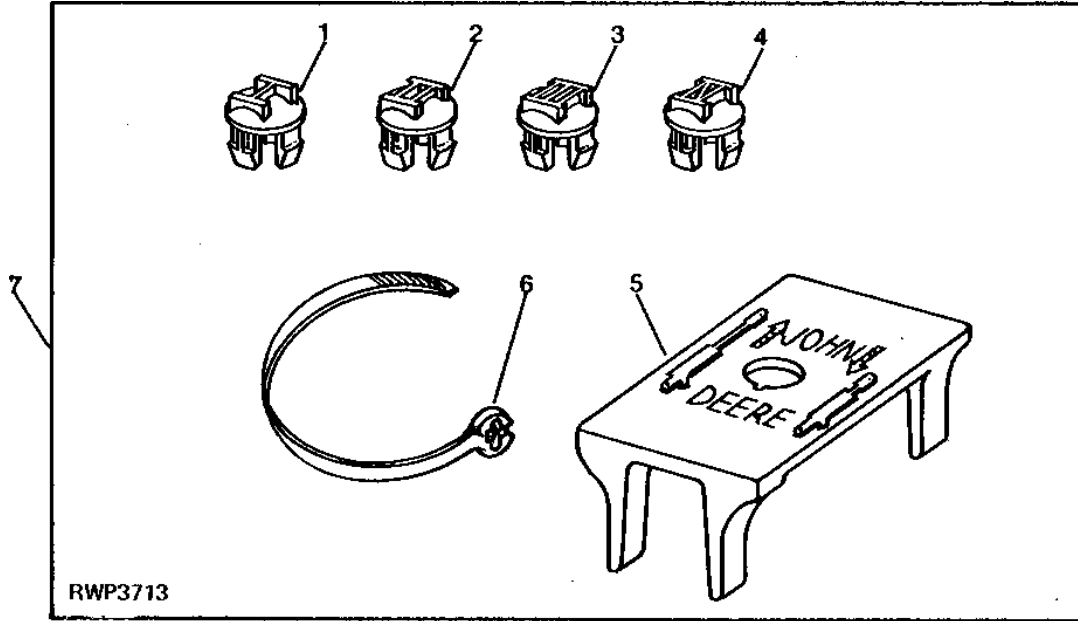


# 4F20

HYDRAULICS

RWP3713 -UN-01JAN94

## REMOTE CYLINDER HOSE IDENTIFICATION KIT



RWP3713

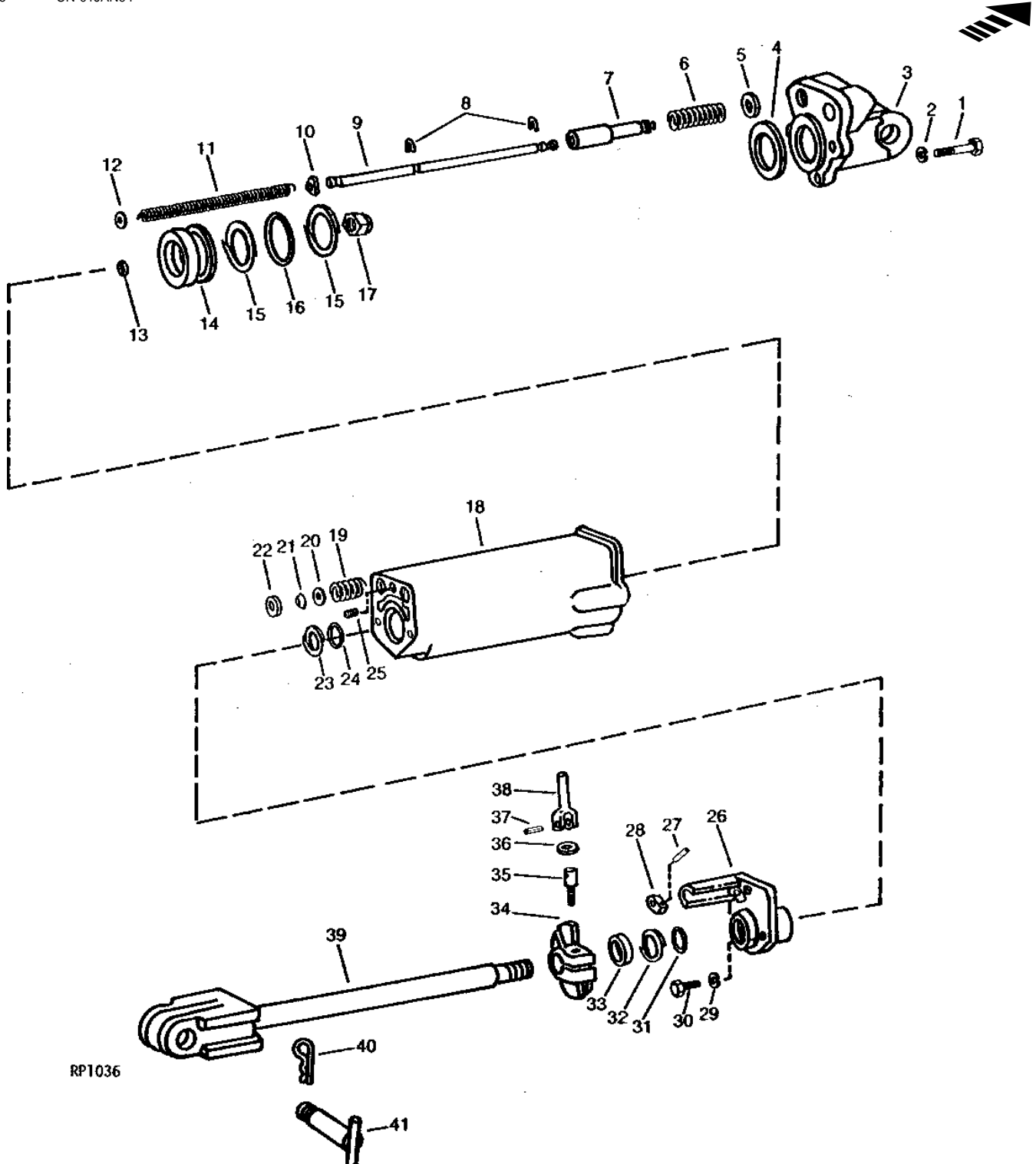
KEY	PART NO.	PART NAME	QTY	TRACTOR SERIAL NO.	REMARKS
1	R74242	PLUG	1		
2	R74243	PLUG	1		
3	R74244	PLUG	1		
4	R74246	PLUG	1		
5	R76459	TAG	1		
6	R76477	TIE BAND	2	(SUB H113196)	
7	AR103808	KIT	1		

# 4F21

HYDRAULICS

3-1/2" X 8" REMOTE CYLINDER  
(HYDRAULIC STOP)

RP1036 -UN-01JAN94



RP1036

# 4F22

HYDRAULICS

3-1/2" X 8" REMOTE CYLINDER - CONTINUED  
(HYDRAULIC STOP)

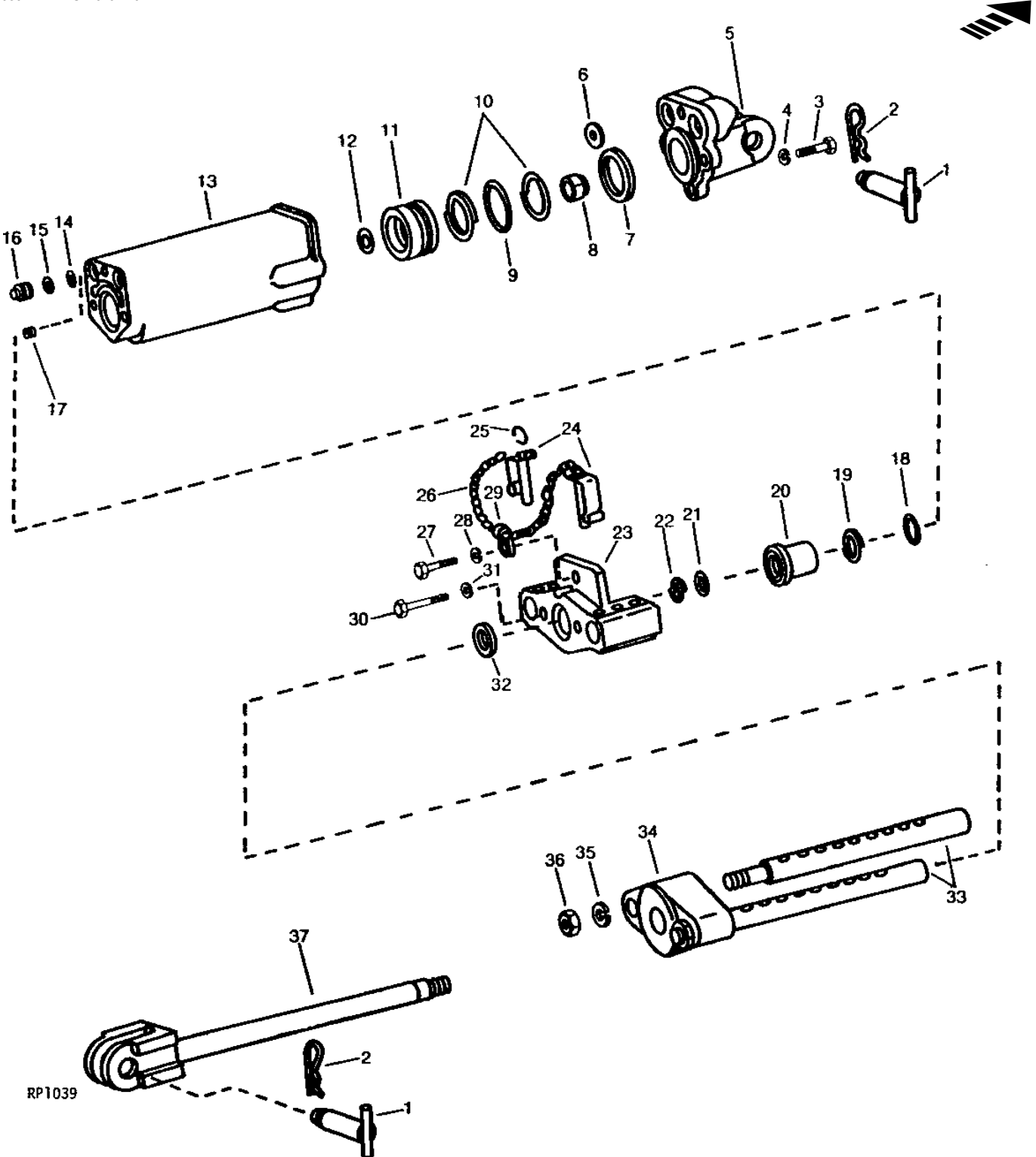
KEY	PART NO.	PART NAME	QTY	TRACTOR SERIAL NO.	REMARKS
1	19H2357	CAP SCREW	4		9/16" X 2"
2	12H317	LOCK WASHER	4		9/16"
3	R35452	CYLINDER HEAD	1		
4	F1427R	WASHER	1		
5	A4723R	WASHER	2		
6	R49352	SPRING	1		
7	R39012	VALVE	1		
8	A4739R	RING	2		
9	A4736R	ROD	1		
10	R57696	WASHER	1		
11	A4737R	SPRING	1		
12	24H1301	WASHER	1		13/32" X 9/16" X 0.065"
13	R27564	O-RING	1		
14	R44297	PISTON	1		
15	R35472	BACK-UP RING	2		
16	F1430R	O-RING	1		
17	R45620	LOCK NUT	1		
18	R35447	CYLINDER	1		
19	A4748R	SPRING ASSEMBLY	1		
20	A4747R	WASHER	1		MALE
21	A4745R	PACKING	3		
22	A4746R	ADAPTER	1		FEMALE
23	R35474	BACK-UP RING	1		
24	T11220	O-RING	1		
25	15H624	PIPE PLUG	1		1/2"
26	R40219	GUIDE	1		
27	25H760	GROOVE PIN	1		7/32" X 1-1/4"
28	A5304R	ARM	1		
29	12H304	LOCK WASHER	3		3/8"
30	19H1731	CAP SCREW	3		3/8" X 1"
31	R29463	O-RING	1		
32	R35473	BACK-UP RING	1		
33	R35738	SEAL	1		
34	R35448	STOP	1		
35	A5301R	SCREW	1		
36	R57696	WASHER	1		(SUB FOR R1870R)
37	34H264	SPRING PIN	1		5/32" X 7/8"
38	A5302R	YOKE	1		
39	AR45544	ROD	1		
40	A3581R	SPRING LOCKING PIN	2		
41	AR47825	PIN	2		

# 4F23

HYDRAULICS

3-1/2" X 8" REMOTE CYLINDER  
(MECHANICAL STOP)

RP1039 -UN-01JAN94



# 4F24

HYDRAULICS

3-1/2" X 8" REMOTE CYLINDER - CONTINUED  
(MECHANICAL STOP)

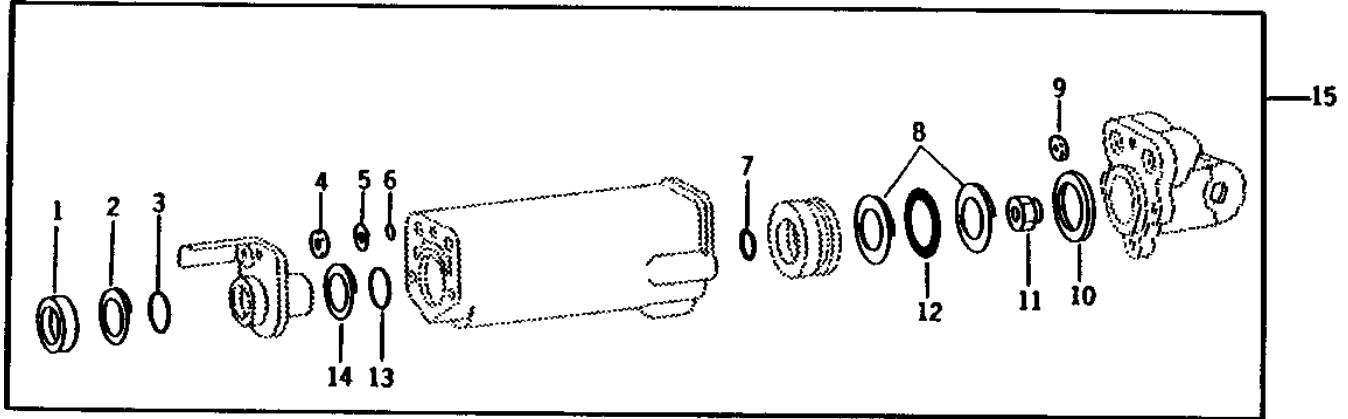
KEY	PART NO.	PART NAME	QTY	TRACTOR SERIAL NO.	REMARKS
1	AR47825	PIN	2		
2	A3581R	SPRING LOCKING PIN	2		
3	19H2357	CAP SCREW	4		9/16" X 2"
4	12H317	LOCK WASHER	4		9/16"
5	R35452	CYLINDER HEAD	1		
6	A4723R	WASHER	2		
7	F1427R	WASHER	1		
8	R45620	LOCK NUT	1		
9	F1430R	O-RING	1		
10	R35472	BACK-UP RING	2		
11	R44297	PISTON	1		
12	R27564	O-RING	1		
13	R35447	CYLINDER	1		
14	R459R	O-RING	1		
15	R32588	BACK-UP RING	1		
16	R34131	PLUG	1		
17	15H624	PIPE PLUG	1		1/2"
18	T11220	O-RING	1		
19	R35474	BACK-UP RING	1		
20	R36951	GUIDE	1		
21	R29463	O-RING	1		
22	R35473	BACK-UP RING	1		
23	R44286	GUIDE	1		
24	AR68145	QUICK LOCK PIN	2		
25	D2913R	LINK	2		
26	AN163885	LINK CHAIN	1		(SUB FOR R49193)
27	19H2552	CAP SCREW	1		3/8" X 1-1/8"
28	12H304	LOCK WASHER	1		3/8"
29	T13073	CLIP	1		
30	19H1726	CAP SCREW	2		3/8" X 2-1/4"
31	12H304	LOCK WASHER	2		3/8"
32	R35738	SEAL	1		
33	R44287	ROD	2		
34	R36952	STOP	1		
35	12H236	LOCK WASHER	2		3/4"
36	14H905	NUT	2		3/4"
37	AR45544	ROD	1		

# 4F25

HYDRAULICS

R32035 -UN-23SEP94

## REMOTE CYLINDER OVERHAUL KIT (3-1/2" X 8" HYDRAULIC OR MECHANICAL STOP)



R32035F

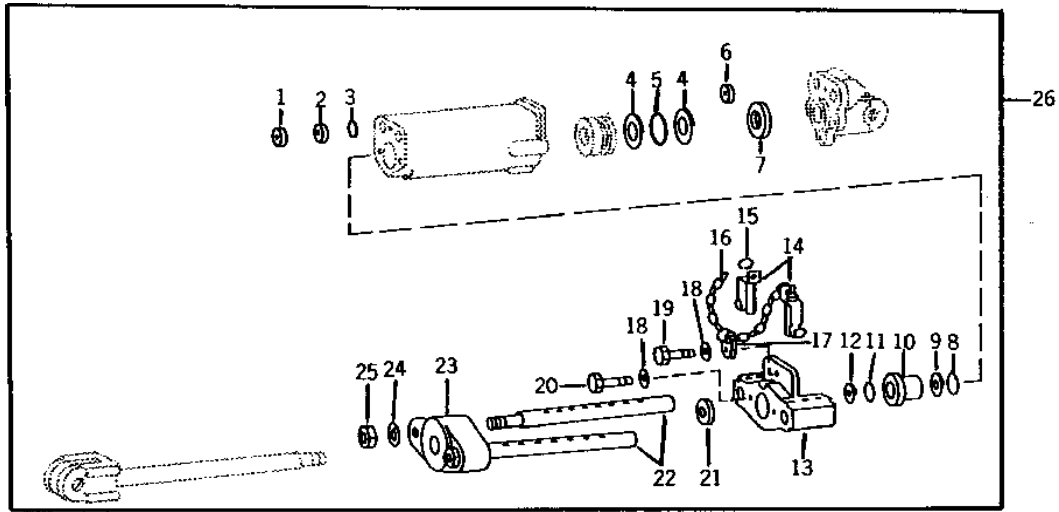
KEY	PART NO.	PART NAME	QTY	TRACTOR SERIAL NO.	REMARKS
1	R35738	SEAL	1		
2	R35473	BACK-UP RING	1		
3	R29463	O-RING	1		
4	A4745R	PACKING	3		(HYDRAULIC STOP)
5	R32588	BACK-UP RING	1		(MECHANICAL STOP)
6	R459R	O-RING	1		(MECHANICAL STOP)
7	R27564	O-RING	1		
8	R35472	BACK-UP RING	2		
9	A4723R	WASHER	2		
10	F1427R	WASHER	1		
11	R45620	LOCK NUT	1		
12	F1430R	O-RING	1		
13	T11220	O-RING	1		
14	R35474	BACK-UP RING	1		
15	AR31945	KIT	1		

# 4G1

HYDRAULICS

R32034 -UN-06OCT94

## REMOTE CYLINDER CONVERSION KIT (3-1/2" X 8" HYDRAULIC STOP TO MECHANICAL STOP)



R32034F

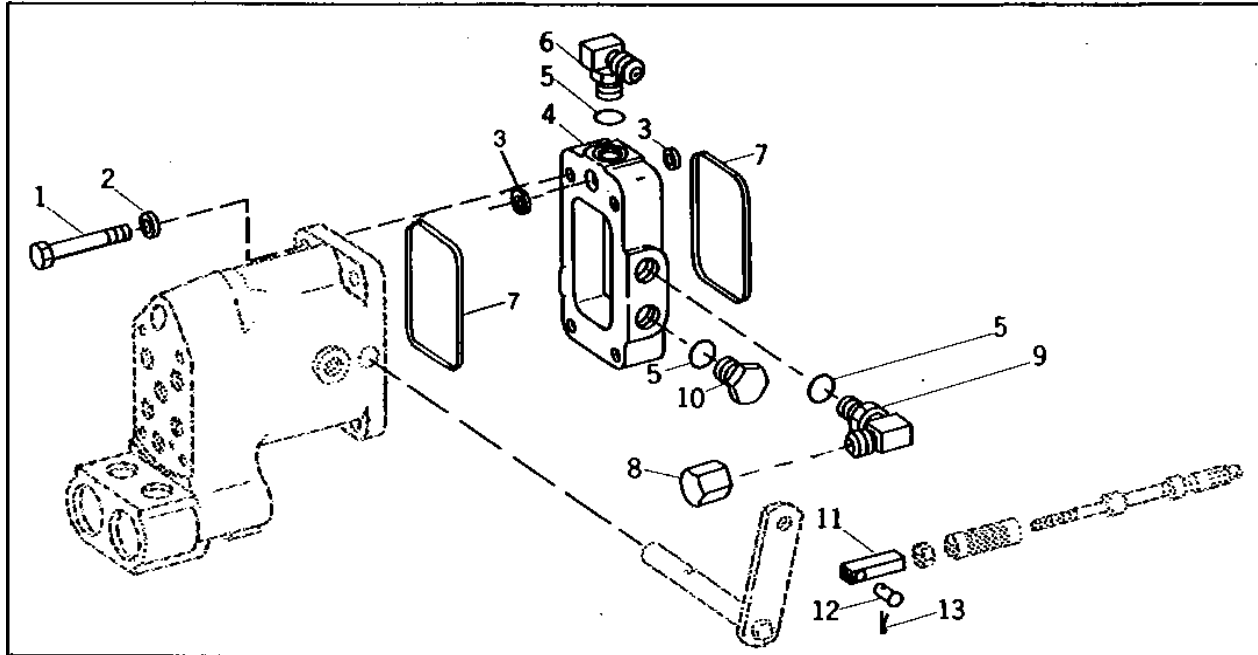
KEY	PART NO.	PART NAME	QTY	TRACTOR SERIAL NO.	REMARKS
1	R34131	PLUG	1		
2	R32588	BACK-UP RING	1		
3	R459R	O-RING	1		
4	R35472	BACK-UP RING	2		
5	F1430R	O-RING	1		
6	A4723R	WASHER	2		
7	F1427R	WASHER	1		
8	T11220	O-RING	1		
9	R35474	BACK-UP RING	1		
10	R36951	GUIDE	1		
11	R29463	O-RING	1		
12	R35473	BACK-UP RING	1		
13	R44286	GUIDE	1		
14	AR68145	QUICK LOCK PIN	2		
15	D2913R	LINK	2		
16	AN163885	LINK CHAIN	1		(SUB FOR R49193)
17	T13073	CLIP	1		
18	12H304	LOCK WASHER	3		3/8"
19	19H2552	CAP SCREW	1		3/8" X 1-1/8"
20	19H1726	CAP SCREW	2		3/8" X 2-1/4"
21	R35738	SEAL	1		
22	R44287	ROD	2		
23	R36952	STOP	1		
24	12H236	LOCK WASHER	2		3/4"
25	14H905	NUT	2		3/4"
26	AR45534	KIT	1		

# 4G2

HYDRAULICS

RP3439 -UN-01JAN94

## AUXILIARY HYDRAULIC OUTLET KIT



RP3439

KEY	PART NO.	PART NAME	QTY	TRACTOR SERIAL NO.	REMARKS
1	19H2106	CAP SCREW	4	7/16" X 2-3/4"	
2	12H293	LOCK WASHER	4	7/16"	
3	F2741R	PACKING	2		
4	R54312	MANIFOLD	1		
5	R26375	O-RING	3		
6	AR27738	ELBOW FITTING	1	90°	
7	R40922	PACKING	2		
8	R31736	FITTING	2		
9	AR27699	ELBOW FITTING	1	90°	
10	R39112	FITTING	1		
11	R52881	ROD	1	(NOT REQUIRED)	
12	U11004	PIN	1		
13	11M7059	COTTER PIN	1	3.200 X 20 MM	
14	AR71331	KIT	1	(FI)	



---

MEMORANDA

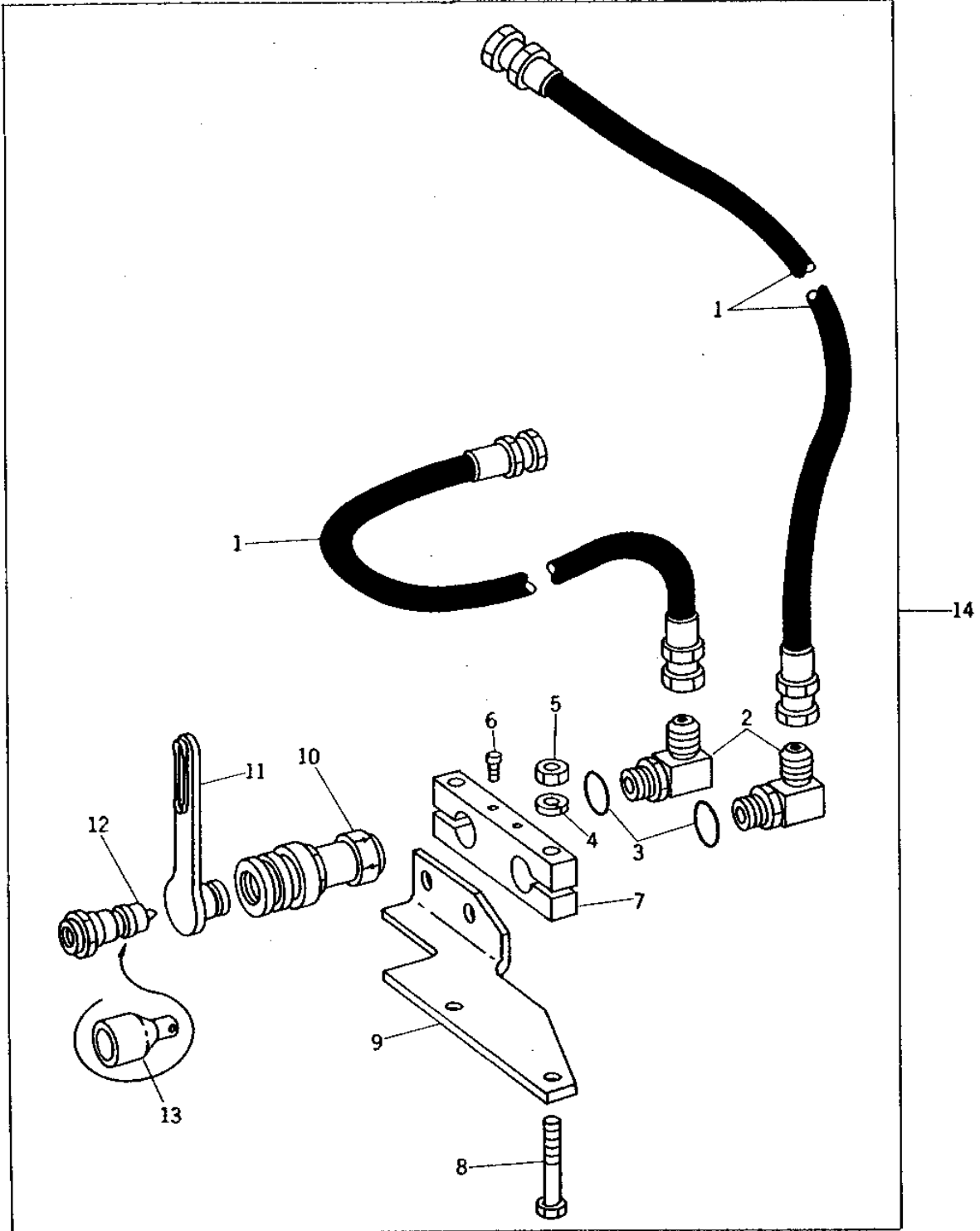
# 4G3

HYDRAULICS

R32037

-UN-01JAN94

## AUXILIARY OUTLET COUPLER KIT



R32037F

# 4G4

HYDRAULICS

## AUXILIARY OUTLET COUPLER KIT - CONTINUED

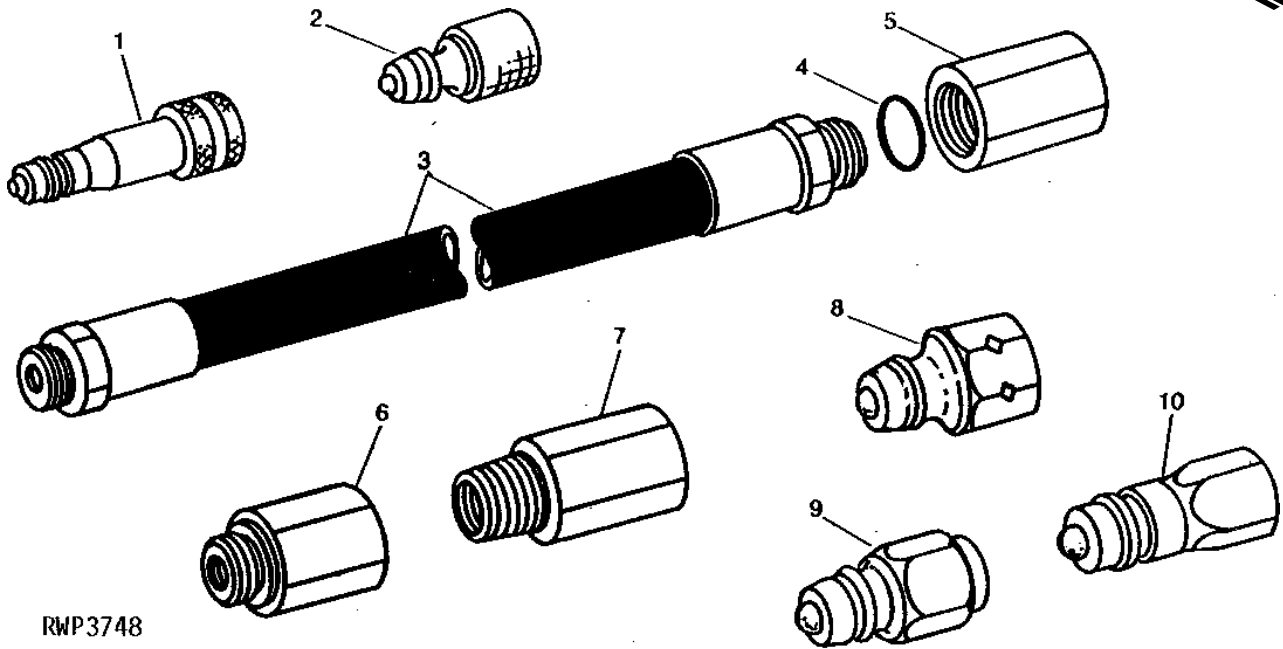
KEY	PART NO.	PART NAME	QTY	TRACTOR SERIAL NO.	REMARKS
1	AN140274	HYDRAULIC HOSE	2		
2	AT32332	ELBOW FITTING	2	90°	
3	R26375	O-RING	2		
4	12H304	LOCK WASHER	2	3/8"	
5	14H1076	NUT	2	3/8"	
6	A5748R	STUD	2		
7	R49668	BRACKET	1		
8	19H1944	CAP SCREW	2	3/8" X 2-3/4"	
9	R59154	SUPPORT	1		
10	AA15043	HYD. QUICK-CONNECT COUPLER	2		
11	A15899	CAP	2		
12	AA15042	HYD. QUICK-CONNECT COUPLER	2		
13	A15898	CAP	2		
14	AR71332	KIT	1	(NO LONGER AVAILABLE)	

# 4G5

HYDRAULICS

RWP3748 -UN-01JAN94

## IMPLEMENT HYDRAULIC OIL LINES AND FITTINGS



RWP3748

KEY	PART NO.	PART NAME	QTY	TRACTOR SERIAL NO.	REMARKS
1	AR98202	HYD. QUICK-CONNECT COUPLER	1	JOHN DEERE TO ISO	
	R21722	O-RING	1	(INCLUDED IN AR98202)	
	RE11457	ADAPTER	1	IHC TO ISO	
2	U11647	O-RING	1	(INCLUDED IN RE11457)	
	AR98201	HYD. QUICK-CONNECT COUPLER	1	ISO TO JOHN DEERE (FI)	
	RE11456	ADAPTER	1	IHC TO JOHN DEERE	
	RE11458	ADAPTER	1	JOHN DEERE TO IHC	
	RE11463	ADAPTER	1	ISO TO IHC	
	R21722	O-RING	1	(INCLUDED IN AR98201, RE11463, AND RE11458)	
3	R71387	WASHER	1	(INCLUDED IN AR98201) (FI)	
	AR28754	HYDRAULIC HOSE	1	10 X 610 MM (3/8" X 24") (SUB TY3018)	
	AR28755	HYDRAULIC HOSE	1	10 X 914 MM (3/8" X 36") (SUB TY3019)	
	R36658	HYDRAULIC HOSE	1	13 X 610 MM (1/2" X 24")	
	R36659	HYDRAULIC HOSE	1	13 X 914 MM (1/2" X 36")	
4	R26375	O-RING	1		
5	R30815	FITTING	1	3/4" THREAD	
6	R30817	ADAPTER	1	3/4"-16UNF MALE X 1/2"-14NPT FEMALE	
7	R30816	ADAPTER	1	1/2"-14NPT MALE X 3/4"-16UNF FEMALE	
8	AR93820	FITTING	1	JOHN DEERE, 3/4"-16 UNF	
9	RE11447	FITTING	1	JOHN DEERE, 1/2"-14NPT	
10	AR94522	INTERNAL HALF COUPLER	1	ISO, 3/4"-16UNF	

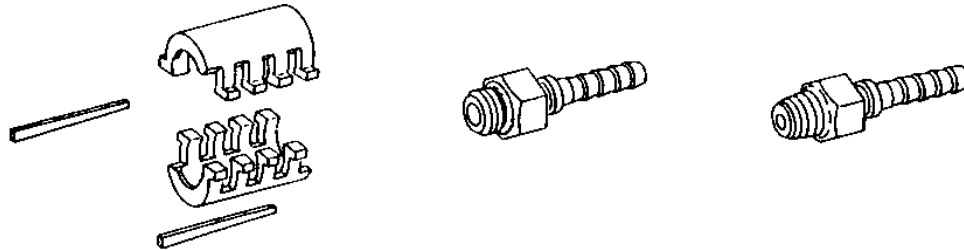
# 4G6

HYDRAULICS

RXP7733

-UN-23SEP94

## BULK FLEXIBLE OIL LINE AND REUSABLE LOK-PIN COUPLINGS



Oil Line (Length) Approx. 50 ft.)		Set of Ferrules with Pins*	Stem-Straight Thread with O-ring	Stem-Pipe Thread
R 34790	3/8" I.D. — 1 Wire	.....	AR 39635* *	R 39687
R 34791	1/2" I.D. — 1 Wire	.....	AR 39636* *	R 39688
R 34792	3/4" I.D. — 1 Wire	.....	AR 39637#	R 39689
R 34793	3/8" I.D. — 2 Wire	AR 39632	AR 39635* *	R 39687
R 34794	1/2" I.D. — 2 Wire	.....	AR 39636* *	R 39688
R 34795	3/4" I.D. — 2 Wire	.....	AR 39637#	R 39689

\* Each set of ferrules includes two R39681 pins - extra pins may be ordered, packed 20 in a package.  
 \*\*Includes R26375 O-ring.  
 # Includes F3171R O-ring.

## REUSABLE COUPLINGS (Use With Braid Flexible Oil Line)



1 WR Single Wire		2 WR Double Wire		I.D.	Thread
Coupling No.		Coupling No.			
AF 3585	R	AR 21629		3/8"	3/8" — 18 NPTF
AF 3586	R	AR 21630		1/2"	1/2" — 14 NPTF
AF 3587	R	.....		5/8"	3/4" — 14 NPTF
AF 3588	R	AR 21632		3/4"	3/4" — 14 NPTF
		AR 21634		1"	1" — 11-1/2" NPTF
R 34644		.....		3/8"	3/4" — 16 O-ring type thread
R 34646		R 34647		1/2"	3/4" — 16 O-ring type thread

## BULK SINGLE WIRE BRAID FLEXIBLE OIL LINE (Use With Reusable Coupling for Single Wire Braid Flexible Oil Line)

Part No.	I.D.	O.D.	Length
A 5776 R	1/2"	29/32"	Approx. 50 ft.
A 5777 R	5/8"	1-1/32"	Approx. 50 ft.

## BULK DOUBLE WIRE BRAID FLEXIBLE OIL LINE (Use with Reusable Coupling for Double Wire Braid Flexible Oil Line)

Part No.	I.D.	O.D.	Length
R 21531	3/8"	29/32"	Approx. 50 ft.
R 21532 RXP7733	1/2"	31/32"	Approx. 50 ft.

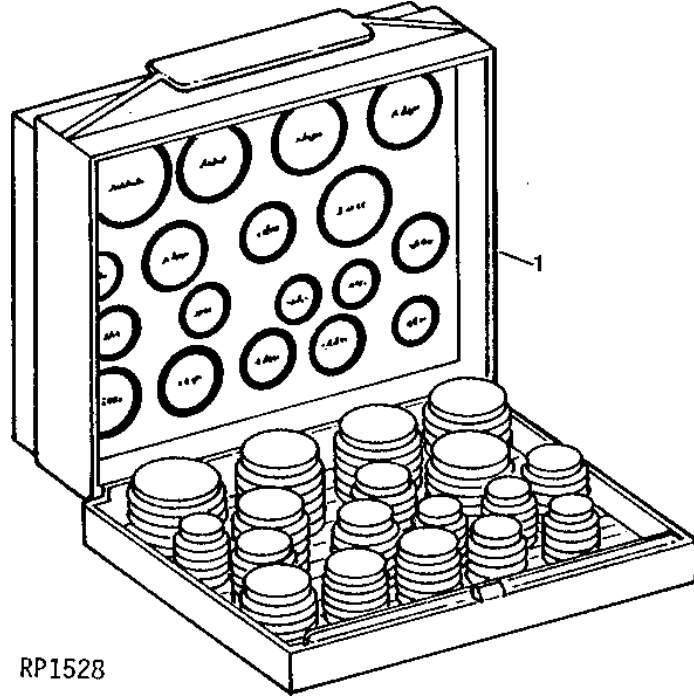
THIS PARTS LISTING IS CONTINUED

# 4G7

HYDRAULICS

RP1528 -UN-01JAN94

O-RING KIT



RP1528

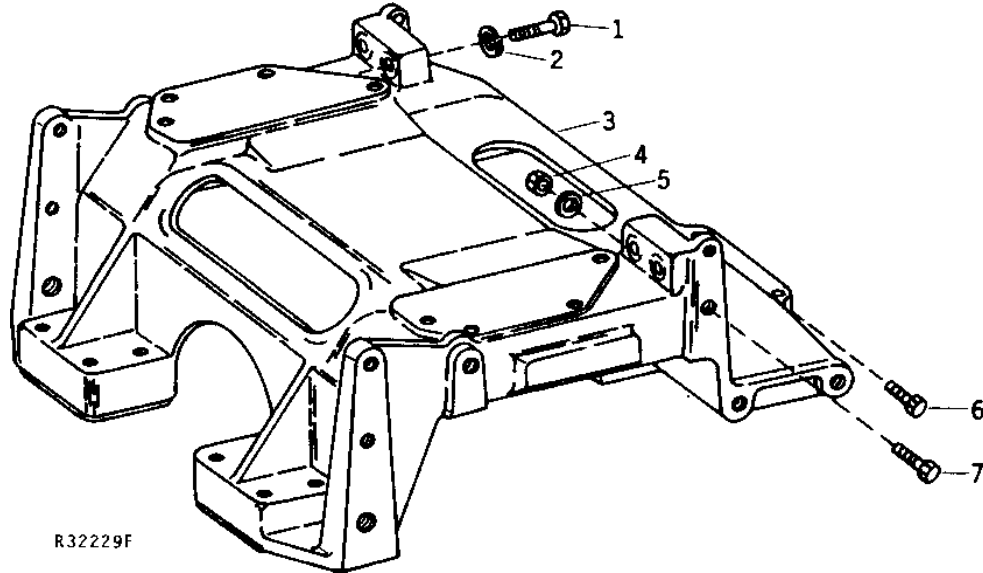
KEY	PART NO.	PART NAME	QTY	TRACTOR SERIAL NO.	REMARKS
1	AR73500	KIT	1	(HYDRAULIC)	
	AT66632	KIT	1	(AIR CONDITIONING)	

# 4G10

WHEELS, FRONT AXLES, SHEET METAL

R32229 -UN-01JAN94

## FRONT AXLE SUPPORT



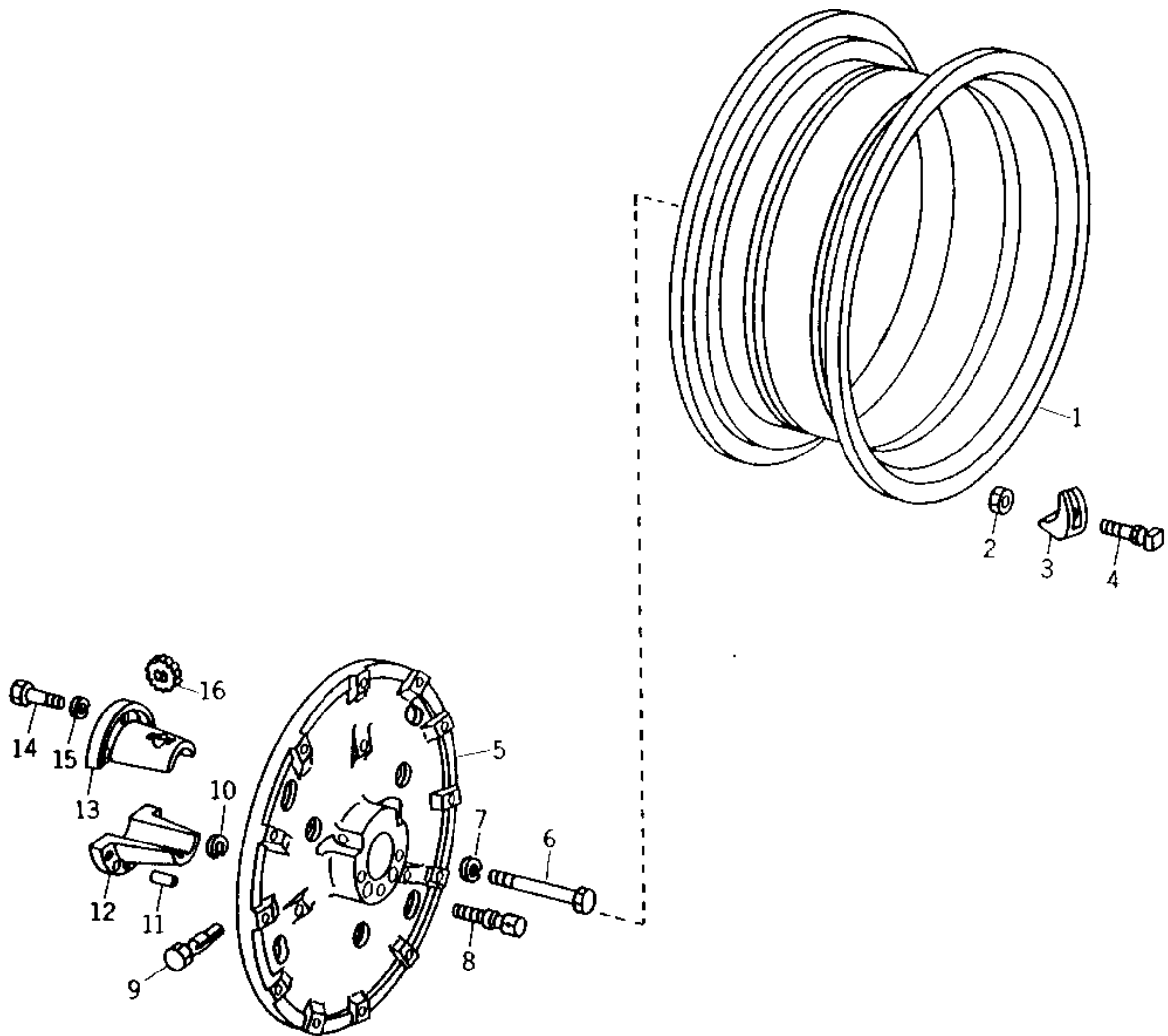
KEY	PART NO.	PART NAME	QTY	TRACTOR SERIAL NO.	REMARKS
1	19H1715	CAP SCREW	2	3/4" X 3"	
2	12H236	LOCK WASHER	2	3/4"	
3	R73715	SUPPORT	1	(SUB FOR R64501)	
4	14H794	NUT	6	3/4"	
5	B3627R	WASHER	6		
6	19H1798	CAP SCREW	6	3/4" X 1-3/4", (SIDE FRAME TO FRONT AXLE SUPPORT)	
7	R57162	WHEEL BOLT	6	(SIDE FRAME TO FRONT AXLE SUPPORT)	

# 4G11

WHEELS, FRONT AXLES, SHEET METAL

R32017 -UN-01JAN94

WHEELS



R32017F



# 4G12

WHEELS, FRONT AXLES, SHEET METAL

## WHEELS - CONTINUED

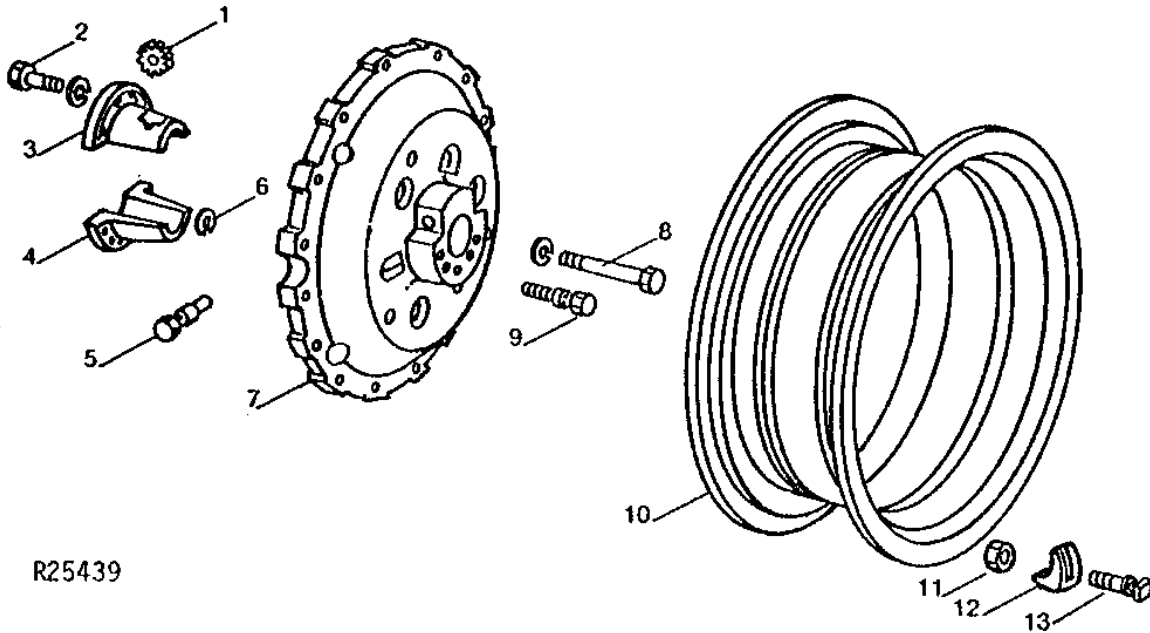
KEY	PART NO.	PART NAME	QTY	TRACTOR SERIAL NO.	REMARKS
1	R31943	RIM	1		(18.4-34 TIRE 6 PR OR 8 PR)
	R48146	RIM	1		(20.8-34 TIRE 6 PR OR 8 PR)
	R34659	RIM	1		(23.1-30 TIRE 8 PR)
	R36097	RIM	1		(24.5-32 TIRE 10 PR)
	RE12784	RIM	1		(30.5-32 TIRE 10 PR) (SUB FOR AR53883)
	R41012	WHEEL	1		(18.4-38 TIRE 6 PR OR 8 PR) (SUB R80306)
	R56837	RIM	1		(23.1-34 TIRE 8 PR)
	R74851	RIM	1		(20.8-38 TIRE 8 PR) (NOT USED IN U.S. AND CANADA) (SUB FOR R43744)
2	14H800	NUT	AR		5/8", (8 USED WITH R34680 OR R52160) (12 USED WITH R36190, R33450 OR R35300)
3	B634R	CLAMP	AR		(8 USED WITH R34680) (12 USED WITH R36190 OR R35300)
	A4388R	CLAMP	AR		(8 USED WITH R52160) (12 USED WITH R33450 OR R70309)
4	A4064R	BOLT	AR		(SUB R34801) (8 USED WITH R34680) (12 USED WITH R36190 OR R35300)
	08H4694	BOLT	AR		5/8" X 4" HS, SAE 8, (8 USED WITH R52160) (12 USED WITH R33450 OR R70309)
5	R34680	WHEEL	1		(23.1-30 TIRE)
	R36190	WHEEL	1		(24.5-32 TIRE AND 30.5-32 TIRE)
	R52160	WHEEL	1		(OFFSET CAST WHEEL) (18.4-34 TIRE AND 20.8-34 TIRE)
	R33450	DISK	1		(OFFSET CAST WHEEL) (18.4-38 TIRE) (SUB R70309)
6	R35300	WHEEL	1		(23.1-34 TIRE)
	08H4419	CAP SCREW	3		7/8" X 6-1/2" 7/8" X 6-1/2", (USE WITH R34680, R52160, R33450 OR R70309)
	08H4486	CAP SCREW	3		7/8" X 7-1/2" 7/8" X 7-1/2", (USE WITH R36190 OR R35300)
7	12H245	LOCK WASHER	3		7/8"
8	R58303	SCREW	2		(USE WITH R34680, R52160, R33450 OR R70309) (SUB FOR R33706)
	R35332	SCREW	2		(USE WITH R36190 OR R35300)
9	A4380R	PINION SHAFT	1		(SUB R83588 AND R73380)
10	A4883R	RING	2		(USE WITH R34680, R52160, R33450 OR R70309)
	R35333	SNAP RING	2		(USE WITH R36190 OR R35300)
11	R35335	DOWEL PIN	2		(USE WITH R36190 OR R35300)
12	R57927	HALF SLEEVE	1		(USE WITH R34680, R52160, R33450 OR R70309)
	R35303	HALF SLEEVE	1		(USE WITH R36190 OR R35300) (SUB AR83354)
13	R57928	HALF SLEEVE	1		(USE WITH R34680, R52160, R33450 OR R70309)
	R35302	HALF SLEEVE	1		(USE WITH R36190 OR R35300)
14	19H2600	CAP SCREW	3		3/4" X 2-5/8"
15	12H236	LOCK WASHER	3		3/4"
16	A4379R	PINION	1		(USE WITH R36190 OR R35300)
	R47368	PINION	1		(USE WITH R34680, R52160, R33450 OR R70309)
..	R55151	PLUG	AR		(SECOND VALVE STEM HOLE)
..	AT25226	STEM	1		(USE WITH TUBELESS TIRES)

# 4G13

WHEELS, FRONT AXLES, SHEET METAL

## CAST WHEELS (NOT USED IN U.S. AND CANADA)

R25439 -UN-01JAN94



R25439

KEY	PART NO.	PART NAME	QTY	TRACTOR SERIAL NO.	REMARKS
1	R58865	PINION	1	(A)	
	A4379R	PINION	1	(B)	
2	19H2600	CAP SCREW	3	3/4" X 2-5/8"	
	12H236	LOCK WASHER	3	3/4"	
3	R58864	HALF SLEEVE	1	(A)	
	R35302	HALF SLEEVE	1	(B)	
4	R59899	HALF SLEEVE	1	(A) (SUB AR83356)	
	R35303	HALF SLEEVE	1	(B) (SUB AR83354)	
	R35335	DOWEL PIN	2	(KEY HALF)	
5	A4380R	PINION SHAFT	1	(SUB R83588 AND R73380)	
6	R35333	SNAP RING	2	(A)	
7	R49860	WHEEL	1	(A) (SPECIAL OFFSET) (20.8-38 TIRE AND RIM)	
8	08H4419	CAP SCREW	3	7/8" X 6-1/2" 7/8" X 6-1/2"	
	08H4486	CAP SCREW	3	7/8" X 7-1/2" 7/8" X 7-1/2"	
	12H245	LOCK WASHER	3	7/8"	
9	R58303	SCREW	2	(SUB FOR R33706)	
	R35332	SCREW	2		
10	R43744	RIM	1	(20.8-38 TIRE)	
11	14H800	NUT	12	5/8"	
12	A4388R	CLAMP	12		
13	08H4694	BOLT	12	5/8" X 4", HS, SAE 8	

(A) 100 MM AXLES

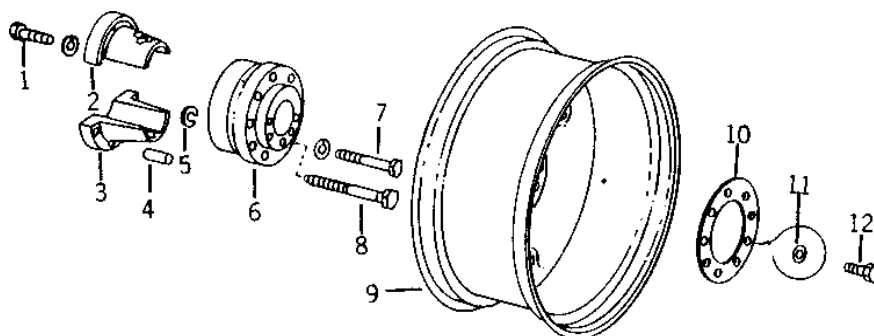
(B) USE WITH R49860 AND 92 MM AXLES

# 4G14

WHEELS, FRONT AXLES, SHEET METAL

R26605 -UN-25SEP95

## DUAL WHEELS



R 26605 F

KEY	PART NO.	PART NAME	QTY	TRACTOR SERIAL NO.	REMARKS
1	19H2600	CAP SCREW	3		3/4" X 2-5/8"
	12H236	LOCK WASHER	3		3/4"
	19H1707	CAP SCREW	3		(A) 3/4" X 2-3/4", (24.5-32 OR 23.1-34 TIRE)
2	R57928	HALF SLEEVE	1		(B) (24.5-32 OR 23.1-34 TIRE)
	R35302	HALF SLEEVE	1		(C)
	R58864	HALF SLEEVE	1		(C)
3	R57927	HALF SLEEVE	1		(B) (24.5-32 OR 23.1-34 TIRE) (SUB AR83354)
	R35303	HALF SLEEVE	1		(C) (SUB AR83356)
	R59899	HALF SLEEVE	1		(C)
4	R35335	DOWEL PIN	2		(A) (24.5-32 OR 23.1-34 TIRE)
5	A4883R	RING	2		(A) (24.5-32 OR 23.1-34 TIRE)
	R35333	SNAP RING	2		(A) (24.5-32 OR 23.1-34 TIRE)
6	R57969	HUB	1		(18.4-34, 18.4-38, 20.8-34 OR 23.1-30 TIRE)
	R54160	HUB	1		(A) (23.1-34 OR 24.5-32 TIRE)
7	R58302	SCREW	3		7/8" X 6-1/2"
	08H4486	CAP SCREW	3		(A) 7/8" X 7-1/2" 7/8" X 7-1/2", (24.5-32 OR 23.1-34 TIRE)
	12H245	LOCK WASHER	3		7/8"
8	R58303	SCREW	2		(A) (24.5-32 OR 23.1-34 TIRE)
	R35332	SCREW	2		(A) (24.5-32 OR 23.1-34 TIRE)
9	JD3224	WHEEL	1		(18.4-34 TIRE 6 PR OR 8 PR)
	JD3225	WHEEL	1		(18.4-38 TIRE 6 PR OR 8 PR)
	JD3226	WHEEL	1		(20.8-34 TIRE 6 PR OR 8 PR)
	AR52265	WHEEL	1		(23.1-30 TIRE 8 PR)
	AR80517	WHEEL	1		(23.1-34 TIRE)
	AR80956	WHEEL	1		(24.5-32 TIRE) (SUB RE21336)
	JD3231	RIM	1		(A) (SUB RE51962)
10	R54983	WHEEL RING	1		(A) (24.5-32 OR 23.1-34 TIRE)
11	R52006	WASHER	10		(A) (24.5-32 OR 23.1-34 TIRE)
	H84374	BUSHING	9	004851-	
12	19H2672	CAP SCREW	9	-004850	5/8" X 2" HS, SAE 8, (ORDER 19H2673 AND H84374)
	19H2673	CAP SCREW	9	004851-	5/8" X 2-1/2", HS, SAE 8
	19H2587	CAP SCREW	9		(A) 7/8" X 1-3/4", HS, SAE 8 (24.5-32 OR 23.1-34 TIRE)
..	AT25226	STEM	1		(USE WITH TUBELESS TIRES)

(A) 20.8-38 TIRE 8 PR NOT USED IN U.S. AND CANADA

(B) 20.8-38 TIRE ON 92 MM AXLE NOT USED IN U.S. AND CANADA

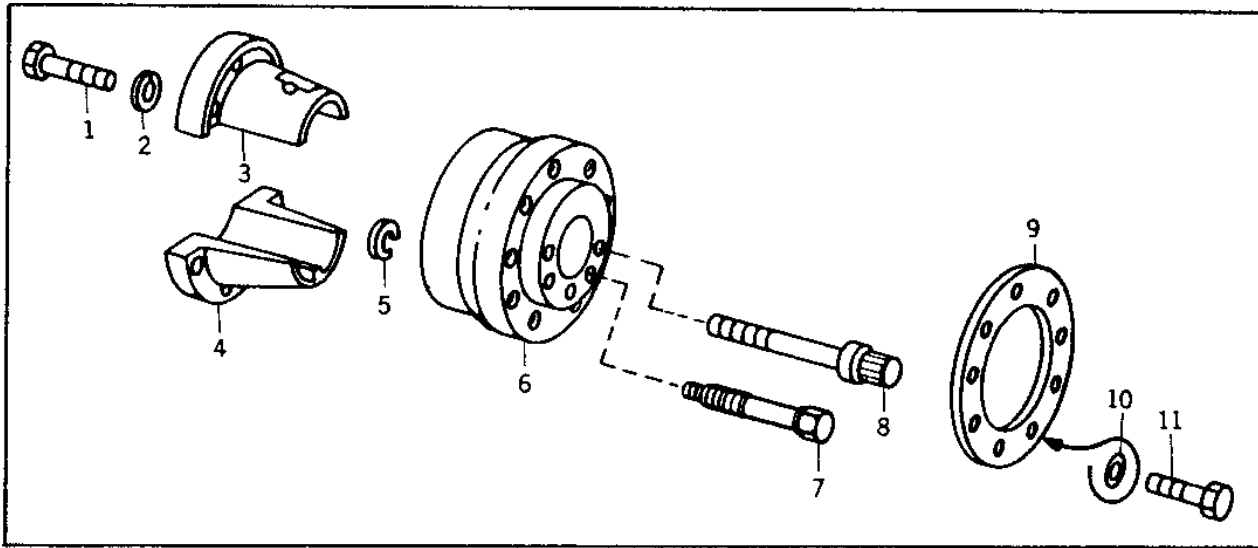
(C) 20.8-38 TIRE ON 100 MM AXLE NOT USED IN U.S. AND CANADA

# 4G15

WHEELS, FRONT AXLES, SHEET METAL

**DRIVE WHEEL HUB**  
**(9 BOLT WHEEL - 92MM AXLE)**  
**(18.4-34, 18.4-38, 20.8-34 AND 23.1-30 TIRES)**

R32338 -UN-01JAN94



R32338F

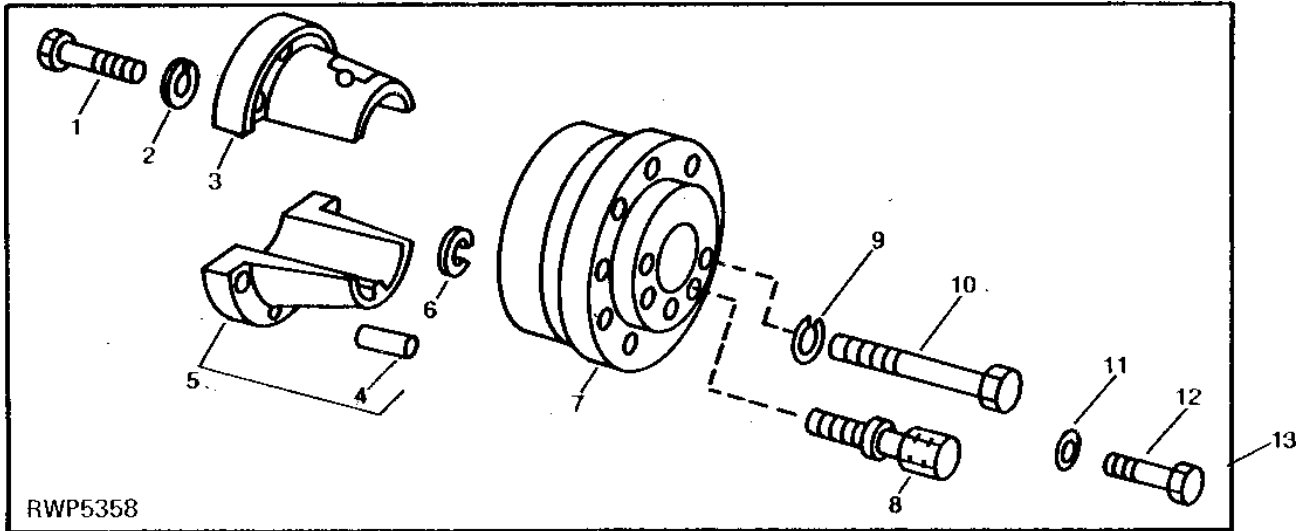
KEY	PART NO.	PART NAME	QTY	TRACTOR SERIAL NO.	REMARKS
1	19H2600	CAP SCREW	3		
2	12H236	LOCK WASHER	3		3/4" X 2-5/8"
3	R57928	HALF SLEEVE	1		3/4"
4	R57927	HALF SLEEVE	1		
5	A4883R	RING	2		
6	R57969	HUB	1		
7	R58303	SCREW	2		
8	R58302	SCREW	3		
9	R54983	WHEEL RING	1		
10	.....	BUSHING	9		
11	19H2672	CAP SCREW	9		5/8" X 2" HS, SAE 8, (ORDER (9) 19H2673 AND (9) H84374)
12	AR80170	HUB	1		

# 4G16

WHEELS, FRONT AXLES, SHEET METAL

DRIVE WHEEL HUB  
(10 BOLT WHEEL - 92MM AXLE)  
(23.1-34 AND 24.5-32 TIRES)

RWP5358 -UN-01JAN94



RWP5358

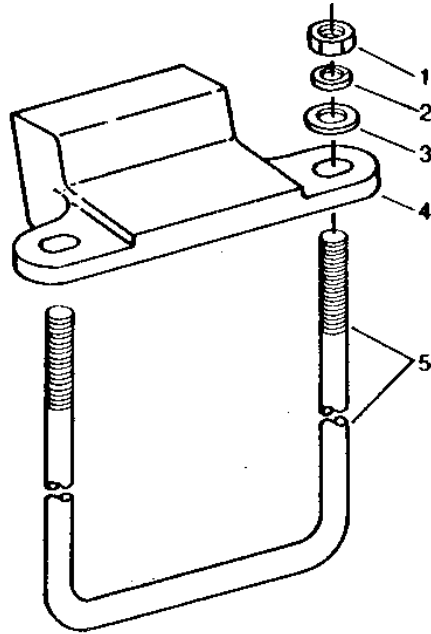
KEY	PART NO.	PART NAME	QTY	TRACTOR SERIAL NO.	REMARKS
1	19H2600	CAP SCREW	3		3/4" X 2-5/8"
2	12H236	LOCK WASHER	3		3/4"
3	R35302	HALF SLEEVE	1		
4	R35335	DOWEL PIN	2		
5	AR83354	SLEEVE	1		(SUB FOR R35303)
6	R35333	SNAP RING	2		
7	R54160	HUB	1		
8	R35332	SCREW	2		
9	12H245	LOCK WASHER	3		7/8"
10	08H4486	CAP SCREW	3		7/8" X 7-1/2"
11	R52006	WASHER	10		
12	19H2587	CAP SCREW	10		7/8" X 1-3/4", HS,SAE 8
13	AR80169	HUB	1		

# 4G17

WHEELS, FRONT AXLES, SHEET METAL

RWP5864 -UN-01JAN94

## AXLE STOP



RWP5864

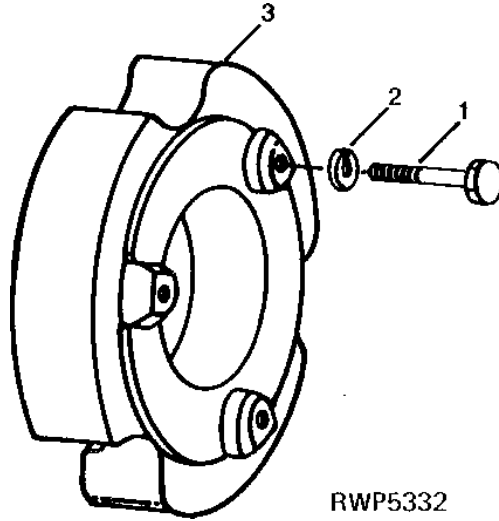
KEY	PART NO.	PART NAME	QTY	TRACTOR SERIAL NO.	REMARKS
1	14H1039	NUT	4	5/8"	
2	12H294	LOCK WASHER	4	5/8"	
3	24H1139	WASHER	4	11/16" X 1-1/4" X 0.105"	
4	R58297	STOP	2		
5	R26992	U-BOLT	2	(AXLE STOP TO FRONT AXLE)	

# 4G18

WHEELS, FRONT AXLES, SHEET METAL

RWP5332 -UN-01JAN94

REAR WHEEL INNER WEIGHT FOR 32" AND 34" CAST WHEELS



KEY	PART NO.	PART NAME	QTY	TRACTOR SERIAL NO.	REMARKS
1	19H1862	CAP SCREW	3	3/4" X 2-1/2"	
2	12H236	LOCK WASHER	3	3/4"	
3	R35780	WEIGHT	1	129 KG (285 LBS)	

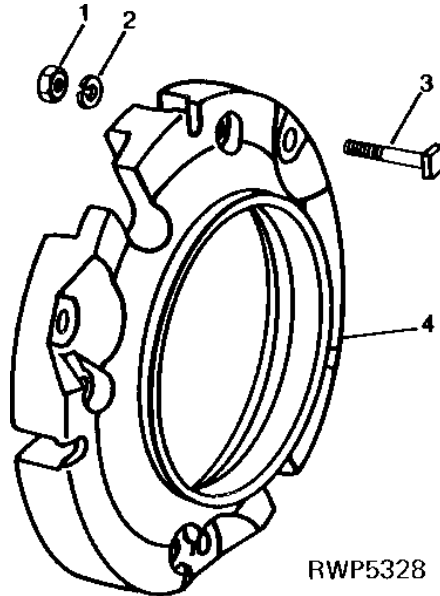
# 4G19

WHEELS, FRONT AXLES, SHEET METAL

RWP5328

-UN-01JAN94

## REAR WHEEL WEIGHT FOR 32", 34" AND 38" CAST WHEELS



KEY	PART NO.	PART NAME	QTY	TRACTOR SERIAL NO.	REMARKS
1	14H1039	NUT	3	5/8"	
2	12H294	LOCK WASHER	3	5/8"	
3	R34801	BOLT	3	(32" AND 34" CAST WHEEL)	
	R81272	BOLT	3	(38" CAST WHEEL) (SUB FOR R67235)	
4	T21689	WEIGHT	1	49 KG (107 LBS)	

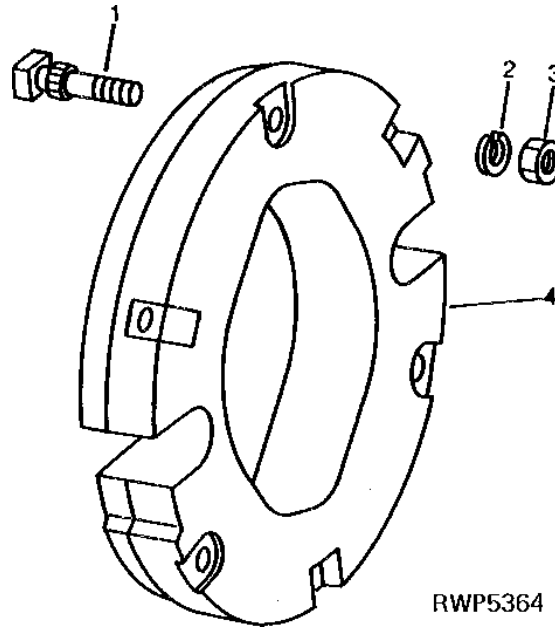


# 4G20

WHEELS, FRONT AXLES, SHEET METAL

RWP5364 -UN-01JAN94

## WHEEL WEIGHTS FOR 30" AND 34" CAST DISK WHEELS



KEY	PART NO.	PART NAME	QTY	TRACTOR SERIAL NO.	REMARKS
1	R34801	BOLT	3		
2	12H294	LOCK WASHER	3	5/8"	
3	14H1039	NUT	3	5/8"	
4	R61524	WEIGHT	1	64 KG (141 LBS) (34" WHEEL)	
	R61727	WEIGHT	1	51 KG (112 LBS) (30" WHEEL)	

---

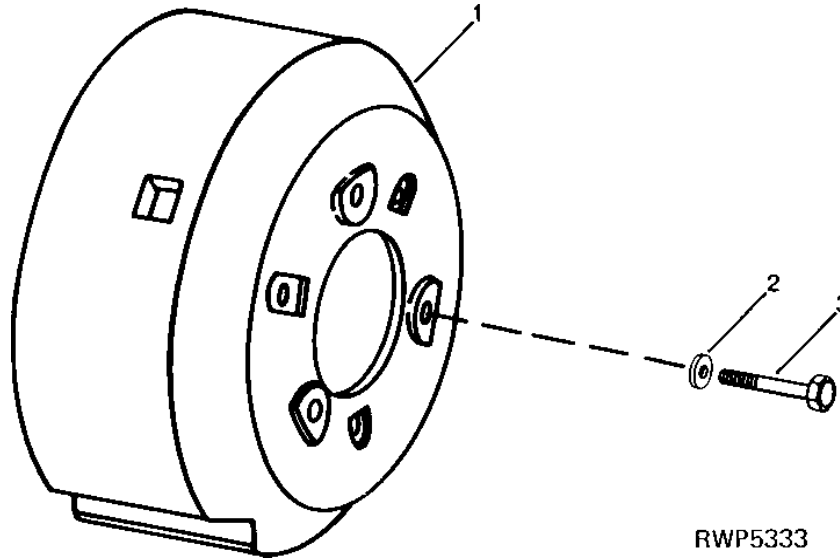
MEMORANDA

# 4G21

WHEELS, FRONT AXLES, SHEET METAL

## REAR INNER WHEEL WEIGHT (32" CAST WHEEL)

RWP5333 -UN-17NOV94



RWP5333

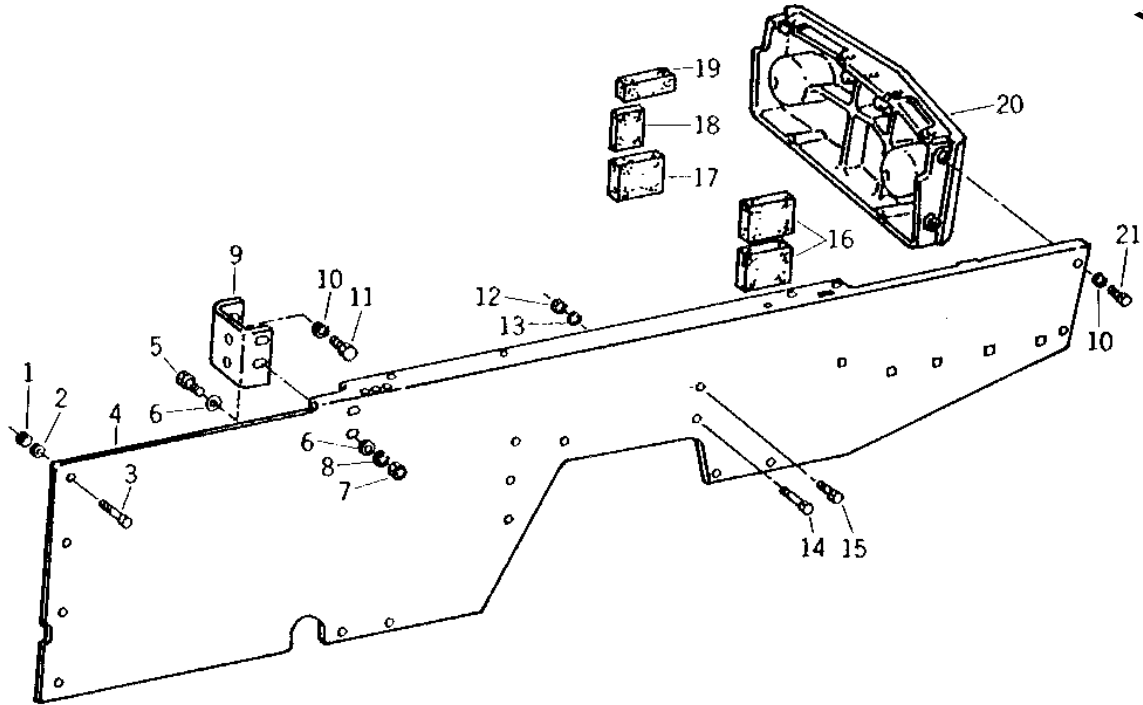
KEY	PART NO.	PART NAME	QTY	TRACTOR SERIAL NO.	REMARKS
1	R72266	WEIGHT	1		680 KG (1500 LBS) (SUB FOR R49630) (ALSO ORDER (3) 19H3167)
2	B3627R	WASHER	3		
3	19H1862	CAP SCREW	3	3/4" X 2-1/2"	

# 4G22

WHEELS, FRONT AXLES, SHEET METAL

R32233 -UN-01JAN94

## SIDE AND FRONT FRAME



R32233F

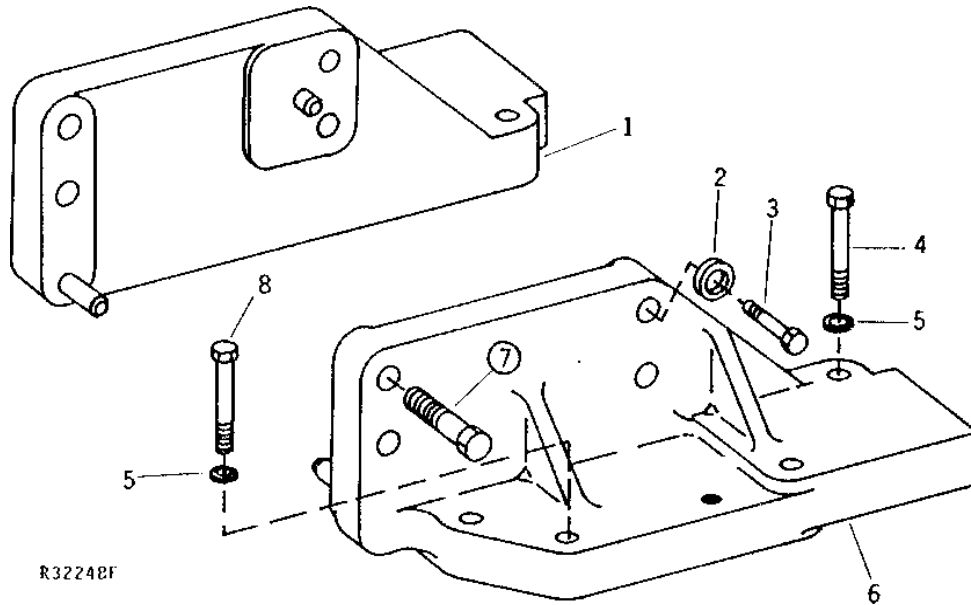
KEY	PART NO.	PART NAME	QTY	TRACTOR SERIAL NO.	REMARKS
1	14H794	NUT	8	3/4"	
2	B3627R	WASHER	6		
3	R59410	BOLT	8		(SIDE FRAME TO FRONT HINGE)
4	R57201	FRAME	1	R.H.	
	R57202	FRAME	1	L.H.	
5	19H1831	CAP SCREW	4	1/2" X 2"	
6	24H1341	WASHER	8	17/32" X 15/16" X 0.060"	
7	14H1040	NUT	4	1/2"	
8	12H301	LOCK WASHER	4	1/2"	
9	R60058	BRACE	1	R.H.	
	R67140	BRACE	1	L.H. (SUB FOR R60060)	
10	12H294	LOCK WASHER	8	5/8"	
11	19H1756	CAP SCREW	4	5/8" X 1-1/2", (TO CYLINDER BLOCK)	
12	14H794	NUT	6	3/4"	
13	B3627R	WASHER	6		
14	R57162	WHEEL BOLT	6		(SIDE FRAME TO FRONT AXLE SUPPORT)
15	19H1798	CAP SCREW	6	3/4" X 1-3/4", (TO FRONT AXLE SUPPORT)	
16	R46633	ISOLATOR	2		
17	R46633	ISOLATOR	1		
18	R45397	INSULATOR	1		
19	.....	CUSHION	1		38 X 51 X 140 MM (1-1/2" X 2" X 5-1/2") (MAKE FROM R35339)
20	R69329	FRAME	1		(SUB FOR R57188)
21	19H1833	CAP SCREW	4	5/8" X 1-1/4"	
..	AR49923	ADHESIVE	1		552 G (19.5 OZ)

# 4G23

WHEELS, FRONT AXLES, SHEET METAL

R32248 -UN-01JAN94

## ENGINE FRONT SUPPORTS



R32248F

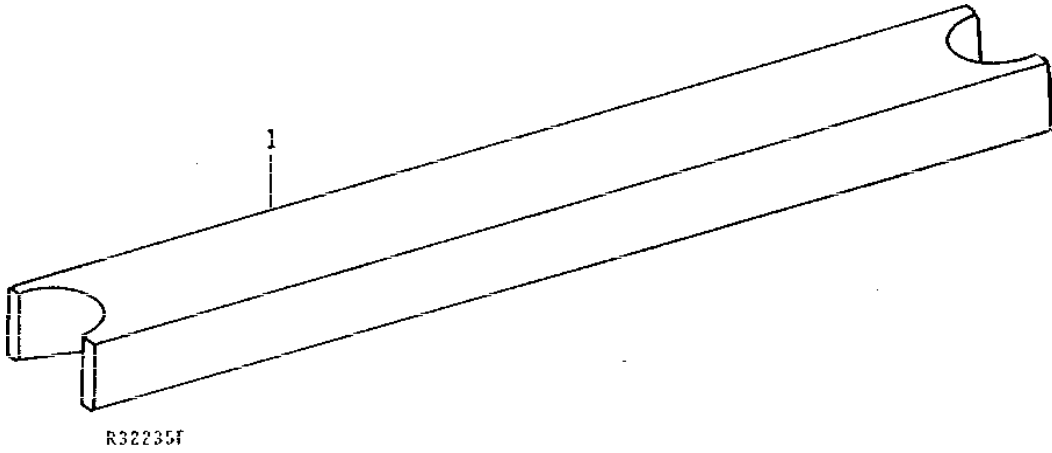
KEY	PART NO.	PART NAME	QTY	TRACTOR SERIAL NO.	REMARKS
1	AR68511	SUPPORT	1	-004730	(MARKED R57199)
	AR77555	SUPPORT	1	004731-	(MARKED R62873)
2	T21397	WASHER	4	004731-	ENGINE FRONT SUPPORT TO CYLINDER BLOCK SCREW
3	19H1824	CAP SCREW	4	-004730	5/8" X 2-1/4"
	19H1782	CAP SCREW	4	004731-	3/4" X 2-1/4"
4	19H1890	CAP SCREW	4		5/8" X 2-3/4", (TO FRONT AXLE SUPPORT)
5	12H294	LOCK WASHER	8		5/8"
6	AR68510	SUPPORT	1	-004730	(MARKED R57198)
	AR77554	SUPPORT	1	004731-	(MARKED R62872) (SUB AR92392)
7	19H1824	CAP SCREW	4		5/8" X 2-1/4", (TO CYLINDER BLOCK)
8	19H1824	CAP SCREW	4		5/8" X 2-1/4", (TO FRONT AXLE SUPPORT)

# 4G24

WHEELS, FRONT AXLES, SHEET METAL

R32235 -UN-01JAN94

HINGE LOCK BAR



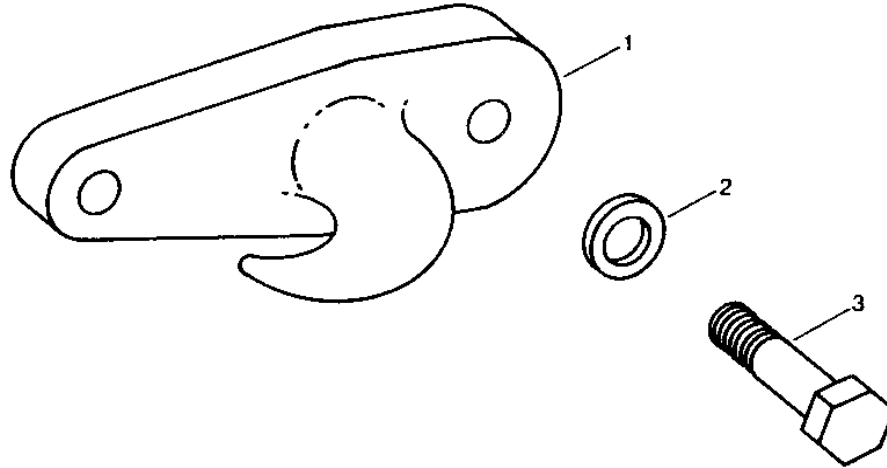
KEY	PART NO.	PART NAME	QTY	TRACTOR SERIAL NO.	REMARKS
1	R58329	REINFORCEMENT	2		

# 4G25

WHEELS, FRONT AXLES, SHEET METAL

RWP3120 -UN-01JAN94

TOW HOOK



RWP3120

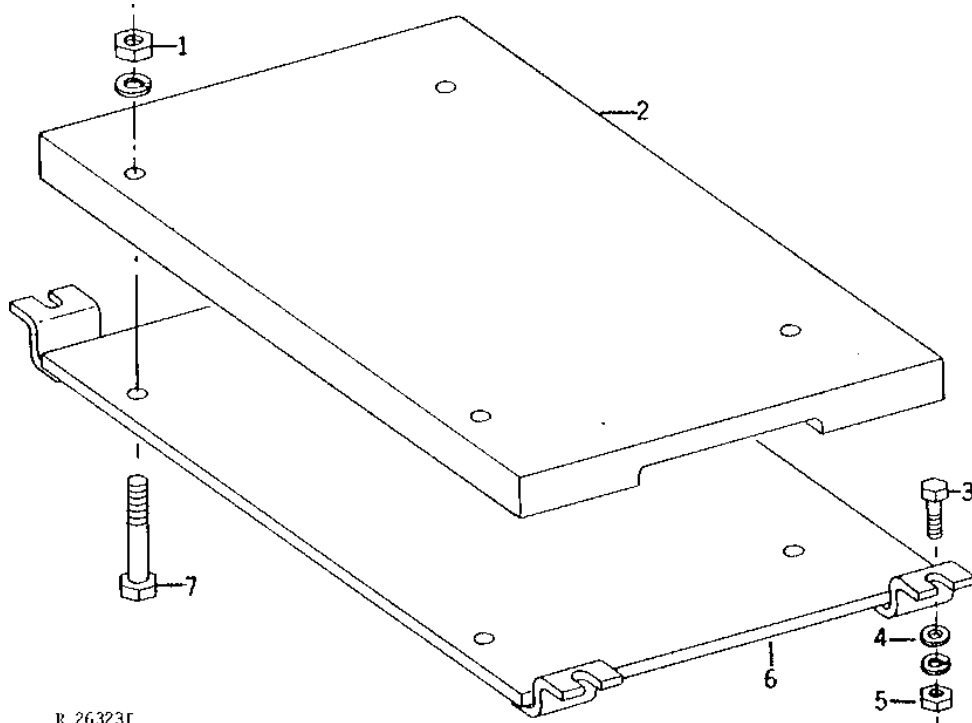
KEY	PART NO.	PART NAME	QTY	TRACTOR SERIAL NO.	REMARKS
1	R76618	HOOK	2		(SUB FOR R35998)
2	T21397	WASHER	4		
3	19H2411	CAP SCREW	4		3/4" X 2-1/2"

# 4H1

WHEELS, FRONT AXLES, SHEET METAL

## COUNTERWEIGHT WITH MOUNTING PLATE (NOT USED IN U.S. AND CANADA)

R26323 -UN-01JAN94



R 26323F

KEY	PART NO.	PART NAME	QTY	TRACTOR SERIAL NO.	REMARKS
1	14H1039	NUT	4	5/8"	
	12H294	LOCK WASHER	4	5/8"	
2	8255CU	WEIGHT	1		
3	19H2552	CAP SCREW	2	3/8" X 1-1/8"	
4	24H1135	WASHER	2	15/32" X 13/16" X 0.090"	
5	14H1076	NUT	2	3/8"	
	12H304	LOCK WASHER	2	3/8"	
6	AR79050	PLATE	1		
7	19H2072	CAP SCREW	4	5/8" X 3-1/4"	

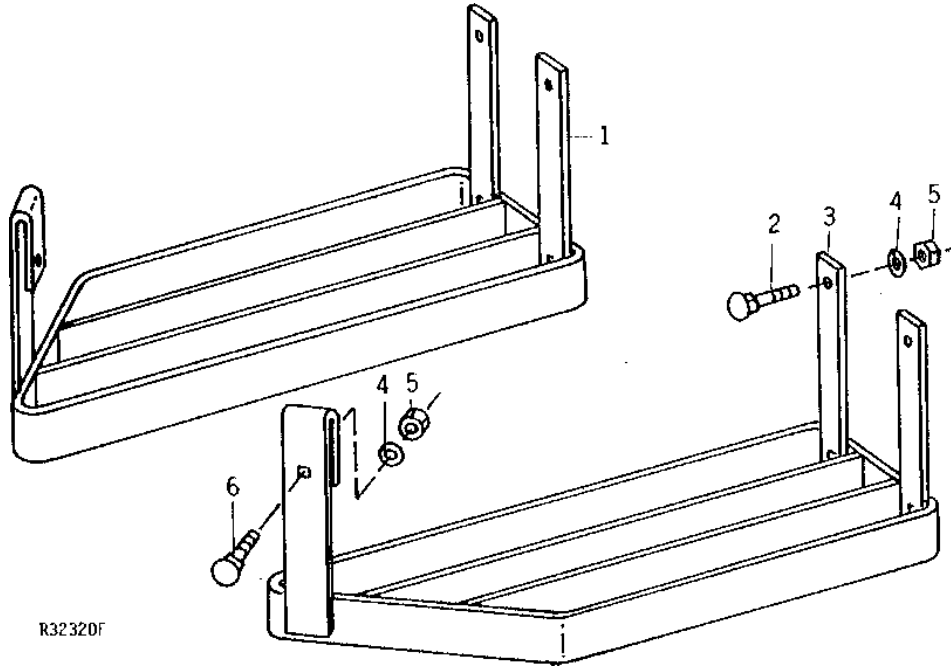


# 4H2

WHEELS, FRONT AXLES, SHEET METAL

R32320 -UN-01JAN94

## AUXILIARY STEP (NOT USED IN U.S. AND CANADA)



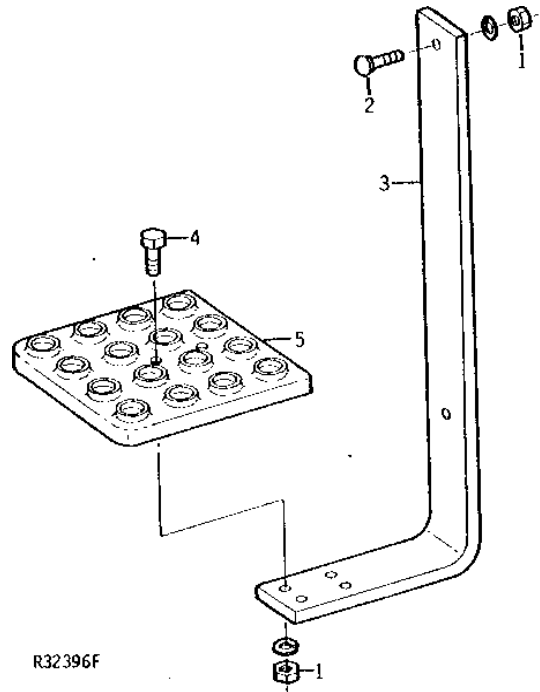
KEY	PART NO.	PART NAME	QTY	TRACTOR SERIAL NO.	REMARKS
1	AR85702	STEP	1		
2	03H1495	BOLT	4	3/8" X 1-1/2"	
3	AR85701	STEP	1		
4	12H304	LOCK WASHER	6	3/8"	
5	14H1076	NUT	6	3/8"	
6	03H1480	BOLT	2	3/8" X 1-1/4"	

# 4H3

WHEELS, FRONT AXLES, SHEET METAL

R32396 -UN-01JAN94

**AUXILIARY STEP  
(NOT USED IN U.S. AND CANADA)**



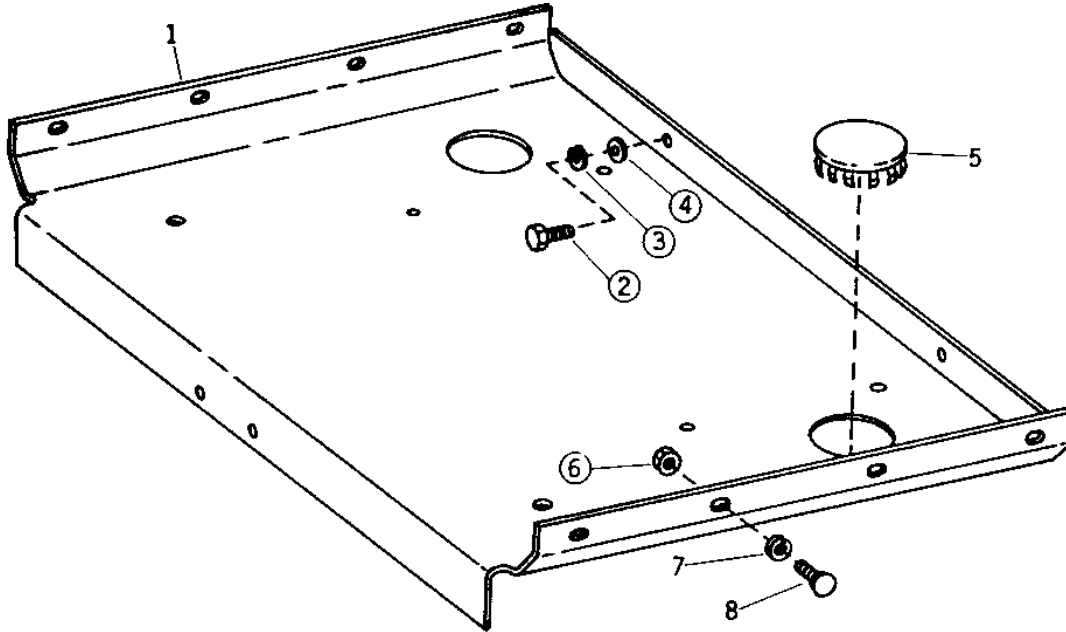
KEY	PART NO.	PART NAME	QTY	TRACTOR SERIAL NO.	REMARKS
1	14H1076	NUT	4	3/8"	
	12H304	LOCK WASHER	4	3/8"	
2	03H1495	BOLT	4	3/8" X 1-1/2"	
3	R63866	SUPPORT	2		
4	19H2552	CAP SCREW	4	3/8" X 1-1/8"	
5	R51109	STEP	2	(SUB R84943)	

# 4H4

WHEELS, FRONT AXLES, SHEET METAL

R32258 -UN-01JAN94

## BATTERY SUPPORT



R32258F

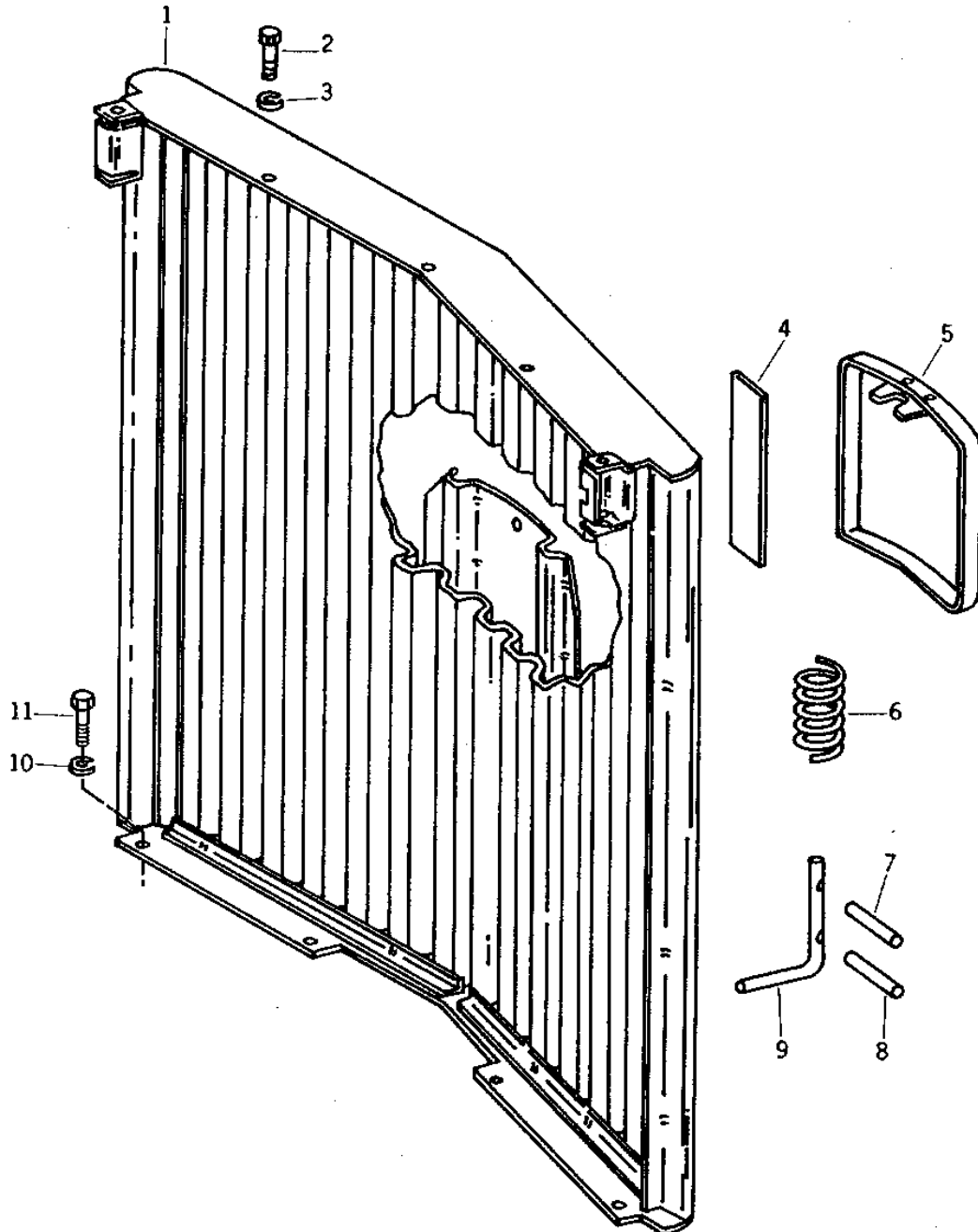
KEY	PART NO.	PART NAME	QTY	TRACTOR SERIAL NO.	REMARKS
1	R64067	SUPPORT	1		(SUB FOR AR68954)
2	19H1731	CAP SCREW	2		3/8" X 1", (TO FRONT FRAME)
3	12H304	LOCK WASHER	1		3/8"
4	24H1305	WASHER	2		13/32" X 13/16" X 0.065"
5	R1680R	PLUG	2		(BATTERY BOX DRAIN)
6	14H1047	NUT	8		7/16"
7	12H293	LOCK WASHER	8		7/16"
8	03H1572	BOLT	8		7/16" X 1", (SIDE FRAME TO BATTERY SUPPORT)

# 4H5

WHEELS, FRONT AXLES, SHEET METAL

R32004 -UN-01JAN94

## FRONT GRILLE AND MEDALLION



R32004 F

# 4H6

WHEELS, FRONT AXLES, SHEET METAL

## FRONT GRILLE AND MEDALLION - CONTINUED

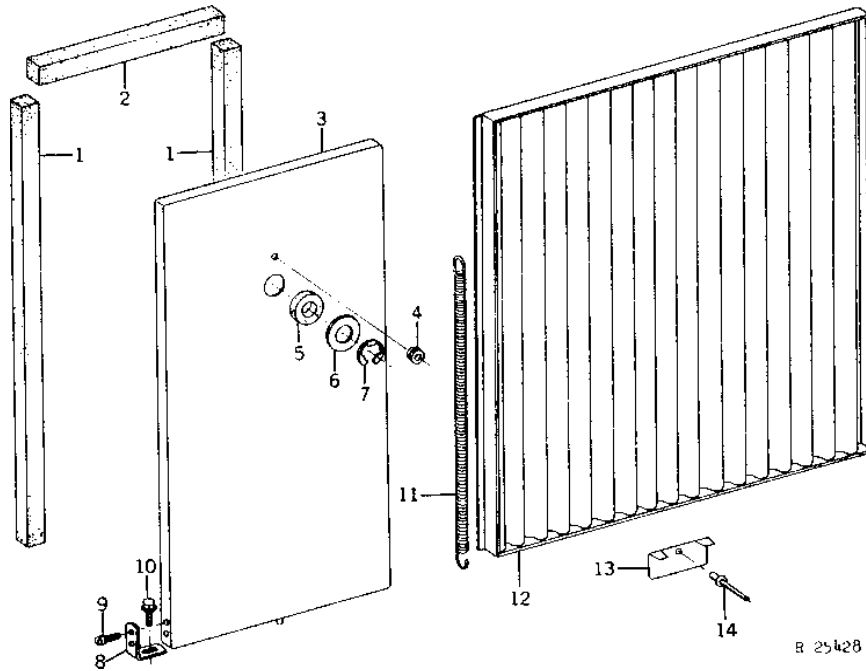
KEY	PART NO.	PART NAME	QTY	TRACTOR SERIAL NO.	REMARKS
1	AR68539	GRILLE	1		
2	19H1134	CAP SCREW	3	3/8" X 3/4"	
3	12H304	LOCK WASHER	3	3/8"	
4	R65547	TAPE	4		
5	AR88931	MEDALLION	1		(ALSO ORDER (4) R65547) (SUB FOR AR88370 OR R58545) (SUB R82805 AND (3) R65547)
6	B161R	SPRING	2		(HOOD LATCH)
7	34H387	SPRING PIN	2	3/16" X 3/4"	
8	34H282	SPRING PIN	2	3/16" X 1"	
9	R50779	PIN	2		
10	12H303	LOCK WASHER	4	5/16"	
11	19H1900	CAP SCREW	4	5/16" X 3/4"	

# 4H7

WHEELS, FRONT AXLES, SHEET METAL

R25428 -UN-01JAN94

## SIDE PANEL AND SIDE GRILLE



KEY	PART NO.	PART NAME	QTY	TRACTOR SERIAL NO.	REMARKS
1	R36209	ISOLATOR	4		(SIDE PANEL, SIDE)
2	.....	CUSHION	2		25 X 25 X 273 MM (1" X 1" X 10-3/4") (MAKE FROM R30937)
3	AR68472	PANEL	2		(WITH BAFFLES)
4	R1134R	EYELET	2		(WIRING LEAD HOLE FOR FRONT FLOOD LAMP)
5	R51849	SPACER	2		(SIDE PANEL)
6	24H1454	WASHER	2		1-1/32" X 2" X 0.060"
7	A29174	SNAP RING	2		(SIDE PANEL)
8	R57197	CLIP	2		(SIDE PANEL RETAINING)
9	37H132	SCREW	4		0.216" X 3/4"
10	37H106	SCREW	2		
11	R35769	SPRING	2		
12	AR69164	GRILLE	2		
13	R59755	RETAINER	2		
14	R55326	RIVET	2		
..	AR49923	ADHESIVE	1		552 G (19.5 OZ)

---

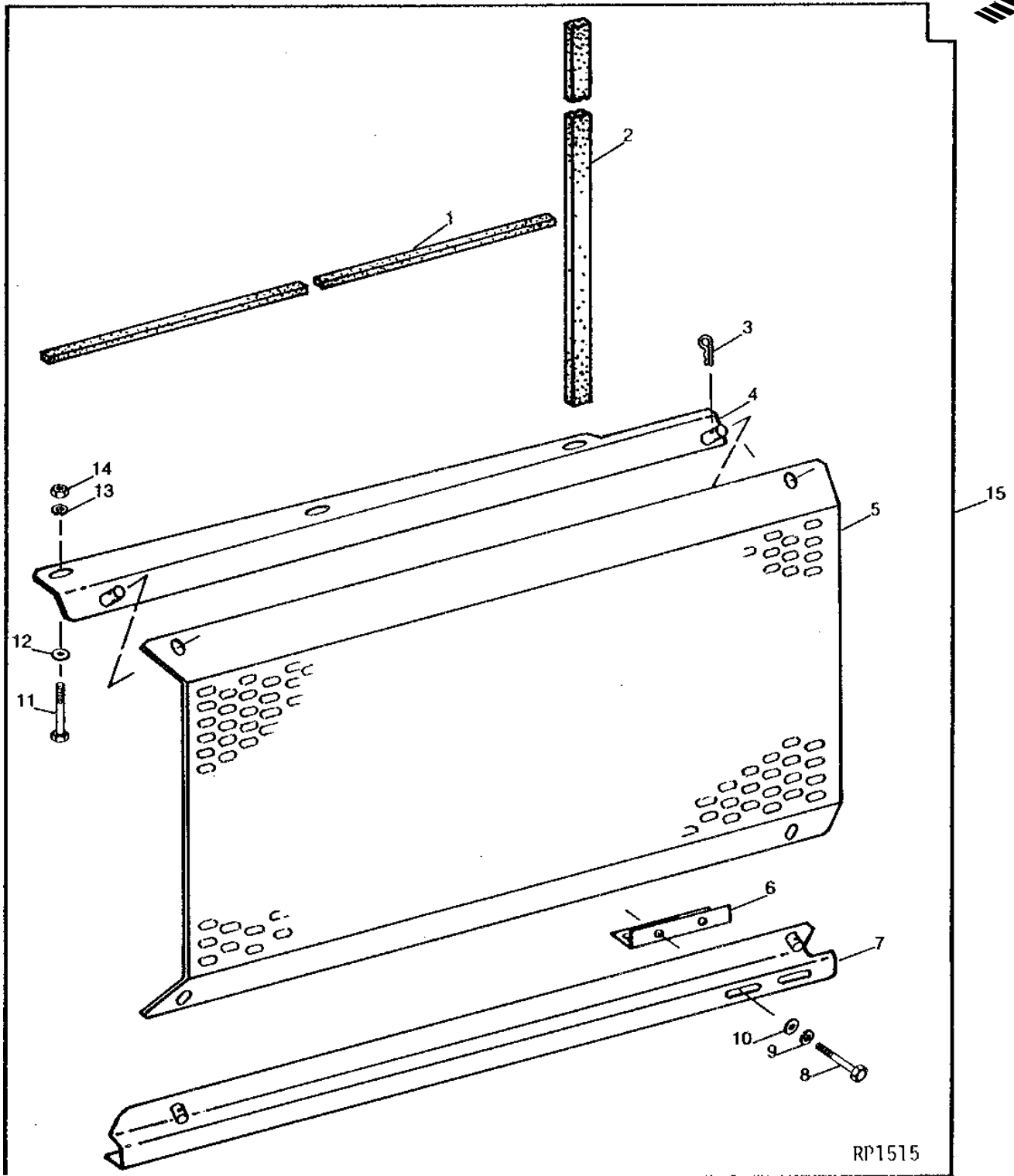
MEMORANDA

# 4H8

WHEELS, FRONT AXLES, SHEET METAL

RP1515 -UN-01JAN94

## TRASH SHIELD





# 4H9

WHEELS, FRONT AXLES, SHEET METAL

## TRASH SHIELD - CONTINUED

KEY	PART NO.	PART NAME	QTY	TRACTOR SERIAL NO.	REMARKS
1	R74064	DEFLECTOR	4		
2	.....	CUSHION	2		8 X 17 X 562 MM (5/16" X 11/16" X 22-1/8") (MAKE FROM R21676)
3	CH11527	PIN	8		(SUB M40461)
4	AR98862	BRACKET	1		R.H.
	AR98863	BRACKET	1		L.H.
5	AR98861	SHIELD	2		
6	AR98866	EXTENSION	2		
7	AR98864	BRACKET	1		R.H.
	AR98865	BRACKET	1		L.H.
8	19H1948	CAP SCREW	4		1/4" X 3/4"
9	12H302	LOCK WASHER	4		1/4"
10	24H1821	WASHER	4		9/32" X 47/64" X 1/16"
11	19H1948	CAP SCREW	6		1/4" X 3/4"
12	24H1821	WASHER	6		9/32" X 47/64" X 1/16"
13	12H302	LOCK WASHER	6		1/4"
14	14H786	NUT	6		1/4"
15	AR98859	SHIELD	1		

---

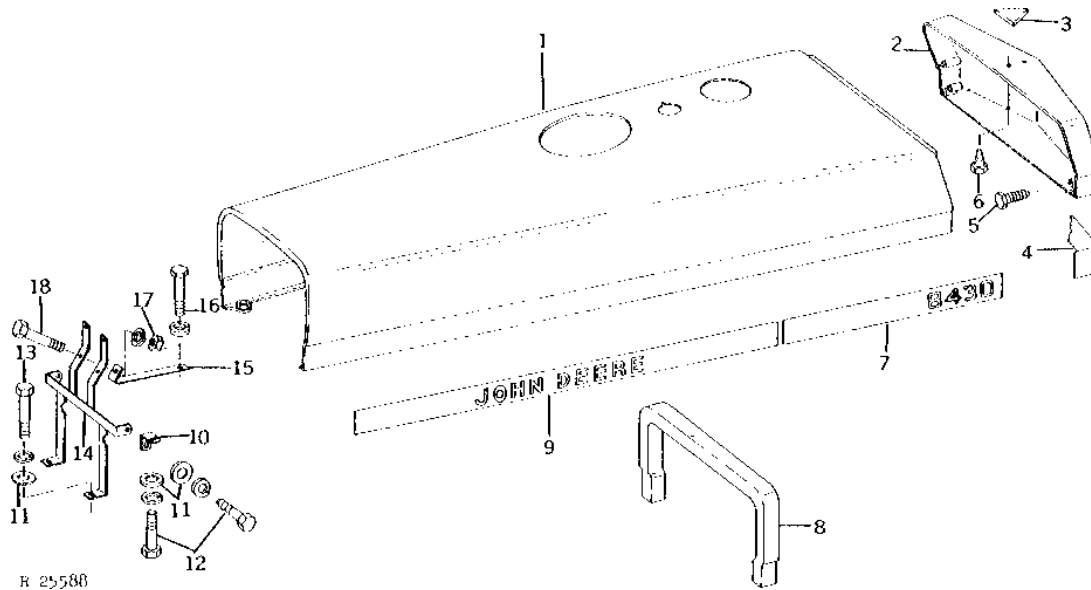
MEMORANDA

# 4H10

WHEELS, FRONT AXLES, SHEET METAL

R25588 -UN-01JAN94

## HOOD WITH SUPPORTS



KEY	PART NO.	PART NAME	QTY	TRACTOR SERIAL NO.	REMARKS
1	AR74407	HOOD	1		(SUB FOR AR68213)
2	R56988	EXTENSION	1		
3	R73259	MEDALLION	1		(SUB FOR R50736) (SUB L40919 AND L41919)
4	R59088	LABEL	1	-002532	(SUB R63415, R63426, R63427, R63411 AND R63412)
	R63415	LABEL	1	002533-	FRONT TRIM
5	R52760	SCREW	6		(HOOD TO EXTENSION)
6	37H49	SCREW	2		
7	R59093	LABEL	1	-002532	R.H. (SUB R63426, R63427, R63411, R63412 AND R63415)
	R63426	LABEL	1	002533-	R.H.
	R59094	LABEL	1	-002532	L.H. (SUB R63427, R63426, R63411, R63412 AND R63415)
	R63427	LABEL	1	002533-	L.H.
8	R58287	ISOLATOR	1	-XXXXXX	(HOOD TO RADIATOR)
	R51479	ISOLATOR	2	XXXXXX-	(HOOD TO RADIATOR)
9	R53700	LABEL	1	-002532	R.H. (SUB R63411, R63412, R63426, R63427 AND R63415)
	R63411	LABEL	1	002533-	R.H.
	R53701	LABEL	1	-002532	L.H. (SUB R63411, R63412, R63426, R63427 AND R63415)
	R63412	LABEL	1	002533-	L.H.
10	R57228	BRACKET	2		
11	24H1305	WASHER	6		13/32" X 13/16" X 0.065"
12	19H1936	CAP SCREW	4		3/8" X 3/4"
	12H304	LOCK WASHER	4		3/8"
13	19H2552	CAP SCREW	2		3/8" X 1-1/8"
	12H304	LOCK WASHER	2		3/8"
14	AR74988	SUPPORT	1		(SUB FOR AR68540)
15	R59461	BRACE	1		(HOOD REAR SUPPORT)
16	19H1916	CAP SCREW	1		5/8" X 1", (TO CYLINDER HEAD)
	12H294	LOCK WASHER	1		5/8"
17	14H1076	NUT	1		3/8"
	12H304	LOCK WASHER	1		3/8"
18	19H1731	CAP SCREW	1		3/8" X 1"
..	AR85792	ADHESIVE	1		.15 L (5 OZ)

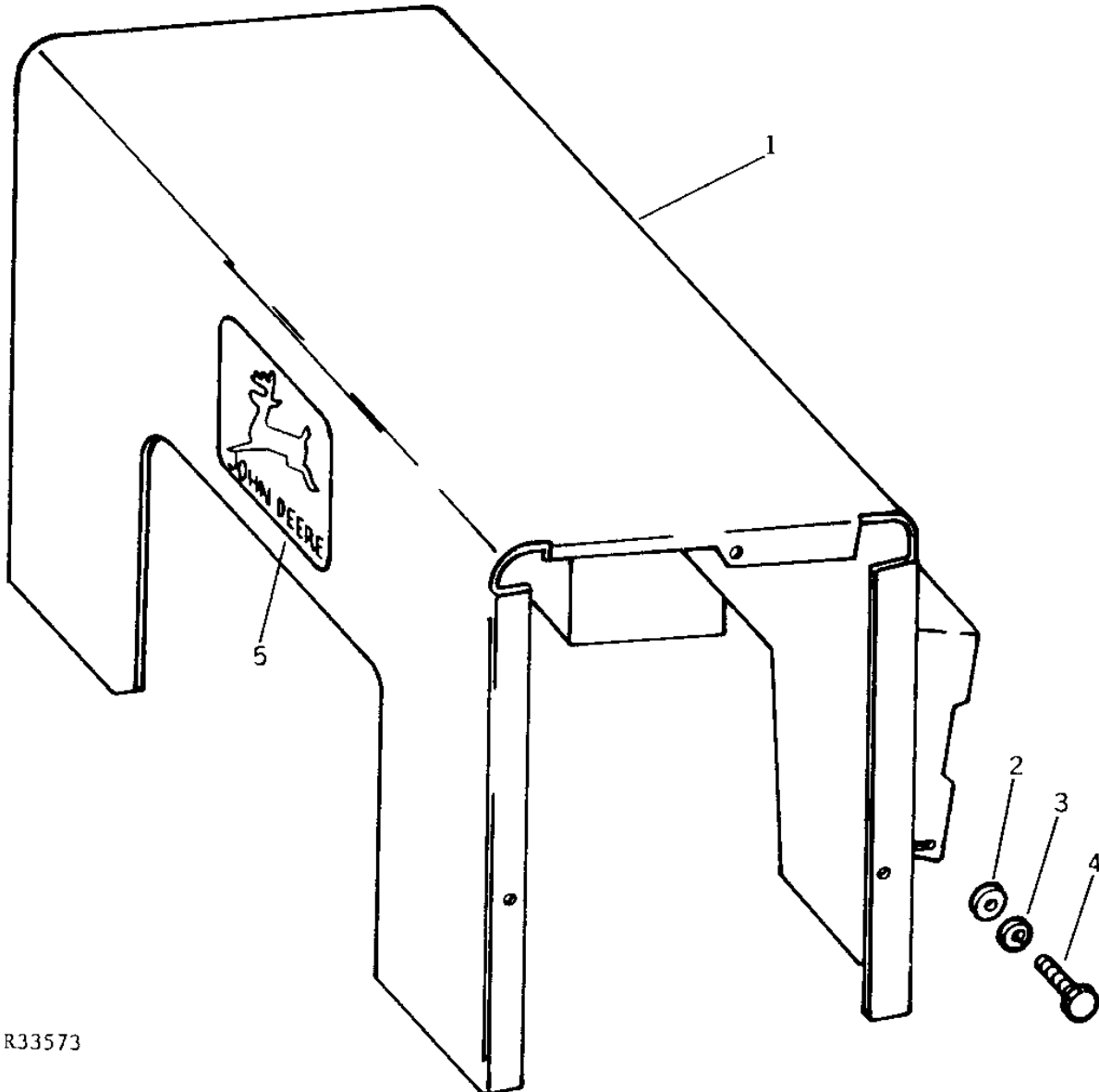
# 4H11

WHEELS, FRONT AXLES, SHEET METAL

R33573

-UN-01JAN94

## TRANSMISSION CASE SHIELD



R33573

# 4H12

WHEELS, FRONT AXLES, SHEET METAL

## TRANSMISSION CASE SHIELD - CONTINUED

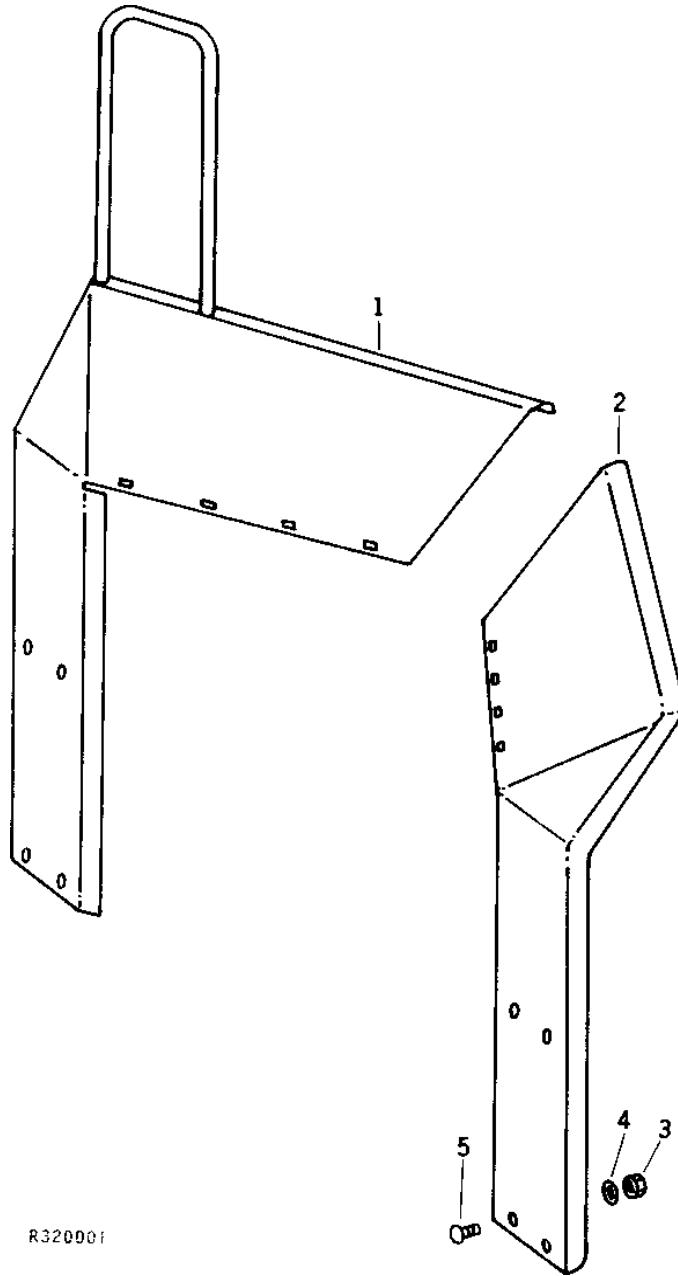
KEY	PART NO.	PART NAME	QTY	TRACTOR SERIAL NO.	REMARKS
1	AR86728	SHIELD	1		(SUB FOR AR70244) (SUB AR94037)
2	24H1136	WASHER	2		11/32" X 11/16" X 0.065"
3	12H303	LOCK WASHER	2		5/16"
4	19H1900	CAP SCREW	2		5/16" X 3/4", (TO TRANSMISSION INPUT HOUSING)
5	JD5277	DECAL	1	-XXXXXX	
	JD5607	LABEL	1	XXXXXX-	(SUB JD5623)

# 4H13

WHEELS, FRONT AXLES, SHEET METAL

R32000 -UN-01JAN94

## FRONT FENDERS



R32000f

# 4H14

WHEELS, FRONT AXLES, SHEET METAL

## FRONT FENDERS - CONTINUED

KEY	PART NO.	PART NAME	QTY	TRACTOR SERIAL NO.	REMARKS
1	AR69014	FENDER	1		
2	AR69013	FENDER	1		
3	14H1076	NUT	8	3/8"	
4	12H304	LOCK WASHER	8	3/8"	
5	03H1500	BOLT	8	3/8" X 1"	

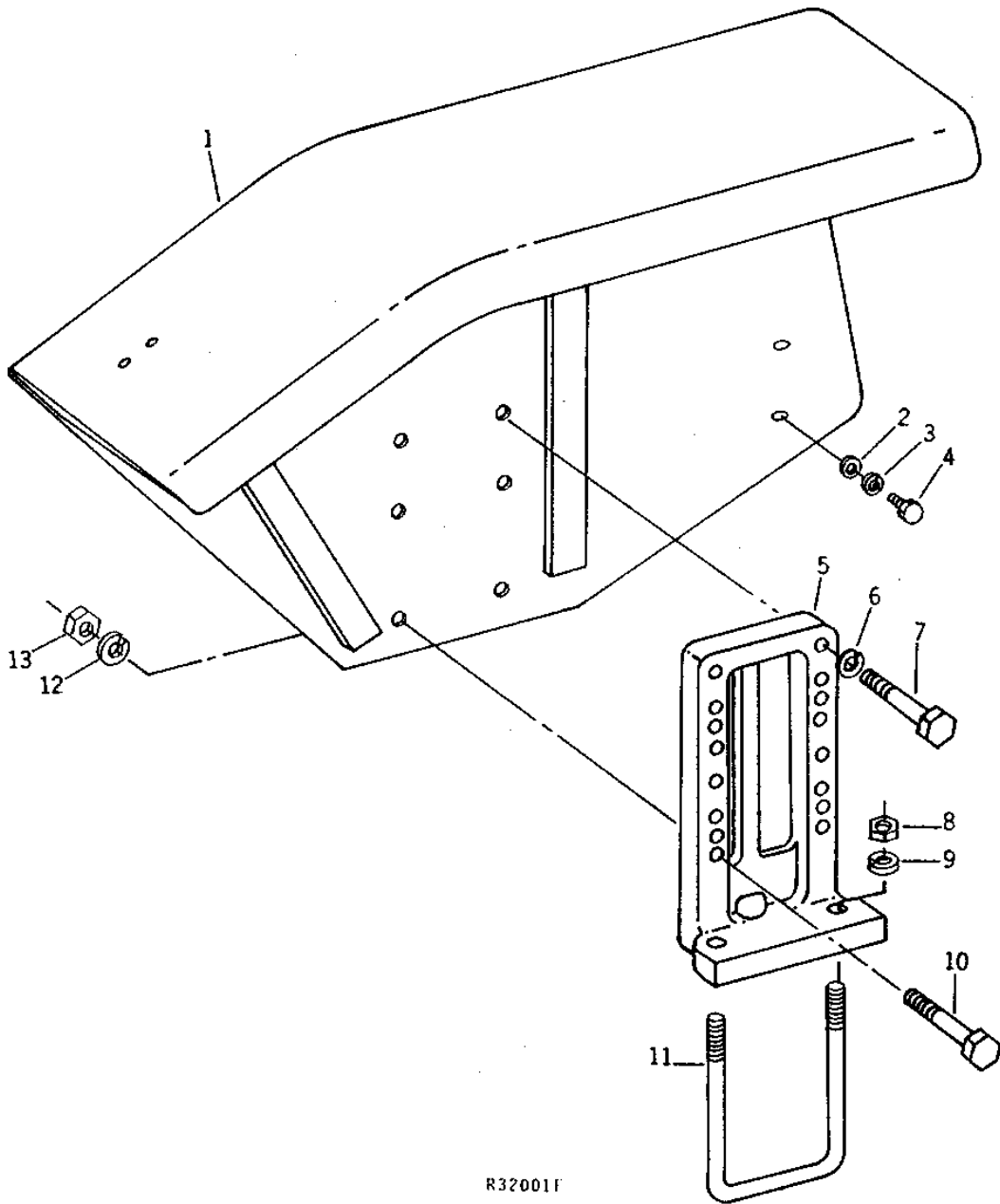
# 4H15

WHEELS, FRONT AXLES, SHEET METAL

R32001

-UN-01JAN94

FENDER





# 4H16

WHEELS, FRONT AXLES, SHEET METAL

## FENDER - CONTINUED

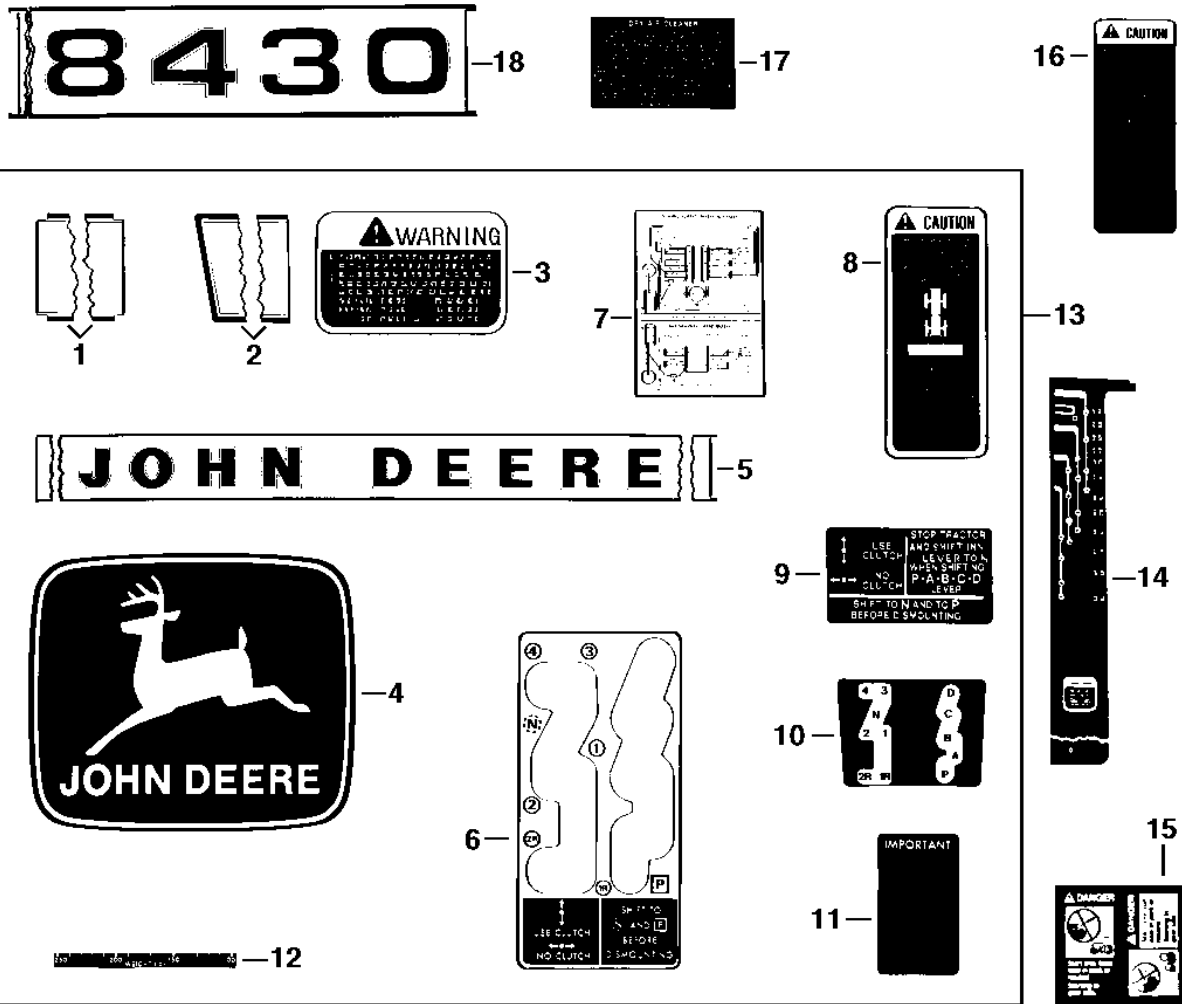
KEY	PART NO.	PART NAME	QTY	TRACTOR SERIAL NO.	REMARKS
1	AR85862	FENDER	1		R.H. FRONT OR REAR, (SUB FOR AR70240) (SUB AR101491)
	AR85863	FENDER	1		L.H. FRONT OR REAR, (SUB FOR AR70241) (SUB AR101492)
2	24H1305	WASHER	2		13/32" X 13/16" X 0.065"
3	12H304	LOCK WASHER	2		3/8"
4	19H1936	CAP SCREW	2		3/8" X 3/4", (TO TRANSMISSION CASE SHIELD)
5	R70588	SUPPORT	1		(SUB FOR R67410)
6	12H301	LOCK WASHER	1		1/2"
7	19H1820	CAP SCREW	1		1/2" X 3"
8	14H1039	NUT	2		5/8"
9	12H294	LOCK WASHER	2		5/8"
10	19H1974	CAP SCREW	3		1/2" X 2-3/4"
11	R43390	U-BOLT	1		
12	12H301	LOCK WASHER	3		1/2"
13	14H1040	NUT	3		1/2"

# 4H17

WHEELS, FRONT AXLES, SHEET METAL

RXP021357 -UN-06NOV95

## DECAL SET



RXP021357

# 4H18

WHEELS, FRONT AXLES, SHEET METAL

## DECAL SET - CONTINUED

KEY	PART NO.	PART NAME	QTY	TRACTOR SERIAL NO.	REMARKS
1	R59088	LABEL	1	-002532	FRONT HOOD TRIM, (SUB R63411, R63412, R63426, R63427 AND R63415)
	R63415	LABEL	1	002533-	FRONT HOOD TRIM
2	R63416	LABEL	1		CAB TRIM, R.H. (SUB FOR R59091)
	R63417	LABEL	1		CAB TRIM, L.H. (SUB FOR R59092)
3	R83103	LABEL	1		(PTO SAFETY) (SUB FOR R64391) (SUB R120111)
4	JD5277	DECAL	1	-XXXXXX	
	JD5604	LABEL	1	XXXXXX-	
5	R53700	LABEL	1	-002532	R.H. (SUB R63411, R63412, R63426, R63427 AND R63415)
	R63411	LABEL	1	002533-	R.H.
	R53701	LABEL	1	-002532	L.H. (SUB R63411, R63412, R63426, R63427 AND R63415)
	R63412	LABEL	1	002533-	L.H.
6	R55292	LABEL	1	-001992	
7	R54039	LABEL	1	-002532	WIRING
	R68607	LABEL	1	002533-	WIRING
8	R94705	LABEL	1		SAFETY
9	R62957	LABEL	1	001993-004243	SHIFT INSTRUCTION
	R65339	LABEL	1	004244-	SHIFT INSTRUCTION
	R69421	LABEL	1		(A)
	R69422	LABEL	1		(B)
10	R62956	LABEL	1	001993-	
	R69424	LABEL	1		(A)
	R69423	LABEL	1		(B)
	R69425	LABEL	1		(C)
11	R67041	LABEL	1		ENGINE STARTING, (SUB FOR R55284)
12	R65442	LABEL	1		WEIGHT ADJUSTMENT INDICATOR, (SUB FOR R60173)
13	AR73150	KIT	1		(DOES NOT INCLUDE EXPORT DECALS)
14	R63110	PLATE	1	002533-	GROUND SPEED CHART, (SUB FOR R58235) (SUB R72806 AND R72807)
15	T146102	WARNING LABEL	1		BYPASS START, (ENGLISH) (SUB FOR T84409 OR T134459)
	T146106	WARNING LABEL	1		(ESPAÑOL) (SUB FOR T84410 OR T134452)
	T146104	WARNING LABEL	1		(FRANCAIS) (SUB FOR T84411 OR T134453)
	T146515	WARNING LABEL	1		(DEUTSCH) (SUB FOR T84412 OR T134454)
	T146516	WARNING LABEL	1		(ITALIANO) (SUB FOR T84413 OR T134455)
	T146517	WARNING LABEL	1		(ENGLISH/FRANCAIS) (SUB FOR T84578 OR T134456)
16	R87714	LABEL	1		SAFETY, (SUB FOR R60686, R69269 OR R87528)
17	R56902	LABEL	1	-XXXXXX	DRY AIR CLEANER
	R69419	LABEL	1		(A) DRY AIR CLEANER
18	R59093	LABEL	1	-002532	R.H. (SUB R63411, R63412, R63415, R63426 AND R63427)
	R63426	LABEL	1	002533-	R.H.
	R59094	LABEL	1	-002532	L.H. (SUB R63411, R63412, R63415, R63426 AND R63427)
	R63427	LABEL	1	002533-	L.H.

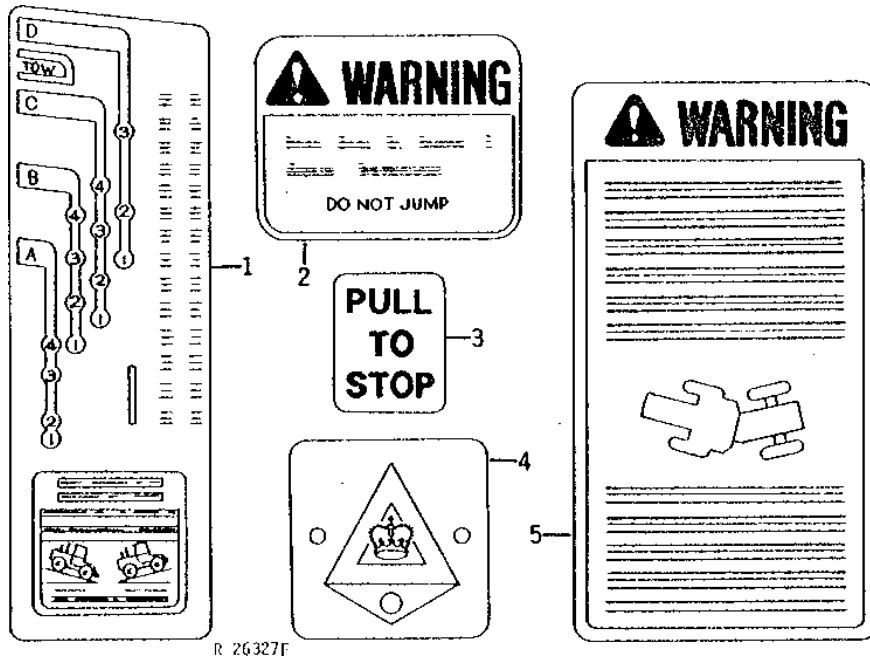
- (A) SPANISH, NOT USED IN U.S. AND CANADA
- (B) FRENCH, NOT USED IN U.S. AND CANADA
- (C) BI-LINGUAL, NOT USED IN U.S. AND CANADA

# 4H19

WHEELS, FRONT AXLES, SHEET METAL

## DECALS (UNITED KINGDOM)

R26327 -UN-01JAN94



R 26327F

KEY	PART NO.	PART NAME	QTY	TRACTOR SERIAL NO.	REMARKS
1	R63877	LABEL	1		GROUND SPEED CHART
2	R63874	DECAL	1		WARNING
3	.....	LABEL	1		INSTRUMENT (NO LONGER AVAILABLE)
4	R63878	PLATE	1		APPROVAL
5	R63876	DECAL	1		SAFETY HINGE
..	R125955	RIVET	1		

---

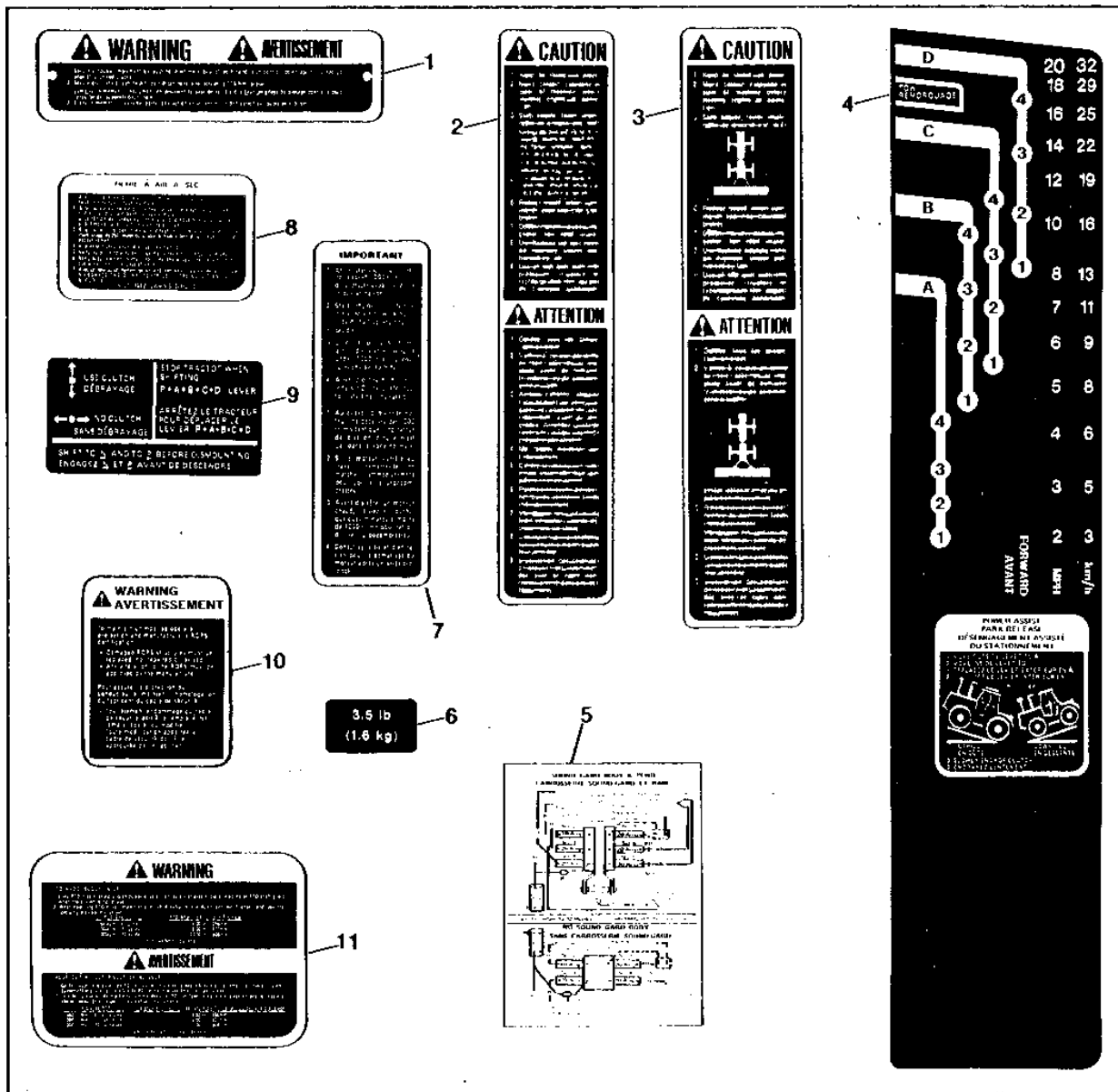
MEMORANDA

# 4H20

WHEELS, FRONT AXLES, SHEET METAL

## BI-LINGUAL DECAL SET (FOR QUEBEC) (ENGLISH AND FRENCH)

RWP5865 -UN-01JAN94



RWP5865

# 4H21

WHEELS, FRONT AXLES, SHEET METAL

**BI-LINGUAL DECAL SET - CONTINUED  
(FOR QUEBEC)  
(ENGLISH AND FRENCH)**

KEY	PART NO.	PART NAME	QTY	TRACTOR SERIAL NO.	REMARKS
1	R66019	DECAL	1		SAFETY
	R125955	RIVET	2		
2	R66020	LABEL	1		SAFETY
3	R66026	LABEL	1		SAFETY
4	R66027	LABEL	1		GROUND SPEED
5	R66011	LABEL	1		WIRING
6	R66018	LABEL	1		COMPRESSOR
7	R70086	LABEL	1		INSTRUCTION, (SUB FOR R66025)
8	R66010	LABEL	1		DRY AIR (NO LONGER REQUIRED)
9	R66846	LABEL	1		SHIFT
	R69425	LABEL	1		SHIFT PATTERN
10	R83319	LABEL	1		ROPS WARNING, (SUB R120125)
11	R83104	LABEL	1		PTO, (SUB FOR R66004) (SUB R120112)
12	AR85452	KIT	1		

---

MEMORANDA

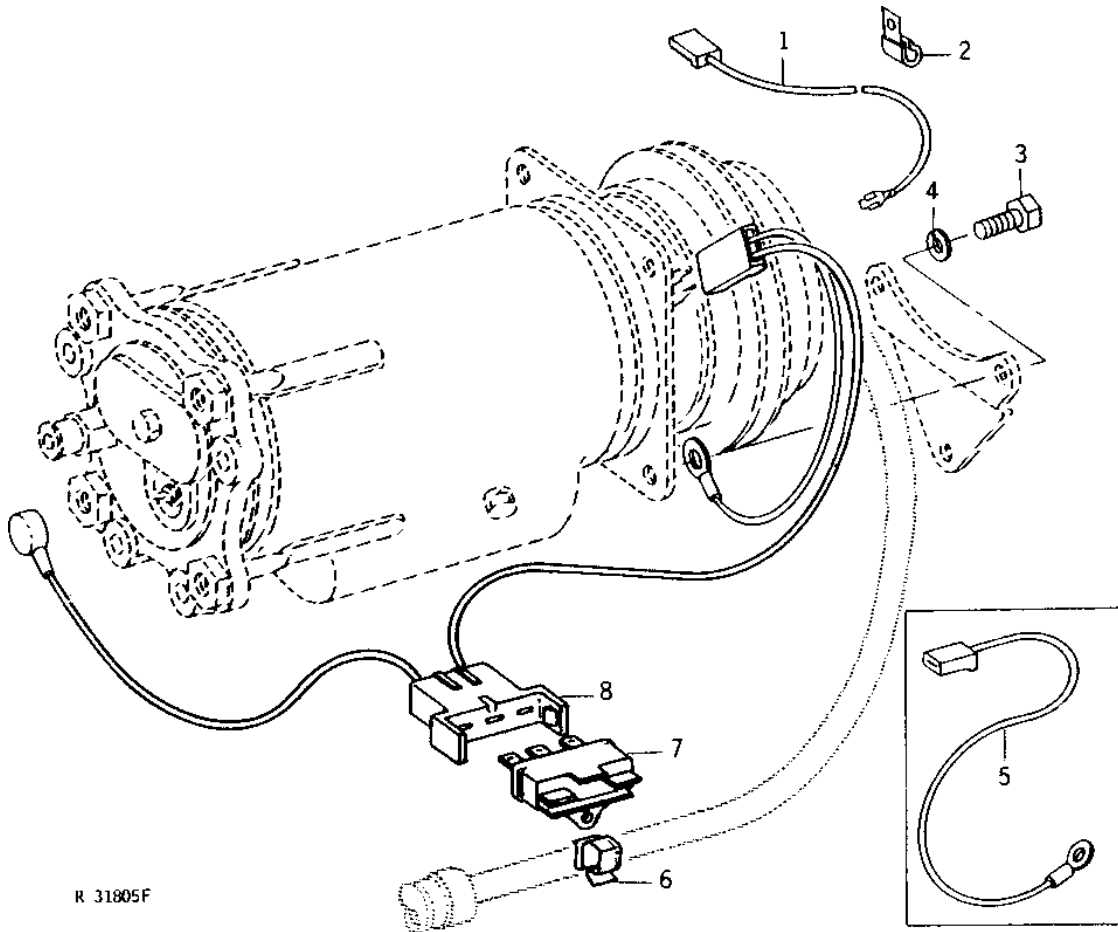


# 5B5

OPERATOR'S STATION

R31805 -UN-01JAN94

## AIR COMPRESSOR WIRING HARNESS



R 31805F

KEY	PART NO.	PART NAME	QTY	TRACTOR SERIAL NO.	REMARKS
1	AR69977	WIRING LEAD	1	-002422	(THERMOSTAT TO COMPRESSOR)
	AR77347	WIRING LEAD	1	002423-	(ENGINE HARNESS TO COMPRESSOR)
2	T32231	CLAMP	1		(SUB FOR T15737)
3	19H2529	CAP SCREW	3		5/16" X 1"
4	12H303	LOCK WASHER	3		5/16"
5	AR48957	WIRING LEAD	1	-002422	GROUND
6	R67225	CLIP	1	002423-	
7	AR77344	FUSE	1	002423-	
8	AR77345	WIRING HARNESS	1	002423-	(TO SHUT-OFF SWITCH)

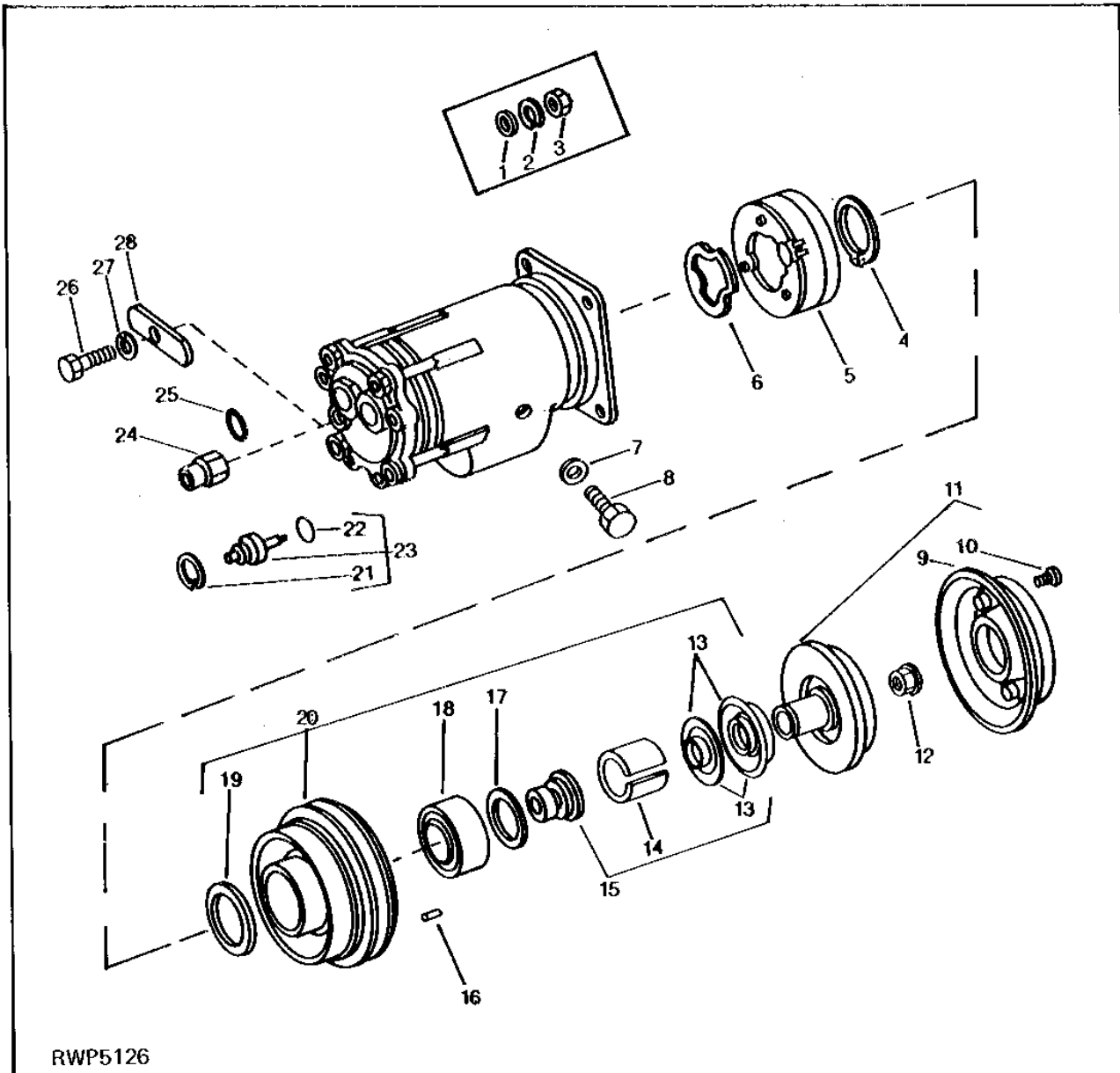
# 5B6

OPERATOR'S STATION

RWP5126

-UN-01JAN94

COMPRESSOR, COIL, CLUTCH AND PULLEY



# 5B7

OPERATOR'S STATION

## COMPRESSOR, COIL, CLUTCH AND PULLEY - CONTINUED

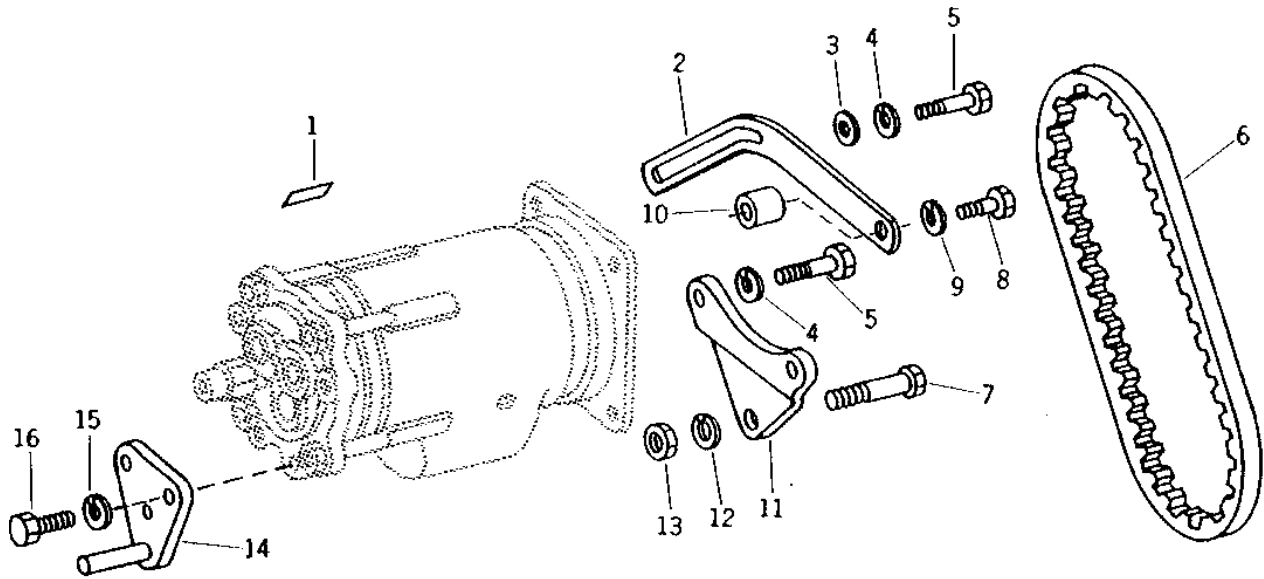
KEY	PART NO.	PART NAME	QTY	TRACTOR SERIAL NO.	REMARKS
1	R47230	WASHER	1	-XXXXXX	(SUB FOR R69297, THIS APPLICATION)
2	R47231	SNAP RING	1	-XXXXXX	(SUB R69297)
3	R47232	NUT	1	-XXXXXX	(SUB R69297)
4	R47224	SNAP RING	1		
5	AR49803	ELECTRICAL COIL	1		
6	R56246	GASKET	1		
7	R47234	WASHER	1		
8	R47233	PLUG	1		
9	AR71290	COVER	1		
10	37H32	SCREW	3		0.190" X 3/8"
11	AR71286	CLUTCH	1		
12	R69297	FLANGE NUT	1	XXXXXX-	
13	AR71289	SHIELD	1		
14	R47227	SEAL	1		
15	AR71285	KIT	1		COMPRESSOR SHAFT SEAL
16	R47229	SHAFT KEY	1		
17	R47226	SNAP RING	1		
18	AR71288	BALL BEARING	1		
19	R54766	WASHER	1		
20	AR71287	PULLEY	1		
21	R63571	SNAP RING	1	002423-	
22	32240	O-RING	1	002423-	
23	AR78501	KIT	1	002423-	SUPERHEAT SWITCH
24	AR49808	VALVE	1		
25	R74210	O-RING	2		(SUB FOR R47235)
26	19H2959	CAP SCREW	1	-XXXXXX	3/8" X 2"
	19M7170	CAP SCREW	1	XXXXXX-	M10 X 50
27	12M7066	LOCK WASHER	1		M10
28	R60171	STRAP	1		
29	AR77343	COMPRESSOR	1	-XXXXXX	(SUB TY6665, 19M7170, (3) 19M7163, (2) 19M7662, (3) 12M7065 AND (3) 12M7066)
	AR92109	COMPRESSOR	1	XXXXXX-	(SUB TY6665)
	TY6665	COMPRESSOR	1		(REMANUFACTURED) (SUB FOR TY6628)
..	R49856	OIL	1		0.91 L (1 QT) (SUB TY6384)

# 5B8

OPERATOR'S STATION

R32046 -UN-01JAN94

## COMPRESSOR BELT AND MOUNTING BRACKETS



R32046F

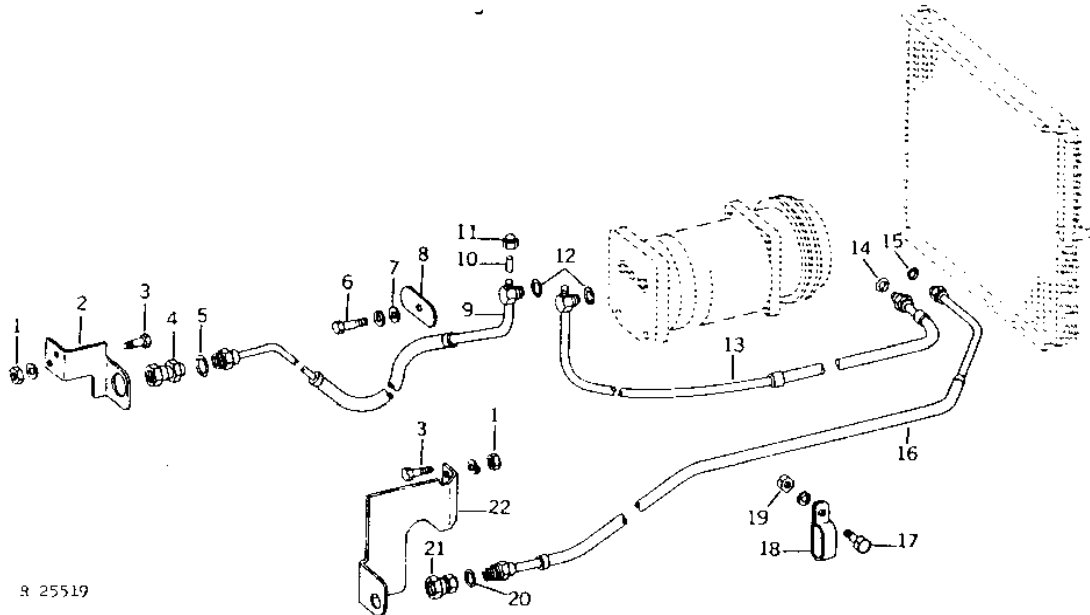
KEY	PART NO.	PART NAME	QTY	TRACTOR SERIAL NO.	REMARKS
1	R42822	LABEL	1		COMPRESSOR CHARGE
2	R46099	STRAP	1		
3	R56397	WASHER	1		
4	12H303	LOCK WASHER	3	-XXXXXX	5/16"
	12M7065	LOCK WASHER	3	XXXXXX-	M8
5	19H2529	CAP SCREW	3	-XXXXXX	5/16" X 1"
	19M7163	CAP SCREW	3	XXXXXX-	M8 X 25
6	R71603	BELT	1		(SUB FOR R46098 OR R69562, THIS APPLICATION)
7	19H1831	CAP SCREW	1		1/2" X 2"
8	19H1800	CAP SCREW	1		3/8" X 1-1/2"
9	12H304	LOCK WASHER	1		3/8"
10	28H3381	SPACER	1		
11	R45981	BRACKET	1		
12	12H301	LOCK WASHER	1		1/2"
13	14H1040	NUT	1		1/2"
14	AR49485	BRACKET	1	-002422	
	AR77342	SUPPORT	1	002423-	
15	12H304	LOCK WASHER	2	-XXXXXX	3/8"
	12M7066	LOCK WASHER	2	XXXXXX-	M10
16	19H1731	CAP SCREW	2	-XXXXXX	3/8" X 1"
	19M7662	CAP SCREW	2	XXXXXX-	M10 X 30

# 5B9

OPERATOR'S STATION

R25519 -UN-01JAN94

## CONDENSER LINES AND BRACKETS



R 25519

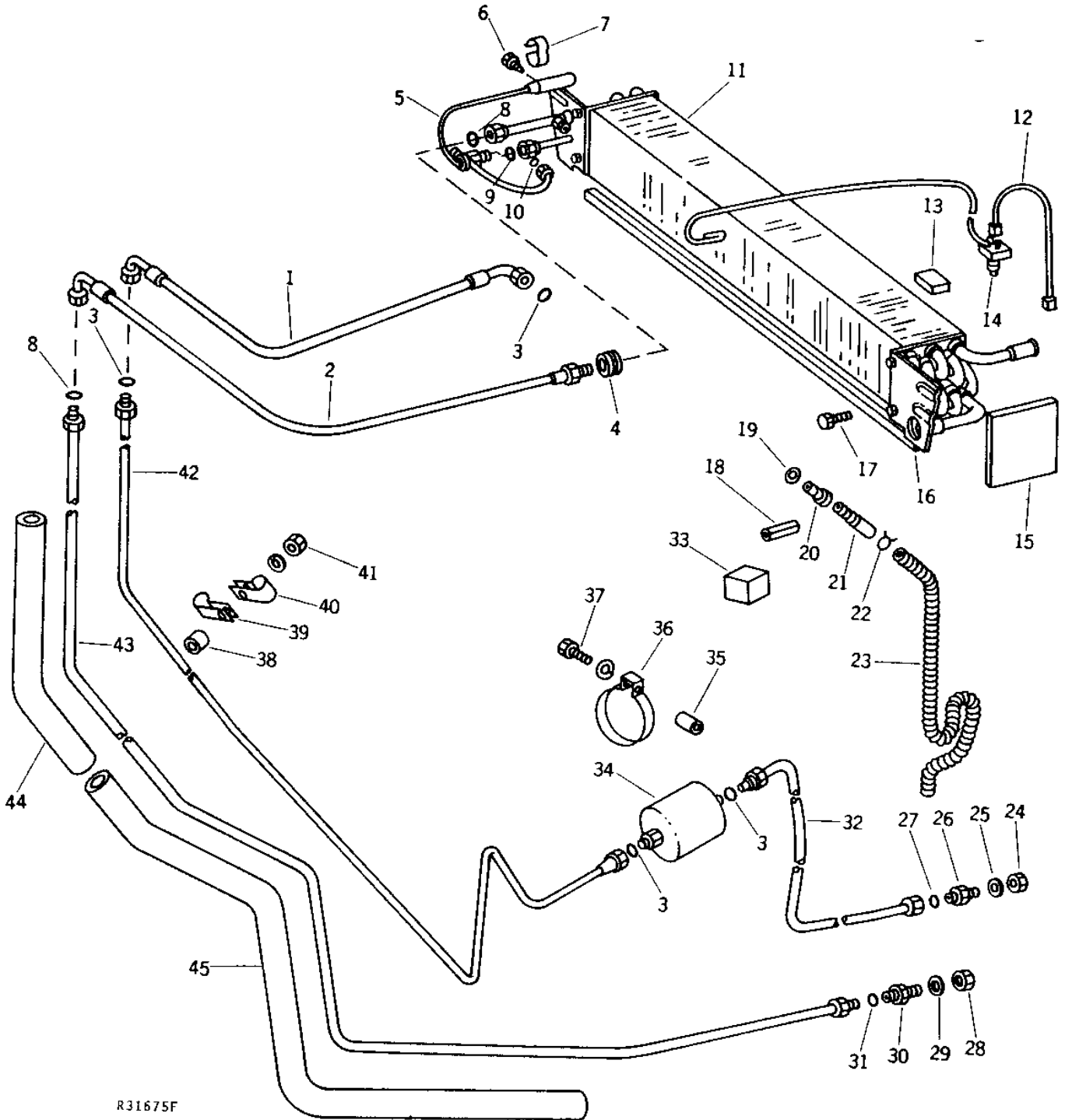
KEY	PART NO.	PART NAME	QTY	TRACTOR SERIAL NO.	REMARKS
1	14H1076	NUT	4	3/8"	
	12H304	LOCK WASHER	4	3/8"	
2	R59167	BRACKET	1		
3	19H1731	CAP SCREW	4	3/8" X 1"	
4	AR58287	EXTERNAL HALF COUPLER	1		
5	B15646	O-RING	1		
6	19H2959	CAP SCREW	1	-XXXXXX 3/8" X 2"	
	19M7170	CAP SCREW	1	XXXXXX- M10 X 50	
	12H304	LOCK WASHER	1	-XXXXXX 3/8"	
	12M7066	LOCK WASHER	1	XXXXXX- M10	
7	24H1884	WASHER	1	13/32" X 13/16" X 0.120"	
8	R60171	STRAP	1		
9	AR75822	LINE	1		RETURN, (ALSO ORDER (2) R50454, 19H1731, 14H1076 AND 12H304) (SUB FOR AR70021)
10	R60170	VALVE	2		
11	R60172	NUT	2		
12	R47235	O-RING	2		(SUB R74210)
13	AR70125	LINE	1		
14	P51212	O-RING	1		
15	R10093	O-RING	1		
16	AR75821	LINE	1		PRESSURE, (ALSO ORDER (2) R50454, 19H1731, 14H1076 AND 12H304) (SUB FOR AR70020)
17	19H1731	CAP SCREW	2	3/8" X 1"	
18	R50454	CLAMP	2		
19	14H1076	NUT	2	3/8"	
	12H304	LOCK WASHER	2	3/8"	
20	P50883	RING	1		
21	AH21763	EXTERNAL HALF COUPLER	1		
22	R59166	BRACKET	1		
..	AT66632	KIT	1		AIR CONDITIONING O-RING

# 5B10

OPERATOR'S STATION

R31675 -UN-01JAN94

## EVAPORATOR AND REAR PIPES



R31675F

# 5B11

OPERATOR'S STATION

## EVAPORATOR AND REAR PIPES - CONTINUED

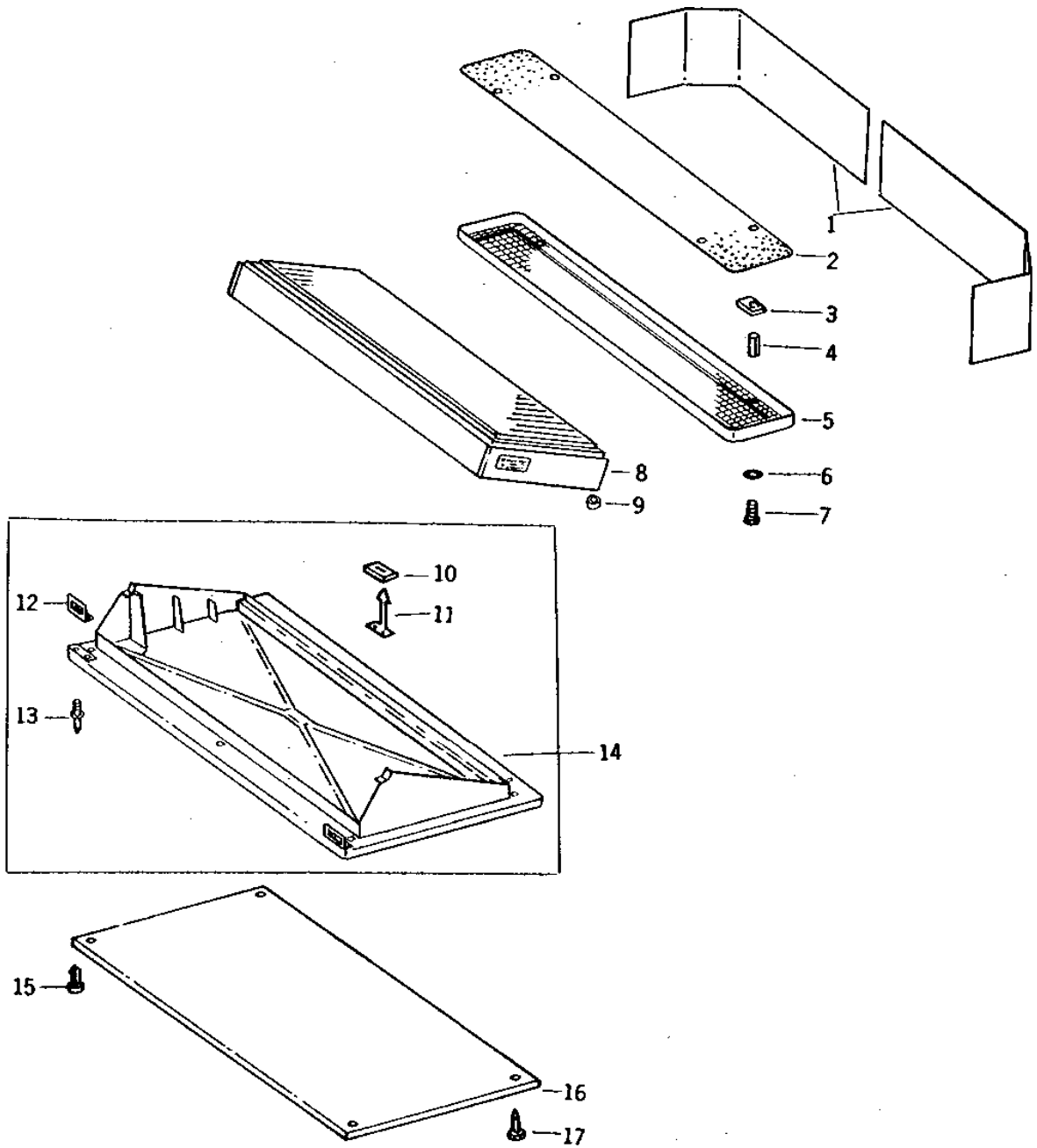
KEY	PART NO.	PART NAME	QTY	SG BODY SERIAL NO.	REMARKS
1	AR58282	HOSE	1		PRESSURE
2	AR58277	HOSE	1		RETURN, (SUB RE57351)
3	R10093	O-RING	4		
4	R50456	GROMMET	1		
5	AU70818	VALVE	1		(SUB FOR AR58482) (ALSO ORDER R130737)
6	37M7245	SCREW	2	107306-	
7	R66645	CLIP	1		(SUB FOR R50480)
8	R33259	O-RING	2		
9	P51212	O-RING	1		
10	R34812	O-RING	1		
11	AR58152	EVAPORATOR	1	-075970	
	AR73463	CORE	1	075971-107305	(SUB AR88076)
	AR88076	EVAPORATOR	1	107306-	(SUB FOR AR85245)
12	.....	WIRING LEAD	1		178 MM (7") (MAKE FROM AR84006)
13	R52133	FOAM PAD	1		
14	AR59779	AC/HEAT TEMPERATURE SWITCH	1		THERMOSTAT, (ALSO ORDER R44165)
15	R52128	FOAM PAD	2	-075970	
	R60560	INSULATOR	2	075971-	
16	R50696	ISOLATOR	1		
17	37H49	SCREW	6	-107305	
	37H49	SCREW	3	107306-	
18	.....	HOSE	2		57 MM (2-1/2") (MAKE FROM R45847)
19	F2741R	PACKING	2	063462-	
20	R60263	BUSHING	2	063462-	
21	R60264	HOSE	2	063462-	
22	TY22462	CLAMP	2		(SUB FOR AR48236)
23	H97644	CONDUIT	1		(SUB FOR R59919)
24	R53000	NUT	1		(PRESSURE COUPLING)
25	R57637	WASHER	1		
26	AH21762	INTERNAL HALF COUPLER	1		
27	P50883	RING	1		
28	R52998	NUT	1		(RETURN COUPLING)
29	R57636	WASHER	1		
30	AR58147	INTERNAL HALF COUPLER	1		
31	B15646	O-RING	1		
32	AR70019	LINE	1		
33	.....	CUSHION	1		51 X 51 X 76 MM (2" X 2" X 3") (MAKE FROM R35340)
34	AR74486	RECEIVER	1		(SUB FOR AR59780) (SUB RE49169)
35	28H1697	SPACER	1		
36	99M7102	CLAMP	1		(SUB FOR R53422)
37	19H1733	CAP SCREW	1		3/8" X 2-1/2"
	12H304	LOCK WASHER	1		3/8"
38	28H1525	BUSHING	1		
39	R46414	CLAMP	1		RETURN LINE
40	T13814	CLAMP	1		PRESSURE LINE
41	14H1076	NUT	1		3/8"
	12H304	LOCK WASHER	1		3/8"
42	AR70042	OIL LINE	1		
43	AR70043	LINE	1		
44	R77896	INSULATOR	1		
45	R79350	INSULATOR	1		
..	R44302	TIE BAND	AR		
..	R32289	GROMMET	1		DRAIN HOLE IN UNDERBODY PANEL

# 5B12

OPERATOR'S STATION

R32038 -UN-01JAN94

## PRESSURIZER FILTERS



R32038F



# 5B13

OPERATOR'S STATION

## PRESSURIZER FILTERS - CONTINUED

KEY	PART NO.	PART NAME	QTY	SG BODY SERIAL NO.	REMARKS
1	R52127	FOAM PAD	2	-075970	
	R60560	INSULATOR	2	075971-	
2	R50481	FILTER	1	-071117	(SUB R60846)
	R60846	FILTER ELEMENT	1	071118-	
3	R50279	NUT	4		
4	R66418	SPACER	4		
5	R60845	FRAME	1		(SUB FOR AR55083)
6	R34812	O-RING	6		
7	R81456	SCREW	4		(SUB FOR R53678, THIS APPLICATION)
8	RE12793	AIR FILTER	1		
9	R43661	RETAINER	2		(SUB R72653)
10	.....	FOAM PAD	1		13 X 25 X 51 MM (1/2" X 1" X 2") (MAKE FROM R30936)
11	R51023	CATCH	1		
12	R51015	HANGER	2		
13	R54477	RIVET	6		
14	AR61222	DOOR	1		
15	R54748	STUD	6		
16	AR58153	PANEL	1		
17	AR54437	KNOB	2		

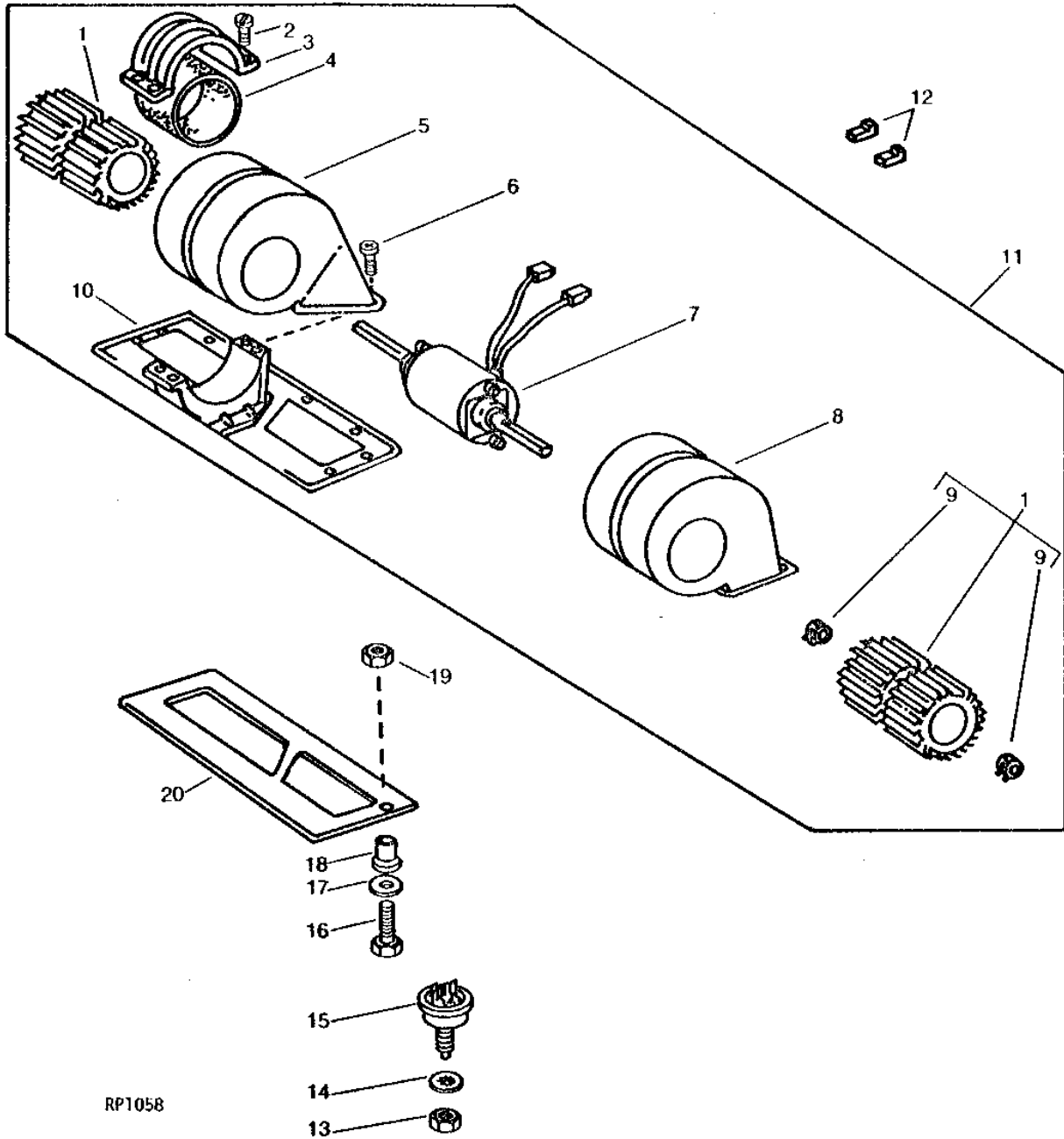
# 5B14

OPERATOR'S STATION

RP1058

-UN-01JAN94

PRESSURIZER BLOWER  
(SOUND-GARD BODY SERIAL NO. -167883)



# 5B15

OPERATOR'S STATION

**PRESSURIZER BLOWER - CONTINUED**  
**(SOUND-GARD BODY SERIAL NO. -167883)**

KEY	PART NO.	PART NAME	QTY	SG BODY SERIAL NO.	REMARKS
1	AR66028	IMPELLER	2	(A)	
2	R66117	SCREW	4	(A)	
3	R59450	RETAINER	1	(A)	
4	R57606	CUSHION	1	(A)	
5	AR69011	HOUSING	2		
6	37H127	SCREW	4	(A) 0.138" X 5/16"	
7	AR62497	MOTOR	2		
8	AR69012	HOUSING	2		
9	R56101	CLIP	4	(A)	
10	AR74020	BASE	2		
11	AR74019	BLOWER	2		
12	T28583	RECEPTACLE	4		
13	A4655R	NUT	1		
14	12H292	LOCK WASHER	1	1/2"	
15	AR53155	SWITCH	1		
16	21H1376	SCREW	10	0.164" X 1-1/4"	
17	B1085R	WASHER	10		
18	R59841	SLEEVE	10		
19	T19977	LOCK NUT	10		
20	R59840	FOAM PAD	2		

(A) PER MOTOR

---

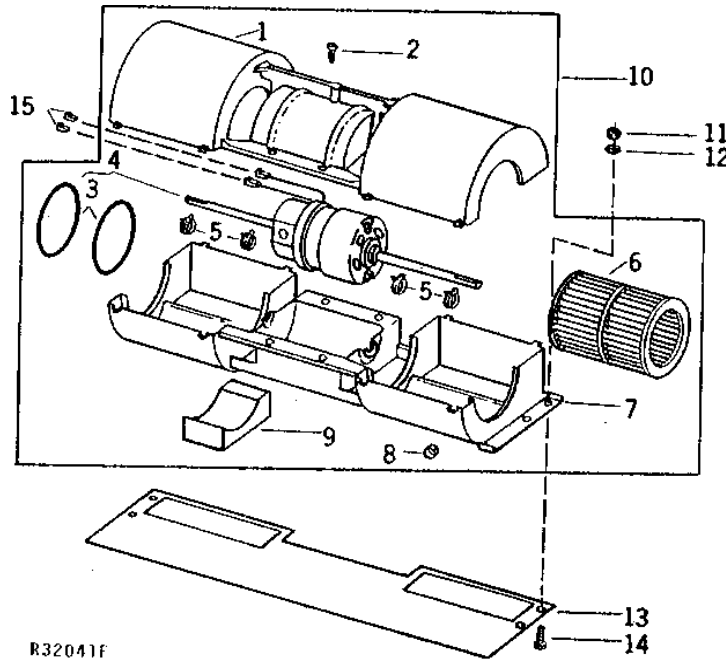
MEMORANDA

# 5B16

OPERATOR'S STATION

R32041 -UN-01JAN94

PRESSURIZER BLOWER  
(SOUND-GARD BODY SERIAL NO. 167884-XXXXXX)



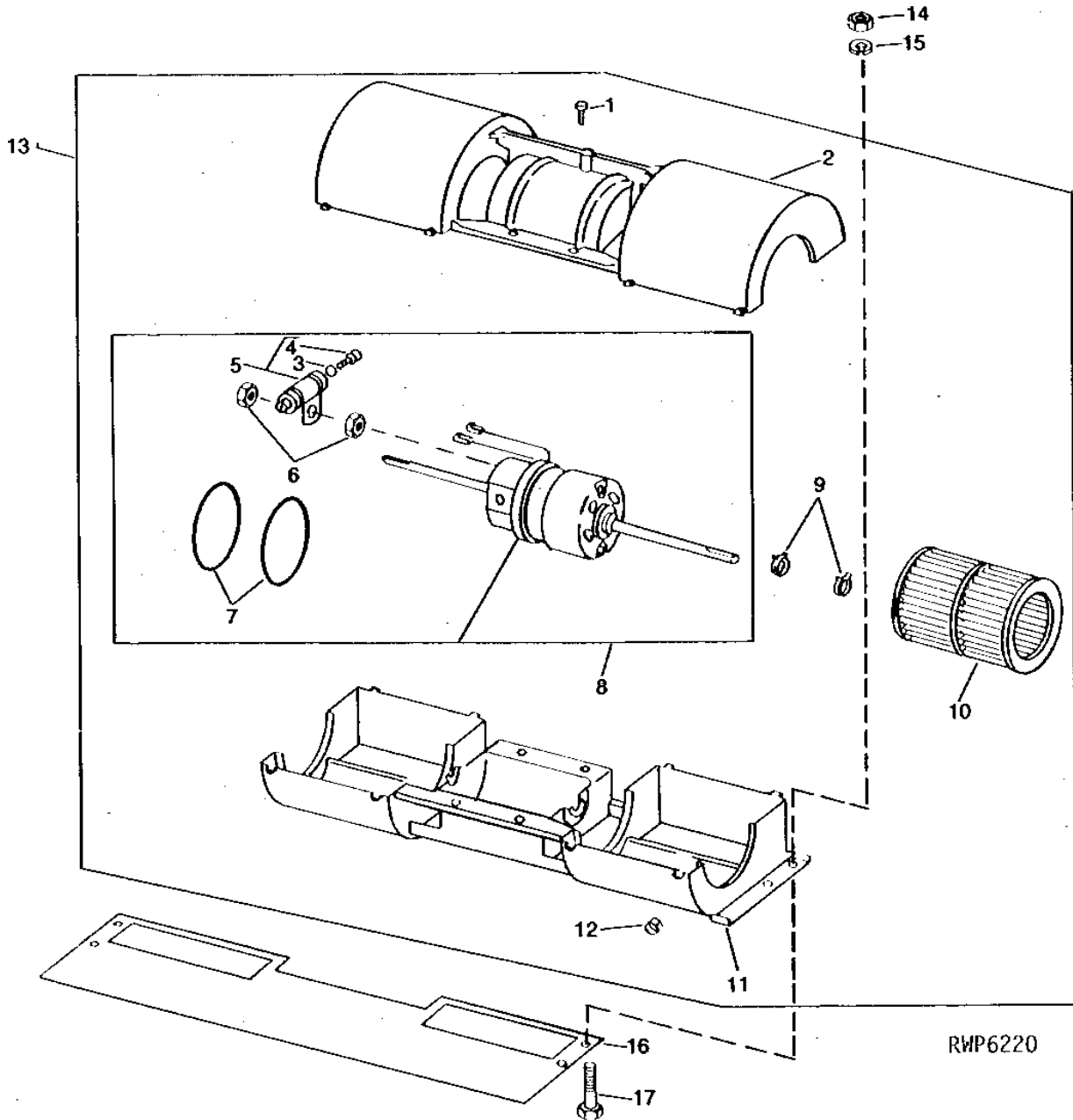
KEY	PART NO.	PART NAME	QTY	SG BODY SERIAL NO.	REMARKS
1	R65147	HOUSING	1	(SUB R77618)	
2	37M7073	SCREW	4		
3	F1430R	O-RING	2	(.21" THICK)	
4	R85234	RING	2	(.31" THICK)	
5	AR82005	MOTOR	1	(SUB RE25160)	
5	R56101	CLIP	4		
6	R81111	IMPELLER	2	(SUB FOR R65832)	
7	R65148	HOUSING	1	(SUB R77619)	
8	R67054	RING	8		
9	R65150	FILTER	1		
10	AR82006	BLOWER	1	(SUB RE10998)	
11	14H786	NUT	4	1/4"	
12	12H297	LOCK WASHER	4	1/4"	
13	R69301	INSULATOR	1	(SUB FOR R66283)	
14	19H1948	CAP SCREW	4	1/4" X 3/4"	
15	T28583	RECEPTACLE	2		

# 5B17

OPERATOR'S STATION

RWP6220 -UN-01JAN94

REPLACEMENT PRESSURIZER BLOWER  
(SOUND-GARD BODY SERIAL NO. XXXXXX- )



# 5B18

OPERATOR'S STATION

REPLACEMENT PRESSURIZER BLOWER - CONTINUED  
(SOUND-GARD BODY SERIAL NO. XXXXXX- )

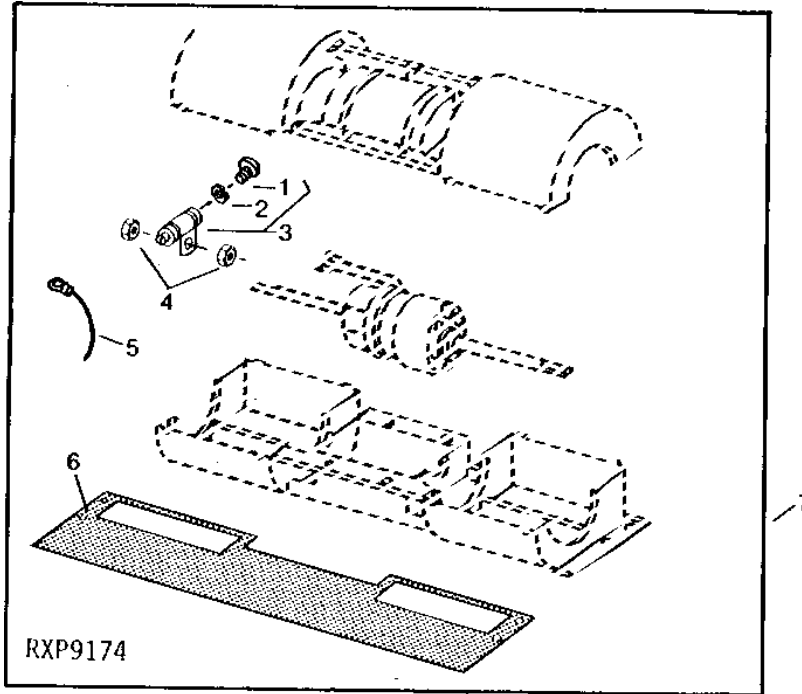
KEY	PART NO.	PART NAME	QTY	SG BODY SERIAL NO.	REMARKS
1	37M7073	SCREW	4		
2	R77618	HOUSING	1		
3	12H246	LOCK WASHER	2	0.190"	
4	21H1327	SCREW	2	0.190" X 1/4"	
5	RE10134	CAPACITOR	1		
6	14H631	NUT	2	0.190"	
7	F1430R	O-RING	2	(.21" THICK)	
	R85234	RING	2	(.31" THICK)	
8	AR82005	MOTOR	1	(SUB RE25160)	
9	R56101	CLIP	4		
10	R81111	IMPELLER	2	(SUB FOR R65832)	
11	R77619	HOUSING	1		
12	R67054	RING	8		
13	RE10998	BLOWER	1		
14	14H786	NUT	4	1/4"	
15	12H297	LOCK WASHER	4	1/4"	
16	R69301	INSULATOR	1		
17	19H1948	CAP SCREW	4	1/4" X 3/4"	

# 5B19

OPERATOR'S STATION

RXP9174 -UN-01JAN94

BLOWER MOTOR FILTER CAPACITOR KIT  
(SOUND-GARD BODY SERIAL NO. XXXXXX- )



KEY	PART NO.	PART NAME	QTY	TRACTOR SERIAL NO.	REMARKS
1	21H1327	SCREW	2	0.190" X 1/4"	
2	12H246	LOCK WASHER	2	0.190"	
3	RE10134	CAPACITOR	1		
4	14H631	NUT	2		
5	R32018	TERMINAL	4		
6	R69301	INSULATOR	1		
7	RE10133	KIT	1		

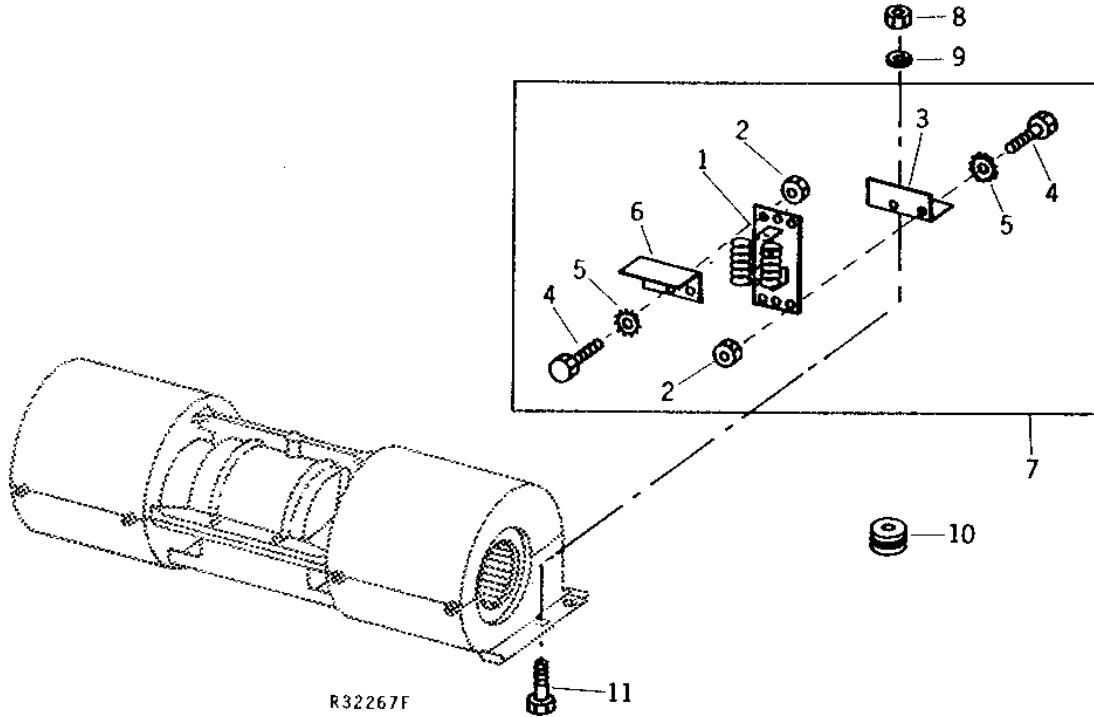


# 5B20

OPERATOR'S STATION

R32267 -UN-01JAN94

## BLOWER MOTOR RESISTOR



R32267F

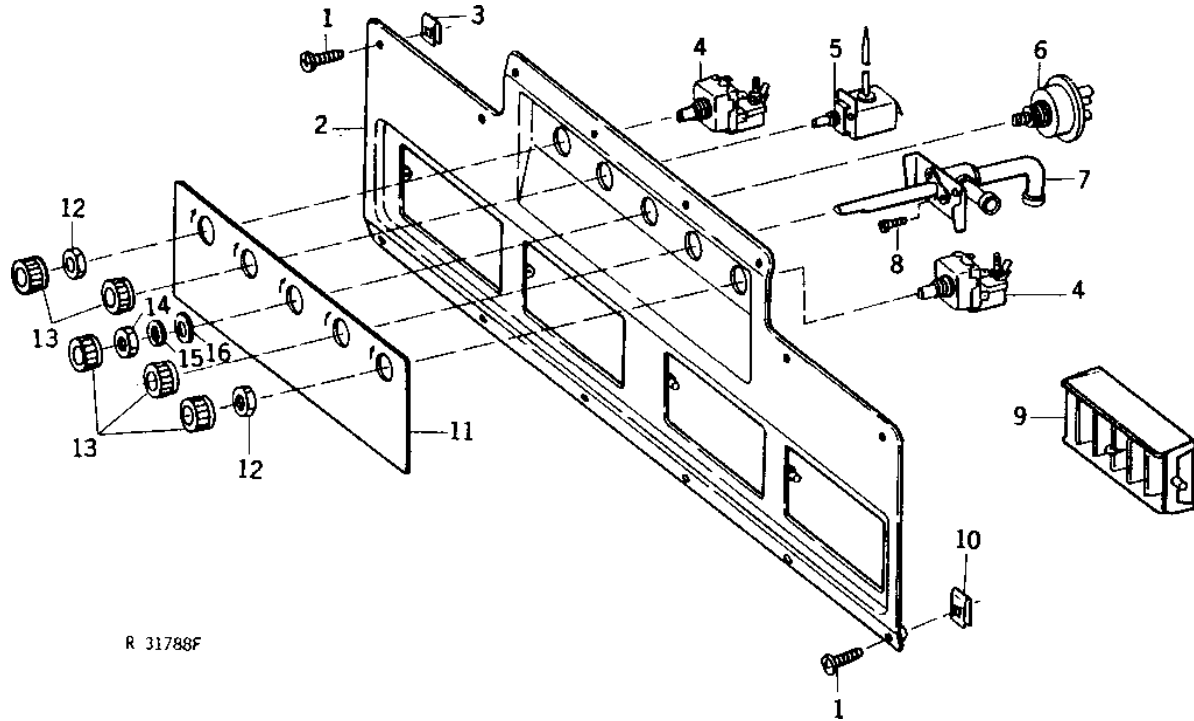
KEY	PART NO.	PART NAME	QTY	SG BODY SERIAL NO.	REMARKS
1	AR90771	RESISTOR	1		
2	14H631	NUT	4	0.190"	
3	R69521	BASE	1		
4	19H3204	SCREW	4	0.190" X 5/8"	
5	12M7060	WASHER	4	0.209"	
6	R69522	DEFLECTOR	1		
7	AR90770	RESISTOR	1		
8	14H786	NUT	1	1/4"	
9	12H297	LOCK WASHER	1	1/4"	
10	R65476	GROMMET	1		
11	19H1948	CAP SCREW	1	1/4" X 3/4"	

# 5B21

OPERATOR'S STATION

R31788 -UN-01JAN94

## AIR LOUVER AND PANEL



R 31788F

KEY	PART NO.	PART NAME	QTY	SG BODY SERIAL NO.	REMARKS
1	R81456	SCREW	1		
2	R58003	PANEL	1		(SUB AH118028)
	AH118028	BEZEL	1		
3	R52130	LOCK NUT	8		(REAR)
4	AR64992	WIPER SWITCH	2		WIPER
5	AR59779	AC/HEAT TEMPERATURE SWITCH	1		THERMOSTAT, (ALSO ORDER R44165)
6	AR53155	SWITCH	1	-167883	BLOWER
	AR82014	BLOWER SWITCH	1	167884-	(B) BLOWER
7	AR100056	CONTROL VALVE	1		(ALSO ORDER TY22399) (SUB FOR AR70418 OR AR89913)
8	37H98	SCREW	1		
9	AR69697	LOUVER	4		(USE WITH R58003)
	AR93533	AIR DUCT	8		(USE WITH AH118028)
10	R50500	NUT	6		(FRONT)
11	R72398	LABEL	1		(A) (ENGLISH) (SUB FOR R59221) (SUB L38859)
	R87574	LABEL	1		(A) (SYMBOLS)
	R52235	LABEL	1		(BLOWER, WIPER, HEATER)
12	R44165	LOCK NUT	2		
13	AR69370	KNOB	5		
14	A4655R	NUT	1		
15	12H292	LOCK WASHER	1		1/2"
16	24H1325	WASHER	1		15/32" X 59/64" X 0.065"

(A) BLOWER, WIPER, HEATER, AIR CONDITIONING  
(B) REPLACEMENT INNER ROOF

---

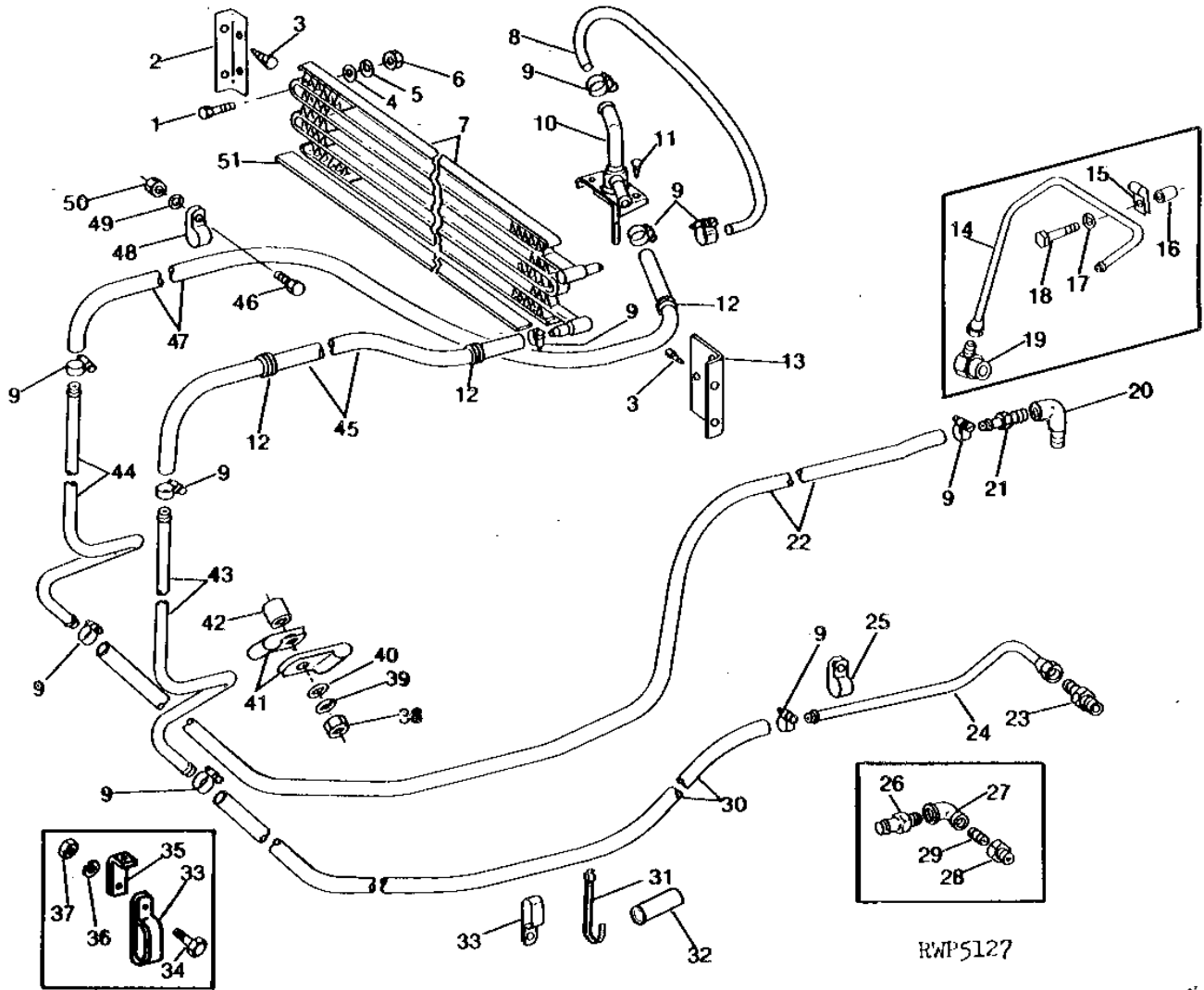
MEMORANDA

# 5B22

OPERATOR'S STATION

RWP5127 -UN-01JAN94

HEATER



# 5B23

OPERATOR'S STATION

## HEATER - CONTINUED

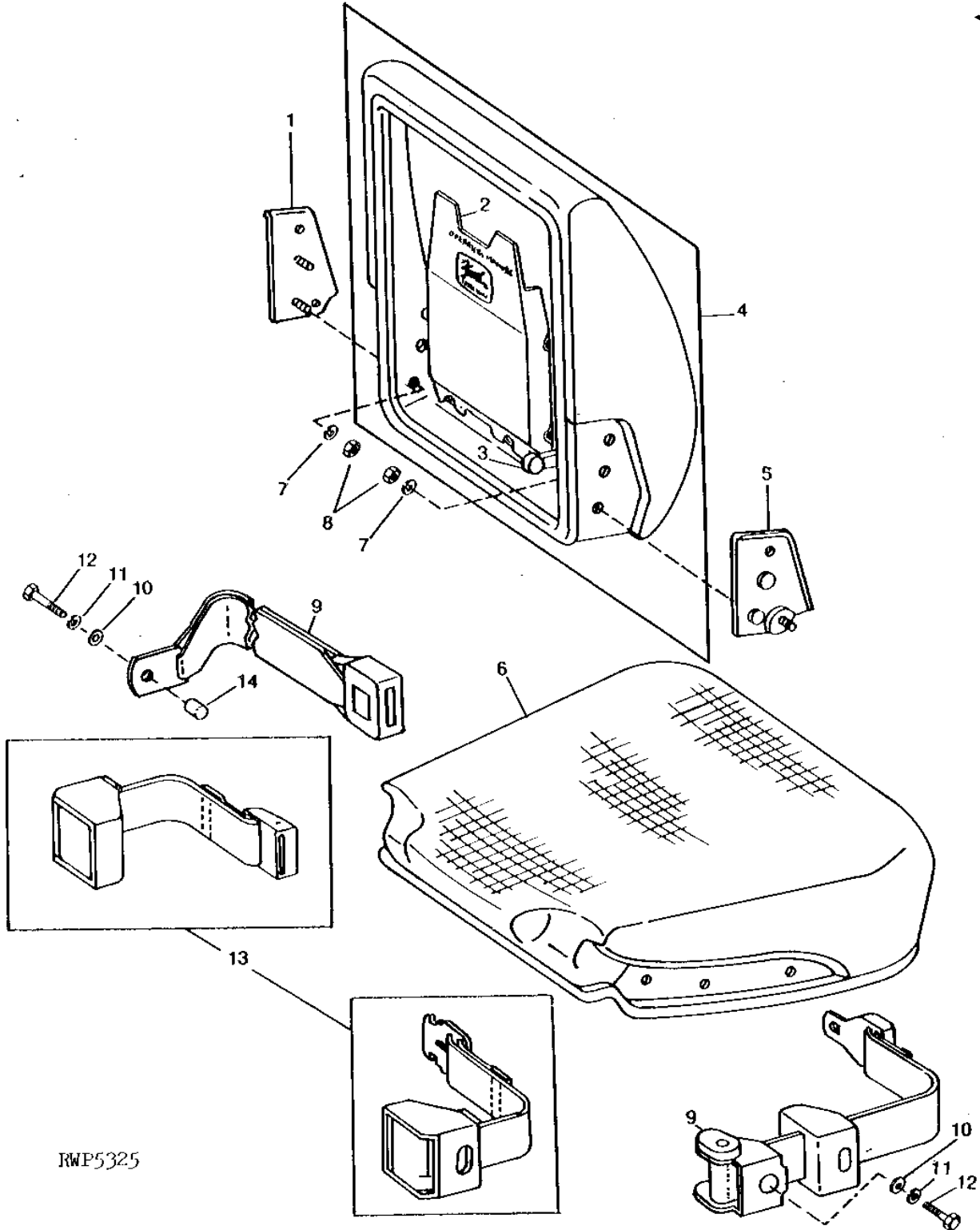
KEY	PART NO.	PART NAME	QTY	SG BODY SERIAL NO.	REMARKS
1	19H2831	CAP SCREW	3		5/16" X 1-1/2"
2	R60561	BRACKET	1	075971-	
3	37M7245	SCREW	4	075971-	
4	24H1291	WASHER	3		21/64" X 1-15/32" X 7/64"
5	12H303	LOCK WASHER	3		5/16"
6	14H785	NUT	3		5/16"
7	AR49965	CORE	1	-075970	
8	.....	HOSE	1		914 MM (36") (MAKE FROM R45847)
9	TY22465	CLAMP	10		(SUB FOR AR21837)
10	AR100056	CONTROL VALVE	1		(ALSO ORDER TY22399) (SUB FOR AR70418 OR AR89913)
11	37H98	SCREW	2		
12	R50456	GROMMET	3		
13	R60562	BRACKET	1	075971-	
14	AR72458	LINE	1	-XXXXXX	HEATER SUPPLY
15	R46414	CLAMP	1	-XXXXXX	
16	28H1697	SPACER	1	-XXXXXX	
17	12H304	LOCK WASHER	1	-XXXXXX	3/8"
18	19H1765	CAP SCREW	1	-XXXXXX	3/8" X 1-3/4"
19	AR64090	FITTING	1	-XXXXXX	
20	15H622	ELBOW FITTING	1		90°
21	R42312	HOSE FITTING	1		
22	.....	HOSE	1		3200 MM (126") (MAKE FROM R45847)
	R45211	CLAMP	1		
23	R48384	FITTING	1	097328-	
24	AR78891	LINE	1	097328-	HEATER SUPPLY
25	R46414	CLAMP	1	097328-	
26	R42312	HOSE FITTING	1	XXXXXX-097327	
27	15H97	ELBOW FITTING	1	XXXXXX-097327	90°
28	15H619	PIPE BUSHING	1	XXXXXX-097327	
29	29H587	THREADED NIPPLE	1	XXXXXX-097327	
30	.....	HOSE	1	-097327	3000 MM (118") (MAKE FROM R45847)
	.....	HOSE	1	097328-	2490 MM (98") (MAKE FROM R45847)
31	H77698	TIE BAND	2		
32	.....	HOSE	1		57 MM (2-1/2") (MAKE FROM R45847)
33	R50454	CLAMP	2	-101713	(NOT REQUIRED)
34	19H1936	CAP SCREW	1	-101713	3/8" X 3/4", (NOT REQUIRED)
35	R40049	ANGLE	1	-101713	(NOT REQUIRED)
36	12H304	LOCK WASHER	1	-101713	3/8", (NOT REQUIRED)
37	14H1076	NUT	1	-101713	3/8", (NOT REQUIRED)
38	14H1076	NUT	1		3/8"
39	12H304	LOCK WASHER	1		3/8"
40	24H1884	WASHER	1		13/32" X 13/16" X 0.120"
41	R46414	CLAMP	2		
42	28H1697	SPACER	1		
43	R58278	LINE	1		SUPPLY
44	R58277	LINE	1		RETURN
45	R69748	HOSE	1		
46	19H2021	CAP SCREW	1	-XXXXXX	3/8" X 5/8"
47	R69747	HOSE	1		
48	R40791	CLAMP	1	-XXXXXX	
49	12H304	LOCK WASHER	1	-XXXXXX	3/8"
50	14H1076	NUT	1	-XXXXXX	3/8"
51	R47468	ISOLATOR	1		
..	R44302	TIE BAND	AR	XXXXXX-	

# 5B24

OPERATOR'S STATION

RWP5325 -UN-01JAN94

## SEAT CUSHIONS AND SEAT BELT (PERSONAL-POSTURE SEAT)



RWP5325

# 5B25

OPERATOR'S STATION

## SEAT CUSHIONS AND SEAT BELT - CONTINUED (PERSONAL-POSTURE SEAT)

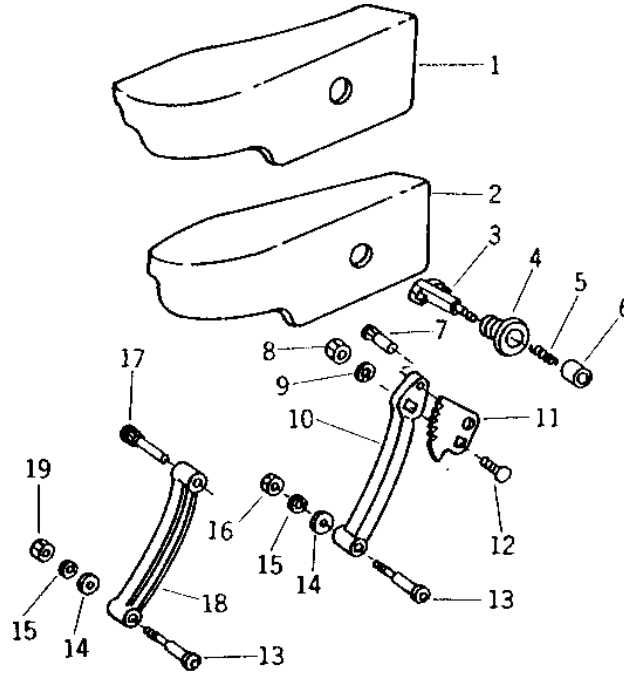
KEY	PART NO.	PART NAME	QTY	SG BODY SERIAL NO.	REMARKS
1	AR71109	PLATE	1		
2	RE13541	KIT	1		OPERATOR MANUAL HOLDER
3	R41387	KNOB	1		
4	AR71107	CUSHION	1		(SUB RE12049)
5	AR71108	PLATE	1		
6	AR76515	CUSHION	1		(PERSONAL-POSTURE SEAT)
7	R53668	THRUST WASHER	4		
8	R53670	WELD NUT	4		
9	RE19989	SEAT BELT	1	XXXXXX-	
10	24M7044	WASHER	2		13 X 20 X 2 MM
11	R59897	LOCK WASHER	2		
12	R59030	CAP SCREW	2		
13	AR71111	SEAT BELT	1	-XXXXXX	(SUB RE19989)
14	R81560	CAP	1	XXXXXX-	(USE WITH RE19989)

# 5C1

OPERATOR'S STATION

R32054 -UN-01JAN94

## ARMREST (PERSONAL-POSTURE SEAT)



R32054T

KEY	PART NO.	PART NAME	QTY	SG BODY SERIAL NO.	REMARKS
1	R59024	CUSHION	1	R.H.	
	R59025	CUSHION	1	L.H.	
2	R58815	ARMREST	1	R.H.	
	R58816	ARMREST	1	L.H.	
3	R59070	SHAFT KEY	2		
4	R59028	BUSHING	2		
5	A4741R	SPRING	2		
6	R59029	KNOB	2		
7	R59021	PIN	2		
8	K40003	LOCK NUT	2		
9	12H304	LOCK WASHER	2	3/8"	
10	R59020	LINK	2		
11	R61862	PLATE	2	(SUB FOR R59026)	
12	10H1026	BOLT	2	3/8" X 1"	
13	R59022	SCREW	4		
14	R27441	WASHER	4	(SUB FOR R53665, THIS APPLICATION)	
15	R53668	THRUST WASHER	2		
16	K40003	LOCK NUT	2		
17	R59023	PIN	2		
18	R59013	LINK	2		
19	K40003	LOCK NUT	2		

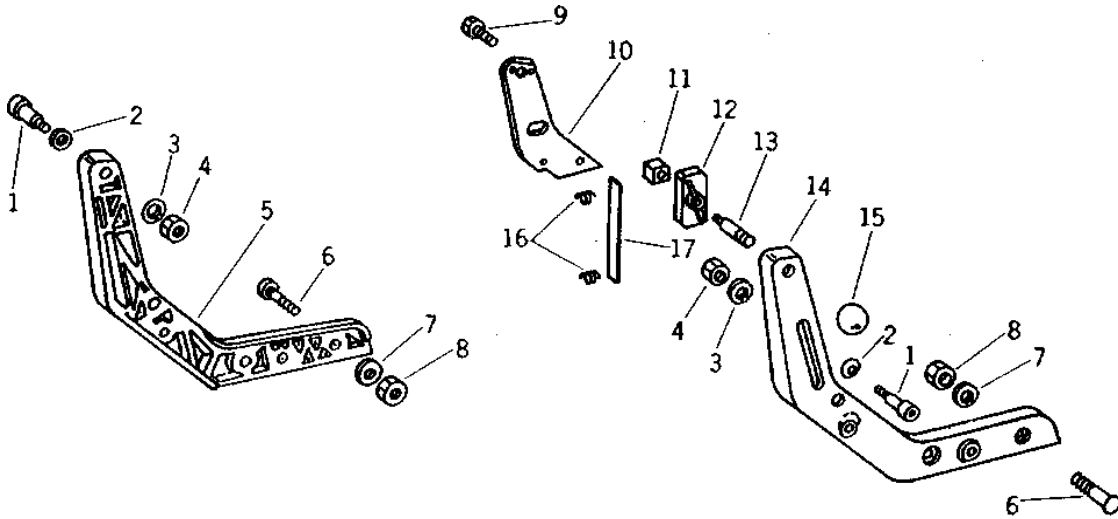


# 5C2

OPERATOR'S STATION

R32055 -UN-01JAN94

## SEAT BACKREST SUPPORTS (PERSONAL-POSTURE SEAT)



R32055

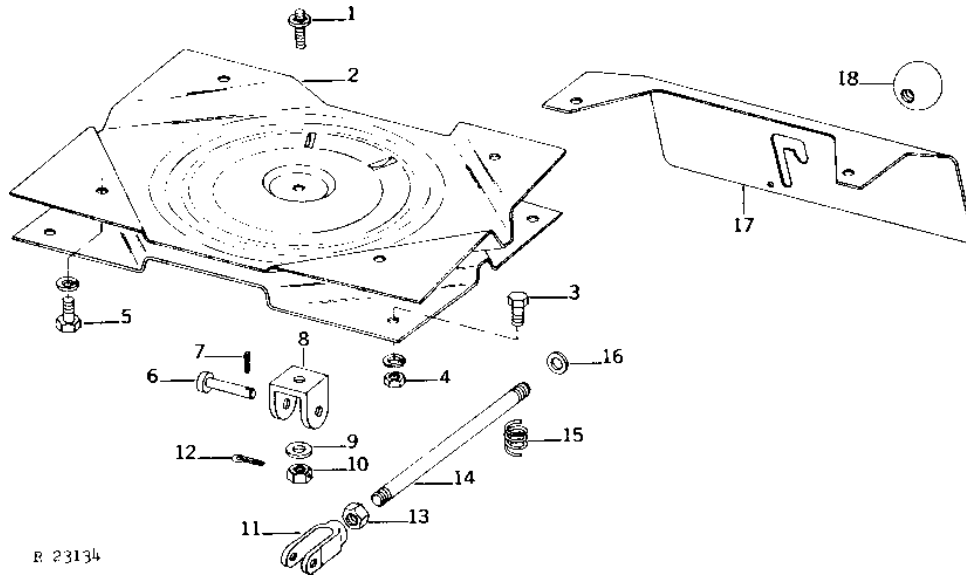
KEY	PART NO.	PART NAME	QTY	SG BODY SERIAL NO.	REMARKS
1	R59019	SCREW	2		
2	T519T	WASHER	2		
3	24H1136	WASHER	2		11/32" X 11/16" X 0.065", (ALSO ORDER K40003) (SUB FOR R53668, THIS APPLICATION)
4	K40003	LOCK NUT	2		(ALSO ORDER 24H1136) (SUB FOR R53670, THIS APPLICATION)
5	R58814	SUPPORT	1		(SUB R89143)
6	R59015	GANG BOLT	4		
7	24H1136	WASHER	4		11/32" X 11/16" X 0.065", (ALSO ORDER K40003) (SUB FOR R53668, THIS APPLICATION)
8	K40003	LOCK NUT	4		(ALSO ORDER 24H1136) (SUB FOR R53670, THIS APPLICATION)
9	R52708	SCREW	3		
10	R59011	PLATE	1		
11	R59018	BUSHING	1		
12	R59010	ADJUSTER	1		(SUB R105581)
13	R59012	WELD STUD	1		
14	R58813	SUPPORT	1		(SUB R89142)
15	R60458	KNOB	1		
16	R31890	SPRING	2		
17	R59009	REINFORCEMENT	1		

# 5C3

OPERATOR'S STATION

R23134 -UN-01JAN94

## SEAT SWIVEL AND LATCH (PERSONAL-POSTURE SEAT)



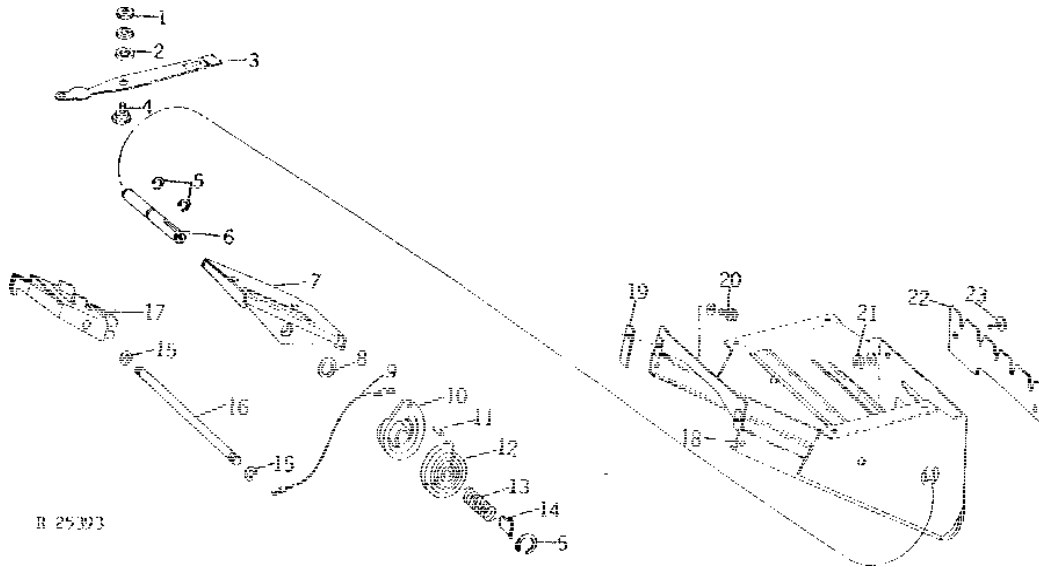
KEY	PART NO.	PART NAME	QTY	SG BODY SERIAL NO.	REMARKS
1	R59922	STUD	1		
2	AR72372	SWIVEL	1		
3	19H1900	CAP SCREW	4	5/16" X 3/4"	
4	14H785	NUT	4	5/16"	
	12H303	LOCK WASHER	4	5/16"	
5	19H1900	CAP SCREW	4	5/16" X 3/4"	
	12H303	LOCK WASHER	4	5/16"	
6	A3376R	PIN	1		
7	11M7059	COTTER PIN	1	3.200 X 20 MM	
8	R59925	BRACKET	1		
9	24H1302	WASHER	1	13/32" X 11/16" X 0.035"	
10	14H984	NUT	1	3/8"	
11	L324T	YOKE	1	(SUB FOR R39760)	
12	11M7081	COTTER PIN	1	0.098" X 0.787"	
13	14H774	NUT	1	3/8"	
14	R59924	STUD	1		
15	R59926	SPRING	1		
16	24H1226	WASHER	1	1/2" X 1-1/4" X 0.083"	
17	R59923	PLATE	1		
18	R60458	KNOB	1		

# 5C4

OPERATOR'S STATION

## SEAT LATCH AND SUPPORT (PERSONAL-POSTURE SEAT)

R25393 -UN-01JAN94



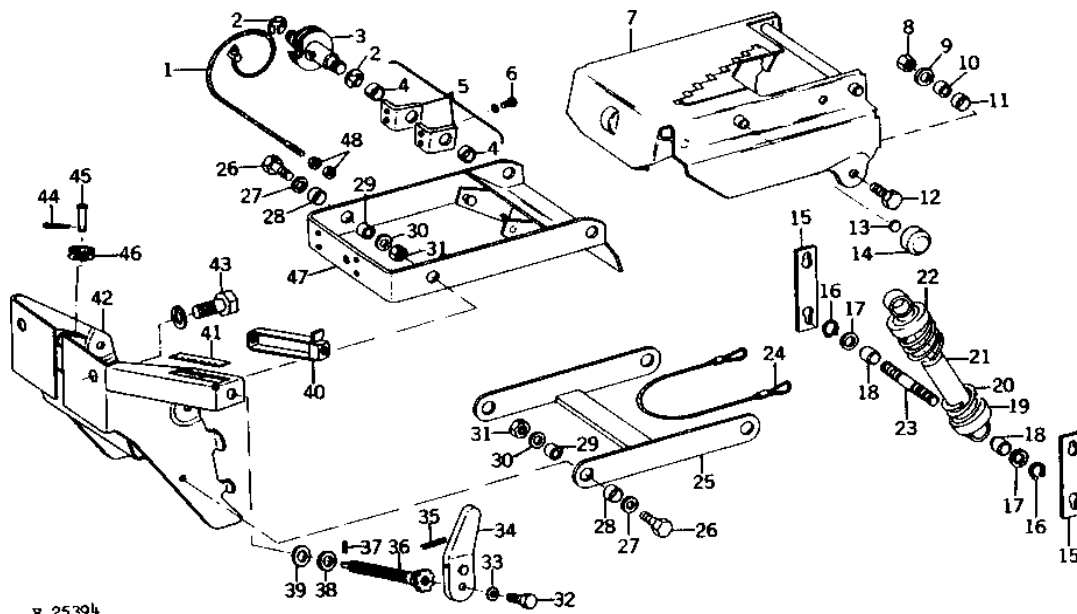
KEY	PART NO.	PART NAME	QTY	SG BODY SERIAL NO.	REMARKS
1	14H786	NUT	1	1/4"	
	12H302	LOCK WASHER	1	1/4"	
2	24H1287	WASHER	1	9/32" X 5/8" X 0.065"	
3	R27439	LEVER	1		
4	R26431	SCREW	1		
5	R73380	SNAP RING	3	(SUB FOR A369R)	
6	R57572	PIN	1		
7	R26830	HANDLE	1		
8	24H1384	WASHER	1	49/64" X 1-1/16" X 0.036"	
9	AR26403	CABLE	1	(SUB R78257)	
10	R26432	REEL	1		
11	34H282	SPRING PIN	1	3/16" X 1"	
12	R31260	SPRING	1	(SUB FOR R26433)	
13	A4744R	SPRING	1		
14	R26434	LATCH	1		
15	R26871	SNAP RING	2		
16	R58999	PIN	1		
17	R26828	LATCH	1		
18	AR75924	SUPPORT	1	(SUB FOR AR71095)	
19	R61286	STOP	2		
20	R53662	SELF-LOCKING SCREW	2		
	12H303	LOCK WASHER	2	5/16"	
21	14H785	NUT	2	5/16"	
	12H303	LOCK WASHER	2	5/16"	
22	R59927	PLATE	1		
23	R53662	SELF-LOCKING SCREW	2		

# 5C5

OPERATOR'S STATION

## SEAT SUSPENSION (PERSONAL-POSTURE SEAT)

R25394 -UN-01JAN94



R 25394

# 5C6

OPERATOR'S STATION

## SEAT SUSPENSION - CONTINUED (PERSONAL-POSTURE SEAT)

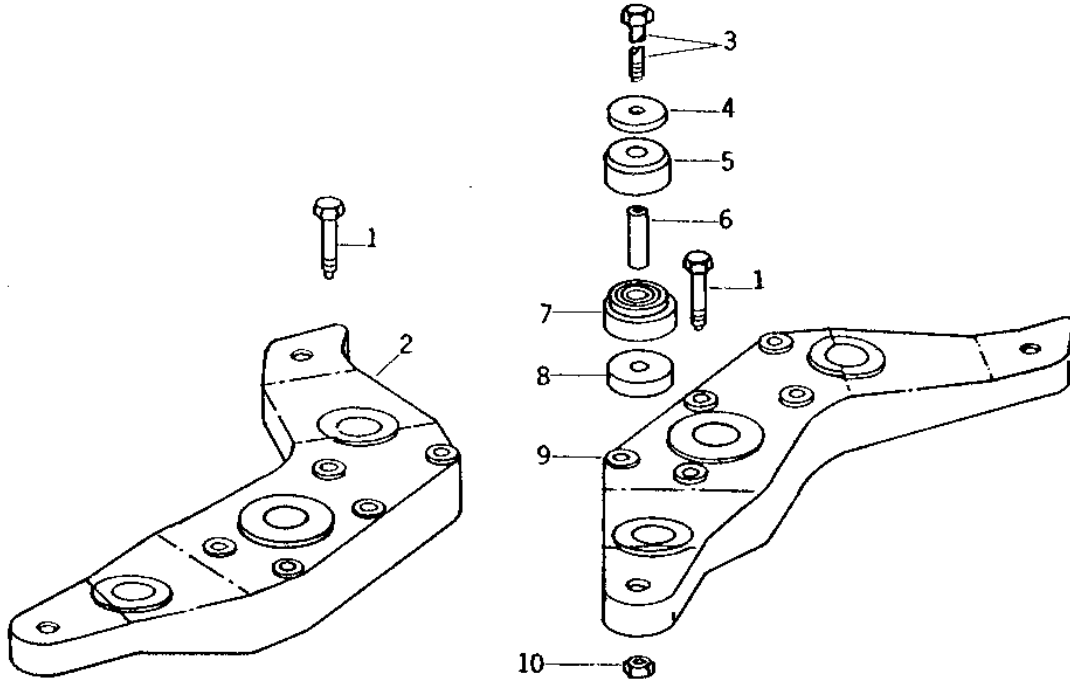
KEY	PART NO.	PART NAME	QTY	SG BODY SERIAL NO.	REMARKS
1	AR72840	CABLE	1		
2	R27434	SNAP RING	2	-XXXXXX	
3	AR72842	REEL	1		
4	R51648	WASHER	2		
5	AR72848	BRACKET	2		
6	19H2127	CAP SCREW	4		5/16" X 7/8"
	12H303	LOCK WASHER	4		5/16"
7	AR71099	FRAME	1		
8	M63440	LOCK NUT	4		(SUB E50102)
9	R27441	WASHER	4		
10	R51649	BEARING RACE	4		
11	R51648	WASHER	4		
12	19H2552	CAP SCREW	4		3/8" X 1-1/8"
13	R26872	SHIM	AR		0.25 MM (.010")
	R26873	SHIM	AR		0.51 MM (.020")
14	R26436	ROLLER	4		
15	R60024	LINK	2		
16	F2863R	SNAP RING	2		
17	R1836R	WASHER	2		
18	R26832	BUSHING	2		
19	R26879	CAP	1		
20	R60319	SPRING	1		
21	RE62234	ABSORBER	1		(SUB FOR AR71976)
22	R27442	CAP	1		
23	R60025	SHAFT	1		
24	AR72841	CABLE	1		
25	AR88527	LINK	1		(SUB FOR AR71098)
26	19H1800	CAP SCREW	4		3/8" X 1-1/2"
27	R27441	WASHER	4		
28	R51648	WASHER	4		
29	R51649	BEARING RACE	4		
30	R53436	WASHER	4		
31	M63440	LOCK NUT	4		(SUB E50102)
32	R43569	CAP SCREW	1		
33	24H1305	WASHER	1		13/32" X 13/16" X 0.065"
34	AR73562	LEVER	1		
35	R60657	SPRING	1		
36	AR73561	SCREW	1		
37	34H228	SPRING PIN	1		3/32" X 9/16"
38	R70268	WASHER	1	-XXXXXX	(SUB FOR R42363)
39	R60021	WASHER	1		
40	AR72838	FORK	1		
41	R65442	LABEL	1		WEIGHT ADJUSTMENT INDICATOR, (SUB FOR R60173)
42	AR71096	SUPPORT	1		
43	19H1721	CAP SCREW	4		1/2" X 1-1/2"
	12H301	LOCK WASHER	4		1/2"
44	11M7059	COTTER PIN	1		3.200 X 20 MM
45	R31044	PIN	1		
46	R60019	PULLEY	1		
47	AR71097	ARM	1		
48	14H850	NUT	2		1/4"

# 5C7

OPERATOR'S STATION

R32014 -UN-01JAN94

## SOUND-GARD BODY MOUNTING



R32014

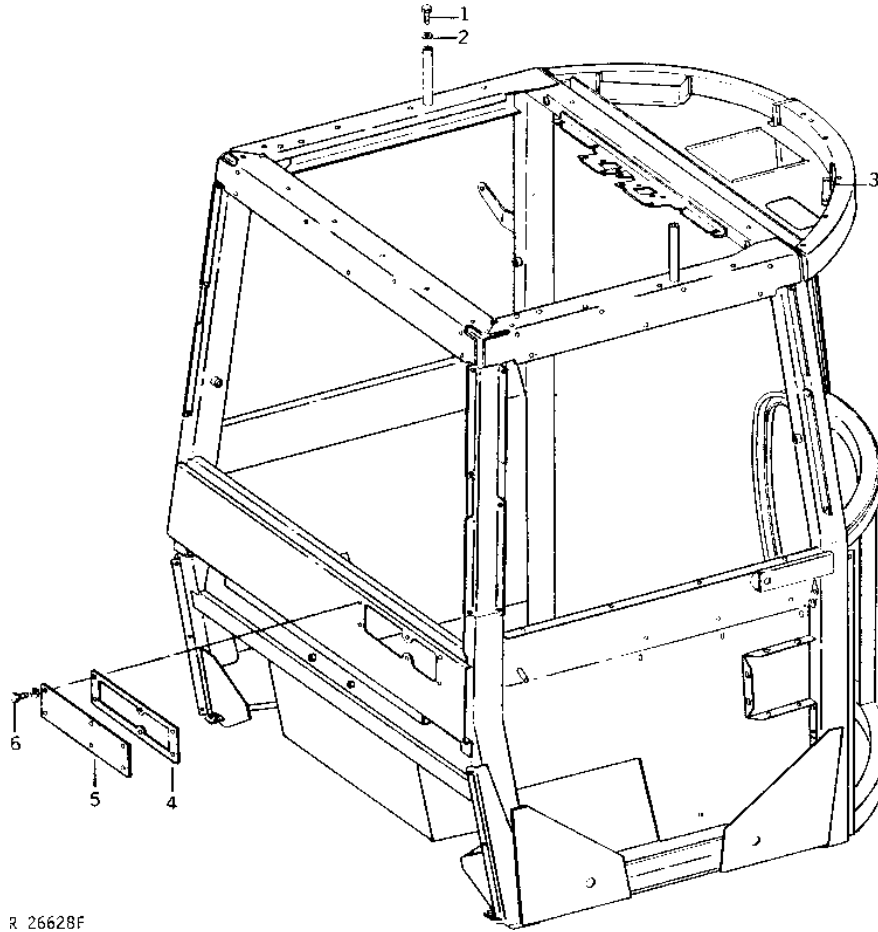
KEY	PART NO.	PART NAME	QTY	SG BODY SERIAL NO.	REMARKS
1	R58357	CAP SCREW	10		
2	R58356	SUPPORT	1	(NLA)	
3	R54743	CAP SCREW	4		
4	R20136	WASHER	4		
5	R62501	ABSORBER	4		
6	R62503	BUSHING	4		
7	R78909	RUBBER MOUNT	4	(SUB FOR R62502)	
8	R62504	BUSHING	4		
9	R58355	SUPPORT	1		
10	14H794	NUT	4	3/4"	

# 5C8

OPERATOR'S STATION

R26628 -UN-01JAN94

## SOUND-GARD BODY BRACKET, COVER AND HARDWARE



R 26628F

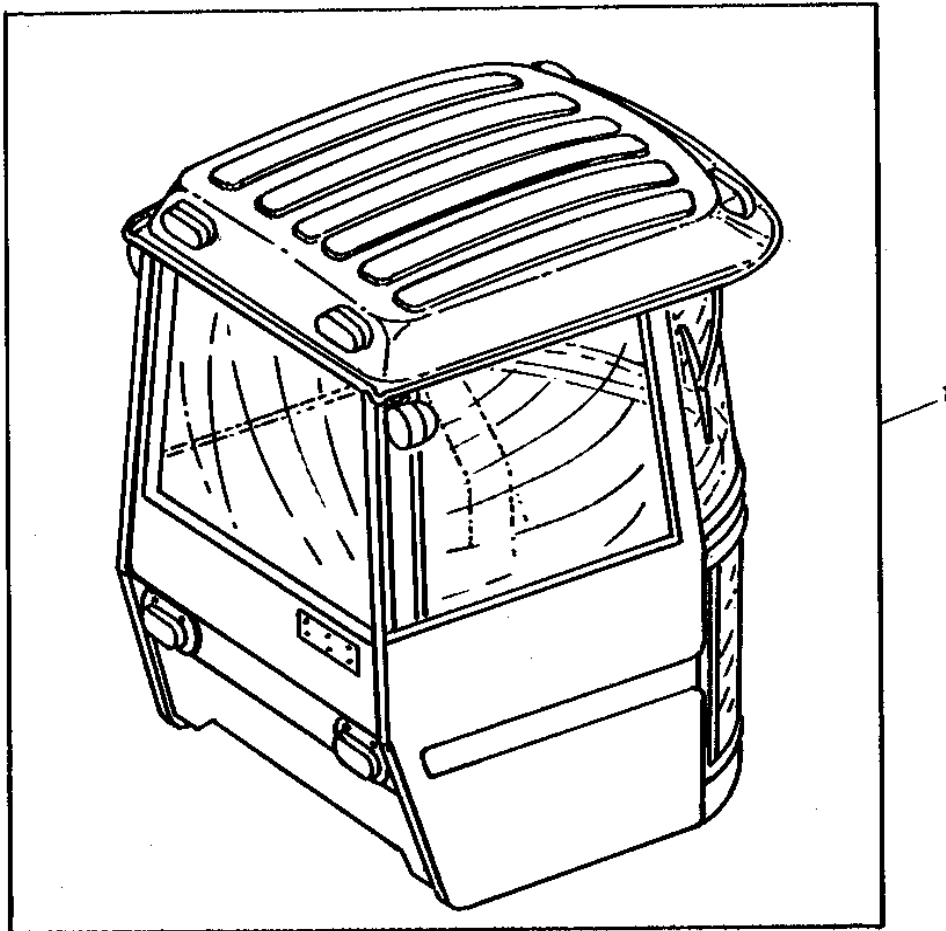
KEY	PART NO.	PART NAME	QTY	SG BODY SERIAL NO.	REMARKS
1	19H2367	CAP SCREW	2		5/8" X 3/4"
2	24H1106	WASHER	2		11/16" X 1-3/4" X 0.134"
3	AR55973	BRACKET	1	-067143	(SUB R59910)
	R59910	BRACKET	1	067144-	
4	R50470	GASKET	1	-103140	
5	R50469	COVER	1		
6	19H1900	CAP SCREW	6		5/16" X 3/4"
	12H303	LOCK WASHER	6		5/16"

# 5C9

OPERATOR'S STATION

SOUND-GARD BODY FOR REPLACEMENT  
(BASIC UNIT)

RWP3944 -UN-01JAN94



RWP3944



# 5C10

OPERATOR'S STATION

---

**SOUND-GARD BODY FOR REPLACEMENT - CONTINUED  
(BASIC UNIT)**

KEY	PART NO.	PART NAME	QTY	TRACTOR SERIAL NO.	REMARKS
1	.....	SOUND-GARD BODY	1		(A) (INCLUDES HEATER, AIR CONDITIONING, UPHOLSTERY, WINDOW GLASS, WIPERS, AND LIGHTS)

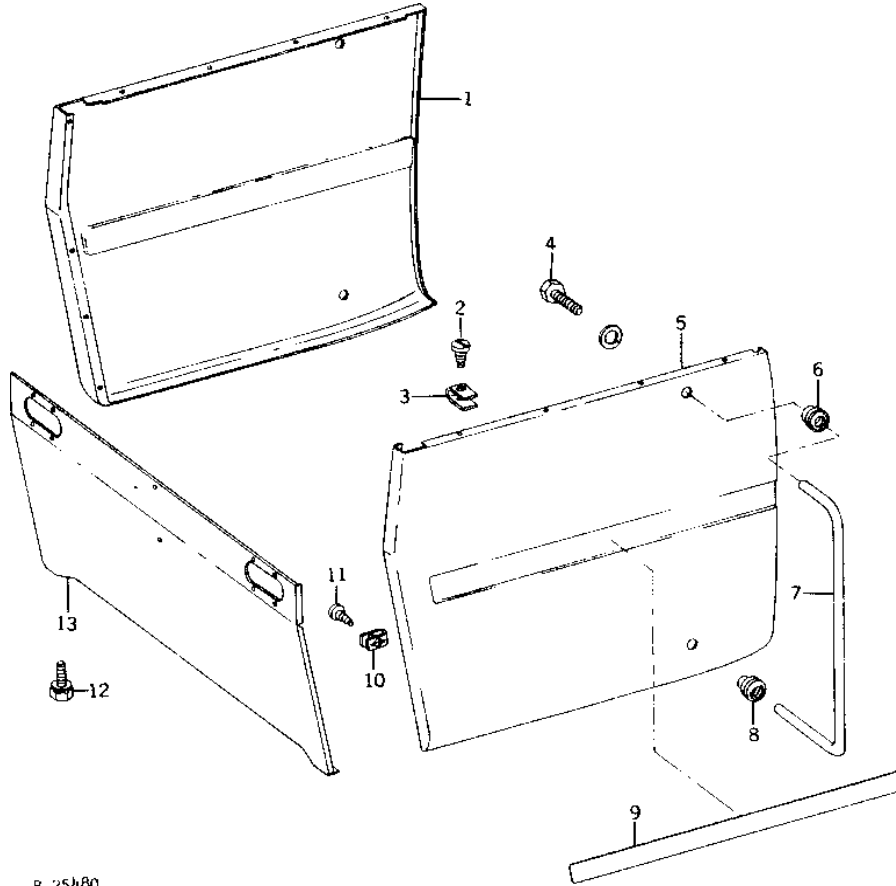
(A) ORDER THROUGH BRANCH SERVICE MANAGER OR COMPLETE GOODS MANAGER.

# 5C11

OPERATOR'S STATION

R25480 -UN-01JAN94

## SOUND-GARD BODY SIDE PANELS AND MOUNTING HANDLES



R 25480

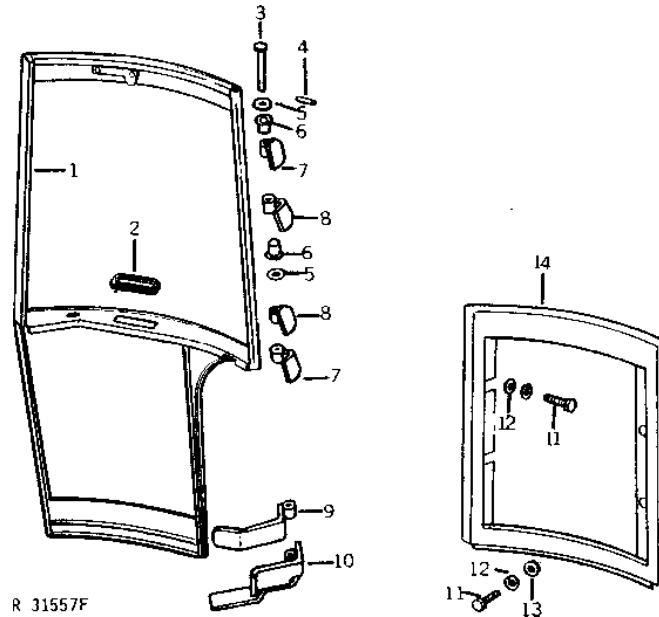
KEY	PART NO.	PART NAME	QTY	TRACTOR SERIAL NO.	REMARKS
1	R58052	PANEL	1	(NLA)	
2	37H121	SCREW	8		
3	R50279	NUT	8		
4	19H1833	CAP SCREW	4	5/8" X 1-1/4"	
	12H294	LOCK WASHER	4	5/8"	
5	R58051	PANEL	1		
6	R57832	GROMMET	2		
7	AR71785	HANDLE	2		
8	R57832	GROMMET	2		
9	R63416	LABEL	1		TRIM, R.H. (SUB FOR R59091)
	R63417	LABEL	1		TRIM, L.H. (SUB FOR R59092)
10	R52640	NUT	8		
11	37H95	SCREW	8		
	24H1283	WASHER	8	7/32" X 1/2" X 0.049"	
	37H71	SCREW	2		
	B1664R	SHIM	2		
12	AR58652	BOLT	2		
13	R62647	PANEL	1	(SUB FOR R58336)	

# 5C12

OPERATOR'S STATION

R31557 -UN-01JAN94

## SOUND-GARD BODY DOORS



KEY	PART NO.	PART NAME	QTY	TRACTOR SERIAL NO.	REMARKS
1	AR69872	DOOR	1		(SUB AR103640, RE23205 AND RE23204) (ALSO ORDER AR77488 IF TRACTOR SERIAL NO. IS PRIOR TO 003970)
2	R20759	GROMMET	1		
3	R63020	PIN	2	-003969	(SUB FOR R58185)
	R63797	PIN	3	003970-XXXXXX	(LESS BUSHINGS)
	R65569	PIN	3	003970-XXXXXX	(WITH BUSHINGS)
	R65569	PIN	1	XXXXXX-	(LOWER)
	R63019	PIN	2	XXXXXX-	(MIDDLE AND UPPER)
4	34H247	SPRING PIN	2	-003969	1/8" X 3/4"
	34H247	SPRING PIN	3	003970-	1/8" X 3/4"
5	24H1302	WASHER	6	003970-	13/32" X 11/16" X 0.035"
6	R65570	BUSHING	6	003970-	(USE WITH AR83950 AND AR83951)
7	AR69869	HINGE	2	-003969	(DOOR HALF) (ORDER RE21385 AND AR104585 IF NOT PREVIOUSLY INSTALLED)
	AR83950	HINGE	2	003970-	(SUB FOR AR78886) (SUB RE21385)
8	AR69870	HINGE	2	-003969	(BODY HALF) (ORDER RE21385 AND AR104585 IF NOT PREVIOUSLY INSTALLED)
	AR83951	HINGE	2	003970-	(SUB FOR AR78887) (SUB RE21385)
9	AR83952	HINGE	1	003970-	(SUB FOR AR78888) (SUB AR104585)
10	AR83949	HINGE	1	003970-	(SUB FOR AR78885) (SUB AR104585)
11	R53662	SELF-LOCKING SCREW	8		
12	12H303	LOCK WASHER	8	5/16"	
13	R53667	LOCK WASHER	8		
14	AR89833	KIT	1		(SUB FOR AR70116) (SUB AR88969, (4) R52937, R68318, (6) R68320, (2) R68321, (2) R68322, R68323, R68325, R68349, (6) 37H52)

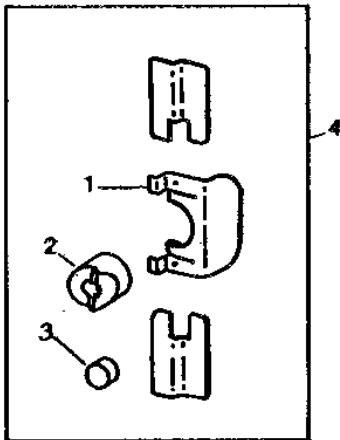
# 5C13

OPERATOR'S STATION

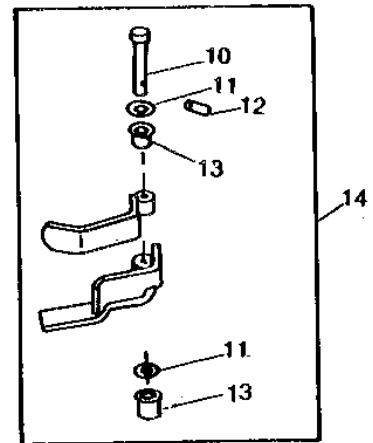
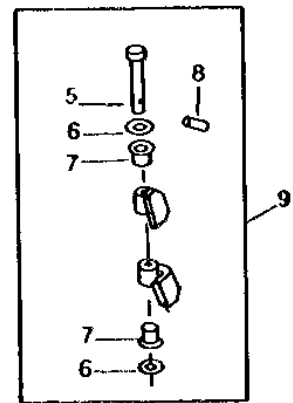
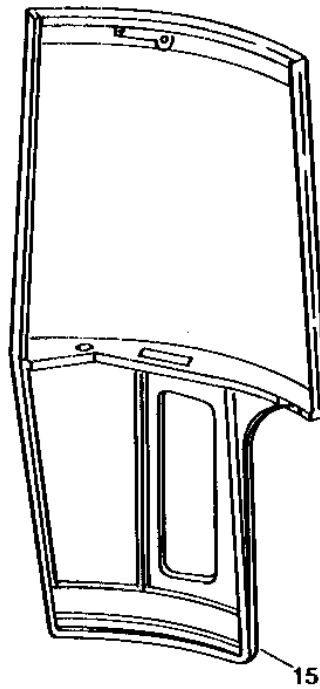
RWP4348

-UN-01JAN94

SOUND-GARD BODY DOOR KITS



RWP4348



# 5C14

OPERATOR'S STATION

## SOUND-GARD BODY DOOR KITS - CONTINUED

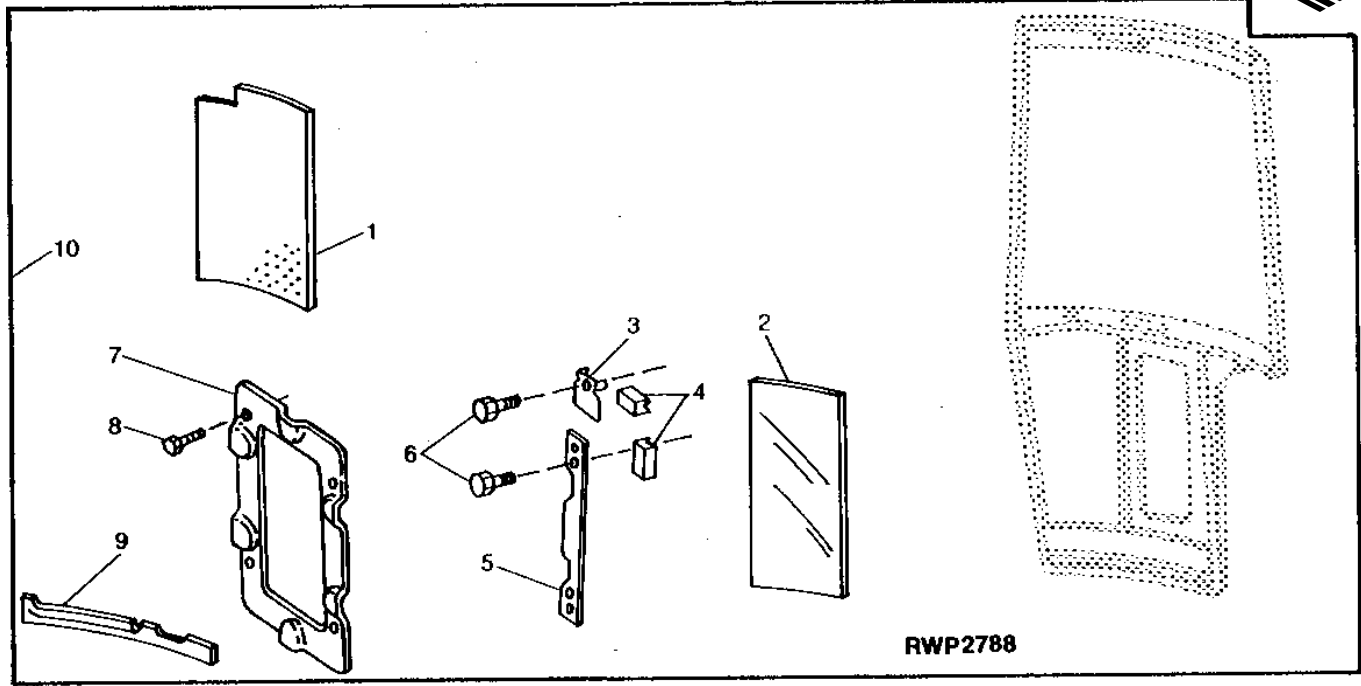
KEY	PART NO.	PART NAME	QTY	TRACTOR SERIAL NO.	REMARKS
1	R78697	SHIELD	1		
2	R76463	SPACER	1		
3	R76464	SUPPORT	2		
4	AR103639	KIT	1		STRIKER SPACER
5	R65569	PIN	2	-XXXXXX	(USE WITH AR104584)
	R63019	PIN	2	XXXXXX-	(USE WITH RE21385) (MIDDLE AND UPPER)
6	24H1302	WASHER	4		13/32" X 11/16" X 0.035"
7	R65570	BUSHING	4		
8	34H247	SPRING PIN	2		1/8" X 3/4"
9	RE21385	HINGE	1		KIT, (SUB FOR AR104584)
10	R65569	PIN	1		LOWER
11	24H1302	WASHER	2		13/32" X 11/16" X 0.035"
12	34H247	SPRING PIN	1		1/8" X 3/4"
13	R65570	BUSHING	2		
14	AR104585	KIT	1		LOWER HINGE
15	AR103640	KIT	1		DOOR, (ALSO ORDER RE23205 AND RE23204)
	R52130	LOCK NUT	1		(INCLUDED IN AR103640)

# 5C15

OPERATOR'S STATION

RWP2788 -UN-01JAN94

## DOOR TRIM KIT



RWP2788

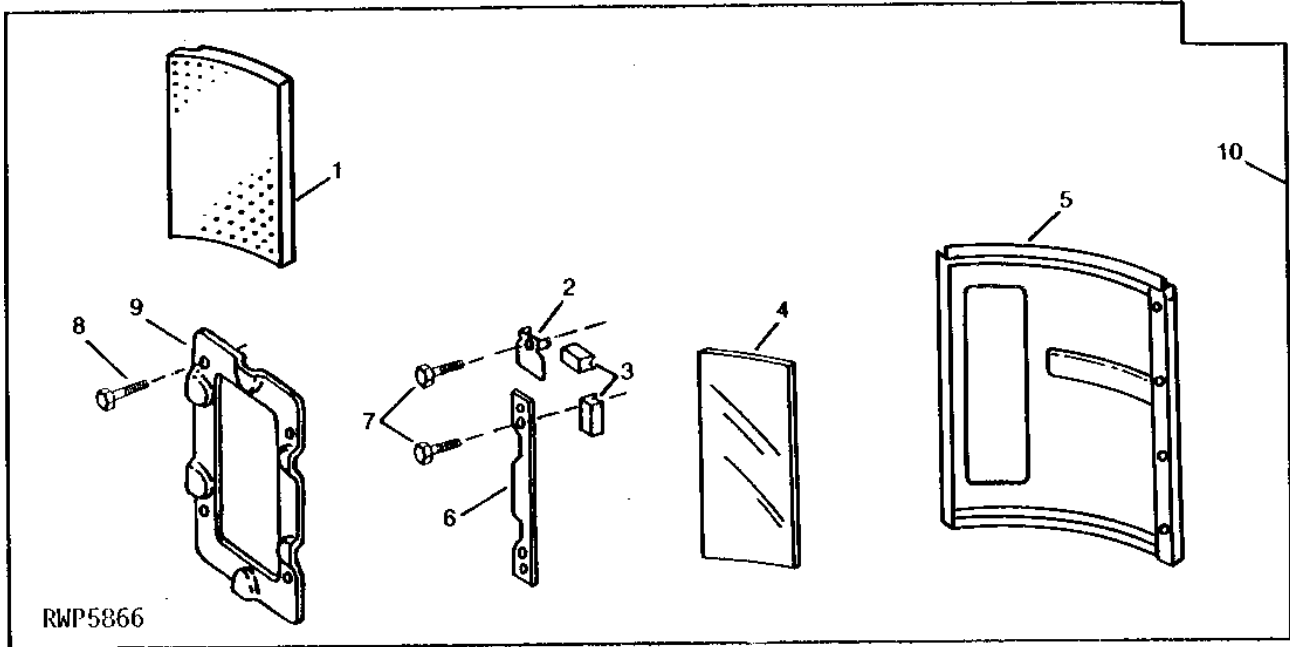
KEY	PART NO.	PART NAME	QTY	SG BODY SERIAL NO.	REMARKS
1	R68324	FOAM PAD	1		
2	R68318	WINDOWPANE	1		
3	R68322	CLIP	2		
4	R68320	DEVICE	6		
5	R68321	PLATE	2		
6	R52938	CAP SCREW	12		
7	R68323	RETAINER	1		
8	R52937	CAP SCREW	4		
9	R69384	STRIP	1		
10	AR104582	KIT	1		(NO LONGER AVAILABLE)

# 5C16

OPERATOR'S STATION

RWP5866 -UN-01JAN94

## SERVICE DOOR TRIM KIT



RWP5866

KEY	PART NO.	PART NAME	QTY	SG BODY SERIAL NO.	REMARKS
1	R68325	FOAM PAD	1		
2	R68322	CLIP	2		
3	R68320	DEVICE	6		
4	R68318	WINDOWPANE	1		
5	AR88969	PANEL	1		
6	R68321	PLATE	2		
7	37H52	SCREW	6		
8	R52937	CAP SCREW	4	1/4" X 3/8"	
9	R68323	RETAINER	1		
10	AR89833	KIT	1		(ORDER COMPONENT PARTS)
..	R68349	SEALANT	1		15 FT ROLL

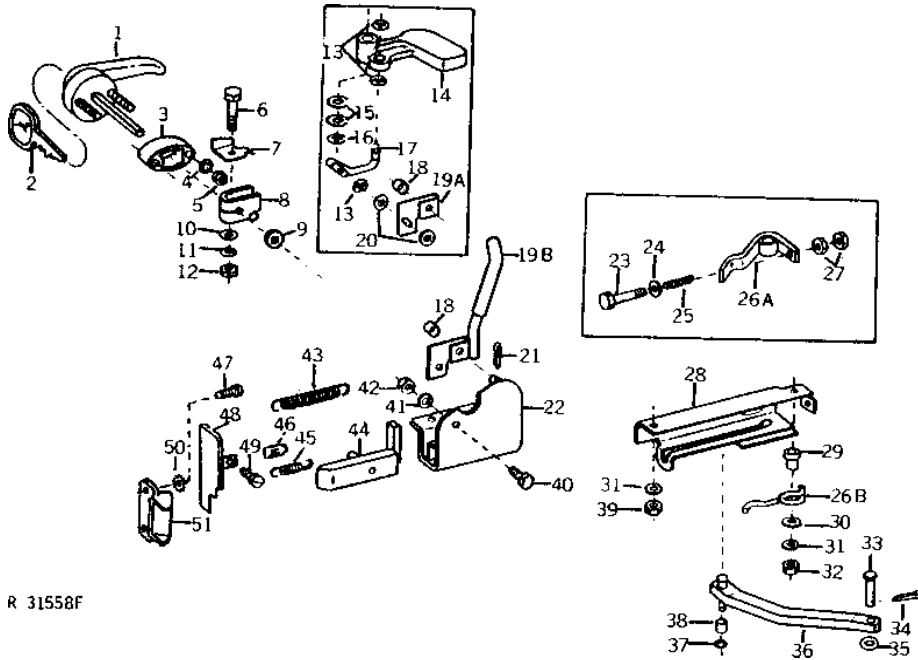
# 5C17

OPERATOR'S STATION

R31558

-UN-01JAN94

## DOOR HANDLE AND LATCH



R 31558F



# 5C18

OPERATOR'S STATION

## DOOR HANDLE AND LATCH - CONTINUED

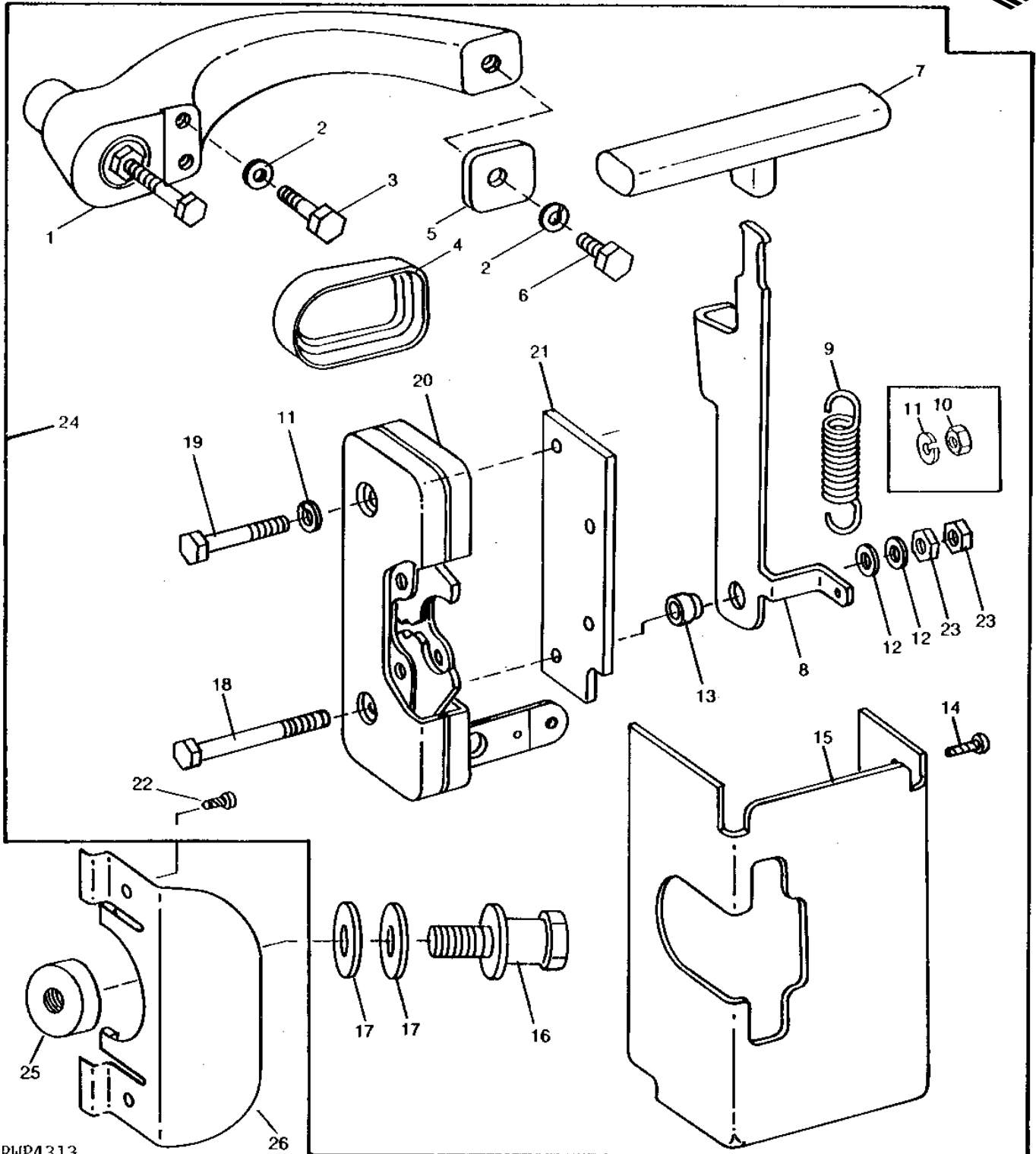
KEY	PART NO.	PART NAME	QTY	SG BODY SERIAL NO.	REMARKS
1	AR78805	HANDLE	1		(SUB AH103908)
2	AR51481	KEY	1		
3	R63760	SPACER	1		
4	12H296	WASHER	2		0.216"
5	14H608	NUT	2		0.216"
6	19H1875	CAP SCREW	1		5/16" X 1-3/4"
7	R62549	STOP	1		(SUB FOR R51590)
8	AR70312	ARM	1		
9	R63387	WASHER	1		(SUB FOR R52098)
10	24H1652	WASHER	1		13/32" X 11/16" X 7/64"
11	12H303	LOCK WASHER	1		5/16"
12	14H785	NUT	1		5/16"
13	R72654	SNAP RING	4	-083045	
14	R58338	HANDLE	1	-083045	(SUB AR89774 AND R31877)
15	D2865R	WASHER	2	-083045	(SUB 24H1111)
16	R26871	SNAP RING	1	-083045	
17	R58337	ROD	1	-083045	(SUB AR89774 AND R31877)
18	28H1518	WASHER	1		0.493" X 0.675" X 5/16"
19A	R58524	ARM	1	-083045	(SUB AR89774 AND R31877)
19B	AR89774	ARM	1	083046-	(SUB FOR AR77115)
20	24H1286	WASHER	2	-XXXXXX	9/32" X 1/2" X 1/16"
21	11M7059	COTTER PIN	1		3.200 X 20 MM
22	AR77488	HOUSING	1		(SUB FOR AR70313)
23	21H1374	SCREW	1	-093264	0.216" X 1-7/8"
24	24H1286	WASHER	1	-093264	9/32" X 1/2" X 1/16"
25	R47605	SPRING	1	-093264	
26A	AR59638	LATCH	1	-093264	
26B	R62638	SPRING	1	093265-	
27	14H608	NUT	2	-093264	0.216"
28	AR77228	STOP	1		(ALSO ORDER R62635, R62638 AND 24H1822) (SUB FOR AR69714)
29	R53393	SLEEVE	1	-093264	
	R62635	SLEEVE	1	093265-	
30	24H1289	WASHER	1		21/64" X 5/8" X 0.049"
31	12H303	LOCK WASHER	2		5/16"
32	14H785	NUT	1		5/16"
33	R52107	PIN	1		
34	11M7077	COTTER PIN	1		0.063" X 0.984"
35	24H1822	WASHER	1	093265-	11/32" X 7/8" X 1/16"
36	AR75540	BAR	1		(SUB FOR AR69715)
37	R72653	SNAP RING	1		
38	R52516	BUSHING	1		
39	14H611	NUT	1		5/16"
40	R54057	SCREW	3		
41	12H304	LOCK WASHER	3		3/8"
42	14H786	NUT	3		1/4"
43	R31877	SPRING	1	083046-	
44	AR56676	LATCH	1		
45	R52097	SPRING	1		
46	R52640	NUT	1		
47	21H1310	SCREW	2		1/4" X 1/2", (SUB FOR R59960, R65776 OR R71647)
48	R59269	COVER	1		
49	37H95	SCREW	1		
50	12H356	LOCK WASHER	2		1/4"
51	R58339	PLATE	1		
	24H1136	WASHER	AR		11/32" X 11/16" X 0.065"

# 5C19

OPERATOR'S STATION

## DOOR HANDLE AND LATCH (EARLY DESIGN)

RWP4313 -UN-01JAN94



RWP4313

THIS PARTS LISTING IS CONTINUED

# 5C20

OPERATOR'S STATION

## DOOR HANDLE AND LATCH - CONTINUED (EARLY DESIGN)

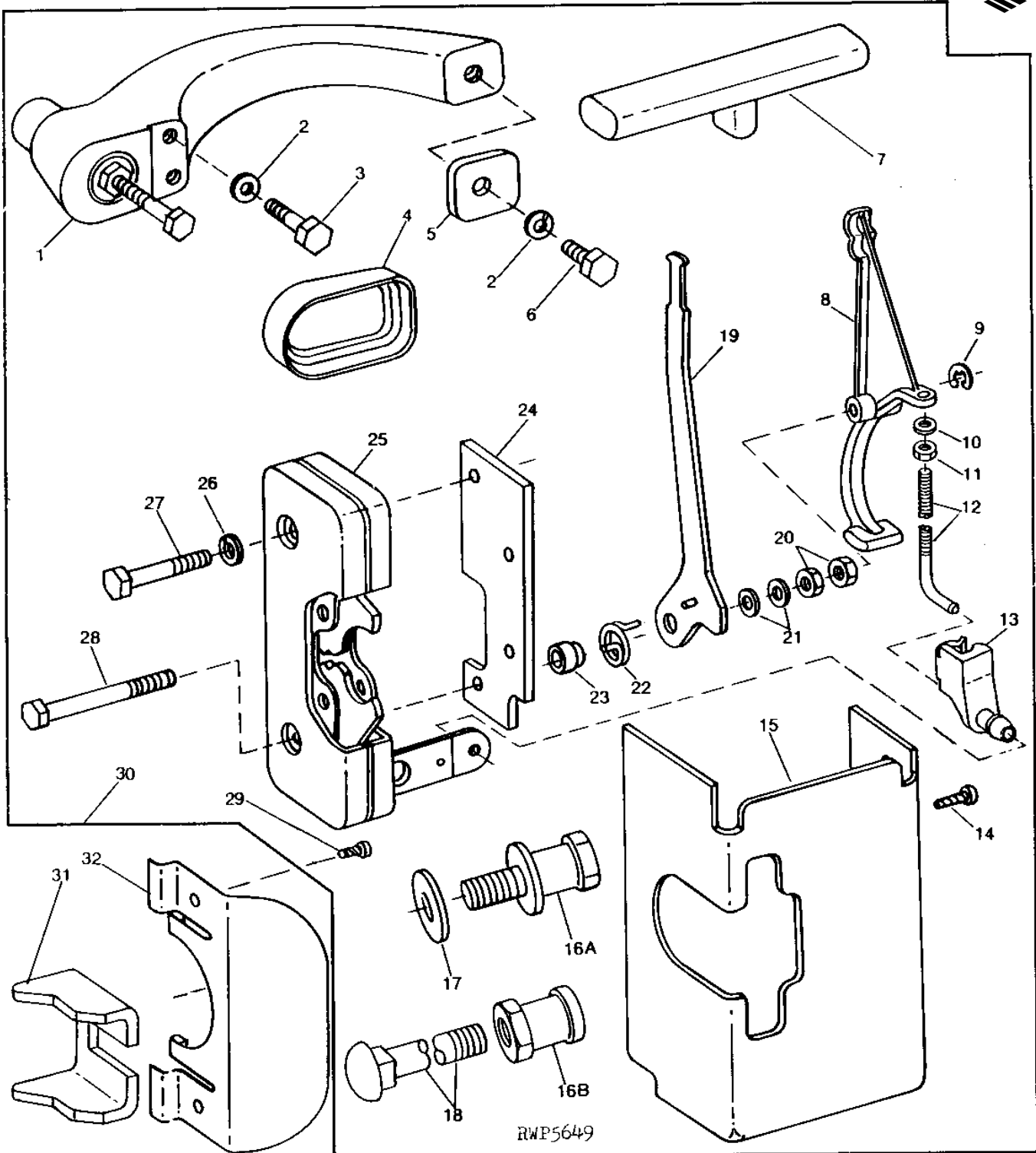
KEY	PART NO.	PART NAME	QTY	SG BODY SERIAL NO.	REMARKS
1	AR91895	HANDLE	1		OUTER
2	12H302	LOCK WASHER	3	-XXXXXX	1/4"
3	19M7077	CAP SCREW	2		M6 X 20
4	R70274	SPACER	1		
5	R70275	SPACER	1		
6	19M6614	CAP SCREW	1		
7	R70271	KNOB	1		
8	R70288	HANDLE	1	-006018	INNER, (SUB R78553)
	R78553	HANDLE	1	006019-	
9	R31877	SPRING	1		
10	14H786	NUT	1	-XXXXXX	1/4"
11	12H297	LOCK WASHER	4		1/4"
12	24H1287	WASHER	2		9/32" X 5/8" X 0.065"
13	R82482	BUSHING	1		(SUB FOR R75870)
14	R52708	SCREW	2		
15	R70289	COVER	1		
16	AR91896	STRIKER	1		
17	24H1254	WASHER	AR		17/32" X 1-1/8" X 0.105"
18	19H1996	CAP SCREW	1		1/4" X 2"
19	19H1791	CAP SCREW	3		1/4" X 1-1/4"
20	AR92006	LATCH	1		
21	R70269	PLATE	1		(SUB R82455)
22	R52708	SCREW	2		
23	14H850	NUT	2	XXXXXX-	1/4"
24	AR103635	KIT	1		(SUB RE22993)
25	R70293	SPACER	1		
26	R78697	SHIELD	1		

# 5C21

OPERATOR'S STATION

## DOOR HANDLE AND LATCH (LATE DESIGN)

RWP5649 -UN-01JAN94



# 5C22

OPERATOR'S STATION

## DOOR HANDLE AND LATCH - CONTINUED (LATE DESIGN)

KEY	PART NO.	PART NAME	QTY	TRACTOR SERIAL NO.	REMARKS
1	AR91895	HANDLE	1		OUTER
2	12H302	LOCK WASHER	3		1/4"
3	19M7077	CAP SCREW	2		M6 X 20
4	R70274	SPACER	1		
5	R70275	SPACER	1		
6	19M6614	CAP SCREW	1		M6 X 12
7	R70271	KNOB	1		
8	R82442	BELLCRANK	1		
9	R72654	SNAP RING	1		
10	24H1286	WASHER	1		9/32" X 1/2" X 1/16"
11	U45916	LOCK NUT	1		
12	R82444	HOOK BOLT	1		
13	R82445	RETAINER	1		
14	R52708	SCREW	2		
15	R70289	COVER	1		
16A	AR91896	STRIKER	1		
16B	R82272	STRIKER	1		
17	24H1254	WASHER	1		17/32" X 1-1/8" X 0.105"
18	03M7191	BOLT	1		M10 X 25
19	R82447	HANDLE	1		INNER
20	14H850	NUT	2		1/4"
21	24H1287	WASHER	2		9/32" X 5/8" X 0.065"
22	R82440	SPRING	1		
23	R82482	BUSHING	1		
24	R82455	PLATE	1		
25	AR92006	LATCH	1		
26	12H297	LOCK WASHER	3		1/4"
27	19H1791	CAP SCREW	3		1/4" X 1-1/4"
28	19H1738	CAP SCREW	1		1/4" X 2"
29	R52708	SCREW	2		
30	RE22993	KIT	1		
31	R82273	SPACER	1		
32	R78697	SHIELD	1		

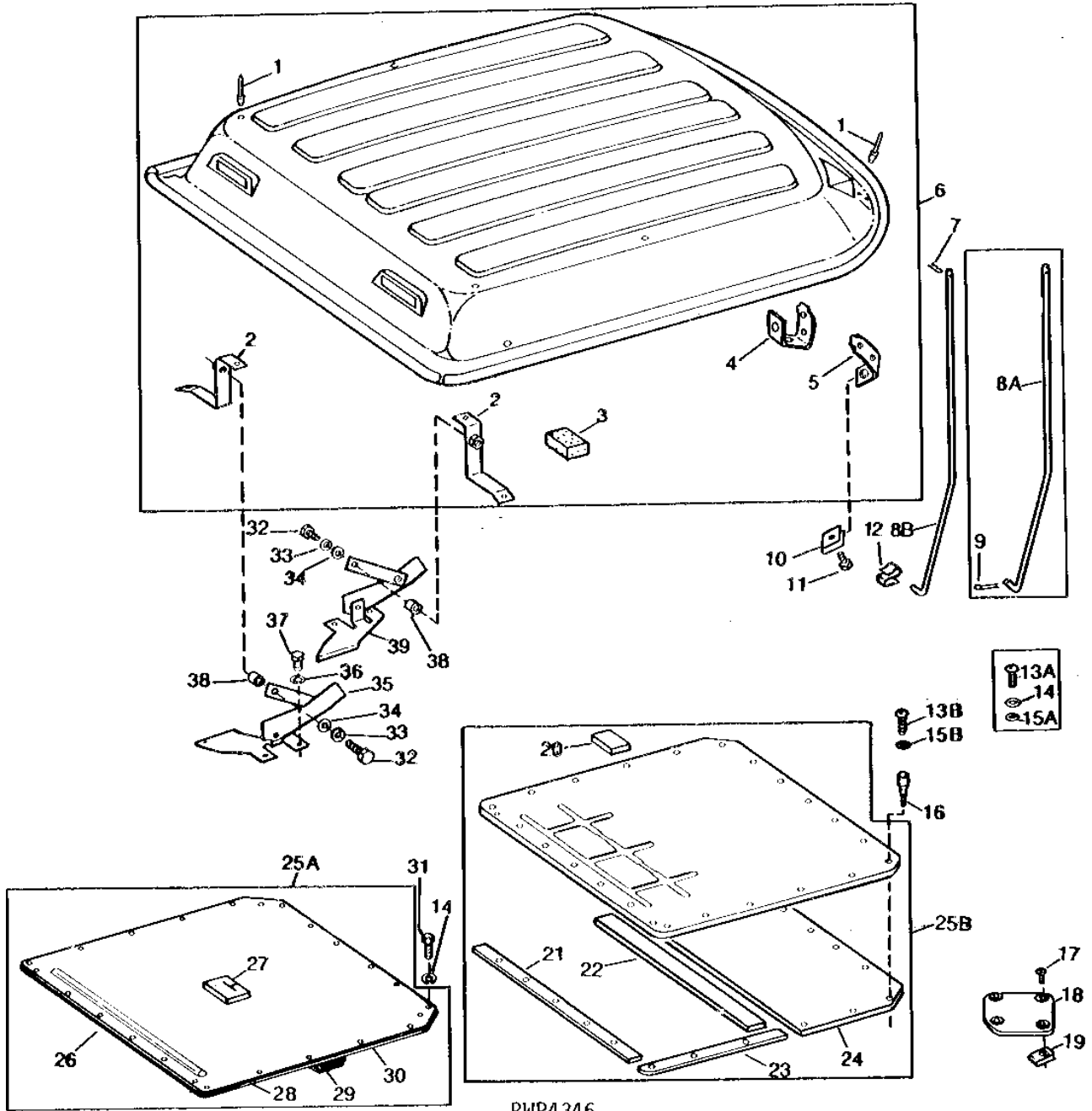
# 5C23

OPERATOR'S STATION

RWP4346

-UN-01JAN94

## PRESSURIZER COVER AND SOUND-GARD BODY ROOF



# 5C24

OPERATOR'S STATION

## PRESSURIZER COVER AND SOUND-GARD BODY ROOF - CONTINUED

KEY	PART NO.	PART NAME	QTY	SG BODY SERIAL NO.	REMARKS
1	R55326	RIVET	10		
2	RE11000	BRACKET	2		(SUB FOR AR67980)
3	.....	FOAM PAD	1		25 X 51 X 152 MM (1" X 2" X 6") (MAKE FROM R44588)
4	R51011	BRACKET	1		INNER
5	R54529	BRACKET	2		OUTER
6	AR74143	ROOF	1		
7	A5067R	SPRING LOCKING PIN	1		
	R46528	SPRING LOCKING PIN	1		(A)
8A	R51589	ROD	1	-167883	
8B	R65473	ROD	1	167884-	
9	11M7082	COTTER PIN	1	-167883	2.500 X 25 MM
10	R50198	NUT	3		
11	R55426	SCREW	3		
12	R69320	CLAMP	1		
13A	21H1410	SCREW	22	167884-XXXXXX	1/4" X 1"
13B	R80979	BOLT	22	XXXXXX-	(A)
14	12H356	LOCK WASHER	24	-167883	1/4"
	12H356	LOCK WASHER	22	167884-XXXXXX	1/4"
15A	24H1283	WASHER	22	167884-XXXXXX	7/32" X 1/2" X 0.049"
15B	24H1284	WASHER	22	XXXXXX-	(A) 7/32" X 7/8" X 0.065"
16	R69023	NUT	22	167884-	(SUB R71523)
17	R50641	SCREW	4	-XXXXXX	
	R80979	BOLT	4	XXXXXX-	
18	R50272	COVER	1		WIPER MOTOR
19	R53677	LOCK NUT	4		
20	R45397	INSULATOR	1	167884-	
21	R65466	SEAL	1	167884-	(SUB R83066, THIS APPLICATION)
22	R52149	WEATHERSTRIP	1	167884-	
23	R65467	SEAL	2	167884-	(SUB R83066)
24	R65465	FOAM PAD	1	167884-	(ALSO ORDER R83066)
25A	AR73464	COVER	1	-167883	(SUB AR77006, R45397, R50459, RE50460, R52132 AND R52149)
25B	AR83516	COVER	1	167884-	(A)
26	R50460	INSULATOR	1	-167883	
27	R45397	INSULATOR	1	-167883	
28	R50459	INSULATOR	2	-167883	
29	R52149	WEATHERSTRIP	1	-167883	
30	R52132	INSULATOR	1	-167883	
31	R52937	CAP SCREW	24	-167883	
32	19H1900	CAP SCREW	2		5/16" X 3/4"
33	12H303	LOCK WASHER	2		5/16"
34	R67694	WASHER	2		(SUB FOR A5659R)
35	AR55882	SUPPORT	1		L.H.
36	12H303	LOCK WASHER	4		5/16"
37	19H1849	CAP SCREW	4		5/16" X 1-1/4"
38	R51590	WASHER	2		
39	AR55881	SUPPORT	1		R.H.
..	R53745	TAPE	1		55 M (180 FT)
..	AR49923	ADHESIVE	1		552 G (19.5 OZ)

(A) REPLACEMENT INNER ROOF

---

MEMORANDA

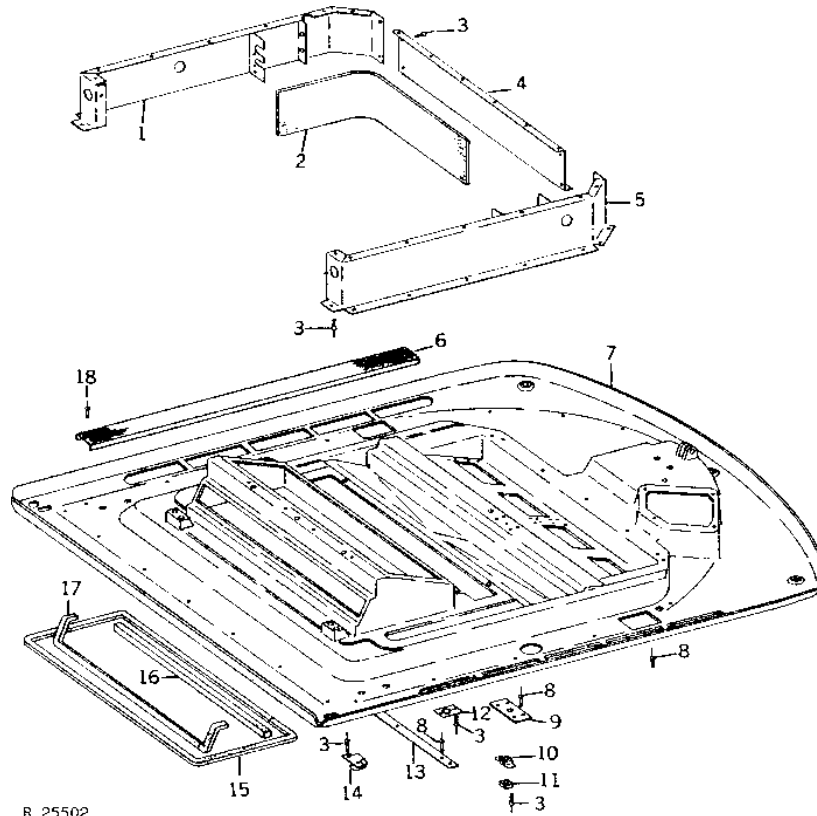


# 5C25

OPERATOR'S STATION

R25502 -UN-01JAN94

INNER ROOF  
(SOUND-GARD BODY SERIAL NO. -167883)



R 25502

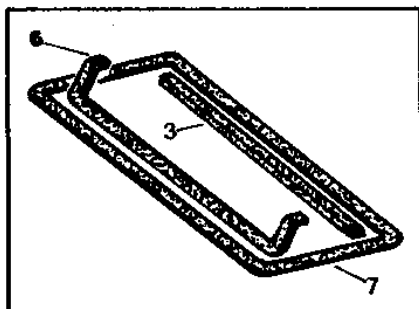
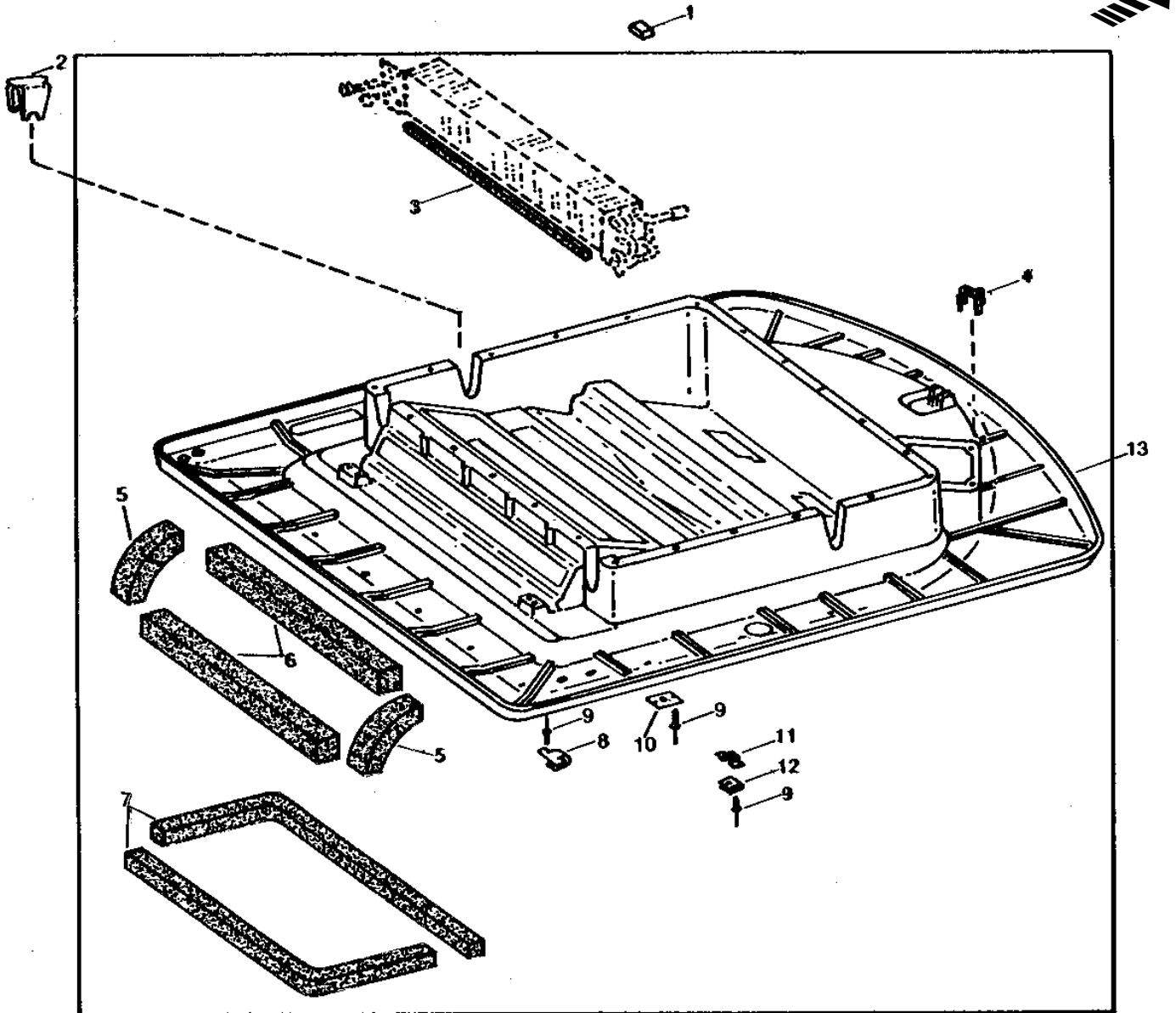
KEY	PART NO.	PART NAME	QTY	SG BODY SERIAL NO.	REMARKS
1	AR56093	PANEL	1	-075970	
	AR73466	PANEL	1	075971-107305	
	R63956	PANEL	1	107306-	
2	R52127	FOAM PAD	2	-075970	
	R60560	INSULATOR	2	075971-	
3	R55326	RIVET	45		
4	R51371	PANEL	1		
5	AR55648	PANEL	1	-075970	
	AR73465	PANEL	1	075971-	
6	R50457	SCREEN	2		
7	AR55646	ROOF	1	-107305	(SUB RE18180)
	AR79361	ROOF	1	107306-	(SUB RE18180)
8	R50689	RIVET	15		
9	R50690	PLATE	1		
10	R50692	RETAINER	2		
11	14H818	NUT	2	5/16"	
12	R50694	PLATE	1		
13	R50691	STRIP	1		
14	R50695	HANGER	2		
15	R50698	ISOLATOR	2		FILTER SERVICE DOOR OPENING
16	R50697	ISOLATOR	1		REAR, UPPER FILTER WELL
17	R50696	ISOLATOR	1		REAR FILTER WELL
18	R53608	RIVET	12		
..	R46663	SEALING TRIM	1		
..	R53745	TAPE	1	55 M (180 FT)	
..	AR49923	ADHESIVE	1	552 G (19.5 OZ)	

# 5D1

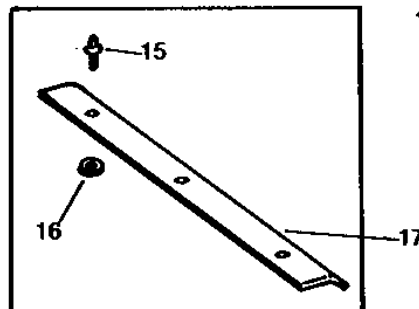
OPERATOR'S STATION

REPLACEMENT INNER ROOF  
(SOUND-GARD BODY SERIAL NO. 167884- )

RWP3849 -UN-01JAN94



RWP3849



# 5D2

OPERATOR'S STATION

REPLACEMENT INNER ROOF - CONTINUED  
(SOUND-GARD BODY SERIAL NO. 167884- )

KEY	PART NO.	PART NAME	QTY	SG BODY SERIAL NO.	REMARKS
1	R52133	FOAM PAD	1		
2	R65472	PANEL	4		
3	R50696	ISOLATOR	2		
4	R71523	NUT	26	-XXXXXX	
5	R77665	FOAM PAD	2	XXXXXX-	
6	R50697	ISOLATOR	1	-XXXXXX	
	R50697	ISOLATOR	2	XXXXXX-	
7	R50698	ISOLATOR	2		
8	R50695	HANGER	2		
9	R55326	RIVET	10		
10	R65471	WEAR PLATE	1		
11	R50692	RETAINER	2		
12	14H818	NUT	2		5/16"
13	AR94105	ROOF	1	-XXXXXX	(SUB FOR AR83517) (SUB RE38906 AND (26) R80979)
	RE18658	ROOF	1	XXXXXX-	(SUB RE38906)
14	R68332	RIVET	20		
15	R55326	RIVET	3		
16	24H1283	WASHER	3		7/32" X 1/2" X 0.049"
17	AR91315	KIT	1		INNER ROOF BAFFLE
..	AR49923	ADHESIVE	1		552 G (19.5 OZ)
..	RE18180	ROOF	1		(ASSEMBLY INCLUDES PRESSURIZER COVER, EVAPORATOR, BLOWER, BLOWER MOTOR RESISTOR, BLOWER SWITCH SUPPORT ROD, CONNECTING LINES AND WIRING HARNESS)

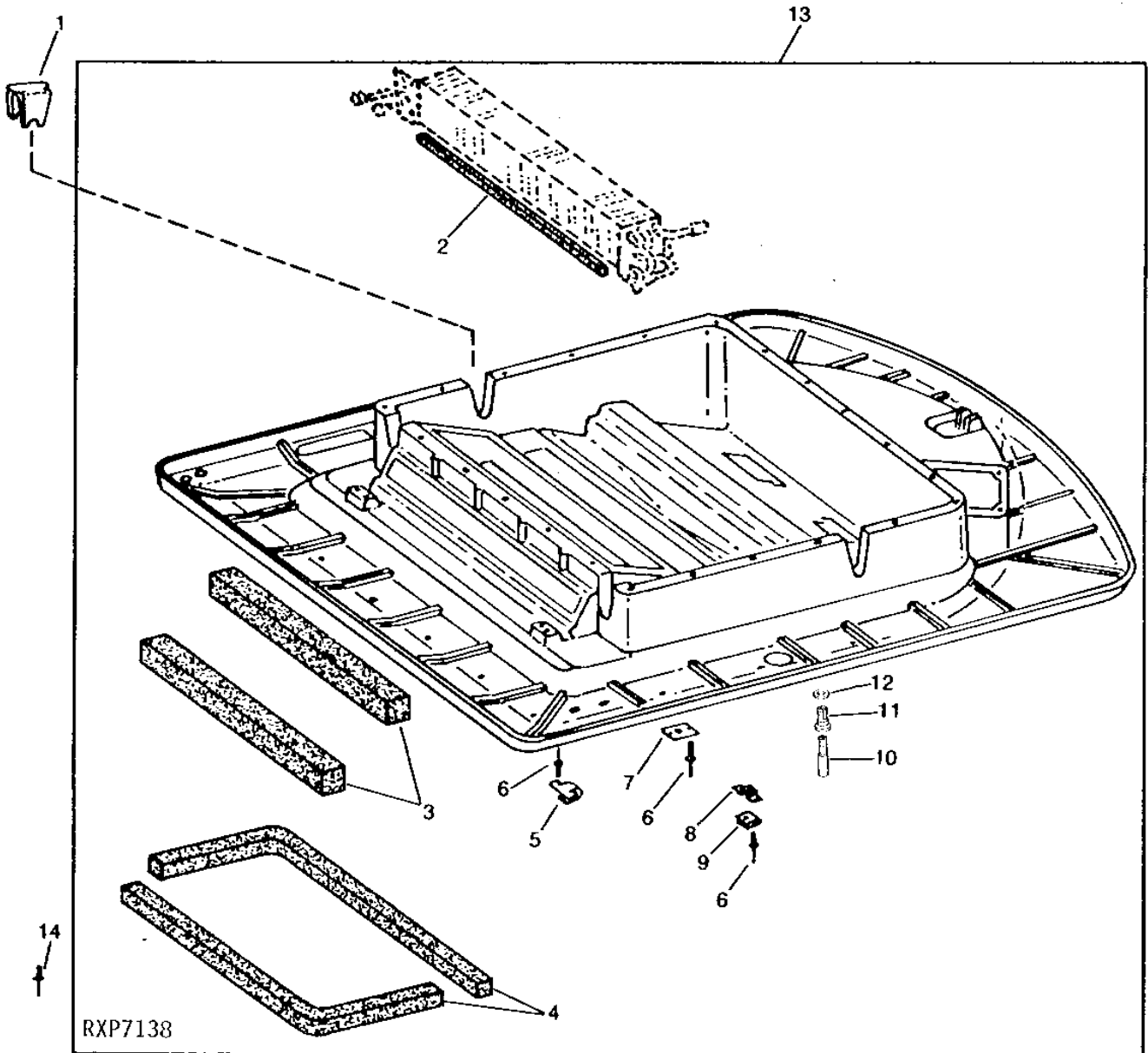
# 5D3

OPERATOR'S STATION

RXP7138

-UN-01JAN94

## REPLACEMENT INNER ROOF



# 5D4

OPERATOR'S STATION

## REPLACEMENT INNER ROOF - CONTINUED

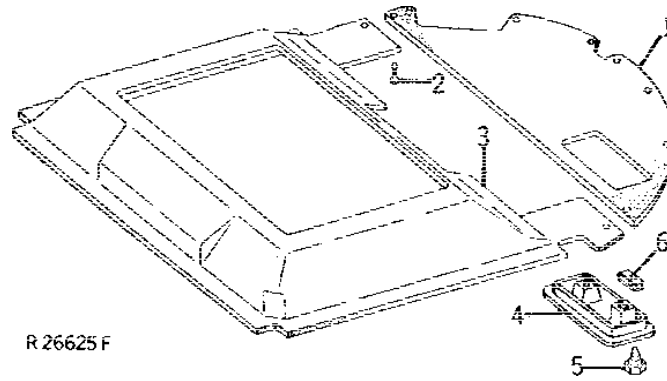
KEY	PART NO.	PART NAME	QTY	SG BODY SERIAL NO.	REMARKS
1	R65472	PANEL	4		
2	R50696	ISOLATOR	2		
3	R50697	ISOLATOR	2		
4	R50698	ISOLATOR	2		
5	R50695	HANGER	2		
6	R55326	RIVET	10		
7	R65471	WEAR PLATE	1		
8	R50692	RETAINER	2		
9	14H818	NUT	2	5/16"	
10	R60264	HOSE	2		
11	R60263	BUSHING	2		
12	F2741R	PACKING	2		
13	RE38906	ROOF	1		
14	R80979	BOLT	26		
..	R46663	SEALING TRIM	AR		
..	AR49923	ADHESIVE	1	552 G (19.5 OZ)	

# 5D5

OPERATOR'S STATION

R26625 -UN-01JAN94

## SOUND-GARD BODY HEADLINER AND LAMP



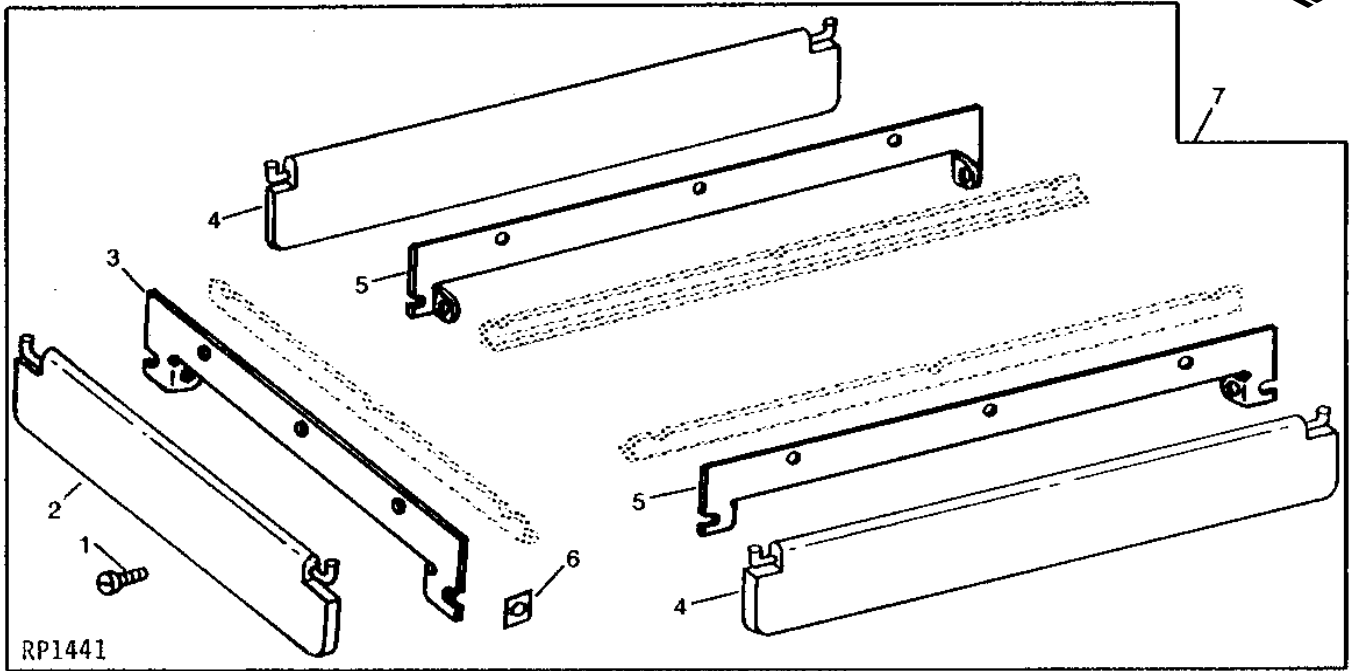
KEY	PART NO.	PART NAME	QTY	SG BODY SERIAL NO.	REMARKS
1	AR69716	HEADLINER	1	-109590	
	AR78420	HEADLINER	1	109591-	
2	R54748	STUD	10		
3	AR70126	HEADLINER	1	-109590	
	AR78421	HEADLINER	1	109591-	
4	AR59977	HOUSING	1	-109590	
	AR78418	HOUSING	1	109591-	(SUB RE10761)
	AR48015	BULB	1		
5	R50499	SCREW	2		
6	R52130	LOCK NUT	2		

# 5D6

OPERATOR'S STATION

RP1441 -UN-01JAN94

## SIDE AND REAR SUN VISOR



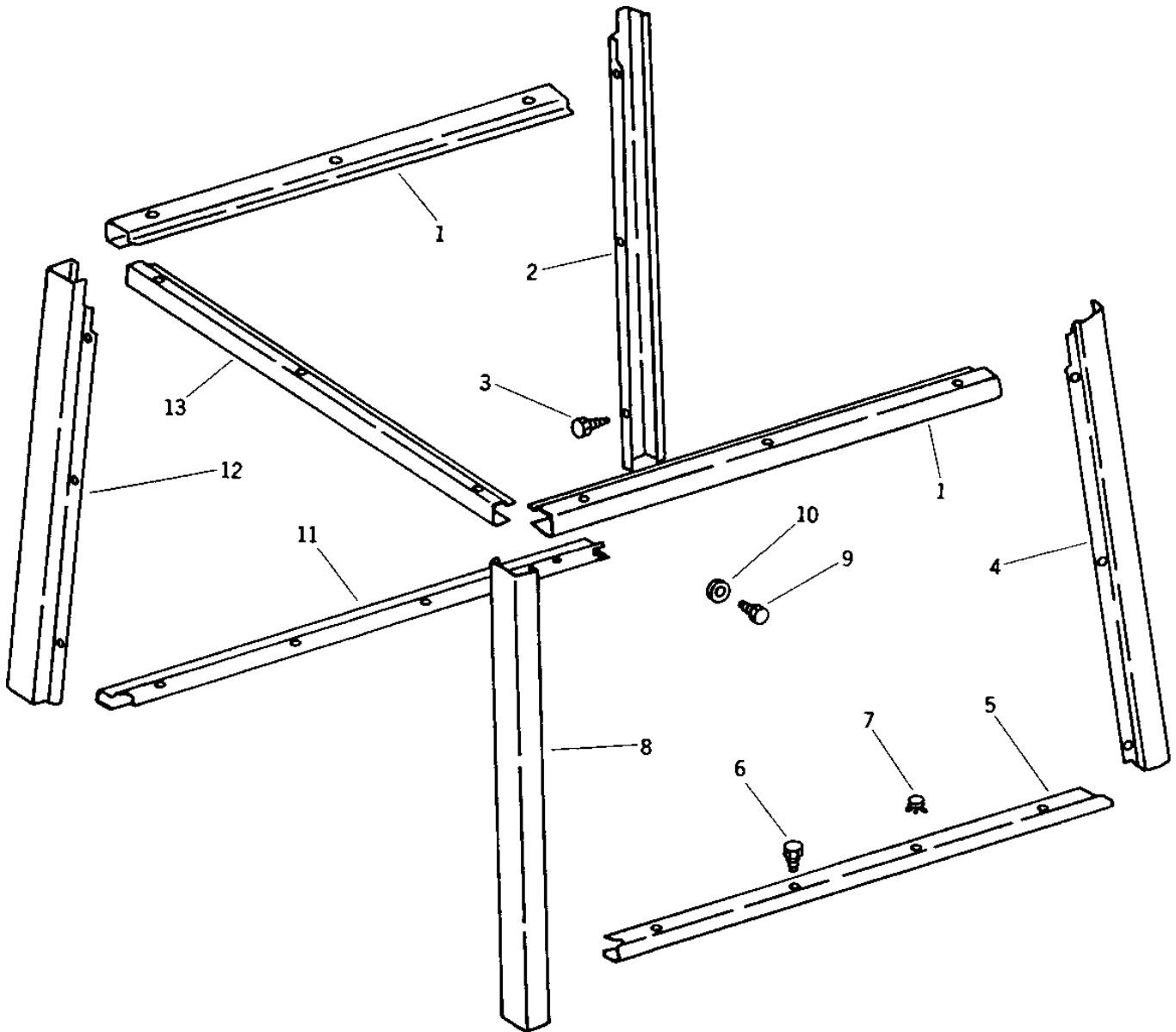
KEY	PART NO.	PART NAME	QTY	TRACTOR SERIAL NO.	REMARKS
1	21H1210	SCREW	9	1/4" X 3/4"	
2	AR89670	SUN VISOR	1		
3	R68793	PLATE	1		
4	AR89669	SUN VISOR	2		
5	R68791	PLATE	2		
6	R68792	RETAINER	6		
7	AR89666	SUN VISOR	1	(NLA)	

# 5D7

OPERATOR'S STATION

R32020 -UN-01JAN94

SOUND-GARD BODY METAL TRIM



R32020F



# 5D8

OPERATOR'S STATION

## SOUND-GARD BODY METAL TRIM - CONTINUED

KEY	PART NO.	PART NAME	QTY	SG BODY SERIAL NO.	REMARKS
1	R65907	MOLDING	2		(SUB FOR R50213)
2	R52637	MOLDING	1		
3	R52708	SCREW	18		
4	R52636	MOLDING	1		
5	R58352	MOLDING	1		
6	37H121	SCREW	8		
7	M42229	PLUG	8		
8	R52638	MOLDING	1		
9	R52938	CAP SCREW	9		
10	R50719	SHIM	9		
11	R58353	MOLDING	1		
12	R52639	MOLDING	1		
13	R65906	MOLDING	1		(SUB FOR R50209)

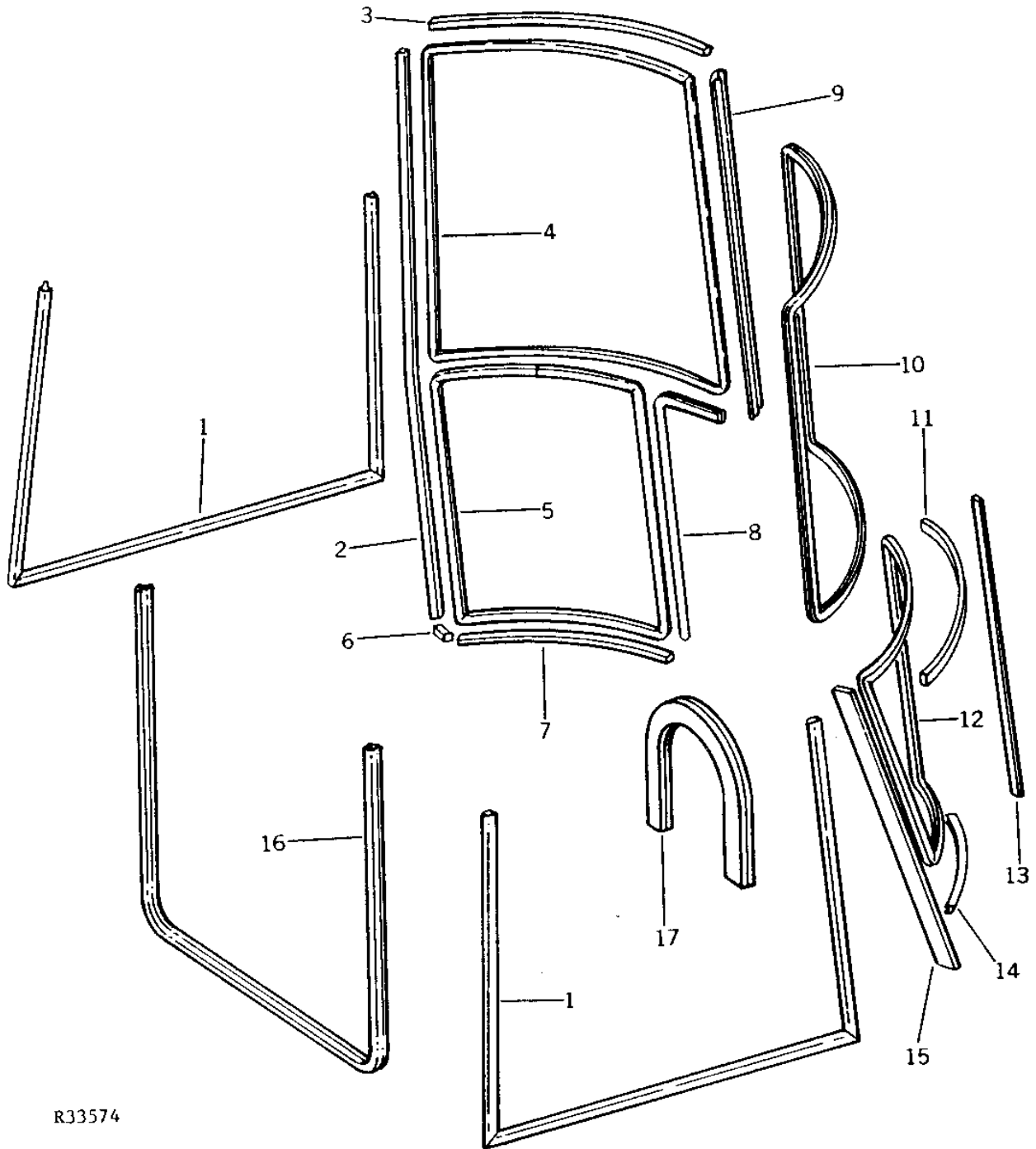
# 5D9

OPERATOR'S STATION

R33574

-UN-01JAN94

SOUND-GARD BODY GLASS SEALS AND MOLDING



R33574

# 5D10

OPERATOR'S STATION

## SOUND-GARD BODY GLASS SEALS AND MOLDING - CONTINUED

KEY	PART NO.	PART NAME	QTY	SG BODY SERIAL NO.	REMARKS
1	AR86111	WEATHERSTRIP	2		
2	R65561	SEAL	1		(SUB FOR R58343, AR92916 OR AR92917) (SUB RE23205 AND RE23204)
3	R63181	SEAL	1		(SUB RE23205 AND RE23204)
4	R52114	WEATHERSTRIP	1	-XXXXXX	2965 MM (116-3/4") (SUB L40414)
	L40414	WEATHERSTRIP	1	XXXXXX-	
5	R58348	ISOLATOR	1		2294 MM (90-5/16")
6	.....	SEAL	1	-XXXXXX	32 MM (1-1/4") (MAKE FROM R52459)
7	.....	SEAL	1		610 MM (24") (MAKE FROM R65558)
8	R65558	SEAL	1		(SUB FOR R58341, THIS APPLICATION) (SUB RE23205 AND RE23204)
9	R65560	SEAL	1		(SUB FOR R58344) (SUB RE23205 AND RE23204)
10	R52112	WEATHERSTRIP	1	-XXXXXX	3308 MM (130-1/4")
	L40412	WEATHERSTRIP	1	XXXXXX-	
11	R78281	SEAL	1		610 MM (24") (SUB FOR R61342)
12	R62801	ISOLATOR	1		2380 MM (93-3/4") (NLA)
13	R58333	ISOLATOR	1		692 MM (27-1/4")
14	.....	SEAL	1		652 MM (25-11/16") (MAKE FROM R65558)
15	R58334	ISOLATOR	1		705 MM (27-3/4")
16	AR86110	MOLDING	1		3000 MM (118") (SUB FOR R52936) (SUB RE29728)
17	RE11575	SEAL	1		(SUB FOR R58340)
..	AR85792	ADHESIVE	1		.15 L (5 OZ)

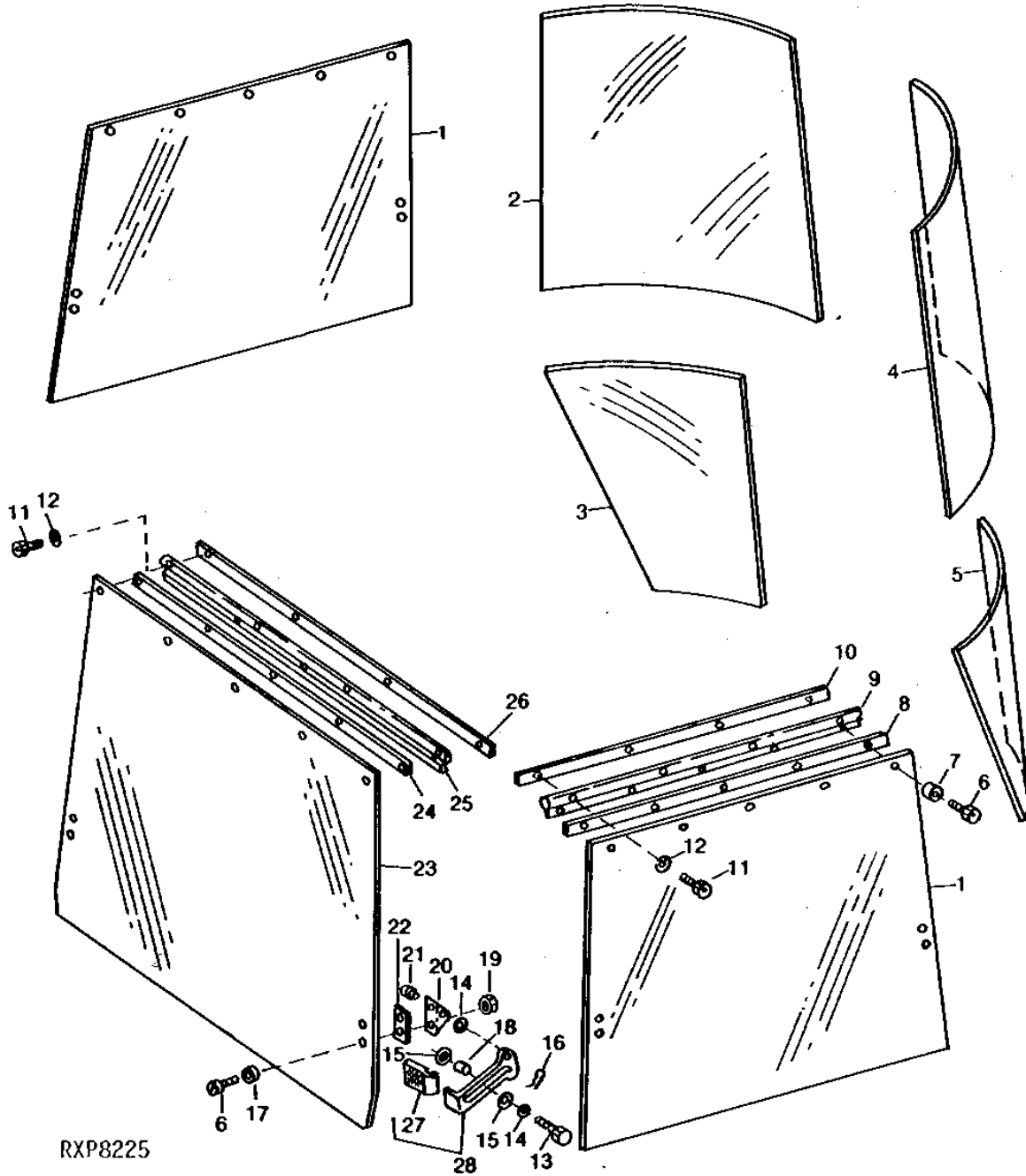
# 5D11

OPERATOR'S STATION

RXP8225

-UN-01JAN94

SOUND-GARD BODY GLASS AND LATCHES



RXP8225

# 5D12

OPERATOR'S STATION

## SOUND-GARD BODY GLASS AND LATCHES - CONTINUED

KEY	PART NO.	PART NAME	QTY	SG BODY SERIAL NO.	REMARKS
1	R50757	WINDOWPANE	2		
2	R50755	WINDOWPANE	1		
3	R58351	WINDOWPANE	1		
4	R50753	WINDOWPANE	1		
5	R58350	WINDOWPANE	1		
6	R50641	SCREW	27		
7	R78425	BUSHING	15		
8	R50643	STRAP	2		
9	R52487	MOLDING	2		
10	R50638	STRAP	2		
11	R50639	SCREW	12		
12	12H297	LOCK WASHER	12	1/4"	
13	R131736	CAP SCREW	6		
14	R52862	SPRING WASHER	12		
15	R52921	WASHER	12		
16	R50647	SPRING LOCKING PIN	6		
17	R50642	WASHER	12		
18	R52922	WASHER	6		
19	R52952	NUT	12		
	12H297	LOCK WASHER	12	1/4"	
20	R50734	ANGLE	6		
21	R50645	PIN	6		
22	R50648	STRAP	6		
23	R50758	WINDOWPANE	1		(SUB FOR AR79738 OR AR86109) (ALSO ORDER RE29728)
24	R50644	STRAP	1		
25	R50735	MOLDING	1		
26	R50640	STRAP	1		
27	L55211	GRIP	6		
28	RE27441	LATCH	1		(SUB FOR R50649)
	RE27449	LATCH	2		L.H. (REAR) (SUB FOR R60004)
	RE27442	LATCH	1		(ILLUSTRATED) (SUB FOR R50650)
	RE27448	LATCH	2		L.H. (FRONT) (SUB FOR R60003)
..	AR85792	ADHESIVE	1		.15 L (5 OZ) (SUB FOR AR79739)

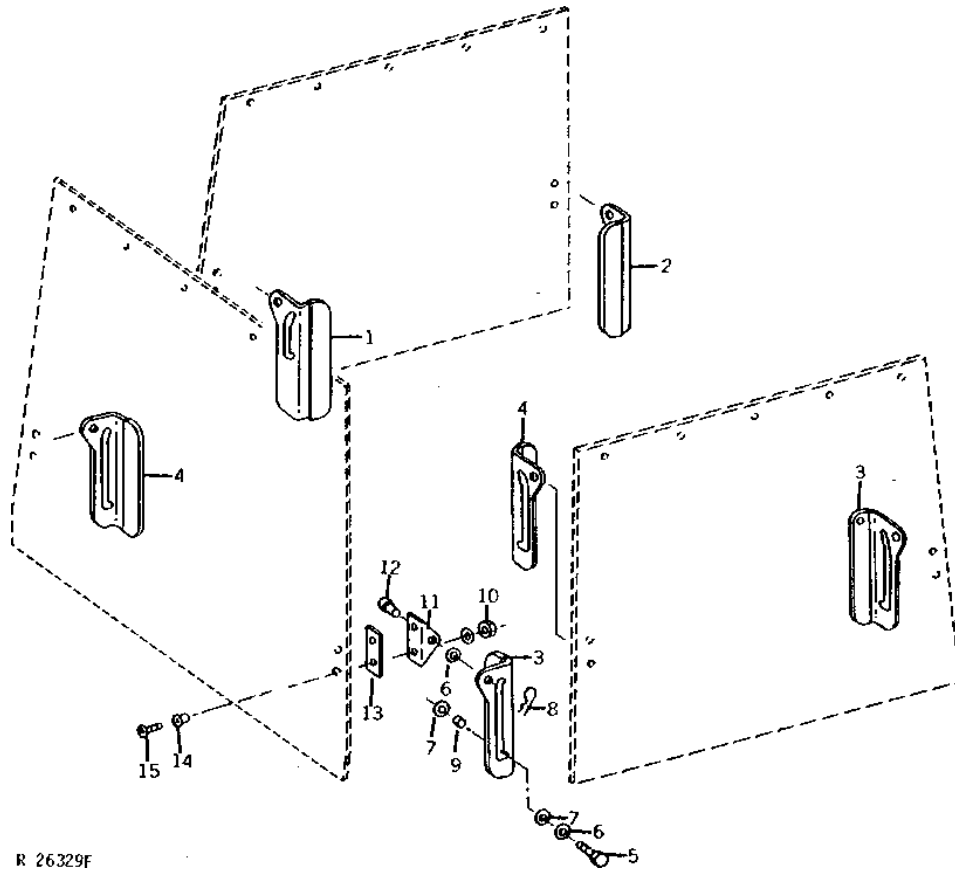
# 5D13

OPERATOR'S STATION

R26329

-UN-01JAN94

SOUND-GARD BODY WINDOW LATCHES  
(NOT USED IN U.S. AND CANADA)



R 26329F

# 5D14

OPERATOR'S STATION

**SOUND-GARD BODY WINDOW LATCHES - CONTINUED**  
**(NOT USED IN U.S. AND CANADA)**

KEY	PART NO.	PART NAME	QTY	SG BODY SERIAL NO.	REMARKS
1	R63867	LATCH	1		(R.H. SIDE, REAR)
2	R63868	LATCH	1		(L.H. SIDE, FRONT)
3	R57216	LATCH	2		
4	R57217	LATCH	2		
5	R131736	CAP SCREW	6		
6	R52862	SPRING WASHER	12		
7	R52921	WASHER	12		
8	R50647	SPRING LOCKING PIN	6		
9	R52922	WASHER	6		
10	R52952	NUT	12		
	12H297	LOCK WASHER	12		1/4"
11	R50734	ANGLE	6		
12	R50645	PIN	6		
13	R50648	STRAP	6		
14	R50642	WASHER	27		
15	R50641	SCREW	27		

---

MEMORANDA

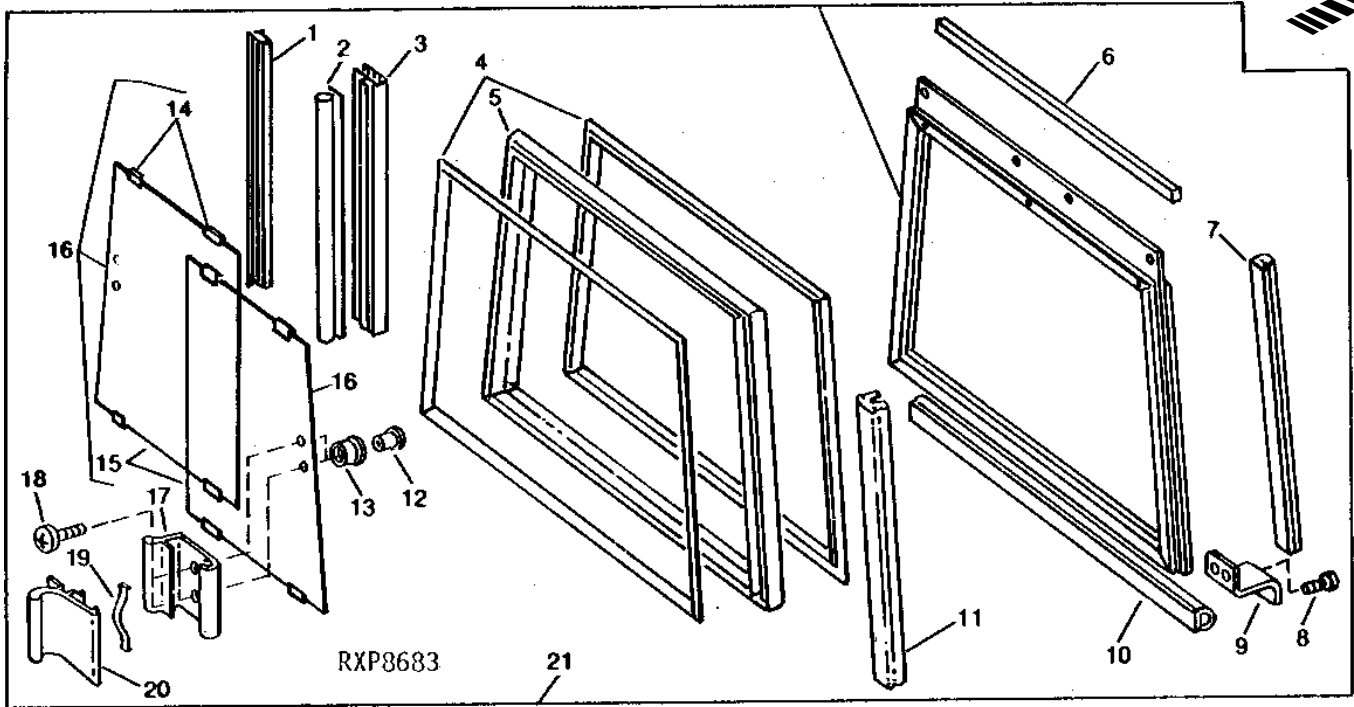


# 5D15

OPERATOR'S STATION

RXP8683 -UN-01JAN94

## REAR SLIDING WINDOW KIT



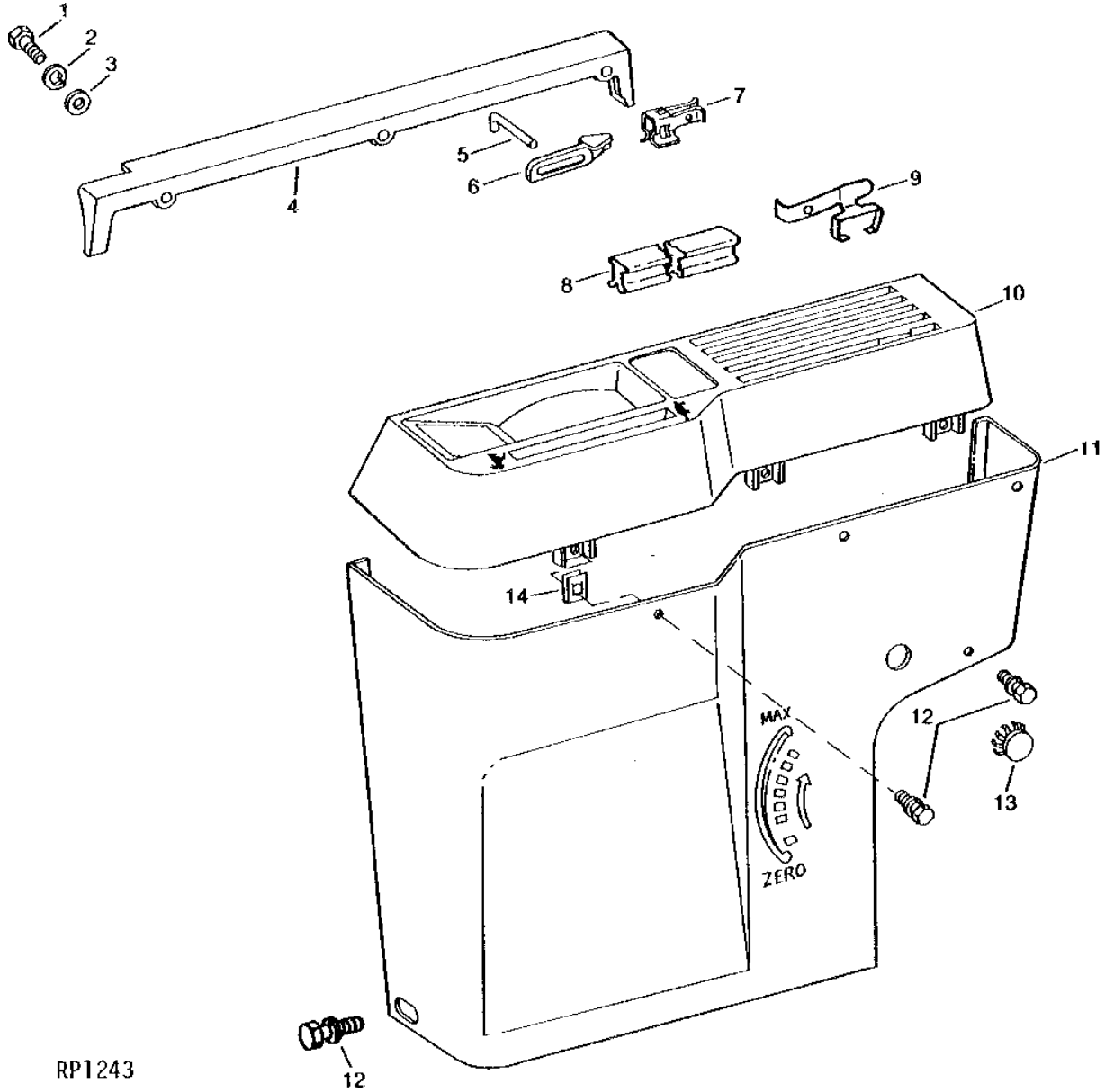
KEY	PART NO.	PART NAME	QTY	SG BODY SERIAL NO.	REMARKS
1	R67566	CHANNEL	1		
2	R67565	SEAL	1		
3	R67570	STRIP	1		
4	R67563	SEAL	1		
5	R67562	SEAL	2		
6	R67568	ISOLATOR	3		
7	R67564	SEAL	2		
8	21H1301	SCREW	6	0.190" X 1/2"	
9	R67571	CLIP	3		
10	R67569	SEAL	1		
11	R81186	SEAL	1		
12	R72316	BUSHING	4		
13	R72315	WASHER	4		
14	R99573	GUIDE	2		
15	R99574	SHOE	2		
16	AR87997	WINDOWPANE	2		
17	R72312	BASE	2		
18	21H1315	SCREW	4	0.164" X 3/4"	
19	R72314	CLIP	2		
20	R72313	LATCH	2		
21	RE22863	WINDOWPANE	1	(SUB FOR AR85878) (FI)	

# 5D16

OPERATOR'S STATION

RP1243 -UN-01JAN94

CONTROL CONSOLE



RP1243

# 5D17

OPERATOR'S STATION

## CONTROL CONSOLE - CONTINUED

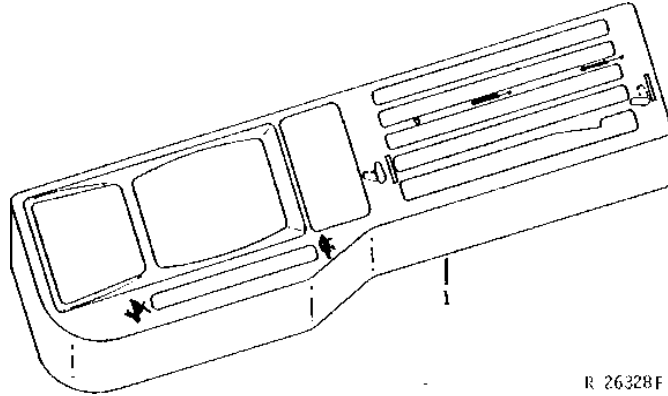
KEY	PART NO.	PART NAME	QTY	TRACTOR OR SG BODY NO.	REMARKS
1	R53743	SELF-LOCKING SCREW	3	-XXXXXX	5/16" X 2-1/2"
	R82121	SCREW	3	XXXXXX-	5/16" X 3"
2	12H303	LOCK WASHER	3	-XXXXXX	5/16"
3	R53667	LOCK WASHER	3	-XXXXXX	
4	R89652	SUPPORT	1		(SUB FOR R50936)
5	R51677	NEEDLE ROLLER	1		
6	R56479	STOP	1		
7	AR59805	LOCK	1		(SUB R52667)
8	AR62598	STRAP	1		(SELECTIVE CONTROL LEVER FOR NO DETENT) (SUB R54533)
9	AR93210	SPRING	1		(SUB R70959) (USE WITH MODEL 85 FIELD CULTIVATOR ONLY)
10	R51868	GUIDE	1	-005138	(SUB R82126 AND (3) R82121)
	R65897	GUIDE	1	005139-XXXXXX	(SUB R82126 AND (3) R82121)
	R82126	GUIDE	1	XXXXXX-	
11	AR69532	COVER	1	-091023	(SUB AR77281)
	AR77281	COVER	1	091024-	
	R62702	FOAM PAD	1	091024-	
12	AR58652	BOLT	6		
13	R34444	PLUG	1	-006511	(SUB R66561)
	R66561	PLUG	1		
14	R50198	NUT	3		
..	AR49923	ADHESIVE	1		552 G (19.5 OZ)

# 5D18

OPERATOR'S STATION

R26328 -UN-01JAN94

CONTROL LEVER GUIDE  
(NOT USED IN U.S. AND CANADA)



R 26328F

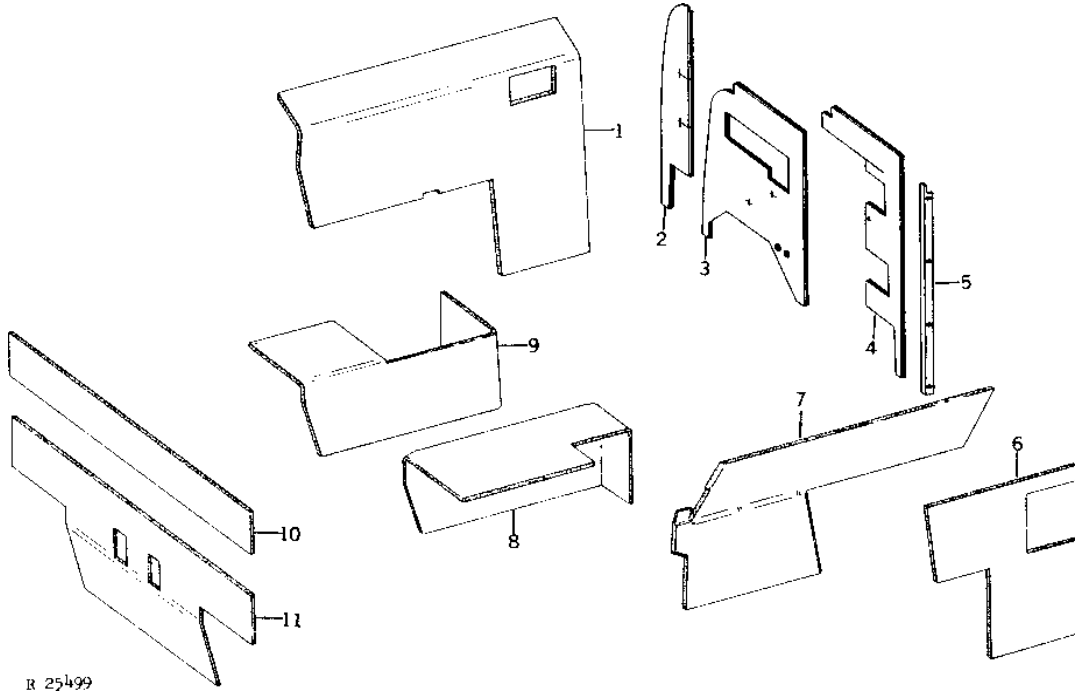
KEY	PART NO.	PART NAME	QTY	TRACTOR SERIAL NO.	REMARKS
1	R63865	GUIDE	1	(SUB R82122 AND (3) R82121)	

# 5D19

OPERATOR'S STATION

R25499 -UN-01JAN94

## SOUND-GARD BODY UPHOLSTERY



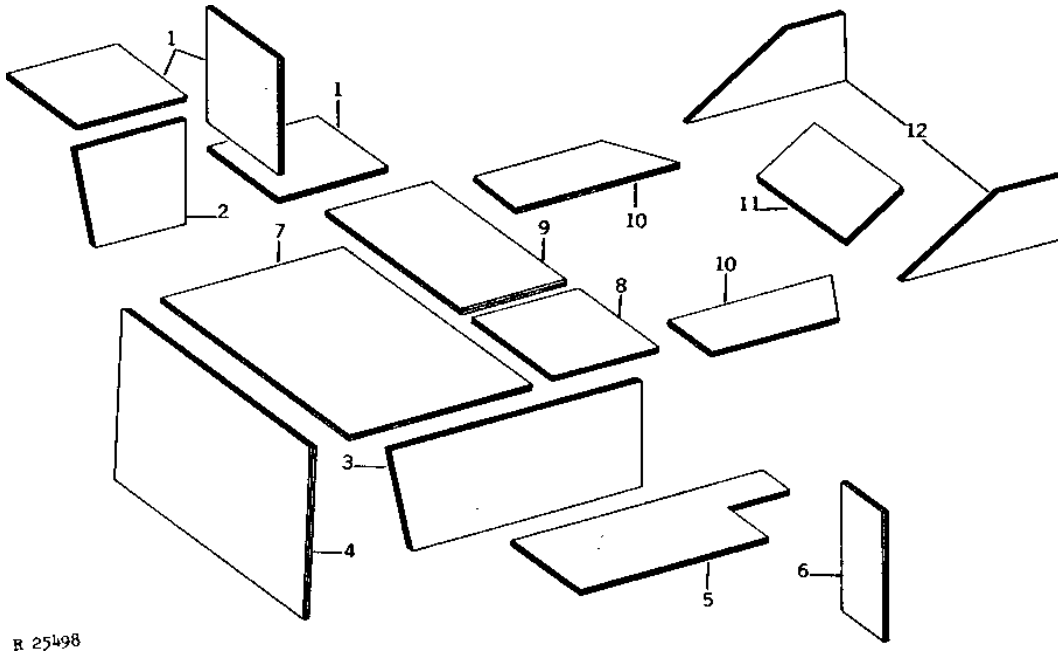
KEY	PART NO.	PART NAME	QTY	SG BODY SERIAL NO.	REMARKS
1	R58393	FOAM PAD	1		
2	R62705	FOAM PAD	1		
3	R62703	FOAM PAD	1		(SUB R70149)
4	R62704	FOAM PAD	1		
5	R62706	RETAINER	1		
6	R58766	FOAM PAD	1		
7	R58390	FOAM PAD	1		
8	R58394	FOAM PAD	1		
	R59109	CAP	1		
	37H196	SCREW	2		
9	R58397	FOAM PAD	1		
10	R58391	FOAM PAD	1		
11	R58392	FOAM PAD	1		
..	AR49923	ADHESIVE	1		552 G (19.5 OZ)

# 5D20

OPERATOR'S STATION

R25498 -UN-01JAN94

## SOUND-GARD BODY INSULATION



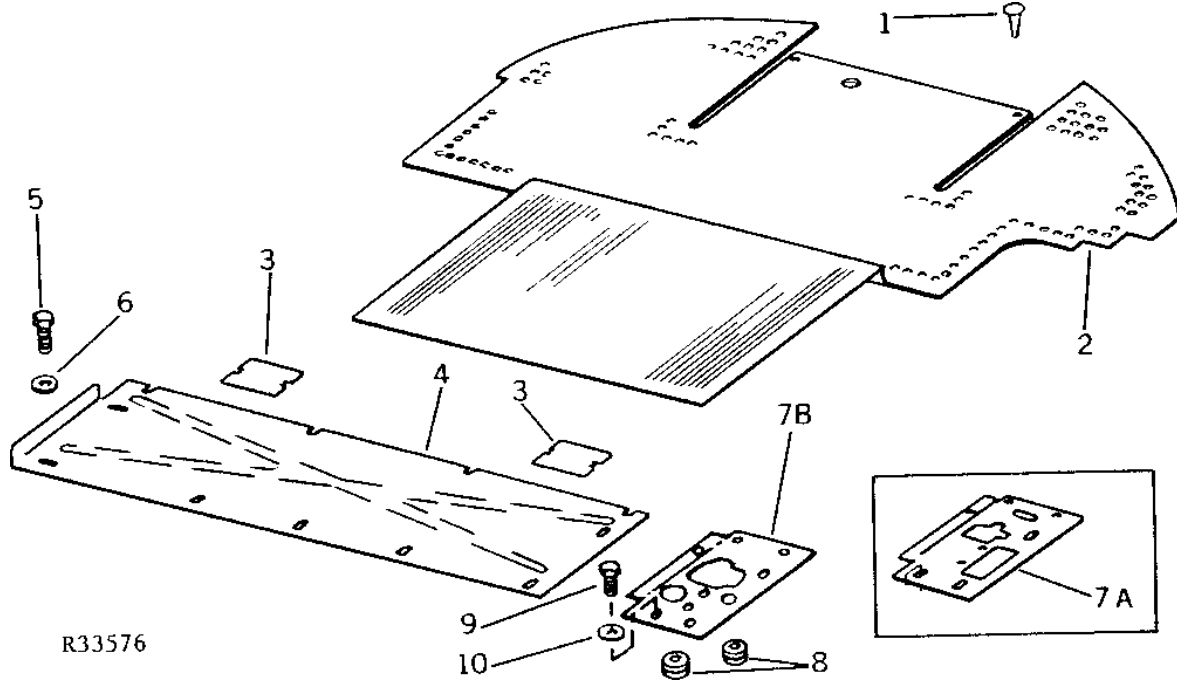
KEY	PART NO.	PART NAME	QTY	SG BODY SERIAL NO.	REMARKS
1	R60677	FOAM PAD	3		STORAGE BOX
2	R60676	FOAM PAD	1		UNDERBODY
3	R60675	FOAM PAD	1		UNDERBODY
4	R60674	FOAM PAD	1		UNDERBODY, REAR
5	R60673	FOAM PAD	1		UNDERBODY (NLA)
6	R60678	FOAM PAD	1		UNDERBODY
7	R60679	FOAM PAD	1		UNDERBODY, FLOOR, FRONT (NLA)
8	R60682	FOAM PAD	1		UNDERBODY, FRONT
9	R60681	FOAM PAD	1		UNDERBODY, FRONT
10	R60680	FOAM PAD	2		PLATFORM FRONT
11	R60684	FOAM PAD	1		PLATFORM, REAR
12	R60683	FOAM PAD	2		PLATFORM, SIDE

# 5D21

OPERATOR'S STATION

R33576 -UN-01JAN94

## SOUND-GARD BODY PLATFORM AND MAT



R33576

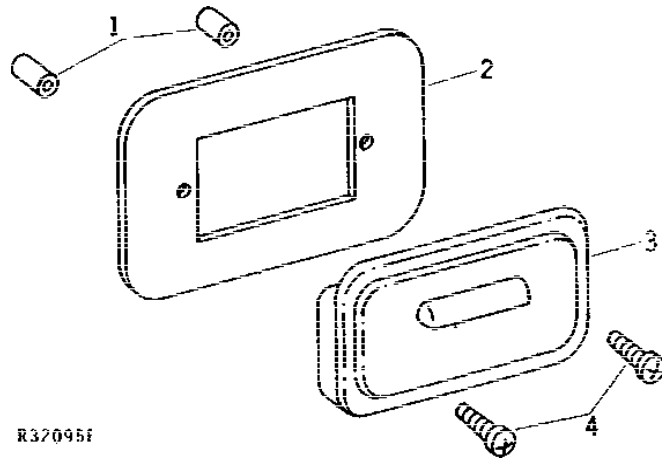
KEY	PART NO.	PART NAME	QTY	TRACTOR SERIAL NO.	REMARKS
1	R51548	STUD	2		
2	R58368	MAT	1		
	R63642	MAT	1		(DIFFERENTIAL LOCK)
3	R58367	COVER	2	-XXXXXX	
4	R58214	PANEL	1		PLATFORM, L.H.
	R60681	FOAM PAD	1		PLATFORM, R.H.
	R60682	FOAM PAD	1		
5	19H1900	CAP SCREW	11		5/16" X 3/4"
6	24H1822	WASHER	11		11/32" X 7/8" X 1/16"
7A	AR69091	PLATE	1	-002754	(NLA)
	AR76748	PLATE	1	002755-005138	
7B	AR85299	PLATE	1	005139-	
8	R62356	GROMMET	2	002755-	
9	19H1833	CAP SCREW	5		5/8" X 1-1/4"
10	24H1822	WASHER	5		11/32" X 7/8" X 1/16"

# 5D22

OPERATOR'S STATION

R32095 -UN-01JAN94

ASHTRAY



KEY	PART NO.	PART NAME	QTY	SG BODY SERIAL NO.	REMARKS
1	R53478	SLEEVE	2		
2	R58015	MOLDING	1		
3	AH80057	ASHTRAY	1		
4	R53508	SCREW	2		

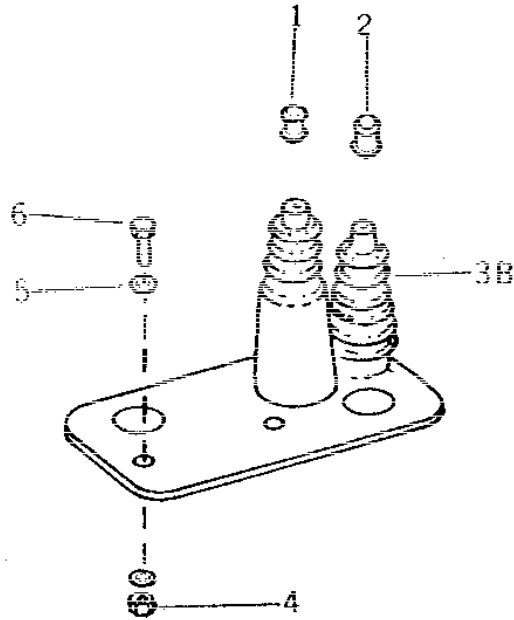
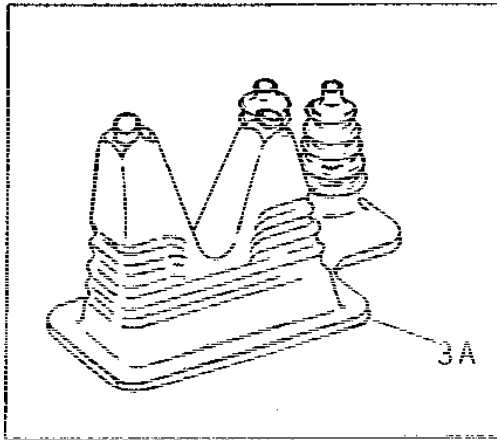


# 5D23

OPERATOR'S STATION

R33577 -UN-01JAN94

## SHIFTER ROD BOOT



R33577

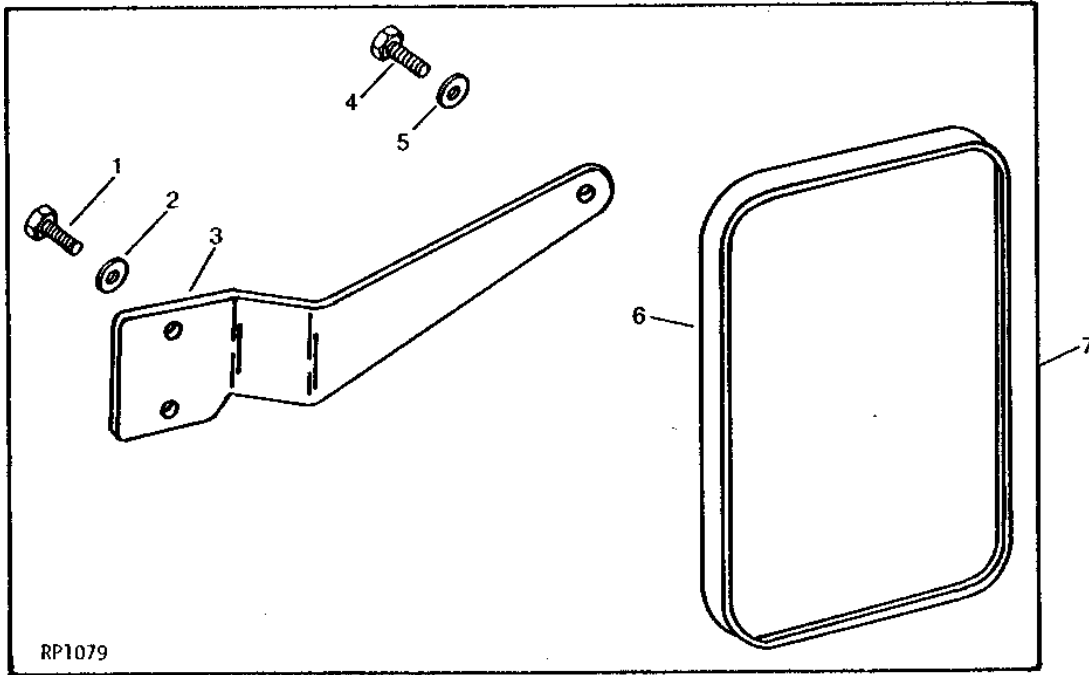
KEY	PART NO.	PART NAME	QTY	TRACTOR SERIAL NO.	REMARKS
1	R45537	GROMMET	2		
2	R57936	BUSHING	1		
3A	AR70225	BOOT	1	-002754	
3B	AR76743	BOOT	1	002755-	
4	14H785	NUT	2		5/16"
	12H303	LOCK WASHER	2		5/16"
5	24H1136	WASHER	2		11/32" X 11/16" X 0.065"
6	19H1900	CAP SCREW	2		5/16" X 3/4"

# 5D24

OPERATOR'S STATION

RP1079 -UN-01JAN94

## REAR VIEW MIRROR



RP1079

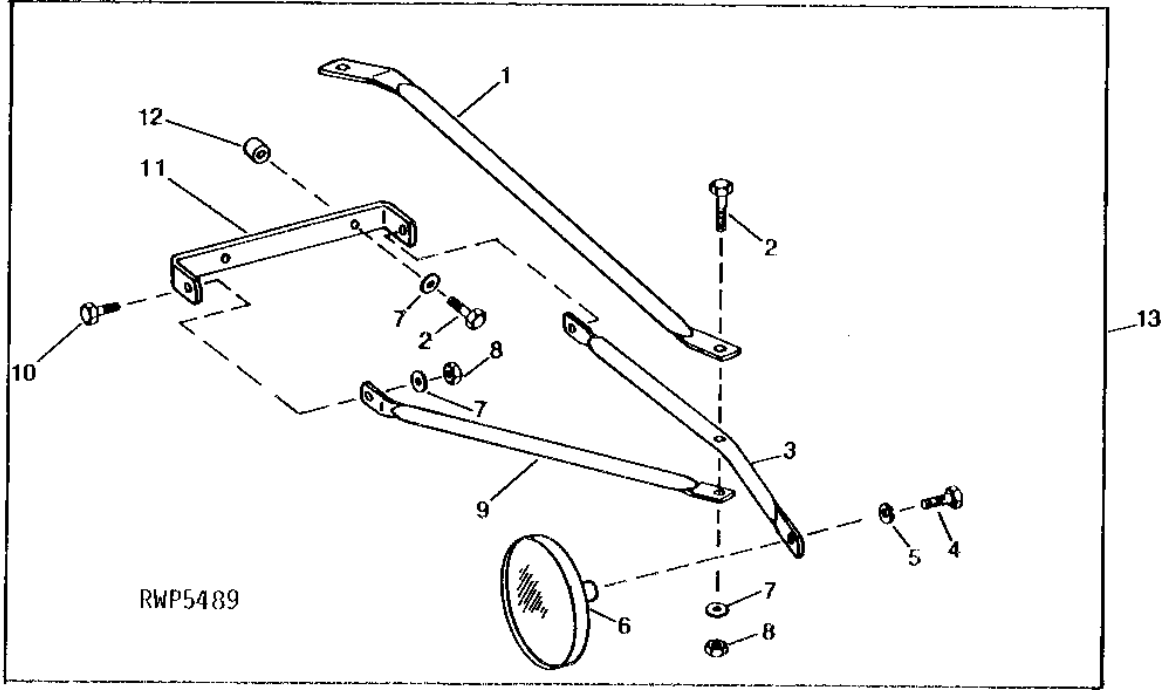
KEY	PART NO.	PART NAME	QTY	TRACTOR SERIAL NO.	REMARKS
1	37H57	SCREW	2	5/16" X 3/4"	
2	R53667	LOCK WASHER	2		
3	R53477	BRACKET	1		
4	19H1919	CAP SCREW	1	1/4" X 5/8"	
5	12H302	LOCK WASHER	1	1/4"	
6	AR89137	REAR VIEW MIRROR	1		
7	<b>AR65048</b>	<b>KIT</b>	1	<b>R.H. (FI)</b>	

# 5D25

OPERATOR'S STATION

RWP5489 -UN-01JAN94

## OUTSIDE REAR VIEW MIRROR



KEY	PART NO.	PART NAME	QTY	TRACTOR SERIAL NO.	REMARKS
1	R81874	ARM	1		
2	19H1898	CAP SCREW	3	1/4" X 1-1/2"	
3	R81873	ARM	1		
4	19H1919	CAP SCREW	1	1/4" X 5/8"	
5	12H302	LOCK WASHER	1	1/4"	
6	AH99408	REAR VIEW MIRROR	1		
7	24H1287	WASHER	5	9/32" X 5/8" X 0.065"	
8	14H786	NUT	3	1/4"	
9	R81875	ARM	1		
10	19H1948	CAP SCREW	2	1/4" X 3/4"	
11	R81872	BRACKET	1		
12	28H1509	WASHER	2	0.269" X 0.405" X 3/8"	
13	RE20352	KIT	1		

---

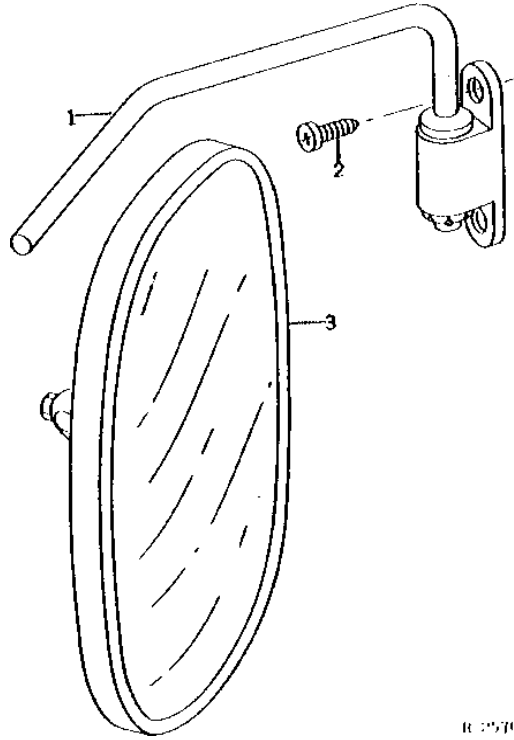
MEMORANDA

# 5E1

OPERATOR'S STATION

R25702 -UN-01JAN94

## LEFT-HAND MIRROR (NOT USED IN U.S. AND CANADA)



R 25702

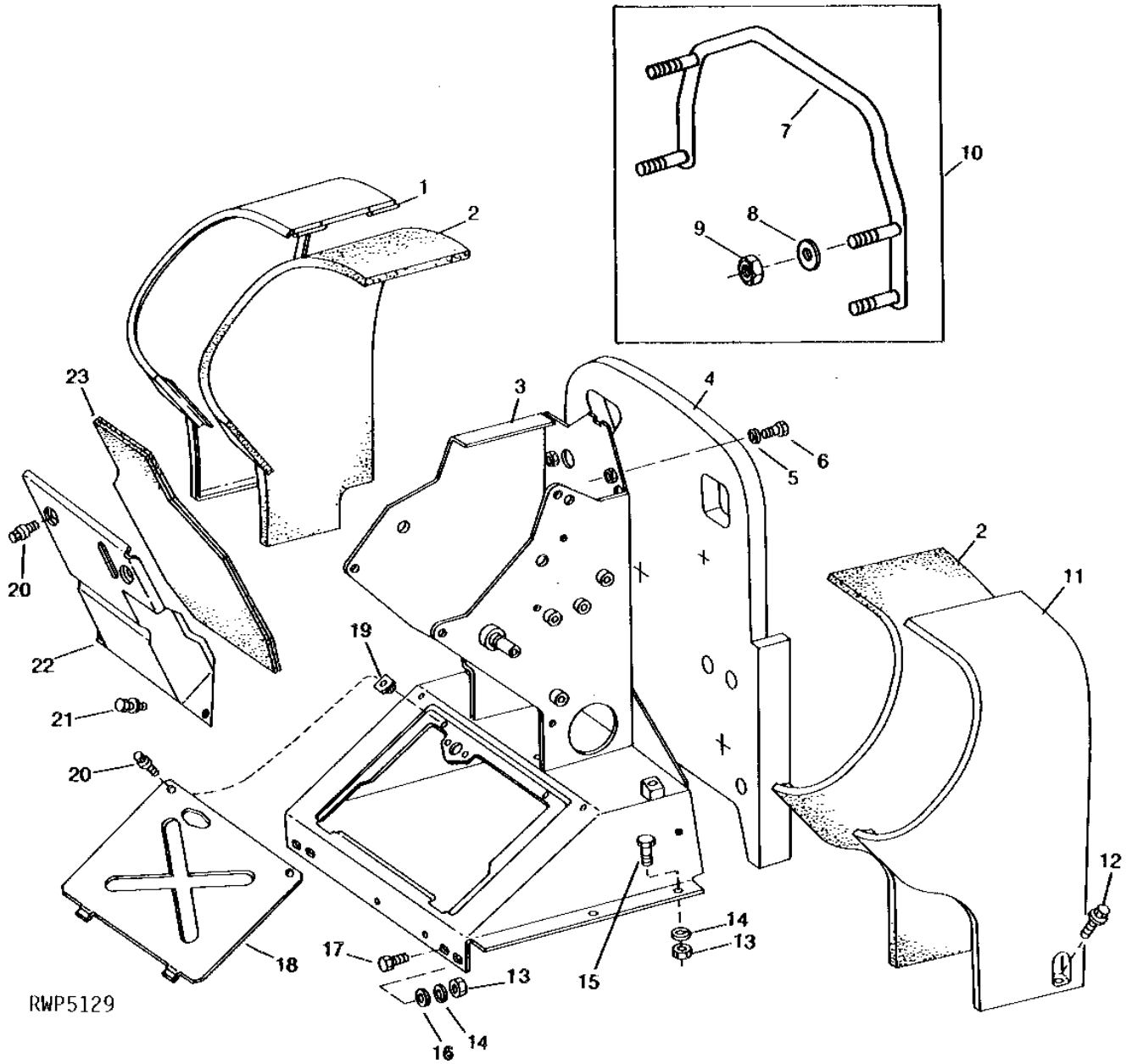
KEY	PART NO.	PART NAME	QTY	TRACTOR SERIAL NO.	REMARKS
1	AL25050	RETAINER	1		
2	R52937	CAP SCREW	2		
3	AL30781	REAR VIEW MIRROR	1		(SUB FOR AL25043) (SUB AL41262)

# 5E2

OPERATOR'S STATION

RWP5129 -UN-01JAN94

CONTROL SUPPORT, COVER AND COWL



RWP5129

# 5E3

OPERATOR'S STATION

## CONTROL SUPPORT, COVER AND COWL - CONTINUED

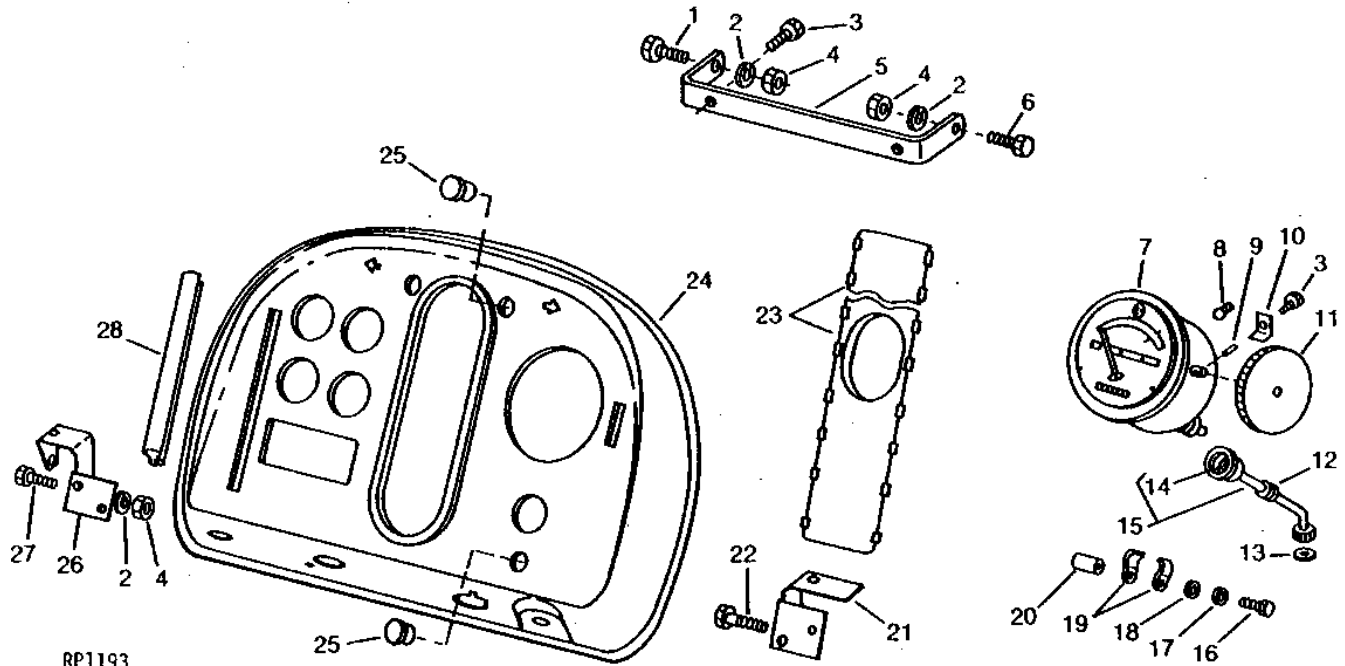
KEY	PART NO.	PART NAME	QTY	SG BODY SERIAL NO.	REMARKS
1	R65775	COWL	1		(ALSO ORDER R65774) (SUB FOR R52520)
2	R62700	FOAM PAD	1		L.H.
	R62699	FOAM PAD	1		R.H.
3	AR78390	SUPPORT	1		(ALSO ORDER AR78548 AND R60831) (SUB FOR AR69806 OR AR76505) (SUB AR87159)
	R60683	FOAM PAD	2		CONTROL SUPPORT LOWER SIDE
4	AR90938	INSULATOR	1		(SUB FOR AR70127)
5	12H304	LOCK WASHER	4		3/8"
6	19H1936	CAP SCREW	4		3/8" X 3/4"
7	RE15153	RETAINER	1	XXXXXX-	
8	24H1288	WASHER	4	XXXXXX-	9/32" X 1" X 1/16"
9	M40333	LOCK NUT	4	XXXXXX-	
10	RE15156	KIT	1	XXXXXX-	
11	R65774	COWL	1		(ALSO ORDER R65775) (SUB FOR R52519)
12	AR81812	SCREW	1		
13	14H1076	NUT	6		3/8"
14	12H304	LOCK WASHER	6		3/8"
15	19H1936	CAP SCREW	4		3/8" X 3/4"
16	24H1305	WASHER	2		13/32" X 13/16" X 0.065"
17	19H2284	CAP SCREW	2		3/8" X 7/8"
18	R51438	COVER	1		
	AR78570	COVER	1		(DIFFERENTIAL LOCK)
	R60684	FOAM PAD	1		CONTROL SUPPORT COVER
19	AR54482	NUT	2		
20	AR58652	BOLT	6		
21	AR81812	SCREW	1		
22	R62590	COVER	1		(SUB FOR R51780)
23	R53474	ISOLATOR	1	-XXXXXX	(SUB FOR R62701)
..	AR49923	ADHESIVE	1		552 G (19.5 OZ)

# 5E4

OPERATOR'S STATION

RP1193 -UN-01JAN94

## INSTRUMENT PANEL



RP1193

KEY	PART NO.	PART NAME	QTY	TRACTOR SERIAL NO.	REMARKS
1	19H1732	CAP SCREW	1	3/8" X 1-1/4"	
2	12H304	LOCK WASHER	3	3/8"	
3	R53028	CAP SCREW	8		
4	14H1076	NUT	3	3/8"	
5	R57263	BRACKET	1	(SUB R78386)	
6	19H1731	CAP SCREW	1	3/8" X 1"	
7	AR70111	TACHOMETER	1		
8	AR56675	BULB	2		HI-BEAM INDICATOR AND TACHOMETER
9	34H231	SPRING PIN	1	3/32" X 3/4"	
10	R52088	ANGLE	4		
11	R50652	COVER	1		
12	R55990	GROMMET	1	(SUB R41440)	
13	B3285R	WASHER	1		
14	AR62310	CABLE	1	INNER	
15	AR21085	DRIVE SHAFT	1		
16	19H2569	CAP SCREW	1	5/16" X 1-5/8"	
17	12H303	LOCK WASHER	1	5/16"	
18	24H1136	WASHER	1	11/32" X 11/16" X 0.065"	
19	T24168	CLAMP	2		
20	28H1697	SPACER	1		
21	AR102538	BRACKET	1	(SUB FOR AR58653) (SUB R50198 AND R75887)	
22	19H246	CAP SCREW	1	3/8" X 1-3/4"	
23	R52953	SHIELD	1		
24	R55993	INSTRUMENT PANEL	1	-001895	(SUB R61339, (2) AR74339, (2) R61341 AND (3) R53028) (IF EQUIPPED WITH TURN SIGNALS)
	R61339	INSTRUMENT PANEL	1	001896-	
	R56264	PLUG	1		
	AR58654	BRACKET	1		(SUB R50198 AND R53079)
	19H218	CAP SCREW	1		3/8" X 1"
	R53742	BARRIER	1		(NO PTO)

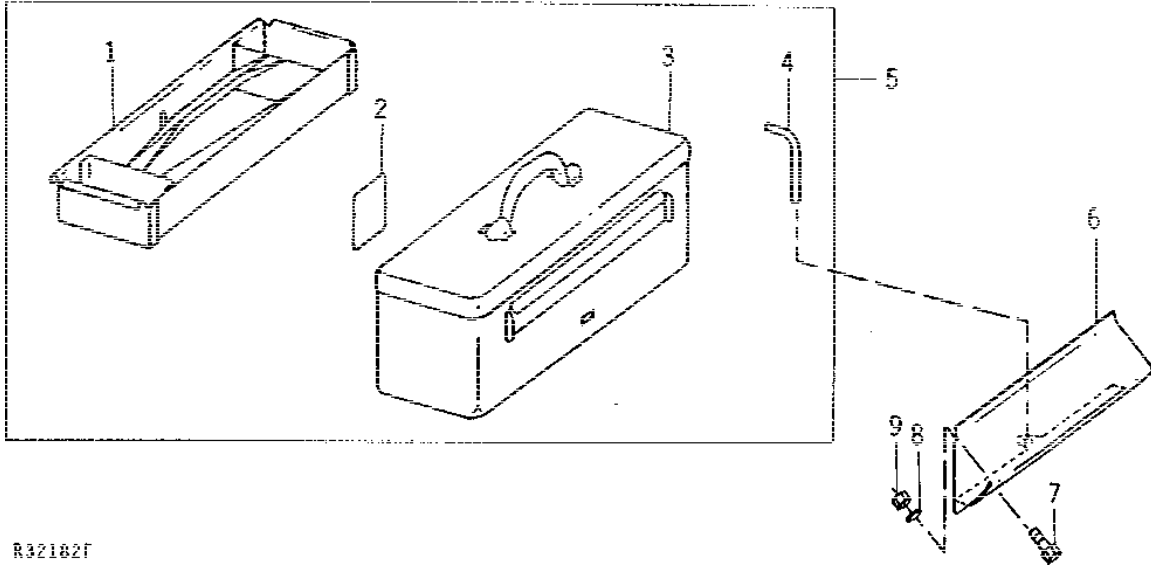


# 5E5

OPERATOR'S STATION

R32182 -UN-01JAN94

## TOOLBOX AND BRACKET



R32182F

KEY	PART NO.	PART NAME	QTY	TRACTOR SERIAL NO.	REMARKS
1	AT22073	HOLDER	1		
2	JD5272	LABEL	1	-XXXXXX	
3	AT22071	TOOLBOX	1		(ORDER AT22070)
4	T23027	PIN	1		
5	AT22070	TOOLBOX	1		
6	AR75608	BRACKET	1		
7	03H1500	BOLT	2	3/8" X 1"	
8	12H304	LOCK WASHER	2	3/8"	
9	14H1076	NUT	2	3/8"	

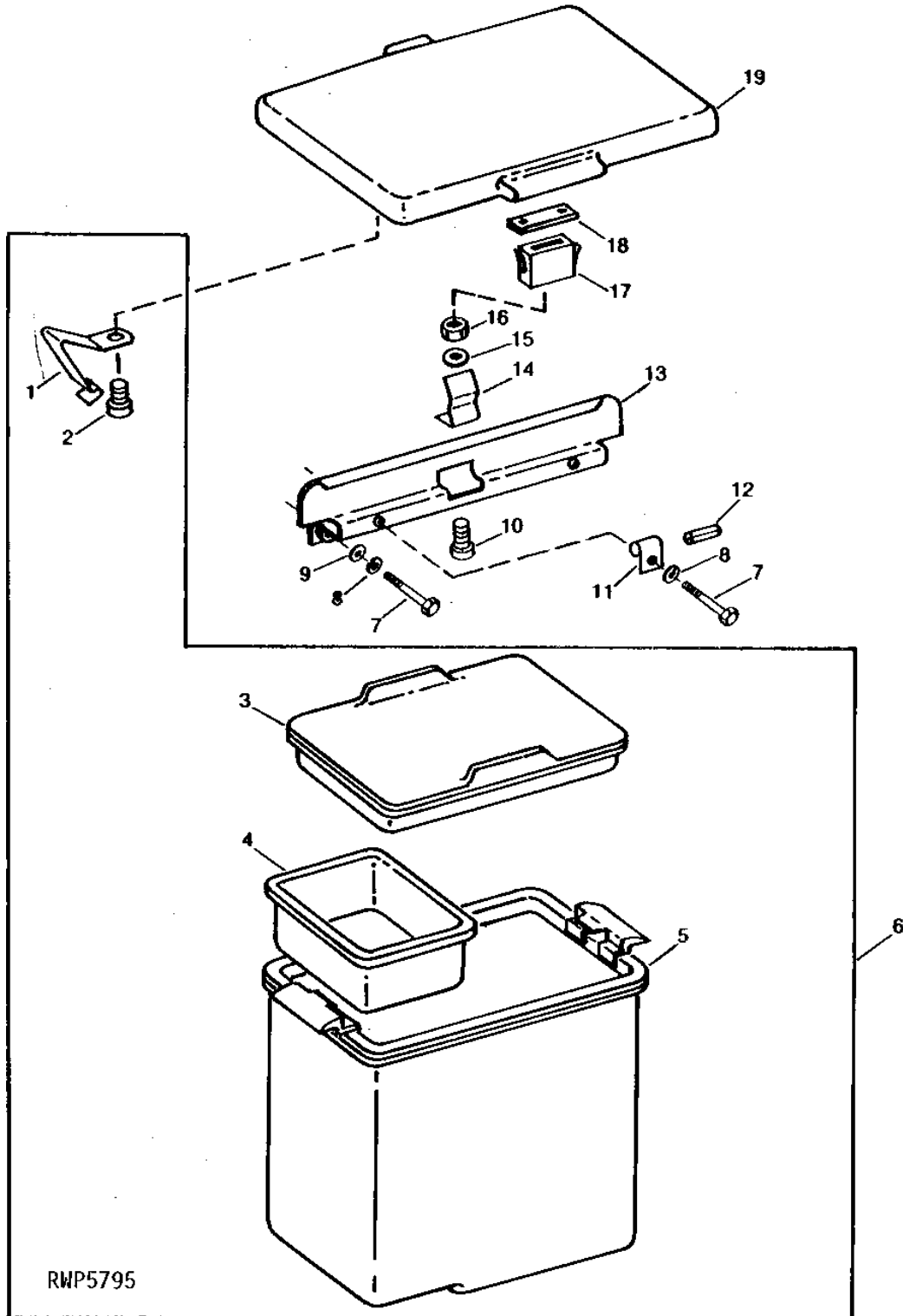
# 5E6

OPERATOR'S STATION

RWP5795

-UN-01JAN94

## COOLER, TRAY AND COVER



RWP5795

# 5E7

OPERATOR'S STATION

## COOLER, TRAY AND COVER - CONTINUED

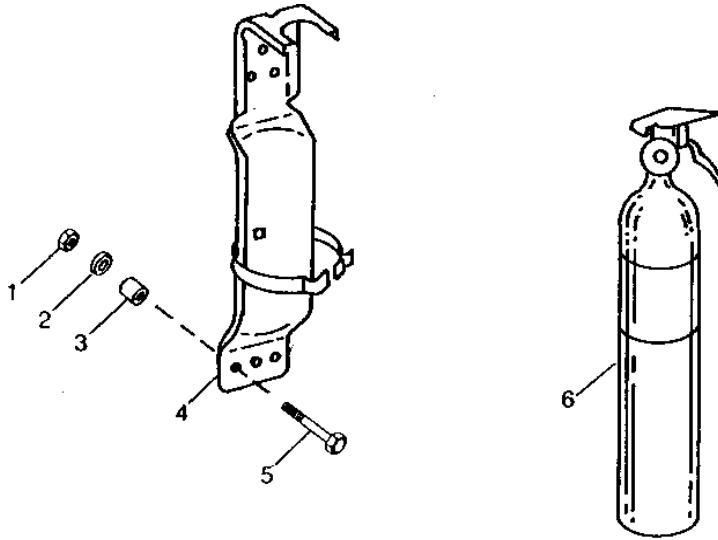
KEY	PART NO.	PART NAME	QTY	SG BODY SERIAL NO.	REMARKS
1	R59107	SPRING	2		
2	37H32	SCREW	2		0.190" X 3/8"
3	AR71127	COVER	1		
4	R59041	CONTAINER	1		
5	AR71128	BEVERAGE COOLER	1		
6	AR71474	BEVERAGE COOLER	1		
7	R54057	SCREW	5		
8	12H297	LOCK WASHER	5		1/4"
9	24H1288	WASHER	3		9/32" X 1" X 1/16"
10	21H1301	SCREW	1		0.190" X 1/2"
11	R59212	HINGE	2		
12	34H292	SPRING PIN	2		3/16" X 2-1/4"
13	AR74623	SUPPORT	1		
14	R59211	SPRING	1		
15	12H246	LOCK WASHER	1		0.190"
16	14H778	NUT	1		0.190"
17	AR71260	LATCH	1		
18	R59108	PLATE	1		
19	R59106	COVER	1		

# 5E8

OPERATOR'S STATION

RWP2787 -UN-01JAN94

## FIRE EXTINGUISHER



### RWP2787

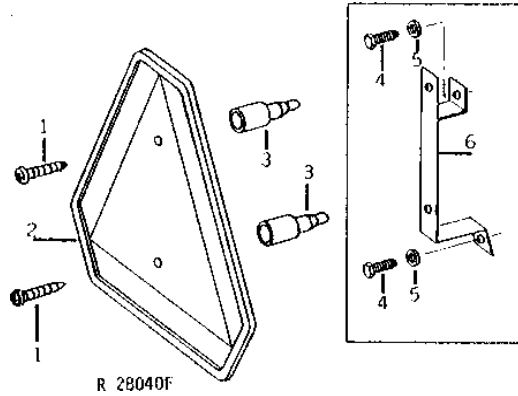
KEY	PART NO.	PART NAME	QTY	TRACTOR SERIAL NO.	REMARKS
1	14H786	NUT	2	1/4"	
2	24H1287	WASHER	2	9/32" X 5/8" X 0.065"	
3	28H1914	BUSHING	2	0.364" X 0.540" X 7/8"	
4	AT75387	BRACKET	1	(SUB FOR AT62019)	
5	21H1035	SCREW	2	1/4" X 1-1/2"	
6	AT141924	FIRE EXTINGUISHER	1	(SUB FOR AT81764)	

# 5E9

OPERATOR'S STATION

R28040 -UN-01JAN94

## SLOW MOVING VEHICLE EMBLEM



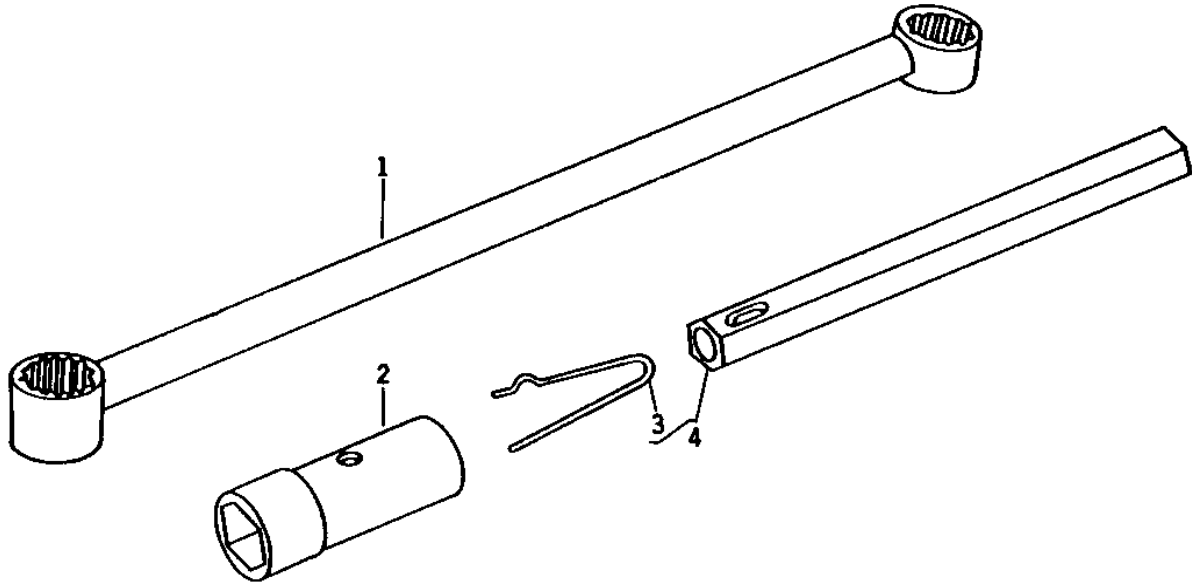
KEY	PART NO.	PART NAME	QTY	TRACTOR SERIAL NO.	REMARKS
1	R53678	SCREW	2	004695-	
2	TY2615	SMV EMBLEM	1		(SUB FOR AR61194)
	JD5400	SIGN	1		DECAL
3	R65325	NUT	2	004695-	
4	37H132	SCREW	4	-004694	0.216" X 3/4"
5	B1664R	SHIM	4	-004694	
6	AR70908	BRACKET	1	-004694	

# 5E10

OPERATOR'S STATION

R32260 -UN-12OCT94

## TOOLS



R32260F

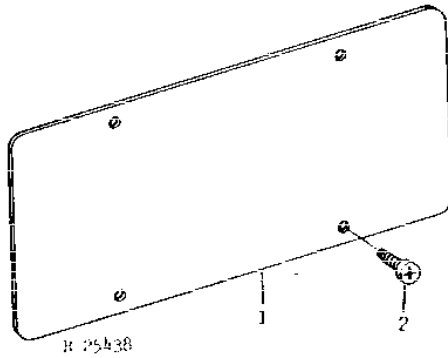
KEY	PART NO.	PART NAME	QTY	TRACTOR SERIAL NO.	REMARKS
1	R34827	WRENCH	1		
2	AR39683	WRENCH	1		
3	R39739	SPRING LOCKING PIN	1		
4	AR39682	EXTENSION	1		

# 5E11

OPERATOR'S STATION

R25438 -UN-01JAN94

TAIL LAMP COVER  
(NOT USED IN U.S. AND CANADA)



KEY	PART NO.	PART NAME	QTY	SG BODY SERIAL NO.	REMARKS
1	R61652	COVER	2		
2	R55933	SCREW	8		

# 5E12

OPERATOR'S STATION

R32259 -UN-01JAN94

## SEALANT



R32259f

KEY	PART NO.	PART NAME	QTY	SERIAL NO.	REMARKS
1	T43514	GASKET	1	NO.277 (50 ML)	
	TY6304	SEALANT	1	NO.515 (50 ML)	
	TY9370	ADHESIVE	1	NO.242(6 ML)	
	T43512	SEALANT	1	NO.242(50 ML)	
	TY9371	ADHESIVE	1	NO.271(6 ML)	
	T43513	ADHESIVE	1	NO.271(50 ML)	
	TY9374	SEALANT	1	NO.592	
	TY9375	SEALANT	1	NO.592	
	TY8311	ADHESIVE	1	NO.660	
	TY15969	ADHESIVE	1	(SUB FOR T43515) NO.635	
	TY21517	ADHESIVE	1	NO.454	
	TY15435	ADHESIVE	1	NO.445	
	TY6305	PRIMER	1	NO.764	
	TY15941	ADHESIVE	1		



# 1J20

8430 TRACTOR

## NUMERICAL INDEX

PART NO.	GRID	KEY	PAGE	PART NO.	GRID	KEY	PAGE	PART NO.	GRID	KEY	PAGE
AA15042	4G4	12	70 - 121	AL30781	5E1	3	90 - 73	AR103170	3H2	23	60 - 9
AA15043	4G4	10	70 - 121	AL32975	1E14	10	30 - 2	AR103170	3H4	14	60 - 11
AA32178	2D16	..	40 - 51	AL35750	2F25	16	40 - 103B	AR103298	1B21	1	20 - 15
AA3495R	2D8	7	40 - 45	AL35751	2F25	15	40 - 103B	AR103298	1B23	14	20 - 17
AA3495R	2D12	7	40 - 47	AL41262	5E1	3	90 - 73	AR103298	1C8	1	20 - 23B
AA3495R	2D14	7	40 - 49	AL58739	2D18	6	40 - 53	AR103298	1D4	25	20 - 39B
AA3495R	2D17	7	40 - 52	AL58739	2D18	7	40 - 53	AR103298	1D6	19	20 - 39D
AA34967	2D15	3	40 - 50	AL61306	2F25	15	40 - 103B	AR103305	4D17	29	70 - 61
AA34967	2D16	3	40 - 51	AL75533	2B11	3	40 - 6	AR103305	4E24	10	70 - 90A
AA34968	2D16	23	40 - 51	AM1074T	3F10	2A	50 - 97	AR103306	3I7	6	60 - 39
AA5692R	2G6	12	40 - 110	AM1074T	3F10	7	50 - 97	AR103306	3I9	8	60 - 41
AC15595	1E17	4	30 - 6	AN140263	4B16	13	70 - 11	AR103307	4D18	8	70 - 62
AD2062R	2D6	24	40 - 43	AN140274	4G4	1	70 - 121	AR103505	1B11	28	20 - 5B
AD2062R	2D15	2	40 - 50	AN150015	2B15	8	40 - 10	AR103635	5C20	24	90 - 41
AD2062R	2D16	2	40 - 51	AN163885	4F24	26	70 - 115	AR103639	5C14	4	90 - 35
AE23861	2B13	23	40 - 8	AN163885	4G1	16	70 - 117	AR103640	5C12	1	90 - 33
AE23861	2B14	9	40 - 9	AN212996	4E10	6	70 - 77	AR103640	5C14	15	90 - 35
AE23861	2B15	19	40 - 10	AN250096	4C21	5	70 - 41C	AR103687	4D2	4	70 - 47
AE24616	4C21	9	70 - 41C	AR100056	5B21	7	90 - 18	AR103750	2E24	10	40 - 83
AF2907R	3B11	4	50 - 3	AR100056	5B23	10	90 - 21	AR103808	4F20	7	70 - 111
AF3892R	2D6	14	40 - 43	AR100161	2D2	1	40 - 40A	AR103811	1B13	2	20 - 7
AF3892R	2D6	35	40 - 43	AR100385	1B16	4	20 - 10	AR103874	3F12	14	50 - 99
AH103908	5C18	1	90 - 39	AR100388	3G16	1	50 - 129	AR103874	3F17	4	50 - 105
AH109555	2E6	7	40 - 65	AR100434	3D18	14	50 - 58A	AR103874	3F23	10	50 - 111
AH118028	5B21	2	90 - 18	AR100437	3D20	15	50 - 58C	AR104119	2F26	14	40 - 43
AH118028	5B21	9	90 - 18	AR100437	3F2	20	50 - 89	AR104119	2D6	35	40 - 43
AH20849	1E14	6	30 - 2	AR100438	3D20	4	50 - 58C	AR104119	2D14	2	40 - 49
AH21762	5B11	26	90 - 7	AR100438	3F2	21B	50 - 89	AR104465	3B14	28	50 - 6
AH21763	5B9	21	90 - 5	AR100672	1C14	10	20 - 29	AR104516	2F2	1	40 - 85
AH76862	2B10	27	40 - 5	AR100673	1C14	10	20 - 29	AR104517	2F2	5	40 - 85
AH76862	3F2	18	50 - 89	AR100957	1C2	25	20 - 21	AR104518	2F2	3	40 - 85
AH77780	4D18	1	70 - 62	AR100958	1C6	1	20 - 23	AR104520	2E24	5	40 - 83
AH80057	5D22	3	90 - 68	AR100960	1C14	10	20 - 29	AR104573	2E22	1	40 - 80
AH80916	1E20	15	30 - 9	AR100999	1F10	19	30 - 23	AR104574	2E22	5	40 - 80
AH93625	2D15	8	40 - 50	AR101137	1D10	8	20 - 42A	AR104582	5C15	10	90 - 36
AH93625	2D16	12	40 - 51	AR101237	4C8	3	70 - 31	AR104584	5C14	5	90 - 35
AH93852	3G8	3	50 - 120A	AR101237	4C14	23	70 - 37	AR104584	5C14	9	90 - 35
AH93852	3G10	3	50 - 121	AR101237	4C16	3	70 - 39	AR104585	5C12	7	90 - 33
AH93852	3G11	1	50 - 123	AR101237	4C23	28	70 - 43	AR104585	5C12	8	90 - 33
AH93852	3G12	1	50 - 124	AR101278	1D10	24	20 - 42A	AR104585	5C12	9	90 - 33
AH93852	3G13	1	50 - 125	AR101429	3H6	53	60 - 13	AR104585	5C12	10	90 - 33
AH93852	3G14	1	50 - 126	AR101491	4H16	1	80 - 33	AR104585	5C14	14	90 - 35
AH98337	2B13	23	40 - 8	AR101492	4H16	1	80 - 33	AR104625	3F17	63	50 - 105
AH98337	2B14	9	40 - 9	AR101549	1D12	15	20 - 44	AR104625	3F23	..	50 - 111
AH98337	2B15	19	40 - 10	AR101549	1D12	16	20 - 44	AR104625	3F25	74	50 - 113
AH99408	5D25	6	90 - 71	AR101549	1D12	17	20 - 44	AR104650	1F18	21	30 - 32
AL14896	2B8	39	40 - 3	AR101549	1D12	18	20 - 44	AR104650	1F25	28	30 - 39
AL14896	2E17	6	40 - 76	AR101619	3F13	14	50 - 101	AR105510	1D10	7	20 - 42A
AL14896	3H6	34	60 - 13	AR101619	3F19	19	50 - 107	AR105718	3H13	13	60 - 21
AL17099	2G9	5	40 - 113	AR101623	3F17	63	50 - 105	AR11001	2C14	15	40 - 31
AL23512	2B11	4	40 - 6	AR101624	3F21	15	50 - 109	AR11001	2C19	14	40 - 35
AL24194	1E14	10	30 - 2	AR101624	3G1	12	50 - 114	AR11051	2C15	7	40 - 31B
AL24544	2D20	6	40 - 55	AR101624	3G2	21	50 - 115	AR11051	2C20	4	40 - 35A
AL24545	2D20	6	40 - 55	AR101632	4C20	6	70 - 41B	AR111058	2E12	20	40 - 71
AL25043	5E1	3	90 - 73	AR101634	4B16	13	70 - 11	AR111163	3F21	15	50 - 109
AL25050	5E1	1	90 - 73	AR101970	3E12	20	50 - 75	AR11124	2C14	17	40 - 31
AL25073	2G8	2	40 - 112	AR102081	3E7	5	50 - 70	AR11126	2C12	21	40 - 29
AL25644	2D18	7	40 - 53	AR102449	3B13	23	50 - 5	AR11127	2C12	2	40 - 29
AL26972	4F6	22	70 - 97	AR102454	2B8	39	40 - 3	AR11128	2C12	14	40 - 29
AL26973	4F4	3	70 - 95	AR102454	2E18	12	40 - 77	AR11132	2C12	28	40 - 29
AL26973	4F6	21	70 - 97	AR102454	2E19	12	40 - 77B	AR11140	2C14	24	40 - 31
AL27008	2D20	1	40 - 55	AR102538	5E4	21	90 - 76	AR113733	3F21	15	50 - 109
AL27013	2D18	6	40 - 53	AR102797	3B13	28	50 - 5	AR20235	2E19	10	40 - 77B
AL27014	2D20	1	40 - 55	AR102977	3B14	6	50 - 6	AR21059	2D8	2	40 - 45
AL27267	2F11	1A	40 - 95	AR102978	3B14	15	50 - 6	AR21059	2D12	2	40 - 47
AL28296	2D18	12	40 - 53	AR102978	3B14	31	50 - 6	AR21059	2D14	2	40 - 49
AL2976T	2G13	20	40 - 117	AR103059	4D4	22	70 - 48A	AR21059	2D17	2	40 - 52

# 1J21

8430 TRACTOR

## NUMERICAL INDEX - CONTINUED

PART NO.	GRID	KEY	PAGE	PART NO.	GRID	KEY	PAGE	PART NO.	GRID	KEY	PAGE
AR21085	5E4	15	90 - 76	AR26746	3I5	30	60 - 37	AR39043	3C22	2	50 - 39
AR21823	2B8	3	40 - 3	AR26746	3I5	40	60 - 37	AR39043	3E24	14	50 - 87
AR21823	2E8	13	40 - 67	AR26746	4C24	11	70 - 45	AR39052	4D21	19	70 - 65
AR21823	2E17	2	40 - 76	AR26763	4B16	14	70 - 11	AR39682	5E10	4	90 - 82
AR21823	2E18	10	40 - 77	AR26763	4E18	6	70 - 84	AR39683	5E10	2	90 - 82
AR21836	3B18	4	50 - 10	AR27699	4G2	9	70 - 118	AR40171	2C19	5	40 - 35
AR21836	3B21	2	50 - 13	AR27738	4G2	6	70 - 118	AR40174	2D2	1	40 - 40A
AR21836	3F8	2	50 - 95	AR27814	1F3	9	30 - 16	AR40218	4B25	9	70 - 21
AR21836	3F8	6	50 - 95	AR28251	3B20	2	50 - 12	AR40516	3G24	27	60 - 6
AR21836	3F10	4	50 - 97	AR28251	4B18	18	70 - 13	AR40675	4D14	7	70 - 57
AR21836	3F23	26	50 - 111	AR28271	3F3	11	50 - 90	AR40676	4D14	3	70 - 57
AR21836	3F23	29	50 - 111	AR28271	4B18	1	70 - 13	AR40680	1B14	14	20 - 8
AR21836	4D11	18	70 - 54	AR28403	2B13	9	40 - 8	AR40688	4F12	31	70 - 103
AR21836	4D12	19	70 - 55	AR28403	2G6	10	40 - 110	AR40710	2G6	12	40 - 110
AR21837	1F8	1	30 - 21	AR28403	2G11	19	40 - 115	AR40710	2G6	13	40 - 110
AR21837	1F10	2	30 - 23	AR28482	1D17	2	20 - 49	AR40753	4D14	35	70 - 57
AR21837	3B21	2	50 - 13	AR28488	3H18	2	60 - 26	AR40754	4D14	4A	70 - 57
AR21837	3C20	14	50 - 37	AR28488	3H18	8	60 - 26	AR40827	4E25	26	70 - 91
AR21837	5B23	9	90 - 21	AR28754	4G5	3	70 - 122	AR40827	4F12	12	70 - 103
AR21839	1B13	1	20 - 7	AR28755	4G5	3	70 - 122	AR40827	4F15	1	70 - 106
AR21839	1D22	3	20 - 55	AR29690	1E13	1	30 - 1	AR41006	1B9	3	20 - 5
AR21839	1E16	1	30 - 5	AR30210	4E25	7	70 - 91	AR41691	1D12	15	20 - 44
AR21839	1F2	18	30 - 15	AR30210	4F2	7A	70 - 93	AR41758	2E23	9	40 - 81
AR21839	3B18	6	50 - 10	AR30210	4F3	7	70 - 94	AR41785	1B6	..	20 - 1
AR21839	3H6	21	60 - 13	AR30685	4F9	1	70 - 100	AR41870	1B6	..	20 - 1
AR21839	4B12	8	70 - 7	AR30697	3D22	9	50 - 60	AR42287	4D17	10	70 - 61
AR21839	4B12	26	70 - 7	AR30697	3D22	12B	50 - 60	AR43046	3H18	5	60 - 26
AR21839	4C1	15	70 - 22	AR30697	4D2	20	70 - 47	AR43059	4D25	12	70 - 69
AR21839	4C2	9	70 - 23	AR30697	4D2	24	70 - 47	AR43097	3E14	12	50 - 77
AR21839	4E15	6	70 - 81	AR31674	3G25	5	60 - 7	AR43114	3G1	12	50 - 114
AR21839	4E17	15	70 - 83	AR31674	3H2	20	60 - 9	AR43114	3G2	21	50 - 115
AR21839	4E24	12	70 - 90A	AR31674	3H4	22	60 - 11	AR43134	3G6	32	50 - 119
AR21840	1D17	22	20 - 49	AR31694	2B22	..	40 - 17	AR43243	3G1	7	50 - 114
AR21840	1E16	3	30 - 5	AR31703	4D7	18	70 - 51	AR43243	3G2	9	50 - 115
AR21840	1F8	8	30 - 21	AR31945	4F25	15	70 - 116	AR43261	1D10	23	20 - 42A
AR21840	3H2	6	60 - 9	AR31946	3H21	14	60 - 28	AR43261	1D10	24	20 - 42A
AR21841	1E17	2	30 - 6	AR32243	3H18	9	60 - 26	AR43261	1D10	32	20 - 42A
AR21841	1E18	1	30 - 7	AR32665	3C18	1	50 - 35	AR43634	1D10	23	20 - 42A
AR21841	3I9	13	60 - 41	AR32665	4B18	20A	70 - 13	AR43634	1D10	24	20 - 42A
AR21969	1B6	..	20 - 1	AR32665	4B19	5	70 - 14	AR43634	1D10	32	20 - 42A
AR21999	1D17	19	20 - 49	AR33249	4C10	6	70 - 33	AR43634	1H2	2	30 - 68
AR26375	3B19	4	50 - 11	AR33877	4E25	29	70 - 91	AR43704	1F6	12	30 - 19
AR26375	3F2	13	50 - 89	AR34569	3G6	30	50 - 119	AR43704	1F6	13	30 - 19
AR26375	4C2	17	70 - 23	AR35261	4F19	1	70 - 110	AR44384	4B7	5	70 - 2
AR26403	5C4	9	90 - 27	AR35710	3H23	19	60 - 30	AR44402	1B7	1	20 - 3
AR26516	1B13	5	20 - 7	AR35710	3H23	22	60 - 30	AR44625	1C20	8	20 - 35
AR26571	2G6	1	40 - 110	AR35782	2D8	8	40 - 45	AR44698	2C12	32	40 - 29
AR26646	4C10	21	70 - 33	AR35782	2D12	8	40 - 47	AR44699	2C14	2	40 - 31
AR26670	1F10	7	30 - 23	AR35782	2D14	2	40 - 49	AR44700	2C12	12	40 - 29
AR26674	1F10	10	30 - 23	AR35782	2D14	8	40 - 49	AR45099	2B10	35	40 - 5
AR26674	3C1	5	50 - 18	AR35782	2D17	8	40 - 52	AR45099	2D6	42	40 - 43
AR26674	3H6	36	60 - 13	AR35857	4E5	5	70 - 72	AR45530	1B13	2	20 - 7
AR26701	3C17	1	50 - 34	AR35902	3I13	17	60 - 45	AR45534	4G1	26	70 - 117
AR26707	3C17	3	50 - 34	AR35981	3G6	20	50 - 119	AR45544	4F22	39	70 - 113
AR26707	3D18	2	50 - 58A	AR36105	3H23	5	60 - 30	AR45544	4F24	37	70 - 115
AR26723	4B15	14	70 - 10	AR36158	4F19	6	70 - 110	AR45975	2B8	37	40 - 3
AR26724	4B21	16	70 - 16	AR36247	3I5	8A	60 - 37	AR45975	2B12	4	40 - 7
AR26724	4E17	1	70 - 83	AR36303	4F19	1	70 - 110	AR46184	2B8	14	40 - 3
AR26725	3H17	1	60 - 25	AR36552	3B18	2	50 - 10	AR46231	2B8	36	40 - 3
AR26725	4B8	5	70 - 3	AR36552	3H23	2	60 - 30	AR46231	2B12	5	40 - 7
AR26745	3C18	8	50 - 35	AR36555	3H17	15	60 - 25	AR46246	4C6	1	70 - 29
AR26745	4B16	10	70 - 11	AR36752	1F10	20	30 - 23	AR46246	4C8	..	70 - 31
AR26745	4B18	32	70 - 13	AR37017	4D4	23	70 - 48A	AR46286	3I13	10	60 - 45
AR26745	4D4	32	70 - 48A	AR38714	4C10	31	70 - 33	AR46399	1C20	8	20 - 35
AR26746	3H6	11	60 - 13	AR38714	4C12	9	70 - 35	AR46400	1C20	8	20 - 35
AR26746	3H23	24	60 - 30	AR389R	3E9	14	50 - 72	AR46401	1C20	8	20 - 35
AR26746	3I5	17	60 - 37	AR389R	3E14	21	50 - 77	AR46402	1C20	8	20 - 35

# 1J22

8430 TRACTOR

## NUMERICAL INDEX - CONTINUED

PART NO.	GRID	KEY	PAGE	PART NO.	GRID	KEY	PAGE	PART NO.	GRID	KEY	PAGE
AR47295	3H23	9	60 - 30	AR49923	5D19	..	90 - 65	AR54526	3B13	1	50 - 5
AR47295	4D23	3	70 - 67	AR49923	5E3	..	90 - 75	AR54527	3B13	13	50 - 5
AR47331	4F3	20	70 - 94	AR49965	5B23	7	90 - 21	AR54563	1F5	13	30 - 18
AR47374	2E8	6	40 - 67	AR50041	1F12	21	30 - 25	AR54576	1E20	11	30 - 9
AR47374	2E18	11	40 - 77	AR50041	1H2	1	30 - 68	AR54577	1E20	22	30 - 9
AR47455	2B8	35	40 - 3	AR50374	4E8	19	70 - 75	AR54590	1F12	11	30 - 25
AR47455	2B12	6	40 - 7	AR50377	4E8	24	70 - 75	AR54596	3B16	21	50 - 8
AR47643	4E25	7	70 - 91	AR50399	1D14	4	20 - 46	AR54616	4D2	25	70 - 47
AR47643	4F2	7A	70 - 93	AR50411	1D14	5	20 - 46	AR54749	1B7	4	20 - 3
AR47643	4F3	7	70 - 94	AR50440	2B11	5	40 - 6	AR54751	4C24	9	70 - 45
AR47825	4F19	3	70 - 110	AR50470	3D22	19	50 - 60	AR54793	2B20	1	40 - 15
AR47825	4F22	41	70 - 113	AR50489	1E14	9	30 - 2	AR54793	2B22	..	40 - 17
AR47825	4F24	1	70 - 115	AR50489	2B8	34	40 - 3	AR54793	2B24	..	40 - 19
AR47933	4B19	2	70 - 14	AR50518	1D14	8	20 - 46	AR54793	2C2	27	40 - 21
AR48015	2E6	2	40 - 65	AR50779	2G1	2	40 - 104	AR54808	3G22	3	60 - 5
AR48015	5D5	4	90 - 50	AR50780	2G1	2	40 - 104	AR54904	1B14	13	20 - 8
AR48041	2D6	39	40 - 43	AR50796	3H24	17	60 - 31	AR54905	1B14	11	20 - 8
AR48041	2D16	22	40 - 51	AR50834	2G11	8	40 - 115	AR54934	1E21	4	30 - 10
AR48110	4D22	14	70 - 66	AR50872	3D21	5	50 - 59	AR54934	1E22	3	30 - 11
AR48110	4E8	42	70 - 75	AR50926	2G3	14	40 - 107	AR54983	3D18	4	50 - 58A
AR48112	4E8	44	70 - 75	AR50927	2G1	20	40 - 104	AR54983	3D20	29	50 - 58C
AR48236	1F7	2	30 - 20	AR50927	2G3	20	40 - 107	AR54990	2C22	4	40 - 36
AR48236	1F18	22	30 - 32	AR50928	2G1	18	40 - 104	AR54991	2C25	15	40 - 39
AR48236	1F25	29	30 - 39	AR50929	2G3	19	40 - 107	AR54992	2C22	7	40 - 36
AR48236	3I9	42	60 - 41	AR50930	2G3	15	40 - 107	AR54993	2C22	15	40 - 36
AR48236	4D19	21	70 - 63	AR50931	2G3	23	40 - 107	AR54996	2C23	1	40 - 37
AR48236	5B11	22	90 - 7	AR51481	2E8	15	40 - 67	AR54997	2C24	4	40 - 38
AR48369	3B21	4B	50 - 13	AR51481	5C18	2	90 - 39	AR55021	2F13	11	40 - 97
AR48675	1D22	12	20 - 55	AR51561	3G8	14	50 - 120A	AR55083	5B13	5	90 - 9
AR48721	2B8	41	40 - 3	AR51745	4C10	9	70 - 33	AR55304	3D22	9	50 - 60
AR48721	2D6	34	40 - 43	AR51929	4C10	37	70 - 33	AR55304	3D22	12A	50 - 60
AR48723	2D6	32	40 - 43	AR51988	1E21	18	30 - 10	AR55304	4D2	24	70 - 47
AR48724	2B8	13	40 - 3	AR51988	1E22	12	30 - 11	AR55330	4C8	4	70 - 31
AR48724	2D8	39	40 - 45	AR52206	3H6	20	60 - 13	AR55638	2C9	6	40 - 28
AR48724	2D10	16	40 - 45B	AR52206	4B12	30	70 - 7	AR55638	2C10	..	40 - 28A
AR48724	2D14	33	40 - 49	AR52206	4B12	31	70 - 7	AR55638	2C12	..	40 - 29
AR48724	2E8	8	40 - 67	AR52224	4C8	11	70 - 31	AR55638	2C14	..	40 - 31
AR48725	2B10	43	40 - 5	AR52224	4C16	7	70 - 39	AR55638	2C15	..	40 - 31B
AR48725	2D22	1	40 - 57	AR52254	4C10	37	70 - 33	AR55638	2C17	..	40 - 33
AR48770	4C8	18	70 - 31	AR52254	4C18	32	70 - 41	AR55638	2C19	..	40 - 35
AR48957	5B5	5	90 - 1	AR52265	4G14	9	80 - 5	AR55638	2D2	..	40 - 40A
AR49025	1C22	1	20 - 36A	AR52302	2E2	2	40 - 61	AR55646	5C25	7	90 - 47
AR49032	2E17	15	40 - 76	AR52361	3I5	37	60 - 37	AR55648	5C25	5	90 - 47
AR49032	2E18	12	40 - 77	AR52372	3I5	38	60 - 37	AR55649	2B13	7	40 - 8
AR49036	2B8	39	40 - 3	AR52392	2G3	4	40 - 107	AR55694	2E16	2	40 - 75
AR49036	2E17	6	40 - 76	AR52494	4C12	9	70 - 35	AR55694	2G1	24	40 - 104
AR49038	2B8	38	40 - 3	AR52497	3H20	26	60 - 27	AR55827	2B22	13	40 - 17
AR49352	2B15	7	40 - 10	AR52498	3I13	15	60 - 45	AR55827	2B24	3	40 - 19
AR49352	2D8	33	40 - 45	AR52785	4C8	25	70 - 31	AR55827	2C2	5	40 - 21
AR49352	2D10	32	40 - 45B	AR53096	2B12	3	40 - 7	AR55828	2B22	19	40 - 17
AR49352	2D14	26	40 - 49	AR53155	2B10	10	40 - 5	AR55829	2B22	18	40 - 17
AR49352	2G11	17	40 - 115	AR53155	5B15	15	90 - 11	AR55830	2B22	10	40 - 17
AR49427	4C4	4	70 - 26	AR53155	5B21	6	90 - 18	AR55831	2B22	5	40 - 17
AR49485	5B8	14	90 - 4	AR53301	4C8	16	70 - 31	AR55831	2B24	25	40 - 19
AR49789	3G6	9	50 - 119	AR53301	4C16	10	70 - 39	AR55832	2B22	8	40 - 17
AR49789	3I9	39	60 - 41	AR53877	4E12	21A	70 - 79	AR55832	2B24	28	40 - 19
AR49797	2G1	1	40 - 104	AR53877	4E14	33A	70 - 80A	AR55833	2B22	14	40 - 17
AR49798	2G1	1	40 - 104	AR53883	4G12	1	80 - 3	AR55834	2B22	11	40 - 17
AR49803	5B7	5	90 - 3	AR54252	4F15	14	70 - 106	AR55834	2B24	1	40 - 19
AR49808	5B7	24	90 - 3	AR54252	4F16	14	70 - 107	AR55835	2B22	2	40 - 17
AR49923	4G22	..	80 - 12	AR54387	1F17	17	30 - 31	AR55835	2B24	22	40 - 19
AR49923	4H7	..	80 - 22	AR54437	5B13	17	90 - 9	AR55835	2C2	16	40 - 21
AR49923	5C24	..	90 - 45	AR54439	4D2	20	70 - 47	AR55836	2B22	22	40 - 17
AR49923	5C25	..	90 - 47	AR54445	2E8	3	40 - 67	AR55836	2B24	12	40 - 19
AR49923	5D2	..	90 - 49	AR54482	5E3	19	90 - 75	AR55837	2B22	18	40 - 17
AR49923	5D4	..	90 - 49B	AR54484	2B13	13	40 - 8	AR55837	2B24	9	40 - 19
AR49923	5D17	..	90 - 63	AR54484	2B18	5	40 - 13	AR55837	2C2	18	40 - 21

# 1J23

8430 TRACTOR

## NUMERICAL INDEX - CONTINUED

PART NO.	GRID	KEY	PAGE	PART NO.	GRID	KEY	PAGE	PART NO.	GRID	KEY	PAGE
AR55881	5C24	39	90 - 45	AR58184	3G6	12	50 - 119	AR61608	2B10	14	40 - 5
AR55882	5C24	35	90 - 45	AR58184	4D19	2	70 - 63	AR61608	2E23	1	40 - 81
AR55947	2C22	18	40 - 36	AR58184	4D19	10	70 - 63	AR61608	2E23	4	40 - 81
AR55948	2C25	4	40 - 39	AR58231	2B8	7	40 - 3	AR61645	2B10	21	40 - 5
AR55949	2C25	13	40 - 39	AR58231	2E10	20	40 - 69	AR61645	2E6	1	40 - 65
AR55949	2D1	15	40 - 40	AR58233	1D25	3	20 - 59	AR61656	4E14	5	70 - 80A
AR55973	5C8	3	90 - 31	AR58233	2B8	21	40 - 3	AR61938	3I5	36	60 - 37
AR56083	4D2	1	70 - 47	AR58234	1B19	33	20 - 13	AR61938	3I5	52	60 - 37
AR56093	5C25	1	90 - 47	AR58234	1C2	32	20 - 21	AR61969	2B10	42	40 - 5
AR56106	3H20	4	60 - 27	AR58234	2B8	24	40 - 3	AR61969	4B18	30	70 - 13
AR56120	4F12	17	70 - 103	AR58234	2E15	3	40 - 74	AR62062	1F19	33	30 - 33
AR56211	2B10	6	40 - 5	AR58277	5B11	2	90 - 7	AR62151	4E4	10	70 - 71
AR56213	2B8	17	40 - 3	AR58282	5B11	1	90 - 7	AR62151	4E8	3	70 - 75
AR56213	2B13	..	40 - 8	AR58287	5B9	4	90 - 5	AR62151	4E12	7	70 - 79
AR56213	2B14	2	40 - 9	AR58390	1F8	15	30 - 21	AR62152	4D25	10	70 - 69
AR56213	2B15	4	40 - 10	AR58478	3B16	4	50 - 8	AR62267	2C9	6	40 - 28
AR56614	2B10	39	40 - 5	AR58482	5B11	5	90 - 7	AR62267	2C9	..	40 - 28
AR56639	1C23	13	20 - 36B	AR58652	4B10	3	70 - 5	AR62267	2C10	..	40 - 28A
AR56639	1C24	11	20 - 37	AR58652	5C11	12	90 - 32	AR62267	2C12	..	40 - 29
AR56639	1D2	19	20 - 39	AR58652	5D17	12	90 - 63	AR62267	2C14	..	40 - 31
AR56643	1G24	33	30 - 65	AR58652	5E3	20	90 - 75	AR62267	2C15	..	40 - 31B
AR56669	2E5	3	40 - 64	AR58653	5E4	21	90 - 76	AR62267	2C17	..	40 - 33
AR56670	2B10	23	40 - 5	AR58654	5E4	26	90 - 76	AR62267	2C19	..	40 - 35
AR56670	2E5	6	40 - 64	AR58812	1F18	29	30 - 32	AR62267	2D2	..	40 - 40A
AR56671	2B13	6	40 - 8	AR58812	1F25	36	30 - 39	AR62294	2F23	9	40 - 103
AR56671	2B14	5	40 - 9	AR58812	1G6	22	30 - 45	AR62294	2F25	9	40 - 103B
AR56671	2B15	8	40 - 10	AR58952	1D11	9	20 - 43	AR62296	2F23	25	40 - 103
AR56675	5E4	8	90 - 76	AR58952	1E2	45	20 - 61	AR62310	5E4	14	90 - 76
AR56676	5C18	44	90 - 39	AR59158	3B16	24	50 - 8	AR62322	1E15	..	30 - 3
AR56685	1G24	26	30 - 65	AR59280	3H20	..	60 - 27	AR62359	2G5	1	40 - 109
AR56687	2F13	23	40 - 97	AR59443	1G21	1	30 - 62	AR62360	2G2	1	40 - 105
AR56688	2F13	35	40 - 97	AR59443	1G22	1	30 - 63	AR62377	1E15	..	30 - 3
AR56690	2F13	24	40 - 97	AR59444	2B10	19	40 - 5	AR62406	2E10	1	40 - 69
AR56690	2F15	26	40 - 99	AR59444	2F13	13	40 - 97	AR62407	2E10	1	40 - 69
AR56690	2F17	26	40 - 99B	AR59444	2F19	16	40 - 99D	AR62408	2E10	9	40 - 69
AR56690	2F19	28	40 - 99D	AR59444	2F19	18	40 - 99D	AR62409	2E10	11	40 - 69
AR56691	2B10	13	40 - 5	AR59627	2E20	13	40 - 78	AR62410	2E10	10	40 - 69
AR56691	2B10	15	40 - 5	AR59638	5C18	26A	90 - 39	AR62411	2E10	8	40 - 69
AR56691	2F9	5	40 - 93	AR59779	2B10	12	40 - 5	AR62412	2E10	7	40 - 69
AR56691	2F9	17	40 - 93	AR59779	5B11	14	90 - 7	AR62413	2E10	2	40 - 69
AR56691	2F9	18	40 - 93	AR59779	5B21	5	90 - 18	AR62414	2E10	5	40 - 69
AR56692	2F9	6	40 - 93	AR59780	5B11	34	90 - 7	AR62497	2B10	16	40 - 5
AR56692	2F20	16	40 - 100	AR59805	5D17	7	90 - 63	AR62497	5B15	7	90 - 11
AR56692	2F21	21	40 - 101	AR59977	2B10	20	40 - 5	AR62598	5D17	8	90 - 63
AR56694	2F9	7	40 - 93	AR59977	5D5	4	90 - 50	AR62934	1D12	17	20 - 44
AR56694	2F13	31	40 - 97	AR60051	2F13	25	40 - 97	AR62936	1D17	15	20 - 49
AR56694	2F15	33	40 - 99	AR60052	2B10	4	40 - 5	AR62963	2C12	36	40 - 29
AR56694	2F17	33	40 - 99B	AR60054	2F3	16	40 - 86	AR62964	2C12	34	40 - 29
AR56694	2F19	35	40 - 99D	AR60250	2B10	2	40 - 5	AR62964	2C17	25	40 - 33
AR56694	2F20	15	40 - 100	AR60250	2D6	27	40 - 43	AR63062	1C13	10	20 - 28
AR56694	2F21	20	40 - 101	AR60331	4D17	28	70 - 61	AR63095	1C21	6	20 - 36
AR56766	2B8	4	40 - 3	AR60372	4D25	14	70 - 69	AR63218	1B6	1	20 - 1
AR56766	2E8	12	40 - 67	AR60372	4E4	1	70 - 71	AR63219	1B6	1	20 - 1
AR56767	3H23	25	60 - 30	AR60557	2F3	24	40 - 86	AR63222	1B6	1	20 - 1
AR56774	2E20	19	40 - 78	AR60937	2E8	7	40 - 67	AR63235	3G19	11	60 - 2
AR56814	3H23	6	60 - 30	AR60939	2B8	28	40 - 3	AR63258	3G22	17	60 - 5
AR56815	3H23	19	60 - 30	AR61146	3B14	23	50 - 6	AR63259	3G22	13	60 - 5
AR56987	2B10	17	40 - 5	AR61194	5E9	2	90 - 81	AR63564	1F23	15	30 - 37
AR57030	4D2	4	70 - 47	AR61222	5B13	14	90 - 9	AR63564	1G4	15	30 - 43
AR57115	3E20	26	50 - 83	AR61533	1B19	28	20 - 13	AR63781	1E21	13	30 - 10
AR58126	2B8	2	40 - 3	AR61533	1C2	27	20 - 21	AR63781	1E22	10	30 - 11
AR58126	2E8	10	40 - 67	AR61533	1C4	28	20 - 21B	AR63831	1G6	22	30 - 45
AR58147	5B11	30	90 - 7	AR61589	1B19	30	20 - 13	AR63906	4B20	15	70 - 15
AR58152	5B11	11	90 - 7	AR61589	1C2	29	20 - 21	AR63906	4B21	14	70 - 16
AR58153	5B13	16	90 - 9	AR61589	1C4	30	20 - 21B	AR63906	4E17	3	70 - 83
AR58170	2B13	8	40 - 8	AR61590	1E20	9	30 - 9	AR63979	1B6	1	20 - 1
AR58184	3G4	31	50 - 117	AR61590	1E20	14	30 - 9	AR64090	5B23	19	90 - 21

# 1J24

8430 TRACTOR

## NUMERICAL INDEX - CONTINUED

PART NO.	GRID	KEY	PAGE	PART NO.	GRID	KEY	PAGE	PART NO.	GRID	KEY	PAGE
AR64094	3H23	27	60 - 30	AR68324	3B25	6	50 - 17	AR69300	3H2	22	60 - 9
AR64400	3B16	5A	50 - 8	AR68324	3C4	11	50 - 21	AR69300	3H4	21	60 - 11
AR64422	2B8	6	40 - 3	AR68430	2C22	15	40 - 36	AR69308	1E22	14	30 - 11
AR64422	2E7	8	40 - 66	AR68466	3D15	5	50 - 56	AR69324	4D7	35	70 - 51
AR64563	3B17	4	50 - 9	AR68467	1D20	6	20 - 53	AR69370	2F9	10	40 - 93
AR64564	3B17	7A	50 - 9	AR68468	1F10	18	30 - 23	AR69370	2F13	28	40 - 97
AR64626	1E21	24	30 - 10	AR68469	1F8	3	30 - 21	AR69370	2F15	30	40 - 99
AR64992	2B10	9	40 - 5	AR68470	4E4	18	70 - 71	AR69370	2F17	30	40 - 99B
AR64992	2F9	12	40 - 93	AR68471	3F12	14	50 - 99	AR69370	2F19	32	40 - 99D
AR64992	2F13	26	40 - 97	AR68472	4H7	3	80 - 22	AR69370	2F20	9	40 - 100
AR64992	2F15	28	40 - 99	AR68501	2E20	13	40 - 78	AR69370	2F21	14	40 - 101
AR64992	2F17	28	40 - 99B	AR68503	4B25	3	70 - 21	AR69370	5B21	13	90 - 18
AR64992	2F19	30	40 - 99D	AR68504	4B25	11	70 - 21	AR69404	4E18	4	70 - 84
AR64992	2F20	5	40 - 100	AR68510	4G23	6	80 - 13	AR69444	4B6	1	70 - 1
AR64992	2F21	7	40 - 101	AR68511	4G23	1	80 - 13	AR69445	4B6	1	70 - 1
AR64992	5B21	4	90 - 18	AR68515	3B23	3	50 - 15	AR69452	1F18	14	30 - 32
AR65005	2D8	..	40 - 45	AR68529	1C17	6	20 - 32	AR69452	1F24	14	30 - 38
AR65005	2D10	..	40 - 45B	AR68538	3C12	7	50 - 31	AR69453	1F18	13	30 - 32
AR65005	2D14	..	40 - 49	AR68539	4H6	1	80 - 21	AR69453	1F24	13	30 - 38
AR65005	2G19	1	40 - 123	AR68540	4H10	14	80 - 27	AR69454	1F18	12	30 - 32
AR65006	2G19	2	40 - 123	AR68642	3H22	24	60 - 29	AR69454	1F24	12	30 - 38
AR65048	5D24	7	90 - 70	AR68646	1C17	6	20 - 32	AR69455	1F18	11	30 - 32
AR65049	2E20	19	40 - 78	AR68647	3D4	9	50 - 45	AR69455	1F24	11	30 - 38
AR65636	2E23	4	40 - 81	AR68717	3C22	1	50 - 39	AR69456	1F18	10	30 - 32
AR66028	5B15	1	90 - 11	AR68721	3G8	3	50 - 120A	AR69456	1F24	10	30 - 38
AR66575	3I5	28	60 - 37	AR68721	3G10	3	50 - 121	AR69457	1F18	9	30 - 32
AR66778	2C22	20	40 - 36	AR68774	4D2	4	70 - 47	AR69532	5D17	11	90 - 63
AR66778	2C24	1	40 - 38	AR68790	1C13	6	20 - 28	AR69533	3E20	5	50 - 83
AR66778	2C24	2	40 - 38	AR68802	2B8	32	40 - 3	AR69534	3E20	14	50 - 83
AR67339	2B8	10	40 - 3	AR68869	4E4	26A	70 - 71	AR69541	1G21	11	30 - 62
AR67340	2B8	9	40 - 3	AR68870	4E4	15A	70 - 71	AR69585	2E21	18	40 - 79
AR67340	2E7	12	40 - 66	AR68945	3C12	16	50 - 31	AR69588	2E21	3	40 - 79
AR67341	2B8	8	40 - 3	AR68951	2B10	29	40 - 5	AR69588	2F3	10	40 - 86
AR67341	2E7	9	40 - 66	AR68952	2B10	36	40 - 5	AR69589	2F3	24	40 - 86
AR67342	2B11	6	40 - 6	AR68954	4H4	1	80 - 19	AR69626	4B15	12	70 - 10
AR67398	2B8	6	40 - 3	AR68955	3B23	1	50 - 15	AR69632	3H11	1	60 - 19
AR67398	2E7	8	40 - 66	AR68956	1D20	16	20 - 53	AR69634	3H11	17	60 - 19
AR67565	3G20	1	60 - 3	AR68958	2B8	19	40 - 3	AR69654	3C12	14	50 - 31
AR67565	3H17	9	60 - 25	AR68958	3G8	19	50 - 120A	AR69662	4D23	18	70 - 67
AR67679	4B20	13	70 - 15	AR69011	5B15	5	90 - 11	AR69663	4D23	8	70 - 67
AR67690	2E7	15	40 - 66	AR69012	5B15	8	90 - 11	AR69672	3G24	24	60 - 6
AR67720	4C14	25	70 - 37	AR69013	4H14	2	80 - 31	AR69695	3B20	3	50 - 12
AR67778	3I2	28	60 - 33	AR69014	4H14	1	80 - 31	AR69697	5B21	9	90 - 18
AR67827	2C22	9	40 - 36	AR69081	4D5	8	70 - 49	AR69714	5C18	28	90 - 39
AR67855	2B11	9	40 - 6	AR69091	5D21	7A	90 - 67	AR69715	5C18	36	90 - 39
AR67855	2D8	..	40 - 45	AR69108	1C23	6	20 - 36B	AR69716	5D5	1	90 - 50
AR67855	2D10	..	40 - 45B	AR69108	1C23	7	20 - 36B	AR69719	3E20	31	50 - 83
AR67855	2D14	..	40 - 49	AR69108	1C24	4	20 - 37	AR69719	3E21	10	50 - 84
AR67855	2E14	14	40 - 73	AR69109	1C23	15	20 - 36B	AR69719	3E22	10	50 - 85
AR67855	2E23	7	40 - 81	AR69109	1C24	12	20 - 37	AR69719	3H15	6	60 - 23
AR67855	2F20	7	40 - 100	AR69149	4E12	4	70 - 79	AR69719	3H17	4	60 - 25
AR67855	2F21	9	40 - 101	AR69150	4E12	3	70 - 79	AR69720	3H15	9	60 - 23
AR67855	2F23	8	40 - 103	AR69164	4H7	12	80 - 22	AR69776	3D1	11	50 - 43
AR67855	2F25	8	40 - 103B	AR69167	3G24	4	60 - 6	AR69787	3E9	7	50 - 72
AR67855	2G7	9	40 - 111	AR69252	3C13	11	50 - 32	AR69788	1D20	9	20 - 53
AR67855	2G11	2	40 - 115	AR69267	4D22	15	70 - 66	AR69794	4E20	2	70 - 87
AR67882	3H6	5	60 - 13	AR69269	2B22	14	40 - 17	AR69795	4E20	21	70 - 87
AR67950	1F3	13	30 - 16	AR69275	4D4	33	70 - 48A	AR69796	4E20	19	70 - 87
AR67951	2B10	7	40 - 5	AR69277	3H23	29	60 - 30	AR69797	4D17	29	70 - 61
AR67951	2E23	11	40 - 81	AR69278	3H23	3	60 - 30	AR69797	4E24	10	70 - 90A
AR67980	5C24	2	90 - 45	AR69278	3H24	8	60 - 31	AR69806	5E3	3	90 - 75
AR68145	4F24	24	70 - 115	AR69278	4B22	11	70 - 17	AR69869	5C12	7	90 - 33
AR68145	4G1	14	70 - 117	AR69281	3B11	23	50 - 3	AR69870	5C12	8	90 - 33
AR68213	4H10	1	80 - 27	AR69291	4D14	22	70 - 57	AR69872	5C12	1	90 - 33
AR68322	3C2	13	50 - 19	AR69296	3H23	31	60 - 30	AR69930	1D20	18	20 - 53
AR68323	3C2	3	50 - 19	AR69299	4B22	10	70 - 17	AR69936	1F6	1	30 - 19
AR68323	3C7	22	50 - 25	AR69299	4B24	15	70 - 19	AR69961	3D14	5	50 - 55

# 1J25

8430 TRACTOR

## NUMERICAL INDEX - CONTINUED

PART NO.	GRID	KEY	PAGE	PART NO.	GRID	KEY	PAGE	PART NO.	GRID	KEY	PAGE
AR69977	5B5	1	90 - 1	AR70414	4B18	26	70 - 13	AR71040	4B22	12	70 - 17
AR69987	4E12	23	70 - 79	AR70418	5B21	7	90 - 18	AR71040	4B24	14	70 - 19
AR69987	4E14	35	70 - 80A	AR70418	5B23	10	90 - 21	AR71041	4B15	3	70 - 10
AR70019	5B11	32	90 - 7	AR70437	1F2	13	30 - 15	AR71042	4C24	1	70 - 45
AR70020	5B9	16	90 - 5	AR70442	3G22	27	60 - 5	AR71044	4C24	15	70 - 45
AR70021	5B9	9	90 - 5	AR70478	3D12	7	50 - 53	AR71085	4D15	6	70 - 59
AR70025	4E4	9	70 - 71	AR70479	3D12	9	50 - 53	AR71086	3H2	3	60 - 9
AR70025	4E4	24	70 - 71	AR70480	3G10	12	50 - 121	AR71087	3H2	4	60 - 9
AR70027	4D25	11	70 - 69	AR70490	3D22	9	50 - 60	AR71095	5C4	18	90 - 27
AR70036	4C5	3	70 - 27	AR70492	4B20	1	70 - 15	AR71096	5C6	42	90 - 29
AR70037	4C5	1	70 - 27	AR70494	4D23	14	70 - 67	AR71097	5C6	47	90 - 29
AR70042	5B11	42	90 - 7	AR70495	3D12	5	50 - 53	AR71098	5C6	25	90 - 29
AR70043	5B11	43	90 - 7	AR70560	1F18	17	30 - 32	AR71099	5C6	7	90 - 29
AR70044	4C5	7	70 - 27	AR70560	1F25	48	30 - 39	AR71107	5B25	4	90 - 23
AR70052	2B14	6	40 - 9	AR70561	1F19	31	30 - 33	AR71108	5B25	5	90 - 23
AR70052	2B15	9	40 - 10	AR70590	2E20	13	40 - 78	AR71109	5B25	1	90 - 23
AR70077	3D1	8	50 - 43	AR70590	2E21	12	40 - 79	AR71111	5B25	13	90 - 23
AR70098	1F6	7	30 - 19	AR70590	2F3	1	40 - 86	AR71123	1C23	8	20 - 36B
AR70099	1F6	7	30 - 19	AR70602	4D19	17	70 - 63	AR71123	1C24	6	20 - 37
AR70100	1F6	3	30 - 19	AR70602	4D21	15	70 - 65	AR71127	5E7	3	90 - 79
AR70101	1E14	8	30 - 2	AR70626	4D19	29	70 - 63	AR71128	5E7	5	90 - 79
AR70103	1E13	3	30 - 1	AR70635	3F2	8	50 - 89	AR71139	3H2	23	60 - 9
AR70104	1E16	5	30 - 5	AR70636	3F4	10	50 - 91	AR71139	3H4	14	60 - 11
AR70105	1E13	2	30 - 1	AR70636	4B18	1	70 - 13	AR71188	4D8	4	70 - 52
AR70106	1E14	5	30 - 2	AR70637	3C17	7	50 - 34	AR71189	4D8	9	70 - 52
AR70106	1H2	3	30 - 68	AR70661	1D12	25	20 - 44	AR71243	1B16	9	20 - 10
AR70107	1E14	7	30 - 2	AR70663	2B20	5	40 - 15	AR71243	1F18	28	30 - 32
AR70107	1H2	4	30 - 68	AR70664	4B19	4	70 - 14	AR71243	1F25	35	30 - 39
AR70110	2B10	37	40 - 5	AR70712	1D13	1	20 - 45	AR71256	2C25	4	40 - 39
AR70111	2B8	5	40 - 3	AR70720	1F10	11	30 - 23	AR71260	5E7	17	90 - 79
AR70111	5E4	7	90 - 76	AR70721	1F10	6	30 - 23	AR71273	1C11	9	20 - 26
AR70114	2B8	12	40 - 3	AR70722	4C6	1	70 - 29	AR71275	1G16	2	30 - 57
AR70114	2B10	40	40 - 5	AR70722	4C8	..	70 - 31	AR71285	5B7	15	90 - 3
AR70116	5C12	14	90 - 33	AR70723	4C8	18	70 - 31	AR71286	5B7	11	90 - 3
AR70123	2B10	13	40 - 5	AR70726	3C2	19	50 - 19	AR71287	5B7	20	90 - 3
AR70123	2F9	18	40 - 93	AR70726	3C7	7	50 - 25	AR71288	5B7	18	90 - 3
AR70125	5B9	13	90 - 5	AR70731	3B14	6	50 - 6	AR71289	5B7	13	90 - 3
AR70126	5D5	3	90 - 50	AR70737	3B13	23	50 - 5	AR71290	5B7	9	90 - 3
AR70127	5E3	4	90 - 75	AR70819	3C2	8	50 - 19	AR71331	4G2	14	70 - 118
AR70152	3E20	11	50 - 83	AR70819	3C7	25	50 - 25	AR71332	4G4	14	70 - 121
AR70163	4E4	7	70 - 71	AR70834	1C18	2	20 - 33	AR71343	4D14	19	70 - 57
AR70164	3E20	32	50 - 83	AR70834	1C18	5	20 - 33	AR71346	3G25	18	60 - 7
AR70165	3E21	22	50 - 84	AR70864	3E9	5	50 - 72	AR71403	3G25	17	60 - 7
AR70165	3E22	23	50 - 85	AR70882	1D20	26	20 - 53	AR71404	4E14	12	70 - 80A
AR70192	3H23	14	60 - 30	AR70894	4B15	12	70 - 10	AR71405	4E14	11	70 - 80A
AR70193	3H24	5	60 - 31	AR70894	4B21	7	70 - 16	AR71466	2B10	8	40 - 5
AR70225	5D23	3A	90 - 69	AR70896	3E16	27	50 - 79	AR71474	5E7	6	90 - 79
AR70229	3G8	19	50 - 120A	AR70900	3E20	2	50 - 83	AR71518	1G24	22	30 - 65
AR70240	4H16	1	80 - 33	AR70906	3E16	26	50 - 79	AR71558	4D22	5	70 - 66
AR70241	4H16	1	80 - 33	AR70907	3E16	25	50 - 79	AR71559	3H24	12	60 - 31
AR70244	4H12	1	80 - 29	AR70908	5E9	6	90 - 81	AR71560	3B25	38	50 - 17
AR70247	2B8	25	40 - 3	AR70919	2D6	12	40 - 43	AR71560	3C4	21	50 - 21
AR70248	2B8	20	40 - 3	AR70951	4B21	1	70 - 16	AR71561	3B25	34	50 - 17
AR70257	1G25	7	30 - 66	AR70956	3H2	2	60 - 9	AR71561	3C4	17	50 - 21
AR70312	5C18	8	90 - 39	AR70957	3H4	2	60 - 11	AR71567	1B19	26	20 - 13
AR70313	5C18	22	90 - 39	AR70958	3H2	1	60 - 9	AR71569	2F10	6	40 - 94
AR70331	3D12	1	50 - 53	AR70959	3H4	1	60 - 11	AR71570	2F10	3	40 - 94
AR70350	3E22	5	50 - 85	AR70968	3C11	13	50 - 30	AR71570	2F13	39	40 - 97
AR70376	4E9	1	70 - 76	AR70969	3C18	3	50 - 35	AR71570	2F15	39	40 - 99
AR70380	3H15	18	60 - 23	AR70970	3C18	7	50 - 35	AR71570	2F17	39	40 - 99B
AR70380	3H17	16	60 - 25	AR70977	3C20	4	50 - 37	AR71570	2F19	41	40 - 99D
AR70381	3F7	4	50 - 94	AR70978	3C20	15	50 - 37	AR71571	2F9	22	40 - 93
AR70381	3F23	4	50 - 111	AR71016	3F2	12	50 - 89	AR71571	2F10	5	40 - 94
AR70381	3H14	4	60 - 22	AR71020	3B18	3	50 - 10	AR71689	3B7	2	50 - 1
AR70384	3C13	6	50 - 32	AR71021	3B18	13	50 - 10	AR71691	3D18	14	50 - 58A
AR70386	4B10	2	70 - 5	AR71033	4B7	3	70 - 2	AR71694	3C21	2	50 - 38
AR70387	4B10	2	70 - 5	AR71035	3C17	21	50 - 34	AR71695	3F12	31	50 - 99

# 1K1

8430 TRACTOR

## NUMERICAL INDEX - CONTINUED

PART NO.	GRID	KEY	PAGE	PART NO.	GRID	KEY	PAGE	PART NO.	GRID	KEY	PAGE
AR71695	3F13	13	50 - 101	AR72917	4B24	1	70 - 19	AR73626	1E21	24	30 - 10
AR71696	3E7	1	50 - 70	AR72959	3F10	7	50 - 97	AR73626	1E22	..	30 - 11
AR71696	3G1	15	50 - 114	AR72964	1F17	14	30 - 31	AR73627	1C13	8	20 - 28
AR71696	3G2	25	50 - 115	AR72967	3F2	20	50 - 89	AR73627	1C14	8	20 - 29
AR71697	3F10	29	50 - 97	AR72992	3C17	9	50 - 34	AR73628	1C13	9	20 - 28
AR71709	1B16	4	20 - 10	AR72998	1C20	2	20 - 35	AR73638	1G15	10	30 - 55
AR71734	3F10	32	50 - 97	AR73106	4C6	1	70 - 29	AR73677	1B13	3	20 - 7
AR71734	3F17	16	50 - 105	AR73106	4C8	..	70 - 31	AR73691	4D11	30	70 - 54
AR71734	3F17	38	50 - 105	AR73146	2E20	3	40 - 78	AR73691	4D11	..	70 - 54
AR71734	3F23	22	50 - 111	AR73146	2F3	10	40 - 86	AR73692	4D12	32	70 - 55
AR71734	3F25	41	50 - 113	AR73148	4B8	3	70 - 3	AR73693	4C24	17	70 - 45
AR71785	5C11	7	90 - 32	AR73150	4H18	13	80 - 35	AR73694	4C24	16	70 - 45
AR71850	1B19	16	20 - 13	AR73156	2D8	19	40 - 45	AR73712	3B15	11	50 - 7
AR71850	1C2	14	20 - 21	AR73156	2D8	42	40 - 45	AR73717	2B8	7	40 - 3
AR71850	1C4	14	20 - 21B	AR73156	2D10	33	40 - 45B	AR73717	2E10	20	40 - 69
AR71850	1C12	2	20 - 27	AR73156	2D10	34	40 - 45B	AR73751	2E10	8	40 - 69
AR71866	4D18	3	70 - 62	AR73156	2D12	..	40 - 47	AR73815	1E20	22	30 - 9
AR71867	4D14	28	70 - 57	AR73180	2D8	21	40 - 45	AR73823	1F12	20	30 - 25
AR71960	3B13	28	50 - 5	AR73180	2D10	13	40 - 45B	AR73824	1F15	3	30 - 29
AR71976	5C6	21	90 - 29	AR73180	2D14	15	40 - 49	AR73824	1F16	2	30 - 30
AR72037	1F6	13	30 - 19	AR73181	2D6	..	40 - 43	AR73847	1F18	6	30 - 32
AR72077	1E2	51	20 - 61	AR73181	2D17	9	40 - 52	AR73847	1F24	6	30 - 38
AR72078	1E2	25	20 - 61	AR73183	3B15	11	50 - 7	AR73847	1G15	13	30 - 55
AR72079	1C13	10	20 - 28	AR73207	2D24	1	40 - 59	AR73857	1G6	20	30 - 45
AR72082	1C8	1	20 - 23B	AR73207	2E4	16	40 - 63	AR73863	1G6	20	30 - 45
AR72127	1C18	2	20 - 33	AR73234	1E14	1	30 - 2	AR73888	1F12	17	30 - 25
AR72127	1C18	8	20 - 33	AR73235	1E14	4	30 - 2	AR73888	1F16	5	30 - 30
AR72209	3B18	8	50 - 10	AR73236	1E14	6	30 - 2	AR73897	4D8	9	70 - 52
AR72225	4B25	5	70 - 21	AR73239	1F14	1	30 - 27	AR73897	4D10	9	70 - 53B
AR72288	3G25	2	60 - 7	AR73239	1F19	30	30 - 33	AR73897	4D12	9	70 - 55
AR72291	4D14	34	70 - 57	AR73260	1D17	7	20 - 49	AR73899	4D8	4	70 - 52
AR72292	4D14	34	70 - 57	AR73271	1C20	2	20 - 35	AR73899	4D10	12	70 - 53B
AR72292	4D14	35	70 - 57	AR73272	1C20	2	20 - 35	AR73899	4D11	12	70 - 54
AR72318	1B9	14	20 - 5	AR73273	1C20	2	20 - 35	AR73903	4E15	13	70 - 81
AR72318	1B19	10	20 - 13	AR73274	1C20	2	20 - 35	AR73903	4E17	19	70 - 83
AR72318	1C2	7	20 - 21	AR73275	1C20	1	20 - 35	AR73904	4D7	35	70 - 51
AR72319	1B9	17	20 - 5	AR73276	1C20	1	20 - 35	AR73905	4B14	14	70 - 9
AR72319	1B19	5	20 - 13	AR73277	1C13	7	20 - 28	AR73915	4D4	33	70 - 48A
AR72319	1C2	1	20 - 21	AR73277	1C14	7	20 - 29	AR73922	2E20	19	40 - 78
AR72363	2C7	11	40 - 26	AR73278	1C13	7	20 - 28	AR73923	2E20	6	40 - 78
AR72372	5C3	2	90 - 26	AR73278	1C14	7	20 - 29	AR73933	3B16	5A	50 - 8
AR72386	2B8	33	40 - 3	AR73279	1C13	7	20 - 28	AR73934	3B17	7A	50 - 9
AR72386	2B10	1	40 - 5	AR73279	1C14	7	20 - 29	AR73976	4B8	3	70 - 3
AR72386	2D6	7	40 - 43	AR73280	1C13	7	20 - 28	AR73995	2B10	39	40 - 5
AR72386	2D6	14	40 - 43	AR73280	1C14	7	20 - 29	AR74019	5B15	11	90 - 11
AR72386	2D6	20	40 - 43	AR73281	1C13	7	20 - 28	AR74020	5B15	10	90 - 11
AR72386	2D6	35	40 - 43	AR73281	1C14	7	20 - 29	AR74021	1C12	1	20 - 27
AR72386	2D6	36	40 - 43	AR73463	5B11	11	90 - 7	AR74024	2D8	42	40 - 45
AR72390	4D18	8	70 - 62	AR73464	5C24	25A	90 - 45	AR74024	2D17	16	40 - 52
AR72458	5B23	14	90 - 21	AR73465	5C25	5	90 - 47	AR74025	2D17	16	40 - 52
AR72475	3F10	22	50 - 97	AR73466	5C25	1	90 - 47	AR74034	2D14	36	40 - 49
AR72476	3C17	23	50 - 34	AR73468	2E2	18	40 - 61	AR74034	2D17	16	40 - 52
AR72838	5C6	40	90 - 29	AR73500	4G7	1	70 - 124	AR74081	3E14	12	50 - 77
AR72840	5C6	1	90 - 29	AR73561	5C6	36	90 - 29	AR74095	1F18	24	30 - 32
AR72841	5C6	24	90 - 29	AR73562	5C6	34	90 - 29	AR74095	1F21	25	30 - 35
AR72842	5C6	3	90 - 29	AR73570	2D8	41	40 - 45	AR74112	2D8	42	40 - 45
AR72848	5C6	5	90 - 29	AR73570	2D10	15	40 - 45B	AR74112	2D10	33	40 - 45B
AR72855	3F14	7	50 - 102	AR73570	2D14	35	40 - 49	AR74143	5C24	6	90 - 45
AR72855	3F15	7	50 - 103	AR73572	2D8	24	40 - 45	AR74144	1B16	4	20 - 10
AR72856	3F14	6	50 - 102	AR73572	2D10	24	40 - 45B	AR74194	4B20	12	70 - 15
AR72856	3F15	6	50 - 103	AR73572	2D14	18	40 - 49	AR74194	4B20	13	70 - 15
AR72857	3F14	2	50 - 102	AR73577	3E20	26	50 - 83	AR74195	4B20	8	70 - 15
AR72857	3F15	2	50 - 103	AR73579	2B8	39	40 - 3	AR74197	3D22	6	50 - 60
AR72885	3F2	21A	50 - 89	AR73579	2E17	6	40 - 76	AR74197	3D22	9	50 - 60
AR72886	2B10	41	40 - 5	AR73580	2B8	38	40 - 3	AR74198	3D22	1	50 - 60
AR72886	3B11	6	50 - 3	AR73580	2E17	14	40 - 76	AR74198	3D22	9	50 - 60
AR72916	4B24	3	70 - 19	AR73626	1E20	10	30 - 9	AR74265	2B10	4	40 - 5

# 1K2

8430 TRACTOR

## NUMERICAL INDEX - CONTINUED

PART NO.	GRID	KEY	PAGE	PART NO.	GRID	KEY	PAGE	PART NO.	GRID	KEY	PAGE
AR74265	2E23	15	40 - 81	AR75696	2G7	8	40 - 111	AR77254	2C23	..	40 - 37
AR74292	1B16	9	20 - 10	AR75719	3D12	7	50 - 53	AR77254	2C24	..	40 - 38
AR74292	1F18	28	30 - 32	AR75720	3D12	9	50 - 53	AR77254	2C25	..	40 - 39
AR74292	1F25	35	30 - 39	AR75821	5B9	16	90 - 5	AR77254	2D1	..	40 - 40
AR74310	3H23	19	60 - 30	AR75822	5B9	9	90 - 5	AR77255	2C17	30	40 - 33
AR74310	3H23	23	60 - 30	AR75848	3D23	15	50 - 61	AR77255	2C20	1	40 - 35A
AR74311	2D18	12	40 - 53	AR75905	2C19	23	40 - 35	AR77256	2C17	31	40 - 33
AR74322	2E4	10	40 - 63	AR75908	2C19	16	40 - 35	AR77257	2C17	27	40 - 33
AR74323	2D24	3	40 - 59	AR75924	5C4	18	90 - 27	AR77258	2C19	1	40 - 35
AR74324	2E4	14	40 - 63	AR75944	3D22	9	50 - 60	AR77259	2C17	7	40 - 33
AR74325	2E4	8	40 - 63	AR75958	4E25	31	70 - 91	AR77260	2C17	22	40 - 33
AR74326	2E4	9	40 - 63	AR75958	4F2	30	70 - 93	AR77261	2C17	13	40 - 33
AR74327	2E4	12	40 - 63	AR76114	4E4	26A	70 - 71	AR77263	3B7	2	50 - 1
AR74339	2E7	12	40 - 66	AR76115	4E4	15A	70 - 71	AR77263	3E24	13	50 - 87
AR74339	5E4	24	90 - 76	AR76160	4D22	14	70 - 66	AR77265	3B7	2	50 - 1
AR74377	3C21	2	50 - 38	AR76160	4E8	42	70 - 75	AR77281	5D17	11	90 - 63
AR74407	4H10	1	80 - 27	AR76161	4E8	9	70 - 75	AR77342	5B8	14	90 - 4
AR74411	2B15	14	40 - 10	AR76161	4E8	44	70 - 75	AR77343	2B8	32	40 - 3
AR74411	2B18	3	40 - 13	AR76326	1F12	12	30 - 25	AR77343	5B7	29	90 - 3
AR74411	2D8	26	40 - 45	AR76424	1E20	11	30 - 9	AR77344	5B5	7	90 - 1
AR74411	2D10	26	40 - 45B	AR76424	1E20	14	30 - 9	AR77345	5B5	8	90 - 1
AR74411	2D14	21	40 - 49	AR76505	5E3	3	90 - 75	AR77347	5B5	1	90 - 1
AR74411	2G11	11	40 - 115	AR76508	3H23	15	60 - 30	AR77390	3B16	5A	50 - 8
AR74412	2D8	30	40 - 45	AR76515	5B25	6	90 - 23	AR77435	3C2	14	50 - 19
AR74412	2D10	14	40 - 45B	AR76535	3G22	13	60 - 5	AR77436	4C5	3	70 - 27
AR74412	2D14	25	40 - 49	AR76582	1D10	8	20 - 42A	AR77437	4C5	1	70 - 27
AR74476	4E20	21	70 - 87	AR76705	1F18	9	30 - 32	AR77439	4C5	7	70 - 27
AR74486	5B11	34	90 - 7	AR76705	1F24	9	30 - 38	AR77452	3C17	5	50 - 34
AR74527	1G16	2	30 - 57	AR76743	3E12	19	50 - 75	AR77462	3E14	12	50 - 77
AR74528	1G21	16	30 - 62	AR76743	5D23	3B	90 - 69	AR77488	5C12	1	90 - 33
AR74623	5E7	13	90 - 79	AR76744	3E12	3	50 - 75	AR77488	5C18	22	90 - 39
AR74624	1C15	4	20 - 30	AR76744	3E20	32	50 - 83	AR77493	1C23	15	20 - 36B
AR74662	1D13	3	20 - 45	AR76745	3E12	2	50 - 75	AR77494	1C23	7	20 - 36B
AR74662	2B20	5	40 - 15	AR76745	3E20	11	50 - 83	AR77516	3B14	6	50 - 6
AR74662	2C4	9	40 - 23	AR76746	3E12	14	50 - 75	AR77534	1F6	3	30 - 19
AR74673	4D22	14	70 - 66	AR76746	3E18	29	50 - 81	AR77534	1F6	6	30 - 19
AR74673	4E8	42	70 - 75	AR76747	3E12	13	50 - 75	AR77538	4B12	11A	70 - 7
AR74693	3H6	18	60 - 13	AR76747	3E18	30	50 - 81	AR77554	1B19	26	20 - 13
AR74718	3H6	37	60 - 13	AR76748	5D21	7A	90 - 67	AR77554	4G23	6	80 - 13
AR74720	3H6	35	60 - 13	AR76751	1G22	13	30 - 63	AR77555	1B21	1	20 - 15
AR74722	3H6	42	60 - 13	AR76756	1F25	39	30 - 39	AR77555	1C8	1	20 - 23B
AR74724	3H6	55	60 - 13	AR76757	1F25	44	30 - 39	AR77555	4G23	1	80 - 13
AR74744	3H6	39	60 - 13	AR76757	1G18	3	30 - 59	AR77578	3E14	3	50 - 77
AR74813	4D22	5	70 - 66	AR76758	1F14	1	30 - 27	AR77579	3E14	6	50 - 77
AR74814	1C20	8	20 - 35	AR76758	1F25	37	30 - 39	AR77580	3E7	5	50 - 70
AR74815	1C20	8	20 - 35	AR76841	2C12	12	40 - 29	AR77656	3D4	9	50 - 45
AR74816	1C20	8	20 - 35	AR76841	2C17	10	40 - 33	AR77679	1G21	1	30 - 62
AR74817	1C20	8	20 - 35	AR76843	4B7	3	70 - 2	AR77679	1G21	10	30 - 62
AR74818	1C20	8	20 - 35	AR76897	3D18	14	50 - 58A	AR77679	1G22	1	30 - 63
AR74831	2B10	4	40 - 5	AR76898	3D18	14	50 - 58A	AR77679	1G22	10	30 - 63
AR74832	2E23	17	40 - 81	AR76988	3C13	6	50 - 32	AR77702	2E17	14	40 - 76
AR74988	4H10	14	80 - 27	AR77006	5C24	25A	90 - 45	AR77710	4D15	8	70 - 59
AR75530	2B11	8	40 - 6	AR77114	1G2	20	30 - 41	AR77713	1B23	3	20 - 17
AR75535	2B11	11	40 - 6	AR77115	5C18	19B	90 - 39	AR77713	1D2	8	20 - 39
AR75537	3B19	3	50 - 11	AR77180	2E16	6	40 - 75	AR77713	1D4	7	20 - 39B
AR75540	5C18	36	90 - 39	AR77181	2E16	4	40 - 75	AR77725	3E14	12	50 - 77
AR75569	4D23	17	70 - 67	AR77182	2E16	5	40 - 75	AR77733	3D12	1	50 - 53
AR75601	3F3	11	50 - 90	AR77183	2E16	1	40 - 75	AR77747	1C20	1	20 - 35
AR75601	4B18	1	70 - 13	AR77214	1H1	1	30 - 67	AR77747	1C20	2	20 - 35
AR75603	1H2	6	30 - 68	AR77223	3G24	19	60 - 6	AR77747	1C20	6	20 - 35
AR75603	1H2	7	30 - 68	AR77223	3G24	28	60 - 6	AR77748	1C20	2	20 - 35
AR75603	3F3	11	50 - 90	AR77228	5C18	28	90 - 39	AR77748	1C20	7	20 - 35
AR75603	4B18	1	70 - 13	AR77229	3C17	21	50 - 34	AR77749	1C20	2	20 - 35
AR75606	2F13	12	40 - 97	AR77254	2C9	6	40 - 28	AR77749	1C20	7	20 - 35
AR75608	5E5	6	90 - 77	AR77254	2C9	..	40 - 28	AR77750	1C20	2	20 - 35
AR75694	2G7	10	40 - 111	AR77254	2C21	..	40 - 35B	AR77750	1C20	7	20 - 35
AR75695	2G7	2	40 - 111	AR77254	2C22	..	40 - 36	AR77751	1C20	2	20 - 35



# 1K3

8430 TRACTOR

## NUMERICAL INDEX - CONTINUED

PART NO.	GRID	KEY	PAGE	PART NO.	GRID	KEY	PAGE	PART NO.	GRID	KEY	PAGE
AR77751	1C20	7	20-35	AR78420	5D5	1	90-50	AR79427	2F21	27	40-101
AR77752	1C20	2	20-35	AR78421	5D5	3	90-50	AR79428	2F20	10	40-100
AR77752	1C20	7	20-35	AR78422	1E17	4	30-6	AR79428	2F21	15	40-101
AR77753	1C20	1	20-35	AR78422	1E18	3	30-7	AR79429	2F20	1	40-100
AR77753	1C20	2	20-35	AR78445	3C17	7	50-34	AR79429	2F21	1	40-101
AR77753	1C20	6	20-35	AR78447	2E23	8	40-81	AR79430	2F20	6	40-100
AR77774	2D24	1	40-59	AR78483	4D7	18	70-51	AR79430	2F21	8	40-101
AR77774	2E4	15	40-63	AR78501	5B7	23	90-3	AR79431	2F20	3	40-100
AR77775	2D24	3	40-59	AR78502	2B12	7	40-7	AR79431	2F21	5	40-101
AR77775	2E4	6	40-63	AR78522	1B19	25	20-13	AR79505	4D14	34	70-57
AR77776	2E4	5	40-63	AR78522	1C2	24	20-21	AR79505	4D14	35	70-57
AR77777	2E4	4	40-63	AR78526	4D25	12	70-69	AR79510	3C13	6	50-32
AR77778	2E4	1	40-63	AR78534	4B12	11A	70-7	AR79547	2F23	27	40-103
AR77779	2E4	3	40-63	AR78536	3E7	5	50-70	AR79547	2F25	26	40-103B
AR77780	2E4	2	40-63	AR78538	2C9	6	40-28	AR79548	2F23	5	40-103
AR77851	2B22	10	40-17	AR78538	2C9	..	40-28	AR79548	2F25	5	40-103B
AR77851	2B24	30	40-19	AR78538	2C10	..	40-28A	AR79549	2F23	22	40-103
AR77851	2C2	2	40-21	AR78538	2C17	..	40-33	AR79550	2F23	20	40-103
AR77962	3G20	8	60-3	AR78538	2C19	..	40-35	AR79551	2F23	11	40-103
AR78019	1E23	3	30-12	AR78538	2C20	..	40-35A	AR79551	2F25	11	40-103B
AR78021	1E23	16	30-12	AR78548	3H23	15	60-30	AR79564	3B23	3	50-15
AR78021	1E24	12	30-13	AR78548	5E3	3	90-75	AR79580	3B25	13	50-17
AR78023	1E23	14	30-12	AR78557	3G4	14	50-117	AR79582	3F2	6	50-89
AR78023	1E24	11	30-13	AR78558	3G6	24	50-119	AR79610	1B16	4	20-10
AR78035	1E24	16	30-13	AR78559	3G6	28	50-119	AR79738	5D12	23	90-57
AR78035	1E24	..	30-13	AR78560	3G6	1	50-119	AR79739	5D12	..	90-57
AR78052	2G11	21	40-115	AR78561	3G6	7	50-119	AR79916	3H2	1	60-9
AR78077	3G24	4	60-6	AR78562	3G6	17	50-119	AR79918	3H2	3	60-9
AR78093	2B22	19	40-17	AR78570	5E3	18	90-75	AR79919	3H2	4	60-9
AR78093	2B24	10	40-19	AR78574	3F2	21B	50-89	AR80062	3E9	7	50-72
AR78132	3B11	8B	50-3	AR78577	2D24	1	40-59	AR80062	3E10	7	50-73
AR78143	4E20	2	70-87	AR78577	2E2	26	40-61	AR80154	4E4	7	70-71
AR78143	4E20	21	70-87	AR78589	1E16	2	30-5	AR80169	4G16	13	80-7
AR78143	4E22	3	70-89	AR78589	1E16	4	30-5	AR80170	4G15	12	80-6
AR78144	4E22	23	70-89	AR78594	2F13	23	40-97	AR80237	3H6	43	60-13
AR78145	4E20	19	70-87	AR78595	2F13	11	40-97	AR80237	3H6	45	60-13
AR78145	4E22	21	70-89	AR78595	2F15	11	40-99	AR80237	3H6	46	60-13
AR78190	3D12	1	50-53	AR78595	2F17	11	40-99B	AR80237	3H6	48	60-13
AR78288	4D23	18	70-67	AR78595	2F19	11	40-99D	AR80237	3H6	52	60-13
AR78289	4D22	7	70-66	AR78596	2F13	35	40-97	AR80237	3H6	53	60-13
AR78289	4D22	14	70-66	AR78596	2F15	37	40-99	AR80237	3H6	57	60-13
AR78289	4E8	9	70-75	AR78596	2F17	37	40-99B	AR80238	3H6	57	60-13
AR78289	4E8	42	70-75	AR78596	2F19	39	40-99D	AR80239	3H6	48	60-13
AR78348	3E12	4	50-75	AR78801	4D2	4	70-47	AR80240	3H6	52	60-13
AR78348	3E20	26	50-83	AR78805	5C18	1	90-39	AR80241	3H6	53	60-13
AR78349	3E12	12	50-75	AR78825	2B10	35	40-5	AR80294	1B19	2	20-13
AR78349	3E18	31	50-81	AR78825	2D6	42	40-43	AR80517	4G14	9	80-5
AR78381	2B17	1	40-12	AR78831	4D23	3	70-67	AR80623	4D15	6	70-59
AR78381	2B18	5	40-13	AR78832	4D19	12	70-63	AR80625	3F10	29	50-97
AR78383	2B8	10	40-3	AR78885	5C12	10	90-33	AR80625	3F17	29	50-105
AR78384	2B14	11	40-9	AR78886	5C12	7	90-33	AR80625	3F23	40	50-111
AR78384	2B15	21	40-10	AR78887	5C12	8	90-33	AR80682	1B17	15	20-11
AR78384	2B18	1	40-13	AR78888	5C12	9	90-33	AR80682	1B23	6	20-17
AR78385	2B8	10	40-3	AR78891	5B23	24	90-21	AR80682	1D4	10	20-39B
AR78385	2B14	7	40-9	AR78926	3B15	6	50-7	AR80719	4F15	14	70-106
AR78385	2B15	18	40-10	AR79024	3D14	5	50-55	AR80719	4F16	14	70-107
AR78386	2B13	22	40-8	AR79047	3D16	5	50-57	AR80777	4E12	4	70-79
AR78386	2B14	8	40-9	AR79048	3E23	5	50-86	AR80892	4F4	22	70-95
AR78386	2B15	17	40-10	AR79049	3E23	3	50-86	AR80911	4F4	26	70-95
AR78390	5E3	3	90-75	AR79050	4H1	6	80-16	AR80911	4F6	20	70-97
AR78391	2B13	24	40-8	AR79067	3D12	5	50-53	AR80929	4E18	4	70-84
AR78392	2B13	21	40-8	AR79068	1F8	15	30-21	AR80949	1G4	32	30-43
AR78396	4F12	17	70-103	AR79129	3H18	5	60-26	AR80956	4G14	9	80-5
AR78396	4F14	16	70-105	AR79177	1C13	10	20-28	AR81002	1F25	37	30-39
AR78418	2B10	23	40-5	AR79208	3D14	21	50-55	AR81002	1G9	3	30-49
AR78418	2E6	8	40-65	AR79361	5C25	7	90-47	AR81002	1G24	20	30-65
AR78418	5D5	4	90-50	AR79427	2F20	17	40-100	AR81095	1F10	6	30-23

# 1K4

8430 TRACTOR

## NUMERICAL INDEX - CONTINUED

PART NO.	GRID	KEY	PAGE	PART NO.	GRID	KEY	PAGE	PART NO.	GRID	KEY	PAGE
AR81166	3E7	5	50 - 70	AR82992	3F23	33	50 - 111	AR84753	1C8	1	20 - 23B
AR81178	2E18	12	40 - 77	AR82993	3F7	10	50 - 94	AR85153	2D3	6	40 - 40B
AR81179	2E18	8	40 - 77	AR82993	3F12	18	50 - 99	AR85245	5B11	11	90 - 7
AR81184	3G22	13	60 - 5	AR82993	3F17	7	50 - 105	AR85257	2B8	41	40 - 3
AR81184	3G22	22	60 - 5	AR82993	3F23	13	50 - 111	AR85257	2D6	34	40 - 43
AR81441	4D7	35	70 - 51	AR83139	2B11	10	40 - 6	AR85259	2D6	35	40 - 43
AR81483	1E17	4	30 - 6	AR83354	4G12	12	80 - 3	AR85259	2D6	36	40 - 43
AR81483	1E18	3	30 - 7	AR83354	4G13	4	80 - 4	AR85283	2B19	2	40 - 14
AR81615	1B11	28	20 - 5B	AR83354	4G14	3	80 - 5	AR85299	3E12	18	50 - 75
AR81646	3E16	25	50 - 79	AR83354	4G16	5	80 - 7	AR85299	5D21	7B	90 - 67
AR81647	1F8	3	30 - 21	AR83356	4G13	4	80 - 4	AR85300	2E15	14	40 - 74
AR81783	4D14	4A	70 - 57	AR83356	4G14	3	80 - 5	AR85301	2E15	5	40 - 74
AR81783	4D14	4B	70 - 57	AR83383	4D2	20	70 - 47	AR85302	2E15	4	40 - 74
AR81812	5E3	12	90 - 75	AR83396	4D25	10	70 - 69	AR85303	2E15	1	40 - 74
AR81812	5E3	21	90 - 75	AR83425	2B8	13	40 - 3	AR85304	2E15	2	40 - 74
AR81817	1F14	1	30 - 27	AR83425	2D8	40	40 - 45	AR85307	3F5	10	50 - 92
AR81817	1F14	3	30 - 27	AR83425	2D14	34	40 - 49	AR85307	4B18	..	70 - 13
AR81817	1F25	37	30 - 39	AR83425	2E8	9	40 - 67	AR85308	3D12	9	50 - 53
AR81819	1F25	36	30 - 39	AR83425	2G19	8	40 - 123	AR85308	3F5	9	50 - 92
AR81819	1G13	25	30 - 53	AR83429	3B17	7B	50 - 9	AR85311	3G10	14	50 - 121
AR81825	1G13	1	30 - 53	AR83461	4D22	15	70 - 66	AR85311	3G13	14	50 - 125
AR81839	1G9	30	30 - 49	AR83516	5C24	25B	90 - 45	AR85323	2B10	28	40 - 5
AR81847	1G9	6	30 - 49	AR83517	5D2	13	90 - 49	AR85323	3E9	30	50 - 72
AR81987	3E14	3	50 - 77	AR83524	3D4	9	50 - 45	AR85327	1E13	1	30 - 1
AR81988	3E14	6	50 - 77	AR83618	3B15	16	50 - 7	AR85327	1E17	4	30 - 6
AR82005	2B10	16	40 - 5	AR83654	3E23	5	50 - 86	AR85327	1E18	3	30 - 7
AR82005	5B16	4	90 - 13	AR83688	3E4	18	50 - 67	AR85328	1E18	1	30 - 7
AR82005	5B18	8	90 - 15	AR83949	5C12	10	90 - 33	AR85331	1F12	16	30 - 25
AR82006	5B16	10	90 - 13	AR83950	5C12	6	90 - 33	AR85332	1F12	13	30 - 25
AR82012	2B10	8	40 - 5	AR83950	5C12	7	90 - 33	AR85332	1F14	1	30 - 27
AR82013	2B10	8	40 - 5	AR83951	5C12	6	90 - 33	AR85333	1F12	15	30 - 25
AR82014	2B10	10	40 - 5	AR83951	5C12	8	90 - 33	AR85333	1F14	1	30 - 27
AR82014	5B21	6	90 - 18	AR83952	5C12	9	90 - 33	AR85407	2D2	1	40 - 40A
AR82117	3H4	2	60 - 11	AR83973	3B16	5A	50 - 8	AR85452	4H21	12	80 - 39
AR82118	3H4	1	60 - 11	AR83974	3B17	7A	50 - 9	AR85480	4D19	3	70 - 63
AR82370	3C5	6	50 - 23	AR83979	4C24	9	70 - 45	AR85485	3D14	21	50 - 55
AR82371	3B25	13	50 - 17	AR84006	2D8	29	40 - 45	AR85485	3D15	5	50 - 56
AR82412	4D23	12	70 - 67	AR84006	5B11	12	90 - 7	AR85522	3B7	2	50 - 1
AR82412	4D23	13	70 - 67	AR84045	3D6	6	50 - 47	AR85578	2E19	8	40 - 77B
AR82444	1C8	1	20 - 23B	AR84045	3D7	3	50 - 48	AR85628	4F12	31	70 - 103
AR82446	1B19	26	20 - 13	AR84045	3D7	6	50 - 48	AR85701	4H2	3	80 - 17
AR82508	3C2	14	50 - 19	AR84046	3D6	2	50 - 47	AR85702	4H2	1	80 - 17
AR82570	4F9	1	70 - 100	AR84046	3D7	2	50 - 48	AR85747	3I5	7	60 - 37
AR82570	4F10	12	70 - 101	AR84130	2B8	10	40 - 3	AR85786	3D14	23	50 - 55
AR82571	4F18	16	70 - 109	AR84131	2B8	11	40 - 3	AR85786	3H14	9	60 - 22
AR82572	4E25	26	70 - 91	AR84131	2B15	16	40 - 10	AR85787	3D14	23	50 - 55
AR82572	4F2	27	70 - 93	AR84132	2B8	40	40 - 3	AR85787	3H14	9	60 - 22
AR82572	4F12	12	70 - 103	AR84133	2B15	15	40 - 10	AR85792	4H10	..	80 - 27
AR82572	4F15	1	70 - 106	AR84134	2B10	3	40 - 5	AR85792	5D10	..	90 - 55
AR82572	4F16	1	70 - 107	AR84178	3C18	1	50 - 35	AR85792	5D12	..	90 - 57
AR82573	4F14	25	70 - 105	AR84178	4B18	20B	70 - 13	AR85831	2F6	17	40 - 89
AR82573	4F14	33	70 - 105	AR84178	4B19	5	70 - 14	AR85832	2F6	17	40 - 89
AR82576	4E25	29	70 - 91	AR84259	3C2	13	50 - 19	AR85833	2F5	26	40 - 88
AR82576	4F2	29	70 - 93	AR84260	3C2	13	50 - 19	AR85834	2F5	26	40 - 88
AR82707	2F7	6	40 - 91	AR84260	3C2	14	50 - 19	AR85835	2F6	16	40 - 89
AR82708	2F7	7	40 - 91	AR84306	2B20	1	40 - 15	AR85836	2F6	1	40 - 89
AR82758	3E20	38	50 - 83	AR84306	2B22	..	40 - 17	AR85837	2F5	20	40 - 88
AR82762	3E20	5	50 - 83	AR84306	2B24	9	40 - 19	AR85837	2F6	8	40 - 89
AR82838	3E14	3	50 - 77	AR84306	2B24	28	40 - 19	AR85838	2F6	16	40 - 89
AR82839	3E14	6	50 - 77	AR84306	2B24	..	40 - 19	AR85839	2F5	20	40 - 88
AR82909	2G11	16	40 - 115	AR84306	2C2	27	40 - 21	AR85839	2F6	8	40 - 89
AR82910	2G11	4	40 - 115	AR84467	2B10	36	40 - 5	AR85840	2F5	1	40 - 88
AR82911	2G11	7	40 - 115	AR84492	3C1	6	50 - 18	AR85841	2F5	13	40 - 88
AR82912	2G11	6	40 - 115	AR84545	3I7	27	60 - 39	AR85852	2B8	25	40 - 3
AR82940	3C7	10	50 - 25	AR84576	3D22	9	50 - 60	AR85853	2B8	20	40 - 3
AR82992	3F10	22	50 - 97	AR84614	1F10	18	30 - 23	AR85854	2B10	25	40 - 5
AR82992	3F17	34	50 - 105	AR84747	1B19	26	20 - 13	AR85855	2B10	26	40 - 5

# 1K5

8430 TRACTOR

## NUMERICAL INDEX - CONTINUED

PART NO.	GRID	KEY	PAGE	PART NO.	GRID	KEY	PAGE	PART NO.	GRID	KEY	PAGE
AR85856	2B8	31	40 - 3	AR86969	2E6	6	40 - 65	AR87998	3E4	15	50 - 67
AR85857	2B10	29	40 - 5	AR86973	3G20	6B	60 - 3	AR87998	3E4	16	50 - 67
AR85858	2B8	33	40 - 3	AR86977	1G24	12	30 - 65	AR87998	3E4	17	50 - 67
AR85859	2B10	1	40 - 5	AR86998	3E12	3	50 - 75	AR87998	3E4	18	50 - 67
AR85859	2D6	14	40 - 43	AR86998	3E20	32	50 - 83	AR87998	3E4	21	50 - 67
AR85859	2D6	20	40 - 43	AR87079	1D15	1	20 - 47	AR87998	3E6	20	50 - 69
AR85861	2B10	24	40 - 5	AR87111	1D24	15	20 - 57	AR87999	3E6	19	50 - 69
AR85861	2D14	8	40 - 49	AR87126	4D21	1	70 - 65	AR88018	2C6	13	40 - 25
AR85862	4H16	1	80 - 33	AR87126	4D21	2	70 - 65	AR88019	2C6	32	40 - 25
AR85863	4H16	1	80 - 33	AR87126	4D21	8	70 - 65	AR88020	2C6	30	40 - 25
AR85878	5D15	21	90 - 61	AR87127	4D21	19	70 - 65	AR88021	2C6	34	40 - 25
AR85940	2B22	18	40 - 17	AR87159	5E3	3	90 - 75	AR88022	2C6	31	40 - 25
AR85941	2B24	5	40 - 19	AR87177	2B11	7	40 - 6	AR88023	2C6	29	40 - 25
AR85941	2C2	7	40 - 21	AR87199	3G10	14	50 - 121	AR88024	2C6	4	40 - 25
AR86072	3B21	4A	50 - 13	AR87199	3G14	14	50 - 126	AR88025	2C6	14	40 - 25
AR86072	3F8	5	50 - 95	AR87205	2C4	1	40 - 23	AR88026	2C6	11	40 - 25
AR86072	3F8	6	50 - 95	AR87205	2C4	..	40 - 23	AR88027	2C6	21	40 - 25
AR86072	3F10	6	50 - 97	AR87205	2C6	35	40 - 25	AR88044	3G6	24	50 - 119
AR86072	3F23	27	50 - 111	AR87205	2C8	6	40 - 27	AR88076	5B11	11	90 - 7
AR86072	3F23	29	50 - 111	AR87339	2B10	13	40 - 5	AR88242	3G1	7	50 - 114
AR86073	3F8	1	50 - 95	AR87339	2F9	18	40 - 93	AR88242	3G2	9	50 - 115
AR86073	3F8	6	50 - 95	AR87343	3D23	16	50 - 61	AR88263	4E6	3	70 - 73
AR86073	3F10	2B	50 - 97	AR87390	3H6	41	60 - 13	AR88370	4H6	5	80 - 21
AR86073	3F23	25	50 - 111	AR87393	3D8	7	50 - 49	AR88404	1F10	11	30 - 23
AR86073	3F23	29	50 - 111	AR87393	3D9	6	50 - 50	AR88485	2B8	27	40 - 3
AR86087	4E20	2	70 - 87	AR87395	3D10	7	50 - 51	AR88485	2B12	3	40 - 7
AR86087	4E20	21	70 - 87	AR87395	3D11	6	50 - 52	AR88527	5C6	25	90 - 29
AR86087	4E22	23	70 - 89	AR87421	1E20	10	30 - 9	AR88550	3G2	10	50 - 115
AR86088	4D17	18	70 - 61	AR87421	1E23	23	30 - 12	AR88600	3E10	8	50 - 73
AR86088	4E20	2	70 - 87	AR87421	1E24	..	30 - 13	AR88600	3F2	5	50 - 89
AR86088	4E20	21	70 - 87	AR87485	3E7	5	50 - 70	AR88775	3F21	3	50 - 109
AR86088	4E22	23	70 - 89	AR87493	2F10	1	40 - 94	AR88831	3G16	10	50 - 129
AR86109	5D12	23	90 - 57	AR87493	2F13	38	40 - 97	AR88832	3G16	8	50 - 129
AR86110	5D10	16	90 - 55	AR87494	1C22	..	20 - 36A	AR88880	2C12	12	40 - 29
AR86111	5D10	1	90 - 55	AR87537	4B12	31	70 - 7	AR88880	2C17	10	40 - 33
AR86219	3C2	22	50 - 19	AR87537	4B12	32	70 - 7	AR88903	1F19	31	30 - 33
AR86240	4C3	7	70 - 25	AR87537	4B12	33	70 - 7	AR88903	1G10	4	30 - 50
AR86240	4C3	9	70 - 25	AR87567	1F24	18	30 - 38	AR88903	1G10	7	30 - 50
AR86244	4C3	2	70 - 25	AR87568	1F25	24	30 - 39	AR88931	4H6	5	80 - 21
AR86245	4C3	1	70 - 25	AR87569	1F18	17	30 - 32	AR88969	5C12	14	90 - 33
AR86246	4C3	2	70 - 25	AR87569	1F25	48	30 - 39	AR88969	5C16	5	90 - 37
AR86247	4C3	3	70 - 25	AR87569	1F25	..	30 - 39	AR89137	5D24	6	90 - 70
AR86457	4E4	18	70 - 71	AR87591	1F11	6	30 - 24	AR89151	1C22	..	20 - 36A
AR86467	1G21	10	30 - 62	AR87592	1F11	3	30 - 24	AR89207	3D18	14	50 - 58A
AR86481	3G23	1	60 - 5A	AR87638	1C13	6	20 - 28	AR89217	2B8	31	40 - 3
AR86492	3G20	9B	60 - 3	AR87663	1G13	19	30 - 53	AR89228	4D2	25	70 - 47
AR86495	3B16	4	50 - 8	AR87664	3E2	..	50 - 65	AR89302	4E4	9	70 - 71
AR86499	1D15	5	20 - 47	AR87664	3E10	13	50 - 73	AR89302	4E4	24	70 - 71
AR86500	1D15	6	20 - 47	AR87691	1F25	39	30 - 39	AR89302	4E8	4	70 - 75
AR86535	4F12	17	70 - 103	AR87691	1G18	10	30 - 59	AR89303	4E8	44	70 - 75
AR86535	4F14	16	70 - 105	AR87691	1G19	1	30 - 60	AR89318	3C7	16	50 - 25
AR86551	2F7	12	40 - 91	AR87699	1B16	9	20 - 10	AR89320	3B15	11	50 - 7
AR86552	2F7	4	40 - 91	AR87699	1F18	28	30 - 32	AR89354	1F25	44	30 - 39
AR86604	1F6	7	30 - 19	AR87699	1F25	35	30 - 39	AR89379	1D24	18	20 - 57
AR86605	1F6	1	30 - 19	AR87700	1B16	9	20 - 10	AR89381	1D24	18	20 - 57
AR86728	4H12	1	80 - 29	AR87888	4E4	11	70 - 71	AR89499	1D10	8	20 - 42A
AR86731	3I7	6	60 - 39	AR87888	4E4	26B	70 - 71	AR89521	1F21	5	30 - 35
AR86731	3I9	8	60 - 41	AR87889	4E4	11	70 - 71	AR89521	1F21	10	30 - 35
AR86745	1F12	21	30 - 25	AR87889	4E4	15B	70 - 71	AR89521	1G2	5	30 - 41
AR86753	1F17	18	30 - 31	AR87914	4D19	25	70 - 63	AR89521	1G2	10	30 - 41
AR86754	1F17	9	30 - 31	AR87914	4D21	17	70 - 65	AR89543	3C17	18	50 - 34
AR86755	1F17	7	30 - 31	AR87914	4D21	..	70 - 65	AR89543	3C17	23	50 - 34
AR86756	1F17	6	30 - 31	AR87915	4D19	27	70 - 63	AR89552	1G9	13	30 - 49
AR86923	3D20	16	50 - 58C	AR87917	3I9	41	60 - 41	AR89561	2F4	1	40 - 87
AR86923	4D22	5	70 - 66	AR87917	4D19	23	70 - 63	AR89597	2D12	21	40 - 47
AR86954	1F25	43	30 - 39	AR87997	5D15	16	90 - 61	AR89598	2D12	20	40 - 47
AR86969	2E5	4	40 - 64	AR87998	3E4	13	50 - 67	AR89666	5D6	7	90 - 51

# 1K6

8430 TRACTOR

## NUMERICAL INDEX - CONTINUED

PART NO.	GRID	KEY	PAGE	PART NO.	GRID	KEY	PAGE	PART NO.	GRID	KEY	PAGE
AR89669	5D6	4	90 - 51	AR91667	2F9	5	40 - 93	AR93629	1C13	10	20 - 28
AR89670	5D6	2	90 - 51	AR91692	1C18	2	20 - 33	AR93819	4E25	2	70 - 91
AR89691	2B10	28	40 - 5	AR91789	3I9	17	60 - 41	AR93819	4E25	5	70 - 91
AR89691	2D3	6	40 - 40B	AR91793	2G17	42	40 - 121	AR93819	4E25	7	70 - 91
AR89691	3E9	30	50 - 72	AR91836	3B25	13	50 - 17	AR93819	4F2	2	70 - 93
AR89736	3D22	1	50 - 60	AR91895	5C20	1	90 - 41	AR93819	4F2	5	70 - 93
AR89741	3F12	14	50 - 99	AR91895	5C22	1	90 - 43	AR93819	4F2	7A	70 - 93
AR89774	5C18	14	90 - 39	AR91896	5C20	16	90 - 41	AR93819	4F2	7B	70 - 93
AR89774	5C18	17	90 - 39	AR91896	5C22	16A	90 - 43	AR93819	4F3	2	70 - 94
AR89774	5C18	19A	90 - 39	AR91956	1D24	24	20 - 57	AR93819	4F3	5	70 - 94
AR89774	5C18	19B	90 - 39	AR91977	1D20	18	20 - 53	AR93819	4F3	7	70 - 94
AR89833	5C12	14	90 - 33	AR91977	1E13	5	30 - 1	AR93820	4E25	2	70 - 91
AR89833	5C16	10	90 - 37	AR92006	5C20	20	90 - 41	AR93820	4E25	5	70 - 91
AR89895	3G8	19	50 - 120A	AR92006	5C22	25	90 - 43	AR93820	4E25	7	70 - 91
AR89913	5B21	7	90 - 18	AR92109	2B8	32	40 - 3	AR93820	4F2	2	70 - 93
AR89913	5B23	10	90 - 21	AR92109	5B7	29	90 - 3	AR93820	4F2	5	70 - 93
AR90058	2B24	4	40 - 19	AR92122	1G25	7	30 - 66	AR93820	4F2	7A	70 - 93
AR90058	2C2	6	40 - 21	AR92392	1B19	26	20 - 13	AR93820	4F2	7B	70 - 93
AR90070	2C25	15	40 - 39	AR92392	1B21	1	20 - 15	AR93820	4F3	2	70 - 94
AR90070	2D1	10	40 - 40	AR92392	1C8	1	20 - 23B	AR93820	4F3	5	70 - 94
AR90071	2C25	4	40 - 39	AR92392	4G23	6	80 - 13	AR93820	4F3	7	70 - 94
AR90071	2D1	9	40 - 40	AR92396	2E23	15	40 - 81	AR93820	4G5	8	70 - 122
AR90081	3H6	51	60 - 13	AR92452	3F15	15	50 - 103	AR93945	2B22	11	40 - 17
AR90154	4D2	4	70 - 47	AR92453	3F14	17	50 - 102	AR93945	2B24	1	40 - 19
AR90352	2B10	29	40 - 5	AR92554	3C4	27	50 - 21	AR93945	2C2	3	40 - 21
AR90352	2B10	31	40 - 5	AR92619	2B11	3	40 - 6	AR94037	4H12	1	80 - 29
AR90352	2B10	33	40 - 5	AR92620	2B11	8	40 - 6	AR94047	2F9	4	40 - 93
AR90354	2B10	30	40 - 5	AR92780	3I11	35	60 - 43	AR94047	2F20	14	40 - 100
AR90378	4C10	30	70 - 33	AR92781	3I11	32	60 - 43	AR94047	2F21	19	40 - 101
AR90384	4D21	24	70 - 65	AR92782	3I11	12	60 - 43	AR94084	1D10	8	20 - 42A
AR90542	3D6	6	50 - 47	AR92783	3I11	9	60 - 43	AR94105	5D2	13	90 - 49
AR90542	3D7	6	50 - 48	AR92784	3I11	1	60 - 43	AR94182	1F25	39	30 - 39
AR90543	3D6	2	50 - 47	AR92785	3I11	2	60 - 43	AR94182	1G18	9	30 - 59
AR90543	3D6	3	50 - 47	AR92786	3I9	35	60 - 41	AR94182	1G18	10	30 - 59
AR90543	3D7	2	50 - 48	AR92820	3I9	29	60 - 41	AR94182	1G19	1	30 - 60
AR90543	3D7	3	50 - 48	AR92821	3I11	13	60 - 43	AR94182	1G19	6	30 - 60
AR90577	4E10	5	70 - 77	AR92823	3I13	11	60 - 45	AR94198	1F18	10	30 - 32
AR90577	4E10	..	70 - 77	AR92916	5D10	2	90 - 55	AR94198	1F24	10	30 - 38
AR90578	4E10	5	70 - 77	AR92917	5D10	2	90 - 55	AR94262	3C2	4	50 - 19
AR90578	4E10	..	70 - 77	AR93098	3I9	43	60 - 41	AR94262	3C7	21	50 - 25
AR90579	4E10	6	70 - 77	AR93098	3I13	20	60 - 45	AR94262	3C11	2	50 - 30
AR90581	4E10	6	70 - 77	AR93104	3I9	26	60 - 41	AR94262	3C16	5	50 - 33B
AR90583	4E10	6	70 - 77	AR93137	3E7	5	50 - 70	AR94262	3C23	12	50 - 40
AR90770	5B20	7	90 - 17	AR93143	3I7	24	60 - 39	AR94262	3D1	6	50 - 43
AR90771	5B20	1	90 - 17	AR93144	3I7	14	60 - 39	AR94262	3D3	23	50 - 44A
AR90772	2E23	6	40 - 81	AR93145	3I9	20	60 - 41	AR94262	3D5	14	50 - 46
AR90773	2E23	6	40 - 81	AR93147	3I7	25	60 - 39	AR94339	1F25	39	30 - 39
AR90840	2B19	4	40 - 14	AR93172	1B13	3	20 - 7	AR94339	1G18	4	30 - 59
AR90841	2B19	1	40 - 14	AR93210	5D17	9	90 - 63	AR94339	1G18	10	30 - 59
AR90870	3B14	15	50 - 6	AR93211	2F4	2	40 - 87	AR94339	1G19	1	30 - 60
AR90871	3B14	13	50 - 6	AR93259	3I2	24	60 - 33	AR94339	1G19	2	30 - 60
AR90882	3D23	16	50 - 61	AR93259	3I15	32	60 - 47	AR94510	1H2	6	30 - 68
AR90882	3D25	31	50 - 63	AR93305	2B11	10	40 - 6	AR94510	1H2	7	30 - 68
AR90938	5E3	4	90 - 75	AR93335	2D6	32	40 - 43	AR94510	3F4	10	50 - 91
AR90972	3C7	16	50 - 25	AR93341	1C14	6	20 - 29	AR94510	4B18	1	70 - 13
AR90973	3C2	22	50 - 19	AR93446	2B20	1	40 - 15	AR94517	3C12	16	50 - 31
AR90973	3C4	25	50 - 21	AR93446	2B22	28	40 - 17	AR94517	3C16	28	50 - 33B
AR91036	1D18	7	20 - 51	AR93446	2B22	..	40 - 17	AR94522	4F4	3	70 - 95
AR91055	3G1	12	50 - 114	AR93446	2B24	9	40 - 19	AR94522	4F6	21	70 - 97
AR91055	3G2	21	50 - 115	AR93446	2B24	28	40 - 19	AR94522	4G5	10	70 - 122
AR91166	2B13	13	40 - 8	AR93446	2B24	..	40 - 19	AR94528	3D14	27	50 - 55
AR91166	2B17	1	40 - 12	AR93446	2C2	27	40 - 21	AR94529	3I7	11	60 - 39
AR91166	2B18	5	40 - 13	AR93448	2C4	1	40 - 23	AR94531	3I7	10	60 - 39
AR91315	5D2	17	90 - 49	AR93448	2C4	..	40 - 23	AR94532	3I7	12	60 - 39
AR91462	4D19	28	70 - 63	AR93448	2C6	35	40 - 25	AR94534	2C6	30	40 - 25
AR91667	2B10	15	40 - 5	AR93533	5B21	9	90 - 18	AR94561	1C10	2	20 - 25
AR91667	2B18	1	40 - 13	AR93627	1C13	10	20 - 28	AR94561	1C10	9	20 - 25

# 1K7

8430 TRACTOR

## NUMERICAL INDEX - CONTINUED

PART NO.	GRID	KEY	PAGE	PART NO.	GRID	KEY	PAGE	PART NO.	GRID	KEY	PAGE
AR94622	4D2	4	70 - 47	AR98202	4G5	1	70 - 122	AT25266	1F3	1	30 - 16
AR94628	4B15	12	70 - 10	AR98286	1G9	5	30 - 49	AT25266	1F3	11	30 - 16
AR94650	1D24	18	20 - 57	AR98329	1D10	32	20 - 42A	AT25266	1F4	1	30 - 17
AR94661	4C6	1	70 - 29	AR98479	4E8	43	70 - 75	AT25451	2D6	14	40 - 43
AR94661	4C8	18	70 - 31	AR98492	3B23	1	50 - 15	AT25451	2D6	35	40 - 43
AR94661	4C8	..	70 - 31	AR98513	3B14	31	50 - 6	AT26746	1G10	8	30 - 50
AR94661	4C16	..	70 - 39	AR98518	3F6	1	50 - 93	AT27142	3B11	15	50 - 3
AR94760	2B8	..	40 - 3	AR98649	3G10	14	50 - 121	AT27142	3C20	2	50 - 37
AR94764	1D24	24	20 - 57	AR98649	3G14	14	50 - 126	AT27818	1E14	14	30 - 2
AR94765	1D24	20	20 - 57	AR98650	3G8	14	50 - 120A	AT32331	1C10	13	20 - 25
AR94767	1D24	17	20 - 57	AR98650	3G11	5	50 - 123	AT32331	4B15	14	70 - 10
AR94768	1D24	7	20 - 57	AR98650	3G12	5	50 - 124	AT32332	4B16	14	70 - 11
AR94769	1D24	19	20 - 57	AR98801	3E23	3	50 - 86	AT32332	4E18	6	70 - 84
AR94828	1C6	1	20 - 23	AR98843	1C2	25	20 - 21	AT32332	4G4	2	70 - 121
AR94843	1B19	26	20 - 13	AR98844	1C6	1	20 - 23	AT32333	4D23	2	70 - 67
AR94941	3H2	1	60 - 9	AR98845	1E2	51	20 - 61	AT32333	3H23	24	60 - 30
AR95425	3F17	47	50 - 105	AR98850	1C13	9	20 - 28	AT32335	4C24	11	70 - 45
AR95425	3F19	16	50 - 107	AR98850	1C14	9	20 - 29	AT32336	3H23	5	60 - 30
AR95425	3F25	49	50 - 113	AR98850	1E2	48	20 - 61	AT32336	3I11	10	60 - 43
AR95467	2C6	5	40 - 25	AR98851	1E2	25	20 - 61	AT32337	4D4	23	70 - 48A
AR95467	2C6	30	40 - 25	AR98859	4H9	15	80 - 25	AT34670	3F3	11	50 - 90
AR95467	2C8	6	40 - 27	AR98861	4H9	5	80 - 25	AT34670	4B18	1	70 - 13
AR95768	1D24	20	20 - 57	AR98862	4H9	4	80 - 25	AT35120	4D4	23	70 - 48A
AR95769	1D24	17	20 - 57	AR98863	4H9	4	80 - 25	AT35121	3G25	4	60 - 7
AR95770	1D24	23	20 - 57	AR98864	4H9	7	80 - 25	AT35121	3H17	1	60 - 25
AR95771	1D24	7	20 - 57	AR98865	4H9	7	80 - 25	AT35121	4B8	5	70 - 3
AR95827	3B15	11	50 - 7	AR98866	4H9	6	80 - 25	AT35121	4B18	17	70 - 13
AR95972	3D6	6	50 - 47	AR99100	4E25	29	70 - 91	AT35121	4C21	4	70 - 41C
AR95972	3D7	4	50 - 48	AR99100	4F2	29	70 - 93	AT35125	3E2	..	50 - 65
AR95972	3D7	6	50 - 48	AR99193	3F12	31	50 - 99	AT35125	3E4	..	50 - 67
AR96051	3G24	28	60 - 6	AR99193	3F13	13	50 - 101	AT35125	3E6	..	50 - 69
AR96189	1C15	6	20 - 30	AR99266	3B14	6	50 - 6	AT36652	1F11	2	30 - 24
AR96189	1C16	5	20 - 31	AR99331	3G19	11	60 - 2	AT36921	3G6	10	50 - 119
AR96190	1B23	1	20 - 17	AR99334	3G19	5	60 - 2	AT39043	2E18	9	40 - 77
AR96190	1B25	12	20 - 19	AR99335	3G19	16	60 - 2	AT39043	2E19	9	40 - 77B
AR96190	1D2	17	20 - 39	AR99341	1B25	12	20 - 19	AT39623	1F3	11	30 - 16
AR96190	1D4	11	20 - 39B	AR99341	1D2	17	20 - 39	AT39623	2B8	23	40 - 3
AR96198	1C2	25	20 - 21	AR99341	1D4	11	20 - 39B	AT40955	2B8	18	40 - 3
AR96201	1E2	51	20 - 61	AR99647	3H18	5	60 - 26	AT40955	2D4	7	40 - 41
AR96323	4C23	29	70 - 43	AR99839	4C6	1	70 - 29	AT43767	3D9	1	50 - 50
AR96408	4C8	7	70 - 31	AR99839	4C8	..	70 - 31	AT43767	3D11	1	50 - 52
AR96408	4C16	4	70 - 39	AT101691	2B10	23	40 - 5	AT44165	2G1	23	40 - 104
AR96480	1C22	..	20 - 36A	AT101691	2E5	6	40 - 64	AT45396	1F3	11	30 - 16
AR96608	2F3	26	40 - 86	AT107509	1B9	18B	20 - 5	AT47130	3I5	9	60 - 37
AR96608	2F4	8	40 - 87	AT13740	1B19	1	20 - 13	AT48506	3B20	2	50 - 12
AR96613	4C8	25	70 - 31	AT13740	1C2	2	20 - 21	AT48506	4B18	18	70 - 13
AR96613	4C16	19	70 - 39	AT13740	1C4	2	20 - 21B	AT48673	2G1	26	40 - 104
AR96625	4C18	6	70 - 41	AT13740	1D10	18	20 - 42A	AT54529	3H11	19	60 - 19
AR97024	3C5	6	50 - 23	AT13740	1D17	14	20 - 49	AT55441	2D15	12	40 - 50
AR97514	1F3	11	30 - 16	AT13740	1D24	21	20 - 57	AT55441	2D16	25	40 - 51
AR97613	1C11	11	20 - 26	AT141924	5E8	6	90 - 80	AT57288	1F3	11	30 - 16
AR97613	1C11	13	20 - 26	AT14620	3G4	22	50 - 117	AT59126	3D8	1	50 - 49
AR97613	1C11	15	20 - 26	AT166083	3H6	43	60 - 13	AT59126	3D10	1	50 - 51
AR97622	4B12	11A	70 - 7	AT166083	3H7	6	60 - 15	AT59480	3D9	5	50 - 50
AR97622	4B12	11B	70 - 7	AT166227	3H7	5	60 - 15	AT59480	3D11	5	50 - 52
AR97622	4B16	12	70 - 11	AT18904	4B12	28	70 - 7	AT61453	3H11	19	60 - 19
AR97623	4B16	5	70 - 11	AT22070	5E5	3	90 - 77	AT62019	5E8	4	90 - 80
AR97624	4B16	15	70 - 11	AT22070	5E5	5	90 - 77	AT62180	3D7	5	50 - 48
AR97625	4B16	11	70 - 11	AT22071	5E5	3	90 - 77	AT66481	2F19	16	40 - 99D
AR98056	3I15	11	60 - 47	AT22073	5E5	1	90 - 77	AT66632	4G7	1	70 - 124
AR98057	3I15	7	60 - 47	AT23096	3D8	1	50 - 49	AT66632	5B9	..	90 - 5
AR98058	3I15	8	60 - 47	AT23096	3D10	1	50 - 51	AT66865	2B8	..	40 - 3
AR98060	3I9	16	60 - 41	AT23188	2B22	23	40 - 17	AT68973	2B8	18	40 - 3
AR98060	3I15	1	60 - 47	AT23188	2B24	13	40 - 19	AT68973	2D4	7	40 - 41
AR98061	3I9	12	60 - 41	AT25038	1D11	11	20 - 43	AT73741	3H6	45	60 - 13
AR98098	3F5	6	50 - 92	AT25226	4G12	..	80 - 3	AT74268	3D8	1	50 - 49
AR98201	4G5	2	70 - 122	AT25226	4G14	..	80 - 5	AT74268	3D10	1	50 - 51

# 1K8

8430 TRACTOR

## NUMERICAL INDEX - CONTINUED

PART NO.	GRID	KEY	PAGE	PART NO.	GRID	KEY	PAGE	PART NO.	GRID	KEY	PAGE
AT75387	5E8	4	90 - 80	A4275R	4B20	7	70 - 15	A4883R	4G14	5	80 - 5
AT81764	5E8	6	90 - 80	A4365R	1B19	29	20 - 13	A4883R	4G15	5	80 - 6
AT85153	2B10	28	40 - 5	A4365R	1C2	28	20 - 21	A5067R	3D16	6	50 - 57
AT85153	3E9	30	50 - 72	A4365R	1C4	29	20 - 21B	A5067R	5C24	7	90 - 45
AU42023	2F13	35	40 - 97	A4365R	2C17	19	40 - 33	A5203R	1D22	5	20 - 55
AU43487	1F17	1	30 - 31	A4365R	4C10	3	70 - 33	A5301R	4F22	35	70 - 113
AU43853	2F13	20	40 - 97	A4365R	4C14	3	70 - 37	A5302R	4F22	38	70 - 113
AU43854	2F13	15	40 - 97	A4365R	4C18	3	70 - 41	A5304R	4F22	28	70 - 113
AU43855	2F13	22	40 - 97	A4365R	4C23	2	70 - 43	A5364R	3D14	13	50 - 55
AU43857	2F13	18	40 - 97	A4365R	4D4	7	70 - 48A	A5596R	3D1	5	50 - 43
AU43857	2F15	21	40 - 99	A4379R	4G12	16	80 - 3	A5596R	3D5	15	50 - 46
AU43857	2F17	21	40 - 99B	A4379R	4G13	1	80 - 4	A5598R	3B7	9	50 - 1
AU43857	2F19	24	40 - 99D	A4380R	4G12	9	80 - 3	A5598R	4D2	9	70 - 47
AU43954	2F13	17	40 - 97	A4380R	4G13	5	80 - 4	A5659R	5C24	34	90 - 45
AU43954	2F15	20	40 - 99	A4388R	4G12	3	80 - 3	A5748R	4G4	6	70 - 121
AU43954	2F17	20	40 - 99B	A4388R	4G13	12	80 - 4	A602R	4D25	5	70 - 69
AU43954	2F19	23	40 - 99D	A4540A	3D1	3	50 - 43	A602R	4D25	7	70 - 69
AU70818	5B11	5	90 - 7	A4540R	3D1	4	50 - 43	A602R	4E2	13	70 - 69B
A1197R	3H22	23	60 - 29	A4609R	3C17	12	50 - 34	A776R	3B23	5	50 - 15
A127R	4D18	2	70 - 62	A4624R	3D21	4	50 - 59	A776R	3D14	1	50 - 55
A127R	4D18	4	70 - 62	A4624R	3H24	14	60 - 31	A776R	3D18	10	50 - 58A
A147R	3G22	18	60 - 5	A4624R	4B20	6	70 - 15	A776R	3D20	10	50 - 58C
A147R	4E9	5	70 - 76	A4653R	2D8	36	40 - 45	A776R	4E8	7	70 - 75
A15898	4F4	1	70 - 95	A4653R	2D10	19	40 - 45B	B1085R	5B15	17	90 - 11
A15898	4G4	13	70 - 121	A4653R	2D14	30	40 - 49	B15646	5B9	5	90 - 5
A15899	4F4	2	70 - 95	A4655R	2D8	37	40 - 45	B15646	5B11	31	90 - 7
A15899	4G4	11	70 - 121	A4655R	2D10	18	40 - 45B	B161R	4H6	6	80 - 21
A174R	3G24	6	60 - 6	A4655R	2D14	31	40 - 49	B1664R	1G21	19	30 - 62
A2899R	2D6	18	40 - 43	A4655R	2E8	4	40 - 67	B1664R	1G24	38	30 - 65
A2899R	2D8	6	40 - 45	A4655R	5B15	13	90 - 11	B1664R	1G25	13	30 - 66
A2899R	2D12	6	40 - 47	A4655R	5B21	14	90 - 18	B1664R	2F9	15	40 - 93
A2899R	2D14	6	40 - 49	A4681R	3C16	18	50 - 33B	B1664R	2F11	4	40 - 95
A2899R	2D17	6	40 - 52	A4723R	4F22	5	70 - 113	B1664R	4D7	26	70 - 51
A29174	4H7	7	80 - 22	A4723R	4F24	6	70 - 115	B1664R	5C11	11	90 - 32
A3376R	5C3	6	90 - 26	A4723R	4F25	9	70 - 116	B1664R	5E9	5	90 - 81
A3411R	2B10	1	40 - 5	A4723R	4G1	6	70 - 117	B169R	3G22	32	60 - 5
A3411R	2D8	13	40 - 45	A4728R	3H18	12	60 - 26	B2762R	3B11	35	50 - 3
A3411R	2D10	5	40 - 45B	A4728R	3H19	7	60 - 26A	B2762R	3B20	5	50 - 12
A3411R	2D12	12	40 - 47	A4728R	3I2	25	60 - 33	B2762R	4B15	11	70 - 10
A3411R	2D14	13	40 - 49	A4728R	3I15	37	60 - 47	B2762R	4B21	9	70 - 16
A3411R	2D17	10	40 - 52	A4730R	3D22	20	50 - 60	B2762R	4F12	4	70 - 103
A3411R	2E15	6	40 - 74	A4730R	4E25	27	70 - 91	B2762R	4F14	4	70 - 105
A3411R	2G8	3	40 - 112	A4730R	4F10	9	70 - 101	B2762R	4F18	3	70 - 109
A354R	3B14	27	50 - 6	A4736R	4F22	9	70 - 113	B2983R	3B16	3	50 - 8
A3581R	4F19	2	70 - 110	A4737R	4F22	11	70 - 113	B3118R	3B15	10	50 - 7
A3581R	4F22	40	70 - 113	A4739R	4F22	8	70 - 113	B3285R	1B17	10	20 - 11
A3581R	4F24	2	70 - 115	A4741R	5C1	5	90 - 24	B3285R	5E4	13	90 - 76
A3606R	3F2	9	50 - 89	A4744R	5C4	13	90 - 27	B3362R	1B17	9	20 - 11
A3606R	3H15	10	60 - 23	A4745R	4F22	21	70 - 113	B3627R	4G10	5	80 - 1
A3606R	3H16	4	60 - 24	A4745R	4F25	4	70 - 116	B3627R	4G21	2	80 - 11B
A3606R	3H21	1	60 - 28	A4746R	4F22	22	70 - 113	B3627R	4G22	2	80 - 12
A3606R	3H22	13	60 - 29	A4747R	4F22	20	70 - 113	B3627R	4G22	13	80 - 12
A3606R	4B25	13	70 - 21	A4748R	4F22	19	70 - 113	B3686R	4D4	4	70 - 48A
A369R	4E8	37B	70 - 75	A4808R	3B7	7	50 - 1	B3690R	3F7	11	50 - 94
A369R	4E14	6	70 - 80A	A4808R	3B19	5	50 - 11	B3690R	3F12	19	50 - 99
A369R	5C4	5	90 - 27	A4808R	3C21	2	50 - 38	B3690R	3F17	8	50 - 105
A3917R	2C17	21	40 - 33	A4808R	3F2	14	50 - 89	B3690R	3F23	14	50 - 111
A3917R	3D22	9	50 - 60	A4808R	4C1	1	70 - 22	B3690R	3G22	40	60 - 5
A3917R	3D22	15	50 - 60	A4808R	4C2	18	70 - 23	B474R	3B14	25	50 - 6
A3917R	3F2	11	50 - 89	A4827R	1C10	10	20 - 25	B634R	4G12	3	80 - 3
A3917R	4C10	33	70 - 33	A4827R	3E9	24	50 - 72	CH11527	4H9	3	80 - 25
A3917R	4D2	5	70 - 47	A4827R	3E14	16	50 - 77	C1067R	3E16	10	50 - 79
A3917R	4F12	14	70 - 103	A4827R	3F10	15	50 - 97	C1067R	3E18	11	50 - 81
A3917R	4F18	7	70 - 109	A48331	2D16	3	40 - 51	C1220R	3B7	4	50 - 1
A39716	2D15	1	40 - 50	A48332	2D16	23	40 - 51	C14757	4C1	4	70 - 22
A39716	2D16	1	40 - 51	A4847R	4C10	32	70 - 33	C284R	3B16	5A	50 - 8
A4064R	4G12	4	80 - 3	A4883R	4G12	10	80 - 3	C284R	3B16	12	50 - 8

# 1K9

8430 TRACTOR

## NUMERICAL INDEX - CONTINUED

PART NO.	GRID	KEY	PAGE	PART NO.	GRID	KEY	PAGE	PART NO.	GRID	KEY	PAGE
C284R	3B16	24	50 - 8	F1870R	3C14	7	50 - 33	F3171R	4D7	8	70 - 51
C284R	3B16	26	50 - 8	F2084R	2B10	34	40 - 5	F3171R	4D23	5	70 - 67
C284R	3B17	7A	50 - 9	F2206R	4E8	31	70 - 75	F3171R	4E17	12	70 - 83
C284R	3B17	12	50 - 9	F2208R	4E8	9	70 - 75	F3173R	4D5	13	70 - 49
C667R	3F10	27	50 - 97	F2208R	4E8	28	70 - 75	F3220R	3B15	1	50 - 7
C667R	3F17	35	50 - 105	F2222R	3B9	5	50 - 1B	F3221R	4B12	15	70 - 7
C667R	3F23	32	50 - 111	F2367R	3H11	18	60 - 19	F3353R	3G4	22	50 - 117
C744DN	4C4	1	70 - 26	F2380R	3G8	28	50 - 120A	F3396R	4E4	4	70 - 71
DD12056	2D19	2	40 - 54	F2380R	3G10	26	50 - 121	F3646R	1B19	8	20 - 13
D1761R	3H18	3	60 - 26	F2380R	3G11	9	50 - 123	F3646R	1C2	5	20 - 21
D1761R	3H18	7	60 - 26	F2380R	3G12	9	50 - 124	F3646R	1D10	20	20 - 42A
D1994R	3E21	15	50 - 84	F2380R	3G13	6	50 - 125	F561R	3C16	6	50 - 33B
D1994R	3E22	19	50 - 85	F2380R	3G14	6	50 - 126	F564R	3D1	7	50 - 43
D2361R	4E25	4	70 - 91	F2411R	1D17	11	20 - 49	H104855	2G15	9	40 - 119
D2361R	4E25	18	70 - 91	F267R	3C11	8	50 - 30	H113196	4F20	6	70 - 111
D2361R	4F2	4	70 - 93	F2741R	2E2	16	40 - 61	H21957	3B16	25	50 - 8
D2361R	4F2	18	70 - 93	F2741R	3B14	1	50 - 6	H441R	3D5	9	50 - 46
D2361R	4F3	4	70 - 94	F2741R	3C4	1	50 - 21	H75541	3I5	16	60 - 37
D2361R	4F3	16	70 - 94	F2741R	3C5	3	50 - 23	H77698	5B23	31	90 - 21
D2491R	2E20	2	40 - 78	F2741R	3F4	7	50 - 91	H819R	3F3	5	50 - 90
D2491R	2E21	2	40 - 79	F2741R	3F5	4	50 - 92	H819R	4B18	6	70 - 13
D2491R	2F3	9	40 - 86	F2741R	4B18	3	70 - 13	H83966	1F7	1	30 - 20
D2865R	5C18	15	90 - 39	F2741R	4B18	4	70 - 13	H84374	4G14	11	80 - 5
D2913R	4F24	25	70 - 115	F2741R	4D4	29	70 - 48A	H84374	4G14	12	80 - 5
D2913R	4G1	15	70 - 117	F2741R	4D11	20	70 - 54	H84374	4G15	11	80 - 6
E12379	3F7	2	50 - 94	F2741R	4D12	21	70 - 55	H851R	3D18	25	50 - 58A
E12379	3F23	2	50 - 111	F2741R	4E15	18	70 - 81	H851R	3D20	31	50 - 58C
E12379	3H14	2	60 - 22	F2741R	4F15	10	70 - 106	H851R	3I5	43	60 - 37
E1343FN	1C13	1	20 - 28	F2741R	4F16	10	70 - 107	H851R	4D11	16	70 - 54
E1343FN	1C14	1	20 - 29	F2741R	4F18	15	70 - 109	H851R	4D12	17	70 - 55
E1343FN	3E7	14	50 - 70	F2741R	4G2	3	70 - 118	H871R	3C2	20	50 - 19
E1343FN	3E7	15	50 - 70	F2741R	5B11	19	90 - 7	H871R	3C7	8	50 - 25
E16050	2G1	16	40 - 104	F2741R	5D4	12	90 - 49B	H871R	3E4	20	50 - 67
E17421	3E9	6	50 - 72	F2846R	4B14	22	70 - 9	H871R	3E6	17	50 - 69
E17421	3E10	6	50 - 73	F2847R	4B14	21	70 - 9	H871R	3G25	23	60 - 7
E17421	3E14	9	50 - 77	F2863R	4D17	20	70 - 61	H871R	4F4	10	70 - 95
E50102	4C4	1	70 - 26	F2863R	4E20	13	70 - 87	H871R	4F6	11	70 - 97
E50102	5C6	8	90 - 29	F2863R	4E20	21	70 - 87	H97644	5B11	23	90 - 7
E50102	5C6	31	90 - 29	F2863R	4E22	15	70 - 89	H987R	2B11	1	40 - 6
E55662	1D10	33	20 - 42A	F2863R	5C6	16	90 - 29	H987R	2G1	19	40 - 104
E55662	1D10	34	20 - 42A	F2935R	2D6	30	40 - 43	JD10003	3G8	6	50 - 120A
E55662	1E20	1	30 - 9	F304R	4E12	24	70 - 79	JD10003	3G10	6	50 - 121
E55662	1F18	25	30 - 32	F304R	4E14	37	70 - 80A	JD10003	3G10	16	50 - 121
E55662	1F25	32	30 - 39	F3171R	1C10	12	20 - 25	JD10003	3G12	13	50 - 124
E55662	2C9	3	40 - 28	F3171R	3B11	22	50 - 3	JD10003	3G14	11	50 - 126
E60452	3I9	53	60 - 41	F3171R	3B20	1	50 - 12	JD10005	3D23	1	50 - 61
F1056R	3D1	16	50 - 43	F3171R	3D18	3	50 - 58A	JD10005	3D25	2	50 - 63
F1334R	3D14	21	50 - 55	F3171R	3D20	28	50 - 58C	JD10005	3E8	2	50 - 71
F1334R	3D15	5	50 - 56	F3171R	3G8	26	50 - 120A	JD10005	3E8	3	50 - 71
F1334R	3D15	10	50 - 56	F3171R	3G10	24	50 - 121	JD10159	3B14	34	50 - 6
F1373R	3C2	10	50 - 19	F3171R	3G24	2	60 - 6	JD10160	3B14	33	50 - 6
F1373R	3C7	27	50 - 25	F3171R	3G25	1	60 - 7	JD10377	3F12	27	50 - 99
F1427R	4F22	4	70 - 113	F3171R	3H6	19	60 - 13	JD10377	3F17	60	50 - 105
F1427R	4F24	7	70 - 115	F3171R	4B12	13	70 - 7	JD10377	3F25	65	50 - 113
F1427R	4F25	10	70 - 116	F3171R	4B14	11	70 - 9	JD126	2D15	6	40 - 50
F1427R	4G1	7	70 - 117	F3171R	4B15	10	70 - 10	JD126	2D16	10	40 - 51
F1430R	4F22	16	70 - 113	F3171R	4B15	13	70 - 10	JD126	2G1	10	40 - 104
F1430R	4F24	9	70 - 115	F3171R	4B16	2	70 - 11	JD3224	4G14	9	80 - 5
F1430R	4F25	12	70 - 116	F3171R	4B18	19	70 - 13	JD3225	4G14	9	80 - 5
F1430R	4G1	5	70 - 117	F3171R	4B21	11	70 - 16	JD3226	4G14	9	80 - 5
F1430R	5B16	3	90 - 13	F3171R	4C8	19	70 - 31	JD3231	4G14	9	80 - 5
F1430R	5B18	7	90 - 15	F3171R	4C10	20	70 - 33	JD5272	5E5	2	90 - 77
F1737R	4D21	3	70 - 65	F3171R	4C12	6	70 - 35	JD5277	4H12	5	80 - 29
F1743R	1B9	18A	20 - 5	F3171R	4C16	13	70 - 39	JD5277	4H18	4	80 - 35
F1743R	1B19	13	20 - 13	F3171R	4C18	35	70 - 41	JD5400	5E9	2	90 - 81
F1743R	1C2	10	20 - 21	F3171R	4C20	8	70 - 41B	JD5604	4H18	4	80 - 35
F1743R	1C4	10	20 - 21B	F3171R	4C24	14	70 - 45	JD5607	4H12	5	80 - 29

# 1K10

8430 TRACTOR

## NUMERICAL INDEX - CONTINUED

PART NO.	GRID	KEY	PAGE	PART NO.	GRID	KEY	PAGE	PART NO.	GRID	KEY	PAGE
JD5623	4H12	5	80 - 29	JD8140	3C14	16	50 - 33	JD8280	3F12	28	50 - 99
JD7123	3C17	11	50 - 34	JD8140	3C16	11	50 - 33B	JD8280	3F17	61	50 - 105
JD7220	3C13	14	50 - 32	JD8158	3D3	7	50 - 44A	JD8280	3F25	66	50 - 113
JD7220	3C16	16	50 - 33B	JD8159	3F13	5	50 - 101	JD8283	3C24	1	50 - 41
JD7242	3D23	11	50 - 61	JD8159	3F14	15	50 - 102	JD8288	3D23	4	50 - 61
JD7242	3D25	29	50 - 63	JD8159	3F15	13	50 - 103	JD8288	3D25	5	50 - 63
JD7242	3E7	19	50 - 70	JD8159	3F17	22	50 - 105	JD8288	3E8	9	50 - 71
JD7270	3C13	15	50 - 32	JD8159	3F19	3	50 - 107	JD8290	3C14	9	50 - 33
JD7292	3D4	8	50 - 45	JD8159	3F25	68	50 - 113	JD8298	3F21	15	50 - 109
JD7292	3D23	12	50 - 61	JD8182	3C23	7	50 - 40	JD8298	3F21	20	50 - 109
JD7292	3D25	28	50 - 63	JD8182	3C24	4	50 - 41	JD8298	3G1	12	50 - 114
JD7292	3E7	20	50 - 70	JD8182	3C25	2	50 - 42	JD8298	3G1	..	50 - 114
JD7378	3D4	7	50 - 45	JD8191	3C14	8	50 - 33	JD8298	3G2	21	50 - 115
JD7383	3E8	3	50 - 71	JD8191	3G8	16	50 - 120A	JD8298	3G2	..	50 - 115
JD7392	3C13	9	50 - 32	JD8191	3G11	7	50 - 123	JD8509	4B25	18	70 - 21
JD7416	3C13	8	50 - 32	JD8191	3G12	7	50 - 124	JD8520	3C11	7	50 - 30
JD7416	3D5	4	50 - 46	JD8192	4C8	27	70 - 31	JD8806	3E9	13	50 - 72
JD7417	3D3	8	50 - 44A	JD8192	4C16	21	70 - 39	JD8806	3E14	20	50 - 77
JD7442	3C16	7	50 - 33B	JD8206	3C14	4	50 - 33	JD8806	3E21	8	50 - 84
JD7444	3C14	13	50 - 33	JD8210	3F13	4	50 - 101	JD8806	3E22	9	50 - 85
JD7444	3C14	17	50 - 33	JD8210	3F14	14	50 - 102	JD8875	3G22	5	60 - 5
JD7444	3C16	10	50 - 33B	JD8210	3F15	12	50 - 103	JD8901	3C23	10	50 - 40
JD7446	3D4	4	50 - 45	JD8210	3F17	21	50 - 105	JD8939	3D5	5	50 - 46
JD7759	3D6	4	50 - 47	JD8210	3F19	2	50 - 107	JD8941	3F17	9	50 - 105
JD7759	3D7	4	50 - 48	JD8210	3F25	69	50 - 113	JD8941	3F23	15	50 - 111
JD7759	3D8	3	50 - 49	JD8214	3G1	3	50 - 114	JD8954	3F13	18	50 - 101
JD7759	3D9	4	50 - 50	JD8214	3G2	3	50 - 115	JD8962	3F21	15	50 - 109
JD7759	3D10	3	50 - 51	JD8214	3G8	15	50 - 120A	JD8962	3F21	19	50 - 109
JD7759	3D11	4	50 - 52	JD8214	3G11	6	50 - 123	JD8962	3G1	12	50 - 114
JD7759	3E14	26	50 - 77	JD8214	3G12	6	50 - 124	JD8962	3G1	..	50 - 114
JD7759	3E16	11	50 - 79	JD8223	3C23	6	50 - 40	JD8962	3G2	21	50 - 115
JD7759	3E18	12	50 - 81	JD8223	3C24	5	50 - 41	JD8962	3G2	..	50 - 115
JD7759	3E22	3	50 - 85	JD8223	3C25	1	50 - 42	JD8962	3G8	6	50 - 120A
JD7759	4D25	16	70 - 69	JD8223	4C8	26	70 - 31	JD8962	3G10	6	50 - 121
JD7759	4E4	16	70 - 71	JD8223	4C16	20	70 - 39	JD8962	3G10	16	50 - 121
JD7759	4E14	4	70 - 80A	JD8232	3D23	6	50 - 61	JD8962	3G11	13	50 - 123
JD7760	3D14	21	50 - 55	JD8232	3D25	9	50 - 63	JD8962	3G13	11	50 - 125
JD7760	3D15	5	50 - 56	JD8232	3E2	2	50 - 65	JD8965	3D3	16	50 - 44A
JD7760	3D15	6	50 - 56	JD8232	3E4	2	50 - 67	JD8992	3C14	5	50 - 33
JD7760	3E21	1	50 - 84	JD8232	3E6	2	50 - 69	JD9004	3F12	27	50 - 99
JD7781	3D15	6	50 - 56	JD8232	3E10	4	50 - 73	JD9004	3F17	60	50 - 105
JD7781	3G8	9	50 - 120A	JD8236	3C23	11	50 - 40	JD9004	3F25	65	50 - 113
JD7781	3G10	9	50 - 121	JD8246	3D5	8	50 - 46	JD9006	3C24	2	50 - 41
JD7781	3G16	3	50 - 129	JD8248	3G8	7	50 - 120A	JD9015	3D23	3	50 - 61
JD7781	3H14	12	60 - 22	JD8248	3G10	7	50 - 121	JD9015	3D25	4	50 - 63
JD7781	3H17	20	60 - 25	JD8248	3G10	15	50 - 121	JD9015	3E8	8	50 - 71
JD7782	3D6	3	50 - 47	JD8248	3G11	4	50 - 123	JD9019	3F21	1	50 - 109
JD7782	3D7	3	50 - 48	JD8248	3G12	4	50 - 124	JD9019	3G1	4	50 - 114
JD7797	3D7	4	50 - 48	JD8248	3G13	4	50 - 125	JD9019	3G2	4	50 - 115
JD7797	3D8	2	50 - 49	JD8248	3G14	4	50 - 126	JD9055	3F13	18	50 - 101
JD7797	3D9	3	50 - 50	JD8255	3D3	3	50 - 44A	JD9055	3F14	9	50 - 102
JD7797	3D10	2	50 - 51	JD8255	3D3	12	50 - 44A	JD9055	3F15	9	50 - 103
JD7797	3D11	3	50 - 52	JD8255	3D3	17	50 - 44A	JD9055	3F17	49	50 - 105
JD7797	3F7	1	50 - 94	JD8255	3D23	9	50 - 61	JD9055	3F19	18	50 - 107
JD7797	3F23	1	50 - 111	JD8255	3D25	12	50 - 63	JD9055	3F25	43	50 - 113
JD7797	3H14	1	60 - 22	JD8255	3E2	24	50 - 65	JD9066	3D25	17	50 - 63
JD7798	4D25	15	70 - 69	JD8255	3E4	24	50 - 67	JD9066	3E7	2	50 - 70
JD7798	4E2	7	70 - 69B	JD8255	3E6	24	50 - 69	JD9068	3D3	4	50 - 44A
JD7798	4E4	16	70 - 71	JD8255	3E10	3	50 - 73	JD9068	3D3	11	50 - 44A
JD7805	4D25	16	70 - 69	JD8255	3F12	22	50 - 99	JD9068	3D23	8	50 - 61
JD8113	3D23	2	50 - 61	JD8255	3F17	12	50 - 105	JD9068	3D25	11	50 - 63
JD8113	3D25	3	50 - 63	JD8255	3F23	18	50 - 111	JD9068	3E2	23	50 - 65
JD8113	3E8	2	50 - 71	JD8259	3F13	19	50 - 101	JD9068	3E4	23	50 - 67
JD8113	3E8	3	50 - 71	JD8262	3E8	2	50 - 71	JD9068	3E6	23	50 - 69
JD8123	3C16	13	50 - 33B	JD8280	3D23	14	50 - 61	JD9068	3F12	20	50 - 99
JD8130	3D4	5	50 - 45	JD8280	3D25	18	50 - 63	JD9068	3F17	9	50 - 105
JD8140	3C14	14	50 - 33	JD8280	3E7	3	50 - 70	JD9068	3F23	15	50 - 111



# 1K11

8430 TRACTOR

## NUMERICAL INDEX - CONTINUED

PART NO.	GRID	KEY	PAGE	PART NO.	GRID	KEY	PAGE	PART NO.	GRID	KEY	PAGE
JD9087	3D5	7	50-46	L40412	5D10	10	90-55	PT9318	2D16	7	40-51
JD9089	3D23	7	50-61	L40414	5D10	4	90-55	PT9319	2D15	4	40-50
JD9089	3D25	10	50-63	L40919	4H10	3	80-27	PT9319	2D16	5	40-51
JD9089	3E2	3	50-65	L41919	4H10	3	80-27	PT9320	2D16	17	40-51
JD9089	3E4	3	50-67	L55211	5D12	27	90-57	PT9321	2D16	25	40-51
JD9089	3E6	3	50-69	L56488	2D21	2	40-56	PT9390	2D16	6	40-51
JD9118	3F13	14	50-101	L61115	2F21	..	40-101	P45231	3H11	16	60-19
JD9118	3F13	19	50-101	L65000	2E12	10	40-71	P45231	3H13	12	60-21
JD9118	3F14	10	50-102	L83677	2G9	2	40-113	P46051	1F15	4	30-29
JD9118	3F15	10	50-103	M115827	4E4	10	70-71	P46051	4F12	27	70-103
JD9118	3F17	50	50-105	M115827	4E8	3	70-75	P46051	4F14	25	70-105
JD9118	3F25	44	50-113	M115827	4E12	7	70-79	P46051	4F14	26	70-105
JD9257	1D12	20	20-44	M2396T	1G24	28	30-65	P46051	4F18	11	70-109
JD9279	3D5	10	50-46	M2396T	3E20	41	50-83	P46129	3C11	6	50-30
JD9449	2B22	23	40-17	M2396T	3E24	4	50-87	P46129	3D3	19	50-44A
JD9449	2B24	13	40-19	M2396T	3H22	26	60-29	P46129	3D14	11	50-55
JD9449	2C2	22	40-21	M2396T	4D14	8	70-57	P46402	1E14	2	30-2
JD9449	2C6	8	40-25	M2396T	4D18	17	70-62	P46402	3G22	2	60-5
JD9886	3C7	12	50-25	M2396T	4E24	6	70-90A	P46402	3G22	9	60-5
JD9916	3B14	16	50-6	M2396T	4E25	24	70-91	P46402	3G22	32	60-5
JD9918	3B14	17	50-6	M2396T	4F2	25	70-93	P46404	3E20	45	50-83
JD9918	3C7	15	50-25	M3636T	2C9	1	40-28	P47908	4B12	4	70-7
JD9920	3C7	14	50-25	M3636T	2C12	6	40-29	P47908	4C14	22	70-37
JD9931	3G22	4	60-5	M3742T	1G25	14	30-66	P47908	4C23	26	70-43
JD9931	3G22	12	60-5	M4T	3C1	4	50-18	P50883	5B9	20	90-5
JD9942	3C2	16	50-19	M40333	5E3	9	90-75	P50883	5B11	27	90-7
JD9942	3C7	2	50-25	M40461	4H9	3	80-25	P51212	3I11	19	60-43
JD9946	4D22	3	70-66	M40514	4B25	20	70-21	P51212	4F6	12	70-97
JD9947	4D22	3	70-66	M42229	5D8	7	90-53	P51212	4F8	5	70-99
JD9976	3C7	11	50-25	M43835	2G15	2	40-119	P51212	5B9	14	90-5
J10537	3C23	5	50-40	M6T	3C1	4	50-18	P51212	5B11	9	90-7
J10537	3C24	6	50-41	M63440	4C4	1	70-26	RE10090	1B21	1	20-15
J10537	3C25	4	50-42	M63440	5C6	8	90-29	RE10090	1C6	1	20-23
J10538	3C23	5	50-40	M63440	5C6	31	90-29	RE10090	1C8	1	20-23B
J10538	3C24	6	50-41	M72490	1C23	3	20-36B	RE10090	1C17	3	20-32
J10538	3C25	4	50-42	M72490	1C23	7	20-36B	RE10090	3B14	28	50-6
J10539	3C23	5	50-40	M72490	1D2	13	20-39	RE10090	3B15	16	50-7
J10539	3C24	6	50-41	M72490	1D4	14	20-39B	RE10096	4D2	4	70-47
J10539	3C25	4	50-42	M72490	1F18	25	30-32	RE10132	1B9	15	20-5
J6382H	3C23	5	50-40	M72490	1F25	32	30-39	RE10133	5B19	7	90-16
J6382H	3C24	6	50-41	M84497	1F7	3	30-20	RE10134	5B18	5	90-15
J6382H	3C25	4	50-42	M84497	1F10	18	30-23	RE10134	5B19	3	90-16
K40003	5C1	8	90-24	M886T	3E9	27	50-72	RE10349	3C16	32	50-33B
K40003	5C1	16	90-24	M886T	3E14	13	50-77	RE10580	1G7	7	30-46
K40003	5C1	19	90-24	M886T	3G24	6	60-6	RE10582	1G7	13	30-46
K40003	5C2	3	90-25	M886T	4D7	31	70-51	RE10583	1G7	2	30-46
K40003	5C2	4	90-25	N112216	4B22	14	70-17	RE10712	4C10	43	70-33
K40003	5C2	7	90-25	N112216	4B24	16	70-19	RE10712	4C10	44	70-33
K40003	5C2	8	90-25	N115096	2G15	11	40-119	RE10712	4C18	39	70-41
L1836N	1D12	9	20-44	N131838	3H11	11	60-19	RE10761	2B10	23	40-5
L1836N	1D24	2	20-57	N154080	3I9	51	60-41	RE10761	2E6	7	40-65
L18893	3I5	21	60-37	N51168	3H11	10	60-19	RE10761	2E6	8	40-65
L20095	3I5	22	60-37	N51168	3H13	7	60-21	RE10761	5D5	4	90-50
L2104N	4D21	1	70-65	PMJD57	2E24	7	40-83	RE10769	3C5	6	50-23
L29015	3I2	13	60-33	PM797NA	2G20	1	40-124	RE10834	1D10	30	20-42A
L29015	3I15	39	60-47	PT1293	2D15	3	40-50	RE10901	1B11	25	20-5B
L299T	3E20	43	50-83	PT1294	2D15	7	40-50	RE10901	1B15	2	20-9
L31774	2D18	3	40-53	PT1294	2D16	7	40-51	RE10924	4F18	16	70-109
L31774	2D20	6	40-55	PT1295	2D15	13	40-50	RE10925	3D25	31	50-63
L31775	2D20	5	40-55	PT1296	2D15	10	40-50	RE10934	1F8	15	30-21
L324T	5C3	11	90-26	PT1296	2D16	14	40-51	RE10995	2F15	27	40-99
L34348	3I5	25	60-37	PT1297	2D15	12	40-50	RE10998	5B16	10	90-13
L37599	3I5	34	60-37	PT1624	2D15	4	40-50	RE10998	5B18	13	90-15
L38115	2F25	14	40-103B	PT1624	2D16	5	40-51	RE11000	5C24	2	90-45
L38132	2F25	13	40-103B	PT18180	2D15	4	40-50	RE11143	3H16	8	60-24
L38135	2F25	24	40-103B	PT18180	2D16	5	40-51	RE11156	2G17	36	40-121
L38859	5B21	11	90-18	PT9318	2D15	7	40-50	RE11157	2G17	37	40-121

# 1K12

8430 TRACTOR

## NUMERICAL INDEX - CONTINUED

PART NO.	GRID	KEY	PAGE	PART NO.	GRID	KEY	PAGE	PART NO.	GRID	KEY	PAGE
RE11158	1E13	2	30 - 1	RE12793	5B13	8	90 - 9	RE15153	5E3	7	90 - 75
RE11201	3F7	6	50 - 94	RE12848	1D22	11	20 - 55	RE15156	5E3	10	90 - 75
RE11201	3F23	6	50 - 111	RE13248	2B10	13	40 - 5	RE15361	4F3	15	70 - 94
RE11208	3G13	10	50 - 125	RE13248	2F9	18	40 - 93	RE15361	4F3	18	70 - 94
RE11208	3G14	10	50 - 126	RE13271	4C18	15	70 - 41	RE15361	4F3	20	70 - 94
RE11209	3G11	12	50 - 123	RE13280	2B10	19	40 - 5	RE15427	1D17	3	20 - 49
RE11209	3G12	12	50 - 124	RE13280	2F15	15	40 - 99	RE15428	3H6	39	60 - 13
RE11210	3F7	17	50 - 94	RE13280	2F19	16	40 - 99D	RE15428	3H9	9	60 - 17
RE11211	3F8	6	50 - 95	RE13280	2F19	18	40 - 99D	RE15429	3H6	37	60 - 13
RE11211	3F23	29	50 - 111	RE13281	2F13	12	40 - 97	RE15429	3H6	39	60 - 13
RE11344	2G8	1	40 - 112	RE13281	2F15	14	40 - 99	RE15583	1B19	33	20 - 13
RE11410	1B9	3	20 - 5	RE13281	2F17	14	40 - 99B	RE15583	1C2	32	20 - 21
RE11447	4G5	9	70 - 122	RE13281	2F19	17	40 - 99D	RE15583	1C4	33	20 - 21B
RE11456	4G5	2	70 - 122	RE13282	2F15	22	40 - 99	RE15583	2B8	24	40 - 3
RE11457	4G5	1	70 - 122	RE13282	2F19	25	40 - 99D	RE15583	2E15	3	40 - 74
RE11458	4G5	2	70 - 122	RE13283	2F15	18	40 - 99	RE15590	2C6	4	40 - 25
RE11463	4G5	2	70 - 122	RE13283	2F17	18	40 - 99B	RE16151	1F3	18	30 - 16
RE11470	1B11	29	20 - 5B	RE13283	2F19	21	40 - 99D	RE16151	1F4	3	30 - 17
RE11486	4F17	1	70 - 108	RE13284	2F15	20	40 - 99	RE16151	1F4	4	30 - 17
RE11490	4F17	1	70 - 108	RE13284	2F17	20	40 - 99B	RE16963	2B14	4	40 - 9
RE11492	4E20	19	70 - 87	RE13284	2F19	23	40 - 99D	RE16963	2B15	6	40 - 10
RE11492	4E22	21	70 - 89	RE13479	3G10	11	50 - 121	RE16963	2B16	5	40 - 11
RE11519	1G24	22	30 - 65	RE13483	3G8	18	50 - 120A	RE16967	1E23	23	30 - 12
RE11574	3B7	2	50 - 1	RE13541	5B25	2	90 - 23	RE16971	1E21	24	30 - 10
RE11574	3C13	6	50 - 32	RE13550	3H6	45	60 - 13	RE17282	2G7	10	40 - 111
RE11574	3C13	13	50 - 32	RE13611	4C10	31	70 - 33	RE17352	1C21	5	20 - 36
RE11574	3C16	38	50 - 33B	RE13657	1F17	1	30 - 31	RE17352	1C21	6	20 - 36
RE11575	5D10	17	90 - 55	RE13694	2B20	1	40 - 15	RE17515	1E14	10	30 - 2
RE11777	4C16	24	70 - 39	RE13722	2C9	6	40 - 28	RE18119	2G8	4	40 - 112
RE11777	4C23	19	70 - 43	RE13722	2C21	..	40 - 35B	RE18180	5C25	7	90 - 47
RE11810	4C16	12	70 - 39	RE13722	2C22	..	40 - 36	RE18180	5D2	..	90 - 49
RE11814	4C8	5	70 - 31	RE13722	2C23	..	40 - 37	RE18658	5D2	13	90 - 49
RE11814	4C8	9	70 - 31	RE13722	2C24	..	40 - 38	RE18943	2B10	13	40 - 5
RE11814	4C8	28	70 - 31	RE13731	2C23	1	40 - 37	RE18943	2B10	15	40 - 5
RE11814	4C8	29A	70 - 31	RE13732	2C25	15	40 - 39	RE18943	2F9	5	40 - 93
RE11814	4C8	30A	70 - 31	RE13732	2D1	10	40 - 40	RE18943	2F9	17	40 - 93
RE11814	4C8	32	70 - 31	RE13733	2C25	4	40 - 39	RE18943	2F9	18	40 - 93
RE11884	4B12	31	70 - 7	RE13733	2D1	9	40 - 40	RE18945	2B10	13	40 - 5
RE11884	4B12	32	70 - 7	RE13797	2B20	1	40 - 15	RE18945	2F9	18	40 - 93
RE11884	4B12	33	70 - 7	RE13797	2B22	..	40 - 17	RE18946	2F15	20	40 - 99
RE11891	3B14	28	50 - 6	RE13797	2B24	..	40 - 19	RE18946	2F17	20	40 - 99B
RE11956	3I2	28	60 - 33	RE13797	2C2	27	40 - 21	RE18946	2F19	23	40 - 99D
RE11971	3I9	26	60 - 41	RE13797	2C2	29	40 - 21	RE19075	2B8	33	40 - 3
RE11992	1D24	18	20 - 57	RE13798	2B22	5	40 - 17	RE19075	2B10	1	40 - 5
RE12038	4C8	28	70 - 31	RE13798	2B24	25	40 - 19	RE19075	2B10	24	40 - 5
RE12038	4C8	29A	70 - 31	RE13798	2C2	12	40 - 21	RE19075	2D6	14	40 - 43
RE12038	4C8	30A	70 - 31	RE13799	2C2	11	40 - 21	RE19075	2D6	20	40 - 43
RE12038	4C8	32	70 - 31	RE13800	2C2	18	40 - 21	RE19075	2D6	35	40 - 43
RE12038	4C8	..	70 - 31	RE13801	2B22	19	40 - 17	RE19075	2D6	36	40 - 43
RE12049	5B25	4	90 - 23	RE13801	2B24	10	40 - 19	RE19075	2D14	2	40 - 49
RE12121	4F4	22	70 - 95	RE13801	2C2	19	40 - 21	RE19075	2D14	8	40 - 49
RE12121	4F4	26	70 - 95	RE13813	4F6	14	70 - 97	RE19081	2B8	41	40 - 3
RE12121	4F6	20	70 - 97	RE13814	4F6	6	70 - 97	RE19081	2D6	34	40 - 43
RE12130	2F15	25	40 - 99	RE13815	4F8	10	70 - 99	RE19082	2B8	41	40 - 3
RE12175	1B19	33	20 - 13	RE13839	2B10	4	40 - 5	RE19082	2D6	34	40 - 43
RE12175	1C2	32	20 - 21	RE13839	2E23	15	40 - 81	RE19301	1F10	18	30 - 23
RE12175	1C4	33	20 - 21B	RE14069	2D3	5	40 - 40B	RE19377	4E12	21A	70 - 79
RE12330	4C20	..	70 - 41B	RE14229	1F19	31	30 - 33	RE19377	4E14	33A	70 - 80A
RE12332	1B19	33	20 - 13	RE14229	1G10	2	30 - 50	RE19411	1F8	15	30 - 21
RE12332	1C2	32	20 - 21	RE14229	1G10	6	30 - 50	RE19412	1F8	15	30 - 21
RE12332	1C4	33	20 - 21B	RE14229	1G10	7	30 - 50	RE19778	1E21	24	30 - 10
RE12365	3H9	8	60 - 17	RE14229	1G10	8	30 - 50	RE19778	1E22	..	30 - 11
RE12470	4C18	27	70 - 41	RE14447	3I9	29	60 - 41	RE19784	1E20	6	30 - 9
RE12772	3C2	13	50 - 19	RE14868	4C12	20	70 - 35	RE19784	1E23	23	30 - 12
RE12772	3C5	6	50 - 23	RE14953	1C21	6	20 - 36	RE19784	1E24	..	30 - 13
RE12784	4G12	1	80 - 3	RE15058	2C25	13	40 - 39	RE19989	5B25	9	90 - 23
RE12793	1H2	5	30 - 68	RE15058	2D1	15	40 - 40	RE19989	5B25	13	90 - 23

# 1K13

8430 TRACTOR

## NUMERICAL INDEX - CONTINUED

PART NO.	GRID	KEY	PAGE	PART NO.	GRID	KEY	PAGE	PART NO.	GRID	KEY	PAGE
RE19989	5B25	14	90 - 23	RE23393	3H7	6	60 - 15	RE29815	3B25	38	50 - 17
RE20010	3B7	2	50 - 1	RE23748	1F14	1	30 - 27	RE29815	3C4	21	50 - 21
RE20010	3B9	6	50 - 1B	RE23748	1F25	37	30 - 39	RE29816	3B25	34	50 - 17
RE20058	4D2	20	70 - 47	RE24359	1F12	1	30 - 25	RE29816	3C4	17	50 - 21
RE20167	1E23	23	30 - 12	RE24359	1F15	7	30 - 29	RE29832	3D4	9	50 - 45
RE20230	1E20	6	30 - 9	RE24480	3H15	4	60 - 23	RE30174	1F3	9	30 - 16
RE20300	1F10	18	30 - 23	RE24561	1F3	9	30 - 16	RE31694	2B20	1	40 - 15
RE20352	5D25	13	90 - 71	RE24647	4C20	21	70 - 41B	RE31694	2B20	9	40 - 15
RE20613	4E20	2	70 - 87	RE24706	1D10	8	20 - 42A	RE31694	2B22	..	40 - 17
RE20613	4E20	19	70 - 87	RE25125	2D6	32	40 - 43	RE31694	2B24	..	40 - 19
RE20613	4E20	21	70 - 87	RE25126	2B8	41	40 - 3	RE31694	2C2	27	40 - 21
RE20613	4E22	19	70 - 89	RE25126	2D6	34	40 - 43	RE31694	2C2	29	40 - 21
RE20613	4E22	21	70 - 89	RE25127	2B8	41	40 - 3	RE31702	3G8	3	50 - 120A
RE20630	4F17	1	70 - 108	RE25127	2D6	34	40 - 43	RE31702	3G10	3	50 - 121
RE20632	4F17	1	70 - 108	RE25160	2B10	16	40 - 5	RE31702	3G11	1	50 - 123
RE21073	2E12	17	40 - 71	RE25160	5B16	4	90 - 13	RE31702	3G12	1	50 - 124
RE21096	2E12	11	40 - 71	RE25160	5B18	8	90 - 15	RE31702	3G13	1	50 - 125
RE21112	2E14	3	40 - 73	RE25480	3C16	21	50 - 33B	RE31702	3G14	1	50 - 126
RE21113	2E14	10	40 - 73	RE25483	3C16	40	50 - 33B	RE32529	4C12	19	70 - 35
RE21188	3F17	47	50 - 105	RE25621	2G5	1	40 - 109	RE32529	4C20	20	70 - 41B
RE21188	3F19	16	50 - 107	RE26739	4E10	6	70 - 77	RE32529	4C21	13	70 - 41C
RE21188	3F25	49	50 - 113	RE26740	4E10	6	70 - 77	RE33636	1F3	9	30 - 16
RE21336	4G14	9	80 - 5	RE27099	2D10	8	40 - 45B	RE34010	1B11	30	20 - 5B
RE21385	5C12	7	90 - 33	RE27109	2B20	1	40 - 15	RE34010	1E2	23	20 - 61
RE21385	5C12	8	90 - 33	RE27109	2B20	9	40 - 15	RE35247	1F14	2	30 - 27
RE21385	5C14	5	90 - 35	RE27109	2B22	..	40 - 17	RE35992	1B7	3	20 - 3
RE21385	5C14	9	90 - 35	RE27109	2B24	..	40 - 19	RE36108	2F13	24	40 - 97
RE21510	2E12	20	40 - 71	RE27109	2C2	27	40 - 21	RE36108	2F15	26	40 - 99
RE21571	1G24	26	30 - 65	RE27109	2C2	29	40 - 21	RE36108	2F17	26	40 - 99B
RE21725	4C12	19	70 - 35	RE27159	3H7	2	60 - 15	RE36108	2F19	28	40 - 99D
RE21725	4C20	20	70 - 41B	RE27160	3H7	5	60 - 15	RE36215	2F13	35	40 - 97
RE21728	1F7	6	30 - 20	RE27161	3H7	1	60 - 15	RE36215	2F15	37	40 - 99
RE21730	2G19	5	40 - 123	RE27162	3H7	3	60 - 15	RE36215	2F17	37	40 - 99B
RE21731	2G19	5	40 - 123	RE27291	3F10	32	50 - 97	RE36215	2F19	39	40 - 99D
RE21732	2G19	6	40 - 123	RE27291	3F17	16	50 - 105	RE36542	3D18	14	50 - 58A
RE21738	2E14	15	40 - 73	RE27291	3F17	38	50 - 105	RE36542	3D20	19	50 - 58C
RE21742	2B8	36	40 - 3	RE27291	3F23	22	50 - 111	RE36542	3F2	20	50 - 89
RE21742	2B12	5	40 - 7	RE27291	3F25	41	50 - 113	RE36542	3F2	21B	50 - 89
RE21790	1F3	1	30 - 16	RE27441	5D12	28	90 - 57	RE36615	4D4	17	70 - 48A
RE21790	1F3	11	30 - 16	RE27442	5D12	28	90 - 57	RE36615	4D4	18	70 - 48A
RE22250	3G16	11	50 - 129	RE27448	5D12	28	90 - 57	RE36615	4D4	19	70 - 48A
RE22589	2E14	2	40 - 73	RE27449	5D12	28	90 - 57	RE36615	4D4	22	70 - 48A
RE22764	1C21	5	20 - 36	RE28293	1B21	1	20 - 15	RE36818	2F23	27	40 - 103
RE22764	1C21	6	20 - 36	RE28293	1C6	1	20 - 23	RE36818	2F25	26	40 - 103B
RE22863	5D15	21	90 - 61	RE28309	1B19	26	20 - 13	RE36906	2F25	24	40 - 103B
RE22931	3D23	16	50 - 61	RE28311	1C2	25	20 - 21	RE37448	1B13	3	20 - 7
RE22931	3D25	31	50 - 63	RE28438	2C6	13	40 - 25	RE37996	2D3	4	40 - 40B
RE22993	5C20	24	90 - 41	RE28790	4C8	11	70 - 31	RE37999	3C16	9	50 - 33B
RE22993	5C22	30	90 - 43	RE28790	4C14	19	70 - 37	RE38000	3B7	2	50 - 1
RE23156	1F14	1	30 - 27	RE28790	4C16	7	70 - 39	RE38000	3C11	1	50 - 30
RE23182	1B7	2	20 - 3	RE28790	4C23	23	70 - 43	RE38000	3C11	13	50 - 30
RE23204	5C12	1	90 - 33	RE28951	1F14	2	30 - 27	RE38000	3C12	7	50 - 31
RE23204	5C14	15	90 - 35	RE29018	1D13	3	20 - 45	RE38000	3C12	14	50 - 31
RE23204	5D10	2	90 - 55	RE29018	2B20	5	40 - 15	RE38000	3C13	6	50 - 32
RE23204	5D10	3	90 - 55	RE29018	2C4	9	40 - 23	RE38000	3C16	40	50 - 33B
RE23204	5D10	8	90 - 55	RE29104	4C14	25	70 - 37	RE38390	2B10	28	40 - 5
RE23204	5D10	9	90 - 55	RE29109	4C23	29	70 - 43	RE38390	2D3	6	40 - 40B
RE23205	5C12	1	90 - 33	RE29234	1B17	15	20 - 11	RE38390	3E9	30	50 - 72
RE23205	5C14	15	90 - 35	RE29234	1B23	6	20 - 17	RE38391	2B8	18	40 - 3
RE23205	5D10	2	90 - 55	RE29234	1D4	10	20 - 39B	RE38391	2D4	7	40 - 41
RE23205	5D10	3	90 - 55	RE29234	1D6	12	20 - 39D	RE38707	2E12	11	40 - 71
RE23205	5D10	8	90 - 55	RE29234	1E8	..	20 - 63D	RE38733	1F19	31	30 - 33
RE23205	5D10	9	90 - 55	RE29408	1D14	4	20 - 46	RE38733	1G10	2	30 - 50
RE23382	4C8	25	70 - 31	RE29408	1D14	7	20 - 46	RE38733	1G10	3	30 - 50
RE23382	4C16	19	70 - 39	RE29429	3G2	10	50 - 115	RE38733	1G10	4	30 - 50
RE23393	3H6	43	60 - 13	RE29728	5D10	16	90 - 55	RE38733	1G10	7	30 - 50
RE23393	3H6	48	60 - 13	RE29728	5D12	23	90 - 57	RE38906	5D2	13	90 - 49

# 1K14

8430 TRACTOR

## NUMERICAL INDEX - CONTINUED

PART NO.	GRID	KEY	PAGE	PART NO.	GRID	KEY	PAGE	PART NO.	GRID	KEY	PAGE
RE38906	5D4	13	90 - 49B	RE46328	3H18	9	60 - 26	RE57394	1D10	31	20 - 42A
RE39063	2C10	5	40 - 28A	RE46328	3H19	4	60 - 26A	RE57394	1D10	32	20 - 42A
RE39063	2C21	10	40 - 35B	RE46334	3G10	31	50 - 121	RE58851	2B10	19	40 - 5
RE39064	2C21	13	40 - 35B	RE46334	3H18	5	60 - 26	RE58851	2F13	13	40 - 97
RE39064	2C25	15	40 - 39	RE46334	3H18	6	60 - 26	RE58851	2F15	15	40 - 99
RE39064	2D1	10	40 - 40	RE46334	3H18	9	60 - 26	RE58851	2F17	15	40 - 99B
RE40111	3D6	2	50 - 47	RE46334	3H19	2	60 - 26A	RE58851	2F19	18	40 - 99D
RE40111	3D6	3	50 - 47	RE46380	1D10	24	20 - 42A	RE60284	1C14	10	20 - 29
RE40111	3D7	2	50 - 48	RE46380	1D10	31	20 - 42A	RE60284	1E4	1	20 - 63
RE40111	3D7	3	50 - 48	RE46380	1D10	32	20 - 42A	RE60285	1E4	1	20 - 63
RE40280	1F2	13	30 - 15	RE46412	2F15	27	40 - 99	RE60288	1C13	10	20 - 28
RE40463	4C12	20	70 - 35	RE46414	2E12	12	40 - 71	RE60288	1E4	1	20 - 63
RE40463	4C20	21	70 - 41B	RE47336	1B11	30	20 - 5B	RE60289	1E4	1	20 - 63
RE40463	4C21	15	70 - 41C	RE47336	1E2	23	20 - 61	RE60443	1C2	25	20 - 21
RE41173	1F12	12	30 - 25	RE47814	4D25	1	70 - 69	RE60444	1C6	1	20 - 23
RE41173	1F12	13	30 - 25	RE47814	4E2	1	70 - 69B	RE60512	4E8	43	70 - 75
RE41173	1F12	15	30 - 25	RE48048	1G6	1	30 - 45	RE60622	1B25	12	20 - 19
RE41173	1F12	16	30 - 25	RE48310	1F3	11	30 - 16	RE60622	1B25	14	20 - 19
RE41173	1F14	1	30 - 27	RE48310	2B8	23	40 - 3	RE60622	1D2	17	20 - 39
RE41173	1F14	2	30 - 27	RE48322	2B10	22	40 - 5	RE60622	1D4	11	20 - 39B
RE41173	1F14	5	30 - 27	RE48322	2F17	27	40 - 99B	RE60622	1D6	11	20 - 39D
RE41287	2D4	7	40 - 41	RE48322	2F19	29	40 - 99D	RE61099	2F19	15	40 - 99D
RE41785	2C23	17	40 - 37	RE48380	1C13	8	20 - 28	RE62234	5C6	21	90 - 29
RE41817	2F20	17	40 - 100	RE48380	1C14	8	20 - 29	RE63228	2B8	33	40 - 3
RE41817	2F21	27	40 - 101	RE48783	2B10	13	40 - 5	RE63228	2B10	1	40 - 5
RE41875	2C9	6	40 - 28	RE48783	2B10	15	40 - 5	RE63228	2D6	7	40 - 43
RE41875	2C9	..	40 - 28	RE48783	2F9	5	40 - 93	RE63228	2D6	14	40 - 43
RE41875	2C21	..	40 - 35B	RE48783	2F9	18	40 - 93	RE63228	2D6	20	40 - 43
RE41875	2C22	11	40 - 36	RE48784	2F17	25	40 - 99B	RE63228	2D6	35	40 - 43
RE41875	2C22	..	40 - 36	RE49169	5B11	34	90 - 7	RE63228	2D6	36	40 - 43
RE41875	2C23	..	40 - 37	RE50017	4C21	14	70 - 41C	RE63678	1D24	24	20 - 57
RE41875	2C24	..	40 - 38	RE50384	1E8	..	20 - 63D	RE65074	1C2	25	20 - 21
RE41875	2C25	..	40 - 39	RE50460	5C24	25A	90 - 45	RE65074	1C4	26	20 - 21B
RE41875	2D1	..	40 - 40	RE50532	4D25	15	70 - 69	RE65075	1C6	1	20 - 23
RE42410	2B8	19	40 - 3	RE50532	4E2	8	70 - 69B	RE65075	1C8	1	20 - 23B
RE42637	1B24	2	20 - 18	RE51962	4G14	9	80 - 5	RE65075	1E6	1	20 - 63B
RE42637	1C8	1	20 - 23B	RE52142	4D23	8	70 - 67	RE90353	2B10	31	40 - 5
RE42637	1D2	17	20 - 39	RE52142	4D23	17	70 - 67	RG18845	1E4	1	20 - 63
RE42637	1D6	..	20 - 39D	RE53200	1C6	1	20 - 23	RG20142	1E4	1	20 - 63
RE42671	1C15	6	20 - 30	RE53203	1C16	4	20 - 31	RG22247	1E2	25	20 - 61
RE42671	1C16	5	20 - 31	RE53203	1C16	7	20 - 31	RG22789	1E9	1	20 - 64
RE42675	1C15	3	20 - 30	RE53203	1C16	8	20 - 31	RG23047	1E8	1	20 - 63D
RE42675	1C15	6	20 - 30	RE53422	1C15	4	20 - 30	RG23426	1E9	1	20 - 64
RE42675	1C16	4	20 - 31	RE53422	1C15	6	20 - 30	RG23553	1D4	25	20 - 39B
RE42675	1C16	5	20 - 31	RE53422	1C16	5	20 - 31	RG23553	1D6	19	20 - 39D
RE42675	1C16	6	20 - 31	RE53422	1C16	8	20 - 31	RG24025	1C4	25	20 - 21B
RE43025	2E12	17	40 - 71	RE53486	1B21	1	20 - 15	RL1396N	4D23	7	70 - 67
RE44118	1B23	1	20 - 17	RE53486	1C6	1	20 - 23	RW26466	2E12	20	40 - 71
RE44118	1B24	2	20 - 18	RE53496	2B10	19	40 - 5	R100128	3F10	7	50 - 97
RE44118	1B25	12	20 - 19	RE53496	2F19	16	40 - 99D	R100302	3C21	1	50 - 38
RE44118	1D6	11	20 - 39D	RE53496	2F19	18	40 - 99D	R100380	2C21	3	40 - 35B
RE44415	3H19	2	60 - 26A	RE53510	1B23	1	20 - 17	R100569	1B23	1	20 - 17
RE44555	4D25	12	70 - 69	RE53510	1B24	2	20 - 18	R100569	1B24	1	20 - 18
RE44555	4E2	4	70 - 69B	RE53510	1D2	17	20 - 39	R100569	1B25	13	20 - 19
RE44559	4E4	11	70 - 71	RE53510	1D4	11	20 - 39B	R100569	1D2	17	20 - 39
RE44559	4E4	15A	70 - 71	RE53510	1D4	25	20 - 39B	R100569	1D6	13	20 - 39D
RE44559	4E4	15B	70 - 71	RE53510	1E8	1	20 - 63D	R100911	1E2	50	20 - 61
RE44560	4E4	14	70 - 71	RE53510	1E8	..	20 - 63D	R10093	3G25	26	60 - 7
RE44561	4E4	11	70 - 71	RE53777	4D22	15	70 - 66	R10093	4F6	5	70 - 97
RE44561	4E4	26A	70 - 71	RE56380	2B10	19	40 - 5	R10093	4F8	2	70 - 99
RE44561	4E4	26B	70 - 71	RE56380	2F17	15	40 - 99B	R10093	5B9	15	90 - 5
RE44562	4E4	25	70 - 71	RE56380	2F19	16	40 - 99D	R10093	5B11	3	90 - 7
RE44657	2G3	28	40 - 107	RE56380	2F19	18	40 - 99D	R10184	1G4	38	30 - 43
RE46317	2E12	11	40 - 71	RE56621	3G25	17	60 - 7	R10185	1G4	36	30 - 43
RE46328	3G10	31	50 - 121	RE57351	5B11	2	90 - 7	R102838	1E2	14	20 - 61
RE46328	3H18	5	60 - 26	RE57394	1D10	23	20 - 42A	R104517	2F21	10	40 - 101
RE46328	3H18	6	60 - 26	RE57394	1D10	24	20 - 42A	R104592	1B19	14	20 - 13

# 1K15

8430 TRACTOR

## NUMERICAL INDEX - CONTINUED

PART NO.	GRID	KEY	PAGE	PART NO.	GRID	KEY	PAGE	PART NO.	GRID	KEY	PAGE
R104592	1B19	15	20 - 13	R11109	2B24	12	40 - 19	R113741	3H19	3	60 - 26A
R104592	1C2	12	20 - 21	R11109	2C2	21	40 - 21	R114130	1B19	3	20 - 13
R104592	1C2	13	20 - 21	R11111R	3I13	9	60 - 45	R114130	1C2	11	20 - 21
R104592	1C4	12	20 - 21B	R11117	2C12	8	40 - 29	R114130	1C4	11	20 - 21B
R104592	1C4	13	20 - 21B	R11117	2C17	8	40 - 33	R114130	1F18	25	30 - 32
R104592	1D10	2	20 - 42A	R11118	2C12	11	40 - 29	R114130	1F25	32	30 - 39
R104592	1F2	22	30 - 15	R11120	2C17	24	40 - 33	R114130	2C9	1	40 - 28
R104592	1F15	2	30 - 29	R11121	2C17	18	40 - 33	R115050	1C21	3	20 - 36
R104621	1D10	32	20 - 42A	R11126	2C12	25	40 - 29	R115347	3H15	8	60 - 23
R104628	1B24	3	20 - 18	R11126	2C17	34	40 - 33	R115437	4D2	7	70 - 47
R104628	1B25	11	20 - 19	R11127	2C12	26	40 - 29	R116311	1C16	7	20 - 31
R104628	1D6	7	20 - 39D	R11127	2C17	33	40 - 33	R116714	2F17	22	40 - 99B
R104859	1C22	16	20 - 36A	R11128	2C12	24	40 - 29	R119275	4E8	30	70 - 75
R105346	1E2	6	20 - 61	R11128	2C17	35	40 - 33	R119276	4E8	32	70 - 75
R105346	1E20	25	30 - 9	R11129	2C12	23	40 - 29	R119364	1B23	1	20 - 17
R105488	1C15	3	20 - 30	R11129	2C17	36	40 - 33	R119597	4D23	9	70 - 67
R105488	1C16	4	20 - 31	R11133	2C17	17	40 - 33	R120103	4E8	1	70 - 75
R105581	5C2	12	90 - 25	R11138	2C17	32	40 - 33	R120106	2E12	10	40 - 71
R105583	4C8	17	70 - 31	R11146	2C19	4	40 - 35	R120107	2E12	10	40 - 71
R105583	4C16	11	70 - 39	R1115R	3I13	9	60 - 45	R120108	2E12	10	40 - 71
R105813	4D17	10	70 - 61	R11197	2C15	2	40 - 31B	R120109	3I2	28	60 - 33
R105814	1G24	6	30 - 65	R11197	2C20	2	40 - 35A	R120109	3I2	34	60 - 33
R105942	2E12	10	40 - 71	R11198	2C15	3	40 - 31B	R120109	3I9	26	60 - 41
R106408	4D25	1	70 - 69	R11201	2C12	20	40 - 29	R120110	3I2	28	60 - 33
R106408	4D25	18A	70 - 69	R11209	2C14	19	40 - 31	R120110	3I2	34	60 - 33
R106408	4D25	18B	70 - 69	R11209	2C19	18	40 - 35	R120110	3I9	26	60 - 41
R106408	4E2	9	70 - 69B	R11212	2C12	35	40 - 29	R120111	4H18	3	80 - 35
R106859	1B19	8	20 - 13	R11212	2C17	23	40 - 33	R120112	4H21	11	80 - 39
R106859	1C2	5	20 - 21	R11215	2C12	16	40 - 29	R120125	4H21	10	80 - 39
R106859	1C4	5	20 - 21B	R112169	3F21	7	50 - 109	R120752	1C15	2	20 - 30
R106859	1D10	20	20 - 42A	R112169	3G2	17	50 - 115	R120752	1C16	3	20 - 31
R106859	4B21	8	70 - 16	R11221	2C12	27	40 - 29	R120841	3C12	9	50 - 31
R106911	4E4	11	70 - 71	R11221	2C17	32	40 - 33	R120841	3C16	23	50 - 33B
R107178	3H19	2	60 - 26A	R11222	2C12	15	40 - 29	R121320	1B9	7	20 - 5
R107281	4E4	16	70 - 71	R11223	2C12	17	40 - 29	R121321	1B9	6	20 - 5
R107283	4E2	8	70 - 69B	R11233	2C14	16	40 - 31	R121322	1B9	5	20 - 5
R109489	3F21	5	50 - 109	R11250	2C19	13	40 - 35	R1225R	3D22	9	50 - 60
R109489	3G2	19	50 - 115	R11253	2C14	5	40 - 31	R1225R	3D22	10	50 - 60
R109849	3G1	9	50 - 114	R11278	2E18	1	40 - 77	R1225R	4D2	22	70 - 47
R109986	3G22	7	60 - 5	R11278	2E19	1	40 - 77B	R122618	1E20	23	30 - 9
R11000	2C14	9	40 - 31	R112834	3F21	15	50 - 109	R122735	1C2	25	20 - 21
R11003	2C14	1	40 - 31	R112876	3B25	17	50 - 17	R122735	1C4	26	20 - 21B
R11003	2C19	2	40 - 35	R112876	3B25	21	50 - 17	R122735	1C6	1	20 - 23
R11011	2C19	8	40 - 35	R112876	3C1	1	50 - 18	R122735	1E6	1	20 - 63B
R11016	2C12	20	40 - 29	R112876	3C13	3	50 - 32	R125027	1C21	3	20 - 36
R11026	2C12	22	40 - 29	R11290	2C14	20	40 - 31	R125955	4E8	2	70 - 75
R11026	2C17	14	40 - 33	R11290	2C19	19	40 - 35	R125955	4H19	..	80 - 36
R11026	2C17	37	40 - 33	R11291	2C12	33	40 - 29	R125955	4H21	1	80 - 39
R11039	2C15	20	40 - 31B	R11291	2C17	26	40 - 33	R130737	5B11	5	90 - 7
R11039	2C20	17	40 - 35A	R11292	2C12	29	40 - 29	R131736	5D12	13	90 - 57
R110464	3H18	2	60 - 26	R11292	2C15	1	40 - 31B	R131736	5D14	5	90 - 59
R110464	3H18	8	60 - 26	R11293	2C15	4	40 - 31B	R1612R	1B19	12	20 - 13
R11049	2B20	6	40 - 15	R11293	2C20	3	40 - 35A	R1612R	1C2	9	20 - 21
R11049	2B22	30	40 - 17	R11294	2C15	11	40 - 31B	R1612R	1C4	9	20 - 21B
R11049	2B24	16	40 - 19	R11295	2C15	5	40 - 31B	R1680R	4H4	5	80 - 19
R11049	2C2	26	40 - 21	R11296	2C14	11	40 - 31	R1742R	3B11	29	50 - 3
R11058	2C14	3	40 - 31	R11298	2C14	11	40 - 31	R1742R	4B14	19	70 - 9
R11059	2C14	4	40 - 31	R11298	2C14	30	40 - 31	R1742R	4B18	12	70 - 13
R11066	2C15	8	40 - 31B	R1134R	2B8	26	40 - 3	R1800R	3D14	28	50 - 55
R11066	2C20	5	40 - 35A	R1134R	4H7	4	80 - 22	R1818R	4B12	14	70 - 7
R11087	2C14	6	40 - 31	R113733	3G1	9	50 - 114	R1836R	5C6	17	90 - 29
R11095	2C12	13	40 - 29	R113733	3G2	17	50 - 115	R1870R	3C13	4	50 - 32
R11095	2C17	12	40 - 33	R113733	3G10	31	50 - 121	R1870R	3E14	27	50 - 77
R11096	2C12	31	40 - 29	R113741	3G10	31	50 - 121	R1870R	3E14	35	50 - 77
R11096	2C17	28	40 - 33	R113741	3H18	5	60 - 26	R1870R	3E16	13	50 - 79
R1110R	3I13	9	60 - 45	R113741	3H18	6	60 - 26	R1870R	3E18	14	50 - 81
R11109	2B22	22	40 - 17	R113741	3H18	9	60 - 26	R1870R	4F22	36	70 - 113

# 1K16

8430 TRACTOR

## NUMERICAL INDEX - CONTINUED

PART NO.	GRID	KEY	PAGE	PART NO.	GRID	KEY	PAGE	PART NO.	GRID	KEY	PAGE
R20135	3C16	2	50 - 33B	R26286	3H20	5	60 - 27	R26373	1G11	3	30 - 51
R20136	5C7	4	90 - 30	R26286	3H20	25	60 - 27	R26373	1G18	14	30 - 59
R20759	5C12	2	90 - 33	R26286	3H21	8	60 - 28	R26373	3G4	35	50 - 117
R21551	2B10	34	40 - 5	R26286	3H23	1	60 - 30	R26373	3G6	4	50 - 119
R21629	3B25	24	50 - 17	R26286	3H23	19	60 - 30	R26375	3C18	2	50 - 35
R21630	1B19	15	20 - 13	R26286	3H23	30	60 - 30	R26375	3D22	9	50 - 60
R21630	1C2	13	20 - 21	R26286	3H24	16	60 - 31	R26375	3D22	14	50 - 60
R21630	3B11	34	50 - 3	R26286	3H24	20	60 - 31	R26375	3F10	30	50 - 97
R21630	3B25	24	50 - 17	R26286	3I2	2	60 - 33	R26375	3F17	39	50 - 105
R21676	4H9	2	80 - 25	R26286	3I2	22	60 - 33	R26375	3F25	61	50 - 113
R21722	4B20	10	70 - 15	R26286	3I3	1	60 - 35	R26375	3G24	17	60 - 6
R21722	4F4	9	70 - 95	R26286	3I5	55	60 - 37	R26375	3G25	6	60 - 7
R21722	4G5	1	70 - 122	R26286	3I9	33	60 - 41	R26375	3H2	21	60 - 9
R21722	4G5	2	70 - 122	R26286	3I9	38	60 - 41	R26375	3H2	31	60 - 9
R21736	1D17	5	20 - 49	R26286	3I11	23	60 - 43	R26375	3H4	19	60 - 11
R21736	1D18	2	20 - 51	R26286	3I13	14	60 - 45	R26375	3H4	23	60 - 11
R21736	4E24	11	70 - 90A	R26286	3I15	4	60 - 47	R26375	3H6	8	60 - 13
R227R	3H6	2	60 - 13	R26286	3I15	23	60 - 47	R26375	3H6	49	60 - 13
R227R	3H20	9	60 - 27	R26286	3I15	34	60 - 47	R26375	3H20	10	60 - 27
R25471	3H6	22	60 - 13	R26286	4B12	32	70 - 7	R26375	3H21	13	60 - 28
R26011	3G10	29	50 - 121	R26286	4B14	6	70 - 9	R26375	4B14	4	70 - 9
R26012	3G10	30	50 - 121	R26286	4D4	27	70 - 48A	R26375	4B14	10	70 - 9
R26012	3G13	9	50 - 125	R26286	4D10	10	70 - 53B	R26375	4B14	14	70 - 9
R26012	3G14	9	50 - 126	R26286	4D11	6	70 - 54	R26375	4B14	27	70 - 9
R26049	1C15	3	20 - 30	R26286	4D12	7	70 - 55	R26375	4B16	9	70 - 11
R26049	1C16	4	20 - 31	R26286	4D19	18	70 - 63	R26375	4B18	21	70 - 13
R26058	1C21	4	20 - 36	R26286	4D19	26	70 - 63	R26375	4B19	3	70 - 14
R26058	1E2	43	20 - 61	R26286	4D21	16	70 - 65	R26375	4C10	27	70 - 33
R26079	1B14	8	20 - 8	R26286	4D23	1	70 - 67	R26375	4C12	16	70 - 35
R26081	1B14	2	20 - 8	R26287	3G4	36	50 - 117	R26375	4C18	23	70 - 41
R26115	1B19	22	20 - 13	R26287	3G6	3	50 - 119	R26375	4C20	7	70 - 41B
R26115	1C2	21	20 - 21	R26287	3G19	7	60 - 2	R26375	4C20	17	70 - 41B
R26115	1C4	21	20 - 21B	R26287	3G24	10	60 - 6	R26375	4C21	12	70 - 41C
R26125	1B9	4	20 - 5	R26287	3H6	10	60 - 13	R26375	4C23	3	70 - 43
R26137	4C8	10	70 - 31	R26287	3H20	21	60 - 27	R26375	4C23	10	70 - 43
R26137	4C16	6	70 - 39	R26287	3H21	11	60 - 28	R26375	4D4	31	70 - 48A
R26144	4B25	10	70 - 21	R26287	3H23	4	60 - 30	R26375	4D7	30	70 - 51
R26149	3F7	13	50 - 94	R26287	3I5	13	60 - 37	R26375	4D10	6	70 - 53B
R26149	3F10	35	50 - 97	R26287	3I5	18	60 - 37	R26375	4D11	10	70 - 54
R26149	3F12	25	50 - 99	R26287	3I5	29	60 - 37	R26375	4D11	24	70 - 54
R26149	3F17	15	50 - 105	R26287	3I5	41	60 - 37	R26375	4D12	5	70 - 55
R26149	3F23	21	50 - 111	R26287	3I9	37	60 - 41	R26375	4D12	25	70 - 55
R26149	4D7	25	70 - 51	R26287	3I9	40	60 - 41	R26375	4D19	8	70 - 63
R26149	4D10	3	70 - 53B	R26287	3I11	7	60 - 43	R26375	4E15	3	70 - 81
R26149	4D11	13	70 - 54	R26287	3I11	14	60 - 43	R26375	4E15	9	70 - 81
R26149	4D12	10	70 - 55	R26287	3I11	25	60 - 43	R26375	4E17	10	70 - 83
R26149	4F12	22	70 - 103	R26287	3I13	18	60 - 45	R26375	4E17	18	70 - 83
R26151	1D7	6	20 - 40	R26287	3I15	21	60 - 47	R26375	4E18	7	70 - 84
R26151	1D8	8	20 - 41	R26287	4B8	2	70 - 3	R26375	4F15	18	70 - 106
R26151	1D10	11	20 - 42A	R26287	4B8	3	70 - 3	R26375	4F16	18	70 - 107
R26172	1B17	4	20 - 11	R26287	4C10	23	70 - 33	R26375	4F18	12	70 - 109
R26182	3E12	1	50 - 75	R26287	4C14	4	70 - 37	R26375	4F19	4	70 - 110
R26182	3E20	10	50 - 83	R26287	4C14	16	70 - 37	R26375	4G2	5	70 - 118
R26206	3E14	2	50 - 77	R26287	4C21	7	70 - 41C	R26375	4G4	3	70 - 121
R26207	3E14	1	50 - 77	R26287	4C23	8	70 - 43	R26375	4G5	4	70 - 122
R26277	4E4	8	70 - 71	R26287	4C23	22	70 - 43	R26376	3H20	8	60 - 27
R26286	3B9	3	50 - 1B	R26287	4C24	12	70 - 45	R26384	3H22	5	60 - 29
R26286	3B11	9	50 - 3	R26287	4D19	24	70 - 63	R26385	3G4	19	50 - 117
R26286	3B11	13	50 - 3	R26333	1C18	7	20 - 33	R26386	3G4	21	50 - 117
R26286	3B11	17	50 - 3	R26369	3E14	34	50 - 77	R26409	2D19	4	40 - 54
R26286	3B13	22	50 - 5	R26369	3E16	20	50 - 79	R26417	1D17	12	20 - 49
R26286	3B13	26	50 - 5	R26369	3E18	22	50 - 81	R26421	3H20	3	60 - 27
R26286	3B18	1	50 - 10	R26369	3H20	27	60 - 27	R26431	5C4	4	90 - 27
R26286	3C20	3	50 - 37	R26369	3I13	13	60 - 45	R26432	5C4	10	90 - 27
R26286	3C21	8	50 - 38	R26372	1G21	34	30 - 62	R26433	5C4	12	90 - 27
R26286	3D14	18	50 - 55	R26372	3H20	15	60 - 27	R26434	5C4	14	90 - 27
R26286	3G6	8	50 - 119	R26373	1G5	9	30 - 44	R26436	5C6	14	90 - 29

# 1K17

8430 TRACTOR

## NUMERICAL INDEX - CONTINUED

PART NO.	GRID	KEY	PAGE	PART NO.	GRID	KEY	PAGE	PART NO.	GRID	KEY	PAGE
R26441	3H15	11	60 - 23	R26559	1B14	4	20 - 8	R26906	4D2	3	70 - 47
R26441	3H16	5	60 - 24	R26566	4D7	27	70 - 51	R26906	4D2	4	70 - 47
R26448	2D3	2	40 - 40B	R26572	3G19	17	60 - 2	R26906	4D4	3	70 - 48A
R26448	3C18	5	50 - 35	R26572	3H2	27	60 - 9	R26906	4D7	32	70 - 51
R26448	3D21	2	50 - 59	R26572	3H17	8	60 - 25	R26906	4E17	2	70 - 83
R26448	3G4	30	50 - 117	R26572	3H23	12	60 - 30	R26919	3B14	7	50 - 6
R26448	3G6	11	50 - 119	R26572	3H23	28	60 - 30	R26933	3G22	29	60 - 5
R26448	3G24	14	60 - 6	R26572	3H24	6	60 - 31	R26992	4G17	5	80 - 8
R26448	3G24	20	60 - 6	R26572	4B22	8	70 - 17	R27003	3B11	21	50 - 3
R26448	3G24	25	60 - 6	R26616	3D18	8	50 - 58A	R27094	1D22	9	20 - 55
R26448	3G25	3	60 - 7	R26616	3D20	5	50 - 58C	R27094	3B9	1	50 - 1B
R26448	3H6	4	60 - 13	R26621	3D1	13	50 - 43	R27094	3B11	14	50 - 3
R26448	3H17	2	60 - 25	R26621	4C10	34	70 - 33	R27094	3C21	9	50 - 38
R26448	3I5	11	60 - 37	R26622	1B19	8	20 - 13	R27094	3D14	19	50 - 55
R26448	3I5	32	60 - 37	R26622	1C2	5	20 - 21	R27094	3H20	6	60 - 27
R26448	3I11	33	60 - 43	R26622	1D10	20	20 - 42A	R27094	3I2	1	60 - 33
R26448	4B8	4	70 - 3	R26622	4B21	8	70 - 16	R27094	3I15	3	60 - 47
R26448	4B12	32	70 - 7	R26625	4D4	8	70 - 48A	R27094	4B12	33	70 - 7
R26448	4B18	16	70 - 13	R26626	4D5	12	70 - 49	R27094	4B14	7	70 - 9
R26448	4C10	2	70 - 33	R26627	3H2	24	60 - 9	R27094	4D4	28	70 - 48A
R26448	4C10	8	70 - 33	R26627	3H4	12	60 - 11	R27094	4D10	11	70 - 53B
R26448	4C12	1	70 - 35	R26627	4B22	19	70 - 17	R27094	4D11	5	70 - 54
R26448	4C14	1	70 - 37	R26627	4B24	17	70 - 19	R27094	4D12	8	70 - 55
R26448	4C18	2	70 - 41	R26637	3E14	32	50 - 77	R27137	3H20	24	60 - 27
R26448	4C18	8	70 - 41	R26637	3E16	18	50 - 79	R27137	3H21	9	60 - 28
R26448	4C18	25	70 - 41	R26637	3E18	20	50 - 81	R27149	1B19	27	20 - 13
R26448	4C20	3	70 - 41B	R26638	3E14	33	50 - 77	R27149	1C2	26	20 - 21
R26448	4C21	3	70 - 41C	R26638	3E16	19	50 - 79	R27149	1C4	27	20 - 21B
R26448	4C21	7	70 - 41C	R26638	3E18	21	50 - 81	R27149	3H20	23	60 - 27
R26448	4C23	1	70 - 43	R26643	4E4	13	70 - 71	R27149	3H21	10	60 - 28
R26448	4C23	8	70 - 43	R26650	3B14	3	50 - 6	R27149	4C8	15	70 - 31
R26448	4D4	24	70 - 48A	R26650	3D18	7	50 - 58A	R27149	4C14	20	70 - 37
R26448	4D7	24	70 - 51	R26650	3D20	18	50 - 58C	R27149	4C16	9	70 - 39
R26448	4D10	13	70 - 53B	R26681	3H14	6	60 - 22	R27149	4C23	24	70 - 43
R26448	4D11	4	70 - 54	R26725	3G25	4	60 - 7	R27159	4C10	18	70 - 33
R26448	4D12	13	70 - 55	R26727	1C10	11	20 - 25	R27166	1F16	1	30 - 30
R26448	4D14	18	70 - 57	R26727	3F10	16	50 - 97	R27166	4C10	14	70 - 33
R26448	4D19	1	70 - 63	R26727	3F17	27	50 - 105	R27166	4C10	43	70 - 33
R26448	4D19	11	70 - 63	R26727	3F23	38	50 - 111	R27166	4C10	44	70 - 33
R26458	4D4	2	70 - 48A	R26748	1B14	12	20 - 8	R27166	4C12	5	70 - 35
R26480	4E25	28	70 - 91	R26828	5C4	17	90 - 27	R27166	4C14	6	70 - 37
R26480	4F10	10	70 - 101	R26830	5C4	7	90 - 27	R27166	4C14	..	70 - 37
R26482	4E25	17	70 - 91	R26832	5C6	18	90 - 29	R27166	4C18	41	70 - 41
R26482	4F2	17	70 - 93	R26870	1G24	27	30 - 65	R27166	4C20	10	70 - 41B
R26482	4F4	20	70 - 95	R26871	3E20	40	50 - 83	R27166	4C23	14	70 - 43
R26482	4F10	6	70 - 101	R26871	4D17	1	70 - 61	R27166	4D7	2	70 - 51
R26483	4E25	21	70 - 91	R26871	5C4	15	90 - 27	R27166	4D15	7	70 - 59
R26483	4F2	21	70 - 93	R26871	5C18	16	90 - 39	R27166	4E25	26	70 - 91
R26483	4F10	7	70 - 101	R26871	5C6	13	90 - 29	R27166	4F12	12	70 - 103
R26484	4E25	14	70 - 91	R26873	5C6	13	90 - 29	R27166	4F12	20	70 - 103
R26484	4F2	14	70 - 93	R26879	5C6	19	90 - 29	R27166	4F12	31	70 - 103
R26484	4F10	3	70 - 101	R26892	1F14	3	30 - 27	R27166	4F14	19	70 - 105
R26484	4F12	13	70 - 103	R26906	3D18	19	50 - 58A	R27166	4F15	1	70 - 106
R26484	4F14	12	70 - 105	R26906	3D20	22	50 - 58C	R27166	4F18	5	70 - 109
R26484	4F18	6	70 - 109	R26906	3G24	5	60 - 6	R27167	4C10	16	70 - 33
R26485	4E25	10	70 - 91	R26906	3H6	17	60 - 13	R27170	4C10	19	70 - 33
R26485	4F2	10	70 - 93	R26906	3I13	16	60 - 45	R27171	4C10	5	70 - 33
R26485	4F3	12	70 - 94	R26906	4B12	34	70 - 7	R27172	4C10	11	70 - 33
R26485	4F10	1	70 - 101	R26906	4B21	15	70 - 16	R27173	4B16	4	70 - 11
R26546	4B20	9	70 - 15	R26906	4C10	10	70 - 33	R27173	4C10	17	70 - 33
R26546	4D21	10A	70 - 65	R26906	4C12	2	70 - 35	R27174	4B16	3	70 - 11
R26546	4D21	10B	70 - 65	R26906	4C14	2	70 - 37	R27174	4C10	15	70 - 33
R26546	4F12	3	70 - 103	R26906	4C18	16	70 - 41	R27174	4C14	7	70 - 37
R26546	4F14	3	70 - 105	R26906	4C20	1	70 - 41B	R27175	1C10	11	20 - 25
R26546	4F18	2	70 - 109	R26906	4C21	1	70 - 41C	R27175	3G24	1	60 - 6
R26551	3G25	8	60 - 7	R26906	4C23	6	70 - 43	R27175	4B16	1	70 - 11
R26552	3G25	10	60 - 7	R26906	4C23	26	70 - 43	R27175	4C8	20	70 - 31

# 1K18

8430 TRACTOR

## NUMERICAL INDEX - CONTINUED

PART NO.	GRID	KEY	PAGE	PART NO.	GRID	KEY	PAGE	PART NO.	GRID	KEY	PAGE
R27175	4C16	14	70 - 39	R27441	5C6	9	90 - 29	R28006	4E25	6	70 - 91
R27175	4D7	7	70 - 51	R27441	5C6	27	90 - 29	R28006	4F2	6	70 - 93
R27175	4D23	11	70 - 67	R27442	5C6	22	90 - 29	R28006	4F3	6	70 - 94
R27181	1F8	17	30 - 21	R27443	1B14	9	20 - 8	R28084	4E25	3	70 - 91
R27209	1D17	1	20 - 49	R27460	2D6	3	40 - 43	R28084	4E25	19	70 - 91
R27212	3C18	4	50 - 35	R27471	4C10	44	70 - 33	R28084	4F2	3	70 - 93
R27212	3H17	21	60 - 25	R27474	3D18	20	50 - 58A	R28084	4F2	19	70 - 93
R27212	3I11	34	60 - 43	R27474	3D20	23	50 - 58C	R28084	4F3	3	70 - 94
R27212	4C21	6	70 - 41C	R27474	4D2	2	70 - 47	R28084	4F3	17	70 - 94
R27216	3G19	6	60 - 2	R27475	4C10	1	70 - 33	R28085	4E25	2	70 - 91
R27216	3G24	9	60 - 6	R27475	4C18	1	70 - 41	R28085	4F2	2	70 - 93
R27216	3I5	12	60 - 37	R27476	4C10	13	70 - 33	R28085	4F3	2	70 - 94
R27216	3I11	26	60 - 43	R27478	4C8	35	70 - 31	R28085	4F3	18	70 - 94
R27216	4B8	1	70 - 3	R27478	4C12	12	70 - 35	R28123	4C5	4	70 - 27
R27216	4B8	3	70 - 3	R27478	4C16	28	70 - 39	R28123	4C5	6	70 - 27
R27216	4C10	24	70 - 33	R27478	4C20	15	70 - 41B	R28204	4E25	1	70 - 91
R27218	3D20	12	50 - 58C	R27479	4C8	35	70 - 31	R28204	4F2	1	70 - 93
R27218	3D21	1	50 - 59	R27479	4C12	13	70 - 35	R28204	4F3	1	70 - 94
R27218	3F2	16	50 - 89	R27479	4C16	28	70 - 39	R28204	4F3	19	70 - 94
R27218	3G24	13	60 - 6	R27479	4C20	16	70 - 41B	R28556	4E8	38A	70 - 75
R27218	3G24	21	60 - 6	R27483	3D18	26	50 - 58A	R28575	3F10	25	50 - 97
R27218	4C10	7	70 - 33	R27483	3D20	30	50 - 58C	R28583	1F3	3	30 - 16
R27218	4C18	7	70 - 41	R27507	1G25	10	30 - 66	R28593	3F3	8	50 - 90
R27233	4F15	4	70 - 106	R27507	3I7	9	60 - 39	R28593	4B18	3	70 - 13
R27233	4F16	4	70 - 107	R27507	3I9	49	60 - 41	R28594	3F3	9	50 - 90
R27237	3C18	6	50 - 35	R27507	4D14	13	70 - 57	R28671	3C12	4	50 - 31
R27238	3H2	25	60 - 9	R27507	4D17	21	70 - 61	R28744	4F15	11	70 - 106
R27238	3H17	6	60 - 25	R27507	4D17	39	70 - 61	R28744	4F16	11	70 - 107
R27238	3H23	13	60 - 30	R27507	4D18	7	70 - 62	R28774	3H20	12	60 - 27
R27238	3H24	7	60 - 31	R27507	4E25	35	70 - 91	R28776	3G19	15	60 - 2
R27238	4B22	2	70 - 17	R27507	4F2	34	70 - 93	R28776	3H6	7	60 - 13
R27256	1F18	18	30 - 32	R27528	1F18	16	30 - 32	R28776	3H20	14	60 - 27
R27256	1F24	20	30 - 38	R27528	1F24	19	30 - 38	R28776	3H21	12	60 - 28
R27267	4B14	12	70 - 9	R27539	4E18	3	70 - 84	R28776	3I11	20	60 - 43
R27267	4B15	9	70 - 10	R27564	3H15	15	60 - 23	R28776	4B14	14	70 - 9
R27267	4B21	10	70 - 16	R27564	3H16	7	60 - 24	R28776	4B14	26	70 - 9
R27267	4E17	13	70 - 83	R27564	3I13	8	60 - 45	R28776	4B18	14	70 - 13
R27272	3B11	20	50 - 3	R27564	4C10	12	70 - 33	R28776	4B18	26	70 - 13
R27272	3C20	16	50 - 37	R27564	4C12	4	70 - 35	R28776	4D11	25	70 - 54
R27272	3H23	20	60 - 30	R27564	4C14	5	70 - 37	R28776	4D12	26	70 - 55
R27272	3H24	15	60 - 31	R27564	4C18	42	70 - 41	R28776	4D19	7	70 - 63
R27272	3I9	34	60 - 41	R27564	4C20	11	70 - 41B	R28781	4C10	39	70 - 33
R27272	3I11	27	60 - 43	R27564	4C23	15	70 - 43	R28781	4C18	34	70 - 41
R27272	3I15	35	60 - 47	R27564	4D15	2	70 - 59	R28782	4C10	38	70 - 33
R27285	1E2	39	20 - 61	R27564	4F22	13	70 - 113	R28782	4C14	9	70 - 37
R27296	3G6	18	50 - 119	R27564	4F24	12	70 - 115	R28782	4C18	33	70 - 41
R27296	3G19	18	60 - 2	R27564	4F25	7	70 - 116	R28782	4C23	11	70 - 43
R27296	3H23	7	60 - 30	R27583	2F20	2	40 - 100	R28811	1C17	5	20 - 32
R27296	3H24	21	60 - 31	R27583	2F21	2	40 - 101	R28914	4B14	14	70 - 9
R27296	3I5	54	60 - 37	R27583	3I7	26	60 - 39	R28914	4B14	24	70 - 9
R27329	3C17	2	50 - 34	R27649	3I2	27	60 - 33	R28914	4D10	8	70 - 53B
R27329	3C17	6	50 - 34	R27649	3I15	36	60 - 47	R28914	4D11	8	70 - 54
R27329	3D18	1	50 - 58A	R27693	1C10	7	20 - 25	R28914	4D12	3	70 - 55
R27370	2F23	16	40 - 103	R27730	3E2	20	50 - 65	R28914	4E15	4	70 - 81
R27370	2F25	18	40 - 103B	R27730	4D7	11	70 - 51	R28914	4E17	9	70 - 83
R27390	1C11	14	20 - 26	R27796	3F7	14	50 - 94	R28914	4E20	9	70 - 87
R27390	4B15	2	70 - 10	R27796	3F12	26	50 - 99	R28914	4E22	11	70 - 89
R27390	4B22	7	70 - 17	R27796	3F17	18	50 - 105	R29463	3C21	2	50 - 38
R27390	4B22	18	70 - 17	R27796	3F23	24	50 - 111	R29463	4B18	25	70 - 13
R27390	4B24	11	70 - 19	R27906	3H24	22	60 - 31	R29463	4C1	3	70 - 22
R27390	4B24	19	70 - 19	R27908	3I3	3	60 - 35	R29463	4C2	11	70 - 23
R27430	4E25	5	70 - 91	R27926	4B12	3	70 - 7	R29463	4F22	31	70 - 113
R27430	4F2	5	70 - 93	R27927	4B12	1	70 - 7	R29463	4F24	21	70 - 115
R27430	4F3	5	70 - 94	R27928	4B12	2	70 - 7	R29463	4F25	3	70 - 116
R27434	5C6	2	90 - 29	R27928	4C14	22	70 - 37	R29463	4G1	11	70 - 117
R27439	5C4	3	90 - 27	R27928	4C23	26	70 - 43	R29936	3G24	12	60 - 6
R27441	5C1	14	90 - 24	R27976	2C14	27	40 - 31	R29936	4B20	14	70 - 15



# 1K19

8430 TRACTOR

## NUMERICAL INDEX - CONTINUED

PART NO.	GRID	KEY	PAGE	PART NO.	GRID	KEY	PAGE	PART NO.	GRID	KEY	PAGE
R29936	4C14	21	70 - 37	R31455	3H22	15	60 - 29	R32025	2F3	10	40 - 86
R29936	4C23	21	70 - 43	R31459	3H22	8	60 - 29	R32025	2G11	14	40 - 115
R29936	4C23	25	70 - 43	R31468	3H21	6	60 - 28	R32025	2G19	4	40 - 123
R29936	4D15	16	70 - 59	R31469	3H21	5	60 - 28	R32026	2G13	17	40 - 117
R30165	3B13	8	50 - 5	R31631	3G19	6	60 - 2	R32026	2G17	48	40 - 121
R30165	3B19	1	50 - 11	R31631	3G24	9	60 - 6	R32027	2B8	1	40 - 3
R30165	3B25	40	50 - 17	R31631	4B8	1	70 - 3	R32027	2B10	11	40 - 5
R30165	3C4	23	50 - 21	R31632	3I2	19	60 - 33	R32027	2B13	20	40 - 8
R30165	3C16	30	50 - 33B	R31632	3I15	26	60 - 47	R32027	2D8	9	40 - 45
R30181	2D6	19	40 - 43	R31698	3G4	29	50 - 117	R32027	2D8	31	40 - 45
R30181	2D8	7	40 - 45	R31736	4B12	10	70 - 7	R32027	2D8	..	40 - 45
R30181	2D12	7	40 - 47	R31736	4B12	11A	70 - 7	R32027	2D10	9	40 - 45B
R30181	2D14	7	40 - 49	R31736	4B18	31	70 - 13	R32027	2D10	30	40 - 45B
R30181	2D17	7	40 - 52	R31736	4G2	8	70 - 118	R32027	2D10	..	40 - 45B
R30182	2D6	33	40 - 43	R31781	4C10	41	70 - 33	R32027	2D12	15	40 - 47
R30182	2D8	1	40 - 45	R31781	4C18	37	70 - 41	R32027	2D14	14	40 - 49
R30182	2D12	1	40 - 47	R31877	5C18	14	90 - 39	R32027	2D14	19	40 - 49
R30182	2D14	1	40 - 49	R31877	5C18	17	90 - 39	R32027	2D14	..	40 - 49
R30182	2D17	1	40 - 52	R31877	5C18	19A	90 - 39	R32027	2E2	20	40 - 61
R30200	1D14	6	20 - 46	R31877	5C18	43	90 - 39	R32027	2E20	7	40 - 78
R30319	3C11	9	50 - 30	R31877	5C20	9	90 - 41	R32027	2E21	6	40 - 79
R30319	4D2	18	70 - 47	R31890	4E25	23	70 - 91	R32027	2F3	10	40 - 86
R30378	2E7	14	40 - 66	R31890	4F2	24	70 - 93	R32027	2F5	20	40 - 88
R30378	2E16	3	40 - 75	R31890	5C2	16	90 - 25	R32027	2F6	9	40 - 89
R30378	2G1	25	40 - 104	R31933	2B10	4	40 - 5	R32027	2G11	5	40 - 115
R30378	2G17	43	40 - 121	R31943	4G12	1	80 - 3	R32027	2G11	9	40 - 115
R30725	1G21	29	30 - 62	R32007	2F3	10	40 - 86	R32027	2G11	14	40 - 115
R30815	4G5	5	70 - 122	R32011	2G13	1	40 - 117	R32027	2G13	18	40 - 117
R30816	4G5	7	70 - 122	R32016	2D6	15	40 - 43	R32028	2B18	1	40 - 13
R30817	4G5	6	70 - 122	R32016	2D8	3	40 - 45	R32028	2G6	7	40 - 110
R30829	3C13	10	50 - 32	R32016	2D8	9	40 - 45	R32028	2G13	19	40 - 117
R30903	3G6	34	50 - 119	R32016	2D10	9	40 - 45B	R32029	2G13	20	40 - 117
R30903	3H20	2	60 - 27	R32016	2D12	3	40 - 47	R32042	3D20	9	50 - 58C
R30903	3H21	7	60 - 28	R32016	2D12	15	40 - 47	R32090	3H20	28	60 - 27
R30935	4B18	24	70 - 13	R32016	2D14	3	40 - 49	R32091	3H20	29	60 - 27
R30936	1D17	8	20 - 49	R32016	2D14	14	40 - 49	R32092	3H20	31	60 - 27
R30936	1D18	4	20 - 51	R32016	2D17	3	40 - 52	R32092	3H21	3	60 - 28
R30936	5B13	10	90 - 9	R32016	2G13	10	40 - 117	R32276	2G1	..	40 - 104
R30937	1D17	20	20 - 49	R32017	2G13	11	40 - 117	R32276	2G3	11	40 - 107
R30937	1D18	6	20 - 51	R32018	2D4	4	40 - 41	R32289	5B11	..	90 - 7
R30937	4C4	8	70 - 26	R32018	2D8	32	40 - 45	R32320	2B10	34	40 - 5
R30937	4C5	14	70 - 27	R32018	2D10	31	40 - 45B	R32344	4C10	42	70 - 33
R30937	4H7	2	80 - 22	R32018	2D14	27	40 - 49	R32353	4F3	15	70 - 94
R30964	2B8	29	40 - 3	R32018	2E2	1	40 - 61	R32354	4F3	11	70 - 94
R30964	3H6	54	60 - 13	R32018	2E23	15	40 - 81	R32355	4F3	10	70 - 94
R31024	4D7	18	70 - 51	R32018	2G11	9	40 - 115	R32356	4E25	9	70 - 91
R31044	5C6	45	90 - 29	R32018	2G11	15	40 - 115	R32356	4F2	9	70 - 93
R31131	3E20	7	50 - 83	R32018	2G13	12	40 - 117	R32356	4F3	9	70 - 94
R31136	3G25	25	60 - 7	R32018	5B19	5	90 - 16	R32419	4E25	36	70 - 91
R31136	4D4	6	70 - 48A	R32019	2G6	7	40 - 110	R32419	4F2	35	70 - 93
R31136	4F6	4	70 - 97	R32019	2G6	11	40 - 110	R32419	4F3	8	70 - 94
R31136	4F8	1	70 - 99	R32019	2G13	13	40 - 117	R32426	1B17	2	20 - 11
R31190	3F13	20	50 - 101	R32021	2B8	1	40 - 3	R32507	3F3	10	50 - 90
R31195	3F13	8	50 - 101	R32021	2D8	31	40 - 45	R32507	3F4	9	50 - 91
R31196	3F13	2	50 - 101	R32021	2D10	30	40 - 45B	R32507	4B18	2	70 - 13
R31250	2D6	33	40 - 43	R32021	2D14	19	40 - 49	R32511	1F18	25	30 - 32
R31250	2D8	1	40 - 45	R32021	2E20	7	40 - 78	R32511	1F25	32	30 - 39
R31250	2D12	1	40 - 47	R32021	2E21	6	40 - 79	R32548	3I3	4	60 - 35
R31250	2D14	1	40 - 49	R32021	2F3	10	40 - 86	R32588	4F24	15	70 - 115
R31250	2D17	1	40 - 52	R32021	2F6	9	40 - 89	R32588	4F25	5	70 - 116
R31260	5C4	12	90 - 27	R32021	2G11	14	40 - 115	R32588	4G1	2	70 - 117
R31271	1G24	3	30 - 65	R32021	2G13	14	40 - 117	R32593	1B13	4	20 - 7
R31271	3H22	9	60 - 29	R32022	2B18	1	40 - 13	R32593	1E2	19	20 - 61
R31378	1D14	2	20 - 46	R32022	2G13	15	40 - 117	R32639	1F10	18	30 - 23
R31378	1D15	3	20 - 47	R32023	2G13	16	40 - 117	R32639	1F18	23	30 - 32
R31433	3H6	14	60 - 13	R32024	2G11	9	40 - 115	R32639	1F25	30	30 - 39
R31455	3H21	2	60 - 28	R32024	2G19	3	40 - 123	R32702	3H20	11	60 - 27

# 1K20

8430 TRACTOR

## NUMERICAL INDEX - CONTINUED

PART NO.	GRID	KEY	PAGE	PART NO.	GRID	KEY	PAGE	PART NO.	GRID	KEY	PAGE
R32730	3G19	3	60 - 2	R34733	4B18	7	70 - 13	R35366	3D25	19	50 - 63
R32730	3G22	31	60 - 5	R34766	1F18	1	30 - 32	R35366	3E7	4	50 - 70
R33022	3G8	20	50 - 120A	R34801	4G12	4	80 - 3	R35366	3F12	30	50 - 99
R33029	3G10	23	50 - 121	R34801	4G19	3	80 - 10	R35366	3F17	62	50 - 105
R33058	3G4	33	50 - 117	R34801	4G20	1	80 - 11	R35366	3F25	67	50 - 113
R33058	3G6	6	50 - 119	R34802	4C18	12	70 - 41	R35367	3D23	13	50 - 61
R33083	3C2	21	50 - 19	R34812	2E20	18	40 - 78	R35367	3D25	19	50 - 63
R33083	3C4	24	50 - 21	R34812	2E21	17	40 - 79	R35367	3E7	4	50 - 70
R33138	3F10	31	50 - 97	R34812	2F3	6	40 - 86	R35367	3F12	30	50 - 99
R33138	4B14	9	70 - 9	R34812	2F3	17	40 - 86	R35367	3F17	62	50 - 105
R33138	4D10	5	70 - 53B	R34812	4F12	30	70 - 103	R35367	3F25	67	50 - 113
R33138	4D11	11	70 - 54	R34812	5B11	10	90 - 7	R35377	3D25	1	50 - 63
R33138	4D12	4	70 - 55	R34812	5B13	6	90 - 9	R35377	3E8	1	50 - 71
R33138	4E15	2	70 - 81	R34827	5E10	1	90 - 82	R35416	1D20	21	20 - 53
R33138	4E17	11	70 - 83	R34856	3F17	20	50 - 105	R35416	4C5	5	70 - 27
R33145	3B13	2	50 - 5	R34856	3F19	1	50 - 107	R35447	4F22	18	70 - 113
R33145	3B13	14	50 - 5	R34856	3F25	70	50 - 113	R35447	4F24	13	70 - 115
R33259	4B14	17	70 - 9	R34863	3G2	8	50 - 115	R35448	4F22	34	70 - 113
R33259	4B18	14	70 - 13	R34933	3H6	31	60 - 13	R35452	4F22	3	70 - 113
R33259	5B11	8	90 - 7	R34933	4D2	26	70 - 47	R35452	4F24	5	70 - 115
R33450	4G12	2	80 - 3	R35256	1B16	10	20 - 10	R35472	4F22	15	70 - 113
R33450	4G12	3	80 - 3	R35274	3D18	22	50 - 58A	R35472	4F24	10	70 - 115
R33450	4G12	4	80 - 3	R35274	3D20	25	50 - 58C	R35472	4F25	8	70 - 116
R33450	4G12	5	80 - 3	R35286	3B11	19	50 - 3	R35472	4G1	4	70 - 117
R33450	4G12	6	80 - 3	R35300	4G12	2	80 - 3	R35473	4F22	32	70 - 113
R33450	4G12	8	80 - 3	R35300	4G12	3	80 - 3	R35473	4F24	22	70 - 115
R33450	4G12	10	80 - 3	R35300	4G12	4	80 - 3	R35473	4F25	2	70 - 116
R33450	4G12	12	80 - 3	R35300	4G12	5	80 - 3	R35473	4G1	12	70 - 117
R33450	4G12	13	80 - 3	R35300	4G12	6	80 - 3	R35474	4F22	23	70 - 113
R33450	4G12	16	80 - 3	R35300	4G12	8	80 - 3	R35474	4F24	19	70 - 115
R33521	3B11	28	50 - 3	R35300	4G12	10	80 - 3	R35474	4F25	14	70 - 116
R33706	4G12	8	80 - 3	R35300	4G12	11	80 - 3	R35474	4G1	9	70 - 117
R33706	4G13	9	80 - 4	R35300	4G12	12	80 - 3	R35476	4E14	23	70 - 80A
R33731	3E9	28	50 - 72	R35300	4G12	13	80 - 3	R35482	4E12	1	70 - 79
R34131	4F24	16	70 - 115	R35300	4G12	16	80 - 3	R35482	4E14	10	70 - 80A
R34131	4G1	1	70 - 117	R35302	4G12	13	80 - 3	R35483	4E14	16	70 - 80A
R34360	4C4	5	70 - 26	R35302	4G13	3	80 - 4	R35500	3G1	16	50 - 114
R34362	4C4	2	70 - 26	R35302	4G14	2	80 - 5	R35501	3G1	5	50 - 114
R34397	4E25	15	70 - 91	R35302	4G16	3	80 - 7	R35501	3G2	5	50 - 115
R34397	4F2	15	70 - 93	R35303	4G12	12	80 - 3	R35502	3G1	5	50 - 114
R34398	4E25	22	70 - 91	R35303	4G13	4	80 - 4	R35502	3G2	5	50 - 115
R34398	4F2	22	70 - 93	R35303	4G14	3	80 - 5	R35503	3G1	5	50 - 114
R34399	4E25	8	70 - 91	R35303	4G16	5	80 - 7	R35503	3G2	5	50 - 115
R34399	4F2	8	70 - 93	R35332	4G12	8	80 - 3	R35634	3G8	3	50 - 120A
R34399	4F4	22	70 - 95	R35332	4G13	9	80 - 4	R35634	3G10	3	50 - 121
R34400	4E25	20	70 - 91	R35332	4G14	8	80 - 5	R35684	3H11	6	60 - 19
R34400	4F2	20	70 - 93	R35332	4G16	8	80 - 7	R35684	3H13	3	60 - 21
R34444	5D17	13	90 - 63	R35333	4G12	10	80 - 3	R35684	3I2	5	60 - 33
R34447	1F12	7	30 - 25	R35333	4G13	6	80 - 4	R35684	3I15	9	60 - 47
R34537	4D17	27	70 - 61	R35333	4G14	5	80 - 5	R35735	3G10	14	50 - 121
R34557	3I7	22	60 - 39	R35333	4G16	6	80 - 7	R35738	4F22	33	70 - 113
R34659	4G12	1	80 - 3	R35335	4G12	11	80 - 3	R35738	4F24	32	70 - 115
R34680	4G12	2	80 - 3	R35335	4G13	4	80 - 4	R35738	4F25	1	70 - 116
R34680	4G12	3	80 - 3	R35335	4G14	4	80 - 5	R35738	4G1	21	70 - 117
R34680	4G12	4	80 - 3	R35335	4G16	4	80 - 7	R35769	4H7	11	80 - 22
R34680	4G12	5	80 - 3	R35339	4G22	19	80 - 12	R35780	4G18	3	80 - 9
R34680	4G12	6	80 - 3	R35340	1D17	6	20 - 49	R35794	4B7	7	70 - 2
R34680	4G12	8	80 - 3	R35340	1D18	3	20 - 51	R35998	4G25	1	80 - 15
R34680	4G12	10	80 - 3	R35340	5B11	33	90 - 7	R36040	3H23	8	60 - 30
R34680	4G12	12	80 - 3	R35355	3B25	29	50 - 17	R36097	4G12	1	80 - 3
R34680	4G12	13	80 - 3	R35365	3D23	13	50 - 61	R36119	3E20	37	50 - 83
R34680	4G12	16	80 - 3	R35365	3D25	19	50 - 63	R36190	4G12	2	80 - 3
R34733	3F3	4	50 - 90	R35365	3E7	4	50 - 70	R36190	4G12	3	80 - 3
R34733	3F3	11	50 - 90	R35365	3F12	30	50 - 99	R36190	4G12	4	80 - 3
R34733	3F4	4	50 - 91	R35365	3F17	62	50 - 105	R36190	4G12	5	80 - 3
R34733	3F5	3	50 - 92	R35366	3F25	67	50 - 113	R36190	4G12	6	80 - 3
R34733	4B18	1	70 - 13	R35366	3D23	13	50 - 61	R36190	4G12	8	80 - 3

# 1K21

8430 TRACTOR

## NUMERICAL INDEX - CONTINUED

PART NO.	GRID	KEY	PAGE	PART NO.	GRID	KEY	PAGE	PART NO.	GRID	KEY	PAGE
R36190	4G12	10	80 - 3	R37439	3F23	11	50 - 111	R39760	5C3	11	90 - 26
R36190	4G12	11	80 - 3	R375R	1F15	5	30 - 29	R39796	3F3	3	50 - 90
R36190	4G12	12	80 - 3	R375R	1F16	3	30 - 30	R39832	1G10	6	30 - 50
R36190	4G12	13	80 - 3	R375R	4E25	16	70 - 91	R39832	3F2	22	50 - 89
R36190	4G12	16	80 - 3	R375R	4F2	16	70 - 93	R40049	5B23	35	90 - 21
R36209	4H7	1	80 - 22	R375R	4F4	19	70 - 95	R40072	4B20	17	70 - 15
R36235	2B10	8	40 - 5	R375R	4F10	5	70 - 101	R40072	4B21	12	70 - 16
R36235	2G1	22	40 - 104	R38181	3E9	23	50 - 72	R40072	4E17	5	70 - 83
R36265	2B10	28	40 - 5	R38181	3E14	17	50 - 77	R40083	1D12	19	20 - 44
R36265	3E9	30	50 - 72	R38295	3B13	27	50 - 5	R40083	1D22	18	20 - 55
R36272	4E12	11	70 - 79	R38295	3B25	4	50 - 17	R40147	3B7	8	50 - 1
R36311	3F7	3	50 - 94	R38295	3C4	10	50 - 21	R40147	3B19	6	50 - 11
R36311	3F23	3	50 - 111	R38614	1C23	4	20 - 36B	R40147	3C21	2	50 - 38
R36311	3H14	3	60 - 22	R38614	1C23	7	20 - 36B	R40147	3F2	15	50 - 89
R36358	4C18	11	70 - 41	R38614	1C23	15	20 - 36B	R40219	4F22	26	70 - 113
R36378	4D2	10	70 - 47	R39009	4D21	2	70 - 65	R40236	1D7	12	20 - 40
R36379	4D2	10	70 - 47	R39012	4F22	7	70 - 113	R40236	1D8	4	20 - 41
R36402	4D5	3	70 - 49	R39067	4C8	17	70 - 31	R40236	3F17	48	50 - 105
R36402	4E10	2	70 - 77	R39067	4C16	11	70 - 39	R40236	3F19	17	50 - 107
R36423	4D2	11	70 - 47	R39112	3D22	9	50 - 60	R40236	3F25	47	50 - 113
R36424	4D2	9	70 - 47	R39112	3D22	13	50 - 60	R40336	4B25	1	70 - 21
R36425	4D2	15	70 - 47	R39112	3F2	1	50 - 89	R40337	2C12	4	40 - 29
R36426	3H6	50	60 - 13	R39112	4B14	5	70 - 9	R40337	2C14	26	40 - 31
R36441	4E8	36	70 - 75	R39112	4B14	14	70 - 9	R40337	2C17	3	40 - 33
R36526	3B25	28	50 - 17	R39112	4B18	33	70 - 13	R40426	3C12	6	50 - 31
R36595	3I13	7	60 - 45	R39112	4D7	29	70 - 51	R40426	3C16	20	50 - 33B
R36596	3I9	44	60 - 41	R39112	4G2	10	70 - 118	R40445	2G9	4	40 - 113
R36596	3I13	4	60 - 45	R39164	4D2	4	70 - 47	R40445	2G11	3	40 - 115
R36623	3I13	6	60 - 45	R39164	4D2	12	70 - 47	R40445	3G4	2	50 - 117
R36658	4G5	3	70 - 122	R39228	3G24	7	60 - 6	R40445	3G20	2	60 - 3
R36659	4G5	3	70 - 122	R39228	4C8	22	70 - 31	R40468	1F3	17	30 - 16
R36732	2G3	24	40 - 107	R39228	4C16	16	70 - 39	R40499	4E25	26	70 - 91
R36742	3G4	37	50 - 117	R39228	4D19	5	70 - 63	R40499	4F12	12	70 - 103
R36742	3G6	2	50 - 119	R39259	3B25	35	50 - 17	R40499	4F12	26	70 - 103
R36742	3H20	22	60 - 27	R39259	3C4	18	50 - 21	R40499	4F12	31	70 - 103
R36742	3H23	21	60 - 30	R39299	3B25	33	50 - 17	R40499	4F15	1	70 - 106
R36742	3I9	36	60 - 41	R39299	3C4	16	50 - 21	R40545	2C12	38	40 - 29
R36742	3I13	19	60 - 45	R39304	3B25	3	50 - 17	R40546	2C15	6	40 - 31B
R36757	1E15	..	30 - 3	R39304	3C4	12	50 - 21	R40548	2C15	10	40 - 31B
R36795	4F19	5	70 - 110	R39322	3B25	8	50 - 17	R40548	2C20	7	40 - 35A
R36881	3F21	2	50 - 109	R39322	3C4	7	50 - 21	R40583	3H6	12	60 - 13
R36881	3G2	24	50 - 115	R39322	3C12	1	50 - 31	R40583	4B19	1	70 - 14
R36882	4B18	27	70 - 13	R39322	3C16	17	50 - 33B	R40712	3C17	10	50 - 34
R36926	3B11	16	50 - 3	R394R	3F3	2	50 - 90	R40791	3H23	11	60 - 30
R36926	3C20	1	50 - 37	R394R	3F3	7	50 - 90	R40791	5B23	48	90 - 21
R36926	3H23	26	60 - 30	R394R	3F4	2	50 - 91	R40808	3B25	21	50 - 17
R36946	4F3	21	70 - 94	R394R	3F5	2	50 - 92	R40808	3C1	1	50 - 18
R36951	4F24	20	70 - 115	R394R	3G25	7	60 - 7	R40808	3C13	3	50 - 32
R36951	4G1	10	70 - 117	R394R	4B18	4	70 - 13	R40835	3D14	9	50 - 55
R36952	4F24	34	70 - 115	R394R	4B18	9	70 - 13	R40881	4D7	23	70 - 51
R36952	4G1	23	70 - 117	R394R	4B25	12	70 - 21	R40885	4D14	5A	70 - 57
R37401	3G8	17	50 - 120A	R39554	1F3	12	30 - 16	R40893	4D7	15	70 - 51
R37410	3C2	4	50 - 19	R39554	2B8	14	40 - 3	R40894	4D7	10	70 - 51
R37410	3C7	21	50 - 25	R39587	4B14	23	70 - 9	R40895	4D7	12	70 - 51
R37410	3C11	2	50 - 30	R39597	3G6	33	50 - 119	R40915	4D14	28	70 - 57
R37410	3C23	12	50 - 40	R39725	4D18	8	70 - 62	R40915	4D18	5	70 - 62
R37410	3D1	6	50 - 43	R39725	4E24	10	70 - 90A	R40922	4D11	21	70 - 54
R37410	3D3	23	50 - 44A	R39727	4D18	8	70 - 62	R40922	4D12	22	70 - 55
R37410	3D5	14	50 - 46	R39727	4E24	10	70 - 90A	R40922	4E15	14	70 - 81
R37418	3D8	8	50 - 49	R39729	4C8	13	70 - 31	R40922	4F15	13	70 - 106
R37418	3D9	7	50 - 50	R39729	4C14	17	70 - 37	R40922	4F16	13	70 - 107
R37418	3D10	8	50 - 51	R39730	3G25	14	60 - 7	R40922	4F18	14	70 - 109
R37418	3D11	7	50 - 52	R39739	5E10	3	90 - 82	R40922	4G2	7	70 - 118
R37419	3D8	4	50 - 49	R39741	1B19	6	20 - 13	R40937	4F12	28	70 - 103
R37419	3D10	4	50 - 51	R39741	1C2	3	20 - 21	R40937	4F14	25	70 - 105
R37439	3F12	16	50 - 99	R39741	1C4	3	20 - 21B	R40937	4F14	27	70 - 105
R37439	3F17	5	50 - 105	R39741	3F10	34	50 - 97	R40937	4F18	10	70 - 109

# 1K22

8430 TRACTOR

## NUMERICAL INDEX - CONTINUED

PART NO.	GRID	KEY	PAGE	PART NO.	GRID	KEY	PAGE	PART NO.	GRID	KEY	PAGE
R40945	4D7	4	70 - 51	R41920	3C9	8	50 - 27	R42729	1C23	3	20 - 36B
R40949	4D14	1	70 - 57	R41920	4B18	28	70 - 13	R42729	1D2	13	20 - 39
R41007	3E10	9	50 - 73	R41934	1C15	1	20 - 30	R42729	1D4	14	20 - 39B
R41007	3F2	23	50 - 89	R41934	1C16	1	20 - 31	R42729	1F6	10	30 - 19
R41009	3E10	10	50 - 73	R41968	4D17	10	70 - 61	R42729	1F18	25	30 - 32
R41009	3F2	24	50 - 89	R42009	3G6	14	50 - 119	R42729	1F25	32	30 - 39
R41012	4G12	1	80 - 3	R42009	3I11	4	60 - 43	R42822	5B8	1	90 - 4
R41041	3B14	11	50 - 6	R42009	4E24	19	70 - 90A	R42849	3G24	16	60 - 6
R41041	3B25	21	50 - 17	R42093	2F9	17	40 - 93	R42849	3H6	3	60 - 13
R41041	4B22	15	70 - 17	R42103	3F10	8	50 - 97	R42849	3H20	16	60 - 27
R41049	1C17	1	20 - 32	R42127	3E20	4	50 - 83	R42849	3H24	19	60 - 31
R41049	3G1	1	50 - 114	R42127	3E21	5	50 - 84	R42912	1G21	31	30 - 62
R41049	3G2	1	50 - 115	R42127	3E22	7	50 - 85	R42931	3C2	15	50 - 19
R41050	3F13	12	50 - 101	R42142	3F14	1	50 - 102	R42931	3C7	1	50 - 25
R41050	3G1	14	50 - 114	R42142	3F15	1	50 - 103	R43001	3G10	27	50 - 121
R41050	3G2	23	50 - 115	R42171	4D25	18A	70 - 69	R43002	3G1	12	50 - 114
R41055	4F12	5	70 - 103	R42172	4D25	20	70 - 69	R43002	3G2	21	50 - 115
R41055	4F14	5	70 - 105	R42260	4C10	40	70 - 33	R43003	3G1	12	50 - 114
R41057	4C10	43	70 - 33	R42260	4C18	36	70 - 41	R43003	3G2	21	50 - 115
R41057	4C10	44	70 - 33	R42282	3E24	7	50 - 87	R43015	3G10	21	50 - 121
R41057	4C12	7	70 - 35	R42289	3G8	13	50 - 120A	R43079	4D25	15	70 - 69
R41057	4C14	..	70 - 37	R42312	5B23	21	90 - 21	R43151	3C12	17	50 - 31
R41057	4C18	40	70 - 41	R42312	5B23	26	90 - 21	R43184	3G1	7	50 - 114
R41057	4C20	9	70 - 41B	R42340	1B19	11	20 - 13	R43184	3G2	9	50 - 115
R41057	4C23	13	70 - 43	R42340	1C2	8	20 - 21	R43186	3G1	2	50 - 114
R41057	4D7	3	70 - 51	R42340	1C4	8	20 - 21B	R43186	3G2	2	50 - 115
R41057	4E25	26	70 - 91	R42345	4B8	7	70 - 3	R43224	3H18	5	60 - 26
R41057	4F12	12	70 - 103	R42345	4B22	9	70 - 17	R43244	3G10	19	50 - 121
R41057	4F12	21	70 - 103	R42345	4B24	13	70 - 19	R43245	3G10	18	50 - 121
R41057	4F12	31	70 - 103	R42355	1B16	6	20 - 10	R43252	3E10	12	50 - 73
R41057	4F14	20	70 - 105	R42356	1B16	7	20 - 10	R43252	3F2	27	50 - 89
R41057	4F15	1	70 - 106	R42357	3B25	18	50 - 17	R43252	4B25	14	70 - 21
R41057	4F18	4	70 - 109	R42357	3G6	21	50 - 119	R43260	3D21	6	50 - 59
R41071	3B21	1	50 - 13	R42363	1B19	20	20 - 13	R43304	3C12	10	50 - 31
R41076	1G24	35	30 - 65	R42363	1C2	20	20 - 21	R43312	4D5	14	70 - 49
R41076	2F9	17	40 - 93	R42363	1C20	4	20 - 35	R43320	4E9	7	70 - 76
R41108	4D14	10	70 - 57	R42363	5C6	38	90 - 29	R43337	3G2	13	50 - 115
R41147	3E20	9	50 - 83	R42364	1B9	13	20 - 5	R43339	3G2	14	50 - 115
R41147	4D17	12	70 - 61	R42365	1B19	19	20 - 13	R43340	3G2	10	50 - 115
R41155	3B14	10	50 - 6	R42365	1C2	19	20 - 21	R43340	3G2	12	50 - 115
R41155	4F15	17	70 - 106	R42365	1C4	19	20 - 21B	R43343	3G2	10	50 - 115
R41155	4F16	17	70 - 107	R42365	1C20	5	20 - 35	R43343	3G2	11	50 - 115
R41156	4F12	19	70 - 103	R42375	1F6	8	30 - 19	R43345	3G2	26	50 - 115
R41201	3I13	12	60 - 45	R42390	1C23	5	20 - 36B	R43346	3D23	5	50 - 61
R41285	1E20	20	30 - 9	R42390	1C24	3	20 - 37	R43346	3D25	6	50 - 63
R41337	2B10	17	40 - 5	R42406	1D12	1	20 - 44	R43346	3E8	10	50 - 71
R41338	4F12	33	70 - 103	R42406	1E2	28	20 - 61	R43347	3D23	5	50 - 61
R41338	4F14	31	70 - 105	R42407	3G1	6	50 - 114	R43347	3D25	6	50 - 63
R41339	4F12	29	70 - 103	R42407	3G2	6	50 - 115	R43347	3E8	10	50 - 71
R41339	4F14	28	70 - 105	R42432	3D25	16	50 - 63	R43348	3D23	5	50 - 61
R41339	4F18	9	70 - 109	R42444	3F13	11	50 - 101	R43348	3D25	6	50 - 63
R41386	4D17	4	70 - 61	R42529	3G10	22	50 - 121	R43348	3E8	10	50 - 71
R41387	5B25	3	90 - 23	R42529	3G13	13	50 - 125	R43368	3G1	11	50 - 114
R41406	1C21	3	20 - 36	R42529	3G14	13	50 - 126	R43368	3G2	20	50 - 115
R41439	2G3	13	40 - 107	R42574	2C14	21	40 - 31	R43369	3F21	15	50 - 109
R41440	2B8	16	40 - 3	R42574	2C19	20	40 - 35	R43369	3F21	18	50 - 109
R41440	3I7	19	60 - 39	R42629	3G22	8	60 - 5	R43369	3G1	6	50 - 114
R41440	5E4	12	90 - 76	R42629	3G22	30	60 - 5	R43369	3G1	12	50 - 114
R41446	4E15	15	70 - 81	R42641	4D17	25	70 - 61	R43369	3G1	..	50 - 114
R41549	4F12	25	70 - 103	R42660	4E14	9	70 - 80A	R43369	3G2	6	50 - 115
R41549	4F14	24	70 - 105	R42684	3H6	6	60 - 13	R43369	3G2	21	50 - 115
R41776	4D7	14	70 - 51	R42684	3H20	13	60 - 27	R43369	3G2	..	50 - 115
R41777	4D7	13	70 - 51	R42684	4D19	6	70 - 63	R43380	3C12	9	50 - 31
R41877	3I2	12	60 - 33	R42689	2D6	13	40 - 43	R43380	3C16	23	50 - 33B
R41877	3I15	19	60 - 47	R42693	1D22	20	20 - 55	R43381	3C12	8	50 - 31
R41920	1G24	1	30 - 65	R42693	1E2	18	20 - 61	R43381	3C16	22	50 - 33B
R41920	3B15	8	50 - 7	R42726	1E15	..	30 - 3	R43382	3C12	11	50 - 31

# 1K23

8430 TRACTOR

## NUMERICAL INDEX - CONTINUED

PART NO.	GRID	KEY	PAGE	PART NO.	GRID	KEY	PAGE	PART NO.	GRID	KEY	PAGE
R43383	3C12	12	50 - 31	R43907	3E9	4	50 - 72	R44373	1E2	12	20 - 61
R43383	3C16	26	50 - 33B	R43986	1E21	23	30 - 10	R44373	1F5	15	30 - 18
R43390	2D8	20	40 - 45	R44165	2B10	12	40 - 5	R44374	1E2	15	20 - 61
R43390	2D10	1	40 - 45B	R44165	2F9	11	40 - 93	R44374	1F5	14	30 - 18
R43390	2D12	16	40 - 47	R44165	2F13	27	40 - 97	R44588	5C24	3	90 - 45
R43390	4H16	11	80 - 33	R44165	2F15	29	40 - 99	R447R	3G4	5	50 - 117
R43391	3E14	12	50 - 77	R44165	2F17	29	40 - 99B	R44743	4C8	33	70 - 31
R43406	4D2	7	70 - 47	R44165	2F19	31	40 - 99D	R44744	4C8	30A	70 - 31
R43408	3D22	17	50 - 60	R44165	2F20	8	40 - 100	R44745	4C8	1	70 - 31
R43408	4D2	17	70 - 47	R44165	2F21	13	40 - 101	R44802	4C10	31	70 - 33
R43413	1E2	7	20 - 61	R44165	5B11	14	90 - 7	R44823	4C8	14	70 - 31
R43413	1E20	10	30 - 9	R44165	5B21	5	90 - 18	R44888	3F14	12	50 - 102
R43416	1E2	6	20 - 61	R44165	5B21	12	90 - 18	R44888	3F15	11	50 - 103
R43416	1E20	25	30 - 9	R44254	3H20	19	60 - 27	R44961	3G10	17	50 - 121
R43424	1D10	29	20 - 42A	R44254	3I2	17	60 - 33	R44961	3H18	1	60 - 26
R43425	1D10	30	20 - 42A	R44254	3I15	27	60 - 47	R44961	3H19	1	60 - 26A
R43428	1D10	25	20 - 42A	R44255	3H20	17	60 - 27	R45210	3G20	2	60 - 3
R43429	1D10	24	20 - 42A	R44256	3H20	18	60 - 27	R45211	2B8	10	40 - 3
R43429	1D10	32	20 - 42A	R44256	3I2	16	60 - 33	R45211	2B11	2	40 - 6
R43444	4E8	23	70 - 75	R44256	3I15	29	60 - 47	R45211	5B23	22	90 - 21
R43460	3E9	9	50 - 72	R44286	4F24	23	70 - 115	R45397	4G22	18	80 - 12
R43460	3E14	7	50 - 77	R44286	4G1	13	70 - 117	R45397	5C24	20	90 - 45
R43461	3E9	8	50 - 72	R44287	4F24	33	70 - 115	R45397	5C24	25A	90 - 45
R43475	2B12	2	40 - 7	R44287	4G1	22	70 - 117	R45397	5C24	27	90 - 45
R43548	1D10	28	20 - 42A	R44297	4F22	14	70 - 113	R45422	4C8	34	70 - 31
R43569	3C21	7	50 - 38	R44297	4F24	11	70 - 115	R45422	4C16	26	70 - 39
R43569	3D20	7	50 - 58C	R44299	4D7	20	70 - 51	R45423	4C8	28	70 - 31
R43569	5C6	32	90 - 29	R44302	1F4	2	30 - 17	R45424	4C8	29A	70 - 31
R43593	3E14	10	50 - 77	R44302	1F7	5	30 - 20	R45425	4C8	31	70 - 31
R43595	1B9	20	20 - 5	R44302	1F17	..	30 - 31	R45425	4C16	22A	70 - 39
R43595	1E2	24	20 - 61	R44302	2B8	..	40 - 3	R45440	1F7	5	30 - 20
R43601	4D5	15	70 - 49	R44302	2B10	32	40 - 5	R45440	2B8	..	40 - 3
R43621	1B19	17	20 - 13	R44302	2B14	..	40 - 9	R45440	3G16	9	50 - 129
R43621	1C2	15	20 - 21	R44302	2B15	22	40 - 10	R45440	3H6	..	60 - 13
R43621	1C4	15	20 - 21B	R44302	2B19	3	40 - 14	R45537	1G24	18	30 - 65
R43634	1B19	24	20 - 13	R44302	2C10	2	40 - 28A	R45537	5D23	1	90 - 69
R43660	1D10	23	20 - 42A	R44302	2C21	7	40 - 35B	R45620	4F22	17	70 - 113
R43661	5B13	9	90 - 9	R44302	2D3	1	40 - 40B	R45620	4F24	8	70 - 115
R43684	3B16	9	50 - 8	R44302	2D8	..	40 - 45	R45620	4F25	11	70 - 116
R43706	4D25	13	70 - 69	R44302	2D10	..	40 - 45B	R45630	4E25	5	70 - 91
R43706	4E2	5	70 - 69B	R44302	2D14	..	40 - 49	R45630	4F2	5	70 - 93
R43724	1F5	7	30 - 18	R44302	2D15	11	40 - 50	R45630	4F3	5	70 - 94
R43744	4G12	1	80 - 3	R44302	2D16	24	40 - 51	R45692	1B11	25	20 - 5B
R43744	4G13	10	80 - 4	R44302	2E2	19	40 - 61	R45692	1F3	14	30 - 16
R43751	1E2	8	20 - 61	R44302	2E14	1	40 - 73	R45693	1B9	24	20 - 5
R43751	1E20	26	30 - 9	R44302	2E16	..	40 - 75	R45693	1B15	2	20 - 9
R43774	1D10	22	20 - 42A	R44302	2E17	3	40 - 76	R45693	3C16	1	50 - 33B
R43774	1E2	41	20 - 61	R44302	2G3	12	40 - 107	R45822	4C4	4	70 - 26
R43801	1E21	9	30 - 10	R44302	2G6	6	40 - 110	R45847	1F8	2	30 - 21
R43801	1E22	5	30 - 11	R44302	2G8	5	40 - 112	R45847	2B10	38	40 - 5
R43803	1E21	21	30 - 10	R44302	2G11	20	40 - 115	R45847	3H6	56	60 - 13
R43803	1E22	8	30 - 11	R44302	3B21	3	50 - 13	R45847	4B12	22	70 - 7
R43804	1E21	20	30 - 10	R44302	3F8	4	50 - 95	R45847	5B11	18	90 - 7
R43804	1E22	11	30 - 11	R44302	3F8	6	50 - 95	R45847	5B23	8	90 - 21
R43805	1E21	12	30 - 10	R44302	3F10	5	50 - 97	R45847	5B23	22	90 - 21
R43805	1E22	9	30 - 11	R44302	3F23	28	50 - 111	R45847	5B23	30	90 - 21
R43806	1E21	8	30 - 10	R44302	3F23	29	50 - 111	R45847	5B23	32	90 - 21
R43806	1E22	4	30 - 11	R44302	3G20	4	60 - 3	R459R	3H20	30	60 - 27
R43808	1E21	10	30 - 10	R44302	3H6	..	60 - 13	R459R	4F24	14	70 - 115
R43808	1E22	6	30 - 11	R44302	3I7	..	60 - 39	R459R	4F25	6	70 - 116
R43815	1E21	15	30 - 10	R44302	4B12	23	70 - 7	R459R	4G1	3	70 - 117
R43816	1E21	11	30 - 10	R44302	4E24	10	70 - 90A	R45925	4D15	1	70 - 59
R43816	1E22	7	30 - 11	R44302	5B11	..	90 - 7	R45936	2D6	41	40 - 43
R43817	1E21	2	30 - 10	R44302	5B23	..	90 - 21	R45937	2D6	40	40 - 43
R43817	1E22	1	30 - 11	R44310	4F12	18	70 - 103	R45981	5B8	11	90 - 4
R43851	1B17	5	20 - 11	R44313	4D17	13	70 - 61	R46004	3G2	15	50 - 115
R43906	3E9	3	50 - 72	R44342	2E8	14	40 - 67	R46098	5B8	6	90 - 4

# 1K24

8430 TRACTOR

## NUMERICAL INDEX - CONTINUED

PART NO.	GRID	KEY	PAGE	PART NO.	GRID	KEY	PAGE	PART NO.	GRID	KEY	PAGE
R46099	5B8	2	90 - 4	R46986	3I15	5	60 - 47	R47678	4E8	32	70 - 75
R46162	3F12	23	50 - 99	R46986	3I15	14	60 - 47	R47679	4E8	30	70 - 75
R46162	3F13	1	50 - 101	R46987	3I2	3	60 - 33	R47692	1D14	1	20 - 46
R46162	3F17	13	50 - 105	R46987	3I2	7	60 - 33	R47692	1D15	2	20 - 47
R46162	3F17	19	50 - 105	R47074	1C21	1	20 - 36	R47693	1D14	3	20 - 46
R46162	3F23	19	50 - 111	R47074	3C7	5	50 - 25	R47693	1D15	4	20 - 47
R46162	3F25	46	50 - 113	R47085	3I2	10	60 - 33	R47791	3H20	1	60 - 27
R46205	3E14	8	50 - 77	R47085	3I15	17	60 - 47	R47806	3E16	2	50 - 79
R46323	3F13	6	50 - 101	R47086	3I2	11	60 - 33	R47806	3E18	3	50 - 81
R46323	3F17	23	50 - 105	R47086	3I15	18	60 - 47	R47859	2G3	1	40 - 107
R46323	3F25	42	50 - 113	R47087	3I2	9	60 - 33	R47860	2G1	9	40 - 104
R46324	3F13	6	50 - 101	R47087	3I15	16	60 - 47	R47861	2G1	9	40 - 104
R46324	3F17	23	50 - 105	R47153	1D11	13	20 - 43	R47876	1C11	15	20 - 26
R46324	3F25	42	50 - 113	R47153	1E2	26	20 - 61	R47876	4B15	1	70 - 10
R46325	3F13	6	50 - 101	R47160	1F3	2	30 - 16	R47876	4B22	1	70 - 17
R46325	3F17	23	50 - 105	R47172	3F17	16	50 - 105	R47876	4B22	13	70 - 17
R46325	3F25	42	50 - 113	R47172	3F23	22	50 - 111	R47876	4B24	10	70 - 19
R46414	1E20	15	30 - 9	R47224	5B7	4	90 - 3	R47876	4B24	18	70 - 19
R46414	2C21	12	40 - 35B	R47226	5B7	17	90 - 3	R47886	2E5	5	40 - 64
R46414	5B11	39	90 - 7	R47227	5B7	14	90 - 3	R47998	3G22	41	60 - 5
R46414	5B23	15	90 - 21	R47229	5B7	16	90 - 3	R48026	2G1	..	40 - 104
R46414	5B23	25	90 - 21	R47230	1F18	26	30 - 32	R48027	2G1	..	40 - 104
R46414	5B23	41	90 - 21	R47230	1F25	33	30 - 39	R48028	2G1	28	40 - 104
R46415	3I5	16	60 - 37	R47230	5B7	1	90 - 3	R48048	2G1	17	40 - 104
R46419	3C12	15	50 - 31	R47231	5B7	2	90 - 3	R48049	2G1	27	40 - 104
R46472	1F5	4	30 - 18	R47232	5B7	3	90 - 3	R48071	1F12	8	30 - 25
R46479	1D22	13	20 - 55	R47233	5B7	8	90 - 3	R48146	4G12	1	80 - 3
R46479	1E2	16	20 - 61	R47234	5B7	7	90 - 3	R48163	4E8	14	70 - 75
R46528	5C24	7	90 - 45	R47235	5B7	25	90 - 3	R48164	4E8	15	70 - 75
R46567	1C23	14	20 - 36B	R47235	5B9	12	90 - 5	R48253	3G1	10	50 - 114
R46567	1C24	5	20 - 37	R47301	4D17	2	70 - 61	R48253	3G2	18	50 - 115
R46567	3C14	1	50 - 33	R47314	1F2	3A	30 - 15	R48293	2D6	13	40 - 43
R46633	4G22	16	80 - 12	R47368	4G12	16	80 - 3	R48362	1D22	6	20 - 55
R46633	4G22	17	80 - 12	R47395	1E2	1	20 - 61	R48362	1F2	20	30 - 15
R46636	3G1	7	50 - 114	R47395	1F2	4	30 - 15	R48384	5B23	23	90 - 21
R46663	5C25	..	90 - 47	R47430	1D22	2	20 - 55	R48429	3F13	15	50 - 101
R46663	5D4	..	90 - 49B	R47466	3D22	18	50 - 60	R48429	3G8	11	50 - 120A
R46673	3H18	11	60 - 26	R47468	5B23	51	90 - 21	R48437	3G8	24	50 - 120A
R46673	3H19	6	60 - 26A	R47474	2B10	5	40 - 5	R48437	3G11	15	50 - 123
R46674	3H18	10	60 - 26	R47474	2E2	21	40 - 61	R48437	3G12	15	50 - 124
R46674	3H19	5	60 - 26A	R47474	2E23	3	40 - 81	R48438	3G8	10	50 - 120A
R46682	1E23	9	30 - 12	R47474	2E23	4	40 - 81	R48663	2D6	31	40 - 43
R46682	1E24	6	30 - 13	R47474	2E23	10	40 - 81	R48685	3C13	5	50 - 32
R46685	1E23	8	30 - 12	R47474	2F3	25	40 - 86	R48685	3C13	12	50 - 32
R46685	1E24	5	30 - 13	R47474	2F9	21	40 - 93	R48685	3C16	37	50 - 33B
R46686	1E23	6	30 - 12	R47474	2F23	12	40 - 103	R48685	3D18	6	50 - 58A
R46686	1E24	3	30 - 13	R47474	2F25	12	40 - 103B	R48685	3F10	11	50 - 97
R46691	1E23	4	30 - 12	R47538	4D22	8	70 - 66	R48685	3F17	25	50 - 105
R46691	1E24	1	30 - 13	R47565	3B23	9	50 - 15	R48685	3F25	72	50 - 113
R46693	1E23	2	30 - 12	R47565	3C11	14	50 - 30	R48698	4F6	3	70 - 97
R46704	3I11	8	60 - 43	R47576	3H2	17	60 - 9	R48709	1E21	5	30 - 10
R46704	3I15	20	60 - 47	R47576	3H4	7	60 - 11	R48710	1E21	6	30 - 10
R46722	4F12	1	70 - 103	R47576	4B20	4	70 - 15	R48718	3E12	13	50 - 75
R46722	4F14	1	70 - 105	R47578	4E8	22	70 - 75	R48718	3E12	14	50 - 75
R46722	4F18	1	70 - 109	R47590	4E8	35	70 - 75	R48718	3E16	25	50 - 79
R46791	2E17	12	40 - 76	R47605	3I2	21	60 - 33	R48718	3E16	26	50 - 79
R46806	3G10	28	50 - 121	R47605	3I15	24	60 - 47	R48718	3E18	29	50 - 81
R46855	3G4	28	50 - 117	R47605	5C18	25	90 - 39	R48718	3E18	30	50 - 81
R46856	3I5	10	60 - 37	R47606	3I2	20	60 - 33	R48719	3E12	13	50 - 75
R46862	3G4	23	50 - 117	R47606	3I15	25	60 - 47	R48719	3E12	14	50 - 75
R46863	3G4	20	50 - 117	R47607	3I2	23	60 - 33	R48719	3E16	25	50 - 79
R46901	3G4	24	50 - 117	R47607	3I15	22	60 - 47	R48719	3E16	26	50 - 79
R46902	3G4	18	50 - 117	R47607	3I15	33	60 - 47	R48719	3E18	29	50 - 81
R46903	1B16	1	20 - 10	R47646	1G24	21	30 - 65	R48719	3E18	30	50 - 81
R46903	1B19	23	20 - 13	R47655	3C16	4	50 - 33B	R48720	3E12	13	50 - 75
R46903	1C2	22	20 - 21	R47655	3C23	13	50 - 40	R48720	3E12	14	50 - 75
R46903	1C4	22	20 - 21B	R47655	3D3	24	50 - 44A	R48720	3E16	25	50 - 79

# 1K25

8430 TRACTOR

## NUMERICAL INDEX - CONTINUED

PART NO.	GRID	KEY	PAGE	PART NO.	GRID	KEY	PAGE	PART NO.	GRID	KEY	PAGE
R48720	3E16	26	50 - 79	R49298	4C8	24	70 - 31	R50198	5C24	10	90 - 45
R48720	3E18	29	50 - 81	R49298	4C16	18	70 - 39	R50198	5D17	14	90 - 63
R48720	3E18	30	50 - 81	R49352	4F22	6	70 - 113	R50198	5E4	21	90 - 76
R48733	3C23	15	50 - 40	R49430	3D25	8	50 - 63	R50198	5E4	26	90 - 76
R48733	3D1	2	50 - 43	R49430	3E2	1	50 - 65	R50201	1F12	14	30 - 25
R48733	3D3	26	50 - 44A	R49430	3E4	1	50 - 67	R50201	1F19	34	30 - 33
R48734	3C23	15	50 - 40	R49430	3E6	1	50 - 69	R50209	5D8	13	90 - 53
R48734	3D1	2	50 - 43	R49431	3D25	8	50 - 63	R50213	5D8	1	90 - 53
R48734	3D3	26	50 - 44A	R49431	3E2	1	50 - 65	R50222	3B25	5	50 - 17
R48735	3C23	15	50 - 40	R49431	3E4	1	50 - 67	R50222	3C4	9	50 - 21
R48735	3D1	2	50 - 43	R49431	3E6	1	50 - 69	R50225	1G24	32	30 - 65
R48735	3D3	26	50 - 44A	R49432	3D25	8	50 - 63	R50226	1G24	6	30 - 65
R48738	4C8	23	70 - 31	R49432	3E2	1	50 - 65	R50227	1G24	4	30 - 65
R48738	4C16	17	70 - 39	R49432	3E4	1	50 - 67	R50259	3B14	9	50 - 6
R48776	3C23	16	50 - 40	R49432	3E6	1	50 - 69	R50272	5C24	18	90 - 45
R48776	3D1	1	50 - 43	R49432	3E6	1	50 - 69	R50277	2F9	16	40 - 93
R48776	3D3	27	50 - 44A	R49433	3D25	8	50 - 63	R50279	5B13	3	90 - 9
R48787	3F17	57	50 - 105	R49433	3E2	1	50 - 65	R50279	5C11	3	90 - 32
R48787	3F25	62	50 - 113	R49433	3E4	1	50 - 67	R50287	3B16	21	50 - 8
R48887	2G15	17	40 - 119	R49433	3E6	1	50 - 69	R50334	3B11	5	50 - 3
R48919	3I5	19	60 - 37	R49434	3D25	8	50 - 63	R50348	3B25	32	50 - 17
R48957	3I2	4	60 - 33	R49434	3E2	1	50 - 65	R50348	3C4	15	50 - 21
R48976	2C12	9	40 - 29	R49434	3E4	1	50 - 67	R50349	3B25	7	50 - 17
R48976	2C17	9	40 - 33	R49434	3E6	1	50 - 69	R50349	3C4	8	50 - 21
R48978	4F12	8	70 - 103	R49435	3D25	8	50 - 63	R50349	3C12	2	50 - 31
R48978	4F14	8	70 - 105	R49435	3E2	1	50 - 65	R50352	1C22	3	20 - 36A
R48979	4F12	2	70 - 103	R49435	3E4	1	50 - 67	R50353	1C22	2	20 - 36A
R48980	4F12	6	70 - 103	R49435	3E6	1	50 - 69	R50353	1E2	29	20 - 61
R48980	4F14	6	70 - 105	R49436	3D25	8	50 - 63	R50354	1C22	4	20 - 36A
R48981	4F12	7	70 - 103	R49436	3E2	1	50 - 65	R50354	1C22	4	20 - 36A
R490R	3D1	10	50 - 43	R49436	3E4	1	50 - 67	R50355	1C22	7	20 - 36A
R49002	3D25	27	50 - 63	R49436	3E6	1	50 - 69	R50356	1B9	16	20 - 5
R49002	3E7	21	50 - 70	R49440	3I5	34	60 - 37	R50357	1B11	26	20 - 5B
R49003	3D25	27	50 - 63	R49441	3I5	35	60 - 37	R50358	1B11	27	20 - 5B
R49003	3E7	21	50 - 70	R49444	3I5	42	60 - 37	R50359	3B16	23	50 - 8
R49004	3D25	27	50 - 63	R49464	1D7	5	20 - 40	R50375	1B19	4	20 - 13
R49004	3E7	21	50 - 70	R49464	1D8	7	20 - 41	R50375	1D11	1	20 - 43
R49008	3E2	8	50 - 65	R49464	1D10	10	20 - 42A	R50378	1B19	18	20 - 13
R49071	4C10	25	70 - 33	R49465	1D7	9	20 - 40	R50378	1C23	2	20 - 36B
R49071	4C10	26	70 - 33	R49465	1D8	11	20 - 41	R50378	1D7	1	20 - 40
R49071	4C10	27	70 - 33	R49465	1D10	3	20 - 42A	R50378	1E2	35	20 - 61
R49071	4C10	28	70 - 33	R49465	1D10	4	20 - 42A	R50379	1D7	3	20 - 40
R49071	4C10	29	70 - 33	R49465	1D10	14	20 - 42A	R50381	1D7	2	20 - 40
R49071	4C10	30	70 - 33	R49488	1E2	17	20 - 61	R50384	1D7	11	20 - 40
R49071	4C10	31	70 - 33	R495R	1B13	8	20 - 7	R50386	1D7	10	20 - 40
R49071	4C12	9	70 - 35	R495R	1E2	10	20 - 61	R50386	1D8	13	20 - 41
R49072	4C10	26	70 - 33	R495R	3H21	4	60 - 28	R50387	1B13	9	20 - 7
R49072	4C12	14	70 - 35	R495R	3I5	20	60 - 37	R50388	1B13	6	20 - 7
R49112	3D25	26	50 - 63	R495R	4F3	13	70 - 94	R50389	1B13	7	20 - 7
R49112	3E7	22	50 - 70	R49518	1D22	16	20 - 55	R50389	1C22	13	20 - 36A
R49113	3E7	11	50 - 70	R49519	1C18	4	20 - 33	R50390	1E2	33	20 - 61
R49191	4E25	33	70 - 91	R49630	4G21	1	80 - 11B	R50393	1C22	12	20 - 36A
R49191	4F2	32	70 - 93	R49668	4G4	7	70 - 121	R50396	1F2	15	30 - 15
R49191	4F4	22	70 - 95	R49708	4F12	31	70 - 103	R50397	1E2	13	20 - 61
R49193	4F24	26	70 - 115	R49724	4C4	3	70 - 26	R50397	1F2	16	30 - 15
R49193	4G1	16	70 - 117	R49791	3E8	4	50 - 71	R50398	1F2	5	30 - 15
R49221	4F15	9	70 - 106	R49856	5B7	..	90 - 3	R50399	1E2	2	20 - 61
R49221	4F16	9	70 - 107	R49860	4G13	7	80 - 4	R50399	1F2	12	30 - 15
R49253	3E2	10	50 - 65	R49866	1B13	4	20 - 7	R50400	1F2	17	30 - 15
R49253	3E4	10	50 - 67	R49866	1E2	19	20 - 61	R50402	1D22	2	20 - 55
R49253	3E6	10	50 - 69	R49921	4D19	14	70 - 63	R50402	1F2	19	30 - 15
R49254	3E2	6	50 - 65	R49924	4D17	7	70 - 61	R50404	1F2	8	30 - 15
R49254	3E4	6	50 - 67	R50044	2B13	5	40 - 8	R50405	1E2	4	20 - 61
R49254	3E6	6	50 - 69	R50046	2B13	11	40 - 8	R50405	1F2	7	30 - 15
R49297	4C8	21	70 - 31	R50152	3B25	37	50 - 17	R50406	1E2	5	20 - 61
R49297	4C16	15	70 - 39	R50152	3C4	20	50 - 21	R50406	1F2	9	30 - 15
R49297	4D19	4	70 - 63	R50153	3B25	39	50 - 17	R50406	1F2	10	30 - 15
				R50153	3C4	22	50 - 21	R50415	1D22	1	20 - 55

# 1L1

8430 TRACTOR

## NUMERICAL INDEX - CONTINUED

PART NO.	GRID	KEY	PAGE	PART NO.	GRID	KEY	PAGE	PART NO.	GRID	KEY	PAGE
R50417	1E2	45	20 - 61	R50659	2C4	5	40 - 23	R50914	2C23	7	40 - 37
R50418	1D11	8	20 - 43	R50659	2C6	3	40 - 25	R50915	2C23	8	40 - 37
R50419	1D11	14	20 - 43	R50660	2B22	28	40 - 17	R50916	2C23	3	40 - 37
R50419	1E2	47	20 - 61	R50689	5C25	8	90 - 47	R50917	2C23	10	40 - 37
R50420	1D11	13	20 - 43	R50690	5C25	9	90 - 47	R50918	2C23	14	40 - 37
R50420	1E2	26	20 - 61	R50691	5C25	13	90 - 47	R50919	2C23	15	40 - 37
R50421	1D11	7	20 - 43	R50692	5C25	10	90 - 47	R50920	2C23	9	40 - 37
R50422	1D11	15	20 - 43	R50692	5D2	11	90 - 49	R50921	2C23	18	40 - 37
R50423	1D11	12	20 - 43	R50692	5D4	8	90 - 49B	R50922	2C23	16	40 - 37
R50424	1D11	10	20 - 43	R50694	5C25	12	90 - 47	R50923	2C24	1	40 - 38
R50424	1E2	46	20 - 61	R50695	5C25	14	90 - 47	R50924	2C24	2	40 - 38
R50425	1F12	4	30 - 25	R50695	5D2	8	90 - 49	R50925	2C24	3	40 - 38
R50426	1F12	5	30 - 25	R50695	5D4	5	90 - 49B	R50927	2C24	14	40 - 38
R50427	1F12	1	30 - 25	R50696	5B11	16	90 - 7	R50928	2C24	17	40 - 38
R50427	1F15	1	30 - 29	R50696	5C25	17	90 - 47	R50929	2C24	15	40 - 38
R50453	2F13	36	40 - 97	R50696	5D2	3	90 - 49	R50930	2C24	12	40 - 38
R50454	4E24	15	70 - 90A	R50696	5D4	2	90 - 49B	R50931	2C23	20	40 - 37
R50454	5B9	9	90 - 5	R50697	5C25	16	90 - 47	R50931	2C24	9	40 - 38
R50454	5B9	16	90 - 5	R50697	5D2	6	90 - 49	R50936	5D17	4	90 - 63
R50454	5B9	18	90 - 5	R50697	5D4	3	90 - 49B	R50968	2B8	30	40 - 3
R50454	5B23	33	90 - 21	R50698	5C25	15	90 - 47	R50972	3D18	21	50 - 58A
R50456	5B11	4	90 - 7	R50698	5D2	7	90 - 49	R50972	3D20	24	50 - 58C
R50456	5B23	12	90 - 21	R50698	5D4	4	90 - 49B	R50974	2E20	1	40 - 78
R50457	5C25	6	90 - 47	R50712	3G22	16	60 - 5	R50974	2E21	1	40 - 79
R50459	5C24	25A	90 - 45	R50719	5D8	10	90 - 53	R50974	2E22	13	40 - 80
R50459	5C24	28	90 - 45	R50734	5D12	20	90 - 57	R50974	2F3	7	40 - 86
R50460	5C24	26	90 - 45	R50734	5D14	11	90 - 59	R50974	2F5	21	40 - 88
R50469	5C8	5	90 - 31	R50735	5D12	25	90 - 57	R50974	2F6	15	40 - 89
R50470	5C8	4	90 - 31	R50736	4H10	3	80 - 27	R51011	5C24	4	90 - 45
R50480	5B11	7	90 - 7	R50753	5D12	4	90 - 57	R51015	5B13	12	90 - 9
R50481	5B13	2	90 - 9	R50755	5D12	2	90 - 57	R51023	5B13	11	90 - 9
R50499	2E6	4	40 - 65	R50757	5D12	1	90 - 57	R51029	4B25	2	70 - 21
R50499	2E20	17	40 - 78	R50758	5D12	23	90 - 57	R51030	3E10	11	50 - 73
R50499	2E21	16	40 - 79	R50779	4H6	9	80 - 21	R51030	3F2	26	50 - 89
R50499	2F3	5	40 - 86	R50784	1E21	21	30 - 10	R51031	3F2	25	50 - 89
R50499	2F5	22	40 - 88	R50785	1E21	21	30 - 10	R51109	4H3	5	80 - 18
R50499	2F6	14	40 - 89	R50864	3E20	6	50 - 83	R51133	1F12	12	30 - 25
R50499	5D5	5	90 - 50	R50868	3G22	2	60 - 5	R51133	1F12	13	30 - 25
R50500	2E23	16	40 - 81	R50869	3G22	6	60 - 5	R51133	1F12	15	30 - 25
R50500	5B21	10	90 - 18	R50871	3G22	37	60 - 5	R51133	1F12	16	30 - 25
R50506	1G24	7	30 - 65	R50875	3G22	1	60 - 5	R51133	1F14	1	30 - 27
R50563	3E8	11	50 - 71	R50883	3B13	24	50 - 5	R51133	1F14	2	30 - 27
R50604	3B25	36	50 - 17	R50891	2C22	2	40 - 36	R51133	1F14	7	30 - 27
R50604	3C4	19	50 - 21	R50891	2C24	13	40 - 38	R51153	3G22	33	60 - 5
R50638	5D12	10	90 - 57	R50892	2C22	3	40 - 36	R51161	4D17	6	70 - 61
R50639	5D12	11	90 - 57	R50893	2C22	13	40 - 36	R51192	3B16	20	50 - 8
R50640	5D12	26	90 - 57	R50894	1C2	28	20 - 21	R51192	3H22	23	60 - 29
R50641	5C24	17	90 - 45	R50894	1C4	29	20 - 21B	R51230	3B15	15	50 - 7
R50641	5D12	6	90 - 57	R50894	2C25	12	40 - 39	R51285	4E25	30	70 - 91
R50641	5D14	15	90 - 59	R50894	2D1	11	40 - 40	R51340	3B14	18	50 - 6
R50642	5D12	17	90 - 57	R50897	2C22	10	40 - 36	R51347	1B9	21	20 - 5
R50642	5D14	14	90 - 59	R50899	2C23	11	40 - 37	R51359	4D14	31	70 - 57
R50643	5D12	8	90 - 57	R50899	2C25	17	40 - 39	R51359	4D17	38	70 - 61
R50644	5D12	24	90 - 57	R50899	2D1	17	40 - 40	R51365	3B14	19	50 - 6
R50645	5D12	21	90 - 57	R50900	2C22	1	40 - 36	R51371	5C25	4	90 - 47
R50645	5D14	12	90 - 59	R50901	2C22	21	40 - 36	R51409	4F12	11	70 - 103
R50647	5D12	16	90 - 57	R50902	2C22	5	40 - 36	R51409	4F12	15	70 - 103
R50647	5D14	8	90 - 59	R50903	2C22	6	40 - 36	R51409	4F14	11	70 - 105
R50648	5D12	22	90 - 57	R50904	2C22	9	40 - 36	R51409	4F14	14	70 - 105
R50648	5D14	13	90 - 59	R50905	2C22	24	40 - 36	R51410	4F12	10	70 - 103
R50649	5D12	28	90 - 57	R50906	2C22	19	40 - 36	R51410	4F14	10	70 - 105
R50650	5D12	28	90 - 57	R50907	2C23	5	40 - 37	R51411	4F12	9	70 - 103
R50652	5E4	11	90 - 76	R50909	2C23	12	40 - 37	R51411	4F14	9	70 - 105
R50659	2B20	9	40 - 15	R50910	2C25	18	40 - 39	R51412	4F15	7	70 - 106
R50659	2B22	27	40 - 17	R50910	2D1	16	40 - 40	R51412	4F16	7	70 - 107
R50659	2B24	19	40 - 19	R50912	2C24	8	40 - 38	R51413	4F15	6	70 - 106
R50659	2C2	29	40 - 21	R50913	2C23	2	40 - 37	R51413	4F16	6	70 - 107



# 1L2

8430 TRACTOR

## NUMERICAL INDEX - CONTINUED

PART NO.	GRID	KEY	PAGE	PART NO.	GRID	KEY	PAGE	PART NO.	GRID	KEY	PAGE
R51414	4F15	5	70 - 106	R51784	1G24	12	30 - 65	R52160	4G12	13	80 - 3
R51414	4F16	5	70 - 107	R51827	4C8	5	70 - 31	R52160	4G12	16	80 - 3
R51415	4F15	12	70 - 106	R51848	3H22	14	60 - 29	R52161	2B20	8	40 - 15
R51415	4F16	12	70 - 107	R51849	3H20	7	60 - 27	R52161	2B22	28	40 - 17
R51438	5E3	18	90 - 75	R51849	4H7	5	80 - 22	R52161	2B24	18	40 - 19
R51461	4B14	15	70 - 9	R51851	3I2	31	60 - 33	R52161	2C2	28	40 - 21
R51479	4H10	8	80 - 27	R51853	3H22	1	60 - 29	R52161	2C4	6	40 - 23
R51494	3D20	3	50 - 58C	R51856	3B13	21	50 - 5	R52167	3H22	6	60 - 29
R51494	3D20	13	50 - 58C	R51865	3E9	25	50 - 72	R52168	3H22	10	60 - 29
R51494	3F2	17	50 - 89	R51868	5D17	10	90 - 63	R52169	3H22	12	60 - 29
R51494	3G6	31	50 - 119	R51891	4D2	26	70 - 47	R52174	4D14	33	70 - 57
R51521	3B16	28	50 - 8	R51923	3B7	1	50 - 1	R52235	5B21	11	90 - 18
R51528	2B22	25	40 - 17	R51923	3B9	2	50 - 1B	R52240	3G4	11	50 - 117
R51528	2B24	15	40 - 19	R51930	1G24	37	30 - 65	R52272	2E20	12	40 - 78
R51529	2B22	12	40 - 17	R51936	1F24	16	30 - 38	R52272	2E21	11	40 - 79
R51530	2B22	17	40 - 17	R51936	1F25	44	30 - 39	R52272	2F6	10	40 - 89
R51530	2B24	8	40 - 19	R51936	1G18	2	30 - 59	R52273	2E20	19	40 - 78
R51530	2C2	9	40 - 21	R51937	1F24	17	30 - 38	R52274	2E20	11	40 - 78
R51531	2B22	16	40 - 17	R51944	1C10	11	20 - 25	R52275	3G4	22	50 - 117
R51532	2B22	20	40 - 17	R51973	3F12	31	50 - 99	R52275	3G4	25	50 - 117
R51533	2B22	26	40 - 17	R51973	3F13	13	50 - 101	R52305	3E20	23	50 - 83
R51533	2B24	20	40 - 19	R52006	4G14	11	80 - 5	R52317	3H22	16	60 - 29
R51534	2B22	24	40 - 17	R52006	4G16	11	80 - 7	R52329	3B13	25	50 - 5
R51534	2B24	14	40 - 19	R52049	1C23	12	20 - 36B	R52385	2C25	1	40 - 39
R51535	2B22	9	40 - 17	R52049	1C24	10	20 - 37	R52386	2C23	13	40 - 37
R51535	2B24	29	40 - 19	R52049	1D2	18	20 - 39	R52387	2C22	12	40 - 36
R51535	2C2	1	40 - 21	R52049	1E2	38	20 - 61	R52388	3G8	31	50 - 120A
R51548	5D21	1	90 - 67	R52053	3H23	17	60 - 30	R52394	3B11	27	50 - 3
R51574	4B14	18	70 - 9	R52056	3B17	1	50 - 9	R52404	3C24	7	50 - 41
R51574	4B18	13	70 - 13	R52065	3B17	2	50 - 9	R52422	1G24	24	30 - 65
R51577	3B11	31	50 - 3	R52088	5E4	10	90 - 76	R52446	3B13	17	50 - 5
R51577	4B14	20	70 - 9	R52097	5C18	45	90 - 39	R52447	3B13	19	50 - 5
R51577	4B18	11	70 - 13	R52098	5C18	9	90 - 39	R52448	3B13	18	50 - 5
R51589	5C24	8A	90 - 45	R52107	5C18	33	90 - 39	R52448	3B13	34	50 - 5
R51590	5C18	7	90 - 39	R52112	5D10	10	90 - 55	R52459	5D10	6	90 - 55
R51590	5C24	38	90 - 45	R52114	5D10	4	90 - 55	R52486	3F10	7	50 - 97
R51603	1E2	11	20 - 61	R52117	1G24	5	30 - 65	R52487	5D12	9	90 - 57
R51603	1G15	2	30 - 55	R52127	5B13	1	90 - 9	R52516	5C18	38	90 - 39
R51648	5C6	4	90 - 29	R52127	5C25	2	90 - 47	R52519	5E3	11	90 - 75
R51648	5C6	11	90 - 29	R52128	5B11	15	90 - 7	R52520	5E3	1	90 - 75
R51648	5C6	28	90 - 29	R52130	2E6	3	40 - 65	R52547	4F12	26	70 - 103
R51649	5C6	10	90 - 29	R52130	2F3	27	40 - 86	R52549	4F12	24	70 - 103
R51649	5C6	29	90 - 29	R52130	2F9	1	40 - 93	R52549	4F14	23	70 - 105
R51651	3B7	3	50 - 1	R52130	2F21	11	40 - 101	R52589	3B11	30	50 - 3
R51654	4B18	8	70 - 13	R52130	5B21	3	90 - 18	R52634	3F13	7	50 - 101
R51655	1C11	6	20 - 26	R52130	5C14	15	90 - 35	R52634	3G1	1	50 - 114
R51655	3B18	9	50 - 10	R52130	5D5	6	90 - 50	R52634	3G2	1	50 - 115
R51655	3H4	5	60 - 11	R52132	5C24	25A	90 - 45	R52636	5D8	4	90 - 53
R51655	4B12	7	70 - 7	R52132	5C24	30	90 - 45	R52637	5D8	2	90 - 53
R51655	4B15	5	70 - 10	R52133	5B11	13	90 - 7	R52638	5D8	8	90 - 53
R51655	4B21	5	70 - 16	R52133	5D2	1	90 - 49	R52639	5D8	12	90 - 53
R51659	2C24	7	40 - 38	R52149	5C24	22	90 - 45	R52640	5C11	10	90 - 32
R51660	2C24	5	40 - 38	R52149	5C24	25A	90 - 45	R52640	5C18	46	90 - 39
R51661	2C22	23	40 - 36	R52149	5C24	29	90 - 45	R52646	1G25	5	30 - 66
R51663	2C23	20	40 - 37	R52154	3G2	22	50 - 115	R52646	3E24	2	50 - 87
R51664	2C23	19	40 - 37	R52155	3G1	9	50 - 114	R52665	3B13	16	50 - 5
R51665	2C22	17	40 - 36	R52155	3G2	19	50 - 115	R52665	3B13	36	50 - 5
R51666	2C22	16	40 - 36	R52156	3G2	17	50 - 115	R52666	3B13	15	50 - 5
R51667	2C22	8	40 - 36	R52157	3G1	8	50 - 114	R52667	5D17	7	90 - 63
R51668	2C25	2	40 - 39	R52157	3G2	16	50 - 115	R52690	4E20	18	70 - 87
R51669	2C25	9	40 - 39	R52160	4G12	2	80 - 3	R52690	4E22	20	70 - 89
R51669	2D1	14	40 - 40	R52160	4G12	3	80 - 3	R52691	4E20	18	70 - 87
R51671	2C25	6	40 - 39	R52160	4G12	5	80 - 3	R52691	4E22	20	70 - 89
R51671	2D1	5	40 - 40	R52160	4G12	6	80 - 3	R52692	4E20	18	70 - 87
R51676	3C16	27	50 - 33B	R52160	4G12	8	80 - 3	R52692	4E22	20	70 - 89
R51677	5D17	5	90 - 63	R52160	4G12	10	80 - 3	R52708	5C2	9	90 - 25
R51780	5E3	22	90 - 75	R52160	4G12	12	80 - 3	R52708	5C20	14	90 - 41

# 1L3

8430 TRACTOR

## NUMERICAL INDEX - CONTINUED

PART NO.	GRID	KEY	PAGE	PART NO.	GRID	KEY	PAGE	PART NO.	GRID	KEY	PAGE
R52708	5C20	22	90 - 41	R53169	3F2	13	50 - 89	R53677	2E21	9	40 - 79
R52708	5C22	14	90 - 43	R53169	4C2	17	70 - 23	R53677	2F3	20	40 - 86
R52708	5C22	29	90 - 43	R53201	3H22	11	60 - 29	R53677	2F5	4	40 - 88
R52708	5D8	3	90 - 53	R53202	3F13	9	50 - 101	R53677	2F6	2	40 - 89
R52725	2E8	11	40 - 67	R53213	3E20	48	50 - 83	R53677	5C24	19	90 - 45
R52756	2B13	2	40 - 8	R53244	3E20	15	50 - 83	R53678	5B13	7	90 - 9
R52760	2B14	3	40 - 9	R53268	3B13	7	50 - 5	R53678	5E9	1	90 - 81
R52760	2B14	10	40 - 9	R53282	1C10	1	20 - 25	R53692	3E20	16	50 - 83
R52760	2B15	5	40 - 10	R53282	1E2	36	20 - 61	R53700	4H10	9	80 - 27
R52760	2B15	20	40 - 10	R53292	1C13	5	20 - 28	R53700	4H18	5	80 - 35
R52760	4H10	5	80 - 27	R53292	1C14	5	20 - 29	R53701	4H10	9	80 - 27
R52773	1B14	15	20 - 8	R53296	4E5	3	70 - 72	R53701	4H18	5	80 - 35
R52773	1B16	2	20 - 10	R53300	1G16	3	30 - 57	R53742	5E4	28	90 - 76
R52775	1E20	19	30 - 9	R53300	1G20	6	30 - 61	R53743	5D17	1	90 - 63
R52811	1E2	3	20 - 61	R53300	1G22	12	30 - 63	R53745	5C24	..	90 - 45
R52811	1F2	14	30 - 15	R53385	2E20	14	40 - 78	R53745	5C25	..	90 - 47
R52862	5D12	14	90 - 57	R53385	2E21	13	40 - 79	R53868	1F21	13	30 - 35
R52862	5D14	6	90 - 59	R53385	2E22	2	40 - 80	R53868	1F21	41	30 - 35
R52881	4D11	29	70 - 54	R53385	2F3	2	40 - 86	R53868	1G2	13	30 - 41
R52881	4D12	30	70 - 55	R53386	2E20	15	40 - 78	R53868	1G2	41	30 - 41
R52881	4G2	11	70 - 118	R53386	2E21	14	40 - 79	R53884	1F21	12	30 - 35
R52900	3B13	29	50 - 5	R53386	2E22	3	40 - 80	R53884	1G2	12	30 - 41
R52903	3B11	26	50 - 3	R53386	2F3	3	40 - 86	R53899	1F12	12	30 - 25
R52904	3B11	12	50 - 3	R53393	5C18	29	90 - 39	R53899	1F12	13	30 - 25
R52905	3B11	24	50 - 3	R53398	2F3	8	40 - 86	R53899	1F12	15	30 - 25
R52906	3B11	18	50 - 3	R53398	2F5	19	40 - 88	R53899	1F12	16	30 - 25
R52911	3B14	12	50 - 6	R53422	5B11	36	90 - 7	R53899	1F14	4	30 - 27
R52921	5D12	15	90 - 57	R53423	1D22	14	20 - 55	R53899	1F21	21	30 - 35
R52921	5D14	7	90 - 59	R53436	5C6	30	90 - 29	R53899	1G2	21	30 - 41
R52922	5D12	18	90 - 57	R53474	5E3	23	90 - 75	R53901	1F21	17	30 - 35
R52922	5D14	9	90 - 59	R53475	4D17	24	70 - 61	R53901	1G2	17	30 - 41
R52931	2F21	12	40 - 101	R53476	4D17	23	70 - 61	R53901	1G2	42	30 - 41
R52936	5D10	16	90 - 55	R53477	5D24	3	90 - 70	R53901	1G6	6	30 - 45
R52937	5C12	14	90 - 33	R53478	2D24	5	40 - 59	R53902	1G2	33	30 - 41
R52937	5C15	8	90 - 36	R53478	5D22	1	90 - 68	R53902	1G6	8	30 - 45
R52937	5C16	8	90 - 37	R53479	2F3	21	40 - 86	R53903	1G6	7	30 - 45
R52937	5C24	31	90 - 45	R53508	2D24	6	40 - 59	R53905	1F21	38	30 - 35
R52937	5E1	2	90 - 73	R53508	5D22	4	90 - 68	R53918	1F23	16	30 - 37
R52938	2D4	8	40 - 41	R53510	3E20	12	50 - 83	R53918	1G4	16	30 - 43
R52938	5C15	6	90 - 36	R53528	2D6	21	40 - 43	R53937	1F23	13	30 - 37
R52938	5D8	9	90 - 53	R53586	2F3	11	40 - 86	R53937	1G4	13	30 - 43
R52952	5D12	19	90 - 57	R53608	2B10	17	40 - 5	R53941	1F23	9	30 - 37
R52952	5D14	10	90 - 59	R53608	5C25	18	90 - 47	R53941	1F23	35	30 - 37
R52953	5E4	23	90 - 76	R53620	1G20	1	30 - 61	R53941	1G4	9	30 - 43
R52998	5B11	28	90 - 7	R53620	1G24	17	30 - 65	R53941	1G4	35	30 - 43
R53000	5B11	24	90 - 7	R53625	3B15	4	50 - 7	R53942	1F23	5	30 - 37
R53014	1B19	34	20 - 13	R53635	3G8	5	50 - 120A	R53942	1G4	5	30 - 43
R53014	1C2	33	20 - 21	R53635	3G10	5	50 - 121	R53954	1F23	43	30 - 37
R53014	1C4	34	20 - 21B	R53651	3G10	2	50 - 121	R53954	1G4	43	30 - 43
R53028	2E7	10	40 - 66	R53653	3G10	2	50 - 121	R53955	1F23	24	30 - 37
R53028	2E10	21	40 - 69	R53659	3G8	1	50 - 120A	R53955	1G4	24	30 - 43
R53028	3B16	1	50 - 8	R53659	3G10	1	50 - 121	R53976	1F23	9	30 - 37
R53028	5E4	3	90 - 76	R53662	5C4	20	90 - 27	R53976	1G4	9	30 - 43
R53028	5E4	24	90 - 76	R53662	5C4	23	90 - 27	R54011	1G6	11	30 - 45
R53045	4B12	16	70 - 7	R53662	5C12	11	90 - 33	R54013	1G6	12	30 - 45
R53050	3B25	13	50 - 17	R53665	5C1	14	90 - 24	R54015	1G6	9	30 - 45
R53050	3B25	28	50 - 17	R53667	5C12	13	90 - 33	R54016	1G6	10	30 - 45
R53076	3B13	20	50 - 5	R53667	5D17	3	90 - 63	R54021	1G6	21	30 - 45
R53076	3B13	32	50 - 5	R53667	5D24	2	90 - 70	R54022	1G6	5	30 - 45
R53079	5E4	26	90 - 76	R53668	5B25	7	90 - 23	R54023	1G6	4	30 - 45
R53108	1E2	44	20 - 61	R53668	5C1	15	90 - 24	R54024	1G6	2	30 - 45
R53108	2C9	7	40 - 28	R53668	5C2	3	90 - 25	R54025	1G6	3	30 - 45
R53108	2C12	3	40 - 29	R53668	5C2	7	90 - 25	R54026	1G6	13	30 - 45
R53151	1G21	24	30 - 62	R53670	5B25	8	90 - 23	R54027	1G6	15	30 - 45
R53161	1G6	23	30 - 45	R53670	5C2	4	90 - 25	R54027	1G13	14	30 - 53
R53169	3B19	4	50 - 11	R53670	5C2	8	90 - 25	R54028	1G6	19	30 - 45
R53169	3C21	2	50 - 38	R53677	2E20	10	40 - 78	R54029	1G6	14	30 - 45

# 1L4

8430 TRACTOR

## NUMERICAL INDEX - CONTINUED

PART NO.	GRID	KEY	PAGE	PART NO.	GRID	KEY	PAGE	PART NO.	GRID	KEY	PAGE
R54030	1G6	17	30 - 45	R54565	1B14	1	20 - 8	R55394	3C17	14	50 - 34
R54031	1G6	16	30 - 45	R54743	5C7	3	90 - 30	R55395	1B19	9	20 - 13
R54032	1G6	18	30 - 45	R54748	5B13	15	90 - 9	R55395	1C2	6	20 - 21
R54033	1G6	1	30 - 45	R54748	5D5	2	90 - 50	R55395	1C4	6	20 - 21B
R54039	4H18	7	80 - 35	R54750	3F3	1	50 - 90	R55395	1D10	21	20 - 42A
R54057	5C18	40	90 - 39	R54753	4B18	10	70 - 13	R55396	1B19	3	20 - 13
R54057	5E7	7	90 - 79	R54763	3G19	13	60 - 2	R55396	1C2	11	20 - 21
R54059	3H22	7	60 - 29	R54766	5B7	19	90 - 3	R55396	1F18	25	30 - 32
R54064	4E12	30	70 - 79	R54769	3G19	5	60 - 2	R55396	1F25	32	30 - 39
R54064	4E14	36	70 - 80A	R54771	3G19	16	60 - 2	R55396	2C9	1	40 - 28
R54065	4E12	26	70 - 79	R54778	2D6	4	40 - 43	R55396	3D22	8	50 - 60
R54065	4E14	39	70 - 80A	R54779	2D6	25	40 - 43	R55396	4E15	10	70 - 81
R54088	1F18	21	30 - 32	R54781	2D6	26	40 - 43	R55397	4F12	2	70 - 103
R54088	1F25	28	30 - 39	R54782	2D6	22	40 - 43	R55397	4F14	2	70 - 105
R54111	3B15	12	50 - 7	R54880	1G5	6	30 - 44	R55398	4F12	2	70 - 103
R54123	1B19	26	20 - 13	R54884	1F25	39	30 - 39	R55398	4F12	7	70 - 103
R54123	1B23	7	20 - 17	R54884	1G18	7	30 - 59	R55398	4F14	7	70 - 105
R54123	1D4	24	20 - 39B	R54884	1G18	10	30 - 59	R55408	4B25	17	70 - 21
R54123	1D6	14	20 - 39D	R54884	1G19	1	30 - 60	R55426	5C24	11	90 - 45
R54128	4D14	34	70 - 57	R54884	1G19	5	30 - 60	R55427	4E8	2	70 - 75
R54141	4E14	8	70 - 80A	R54983	4G14	10	80 - 5	R55443	3G22	20	60 - 5
R54160	4G14	6	80 - 5	R54983	4G15	9	80 - 6	R55458	3H6	1	60 - 13
R54160	4G16	7	80 - 7	R55010	4C8	18	70 - 31	R55489	3C17	13	50 - 34
R54182	3F13	10	50 - 101	R55024	1E21	19	30 - 10	R55489	3C17	14	50 - 34
R54198	3I5	53	60 - 37	R55024	1E22	13	30 - 11	R55489	3D20	6	50 - 58C
R54199	3I5	8B	60 - 37	R55055	1B11	27	20 - 5B	R55498	3G22	10	60 - 5
R54242	4F6	1	70 - 97	R55056	1B11	26	20 - 5B	R55525	3B11	20	50 - 3
R54270	1B19	26	20 - 13	R55057	1B11	27	20 - 5B	R55525	4D11	15	70 - 54
R54270	1B21	1	20 - 15	R55058	1B11	26	20 - 5B	R55525	4D12	16	70 - 55
R54270	1C8	1	20 - 23B	R55059	1B11	27	20 - 5B	R55618	2G6	5	40 - 110
R54282	1G24	14	30 - 65	R55060	1B11	26	20 - 5B	R55662	1F18	20	30 - 32
R54294	1G21	28	30 - 62	R55061	1B9	16	20 - 5	R55662	1F25	50	30 - 39
R54312	4G2	4	70 - 118	R55069	1G6	9	30 - 45	R55663	1F18	19	30 - 32
R54380	3D18	11	50 - 58A	R55078	1E20	3	30 - 9	R55663	1F25	49	30 - 39
R54380	3D20	11	50 - 58C	R55078	1F5	12	30 - 18	R55824	3G20	6A	60 - 3
R54380	3F10	9	50 - 97	R55081	3F21	14	50 - 109	R55933	2D6	43	40 - 43
R54380	3F17	24	50 - 105	R55081	4B18	27	70 - 13	R55933	5E11	2	90 - 83
R54380	3F25	71	50 - 113	R55092	3G22	7	60 - 5	R55990	5E4	12	90 - 76
R54380	3G8	12	50 - 120A	R55144	4B12	27	70 - 7	R55993	5E4	24	90 - 76
R54383	3B13	28	50 - 5	R55151	4G12	..	80 - 3	R56012	2B20	10	40 - 15
R54396	3B16	18	50 - 8	R55169	3E20	46	50 - 83	R56012	2C4	10	40 - 23
R54445	2F23	24	40 - 103	R55182	1B11	30	20 - 5B	R56038	4E8	1	70 - 75
R54445	2F25	23	40 - 103B	R55182	1E2	23	20 - 61	R56101	5B15	9	90 - 11
R54447	2F23	1	40 - 103	R55202	1G21	1	30 - 62	R56101	5B16	5	90 - 13
R54447	2F25	1	40 - 103B	R55202	1G21	4	30 - 62	R56101	5B18	9	90 - 15
R54467	2G1	15	40 - 104	R55202	1G22	1	30 - 63	R56104	3G2	9	50 - 115
R54477	1F11	4	30 - 24	R55202	1G22	4	30 - 63	R56105	3G1	7	50 - 114
R54477	5B13	13	90 - 9	R55214	3D22	16	50 - 60	R56199	3B16	5A	50 - 8
R54487	1G24	29	30 - 65	R55214	4D2	6	70 - 47	R56199	3B16	15	50 - 8
R54500	1E20	3	30 - 9	R55233	1D10	19	20 - 42A	R56199	3B16	24	50 - 8
R54500	1E20	4	30 - 9	R55234	3B25	17	50 - 17	R56199	3B16	26	50 - 8
R54500	1F5	9	30 - 18	R55243	3G19	8	60 - 2	R56199	3B17	7A	50 - 9
R54500	1F5	12	30 - 18	R55284	4H18	11	80 - 35	R56199	3B17	10	50 - 9
R54516	2E10	12	40 - 69	R55292	4H18	6	80 - 35	R56226	3I7	14	60 - 39
R54517	2E10	16	40 - 69	R55326	2F2	14	40 - 85	R56236	3E20	3	50 - 83
R54518	2E10	4	40 - 69	R55326	2F23	7	40 - 103	R56246	5B7	6	90 - 3
R54520	2E10	6	40 - 69	R55326	2F25	7	40 - 103B	R56258	3B11	36	50 - 3
R54521	2E10	18	40 - 69	R55326	4H7	14	80 - 22	R56258	3B20	4	50 - 12
R54522	2E10	17	40 - 69	R55326	5C24	1	90 - 45	R56264	2E8	6	40 - 67
R54523	2E10	19	40 - 69	R55326	5C25	3	90 - 47	R56264	5E4	25	90 - 76
R54524	2E10	15	40 - 69	R55326	5D2	9	90 - 49	R56295	3F14	8	50 - 102
R54526	2E10	14	40 - 69	R55326	5D2	15	90 - 49	R56295	3F15	8	50 - 103
R54527	2E10	14	40 - 69	R55326	5D4	6	90 - 49B	R56346	3G19	10	60 - 2
R54528	2E10	13	40 - 69	R55391	3B11	3	50 - 3	R56347	3G19	9	60 - 2
R54529	5C24	5	90 - 45	R55391	3B16	11	50 - 8	R56397	5B8	3	90 - 4
R54533	5D17	8	90 - 63	R55392	3B11	5	50 - 3	R56409	2E7	13	40 - 66
R54564	1B14	6	20 - 8	R55394	3C17	13	50 - 34	R56410	2E7	4	40 - 66

# 1L5

8430 TRACTOR

## NUMERICAL INDEX - CONTINUED

PART NO.	GRID	KEY	PAGE	PART NO.	GRID	KEY	PAGE	PART NO.	GRID	KEY	PAGE
R56411	2E7	1	40-66	R57010	3B15	9	50-7	R57172	4E4	22	70-71
R56412	2E7	3	40-66	R57038	3C2	13	50-19	R57188	4G22	20	80-12
R56479	5D17	6	90-63	R57039	3C2	12	50-19	R57189	3B23	3	50-15
R56481	2C9	1	40-28	R57039	3C7	9	50-25	R57190	3H14	8	60-22
R56504	4D14	23	70-57	R57040	3C2	23	50-19	R57191	3C21	2	50-38
R56626	1E23	7	30-12	R57041	3C2	17	50-19	R57197	4H7	8	80-22
R56626	1E24	4	30-13	R57042	3C2	18	50-19	R57198	4G23	6	80-13
R56627	1E23	11	30-12	R57042	3C7	4	50-25	R57199	4G23	1	80-13
R56627	1E24	8	30-13	R57044	3B25	6	50-17	R57201	4G22	4	80-12
R56628	1E23	10	30-12	R57044	3C4	11	50-21	R57202	4G22	4	80-12
R56628	1E24	7	30-13	R57045	3B25	1	50-17	R57203	4B25	15	70-21
R56643	3G19	12	60-2	R57045	3C4	14	50-21	R57205	4B25	8	70-21
R56643	3G19	14	60-2	R57046	3B25	2	50-17	R57207	4B25	6	70-21
R56645	3G19	1	60-2	R57046	3C4	13	50-21	R57208	3B14	6	50-6
R56712	3E20	18	50-83	R57047	3B25	12	50-17	R57209	4D4	12	70-48A
R56741	4B20	19	70-15	R57047	3C4	3	50-21	R57216	5D14	3	90-59
R56750	4C8	3	70-31	R57047	3C5	2	50-23	R57217	5D14	4	90-59
R56751	4C8	2	70-31	R57048	3C2	11	50-19	R57218	1C17	6	20-32
R56751	4C14	8	70-37	R57048	3C7	28	50-25	R57221	3D14	5	50-55
R56751	4C14	15	70-37	R57049	3C2	6	50-19	R57228	4H10	10	80-27
R56751	4C14	21	70-37	R57050	3C2	9	50-19	R57229	3H22	24	60-29
R56751	4C14	24	70-37	R57050	3C4	26	50-21	R57230	3H22	25	60-29
R56751	4C16	2	70-39	R57050	3C5	1	50-23	R57239	3D3	14	50-44A
R56751	4C18	19	70-41	R57050	3C7	26	50-25	R57240	3D3	15	50-44A
R56751	4C20	2	70-41B	R57051	3F12	8	50-99	R57241	3D3	15	50-44A
R56751	4C23	7	70-43	R57051	3F17	1	50-105	R57242	3D3	15	50-44A
R56751	4C23	12	70-43	R57051	3F23	7	50-111	R57250	3F12	31	50-99
R56751	4C23	20	70-43	R57094	3C2	5	50-19	R57250	3F13	13	50-101
R56751	4C23	21	70-43	R57095	3D5	6	50-46	R57251	3F12	3	50-99
R56751	4C23	25	70-43	R57099	3C2	22	50-19	R57254	3G8	21	50-120A
R56751	4C23	27	70-43	R57099	3C4	25	50-21	R57258	1F12	22	30-25
R56753	4C8	12	70-31	R57100	3C12	13	50-31	R57263	5E4	5	90-76
R56753	4C14	18	70-37	R57102	1C17	4	20-32	R57265	3D1	15	50-43
R56753	4F2	23	70-93	R57102	3B15	17	50-7	R57268	3G8	4	50-120A
R56754	4C10	35	70-33	R57103	3I2	26	60-33	R57268	3G10	4	50-121
R56755	4C10	32	70-33	R57103	3I15	38	60-47	R57277	4E12	4	70-79
R56755	4C12	10	70-35	R57115	3C7	6	50-25	R57278	4E12	3	70-79
R56755	4C14	10	70-37	R57128	3C14	2	50-33	R57279	4E4	17	70-71
R56755	4C18	28	70-41	R57129	3C14	3	50-33	R57280	4D25	1	70-69
R56755	4C20	13	70-41B	R57130	3C14	3	50-33	R57281	4E4	7	70-71
R56755	4C23	9	70-43	R57131	3C14	3	50-33	R57282	4E12	6	70-79
R56756	4C10	33	70-33	R57145	3E2	22	50-65	R57283	4D22	2	70-66
R56756	4C12	3	70-35	R57146	3E2	9	50-65	R57284	4B15	12	70-10
R56756	4C14	12	70-37	R57148	3E7	1	50-70	R57284	4D2	4	70-47
R56757	4C10	34	70-33	R57148	3G1	15	50-114	R57290	3E2	27	50-65
R56757	4C12	11	70-35	R57148	3G2	25	50-115	R57290	3E4	27	50-67
R56757	4C14	11	70-37	R57149	3E7	1	50-70	R57290	3E6	27	50-69
R56757	4C18	30	70-41	R57149	3G1	15	50-114	R57294	3C13	6	50-32
R56757	4C20	14	70-41B	R57149	3G2	25	50-115	R57295	3D3	10	50-44A
R56757	4C23	18	70-43	R57150	3D18	14	50-58A	R57303	1C13	6	20-28
R56792	2C25	14	40-39	R57151	3B7	2	50-1	R57303	1C13	10	20-28
R56792	2D1	2	40-40	R57153	4B18	15	70-13	R57303	1E4	..	20-63
R56793	2C25	3	40-39	R57153	4B18	26	70-13	R57309	3D14	10	50-55
R56793	2D1	3	40-40	R57154	4B18	22	70-13	R57310	3D4	2	50-45
R56802	2C23	13	40-37	R57156	3F12	9	50-99	R57310	3D5	2	50-46
R56837	4G12	1	80-3	R57156	3F12	14	50-99	R57311	3D4	3	50-45
R56871	1F8	16	30-21	R57156	3F12	17	50-99	R57312	3D4	3	50-45
R56871	1F10	19	30-23	R57158	1B19	21	20-13	R57313	3D4	3	50-45
R56886	2E5	2	40-64	R57158	1C2	18	20-21	R57315	3B14	29	50-6
R56902	4H18	17	80-35	R57158	1C4	18	20-21B	R57315	3C14	10	50-33
R56905	3C16	15	50-33B	R57158	1C20	3	20-35	R57324	4D5	7	70-49
R56916	4D7	33	70-51	R57159	1B19	21	20-13	R57329	4E4	16	70-71
R56964	4D5	11	70-49	R57159	1C2	18	20-21	R57330	3B15	18	50-7
R56979	1C15	3	20-30	R57159	1C4	18	20-21B	R57331	3B15	14	50-7
R56979	1C15	4	20-30	R57159	1C20	3	20-35	R57387	1D17	23	20-49
R56988	4H10	2	80-27	R57162	4G10	7	80-1	R57388	1D17	21	20-49
R56995	1F5	13	30-18	R57162	4G22	14	80-12	R57389	1D17	18	20-49

# 1L6

8430 TRACTOR

## NUMERICAL INDEX - CONTINUED

PART NO.	GRID	KEY	PAGE	PART NO.	GRID	KEY	PAGE	PART NO.	GRID	KEY	PAGE
R57393	1D17	24	20 - 49	R57616	3G10	11	50 - 121	R57725	3E4	28	50 - 67
R57399	2B12	8	40 - 7	R57617	3H18	6	60 - 26	R57725	3E6	28	50 - 69
R57400	3B23	2	50 - 15	R57626	1D17	17	20 - 49	R57725	3E8	12	50 - 71
R57400	3D14	20	50 - 55	R57628	1D17	16	20 - 49	R57725	3E10	1	50 - 73
R57401	3G8	33	50 - 120A	R57635	3C13	11	50 - 32	R57725	4D2	13	70 - 47
R57402	3G8	22	50 - 120A	R57636	5B11	29	90 - 7	R57730	4D15	10	70 - 59
R57403	3G8	23	50 - 120A	R57637	5B11	25	90 - 7	R57742	3H20	4	60 - 27
R57404	3G8	2	50 - 120A	R57641	1F18	15	30 - 32	R57743	3B11	19	50 - 3
R57405	3G8	19	50 - 120A	R57641	1F25	38	30 - 39	R57744	3D5	3	50 - 46
R57412	3G8	18	50 - 120A	R57641	1G18	11	30 - 59	R57745	3D5	3	50 - 46
R57430	3B23	4	50 - 15	R57645	4D21	12	70 - 65	R57746	3D5	3	50 - 46
R57437	4D15	8	70 - 59	R57648	4D21	9	70 - 65	R57757	3G20	9A	60 - 3
R57441	3C21	1	50 - 38	R57649	4D21	23	70 - 65	R57759	3F12	24	50 - 99
R57449	3E20	1	50 - 83	R57650	4D21	21	70 - 65	R57760	3E9	19	50 - 72
R57476	3B14	13	50 - 6	R57651	4D21	20	70 - 65	R57760	3E16	23	50 - 79
R57477	3B14	15	50 - 6	R57652	4D21	5	70 - 65	R57760	3E18	26	50 - 81
R57477	3B14	16	50 - 6	R57653	3I15	12	60 - 47	R57761	3E14	25	50 - 77
R57477	3B14	17	50 - 6	R57653	4D21	6	70 - 65	R57761	3E16	12	50 - 79
R57477	3B14	18	50 - 6	R57654	4D21	22	70 - 65	R57766	3E8	5	50 - 71
R57477	3B14	19	50 - 6	R57656	4B14	15	70 - 9	R57767	3E7	10	50 - 70
R57478	1D20	24	20 - 53	R57661	3F2	5	50 - 89	R57768	3E7	23	50 - 70
R57525	4E8	9	70 - 75	R57665	4D7	6	70 - 51	R57769	3E7	26	50 - 70
R57526	4E8	9	70 - 75	R57666	4D7	35	70 - 51	R57771	1C13	2	20 - 28
R57527	4E8	5	70 - 75	R57670	4D14	26	70 - 57	R57771	1C14	2	20 - 29
R57528	4E12	8	70 - 79	R57671	4D14	16	70 - 57	R57778	1C20	1	20 - 35
R57530	4D22	7	70 - 66	R57674	4D14	24	70 - 57	R57779	1C20	2	20 - 35
R57531	4D22	1	70 - 66	R57675	4D7	28	70 - 51	R57780	1C20	2	20 - 35
R57532	3F10	21	50 - 97	R57676	4D5	16	70 - 49	R57781	1F5	10	30 - 18
R57547	3C11	13	50 - 30	R57677	4D5	4	70 - 49	R57793	3E7	18	50 - 70
R57549	3C20	8	50 - 37	R57677	4D23	..	70 - 67	R57794	3D25	30	50 - 63
R57549	3D22	4A	50 - 60	R57692	3C11	5	50 - 30	R57794	3E7	17	50 - 70
R57549	3D22	9	50 - 60	R57692	3D3	20	50 - 44A	R57818	3D3	1	50 - 44A
R57549	3G6	23	50 - 119	R57696	1B23	1	20 - 17	R57819	4D19	29	70 - 63
R57549	3H2	11	60 - 9	R57696	1B25	5	20 - 19	R57820	4D19	32	70 - 63
R57549	3H24	4	60 - 31	R57696	1D2	4	20 - 39	R57822	3E24	1	50 - 87
R57549	3I9	55	60 - 41	R57696	1D4	1	20 - 39B	R57823	1G24	36	30 - 65
R57550	3D22	9	50 - 60	R57696	1D6	4	20 - 39D	R57824	1G24	8	30 - 65
R57550	3D22	11	50 - 60	R57696	1E8	..	20 - 63D	R57827	3E24	3	50 - 87
R57550	4D2	23	70 - 47	R57696	3B7	2	50 - 1	R57828	3E24	9	50 - 87
R57550	4D2	24	70 - 47	R57696	3C13	4	50 - 32	R57832	5C11	6	90 - 32
R57553	4D5	10	70 - 49	R57696	3C13	6	50 - 32	R57832	5C11	8	90 - 32
R57556	1C23	6	20 - 36B	R57696	3C16	34	50 - 33B	R57836	3F10	18	50 - 97
R57556	1C23	7	20 - 36B	R57696	3E14	27	50 - 77	R57847	3F10	23	50 - 97
R57556	1C24	4	20 - 37	R57696	3E14	35	50 - 77	R57847	3F17	37	50 - 105
R57558	3B25	11	50 - 17	R57696	3E16	13	50 - 79	R57847	3F23	30	50 - 111
R57558	3C4	4	50 - 21	R57696	3E18	14	50 - 81	R57847	3F10	28	50 - 97
R57559	3B11	25	50 - 3	R57696	3F21	12	50 - 109	R57891	2E21	10	40 - 79
R57560	3B11	33	50 - 3	R57696	4F22	10	70 - 113	R57892	2F3	21	40 - 86
R57560	4B14	16	70 - 9	R57696	4F22	36	70 - 113	R57895	3D18	13	50 - 58A
R57560	4B18	14	70 - 13	R57710	4B22	4	70 - 17	R57895	3D20	16	50 - 58C
R57560	4B18	15	70 - 13	R57715	1E21	3	30 - 10	R57896	4D14	12	70 - 57
R57561	3F2	3	50 - 89	R57715	1E22	2	30 - 11	R57927	4G12	12	80 - 3
R57572	5C4	6	90 - 27	R57723	4D14	28	70 - 57	R57927	4G14	3	80 - 5
R57575	4D4	26	70 - 48A	R57723	4D17	37	70 - 61	R57927	4G15	4	80 - 6
R57583	1C13	7	20 - 28	R57723	4D18	16	70 - 62	R57928	4G12	13	80 - 3
R57583	1C14	7	20 - 29	R57724	4D18	16	70 - 62	R57928	4G14	2	80 - 5
R57584	1C20	8	20 - 35	R57724	4E24	7	70 - 90A	R57928	4G15	3	80 - 6
R57585	3B11	32	50 - 3	R57725	3C23	1	50 - 40	R57933	3H11	12	60 - 19
R57590	4E12	16	70 - 79	R57725	3C24	9	50 - 41	R57936	5D23	2	90 - 69
R57590	4E14	28	70 - 80A	R57725	3C25	7	50 - 42	R57941	3C14	15	50 - 33
R57600	3F10	29	50 - 97	R57725	3D3	13	50 - 44A	R57942	4B25	19	70 - 21
R57601	3D14	2	50 - 55	R57725	3D4	1	50 - 45	R57943	3C12	14	50 - 31
R57604	4D14	21	70 - 57	R57725	3D5	1	50 - 46	R57946	3C17	14	50 - 34
R57606	5B15	4	90 - 11	R57725	3D14	9	50 - 55	R57947	3E2	5	50 - 65
R57610	3E8	7	50 - 71	R57725	3D25	7	50 - 63	R57947	3E4	5	50 - 67
R57614	3G10	31	50 - 121	R57725	3D25	15	50 - 63	R57947	3E6	5	50 - 69
R57615	3G10	20	50 - 121	R57725	3E2	28	50 - 65	R57949	3G8	2	50 - 120A

# 1L7

8430 TRACTOR

## NUMERICAL INDEX - CONTINUED

PART NO.	GRID	KEY	PAGE	PART NO.	GRID	KEY	PAGE	PART NO.	GRID	KEY	PAGE
R57952	3G8	25	50 - 120A	R58112	4D15	15	70 - 59	R58339	5C18	51	90 - 39
R57953	3G8	29	50 - 120A	R58119	3G24	3	60 - 6	R58340	5D10	17	90 - 55
R57968	4D23	9	70 - 67	R58185	5C12	3	90 - 33	R58341	5D10	8	90 - 55
R57969	4G14	6	80 - 5	R58186	1F19	37	30 - 33	R58343	5D10	2	90 - 55
R57969	4G15	6	80 - 6	R58186	1F25	47	30 - 39	R58344	5D10	9	90 - 55
R57977	3D23	10	50 - 61	R58203	4E8	33	70 - 75	R58348	5D10	5	90 - 55
R57977	3D25	14	50 - 63	R58204	4D17	5	70 - 61	R58350	5D12	5	90 - 57
R57977	3E2	26	50 - 65	R58205	1E17	10	30 - 6	R58351	5D12	3	90 - 57
R57977	3E4	26	50 - 67	R58205	1E18	8	30 - 7	R58352	5D8	5	90 - 53
R57977	3E6	26	50 - 69	R58205	1F3	6	30 - 16	R58353	5D8	11	90 - 53
R57977	3E10	2	50 - 73	R58214	5D21	4	90 - 67	R58355	5C7	9	90 - 30
R57978	3D23	10	50 - 61	R58220	3D5	13	50 - 46	R58356	5C7	2	90 - 30
R57978	3D25	14	50 - 63	R58235	4H18	14	80 - 35	R58357	5C7	1	90 - 30
R57978	3E2	26	50 - 65	R58242	1G21	21	30 - 62	R58367	5D21	3	90 - 67
R57978	3E4	26	50 - 67	R58245	1F6	2	30 - 19	R58368	5D21	2	90 - 67
R57978	3E6	26	50 - 69	R58255	3F12	29	50 - 99	R58385	3E21	7	50 - 84
R57978	3E10	2	50 - 73	R58255	3F17	10	50 - 105	R58386	3E22	12	50 - 85
R57979	3D23	10	50 - 61	R58255	3F23	16	50 - 111	R58387	3E20	11	50 - 83
R57979	3D25	14	50 - 63	R58256	3F12	29	50 - 99	R58388	3E21	9	50 - 84
R57979	3E2	26	50 - 65	R58256	3F17	10	50 - 105	R58389	3E22	11	50 - 85
R57979	3E4	26	50 - 67	R58256	3F23	16	50 - 111	R58390	5D19	7	90 - 65
R57979	3E6	26	50 - 69	R58257	3F12	29	50 - 99	R58391	5D19	10	90 - 65
R57979	3E10	2	50 - 73	R58257	3F17	10	50 - 105	R58392	5D19	11	90 - 65
R57980	3C2	7	50 - 19	R58257	3F23	16	50 - 111	R58393	5D19	1	90 - 65
R57982	3C11	1	50 - 30	R58258	3F12	29	50 - 99	R58394	5D19	8	90 - 65
R57983	3D5	16	50 - 46	R58258	3F17	10	50 - 105	R58397	5D19	9	90 - 65
R57987	4D23	4	70 - 67	R58258	3F23	16	50 - 111	R58398	1D17	4	20 - 49
R58003	5B21	2	90 - 18	R58264	4D25	7	70 - 69	R58400	1D17	13	20 - 49
R58003	5B21	9	90 - 18	R58276	4C5	2	70 - 27	R58400	1D18	5	20 - 51
R58008	3B15	3	50 - 7	R58277	5B23	44	90 - 21	R58402	3B14	14	50 - 6
R58015	5D22	2	90 - 68	R58278	5B23	43	90 - 21	R58414	3C14	6	50 - 33
R58025	3H15	13	60 - 23	R58284	1D20	27	20 - 53	R58415	3B14	30	50 - 6
R58026	3H15	14	60 - 23	R58287	4H10	8	80 - 27	R58415	3C14	11	50 - 33
R58028	3H15	16	60 - 23	R58293	3G8	30	50 - 120A	R58424	3G1	13	50 - 114
R58029	3H15	8	60 - 23	R58294	3G10	12	50 - 121	R58424	3G2	22	50 - 115
R58031	3H15	17	60 - 23	R58295	3G10	13	50 - 121	R58425	3F13	17	50 - 101
R58032	3H15	3	60 - 23	R58296	3D6	1	50 - 47	R58428	3B15	19	50 - 7
R58033	3G24	26	60 - 6	R58296	3D6	7	50 - 47	R58444	3D15	8	50 - 56
R58049	3C25	3	50 - 42	R58296	3D7	1	50 - 48	R58446	3E20	32	50 - 83
R58051	5C11	5	90 - 32	R58296	3D7	7	50 - 48	R58447	3E21	6	50 - 84
R58052	5C11	1	90 - 32	R58297	4G17	4	80 - 8	R58447	3E22	8	50 - 85
R58057	3C23	3	50 - 40	R58301	3G24	8	60 - 6	R58448	3E21	14	50 - 84
R58057	3C24	8	50 - 41	R58302	4G14	7	80 - 5	R58459	3H17	12	60 - 25
R58057	3C25	6	50 - 42	R58302	4G15	8	80 - 6	R58460	3H17	19	60 - 25
R58057	3D14	7	50 - 55	R58303	4G12	8	80 - 3	R58461	3H17	3	60 - 25
R58058	3D1	9	50 - 43	R58303	4G13	9	80 - 4	R58462	3H15	7	60 - 23
R58066	3E9	7	50 - 72	R58303	4G14	8	80 - 5	R58462	3H17	5	60 - 25
R58076	3C21	6	50 - 38	R58303	4G15	7	80 - 6	R58479	3F12	21	50 - 99
R58078	4E20	10	70 - 87	R58306	1D20	10	20 - 53	R58479	3F17	11	50 - 105
R58078	4E22	12	70 - 89	R58308	1F8	10	30 - 21	R58479	3F23	17	50 - 111
R58079	4E20	11	70 - 87	R58312	1E17	3	30 - 6	R58484	3G8	19	50 - 120A
R58079	4E22	13	70 - 89	R58313	1E17	1	30 - 6	R58499	4C10	44	70 - 33
R58080	4E20	6	70 - 87	R58314	1E17	6	30 - 6	R58500	3B17	6	50 - 9
R58080	4E22	8	70 - 89	R58315	1E17	7	30 - 6	R58500	3I9	45	60 - 41
R58081	4D17	19	70 - 61	R58318	1E17	12	30 - 6	R58507	1G25	2	30 - 66
R58081	4E20	15	70 - 87	R58318	1E18	10	30 - 7	R58509	1G25	18	30 - 66
R58081	4E22	17	70 - 89	R58318	1E17	5	30 - 6	R58511	1G25	21	30 - 66
R58082	4D17	11	70 - 61	R58323	1E16	2	30 - 5	R58512	1G25	20	30 - 66
R58088	4E20	17	70 - 87	R58324	1E16	4	30 - 5	R58519	1G25	6	30 - 66
R58089	4E20	17	70 - 87	R58325	1E13	4	30 - 1	R58524	5C18	19A	90 - 39
R58090	4E20	17	70 - 87	R58327	2D6	6	40 - 43	R58526	3B23	10	50 - 15
R58091	4D17	18	70 - 61	R58329	4G24	1	80 - 14	R58527	3E7	8	50 - 70
R58092	4E20	22	70 - 87	R58333	5D10	13	90 - 55	R58528	3D3	2	50 - 44A
R58093	4E20	20	70 - 87	R58334	5D10	15	90 - 55	R58528	3D25	13	50 - 63
R58093	4E22	22	70 - 89	R58336	5C11	13	90 - 32	R58528	3E2	25	50 - 65
R58101	4C4	8	70 - 26	R58337	5C18	17	90 - 39	R58528	3E4	25	50 - 67
R58109	1F5	5	30 - 18	R58338	5C18	14	90 - 39	R58528	3E6	25	50 - 69

# 1L8

8430 TRACTOR

## NUMERICAL INDEX - CONTINUED

PART NO.	GRID	KEY	PAGE	PART NO.	GRID	KEY	PAGE	PART NO.	GRID	KEY	PAGE
R58529	3D3	2	50 - 44A	R58696	3F23	9	50 - 111	R58928	4C1	21	70 - 22
R58529	3D25	13	50 - 63	R58696	3F23	39	50 - 111	R58928	4C2	14	70 - 23
R58529	3E2	25	50 - 65	R58713	1D12	25	20 - 44	R58934	4D25	18B	70 - 69
R58529	3E4	25	50 - 67	R58714	1D12	12	20 - 44	R58939	3B13	5	50 - 5
R58529	3E6	25	50 - 69	R58715	1D12	13	20 - 44	R58940	3B13	3	50 - 5
R58530	3D3	2	50 - 44A	R58716	1D12	14	20 - 44	R58941	3B13	1	50 - 5
R58530	3D25	13	50 - 63	R58717	1C10	2	20 - 25	R58941	3B13	3	50 - 5
R58530	3E2	25	50 - 65	R58717	1C10	9	20 - 25	R58941	3B13	4	50 - 5
R58530	3E4	25	50 - 67	R58717	1C10	10	20 - 25	R58941	3B13	5	50 - 5
R58530	3E6	25	50 - 69	R58717	1C10	11	20 - 25	R58941	3B13	9	50 - 5
R58531	3D3	2	50 - 44A	R58718	1D22	17	20 - 55	R58941	3B13	10	50 - 5
R58531	3D25	13	50 - 63	R58719	1D12	21	20 - 44	R58941	3B13	11	50 - 5
R58531	3E2	25	50 - 65	R58721	1D22	14	20 - 55	R58941	3B13	13	50 - 5
R58531	3E4	25	50 - 67	R58755	3B14	2	50 - 6	R58942	3B13	11	50 - 5
R58531	3E6	25	50 - 69	R58764	3C17	18	50 - 34	R58945	4B12	21	70 - 7
R58532	3D3	2	50 - 44A	R58766	5D19	6	90 - 65	R58948	4B24	6	70 - 19
R58532	3D25	13	50 - 63	R58773	4C8	18	70 - 31	R58948	4C24	3	70 - 45
R58532	3E2	25	50 - 65	R58773	4C8	19	70 - 31	R58950	4B22	17	70 - 17
R58532	3E4	25	50 - 67	R58773	4C8	20	70 - 31	R58952	4B24	2	70 - 19
R58532	3E6	25	50 - 69	R58774	4B7	1	70 - 2	R58953	4B22	3	70 - 17
R58533	3D3	2	50 - 44A	R58778	3B19	3	50 - 11	R58953	4B24	12	70 - 19
R58533	3D25	13	50 - 63	R58779	4E15	13	70 - 81	R58954	3H2	9	60 - 9
R58533	3E2	25	50 - 65	R58780	4E24	2B	70 - 90A	R58964	3G24	18	60 - 6
R58533	3E4	25	50 - 67	R58784	3F13	14	50 - 101	R58999	5C4	16	90 - 27
R58533	3E6	25	50 - 69	R58796	3B19	2	50 - 11	R59009	5C2	17	90 - 25
R58534	3D3	6	50 - 44A	R58797	3E9	12	50 - 72	R59010	5C2	12	90 - 25
R58536	3D1	4	50 - 43	R58797	3E14	19	50 - 77	R59011	5C2	10	90 - 25
R58538	3E7	15	50 - 70	R58798	3E9	11	50 - 72	R59012	5C2	13	90 - 25
R58543	4B10	1	70 - 5	R58798	3E14	18	50 - 77	R59013	5C1	18	90 - 24
R58544	4D2	14	70 - 47	R58799	3E9	17	50 - 72	R59015	5C2	6	90 - 25
R58545	4H6	5	80 - 21	R58813	5C2	14	90 - 25	R59018	5C2	11	90 - 25
R58546	3E22	22	50 - 85	R58814	5C2	5	90 - 25	R59019	5C2	1	90 - 25
R58547	3E21	4	50 - 84	R58815	5C1	2	90 - 24	R59020	5C1	10	90 - 24
R58547	3E22	4	50 - 85	R58816	5C1	2	90 - 24	R59021	5C1	7	90 - 24
R58548	3E21	21	50 - 84	R58819	3B15	13	50 - 7	R59022	5C1	13	90 - 24
R58549	3E21	19	50 - 84	R58832	4D15	11	70 - 59	R59023	5C1	17	90 - 24
R58550	3E22	21	50 - 85	R58850	3E9	5	50 - 72	R59024	5C1	1	90 - 24
R58551	3E21	3	50 - 84	R58858	4E24	2A	70 - 90A	R59025	5C1	1	90 - 24
R58551	3E22	2	50 - 85	R58864	4G13	3	80 - 4	R59026	5C1	11	90 - 24
R58552	3E22	14	50 - 85	R58864	4G14	2	80 - 5	R59028	5C1	4	90 - 24
R58596	4E9	5	70 - 76	R58865	4G13	1	80 - 4	R59029	5C1	6	90 - 24
R58597	4E14	7	70 - 80A	R58871	3E9	15	50 - 72	R59030	5B25	12	90 - 23
R58598	4E14	15	70 - 80A	R58872	3E14	23	50 - 77	R59031	4D14	20	70 - 57
R58599	4E14	19	70 - 80A	R58873	3E14	30	50 - 77	R59041	5E7	4	90 - 79
R58600	4E12	12	70 - 79	R58873	3E16	16	50 - 79	R59070	5C1	3	90 - 24
R58602	3G10	12	50 - 121	R58873	3E18	18	50 - 81	R59074	3G8	3	50 - 120A
R58614	3G22	26	60 - 5	R58874	3E9	10	50 - 72	R59074	3G8	4	50 - 120A
R58616	3F2	15	50 - 89	R58889	1D20	28	20 - 53	R59074	3G10	3	50 - 121
R58616	4C1	2	70 - 22	R58894	3H2	26	60 - 9	R59074	3G10	4	50 - 121
R58616	4C2	19	70 - 23	R58895	3H4	13	60 - 11	R59074	3G11	2	50 - 123
R58617	4E8	25	70 - 75	R58900	3C17	8	50 - 34	R59074	3G12	2	50 - 124
R58621	3D15	3	50 - 56	R58900	3D18	21	50 - 58A	R59074	3G13	2	50 - 125
R58641	4D23	12	70 - 67	R58900	3D20	24	50 - 58C	R59074	3G14	2	50 - 126
R58642	4D23	13	70 - 67	R58901	3D4	6	50 - 45	R59075	1F8	9	30 - 21
R58659	3C17	7	50 - 34	R58902	3D3	18	50 - 44A	R59081	4D8	4	70 - 52
R58660	3F2	8	50 - 89	R58903	3D3	18	50 - 44A	R59082	4D7	22	70 - 51
R58661	3F2	7	50 - 89	R58904	3D3	18	50 - 44A	R59082	4D10	4	70 - 53B
R58668	1F10	5	30 - 23	R58916	3F2	10	50 - 89	R59082	4D11	14	70 - 54
R58669	1C23	11	20 - 36B	R58919	3B18	5	50 - 10	R59082	4D12	11	70 - 55
R58669	1C24	9	20 - 37	R58921	3B18	7	50 - 10	R59083	4D7	20	70 - 51
R58677	3C17	24	50 - 34	R58924	4C1	17	70 - 22	R59084	4D8	9	70 - 52
R58678	3C17	5	50 - 34	R58924	4C2	12	70 - 23	R59088	4H10	4	80 - 27
R58692	3F13	16	50 - 101	R58925	4C1	9	70 - 22	R59088	4H18	1	80 - 35
R58696	3F10	17	50 - 97	R58925	4C2	4	70 - 23	R59091	4H18	2	80 - 35
R58696	3F12	13	50 - 99	R58926	4C1	16	70 - 22	R59091	5C11	9	90 - 32
R58696	3F17	3	50 - 105	R58926	4C2	10	70 - 23	R59092	4H18	2	80 - 35
R58696	3F17	28	50 - 105	R58927	4C1	11	70 - 22	R59092	5C11	9	90 - 32

# 1L9

8430 TRACTOR

## NUMERICAL INDEX - CONTINUED

PART NO.	GRID	KEY	PAGE	PART NO.	GRID	KEY	PAGE	PART NO.	GRID	KEY	PAGE
R59093	4H10	7	80 - 27	R59353	3E18	8	50 - 81	R59708	2E7	7	40 - 66
R59093	4H18	18	80 - 35	R59354	3E16	3	50 - 79	R59711	3E20	23	50 - 83
R59094	4H10	7	80 - 27	R59354	3E18	4	50 - 81	R59747	1F2	15	30 - 15
R59094	4H18	18	80 - 35	R59378	3E14	15	50 - 77	R59754	1F10	3	30 - 23
R59104	1F18	5	30 - 32	R59410	1C11	10	20 - 26	R59755	4H7	13	80 - 22
R59104	1F24	5	30 - 38	R59410	4G22	3	80 - 12	R59766	4D7	11	70 - 51
R59106	5E7	19	90 - 79	R59419	3F13	14	50 - 101	R59798	3H2	26	60 - 9
R59107	5E7	1	90 - 79	R59419	3F13	20	50 - 101	R59798	3H17	7	60 - 25
R59108	5E7	18	90 - 79	R59419	3F14	11	50 - 102	R59808	4D25	8A	70 - 69
R59109	5D19	8	90 - 65	R59419	3F17	51	50 - 105	R59840	5B15	20	90 - 11
R59111	4D7	19	70 - 51	R59419	3F25	45	50 - 113	R59841	5B15	18	90 - 11
R59124	3G8	32	50 - 120A	R59420	1B16	4	20 - 10	R59853	3G25	13	60 - 7
R59129	1C11	13	20 - 26	R59432	3F10	7	50 - 97	R59897	5B25	11	90 - 23
R59132	1G21	25	30 - 62	R59439	3G8	27	50 - 120A	R59899	4G13	4	80 - 4
R59137	3B25	10	50 - 17	R59439	3G10	25	50 - 121	R59899	4G14	3	80 - 5
R59137	3C4	5	50 - 21	R59439	3G11	8	50 - 123	R59910	5C8	3	90 - 31
R59138	3B16	26	50 - 8	R59439	3G12	8	50 - 124	R59919	5B11	23	90 - 7
R59154	4G4	9	70 - 121	R59439	3G13	5	50 - 125	R59922	5C3	1	90 - 26
R59160	2D6	46	40 - 43	R59439	3G14	5	50 - 126	R59923	5C3	17	90 - 26
R59160	2D8	10	40 - 45	R59440	3G8	27	50 - 120A	R59924	5C3	14	90 - 26
R59160	2D10	10	40 - 45B	R59440	3G10	25	50 - 121	R59925	5C3	8	90 - 26
R59160	2D12	9	40 - 47	R59440	3G11	8	50 - 123	R59926	5C3	15	90 - 26
R59160	2D14	12	40 - 49	R59440	3G12	8	50 - 124	R59927	5C4	22	90 - 27
R59160	2D17	11	40 - 52	R59440	3G13	5	50 - 125	R59953	3G22	24	60 - 5
R59164	4D14	14	70 - 57	R59440	3G14	5	50 - 126	R59960	5C18	47	90 - 39
R59166	5B9	22	90 - 5	R59443	3F10	37	50 - 97	R60003	5D12	28	90 - 57
R59167	5B9	2	90 - 5	R59444	3F10	36	50 - 97	R60004	5D12	28	90 - 57
R59171	3G25	22	60 - 7	R59450	5B15	3	90 - 11	R60019	5C6	46	90 - 29
R59185	3G25	24	60 - 7	R59460	3F17	43	50 - 105	R60021	5C6	39	90 - 29
R59186	3G25	9	60 - 7	R59460	3F19	7	50 - 107	R60024	5C6	15	90 - 29
R59197	4E14	12	70 - 80A	R59460	3F25	52	50 - 113	R60025	5C6	23	90 - 29
R59198	4E14	11	70 - 80A	R59461	4H10	15	80 - 27	R60032	3G10	29	50 - 121
R59211	5E7	14	90 - 79	R59462	1F3	15	30 - 16	R60032	3G13	8	50 - 125
R59212	5E7	11	90 - 79	R59463	1F3	7	30 - 16	R60032	3G14	8	50 - 126
R59221	5B21	11	90 - 18	R59472	1F2	3	30 - 15	R60034	3G8	31	50 - 120A
R59223	3C23	5	50 - 40	R59472	3H4	8	60 - 11	R60034	3G11	10	50 - 123
R59223	3C24	6	50 - 41	R59478	4E8	41	70 - 75	R60034	3G12	10	50 - 124
R59223	3C25	4	50 - 42	R59483	1D10	8	20 - 42A	R60038	3B14	6	50 - 6
R59266	4E4	27	70 - 71	R59483	1D10	25	20 - 42A	R60038	3B14	24	50 - 6
R59269	5C18	48	90 - 39	R59485	3F10	7	50 - 97	R60038	3C1	2	50 - 18
R59291	4D22	6	70 - 66	R59526	4E12	15	70 - 79	R60038	3C4	2	50 - 21
R59293	1F18	3	30 - 32	R59530	3C23	8	50 - 40	R60038	3C5	4	50 - 23
R59293	1F18	4	30 - 32	R59531	3C24	3	50 - 41	R60038	3I2	8	60 - 33
R59293	1F24	3	30 - 38	R59532	3D4	11	50 - 45	R60038	3I15	15	60 - 47
R59293	1F24	4	30 - 38	R59565	3B21	3	50 - 13	R60044	3F14	3	50 - 102
R59294	1F18	4	30 - 32	R59566	3E14	5	50 - 77	R60044	3F15	3	50 - 103
R59294	1F24	4	30 - 38	R59569	3D3	5	50 - 44A	R60045	3F14	4	50 - 102
R59297	1F25	41	30 - 39	R59589	4D14	30	70 - 57	R60045	3F15	4	50 - 103
R59298	1F25	41	30 - 39	R59596	3E7	24	50 - 70	R60048	3F14	5	50 - 102
R59299	1F19	38	30 - 33	R59597	3B13	28	50 - 5	R60048	3F15	5	50 - 103
R59299	1F25	45	30 - 39	R59598	3B13	30	50 - 5	R60058	4G22	9	80 - 12
R59300	1F19	38	30 - 33	R59599	1F10	18	30 - 23	R60060	3H4	16	60 - 11
R59300	1F25	45	30 - 39	R59618	4D17	35	70 - 61	R60060	4G22	9	80 - 12
R59302	1F19	36	30 - 33	R59618	4D18	14	70 - 62	R60081	4D10	12	70 - 53B
R59302	1F25	46	30 - 39	R59618	4E24	9	70 - 90A	R60092	4B14	14	70 - 9
R59304	1F19	36	30 - 33	R59620	4C4	7	70 - 26	R60092	4B14	25	70 - 9
R59304	1F25	46	30 - 39	R59629	4E25	26	70 - 91	R60092	4D11	23	70 - 54
R59305	1F19	37	30 - 33	R59629	4F12	12	70 - 103	R60092	4D12	24	70 - 55
R59305	1F25	47	30 - 39	R59629	4F12	31	70 - 103	R60096	4D10	7	70 - 53B
R59343	4E25	11	70 - 91	R59629	4F14	29	70 - 105	R60096	4D11	9	70 - 54
R59343	4F2	11	70 - 93	R59629	4F15	1	70 - 106	R60096	4D12	6	70 - 55
R59343	4F10	2	70 - 101	R59633	4E25	1	70 - 91	R60096	4E15	1	70 - 81
R59350	3H2	5	60 - 9	R59633	4F2	1	70 - 93	R60096	4E17	8	70 - 83
R59351	4C1	6	70 - 22	R59633	4F3	1	70 - 94	R60125	3F10	7	50 - 97
R59352	3E16	5	50 - 79	R59633	4F3	19	70 - 94	R60142	4B8	6	70 - 3
R59352	3E18	6	50 - 81	R59684	4D4	5	70 - 48A	R60155	3F10	26	50 - 97
R59353	3E16	7	50 - 79	R59690	3B15	12	50 - 7	R60155	3F17	36	50 - 105



# 1L10

8430 TRACTOR

## NUMERICAL INDEX - CONTINUED

PART NO.	GRID	KEY	PAGE	PART NO.	GRID	KEY	PAGE	PART NO.	GRID	KEY	PAGE
R60155	3F23	31	50 - 111	R60402	4B14	14	70 - 9	R60681	5D21	4	90 - 67
R60157	4B7	4	70 - 2	R60419	4E15	13	70 - 81	R60682	5D20	8	90 - 66
R60170	5B9	10	90 - 5	R60419	4E17	7	70 - 83	R60682	5D21	4	90 - 67
R60171	5B7	28	90 - 3	R60420	4D7	23	70 - 51	R60683	5D20	12	90 - 66
R60171	5B9	8	90 - 5	R60420	4D10	14	70 - 53B	R60683	5E3	3	90 - 75
R60172	5B9	11	90 - 5	R60420	4D11	3	70 - 54	R60684	5D20	11	90 - 66
R60173	4H18	12	80 - 35	R60420	4D12	12	70 - 55	R60684	5E3	18	90 - 75
R60173	5C6	41	90 - 29	R60421	4E15	7	70 - 81	R60686	4H18	16	80 - 35
R60174	3G22	11	60 - 5	R60421	4E17	16	70 - 83	R60724	1C13	3	20 - 28
R60254	4D7	35	70 - 51	R60427	2D24	4	40 - 59	R60725	1E21	1	30 - 10
R60259	4B14	14	70 - 9	R60458	5C2	15	90 - 25	R60726	1E21	17	30 - 10
R60263	5B11	20	90 - 7	R60458	5C3	18	90 - 26	R60728	1E21	14	30 - 10
R60263	5D4	11	90 - 49B	R60463	1E14	3	30 - 2	R60729	1E21	16	30 - 10
R60264	5B11	21	90 - 7	R60472	1C20	8	20 - 35	R60730	4D14	11	70 - 57
R60264	5D4	10	90 - 49B	R60473	1C20	8	20 - 35	R60753	1B13	10	20 - 7
R60272	1G15	5	30 - 55	R60474	1C20	8	20 - 35	R60763	4D22	4	70 - 66
R60273	1G15	7	30 - 55	R60475	1C20	8	20 - 35	R60771	4E4	21	70 - 71
R60274	1G15	8	30 - 55	R60476	1C20	2	20 - 35	R60775	4B7	8	70 - 2
R60275	1G15	9	30 - 55	R60477	1C20	2	20 - 35	R60805	1F21	9	30 - 35
R60276	1G15	11	30 - 55	R60478	1C20	2	20 - 35	R60805	1G2	9	30 - 41
R60277	1G15	1	30 - 55	R60479	1C20	2	20 - 35	R60806	1F21	10	30 - 35
R60278	1G15	4	30 - 55	R60480	1C20	2	20 - 35	R60806	1G2	10	30 - 41
R60279	1G15	3	30 - 55	R60481	1C20	2	20 - 35	R60807	1F21	6	30 - 35
R60280	1G15	14	30 - 55	R60482	1C20	2	20 - 35	R60807	1G2	6	30 - 41
R60281	1G15	14	30 - 55	R60483	1C20	2	20 - 35	R60808	1F21	8	30 - 35
R60282	1G15	14	30 - 55	R60484	1C20	1	20 - 35	R60808	1G2	8	30 - 41
R60283	1G15	14	30 - 55	R60485	1C13	7	20 - 28	R60824	1F23	19	30 - 37
R60284	1G15	14	30 - 55	R60485	1C14	7	20 - 29	R60825	1F23	34	30 - 37
R60285	1G15	14	30 - 55	R60486	1C13	7	20 - 28	R60831	3G20	10	60 - 3
R60286	1G15	14	30 - 55	R60486	1C14	7	20 - 29	R60831	3H23	16	60 - 30
R60287	1G15	14	30 - 55	R60487	1C13	7	20 - 28	R60831	5E3	3	90 - 75
R60288	1G15	14	30 - 55	R60487	1C14	7	20 - 29	R60845	5B13	5	90 - 9
R60289	1G15	14	30 - 55	R60488	1C13	7	20 - 28	R60846	5B13	2	90 - 9
R60290	1G15	14	30 - 55	R60488	1C14	7	20 - 29	R60863	1F16	4	30 - 30
R60291	1G15	14	30 - 55	R60524	3B25	17	50 - 17	R60863	1F17	16	30 - 31
R60292	1G15	14	30 - 55	R60524	3B25	20	50 - 17	R60876	1F18	8	30 - 32
R60293	1G15	14	30 - 55	R60543	4D5	6	70 - 49	R60876	1F24	8	30 - 38
R60294	1G15	14	30 - 55	R60544	4D5	5	70 - 49	R60877	1F18	7	30 - 32
R60295	1G15	14	30 - 55	R60552	1B19	26	20 - 13	R60877	1F24	7	30 - 38
R60296	1G15	14	30 - 55	R60552	1B21	1	20 - 15	R60888	3I5	39	60 - 37
R60297	1G15	14	30 - 55	R60552	1C8	1	20 - 23B	R60914	1F23	18	30 - 37
R60298	1G15	14	30 - 55	R60560	5B11	15	90 - 7	R60914	1G4	18	30 - 43
R60299	1G15	14	30 - 55	R60560	5B13	1	90 - 9	R60971	3G1	12	50 - 114
R60313	3G24	15	60 - 6	R60560	5C25	2	90 - 47	R60971	3G2	21	50 - 115
R60314	3G25	12	60 - 7	R60561	5B23	2	90 - 21	R61108	3E14	12	50 - 77
R60315	3G25	11	60 - 7	R60562	5B23	13	90 - 21	R61127	3G8	23	50 - 120A
R60319	5C6	20	90 - 29	R60586	4D14	30	70 - 57	R61128	1D22	4	20 - 55
R60331	2D8	14	40 - 45	R60649	1G21	27	30 - 62	R61144	1F19	37	30 - 33
R60331	2D10	7	40 - 45B	R60650	1B14	6	20 - 8	R61144	1F25	47	30 - 39
R60331	2D12	13	40 - 47	R60657	5C6	35	90 - 29	R61145	1F25	41	30 - 39
R60331	2D17	14	40 - 52	R60664	3G25	20	60 - 7	R61146	1F19	38	30 - 33
R60333	4D11	19	70 - 54	R60665	3G25	19	60 - 7	R61146	1F25	45	30 - 39
R60333	4D12	20	70 - 55	R60670	3E12	7	50 - 75	R61147	1F19	36	30 - 33
R60334	4D11	12	70 - 54	R60670	3E20	26	50 - 83	R61147	1F25	46	30 - 39
R60335	4D11	17	70 - 54	R60670	3E20	34	50 - 83	R61150	1B16	4	20 - 10
R60335	4D12	18	70 - 55	R60671	3E12	9	50 - 75	R61173	1E17	1	30 - 6
R60366	4D15	3	70 - 59	R60671	3E20	26	50 - 83	R61179	2D6	23	40 - 43
R60395	4D10	9	70 - 53B	R60671	3E20	35	50 - 83	R61259	4B20	11	70 - 15
R60395	4D12	9	70 - 55	R60673	5D20	5	90 - 66	R61267	2E23	13	40 - 81
R60396	4B14	14	70 - 9	R60674	5D20	4	90 - 66	R61268	2E23	14	40 - 81
R60396	4B14	28	70 - 9	R60675	5D20	3	90 - 66	R61286	5C4	19	90 - 27
R60396	4D11	26	70 - 54	R60676	5D20	2	90 - 66	R61287	3C21	2	50 - 38
R60396	4D12	27	70 - 55	R60677	5D20	1	90 - 66	R61287	4C2	8	70 - 23
R60397	4D11	30	70 - 54	R60678	5D20	6	90 - 66	R61288	1B19	24	20 - 13
R60397	4D11	..	70 - 54	R60679	5D20	7	90 - 66	R61288	1C2	23	20 - 21
R60400	4D12	31	70 - 55	R60680	5D20	10	90 - 66	R61288	1C4	23	20 - 21B
R60401	4B14	14	70 - 9	R60681	5D20	9	90 - 66	R61289	1C20	8	20 - 35

# 1L11

8430 TRACTOR

## NUMERICAL INDEX - CONTINUED

PART NO.	GRID	KEY	PAGE	PART NO.	GRID	KEY	PAGE	PART NO.	GRID	KEY	PAGE
R61321	2E4	13	40-63	R61939	3B13	9	50-5	R62409	1D10	25	20-42A
R61322	2E4	11	40-63	R61943	3D7	3	50-48	R62410	1B17	1	20-11
R61323	2E4	7	40-63	R61957	4E25	30	70-91	R62410	1E2	42	20-61
R61333	3C21	2	50-38	R61957	4E25	31	70-91	R62415	4D22	7	70-66
R61334	3C21	2	50-38	R61957	4F2	30	70-93	R62416	4D22	1	70-66
R61334	4C1	6	70-22	R61957	4F4	22	70-95	R62417	3D18	14	50-58A
R61334	4C2	16	70-23	R61971	4B12	29	70-7	R62418	1B9	11	20-5
R61339	5E4	24	90-76	R61972	4B12	35	70-7	R62418	1B9	13	20-5
R61341	2E7	11	40-66	R61973	4B12	25	70-7	R62419	1B9	10	20-5
R61341	5E4	24	90-76	R62041	3B13	3	50-5	R62419	1B9	13	20-5
R61342	5D10	11	90-55	R62041	3B13	9	50-5	R62420	1B9	9	20-5
R61349	4D7	15	70-51	R62042	3B13	9	50-5	R62420	1B9	13	20-5
R61349	4D7	17	70-51	R62042	3B13	11	50-5	R62421	1B9	12	20-5
R61350	4D7	15	70-51	R62042	3B13	13	50-5	R62421	1B9	13	20-5
R61350	4D7	16	70-51	R62043	3B13	1	50-5	R62432	3E22	11	50-85
R61428	3G8	25	50-120A	R62043	3B13	3	50-5	R62432	3E22	12	50-85
R61458	1G21	30	30-62	R62043	3B13	5	50-5	R62432	3E22	13	50-85
R61461	3G8	27	50-120A	R62065	4E4	11	70-71	R62444	4B18	15	70-13
R61461	3G10	25	50-121	R62070	4D15	4	70-59	R62444	4B18	26	70-13
R61461	3G11	8	50-123	R62079	1D20	10	20-53	R62465	3F13	2	50-101
R61461	3G12	8	50-124	R62104	1G5	7	30-44	R62465	3F14	13	50-102
R61461	3G13	5	50-125	R62104	1G11	5	30-51	R62466	3F14	16	50-102
R61461	3G14	5	50-126	R62104	1G18	16	30-59	R62466	3F15	14	50-103
R61497	1B15	1	20-9	R62105	1G5	8	30-44	R62500	4D5	14	70-49
R61521	1B11	28	20-5B	R62105	1G11	4	30-51	R62501	5C7	5	90-30
R61524	4G20	4	80-11	R62105	1G18	15	30-59	R62502	5C7	7	90-30
R61525	2B12	8	40-7	R62106	1G5	11	30-44	R62503	5C7	6	90-30
R61542	3H6	38	60-13	R62106	1G11	1	30-51	R62504	5C7	8	90-30
R61608	1C20	8	20-35	R62106	1G18	12	30-59	R62549	5C18	7	90-39
R61609	1C20	8	20-35	R62107	1G2	11	30-41	R62590	5E3	22	90-75
R61610	1C20	8	20-35	R62107	1G5	10	30-44	R62622	3G24	11	60-6
R61611	1C20	8	20-35	R62107	1G11	2	30-51	R62635	5C18	28	90-39
R61612	3H6	9	60-13	R62107	1G18	13	30-59	R62635	5C18	29	90-39
R61632	2B10	4	40-5	R62109	1G18	1	30-59	R62638	5C18	26B	90-39
R61652	5E11	1	90-83	R62110	1D10	8	20-42A	R62638	5C18	28	90-39
R61653	4D15	5	70-59	R62110	1D10	25	20-42A	R62640	3C17	24	50-34
R61663	2D20	7	40-55	R62114	4E8	9	70-75	R62647	5C11	13	90-32
R61664	2D20	11	40-55	R62115	4E8	9	70-75	R62652	4F12	33	70-103
R61665	2D20	10	40-55	R62159	1D17	17	20-49	R62652	4F14	31	70-105
R61666	2D18	1	40-53	R62175	3G20	9A	60-3	R62667	2C20	6	40-35A
R61667	2D18	9	40-53	R62239	1E20	11	30-9	R62668	2C20	8	40-35A
R61668	2D18	15	40-53	R62239	1E20	14	30-9	R62669	2C19	11	40-35
R61676	4D18	1	70-62	R62239	1E20	19	30-9	R62670	2C17	20	40-33
R61712	3H18	6	60-26	R62278	3G22	4	60-5	R62671	2C17	38	40-33
R61723	4D23	16	70-67	R62278	3G22	12	60-5	R62672	2C19	3	40-35
R61727	4G20	4	80-11	R62278	3G22	13	60-5	R62673	2C17	11	40-33
R61732	2D18	14	40-53	R62280	3G22	2	60-5	R62674	2C17	2	40-33
R61732	2D19	1	40-54	R62284	3C13	6	50-32	R62690	3B7	2	50-1
R61758	1G21	26	30-62	R62286	1D17	24	20-49	R62690	3E24	15	50-87
R61762	3E6	28	50-69	R62336	4D7	19	70-51	R62692	3B7	2	50-1
R61762	4D2	13	70-47	R62337	4C24	13	70-45	R62699	5E3	2	90-75
R61770	3G8	30	50-120A	R62356	3E12	5	50-75	R62700	5E3	2	90-75
R61771	3G10	28	50-121	R62356	3E18	34	50-81	R62701	5E3	23	90-75
R61771	3G13	7	50-125	R62356	5D21	8	90-67	R62702	5D17	11	90-63
R61771	3G14	7	50-126	R62357	3E20	32	50-83	R62703	5D19	3	90-65
R61775	2G7	7	40-111	R62358	3E12	2	50-75	R62704	5D19	4	90-65
R61776	2G7	3	40-111	R62358	3E20	11	50-83	R62705	5D19	2	90-65
R61787	3H2	26	60-9	R62361	3E12	15	50-75	R62706	5D19	5	90-65
R61823	1G25	19	30-66	R62361	3E14	25	50-77	R62713	3D3	18	50-44A
R61824	1G25	11	30-66	R62361	3E18	13	50-81	R62724	3B13	31	50-5
R61845	1F10	18	30-23	R62362	3E9	15	50-72	R62725	3B13	37	50-5
R61862	5C1	11	90-24	R62362	3E12	16	50-75	R62726	3B13	35	50-5
R61921	3D23	14	50-61	R62366	3C2	7	50-19	R62731	3B23	3	50-15
R61932	2C14	23	40-31	R62366	3C7	20	50-25	R62731	3C2	5	50-19
R61932	2C19	22	40-35	R62368	3C2	6	50-19	R62731	3C7	23	50-25
R61933	2C19	15	40-35	R62368	3C7	24	50-25	R62732	3B16	5A	50-8
R61934	2C19	25	40-35	R62401	4D14	15	70-57	R62732	3B16	24	50-8

# 1L12

8430 TRACTOR

## NUMERICAL INDEX - CONTINUED

PART NO.	GRID	KEY	PAGE	PART NO.	GRID	KEY	PAGE	PART NO.	GRID	KEY	PAGE
R62732	3B16	26	50 - 8	R62952	1D8	14	20 - 41	R63125	1E23	22	30 - 12
R62760	4E9	7	70 - 76	R62952	1E8	..	20 - 63D	R63125	1E24	15	30 - 13
R62768	4D22	8	70 - 66	R62954	1B23	8	20 - 17	R63126	1E23	13	30 - 12
R62768	4D22	9	70 - 66	R62954	1B23	11	20 - 17	R63126	1E24	10	30 - 13
R62769	4D22	8	70 - 66	R62954	1D4	23	20 - 39B	R63127	1E23	12	30 - 12
R62769	4D22	10	70 - 66	R62954	1D8	1	20 - 41	R63127	1E24	9	30 - 13
R62774	3B23	3	50 - 15	R62954	1E8	..	20 - 63D	R63135	1E23	5	30 - 12
R62783	3F12	6	50 - 99	R62956	4H18	10	80 - 35	R63135	1E24	2	30 - 13
R62784	3F12	2	50 - 99	R62957	4H18	9	80 - 35	R63136	1E23	1	30 - 12
R62785	3F12	4	50 - 99	R62972	3E14	12	50 - 77	R63181	5D10	3	90 - 55
R62793	3C17	4	50 - 34	R62986	1C20	6	20 - 35	R63183	3E2	8	50 - 65
R62793	3C17	5	50 - 34	R62987	1C20	7	20 - 35	R63183	3E4	8	50 - 67
R62801	5D10	12	90 - 55	R62988	1C20	7	20 - 35	R63183	3E6	8	50 - 69
R62803	3E14	12	50 - 77	R63002	1C20	7	20 - 35	R63211	4E22	19	70 - 89
R62805	3E7	15	50 - 70	R63003	1C20	7	20 - 35	R63212	4E22	19	70 - 89
R62809	1D18	1	20 - 51	R63004	1C20	7	20 - 35	R63213	4E22	19	70 - 89
R62821	4E14	18	70 - 80A	R63005	1C20	7	20 - 35	R63214	4E20	2	70 - 87
R62822	4E14	24	70 - 80A	R63006	1C20	7	20 - 35	R63214	4E20	21	70 - 87
R62823	4E14	25	70 - 80A	R63007	1C20	7	20 - 35	R63214	4E20	22	70 - 87
R62830	3B14	6	50 - 6	R63008	1C20	7	20 - 35	R63214	4E22	24	70 - 89
R62831	3B25	13	50 - 17	R63009	1C20	7	20 - 35	R63215	4E20	2	70 - 87
R62831	3B25	28	50 - 17	R63010	1C20	6	20 - 35	R63215	4E20	21	70 - 87
R62831	3B25	29	50 - 17	R63012	1F21	32	30 - 35	R63215	4E22	25	70 - 89
R62840	3B25	14	50 - 17	R63012	1G2	32	30 - 41	R63217	4D17	18	70 - 61
R62841	3B25	30	50 - 17	R63014	1F21	3	30 - 35	R63218	4D17	11	70 - 61
R62842	3B25	15	50 - 17	R63014	1G2	3	30 - 41	R63266	3C16	24	50 - 33B
R62842	3C5	5	50 - 23	R63016	1G2	19	30 - 41	R63285	1B17	14	20 - 11
R62843	3B25	16	50 - 17	R63019	5C12	3	90 - 33	R63286	1B17	13	20 - 11
R62850	3F10	28	50 - 97	R63019	5C14	5	90 - 35	R63287	1B17	12	20 - 11
R62857	3D4	2	50 - 45	R63020	5C12	3	90 - 33	R63326	1C15	5	20 - 30
R62857	3D5	2	50 - 46	R63034	2D24	3	40 - 59	R63326	1C16	2	20 - 31
R62872	4G23	6	80 - 13	R63034	2E2	5	40 - 61	R63329	3D3	10	50 - 44A
R62873	4G23	1	80 - 13	R63052	3B13	1	50 - 5	R63377	3B21	3	50 - 13
R62875	3E7	7	50 - 70	R63052	3B13	3	50 - 5	R63387	5C18	9	90 - 39
R62880	3G20	3	60 - 3	R63052	3B13	5	50 - 5	R63399	3G19	12	60 - 2
R62881	3E14	3	50 - 77	R63052	3B13	9	50 - 5	R63399	3G19	14	60 - 2
R62883	3E14	6	50 - 77	R63052	3B13	11	50 - 5	R63411	4H10	4	80 - 27
R62884	3E8	5	50 - 71	R63052	3B13	13	50 - 5	R63411	4H10	7	80 - 27
R62885	3E7	5	50 - 70	R63053	1G4	30	30 - 43	R63411	4H10	9	80 - 27
R62891	1D17	18	20 - 49	R63059	1G5	1	30 - 44	R63411	4H18	1	80 - 35
R62899	1G21	1	30 - 62	R63059	1G18	21	30 - 59	R63411	4H18	5	80 - 35
R62899	1G21	6	30 - 62	R63060	1G5	2	30 - 44	R63411	4H18	18	80 - 35
R62899	1G22	1	30 - 63	R63060	1G18	20	30 - 59	R63412	4H10	4	80 - 27
R62899	1G22	6	30 - 63	R63061	1G5	12	30 - 44	R63412	4H10	7	80 - 27
R62900	1G21	1	30 - 62	R63062	1G5	4	30 - 44	R63412	4H10	9	80 - 27
R62900	1G21	7	30 - 62	R63063	1G5	5	30 - 44	R63412	4H18	1	80 - 35
R62900	1G22	1	30 - 63	R63063	1G18	17	30 - 59	R63412	4H18	5	80 - 35
R62900	1G22	7	30 - 63	R63067	3C23	3	50 - 40	R63412	4H18	18	80 - 35
R62907	1C2	25	20 - 21	R63067	3C24	8	50 - 41	R63415	4H10	4	80 - 27
R62907	1C6	1	20 - 23	R63067	3C25	6	50 - 42	R63415	4H10	7	80 - 27
R62907	1G20	7	30 - 61	R63067	3D14	7	50 - 55	R63415	4H10	9	80 - 27
R62927	3E20	3	50 - 83	R63093	3F4	3	50 - 91	R63415	4H18	1	80 - 35
R62930	1B25	1	20 - 19	R63093	4B18	8	70 - 13	R63415	4H18	5	80 - 35
R62930	1C2	17	20 - 21	R63106	3G8	5	50 - 120A	R63415	4H18	18	80 - 35
R62930	1C4	17	20 - 21B	R63106	3G10	5	50 - 121	R63416	4H18	2	80 - 35
R62930	1D2	1	20 - 39	R63106	3G11	3	50 - 123	R63416	5C11	9	90 - 32
R62938	1B23	2	20 - 17	R63106	3G12	3	50 - 124	R63417	4H18	2	80 - 35
R62938	1B25	2	20 - 19	R63106	3G13	3	50 - 125	R63417	5C11	9	90 - 32
R62938	1D2	7	20 - 39	R63106	3G14	3	50 - 126	R63426	4H10	4	80 - 27
R62938	1D4	6	20 - 39B	R63110	4H18	14	80 - 35	R63426	4H10	7	80 - 27
R62938	1D6	3	20 - 39D	R63120	1E23	18	30 - 12	R63426	4H10	9	80 - 27
R62938	1E8	..	20 - 63D	R63121	1E23	19	30 - 12	R63426	4H18	1	80 - 35
R62946	1D6	11	20 - 39D	R63122	1E23	20	30 - 12	R63426	4H18	5	80 - 35
R62952	1B23	13	20 - 17	R63123	1E23	17	30 - 12	R63426	4H18	18	80 - 35
R62952	1B25	16	20 - 19	R63123	1E24	13	30 - 13	R63427	4H10	4	80 - 27
R62952	1D4	18	20 - 39B	R63124	1E23	21	30 - 12	R63427	4H10	7	80 - 27
R62952	1D6	18	20 - 39D	R63124	1E24	14	30 - 13	R63427	4H10	9	80 - 27

# 1L13

8430 TRACTOR

## NUMERICAL INDEX - CONTINUED

PART NO.	GRID	KEY	PAGE	PART NO.	GRID	KEY	PAGE	PART NO.	GRID	KEY	PAGE
R63427	4H18	1	80 - 35	R63673	3G24	11	60 - 6	R64060	2F23	13	40 - 103
R63427	4H18	5	80 - 35	R63696	1D17	16	20 - 49	R64061	2F23	2	40 - 103
R63427	4H18	18	80 - 35	R63729	4D2	4	70 - 47	R64061	2F25	2	40 - 103B
R63450	4E14	26	70 - 80A	R63730	4D4	2	70 - 48A	R64062	2F23	26	40 - 103
R63451	1C15	3	20 - 30	R63730	4D4	26	70 - 48A	R64062	2F25	25	40 - 103B
R63451	1C15	6	20 - 30	R63732	4D4	26	70 - 48A	R64063	2F23	10	40 - 103
R63451	1C16	4	20 - 31	R63734	3B14	8	50 - 6	R64063	2F25	10	40 - 103B
R63451	1C16	5	20 - 31	R63736	4D19	34	70 - 63	R64067	4H4	1	80 - 19
R63451	1C16	6	20 - 31	R63737	4D25	20	70 - 69	R64073	3F2	6	50 - 89
R63460	2B14	4	40 - 9	R63737	4E2	12	70 - 69B	R64074	3F12	17	50 - 99
R63460	2B15	6	40 - 10	R63739	3D25	23	50 - 63	R64075	3F12	9	50 - 99
R63461	2B14	12	40 - 9	R63739	3E7	12	50 - 70	R64083	4E4	16	70 - 71
R63461	2B15	22	40 - 10	R63740	3D25	24	50 - 63	R64084	4E4	2	70 - 71
R63462	2B14	1	40 - 9	R63740	3E7	13	50 - 70	R64085	4E4	3	70 - 71
R63462	2B15	1	40 - 10	R63760	5C18	3	90 - 39	R64086	1B16	3	20 - 10
R63477	3F13	10	50 - 101	R63797	5C12	3	90 - 33	R64086	1B16	4	20 - 10
R63477	3F17	53	50 - 105	R63845	1F5	2	30 - 18	R64087	3E4	11	50 - 67
R63477	3F19	14	50 - 107	R63845	1F18	26	30 - 32	R64090	3E4	17	50 - 67
R63477	3F25	51	50 - 113	R63845	1F25	33	30 - 39	R64090	3E6	18	50 - 69
R63478	3F13	8	50 - 101	R63846	3D25	20	50 - 63	R64090	3E6	19	50 - 69
R63496	2E6	5	40 - 65	R63846	3E7	6	50 - 70	R64091	3E4	19	50 - 67
R63498	1F8	3	30 - 21	R63847	3D25	25	50 - 63	R64091	3E6	16	50 - 69
R63499	1F8	3	30 - 21	R63847	3E7	25	50 - 70	R64094	3E4	10	50 - 67
R63499	1F10	18	30 - 23	R63848	3D25	21	50 - 63	R64094	3E4	13	50 - 67
R63529	3C17	7	50 - 34	R63848	3E7	9	50 - 70	R64094	3E6	10	50 - 69
R63531	2E2	7	40 - 61	R63849	3B13	33	50 - 5	R64094	3E6	13	50 - 69
R63541	3H2	30	60 - 9	R63859	1D21	1	20 - 54	R64095	3E4	22	50 - 67
R63541	3H4	20	60 - 11	R63860	3D14	5	50 - 55	R64095	3E6	22	50 - 69
R63571	5B7	21	90 - 3	R63863	3D16	2	50 - 57	R64096	3E4	9	50 - 67
R63585	1F10	3	30 - 23	R63864	3D16	4	50 - 57	R64096	3E6	9	50 - 69
R63603	1F24	16	30 - 38	R63865	5D18	1	90 - 64	R64099	3E24	9	50 - 87
R63631	3G4	7	50 - 117	R63866	4H3	3	80 - 18	R64170	4C24	7	70 - 45
R63632	3G4	1	50 - 117	R63867	5D14	1	90 - 59	R64170	4C24	9	70 - 45
R63633	3G4	32	50 - 117	R63868	5D14	2	90 - 59	R64170	4C24	10	70 - 45
R63637	3G6	29	50 - 119	R63874	4H19	2	80 - 36	R64230	3B25	23	50 - 17
R63638	3C20	10	50 - 37	R63876	4H19	5	80 - 36	R64230	4D21	14	70 - 65
R63638	3G6	19	50 - 119	R63877	4H19	1	80 - 36	R64257	3G1	9	50 - 114
R63641	3G4	3	50 - 117	R63878	4H19	4	80 - 36	R64257	3G2	19	50 - 115
R63642	5D21	2	90 - 67	R63879	2D21	1	40 - 56	R64296	4D14	1	70 - 57
R63666	2F13	8	40 - 97	R63880	2F11	1A	40 - 95	R64363	4E8	9	70 - 75
R63666	2F15	8	40 - 99	R63893	1E18	4	30 - 7	R64364	4E8	9	70 - 75
R63666	2F17	8	40 - 99B	R63894	1E18	5	30 - 7	R64365	3E9	7	50 - 72
R63666	2F19	8	40 - 99D	R63895	1E17	1	30 - 6	R64389	4E4	7	70 - 71
R63667	2F13	7	40 - 97	R63895	1E18	2	30 - 7	R64390	4E8	5	70 - 75
R63667	2F15	7	40 - 99	R63917	3H18	5	60 - 26	R64391	4H18	3	80 - 35
R63667	2F17	7	40 - 99B	R63929	3E4	4	50 - 67	R64393	3F2	4	50 - 89
R63667	2F19	7	40 - 99D	R63929	3E6	4	50 - 69	R64394	3F2	2	50 - 89
R63668	2F13	6	40 - 97	R63930	3E4	7	50 - 67	R64426	3H6	46	60 - 13
R63668	2F15	6	40 - 99	R63930	3E6	7	50 - 69	R64474	3F10	31	50 - 97
R63668	2F17	6	40 - 99B	R63931	3E7	10	50 - 70	R64474	3F17	40	50 - 105
R63668	2F19	6	40 - 99D	R63956	5C25	1	90 - 47	R64474	3F25	60	50 - 113
R63669	2F13	5	40 - 97	R63976	4B14	15	70 - 9	R64475	3F13	14	50 - 101
R63669	2F15	5	40 - 99	R63983	2F20	11	40 - 100	R64501	4G10	3	80 - 1
R63669	2F17	5	40 - 99B	R63983	2F21	16	40 - 101	R64502	3F10	29	50 - 97
R63669	2F19	5	40 - 99D	R64003	3E12	15	50 - 75	R64502	3F17	29	50 - 105
R63670	2F13	4	40 - 97	R64003	3E14	25	50 - 77	R64502	3F23	40	50 - 111
R63670	2F15	4	40 - 99	R64003	3E18	13	50 - 81	R64514	4D25	15	70 - 69
R63670	2F17	4	40 - 99B	R64005	3F17	14	50 - 105	R64517	4E24	2A	70 - 90A
R63670	2F19	4	40 - 99D	R64005	3F23	20	50 - 111	R64528	3E9	12	50 - 72
R63671	2F13	2	40 - 97	R64015	3C13	6	50 - 32	R64528	3E14	19	50 - 77
R63671	2F15	2	40 - 99	R64016	3C13	6	50 - 32	R64530	1B9	13	20 - 5
R63671	2F17	2	40 - 99B	R64056	2F23	14	40 - 103	R64559	3D5	16	50 - 46
R63671	2F19	2	40 - 99D	R64057	2F23	6	40 - 103	R64561	4F4	24	70 - 95
R63672	2F13	36	40 - 97	R64057	2F25	6	40 - 103B	R64568	1C23	1	20 - 36B
R63672	2F15	38	40 - 99	R64058	2F23	19	40 - 103	R64568	1C24	1	20 - 37
R63672	2F17	38	40 - 99B	R64059	2F23	21	40 - 103	R64576	4D25	8B	70 - 69
R63672	2F19	40	40 - 99D	R64059	2F25	21	40 - 103B	R64576	4E2	3	70 - 69B

# 1L14

8430 TRACTOR

## NUMERICAL INDEX - CONTINUED

PART NO.	GRID	KEY	PAGE	PART NO.	GRID	KEY	PAGE	PART NO.	GRID	KEY	PAGE
R64599	1F23	11	30 - 37	R64895	1G9	12	30 - 49	R65287	4F16	16	70 - 107
R64599	1G4	11	30 - 43	R64898	1G9	31	30 - 49	R65287	4F18	13	70 - 109
R64600	1F23	10	30 - 37	R64899	1G7	2	30 - 46	R65289	4E25	26	70 - 91
R64600	1G4	10	30 - 43	R64900	1G7	3	30 - 46	R65289	4F12	12	70 - 103
R64605	4F4	11	70 - 95	R64901	1G7	4	30 - 46	R65289	4F12	26	70 - 103
R64606	4F4	18	70 - 95	R64902	1G7	5	30 - 46	R65289	4F14	25	70 - 105
R64607	4F4	17	70 - 95	R64925	1G7	8	30 - 46	R65289	4F15	1	70 - 106
R64608	4F4	8	70 - 95	R64926	1G7	11	30 - 46	R65290	3C17	14	50 - 34
R64609	4F4	7	70 - 95	R64926	1G9	8	30 - 49	R65308	3G10	13	50 - 121
R64610	4F4	16	70 - 95	R64926	1G11	6	30 - 51	R65308	3G13	12	50 - 125
R64611	4F4	15	70 - 95	R64927	1G7	12	30 - 46	R65308	3G14	12	50 - 126
R64612	4F4	14	70 - 95	R64964	1G7	9	30 - 46	R65323	2F7	1	40 - 91
R64613	4F4	12	70 - 95	R64967	1G9	23	30 - 49	R65325	5E9	3	90 - 81
R64614	4F4	13	70 - 95	R64968	1G9	1	30 - 49	R65328	3C7	13	50 - 25
R64615	4F4	6	70 - 95	R64969	1G9	4	30 - 49	R65331	3C7	17	50 - 25
R64617	4F4	4	70 - 95	R64989	1G9	17	30 - 49	R65335	4D4	30	70 - 48A
R64618	4F4	5	70 - 95	R64995	1G9	14	30 - 49	R65337	3E12	8	50 - 75
R64620	3E9	10	50 - 72	R64996	1G9	15	30 - 49	R65337	3E20	26	50 - 83
R64620	3E10	5	50 - 73	R64997	1G9	16	30 - 49	R65337	3E20	33	50 - 83
R64677	3E7	18	50 - 70	R65023	1G11	8	30 - 51	R65338	3E20	42	50 - 83
R64681	3E7	5	50 - 70	R65024	1G11	9	30 - 51	R65339	4H18	9	80 - 35
R64699	2E18	3	40 - 77	R65025	1G11	10	30 - 51	R65352	3E14	3	50 - 77
R64700	2E18	7	40 - 77	R65026	1G11	11	30 - 51	R65353	3E14	6	50 - 77
R64700	2E19	7	40 - 77B	R65055	1D7	4	20 - 40	R65354	4F14	22	70 - 105
R64704	3G22	13	60 - 5	R65055	1D8	6	20 - 41	R65388	3C7	10	50 - 25
R64704	3G22	21	60 - 5	R65055	1E2	34	20 - 61	R65437	1G9	18	30 - 49
R64780	1E23	13	30 - 12	R65082	4E8	9	70 - 75	R65440	3B16	5A	50 - 8
R64781	1E23	13	30 - 12	R65082	4E8	29	70 - 75	R65440	3B16	5B	50 - 8
R64798	4D7	35	70 - 51	R65099	3I9	14	60 - 41	R65440	3B16	24	50 - 8
R64798	4D14	10	70 - 57	R65147	5B16	1	90 - 13	R65440	3B16	26	50 - 8
R64799	4D7	35	70 - 51	R65148	5B16	7	90 - 13	R65441	3B16	5A	50 - 8
R64799	4D15	12	70 - 59	R65150	5B16	9	90 - 13	R65441	3B16	11	50 - 8
R64800	4D14	26	70 - 57	R65192	4C10	44	70 - 33	R65441	3B16	24	50 - 8
R64800	4D14	28	70 - 57	R65194	4C10	43	70 - 33	R65441	3B16	26	50 - 8
R64840	1E2	22	20 - 61	R65223	3B25	13	50 - 17	R65442	4H18	12	80 - 35
R64840	1F18	5	30 - 32	R65223	3B25	28	50 - 17	R65442	5C6	41	90 - 29
R64840	1F24	5	30 - 38	R65223	3B25	29	50 - 17	R65465	5C24	24	90 - 45
R64840	1G15	12	30 - 55	R65228	3B25	13	50 - 17	R65466	5C24	21	90 - 45
R64843	4D14	1	70 - 57	R65228	3B25	28	50 - 17	R65467	5C24	23	90 - 45
R64843	4D14	4A	70 - 57	R65228	3B25	29	50 - 17	R65471	5D2	10	90 - 49
R64845	4D14	5A	70 - 57	R65229	3B25	14	50 - 17	R65471	5D4	7	90 - 49B
R64845	4D14	5B	70 - 57	R65230	3B25	26	50 - 17	R65472	5D2	2	90 - 49
R64853	1G13	2	30 - 53	R65231	3B25	27	50 - 17	R65472	5D4	1	90 - 49B
R64854	1G13	3	30 - 53	R65239	4D25	3	70 - 69	R65473	5C24	8B	90 - 45
R64855	1G13	4	30 - 53	R65239	4D25	7	70 - 69	R65476	5B20	10	90 - 17
R64856	1G13	5	30 - 53	R65239	4E2	15	70 - 69B	R65498	4D15	3	70 - 59
R64857	1G7	1	30 - 46	R65240	4D25	4	70 - 69	R65499	3G8	17	50 - 120A
R64857	1G13	6	30 - 53	R65240	4D25	7	70 - 69	R65501	4E25	26	70 - 91
R64858	1G13	7	30 - 53	R65240	4E2	14	70 - 69B	R65501	4F12	12	70 - 103
R64859	1G13	8	30 - 53	R65242	4E8	35	70 - 75	R65501	4F12	18	70 - 103
R64860	1G13	11	30 - 53	R65243	4E8	33	70 - 75	R65501	4F12	31	70 - 103
R64861	1G6	10	30 - 45	R65284	4E25	26	70 - 91	R65501	4F14	17	70 - 105
R64861	1G13	10	30 - 53	R65284	4F2	27	70 - 93	R65501	4F15	1	70 - 106
R64862	1G13	9	30 - 53	R65284	4F12	12	70 - 103	R65502	4E25	26	70 - 91
R64863	1G13	16	30 - 53	R65284	4F12	26	70 - 103	R65502	4F12	12	70 - 103
R64864	1G13	17	30 - 53	R65284	4F12	31	70 - 103	R65502	4F12	18	70 - 103
R64865	1G13	15	30 - 53	R65284	4F15	1	70 - 106	R65502	4F12	31	70 - 103
R64866	1G13	14	30 - 53	R65284	4F16	1	70 - 107	R65502	4F14	17	70 - 105
R64867	1G13	13	30 - 53	R65285	4F2	28	70 - 93	R65502	4F15	1	70 - 106
R64868	1G13	12	30 - 53	R65285	4F4	25	70 - 95	R65526	3F10	18	50 - 97
R64869	1G13	18	30 - 53	R65286	4E25	13	70 - 91	R65526	3F17	30	50 - 105
R64870	1G13	24	30 - 53	R65286	4F2	13	70 - 93	R65526	3F23	37	50 - 111
R64871	1G13	22	30 - 53	R65286	4F10	4	70 - 101	R65538	3B14	28	50 - 6
R64872	1G13	21	30 - 53	R65286	4F14	13	70 - 105	R65547	4H6	4	80 - 21
R64873	1G13	20	30 - 53	R65286	4F18	7	70 - 109	R65547	4H6	5	80 - 21
R64874	1G13	23	30 - 53	R65287	4D14	25	70 - 57	R65550	3B14	12	50 - 6
R64893	1G9	20	30 - 49	R65287	4F15	16	70 - 106	R65552	3B14	14	50 - 6

# 1L15

8430 TRACTOR

## NUMERICAL INDEX - CONTINUED

PART NO.	GRID	KEY	PAGE	PART NO.	GRID	KEY	PAGE	PART NO.	GRID	KEY	PAGE
R65553	1B14	3	20 - 8	R65650	4B18	14	70 - 13	R66048	4D21	17	70 - 65
R65558	5D10	7	90 - 55	R65650	4B18	15	70 - 13	R66064	3F4	5	50 - 91
R65558	5D10	8	90 - 55	R65650	4B18	26	70 - 13	R66064	4B18	6	70 - 13
R65558	5D10	14	90 - 55	R65658	4D19	9	70 - 63	R66117	2C10	4	40 - 28A
R65560	5D10	9	90 - 55	R65660	4D21	13	70 - 65	R66117	2C21	9	40 - 35B
R65561	5D10	2	90 - 55	R65682	3C2	13	50 - 19	R66117	5B15	2	90 - 11
R65563	3B16	5A	50 - 8	R65683	1B23	10	20 - 17	R66152	3H2	26	60 - 9
R65563	3B16	13	50 - 8	R65683	1D4	21	20 - 39B	R66171	3D14	22	50 - 55
R65563	3B16	24	50 - 8	R65683	1D7	3	20 - 40	R66171	3H14	9	60 - 22
R65563	3B16	26	50 - 8	R65683	1D8	3	20 - 41	R66176	4D21	9	70 - 65
R65563	3B17	7A	50 - 9	R65684	3B11	20	50 - 3	R66180	1D12	3	20 - 44
R65563	3B17	13	50 - 9	R65684	4D11	15	70 - 54	R66180	1F25	25	30 - 39
R65563	3E16	10	50 - 79	R65684	4D12	16	70 - 55	R66181	1D12	4	20 - 44
R65563	3E18	11	50 - 81	R65685	3G19	12	60 - 2	R66181	1F24	22	30 - 38
R65565	1B16	3	20 - 10	R65685	3G19	14	60 - 2	R66198	2F5	24	40 - 88
R65567	3C10	6	50 - 28	R65687	3G20	9A	60 - 3	R66198	2F6	12	40 - 89
R65567	3C21	10	50 - 38	R65688	3G20	7	60 - 3	R66199	2F5	25	40 - 88
R65569	5C12	3	90 - 33	R65689	2E21	10	40 - 79	R66199	2F6	11	40 - 89
R65569	5C14	5	90 - 35	R65690	2E20	11	40 - 78	R662R	1G25	16	30 - 66
R65569	5C14	10	90 - 35	R65720	3C1	3	50 - 18	R662R	3E24	5	50 - 87
R65570	5C12	6	90 - 33	R65734	1B19	2	20 - 13	R66200	2F5	23	40 - 88
R65570	5C14	7	90 - 35	R65734	1B19	26	20 - 13	R66200	2F6	13	40 - 89
R65570	5C14	13	90 - 35	R65734	1B21	1	20 - 15	R66201	2F5	7	40 - 88
R65593	2D4	4	40 - 41	R65734	1C8	1	20 - 23B	R66201	2F6	7	40 - 89
R65593	2E23	15	40 - 81	R65734	1G20	7	30 - 61	R66202	2F6	7	40 - 89
R65593	2G13	4	40 - 117	R65741	3F13	9	50 - 101	R66203	2F5	10	40 - 88
R65594	2G13	2	40 - 117	R65774	5E3	1	90 - 75	R66204	2F5	9	40 - 88
R65595	2G13	21	40 - 117	R65774	5E3	11	90 - 75	R66205	2F4	4	40 - 87
R65595	2G15	11	40 - 119	R65775	5E3	1	90 - 75	R66205	2F5	17	40 - 88
R65596	2G13	22	40 - 117	R65775	5E3	11	90 - 75	R66206	2F4	3	40 - 87
R65597	2D12	15	40 - 47	R65776	5C18	47	90 - 39	R66206	2F5	18	40 - 88
R65597	2D14	14	40 - 49	R65814	4E8	5	70 - 75	R66207	2F5	10	40 - 88
R65597	2E20	7	40 - 78	R65815	4E8	9	70 - 75	R66283	5B16	13	90 - 13
R65597	2E21	6	40 - 79	R65816	4E8	9	70 - 75	R66296	4B7	8	70 - 2
R65597	2F5	20	40 - 88	R65832	5B16	6	90 - 13	R66301	2B22	12	40 - 17
R65597	2F6	9	40 - 89	R65832	5B18	10	90 - 15	R66301	2B24	2	40 - 19
R65597	2G13	23	40 - 117	R65888	4D12	31	70 - 55	R66302	2B24	7	40 - 19
R65598	2G13	24	40 - 117	R65892	3F3	8	50 - 90	R66302	2C2	10	40 - 21
R65599	2D4	4	40 - 41	R65892	3F4	8	50 - 91	R66317	3G2	17	50 - 115
R65599	2G13	25	40 - 117	R65892	3F5	5	50 - 92	R66319	2B8	1	40 - 3
R65600	2B8	1	40 - 3	R65892	4B18	3	70 - 13	R66319	2D6	15	40 - 43
R65600	2B10	11	40 - 5	R65894	3F4	1	50 - 91	R66319	2D8	3	40 - 45
R65600	2D8	9	40 - 45	R65894	3F5	1	50 - 92	R66319	2D8	9	40 - 45
R65600	2D8	31	40 - 45	R65895	3F10	19	50 - 97	R66319	2D8	29	40 - 45
R65600	2D10	9	40 - 45B	R65895	3F17	31	50 - 105	R66319	2D8	32	40 - 45
R65600	2D10	30	40 - 45B	R65895	3F23	36	50 - 111	R66319	2D10	9	40 - 45B
R65600	2D14	19	40 - 49	R65897	5D17	10	90 - 63	R66319	2D10	29	40 - 45B
R65600	2G6	7	40 - 110	R65899	2E15	13	40 - 74	R66319	2D10	31	40 - 45B
R65600	2G13	26	40 - 117	R65900	2E15	9	40 - 74	R66319	2D12	3	40 - 47
R65601	2G13	27	40 - 117	R65901	3F5	7	50 - 92	R66319	2D12	15	40 - 47
R65602	2G13	28	40 - 117	R65901	4B18	8	70 - 13	R66319	2D14	3	40 - 49
R65602	2G17	49	40 - 121	R65904	3F5	8	50 - 92	R66319	2D14	14	40 - 49
R65603	2G13	29	40 - 117	R65904	4B18	10	70 - 13	R66319	2D14	24	40 - 49
R65604	2G13	30	40 - 117	R65905	3F10	20	50 - 97	R66319	2D14	27	40 - 49
R65605	2G13	31	40 - 117	R65905	3F17	32	50 - 105	R66319	2D17	3	40 - 52
R65606	2G13	32	40 - 117	R65905	3F23	35	50 - 111	R66319	2E2	1	40 - 61
R65607	2G13	33	40 - 117	R65906	5D8	13	90 - 53	R66319	2E20	7	40 - 78
R65607	2G17	46	40 - 121	R65907	5D8	1	90 - 53	R66319	2E21	6	40 - 79
R65608	2G13	5	40 - 117	R66004	4H21	11	80 - 39	R66319	2F5	20	40 - 88
R65609	2G13	8	40 - 117	R66010	4H21	8	80 - 39	R66319	2F6	9	40 - 89
R65610	2G13	9	40 - 117	R66011	4H21	5	80 - 39	R66319	2G11	1	40 - 115
R65630	2B15	12	40 - 10	R66018	4H21	6	80 - 39	R66319	2G11	9	40 - 115
R65634	3B7	2	50 - 1	R66019	4H21	1	80 - 39	R66319	2G11	14	40 - 115
R65635	3G8	22	50 - 120A	R66020	4H21	2	80 - 39	R66319	2G11	15	40 - 115
R65649	4B18	15	70 - 13	R66025	4H21	7	80 - 39	R66319	2G13	3	40 - 117
R65649	4B18	23	70 - 13	R66026	4H21	3	80 - 39	R66320	2G13	7	40 - 117
R65649	4B18	26	70 - 13	R66027	4H21	4	80 - 39	R66320	2G15	24	40 - 119

# 1L16

8430 TRACTOR

## NUMERICAL INDEX - CONTINUED

PART NO.	GRID	KEY	PAGE	PART NO.	GRID	KEY	PAGE	PART NO.	GRID	KEY	PAGE
R66321	2G6	7	40 - 110	R67092	1D24	4	20 - 57	R67588	2C6	28	40 - 25
R66321	2G6	11	40 - 110	R67092	1F14	6	30 - 27	R67589	2C6	10	40 - 25
R66321	2G13	6	40 - 117	R67121	4D7	6	70 - 51	R67590	2C6	9	40 - 25
R66321	2G15	24	40 - 119	R67130	1D24	22	20 - 57	R67591	2C6	33	40 - 25
R66331	3B16	16	50 - 8	R67140	3H4	16	60 - 11	R67592	2C6	7	40 - 25
R66388	3F8	3	50 - 95	R67140	4G22	9	80 - 12	R67593	2C6	15	40 - 25
R66388	3F10	5	50 - 97	R67141	1G20	7	30 - 61	R67594	2C6	19	40 - 25
R66388	3F23	28	50 - 111	R67142	1G9	25	30 - 49	R67595	2C6	25	40 - 25
R66416	4F14	18	70 - 105	R67142	1G20	10	30 - 61	R67596	2C6	24	40 - 25
R66418	5B13	4	90 - 9	R67143	1G9	27	30 - 49	R67597	2C6	18	40 - 25
R66426	3I11	18	60 - 43	R67143	1G20	11	30 - 61	R67598	2C6	17	40 - 25
R66427	3I11	21	60 - 43	R67199	3G8	33	50 - 120A	R67599	2C6	16	40 - 25
R66434	4E5	1	70 - 72	R67218	3E7	5	50 - 70	R67600	2C6	6	40 - 25
R66434	4E6	1	70 - 73	R67220	3E8	7	50 - 71	R67609	2E7	7	40 - 66
R66435	4E5	4	70 - 72	R67225	5B5	6	90 - 1	R67693	2C6	23	40 - 25
R66452	1C13	4	20 - 28	R67235	4G19	3	80 - 10	R67694	5C24	34	90 - 45
R66452	1C14	4	20 - 29	R67264	1G10	1	30 - 50	R67782	3F21	11	50 - 109
R66452	1E4	1	20 - 63	R67271	1F24	23	30 - 38	R67784	3F21	9	50 - 109
R66469	4C3	6	70 - 25	R67292	1F11	5	30 - 24	R67798	4E6	2	70 - 73
R66473	4C3	8	70 - 25	R67297	3F2	5	50 - 89	R67803	1D24	16	20 - 57
R66561	5D17	13	90 - 63	R67307	3B25	17	50 - 17	R67879	1F21	16	30 - 35
R66563	3D6	5	50 - 47	R67315	3B25	16	50 - 17	R67879	1G2	16	30 - 41
R66566	3I5	33	60 - 37	R67320	1C13	6	20 - 28	R67879	1G6	23	30 - 45
R66584	1E16	4	30 - 5	R67320	1C13	10	20 - 28	R67885	1G5	4	30 - 44
R66621	3G19	12	60 - 2	R67320	1E4	..	20 - 63	R67885	1G18	18	30 - 59
R66621	3G19	14	60 - 2	R67364	1D10	9	20 - 42A	R67886	1G5	3	30 - 44
R66623	3B11	19	50 - 3	R67364	1F24	15	30 - 38	R67886	1G5	4	30 - 44
R66626	3G20	10	60 - 3	R67364	1F25	43	30 - 39	R67886	1G18	19	30 - 59
R66645	5B11	7	90 - 7	R67379	1C22	3	20 - 36A	R67981	3B13	11	50 - 5
R66658	2F7	3	40 - 91	R67380	1F18	28	30 - 32	R67982	2B18	2	40 - 13
R66659	2F7	8	40 - 91	R67380	1F25	35	30 - 39	R67982	2D8	26	40 - 45
R66660	2F7	11	40 - 91	R67409	1D10	8	20 - 42A	R67982	2D10	26	40 - 45B
R66693	1F6	2	30 - 19	R67410	4H16	5	80 - 33	R67982	2D14	21	40 - 49
R66715	3F17	56	50 - 105	R67475	4E4	25	70 - 71	R68165	3F21	3	50 - 109
R66715	3F19	6	50 - 107	R67476	4E4	14	70 - 71	R68165	3G1	12	50 - 114
R66715	3F25	58	50 - 113	R67477	4E4	12	70 - 71	R68165	3G2	21	50 - 115
R66718	3G20	5	60 - 3	R67487	4D19	19	70 - 63	R68166	3F21	10	50 - 109
R66718	3G20	7	60 - 3	R67487	4D19	20	70 - 63	R68167	3F17	44	50 - 105
R66752	1F17	5	30 - 31	R67487	4D19	21	70 - 63	R68167	3F19	8	50 - 107
R66788	3G1	8	50 - 114	R67487	4D19	22	70 - 63	R68167	3F21	8	50 - 109
R66788	3G2	16	50 - 115	R67487	4D19	23	70 - 63	R68167	3F25	53	50 - 113
R66821	1F12	22	30 - 25	R67487	4D19	24	70 - 63	R68170	3F17	45	50 - 105
R66821	1F17	8	30 - 31	R67487	4D19	25	70 - 63	R68170	3F19	9	50 - 107
R66843	3B15	19	50 - 7	R67487	4D21	17	70 - 65	R68170	3F25	54	50 - 113
R66846	4H21	9	80 - 39	R67487	4D21	..	70 - 65	R68171	3F17	42	50 - 105
R66888	4D7	35	70 - 51	R67488	4D19	22	70 - 63	R68171	3F19	10	50 - 107
R66888	4D14	10	70 - 57	R67491	4D19	19	70 - 63	R68171	3F25	57	50 - 113
R66894	4D14	10	70 - 57	R67560	2E23	12	40 - 81	R68173	3F17	54	50 - 105
R66895	4D7	35	70 - 51	R67562	5D15	5	90 - 61	R68173	3F19	13	50 - 107
R66901	4E8	13	70 - 75	R67563	5D15	4	90 - 61	R68173	3F25	56	50 - 113
R66901	4E8	21	70 - 75	R67564	5D15	7	90 - 61	R68195	1F23	12	30 - 37
R66916	4E25	26	70 - 91	R67565	5D15	2	90 - 61	R68195	1G4	12	30 - 43
R66916	4F12	12	70 - 103	R67566	5D15	1	90 - 61	R68196	1D24	12	20 - 57
R66916	4F12	31	70 - 103	R67568	5D15	6	90 - 61	R68199	1D24	3	20 - 57
R66916	4F14	22	70 - 105	R67569	5D15	10	90 - 61	R68220	3G19	12	60 - 2
R66916	4F15	1	70 - 106	R67570	5D15	3	90 - 61	R68220	3G19	14	60 - 2
R66931	3E12	3	50 - 75	R67571	5D15	9	90 - 61	R68222	2D1	8	40 - 40
R66931	3E20	32	50 - 83	R67573	3E6	21	50 - 69	R68224	2D1	1	40 - 40
R66933	4E4	17	70 - 71	R67574	3E6	15	50 - 69	R68238	1G4	31	30 - 43
R66962	3E4	11	50 - 67	R67581	2C6	5	40 - 25	R68252	4C16	24	70 - 39
R66962	3E6	11	50 - 69	R67582	2C6	22	40 - 25	R68318	5C12	14	90 - 33
R66987	4E8	38B	70 - 75	R67583	2C6	12	40 - 25	R68318	5C15	2	90 - 36
R67041	4H18	11	80 - 35	R67584	2C6	20	40 - 25	R68318	5C16	4	90 - 37
R67054	5B16	8	90 - 13	R67585	2C6	27	40 - 25	R68320	5C12	14	90 - 33
R67054	5B18	12	90 - 15	R67586	2C4	7	40 - 23	R68320	5C15	4	90 - 36
R67064	3D1	4	50 - 43	R67586	2C6	2	40 - 25	R68320	5C16	3	90 - 37
R67074	1G6	19	30 - 45	R67587	2C6	26	40 - 25	R68321	5C12	14	90 - 33

# 1L17

8430 TRACTOR

## NUMERICAL INDEX - CONTINUED

PART NO.	GRID	KEY	PAGE	PART NO.	GRID	KEY	PAGE	PART NO.	GRID	KEY	PAGE
R68321	5C15	5	90 - 36	R69301	5B19	6	90 - 16	R70218	2G17	41	40 - 121
R68321	5C16	6	90 - 37	R69319	1F18	1	30 - 32	R70219	2G17	40	40 - 121
R68322	5C12	14	90 - 33	R69319	1F18	22	30 - 32	R70220	2G17	50	40 - 121
R68322	5C15	3	90 - 36	R69319	1F25	29	30 - 39	R70221	2G17	39	40 - 121
R68322	5C16	2	90 - 37	R69320	5C24	12	90 - 45	R70222	2G17	38	40 - 121
R68323	5C12	14	90 - 33	R69329	4G22	20	80 - 12	R70234	1D2	13	20 - 39
R68323	5C15	7	90 - 36	R69384	5C15	9	90 - 36	R70234	1D4	14	20 - 39B
R68323	5C16	9	90 - 37	R69408	4E10	3	70 - 77	R70236	3F13	12	50 - 101
R68324	5C15	1	90 - 36	R69409	4E10	3	70 - 77	R70236	3F17	41	50 - 105
R68325	5C12	14	90 - 33	R69419	4H18	17	80 - 35	R70236	3F19	11	50 - 107
R68325	5C16	1	90 - 37	R69421	4H18	9	80 - 35	R70236	3F25	59	50 - 113
R68332	5D2	14	90 - 49	R69422	4H18	9	80 - 35	R70236	3G1	14	50 - 114
R68349	5C12	14	90 - 33	R69423	4H18	10	80 - 35	R70236	3G2	23	50 - 115
R68349	5C16	..	90 - 37	R69424	4H18	10	80 - 35	R70244	3B25	13	50 - 17
R68438	1F23	26	30 - 37	R69425	4H18	10	80 - 35	R70244	3B25	28	50 - 17
R68438	1G4	26	30 - 43	R69425	4H21	9	80 - 39	R70244	3B25	29	50 - 17
R68464	3D18	14	50 - 58A	R69426	3E4	10	50 - 67	R70268	1B19	20	20 - 13
R68491	1F21	1	30 - 35	R69426	3E4	13	50 - 67	R70268	1C2	20	20 - 21
R68491	1G2	1	30 - 41	R69426	3E6	9	50 - 69	R70268	1C4	20	20 - 21B
R68492	1F21	4	30 - 35	R69426	3E6	10	50 - 69	R70268	1C20	4	20 - 35
R68492	1G2	4	30 - 41	R69426	3E6	13	50 - 69	R70268	5C6	38	90 - 29
R68493	1F21	7	30 - 35	R69427	3E4	9	50 - 67	R70269	5C20	21	90 - 41
R68493	1G2	7	30 - 41	R69427	3E4	13	50 - 67	R70271	5C20	7	90 - 41
R68543	3F7	8	50 - 94	R69427	3E6	9	50 - 69	R70271	5C22	7	90 - 43
R68543	3F12	9	50 - 99	R69427	3E6	13	50 - 69	R70274	5C20	4	90 - 41
R68543	3F12	24	50 - 99	R69428	3E4	10	50 - 67	R70274	5C22	4	90 - 43
R68543	3F17	6	50 - 105	R69428	3E4	13	50 - 67	R70275	5C20	5	90 - 41
R68543	3F23	12	50 - 111	R69428	3E6	9	50 - 69	R70275	5C22	5	90 - 43
R68544	3F7	9	50 - 94	R69428	3E6	10	50 - 69	R70288	5C20	8	90 - 41
R68544	3F12	17	50 - 99	R69428	3E6	13	50 - 69	R70289	5C20	15	90 - 41
R68544	3F12	24	50 - 99	R69521	5B20	3	90 - 17	R70289	5C22	15	90 - 43
R68544	3F17	2	50 - 105	R69522	5B20	6	90 - 17	R70293	5C20	25	90 - 41
R68544	3F23	8	50 - 111	R69536	1F18	26	30 - 32	R70307	4D17	11	70 - 61
R68581	3F10	21	50 - 97	R69536	1F25	33	30 - 39	R70307	4E20	2	70 - 87
R68581	3F17	33	50 - 105	R69549	3G8	32	50 - 120A	R70307	4E20	21	70 - 87
R68581	3F23	34	50 - 111	R69549	3G11	11	50 - 123	R70308	3F12	14	50 - 99
R68607	4H18	7	80 - 35	R69549	3G12	11	50 - 124	R70309	4G12	3	80 - 3
R68617	3C7	3	50 - 25	R69562	5B8	6	90 - 4	R70309	4G12	4	80 - 3
R68625	2C19	9	40 - 35	R69571	4E8	5	70 - 75	R70309	4G12	5	80 - 3
R68633	3F12	14	50 - 99	R69636	2C7	8	40 - 26	R70309	4G12	6	80 - 3
R68647	3G4	22	50 - 117	R69642	4D5	12	70 - 49	R70309	4G12	8	80 - 3
R68647	3G4	25	50 - 117	R69643	4D5	14	70 - 49	R70309	4G12	10	80 - 3
R68648	3G4	20	50 - 117	R69644	2B22	25	40 - 17	R70309	4G12	12	80 - 3
R68672	4D25	10	70 - 69	R69644	2B24	15	40 - 19	R70309	4G12	13	80 - 3
R68672	4E2	17	70 - 69B	R69645	2B22	25	40 - 17	R70309	4G12	16	80 - 3
R68682	3C17	18	50 - 34	R69645	2B24	15	40 - 19	R70351	4C10	13	70 - 33
R68791	5D6	5	90 - 51	R69645	2C2	24	40 - 21	R70372	2C7	7	40 - 26
R68792	5D6	6	90 - 51	R69667	4D21	11A	70 - 65	R70372	2C7	8	40 - 26
R68793	5D6	3	90 - 51	R69667	4D21	11B	70 - 65	R70372	2C7	11	40 - 26
R68836	3F2	13	50 - 89	R69747	5B23	47	90 - 21	R70558	3E9	8	50 - 72
R69023	5C24	16	90 - 45	R69748	5B23	45	90 - 21	R70559	4C10	43	70 - 33
R69109	2G3	1	40 - 107	R70027	3C12	11	50 - 31	R70588	4H16	5	80 - 33
R69136	3I9	10	60 - 41	R70027	3C16	25	50 - 33B	R70589	4E4	16	70 - 71
R69262	4C10	44	70 - 33	R70086	4H21	7	80 - 39	R70617	4C18	9	70 - 41
R69269	4H18	16	80 - 35	R70135	1G6	1	30 - 45	R70617	4C21	2	70 - 41C
R69279	4C10	35	70 - 33	R70149	5D19	3	90 - 65	R70628	2E15	13	40 - 74
R69279	4C12	15	70 - 35	R70209	2F9	19	40 - 93	R70628	3I7	28	60 - 39
R69279	4C14	13	70 - 37	R70210	2G17	41	40 - 121	R70648	4C8	6	70 - 31
R69279	4C18	29	70 - 41	R70211	2G17	40	40 - 121	R70648	4C16	1	70 - 39
R69279	4C20	12	70 - 41B	R70212	2G17	41	40 - 121	R70671	3I9	23	60 - 41
R69279	4C23	17	70 - 43	R70212	3I9	17	60 - 41	R70672	3I9	57	60 - 41
R69297	5B7	1	90 - 3	R70213	2G17	40	40 - 121	R70673	3I9	4	60 - 41
R69297	5B7	2	90 - 3	R70213	3I9	17	60 - 41	R70674	3I11	28	60 - 43
R69297	5B7	3	90 - 3	R70214	2G17	41	40 - 121	R70675	3I9	46	60 - 41
R69297	5B7	12	90 - 3	R70215	2G17	40	40 - 121	R70675	3I13	3	60 - 45
R69301	5B16	13	90 - 13	R70216	2G17	41	40 - 121	R70676	3I11	11	60 - 43
R69301	5B18	16	90 - 15	R70217	2G17	40	40 - 121	R70677	3I11	17	60 - 43



# 1L18

8430 TRACTOR

## NUMERICAL INDEX - CONTINUED

PART NO.	GRID	KEY	PAGE	PART NO.	GRID	KEY	PAGE	PART NO.	GRID	KEY	PAGE
R70678	3I11	22	60 - 43	R71732	1C4	16	20 - 21B	R72653	5C18	37	90 - 39
R70679	3I9	50	60 - 41	R71732	1C23	2	20 - 36B	R72654	1G25	10	30 - 66
R70680	3I9	27	60 - 41	R71732	1C24	2	20 - 37	R72654	3I7	9	60 - 39
R70755	3D18	14	50 - 58A	R71732	1D2	15	20 - 39	R72654	3I9	49	60 - 41
R708R	3H18	4	60 - 26	R71732	1D4	17	20 - 39B	R72654	4D14	13	70 - 57
R70826	1B14	6	20 - 8	R71732	1D6	8	20 - 39D	R72654	4D17	21	70 - 61
R70838	3F17	4	50 - 105	R71732	1D6	17	20 - 39D	R72654	4D17	39	70 - 61
R70838	3F23	10	50 - 111	R71732	1D7	1	20 - 40	R72654	4D18	7	70 - 62
R70867	4C18	21	70 - 41	R71732	1D8	12	20 - 41	R72654	4E8	12	70 - 75
R70868	4C18	22	70 - 41	R71732	1E2	35	20 - 61	R72654	4E8	20	70 - 75
R70880	3E7	5	50 - 70	R71864	3I7	13	60 - 39	R72654	4E20	5	70 - 87
R70884	3B17	7A	50 - 9	R71865	2C6	5	40 - 25	R72654	4E22	7	70 - 89
R70884	3B17	7B	50 - 9	R71866	2C6	17	40 - 25	R72654	4E24	21	70 - 90A
R70959	5D17	9	90 - 63	R71866	2C8	3	40 - 27	R72654	4E25	35	70 - 91
R70976	4C8	8	70 - 31	R71910	1C10	2	20 - 25	R72654	4F2	34	70 - 93
R70976	4C16	5	70 - 39	R71910	1C10	9	20 - 25	R72654	5C18	13	90 - 39
R71074	1C14	6	20 - 29	R71918	1C10	1	20 - 25	R72654	5C22	9	90 - 43
R71074	1C14	10	20 - 29	R71918	1E2	36	20 - 61	R72655	1B17	11	20 - 11
R71074	1E4	..	20 - 63	R71981	4B15	12	70 - 10	R72655	3B16	8	50 - 8
R71208	1B14	7	20 - 8	R71982	4B15	12	70 - 10	R72655	3B17	3	50 - 9
R71232	2D6	33	40 - 43	R72095	1D24	11	20 - 57	R72655	3B17	9	50 - 9
R71233	2D6	13	40 - 43	R72131	1B19	6	20 - 13	R72655	3E20	47	50 - 83
R71248	2C4	14	40 - 23	R72131	1B19	7	20 - 13	R72655	4D14	17	70 - 57
R71248	2C8	1	40 - 27	R72131	1B19	26	20 - 13	R72655	4E20	12	70 - 87
R71250	2C7	3	40 - 26	R72143	1D24	6	20 - 57	R72655	4E22	14	70 - 89
R71309	3F21	13	50 - 109	R72143	1D24	7	20 - 57	R72660	1G25	16	30 - 66
R71312	1E2	40	20 - 61	R72143	1D24	17	20 - 57	R72660	3E24	5	50 - 87
R71314	1E2	31	20 - 61	R72143	1D24	20	20 - 57	R72672	3D1	4	50 - 43
R71315	1E2	32	20 - 61	R72144	1D24	5	20 - 57	R72806	4H18	14	80 - 35
R71321	4C10	42	70 - 33	R72144	1D24	7	20 - 57	R72807	4H18	14	80 - 35
R71321	4C18	38	70 - 41	R72144	1D24	17	20 - 57	R72834	3I5	12	60 - 37
R71386	3F17	59	50 - 105	R72144	1D24	20	20 - 57	R72849	3F12	24	50 - 99
R71386	3F19	4	50 - 107	R72232	3G11	..	50 - 123	R72849	3F17	14	50 - 105
R71386	3F25	64	50 - 113	R72232	3G12	..	50 - 124	R72849	3F23	20	50 - 111
R71387	4F6	9	70 - 97	R72232	3G13	..	50 - 125	R72858	3G19	3	60 - 2
R71387	4F8	3	70 - 99	R72232	3G14	..	50 - 126	R72858	3G22	31	60 - 5
R71387	4G5	2	70 - 122	R72266	4G21	1	80 - 11B	R72886	4C8	24	70 - 31
R71399	2B22	25	40 - 17	R72312	5D15	17	90 - 61	R72886	4C16	18	70 - 39
R71399	2B24	15	40 - 19	R72313	5D15	20	90 - 61	R73259	4H10	3	80 - 27
R71399	2C2	23	40 - 21	R72314	5D15	19	90 - 61	R73267	3F17	47	50 - 105
R71400	2B22	12	40 - 17	R72315	5D15	13	90 - 61	R73267	3F19	16	50 - 107
R71400	2B24	2	40 - 19	R72316	5D15	12	90 - 61	R73267	3F25	49	50 - 113
R71400	2C2	4	40 - 21	R72328	1E2	9	20 - 61	R73274	3F21	15	50 - 109
R71483	1D10	4	20 - 42A	R72328	1E20	21	30 - 9	R73274	3F21	21	50 - 109
R71483	1D10	13	20 - 42A	R72371	3C21	7	50 - 38	R73274	3G1	12	50 - 114
R71483	1D10	14	20 - 42A	R72371	3D20	7	50 - 58C	R73274	3G1	..	50 - 114
R71484	1D10	8	20 - 42A	R72398	5B21	11	90 - 18	R73274	3G2	21	50 - 115
R71484	1D10	25	20 - 42A	R72429	4C8	29A	70 - 31	R73274	3G2	..	50 - 115
R71523	5C24	16	90 - 45	R72433	4E12	26	70 - 79	R73290	3F17	58	50 - 105
R71523	5D2	4	90 - 49	R72433	4E14	39	70 - 80A	R73290	3F25	63	50 - 113
R71529	1B16	3	20 - 10	R72507	4C8	29B	70 - 31	R73365	3D18	5	50 - 58A
R71529	1B16	4	20 - 10	R72507	4C8	..	70 - 31	R73365	3D18	12	50 - 58A
R71530	1B16	3	20 - 10	R72507	4C16	23	70 - 39	R73365	3D20	17	50 - 58C
R71531	1B16	3	20 - 10	R72509	4C8	30B	70 - 31	R73380	4E8	37B	70 - 75
R71531	1B16	4	20 - 10	R72509	4C16	27	70 - 39	R73380	4E14	6	70 - 80A
R71587	4C16	12	70 - 39	R72586	3F21	4	50 - 109	R73380	4G12	9	80 - 3
R71599	4C16	25A	70 - 39	R72587	3F13	9	50 - 101	R73380	4G13	5	80 - 4
R71603	5B8	6	90 - 4	R72653	1G24	28	30 - 65	R73380	5C4	5	90 - 27
R71647	5C18	47	90 - 39	R72653	3E20	41	50 - 83	R73384	3I5	3	60 - 37
R71689	1C2	25	20 - 21	R72653	3E24	4	50 - 87	R73384	3I5	51	60 - 37
R71689	1C6	1	20 - 23	R72653	3H22	26	60 - 29	R73444	3E14	10	50 - 77
R71689	1G20	7	30 - 61	R72653	4D14	8	70 - 57	R73445	1C10	7	20 - 25
R71732	1B19	18	20 - 13	R72653	4D18	17	70 - 62	R73457	3B15	6	50 - 7
R71732	1B23	1	20 - 17	R72653	4E24	6	70 - 90A	R73460	3B15	6	50 - 7
R71732	1B25	10	20 - 19	R72653	4E25	24	70 - 91	R73461	3E7	15	50 - 70
R71732	1B25	15	20 - 19	R72653	4F2	25	70 - 93	R73647	3E6	15	50 - 69
R71732	1C2	16	20 - 21	R72653	5B13	9	90 - 9	R73715	4G10	3	80 - 1

# 1L19

8430 TRACTOR

## NUMERICAL INDEX - CONTINUED

PART NO.	GRID	KEY	PAGE	PART NO.	GRID	KEY	PAGE	PART NO.	GRID	KEY	PAGE
R73731	3I15	13	60 - 47	R75721	4D22	7	70 - 66	R77145	3F17	52	50 - 105
R73732	3I15	6	60 - 47	R75722	4D22	1	70 - 66	R77145	3F19	5	50 - 107
R73736	4C18	24	70 - 41	R75766	3D25	22	50 - 63	R77145	3F25	50	50 - 113
R73757	3B14	13	50 - 6	R75766	3E7	11	50 - 70	R77155	3H11	11	60 - 19
R73758	3B14	31	50 - 6	R75833	2E19	2	40 - 77B	R77207	1G13	21	30 - 53
R73758	3B14	32	50 - 6	R75866	3I2	15	60 - 33	R77215	1G7	6	30 - 46
R73809	3B13	28	50 - 5	R75866	3I15	30	60 - 47	R77259	1B16	3	20 - 10
R73858	1G10	5	30 - 50	R75870	5C20	13	90 - 41	R77259	1B16	4	20 - 10
R73873	1G9	21	30 - 49	R75879	4C18	5	70 - 41	R77364	3B7	3	50 - 1
R73877	1G9	12	30 - 49	R75887	5E4	21	90 - 76	R77456	2G15	27	40 - 119
R73878	1G9	22	30 - 49	R75938	4C18	43	70 - 41	R77457	2G15	29	40 - 119
R73883	1G9	19	30 - 49	R75938	4C23	16	70 - 43	R77458	2G15	28	40 - 119
R73913	1D10	32	20 - 42A	R76126	1B9	13	20 - 5	R77459	2G15	28	40 - 119
R73939	3B14	36	50 - 6	R76170	1F18	1	30 - 32	R77460	2G15	28	40 - 119
R73940	3B14	35	50 - 6	R76170	1F18	22	30 - 32	R77461	2G15	28	40 - 119
R73941	3B14	31	50 - 6	R76170	1F24	1	30 - 38	R77462	2G15	25	40 - 119
R74008	1C14	3	20 - 29	R76186	2C2	8	40 - 21	R77463	2G15	30	40 - 119
R74022	3I2	14	60 - 33	R76329	2E24	8	40 - 83	R77464	2G15	26	40 - 119
R74022	3I15	31	60 - 47	R76330	2E24	1	40 - 83	R77465	2G15	31	40 - 119
R74064	4H9	1	80 - 25	R76333	2E22	14	40 - 80	R77466	2G15	33	40 - 119
R74106	4D5	11	70 - 49	R76334	2E22	12	40 - 80	R77467	2G15	34	40 - 119
R74155	3G8	13	50 - 120A	R76384	1B11	28	20 - 5B	R77468	2G15	32	40 - 119
R74155	3G11	14	50 - 123	R76384	1B11	29	20 - 5B	R77469	2G17	35	40 - 121
R74155	3G12	14	50 - 124	R76459	4F20	5	70 - 111	R77470	2G17	45	40 - 121
R74198	3B14	6	50 - 6	R76463	5C14	2	90 - 35	R77471	2G17	45	40 - 121
R74210	4F6	10	70 - 97	R76464	5C14	3	90 - 35	R77472	2G17	45	40 - 121
R74210	4F8	4	70 - 99	R76477	1F7	5	30 - 20	R77473	2G17	45	40 - 121
R74210	5B7	25	90 - 3	R76477	2B8	..	40 - 3	R77474	2G17	44	40 - 121
R74210	5B9	12	90 - 5	R76477	2C10	3	40 - 28A	R77475	2G15	13	40 - 119
R74242	4F20	1	70 - 111	R76477	2C21	6	40 - 35B	R77476	2G15	3	40 - 119
R74243	4F20	2	70 - 111	R76477	2C21	8	40 - 35B	R77477	2G15	4	40 - 119
R74244	4F20	3	70 - 111	R76477	3G16	9	50 - 129	R77478	2G15	15	40 - 119
R74246	4F20	4	70 - 111	R76477	3H6	..	60 - 13	R77479	2G15	5	40 - 119
R74305	3F7	15	50 - 94	R76477	4F20	6	70 - 111	R77480	2G15	6	40 - 119
R74305	3F10	8	50 - 97	R76478	3E4	11	50 - 67	R77481	2G15	7	40 - 119
R74350	3H18	5	60 - 26	R76491	1B9	15	20 - 5	R77482	2G15	8	40 - 119
R74352	1C2	25	20 - 21	R76493	3B11	36	50 - 3	R77483	2G15	16	40 - 119
R74352	1C6	1	20 - 23	R76493	3B20	4	50 - 12	R77484	2G15	19	40 - 119
R74417	3G4	28	50 - 117	R76495	2F2	7	40 - 85	R77485	2G15	21	40 - 119
R74418	3G4	28	50 - 117	R76496	2F2	6	40 - 85	R77486	2G15	22	40 - 119
R74418	3G4	29	50 - 117	R76497	2E22	7	40 - 80	R77487	2G15	23	40 - 119
R74443	3C17	14	50 - 34	R76500	2E24	6	40 - 83	R77488	2G17	51	40 - 121
R74530	4F2	28	70 - 93	R76500	2E24	9	40 - 83	R77489	2E14	13	40 - 73
R74530	4F4	25	70 - 95	R76547	1B21	1	20 - 15	R77489	2G17	51	40 - 121
R74530	4F6	16	70 - 97	R76547	1C2	25	20 - 21	R77490	2G17	51	40 - 121
R74530	4F8	8	70 - 99	R76547	1C8	1	20 - 23B	R77491	2G17	54	40 - 121
R74553	4E9	5	70 - 76	R76547	1G20	7	30 - 61	R77492	2G17	54	40 - 121
R74675	3F17	55	50 - 105	R76618	4G25	1	80 - 15	R77493	2G17	51	40 - 121
R74675	3F19	12	50 - 107	R76686	1E23	4	30 - 12	R77494	2G17	55	40 - 121
R74675	3F25	55	50 - 113	R76686	1E24	1	30 - 13	R77495	2G17	52	40 - 121
R74695	4E25	26	70 - 91	R76694	2F2	10	40 - 85	R77496	2G17	52	40 - 121
R74695	4F12	12	70 - 103	R76695	2F2	12	40 - 85	R77497	2G17	53	40 - 121
R74695	4F12	31	70 - 103	R76710	1D24	22	20 - 57	R77498	2G15	24	40 - 119
R74695	4F14	21	70 - 105	R76804	3H11	9	60 - 19	R77499	2G15	24	40 - 119
R74695	4F15	1	70 - 106	R76804	3H13	6	60 - 21	R77500	2G15	24	40 - 119
R74695	4F18	8	70 - 109	R76822	1F19	31	30 - 33	R77501	2G15	24	40 - 119
R74851	4G12	1	80 - 3	R76822	1G10	3	30 - 50	R77502	2G17	56	40 - 121
R74993	2D4	3	40 - 41	R76822	1G10	7	30 - 50	R77503	2G17	56	40 - 121
R74994	3C2	6	50 - 19	R77003	1D10	25	20 - 42A	R77551	1E2	21	20 - 61
R74994	3C2	7	50 - 19	R77048	3C13	11	50 - 32	R77551	1F18	3	30 - 32
R74994	3C7	24	50 - 25	R77088	3C16	21	50 - 33B	R77551	1F24	3	30 - 38
R75376	4B12	33	70 - 7	R77090	3C16	29	50 - 33B	R77551	1F24	4	30 - 38
R75376	4C18	26	70 - 41	R77091	3C16	14	50 - 33B	R77611	4C16	24	70 - 39
R75376	4C20	4	70 - 41B	R77093	3C16	12	50 - 33B	R77611	4C23	19	70 - 43
R75564	4C18	18	70 - 41	R77094	3C16	12	50 - 33B	R77618	5B16	1	90 - 13
R75642	4C8	1	70 - 31	R77095	3C16	12	50 - 33B	R77618	5B18	2	90 - 15
R75642	4C18	17	70 - 41	R77145	3F13	9	50 - 101	R77619	5B16	7	90 - 13

# 1L20

8430 TRACTOR

## NUMERICAL INDEX - CONTINUED

PART NO.	GRID	KEY	PAGE	PART NO.	GRID	KEY	PAGE	PART NO.	GRID	KEY	PAGE
R77619	5B18	11	90 - 15	R78498	2F19	19	40 - 99D	R79850	1B16	3	20 - 10
R77657	3C13	13	50 - 32	R78499	2F13	21	40 - 97	R79915	1C22	..	20 - 36A
R77657	3C16	38	50 - 33B	R78499	2F15	24	40 - 99	R79916	4D25	11	70 - 69
R77665	5D2	5	90 - 49	R78499	2F17	24	40 - 99B	R79916	4E2	18	70 - 69B
R77673	1D22	1	20 - 55	R78499	2F19	27	40 - 99D	R80026	1B11	30	20 - 5B
R77673	1D22	10	20 - 55	R78505	1B9	13	20 - 5	R80026	1E2	23	20 - 61
R77712	4C20	6	70 - 41B	R78553	5C20	8	90 - 41	R80306	4G12	1	80 - 3
R77714	4C18	27	70 - 41	R78675	3I7	13	60 - 39	R80324	4F3	8	70 - 94
R77800	3B14	26	50 - 6	R78676	3H6	38	60 - 13	R80334	2B16	1	40 - 11
R77866	3I15	5	60 - 47	R78676	3H6	39	60 - 13	R80335	2B15	22	40 - 10
R77866	3I15	14	60 - 47	R78697	5C14	1	90 - 35	R80335	2B16	2	40 - 11
R77867	3I2	3	60 - 33	R78697	5C20	26	90 - 41	R80436	4E2	6	70 - 69B
R77867	3I2	7	60 - 33	R78697	5C22	32	90 - 43	R80447	4E12	21A	70 - 79
R77896	5B11	44	90 - 7	R78702	1B9	16	20 - 5	R80447	4E12	21B	70 - 79
R77903	4C8	31	70 - 31	R78765	4F6	8	70 - 97	R80447	4E14	33A	70 - 80A
R77903	4C16	22A	70 - 39	R78766	4F6	13	70 - 97	R80447	4E14	33B	70 - 80A
R77904	4C8	34	70 - 31	R78766	4F8	6	70 - 99	R80480	2E22	7	40 - 80
R78005	3C2	11	50 - 19	R78767	4F6	2	70 - 97	R80558	4C8	30B	70 - 31
R78005	3C7	28	50 - 25	R78768	4F6	19	70 - 97	R80558	4C8	..	70 - 31
R78019	1B19	26	20 - 13	R78769	4F6	17	70 - 97	R80558	4C16	27	70 - 39
R78019	1B21	1	20 - 15	R78792	3D5	16	50 - 46	R80752	3I2	34	60 - 33
R78019	1C2	25	20 - 21	R78909	5C7	7	90 - 30	R80753	3I2	34	60 - 33
R78019	1C8	1	20 - 23B	R78984	3E4	13	50 - 67	R80754	3I2	28	60 - 33
R78050	3H9	7	60 - 17	R78984	3E4	15	50 - 67	R80754	3I2	34	60 - 33
R78053	3H9	5	60 - 17	R78984	3E4	16	50 - 67	R80754	3I9	26	60 - 41
R78057	3H9	6	60 - 17	R78984	3E4	17	50 - 67	R80979	5C24	13B	90 - 45
R78058	3H9	4	60 - 17	R78984	3E4	18	50 - 67	R80979	5C24	17	90 - 45
R78059	3H9	3	60 - 17	R78984	3E4	21	50 - 67	R80979	5D2	13	90 - 49
R78095	2B14	4	40 - 9	R78984	3E6	21	50 - 69	R80979	5D4	14	90 - 49B
R78095	2B15	6	40 - 10	R78985	3E4	13	50 - 67	R81111	5B16	6	90 - 13
R78101	3I2	3	60 - 33	R78985	3E4	15	50 - 67	R81111	5B18	10	90 - 15
R78101	3I2	7	60 - 33	R78985	3E4	16	50 - 67	R81162	3G8	31	50 - 120A
R78101	3I15	5	60 - 47	R78985	3E4	17	50 - 67	R81162	3G11	10	50 - 123
R78101	3I15	14	60 - 47	R78985	3E4	18	50 - 67	R81162	3G12	10	50 - 124
R78123	1D22	1	20 - 55	R78985	3E4	21	50 - 67	R81186	5D15	11	90 - 61
R78123	1D22	11	20 - 55	R78995	2F15	17	40 - 99	R81245	4E12	28	70 - 79
R78124	1C21	3	20 - 36	R78995	2F17	17	40 - 99B	R81245	4E14	2	70 - 80A
R78134	1B23	8	20 - 17	R78995	2F19	20	40 - 99D	R81272	4G19	3	80 - 10
R78134	1B23	11	20 - 17	R79134	3G4	28	50 - 117	R81274	1E2	17	20 - 61
R78134	1D4	20	20 - 39B	R79134	3G4	29	50 - 117	R81456	5B13	7	90 - 9
R78134	1D4	23	20 - 39B	R79135	3G4	18	50 - 117	R81456	5B21	1	90 - 18
R78134	1D6	16	20 - 39D	R79151	4C8	33	70 - 31	R81459	1F15	1	30 - 29
R78134	1D8	1	20 - 41	R79151	4C16	22B	70 - 39	R81460	1F15	6	30 - 29
R78134	1D8	5	20 - 41	R79151	4C16	25A	70 - 39	R81461	1F15	6	30 - 29
R78134	1E8	..	20 - 63D	R79154	4C16	22B	70 - 39	R81473	4E20	2	70 - 87
R78257	5C4	9	90 - 27	R79154	4C16	25A	70 - 39	R81473	4E20	19	70 - 87
R78265	3B25	17	50 - 17	R79154	4C16	25B	70 - 39	R81473	4E20	21	70 - 87
R78266	3F7	16	50 - 94	R79156	4C8	33	70 - 31	R81473	4E22	19	70 - 89
R78266	3F10	17	50 - 97	R79187	1D2	3	20 - 39	R81473	4E22	21	70 - 89
R78266	3F12	13	50 - 99	R79266	4C18	10	70 - 41	R81474	4E20	2	70 - 87
R78266	3F17	3	50 - 105	R79267	4C18	14	70 - 41	R81474	4E20	19	70 - 87
R78266	3F17	28	50 - 105	R79268	4C18	13	70 - 41	R81474	4E20	21	70 - 87
R78266	3F23	9	50 - 111	R79311	4E25	27	70 - 91	R81474	4E22	19	70 - 89
R78266	3F23	39	50 - 111	R79311	4E25	28	70 - 91	R81474	4E22	21	70 - 89
R78281	5D10	11	90 - 55	R79311	4F2	28	70 - 93	R81475	4E20	2	70 - 87
R78293	4C8	14	70 - 31	R79311	4F4	25	70 - 95	R81475	4E20	19	70 - 87
R78293	4C16	8	70 - 39	R79311	4F6	16	70 - 97	R81475	4E20	21	70 - 87
R78316	1B16	4	20 - 10	R79311	4F8	8	70 - 99	R81475	4E22	19	70 - 89
R78386	5E4	5	90 - 76	R79311	4F10	11	70 - 101	R81475	4E22	21	70 - 89
R78416	2E10	19	40 - 69	R79350	5B11	45	90 - 7	R81507	2B20	8	40 - 15
R78417	3C23	3	50 - 40	R79392	3C17	24	50 - 34	R81507	2B22	28	40 - 17
R78417	3C24	8	50 - 41	R79536	3H6	38	60 - 13	R81507	2B24	18	40 - 19
R78417	3C25	6	50 - 42	R79536	3H6	39	60 - 13	R81507	2C2	28	40 - 21
R78417	3D14	7	50 - 55	R79587	3C16	31	50 - 33B	R81507	2C4	6	40 - 23
R78425	5D12	7	90 - 57	R79723	1E20	14	30 - 9	R81560	5B25	14	90 - 23
R78498	2F15	16	40 - 99	R79831	3B25	9	50 - 17	R81581	3B9	6	50 - 1B
R78498	2F17	16	40 - 99B	R79831	3C4	6	50 - 21	R81872	5D25	11	90 - 71

# 1L21

8430 TRACTOR

## NUMERICAL INDEX - CONTINUED

PART NO.	GRID	KEY	PAGE	PART NO.	GRID	KEY	PAGE	PART NO.	GRID	KEY	PAGE
R81873	5D25	3	90 - 71	R83170	4E14	33A	70 - 80A	R85787	2E22	7	40 - 80
R81874	5D25	1	90 - 71	R83319	4H21	10	80 - 39	R86062	1E2	49	20 - 61
R81875	5D25	9	90 - 71	R83359	3D25	22	50 - 63	R86091	1F2	11	30 - 15
R82121	5D17	1	90 - 63	R83359	3E7	11	50 - 70	R86126	4D5	4	70 - 49
R82121	5D17	10	90 - 63	R83471	3H6	46	60 - 13	R86126	4D23	..	70 - 67
R82121	5D18	1	90 - 64	R83490	1F12	12	30 - 25	R86162	3G4	20	50 - 117
R82122	5D18	1	90 - 64	R83490	1F12	13	30 - 25	R86192	3I2	6	60 - 33
R82126	5D17	10	90 - 63	R83490	1F12	15	30 - 25	R86192	3I15	10	60 - 47
R82175	3G10	29	50 - 121	R83490	1F12	16	30 - 25	R86696	1B11	28	20 - 5B
R82175	3G13	8	50 - 125	R83490	1F14	3	30 - 27	R86696	1B11	29	20 - 5B
R82175	3G14	8	50 - 126	R83508	4C8	24	70 - 31	R86768	3G4	25	50 - 117
R82236	2E12	16	40 - 71	R83508	4C16	18	70 - 39	R86875	1D10	3	20 - 42A
R82237	2E12	14	40 - 71	R83558	1F18	4	30 - 32	R86875	1D10	4	20 - 42A
R82238	2E12	15	40 - 71	R83558	1F24	3	30 - 38	R86875	1D10	5	20 - 42A
R82239	2E12	13	40 - 71	R83558	1F24	4	30 - 38	R87082	1E2	20	20 - 61
R82243	2E12	18	40 - 71	R83588	4G12	9	80 - 3	R87082	1F18	3	30 - 32
R82272	5C22	16B	90 - 43	R83588	4G13	5	80 - 4	R87082	1F24	3	30 - 38
R82273	5C22	31	90 - 43	R83720	1G15	6	30 - 55	R87082	1F24	4	30 - 38
R82274	3F17	47	50 - 105	R83720	1G15	14	30 - 55	R87316	1E2	14	20 - 61
R82274	3F19	16	50 - 107	R83721	1G15	6	30 - 55	R87528	4H18	16	80 - 35
R82274	3F25	49	50 - 113	R83721	1G15	14	30 - 55	R87555	1B9	7	20 - 5
R82337	3I2	28	60 - 33	R83722	1G15	6	30 - 55	R87555	1B9	11	20 - 5
R82337	3I2	34	60 - 33	R83722	1G15	14	30 - 55	R87556	1B9	7	20 - 5
R82337	3I9	26	60 - 41	R83723	1G15	6	30 - 55	R87556	1B9	11	20 - 5
R82343	4E9	5	70 - 76	R83723	1G15	14	30 - 55	R87557	1B9	7	20 - 5
R82355	2E12	4	40 - 71	R83724	1G15	6	30 - 55	R87557	1B9	11	20 - 5
R82423	2E14	8	40 - 73	R83724	1G15	14	30 - 55	R87559	1B9	7	20 - 5
R82440	5C22	22	90 - 43	R83725	1G15	6	30 - 55	R87559	1B9	11	20 - 5
R82442	5C22	8	90 - 43	R83725	1G15	14	30 - 55	R87559	1B19	26	20 - 13
R82444	5C22	12	90 - 43	R83726	1G15	6	30 - 55	R87564	1B9	11	20 - 5
R82445	5C22	13	90 - 43	R83726	1G15	14	30 - 55	R87564	1B19	26	20 - 13
R82447	5C22	19	90 - 43	R83727	1G15	6	30 - 55	R87564	1C2	25	20 - 21
R82454	1D17	3	20 - 49	R83727	1G15	14	30 - 55	R87564	1C6	1	20 - 23
R82455	5C20	21	90 - 41	R83728	1G15	6	30 - 55	R87565	3H7	4	60 - 15
R82455	5C22	24	90 - 43	R83728	1G15	14	30 - 55	R87574	5B21	11	90 - 18
R82482	5C20	13	90 - 41	R83729	1G15	6	30 - 55	R87714	4H18	16	80 - 35
R82482	5C22	23	90 - 43	R83729	1G15	14	30 - 55	R87764	2B20	1	40 - 15
R82501	1F7	4	30 - 20	R83730	1G15	6	30 - 55	R87764	2B20	9	40 - 15
R82508	1B9	16	20 - 5	R83730	1G15	14	30 - 55	R87764	2C2	29	40 - 21
R82719	1D22	1	20 - 55	R83731	1G15	6	30 - 55	R88042	1B9	8	20 - 5
R82719	1D22	9	20 - 55	R83731	1G15	14	30 - 55	R88042	1B9	12	20 - 5
R82731	4B18	10	70 - 13	R83732	1G15	6	30 - 55	R88043	1B9	7	20 - 5
R82766	3E24	7	50 - 87	R83732	1G15	14	30 - 55	R88043	1B9	11	20 - 5
R82805	4H6	5	80 - 21	R83733	1G15	6	30 - 55	R88043	1B19	26	20 - 13
R83000	1F2	8	30 - 15	R83733	1G15	14	30 - 55	R88043	1B21	1	20 - 15
R83020	1E2	12	20 - 61	R83734	1G15	6	30 - 55	R88044	1B9	6	20 - 5
R83020	1F5	15	30 - 18	R83734	1G15	14	30 - 55	R88044	1B9	10	20 - 5
R83021	1E2	15	20 - 61	R83735	1G15	6	30 - 55	R88045	1B9	5	20 - 5
R83021	1F5	14	30 - 18	R83735	1G15	14	30 - 55	R88045	1B9	9	20 - 5
R83034	1F5	7	30 - 18	R83736	1G15	6	30 - 55	R88397	1D22	20	20 - 55
R83045	3B7	2	50 - 1	R83736	1G15	14	30 - 55	R88397	1E2	18	20 - 61
R83045	3C13	1	50 - 32	R83737	1G15	6	30 - 55	R89142	5C2	14	90 - 25
R83045	3C13	6	50 - 32	R83737	1G15	14	30 - 55	R89143	5C2	5	90 - 25
R83045	3C16	35	50 - 33B	R83738	1G15	6	30 - 55	R89441	1C10	..	20 - 25
R83055	2E14	9	40 - 73	R83738	1G15	14	30 - 55	R89652	5D17	4	90 - 63
R83066	5C24	21	90 - 45	R83739	1G15	6	30 - 55	R89785	1B17	13	20 - 11
R83066	5C24	23	90 - 45	R83739	1G15	14	30 - 55	R89837	3F21	13	50 - 109
R83066	5C24	24	90 - 45	R84158	2E14	13	40 - 73	R89995	2F11	1A	40 - 95
R83096	3G10	18	50 - 121	R84943	4H3	5	80 - 18	R89995	2F11	1B	40 - 95
R83103	4H18	3	80 - 35	R84946	1D10	8	20 - 42A	R90086	3H18	2	60 - 26
R83104	4H21	11	80 - 39	R84946	1D10	26	20 - 42A	R90086	3H18	8	60 - 26
R83109	2E14	11	40 - 73	R84947	1D10	8	20 - 42A	R90869	3F21	7	50 - 109
R83111	4E14	23	70 - 80A	R84947	1D10	26	20 - 42A	R90951	3D20	19	50 - 58C
R83112	4E14	16	70 - 80A	R85027	1B14	14	20 - 8	R90952	3D20	19	50 - 58C
R83170	4E12	20	70 - 79	R85234	5B16	3	90 - 13	R91298	3G22	37	60 - 5
R83170	4E12	21A	70 - 79	R85234	5B18	7	90 - 15	R91631	2F23	23	40 - 103
R83170	4E14	32	70 - 80A	R85786	2E22	7	40 - 80	R91631	2F25	22	40 - 103B

# 1L22

8430 TRACTOR

## NUMERICAL INDEX - CONTINUED

PART NO.	GRID	KEY	PAGE	PART NO.	GRID	KEY	PAGE	PART NO.	GRID	KEY	PAGE
R91749	1D20	21	20 - 53	TY15263	2D16	26	40 - 51	TY22467	1E16	1	30 - 5
R91749	4C5	5	70 - 27	TY15278	2E20	19	40 - 78	TY22467	1F2	18	30 - 15
R91826	3H18	6	60 - 26	TY15278	2E22	6	40 - 80	TY22467	3B18	6	50 - 10
R92205	2F15	31	40 - 99	TY15278	2E22	15	40 - 80	TY22467	3H6	21	60 - 13
R92205	2F17	31	40 - 99B	TY15278	2F5	26	40 - 88	TY22467	4B12	8	70 - 7
R92205	2F19	33	40 - 99D	TY15278	2F6	17	40 - 89	TY22467	4B12	26	70 - 7
R93019	3F21	6	50 - 109	TY15279	2E21	18	40 - 79	TY22467	4C1	15	70 - 22
R93219	2G19	7	40 - 123	TY15279	2E22	6	40 - 80	TY22467	4C2	9	70 - 23
R93220	2G19	7	40 - 123	TY15279	2E22	15	40 - 80	TY22467	4E15	6	70 - 81
R93221	2G19	7	40 - 123	TY15279	2F5	26	40 - 88	TY22467	4E17	15	70 - 83
R93222	2G19	7	40 - 123	TY15279	2F6	17	40 - 89	TY22467	4E24	12	70 - 90A
R93238	1B16	3	20 - 10	TY15435	5E12	1	90 - 84	TY22470	1D17	22	20 - 49
R93948	1C13	11	20 - 28	TY15941	5E12	1	90 - 84	TY22470	1E16	3	30 - 5
R93948	1C14	11	20 - 29	TY15969	5E12	1	90 - 84	TY22470	1F8	8	30 - 21
R94286	3B11	24	50 - 3	TY1597	2C9	6	40 - 28	TY22470	3H2	6	60 - 9
R94311	3G8	13	50 - 120A	TY1597	2C10	..	40 - 28A	TY22487	1E17	2	30 - 6
R94311	3G11	14	50 - 123	TY1597	2C12	..	40 - 29	TY22487	1E18	1	30 - 7
R94311	3G12	14	50 - 124	TY1597	2C14	..	40 - 31	TY2615	5E9	2	90 - 81
R94319	3F7	15	50 - 94	TY1597	2C15	..	40 - 31B	TY3018	4G5	3	70 - 122
R94319	3F10	8	50 - 97	TY16004	1B7	2	20 - 3	TY3019	4G5	3	70 - 122
R94631	3F21	15	50 - 109	TY16005	1B7	3	20 - 3	TY6119	2B8	35	40 - 3
R94631	3F21	17	50 - 109	TY16005	1B7	..	20 - 3	TY6119	2B12	6	40 - 7
R94631	3G1	12	50 - 114	TY16055	2D15	14	40 - 50	TY6280	1B6	1	20 - 1
R94631	3G1	..	50 - 114	TY16055	2D16	26	40 - 51	TY6297	1B6	1	20 - 1
R94631	3G2	21	50 - 115	TY21517	5E12	1	90 - 84	TY6298	1B6	1	20 - 1
R94631	3G2	..	50 - 115	TY21735	2B8	35	40 - 3	TY6300	1B6	1	20 - 1
R94632	3F17	47	50 - 105	TY21735	2B12	6	40 - 7	TY6301	1B6	1	20 - 1
R94632	3F19	16	50 - 107	TY22007	1B6	2	20 - 1	TY6304	5E12	1	90 - 84
R94632	3F25	49	50 - 113	TY22008	1B6	2	20 - 1	TY6305	5E12	1	90 - 84
R94705	4H18	8	80 - 35	TY22009	1B6	1	20 - 1	TY6311	1B6	1	20 - 1
R97316	3E9	4	50 - 72	TY22010	1B6	2	20 - 1	TY6312	1B6	1	20 - 1
R97346	1E2	1	20 - 61	TY22011	1B6	2	20 - 1	TY6313	1B6	1	20 - 1
R97346	1F2	4	30 - 15	TY22041	1B6	..	20 - 1	TY6359	1B6	1	20 - 1
R97347	1E2	2	20 - 61	TY22042	1B6	..	20 - 1	TY6360	1B6	1	20 - 1
R97347	1F2	12	30 - 15	TY22324	1D17	3	20 - 49	TY6361	1B6	1	20 - 1
R97348	1E2	7	20 - 61	TY22325	3F8	3	50 - 95	TY6364	1B6	1	20 - 1
R97348	1E20	10	30 - 9	TY22325	3F8	6	50 - 95	TY6384	5B7	..	90 - 3
R97348	1E20	14	30 - 9	TY22325	3F10	5	50 - 97	TY6389	1B6	2	20 - 1
R97349	1E2	6	20 - 61	TY22325	3F23	28	50 - 111	TY6390	1B6	2	20 - 1
R97349	1E20	25	30 - 9	TY22325	3F23	29	50 - 111	TY6391	1B6	2	20 - 1
R97350	1E2	39	20 - 61	TY22328	3B21	3	50 - 13	TY6392	1B6	2	20 - 1
R97997	2F13	35	40 - 97	TY22329	3H6	22	60 - 13	TY6393	1B6	2	20 - 1
R97997	2F15	37	40 - 99	TY22329	4B12	9	70 - 7	TY6394	1B6	2	20 - 1
R97997	2F17	37	40 - 99B	TY22329	4B12	25	70 - 7	TY6600	2B20	1	40 - 15
R97997	2F19	39	40 - 99D	TY22329	4B12	29	70 - 7	TY6600	2B22	..	40 - 17
R98941	2B10	28	40 - 5	TY22334	1E16	4	30 - 5	TY6617	2C9	6	40 - 28
R98941	3E9	30	50 - 72	TY22338	1D17	21	20 - 49	TY6617	2C21	..	40 - 35B
R99197	3C16	9	50 - 33B	TY22399	5B21	7	90 - 18	TY6617	2C22	..	40 - 36
R99288	3B7	3	50 - 1	TY22399	5B23	10	90 - 21	TY6617	2C23	..	40 - 37
R99350	2D6	21	40 - 43	TY22404	1D22	17	20 - 55	TY6617	2C24	..	40 - 38
R99386	3B13	30	50 - 5	TY22418	1F18	23	30 - 32	TY6617	2C25	..	40 - 39
R99394	3G10	13	50 - 121	TY22418	1F25	30	30 - 39	TY6617	2D1	..	40 - 40
R99394	3G13	12	50 - 125	TY22437	1D17	18	20 - 49	TY6618	2C9	6	40 - 28
R99394	3G14	12	50 - 126	TY22450	1B13	10	20 - 7	TY6618	2C10	..	40 - 28A
R99556	3E9	28	50 - 72	TY22462	1F7	2	30 - 20	TY6618	2C17	..	40 - 33
R99573	5D15	14	90 - 61	TY22462	1F25	29	30 - 39	TY6618	2C19	..	40 - 35
R99574	5D15	15	90 - 61	TY22462	3I9	42	60 - 41	TY6618	2C20	..	40 - 35A
R99793	1B13	10	20 - 7	TY22462	4D19	21	70 - 63	TY6621	2C4	1	40 - 23
TY15130	1E17	..	30 - 6	TY22462	5B11	22	90 - 7	TY6621	2C6	35	40 - 25
TY15130	1E18	..	30 - 7	TY22465	1F8	1	30 - 21	TY6625	2B20	1	40 - 15
TY15154	2E22	15	40 - 80	TY22465	1F10	1	30 - 23	TY6625	2C2	27	40 - 21
TY15156	2F2	15	40 - 85	TY22465	3B21	2	50 - 13	TY6628	5B7	29	90 - 3
TY15157	2E24	7	40 - 83	TY22465	3B21	3	50 - 13	TY6665	2B8	32	40 - 3
TY15163	2E22	15	40 - 80	TY22465	3C20	14	50 - 37	TY6665	5B7	29	90 - 3
TY15175	2E22	7	40 - 80	TY22465	5B23	9	90 - 21	TY6667	2C9	6	40 - 28
TY15175	2E22	15	40 - 80	TY22467	1B13	1	20 - 7	TY6667	2C10	..	40 - 28A
TY15263	2D15	14	40 - 50	TY22467	1D22	3	20 - 55	TY6667	2C12	..	40 - 29

# 1L23

8430 TRACTOR

## NUMERICAL INDEX - CONTINUED

PART NO.	GRID	KEY	PAGE	PART NO.	GRID	KEY	PAGE	PART NO.	GRID	KEY	PAGE
TY6667	2C14	..	40 - 31	T12808	3B17	9	50 - 9	T18098	2C19	13	40 - 35
TY6667	2C15	..	40 - 31B	T12808	3E20	47	50 - 83	T18105	2C15	9	40 - 31B
TY6686	2B20	1	40 - 15	T12808	4D14	17	70 - 57	T18105	2C20	6	40 - 35A
TY6686	2B22	..	40 - 17	T12808	4E20	12	70 - 87	T18106	2C15	16	40 - 31B
TY6686	2B24	..	40 - 19	T12808	4E22	14	70 - 89	T18106	2C20	13	40 - 35A
TY6686	2C2	27	40 - 21	T13073	4F24	29	70 - 115	T18107	2C15	12	40 - 31B
TY6701	2C9	6	40 - 28	T13073	4G1	17	70 - 117	T18107	2C20	9	40 - 35A
TY6701	2C9	..	40 - 28	T134452	2C10	6	40 - 28A	T18110	2C15	2	40 - 31B
TY6701	2C10	..	40 - 28A	T134452	2C21	1	40 - 35B	T18110	2C20	2	40 - 35A
TY6701	2C17	..	40 - 33	T134452	4H18	15	80 - 35	T19079	3E9	26	50 - 72
TY6701	2C19	6	40 - 35	T134453	2C10	6	40 - 28A	T19079	3E14	14	50 - 77
TY6701	2C19	..	40 - 35	T134453	2C21	1	40 - 35B	T19324	1F10	4	30 - 23
TY6701	2C20	..	40 - 35A	T134453	4H18	15	80 - 35	T19607	2C15	22	40 - 31B
TY6710	2C9	6	40 - 28	T134454	2C10	6	40 - 28A	T19651	4E15	8	70 - 81
TY6710	2C9	..	40 - 28	T134454	2C21	1	40 - 35B	T19830	3H11	14	60 - 19
TY6710	2C10	..	40 - 28A	T134454	4H18	15	80 - 35	T19830	3H13	10	60 - 21
TY6710	2C12	..	40 - 29	T134455	2C10	6	40 - 28A	T19832	3H11	15	60 - 19
TY6710	2C14	7	40 - 31	T134455	2C21	1	40 - 35B	T19832	3H13	11	60 - 21
TY6710	2C14	..	40 - 31	T134455	4H18	15	80 - 35	T19909	2C12	30	40 - 29
TY6710	2C15	..	40 - 31B	T134456	2C10	6	40 - 28A	T19909	2C17	29	40 - 33
TY6713	2C9	6	40 - 28	T134456	2C21	1	40 - 35B	T19977	5B15	19	90 - 11
TY6713	2C9	..	40 - 28	T134456	4H18	15	80 - 35	T20077	1B9	2	20 - 5
TY6713	2C21	..	40 - 35B	T134459	2C10	1	40 - 28A	T20129	1B9	1	20 - 5
TY6713	2C22	11	40 - 36	T134459	2C21	5	40 - 35B	T20204	2C7	3	40 - 26
TY6713	2C22	..	40 - 36	T134459	4H18	15	80 - 35	T20294	1C22	6	20 - 36A
TY6713	2C23	17	40 - 37	T13606	3E16	8	50 - 79	T20328	1C22	5	20 - 36A
TY6713	2C23	..	40 - 37	T13606	3E18	9	50 - 81	T20328	1E2	30	20 - 61
TY6713	2C24	..	40 - 38	T13814	2B10	27	40 - 5	T20515	3C13	7	50 - 32
TY6713	2C25	..	40 - 39	T13814	3D22	4A	50 - 60	T20516	3C13	7	50 - 32
TY6713	2D1	..	40 - 40	T13814	3D22	4B	50 - 60	T20758	3C23	4	50 - 40
TY6770	2B8	32	40 - 3	T13814	3G16	5	50 - 129	T20758	3C25	5	50 - 42
TY6772	2B20	1	40 - 15	T13814	5B11	40	90 - 7	T20758	3D14	6	50 - 55
TY6772	2B22	..	40 - 17	T14050	1F10	13	30 - 23	T21158	3E21	17	50 - 84
TY6790	2B20	1	40 - 15	T14050	1F12	18	30 - 25	T21158	3E22	17	50 - 85
TY6790	2B24	..	40 - 19	T14264	2G3	8	40 - 107	T21242	1B25	3	20 - 19
TY6790	2C2	27	40 - 21	T14264	4C24	8	70 - 45	T21242	1D2	2	20 - 39
TY8311	5E12	1	90 - 84	T14320	3C14	12	50 - 33	T21242	1D4	4	20 - 39B
TY9305	2D15	14	40 - 50	T14320	3C16	39	50 - 33B	T21242	1D6	2	20 - 39D
TY9305	2D16	26	40 - 51	T14321	3C14	12	50 - 33	T21242	3B7	2	50 - 1
TY9370	5E12	1	90 - 84	T14321	3C16	39	50 - 33B	T21242	3C13	2	50 - 32
TY9371	5E12	1	90 - 84	T14322	3C14	12	50 - 33	T21242	3C13	6	50 - 32
TY9374	5E12	1	90 - 84	T14322	3C16	39	50 - 33B	T21242	3C16	36	50 - 33B
TY9375	5E12	1	90 - 84	T146102	2C10	1	40 - 28A	T21397	3B7	5	50 - 1
T10745	2B20	7	40 - 15	T146102	2C21	5	40 - 35B	T21397	3B23	7	50 - 15
T10745	2B22	29	40 - 17	T146102	4H18	15	80 - 35	T21397	3C20	11	50 - 37
T10745	2B24	17	40 - 19	T146104	2C10	6	40 - 28A	T21397	3C21	4	50 - 38
T10745	2C2	25	40 - 21	T146104	2C21	1	40 - 35B	T21397	3D12	3	50 - 53
T11180	1E20	13	30 - 9	T146104	4H18	15	80 - 35	T21397	3D14	3	50 - 55
T11180	1E24	..	30 - 13	T146106	2C10	6	40 - 28A	T21397	3D14	14	50 - 55
T11220	3H15	12	60 - 23	T146106	2C21	1	40 - 35B	T21397	3D18	16	50 - 58A
T11220	3H16	6	60 - 24	T146106	4H18	15	80 - 35	T21397	3D18	17	50 - 58A
T11220	4D15	9	70 - 59	T146515	2C10	6	40 - 28A	T21397	3D20	2	50 - 58C
T11220	4F22	24	70 - 113	T146515	2C21	1	40 - 35B	T21397	3D20	20	50 - 58C
T11220	4F24	18	70 - 115	T146515	4H18	15	80 - 35	T21397	3G6	27	50 - 119
T11220	4F25	13	70 - 116	T146516	2C10	6	40 - 28A	T21397	3H14	11	60 - 22
T11220	4G1	8	70 - 117	T146516	2C21	1	40 - 35B	T21397	4B7	8	70 - 2
T11234	3E14	28	50 - 77	T146516	4H18	15	80 - 35	T21397	4B7	14	70 - 2
T11234	3E16	14	50 - 79	T146517	2C10	6	40 - 28A	T21397	4B22	5	70 - 17
T11234	3E18	15	50 - 81	T146517	2C21	1	40 - 35B	T21397	4D4	11	70 - 48A
T11234	3F12	7	50 - 99	T146517	4H18	15	80 - 35	T21397	4E9	2	70 - 76
T11739	2C14	23	40 - 31	T15737	5B5	2	90 - 1	T21397	4E9	9	70 - 76
T11743	2C12	1	40 - 29	T16911	2D3	3	40 - 40B	T21397	4G23	2	80 - 13
T11743	2C17	1	40 - 33	T16911	3E9	29	50 - 72	T21397	4G25	2	80 - 15
T12275	3D4	10	50 - 45	T17148	3G22	35	60 - 5	T21689	4G19	4	80 - 10
T12808	1B17	11	20 - 11	T17882	4D7	5	70 - 51	T22228	4D14	9	70 - 57
T12808	3B16	8	50 - 8	T18015	1G18	8	30 - 59	T22404	1C22	..	20 - 36A
T12808	3B17	3	50 - 9	T18098	2C14	14	40 - 31	T22851	4D4	26	70 - 48A

# 1L24

8430 TRACTOR

## NUMERICAL INDEX - CONTINUED

PART NO.	GRID	KEY	PAGE	PART NO.	GRID	KEY	PAGE	PART NO.	GRID	KEY	PAGE
T22851	4D4	29	70 - 48A	T29527	1F10	13	30 - 23	T519T	4D17	3	70 - 61
T22875	3G22	34	60 - 5	T29527	1F12	18	30 - 25	T519T	5C2	2	90 - 25
T23027	5E5	4	90 - 77	T29577	1G21	..	30 - 62	T54033	3E24	7	50 - 87
T23425	1F18	2	30 - 32	T29634	3D9	2	50 - 50	T55501	2E8	6	40 - 67
T23425	1F24	2	30 - 38	T29634	3D11	2	50 - 52	T55501	2E17	1	40 - 76
T23891	1C17	2	20 - 32	T29636	3D11	5	50 - 52	T55501	2E18	11	40 - 77
T24168	5E4	19	90 - 76	T30008	3F12	15	50 - 99	T55501	2E19	11	40 - 77B
T24210	1F21	2	30 - 35	T30738	1F17	2	30 - 31	T55585	1F3	13	30 - 16
T24210	1G2	2	30 - 41	T31556	1F21	14	30 - 35	T56005	4E12	22	70 - 79
T24229	1F21	15	30 - 35	T31556	1F23	17	30 - 37	T56005	4E14	34	70 - 80A
T24229	1F23	6	30 - 37	T31556	1G2	14	30 - 41	T57374	4C10	29	70 - 33
T24229	1G2	15	30 - 41	T31556	1G4	17	30 - 43	T57374	4C12	18	70 - 35
T24229	1G4	6	30 - 43	T31673	3I5	23	60 - 37	T57374	4C20	19	70 - 41B
T24294	1F21	40	30 - 35	T31785	3B7	2	50 - 1	T57374	4C21	10	70 - 41C
T25247	3D8	5	50 - 49	T31785	3C13	3	50 - 32	T57374	4C23	5	70 - 43
T25247	3D10	5	50 - 51	T31785	3C13	6	50 - 32	T59402	3H14	9	60 - 22
T25335	3H15	5	60 - 23	T31785	3C16	33	50 - 33B	T61641	3D8	6	50 - 49
T25335	3H16	3	60 - 24	T32231	2G6	5	40 - 110	T61641	3D10	6	50 - 51
T25614	3E14	4	50 - 77	T32231	5B5	2	90 - 1	T66730	3D8	8	50 - 49
T25614	3E24	11	50 - 87	T32255	2F13	19	40 - 97	T66730	3D9	7	50 - 50
T25879	4E10	4	70 - 77	T32255	2F15	23	40 - 99	T66730	3D10	8	50 - 51
T26565	3B7	4	50 - 1	T32255	2F17	23	40 - 99B	T66730	3D11	7	50 - 52
T26565	3B9	4	50 - 1B	T32255	2F19	26	40 - 99D	T66881	3D8	5	50 - 49
T27261	1D12	16	20 - 44	T32369	1F21	39	30 - 35	T66881	3D10	5	50 - 51
T27277	3H14	9	60 - 22	T33483	3I7	4	60 - 39	T738T	2C14	18	40 - 31
T27278	3H14	7	60 - 22	T33483	3I9	5	60 - 41	T738T	2C19	17	40 - 35
T27461	3B11	8A	50 - 3	T33483	4D17	31	70 - 61	T76091	3D8	1	50 - 49
T27461	3I3	2	60 - 35	T33483	4D18	9	70 - 62	T76091	3D10	1	50 - 51
T27716	3G25	21	60 - 7	T33483	4E24	4	70 - 90A	T77706	3D8	4	50 - 49
T27821	3H14	5	60 - 22	T33483	4E24	18	70 - 90A	T77706	3D10	4	50 - 51
T27860	1C21	2	20 - 36	T34067	2G15	18	40 - 119	T82430	3D8	5	50 - 49
T27860	1C21	3	20 - 36	T35440	2F9	9	40 - 93	T82430	3D10	5	50 - 51
T28051	1F18	24	30 - 32	T35440	2F13	30	40 - 97	T84409	2C10	1	40 - 28A
T28077	4D19	20	70 - 63	T35440	2F15	32	40 - 99	T84409	2C21	5	40 - 35B
T28078	1F25	31	30 - 39	T35440	2F17	32	40 - 99B	T84409	4H18	15	80 - 35
T28078	1G2	18	30 - 41	T35440	2F19	34	40 - 99D	T84410	2C10	6	40 - 28A
T28583	2D8	29	40 - 45	T35441	2F9	8	40 - 93	T84410	2C21	1	40 - 35B
T28583	2D8	32	40 - 45	T35441	2F13	29	40 - 97	T84410	4H18	15	80 - 35
T28583	2D10	29	40 - 45B	T36524	3H11	13	60 - 19	T84411	2C10	6	40 - 28A
T28583	2D10	31	40 - 45B	T36524	3H13	9	60 - 21	T84411	2C21	1	40 - 35B
T28583	2D12	15	40 - 47	T37123	3H11	9	60 - 19	T84411	4H18	15	80 - 35
T28583	2D14	14	40 - 49	T37188	4D4	15	70 - 48A	T84412	2C10	6	40 - 28A
T28583	2D14	24	40 - 49	T37189	4D4	19	70 - 48A	T84412	2C21	1	40 - 35B
T28583	2D14	27	40 - 49	T38282	4E15	5	70 - 81	T84412	4H18	15	80 - 35
T28583	2G13	34	40 - 117	T38282	4E15	8	70 - 81	T84413	2C10	6	40 - 28A
T28583	2G15	1	40 - 119	T38282	4E17	14	70 - 83	T84413	2C21	1	40 - 35B
T28583	3I7	14	60 - 39	T38282	4E17	17	70 - 83	T84413	4H18	15	80 - 35
T28583	5B15	12	90 - 11	T39395	2E15	8	40 - 74	T84578	2C10	6	40 - 28A
T28583	5B16	15	90 - 13	T39908	4C24	13	70 - 45	T84578	2C21	1	40 - 35B
T28585	2B8	1	40 - 3	T40308	4C10	28	70 - 33	T84578	4H18	15	80 - 35
T28585	2B8	25	40 - 3	T40308	4C12	17	70 - 35	U10136	3H11	3	60 - 19
T28585	2B10	11	40 - 5	T40308	4C20	18	70 - 41B	U10136	3H13	1	60 - 21
T28585	2D8	9	40 - 45	T40308	4C21	11	70 - 41C	U10136	3I2	3	60 - 33
T28585	2D8	31	40 - 45	T40308	4C23	4	70 - 43	U10136	3I15	5	60 - 47
T28585	2D10	9	40 - 45B	T43512	5E12	1	90 - 84	U10139	3H11	2	60 - 19
T28585	2D10	30	40 - 45B	T43513	5E12	1	90 - 84	U10289	3C16	3	50 - 33B
T28585	2D14	19	40 - 49	T43514	5E12	1	90 - 84	U10289	3C23	14	50 - 40
T28585	2E20	7	40 - 78	T43515	5E12	1	90 - 84	U10289	3D3	25	50 - 44A
T28585	2E21	6	40 - 79	T43535	4C21	8	70 - 41C	U10289	3H13	8	60 - 21
T28585	2F5	20	40 - 88	T43535	4C21	9	70 - 41C	U10289	3H16	2	60 - 24
T28585	2F6	9	40 - 89	T44948	4D4	21	70 - 48A	U10296	3H11	4	60 - 19
T28585	2G6	7	40 - 110	T46726	1F3	11	30 - 16	U10296	3H13	2	60 - 21
T28585	2G13	35	40 - 117	T497T	3F17	58	50 - 105	U10296	3H15	2	60 - 23
T28585	2G15	12	40 - 119	T497T	3F25	63	50 - 113	U10296	3H16	1	60 - 24
T28585	3I7	14	60 - 39	T50222	2C15	16	40 - 31B	U10746	3C24	7	50 - 41
T28586	2G15	14	40 - 119	T519T	4D14	4A	70 - 57	U11004	4D11	27	70 - 54
T29439	1C10	14	20 - 25	T519T	4D14	6	70 - 57	U11004	4D12	28	70 - 55

# 1L25

8430 TRACTOR

## NUMERICAL INDEX - CONTINUED

PART NO.	GRID	KEY	PAGE	PART NO.	GRID	KEY	PAGE	PART NO.	GRID	KEY	PAGE
U11004	4G2	12	70 - 118	U46509	2F13	8	40 - 97				
U11017	3F7	7	50 - 94	U46510	2F13	7	40 - 97				
U11017	3F12	5	50 - 99	U46511	2F13	6	40 - 97				
U11343	3I5	24	60 - 37	U46512	2F13	5	40 - 97				
U11647	4G5	1	70 - 122	U46513	2F13	4	40 - 97				
U12331	3H11	7	60 - 19	U46514	2F13	2	40 - 97				
U12331	3H13	4	60 - 21	U46515	2F13	14	40 - 97				
U12331	3I2	6	60 - 33	U46662	2D8	29	40 - 45				
U12331	3I15	10	60 - 47	U46662	2D8	32	40 - 45				
U13431	3H11	6	60 - 19	U46662	2D10	29	40 - 45B				
U13639	1B19	7	20 - 13	U46662	2D10	31	40 - 45B				
U13639	1B19	26	20 - 13	U46662	2D14	24	40 - 49				
U13639	1B23	9	20 - 17	U46662	2D14	27	40 - 49				
U13639	1C2	4	20 - 21	U46662	2E14	12	40 - 73				
U13639	1C4	4	20 - 21B	U46662	2G13	37	40 - 117				
U13639	1D4	22	20 - 39B	U46662	2G15	10	40 - 119				
U13639	1D7	13	20 - 40	U46663	2G13	38	40 - 117				
U13639	1D8	2	20 - 41	U46664	2G13	39	40 - 117				
U13639	1E2	27	20 - 61	U46664	2G17	47	40 - 121				
U13639	3F10	33	50 - 97	W19897	4D4	16	70 - 48A				
U13639	4C14	14	70 - 37	W19898	4D4	16	70 - 48A				
U13639	4C23	21	70 - 43	W19900	4D4	13	70 - 48A				
U13968	3G25	15	60 - 7	W19903	4D4	14	70 - 48A				
U15192	4B20	18	70 - 15	W20088	4D4	16	70 - 48A				
U15242	4D4	20	70 - 48A	Z36276	4C21	8	70 - 41C				
U15969	4F4	21	70 - 95	Z36276	4C21	9	70 - 41C				
U15980	3H6	44	60 - 13	1873796	2C12	10	40 - 29				
U17409	1B23	12	20 - 17	32240	5B7	22	90 - 3				
U17409	1D4	19	20 - 39B	400R	3B14	20	50 - 6				
U17409	1D7	7	20 - 40	400R	3B25	25	50 - 17				
U17409	1D8	9	20 - 41	400R	3C12	5	50 - 31				
U17409	1D10	6	20 - 42A	400R	3C16	19	50 - 33B				
U17409	1D10	12	20 - 42A	400R	3F19	4	50 - 107				
U17409	4B7	2	70 - 2	400R	3G4	34	50 - 117				
U17409	4D4	3	70 - 48A	400R	3G6	5	50 - 119				
U17409	4D4	26	70 - 48A	400R	3H20	20	60 - 27				
U17501	3B16	25	50 - 8	400R	3I2	18	60 - 33				
U40424	4D4	21	70 - 48A	400R	3I11	24	60 - 43				
U40750	1D10	27	20 - 42A	400R	3I15	28	60 - 47				
U41825	3H11	8	60 - 19	400R	4D7	21	70 - 51				
U41825	3H13	5	60 - 21	400R	4E25	12	70 - 91				
U42417	1F19	34	30 - 33	400R	4F2	12	70 - 93				
U42642	3H11	5	60 - 19	400R	4F3	14	70 - 94				
U44083	3D1	12	50 - 43	811912	2C19	9	40 - 35				
U44083	3D5	11	50 - 46	8255CU	4H1	2	80 - 16				
U44083	4B25	4	70 - 21								
U45538	1F19	32	30 - 33								
U45538	1F25	40	30 - 39								
U45538	1G2	31	30 - 41								
U45824	3I9	22	60 - 41								
U45824	3I9	24	60 - 41								
U45916	5C22	11	90 - 43								
U46283	4D23	14	70 - 67								
U46370	2G13	36	40 - 117								
U46370	2G15	20	40 - 119								
U46506	2F13	21	40 - 97								
U46506	2F15	24	40 - 99								
U46506	2F17	24	40 - 99B								
U46506	2F19	27	40 - 99D								
U46507	2F13	1	40 - 97								
U46507	2F15	1	40 - 99								
U46507	2F17	1	40 - 99B								
U46507	2F19	1	40 - 99D								
U46508	2F13	16	40 - 97								
U46508	2F15	19	40 - 99								
U46508	2F17	19	40 - 99B								
U46508	2F19	22	40 - 99D								