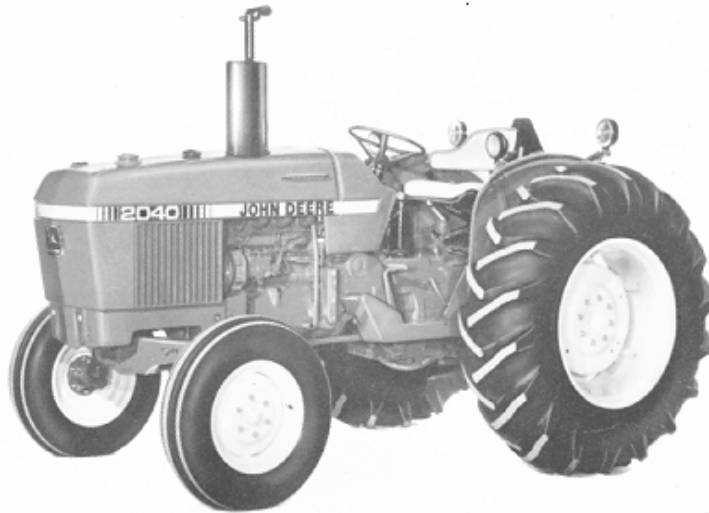


1A2

2040 UTILITY TRACTOR (SERIAL NO. 350,000-)

RP585 -UN-01JAN94



RP585

*JOHN DEERE 2040 TRACTOR
(MANUFACTURED 1976-1982)*

RP586 -UN-01JAN94



RP586

*JOHN DEERE 2040 TRACTOR WITH ROLL-GARD AND CANOPY
(SPECIFICATIONS AND DESIGN SUBJECT TO CHANGE WITHOUT NOTICE)*

COPYRIGHT (C) 1996. DEERE & COMPANY, MOLINE, ILLINOIS. ALL RIGHTS RESERVED.

1A3

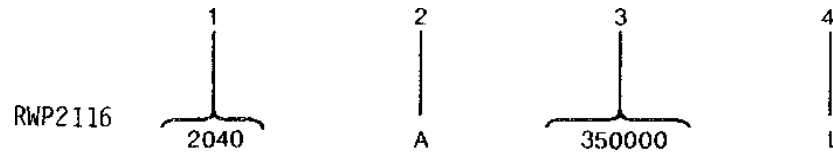
2040 UTILITY TRACTOR (SERIAL NO. 350,000-)

SERIAL NUMBERS

EACH 2040 TRACTOR HAS THE FOLLOWING SERIAL NUMBER PLATES: BASIC TRACTOR, ENGINE AND TRANSMISSION.

TRACTOR SERIAL NUMBER

RWP2116 -UN-01JAN94



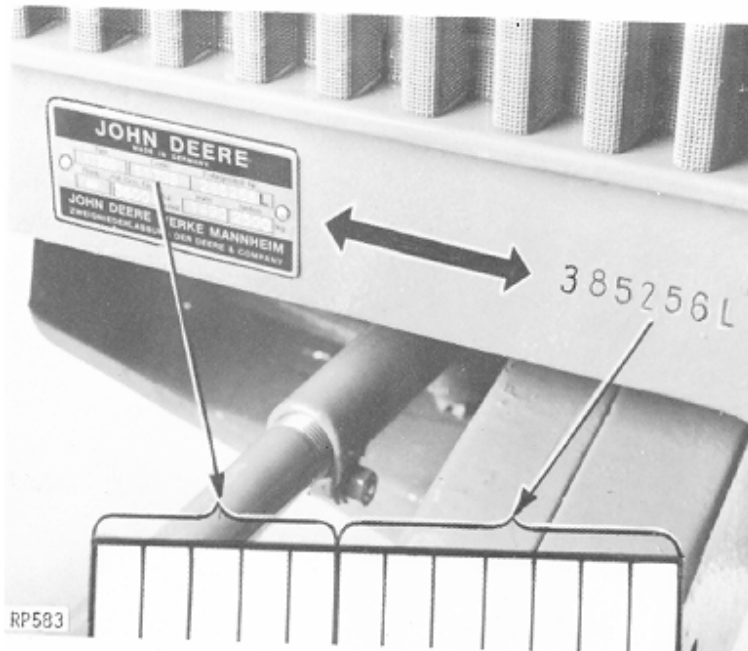
1. DESIGNATES TRACTOR MODEL
2. DESIGNATES TRANSMISSION TYPE

2040
A - COLLAR SHIFT
Q - TSS WITH MFWD

3. DESIGNATES TRACTOR SERIAL NUMBER
4. DESIGNATES TRACTOR MANUFACTURER

L - JOHN DEERE WERKE MANNHEIM

RP583 -UN-01JAN94



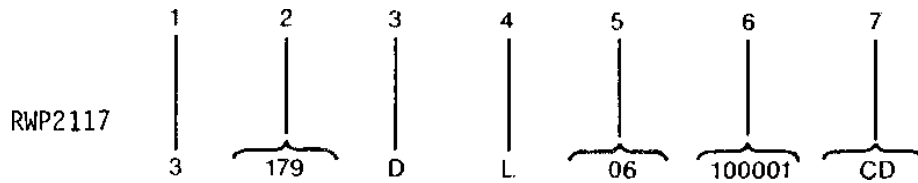
THE TRACTOR SERIAL NUMBER PLATE IS LOCATED ON THE RIGHT-HAND SIDE OF FRONT SUPPORT ABOVE FRONT AXLE.

1A4

2040 UTILITY TRACTOR (SERIAL NO. 350,000-)

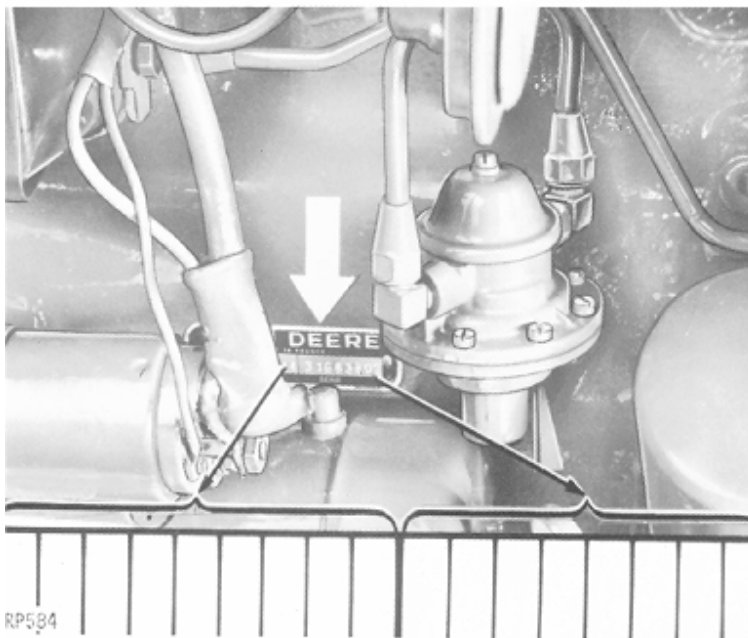
ENGINE SERIAL NUMBER

RWP2117 -UN-01JAN94



- | | |
|---|-------------------------------|
| 1. DESIGNATES NUMBER OF CYLINDERS | 3 |
| 2. DESIGNATES CUBIC INCH DISPLACEMENT | 179 |
| 3. DESIGNATES TYPE OF AIR INTAKE SYSTEM | D - NATURALLY ASPIRATED |
| 4. DESIGNATES FACTORY USER | L - JOHN DEERE WERKE MANNHEIM |
| 5. DESIGNATES VERSION | 06 - SIXTH |
| 6. DESIGNATES ENGINE SERIAL NUMBER | 100001 |
| 7. DESIGNATES ENGINE MANUFACTURER | CD - JOHN DEERE SARAN WORKS |

RP584 -UN-01JAN94



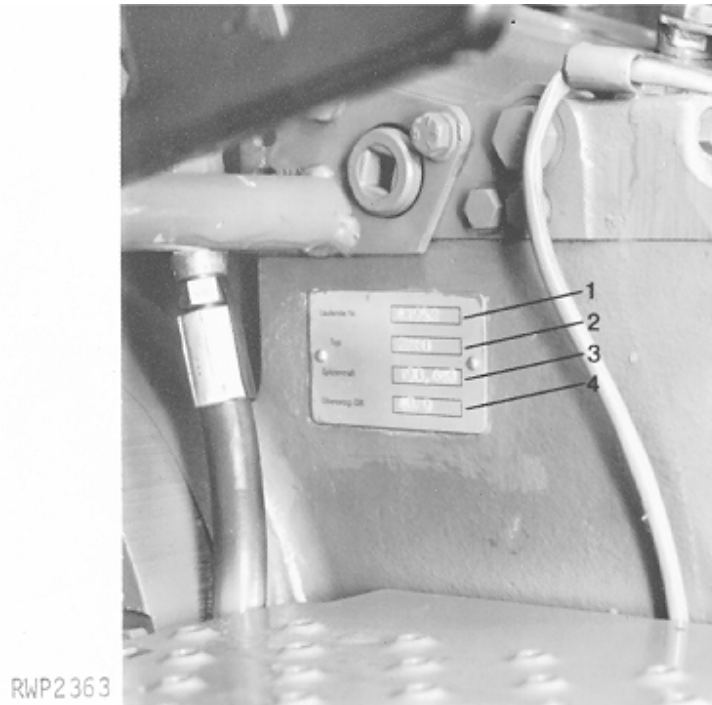
THE ENGINE SERIAL NUMBER PLATE IS LOCATED BELOW AND TO THE REAR OF THE FUEL PUMP MOUNTING BOSS ON THE LOWER RIGHT-HAND SIDE OF THE CYLINDER BLOCK.

1A5

2040 UTILITY TRACTOR (SERIAL NO. 350,000-)

TRANSMISSION SERIAL NUMBER

RWP2363 -UN-01JAN94



1. DESIGNATES TRANSMISSION SERIAL NUMBER
2. DESIGNATES TRACTOR MODEL 2040
3. DESIGNATES DIFFERENTIAL CONE POINT
ADJUSTMENT (MILLIMETERS) 198.443
4. DESIGNATES NUMBER OF TEETH ON DIFFERENTIAL
RING GEAR AND DRIVE SHAFT PINION
(GEAR RATIO) 43/9

THE TRANSMISSION SERIAL NUMBER PLATE IS LOCATED BELOW THE SEAT ON THE RIGHT-HAND SIDE OF THE TRANSMISSION CASE.

1A6

2040 UTILITY TRACTOR (SERIAL NO. 350,000-)

SERIAL NUMBER LISTING INFORMATION

SERIAL NUMBER INFORMATION IS LISTED TO SHOW ON WHICH MACHINES EACH PART CAN BE USED; FOR EXAMPLE:

- THE PART CAN BE USED ON ALL MACHINES.
- 000000- THE PART CAN BE USED ON ALL MACHINES BEGINNING WITH THE SERIAL NUMBER LISTED.
- 000000 THE PART CAN BE USED ON ALL MACHINES UP TO AND INCLUDING THE SERIAL NUMBER LISTED.
- 000000-000000 THE PART CAN BE USED ON ALL MACHINES BETWEEN AND INCLUDING THE SERIAL NUMBERS LISTED.

- 15BV1- WHEN A MODEL NUMBER BEGINS WITH 15BV, 14HA, 15PP, 25SC, 2RC, 4RC, 15RS, 3CY, 2SP, OR 31SV, IT REFERS TO THE MODEL NUMBER OF THE BRAKE VALVE, HYDRAULIC ACCUMULATOR, HYDRAULIC PUMP, REMOTE CYLINDER SELECTIVE CONTROL VALVE FOR NO ROCKSHAFT, REMOTE CYLINDER SELCTIVE CONTROL VALVES, REMOTE CYLINDERS, REMOTE CYLINDERS WITH MECHANICAL STOPS, ROCKSHAFT CONTROL VALVE, STEERING CYLINDER, STEERING METERING PUMP, OR STEERING VALVE.

WHEN XXXXXX'S ARE LISTED IN PLACE OF A SERIAL NUMBER, A SERIAL NUMBER CHANGE WAS MADE BUT THE EXACT SERIAL NUMBER WAS NOT AVAILABLE WHEN THE CATALOG WAS PRODUCED.

MODEL NUMBERS

THE FOLLOWING COMPONENTS HAVE MODEL NUMBERS:

BRAKE VALVE	15BV1
HYDRAULIC ACCUMULATOR	14HA2
HYDRAULIC PUMP (39.3CM3 (2.4 IN3))	15PP1
REMOTE CYLINDER SELECTIVE CONTROL VALVE FOR NO ROCKSHAFT - SINGLE, DUAL OR TRIPLE	25SC1
REMOTE CYLINDER SELECTIVE CONTROL VALVE FOR ROCKSHAFT - SINGLE, DUAL OR TRIPLE	23SC2
REMOTE CYLINDER (76 X 203 MM (3" X 8"))	2RC4
REMOTE CYLINDER WITH MECHANICAL STOP (76 X 203 MM (3" X 8"))	4RC3
ROCKSHAFT CONTROL VALVE	15RS1
STEERING CYLINDER	3CY1
STEERING METERING PUMP	2SP1
STEERING VALVE	31SV1

EACH OF THE ABOVE COMPONENTS HAS A MODEL NUMBER. WHEN THE DESIGN OF ONE OF THESE COMPONENTS IS CHANGED, THE MODEL NUMBER FOR THE NEWLY DESIGNED COMPONENT IS CHANGED.

1A7

2040 UTILITY TRACTOR (SERIAL NO. 350,000-)

DIRECTION ARROW

ARROWS ARE USED WITH ILLUSTRATIONS TO INDICATE THE FRONT OF THE UNIT. "RIGHT-HAND" AND "LEFT-HAND" SIDES ARE DETERMINED BY FACING IN THE DIRECTION OF MACHINE FORWARD TRAVEL.

BOX-ENCLOSED ILLUSTRATIONS

A KEY NUMBER, SHOWN IN THE PARTS LIST, IS ASSIGNED TO A BOX ENCLOSING ALL PARTS SOLD AS A SERVICE ASSEMBLY.

BOLT AND CAP SCREW STRENGTH IDENTIFICATION

U.S. CUSTOMARY DIMENSIONED PRODUCT: BOLTS AND CAP SCREWS REQUIRED TO HAVE HIGH-STRENGTH QUALITIES EQUIVALENT TO SAE GRADE 8 ARE IDENTIFIED THROUGHOUT THIS CATALOG BY THE DESCRIPTION HS SAE 8. ALL STANDARD BOLTS AND CAP SCREWS ARE SAE GRADE 5 OR LOWER.

METRIC DIMENSIONED PRODUCT: BOLTS AND CAP SCREWS REQUIRED TO HAVE HIGH-STRENGTH QUALITIES EQUIVALENT TO PROPERTY CLASS 10.9 ARE IDENTIFIED THROUGHOUT THIS CATALOG BY THE DESCRIPTION HS 10.9. ALL STANDARD BOLTS AND CAP SCREWS ARE PROPERTY CLASS 8.8 OR LOWER.

JDM REMANUFACTURED COMPONENTS

THE SERVICE PARTS LISTED IN THIS CATALOG ARE INTENDED FOR THE REPAIR OF ORIGINAL EQUIPMENT COMPONENTS. ALTHOUGH MOST SERVICE PARTS MAY BE USED TO REPAIR REMANUFACTURED COMPONENTS, THE REMANUFACTURING PROCESS MAY CHANGE PARTS SUFFICIENTLY SO THAT SERVICE PARTS ARE INADEQUATE OR NOT USABLE.

TRADEMARKS

THROUGHOUT THIS PARTS CATALOG, YOU WILL FIND THE FOLLOWING DEERE AND COMPANY TRADEMARKS:

HYDRACUSHIONED™
INVESTIGATOR™ II
PERSONAL-POSTURE™
QUAD-RANGE™

ROLL-GARD+
SOUND-GARD+
TORQ-GARD SUPREME+
HY-GARD+
QUIK-TATCH+

CHANGE INDICATOR LINE (MICROFICHE CATALOGS ONLY)

CHANGES AFFECTING THE ORDERING OF PARTS ARE IDENTIFIED BY VERTICAL LINES MARKED IN THE LEFT-HAND MARGIN OF REVISED PARTS LISTING IMAGES. A LINE IS ALSO AT THE LEFT-HAND EDGE OF THE SAME PART NUMBER IN THE NUMERICAL INDEX TO SHOW THE LOCATION OF REVISED INFORMATION.

1A8

2040 UTILITY TRACTOR (SERIAL NO. 350,000-)

QUANTITY COLUMN OR REMARKS COLUMN

GENERALLY THE QUANTITY SHOWN IS FOR THE ENTIRE TRACTOR AT ANY GIVEN LOCATION. THERE ARE EXCEPTIONS AS IN WHEEL HARDWARE WHERE ONLY ENOUGH IS SHOWN FOR ONE WHEEL.

THE FOLLOWING ABBREVIATIONS ARE USED IN THE REMARKS COLUMN:

NLR - NO LONGER REQUIRED

NA - NOT APPLICABLE

NLA - NO LONGER AVAILABLE

FI - FIELD INSTALLED

CA - CONVENIENCE ASSEMBLY

CA AND FI ARE OPTIONS THAT MUST BE ORDERED DIRECT FROM THE PRODUCING FACTORY.

1A9

2040 UTILITY TRACTOR (SERIAL NO. 350,000-)

SECTION INDEX

GENERAL INFORMATION	10
ENGINE	20
FUEL AND AIR	30
ELECTRICAL	40
POWER TRAIN	50
STEERING AND BRAKES	60
HYDRAULICS	70
WHEELS, FRONT AXLES, SHEET METAL	80
OPERATOR'S STATION	90
NUMERICAL INDEX	95

1A10

2040 UTILITY TRACTOR (SERIAL NO. 350,000-)

ALPHABETICAL INDEX

GRID		PAGE	GRID		PAGE
A					
1D13	ACCELERATOR, FOOT	30-28	2D3	BREAKAWAY COUPLER KIT	70-62
2G1	ADHESIVE	90-18	2D10	BREAKAWAY COUPLER LINES	70-69
2F15	ADJUSTER, SEAT	90-8	2D4	BREAKAWAY COUPLER OVERHAUL KIT	70-63
1C22	AID, STARTING	30-12	2C25	BREAKAWAY COUPLER VALVE	70-59
1C13	AIR CLEANER	30-2	1F18	BREAKER, CIRCUIT, REMOTE CONTROL	40-45
1D15	AIR FILTER	30-30	C		
1C17	AIR INTAKE MANIFOLD	30-6	1E1	CABLE, BATTERY	40-8
1C15	AIR INTAKE PRE-CLEANER	30-4	1B1	CAMSHAFT	20-10
1C15	AIR STACK	30-4	2F9	CANOPY, ROLL-GARD	90-2
1E3	ALTERNATOR	40-10	1B23	CAP, ENGINE OIL FILLER	20-32
1E9	ALTERNATOR (55A)	40-15A	2B12	CAP, FILLER, ROCKSHAFT HOUSING	70-18
1E3	ALTERNATOR MOUNTING BRACKET	40-10	2C18	CAP, SELECTIVE CONTROL VALVE	70-51
1E5	ALTERNATOR PARTS (33 AMP)	40-12	1F10	CAPACITOR, RADIO NOISE SUPPRESSOR	40-37
1E7	ALTERNATOR PARTS (55 AMP)	40-14	1J15	CARRIER, REAR AXLE	50-82
1F11	AM FENDER MOUNT RADIO	40-37A	1H18	CASE, TRANSMISSION (COLLAR SHIFT)	50-30
1F11	AM-FM STEREO FENDER MOUNT RADIO	40-37A	1I4	CASE, TRANSMISSION (SYNCRO-RANGE)	50-42
1G1	ANALOG TACHOMETER	40-54	2B25	CENTER LINK, THREE-POINT HITCH	70-32
1F14	ANTENNA KIT, RADIO	40-40	2C8	CHAIN, IMPLEMENT SAFETY	70-41
1F11	ANTENNA, FENDER MOUNT RADIO	40-37A	1F6	CIGAR LIGHTER	40-33
2B13	ARM, LIFT, ROCKSHAFT	70-19	1F4	CIRCUIT BREAKER	40-30
2C13	ARM, SELECTIVE CONTROL VALVE	70-46	1C13	CLEANER, AIR	30-2
1K16	ARM, STEERING	60-4	1H7	CLUTCH CONTROL VALVE	50-18
2E7	ARM, STEERING	80-6	1H4	CLUTCH CONTROL VALVE COVER AND ARM	50-15
1F22	AUXILIARY ELECTRICAL OUTLET, 7-TERMINAL	40-50	1H5	CLUTCH CONTROL VALVE COVER AND ARM	50-16
2E14	AXLE EXTENSION	80-15	1H9	CLUTCH CONTROL VALVE, INDEPENDENT PTO	50-20
1J15	AXLE HOUSING, REAR	50-82	1J21	CLUTCH DISK (MFWD)	50-90
1K5	AXLE SUPPORT (MFWD)	50-98	1J8	CLUTCH DISK, PTO	50-74
2E3	AXLE, FRONT (HEAVY-DUTY)	80-2	1J21	CLUTCH DRIVE GEAR (MFWD)	50-90
1K7	AXLE, FRONT (MECHANICAL FRONT WHEEL DRIVE)	50-100	1J21	CLUTCH DRUM (MFWD)	50-90
B					
1E1	BATTERY	40-8	1J8	CLUTCH DRUM, PTO	50-74
1E1	BATTERY CABLE	40-8	1G15	CLUTCH HOUSING	50-2
1B3	BEARING CAP	20-12	1G19	CLUTCH HOUSING (MECHANICAL FRONT WHEEL DRIVE)	50-6
1B11	BEARING, MAIN	20-20	1H11	CLUTCH OIL MANIFOLD	50-22
1B10	BEARINGS, CRANKSHAFT FOR 0.254MM(0.010") UNDERSIZE	20-19	1G20	CLUTCH PEDAL	50-7
1I23	BELT PULLEY	50-64	1J21	CLUTCH PLATE (MFWD)	50-90
1C2	BELT, FAN	20-36	1G21	CLUTCH, DUAL-STAGE	50-8
2F11	BELT, SEAT	90-4	1J21	CLUTCH, MECHANICAL FRONT WHEEL DRIVE	50-90
1B3	BLOCK, CYLINDER	20-12	1G23	CLUTCH, SINGLE-STAGE	50-10
1B5	BLOCK, SHORT	20-14	1C22	COLD WEATHER STARTING AID	30-12
1B7	BLOCK, SHORT	20-16	1E21	COMBINATION LAMP (REAR)	40-22
2C4	BLOCK, SWAY	70-36	1B15	CONNECTING ROD	20-24
2C25	BODY, BREAKAWAY COUPLER	70-59	2B5	CONNECTORS, HYDRAULIC PUMP	70-11
2F5	BRACE, FENDER	80-33	1G3	CONNECTORS, ELECTRICAL	40-56
1E3	BRACKET, ALTERNATOR	40-10	1G5	CONNECTORS, ELECTRICAL	40-58
1F16	BRACKET, ELECTRICAL REMOTE CONTROL	40-42	1G7	CONNECTORS, ELECTRICAL	40-60
1F10	BRACKET, FENDER	40-37	1G3	CONTAINER, ELECTRICAL PARTS	40-56
2F24	BRACKET, FIRE EXTINGUISHER	90-17	2F17	CONTROL SUPPORT	90-10
2B6	BRACKET, HYDRAULIC OIL LINE	70-12	1H9	CONTROL VALVE, CLUTCH, INDEPENDENT PTO	50-20
1F24	BRACKET, RADAR SENSOR	40-52	1E25	CONTROLLER, TURN SIGNAL	40-26
1K23	BRAKE BAND (HANDBRAKE)	60-12	2D20	CONVERSION KIT, JOHN DEERE TO ISO COUPLER	70-78
1K18	BRAKE DISK	60-6	1B20	COOLANT HEATER, ENGINE	20-29
1K23	BRAKE DRUM	60-12	1B25	COOLANT HEATER, ENGINE	20-34
1K22	BRAKE LINES	60-11	1B21	COOLER, ENGINE OIL	20-30
1K19	BRAKE PEDAL	60-7	1H24	COUNTERSHAFT (COLLAR SHIFT)	50-36
1K20	BRAKE VALVE	60-8	1H25	COUNTERSHAFT BEARING SUPPORT (COLLAR SHIFT)	50-37
1K21	BRAKE VALVE OVERHAUL KIT	60-9	2D20	COUPLER CONVERSION KIT (JOHN DEERE TO ISO)	70-78
2D1	BREAKAWAY COUPLER	70-60	2D10	COUPLER LINES	70-69
2D5	BREAKAWAY COUPLER	70-64	2D22	COUPLER OVERHAUL KIT (ISO)	70-80
2D19	BREAKAWAY COUPLER (ISO)	70-77	2C25	COUPLER, BREAKAWAY	70-59
			2D1	COUPLER, BREAKAWAY	70-60
			2D5	COUPLER, BREAKAWAY	70-64

1A11

2040 UTILITY TRACTOR (SERIAL NO. 350,000-)

ALPHABETICAL INDEX - CONTINUED

GRID	PAGE
2D19	COUPLER, BREAKAWAY (ISO) 70-77
2D17	COUPLER, FLEXIBLE OIL LINE 70-74
2C2	COUPLER, IMPLEMENT QUICK 70-34
2D7	COUPLER, SELECTIVE CONTROL VALVE 70-66
2D25	COUPLINGS, REUSABLE 70-83
1H4	COVER, CLUTCH CONTROL VALVE 50-15
1H5	COVER, CLUTCH CONTROL VALVE 50-16
2D12	COVER, DUST (DIAGNOSTIC RECEPTACLE) 70-71
2D17	COVER, DUST, BREAKAWAY COUPLER 70-74
1D5	COVER, FUEL INJECTION PUMP 30-20
1A22	COVER, ROCKER ARM 20-6
2C17	COVER, SELECTIVE CONTROL VALVE 70-50
2C18	COVER, SELECTIVE CONTROL VALVE 70-51
1B23	COVER, TIMING GEAR 20-32
1I19	COVER, TRANSMISSION OIL FILTER 50-59
2F17	COWL 90-10
1B11	CRANKSHAFT 20-20
1B10	CRANKSHAFT FOR 0.254MM(0.010")UNDERSIZE BEARINGS 20-19
2F14	CUSHION, SEAT 90-7
1B3	CYLINDER BLOCK 20-12
1A22	CYLINDER HEAD 20-6
1A24	CYLINDER HEAD 20-8
1C10	CYLINDER HEAD GASKET KIT 20-44
2D16	CYLINDER HOSE IDENTIFICATION KIT, REMOTE 70-73
1B3	CYLINDER LINER 20-12
2D11	CYLINDER, REMOTE 70-70
2D13	CYLINDER, REMOTE 70-71A

D

2F17	DASH 90-10
2F19	DASHBOARD 90-12
2F6	DECALS 80-34
2F14	DELUXE SEAT 90-7
2F13	DELUXE SEAT ASSEMBLY 90-6
2D12	DIAGNOSTIC RECEPTACLE 70-71
1J13	DIFFERENTIAL DRIVE SHAFT 50-80
1H23	DIFFERENTIAL DRIVE SHAFT (COLLAR SHIFT) 50-35
1I12	DIFFERENTIAL DRIVE SHAFT (SYNCRO-RANGE) 50-50
1J12	DIFFERENTIAL LOCK LEVER 50-79
1K3	DIFFERENTIAL RING GEAR AND PINION (MFWD) 50-96
1B3	DIPSTICK 20-12
1H20	DIPSTICK, TRANSMISSION (COLLAR SHIFT) 50-32
1I6	DIPSTICK, TRANSMISSION (SYNCRO-RANGE) 50-44
1K18	DISK, BRAKE 60-6
1J21	DISK, CLUTCH (MFWD) 50-90
2E12	DISK, REAR WHEEL 80-12
2E10	DISK, WHEEL, MECHANICAL FRONT WHEEL DRIVE 80-10
2C1	DRAFT LINKS (FLAT STEEL) 70-33
2B23	DRAFT LINKS, TELESCOPING 70-30
1K16	DRAG LINK 60-4
2C6	DRAWBAR 70-38
2C10	DRAWBAR HAMMER STRAP KIT 70-43
2C9	DRAWBAR HAMMER STRAP KIT (HEAVY-DUTY) 70-42
2C5	DRAWBAR, HITCH 70-37
1J20	DRIVE GEAR (MFWD) 50-89
1J15	DRIVE SHAFT 50-82
1J23	DRIVE SHAFT (MFWD) 50-92
1I10	DRIVE SHAFT (SYNCRO-RANGE) 50-48
1H23	DRIVE SHAFT, DIFFERENTIAL (COLLAR SHIFT) 50-35
1I12	DRIVE SHAFT, DIFFERENTIAL (SYNCRO-RANGE) 50-50
1J3	DRIVE SHAFT, PTO (SYNCRO-RANGE) 50-68
1J5	DRIVE SHAFT, PTO (SYNCRO-RANGE) 50-70
1H22	DRIVE SHAFT, TRANSMISSION (COLLAR SHIFT) 50-34
2A21	DRIVE, PUMP 70-2

GRID	PAGE
1K23	DRUM, BRAKE 60-12
1J21	DRUM, CLUTCH (MFWD) 50-90
1J8	DRUM, CLUTCH, PTO 50-74
2C22	DUAL RETURN OIL CONVERSION KIT, SCV 70-56
1G21	DUAL-STAGE CLUTCH 50-8
1G25	DUAL-STAGE CLUTCH REPAIR KIT 50-12
1H1	DUAL-STAGE CLUTCH REPAIR KIT 50-13
2D17	DUST COVER, BREAKAWAY COUPLER 70-74
2D9	DUST PLUG, SELECTIVE CONTROL VALVE 70-68

E

1G11	ELECTRICAL CONNECTOR AND TERMINAL KIT 40-64
1G3	ELECTRICAL CONNECTORS 40-56
1G5	ELECTRICAL CONNECTORS 40-58
1G7	ELECTRICAL CONNECTORS 40-60
1G3	ELECTRICAL CRIMPING TOOL 40-56
1F21	ELECTRICAL OUTLET SOCKET 40-49
1F22	ELECTRICAL OUTLET SOCKET, 7-TERMINAL 40-50
1G3	ELECTRICAL PARTS CONTAINER 40-56
1F16	ELECTRICAL REMOTE CONTROL 40-42
1F16	ELECTRICAL REMOTE CONTROL BRACKETS 40-42
1F17	ELECTRICAL REMOTE CONTROL KIT 40-43
1F16	ELECTRICAL REMOTE CONTROL SWITCH 40-42
1F18	ELECTRICAL REMOTE CONTROL WIRING 40-45
1F19	ELECTRICAL REMOTE CONTROL WIRING KIT 40-46
1F18	ELECTRICAL REMOTE CONTROL WIRING RELAY 40-45
1G3	ELECTRICAL TERMINALS 40-56
1G5	ELECTRICAL TERMINALS 40-58
1G7	ELECTRICAL TERMINALS 40-60
1G11	ELECTRICAL TOOLS 40-64
1G3	ELECTRICAL WIRING 40-56
1G5	ELECTRICAL WIRING 40-58
1G7	ELECTRICAL WIRING 40-60
1C13	ELEMENT, AIR CLEANER 30-2
1F6	ELEMENT, CIGAR LIGHTER 40-33
1D15	ELEMENT, ENGINE OIL FILTER 30-30
1I19	ELEMENT, FILTER, TRANSMISSION OIL 50-59
1D15	ELEMENT, FUEL FILTER 30-30
1D15	ELEMENT, TRANSMISSION OIL FILTER 30-30
2F23	EMBLEM, SLOW MOVING VEHICLE 90-16
1B20	ENGINE COOLANT HEATER 20-29
1B25	ENGINE COOLANT HEATER 20-34
1D15	ENGINE FILTER 30-30
1B21	ENGINE OIL COOLER 20-30
1B23	ENGINE OIL FILLER CAP 20-32
1B3	ENGINE OIL FILTER 20-12
1B18	ENGINE OIL PUMP 20-27
1B19	ENGINE OIL PUMP KIT 20-28
1C8	ENGINE OVERHAUL GASKET KIT 20-42
1A20	ENGINE VALVE STEM LUBRICANT 20-2
1D19	ENGINE WIRING HARNESS 40-2
1C18	EXHAUST MANIFOLD 30-7
1B1	EXHAUST VALVE 20-10
2E14	EXTENSION, AXLE 80-15
2F20	EXTENSION, PLATFORM 90-13
1E21	EXTENSION, REAR LAMP 40-22
2F24	EXTINGUISHER, FIRE 90-17

F

1C2	FAN 20-36
1C2	FAN BELT 20-36
1C4	FAN SHROUD 20-38
2F5	FENDER BRACE 80-33

1A12

2040 UTILITY TRACTOR (SERIAL NO. 350,000-)

ALPHABETICAL INDEX - CONTINUED

GRID		PAGE	GRID		PAGE
2F3	FENDER, REAR	80-30	1J20	GEAR, DRIVE (MFWD)	50-89
2B12	FILLER CAP, ROCKSHAFT HOUSING.....	70-18	1H25	GEAR, TRANSMISSION DRIVE (COLLAR SHIFT)	50-37
1I19	FILTER ELEMENT, TRANSMISSION OIL.....	50-59	1J1	GEARS, PTO (COLLAR SHIFT)	50-66
2C19	FILTER RETURN, SCV OIL, KIT.....	70-53	2E25	GRILLE GUARD	80-27
1I6	FILTER SCREEN, TRANSMISSION (SYNCRO- RANGE)	50-44	2E22	GRILLE, HOOD	80-24
1D15	FILTER, AIR	30-30	1E1	GROUND STRAP	40-8
1D15	FILTER, ENGINE	30-30	2E25	GUARD, GRILLE	80-27
1B3	FILTER, ENGINE OIL.....	20-12	2F1	GUARD, LIGHT.....	80-28
1D1	FILTER, FUEL	30-16	1I20	GUARD, POWERSHAFT	50-60
1D15	FILTER, FUEL	30-30	1I21	GUARD, PTO (HINGED)	50-61
1D15	FILTER, TRANSMISSION	30-30			
2F24	FIRE EXTINGUISHER	90-17		H	
2B5	FITTINGS, HYDRAULIC PUMP	70-11	2C10	HAMMER STRAP KIT, DRAWBAR	70-43
1F2	FLASHER	40-28	2C9	HAMMER STRAP KIT, DRAWBAR (HEAVY-DUTY)	70-42
2D17	FLEXIBLE OIL LINE COUPLER	70-74	1K23	HANDBRAKE BAND.....	60-12
2D25	FLEXIBLE OIL LINE, BULK	70-83	2E22	HANDLE, MOUNTING	80-24
1C22	FLUID, STARTING	30-12	1D23	HARNES, LAMP WIRING	40-6
1B13	FLYWHEEL	20-22	1D21	HARNES, WIRING	40-4
1B13	FLYWHEEL HOUSING.....	20-22	1A22	HEAD GASKET	20-6
1D13	FOOT SPEED CONTROL	30-28	1A22	HEAD, CYLINDER	20-6
2F20	FOOTREST.....	90-13	1E19	HEADLIGHTS	40-20
2E17	FRAME WEIGHT KIT	80-18	1F13	HEADPHONES, RADIO	40-39
2F15	FRAME, SEAT	90-8	1B20	HEATER, ENGINE COOLANT.....	20-29
2E21	FRAME, SIDE	80-23	1B25	HEATER, ENGINE COOLANT.....	20-34
1K7	FRONT AXLE (MECHANICAL FRONT WHEEL DRIVE)	50-100	2C5	HITCH DRAWBAR	70-37
1K5	FRONT AXLE SUPPORT (MFWD)	50-98	2E22	HOOD	80-24
2E3	FRONT AXLE, HEAVY-DUTY	80-2	1C20	HORIZONTAL MUFFLER.....	30-10
2E22	FRONT PLATE	80-24	1F1	HORN	40-27
2E19	FRONT SUPPORT	80-20	1F2	HORN, INDICATOR	40-28
2E18	FRONT WEIGHTS, QUIK-TATCH	80-19	2D16	HOSE IDENTIFICATION KIT, REMOTE CYLINDER	70-73
2E9	FRONT WHEEL	80-9	1C4	HOSE, RADIATOR.....	20-38
1D1	FUEL FILTER	30-16	2D11	HOSE, REMOTE CYLINDER.....	70-70
1D15	FUEL FILTER	30-30	2D25	HOSE, REMOTE CYLINDER.....	70-83
1F7	FUEL GAUGE.....	40-34	1F7	HOUR METER	40-34
1D9	FUEL INJECTION NOZZLE	30-24	1G15	HOUSING, CLUTCH.....	50-2
1D3	FUEL INJECTION PUMP	30-18	1G19	HOUSING, CLUTCH (MECHANICAL FRONT WHEEL DRIVE)	50-6
1D5	FUEL INJECTION PUMP	30-20	1K3	HOUSING, DIFFERENTIAL (MFWD).....	50-96
1D5	FUEL INJECTION PUMP COVER.....	30-20	1B13	HOUSING, FLYWHEEL	20-22
1D7	FUEL INJECTION PUMP TRANSFER GROUP	30-22	1K9	HOUSING, KNUCKLE (MFWD)	50-102
1D8	FUEL PUMP	30-23	1J15	HOUSING, REAR AXLE.....	50-82
1D8	FUEL PUMP GASKET KIT	30-23	2B10	HOUSING, ROCKSHAFT	70-16
1C24	FUEL SENDER.....	30-14	2B12	HOUSING, ROCKSHAFT	70-18
1D14	FUEL SHUT-OFF KNOB	30-29	2B14	HOUSING, ROCKSHAFT CYLINDER AND VALVE	70-20
1C24	FUEL TANK	30-14	2C11	HOUSING, SELECTIVE CONTROL VALVE	70-44
1D8	FUEL TRANSFER PUMP.....	30-23	2C13	HOUSING, SELECTIVE CONTROL VALVE	70-46
			1J17	HOUSING, SOLENOID VALVE (MFWD).....	50-84
	G		2E9	HUB, WHEEL	80-9
1G17	GASKET KIT, CLUTCH HOUSING TO CASE	50-4	2D12	HYDRAULIC DIAGNOSTIC RECEPTACLE	70-71
1C10	GASKET KIT, CYLINDER HEAD.....	20-44	2A20	HYDRAULIC OIL	70-1
1C8	GASKET KIT, ENGINE OVERHAUL	20-42	1I19	HYDRAULIC OIL FILTER.....	50-59
1D8	GASKET KIT, FUEL PUMP	30-23	2B6	HYDRAULIC OIL LINES.....	70-12
1H7	GASKET, CLUTCH CONTROL VALVE	50-18	2D18	HYDRAULIC OIL LINES, IMPLEMENT	70-75
1G15	GASKET, CLUTCH HOUSING.....	50-2	2B8	HYDRAULIC OIL RESERVOIR	70-14
1H11	GASKET, CLUTCH OIL MANIFOLD	50-22	2A23	HYDRAULIC PUMP	70-4
1A22	GASKET, HEAD	20-6	2A22	HYDRAULIC PUMP ASSEMBLY, REPLACEMENT	70-3
1B9	GASKET, OIL PAN.....	20-18	2A21	HYDRAULIC PUMP DRIVE	70-2
1F7	GAUGE, FUEL	40-34	2B5	HYDRAULIC PUMP FITTINGS	70-11
1F7	GAUGE, TEMPERATURE	40-34	2B3	HYDRAULIC PUMP OVERHAUL KIT	70-8
1I16	GEAR SHIFT LEVER	50-55	2B1	HYDRAULIC PUMP SHAFT OVERHAUL KIT	70-6
1I2	GEAR SHIFTER (COLLAR SHIFT)	50-40			
1I14	GEAR SHIFTER (SYNCRO-RANGE)	50-52		I	
1K3	GEAR, BEVEL PINION AND SHAFT (MFWD).....	50-96	1F4	IGNITION SWITCH.....	40-30
1J21	GEAR, CLUTCH DRIVE (MFWD)	50-90			

1A13

2040 UTILITY TRACTOR (SERIAL NO. 350,000-)

ALPHABETICAL INDEX - CONTINUED

GRID	PAGE	GRID	PAGE
2D18	IMPLEMENT HYDRAULIC OIL LINES		
2C2	IMPLEMENT QUICK COUPLER		
2C8	IMPLEMENT SAFETY CHAIN		
1E24	IMPLEMENT WARNING LAMP KIT		
1H9	INDEPENDENT PTO CLUTCH CONTROL VALVE		
1F2	INDICATOR HORN.....		
1D9	INJECTION NOZZLE		
1D5	INJECTION PUMP		
1D3	INJECTION PUMP, FUEL		
1I8	INPUT SHAFT, TRANSMISSION (SYNCRO-RANGE)		
1F7	INSTRUMENT CLUSTER.....		
2F19	INSTRUMENT PANEL		
1C15	INTAKE PRE-CLEANER		
1B1	INTAKE VALVE		
2D22	ISO COUPLER OVERHAUL KIT		
J			
2D20	JOHN DEERE TO ISO COUPLER CONVERSION KIT		
K			
1C15	KIT, AIR PRE-CLEANER		
1F22	KIT, AUXILIARY ELECTRICAL OUTLET SOCKET		
2D3	KIT, BREAKAWAY COUPLER.....		
1G17	KIT, CLUTCH HOUSING TO CASE GASKET		
1C10	KIT, CYLINDER HEAD GASKET.....		
2C10	KIT, DRAWBAR HAMMER STRAP		
2C9	KIT, DRAWBAR HAMMER STRAP (HEAVY-DUTY)		
1G25	KIT, DUAL-STAGE CLUTCH REPAIR.....		
1H1	KIT, DUAL-STAGE CLUTCH REPAIR.....		
1F17	KIT, ELECTRICAL REMOTE CONTROL		
1F19	KIT, ELECTRICAL REMOTE CONTROL WIRING		
1B19	KIT, ENGINE OIL PUMP		
1C8	KIT, ENGINE OVERHAUL GASKET		
1D8	KIT, GASKET, FUEL PUMP.....		
2B3	KIT, HYDRAULIC PUMP OVERHAUL.....		
2B1	KIT, HYDRAULIC PUMP SHAFT OVERHAUL		
1E24	KIT, IMPLEMENT WARNING LAMP		
1D18	KIT, NEUTRAL START SWITCH		
2D24	KIT, O-RING		
1B17	KIT, PISTON LINER		
1K13	KIT, POWER STEERING SEAL		
1I22	KIT, PTO MASTER SHIELD		
1C6	KIT, RADIATOR OVERFLOW		
1F10	KIT, RADIO MOUNTING		
2D16	KIT, REMOTE CYLINDER HOSE IDENTIFICATION		
2D15	KIT, REMOTE CYLINDER OVERHAUL		
1H17	KIT, REPAIR (TRANSMISSION OIL PUMP LINE BUSHING TO CASE).....		
2B15	KIT, ROCKSHAFT SEAL		
2C22	KIT, SCV DUAL RETURN OIL CONVERSION.....		
2C19	KIT, SCV OIL FILTER RETURN		
2C20	KIT, SELECTIVE CONTROL VALVE OVERHAUL		
1H2	KIT, SINGLE-STAGE CLUTCH REPAIR		
1E11	KIT, SOLENOID COVER (ROBERT BOSCH).....		
1F23	KIT, SUPPLEMENTARY WIRING		
2C4	KIT, SWAY BLOCK SHIM		
1J7	KIT, THRUST CAPACITY IMPROVEMENT		
1G11	KIT,ELECTRICAL CONNECTOR AND TERMINAL.....		
2E5	KNEE, FRONT AXLE		
1K9	KNUCKLE HOUSING (MFWD)		
2E5	KNUCKLE, FRONT AXLE		
L			
2F6	LABELS.....		
1D23	LAMP WIRING HARNESS.....		
1E23	LAMP, WARNING (TOWED IMPLEMENT)		
2D1	LEVER, BREAKAWAY COUPLER.....		
1J12	LEVER, DIFFERENTIAL LOCK		
1I16	LEVER, GEAR SHIFT		
2B18	LEVER, ROCKSHAFT CONTROL		
2C13	LEVER, SELECTIVE CONTROL VALVE		
1D11	LEVER, SPEED CONTROL		
2B13	LIFT ARM, ROCKSHAFT		
2B21	LIFT LINKS, 3-POINT HITCH		
2F1	LIGHT GUARD		
1F4	LIGHT SWITCH		
1F2	LIGHT, INDICATOR		
1E20	LIGHT, REAR WORK.....		
1F6	LIGHTER, CIGAR		
1E22	LIGHTS, WARNING		
1K22	LINE, BRAKE		
1H11	LINE, OIL, CLUTCH OIL MANIFOLD		
2B6	LINE, OIL, HYDRAULIC		
2C17	LINE, OIL, SELECTIVE CONTROL VALVE		
1B17	LINER KIT, PISTON		
1B3	LINER, CYLINDER		
2D10	LINES, BREAKAWAY COUPLER		
2D18	LINES, OIL, IMPLEMENT HYDRAULIC		
1I1	LINES, TRANSMISSION LUBRICATING (COLLAR SHIFT)		
1I17	LINES, TRANSMISSION LUBRICATING (SYNCRO- RANGE)		
1H15	LINES, TRANSMISSION OIL PUMP		
2B25	LINK, CENTER, THREE-POINT HITCH		
2C1	LINK, DRAFT (FLAT STEEL).....		
2B23	LINK, DRAFT (TELESCOPING).....		
1K16	LINK, DRAG		
2B21	LINK, LIFT (3-POINT HITCH)		
2B17	LINKAGE, ROCKSHAFT		
2B19	LOAD CONTROL SHAFT.....		
1J12	LOCK, DIFFERENTIAL.....		
2C24	LOCK, SELECTIVE CONTROL VALVE LEVER		
2G1	LOCTITE		
2G3	LOCTITE SEALANT		
1A20	LUBRICANT, ENGINE VALVE STEM		
1I1	LUBRICATING LINES, TRANSMISSION (COLLAR SHIFT)		
M			
1B11	MAIN BEARING		
1C17	MANIFOLD, AIR INTAKE		
1H11	MANIFOLD, CLUTCH OIL		
1C18	MANIFOLD, EXHAUST.....		
1J21	MECHANICAL FRONT WHEEL DRIVE CLUTCH.....		
1K3	MECHANICAL FRONT WHEEL DRIVE HOUSING		
1K9	MECHANICAL FRONT WHEEL DRIVE KNUCKLE		
1K1	MECHANICAL FRONT WHEEL DRIVE PLANETARY		
2E10	MECHANICAL FRONT WHEEL DRIVE RIM.....		
1J23	MECHANICAL FRONT WHEEL DRIVE SHAFT		
1F2	MECHANICAL FRONT WHEEL DRIVE SWITCH.....		
2E10	MECHANICAL FRONT WHEEL DRIVE WHEELS		
2E22	MEDALLION		
1E13	MOTOR, STARTING.....		
1E15	MOTOR, STARTING.....		
1E17	MOTOR, STARTING.....		
1E12	MOTOR, STARTING (ROBERT BOSCH)		

1A14

2040 UTILITY TRACTOR (SERIAL NO. 350,000-)

ALPHABETICAL INDEX - CONTINUED

<i>GRID</i>		<i>PAGE</i>	<i>GRID</i>		<i>PAGE</i>
2E22	MOUNTING HANDLE	80-24	1F21	PLUG, OUTLET	40-49
1E3	MOUNTING, ALTERNATOR	40-10	2C15	POPPET VALVE, SELECTIVE CONTROL VALVE	70-48
1C19	MUFFLER COVER	30-9	1K13	POWER STEERING SEAL KIT	60-1
1C19	MUFFLER EXTENSION	30-9	1I20	POWERSHAFT SHIELD	50-60
1C20	MUFFLER, HORIZONTAL	30-10	1C15	PRE-CLEANER, AIR	30-4
1C19	MUFFLER, VERTICAL	30-9	2B9	PRESSURE CONTROL VALVE	70-15
			1H7	PRESSURE SENDER, CLUTCH	50-18
	N		1J8	PTO CLUTCH DISK	50-74
2B10	NEUTRAL START SWITCH	70-16	1J8	PTO CLUTCH DRUM	50-74
1D18	NEUTRAL START SWITCH KIT	40-1	1J3	PTO DRIVE SHAFT (SYNCRO-RANGE)	50-68
1D9	NOZZLE, FUEL INJECTION	30-24	1J5	PTO DRIVE SHAFT (SYNCRO-RANGE)	50-70
			1I21	PTO GUARD (HINGED)	50-61
	O		1I22	PTO MASTER SHIELD KIT	50-63
2D24	O-RING PACKING KIT	70-82	1J10	PTO REAR SHIFTER	50-76
2C22	OIL CONVERSION KIT, SCV DUAL RETURN	70-56	1J11	PTO REAR SHIFTER	50-77
1B23	OIL FILLER CAP, ENGINE	20-32	1J1	PTO SHAFT (COLLAR SHIFT)	50-66
1B23	OIL FILLER INLET	20-32	1I23	PULLEY, BELT	50-64
1I19	OIL FILTER COVER, TRANSMISSION	50-59	2A22	PUMP ASSEMBLY, HYDRAULIC, REPLACEMENT	70-3
1I19	OIL FILTER ELEMENT, TRANSMISSION	50-59	1D5	PUMP COVER, FUEL INJECTION	30-20
1B3	OIL FILTER, ENGINE	20-12	2A21	PUMP DRIVE	70-2
1I19	OIL FILTER, TRANSMISSION	50-59	1H15	PUMP LINES, TRANSMISSION OIL	50-26
1H11	OIL LINE, CLUTCH OIL MANIFOLD	50-22	1B18	PUMP, ENGINE OIL	20-27
2B6	OIL LINE, HYDRAULIC	70-12	1D8	PUMP, FUEL	30-23
2C17	OIL LINE, SELECTIVE CONTROL VALVE	70-50	1D3	PUMP, FUEL INJECTION	30-18
2D18	OIL LINES, HYDRAULIC, IMPLEMENT	70-75	1D5	PUMP, FUEL INJECTION	30-20
1I1	OIL LINES, TRANSMISSION LUBRICATING (COLLAR SHIFT)	50-39	2A23	PUMP, HYDRAULIC	70-4
1B9	OIL PAN	20-18	1H13	PUMP, TRANSMISSION OIL	50-24
1B19	OIL PUMP KIT, ENGINE	20-28	1C1	PUMP, WATER	20-35
1H15	OIL PUMP LINES, TRANSMISSION	50-26	1C2	PUMP, WATER	20-36
1B18	OIL PUMP, ENGINE	20-27			
1H13	OIL PUMP, TRANSMISSION	50-24		Q	
1H20	OIL SCREEN, TRANSMISSION (COLLAR SHIFT)	50-32	2B18	QUADRANT, ROCKSHAFT	70-25
2A20	OIL, HYDRAULIC AND TRANSMISSION	70-1	2E18	QUIK-TATCH FRONT WEIGHTS	80-19
1F21	OUTLET PLUG	40-49			
1F21	OUTLET SOCKET	40-49		R	
1C6	OVERFLOW KIT, RADIATOR	20-40	1F24	RADAR SENSOR	40-52
2B3	OVERHAUL HYDRAULIC PUMP KIT	70-8	1F24	RADAR SENSOR BRACKET	40-52
1K21	OVERHAUL KIT, BRAKE VALVE	60-9	1F24	RADAR SENSOR WIRING HARNESS	40-52
2D4	OVERHAUL KIT, BREAKAWAY COUPLER	70-63	1C4	RADIATOR	20-38
2B1	OVERHAUL KIT, HYDRAULIC PUMP SHAFT	70-6	1C6	RADIATOR OVERFLOW KIT	20-40
2D22	OVERHAUL KIT, ISO COUPLER	70-80	1F9	RADIO (LESS SOUND-GARD BODY)	40-36
2C20	OVERHAUL KIT, SELECTIVE CONTROL VALVE	70-54	1F14	RADIO ANTENNA KIT	40-40
			1F13	RADIO HEADPHONES	40-39
	P		1F10	RADIO MOUNTING KIT	40-37
2G1	PAINT	90-18	1F11	RADIO, AM FENDER MOUNT	40-37A
1B9	PAN, OIL	20-18	1F11	RADIO, AM-FM STEREO FENDER MOUNT	40-37A
2F19	PANEL, INSTRUMENT	90-12	1J15	REAR AXLE HOUSING	50-82
1K19	PEDAL, BRAKE	60-7	2F3	REAR FENDER	80-30
1G20	PEDAL, CLUTCH	50-7	1J10	REAR PTO SHIFTER	50-76
1G1	PERFORMANCE TRAK II MINI-MONITOR	40-54	1J11	REAR PTO SHIFTER	50-77
1K1	PINION, MECHANICAL FRONT WHEEL DRIVE	50-94	2E15	REAR WHEEL WEIGHT (24" WHEEL)	80-16
1D3	PIPES, FUEL INJECTION	30-18	2E16	REAR WHEEL WEIGHT (28" WHEEL)	80-17
1B17	PISTON AND LINER KIT	20-26	1E20	REAR WORK LIGHT	40-21
1B15	PISTON, ENGINE	20-24	2D12	RECEPTACLE, DIAGNOSTIC	70-71
2B13	PISTON, ROCKSHAFT	70-19	1F18	RELAY, WIRING, ELECTRICAL REMOTE CONTROL	40-45
1J15	PLANET PINION CARRIER, FINAL DRIVE	50-82	1F18	REMOTE CONTROL CIRCUIT BREAKER	40-45
1K1	PLANETARY, MECHANICAL FRONT WHEEL DRIVE	50-94	1F17	REMOTE CONTROL KIT, ELECTRICAL	40-43
1J21	PLATE, CLUTCH (MFW)	50-90	1F19	REMOTE CONTROL WIRING KIT, ELECTRICAL	40-46
2E22	PLATE, FRONT	80-24	1F18	REMOTE CONTROL WIRING, ELECTRICAL	40-45
2F20	PLATFORM EXTENSION	90-13	1F16	REMOTE CONTROL, ELECTRICAL	40-42
			2D11	REMOTE CYLINDER	70-70
			2D13	REMOTE CYLINDER	70-71A
			2D16	REMOTE CYLINDER HOSE IDENTIFICATION KIT	70-73

1A15

2040 UTILITY TRACTOR (SERIAL NO. 350,000-)

ALPHABETICAL INDEX - CONTINUED

GRID		PAGE	GRID		PAGE
2D15	REMOTE CYLINDER OVERHAUL KIT	70-72	1J3	SHAFT, PTO DRIVE (SYNCRO-RANGE)	50-68
1H17	REPAIR KIT (TRANSMISSION OIL PUMP LINE BUSHING TO CASE)	50-29	1J5	SHAFT, PTO DRIVE (SYNCRO-RANGE)	50-70
1H1	REPAIR KIT, DUAL-STAGE CLUTCH	50-13	1I2	SHAFT, SHIFTER (COLLAR SHIFT)	50-40
1H2	REPAIR KIT, SINGLE-STAGE CLUTCH	50-14	1H22	SHAFT, TRANSMISSION DRIVE (COLLAR SHIFT)	50-34
2A22	REPLACEMENT HYDRAULIC PUMP ASSEMBLY	70-3	1I8	SHAFT, TRANSMISSION INPUT (SYNCRO-RANGE)	50-46
2B8	RESERVOIR, HYDRAULIC OIL	70-14	1I22	SHIELD KIT, PTO MASTER	50-63
2E9	RIM	80-9	1E3	SHIELD, ALTERNATOR	40-10
2E10	RIM, MECHANICAL FRONT WHEEL DRIVE	80-10	1I20	SHIELD, POWERSHAFT	50-60
2E12	RIM, REAR WHEEL	80-12	1I21	SHIELD, PTO (HINGED)	50-61
1K3	RING AND PINION (MFWD)	50-96	2E24	SHIELD, TRANSMISSION CASE	80-26
1J13	RING GEAR AND DIFFERENTIAL DRIVE SHAFT	50-80	1I2	SHIFTER SHAFT (COLLAR SHIFT)	50-40
1B15	RINGS, PISTON	20-24	1I14	SHIFTER SHAFT (SYNCRO-RANGE)	50-52
1B1	ROCKER ARM	20-10	1I2	SHIFTER, GEAR (COLLAR SHIFT)	50-40
1A22	ROCKER ARM COVER	20-6	1I14	SHIFTER, GEAR (SYNCRO-RANGE)	50-52
2B13	ROCKSHAFT	70-19	1J10	SHIFTER, REAR PTO	50-76
2B18	ROCKSHAFT CONTROL LEVER	70-25	1J11	SHIFTER, REAR PTO	50-77
2B14	ROCKSHAFT CYLINDER AND VALVE HOUSING	70-20	1B5	SHORT BLOCK	20-14
2B10	ROCKSHAFT HOUSING	70-16	1B7	SHORT BLOCK	20-16
2B12	ROCKSHAFT HOUSING	70-18	1C4	SHROUD, FAN	20-38
2B17	ROCKSHAFT LINKAGE	70-24	1D14	SHUT-OFF KNOB	30-29
2B15	ROCKSHAFT SEAL KIT	70-22	2E21	SIDE FRAMES	80-23
1B15	ROD, CONNECTING	20-24	2F17	SIDE PANEL	90-10
2E7	ROD, TIE	80-6	1G23	SINGLE-STAGE CLUTCH	50-10
1K11	ROD, TIE (MECHANICAL FRONT WHEEL DRIVE)	50-104	1H2	SINGLE-STAGE CLUTCH REPAIR KIT	50-14
2F11	ROLL-GARD	90-4	2F23	SLOW MOVING VEHICLE EMBLEM	90-16
2F9	ROLL-GARD CANOPY	90-2	1F22	SOCKET, ELECTRICAL OUTLET, 7-TERMINAL	40-50
			1F21	SOCKET, OUTLET	40-49
			1J19	SOLENOID (MECHANICAL FRONT WHEEL DRIVE)	50-87
			1E11	SOLENOID COVER KIT (ROBERT BOSCH)	40-16
			1J17	SOLENOID VALVE HOUSING (MFWD)	50-84
			1D11	SPEED CONTROL LEVER	30-26
			1D13	SPEED CONTROL, FOOT	30-28
			1F7	SPEED-HOUR METER	40-34
			2E5	SPINDLE, FRONT AXLE	80-4
			1C15	STACK, AIR INTAKE	30-4
			2B10	START SAFETY SWITCH	70-16
			1C22	STARTING AID	30-12
			1C22	STARTING FLUID	30-12
			2G1	STARTING FLUID	90-18
			1E13	STARTING MOTOR	40-18
			1E15	STARTING MOTOR	40-19A
			1E17	STARTING MOTOR	40-19A
			1E12	STARTING MOTOR (ROBERT BOSCH)	40-17
			1K16	STEERING ARM	60-4
			1K13	STEERING SEAL KIT, POWER	60-1
			1K14	STEERING WHEEL	60-2
			2F2	STEP AND SUPPORT	80-29
			1F22	SUPPLEMENTARY OUTLET, 7-TERMINAL	40-50
			1G9	SUPPLEMENTARY TERMINALS AND CONNECTORS	40-62
			1F23	SUPPLEMENTARY WIRING KIT	40-51
			2F17	SUPPORT, CONTROL	90-10
			1H25	SUPPORT, COUNTERSHAFT BEARING (COLLAR SHIFT)	50-37
			2C6	SUPPORT, DRAWBAR	70-38
			2E19	SUPPORT, FRONT	80-20
			1K5	SUPPORT, FRONT AXLE (MFWD)	50-98
			2E18	SUPPORT, QUIK-TATCH WEIGHT	80-19
			2F15	SUPPORT, SEAT	90-8
			2F21	SUPPORT, TOOLBOX	90-14
			2C4	SWAY BLOCK	70-36
			2C4	SWAY BLOCK SHIM KIT	70-36
			1F16	SWITCH, ELECTRICAL REMOTE CONTROL	40-42
			1F4	SWITCH, IGNITION	40-30
			1F4	SWITCH, LIGHT	40-30
			1F2	SWITCH, MECHANICAL FRONT WHEEL DRIVE	40-28
			1D18	SWITCH, NEUTRAL START	40-1
			2B10	SWITCH, NEUTRAL START	70-16

S

2C8	SAFETY CHAIN, IMPLEMENT	70-41
1H20	SCREEN, TRANSMISSION (COLLAR SHIFT)	50-32
2B15	SEAL KIT, ROCKSHAFT	70-22
2G1	SEALANT	90-18
2G3	SEALANT, LOCTITE	90-20
2F15	SEAT ADJUSTER	90-8
2F11	SEAT BELT	90-4
2F14	SEAT CUSHION	90-7
2F15	SEAT FRAME	90-8
2F15	SEAT SUPPORT	90-8
2F14	SEAT, DELUXE	90-7
2F13	SEAT, DELUXE, ASSEMBLY	90-6
2C15	SELECTIVE CONTROL VALVE	70-48
2C13	SELECTIVE CONTROL VALVE ARM	70-46
2C18	SELECTIVE CONTROL VALVE CAP	70-51
2D7	SELECTIVE CONTROL VALVE COUPLER	70-66
2C17	SELECTIVE CONTROL VALVE COVER	70-50
2D9	SELECTIVE CONTROL VALVE DUST PLUG	70-68
2C11	SELECTIVE CONTROL VALVE HOUSING	70-44
2C13	SELECTIVE CONTROL VALVE HOUSING	70-46
2C13	SELECTIVE CONTROL VALVE LEVER	70-46
2C24	SELECTIVE CONTROL VALVE LEVER LOCK	70-58
2C20	SELECTIVE CONTROL VALVE OVERHAUL KIT	70-54
2C11	SELECTIVE CONTROL VALVE PARTS	70-44
1H7	SENDER, CLUTCH PRESSURE	50-18
1A22	SENDER, ENGINE TEMPERATURE	20-6
1C24	SENDER, FUEL	30-14
1B23	SENDER, SPEED-HOUR METER	20-32
1F24	SENSOR, RADAR	40-52
1H23	SHAFT, DIFFERENTIAL DRIVE (COLLAR SHIFT)	50-35
1I12	SHAFT, DIFFERENTIAL DRIVE (SYNCRO-RANGE)	50-50
1I10	SHAFT, DRIVE (SYNCRO-RANGE)	50-48
1G21	SHAFT, DUAL-STAGE CLUTCH	50-8
2B19	SHAFT, LOAD CONTROL	70-26
1J23	SHAFT, MECHANICAL FRONT WHEEL DRIVE	50-92
1J1	SHAFT, PTO (COLLAR SHIFT)	50-66

1A16

2040 UTILITY TRACTOR (SERIAL NO. 350,000-)

ALPHABETICAL INDEX - CONTINUED

GRID	PAGE	GRID	PAGE
1C13	SWITCH, VACUUM		30-2
T			
1F7	TACHOMETER		40-34
1C24	TANK, FUEL		30-14
1B1	TAPPET		20-10
1F7	TEMPERATURE GAUGE		40-34
1G9	TERMINALS AND CONNECTORS,SUPPLEMENTARY		40-62
1G3	TERMINALS,ELECTRICAL.....		40-56
1G5	TERMINALS,ELECTRICAL.....		40-58
1G7	TERMINALS,ELECTRICAL.....		40-60
1C7	THERMOSTAT		20-41
2B25	THREE-POINT HITCH CENTER LINK		70-32
1D11	THROTTLE LINKAGE		30-26
1J7	THRUST CAPACITY IMPROVEMENT KIT		50-73
2E7	TIE ROD		80-6
1K11	TIE ROD, MECHANICAL FRONT WHEEL DRIVE		50-104
1F2	TIMER		40-28
1B23	TIMING GEAR COVER		20-32
1B11	TIMING GEARS		20-20
2F21	TOOLBOX		90-14
1H18	TRANSMISSION CASE (COLLAR SHIFT)		50-30
1I4	TRANSMISSION CASE (SYNCRO-RANGE).....		50-42
2E24	TRANSMISSION CASE SHIELD		80-26
1H20	TRANSMISSION DIPSTICK (COLLAR SHIFT).....		50-32
1I6	TRANSMISSION DIPSTICK (SYNCRO-RANGE)		50-44
1H22	TRANSMISSION DRIVE SHAFT (COLLAR SHIFT)		50-34
1D15	TRANSMISSION FILTER		30-30
1I6	TRANSMISSION FILTER SCREEN (SYNCRO- RANGE)		50-44
1I8	TRANSMISSION INPUT SHAFT (SYNCRO-RANGE).....		50-46
1I1	TRANSMISSION LUBRICATING LINES (COLLAR SHIFT)		50-39
1I17	TRANSMISSION LUBRICATING LINES (SYNCRO- RANGE)		50-56
2A20	TRANSMISSION OIL		70-1
1I19	TRANSMISSION OIL FILTER		50-59
1H13	TRANSMISSION OIL PUMP		50-24
1H15	TRANSMISSION OIL PUMP LINES		50-26
1H20	TRANSMISSION OIL SCREEN (COLLAR SHIFT)		50-32
1E25	TURN SIGNAL CONTROL.....		40-26
U			
1J23	UNIVERSAL JOINT (MFWD)		50-92
V			
1C13	VACUUM SWITCH		30-2
1H4	VALVE COVER, CLUTCH CONTROL.....		50-15
1H5	VALVE COVER, CLUTCH CONTROL.....		50-16
2B14	VALVE HOUSING, ROCKSHAFT		70-20
1J17	VALVE HOUSING, SOLENOID (MFWD).....		50-84
1A20	VALVE STEM LUBRICANT, ENGINE		20-2
1K20	VALVE, BRAKE		60-8
2C25	VALVE, BREAKAWAY COUPLER.....		70-59
1H7	VALVE, CLUTCH CONTROL.....		50-18
1A24	VALVE, CYLINDER HEAD.....		20-8
1B1	VALVE, EXHAUST		20-10
1B1	VALVE, INTAKE		20-10
2B9	VALVE, PRESSURE CONTROL		70-15
2C15	VALVE, SELECTIVE CONTROL VALVE.....		70-48
1C19	VERTICAL MUFFLER		30-9
W			
1F2	WARNING HORN		40-28
1E23	WARNING LAMP (TOWED IMPLEMENT)		40-24
1E24	WARNING LAMP KIT, IMPLEMENT		40-25
1E22	WARNING LIGHTS.....		40-23
1C1	WATER PUMP		20-35
1C2	WATER PUMP		20-36
2E17	WEIGHT KIT, FRAME		80-18
2E15	WEIGHT, REAR WHEEL (24" WHEEL)		80-16
2E16	WEIGHT, REAR WHEEL (28" WHEEL)		80-17
2E18	WEIGHTS, QUIK-TATCH FRONT		80-19
2E15	WHEEL WEIGHT, REAR (24" WHEEL)		80-16
2E16	WHEEL WEIGHT, REAR (28" WHEEL)		80-17
2E9	WHEEL, FRONT		80-9
2E12	WHEEL, REAR		80-12
1K14	WHEEL, STEERING.....		60-2
2E10	WHEELS, MECHANICAL FRONT WHEEL DRIVE.....		80-10
1D21	WIRING HARNESS		40-4
1D19	WIRING HARNESS, ENGINE		40-2
1D23	WIRING HARNESS, LAMP		40-6
1F24	WIRING HARNESS,RADAR SENSOR		40-52
1F19	WIRING KIT, ELECTRICAL REMOTE CONTROL		40-46
1F23	WIRING KIT, SUPPLEMENTARY		40-51
1F22	WIRING, ELECTRICAL OUTLET, 7-TERMINAL		40-50
1F18	WIRING, ELECTRICAL REMOTE CONTROL.....		40-45

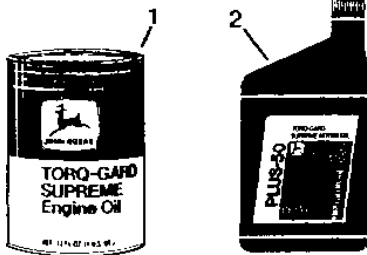
MEMORANDA

1A19

ENGINE

RGP3291 -UN-01JAN94

TORQ-GARD SUPREME AND PLUS-50 ENGINE OIL



RGP 3291

TORQ-GARD SUPREME ENGINE					
KEY	PART NO.	PART NAME	QTY	SERIAL NO.	REMARKS
1	TY6359	OIL	1	(SAE 5W/30), 0.9 L (1 QUART) CAN	
	TY6360	OIL	1	(SAE 5W/30), 19 L (5 GALLON) CAN	
	TY6361	OIL	1	(SAE 5W/30), 208 L (55 GALLON) DRUM	
	TY6364	OIL	1	(SAE 10W/30), 0.9 L (1 QUART) (BREAKIN)	
	TY6297	OIL	1	(SAE 15W/40), 0.9 L (1 QUART) CAN	
	TY6298	OIL	1	(SAE 15W/40), 19 L (5 GALLON) CAN	
	TY6300	OIL	1	(SAE 15W/40), 114 L (30 GALLON) DRUM	
	TY6301	OIL	1	(SAE 15W/40), 208 L (55 GALLON) DRUM	
	TY6311	OIL	1	(SAE 10W), 0.9 L (1 QUART) CAN	
	TY22009	OIL	1	(SAE 10W), 3.8 L (1 GALLON)	
	TY6312	OIL	1	(SAE 10W), 19 L (5 GALLON) CAN	
	TY6313	OIL	1	(SAE 10W), 208 L (55 GALLON) DRUM	
	AR63979	OIL	1	(SAE 30W), 0.2 L (1 HALF PINT) CAN	
	AR63218	OIL	1	(SAE 30W), 0.9 L (1 QUART) CAN	
	AR63219	OIL	1	(SAE 30W), 19 L (5 GALLON) CAN	
	TY6280	OIL	1	(SAE 30W), 114 L (30 GALLON) DRUM	
AR63222	OIL	1	(SAE 30W), 208 L (55 GALLON) DRUM		

TORQ-GARD PLUS-50 ENGINE					
KEY	PART NO.	PART NAME	QTY	SERIAL NO.	REMARKS
2	TY6389	OIL	1	(SAE 15W/40), 0.9 L (1 QUART)	
	TY22008	OIL	1	(SAE 15W/40), 3.8 L (1 GALLON)	
	TY6390	OIL	1	(SAE 15W/40), 19 L (5 GALLON)	
	TY22010	OIL	1	(SAE 15W/40), 113.6 L (30 GALLON)	
	TY6391	OIL	1	(SAE 15W/40), 208 L (55 GALLON)	
	TY6392	OIL	1	(SAE 30W), 0.9 L (1 QUART)	
	TY22007	OIL	1	(SAE 30W), 3.8 L (1 GALLON)	
	TY6393	OIL	1	(SAE 30W), 19 L (5 GALLON)	
	TY22011	OIL	1	(SAE 30W), 113.6 L (30 GALLON)	
	TY6394	OIL	1	(SAE 30W), 208 L (55 GALLON)	

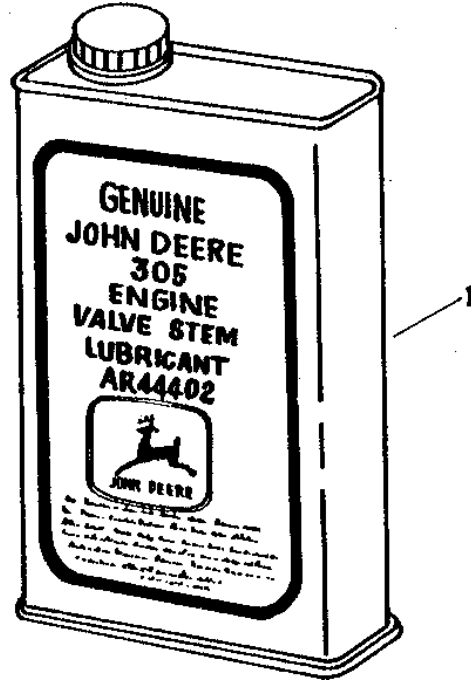
KITS (NOT ILLUSTRATED) ENGINE					
KEY	PART NO.	PART NAME	QTY	SERIAL NO.	REMARKS
..	AR41785	KIT	1		CONTAINS 0.9 L (1 QT.) CAN OF INTERNAL CORROSION INHIBITOR, 1 ROLL OF TAPE, AND 6 PLASTIC BAGS (OFF-SEASON STORAGE)
..	AR41870	RUST INHIBITOR	1		0.9 L (1 QT.) CAN, (SUB AR41785)
..	AR21969	KIT	1		(DUST CAP/COVER KIT)

1A20

ENGINE

T71654 -UN-01JAN94

ENGINE VALVE STEM LUBRICANT



T71654

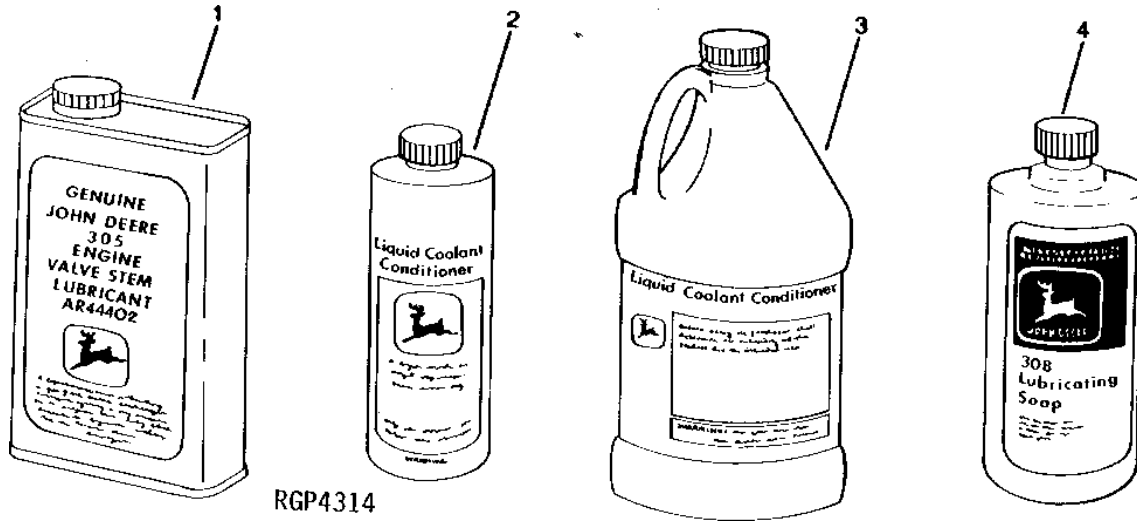
KEY	PART NO.	PART NAME	QTY	ENGINE SERIAL NO.	REMARKS
1	AR44402	OIL	1	0.9L (1 QT.) CAN	

1A21

ENGINE

RGP4314 -UN-01JAN94

COOLANT CONDITIONER AND ENGINE PART LUBRICANTS



KEY	PART NO.	PART NAME	QTY	SERIAL NO.	REMARKS
1	AR44402	OIL	1		.473 ML (32 OZ.) CAN

COOLANT CONDITIONER

KEY	PART NO.	PART NAME	QTY	SERIAL NO.	REMARKS
2	RE23182	ENGINE COOLANT CONDITIONER	1		0.473 L (16 OZ.) (PHOSPHATE - FREE) (SUB TY16004)
	TY16004	ENGINE COOLANT CONDITIONER	1		0.472 L (16 OZ.)
3	RE35992	ENGINE COOLANT CONDITIONER	1		3.8 L (1 GAL.) (PHOSPHATE - FREE) (SUB TY16005)
..	TY16005	ENGINE COOLANT CONDITIONER	1		1.9 L (1/2 GAL.)

CYLINDER LINER PACKING LUBRICANT

KEY	PART NO.	PART NAME	QTY	ENGINE SERIAL NO.	REMARKS
4	AR54749	LUBRICANT	1		.9 L (1 QT.) CAN

MEMORANDA

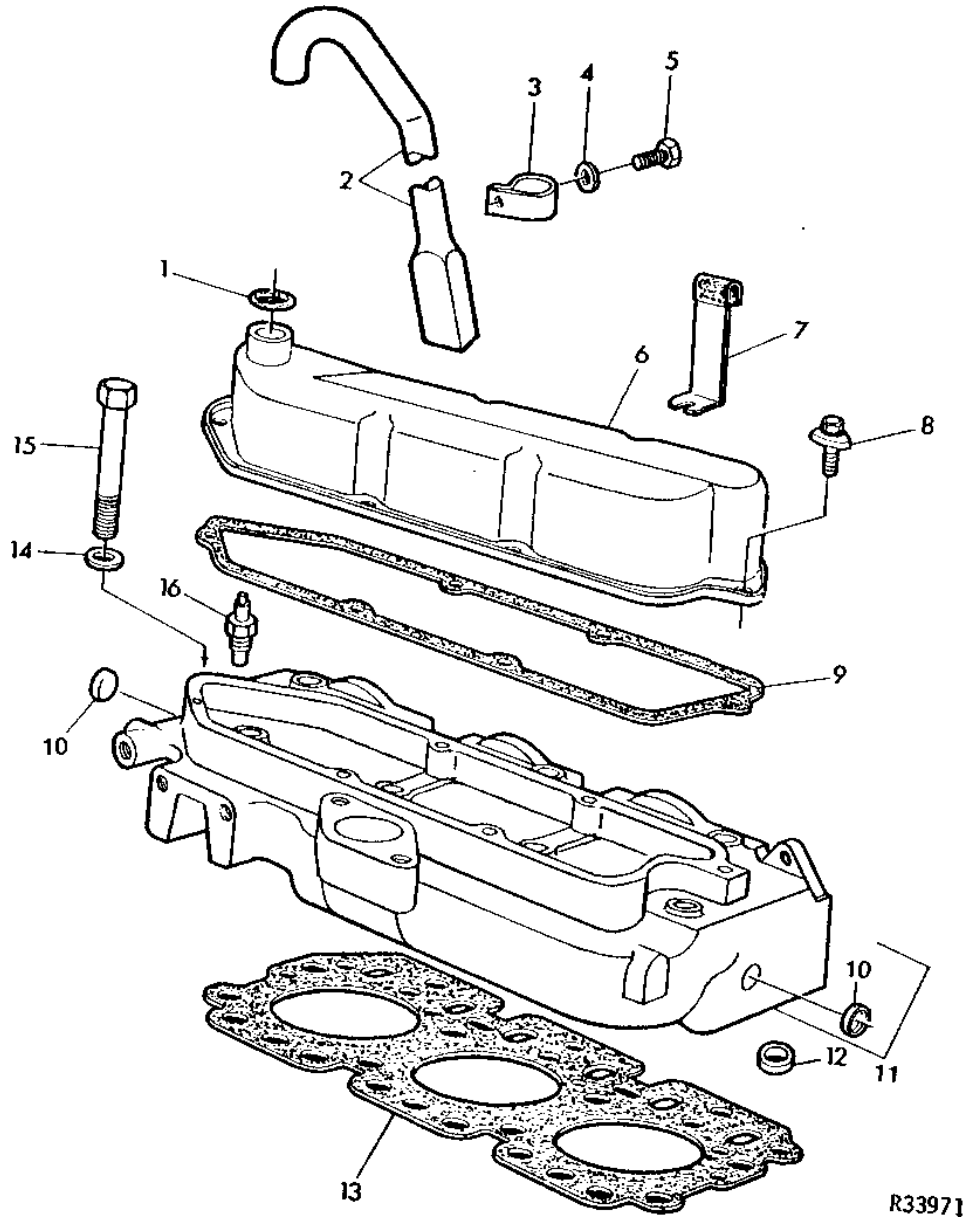
MEMORANDA

1A22

ENGINE

R33971 -UN-01JAN94

CYLINDER HEAD AND ROCKER ARM COVER



1A23

ENGINE

CYLINDER HEAD AND ROCKER ARM COVER - CONTINUED

KEY	PART NO.	PART NAME	QTY	ENGINE SERIAL NO.	REMARKS
1	R56463	O-RING	1		(SUB FOR R495R, THIS APPLICATION)
2	R60890	LINE	1		
3	R40791	CLAMP	1		
4	24H1685	WASHER	1		11/32" X 47/64" X 0.083"
5	19H1813	CAP SCREW	1		5/16" X 5/8"
6	AT18016	VALVE COVER	1		(SUB RE44202 AND (6) RE32140)
7	T24151	CLAMP	1	-XXXXXX	
8	AR45530	SCREW, WITH WASHER	6		(SUB AR103811)
9	T20111	GASKET	1		(SUB R75729) (ALSO ORDER (6) AR100124)
10	A3910R	CAP	2		(SUB N102039)
11	AR70582	CYLINDER HEAD	1		(MARKED R58685) (SUB FOR AR70583) (SUB RE56309)
12	R97778	VALVE SEAT INSERT	3		(SUB FOR CD13979)
13	R80241	GASKET	1		(SUB FOR R59447) (SUB R97356)
14	T20168	WASHER	14		
15	R53223	CAP SCREW	14		
16	RE51774	SENSOR	1		(SUB RE51774)

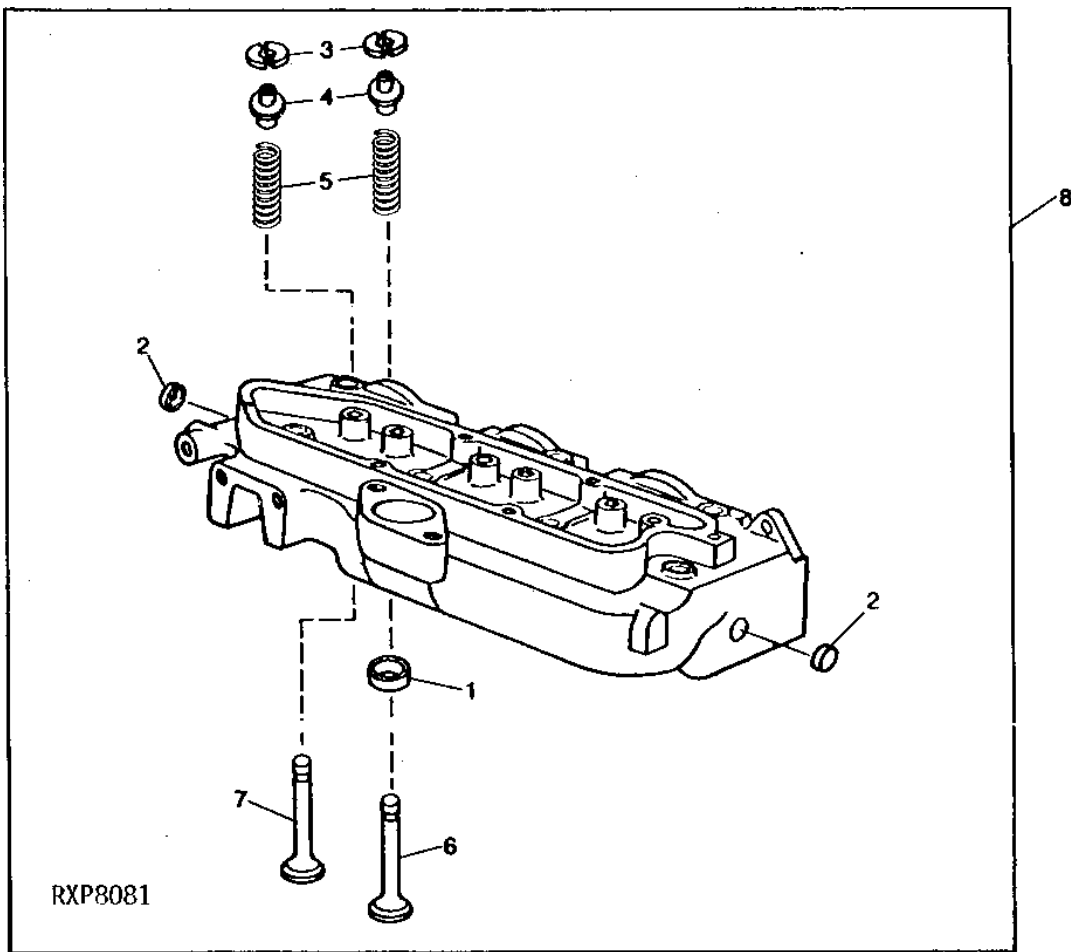
1A24

ENGINE

RXP8081

-UN-01JAN94

CYLINDER HEAD AND VALVES



1A25

ENGINE

CYLINDER HEAD AND VALVES - CONTINUED

KEY	PART NO.	PART NAME	QTY	ENGINE SERIAL NO.	REMARKS
1	R51734	VALVE SEAT INSERT	3		
2	CD16284	CAP	2		
3	T20077	RETAINER	12		
4	R41412	CAP	6	(SUB RE11410)	
5	R26125	SPRING	6		
6	R79624	EXHAUST VALVE	3		
7	R79623	INTAKE VALVE	3		
8	AR70583	CYLINDER HEAD	1	(MARKED R58686) (SUB RE56309)	

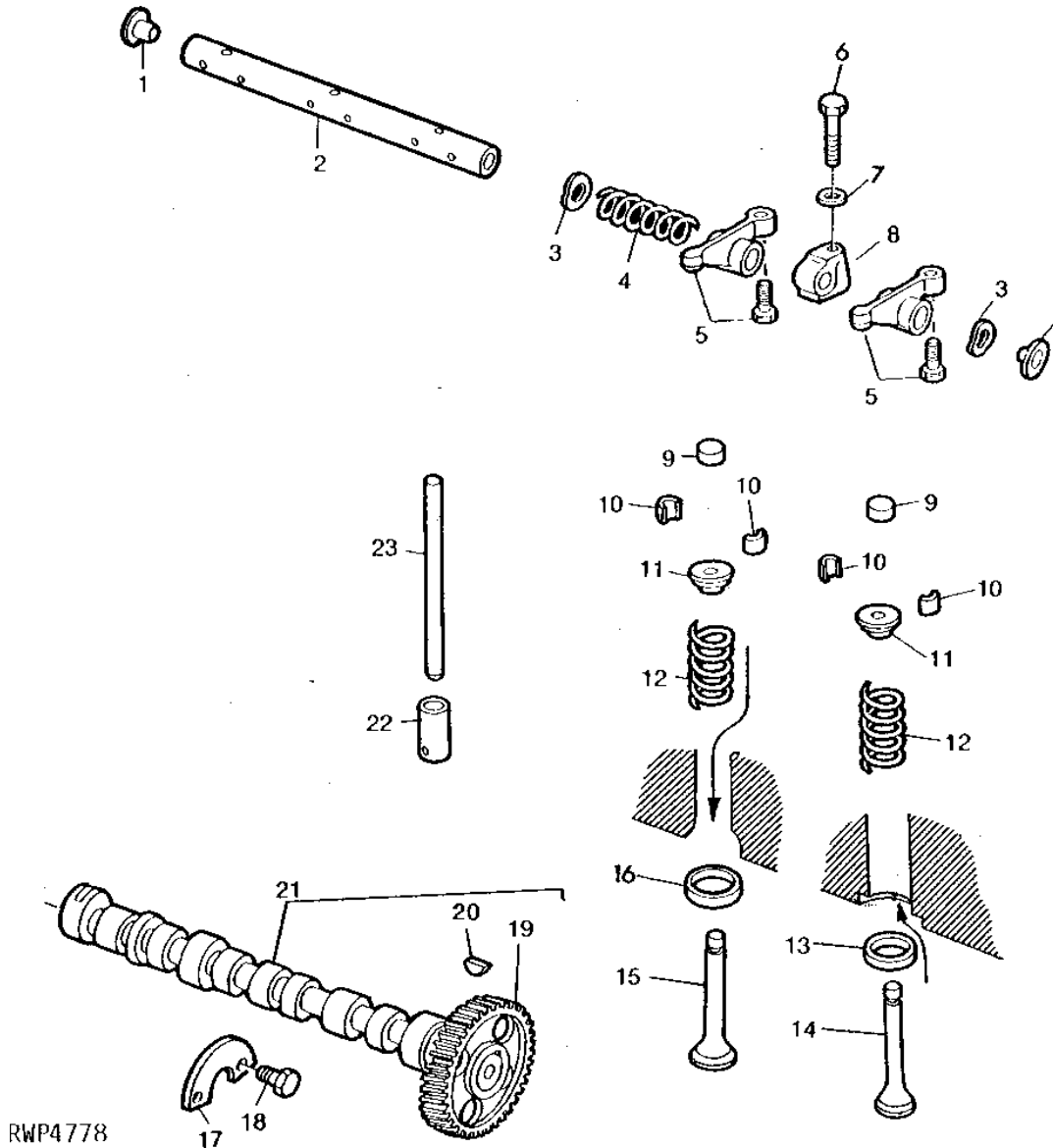
1B1

ENGINE

RWP4778

-UN-01JAN94

CAMSHAFT, VALVES AND ROCKER ARM SHAFT



1B2

ENGINE

CAMSHAFT, VALVES AND ROCKER ARM SHAFT - CONTINUED

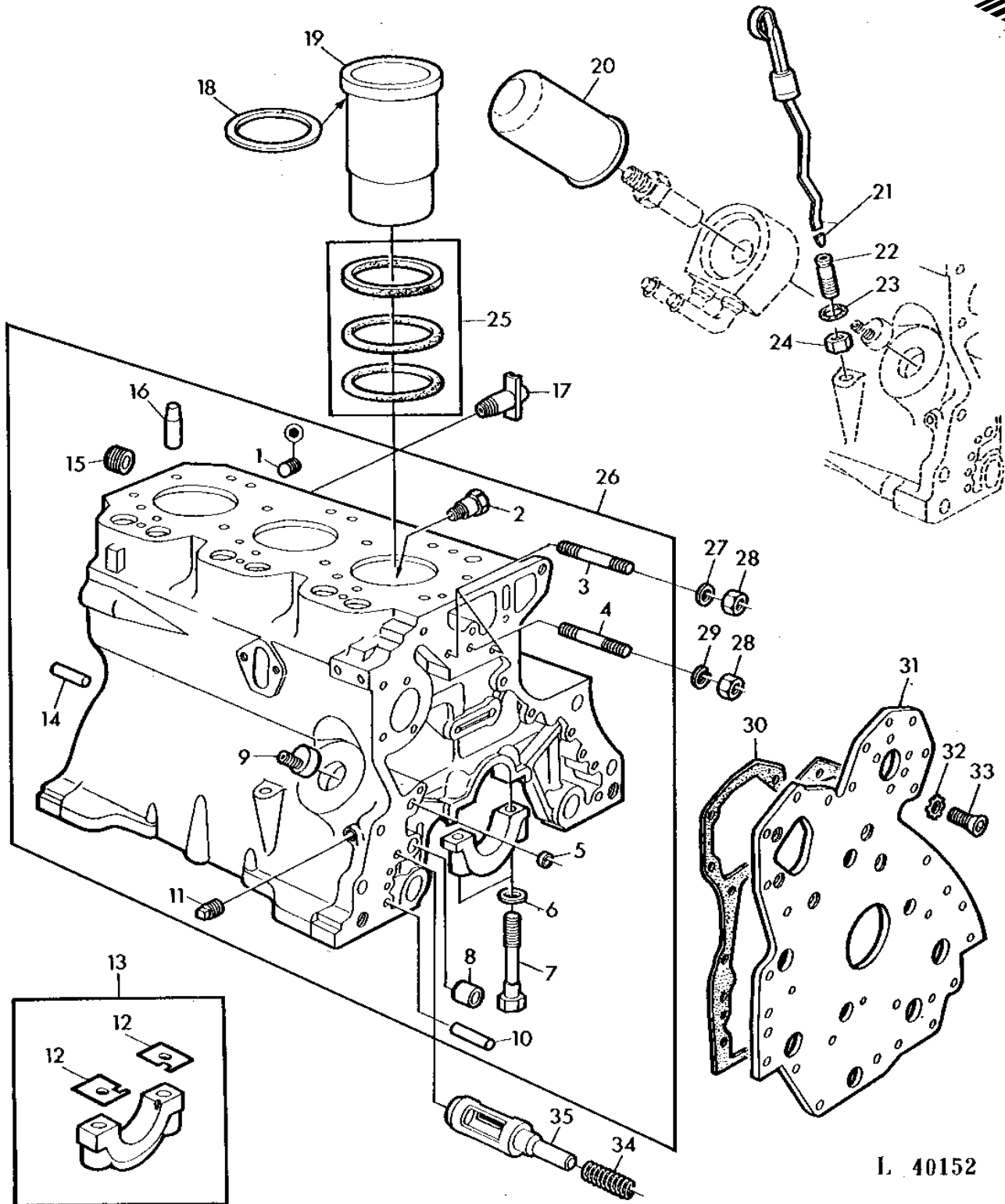
KEY	PART NO.	PART NAME	QTY	ENGINE SERIAL NO.	REMARKS
1	R54565	PLUG	2		
2	R54985	SHAFT	1	(SUB DD12119)	
3	T20316	WASHER	2		
4	T20314	SPRING	2		
5	RE31973	ROCKER ARM	6	(SUB FOR AT31250, AR103769 OR RE19031)	
6	19H1733	CAP SCREW	3	3/8" X 2-1/2"	
7	R42729	WASHER	3		
8	T20315	SUPPORT	3		
9	T20129	CAP	6		
10	T20077	RETAINER	12		
11	R41412	CAP	6	(SUB FOR T20176) (SUB RE11410)	
12	R26125	SPRING	6		
13	R97778	VALVE SEAT INSERT	3	(SUB FOR CD13979)	
14	R52252	EXHAUST VALVE	3	STD, (SUB R79624)	
	R57333	EXHAUST VALVE	1	0.076MM (.003") OS STEM, (SUB R79625)	
	R57335	EXHAUST VALVE	1	0.381MM (.015") OS STEM, (SUB R79626)	
	R57337	EXHAUST VALVE	1	0.762MM (.030") OS STEM, (SUB R79627)	
15	R52251	INTAKE VALVE	3	STD, (SUB R79623)	
	R57332	INTAKE VALVE	1	0.076MM (.003") OS STEM, (SUB R79628)	
	R57334	INTAKE VALVE	1	0.381MM (.015") OS STEM, (SUB R79629)	
	R57336	INTAKE VALVE	1	0.762MM (.030") OS STEM, (SUB R79630)	
16	CD14725	VALVE SEAT INSERT	3	(SUB R97779)	
17	T20072	PLATE	1		
18	19H1731	CAP SCREW	2	3/8" X 1"	
19	T20070	GEAR	1		
20	T28041	SHAFT KEY	1		
21	AR79622	CAMSHAFT	1	(SUB R119707)	
22	T20073	TAPPET	6		
23	R82896	PUSH ROD	6	(SUB FOR T20310)	

1B3

ENGINE

L40152 -UN-01JAN94

CYLINDER BLOCK



L 40152

1B4

ENGINE

CYLINDER BLOCK - CONTINUED

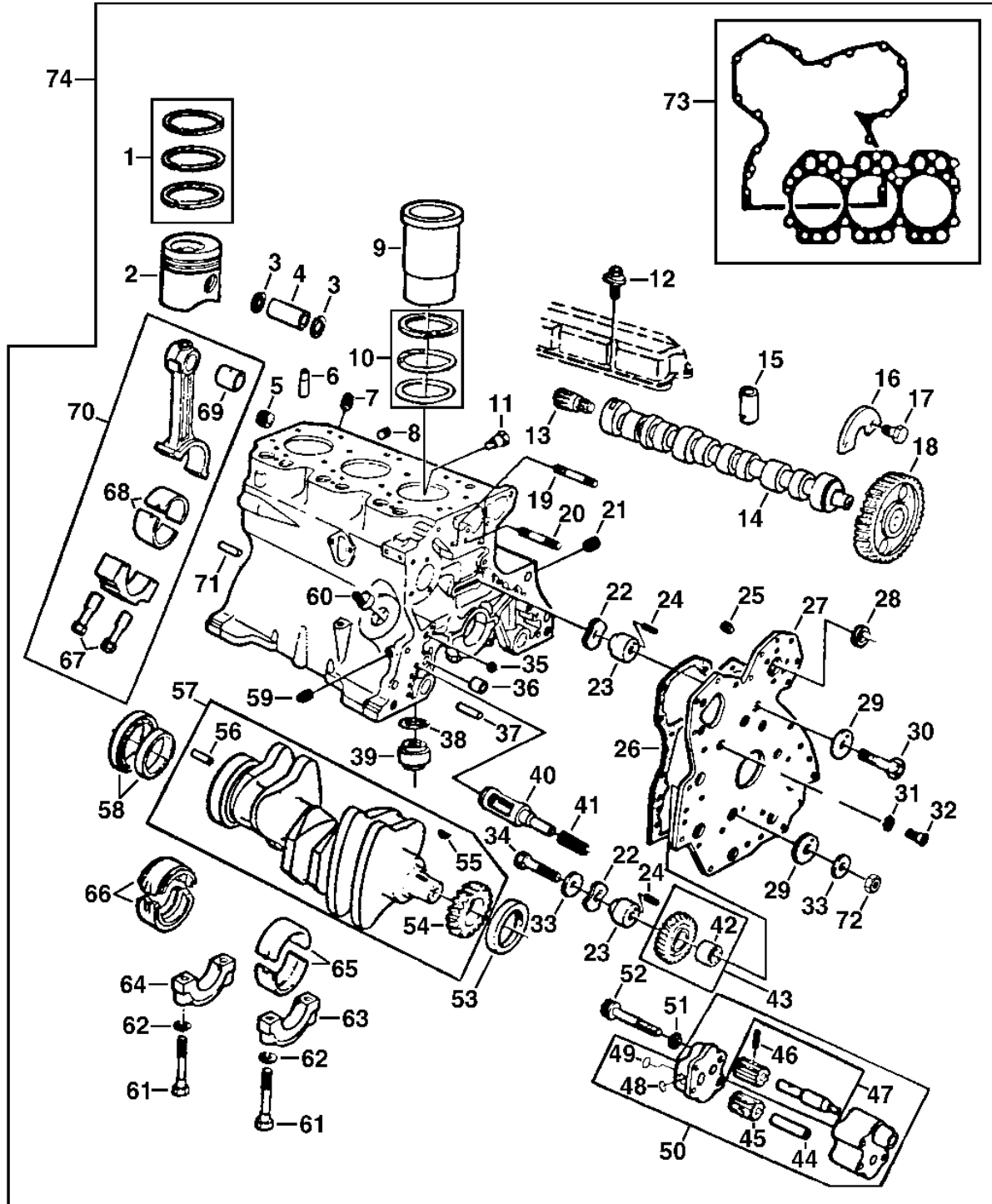
KEY	PART NO.	PART NAME	QTY	ENGINE SERIAL NO.	REMARKS
1	15H275	PIPE PLUG	1		1/4"
2	R54802	ORIFICE	3		
3	T33279	STUD	2		(SUB R122226)
4	T25701	STUD	1		
5	T18891	CAP	2		-465252
	T18891	CAP	1	465253-	
6	T20168	WASHER	8		
7	T23474	CAP SCREW	8		
8	R26493	BUSHING	1		
9	T23435	THREADED NIPPLE	1		
10	R26650	DOWEL PIN	2		(SUB FOR A4879R)
11	15H255	PIPE PLUG	1		3/8"
12	T23670	SHIM	AR		0.076MM (.003") (NLA)
	T23671	SHIM	AR		0.051MM (.002") (NLA)
13	AR82294	BEARING CAP	3		(SUB R65215)
	AR82295	BEARING CAP	1		REAR, (SUB R79089)
14	R48685	DOWEL PIN	2		(SUB FOR A120R)
15	15H690	PIPE PLUG	1		3/4"
16	R48685	DOWEL PIN	2		(SUB FOR R26241, THIS APPLICATION)
17	AT13740	DRAIN VALVE	1		
18	R65833	SHIM	AR		0.10MM (.004")
	CD15466	SHIM	AR		0.05MM (.002")
19	R51726	CYLINDER LINER	3		(SUB R116281)
20	T19044	OIL FILTER	1		
21	AT21534	DIPSTICK	1		
22	R65283	THREADED NIPPLE	1		(SUB RE53241 AND R116411)
23	R10093	O-RING	1		
24	14H826	NUT	1		1/2"
25	AR65507	O-RING KIT	3		
26	AR67961	CYLINDER BLOCK	1	-465252	(MARKED R55520) (SUB RE56425, R85363 AND 15H616)
	AR97201	CYLINDER BLOCK	1	465253-	(MARKED R72971) (SUB RE56425, R85363 AND 15H616)
27	24M7106	WASHER	2		10 X 18 X 2.500 MM
28	14H1076	NUT	3		3/8"
29	12H304	LOCK WASHER	1		3/8"
30	R90648	GASKET	1		(SUB FOR T24965 OR R73140)
31	R56736	PLATE	1	-XXXXXX	(ALSO ORDER (8) AT21191 AND (2) AT22919) (SUB FOR AT29928) (SUB RE16149)
	RE16149	PLATE	1	XXXXXX-	(USE WITH RE11312) (ALSO ORDER (8) AT21191 AND (2) AT22919)
	AT22919	SET SCREW	2	-XXXXXX	
	AT21191	SET SCREW	8	-XXXXXX	
32	12H324	WASHER	5		3/8"
33	T20166	SCREW	5		
34	R46625	SPRING	1	465253-	
35	R73139	VALVE	1	465253-	

1B5

ENGINE

RXP021514 -UN-29APR96

SHORT BLOCK



RXP021514

1B6

ENGINE

SHORT BLOCK - CONTINUED

KEY	PART NO.	PART NAME	QTY	ENGINE SERIAL NO.	REMARKS
1	RE15674	PISTON RING KIT	3		(A) (SUB RE66820) (PKG. OF (3))
2	PISTON	AR		(A) (ORDER RE24458 OR RE24539) (SUB FOR RE19283 OR RE21411)
3	M41029	SNAP RING	6		
4	R125754	PISTON PIN	3		(SUB FOR R51731)
5	15H665	PIPE PLUG	1		3/4"
6	R48685	DOWEL PIN	2		
7	R55233	PIPE PLUG	1		1/4", (CONTAINS R26121, R48767 AND R55453)
8	15H275	PIPE PLUG	1		1/4"
9	R80724	CYLINDER LINER	3		(A)
10	AR65507	O-RING KIT	3		(A) (PKG. OF (3)) (CONTAINS R26121, R48767 AND R55453)
11	R54802	ORIFICE	3		
12	AR100124	SCREW, WITH WASHER	6		(SUB FOR AR45530) (SUB AR103811)
13	T22534	ADAPTER	1		
14	R82819	CAMSHAFT	1		(SUB R119707)
15	T20073	TAPPET	8		
16	T20072	PLATE	1		
17	19H218	CAP SCREW	2		3/8" X 1"
18	T20070	GEAR	1		
19	R84984	STUD	2		3/8" X 2.680"
20	R82674	STUD	1		
21	15H624	PIPE PLUG	1		1/2"
22	T26324	THRUST WASHER	2		
23	R89824	SHAFT	2		(SUB R109863)
24	34H283	SPRING PIN	2		3/16" X 1-1/8"
25	AT21191	SET SCREW	8		
26	R90648	GASKET	1		(SUB FOR R73140)
27	RE16149	PLATE	1		(ALSO ORDER (8) AT21191 AND (2) AT22919) (INCLUDES R79854)
28	R79854	WASHER	1		
29	T26326	THRUST WASHER	2		
30	T26327	SCREW	1		1/2" X 2-1/4"
31	12H324	WASHER	5		3/8"
32	T20166	SCREW	5		
33	R76126	WASHER	2		
34	19H3011	CAP SCREW	1		1/2" X 2-1/8"
35	T18891	CAP	1		
36	R26493	BUSHING	1		
37	R26650	DOWEL PIN	2		
38	R75892	O-RING	1		
39	R75893	FITTING	1		
40	R73139	VALVE	1		
41	R46625	SPRING	1		
42	T26321	BUSHING	1		
43	AT24252	GEAR	1		
44	T20091	DOWEL PIN	1		
45	R54614	GEAR	1		(7 TEETH)
46	M3853T	GROOVE PIN	1		
47	AR62978	PINION	1		
48	R74354	O-RING	1		
49	R61871	O-RING	1		
50	RE35685	OIL PUMP	1		(SUB RE55343 AND R113752)
51	12H304	LOCK WASHER	2		3/8"
52	R57059	CAP SCREW	2		(NLA)
53	AR67942	SEAL	1		FRONT
54	T20094	GEAR	1		
55	26H72	SHAFT KEY	1		1/8" X 5/8"
56	R48685	DOWEL PIN	1		
57	RE47637	KIT	1		(MARKED T23516) (SUB FOR AT18031) (SUB RE46896)
58	RE24959	SEAL	1		REAR, (SUB FOR AR92893, RE11036 OR AT18031) (SUB RE44574)
59	15H255	PIPE PLUG	1		3/8"
60	T23435	THREADED NIPPLE	1		
61	T23474	CAP SCREW	8		
62	T20168	WASHER	8		
63	R65215	BEARING CAP	3		
64	R79089	CAP	1		
65	AT21140	BEARING	3		

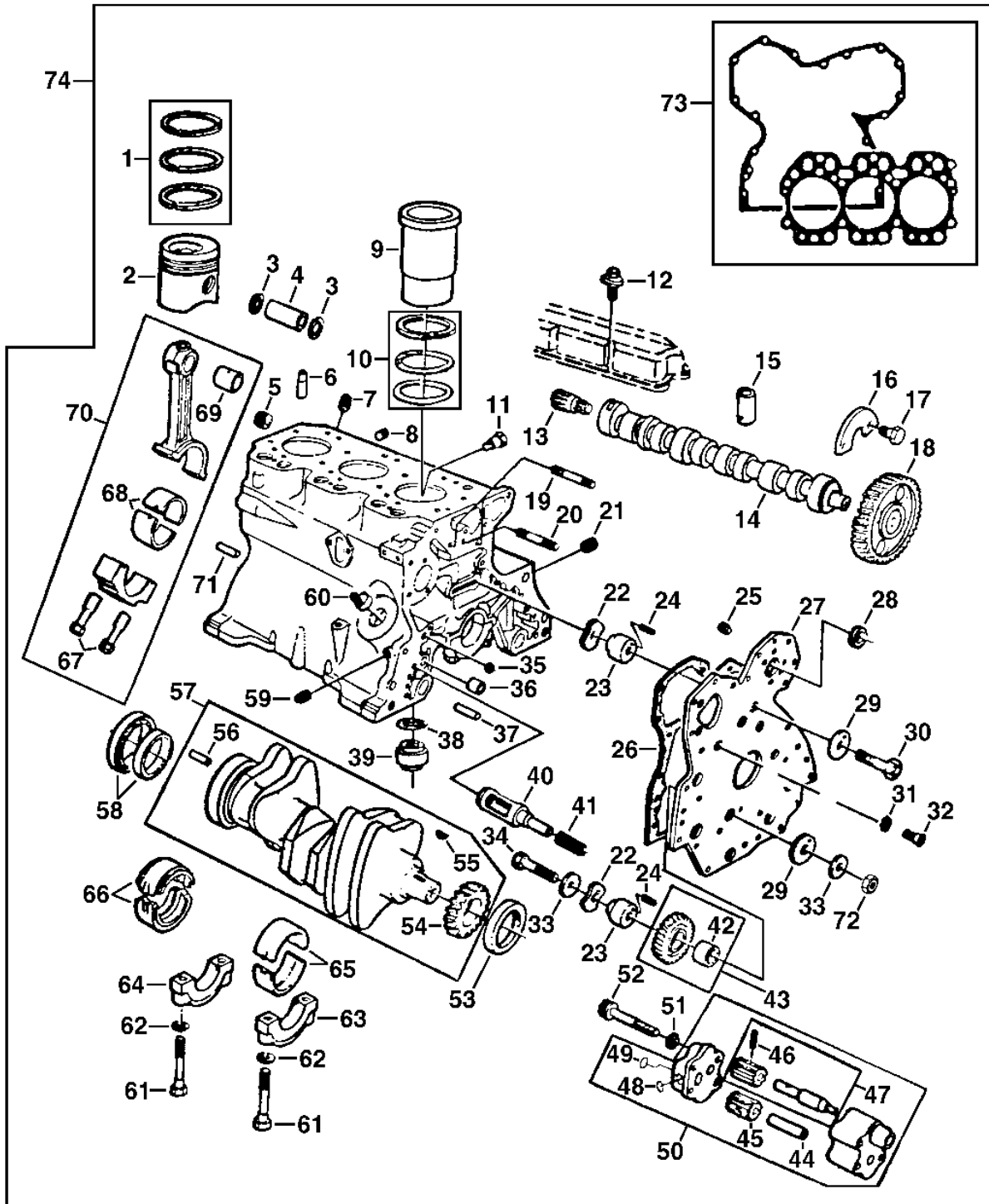
(A) INCLUDED IN RE24458 KIT

1B7

ENGINE

RXP021514 -UN-29APR96

SHORT BLOCK - CONTINUED



RXP021514

1B8

ENGINE

SHORT BLOCK - CONTINUED

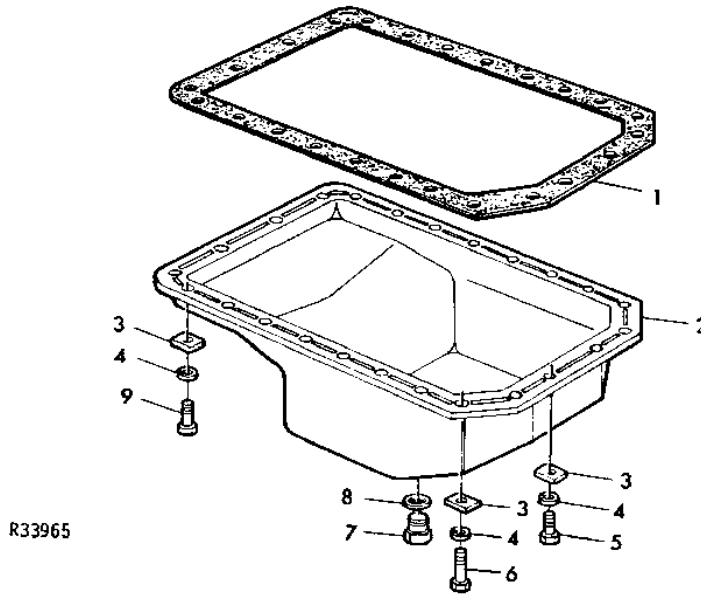
KEY	PART NO.	PART NAME	QTY	ENGINE SERIAL NO.	REMARKS
66	AT21139	BEARING	3		
67	R80033	SCREW	6		
68	AT21138	BEARING	3		
69	R55647	BUSHING	3		
70	RE16495	CONNECTING ROD	3		(SUB FOR AR55978) (SUB RE21076)
71	R48685	DOWEL PIN	1		
72	14H865	NUT	1	1/2"	
73	RE37492	GASKET KIT	1		(COMPLETE) (SUB RE38853)
74	AR97202	SHORT BLOCK ASSEMBLY	1		(MARKED R55520 OR R72971) (SUB RE51923, (14) R85363 AND 15H616)
	RE29218	SHORT BLOCK ASSEMBLY	1		(MARKED R72962) (SUB RE51923, (14) R85363 AND 15H616)
	RE51923	SHORT BLOCK ASSEMBLY	1		(MARKED R89834) (SUB RE51923, (14) R85363 AND 15H616)

1B9

ENGINE

R33965 -UN-01JAN94

OIL PAN



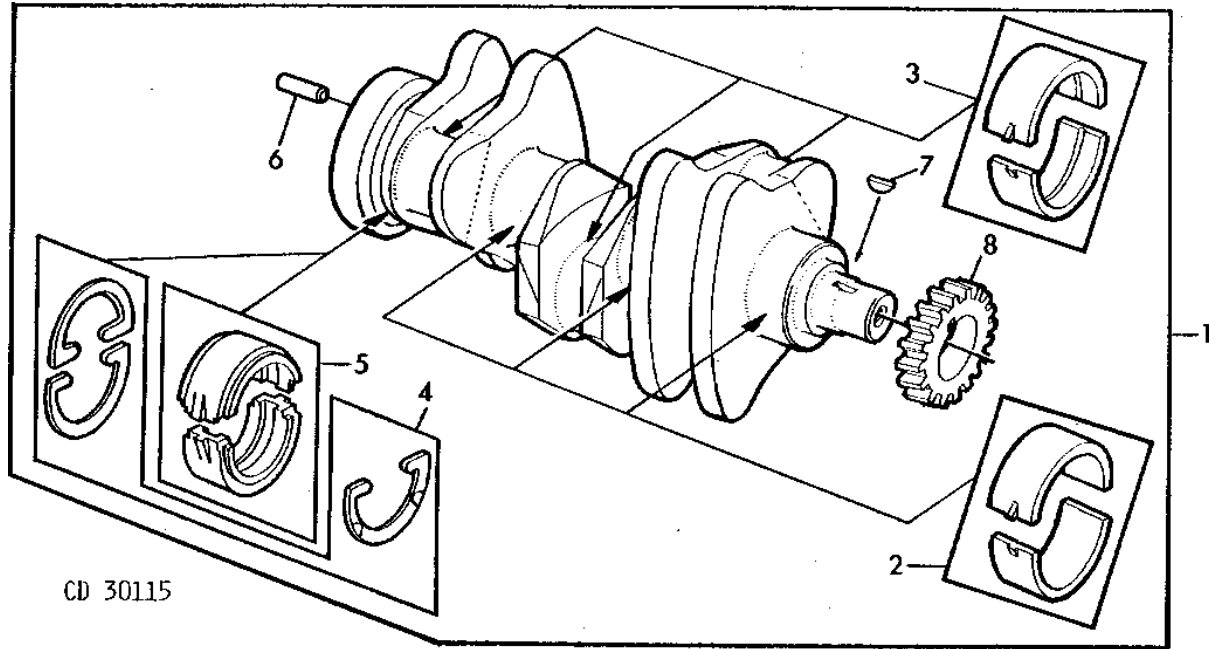
KEY	PART NO.	PART NAME	QTY	ENGINE SERIAL NO.	REMARKS
1	T24534	GASKET	1		(SUB R119359)
2	AT18180	OIL PAN	1		
3	T30726	STRAP	24		
4	12H304	LOCK WASHER	24	3/8"	
5	19H2284	CAP SCREW	5	3/8" X 7/8"	
6	19H3219	CAP SCREW	1	3/8" X 1-3/8"	
7	T20098	DRAIN PLUG	1		
8	T13213	WASHER	1		
9	19H1936	CAP SCREW	18	3/8" X 3/4"	

1B10

ENGINE

CD30115 -UN-01JAN94

CRANKSHAFT AND BEARING KIT



KEY	PART NO.	PART NAME	QTY	SERIAL NO.	REMARKS
1	RE26203	KIT	1		(A) (MARKED R) (SUB FOR DD13894) (SUB DD15080)
2	RE27353	BEARING	3		I.D.= 0.254MM (0.010") US, (KIT (2) R87750)
3	RE27349	BEARING	3		I.D.= 0.254MM (0.010") US, (KIT (2) R87748)
4	RE13571	KIT	1		STD, (KIT (3) R78598)
5	RE27351	BEARING	1		I.D.= 0.254MM (0.010") US, (KIT (2) R87749)
6	A120R	DOWEL PIN	1		(SUB R48685)
7	26H72	SHAFT KEY	1		
8	T20094	GEAR	1		24 TEETH

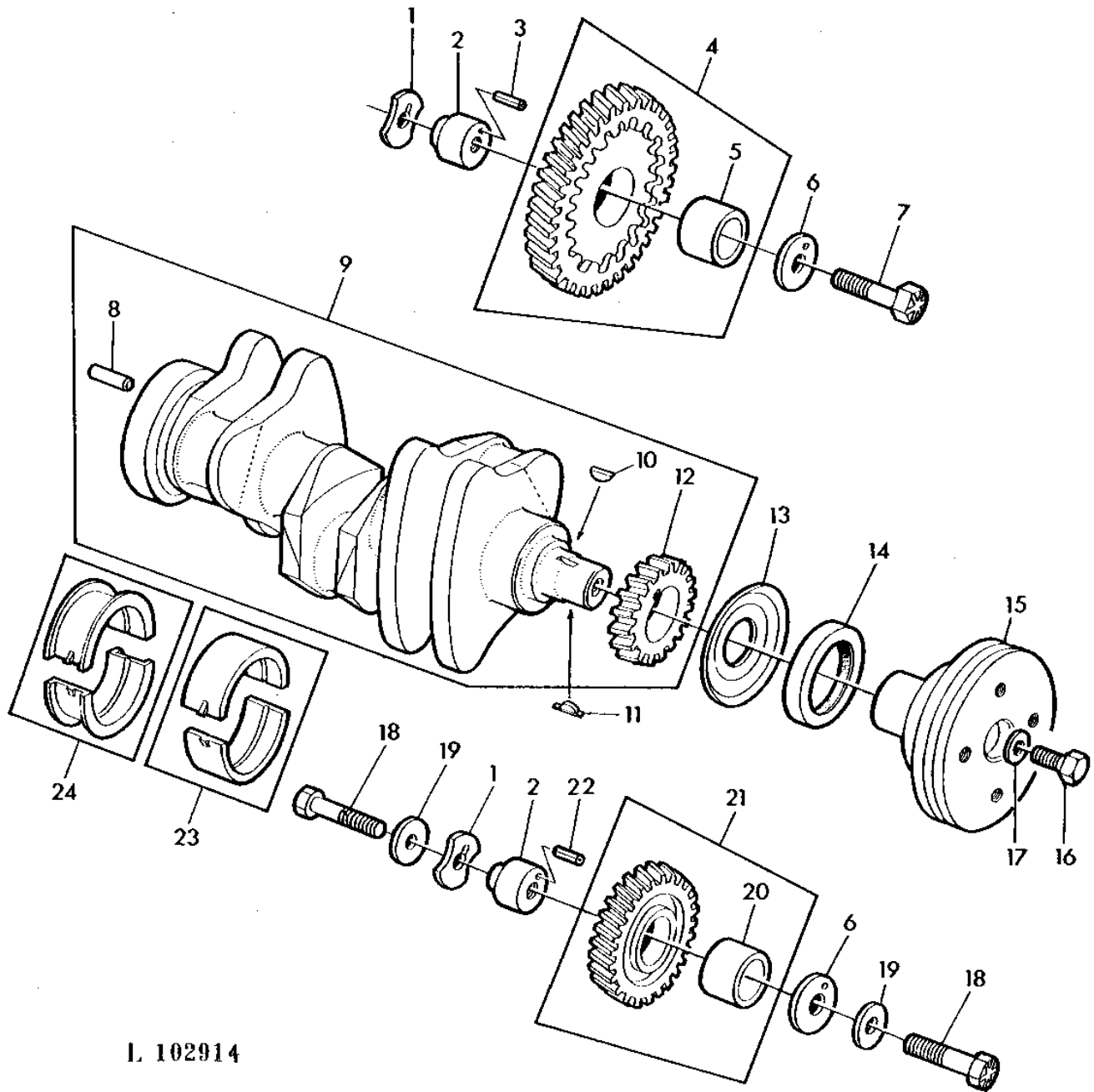
(A) IF AVAILABLE

1B11

ENGINE

L102914 -UN-01JAN94

CRANKSHAFT, TIMING GEARS AND MAIN BEARINGS



L 102914

1B12

ENGINE

CRANKSHAFT, TIMING GEARS AND MAIN BEARINGS - CONTINUED

KEY	PART NO.	PART NAME	QTY	ENGINE SERIAL NO.	REMARKS
1	T26324	THRUST WASHER	2		
2	T26323	SHAFT	2		(SUB P42337, R109863 AND 19H3011)
3	34H283	SPRING PIN	1		
4	AR91660	GEAR	1		UP, Z=55
5	T20034	BUSHING	1		
6	T26326	THRUST WASHER	2		
7	T26327	SCREW	1		
8	T26565	DOWEL PIN	1		
9	AT18031	CRANKSHAFT	1		(SUB RE46896)
10	26H72	SHAFT KEY	1		1/8" X 5/8"
11	T23604	SHAFT KEY	1		
12	T20094	GEAR	1		Z=24
13	T20046	OIL SLINGER	1		
14	AR67942	SEAL	1		FRONT
15	R70436	PULLEY	1		
16	19H1721	CAP SCREW	1		1/2" X 1-1/2"
17	T20217	WASHER	1		
18	T26325	SCREW	2		
19	R76126	WASHER	2		(SUB FOR R42364)
20	T26321	BUSHING	1		
21	AT24252	GEAR	1		LOW, Z=45
22	34H286	SPRING PIN	1		3/16" X 1-1/2"
23	AT21140	BEARING	3		I.D.= STD
	AT21108	BEARING	AR		I.D.= 0.051MM (.002") US
	AT21110	BEARING	AR		I.D.= 0.254MM (.010") US
	AT21112	BEARING	AR		I.D.= 0.508MM (.020") US
	AT21114	BEARING	AR		I.D.= 0.762MM (.030") US
24	AT21139	BEARING	1		REAR, I.D.= STD
	AT21130	BEARING	AR		REAR, I.D.= 0.051MM (.002") US (NLA)
	AT21132	BEARING	AR		REAR, I.D.= 0.254MM (.010") US
	AT21134	BEARING	AR		REAR, I.D.= 0.508MM (.020") US
	AT21136	BEARING	AR		REAR, I.D.= 0.762MM (.030") US

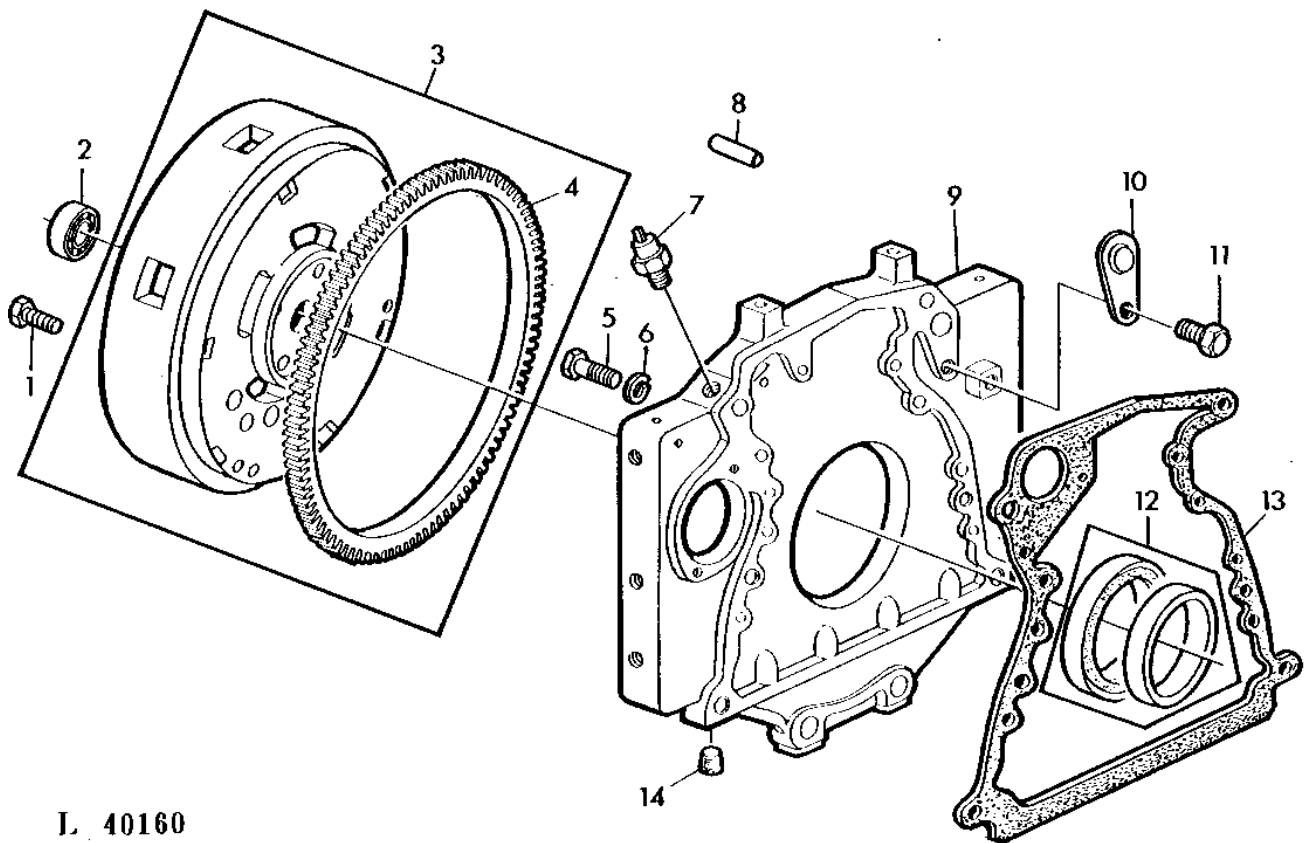
1B13

ENGINE

L40160

-UN-01JAN94

FLYWHEEL AND FLYWHEEL HOUSING



L 40160

1B14

ENGINE

FLYWHEEL AND FLYWHEEL HOUSING - CONTINUED

KEY	PART NO.	PART NAME	QTY	ENGINE SERIAL NO.	REMARKS
1	19H3385	CAP SCREW	4	1/2" X 1-1/8"	
2	JD10107	BALL BEARING	1		
3	AR92506	FLYWHEEL	1	(MARKED R70488)	
4	T20088	GEAR	1	(SUB R114282)	
5	19H1800	CAP SCREW	8	3/8" X 1-1/2"	
6	12H304	LOCK WASHER	8	3/8"	
7	AR27977	TOUCH SWITCH	1	(SUB AT85174)	
8	T26565	DOWEL PIN	2		
9	R70491	HOUSING	1	(SUB R70492)	
10	R83554	PLUG	1	(SUB FOR T28435)	
11	T20090	SCREW	1	(SUB 19H2351)	
12	RE24959	SEAL	1	(SUB FOR AT22965 OR AR92893) (SUB RE44574)	
13	R97351	GASKET	1	(SUB FOR R70483)	
14	T23590	PLUG	1		

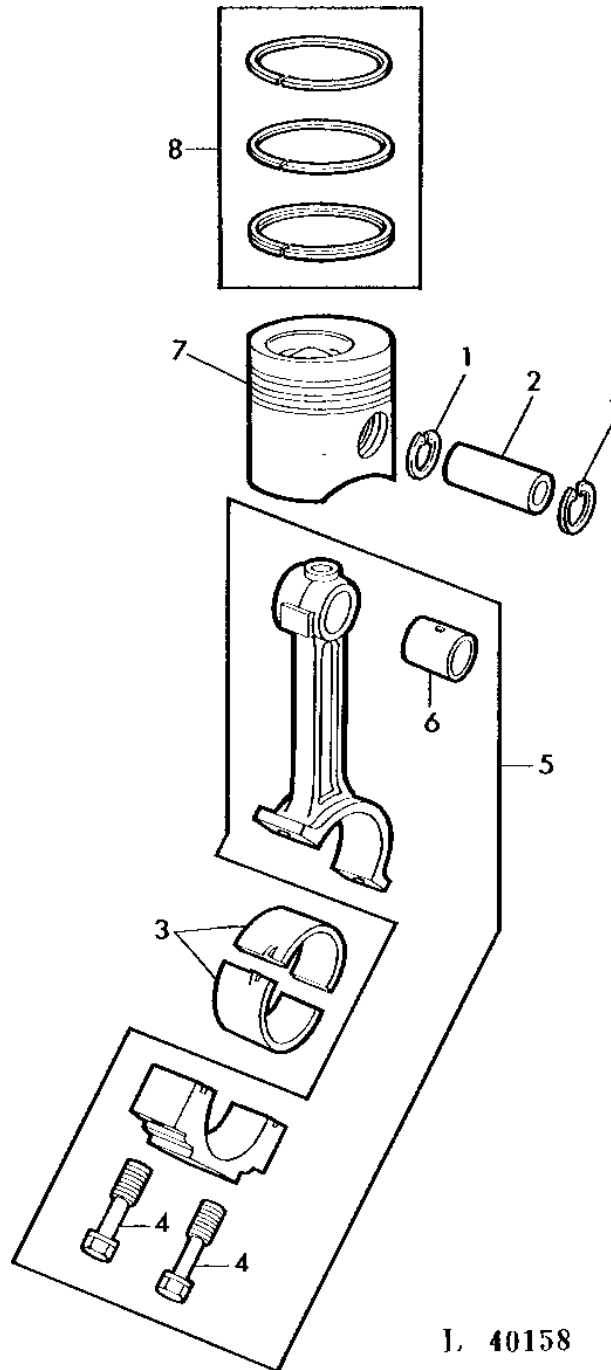
1B15

ENGINE

L40158

-UN-01JAN94

PISTON AND CONNECTING ROD



I. 40158

1B16

ENGINE

PISTON AND CONNECTING ROD - CONTINUED

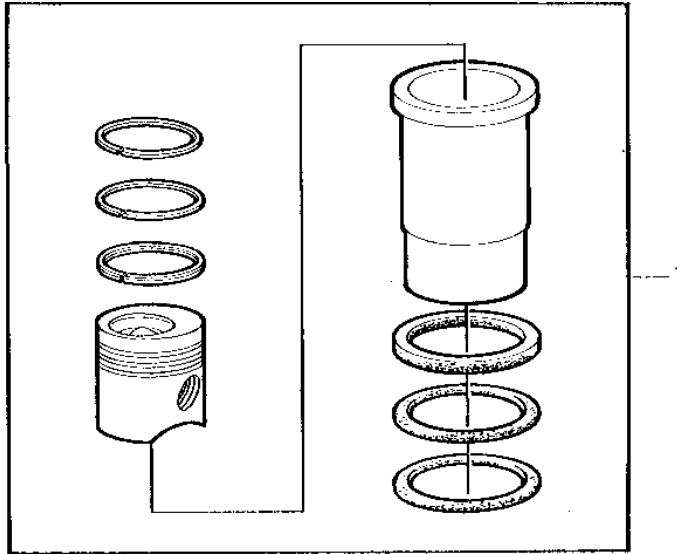
KEY	PART NO.	PART NAME	QTY	ENGINE SERIAL NO.	REMARKS
1	M41029	SNAP RING	6		(PKG. OF 6)
2	R51731	PISTON PIN	3		(SUB R125754)
3	AT21138	BEARING	3		I.D.= STD
	AT21122	BEARING	AR		I.D.= 0.051MM (.002") US
	AT21124	BEARING	AR		I.D.= 0.254MM (.010") US
	AT21126	BEARING	AR		I.D.= 0.508MM (.020") US
	AT21128	BEARING	AR		I.D.= 0.762MM (.030") US
4	R74194	SCREW	6		(USE WITH AR55978)
	R80033	SCREW	6		(USE WITH RE16495)
5	RE16495	CONNECTING ROD	3		(MARKED R51727 OR R80034) (SUB FOR AR55978) (SUB RE21076)
6	R55647	BUSHING	3		
7	AR79868	PISTON	AR		(MARKED "B") (ORDER RE24458) (ALSO ORDER RE38853) (SUB RE24458)
	AR87738	PISTON	AR		(MARKED "H") (ORDER RE24539) (ALSO ORDER RE38853) (SUB RE24539)
8	DD11831	PISTON RING KIT	3		(PKG. OF 3) (SUB RE66820)

1B17

ENGINE

L40159 -UN-01JAN94

PISTON AND LINER KIT



L 40159

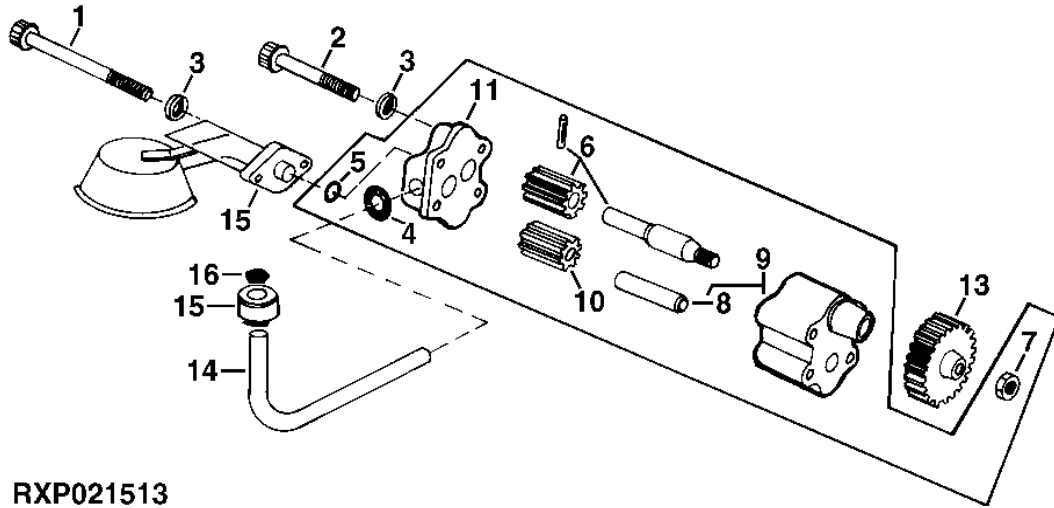
KEY	PART NO.	PART NAME	QTY	ENGINE SERIAL NO.	REMARKS
1	RE11509	KIT	AR	(MARKED "B") (SUB FOR AR89753) (SUB RE24458) (ALSO ORDER RE38853)	
	RE11510	KIT	AR	(MARKED "H") (SUB FOR AR90551) (SUB RE24539) (ALSO ORDER RE38853)	

1B18

ENGINE

RXP021513 -UN-29APR96

ENGINE OIL PUMP



RXP021513

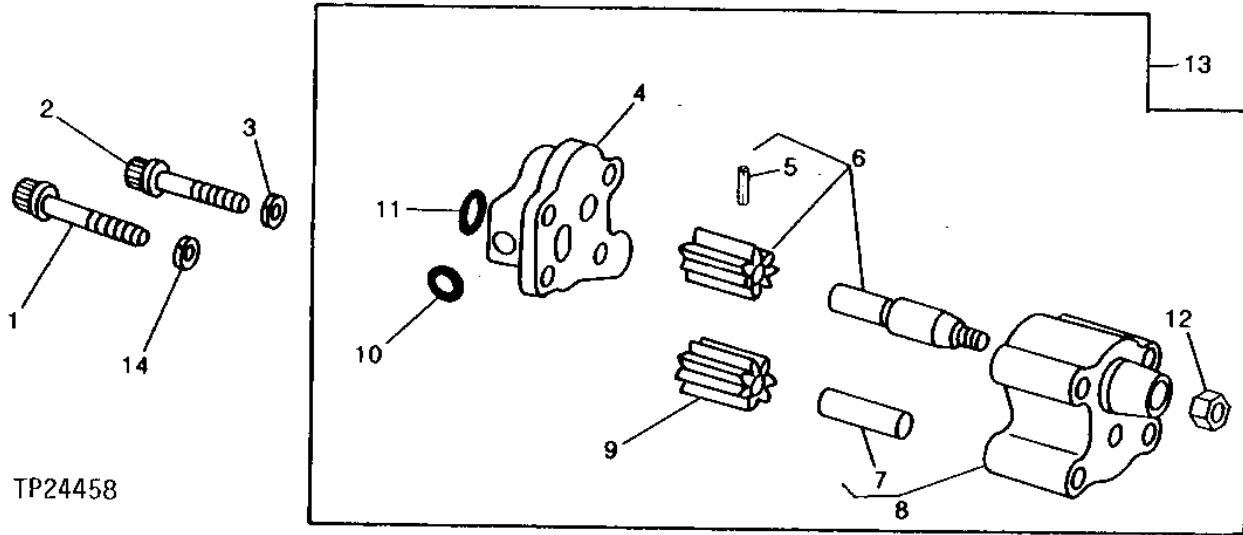
KEY	PART NO.	PART NAME	QTY	ENGINE SERIAL NO.	REMARKS
1	R74552	CAP SCREW	2		
2	R57059	CAP SCREW	2		
3	12H304	LOCK WASHER	4	3/8"	
4	R74354	O-RING	1		
5	R61871	O-RING	1		
6	AR62978	PINION	1		
7	14H826	NUT	1	1/2"	
8	T20091	DOWEL PIN	1		
9	AR62979	HOUSING	1		(MARKED R54615) (SUB RE55343 AND R113752)
10	R54614	GEAR	1		(7 TEETH)
11	R53382	COVER	1		(SUB RE55343 AND R113752)
12	RE35685	OIL PUMP	1		
13	T20298	GEAR	1		(33 TEETH)
14	T20050	OIL TUBE	1		
15	AR59621	OIL PUMP INTAKE	1		
16	R75892	O-RING	1		
17	R75893	FITTING	1		

1B19

ENGINE

TP24458 -UN-01JAN94

ENGINE OIL PUMP KIT



TP24458

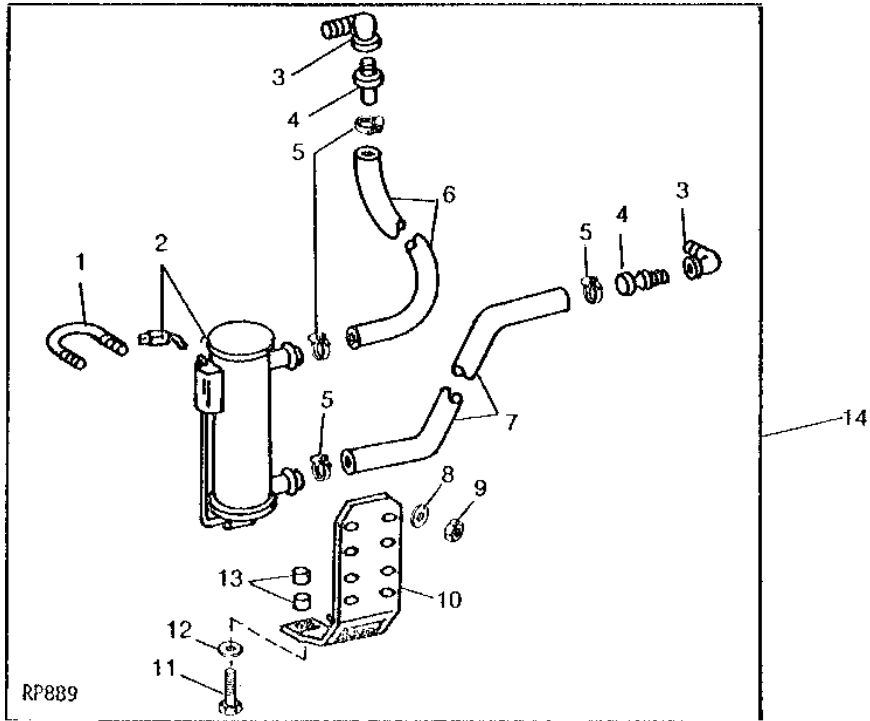
KEY	PART NO.	PART NAME	QTY	ENGINE SERIAL NO.	REMARKS
1	R74552	CAP SCREW	2		
2	R57059	CAP SCREW	2		
3	12H304	LOCK WASHER	2	3/8"	
4	R53382	COVER	1	(SUB RE55343 AND R113752)	
5	M3853T	GROOVE PIN	1		
6	AR62978	PINION	1		
7	T20091	DOWEL PIN	1		
8	AR62979	HOUSING	1	(MARKED R54615) (SUB RE55343 AND R113752)	
9	R54614	GEAR	2		
10	R74354	O-RING	1		
11	R61871	O-RING	1		
12	14H826	NUT	1	1/2"	
13	RE35685	OIL PUMP	1	(SUB FOR RE15381) (SUB RE55343 AND R113752)	
14	12H304	LOCK WASHER	2	3/8"	
	R74553	WASHER	2		

1B20

ENGINE

RP889 -UN-01JAN94

ENGINE COOLANT HEATER



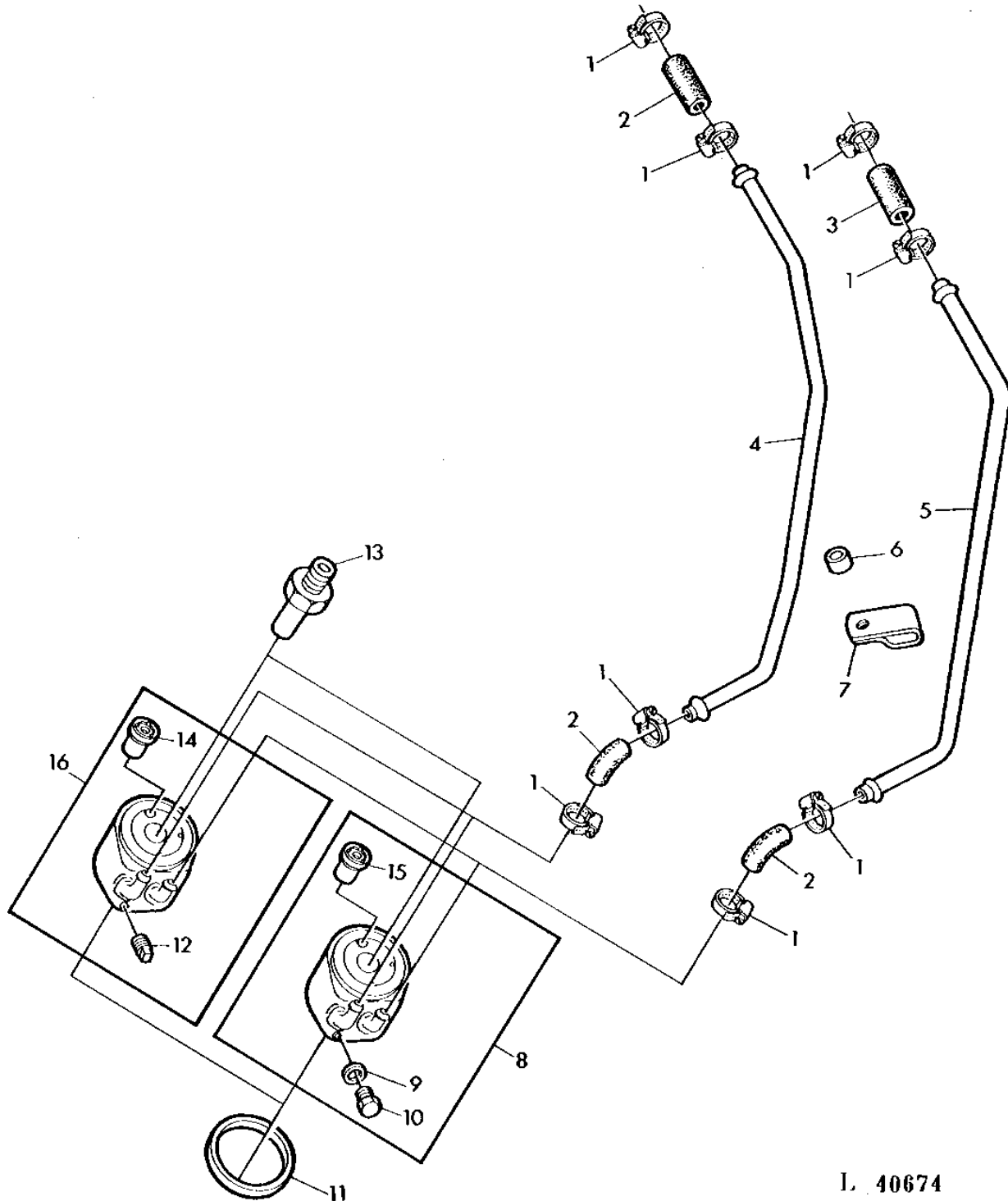
KEY	PART NO.	PART NAME	QTY	ENGINE SERIAL NO.	REMARKS
1	R60124	U-BOLT	2		
2	AR72957	COOLANT HEATER	1		
3	15H613	ELBOW FITTING	2	90°	
4	T29388	UNION FITTING	2		
5	AR21837	CLAMP	4	(SUB TY22466)	
6	T29384	HOSE	1	16 X 406MM (5/8" X 16")	
7	T29385	HOSE	1	16 X 356MM (5/8" X 14")	
8	24H1287	WASHER	4	9/32" X 5/8" X 0.065"	
9	14H786	NUT	4	1/4"	
10	R60123	BRACKET	1		
11	19H3267	CAP SCREW	2	3/8" X 1-5/8"	
12	12H304	LOCK WASHER	2	3/8"	
13	R28040	WASHER	4		
14	AT27406	COOLANT HEATER	1	(SUB AT72330)	
	AT30676	COOLANT HEATER	1	(HORIZONTAL MUFFLER) (SUB AT72330)	

1B21

ENGINE

L40674 -UN-01JAN94

ENGINE OIL COOLER



L 40674

1B22

ENGINE

ENGINE OIL COOLER - CONTINUED

KEY	PART NO.	PART NAME	QTY	ENGINE SERIAL NO.	REMARKS
1	AR21837	CLAMP	8		(SUB TY22467)
2	R55127	HOSE	3		
3	R70438	HOSE	1		
4	R73609	TUBE	1		
5	R73610	TUBE	1		
6	T20280	WASHER	1		
7	R53524	CLAMP	1		
8	AR98852	OIL COOLER	1	-794193	BEHR, (SUB RE31929, (2) R99802 AND R99803)
	AR98852	OIL COOLER	1	794194-	(SUB RE38077, RE61767 AND R125507)
9	CD15227	WASHER	1		(SUB 51M7012)
10	15M2714	DRAIN PLUG	1		(NO LONGER AVAILABLE)
11	R70956	WASHER	1		
12	R56947	DRAIN PLUG	1		
13	T31306	THREADED NIPPLE	1		
14	AT31093	VALVE	1		(USE WITH AR64415)
	R77332	RELIEF VALVE	1		(USE WITH RE10869)
15	AR98853	VALVE	1		
16	RE10869	OIL COOLER	1		MODINE, (SUB FOR AR64415) (SUB RE31929, (2) R99802 AND R99803)

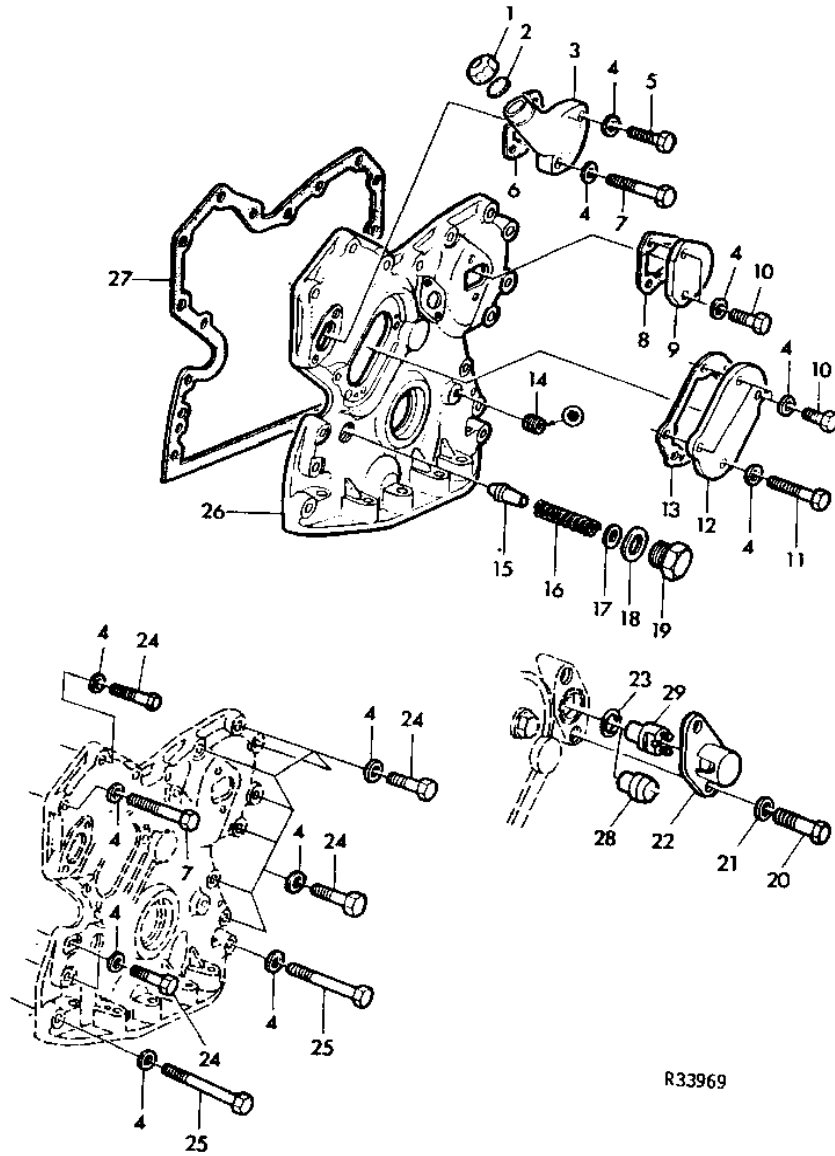
1B23

ENGINE

R33969

-UN-01JAN94

TIMING GEAR COVER AND OIL FILLER INLET



R33969

1B24

ENGINE

TIMING GEAR COVER AND OIL FILLER INLET - CONTINUED

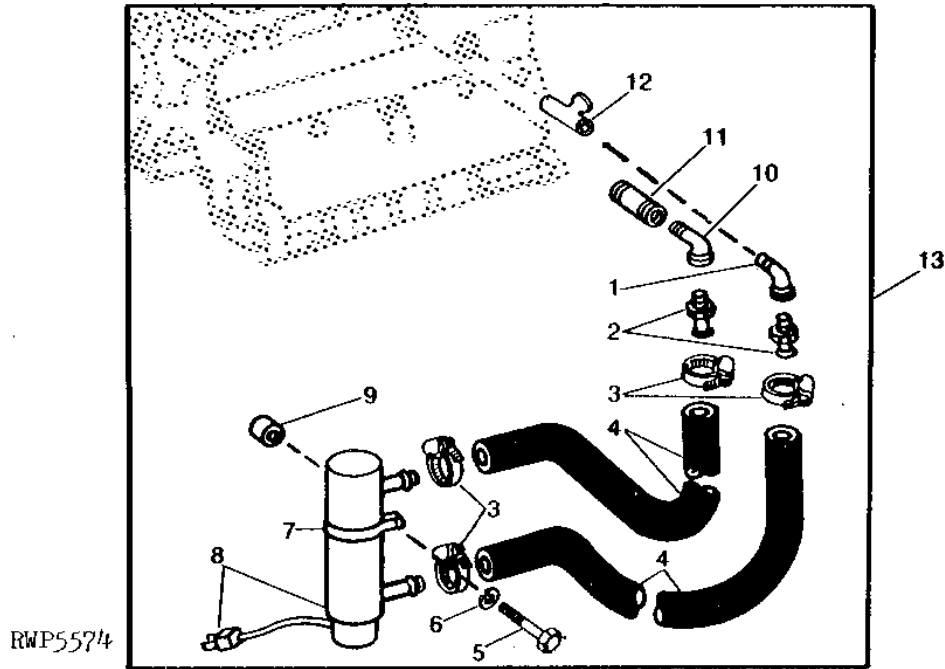
KEY	PART NO.	PART NAME	QTY	ENGINE SERIAL NO.	REMARKS
1	T20294	CAP	1		
2	T20328	GASKET	1		
3	T23614	FILLER NECK	1		(SUB R80135, R80136 AND R80137, THIS APPLICATION)
4	24M7106	WASHER	21		10 X 18 X 2.500 MM
5	19H2665	CAP SCREW	1		3/8" X 1-5/8"
6	T20336	GASKET	1		(SUB R97352)
7	19H2128	CAP SCREW	2		3/8" X 3"
8	R125066	GASKET	1		(SUB FOR T20364, R69260, R78366 OR R97773)
9	R126041	COVER	1		(SUB FOR T20362)
10	19H2284	CAP SCREW	5		3/8" X 7/8"
11	19H1726	CAP SCREW	1		3/8" X 2-1/4"
12	T20272	COVER	1		
13	T20273	GASKET	1		
14	15H275	PIPE PLUG	1		1/4"
15	R83169	VALVE	1		(SUB FOR R51516)
16	T27658	SPRING	1		
17	24H1290	WASHER	AR		21/64" X 3/4" X 0.035"
18	A4827R	WASHER	1		
19	T27657	FITTING PLUG	1		
20	19H1948	CAP SCREW	2		1/4" X 3/4"
21	24H1286	WASHER	2		9/32" X 1/2" X 1/16"
22	R67230	COVER	1		
23	R47154	O-RING	1		
24	19H1801	CAP SCREW	9		3/8" X 2"
25	19H1733	CAP SCREW	3		3/8" X 2-1/2"
26	AR91662	COVER	1		(ALSO ORDER AR67942) (SUB RE30685)
	AR67942	SEAL	1		
27	R119269	GASKET	1		(SUB FOR T20155 OR R97454)
28	R70487	PLUG	1		
29	AR96480	SENSOR	1		(SUB FOR AR87494)

1B25

ENGINE

RWP5574 -UN-01JAN94

ENGINE COOLANT HEATER REPLACEMENT



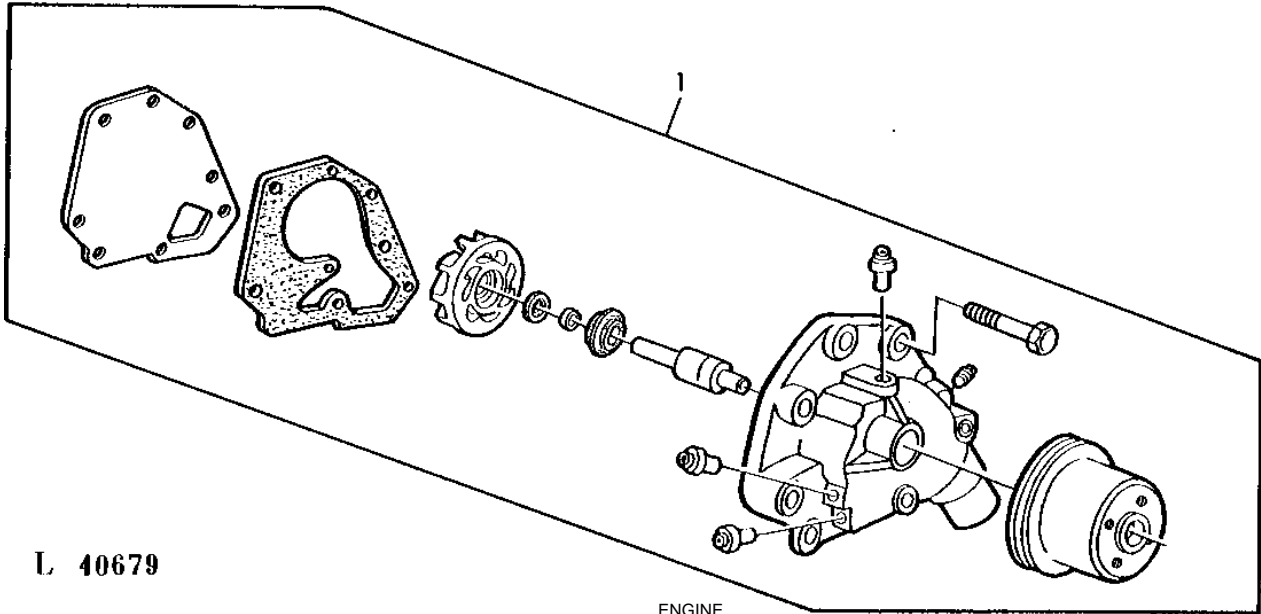
KEY	PART NO.	PART NAME	QTY	ENGINE SERIAL NO.	REMARKS
1	15H613	ELBOW FITTING	2	1/4"	
2	T29388	UNION FITTING	2		
3	AR21837	CLAMP	4	(SUB TY22467)	
4	T29384	HOSE	2	16 X 406MM (5/8" X 16")	(SUB FOR T29379, THIS APPLICATION)
5	19H2356	CAP SCREW	1	9/16" X 1-3/4"	
	19H2473	CAP SCREW	1	1/2" X 1-3/4"	
	19H1831	CAP SCREW	1	1/2" X 2"	
6	12H317	LOCK WASHER	1	9/16"	
7	T74703	CLAMP	1		
8	AR72957	COOLANT HEATER	1		
9	28H1577	BUSHING	1	1/2" X 1"	
10	29H89	THREADED NIPPLE	1	1/4"X2"	
11	15H107	ELBOW FITTING	1	1/4"X1/4"	
	29H89	THREADED NIPPLE	1	1/4"	
12	T17568	TEE FITTING	1		
13	AT72330	COOLANT HEATER	1		

1C1

ENGINE

L40679 -UN-01JAN94

WATER PUMP



L 40679

KEY	PART NO.	PART NAME	QTY	ENGINE SERIAL NO.	REMARKS
1	RE46257	WATER PUMP	1		(SUB FOR AR92416) (SUB RE60489) (ALSO ORDER (2) R59282 AND (2) AR21837)
	AR92417	WATER PUMP	1		(OIL COOLER) (SUB RE60489) (ALSO ORDER (2) R59282 AND (2) AR21837)

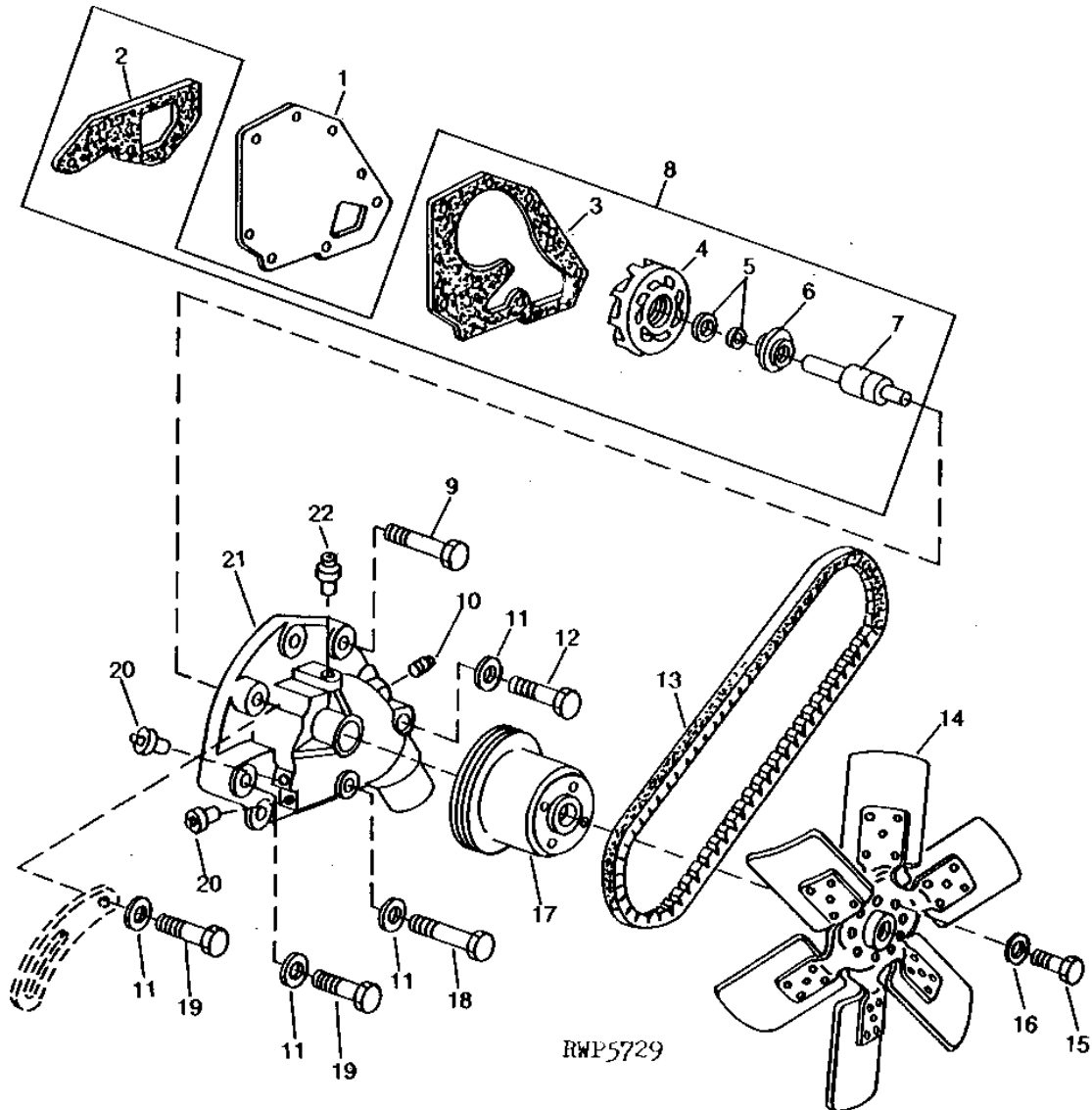
1C2

ENGINE

RWP5729

-UN-01JAN94

WATER PUMP AND FAN



1C3

ENGINE

WATER PUMP AND FAN - CONTINUED

KEY	PART NO.	PART NAME	QTY	ENGINE SERIAL NO.	REMARKS
1	R55759	COVER	1		
2	T20243	GASKET	1		
3	R55405	GASKET	1		
4	RE62659	KIT	1		(SUB FOR RE11347 OR T30897)
5	AR41691	INSERT	1		KIT, SEAL
6	T27261	SEAL	1		(SUB AR101549)
7	JD9448	BEARING	1		
8	RE11347	KIT	1		REPAIR, (SUB RE62659)
9	19H988	CAP SCREW	2		3/8" X 1-1/4"
10	15H584	PIPE PLUG	1		1/2"
11	12H303	LOCK WASHER	4		5/16"
12	19H2128	CAP SCREW	1		3/8" X 3"
13	R73784	BELT	1		(SUB FOR T31710)
14	AT26373	SUCTION FAN	1		
	AT23180	FAN	1		
15	19H2127	CAP SCREW	4		5/16" X 7/8"
16	12H303	LOCK WASHER	4		5/16"
17	R70435	PULLEY	1		
18	19H1944	CAP SCREW	1		3/8" X 2-3/4"
19	19H1800	CAP SCREW	3		3/8" X 1-1/2"
20	R48993	TUBE	2		(OIL COOLER)
21	AR92414	HOUSING	1		(MARKED R70434)
	AR92415	HOUSING	1		(OIL COOLER) (MARKED R70437) (NLA)
22	R34985	LINE	1		

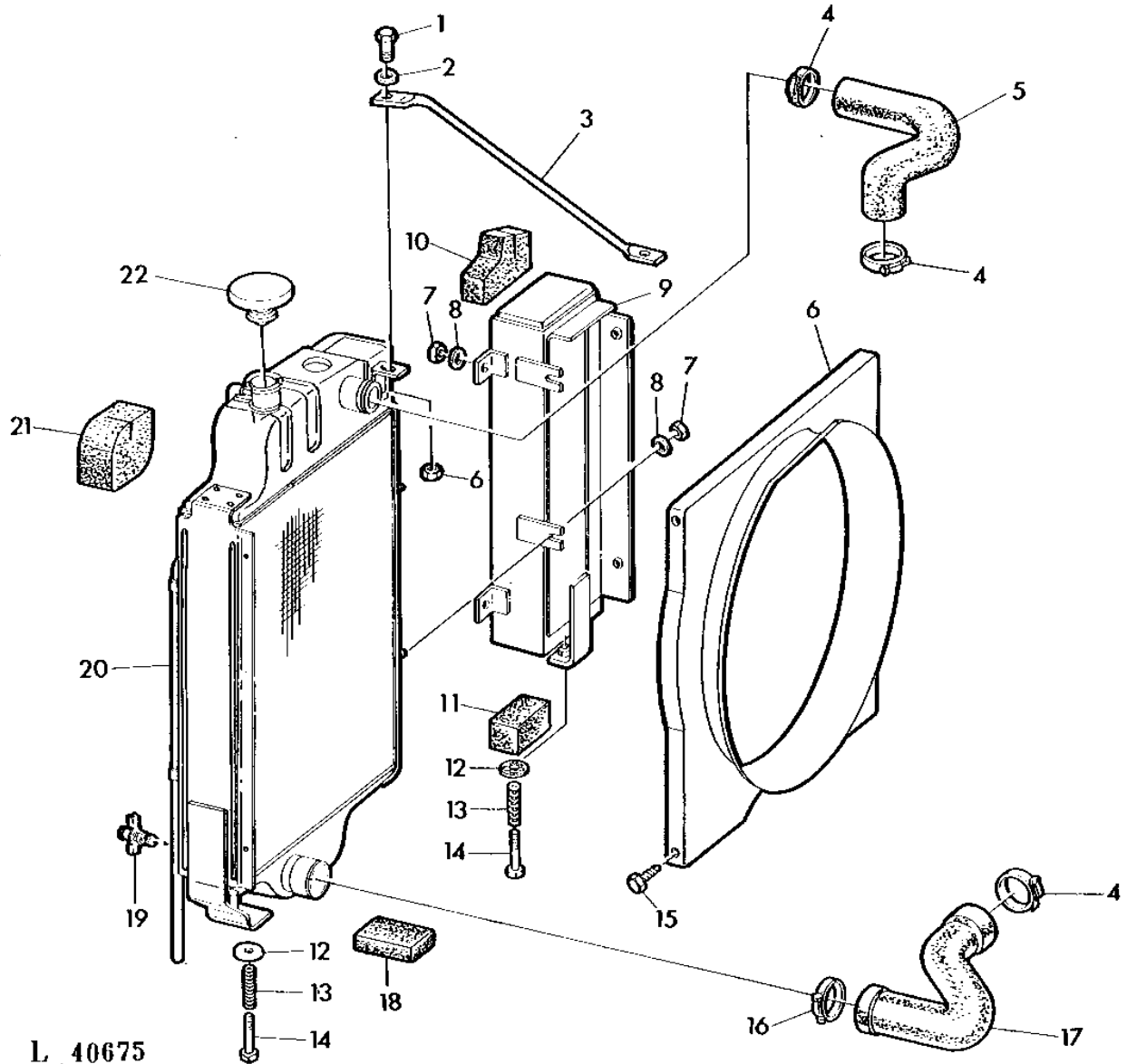
1C4

ENGINE

L40675

-UN-01JAN94

RADIATOR AND FAN SHROUD



L 40675

1C5

ENGINE

RADIATOR AND FAN SHROUD - CONTINUED

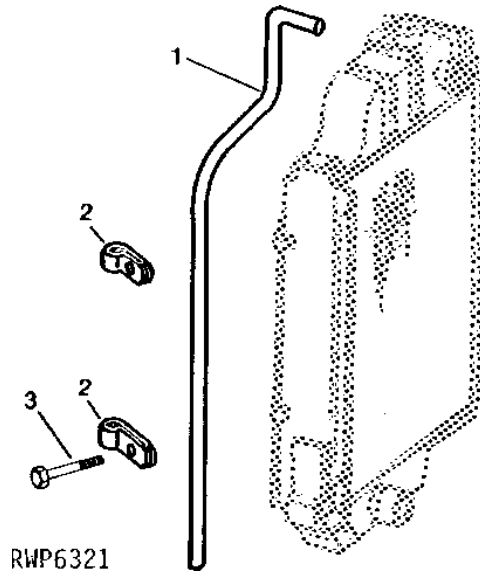
KEY	PART NO.	PART NAME	QTY	TRACTOR SERIAL NO.	REMARKS
1	19H1900	CAP SCREW	1	5/16" X 3/4"	
2	24H1122	WASHER	1	3/8" X 7/8" X 0.083"	
3	L34973	PIN	1		
4	TY22470	CLAMP	3	(SUB FOR AR21840)	
5	L34920	HOSE	1		
6	L34839	SHROUD	1		
7	14H785	NUT	5	5/16"	
8	24H1685	WASHER	4	11/32" X 47/64" X 0.083"	
9	AR55384	PARTITION	1		
10	L35023	FOAM PAD	1	(SUB L57053)	
11	T26043	FOAM PAD	1	(SUB L57054)	
12	T22381	WASHER	2		
13	R34352	SPRING	2		
14	19H2023	CAP SCREW	2	3/8" X 3-1/4"	
15	37H24	SCREW	4	1/4" X 3/4"	
16	M2392T	CLAMP	1	(SUB TY22470)	
17	T22500	HOSE	1		
18	T22375	FOAM PAD	2		
19	AT13740	DRAIN VALVE	1	1/4"	
20	AL31503	RADIATOR	1	(SUB FOR AL38373) (SUB AL39290 AND AL38374)	
21	L36976	FOAM PAD	1	(SUB L57559)	
22	AT27585	CAP	1		
	AL38374	FILLER CAP	1	(USE WITH AL39290)	

1C6

ENGINE

RWP6321 -UN-01JAN94

RADIATOR OVERFLOW KIT



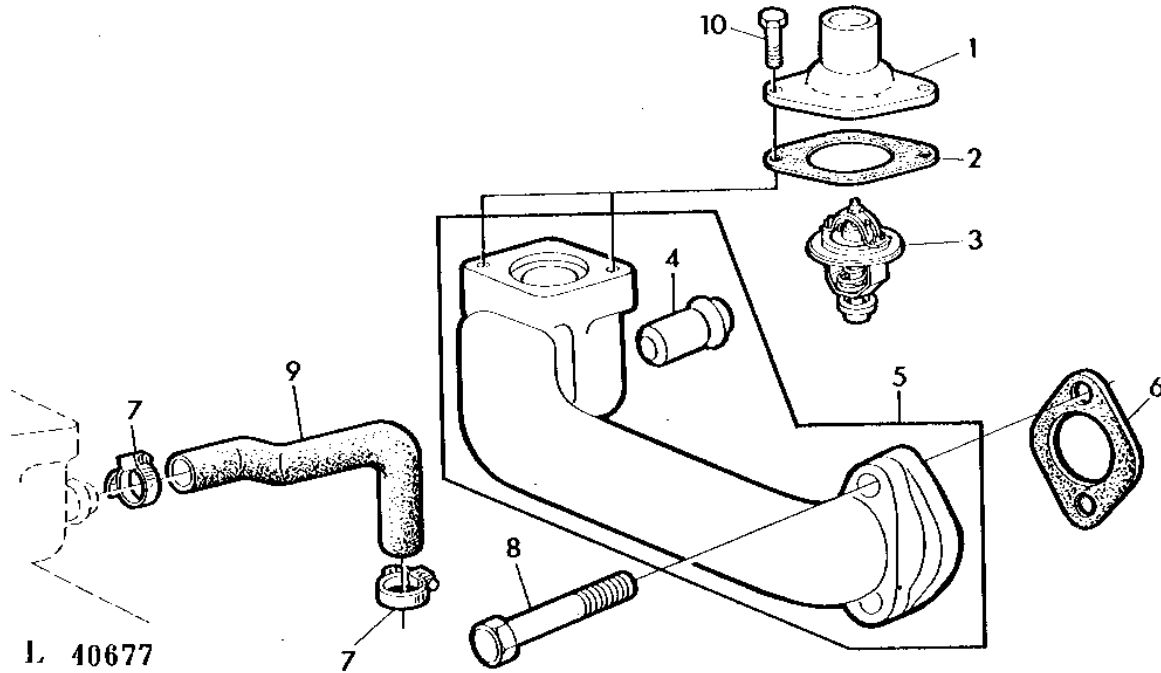
KEY	PART NO.	PART NAME	QTY	TRACTOR SERIAL NO.	REMARKS
1	R67035	HOSE	1		
2	T12250	CLIP	2		
3	19H1900	CAP SCREW	2	5/16" X 3/4"	

1C7

ENGINE

L40677 -UN-01JAN94

THERMOSTAT



KEY	PART NO.	PART NAME	QTY	ENGINE SERIAL NO.	REMARKS
1	R70736	COVER	1		(SUB R97876 AND R97877)
2	T20215	GASKET	1		
3	AR61538	THERMOSTAT	1		82°C (180°F)
4	R34985	LINE	1		
5	AR92905	HOUSING	1		(SUB AR100178 AND (2) 15H624)
6	T20219	GASKET	1		
7	AR21839	CLAMP	2		(SUB TY22467)
8	19H1726	CAP SCREW	2		3/8" X 2-1/4"
9	R70737	HOSE	1		
10	19H1732	CAP SCREW	2		3/8" X 1-1/4"

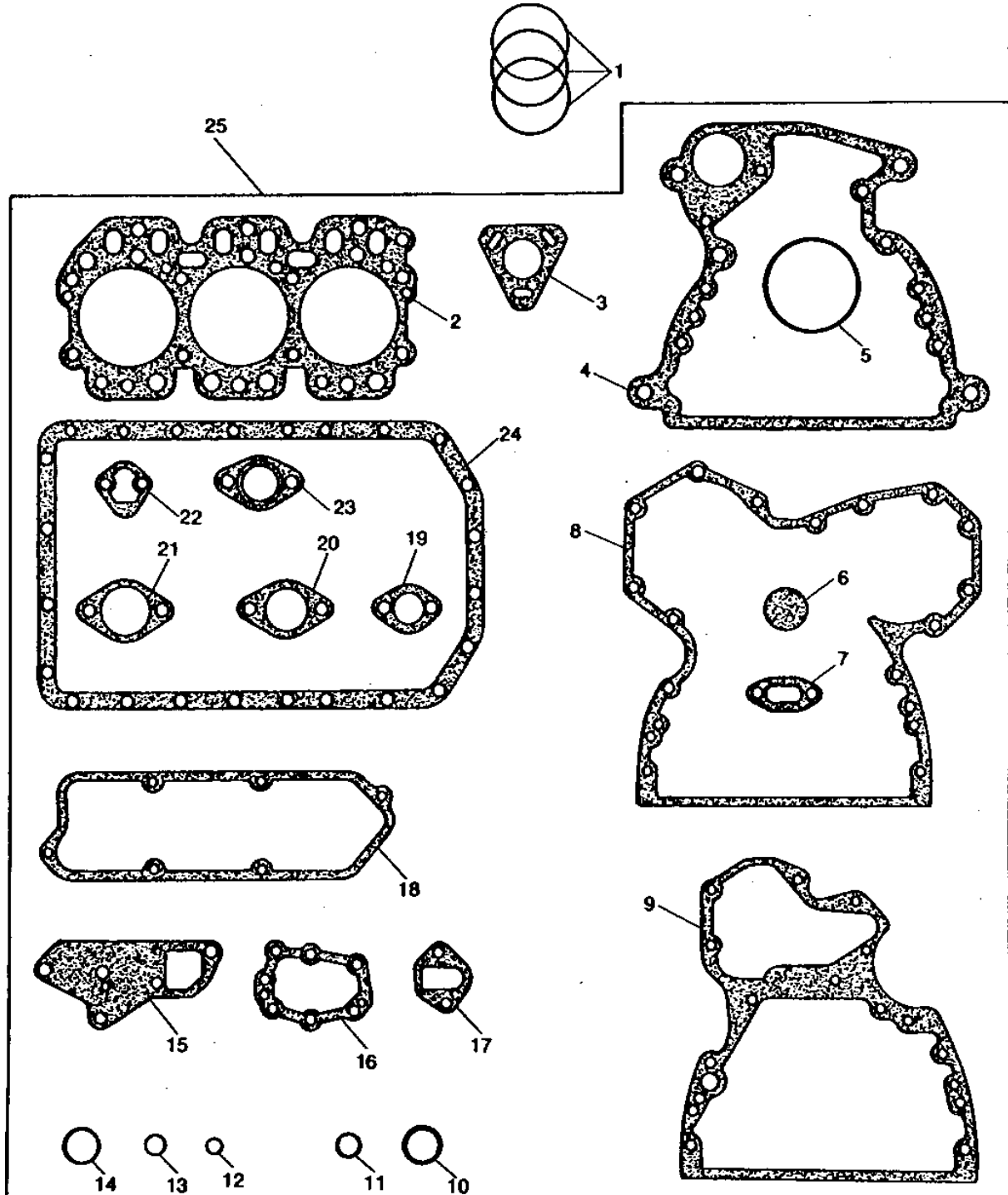
1C8

ENGINE

RXP8082

-UN-01JAN94

ENGINE OVERHAUL GASKET KIT



RXP8082

1C9

ENGINE

ENGINE OVERHAUL GASKET KIT - CONTINUED

KEY	PART NO.	PART NAME	QTY	ENGINE SERIAL NO.	REMARKS
1	AR65507	O-RING KIT	3		
2	R97356	GASKET	1		(SUB FOR R64151, R97356, R59447 OR R80241)
3	R97354	GASKET	1		(SUB FOR R77126 OR T24460)
4	R97351	GASKET	1		(SUB FOR T23596 OR R70743)
5	R70956	WASHER	1		(SUB FOR R55434)
6	T20328	GASKET	1		
7	R97352	GASKET	1		
8	R97454	GASKET	1		(SUB FOR T20155)
9	R90648	GASKET	1		(SUB FOR T24965 OR R73140)
10	T13213	WASHER	1		
11	T20304	WASHER	1		TACHOMETER DRIVE SHAFT
12	R87627	O-RING	6		
13	R74354	O-RING	1		OIL PUMP OUTLET TUBE
14	R56463	O-RING	1		
15	T20243	GASKET	1		
16	T20273	GASKET	1		
17	R125066	GASKET	1		(SUB FOR T20364, R78366, R69260 OR R97773)
18	R75729	GASKET	1		(ALSO ORDER (6) AR100124) (SUB FOR T20111)
19	T20219	GASKET	1		
20	T20215	GASKET	1		
21	R81275	GASKET	1		
22	R97350	GASKET	1		(SUB FOR R27285)
23	R90658	GASKET	3		(SUB FOR T20006)
24	T24534	GASKET	1		(SUB R119359)
25	RE38853	GASKET KIT	1		(ALSO ORDER (3) AR65507, (6) AR100124, AR67942 AND RE24959) (SUB FOR AR97187, AR102298, RE16912 OR RE37492)

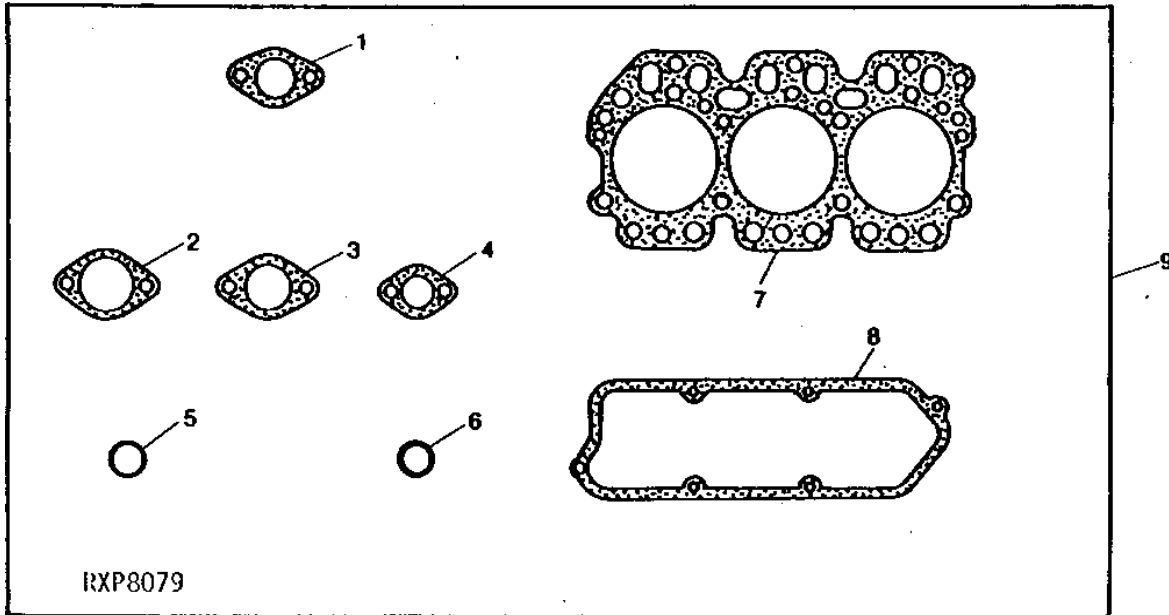
1C10

ENGINE

RXP8079

-UN-01JAN94

CYLINDER HEAD GASKET KIT



KEY	PART NO.	PART NAME	QTY	ENGINE SERIAL NO.	REMARKS
1	R90658	GASKET	3		EXHAUST MANIFOLD
2	R81275	GASKET	1		AIR INLET
3	T20215	GASKET	1		THERMOSTAT COVER
4	T20219	GASKET	1		THERMOSTAT HOUSING
5	R56463	O-RING	1		VENT TUBE
6	R87627	O-RING	6		
7	R97356	GASKET	1		CYLINDER HEAD
8	R75729	GASKET	1		ROCKER ARM COVER, (ALSO ORDER (6) AR100124)
9	RE38850	GASKET KIT	1		(ALSO ORDER (6) AR100124) (SUB FOR AR71990, AR79920, AR102297, RE16911 OR RE37489)

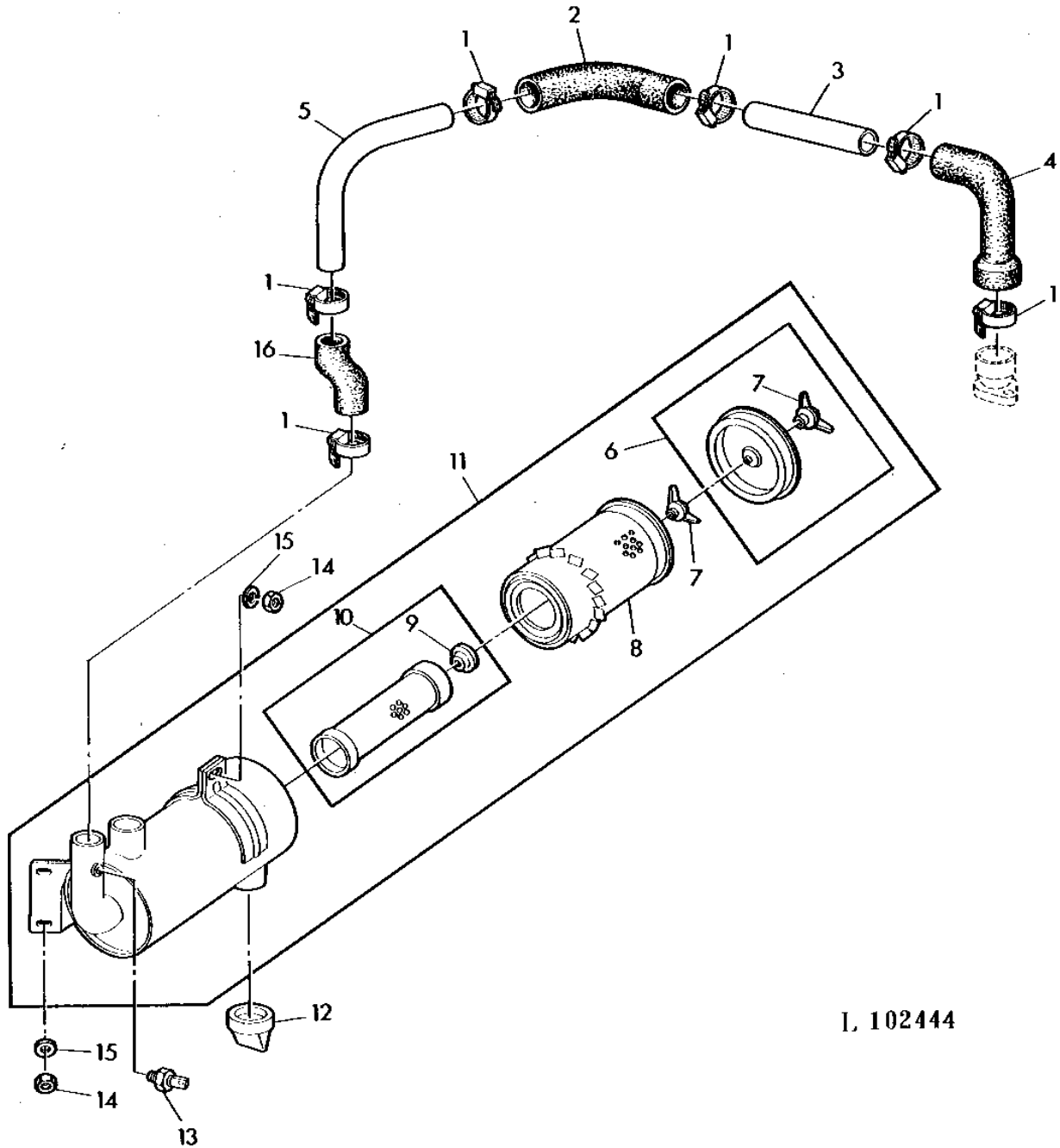
MEMORANDA

1C13

FUEL AND AIR

L102444 -UN-01JAN94

AIR CLEANER



I, 102444

1C14

FUEL AND AIR

AIR CLEANER - CONTINUED

KEY	PART NO.	PART NAME	QTY	TRACTOR SERIAL NO.	REMARKS
1	AR21999	CLAMP	6		
2	L34634	HOSE	1		
3	L34650	TUBE	1		
4	L34635	HOSE	1		
5	L34633	TUBE	1		
6	AT24438	COVER	1	(SUB AT81398)	
7	AH20849	WING NUT	2		
8	AR84228	FILTER ELEMENT	1		
9	R48567	NUT	1	(SUB AL37975)	
10	AE31724	FILTER ELEMENT	1		
11	AL27156	AIR CLEANER	1	(ALSO ORDER AE31724) (SUB AL28179)	
	L39939	LABEL	1		
12	T23262	VALVE	1	(SUB T23263)	
13	RE17515	SENSOR	1	(SUB FOR AL24194 OR AL32975)	
14	14M7273	NUT	3	M8	
15	24M7055	WASHER	3	8.400 X 16 X 1.600 MM	
16	L34646	HOSE	1		

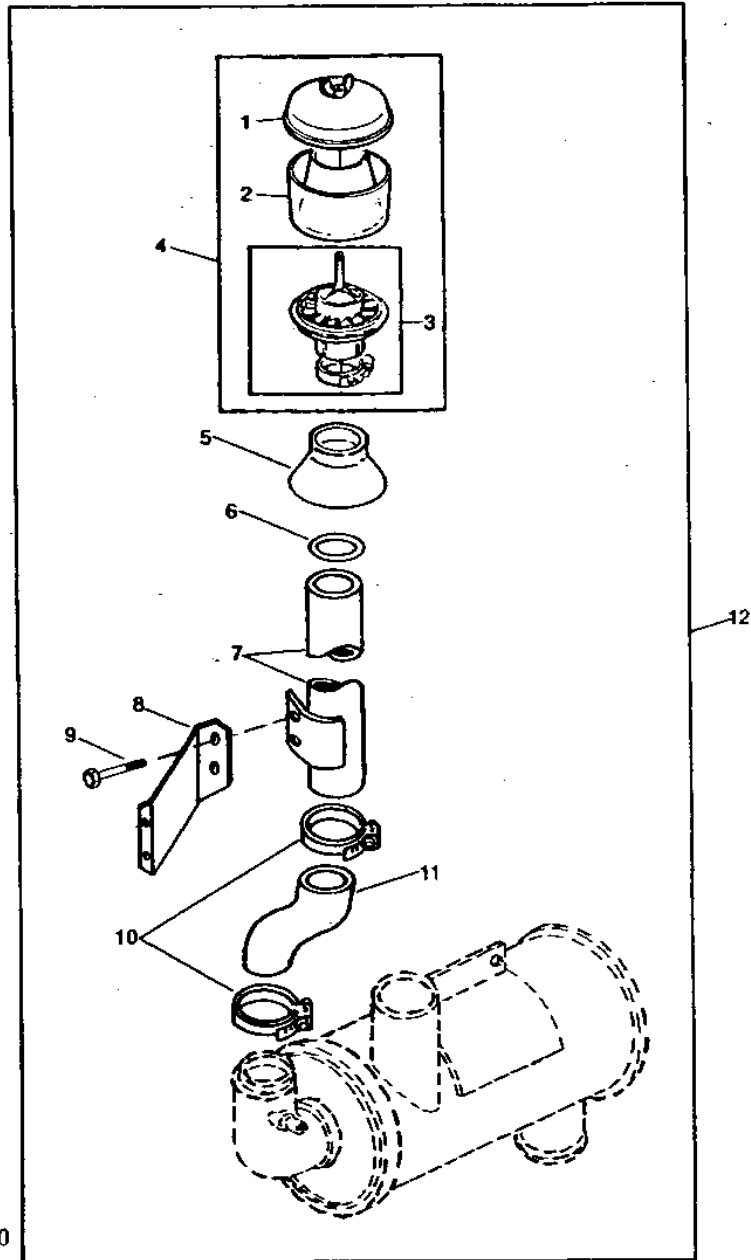
1C15

FUEL AND AIR

RXP8070

-UN-01JAN94

AIR INTAKE PRE-CLEANER



RXP8070

1C16

FUEL AND AIR

AIR INTAKE PRE-CLEANER - CONTINUED

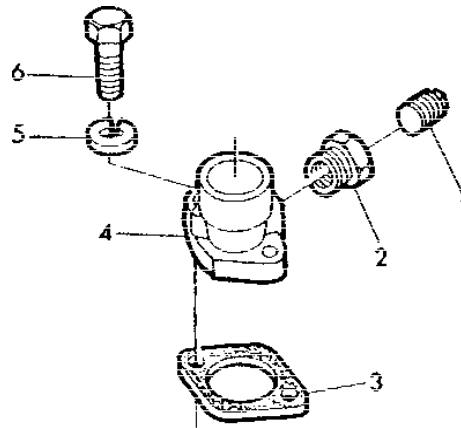
KEY	PART NO.	PART NAME	QTY	TRACTOR SERIAL NO.	REMARKS
1	AL37364	COVER	1		(SUB FOR AF3583R) (SUB AL63309)
2	L60631	BOWL	1		(SUB FOR R28794)
3	AL63298	BASE	1		(SUB FOR AL37365 OR L41855)
4	AL39934	PRESCREENER	1		(SUB FOR AF3580R OR AL37357)
5	R57119	SEAL	1		
6	L35826	GROMMET	1		
7	AL31643	PIPE	1		(SUB AL37358)
8	L34632	SUPPORT	1		(SUB AL35931)
9	19H2021	CAP SCREW	2		3/8" X 5/8"
10	TY22473	CLAMP	2		(SUB FOR AR21841)
11	L34631	HOSE	1		
12	AR99576	AIR CLEANER	1		

1C17

FUEL AND AIR

R33978 -UN-01JAN94

AIR INTAKE MANIFOLD



R33978

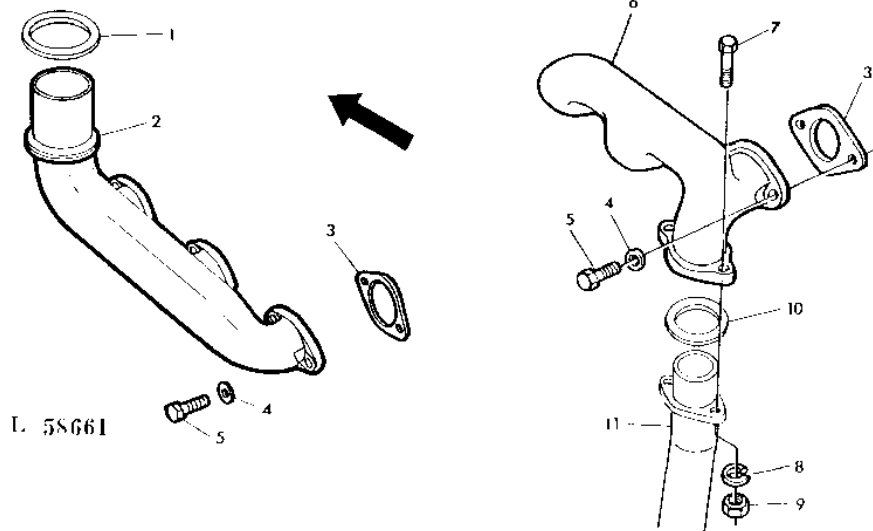
KEY	PART NO.	PART NAME	QTY	ENGINE SERIAL NO.	REMARKS
1	15H255	PIPE PLUG	1	3/8"	
2	T27986	FITTING	1		
3	R81275	GASKET	1	(SUB FOR T20159)	
4	R56455	FILLER NECK	1		
5	12H304	LOCK WASHER	2	3/8"	
6	19H1732	CAP SCREW	2	3/8" X 1-1/4"	

1C18

FUEL AND AIR

L58661 -UN-01JAN94

EXHAUST MANIFOLD



L 58661

KEY	PART NO.	PART NAME	QTY	ENGINE SERIAL NO.	REMARKS
1	T20141	SEAL	1		(SUB R98844)
2	T20252	EXHAUST MANIFOLD	1		VERTICAL MUFFLER
3	R90658	GASKET	3		(SUB FOR T20006)
4	24M7106	WASHER	6		10 X 18 X 2.500 MM
5	19H1732	CAP SCREW	6		3/8" X 1-1/4"
6	T20257	EXHAUST MANIFOLD	1		HORIZONTAL MUFFLER
7	19H2733	CAP SCREW	2		3/8" X 2-3/8"
8	12H304	LOCK WASHER	2		3/8"
9	14H1076	NUT	2		3/8"
10	51M4249	RING	1		3/8 X 44 X 2.5MM
11	AT20154	EXHAUST PIPE	1		

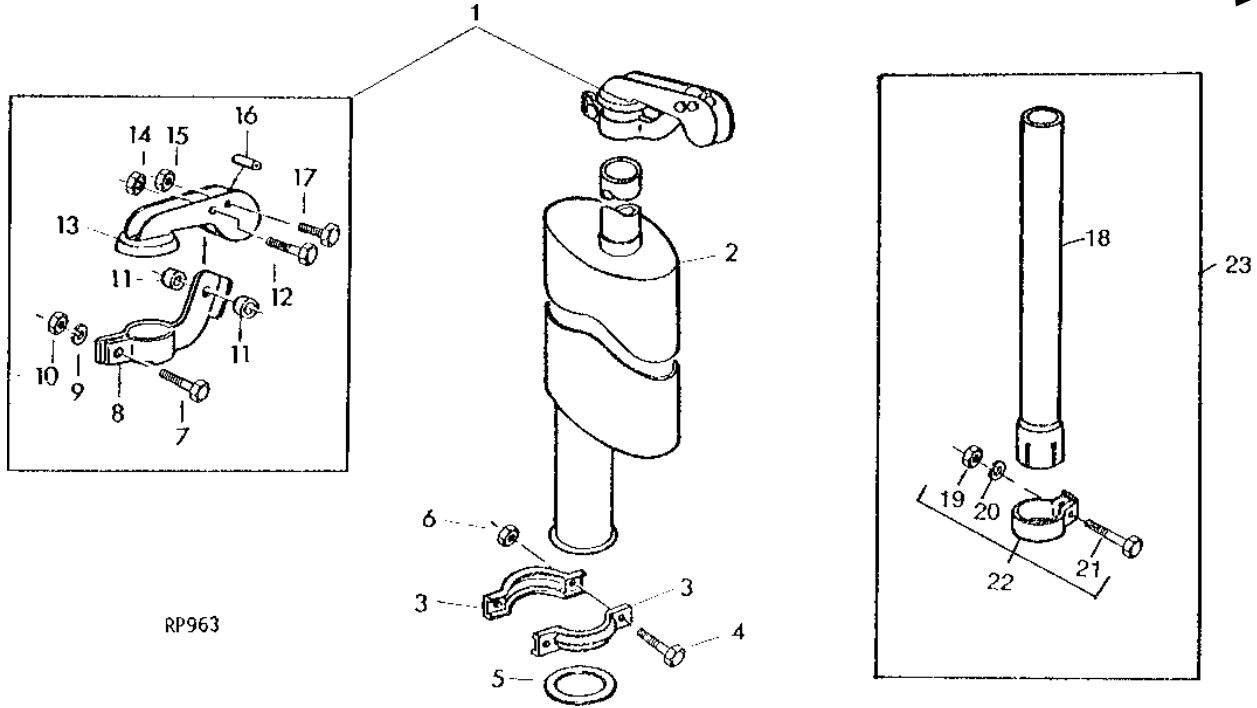
MEMORANDA

1C19

FUEL AND AIR

RP963 -UN-01JAN94

VERTICAL MUFFLER



RP963

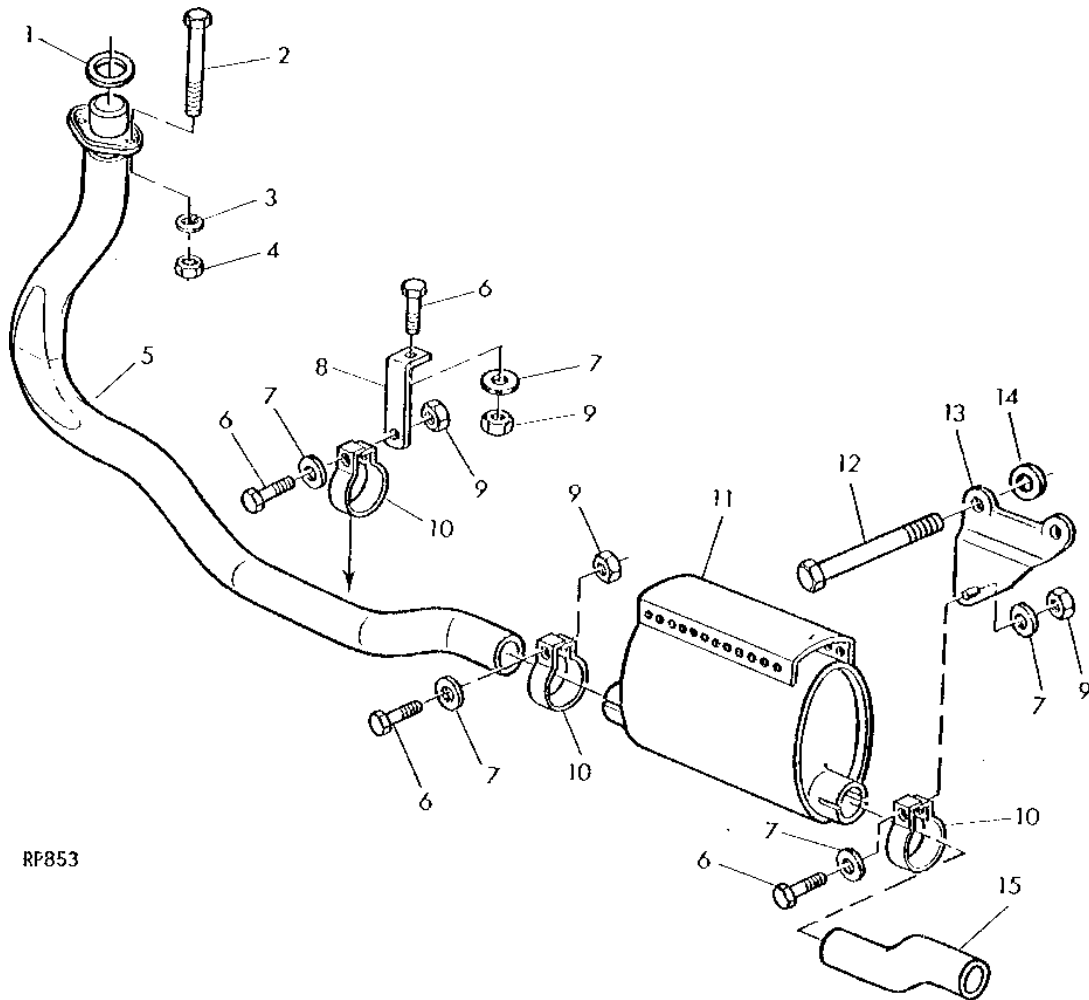
KEY	PART NO.	PART NAME	QTY	TRACTOR SERIAL NO.	REMARKS
1	AR56782	EXHAUST CAP	1		
2	AT21689	MUFFLER	1		
3	AT63813	HALF CLAMP	2		(SUB FOR T19978)
4	19H3552	CAP SCREW	2		5/16" X 1-1/2"
5	T20141	SEAL	1		
6	14H785	NUT	2		5/16"
7	19M7163	CAP SCREW	1		M8 X 25
8	AR56782	EXHAUST CAP	1		(SUB FOR AL18236)
9	12M7065	LOCK WASHER	1		M8
10	14M6273	NUT	1		
11	L24921	SPACER	2		
12	19M7177	CAP SCREW	1		M6 X 35
13	AL18047	EXHAUST CAP	1		
14	14M7272	NUT	1		M6
15	14M7297	NUT	1		M5
16	L24922	SPACER	1		
17	19M7176	CAP SCREW	1		M5 X 35
18	R38358	EXHAUST PIPE	1		
19	14H785	NUT	1		5/16"
20	12H303	LOCK WASHER	1		5/16"
21	19H1849	CAP SCREW	1		5/16" X 1-1/4"
22	AR38398	CLAMP	1		
23	AR38397	MUFFLER EXTENSION	1		(WITH CANOPY)

1C20

FUEL AND AIR

RP853 -UN-01JAN94

HORIZONTAL MUFFLER



RP853

1C21

FUEL AND AIR

HORIZONTAL MUFFLER - CONTINUED

KEY	PART NO.	PART NAME	QTY	TRACTOR SERIAL NO.	REMARKS
1	51M4249	RING	1		38 X 44MM
2	19H1819	CAP SCREW	2		3/8" X 2-1/8"
3	12H304	LOCK WASHER	2		3/8"
4	14H1076	NUT	2		3/8"
5	AL31927	EXHAUST PIPE	1	-394823	
	AL34937	EXHAUST PIPE	1	394824-	
6	19M7407	CAP SCREW	4		M8 X 25
7	24M7055	WASHER	5		8.400 X 16 X 1.600 MM
8	L35128	ANGLE	1		
9	14M7273	NUT	4		M8
10	R66684	CLAMP	3		(SUB RE54186)
11	AL32213	MUFFLER	1		
12	19H1974	CAP SCREW	2		1/2" X 2-3/4"
13	L35127	HOLDER	1		
14	28H1597	WASHER	2		0.546" X 0.840" X 3/8"
15	L35126	EXHAUST PIPE	1		

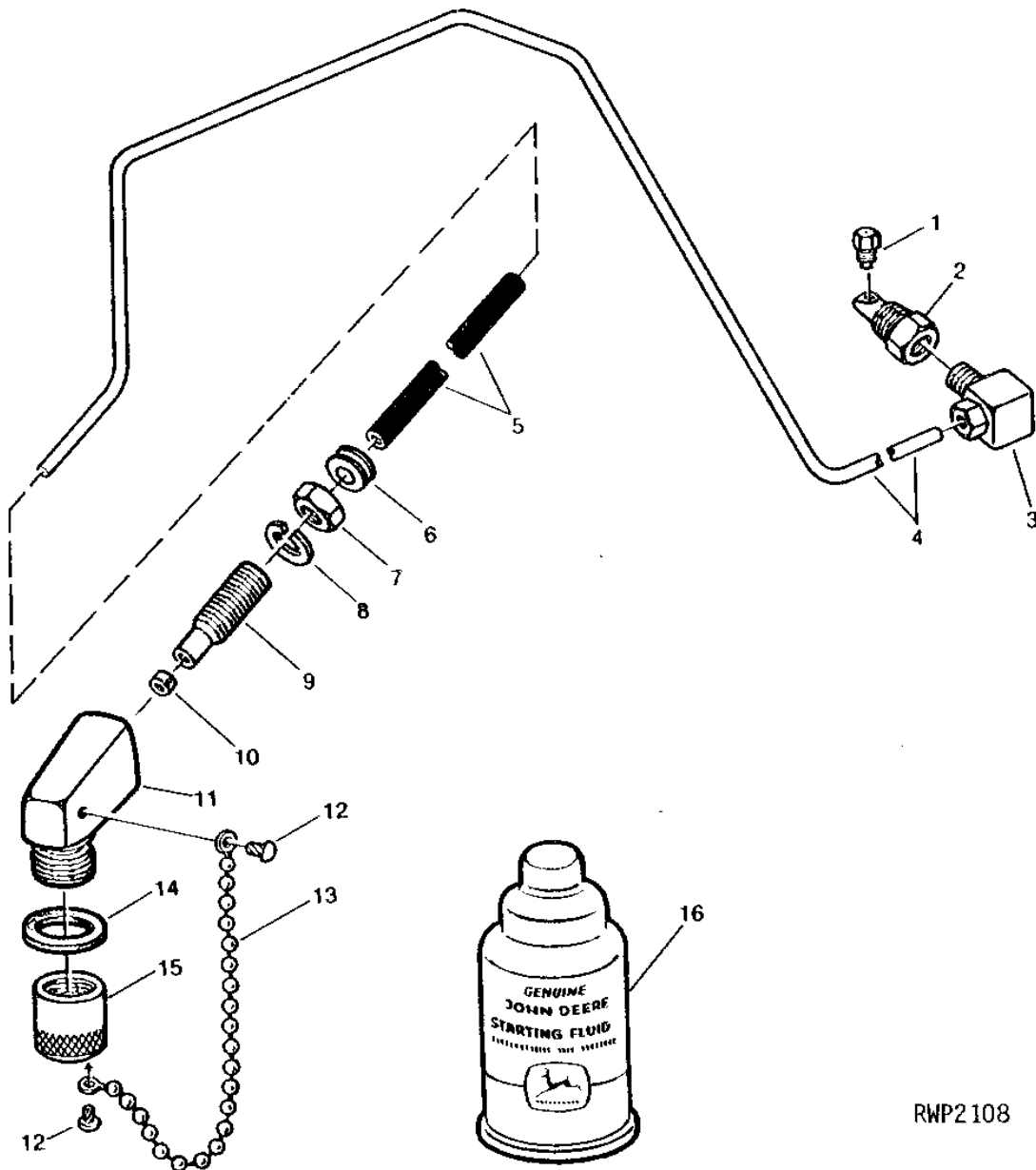
1C22

FUEL AND AIR

RWP2108

-UN-01JAN94

COLD WEATHER STARTING AID



RWP2108

1C23

FUEL AND AIR

COLD WEATHER STARTING AID - CONTINUED

KEY	PART NO.	PART NAME	QTY	TRACTOR SERIAL NO.	REMARKS
1	R28583	NOZZLE	1		
2	R47160	NOZZLE HOLDER	1		
3	RE21790	ELBOW FITTING	1		(SUB FOR AT25266)
4	L35004	LINE	1		
5	HOSE	1		635MM (25") (MAKE FROM T79479) (SUB FOR T64421)
6	R27180	GROMMET	1		
7	14H1040	NUT	1	1/2"	
8	12H301	LOCK WASHER	1	1/2"	
9	R34395	ADAPTER	1		
10	R34394	WASHER	1		
11	T22534	ADAPTER	1		
12	37H44	SCREW	2	0.151" X 3/8"	
13	AR27940	LINK CHAIN	1		
14	R26149	PACKING	1		
15	R32306	CAP	1		
16	RE30174	STARTING FLUID	1		(SUB FOR AR27814 OR RE24561) (SUB RE33636)

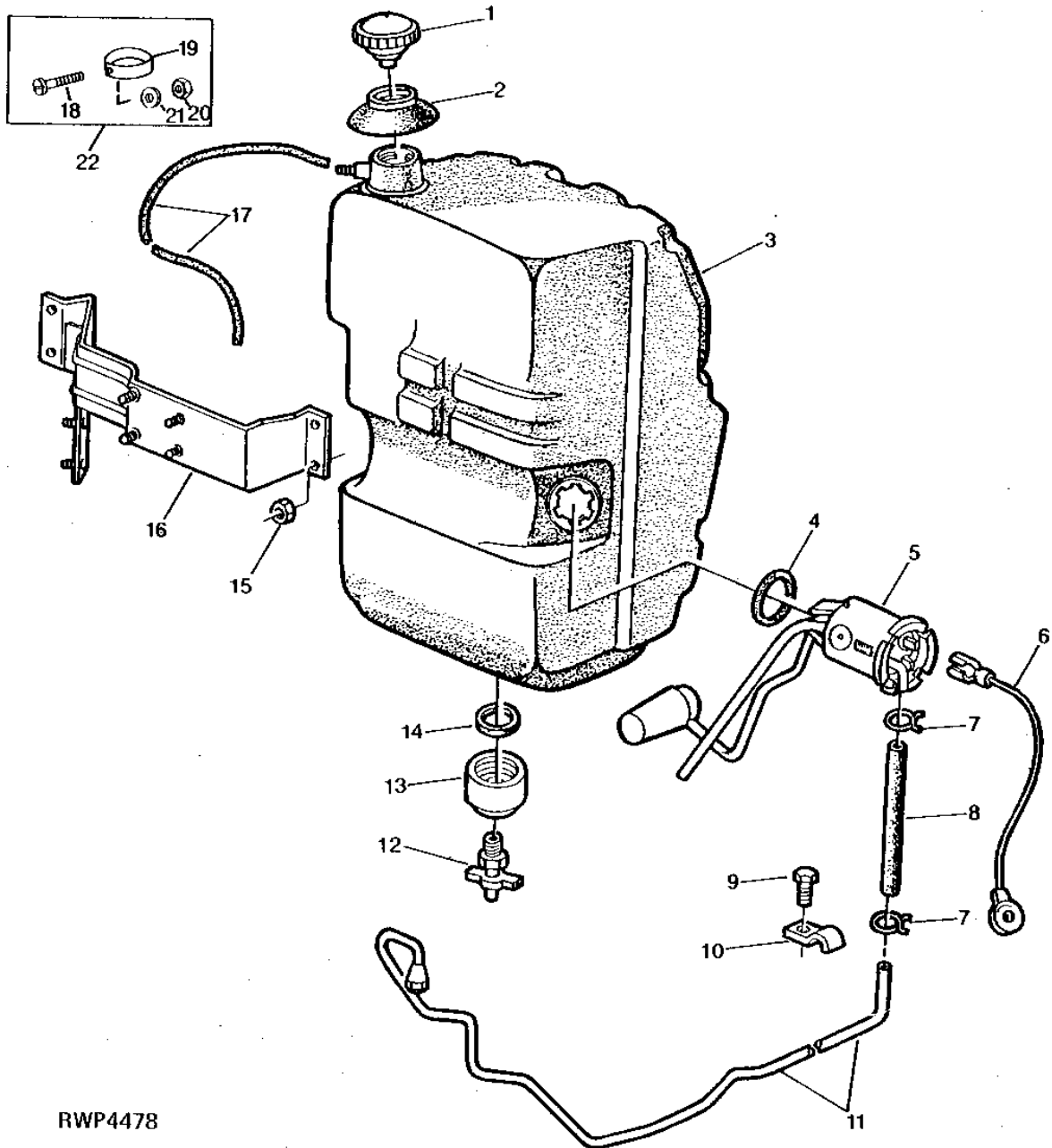
1C24

FUEL AND AIR

RWP4478

-UN-01JAN94

FUEL TANK



RWP4478

1C25

FUEL AND AIR

FUEL TANK - CONTINUED

KEY	PART NO.	PART NAME	QTY	TRACTOR SERIAL NO.	REMARKS
1	AL34678	FILLER CAP	1		(SUB FOR AL31274)
2	L34794	PACKING	1		(SUB L56921)
3	AL38852	FUEL TANK	1		(SUB FOR AL31038, AL35465 OR AL37381)
4	L33601	O-RING	1		
5	AL38313	SENDER	1		(SUB FOR AL33497)
6	AT24549	WIRING LEAD	1		
7	AR48236	CLAMP	2		(SUB TY22462)
8	R66067	HYDRAULIC HOSE	1		
9	19H2038	CAP SCREW	1		3/8" X 1/2"
10	A4881R	CLIP	1		
11	AL33883	FUEL LINE	1		(SUB FOR AL31270)
12	AT13740	DRAIN VALVE	1		
13	L35187	ADAPTER	1		
14	R42879	WASHER	1		
15	14M7273	NUT	4		M8
16	AL31434	HOLDER	1		
17	L34848	HOSE	1		(MAKE FROM T79477)
18	21M7255	SCREW	1		M3 X 12
19	L38840	RING	1		
20	14M7030	NUT	1		M3
21	24M7029	SHIM	1		0.500 MM
22	AL36635	SEAL	1		

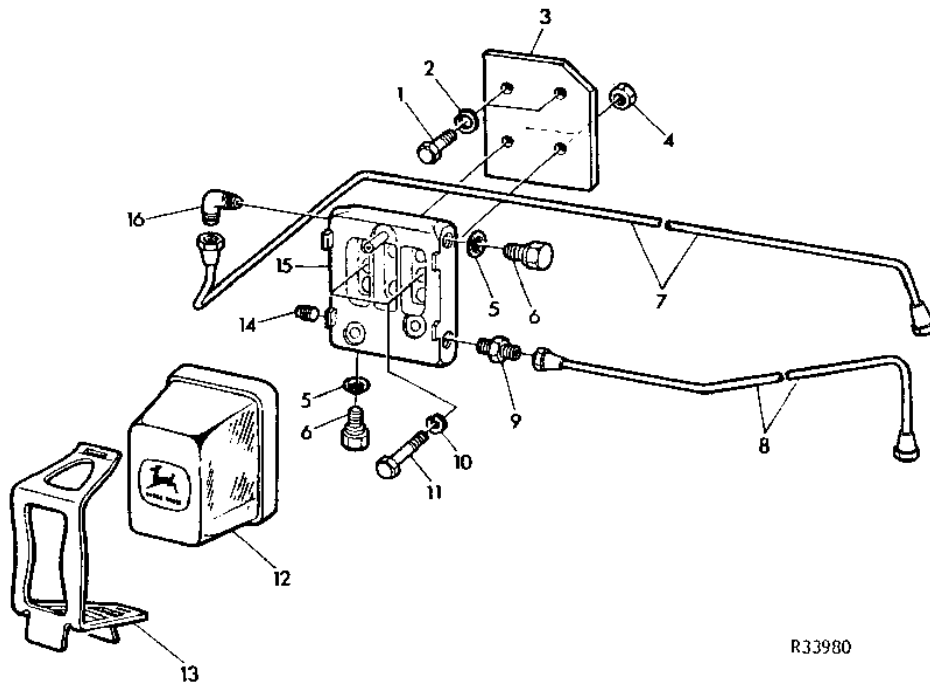
1D1

FUEL AND AIR

R33980

-UN-01JAN94

FUEL FILTER



R33980

1D2

FUEL AND AIR

FUEL FILTER - CONTINUED

KEY	PART NO.	PART NAME	QTY	ENGINE SERIAL NO.	REMARKS
1	19H2284	CAP SCREW	2		
2	12H304	LOCK WASHER	2	3/8" X 7/8"	
3	R54998	BRACKET	1	3/8"	
4	14H1076	NUT	2	3/8"	
5	R34447	WASHER	2		
6	R48071	DRAIN PLUG	2		
7	AR67091	FUEL LINE	1		
8	AR63653	FUEL LINE	1		
9	R27346	FITTING	1		
10	24M7096	WASHER	2	10.500 X 18 X 1.600 MM	
11	19H1731	CAP SCREW	2	3/8" X 1"	
12	AR50041	FUEL FILTER	1		
13	R66821	CLAMP	1	(SUB FOR R57258)	
14	15H558	PIPE PLUG	1	1/8"	
15	AR50040	HOUSING	1		
16	T30738	ELBOW FITTING	1		

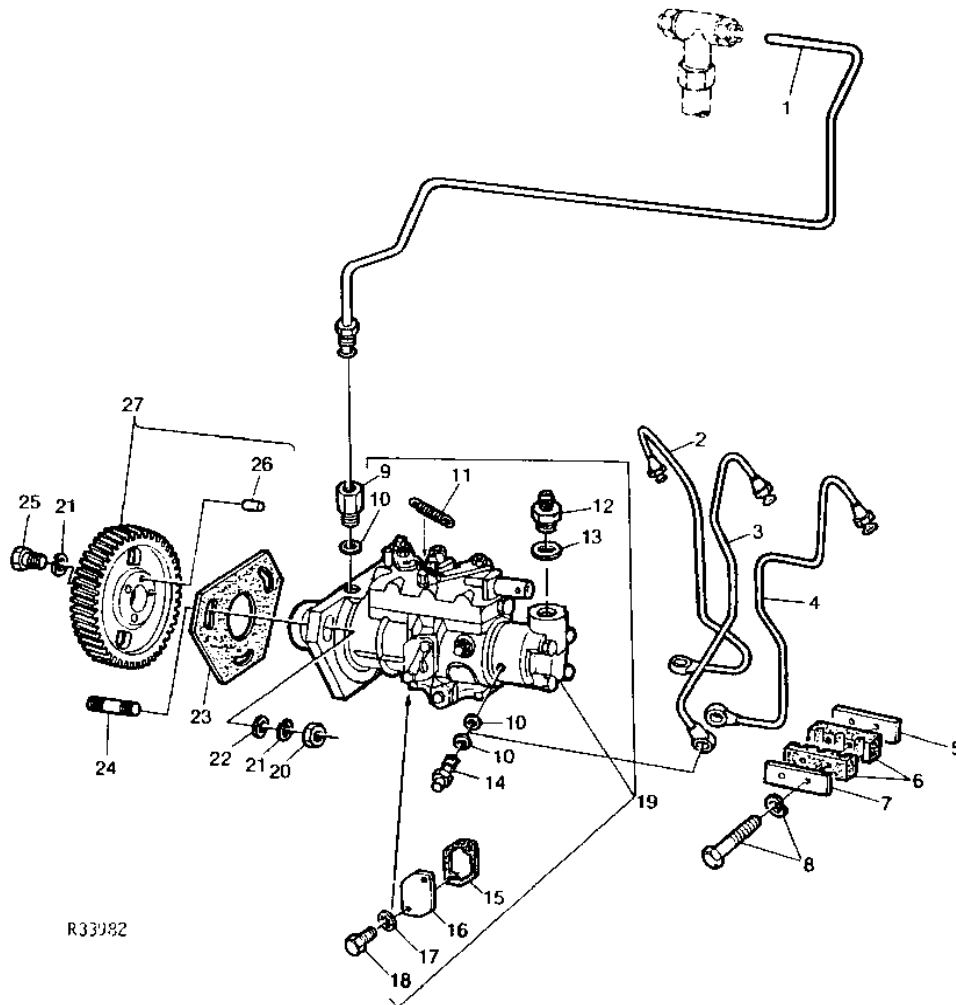
1D3

FUEL AND AIR

R33982

-UN-01JAN94

FUEL INJECTION PUMP



1D4

FUEL AND AIR

FUEL INJECTION PUMP - CONTINUED

KEY	PART NO.	PART NAME	QTY	ENGINE SERIAL NO.	REMARKS
1	AR89841	LINE	1		
2	AR80332	FUEL LINE	1	NO. 1	
3	AR67003	FUEL LINE	1	NO. 2	
4	AR67004	FUEL LINE	1	NO. 3	
5	R61145	STRAP	1	(ALSO ORDER (2) AR76704)	
6	R59297	HALF CLAMP	2		
7	R59298	STRAP	1		
8	AR76704	SCREW	2	(ALSO ORDER R61145)	
9	AR76102	CHECK VALVE	1	(SUB RE11602)	
10	T20055	WASHER	7		
11	T26058	SPRING	1		
12	T24607	ADAPTER	1	(SUB R79015)	
13	T24608	WASHER	1		
14	AT29464	VALVE	3		
15	T24543	GASKET	1	(SUB R105529 AND R105530)	
16	T24542	COVER	1	(SUB R105529 AND R105530)	
17	12M7060	WASHER	2	0.209"	
18	R81685	SPRING	NA		
19	AR91769	FUEL INJECTION PUMP	1	-XXXXXX	(A) ROTO-DIESEL R3432F700, (SUB AR91768)
	RE11312	FUEL INJECTION PUMP	1	XXXXXX-	(A) ROTO-DIESEL R3432F800
20	14H785	NUT	3		5/16"
21	12H303	LOCK WASHER	6		5/16"
22	24H1243	WASHER	3		11/32" X 5/8" X 1/16"
23	T24460	GASKET	1	-XXXXXX	
	R77126	GASKET	1	XXXXXX-	(USE WITH RE11312) (SUB R97354)
24	T23442	STUD	3		
25	19H2551	CAP SCREW	3		5/16" X 3/4"
26	T28030	DOWEL PIN	1	-XXXXXX	
27	AR85710	GEAR	1	-XXXXXX	
	R76964	PINION	1	XXXXXX-	(USE WITH RE11312)

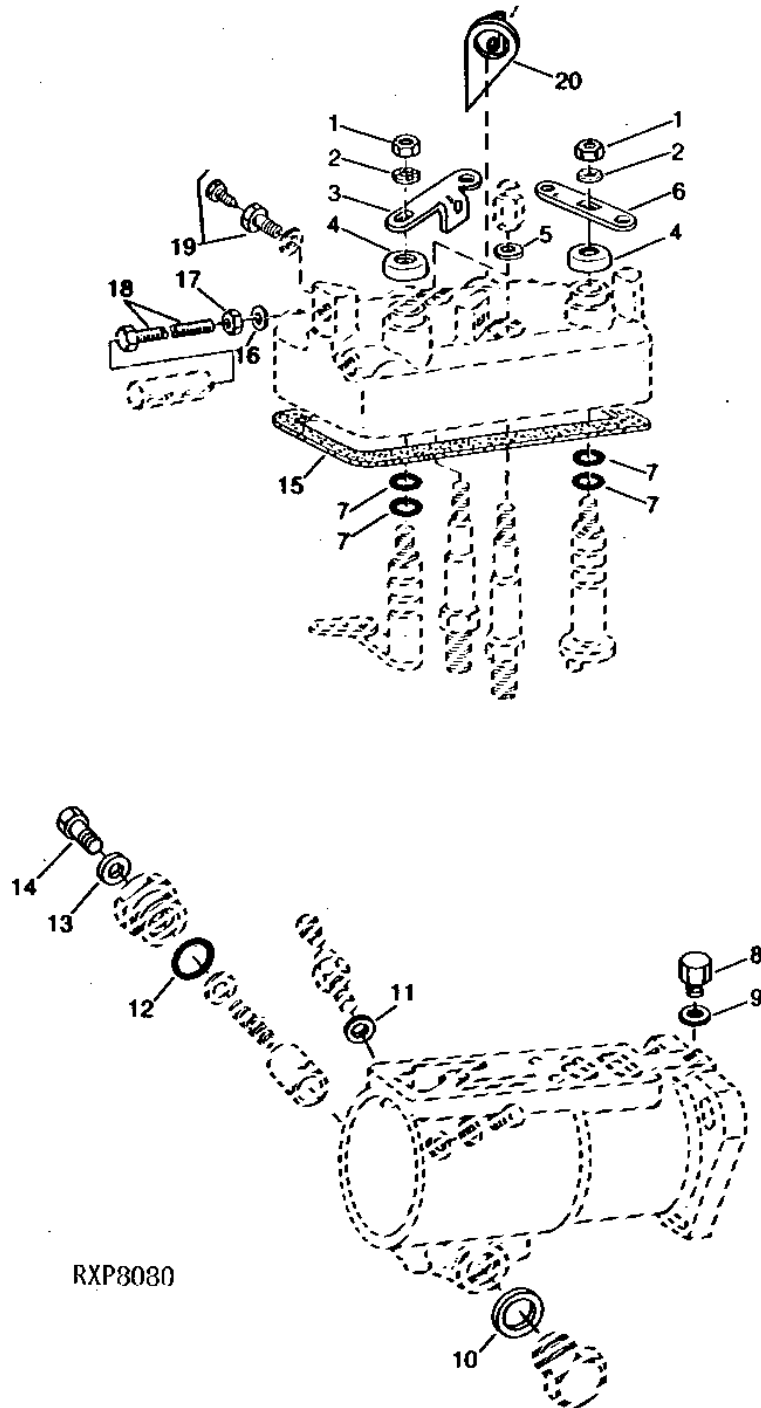
(A) SEE YOUR AUTHORIZED DIESEL SERVICE CENTER FOR PARTS NOT AVAILABLE.

1D5

FUEL AND AIR

RXP8080 -UN-01JAN94

FUEL INJECTION PUMP PARTS



1D6

FUEL AND AIR

FUEL INJECTION PUMP PARTS - CONTINUED

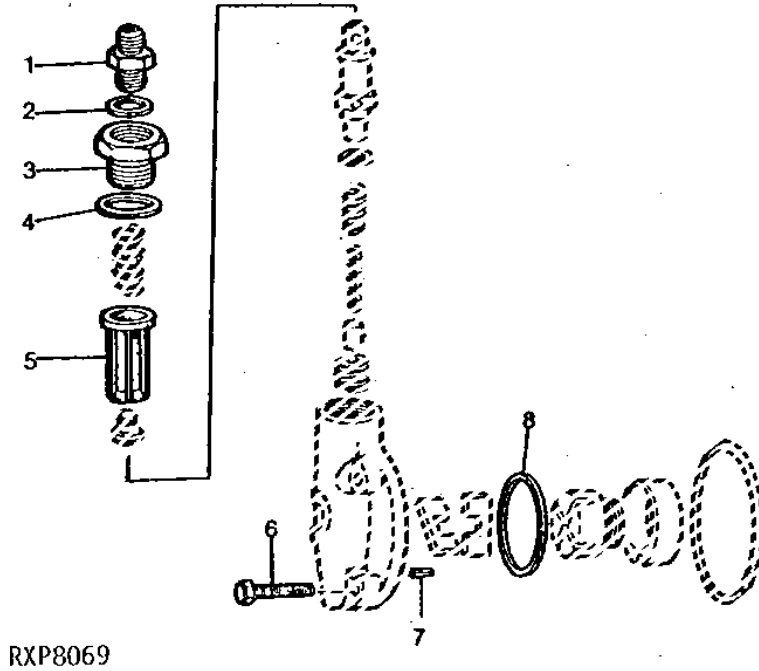
KEY	PART NO.	PART NAME	QTY	TRACTOR SERIAL NO.	REMARKS
1	T24589	NUT	2		
2	12M7060	WASHER	2	0.209"	
3	T24588	LEVER	1		
4	T24590	CAP	2		
5	T24599	WASHER	2		
6	T30664	LEVER	1		
7	T24647	O-RING	4		
8	AR76102	CHECK VALVE	1	(SUB RE11602)	
9	T20055	WASHER	1		
10	T24650	O-RING	1		
11	T24553	WASHER	2		
12	T24650	O-RING	1		
13	T24627	WASHER	1		
14	T24649	SCREW	1		
15	T24600	GASKET	1		
16	T24604	WASHER	2		
17	T24589	NUT	2		
18	T24605	CAP SCREW	2		
19	AR76101	SCREW	1		
20	R79404	BRACKET	1		FUEL SHUT-OFF CABLE

1D7

FUEL AND AIR

RXP8069 -UN-01JAN94

FUEL INJECTION PUMP TRANSFER GROUP



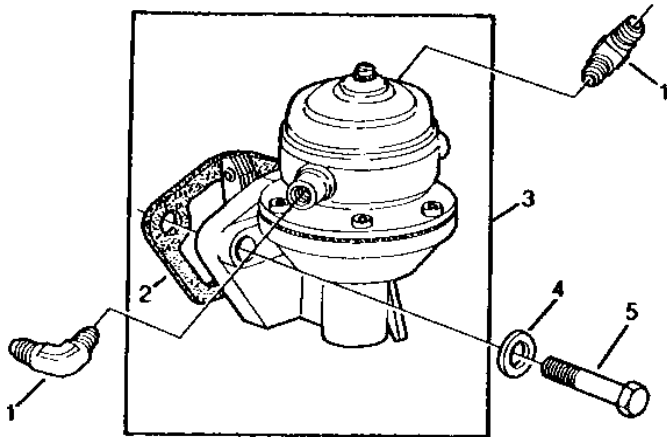
KEY	PART NO.	PART NAME	QTY	ENGINE SERIAL NO.	REMARKS
1	T24607	ADAPTER	1	(SUB R79015)	
2	T24608	WASHER	1		
3	T24620	FITTING	1	(SUB R79015)	
4	T24619	WASHER	1		
5	T24618	FUEL FILTER	1		
6	T24621	SCREW	4		
7	34H240	SPRING PIN	1	1/8" X 1/4"	
8	T24549	WASHER	1		

1D8

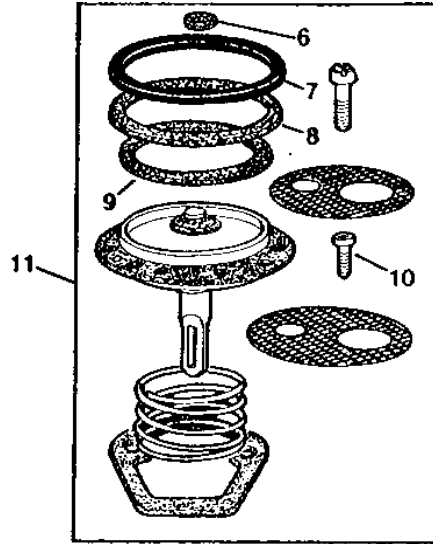
FUEL AND AIR

RXP8335 -UN-01JAN94

FUEL TRANSFER PUMP



RXP8335



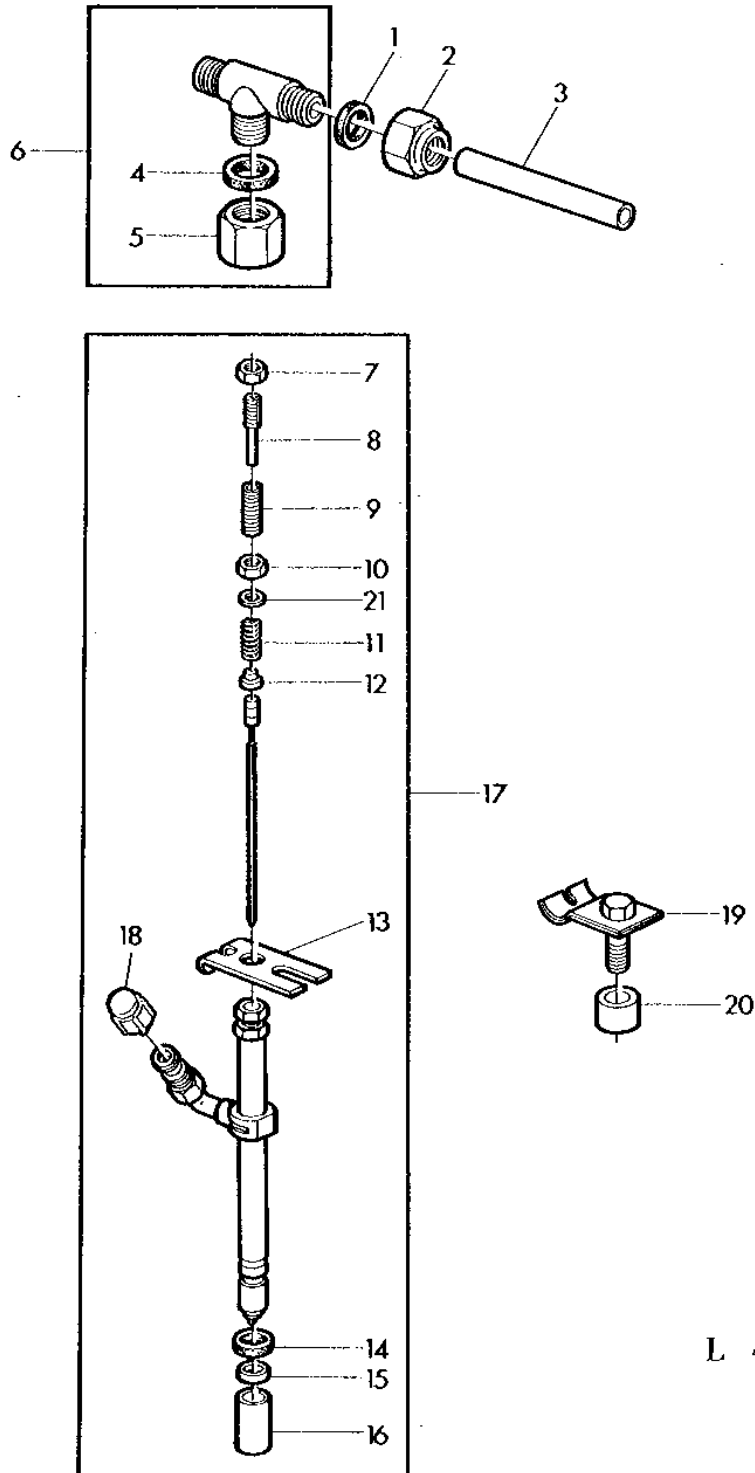
KEY	PART NO.	PART NAME	QTY	TRACTOR SERIAL NO.	REMARKS
1	T30738	ELBOW FITTING	2	90°	
2	R97350	GASKET	1	(SUB FOR R27285)	
3	RE37482	FUEL PUMP	1	(SUB FOR AR55730 OR RE13517)	(SUB RE42211 AND R97350)
4	24H1136	WASHER	2	11/32" X 11/16" X 0.065"	
5	19H1849	CAP SCREW	2	5/16" X 1-1/4"	
6	R75832	GASKET	1		
7	R30409	GASKET	1		
8	R64506	WASHER	1		
9	R40565	WASHER	1		
10	R49266	BOLT	8		
11	RE37463	KIT	1	OVERHAUL, (SUB FOR AR60559 OR RE13517)	(SUB RE42211 AND R97350)

1D9

FUEL AND AIR

L40721 -UN-01JAN94

FUEL INJECTION NOZZLE



L 40721

1D10

FUEL AND AIR

FUEL INJECTION NOZZLE - CONTINUED

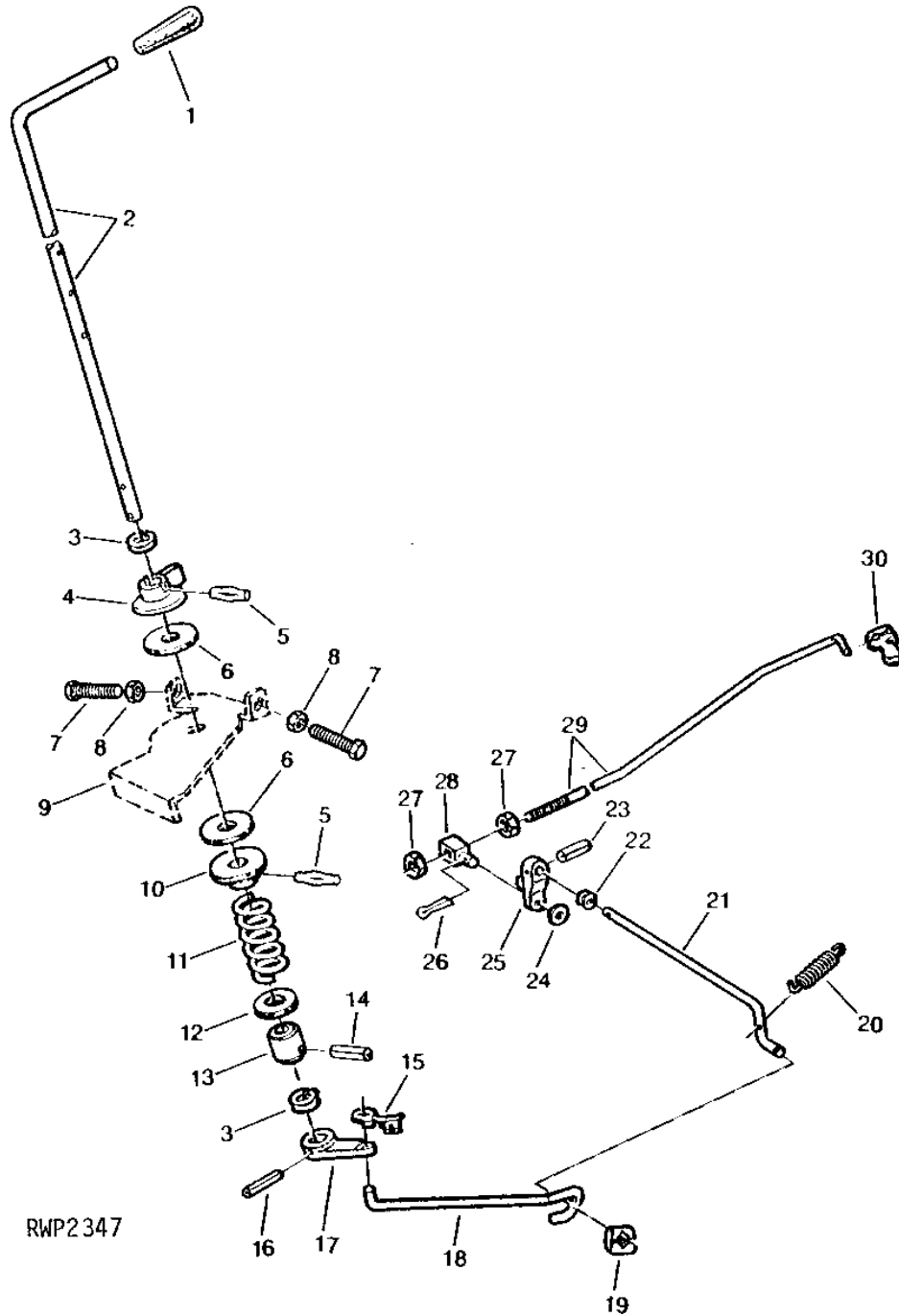
KEY	PART NO.	PART NAME	QTY	ENGINE SERIAL NO.	REMARKS
1	R51936	PACKING	1		
2	R51937	TUBE NUT	1		
3	R66090	TUBE	1		
4	T29539	WASHER	1	(SUB R79605)	
5	T29540	FITTING	1	(SUB R79604)	
6	AR85618	CAP	1	(SUB R79604, R79605 AND R79606)	
7	R47733	LOCK NUT	1		
8	R69443	SCREW	1		
9	R62984	SCREW	1		
10	R46675	NUT	1	(NLA)	
11	R69442	SPRING	1		
12	R62982	GUIDE	1		
13	R67779	CLAMP	1		
14	R34764	WASHER	1		
15	R48000	WASHER	1		
16	T24472	PLUG	1		
17	AR89564	INJECTION NOZZLE	1		
18	T31174	PLUG	1	(NLA)	
19	R34760	CLAMP	1		
20	R60745	SPACER	1		
21	R62981	WASHER	1		

1D11

FUEL AND AIR

RWP2347 -UN-01JAN94

SPEED CONTROL LEVER AND LINKAGE



1D12

FUEL AND AIR

SPEED CONTROL LEVER AND LINKAGE - CONTINUED

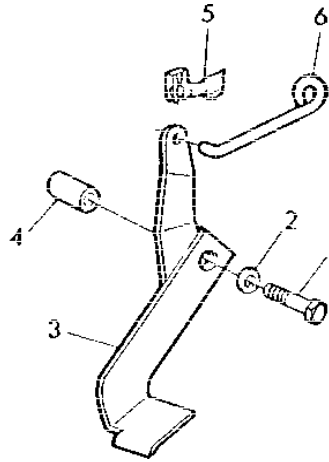
KEY	PART NO.	PART NAME	QTY	TRACTOR SERIAL NO.	REMARKS
1	R54271	KNOB	1		
2	L34422	LEVER	1		
3	R34811	GROMMET	2		
4	L34423	DISK	1		
5	25H747	GROOVE PIN	2		3/16" X 3/4"
6	L41465	WASHER	2		(SUB FOR T22696)
7	19M6755	CAP SCREW	2		M6 X 35
8	14M7272	NUT	2		M6
9	RETAINER	1		(ORDER AL31028)
10	T22698	DISK	1		
11	R26637	SPRING	1		
12	24H1211	WASHER	1		9/16" X 1-3/8" X 0.105"
13	L34424	BUSHING	1		
14	34H387	SPRING PIN	1		3/16" X 3/4"
15	R26524	CLIP	1		
16	34H284	SPRING PIN	1		3/16" X 1-1/4"
17	T22239	LEVER	1		
18	L36653	ROD	1		
19	L28416	NUT	1		
20	L28414	EXTENSION SPRING	1		
21	L28415	ROD	1		
22	T22241	GROMMET	2		
23	34H264	SPRING PIN	1		5/32" X 7/8"
24	24H1286	WASHER	1		9/32" X 1/2" X 1/16"
25	T22240	ARM	1		
26	11M7079	COTTER PIN	1		2.500 X 12 MM
27	14H850	NUT	2		1/4"
28	T22242	SWIVEL	1		(SUB T48835)
29	L35774	ROD	1		(SUB FOR T27349)
30	R26501	CLIP	1		

1D13

FUEL AND AIR

L21955 -UN-01JAN94

FOOT SPEED CONTROL



L21955

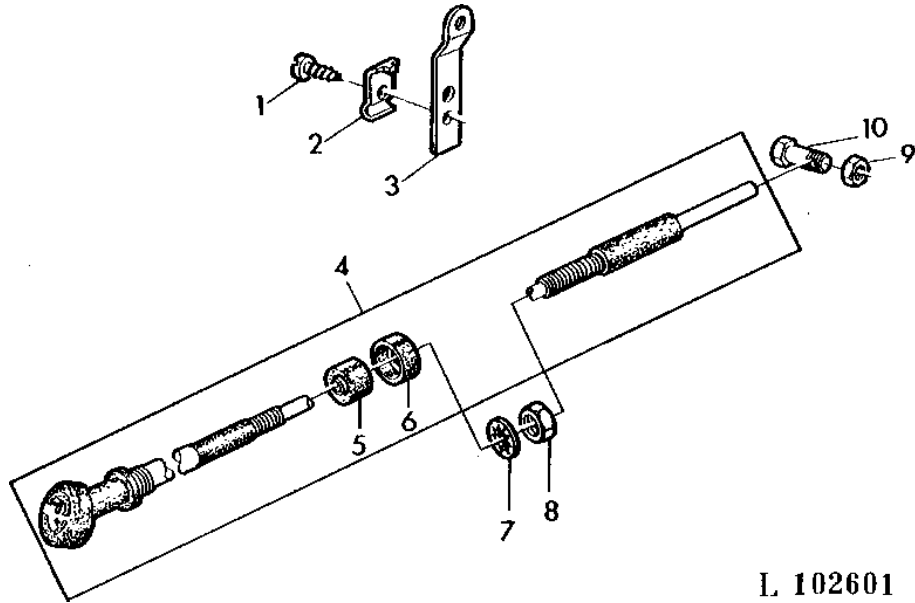
KEY	PART NO.	PART NAME	QTY	TRACTOR SERIAL NO.	REMARKS
1	19H2733	CAP SCREW	1		3/8" X 2-3/8"
2	24H1305	WASHER	1		13/32" X 13/16" X 0.065"
3	AL31899	ACCELERATOR	1		(SUB AR94951)
4	M1339T	SPACER	1		
5	R26524	CLIP	1		
6	L34696	PIN	1		

1D14

FUEL AND AIR

L102601 -UN-01JAN94

SHUT-OFF KNOB



L 102601

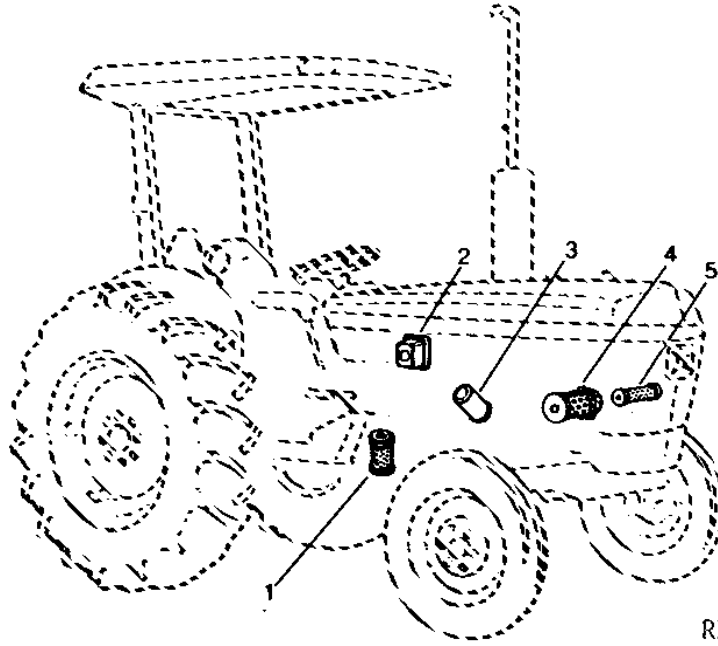
KEY	PART NO.	PART NAME	QTY	TRACTOR SERIAL NO.	REMARKS
1	37H133	SCREW	1		0.164" X 5/8"
2	R53300	CLIP	1		
3	L39315	STRAP	1		
4	RE10596	CABLE	1		WITH SPRING, (SUB FOR AL31683)
	R59082	SPRING	1		
5	L39090	SEAL	1		
6	L39089	CAP	1		
7	12H325	LOCK WASHER	1		7/16"
8	14H934	NUT	1		7/16"
9	14H850	NUT	1		1/4"
10	T29185	BOLT	1		1/4"
..	R44302	TIE BAND	1		

1D15

FUEL AND AIR

RXP8015 -UN-01JAN94

FILTERS



RXP8015

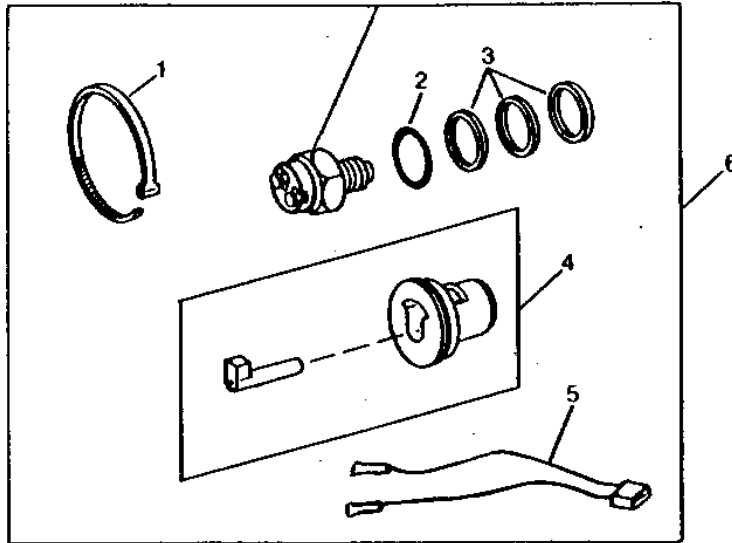
KEY	PART NO.	PART NAME	QTY	TRACTOR SERIAL NO.	REMARKS
1	AR75603	FILTER ELEMENT	1		(TRANSMISSION)
2	AR50041	FUEL FILTER	1		(FUEL)
3	T19044	OIL FILTER	1		(ENGINE)
4	AR84228	FILTER ELEMENT	1		(AIR)
5	AE31724	FILTER ELEMENT	1		(AIR)

1D18

ELECTRICAL

RXP8097 -UN-01JAN94

NEUTRAL START SWITCH KIT



RXP8097

KEY	PART NO.	PART NAME	QTY	TRACTOR SERIAL NO.	REMARKS
1	R44302	TIE BAND	2		
2	R26448	O-RING	1		
3	T16911	SHIM	3		
4	RE37996	GAUGE	1		(NEUTRAL START SWITCH ADJ.)
5	RE14069	WIRING HARNESS	1		
6	RE38390	SWITCH	1		(SUB FOR AR89691 OR AR85153)

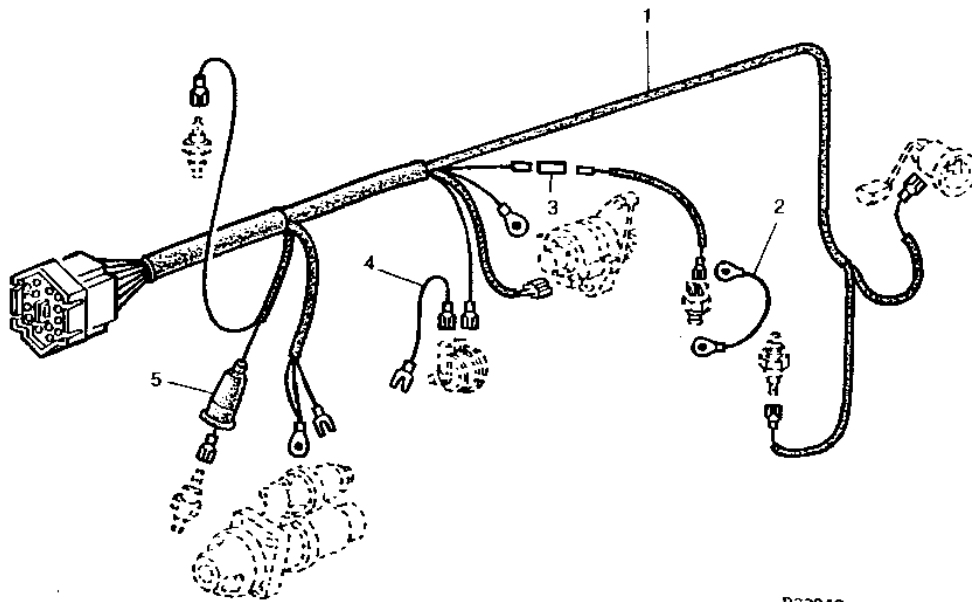
1D19

ELECTRICAL

R33942

-UN-01JAN94

ENGINE WIRING HARNESS



R33942

1D20

ELECTRICAL

ENGINE WIRING HARNESS - CONTINUED

KEY	PART NO.	PART NAME	QTY	TRACTOR SERIAL NO.	REMARKS
1	AL32598	WIRING HARNESS	1	-405832	PER MANNHEIM
	AL35562	WIRING HARNESS	1	405833-	
2	AL32267	WIRING LEAD	1		
3	57M7073	CONNECTOR	1		(SUB FOR AL17098)
4	AT24549	WIRING LEAD	3		
5	L35171	PIN CONTACT CONNECTOR BODY	1	-405832	(NO LONGER AVAILABLE)
..	AT66865	LUBRICANT	1		0.15L (5.3 OZ) TUBE, (SUB AT66865)

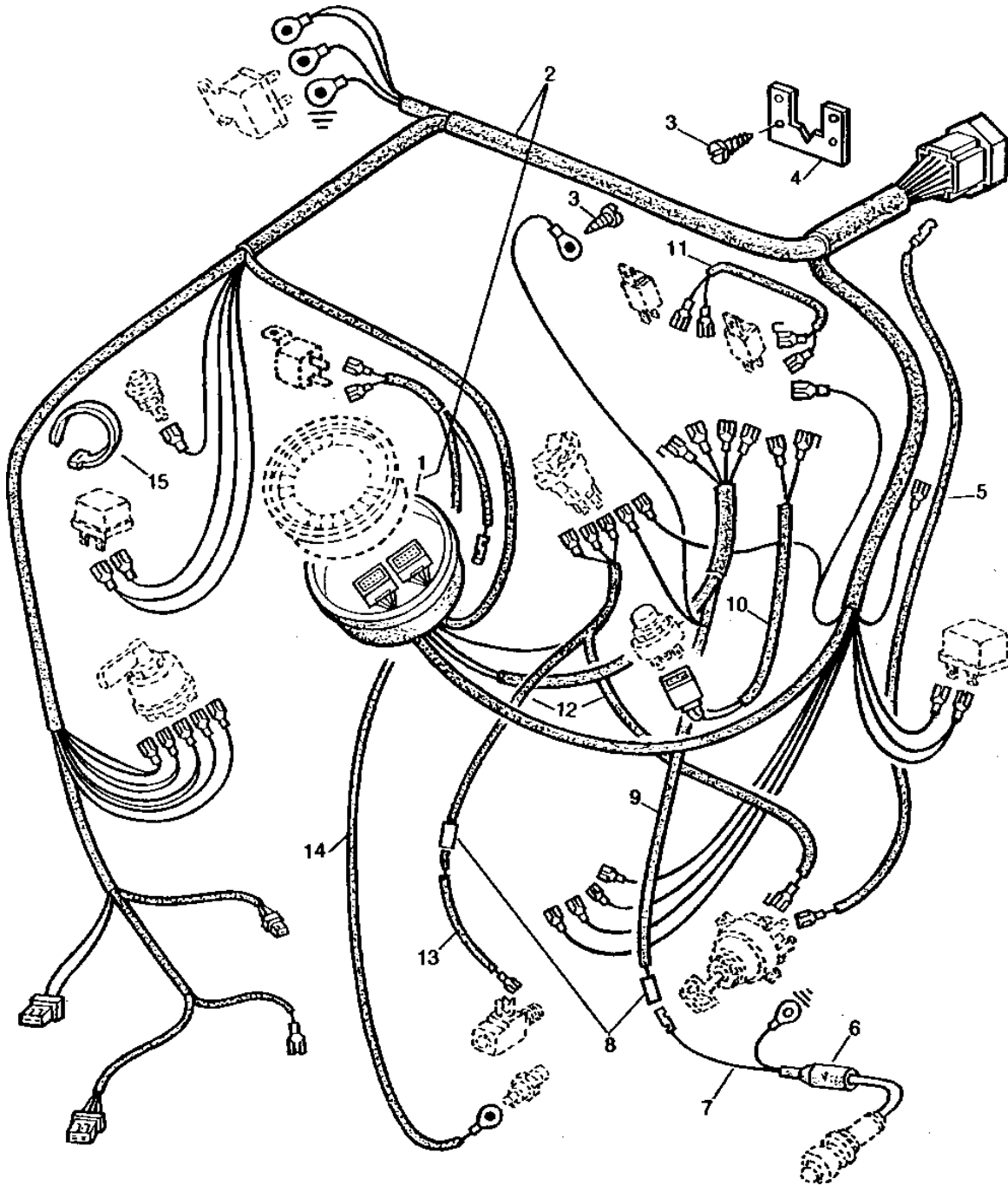
1D21

ELECTRICAL

RXP8337

-UN-01JAN94

MAIN WIRING HARNESS



RXP8337

1D22

ELECTRICAL

MAIN WIRING HARNESS - CONTINUED

KEY	PART NO.	PART NAME	QTY	TRACTOR SERIAL NO.	REMARKS
1	L35172	CAP	1	-XXXXXX	(NO LONGER AVAILABLE)
2	AL32623	WIRING HARNESS	1	-404919	MANNHEIM REINSTATING
	AL35564	WIRING HARNESS	1	404920-	
	AL40899	WIRING HARNESS	1	404920-	(START-SAFETY SWITCH) (SUB FOR AL35033)
	57M7073	CONNECTOR	1	404920-	(SUB FOR AL17098)
3	37M7067	SCREW	1		M4.2 X 9.5
4	L31033	RETAINER	1		
5	AL32677	WIRING HARNESS	1		
6	L35233	CAP	1	-XXXXXX	(SUB AL34425)
	AL34425	CASE	1	XXXXXX-	
	L35425	PIN CONTACT	1	XXXXXX-	
	L36669	PIN CONTACT	2	XXXXXX-	
	57M7052	TERMINAL	1	XXXXXX-	
7	AL32831	WIRING HARNESS	1		
8	L36710	ROUND CONNECTOR	2		
9	AL32799	WIRING HARNESS	1		
10	AL32793	WIRING HARNESS	1		
11	AL32833	WIRING HARNESS	1		
12	AL32722	WIRING HARNESS	1		
13	AL32720	WIRING LEAD	1		
14	AL32923	WIRING HARNESS	1		
15	R44302	TIE BAND	3		

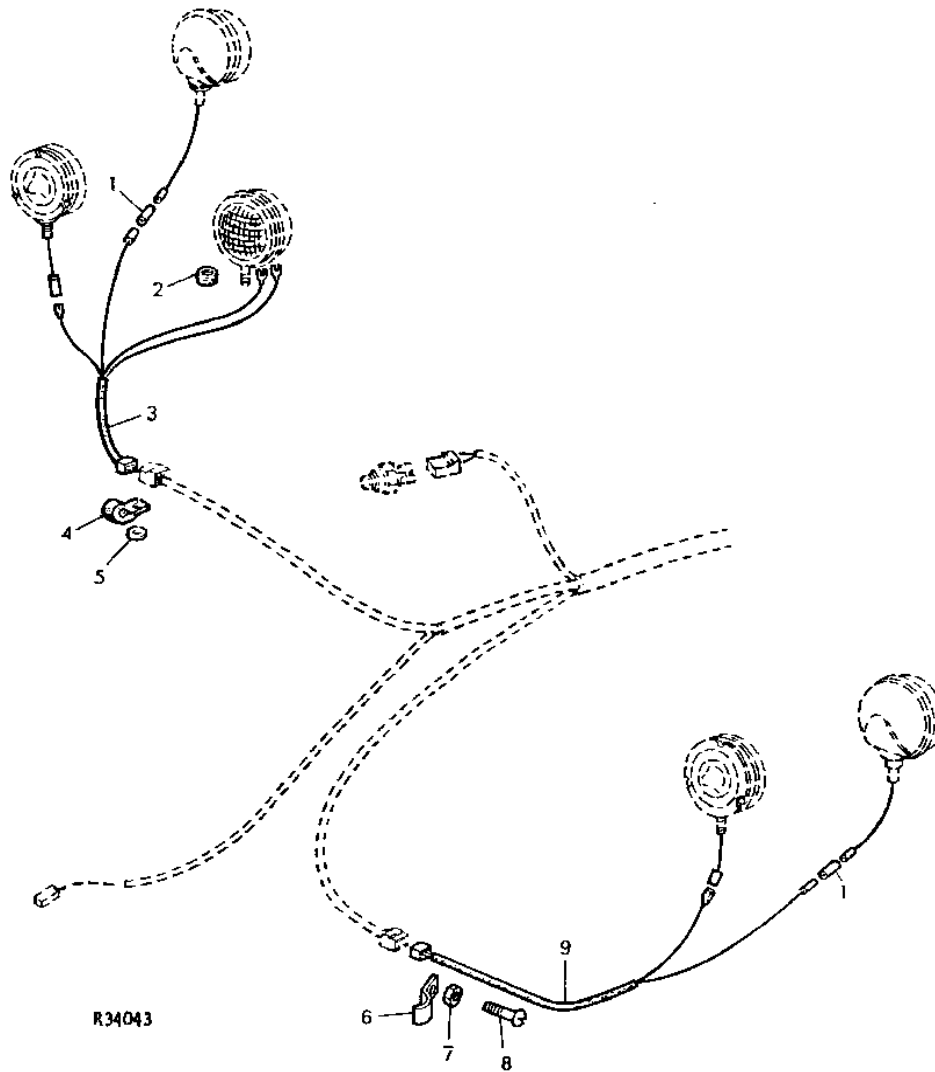
1D23

ELECTRICAL

R34043

-UN-01JAN94

FRONT AND REAR LAMP WIRING



R34043

1D24

ELECTRICAL

FRONT AND REAR LAMP WIRING - CONTINUED

KEY	PART NO.	PART NAME	QTY	TRACTOR SERIAL NO.	REMARKS
1	AL2976T	CONNECTOR	2		
2	L13325	GROMMET	1		
3	AL25348	WIRING HARNESS	1		
4	T13744	CLAMP	3		
5	24H1227	WASHER	3		17/32" X 13/16" X 0.060"
6	99M7055	CLAMP	2		1 X 15MM
7	14H778	NUT	2		0.190"
8	21H1317	SCREW	2		0.190" X 5/8"
9	AL25349	WIRING HARNESS	1		

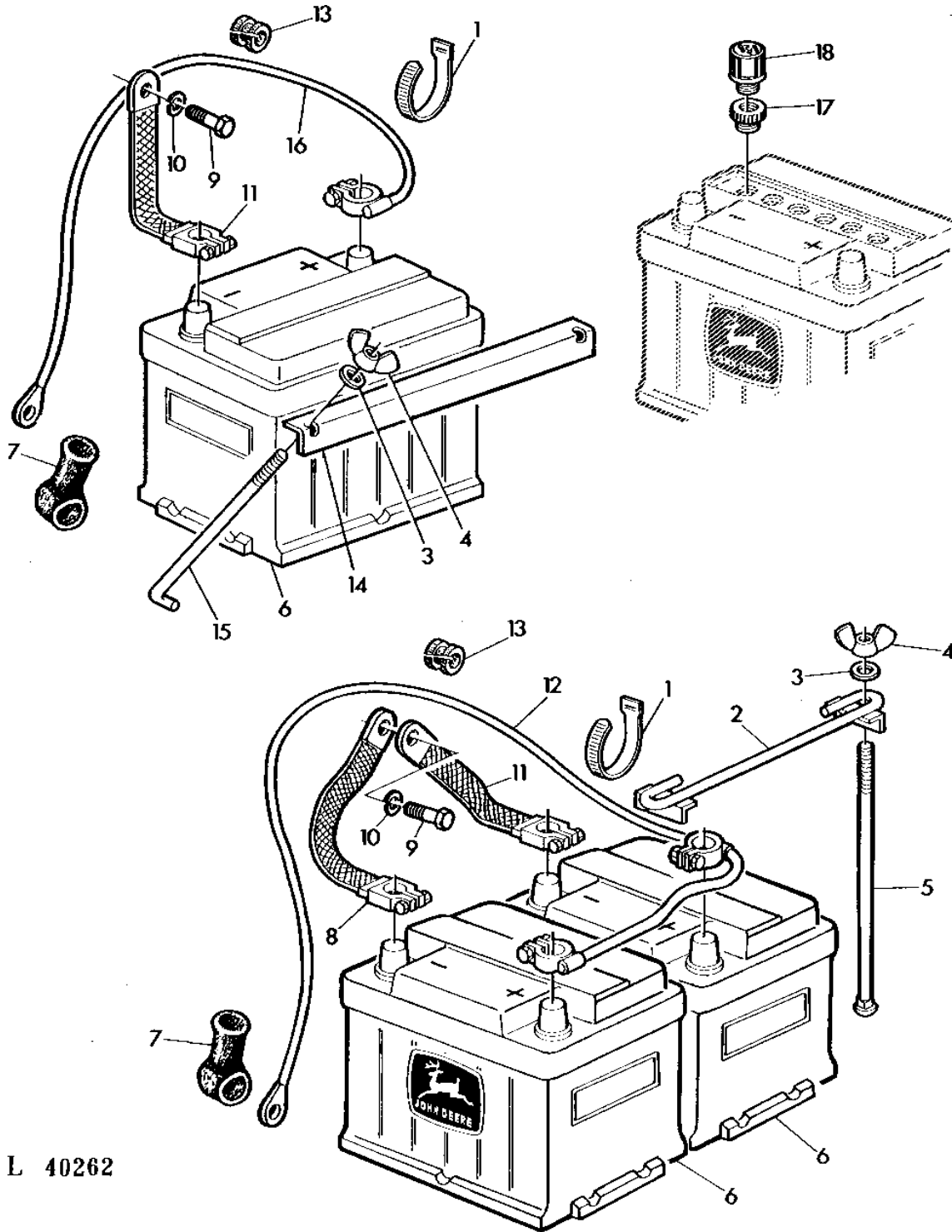
1E1

ELECTRICAL

L40262

-UN-01JAN94

BATTERY



L 40262

1E2

ELECTRICAL

BATTERY - CONTINUED

KEY	PART NO.	PART NAME	QTY	TRACTOR SERIAL NO.	REMARKS
1	R44302	TIE BAND	1		
2	AT20452	CLAMP	1		
3	24H1821	WASHER	2		9/32" X 47/64" X 1/16"
4	14H952	WING NUT	2		1/4"
5	R56526	BOLT	2		
6	TY6092	BATTERY	AR		(12-VOLT) 370 COLD CRANKING AMPS AT -18°C (0°F), 106 MINUTE RESERVE CAPACITY AT 25 AMPS, (FOR 1 BATTERY SYSTEM) (CANADA ONLY) (SUB FOR AR67338)
	TY21730	BATTERY	1		(12-VOLT) 420 COLD CRANKING AMPS AT -18°C (0°F), 70 MINUTE RESERVE CAPACITY AT 25 AMPS.
	TY21747	BATTERY	AR		(12-VOLT) 590 COLD CRANKING AMPS AT -18°C (0°F), 80 MINUTE RESERVE CAPACITY AT 55 AMPS. (FOR 2 BATTERY SYSTEM) (SUB FOR AL38481 OR TY6137)
7	L12809	TERMINAL NIPPLE	1		
8	AT18702	GROUND CABLE	1		LGTH=300MM (11.81") (SUB FOR AT20749)
9	19H2021	CAP SCREW	1		3/8" X 5/8"
10	12H304	LOCK WASHER	1		3/8"
11	AL11176	GROUND CABLE	1		LGTH=270MM (10.63")
	AR67453	CABLE	1		LGTH=190MM (7.50") (SUB RE14515)
12	AR53999	CABLE	1		(+)
13	T23247	GROMMET	1		
14	T22570	CLAMP	1		
15	R56525	BOLT	2		
16	AR103525	CABLE	1		(+) (SUB FOR T21887)
17	R60035	ADAPTER	AR		(A)
18	AR61868	CAP	AR		(A)
..	R26418	GROMMET	1		

(A) TWO-POST ROLL-GARD

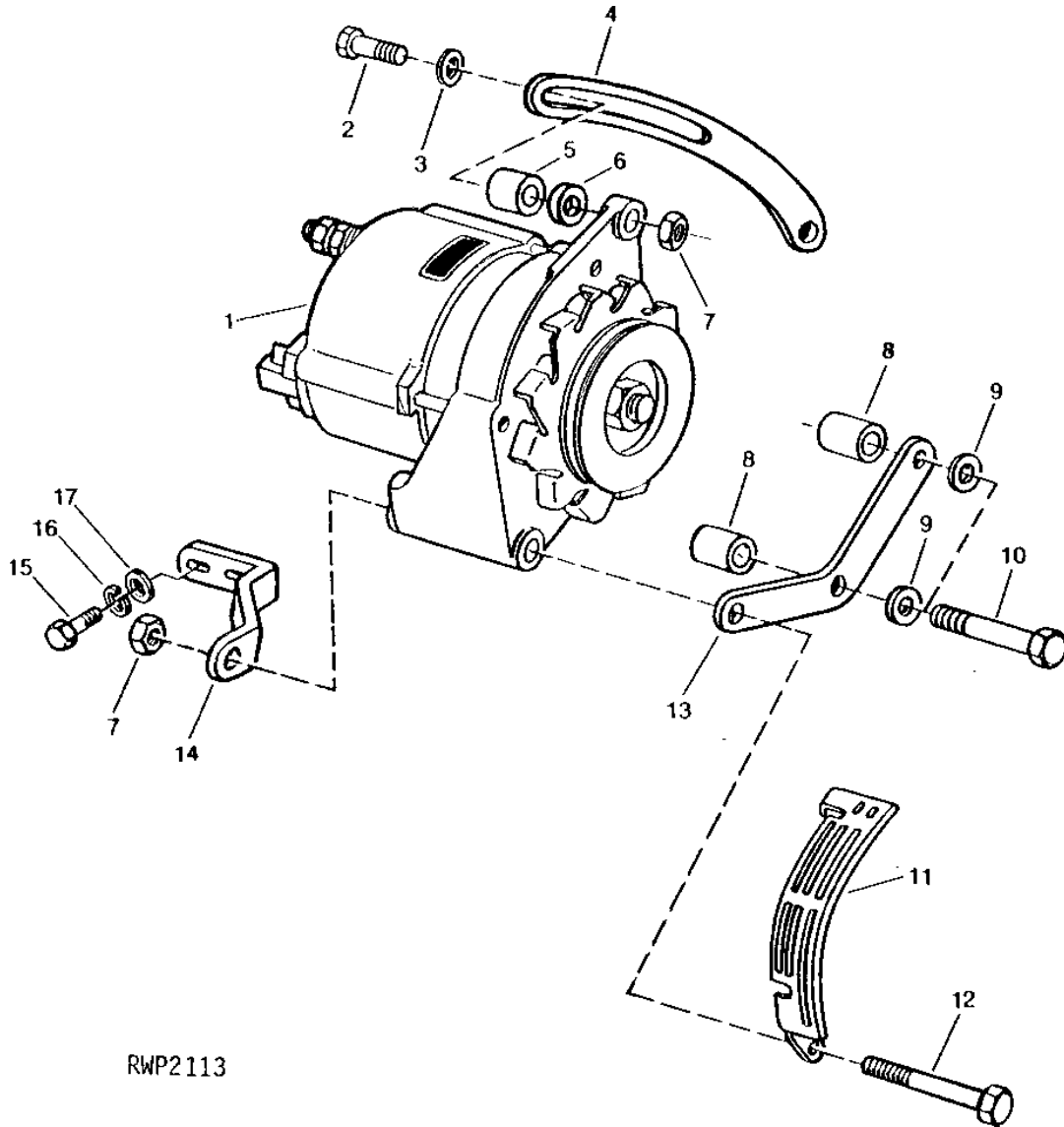
1E3

ELECTRICAL

RWP2113

-UN-01JAN94

ALTERNATOR AND MOUNTING BRACKETS



RWP2113

1E4

ELECTRICAL

ALTERNATOR AND MOUNTING BRACKETS - CONTINUED

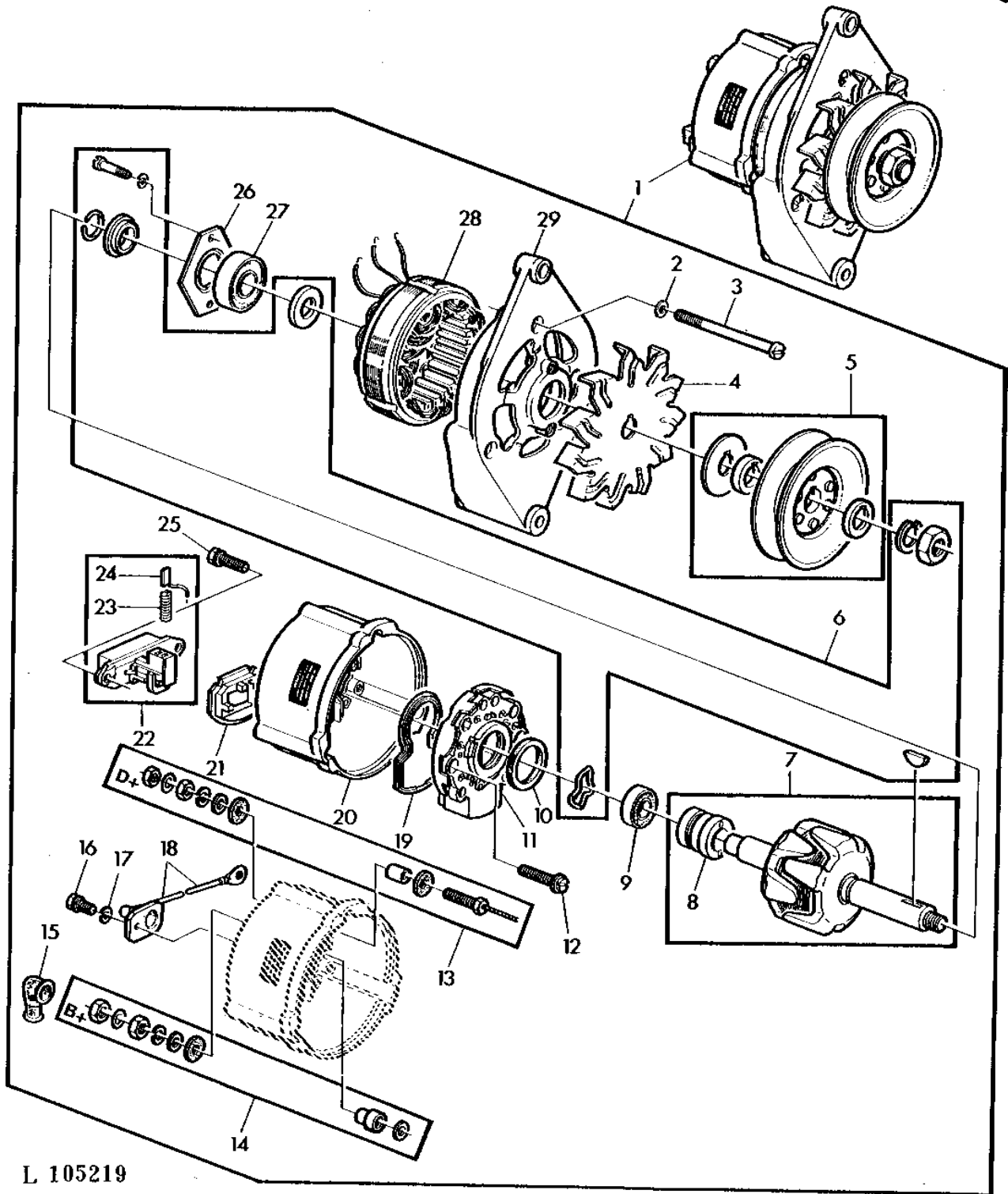
KEY	PART NO.	PART NAME	QTY	ENGINE SERIAL NO.	REMARKS
1	AL36100	ALTERNATOR	1		(R. BOSCH NO. 0120339545) (33 AMP) (SUB AL81436, 14M7060, 14M7273, 14M7297 AND 24M7238)
	AL35998	ALTERNATOR	1		(R. BOSCH NO. 0120489704) (55 AMP) (SUB FOR AL32141 OR AL36100) (SUB AL81436, 14M7060, 14M7273, 14M7297 AND 24M7238)
	AL81436	ALTERNATOR	1		(R. BOSCH NO. 0120488290) (55 AMP)
	TY6651	ALTERNATOR	1		(REMANUFACTURED) (33 AMP)
	TY6652	ALTERNATOR	1		(REMANUFACTURED) (55 AMP)
2	19H1901	CAP SCREW	1		5/16" X 2"
3	24H1622	WASHER	1		3/8" X 7/8" X 0.120"
4	R73786	STRAP	1		
5	24H1292	WASHER	1		11/32" X 3/4" X 0.120"
6	28H2497	SPACER	1		0.423" X 0.675" X 5/8"
7	14H785	NUT	2		5/16"
8	28H2547	SPACER	2		3/8" X 1"
9	24M7106	WASHER	2		10 X 18 X 2.500 MM
10	19H2128	CAP SCREW	2		3/8" X 3"
11	R56012	SHIELD	1		
12	19H2043	CAP SCREW	1		5/16" X 3-1/2"
13	T20202	BRACKET	1		(SUB FOR R60827)
14	R60828	BRACKET	1		
15	19H2284	CAP SCREW	2		3/8" X 7/8"
16	12H304	LOCK WASHER	2		3/8"
17	24H1305	WASHER	2		13/32" X 13/16" X 0.065"

1E5

ELECTRICAL

L105219 -UN-01JAN94

ALTERNATOR PARTS (33 AMP)



L 105219

1E6

ELECTRICAL

ALTERNATOR PARTS - CONTINUED (33 AMP)

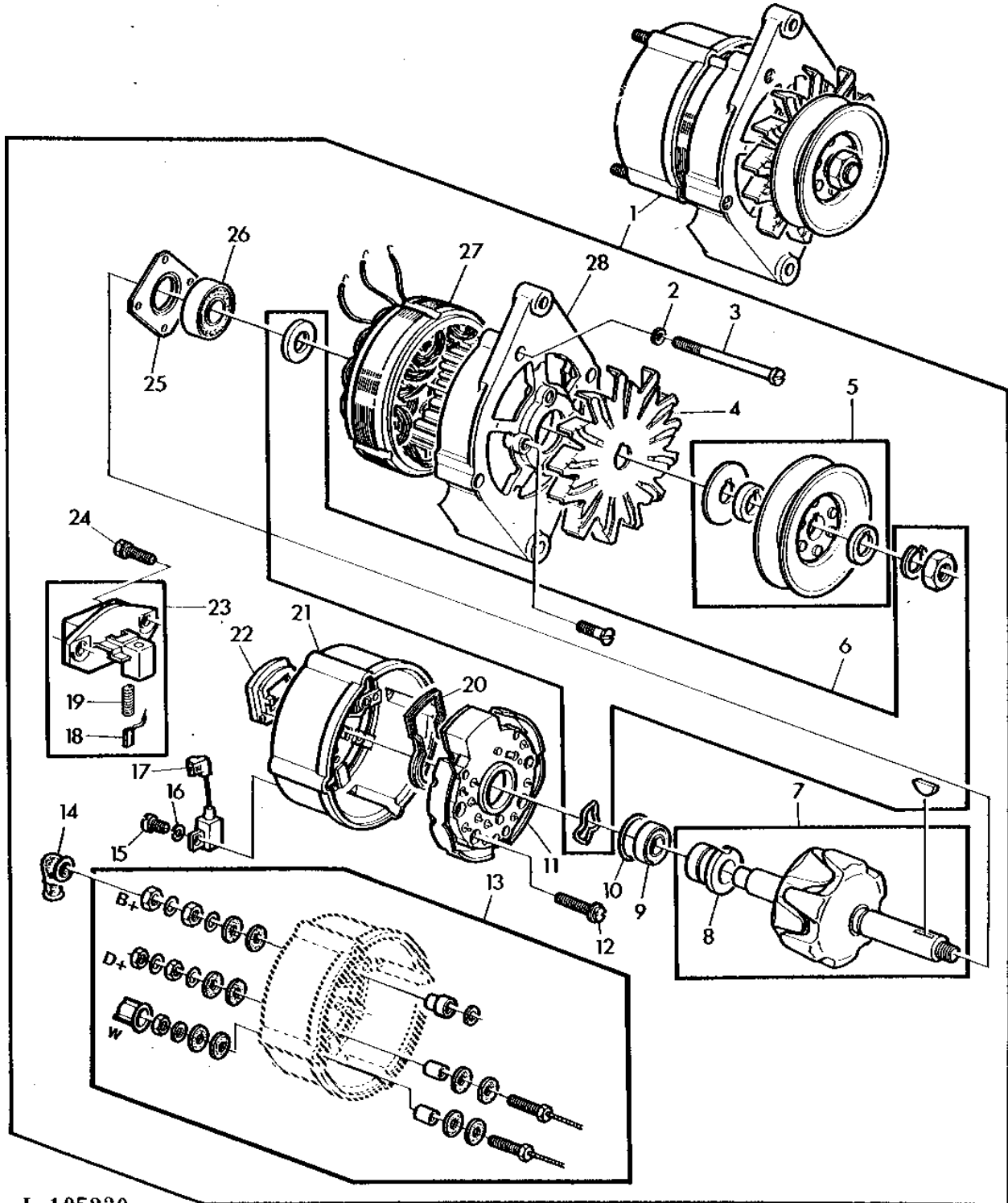
KEY	PART NO.	PART NAME	QTY	ENGINE SERIAL NO.	REMARKS
1	AL36100	ALTERNATOR	1		(R. BOSCH 14V, 33A, 0120339545) (SUB FOR AL32141 OR AL35998) (SUB AL81436, 14M7060, 14M7273, 14M7297 AND 24M7238)
	TY6651	ALTERNATOR	1		(R. BOSCH, 12V, 33A, 0120339512) (REMANUFACTURED) 5.300 X 10 X 1 MM
2	24M7027	WASHER	3		
3	L32147	SCREW	3		
4	L29167	FAN	1		
5	AL68891	PULLEY	1		(SUB FOR AL32863)
6	AL23857	KIT	1		
7	AZ24489	ROTOR	1		
8	L29160	RING	1		
9	AL23852	BEARING	1		
10	L41297	O-RING	1		
11	AL27374	RECTIFIER	1		
12	Z42049	SCREW	3		
13	AL33271	KIT	1		
14	AL33270	KIT	1		
15	L33994	TERMINAL NIPPLE	2		(NLA)
16	21M7198	SCREW	1		M5 X 8
17	12M7075	WASHER	1		5.300 X 11 X 0.500 MM
18	AZ24485	CAPACITOR	1		
19	L41298	GASKET	1		
20	AZ24488	CASE	1		
21	Z35542	INSULATOR	1		
22	AL36101	REGULATOR	1		
23	L27339	SPRING	2		
24	AL27373	CARBON BRUSH CONDUCTOR	1		KIT
25	Z42047	SCREW	2		
26	L29161	PLATE	1		
27	AL23851	BEARING	1		
28	AZ24487	STATOR	1		
29	L29159	CASE	1		

1E7

ELECTRICAL

ALTERNATOR PARTS (55 AMP)

L105220 -UN-01JAN94



L 105220

1E8

ELECTRICAL

ALTERNATOR PARTS - CONTINUED (55 AMP)

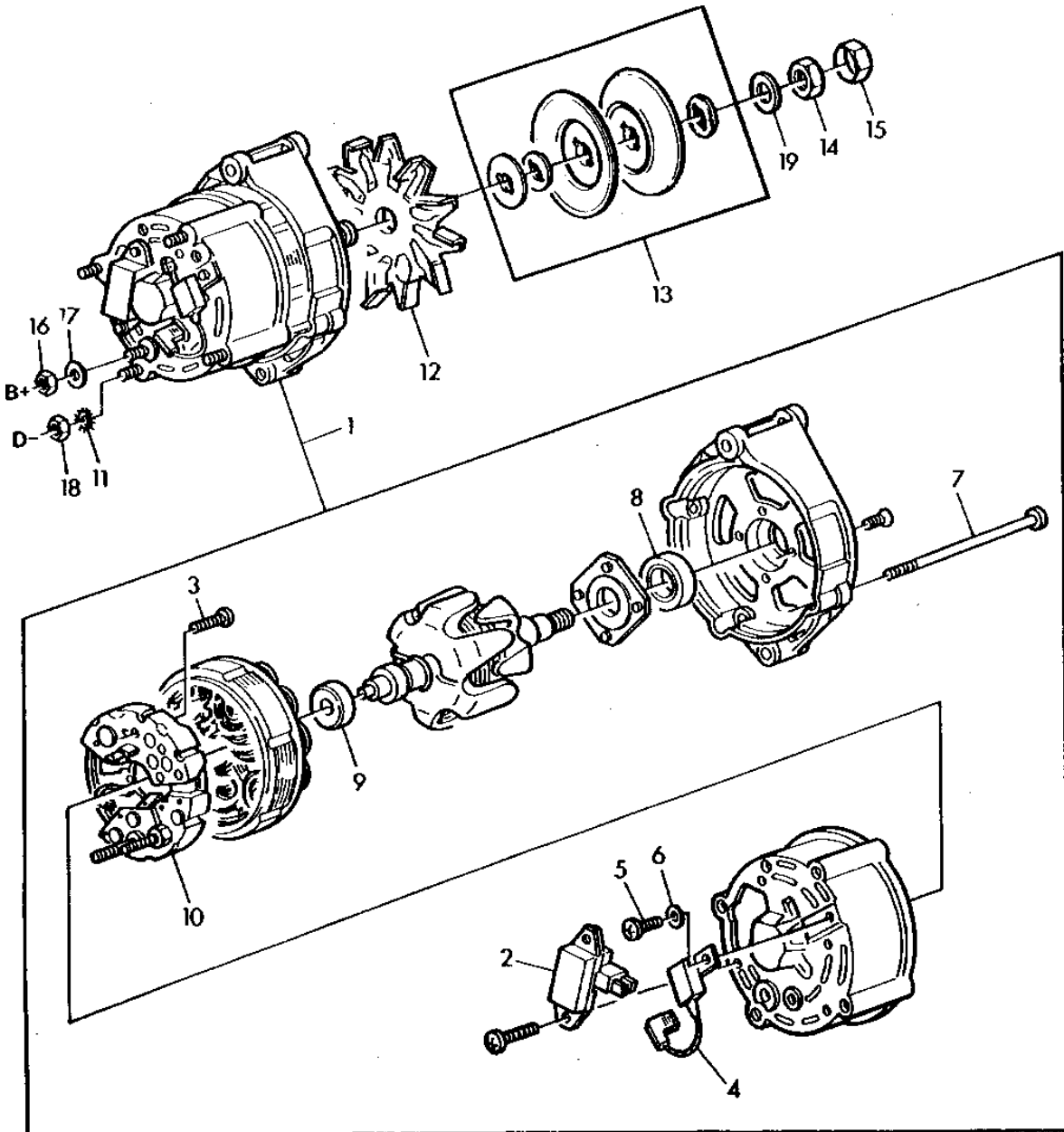
KEY	PART NO.	PART NAME	QTY	ENGINE SERIAL NO.	REMARKS
1	AL35998	ALTERNATOR	1		(R. BOSCH, 14V,55A, 0120489704) (SUB AL81436, 14M7060, 14M7273, 14M7297 AND 24M7238)
	TY6652	ALTERNATOR	1		(R. BOSCH, 12V,55A, 0120489703) (REMANUFACTURED) (SUB TY6791)
2	24M7027	WASHER	4		5.300 X 10 X 1 MM
3	L41575	SCREW	4		
4	L33993	FAN	1		
5	AL68891	PULLEY	1		(SUB FOR AL32863)
6	AL30424	KIT	1		(SUB AL23857)
7	AL30416	ROTOR	1		
8	L33986	RING	1		
9	AL30417	BEARING	1		
10	L33987	O-RING	1		
11	AL30419	DIODE HOLDER	1		(ALSO ORDER AL30425)
12	Z42049	SCREW	3		
13	AL30425	KIT	1		
14	L33994	TERMINAL NIPPLE	2		(NLA)
15	21M7198	SCREW	1		M5 X 8
16	12M7075	WASHER	1		5.300 X 11 X 0.500 MM
17	AL30423	CAPACITOR	1		
18	AL30421	CARBON BRUSH CONDUCTOR	1		(SUB AL65077)
19	Z42048	SPRING	2		(SUB FOR L33988) (SUB L27339)
20	L41296	GASKET	1		
21	AL30418	HOUSING	1		
22	L33992	INSULATOR	1		(ORDER AL81436 OR TY6652) (NLA)
23	AL35999	REGULATOR	1		(SUB AL65077)
24	Z42047	SCREW	2		
25	L33985	FLANGE	1		(NLA)
26	JD10036	BALL BEARING	1		
27	AL30422	STATOR	1		
28	AL30414	CASE	1		

1E9

ELECTRICAL

LX003705 -UN-01JAN94

ALTERNATOR (55 AMP)



LX003705

1E10

ELECTRICAL

ALTERNATOR(55 AMP)

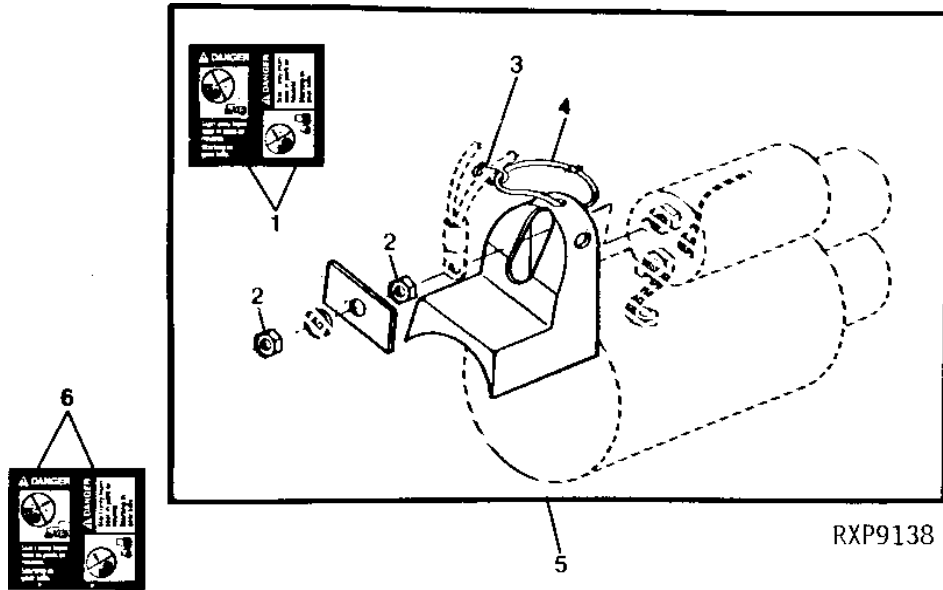
KEY	PART NO.	PART NAME	QTY	SERIAL NO.	REMARKS
1	AL81436	ALTERNATOR	1		(SUB FOR AL35998, AL67175 OR AL78689) R.BOSCH-14V, 55A, 0120488290
2	AL65077	REGULATOR	1		
3	Z42047	SCREW	2		
4	AL30423	CAPACITOR	1		
5	21M7198	SCREW	1		M5 X 8
6	12M7075	WASHER	1		
7	L41575	SCREW	4		
8	JD30001	BALL BEARING	1		
9	JD10036	BALL BEARING	1		
10	AL81450	RECTIFIER	1		(SUB FOR AL68887)
11	12M7060	WASHER	1		
12	L77042	FAN	1		
13	AL68891	PULLEY	1		
14	L65174	NUT	1		M16
15	L30960	NUT	1		(SUB FOR L65058)
16	14M7273	NUT	1		M8
17	24M7036	WASHER	1		
18	14M7028	NUT	1		M5
19	12M7131	WASHER	1		

1E11

ELECTRICAL

RXP9138 -UN-18AUG95

SOLENOID COVER KIT



KEY	PART NO.	PART NAME	QTY	TRACTOR SERIAL NO.	REMARKS
1	T146102	WARNING LABEL	1	(A)	(ENGLISH) (SUB FOR T134459 OR T84409)
2	14M7152	NUT	2		M10
3	R44302	TIE BAND	1		
4	R76477	TIE BAND	1		
5	RE39065	SHIELD	1	(A)	(SPANOL) (SUB FOR T134452 OR T84410)
6	T146106	WARNING LABEL	1		(FRANCAIS) (SUB FOR T134453 OR T84411)
	T146104	WARNING LABEL	1		(DEUTSCH) (SUB FOR T134454 OR T84412)
	T146515	WARNING LABEL	1		(ITALIANO) (SUB FOR T134455 OR T84413)
	T146516	WARNING LABEL	1		(ENGLISH/FRANCAIS) (SUB FOR T134456 OR T84578)
	T146517	WARNING LABEL	1		

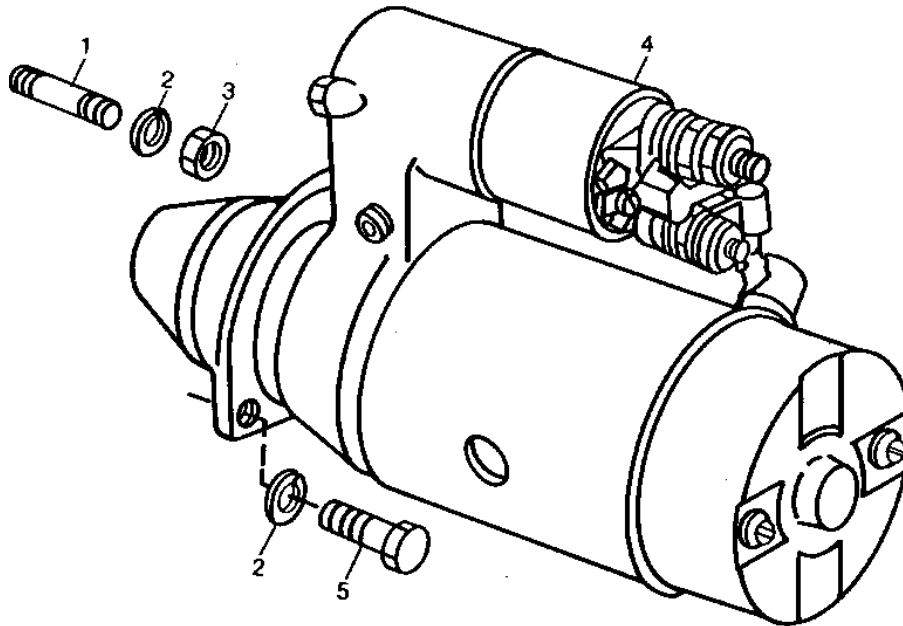
(A) USE ON AL41247, AR70436, TY6702 AND TY6727

1E12

ELECTRICAL

RXP8021 -UN-01JAN94

STARTING MOTOR
(ROBERT BOSCH)



RXP8021

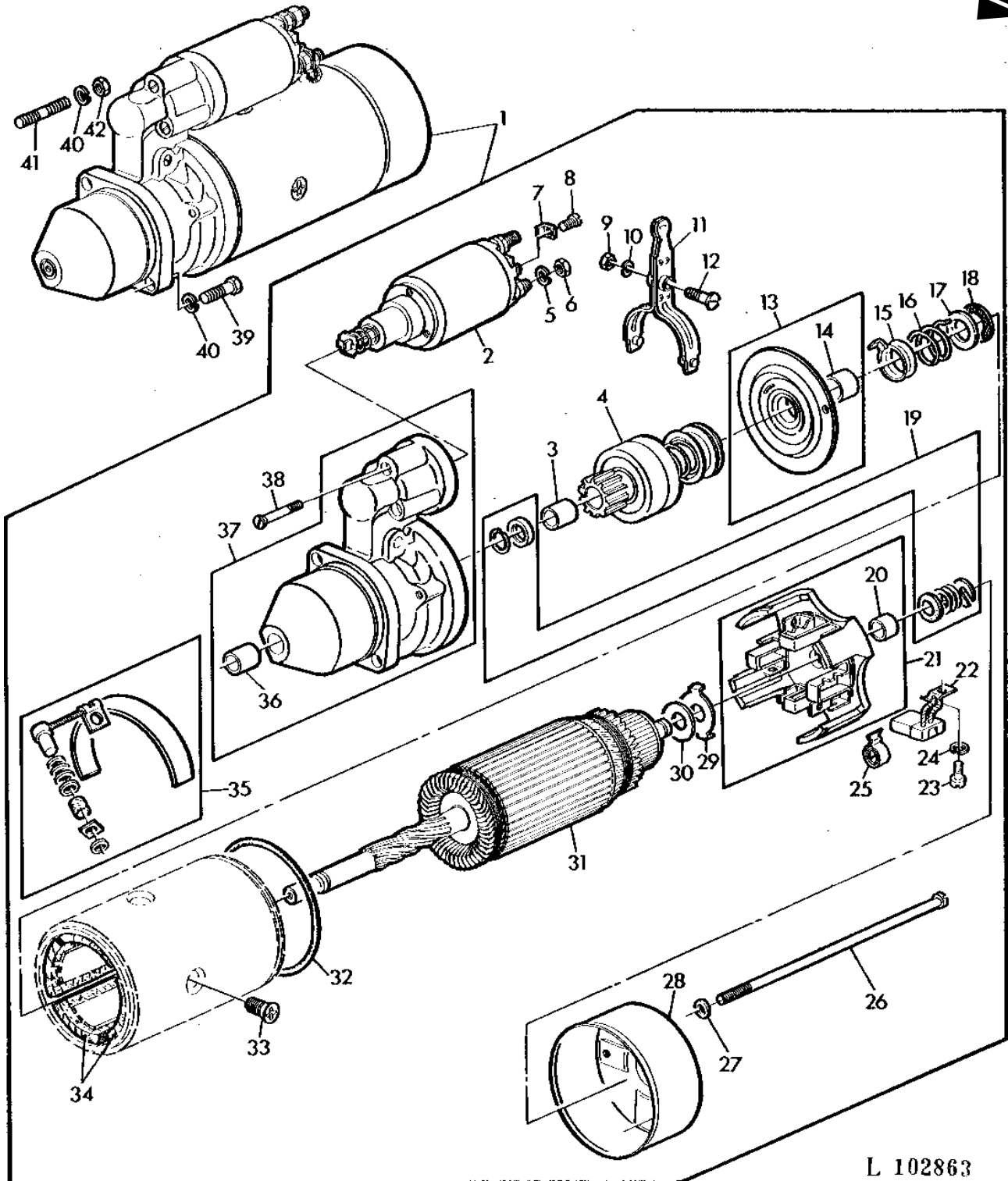
KEY	PART NO.	PART NAME	QTY	TRACTOR SERIAL NO.	REMARKS
1	M3636T	STUD	1	3/8" X 1-1/2"	
2	12H304	LOCK WASHER	2	3/8"	
3	14H1076	NUT	1	3/8"	
4	AR70436	STARTER	1	(SUB TY6720 OR RE41748)	
	AL41247	STARTER	1	(SUB TY6727 OR RE41748)	
	AL62690	STARTER	1	(R. BOSCH NO. 000362316) (SUB RE41748 OR TY6727)	
	RE41748	KIT	1	(R. BOSCH NO. 000362316) (SUB FOR AR70436, AL41247 OR AL62690)	
	TY6720	STARTER	1	(REMANUFACTURED) (SUB FOR TY6615)	
	TY6727	STARTER	1	(REMANUFACTURED)	
5	19H1731	CAP SCREW	1	3/8" X 1"	

1E13

ELECTRICAL

STARTING MOTOR
(ROBERT BOSCH)
(AR70436)

L102863 -UN-01JAN94



L 102863

1E14

ELECTRICAL

**STARTING MOTOR - CONTINUED
(ROBERT BOSCH)
(AR70436)**

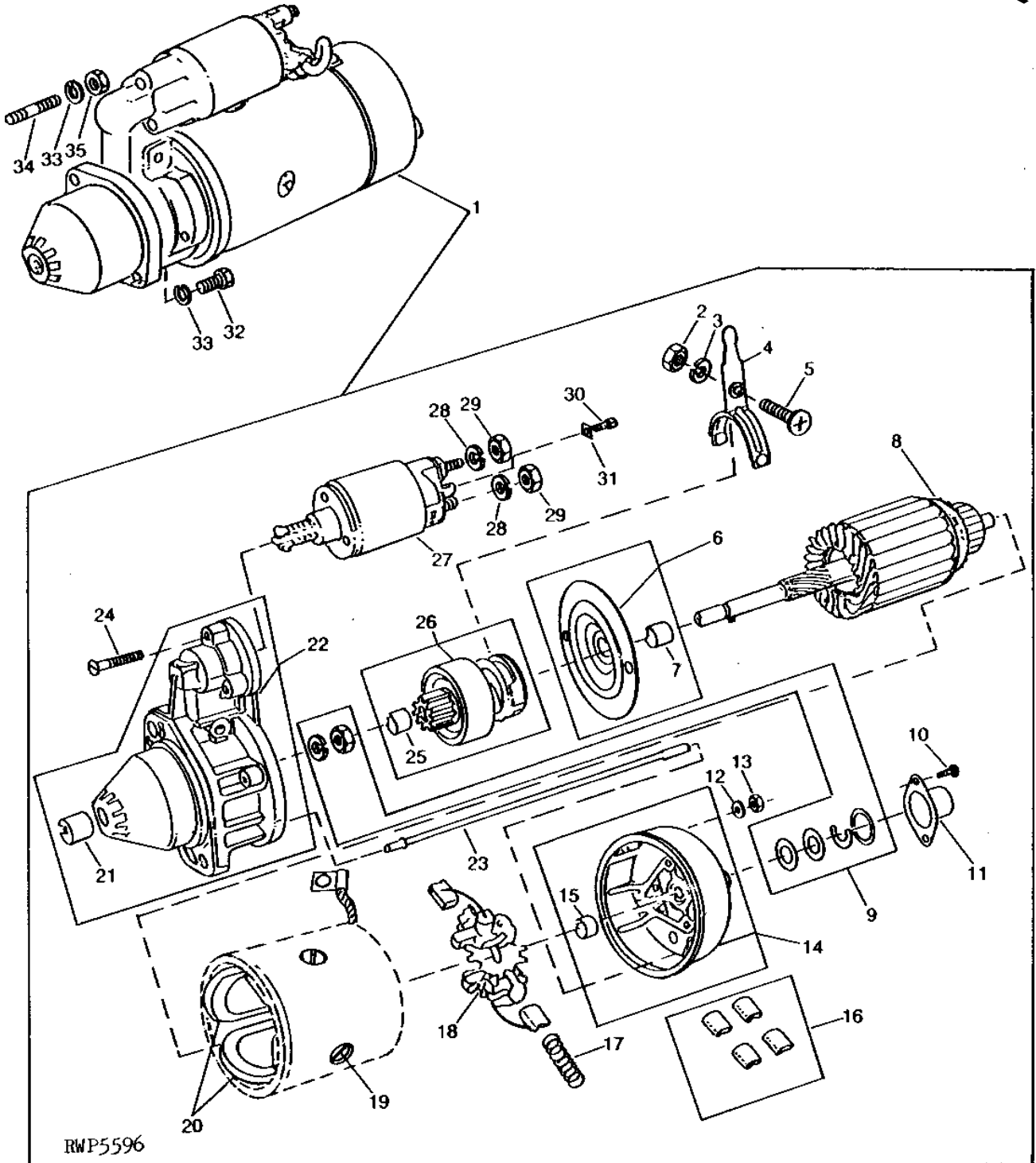
KEY	PART NO.	PART NAME	QTY	ENGINE SERIAL NO.	REMARKS
1	AR70436	STARTER	1		(R. BOSCH 001359090) (SUB RE41748 OR TY6720, THIS APPLICATION)
	TY6720	STARTER	1		(R. BOSCH 0001359090) (REMANUFACTURED) (SUB FOR TY6615)
2	AL55046	SOLENOID	1		(SUB FOR AL25268)
3	Z24800	BUSHING	1		
4	AL25275	DRIVE	1		
5	12M7013	LOCK WASHER	2	M10	
6	14M7152	NUT	4	M10	
7	L29156	CLAMP	1		
8	21M1211	SCREW	1	M4 X 6	
9	14M7151	NUT	1	M8	
10	12M7065	LOCK WASHER	1	M8	
11	AL25273	LEVER	1		
12	T27671	SCREW	1		
13	AL25267	QUILL	1		
14	L30862	BUSHING	1		
15	L30864	GUIDE	1		
16	L41579	COMPRESSION SPRING	1		(SUB FOR L30865)
17	L30866	GUIDE	1		(SUB L41579)
18	L30867	BRAKE DISK	1		
19	AL23848	ARMATURE	1		
20	Z24799	BUSHING	1		
21	AL25270	COMMUTATOR HOUSING	1		
22	AL25271	CARBON BRUSH CONDUCTOR	1		
23	21M7198	SCREW	4	M5 X 8	
24	12M7011	LOCK WASHER	4	M5	
25	Z24810	COMPRESSION SPRING	4		
26	L29152	SCREW	1		
27	L30863	WASHER	1		(SUB 24M7054)
28	L29158	COVER	1		
29	L30868	THRUST WASHER	1		
30	L30869	DISK	1		(ORDER RE41748 OR TY6720) (NLA)
31	AL25274	ARMATURE	1		
32	Z24801	O-RING	1		
33	L29157	SCREW	1		
34	AL25272	FIELD WINDING COIL	1		
35	AL25269	KIT	1		
36	L19651	BUSHING	1		(SUB AL70854)
37	AL25266	HOUSING	1		
38	L30860	SCREW	3		
39	19H1731	CAP SCREW	1	3/8" X 1"	
40	12H304	LOCK WASHER	2	3/8"	
41	M3636T	STUD	1		
42	14H1076	NUT	1	3/8"	

1E15

ELECTRICAL

STARTING MOTOR
(ROBERT BOSCH)
(AL41247)

RWP5596 -UN-01JAN94



1E16

ELECTRICAL

STARTING MOTOR - CONTINUED (ROBERT BOSCH) (AL41247)

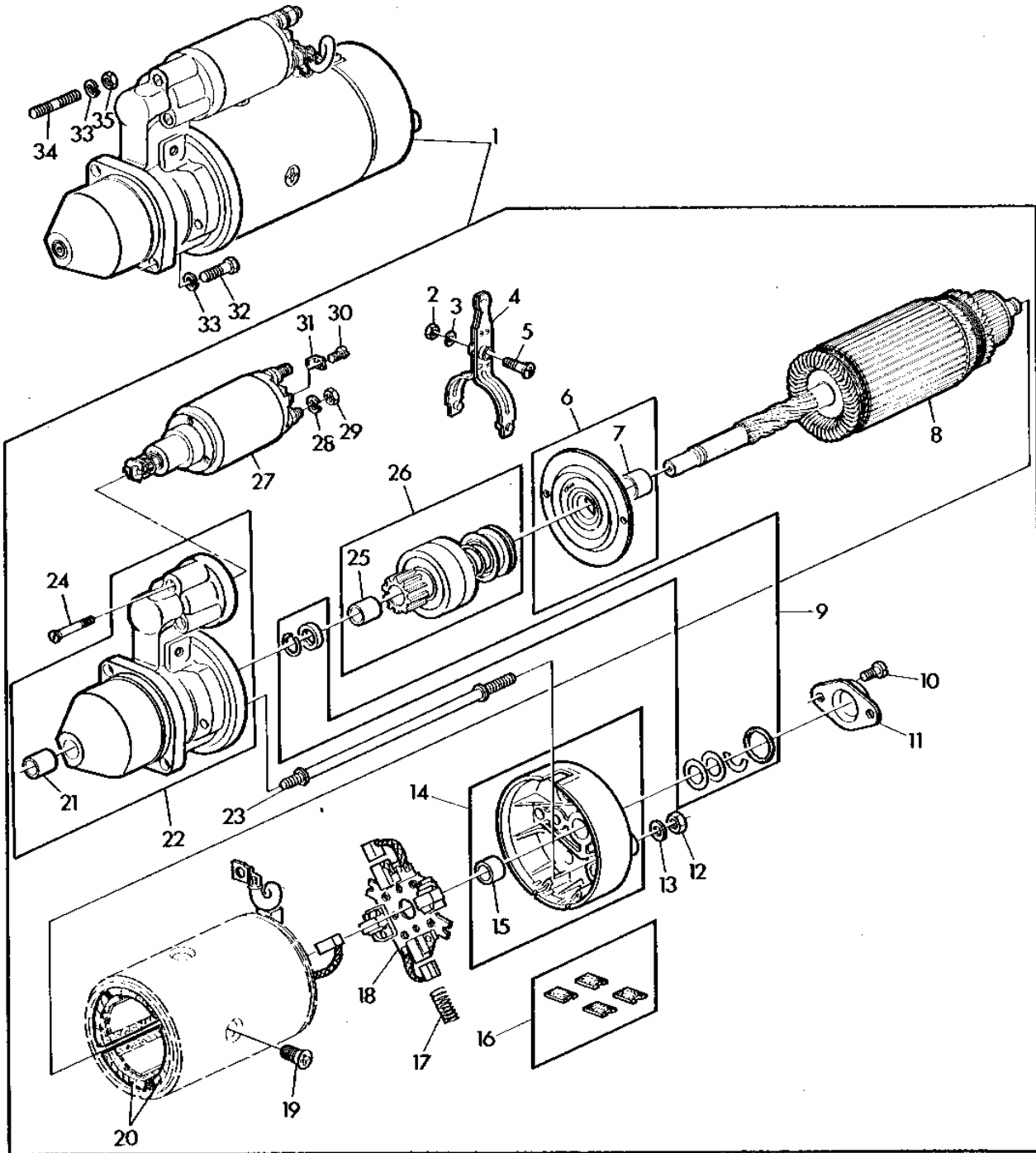
KEY	PART NO.	PART NAME	QTY	ENGINE SERIAL NO.	REMARKS
1	AL41247	STARTER	1		(R.BOSCH 0001362312) (SUB FOR AR70436, THIS APPLICATION) (SUB TY6727 OR RE41748)
	TY6727	STARTER	1		(R. BOSCH 0001362312) (REMANUFACTURED) (SUB FOR TY6671)
2	14M7151	NUT	1		M8
3	12M7065	LOCK WASHER	1		M8
4	AL25273	LEVER	1		
5	L41582	SCREW	1		(SUB AL70855)
6	AL25267	QUILL	1		
7	L30862	BUSHING	1		
8	AL55042	ARMATURE	1		
9	AL41522	KIT	1		(SUB AL70855)
10	21M7271	SCREW	2		M5 X 16
11	L42043	CAP	1		
12	14M7272	NUT	2		M6
13	24M7054	WASHER	2		6.400 X 12.500 X 1.600MM
14	AL41520	COMMUTATOR HOUSING	1		
15	L41081	BUSHING	1		(SUB AL70854)
16	AL55047	CARBON BRUSH CONDUCTOR	1		
17	L55066	COMPRESSION SPRING	4		
18	AL55044	CARBON BRUSH HOLDER	1		
19	L29157	SCREW	4		
20	AL55043	FIELD WINDING COIL	1		(SUB RE41748 OR TY6727)
21	L19651	BUSHING	1		(SUB AL70854)
22	AL41525	BEARING	1		(ORDER RE41748 OR TY6727)
23	L55064	STUD	2		
24	L30860	SCREW	3		
25	Z24800	BUSHING	2		
26	AL63095	BENDIX DRIVE	1		(SUB FOR AL41626)
27	AL55046	SOLENOID	1		
28	12M7013	LOCK WASHER	2		M10
29	14M7152	NUT	2		M10
30	21M1211	SCREW	1		M4 X 6
31	L29156	CLAMP	1		
32	19H1731	CAP SCREW	1		3/8" X 1"
33	12H304	LOCK WASHER	2		3/8"
34	R56481	STUD	1		
35	14H1076	NUT	1		3/8"

1E17

ELECTRICAL

L106516 -UN-01JAN94

STARTING MOTOR
(ROBERT BOSCH)
(RE41748)



L 106516

1E18

ELECTRICAL

**STARTING MOTOR - CONTINUED
(ROBERT BOSCH)
(RE41748)**

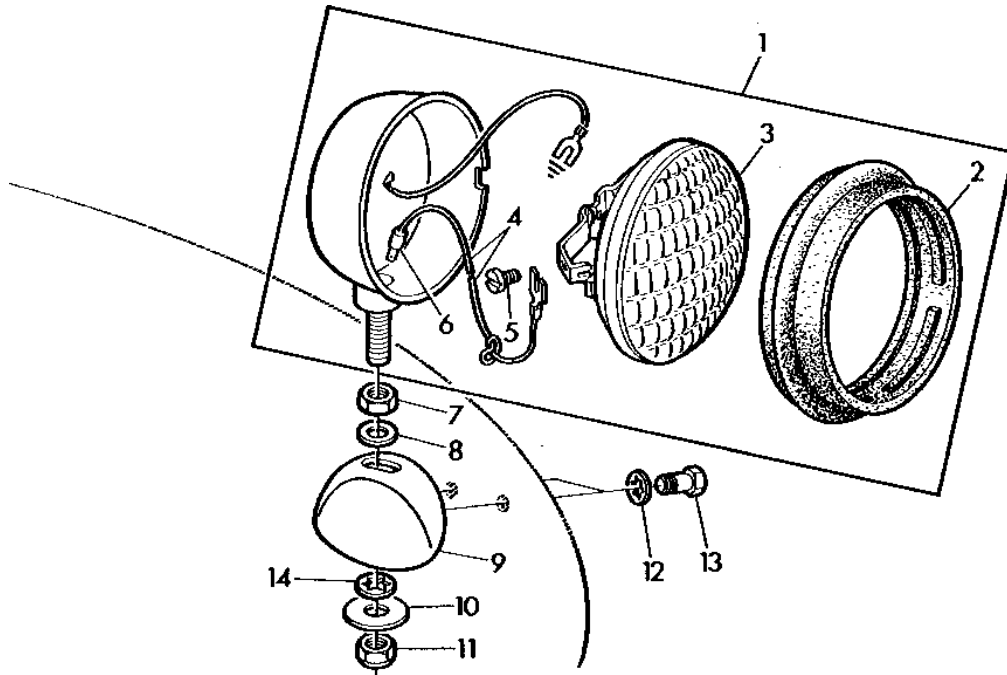
KEY	PART NO.	PART NAME	QTY	ENGINE SERIAL NO.	REMARKS
1	RE41748	KIT	1		(R. BOSCH 0000362316) (SUB FOR AL41247, AL62690 OR AR70436)
	TY6727	STARTER	1		(REMANUFACTURED)
2	14M7151	NUT	1	M8	
3	12M7008	LOCK WASHER	1	M8	
4	AL25273	LEVER	1		
5	AL70855	KIT	1		(SUB FOR L41582)
6	AL25267	QUILL	1		
7	L30862	BUSHING	1		
8	AL55042	ARMATURE	1		
9	AL41522	KIT	1		
10	21M7271	SCREW	2	M5 X 16	
11	L42043	CAP	1		
12	14M7272	NUT	2	M6	
13	24M7054	WASHER	2		
14	AL41520	COMMUTATOR HOUSING	1		
15	AL70854	BUSHING	1		(SUB FOR L41081)
16	AL55047	KIT	1		
17	L55066	COMPRESSION SPRING	4		
18	AL55044	CARBON BRUSH HOLDER	1		
19	L29157	SCREW	4		
20	AL78760	FIELD WINDING COIL	1		(ORDER RE41748 OR TY6727) (NLA)
21	AL70854	KIT	1		(SUB FOR L19651)
22	RE41748	BEARING	1		(SUB FOR AL41525)
23	L55064	STUD	2		
24	L30860	SCREW	3		
25	BUSHING	2		(ORDER AL63095)
26	AL63095	BENDIX DRIVE	1		(SUB FOR AL41626)
27	AL55046	SOLENOID	1		
28	12M7013	LOCK WASHER	2	M10	
29	14M7152	NUT	2	M10	
30	21M1211	SCREW	1	M4 X 6	
31	L29156	CLAMP	1		
32	19H1731	CAP SCREW	1	3/8" X 1"	
33	12H304	LOCK WASHER	2	3/8"	
34	M3636T	STUD	1	3/8" X 1-1/2"	
35	14H1076	NUT	1	3/8"	

1E19

ELECTRICAL

L40380 -UN-01JAN94

HEADLIGHTS



L 40380

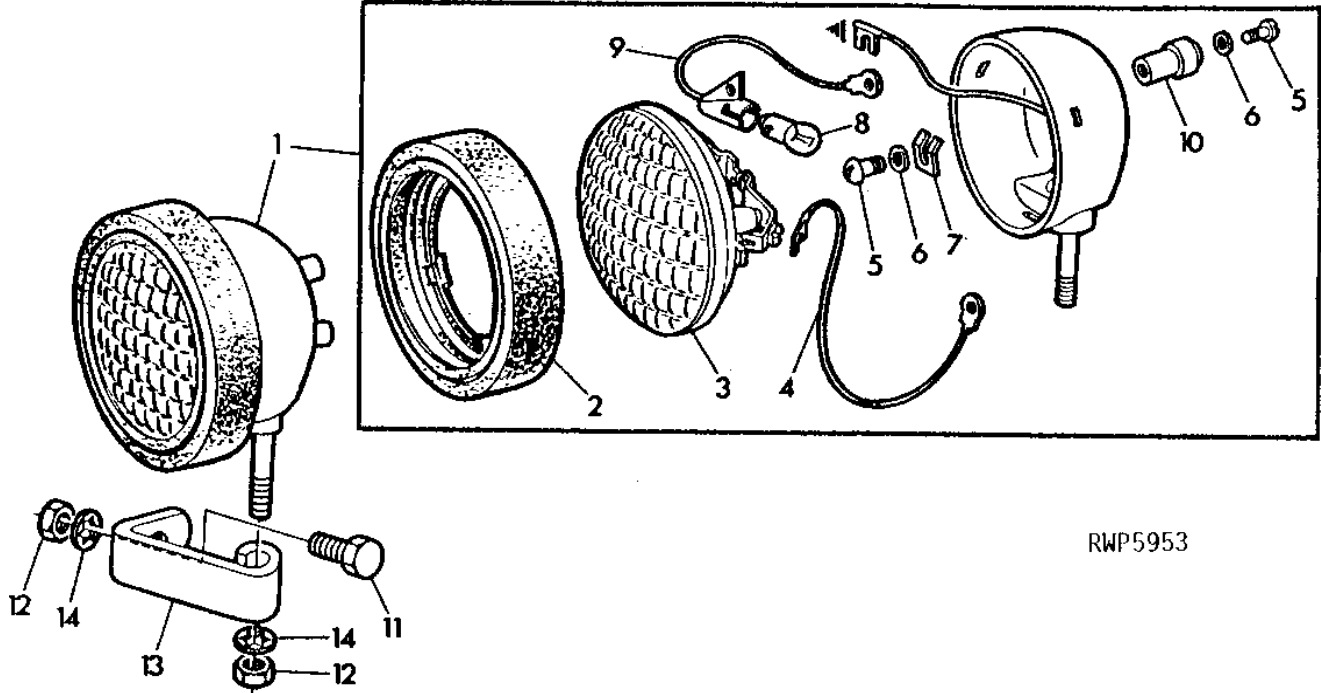
KEY	PART NO.	PART NAME	QTY	TRACTOR SERIAL NO.	REMARKS
1	AT18815	HEADLIGHT	2		
2	R30182	BEZEL	2	(HOBBS)	
	R31250	BEZEL	2	(GUIDE)	
3	AR21059	HEADLIGHT	2		
4	WIRING LEAD	2	406MM (16") (HOBBS) (MAKE FROM R77500 AND R77497)	
	AT18995	WIRING LEAD	2	(GUIDE)	
5	R11100	SCREW	2		
6	T16623	TERMINAL	2		
7	14H1040	NUT	2	1/2"	
8	24H1340	WASHER	2	33/64" X 7/8" X 0.075"	
9	T21761	SUPPORT	2		
10	24H1355	WASHER	2	37/64" X 1-1/8" X 0.120", (SUB FOR R31892)	
11	BP12214	LOCK NUT	2		
12	12H310	LOCK WASHER	4	3/8"	
13	19H2021	CAP SCREW	4	3/8" X 5/8"	
14	12H301	LOCK WASHER	2	1/2"	

1E20

ELECTRICAL

RWP5953 -UN-01JAN94

REAR WORK LIGHT



RWP5953

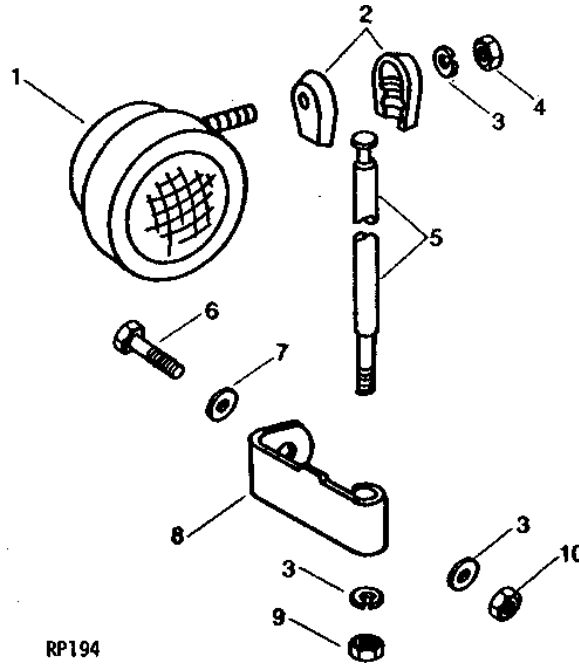
KEY	PART NO.	PART NAME	QTY	TRACTOR SERIAL NO.	REMARKS
1	AR77326	FLOODLAMP	1		
2	R30182	BEZEL	1	(HOBBS)	
3	AR77324	LAMP	1		
4	WIRING LEAD	1	(ORDER R66319 AND (2) R32016)	
5	21H1293	SCREW	4	0.164" X 5/16"	
6	12M7084	LOCK WASHER	4	0.169"	
7	A2899R	ASSEMBLY LINE PARTS	2		
8	AD2062R	BULB	1	12-16V, 32CP	
9	AR77325	SOCKET	1		
10	R30181	PLATE	2	(HOBBS)	
11	19H1792	CAP SCREW	1	1/2" X 1"	
12	14H1040	NUT	2	1/2"	
13	R59160	BRACKET	1		
14	12H301	LOCK WASHER	2	1/2"	
..	R66319	WIRING LEAD	1	LGTH=30.5M (100')	

1E21

ELECTRICAL

RP194 -UN-01JAN94

REAR COMBINATION LAMP EXTENSION



RP194

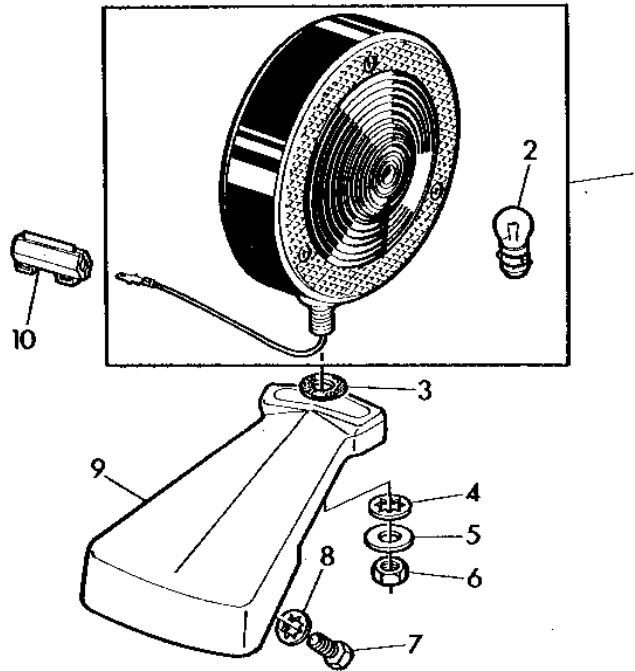
KEY	PART NO.	PART NAME	QTY	TRACTOR SERIAL NO.	REMARKS
1	AR77326	FLOODLAMP	1		(SUB FOR AT16288)
2	R27460	CLAMP	2		
3	12H301	LOCK WASHER	3	1/2"	
4	14H1040	NUT	1	1/2"	
5	R48473	EXTENSION	1		
6	19H1792	CAP SCREW	1	1/2" X 1"	
7	24H1211	WASHER	1	9/16" X 1-3/8" X 0.105"	
8	R59160	BRACKET	1		
9	14H1040	NUT	1	1/2"	
10	14H1040	NUT	1	1/2"	

1E22

ELECTRICAL

L40381 -UN-01JAN94

WARNING LIGHT



L 40381

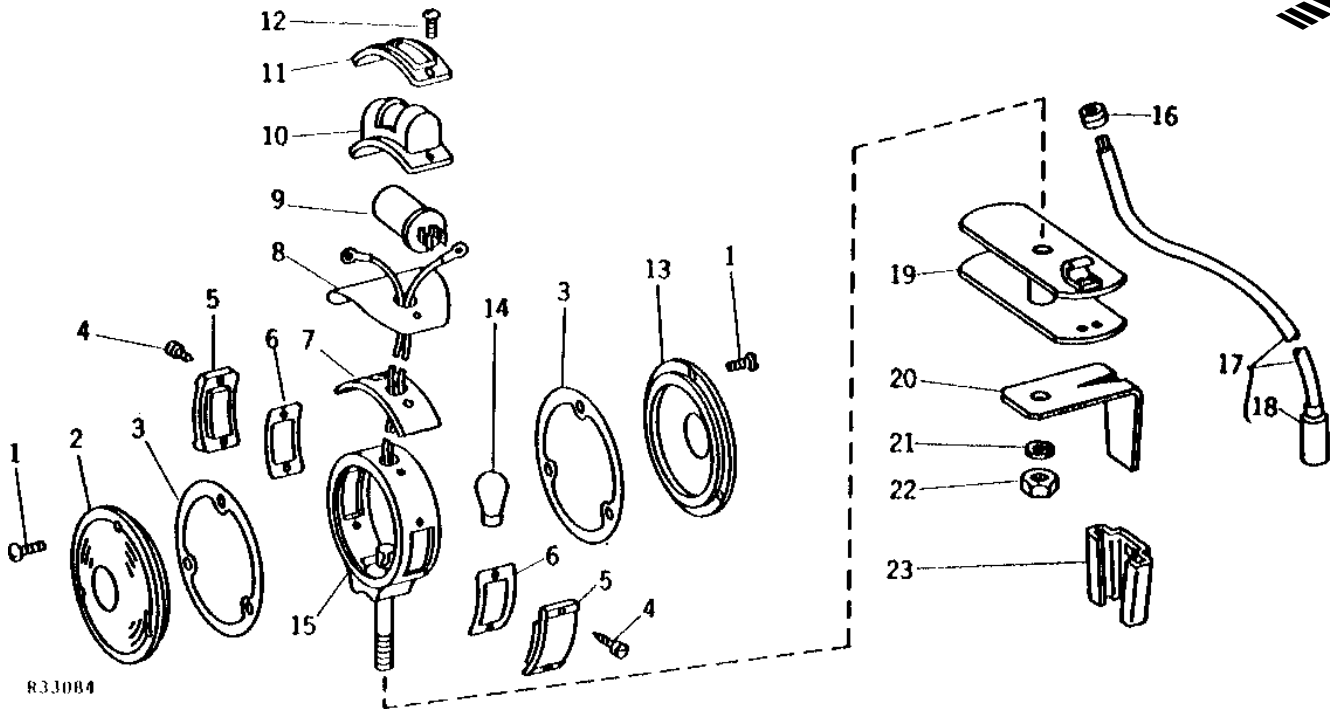
KEY	PART NO.	PART NAME	QTY	TRACTOR SERIAL NO.	REMARKS
1	AR50580	LAMP	2		
	R48664	LENS	1		(RED)
	R48665	LENS	1		(AMBER)
	R49296	SCREW	3		
2	AD2062R	BULB	2	12V, 16W	
3	R47831	WASHER	2		
4	12H301	LOCK WASHER	2	1/2"	
5	24H1341	WASHER	2	17/32" X 15/16" X 0.060"	
6	14H865	NUT	2	1/2"	
7	19H2021	CAP SCREW	4	3/8" X 5/8"	
8	12H310	LOCK WASHER	4	3/8"	
9	L29390	SUPPORT	2		
10	L31124	INSULATING CAPSULE	2		

1E23

ELECTRICAL

R33084 -UN-01JAN94

WARNING LAMP (TOWED IMPLEMENT)



R33084

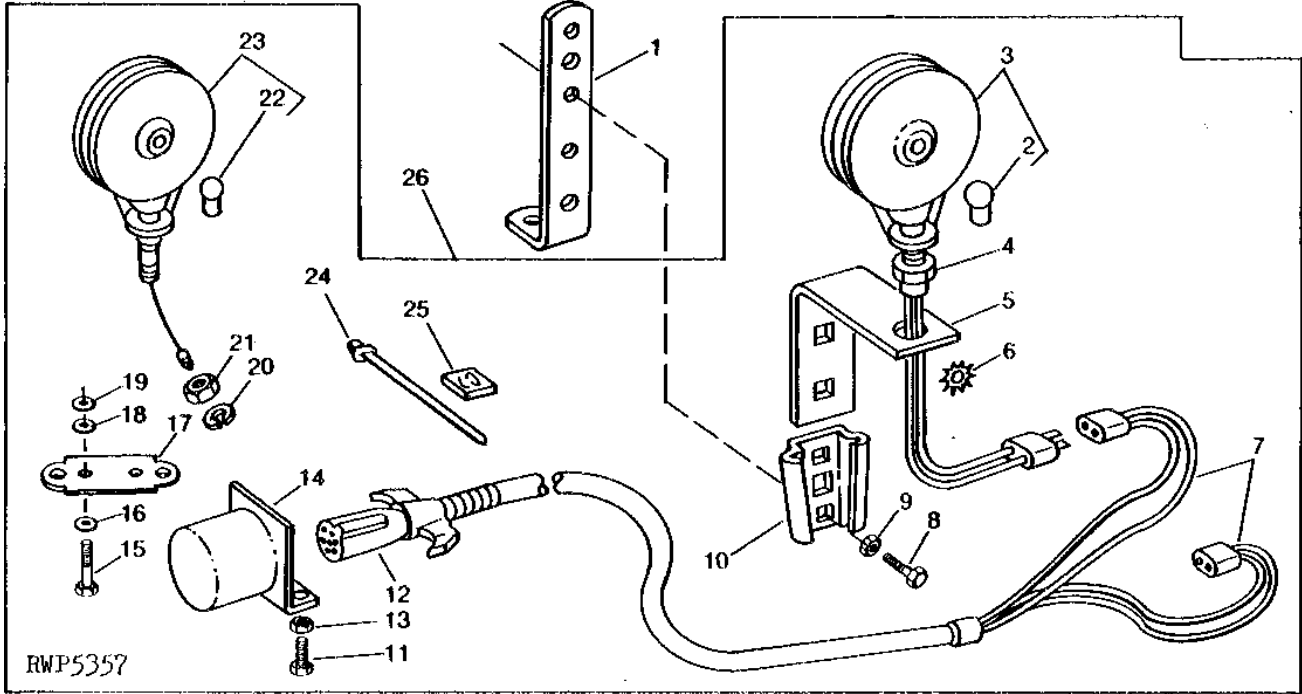
KEY	PART NO.	PART NAME	QTY	TRACTOR SERIAL NO.	REMARKS
1	21H1290	SCREW	6	0.138" X 1/2"	
2	A5275R	LENS	1		
	A5276R	LENS	1		
3	GASKET	2	(NO LONGER AVAILABLE)	
4	37H46	SCREW	4		
5	A5278R	LENS	2		
6	A5279R	GASKET	2		
7	R41327	GASKET	1	(NO LONGER AVAILABLE)	
8	COVER	1	(NO LONGER AVAILABLE)	
9	AR21858	FLASHER	1		
10	R41325	COVER	1	(NO LONGER AVAILABLE)	
11	R41326	BEZEL	1	(NO LONGER AVAILABLE)	
12	37H95	SCREW	2		
13	A5275R	LENS	1		
14	AA6218R	BULB	1	(12-14 VOLT) (21 C.P.)	
15	HOUSING	1	(NO LONGER AVAILABLE)	
16	R2579R	GROMMET	1		
17	AR40710	PLUG	1		
18	AA5692R	ELECTRICAL PLUG	1		
19	AA6217R	REEL	1		
20	R63180	BRACKET	1	(SUB FOR A5273R)	
21	12H293	LOCK WASHER	1	7/16"	
22	14H1047	NUT	1	7/16"	
23	JD126	SOCKET	1		
..	AR40708	LAMP	1	(NO LONGER AVAILABLE)	

1E24

ELECTRICAL

RWP5357 -UN-01JAN94

IMPLEMENT WARNING LAMP KIT



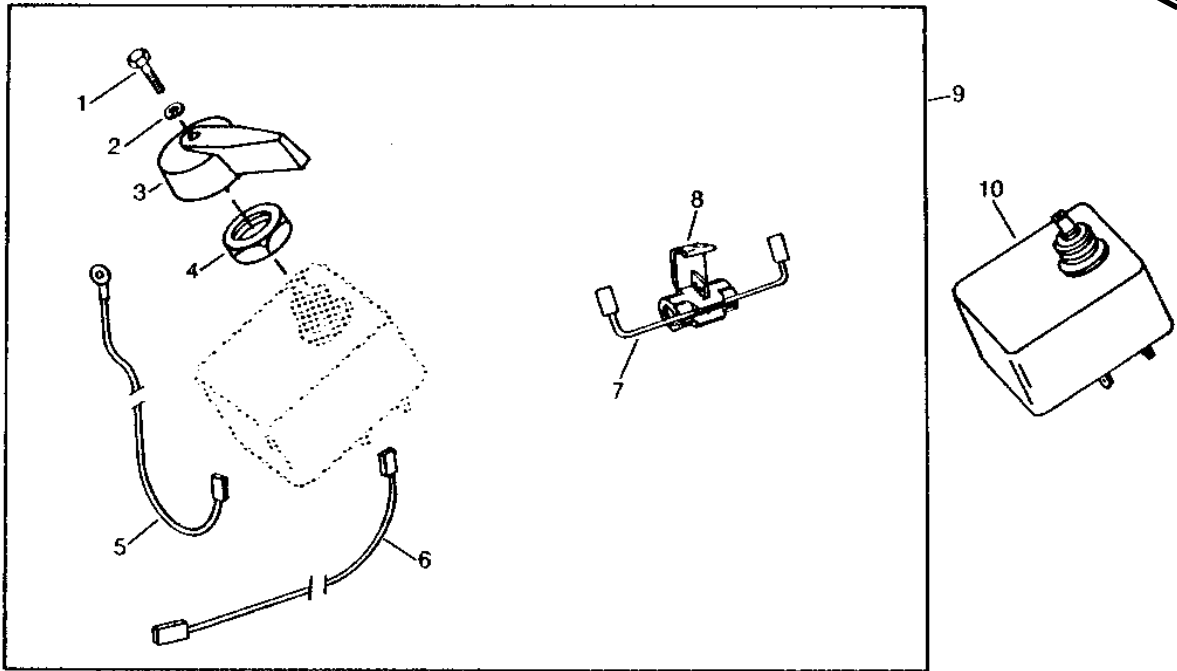
KEY	PART NO.	PART NAME	QTY	TRACTOR SERIAL NO.	REMARKS
1	A39716	BRACKET	2		
2	AD2062R	BULB	2		
3	AA34967	LAMP	2		(SUB FOR PT1293)
	A48331	LENS	2		
4	12H301	LOCK WASHER	2	1/2"	
	14H856	NUT	2	1/2"	
5	PT18180	BRACKET	2		(SUB FOR PT9319)
6	PT9390	WASHER	1		
7	PT9318	WIRING HARNESS	1		
8	37H57	SCREW	5	5/16" X 3/4"	
9	14H785	NUT	5	5/16"	
10	JD126	SOCKET	2		
11	37H3	SCREW	2	1/4" X 5/8"	
12	AH93625	PLUG	1		
13	14H786	NUT	2	1/4"	
14	PT1296	BRACKET	1		
15	37H57	SCREW	5	5/16" X 3/4"	
16	24H1822	WASHER	1	11/32" X 7/8" X 1/16"	
17	PT18181	BRACKET	1		(SUB FOR PT9320)
18	24H1822	WASHER	1	11/32" X 7/8" X 1/16"	
19	14H788	NUT	5	3/8"	
20	12H301	LOCK WASHER	1	1/2"	
21	14H856	NUT	1	1/2"	
22	AR48041	BULB	1		
23	AA34968	TAIL LAMP	1		
	A48332	LENS	1		
24	R44302	TIE BAND	AR		
25	AT55441	BASE	AR		(SUB FOR PT9321)
26	TY16055	KIT	1		(SUB FOR TY9305 OR TY15263)
..	AA32178	WIRING LEAD	1		ACCESSORY

1E25

ELECTRICAL

RP1529 -UN-01JAN94

TURN SIGNAL CONTROL



RP1529

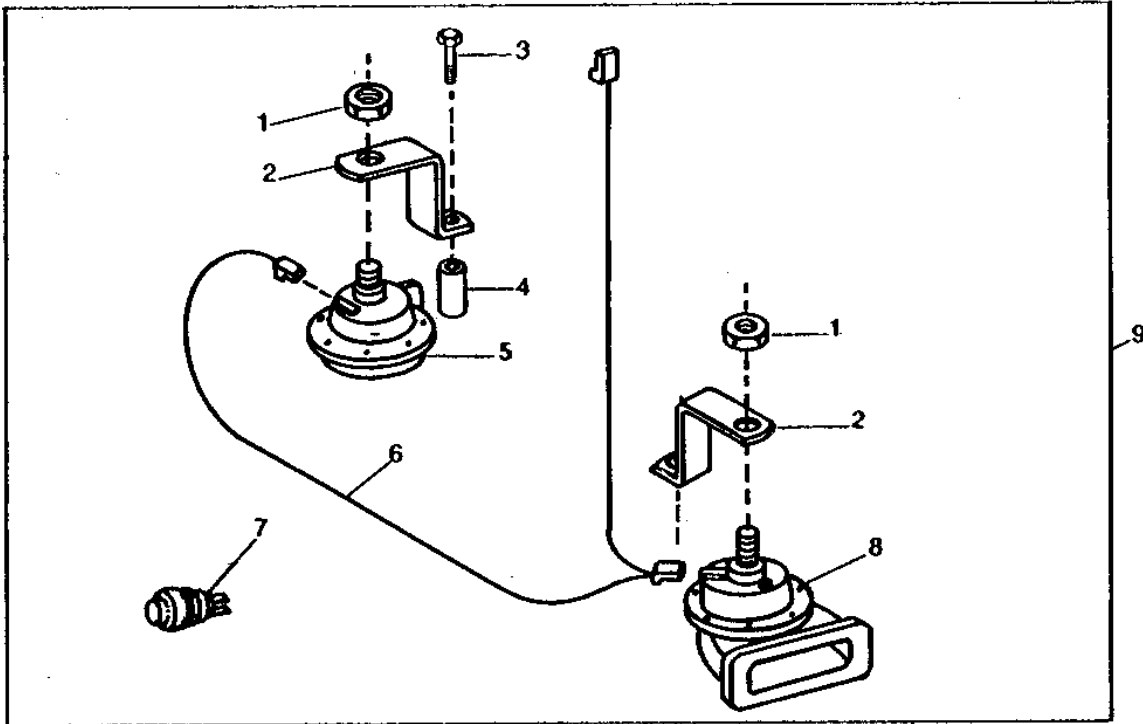
KEY	PART NO.	PART NAME	QTY	TRACTOR SERIAL NO.	REMARKS
1	21H1372	SCREW	1	1/8" X 3/8"	
2	12H233	LOCK WASHER	1	1/8"	
3	R56026	KNOB	1		
4	R56410	NUT	1		
5	WIRING LEAD	1	310MM (12-1/4") (MAKE FROM R66319, R32018, R32027 AND R32024)	
6	AR72233	WIRING LEAD	1		
7	AR40507	WIRING LEAD	1		
8	AR67855	CONNECTOR	1		
9	AR98023	KIT	1	KIT	
10	AR64422	TURN SIGNAL CONTROLLER	1	(SUB FOR AR67398)	

1F1

ELECTRICAL

RWP4155 -UN-01JAN94

HORN



RWP4155

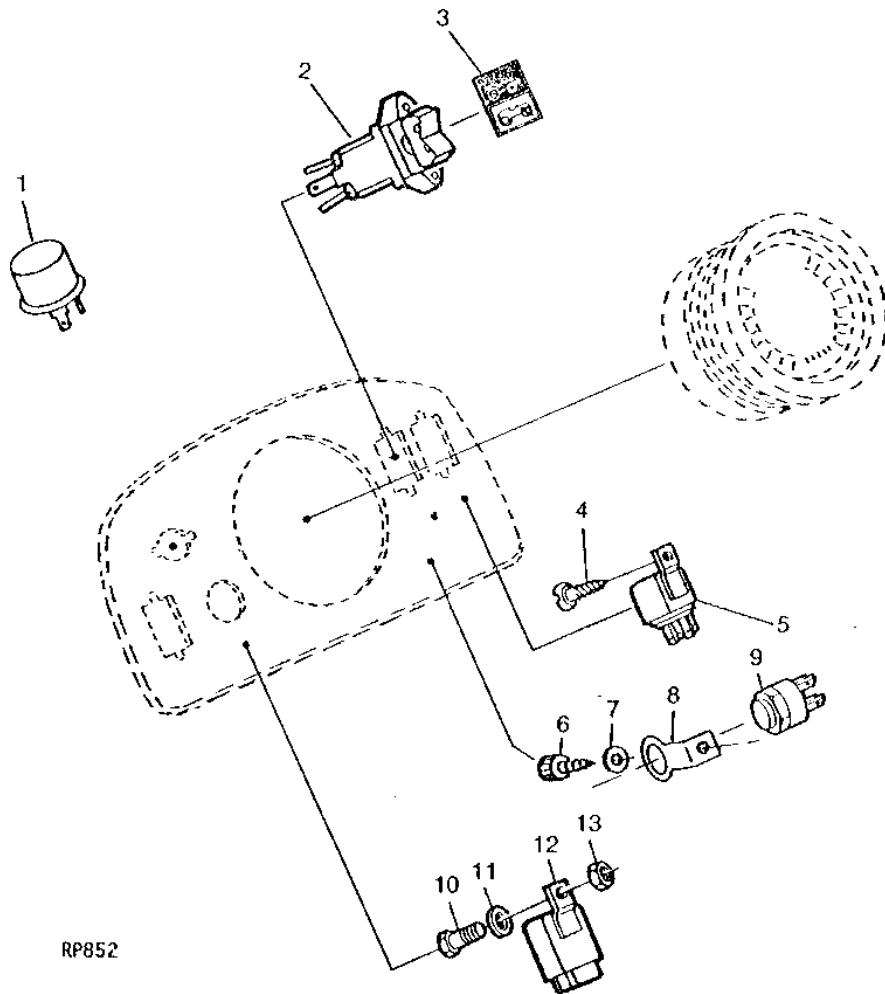
KEY	PART NO.	PART NAME	QTY	TRACTOR SERIAL NO.	REMARKS
1	R11278	NUT	2		
2	R75833	BRACKET	2		(SUB FOR R66069)
3	19H1726	CAP SCREW	2		3/8" X 2-1/4"
4	28H3381	SPACER	1		
5	AT39043	HIGH NOTE HORN	1		
6	AR85578	WIRING HARNESS	1		
7	AL17684	PUSH BUTTON	1		
8	R64700	LOW NOTE HORN	1		
9	RE12715	HORN	1		(FI)

1F2

ELECTRICAL

RP852 -UN-01JAN94

ELECTRICAL SWITCHES



1F3

ELECTRICAL

ELECTRICAL SWITCHES - CONTINUED

KEY	PART NO.	PART NAME	QTY	TRACTOR SERIAL NO.	REMARKS
1	AU41465	FLASHER	2		
2	AL32113	TOGGLE SWITCH	1		
3	L31962	SIGN	1		
4	37M7067	SCREW	2	M4.2 X 9.5	
5	AL69709	RELAY	2	(ALSO ORDER L38387) (SUB FOR AL32072 OR AL36335) (SUB AL69709)	
6	37M7067	SCREW	1	M4.2 X 9.5	
7	12M7060	WASHER	1	M5	
8	L35878	ANGLE	1		
9	AL38594	WARNING BUZZER	1		WARNING, (SUB FOR AL32268)
10	19M7372	CAP SCREW	1	M5 X 16	
11	24M7087	WASHER	1	5.500 X 10 X 1 MM	
12	AL32066	TIMER	1		
13	14M7297	NUT	1	M5	

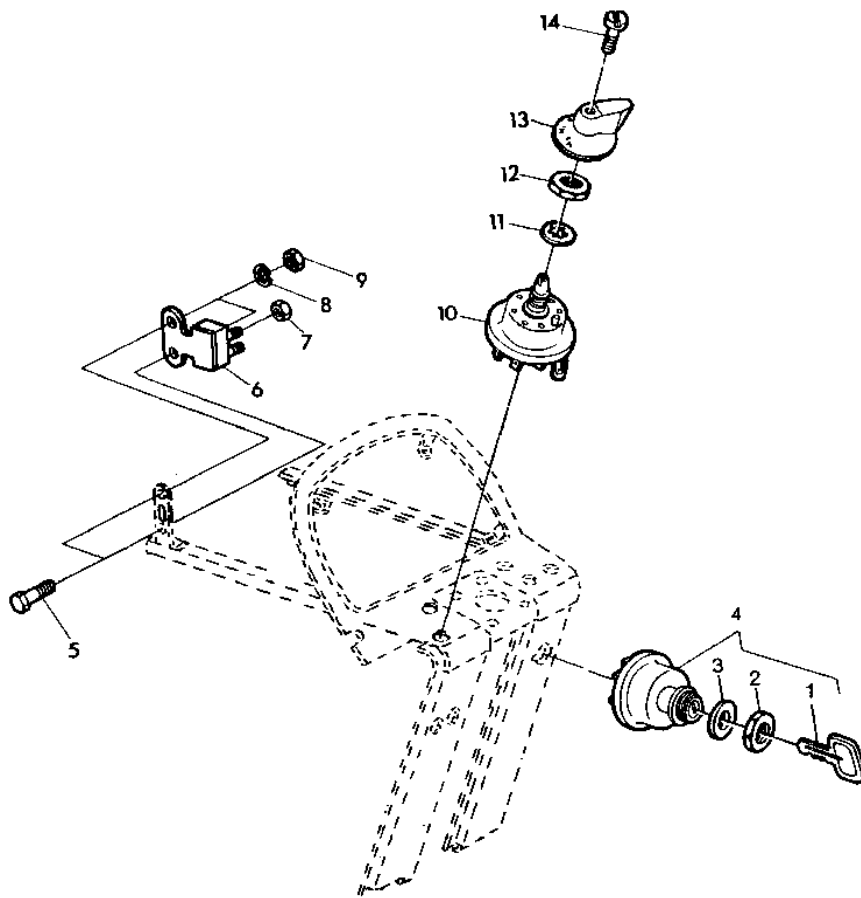
1F4

ELECTRICAL

R33943

-UN-01JAN94

LIGHT AND IGNITION SWITCHES



R33943

1F5

ELECTRICAL

LIGHT AND IGNITION SWITCHES - CONTINUED

KEY	PART NO.	PART NAME	QTY	TRACTOR SERIAL NO.	REMARKS
1	AR51481	KEY	1		
2	R44342	NUT	1		
3	24H1462	WASHER	1		1-1/16" X 1-1/2" X 0.060"
4	AR58126	KEY SWITCH	1		(START)
5	19M7372	CAP SCREW	2		M5 X 16
6	AR28403	CIRCUIT BREAKER	1		
7	14H631	NUT	2		0.190"
8	24M7087	WASHER	2		5.500 X 10 X 1 MM
9	14M7297	NUT	2		M5
10	AR66478	SWITCH	1		(LIGHT)
11	12H292	LOCK WASHER	1		1/2"
12	A4655R	NUT	1		
13	AR66799	KNOB	1		
14	21H973	SCREW	1		0.164" X 3/8"

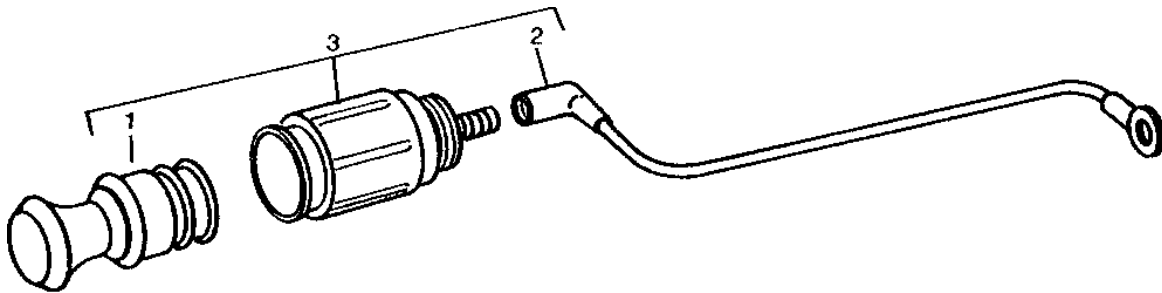
MEMORANDA

1F6

ELECTRICAL

RP1318 -UN-01JAN94

CIGAR LIGHTER



RP1318

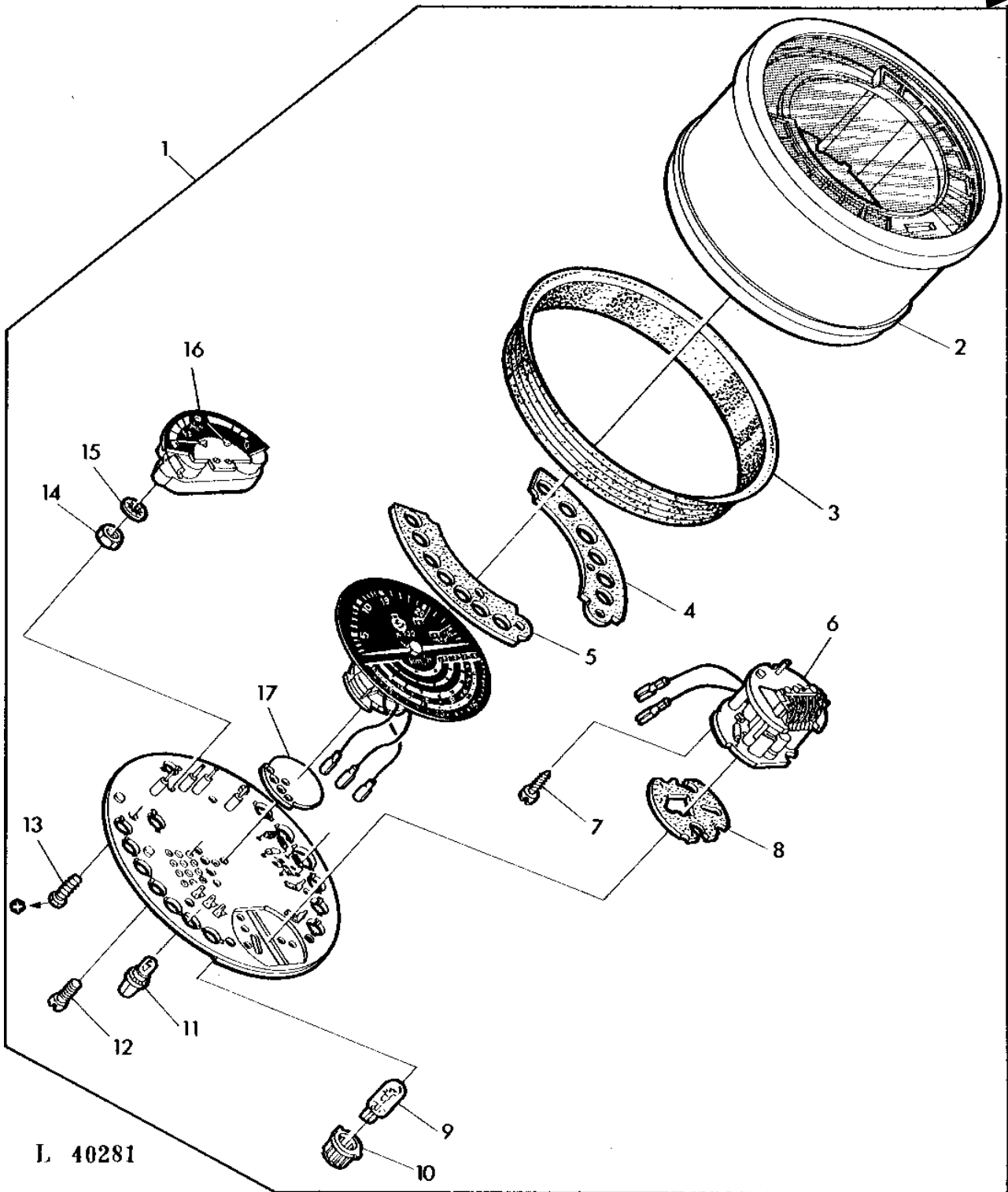
KEY	PART NO.	PART NAME	QTY	TRACTOR SERIAL NO.	REMARKS
1	AR60937	LIGHTER	1		
2	AR99082	WIRING LEAD	1		
3	RE15660	LIGHTER	1		(SUB FOR AR99081)

1F7

ELECTRICAL

L40281 -UN-01JAN94

SPEED-HOUR METER



L 40281

1F8

ELECTRICAL

SPEED-HOUR METER - CONTINUED

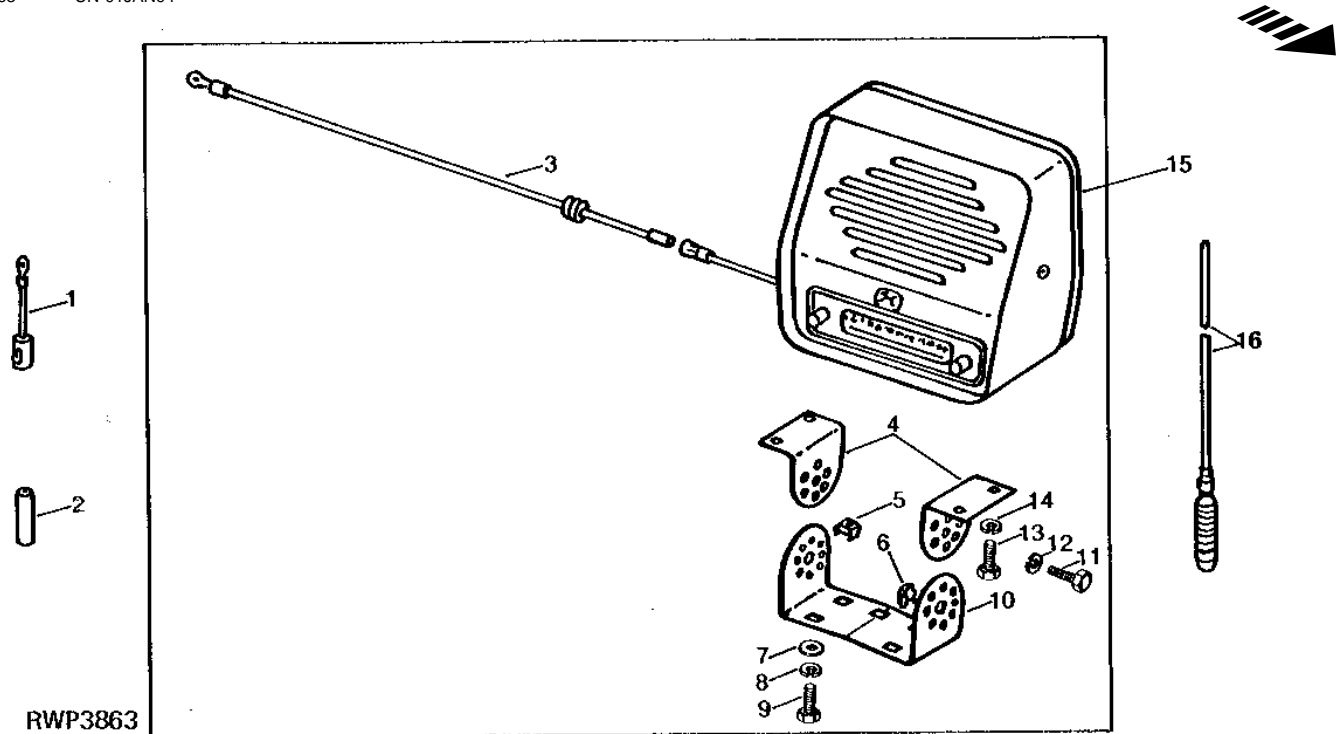
KEY	PART NO.	PART NAME	QTY	TRACTOR SERIAL NO.	REMARKS
1	AL31829	INSTRUMENT CLUSTER	1		
2	AL33166	HOUSING	1		
3	L34912	RING	1		
4	L35897	WEATHERSTRIP	1	R.H.	
5	L35898	WEATHERSTRIP	1	L.H.	
6	AL33164	HOUR METER	1		
7	37M7095	SCREW	3	2.9X13MM	
8	L35896	GASKET	1		
9	AL33163	LAMP	1	5W	
10	AL33336	PEDESTAL	1		
11	AL33162	BULB	15	2W	
12	21M7268	SCREW	3	M3 X 6	
13	37M7066	SCREW	6	3.5X16MM	
14	14M7139	NUT	2	M4	
15	12M7091	LOCK WASHER	2	M4	
16	AL33165	GAUGE	1		
17	L36179	PLATE	1		

1F9

ELECTRICAL

RADIO (MOTOROLA) (LESS SOUND-GARD BODY)

RWP3863 -UN-01JAN94



RWP3863

KEY	PART NO.	PART NAME	QTY	TRACTOR SERIAL NO.	REMARKS
1	AR41758	CAPACITOR	1		
2	R42799	RESISTOR	1		
3	AR41756	WIRING LEAD	1		
4	R52408	BRACKET	2		
5	AR41951	NUT	4		
6	AR41950	NUT	2		
7	24H1294	WASHER	4	11/32" X 1-1/8" X 1/16"	
8	12M7032	LOCK WASHER	4	0.331"	
9	19H1813	CAP SCREW	4	5/16" X 5/8"	
10	R41880	BRACKET	1		
11	19H1936	CAP SCREW	2	3/8" X 3/4"	
12	12H310	LOCK WASHER	4	3/8"	
13	19H1227	CAP SCREW	4	1/4" X 1/2"	
14	12H302	LOCK WASHER	4	1/4"	
15	TY15155	RADIO	1		(A) (ALSO ORDER AR46986) (SUB FOR AR57156, AR68361 OR AR101245) (SUB TY15276)
16	AR46986	ANTENNA	1		(A)
..	AR62260	REINFORCEMENT	1		(A) FOUR-POST ROLL-GARD FENDER (NO LONGER AVAILABLE)
..	AR68649	KIT	1		(A) ANTENNA RELOCATION (FOR SOFT ENCLOSURE) (CONSISTS OF AR46985, R26936, R27983 AND M42229) (NO LONGER AVAILABLE)

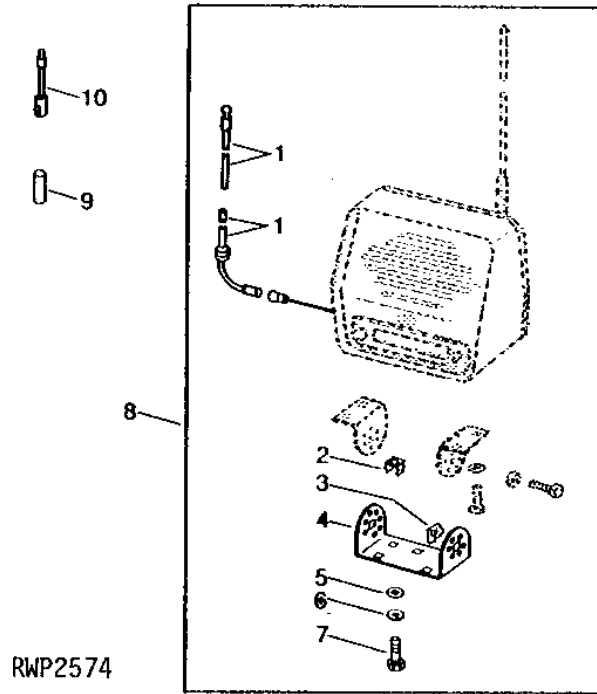
(A) CHECK AUDIOVOX DIRECT - SHIP PROGRAM GUIDE

1F10

ELECTRICAL

RWP2574 -UN-01JAN94

RADIO KIT (LESS SOUND-GARD BODY)

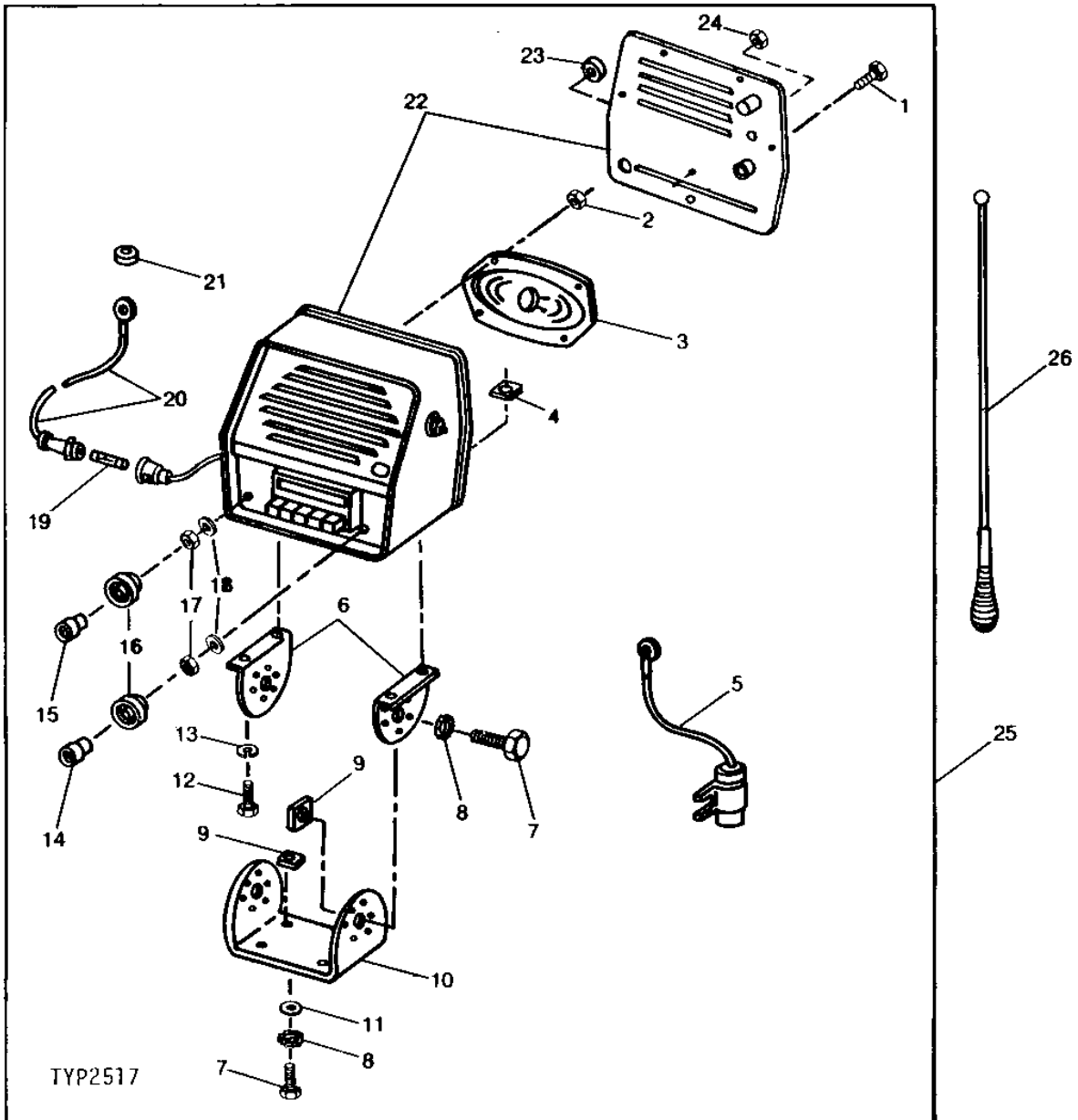


KEY	PART NO.	PART NAME	QTY	TRACTOR SERIAL NO.	REMARKS
1	AR41756	WIRING LEAD	1		
2	AR41951	NUT	3		
3	AR41950	NUT	2		
4	R41880	BRACKET	1		
5	24H1294	WASHER	3	11/32" X 1-1/8" X 1/16"	
6	12M7032	LOCK WASHER	3	0.331"	
7	19H1813	CAP SCREW	3	5/16" X 5/8"	
8	AR41754	KIT	1		MOUNTING FOR 2ND VEHICLE (FI)
9	R42799	RESISTOR	1		
10	AR41758	CAPACITOR	1		NOISE SUPPRESSOR

1F11

ELECTRICAL

AUDIOVOX FENDER MOUNT RADIO AND ANTENNA
TYP2517 -UN-18OCT94



1F12

ELECTRICAL

AUDIOVOX FENDER MOUNT RADIO AND ANTENNA - CONTINUED

KEY	PART NO.	PART NAME	QTY	SERIAL NO. OR YEAR	REMARKS
1	21H1311	SCREW	5	5/16" X 1/2"	
2	M63431	LOCK NUT	4		
3	PT10342	SPEAKER	1	(FOR TY15276)	
	PT10343	SPEAKER	2	(FOR TY15277)	
4	PT10344	NUT	4	1/4 - 20	
5	AR41758	CAPACITOR	1		
6	R52408	BRACKET	2		
7	19H1813	CAP SCREW	6	5/16" X 5/8"	
8	12M7032	LOCK WASHER	6	0.331"	
9	AR41951	NUT	6		
10	PT10341	BRACKET	1		
11	24H1294	WASHER	4	11/32" X 1-1/8" X 1/16"	
12	19H1227	CAP SCREW	4	1/4" X 1/2"	
13	12H297	LOCK WASHER	4	1/4"	
14	PT9852	KNOB	1	VOLUME	
15	PT9851	KNOB	1	TUNING	
16	PT9853	KNOB	2	TONE AND BALANCE	
17	R53386	NUT	2	1/2", (SUB PT11382)	
	PT11382	NUT	2		
18	24H1227	WASHER	2	17/32" X 13/16" X 0.060", (SUB PT11383)	
	PT11383	WASHER	2		
19	FUSE	1		
20	AR41756	WIRING LEAD	1		
21	M1895T	GROMMET	1		
22	RADIO	1	(A) (ORDER TY15276 OR TY15277)	
23	PT10345	GROMMET	1		
24	M40333	LOCK NUT	1	M6	
25	TY15276	RADIO	1	(A) AM RADIO	
	TY15277	RADIO	1	(A) AM-FM STEREO RADIO	
	TY15445	HEADPHONES	1	(A)	
26	AR46986	ANTENNA	1	(A)	

(A) CHECK AUDIOVOX DIRECT - SHIP PROGRAM GUIDE

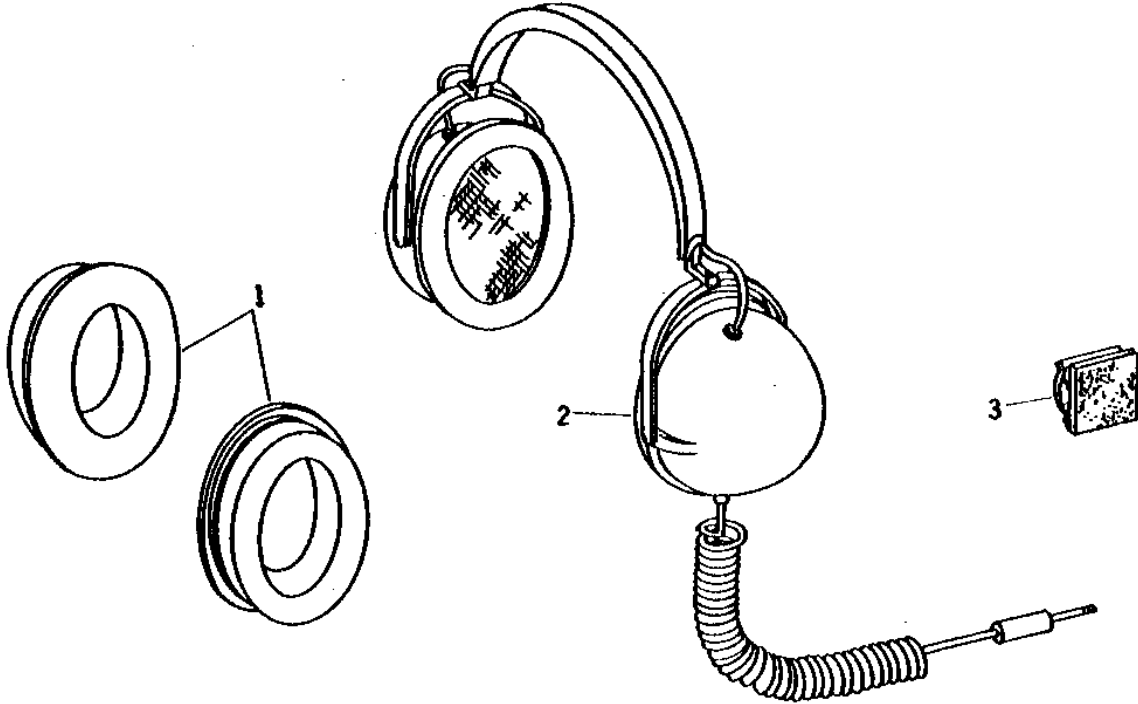
MEMORANDA

1F13

ELECTRICAL

R33062 -UN-01JAN94

RADIO HEADPHONES



R33062

KEY	PART NO.	PART NAME	QTY	TRACTOR SERIAL NO.	REMARKS
1	AR73311	FOAM PAD	1		(PKG. OF 2)
2	AR59663	HEADPHONES	1		(A) (INCLUDES AR73311 AND R53410)
3	R53410	CLIP	1		

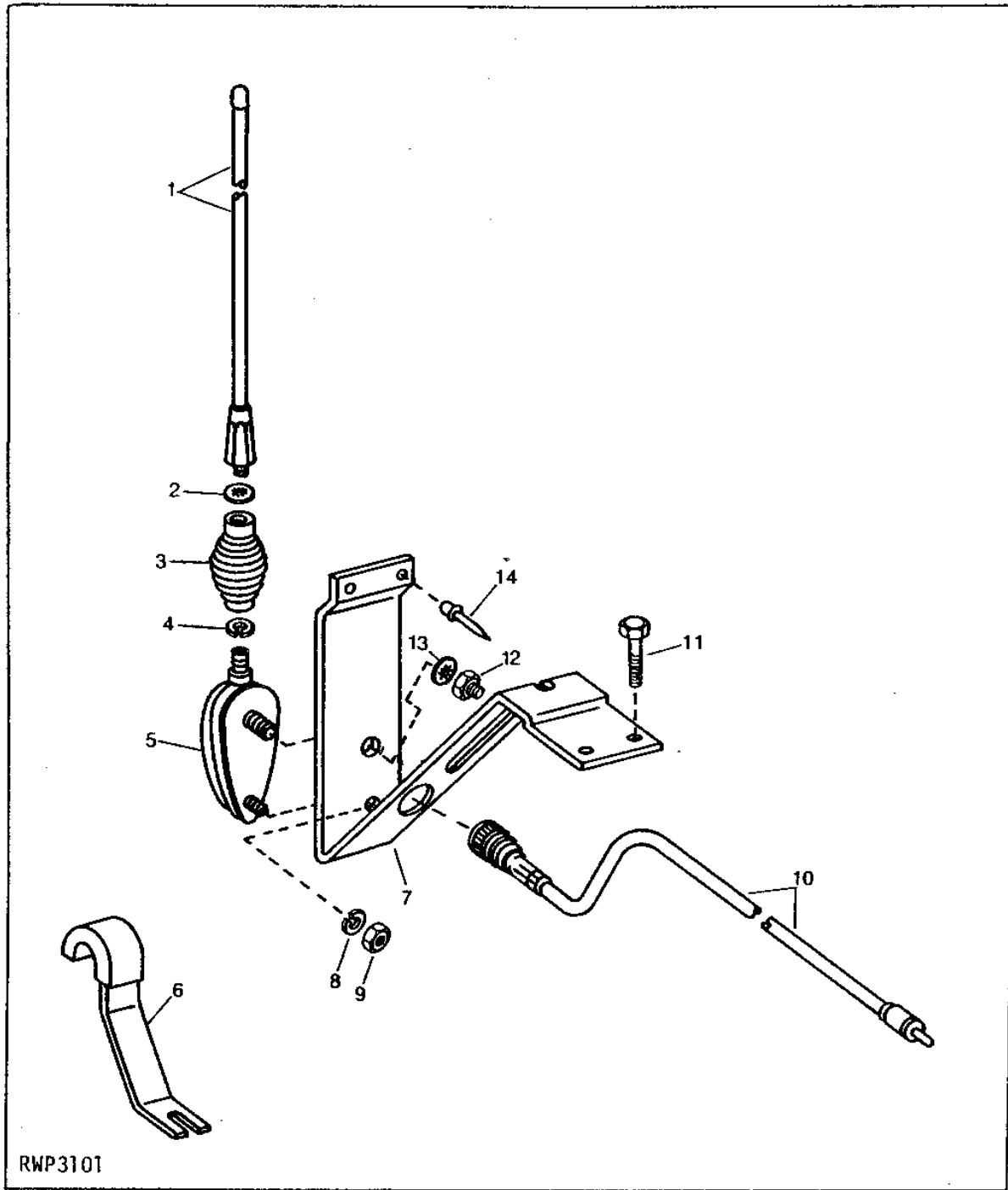
(A) CHECK AUDIOVOX DIRECT - SHIP PROGRAM GUIDE

1F14

ELECTRICAL

RWP3101 -UN-01JAN94

RADIO ANTENNA KIT



1F15

ELECTRICAL

RADIO ANTENNA KIT - CONTINUED

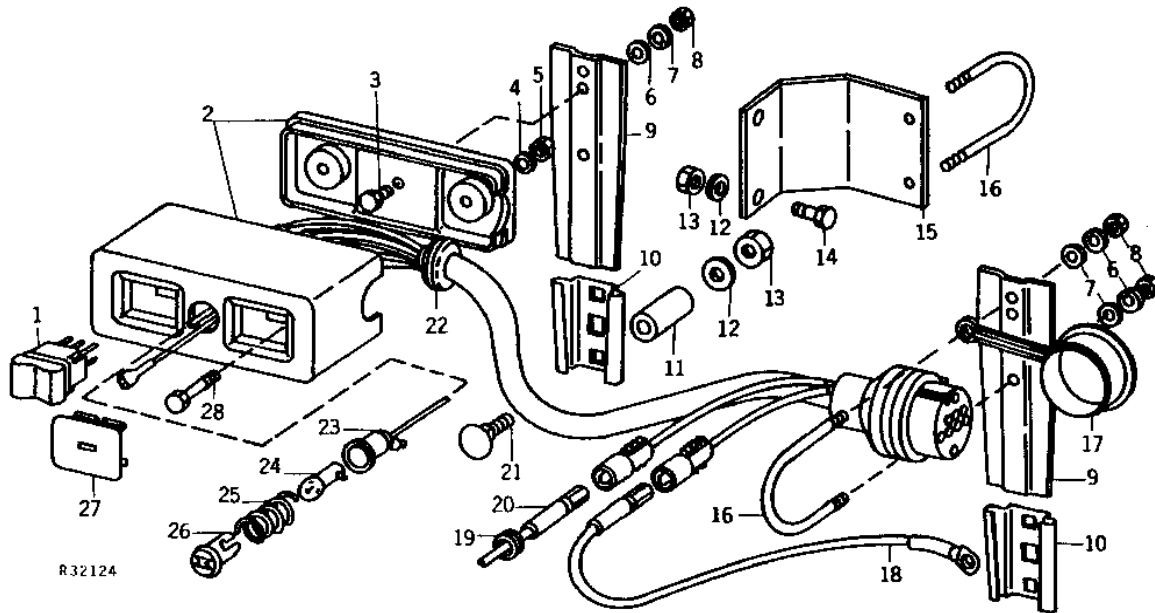
KEY	PART NO.	PART NAME	QTY	TRACTOR SERIAL NO.	REMARKS
1	AR104516	ANTENNA	1		
2	12H310	LOCK WASHER	1	3/8"	
3	AR104518	SPRING	1		
4	12H302	LOCK WASHER	1	1/4"	
5	AR104517	BASE	1		
6	R76496	CLAMP	1		
7	R76495	BRACKET	1		
8	12H302	LOCK WASHER	1	1/4"	
9	14H786	NUT	1	1/4"	
10	R76694	ANTENNA CABLE	1		
11	37H27	SCREW	2	5/16" X 7/8"	
12	R76695	NUT	1		
13	12H292	LOCK WASHER	1	1/2"	
14	R55326	RIVET	2		
15	TY15156	KIT	1	(ORDER COMPONENT PARTS) (FI)	

1F16

ELECTRICAL

R32124 -UN-01JAN94

ELECTRICAL REMOTE CONTROL



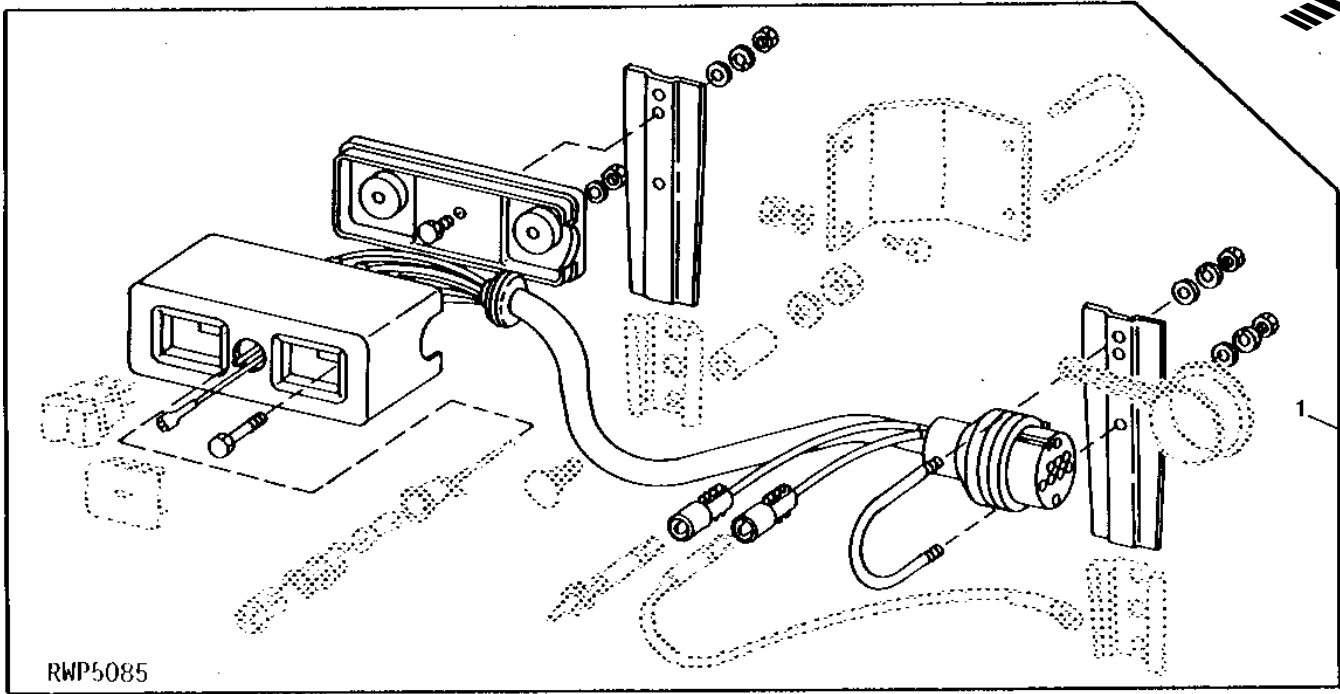
KEY	PART NO.	PART NAME	QTY	TRACTOR SERIAL NO.	REMARKS
1	AR49797	TOGGLE SWITCH	1		MOMENTARY ROCKER (FI)
	AR49798	ROCKER SWITCH	1		DETENT ROCKER (FI)
2	AR50779	WIRING HARNESS	1		(ILLUSTRATED) (TWO SWITCH)
	AR50780	WIRING HARNESS	1		(FOUR SWITCH)
3	19H1914	CAP SCREW	1		1/4" X 1"
4	12H315	LOCK WASHER	2		0.164"
5	14H605	NUT	2		0.164"
6	24H1821	WASHER	3		9/32" X 47/64" X 1/16"
7	12H302	LOCK WASHER	3		1/4"
8	14H786	NUT	3		1/4"
9	R47861	BRACKET	AR		(2 USED TWO SWITCH) (1 USED FOUR SWITCH)
	R47860	BRACKET	1		(FOUR SWITCH)
10	JD126	SOCKET	2		
11	28H1495	SPACER	2		3/8" X 1"
12	24M7207	WASHER	4		8.400 X 24 X 2 MM
13	14H785	NUT	4		5/16"
14	21H1304	SCREW	2		5/16" X 3/4"
15	R54467	BRACKET	1		
16	E16050	U-BOLT	1		
17	R48048	CAP	1		
18	AR50928	WIRING LEAD	1		
19	H987R	GROMMET	4		
20	AR50927	WIRING LEAD	1		(RELAY TO SWITCH BOX)
21	03H1515	BOLT	2		5/16" X 2"
22	R36235	GROMMET	1		
23	AT44165	WIRING LEAD	1		
24	AR55694	BULB	1		
25	R30378	SPRING	1		
26	AT48673	LENS	1		
27	R48049	PLUG	1		
28	R48028	SCREW	2		
..	R48026	DECAL	1		WARNING

1F17

ELECTRICAL

RWP5085 -UN-01JAN94

ELECTRICAL REMOTE CONTROL KIT



KEY	PART NO.	PART NAME	QTY	TRACTOR SERIAL NO.	REMARKS
1	AR62360	KIT	1	(TWO SWITCHES) (FI)	

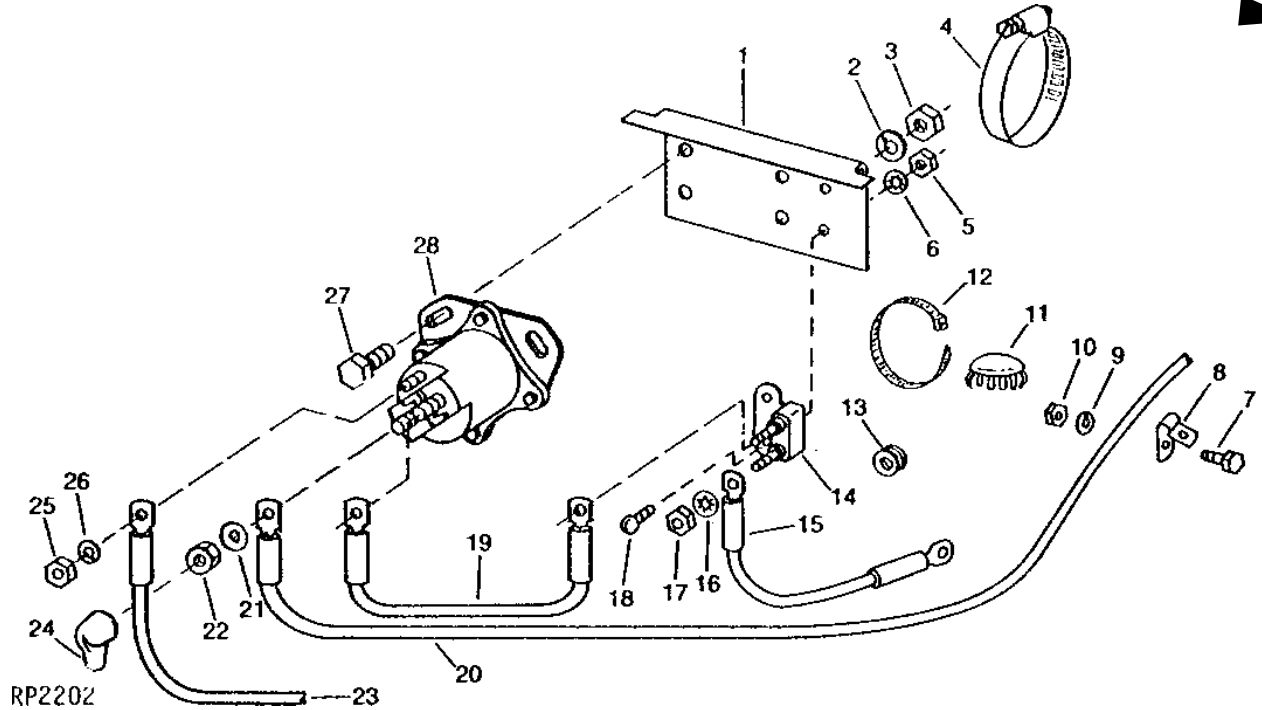
MEMORANDA

1F18

ELECTRICAL

RP2202 -UN-01JAN94

ELECTRICAL REMOTE CONTROL WIRING



KEY	PART NO.	PART NAME	QTY	TRACTOR SERIAL NO.	REMARKS
1	R69109	BRACKET	1	(SUB FOR R47859)	
2	12H297	LOCK WASHER	2	1/4"	
3	14H786	NUT	2	1/4"	
4	AR52392	CLAMP	2		
5	14H631	NUT	2	0.190"	
6	12M7060	WASHER	2	0.209"	
7	19H1731	CAP SCREW	2	3/8" X 1"	
8	T14264	CLAMP	2		
9	12H304	LOCK WASHER	2	3/8"	
10	14H732	NUT	2	3/8"	
11	R32276	PLUG	1	(CAB OPENING)	
12	R44302	TIE BAND	AR		
13	R41439	GROMMET	1		
14	AR50926	CIRCUIT BREAKER	1		
15	AR50930	WIRING LEAD	1		
16	12M7060	WASHER	2	0.209"	
17	14H631	NUT	2	0.190"	
18	21H1295	SCREW	2	0.190" X 5/8"	
19	AR50929	WIRING LEAD	1		
20	AR50927	WIRING LEAD	1		
21	12H303	LOCK WASHER	2	5/16"	
22	14H785	NUT	2	5/16"	
23	AR50931	WIRING LEAD	1		
24	R36732	BOOT	2		
25	14H631	NUT	1	0.190"	
26	12H246	LOCK WASHER	1	0.190"	
27	19H1919	CAP SCREW	2	1/4" X 5/8"	
28	RE44657	RELAY	1	(FI)	

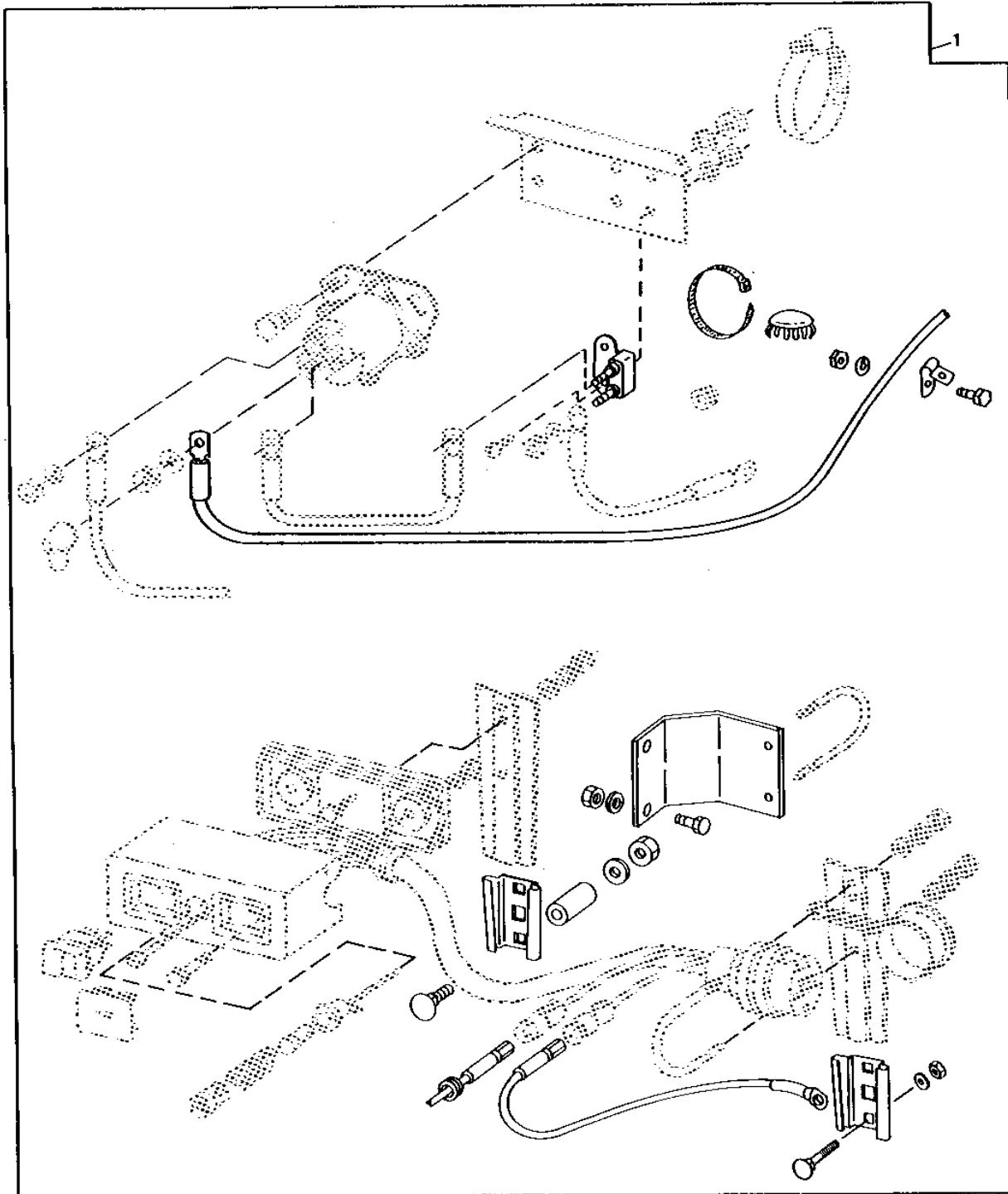
1F19

ELECTRICAL

RWP5666

-UN-01JAN94

ELECTRICAL REMOTE CONTROL WIRING KIT



RWP5666

1F20

ELECTRICAL

ELECTRICAL REMOTE CONTROL WIRING KIT - CONTINUED

KEY	PART NO.	PART NAME	QTY	TRACTOR SERIAL NO.	REMARKS
1	RE25621	KIT	1	(FI)	

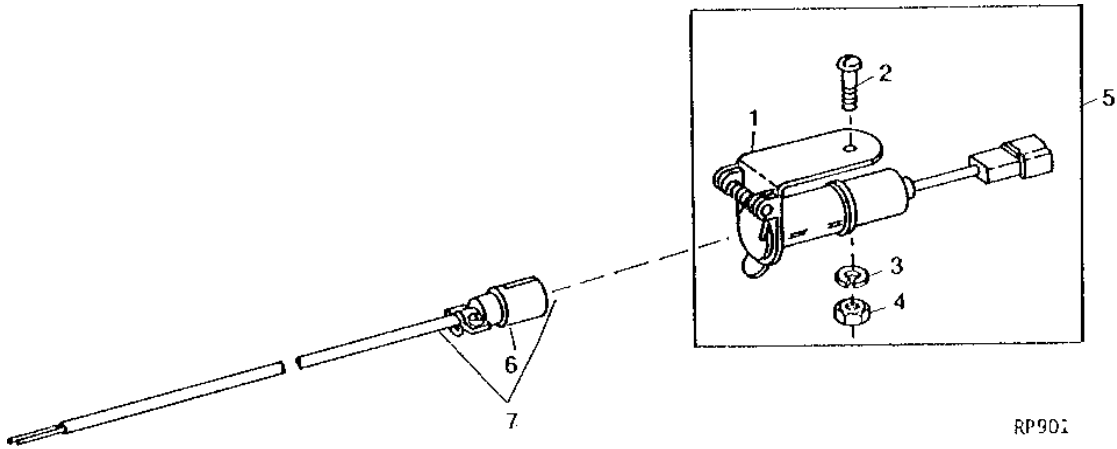
MEMORANDA

1F21

ELECTRICAL

RP901 -UN-01JAN94

ELECTRICAL OUTLET SOCKET



RP901

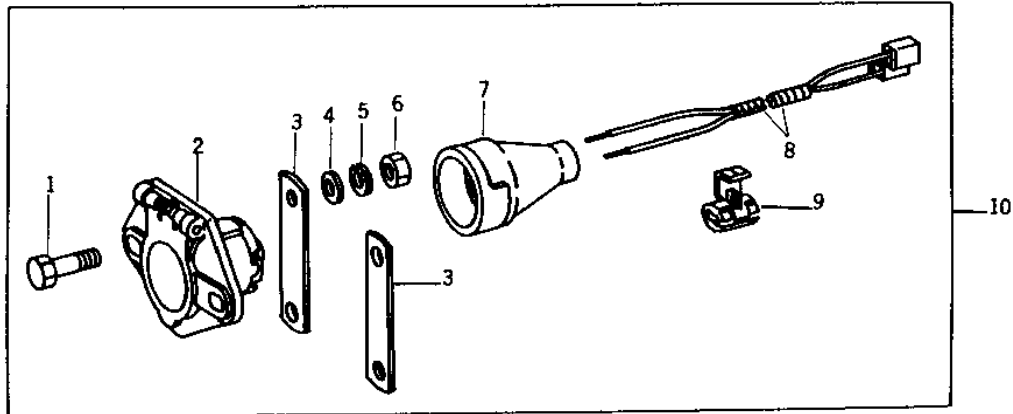
KEY	PART NO.	PART NAME	QTY	TRACTOR SERIAL NO.	REMARKS
1	AT20709	SOCKET OUTLET	1		
2	19H1815	CAP SCREW	1	1/2" X 1-1/4"	
3	12H301	LOCK WASHER	1	1/2"	
4	14H1040	NUT	1	1/2"	
5	AA5692R	ELECTRICAL PLUG	1		
6	AR40710	PLUG	1		

1F22

ELECTRICAL

R32128 -UN-01JAN94

7-TERMINAL ELECTRICAL OUTLET SOCKET



R32128

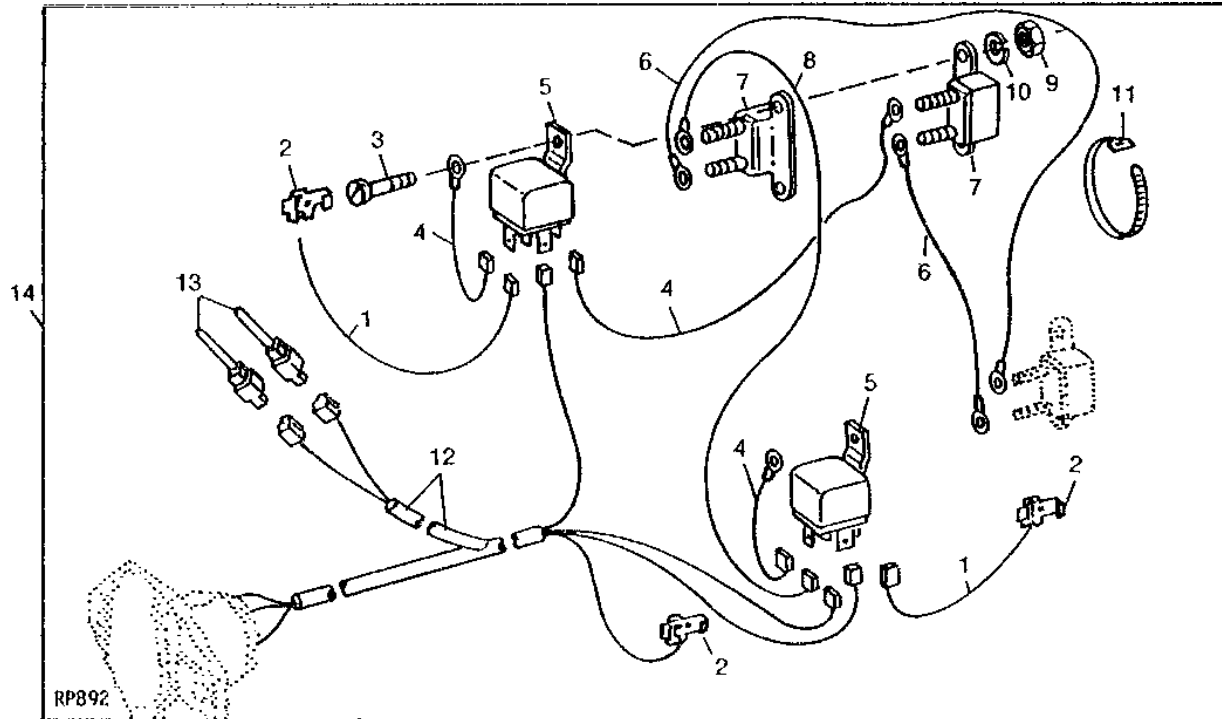
KEY	PART NO.	PART NAME	QTY	TRACTOR SERIAL NO.	REMARKS
1	19H1905	CAP SCREW	4	5/16" X 1"	
2	AR75695	SOCKET OUTLET	1		
3	R61776	STRAP	2		
4	24H1136	WASHER	4	11/32" X 11/16" X 0.065"	
5	12H303	LOCK WASHER	4	5/16"	
6	14H785	NUT	4	5/16"	
7	R61775	BOOT	1		
8	AR75696	WIRING HARNESS	1		EXTENSION
	WIRING LEAD	1		3963MM (156") TAIL LAMP, (MAKE FROM R77500)
	WIRING LEAD	1		400MM (16") GROUND, (MAKE FROM R66320)
9	AR67855	CONNECTOR	3		
10	RE17282	KIT	1		(SUB FOR AR75694) (FI)
..	AH93625	PLUG	1		OUTLET

1F23

ELECTRICAL

7-TERMINAL ELECTRICAL OUTLET SOCKET (SUPPLEMENTARY WIRING KIT)

RP892 -UN-01JAN94



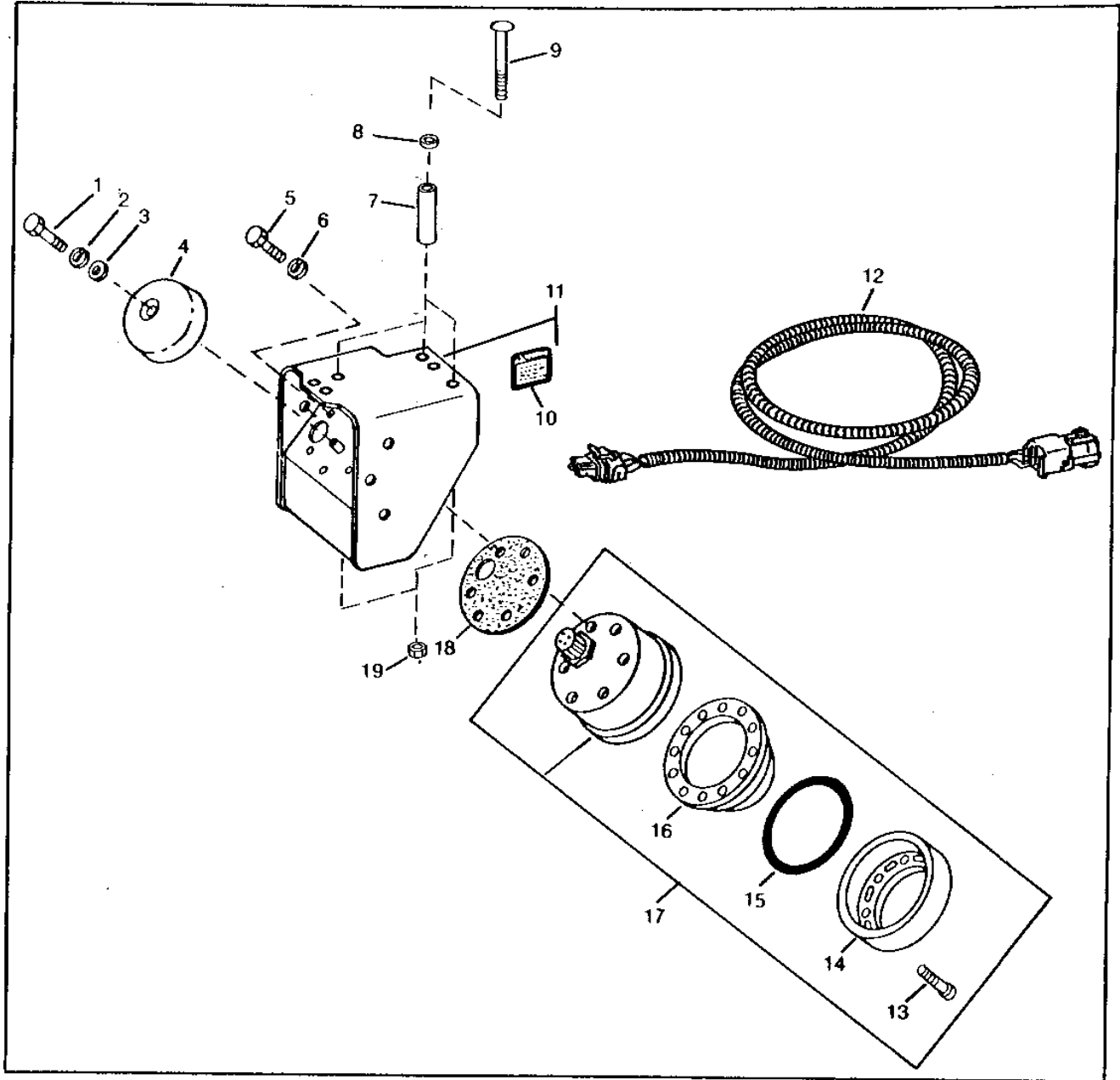
KEY	PART NO.	PART NAME	QTY	TRACTOR SERIAL NO.	REMARKS
1	WIRING LEAD	2		300MM (11-7/8") (MAKE FROM R66319 AND R65600)
2	AR67855	CONNECTOR	3		
3	21H1282	SCREW	2		0.190" X 7/8"
4	WIRING LEAD	3		152MM (6") CIRCUIT BREAKER, (MAKE FROM R66319, R32021, R32027 AND R32025)
5	AR74411	RELAY	2		
6	WIRING LEAD	2		152MM (6") CIRCUIT BREAKER, (MAKE FROM R66319 AND (2) R32018)
7	AR28403	CIRCUIT BREAKER	2		20 AMP
8	WIRING LEAD	1		310MM (12-1/4") RELAY, (MAKE FROM R66319, R32018, R32027 AND R32024)
9	14H631	NUT	6		0.190"
10	12M7060	WASHER	6		0.209"
11	R44302	TIE BAND	10		
12	AR82908	WIRING HARNESS	1		
13	AR82911	WIRING LEAD	2		
14	AR82906	KIT	1		(FI)

1F24

ELECTRICAL

RXP9306 -UN-01JAN94

RADAR SENSOR



RXP9306

20

1F25

ELECTRICAL

RADAR SENSOR - CONTINUED

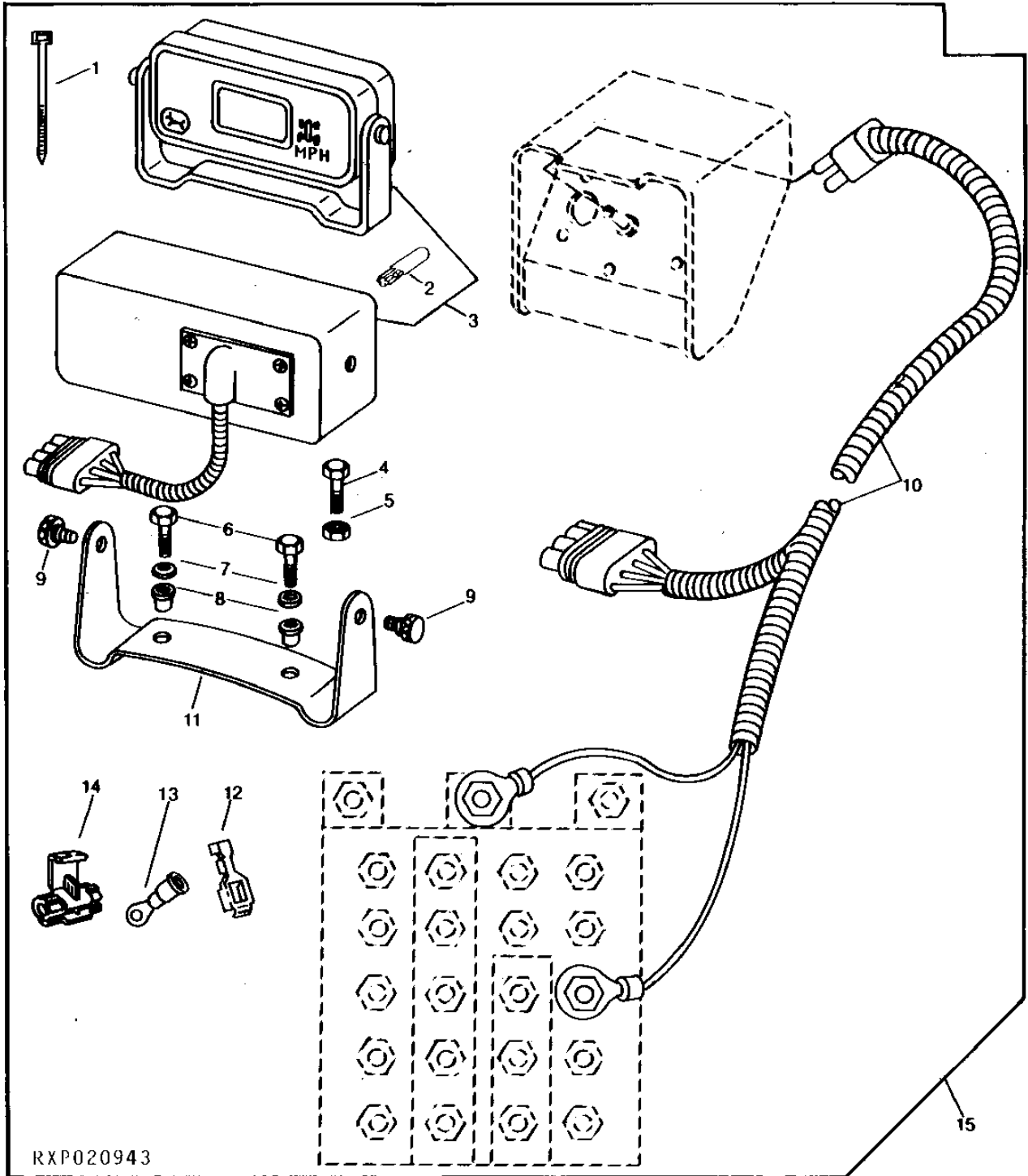
KEY	PART NO.	PART NAME	QTY	TRACTOR SERIAL NO.	REMARKS
1	19H1813	CAP SCREW	1	5/16" X 5/8"	
2	12H303	LOCK WASHER	1	5/16"	
3	24H1136	WASHER	1	11/32" X 11/16" X 0.065"	
4	R82355	SHIELD	1		
5	19H1813	CAP SCREW	6	5/16" X 5/8"	
6	12H303	LOCK WASHER	6	5/16"	
7	28H3343	BUSHING	3	0.546" X 0.840" X 5-3/8"	
8	24H1625	WASHER	2	17/32" X 1" X 0.120"	
9	03H2052	BOLT	3	1/2" X 6-1/2"	
10	R120107	LABEL	1	(ENGLISH)	
	R120106	LABEL	1	(FRANCAIS)	
	R105942	LABEL	1	(DEUTSCH)	
	R120108	LABEL	1	(ESPANOL)	
	L65000	LABEL	1		
11	RE46317	BRACKET	1	(SUB FOR RE21096 OR RE38707)	
12	RE46414	WIRING HARNESS	1		
13	R82239	SCREW	12		
14	R82237	SNAP RING	1		
15	R82238	O-RING	1		
16	R82236	COVER	1		
17	RE43025	RADAR SENSOR	1	(SUB FOR RE21073)	
18	R82243	GASKET	1		
19	14H1040	NUT	3	1/2"	
20	AR111058	SENSOR	1	(SUB FOR RE21510 OR RW26466) (FI)	

1G1

ELECTRICAL

PERFORMANCE TRAK II MINI-MONITOR (ANALOG TACHOMETER)

RXP020943 -UN-12OCT94



1G2

ELECTRICAL

PERFORMANCE TRAK II MINI-MONITOR - CONTINUED
(ANALOG TACHOMETER)

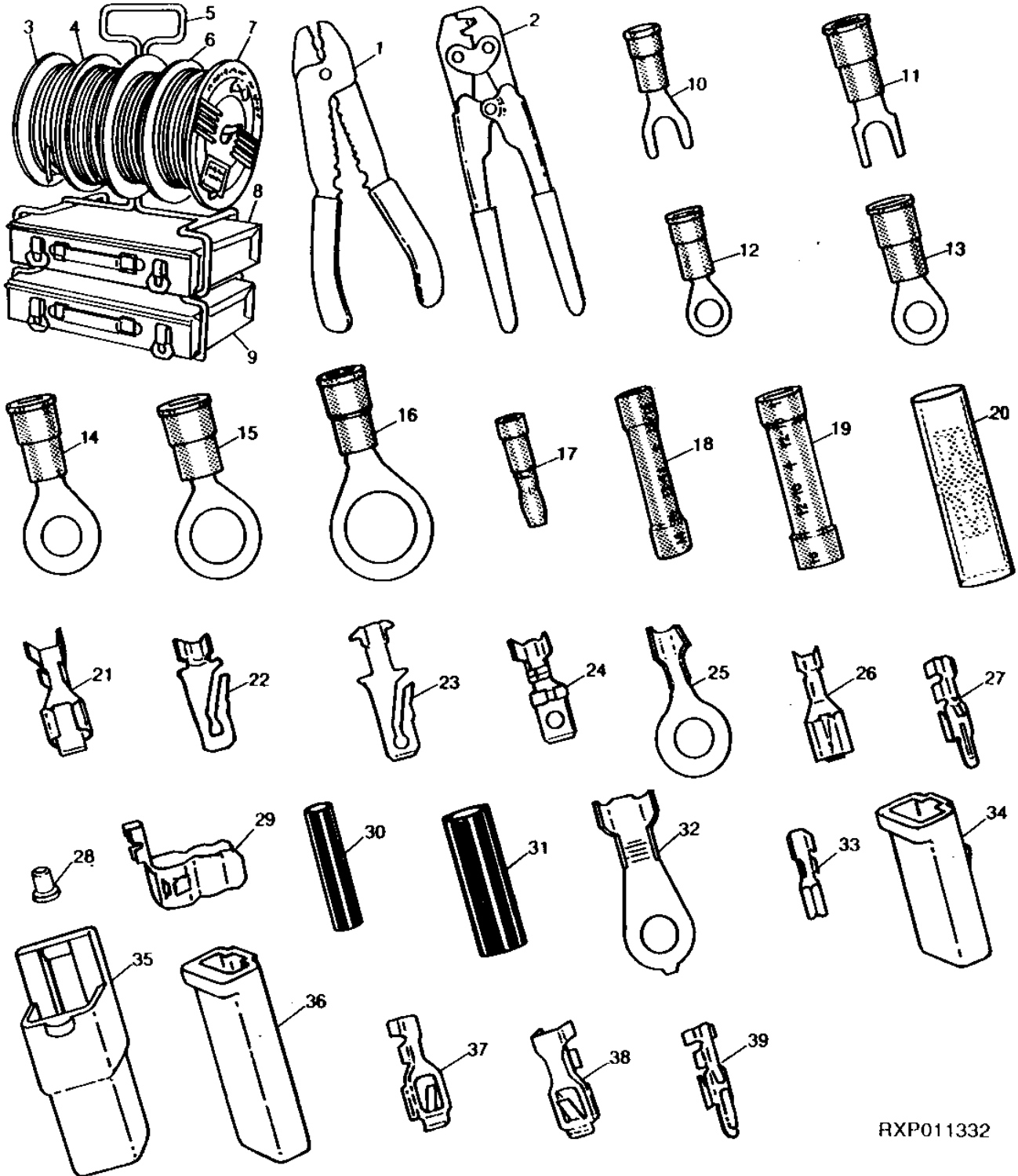
KEY	PART NO.	PART NAME	QTY	TRACTOR SERIAL NO.	REMARKS
1	R44302	TIE BAND	AR		
2	RE22589	LAMP	1		
3	RE21112	MONITOR CONSOLE	1		
4	19H1978	CAP SCREW	3	7/16" X 1-1/2"	
	12H293	LOCK WASHER	3	7/16"	
5	14H1047	NUT	3	7/16"	
	14H786	NUT	2	1/4"	
6	19H1914	CAP SCREW	2	1/4" X 1"	
7	24H1287	WASHER	4	9/32" X 5/8" X 0.065"	
8	R82423	NUT	2	RUBBER	
9	R83055	WING SCREW	2		
10	RE21113	WIRING HARNESS	1	3500MM (138")	
11	R83109	BRACKET	1		
12	U46662	TERMINAL	1		
13	R77489	TERMINAL	1		
	R84158	TERMINAL	1		
14	AR67855	CONNECTOR	3		
15	RE21738	MONITOR CONSOLE	1	(FI)	

1G3

ELECTRICAL

RXP011332 -UN-27SEP94

ELECTRICAL TERMINALS,CONNECTORS AND WIRING



RXP011332

1G4

ELECTRICAL

ELECTRICAL TERMINALS,CONNECTORS AND WIRING - CONTINUED

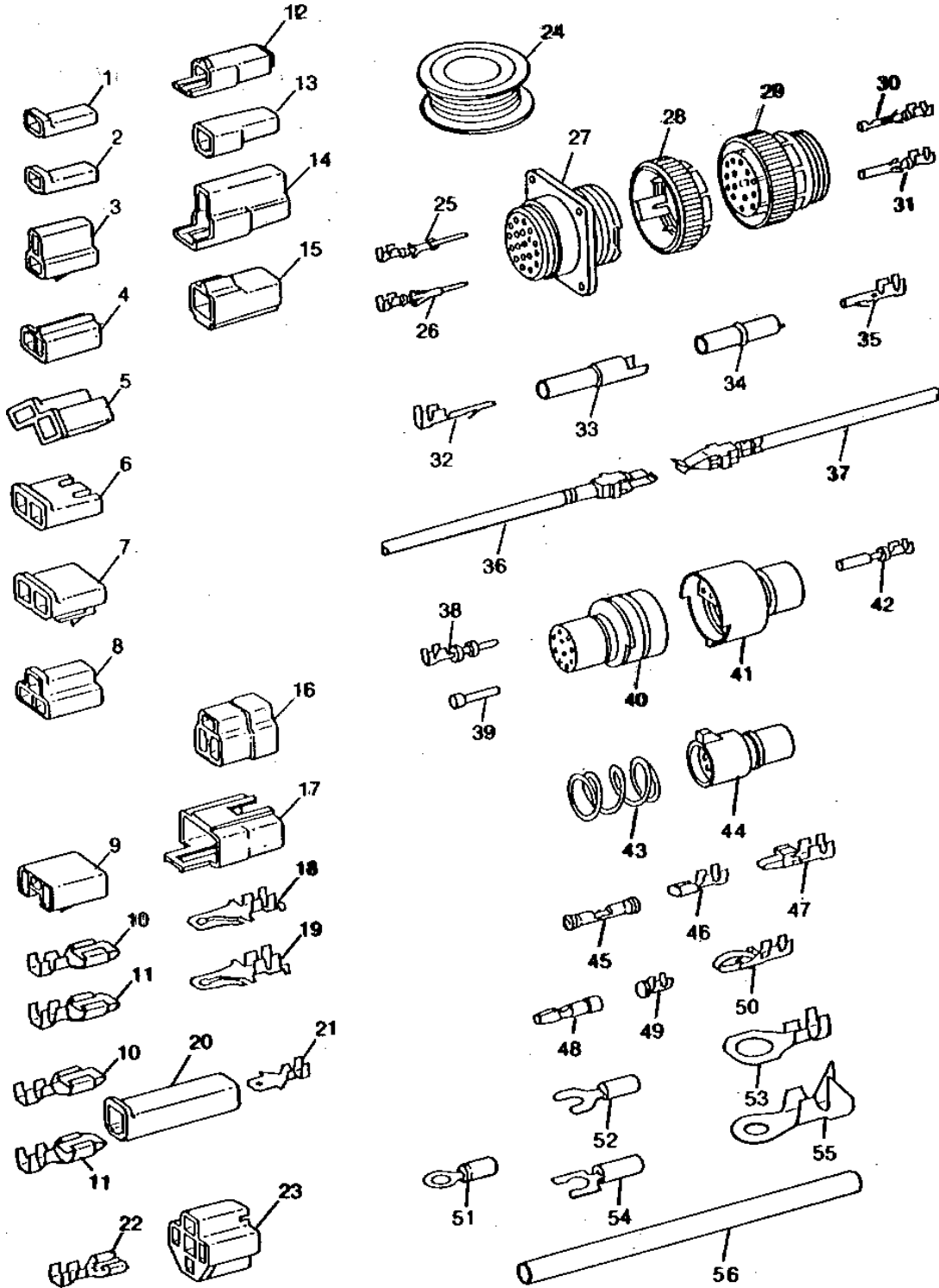
KEY	PART NO.	PART NAME	QTY	TRACTOR SERIAL NO.	REMARKS
1	R32011	TOOL	1	(NLA)	
2	R65594	TOOL	1		
3	R66319	WIRING LEAD	1	14 GA., 30.5 M (100 FT.) (1 SPOOL)	
4	R65593	WIRING LEAD	1	16 GA., 30.5 M (100 FT.) (1 SPOOL)	
5	R65608	RACK	1		
6	R66321	WIRING LEAD	1	10 GA., 15 M (50 FT.) (1 SPOOL)	
7	R66320	WIRING LEAD	1	12 GA., 30.5 M (100 FT.) (1 SPOOL)	
8	R65609	CONTAINER	1	(NLA)	
9	R65610	CONTAINER	1		
10	R32016	TERMINAL	1	14-16 GA., NO. 10 SPADE	
11	R32017	TERMINAL	1	10-12 GA., NO. 10 SPADE	
12	R32018	TERMINAL	1	14-16 GA., NO. 10 EYELET	
13	R32019	TERMINAL	1	10-12 GA., NO. 10 EYELET	
14	R32021	TERMINAL	1	10-12 GA., 1/4" EYELET	
15	R32022	TERMINAL	1	10-12 GA., 3/8" EYELET	
16	R32023	TERMINAL	1	10-12 GA., 1/2" EYELET	
17	R32026	TERMINAL	1	MALE BULLETT	
18	R32027	CONNECTOR	1	SPLICE, 14-16 GA.	
19	R32028	TERMINAL	1	SPLICE, 10-12 GA.	
20	AL2976T	CONNECTOR	1	(SUB FOR R32029) 2-WIRE BULLETT CONNECTOR	
21	R65595	TERMINAL	1	FEMALE, 10 GA.	
22	R65596	TERMINAL	1	MALE, 10 GA. OR TWO 14 GA. CABLES	
23	R65597	TERMINAL	1	MALE, 14-16 GA.	
24	R65598	TERMINAL	1	MALE, SHORT, 14-16 GA.	
25	R65599	TERMINAL	1	14-16 GA., 1/4" EYELET	
26	R65600	TERMINAL	1	FEMALE, 14-16 GA.	
27	R65601	TERMINAL	1	TWIN-LOCK, TWO 16 GA. CABLES	
28	R65602	SOCKET CONTACT	1	BULB SOCKET, 16-18 GA.	
29	R65603	TERMINAL NIPPLE	1	FUSE	
30	R65604	INSULATING SLEEVE	1	14-18 GA.	
31	R65605	INSULATING SLEEVE	1	8-12 GA.	
32	R65606	TERMINAL	1	6-8 GA., 1/4" EYELET	
33	R65607	TERMINAL	1	18-20 GA.	
34	T28583	RECEPTACLE	1	ONE CONTACT LOCK-TYPE, MALE	
35	T28585	TERMINAL	1	ONE CONTACT LOCK-TYPE, FEMALE	
36	U46370	CONNECTOR	1	CONNECTOR, ONE CONTACT SINGLE BODY, MALE	
37	U46662	TERMINAL	1	FEMALE	
38	U46663	TERMINAL	1	FEMALE	
39	U46664	TERMINAL	1	FEMALE	

1G5

ELECTRICAL

ELECTRICAL CONNECTORS, TERMINALS AND WIRING

RXP010581 -UN-01JAN94



RXP010581

1G6

ELECTRICAL

ELECTRICAL CONNECTORS, TERMINALS AND WIRING - CONTINUED

KEY	PART NO.	PART NAME	QTY	TRACTOR SERIAL NO.	REMARKS
1	T28583	RECEPTACLE	1	(B)	
2	M43835	FLAT CONNECTOR	1	(B)	
3	R77476	CONNECTOR	1	(A)	
4	R77477	CONNECTOR	1	(A)	
5	R77479	CONNECTOR	1	(A)	
6	R77480	CONNECTOR	1	(A)	
7	R77481	CONNECTOR	1	(A)	
8	R77482	CONNECTOR	1		
9	H104855	CONNECTOR	1		
10	U46662	TERMINAL	1	(E) (F)	
11	N115096	TERMINAL	1	(G) (SUB R65595) (PKG. OF 15)	
12	T28585	TERMINAL	1	(B)	
13	R77475	CONNECTOR	1	(B)	
14	T28586	CONNECTOR	1	(A)	
15	R77478	CONNECTOR	1	(A)	
16	R77483	CONNECTOR	1		
17	R48887	RECEPTACLE	1		
18	T34067	TERMINAL	1	(E) (F)	
19	R77484	TERMINAL	1	(G) (PKG. OF 15)	
20	U46370	CONNECTOR	1	(B)	
21	R77485	TAB	1	(C) (F)	
22	R77486	TERMINAL	1	(E) (F)	
23	R77487	CONNECTOR	1	(B)	
24	R66321	WIRING LEAD	1	15M (50 FT.) 10 GA.	
	R66320	WIRING LEAD	1	30.5M (100 FT.) 12 GA.	
	R77501	WIRE	1	30.5M (100 FT.) 14 GA.	
	R77500	WIRE	1	30.5M (100 FT.) 16 GA.	
	R77499	WIRE	1	30.5M (100 FT.) 18 GA.	
	R77498	WIRE	1	30.5M (100 FT.) 20 GA.	
25	R77462	PIN CONTACT	1	(PKG. OF 40) (20-22 OR 24 GA. WIRE)	
26	R77464	PIN CONTACT	1	(H) (PKG. OF 50)	
27	R77456	RECEPTACLE	1	(37 WAY)	
28	R77458	CONNECTOR	1	(A) (SIZE 23)	
	R77459	CONNECTOR	1	(A) (SIZE 17)	
	R77460	CONNECTOR	1	(A) (SIZE 13)	
	R77461	CONNECTOR	1	(A) (SIZE 11)	
29	R77457	ELECTRICAL PLUG	1	(37 WAY)	
30	R77463	SOCKET CONTACT	1	(PKG. OF 40) (20-22 OR 24 GA. WIRE)	
31	R77465	SOCKET CONTACT	1	(H) (PKG. OF 50)	
32	R77468	TERMINAL	1	(PKG. OF 5)	
33	R77466	CONNECTOR	1	(A)	
34	R77467	CONNECTOR	1	(A)	

(A) PKG. OF 2

(B) PKG. OF 3

(C) PKG. OF 10

(D) PKG. OF 20

(E) PKG. OF 25

(F) 14 OR 16 GA. WIRE

(G) 10 OR 12 GA. WIRE

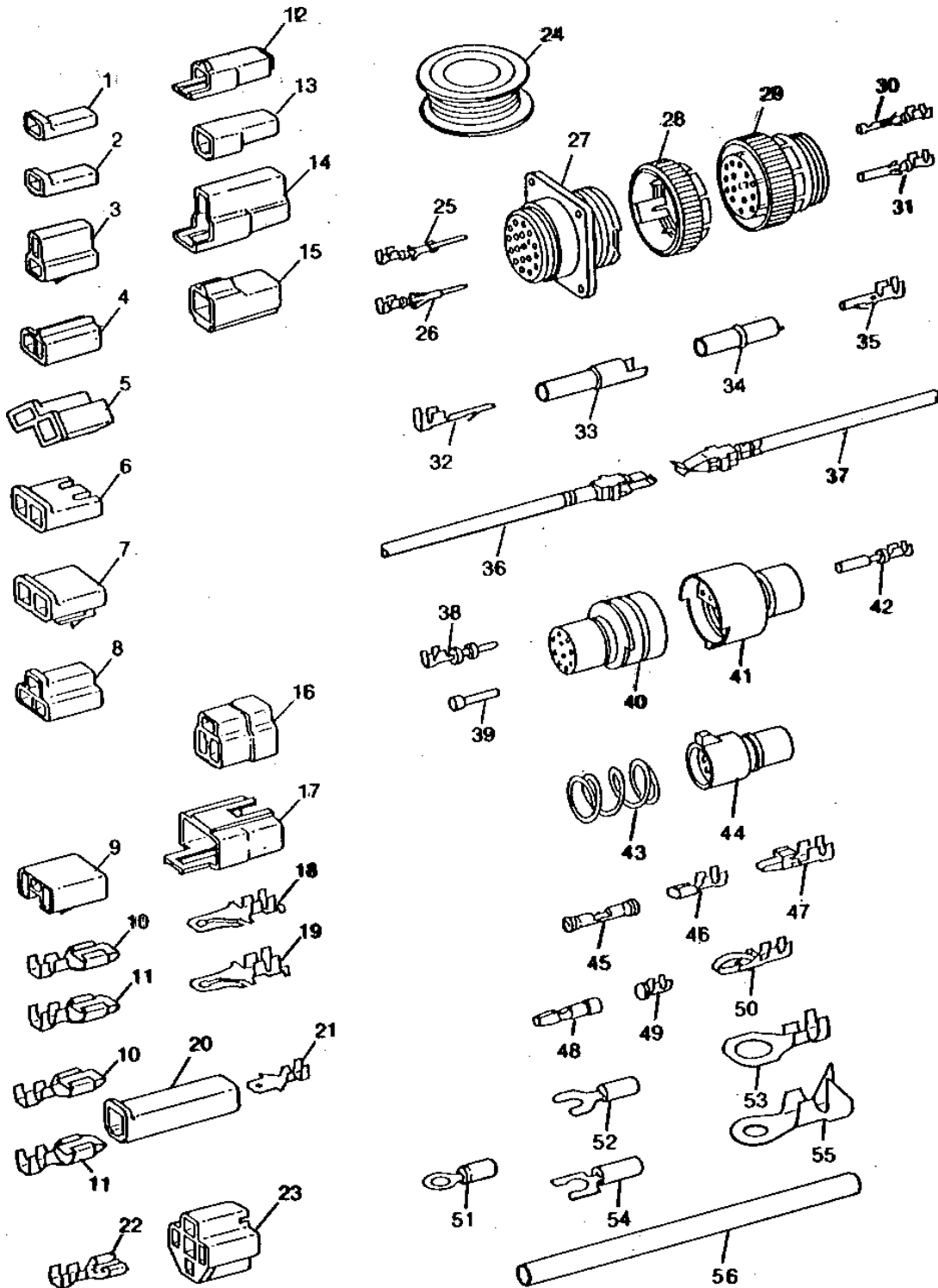
(H) 14-16 OR 18 GA. WIRE

1G7

ELECTRICAL

ELECTRICAL CONNECTORS, TERMINALS AND WIRING - CONTINUED

RXP010581 -UN-01JAN94



RXP010581

1G8

ELECTRICAL

ELECTRICAL CONNECTORS, TERMINALS AND WIRING - CONTINUED

KEY	PART NO.	PART NAME	QTY	TRACTOR SERIAL NO.	REMARKS
35	R77469	TERMINAL	1		(PKG. OF 5)
36	RE11156	TERMINAL	1		(B) (MALE)
37	RE11157	TERMINAL	1		(B) (FEMALE)
38	R70222	PIN CONTACT	1		(D) (H)
39	R70221	ELECTRICAL PLUG	1		(E)
40	R70219	PLUG	1		(A) (10 WAY)
	R70217	PLUG	1		(A) (7 WAY)
	R70215	PLUG	1		(A) (4 WAY)
	R70213	PLUG	1		(A) (3 WAY)
41	R70211	CONNECTOR	1		(A) (2 WAY)
	R70218	RECEPTACLE	1		(A) (10 WAY)
	R70216	RECEPTACLE	1		(A) (7 WAY)
	R70214	RECEPTACLE	1		(A) (4 WAY)
	R70212	RECEPTACLE	1		(A) (3 WAY)
	R70210	RECEPTACLE	1		(A) (2 WAY)
42	AR91793	SOCKET CONTACT	1		(D)
43	R30378	SPRING	1		(C)
44	R77474	CONNECTOR	1		(A) (6 WAY)
45	R77470	TERMINAL	1		SPLICE (PKG. OF 15) (16-18-20 OR 22 GA. WIRE)
	R77471	TERMINAL	1		(C) (G) SPLICE
	R77472	TERMINAL	1		(A) SPLICE (8 GA. WIRE)
	R77473	TERMINAL	1		(A) SPLICE (6 GA. WIRE)
46	R65607	TERMINAL	1		(C) (18 OR 20 GA. WIRE)
47	U46664	TERMINAL	1		(C) (F)
48	R32026	TERMINAL	1		(D) (F)
49	R65602	SOCKET CONTACT	1		(C) (16 OR 18 GA. WIRE)
50	R70220	TERMINAL	1		(C) (18 OR 20 GA. WIRE)
51	R77489	TERMINAL	1		(D) (14-16-18 OR 20 GA. WIRE) (NO. 10 EYELET)
	R77493	TERMINAL	1		(D) (G) (NO. 10 EYELET)
	R77488	TERMINAL	1		(D) (14-16-18 OR 20 GA. WIRE) (3/8" EYELET)
	R77490	TERMINAL	1		(D) (G) (1/2" EYELET)
52	R77496	TERMINAL	1		(D) (F) (NO. 8 SPADE)
	R77495	TERMINAL	1		(D) (18 GA. WIRE) (NO. 10 SPADE)
53	R77497	TERMINAL	1		(D) (F) (NO. 6 SPADE)
54	R77491	TERMINAL	1		(D) (G) (3/8" EYELET)
	R77492	TERMINAL	1		(D) (G) (1/4" EYELET)
55	R77494	TERMINAL	1		(D) (6 OR 8 GA. WIRE) (1/4" EYELET)
56	R77502	TUBE	1		(PKG. OF 8) 3/8" (HEAT SHRINK)
	R77503	TUBE	1		(PKG. OF 8) 3/16" (HEAT SHRINK)

(A) PKG. OF 2

(B) PKG. OF 3

(C) PKG. OF 10

(D) PKG. OF 20

(E) PKG. OF 25

(F) 14 OR 16 GA. WIRE

(G) 10 OR 12 GA. WIRE

(H) 14-16 OR 18 GA. WIRE

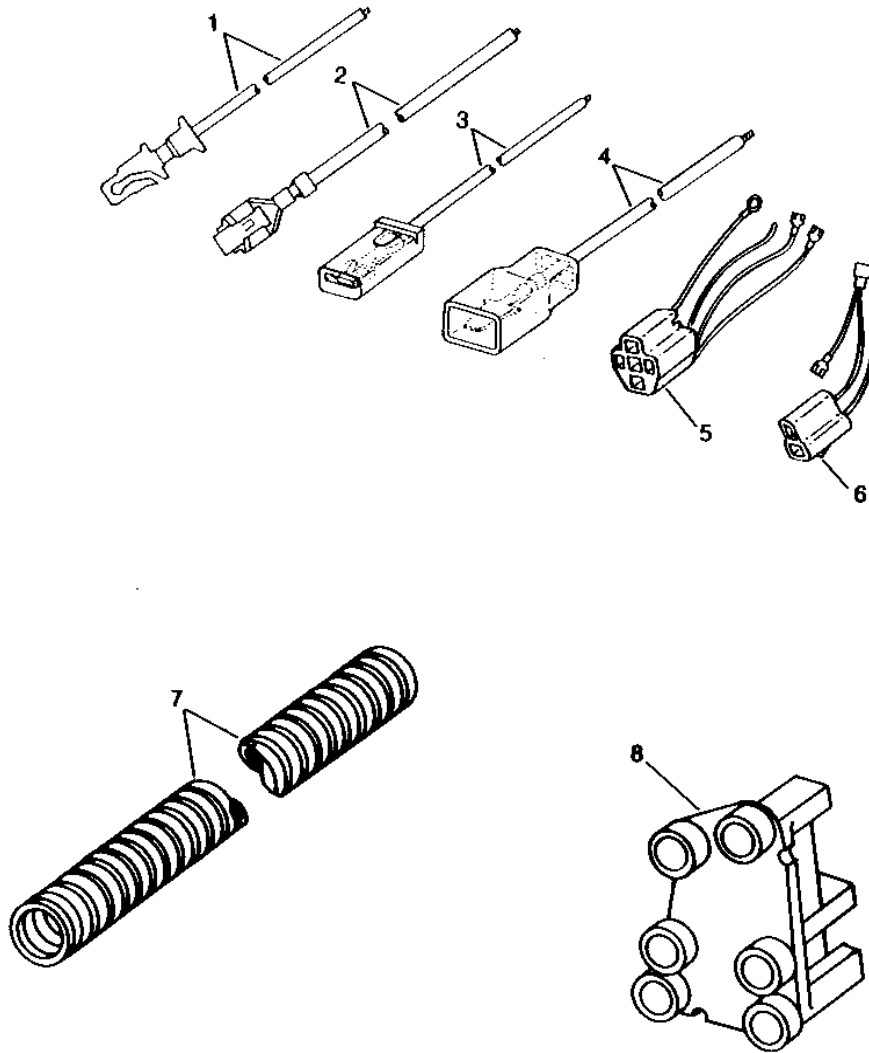
1G9

ELECTRICAL

RXP8619

-UN-28NOV94

SUPPLEMENTARY TERMINALS AND CONNECTORS



1G10

ELECTRICAL

SUPPLEMENTARY TERMINALS, CONNECTORS AND REPAIR CONDUIT - CONTINUED

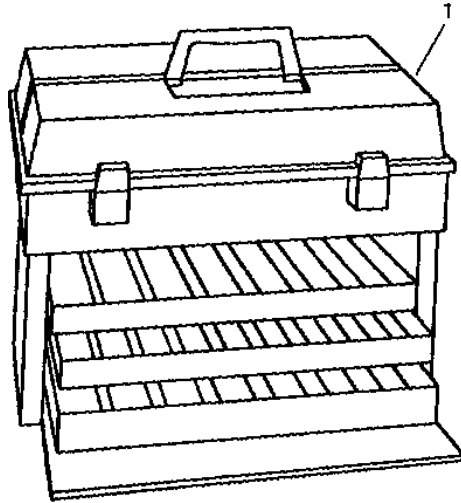
KEY	PART NO.	PART NAME	QTY	TRACTOR SERIAL NO.	REMARKS
1	AR65005	TERMINAL	1		
2	AR65006	TERMINAL	1		
3	R32024	WIRING LEAD	1		
4	R32025	WIRING LEAD	1		
5	RE21730	TERMINAL	1		
	RE21731	TERMINAL	1		
6	RE21732	TERMINAL	1		
7	R93219	CONDUIT	1		6.3 X 3048MM (1/4" X 120")
	R93220	CONDUIT	1		10.4 X 3048MM (13/32" X 120")
	R93221	CONDUIT	1		15.9 X 3048MM (5/8" X 120")
	R93222	CONDUIT	1		25.4 X 3048MM (1" X 120")
8	AR83425	RECEPTACLE CONNECTOR BODY	1		(LIGHT SWITCH)

1G11

ELECTRICAL

RXP010001 -UN-01JAN94

ELECTRICAL CONNECTOR AND TERMINAL KIT



RXP010001

KEY	PART NO.	PART NAME	QTY	TRACTOR SERIAL NO.	REMARKS
1	PM797NA	KIT	1	(A)	

(A) KIT INCLUDES CONNECTORS,TERMINALS AND TOOLS

MEMORANDA

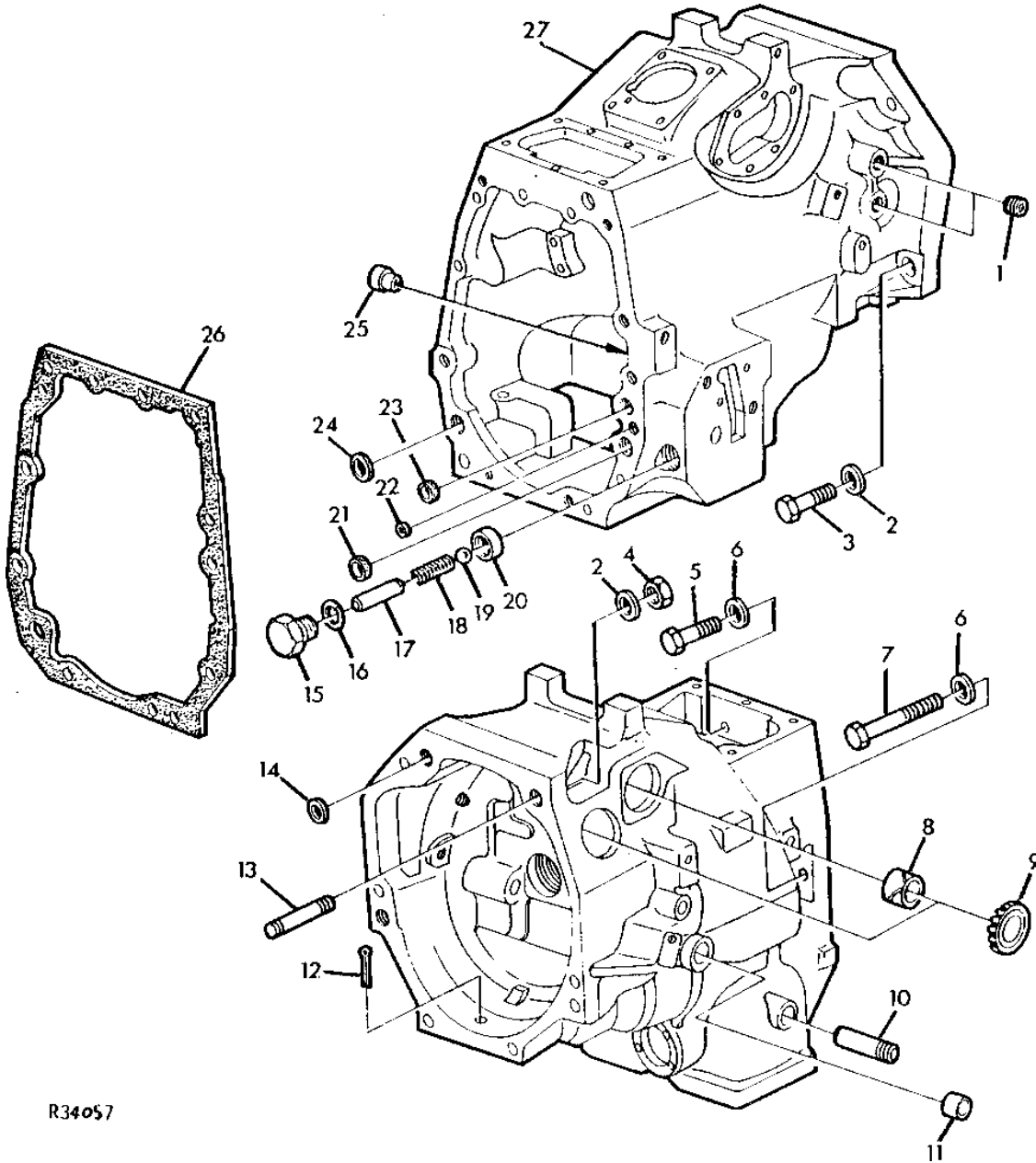
1G15

POWER TRAIN

R34057

-UN-01JAN94

CLUTCH HOUSING



R34057

1G16

POWER TRAIN

CLUTCH HOUSING - CONTINUED

KEY	PART NO.	PART NAME	QTY	TRACTOR SERIAL NO.	REMARKS
1	L34121	DRAIN PLUG	2		
2	R70268	WASHER	4	(SUB R70268)	
3	19H2718	CAP SCREW	3	5/8" X 4-3/4"	
4	14H1039	NUT	1	5/8"	
5	19H2510	CAP SCREW	2	1/2" X 1-5/8"	
6	L30695	WASHER	3		
7	19H1831	CAP SCREW	1	1/2" X 2"	
8	T21445	BUSHING	1		
9	AL24554	PLUG	2		
10	T21448	PIN	1		
11	T21446	BUSHING	1		
12	11M7028	COTTER PIN	1	5 X 32 MM	
13	L29854	STUD	1		
14	R26919	WASHER	1		
15	L40568	PIPE PLUG	1		
16	F3171R	O-RING	1		
17	T22850	PIN	1		
18	T28703	SPRING	1	(SUB T14059 AND (4) 24H1659)	
19	F2772R	BALL	1		
20	T28797	VALVE SEAT INSERT	1		
21	R26149	PACKING	1	19MM (.75") I.D.	
22	L35226	GASKET	1	(.51")	
23	T22851	WASHER	1	16MM (.63") I.D.	
24	A4723R	WASHER	1	25.4MM (1") I.D.	
25	T25408	SLEEVE	1		
26	L61918	GASKET	1	(SUB FOR L33139)	
27	AL28917	HOUSING	1	(A) (MARKED L33388) (SUB AL37858 AND AL37860)	
	AL28917	HOUSING	1	(B) (MARKED L33388)	
..	RE50756	GASKET KIT	1	(SUB FOR AR94702)	

(A) W/ CONTINUOUS PTO
(B) W/O CONTINUOUS PTO

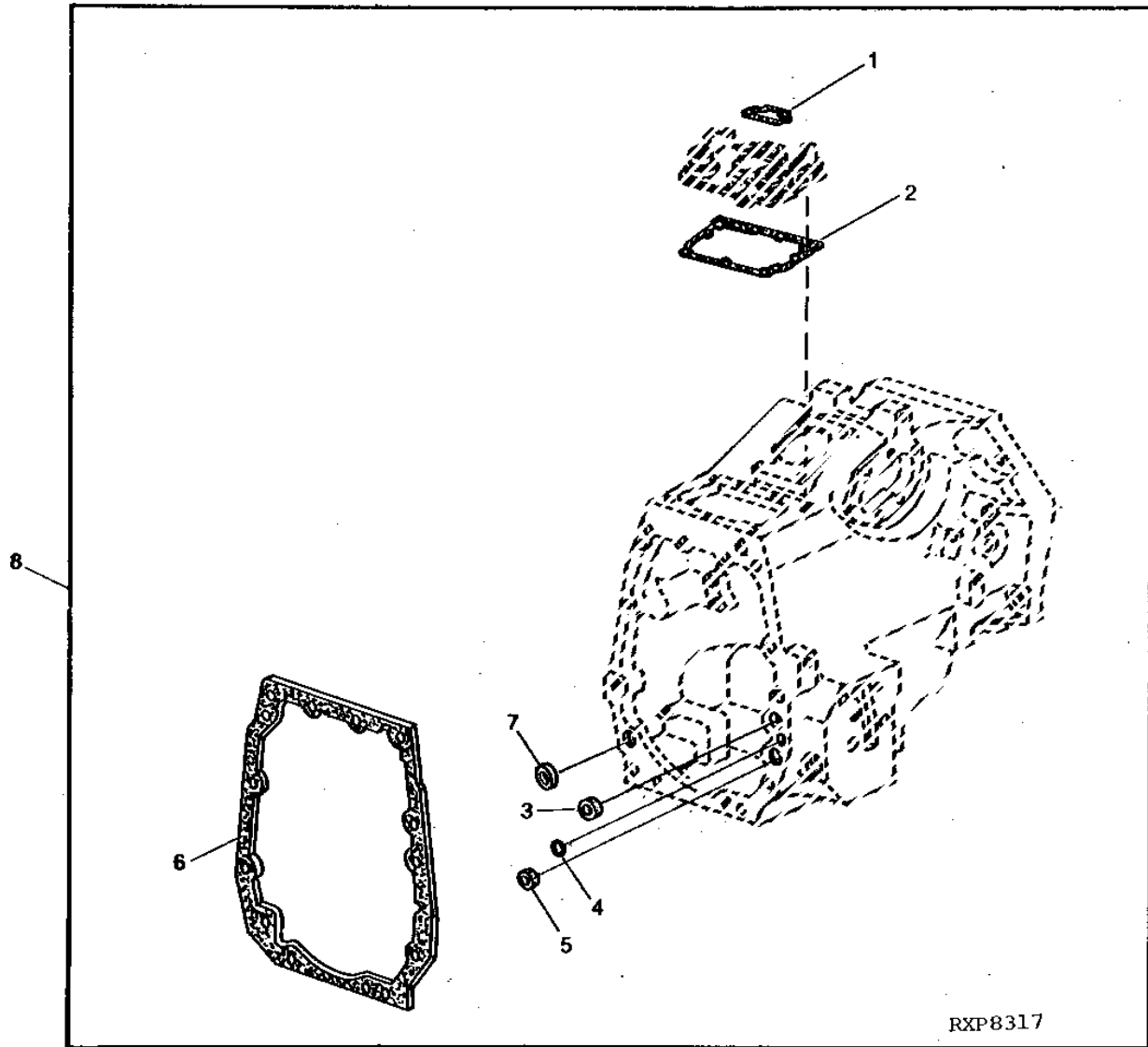
1G17

POWER TRAIN

RXP8317

-UN-01JAN94

CLUTCH HOUSING TO TRANSMISSION CASE GASKET KIT



1G18

POWER TRAIN

CLUTCH HOUSING TO TRANSMISSION CASE GASKET KIT - CONTINUED

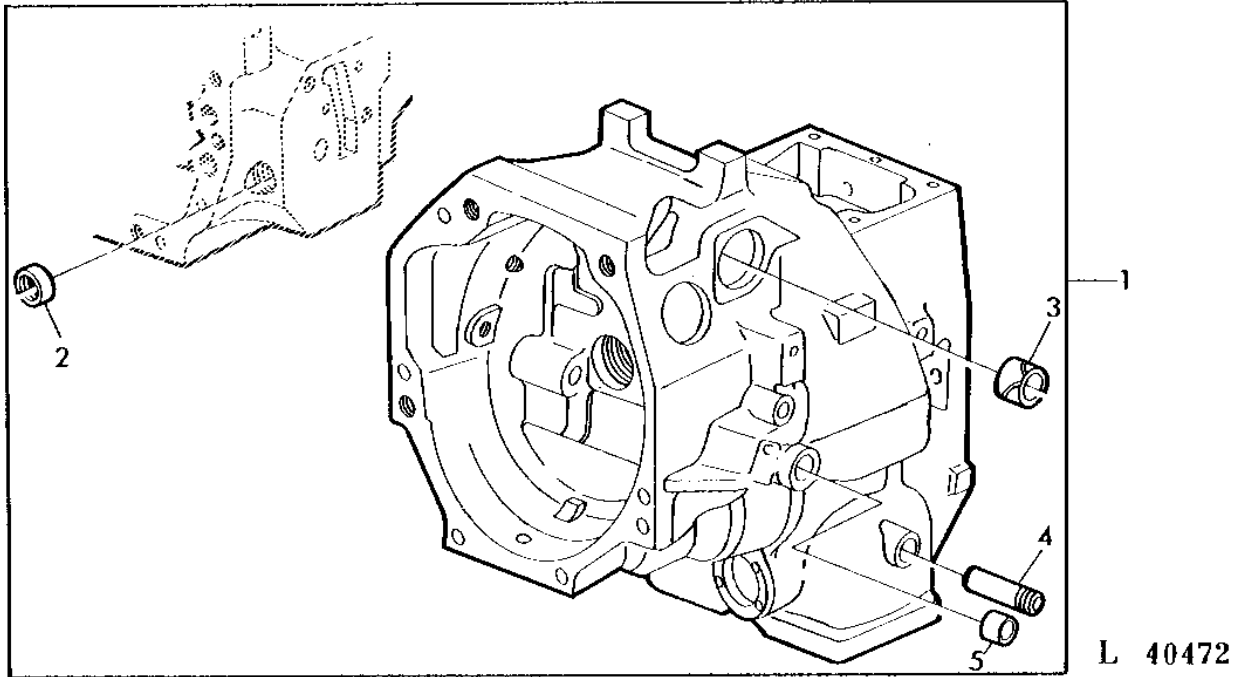
KEY	PART NO.	PART NAME	QTY	TRACTOR SERIAL NO.	REMARKS
1	T25397	GASKET	1		
2	T36042	GASKET	1		
3	T22851	WASHER	1		
4	L35226	GASKET	1		ID 13MM (.51")
5	R26149	PACKING	1		
6	L33139	GASKET	1		
7	A4723R	WASHER	1		
8	AR94702	GASKET KIT	1		(SUB RE50756) (INCLUDES ADDITIONAL O-RINGS AND GASKETS)

1G19

POWER TRAIN

CLUTCH HOUSING (MECHANICAL FRONT WHEEL DRIVE)

L40472 -UN-01JAN94



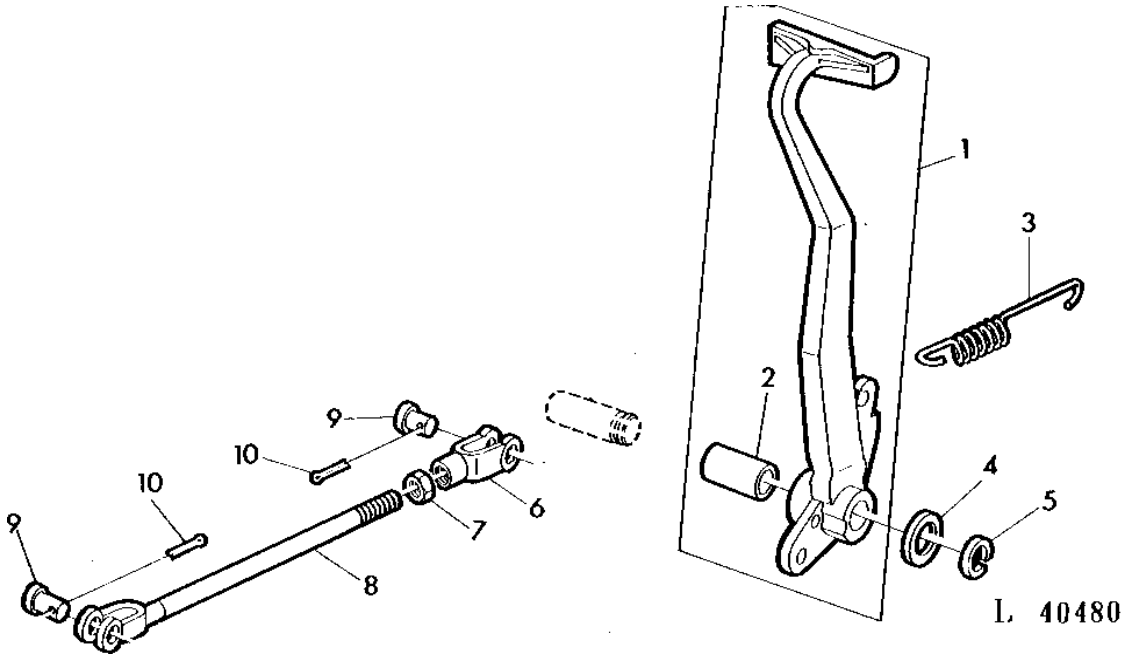
KEY	PART NO.	PART NAME	QTY	TRACTOR SERIAL NO.	REMARKS
1	AL28740	HOUSING	1	-457577	(MARKED L33179) (SUB AL38671, AL37861, L41324, L40897, AL67651, L62773, R34140, JD10234, L39490, L39491, L39495 AND 48M7038)
	AL37279	HOUSING	1	457578-	(MARKED L39493) (SUB AL38671, AL37861, L40897 AND L41324)
2	T28797	VALVE SEAT INSERT	1		
3	T21445	BUSHING	1		
4	T21448	PIN	1		
5	T21446	BUSHING	1		

1G20

POWER TRAIN

L40480 -UN-01JAN94

CLUTCH PEDAL



KEY	PART NO.	PART NAME	QTY	TRACTOR SERIAL NO.	REMARKS
1	AL30157	PEDAL	1		(SUB AL38246 AND L40446)
2	T21998	BUSHING	1		
3	T21452	EXTENSION SPRING	1		
4	24H1451	WASHER	1		1-1/32" X 1-3/4" X 0.060"
5	A602R	SNAP RING	1		
6	L324T	YOKE	1		(SUB M80373)
7	14H774	NUT	1		3/8"
8	AT22926	ROD	1		(SUB L62679, M80373 AND 14H774)
9	R65563	PIN	2		(SUB FOR C1067R)
10	11M7059	COTTER PIN	2		3.200 X 20 MM, (SUB 11M7059)

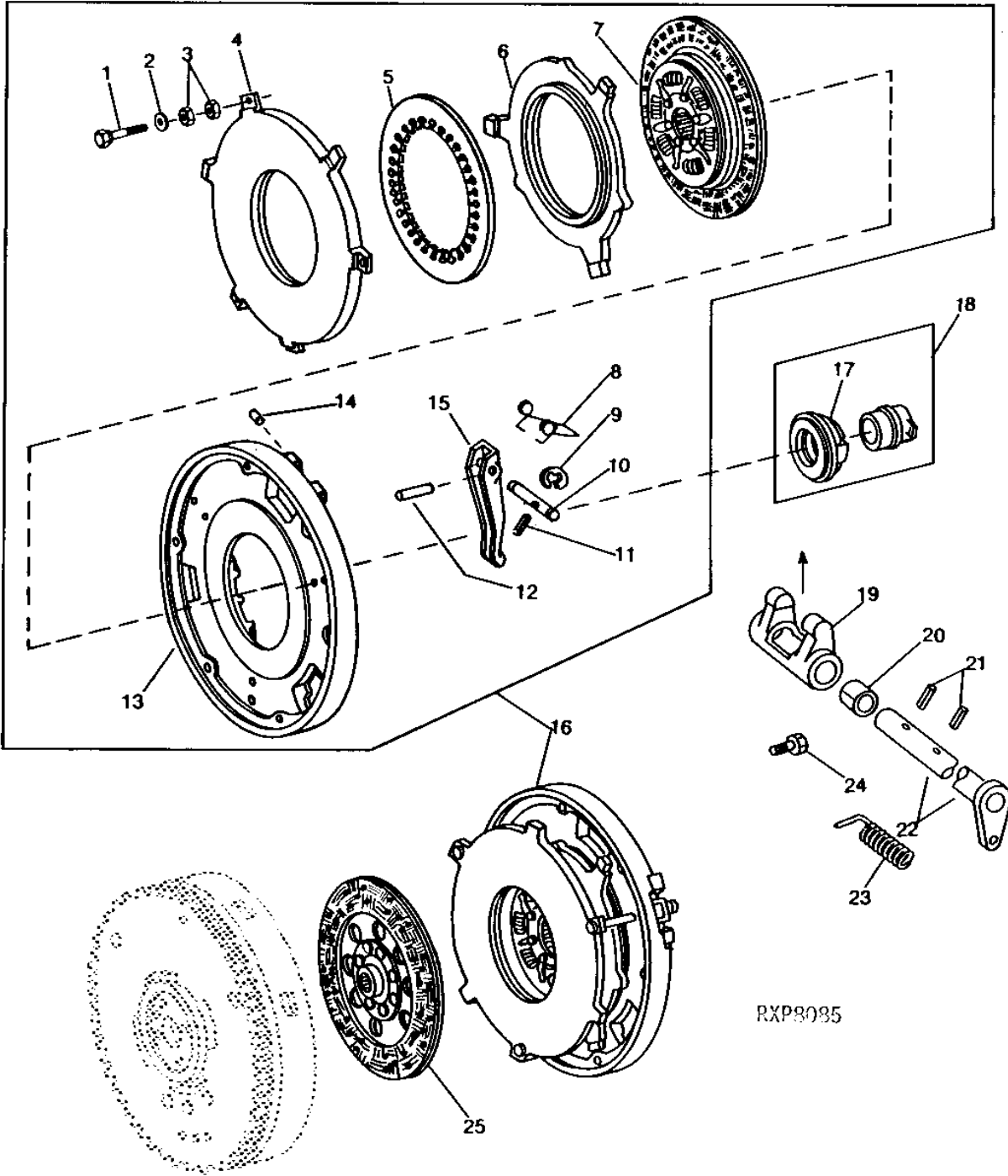
1G21

POWER TRAIN

RXP8085

-UN-01JAN94

DUAL-STAGE CLUTCH



RXP8085

1G22

POWER TRAIN

DUAL-STAGE CLUTCH - CONTINUED

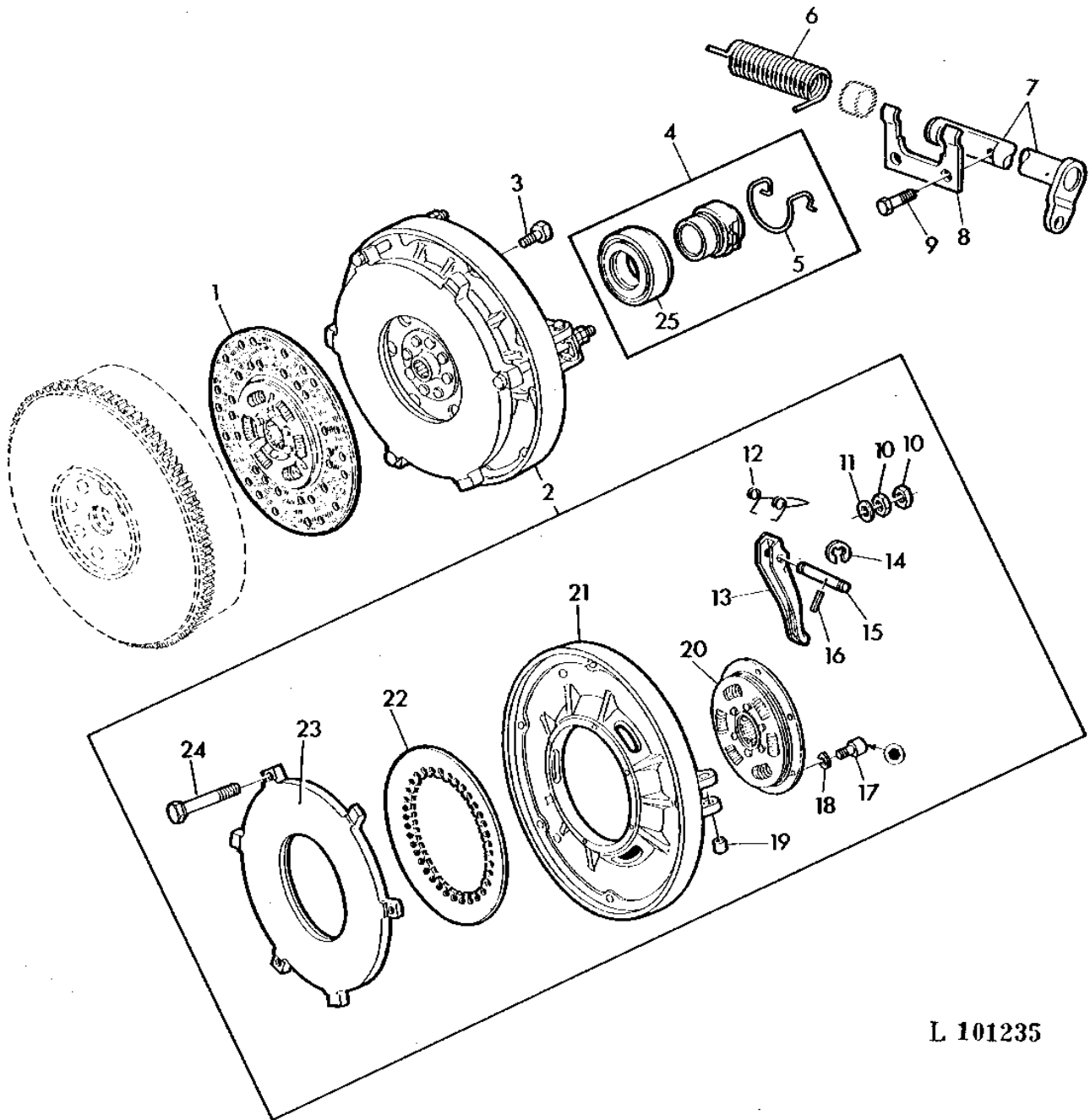
KEY	PART NO.	PART NAME	QTY	TRACTOR SERIAL NO.	REMARKS
1	T29648	CAP SCREW	3		(SUB L41388)
2	T29650	WASHER	3		
3	T29649	NUT	6		
4	T29647	CLUTCH PLATE	1		
5	L39302	DIAPHRAGM	1		(SUB FOR L25750 OR L29246)
6	T29646	CLUTCH PLATE	1		
7	AL19092	CLUTCH	1		(PTO) (SUB FOR AT21675)
8	T28230	SPRING	3		(SUB AL60270)
9	L38513	SNAP RING	6		(SUB FOR T28231)
10	T28222	PIN	3		(SUB 34M7023 AND L55215)
11	T28226	SPRING PIN	3		
12	L55216	PIN	3		(SUB FOR T28224)
13	T29353	PLATE	1		
14	T28225	BUSHING	6		
15	L34925	LEVER	3		(SUB AL60271)
16	AL30151	CLUTCH	1		(SUB AL55140)
17	JD10243	BEARING	1		
18	AL28738	BEARING	1		WITH HOLDER
19	L33719	CLEVIS	1		(SUB L41893)
20	T21446	BUSHING	1		
21	34H348	SPRING PIN	2		3/8" X 1"
22	AL30152	SHAFT	1	-XXXXXX	(SUB AL35948)
	AL35948	SHAFT	1	XXXXXX-	
23	L41853	TORSION SPRING	1		(SUB FOR L36273)
24	19H3219	CAP SCREW	6		3/8" X 1-3/8"
25	AL31436	CLUTCH PLATE	1		(TRACTION) (SUB AL66183)
	AL37270	CLUTCH PLATE	1		(HEAVY-DUTY) (SUB AL38892)

1G23

POWER TRAIN

L101235 -UN-01JAN94

SINGLE-STAGE CLUTCH
(INDEPENDENT PTO)



L 101235

1G24

POWER TRAIN

**SINGLE-STAGE CLUTCH - CONTINUED
(INDEPENDENT PTO)**

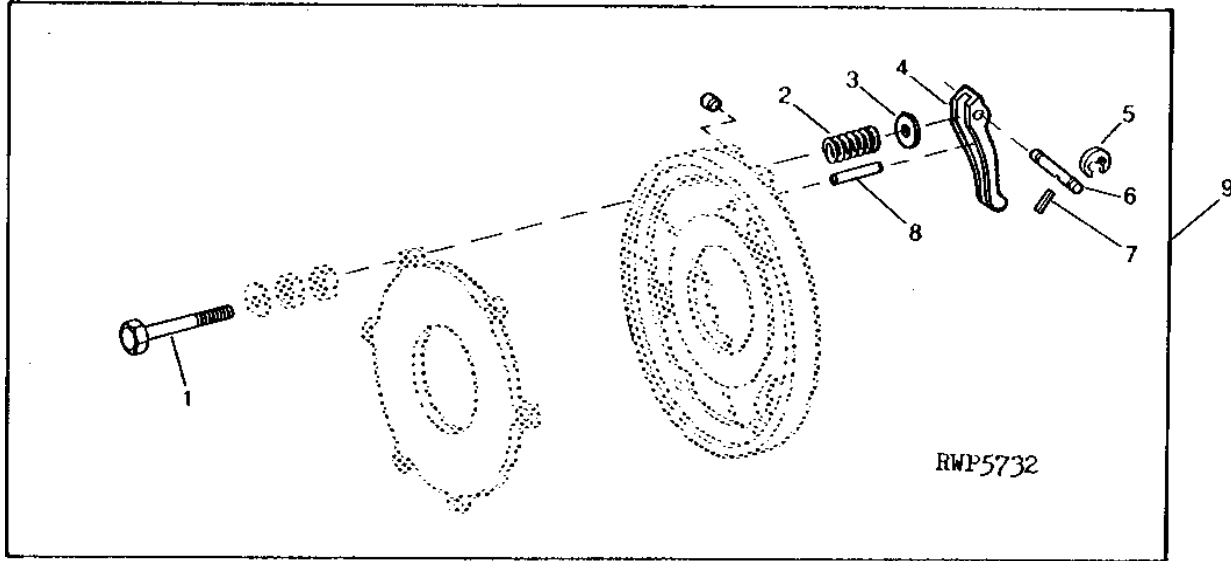
KEY	PART NO.	PART NAME	QTY	TRACTOR SERIAL NO.	REMARKS
1	AL31436	CLUTCH PLATE	1		(TRACTION) (SUB AL66183)
	AL38892	CLUTCH PLATE	1		(HEAVY-DUTY)
2	AL32965	CLUTCH	1	-419316	(SUB AL56167)
	AL36374	CLUTCH	1	419317-422202	(SUB AL56167)
	AL39618	CLUTCH PLATE	1	422203-	(SUB FOR AL37192 OR AL37707) (SUB AL56167)
3	19H3219	CAP SCREW	6		3/8" X 1-3/8"
4	AL28860	BEARING	1		WITH HOLDER, (SUB AL39541 AND JD7844)
5	L35777	SPRING	1		
6	L41853	TORSION SPRING	1		(SUB FOR L36273)
7	AL31912	SHAFT	1		(SUB AL39931)
	T21446	BUSHING	1		
8	L32029	FORK	1		
9	T22874	BOLT	2		3/8" X 1.120"
10	T29649	NUT	6		
11	T29650	WASHER	3		
12	T28230	SPRING	3		(SUB AL60270)
13	T28221	LEVER	3	-419316	(SUB AL60272)
	L38512	LEVER	3	419317-	(SUB AL60270)
14	L38513	SNAP RING	6		(SUB FOR T28231)
15	T28222	PIN	3		(SUB L55215 AND 34M7023)
16	T28226	SPRING PIN	3		
17	L27184	SCREW	6		
18	12M7135	LOCK WASHER	6		M10
19	L27183	BUSHING	6		(SUB T28225)
20	AL32964	TORSIONAL DAMPENER	1		
21	L27185	PLATE	1	-419316	
	L38511	PLATE	1	419317-	
22	L29246	DISK SPRING	1	-422202	(SUB L39302)
	L39302	DIAPHRAGM	1	422203-	
23	L27182	CLUTCH PLATE	1		(SUB L39950)
24	T29648	CAP SCREW	3		(SUB L41388)
25	JD10248	BEARING	1		

1G25

POWER TRAIN

RWP5732 -UN-01JAN94

DUAL-STAGE CLUTCH REPAIR KIT



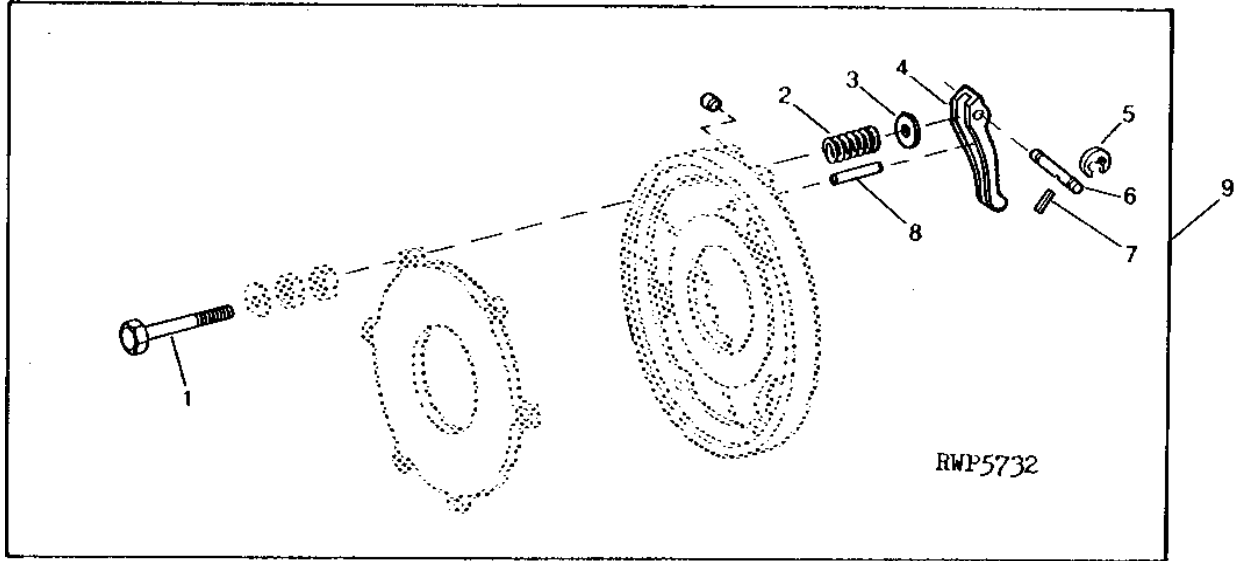
KEY	PART NO.	PART NAME	QTY	TRACTOR SERIAL NO.	REMARKS
1	L41388	CAP SCREW	3		
2	L41588	COMPRESSION SPRING	3		
	L41587	COMPRESSION SPRING	3		
3	L41589	WASHER	3		
4	L41389	LEVER	3	(SUB AL60271)	
5	L38513	SNAP RING	7		
6	L55215	PIN	3	(SUB FOR L41387)	
7	34M7010	SPRING PIN	3	3 X 20 MM	
8	L41390	PIN	3		
9	AL39936	KIT	1	(SUB AL60271)	

1H1

POWER TRAIN

RWP5732 -UN-01JAN94

DUAL-STAGE CLUTCH REPAIR KIT



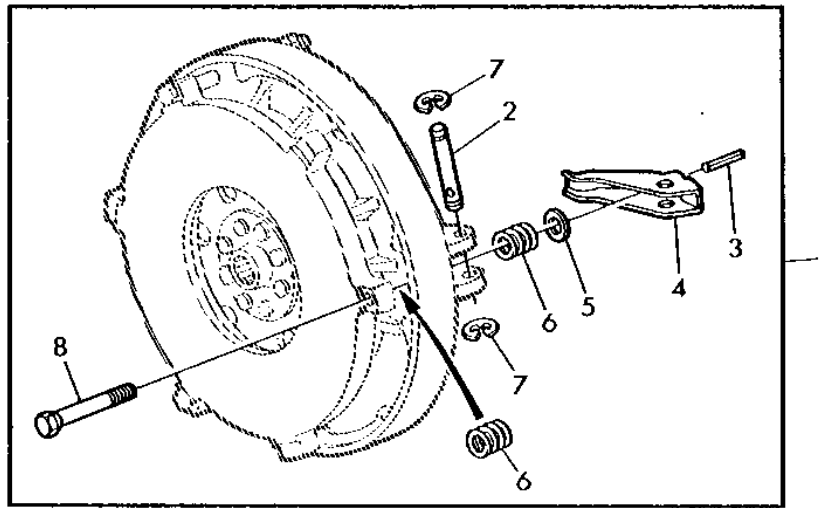
KEY	PART NO.	PART NAME	QTY	TRACTOR SERIAL NO.	REMARKS
1	L41388	CAP SCREW	3		
2	L55214	TORSION SPRING	3		
3	L56083	WASHER	3		
4	L55213	LEVER	3		
5	L38513	SNAP RING	7		
6	L55215	PIN	3		
7	34M7010	SPRING PIN	3		
8	L55216	PIN	3		
9	AL60271	SHIPPING BUNDLE	1		

1H2

POWER TRAIN

L104810 -UN-01JAN94

SINGLE-STAGE CLUTCH REPAIR KIT



L 104810

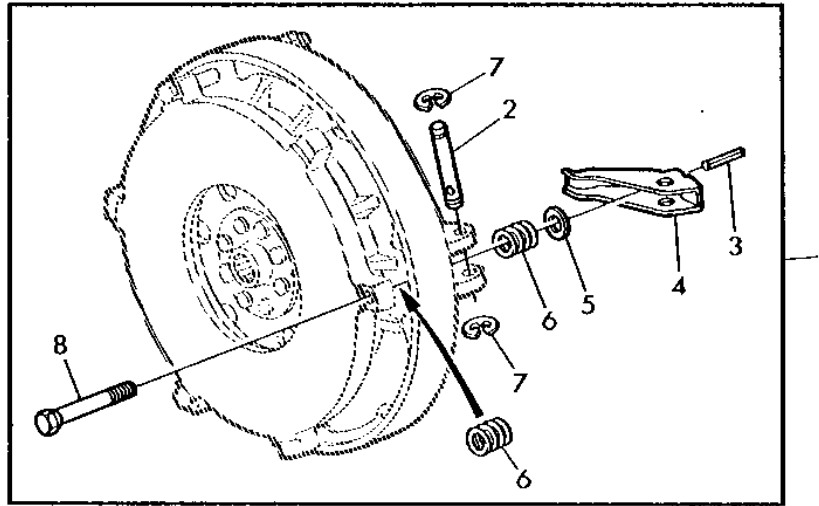
KEY	PART NO.	PART NAME	QTY	TRACTOR SERIAL NO.	REMARKS
1	AL39935	KIT	1		(SUB AL60270)
	AL39937	KIT	1		(SUB AL60272)
2	L41387	PIN	3		
3	34M7010	SPRING PIN	3		3 X 20 MM
4	L41386	LEVER	3		PIVOT LENGTH 103MM (4") (USE WITH AL39935)
	L41389	LEVER	3		PIVOT LENGTH 108MM (4-1/4") (USE WITH AL39937)
5	L41589	WASHER	3		
6	L41588	COMPRESSION SPRING	6		
7	L38513	SNAP RING	7		
8	L41388	CAP SCREW	3		

1H3

POWER TRAIN

L104810 -UN-01JAN94

SINGLE-STAGE CLUTCH REPAIR KIT



L 104810

KEY	PART NO.	PART NAME	QTY	TRACTOR SERIAL NO.	REMARKS
1	AL60270	SHIPPING BUNDLE	1		
	AL60272	SHIPPING BUNDLE	1		
2	L55215	PIN	3		
3	34M7010	SPRING PIN	3		3 X 20 MM
4	L56084	LEVER	3		(USE WITH AL60270)
	L56375	LEVER	3		(USE WITH AL60272)
5	L56083	WASHER	3		
6	L55214	TORSION SPRING	3		
7	L38513	SNAP RING	7		
8	L41388	CAP SCREW	3		

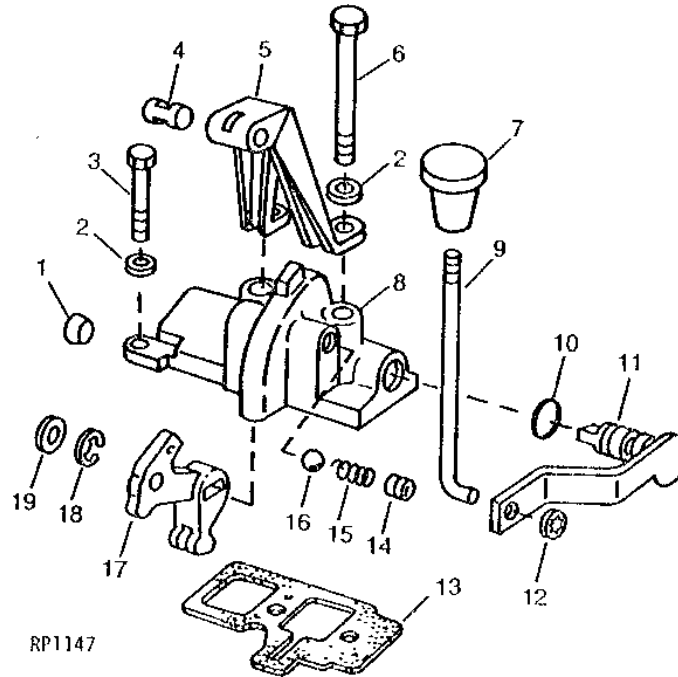
MEMORANDA

1H4

POWER TRAIN

**CLUTCH CONTROL VALVE COVER AND ARM
(INDEPENDENT PTO)
(TRACTOR SERIAL NO. -417046)**

RP1147 -UN-01JAN94



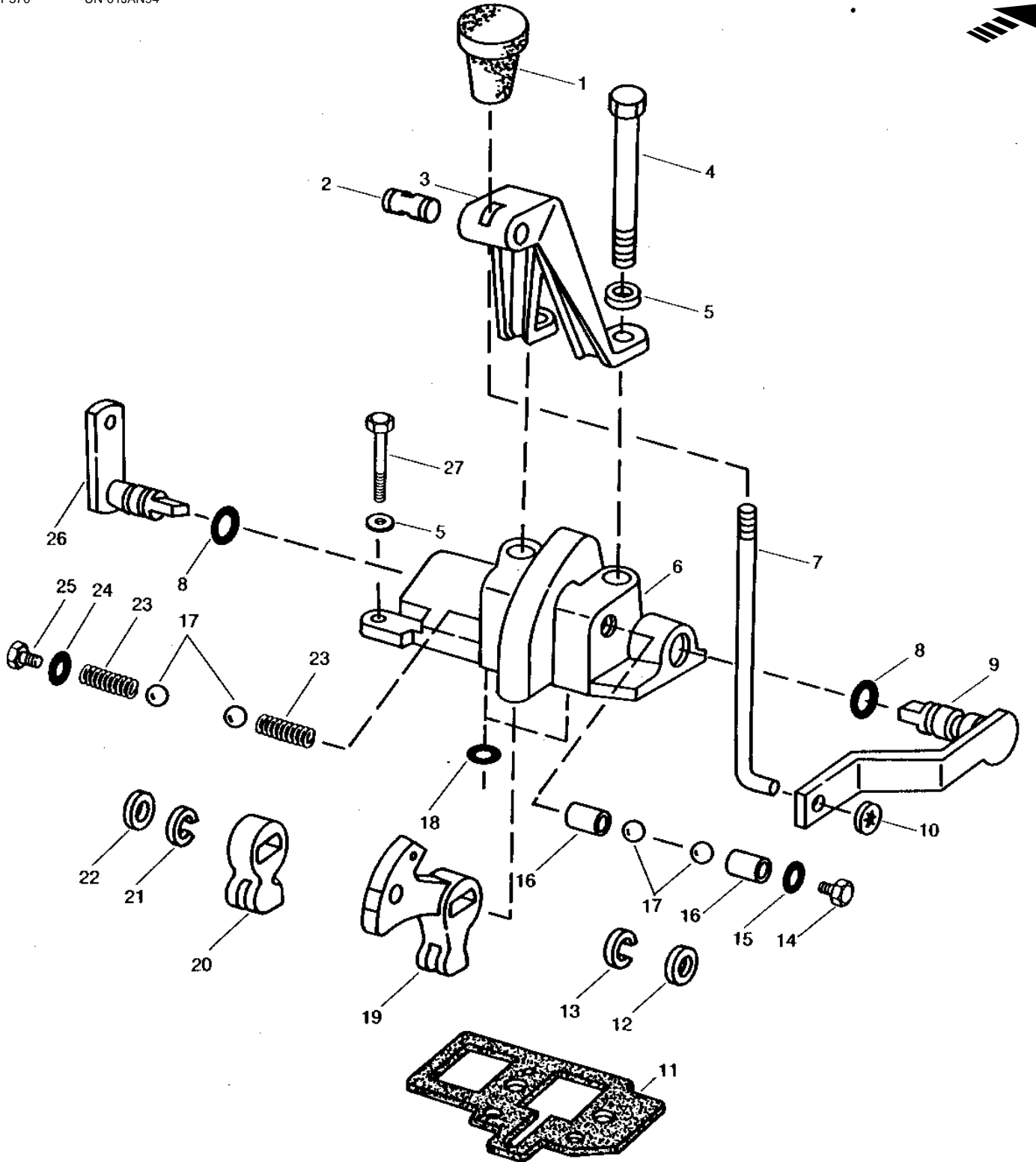
KEY	PART NO.	PART NAME	QTY	TRACTOR SERIAL NO.	REMARKS
1	M4224T	PLUG	1		
2	24M7096	WASHER	3		10.500 X 18 X 1.600 MM
3	19H1819	CAP SCREW	1		3/8" X 2-1/8"
4	L31944	PIN	1		
5	L31943	SUPPORT	1		
6	19H2228	CAP SCREW	1		3/8" X 4"
7	L56920	KNOB	1		(SUB FOR L31945)
8	T30750	COVER	1		
9	L31946	BOLT	1		
10	R28782	O-RING	1		
11	AR78423	LEVER	1		
12	L31947	SNAP RING	1		
13	T30751	GASKET	1		
14	22H1053	SET SCREW	2		7/16" X 7/16"
15	R49547	SPRING	2		
16	R26552	BALL	2		8MM (5/16")
17	T30770	LEVER	1		
18	R26871	SNAP RING	1		
19	24H1227	WASHER	1		17/32" X 13/16" X 0.060"

1H5

POWER TRAIN

CLUTCH CONTROL VALVE COVER AND ARM (INDEPENDENT PTO) (TRACTOR SERIAL NO. 417047-)

RP370 -UN-01JAN94



RP370

1H6

POWER TRAIN

CLUTCH CONTROL VALVE COVER AND ARM - CONTINUED
(INDEPENDENT PTO)
(TRACTOR SERIAL NO. 417047-)

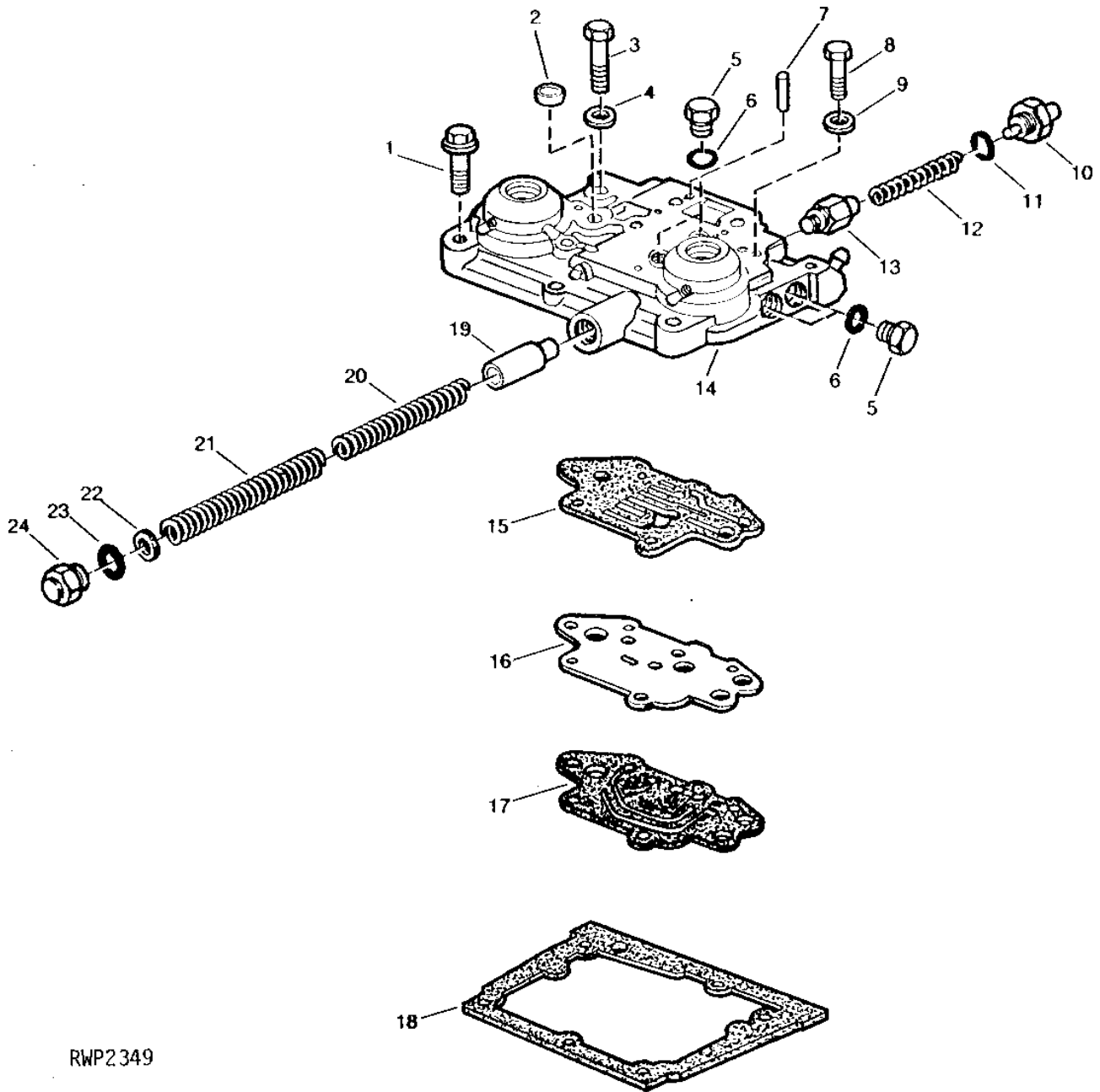
KEY	PART NO.	PART NAME	QTY	TRACTOR SERIAL NO.	REMARKS
1	L56920	KNOB	1		(SUB FOR L31945)
2	L31944	PIN	1		
3	L31943	SUPPORT	1		
4	19H2228	CAP SCREW	2		3/8" X 4"
5	24M7096	WASHER	3		10.500 X 18 X 1.600 MM
6	L41351	COVER	1		(SUB FOR L33341) (SUB L59830)
7	L39419	LEVER	1		(SUB FOR L34565)
8	R28782	O-RING	2		
9	AR78423	LEVER	1		
10	L31947	SNAP RING	1		
11	L33342	GASKET	1		
12	24M7229	SHIM	1		0.300 MM
13	R26871	SNAP RING	1		
14	R27218	FITTING PLUG	1		
15	R26448	O-RING	1		
16	L34105	PISTON	2		(SUB L59305)
17	R26552	BALL	1		
18	L36237	O-RING	2		
19	L33318	LEVER	1		
20	T25395	LEVER	1		
21	R26871	SNAP RING	1		
22	24H1227	WASHER	1		17/32" X 13/16" X 0.060"
23	L34106	SPRING	2		
24	R26287	O-RING	1		
25	R31631	DRAIN PLUG	1		
26	AL24947	LEVER	1		
27	19H1819	CAP SCREW	1		3/8" X 2-1/8"

1H7

POWER TRAIN

RWP2349 -UN-01JAN94

CLUTCH CONTROL VALVE



RWP2349

1H8

POWER TRAIN

CLUTCH CONTROL VALVE - CONTINUED

KEY	PART NO.	PART NAME	QTY	TRACTOR SERIAL NO.	REMARKS
1	T22728	SCREW	3		
2	30M7005	CAP	1	18MM	
3	19H1819	CAP SCREW	2	3/8" X 2-1/8"	
4	24M7096	WASHER	2	10.500 X 18 X 1.600 MM, (SUB 24M7096)	
5	R27216	DRAIN PLUG	4	(SUB FOR R31631)	
6	R26287	O-RING	4		
7	R28634	PIN	2		
8	19M7922	CAP SCREW	2	M8 X 40	
9	24M7055	WASHER	2	8.400 X 16 X 1.600 MM	
10	AL30150	PLUG	1	CLUTCH PRESSURE SENDER	
11	R26448	O-RING	1		
12	L34104	SPRING	1		
13	AL30590	CONTACT	1		
14	AL31225	HOUSING	1	-417046	(A) (MARKED L33774) (ALSO ORDER (2) L36230) (ILLUSTRATED)
	AL31225	HOUSING	1	417047-	(A) (MARKED L33774)
	AT23579	COVER	1		(B) (MARKED T44963)
	AL34747	COVER	1	-417046	(C) (SUB AL55257) (ALSO ORDER (2) L36230)
	AL34747	COVER	1	417047-	(C) (SUB AL55257)
	AL34748	COVER	1	-417046	(D) (SUB AL55258) (ALSO ORDER (2) L36230)
	AL34748	COVER	1	417047-	(D) (SUB AL55258)
15	L61964	GASKET	1		(A) (D)
	L62421	GASKET	1		(C)
16	L33749	PLATE	1		(A) (D)
	L33776	PLATE	1		(C)
17	L33766	GASKET	1		(A) (D) (SUB L42048)
	L33766	GASKET	1		(C) (SUB L42049)
18	L34345	GASKET	1		
19	L33338	VALVE	1		(NLA)
20	L33378	SPRING	1		(SUB L64853)
21	L33337	SPRING	1		(SUB L64854)
22	24H1285	WASHER	AR		17/64" X 7/16" X 0.065"
23	R26375	O-RING	1		
24	L33336	DRAIN PLUG	1		
..	AT68672	KIT	1	-417046	BALL, PTO DETENT, (SUB (2) L36230)

- (A) INDEPENDENT PTO
- (B) CONTINUOUS PTO
- (C) MECHANICAL FRONT WHEEL DRIVE
- (D) LESS MECHANICAL FRONT WHEEL DRIVE

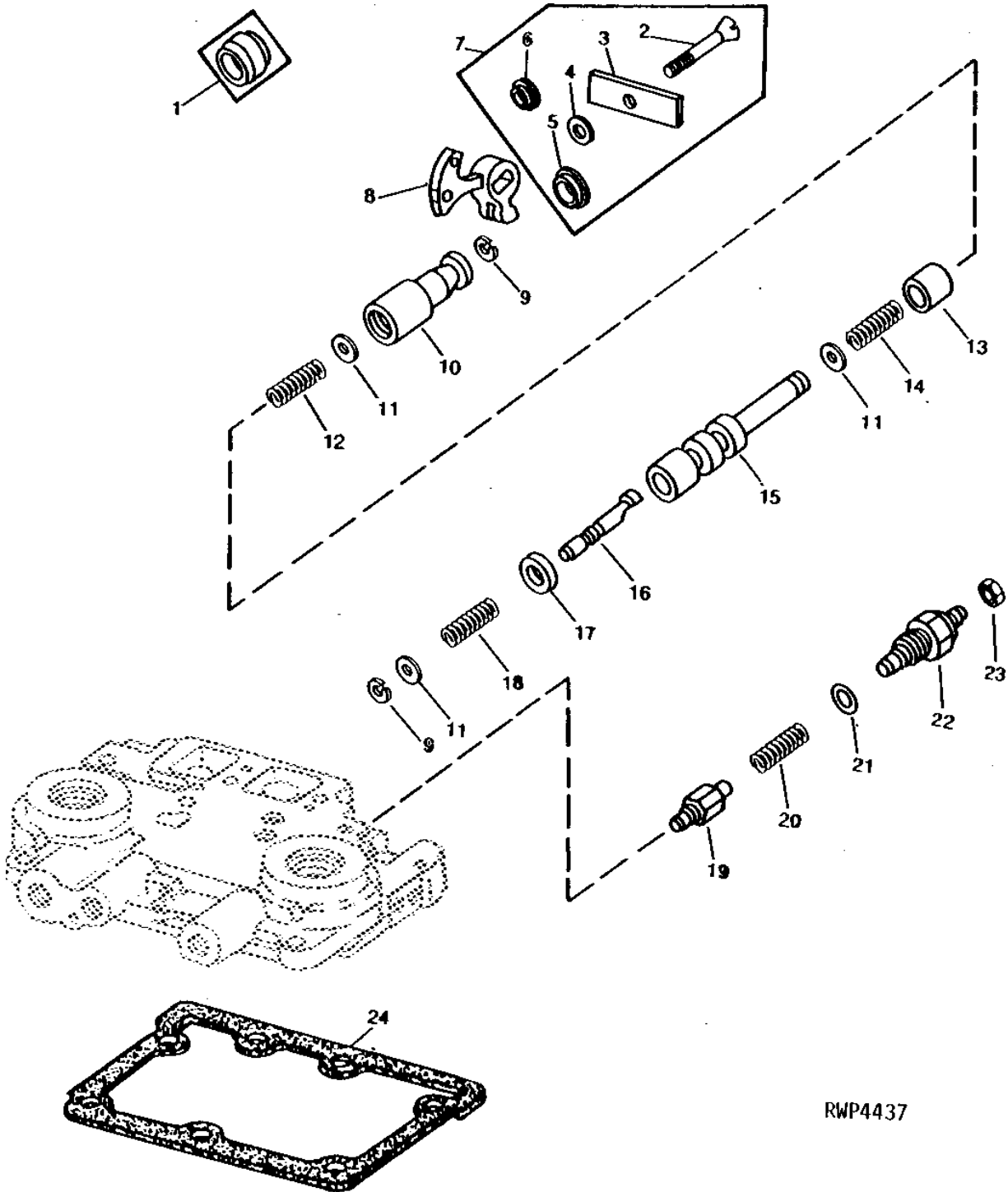
1H9

POWER TRAIN

RWP4437

-UN-01JAN94

INDEPENDENT PTO CLUTCH CONTROL VALVE



RWP4437

1H10

POWER TRAIN

INDEPENDENT PTO CLUTCH CONTROL VALVE - CONTINUED

KEY	PART NO.	PART NAME	QTY	TRACTOR SERIAL NO.	REMARKS
1	T30789	PLUG	1	-418139	(PTO) (SUB AL37565)
2	21M7307	SCREW	1	418140-	M5 X 12
3	L39034	STRAP	1	418140-	
4	24M7027	WASHER	1	418140-	5.300 X 10 X 1 MM
5	L39035	PLUG	1	418140-	
6	L39036	PLUG	1		
7	AL37565	KIT	1		PLUG AND RETAINER
8	T30770	LEVER	1	-417046	
	L33318	LEVER	1	417047-	
9	R67794	SNAP RING	1		
10	R53167	ACTUATOR	1		
11	R31632	SHIM	9		
12	R34863	SPRING	1		
13	R53168	SLEEVE	1		
14	T17589	SPRING	1		
15	R62531	VALVE	1		
16	L33319	PIN	1		
17	B1664R	SHIM	1		
18	R45582	SPRING	1		
19	AL30590	CONTACT	1		
20	L34104	SPRING	1		
21	R26448	O-RING	1		
22	AL30150	PLUG	1		
23	14H631	NUT	1		0.190"
24	L34345	GASKET	1		
..	AT68672	KIT	1		BALL, PTO DETENT, (SUB (2) L36230)

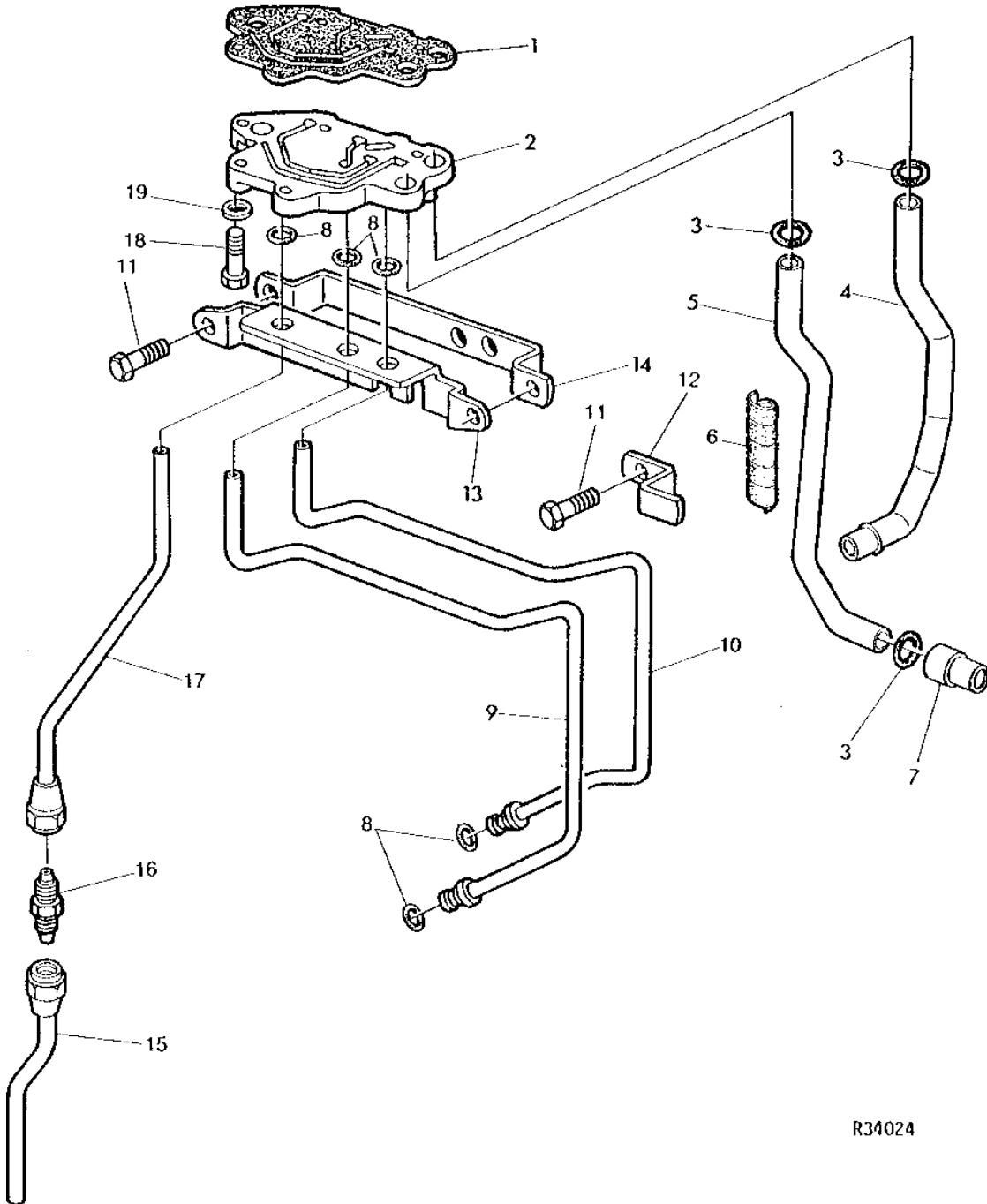
1H11

POWER TRAIN

R34024

-UN-01JAN94

CLUTCH OIL MANIFOLD AND LINES



R34024

1H12

POWER TRAIN

CLUTCH OIL MANIFOLD AND LINES - CONTINUED

KEY	PART NO.	PART NAME	QTY	TRACTOR SERIAL NO.	REMARKS
1	L33766	GASKET	1	(A) (SUB L42049)	
	L33766	GASKET	1	(SUB L42048)	
2	L33777	MANIFOLD	1		
3	R375R	O-RING	3		
4	L33145	OIL LINE	1	-XXXXXX	
	L37505	OIL LINE	1	XXXXXX-	(SUB L40964 AND L40965)
5	L34111	LINE	1		
6	L57983	GUARD	1	(SUB FOR L35477)	
7	T25408	SLEEVE	1		
8	A3917R	O-RING	4		
	A3917R	O-RING	5	(A)	
9	AL28873	OIL LINE	1		
10	AL28874	OIL LINE	1		
11	19H2021	CAP SCREW	3	3/8" X 5/8"	
12	L33152	HOLDER	1		
13	L33387	RETAINER	1	(SUB L40773 AND L40776)	
14	L33727	RETAINER	1	(A)	
15	AL28880	OIL LINE	1	(SUB L63140)	
16	R27095	FITTING	1	(A)	
17	AL28921	OIL LINE	1	(A)	
18	19M7378	CAP SCREW	3	M8 X 45	
19	24M7055	WASHER	3	8.400 X 16 X 1.600 MM	

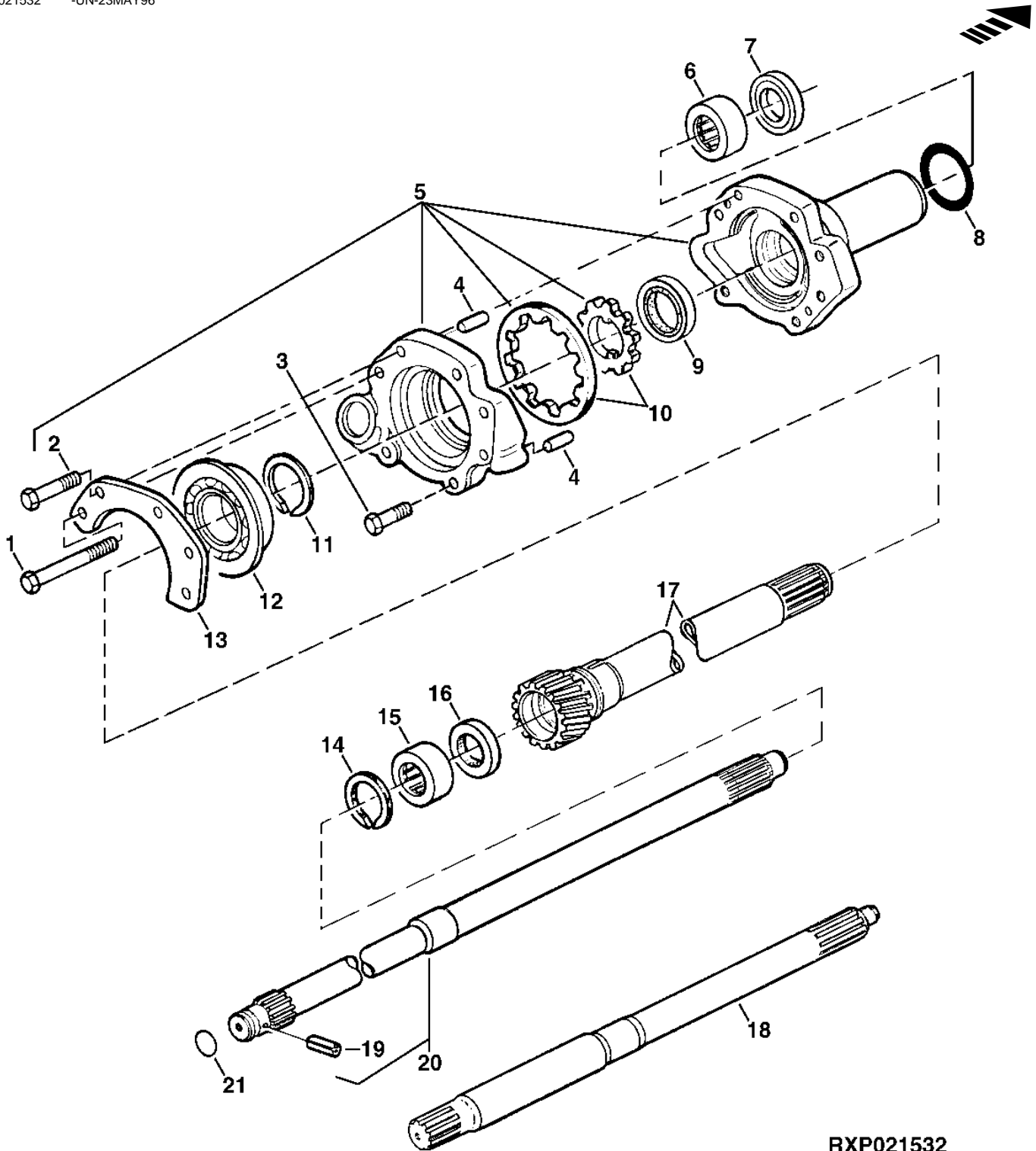
(A) MECHANICAL FRONT WHEEL DRIVE

1H13

POWER TRAIN

RXP021532 -UN-23MAY96

TRANSMISSION OIL PUMP



RXP021532

1H14

POWER TRAIN

TRANSMISSION OIL PUMP - CONTINUED

KEY	PART NO.	PART NAME	QTY	TRACTOR SERIAL NO.	REMARKS
1	19M7479	CAP SCREW	3		M10 X 80
2	19M7181	CAP SCREW	2		M10 X 55
3	19M7572	CAP SCREW	2		M10 X 45
4	44M7037	DOWEL PIN	2		8 X 16MM
5	AL29878	OIL PUMP	1	-427000	(A) (SUB AL41637)
	AL30154	OIL PUMP	1		(B) (STEEL) (INCLUDES AL28870) (SUB FOR AL41639) (SUB AL69761)
6	JD10073	NEEDLE BEARING	1	-427000	(A)
7	48M7061	SEAL	1	-427000	(A)
8	L33701	O-RING	1		(ALSO ORDER TY6304 AND TY16285)
9	AL28870	SEAL	1		(B)
10	AL39778	GEAR	1		STEEL
11	L33304	SNAP RING	1		
12	JD10104	BALL BEARING	1		
13	L37886	RETAINER	1		(SUB FOR L33146) (SUB L62815)
14	L34114	SNAP RING	1		
15	JD10105	NEEDLE BEARING	1		(SUB L65031)
16	AL28922	SEAL	1		
17	L33638	DRIVE SHAFT	1	-427000	(A)
	L33735	DRIVE SHAFT	1		(B)
18	L35244	SHAFT	1		(COLLAR SHIFT)
19	34M7104	SPRING PIN	1		2.500 X 10 MM
20	AL37899	SHAFT	1		(SYNCRO-RANGE) (SUB FOR AL30923)
21	T13119	O-RING	1		

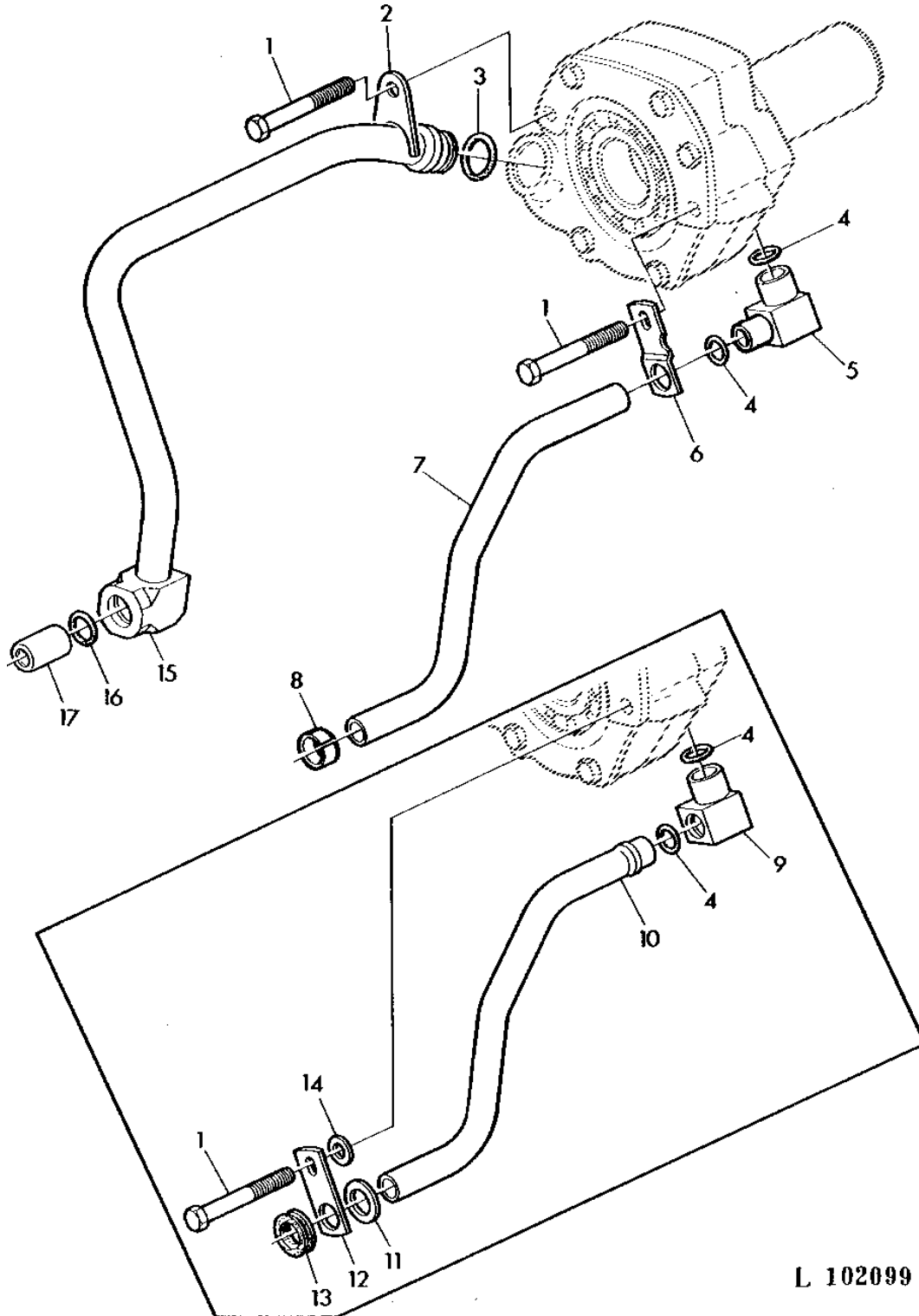
(A) CONTINUOUS PTO
(B) INDEPENDENT PTO

1H15

POWER TRAIN

L102099 -UN-01JAN94

TRANSMISSION OIL PUMP LINES



L 102099

1H16

POWER TRAIN

TRANSMISSION OIL PUMP LINES - CONTINUED

KEY	PART NO.	PART NAME	QTY	TRACTOR SERIAL NO.	REMARKS
1	19M7479	CAP SCREW	2		M10 X 80
2	L33180	RETAINER	1		
3	L34352	O-RING	1		
4	T13119	O-RING	2		
5	AL38226	FITTING	1	XXXXXX-	
6	L40424	CLIP	1	XXXXXX-	(SUB L62815)
7	L40425	PIPE	1	XXXXXX-	
8	L40434	BUSHING	1	XXXXXX-	(SUB FOR AL41352) (SUB L41897)
9	AL28759	ELBOW FITTING	1	-XXXXXX	(ORDER AL38226, L41897, L40425 AND L62815)
10	L33201	TUBE	1	-XXXXXX	(ORDER AL38226, L41897, L40425 AND L62815) (SUB FOR AL28746)
11	24M4810	WASHER	1	-XXXXXX	20 X 28 X 1.400 MM
12	L39088	STRAP	1	-XXXXXX	(ORDER AL38226, L41897, L40425 AND L62815)
13	R40445	GROMMET	1	-XXXXXX	
14	24M7043	WASHER	1	-XXXXXX	12 X 25 X 3 MM
15	AL28745	OIL LINE	1		(SUB AL68325, AL69305 AND L33374)
16	L33374	O-RING	1		
17	L33151	TUBE	1		

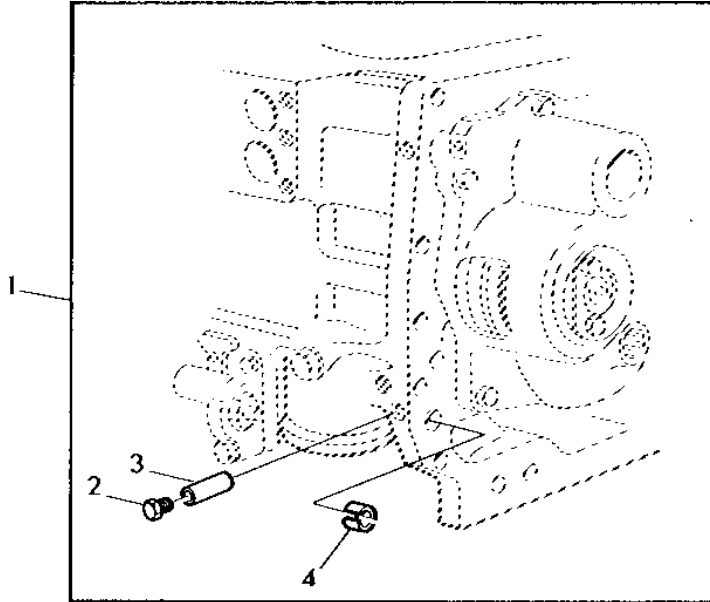
MEMORANDA

1H17

POWER TRAIN

L108401 -UN-01JAN94

REPAIR KIT (TRANSMISSION OIL PUMP LINE BUSHING TO TRANSMISSION CASE)



L 108401

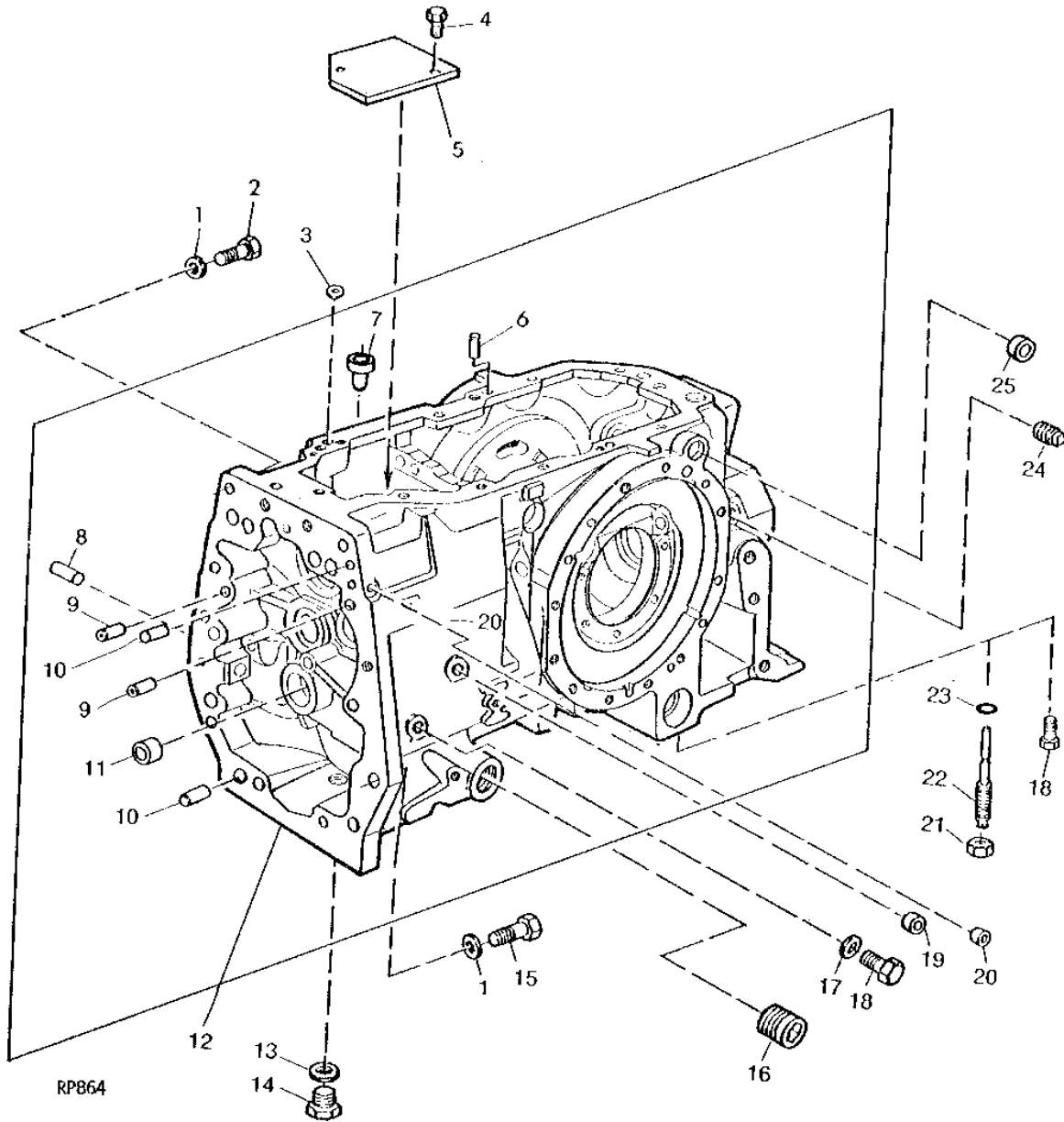
KEY	PART NO.	PART NAME	QTY	TRACTOR SERIAL NO.	REMARKS
1	AL41352	KIT	1		
2	15H558	PIPE PLUG	1	1/8"	
3	34H255	SPRING PIN	1		
4	L41897	BUSHING	1		

1H18

POWER TRAIN

TRANSMISSION CASE (COLLAR SHIFT)

RP864 -UN-01JAN94



RP864

1H19

POWER TRAIN

TRANSMISSION CASE - CONTINUED (COLLAR SHIFT)

KEY	PART NO.	PART NAME	QTY	TRACTOR SERIAL NO.	REMARKS
1	T20168	WASHER	8		
2	19H2735	CAP SCREW	2	1/2" X 2"	
3	T17882	WASHER	1		
4	19H2021	CAP SCREW	2	3/8" X 5/8"	
5	T22854	COVER	1		
6	R48685	DOWEL PIN	2		
7	L35260	BUSHING	1		
8	R48685	DOWEL PIN	4		
9	T24729	BUSHING	2		
10	T26565	DOWEL PIN	2		
11	T22128	BUSHING	1		
12	AL32969	TRANSMISSION CASE	1		
13	A4827R	WASHER	2	(SUB FOR 51M7019)	
14	R51895	FITTING	1		
15	19H2510	CAP SCREW	6	1/2" X 1-5/8"	
16	15H562	PIPE PLUG	1	1"	
17	R27003	WASHER	1		
18	R53802	CAP SCREW	2		
19	T18891	CAP	1		
20	M1102T	CAP	1		
21	14H971	NUT	1	1/2"	
22	T21776	SCREW	1		
23	R27490	O-RING	1	(SUB T17951)	
24	15H584	PIPE PLUG	1	1/2"	
25	T21937	CAP	1		
..	AR94702	GASKET KIT	1	(SUB RE50756) CLUTCH HOUSING TO TRANSMISSION CASE	

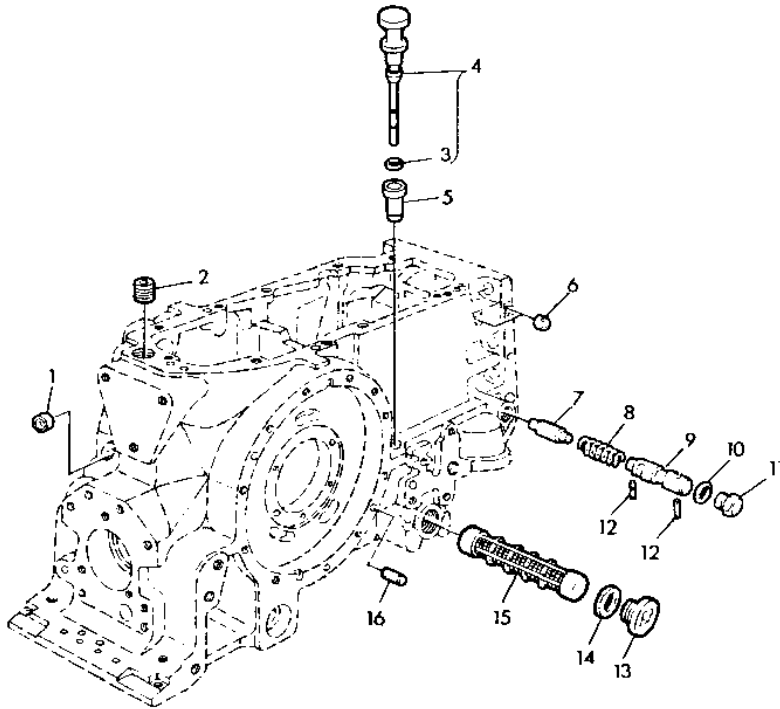
1H20

POWER TRAIN

TRANSMISSION DIPSTICK AND OIL SCREEN (COLLAR SHIFT)

R34071

-UN-01JAN94



R34071

1H21

POWER TRAIN

TRANSMISSION DIPSTICK AND OIL SCREEN - CONTINUED
(COLLAR SHIFT)

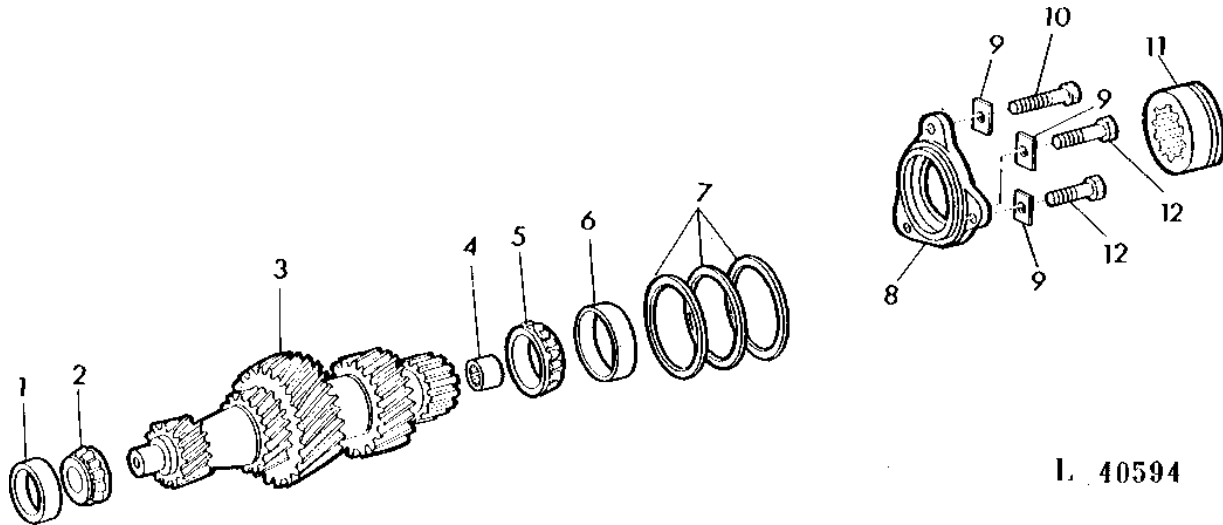
KEY	PART NO.	PART NAME	QTY	TRACTOR SERIAL NO.	REMARKS
1	T18891	CAP	1		
2	15H562	PIPE PLUG	1	1"	
3	L35484	O-RING	1		
4	AL32587	DIPSTICK	1		
5	L35260	BUSHING	1		
6	M1102T	CAP	2		
7	R39294	PIN	1		
8	T24999	SPRING	1	(SUB R31698)	
9	T22853	SLEEVE	1		
10	F3171R	O-RING	1		
11	L40568	PIPE PLUG	1		
12	34H247	SPRING PIN	2	1/8" X 3/4"	
13	R40147	FITTING	1		
14	51M4249	RING	1	M38 X 44 X 2.5 (NYLON)	
15	R53169	SCREEN	1	(STEEL)	
	AR26375	SCREEN	1	(SUB FOR A120R)	
16	R48685	DOWEL PIN	4		

1H22

POWER TRAIN

TRANSMISSION DRIVE SHAFT ASSEMBLY (COLLAR SHIFT)

L40594 -UN-01JAN94



L 40594

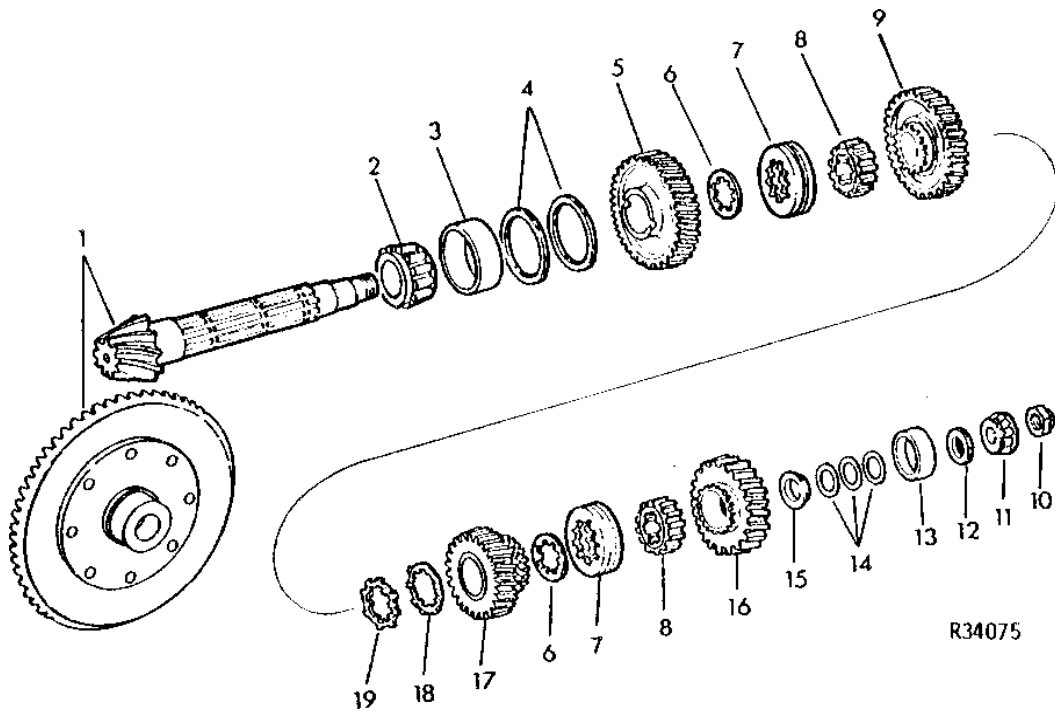
KEY	PART NO.	PART NAME	QTY	TRACTOR SERIAL NO.	REMARKS
1	JD7449	BEARING CUP	1		
2	JD7375	BEARING CONE	1		
3	T21980	DRIVE SHAFT	1		
4	JD9839	NEEDLE BEARING	1		
5	JD8171	BEARING CONE	1		
6	L31077	BEARING CUP	1		
7	L29041	SHIM	AR	0.08MM (.003")	
	L29042	SHIM	AR	0.13MM (.005")	
	L29043	SHIM	AR	0.25MM (.010")	
	L29044	SHIM	AR	0.50MM (.020")	
8	L28672	QUILL	1		
9	H246R	STRAP	3		
10	19H1800	CAP SCREW	1	3/8" X 1-1/2"	
11	T23244	SHIFT COLLAR	1	(SUB R69917)	
12	19H1732	CAP SCREW	2	3/8" X 1-1/4"	

1H23

POWER TRAIN

R34075 -UN-01JAN94

DIFFERENTIAL DRIVE SHAFT (COLLAR SHIFT)



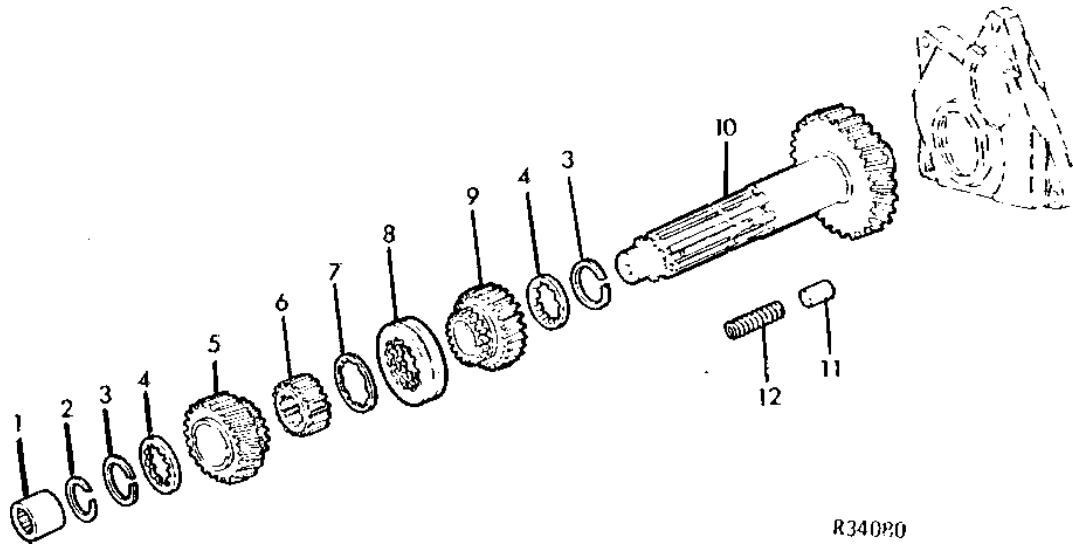
KEY	PART NO.	PART NAME	QTY	TRACTOR SERIAL NO.	REMARKS
1	AT21622	DIFFERENTIAL	1	-XXXXXX	RING GEAR (35 TEETH) AND PINION (8 TEETH) (MARKED T30253, T21401 AND T21402) (SUB AT166883)
	AL38555	KIT	1	XXXXXX-	RING GEAR (39 TEETH) AND PINION (9 TEETH) (MARKED T30253, L40656 AND L40657) (SUB AT166883)
	AT21623	DIFFERENTIAL	1		RING GEAR (43 TEETH) AND PINION (9 TEETH) (MARKED T30253, T21403 AND T21404)
2	JD8997	BEARING CONE	1		
3	JD8255	BEARING CUP	1		
4	T17201	SHIM	2		0.25MM (.010") (SUB T31794)
5	L31503	GEAR	1		
6	R55721	THRUST WASHER	2		
7	L29283	SHIFT COLLAR	2		
8	L29284	SHIFT COLLAR CARRIER	2		
9	T21976	GEAR	1		
10	T24917	NUT	1		(SUB L32843)
11	JD8979	BEARING	1		
12	T24918	WASHER	1		
13	JD8267	BEARING CUP	1		
14	L29269	SHIM	AR		0.05MM (.002")
	L29270	SHIM	AR		0.13MM (.005")
	L29271	SHIM	AR		0.25MM (.010")
15	T21965	WASHER	1		
16	AT30053	GEAR	1		
17	T21977	GEAR	1		
18	R56473	THRUST WASHER	1		
19	R55722	THRUST WASHER	1		

1H24

POWER TRAIN

R34080 -UN-01JAN94

COUNTERSHAFT (COLLAR SHIFT)



R34080

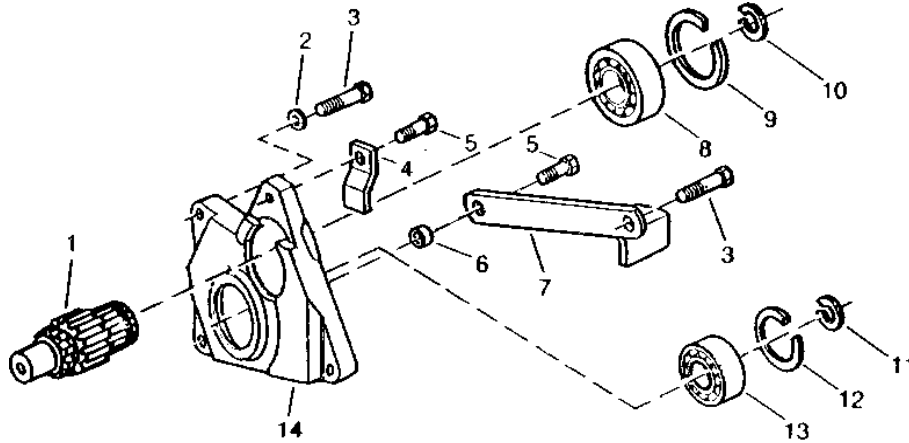
KEY	PART NO.	PART NAME	QTY	TRACTOR SERIAL NO.	REMARKS
1	JD10093	NEEDLE BEARING	1		
2	40M7086	SNAP RING	1		
3	T19242	SNAP RING	2		
4	T19245	THRUST WASHER	2		
5	T30065	GEAR	1		
6	L29284	SHIFT COLLAR CARRIER	1		
7	R55721	THRUST WASHER	1		
8	R50655	SHIFT COLLAR	1		
9	T21981	GEAR	1		
10	T24726	COUNTERSHAFT	1		
11	T21969	FRICTION PLUG	2		
12	T24732	SPRING	2		

1H25

POWER TRAIN

COUNTERSHAFT BEARING SUPPORT (COLLAR SHIFT)

RWP2355 -UN-01JAN94



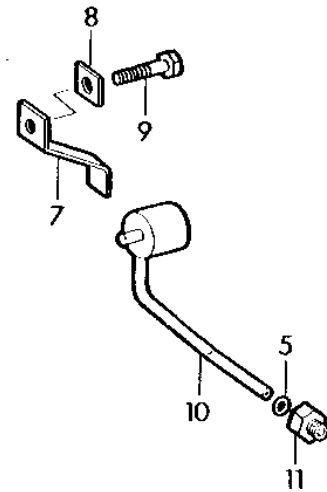
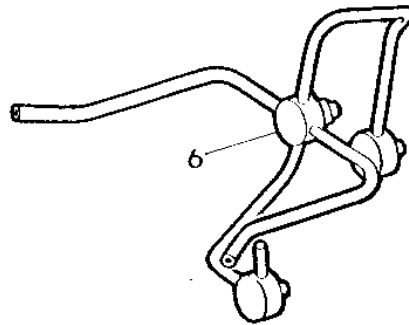
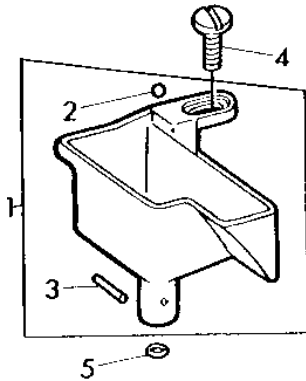
RWP2355

KEY	PART NO.	PART NAME	QTY	TRACTOR SERIAL NO.	REMARKS
1	R67341	GEAR	1		(SUB FOR R65576 OR T24728)
2	R1870R	WASHER	1		(SUB R57696)
3	19H1801	CAP SCREW	2		3/8" X 2"
4	T24736	CLAMP	1		
5	19H1732	CAP SCREW	2		3/8" X 1-1/4"
6	28H1518	WASHER	1		0.493" X 0.675" X 5/16"
7	AL32976	RETAINER	1		
8	AR52706	BEARING CONE	1	-XXXXXX	(SUB JD10172)
	JD10172	BALL BEARING	1	XXXXXX-	
9	T24737	SNAP RING	1		
10	A364R	SNAP RING	1		
11	F215R	RING	1		(SUB B14202R)
12	B190R	SNAP RING	1		
13	L28405	BALL BEARING	1		
14	L36557	QUILL	1		(SUB FOR T24691, THIS APPLICATION)

MEMORANDA

L40598 -UN-01JAN94

TRANSMISSION LUBRICATING OIL LINES (COLLAR SHIFT)



L 40598

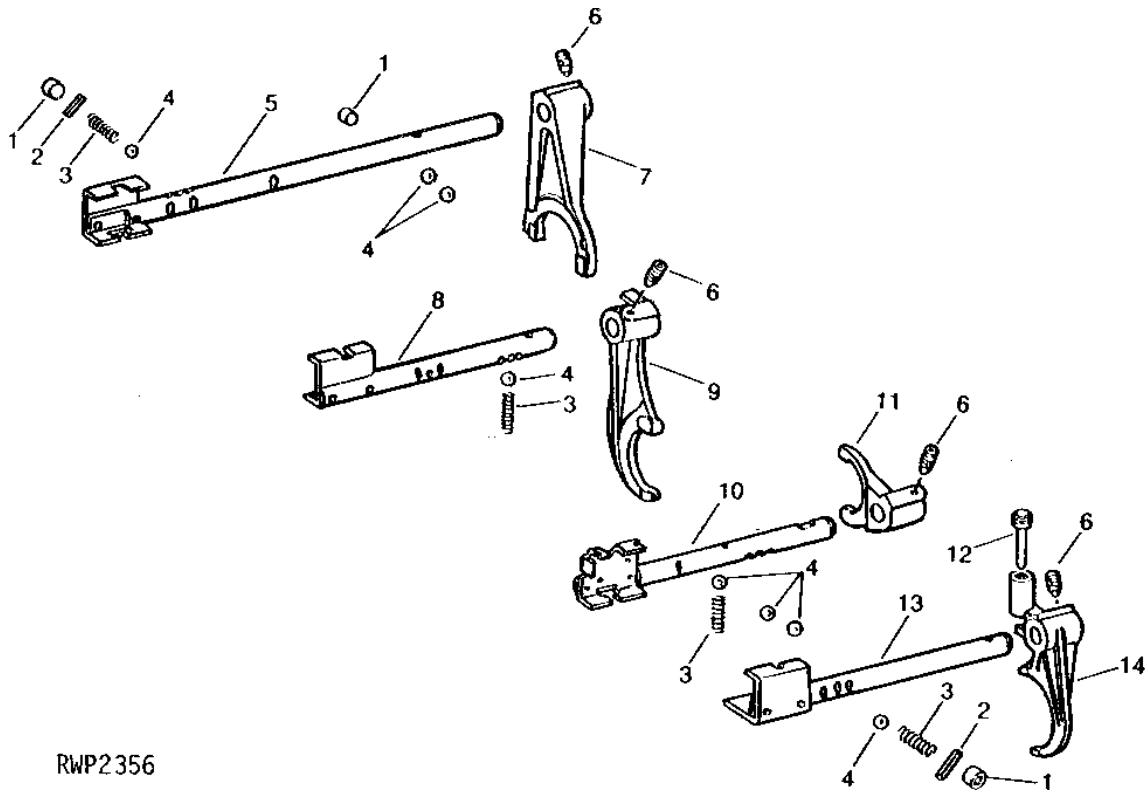
KEY	PART NO.	PART NAME	QTY	TRACTOR SERIAL NO.	REMARKS
1	AL28231	OIL CUP	1		
2	R26552	BALL	1		
3	R39090	NEEDLE ROLLER	1		
4	21H1322	SCREW	1	3/8" X 7/8"	
5	A3917R	O-RING	2		
6	AL28232	MANIFOLD	1		
7	T22974	CLAMP	1		
8	H246R	STRAP	2		
9	19H1800	CAP SCREW	1	3/8" X 1-1/2"	
10	AT22002	OIL TUBE	1	(SUB AT29752)	
11	T22852	ADAPTER	1		

112

POWER TRAIN

GEAR SHIFTERS AND SHIFTER SHAFTS (COLLAR SHIFT)

RWP2356 -UN-01JAN94



RWP2356

113

POWER TRAIN

GEAR SHIFTERS AND SHIFTER SHAFTS - CONTINUED (COLLAR SHIFT)

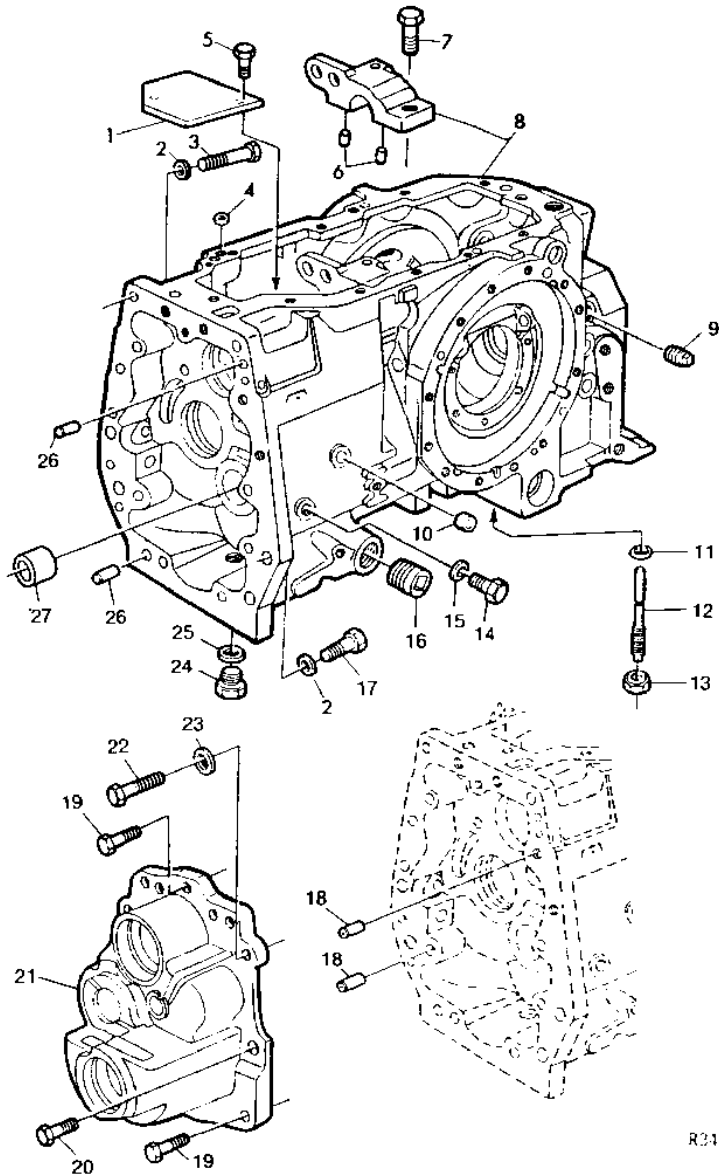
KEY	PART NO.	PART NAME	QTY	TRACTOR SERIAL NO.	REMARKS
1	M1102T	CAP	3		
2	34H251	SPRING PIN	2		1/8" X 1"
3	T27716	SPRING	4		
4	R26552	BALL	8		8MM (5/16")
5	AR95992	SHAFT	1		1ST AND 5TH, 2ND AND 6TH
6	T25614	SET SCREW	4		
7	L28401	SHIFTER	1		
8	AL33279	SHIFTER ROD	1		3RD AND 7TH, 4TH AND 8TH
9	R59032	SHIFTER	1		(SUB FOR T32142)
10	AT53247	SHAFT	1		HI, (SUB RE18147)
11	T26197	SHIFTER	1		(SUB R59176)
12	R98941	PIN	1		(SUB FOR T22435)
13	AL33250	SHIFTER ROD	1		LOW AND REVERSE
14	R51233	SHIFTER	1		(SUB R60557)

114

POWER TRAIN

R34078 -UN-01JAN94

TRANSMISSION CASE (SYNCRO-RANGE)



115

POWER TRAIN

**TRANSMISSION CASE - CONTINUED
(SYNCRO-RANGE)**

KEY	PART NO.	PART NAME	QTY	TRACTOR SERIAL NO.	REMARKS
1	AL28744	COVER	1		(SUB AL39257 AND 14M7327)
2	L30695	WASHER	8		
3	19H2735	CAP SCREW	2		1/2" X 2"
4	T17882	WASHER	1		
5	19H2021	CAP SCREW	2		3/8" X 5/8"
6	R726R	DOWEL PIN	2		
7	19H1721	CAP SCREW	2		1/2" X 1-1/2"
8	AL28875	TRANSMISSION CASE	1		(A)
	AL34164	TRANSMISSION CASE	1	XXXXXX-	(A) (MARKED L36623)
9	15H584	PIPE PLUG	1		1/2"
10	T18891	CAP	1		
11	R27490	O-RING	1		(SUB T17951)
12	T21776	SCREW	1		
13	14H971	NUT	1		1/2"
14	R53802	CAP SCREW	1		
15	R27003	WASHER	1		
16	15H562	PIPE PLUG	1		1"
17	19H2510	CAP SCREW	6		1/2" X 1-5/8"
18	T24729	BUSHING	2		
19	19H1732	CAP SCREW	3		3/8" X 1-1/4"
20	19H3483	CAP SCREW	1		3/8" X 1-1/8"
21	L33286	QUILL	1		(SUB L39841)
22	19H1801	CAP SCREW	2		3/8" X 2"
23	R1870R	WASHER	2		(SUB R57696)
24	R51895	FITTING	2		
25	A4827R	WASHER	2		M25 X 30, (SUB FOR 51M7019)
26	T26565	DOWEL PIN	2		
27	T22128	BUSHING	1		
..	AR94702	GASKET KIT	1		CLUTCH HOUSING TO TRANSMISSION CASE, (SUB RE50756)

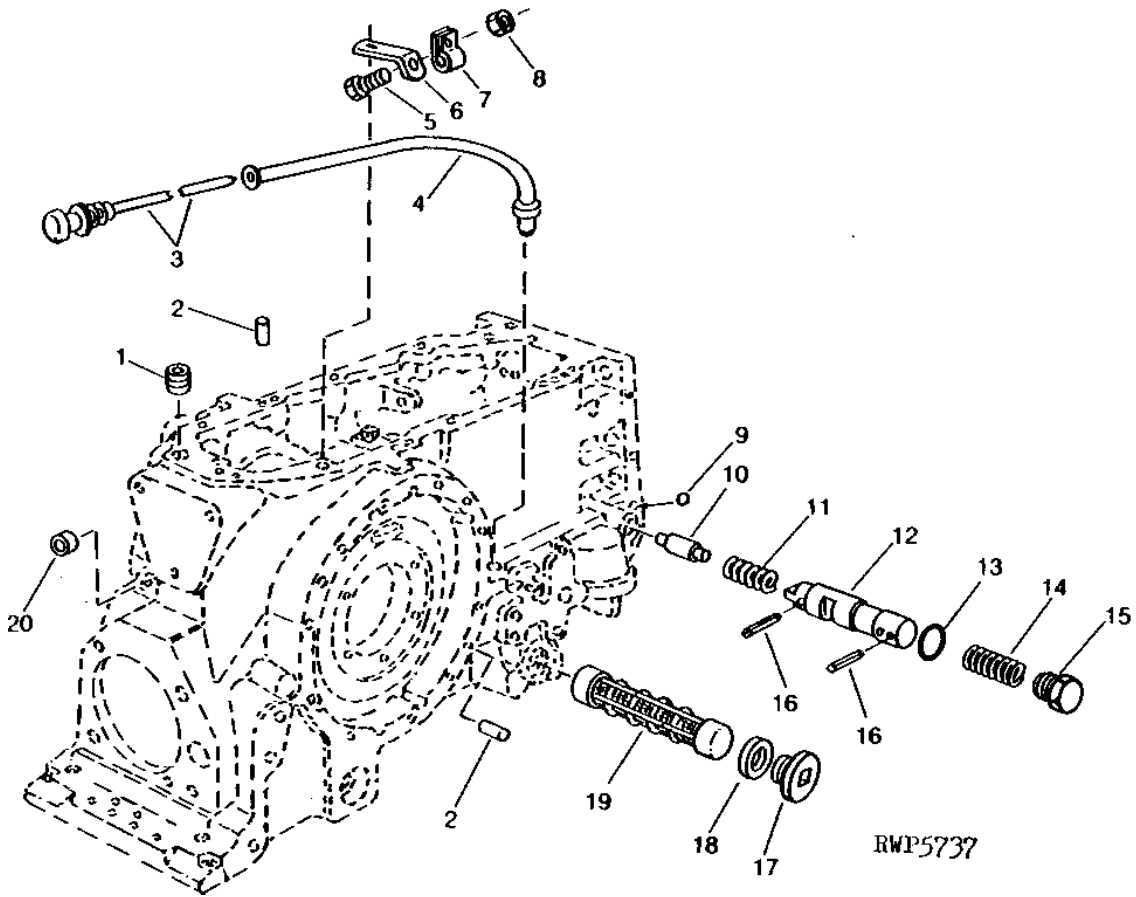
(A) FOR TRACTORS WITH CONTINUOUS PTO OR INDEPENDENT PTO SUB AL65437, WITH INDEPENDENT HEAVY-DUTY PTO SUB AL65439 AND WITH INDEPENDENT, EXCHANGEABLE PTO SUB AL65438.

116

POWER TRAIN

DIPSTICK AND FILTER SCREEN (SYNCRO-RANGE)

RWP5737 -UN-01JAN94



RWP5737

117

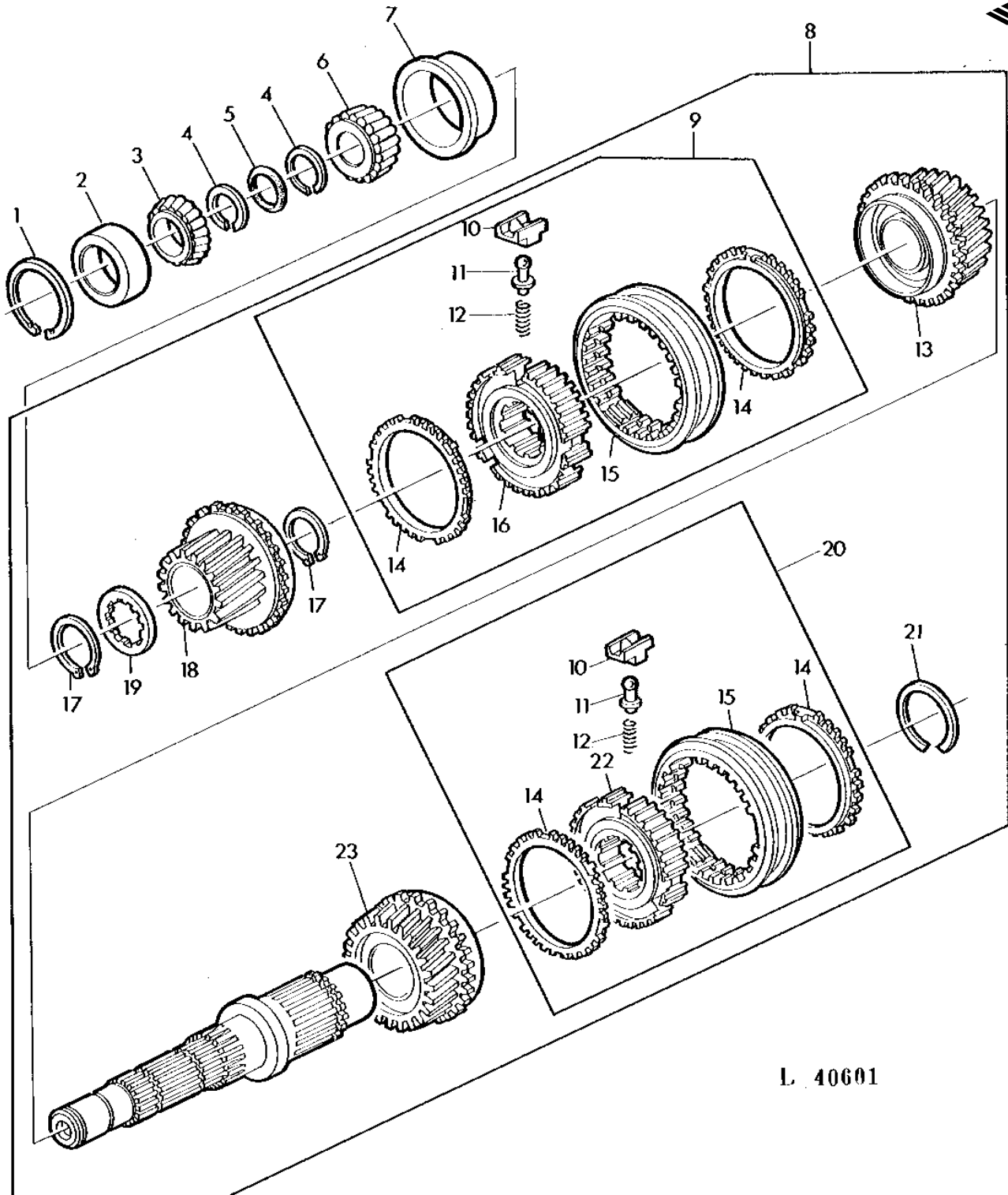
POWER TRAIN

**DIPSTICK AND FILTER SCREEN - CONTINUED
(SYNCRO-RANGE)**

KEY	PART NO.	PART NAME	QTY	TRACTOR SERIAL NO.	REMARKS
1	15H562	PIPE PLUG	1	1"	
2	A120R	DOWEL PIN	6	(SUB R48685)	
3	AL36614	DIPSTICK	1	(SUB FOR AL33326) (SUB AL38632)	
4	AL24999	EXTENSION	1		
5	19H1813	CAP SCREW	1	5/16" X 5/8"	
6	L31806	STRAP	1		
7	T21101	CLAMP	1		
8	14H785	NUT	1	5/16"	
9	F2772R	BALL	1		
10	R39294	PIN	1		
11	L33358	SPRING	1		
12	L33357	SLEEVE	1		
13	F3171R	O-RING	1		
14	M3861T	SPRING	1		
15	L40568	PIPE PLUG	1		
16	34H247	SPRING PIN	2	1/8" X 3/4"	
	34H248	SPRING PIN	1	1/8" X 13/16"	
17	R40147	FITTING	1		
18	51M4249	RING	1	38 X 44 X 2.5MM	
19	R53169	SCREEN	1	(NYLON)	
	AR26375	SCREEN	1	(STEEL)	
20	T18891	CAP	1		

TRANSMISSION DRIVE SHAFT AND SYNCHRONIZING PARTS (SYNCRO-RANGE)

L40601 -UN-01JAN94



L 40601

**TRANSMISSION DRIVE SHAFT AND SYNCHRONIZING PARTS - CONTINUED
(SYNCRO-RANGE)**

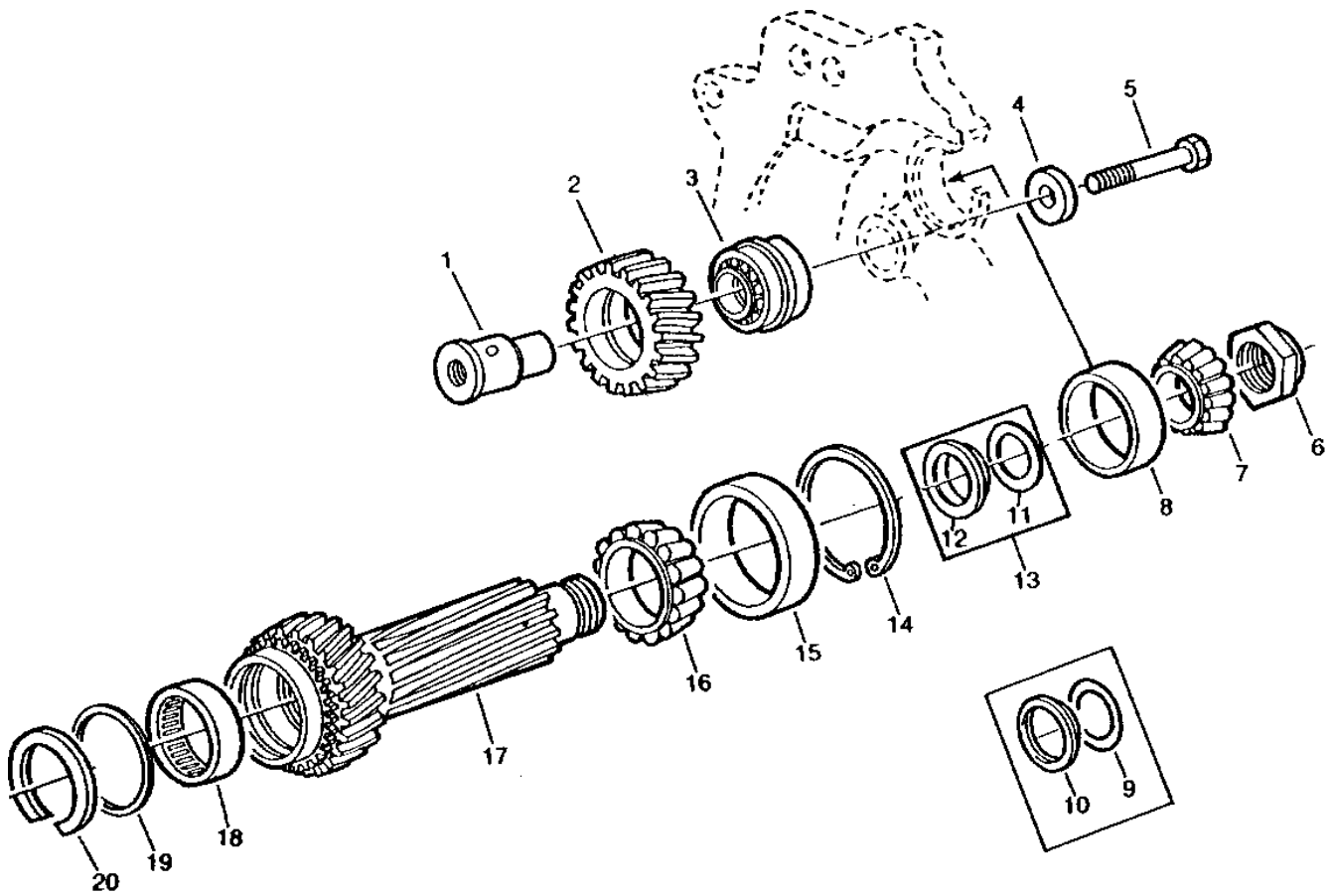
KEY	PART NO.	PART NAME	QTY	TRACTOR SERIAL NO.	REMARKS
1	L33277	SNAP RING	AR		1.8MM (.071")
	L33278	SNAP RING	AR		1.9MM (.075")
	L33274	SNAP RING	AR		2.0MM (.080")
	L33275	SNAP RING	AR		2.1MM (.082")
	L33276	SNAP RING	AR		2.2MM (.086")
2	JD10081	BEARING CUP	1		
3	JD10099	BEARING CONE	1		
4	L33269	SNAP RING	2		2.0MM (.080")
	L33271	SNAP RING	AR		2.1MM (.082")
	L33272	SNAP RING	AR		2.2MM (.086")
5	L33070	O-RING	1		
6	JD10213	BEARING CONE	1		
7	JD10101	BEARING CUP	1		
8	AL39233	DRIVE SHAFT	1		(SUB FOR AL28707)
9	AL41727	SYNCHRONIZER	1		(SUB FOR AL28708 OR AL39237)
10	L33101	SHOE	6		
11	L33100	STUD	6		
12	L33103	SPRING	6		
13	AL28711	GEAR	1		Z=19, (SUB AL64426)
14	L33102	SYNCHRONIZER	4	-XXXXXX	(ORDER L41023 AND L41210)
	L41023	SYNCHRONIZER	4	XXXXXX-	(SUB FOR L41176)
15	L33098	SHIFT COLLAR	2	-XXXXXX	(ORDER L41023 AND L41210)
	L41210	SHIFT COLLAR	2	XXXXXX-	
16	L33099	GEAR	1		(SUB L57621)
17	L36931	SNAP RING	AR		1.45MM (.057")
	L36933	SNAP RING	AR		1.55MM (.061")
	L36934	SNAP RING	AR		1.65MM (.065")
	L36932	SNAP RING	AR		1.75MM (.069")
	L33641	SNAP RING	AR		1.9MM (.075") (NLA)
	L36932	SNAP RING	1		2.0MM (.080") (SUB FOR L33280)
	L33643	SNAP RING	AR		2.3MM (.090") (SUB L63834)
18	AL28712	GEAR	1		Z=15, (SUB AL64425)
19	L33083	THRUST WASHER	1		
20	AL41728	SYNCHRONIZER	1		(SUB FOR AL28710 OR AL39238)
21	L36511	SNAP RING	1		1.55MM (.061")
	L36510	SNAP RING	1		1.65MM (.065")
	L36509	SNAP RING	1		1.75MM (.069")
22	L57622	GEAR	1		(SUB FOR L33104)
23	AL28709	GEAR	1		Z=24

1110

POWER TRAIN

RXP8073 -UN-01JAN94

DRIVE SHAFT WITH REVERSER (SYNCRO-RANGE)



RXP8073

1111

POWER TRAIN

**DRIVE SHAFT WITH REVERSER - CONTINUED
(SYNCRO-RANGE)**

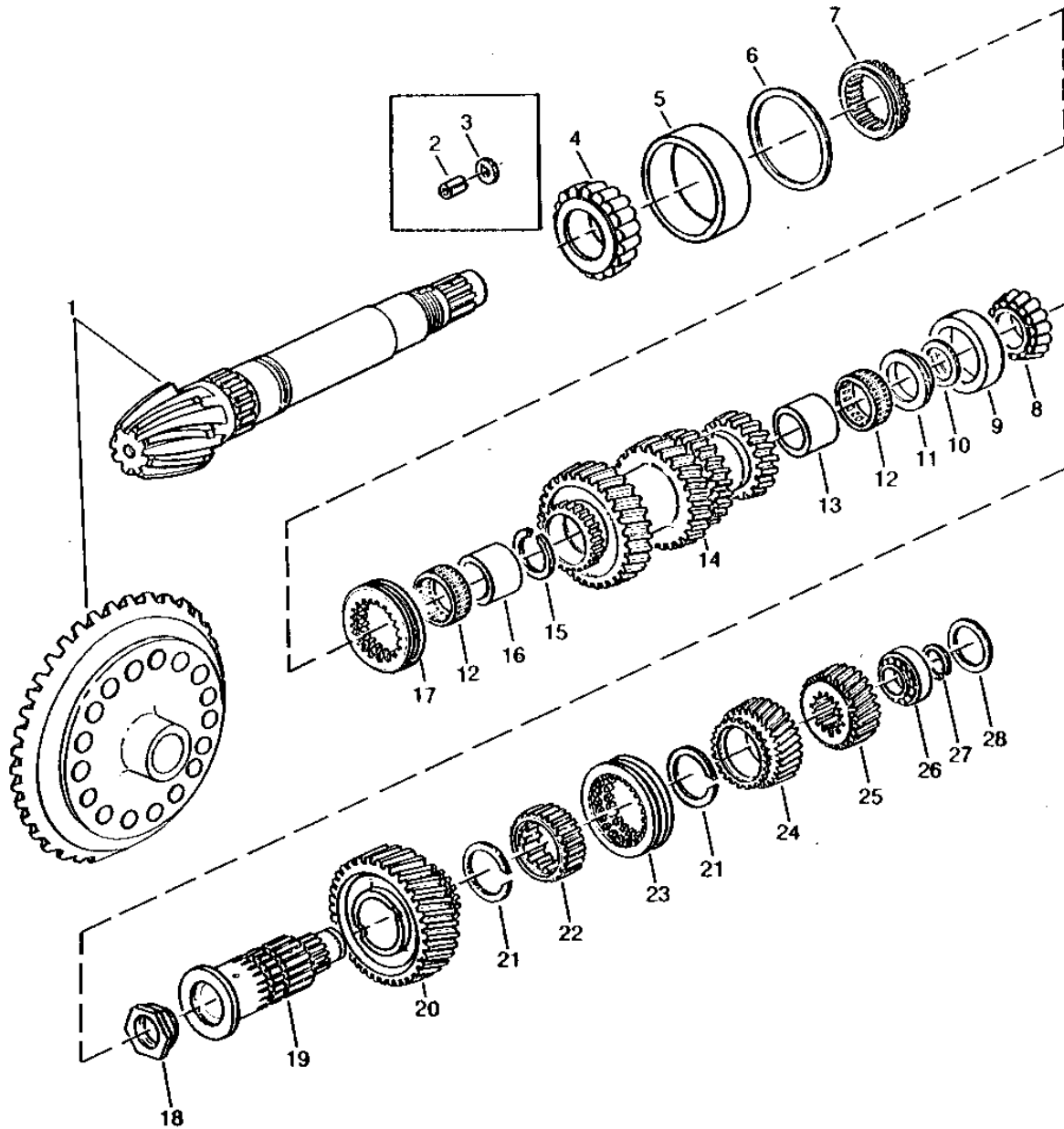
KEY	PART NO.	PART NAME	QTY	TRACTOR SERIAL NO.	REMARKS
1	L33066	SHAFT	1		
2	L33062	GEAR	1		(25 TEETH) (SUB L41604)
3	JD10069	ROLLER BEARING	1		
4	L33065	WASHER	1		
5	19M7329	CAP SCREW	1		M10 X 75
6	L33059	NUT	1		(SUB L55841)
7	JD10068	BEARING CONE	1		
8	JD10067	BEARING CUP	1		
9	L33028	SHIM	AR		0.100 MM (0.004") (SUB AL60717)
	L33027	SHIM	AR		0.150 MM (0.006") (SUB AL60717)
	L33029	SHIM	AR		0.250 MM (0.010") (SUB AL60717)
10	L33030	WASHER	1		(SUB AL60717)
11	L58721	SHIM	1		0.700 MM (0.028")
12	L58121	WASHER	1		4.55MM (.179")
	L58120	WASHER	1		4.60MM (.181")
	L58119	WASHER	1		4.65MM (.182")
	L58118	WASHER	1		4.75MM (.187")
	L58115	WASHER	1		4.80MM (.189")
	L58108	WASHER	1		4.85MM (.190")
	L58109	WASHER	1		4.90MM (.192")
	L58110	WASHER	1		4.95MM (.195")
	L58111	WASHER	1		5.00MM (.196")
	L58112	WASHER	1		5.05MM (.198")
	L58113	WASHER	1		5.10MM (.200")
	L58114	WASHER	1		5.15MM (.202")
	L56005	LOCK WASHER	1		5.20MM (.204")
	L56377	LOCK WASHER	1		5.25MM (.206")
13	AL60717	SHIPPING BUNDLE	1		
14	40M1873	SNAP RING	1		90X3MM
15	JD10103	BEARING CUP	1		
16	JD10102	BEARING CONE	1		
17	AL28713	DRIVE SHAFT	1		-XXXXXX (SUB AL63097, AL64050, L60559 AND L60560)
	AL64050	DRIVE SHAFT	1	XXXXXX-	
18	JD10072	NEEDLE BEARING	1		-XXXXXX (USE WITH AL28713)
	AL63097	NEEDLE BEARING	1	XXXXXX-	(USE WITH AL64050)
19	L60560	THRUST WASHER	1		XXXXXX- (USE WITH AL64050)
20	L33270	SNAP RING	1		-XXXXXX (USE WITH AL28713)
	L60559	SNAP RING	1	XXXXXX-	(USE WITH AL64050)

1112

POWER TRAIN

DIFFERENTIAL DRIVE SHAFT (SYNCRO-RANGE)

RWP4481 -UN-01JAN94



RWP4481

1113

POWER TRAIN

DIFFERENTIAL DRIVE SHAFT - CONTINUED (SYNCRO-RANGE)

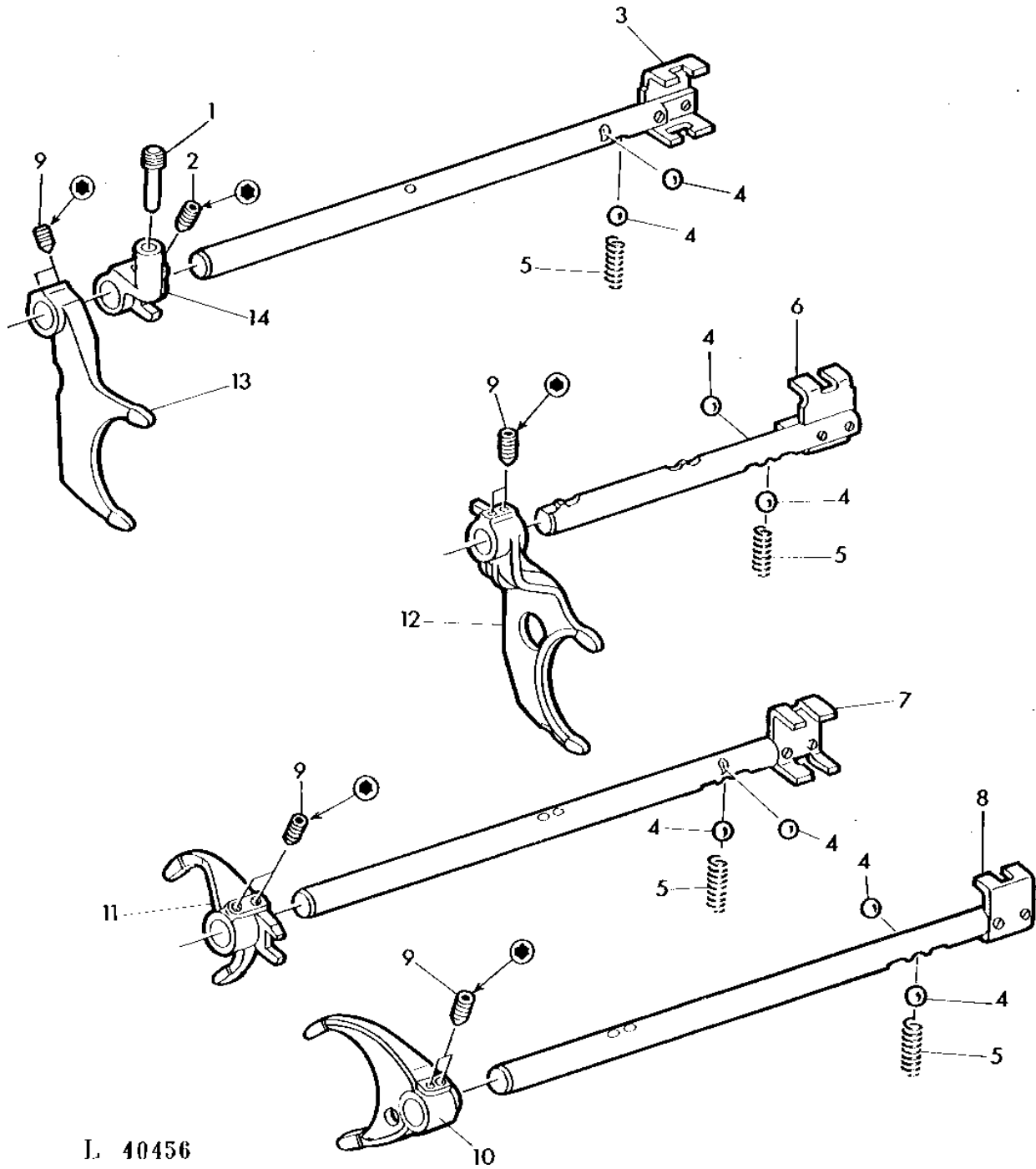
KEY	PART NO.	PART NAME	QTY	TRACTOR SERIAL NO.	REMARKS
1	AL30930	KIT	1		RING GEAR (43 TEETH) AND PINION (9 TEETH) (MARKED T30253, L33223 AND L34248) (NLA)
2	34M7192	SPRING PIN	1	-379720	13 X 12 MM
3	L33047	THRUST WASHER	1	-379720	
4	AL65858	BEARING	1		(SUB FOR JD10097)
5	L28648	BEARING CUP	1		
6	T28284	SHIM	AR		0.1MM (.003")
	T28285	SHIM	AR		0.25MM (.009")
	T28286	SHIM	AR		.010MM (.0004")
7	L33721	SHIFT COLLAR CARRIER	1		
8	JD10080	BEARING CONE	1		(SUB AL65171)
9	AL65171	BEARING	1		(SUB FOR JD10098)
10	24M7223	SHIM	AR		45 X 56 X 0.100MM, (NLA)
	L36301	SHIM	AR		45 X 56 X 0.150MM, (NLA)
	24M7225	SHIM	AR		45 X 56 X 0.200MM
	24M7224	SHIM	AR		45 X 56 X 0.300MM, (NLA)
	24M7231	SHIM	AR		45 X 56 X 0.500MM, (NLA)
	M809T	SHIM	AR		45 X 56 X 0.127MM, (NLA)
11	L36087	SPACER	1		
12	JD10070	NEEDLE BEARING	2		
13	JD10074	BEARING RACE	1		
14	L33019	COUNTERSHAFT	1		(SUB L41021)
15	40M7072	SNAP RING	1		
16	JD10075	BEARING RACE	1		
17	L33033	SHIFT COLLAR	1		
18	L34182	NUT	1		(SUB L55840)
19	L33290	SHAFT	1	-379720	(SUB L37590, L33047 AND 34M7105)
	L37590	SHAFT	1	379721-	
20	L33023	GEAR	1		
21	L33035	SNAP RING	2		
22	L33060	SHIFT COLLAR CARRIER	1		
23	L33024	SHIFT COLLAR	1		(SUB L100528)
24	L33025	GEAR	1		
25	L33264	GEAR	1		(21 TEETH) (9.5-24 TIRE)
	L34100	GEAR	1		(22 TEETH) (8.3-24 TIRE)
26	JD10079	BEARING CONE	1		
27	B1402R	SNAP RING	1		
28	24M7219	SHIM	AR		50 X 62 X 0.100MM
	L36302	SHIM	AR		50 X 62 X 0.150MM
	24M7220	SHIM	AR		50 X 62 X 0.200MM
	24M7221	SHIM	AR		50 X 62 X 0.300MM
	24M4813	WASHER	AR		50 X 62 X 1 MM

1114

POWER TRAIN

L40456 -UN-01JAN94

GEAR SHIFTER AND SHIFTER SHAFTS (SYNCRO-RANGE)



L 40456

1115

POWER TRAIN

GEAR SHIFTER AND SHIFTER SHAFTS - CONTINUED (SYNCRO-RANGE)

KEY	PART NO.	PART NAME	QTY	TRACTOR SERIAL NO.	REMARKS
1	R98941	PIN	1		(SUB FOR T22435)
2	T25614	SET SCREW	1		
3	AL33245	SHIFTER ROD	1		(SUB AL37584) (3RD AND 7TH, 4TH AND 8TH)
4	R26552	BALL	8		8MM (5/16")
5	T27716	SPRING	4		
6	AL33259	SHIFTER ROD	1		(SUB AL67178, THIS APPLICATION)
7	AL33539	SHIFTER ROD	1		
8	AL33540	SHIFTER ROD	1		(1ST AND 5TH, 2ND AND 6TH)
9	R116943	SET SCREW	8		
10	L33050	SHIFTER	1		
11	L33045	SHIFTER	1		
12	L33051	SHIFTER	1		
13	L33052	SHIFTER	1		(SUB L62253)
14	L33054	GUIDE	1		(SUB AL36859, THIS APPLICATION)

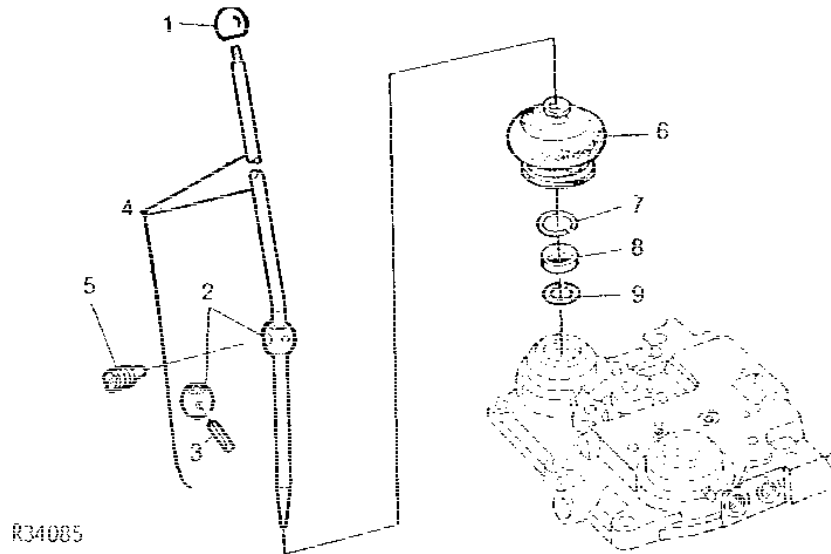
MEMORANDA

1116

POWER TRAIN

R34085 -UN-01JAN94

GEAR SHIFT LEVER



R34085

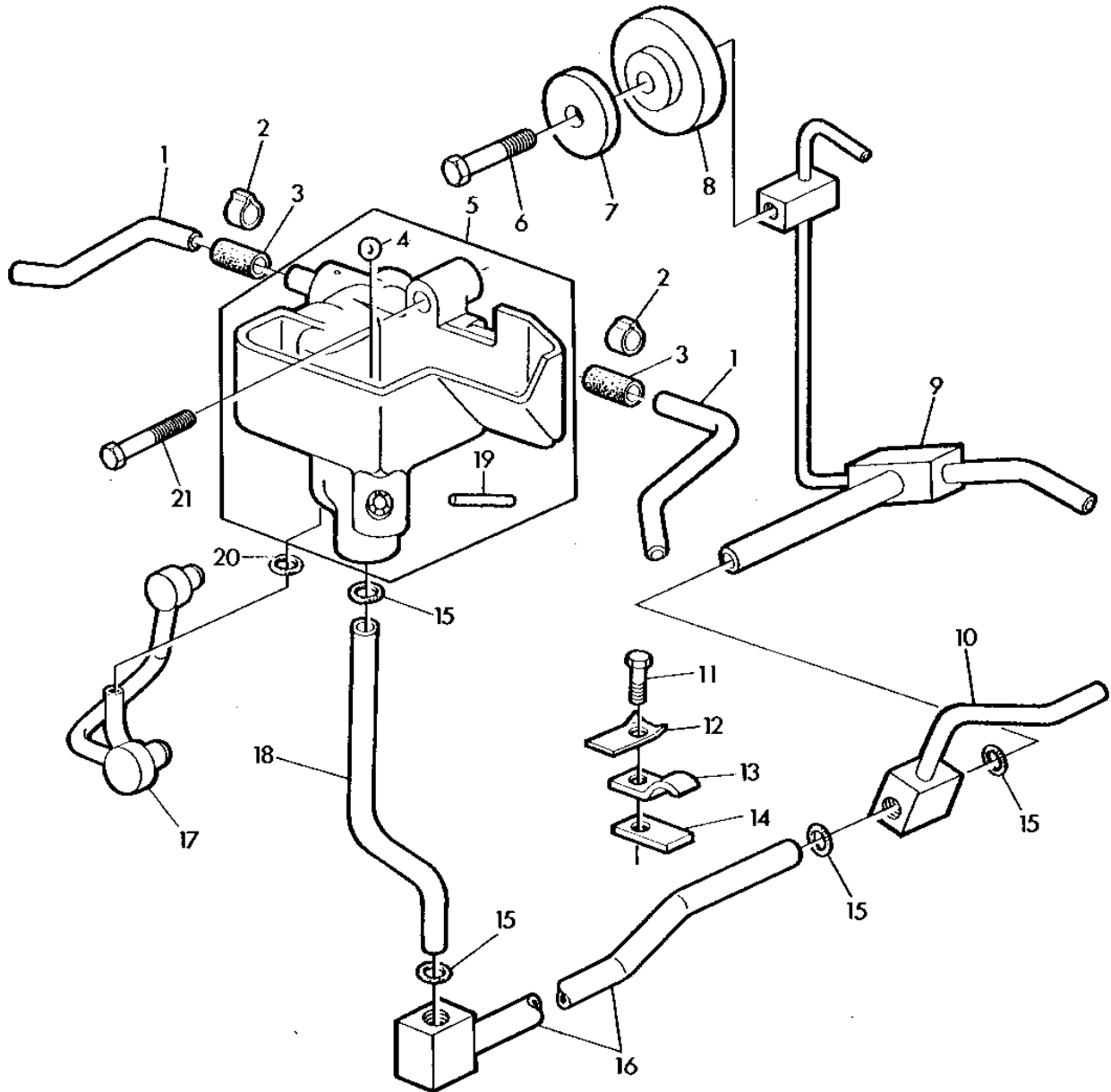
KEY	PART NO.	PART NAME	QTY	TRACTOR SERIAL NO.	REMARKS
1	R50864	KNOB	2		
2	CE14048	BALL	2		
3	34H251	SPRING PIN	2	1/8" X 1"	
4	DE13627	GEARSHIFT LEVER	2		
5	CE14055	SET SCREW	2		
6	L31055	BOOT	2		
7	L4035T	SNAP RING	2		
8	L4027T	BUSHING	2		
9	R29936	O-RING	2		

1117

POWER TRAIN

TRANSMISSION LUBRICATING LINES (SYNCRO-RANGE)

L40607 -UN-01JAN94



I. 40607

1118

POWER TRAIN

**TRANSMISSION LUBRICATING LINES - CONTINUED
(SYNCRO-RANGE)**

KEY	PART NO.	PART NAME	QTY	TRACTOR SERIAL NO.	REMARKS
1	L38321	OIL LINE	2		(SUB FOR L33728)
2	L33351	CLAMP	4		
3	L38322	HOSE	2		(SUB FOR T32100)
4	R26552	BALL	1		7.938 MM (5/16") (SUB AL66971)
5	AL36124	OIL CUP	1		(SUB FOR AL28865) (SUB AL41541, AL66971 AND L62406)
6	19M8600	CAP SCREW	1	374338-	M10 X 50
7	L36108	WASHER	1	374338-	
8	L36107	BUSHING	1	374338-	
9	L33361	OIL LINE	1	-374337	(SUB AL33237, L36107, L36108 AND 19M8600)
	AL33237	OIL LINE	1	374338-	
10	AL30194	OIL LINE	1		(SUB AL66201)
11	19H2021	CAP SCREW	2		3/8" X 5/8"
12	R1888R	STRAP	2		
13	R28346	CLAMP	2		
14	L33364	STRAP	1		
15	R28776	O-RING	4		
16	AL28862	OIL LINE	1		(SUB L62406)
17	AL28863	OIL LINE	1		
18	L33363	OIL LINE	1		
19	R39090	NEEDLE ROLLER	2		
20	A3917R	O-RING	1		
21	19H1800	CAP SCREW	1		3/8" X 1-1/2"

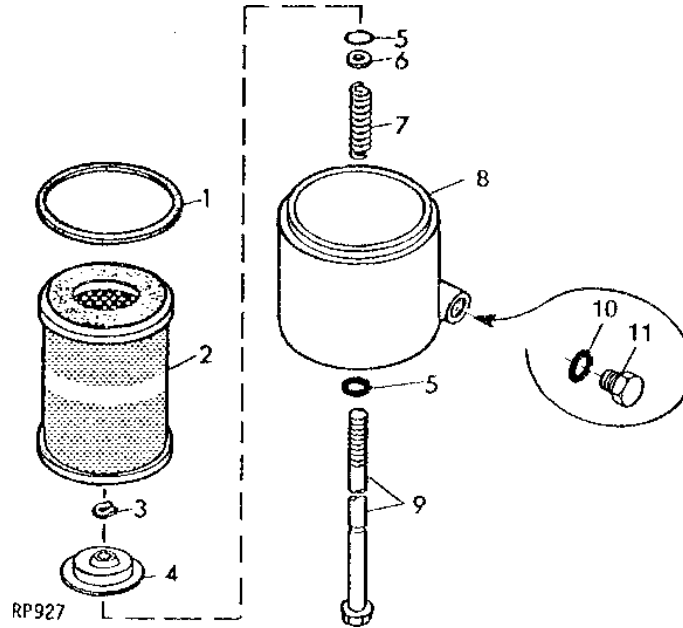
MEMORANDA

1119

POWER TRAIN

RP927 -UN-01JAN94

TRANSMISSION OIL FILTER



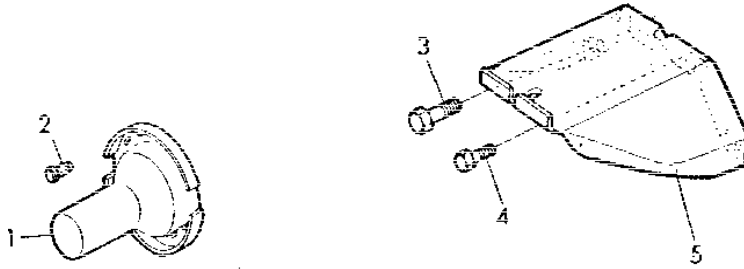
KEY	PART NO.	PART NAME	QTY	TRACTOR SERIAL NO.	REMARKS
1	R34733	WASHER	1		
2	AR75603	FILTER ELEMENT	1		
3	R32507	SNAP RING	1		
4	L29251	RETAINER	1		
5	R394R	O-RING	2		
6	24H1227	WASHER	1	17/32" X 13/16" X 0.060"	
7	L29252	COMPRESSION SPRING	1		
8	T31170	COVER	1	(OIL RETURN PORT)	
9	L29253	CAP SCREW	1		
10	F3171R	O-RING	1	(OIL RETURN PORT)	
11	L40568	PIPE PLUG	1	(OIL RETURN PORT)	

1120

POWER TRAIN

R34039 -UN-01JAN94

POWERSHAFT SHIELD AND GUARD



R34039

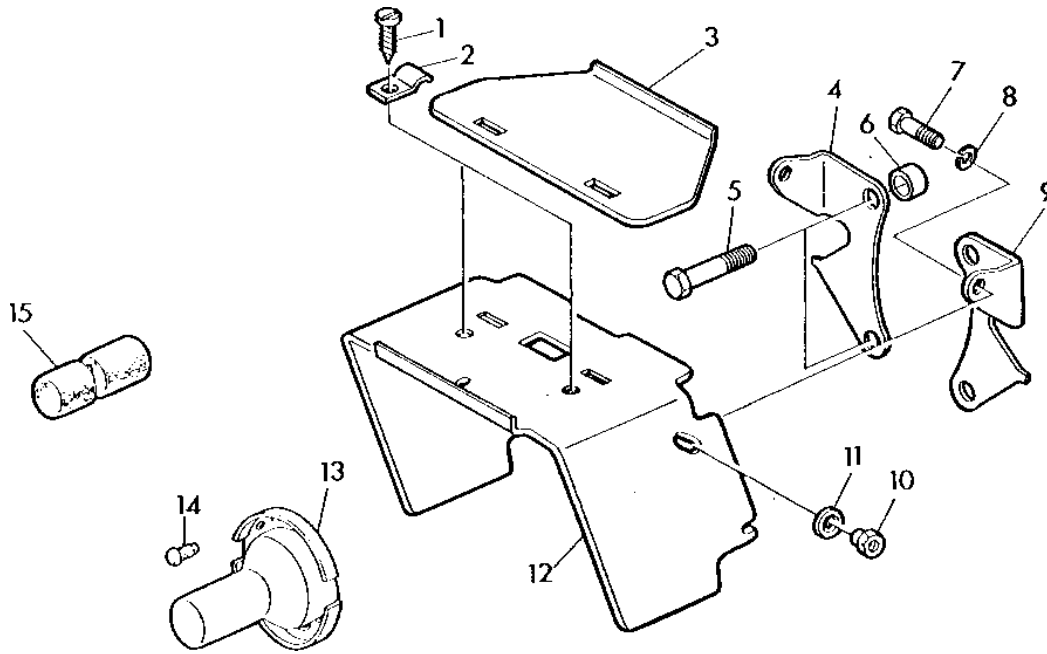
KEY	PART NO.	PART NAME	QTY	TRACTOR SERIAL NO.	REMARKS
1	AR26782	GUARD	1		(SUB L64456)
2	R27329	SCREW	1		
3	19H1792	CAP SCREW	2		1/2" X 1"
4	19H2284	CAP SCREW	2		3/8" X 7/8"
5	T30037	GUARD	1		(SUB RE13912)

1121

POWER TRAIN

L40465 -UN-01JAN94

PTO SHIELD AND GUARD (HINGED)



L 40465

KEY	PART NO.	PART NAME	QTY	TRACTOR SERIAL NO.	REMARKS
1	37H52	SCREW	2		
2	R69657	CLAMP	2		
3	L38694	COVER	1		
4	R69655	SUPPORT	1		L.H.
5	19H1831	CAP SCREW	4		1/2" X 2"
6	28H1785	BUSHING	4		
7	19H1731	CAP SCREW	2		3/8" X 1"
8	12H304	LOCK WASHER	2		3/8"
9	R69654	SUPPORT	1		R.H.
10	R63607	WELD NUT	2		3/8"
11	R73290	WASHER	2		(SUB FOR T497T)
12	R69628	SHIELD	1		
13	AR26782	GUARD	1		(SUB L64456)
14	R27329	SCREW	2		
15	L12974	CAP	1		

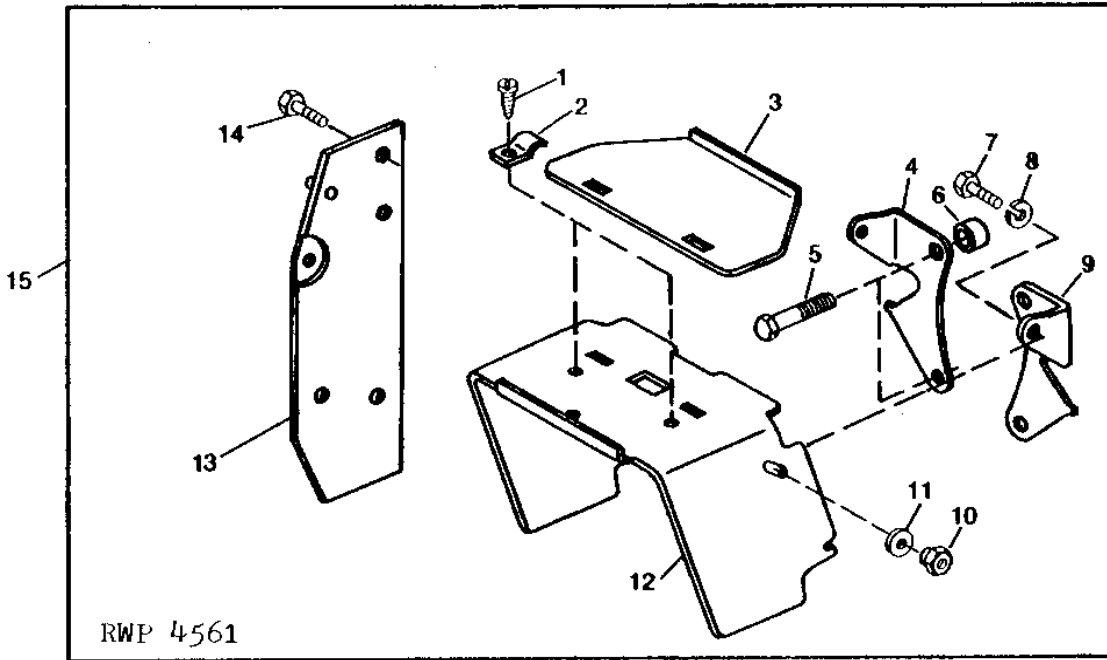
MEMORANDA

1122

POWER TRAIN

RWP4561 -UN-01JAN94

PTO MASTER SHIELD KIT



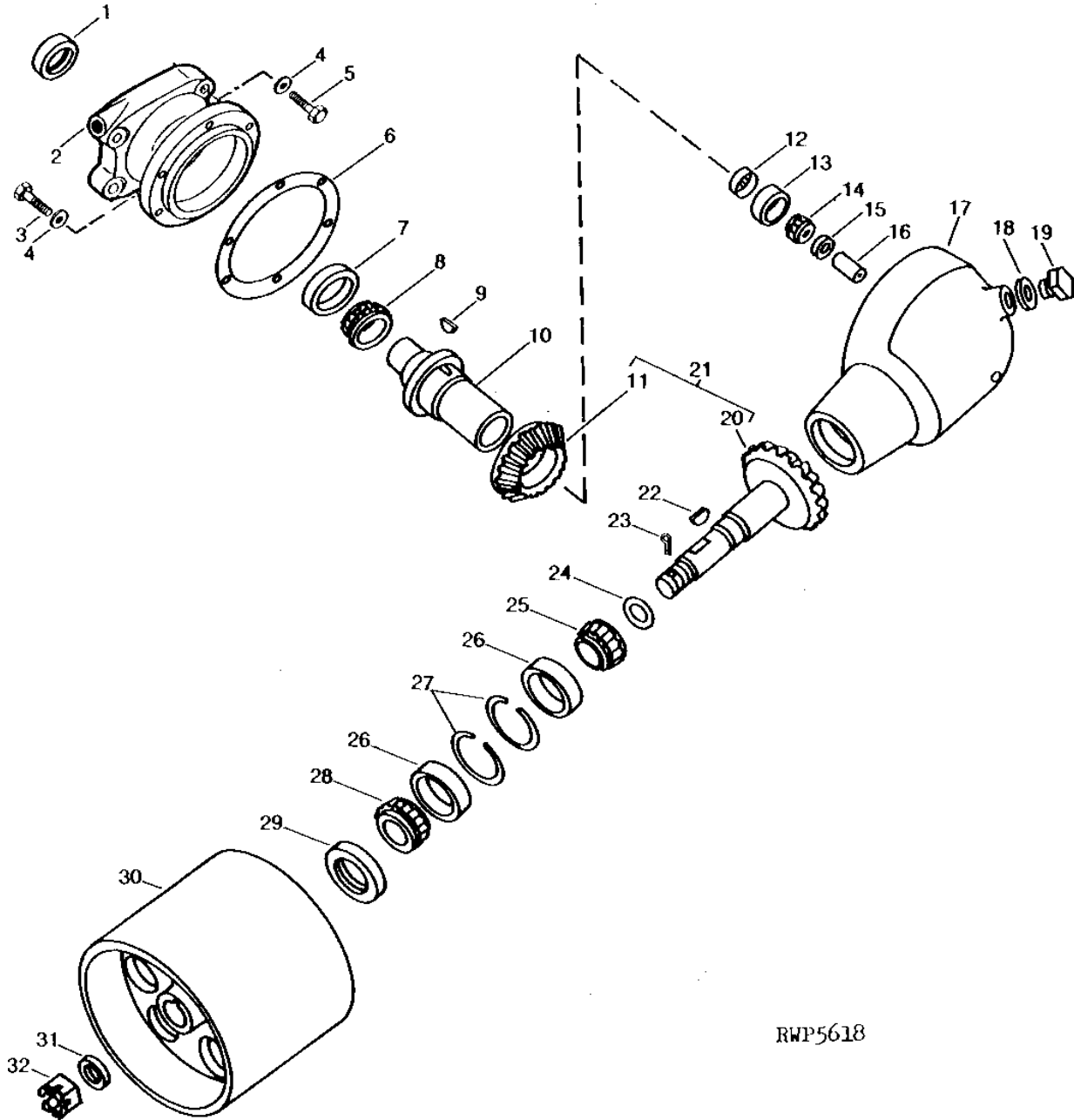
KEY	PART NO.	PART NAME	QTY	TRACTOR SERIAL NO.	REMARKS
1	37H52	SCREW	2	1/4" X 3/8"	
2	R69657	CLAMP	2		
3	L38694	COVER	1		
4	R69655	SUPPORT	1		
5	19H1831	CAP SCREW	4	1/2" X 2"	
6	28H1785	BUSHING	4	0.546" X 0.840" X 1-1/16"	
7	19H1731	CAP SCREW	2	3/8" X 1"	
8	12H304	LOCK WASHER	2	3/8"	
9	R69654	SUPPORT	1		
10	R63607	WELD NUT	2	3/8"	
11	R73290	WASHER	2	(SUB FOR T497T)	
12	R69628	SHIELD	1		
13	AR90971	SUPPORT	1		
14	19H1792	CAP SCREW	1	1/2" X 1"	
15	RE13912	KIT	1		

1123

POWER TRAIN

RWP5618 -UN-01JAN94

BELT PULLEY
(540 RPM PTO)



RWP5618

1124

POWER TRAIN

**BELT PULLEY - CONTINUED
(540 RPM PTO)**

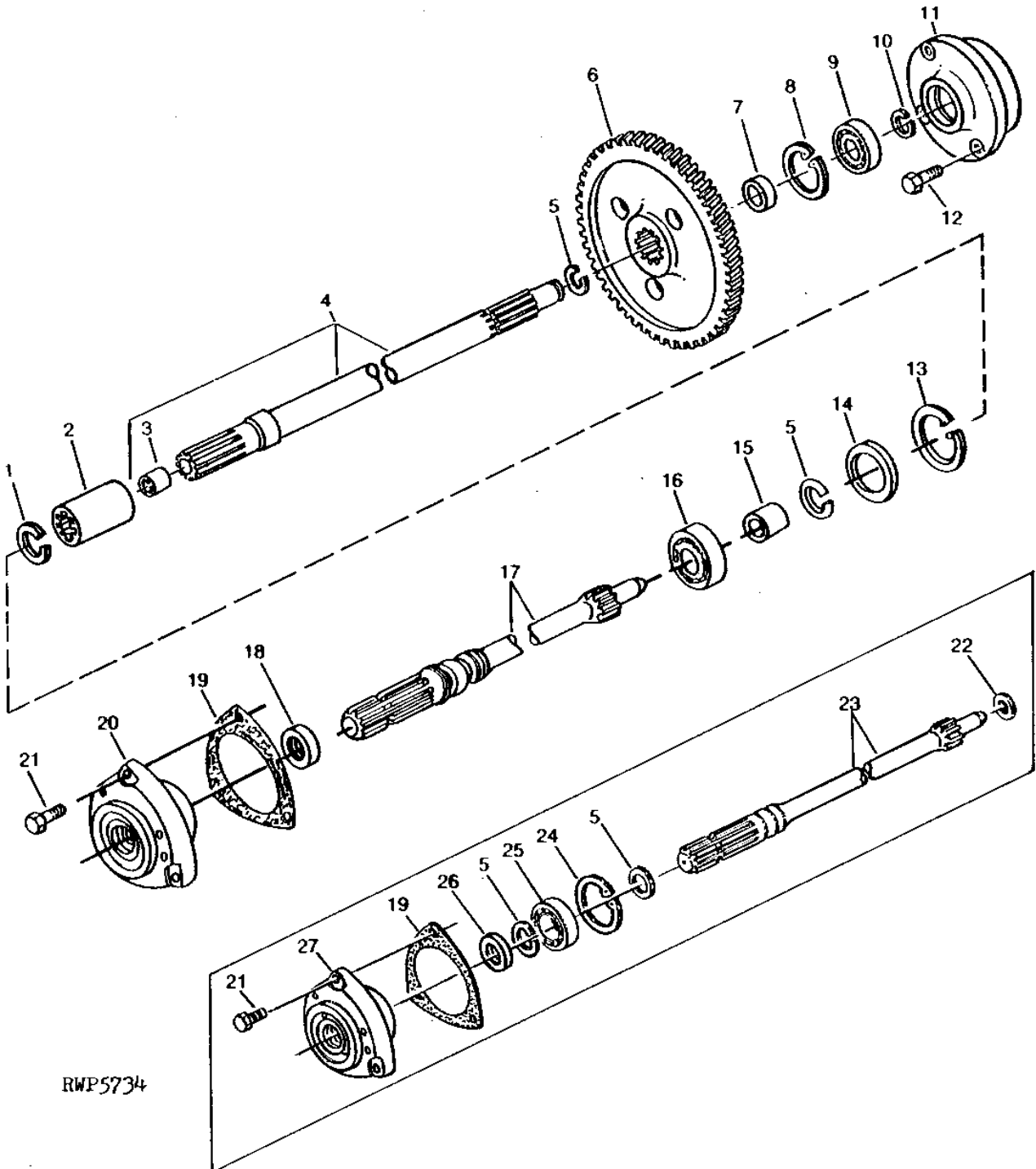
KEY	PART NO.	PART NAME	QTY	TRACTOR SERIAL NO.	REMARKS
1	AT12431	SEAL	1		
2	T29243	QUILL	1		
3	19H3579	CAP SCREW	6	1/2" X 1-3/8"	
4	12H301	LOCK WASHER	10	1/2"	
5	19H2644	CAP SCREW	4	1/2" X 2-1/2"	
6	R44372	SHIM	AR	0.13MM (.005") PAPER	
	R44361	SHIM	AR	0.13MM (.005")	
	T13341	SHIM	AR	0.25MM (.010")	
7	JD8247	BEARING CUP	1		
8	JD8922	BEARING CONE	1		
9	26H85	SHAFT KEY	1	1/4" X 1"	
10	T22999	HUB	1		
11	T23000	GEAR	1	(SUB T22998 AND T23000)	
12	M2206T	CAP	1		
13	JD7438	BEARING CUP	1		
14	JD8135	BEARING CONE	1		
15	T13331	SHIM	AR	0.08MM (.003")	
	T13332	SHIM	AR	0.13MM (.005")	
	T13333	SHIM	AR	0.25MM (.010")	
16	T13471	PIN	1		
17	T29242	CASE	1		
18	A4827R	WASHER	1		
19	R26727	DRAIN PLUG	1		
20	T22998	SHAFT	1	(SUB T22998 AND T23000)	
21	AT28049	SHAFT	1	(SUB T22998 AND T23000)	
22	26H93	SHAFT KEY	1	1/4" X 1-1/4"	
23	11M7032	COTTER PIN	1	0.197" X 1.969"	
24	L11027	SHIM	AR	0.10MM (.004")	
	L11028	SHIM	AR	0.20MM (.008")	
25	JD8969	BEARING CONE	1		
26	JD7418	BEARING CUP	2		
27	T13325	SNAP RING	2		
28	JD8982	BEARING CONE	1		
29	AT124396	SEAL	1	(SUB FOR AT16887)	
30	T18718	PULLEY	1	305MM (12") DIAMETER	
31	R30399	WASHER	1	(SUB FOR T18996)	
32	14H920	NUT	1	1"	

1J1

POWER TRAIN

GEARS AND SHAFTS
(540 RPM PTO)
(COLLAR SHIFT)

RWP5734 -UN-01JAN94



RWP5734

1J2

POWER TRAIN

**GEARS AND SHAFTS - CONTINUED
(540 RPM PTO)
(COLLAR SHIFT)**

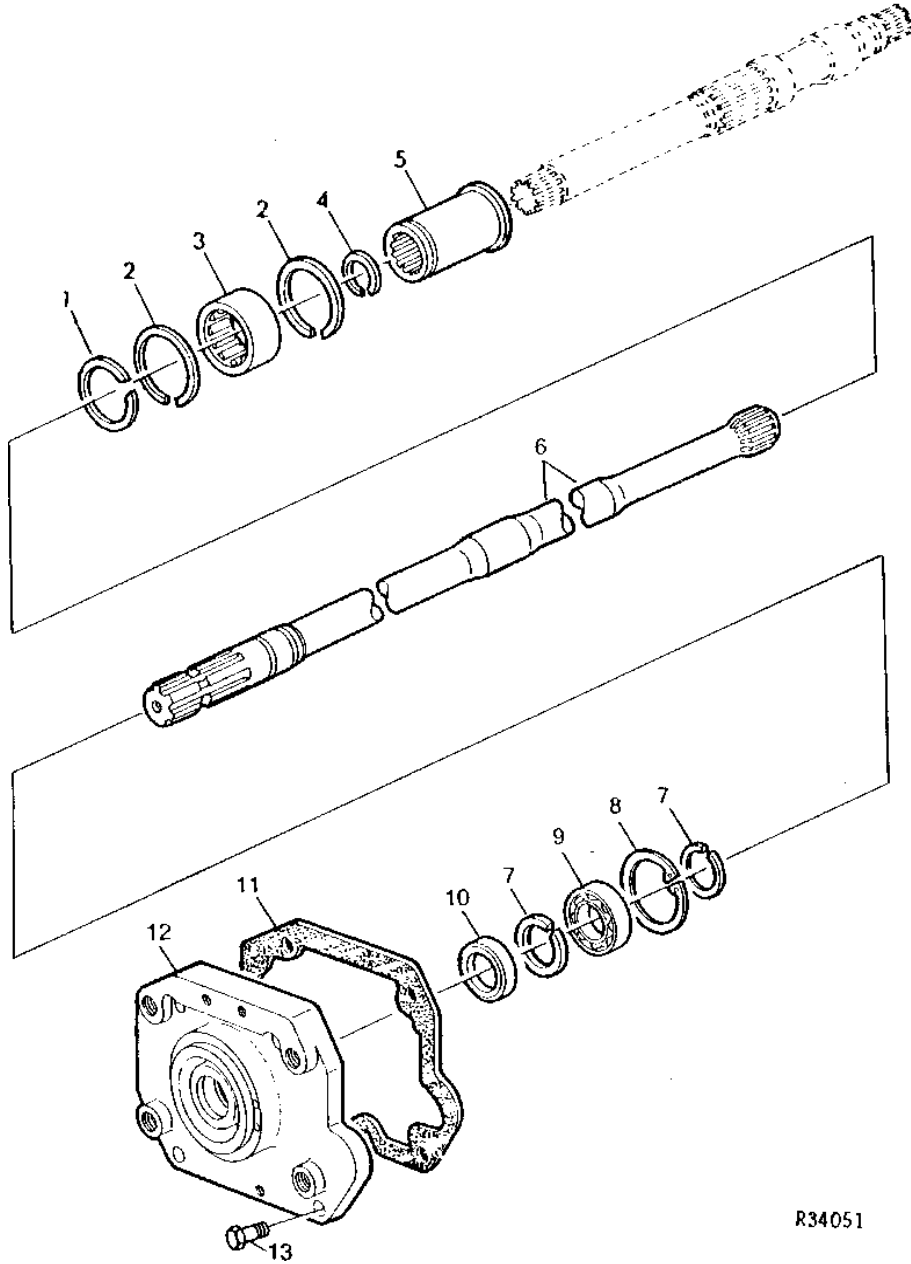
KEY	PART NO.	PART NAME	QTY	TRACTOR SERIAL NO.	REMARKS
1	T30766	SNAP RING	1		(INDEPENDENT PTO)
2	T30767	SPLINED COUPLING	1		(INDEPENDENT PTO)
3	T22127	BUSHING	1		
4	AL33160	DRIVE SHAFT	1		
5	M2353T	SNAP RING	3	-XXXXXX	
	M2353T	SNAP RING	2	XXXXXX-	
6	L33707	GEAR	1		
7	L35894	SPACER	1		
8	40M7044	SNAP RING	1		M72 X 2.5
9	JD10112	BEARING	1		
10	40M7048	SNAP RING	1		M60 X 2
11	L33639	COVER	1		(NLA)
12	19H1732	CAP SCREW	3		3/8" X 1-1/4"
13	40M7115	SNAP RING	1	XXXXXX-	
14	24M7255	WASHER	1	XXXXXX-	63 X 80 X 3 MM
15	L33007	BUSHING	1	XXXXXX-	
16	L28405	BALL BEARING	1	XXXXXX-	
17	L38806	POWER-TAKEOFF	1	XXXXXX-	
18	48M7038	SEAL	1	XXXXXX-	
19	T22080	GASKET	1		
20	L38807	QUILL	1	XXXXXX-	
21	19H1721	CAP SCREW	3		1/2" X 1-1/2"
22	T22546	WASHER	1	-XXXXXX	
23	R47249	SHAFT	1	-XXXXXX	
24	40M7044	SNAP RING	1	-XXXXXX	(SUB FOR R47513)
25	JD9344	BALL BEARING	1	-XXXXXX	
26	T22069	SEAL	1	-XXXXXX	(SUB AL56820)
27	R47514	QUILL	1	-XXXXXX	

1J3

POWER TRAIN

R34051 -UN-01JAN94

PTO DRIVE SHAFT
(540 RPM) (SYNCRO-RANGE)
(TRACTOR SERIAL NO. -XXXXXX)



R34051

1J4

POWER TRAIN

PTO DRIVE SHAFT - CONTINUED
(540 RPM) (SYNCRO-RANGE)
(TRACTOR SERIAL NO. -XXXXXX)

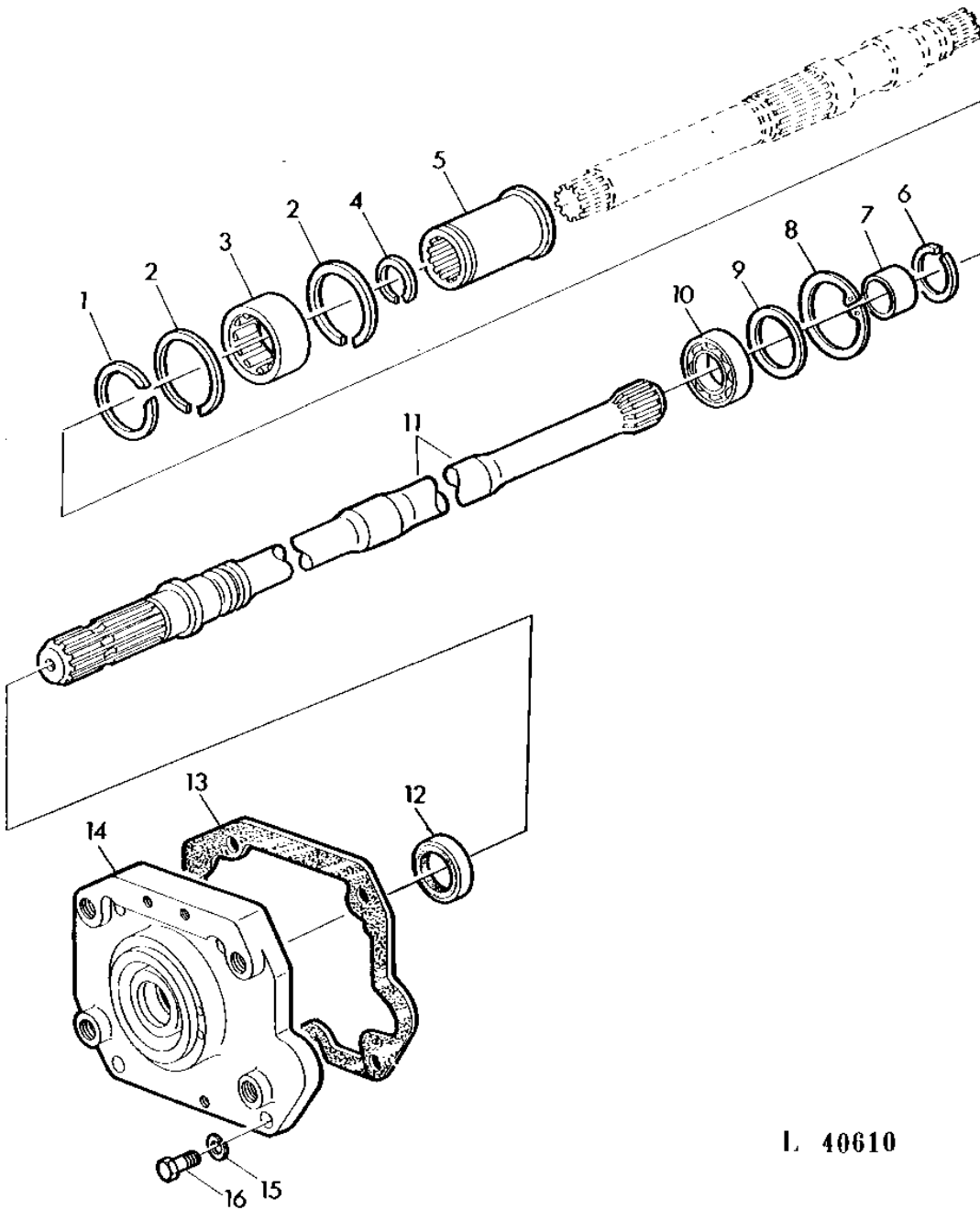
KEY	PART NO.	PART NAME	QTY	TRACTOR SERIAL NO.	REMARKS
1	40M7071	SNAP RING	1		
2	Z22760	SNAP RING	2		
3	JD10108	NEEDLE BEARING	1		
4	T30766	SNAP RING	1		
5	L33126	SLEEVE	1		
6	L33234	SHAFT	1		(SUB L38803, AL67450, L28405, L33007, L60548, 99M7045, 24M7255, 40M7115 AND 48M7038)
7	M2353T	SNAP RING	2		
8	40M7044	SNAP RING	1		(SUB FOR R47513)
9	JD9344	BALL BEARING	1		
10	T22069	SEAL	1		(SUB AL56820)
11	L29268	GASKET	1		
12	L34126	BEARING CAP	1		
13	19H1721	CAP SCREW	4		1/2" X 1-1/2"

1J5

POWER TRAIN

PTO DRIVE SHAFT
(540 RPM) (SYNCRO-RANGE)
(TRACTOR SERIAL NO. XXXXXX-)

L40610 -UN-01JAN94



L 40610

1J6

POWER TRAIN

PTO DRIVE SHAFT - CONTINUED
(540 RPM) (SYNCRO-RANGE)
(TRACTOR SERIAL NO. XXXXXX-)

KEY	PART NO.	PART NAME	QTY	TRACTOR SERIAL NO.	REMARKS
1	40M7071	SNAP RING	1		
2	Z22760	SNAP RING	2		
3	JD10108	NEEDLE BEARING	1		
4	T30766	SNAP RING	1		
5	L33126	SLEEVE	1		
6	M2353T	SNAP RING	1		
7	L33007	BUSHING	1		
8	40M7115	SNAP RING	1		80 X 2.5MM
9	24M7255	WASHER	1		63 X 80 X 3 MM
10	L28405	BALL BEARING	1		
11	L38803	POWER-TAKEOFF	1		
12	48M7038	SEAL	1		38 X 52 X 7MM
13	L29268	GASKET	1		
14	L38804	BEARING CAP	1		(SUB AL67450, L60548 AND 99M7045)
15	12H301	LOCK WASHER	4		1/2"
16	19H1721	CAP SCREW	4		1/2" X 1-1/2"

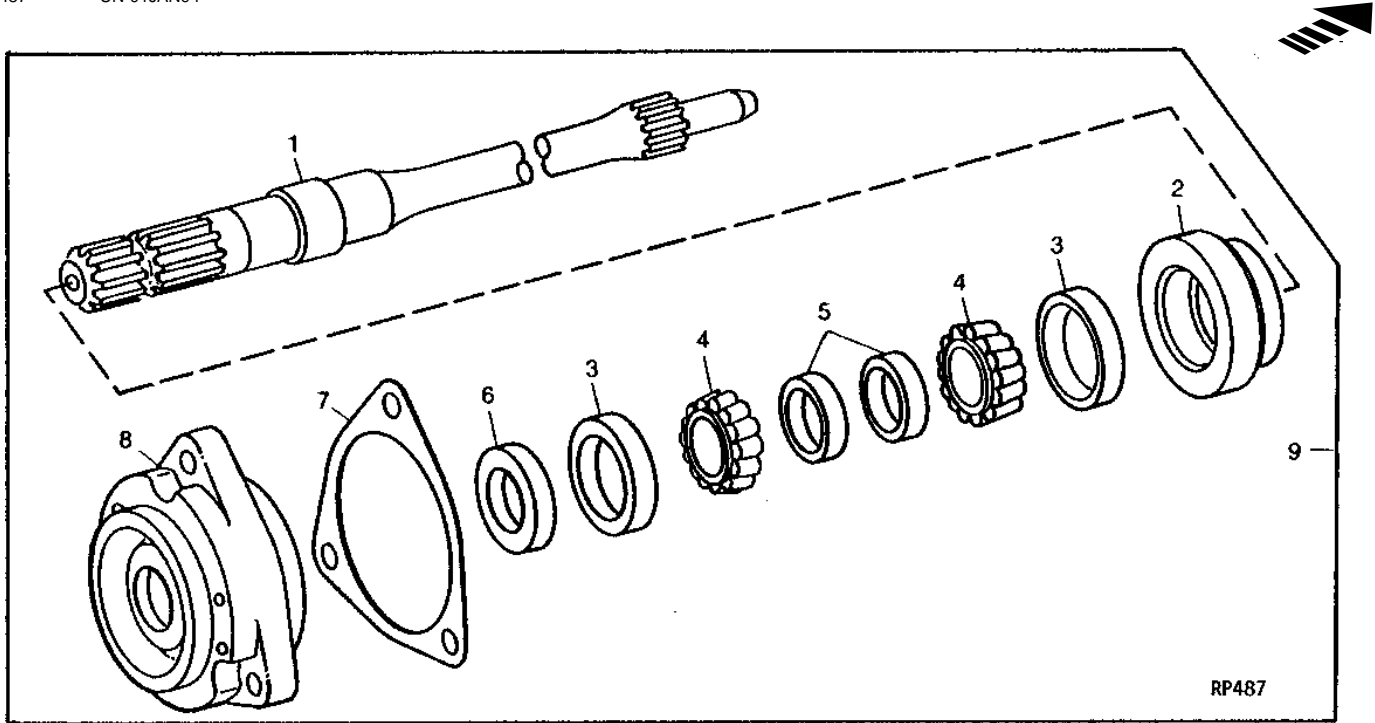
MEMORANDA

1J7

POWER TRAIN

THRUST CAPACITY IMPROVEMENT KIT (SINGLE 540 RPM PTO)

RP487 -UN-01JAN94



RP487

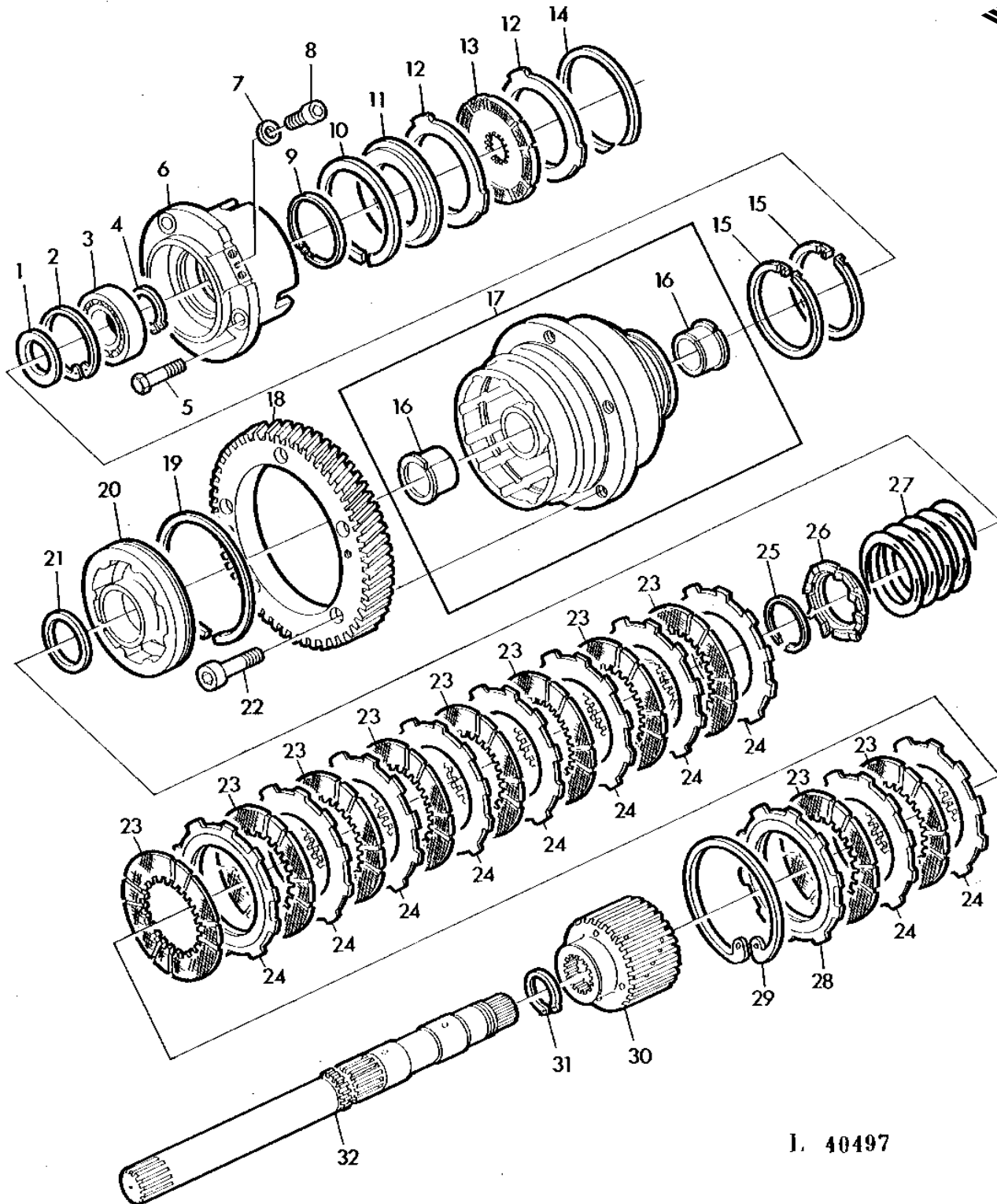
KEY	PART NO.	PART NAME	QTY	TRACTOR SERIAL NO.	REMARKS
1	R69509	SHAFT	1		
2	R69511	BUSHING	1		
3	JD9125	BEARING CUP	1		
4	JD9065	BEARING CONE	1		
5	R69510	SPACER	2		
6	AL56820	SEAL	1		(SUB FOR T22069) (SUB AT146240)
7	R69513	SHIM	AR		0.10MM (.005") (SUB AT146240)
	R69515	SHIM	AR		0.25MM (.010") (SUB AT146240)
	R69516	SHIM	AR		0.50MM (.020") (SUB AT146240)
	R69514	SHIM	AR		0.10MM (.005") PAPER, (SUB AT146240)
8	R69512	QUILL	1		
9	AR93928	KIT	1		

1J8

POWER TRAIN

L40497 -UN-01JAN94

PTO CLUTCH
(540 RPM)



I. 40497

1J9

POWER TRAIN

**PTO CLUTCH - CONTINUED
(540 RPM)**

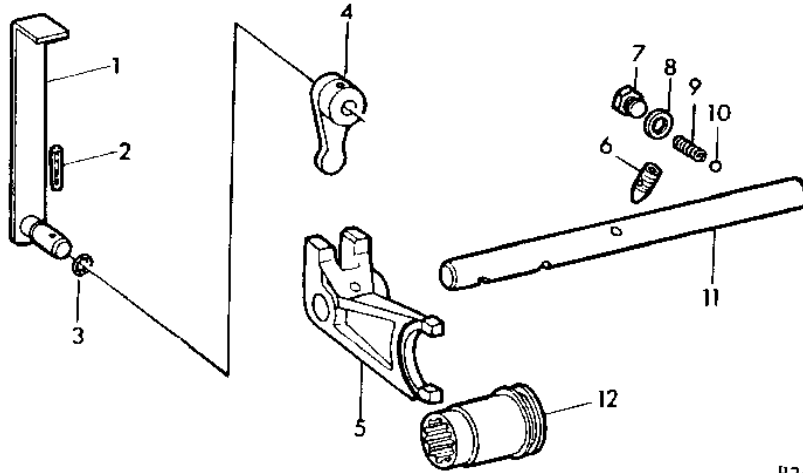
KEY	PART NO.	PART NAME	QTY	TRACTOR SERIAL NO.	REMARKS
1	L33313	WASHER	1		
2	40M7044	SNAP RING	1	72 X 2.5MM	
3	JD10095	BALL BEARING	1	(SUB FOR AL28851)	(SUB L64838)
4	40M7046	SNAP RING	1	35X1.5MM	
5	19H1732	CAP SCREW	3	3/8" X 1-1/4"	
6	L33312	DRUM	1		
7	24M7088	WASHER	1	6.600 X 12 X 1.600 MM	
8	19M7768	SCREW	1	M6 X 16	
9	L33117	PISTON RING	1		
10	51M7017	PISTON RING	1	110/10.8X3MM	
11	L33316	PISTON	1		
12	L33125	PLATE	2		
13	AL55075	DISK, INNER SPLINE	1	(SUB FOR AL28723)	
14	L33119	SNAP RING	1		
15	R33167	RING	2	(SUB L62272)	
16	L33320	BUSHING	2		
17	AL28852	DRUM	1	-XXXXXX	(SUB AL39262 AND L38023)
	AL39262	DRUM	1	XXXXXX-	(SUB FOR AL35664)
18	L34052	GEAR	1		Z=75
19	L28656	PISTON RING	1		
20	L32738	PISTON	1		
21	R39304	WASHER	1		
22	19M8881	SCREW	5	M10 X 30	
23	RE37011	DISK, INNER SPLINE	10	(SUB FOR AT26632)	
24	T28664	DISK, OUTER SPLINE	10		
25	R39299	SNAP RING	1		
26	T32849	RETAINER	1		
27	T28662	SPRING	1		
28	L33563	PLATE	1		
29	L38023	SNAP RING	1	(SUB FOR L33562)	
30	L33314	HUB	1		
31	40M7058	SNAP RING	1	40X1.75MM	
32	L33317	SHAFT	1		

1J10

POWER TRAIN

REAR PTO SHIFTER
(LESS INDEPENDENT PTO)
(TRACTOR SERIAL NO. -XXXXXX)

R34088 -UN-01JAN94



R34088

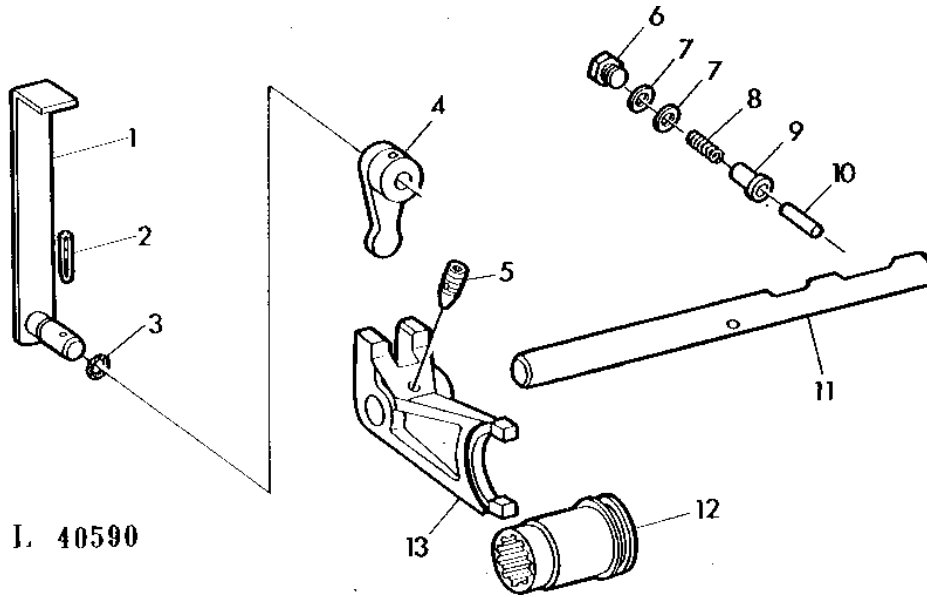
KEY	PART NO.	PART NAME	QTY	TRACTOR SERIAL NO.	REMARKS
1	AL34733	LEVER	1		(SUB FOR AT29827)
2	T27544	GROOVE PIN	1		
3	R28776	O-RING	1		
4	AT20025	ARM	1		
5	T21992	SHIFTER	1		
6	T25614	SET SCREW	1		
7	R53802	CAP SCREW	1		
8	R27003	WASHER	1		
9	T27716	SPRING	1		
10	R26552	BALL	1		
11	R48289	SHAFT	1		
12	T26337	SHIFT COLLAR	1		

1J11

POWER TRAIN

REAR PTO SHIFTER
(LESS INDEPENDENT PTO)
(TRACTOR SERIAL NO. XXXXXX-)

L40590 -UN-01JAN94



KEY	PART NO.	PART NAME	QTY	TRACTOR SERIAL NO.	REMARKS
1	AL34733	LEVER	1		
2	T27544	GROOVE PIN	1		
3	R28776	O-RING	1		
4	AT20025	ARM	1		
5	T25614	SET SCREW	1		
6	AR89691	SWITCH	1		(SUB RE38390 AND R98941)
7	R51494	WASHER	2		
8	R59468	SPRING	1		
9	L38230	PIN	1		
10	R66196	NEEDLE ROLLER	1		
11	L38231	SHIFTER ROD	1		
12	T26337	SHIFT COLLAR	1		
13	T21992	SHIFTER	1		

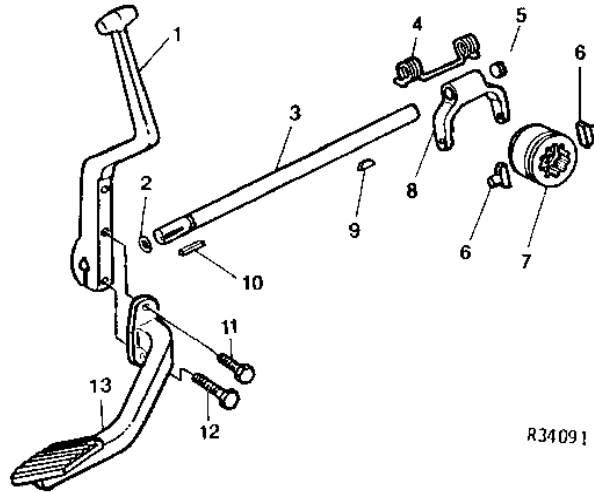
MEMORANDA

1J12

POWER TRAIN

R34091 -UN-01JAN94

DIFFERENTIAL LOCK LEVER



R34091

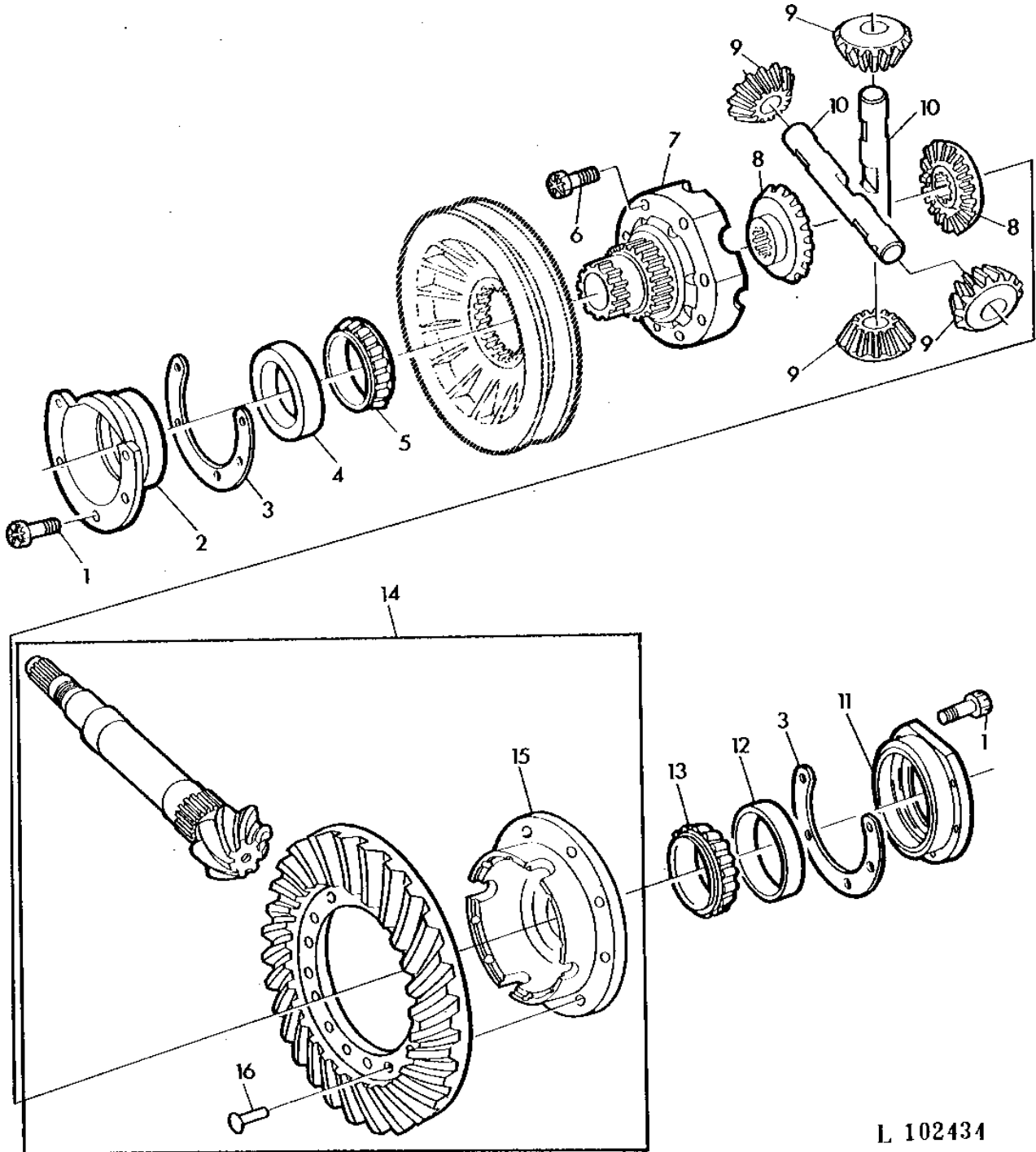
KEY	PART NO.	PART NAME	QTY	TRACTOR SERIAL NO.	REMARKS
1	L34463	LEVER	1		
2	R28776	O-RING	1		
3	L32839	SHAFT	1		
4	R63850	SPRING	1		
5	T18891	CAP	1		
6	T21841	SHOE	2		
7	R51501	SHIFT COLLAR	1		
8	T21840	YOKE	1		
9	26H77	SHAFT KEY	1	3/16" X 3/4"	
10	L29834	SHAFT KEY	1		
11	19H1731	CAP SCREW	1	3/8" X 1"	
12	19H3267	CAP SCREW	1	3/8" X 1-5/8"	
13	T27430	PEDAL	1		

1J13

POWER TRAIN

L102434 -UN-01JAN94

DIFFERENTIAL



L 102434

1J14

POWER TRAIN

DIFFERENTIAL - CONTINUED

KEY	PART NO.	PART NAME	QTY	TRACTOR SERIAL NO.	REMARKS
1	T22874	BOLT	10		
2	T21433	QUILL	1		
3	L40721	SHIM	AR		0.05MM (.002")
	T21434	SHIM	AR		0.08MM (.003")
	T21435	SHIM	AR		0.13MM (.005")
	T21436	SHIM	AR		0.25MM (.010")
	T29862	SHIM	AR		0.51MM (.020") (SUB T21436)
4	JD7425	BEARING CUP	1		L.H.
5	JD8147	BEARING CONE	1		L.H.
6	T21430	CAP SCREW	8		
7	R51500	HOUSING	1		
8	T29394	BEVEL GEAR	2		Z=18
9	L29227	GEAR	4		Z=11, (SUB (2) T118949 AND (4) T118950)
10	L29226	SHAFT	2		
11	T21432	QUILL	1		R.H.
12	JD8206	BEARING CUP	1		R.H.
13	JD8946	BEARING CONE	1		R.H.
14	AT21622	DIFFERENTIAL	1	-XXXXXX	RING GEAR (35 TEETH) AND PINION (8 TEETH) (MARKED T30253, T21401 AND T21402) (SUB FOR AL38555) (SUB AT166883)
	AL38555	KIT	1	XXXXXX-	RING GEAR (39 TEETH) AND PINION (9 TEETH) (MARKED T30253, L40656 AND L40657) (SUB AT166883)
	AT21623	DIFFERENTIAL	1		RING GEAR (43 TEETH) AND PINION (9 TEETH) (MARKED T30253, T21403 AND T21404)
	AL30930	KIT	1		RING GEAR (43 TEETH) AND PINION (9 TEETH) (MARKED T30253, L33223 AND L34248)
					(SYNCRO-RANGE) (NLA)
15	T30253	HOUSING	1		
16	L40557	RIVET	8		7/16" X 1-11/16", (SUB FOR L29871)

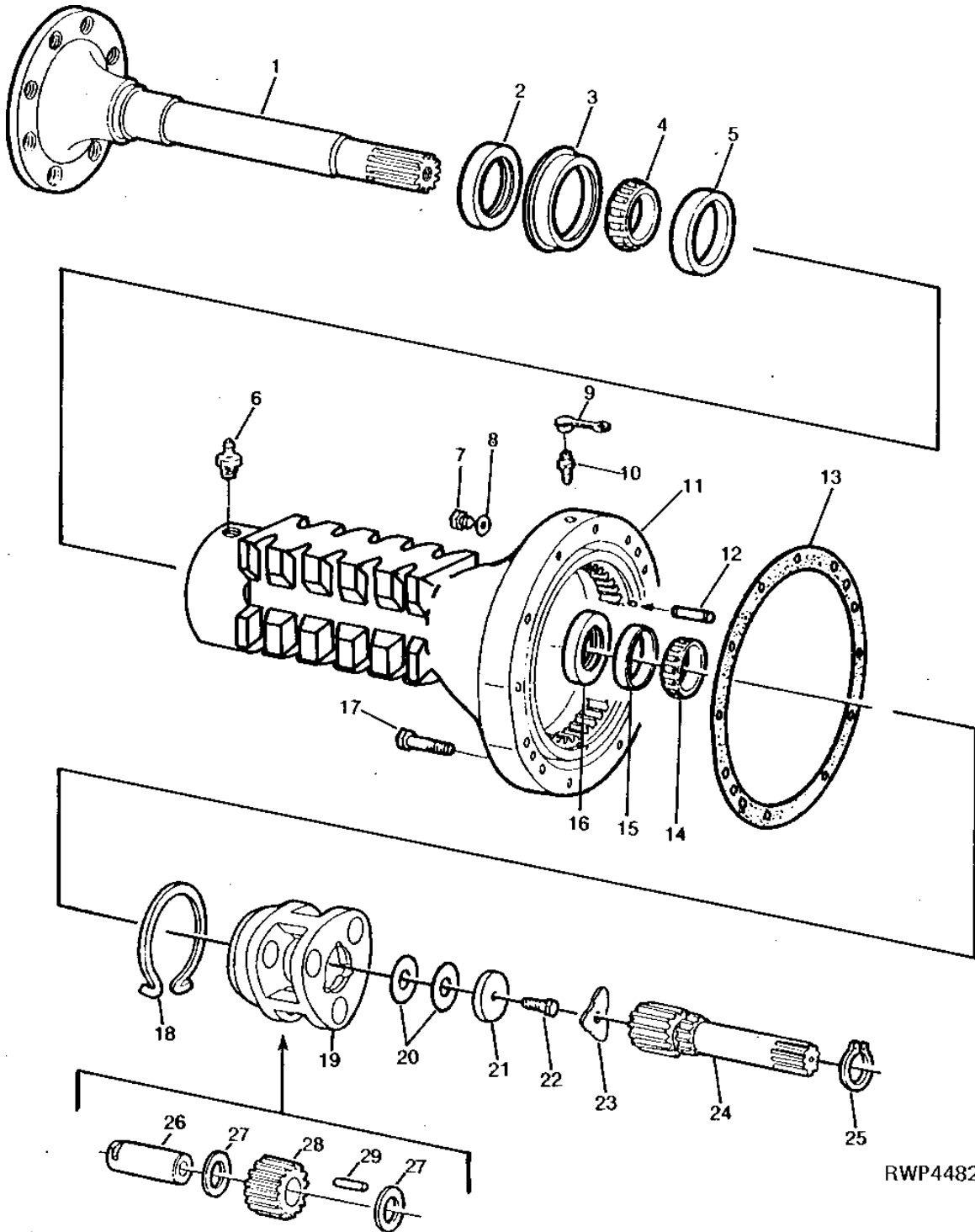
1J15

POWER TRAIN

RWP4482

-UN-01JAN94

REAR AXLE AND FINAL DRIVE



RWP4482

1J16

POWER TRAIN

REAR AXLE AND FINAL DRIVE - CONTINUED

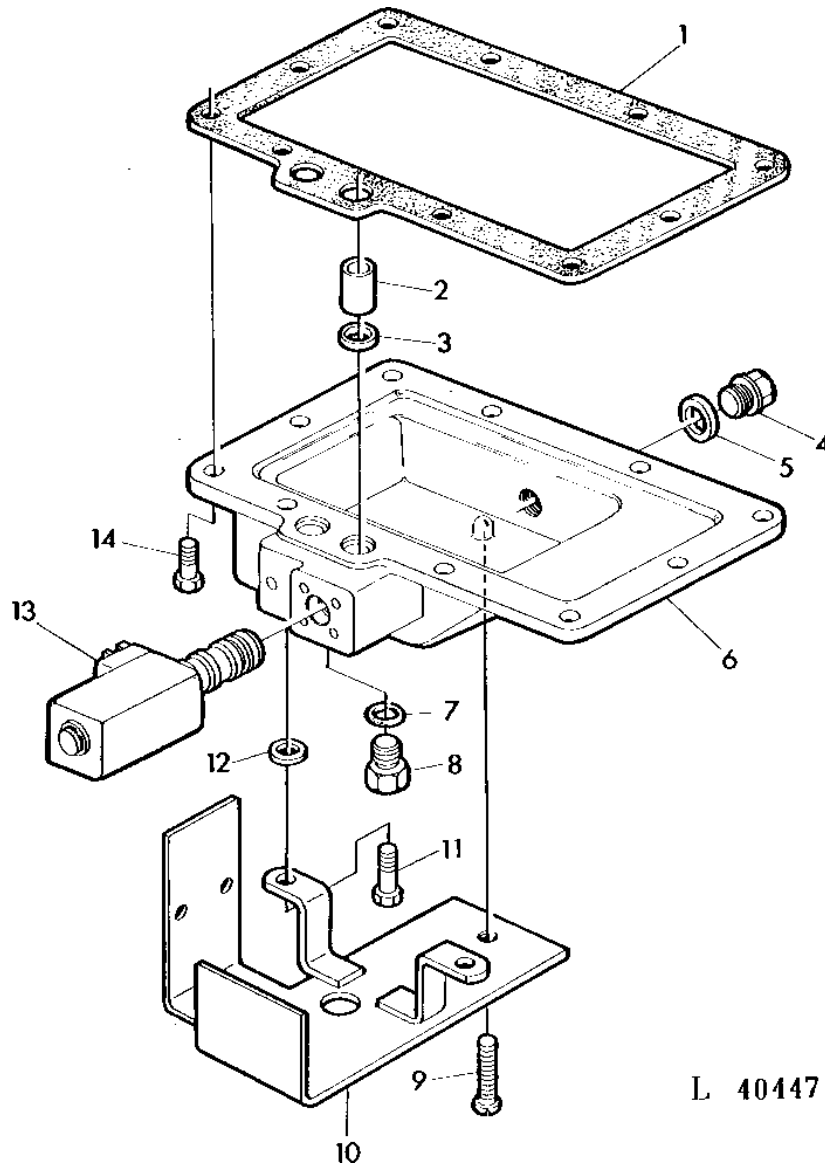
KEY	PART NO.	PART NAME	QTY	TRACTOR SERIAL NO.	REMARKS
1	L35793	SPINDLE	2		(SUB L56962, L39862, L56965 AND L57312)
2	AT20703	SEAL	2		
3	L35542	GUIDE	2		
4	JD8147	BEARING CONE	2		
5	JD7425	BEARING CUP	2		
6	JD7759	LUBRICATION FITTING	2		
7	R27216	DRAIN PLUG	2		
8	R26287	O-RING	2		
9	R47862	CAP	2		
10	R21612	BLEED SCREW	2		
11	AT24671	HOUSING	2		(MARKED T26576) (SUB AL35996)
12	T21428	DOWEL PIN	6		
13	R98915	GASKET	2		(SUB FOR T21419)
14	JD8171	BEARING CONE	2		
15	JD8217	BEARING CUP	2		
16	AT20701	SEAL	2		(SUB AN102006)
17	19H1990	CAP SCREW	22		1/2" X 2-1/4"
18	T21409	SNAP RING	2		
19	T21415	PLANET PINION CARRIER	2		
20	L35785	WASHER	AR		2.0MM (.080")
	L35784	SHIM	AR		0.5MM (.020")
	L35783	SHIM	AR		0.4MM (.015")
	L35782	SHIM	AR		0.15MM (.005")
21	L38057	WASHER	2		
22	L37325	CAP SCREW	2		(SUB FOR L35022)
23	T21427	LOCK PLATE	2		
24	L41166	DRIVE SHAFT	1		R.H. (SUB FOR L34168)
	L41167	DRIVE SHAFT	1		L.H. (SUB FOR L34353)
25	L34400	SNAP RING	2		
26	T21886	PINION SHAFT	6		
27	T21424	THRUST WASHER	12		(SUB T141566)
28	T21885	GEAR	6		
29	R26006	NEEDLE ROLLER	138		

1J17

POWER TRAIN

L40447 -UN-01JAN94

SOLENOID VALVE HOUSING (MECHANICAL FRONT WHEEL DRIVE)



L 40447

1J18

POWER TRAIN

**SOLENOID VALVE HOUSING - CONTINUED
(MECHANICAL FRONT WHEEL DRIVE)**

KEY	PART NO.	PART NAME	QTY	TRACTOR SERIAL NO.	REMARKS
1	L61966	GASKET	1		(SUB FOR L33346 OR L36977)
2	L33261	FUEL LINE	1		
3	A4847R	WASHER	2		
4	R51895	FITTING	1		
5	A4827R	WASHER	1		25 X 30MM
6	AL30197	COVER	1	-XXXXXX	(SUB AL37937)
	AL34421	COVER	1	XXXXXX-	(SUB AL37937)
7	R26287	O-RING	1		
8	R27216	DRAIN PLUG	1		
9	21M7156	SCREW	2		M8 X 20
10	AL33304	GUARD	1		(SUB AL37219)
11	19M7513	CAP SCREW	1		M8 X 30
12	24M7055	WASHER	2		8.400 X 16 X 1.600 MM
13	AL30198	VALVE	1	-429105	(SUB AL58788)
	AL58788	VALVE	1	429106-	(SUB FOR AL37367 OR AL55066)
	AL57916	KIT	1		SOLENOID VALVE REPAIR, (SUB AL62659)
14	19M7163	CAP SCREW	8		M8 X 25

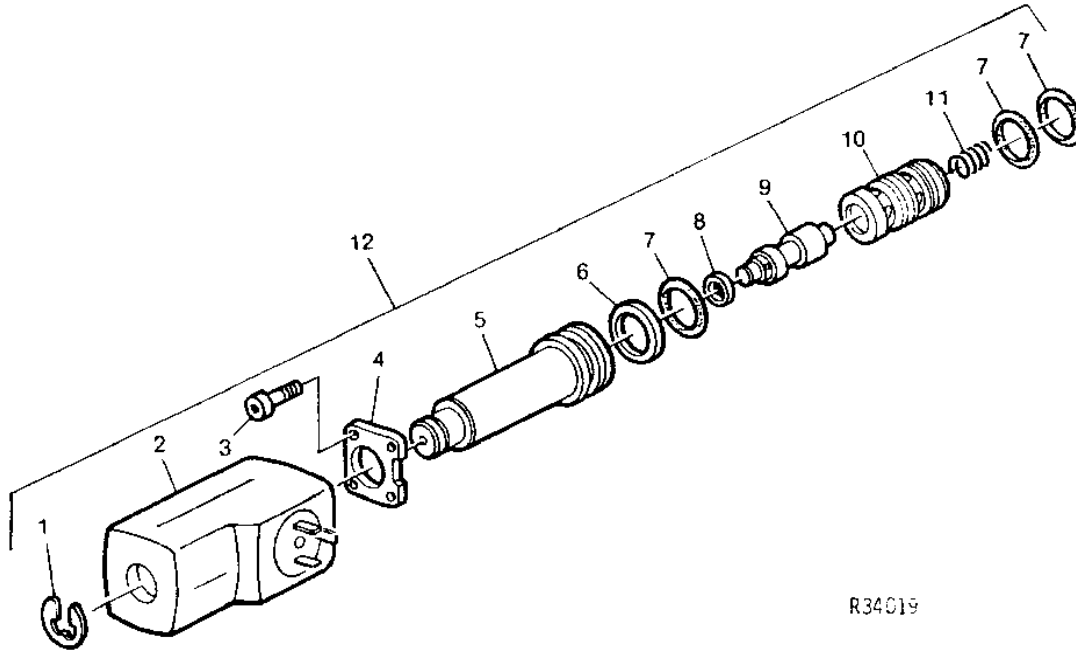
MEMORANDA

1J19

POWER TRAIN

R34019 -UN-01JAN94

SOLENOID (MECHANICAL FRONT WHEEL DRIVE)



R34019

KEY	PART NO.	PART NAME	QTY	TRACTOR SERIAL NO.	REMARKS
1	SNAP RING	1		(ORDER AL62659)
2	AL33147	ELECTRICAL COIL	1		(SUB AL58788)
3	SCREW	4		(ORDER AL62659)
4	L35871	FLANGE	1		
5	AL37595	INSERT	1	-429106	(SUB AL57788, AL57789, L57045 AND AL58788) (SUB FOR AL33146)
6	L35869	BACK-UP RING	1	-429106	
7	O-RING	3		(ORDER AL62659)
8	WASHER	1		(ORDER AL62659)
9	L35872	PISTON	1	-429106	(SUB AL57789 AND L57045)
	L39591	PISTON	1	429107-	(SUB L57045 AND AL57789)
10	L35873	BUSHING	1	-429106	(SUB AL57789)
	AL37368	SLEEVE	1	429107-	(SUB AL57789 AND L57045)
	AL57789	SLEEVE	1	429107-	
11	COMPRESSION SPRING	1		(ORDER AL62659)
12	AL30198	VALVE	1	-429106	(SUB FOR AL55066) (SUB AL58788)
	AL55066	SOLENOID VALVE	1	429107-	(SUB FOR AL37367) (SUB AL58788)
	AL57788	INSERT	1	429107-	
	AL57916	KIT	1		SOLENOID VALVE REPAIR, (SUB AL62659)

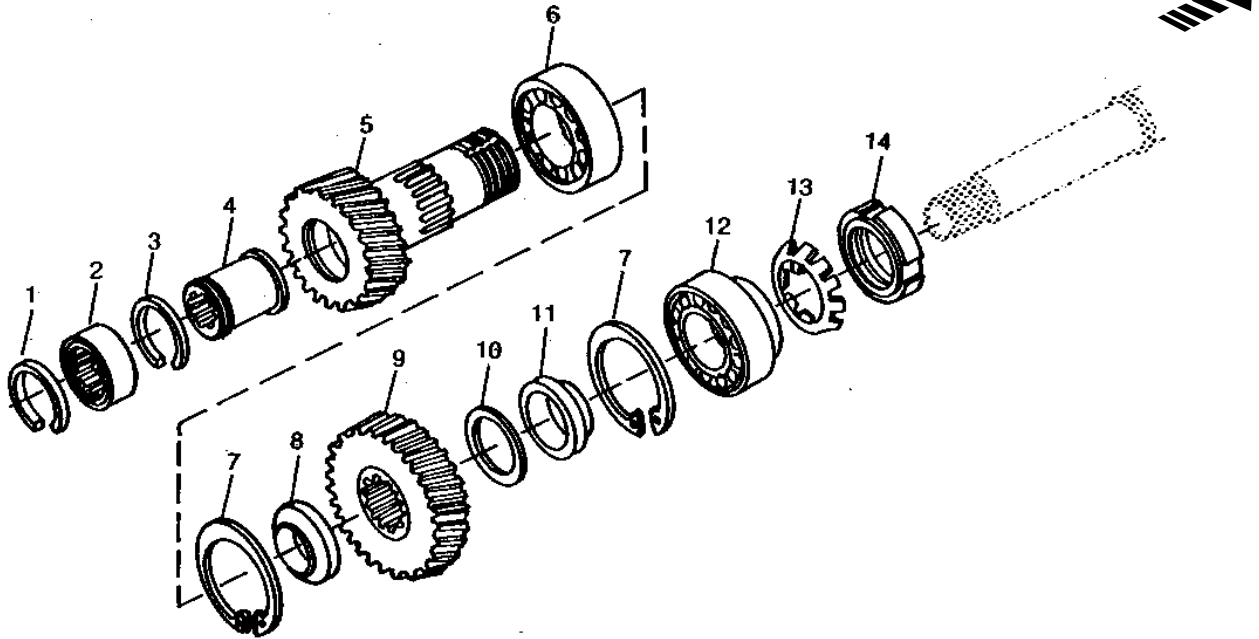
MEMORANDA

1J20

POWER TRAIN

RWP4439 -UN-01JAN94

DRIVE GEAR (MECHANICAL FRONT WHEEL DRIVE)



RWP4439

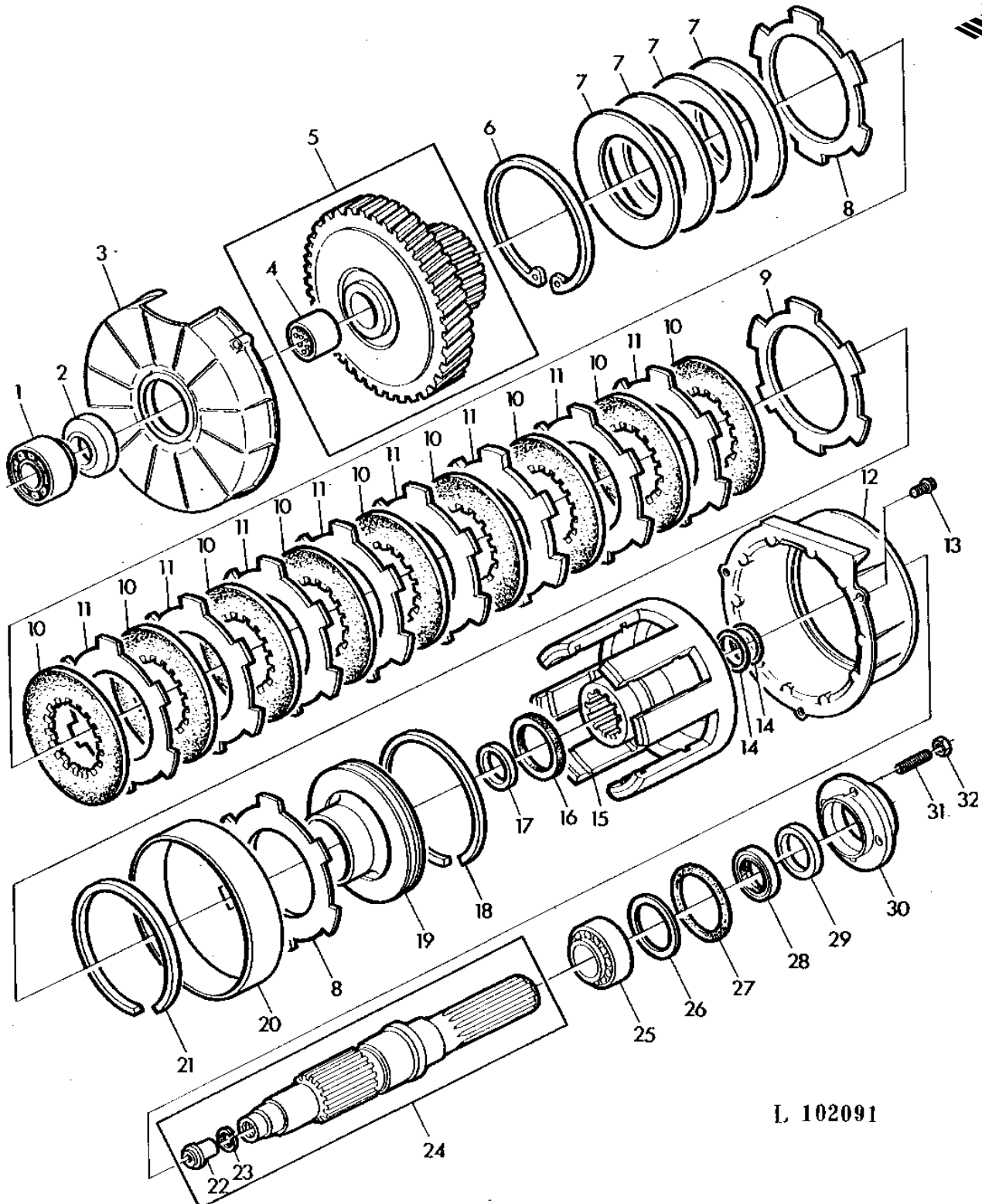
KEY	PART NO.	PART NAME	QTY	TRACTOR SERIAL NO.	REMARKS
1	L33745	SNAP RING	1		
2	JD10071	NEEDLE BEARING	1		
3	T30766	SNAP RING	1		
4	L33126	SLEEVE	1		
5	L36725	GEAR	1		Z=21, (SUB FOR L33239)
6	JD37219	ROLLER BEARING	1		
7	40M1873	SNAP RING	2		90 X 3MM
8	L33240	BUSHING	1		
9	L41165	GEAR	1		Z=30, (SUB FOR L33241)
10	L40582	SHIM	AR		0.05MM (.002")
	L40583	SHIM	AR		0.10MM (.004")
	L33242	SHIM	AR		0.15MM (.006")
	L33243	SHIM	AR		0.20MM (.008")
	L33244	SHIM	AR		0.50MM (.020")
11	L33245	SPACER	1		
12	JD37087	ROLLER BEARING	1		
13	12M7083	LOCK PLATE	1		
14	52M7011	NUT	1		M50

1J21

POWER TRAIN

L102091 -UN-01JAN94

CLUTCH (MECHANICAL FRONT WHEEL DRIVE)



L 102091

1J22

POWER TRAIN

**CLUTCH - CONTINUED
(MECHANICAL FRONT WHEEL DRIVE)**

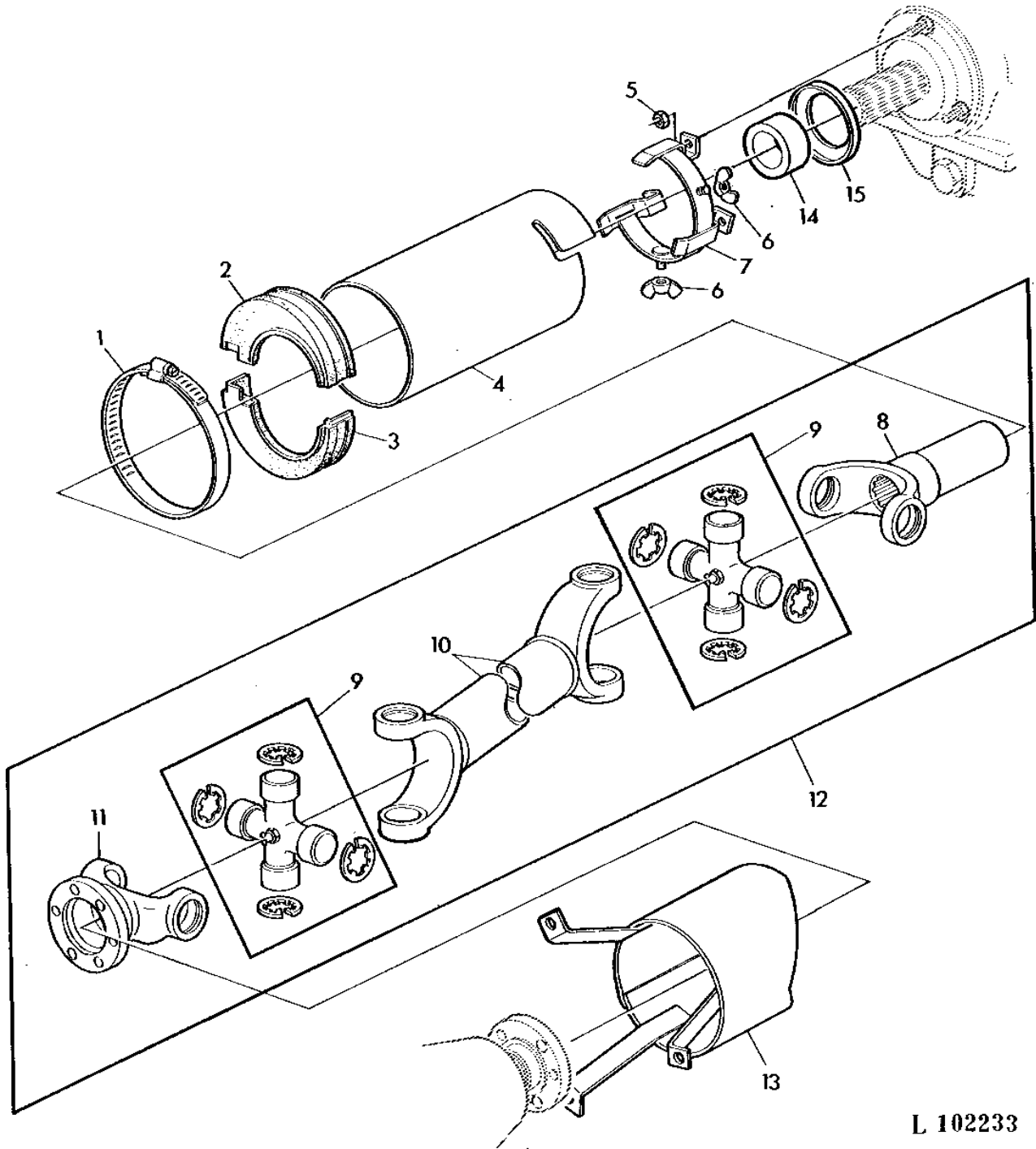
KEY	PART NO.	PART NAME	QTY	TRACTOR SERIAL NO.	REMARKS
1	JD37218	ROLLER BEARING	1	-457577	(USE WITH AL28925)
	JD10234	ROLLER BEARING	1	457578-	(USE WITH AL37280)
2	L33253	WASHER	1	-457577	(USE WITH AL28925)
	L39495	WASHER	1	457578-	(USE WITH AL37280)
3	L39837	HOUSING	1		
4	L33263	BUSHING	1		
5	AL37596	GEAR	1	-457577	(SUB FOR AL28918) (SUB AL67651)
	AL67651	GEAR	1	457578-	(ALSO ORDER L62773)
6	40M7122	SNAP RING	1		145X4MM
7	L34068	DISK SPRING	4		
8	L38258	CLUTCH PLATE	2		(SUB FOR L34066 OR L37024)
9	L37025	PLATE	1		(SUB FOR L34065)
10	L34064	DISK, INNER SPLINE	7	-385870	
	L34064	DISK, INNER SPLINE	8	385871-	
11	L34062	DISK, OUTER SPLINE	6	-385870	
	L34062	DISK, OUTER SPLINE	7	385871-	
	L34063	DISK, OUTER SPLINE	2	-385870	
	L34063	DISK, OUTER SPLINE	1	385871-	
12	L39838	HOUSING	1		(SUB L41295, L41308 AND 44M1082)
13	37M7060	SCREW	3		M4X10
14	H35244	RING	2		
15	L39840	DRUM	1		(SUB FOR L34058)
16	R39304	WASHER	1		
17	L33251	WASHER	1		
18	L34060	PISTON RING	1		
19	L34059	PISTON	1		
20	L38692	SPACER	1		
21	L34067	SNAP RING	1		
22	R39279	RETAINER	1		
23	R34140	RING	1		
24	AL28925	DRIVE SHAFT	1	-457577	
	AL37280	DRIVE SHAFT	1	457578-	(SUB AL67651, L62773 AND R34140)
25	JD37047	ROLLER BEARING	1		
26	L40582	SHIM	AR		0.05MM (.002")
	L40583	SHIM	AR		0.10MM (.004")
	L33247	SHIM	AR		0.15MM (.006")
	L33252	SHIM	AR		0.20MM (.008")
	L33260	SHIM	AR		0.50MM (.020")
27	L33257	O-RING	1		
28	48M7039	SEAL	1	-457577	35 X 52 X 7MM
	48M7038	SEAL	1	457578-	38 X 52 X 7MM
29	L39491	WASHER	1	457578-	
30	L33256	QUILL	3	-457577	
	L39490	QUILL	1	457578-	
31	19M7139	CAP SCREW	3	-XXXXXX	M8 X 20
	22M7105	SET SCREW	1	XXXXXX-	M8 X 45
32	14M7273	NUT	3	XXXXXX-	M8

1J23

POWER TRAIN

L102233 -UN-01JAN94

DRIVE SHAFT WITH ANTI-WRAPPING GUARD
(MECHANICAL FRONT WHEEL DRIVE)



L 102233

1J24

POWER TRAIN

DRIVE SHAFT WITH ANTI-WRAPPING GUARD - CONTINUED
(MECHANICAL FRONT WHEEL DRIVE)

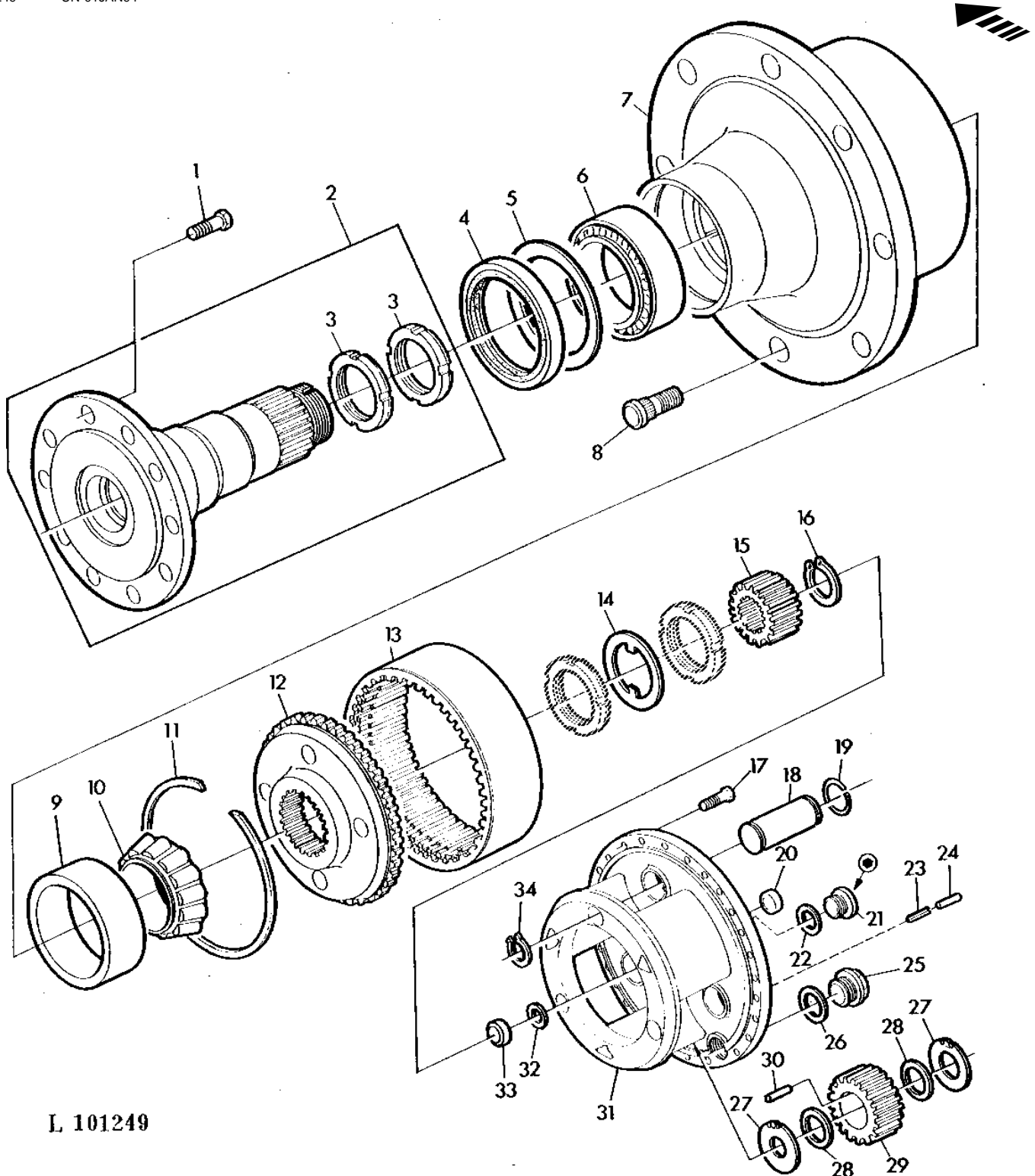
KEY	PART NO.	PART NAME	QTY	TRACTOR SERIAL NO.	REMARKS
1	AR85327	CLAMP	1		(SUB TY22492)
2	L39031	GUARD	1		
3	L39032	GUARD	1		
4	L39018	GUARD	1		REAR, (SUB AL40893, L41740, (2) 19M7298, (2) 19M7865, 19M8008 AND (2) 24M7055)
5	14M7273	NUT	3		M8
6	14M7020	WING NUT	2		M8
7	AL36722	BRACKET	1		(SUB AL40893, L41740, (2) 19M7298, (2) 19M7865, 19M8008 AND (2) 24M7055)
8	AL34711	UNIVERSAL JOINT YOKE	1		
9	AL34709	UNIVERSAL JOINT CROSS	2		
	58M5579	LUBRICATION FITTING	2		90°
	58M5577	LUBRICATION FITTING	1		45°
10	AL34713	UNIVERSAL JOINT, WITH SHAF	1		
11	L37213	FLANGE	1		
12	AL28946	UNIVERSAL DRIVESHAFT	1		(NLA)
13	AL36721	GUARD	1		FRONT
14	L40622	BUSHING	1		(SUB L41187)
15	L40621	WASHER	1		
..	AL36725	KIT	1		

1K1

POWER TRAIN

L101249 -UN-01JAN94

HUB CARRIER AND PLANETARY DRIVE (MECHANICAL FRONT WHEEL DRIVE)



L 101249

1K2

POWER TRAIN

HUB CARRIER AND PLANETARY DRIVE - CONTINUED (MECHANICAL FRONT WHEEL DRIVE)

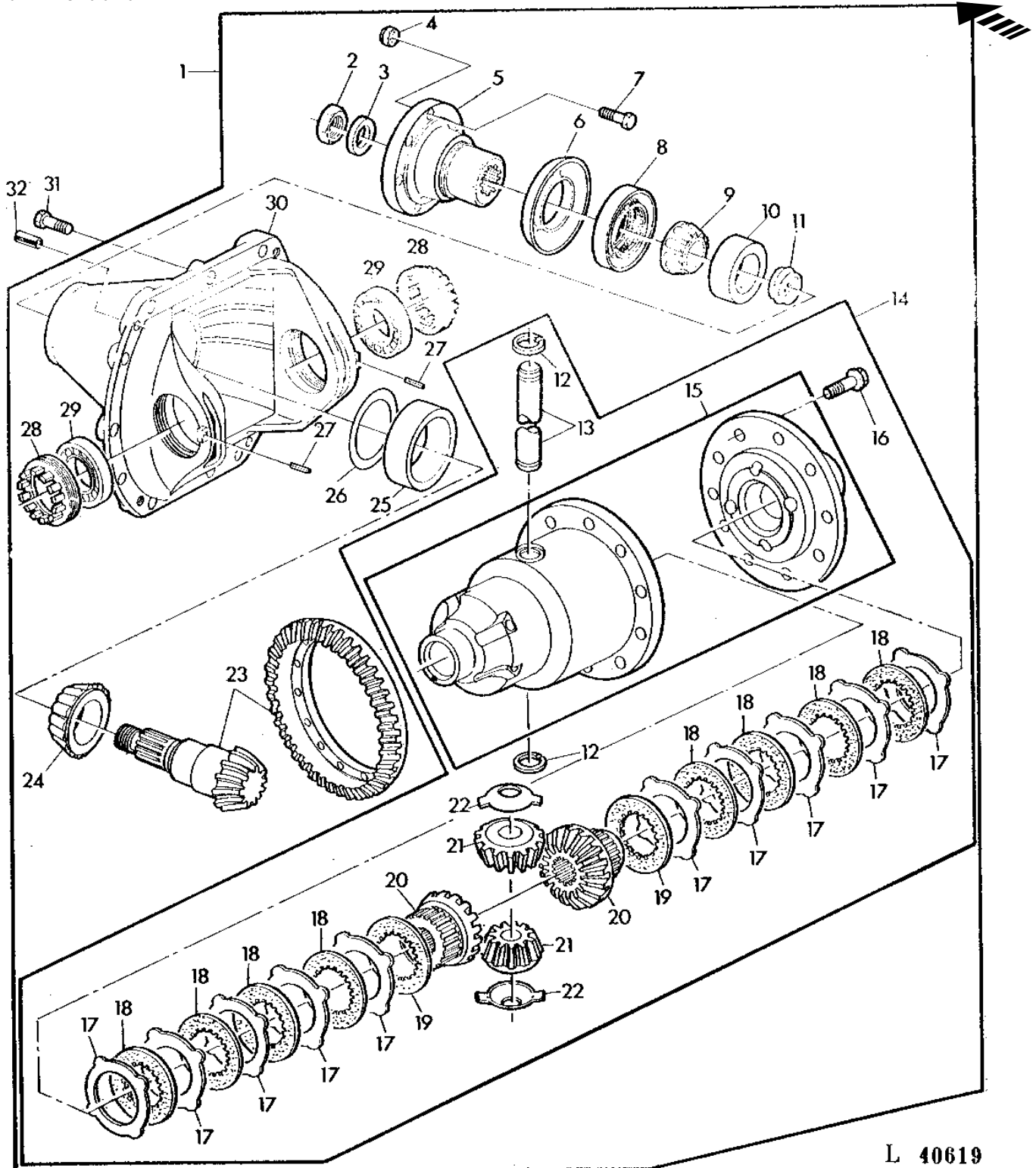
KEY	PART NO.	PART NAME	QTY	TRACTOR SERIAL NO.	REMARKS
1	19M7872	CAP SCREW	24		M12 X 25
2	AL33349	AXLE	2		
3	L35612	NUT	4		
4	AL32888	SEAL	2		
5	L35616	WASHER	2		
6	JD10148	ROLLER BEARING	2		
7	L35617	HUB	2		
8	L35619	WHEEL BOLT	16		
9	JD9121	BEARING CUP	2		
10	JD9058	BEARING CONE	2		
11	40M7079	SNAP RING	2		170X2.5MM
12	L35598	GEAR	2		Z=72
13	L35599	GEAR	2		Z=72
14	L35613	PLATE	2		
15	L35597	GEAR	2		Z=18
16	40M7078	SNAP RING	2		28X1.5MM
17	19M7513	CAP SCREW	54		M8 X 30
18	L35587	GROOVE PIN	6		
19	40M7075	SNAP RING	6		22MM
20	30M7004	CAP	2		
21	15M7025	DRAIN PLUG	2		18X1.5MM
22	51M4240	RING	2		
23	34M7110	SPRING PIN	8		8 X 26 MM
24	34M7102	SPRING PIN	8		5 X 26 MM
25	L35596	DRAIN PLUG	2		24X1.5MM
26	51M7018	RING	2		
27	L35591	THRUST WASHER	12		
28	L35590	WASHER	12		
29	L35588	PINION	6		Z=26
30	L35589	NEEDLE ROLLER	132		
31	L35586	PLANET PINION CARRIER	2		
32	L35595	SHIM	AR		0.300 MM (0.012")
	L35594	SHIM	AR		0.500 MM (0.020")
	L35593	WASHER	2		10 X 19 X 1 MM (0.394" X 0.748" X 0.039")
33	L35592	DOWEL PIN	2		
34	40M7076	SNAP RING	6		24X1.2MM

1K3

POWER TRAIN

L40619 -UN-01JAN94

DIFFERENTIAL AND CARRIER (MECHANICAL FRONT WHEEL DRIVE)



L 40619

1K4

POWER TRAIN

DIFFERENTIAL AND CARRIER - CONTINUED (MECHANICAL FRONT WHEEL DRIVE)

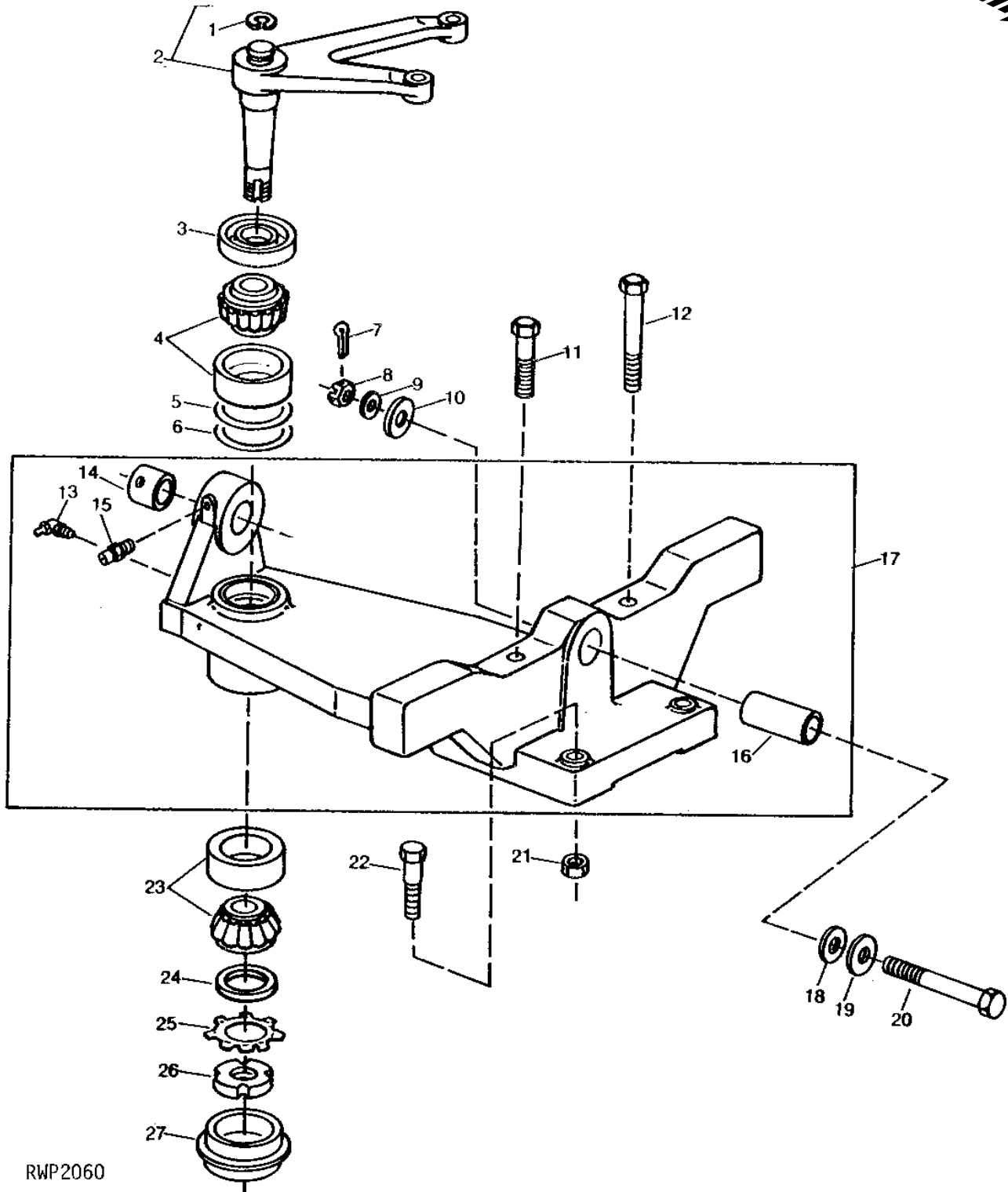
KEY	PART NO.	PART NAME	QTY	TRACTOR SERIAL NO.	REMARKS
1	AL33083	CRADLE	1	(NLA)	
2	14M7306	NUT	1	M20	
3	L35562	WASHER	1		
4	14M7327	LOCK NUT	6	M8	
5	L35567	FLANGE	1		
6	L35568	DUST SHIELD	1		
7	L35569	CAP SCREW	6	M8 X 25	
8	AL32869	SEAL	1		
9	JD8295	BEARING CONE	1		
10	JD8267	BEARING CUP	1		
11	L35556	SLEEVE	1		
12	40M7074	SNAP RING	2	18X1.2MM	
13	L35585	PIN	1	(NLA)	
14	AL32874	DIFFERENTIAL LOCK	1	(NLA)	
15	AL33078	CASE	1	(NLA)	
16	19M7871	SCREW	10	M10 X 22	
17	L35577	PLATE	10		
18	L35578	DISK	8		
19	L35580	THRUST WASHER	AR	48 X 72 X 2.900 MM (1.890" X 2.835" X 0.114") (SUB L63828)	
	L35581	THRUST WASHER	AR	48 X 72 X 2.800 MM (1.890" X 2.835" X 0.110") (SUB L63828)	
	L35579	THRUST WASHER	2	3.0MM (.118")	
20	L35582	GEAR	2	(NLA)	
21	L35583	BEVEL GEAR	2		
22	L35584	THRUST WASHER	2		
23	AL32870	GEAR	1	Z=17/35	
24	JD8967	BEARING CONE	1		
25	JD8252	BEARING CUP	1		
26	L35560	SHIM	AR	0.1MM (.003")	
	L35558	SHIM	AR	0.300 MM (0.012")	
	L35559	SHIM	AR	0.2MM (.007")	
	L35557	SHIM	1	0.600 MM (0.024") (NLA)	
27	34M7141	SPRING PIN	2	5 X 30 MM	
28	L35561	NUT	2	88X1.5MM	
29	JD37071	ROLLER BEARING	2		
30	L35555	CRADLE	1		
31	19M7550	CAP SCREW	12	M10 X 35	
32	34M7111	SPRING PIN	2	10 X 30 MM	

1K5

POWER TRAIN

RWP2060 -UN-01JAN94

AXLE SUPPORT (MECHANICAL FRONT WHEEL DRIVE)



RWP2060

1K6

POWER TRAIN

AXLE SUPPORT - CONTINUED
(MECHANICAL FRONT WHEEL DRIVE)

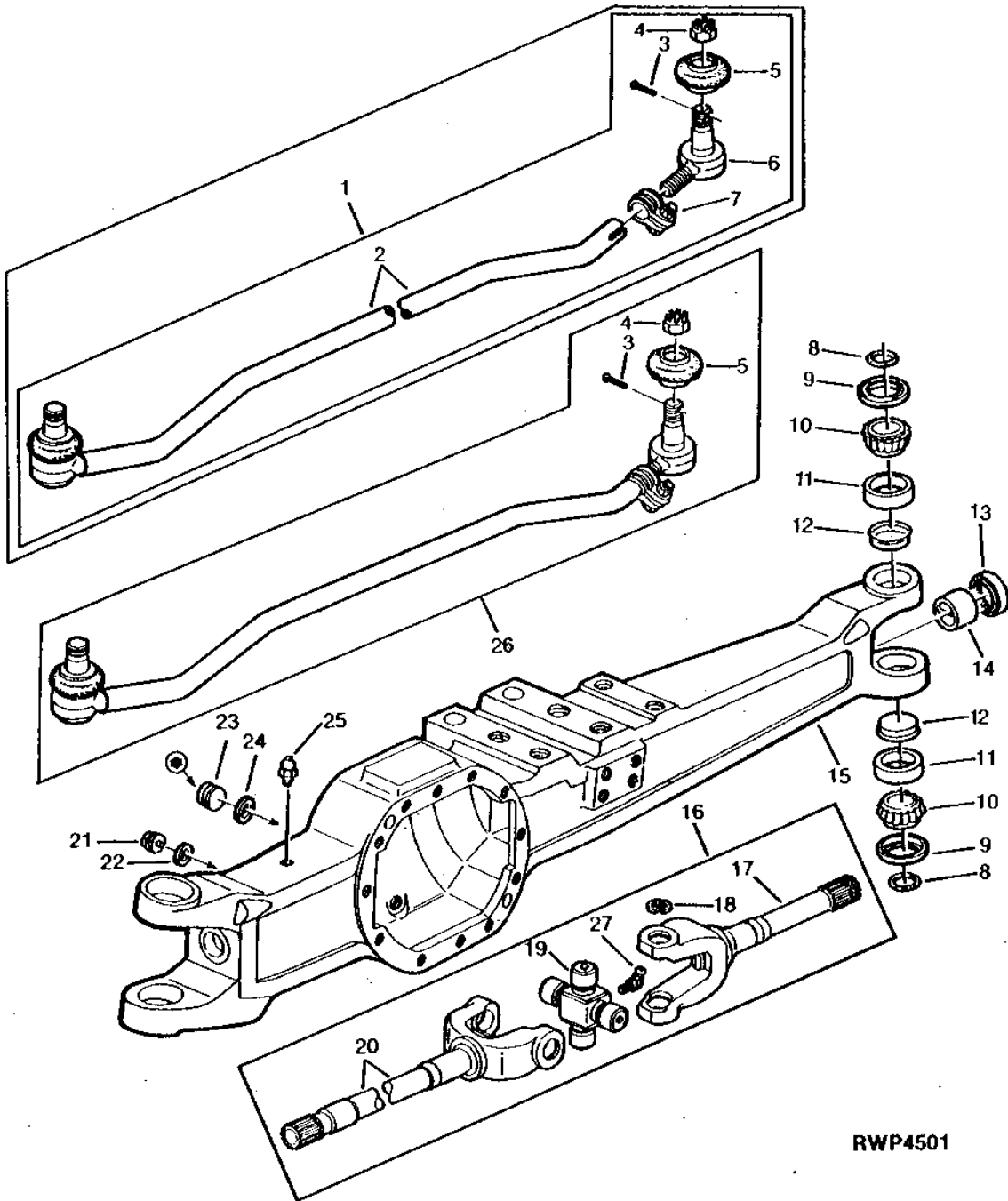
KEY	PART NO.	PART NAME	QTY	TRACTOR SERIAL NO.	REMARKS
1	F534R	SNAP RING	1		
2	AL31580	LEVER	1		
3	AL31052	DISK	1		
4	JD10137	ROLLER BEARING	1		
5	L36266	SHIM	AR		0.20MM (.008")
6	L36267	SHIM	AR		0.30MM (.012")
7	11M7030	COTTER PIN	1		0.197" X 1.575"
8	14H902	NUT	1		3/4"
9	T10510	WASHER	1		
10	T25922	WASHER	1		(SUB T151797)
11	19M7616	CAP SCREW	2		M20 X 75
12	19M7722	CAP SCREW	2		M20 X 160
13	JD7799	LUBRICATION FITTING	1		
14	T23170	BUSHING	1		
15	JD7798	LUBRICATION FITTING	1		
16	T21669	BUSHING	1		
17	AL28836	SUPPORT	1		
18	T25921	SHIM	AR		0.4MM (.016")
	T30991	WASHER	AR		1.0MM (.040")
19	T25922	WASHER	1		(SUB T151797)
20	T25840	CAP SCREW	1		
21	14M7144	NUT	2		M20
22	53M7002	CAP SCREW	2		M20 X 90
23	JD10115	ROLLER BEARING	1		
24	24M7227	WASHER	1		30 X 42 X 2.500 MM
25	12M7086	LOCK PLATE	1		30MM
26	52M7012	NUT	1		M30
27	L34855	CAP	1		

1K7

POWER TRAIN

RWP4501 -UN-01JAN94

FRONT AXLE (MECHANICAL FRONT WHEEL DRIVE)



RWP4501

1K8

POWER TRAIN

FRONT AXLE
(MECHANICAL FRONT WHEEL DRIVE)

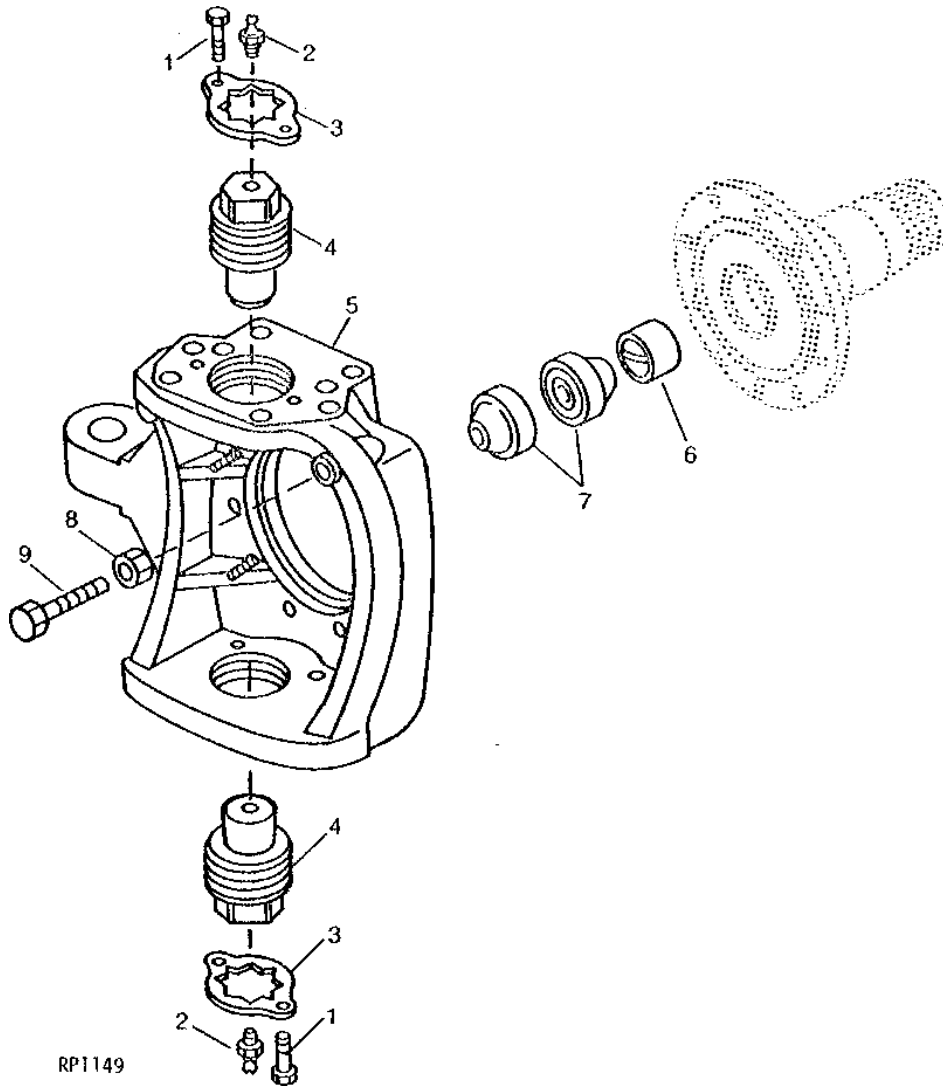
KEY	PART NO.	PART NAME	QTY	TRACTOR SERIAL NO.	REMARKS
1	AL34264	TIE ROD	1	(ORDER AL37754)	
2	AL34265	TIE ROD END	1	(SUB AL37754)	
3	11M7087	COTTER PIN	2	4 X 40 MM	
4	14M7305	NUT	2	M18	
5	AL32881	BOOT	2		
6	AL32889	TIE ROD END	1	(SUB AL38887)	
7	AL34261	CLAMP	1		
8	L55595	O-RING	4	(SUB FOR L35608)	
9	L55594	EXHAUST CAP	4	(SUB FOR L35607)	
10	JD9053	BEARING CONE	4		
11	JD9117	BEARING CUP	4		
12	L35609	COVER	4		
13	AL32893	SEAL	2		
14	L35600	SLEEVE	2		
15	L35602	HOUSING	1		
16	AL32882	UNIVERSAL JOINT	1	R.H.	
	AL32886	UNIVERSAL JOINT	1	L.H.	
17	AL32883	YOKE, WITH SHAFT	2		
18	40M7097	SNAP RING	8	27X1.3MM	
19	AL32885	CROSS AND BEARING ASSEMBLY	2		
20	AL32884	YOKE, WITH SHAFT	1	R.H.	
	AL32887	YOKE, WITH SHAFT	1	L.H.	
21	AL32876	DRAIN PLUG	1	18X1.5MM	
22	51M4240	RING	1		
23	15M7026	DRAIN PLUG	1	24X1.5MM	
24	51M7018	RING	1	24X29MM	
25	AL32877	VENT	1		
26	AL37754	TIE ROD	1		
27	58M5577	LUBRICATION FITTING	1		

1K9

POWER TRAIN

RP1149 -UN-01JAN94

KNUCKLE HOUSING (MECHANICAL FRONT WHEEL DRIVE)



1K10

POWER TRAIN

**KNUCKLE HOUSING - CONTINUED
(MECHANICAL FRONT WHEEL DRIVE)**

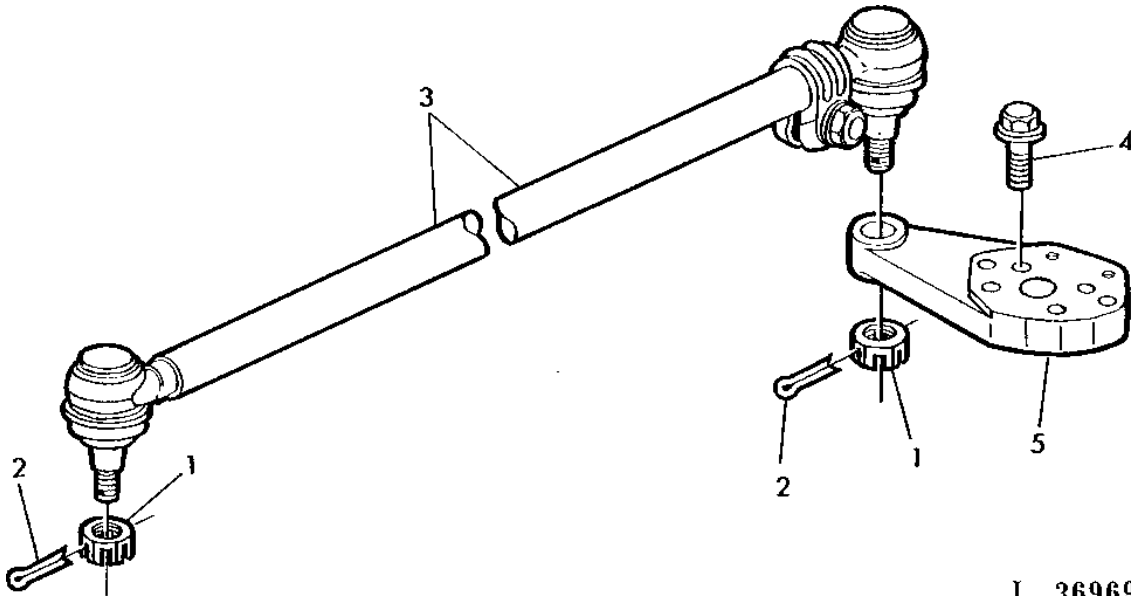
KEY	PART NO.	PART NAME	QTY	TRACTOR SERIAL NO.	REMARKS
1	19M7300	CAP SCREW	8	M6 X 10	
2	58M5574	LUBRICATION FITTING	4	M8 X 1	
3	L35610	COVER	4		
4	L35606	TRUNNION	4		
5	L35603	HOUSING	1	L.H.	
	L35604	HOUSING	1	R.H.	
6	L35600	SLEEVE	2		
7	AL32893	SEAL	4		
8	14M7304	NUT	4	M12	
9	L35605	BOLT	4		

1K11

POWER TRAIN

TIE ROD (MECHANICAL FRONT WHEEL DRIVE)

L36969 -UN-01JAN94



L 36969

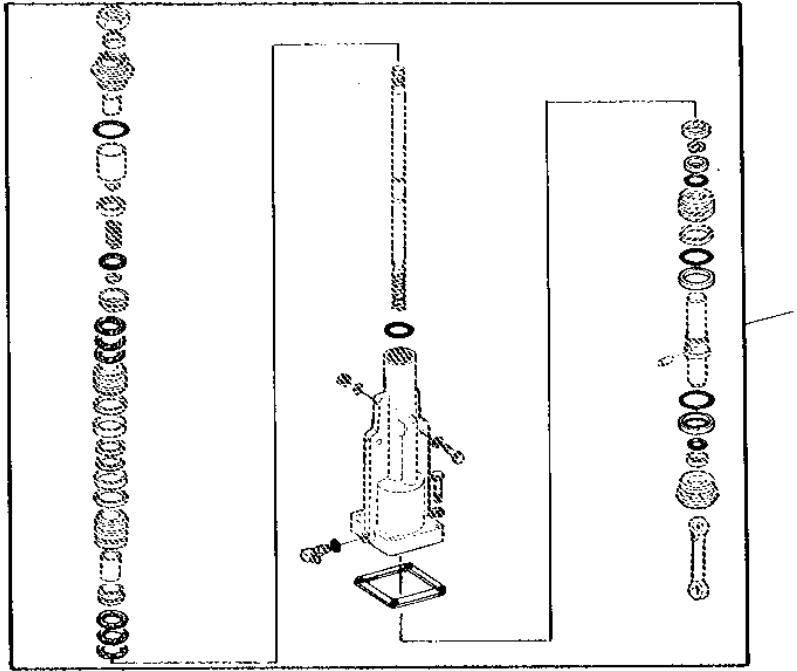
KEY	PART NO.	PART NAME	QTY	TRACTOR SERIAL NO.	REMARKS
1	14H902	NUT	2	3/4"	
2	11M7087	COTTER PIN	2	4 X 40 MM	
3	AL33289	TIE ROD	1	(SUB AL38639 AND (2) 14M7305)	
4	19M7770	CAP SCREW	6	M14 X 50, (NLA)	
5	L36023	LEVER	1		

1K13

STEERING AND BRAKES

L40031 -UN-01JAN94

POWER STEERING SEAL SET



L 40031

KEY	PART NO.	PART NAME	QTY	TRACTOR SERIAL NO.	REMARKS
1	AT26188	KIT	1		

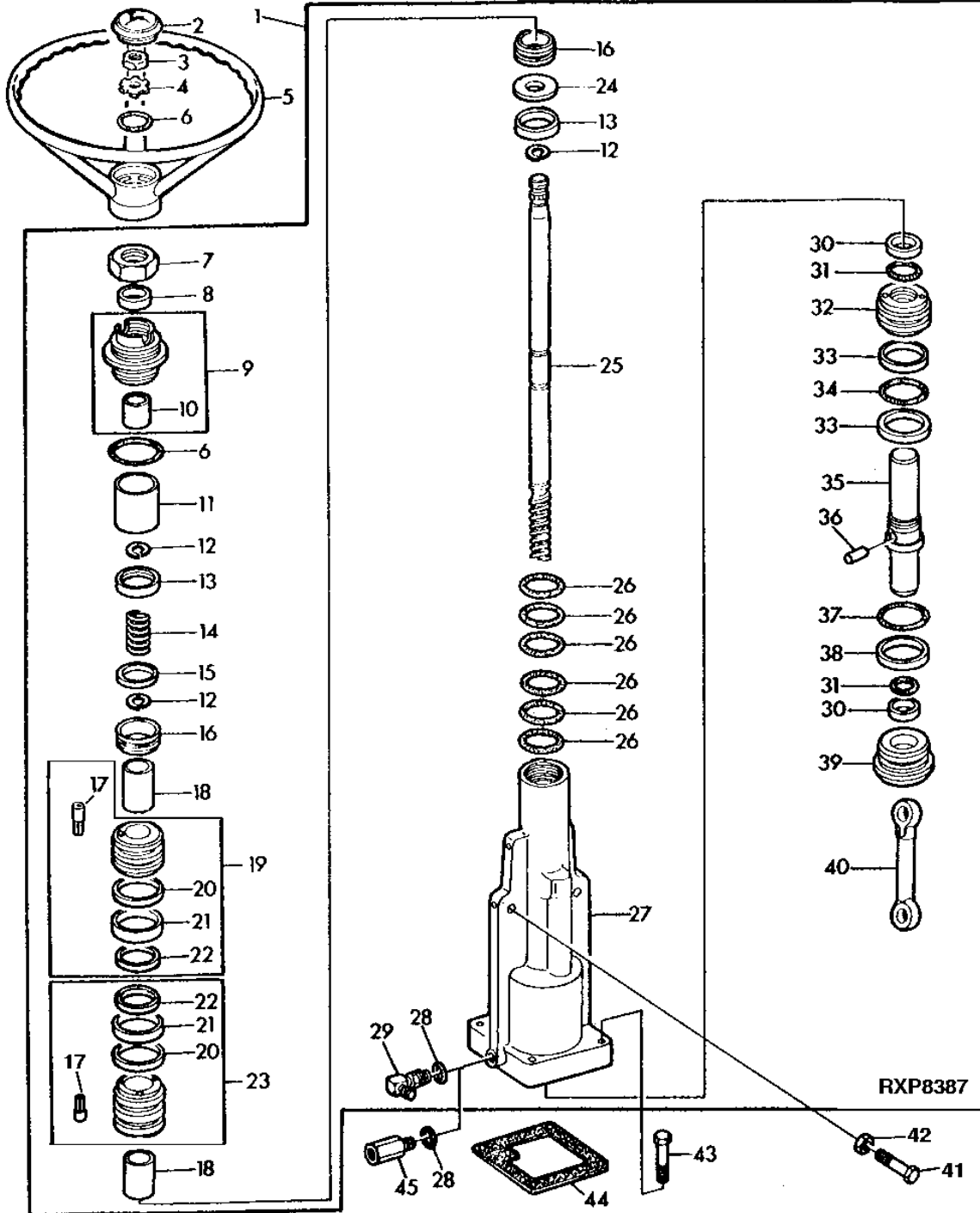
1K14

STEERING AND BRAKES

RXP8387

-UN-28AUG95

POWER STEERING



1K15

STEERING AND BRAKES

POWER STEERING - CONTINUED

KEY	PART NO.	PART NAME	QTY	TRACTOR SERIAL NO.	REMARKS
1	AL31262	VALVE	1		
2	AL24052	COVER	1	(A)	
	R47998	CAP	1	(A)	
3	14H904	NUT	1	3/4"	
4	T17148	LOCK WASHER	1		
5	AL31236	STEERING WHEEL	1		
6	B3690R	O-RING	AR		
7	T21718	NUT	1	2"	
8	T22260	SEAL	1	(ALSO ORDER AT19858)	
9	AT19858	ADJUSTER	1	(ALSO ORDER T22260)	
10	R27320	BUSHING	1		
11	T22823	SLEEVE	1		
12	R35226	SNAP RING	3		
13	T22824	BUSHING	2		
14	T13555	SPRING	1		
15	L29197	THRUST WASHER	1		
16	AL25855	THRUST BEARING	2		
17	R49982	SLEEVE	2		
18	R49980	SLEEVE	2		
19	AR81610	HOUSING	1	UP	
20	T25333	SHIM	4	0.051MM (0.002")	
	T25334	SHIM	8	0.254MM (0.010")	
21	T25332	WASHER	2		
22	L31434	WASHER	2		
23	AR81610	HOUSING	1	LOW	
24	T25741	SHIM	AR	0.051MM (0.002")	
	T22825	SHIM	AR	0.127MM (0.005")	
	T31290	SHIM	AR	0.762MM (0.030")	
25	L29199	STEERING WHEEL SHAFT	1		
26	L34451	O-RING	6		
27	AL31515	HOUSING	1	(SUB AL70699)	
28	R26448	O-RING	AR		
29	AR26725	ELBOW FITTING	1	(SUB AT35121)	
30	T25327	BACK-UP RING	2		
31	N131838	O-RING	2		
32	T25325	PISTON	1		
33	T25326	BACK-UP RING	2		
34	F3450R	O-RING	1		
35	T25323	ROD	1	(SUB AL70300)	
36	T21655	PIN	1		
37	L34452	O-RING	1		
38	R35684	BACK-UP RING	1		
39	L34454	GUIDE	1		
40	L35639	DRAG LINK	1		
41	19H1849	CAP SCREW	2	5/16" X 1-1/4"	
42	14H785	NUT	2	5/16"	
43	19H1801	CAP SCREW	4	3/8" X 2"	
44	T21528	GASKET	1		
45	AT54132	CHECK VALVE	1		

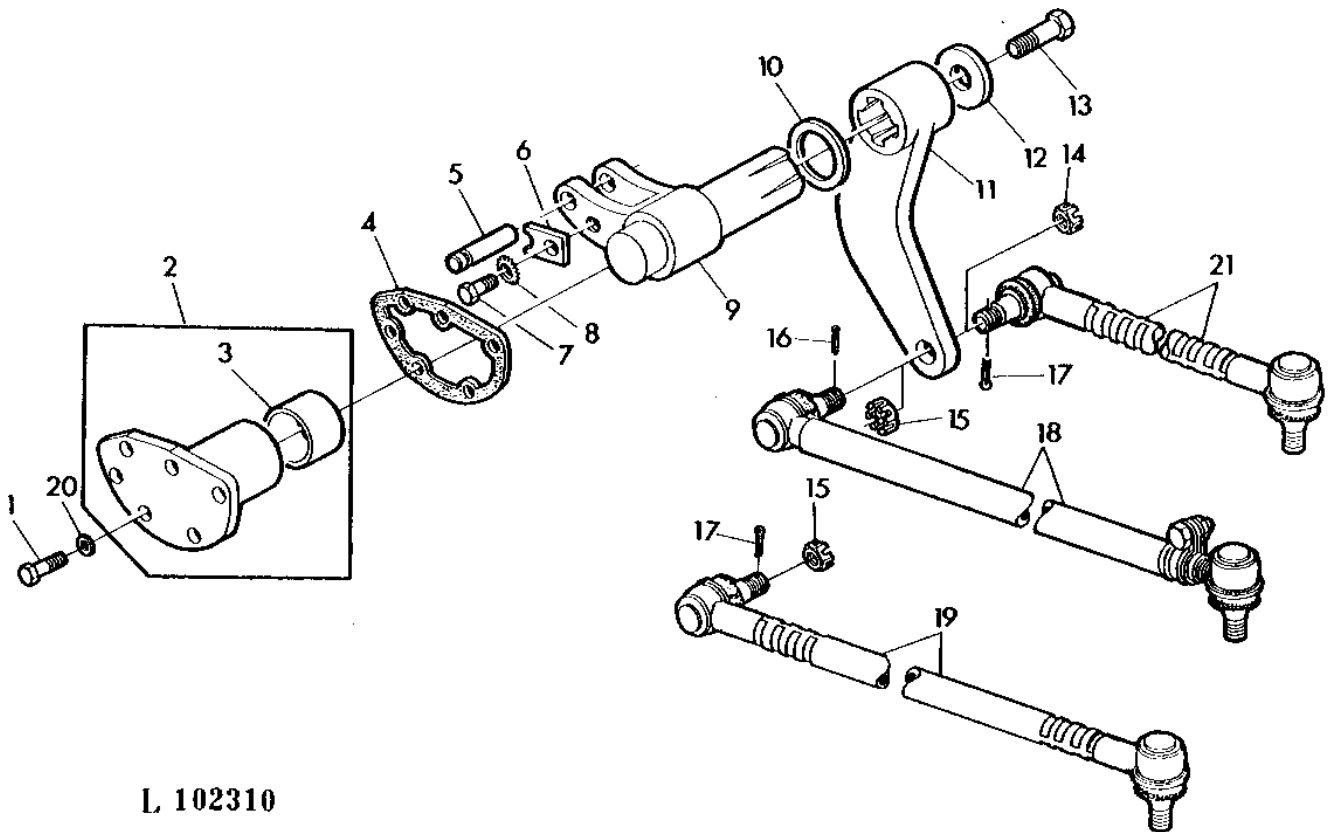
(A) CHECK LOCAL AVAILABILITY

1K16

STEERING AND BRAKES

L102310 -UN-01JAN94

STEERING ARM AND DRAG LINK



1K17

STEERING AND BRAKES

STEERING ARM AND DRAG LINK - CONTINUED

KEY	PART NO.	PART NAME	QTY	TRACTOR SERIAL NO.	REMARKS
1	19H3239	CAP SCREW	6		3/8" X 1-1/4"
2	AL40871	COVER	1		(SUB FOR AL30173)
3	T21445	BUSHING	1		
4	L61962	GASKET	1		(SUB FOR L33750)
5	T21722	PIN	1		
6	T21659	PLATE	1		
7	19H1227	CAP SCREW	1		1/4" X 1/2"
8	12H297	LOCK WASHER	1		1/4"
9	T36482	SHAFT	1		(SUB FOR T21546)
10	AL28553	SEAL	1		
11	L34184	LEVER	1	-XXXXXX	(SUB L42081, AL39036 AND 14M7395)
	L37326	LEVER	1	XXXXXX-	(SUB L42081)
	L33213	LEVER	1	-XXXXXX	(A) (ALSO ORDER AL38640 AND (2) 14M7305) (SUB L42080)
	L37327	LEVER	1	XXXXXX-	(A) (SUB L42080)
12	T42971	BUSHING	1		
13	19H2710	CAP SCREW	1		5/8" X 1-3/4"
14	14H902	NUT	2		(A) 3/4"
15	14H918	NUT	2		5/8"
16	11M7087	COTTER PIN	2		(A) 4 X 40 MM
17	11M7023	COTTER PIN	2		4 X 32 MM
18	AT37826	DRAG LINK	1	-XXXXXX	(A) (SUB AL38640, L42080 AND (2) 14M7305)
	AL34936	DRAG LINK	1	XXXXXX-	(A) (SUB AL38640 AND (2) 14M7305)
19	AL34934	DRAG LINK	1	XXXXXX-	(SUB AL39036 AND 14M7395)
20	WASHER	1		(NOT REQUIRED)
21	AR68818	DRAG LINK	1	-XXXXXX	(SUB FOR AT19808)

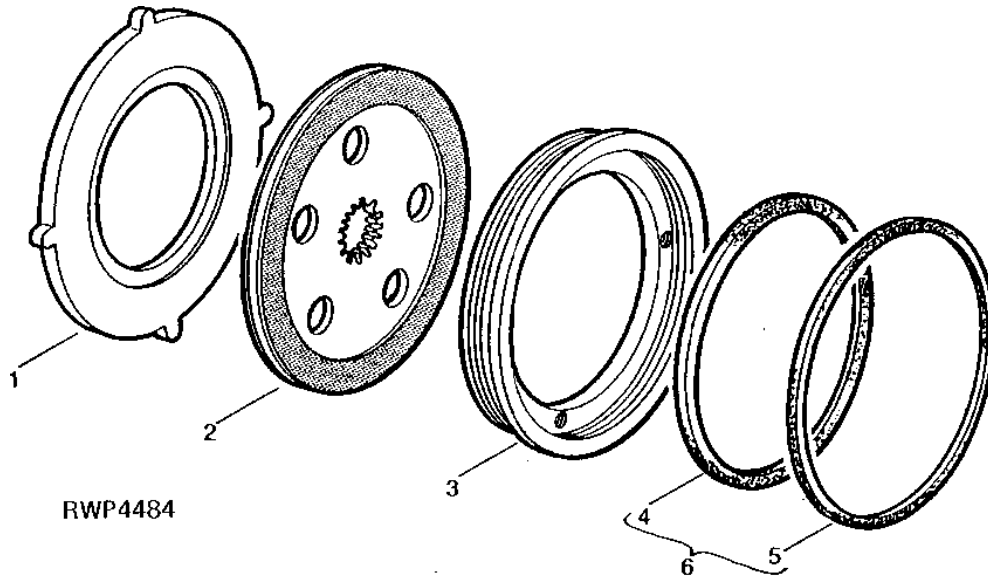
(A) MECHANICAL FRONT WHEEL DRIVE

1K18

STEERING AND BRAKES

RWP4484 -UN-01JAN94

BRAKE DISK



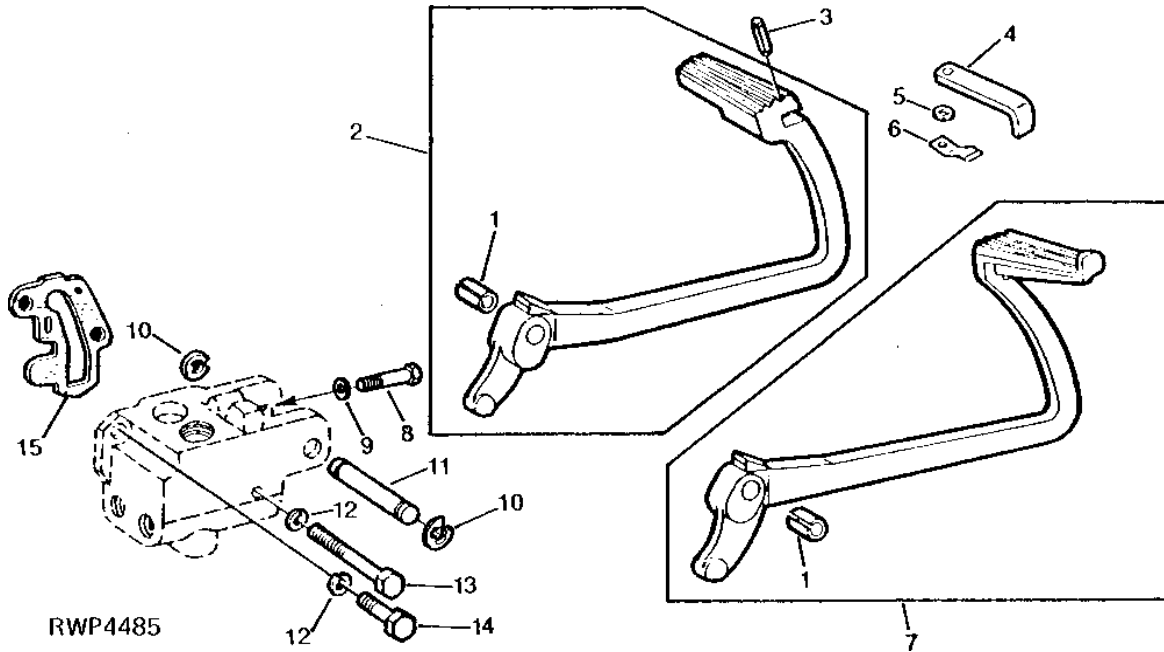
KEY	PART NO.	PART NAME	QTY	TRACTOR SERIAL NO.	REMARKS
1	L56247	BRAKE ACTUATING DISK	2		(SUB L33497)
2	AL29645	BRAKE DISK	2		(SUB AL38234)
3	L33483	BRAKE ACTUATING DISK	2		
4	R50703	WASHER	2	-438364	
5	L39803	O-RING	2	438365-	(SUB L56243)
5	R50704	SEALING WASHER	2	-438364	
	L39804	O-RING	2	438365-	(SUB L56244)
6	AL37573	KIT	1	438365-	(SUB AL57436, L56243 AND L56244)

1K19

STEERING AND BRAKES

RWP4485 -UN-01JAN94

BRAKE PEDAL



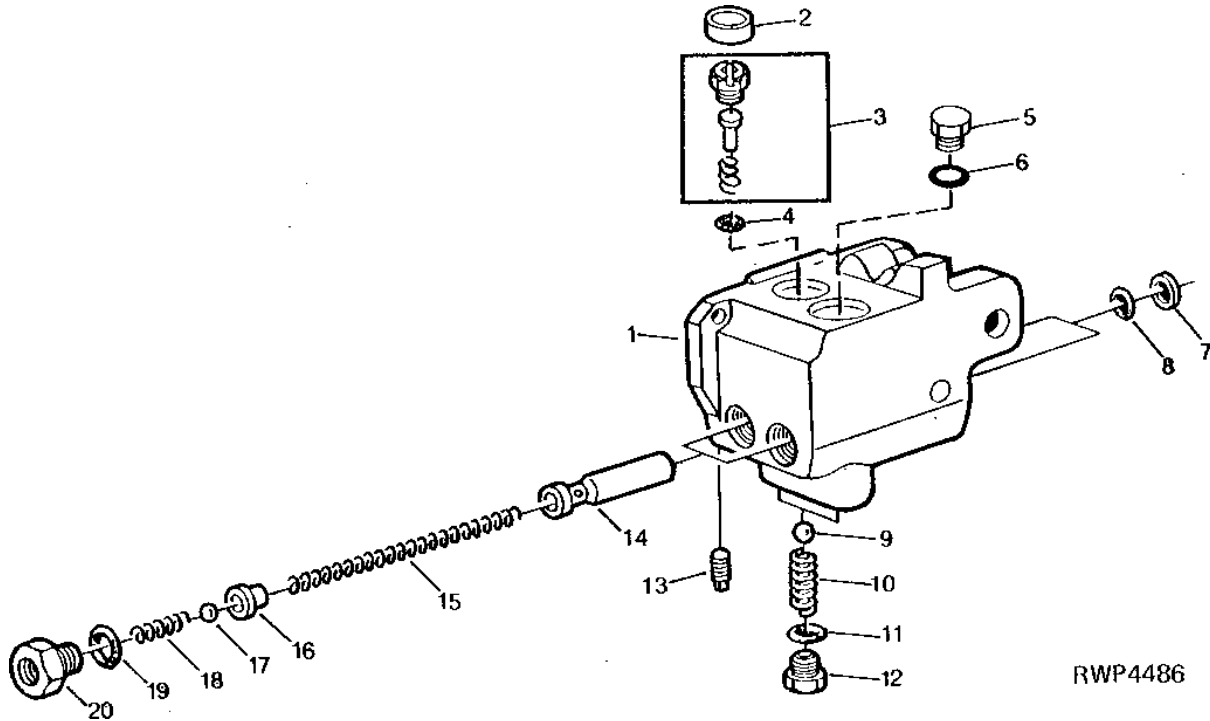
KEY	PART NO.	PART NAME	QTY	TRACTOR SERIAL NO.	REMARKS
1	B177R	BUSHING	2		
2	AL24065	PEDAL	1		
3	34H312	SPRING PIN	1		1/4" X 1"
4	L29418	STRAP	1		(SUB R50879)
5	24H1286	WASHER	1		9/32" X 1/2" X 1/16"
6	T31134	LEAF SPRING	1		(SUB R50034)
7	AL24064	PEDAL	1		
8	L32504	CAP SCREW	2		3/8" X 1-1/4"
9	14H732	NUT	2		3/8"
10	F2863R	SNAP RING	2		
11	T49189	PIN	1		
12	12H301	LOCK WASHER	2		1/2"
13	19H3597	CAP SCREW	1		1/2" X 4-3/4", HS, SAE 8
14	19H3579	CAP SCREW	1		1/2" X 1-3/8"
15	T30687	GASKET	1		

1K20

STEERING AND BRAKES

RWP4486 -UN-01JAN94

BRAKE VALVE



RWP4486

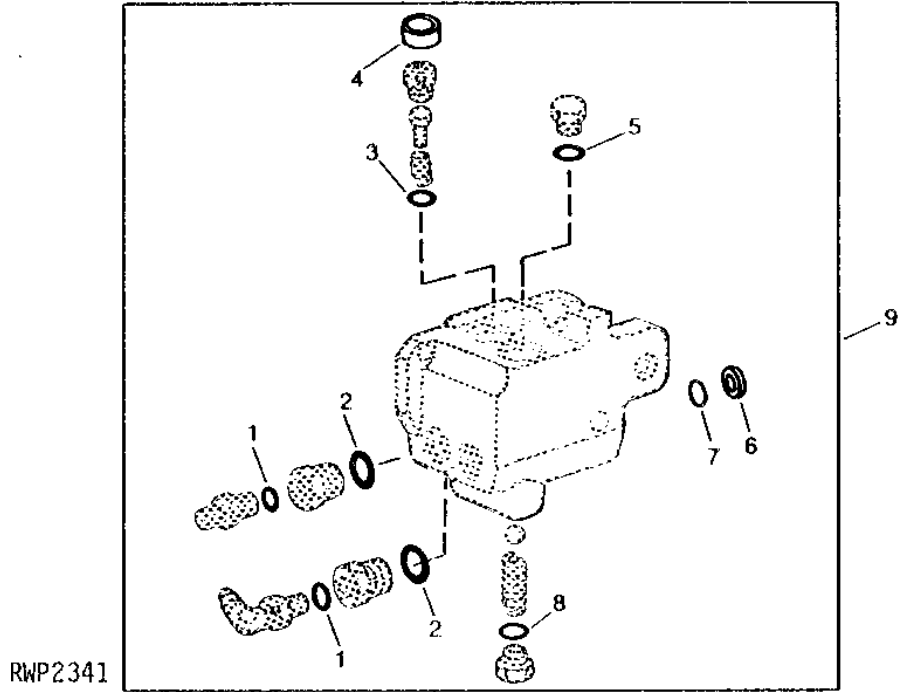
KEY	PART NO.	PART NAME	QTY	TRACTOR SERIAL NO.	REMARKS
1	AR53494	HOUSING	1		(MARKED R49665 OR R54979) (ALSO ORDER T21806, R29936 AND 19H3586)
2	R35286	CAP	AR		(2 USED WITH R54979) (1 USED WITH R49665)
3	AL23836	CHECK VALVE	2		(SUB AL70242)
4	R26906	O-RING	2		
5	T21806	DRAIN PLUG	1		(USE WITH R49665)
6	R29936	O-RING	1		(USE WITH R49665)
7	T22101	SEAL	2		
8	R495R	O-RING	2		
9	D2361R	BALL	2	12.7MM (1/2")	
10	T21816	SPRING	2		
11	R26375	O-RING	2		
12	R39112	FITTING	2		
13	15H638	PIPE PLUG	1	1/8"	
14	L34040	PISTON	2	(SUB L64359)	
15	R50112	SPRING	2	(SUB L62883)	
16	T21815	RETAINER	2		
17	400R	BALL	2		
18	T21814	SPRING	2		
19	F3171R	O-RING	2		
20	R50110	FITTING	2		

1K21

STEERING AND BRAKES

RWP2341 -UN-01JAN94

BRAKE VALVE OVERHAUL KIT



KEY	PART NO.	PART NAME	QTY	TRACTOR SERIAL NO.	REMARKS
1	R26287	O-RING	2		
2	F3171R	O-RING	2		
3	R26906	O-RING	2		
4	R35286	CAP	1		
5	R29936	O-RING	1		
6	T22101	SEAL	2		
7	R495R	O-RING	2		
8	R26375	O-RING	2		
9	AR54929	KIT	1		

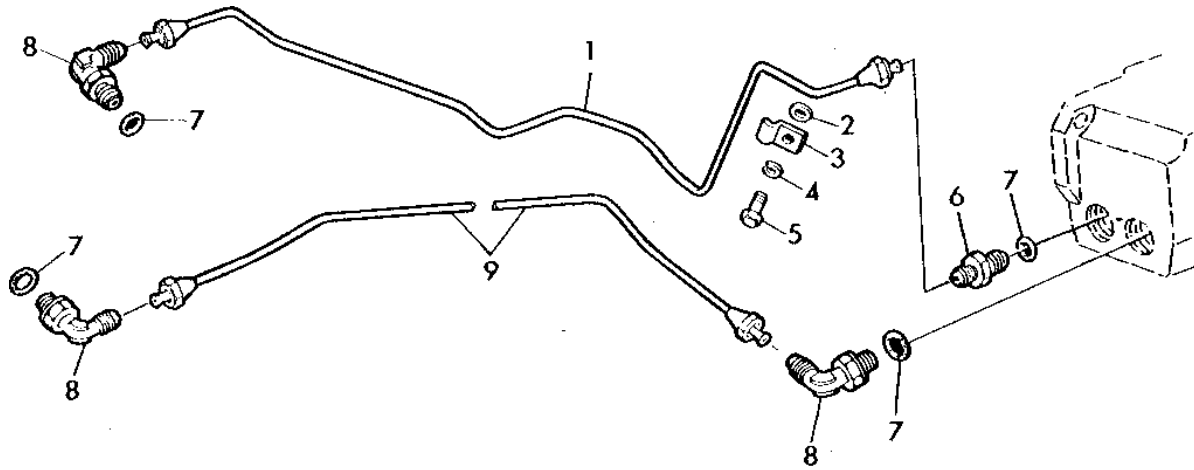
MEMORANDA

1K22

STEERING AND BRAKES

L40037 -UN-01JAN94

BRAKE OIL LINES



L 40037

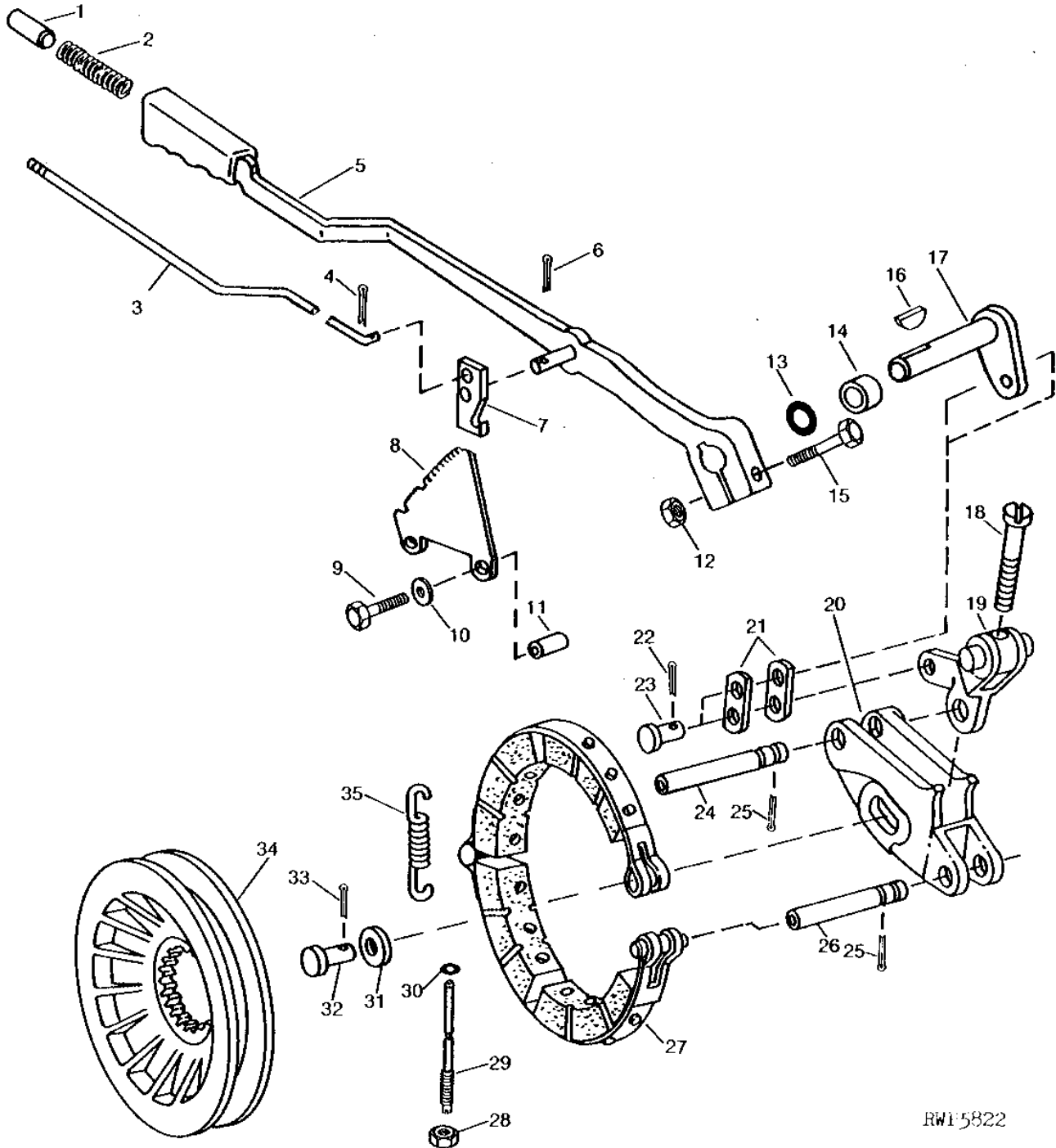
KEY	PART NO.	PART NAME	QTY	TRACTOR SERIAL NO.	REMARKS
1	AL33374	OIL LINE	1		L.H.
2	24M7101	WASHER	2		11 X 34 X 3 MM
3	R27528	CLAMP	2		
4	12H304	LOCK WASHER	2		3/8"
5	19H1936	CAP SCREW	2		3/8" X 3/4"
6	R27139	FITTING	1		(SUB R27527)
7	R26287	O-RING	4		
8	AR26746	ELBOW FITTING	3		
9	AT23544	OIL LINE	1		R.H. (SUB AR65688)

1K23

STEERING AND BRAKES

RWP5822 -UN-01JAN94

HANDBRAKE



RW15822

1K24

STEERING AND BRAKES

HAND BRAKE - CONTINUED

KEY	PART NO.	PART NAME	QTY	TRACTOR SERIAL NO.	REMARKS
1	T21595	PIN	1	(SUB L62606)	
2	T21576	SPRING	1		
3	T21594	ROD	1		
4	11M7077	COTTER PIN	1	1.600 X 25 MM	
5	AT19834	HANDBRAKE LEVER	1		
6	11M7059	COTTER PIN	1	3.200 X 20 MM	
7	T21587	PAWL	1		
8	T21588	PLATE	1		
9	19H1974	CAP SCREW	2	1/2" X 2-3/4"	
10	T20168	WASHER	2		
11	28H1597	WASHER	2	0.546" X 0.840" X 3/8"	
12	M63440	LOCK NUT	1	3/8", (SUB E50102)	
13	R495R	O-RING	1		
14	L29882	SPACER	1	(SUB L60667)	
15	19H2549	CAP SCREW	1	3/8" X 1-7/8"	
16	26H77	SHAFT KEY	1	3/16" X 3/4"	
17	AL24550	SHAFT	1		
18	T21579	SET SCREW	1		
19	L29884	LEVER	1		
20	T21772	ANCHOR	1	(SUB T122032)	
21	L29883	STRAP	2	(SUB L56128)	
22	11M7059	COTTER PIN	2	3.200 X 20 MM	
23	F2653R	PIN	2		
24	T21775	PIN	2		
25	11M7087	COTTER PIN	2	4 X 40 MM	
26	T21775	PIN	1		
27	AT19833	BRAKE BAND	1	(SUB AL38213)	
28	14H971	NUT	1	1/2"	
29	T21776	SCREW	1		
30	R27490	O-RING	1	(SUB T17951)	
31	24H1658	WASHER	1	21/32" X 1" X 0.060"	
32	T25285	PIN	1		
33	11M7015	COTTER PIN	1	3.200 X 25 MM	
34	T21596	BRAKE DRUM	1		
35	T21577	SPRING	1		

MEMORANDA

2A20

HYDRAULICS

RE026740 -UN-20FEB96

TRANSMISSION AND HYDRAULIC OIL



RE026740



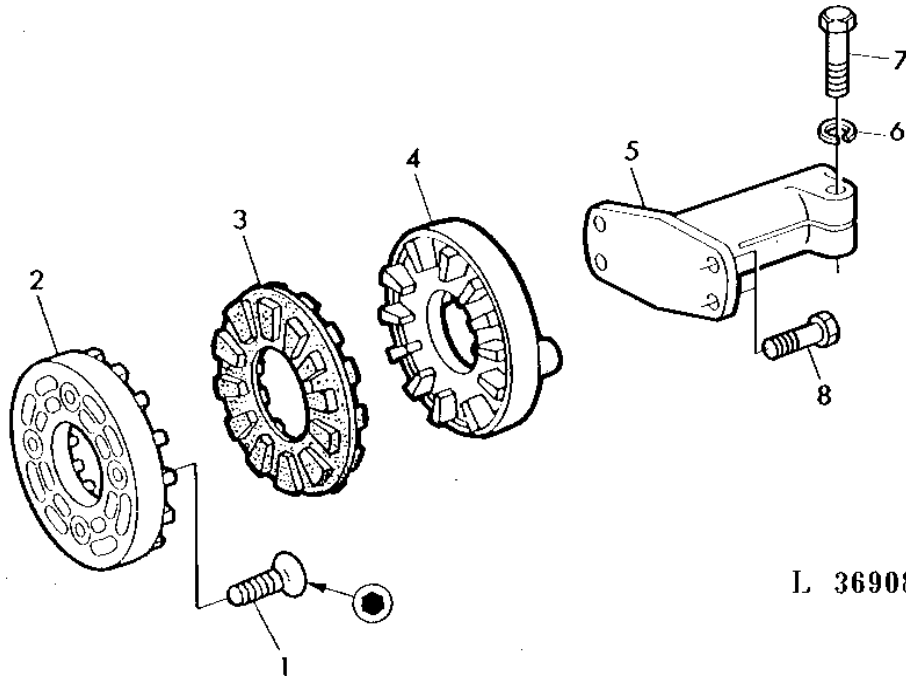
KEY	PART NO.	PART NAME	QTY	TRACTOR SERIAL NO.	REMARKS
1	AR69444	HY-GARD	1	19L (5 GAL)	
	AR69445	HY-GARD	1	208L (55 GAL)	(EMPTY DRUMS NOT RETURNABLE)
2	TY22043	OIL	1	(1 GAL)	
	TY22044	OIL	1	19 L (5 GAL)	
	TY22063	OIL	1	208 L (55 GAL)	

2A21

HYDRAULICS

L36908 -UN-01JAN94

HYDRAULIC PUMP DRIVE



L 36908

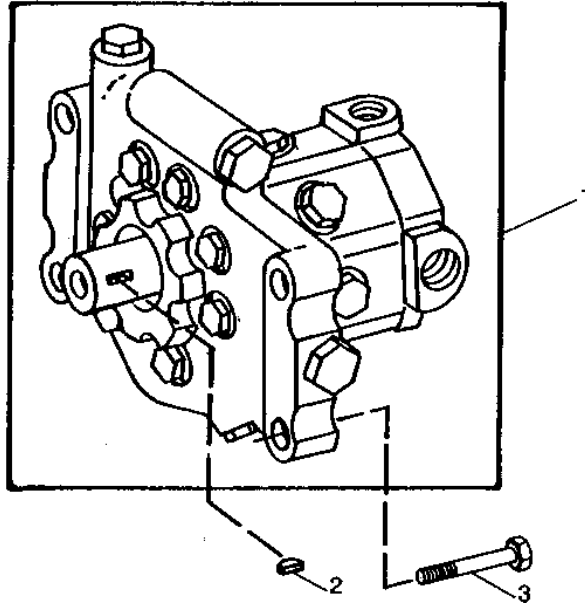
KEY	PART NO.	PART NAME	QTY	TRACTOR SERIAL NO.	REMARKS
1	L34575	SCREW	4		
2	L34569	COUPLING	1		
3	T58196	ISOLATOR	1		(SUB R78202)
4	L34432	COUPLING	1		
5	L34570	DRIVE SHAFT	1		
6	12H304	LOCK WASHER	1		3/8"
7	19H1800	CAP SCREW	1		3/8" X 1-1/2"
8	19H1732	CAP SCREW	4		3/8" X 1-1/4"

2A22

HYDRAULICS

REPLACEMENT HYDRAULIC PUMP ASSEMBLY - MODEL CA1 (23 CM3 (1.38 IN.3))

RP3304 -UN-01JAN94



RP3304

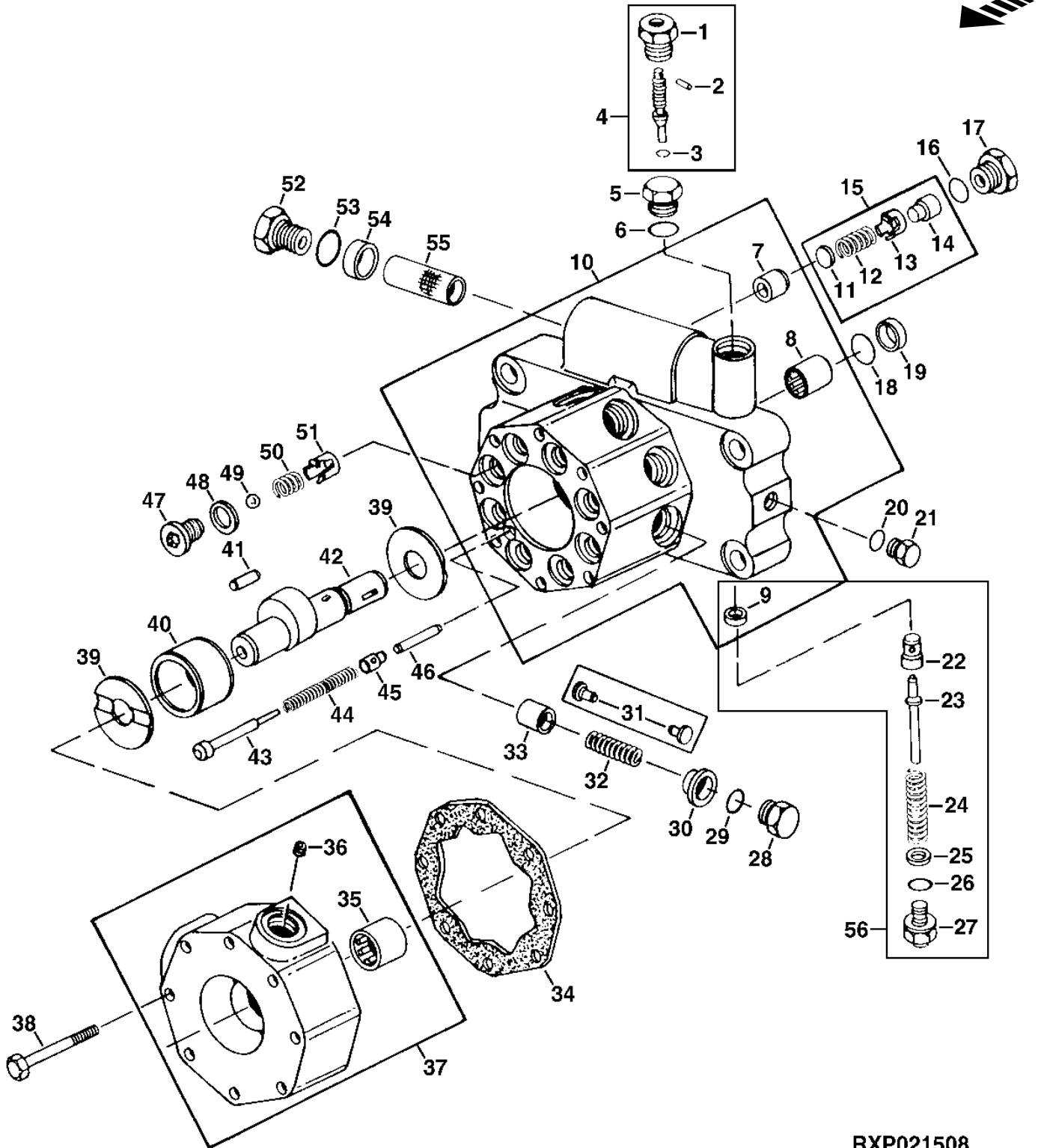
KEY	PART NO.	PART NAME	QTY	TRACTOR SERIAL NO.	REMARKS
1	AR103033	HYDRAULIC PUMP	1	23 CM3 (1.38 IN.3) (SUB FOR AR39168 OR AR89064)	
2	26H77	SHAFT KEY	1	3/16" X 3/4"	
3	19H1974	CAP SCREW	4	1/2" X 2-3/4"	

2A23

HYDRAULICS

HYDRAULIC PUMP - MODEL CA1
23 CM3 (1.38 IN.3)

RXP021508 -UN-29APR96



RXP021508

2A24

HYDRAULICS

HYDRAULIC PUMP - MODEL CA1 - CONTINUED

23 CM3 (1.38 IN.3)

(TRACTOR SERIAL NO. 266750-)

KEY	PART NO.	PART NAME	QTY	MODEL NO.	REMARKS
1	R38053	BUSHING	1		
2	34H254	SPRING PIN	1		1/8" X 1-1/2"
3	R30903	O-RING	1		
4	AR38225	SCREW	1		(MANUAL DESTROKE)(OPTIONAL)
5	R39112	PLUG	1		(USE WITHOUT MANUAL DESTROKE)
6	R26375	O-RING	1		
7	R105583	SEAT	8		(SUB FOR R39067)
8	JD9858	NEEDLE BEARING	1		
9	R72936	VALVE SEAT INSERT	1		(ALSO ORDER R68384)
10	AR39170	HOUSING	1	-7PP2	(MARKED R39317 OR R60969) (SUB AR89075) (ALSO ORDER (2) R68382, R68381, R39112 AND R26375)
	AR89075	HOUSING	1	7PP3-	(MARKED R68385)
11	R49297	DISK	8		
12	R39228	SPRING	8		
13	R48738	GUIDE	8		
14	R83508	STOP	8		(SUB FOR R72886)
15	RE23382	VALVE	8		(OUTLET) (SUB FOR AR52785 OR AR96613)
16	R26375	O-RING	8		
17	R39112	PLUG	8		
18	R39182	RING	1		(USE WITH R39317 OR R60969)
	R63605	O-RING	1		(USE WITH R68385)
19	AR39052	SEAL	1		
20	R26286	O-RING	1		
21	R27094	PLUG	1		
22	R68384	CONTROL VALVE	1		(SUB AL71019)
23	R68383	GUIDE	1	-7PP4	(USE WITH R39317 OR R60969) (SUB R76167 AND AR103040)
	R76167	GUIDE	1	7PP5-	(USE WITH R68385)
24	R39240	SPRING	1		
25	24M7096	WASHER	1	-7PP4	10.500 X 18 X 1.600 MM, (USE WITH R39317 OR R60969)
26	R26906	O-RING	1		
27	AR39106	SCREW	1	-7PP2	(USE WITH R39317 OR R60969) (SUB AR103040 AND R76167)
	AR103040	SCREW	1	7PP5-	(USE WITH R68385) (SUB FOR AR89073)
28	R39112	PLUG	8		
29	R26375	O-RING	8		
30	AR101238	SHIELD	1	XXXX-	(SET OF 8)
31	R39070	GUIDE	16	-XXXX	(USE WITH R39317 OR R60969)
32	AR39041	SPRING	1		(SET OF 8)
33	R63022	PISTON	8		(ALSO ORDER R63629)
34	R59234	GASKET	1		
35	JD9858	NEEDLE BEARING	1		
36	R39321	ORIFICE	1		
37	AR90453	COVER	1		(MARKED R39318, R68380 OR R81065)
38	19H1944	CAP SCREW	8		3/8" X 2-3/4"
39	R66164	THRUST WASHER	2		
40	R63629	BEARING RACE	1		(ALSO ORDER (8) R63022)
41	R39073	NEEDLE ROLLER	33		
42	R39319	SHAFT	1		
43	R39181	GUIDE	1		
44	R68390	SPRING	1		
45	R39180	VALVE	1		
46	R39179	NEEDLE ROLLER	1		
47	R68553	VALVE SEAT INSERT	8		
48	R26375	O-RING	8		
49	D2361R	BALL	8		
50	R39078	SPRING	8		
51	R39076	GUIDE	8		
52	R27175	PLUG	1		(USE WITH R39317 OR R60969)
	R39112	PLUG	1		(USE WITH R68385)
53	F3171R	O-RING	1		(USE WITH R39317 OR R60969)
	R26375	O-RING	1		(USE WITH R68385)
54	R27174	PACKING	2		(USE WITH R39317 OR R60969)
	R68382	PACKING	2		(USE WITH R68385)
55	R27173	FILTER	1		(USE WITH R39317 OR R60969)
	R68381	FILTER	1		(USE WITH R68385)
56	AL71019	KIT	1		
..	AR103033	HYDRAULIC PUMP	1		(A) (SUB FOR AR39168 OR AR89064)

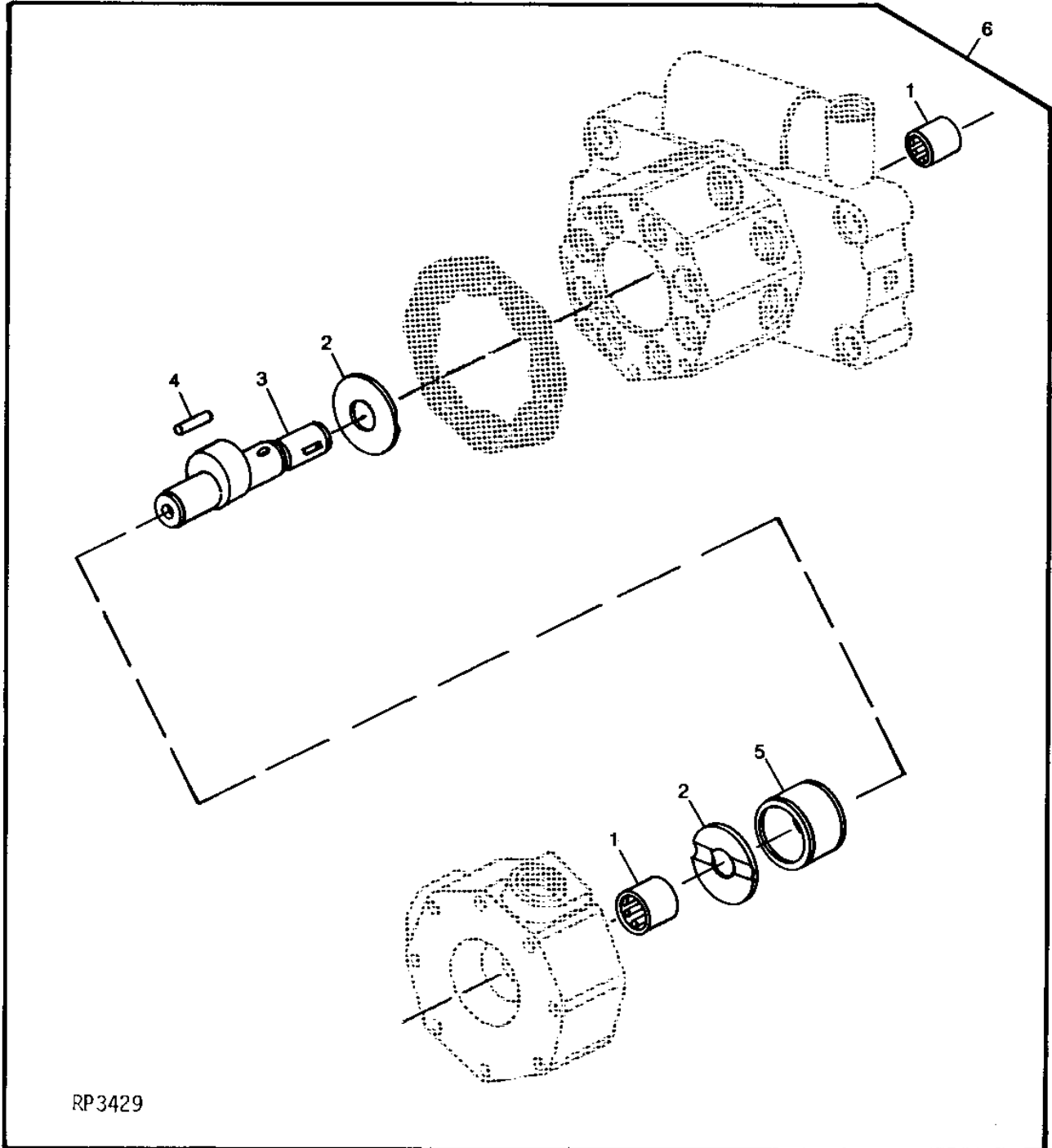
(A) MODEL CA1 - PUMP WITH SERIAL PLATE

2B1

HYDRAULICS

HYDRAULIC PUMP SHAFT OVERHAUL KIT 23 CM3 (1.38 IN.3)

RP3429 -UN-01JAN94



2B2

HYDRAULICS

HYDRAULIC PUMP SHAFT OVERHAUL KIT - CONTINUED
23 CM3 (1.38 IN.3)

KEY	PART NO.	PART NAME	QTY	TRACTOR SERIAL NO.	REMARKS
1	JD9858	NEEDLE BEARING	2		
2	R66164	THRUST WASHER	2		
3	R39319	SHAFT	1		
4	R39073	NEEDLE ROLLER	33		
5	R63629	BEARING RACE	1		
6	AL35755	KIT	1	(A)	

(A) USE WITH HOUSING MARKED R39316, R39317, R60969, R68358 OR R68386

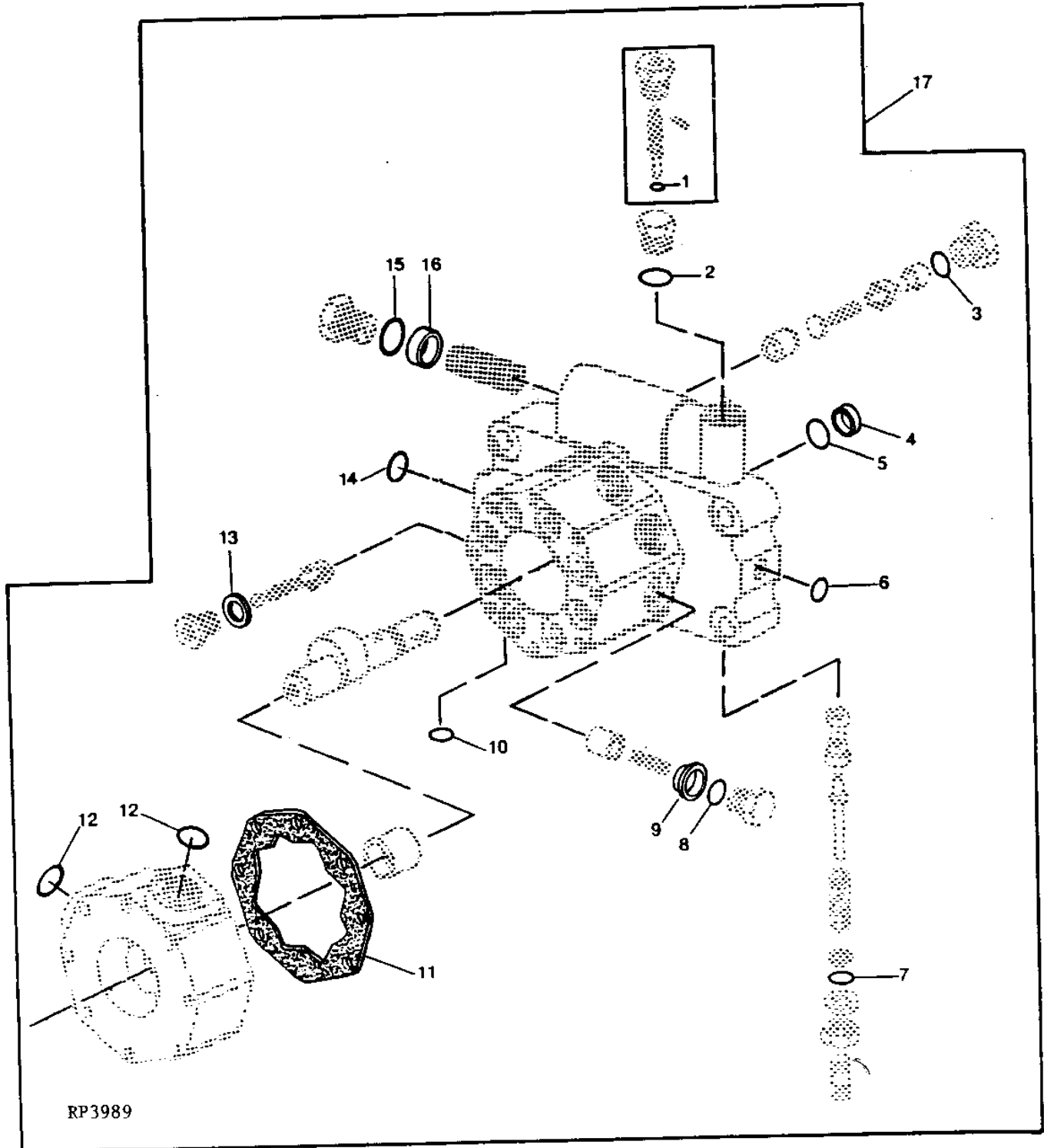
2B3

HYDRAULICS

HYDRAULIC PUMP OVERHAUL KIT 23 CM3 (1.38 IN.3)

RP3989

-UN-01JAN94



RP3989

2B4

HYDRAULICS

HYDRAULIC PUMP OVERHAUL KIT - CONTINUED
23 CM3 (1.38 IN.3)

KEY	PART NO.	PART NAME	QTY	TRACTOR SERIAL NO.	REMARKS
1	R30903	O-RING	1		
2	R26375	O-RING	1		
3	R26375	O-RING	8		
4	AR39052	SEAL	1		
5	R63605	O-RING	1		
6	R26286	O-RING	1		
7	R26906	O-RING	1		
8	R26375	O-RING	8		
9	AR101238	SHIELD	1		(SET OF 8)
10	R26287	O-RING	1		
11	R59234	GASKET	1		
12	F3171R	O-RING	2		
13	R26375	O-RING	8		
14	R26375	O-RING	1		
15	F3171R	O-RING	1		(A)
	R26375	O-RING	1		(A)
16	R27174	PACKING	2		(A)
	R68382	PACKING	2		(A)
17	AR98993	KIT	1		(SUB FOR AR39156)

(A) UNIVERSAL KIT - APPLICATIONS WILL VARY

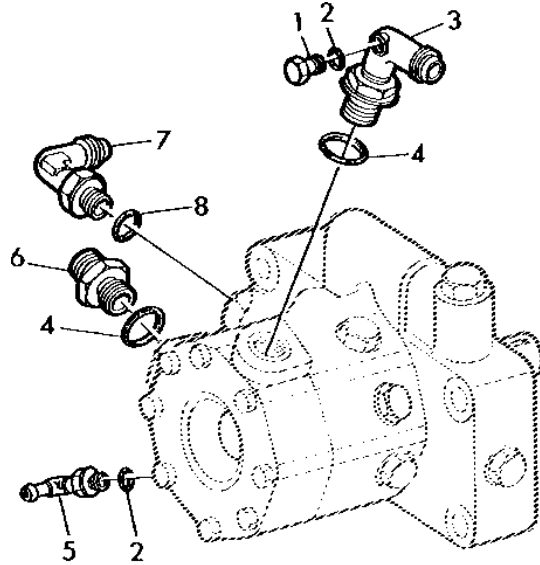
MEMORANDA

2B5

HYDRAULICS

HYDRAULIC PUMP CONNECTORS AND FITTINGS
23 CM3 (1.4 IN3)

L108975 -UN-01JAN94



L 108975

KEY	PART NO.	PART NAME	QTY	TRACTOR SERIAL NO.	REMARKS
1	R27216	DRAIN PLUG	1		
2	R26287	O-RING	2		
3	AR73684	TEE FITTING	1		
4	U12547	O-RING	2		(SUB FOR F3171R, THIS APPLICATION)
5	AL28468	ELBOW FITTING	1		
6	R27267	FITTING	1		
7	AL28658	ELBOW FITTING	1		
8	R26375	O-RING	1		

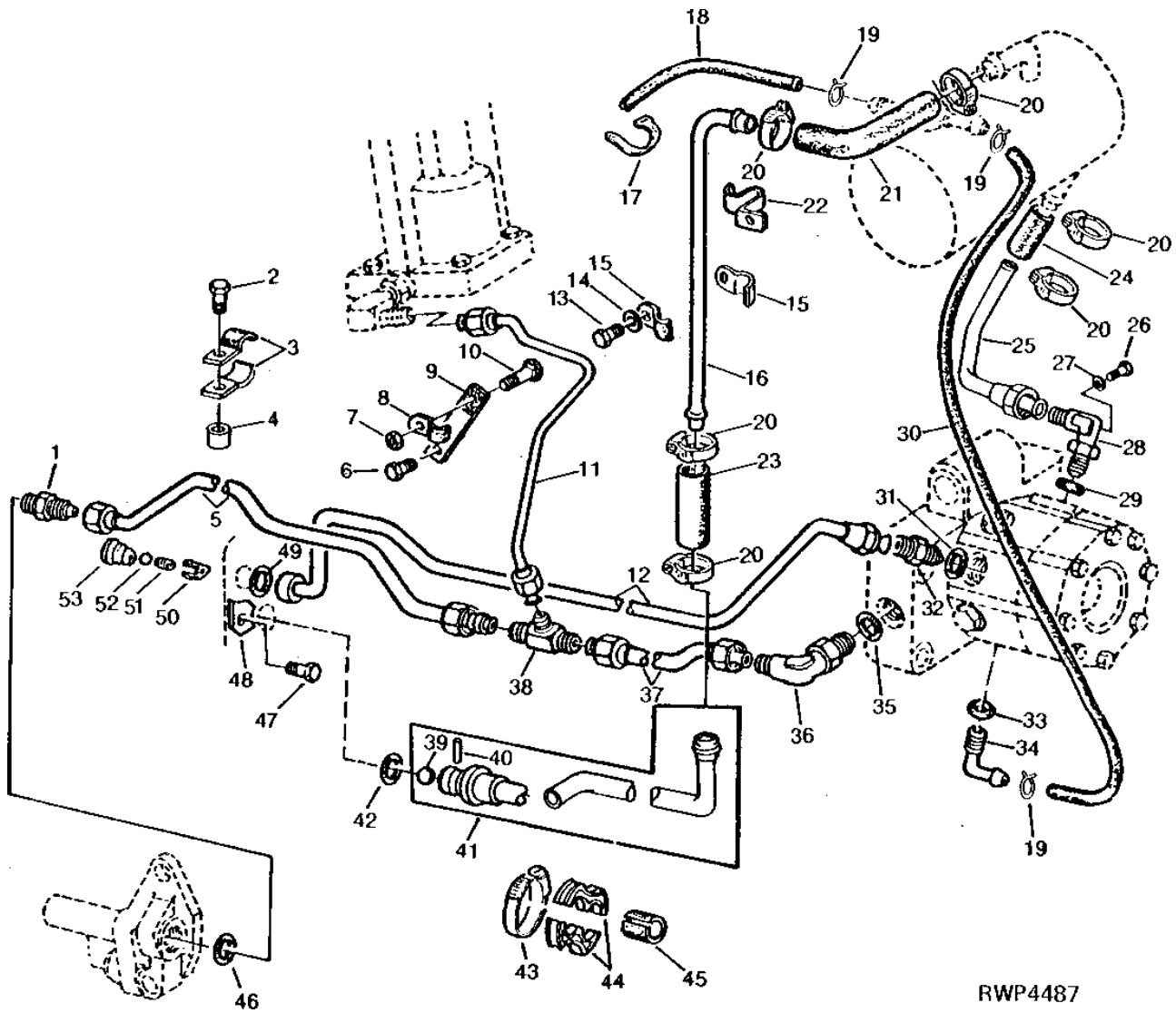
2B6

HYDRAULICS

RWP4487

-UN-01JAN94

HYDRAULIC OIL LINES



RWP4487

2B7

HYDRAULICS

HYDRAULIC OIL LINES - CONTINUED

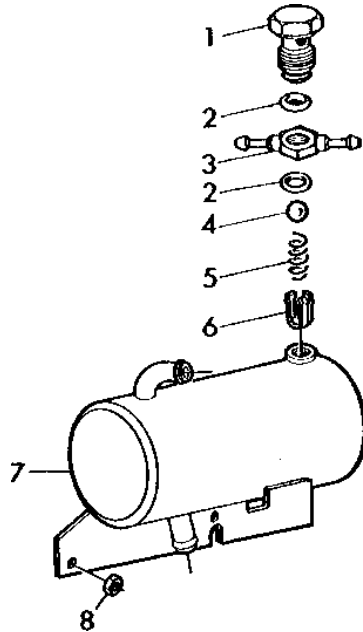
KEY	PART NO.	PART NAME	QTY	TRACTOR SERIAL NO.	REMARKS
1	R27270	FITTING	1		
2	19H1732	CAP SCREW	1	3/8" X 1-1/4"	
3	R35726	CLAMP	2		
4	28H1878	SPACER	1	0.493" X 0.675" X 7/16"	
5	AL28954	OIL LINE	1		
6	19H2552	CAP SCREW	1	3/8" X 1-1/8"	
7	14H1076	NUT	1	3/8"	
8	R27590	CLAMP	1		
9	R65246	BRACKET	1		
10	03H1681	BOLT	1	3/8" X 5/8"	
11	AL28956	OIL LINE	1		
12	AL30011	OIL LINE	1		
13	37H84	SCREW	1		
14	24H1289	WASHER	1	21/64" X 5/8" X 0.049"	
15	R27531	CLAMP	2		
16	L35842	OIL LINE	1		
17	R44302	TIE BAND	1		
18	T23073	TUBE	1	-XXXXXX .295" X 58.75"	
	L36136	HOSE	1	XXXXXX-.255" X 68.11", (MAKE FROM TY22419)	
19	T19324	CLAMP	3		
20	AL37451	CLAMP	6		(SUB FOR AL31992)
21	L35213	HOSE	1		(MAKE FROM L37286)
22	L39269	CLAMP	1	XXXXXX-	
23	HOSE	1		80MM (3-3/16") (MAKE FROM L37286) (SUB FOR L34954)
24	HOSE	1		80MM (3-3/16") (MAKE FROM L37286) (SUB FOR L34954)
25	AT20961	OIL LINE	1		
26	R27216	DRAIN PLUG	1	-XXXXXX	
27	R26287	O-RING	1	-XXXXXX	
28	AR73684	TEE FITTING	1	-XXXXXX	
	AR26723	ELBOW FITTING	1	XXXXXX-	(SUB AT32331)
29	F3171R	O-RING	1		
30	AT20960	OIL LINE	1	-XXXXXX	
	L36121	HOSE	1	XXXXXX-	
31	F3171R	O-RING	1		
32	R27267	FITTING	1		
33	R26287	O-RING	1		
34	AT32335	ELBOW FITTING	1	-XXXXXX	
	AL28468	ELBOW FITTING	1	XXXXXX-	
35	R26375	O-RING	1		
36	AR27738	ELBOW FITTING	1		
37	AL30010	OIL LINE	1		
38	T28991	TEE FITTING	1		
39	L38752	BALL	1		
40	34M7062	SPRING PIN	1	5 X 32 MM	
41	AL32220	OIL LINE	1		(SUB AL39841, L40696 AND 24H1682)
42	L34995	O-RING	1		
43	AR21999	CLAMP	2		
44	L32580	RETAINER	4		
45	L102186	HOSE	2		(SUB FOR L32581)
46	R26906	O-RING	1		
47	19H2552	CAP SCREW	1	3/8" X 1-1/8"	
48	AL28864	RETAINER	1		(SUB FOR L33359)
49	R1662R	WASHER	1		
50	R39076	GUIDE	1		
51	R39078	SPRING	1		
52	D2361R	BALL	1		
53	T23203	VALVE SEAT	1		

2B8

HYDRAULICS

L102318 -UN-01JAN94

HYDRAULIC OIL RESERVOIR



L 102318

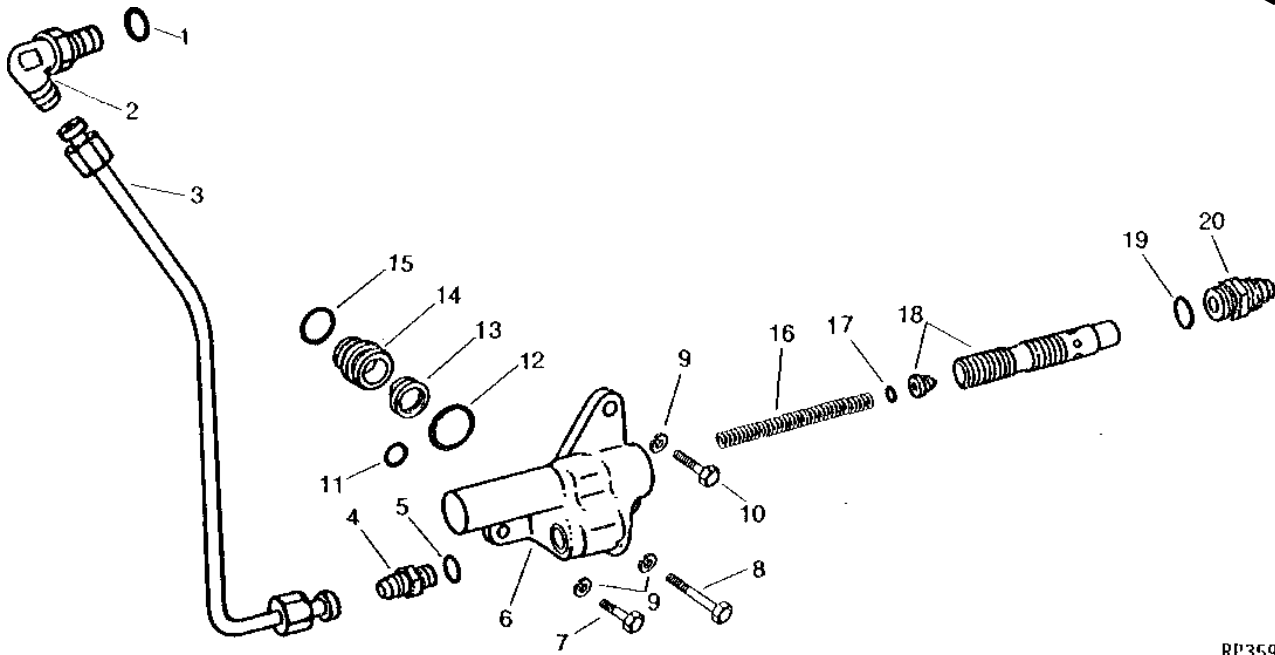
KEY	PART NO.	PART NAME	QTY	TRACTOR SERIAL NO.	REMARKS
1	T22970	PLUG	1		3/4"
2	U11343	O-RING	2		
3	AL24229	HOSE FITTING	1	-XXXXXX	
	AL33288	HOSE FITTING	1	XXXXXX-	(SUB L60163)
4	D2361R	BALL	1		
5	R39078	SPRING	1		
6	R39076	GUIDE	1		
7	AL31897	HYDRAULIC RESERVOIR	1		(SUB AL40831 AND AL40832)
8	14M7273	NUT	1		M8

2B9

HYDRAULICS

RP359 -UN-01JAN94

PRESSURE CONTROL VALVE



RP359

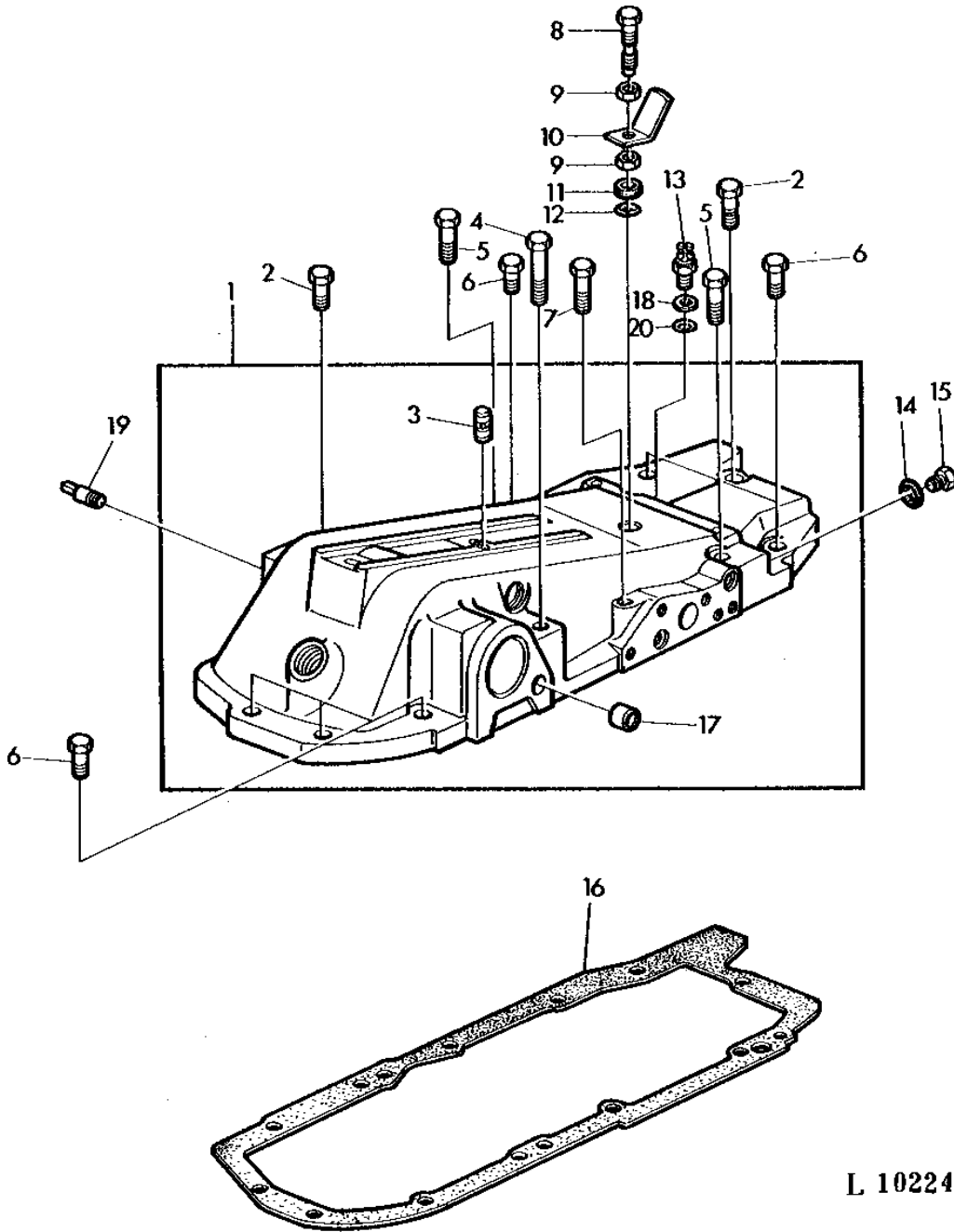
KEY	PART NO.	PART NAME	QTY	TRACTOR SERIAL NO.	REMARKS
1	R26448	O-RING	1		
2	R27237	FITTING	1	-362378	
3	AL35677	HYDRAULIC HOSE	1	362379-	90°
	AR91029	OIL LINE	1	-362378	(SUB FOR AL30974)
4	R27237	FITTING	1	362379-	(SELECTIVE CONTROL VALVE)
	R39112	FITTING	1		(LESS SELECTIVE CONTROL VALVE)
5	R26375	O-RING	1		
6	R66083	HOUSING	1		
7	19H2552	CAP SCREW	1		3/8" X 1-1/8"
8	19H2128	CAP SCREW	1		3/8" X 3"
9	12H304	LOCK WASHER	3		3/8"
10	19H1116	CAP SCREW	1		3/8" X 1-1/2"
11	R28776	O-RING	1		
12	T13119	O-RING	1		
13	R66085	BACK-UP RING	1		(SUB L55202)
14	R66084	FITTING	1		
15	R26375	O-RING	1		
16	R40072	SPRING	1		
17	24H1283	WASHER	1		7/32" X 1/2" X 0.049"
18	AR65881	VALVE	1		
19	R26906	O-RING	1		
20	R31665	FITTING	1		

2B10

HYDRAULICS

L102249 -UN-01JAN94

ROCKSHAFT HOUSING



L 102249

2B11

HYDRAULICS

ROCKSHAFT HOUSING - CONTINUED

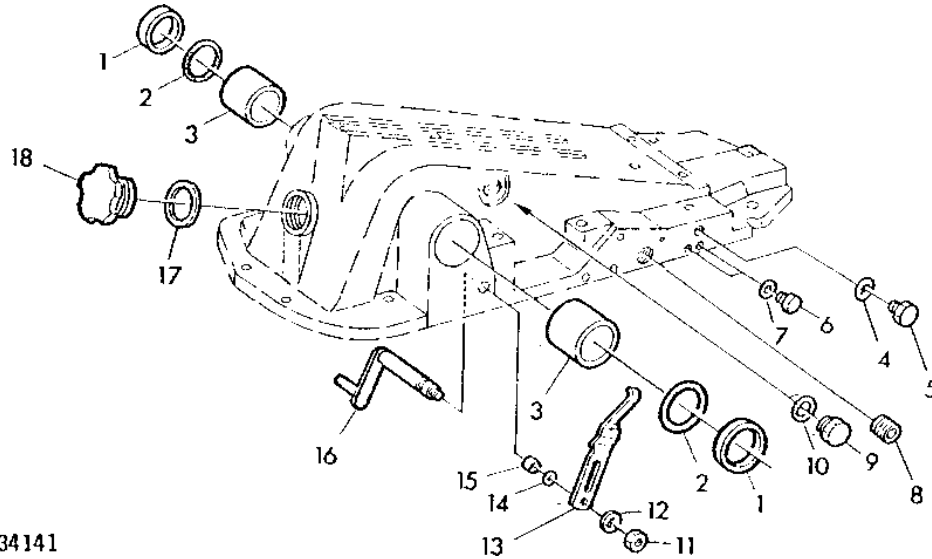
KEY	PART NO.	PART NAME	QTY	TRACTOR SERIAL NO.	REMARKS
1	AL31424	HOUSING	1		(ALSO ORDER 15H638)
2	19H1831	CAP SCREW	3		1/2" X 2"
3	T21630	PIN	1		
4	19H3550	CAP SCREW	1		1/2" X 4"
5	19H1974	CAP SCREW	2		1/2" X 2-3/4"
6	19H1721	CAP SCREW	6		1/2" X 1-1/2"
7	19H3520	CAP SCREW	1		1/2" X 3-1/4"
8	T22471	SCREW	1		
9	14H832	NUT	2		9/16"
10	T27258	STRAP	1		
11	T27260	WASHER	1		
12	R26448	O-RING	1		
13	RE38390	SWITCH	1		NEUTRAL START, (ALSO ORDER R98941) (SUB FOR AR85323 AND AR89691)
14	R26287	O-RING	1		
15	R27216	DRAIN PLUG	1		
16	L41551	GASKET	1		(SUB FOR L34401)
17	T21631	BUSHING	1		
18	24M7228	WASHER	1		15 X 24 X 1.3MM
19	15H638	PIPE PLUG	1		1/8"
20	T16911	SHIM	AR		TK=0.4MM

2B12

HYDRAULICS

R34141 -UN-01JAN94

ROCKSHAFT HOUSING PARTS



R34141

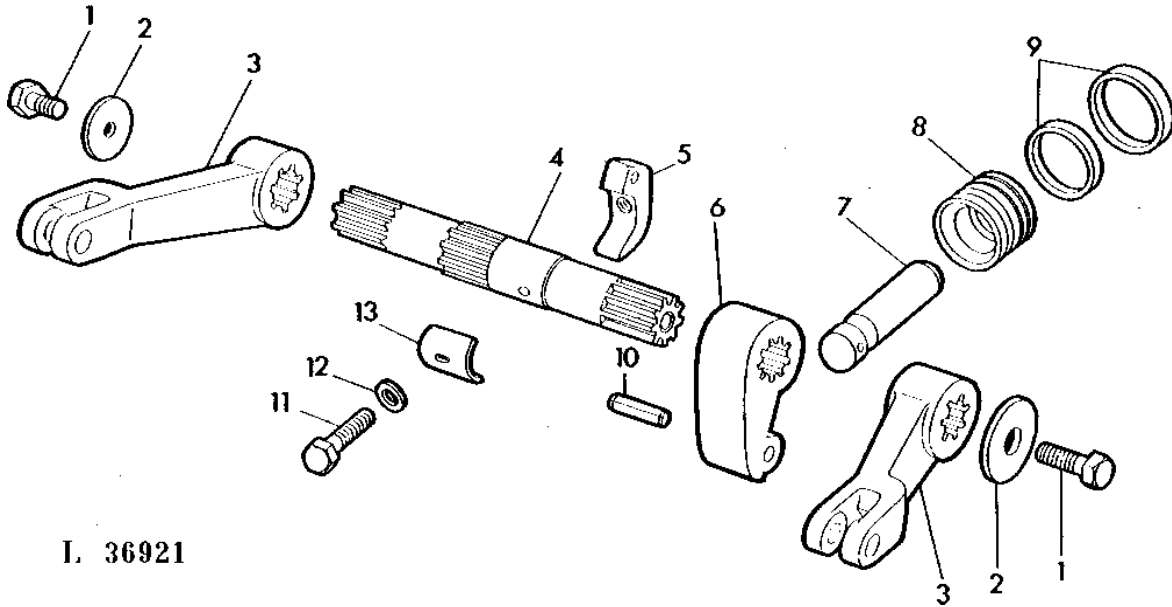
KEY	PART NO.	PART NAME	QTY	TRACTOR SERIAL NO.	REMARKS
1	T21615	CAP	2		
2	T26904	O-RING	2		
3	T22474	BUSHING	2		(SUB L62405)
4	R26375	O-RING	1		
5	T22867	DRAIN PLUG	1		
6	R27216	DRAIN PLUG	2		(SUB FOR R31631)
7	R26287	O-RING	2		
8	15H562	PIPE PLUG	1	1"	
9	R27474	DRAIN PLUG	1		
10	R26906	O-RING	1		
11	14H732	NUT	1	3/8"	
12	T22876	WASHER	1		
13	L29848	LEVER	1		
14	F3353R	O-RING	1		
15	T21631	BUSHING	1		
16	AL28227	LEVER	1		(SUB AL28674)
17	T21564	WASHER	1		
18	AL38083	FILLER CAP	1		

2B13

HYDRAULICS

L36921 -UN-01JAN94

ROCKSHAFT, PISTON AND LIFT ARMS



I. 36921

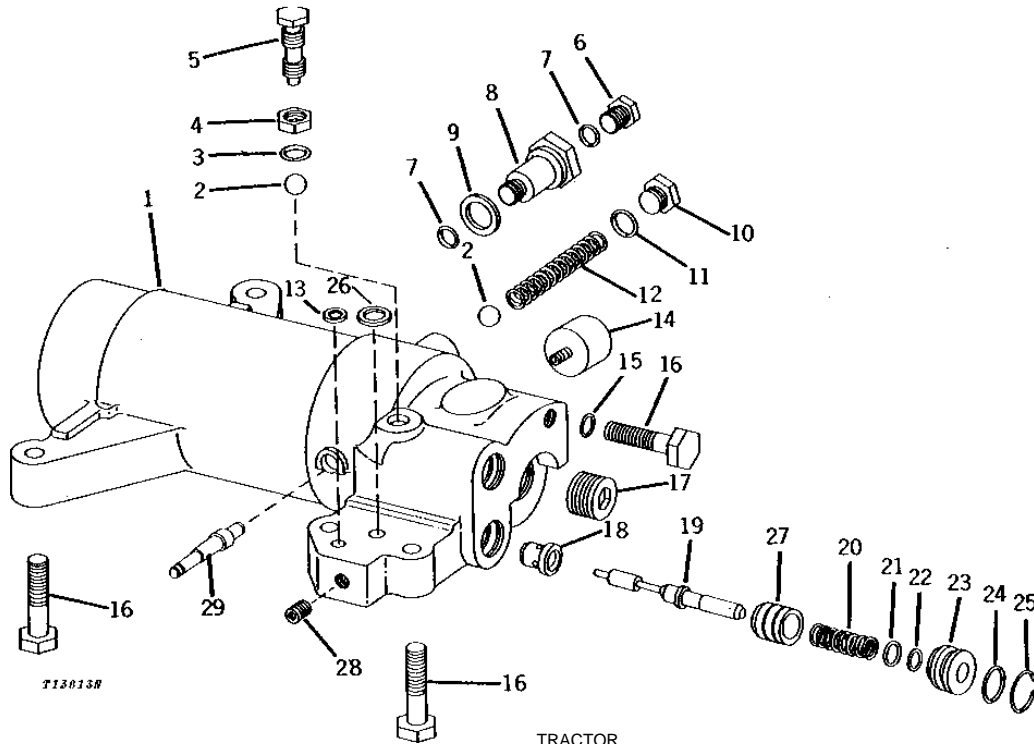
KEY	PART NO.	PART NAME	QTY	TRACTOR SERIAL NO.	REMARKS
1	19H1815	CAP SCREW	2		1/2" X 1-1/4"
2	T21956	WASHER	2		
3	T29931	LIFT ARM	2		
4	L41932	ROCKSHAFT	1		(SUB FOR T26905)
5	T22319	CAM	1		
6	T21474	LEVER	1		
7	F2570R	ROD	1		
8	R47344	PISTON	1		
9	AL33104	SEAL	1		
10	34H320	SPRING PIN	1		1/4" X 2-1/4"
11	19H2151	CAP SCREW	1		1/4" X 3"
12	24H1287	WASHER	1		9/32" X 5/8" X 0.065"
13	T28362	SPACER	1		

2B14

HYDRAULICS

T13813 -UN-01JAN94

ROCKSHAFT CYLINDER AND VALVE HOUSING



KEY	PART NO.	PART NAME	QTY	TRACTOR SERIAL NO.	REMARKS
1	AR63911	HOUSING	1	-XXXXXX	(MARKED R55137) (SUB AL40888, F1791R, F3322R, L41383, L41384, (2) L41536 AND L41538)
	AL40888	HOUSING	1	XXXXXX-	(MARKED L41725) (SUB AL64830)
2	D2361R	BALL	2		13MM (1/2")
3	R26448	O-RING	1		
4	14H888	NUT	1		9/16"
5	T22471	SCREW	1		
6	R27218	FITTING PLUG	1	-XXXXXX	
	L41726	PIPE PLUG	1	XXXXXX-	(USE WITH AL40888)
7	R26448	O-RING	2	-XXXXXX	
	L41536	O-RING	2	XXXXXX-	(USE WITH AL40888)
8	T21638	ADAPTER	1	-XXXXXX	
	L41538	FITTING	1	XXXXXX-	(USE WITH AL40888)
9	F1791R	WASHER	1		
10	T22867	DRAIN PLUG	1	-XXXXXX	
	L41384	PIPE PLUG	1	XXXXXX-	(USE WITH AL40888)
11	R26375	O-RING	1	-XXXXXX	
	L41383	RING	1	XXXXXX-	(USE WITH AL40888)
12	F2962R	SPRING ASSEMBLY	1		
13	R56755	WASHER	1		(SUB FOR A4847R)
14	AT21781	VALVE	1		
15	R26286	O-RING	1		
16	19H1765	CAP SCREW	5		3/8" X 1-3/4"
17	15H562	PIPE PLUG	1		1"
18	T24483	VALVE SEAT INSERT	2		(SUB R54969 AND T28538)
19	T24484	VALVE	2		(SUB R54969 AND T28538)
20	T19526	SPRING	2		(SUB FOR A354R)
21	R10093	O-RING	2		
22	R31136	BACK-UP RING	2		
23	T24485	PLUG	2		
24	L55204	O-RING	2		(SUB FOR R65548)
25	M3265T	SNAP RING	2		
26	F2741R	PACKING	1		
27	T24540	SLEEVE	2		
28	15H559	PIPE PLUG	1		1/4"
29	T22469	PIN	1		

MEMORANDA

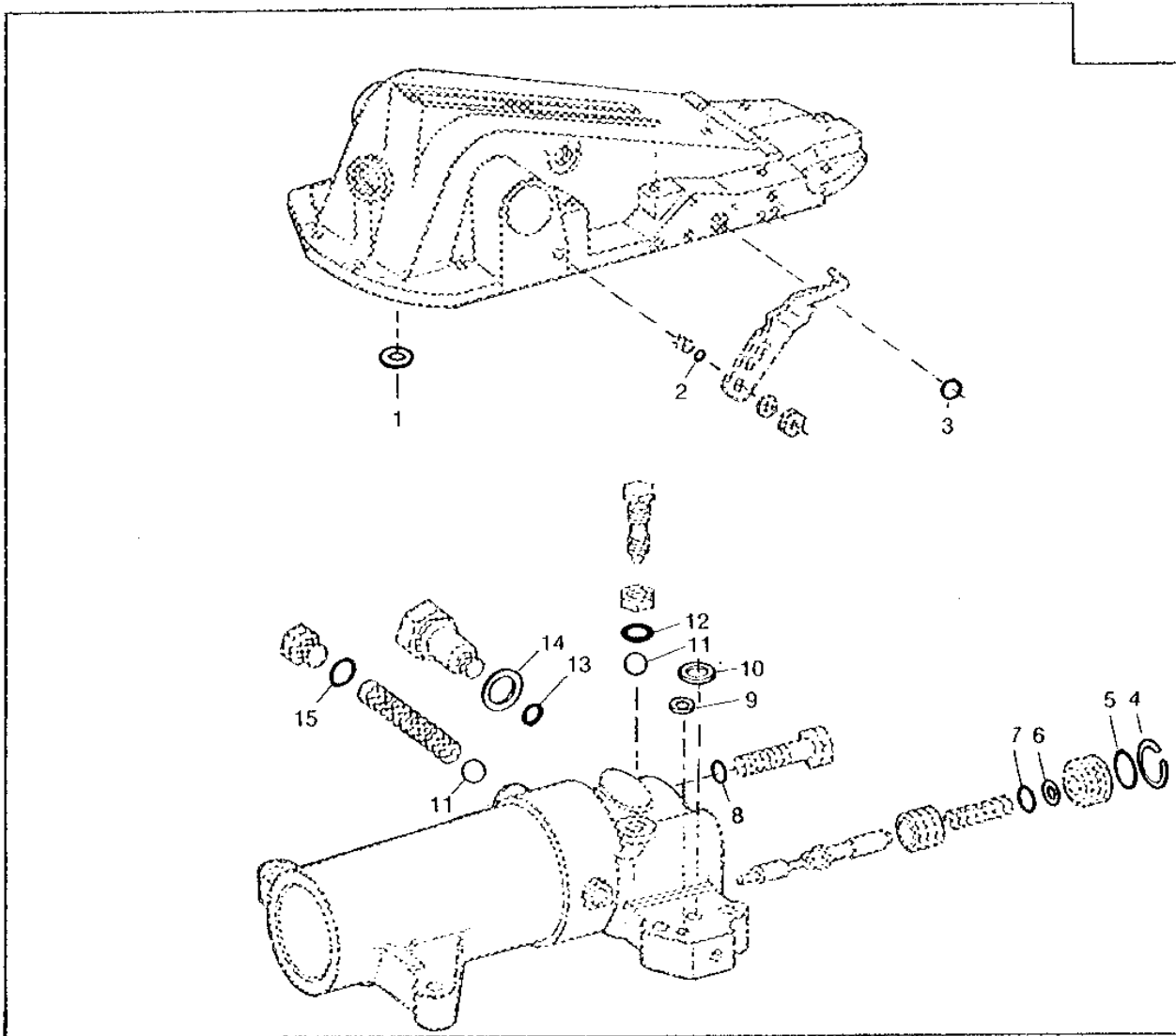
2B15

HYDRAULICS

RP582

-UN-01JAN94

ROCKSHAFT SEAL KIT



RP582

2B16

HYDRAULICS

ROCKSHAFT SEAL KIT - CONTINUED

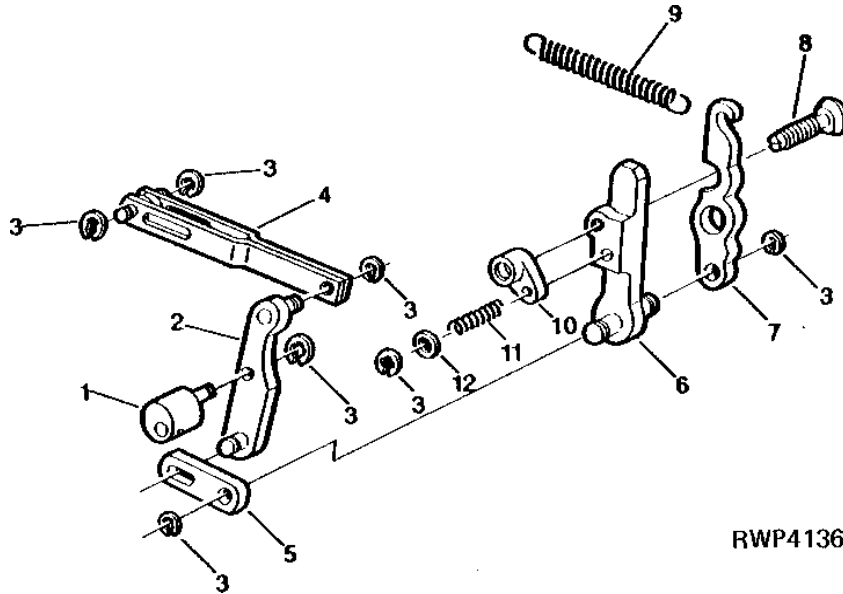
KEY	PART NO.	PART NAME	QTY	TRACTOR SERIAL NO.	REMARKS
1	T17882	WASHER	1		
2	F3353R	O-RING	1		
3	R10093	O-RING	1		
4	M3265T	SNAP RING	2		
5	L55204	O-RING	2		
6	R31136	BACK-UP RING	2		
7	R10093	O-RING	2		
8	R26286	O-RING	1		
9	A4847R	WASHER	1		
10	F2741R	PACKING	1		
11	D2361R	BALL	2		
12	R26448	O-RING	1		
	T27260	WASHER	1		
13	R26448	O-RING	1		
14	F1791R	WASHER	1		
15	R26375	O-RING	1		
16	AR92385	KIT	1		

2B17

HYDRAULICS

RWP4136 -UN-01JAN94

ROCKSHAFT CYLINDER AND VALVE HOUSING LINKAGE



RWP4136

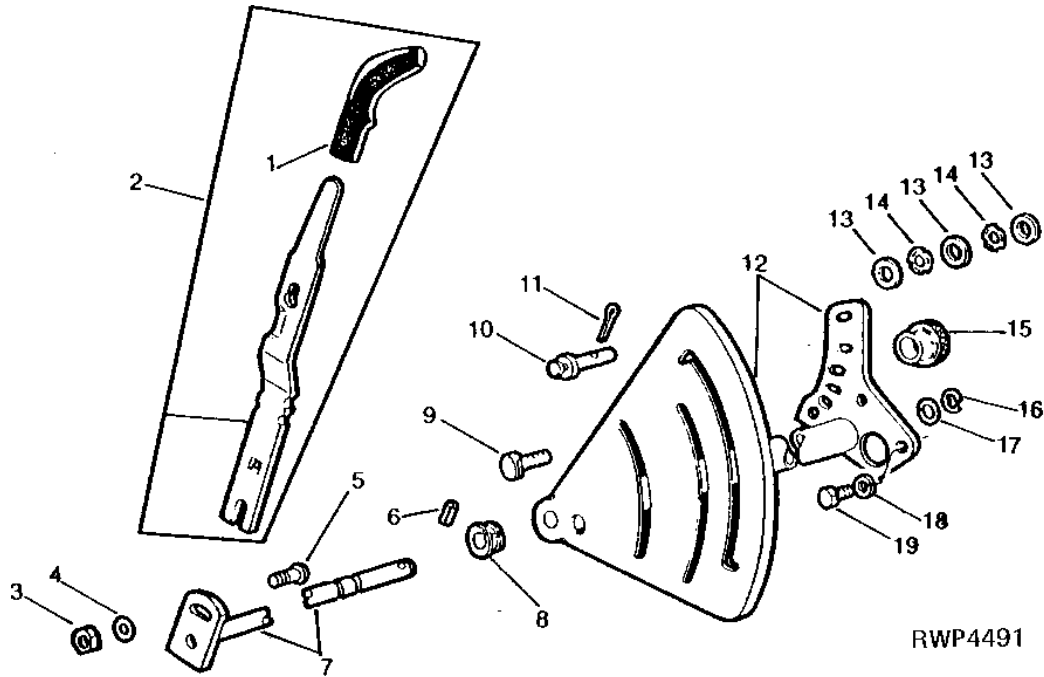
KEY	PART NO.	PART NAME	QTY	TRACTOR SERIAL NO.	REMARKS
1	AT19840	FULCRUM	1		
2	AT20085	LINK	1		
3	R72653	SNAP RING	7		(SUB FOR M2396T)
4	AT20141	LEVER	7		
5	T22232	STRAP	1		
6	AR52279	LEVER	1		
7	T22224	CAM	1		
8	T22228	SCREW	1		
9	T22473	SPRING	1		
10	T22229	NUT	1		
11	F1942R	SPRING	1		
12	24H1290	WASHER	1		21/64" X 3/4" X 0.035"

2B18

HYDRAULICS

RWP4491 -UN-01JAN94

ROCKSHAFT CONTROL LEVER



RWP4491

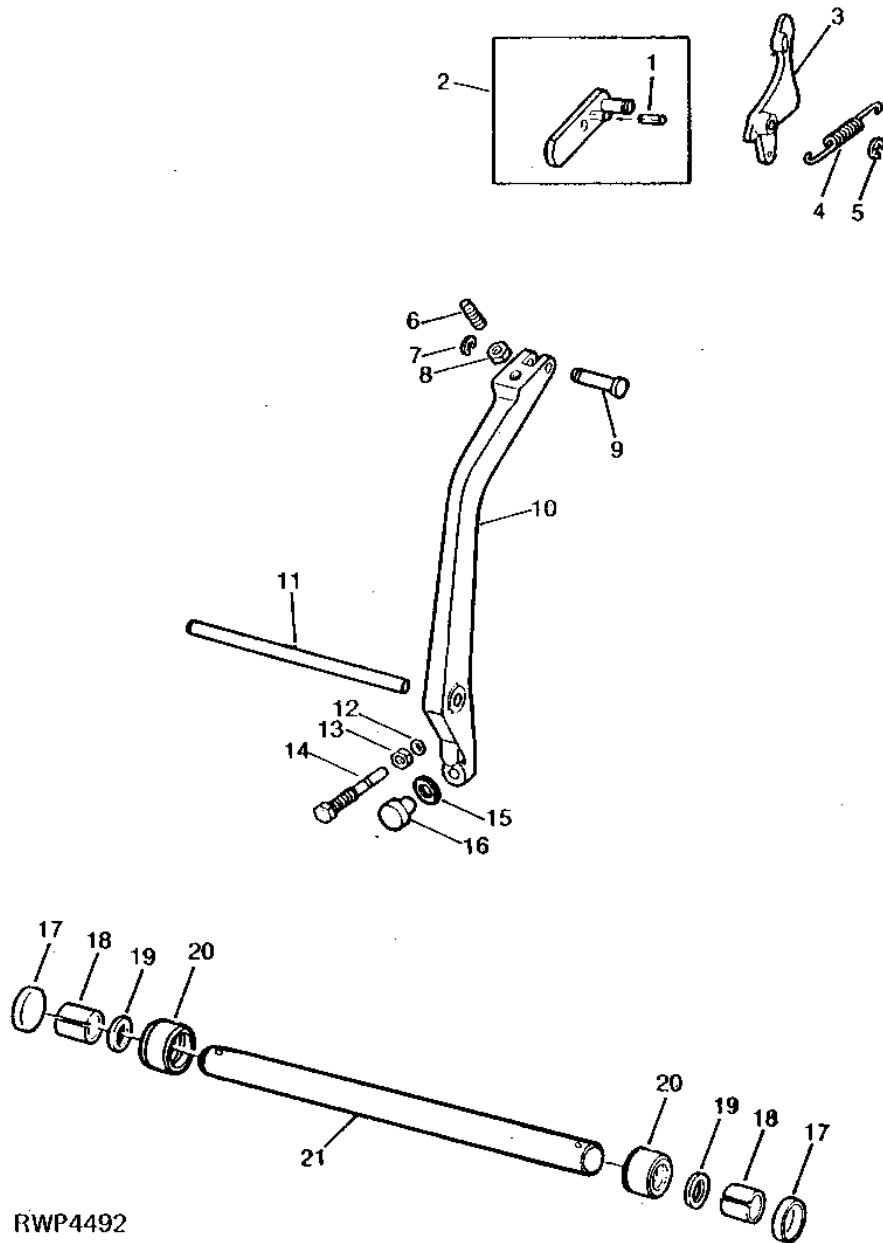
KEY	PART NO.	PART NAME	QTY	TRACTOR SERIAL NO.	REMARKS
1	R54273	GRIP	1		
2	AL24015	LEVER	1		
3	14H1076	NUT	1	3/8"	
4	24H1305	WASHER	1	13/32" X 13/16" X 0.065"	
5	03H1765	BOLT	1	3/8" X 3/4"	
6	34H268	SPRING PIN	1	5/32" X 1-1/4"	
7	AT19838	SHAFT	1		
8	T26626	GROMMET	1		
9	T22865	SCREW	1		
10	T26625	PIN	1		
11	11M7081	COTTER PIN	1	0.098" X 0.787"	
12	AL33044	QUADRANT	1		
13	24M7207	WASHER	3	8.400 X 24 X 2 MM	
14	T22877	LOCK WASHER	2		
15	T22470	KNOB	1		
16	R30437	SNAP RING	1		
17	R10093	O-RING	1		
18	12H304	LOCK WASHER	3	3/8"	
19	19H2284	CAP SCREW	3	3/8" X 7/8"	

2B19

HYDRAULICS

RWP4492 -UN-01JAN94

LOAD CONTROL



RWP4492

2B20

HYDRAULICS

LOAD CONTROL - CONTINUED

KEY	PART NO.	PART NAME	QTY	TRACTOR SERIAL NO.	REMARKS
1	34H394	SPRING PIN	1		3/16" X 15/16"
2	AL61479	EXTENSION	1		(SUB FOR AT30631)
3	L32638	CAM FOLLOWER	1		(SUB L55223)
4	T21955	EXTENSION SPRING	1		(COLLAR SHIFT TRANSMISSION)
	R49962	EXTENSION SPRING	1		(MECHANICAL FRONT WHEEL DRIVE)
5	R72653	SNAP RING	1		(SUB FOR M2396T)
6	T29311	SET SCREW	1		
7	R72653	SNAP RING	1		(SUB FOR M2396T)
8	14H864	NUT	1		7/16"
9	T24690	PIN	1		
10	L39881	LEVER	1		(SUB FOR T21487) (SUB L56824 AND L58389)
11	T21681	DOWEL PIN	1		
12	A4365R	O-RING	1		
13	14H864	NUT	1		7/16"
14	T23216	CAP SCREW	1		
15	24H1302	WASHER	1		13/32" X 11/16" X 0.035"
16	T21680	PIN	1		
17	T22098	WASHER	2		
18	T22099	BUSHING	2		
19	A4730R	O-RING	2		
20	T22097	BUSHING	2		
21	L26932	PIN	1		

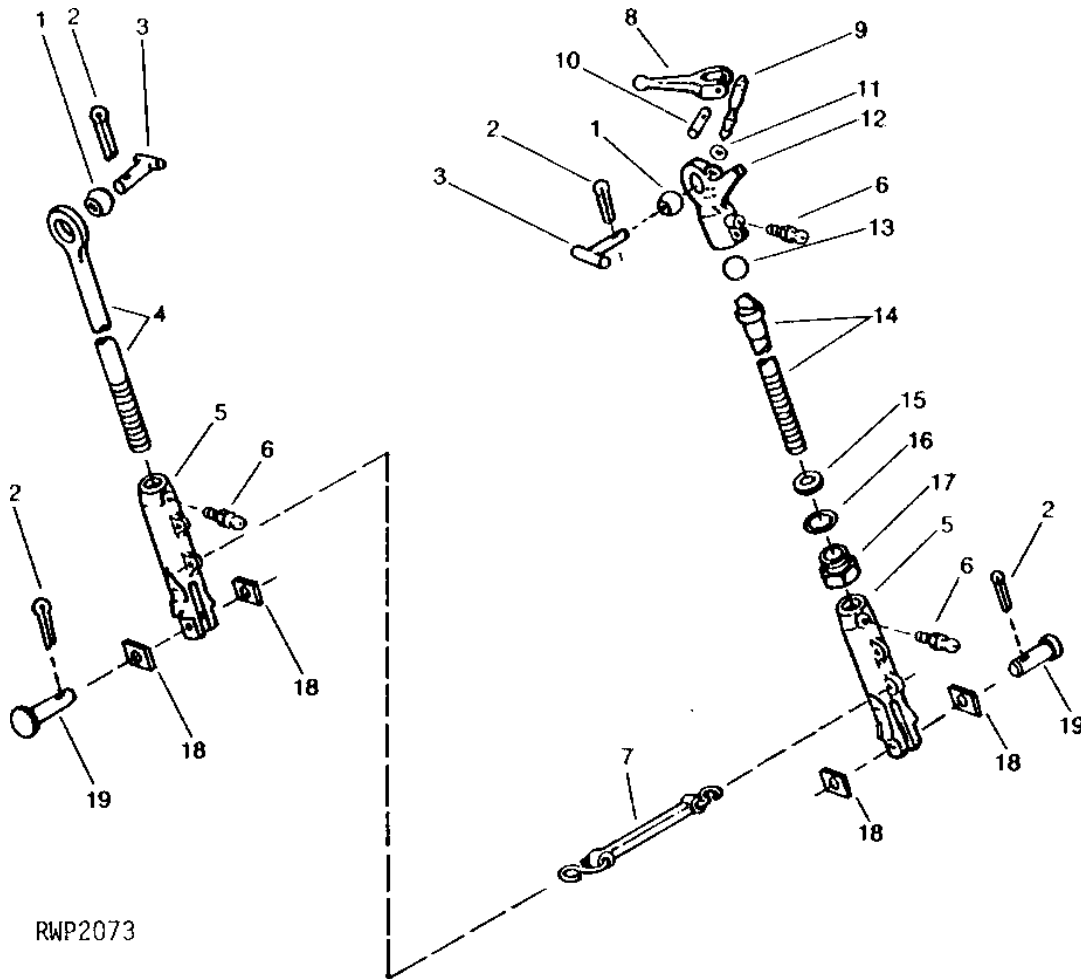
2B21

HYDRAULICS

RWP2073

-UN-01JAN94

THREE-POINT HITCH LIFT LINKS



RWP2073

2B22

HYDRAULICS

THREE-POINT HITCH LIFT LINKS - CONTINUED

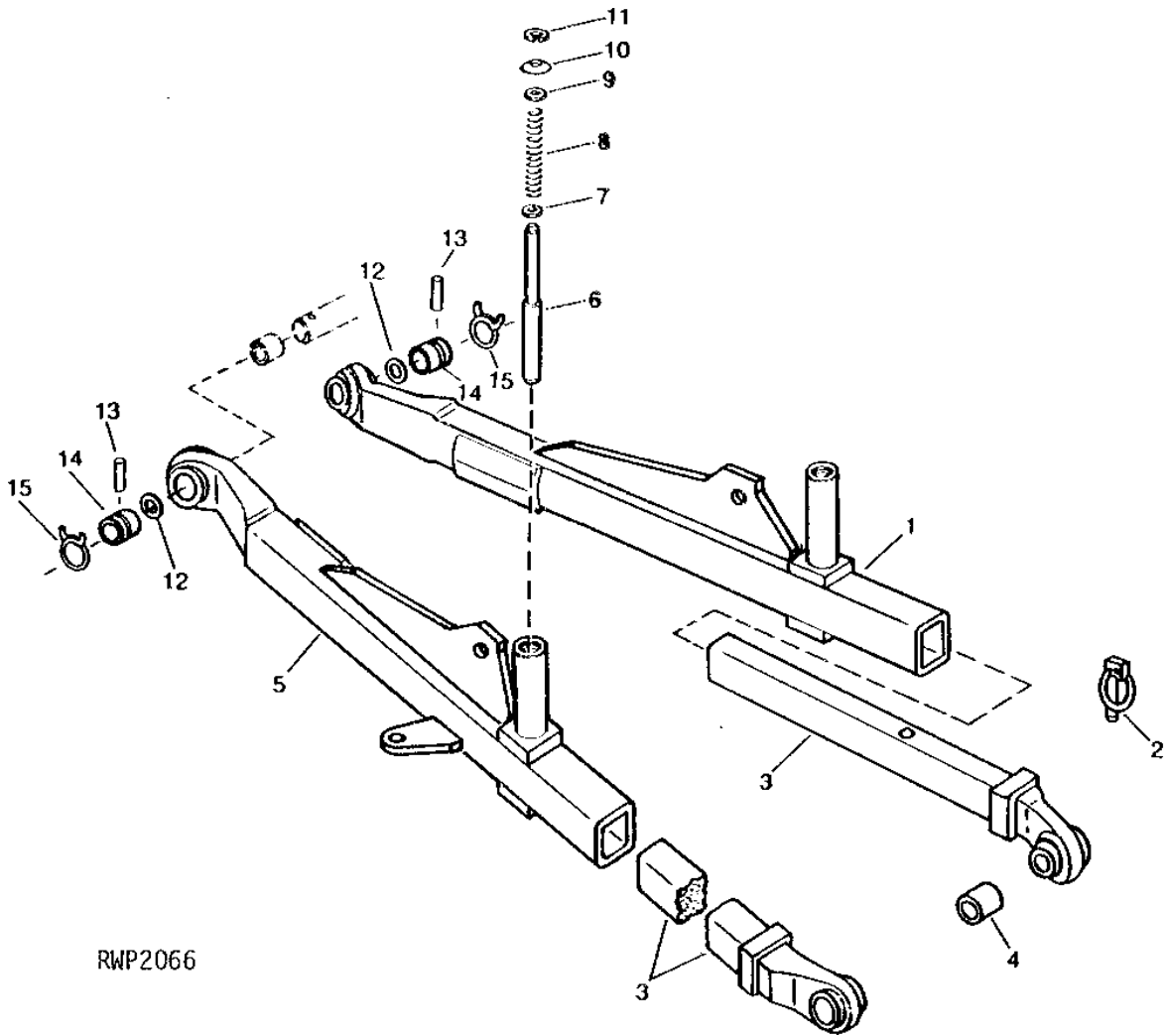
KEY	PART NO.	PART NAME	QTY	TRACTOR SERIAL NO.	REMARKS
1	T21901	BALL	2		
2	11M7030	COTTER PIN	4		0.197" X 1.575"
3	AT21754	PIN	2		
4	T25836	END	1		547MM (21-1/2")
	L28372	END	1		505MM (19-7/8")
5	R48595	LINK BODY	2		
6	JD7798	LUBRICATION FITTING	3		
7	AR68071	STRAP	1		
8	T21559	HANDLE	1		
9	T21558	SHAFT	1		
10	34H314	SPRING PIN	1		1/4" X 1-1/4"
11	P46051	O-RING	1		
12	L28374	HOUSING	1		
13	T22399	BALL	1		
14	T25835	SHAFT	1		445MM (17-1/2")
	T25823	SHAFT	1		403MM (15-7/8")
15	T32488	WASHER	1		
16	T21903	WASHER	1		
17	T21758	ADAPTER	1		
18	T21759	STRAP	4		
19	T22714	PIN	2		

2B23

HYDRAULICS

TELESCOPING DRAFT LINKS (CATEGORY I AND II HITCH)

RWP2066 -UN-01JAN94



RWP2066

2B24

HYDRAULICS

TELESCOPING DRAFT LINKS - CONTINUED (CATEGORY I AND II HITCH)

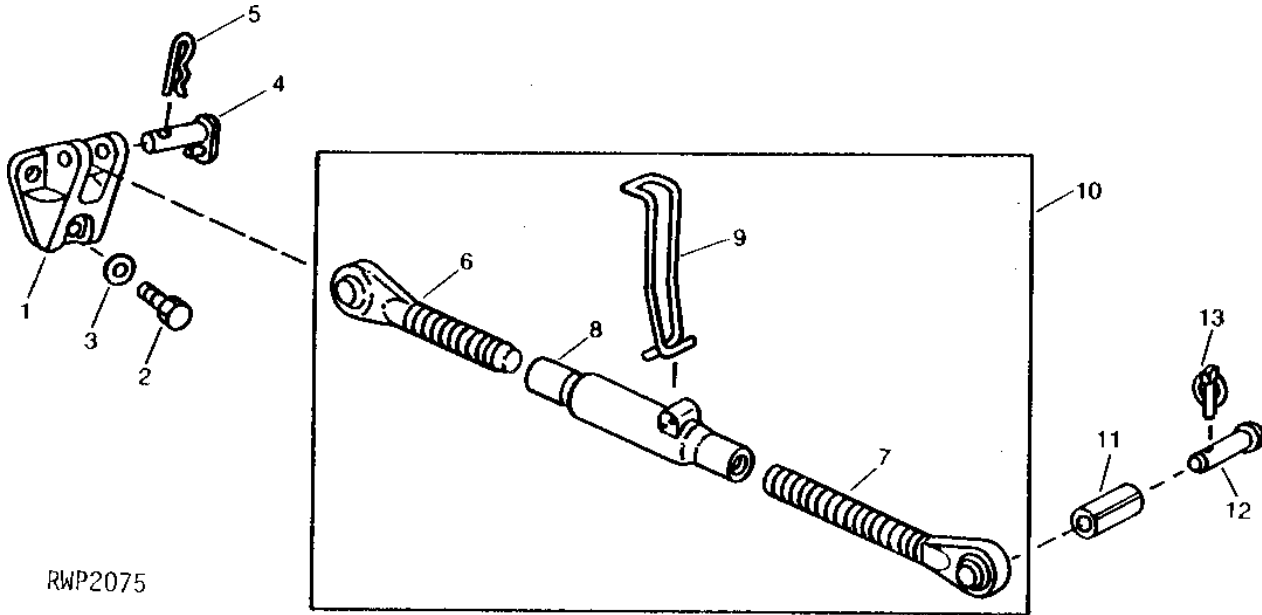
KEY	PART NO.	PART NAME	QTY	TRACTOR SERIAL NO.	REMARKS
1	AL26679	DRAFT LINK	1		
2	AR62149	QUICK LOCK PIN	2		(TO CONVERT CATEGORY II TO CATEGORY I)
3	AR28570	BAR	2		
4	R66432	BUSHING	2		(TO CONVERT CATEGORY II TO CATEGORY I)
5	AL26678	DRAFT LINK	1		
6	F2693R	PIN	2		
7	D2865R	WASHER	2		
8	F2695R	SPRING	2		
9	T18716	WASHER	2		
10	B2477R	WASHER	2		
11	F2208R	SNAP RING	2		
12	R66197	THRUST WASHER	AR		(SUB FOR R43216)
13	L26935	PIN	2		
14	L26933	BUSHING	2		
15	L26936	CLAMP	2		
..	AF3147R	BAR	1		

2B25

HYDRAULICS

RWP2075 -UN-01JAN94

THREE-POINT HITCH CENTER LINK



RWP2075

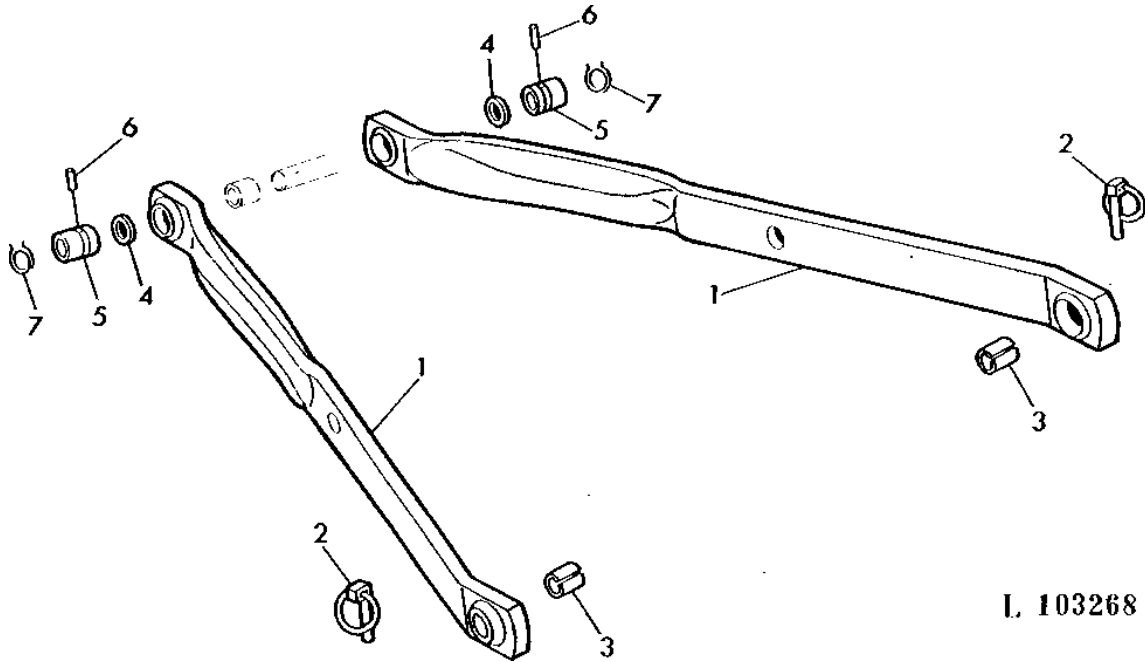
KEY	PART NO.	PART NAME	QTY	TRACTOR SERIAL NO.	REMARKS
1	T21685	BRACKET	1		
2	19H1708	CAP SCREW	3	5/8" X 1-3/4"	
3	12H294	LOCK WASHER	3	5/8"	
4	AT21912	PIN	1		
5	A3581R	SPRING LOCKING PIN	1		
6	AT23759	END	1	-XXXXXX (SUB AL39172)	
	AL39172	CENTER LINK END	1	XXXXXX-	
7	AL18136	END	1	-XXXXXX (SUB AL39171)	
	AL39171	CENTER LINK END	1	XXXXXX-	
8	AL18135	LINK BODY	1		
9	T27136	HANDLE	1		
10	AT23758	LINK	1	-XXXXXX (SUB AL39170)	
	AL39170	CENTER LINK	1	XXXXXX-	
11	L11292	BUSHING	1		(CATEGORY I)
12	R58262	PIN	1		(CATEGORY I)
	R53296	PIN	1		(CATEGORY II)
13	M115827	QUICK LOCK PIN	1		(SUB FOR AR62151)

2C1

HYDRAULICS

L103268 -UN-01JAN94

THREE-POINT HITCH DRAFT LINKS (FLAT STEEL)



L. 103268

KEY	PART NO.	PART NAME	QTY	TRACTOR SERIAL NO.	REMARKS
1	AR77530	DRAFT LINK	2		(SUB FOR AT19849)
2	AR62149	QUICK LOCK PIN	2		
3	T25767	BUSHING	2		
4	R66197	THRUST WASHER	AR		(SUB FOR R43216)
5	L26933	BUSHING	2		
6	L26935	PIN	2		
7	L26936	CLAMP	2		

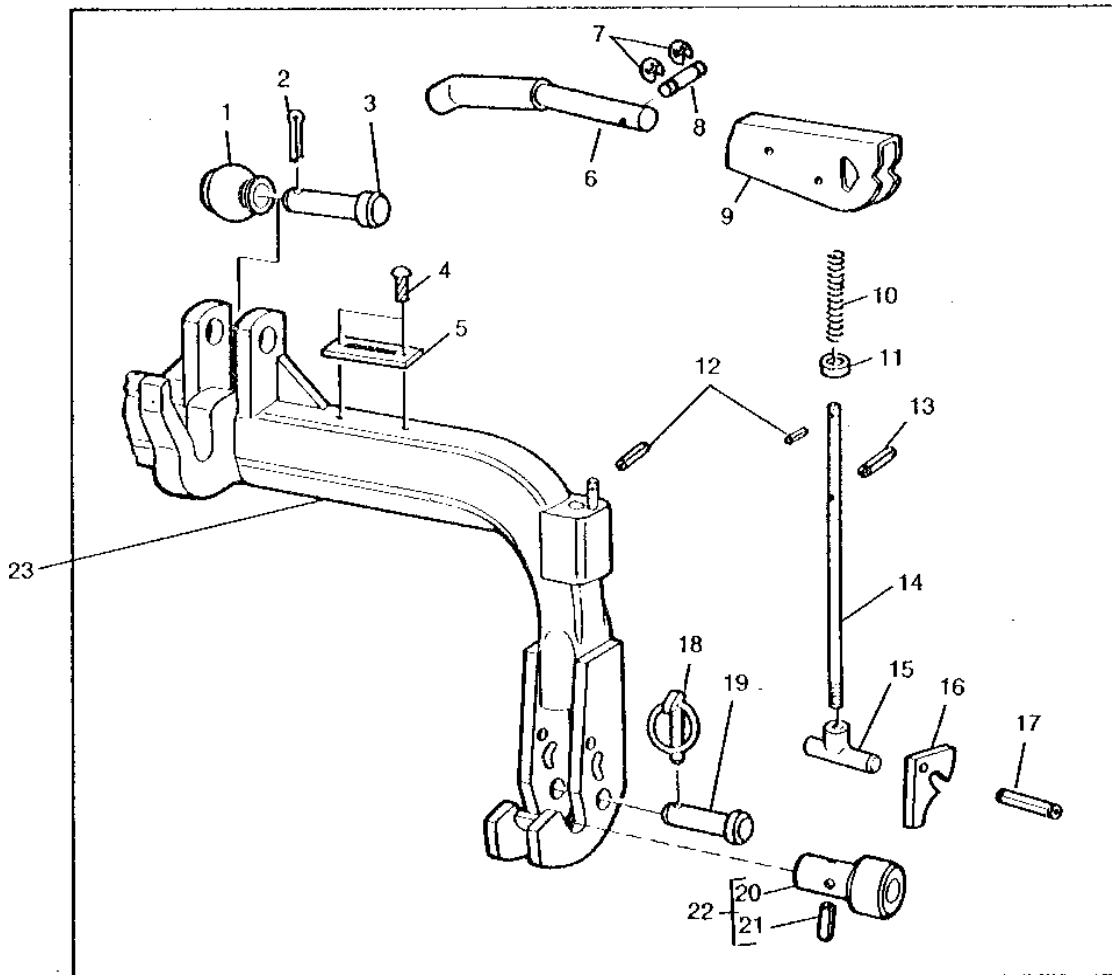
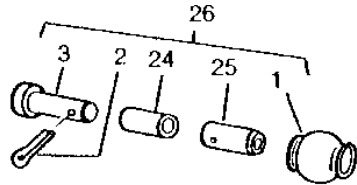
2C2

HYDRAULICS

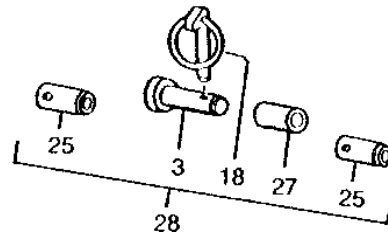
RP1084

-UN-01JAN94

IMPLEMENT QUICK COUPLER



RP1084



2C3

HYDRAULICS

IMPLEMENT QUICK COUPLER - CONTINUED

KEY	PART NO.	PART NAME	QTY	TRACTOR SERIAL NO.	REMARKS
1	F2680R	BALL STUD	1	(A)	
	F2681R	BALL	1	(B)	
2	11M7038	COTTER PIN	1	(A) 0.248" X 1.575"	
	11M7040	COTTER PIN	1	(B) 0.248" X 1.969"	
3	R44917	PIN	1	(A) (SUB R58262)	
	R53296	PIN	1	(B)	
4	37H44	SCREW	2	0.151" X 3/8"	
5	R83531	LABEL	1	SAFETY PLATE, (SUB FOR R56038) (SUB R122428)	
6	R48163	HANDLE	2		
7	R72654	SNAP RING	4	(SUB FOR R27507)	
8	R66901	SPRING PIN	2		
9	R48164	LEVER	2		
10	R43444	SPRING	2		
11	R46890	SLEEVE	2		
12	34H311	SPRING PIN	4	1/4" X 7/8"	
13	34H277	SPRING PIN	2	3/16" X 5/8"	
14	R46889	STUD	2		
15	AR49206	PIN	2		
16	R46893	LATCH	2		
17	34H373	SPRING PIN	2	1/2" X 2-1/2"	
18	M115827	QUICK LOCK PIN	2	(SUB FOR AR62151)	
19	R27997	PIN	2	(SUB R58268)	
20	R27998	HALF SLEEVE	2		
21	R27999	SPRING PIN	2		
22	AR27093	ADAPTER	2		
23	AR49202	QUICK COUPLER	1	(SUB TY16042)	
24	28H1753	BUSHING	1	(B) 3/4" X 2-1/16"	
25	R66432	BUSHING	1	(A) 56MM (2-3/16")	
	R66433	BUSHING	1	(A) 65MM (2-9/16")	
26	AF2710R	BALL	1	(C) (SUB F2680R, R58262, (2) R66432, (2) R66433 AND 11M7038)	
	AF2711R	BALL	1	(B)	
27	T12553	BUSHING	1		
28	AT12350	BUSHING	1	(C) (SUB M115827, R58262, (2) R66432 AND T12553)	

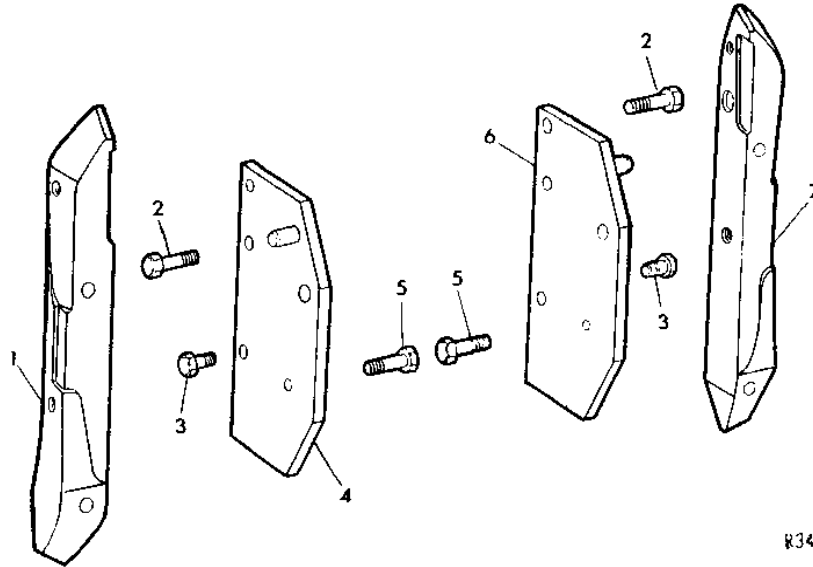
- (A) CATEGORY I
- (B) CATEGORY II
- (C) CONVERTS CATEGORY II TO I

2C4

HYDRAULICS

R34162 -UN-01JAN94

SWAY BLOCKS AND SUPPORTS



R34162

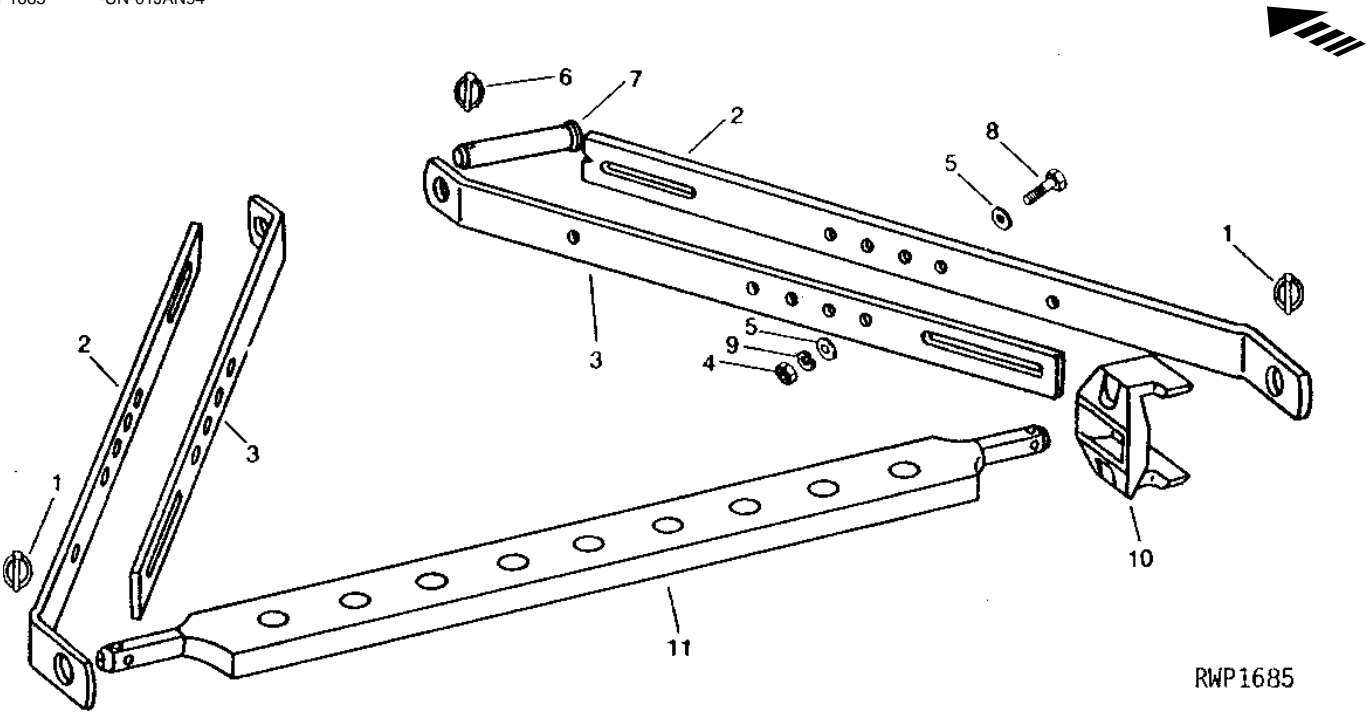
KEY	PART NO.	PART NAME	QTY	TRACTOR SERIAL NO.	REMARKS
1	T30277	SWAY BLOCK	1		
2	19H1815	CAP SCREW	4	1/2" X 1-1/4"	
3	19H1936	CAP SCREW	2	3/8" X 3/4"	
4	AR90971	SUPPORT	1		
5	19H1721	CAP SCREW	2	1/2" X 1-1/2"	
6	AT20167	SUPPORT	1		
7	T30276	SWAY BLOCK	1		
..	AT29301	SHIM	1		KIT, SWAY CONTROL BLOCK, (SUB T23230)

2C5

HYDRAULICS

RWP1685 -UN-01JAN94

HITCH DRAWBAR



RWP1685

KEY	PART NO.	PART NAME	QTY	TRACTOR SERIAL NO.	REMARKS
1	AR62150	QUICK LOCK PIN	2		
2	T22118	STRAP	2		
3	T22119	STRAP	2		
4	14H1040	NUT	6	1/2"	
5	24H1341	WASHER	12	17/32" X 15/16" X 0.060"	
6	M115827	QUICK LOCK PIN	1	(SUB FOR AR62151)	
7	T22120	PIN	1		
8	19H2473	CAP SCREW	6	1/2" X 1-3/4"	
9	12H301	LOCK WASHER	6	1/2"	
10	T29307	STABILIZER	1		
11	T21678	DRAWBAR	1		

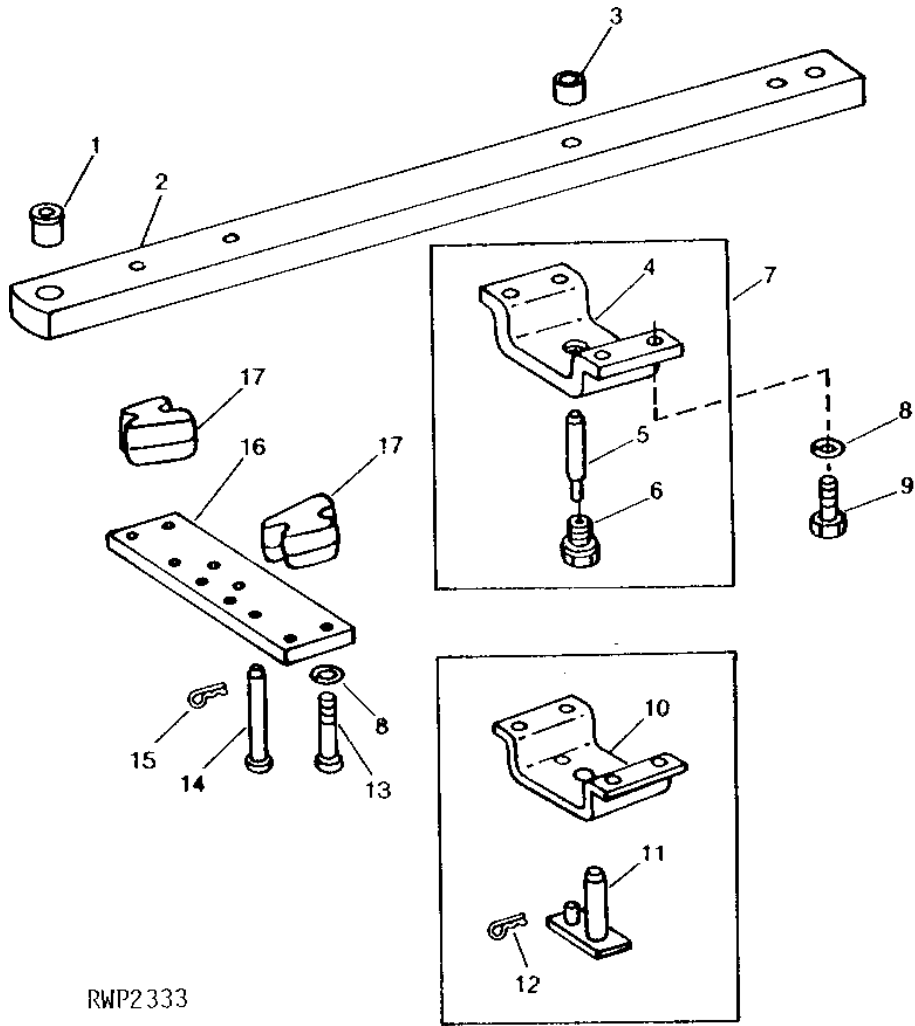
2C6

HYDRAULICS

RWP2333

-UN-01JAN94

DRAWBAR



RWP2333

2C7

HYDRAULICS

DRAWBAR - CONTINUED

KEY	PART NO.	PART NAME	QTY	TRACTOR SERIAL NO.	REMARKS
1	R70080	SPACER	1		(TO CONVERT 33MM TO 19.8MM)
2	R61126	DRAWBAR	1		(ALSO ORDER (2) L29023) (SUB FOR T21667)
3	T21671	BUSHING	1		
4	AL27203	SUPPORT	1	XXXXXX-	
5	L32016	PIN	1	XXXXXX-	
6	L31849	ADAPTER	1	XXXXXX-	
7	AR101210	KIT	1	XXXXXX-	(SUB AL27203, L31849 AND L32016)
8	12H301	LOCK WASHER	8		1/2"
9	19H1815	CAP SCREW	4		1/2" X 1-1/4"
10	T21672	SUPPORT	1	-XXXXXX	(SUB AL27203, L31849 AND L32016)
11	AT19850	PIN	1	-XXXXXX	(SUB AL27203, L31849 AND L32016)
12	T22848	SPRING LOCKING PIN	1	-XXXXXX	
13	19H1820	CAP SCREW	4		1/2" X 3"
14	T32016	PIN	2		(SUB L29022)
15	A3581R	SPRING LOCKING PIN	2		
16	T21677	SUPPORT	1		
17	T21913	SPACER	2		
	L29023	SPACER	2		(USE WITH R61126)

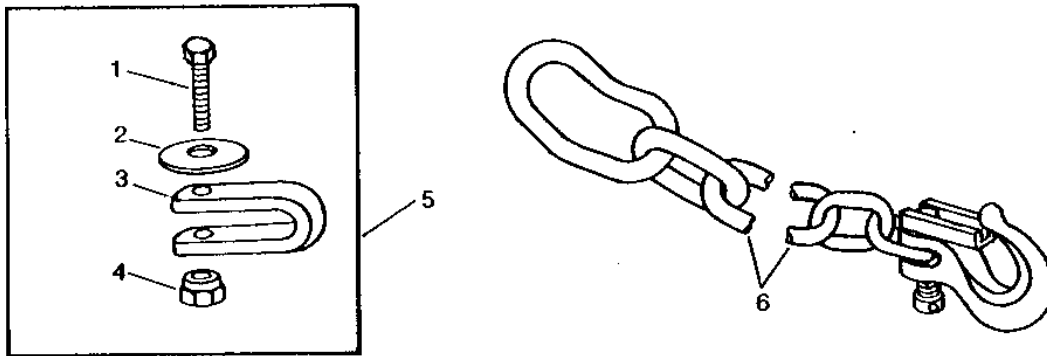
MEMORANDA

2C8

HYDRAULICS

RWP5796 -UN-01JAN94

IMPLEMENT SAFETY CHAIN



RWP5796

KEY	PART NO.	PART NAME	QTY	TRACTOR SERIAL NO.	REMARKS
1	19H1768	CAP SCREW	1	(A) (B)	
	19H2084	CAP SCREW	1	(A)	
	19H2174	CAP SCREW	1	(B)	
2	R36402	WASHER	1		
3	R69408	CLEVIS	1	(A)	
	R69409	CLEVIS	1	(B)	
4	T25879	NUT	2		
5	AR90577	SAFETY CHAIN ADAPTER KIT	1		CATEGORY IV DRAWBARS
	AR90578	CHAIN KIT	1		CATEGORY II AND III DRAWBARS
6	RE26739	LINK CHAIN	1		61 LINKS 6.4MM (1/4") DIA CHAIN (6,000 LB)
	AR90581	LINK CHAIN	1		61 LINKS 6.4MM (1/4") DIA CHAIN (10,000 LB)
	AR90579	LINK CHAIN	1		42 LINKS 9.5MM (3/8") DIA CHAIN
	AR90583	LINK CHAIN	1		43 LINKS 11.1MM (7/16") DIA CHAIN
	RE26740	LINK CHAIN	1		42 LINKS 12.7MM (1/2") DIA CHAIN, (SUB AN212996)

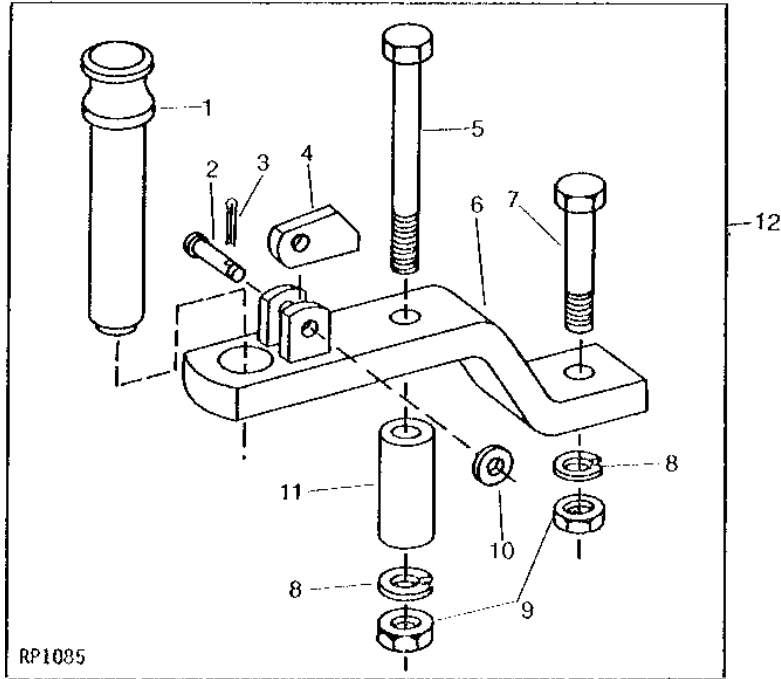
(A) INCLUDED IN AR90577
 (B) INCLUDED IN AR90578

2C9

HYDRAULICS

RP1085 -UN-01JAN94

HAMMER STRAP ASSEMBLY



KEY	PART NO.	PART NAME	QTY	TRACTOR SERIAL NO.	REMARKS
1	T29645	PIN	1		(SUB L63825 AND L63826)
2	R52107	PIN	1		
3	11M7077	COTTER PIN	1		0.063" X 0.984"
4	T29644	LATCH	1		(SUB L63826)
5	19H3174	CAP SCREW	1		5/8" X 5-1/4"
6	AT28198	STRAP	1		
7	19H1863	CAP SCREW	1		5/8" X 3"
8	12H294	LOCK WASHER	2		5/8"
9	14H1039	NUT	2		5/8"
10	24H1136	WASHER	1		11/32" X 11/16" X 0.065"
11	T29892	SPACER	1		(SUB L57595)
12	AR74111	KIT	1		(HEAVY-DUTY DRAWBAR) (USE WITH R61126) (SUB RE39829)

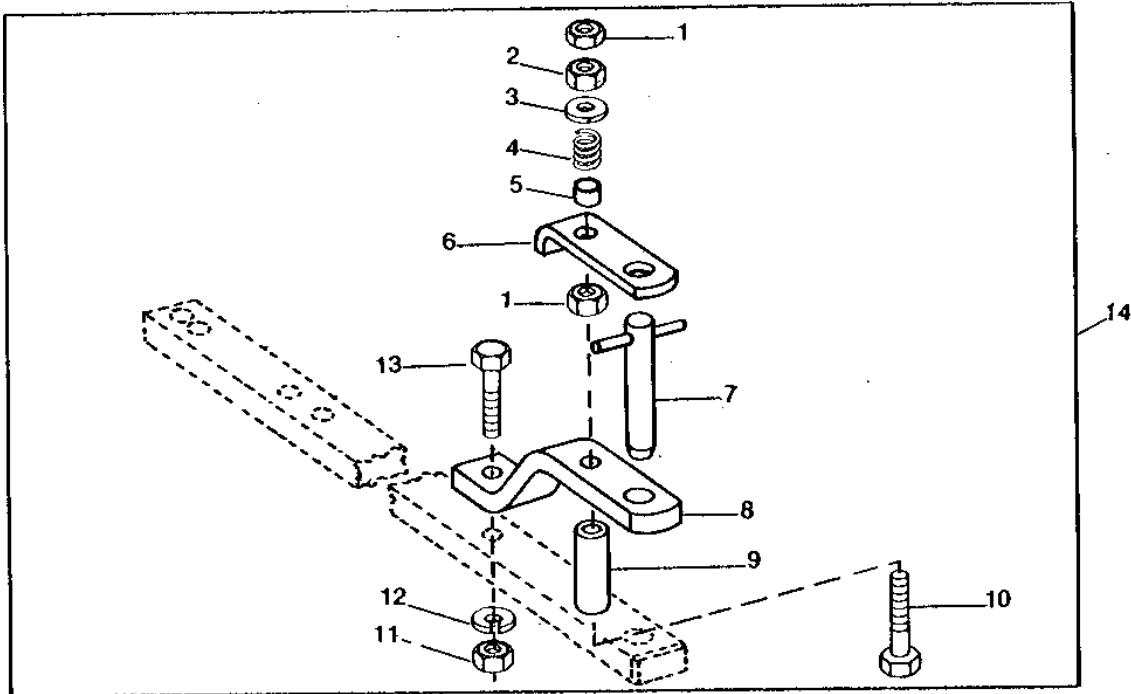
2C10

HYDRAULICS

RWP3979

-UN-01JAN94

DRAWBAR HAMMER STRAP KIT



RWP3979

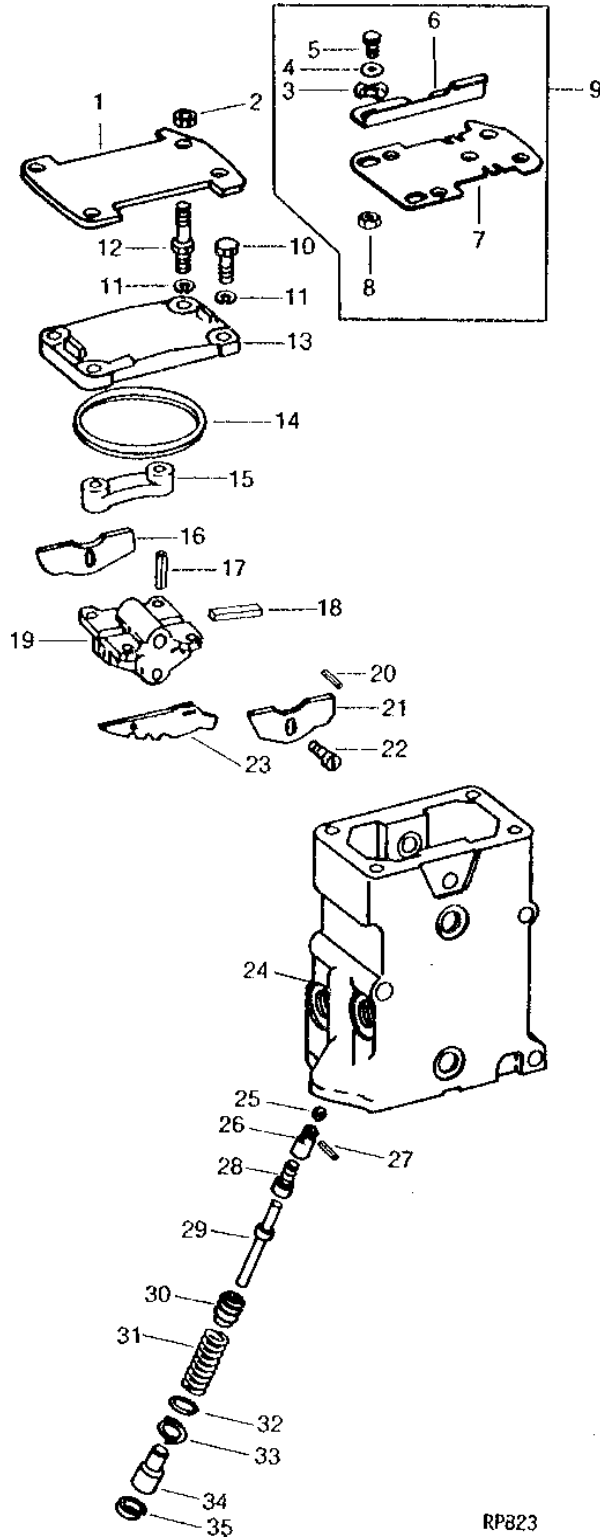
KEY	PART NO.	PART NAME	QTY	TRACTOR SERIAL NO.	REMARKS
1	14H821	NUT	2	5/8"	
2	14H1039	NUT	1	5/8"	
3	24H1372	WASHER	1	21/32" X 1-1/2" X 0.060"	
4	F3541R	SPRING	1		
5	F3542R	BUSHING	1		
6	F3539R	RETAINER	1		
7	AR69988	PIN	1		
8	T29899	STRAP	1		
9	T29892	SPACER	1		(USE WITH RE13089) (SUB L57595)
	N186901	SPACER	1		(USE WITH RE39829)
10	19H2432	CAP SCREW	1	5/8" X 7-1/2", (USE WITH RE13089)	
	08H4770	CAP SCREW	2	5/8" X 8-1/4", (USE WITH RE39829)	
11	14H1039	NUT	1	5/8"	
12	12H294	LOCK WASHER	1	5/8"	
13	19H1863	CAP SCREW	1	5/8" X 3"	
14	RE13089	KIT	1		(SUB RE39829)
	RE39829	KIT	1		

2C11

HYDRAULICS

RP823 -UN-01JAN94

SELECTIVE CONTROL VALVE PARTS



RP823

2C12

HYDRAULICS

SELECTIVE CONTROL VALVE PARTS - CONTINUED

KEY	PART NO.	PART NAME	QTY	TRACTOR SERIAL NO.	REMARKS
1	T22996	ADJUSTING STRAP	1		
2	14H732	NUT	2	3/8"	
3	T25804	LOCK WASHER	1		
4	24H1320	WASHER	1	29/64" X 3/4" X 0.035"	
5	T25803	CAP SCREW	1		
6	T29519	LOCK PLATE	1	(NLA)	
7	T29518	PLATE	1	(NLA)	
8	14H785	NUT	1	5/16"	
9	AT29222	LOCK	1	(DUAL SELECTIVE CONTROL) (SUB RE19419, THIS APPLICATION)	
10	19H1731	CAP SCREW	2	3/8" X 1"	
11	12H304	LOCK WASHER	4	3/8"	
12	R39225	STUD	2		
13	R49186	COVER	1		
14	R49187	WASHER	1		
15	R49221	RETAINER	2		
16	R51414	CAM	1	UPPER	
17	22H1025	SET SCREW	4	1/4" X 7/8"	
18	34H297	SPRING PIN	1	7/32" X 1"	
19	R51412	ROCKER	1		
20	R28744	PIN	2		
21	R51415	CAM	1	LOWER	
22	R27233	SCREW	2		
23	R51413	CAM	1		
24	AR83549	HOUSING	1	(MARKED R65504)	
25	R51409	SPACER	1		
26	R51410	CAM FOLLOWER	1		
27	R51411	PIN	1	1/8" X 3/8"	
28	R48978	GUIDE	1		
29	R55398	PIN	1		
30	R48980	PISTON	1		
31	R41055	SPRING	1		
32	B2762R	O-RING	1		
33	R26546	BACK-UP RING	1		
34	R55397	GUIDE	1		
35	R46722	SNAP RING	1		

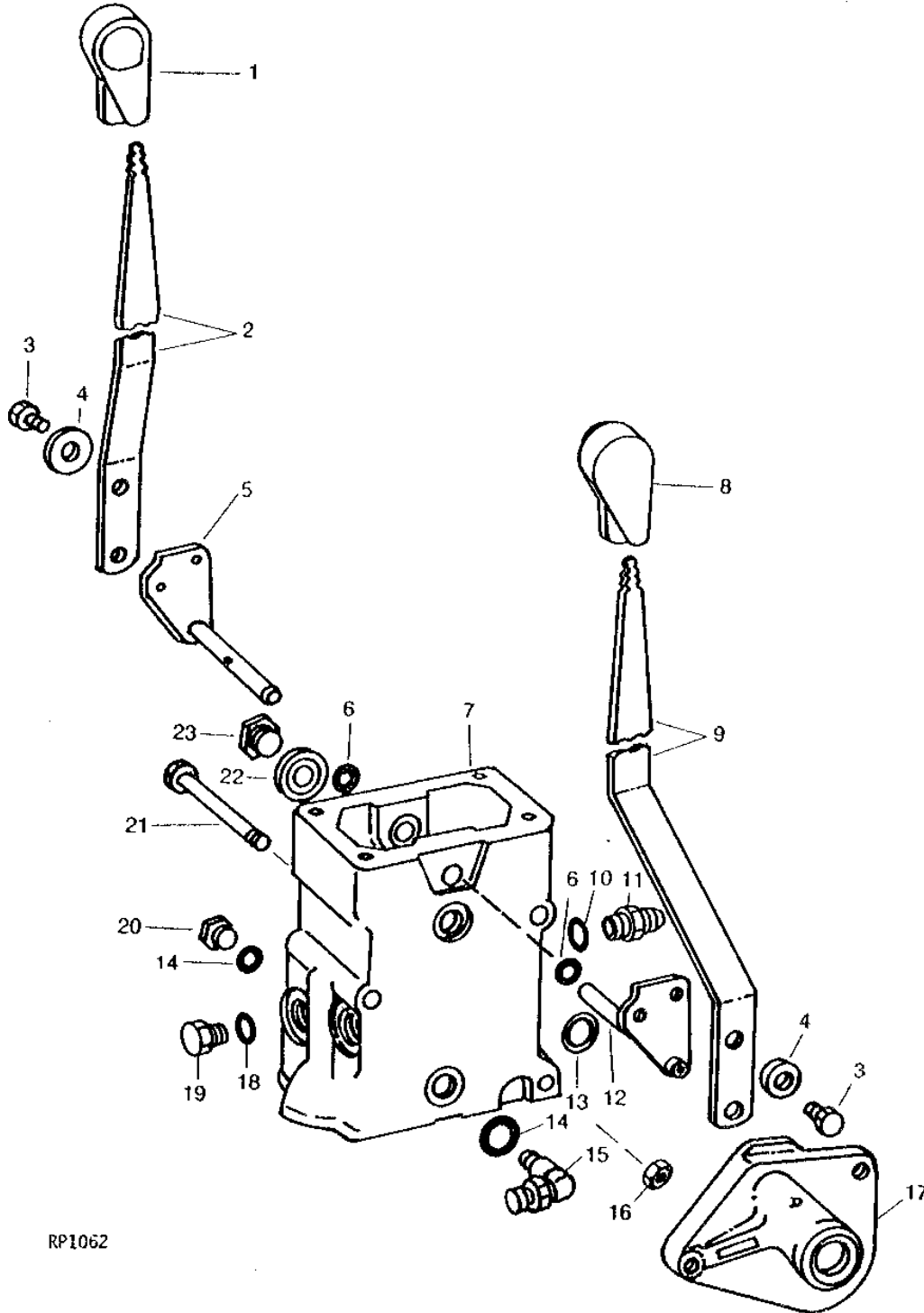
2C13

HYDRAULICS

RP1062

-UN-01JAN94

SELECTIVE CONTROL VALVE LEVERS AND ARMS



RP1062

2C14

HYDRAULICS

SELECTIVE CONTROL VALVE LEVERS AND ARMS - CONTINUED

KEY	PART NO.	PART NAME	QTY	TRACTOR SERIAL NO.	REMARKS
1	R62148	GRIP	1		(DUAL SELECTIVE CONTROL)
2	T23071	LEVER	1		(DUAL SELECTIVE CONTROL)
3	19H1895	CAP SCREW	1		1/2" X 3/4"
4	24H1625	WASHER	1		17/32" X 1" X 0.120"
5	AR39158	ARM	1		(DUAL SELECTIVE CONTROL)
6	R65287	O-RING	2		(SUB R394R)
7	AR83549	HOUSING	1		(INCLUDES SEATS AND GUIDE) (MARKED R65504)
8	R62147	GRIP	1		
9	T23069	LEVER	1		
10	R26375	O-RING	2		
11	R27237	FITTING	2		
12	AR39157	ARM	1		
13	R26149	PACKING	2		
14	R26448	O-RING	2		
15	AT35120	ELBOW FITTING	1		
16	14H1076	NUT	1		3/8"
17	R39289	COVER	1	-362378	
	R69880	COVER	1	362379-	(ILLUSTRATED)
18	R26375	O-RING	2		
19	R39112	FITTING	2		
20	R27218	FITTING PLUG	1		9/16"
21	19H1912	CAP SCREW	3		3/8" X 3-1/2", (SINGLE SELECTIVE CONTROL)
	19H3328	CAP SCREW	3		3/8" X 6-1/2", (DUAL SELECTIVE CONTROL)
22	AR26697	SEALING WASHER	1		
23	R41155	PLUG	1		3/4"
..	AR91855	VALVE	1		POPPET, DUAL ACTING CONVERSION, SINGLE TO DUAL WITHOUT LEVER LOCK, REAR BREAKAWAY COUPLER WITH DOUBLE OUTLET
..	AR91856	VALVE	1		POPPET, DOUBLE ACTING CONVERSION, SINGLE TO DUAL WITHOUT LEVER LOCK, REAR DISCONNECT COUPLER WITH DOUBLE OUTLET
..	AR91861	VALVE	1		POPPET, DOUBLE ACTING, SINGLE WITHOUT LEVER LOCK FOR USE WITH 5.00 TO 1 RATIO FINAL DRIVE

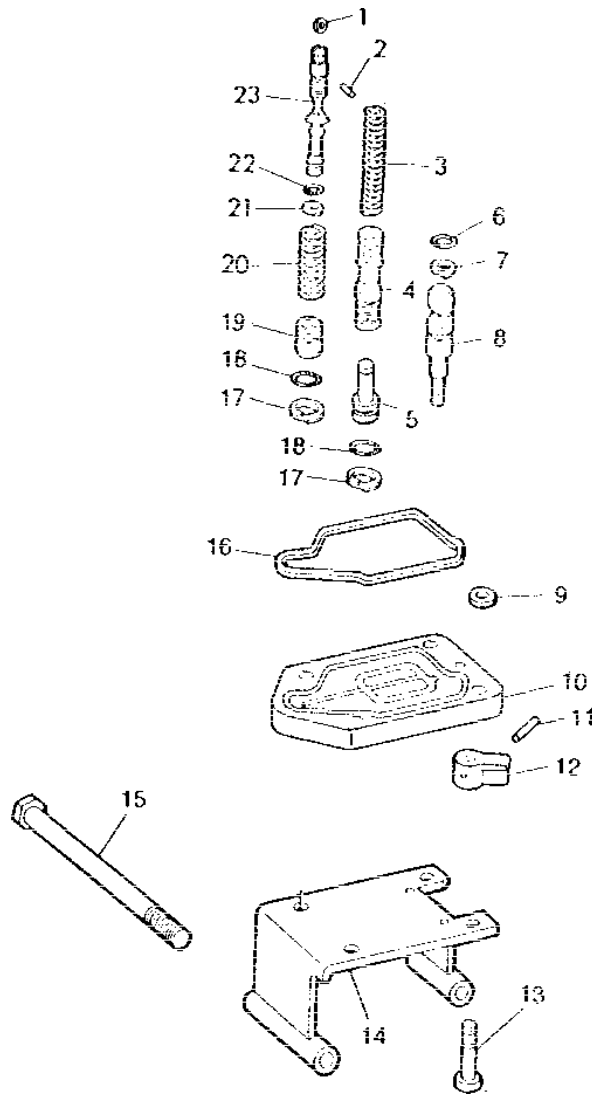
2C15

HYDRAULICS

RP553

-UN-01JAN94

SELECTIVE CONTROL VALVE



RP553

2C16

HYDRAULICS

SELECTIVE CONTROL VALVE - CONTINUED

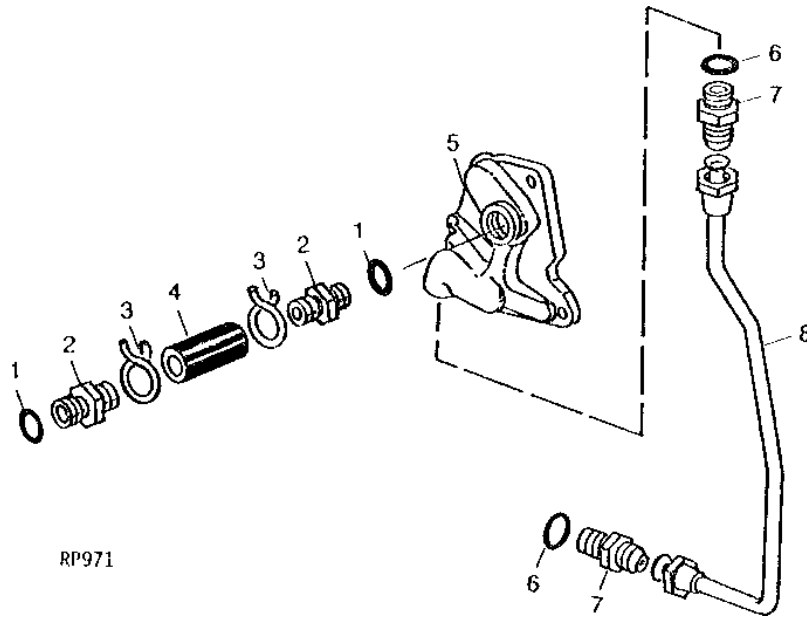
KEY	PART NO.	PART NAME	QTY	TRACTOR SERIAL NO.	REMARKS
1	R51409	SPACER	4		
2	34H242	SPRING PIN	4		1/8" X 7/16"
3	R41549	SPRING	1		
4	R52549	SHUT-OFF VALVE	1		FLOW CONTROL
5	R66916	STOP	1		
6	P46051	O-RING	1		
7	R40937	BACK-UP RING	1		
8	R65289	VALVE	1		METERING
9	R41339	SHIM	1		
10	R59629	CAP	1		
11	34H231	SPRING PIN	1		3/32" X 3/4"
12	R62652	ARM	1		(SUB FOR R41338)
13	19H1800	CAP SCREW	4		3/8" X 1-1/2"
	19H1732	CAP SCREW	4		3/8" X 1-1/4"
14	AR39162	BRACKET	1		(SUB AR99025)
15	19H3597	CAP SCREW	2		1/2" X 4-3/4"
16	R74695	WASHER	1		(SUB FOR R49187, THIS APPLICATION)
17	R41057	BACK-UP RING	4		
18	R27166	O-RING	4		
19	R66416	BUSHING	4		
20	R65501	SPRING	2		RETURN
	R65502	SPRING	2		PRESSURE
21	R26484	BACK-UP RING	2		
22	R65286	O-RING	4		
23	AR86535	VALVE	4		

2C17

HYDRAULICS

RP971 -UN-01JAN94

SELECTIVE CONTROL VALVE COVER AND LINE



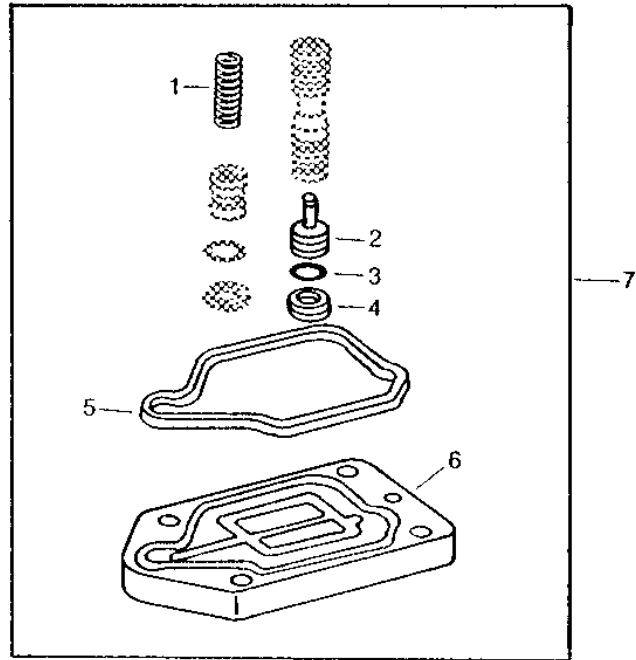
KEY	PART NO.	PART NAME	QTY	TRACTOR SERIAL NO.	REMARKS
1	R26906	O-RING	2		
2	R39171	HOSE FITTING	2		
3	AR21837	CLAMP	2		(SUB FOR T439T) (SUB TY22465)
4	TY22453	BULK HOSE	1		(SUB FOR L36134 OR L61849)
5	R39289	COVER	1	-362378	(ILLUSTRATED)
	R69880	COVER	1	362379-	
6	R26375	O-RING	2		
7	R27237	FITTING	2		
8	AL30974	OIL LINE	1	-362378	(SUB AL35677)
	AR91029	OIL LINE	1	362379-	

2C18

HYDRAULICS

RP579 -UN-01JAN94

SELECTIVE CONTROL VALVE CAP



RP579

KEY	PART NO.	PART NAME	QTY	TRACTOR SERIAL NO.	REMARKS
1	R65501	SPRING	2		
	R65502	SPRING	2		
2	R66916	STOP	1		
3	R27166	O-RING	1		
4	R41057	BACK-UP RING	1		
5	R74695	WASHER	1		
6	R59629	CAP	1		
7	AR85628	COVER	1		KIT (NO LONGER AVAILABLE)

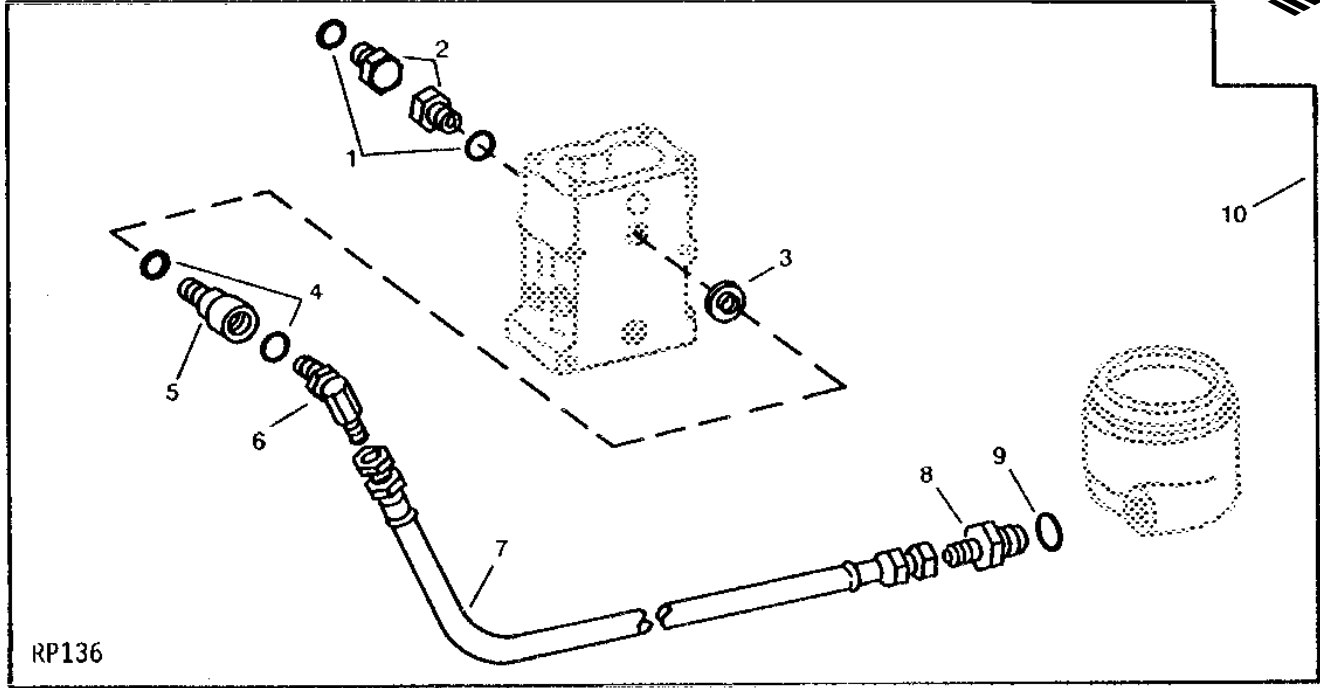
MEMORANDA

2C19

HYDRAULICS

RP136 -UN-01JAN94

SELECTIVE CONTROL VALVE OIL FILTER RETURN KIT



KEY	PART NO.	PART NAME	QTY	TRACTOR SERIAL NO.	REMARKS
1	R26906	O-RING	2		
2	R27474	DRAIN PLUG	2		
3	AR26697	SEALING WASHER	1		
4	R26375	O-RING	2		
5	N110523	ADAPTER	1		
6	AR30110	ELBOW FITTING	1	90°	
7	AU30241	HYDRAULIC HOSE	1		
8	R36075	FITTING	1		
9	F3171R	O-RING	1		
10	AR71945	KIT	1		

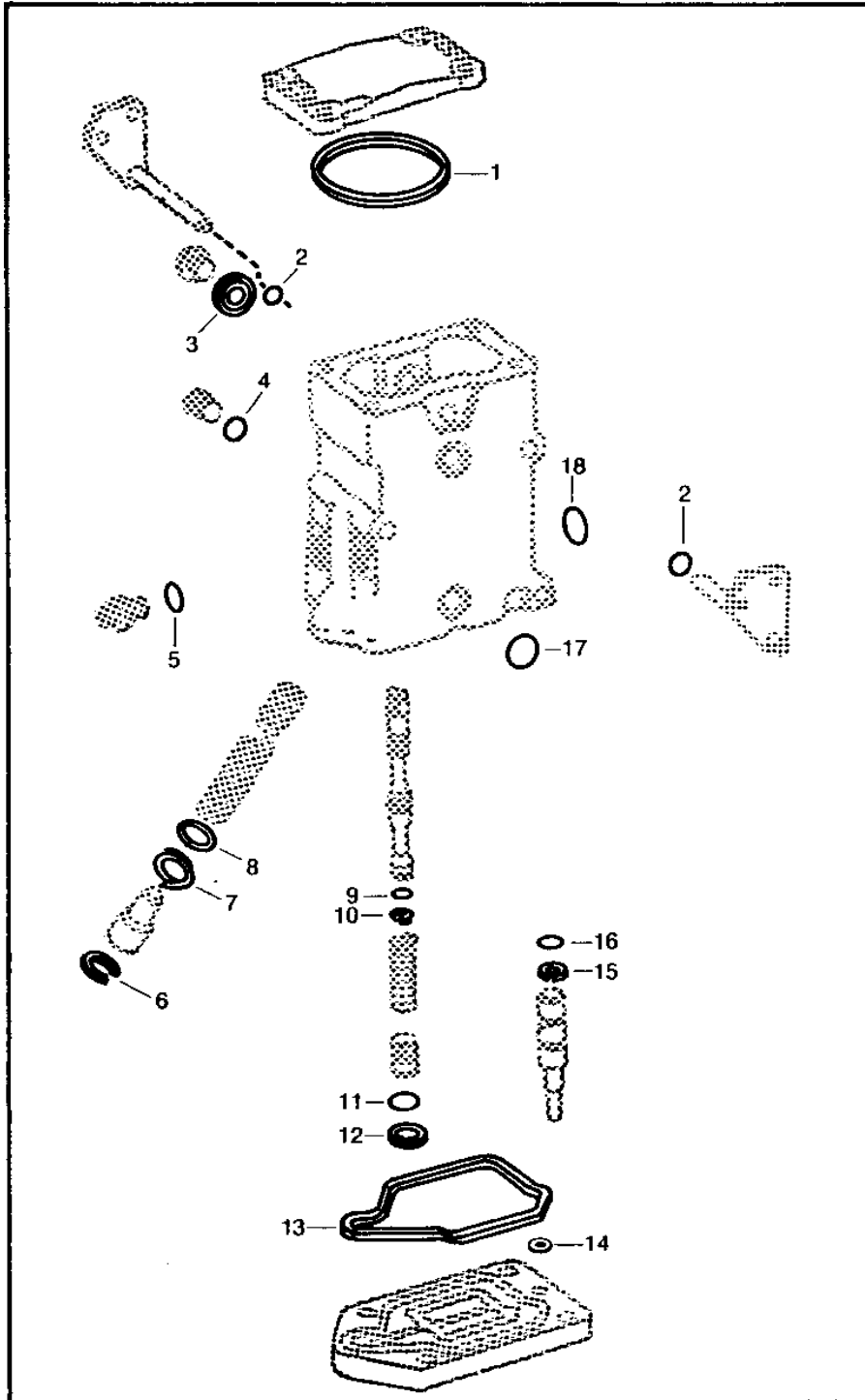
2C20

HYDRAULICS

RP578

-UN-01JAN94

SELECTIVE CONTROL VALVE OVERHAUL KIT



2C21

HYDRAULICS

SELECTIVE CONTROL VALVE OVERHAUL KIT - CONTINUED

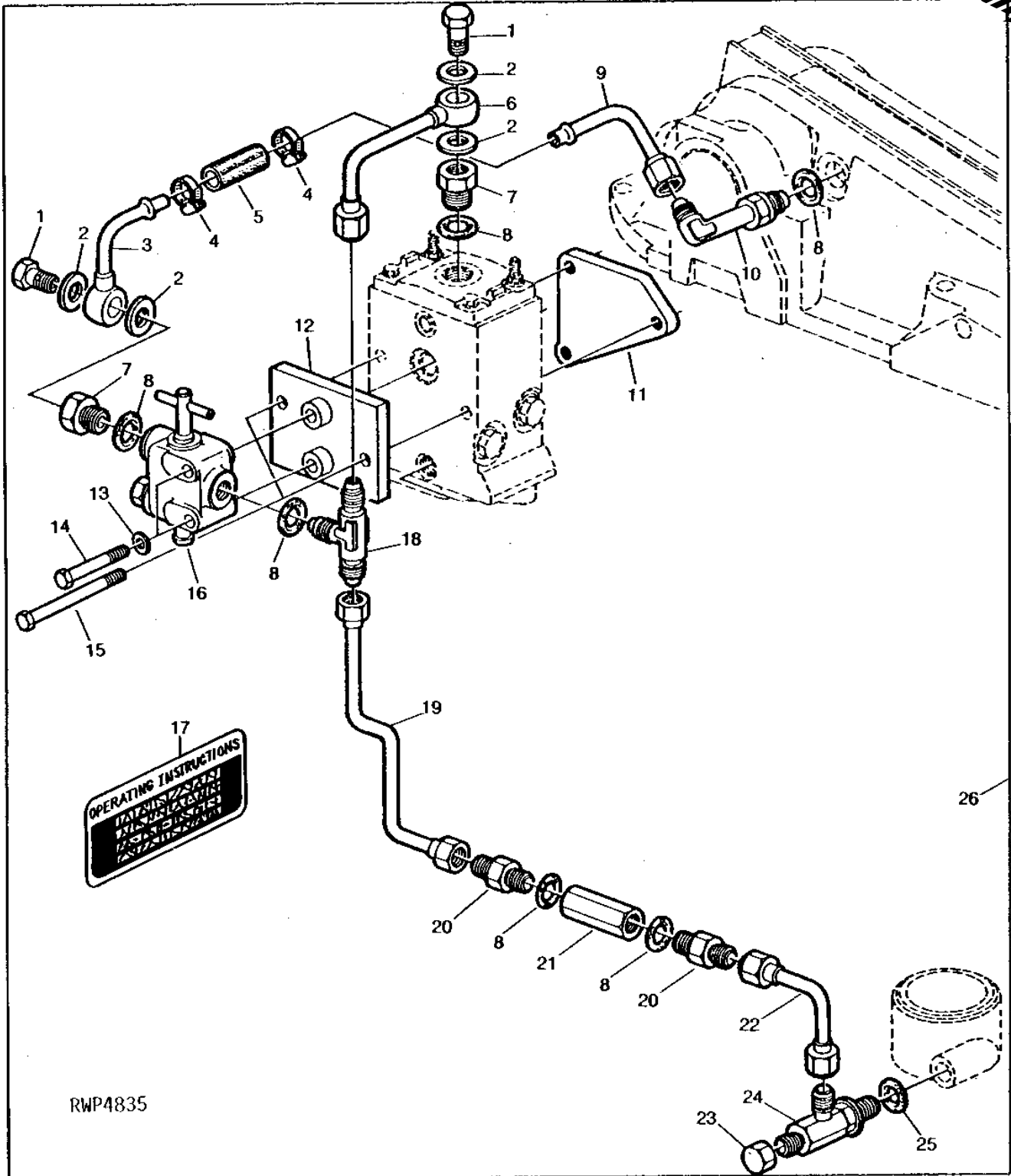
KEY	PART NO.	PART NAME	QTY	TRACTOR SERIAL NO.	REMARKS
1	R49187	WASHER	1		
2	R65287	O-RING	2		
3	AR26697	SEALING WASHER	1		
4	R26448	O-RING	1		
5	R26375	O-RING	2		
6	R46722	SNAP RING	1		
7	R26546	BACK-UP RING	1		
8	B2762R	O-RING	1		
9	R65286	O-RING	AR		(4 USED PRESSURE VALVE) (2 USED RETURN VALVE)
10	R26484	BACK-UP RING	AR		(4 USED PRESSURE VALVE) (2 USED RETURN VALVE)
11	R27166	O-RING	4		
12	R41057	BACK-UP RING	4		
13	R74695	WASHER	1		
14	R41339	SHIM	1		
15	R40937	BACK-UP RING	1		
16	P46051	O-RING	1		
17	R26448	O-RING	1		
18	R26149	PACKING	1		
19	AR82571	KIT	1		(SUB RE10924)

2C22

HYDRAULICS

DUAL RETURN OIL CONVERSION KIT (SINGLE SELECTIVE CONTROL VALVE)

RWP4835 -UN-01JAN94



RWP4835

2C23

HYDRAULICS

**DUAL RETURN OIL CONVERSION KIT - CONTINUED
(SINGLE SELECTIVE CONTROL VALVE)**

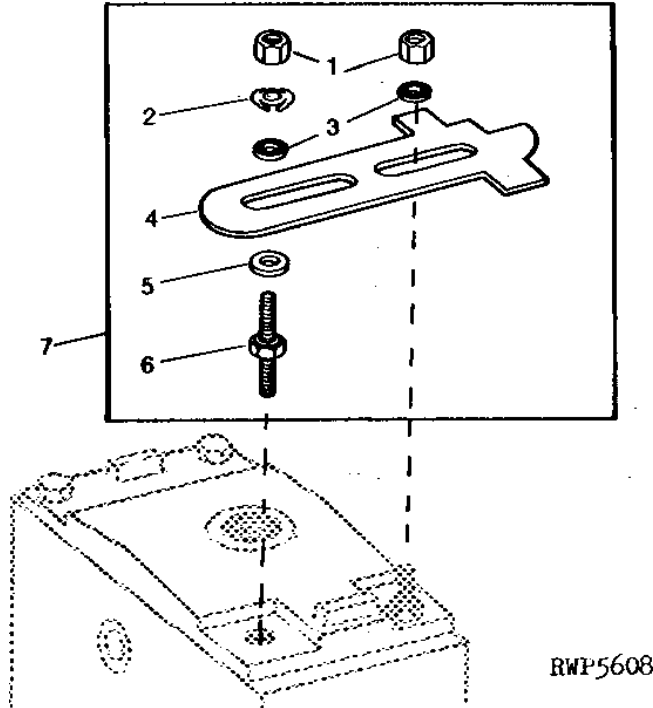
KEY	PART NO.	PART NAME	QTY	TRACTOR SERIAL NO.	REMARKS
1	T32204	HOLLOW SCREW	2		(SUB L63537)
2	51M4238	RING	4		
3	AL37931	OIL LINE	1		
4	AR21837	CLAMP	2		(SUB TY22465)
5	L61849	HOSE	1		(SUB FOR L36134) (SUB TY22453)
6	AL38205	HOSE	1		
7	L39693	ADAPTER	2		
8	R26906	O-RING	6		
	R74695	WASHER	1		SCV COVER
9	AL37936	OIL LINE	1		
10	AL31989	ELBOW FITTING	1		
11	R37479	COVER	1		
12	AL38122	BRACKET	1		
13	24M7055	WASHER	2		8.400 X 16 X 1.600 MM
14	19M7164	CAP SCREW	2		M8 X 50
15	19M2228	CAP SCREW	2		
16	AA23586	VALVE	1		(SUB AN193413, R26906 AND R27474)
17	R79585	DECAL	1		OPERATING INSTRUCTIONS
18	AL38125	TEE FITTING	1		
19	AL38123	OIL LINE	1		
20	R27270	FITTING	2		
21	AT34811	VALVE	1		
22	AL38124	OIL LINE	1		
23	R36927	FITTING	1		
24	AL38025	TEE FITTING	1		
25	F3171R	O-RING	1		
26	RE13714	KIT	1		

2C24

HYDRAULICS

RWP5608 -UN-01JAN94

SELECTIVE CONTROL VALVE LEVER LOCK



RWP5608

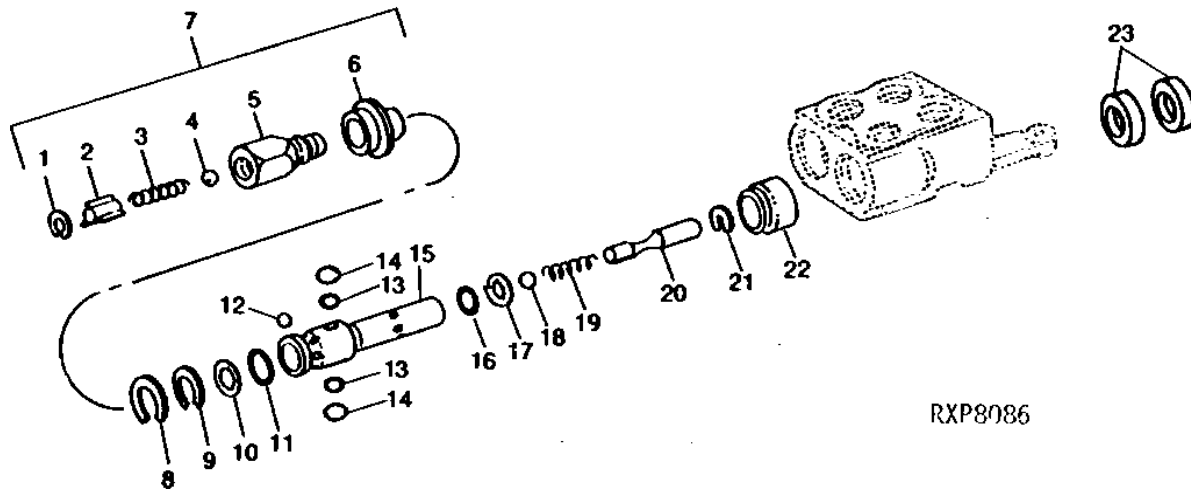
KEY	PART NO.	PART NAME	QTY	TRACTOR SERIAL NO.	REMARKS
1	K40003	LOCK NUT	2		
2	T25804	LOCK WASHER	1		
3	R52921	WASHER	2		
4	R81293	LOCK PLATE	1	(SUB RE19419)	
5	24H1305	WASHER	1	13/32" X 13/16" X 0.065"	
6	R39225	STUD	1		
7	RE19419	LOCK	1		

2C25

HYDRAULICS

RXP8086 -UN-01JAN94

BREAKAWAY COUPLER RECEPTACLE



RXP8086

KEY	PART NO.	PART NAME	QTY	TRACTOR SERIAL NO.	REMARKS
1	R59633	WEAR RING	2		
2	R28085	GUIDE	2		(SUB AR93819 OR AR93820, THIS APPLICATION)
3	R28084	SPRING	2		
4	D2361R	BALL	2		13MM (1/2")
5	R27430	HYD. QUICK-CONNECT COUPLER	1		(PRESSURE) (SUB AR93819)
	R45630	HYD. QUICK-CONNECT COUPLER	1		(RETURN) (SUB AR93820)
6	R28006	CAP	2		
7	AR30210	INTERNAL HALF COUPLER	1		(PRESSURE) (SUB AR93819)
	AR47643	BREAKAWAY COUPLER	1		(RETURN) (SUB AR93820)
8	R34399	SNAP RING	2		
9	R32356	SNAP RING	2		
10	R26485	BACK-UP RING	2		
11	R495R	O-RING	2		(SUB R59343, THIS APPLICATION)
12	400R	BALL	12		6MM (1/4")
13	R65286	O-RING	4		(SUB FOR A3917R, THIS APPLICATION) (SUB R78436, THIS APPLICATION)
14	R26484	BACK-UP RING	4		
15	R34397	SOCKET OUTLET	2		
16	R375R	O-RING	2		
17	R26482	RING	2		
18	D2361R	BALL	2		13MM (1/2")
19	R28084	SPRING	2		
20	R34400	PLUG	2		
21	R26483	SNAP RING	2		
22	R34398	SLEEVE	2		
23	R79311	SEAL	4		

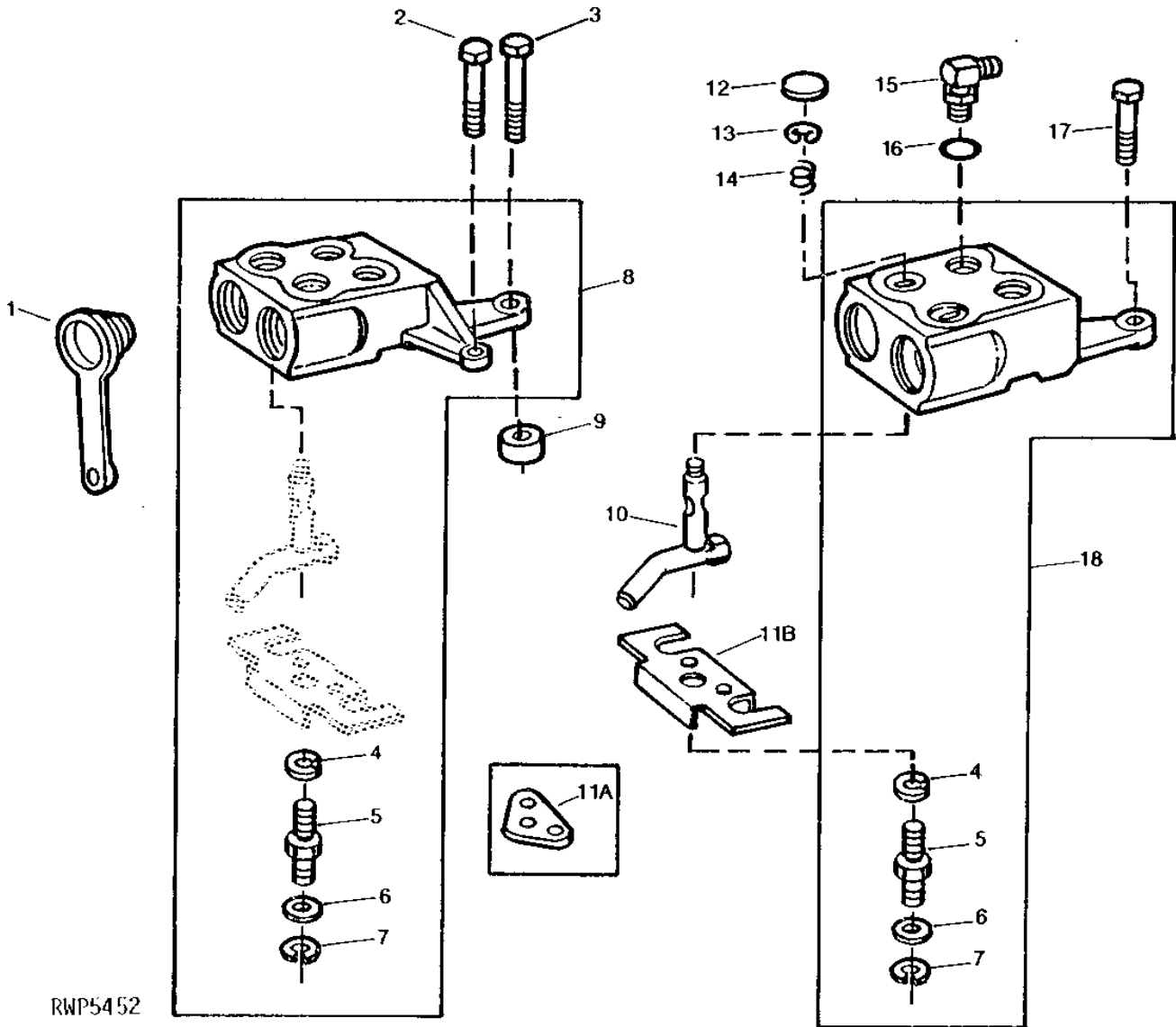
2D1

HYDRAULICS

RWP5452

-UN-01JAN94

BREAKAWAY COUPLER AND OPERATING LEVER



2D2

HYDRAULICS

BREAKAWAY COUPLER AND OPERATING LEVER - CONTINUED

KEY	PART NO.	PART NAME	QTY	TRACTOR SERIAL NO.	REMARKS
1	R32419	COVER	2		(SUB R80324)
2	19H1831	CAP SCREW	1		(A) 1/2" X 2"
3	19H1974	CAP SCREW	1		(A) 1/2" X 2-3/4"
4	12H303	LOCK WASHER	1		5/16"
5	R49191	SCREW	1		
6	24H1286	WASHER	1		9/32" X 1/2" X 1/16"
7	R72654	SNAP RING	1		(SUB FOR R27507)
8	AR52622	COUPLING	1		(A) (MARKED R39110) (SUB R39110, R49191, R72654, 12H303 AND 24H1286)
9	N10065	BUSHING	1		
10	AR82576	LEVER	2		(SUB AR99100)
11A	R51285	PLATE	1		(SUB R61957)
11B	AR75958	CAM	1		(SUB R61957)
12	30H15	PLUG	2		1-1/8"
13	R72653	SNAP RING	2		(SUB FOR M2396T)
14	R31890	SPRING	2		
15	AT32332	ELBOW FITTING	2		90°
16	R26375	O-RING	2		
17	19H1831	CAP SCREW	2		(B) 1/2" X 2"
18	AR52621	COUPLING	1		(B) (MARKED R39109)

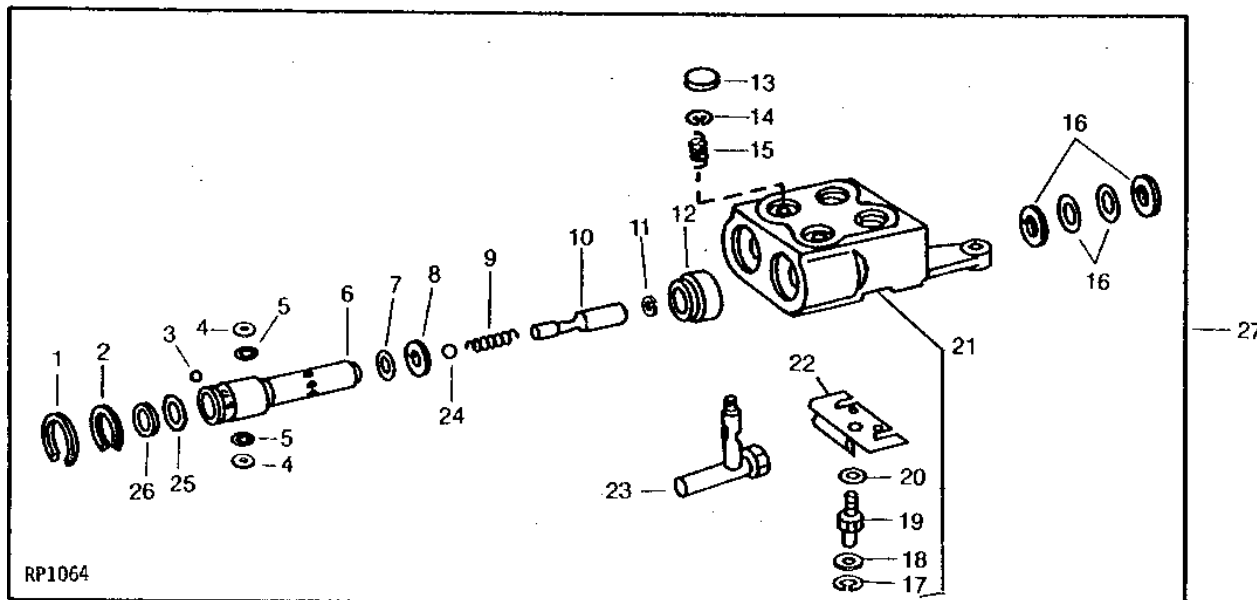
(A) DUAL SELECTIVE CONTROL
(B) SINGLE SELECTIVE CONTROL

2D3

HYDRAULICS

BREAKAWAY COUPLER (SINGLE AND DUAL)

RP1064 -UN-01JAN94



KEY	PART NO.	PART NAME	QTY	TRACTOR SERIAL NO.	REMARKS
1	R34399	SNAP RING	2		
2	R32356	SNAP RING	2		
3	400R	BALL	12		6MM (1/4")
4	R26484	BACK-UP RING	4		
5	R65286	O-RING	4		
6	R34397	SOCKET OUTLET	2		
7	R375R	O-RING	2		
8	R26482	RING	2		
9	R28084	SPRING	2		
10	R34400	PLUG	2		
11	R26483	SNAP RING	2		
12	R34398	SLEEVE	2		
13	30H15	PLUG	2		1-1/8"
14	R72653	SNAP RING	2		(SUB FOR M2396T)
15	R31890	SPRING	2		
16	R79311	SEAL	4		(SUB FOR R65285 OR R74530)
17	R72654	SNAP RING	1		(SUB FOR R27507)
18	24H1286	WASHER	1		9/32" X 1/2" X 1/16"
19	R49191	SCREW	1		
20	12H303	LOCK WASHER	1		5/16"
21	AR52621	COUPLING	1		(A) (MARKED R39109)
	AR52622	COUPLING	1		(B) (MARKED R39110) (SUB R39110, R49191, R72654, 12H303 AND 24H1286)
22	AR75958	CAM	1		(SUB R61957)
23	AR99100	LEVER	2		(SUB FOR AR82576)
24	D2361R	BALL	2		13MM (1/2")
25	R59343	RING	2		
26	R26485	BACK-UP RING	2		
27	AR39036	BREAKAWAY COUPLER	1		(A) R.H.
	AR39037	BREAKAWAY COUPLER	1		(B) L.H.

NOTE: QUANTITIES SHOWN ABOVE ARE FOR A SINGLE SELECTIVE CONTROL VALVE BREAKAWAY COUPLER.
DOUBLE THE QUANTITY FOR A DUAL SELECTIVE CONTROL VALVE BREAKAWAY COUPLER.

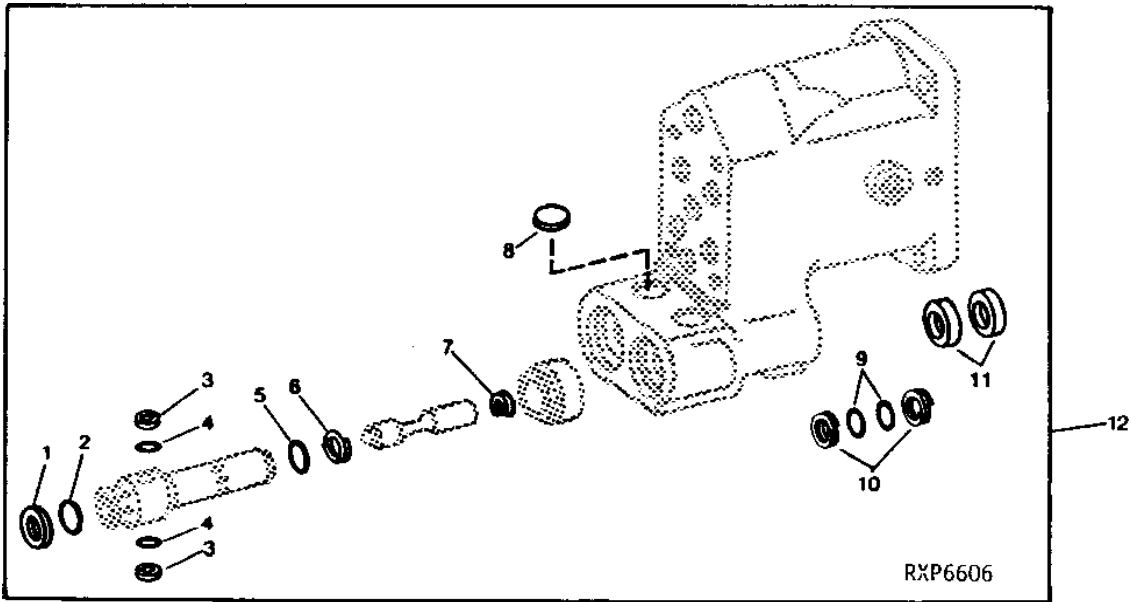
(A) SINGLE SELECTIVE CONTROL
(B) DUAL SELECTIVE CONTROL

2D4

HYDRAULICS

RXP6606 -UN-06OCT94

BREAKAWAY COUPLER OVERHAUL KIT



KEY	PART NO.	PART NAME	QTY	TRACTOR SERIAL NO.	REMARKS
1	R26485	BACK-UP RING	2		
2	R59343	RING	2		
3	R26484	BACK-UP RING	4		
4	R65286	O-RING	4		
5	R375R	O-RING	2		
6	R26482	RING	2		
7	R26483	SNAP RING	2		
8	30H15	PLUG	2	1-1/8"	
9	A4730R	O-RING	4	(EARLY DESIGN)	
10	R26480	BACK-UP RING	4	(EARLY DESIGN)	
11	R79311	SEAL	4	(CURRENT DESIGN) (SUB FOR R65285 OR R74530)	
12	AR82570	KIT	1	(SUB FOR AR30685)	

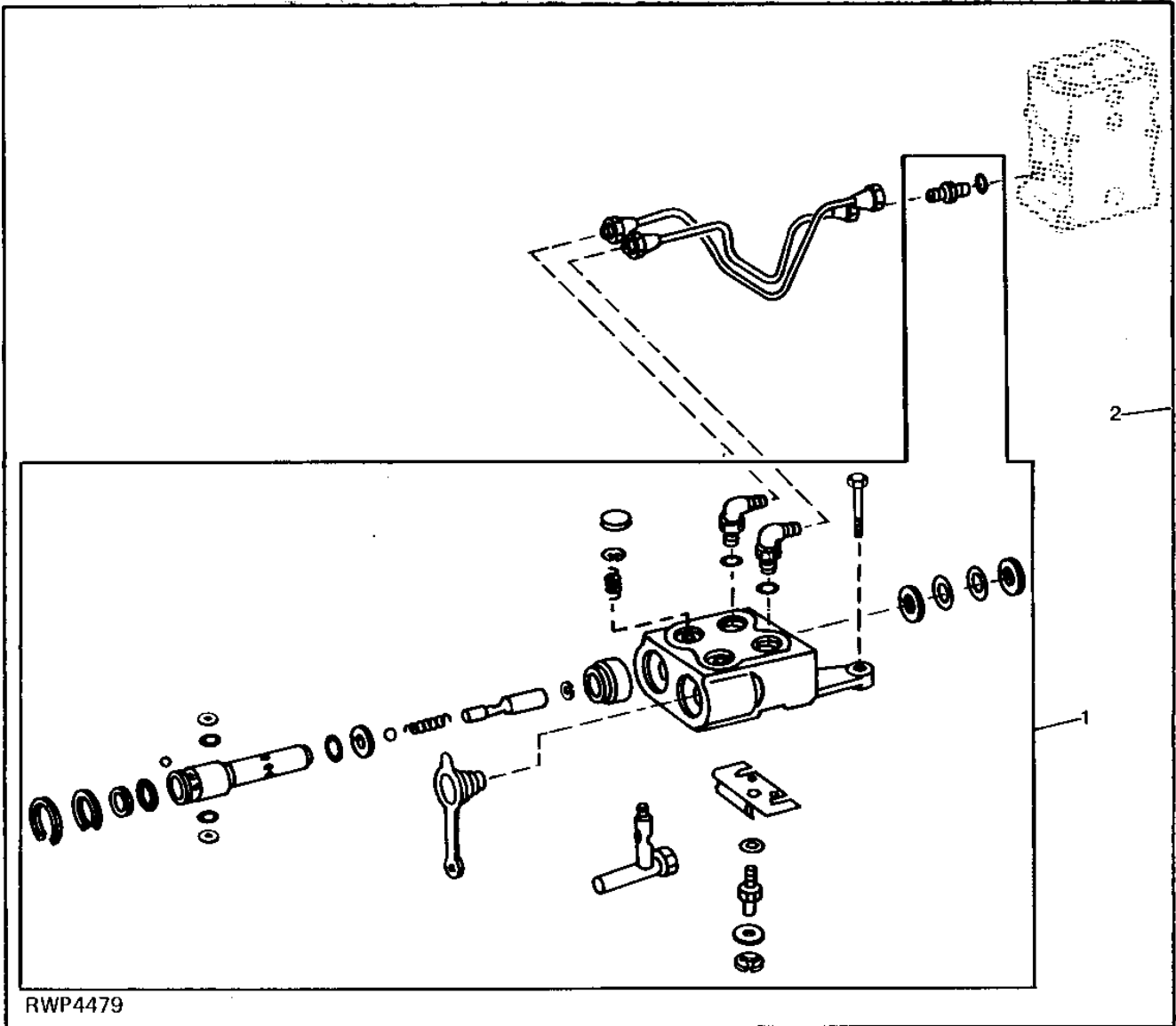
2D5

HYDRAULICS

RWP4479

-UN-01JAN94

BREAKAWAY COUPLER ASSEMBLY



2D6

HYDRAULICS

BREAKAWAY COUPLER ASSEMBLY - CONTINUED

KEY	PART NO.	PART NAME	QTY	TRACTOR SERIAL NO.	REMARKS
1	AR66362	BREAKAWAY COUPLER	2		(SUB AR39015, (2) AT32332, (4) R26375, (2) R27237 AND (2) 19H1831)
2	AR66360	BREAKAWAY COUPLER	2		(WITH DOUBLE ACTING CYLINDER) (SUB AR39015, AT22169, AT22170, AT32332, (4) R26375, (2) R27237 AND (2) 19H1831)

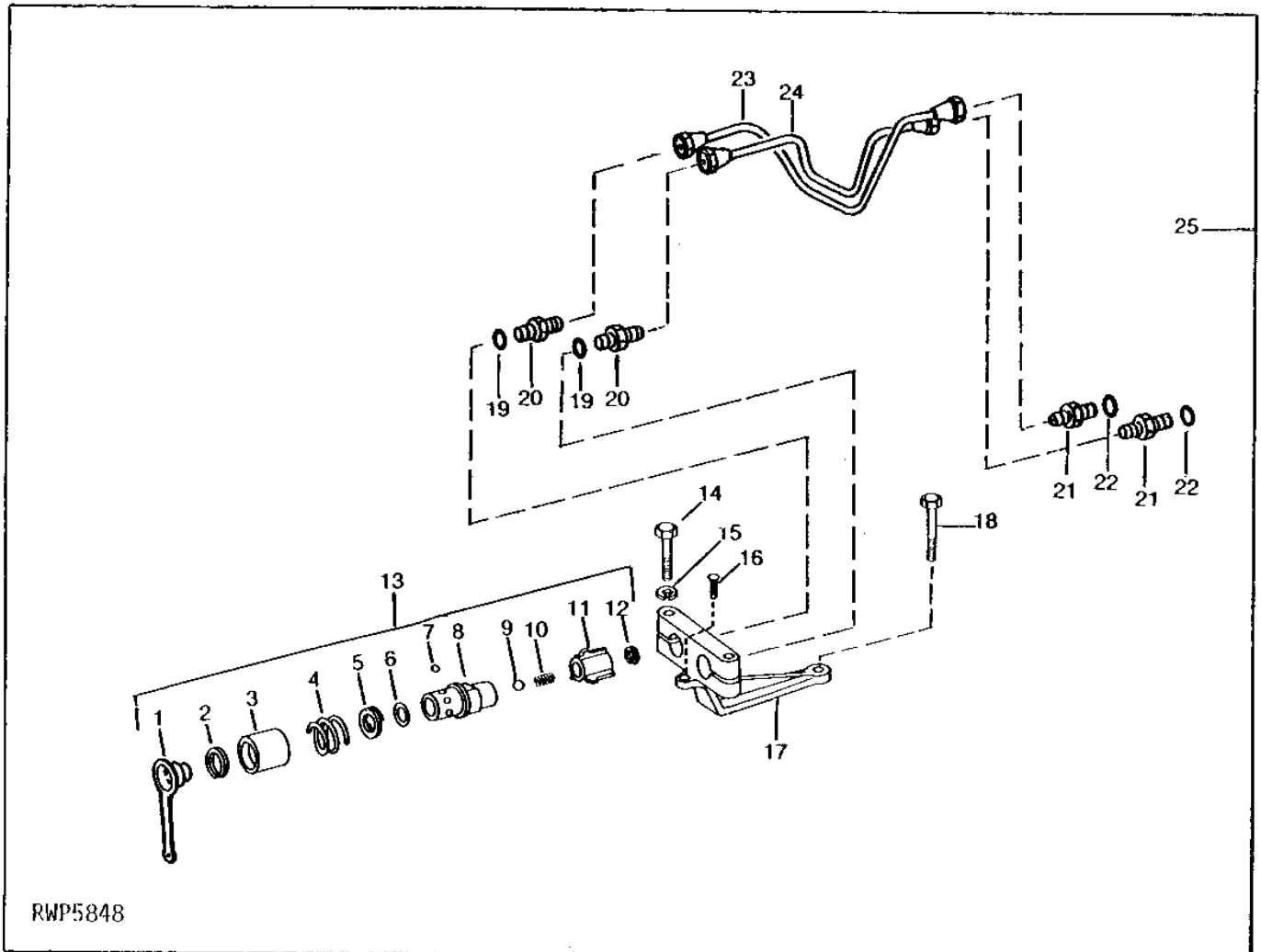
2D7

HYDRAULICS

RWP5848

-UN-01JAN94

SINGLE SELECTIVE CONTROL VALVE COUPLER



2D8

HYDRAULICS

SINGLE SELECTIVE CONTROL VALVE COUPLER - CONTINUED

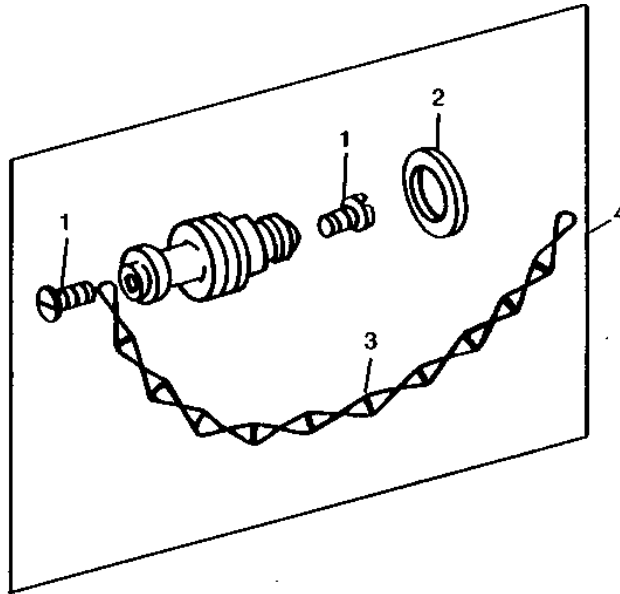
KEY	PART NO.	PART NAME	QTY	TRACTOR SERIAL NO.	REMARKS
1	R32419	COVER	2	(SUB R80324)	
2	R32356	SNAP RING	2		
3	R32355	SLEEVE	2		
4	R32354	SPRING	2		
5	R26485	BACK-UP RING	2		
6	R495R	O-RING	2		
7	400R	BALL	12	6MM (1/4")	
8	R32353	SOCKET OUTLET	2	(SUB RE15361)	
9	D2361R	BALL	2	13MM (1/2")	
10	R28084	SPRING	2		
11	R28085	GUIDE	2	(SUB RE15361)	
12	R59633	WEAR RING	2		
13	AR47331	SOCKET OUTLET	1	(SUB RE15361)	
14	19H1765	CAP SCREW	2	3/8" X 1-3/4"	
15	12H304	LOCK WASHER	2	3/8"	
16	T22244	STUD	1		
17	T22243	CLAMP	1		
18	19H1831	CAP SCREW	2	1/2" X 2"	
19	R26375	O-RING	2		
20	R27237	FITTING	2		
21	R27237	FITTING	2		
22	R26375	O-RING	2		
23	AT22169	OIL LINE	1	UPPER R.H.	
24	AT22170	OIL LINE	1	LOWER R.H.	
25	AR66361	COUPLING	1	(WITH DOUBLE ACTING CYLINDER) (ORDER COMPONENT PARTS)	

2D9

HYDRAULICS

RWP4875 -UN-01JAN94

SELECTIVE CONTROL VALVE DUST PLUG



RWP4875

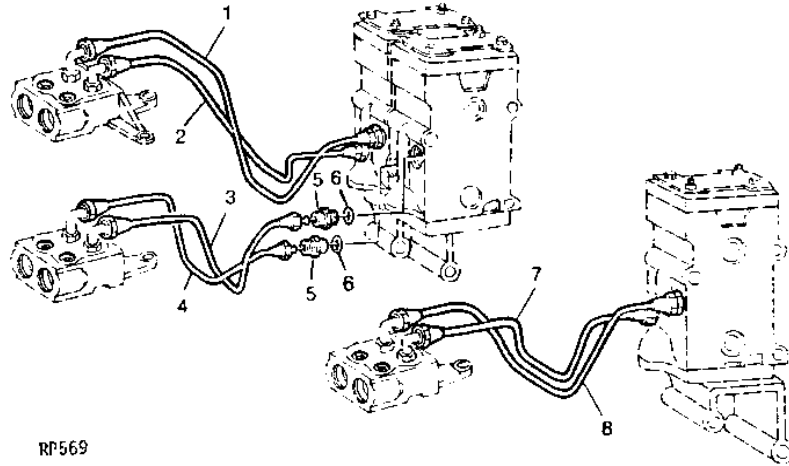
KEY	PART NO.	PART NAME	QTY	TRACTOR SERIAL NO.	REMARKS
1	37H97	SCREW	4	0.242" X 3/4"	
2	R34589	WASHER	2		
3	AN163885	LINK CHAIN	2	(SUB FOR A3184R, R45619 OR R49193)	
4	AR52623	PLUG	2	(SUB FOR AR34059)	

2D10

HYDRAULICS

RP569 -UN-01JAN94

BREAKAWAY COUPLER LINES



KEY	PART NO.	PART NAME	QTY	TRACTOR SERIAL NO.	REMARKS
1	AT20039	OIL LINE	1		(A) UPPER L.H.
2	AT20040	OIL LINE	1		(A) LOWER L.H.
3	AT20037	OIL LINE	1		(A) UPPER R.H.
4	AT20038	OIL LINE	1		(A) LOWER R.H.
5	R27237	FITTING	AR		(2 USED SINGLE) (4 USED DUAL)
6	R26375	O-RING	AR		(2 USED SINGLE) (4 USED DUAL)
7	AT22170	OIL LINE	1		(B) LOWER R.H.
8	AT22169	OIL LINE	1		(B) UPPER R.H.

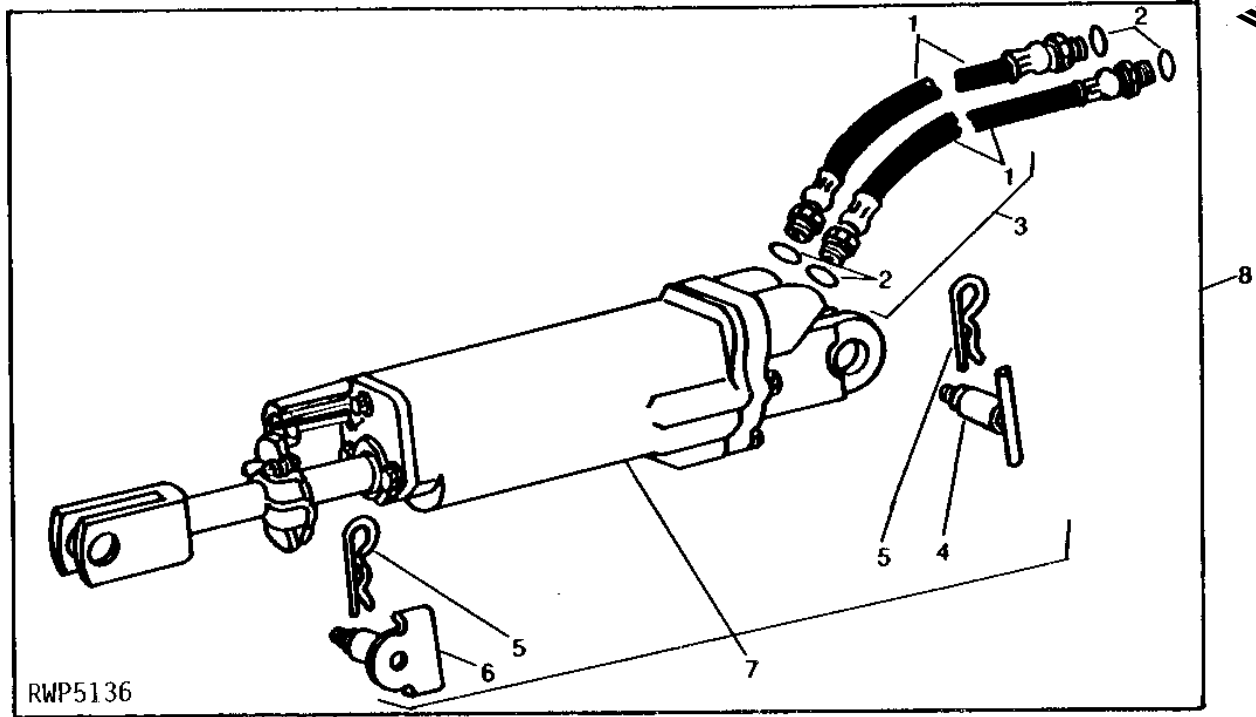
(A) DUAL SELECTIVE CONTROL VALVE
 (B) SINGLE SELECTIVE CONTROL VALVE

2D11

HYDRAULICS

RWP5136 -UN-01JAN94

REMOTE CYLINDER AND HOSES



KEY	PART NO.	PART NAME	QTY	TRACTOR SERIAL NO.	REMARKS
1	AR26407	HYDRAULIC HOSE	2	9.5 X 2337MM (3/8" X 92")	
2	R26375	O-RING	4		
3	AR27440	HYDRAULIC HOSE	1	(SUB (2) AR26407 AND (4) R26375)	
4	AR47825	PIN	1		
5	A3581R	SPRING LOCKING PIN	2		
6	AR71902	PIN	1		
7	AR38426	HYDRAULIC CYLINDER	1	(A) (ORDER COMPONENT PARTS)	
8	AR38425	CYLINDER	1	(ORDER COMPONENT PARTS)	
..	AR30784	TEE FITTING	1		

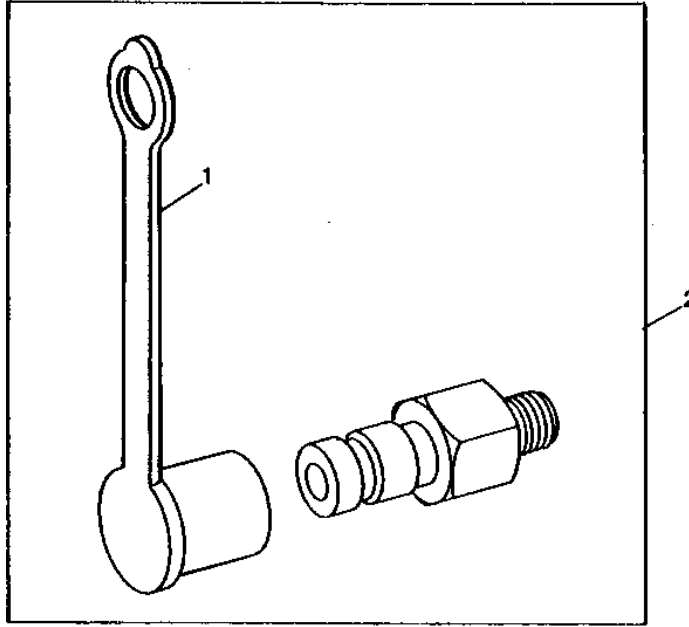
(A) SUB AR38239, AR47825, AR71902, AR93819, AR93820 AND (2) A3581R

2D12

HYDRAULICS

RWP5202 -UN-01JAN94

DIAGNOSTIC RECEPTACLE



RWP5202

KEY	PART NO.	PART NAME	QTY	TRACTOR SERIAL NO.	REMARKS
1	R77175	COVER	1		
2	RE13561	RECEPTACLE	1	12.7MM (1/2") PORT	

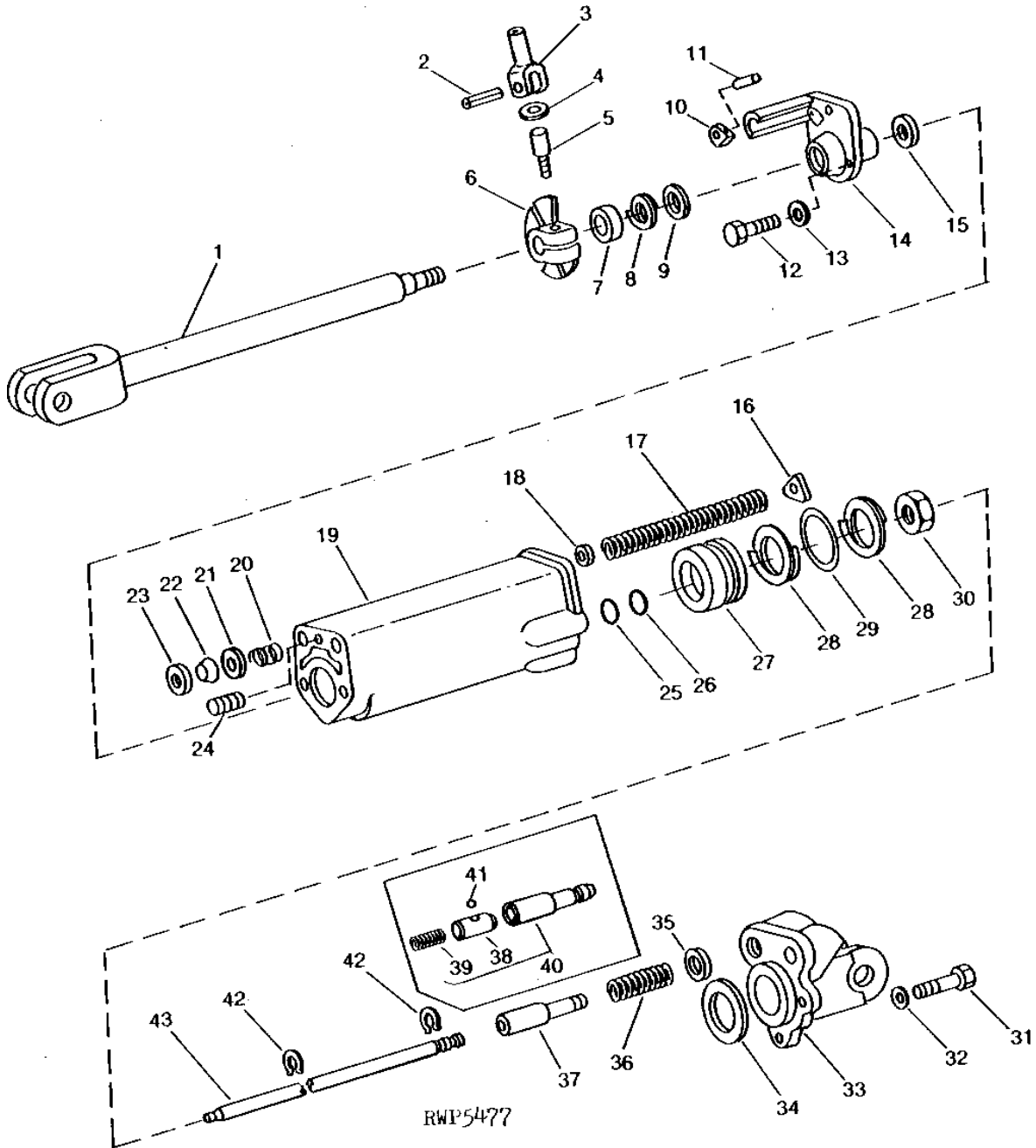
2D13

HYDRAULICS

RWP5477

-UN-01JAN94

REMOTE CYLINDER PARTS



2D14

HYDRAULICS

REMOTE CYLINDER PARTS - CONTINUED

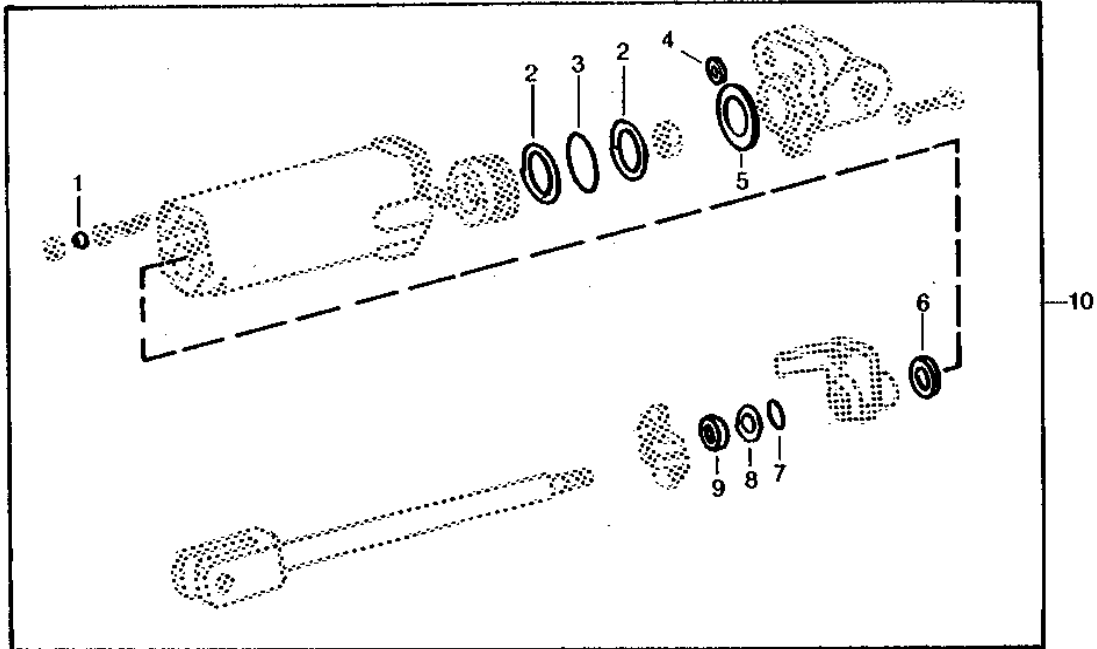
KEY	PART NO.	PART NAME	QTY	MODEL NO.	REMARKS
1	AR38849	ROD	1		
2	34H264	SPRING PIN	1	5/32" X 7/8"	
3	A5302R	YOKE	1		
4	R57696	WASHER	1	(SUB FOR R1870R)	
5	A5301R	SCREW	1		
6	R39064	STOP	1		
7	AA5607R	SEAL	1		
8	A4731R	WASHER	1	PAPER	
9	A4730R	O-RING	1		
10	R27426	ARM	1		
11	25H760	GROOVE PIN	1	7/32" X 1-1/4"	
12	19H2552	CAP SCREW	3	3/8" X 1-1/8"	
13	12H304	LOCK WASHER	3	3/8"	
14	A4732R	GUIDE	1		
15	A4733R	WASHER	1		
16	R57696	WASHER	1		
17	A4737R	SPRING	1		
18	24H1301	WASHER	1	13/32" X 9/16" X 0.065"	
19	R39006	CYLINDER	1		
20	A4748R	SPRING ASSEMBLY	1		
21	A4747R	WASHER	1		
22	A4745R	PACKING	3		
23	A4746R	ADAPTER	1		
24	15H624	PIPE PLUG	1	1/2"	
25	A4730R	O-RING	1		
26	R26480	BACK-UP RING	1		
27	R38537	PISTON	1		
28	R39009	BACK-UP RING	2		
29	L2104N	O-RING	1		
30	R38508	NUT	1		
31	19H2473	CAP SCREW	4	1/2" X 1-3/4"	
32	12H301	LOCK WASHER	4	1/2"	
33	R39013	COVER	1		
34	R39029	WASHER	1		
35	A4723R	WASHER	2		
36	R49352	SPRING	1		
37	R39012	VALVE	1	5RC3-	
38	A4740R	VALVE	1	-5RC2	(SUB AA5731R)
39	A4741R	SPRING	1	-5RC2	(FIELD OPTION)
40	AA5731R	VALVE	1	-5RC2	(ILLUSTRATED) (FIELD OPTION)
41	A4742R	BALL	1	-5RC2	(5/32") (FIELD OPTION)
42	A4739R	RING	2		
43	A4736R	ROD	1		
..	AR38239	HYDRAULIC CYLINDER	1		(SUB FOR AR38426)

2D15

HYDRAULICS

RP576 -UN-01JAN94

REMOTE CYLINDER OVERHAUL KIT



RP576

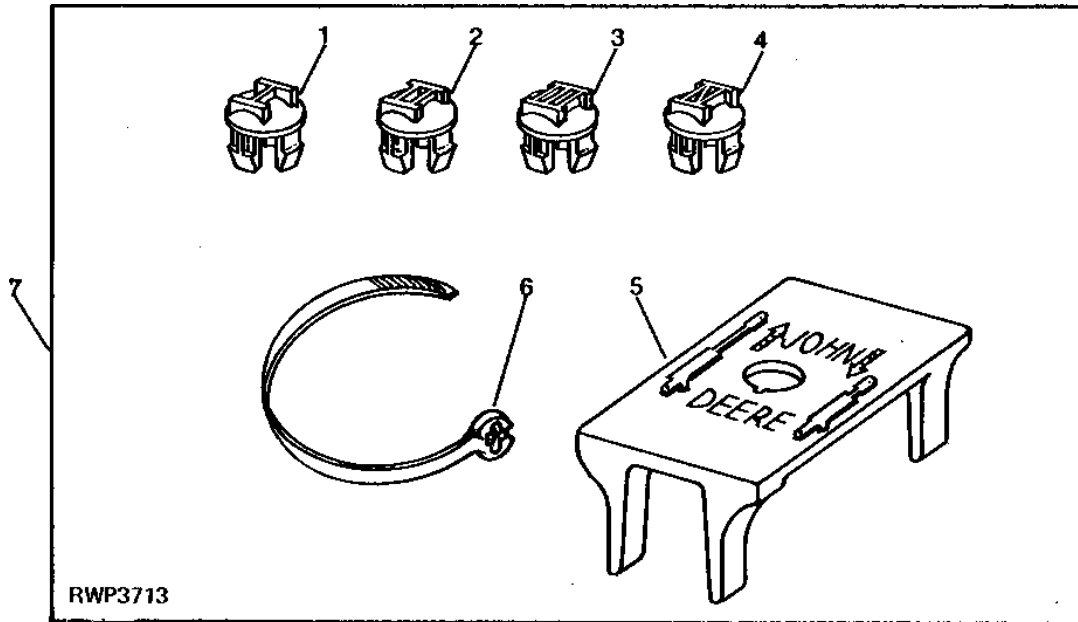
KEY	PART NO.	PART NAME	QTY	TRACTOR SERIAL NO.	REMARKS
1	A4745R	PACKING	3		
2	R39009	BACK-UP RING	2		
3	L2104N	O-RING	1		
4	A4723R	WASHER	2		
5	R39029	WASHER	1		
6	A4733R	WASHER	1		
7	A4730R	O-RING	1		
8	A4731R	WASHER	1		
9	AA5607R	SEAL	1		
10	AR38713	KIT	1		

2D16

HYDRAULICS

RWP3713 -UN-01JAN94

REMOTE CYLINDER HOSE IDENTIFICATION KIT



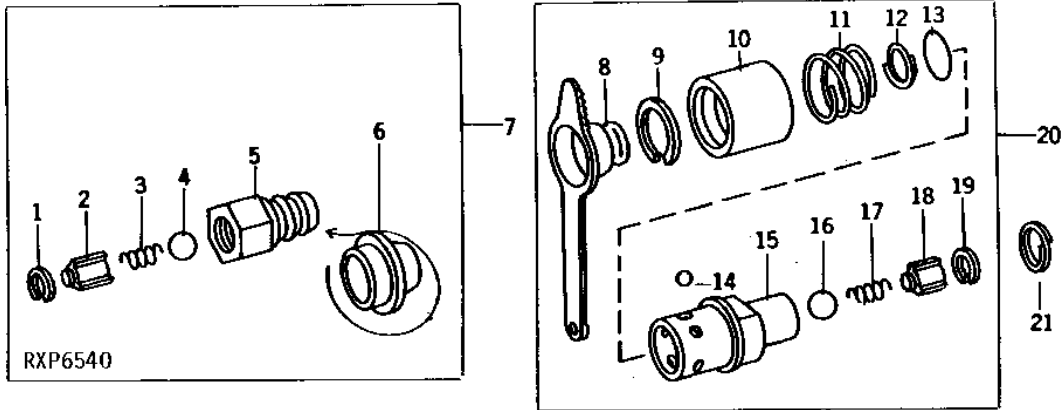
KEY	PART NO.	PART NAME	QTY	TRACTOR SERIAL NO.	REMARKS
1	R74242	PLUG	1	I	
2	R74243	PLUG	1	II	
3	R74244	PLUG	1	III	
4	R74246	PLUG	1	IV	
5	R76459	TAG	1		
6	R76477	TIE BAND	2		
7	AR103808	KIT	1		

2D17

HYDRAULICS

RXP6540 -UN-06OCT94

FLEXIBLE OIL LINE COUPLER



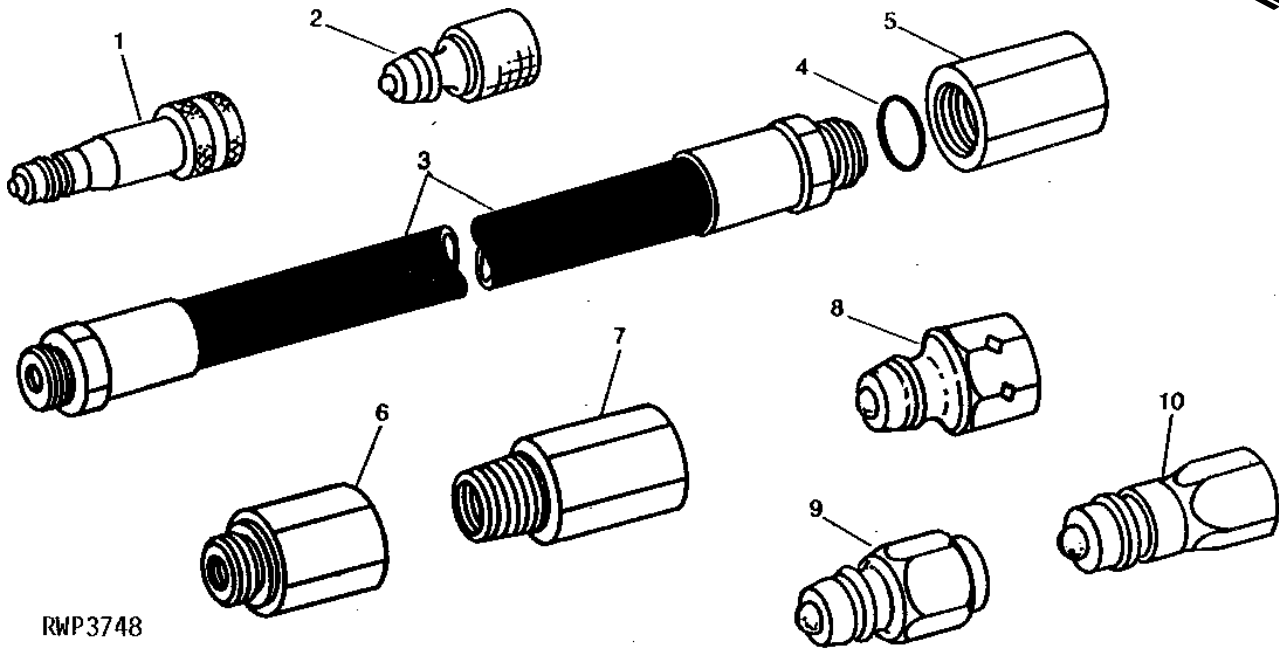
KEY	PART NO.	PART NAME	QTY	TRACTOR SERIAL NO.	REMARKS
1	R59633	WEAR RING	1		
2	R28085	GUIDE	1		(ORDER AR93819 OR AR93820, THIS APPLICATION)
3	R28084	SPRING	1		
4	D2361R	BALL	1	13MM (1/2")	
5	R27430	HYD. QUICK-CONNECT COUPLER	1		(PRESSURE) (SUB AR93819)
	R45630	HYD. QUICK-CONNECT COUPLER	1		(RETURN) (SUB RE93820)
6	R28006	CAP	1		
7	AR30210	INTERNAL HALF COUPLER	1		(PRESSURE) (SUB AR93819)
	AR47643	BREAKAWAY COUPLER	1		(RETURN) (SUB AR93820)
8	R32419	COVER	1		(SUB R80324)
9	R32356	SNAP RING	1		
10	R32355	SLEEVE	1		(SUB RE15361)
11	R32354	SPRING	1		(SUB RE15361)
12	R26485	BACK-UP RING	1		
13	R495R	O-RING	1		
14	400R	BALL	6	6MM (1/4")	
15	R32353	SOCKET OUTLET	1		(SUB RE15361)
16	D2361R	BALL	1	13MM (1/2")	
17	R28084	SPRING	1		
18	R28085	GUIDE	1		(SUB RE15361)
19	R59633	WEAR RING	1		
20	AR47331	SOCKET OUTLET	1		(SUB RE15361)
21	R36946	SPRING	1		

2D18

HYDRAULICS

RWP3748 -UN-01JAN94

IMPLEMENT HYDRAULIC OIL LINES AND FITTINGS



RWP3748

KEY	PART NO.	PART NAME	QTY	TRACTOR SERIAL NO.	REMARKS
1	AR98202	HYD. QUICK-CONNECT COUPLER	1	JOHN DEERE TO ISO	
	R21722	O-RING	1	(INCLUDED IN AR98202)	
	RE11457	ADAPTER	1	IHC TO ISO	
2	U11647	O-RING	1	(INCLUDED IN RE11457)	
	AR98201	HYD. QUICK-CONNECT COUPLER	1	ISO TO JOHN DEERE	
	R21722	O-RING	1	(INCLUDED IN AR98201, RE11458 AND RE11463)	
3	R71387	WASHER	1	(INCLUDED IN AR98201)	
	RE11456	ADAPTER	1	IHC TO JOHN DEERE	
	RE11458	ADAPTER	1	JOHN DEERE TO IHC	
	RE11463	ADAPTER	1	ISO TO IHC	
4	AR28754	HYDRAULIC HOSE	1	10 X 610MM (3/8" X 24") (SUB TY3018)	
	AR28755	HYDRAULIC HOSE	1	10 X 914MM (3/8" X 36") (SUB TY3019)	
	R36658	HYDRAULIC HOSE	1	13 X 610MM (1/2" X 24")	
5	R36659	HYDRAULIC HOSE	1	13 X 914MM (1/2" X 36")	
	R26375	O-RING	1		
6	R30815	FITTING	1	3/4" THREAD	
7	R30817	ADAPTER	1	3/4"-16UNF MALE X 1/2"-14NPT FEMALE	
8	R30816	ADAPTER	1	1/2"-14NPT MALE X 3/4"-16UNF FEMALE	
9	AR93820	FITTING	1	JOHN DEERE, 3/4"-16 UNF	
10	RE11447	FITTING	1	JOHN DEERE, 1/2"-14NPT	
	AR94522	INTERNAL HALF COUPLER	1	ISO, 3/4"-16UNF	

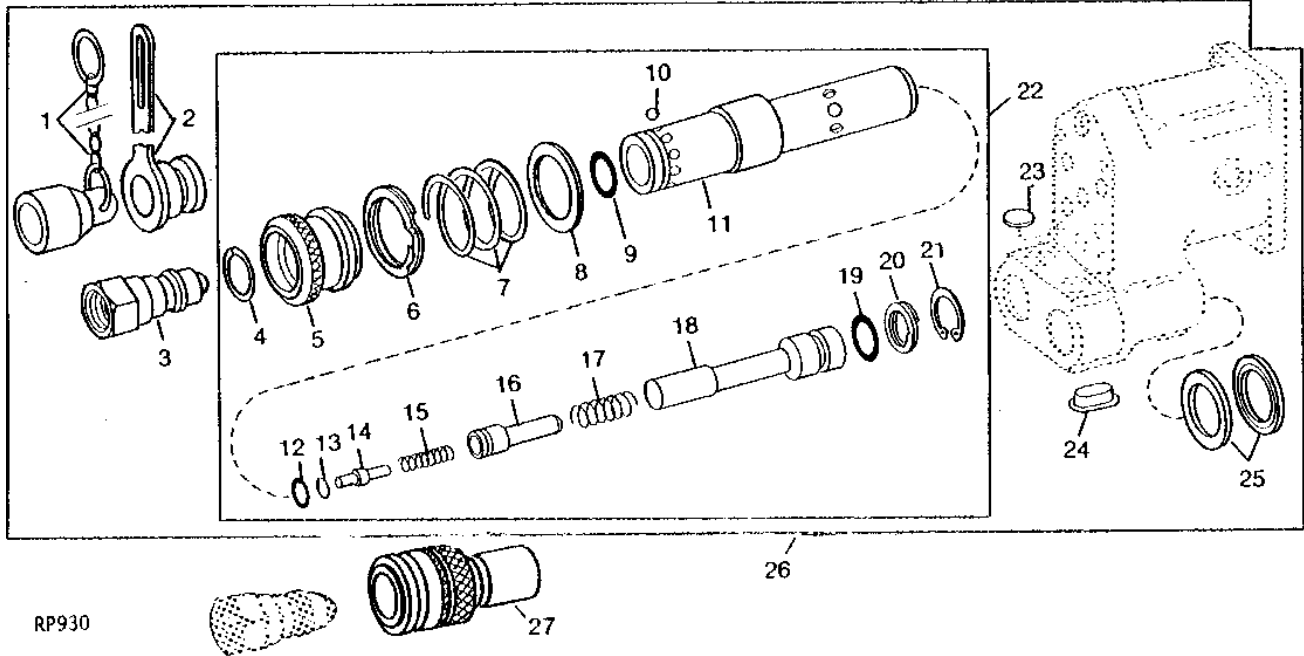
MEMORANDA

2D19

HYDRAULICS

RP930 -UN-01JAN94

ISO BREAKAWAY COUPLER



RP930

KEY	PART NO.	PART NAME	QTY	TRACTOR SERIAL NO.	REMARKS
1	A15898	CAP	1		
2	A15899	CAP	1		
3	AL26973	INTERNAL HALF COUPLER	1		(SUB FOR AR94522)
4	R64617	SNAP RING	1		(SUB RE12121, AR75958, R34399, R49191 AND 12H303)
5	R64618	SLEEVE	1		(SUB RE12121, AR75958, R34399, R49191 AND 12H303)
6	R64615	SNAP RING	1		
7	R64609	SPRING	1		(SUB RE12121, AR75958, R34399, R49191 AND 12H303)
8	R64608	WASHER	1		(SUB RE12121, AR75958, R34399, R49191 AND 12H303)
9	R21722	O-RING	1		
10	H871R	BALL	8		5MM (3/16")
11	R64605	EXTERNAL HALF COUPLER	1		(SUB RE12121, R34399, R49191, R61957 AND 12H303)
12	R64613	O-RING	1		(SUB T77613)
13	R64614	SNAP RING	1		(SUB RE12121, AR75958, R34399, R49191 AND 12H303)
14	R64612	PIN	1		(SUB RE12121, R34399, R49191, R61957 AND 12H303)
15	R64611	SPRING	1		(SUB RE12121, R34399, R49191, R61957 AND 12H303)
16	R64610	POPPET	1		(SUB RE12121, R34399, R49191, R61957 AND 12H303)
17	R64607	SPRING	1		
18	R64606	GUIDE	1		(SUB RE12121, R34399, R49191, R61957 AND 12H303)
19	R375R	O-RING	1		
20	R26482	RING	1		
21	U15969	SNAP RING	1		
22	AR80892	BREAKAWAY COUPLER	1		(SUB RE12121, R49191, R34399, R61957 AND 12H303)
23	30H15	PLUG	1		1-1/8"
24	R64561	PLUG	1		
25	R79311	SEAL	2		(SUB FOR R65285)
26	AR80911	BREAKAWAY COUPLER	1		(SUB RE12121)
27	AL26972	EXTERNAL HALF COUPLER	1		

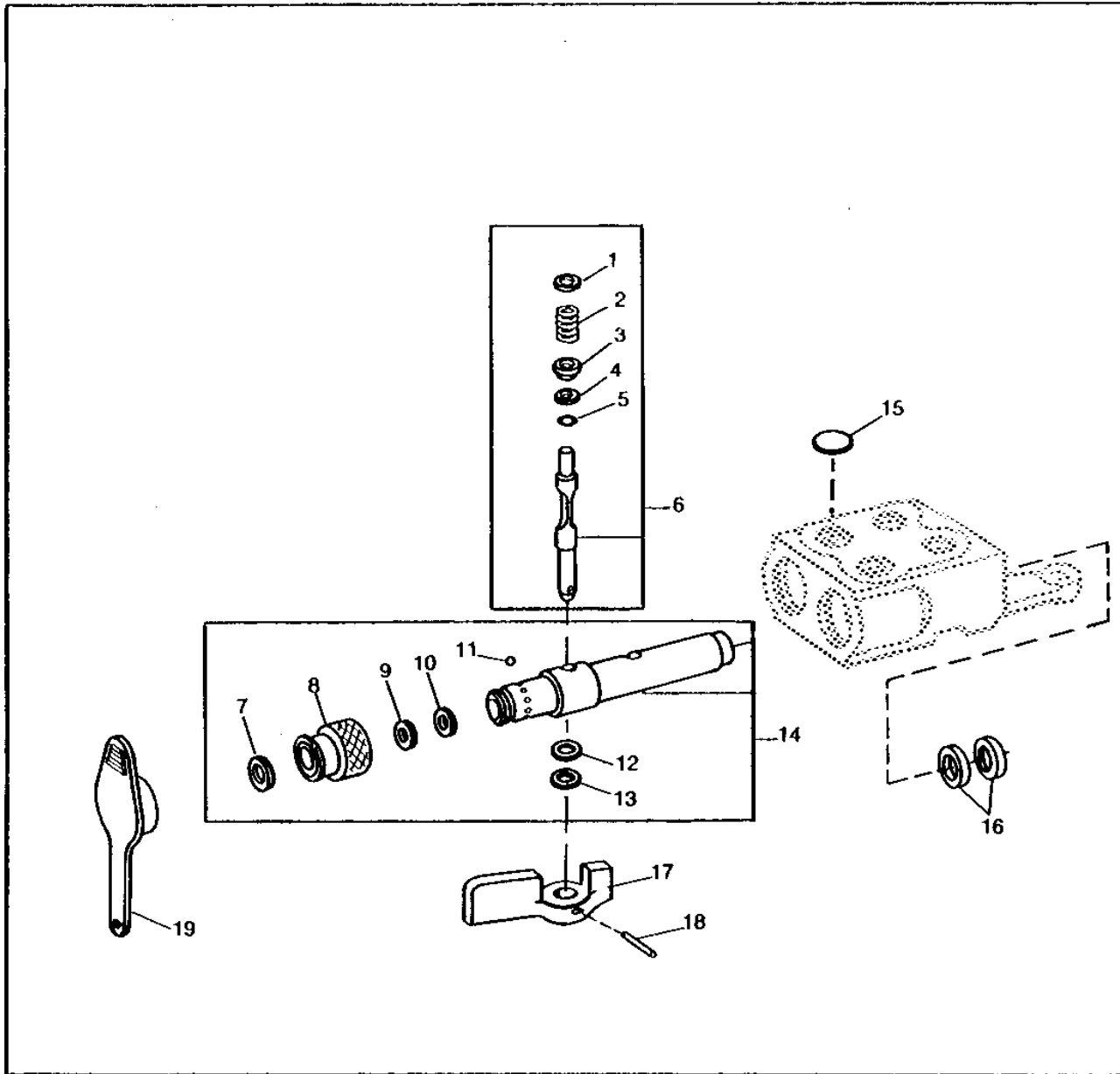
2D20

HYDRAULICS

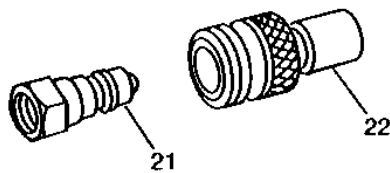
RWP3518

-UN-01JAN94

JOHN DEERE TO ISO COUPLER CONVERSION KIT



RWP3518



2D21

HYDRAULICS

JOHN DEERE TO ISO COUPLER CONVERSION KIT - CONTINUED

KEY	PART NO.	PART NAME	QTY	TRACTOR SERIAL NO.	REMARKS
1	R54242	SNAP RING	2		
2	R78767	SPRING	2		
3	R48698	WASHER	2		
4	R31136	BACK-UP RING	2		
5	R10093	O-RING	2		
6	RE13814	SHAFT	2		
7	40M4378	SNAP RING	2		
8	R78765	SLEEVE	2		
9	R71387	WASHER	2		
10	R74210	O-RING	2		
11	H871R	BALL	16		
12	P51212	O-RING	2		
13	R78766	BACK-UP RING	2		
14	RE13813	RECEPTACLE	2		
15	30H15	PLUG	2		1-1/8"
16	R79311	SEAL	2		
17	R78769	HANDLE	2		
18	37H41	SCREW	2		
19	R78768	COVER	2		
20	RE12121	RECEIVER	1		
21	AL26973	INTERNAL HALF COUPLER	AR		(SUB FOR AR94522)
22	AL26972	EXTERNAL HALF COUPLER	AR		

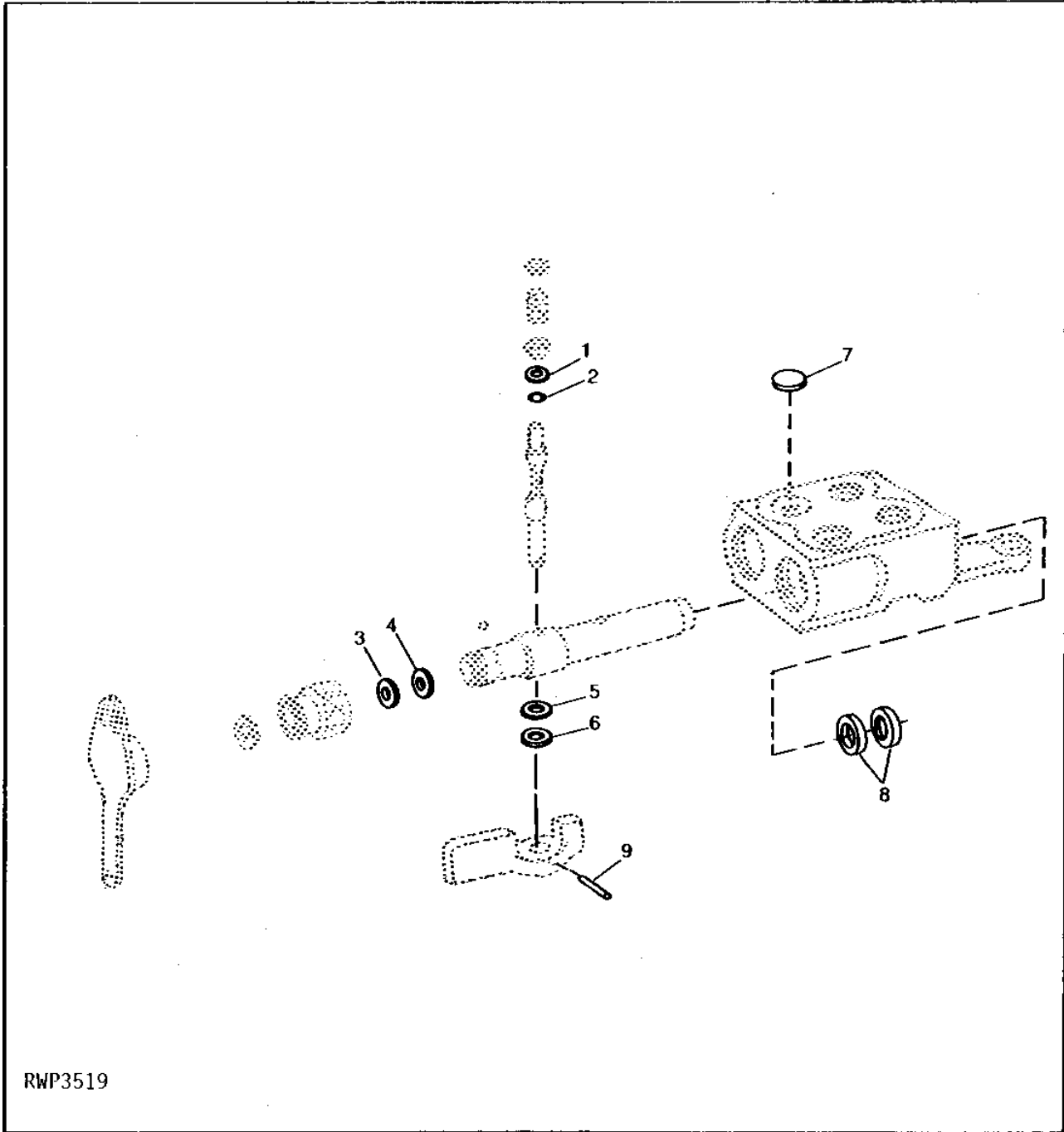
2D22

HYDRAULICS

RWP3519

-UN-01JAN94

ISO COUPLER OVERHAUL KIT



RWP3519

2D23

HYDRAULICS

ISO COUPLER OVERHAUL KIT - CONTINUED

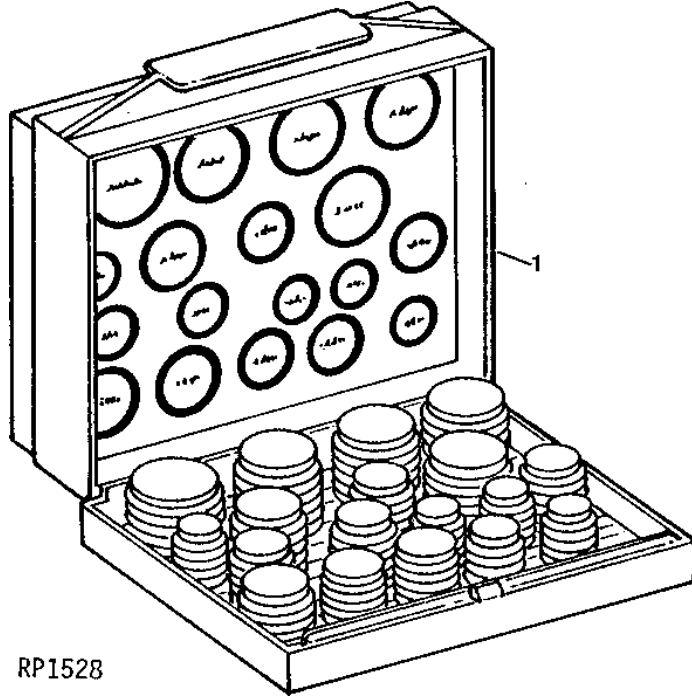
KEY	PART NO.	PART NAME	QTY	TRACTOR SERIAL NO.	REMARKS
1	R31136	BACK-UP RING	2		
2	R10093	O-RING	2		
3	R71387	WASHER	2		
4	H871R	BALL	16		
5	P51212	O-RING	2		
6	R78766	BACK-UP RING	2		
7	30H15	PLUG	2	1-1/8"	
8	R79311	SEAL	4		
9	34H247	SPRING PIN	2	1/8" X 3/4"	
10	RE13815	KIT	1		

2D24

HYDRAULICS

RP1528 -UN-01JAN94

O-RING KIT



RP1528

KEY	PART NO.	PART NAME	QTY	TRACTOR SERIAL NO.	REMARKS
..	AR73500	KIT	1		

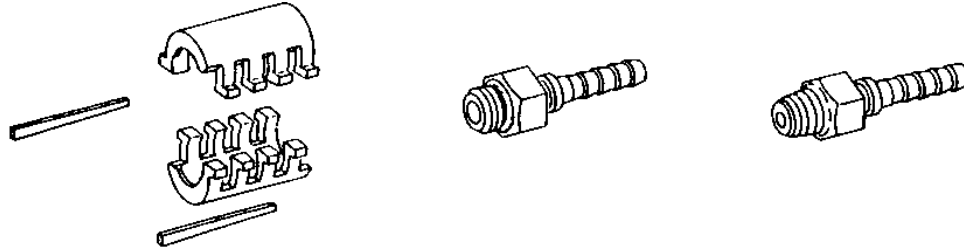
2D25

HYDRAULICS

RXP7733

-UN-23SEP94

BULK FLEXIBLE OIL LINE AND REUSABLE LOK-PIN COUPLINGS



Oil Line (Length) Approx. 50 ft.)		Set of Ferrules with Pins*	Stem-Straight Thread with O-ring	Stem-Pipe Thread
R 34790	3/8" I.D. — 1 Wire	AR 39635* *	R 39687
R 34791	1/2" I.D. — 1 Wire	AR 39636* *	R 39688
R 34792	3/4" I.D. — 1 Wire	AR 39637#	R 39689
R 34793	3/8" I.D. — 2 Wire	AR 39632	AR 39635* *	R 39687
R 34794	1/2" I.D. — 2 Wire	AR 39636* *	R 39688
R 34795	3/4" I.D. — 2 Wire	AR 39637#	R 39689

* Each set of ferrules includes two R39681 pins - extra pins may be ordered, packed 20 in a package.
 **Includes R26375 O-ring.
 # Includes F3171R O-ring.

REUSABLE COUPLINGS (Use With Braid Flexible Oil Line)



1 WR Single Wire		2 WR Double Wire		I.D.	Thread
Coupling No.		Coupling No.			
AF 3585	R	AR 21629		3/8"	3/8" — 18 NPTF
AF 3586	R	AR 21630		1/2"	1/2" — 14 NPTF
AF 3587	R		5/8"	3/4" — 14 NPTF
AF 3588	R	AR 21632		3/4"	3/4" — 14 NPTF
R 34644		AR 21634		1"	1" — 11-1/2" NPTF
R 34646		R 34647		3/8"	3/4" — 16 O-ring type thread
				1/2"	3/4" — 16 O-ring type thread

BULK SINGLE WIRE BRAID FLEXIBLE OIL LINE (Use With Reusable Coupling for Single Wire Braid Flexible Oil Line)

Part No.	I.D.	O.D.	Length
A 5776 R	1/2"	29/32"	Approx. 50 ft.
A 5777 R	5/8"	1-1/32"	Approx. 50 ft.

BULK DOUBLE WIRE BRAID FLEXIBLE OIL LINE (Use with Reusable Coupling for Double Wire Braid Flexible Oil Line)

Part No.	I.D.	O.D.	Length
R 21531	3/8"	29/32"	Approx. 50 ft.
R 21532 RXP7733	1/2"	31/32"	Approx. 50 ft.

MEMORANDA

MEMORANDA

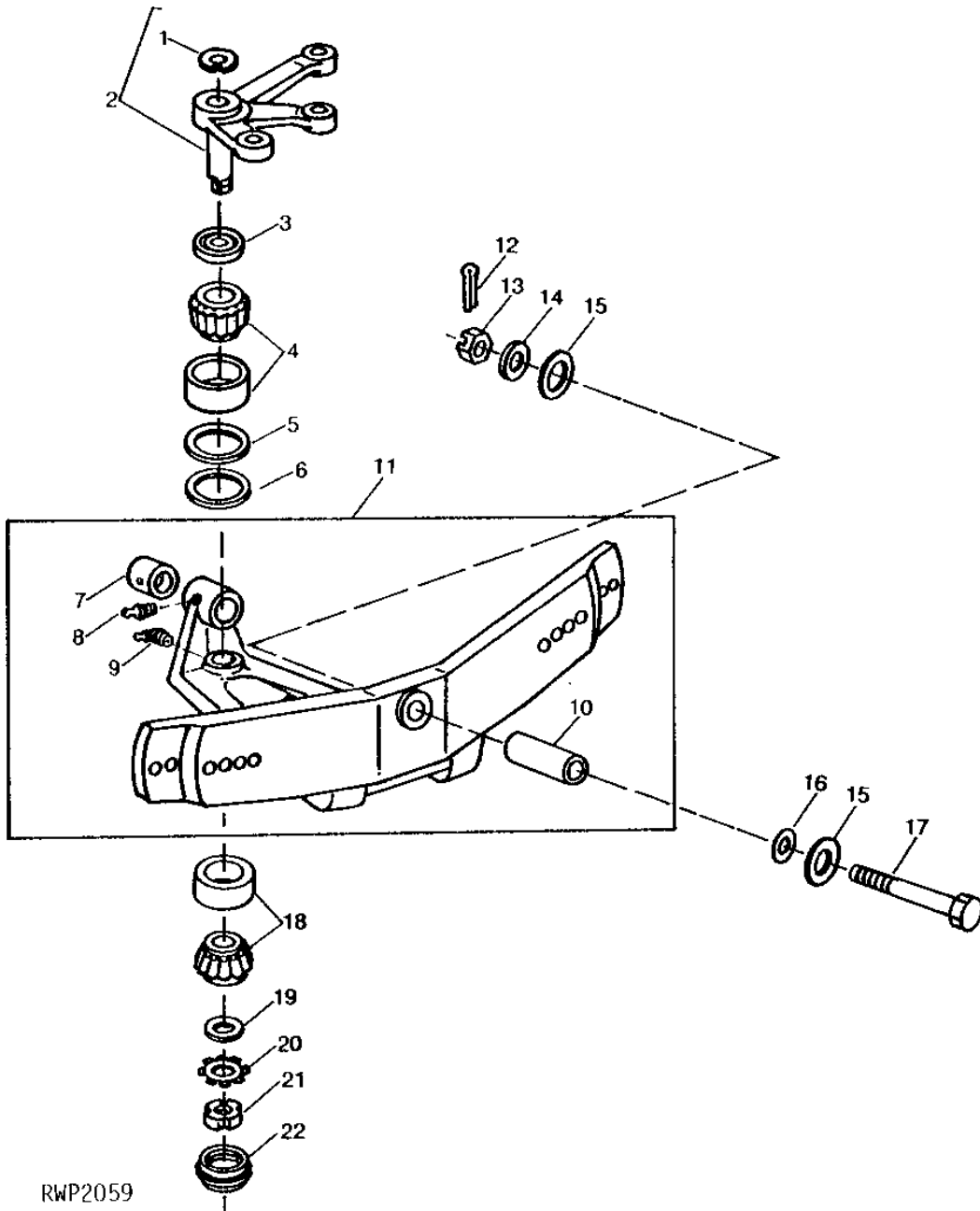
2E3

WHEELS, FRONT AXLES, SHEET METAL

RWP2059

-UN-01JAN94

HEAVY-DUTY FRONT AXLE



2E4

WHEELS, FRONT AXLES, SHEET METAL

HEAVY-DUTY FRONT AXLE - CONTINUED

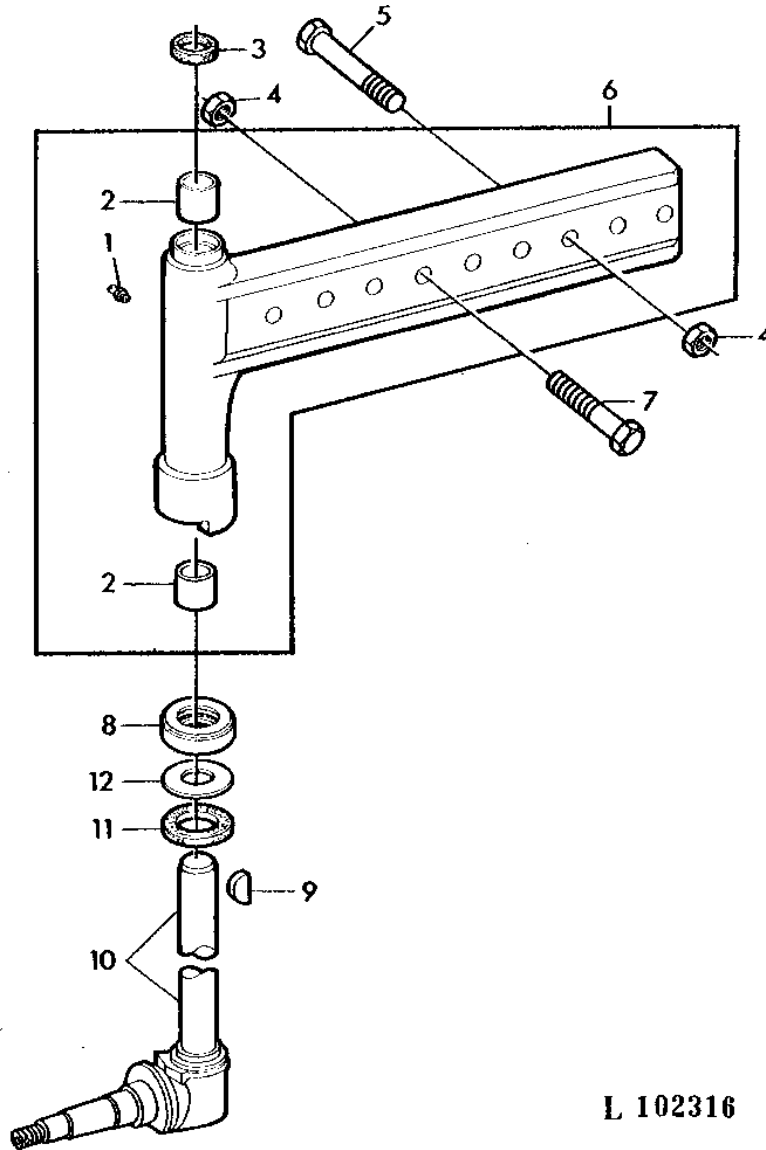
KEY	PART NO.	PART NAME	QTY	TRACTOR SERIAL NO.	REMARKS
1	F534R	SNAP RING	1		
2	AL31089	LEVER	1		(SUB AL55150)
3	AL31052	DISK	1		
4	JD10137	ROLLER BEARING	1		
5	L36266	SHIM	AR		0.20MM (.008")
6	L36267	SHIM	AR		0.30MM (.012")
7	T23170	BUSHING	1		
8	JD7798	LUBRICATION FITTING	1		
9	JD7799	LUBRICATION FITTING	1		
10	T21669	BUSHING	1		
11	AL31857	AXLE	1		
	AL31859	AXLE	1		(NARROW VERSION) (NLA)
12	11M7030	COTTER PIN	1		0.197" X 1.575"
13	14H902	NUT	1		3/4"
14	T10510	WASHER	1		
15	T25922	WASHER	2		(SUB T134960)
16	T25921	SHIM	AR		0.44MM (.016")
	T30991	WASHER	AR		1MM (.04")
17	T25840	CAP SCREW	1		
18	JD10115	ROLLER BEARING	1		
19	24M7227	WASHER	1		30 X 42 X 2.500 MM
20	12M7086	LOCK PLATE	1		30MM
21	52M7012	NUT	1		M30
22	L34855	CAP	1		

2E5

WHEELS, FRONT AXLES, SHEET METAL

L102316 -UN-01JAN94

FRONT AXLE KNEE



L 102316

2E6

WHEELS, FRONT AXLES, SHEET METAL

FRONT AXLE KNEE - CONTINUED

KEY	PART NO.	PART NAME	QTY	TRACTOR SERIAL NO.	REMARKS
1	JD7798	LUBRICATION FITTING	2		
2	T21539	BUSHING	4		
3	M1518T	WASHER	2		
4	14H794	NUT	4	3/4"	
5	19H2826	CAP SCREW	2	3/4" X 4-1/2"	
6	AT22221	AXLE KNEE	1	R.H.	
	AT22222	AXLE KNEE	1	L.H.	
	AT22279	AXLE KNEE	1	R.H. (16.1 REAR TIRES) (SUB T21942)	
	AT22280	AXLE KNEE	1	L.H. (16.1 REAR TIRES)	
7	19H3196	CAP SCREW	2	3/4" X 4", HS, SAE 8	
8	JD8407	THRUST BEARING	2		
9	26H93	SHAFT KEY	2	1/4" X 1-1/4"	
10	AR103472	KNUCKLE	2	(SUB FOR AR52861)	
	AR103473	KNUCKLE	2	(16.1 REAR TIRES) (SUB FOR AR52862)	
11	M2282T	WASHER	2		
12	M2283T	WASHER	2		

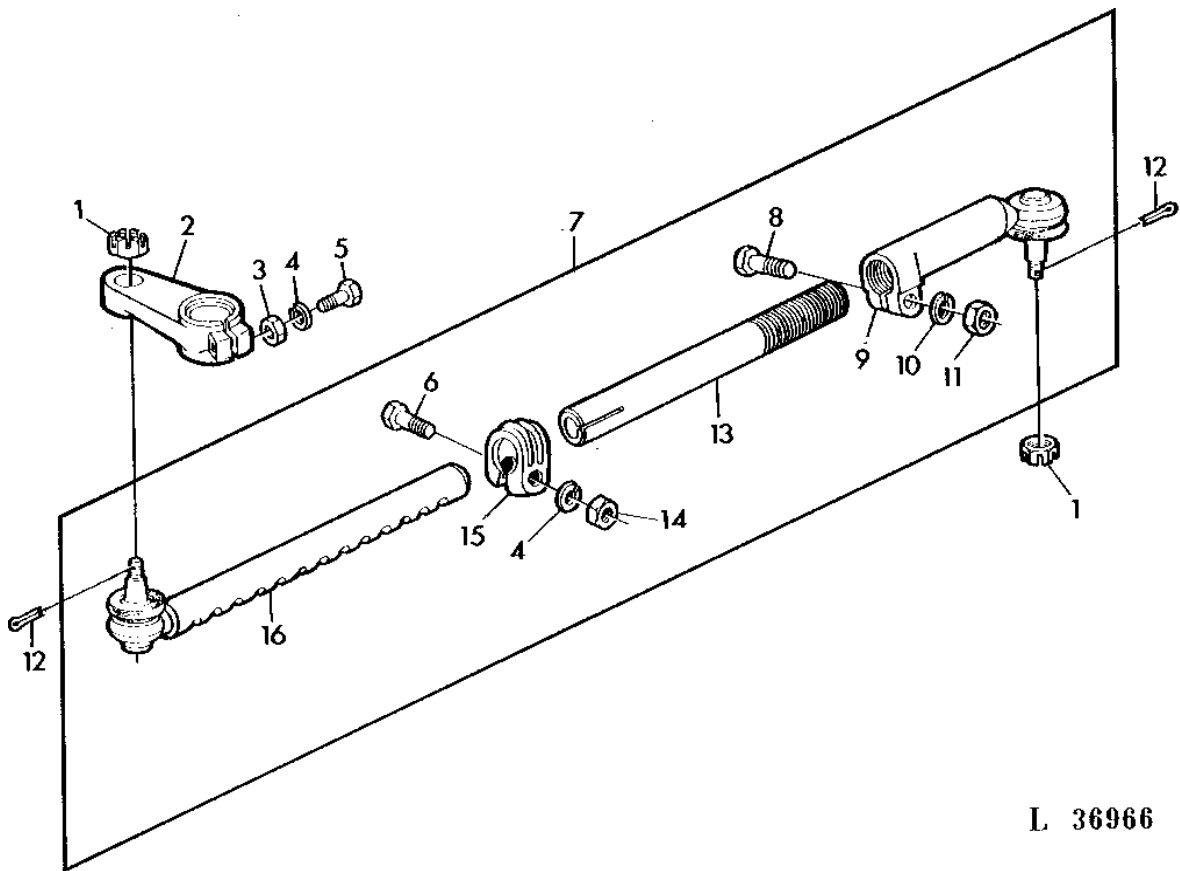
2E7

WHEELS, FRONT AXLES, SHEET METAL

L36966

-UN-01JAN94

TIE ROD



L 36966

2E8

WHEELS, FRONT AXLES, SHEET METAL

TIE ROD - CONTINUED

KEY	PART NO.	PART NAME	QTY	TRACTOR SERIAL NO.	REMARKS
1	14H918	NUT	4	5/8"	
2	T21517	LEVER	1	R.H.	
	T21518	LEVER	1	L.H.	
3	14H1040	NUT	2	1/2"	
4	12H301	LOCK WASHER	4	1/2"	
5	19H2644	CAP SCREW	2	1/2" X 2-1/2"	
6	19H2528	CAP SCREW	2	1/2" X 2"	
7	AR54634	ROD	2		
8	19H2544	CAP SCREW	2	3/8" X 1-1/2"	
9	AT27130	TIE ROD END	2	(NLA)	
10	12H304	LOCK WASHER	2	3/8"	
11	14H1080	NUT	2	3/8"	
12	11M7083	COTTER PIN	4	0.126" X 1.969"	
13	T25901	PIPE	2		
14	14H865	NUT	2	1/2"	
15	R50507	CLAMP	2		
16	AT23885	ROD	2		

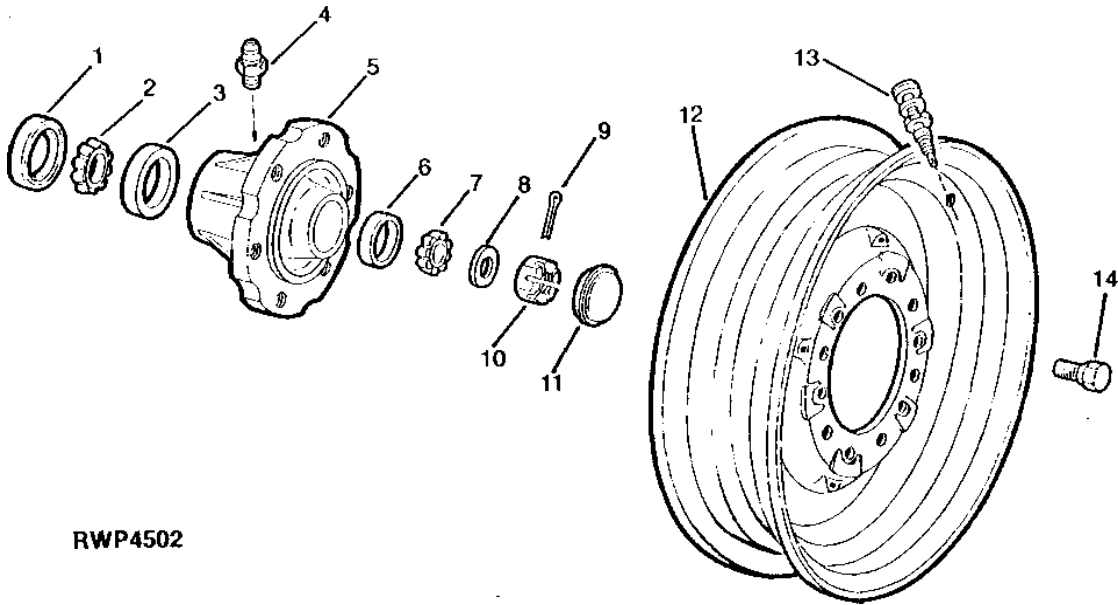
MEMORANDA

2E9

WHEELS, FRONT AXLES, SHEET METAL

RWP4502 -UN-01JAN94

FRONT WHEEL



RWP4502

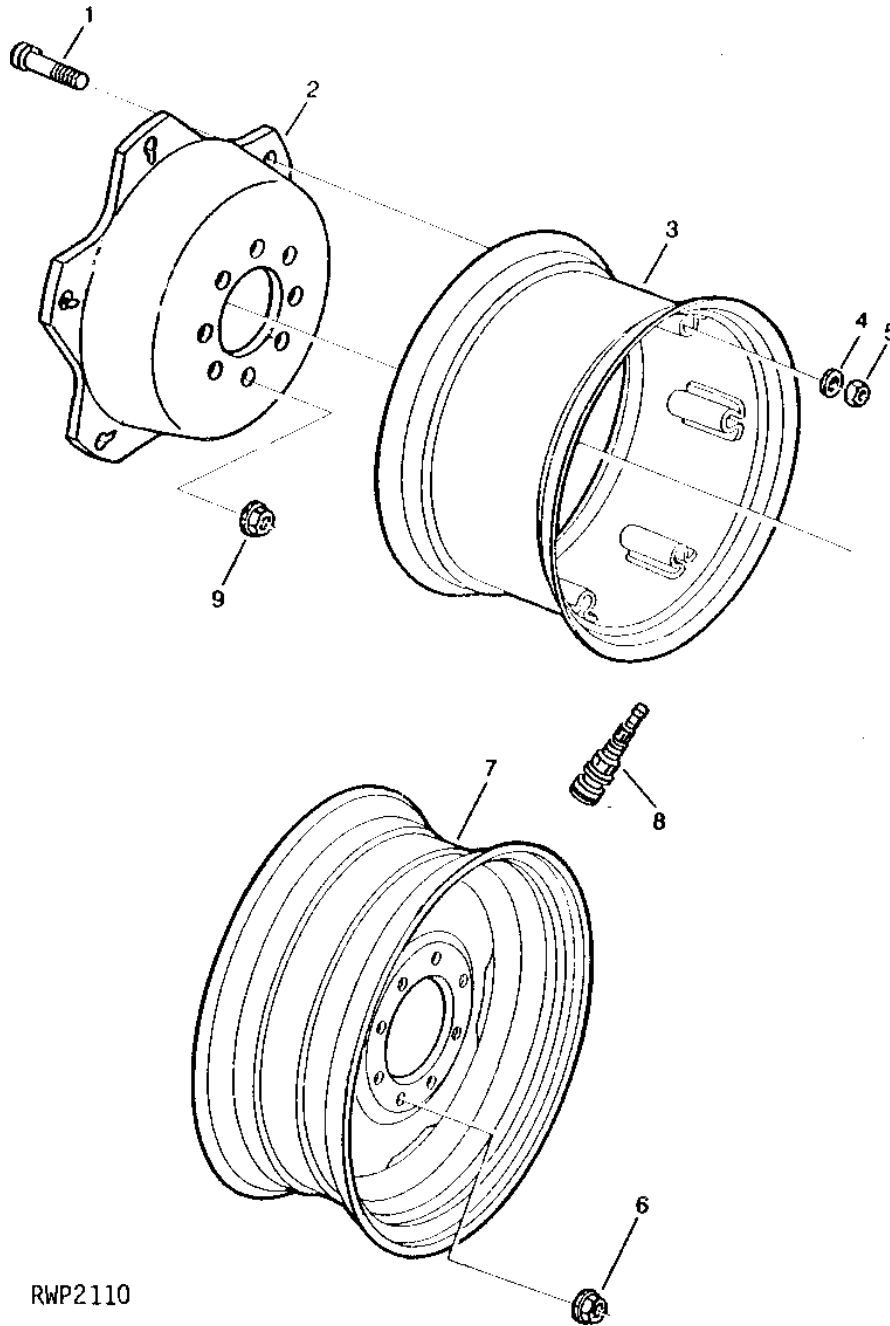
KEY	PART NO.	PART NAME	QTY	TRACTOR SERIAL NO.	REMARKS
1	AR49592	SEAL	1		
2	JD8194	BEARING CONE	1		
3	JD8230	BEARING CUP	1		
4	JD7798	LUBRICATION FITTING	1		
5	R47076	HUB	1		
6	JD8239	BEARING CUP	1		
7	JD8905	BEARING CONE	1		
8	T10510	WASHER	1		
9	11M7023	COTTER PIN	1		
10	14H902	NUT	1		4 X 32 MM
11	N52048	CAP	1		3/4"
12	JD3039	WHEEL	1		(SUB FOR T12688)
	JD3002	RIM	1		(6.5-16 OR 7.5-16 TIRE)
	JD3047	WHEEL	1		(6.00-16 TIRE)
13	AM30347	TIRE VALVE STEM	1		(27 X 9.5-15 TIRE)
14	JD21	WHEEL BOLT	6		

2E10

WHEELS, FRONT AXLES, SHEET METAL

RWP2110 -UN-01JAN94

WHEELS
(MECHANICAL FRONT WHEEL DRIVE)



RWP2110

2E11

WHEELS, FRONT AXLES, SHEET METAL

**WHEELS - CONTINUED
(MECHANICAL FRONT WHEEL DRIVE)**

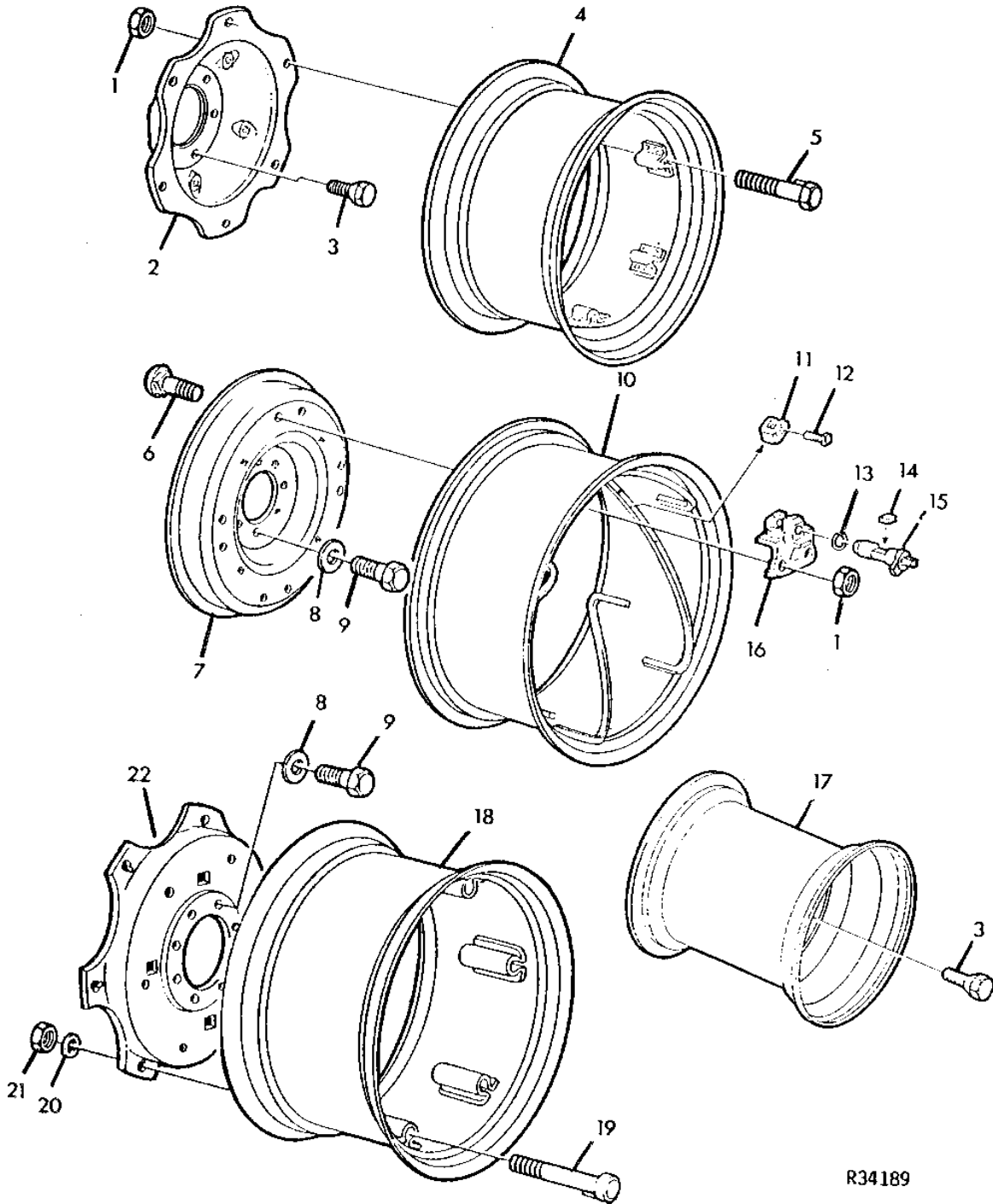
KEY	PART NO.	PART NAME	QTY	TRACTOR SERIAL NO.	REMARKS
1	L34449	SCREW	6		
2	L34231	WHEEL CENTER	1		(8.3-24 OR 9.5-24 TIRE)
3	AL31508	RIM	1		(9.5-24 TIRE)
	AL34148	RIM	1		(8.3-24 TIRE)
4	24M7049	WASHER	6		17.500 X 30 X 3 MM
5	14M7289	NUT	6		M16
6	14M7332	FLANGE NUT	8		M18
7	AL31504	RIM	1		(9.5-24 TIRE) (SUB AL60979)
8	AT25226	STEM	1		
9	14M7332	FLANGE NUT	8		M18

2E12

WHEELS, FRONT AXLES, SHEET METAL

R34189 -UN-01JAN94

STEEL DISK REAR WHEELS



R34189

2E13

WHEELS, FRONT AXLES, SHEET METAL

STEEL DISK REAR WHEELS - CONTINUED

KEY	PART NO.	PART NAME	QTY	TRACTOR SERIAL NO.	REMARKS
1	14H1039	NUT	6		5/8"
2	T19638	WHEEL CENTER	1		
3	JD21	WHEEL BOLT	8		
4	AT20521	RIM	1		(16.9-24 TIRE)
5	19H1863	CAP SCREW	6		5/8" X 3"
6	03H1399	BOLT	8		5/8" X 1-3/4"
7	L31664	WHEEL	1		(13.6-28 OR 14.9-28 TIRE) (SUB FOR L29350) (SUB AL60764, L59208, (4) L59210, (2) L59211, (2) L59212, (4) L59225, (4) L59226 AND (4) 14M7447)
8	L110471	WASHER	8		
9	L31689	CAP SCREW	8		
10	AL24151	RIM	1		(13.6-28 OR 14.9-28 TIRE)
11	L29351	STOP	2		
12	L37427	PIN	2		
13	L29349	SNAP RING	4		
14	L29348	DETENT	4		
15	L37426	PIN	4		
16	L29346	BRACKET	4		(SUB L41715)
17	JD3038	WHEEL	1		(18.4-16.1 OR 21.5L-16.1 TIRE)
18	AL15369	RIM	1		(13.6-28 OR 14.9-28 TIRE)
	AL24251	RIM	1		(16.9-28 TIRE)
	AL28493	RIM	1		14.9-24 SPECIAL ORDER
19	T27511	CAP SCREW	6		
20	24M7145	WASHER	6		15 X 24 X 2.500 MM
21	14H888	NUT	6		9/16"
22	L31667	WHEEL CENTER	1		(13.6-28 OR 14.9-28 TIRE)
	L32847	WHEEL CENTER	1		14.9-24 SPECIAL ORDER
..	AL35157	WHEEL	1		(13.6-28 OR 14.9-28 TIRE) POWER ADJUSTED, (SUB AL60764, L59208, (4) L59210, (2) L59211, (2) L59212, (4) L59225, (4) L59226 AND (4) 14M7447)
..	AT25226	STEM	1		

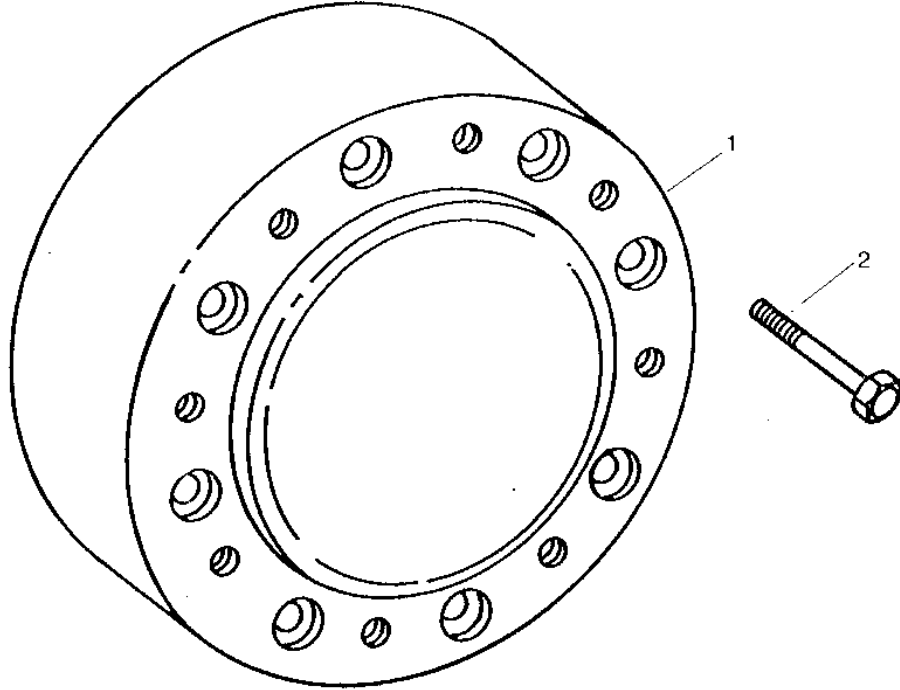
MEMORANDA

2E14

WHEELS, FRONT AXLES, SHEET METAL

RP249 -UN-01JAN94

FLANGED AXLE EXTENSION



RP249

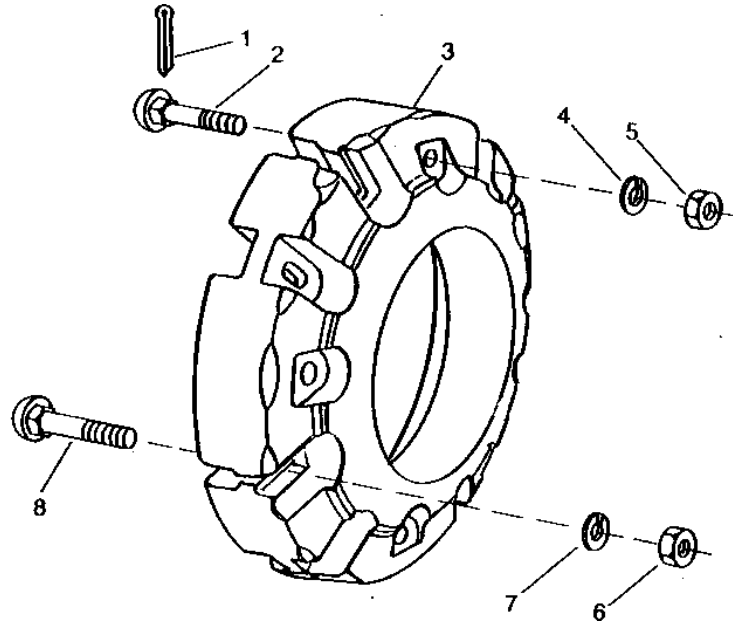
KEY	PART NO.	PART NAME	QTY	TRACTOR SERIAL NO.	REMARKS
1	T22690	EXTENSION	2		
2	19H2647	CAP SCREW	16	9/16" X 4-1/2"	

2E15

WHEELS, FRONT AXLES, SHEET METAL

REAR WHEEL WEIGHT (24" DEMOUNTABLE STEEL DISK WHEEL) (FLANGED AXLE)

RWP5455 -UN-01JAN94



RWP5455

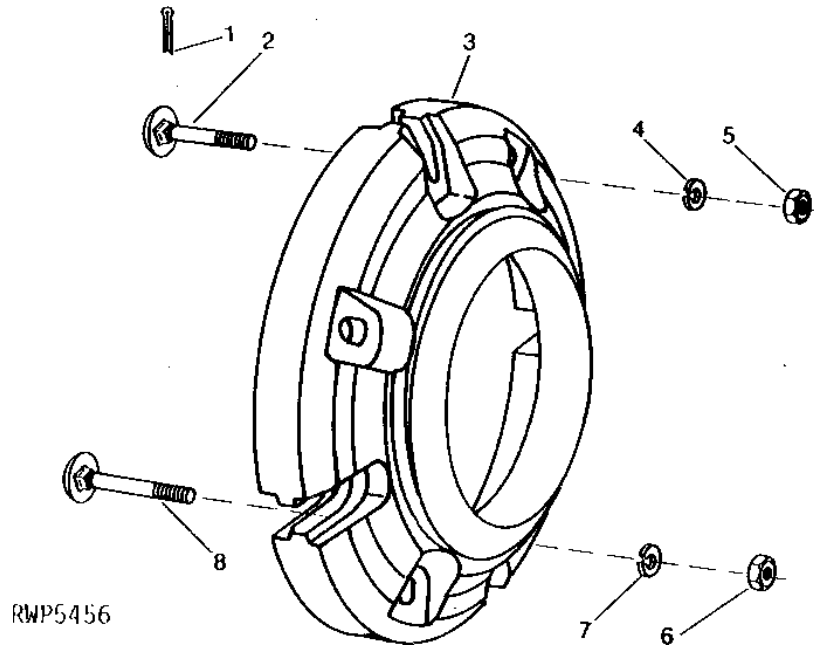
KEY	PART NO.	PART NAME	QTY	TRACTOR SERIAL NO.	REMARKS
1	11M7015	COTTER PIN	1	3.200 X 25 MM	
2	R28493	BOLT	4	5/8" X 3-1/4", (1ST WEIGHT TO WHEEL)	
3	T19293	WEIGHT	1	50KG (110 LBS)	
4	12H294	LOCK WASHER	4	5/8"	
5	14H1039	NUT	4	5/8"	
6	14H1039	NUT	4	5/8"	
7	12H294	LOCK WASHER	4	5/8"	
8	03H1786	BOLT	4	5/8" X 4-1/2", (ADDITIONAL WEIGHTS TO WHEEL)	

2E16

WHEELS, FRONT AXLES, SHEET METAL

REAR WHEEL WEIGHT (28" DEMOUNTABLE STEEL DISK WHEELS) (FLANGED AXLE)

RWP5456 -UN-01JAN94



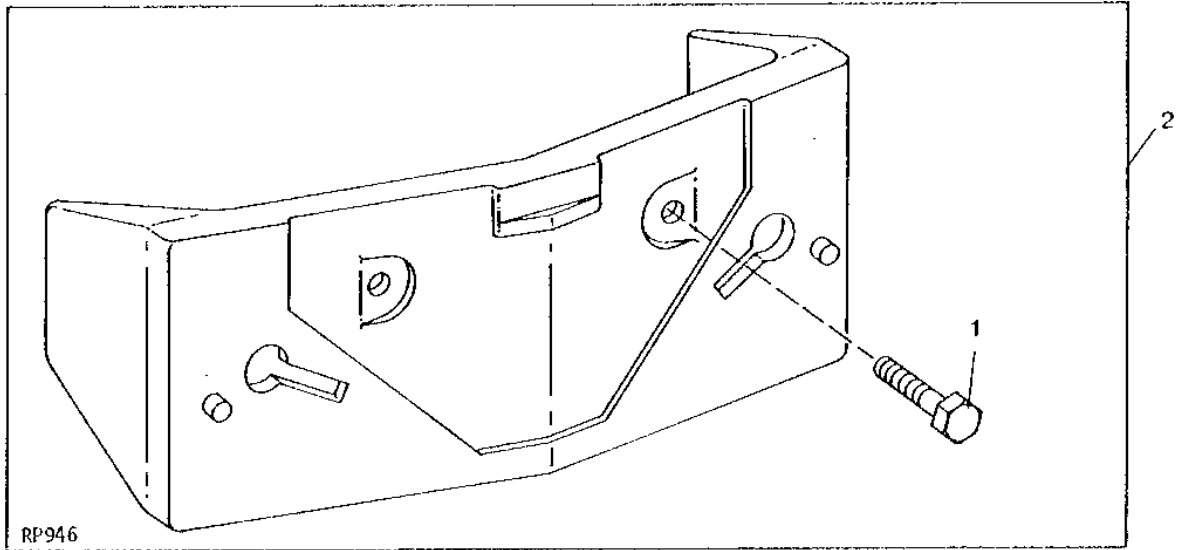
KEY	PART NO.	PART NAME	QTY	TRACTOR SERIAL NO.	REMARKS
1	11M7015	COTTER PIN	4	3.200 X 25 MM	
2	R56921	BOLT	4	5/8" X 2-3/4" (1ST WEIGHT TO WHEEL) (SUB R88316)	
3	R56920	WEIGHT	1	54KG (120 LBS)	
4	12H294	LOCK WASHER	4	5/8"	
5	14H1039	NUT	4	5/8"	
6	14H1039	NUT	4	5/8"	
7	12H294	LOCK WASHER	4	5/8"	
8	03H1516	BOLT	4	5/8" X 3-3/4", (ADDITIONAL WEIGHTS TO WHEEL)	

2E17

WHEELS, FRONT AXLES, SHEET METAL

RP946 -UN-01JAN94

FRAME WEIGHT KIT (MINIMUM OVERHANG)



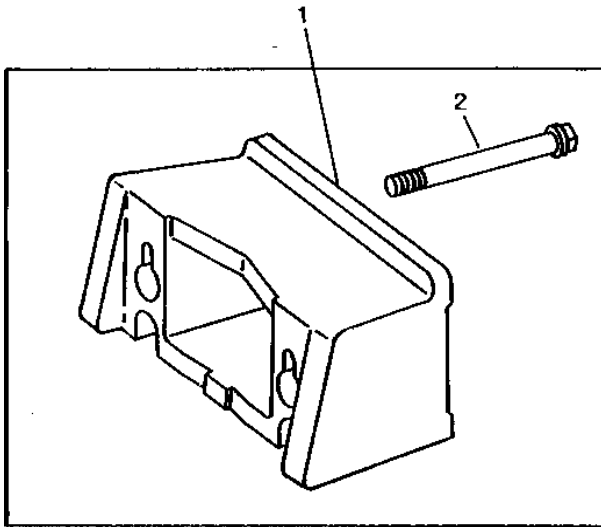
KEY	PART NO.	PART NAME	QTY	TRACTOR SERIAL NO.	REMARKS
1	19H2113	CAP SCREW	2		
2	AR91996	WEIGHT	1		3/4" X 3-1/4" (MARKED R70340) (ORDER COMPONENT PARTS)

2E18

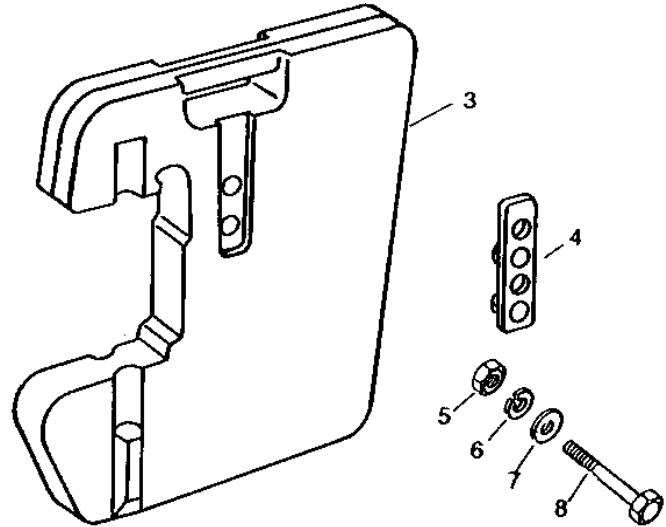
WHEELS, FRONT AXLES, SHEET METAL

RWP5458 -UN-01JAN94

TWO OR FOUR QUIK-TATCH FRONT WEIGHTS



RWP5458



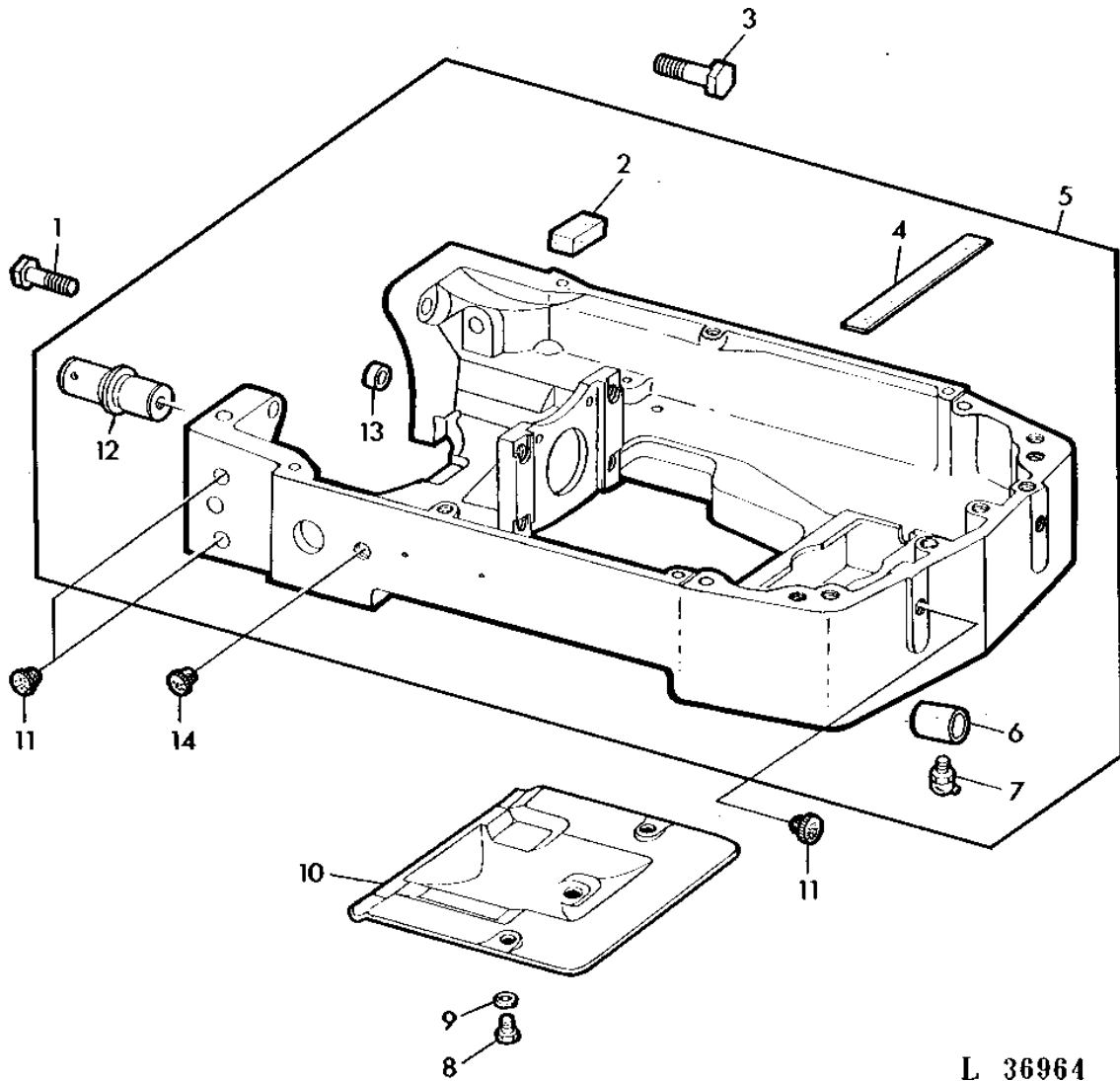
KEY	PART NO.	PART NAME	QTY	TRACTOR SERIAL NO.	REMARKS
1	AR92425	SUPPORT	1		(SUB R70417 AND (2) R52924)
2	R52924	SELF-LOCKING SCREW	2		
3	R51680	WEIGHT	1		
4	AR68801	RETAINER	2		(NOT REQUIRED)
5	14H1039	NUT	1		5/8"
6	12H294	LOCK WASHER	1		5/8"
7	24H1367	WASHER	1		21/32" X 1-1/4" X 1/4"
8	19H1926	CAP SCREW	1		5/8" X 4-3/4", (TWO QUIK-TATCH WEIGHTS)
	08H4260	CAP SCREW	1		5/8" X 9", (FOUR QUIK-TATCH WEIGHTS)

2E19

WHEELS, FRONT AXLES, SHEET METAL

L36964 -UN-01JAN94

FRONT SUPPORT



L 36964

2E20

WHEELS, FRONT AXLES, SHEET METAL

FRONT SUPPORT - CONTINUED

KEY	PART NO.	PART NAME	QTY	TRACTOR SERIAL NO.	REMARKS
1	19H2358	CAP SCREW	2		9/16" X 2-1/4"
	12H317	LOCK WASHER	2		9/16"
2	T22375	FOAM PAD	1		
3	19H1890	CAP SCREW	4		5/8" X 2-3/4"
	12H294	LOCK WASHER	4		5/8"
4	T21540	PAD	1		
5	AT24401	FRONT AXLE SUPPORT	1		(SUB AR72474 AND (4) 19H2072)
6	T23118	BUSHING	1		
7	JD7799	LUBRICATION FITTING	1		
8	19H2021	CAP SCREW	2		3/8" X 5/8"
9	12H304	LOCK WASHER	2		3/8"
10	T22864	COVER	1		
11	99M6551	PLUG	6		
12	AL55410	KIT	1		(SUB FOR L34070) (SUB L55437, L63758, L57963 AND 47M7003)
	JD7763	LUBRICATION FITTING	1		
13	T26929	BUSHING	2		
14	99M7004	PLUG	2		

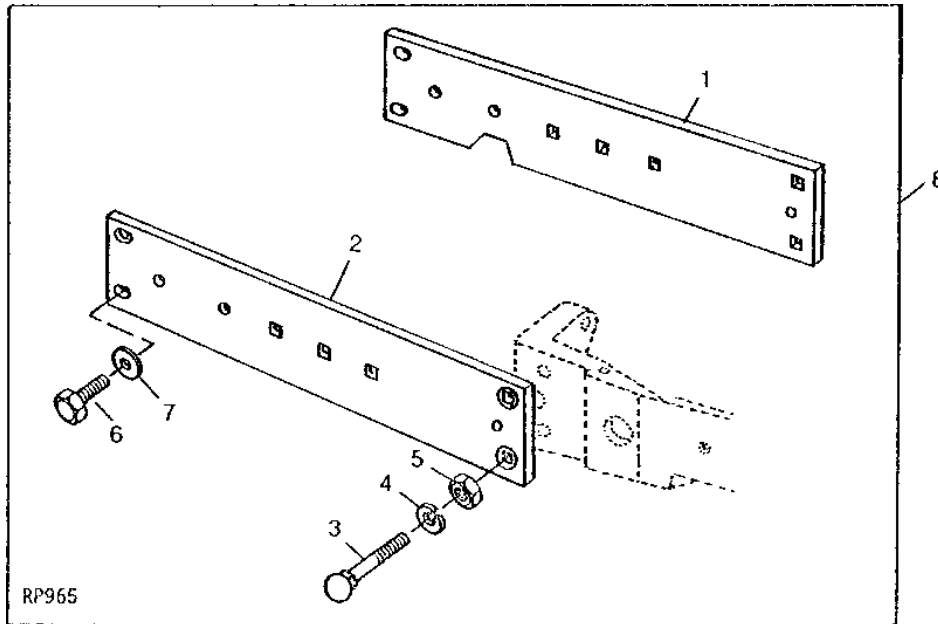
MEMORANDA

2E21

WHEELS, FRONT AXLES, SHEET METAL

RP965 -UN-01JAN94

SIDE FRAMES



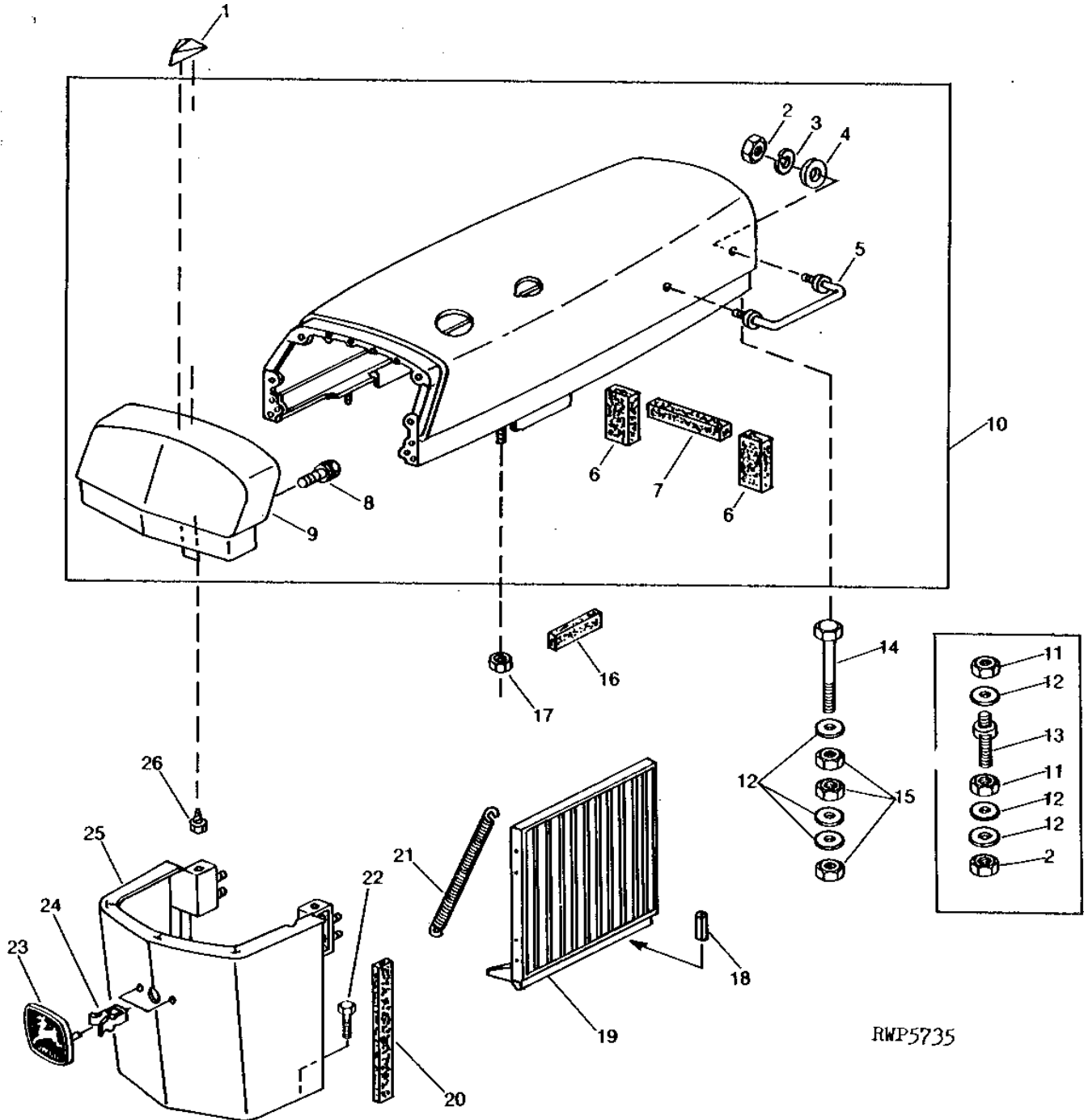
KEY	PART NO.	PART NAME	QTY	TRACTOR SERIAL NO.	REMARKS
1	T21654	FRAME	1		
2	T21653	FRAME	1		
3	10H1157	BOLT	4	5/8" X 3-1/4"	
4	12H294	LOCK WASHER	4	5/8"	
5	14H1039	NUT	4	5/8"	
6	19H1756	CAP SCREW	4	5/8" X 1-1/2"	
7	24H1375	WASHER	4	11/16" X 1-1/8" X 0.060"	
8	AT37356	FRAME	1	(ORDER COMPONENT PARTS)	

2E22

WHEELS, FRONT AXLES, SHEET METAL

RWP5735 -UN-01JAN94

HOOD AND FRONT PLATE



RWP5735

2E23

WHEELS, FRONT AXLES, SHEET METAL

HOOD AND FRONT PLATE - CONTINUED

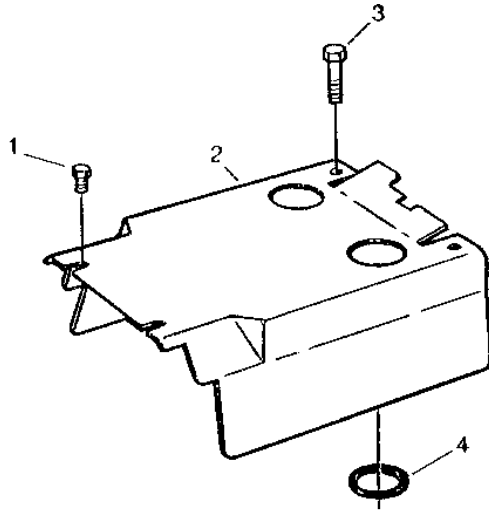
KEY	PART NO.	PART NAME	QTY	TRACTOR SERIAL NO.	REMARKS
1	R73259	MEDALLION	1		(SUB FOR R50736) (SUB L40919 AND L41919)
2	14H1076	NUT	4	-XXXXXX	3/8"
	14H1076	NUT	2	XXXXXX-	3/8"
3	12H304	LOCK WASHER	2		3/8"
4	24H1306	WASHER	2		13/32" X 1" X 0.035"
5	R66897	HANDLE	1		
6	T21490	FOAM PAD	2		
7	FOAM PAD	1		19 X 25 X 422MM (3/4" X 1" X 16-5/8") (MAKE FROM R91749)
8	R52760	SCREW	6		
9	R52362	EXTENSION	1		
10	AL30301	HOOD	1		(HORIZONTAL MUFFLER)
	AL30300	HOOD	1		(VERTICAL MUFFLER)
11	14H732	NUT	4	-XXXXXX	3/8"
12	24H1305	WASHER	6		13/32" X 13/16" X 0.065"
13	R50199	SCREW	2	-XXXXXX	
14	19M7800	SCREW	2	XXXXXX-	M8 X 50
15	14M7298	FLANGE NUT	6	XXXXXX-	M8
16	L56409	FOAM PAD	2		(SUB FOR L35011)
17	14M7273	NUT	2		M8
18	34H340	SPRING PIN	4		5/16" X 13/16"
19	AL31253	GRILLE	2		(SUB FOR AL37956) (SUB AL60652)
20	L57052	FOAM PAD	2		(SUB FOR L35008)
21	R26858	SPRING	2		
22	19H3530	CAP SCREW	8		1/2" X 7/8"
23	L34456	MEDALLION	1		(SUB L61282)
24	L31750	CLIP	2		
25	AL31003	SHIELD	1		
26	37H49	SCREW	2		NO. 10 X 1/2"

2E24

WHEELS, FRONT AXLES, SHEET METAL

RWP2112 -UN-01JAN94

TRANSMISSION CASE SHIELD



RWP2112

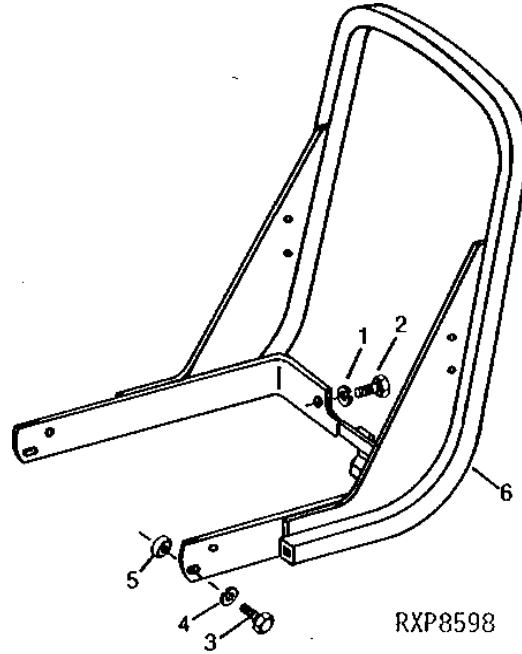
KEY	PART NO.	PART NAME	QTY	TRACTOR SERIAL NO.	REMARKS
1	19H2021	CAP SCREW	2	3/8" X 5/8"	
2	L38366	SHIELD	1	(SUB FOR L34117)	
3	19H1765	CAP SCREW	2	3/8" X 1-3/4"	
4	L31311	O-RING	2		

2E25

WHEELS, FRONT AXLES, SHEET METAL

RXP8598 -UN-01JAN94

GRILLE GUARD



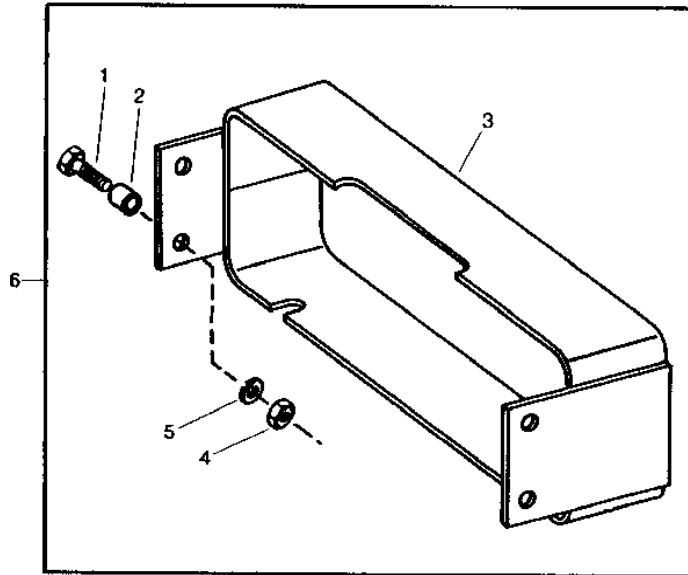
KEY	PART NO.	PART NAME	QTY	TRACTOR SERIAL NO.	REMARKS
1	19H1798	CAP SCREW	2	3/4" X 1-3/4"	
2	12H236	LOCK WASHER	2	3/4"	
3	19H1847	CAP SCREW	2	5/8" X 2-1/2"	
4	12H294	LOCK WASHER	2	5/8"	
5	T18145	BUSHING	2		
6	AR91612	GUARD	1	(SUB FOR AR91610)	
..	AR72233	WIRING LEAD	1	(R.H. LAMP TO SWITCH WHEN GUARD IS INSTALLED)	
..	AR67855	CONNECTOR	1	(R.H. LAMP LEAD TO L.H. LAMP LEAD WHEN GUARD IS INSTALLED)	
..	R44302	TIE BAND	AR		

2F1

WHEELS, FRONT AXLES, SHEET METAL

RP152 -UN-01JAN94

LIGHT GUARD



RP152

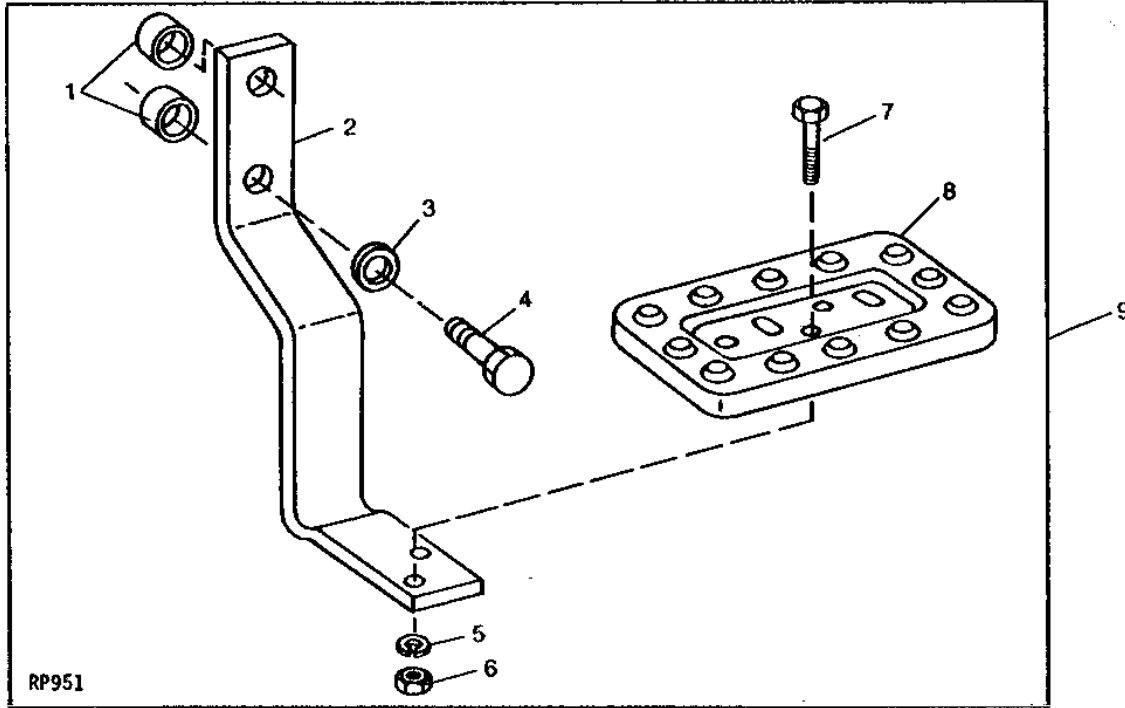
KEY	PART NO.	PART NAME	QTY	TRACTOR SERIAL NO.	REMARKS
1	03H1731	BOLT	4	35/64" X 27/32" X 3/8"	
2	28H1597	WASHER	1	35/64" X 27/32" X 3/8"	
3	AR72953	GUARD	1		
4	14H1040	NUT	4	1/2"	
5	12H301	LOCK WASHER	4	1/2"	
6	AR91611	GUARD	1		

2F2

WHEELS, FRONT AXLES, SHEET METAL

RP951 -UN-01JAN94

STEP AND SUPPORT



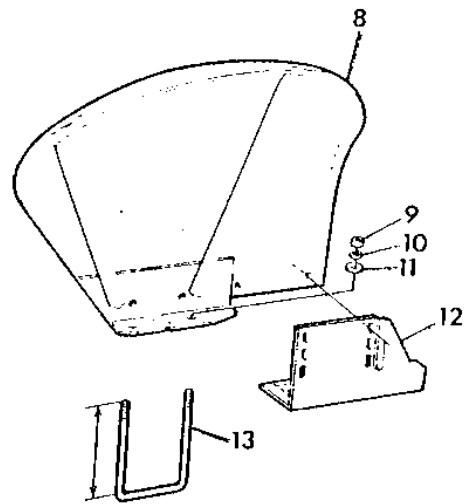
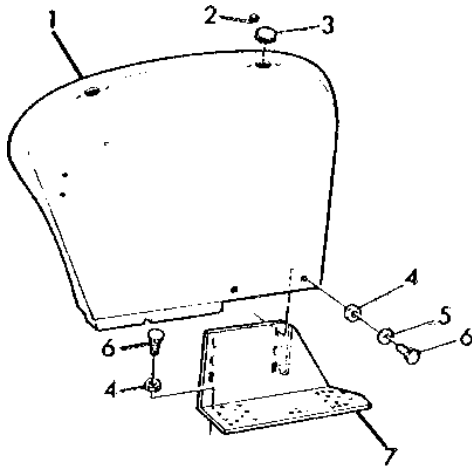
KEY	PART NO.	PART NAME	QTY	TRACTOR SERIAL NO.	REMARKS
1	T18145	BUSHING	2		
2	R72452	SUPPORT	1		(SUB AL31579) (INCLUDES F3195R)
3	24H1375	WASHER	2		11/16" X 1-1/8" X 0.060"
4	19H1734	CAP SCREW	2		5/8" X 2"
5	12H304	LOCK WASHER	2		3/8"
6	14H1076	NUT	2		3/8"
7	19H2552	CAP SCREW	2		3/8" X 1-1/8"
8	F3195R	STEP	1		
9	AR94909	STEP	1		(ORDER COMPONENT PARTS)

2F3

WHEELS, FRONT AXLES, SHEET METAL

R34191 -UN-01JAN94

REAR FENDERS



R34191

2F4

WHEELS, FRONT AXLES, SHEET METAL

REAR FENDERS - CONTINUED

KEY	PART NO.	PART NAME	QTY	TRACTOR SERIAL NO.	REMARKS
1	AL24124	FENDER	1		(18.4-16.1 OR 21.5L-16.1 TIRE) (SUB AL66171)
	AL28585	FENDER	1		(14.9-28, 13.6-28 OR 16.9-24 TIRE)
2	H113924	PLUG	8		(SUB FOR R42451) (SUB T15005)
3	T22520	PLUG	4		(SUB H23746)
4	14H1076	NUT	4		3/8"
5	24H1307	WASHER	4		13/32" X 1" X 1/16"
6	03H1765	BOLT	4		3/8" X 3/4"
7	AL25435	BRACKET	1		(NLA)
8	AL24123	FENDER	1		(18.4-16.1 OR 21.5L-16.1 TIRE) (SUB AL66170)
	AT20777	FENDER	1		(14.9-28, 13.6-28 OR 16.9-24 TIRE)
9	14H1039	NUT	4		5/8"
10	12H294	LOCK WASHER	4		5/8"
11	24H1698	WASHER	4		21/32" X 1-5/8" X 1/4"
12	AL25434	BRACKET	1		(SUB AL66515)
13	T22705	U-BOLT	2		

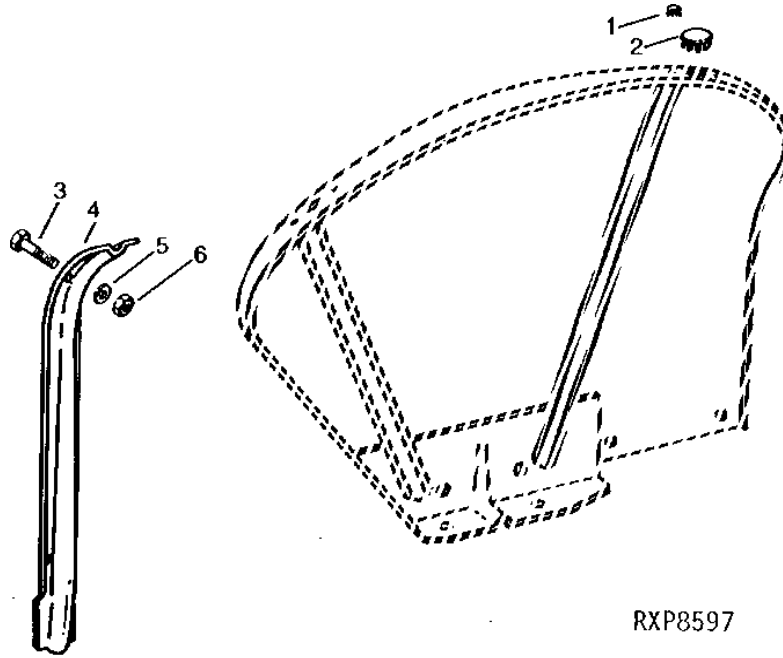
MEMORANDA

2F5

WHEELS, FRONT AXLES, SHEET METAL

RXP8597 -UN-01JAN94

FENDER BRACE AND HARDWARE



RXP8597

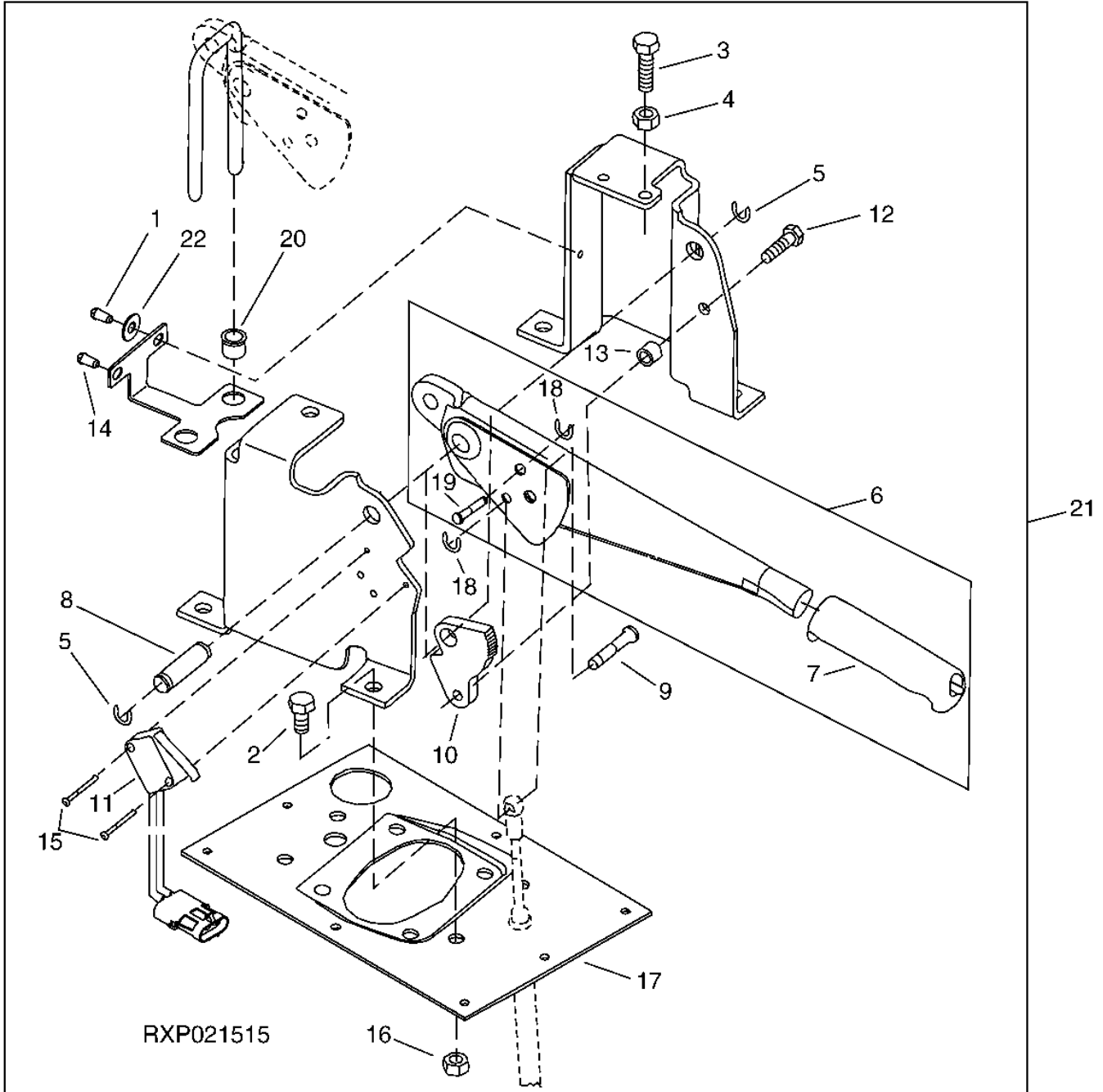
KEY	PART NO.	PART NAME	QTY	TRACTOR SERIAL NO.	REMARKS
1	H113924	PLUG	4		(SUB FOR R42451) (SUB T15005)
2	H23746	PLUG	2		
3	21H1303	SCREW	8	1/4" X 3/4"	
4	R56822	BRACE	2		
5	12H302	LOCK WASHER	8	1/4"	
6	14H786	NUT	8	1/4"	

2F6

WHEELS, FRONT AXLES, SHEET METAL

RXP021515 -UN-22MAY96

DECALS



2F7

WHEELS, FRONT AXLES, SHEET METAL

DECALS - CONTINUED

KEY	PART NO.	PART NAME	QTY	TRACTOR SERIAL NO.	REMARKS
1	L35493	LABEL	1		R.H. (SUB L63977 AND L63984)
	L35492	LABEL	1		L.H. (SUB L63977 AND L63984)
2	L35121	DECAL	1		L.H.
	L35124	DECAL	1		R.H.
3	L35120	DECAL	1		
4	T65880	WARNING LABEL	1		
5	L35520	LABEL	1		
6	L29439	LABEL	1		
7	R83103	LABEL	1		PTO SAFETY, (SUB FOR R64391) (SUB R132720)
8	L29440	LABEL	1		
9	L35521	LABEL	1		
10	R69270	LABEL	1		(SUB R87529)
11	L59382	LABEL	1		(SUB FOR R36323)
12	L59382	LABEL	1		(SUB FOR R36322)
13	L36319	DECAL	1		
14	T146102	WARNING LABEL	1		BYPASS START (ENGLISH) (SUB FOR T84409 OR T134459)
	T146106	WARNING LABEL	1		BYPASS START (ESPANOL) (SUB FOR T84410 OR T134452)
	T146104	WARNING LABEL	1		BYPASS START (FRANCAIS) (SUB FOR T84411 OR T134453)
	T146515	WARNING LABEL	1		BYPASS START (DEUTSCH) (SUB FOR T84412 OR T134454)
	T146516	WARNING LABEL	1		BYPASS START (ITALIANO) (SUB FOR T84413 OR T134455)
	T146517	WARNING LABEL	1		BYPASS START (FRANCAIS/ENGLISH) (SUB FOR T84578 OR T134456)

MEMORANDA

MEMORANDA

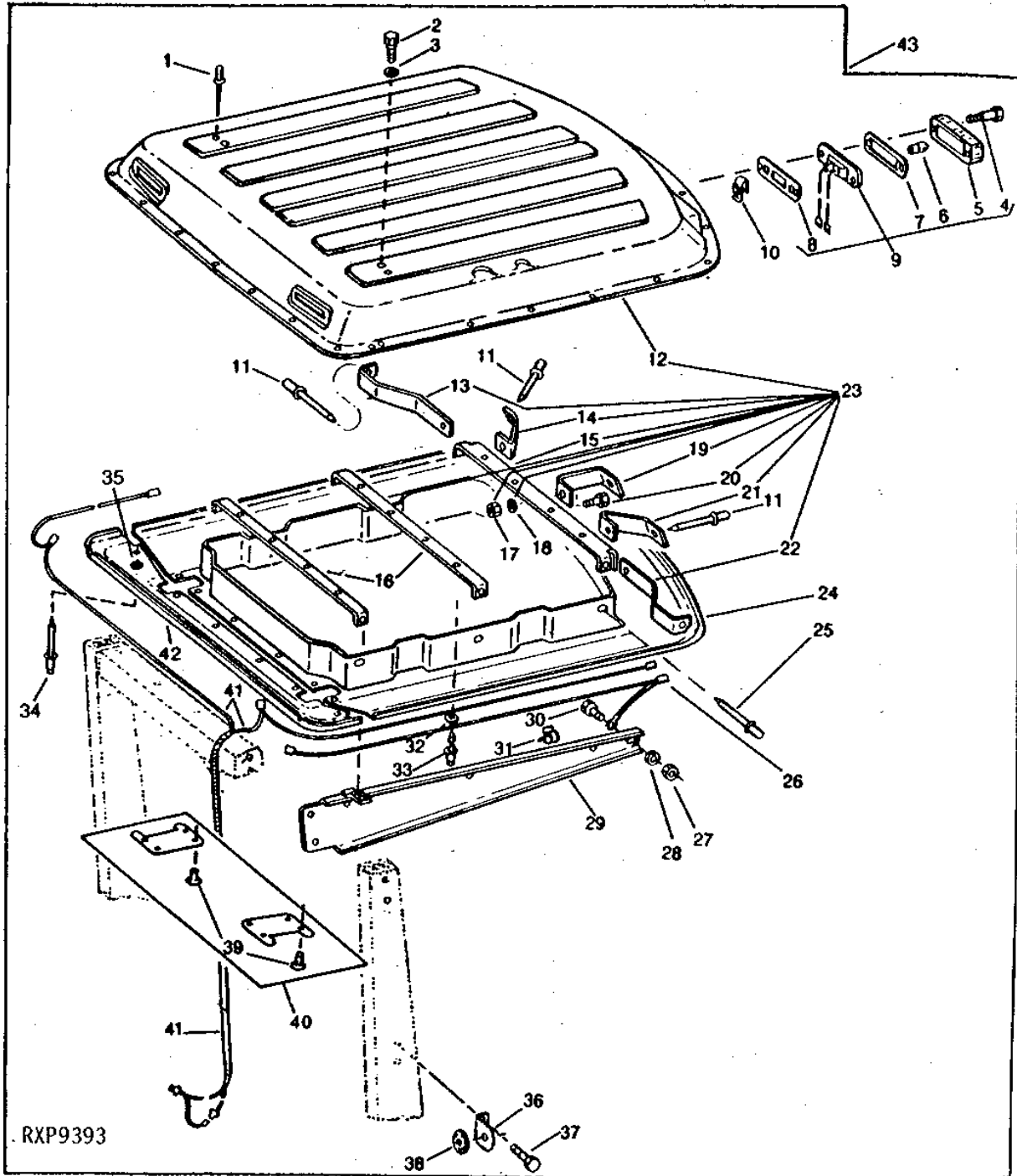
2F9

OPERATOR'S STATION

RXP9393

-UN-01JAN94

ROLL-GARD CANOPY



2F10

OPERATOR'S STATION

ROLL-GARD CANOPY - CONTINUED

KEY	PART NO.	PART NAME	QTY	TRACTOR SERIAL NO.	REMARKS
1	R55326	RIVET	2		
2	19H1792	CAP SCREW	2	1/2" X 1"	
3	24H1227	WASHER	2	17/32" X 13/16" X 0.060"	
4	R54781	SCREW	8		
5	R54779	LENS	4		
6	AD2062R	BULB	4	(12-VOLT)	
7	R54782	GASKET	4		
8	R61179	GASKET	4		
9	AR60250	LAMP	4		
10	R99350	NUT	8	(SUB FOR R53528, THIS APPLICATION)	
11	R55326	RIVET	17		
12	AR78261	ROOF	1	(SUB R60100)	
13	R62926	BRACE	1		
14	R81223	BRACKET	1	(SUB FOR R62924)	
15	AR77698	SUPPORT	1		
16	R62922	SUPPORT	2		
17	14H1076	NUT	7	3/8"	
18	24H1682	WASHER	7	13/32" X 7/8" X 0.120"	
19	R81221	BRACKET	1	(SUB FOR R62929)	
20	19H1731	CAP SCREW	7	3/8" X 1"	
21	R81222	BRACKET	1	(SUB FOR R62923)	
22	R62925	BRACE	1		
23	AR73338	ROOF	1		
	R60101	ISOLATOR	1		
24	R60103	PANEL	1		
25	R55326	RIVET	6		
26	AR56211	WIRING HARNESS	2		
27	14H1076	NUT	6	3/8"	
28	24H1682	WASHER	2	13/32" X 7/8" X 0.120"	
29	AR72902	SUPPORT	1	R.H.	
	AR72903	SUPPORT	1	L.H.	
30	19H1731	CAP SCREW	6	3/8" X 1"	
31	R21551	CLIP	4		
32	R52119	WASHER	32		
33	19H1820	CAP SCREW	32	1/2" X 3"	
34	R63679	RIVET	6		
35	R52119	WASHER	6		
36	R60459	BRACKET	2		
37	37H3	SCREW	4	1/4" X 5/8"	
38	T33745	REFLECTOR	2		
39	R63679	RIVET	8	XXXXXX-	
40	AR76583	COVER	2	XXXXXX- (FI)	
41	AR72987	WIRING HARNESS	1		
	H97644	CONDUIT	1	(SUB FOR R50452)	
42	R60104	PANEL	1		
43	AR73336	CANOPY	1	-XXXXXX (ALSO ORDER AR87385) (SUB RE19445)	
	RE19445	CANOPY	1	XXXXXX- (FI)	

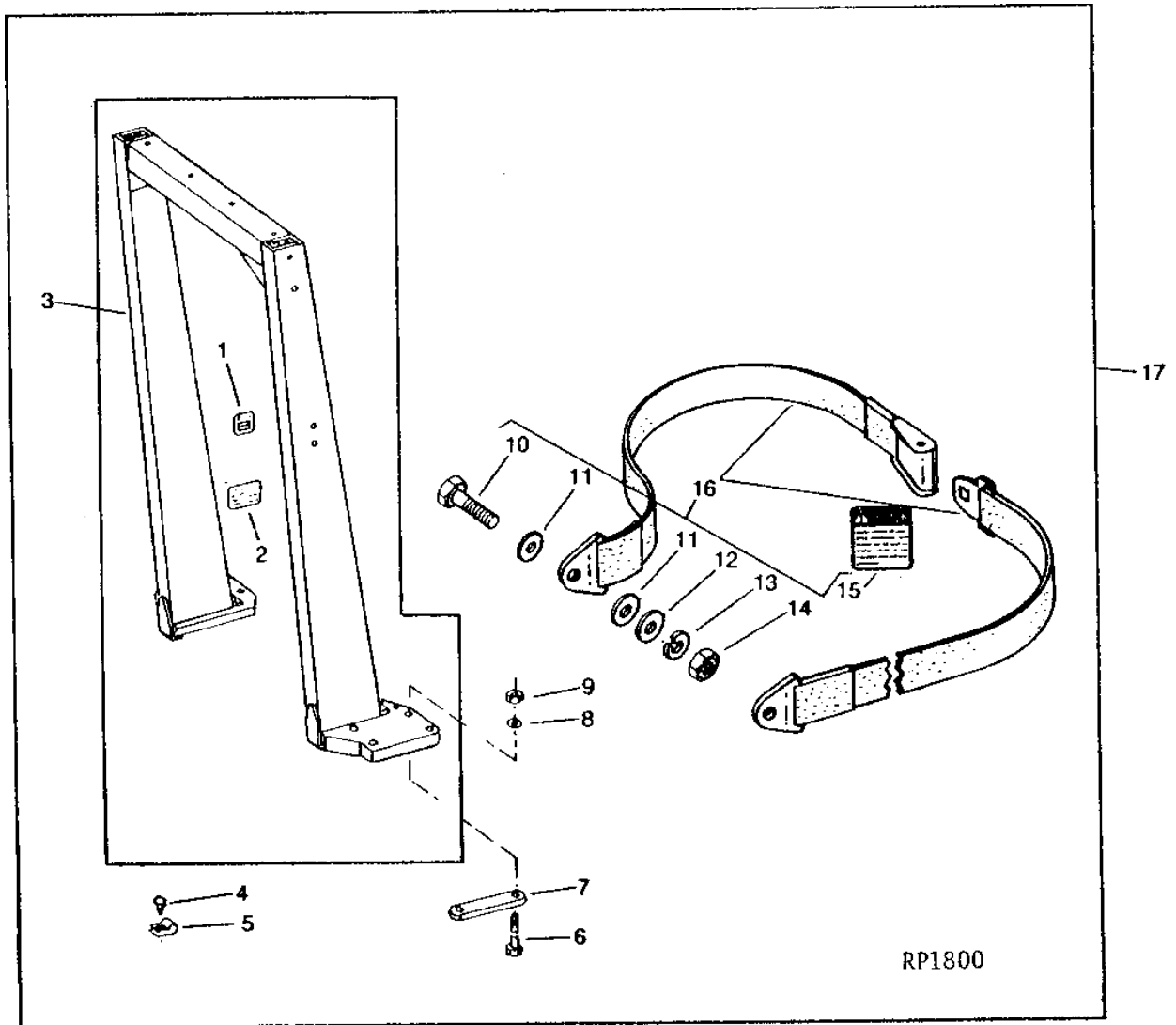
2F11

OPERATOR'S STATION

RP1800

-UN-01JAN94

ROLL-GARD



2F12

OPERATOR'S STATION

ROLL-GARD - CONTINUED

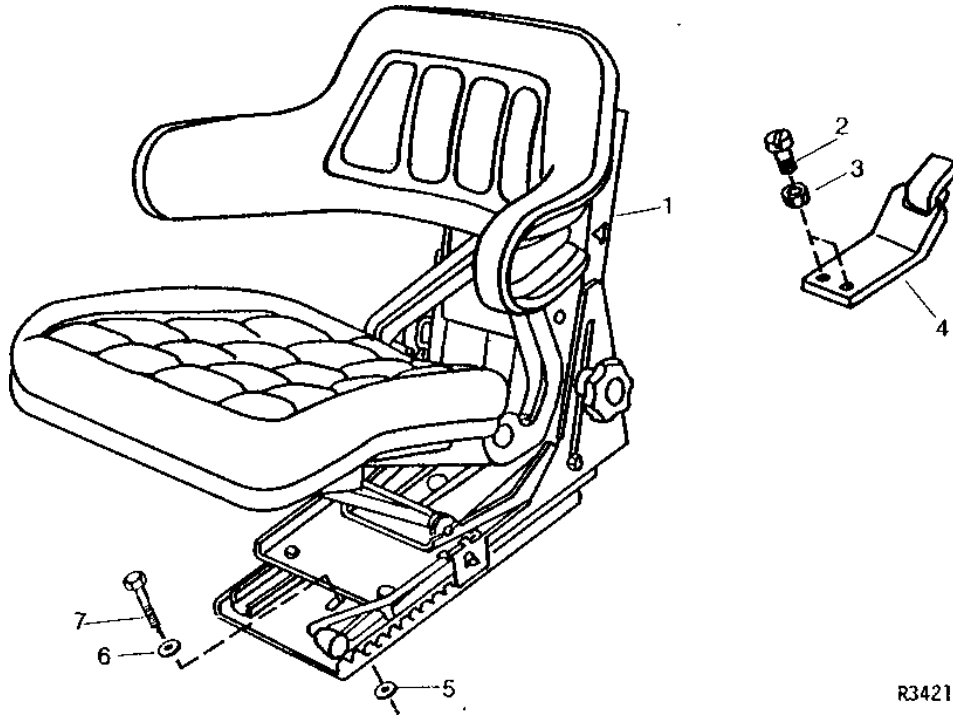
KEY	PART NO.	PART NAME	QTY	TRACTOR SERIAL NO.	REMARKS
1	R87527	LABEL	1		CAUTION, (SUB FOR R41781)
2	DECAL	1		(NOT FURNISHED)
3	ROLL-GARD	1		(NO LONGER AVAILABLE)
4	37H3	SCREW	2		1/4" X 5/8"
5	T22645	CLIP	2		
6	R48139	CAP SCREW	8		(WITH 28" AND UNDER REAR WHEELS)
7	U40656	STRAP	4		
8	24H1400	WASHER	8		25/32" X 1-5/8" X 1/4"
9	14H794	NUT	8		3/4"
10	R41778	BOLT	2		
11	24H1226	WASHER	4		1/2" X 1-1/4" X 0.083"
12	24H1363	WASHER	2		41/64" X 1-1/16" X 0.105"
13	12H293	LOCK WASHER	2		7/16"
14	14H1040	NUT	2		1/2"
15	R81424	LABEL	1		CAUTION
16	AT37833	SEAT BELT	1		51MM (2") WIDTH
17	AR51143	ROLL-GARD	1		(REGULAR FENDERS) (28" AND UNDER REAR WHEELS) (SUB AL70191)

2F13

OPERATOR'S STATION

R34214 -UN-01JAN94

DELUXE SEAT ASSEMBLY



R34214

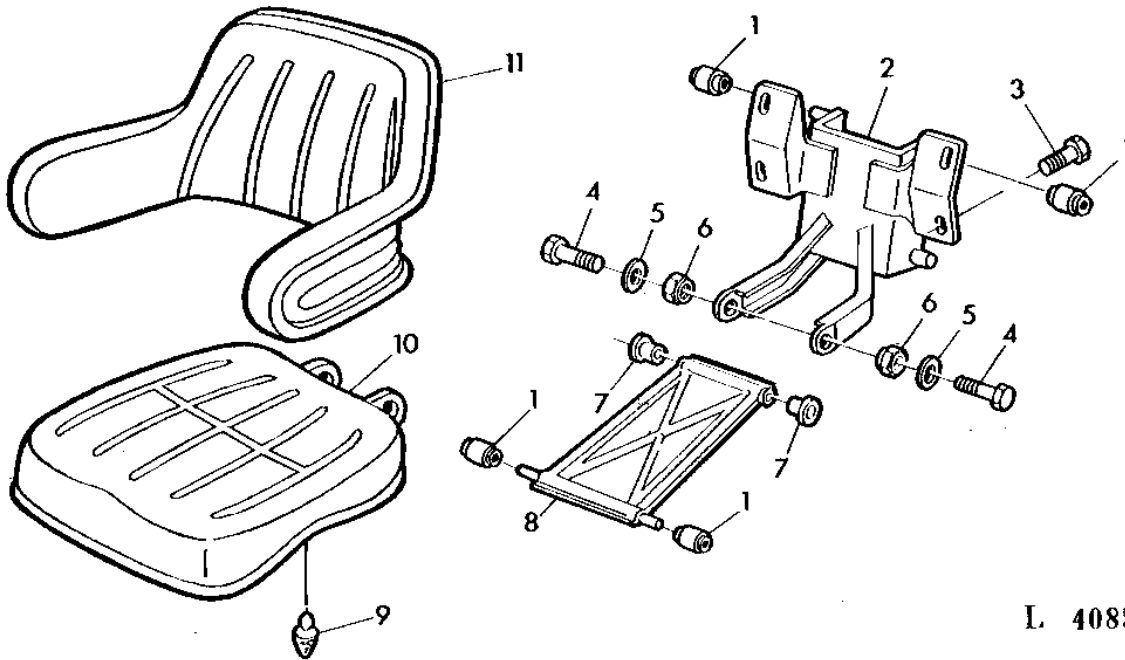
KEY	PART NO.	PART NAME	QTY	TRACTOR SERIAL NO.	REMARKS
1	AL56097	SEAT	1		(ALSO ORDER (2) 19H1815) (SUB FOR AL31842, AL36556 OR AL39913)
2	21H1331	SCREW	2		5/16" X 1"
3	14H785	NUT	2		5/16"
4	AL63296	SUPPORT	1		(SUB FOR AL23433)
5	24H1254	WASHER	2		17/32" X 1-1/8" X 0.105"
6	24H1349	WASHER	2		9/16" X 1-1/4" X 0.134"
7	19H1815	CAP SCREW	2		1/2" X 1-1/4"

2F14

OPERATOR'S STATION

L40859 -UN-01JAN94

DELUXE SEAT ASSEMBLY



L 40859

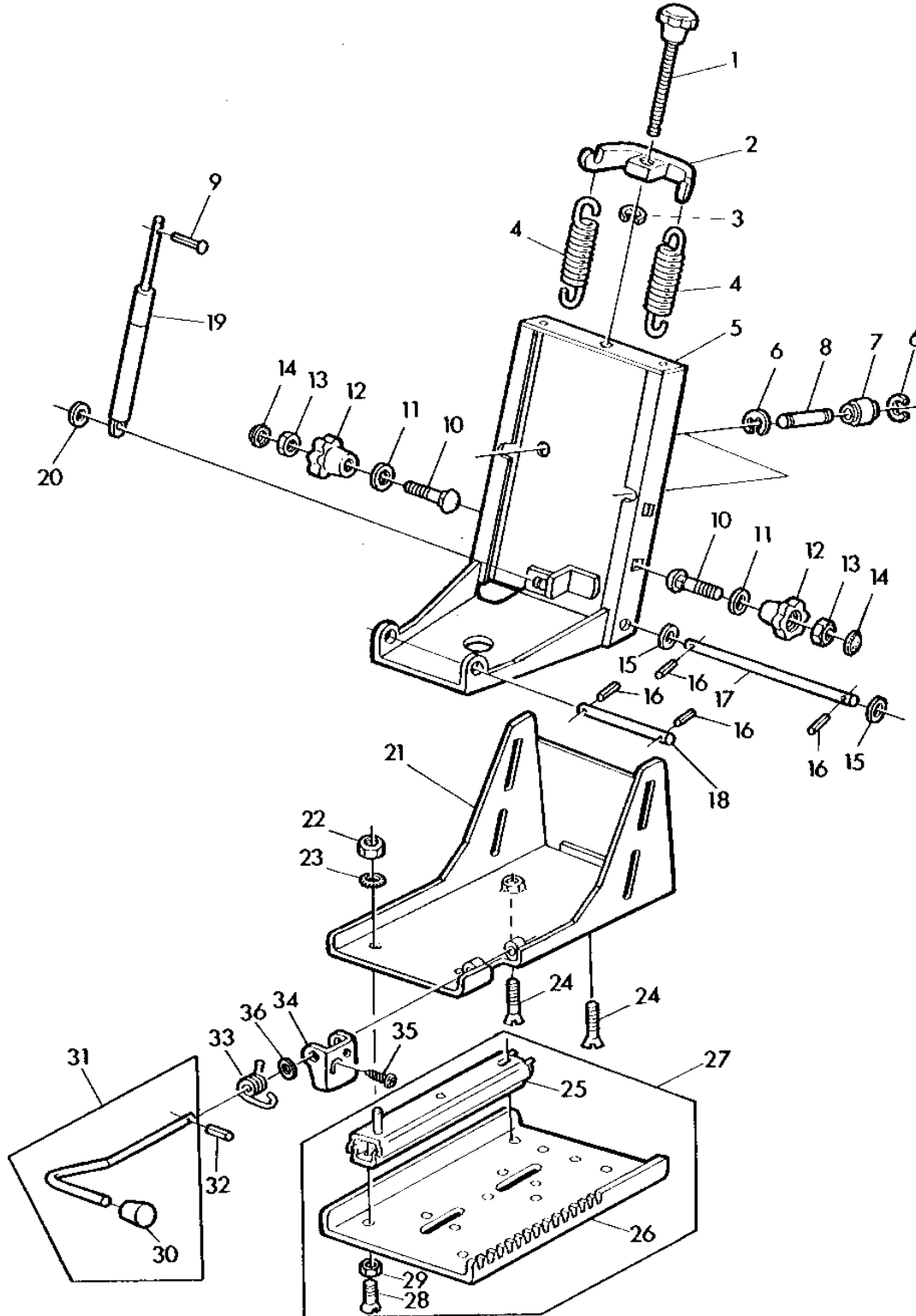
KEY	PART NO.	PART NAME	QTY	TRACTOR SERIAL NO.	REMARKS
1	L25686	ROLLER	4		
2	AL24169	SUPPORT	1		
3	19H1813	CAP SCREW	4	5/16" X 5/8"	
4	19H3579	CAP SCREW	2	1/2" X 1-3/8"	
5	24M7047	WASHER	2	13 X 24 X 2.500 MM	
6	T27645	NUT	2	(SUB K40014)	
7	L27167	BUSHING	2		
8	AL24164	SEAT	1		
9	L25678	BUMPER	1		
10	AL36324	SEAT	1	(SUB FOR AL33004 OR AL35636)	(SUB AL70202)
11	AL36555	SEAT BACK	1	(SUB FOR AL33006 OR AL35637)	(SUB AL39816)

2F15

OPERATOR'S STATION

L40863 -UN-01JAN94

DELUXE SEAT SUPPORT



L 40863

2F16

OPERATOR'S STATION

DELUXE SEAT SUPPORT - CONTINUED

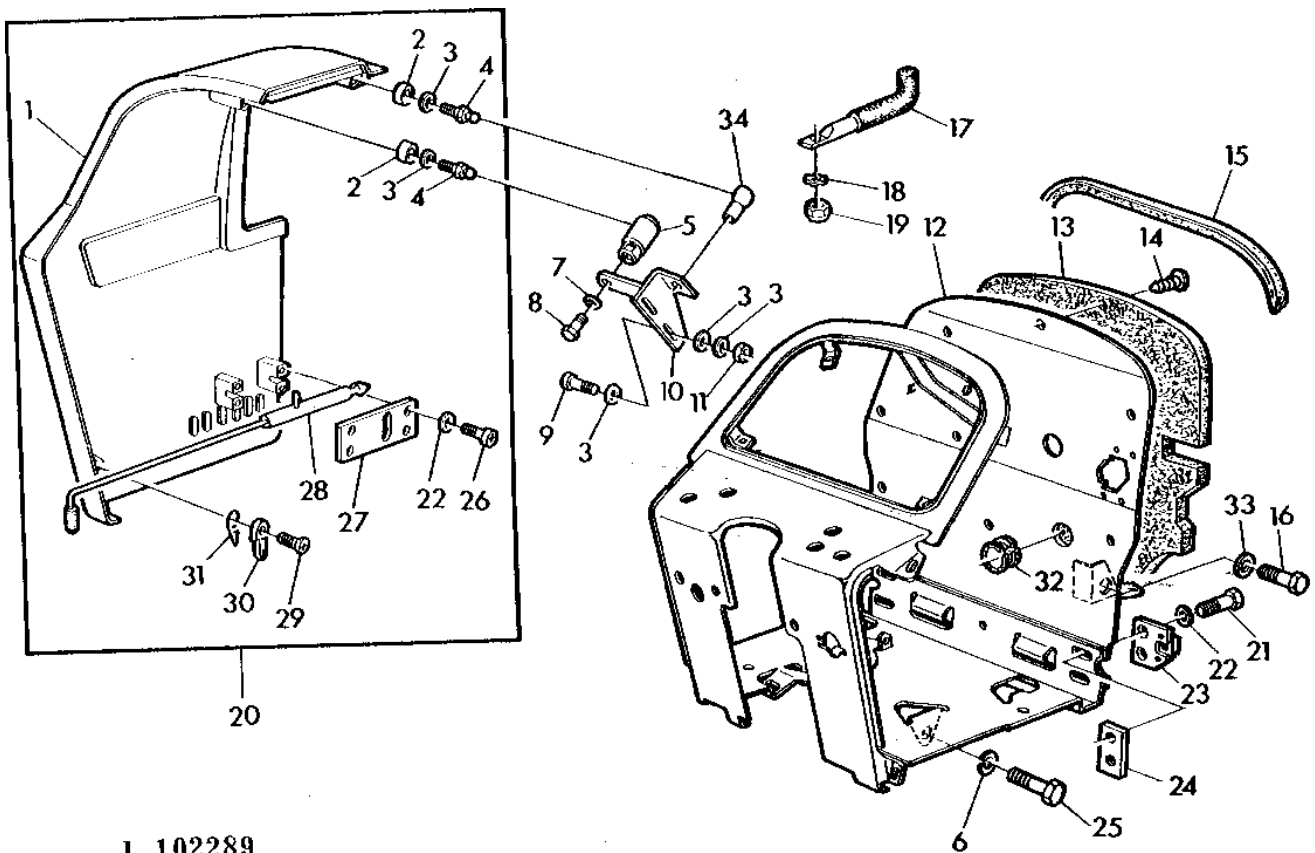
KEY	PART NO.	PART NAME	QTY	TRACTOR SERIAL NO.	REMARKS
1	AL33069	SPINDLE	1		
2	L28077	RETAINER	1		
3	40M7042	SNAP RING	1		7MM
4	L35825	LEAF SPRING	2		
5	AL30692	HOUSING	1		
6	40M7041	SNAP RING	4		5MM
7	AL26918	ROLLER	2		
8	L31731	PIN	2		
9	16M7061	RIVET	1		4 X 25 MM
10	03M7099	BOLT	2		M10 X 45
11	24M7149	WASHER	2		10.500 X 30 X 2.500 MM
12	L29211	HANDLE	2		
13	L31730	NUT	2		
14	L31727	COVER	2		
15	24M7044	WASHER	2		13 X 20 X 2 MM
16	34M3851	SPRING PIN	4		4 X 24 MM
17	L29208	PIN	1		
18	L29209	PIN	1		
19	AL24165	ABSORBER	1		
20	L27166	SNAP RING	1		(NLA)
21	AL33010	ADJUSTER	1		
22	14M7273	NUT	2		M8
23	12M7032	LOCK WASHER	2		M8
24	19M7902	SCREW	2		M8 X 16
25	AL33439	RAIL	2		
26	L36269	PLATE	1		
27	AL33016	ADJUSTER	1		
28	21M7172	SCREW	4		M8 X 16
29	14M7273	NUT	4		M8
30	L34156	KNOB	1		
31	AL33014	PIVOT	1		-XXXXXX (SUB AL35641, L38377, 24M7207 AND 34M7127)
	AL36327	LEVER	1	XXXXXX-	
32	34M7023	SPRING PIN	1		-XXXXXX 3 X 24 MM
	34M7121	SPRING PIN	1	XXXXXX-XXXXXX	4 X 28 MM
	34M7127	SPRING PIN	1	XXXXXX-	4 X 24 MM
33	L35769	SPRING	1		
34	L35771	PAWL	1		-XXXXXX (SUB L38377)
	L38009	PAWL	1	XXXXXX-XXXXXX	(SUB L38377, 34M7127 AND 24M7207)
	L38377	PAWL	1	XXXXXX-	
35	37M7079	SCREW	1	XXXXXX-	M6.3 X 13
36	24M7207	WASHER	1	XXXXXX-	8.400 X 24 X 2 MM

2F17

OPERATOR'S STATION

L102289 -UN-01JAN94

DASH AND COWL



L 102289

2F18

OPERATOR'S STATION

DASH AND COWL - CONTINUED

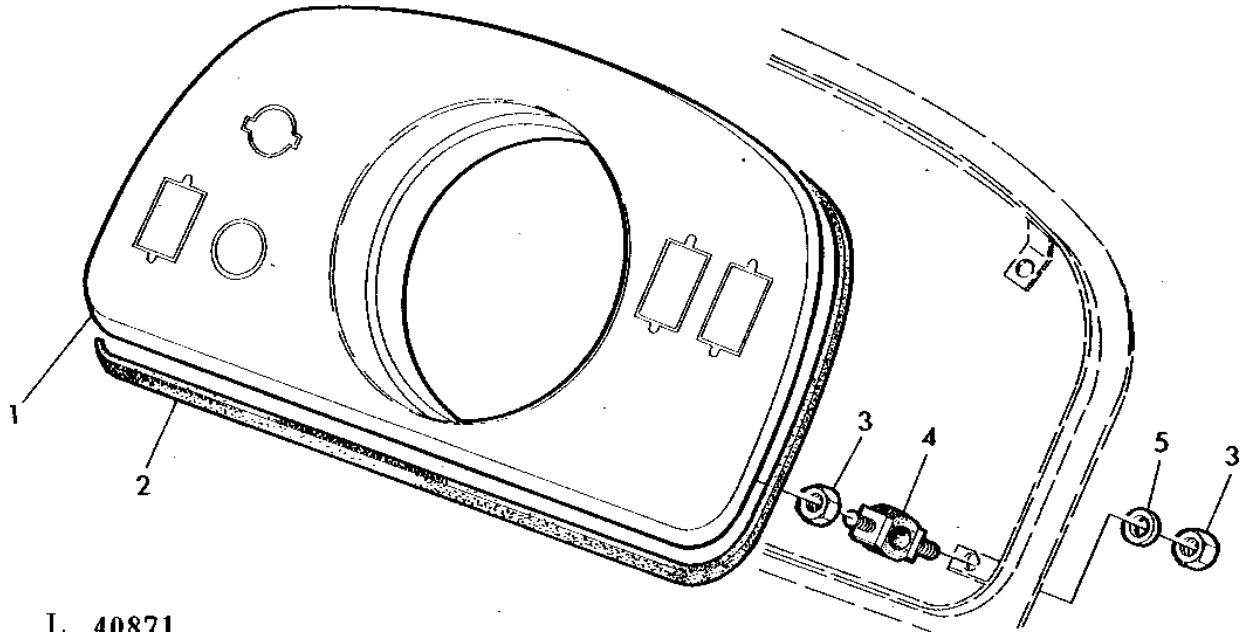
KEY	PART NO.	PART NAME	QTY	TRACTOR SERIAL NO.	REMARKS
1	AL31044	COWL	1	L.H.	
	AL31043	SIDE WALL	1	R.H.	
2	24M7250	WASHER	4	6.400 X 17 X 3 MM	
3	24M7088	WASHER	16	6.600 X 12 X 1.600 MM	
4	L36272	BALL STUD	4		
5	56M7010	BALL JOINT SOCKET	2		
6	12H304	LOCK WASHER	4	3/8"	
7	12M7081	LOCK WASHER	4	M6	
8	19M7560	CAP SCREW	4	M6 X 16	
9	19M7077	CAP SCREW	4	M6 X 20	
10	AL35946	BRACKET	1	R.H.	
	AL35945	BRACKET	1	L.H.	
11	14M7272	NUT	4	M6	
12	AL31028	INSTRUMENT PANEL, W/SUPPOR	1		
13	L34683	BARRIER	1		
14	L31208	PLUG	11		
15	L35039	SEALING TRIM	1		
16	19H3530	CAP SCREW	1	1/2" X 7/8"	
17	L36294	ROD	2		
18	12M5442	WASHER	2	8.400 X 15 X 0.800 MM	
19	14M7166	LOCK NUT	2	M8	
20	AL35316	COWL	1	L.H.	
	AL35315	COWL	1	R.H. (ORDER COMPONENT PARTS)	
21	19M7640	CAP SCREW	4	M5 X 12	
22	24M7087	WASHER	12	5.500 X 10 X 1 MM	
23	AL33231	PLATE	1	R.H.	
	AL33232	PLATE	1	L.H. (SUB AL33233)	
24	L34414	STRAP	2		
25	19H2021	CAP SCREW	4	3/8" X 5/8"	
26	21M7283	SCREW	8	M5 X 8	
27	L35269	PLATE	2		
28	AL33233	ROD	1	R.H.	
	AL33234	ROD	1	L.H. (SUB AL33233)	
29	21M7282	SCREW	4	M5 X 8	
30	L34411	STOP	4		
31	L35938	SPRING	4		
32	T23247	GROMMET	1		
33	24M7180	WASHER	1	13 X 37 X 3 MM	
34	56M7006	BALL JOINT SOCKET	2		
..	M42229	PLUG	AR		
..	99M7059	PLUG	AR		
..	M2291T	PLUG	AR		
..	T16738	PLUG	AR		

2F19

OPERATOR'S STATION

L40871 -UN-01JAN94

INSTRUMENT PANEL



L 40871

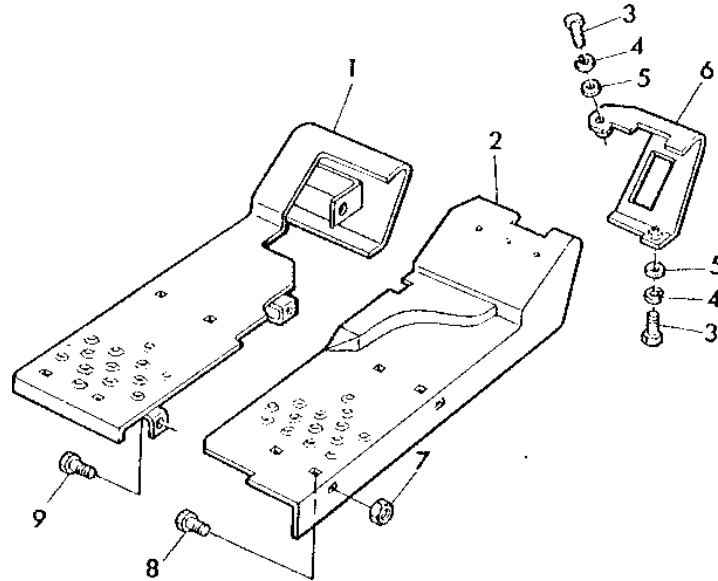
KEY	PART NO.	PART NAME	QTY	TRACTOR SERIAL NO.	REMARKS
1	AL57555	INSTRUMENT PANEL	1		(SUB FOR AL30289)
2	L34827	WEATHERSTRIP	1		
3	14M7139	NUT	8	M4	
4	L34828	RUBBER MOUNT	4		
5	24M7117	WASHER	4		4.300 X 9 X 0.800 MM

2F20

OPERATOR'S STATION

R34209 -UN-01JAN94

PLATFORM EXTENSION



R34209

KEY	PART NO.	PART NAME	QTY	TRACTOR SERIAL NO.	REMARKS
1	AL32734	FOOTREST	1	(NLA)	
2	AR72829	FOOTREST	1		
3	19H1813	CAP SCREW	2	5/16" X 5/8"	
4	12H303	LOCK WASHER	2	5/16"	
5	24H1243	WASHER	2	11/32" X 5/8" X 1/16"	
6	AR72830	COVER	1		
7	14H1076	NUT	8	3/8"	
8	03H1765	BOLT	8	3/8" X 3/4"	
9	19H2552	CAP SCREW	5	3/8" X 1-1/8"	

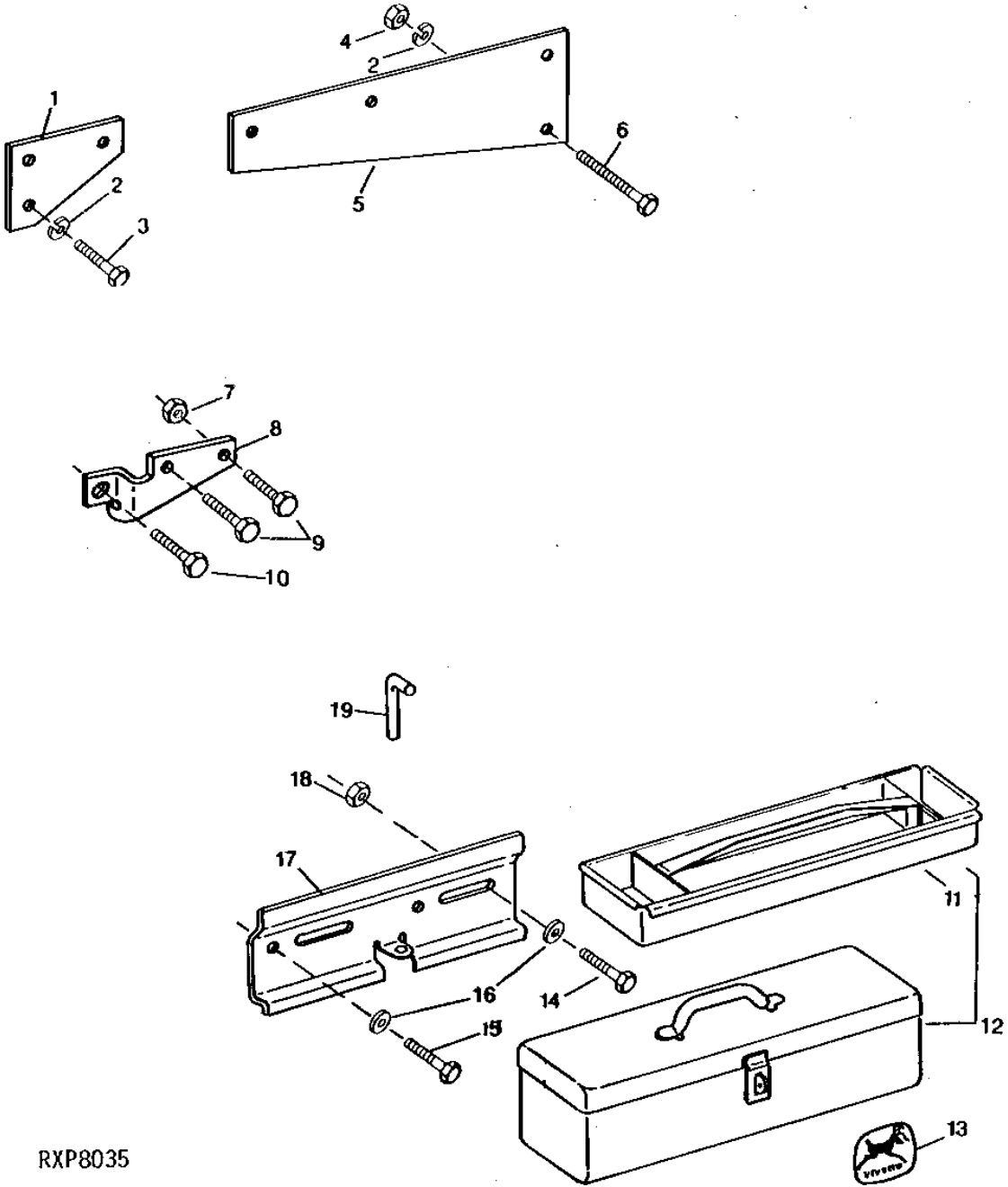
2F21

OPERATOR'S STATION

RXP8035

-UN-01JAN94

TOOLBOX AND SUPPORTS



RXP8035

2F22

OPERATOR'S STATION

TOOLBOX AND SUPPORTS - CONTINUED

KEY	PART NO.	PART NAME	QTY	TRACTOR SERIAL NO.	REMARKS
1	T23035	PLATE	1	(A)	
2	12H294	LOCK WASHER	4	(A) 5/8"	
3	19H1833	CAP SCREW	2	(A) 5/8" X 1-1/4"	
4	14H1039	NUT	2	(A) 5/8"	
5	R77511	SUPPORT	1	(A) (SUB FOR T23034 OR R57116)	
6	19H1863	CAP SCREW	2	(A) 5/8" X 3"	
7	14H1039	NUT	2	5/8"	
8	L34351	BRACKET	1		
9	19H1833	CAP SCREW	2	5/8" X 1-1/4"	
10	19H1871	CAP SCREW	1	3/4" X 1-1/4"	
11	AT22073	HOLDER	1		
12	AT22070	TOOLBOX	1		(INCLUDES T23027)
13	JD5602	LABEL	1	-XXXXXX	
14	19H1833	CAP SCREW	1	5/8" X 1-1/4"	
15	19H1916	CAP SCREW	1	5/8" X 1"	
16	24H1363	WASHER	2	41/64" X 1-1/16" X 0.105"	
17	T23033	BRACKET	1		
18	14H1039	NUT	1	5/8"	
19	T23027	PIN	1		

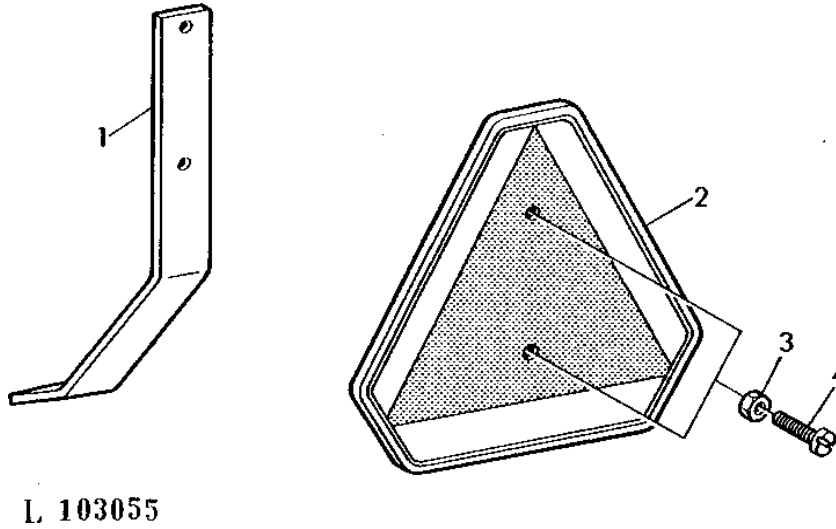
(A) LESS SIDE FRAME

2F23

OPERATOR'S STATION

L103055 -UN-01JAN94

SLOW MOVING VEHICLE EMBLEM



L 103055

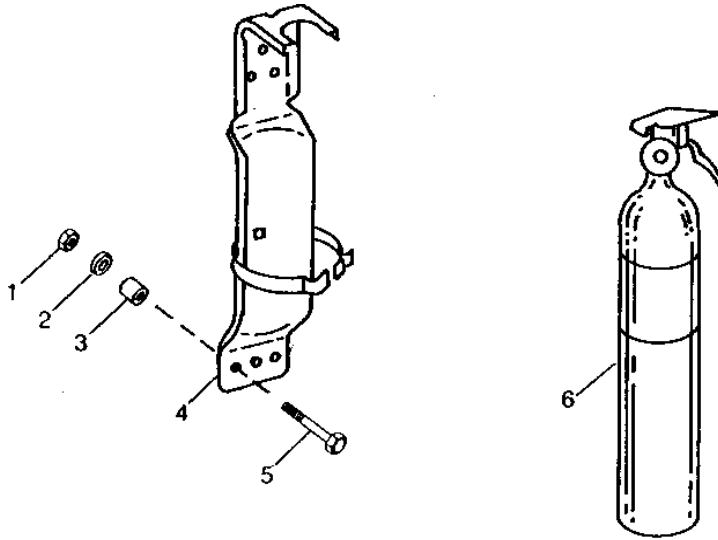
KEY	PART NO.	PART NAME	QTY	TRACTOR SERIAL NO.	REMARKS
1	R54972	BRACKET	1		
2	TY2615	SMV EMBLEM	1		(SUB FOR AR61194)
	JD5400	SIGN	1		(INCLUDED IN TY2615)
3	14H786	NUT	1	1/4"	
4	21H1303	SCREW	1	1/4" X 3/4"	

2F24

OPERATOR'S STATION

RWP2787 -UN-01JAN94

FIRE EXTINGUISHER



RWP2787

KEY	PART NO.	PART NAME	QTY	TRACTOR SERIAL NO.	REMARKS
1	14H786	NUT	2	1/4"	
2	24H1287	WASHER	2	9/32" X 5/8" X 0.065"	
3	28H1914	BUSHING	2		
4	AT75387	BRACKET	1	(SUB FOR AT62019)	
5	21H1035	SCREW	2	1/4" X 1-1/2"	
6	AT168165	FIRE EXTINGUISHER	1	(SUB FOR AT62018 OR AT81764)	

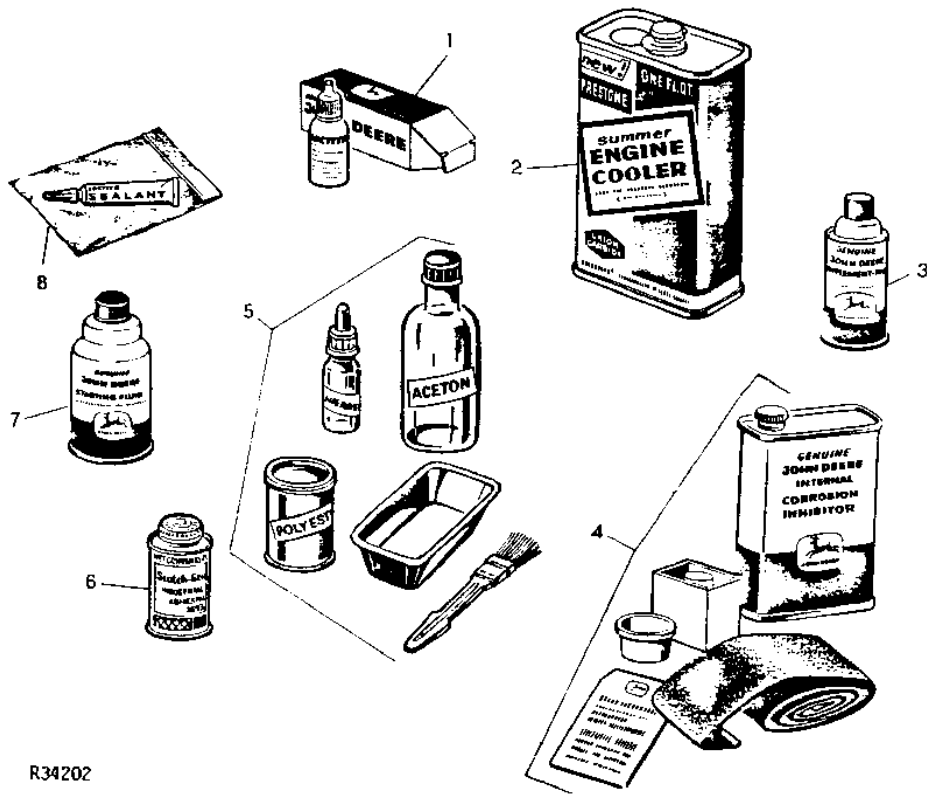
2G1

OPERATOR'S STATION

R34202

-UN-01JAN94

ACCESSORY PARTS



R34202

2G2

OPERATOR'S STATION

ACCESSORY PARTS - CONTINUED

KEY	PART NO.	PART NAME	QTY	TRACTOR SERIAL NO.	REMARKS
1	AT26340	SEALANT	1		59CC (2 FL. OZ.) (LOW VISCOSITY) (SUB T43514)
2	T19566	COOLANT	1		RUST INHIBITOR, (SUB RE23182)
3	L94772	PAINT	1		(SUB PT99)
4	AR41785	KIT	1		OFF-SEASON STORAGE
5	AL27131	KIT	1		FIBERGLASS REPAIR (NO LONGER FURNISHED)
6	AL27132	ADHESIVE	1		
7	RE30174	STARTING FLUID	1		(SUB FOR AR27814 OR RE24561)
8	AT14927	SEALANT	1		2CC (HIGH VISCOSITY) (SUB TY9371)

2G3

OPERATOR'S STATION

R32259 -UN-01JAN94

LOCTITE SEALANT



R32259F

KEY	PART NO.	PART NAME	QTY	TRACTOR SERIAL NO.	REMARKS
1	TY9371	ADHESIVE	1		(TUBE OF 6CC) (SUB FOR AT14927 OR AT24538)

1L2

2040 UTILITY TRACTOR (SERIAL NO. 350,000-)

NUMERICAL INDEX

PART NO.	GRID	KEY	PAGE	PART NO.	GRID	KEY	PAGE	PART NO.	GRID	KEY	PAGE
AA23586	2C23	16	70 - 57	AL25270	1E14	21	40 - 19	AL28874	1H12	10	50 - 23
AA32178	1E24	..	40 - 25	AL25271	1E14	22	40 - 19	AL28875	1I5	8	50 - 43
AA34967	1E24	3	40 - 25	AL25272	1E14	34	40 - 19	AL28880	1H12	15	50 - 23
AA34968	1E24	23	40 - 25	AL25273	1E14	11	40 - 19	AL28917	1G16	27	50 - 3
AA5607R	2D14	7	70 - 71B	AL25273	1E16	4	40 - 19B	AL28918	1J22	5	50 - 91
AA5607R	2D15	9	70 - 72	AL25273	1E18	4	40 - 19D	AL28921	1H12	17	50 - 23
AA5692R	1E23	18	40 - 24	AL25274	1E14	31	40 - 19	AL28922	1H14	16	50 - 25
AA5692R	1F21	5	40 - 49	AL25275	1E14	4	40 - 19	AL28925	1J22	1	50 - 91
AA5731R	2D14	38	70 - 71B	AL25348	1D24	3	40 - 7	AL28925	1J22	2	50 - 91
AA5731R	2D14	40	70 - 71B	AL25349	1D24	9	40 - 7	AL28925	1J22	24	50 - 91
AA6217R	1E23	19	40 - 24	AL25434	2F4	12	80 - 31	AL28946	1J24	12	50 - 93
AA6218R	1E23	14	40 - 24	AL25435	2F4	7	80 - 31	AL28954	2B7	5	70 - 13
AD2062R	1E20	8	40 - 21	AL25855	1K15	16	60 - 3	AL28956	2B7	11	70 - 13
AD2062R	1E22	2	40 - 23	AL26678	2B24	5	70 - 31	AL29645	1K18	2	60 - 6
AD2062R	1E24	2	40 - 25	AL26679	2B24	1	70 - 31	AL2976T	1D24	1	40 - 7
AD2062R	2F10	6	90 - 3	AL26918	2F16	7	90 - 9	AL2976T	1G4	20	40 - 57
AE31724	1C14	10	30 - 3	AL26972	2D19	27	70 - 77	AL29878	1H14	5	50 - 25
AE31724	1C14	11	30 - 3	AL26972	2D21	22	70 - 79	AL30010	2B7	37	70 - 13
AE31724	1D15	5	30 - 30	AL26973	2D19	3	70 - 77	AL30011	2B7	12	70 - 13
AF2710R	2C3	26	70 - 35	AL26973	2D21	21	70 - 79	AL30150	1H8	10	50 - 19
AF2711R	2C3	26	70 - 35	AL27131	2G2	5	90 - 19	AL30150	1H10	22	50 - 21
AF3147R	2B24	..	70 - 31	AL27132	2G2	6	90 - 19	AL30151	1G22	16	50 - 9
AF3580R	1C16	4	30 - 5	AL27156	1C14	11	30 - 3	AL30152	1G22	22	50 - 9
AF3583R	1C16	1	30 - 5	AL27203	2C7	4	70 - 39	AL30154	1H14	5	50 - 25
AH20849	1C14	7	30 - 3	AL27203	2C7	7	70 - 39	AL30157	1G20	1	50 - 7
AH93625	1E24	12	40 - 25	AL27203	2C7	10	70 - 39	AL30173	1K17	2	60 - 5
AH93625	1F22	..	40 - 50	AL27203	2C7	11	70 - 39	AL30194	1I18	10	50 - 57
AL11176	1E2	11	40 - 9	AL27373	1E6	24	40 - 13	AL30197	1J18	6	50 - 85
AL15369	2E13	18	80 - 13	AL27374	1E6	11	40 - 13	AL30198	1J18	13	50 - 85
AL17098	1D20	3	40 - 3	AL28179	1C14	11	30 - 3	AL30198	1J19	12	50 - 87
AL17098	1D22	2	40 - 5	AL28227	2B12	16	70 - 18	AL30289	2F19	1	90 - 12
AL17684	1F1	7	40 - 27	AL28231	1I1	1	50 - 39	AL30300	2E23	10	80 - 25
AL18047	1C19	13	30 - 9	AL28232	1I1	6	50 - 39	AL30301	2E23	10	80 - 25
AL18135	2B25	8	70 - 32	AL28468	2B5	5	70 - 11	AL30414	1E8	28	40 - 15
AL18136	2B25	7	70 - 32	AL28468	2B7	34	70 - 13	AL30416	1E8	7	40 - 15
AL18236	1C19	8	30 - 9	AL28493	2E13	18	80 - 13	AL30417	1E8	9	40 - 15
AL19092	1G22	7	50 - 9	AL28553	1K17	10	60 - 5	AL30418	1E8	21	40 - 15
AL23433	2F13	4	90 - 6	AL28585	2F4	1	80 - 31	AL30419	1E8	11	40 - 15
AL23836	1K20	3	60 - 8	AL28658	2B5	7	70 - 11	AL30421	1E8	18	40 - 15
AL23848	1E14	19	40 - 19	AL28674	2B12	16	70 - 18	AL30422	1E8	27	40 - 15
AL23851	1E6	27	40 - 13	AL28707	1I9	8	50 - 47	AL30423	1E8	17	40 - 15
AL23852	1E6	9	40 - 13	AL28708	1I9	9	50 - 47	AL30423	1E10	4	40 - 15B
AL23857	1E6	6	40 - 13	AL28709	1I9	23	50 - 47	AL30424	1E8	6	40 - 15
AL23857	1E8	6	40 - 15	AL28710	1I9	20	50 - 47	AL30425	1E8	11	40 - 15
AL24015	2B18	2	70 - 25	AL28711	1I9	13	50 - 47	AL30425	1E8	13	40 - 15
AL24052	1K15	2	60 - 3	AL28712	1I9	18	50 - 47	AL30590	1H8	13	50 - 19
AL24064	1K19	7	60 - 7	AL28713	1I11	17	50 - 49	AL30590	1H10	19	50 - 21
AL24065	1K19	2	60 - 7	AL28713	1I11	18	50 - 49	AL30692	2F16	5	90 - 9
AL24123	2F4	8	80 - 31	AL28713	1I11	20	50 - 49	AL30923	1H14	20	50 - 25
AL24124	2F4	1	80 - 31	AL28723	1J9	13	50 - 75	AL30930	1I13	1	50 - 51
AL24151	2E13	10	80 - 13	AL28738	1G22	18	50 - 9	AL30930	1J14	14	50 - 81
AL24164	2F14	8	90 - 7	AL28740	1G19	1	50 - 6	AL30974	2B9	3	70 - 15
AL24165	2F16	19	90 - 9	AL28744	1I5	1	50 - 43	AL30974	2C17	8	70 - 50
AL24169	2F14	2	90 - 7	AL28745	1H16	15	50 - 27	AL31003	2E23	25	80 - 25
AL24194	1C14	13	30 - 3	AL28746	1H16	10	50 - 27	AL31028	1D12	9	30 - 27
AL24229	2B8	3	70 - 14	AL28759	1H16	9	50 - 27	AL31028	2F18	12	90 - 11
AL24251	2E13	18	80 - 13	AL28836	1K6	17	50 - 99	AL31038	1C25	3	30 - 15
AL24550	1K24	17	60 - 13	AL28851	1J9	3	50 - 75	AL31043	2F18	1	90 - 11
AL24554	1G16	9	50 - 3	AL28852	1J9	17	50 - 75	AL31044	2F18	1	90 - 11
AL24947	1H6	26	50 - 17	AL28860	1G24	4	50 - 11	AL31052	1K6	3	50 - 99
AL24999	1I7	4	50 - 45	AL28862	1I18	16	50 - 57	AL31052	2E4	3	80 - 3
AL25266	1E14	37	40 - 19	AL28863	1I18	17	50 - 57	AL31089	2E4	2	80 - 3
AL25267	1E14	13	40 - 19	AL28864	2B7	48	70 - 13	AL31225	1H8	14	50 - 19
AL25267	1E16	6	40 - 19B	AL28865	1I18	5	50 - 57	AL31236	1K15	5	60 - 3
AL25267	1E18	6	40 - 19D	AL28870	1H14	5	50 - 25	AL31253	2E23	19	80 - 25
AL25268	1E14	2	40 - 19	AL28870	1H14	9	50 - 25	AL31262	1K15	1	60 - 3
AL25269	1E14	35	40 - 19	AL28873	1H12	9	50 - 23	AL31270	1C25	11	30 - 15

1L3

2040 UTILITY TRACTOR (SERIAL NO. 350,000-)

NUMERICAL INDEX - CONTINUED

PART NO.	GRID	KEY	PAGE	PART NO.	GRID	KEY	PAGE	PART NO.	GRID	KEY	PAGE
AL31274	1C25	1	30 - 15	AL33004	2F14	10	90 - 7	AL35636	2F14	10	90 - 7
AL31424	2B11	1	70 - 17	AL33006	2F14	11	90 - 7	AL35637	2F14	11	90 - 7
AL31434	1C25	16	30 - 15	AL33010	2F16	21	90 - 9	AL35641	2F16	31	90 - 9
AL31436	1G22	25	50 - 9	AL33014	2F16	31	90 - 9	AL35664	1J9	17	50 - 75
AL31436	1G24	1	50 - 11	AL33016	2F16	27	90 - 9	AL35677	2B9	3	70 - 15
AL31503	1C5	20	20 - 39	AL33044	2B18	12	70 - 25	AL35677	2C17	8	70 - 50
AL31504	2E11	7	80 - 11	AL33069	2F16	1	90 - 9	AL35755	2B2	6	70 - 7
AL31508	2E11	3	80 - 11	AL33078	1K4	15	50 - 97	AL35931	1C16	8	30 - 5
AL31515	1K15	27	60 - 3	AL33083	1K4	1	50 - 97	AL35945	2F18	10	90 - 11
AL31579	2F2	2	80 - 29	AL33104	2B13	9	70 - 19	AL35946	2F18	10	90 - 11
AL31580	1K6	2	50 - 99	AL33146	1J19	5	50 - 87	AL35948	1G22	22	50 - 9
AL31643	1C16	7	30 - 5	AL33147	1J19	2	50 - 87	AL35996	1J16	11	50 - 83
AL31683	1D14	4	30 - 29	AL33160	1J2	4	50 - 67	AL35998	1E4	1	40 - 11
AL31829	1F8	1	40 - 35	AL33162	1F8	11	40 - 35	AL35998	1E6	1	40 - 13
AL31842	2F13	1	90 - 6	AL33163	1F8	9	40 - 35	AL35998	1E8	1	40 - 15
AL31857	2E4	11	80 - 3	AL33164	1F8	6	40 - 35	AL35998	1E10	1	40 - 15B
AL31859	2E4	11	80 - 3	AL33165	1F8	16	40 - 35	AL35999	1E8	23	40 - 15
AL31897	2B8	7	70 - 14	AL33166	1F8	2	40 - 35	AL36100	1E4	1	40 - 11
AL31899	1D13	3	30 - 28	AL33231	2F18	23	90 - 11	AL36100	1E6	1	40 - 13
AL31912	1G24	7	50 - 11	AL33232	2F18	23	90 - 11	AL36101	1E6	22	40 - 13
AL31927	1C21	5	30 - 11	AL33233	2F18	23	90 - 11	AL36124	1I18	5	50 - 57
AL31989	2C23	10	70 - 57	AL33233	2F18	28	90 - 11	AL36324	2F14	10	90 - 7
AL31992	2B7	20	70 - 13	AL33234	2F18	28	90 - 11	AL36327	2F16	31	90 - 9
AL32066	1F3	12	40 - 29	AL33237	1I18	9	50 - 57	AL36335	1F3	5	40 - 29
AL32072	1F3	5	40 - 29	AL33245	1I15	3	50 - 53	AL36374	1G24	2	50 - 11
AL32113	1F3	2	40 - 29	AL33250	1I3	13	50 - 41	AL36555	2F14	11	90 - 7
AL32141	1E4	1	40 - 11	AL33259	1I15	6	50 - 53	AL36556	2F13	1	90 - 6
AL32141	1E6	1	40 - 13	AL33270	1E6	14	40 - 13	AL36614	1I7	3	50 - 45
AL32213	1C21	11	30 - 11	AL33271	1E6	13	40 - 13	AL36635	1C25	22	30 - 15
AL32220	2B7	41	70 - 13	AL33279	1I3	8	50 - 41	AL36721	1J24	13	50 - 93
AL32267	1D20	2	40 - 3	AL33288	2B8	3	70 - 14	AL36722	1J24	7	50 - 93
AL32268	1F3	9	40 - 29	AL33289	1K11	3	50 - 104	AL36725	1J24	..	50 - 93
AL32587	1H21	4	50 - 33	AL33304	1J18	10	50 - 85	AL36859	1I15	14	50 - 53
AL32598	1D20	1	40 - 3	AL33326	1I7	3	50 - 45	AL37192	1G24	2	50 - 11
AL32623	1D22	2	40 - 5	AL33336	1F8	10	40 - 35	AL37219	1J18	10	50 - 85
AL32677	1D22	5	40 - 5	AL33349	1K2	2	50 - 95	AL37270	1G22	25	50 - 9
AL32720	1D22	13	40 - 5	AL33374	1K22	1	60 - 11	AL37279	1G19	1	50 - 6
AL32722	1D22	12	40 - 5	AL33439	2F16	25	90 - 9	AL37280	1J22	1	50 - 91
AL32734	2F20	1	90 - 13	AL33497	1C25	5	30 - 15	AL37280	1J22	2	50 - 91
AL32793	1D22	10	40 - 5	AL33539	1I15	7	50 - 53	AL37280	1J22	24	50 - 91
AL32799	1D22	9	40 - 5	AL33540	1I15	8	50 - 53	AL37357	1C16	4	30 - 5
AL32831	1D22	7	40 - 5	AL33883	1C25	11	30 - 15	AL37358	1C16	7	30 - 5
AL32833	1D22	11	40 - 5	AL34148	2E11	3	80 - 11	AL37364	1C16	1	30 - 5
AL32863	1E6	5	40 - 13	AL34164	1I5	8	50 - 43	AL37365	1C16	3	30 - 5
AL32863	1E8	5	40 - 15	AL34261	1K8	7	50 - 101	AL37367	1J18	13	50 - 85
AL32869	1K4	8	50 - 97	AL34264	1K8	1	50 - 101	AL37367	1J19	12	50 - 87
AL32870	1K4	23	50 - 97	AL34265	1K8	2	50 - 101	AL37368	1J19	10	50 - 87
AL32874	1K4	14	50 - 97	AL34421	1J18	6	50 - 85	AL37381	1C25	3	30 - 15
AL32876	1K8	21	50 - 101	AL34425	1D22	6	40 - 5	AL37451	2B7	20	70 - 13
AL32877	1K8	25	50 - 101	AL34678	1C25	1	30 - 15	AL37565	1H10	1	50 - 21
AL32881	1K8	5	50 - 101	AL34709	1J24	9	50 - 93	AL37565	1H10	7	50 - 21
AL32882	1K8	16	50 - 101	AL34711	1J24	8	50 - 93	AL37573	1K18	6	60 - 6
AL32883	1K8	17	50 - 101	AL34713	1J24	10	50 - 93	AL37584	1I15	3	50 - 53
AL32884	1K8	20	50 - 101	AL34733	1J10	1	50 - 76	AL37595	1J19	5	50 - 87
AL32885	1K8	19	50 - 101	AL34733	1J11	1	50 - 77	AL37596	1J22	5	50 - 91
AL32886	1K8	16	50 - 101	AL34747	1H8	14	50 - 19	AL37707	1G24	2	50 - 11
AL32887	1K8	20	50 - 101	AL34748	1H8	14	50 - 19	AL37754	1K8	1	50 - 101
AL32888	1K2	4	50 - 95	AL34934	1K17	19	60 - 5	AL37754	1K8	2	50 - 101
AL32889	1K8	6	50 - 101	AL34936	1K17	18	60 - 5	AL37754	1K8	26	50 - 101
AL32893	1K8	13	50 - 101	AL34937	1C21	5	30 - 11	AL37858	1G16	27	50 - 3
AL32893	1K10	7	50 - 103	AL35033	1D22	2	40 - 5	AL37860	1G16	27	50 - 3
AL32923	1D22	14	40 - 5	AL35157	2E13	..	80 - 13	AL37861	1G19	1	50 - 6
AL32964	1G24	20	50 - 11	AL35315	2F18	20	90 - 11	AL37899	1H14	20	50 - 25
AL32965	1G24	2	50 - 11	AL35316	2F18	20	90 - 11	AL37931	2C23	3	70 - 57
AL32969	1H19	12	50 - 31	AL35465	1C25	3	30 - 15	AL37936	2C23	9	70 - 57
AL32975	1C14	13	30 - 3	AL35562	1D20	1	40 - 3	AL37937	1J18	6	50 - 85
AL32976	1H25	7	50 - 37	AL35564	1D22	2	40 - 5	AL37956	2E23	19	80 - 25

1L4

2040 UTILITY TRACTOR (SERIAL NO. 350,000-)

NUMERICAL INDEX - CONTINUED

PART NO.	GRID	KEY	PAGE	PART NO.	GRID	KEY	PAGE	PART NO.	GRID	KEY	PAGE
AL37975	1C14	9	30 - 3	AL40893	1J24	7	50 - 93	AL60272	1G24	13	50 - 11
AL38025	2C23	24	70 - 57	AL40899	1D22	2	40 - 5	AL60272	1H2	1	50 - 14
AL38083	2B12	18	70 - 18	AL41247	1E11	..	40 - 16	AL60272	1H3	1	50 - 14A
AL38122	2C23	12	70 - 57	AL41247	1E12	4	40 - 17	AL60272	1H3	4	50 - 14A
AL38123	2C23	19	70 - 57	AL41247	1E16	1	40 - 19B	AL60652	2E23	19	80 - 25
AL38124	2C23	22	70 - 57	AL41247	1E18	1	40 - 19D	AL60717	1111	9	50 - 49
AL38125	2C23	18	70 - 57	AL41352	1H16	8	50 - 27	AL60717	1111	10	50 - 49
AL38205	2C23	6	70 - 57	AL41352	1H17	1	50 - 29	AL60717	1111	13	50 - 49
AL38213	1K24	27	60 - 13	AL41520	1E16	14	40 - 19B	AL60764	2E13	7	80 - 13
AL38226	1H16	5	50 - 27	AL41520	1E18	14	40 - 19D	AL60764	2E13	..	80 - 13
AL38226	1H16	9	50 - 27	AL41522	1E16	9	40 - 19B	AL60979	2E11	7	80 - 11
AL38226	1H16	10	50 - 27	AL41522	1E18	9	40 - 19D	AL61479	2B20	2	70 - 27
AL38226	1H16	12	50 - 27	AL41525	1E16	22	40 - 19B	AL62659	1J18	13	50 - 85
AL38234	1K18	2	60 - 6	AL41525	1E18	22	40 - 19D	AL62659	1J19	1	50 - 87
AL38246	1G20	1	50 - 7	AL41541	1118	5	50 - 57	AL62659	1J19	3	50 - 87
AL38313	1C25	5	30 - 15	AL41626	1E16	26	40 - 19B	AL62659	1J19	7	50 - 87
AL38373	1C5	20	20 - 39	AL41626	1E18	26	40 - 19D	AL62659	1J19	8	50 - 87
AL38374	1C5	20	20 - 39	AL41637	1H14	5	50 - 25	AL62659	1J19	11	50 - 87
AL38374	1C5	22	20 - 39	AL41639	1H14	5	50 - 25	AL62659	1J19	12	50 - 87
AL38481	1E2	6	40 - 9	AL41727	119	9	50 - 47	AL62690	1E12	4	40 - 17
AL38555	1H23	1	50 - 35	AL41728	119	20	50 - 47	AL62690	1E18	1	40 - 19D
AL38555	1J14	14	50 - 81	AL55042	1E16	8	40 - 19B	AL63095	1E16	26	40 - 19B
AL38594	1F3	9	40 - 29	AL55042	1E18	8	40 - 19D	AL63095	1E18	25	40 - 19D
AL38632	117	3	50 - 45	AL55043	1E16	20	40 - 19B	AL63095	1E18	26	40 - 19D
AL38639	1K11	3	50 - 104	AL55044	1E16	18	40 - 19B	AL63097	1111	17	50 - 49
AL38640	1K17	11	60 - 5	AL55044	1E18	18	40 - 19D	AL63097	1111	18	50 - 49
AL38640	1K17	18	60 - 5	AL55046	1E14	2	40 - 19	AL63296	2F13	4	90 - 6
AL38671	1G19	1	50 - 6	AL55046	1E16	27	40 - 19B	AL63298	1C16	3	30 - 5
AL38852	1C25	3	30 - 15	AL55046	1E18	27	40 - 19D	AL63309	1C16	1	30 - 5
AL38887	1K8	6	50 - 101	AL55047	1E16	16	40 - 19B	AL64050	1111	17	50 - 49
AL38892	1G22	25	50 - 9	AL55047	1E18	16	40 - 19D	AL64050	1111	18	50 - 49
AL38892	1G24	1	50 - 11	AL55066	1J18	13	50 - 85	AL64050	1111	19	50 - 49
AL39036	1K17	11	60 - 5	AL55066	1J19	12	50 - 87	AL64050	1111	20	50 - 49
AL39036	1K17	19	60 - 5	AL55075	1J9	13	50 - 75	AL64425	119	18	50 - 47
AL39170	2B25	10	70 - 32	AL55140	1G22	16	50 - 9	AL64426	119	13	50 - 47
AL39171	2B25	7	70 - 32	AL55150	2E4	2	80 - 3	AL64830	2B14	1	70 - 20
AL39172	2B25	6	70 - 32	AL55257	1H8	14	50 - 19	AL65077	1E8	18	40 - 15
AL39233	119	8	50 - 47	AL55258	1H8	14	50 - 19	AL65077	1E8	23	40 - 15
AL39237	119	9	50 - 47	AL55410	2E20	12	80 - 21	AL65077	1E10	2	40 - 15B
AL39238	119	20	50 - 47	AL56097	2F13	1	90 - 6	AL65171	1113	8	50 - 51
AL39257	115	1	50 - 43	AL56167	1G24	2	50 - 11	AL65171	1113	9	50 - 51
AL39262	1J9	17	50 - 75	AL56820	1J2	26	50 - 67	AL65858	1113	4	50 - 51
AL39290	1C5	20	20 - 39	AL56820	1J4	10	50 - 69	AL66170	2F4	8	80 - 31
AL39290	1C5	22	20 - 39	AL56820	1J7	6	50 - 73	AL66171	2F4	1	80 - 31
AL39541	1G24	4	50 - 11	AL57436	1K18	6	60 - 6	AL66183	1G22	25	50 - 9
AL39618	1G24	2	50 - 11	AL57555	2F19	1	90 - 12	AL66183	1G24	1	50 - 11
AL39778	1H14	10	50 - 25	AL57788	1J19	5	50 - 87	AL66201	1118	10	50 - 57
AL39816	2F14	11	90 - 7	AL57788	1J19	12	50 - 87	AL66515	2F4	12	80 - 31
AL39841	2B7	41	70 - 13	AL57789	1J19	5	50 - 87	AL66971	1118	4	50 - 57
AL39913	2F13	1	90 - 6	AL57789	1J19	9	50 - 87	AL66971	1118	5	50 - 57
AL39931	1G24	7	50 - 11	AL57789	1J19	10	50 - 87	AL67175	1E10	1	40 - 15B
AL39934	1C16	4	30 - 5	AL57916	1J18	13	50 - 85	AL67178	1115	6	50 - 53
AL39935	1H2	1	50 - 14	AL57916	1J19	12	50 - 87	AL67450	1J4	6	50 - 69
AL39935	1H2	4	50 - 14	AL58788	1J18	13	50 - 85	AL67450	1J6	14	50 - 71
AL39936	1G25	9	50 - 12	AL58788	1J19	2	50 - 87	AL67651	1G19	1	50 - 6
AL39937	1H2	1	50 - 14	AL58788	1J19	5	50 - 87	AL67651	1J22	5	50 - 91
AL39937	1H2	4	50 - 14	AL58788	1J19	12	50 - 87	AL67651	1J22	24	50 - 91
AL40831	2B8	7	70 - 14	AL60270	1G22	8	50 - 9	AL68325	1H16	15	50 - 27
AL40832	2B8	7	70 - 14	AL60270	1G24	12	50 - 11	AL68887	1E10	10	40 - 15B
AL40871	1K17	2	60 - 5	AL60270	1G24	13	50 - 11	AL68891	1E6	5	40 - 13
AL40888	2B14	1	70 - 20	AL60270	1H2	1	50 - 14	AL68891	1E8	5	40 - 15
AL40888	2B14	6	70 - 20	AL60270	1H3	1	50 - 14A	AL68891	1E10	13	40 - 15B
AL40888	2B14	7	70 - 20	AL60270	1H3	4	50 - 14A	AL69305	1H16	15	50 - 27
AL40888	2B14	8	70 - 20	AL60271	1G22	15	50 - 9	AL69709	1F3	5	40 - 29
AL40888	2B14	10	70 - 20	AL60271	1G25	4	50 - 12	AL69761	1H14	5	50 - 25
AL40888	2B14	11	70 - 20	AL60271	1G25	9	50 - 12	AL70191	2F12	17	90 - 5
AL40893	1J24	4	50 - 93	AL60271	1H1	9	50 - 13	AL70202	2F14	10	90 - 7

1L5

2040 UTILITY TRACTOR (SERIAL NO. 350,000-)

NUMERICAL INDEX - CONTINUED

PART NO.	GRID	KEY	PAGE	PART NO.	GRID	KEY	PAGE	PART NO.	GRID	KEY	PAGE
AL70242	1K20	3	60 - 8	AR21999	1C14	1	30 - 3	AR41758	1F10	10	40 - 37
AL70300	1K15	35	60 - 3	AR21999	2B7	43	70 - 13	AR41758	1F12	5	40 - 37B
AL70699	1K15	27	60 - 3	AR26375	1H21	15	50 - 33	AR41785	1A19	..	20 - 1
AL70854	1E14	36	40 - 19	AR26375	1I7	19	50 - 45	AR41785	2G2	4	90 - 19
AL70854	1E16	15	40 - 19B	AR26407	2D11	1	70 - 70	AR41870	1A19	..	20 - 1
AL70854	1E16	21	40 - 19B	AR26407	2D11	3	70 - 70	AR41950	1F9	6	40 - 36
AL70854	1E18	15	40 - 19D	AR26697	2C14	22	70 - 47	AR41950	1F10	3	40 - 37
AL70854	1E18	21	40 - 19D	AR26697	2C19	3	70 - 53	AR41951	1F9	5	40 - 36
AL70855	1E16	5	40 - 19B	AR26697	2C21	3	70 - 55	AR41951	1F10	2	40 - 37
AL70855	1E16	9	40 - 19B	AR26723	2B7	28	70 - 13	AR41951	1F12	9	40 - 37B
AL70855	1E18	5	40 - 19D	AR26725	1K15	29	60 - 3	AR44402	1A20	1	20 - 2
AL71019	2A24	22	70 - 5	AR26746	1K22	8	60 - 11	AR44402	1A21	1	20 - 3
AL71019	2A24	56	70 - 5	AR26782	1I20	1	50 - 60	AR45530	1A23	8	20 - 7
AL78689	1E10	1	40 - 15B	AR26782	1I21	13	50 - 61	AR45530	1B6	12	20 - 15
AL78760	1E18	20	40 - 19D	AR27093	2C3	22	70 - 35	AR46985	1F9	..	40 - 36
AL81436	1E4	1	40 - 11	AR27440	2D11	3	70 - 70	AR46986	1F9	15	40 - 36
AL81436	1E6	1	40 - 13	AR27738	2B7	36	70 - 13	AR46986	1F9	16	40 - 36
AL81436	1E8	1	40 - 15	AR27814	1C23	16	30 - 13	AR46986	1F12	26	40 - 37B
AL81436	1E8	22	40 - 15	AR27814	2G2	7	90 - 19	AR47331	2D8	13	70 - 67
AL81436	1E10	1	40 - 15B	AR27940	1C23	13	30 - 13	AR47331	2D17	20	70 - 74
AL81450	1E10	10	40 - 15B	AR27977	1B14	7	20 - 23	AR47643	2C25	7	70 - 59
AM30347	2E9	13	80 - 9	AR28403	1F5	6	40 - 31	AR47643	2D17	7	70 - 74
AN102006	1J16	16	50 - 83	AR28403	1F23	7	40 - 51	AR47825	2D11	4	70 - 70
AN163885	2D9	3	70 - 68	AR28570	2B24	3	70 - 31	AR47825	2D11	..	70 - 70
AN193413	2C23	16	70 - 57	AR28754	2D18	3	70 - 75	AR48041	1E24	22	40 - 25
AN212996	2C8	6	70 - 41	AR28755	2D18	3	70 - 75	AR48236	1C25	7	30 - 15
AR100124	1A23	9	20 - 7	AR30110	2C19	6	70 - 53	AR49202	2C3	23	70 - 35
AR100124	1B6	12	20 - 15	AR30210	2C25	7	70 - 59	AR49206	2C3	15	70 - 35
AR100124	1C9	18	20 - 43	AR30210	2D17	7	70 - 74	AR49592	2E9	1	80 - 9
AR100124	1C9	25	20 - 43	AR30685	2D4	12	70 - 63	AR49797	1F16	1	40 - 42
AR100124	1C10	8	20 - 44	AR30784	2D11	..	70 - 70	AR49798	1F16	1	40 - 42
AR100124	1C10	9	20 - 44	AR34059	2D9	4	70 - 68	AR50040	1D2	15	30 - 17
AR100178	1C7	5	20 - 41	AR38225	2A24	4	70 - 5	AR50041	1D2	12	30 - 17
AR101210	2C7	7	70 - 39	AR38239	2D11	..	70 - 70	AR50041	1D15	2	30 - 30
AR101238	2A24	30	70 - 5	AR38239	2D14	..	70 - 71B	AR50580	1E22	1	40 - 23
AR101238	2B4	9	70 - 9	AR38397	1C19	23	30 - 9	AR50779	1F16	2	40 - 42
AR101245	1F9	15	40 - 36	AR38398	1C19	22	30 - 9	AR50780	1F16	2	40 - 42
AR101549	1C3	6	20 - 37	AR38425	2D11	8	70 - 70	AR50926	1F18	14	40 - 45
AR102297	1C10	9	20 - 44	AR38426	2D11	7	70 - 70	AR50927	1F16	20	40 - 42
AR102298	1C9	25	20 - 43	AR38426	2D14	..	70 - 71B	AR50927	1F18	20	40 - 45
AR103033	2A22	1	70 - 3	AR38713	2D15	10	70 - 72	AR50928	1F16	18	40 - 42
AR103033	2A24	..	70 - 5	AR38849	2D14	1	70 - 71B	AR50929	1F18	19	40 - 45
AR103040	2A24	23	70 - 5	AR39015	2D6	1	70 - 65	AR50930	1F18	15	40 - 45
AR103040	2A24	27	70 - 5	AR39015	2D6	2	70 - 65	AR50931	1F18	23	40 - 45
AR103472	2E6	10	80 - 5	AR39036	2D3	27	70 - 62	AR51143	2F12	17	90 - 5
AR103473	2E6	10	80 - 5	AR39037	2D3	27	70 - 62	AR51481	1F5	1	40 - 31
AR103525	1E2	16	40 - 9	AR39041	2A24	32	70 - 5	AR52279	2B17	6	70 - 24
AR103769	1B2	5	20 - 11	AR39052	2A24	19	70 - 5	AR52392	1F18	4	40 - 45
AR103808	2D16	7	70 - 73	AR39052	2B4	4	70 - 9	AR52621	2D2	18	70 - 61
AR103811	1A23	8	20 - 7	AR39106	2A24	27	70 - 5	AR52621	2D3	21	70 - 62
AR103811	1B6	12	20 - 15	AR39156	2B4	17	70 - 9	AR52622	2D2	8	70 - 61
AR104516	1F15	1	40 - 41	AR39157	2C14	12	70 - 47	AR52622	2D3	21	70 - 62
AR104517	1F15	5	40 - 41	AR39158	2C14	5	70 - 47	AR52623	2D9	4	70 - 68
AR104518	1F15	3	40 - 41	AR39162	2C16	14	70 - 49	AR52706	1H25	8	50 - 37
AR111058	1F25	20	40 - 53	AR39168	2A22	1	70 - 3	AR52785	2A24	15	70 - 5
AR21059	1E19	3	40 - 20	AR39168	2A24	..	70 - 5	AR52861	2E6	10	80 - 5
AR21837	1B20	5	20 - 29	AR39170	2A24	10	70 - 5	AR52862	2E6	10	80 - 5
AR21837	1B22	1	20 - 31	AR40507	1E25	7	40 - 26	AR53494	1K20	1	60 - 8
AR21837	1B25	3	20 - 34	AR40708	1E23	..	40 - 24	AR53999	1E2	12	40 - 9
AR21837	1C1	1	20 - 35	AR40710	1E23	17	40 - 24	AR54634	2E8	7	80 - 7
AR21837	2C17	3	70 - 50	AR40710	1F21	6	40 - 49	AR54749	1A21	4	20 - 3
AR21837	2C23	4	70 - 57	AR41691	1C3	5	20 - 37	AR54929	1K21	9	60 - 9
AR21839	1C7	7	20 - 41	AR41754	1F10	8	40 - 37	AR55384	1C5	9	20 - 39
AR21840	1C5	4	20 - 39	AR41756	1F9	3	40 - 36	AR55694	1F16	24	40 - 42
AR21841	1C16	10	30 - 5	AR41756	1F10	1	40 - 37	AR55730	1D8	3	30 - 23
AR21858	1E23	9	40 - 24	AR41756	1F12	20	40 - 37B	AR55978	1B8	70	20 - 17
AR21969	1A19	..	20 - 1	AR41758	1F9	1	40 - 36	AR55978	1B16	4	20 - 25

1L6

2040 UTILITY TRACTOR (SERIAL NO. 350,000-)

NUMERICAL INDEX - CONTINUED

PART NO.	GRID	KEY	PAGE	PART NO.	GRID	KEY	PAGE	PART NO.	GRID	KEY	PAGE
AR55978	1B16	5	20 - 25	AR68649	1F9	..	40 - 36	AR79920	1C10	9	20 - 44
AR56211	2F10	26	90 - 3	AR68801	2E18	4	80 - 19	AR80332	1D4	2	30 - 19
AR56782	1C19	1	30 - 9	AR68818	1K17	21	60 - 5	AR80892	2D19	22	70 - 77
AR56782	1C19	8	30 - 9	AR69444	2A20	1	70 - 1	AR80911	2D19	26	70 - 77
AR57156	1F9	15	40 - 36	AR69445	2A20	1	70 - 1	AR81610	1K15	19	60 - 3
AR58126	1F5	4	40 - 31	AR69988	2C10	7	70 - 43	AR81610	1K15	23	60 - 3
AR59621	1B18	15	20 - 27	AR70436	1E11	..	40 - 16	AR82294	1B4	13	20 - 13
AR59663	1F13	2	40 - 39	AR70436	1E12	4	40 - 17	AR82295	1B4	13	20 - 13
AR60250	2F10	9	90 - 3	AR70436	1E14	1	40 - 19	AR82570	2D4	12	70 - 63
AR60559	1D8	11	30 - 23	AR70436	1E16	1	40 - 19B	AR82571	2C21	19	70 - 55
AR60937	1F6	1	40 - 33	AR70436	1E18	1	40 - 19D	AR82576	2D2	10	70 - 61
AR61194	2F23	2	90 - 16	AR70582	1A23	11	20 - 7	AR82576	2D3	23	70 - 62
AR61538	1C7	3	20 - 41	AR70583	1A23	11	20 - 7	AR82906	1F23	14	40 - 51
AR61868	1E2	18	40 - 9	AR70583	1A25	8	20 - 9	AR82908	1F23	12	40 - 51
AR62149	2B24	2	70 - 31	AR71902	2D11	6	70 - 70	AR82911	1F23	13	40 - 51
AR62149	2C1	2	70 - 33	AR71902	2D11	..	70 - 70	AR83425	1G10	8	40 - 63
AR62150	2C5	1	70 - 37	AR71945	2C19	10	70 - 53	AR83549	2C12	24	70 - 45
AR62151	2B25	13	70 - 32	AR71990	1C10	9	20 - 44	AR83549	2C14	7	70 - 47
AR62151	2C3	18	70 - 35	AR72233	1E25	6	40 - 26	AR84228	1C14	8	30 - 3
AR62151	2C5	6	70 - 37	AR72233	2E25	..	80 - 27	AR84228	1D15	4	30 - 30
AR62260	1F9	..	40 - 36	AR72474	2E20	5	80 - 21	AR85153	1D18	6	40 - 1
AR62360	1F17	1	40 - 43	AR72829	2F20	2	90 - 13	AR85323	2B11	13	70 - 17
AR62978	1B6	47	20 - 15	AR72830	2F20	6	90 - 13	AR85327	1J24	1	50 - 93
AR62978	1B18	6	20 - 27	AR72902	2F10	29	90 - 3	AR85578	1F1	6	40 - 27
AR62978	1B19	6	20 - 28	AR72903	2F10	29	90 - 3	AR85618	1D10	6	30 - 25
AR62979	1B18	9	20 - 27	AR72953	2F1	3	80 - 28	AR85628	2C18	7	70 - 51
AR62979	1B19	8	20 - 28	AR72957	1B20	2	20 - 29	AR85710	1D4	27	30 - 19
AR63218	1A19	1	20 - 1	AR72957	1B25	8	20 - 34	AR86535	2C16	23	70 - 49
AR63219	1A19	1	20 - 1	AR72987	2F10	41	90 - 3	AR87385	2F10	43	90 - 3
AR63222	1A19	1	20 - 1	AR73311	1F13	1	40 - 39	AR87494	1B24	29	20 - 33
AR63653	1D2	8	30 - 17	AR73311	1F13	2	40 - 39	AR87738	1B16	7	20 - 25
AR63911	2B14	1	70 - 20	AR73336	2F10	43	90 - 3	AR89064	2A22	1	70 - 3
AR63979	1A19	1	20 - 1	AR73338	2F10	23	90 - 3	AR89064	2A24	..	70 - 5
AR64415	1B22	14	20 - 31	AR73500	2D24	..	70 - 82	AR89073	2A24	27	70 - 5
AR64415	1B22	16	20 - 31	AR73684	2B5	3	70 - 11	AR89075	2A24	10	70 - 5
AR64422	1E25	10	40 - 26	AR73684	2B7	28	70 - 13	AR89564	1D10	17	30 - 25
AR65005	1G10	1	40 - 63	AR74111	2C9	12	70 - 42	AR89691	1D18	6	40 - 1
AR65006	1G10	2	40 - 63	AR74411	1F23	5	40 - 51	AR89691	1J11	6	50 - 77
AR65507	1B4	25	20 - 13	AR75603	1D15	1	30 - 30	AR89691	2B11	13	70 - 17
AR65507	1B6	10	20 - 15	AR75603	1I19	2	50 - 59	AR89753	1B17	1	20 - 26
AR65507	1C9	1	20 - 43	AR75694	1F22	10	40 - 50	AR89841	1D4	1	30 - 19
AR65507	1C9	25	20 - 43	AR75695	1F22	2	40 - 50	AR90453	2A24	37	70 - 5
AR65688	1K22	9	60 - 11	AR75696	1F22	8	40 - 50	AR90551	1B17	1	20 - 26
AR65881	2B9	18	70 - 15	AR75958	2D2	11B	70 - 61	AR90577	2C8	5	70 - 41
AR66360	2D6	2	70 - 65	AR75958	2D3	22	70 - 62	AR90577	2C8	..	70 - 41
AR66361	2D8	25	70 - 67	AR75958	2D19	4	70 - 77	AR90578	2C8	5	70 - 41
AR66362	2D6	1	70 - 65	AR75958	2D19	5	70 - 77	AR90578	2C8	..	70 - 41
AR66478	1F5	10	40 - 31	AR75958	2D19	7	70 - 77	AR90579	2C8	6	70 - 41
AR66799	1F5	13	40 - 31	AR75958	2D19	8	70 - 77	AR90581	2C8	6	70 - 41
AR67003	1D4	3	30 - 19	AR75958	2D19	13	70 - 77	AR90583	2C8	6	70 - 41
AR67004	1D4	4	30 - 19	AR76101	1D6	19	30 - 21	AR90971	1I22	13	50 - 63
AR67091	1D2	7	30 - 17	AR76102	1D4	9	30 - 19	AR90971	2C4	4	70 - 36
AR67338	1E2	6	40 - 9	AR76102	1D6	8	30 - 21	AR91029	2B9	3	70 - 15
AR67398	1E25	10	40 - 26	AR76583	2F10	40	90 - 3	AR91029	2C17	8	70 - 50
AR67453	1E2	11	40 - 9	AR76704	1D4	5	30 - 19	AR91610	2E25	6	80 - 27
AR67855	1E25	8	40 - 26	AR76704	1D4	8	30 - 19	AR91611	2F1	6	80 - 28
AR67855	1F22	9	40 - 50	AR77324	1E20	3	40 - 21	AR91612	2E25	6	80 - 27
AR67855	1F23	2	40 - 51	AR77325	1E20	9	40 - 21	AR91660	1B12	4	20 - 21
AR67855	1G2	14	40 - 55	AR77326	1E20	1	40 - 21	AR91662	1B24	26	20 - 33
AR67855	2E25	..	80 - 27	AR77326	1E21	1	40 - 22	AR91768	1D4	19	30 - 19
AR67942	1B6	53	20 - 15	AR77530	2C1	1	70 - 33	AR91769	1D4	19	30 - 19
AR67942	1B12	14	20 - 21	AR77698	2F10	15	90 - 3	AR91793	1G8	42	40 - 61
AR67942	1B24	26	20 - 33	AR78261	2F10	12	90 - 3	AR91855	2C14	..	70 - 47
AR67942	1C9	25	20 - 43	AR78423	1H4	11	50 - 15	AR91856	2C14	..	70 - 47
AR67961	1B4	26	20 - 13	AR78423	1H6	9	50 - 17	AR91861	2C14	..	70 - 47
AR68071	2B22	7	70 - 29	AR79622	1B2	21	20 - 11	AR91996	2E17	2	80 - 18
AR68361	1F9	15	40 - 36	AR79868	1B16	7	20 - 25	AR92385	2B16	16	70 - 23

1L7

2040 UTILITY TRACTOR (SERIAL NO. 350,000-)

NUMERICAL INDEX - CONTINUED

PART NO.	GRID	KEY	PAGE	PART NO.	GRID	KEY	PAGE	PART NO.	GRID	KEY	PAGE
AR92414	1C3	21	20 - 37	AT18031	1B6	57	20 - 15	AT22070	2F22	12	90 - 15
AR92415	1C3	21	20 - 37	AT18031	1B6	58	20 - 15	AT22073	2F22	11	90 - 15
AR92416	1C1	1	20 - 35	AT18031	1B12	9	20 - 21	AT22169	2D6	2	70 - 65
AR92417	1C1	1	20 - 35	AT18180	1B9	2	20 - 18	AT22169	2D8	23	70 - 67
AR92425	2E18	1	80 - 19	AT18702	1E2	8	40 - 9	AT22169	2D10	8	70 - 69
AR92506	1B14	3	20 - 23	AT18815	1E19	1	40 - 20	AT22170	2D6	2	70 - 65
AR92893	1B6	58	20 - 15	AT18995	1E19	4	40 - 20	AT22170	2D8	24	70 - 67
AR92893	1B14	12	20 - 23	AT19808	1K17	21	60 - 5	AT22170	2D10	7	70 - 69
AR92905	1C7	5	20 - 41	AT19833	1K24	27	60 - 13	AT22221	2E6	6	80 - 5
AR93819	2C25	2	70 - 59	AT19834	1K24	5	60 - 13	AT22222	2E6	6	80 - 5
AR93819	2C25	5	70 - 59	AT19838	2B18	7	70 - 25	AT22279	2E6	6	80 - 5
AR93819	2C25	7	70 - 59	AT19840	2B17	1	70 - 24	AT22280	2E6	6	80 - 5
AR93819	2D11	..	70 - 70	AT19849	2C1	1	70 - 33	AT22919	1B4	31	20 - 13
AR93819	2D17	2	70 - 74	AT19850	2C7	11	70 - 39	AT22919	1B6	27	20 - 15
AR93819	2D17	5	70 - 74	AT19858	1K15	8	60 - 3	AT22926	1G20	8	50 - 7
AR93819	2D17	7	70 - 74	AT19858	1K15	9	60 - 3	AT22965	1B14	12	20 - 23
AR93820	2C25	2	70 - 59	AT20025	1J10	4	50 - 76	AT23180	1C3	14	20 - 37
AR93820	2C25	5	70 - 59	AT20025	1J11	4	50 - 77	AT23544	1K22	9	60 - 11
AR93820	2C25	7	70 - 59	AT20037	2D10	3	70 - 69	AT23579	1H8	14	50 - 19
AR93820	2D11	..	70 - 70	AT20038	2D10	4	70 - 69	AT23758	2B25	10	70 - 32
AR93820	2D17	2	70 - 74	AT20039	2D10	1	70 - 69	AT23759	2B25	6	70 - 32
AR93820	2D17	7	70 - 74	AT20040	2D10	2	70 - 69	AT23885	2E8	16	80 - 7
AR93820	2D18	8	70 - 75	AT20085	2B17	2	70 - 24	AT24252	1B6	43	20 - 15
AR93928	1J7	9	50 - 73	AT20141	2B17	4	70 - 24	AT24252	1B12	21	20 - 21
AR94522	2D18	10	70 - 75	AT20154	1C18	11	30 - 7	AT24401	2E20	5	80 - 21
AR94522	2D19	3	70 - 77	AT20167	2C4	6	70 - 36	AT24438	1C14	6	30 - 3
AR94522	2D21	21	70 - 79	AT20452	1E2	2	40 - 9	AT24538	2G3	1	90 - 20
AR94702	1G16	..	50 - 3	AT20521	2E13	4	80 - 13	AT24549	1C25	6	30 - 15
AR94702	1G18	8	50 - 5	AT20701	1J16	16	50 - 83	AT24549	1D20	4	40 - 3
AR94702	1H19	..	50 - 31	AT20703	1J16	2	50 - 83	AT24671	1J16	11	50 - 83
AR94702	1I5	..	50 - 43	AT20709	1F21	1	40 - 49	AT25226	2E11	8	80 - 11
AR94909	2F2	9	80 - 29	AT20749	1E2	8	40 - 9	AT25226	2E13	..	80 - 13
AR94951	1D13	3	30 - 28	AT20777	2F4	8	80 - 31	AT25266	1C23	3	30 - 13
AR95992	1I3	5	50 - 41	AT20960	2B7	30	70 - 13	AT26188	1K13	1	60 - 1
AR96480	1B24	29	20 - 33	AT20961	2B7	25	70 - 13	AT26340	2G2	1	90 - 19
AR96613	2A24	15	70 - 5	AT21108	1B12	23	20 - 21	AT26373	1C3	14	20 - 37
AR97187	1C9	25	20 - 43	AT21110	1B12	23	20 - 21	AT26632	1J9	23	50 - 75
AR97201	1B4	26	20 - 13	AT21112	1B12	23	20 - 21	AT27130	2E8	9	80 - 7
AR97202	1B8	74	20 - 17	AT21114	1B12	23	20 - 21	AT27406	1B20	14	20 - 29
AR98023	1E25	9	40 - 26	AT21122	1B16	3	20 - 25	AT27585	1C5	22	20 - 39
AR98201	2D18	2	70 - 75	AT21124	1B16	3	20 - 25	AT28049	1I24	21	50 - 65
AR98202	2D18	1	70 - 75	AT21126	1B16	3	20 - 25	AT28198	2C9	6	70 - 42
AR98852	1B22	8	20 - 31	AT21128	1B16	3	20 - 25	AT29222	2C12	9	70 - 45
AR98853	1B22	15	20 - 31	AT21130	1B12	24	20 - 21	AT29301	2C4	..	70 - 36
AR98993	2B4	17	70 - 9	AT21132	1B12	24	20 - 21	AT29464	1D4	14	30 - 19
AR99025	2C16	14	70 - 49	AT21134	1B12	24	20 - 21	AT29752	1I1	10	50 - 39
AR99081	1F6	3	40 - 33	AT21136	1B12	24	20 - 21	AT29827	1J10	1	50 - 76
AR99082	1F6	2	40 - 33	AT21138	1B8	68	20 - 17	AT29928	1B4	31	20 - 13
AR99100	2D2	10	70 - 61	AT21138	1B16	3	20 - 25	AT30053	1H23	16	50 - 35
AR99100	2D3	23	70 - 62	AT21139	1B8	66	20 - 17	AT30631	2B20	2	70 - 27
AR99576	1C16	12	30 - 5	AT21139	1B12	24	20 - 21	AT30676	1B20	14	20 - 29
AT12350	2C3	28	70 - 35	AT21140	1B6	65	20 - 15	AT31093	1B22	14	20 - 31
AT12431	1I24	1	50 - 65	AT21140	1B12	23	20 - 21	AT31250	1B2	5	20 - 11
AT124396	1I24	29	50 - 65	AT21191	1B4	31	20 - 13	AT32331	2B7	28	70 - 13
AT13740	1B4	17	20 - 13	AT21191	1B6	25	20 - 15	AT32332	2D2	15	70 - 61
AT13740	1C5	19	20 - 39	AT21191	1B6	27	20 - 15	AT32332	2D6	1	70 - 65
AT13740	1C25	12	30 - 15	AT21534	1B4	21	20 - 13	AT32332	2D6	2	70 - 65
AT146240	1J7	6	50 - 73	AT21622	1H23	1	50 - 35	AT32335	2B7	34	70 - 13
AT146240	1J7	7	50 - 73	AT21622	1J14	14	50 - 81	AT34811	2C23	21	70 - 57
AT14927	2G2	8	90 - 19	AT21623	1H23	1	50 - 35	AT35120	2B9	2	70 - 15
AT14927	2G3	1	90 - 20	AT21623	1J14	14	50 - 81	AT35120	2C14	15	70 - 47
AT16288	1E21	1	40 - 22	AT21675	1G22	7	50 - 9	AT35121	1K15	29	60 - 3
AT166883	1H23	1	50 - 35	AT21689	1C19	2	30 - 9	AT37356	2E21	8	80 - 23
AT166883	1J14	14	50 - 81	AT21754	2B22	3	70 - 29	AT37826	1K17	18	60 - 5
AT168165	2F24	6	90 - 17	AT21781	2B14	14	70 - 20	AT37833	2F12	16	90 - 5
AT16887	1I24	29	50 - 65	AT21912	2B25	4	70 - 32	AT39043	1F1	5	40 - 27
AT18016	1A23	6	20 - 7	AT22002	1I1	10	50 - 39	AT44165	1F16	23	40 - 42

1L8

2040 UTILITY TRACTOR (SERIAL NO. 350,000-)

NUMERICAL INDEX - CONTINUED

PART NO.	GRID	KEY	PAGE	PART NO.	GRID	KEY	PAGE	PART NO.	GRID	KEY	PAGE
AT48673	1F16	26	40-42	A4747R	2D14	21	70-71B	F2208R	2B24	11	70-31
AT53247	1I3	10	50-41	A4748R	2D14	20	70-71B	F2570R	2B13	7	70-19
AT54132	1K15	45	60-3	A4827R	1B24	18	20-33	F2653R	1K24	23	60-13
AT55441	1E24	25	40-25	A4827R	1H19	13	50-31	F2680R	2C3	1	70-35
AT62018	2F24	6	90-17	A4827R	1I5	25	50-43	F2680R	2C3	26	70-35
AT62019	2F24	4	90-17	A4827R	1I24	18	50-65	F2681R	2C3	1	70-35
AT63813	1C19	3	30-9	A4827R	1J18	5	50-85	F2693R	2B24	6	70-31
AT66865	1D20	..	40-3	A48331	1E24	3	40-25	F2695R	2B24	8	70-31
AT68672	1H8	..	50-19	A48332	1E24	23	40-25	F2741R	2B14	26	70-20
AT68672	1H10	..	50-21	A4847R	1J18	3	50-85	F2741R	2B16	10	70-23
AT72330	1B20	14	20-29	A4847R	2B14	13	70-20	F2772R	1G16	19	50-3
AT72330	1B25	13	20-34	A4847R	2B16	9	70-23	F2772R	1I7	9	50-45
AT75387	2F24	4	90-17	A4879R	1B4	10	20-13	F2863R	1K19	10	60-7
AT81398	1C14	6	30-3	A4881R	1C25	10	30-15	F2962R	2B14	12	70-20
AT81764	2F24	6	90-17	A5273R	1E23	20	40-24	F3171R	1G16	16	50-3
AT85174	1B14	7	20-23	A5275R	1E23	2	40-24	F3171R	1H21	10	50-33
AU30241	2C19	7	70-53	A5275R	1E23	13	40-24	F3171R	1I7	13	50-45
AU41465	1F3	1	40-29	A5276R	1E23	2	40-24	F3171R	1I19	10	50-59
AZ24485	1E6	18	40-13	A5278R	1E23	5	40-24	F3171R	1K20	19	60-8
AZ24487	1E6	28	40-13	A5279R	1E23	6	40-24	F3171R	1K21	2	60-9
AZ24488	1E6	20	40-13	A5301R	2D14	5	70-71B	F3171R	2A24	53	70-5
AZ24489	1E6	7	40-13	A5302R	2D14	3	70-71B	F3171R	2B4	12	70-9
A120R	1B4	14	20-13	A602R	1G20	5	50-7	F3171R	2B4	15	70-9
A120R	1B10	6	20-19	BP12214	1E19	11	40-20	F3171R	2B5	4	70-11
A120R	1H21	16	50-33	B1402R	1I13	27	50-51	F3171R	2B7	29	70-13
A120R	1I7	2	50-45	B14202R	1H25	11	50-37	F3171R	2B7	31	70-13
A15898	2D19	1	70-77	B1664R	1H10	17	50-21	F3171R	2C19	9	70-53
A15899	2D19	2	70-77	B177R	1K19	1	60-7	F3171R	2C23	25	70-57
A2899R	1E20	7	40-21	B190R	1H25	12	50-37	F3195R	2F2	2	80-29
A3184R	2D9	3	70-68	B2477R	2B24	10	70-31	F3195R	2F2	8	80-29
A354R	2B14	20	70-20	B2762R	2C12	32	70-45	F3322R	2B14	1	70-20
A3581R	2B25	5	70-32	B2762R	2C21	8	70-55	F3353R	2B12	14	70-18
A3581R	2C7	15	70-39	B3690R	1K15	6	60-3	F3353R	2B16	2	70-23
A3581R	2D11	5	70-70	CD13979	1A23	12	20-7	F3450R	1K15	34	60-3
A3581R	2D11	..	70-70	CD13979	1B2	13	20-11	F3539R	2C10	6	70-43
A364R	1H25	10	50-37	CD14725	1B2	16	20-11	F3541R	2C10	4	70-43
A3910R	1A23	10	20-7	CD15227	1B22	9	20-31	F3542R	2C10	5	70-43
A3917R	1H12	8	50-23	CD15466	1B4	18	20-13	F534R	1K6	1	50-99
A3917R	1I1	5	50-39	CD16284	1A25	2	20-9	F534R	2E4	1	80-3
A3917R	1I18	20	50-57	CE14048	1I16	2	50-55	H104855	1G6	9	40-59
A3917R	2C25	13	70-59	CE14055	1I16	5	50-55	H113924	2F4	2	80-31
A39716	1E24	1	40-25	C1067R	1G20	9	50-7	H113924	2F5	1	80-33
A4365R	2B20	12	70-27	DD11831	1B16	8	20-25	H23746	2F4	3	80-31
A4655R	1F5	12	40-31	DD12119	1B2	2	20-11	H23746	2F5	2	80-33
A4723R	1G16	24	50-3	DD13894	1B10	1	20-19	H246R	1H22	9	50-34
A4723R	1G18	7	50-5	DD15080	1B10	1	20-19	H246R	1I1	8	50-39
A4723R	2D14	35	70-71B	DE13627	1I16	4	50-55	H35244	1J22	14	50-91
A4723R	2D15	4	70-72	D2361R	1K20	9	60-8	H871R	2D19	10	70-77
A4730R	2B20	19	70-27	D2361R	2A24	49	70-5	H871R	2D21	11	70-79
A4730R	2D4	9	70-63	D2361R	2B7	52	70-13	H871R	2D23	4	70-81
A4730R	2D14	9	70-71B	D2361R	2B8	4	70-14	H97644	2F10	41	90-3
A4730R	2D14	25	70-71B	D2361R	2B14	2	70-20	H987R	1F16	19	40-42
A4730R	2D15	7	70-72	D2361R	2B16	11	70-23	JD10036	1E8	26	40-15
A4731R	2D14	8	70-71B	D2361R	2C25	4	70-59	JD10036	1E10	9	40-15B
A4731R	2D15	8	70-72	D2361R	2C25	18	70-59	JD10067	1I11	8	50-49
A4732R	2D14	14	70-71B	D2361R	2D3	24	70-62	JD10068	1I11	7	50-49
A4733R	2D14	15	70-71B	D2361R	2D8	9	70-67	JD10069	1I11	3	50-49
A4733R	2D15	6	70-72	D2361R	2D17	4	70-74	JD10070	1I13	12	50-51
A4736R	2D14	43	70-71B	D2361R	2D17	16	70-74	JD10071	1J20	2	50-89
A4737R	2D14	17	70-71B	D2865R	2B24	7	70-31	JD10072	1I11	18	50-49
A4739R	2D14	42	70-71B	E16050	1F16	16	40-42	JD10073	1H14	6	50-25
A4740R	2D14	38	70-71B	E50102	1K24	12	60-13	JD10074	1I13	13	50-51
A4741R	2D14	39	70-71B	F1791R	2B14	1	70-20	JD10075	1I13	16	50-51
A4742R	2D14	41	70-71B	F1791R	2B14	9	70-20	JD10079	1I13	26	50-51
A4745R	2D14	22	70-71B	F1791R	2B16	14	70-23	JD10080	1I13	8	50-51
A4745R	2D15	1	70-72	F1942R	2B17	11	70-24	JD10081	1I9	2	50-47
A4746R	2D14	23	70-71B	F215R	1H25	11	50-37	JD10093	1H24	1	50-36

1L9

2040 UTILITY TRACTOR (SERIAL NO. 350,000-)

NUMERICAL INDEX - CONTINUED

PART NO.	GRID	KEY	PAGE	PART NO.	GRID	KEY	PAGE	PART NO.	GRID	KEY	PAGE
JD10095	1J9	3	50 - 75	JD8239	2E9	6	80 - 9	L28374	2B22	12	70 - 29
JD10097	1113	4	50 - 51	JD8247	1124	7	50 - 65	L28401	113	7	50 - 41
JD10098	1113	9	50 - 51	JD8252	1K4	25	50 - 97	L28405	1H25	13	50 - 37
JD10099	119	3	50 - 47	JD8255	1H23	3	50 - 35	L28405	1J2	16	50 - 67
JD10101	119	7	50 - 47	JD8267	1H23	13	50 - 35	L28405	1J4	6	50 - 69
JD10102	1111	16	50 - 49	JD8267	1K4	10	50 - 97	L28405	1J6	10	50 - 71
JD10103	1111	15	50 - 49	JD8295	1K4	9	50 - 97	L28414	1D12	20	30 - 27
JD10104	1H14	12	50 - 25	JD8407	2E6	8	80 - 5	L28415	1D12	21	30 - 27
JD10105	1H14	15	50 - 25	JD8905	2E9	7	80 - 9	L28416	1D12	19	30 - 27
JD10107	1B14	2	20 - 23	JD8922	1124	8	50 - 65	L28648	1113	5	50 - 51
JD10108	1J4	3	50 - 69	JD8946	1J14	13	50 - 81	L28656	1J9	19	50 - 75
JD10108	1J6	3	50 - 71	JD8967	1K4	24	50 - 97	L28672	1H22	8	50 - 34
JD10112	1J2	9	50 - 67	JD8969	1124	25	50 - 65	L29022	2C7	14	70 - 39
JD10115	1K6	23	50 - 99	JD8979	1H23	11	50 - 35	L29023	2C7	2	70 - 39
JD10115	2E4	18	80 - 3	JD8982	1124	28	50 - 65	L29023	2C7	17	70 - 39
JD10137	1K6	4	50 - 99	JD8997	1H23	2	50 - 35	L29041	1H22	7	50 - 34
JD10137	2E4	4	80 - 3	JD9053	1K8	10	50 - 101	L29042	1H22	7	50 - 34
JD10148	1K2	6	50 - 95	JD9058	1K2	10	50 - 95	L29043	1H22	7	50 - 34
JD10172	1H25	8	50 - 37	JD9065	1J7	4	50 - 73	L29044	1H22	7	50 - 34
JD10213	119	6	50 - 47	JD9117	1K8	11	50 - 101	L29152	1E14	26	40 - 19
JD10234	1G19	1	50 - 6	JD9121	1K2	9	50 - 95	L29156	1E14	7	40 - 19
JD10234	1J22	1	50 - 91	JD9125	1J7	3	50 - 73	L29156	1E16	31	40 - 19B
JD10243	1G22	17	50 - 9	JD9344	1J2	25	50 - 67	L29156	1E18	31	40 - 19D
JD10248	1G24	25	50 - 11	JD9344	1J4	9	50 - 69	L29157	1E14	33	40 - 19
JD126	1E23	23	40 - 24	JD9448	1C3	7	20 - 37	L29157	1E16	19	40 - 19B
JD126	1E24	10	40 - 25	JD9839	1H22	4	50 - 34	L29157	1E18	19	40 - 19D
JD126	1F16	10	40 - 42	JD9858	2A24	8	70 - 5	L29158	1E14	28	40 - 19
JD21	2E9	14	80 - 9	JD9858	2A24	35	70 - 5	L29159	1E6	29	40 - 13
JD21	2E13	3	80 - 13	JD9858	2B2	1	70 - 7	L29160	1E6	8	40 - 13
JD30001	1E10	8	40 - 15B	K40003	2C24	1	70 - 58	L29161	1E6	26	40 - 13
JD3002	2E9	12	80 - 9	K40014	2F14	6	90 - 7	L29167	1E6	4	40 - 13
JD3038	2E13	17	80 - 13	L100528	1113	23	50 - 51	L29197	1K15	15	60 - 3
JD3039	2E9	12	80 - 9	L102186	2B7	45	70 - 13	L29199	1K15	25	60 - 3
JD3047	2E9	12	80 - 9	L11027	1124	24	50 - 65	L29208	2F16	17	90 - 9
JD37047	1J22	25	50 - 91	L11028	1124	24	50 - 65	L29209	2F16	18	90 - 9
JD37071	1K4	29	50 - 97	L110471	2E13	8	80 - 13	L29211	2F16	12	90 - 9
JD37087	1J20	12	50 - 89	L11292	2B25	11	70 - 32	L29226	1J14	10	50 - 81
JD37218	1J22	1	50 - 91	L12809	1E2	7	40 - 9	L29227	1J14	9	50 - 81
JD37219	1J20	6	50 - 89	L12974	1121	15	50 - 61	L29246	1G22	5	50 - 9
JD5400	2F23	2	90 - 16	L13325	1D24	2	40 - 7	L29246	1G24	22	50 - 11
JD5602	2F22	13	90 - 15	L19651	1E14	36	40 - 19	L29251	1119	4	50 - 59
JD7375	1H22	2	50 - 34	L19651	1E16	21	40 - 19B	L29252	1119	7	50 - 59
JD7418	1124	26	50 - 65	L19651	1E18	21	40 - 19D	L29253	1119	9	50 - 59
JD7425	1J14	4	50 - 81	L2104N	2D14	29	70 - 71B	L29268	1J4	11	50 - 69
JD7425	1J16	5	50 - 83	L2104N	2D15	3	70 - 72	L29268	1J6	13	50 - 71
JD7438	1124	13	50 - 65	L24921	1C19	11	30 - 9	L29269	1H23	14	50 - 35
JD7449	1H22	1	50 - 34	L24922	1C19	16	30 - 9	L29270	1H23	14	50 - 35
JD7759	1J16	6	50 - 83	L25678	2F14	9	90 - 7	L29271	1H23	14	50 - 35
JD7763	2E20	12	80 - 21	L25686	2F14	1	90 - 7	L29283	1H23	7	50 - 35
JD7798	1K6	15	50 - 99	L25750	1G22	5	50 - 9	L29284	1H23	8	50 - 35
JD7798	2B22	6	70 - 29	L26932	2B20	21	70 - 27	L29284	1H24	6	50 - 36
JD7798	2E4	8	80 - 3	L26933	2B24	14	70 - 31	L29346	2E13	16	80 - 13
JD7798	2E6	1	80 - 5	L26933	2C1	5	70 - 33	L29348	2E13	14	80 - 13
JD7798	2E9	4	80 - 9	L26935	2B24	13	70 - 31	L29349	2E13	13	80 - 13
JD7799	1K6	13	50 - 99	L26935	2C1	6	70 - 33	L29350	2E13	7	80 - 13
JD7799	2E4	9	80 - 3	L26936	2B24	15	70 - 31	L29351	2E13	11	80 - 13
JD7799	2E20	7	80 - 21	L26936	2C1	7	70 - 33	L29390	1E22	9	40 - 23
JD7844	1G24	4	50 - 11	L27166	2F16	20	90 - 9	L29418	1K19	4	60 - 7
JD8135	1124	14	50 - 65	L27167	2F14	7	90 - 7	L29439	2F7	6	80 - 35
JD8147	1J14	5	50 - 81	L27182	1G24	23	50 - 11	L29440	2F7	8	80 - 35
JD8147	1J16	4	50 - 83	L27183	1G24	19	50 - 11	L29834	1J12	10	50 - 79
JD8171	1H22	5	50 - 34	L27184	1G24	17	50 - 11	L29848	2B12	13	70 - 18
JD8171	1J16	14	50 - 83	L27185	1G24	21	50 - 11	L29854	1G16	13	50 - 3
JD8194	2E9	2	80 - 9	L27339	1E6	23	40 - 13	L29871	1J14	16	50 - 81
JD8206	1J14	12	50 - 81	L27339	1E8	19	40 - 15	L29882	1K24	14	60 - 13
JD8217	1J16	15	50 - 83	L28077	2F16	2	90 - 9	L29883	1K24	21	60 - 13
JD8230	2E9	3	80 - 9	L28372	2B22	4	70 - 29	L29884	1K24	19	60 - 13

1L10

2040 UTILITY TRACTOR (SERIAL NO. 350,000-)

NUMERICAL INDEX - CONTINUED

PART NO.	GRID	KEY	PAGE	PART NO.	GRID	KEY	PAGE	PART NO.	GRID	KEY	PAGE
L30695	1G16	6	50 - 3	L33025	1113	24	50 - 51	L33272	119	4	50 - 47
L30695	1I5	2	50 - 43	L33027	1111	9	50 - 49	L33274	119	1	50 - 47
L30860	1E14	38	40 - 19	L33028	1111	9	50 - 49	L33275	119	1	50 - 47
L30860	1E16	24	40 - 19B	L33029	1111	9	50 - 49	L33276	119	1	50 - 47
L30860	1E18	24	40 - 19D	L33030	1111	10	50 - 49	L33277	119	1	50 - 47
L30862	1E14	14	40 - 19	L33033	1113	17	50 - 51	L33278	119	1	50 - 47
L30862	1E16	7	40 - 19B	L33035	1113	21	50 - 51	L33280	119	17	50 - 47
L30862	1E18	7	40 - 19D	L33045	1115	11	50 - 53	L33286	115	21	50 - 43
L30863	1E14	27	40 - 19	L33047	1113	3	50 - 51	L33290	1113	19	50 - 51
L30864	1E14	15	40 - 19	L33047	1113	19	50 - 51	L33304	1H14	11	50 - 25
L30865	1E14	16	40 - 19	L33050	1115	10	50 - 53	L33312	1J9	6	50 - 75
L30866	1E14	17	40 - 19	L33051	1115	12	50 - 53	L33313	1J9	1	50 - 75
L30867	1E14	18	40 - 19	L33052	1115	13	50 - 53	L33314	1J9	30	50 - 75
L30868	1E14	29	40 - 19	L33054	1115	14	50 - 53	L33316	1J9	11	50 - 75
L30869	1E14	30	40 - 19	L33059	1111	6	50 - 49	L33317	1J9	32	50 - 75
L30960	1E10	15	40 - 15B	L33060	1113	22	50 - 51	L33318	1H6	19	50 - 17
L31033	1D22	4	40 - 5	L33062	1111	2	50 - 49	L33318	1H10	8	50 - 21
L31055	1I16	6	50 - 55	L33065	1111	4	50 - 49	L33319	1H10	16	50 - 21
L31077	1H22	6	50 - 34	L33066	1111	1	50 - 49	L33320	1J9	16	50 - 75
L31124	1E22	10	40 - 23	L33070	119	5	50 - 47	L33336	1H8	24	50 - 19
L31208	2F18	14	90 - 11	L33083	119	19	50 - 47	L33337	1H8	21	50 - 19
L31311	2E24	4	80 - 26	L33098	119	15	50 - 47	L33338	1H8	19	50 - 19
L31434	1K15	22	60 - 3	L33099	119	16	50 - 47	L33341	1H6	6	50 - 17
L31503	1H23	5	50 - 35	L33100	119	11	50 - 47	L33342	1H6	11	50 - 17
L31664	2E13	7	80 - 13	L33101	119	10	50 - 47	L33346	1J18	1	50 - 85
L31667	2E13	22	80 - 13	L33102	119	14	50 - 47	L33351	1I18	2	50 - 57
L31689	2E13	9	80 - 13	L33103	119	12	50 - 47	L33357	1I7	12	50 - 45
L31727	2F16	14	90 - 9	L33104	119	22	50 - 47	L33358	1I7	11	50 - 45
L31730	2F16	13	90 - 9	L33117	1J9	9	50 - 75	L33359	2B7	48	70 - 13
L31731	2F16	8	90 - 9	L33119	1J9	14	50 - 75	L33361	1I18	9	50 - 57
L31750	2E23	24	80 - 25	L33125	1J9	12	50 - 75	L33363	1I18	18	50 - 57
L31806	1I7	6	50 - 45	L33126	1J4	5	50 - 69	L33364	1I18	14	50 - 57
L31849	2C7	6	70 - 39	L33126	1J6	5	50 - 71	L33374	1H16	15	50 - 27
L31849	2C7	7	70 - 39	L33126	1J20	4	50 - 89	L33374	1H16	16	50 - 27
L31849	2C7	10	70 - 39	L33139	1G16	26	50 - 3	L33378	1H8	20	50 - 19
L31849	2C7	11	70 - 39	L33139	1G18	6	50 - 5	L33387	1H12	13	50 - 23
L31943	1H4	5	50 - 15	L33145	1H12	4	50 - 23	L33388	1G16	27	50 - 3
L31943	1H6	3	50 - 17	L33146	1H14	13	50 - 25	L33483	1K18	3	60 - 6
L31944	1H4	4	50 - 15	L33151	1H16	17	50 - 27	L33497	1K18	1	60 - 6
L31944	1H6	2	50 - 17	L33152	1H12	12	50 - 23	L33562	1J9	29	50 - 75
L31945	1H4	7	50 - 15	L33179	1G19	1	50 - 6	L33563	1J9	28	50 - 75
L31945	1H6	1	50 - 17	L33180	1H16	2	50 - 27	L33601	1C25	4	30 - 15
L31946	1H4	9	50 - 15	L33201	1H16	10	50 - 27	L33638	1H14	17	50 - 25
L31947	1H4	12	50 - 15	L33213	1K17	11	60 - 5	L33639	1J2	11	50 - 67
L31947	1H6	10	50 - 17	L33223	1I13	1	50 - 51	L33641	1I9	17	50 - 47
L31962	1F3	3	40 - 29	L33223	1J14	14	50 - 81	L33643	1I9	17	50 - 47
L32016	2C7	5	70 - 39	L33234	1J4	6	50 - 69	L33701	1H14	8	50 - 25
L32016	2C7	7	70 - 39	L33239	1J20	5	50 - 89	L33707	1J2	6	50 - 67
L32016	2C7	10	70 - 39	L33240	1J20	8	50 - 89	L33719	1G22	19	50 - 9
L32016	2C7	11	70 - 39	L33241	1J20	9	50 - 89	L33721	1I13	7	50 - 51
L32029	1G24	8	50 - 11	L33242	1J20	10	50 - 89	L33727	1H12	14	50 - 23
L32147	1E6	3	40 - 13	L33243	1J20	10	50 - 89	L33728	1I18	1	50 - 57
L324T	1G20	6	50 - 7	L33244	1J20	10	50 - 89	L33735	1H14	17	50 - 25
L32504	1K19	8	60 - 7	L33245	1J20	11	50 - 89	L33745	1J20	1	50 - 89
L32580	2B7	44	70 - 13	L33247	1J22	26	50 - 91	L33749	1H8	16	50 - 19
L32581	2B7	45	70 - 13	L33251	1J22	17	50 - 91	L33750	1K17	4	60 - 5
L32638	2B20	3	70 - 27	L33252	1J22	26	50 - 91	L33766	1H8	17	50 - 19
L32738	1J9	20	50 - 75	L33253	1J22	2	50 - 91	L33766	1H12	1	50 - 23
L32839	1J12	3	50 - 79	L33256	1J22	30	50 - 91	L33774	1H8	14	50 - 19
L32843	1H23	10	50 - 35	L33257	1J22	27	50 - 91	L33776	1H8	16	50 - 19
L32847	2E13	22	80 - 13	L33260	1J22	26	50 - 91	L33777	1H12	2	50 - 23
L33007	1J2	15	50 - 67	L33261	1J18	2	50 - 85	L33985	1E8	25	40 - 15
L33007	1J4	6	50 - 69	L33263	1J22	4	50 - 91	L33986	1E8	8	40 - 15
L33007	1J6	7	50 - 71	L33264	1113	25	50 - 51	L33987	1E8	10	40 - 15
L33019	1113	14	50 - 51	L33269	119	4	50 - 47	L33988	1E8	19	40 - 15
L33023	1113	20	50 - 51	L33270	1111	20	50 - 49	L33992	1E8	22	40 - 15
L33024	1113	23	50 - 51	L33271	119	4	50 - 47	L33993	1E8	4	40 - 15

1L11

2040 UTILITY TRACTOR (SERIAL NO. 350,000-)

NUMERICAL INDEX - CONTINUED

PART NO.	GRID	KEY	PAGE	PART NO.	GRID	KEY	PAGE	PART NO.	GRID	KEY	PAGE
L33994	1E6	15	40 - 13	L34839	1C5	6	20 - 39	L35591	1K2	27	50 - 95
L33994	1E8	14	40 - 15	L34848	1C25	17	30 - 15	L35592	1K2	33	50 - 95
L34040	1K20	14	60 - 8	L34855	1K6	27	50 - 99	L35593	1K2	32	50 - 95
L34052	1J9	18	50 - 75	L34855	2E4	22	80 - 3	L35594	1K2	32	50 - 95
L34058	1J22	15	50 - 91	L34912	1F8	3	40 - 35	L35595	1K2	32	50 - 95
L34059	1J22	19	50 - 91	L34920	1C5	5	20 - 39	L35596	1K2	25	50 - 95
L34060	1J22	18	50 - 91	L34925	1G22	15	50 - 9	L35597	1K2	15	50 - 95
L34062	1J22	11	50 - 91	L34954	2B7	23	70 - 13	L35598	1K2	12	50 - 95
L34063	1J22	11	50 - 91	L34954	2B7	24	70 - 13	L35599	1K2	13	50 - 95
L34064	1J22	10	50 - 91	L34973	1C5	3	20 - 39	L35600	1K8	14	50 - 101
L34065	1J22	9	50 - 91	L34995	2B7	42	70 - 13	L35600	1K10	6	50 - 103
L34066	1J22	8	50 - 91	L35004	1C23	4	30 - 13	L35602	1K8	15	50 - 101
L34067	1J22	21	50 - 91	L35008	2E23	20	80 - 25	L35603	1K10	5	50 - 103
L34068	1J22	7	50 - 91	L35011	2E23	16	80 - 25	L35604	1K10	5	50 - 103
L34070	2E20	12	80 - 21	L35022	1J16	22	50 - 83	L35605	1K10	9	50 - 103
L34100	1H13	25	50 - 51	L35023	1C5	10	20 - 39	L35606	1K10	4	50 - 103
L34104	1H8	12	50 - 19	L35039	2F18	15	90 - 11	L35607	1K8	9	50 - 101
L34104	1H10	20	50 - 21	L35120	2F7	3	80 - 35	L35608	1K8	8	50 - 101
L34105	1H6	16	50 - 17	L35121	2F7	2	80 - 35	L35609	1K8	12	50 - 101
L34106	1H6	23	50 - 17	L35124	2F7	2	80 - 35	L35610	1K10	3	50 - 103
L34111	1H12	5	50 - 23	L35126	1C21	15	30 - 11	L35612	1K2	3	50 - 95
L34114	1H14	14	50 - 25	L35127	1C21	13	30 - 11	L35613	1K2	14	50 - 95
L34117	2E24	2	80 - 26	L35128	1C21	8	30 - 11	L35616	1K2	5	50 - 95
L34121	1G16	1	50 - 3	L35171	1D20	5	40 - 3	L35617	1K2	7	50 - 95
L34126	1J4	12	50 - 69	L35172	1D22	1	40 - 5	L35619	1K2	8	50 - 95
L34156	2F16	30	90 - 9	L35187	1C25	13	30 - 15	L35639	1K15	40	60 - 3
L34168	1J16	24	50 - 83	L35213	2B7	21	70 - 13	L35769	2F16	33	90 - 9
L34182	1H13	18	50 - 51	L35226	1G16	22	50 - 3	L35771	2F16	34	90 - 9
L34184	1K17	11	60 - 5	L35226	1G18	4	50 - 5	L35774	1D12	29	30 - 27
L34231	2E11	2	80 - 11	L35233	1D22	6	40 - 5	L35777	1G24	5	50 - 11
L34248	1H13	1	50 - 51	L35244	1H14	18	50 - 25	L35782	1J16	20	50 - 83
L34248	1J14	14	50 - 81	L35260	1H19	7	50 - 31	L35783	1J16	20	50 - 83
L34345	1H8	18	50 - 19	L35260	1H21	5	50 - 33	L35784	1J16	20	50 - 83
L34345	1H10	24	50 - 21	L35269	2F18	27	90 - 11	L35785	1J16	20	50 - 83
L34351	2F22	8	90 - 15	L35425	1D22	6	40 - 5	L35793	1J16	1	50 - 83
L34352	1H16	3	50 - 27	L35477	1H12	6	50 - 23	L35825	2F16	4	90 - 9
L34353	1J16	24	50 - 83	L35484	1H21	3	50 - 33	L35826	1C16	6	30 - 5
L34400	1J16	25	50 - 83	L35492	2F7	1	80 - 35	L35842	2B7	16	70 - 13
L34401	2B11	16	70 - 17	L35493	2F7	1	80 - 35	L35869	1J19	6	50 - 87
L34411	2F18	30	90 - 11	L35520	2F7	5	80 - 35	L35871	1J19	4	50 - 87
L34414	2F18	24	90 - 11	L35521	2F7	9	80 - 35	L35872	1J19	9	50 - 87
L34422	1D12	2	30 - 27	L35542	1J16	3	50 - 83	L35873	1J19	10	50 - 87
L34423	1D12	4	30 - 27	L35555	1K4	30	50 - 97	L35878	1F3	8	40 - 29
L34424	1D12	13	30 - 27	L35556	1K4	11	50 - 97	L35894	1J2	7	50 - 67
L34432	2A21	4	70 - 2	L35557	1K4	26	50 - 97	L35896	1F8	8	40 - 35
L34449	2E11	1	80 - 11	L35558	1K4	26	50 - 97	L35897	1F8	4	40 - 35
L34451	1K15	26	60 - 3	L35559	1K4	26	50 - 97	L35898	1F8	5	40 - 35
L34452	1K15	37	60 - 3	L35560	1K4	26	50 - 97	L35938	2F18	31	90 - 11
L34454	1K15	39	60 - 3	L35561	1K4	28	50 - 97	L36023	1K11	5	50 - 104
L34456	2E23	23	80 - 25	L35562	1K4	3	50 - 97	L36087	1H13	11	50 - 51
L34463	1J12	1	50 - 79	L35567	1K4	5	50 - 97	L36107	1H18	8	50 - 57
L34565	1H6	7	50 - 17	L35568	1K4	6	50 - 97	L36107	1H18	9	50 - 57
L34569	2A21	2	70 - 2	L35569	1K4	7	50 - 97	L36108	1H18	7	50 - 57
L34570	2A21	5	70 - 2	L35577	1K4	17	50 - 97	L36108	1H18	9	50 - 57
L34575	2A21	1	70 - 2	L35578	1K4	18	50 - 97	L36121	2B7	30	70 - 13
L34631	1C16	11	30 - 5	L35579	1K4	19	50 - 97	L36134	2C17	4	70 - 50
L34632	1C16	8	30 - 5	L35580	1K4	19	50 - 97	L36134	2C23	5	70 - 57
L34633	1C14	5	30 - 3	L35581	1K4	19	50 - 97	L36136	2B7	18	70 - 13
L34634	1C14	2	30 - 3	L35582	1K4	20	50 - 97	L36179	1F8	17	40 - 35
L34635	1C14	4	30 - 3	L35583	1K4	21	50 - 97	L36230	1H8	14	50 - 19
L34646	1C14	16	30 - 3	L35584	1K4	22	50 - 97	L36230	1H8	..	50 - 19
L34650	1C14	3	30 - 3	L35585	1K4	13	50 - 97	L36230	1H10	..	50 - 21
L34683	2F18	13	90 - 11	L35586	1K2	31	50 - 95	L36237	1H6	18	50 - 17
L34696	1D13	6	30 - 28	L35587	1K2	18	50 - 95	L36266	1K6	5	50 - 99
L34794	1C25	2	30 - 15	L35588	1K2	29	50 - 95	L36266	2E4	5	80 - 3
L34827	2F19	2	90 - 12	L35589	1K2	30	50 - 95	L36267	1K6	6	50 - 99
L34828	2F19	4	90 - 12	L35590	1K2	28	50 - 95	L36267	2E4	6	80 - 3

1L12

2040 UTILITY TRACTOR (SERIAL NO. 350,000-)

NUMERICAL INDEX - CONTINUED

PART NO.	GRID	KEY	PAGE	PART NO.	GRID	KEY	PAGE	PART NO.	GRID	KEY	PAGE
L36269	2F16	26	90 - 9	L38840	1C25	19	30 - 15	L41023	1I9	14	50 - 47
L36272	2F18	4	90 - 11	L39018	1J24	4	50 - 93	L41023	1I9	15	50 - 47
L36273	1G22	23	50 - 9	L39031	1J24	2	50 - 93	L41081	1E16	15	40 - 19B
L36273	1G24	6	50 - 11	L39032	1J24	3	50 - 93	L41081	1E18	15	40 - 19D
L36294	2F18	17	90 - 11	L39034	1H10	3	50 - 21	L41165	1J20	9	50 - 89
L36301	1I13	10	50 - 51	L39035	1H10	5	50 - 21	L41166	1J16	24	50 - 83
L36302	1I13	28	50 - 51	L39036	1H10	6	50 - 21	L41167	1J16	24	50 - 83
L36319	2F7	13	80 - 35	L39088	1H16	12	50 - 27	L41176	1I9	14	50 - 47
L36509	1I9	21	50 - 47	L39089	1D14	6	30 - 29	L41187	1J24	14	50 - 93
L36510	1I9	21	50 - 47	L39090	1D14	5	30 - 29	L41210	1I9	14	50 - 47
L36511	1I9	21	50 - 47	L39269	2B7	22	70 - 13	L41210	1I9	15	50 - 47
L36557	1H25	14	50 - 37	L39302	1G22	5	50 - 9	L41295	1J22	12	50 - 91
L36623	1I5	8	50 - 43	L39302	1G24	22	50 - 11	L41296	1E8	20	40 - 15
L36653	1D12	18	30 - 27	L39315	1D14	3	30 - 29	L41297	1E6	10	40 - 13
L36669	1D22	6	40 - 5	L39419	1H6	7	50 - 17	L41298	1E6	19	40 - 13
L36710	1D22	8	40 - 5	L39490	1G19	1	50 - 6	L41308	1J22	12	50 - 91
L36725	1J20	5	50 - 89	L39490	1J22	30	50 - 91	L41324	1G19	1	50 - 6
L36931	1I9	17	50 - 47	L39491	1G19	1	50 - 6	L41351	1H6	6	50 - 17
L36932	1I9	17	50 - 47	L39491	1J22	29	50 - 91	L41383	2B14	1	70 - 20
L36933	1I9	17	50 - 47	L39493	1G19	1	50 - 6	L41383	2B14	11	70 - 20
L36934	1I9	17	50 - 47	L39495	1G19	1	50 - 6	L41384	2B14	1	70 - 20
L36976	1C5	21	20 - 39	L39495	1J22	2	50 - 91	L41384	2B14	10	70 - 20
L36977	1J18	1	50 - 85	L39591	1J19	9	50 - 87	L41386	1H2	4	50 - 14
L37024	1J22	8	50 - 91	L39693	2C23	7	70 - 57	L41387	1G25	6	50 - 12
L37025	1J22	9	50 - 91	L39803	1K18	4	60 - 6	L41387	1H2	2	50 - 14
L37213	1J24	11	50 - 93	L39804	1K18	5	60 - 6	L41388	1G22	1	50 - 9
L37286	2B7	21	70 - 13	L39837	1J22	3	50 - 91	L41388	1G24	24	50 - 11
L37286	2B7	23	70 - 13	L39838	1J22	12	50 - 91	L41388	1G25	1	50 - 12
L37286	2B7	24	70 - 13	L39840	1J22	15	50 - 91	L41388	1H1	1	50 - 13
L37325	1J16	22	50 - 83	L39841	1I5	21	50 - 43	L41388	1H2	8	50 - 14
L37326	1K17	11	60 - 5	L39862	1J16	1	50 - 83	L41388	1H3	8	50 - 14A
L37327	1K17	11	60 - 5	L39881	2B20	10	70 - 27	L41389	1G25	4	50 - 12
L37426	2E13	15	80 - 13	L39939	1C14	11	30 - 3	L41389	1H2	4	50 - 14
L37427	2E13	12	80 - 13	L39950	1G24	23	50 - 11	L41390	1G25	8	50 - 12
L37505	1H12	4	50 - 23	L4027T	1I16	8	50 - 55	L41465	1D12	6	30 - 27
L37590	1I13	19	50 - 51	L4035T	1I16	7	50 - 55	L41536	2B14	1	70 - 20
L37886	1H14	13	50 - 25	L40424	1H16	6	50 - 27	L41536	2B14	7	70 - 20
L38009	2F16	34	90 - 9	L40425	1H16	7	50 - 27	L41538	2B14	1	70 - 20
L38023	1J9	17	50 - 75	L40425	1H16	9	50 - 27	L41538	2B14	8	70 - 20
L38023	1J9	29	50 - 75	L40425	1H16	10	50 - 27	L41551	2B11	16	70 - 17
L38057	1J16	21	50 - 83	L40425	1H16	12	50 - 27	L41575	1E8	3	40 - 15
L38230	1J11	9	50 - 77	L40434	1H16	8	50 - 27	L41575	1E10	7	40 - 15B
L38231	1J11	11	50 - 77	L40446	1G20	1	50 - 7	L41579	1E14	16	40 - 19
L38258	1J22	8	50 - 91	L40557	1J14	16	50 - 81	L41579	1E14	17	40 - 19
L38321	1I18	1	50 - 57	L40568	1G16	15	50 - 3	L41582	1E16	5	40 - 19B
L38322	1I18	3	50 - 57	L40568	1H21	11	50 - 33	L41582	1E18	5	40 - 19D
L38366	2E24	2	80 - 26	L40568	1I7	15	50 - 45	L41587	1G25	2	50 - 12
L38377	2F16	31	90 - 9	L40568	1I19	11	50 - 59	L41588	1G25	2	50 - 12
L38377	2F16	34	90 - 9	L40582	1J20	10	50 - 89	L41588	1H2	6	50 - 14
L38387	1F3	5	40 - 29	L40582	1J22	26	50 - 91	L41589	1G25	3	50 - 12
L38511	1G24	21	50 - 11	L40583	1J20	10	50 - 89	L41589	1H2	5	50 - 14
L38512	1G24	13	50 - 11	L40583	1J22	26	50 - 91	L41604	1I11	2	50 - 49
L38513	1G22	9	50 - 9	L40621	1J24	15	50 - 93	L41715	2E13	16	80 - 13
L38513	1G24	14	50 - 11	L40622	1J24	14	50 - 93	L41725	2B14	1	70 - 20
L38513	1G25	5	50 - 12	L40656	1H23	1	50 - 35	L41726	2B14	6	70 - 20
L38513	1H1	5	50 - 13	L40656	1J14	14	50 - 81	L41740	1J24	4	50 - 93
L38513	1H2	7	50 - 14	L40657	1H23	1	50 - 35	L41740	1J24	7	50 - 93
L38513	1H3	7	50 - 14A	L40657	1J14	14	50 - 81	L41853	1G22	23	50 - 9
L38692	1J22	20	50 - 91	L40696	2B7	41	70 - 13	L41853	1G24	6	50 - 11
L38694	1I21	3	50 - 61	L40721	1J14	3	50 - 81	L41855	1C16	3	30 - 5
L38694	1I22	3	50 - 63	L40773	1H12	13	50 - 23	L41893	1G22	19	50 - 9
L38752	2B7	39	70 - 13	L40776	1H12	13	50 - 23	L41897	1H16	8	50 - 27
L38803	1J4	6	50 - 69	L40897	1G19	1	50 - 6	L41897	1H16	9	50 - 27
L38803	1J6	11	50 - 71	L40919	2E23	1	80 - 25	L41897	1H16	10	50 - 27
L38804	1J6	14	50 - 71	L40964	1H12	4	50 - 23	L41897	1H16	12	50 - 27
L38806	1J2	17	50 - 67	L40965	1H12	4	50 - 23	L41897	1H17	4	50 - 29
L38807	1J2	20	50 - 67	L41021	1I13	14	50 - 51	L41919	2E23	1	80 - 25

1L13

2040 UTILITY TRACTOR (SERIAL NO. 350,000-)

NUMERICAL INDEX - CONTINUED

PART NO.	GRID	KEY	PAGE	PART NO.	GRID	KEY	PAGE	PART NO.	GRID	KEY	PAGE
L41932	2B13	4	70 - 19	L58109	1111	12	50 - 49	L63826	2C9	4	70 - 42
L42043	1E16	11	40 - 19B	L58110	1111	12	50 - 49	L63828	1K4	19	50 - 97
L42043	1E18	11	40 - 19D	L58111	1111	12	50 - 49	L63834	1I9	17	50 - 47
L42048	1H8	17	50 - 19	L58112	1111	12	50 - 49	L63977	2F7	1	80 - 35
L42048	1H12	1	50 - 23	L58113	1111	12	50 - 49	L63984	2F7	1	80 - 35
L42049	1H8	17	50 - 19	L58114	1111	12	50 - 49	L64359	1K20	14	60 - 8
L42049	1H12	1	50 - 23	L58115	1111	12	50 - 49	L64456	1I20	1	50 - 60
L42080	1K17	11	60 - 5	L58118	1111	12	50 - 49	L64456	1I21	13	50 - 61
L42080	1K17	18	60 - 5	L58119	1111	12	50 - 49	L64838	1J9	3	50 - 75
L42081	1K17	11	60 - 5	L58120	1111	12	50 - 49	L64853	1H8	20	50 - 19
L55064	1E16	23	40 - 19B	L58121	1111	12	50 - 49	L64854	1H8	21	50 - 19
L55064	1E18	23	40 - 19D	L58389	2B20	10	70 - 27	L65000	1F25	10	40 - 53
L55066	1E16	17	40 - 19B	L58721	1111	11	50 - 49	L65031	1H14	15	50 - 25
L55066	1E18	17	40 - 19D	L59208	2E13	7	80 - 13	L65058	1E10	15	40 - 15B
L55202	2B9	13	70 - 15	L59208	2E13	..	80 - 13	L65174	1E10	14	40 - 15B
L55204	2B14	24	70 - 20	L59210	2E13	7	80 - 13	L77042	1E10	12	40 - 15B
L55204	2B16	5	70 - 23	L59210	2E13	..	80 - 13	L94772	2G2	3	90 - 19
L55213	1H1	4	50 - 13	L59211	2E13	7	80 - 13	M1102T	1H19	20	50 - 31
L55214	1H1	2	50 - 13	L59211	2E13	..	80 - 13	M1102T	1H21	6	50 - 33
L55214	1H3	6	50 - 14A	L59212	2E13	7	80 - 13	M1102T	1I3	1	50 - 41
L55215	1G22	10	50 - 9	L59212	2E13	..	80 - 13	M115827	2B25	13	70 - 32
L55215	1G24	15	50 - 11	L59225	2E13	7	80 - 13	M115827	2C3	18	70 - 35
L55215	1G25	6	50 - 12	L59225	2E13	..	80 - 13	M115827	2C3	28	70 - 35
L55215	1H1	6	50 - 13	L59226	2E13	7	80 - 13	M115827	2C5	6	70 - 37
L55215	1H3	2	50 - 14A	L59226	2E13	..	80 - 13	M1339T	1D13	4	30 - 28
L55216	1G22	12	50 - 9	L59305	1H6	16	50 - 17	M1518T	2E6	3	80 - 5
L55216	1H1	8	50 - 13	L59382	2F7	11	80 - 35	M1895T	1F12	21	40 - 37B
L55223	2B20	3	70 - 27	L59382	2F7	12	80 - 35	M2206T	1I24	12	50 - 65
L55437	2E20	12	80 - 21	L59830	1H6	6	50 - 17	M2282T	2E6	11	80 - 5
L55594	1K8	9	50 - 101	L60163	2B8	3	70 - 14	M2283T	2E6	12	80 - 5
L55595	1K8	8	50 - 101	L60548	1J4	6	50 - 69	M2291T	2F18	..	90 - 11
L55840	1I13	18	50 - 51	L60548	1J6	14	50 - 71	M2353T	1J2	5	50 - 67
L55841	1I11	6	50 - 49	L60559	1I11	17	50 - 49	M2353T	1J4	7	50 - 69
L56005	1I11	12	50 - 49	L60559	1I11	20	50 - 49	M2353T	1J6	6	50 - 71
L56083	1H1	3	50 - 13	L60560	1I11	17	50 - 49	M2392T	1C5	16	20 - 39
L56083	1H3	5	50 - 14A	L60560	1I11	19	50 - 49	M2396T	2B17	3	70 - 24
L56084	1H3	4	50 - 14A	L60631	1C16	2	30 - 5	M2396T	2B20	5	70 - 27
L56128	1K24	21	60 - 13	L60667	1K24	14	60 - 13	M2396T	2B20	7	70 - 27
L56243	1K18	4	60 - 6	L61282	2E23	23	80 - 25	M2396T	2D2	13	70 - 61
L56243	1K18	6	60 - 6	L61849	2C17	4	70 - 50	M2396T	2D3	14	70 - 62
L56244	1K18	5	60 - 6	L61849	2C23	5	70 - 57	M3265T	2B14	25	70 - 20
L56244	1K18	6	60 - 6	L61918	1G16	26	50 - 3	M3265T	2B16	4	70 - 23
L56247	1K18	1	60 - 6	L61962	1K17	4	60 - 5	M3636T	1E12	1	40 - 17
L56375	1H3	4	50 - 14A	L61964	1H8	15	50 - 19	M3636T	1E14	41	40 - 19
L56377	1I11	12	50 - 49	L61966	1J18	1	50 - 85	M3636T	1E18	34	40 - 19D
L56409	2E23	16	80 - 25	L62253	1I15	13	50 - 53	M3853T	1B6	46	20 - 15
L56824	2B20	10	70 - 27	L62272	1J9	15	50 - 75	M3853T	1B19	5	20 - 28
L56920	1H4	7	50 - 15	L62405	2B12	3	70 - 18	M3861T	1I7	14	50 - 45
L56920	1H6	1	50 - 17	L62406	1I18	5	50 - 57	M40333	1F12	24	40 - 37B
L56921	1C25	2	30 - 15	L62406	1I18	16	50 - 57	M41029	1B6	3	20 - 15
L56962	1J16	1	50 - 83	L62421	1H8	15	50 - 19	M41029	1B16	1	20 - 25
L56965	1J16	1	50 - 83	L62606	1K24	1	60 - 13	M42229	1F9	..	40 - 36
L57045	1J19	5	50 - 87	L62679	1G20	8	50 - 7	M42229	2F18	..	90 - 11
L57045	1J19	9	50 - 87	L62773	1G19	1	50 - 6	M4224T	1H4	1	50 - 15
L57045	1J19	10	50 - 87	L62773	1J22	5	50 - 91	M43835	1G6	2	40 - 59
L57052	2E23	20	80 - 25	L62773	1J22	24	50 - 91	M63431	1F12	2	40 - 37B
L57053	1C5	10	20 - 39	L62815	1H14	13	50 - 25	M63440	1K24	12	60 - 13
L57054	1C5	11	20 - 39	L62815	1H16	6	50 - 27	M80373	1G20	6	50 - 7
L57312	1J16	1	50 - 83	L62815	1H16	9	50 - 27	M80373	1G20	8	50 - 7
L57559	1C5	21	20 - 39	L62815	1H16	10	50 - 27	M809T	1I13	10	50 - 51
L57595	2C9	11	70 - 42	L62815	1H16	12	50 - 27	N10065	2D2	9	70 - 61
L57595	2C10	9	70 - 43	L62883	1K20	15	60 - 8	N102039	1A23	10	20 - 7
L57621	1I9	16	50 - 47	L63140	1H12	15	50 - 23	N110523	2C19	5	70 - 53
L57622	1I9	22	50 - 47	L63537	2C23	1	70 - 57	N115096	1G6	11	40 - 59
L57963	2E20	12	80 - 21	L63758	2E20	12	80 - 21	N131838	1K15	31	60 - 3
L57983	1H12	6	50 - 23	L63825	2C9	1	70 - 42	N186901	2C10	9	70 - 43
L58108	1I11	12	50 - 49	L63826	2C9	1	70 - 42	N52048	2E9	11	80 - 9

1L14

2040 UTILITY TRACTOR (SERIAL NO. 350,000-)

NUMERICAL INDEX - CONTINUED

PART NO.	GRID	KEY	PAGE	PART NO.	GRID	KEY	PAGE	PART NO.	GRID	KEY	PAGE
PM797NA	1G11	1	40-64	RE13089	2C10	10	70-43	RE24959	1B6	58	20-15
PT10341	1F12	10	40-37B	RE13089	2C10	14	70-43	RE24959	1B14	12	20-23
PT10342	1F12	3	40-37B	RE13517	1D8	3	30-23	RE24959	1C9	25	20-43
PT10343	1F12	3	40-37B	RE13517	1D8	11	30-23	RE25621	1F20	1	40-47
PT10344	1F12	4	40-37B	RE13561	2D12	2	70-71	RE26203	1B10	1	20-19
PT10345	1F12	23	40-37B	RE13571	1B10	4	20-19	RE26739	2C8	6	70-41
PT11382	1F12	17	40-37B	RE13714	2C23	26	70-57	RE26740	2C8	6	70-41
PT11383	1F12	18	40-37B	RE13813	2D21	14	70-79	RE27349	1B10	3	20-19
PT1293	1E24	3	40-25	RE13814	2D21	6	70-79	RE27351	1B10	5	20-19
PT1296	1E24	14	40-25	RE13815	2D23	10	70-81	RE27353	1B10	2	20-19
PT18180	1E24	5	40-25	RE13912	1I20	5	50-60	RE29218	1B8	74	20-17
PT18181	1E24	17	40-25	RE13912	1I22	15	50-63	RE30174	1C23	16	30-13
PT9318	1E24	7	40-25	RE14069	1D18	5	40-1	RE30174	2G2	7	90-19
PT9319	1E24	5	40-25	RE14515	1E2	11	40-9	RE30685	1B24	26	20-33
PT9320	1E24	17	40-25	RE15361	2D8	8	70-67	RE31929	1B22	8	20-31
PT9321	1E24	25	40-25	RE15361	2D8	11	70-67	RE31929	1B22	16	20-31
PT9390	1E24	6	40-25	RE15361	2D8	13	70-67	RE31973	1B2	5	20-11
PT9851	1F12	15	40-37B	RE15361	2D17	10	70-74	RE32140	1A23	6	20-7
PT9852	1F12	14	40-37B	RE15361	2D17	11	70-74	RE33636	1C23	16	30-13
PT9853	1F12	16	40-37B	RE15361	2D17	15	70-74	RE35685	1B6	50	20-15
PT99	2G2	3	90-19	RE15361	2D17	18	70-74	RE35685	1B18	12	20-27
P42337	1B12	2	20-21	RE15361	2D17	20	70-74	RE35685	1B19	13	20-28
P46051	2B22	11	70-29	RE15381	1B19	13	20-28	RE35992	1A21	3	20-3
P46051	2C16	6	70-49	RE15660	1F6	3	40-33	RE37011	1J9	23	50-75
P46051	2C21	16	70-55	RE15674	1B6	1	20-15	RE37463	1D8	11	30-23
P51212	2D21	12	70-79	RE16149	1B4	31	20-13	RE37482	1D8	3	30-23
P51212	2D23	5	70-81	RE16149	1B6	27	20-15	RE37489	1C10	9	20-44
R	1B10	1	20-19	RE16495	1B8	70	20-17	RE37492	1B8	73	20-17
RE10596	1D14	4	30-29	RE16495	1B16	4	20-25	RE37492	1C9	25	20-43
RE10869	1B22	14	20-31	RE16495	1B16	5	20-25	RE37996	1D18	4	40-1
RE10869	1B22	16	20-31	RE16911	1C10	9	20-44	RE38077	1B22	8	20-31
RE10924	2C21	19	70-55	RE16912	1C9	25	20-43	RE38390	1D18	6	40-1
RE11036	1B6	58	20-15	RE17282	1F22	10	40-50	RE38390	1J11	6	50-77
RE11156	1G8	36	40-61	RE17515	1C14	13	30-3	RE38390	2B11	13	70-17
RE11157	1G8	37	40-61	RE18147	1I3	10	50-41	RE38707	1F25	11	40-53
RE11312	1B4	31	20-13	RE19031	1B2	5	20-11	RE38850	1C10	9	20-44
RE11312	1D4	19	30-19	RE19283	1B6	2	20-15	RE38853	1B8	73	20-17
RE11312	1D4	23	30-19	RE19419	2C12	9	70-45	RE38853	1B16	7	20-25
RE11312	1D4	27	30-19	RE19419	2C24	4	70-58	RE38853	1B17	1	20-26
RE11347	1C3	4	20-37	RE19419	2C24	7	70-58	RE38853	1C9	25	20-43
RE11347	1C3	8	20-37	RE19445	2F10	43	90-3	RE39065	1E11	5	40-16
RE11410	1A25	4	20-9	RE21073	1F25	17	40-53	RE39829	2C9	12	70-42
RE11410	1B2	11	20-11	RE21076	1B8	70	20-17	RE39829	2C10	9	70-43
RE11447	2D18	9	70-75	RE21076	1B16	5	20-25	RE39829	2C10	10	70-43
RE11456	2D18	2	70-75	RE21096	1F25	11	40-53	RE39829	2C10	14	70-43
RE11457	2D18	1	70-75	RE21112	1G2	3	40-55	RE41748	1E12	4	40-17
RE11458	2D18	2	70-75	RE21113	1G2	10	40-55	RE41748	1E14	1	40-19
RE11463	2D18	2	70-75	RE21411	1B6	2	20-15	RE41748	1E14	30	40-19
RE11509	1B17	1	20-26	RE21510	1F25	20	40-53	RE41748	1E16	1	40-19B
RE11510	1B17	1	20-26	RE21730	1G10	5	40-63	RE41748	1E16	20	40-19B
RE11602	1D4	9	30-19	RE21731	1G10	5	40-63	RE41748	1E16	22	40-19B
RE11602	1D6	8	30-21	RE21732	1G10	6	40-63	RE41748	1E18	1	40-19D
RE12121	2D19	4	70-77	RE21738	1G2	15	40-55	RE41748	1E18	20	40-19D
RE12121	2D19	5	70-77	RE21790	1C23	3	30-13	RE41748	1E18	22	40-19D
RE12121	2D19	7	70-77	RE22589	1G2	2	40-55	RE42211	1D8	3	30-23
RE12121	2D19	8	70-77	RE23182	1A21	2	20-3	RE42211	1D8	11	30-23
RE12121	2D19	11	70-77	RE23182	2G2	2	90-19	RE43025	1F25	17	40-53
RE12121	2D19	13	70-77	RE23382	2A24	15	70-5	RE44202	1A23	6	20-7
RE12121	2D19	14	70-77	RE24458	1B6	2	20-15	RE44574	1B6	58	20-15
RE12121	2D19	15	70-77	RE24458	1B6	..	20-15	RE44574	1B14	12	20-23
RE12121	2D19	16	70-77	RE24458	1B16	7	20-25	RE44657	1F18	28	40-45
RE12121	2D19	18	70-77	RE24458	1B17	1	20-26	RE46257	1C1	1	20-35
RE12121	2D19	22	70-77	RE24539	1B6	2	20-15	RE46317	1F25	11	40-53
RE12121	2D19	26	70-77	RE24539	1B16	7	20-25	RE46414	1F25	12	40-53
RE12121	2D21	20	70-79	RE24539	1B17	1	20-26	RE46896	1B6	57	20-15
RE12715	1F1	9	40-27	RE24561	1C23	16	30-13	RE46896	1B12	9	20-21
RE13089	2C10	9	70-43	RE24561	2G2	7	90-19	RE47637	1B6	57	20-15

1L15

2040 UTILITY TRACTOR (SERIAL NO. 350,000-)

NUMERICAL INDEX - CONTINUED

PART NO.	GRID	KEY	PAGE	PART NO.	GRID	KEY	PAGE	PART NO.	GRID	KEY	PAGE
RE50756	1G16	..	50 - 3	R126041	1B24	9	20 - 33	R26375	2D2	16	70 - 61
RE50756	1G18	8	50 - 5	R132720	2F7	7	80 - 35	R26375	2D6	1	70 - 65
RE50756	1H19	..	50 - 31	R1662R	2B7	49	70 - 13	R26375	2D6	2	70 - 65
RE50756	1I5	..	50 - 43	R1870R	1H25	2	50 - 37	R26375	2D8	19	70 - 67
RE51774	1A23	16	20 - 7	R1870R	1I5	23	50 - 43	R26375	2D8	22	70 - 67
RE51923	1B8	74	20 - 17	R1870R	2D14	4	70 - 71B	R26375	2D10	6	70 - 69
RE53241	1B4	22	20 - 13	R1888R	1I18	12	50 - 57	R26375	2D11	2	70 - 70
RE54186	1C21	10	30 - 11	R21551	2F10	31	90 - 3	R26375	2D11	3	70 - 70
RE55343	1B6	50	20 - 15	R21612	1J16	10	50 - 83	R26375	2D18	4	70 - 75
RE55343	1B18	9	20 - 27	R21722	2D18	1	70 - 75	R26418	1E2	..	40 - 9
RE55343	1B18	11	20 - 27	R21722	2D18	2	70 - 75	R26448	1D18	2	40 - 1
RE55343	1B19	4	20 - 28	R21722	2D19	9	70 - 77	R26448	1H6	15	50 - 17
RE55343	1B19	8	20 - 28	R2579R	1E23	16	40 - 24	R26448	1H8	11	50 - 19
RE55343	1B19	13	20 - 28	R26006	1J16	29	50 - 83	R26448	1H10	21	50 - 21
RE56309	1A23	11	20 - 7	R26121	1B6	7	20 - 15	R26448	1K15	28	60 - 3
RE56309	1A25	8	20 - 9	R26121	1B6	10	20 - 15	R26448	2B9	1	70 - 15
RE56425	1B4	26	20 - 13	R26125	1A25	5	20 - 9	R26448	2B11	12	70 - 17
RE60489	1C1	1	20 - 35	R26125	1B2	12	20 - 11	R26448	2B14	3	70 - 20
RE61767	1B22	8	20 - 31	R26149	1C23	14	30 - 13	R26448	2B14	7	70 - 20
RE62659	1C3	4	20 - 37	R26149	1G16	21	50 - 3	R26448	2B16	12	70 - 23
RE62659	1C3	8	20 - 37	R26149	1G18	5	50 - 5	R26448	2B16	13	70 - 23
RE66820	1B6	1	20 - 15	R26149	2C14	13	70 - 47	R26448	2C14	14	70 - 47
RE66820	1B16	8	20 - 25	R26149	2C21	18	70 - 55	R26448	2C21	4	70 - 55
RE93820	2D17	5	70 - 74	R26241	1B4	16	20 - 13	R26448	2C21	17	70 - 55
RW26466	1F25	20	40 - 53	R26286	2A24	20	70 - 5	R26480	2D4	10	70 - 63
R10093	1B4	23	20 - 13	R26286	2B4	6	70 - 9	R26480	2D14	26	70 - 71B
R10093	2B14	21	70 - 20	R26286	2B14	15	70 - 20	R26482	2C25	17	70 - 59
R10093	2B16	3	70 - 23	R26286	2B16	8	70 - 23	R26482	2D3	8	70 - 62
R10093	2B16	7	70 - 23	R26287	1H6	24	50 - 17	R26482	2D4	6	70 - 63
R10093	2B18	17	70 - 25	R26287	1H8	6	50 - 19	R26482	2D19	20	70 - 77
R10093	2D21	5	70 - 79	R26287	1J16	8	50 - 83	R26483	2C25	21	70 - 59
R10093	2D23	2	70 - 81	R26287	1J18	7	50 - 85	R26483	2D3	11	70 - 62
R105529	1D4	15	30 - 19	R26287	1K21	1	60 - 9	R26483	2D4	7	70 - 63
R105529	1D4	16	30 - 19	R26287	1K22	7	60 - 11	R26484	2C16	21	70 - 49
R105530	1D4	15	30 - 19	R26287	2B4	10	70 - 9	R26484	2C21	10	70 - 55
R105530	1D4	16	30 - 19	R26287	2B5	2	70 - 11	R26484	2C25	14	70 - 59
R105583	2A24	7	70 - 5	R26287	2B7	27	70 - 13	R26484	2D3	4	70 - 62
R105942	1F25	10	40 - 53	R26287	2B7	33	70 - 13	R26484	2D4	3	70 - 63
R109863	1B6	23	20 - 15	R26287	2B11	14	70 - 17	R26485	2C25	10	70 - 59
R109863	1B12	2	20 - 21	R26287	2B12	7	70 - 18	R26485	2D3	26	70 - 62
R11100	1E19	5	40 - 20	R26375	1H8	23	50 - 19	R26485	2D4	1	70 - 63
R11278	1F1	1	40 - 27	R26375	1K20	11	60 - 8	R26485	2D8	5	70 - 67
R113752	1B6	50	20 - 15	R26375	1K21	8	60 - 9	R26485	2D17	12	70 - 74
R113752	1B18	9	20 - 27	R26375	2A24	6	70 - 5	R26493	1B4	8	20 - 13
R113752	1B18	11	20 - 27	R26375	2A24	10	70 - 5	R26493	1B6	36	20 - 15
R113752	1B19	4	20 - 28	R26375	2A24	16	70 - 5	R26501	1D12	30	30 - 27
R113752	1B19	8	20 - 28	R26375	2A24	29	70 - 5	R26524	1D12	15	30 - 27
R113752	1B19	13	20 - 28	R26375	2A24	48	70 - 5	R26524	1D13	5	30 - 28
R114282	1B14	4	20 - 23	R26375	2A24	53	70 - 5	R26546	2C12	33	70 - 45
R116281	1B4	19	20 - 13	R26375	2B4	2	70 - 9	R26546	2C21	7	70 - 55
R116411	1B4	22	20 - 13	R26375	2B4	3	70 - 9	R26552	1H4	16	50 - 15
R116943	1I15	9	50 - 53	R26375	2B4	8	70 - 9	R26552	1H6	17	50 - 17
R119269	1B24	27	20 - 33	R26375	2B4	13	70 - 9	R26552	1I1	2	50 - 39
R119359	1B9	1	20 - 18	R26375	2B4	14	70 - 9	R26552	1I3	4	50 - 41
R119359	1C9	24	20 - 43	R26375	2B4	15	70 - 9	R26552	1I15	4	50 - 53
R119707	1B2	21	20 - 11	R26375	2B5	8	70 - 11	R26552	1I18	4	50 - 57
R119707	1B6	14	20 - 15	R26375	2B7	35	70 - 13	R26552	1J10	10	50 - 76
R120106	1F25	10	40 - 53	R26375	2B9	5	70 - 15	R26637	1D12	11	30 - 27
R120107	1F25	10	40 - 53	R26375	2B9	15	70 - 15	R26650	1B4	10	20 - 13
R120108	1F25	10	40 - 53	R26375	2B12	4	70 - 18	R26650	1B6	37	20 - 15
R122226	1B4	3	20 - 13	R26375	2B14	11	70 - 20	R26727	1I24	19	50 - 65
R122428	2C3	5	70 - 35	R26375	2B16	15	70 - 23	R26858	2E23	21	80 - 25
R125066	1B24	8	20 - 33	R26375	2C14	10	70 - 47	R26871	1H4	18	50 - 15
R125066	1C9	17	20 - 43	R26375	2C14	18	70 - 47	R26871	1H6	13	50 - 17
R125507	1B22	8	20 - 31	R26375	2C17	6	70 - 50	R26871	1H6	21	50 - 17
R125754	1B6	4	20 - 15	R26375	2C19	4	70 - 53	R26906	1K20	4	60 - 8
R125754	1B16	2	20 - 25	R26375	2C21	5	70 - 55	R26906	1K21	3	60 - 9

1L16

2040 UTILITY TRACTOR (SERIAL NO. 350,000-)

NUMERICAL INDEX - CONTINUED

PART NO.	GRID	KEY	PAGE	PART NO.	GRID	KEY	PAGE	PART NO.	GRID	KEY	PAGE
R26906	2A24	26	70 - 5	R27507	2D3	17	70 - 62	R32016	1E20	4	40 - 21
R26906	2B4	7	70 - 9	R27527	1K22	6	60 - 11	R32016	1G4	10	40 - 57
R26906	2B7	46	70 - 13	R27528	1K22	3	60 - 11	R32017	1G4	11	40 - 57
R26906	2B9	19	70 - 15	R27531	2B7	15	70 - 13	R32018	1E25	5	40 - 26
R26906	2B12	10	70 - 18	R27590	2B7	8	70 - 13	R32018	1F23	6	40 - 51
R26906	2C17	1	70 - 50	R27983	1F9	..	40 - 36	R32018	1F23	8	40 - 51
R26906	2C19	1	70 - 53	R27997	2C3	19	70 - 35	R32018	1G4	12	40 - 57
R26906	2C23	8	70 - 57	R27998	2C3	20	70 - 35	R32019	1G4	13	40 - 57
R26906	2C23	16	70 - 57	R27999	2C3	21	70 - 35	R32021	1F23	4	40 - 51
R26919	1G16	14	50 - 3	R28006	2C25	6	70 - 59	R32021	1G4	14	40 - 57
R26936	1F9	..	40 - 36	R28006	2D17	6	70 - 74	R32022	1G4	15	40 - 57
R27003	1H19	17	50 - 31	R28040	1B20	13	20 - 29	R32023	1G4	16	40 - 57
R27003	1I5	15	50 - 43	R28084	2C25	3	70 - 59	R32024	1E25	5	40 - 26
R27003	1J10	8	50 - 76	R28084	2C25	19	70 - 59	R32024	1F23	8	40 - 51
R27094	2A24	21	70 - 5	R28084	2D3	9	70 - 62	R32024	1G10	3	40 - 63
R27095	1H12	16	50 - 23	R28084	2D8	10	70 - 67	R32025	1F23	4	40 - 51
R27139	1K22	6	60 - 11	R28084	2D17	3	70 - 74	R32025	1G10	4	40 - 63
R27166	2C16	18	70 - 49	R28084	2D17	17	70 - 74	R32026	1G4	17	40 - 57
R27166	2C18	3	70 - 51	R28085	2C25	2	70 - 59	R32026	1G8	48	40 - 61
R27166	2C21	11	70 - 55	R28085	2D8	11	70 - 67	R32027	1E25	5	40 - 26
R27173	2A24	55	70 - 5	R28085	2D17	2	70 - 74	R32027	1F23	4	40 - 51
R27174	2A24	54	70 - 5	R28085	2D17	18	70 - 74	R32027	1F23	8	40 - 51
R27174	2B4	16	70 - 9	R28346	1I18	13	50 - 57	R32027	1G4	18	40 - 57
R27175	2A24	52	70 - 5	R28493	2E15	2	80 - 16	R32028	1G4	19	40 - 57
R27180	1C23	6	30 - 13	R28583	1C23	1	30 - 13	R32029	1G4	20	40 - 57
R27216	1H8	5	50 - 19	R28634	1H8	7	50 - 19	R32276	1F18	11	40 - 45
R27216	1J16	7	50 - 83	R28744	2C12	20	70 - 45	R32306	1C23	15	30 - 13
R27216	1J18	8	50 - 85	R28776	1I18	15	50 - 57	R32353	2D8	8	70 - 67
R27216	2B5	1	70 - 11	R28776	1J10	3	50 - 76	R32353	2D17	15	70 - 74
R27216	2B7	26	70 - 13	R28776	1J11	3	50 - 77	R32354	2D8	4	70 - 67
R27216	2B11	15	70 - 17	R28776	1J12	2	50 - 79	R32354	2D17	11	70 - 74
R27216	2B12	6	70 - 18	R28776	2B9	11	70 - 15	R32355	2D8	3	70 - 67
R27218	1H6	14	50 - 17	R28782	1H4	10	50 - 15	R32355	2D17	10	70 - 74
R27218	2B14	6	70 - 20	R28782	1H6	8	50 - 17	R32356	2C25	9	70 - 59
R27218	2C14	20	70 - 47	R28794	1C16	2	30 - 5	R32356	2D3	2	70 - 62
R27233	2C12	22	70 - 45	R29936	1I16	9	50 - 55	R32356	2D8	2	70 - 67
R27237	2B9	2	70 - 15	R29936	1K20	1	60 - 8	R32356	2D17	9	70 - 74
R27237	2B9	4	70 - 15	R29936	1K20	6	60 - 8	R32419	2D2	1	70 - 61
R27237	2C14	11	70 - 47	R29936	1K21	5	60 - 9	R32419	2D8	1	70 - 67
R27237	2C17	7	70 - 50	R30181	1E20	10	40 - 21	R32419	2D17	8	70 - 74
R27237	2D6	1	70 - 65	R30182	1E19	2	40 - 20	R32507	1I19	3	50 - 59
R27237	2D6	2	70 - 65	R30182	1E20	2	40 - 21	R33167	1J9	15	50 - 75
R27237	2D8	20	70 - 67	R30378	1F16	25	40 - 42	R34140	1G19	1	50 - 6
R27237	2D8	21	70 - 67	R30378	1G8	43	40 - 61	R34140	1J22	23	50 - 91
R27237	2D10	5	70 - 69	R30399	1I24	31	50 - 65	R34140	1J22	24	50 - 91
R27267	2B5	6	70 - 11	R30409	1D8	7	30 - 23	R34352	1C5	13	20 - 39
R27267	2B7	32	70 - 13	R30437	2B18	16	70 - 25	R34394	1C23	10	30 - 13
R27270	2B7	1	70 - 13	R30815	2D18	5	70 - 75	R34395	1C23	9	30 - 13
R27270	2C23	20	70 - 57	R30815	2D18	7	70 - 75	R34397	2C25	15	70 - 59
R27285	1C9	22	20 - 43	R30817	2D18	6	70 - 75	R34397	2D3	6	70 - 62
R27285	1D8	2	30 - 23	R30903	2A24	3	70 - 5	R34398	2C25	22	70 - 59
R27320	1K15	10	60 - 3	R30903	2B4	1	70 - 9	R34398	2D3	12	70 - 62
R27329	1I20	2	50 - 60	R31136	2B14	22	70 - 20	R34399	2C25	8	70 - 59
R27329	1I21	14	50 - 61	R31136	2B16	6	70 - 23	R34399	2D3	1	70 - 62
R27346	1D2	9	30 - 17	R31136	2D21	4	70 - 79	R34399	2D19	4	70 - 77
R27426	2D14	10	70 - 71B	R31136	2D23	1	70 - 81	R34399	2D19	5	70 - 77
R27430	2C25	5	70 - 59	R31250	1E19	2	40 - 20	R34399	2D19	7	70 - 77
R27430	2D17	5	70 - 74	R31631	1H6	25	50 - 17	R34399	2D19	8	70 - 77
R27460	1E21	2	40 - 22	R31631	1H8	5	50 - 19	R34399	2D19	11	70 - 77
R27474	2B12	9	70 - 18	R31631	2B12	6	70 - 18	R34399	2D19	13	70 - 77
R27474	2C19	2	70 - 53	R31632	1H10	11	50 - 21	R34399	2D19	14	70 - 77
R27474	2C23	16	70 - 57	R31665	2B9	20	70 - 15	R34399	2D19	15	70 - 77
R27490	1H19	23	50 - 31	R31698	1H21	8	50 - 33	R34399	2D19	16	70 - 77
R27490	1I5	11	50 - 43	R31890	2D2	14	70 - 61	R34399	2D19	18	70 - 77
R27490	1K24	30	60 - 13	R31890	2D3	15	70 - 62	R34399	2D19	22	70 - 77
R27507	2C3	7	70 - 35	R31892	1E19	10	40 - 20	R34400	2C25	20	70 - 59
R27507	2D2	7	70 - 61	R32011	1G4	1	40 - 57	R34400	2D3	10	70 - 62

1L17

2040 UTILITY TRACTOR (SERIAL NO. 350,000-)

NUMERICAL INDEX - CONTINUED

PART NO.	GRID	KEY	PAGE	PART NO.	GRID	KEY	PAGE	PART NO.	GRID	KEY	PAGE
R34447	1D2	5	30 - 17	R39179	2A24	46	70 - 5	R42879	1C25	14	30 - 15
R34589	2D9	2	70 - 68	R39180	2A24	45	70 - 5	R43216	2B24	12	70 - 31
R34733	1119	1	50 - 59	R39181	2A24	43	70 - 5	R43216	2C1	4	70 - 33
R34760	1D10	19	30 - 25	R39182	2A24	18	70 - 5	R43444	2C3	10	70 - 35
R34764	1D10	14	30 - 25	R39225	2C12	12	70 - 45	R44302	1D14	..	30 - 29
R34811	1D12	3	30 - 27	R39225	2C24	6	70 - 58	R44302	1D18	1	40 - 1
R34863	1H10	12	50 - 21	R39228	2A24	12	70 - 5	R44302	1D22	15	40 - 5
R34985	1C3	22	20 - 37	R39240	2A24	24	70 - 5	R44302	1E2	1	40 - 9
R34985	1C7	4	20 - 41	R39279	1J22	22	50 - 91	R44302	1E11	3	40 - 16
R35226	1K15	12	60 - 3	R39289	2C14	17	70 - 47	R44302	1E24	24	40 - 25
R35286	1K20	2	60 - 8	R39289	2C17	5	70 - 50	R44302	1F18	12	40 - 45
R35286	1K21	4	60 - 9	R39294	1H21	7	50 - 33	R44302	1F23	11	40 - 51
R35684	1K15	38	60 - 3	R39294	1I7	10	50 - 45	R44302	1G2	1	40 - 55
R35726	2B7	3	70 - 13	R39299	1J9	25	50 - 75	R44302	2B7	17	70 - 13
R36075	2C19	8	70 - 53	R39304	1J9	21	50 - 75	R44302	2E25	..	80 - 27
R36235	1F16	22	40 - 42	R39304	1J22	16	50 - 91	R44342	1F5	2	40 - 31
R36322	2F7	12	80 - 35	R39316	2B2	..	70 - 7	R44361	1I24	6	50 - 65
R36323	2F7	11	80 - 35	R39317	2A24	10	70 - 5	R44372	1I24	6	50 - 65
R36402	2C8	2	70 - 41	R39317	2A24	18	70 - 5	R44917	2C3	3	70 - 35
R36658	2D18	3	70 - 75	R39317	2A24	23	70 - 5	R45582	1H10	18	50 - 21
R36659	2D18	3	70 - 75	R39317	2A24	25	70 - 5	R45619	2D9	3	70 - 68
R36732	1F18	24	40 - 45	R39317	2A24	27	70 - 5	R45630	2C25	5	70 - 59
R36927	2C23	23	70 - 57	R39317	2A24	31	70 - 5	R45630	2D17	5	70 - 74
R36946	2D17	21	70 - 74	R39317	2A24	52	70 - 5	R46625	1B4	34	20 - 13
R37479	2C23	11	70 - 57	R39317	2A24	53	70 - 5	R46625	1B6	41	20 - 15
R375R	1H12	3	50 - 23	R39317	2A24	54	70 - 5	R46675	1D10	10	30 - 25
R375R	2C25	16	70 - 59	R39317	2A24	55	70 - 5	R46722	2C12	35	70 - 45
R375R	2D3	7	70 - 62	R39317	2B2	..	70 - 7	R46722	2C21	6	70 - 55
R375R	2D4	5	70 - 63	R39318	2A24	37	70 - 5	R46889	2C3	14	70 - 35
R375R	2D19	19	70 - 77	R39319	2A24	42	70 - 5	R46890	2C3	11	70 - 35
R38053	2A24	1	70 - 5	R39319	2B2	3	70 - 7	R46893	2C3	16	70 - 35
R38358	1C19	18	30 - 9	R39321	2A24	36	70 - 5	R47076	2E9	5	80 - 9
R38508	2D14	30	70 - 71B	R394R	1119	5	50 - 59	R47154	1B24	23	20 - 33
R38537	2D14	27	70 - 71B	R394R	2C14	6	70 - 47	R47160	1C23	2	30 - 13
R39006	2D14	19	70 - 71B	R40072	2B9	16	70 - 15	R47249	1J2	23	50 - 67
R39009	2D14	28	70 - 71B	R40147	1H21	13	50 - 33	R47344	2B13	8	70 - 19
R39009	2D15	2	70 - 72	R40147	1I7	17	50 - 45	R47513	1J2	24	50 - 67
R39012	2D14	37	70 - 71B	R40445	1H16	13	50 - 27	R47513	1J4	8	50 - 69
R39013	2D14	33	70 - 71B	R40565	1D8	9	30 - 23	R47514	1J2	27	50 - 67
R39029	2D14	34	70 - 71B	R40791	1A23	3	20 - 7	R47733	1D10	7	30 - 25
R39029	2D15	5	70 - 72	R40937	2C16	7	70 - 49	R47831	1E22	3	40 - 23
R39064	2D14	6	70 - 71B	R40937	2C21	15	70 - 55	R47859	1F18	1	40 - 45
R39067	2A24	7	70 - 5	R41055	2C12	31	70 - 45	R47860	1F16	9	40 - 42
R39070	2A24	31	70 - 5	R41057	2C16	17	70 - 49	R47861	1F16	9	40 - 42
R39073	2A24	41	70 - 5	R41057	2C18	4	70 - 51	R47862	1J16	9	50 - 83
R39073	2B2	4	70 - 7	R41057	2C21	12	70 - 55	R47998	1K15	2	60 - 3
R39076	2A24	51	70 - 5	R41155	2C14	23	70 - 47	R48000	1D10	15	30 - 25
R39076	2B7	50	70 - 13	R41325	1E23	10	40 - 24	R48026	1F16	..	40 - 42
R39076	2B8	6	70 - 14	R41326	1E23	11	40 - 24	R48028	1F16	28	40 - 42
R39078	2A24	50	70 - 5	R41327	1E23	7	40 - 24	R48048	1F16	17	40 - 42
R39078	2B7	51	70 - 13	R41338	2C16	12	70 - 49	R48049	1F16	27	40 - 42
R39078	2B8	5	70 - 14	R41339	2C16	9	70 - 49	R48071	1D2	6	30 - 17
R39090	111	3	50 - 39	R41339	2C21	14	70 - 55	R48139	2F12	6	90 - 5
R39090	1118	19	50 - 57	R41412	1A25	4	20 - 9	R48163	2C3	6	70 - 35
R39109	2D2	18	70 - 61	R41412	1B2	11	20 - 11	R48164	2C3	9	70 - 35
R39109	2D3	21	70 - 62	R41439	1F18	13	40 - 45	R48289	1J10	11	50 - 76
R39110	2D2	8	70 - 61	R41549	2C16	3	70 - 49	R48473	1E21	5	40 - 22
R39110	2D3	21	70 - 62	R41778	2F12	10	90 - 5	R48567	1C14	9	30 - 3
R39112	1K20	12	60 - 8	R41781	2F12	1	90 - 5	R48595	2B22	5	70 - 29
R39112	2A24	5	70 - 5	R41880	1F9	10	40 - 36	R48664	1E22	1	40 - 23
R39112	2A24	10	70 - 5	R41880	1F10	4	40 - 37	R48665	1E22	1	40 - 23
R39112	2A24	17	70 - 5	R42364	1B12	19	20 - 21	R48685	1B4	14	20 - 13
R39112	2A24	28	70 - 5	R42451	2F4	2	80 - 31	R48685	1B4	16	20 - 13
R39112	2A24	52	70 - 5	R42451	2F5	1	80 - 33	R48685	1B6	6	20 - 15
R39112	2B9	4	70 - 15	R42729	1B2	7	20 - 11	R48685	1B6	56	20 - 15
R39112	2C14	19	70 - 47	R42799	1F9	2	40 - 36	R48685	1B8	71	20 - 17
R39171	2C17	2	70 - 50	R42799	1F10	9	40 - 37	R48685	1B10	6	20 - 19

1L18

2040 UTILITY TRACTOR (SERIAL NO. 350,000-)

NUMERICAL INDEX - CONTINUED

PART NO.	GRID	KEY	PAGE	PART NO.	GRID	KEY	PAGE	PART NO.	GRID	KEY	PAGE
R48685	1H19	6	50 - 31	R51410	2C12	26	70 - 45	R54969	2B14	18	70 - 20
R48685	1H19	8	50 - 31	R51411	2C12	27	70 - 45	R54969	2B14	19	70 - 20
R48685	1H21	16	50 - 33	R51412	2C12	19	70 - 45	R54972	2F23	1	90 - 16
R48685	1I7	2	50 - 45	R51413	2C12	23	70 - 45	R54979	1K20	1	60 - 8
R48698	2D21	3	70 - 79	R51414	2C12	16	70 - 45	R54985	1B2	2	20 - 11
R48738	2A24	13	70 - 5	R51415	2C12	21	70 - 45	R54998	1D2	3	30 - 17
R48767	1B6	7	20 - 15	R51494	1J11	7	50 - 77	R55127	1B22	2	20 - 31
R48767	1B6	10	20 - 15	R51500	1J14	7	50 - 81	R55137	2B14	1	70 - 20
R48887	1G6	17	40 - 59	R51501	1J12	7	50 - 79	R55233	1B6	7	20 - 15
R48978	2C12	28	70 - 45	R51516	1B24	15	20 - 33	R55326	1F15	14	40 - 41
R48980	2C12	30	70 - 45	R51680	2E18	3	80 - 19	R55326	2F10	1	90 - 3
R48993	1C3	20	20 - 37	R51726	1B4	19	20 - 13	R55326	2F10	11	90 - 3
R49186	2C12	13	70 - 45	R51727	1B16	5	20 - 25	R55326	2F10	25	90 - 3
R49187	2C12	14	70 - 45	R51731	1B6	4	20 - 15	R55397	2C12	34	70 - 45
R49187	2C16	16	70 - 49	R51731	1B16	2	20 - 25	R55398	2C12	29	70 - 45
R49187	2C21	1	70 - 55	R51734	1A25	1	20 - 9	R55405	1C3	3	20 - 37
R49191	2D2	5	70 - 61	R51895	1H19	14	50 - 31	R55434	1C9	5	20 - 43
R49191	2D2	8	70 - 61	R51895	1I5	24	50 - 43	R55453	1B6	7	20 - 15
R49191	2D3	19	70 - 62	R51895	1J18	4	50 - 85	R55453	1B6	10	20 - 15
R49191	2D3	21	70 - 62	R51936	1D10	1	30 - 25	R55520	1B4	26	20 - 13
R49191	2D19	4	70 - 77	R51937	1D10	2	30 - 25	R55520	1B8	74	20 - 17
R49191	2D19	5	70 - 77	R52107	2C9	2	70 - 42	R55647	1B8	69	20 - 17
R49191	2D19	7	70 - 77	R52119	2F10	32	90 - 3	R55647	1B16	6	20 - 25
R49191	2D19	8	70 - 77	R52119	2F10	35	90 - 3	R55721	1H23	6	50 - 35
R49191	2D19	11	70 - 77	R52251	1B2	15	20 - 11	R55721	1H24	7	50 - 36
R49191	2D19	13	70 - 77	R52252	1B2	14	20 - 11	R55722	1H23	19	50 - 35
R49191	2D19	14	70 - 77	R52362	2E23	9	80 - 25	R55759	1C3	1	20 - 37
R49191	2D19	15	70 - 77	R52408	1F9	4	40 - 36	R56012	1E4	11	40 - 11
R49191	2D19	16	70 - 77	R52408	1F12	6	40 - 37B	R56026	1E25	3	40 - 26
R49191	2D19	18	70 - 77	R52549	2C16	4	70 - 49	R56038	2C3	5	70 - 35
R49191	2D19	22	70 - 77	R52760	2E23	8	80 - 25	R56410	1E25	4	40 - 26
R49193	2D9	3	70 - 68	R52921	2C24	3	70 - 58	R56455	1C17	4	30 - 6
R49221	2C12	15	70 - 45	R52924	2E18	1	80 - 19	R56463	1A23	1	20 - 7
R49266	1D8	10	30 - 23	R52924	2E18	2	80 - 19	R56463	1C9	14	20 - 43
R49296	1E22	1	40 - 23	R53167	1H10	10	50 - 21	R56463	1C10	5	20 - 44
R49297	2A24	11	70 - 5	R53168	1H10	13	50 - 21	R56473	1H23	18	50 - 35
R49352	2D14	36	70 - 71B	R53169	1H21	15	50 - 33	R56481	1E16	34	40 - 19B
R495R	1A23	1	20 - 7	R53169	1I7	19	50 - 45	R56525	1E2	15	40 - 9
R495R	1K20	8	60 - 8	R53223	1A23	15	20 - 7	R56526	1E2	5	40 - 9
R495R	1K21	7	60 - 9	R53296	2B25	12	70 - 32	R56736	1B4	31	20 - 13
R495R	1K24	13	60 - 13	R53296	2C3	3	70 - 35	R56755	2B14	13	70 - 20
R495R	2C25	11	70 - 59	R53300	1D14	2	30 - 29	R56822	2F5	4	80 - 33
R495R	2D8	6	70 - 67	R53382	1B18	11	20 - 27	R56920	2E16	3	80 - 17
R495R	2D17	13	70 - 74	R53382	1B19	4	20 - 28	R56921	2E16	2	80 - 17
R49547	1H4	15	50 - 15	R53386	1F12	17	40 - 37B	R56947	1B22	12	20 - 31
R49665	1K20	1	60 - 8	R53410	1F13	2	40 - 39	R57059	1B6	52	20 - 15
R49665	1K20	5	60 - 8	R53410	1F13	3	40 - 39	R57059	1B18	2	20 - 27
R49665	1K20	6	60 - 8	R53524	1B22	7	20 - 31	R57059	1B19	2	20 - 28
R49962	2B20	4	70 - 27	R53528	2F10	10	90 - 3	R57116	2F22	5	90 - 15
R49980	1K15	18	60 - 3	R53802	1H19	18	50 - 31	R57119	1C16	5	30 - 5
R49982	1K15	17	60 - 3	R53802	1I5	14	50 - 43	R57258	1D2	13	30 - 17
R50034	1K19	6	60 - 7	R53802	1J10	7	50 - 76	R57332	1B2	15	20 - 11
R50110	1K20	20	60 - 8	R54242	2D21	1	70 - 79	R57333	1B2	14	20 - 11
R50112	1K20	15	60 - 8	R54271	1D12	1	30 - 27	R57334	1B2	15	20 - 11
R50199	2E23	13	80 - 25	R54273	2B18	1	70 - 25	R57335	1B2	14	20 - 11
R50452	2F10	41	90 - 3	R54467	1F16	15	40 - 42	R57336	1B2	15	20 - 11
R50507	2E8	15	80 - 7	R54565	1B2	1	20 - 11	R57337	1B2	14	20 - 11
R50655	1H24	8	50 - 36	R54614	1B6	45	20 - 15	R57696	1H25	2	50 - 37
R50703	1K18	4	60 - 6	R54614	1B18	10	20 - 27	R57696	1I5	23	50 - 43
R50704	1K18	5	60 - 6	R54614	1B19	9	20 - 28	R57696	2D14	4	70 - 71B
R50736	2E23	1	80 - 25	R54615	1B18	9	20 - 27	R57696	2D14	16	70 - 71B
R50864	1I16	1	50 - 55	R54615	1B19	8	20 - 28	R58262	2B25	12	70 - 32
R50879	1K19	4	60 - 7	R54779	2F10	5	90 - 3	R58262	2C3	3	70 - 35
R51233	1I3	14	50 - 41	R54781	2F10	4	90 - 3	R58262	2C3	26	70 - 35
R51285	2D2	11A	70 - 61	R54782	2F10	7	90 - 3	R58262	2C3	28	70 - 35
R51409	2C12	25	70 - 45	R54802	1B4	2	20 - 13	R58268	2C3	19	70 - 35
R51409	2C16	1	70 - 49	R54802	1B6	11	20 - 15	R58685	1A23	11	20 - 7

1L19

2040 UTILITY TRACTOR (SERIAL NO. 350,000-)

NUMERICAL INDEX - CONTINUED

PART NO.	GRID	KEY	PAGE	PART NO.	GRID	KEY	PAGE	PART NO.	GRID	KEY	PAGE
R58686	1A25	8	20-9	R62147	2C14	8	70-47	R65576	1H25	1	50-37
R59032	1I3	9	50-41	R62148	2C14	1	70-47	R65593	1G4	4	40-57
R59082	1D14	4	30-29	R62531	1H10	15	50-21	R65594	1G4	2	40-57
R59160	1E20	13	40-21	R62652	2C16	12	70-49	R65595	1G4	21	40-57
R59160	1E21	8	40-22	R62922	2F10	16	90-3	R65595	1G6	11	40-59
R59176	1I3	11	50-41	R62923	2F10	21	90-3	R65596	1G4	22	40-57
R59234	2A24	34	70-5	R62924	2F10	14	90-3	R65597	1G4	23	40-57
R59234	2B4	11	70-9	R62925	2F10	22	90-3	R65598	1G4	24	40-57
R59282	1C1	1	20-35	R62926	2F10	13	90-3	R65599	1G4	25	40-57
R59297	1D4	6	30-19	R62929	2F10	19	90-3	R65600	1F23	1	40-51
R59298	1D4	7	30-19	R62981	1D10	21	30-25	R65600	1G4	26	40-57
R59343	2C25	11	70-59	R62982	1D10	12	30-25	R65601	1G4	27	40-57
R59343	2D3	25	70-62	R62984	1D10	9	30-25	R65602	1G4	28	40-57
R59343	2D4	2	70-63	R63022	2A24	33	70-5	R65602	1G8	49	40-61
R59447	1A23	13	20-7	R63022	2A24	40	70-5	R65603	1G4	29	40-57
R59447	1C9	2	20-43	R63180	1E23	20	40-24	R65604	1G4	30	40-57
R59468	1J11	8	50-77	R63605	2A24	18	70-5	R65605	1G4	31	40-57
R59629	2C16	10	70-49	R63605	2B4	5	70-9	R65606	1G4	32	40-57
R59629	2C18	6	70-51	R63607	1I21	10	50-61	R65607	1G4	33	40-57
R59633	2C25	1	70-59	R63607	1I22	10	50-63	R65607	1G8	46	40-61
R59633	2D8	12	70-67	R63629	2A24	33	70-5	R65608	1G4	5	40-57
R59633	2D17	1	70-74	R63629	2A24	40	70-5	R65609	1G4	8	40-57
R59633	2D17	19	70-74	R63629	2B2	5	70-7	R65610	1G4	9	40-57
R60035	1E2	17	40-9	R63679	2F10	34	90-3	R65833	1B4	18	20-13
R60100	2F10	12	90-3	R63679	2F10	39	90-3	R66067	1C25	8	30-15
R60101	2F10	23	90-3	R63850	1J12	4	50-79	R66069	1F1	2	40-27
R60103	2F10	24	90-3	R64151	1C9	2	20-43	R66083	2B9	6	70-15
R60104	2F10	42	90-3	R64391	2F7	7	80-35	R66084	2B9	14	70-15
R60123	1B20	10	20-29	R64506	1D8	8	30-23	R66085	2B9	13	70-15
R60124	1B20	1	20-29	R64561	2D19	24	70-77	R66090	1D10	3	30-25
R60459	2F10	36	90-3	R64605	2D19	11	70-77	R66164	2A24	39	70-5
R60557	1I3	14	50-41	R64606	2D19	18	70-77	R66164	2B2	2	70-7
R60745	1D10	20	30-25	R64607	2D19	17	70-77	R66196	1J11	10	50-77
R60827	1E4	13	40-11	R64608	2D19	8	70-77	R66197	2B24	12	70-31
R60828	1E4	14	40-11	R64609	2D19	7	70-77	R66197	2C1	4	70-33
R60890	1A23	2	20-7	R64610	2D19	16	70-77	R66319	1E20	4	40-21
R60969	2A24	10	70-5	R64611	2D19	15	70-77	R66319	1E20	..	40-21
R60969	2A24	18	70-5	R64612	2D19	14	70-77	R66319	1E25	5	40-26
R60969	2A24	23	70-5	R64613	2D19	12	70-77	R66319	1F23	1	40-51
R60969	2A24	25	70-5	R64614	2D19	13	70-77	R66319	1F23	4	40-51
R60969	2A24	27	70-5	R64615	2D19	6	70-77	R66319	1F23	6	40-51
R60969	2A24	31	70-5	R64617	2D19	4	70-77	R66319	1F23	8	40-51
R60969	2A24	52	70-5	R64618	2D19	5	70-77	R66319	1G4	3	40-57
R60969	2A24	53	70-5	R64700	1F1	8	40-27	R66320	1F22	8	40-50
R60969	2A24	54	70-5	R65215	1B4	13	20-13	R66320	1G4	7	40-57
R60969	2A24	55	70-5	R65215	1B6	63	20-15	R66320	1G6	24	40-59
R60969	2B2	..	70-7	R65246	2B7	9	70-13	R66321	1G4	6	40-57
R61126	2C7	2	70-39	R65283	1B4	22	20-13	R66321	1G6	24	40-59
R61126	2C7	17	70-39	R65285	2D3	16	70-62	R66416	2C16	19	70-49
R61126	2C9	12	70-42	R65285	2D4	11	70-63	R66432	2B24	4	70-31
R61145	1D4	5	30-19	R65285	2D19	25	70-77	R66432	2C3	25	70-35
R61145	1D4	8	30-19	R65286	2C16	22	70-49	R66432	2C3	26	70-35
R61179	2F10	8	90-3	R65286	2C21	9	70-55	R66432	2C3	28	70-35
R61775	1F22	7	40-50	R65286	2C25	13	70-59	R66433	2C3	25	70-35
R61776	1F22	3	40-50	R65286	2D3	5	70-62	R66433	2C3	26	70-35
R61871	1B6	49	20-15	R65286	2D4	4	70-63	R66684	1C21	10	30-11
R61871	1B18	5	20-27	R65287	2C14	6	70-47	R66821	1D2	13	30-17
R61871	1B19	11	20-28	R65287	2C21	2	70-55	R66897	2E23	5	80-25
R61957	2D2	11A	70-61	R65289	2C16	8	70-49	R66901	2C3	8	70-35
R61957	2D2	11B	70-61	R65501	2C16	20	70-49	R66916	2C16	5	70-49
R61957	2D3	22	70-62	R65501	2C18	1	70-51	R66916	2C18	2	70-51
R61957	2D19	11	70-77	R65502	2C16	20	70-49	R67035	1C6	1	20-40
R61957	2D19	14	70-77	R65502	2C18	1	70-51	R67230	1B24	22	20-33
R61957	2D19	15	70-77	R65504	2C12	24	70-45	R67341	1H25	1	50-37
R61957	2D19	16	70-77	R65504	2C14	7	70-47	R67779	1D10	13	30-25
R61957	2D19	18	70-77	R65548	2B14	24	70-20	R67794	1H10	9	50-21
R61957	2D19	22	70-77	R65563	1G20	9	50-7	R68358	2B2	..	70-7

1L20

2040 UTILITY TRACTOR (SERIAL NO. 350,000-)

NUMERICAL INDEX - CONTINUED

PART NO.	GRID	KEY	PAGE	PART NO.	GRID	KEY	PAGE	PART NO.	GRID	KEY	PAGE
R68380	2A24	37	70 - 5	R70437	1C3	21	20 - 37	R75833	1F1	2	40 - 27
R68381	2A24	10	70 - 5	R70438	1B22	3	20 - 31	R75892	1B6	38	20 - 15
R68381	2A24	55	70 - 5	R70483	1B14	13	20 - 23	R75892	1B18	16	20 - 27
R68382	2A24	10	70 - 5	R70487	1B24	28	20 - 33	R75893	1B6	39	20 - 15
R68382	2A24	54	70 - 5	R70488	1B14	3	20 - 23	R75893	1B18	17	20 - 27
R68382	2B4	16	70 - 9	R70491	1B14	9	20 - 23	R76126	1B6	33	20 - 15
R68383	2A24	23	70 - 5	R70492	1B14	9	20 - 23	R76126	1B12	19	20 - 21
R68384	2A24	9	70 - 5	R70736	1C7	1	20 - 41	R76167	2A24	23	70 - 5
R68384	2A24	22	70 - 5	R70737	1C7	9	20 - 41	R76167	2A24	27	70 - 5
R68385	2A24	10	70 - 5	R70743	1C9	4	20 - 43	R76459	2D16	5	70 - 73
R68385	2A24	18	70 - 5	R70956	1B22	11	20 - 31	R76477	1E11	4	40 - 16
R68385	2A24	23	70 - 5	R70956	1C9	5	20 - 43	R76477	2D16	6	70 - 73
R68385	2A24	27	70 - 5	R71387	2D18	2	70 - 75	R76495	1F15	7	40 - 41
R68385	2A24	52	70 - 5	R71387	2D21	9	70 - 79	R76496	1F15	6	40 - 41
R68385	2A24	53	70 - 5	R71387	2D23	3	70 - 81	R76694	1F15	10	40 - 41
R68385	2A24	54	70 - 5	R72452	2F2	2	80 - 29	R76695	1F15	12	40 - 41
R68385	2A24	55	70 - 5	R726R	1I5	6	50 - 43	R76964	1D4	27	30 - 19
R68386	2B2	..	70 - 7	R72653	2B17	3	70 - 24	R77126	1C9	3	20 - 43
R68390	2A24	44	70 - 5	R72653	2B20	5	70 - 27	R77126	1D4	23	30 - 19
R68553	2A24	47	70 - 5	R72653	2B20	7	70 - 27	R77175	2D12	1	70 - 71
R69109	1F18	1	40 - 45	R72653	2D2	13	70 - 61	R77332	1B22	14	20 - 31
R69260	1B24	8	20 - 33	R72653	2D3	14	70 - 62	R77456	1G6	27	40 - 59
R69260	1C9	17	20 - 43	R72654	2C3	7	70 - 35	R77457	1G6	29	40 - 59
R69270	2F7	10	80 - 35	R72654	2D2	7	70 - 61	R77458	1G6	28	40 - 59
R69408	2C8	3	70 - 41	R72654	2D2	8	70 - 61	R77459	1G6	28	40 - 59
R69409	2C8	3	70 - 41	R72654	2D3	17	70 - 62	R77460	1G6	28	40 - 59
R69442	1D10	11	30 - 25	R72654	2D3	21	70 - 62	R77461	1G6	28	40 - 59
R69443	1D10	8	30 - 25	R72886	2A24	14	70 - 5	R77462	1G6	25	40 - 59
R69509	1J7	1	50 - 73	R72936	2A24	9	70 - 5	R77463	1G6	30	40 - 59
R69510	1J7	5	50 - 73	R72962	1B8	74	20 - 17	R77464	1G6	26	40 - 59
R69511	1J7	2	50 - 73	R72971	1B4	26	20 - 13	R77465	1G6	31	40 - 59
R69512	1J7	8	50 - 73	R72971	1B8	74	20 - 17	R77466	1G6	33	40 - 59
R69513	1J7	7	50 - 73	R73139	1B4	35	20 - 13	R77467	1G6	34	40 - 59
R69514	1J7	7	50 - 73	R73139	1B6	40	20 - 15	R77468	1G6	32	40 - 59
R69515	1J7	7	50 - 73	R73140	1B4	30	20 - 13	R77469	1G8	35	40 - 61
R69516	1J7	7	50 - 73	R73140	1B6	26	20 - 15	R77470	1G8	45	40 - 61
R69628	1I21	12	50 - 61	R73140	1C9	9	20 - 43	R77471	1G8	45	40 - 61
R69628	1I22	12	50 - 63	R73259	2E23	1	80 - 25	R77472	1G8	45	40 - 61
R69654	1I21	9	50 - 61	R73290	1I21	11	50 - 61	R77473	1G8	45	40 - 61
R69654	1I22	9	50 - 63	R73290	1I22	11	50 - 63	R77474	1G8	44	40 - 61
R69655	1I21	4	50 - 61	R73609	1B22	4	20 - 31	R77475	1G6	13	40 - 59
R69655	1I22	4	50 - 63	R73610	1B22	5	20 - 31	R77476	1G6	3	40 - 59
R69657	1I21	2	50 - 61	R73784	1C3	13	20 - 37	R77477	1G6	4	40 - 59
R69657	1I22	2	50 - 63	R73786	1E4	4	40 - 11	R77478	1G6	15	40 - 59
R69880	2C14	17	70 - 47	R74194	1B16	4	20 - 25	R77479	1G6	5	40 - 59
R69880	2C17	5	70 - 50	R74210	2D21	10	70 - 79	R77480	1G6	6	40 - 59
R69917	1H22	11	50 - 34	R74242	2D16	1	70 - 73	R77481	1G6	7	40 - 59
R70080	2C7	1	70 - 39	R74243	2D16	2	70 - 73	R77482	1G6	8	40 - 59
R70210	1G8	41	40 - 61	R74244	2D16	3	70 - 73	R77483	1G6	16	40 - 59
R70211	1G8	40	40 - 61	R74246	2D16	4	70 - 73	R77484	1G6	19	40 - 59
R70212	1G8	41	40 - 61	R74354	1B6	48	20 - 15	R77485	1G6	21	40 - 59
R70213	1G8	40	40 - 61	R74354	1B18	4	20 - 27	R77486	1G6	22	40 - 59
R70214	1G8	41	40 - 61	R74354	1B19	10	20 - 28	R77487	1G6	23	40 - 59
R70215	1G8	40	40 - 61	R74354	1C9	13	20 - 43	R77488	1G8	51	40 - 61
R70216	1G8	41	40 - 61	R74530	2D3	16	70 - 62	R77489	1G2	13	40 - 55
R70217	1G8	40	40 - 61	R74530	2D4	11	70 - 63	R77489	1G8	51	40 - 61
R70218	1G8	41	40 - 61	R74552	1B18	1	20 - 27	R77490	1G8	51	40 - 61
R70219	1G8	40	40 - 61	R74552	1B19	1	20 - 28	R77491	1G8	54	40 - 61
R70220	1G8	50	40 - 61	R74553	1B19	14	20 - 28	R77492	1G8	54	40 - 61
R70221	1G8	39	40 - 61	R74695	2C16	16	70 - 49	R77493	1G8	51	40 - 61
R70222	1G8	38	40 - 61	R74695	2C18	5	70 - 51	R77494	1G8	55	40 - 61
R70268	1G16	2	50 - 3	R74695	2C21	13	70 - 55	R77495	1G8	52	40 - 61
R70340	2E17	2	80 - 18	R74695	2C23	8	70 - 57	R77496	1G8	52	40 - 61
R70417	2E18	1	80 - 19	R75729	1A23	9	20 - 7	R77497	1E19	4	40 - 20
R70434	1C3	21	20 - 37	R75729	1C9	18	20 - 43	R77497	1G8	53	40 - 61
R70435	1C3	17	20 - 37	R75729	1C10	8	20 - 44	R77498	1G6	24	40 - 59
R70436	1B12	15	20 - 21	R75832	1D8	6	30 - 23	R77499	1G6	24	40 - 59

1L21

2040 UTILITY TRACTOR (SERIAL NO. 350,000-)

NUMERICAL INDEX - CONTINUED

PART NO.	GRID	KEY	PAGE	PART NO.	GRID	KEY	PAGE	PART NO.	GRID	KEY	PAGE
R77500	1E19	4	40 - 20	R81293	2C24	4	70 - 58	R98844	1C18	1	30 - 7
R77500	1F22	8	40 - 50	R81424	2F12	15	90 - 5	R98915	1J16	13	50 - 83
R77500	1G6	24	40 - 59	R81685	1D4	18	30 - 19	R98941	1I3	12	50 - 41
R77501	1G6	24	40 - 59	R82236	1F25	16	40 - 53	R98941	1I15	1	50 - 53
R77502	1G8	56	40 - 61	R82237	1F25	14	40 - 53	R98941	1J11	6	50 - 77
R77503	1G8	56	40 - 61	R82238	1F25	15	40 - 53	R98941	2B11	13	70 - 17
R77511	2F22	5	90 - 15	R82239	1F25	13	40 - 53	R99350	2F10	10	90 - 3
R78202	2A21	3	70 - 2	R82243	1F25	18	40 - 53	R99802	1B22	8	20 - 31
R78366	1B24	8	20 - 33	R82355	1F25	4	40 - 53	R99802	1B22	16	20 - 31
R78366	1C9	17	20 - 43	R82423	1G2	8	40 - 55	R99803	1B22	8	20 - 31
R78436	2C25	13	70 - 59	R82674	1B6	20	20 - 15	R99803	1B22	16	20 - 31
R78598	1B10	4	20 - 19	R82819	1B6	14	20 - 15	TY15155	1F9	15	40 - 36
R78765	2D21	8	70 - 79	R82896	1B2	23	20 - 11	TY15156	1F15	15	40 - 41
R78766	2D21	13	70 - 79	R83055	1G2	9	40 - 55	TY15263	1E24	26	40 - 25
R78766	2D23	6	70 - 81	R83103	2F7	7	80 - 35	TY15276	1F9	15	40 - 36
R78767	2D21	2	70 - 79	R83109	1G2	11	40 - 55	TY15276	1F12	22	40 - 37B
R78768	2D21	19	70 - 79	R83169	1B24	15	20 - 33	TY15276	1F12	25	40 - 37B
R78769	2D21	17	70 - 79	R83508	2A24	14	70 - 5	TY15277	1F12	22	40 - 37B
R79015	1D4	12	30 - 19	R83531	2C3	5	70 - 35	TY15277	1F12	25	40 - 37B
R79015	1D7	1	30 - 22	R83554	1B14	10	20 - 23	TY15445	1F12	25	40 - 37B
R79015	1D7	3	30 - 22	R84158	1G2	13	40 - 55	TY16004	1A21	2	20 - 3
R79089	1B4	13	20 - 13	R84984	1B6	19	20 - 15	TY16005	1A21	3	20 - 3
R79089	1B6	64	20 - 15	R85363	1B4	26	20 - 13	TY16005	1A21	..	20 - 3
R79311	2C25	23	70 - 59	R85363	1B8	74	20 - 17	TY16042	2C3	23	70 - 35
R79311	2D3	16	70 - 62	R87527	2F12	1	90 - 5	TY16055	1E24	26	40 - 25
R79311	2D4	11	70 - 63	R87529	2F7	10	80 - 35	TY16285	1H14	8	50 - 25
R79311	2D19	25	70 - 77	R87627	1C9	12	20 - 43	TY21730	1E2	6	40 - 9
R79311	2D21	16	70 - 79	R87627	1C10	6	20 - 44	TY21747	1E2	6	40 - 9
R79311	2D23	8	70 - 81	R87748	1B10	3	20 - 19	TY22007	1A19	2	20 - 1
R79404	1D6	20	30 - 21	R87749	1B10	5	20 - 19	TY22008	1A19	2	20 - 1
R79585	2C23	17	70 - 57	R87750	1B10	2	20 - 19	TY22009	1A19	1	20 - 1
R79604	1D10	5	30 - 25	R88316	2E16	2	80 - 17	TY22010	1A19	2	20 - 1
R79604	1D10	6	30 - 25	R89824	1B6	23	20 - 15	TY22011	1A19	2	20 - 1
R79605	1D10	4	30 - 25	R89834	1B8	74	20 - 17	TY22043	2A20	2	70 - 1
R79605	1D10	6	30 - 25	R90648	1B4	30	20 - 13	TY22044	2A20	2	70 - 1
R79606	1D10	6	30 - 25	R90648	1B6	26	20 - 15	TY22063	2A20	2	70 - 1
R79623	1A25	7	20 - 9	R90648	1C9	9	20 - 43	TY22419	2B7	18	70 - 13
R79623	1B2	15	20 - 11	R90658	1C9	23	20 - 43	TY22453	2C17	4	70 - 50
R79624	1A25	6	20 - 9	R90658	1C10	1	20 - 44	TY22453	2C23	5	70 - 57
R79624	1B2	14	20 - 11	R90658	1C18	3	30 - 7	TY22462	1C25	7	30 - 15
R79625	1B2	14	20 - 11	R91749	2E23	7	80 - 25	TY22465	2C17	3	70 - 50
R79626	1B2	14	20 - 11	R93219	1G10	7	40 - 63	TY22465	2C23	4	70 - 57
R79627	1B2	14	20 - 11	R93220	1G10	7	40 - 63	TY22466	1B20	5	20 - 29
R79628	1B2	15	20 - 11	R93221	1G10	7	40 - 63	TY22467	1B22	1	20 - 31
R79629	1B2	15	20 - 11	R93222	1G10	7	40 - 63	TY22467	1B25	3	20 - 34
R79630	1B2	15	20 - 11	R97350	1C9	22	20 - 43	TY22467	1C7	7	20 - 41
R79854	1B6	27	20 - 15	R97350	1D8	2	30 - 23	TY22470	1C5	4	20 - 39
R79854	1B6	28	20 - 15	R97350	1D8	3	30 - 23	TY22470	1C5	16	20 - 39
R80033	1B8	67	20 - 17	R97350	1D8	11	30 - 23	TY22473	1C16	10	30 - 5
R80033	1B16	4	20 - 25	R97351	1B14	13	20 - 23	TY22492	1J24	1	50 - 93
R80034	1B16	5	20 - 25	R97351	1C9	4	20 - 43	TY2615	2F23	2	90 - 16
R80135	1B24	3	20 - 33	R97352	1B24	6	20 - 33	TY3018	2D18	3	70 - 75
R80136	1B24	3	20 - 33	R97352	1C9	7	20 - 43	TY3019	2D18	3	70 - 75
R80137	1B24	3	20 - 33	R97354	1C9	3	20 - 43	TY6092	1E2	6	40 - 9
R80241	1A23	13	20 - 7	R97354	1D4	23	30 - 19	TY6137	1E2	6	40 - 9
R80241	1C9	2	20 - 43	R97356	1A23	13	20 - 7	TY6280	1A19	1	20 - 1
R80324	2D2	1	70 - 61	R97356	1C9	2	20 - 43	TY6297	1A19	1	20 - 1
R80324	2D8	1	70 - 67	R97356	1C10	7	20 - 44	TY6298	1A19	1	20 - 1
R80324	2D17	8	70 - 74	R97454	1B24	27	20 - 33	TY6300	1A19	1	20 - 1
R80724	1B6	9	20 - 15	R97454	1C9	8	20 - 43	TY6301	1A19	1	20 - 1
R81065	2A24	37	70 - 5	R97773	1B24	8	20 - 33	TY6304	1H14	8	50 - 25
R81221	2F10	19	90 - 3	R97773	1C9	17	20 - 43	TY6311	1A19	1	20 - 1
R81222	2F10	21	90 - 3	R97778	1A23	12	20 - 7	TY6312	1A19	1	20 - 1
R81223	2F10	14	90 - 3	R97778	1B2	13	20 - 11	TY6313	1A19	1	20 - 1
R81275	1C9	21	20 - 43	R97779	1B2	16	20 - 11	TY6359	1A19	1	20 - 1
R81275	1C10	2	20 - 44	R97876	1C7	1	20 - 41	TY6360	1A19	1	20 - 1
R81275	1C17	3	30 - 6	R97877	1C7	1	20 - 41	TY6361	1A19	1	20 - 1

1L22

2040 UTILITY TRACTOR (SERIAL NO. 350,000-)

NUMERICAL INDEX - CONTINUED

PART NO.	GRID	KEY	PAGE	PART NO.	GRID	KEY	PAGE	PART NO.	GRID	KEY	PAGE
TY6364	1A19	1	20 - 1	T141566	1J16	27	50 - 83	T20077	1A25	3	20 - 9
TY6389	1A19	2	20 - 1	T14264	1F18	8	40 - 45	T20077	1B2	10	20 - 11
TY6390	1A19	2	20 - 1	T146102	1E11	1	40 - 16	T20088	1B14	4	20 - 23
TY6391	1A19	2	20 - 1	T146102	2F7	14	80 - 35	T20090	1B14	11	20 - 23
TY6392	1A19	2	20 - 1	T146104	1E11	6	40 - 16	T20091	1B6	44	20 - 15
TY6393	1A19	2	20 - 1	T146104	2F7	14	80 - 35	T20091	1B18	8	20 - 27
TY6394	1A19	2	20 - 1	T146106	1E11	6	40 - 16	T20091	1B19	7	20 - 28
TY6615	1E12	4	40 - 17	T146106	2F7	14	80 - 35	T20094	1B6	54	20 - 15
TY6615	1E14	1	40 - 19	T146515	1E11	6	40 - 16	T20094	1B10	8	20 - 19
TY6651	1E4	1	40 - 11	T146515	2F7	14	80 - 35	T20094	1B12	12	20 - 21
TY6651	1E6	1	40 - 13	T146516	1E11	6	40 - 16	T20098	1B9	7	20 - 18
TY6652	1E4	1	40 - 11	T146516	2F7	14	80 - 35	T20111	1A23	9	20 - 7
TY6652	1E8	1	40 - 15	T146517	1E11	6	40 - 16	T20111	1C9	18	20 - 43
TY6652	1E8	22	40 - 15	T146517	2F7	14	80 - 35	T20129	1B2	9	20 - 11
TY6671	1E16	1	40 - 19B	T15005	2F4	2	80 - 31	T20141	1C18	1	30 - 7
TY6702	1E11	..	40 - 16	T15005	2F5	1	80 - 33	T20141	1C19	5	30 - 9
TY6720	1E12	4	40 - 17	T151797	1K6	10	50 - 99	T20155	1B24	27	20 - 33
TY6720	1E14	1	40 - 19	T151797	1K6	19	50 - 99	T20155	1C9	8	20 - 43
TY6720	1E14	30	40 - 19	T16623	1E19	6	40 - 20	T20159	1C17	3	30 - 6
TY6727	1E11	..	40 - 16	T16738	2F18	..	90 - 11	T20166	1B4	33	20 - 13
TY6727	1E12	4	40 - 17	T16911	1D18	3	40 - 1	T20166	1B6	32	20 - 15
TY6727	1E16	1	40 - 19B	T16911	2B11	20	70 - 17	T20168	1A23	14	20 - 7
TY6727	1E16	20	40 - 19B	T17148	1K15	4	60 - 3	T20168	1B4	6	20 - 13
TY6727	1E16	22	40 - 19B	T17201	1H23	4	50 - 35	T20168	1B6	62	20 - 15
TY6727	1E18	1	40 - 19D	T17568	1B25	12	20 - 34	T20168	1H19	1	50 - 31
TY6727	1E18	20	40 - 19D	T17589	1H10	14	50 - 21	T20168	1K24	10	60 - 13
TY6791	1E8	1	40 - 15	T17882	1H19	3	50 - 31	T20176	1B2	11	20 - 11
TY9305	1E24	26	40 - 25	T17882	1I5	4	50 - 43	T20202	1E4	13	40 - 11
TY9371	2G2	8	90 - 19	T17882	2B16	1	70 - 23	T20215	1C7	2	20 - 41
TY9371	2G3	1	90 - 20	T17951	1H19	23	50 - 31	T20215	1C9	20	20 - 43
T10510	1K6	9	50 - 99	T17951	1I5	11	50 - 43	T20215	1C10	3	20 - 44
T10510	2E4	14	80 - 3	T17951	1K24	30	60 - 13	T20217	1B12	17	20 - 21
T10510	2E9	8	80 - 9	T18145	2E25	5	80 - 27	T20219	1C7	6	20 - 41
T118949	1J14	9	50 - 81	T18145	2F2	1	80 - 29	T20219	1C9	19	20 - 43
T118950	1J14	9	50 - 81	T18716	2B24	9	70 - 31	T20219	1C10	4	20 - 44
T122032	1K24	20	60 - 13	T18718	1I24	30	50 - 65	T20243	1C3	2	20 - 37
T12250	1C6	2	20 - 40	T18891	1B4	5	20 - 13	T20243	1C9	15	20 - 43
T12553	2C3	27	70 - 35	T18891	1B6	35	20 - 15	T20252	1C18	2	30 - 7
T12553	2C3	28	70 - 35	T18891	1H19	19	50 - 31	T20257	1C18	6	30 - 7
T12688	2E9	11	80 - 9	T18891	1H21	1	50 - 33	T20272	1B24	12	20 - 33
T13119	1H14	21	50 - 25	T18891	1I5	10	50 - 43	T20273	1B24	13	20 - 33
T13119	1H16	4	50 - 27	T18891	1I7	20	50 - 45	T20273	1C9	16	20 - 43
T13119	2B9	12	70 - 15	T18891	1J12	5	50 - 79	T20280	1B22	6	20 - 31
T13213	1B9	8	20 - 18	T18996	1I24	31	50 - 65	T20294	1B24	1	20 - 33
T13213	1C9	10	20 - 43	T19044	1B4	20	20 - 13	T20298	1B18	13	20 - 27
T13325	1I24	27	50 - 65	T19044	1D15	3	30 - 30	T20304	1C9	11	20 - 43
T13331	1I24	15	50 - 65	T19242	1H24	3	50 - 36	T20310	1B2	23	20 - 11
T13332	1I24	15	50 - 65	T19245	1H24	4	50 - 36	T20314	1B2	4	20 - 11
T13333	1I24	15	50 - 65	T19293	2E15	3	80 - 16	T20315	1B2	8	20 - 11
T13341	1I24	6	50 - 65	T19324	2B7	19	70 - 13	T20316	1B2	3	20 - 11
T134452	1E11	6	40 - 16	T19526	2B14	20	70 - 20	T20328	1B24	2	20 - 33
T134452	2F7	14	80 - 35	T19566	2G2	2	90 - 19	T20328	1C9	6	20 - 43
T134453	1E11	6	40 - 16	T19638	2E13	2	80 - 13	T20336	1B24	6	20 - 33
T134453	2F7	14	80 - 35	T19978	1C19	3	30 - 9	T20362	1B24	9	20 - 33
T134454	1E11	6	40 - 16	T20006	1C9	23	20 - 43	T20364	1B24	8	20 - 33
T134454	2F7	14	80 - 35	T20006	1C18	3	30 - 7	T20364	1C9	17	20 - 43
T134455	1E11	6	40 - 16	T20034	1B12	5	20 - 21	T21101	1I7	7	50 - 45
T134455	2F7	14	80 - 35	T20046	1B12	13	20 - 21	T21401	1H23	1	50 - 35
T134456	1E11	6	40 - 16	T20050	1B18	14	20 - 27	T21401	1J14	14	50 - 81
T134456	2F7	14	80 - 35	T20055	1D4	10	30 - 19	T21402	1H23	1	50 - 35
T134459	1E11	1	40 - 16	T20055	1D6	9	30 - 21	T21402	1J14	14	50 - 81
T134459	2F7	14	80 - 35	T20070	1B2	19	20 - 11	T21403	1H23	1	50 - 35
T13471	1I24	16	50 - 65	T20070	1B6	18	20 - 15	T21403	1J14	14	50 - 81
T134960	2E4	15	80 - 3	T20072	1B2	17	20 - 11	T21404	1H23	1	50 - 35
T13555	1K15	14	60 - 3	T20072	1B6	16	20 - 15	T21404	1J14	14	50 - 81
T13744	1D24	4	40 - 7	T20073	1B2	22	20 - 11	T21409	1J16	18	50 - 83
T14059	1G16	18	50 - 3	T20073	1B6	15	20 - 15	T21415	1J16	19	50 - 83

1L23

2040 UTILITY TRACTOR (SERIAL NO. 350,000-)

NUMERICAL INDEX - CONTINUED

PART NO.	GRID	KEY	PAGE	PART NO.	GRID	KEY	PAGE	PART NO.	GRID	KEY	PAGE
T21419	1J16	13	50-83	T21776	1H19	22	50-31	T22473	2B17	9	70-24
T21424	1J16	27	50-83	T21776	1I5	12	50-43	T22474	2B12	3	70-18
T21427	1J16	23	50-83	T21776	1K24	29	60-13	T22500	1C5	17	20-39
T21428	1J16	12	50-83	T21806	1K20	1	60-8	T22520	2F4	3	80-31
T21430	1J14	6	50-81	T21806	1K20	5	60-8	T22534	1B6	13	20-15
T21432	1J14	11	50-81	T21814	1K20	18	60-8	T22534	1C23	11	30-13
T21433	1J14	2	50-81	T21815	1K20	16	60-8	T22546	1J2	22	50-67
T21434	1J14	3	50-81	T21816	1K20	10	60-8	T22570	1E2	14	40-9
T21435	1J14	3	50-81	T21840	1J12	8	50-79	T22645	2F12	5	90-5
T21436	1J14	3	50-81	T21841	1J12	6	50-79	T22690	2E14	1	80-15
T21445	1G16	8	50-3	T21885	1J16	28	50-83	T22696	1D12	6	30-27
T21445	1G19	3	50-6	T21886	1J16	26	50-83	T22698	1D12	10	30-27
T21445	1K17	3	60-5	T21887	1E2	16	40-9	T22705	2F4	13	80-31
T21446	1G16	11	50-3	T21901	2B22	1	70-29	T22714	2B22	19	70-29
T21446	1G19	5	50-6	T21903	2B22	16	70-29	T22728	1H8	1	50-19
T21446	1G22	20	50-9	T21913	2C7	17	70-39	T22823	1K15	11	60-3
T21446	1G24	7	50-11	T21937	1H19	25	50-31	T22824	1K15	13	60-3
T21448	1G16	10	50-3	T21942	2E6	6	80-5	T22825	1K15	24	60-3
T21448	1G19	4	50-6	T21955	2B20	4	70-27	T22848	2C7	12	70-39
T21452	1G20	3	50-7	T21956	2B13	2	70-19	T22850	1G16	17	50-3
T21474	2B13	6	70-19	T21965	1H23	15	50-35	T22851	1G16	23	50-3
T21487	2B20	10	70-27	T21969	1H24	11	50-36	T22851	1G18	3	50-5
T21490	2E23	6	80-25	T21976	1H23	9	50-35	T22852	1I1	11	50-39
T21517	2E8	2	80-7	T21977	1H23	17	50-35	T22853	1H21	9	50-33
T21518	2E8	2	80-7	T21980	1H22	3	50-34	T22854	1H19	5	50-31
T21528	1K15	44	60-3	T21981	1H24	9	50-36	T22864	2E20	10	80-21
T21539	2E6	2	80-5	T21992	1J10	5	50-76	T22865	2B18	9	70-25
T21540	2E20	4	80-21	T21992	1J11	13	50-77	T22867	2B12	5	70-18
T21546	1K17	9	60-5	T21998	1G20	2	50-7	T22867	2B14	10	70-20
T21558	2B22	9	70-29	T22069	1J2	26	50-67	T22874	1G24	9	50-11
T21559	2B22	8	70-29	T22069	1J4	10	50-69	T22874	1J14	1	50-81
T21564	2B12	17	70-18	T22069	1J7	6	50-73	T22876	2B12	12	70-18
T21576	1K24	2	60-13	T22080	1J2	19	50-67	T22877	2B18	14	70-25
T21577	1K24	35	60-13	T22097	2B20	20	70-27	T22970	2B8	1	70-14
T21579	1K24	18	60-13	T22098	2B20	17	70-27	T22974	1I1	7	50-39
T21587	1K24	7	60-13	T22099	2B20	18	70-27	T22996	2C12	1	70-45
T21588	1K24	8	60-13	T22101	1K20	7	60-8	T22998	1I24	11	50-65
T21594	1K24	3	60-13	T22101	1K21	6	60-9	T22998	1I24	20	50-65
T21595	1K24	1	60-13	T22118	2C5	2	70-37	T22998	1I24	21	50-65
T21596	1K24	34	60-13	T22119	2C5	3	70-37	T22999	1I24	10	50-65
T21615	2B12	1	70-18	T22120	2C5	7	70-37	T23000	1I24	11	50-65
T21630	2B11	3	70-17	T22127	1J2	3	50-67	T23000	1I24	20	50-65
T21631	2B11	17	70-17	T22128	1H19	11	50-31	T23000	1I24	21	50-65
T21631	2B12	15	70-18	T22128	1I5	27	50-43	T23027	2F22	12	90-15
T21638	2B14	8	70-20	T22224	2B17	7	70-24	T23027	2F22	19	90-15
T21653	2E21	2	80-23	T22228	2B17	8	70-24	T23033	2F22	17	90-15
T21654	2E21	1	80-23	T22229	2B17	10	70-24	T23034	2F22	5	90-15
T21655	1K15	36	60-3	T22232	2B17	5	70-24	T23035	2F22	1	90-15
T21659	1K17	6	60-5	T22239	1D12	17	30-27	T23069	2C14	9	70-47
T21667	2C7	2	70-39	T22240	1D12	25	30-27	T23071	2C14	2	70-47
T21669	1K6	16	50-99	T22241	1D12	22	30-27	T23073	2B7	18	70-13
T21669	2E4	10	80-3	T22242	1D12	28	30-27	T23118	2E20	6	80-21
T21671	2C7	3	70-39	T22243	2D8	17	70-67	T23170	1K6	14	50-99
T21672	2C7	10	70-39	T22244	2D8	16	70-67	T23170	2E4	7	80-3
T21677	2C7	16	70-39	T22260	1K15	8	60-3	T23203	2B7	53	70-13
T21678	2C5	11	70-37	T22260	1K15	9	60-3	T23216	2B20	14	70-27
T21680	2B20	16	70-27	T22319	2B13	5	70-19	T23230	2C4	..	70-36
T21681	2B20	11	70-27	T22375	1C5	18	20-39	T23244	1H22	11	50-34
T21685	2B25	1	70-32	T22375	2E20	2	80-21	T23247	1E2	13	40-9
T21718	1K15	7	60-3	T22381	1C5	12	20-39	T23247	2F18	32	90-11
T21722	1K17	5	60-5	T22399	2B22	13	70-29	T23262	1C14	12	30-3
T21758	2B22	17	70-29	T22435	1I3	12	50-41	T23263	1C14	12	30-3
T21759	2B22	18	70-29	T22435	1I15	1	50-53	T23435	1B4	9	20-13
T21761	1E19	9	40-20	T22469	2B14	29	70-20	T23435	1B6	60	20-15
T21772	1K24	20	60-13	T22470	2B18	15	70-25	T23442	1D4	24	30-19
T21775	1K24	24	60-13	T22471	2B11	8	70-17	T23474	1B4	7	20-13
T21775	1K24	26	60-13	T22471	2B14	5	70-20	T23474	1B6	61	20-15

1L24

2040 UTILITY TRACTOR (SERIAL NO. 350,000-)

NUMERICAL INDEX - CONTINUED

PART NO.	GRID	KEY	PAGE	PART NO.	GRID	KEY	PAGE	PART NO.	GRID	KEY	PAGE
T23516	1B6	57	20 - 15	T25408	1H12	7	50 - 23	T28041	1B2	20	20 - 11
T23590	1B14	14	20 - 23	T25614	1I3	6	50 - 41	T28221	1G24	13	50 - 11
T23596	1C9	4	20 - 43	T25614	1I15	2	50 - 53	T28222	1G22	10	50 - 9
T23604	1B12	11	20 - 21	T25614	1J10	6	50 - 76	T28222	1G24	15	50 - 11
T23614	1B24	3	20 - 33	T25614	1J11	5	50 - 77	T28224	1G22	12	50 - 9
T23670	1B4	12	20 - 13	T25701	1B4	4	20 - 13	T28225	1G22	14	50 - 9
T23671	1B4	12	20 - 13	T25741	1K15	24	60 - 3	T28225	1G24	19	50 - 11
T24151	1A23	7	20 - 7	T25767	2C1	3	70 - 33	T28226	1G22	11	50 - 9
T24460	1C9	3	20 - 43	T25803	2C12	5	70 - 45	T28226	1G24	16	50 - 11
T24460	1D4	23	30 - 19	T25804	2C12	3	70 - 45	T28230	1G22	8	50 - 9
T24472	1D10	16	30 - 25	T25804	2C24	2	70 - 58	T28230	1G24	12	50 - 11
T24483	2B14	18	70 - 20	T25823	2B22	14	70 - 29	T28231	1G22	9	50 - 9
T24484	2B14	19	70 - 20	T25835	2B22	14	70 - 29	T28231	1G24	14	50 - 11
T24485	2B14	23	70 - 20	T25836	2B22	4	70 - 29	T28284	1I13	6	50 - 51
T24534	1B9	1	20 - 18	T25840	1K6	20	50 - 99	T28285	1I13	6	50 - 51
T24534	1C9	24	20 - 43	T25840	2E4	17	80 - 3	T28286	1I13	6	50 - 51
T24540	2B14	27	70 - 20	T25879	2C8	4	70 - 41	T28362	2B13	13	70 - 19
T24542	1D4	16	30 - 19	T25901	2E8	13	80 - 7	T28435	1B14	10	20 - 23
T24543	1D4	15	30 - 19	T25921	1K6	18	50 - 99	T28538	2B14	18	70 - 20
T24549	1D7	8	30 - 22	T25921	2E4	16	80 - 3	T28538	2B14	19	70 - 20
T24553	1D6	11	30 - 21	T25922	1K6	10	50 - 99	T28583	1G4	34	40 - 57
T24588	1D6	3	30 - 21	T25922	1K6	19	50 - 99	T28583	1G6	1	40 - 59
T24589	1D6	1	30 - 21	T25922	2E4	15	80 - 3	T28585	1G4	35	40 - 57
T24589	1D6	17	30 - 21	T26043	1C5	11	20 - 39	T28585	1G6	12	40 - 59
T24590	1D6	4	30 - 21	T26058	1D4	11	30 - 19	T28586	1G6	14	40 - 59
T24599	1D6	5	30 - 21	T26197	1I3	11	50 - 41	T28662	1J9	27	50 - 75
T24600	1D6	15	30 - 21	T26321	1B6	42	20 - 15	T28664	1J9	24	50 - 75
T24604	1D6	16	30 - 21	T26321	1B12	20	20 - 21	T28703	1G16	18	50 - 3
T24605	1D6	18	30 - 21	T26323	1B12	2	20 - 21	T28797	1G16	20	50 - 3
T24607	1D4	12	30 - 19	T26324	1B6	22	20 - 15	T28797	1G19	2	50 - 6
T24607	1D7	1	30 - 22	T26324	1B12	1	20 - 21	T28991	2B7	38	70 - 13
T24608	1D4	13	30 - 19	T26325	1B12	18	20 - 21	T29185	1D14	10	30 - 29
T24608	1D7	2	30 - 22	T26326	1B6	29	20 - 15	T29242	1I24	17	50 - 65
T24618	1D7	5	30 - 22	T26326	1B12	6	20 - 21	T29243	1I24	2	50 - 65
T24619	1D7	4	30 - 22	T26327	1B6	30	20 - 15	T29307	2C5	10	70 - 37
T24620	1D7	3	30 - 22	T26327	1B12	7	20 - 21	T29311	2B20	6	70 - 27
T24621	1D7	6	30 - 22	T26337	1J10	12	50 - 76	T29353	1G22	13	50 - 9
T24627	1D6	13	30 - 21	T26337	1J11	12	50 - 77	T29379	1B25	4	20 - 34
T24647	1D6	7	30 - 21	T26565	1B12	8	20 - 21	T29384	1B20	6	20 - 29
T24649	1D6	14	30 - 21	T26565	1B14	8	20 - 23	T29384	1B25	4	20 - 34
T24650	1D6	10	30 - 21	T26565	1H19	10	50 - 31	T29385	1B20	7	20 - 29
T24650	1D6	12	30 - 21	T26565	1I5	26	50 - 43	T29388	1B20	4	20 - 29
T24690	2B20	9	70 - 27	T26576	1J16	11	50 - 83	T29388	1B25	2	20 - 34
T24691	1H25	14	50 - 37	T26625	2B18	10	70 - 25	T29394	1J14	8	50 - 81
T24726	1H24	10	50 - 36	T26626	2B18	8	70 - 25	T29518	2C12	7	70 - 45
T24728	1H25	1	50 - 37	T26904	2B12	2	70 - 18	T29519	2C12	6	70 - 45
T24729	1H19	9	50 - 31	T26905	2B13	4	70 - 19	T29539	1D10	4	30 - 25
T24729	1I5	18	50 - 43	T26929	2E20	13	80 - 21	T29540	1D10	5	30 - 25
T24732	1H24	12	50 - 36	T27136	2B25	9	70 - 32	T29644	2C9	4	70 - 42
T24736	1H25	4	50 - 37	T27258	2B11	10	70 - 17	T29645	2C9	1	70 - 42
T24737	1H25	9	50 - 37	T27260	2B11	11	70 - 17	T29646	1G22	6	50 - 9
T24917	1H23	10	50 - 35	T27260	2B16	12	70 - 23	T29647	1G22	4	50 - 9
T24918	1H23	12	50 - 35	T27261	1C3	6	20 - 37	T29648	1G22	1	50 - 9
T24965	1B4	30	20 - 13	T27349	1D12	29	30 - 27	T29648	1G24	24	50 - 11
T24965	1C9	9	20 - 43	T27430	1J12	13	50 - 79	T29649	1G22	3	50 - 9
T24999	1H21	8	50 - 33	T27511	2E13	19	80 - 13	T29649	1G24	10	50 - 11
T25285	1K24	32	60 - 13	T27544	1J10	2	50 - 76	T29650	1G22	2	50 - 9
T25323	1K15	35	60 - 3	T27544	1J11	2	50 - 77	T29650	1G24	11	50 - 11
T25325	1K15	32	60 - 3	T27645	2F14	6	90 - 7	T29862	1J14	3	50 - 81
T25326	1K15	33	60 - 3	T27657	1B24	19	20 - 33	T29892	2C9	11	70 - 42
T25327	1K15	30	60 - 3	T27658	1B24	16	20 - 33	T29892	2C10	9	70 - 43
T25332	1K15	21	60 - 3	T27671	1E14	12	40 - 19	T29899	2C10	8	70 - 43
T25333	1K15	20	60 - 3	T27716	1I3	3	50 - 41	T29931	2B13	3	70 - 19
T25334	1K15	20	60 - 3	T27716	1I15	5	50 - 53	T30037	1I20	5	50 - 60
T25395	1H6	20	50 - 17	T27716	1J10	9	50 - 76	T30065	1H24	5	50 - 36
T25397	1G18	1	50 - 5	T27986	1C17	2	30 - 6	T30253	1H23	1	50 - 35
T25408	1G16	25	50 - 3	T28030	1D4	26	30 - 19	T30253	1I13	1	50 - 51

1L25

2040 UTILITY TRACTOR (SERIAL NO. 350,000-)

NUMERICAL INDEX - CONTINUED

PART NO.	GRID	KEY	PAGE	PART NO.	GRID	KEY	PAGE	PART NO.	GRID	KEY	PAGE
T30253	1J14	14	50 - 81	U11343	2B8	2	70 - 14				
T30253	1J14	15	50 - 81	U11647	2D18	1	70 - 75				
T30276	2C4	7	70 - 36	U12547	2B5	4	70 - 11				
T30277	2C4	1	70 - 36	U15969	2D19	21	70 - 77				
T30664	1D6	6	30 - 21	U40656	2F12	7	90 - 5				
T30687	1K19	15	60 - 7	U46370	1G4	36	40 - 57				
T30726	1B9	3	20 - 18	U46370	1G6	20	40 - 59				
T30738	1D2	16	30 - 17	U46662	1G2	12	40 - 55				
T30738	1D8	1	30 - 23	U46662	1G4	37	40 - 57				
T30750	1H4	8	50 - 15	U46662	1G6	10	40 - 59				
T30751	1H4	13	50 - 15	U46663	1G4	38	40 - 57				
T30766	1J2	1	50 - 67	U46664	1G4	39	40 - 57				
T30766	1J4	4	50 - 69	U46664	1G8	47	40 - 61				
T30766	1J6	4	50 - 71	Z22760	1J4	2	50 - 69				
T30766	1J20	3	50 - 89	Z22760	1J6	2	50 - 71				
T30767	1J2	2	50 - 67	Z24799	1E14	20	40 - 19				
T30770	1H4	17	50 - 15	Z24800	1E14	3	40 - 19				
T30770	1H10	8	50 - 21	Z24800	1E16	25	40 - 19B				
T30789	1H10	1	50 - 21	Z24801	1E14	32	40 - 19				
T30897	1C3	4	20 - 37	Z24810	1E14	25	40 - 19				
T30991	1K6	18	50 - 99	Z35542	1E6	21	40 - 13				
T30991	2E4	16	80 - 3	Z42047	1E6	25	40 - 13				
T31134	1K19	6	60 - 7	Z42047	1E8	24	40 - 15				
T31170	1I19	8	50 - 59	Z42047	1E10	3	40 - 15B				
T31174	1D10	18	30 - 25	Z42048	1E8	19	40 - 15				
T31290	1K15	24	60 - 3	Z42049	1E6	12	40 - 13				
T31306	1B22	13	20 - 31	Z42049	1E8	12	40 - 15				
T31710	1C3	13	20 - 37	400R	1K20	17	60 - 8				
T31794	1H23	4	50 - 35	400R	2C25	12	70 - 59				
T32016	2C7	14	70 - 39	400R	2D3	3	70 - 62				
T32100	1I18	3	50 - 57	400R	2D8	7	70 - 67				
T32142	1I3	9	50 - 41	400R	2D17	14	70 - 74				
T32204	2C23	1	70 - 57								
T32488	2B22	15	70 - 29								
T32849	1J9	26	50 - 75								
T33279	1B4	3	20 - 13								
T33745	2F10	38	90 - 3								
T34067	1G6	18	40 - 59								
T36042	1G18	2	50 - 5								
T36482	1K17	9	60 - 5								
T42971	1K17	12	60 - 5								
T43514	2G2	1	90 - 19								
T439T	2C17	3	70 - 50								
T44963	1H8	14	50 - 19								
T48835	1D12	28	30 - 27								
T49189	1K19	11	60 - 7								
T497T	1I21	11	50 - 61								
T497T	1I22	11	50 - 63								
T58196	2A21	3	70 - 2								
T64421	1C23	5	30 - 13								
T65880	2F7	4	80 - 35								
T74703	1B25	7	20 - 34								
T77613	2D19	12	70 - 77								
T79477	1C25	17	30 - 15								
T79479	1C23	5	30 - 13								
T84409	1E11	1	40 - 16								
T84409	2F7	14	80 - 35								
T84410	1E11	6	40 - 16								
T84410	2F7	14	80 - 35								
T84411	1E11	6	40 - 16								
T84411	2F7	14	80 - 35								
T84412	1E11	6	40 - 16								
T84412	2F7	14	80 - 35								
T84413	1E11	6	40 - 16								
T84413	2F7	14	80 - 35								
T84578	1E11	6	40 - 16								
T84578	2F7	14	80 - 35								