

1A2

1250, 1450 AND 1650 TRACTORS

RWP4768 -UN-01JAN94



JOHN DEERE 1250, 1450, OR 1650 TRACTOR

(SPECIFICATIONS AND DESIGN SUBJECT TO CHANGE WITHOUT NOTICE)

COPYRIGHT (C) 1995. DEERE & COMPANY, MOLINE, ILLINOIS. ALL RIGHTS RESERVED.

1A3

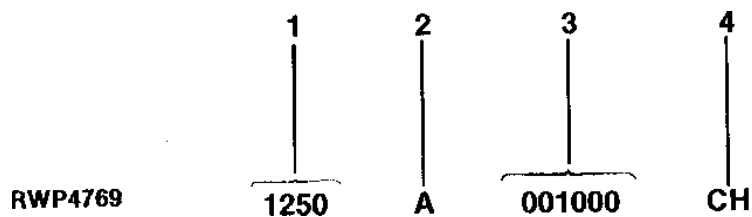
1250, 1450 AND 1650 TRACTORS

SERIAL NUMBERS

EACH 1250, 1450, OR 1650 TRACTOR HAS THE FOLLOWING SERIAL NUMBER PLATES:
BASIC TRACTOR AND ENGINE.

BASIC TRACTOR SERIAL NUMBER - 1250 (TRACTOR SERIAL NO. - 003000)

RWP4769 -UN-01JAN94



1. DESIGNATES TRACTOR MODEL
2. DESIGNATES TRANSMISSION TYPE
3. DESIGNATES TRACTOR SERIAL NUMBER
4. DESIGNATES TRACTOR MANUFACTURER

1250
A - COLLAR SHIFT
CH - YANMAR

RWP4770 -UN-01JAN94



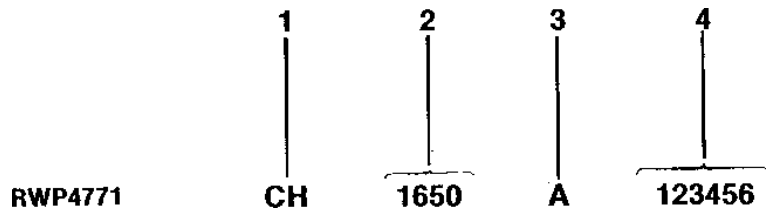
THE BASIC TRACTOR SERIAL NUMBER PLATE IS LOCATED AT THE REAR OF THE TRANSMISSION CASE
BELOW THE PTO SHAFT.

1A4

1250, 1450 AND 1650 TRACTORS

BASIC TRACTOR SERIAL NUMBER - 1250 (TRACTOR SERIAL NO. 003001-), 1450, OR 1650

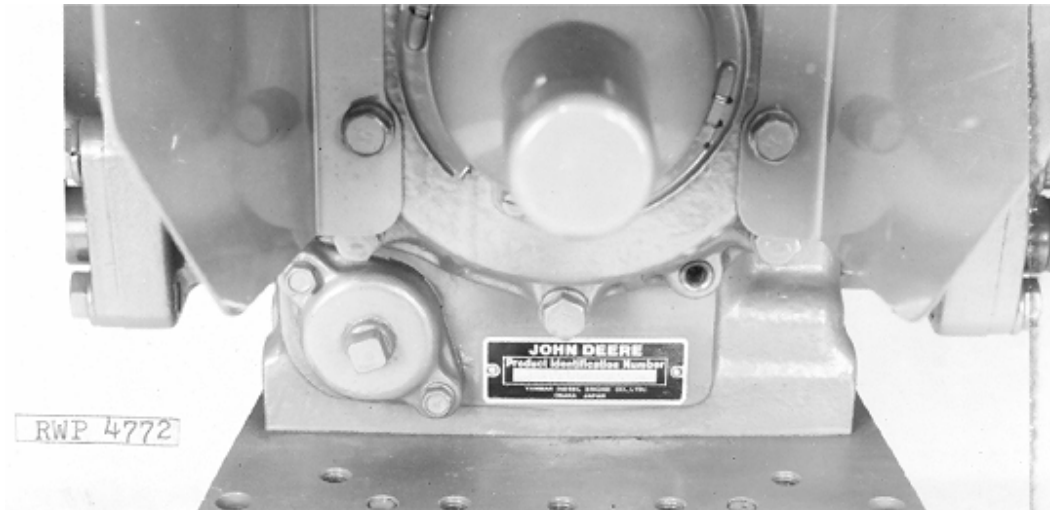
RWP4771 -UN-01JAN94



1. DESIGNATES TRACTOR MANUFACTURER
2. DESIGNATES TRACTOR MODEL
3. DESIGNATES TRANSMISSION TYPE
4. DESIGNATES TRACTOR SERIAL NUMBER

CH - YANMAR
1250, 1450, OR 1650
A - COLLAR SHIFT

RWP4772 -UN-01JAN94



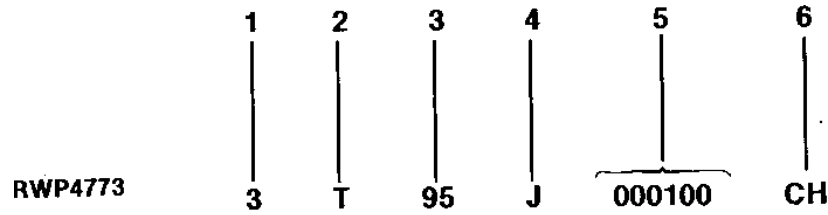
THE BASIC TRACTOR SERIAL NUMBER PLATE IS LOCATED AT THE REAR OF THE TRANSMISSION CASE BELOW THE PTO SHAFT.

1A5

1250, 1450 AND 1650 TRACTORS

ENGINE SERIAL NUMBER - 1250 (ENGINE SERIAL NO. -001271)

RWP4773 -UN-01JAN94



1. DESIGNATES NUMBER OF CYLINDERS
2. DESIGNATES USAGE
3. DESIGNATES BORE DIAMETER
4. DESIGNATES DISTRIBUTING COMPANY
5. DESIGNATES ENGINE SERIAL NUMBER
6. DESIGNATES ENGINE MANUFACTURER

- 3 - THREE CYLINDERS
T - TRACTOR
95 - NINETY-FIVE MILLIMETERS
J - JOHN DEERE TRACTOR WORKS
CH - YANMAR

RWP4774 -UN-01JAN94



THE ENGINE SERIAL NUMBER IS STAMPED INTO THE LEFT-HAND SIDE OF CYLINDER BLOCK.

1A6

1250, 1450 AND 1650 TRACTORS

ENGINE SERIAL NUMBER - 1250 (ENGINE SERIAL NO. 001272-), 1450, OR 1650

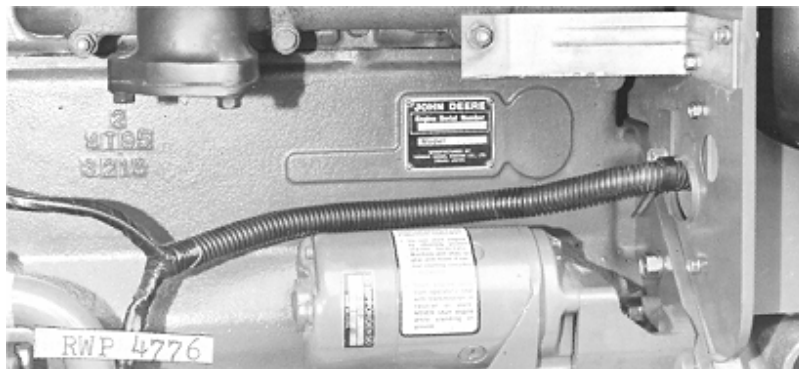
RWP4775 -UN-01JAN94

1	2	3	4	5
CH	4	078	T	123456

6	7	8	9	10
RWP4775	4	T	95	T - J

- | | |
|---|--------------------------------|
| 1. DESIGNATES ENGINE MANUFACTURER | CH - YANMAR |
| 2. DESIGNATES NUMBER OF CYLINDERS | 3 - THREE CYLINDERS |
| | 4 - FOUR CYLINDERS |
| 3. DESIGNATES DISPLACEMENT PER CYLINDER | 078- SEVENTY-EIGHT CENTILITERS |
| 4. DESIGNATES TYPE OF AIR INTAKE SYSTEM | T - TURBOCHARGED |
| | D - NATURALLY ASPIRATED |
| 5. DESIGNATES ENGINE SERIAL NUMBER | 3 - THREE CYLINDERS |
| 6. DESIGNATES NUMBER OF CYLINDERS | 4 - FOUR CYLINDERS |
| | T - TRACTOR |
| 7. DESIGNATES USAGE | 95 - NINETY-FIVE MILLIMETERS |
| 8. DESIGNATES BORE DIAMETER | T - TURBOCHARGED |
| 9. DESIGNATES ENGINE DESIGN | J - JOHN DEERE TRACTOR WORKS |
| 10. DESIGNATES DISTRIBUTING COMPANY | |

RWP4776 -UN-01JAN94



THE ENGINE SERIAL NUMBER PLATE IS LOCATED ON THE LEFT-HAND SIDE OF THE CYLINDER BLOCK.

1A7

1250, 1450 AND 1650 TRACTORS

SERIAL NUMBER LISTING INFORMATION

SERIAL NUMBER INFORMATION IS LISTED TO SHOW ON WHICH MACHINES EACH PART CAN BE USED; FOR EXAMPLE:

- THE PART CAN BE USED ON ALL MACHINES.
- 000000- THE PART CAN BE USED ON ALL MACHINES BEGINNING WITH THE SERIAL NUMBER LISTED.
- 000000 THE PART CAN BE USED ON ALL MACHINES UP TO AND INCLUDING THE SERIAL NUMBER LISTED.
- 000000-000000 THE PART CAN BE USED ON ALL MACHINES BETWEEN AND INCLUDING THE SERIAL NUMBERS LISTED.

- 15BV1- WHEN A MODEL NUMBER BEGINS WITH 15BV, 14HA, JA1 , 39SC, 2RC, 4RC, 15RS, 3CY, 2SP, OR 31SV, IT REFERS TO THE MODEL NUMBER OF THE BRAKE VALVE, HYDRAULIC ACCUMULATOR, HYDRAULIC PUMP, REMOTE CYLINDER SELECTIVE CONTROL VALVE FOR NO ROCKSHAFT, REMOTE CYLINDER SELCTIVE CONTROL VALVES, REMOTE CYLINDERS, REMOTE CYLINDERS WITH MECHANICAL STOPS, ROCKSHAFT CONTROL VALVE, STEERING CYLINDER, STEERING METERING PUMP, OR STEERING VALVE.

WHEN XXXXXX'S ARE LISTED IN PLACE OF A SERIAL NUMBER, A SERIAL NUMBER CHANGE WAS MADE BUT THE EXACT SERIAL NUMBER WAS NOT AVAILABLE WHEN THE CATALOG WAS PRODUCED.

MODEL NUMBERS

THE FOLLOWING COMPONENTS HAVE MODEL NUMBERS:

BRAKE VALVE	15BV1
HYDRAULIC ACCUMULATOR	14HA2
REMOTE CYLINDER SELECTIVE CONTROL VALVE -TRIPLE	41SC1
STEERING CYLINDER	3CY1
STEERING METERING PUMP	2SP1
STEERING VALVE	31SV1

EACH OF THE ABOVE COMPONENTS HAS A MODEL NUMBER. WHEN THE DESIGN OF ONE OF THESE COMPONENTS IS CHANGED, THE MODEL NUMBER FOR THE NEWLY DESIGNED COMPONENT IS CHANGED.

1A8

1250, 1450 AND 1650 TRACTORS

DIRECTION ARROW

ARROWS ARE USED WITH ILLUSTRATIONS TO INDICATE THE FRONT OF THE UNIT. "RIGHT-HAND" AND "LEFT-HAND" SIDES ARE DETERMINED BY FACING IN THE DIRECTION OF MACHINE FORWARD TRAVEL.

BOX-ENCLOSED ILLUSTRATIONS

A KEY NUMBER, SHOWN IN THE PARTS LIST, IS ASSIGNED TO A BOX ENCLOSING ALL PARTS SOLD AS A SERVICE ASSEMBLY.

BOLT AND CAP SCREW STRENGTH IDENTIFICATION

U.S. CUSTOMARY DIMENSIONED PRODUCT: BOLTS AND CAP SCREWS REQUIRED TO HAVE HIGH-STRENGTH QUALITIES EQUIVALENT TO SAE GRADE 8 ARE IDENTIFIED THROUGHOUT THIS CATALOG BY THE DESCRIPTION HS SAE 8. ALL STANDARD BOLTS AND CAP SCREWS ARE SAE GRADE 5 OR LOWER.

METRIC DIMENSIONED PRODUCT: BOLTS AND CAP SCREWS REQUIRED TO HAVE HIGH-STRENGTH QUALITIES EQUIVALENT TO PROPERTY CLASS 10.9 ARE IDENTIFIED THROUGHOUT THIS CATALOG BY THE DESCRIPTION HS 10.9. ALL STANDARAD BOLTS AND CAP SCREWS ARE PROPERTY CLASS 8.8 OR LOWER.

JDM REMANUFACTURED COMPONENTS

THE SERVICE PARTS LISTED IN THIS CATALOG ARE INTENDED FOR THE REPAIR OF ORIGINAL EQUIPMENT COMPONENTS. ALTHOUGH MOST SERVICE PARTS MAY BE USED TO REPAIR REMANUFACTURED COMPONENTS, THE REMANUFACTURING PROCESS MAY CHANGE PARTS SUFFICIENTLY SO THAT SERVICE PARTS ARE INADEQUATE OR NOT USABLE.

TRADEMARKS

THROUGHOUT THIS PARTS CATALOG, YOU WILL FIND THE FOLLOWING DEERE AND COMPANY TRADEMARKS:

HYDRACUSHIONED™
INTELLITRAK®
PERSONAL-POSTURE™
QUAD-RANGE™
PERFORMANCE TRAK™ II

ROLL-GARD®
SOUND-GARD®
TORQ-GARD PLUS 50®
HY-GARD®
QUIK-TATCH®

CHANGE INDICATOR LINE (MICROFICHE CATALOGS ONLY)

CHANGES AFFECTING THE ORDERING OF PARTS ARE IDENTIFIED BY VERTICAL LINES MARKED IN THE LEFT-HAND MARGIN OF REVISED PARTS LISTING IMAGES. A LINE IS ALSO AT THE LEFT-HAND EDGE OF THE SAME PART NUMBER IN THE NUMERICAL INDEX TO SHOW THE LOCATION OF REVISED INFORMATION.

1A9

1250, 1450 AND 1650 TRACTORS

SECTION INDEX

GENERAL INFORMATION	10
ENGINE	20
FUEL AND AIR	30
ELECTRICAL	40
POWER TRAIN	50
STEERING AND BRAKES	60
HYDRAULICS	70
WHEELS, FRONT AXLES, SHEET METAL	80
OPERATOR'S STATION	90
NUMERICAL INDEX	95

1A10

1250, 1450 AND 1650 TRACTORS

ALPHABETICAL INDEX

GRID		PAGE	GRID		PAGE
	A				
1D9	AIR CLEANER	30-10	2C18	BRACKET,MOUNTING,SELECTIVE CONTROL VALVE	70-52
1D11	AIR CLEANER	30-12	1F12	BRACKET,RADAR	40-19A
2D20	AIR CLEANER BRACKET	80-18	1J5	BRAKE DISK	60-14
2D22	AIR CLEANER BRACKET	80-20	1J6	BRAKE DISK (1650).....	60-15
1E15	AIR CLEANER FILTER	30-42	1F20	BRAKE LAMP SWITCH	40-26
1D13	AIR CLEANER RESTRICTION INDICATOR KIT	30-15	1J3	BRAKE PEDAL AND LINKAGE	60-12
2C22	AIR CONDITIONING O-RING KIT	70-56	1J11	BRAKE VALVE HOUSING	60-20
1E18	ALTERNATOR	40-1	1J9	BRAKE, PARKING	60-18
1E19	ALTERNATOR	40-2	1G20	BRAKE, SNUBBER	50-15
1E18	ALTERNATOR ADJUSTING STRAP	40-1	1J6	BRAKES (1650)	60-15
1E18	ALTERNATOR MOUNTING BRACKET	40-1	1J11	BREAK VALVE ASSEMBLY.....	60-20
1E19	ALTERNATOR PARTS.....	40-2	2C12	BREAKAWAY COUPLER BRACKET.....	70-46
1A24	ARM, ROCKER.....	20-6	2C13	BREAKAWAY COUPLER BRACKET.....	70-47
1H1	ARM, SHIFTER, TRANSMISSION.....	50-20	1E22	BRUSH HOLDER, STARTER	40-6
1I23	ARM, STEERING	60-8	1F6	BULB	40-14
2D5	ARM, STEERING	80-4	2B24	BUSHING, HITCH CONVERSION.....	70-32
2D7	ARM, STEERING	80-6	1C12	BY-PASS VALVE, OIL COOLER	20-44
1I12	ARM, STEERING (MFWD).....	50-60			
1E22	ARMATURE, STARTER	40-6		C	
1A22	ARMS, ROCKER	20-4	1F1	CABLE, BATTERY	40-10
2A24	ARMS, ROCKSHAFT	70-6	1B3	CAM FOLLOWER.....	20-10
1I14	ARMS, STEERING (MFWD)	50-62	1B3	CAMSHAFT AND PUSH RODS.....	20-10
1I5	AXLE HOUSING, FRONT, L.H. (MFWD)	50-52	2E19	CANOPY ROOF	90-10
1I7	AXLE HOUSING, FRONT, R.H. (MFWD)	50-54	2E17	CANOPY, ROLL-GARD	90-8
1H17	AXLE HOUSING, REAR.....	50-39	1D22	CAP, FUEL	30-24
2D20	AXLE SUPPORT, FRONT	80-18	1C5	CAP, MAIN BEARING, ENGINE	20-37
2D22	AXLE SUPPORT, FRONT	80-20	1C18	CAP, RADIATOR	20-50
2D3	AXLE, FRONT	80-2	1H18	CARRIER, PLANET PINION	50-40
2D4	AXLE, FRONT	80-3	1H13	CASE, DIFFERENTIAL.....	50-34
1H18	AXLE, REAR.....	50-40	1C6	CASE, GEAR	20-38
			1H22	CASE, GEAR (MFWD).....	50-44
	B		1G23	CASE, TRANSMISSION.....	50-18
1B23	BALANCER GEAR	20-30	2D14	CAST REAR WHEEL	80-13
1C1	BALANCER, CRANKSHAFT	20-32	1I3	CENTER GEAR HOUSING SUPPORT (MFWD)	50-50
1F1	BATTERY AND WIRING HARNESS	40-10	1E22	CENTER HOUSING, STARTER	40-6
1F4	BATTERY AND WIRING HARNESS	40-12	2B25	CENTER LINK	70-33
1C3	BEARING, MAIN.....	20-34	2C2	CHAIN, IMPLEMENT SAFETY	70-35
1B11	BEARINGS, MAIN, ENGINE	20-18	2C1	CHAIN, SAFETY AND ATTACHMENT KIT.....	70-34
1B13	BEARINGS, MAIN, ENGINE	20-20	1E9	CHECK VALVE, FUEL INJECTION OVERFLOW.....	30-36
1C5	BEARINGS, MAIN, ENGINE	20-37	1D9	CLEANER, AIR	30-10
1I23	BELLCRANK, STEERING	60-8	1D11	CLEANER, AIR	30-12
1C16	BELT, FAN	20-48	1G18	CLUTCH (INDEPENDENT PTO)	50-12
2E15	BELT, SEAT	90-6	1G16	CLUTCH COVER	50-10
1I1	BEVEL PINION AND GEAR.....	50-48	1G18	CLUTCH COVER (INDEPENDENT PTO)	50-12
1F17	BLOCK HEATER	40-23	1G13	CLUTCH DISK	50-7
1B11	BLOCK, CYLINDER	20-18	1G16	CLUTCH DISK	50-10
1B13	BLOCK, CYLINDER	20-20	1G18	CLUTCH DISKS (INDEPENDENT PTO)	50-12
2B11	BLOCK, HYDRAULIC FILTER	70-18	1G9	CLUTCH HOUSING	50-2
1B15	BLOCK, SHORT	20-22	1G16	CLUTCH LEVER.....	50-10
1G21	BOOT, GEAR SHIFT LEVER.....	50-16	1G18	CLUTCH LEVERS (INDEPENDENT PTO)	50-12
2D20	BRACKET, AIR CLEANER.....	80-18	1G11	CLUTCH PEDAL.....	50-4
2D22	BRACKET, AIR CLEANER.....	80-20	1G11	CLUTCH PEDAL LINKAGE	50-4
1F1	BRACKET, BATTERY	40-10	1G16	CLUTCH PLATE	50-10
2C12	BRACKET, BREAKAWAY COUPLER	70-46	1G18	CLUTCH PLATE (INDEPENDENT PTO).....	50-12
2C13	BRACKET, BREAKAWAY COUPLER	70-47	1G13	CLUTCH SHAFT.....	50-7
2B18	BRACKET, DRAFT LINK	70-26	1G14	CLUTCH SHAFT.....	50-8
2B20	BRACKET, DRAFT LINK	70-28	1H6	CLUTCH SHAFT.....	50-26
2C3	BRACKET, DRAWBAR.....	70-36	1G14	CLUTCH SHAFT COLLAR.....	50-8
2E24	BRACKET, FIRE EXTINGUISHER.....	90-15	1G13	CLUTCH, DUAL	50-7
2B14	BRACKET, FLOW DIVIDER.....	70-21	1G16	CLUTCH, DUAL	50-10
2B7	BRACKET, ROCKSHAFT CONTROL	70-14	1I17	COLUMN, STEERING	60-2
2B9	BRACKET, ROCKSHAFT CONTROL	70-16	1A21	CONDITIONER, ENGINE COOLANT	20-2
2C5	BRACKET, SWINGING DRAWBAR.....	70-38	1G5	CONDUIT	40-36
			1B21	CONNECTING ROD.....	20-28
			1G5	CONNECTORS, ELECTRICAL, SUPPLEMENTARY	40-36

1A11

1250, 1450 AND 1650 TRACTORS

ALPHABETICAL INDEX - CONTINUED

GRID		PAGE	GRID		PAGE
2B5	CONTROL LEVER, ROCKSHAFT	70-12	1H8	DRIVE SHAFT, DIFFERENTIAL	50-29
2B1	CONTROL VALVE, ROCKSHAFT	70-8	1I9	DRIVE SHAFT, FRONT AXLE (MFWD)	50-56
1F16	CONTROL, TURN SIGNAL	40-22	1H24	DRIVE SHAFT, FRONT DIFFERENTIAL (MFWD)	50-46
2B24	CONVERSION KIT, HITCH	70-32	1H5	DRIVE SHAFT, TRANSMISSION	50-25
1C12	COOLER, OIL ENGINE	20-44	1G13	DUAL CLUTCH.....	50-7
1H3	COUNTERSHAFT.....	50-22	1G16	DUAL CLUTCH.....	50-10
2C13	COUPLER BRACKET.....	70-47	1A21	DUST CAP	20-2
2C21	COUPLINGS, REUSABLE	70-55			
1G16	COVER, CLUTCH.....	50-10		E	
1B7	COVER, CYLINDER BLOCK SIDE	20-14	1G1	ELECTRICAL CONNECTOR SERVICE KIT	40-32
1H13	COVER, DIFFERENTIAL CASE	50-34	1G3	ELECTRICAL CONNECTOR SERVICE KIT	40-34
1B9	COVER, ENGINE SIDE	20-16	1G5	ELECTRICAL CONNECTORS, SUPPLEMENTARY	40-36
1C6	COVER, GEAR CASE	20-38	1F22	ELECTRICAL OUTLET SOCKER, 7-TERMINAL	40-28
1B17	COVER, OIL PAN.....	20-24	1G5	ELECTRICAL TERMINALS, SUPPLEMENTARY	40-36
1B19	COVER, OIL PAN.....	20-26	1D11	ELEMENT, AIR CLEANER.....	30-12
1B5	COVER, ROCKER ARM	20-12	2B11	ELEMENT, OIL FILTER	70-18
2A20	COVER, ROCKSHAFT HOUSING.....	70-2	2E23	EMBLEM, SLOW MOVING VEHICLE	90-14
1E24	COVER, STARTER	40-8	1A21	ENGINE COOLANT CONDITIONER	20-2
1G23	COVER, TRANSMISSION CASE.....	50-18	1C14	ENGINE LUBE OIL LINES.....	20-46
2E21	COWL	90-12	1A20	ENGINE OIL	20-1
2E21	COWL SUPPORT.....	90-12	1C12	ENGINE OIL COOLER.....	20-44
1B23	CRANKSHAFT	20-30	1C10	ENGINE OIL FILTER	20-42
1C1	CRANKSHAFT BALANCER	20-32	1C12	ENGINE OIL FILTER	20-44
2E13	CUSHION, SEAT	90-4	1E15	ENGINE OIL FILTER	30-42
1B11	CYLINDER BLOCK.....	20-18	1C8	ENGINE OIL PUMP	20-40
1B13	CYLINDER BLOCK.....	20-20	1D14	EXHAUST MANIFOLD	30-16
1C20	CYLINDER BLOCK GASKET SET	20-52	1D16	EXHAUST MANIFOLD	30-18
1A24	CYLINDER HEAD.....	20-6	1A22	EXHAUST VALVE	20-4
1B1	CYLINDER HEAD	20-8	1A24	EXHAUST VALVE	20-6
1C22	CYLINDER HEAD GASKET SET	20-54	1D14	EXTENSION, MUFFLER	30-16
1A22	CYLINDER HEAD VALVES AND ROCKER ARMS	20-4	1D16	EXTENSION, MUFFLER	30-18
1A24	CYLINDER HEAD VALVES AND ROCKER ARMS	20-6			
1B21	CYLINDER LINER	20-28		F	
2A20	CYLINDER, ROCKSHAFT	70-2	1C16	FAN	20-48
			1C16	FAN BELT.....	20-48
	D		1C18	FAN SHROUD	20-50
2E3	DECALS	80-26	2D24	FENDERS	80-22
1H15	DIFFERENTIAL.....	50-36	1D9	FILTER, AIR CLEANER	30-10
1H13	DIFFERENTIAL CASE	50-34	1E15	FILTER, AIR CLEANER	30-42
1H15	DIFFERENTIAL DRIVE GEAR.....	50-36	1E15	FILTER, ENGINE OIL.....	30-42
1H8	DIFFERENTIAL DRIVE SHAFT	50-29	1E1	FILTER, FUEL	30-28
1H15	DIFFERENTIAL HOUSING.....	50-36	1E3	FILTER, FUEL	30-30
1I1	DIFFERENTIAL HOUSING.....	50-48	1E15	FILTER, FUEL	30-42
1H20	DIFFERENTIAL LOCK	50-42	1E15	FILTER, HYDRAULIC.....	30-42
1I1	DIFFERENTIAL, FRONT	50-48	2B11	FILTER, HYDRAULIC.....	70-18
1G23	DIPSTICK	50-18	1C10	FILTER, OIL, ENGINE	20-42
1B7	DIPSTICK, ENGINE OIL	20-14	1C12	FILTER, OIL, ENGINE	20-44
1B9	DIPSTICK, ENGINE OIL	20-16	1C14	FILTER, OIL, ENGINE	20-46
1J5	DISK, BRAKE	60-14	1E15	FILTER, TRANSMISSION	30-42
1G13	DISK, CLUTCH.....	50-7	1H13	FILTER, TRANSMISSION	50-34
1G16	DISK, PTO CLUTCH	50-10	1E5	FILTER, WATER SEPARATOR	30-32
1G18	DISK, PTO CLUTCH (INDEPENDENT).....	50-12	1E15	FILTER, WATER SEPERATOR	30-42
1G18	DISK, TRACTION CLUTCH (INDEPENDENT PTO).....	50-12	1E15	FILTERS	30-42
2B18	DRAFT LINKS.....	70-26	1I11	FINAL DRIVE FRONT SHAFT (MFWD)	50-59
2B20	DRAFT LINKS AND SWAY CHAIN	70-28	1J5	FINAL DRIVE GEAR	60-14
1I17	DRAG LINK.....	60-2	1J6	FINAL DRIVE GEAR	60-15
1B11	DRAIN PIPE, CYLINDER BLOCK	20-18	2E24	FIRE EXTINGUISHER	90-15
1B13	DRAIN PIPE, CYLINDER BLOCK	20-20	2E24	FIRE EXTINGUISHER BRACKET	90-15
2C3	DRAWBAR (1250, 1450)	70-36	2C21	FLEXIBLE OIL LINE, BULK	70-55
2C5	DRAWBAR (1650)	70-38	1F20	FLOOD LAMP.....	40-26
2C7	DRAWBAR HAMMER STRAP KIT	70-41	2B14	FLOW DIVIDER VALVE	70-21
2C3	DRAWBAR, REGULAR	70-36	1B23	FLYWHEEL.....	20-30
2C5	DRAWBAR, SWINGING	70-38	1H1	FORK, PTO SHIFTER	50-20
1C1	DRIVE GEAR, BALANCER, CRANKSHAFT	20-32			
1H15	DRIVE GEAR, DIFFERENTIAL	50-36			

1A13

1250, 1450 AND 1650 TRACTORS

ALPHABETICAL INDEX - CONTINUED

GRID		PAGE	GRID		PAGE
1C12	INLET OIL LUBE TUBE	20-44	1J1	LINES, PRESSURE	60-10
1F7	INSTRUMENT PANEL	40-15	2C16	LINES, PRESSURE, SELECTIVE CONTROL VALVE	70-50
1F8	INSTRUMENT PANEL	40-16	2C14	LINES, SCV, TO BREAKAWAY COUPLER	70-48
1D3	INTAKE MANIFOLD	30-2	1J1	LINES, STEERING	60-10
1A22	INTAKE VALVE	20-4	2B25	LINK, CENTER	70-33
1A24	INTAKE VALVE	20-6	1H17	LINK, DRAG	60-2
			1J3	LINKAGE, BRAKE	60-12
	K		1G11	LINKAGE, CLUTCH PEDAL	50-4
1F7	KEY	40-15	1H11	LINKAGE, PTO LEVER	50-32
1D13	KIT, AIR CLEANER RESTRICTION INDICATOR	30-15	2B7	LINKAGE, ROCKSHAFT CONTROL	70-14
2C22	KIT, AIR CONDITIONING O-RING	70-56	2B9	LINKAGE, ROCKSHAFT CONTROL	70-16
2C7	KIT, DRAWBAR HAMMER STRAP	70-41	1E13	LINKAGE, SPEED CONTROL	30-40
1G1	KIT, ELECTRICAL CONNECTOR SERVICE	40-32	2B22	LINKS, LIFT	70-30
1G3	KIT, ELECTRICAL CONNECTOR SERVICE	40-34	1H20	LOCK, DIFFERENTIAL	50-42
2E5	KIT, FRENCH LABEL	80-28	2F5	LOCTITE SEALANT	90-20
2D18	KIT, FRONT WEIGHT SUPPORT	80-16	1C10	LUBE TUBE, INLET OIL	20-42
2C7	KIT, HAMMER STRAP	70-41	1C12	LUBE TUBE, INLET OIL	20-44
2B24	KIT, HITCH CONVERSION	70-32	1A21	LUBRICANT, VALVE STEM	20-2
1F18	KIT, LAMP, FLOOD	40-24			
1F18	KIT, LAMP, WARNING	40-24		M	
1C3	KIT, MAIN BEARING	20-34	1C3	MAIN BEARING	20-34
1C5	KIT, MAIN BEARING	20-37	1C3	MAIN BEARING KIT	20-34
2C22	KIT, O-RING, HYDRAULIC	70-56	1B11	MAIN BEARINGS, ENGINE	20-18
1A20	KIT, OFF-SEASON STORAGE	20-1	1B13	MAIN BEARINGS, ENGINE	20-20
1F23	KIT, TERMINAL AND WIRING	40-30	1C5	MAIN BEARINGS, ENGINE	20-37
1D8	KIT, TURBOCHARGER GASKET	30-9	2B13	MAIN HYDRAULIC PUMP (19CC)	70-20
1F3	KIT, WIRING HARNESS, REAR (1250)	40-11A	1D14	MANIFOLD, EXHAUST	30-16
2D7	KNEE, FRONT AXLE	80-6	1D16	MANIFOLD, EXHAUST	30-18
1G21	KNOB, GEAR SHIFT LEVER	50-16	1D3	MANIFOLD, INTAKE	30-2
			1F14	MINI-MONITOR, PERFORMANCE TRAK II	40-20
	L		1F14	MONITOR, MINI (PERFORMANCE TRAK II)	40-20
2E7	LABEL KIT, SPANISH	80-30	1D14	MUFFLER	30-16
2E5	LABEL, FRENCH	80-28	1D16	MUFFLER	30-18
2E3	LABELS	80-26	1D16	MUFFLER EXTENSION	30-18
1F20	LAMP, FLOOD	40-26	1D18	MUFFLER KIT, UNDERSLUNG	30-20
1F18	LAMP, FLOOD, KIT	40-24	1D20	MUFFLER KIT, UNDERSLUNG	30-22
1F6	LAMP, FRONT	40-14			
1F20	LAMP, TAIL	40-26		N	
1F18	LAMP, WARNING	40-24	1F20	NEUTRAL START SWITCH	40-26
1F20	LAMP, WARNING	40-26	1E11	NOZZLE, FUEL INJECTION	30-38
1G16	LEVER, CLUTCH	50-10	1E12	NOZZLE, FUEL INJECTION	30-39
1G18	LEVER, CLUTCH (INDEPENDENT PTO)	50-12			
1H22	LEVER, OPERATING (MFWD)	50-44		O	
1J7	LEVER, PARK BRAKE	60-16	2C22	O-RING AIR CONDITIONING KIT	70-56
1J9	LEVER, PARKING BRAKE	60-18	2C22	O-RING PACKING KIT	70-56
1H11	LEVER, PTO	50-32	1A20	OFF-SEASON STORAGE KIT	20-1
1H9	LEVER, PTO (CONTINUOUS PTO)	50-30	1C14	OIL COOLER BY-PASS VALVE	20-46
2B3	LEVER, ROCKSHAFT CONTROL	70-10	1C12	OIL COOLER, ENGINE	20-44
2B5	LEVER, ROCKSHAFT CONTROL	70-12	2B11	OIL FILTER ELEMENT	70-18
1E13	LEVER, SPEED CONTROL	30-40	1C10	OIL FILTER, ENGINE	20-42
1G21	LEVERS, GEAR SHIFT	50-16	1C12	OIL FILTER, ENGINE	20-44
2C8	LEVERS, SELECTIVE CONTROL VALVE	70-42	1C14	OIL FILTER, ENGINE	20-46
2C10	LEVERS, SELECTIVE CONTROL VALVE	70-44	1E25	OIL HEATER, TRANSMISSION	40-9
2B22	LIFT LINKS	70-30	1C14	OIL LINES, ENGINE LUBE	20-46
1E1	LINE, FUEL	30-28	1B17	OIL PAN	20-24
1E3	LINE, FUEL	30-30	1B19	OIL PAN, ENGINE	20-26
1E9	LINE, FUEL INJECTION	30-36	1C8	OIL PUMP, ENGINE	20-40
1E9	LINE, FUEL INJECTION OVERFLOW	30-36	1D6	OIL THROWER, TURBOCHARGER	30-6
2C14	LINE, RETURN, SELECTIVE CONTROL VALVE	70-48	1A20	OIL, ENGINE	20-1
1B21	LINERS, PISTON, RINGS	20-28	2A19	OIL, TRANSMISSION AND HYDRAULIC	70-1
1E7	LINES, FUEL INJECTION	30-34	1H22	OPERATING LEVER (MFWD)	50-44
2B17	LINES, HYDRAULIC PUMP INLET	70-24			
1C14	LINES, OIL, LUBE, ENGINE	20-46			

1A14

1250, 1450 AND 1650 TRACTORS

ALPHABETICAL INDEX - CONTINUED

GRID		PAGE	GRID		PAGE
1C18	OVERFLOW TANK, RADIATOR	20-50	1H17	REAR AXLE HOUSING	50-39
	P		1H18	REAR AXLE SHAFT.....	50-40
1B17	PAN, OIL.....	20-24	1F18	REAR LIGHT	40-24
1B19	PAN, OIL ENGINE	20-26	1F20	REAR LIGHTS AND WIRING	40-26
1F8	PANEL, INSTRUMENT.....	40-16	2D14	REAR WHEEL	80-13
1J7	PARK BRAKE LEVER	60-16	2D16	REAR WHEEL WEIGHT	80-14
1J9	PARK BRAKE LEVER	60-18	2D17	REAR WHEEL WEIGHT	80-15
1J3	PEDAL, BRAKE	60-12	2D11	REAR WHEELS AND RIMS.....	80-10
1G11	PEDAL, CLUTCH	50-4	1F3	REAR WIRING HARNESS KIT (1250)	40-11A
1H20	PEDAL, DIFFERENTIAL LOCK	50-42	1E18	REGULATOR	40-1
1B11	PIPE, DRAIN, CYLINDER BLOCK	20-18	1F7	RELAY, FLASHER	40-15
1B13	PIPE, DRAIN, CYLINDER BLOCK	20-20	2B15	RELIEF VALVE.....	70-22
1B21	PISTON, RINGS AND LINERS	20-28	1H6	REVERSE IDLER GEAR	50-26
1H18	PLANET PINION CARRIER.....	50-40	2D10	RIM (MFWD).....	80-9
1G16	PLATE, CLUTCH	50-10	2D9	RIM, FRONT	80-8
1G18	PLATE, CLUTCH (INDEPENDENT PTO)	50-12	2D11	RIM, REAR	80-10
1G16	PLATE, PRESSURE, CLUTCH	50-10	1B21	RINGS, PISTON AND LINERS	20-28
1G18	PLATE, PRESSURE, CLUTCH (INDEPENDENT PTO).....	50-12	1A24	ROCKER ARM	20-6
2D13	POWER ADJUSTED REAR WHEEL.....	80-12	1B5	ROCKER ARM COVER	20-12
1I19	POWER STEERING GEAR	60-4	1A22	ROCKER ARMS	20-4
1I21	POWER STEERING GEAR	60-6	2A24	ROCKSHAFT	70-6
2B15	PRESSURE CONTROL VALVE.....	70-22	2A24	ROCKSHAFT ARMS AND SHAFT	70-6
1J1	PRESSURE LINES.....	60-10	2B7	ROCKSHAFT CONTROL (1250)	70-14
2B15	PRESSURE LINES, HYDRAULIC PUMP	70-22	2B9	ROCKSHAFT CONTROL (1450, 1650).....	70-16
2B16	PRESSURE LINES, ROCKSHAFT	70-23	2B7	ROCKSHAFT CONTROL BRACKET.....	70-14
2C16	PRESSURE LINES, SCV.....	70-50	2B9	ROCKSHAFT CONTROL BRACKET.....	70-16
1G16	PRESSURE PLATE, CLUTCH.....	50-10	2B3	ROCKSHAFT CONTROL LEVER	70-10
1G18	PRESSURE PLATE, CLUTCH (INDEPENDENT PTO).....	50-12	2B5	ROCKSHAFT CONTROL LEVER	70-12
1G16	PTO CLUTCH DISK	50-10	2B7	ROCKSHAFT CONTROL LINKAGE	70-14
1G18	PTO CLUTCH DISK (INDEPENDENT PTO).....	50-12	2B9	ROCKSHAFT CONTROL LINKAGE	70-16
1G14	PTO COLLAR, CLUTCH SHAFT	50-8	2B1	ROCKSHAFT CONTROL VALVE	70-8
1H9	PTO LEVER (CONTINUOUS PTO).....	50-30	2A20	ROCKSHAFT CYLINDER.....	70-2
1H11	PTO LEVER AND LINKAGE	50-32	2A20	ROCKSHAFT HOUSING	70-2
1H13	PTO MASTER SHIELD	50-34	2A22	ROCKSHAFT HOUSING	70-4
1H9	PTO SHAFT (CONTINUOUS PTO).....	50-30	2B16	ROCKSHAFT PRESSURE LINE	70-23
1H12	PTO SHAFT (INDEPENDENT PTO).....	50-33	1G11	ROD, CLUTCH PEDAL	50-4
1H6	PTO SHAFT AND REVERSE IDLER GEAR.....	50-26	1H11	ROD, PTO LEVER	50-32
1H13	PTO SUCTION SCREEN	50-34	1B3	ROD, PUSH	20-10
1B23	PULLEY, CRANKSHAFT	20-30	1E13	ROD, SPEED CONTROL.....	30-40
1C16	PULLEY, WATER PUMP	20-48	2D5	ROD, TIE	80-4
1C8	PUMP, ENGINE OIL.....	20-40	1I12	ROD, TIE (MFWD).....	50-60
1D24	PUMP, FUEL	30-26	1I14	RODS, TIE (MFWD).....	50-62
1D24	PUMP, FUEL INJECTION	30-26	2E15	ROLL-GARD	90-6
2B13	PUMP, HYDRAULIC (19CC)	70-20	2E17	ROLL-GARD CANOPY.....	90-8
2B12	PUMP, HYDRAULIC (8CC)	70-19	2E17	ROLL-GARD CANOPY WIRING HARNESS	90-8
2B12	PUMP, HYDRAULIC (8CC)	70-19	2E19	ROOF, CANOPY	90-10
1C16	PUMP, WATER.....	20-48		S	
1B3	PUSH RODS.....	20-10	2C1	SAFETY CHAIN AND ATTACHMENT KIT	70-34
	Q		2C2	SAFETY CHAIN, IMPLEMENT	70-35
2D19	QUIK-TATCH FRONT WEIGHTS	80-17	1C18	SCREEN, RADIATOR	20-50
	R		1H13	SCREEN, SUCTION PTO	50-34
1F12	RADAR BRACKET	40-19A	2C14	SCV LINES TO BREAKAWAY COUPLER	70-48
1F10	RADAR SENSOR	40-18	2B12	SEAL KIT, STEERING PUMP	70-19
1F12	RADAR SENSOR	40-19A	2F5	SEALANT, LOCTITE.....	90-20
1F12	RADAR WIRING HARNESS	40-19A	2E1	SEALING.....	80-24
1C18	RADIATOR	20-50	2E10	SEAT	90-1
2D20	RADIATOR SUPPORT.....	80-18	2E11	SEAT	90-2
2D22	RADIATOR SUPPORT.....	80-20	2E15	SEAT BELT.....	90-6
			2E11	SEAT CUSHION.....	90-2
			2E13	SEAT CUSHION	90-4
			2C20	SELECTIVE CONTROL VALVE.....	70-54
			2C8	SELECTIVE CONTROL VALVE LEVERS	70-42
			2C10	SELECTIVE CONTROL VALVE LEVERS.....	70-44
			2C18	SELECTIVE CONTROL VALVE MOUNTING BRACKET	70-52

1A15

1250, 1450 AND 1650 TRACTORS

ALPHABETICAL INDEX - CONTINUED

<i>GRID</i>		<i>PAGE</i>
2C16	SELECTIVE CONTROL VALVE PRESSURE LINES	70-50
2C14	SELECTIVE CONTROL VALVE RETURN LINE	70-48
1F7	SENDER, GAUGE	40-15
1C6	SENDER, TACHOMETER	20-38
1C16	SENDER, WATER TEMPERATURE	20-48
1F10	SENSOR, RADAR	40-18
1F12	SENSOR, RADAR	40-19A
1E5	SEPARATOR, WATER	30-32
1G1	SERVICE KIT, ELECTRICAL CONNECTORS	40-32
1G3	SERVICE KIT, ELECTRICAL CONNECTORS	40-34
1C1	SHAFT, BALANCER, CRANKSHAFT	20-32
1G13	SHAFT, CLUTCH	50-7
1G14	SHAFT, CLUTCH	50-8
1H6	SHAFT, CLUTCH	50-26
1G9	SHAFT, CLUTCH HOUSING	50-2
1H8	SHAFT, DIFFERENTIAL DRIVE	50-29
1H24	SHAFT, DRIVE, FRONT DIFFERENTIAL (MFWD).....	50-46
1I11	SHAFT, FINAL DRIVE FRONT (MFWD).....	50-59
1H9	SHAFT, PTO (CONTINUOUS PTO)	50-30
1H12	SHAFT, PTO (INDEPENDENT PTO).....	50-33
1H6	SHAFT, PTO AND REVERSE IDLER GEAR	50-26
1H18	SHAFT, REAR AXLE	50-40
1G20	SHAFT, SNUBBER BRAKE	50-15
1H5	SHAFT, TRANSMISSION DRIVE	50-25
1I9	SHAFTS, FRONT AXLE DRIVE (MFWD)	50-56
1H13	SHIELD, PTO MASTER	50-34
1H1	SHIFTER ARMS, TRANSMISSION	50-20
1H1	SHIFTER FORK, TRANSMISSION	50-20
1H1	SHIFTER RAILS, TRANSMISSION	50-20
1B15	SHORT BLOCK ASSEMBLY	20-22
1C18	SHROUD, FAN	20-50
2E1	SIDE SCREENS	80-24
2E23	SLOW MOVING VEHICLE EMBLEM.....	90-14
1G20	SNUBBER BRAKE	50-15
1F22	SOCKET, ELECTRICAL OUTLET, 7-TERMINAL	40-28
2E7	SPANISH LABEL KIT	80-30
1E13	SPEED CONTROL LEVER	30-40
1E13	SPEED CONTROL LINKAGE	30-40
1E13	SPEED CONTROL ROD	30-40
2D5	SPINDLE	80-4
2D7	SPINDLE, FRONT AXLE	80-6
1E21	STARTER	40-5
1E22	STARTER ARMATURE	40-6
1E22	STARTER BRUSH HOLDER	40-6
1E22	STARTER CENTER HOUSING	40-6
1E24	STARTER HOUSING	40-8
1E24	STARTER HOUSING COVER	40-8
1E24	STARTER SERVICE PARTS	40-8
1F7	STARTER SWITCH	40-15
1I23	STEERING ARM.....	60-8
2D5	STEERING ARM.....	80-4
1I12	STEERING ARM (MFWD)	50-60
2D7	STEERING ARMS	80-6
1I14	STEERING ARMS (MFWD)	50-62
1I23	STEERING BELLCRANK	60-8
1I17	STEERING COLUMN	60-2
1I19	STEERING GEAR, POWER.....	60-4
1I21	STEERING GEAR, POWER.....	60-6
1J1	STEERING LINES	60-10
2B12	STEERING PUMP (8CC).....	70-19
1I17	STEERING WHEEL	60-2
2D24	STEPS.....	80-22
1E18	STRAP, ALTERNATOR ADJUSTING	40-1
2E21	STRIKER, HOOD LATCH.....	90-12
1G5	SUPPLEMENTARY TERMINALS AND CONNECTORS.....	40-36
1I3	SUPPORT, CENTER GEAR HOUSING (MFWD).....	50-50
2D20	SUPPORT, FRONT AXLE	80-18

<i>GRID</i>		<i>PAGE</i>
2D22	SUPPORT, FRONT AXLE	80-20
2D20	SUPPORT, RADIATOR	80-18
2D22	SUPPORT, RADIATOR	80-20
2F1	SUPPORT, TOOLBOX	90-16
2B18	SWAY CHAIN	70-26
2B20	SWAY CHAIN	70-28
2C5	SWINGING DRAWBAR	70-38
1F20	SWITCH, BRAKE LAMP	40-26
1F18	SWITCH, NEUTRAL START	40-24
1F20	SWITCH, NEUTRAL START	40-26
1F7	SWITCH, STARTER	40-15

T

1F8	TACHOMETER	40-16
1F7	TACHOMETER CABLE	40-15
1C6	TACHOMETER SENDER	20-38
1F20	TAIL LAMP	40-26
1D22	TANK, FUEL	30-24
1C18	TANK, OVERFLOW, RADIATOR	20-50
1F23	TERMINAL AND WIRING KIT	40-30
1G5	TERMINALS, ELECTRICAL, SUPPLEMENTARY	40-36
1C16	THERMOSTAT	20-48
2D5	TIE ROD	80-4
1I12	TIE ROD (MFWD).....	50-60
2D7	TIE RODS	80-6
1I14	TIE RODS (MFWD)	50-62
1B9	TIMING INDICATOR, ENGINE	20-16
1B7	TIMING MARKER	20-14
2F1	TOOLBOX	90-16
2F1	TOOLBOX SUPPORT	90-16
1G18	TRACTION CLUTCH DISK (INDEPENDENT PTO)	50-12
1G14	TRACTION COLLAR, CLUTCH SHAFT	50-8
1G23	TRANSMISSION CASE	50-18
1H5	TRANSMISSION DRIVE SHAFT	50-25
1E15	TRANSMISSION FILTER	30-42
1H13	TRANSMISSION FILTER	50-34
2A19	TRANSMISSION OIL	70-1
1E25	TRANSMISSION OIL HEATER	40-9
1D6	TURBINE, TURBOCHARGER	30-6
1D5	TURBOCHARGER	30-5
1D6	TURBOCHARGER	30-6
1D8	TURBOCHARGER GASKET KIT	30-9
1D5	TURBOCHARGER MOUNTING PARTS	30-5
1F16	TURN SIGNAL CONTROL.....	40-22

U

1D18	UNDERSLUNG MUFFLER KIT	30-20
1D20	UNDERSLUNG MUFFLER KIT	30-22

V

1A21	VALVE STEM LUBRICANT	20-2
2D11	VALVE STEM, REAR WHEEL.....	80-10
1J11	VALVE, BRAKE	60-20
1C12	VALVE, BY-PASS, OIL COOLER	20-44
1C14	VALVE, BY-PASS, OIL COOLER	20-46
1E9	VALVE, CHECK, FUEL INJECTION OVERFLOW	30-36
1A24	VALVE, EXHAUST	20-6
1A22	VALVE, EXHAUST, CYLINDER HEAD	20-4
2B14	VALVE, FLOW DIVIDER	70-21
1A24	VALVE, INTAKE	20-6
1A22	VALVE, INTAKE, CYLINDER HEAD	20-4

1A16

1250, 1450 AND 1650 TRACTORS

ALPHABETICAL INDEX - CONTINUED

<i>GRID</i>		<i>PAGE</i>	<i>GRID</i>	<i>PAGE</i>
2C20	VALVE, SELECTIVE CONTROL	70-54		
1A22	VALVES, CYLINDER HEAD.....	20-4		
1A24	VALVES, CYLINDER HEAD.....	20-6		
W				
1F20	WARNING LAMP	40-26		
1C16	WATER PUMP	20-48		
1E5	WATER SEPARATOR	30-32		
1E15	WATER SEPARATOR FILTER	30-42		
1F8	WATER TEMPERATURE GAUGE.....	40-16		
1C16	WATER TEMPERATURE SENDER	20-48		
2F3	WEATHERSHIELD	90-18		
2D18	WEIGHT, FRONT	80-16		
2D16	WEIGHT, REAR WHEEL	80-14		
2D17	WEIGHT, REAR WHEEL	80-15		
2D15	WEIGHT, REAR WHEEL (38" DISK).....	80-13A		
2D19	WEIGHTS, QUIK-TATCH FRONT	80-17		
2D16	WHEEL WEIGHT, REAR	80-14		
2D17	WHEEL WEIGHT, REAR	80-15		
2D15	WHEEL WEIGHT, REAR (38" DISK).....	80-13A		
2D13	WHEEL, DRIVE	80-12		
2D11	WHEEL, REAR	80-10		
2D14	WHEEL, REAR	80-13		
2D13	WHEEL, REAR, POWER ADJUSTED.....	80-12		
1I17	WHEEL, STEERING	60-2		
1F14	WIRING HARNESS, MINI-MONITOR (PERFORMANCE TRAK II).....	40-20		
2E17	WIRING HARNESS, ROLL-GARD CANOPY	90-8		
1F12	WIRING HARNESS,RADAR.....	40-19A		
1F4	WIRING HARNESSES, FRONT.....	40-12		
1F18	WIRING, REAR LIGHT.....	40-24		

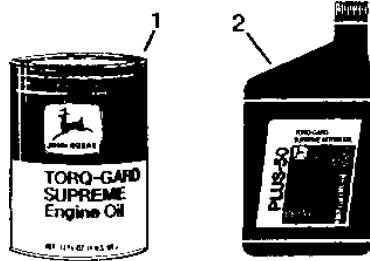
MEMORANDA

1A20

ENGINE

RGP3291 -UN-01JAN94

TORQ-GARD PLUS 50 ENGINE OIL



RGP 3291

KEY	PART NO.	PART NAME	QTY	ENGINE SERIAL NO.			REMARKS
				1	4	5	
				1	1	1	
				2	4	6	
				5	5	5	
				0	0	0	
1	TY6359	OIL	1	X	X	X	(SAE 5W/30), 0.9L (1 QT)
	TY6360	OIL	1	X	X	X	(SAE 5W/30), 19L (5 GAL)
	TY6361	OIL	1	X	X	X	(SAE 5W/30), 208L (55 GAL)
	TY6297	OIL	1	X	X	X	(SAE 15W/40), 0.9L (1 QT)
	TY6298	OIL	1	X	X	X	(SAE 15W/40), 19L (5 GAL)
	TY6300	OIL	1	X	X	X	(SAE 15W/40), 113.6L (30 GAL)
	TY6301	OIL	1	X	X	X	(SAE 15W/40), 208L (55 GAL)
	TY6311	OIL	1	X	X	X	(SAE 10W), 0.9L (1 QT)
	TY22009	OIL	1	X	X	X	(SAE 10), 3.8L (1 GAL)
	TY6312	OIL	1	X	X	X	(SAE 10W), 19L (5 GAL)
	TY6313	OIL	1	X	X	X	(SAE 10W), 208L (55 GAL)
	AR63979	OIL	1	X	X	X	(SAE 30), 0.2L (.25 QT)
	AR63218	OIL	1	X	X	X	(SAE 30), 0.9L (1 QT)
	AR63219	OIL	1	X	X	X	(SAE 30), 19L (5 GAL)
	TY6280	OIL	1	X	X	X	(SAE 30), 113.6L (30 GAL)
	AR63222	OIL	1	X	X	X	(SAE 30), 208L (55 GAL)
2	TY6389	OIL	1	X	X	X	(SAE 15W/40), 0.9L (1 QT)
	TY22008	OIL	1	X	X	X	(SAE 15W/40), 3.8L (1 GAL)
	TY6390	OIL	1	X	X	X	(SAE 15W/40), 19L (5 GAL)
	TY22010	OIL	1	X	X	X	(SAE 15W/40), 113.6L (30 GAL)
	TY6391	OIL	1	X	X	X	(SAE 15W/40), 208L (55 GAL)
	TY6392	OIL	1	X	X	X	(SAE 30), 0.9L (1 QT)
	TY22007	OIL	1	X	X	X	(SAE 30), 3.8L (1 GAL)
	TY6393	OIL	1	X	X	X	(SAE 30), 19L (5 GAL)
	TY22011	OIL	1	X	X	X	(SAE 30), 113.6L (30 GAL)
	TY6394	OIL	1	X	X	X	(SAE 30), 208L (55 GAL)

KIT FOR OFF-SEASON STORAGE

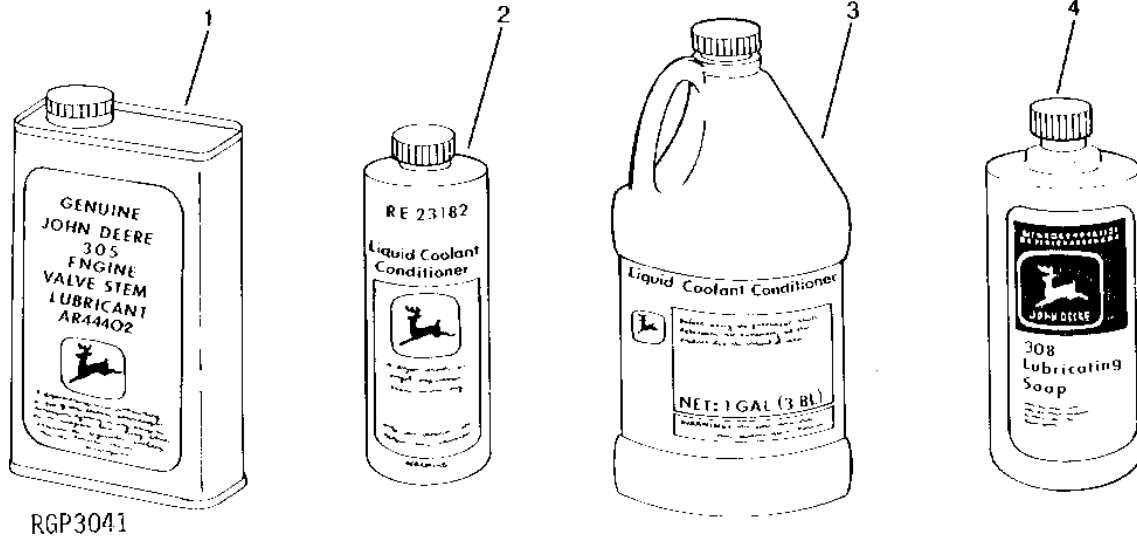
KEY	PART NO.	PART NAME	QTY	ENGINE SERIAL NO.			REMARKS
				1	4	5	
				1	1	1	
				2	4	6	
				5	5	5	
				0	0	0	
..	AR41785	KIT	1	X	X	X	0.9L (1 QT.)

1A21

ENGINE

RGP3041 -UN-01JAN94

ACCESSORY PARTS



RGP3041

KEY	PART NO.	PART NAME	QTY	SERIAL NO.	REMARKS
				1 1 1	
				2 4 6	
				5 5 5	
				0 0 0	
1	AR44402	OIL	1	X X X	0.9L (1 QT.)
2	RE23182	ENGINE COOLANT CONDITIONER	1	X X X	0.473L (16 OZ.) (SUB FOR T19566 OR RE12842)
3	RE35992	ENGINE COOLANT CONDITIONER	1	X X X	(SUB TY16005) 3.8L (1 GAL.)
4	AR54749	LUBRICANT	1	X X X	0.9L (1 QT.)

DUST CAP/COVER KIT

KEY	PART NO.	PART NAME	QTY	ENGINE SERIAL NO.	REMARKS
				1 1 1	
				2 4 6	
				5 5 5	
				0 0 0	
1	AR21969	KIT	1	X X X	

MEMORANDA

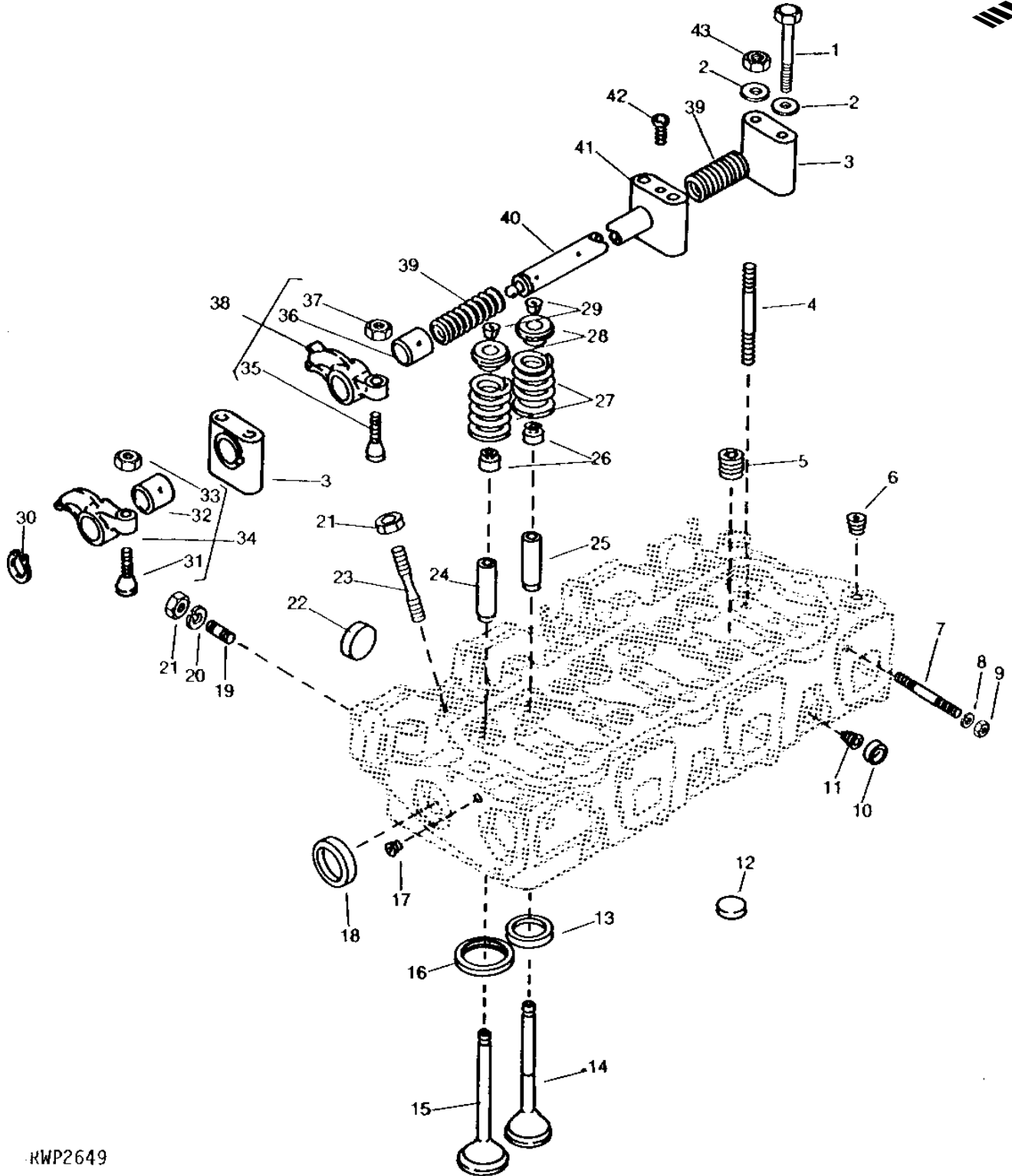
1A22

ENGINE

RWP2649

-UN-01JAN94

CYLINDER HEAD VALVES AND ROCKER ARMS



RWP2649

1A23

ENGINE

CYLINDER HEAD VALVES AND ROCKER ARMS - CONTINUED

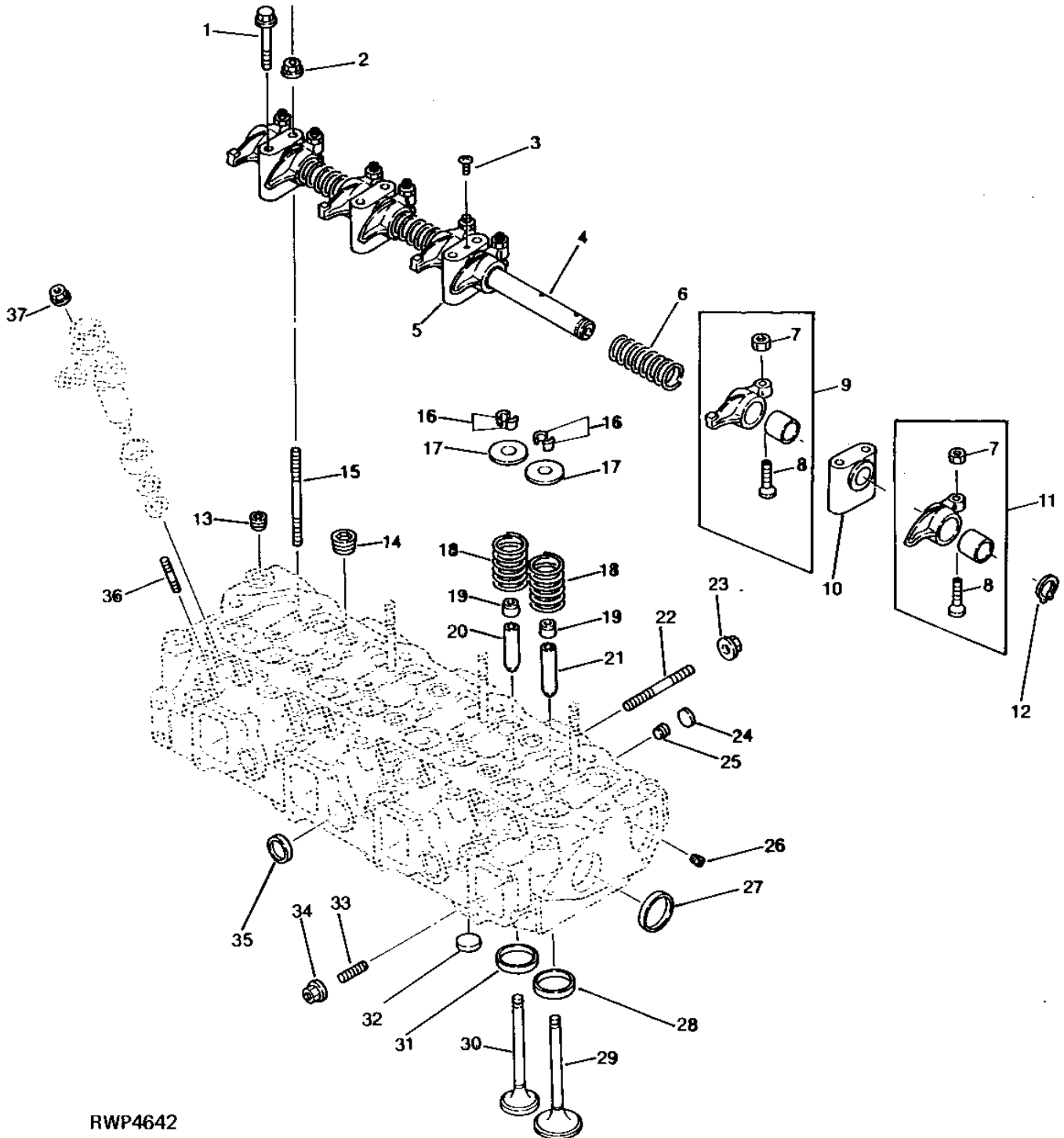
KEY	PART NO.	PART NAME	QTY	ENGINE			REMARKS
				SERIAL NO.	5 5 5	2 4 6	
					1 1 1		
					2 4 6		
					5 5 5		
					0 0 0		
1	19M7801	SCREW	4		X		M8 X 60
2	24M7095	WASHER	6		X		8.400 X 15 X 1.600 MM
3	CH16761	SUPPORT	2		X		ROCKER ARM
4	CH16763	STUD	2		X		ROCKER ARM SUPPORT
5	CH10560	PLUG	4		X		
6	15H666	PIPE PLUG	1		X		3/8"
7	CH15443	STUD	3		X		M8 X 70
8	12M7065	LOCK WASHER	3		X		M8
9	14M7298	FLANGE NUT	3		X		M8
10	CH16748	PLUG	3		X		
11	CH16747	PLUG	3		X		
12	CH16749	PLUG	3		X		
13	CH16746	VALVE SEAT INSERT	3		X		EXHAUST
14	CH16753	EXHAUST VALVE	3		X		
15	CH16752	INTAKE VALVE	3		X		
16	CH16745	VALVE SEAT INSERT	3		X		INTAKE
17	PT13744	PLUG	1		X		(SUB FOR CH13504)
18	CH16751	PLUG	2		X		
19	CH16781	STUD	3		X		M8 X 20
20	12M7065	LOCK WASHER	3		X		M8
21	14M7298	FLANGE NUT	9		X		M8
22	CH16750	PLUG	2		X		
23	CH16768	STUD	6		X		FUEL INJECTION NOZZLE
24	CH17080	GUIDE	3		X		VALVE INTAKE
25	CH17081	GUIDE	3		X		VALVE EXHAUST
26	CH16755	SEAL	6		X		VALVE
27	CH16754	SPRING	6		X		VALVE
28	CH16756	HOLDER	6		X		VALVE SPRING
29	CH16757	RETAINER	6		X		VALVE
30	CH16769	SNAP RING	2		X		
31	CH16759	SCREW	3		X		VALVE LASH
32	CH16758	BUSHING	3		X		ROCKER ARM
33	14M7273	NUT	3		X		M8, (SUB FOR CH12400)
34	CH16929	ROCKER ARM	3		X		INTAKE
35	CH16759	SCREW	3		X		VALVE LASH
36	CH16758	BUSHING	3		X		ROCKER ARM
37	14M7273	NUT	3		X		M8, (SUB FOR CH12400)
38	CH16930	ROCKER ARM	3		X		EXHAUST
39	CH16764	SPRING	2		X		ROCKER ARM SHAFT
40	CH16762	SHAFT	1		X		ROCKER ARM
41	CH16760	SUPPORT	1		X		ROCKER ARM
42	21M7094	SCREW	1		X		M6 X 16
43	14M7298	FLANGE NUT	2		X		M8

1A24

ENGINE

RWP4642 -UN-01JAN94

CYLINDER HEAD VALVES AND ROCKER ARMS



RWP4642

1A25

ENGINE

CYLINDER HEAD VALVES AND ROCKER ARMS - CONTINUED

KEY	PART NO.	PART NAME	QTY	ENGINE	REMARKS
				SERIAL NO.	
				1 1 1	
				2 4 6	
				5 5 5	
				0 0 0	
1	19M7801	SCREW	4		X X M8 X 60
2	14M7298	FLANGE NUT	4		X X M8
3	21M7094	SCREW	1		X X M6 X 16
4	CH18275	SHAFT	1		X X ROCKER ARM
5	CH16760	SUPPORT	1		X X
6	CH16764	SPRING	3		X X
7	14M7273	NUT	8		X X M8
8	CH16759	SCREW	8		X X
9	CH16930	ROCKER ARM	4		X X EXHAUST
10	CH16761	SUPPORT	3		X X ROCKER ARM
11	CH16929	ROCKER ARM	4		X X INTAKE
12	CH16769	SNAP RING	2		X X M20
13	15H666	PIPE PLUG	1		X X 3/8"
14	CH10560	PLUG	6		X X 1/2"
15	CH16763	STUD	4		X X
16	CH16757	RETAINER	8		X X
17	CH16756	HOLDER	8		X X
18	CH16754	SPRING	8		X X
19	CH16755	SEAL	8		X X
20	CH17081	GUIDE	4		X X EXHAUST VALVE
21	CH17080	GUIDE	4		X X INTAKE VALVE
22	CH15443	STUD	4		X M8 X 70
	CH18385	STUD	4		X M8 X 90
23	14M7298	FLANGE NUT	4		X X M8
24	CH16748	PLUG	4		X X M18
25	CH16747	PLUG	4		X X 1/4"
26	PT13744	PLUG	1		X X 1/8", (SUB FOR CH13504)
27	CH16751	PLUG	2		X X M40
28	CH16745	VALVE SEAT INSERT	4		X X
29	CH16752	INTAKE VALVE	4		X X INTAKE
30	CH16753	EXHAUST VALVE	4		X X EXHAUST
31	CH16746	VALVE SEAT INSERT	4		X X
32	CH16749	PLUG	4		X X M22
33	CH16781	STUD	4		X X M8 X 20
34	14M7298	FLANGE NUT	4		X X M8
35	CH16750	PLUG	3		X X M28
36	CH16768	STUD	8		X X FUEL INJECTION NOZZLE
37	14M7298	FLANGE NUT	8		X X M8

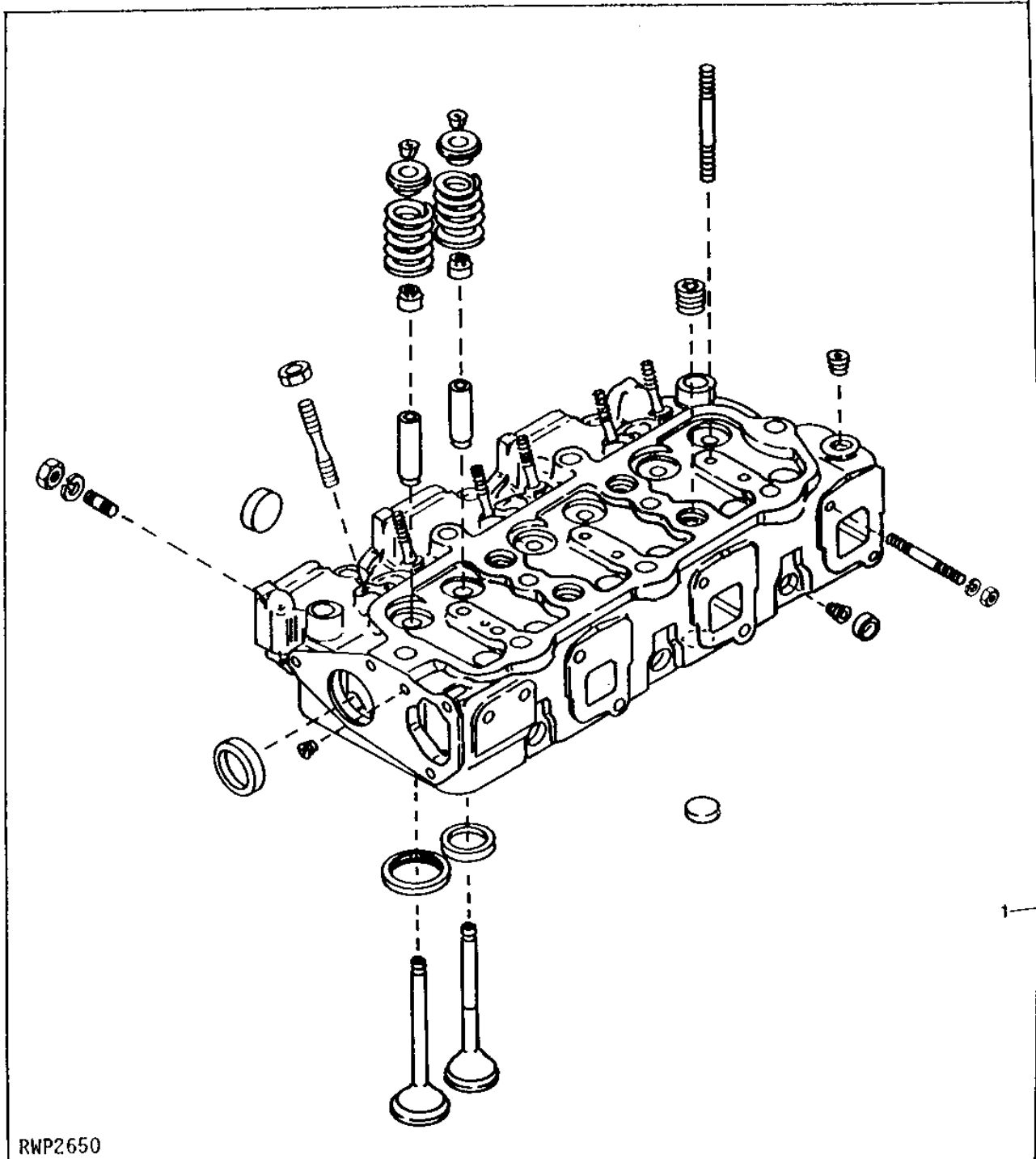
1B1

ENGINE

RWP2650

-UN-01JAN94

CYLINDER HEAD



RWP2650

1B2

ENGINE

CYLINDER HEAD - CONTINUED

KEY	PART NO.	PART NAME	QTY	ENGINE SERIAL NO.	1 1 1	REMARKS
					2 4 6	
					5 5 5	
					0 0 0	
1	CH16931	CYLINDER HEAD	1		X	
	CH18383	CYLINDER HEAD	1		X	
	CH18384	CYLINDER HEAD	1		X	

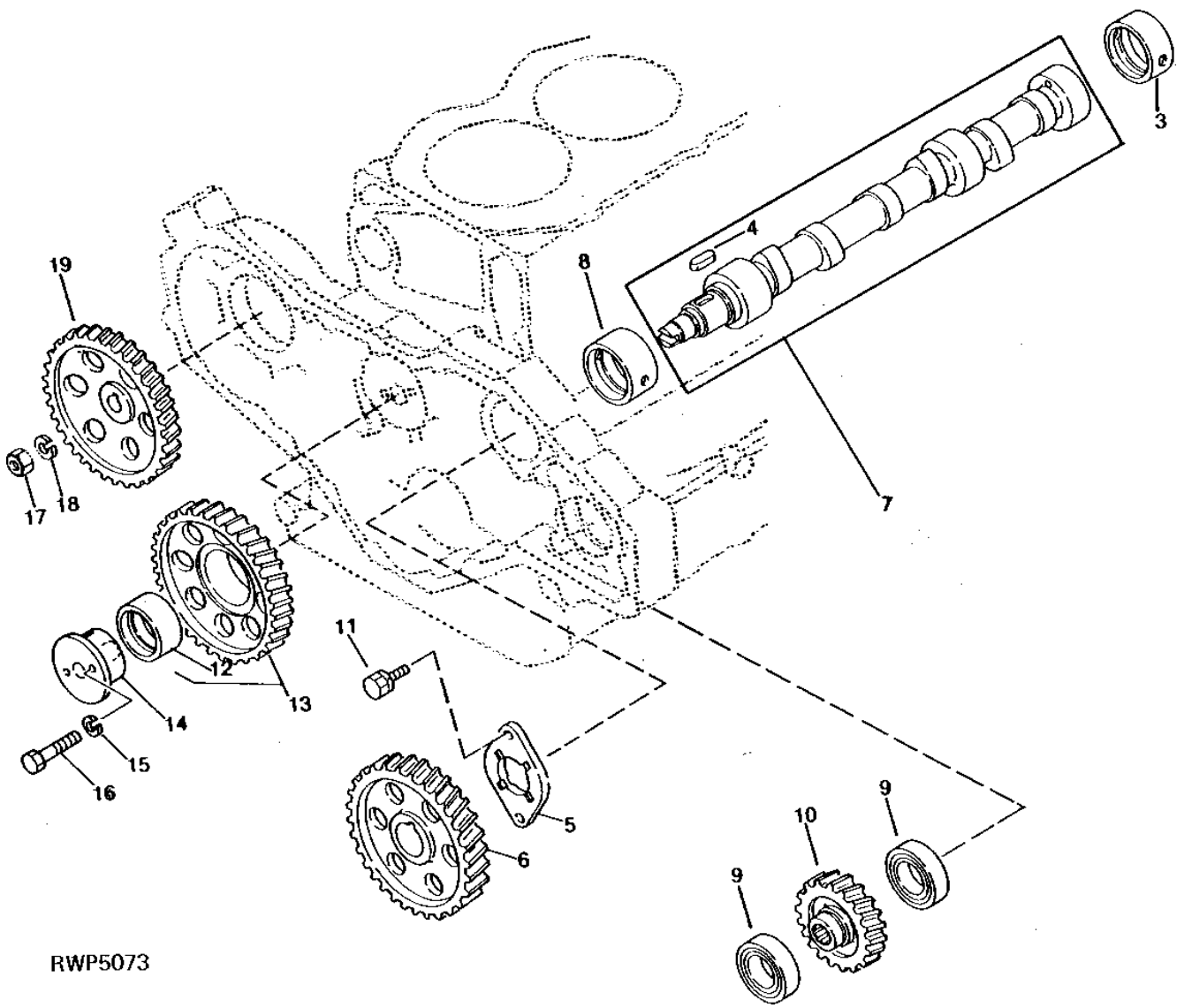
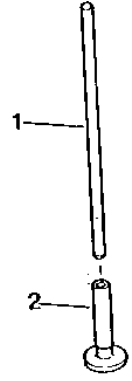
1B3

ENGINE

RWP5073

-UN-01JAN94

CAMSHAFT AND PUSH RODS



RWP5073

1B4

ENGINE

CAMSHAFT AND PUSH RODS - CONTINUED

KEY	PART NO.	PART NAME	QTY	ENGINE			REMARKS
				SERIAL NO.	1 1 1	2 4 6	
					5 5 5		
					0 0 0		
1	CH16790	PUSH ROD	6		X		
	CH16790	PUSH ROD	8		X X		
2	CH18299	CAM FOLLOWER	6		X		(SUB FOR CH16789)
	CH18299	CAM FOLLOWER	8		X X		
3	CH16736	BUSHING	2		X X X		
4	CH14686	KEY	1		X X X		
5	CH16737	FLANGE	1		X X X		
6	CH16788	GEAR	1		X X X		CAMSHAFT
7	CH19490	CAMSHAFT	1		X		(SUB FOR CH16920)
	CH19491	CAMSHAFT	1		X		(SUB FOR CH18369)
	CH19492	CAMSHAFT	1		X		(SUB FOR CH18370)
8	CH16735	BUSHING	1		X X X		
9	CH13505	BALL BEARING	2		X X X		
10	CH16811	GEAR	1		X X X		HYDRAULIC OIL PUMP DRIVE
11	19M7139	CAP SCREW	2		X X X		M8 X 20
	12M7065	LOCK WASHER	2		X X X		M8
12	CH16809	BUSHING	1		X X X		IDLER GEAR, (SUB CH16808)
13	CH16808	GEAR	1		X X X		IDLER, WITH BUSHING
14	CH16807	SHAFT	1		X X X		IDLER GEAR
15	12M7065	LOCK WASHER	2		X X X		M8
16	19M7378	CAP SCREW	2		X X X		M8 X 45
17	14M7275	NUT	1		X X X		M12
18	12M7067	LOCK WASHER	1		X X X		M12
19	CH16810	GEAR	1		X X X		FUEL INJECTION PUMP DRIVE

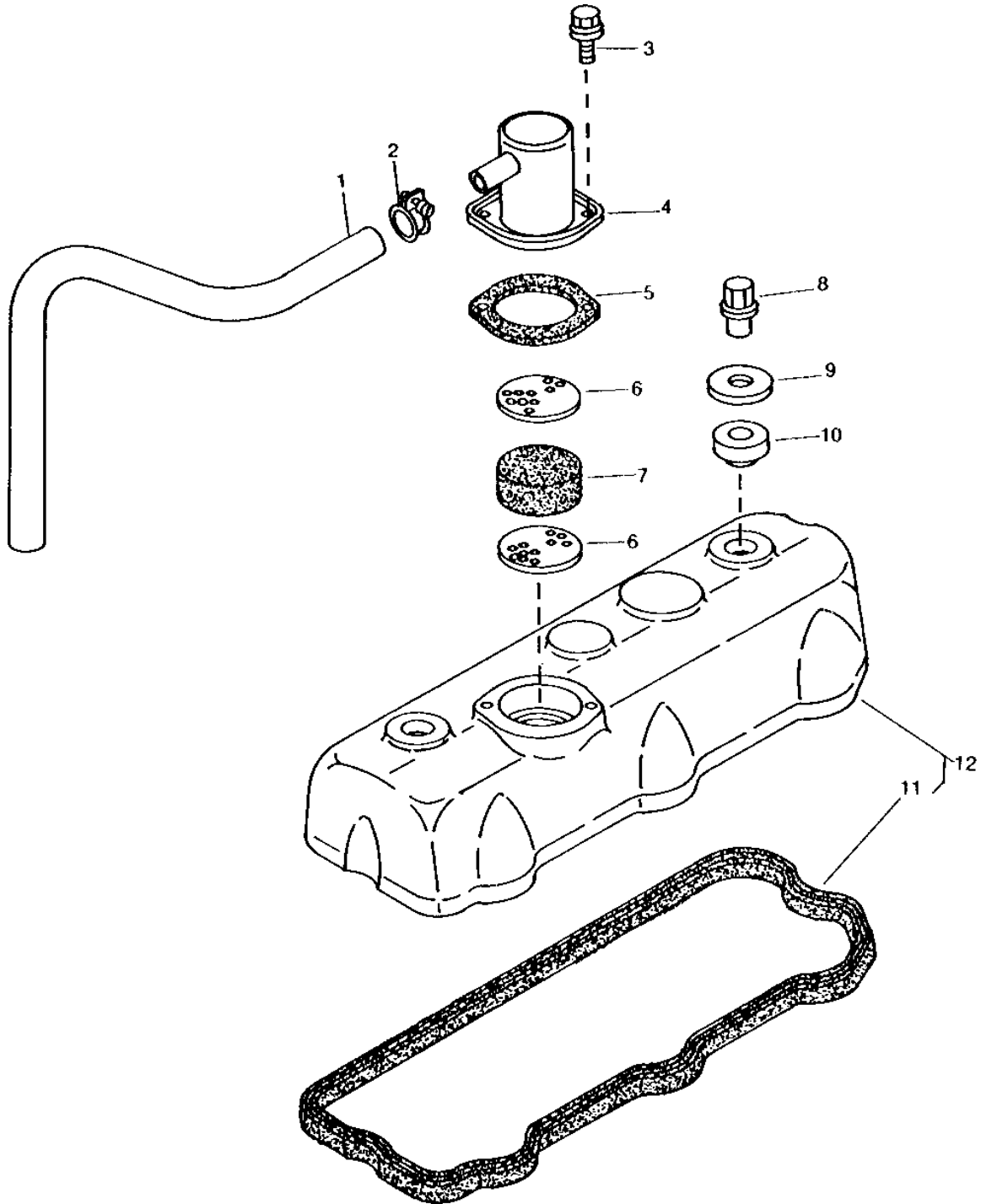
1B5

ENGINE

RWP2653

-UN-01JAN94

ROCKER ARM COVER



RWP2653

1B6

ENGINE

ROCKER ARM COVER - CONTINUED

KEY	PART NO.	PART NAME	QTY	ENGINE			REMARKS
				SERIAL NO.	1 1 1	2 4 6	
				5 5 5			
				0 0 0			
1	CH16741	PIPE	1		X X X		BREATHER, (SUB CH20211)
2	AR21837	CLAMP	1		X X X		
3	CH12349	BOLT	2		X X X		
4	CH16738	COVER	1		X X X		BREATHER
5	CH16739	GASKET	1		X X X		
6	CH16742	ISOLATOR	2		X X X		
7	CH16740	FILTER	1		X X X		
8	CH10348	NUT	2		X		
	CH10348	NUT	4		X X		
9	CH16837	WASHER	2		X		
	CH16837	WASHER	4		X X		
10	CH16799	SEAL	2		X		
	CH16799	SEAL	4		X X		
11	CH16944	GASKET	1		X		COVER
	CH18280	GASKET	1		X X		COVER
12	CH16943	COVER	1		X		
	CH18278	COVER	1		X X		

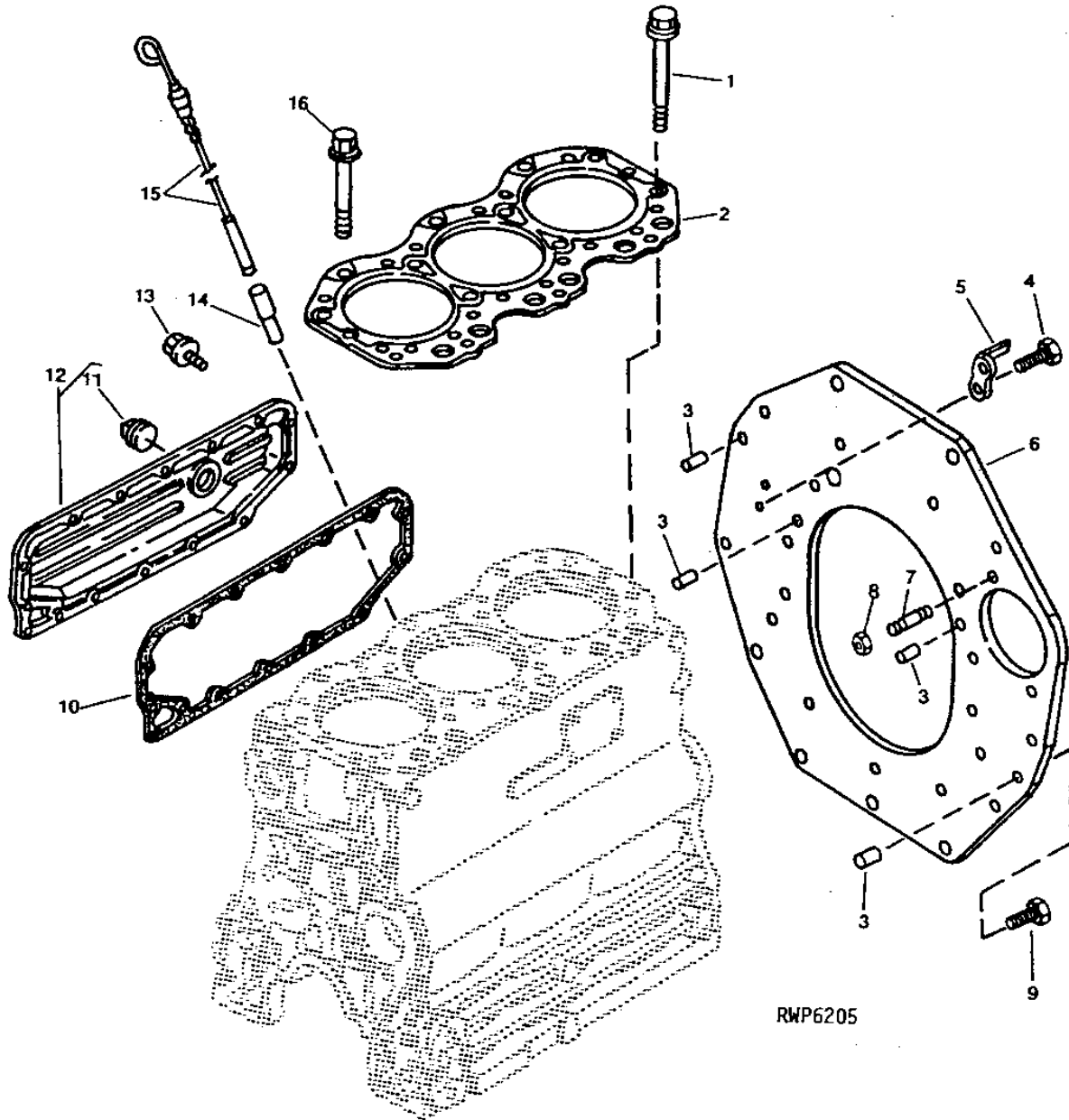
1B7

ENGINE

RWP6205

-UN-01JAN94

CYLINDER BLOCK PARTS



1B8

ENGINE

CYLINDER BLOCK PARTS - CONTINUED

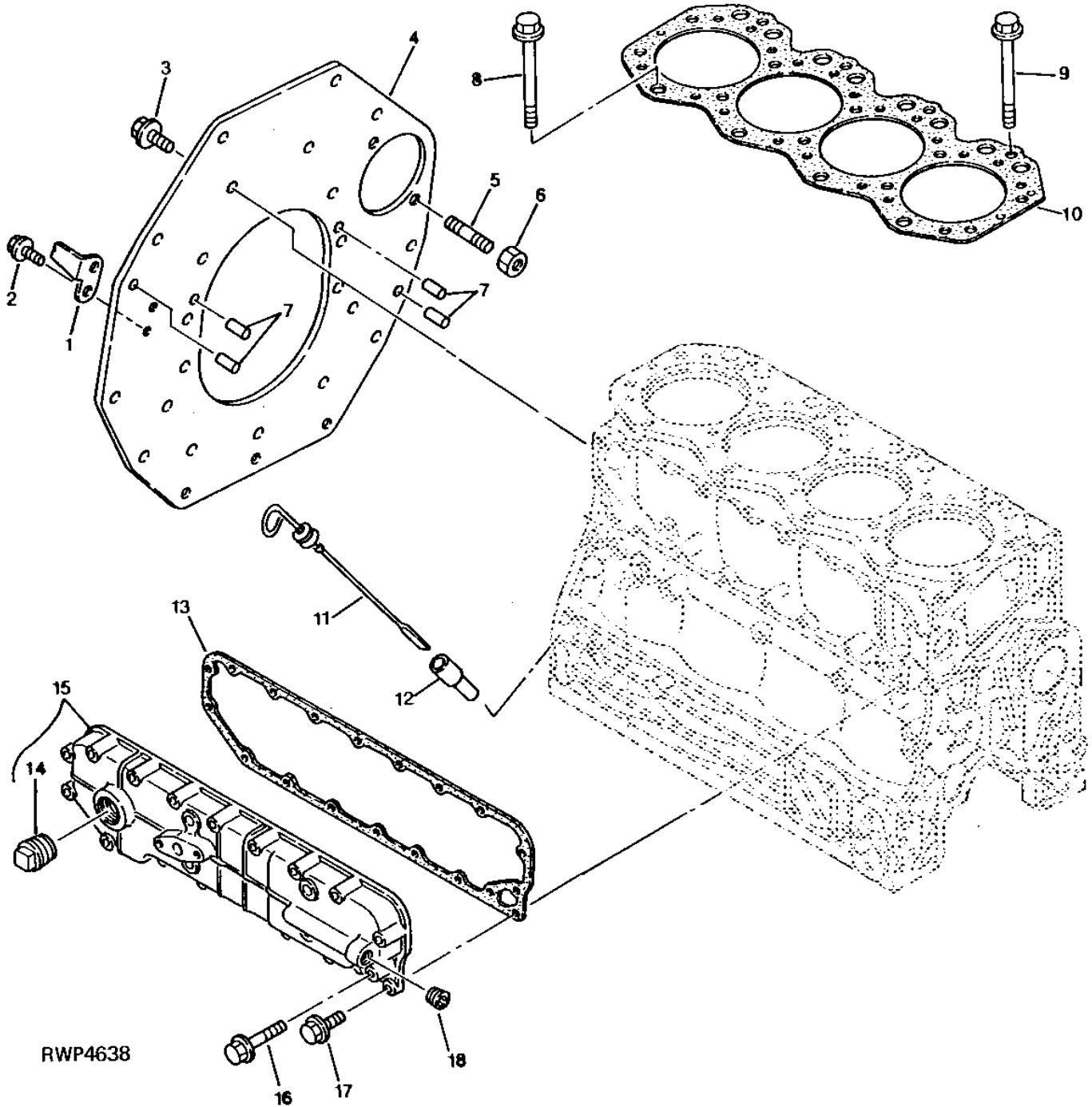
KEY	PART NO.	PART NAME	QTY	ENGINE SERIAL NO.	1 1 1	REMARKS
					2 4 6	
					5 5 5	
					0 0 0	
1	CH16702	BOLT	11		X	
2	CH16706	GASKET	1		X	CYLINDER HEAD
3	CH16730	PIN	4		X	
4	CH19095	BOLT	2		X	M6 X 8
5	CH16729	MARKER	1		X	TIMING
6	CH16728	FLANGE	1		X	MOUNTING
7	CH10389	STUD	2		X	M12 X 25
8	14M7275	NUT	2		X	M12
9	CH19096	BOLT	13		X	M10 X 22
10	CH16707	GASKET	1		X	JACKET COVER
11	15H562	PIPE PLUG	1		X	1"
12	CH16923	COVER	1		X	JACKET
13	19M7864	SCREW	15		X	M8 X 12
14	CH15495	GUIDE	1		X	
15	CH16825	DIPSTICK	1		X	
16	CH16703	BOLT	3		X	

1B9

ENGINE

RWP4638 -UN-01JAN94

CYLINDER BLOCK PARTS



RWP4638

1B10

ENGINE

CYLINDER BLOCK PARTS - CONTINUED

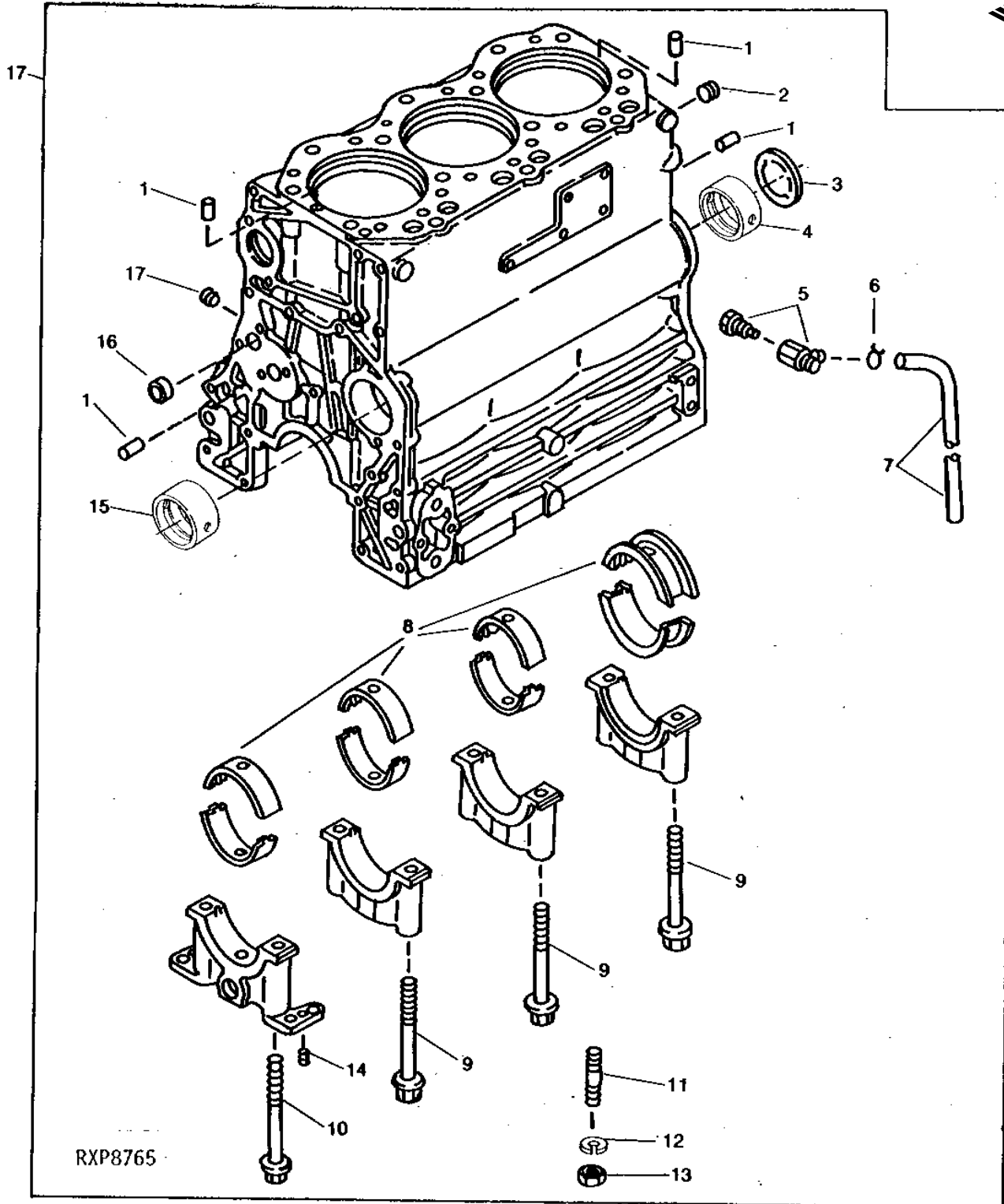
KEY	PART NO.	PART NAME	QTY	ENGINE			REMARKS
				SERIAL NO.	1 1 1	2 4 6	
				5 5 5			
				0 0 0			
1	CH16729	MARKER	1		X X		
2	CH19095	BOLT	2		X X	M6 X 8	
3	CH19096	BOLT	13		X X	M10 X 22	
4	CH16728	FLANGE	1		X X		
5	CH10389	STUD	2		X X	M12 X 25	
6	14M7275	NUT	2		X X	M12	
7	CH16730	PIN	4		X X	M10 X 8	
8	CH16703	BOLT	4		X X		
9	CH16702	BOLT	14		X X		
10	CH18264	GASKET	1		X X		
11	CH18312	DIPSTICK	1		X X		
12	CH15495	GUIDE	1		X X		
13	CH18266	GASKET	1		X X		
14	15H562	PIPE PLUG	1		X X	1"	
15	CH18378	COVER	1		X X		
16	19M7800	SCREW	12		X X	M8 X 50	
17	19M7867	SCREW	7		X X	M8 X 25	
18	15H666	PIPE PLUG	1		X X	3/8"	

1B11

ENGINE

RXP8765 -UN-01JAN94

CYLINDER BLOCK



1B12

ENGINE

CYLINDER BLOCK - CONTINUED

KEY	PART NO.	PART NAME	QTY	ENGINE			REMARKS
				SERIAL NO.	5 5 5	2 4 6	
					1 1 1		
					2 4 6		
					5 5 5		
					0 0 0		
1	CH10534	PIN	7		X		M8 X 16
2	15H666	PIPE PLUG	1		X		3/8"
3	CH16709	PLUG	1		X		
4	CH16736	BUSHING	2		X		
5	CH16711	DRAIN VALVE	1		X		
6	AR48236	CLAMP	1		X		(SUB FOR CH10460)
7	CH18195	TUBE	1		X		(SUB FOR CH16708)
8	CH20099	BEARING	1		X		MAIN BEARING, (SUB (3) CH20231 AND CH20232) (SUB FOR CH16919)
	CH20711	BEARING	AR		X		0.25 MM (.010") US, (PKG. OF CH20712 AND CH20713)
	CH20714	BEARING	1		X		0.25 MM (.010") US, (PKG. OF CH20715 AND CH20716)
9	CH16733	BOLT	6		X		BEARING CUP
10	CH16734	BOLT	2		X		BEARING CUP
11	CH12380	STUD	2		X		M8 X 35
12	12M7065	LOCK WASHER	2		X		M8
13	14M7273	NUT	2		X		M8
14	CH12293	PIN	2		X		M4 X 10
15	CH16735	BUSHING	1		X		
16	CH16710	PLUG	1		X		
17	PT13744	PLUG	5		X		(SUB FOR CH13504)
18	CH16917	CYLINDER BLOCK	1		X		
..	CH16730	PIN	2		X		

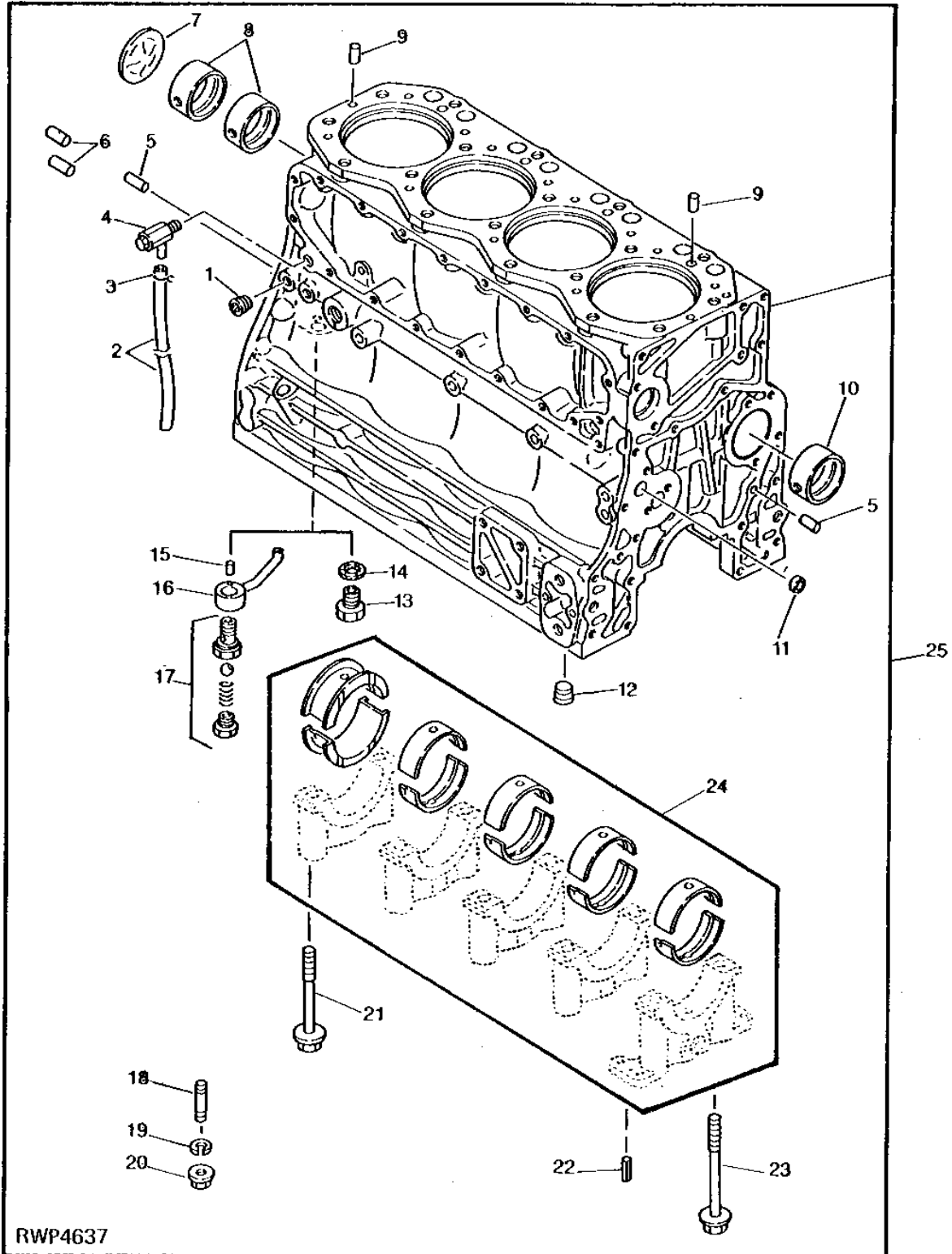
1B13

ENGINE

RWP4637

-UN-01JAN94

CYLINDER BLOCK



RWP4637

1B14

ENGINE

CYLINDER BLOCK - CONTINUED

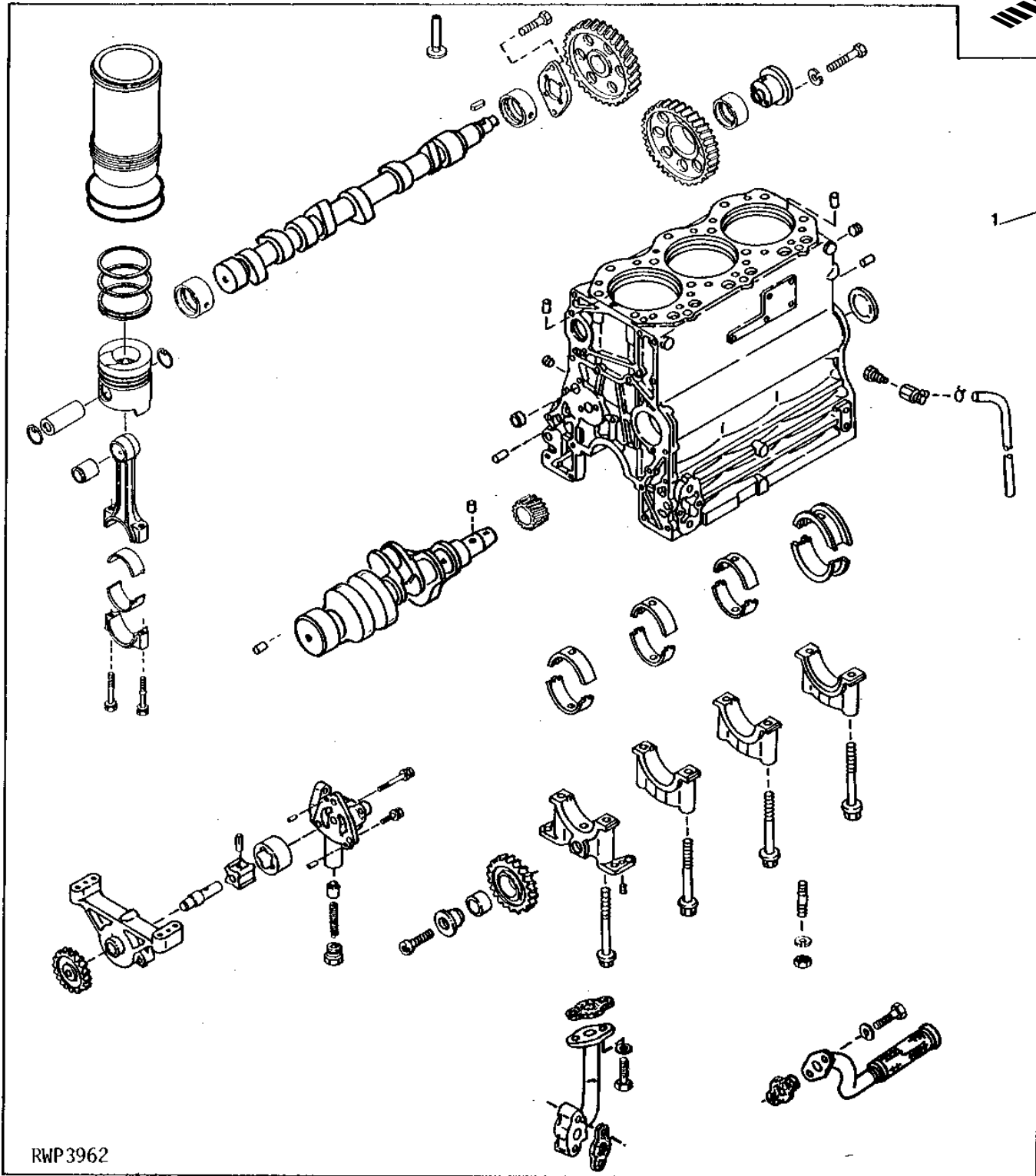
KEY	PART NO.	PART NAME	QTY	ENGINE			REMARKS
				SERIAL NO.	1 1 1	2 4 6	
					5 5 5		
				0 0 0			
1	PT13744	PLUG	6		X X		1/8", (SUB FOR CH13504)
2	CH18195	TUBE	1		X X		
3	AR48236	CLAMP	1		X X		
4	CH16711	DRAIN VALVE	1		X X		
5	CH10534	PIN	4		X X		M8 X 16
6	CH16730	PIN	4		X X		M10 X 18
7	CH16709	PLUG	1		X X		M60
8	CH16736	BUSHING	2		X X		
9	CH10534	PIN	2		X X		M8 X 16
10	CH16735	BUSHING	1		X X		
11	CH16710	PLUG	1		X X		M16
12	15H666	PIPE PLUG	2		X X		3/8"
13	CH10561	PLUG	4		X		M10
14	CH10555	PACKING	4		X		
15	CH20117	PIN	4		X		(SUB FOR CH15582)
16	CH18342	NOZZLE	4		X		
17	CH18337	VALVE	4		X		
18	CH12380	STUD	2		X X		M8 X 35
19	12M7065	LOCK WASHER	2		X X		M8
20	14M7298	FLANGE NUT	2		X X		M8
21	CH16733	BOLT	8		X X		
22	CH12293	PIN	2		X X		M4 X 10
23	CH16734	BOLT	2		X X		
24	CH20100	BEARING	1		X X		(MAIN BEARING) (SUB FOR CH18364) (SUB
	CH20711	BEARING	AR		X X		(4) CH20231 AND CH20232
	CH20714	BEARING	1		X X		(MAIN) 0.25 MM (.010") US, (PKG. OF
							CH20712 AND CH20713)
							(THRUST) 0.25 MM (.010") US, (PKG. OF
							CH20715 AND CH20716)
25	CH18365	CYLINDER BLOCK	1		X		
	CH18366	CYLINDER BLOCK	1		X		

1B15

ENGINE

RWP3962 -UN-01JAN94

SHORT BLOCK ASSEMBLY



RWP3962

1B16

ENGINE

SHORT BLOCK ASSEMBLY - CONTINUED

KEY	PART NO.	PART NAME	QTY	ENGINE SERIAL NO.	1 1 1	REMARKS
					2 4 6	
					5 5 5	
					0 0 0	
1	CH16916	SHORT BLOCK ASSEMBLY	1		X	
	CH18373	SHORT BLOCK ASSEMBLY	1		X	
	CH18374	SHORT BLOCK ASSEMBLY	1		X	

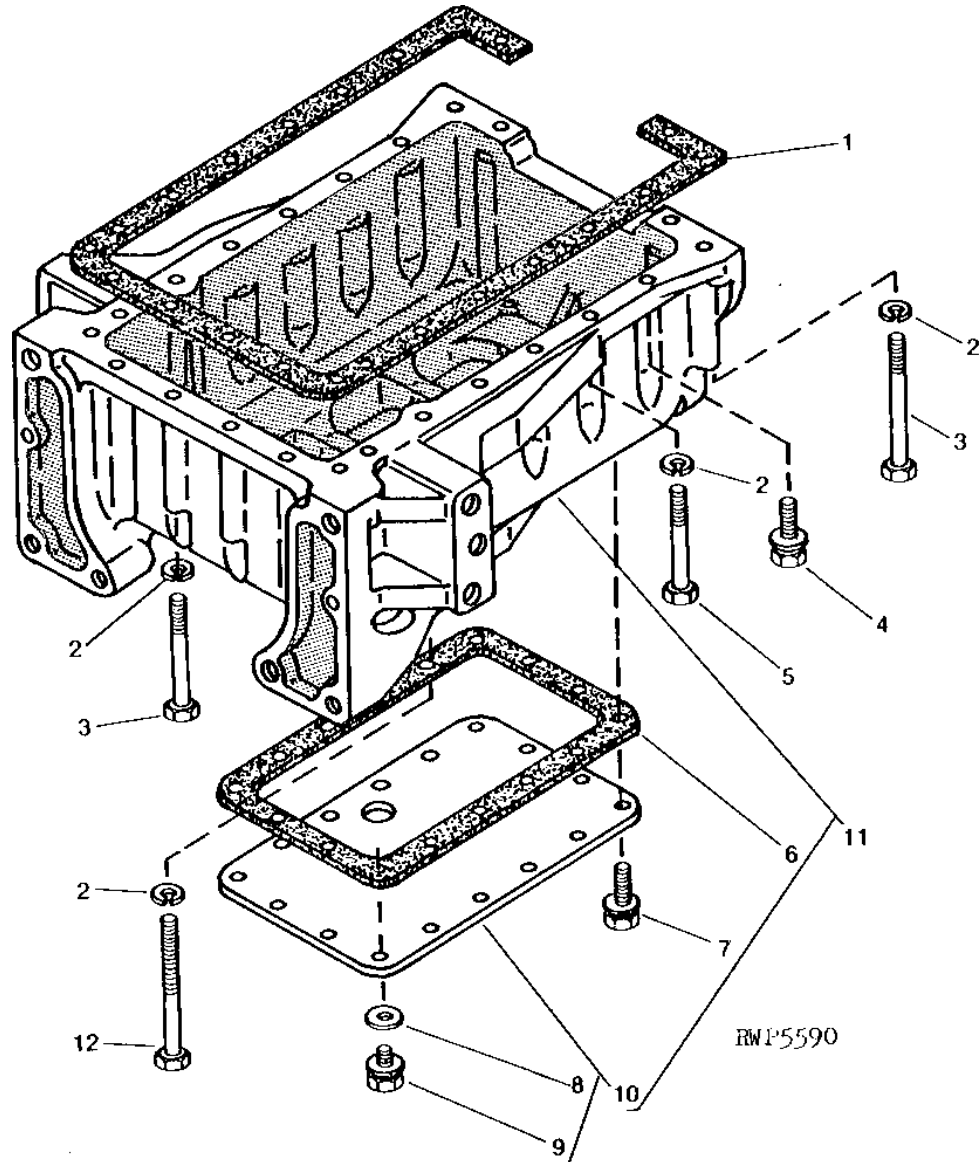
1B17

ENGINE

RWP5590

-UN-01JAN94

OIL PAN



1B18

ENGINE

OIL PAN - CONTINUED

KEY	PART NO.	PART NAME	QTY	ENGINE SERIAL NO.	REMARKS
				1 1 1	
				2 4 6	
				5 5 5	
				0 0 0	
1	CH16724	GASKET	1	X	
2	12M7065	LOCK WASHER	16	X	M8
3	CH16726	BOLT	8	X	M8 X 120, (SUB T111562)
4	19M8008	CAP SCREW	2	X	M8 X 35
5	19M7800	SCREW	6	X	M8 X 50
6	CH16725	GASKET	1	X	
7	19M7162	CAP SCREW	16	X	M8 X 16
	12M7065	LOCK WASHER	16	X	M8
8	CH14634	O-RING	1	X	DRAIN PLUG SEAL
9	CH18267	DRAIN PLUG	1	X	
10	CH16925	COVER	1	X	
11	CH16924	OIL PAN	1	X	
12	CH17547	BOLT	2	X	M8 X 190

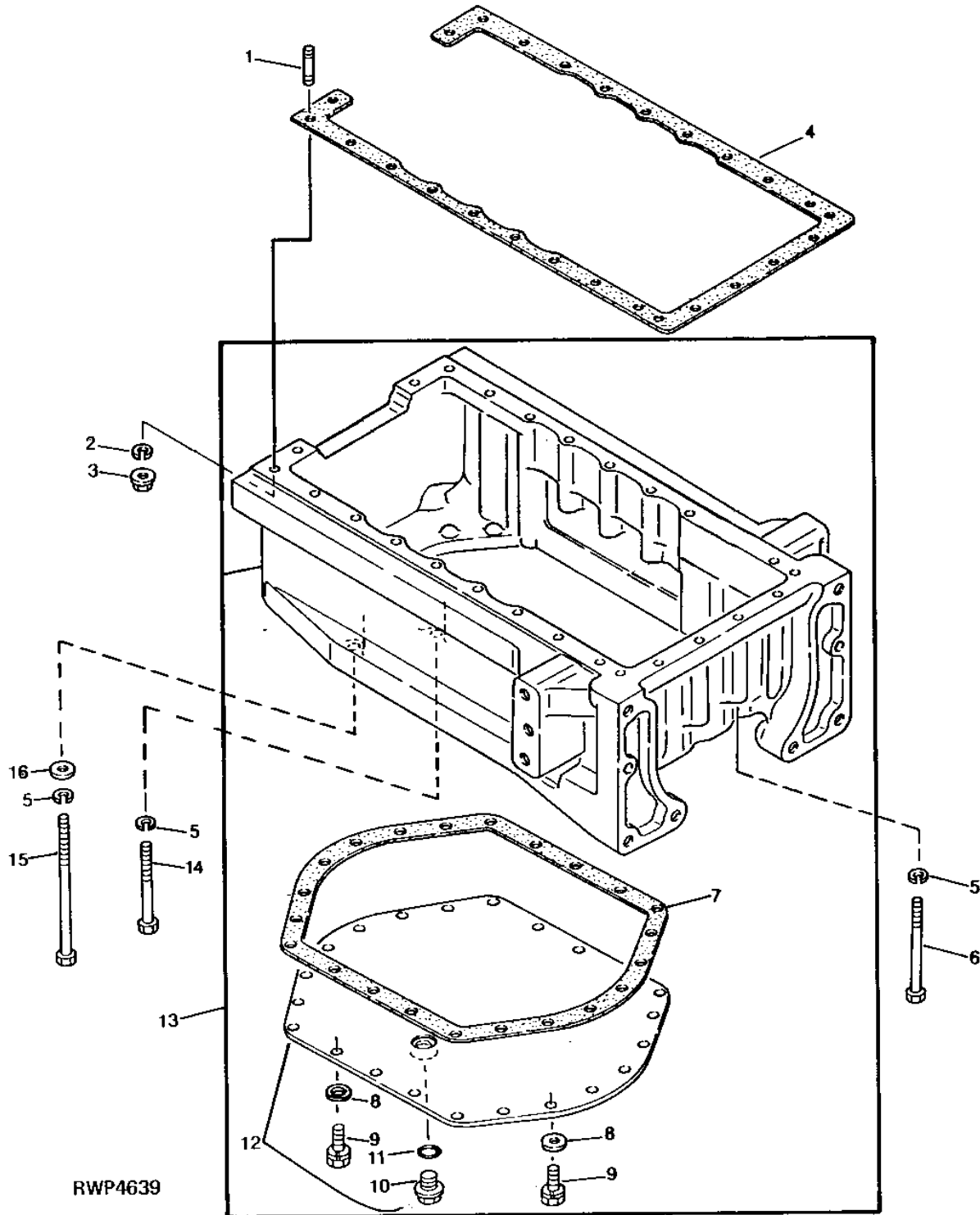
1B19

ENGINE

RWP4639

-UN-01JAN94

OIL PAN



RWP4639

1B20

ENGINE

OIL PAN - CONTINUED

KEY	PART NO.	PART NAME	QTY	ENGINE			REMARKS
				SERIAL NO.	1 1 1	2 4 6	
1	19M8008	CAP SCREW	2		X X	M8 X 35, (SUB FOR CH12380)	
2	12M7065	LOCK WASHER	2		X X	M8	
3	14M7298	FLANGE NUT	2		X X	M8	
4	CH18269	GASKET	1		X X		
5	12M7065	LOCK WASHER	24		X X	M8	
6	T111562	BOLT	2		X X	M8 X 120, (SUB FOR CH16726)	
7	CH18271	GASKET	1		X X		
8	12M7065	LOCK WASHER	22		X X	M8	
9	19M7284	CAP SCREW	22		X X	M8 X 18	
10	CH18267	DRAIN PLUG	1		X X		
11	CH14634	O-RING	1		X X		
12	CH18380	COVER	1		X X		
13	CH18381	OIL PAN	1		X X		
14	CH19093	BOLT	6		X X		
15	CH19094	BOLT	14		X X		
16	CH18272	WASHER	14		X X		

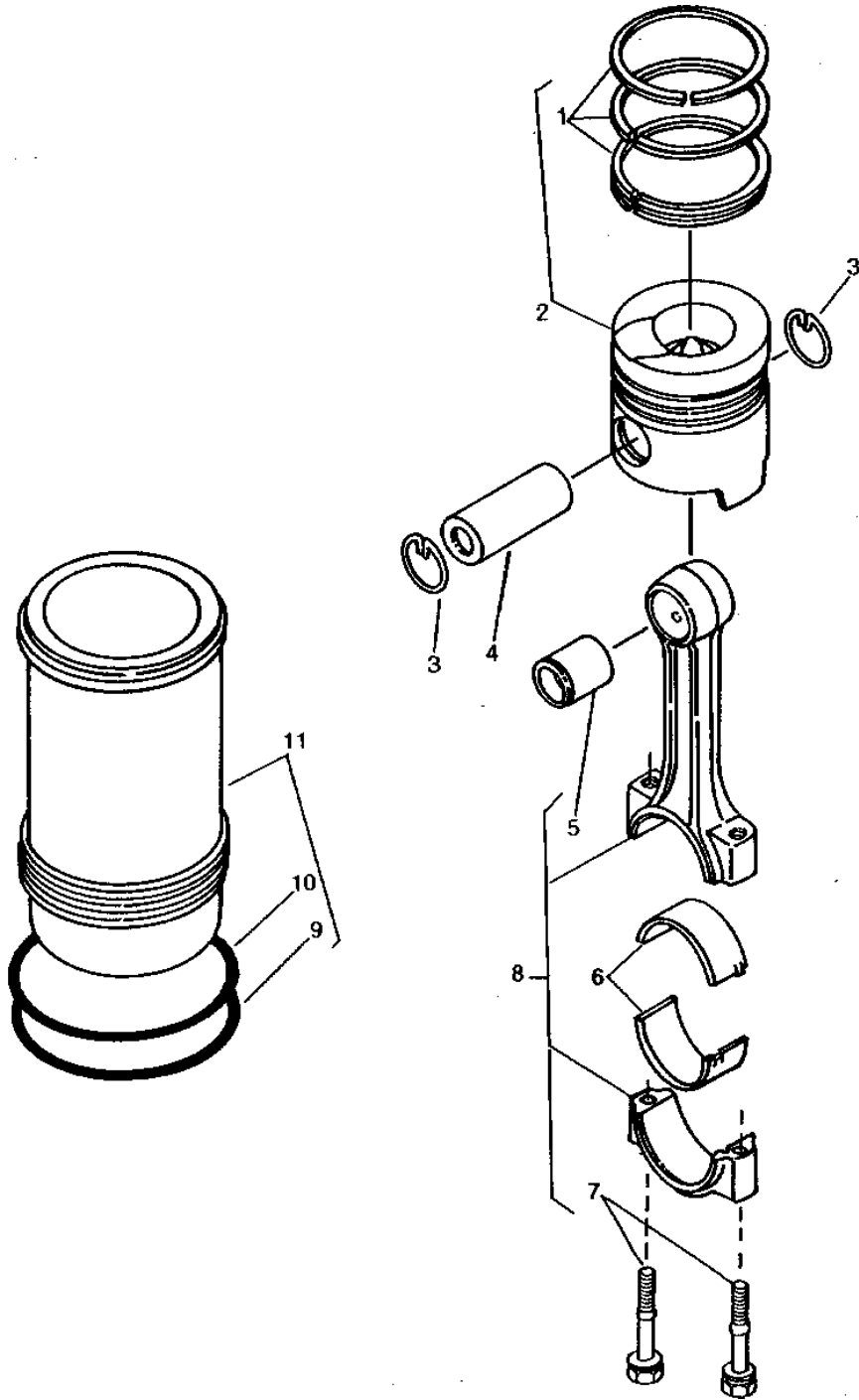
1B21

ENGINE

RWP3967

-UN-01JAN94

PISTON, RINGS AND LINERS



RWP3967

1B22

ENGINE

PISTON, RINGS AND LINERS - CONTINUED

KEY	PART NO.	PART NAME	QTY	ENGINE SERIAL NO.	1 1 1	REMARKS
					2 4 6	
				5 5 5		
				0 0 0		
1	CH16933	PISTON RING KIT	3		X	
	CH16933	PISTON RING KIT	4		X	
	CH18391	PISTON RING	4		X	
2	CH19701	PISTON	3		X	
	CH19701	PISTON	4		X	
	CH19703	PISTON	4		X	
3	CH16803	SNAP RING	6		X	
	CH16803	SNAP RING	8		X X	
4	CH16802	PISTON PIN	3		X	
	CH16802	PISTON PIN	4		X X	
5	CH16804	BUSHING	3		X	
	CH16804	BUSHING	4		X X	
6	CH20233	BEARING	3		X	(SUB FOR CH20102)
	CH20233	BEARING	4		X X	(SUB FOR CH20102)
	CH20717	BEARING	3		X	0.25 MM (.010") US
	CH20717	BEARING	4		X X	0.25 MM (.010") US
7	CH16805	BOLT	6		X	
	CH16805	BOLT	8		X X	
8	CH16922	CONNECTING ROD	3		X	
	CH16922	CONNECTING ROD	4		X X	
9	CH16705	O-RING	3		X	
	CH16705	O-RING	4		X X	
10	CH16704	O-RING	3		X	
	CH16704	O-RING	4		X X	
11	CH16918	CYLINDER LINER	3		X	
	CH16918	CYLINDER LINER	4		X X	

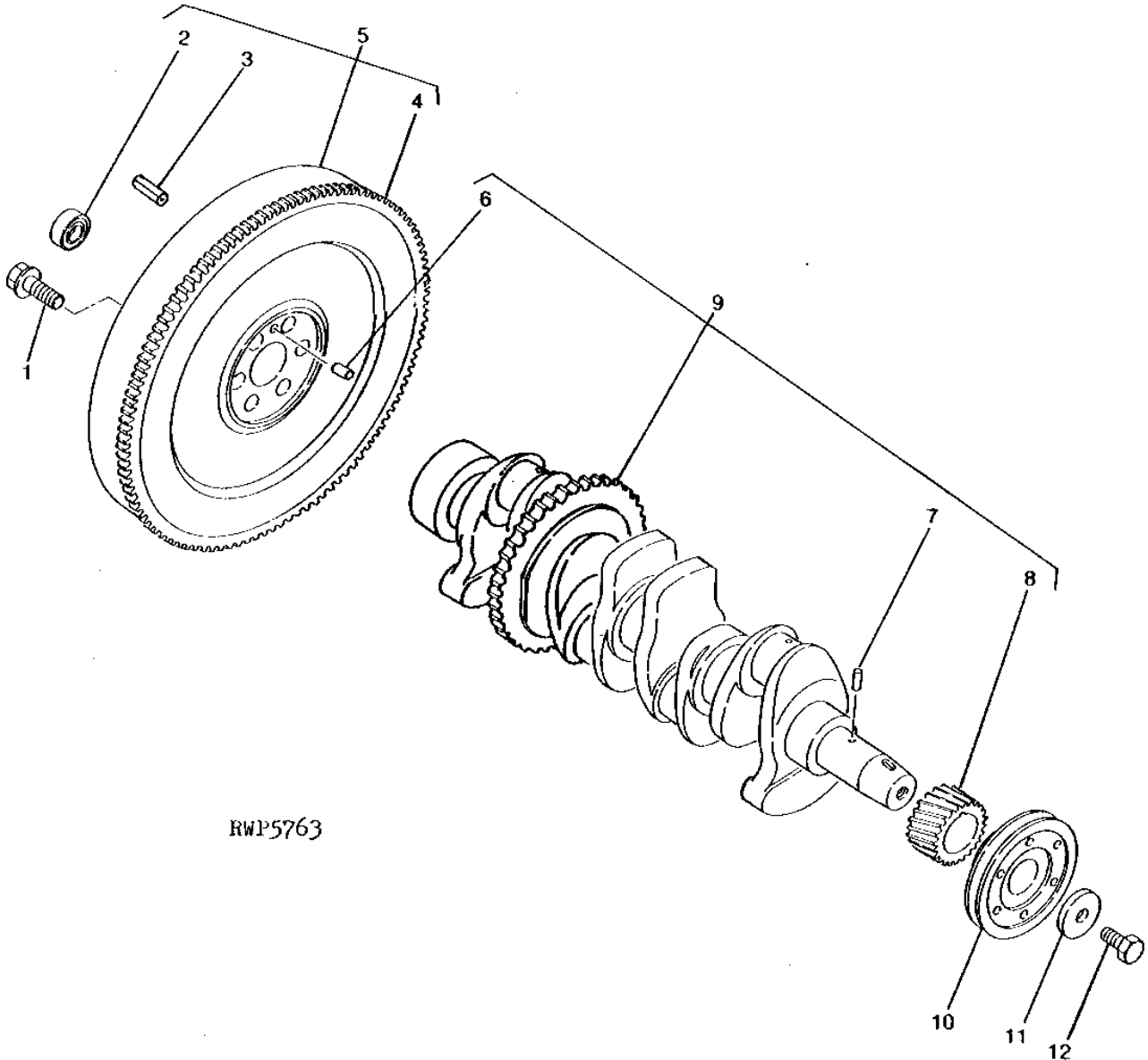
1B23

ENGINE

RWP5763

-UN-01JAN94

CRANKSHAFT AND FLYWHEEL



RWP5763

1B24

ENGINE

CRANKSHAFT AND FLYWHEEL - CONTINUED

KEY	PART NO.	PART NAME	QTY	ENGINE SERIAL NO.			REMARKS
				1	2	3	
				1	1	1	
				2	4	6	
				5	5	5	
				0	0	0	
1	CH16791	BOLT	6	X	X	X	
2	JD9449	BALL BEARING	1	X	X	X	
3	CH15134	PIN	2	X	X	X	M6 X 16
4	CH16795	GEAR	1	X	X	X	
5	CH20194	HOUSING	1	X			(SUB FOR CH17967)
	CH20195	HOUSING	1	X	X		(SUB FOR CH19707)
6	CH16730	PIN	1	X	X	X	
7	CH16793	PIN	1	X	X	X	
8	CH16792	GEAR	1	X	X	X	
9	CH16921	CRANKSHAFT	1	X			
	CH18371	CRANKSHAFT	1		X	X	
10	CH16796	PULLEY	1	X	X	X	
11	CH16797	WASHER	1	X	X	X	
12	CH16798	BOLT	1	X	X	X	

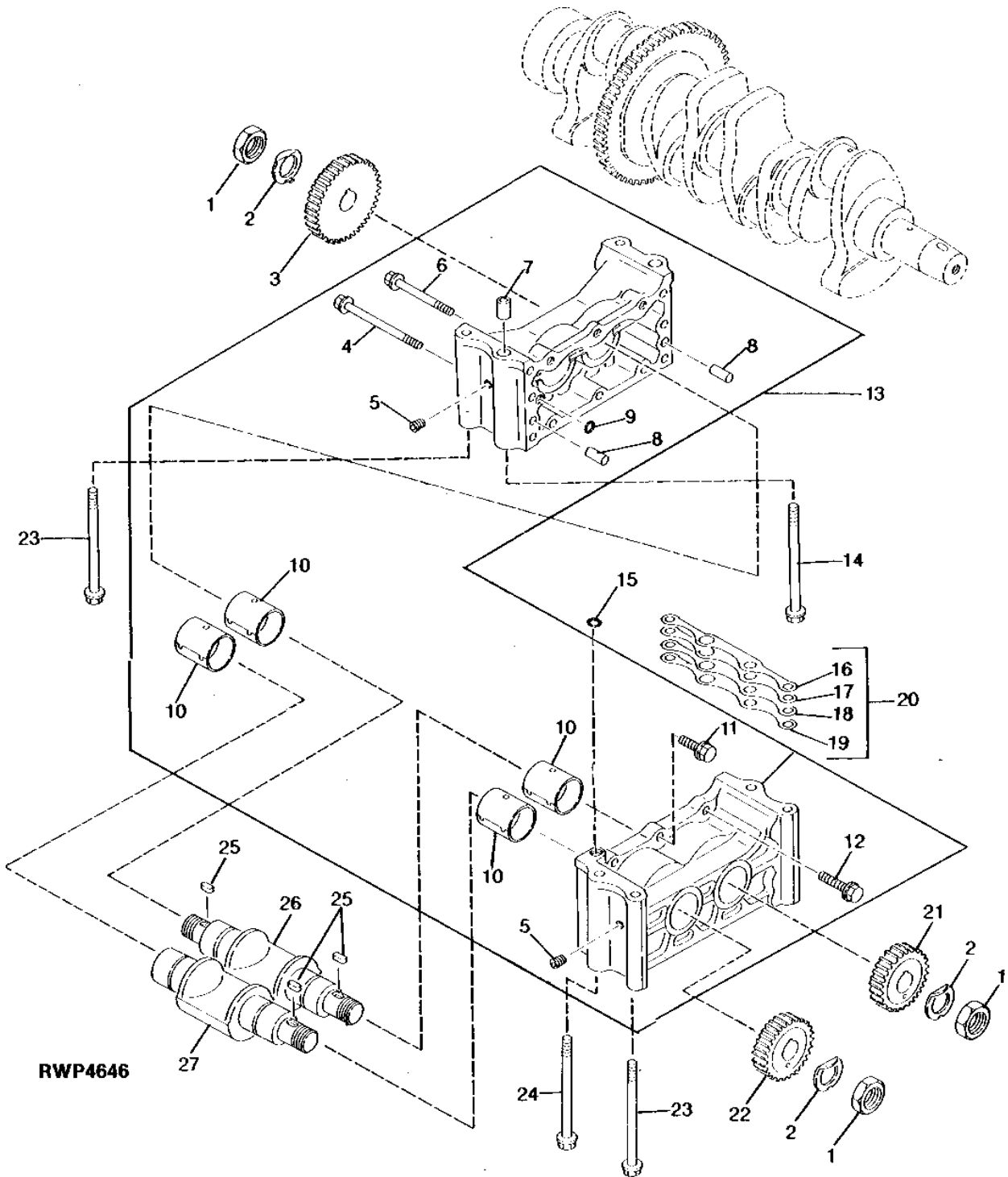
1C1

ENGINE

RWP4646

-UN-01JAN94

CRANKSHAFT BALANCER



RWP4646

1C2

ENGINE

CRANKSHAFT BALANCER - CONTINUED

KEY	PART NO.	PART NAME	QTY	ENGINE			REMARKS
				SERIAL NO.	1 1 1	2 4 6	
				5 5 5			
				0 0 0			
1	CH19103	NUT	3		X X		
2	CH19102	WASHER	3		X X		
3	CH19143	GEAR	1		X X	DRIVE	
4	19M7346	CAP SCREW	6		X X	M10 X 110	
5	CH19109	FITTING PLUG	3		X X	1/16"	
6	19M7810	SCREW	3		X X	M10 X 80	
7	CH19106	SPACER	2		X X		
8	CH19110	DOWEL PIN	2		X X	M10 X 30	
9	CH19111	O-RING	1		X X		
10	CH19105	BUSHING	4		X X		
11	19M7867	SCREW	1		X X	M8 X 25	
12	19M7786	SCREW	2		X X	M10 X 30	
13	CH19104	BALANCER	1		X X		
14	CH19119	BOLT	2		X X	M12 X 146	
15	CH19111	O-RING	1		X X		
16	SHIM	1		X X	(ORDER CH19122)	
17	SHIM	1		X X	(ORDER CH19122)	
18	SHIM	1		X X	(ORDER CH19122)	
19	SHIM	1		X X	(ORDER CH19122)	
20	CH19122	SHIM	1		X X		
21	CH19117	GEAR	1		X X		
22	CH19118	GEAR	1		X X		
23	CH19121	BOLT	4		X X	M10 X 134	
24	CH19120	BOLT	2		X X	M10 X 136	
25	CH19127	KEY	3		X X	M5 X 14	
26	CH19114	SHAFT	1		X X		
27	CH19115	SHAFT	1		X X		

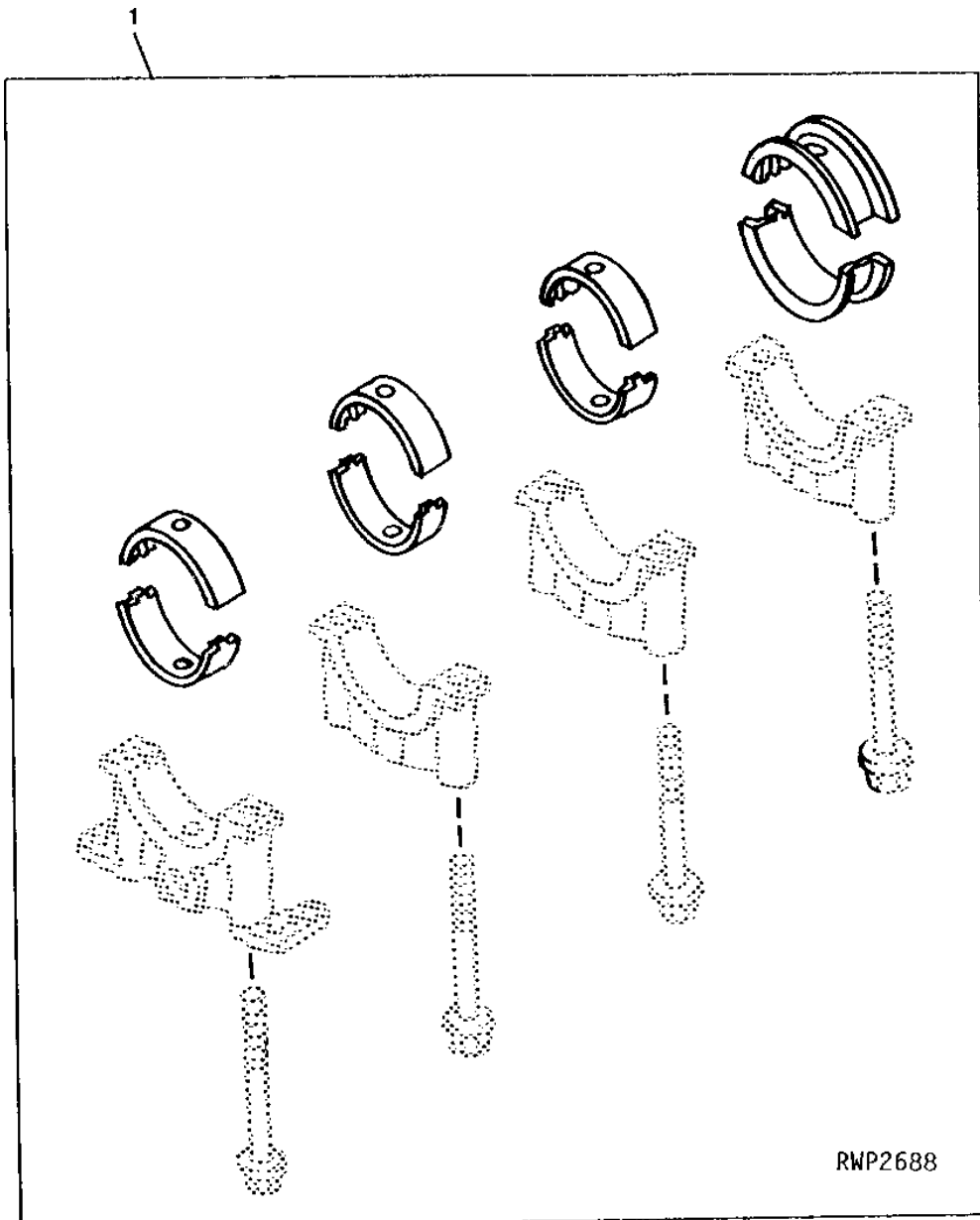
1C3

ENGINE

RWP2688

-UN-01JAN94

MAIN BEARINGS



1C4

ENGINE

MAIN BEARINGS - CONTINUED

KEY	PART NO.	PART NAME	QTY	ENGINE SERIAL NO.	REMARKS
1	CH20099	BEARING	1	X	(SUB FOR CH16919) (SUB (3) CH20231 AND CH20232)

1 1 1
2 4 6
5 5 5
0 0 0

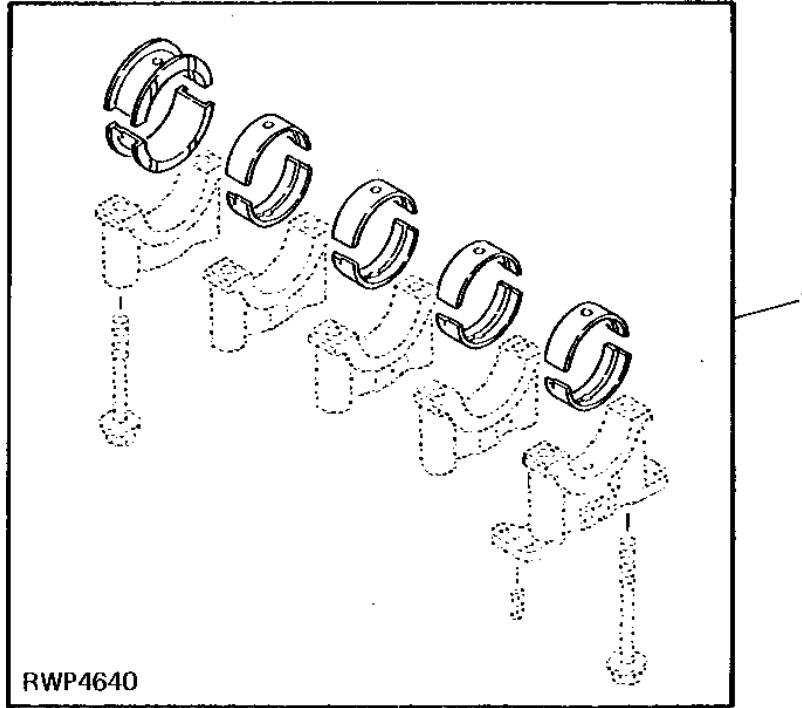
MEMORANDA

1C5

ENGINE

RWP4640 -UN-01JAN94

MAIN BEARINGS



1 1 1
2 4 6
5 5 5
0 0 0

KEY	PART NO.	PART NAME	QTY	ENGINE SERIAL NO.	REMARKS
1	CH20100	BEARING	1	X X	(SUB FOR CH18364) (SUB (4) CH20231 AND CH20232)

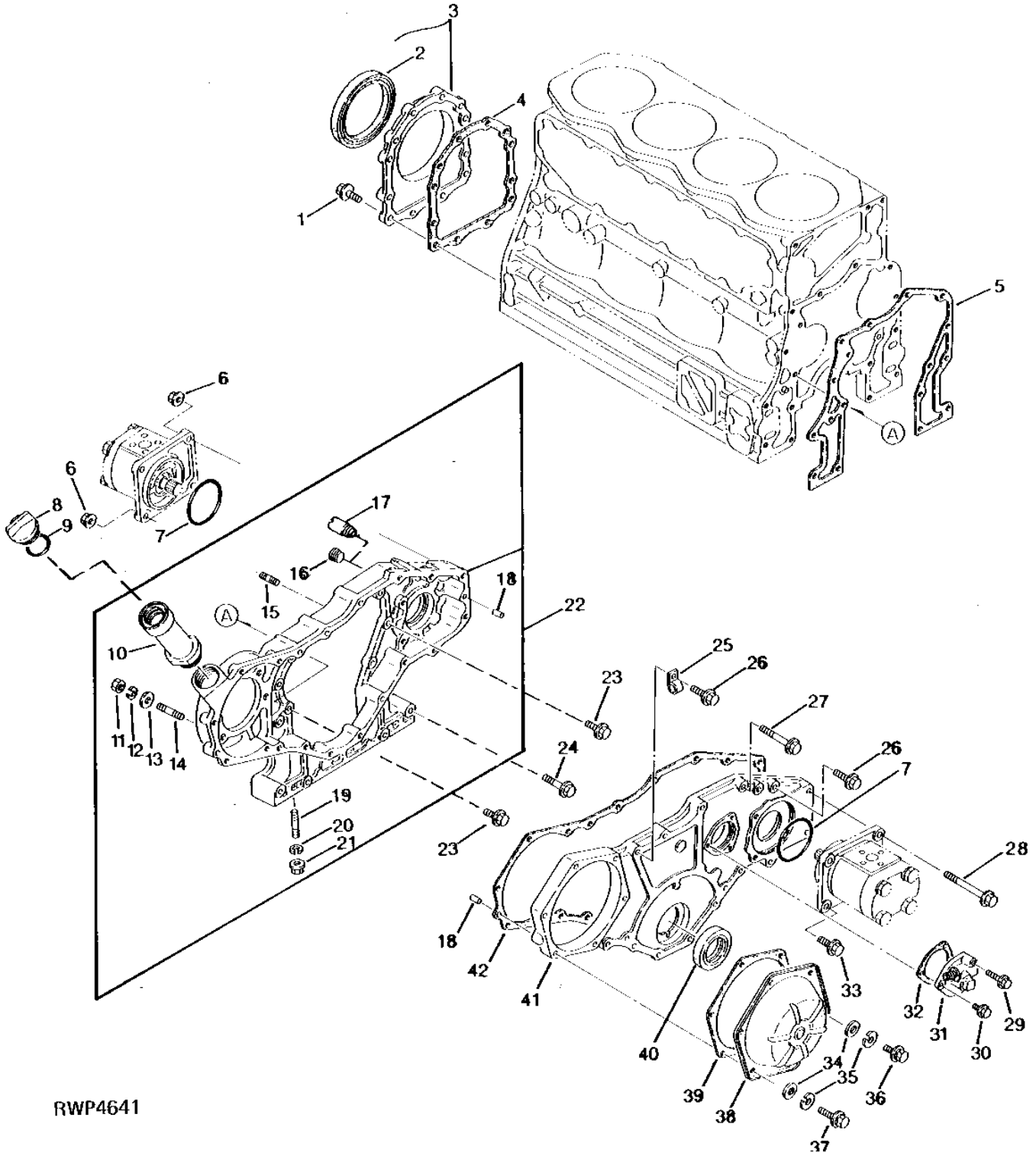
1C6

ENGINE

RWP4641

-UN-01JAN94

GEAR CASE



RWP4641

1C7

ENGINE

GEAR CASE - CONTINUED

KEY	PART NO.	PART NAME	QTY	ENGINE			REMARKS
				SERIAL NO.	1 1 1	2 4 6	
				5 5 5			
				0 0 0			
1	CH19088	BOLT	10	X X X			M8 X 22
2	CH16732	SEAL	1	X X X			
3	CH16928	HOUSING	1	X X X			
4	CH16731	GASKET	1	X X X			
5	CH16712	GASKET	1	X X X			
6	14M7298	FLANGE NUT	4	X X X			M8
7	CH14655	PACKING	2	X X X			
8	CH10332	CAP	1	X X X			(SUB M805710)
9	CH15414	PACKING	1	X X X			(SUB M805711)
10	CH16716	EXTENSION	1	X X X			
11	CH18389	NUT	4	X X X			M10, (SUB 14M7274)
12	12M7066	LOCK WASHER	4	X X X			M10
13	24M7028	WASHER	4	X X X			10.500 X 20 X 2 MM
14	CH16719	STUD	4	X X X			M10 X 32
15	CH16720	STUD	2	X X X			
16	15H666	PIPE PLUG	1	X X			3/8"
17	CH12837	CONNECTOR	1	X			
18	CH10534	PIN	2	X X X			
19	CH17285	STUD	2	X X X			M8 X 35
20	12M7065	LOCK WASHER	2	X X X			M8
21	14M7298	FLANGE NUT	2	X X X			M8
22	CH16926	CASE	1	X X X			
23	CH19088	BOLT	5	X X X			M8 X 22
24	19M7979	SCREW	4	X X X			M8 X 55
25	CH13189	CLAMP	1	X X X			
26	CH19089	BOLT	5	X X X			M8 X 38
27	CH19091	BOLT	7	X X X			M8 X 75
28	CH19092	BOLT	2	X X X			M8 X 105
29	CH19141	BOLT	1	X X X			
30	CH19140	BOLT	2	X X X			M6 X 14
31	CH16912	SENDER	1	X X X			TACHOMETER
32	CH12822	GASKET	1	X X X			
33	CH19088	BOLT	2	X X X			
34	24M7055	WASHER	6	X X X			8.400 X 16 X 1.600 MM
35	12M7065	LOCK WASHER	6	X X X			M8
36	19M7162	CAP SCREW	1	X X X			
37	CH12351	SCREW, WITH WASHER	1	X			M8 X 16, (SUB 12M7065, 19M7162 AND 24M7055)
	19M7922	CAP SCREW	5	X X X			M8 X 40
38	CH16714	COVER	1	X X X			
39	CH16715	GASKET	1	X X X			
40	CH16717	SEAL	1	X X X			
41	CH16927	COVER	1	X X X			
42	CH16713	GASKET	1	X X X			

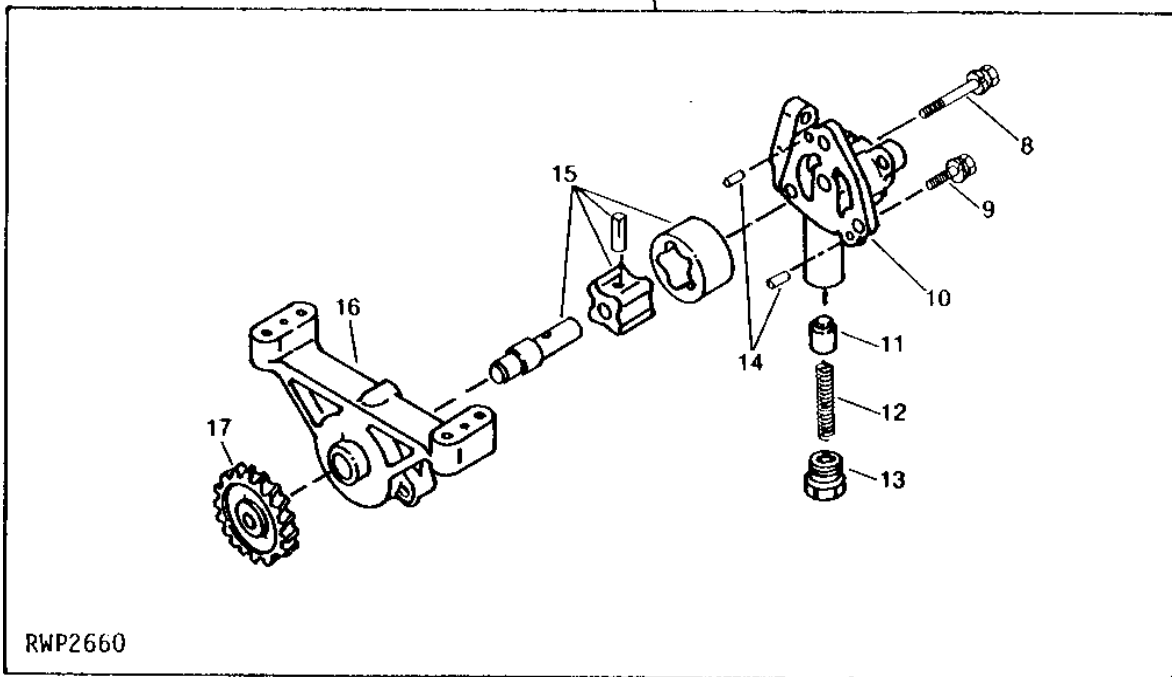
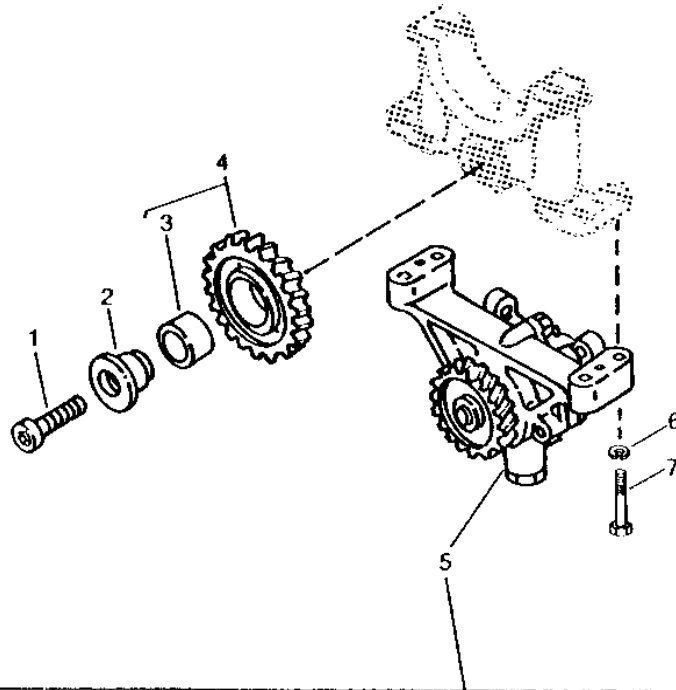
1C8

ENGINE

RWP2660

-UN-01JAN94

ENGINE OIL PUMP



RWP2660

1C9

ENGINE

ENGINE OIL PUMP - CONTINUED

KEY	PART NO.	PART NAME	QTY	ENGINE			REMARKS
				SERIAL NO.	1 1 1	2 4 6	
					5 5 5		
					0 0 0		
1	19M8212	SCREW	1		X X X		M10 X 35
2	CH16823	SHAFT	1		X X X		
3	CH16822	BUSHING	1		X X X		
4	CH16821	GEAR	1		X X X		
5	CH16812	PUMP	1		X X X		
6	12M7065	LOCK WASHER	4	-XXXXXX	X		M8
7	19M7513	CAP SCREW	4	-XXXXXX	X		M8 X 30
	19M7868	SCREW	4	XXXXXX-	X		M8 X 30
	19M7868	SCREW	4		X X		M8 X 30
8	19M7922	CAP SCREW	1		X X X		M8 X 40
	12M7065	LOCK WASHER	1		X X X		M8
9	19M7139	CAP SCREW	2		X X X		M8 X 20
	12M7065	LOCK WASHER	2		X X X		M8
10	CH16815	COVER	1		X X X		
11	CH16817	VALVE	1		X X X		
12	CH16818	SPRING	1		X X X		
13	CH16819	PLUG	1		X X X		
14	CH15574	PIN	2		X X X		M4 X 8
15	CH16814	ROTOR	1		X X X		
16	CH16813	HOUSING	1		X X X		
17	CH16816	GEAR	1		X X X		

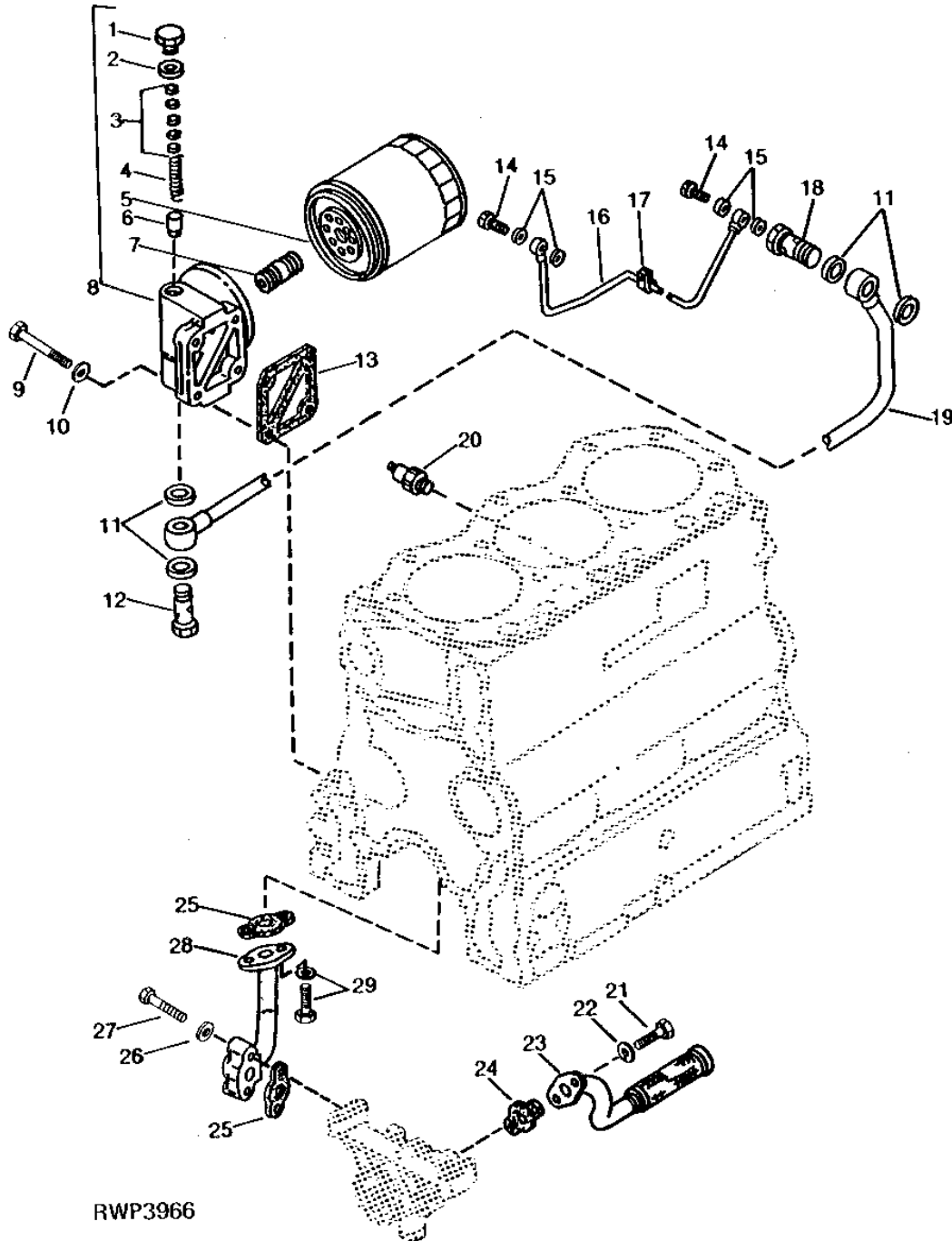
1C10

ENGINE

RWP3966

-UN-01JAN94

ENGINE OIL FILTER



1C11

ENGINE

ENGINE OIL FILTER - CONTINUED

KEY	PART NO.	PART NAME	QTY	ENGINE			REMARKS
				SERIAL NO.	5 5 5	2 4 6	
					1 1 1		
					0 0 0		
1	CH16830	RETAINER	1		X		
2	CH16833	GASKET	1		X		
3	CH16829	SHIM	1		X		
4	CH16831	SPRING	1		X		
5	T19044	OIL FILTER	1		X		
6	CH16832	VALVE	1		X		
7	CH19276	STUD	1		X		
8	CH16827	BRACKET	1	-XXXXXX	X	(SUB CH18314)	
	CH18314	BRACKET	1	XXXXXX-	X		
9	CH19129	BOLT	4		X		
10	24M7028	WASHER	4	-XXXXXX	X	10.500 X 20 X 2 MM	
11	CH16842	GASKET	4		X		
12	CH16844	BOLT	1		X		
13	CH17049	GASKET	1		X		
14	CH16843	HOLLOW SCREW	2		X		
15	CH10554	PACKING	4		X		
16	CH16840	PIPE	1		X		
17	CH16838	CLAMP	1		X		
18	CH16841	HOLLOW SCREW	1		X		
19	CH16839	PIPE	1		X		
20	CH10258	SWITCH	1		X		
21	19M5672	SCREW	2		X	M8 X 18	
22	12M7065	LOCK WASHER	2		X	M8	
23	CH16835	OIL PUMP INTAKE	1		X		
24	CH16834	GASKET	1		X		
25	CH16834	GASKET	2		X		
26	12M7065	LOCK WASHER	2		X	M8	
27	19M7284	CAP SCREW	2		X	M8 X 18	
28	CH16836	PIPE	1		X	(SUB CH20754)	
29	CH12340	BOLT	2		X	(SUB 12M7065 AND 19M8008)	

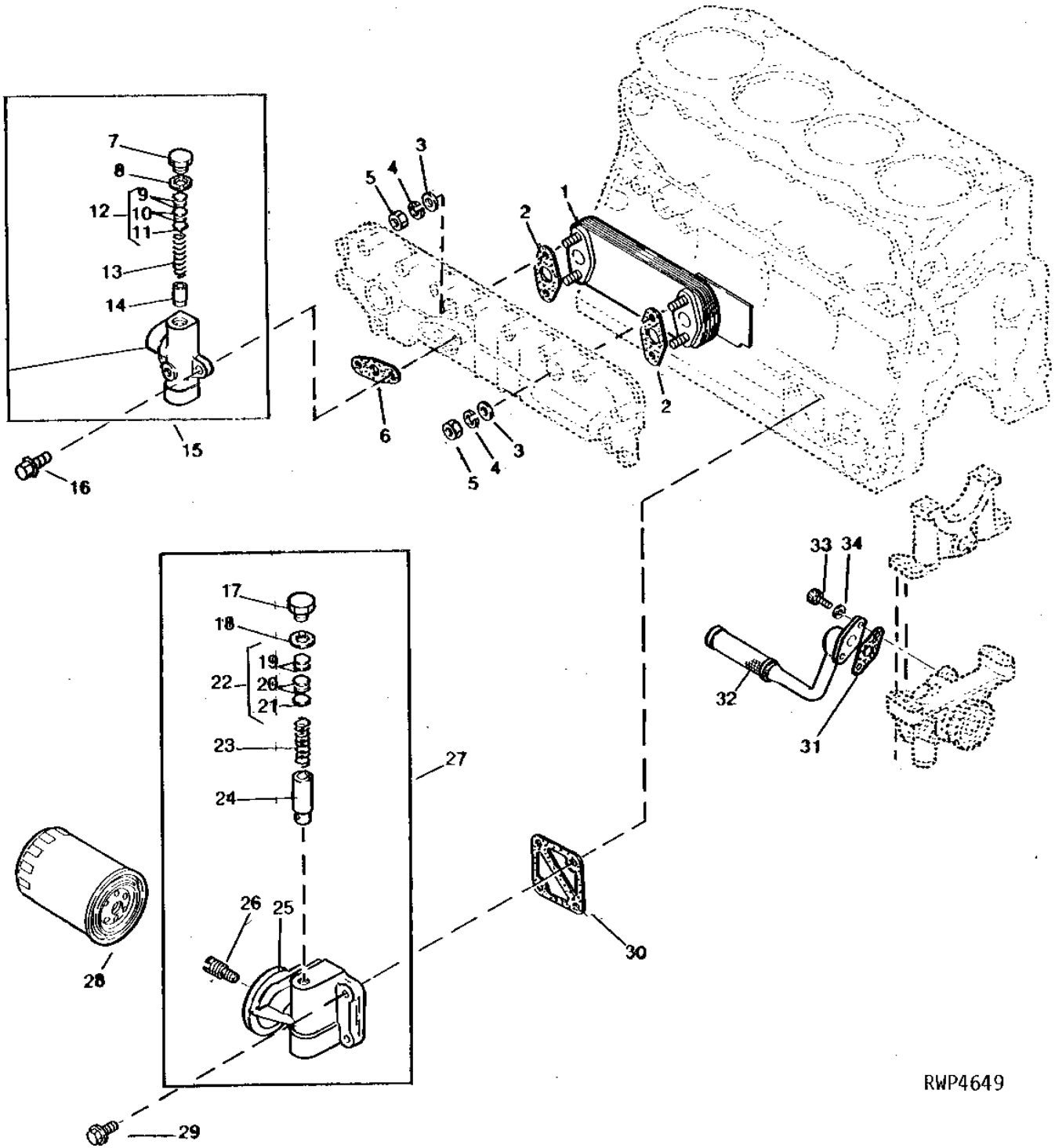
1C12

ENGINE

RWP4649

-UN-01JAN94

ENGINE OIL FILTER, OIL COOLER AND BYPASS VALVE



RWP4649

1C13

ENGINE

ENGINE OIL FILTER, OIL COOLER AND BYPASS VALVE - CONTINUED

KEY	PART NO.	PART NAME	QTY	ENGINE SERIAL NO.	1 1 1	REMARKS
					2 4 6	
				5 5 5		
				0 0 0		
1	CH18310	OIL COOLER	1		X X	
2	CH18311	GASKET	2		X X	
3	24M7096	WASHER	4		X X	10.500 X 18 X 1.600 MM, (SUB FOR CH15392)
4	12M7066	LOCK WASHER	4		X X	M10
5	CH19128	NUT	4		X X	M10
6	CH18336	GASKET	1		X X	
7	CH16830	RETAINER	1		X X	
8	CH16833	GASKET	1		X X	
9	SHIM	4		X X	0.2 MM (.008") (ORDER CH16829)
10	SHIM	4		X X	0.5 MM (.020") (ORDER CH16829)
11	SHIM	2		X X	1.0 MM (.040") (ORDER CH16829)
12	CH16829	SHIM	2		X X	
13	CH18335	COMPRESSION SPRING	1		X X	
14	CH18334	POPPET	1		X X	
15	CH18332	VALVE	1		X X	BYPASS
16	19M7867	SCREW	2		X X	M8 X 25
17	CH16830	RETAINER	1		X X	
18	CH16833	GASKET	1		X X	
19	SHIM	2		X X	0.2 MM (.008") (ORDER CH16829)
20	SHIM	2		X X	0.5 MM (.020") (ORDER CH16829)
21	SHIM	1		X X	1.0 MM (.040") (ORDER CH16829)
22	CH16829	SHIM	1		X X	
23	CH16831	SPRING	1		X X	
24	CH16832	VALVE	1		X X	
25	BRACKET	1		X X	(ORDER CH18314)
26	CH18315	ADAPTER	1		X X	
27	CH18314	BRACKET	1		X X	
28	T19044	OIL FILTER	1		X X	
29	CH19129	BOLT	4		X X	M10 X 28
30	CH17049	GASKET	1		X X	
31	CH16834	GASKET	1		X X	
32	CH18318	TUBE	1		X X	
33	19M6887	SCREW	2		X X	M8 X 18
34	12M7065	LOCK WASHER	2		X X	M8

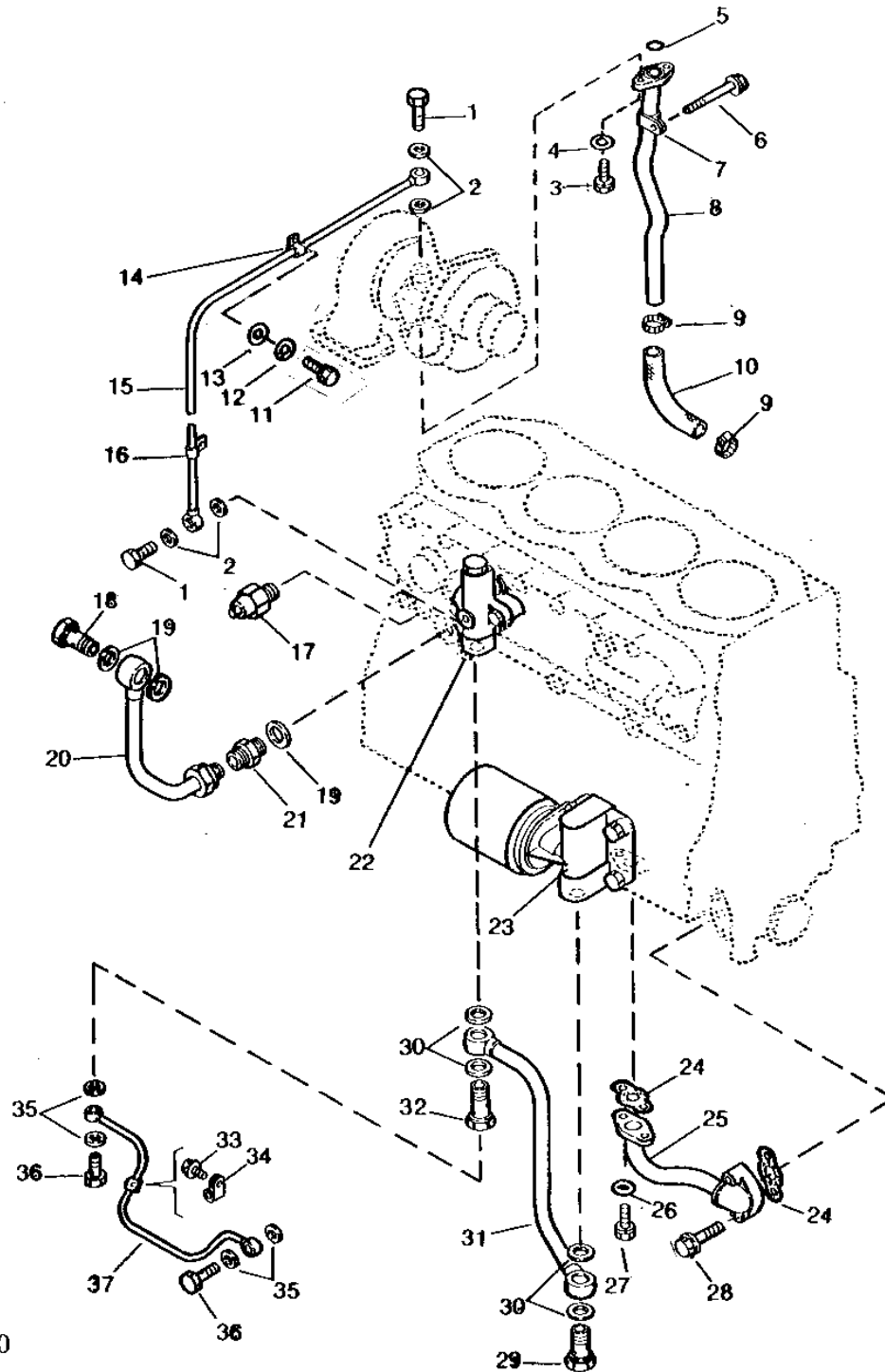
1C14

ENGINE

RWP4650

-UN-01JAN94

ENGINE LUBE OIL LINES



RWP4650

1C15

ENGINE

ENGINE LUBE OIL LINES - CONTINUED

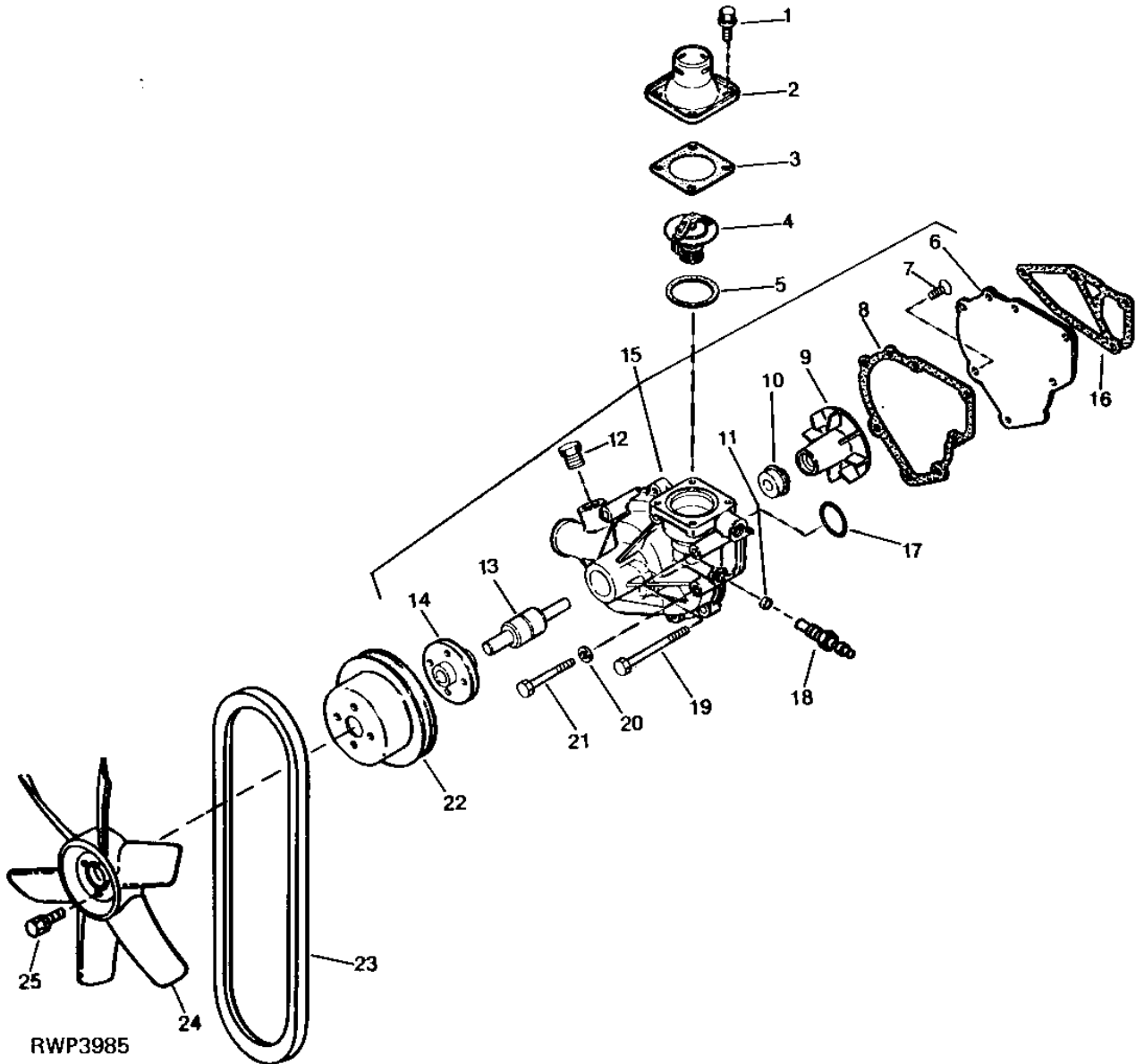
KEY	PART NO.	PART NAME	QTY	ENGINE	REMARKS
				SERIAL NO.	
				1 1 1	
				2 4 6	
				5 5 5	
				0 0 0	
1	CH18320	FITTING PLUG	1		X
	CH12857	BOLT	2		X
2	CH15116	GASKET	1		X
	CH10555	PACKING	4		X
3	19M7077	CAP SCREW	2		X M6 X 20
4	12M7006	LOCK WASHER	2		X M6
5	CH11562	PACKING	1		X
6	19M7801	SCREW	1		X M8 X 60
7	CH19134	CLAMP	1		X
8	CH19130	PIPE	1		X RETURN
9	DE13238	CLAMP	2		X (SUB FOR CH12905)
10	CH19131	HOSE	1		X RETURN
11	19M6614	CAP SCREW	1		X M6 X 12
12	12M7006	LOCK WASHER	1		X M6
13	24M7088	WASHER	1		X 6.600 X 12 X 1.600 MM
14	CH19132	CLAMP	1		X
15	CH18329	OIL LINE	1		X
16	CH19133	CLAMP	1		X
17	CH10258	SWITCH	1		X X
18	CH16844	BOLT	1		X X
19	CH16842	GASKET	3		X X
20	CH18325	OIL LINE	1		X X
21	CH18331	UNION FITTING	1		X X
22	CH18332	VALVE	1		X X BY-PASS
23	OIL FILTER	1		X X (ORDER CH18314 AND T19044)
24	CH16834	GASKET	2		X X
25	CH16836	PIPE	1		X X (SUB CH20754)
26	12M7065	LOCK WASHER	2		X X M8
27	19M7284	CAP SCREW	2		X X M8 X 18
28	CH18377	BOLT	2		X X (SUB 12M7065 AND 19M7284)
29	CH16844	BOLT	1		X X
30	CH16842	GASKET	4		X X
31	CH18321	OIL LINE	1		X X
32	CH16841	HOLLOW SCREW	1		X X
33	BOLT	1		X X
34	CH16838	CLAMP	1		X X
35	CH10554	PACKING	4		X X
36	CH16843	HOLLOW SCREW	2		X X
37	CH18323	OIL LINE	1		X X

1C16

ENGINE

RWP3985 -UN-01JAN94

WATER PUMP



RWP3985

1C17

ENGINE

WATER PUMP - CONTINUED

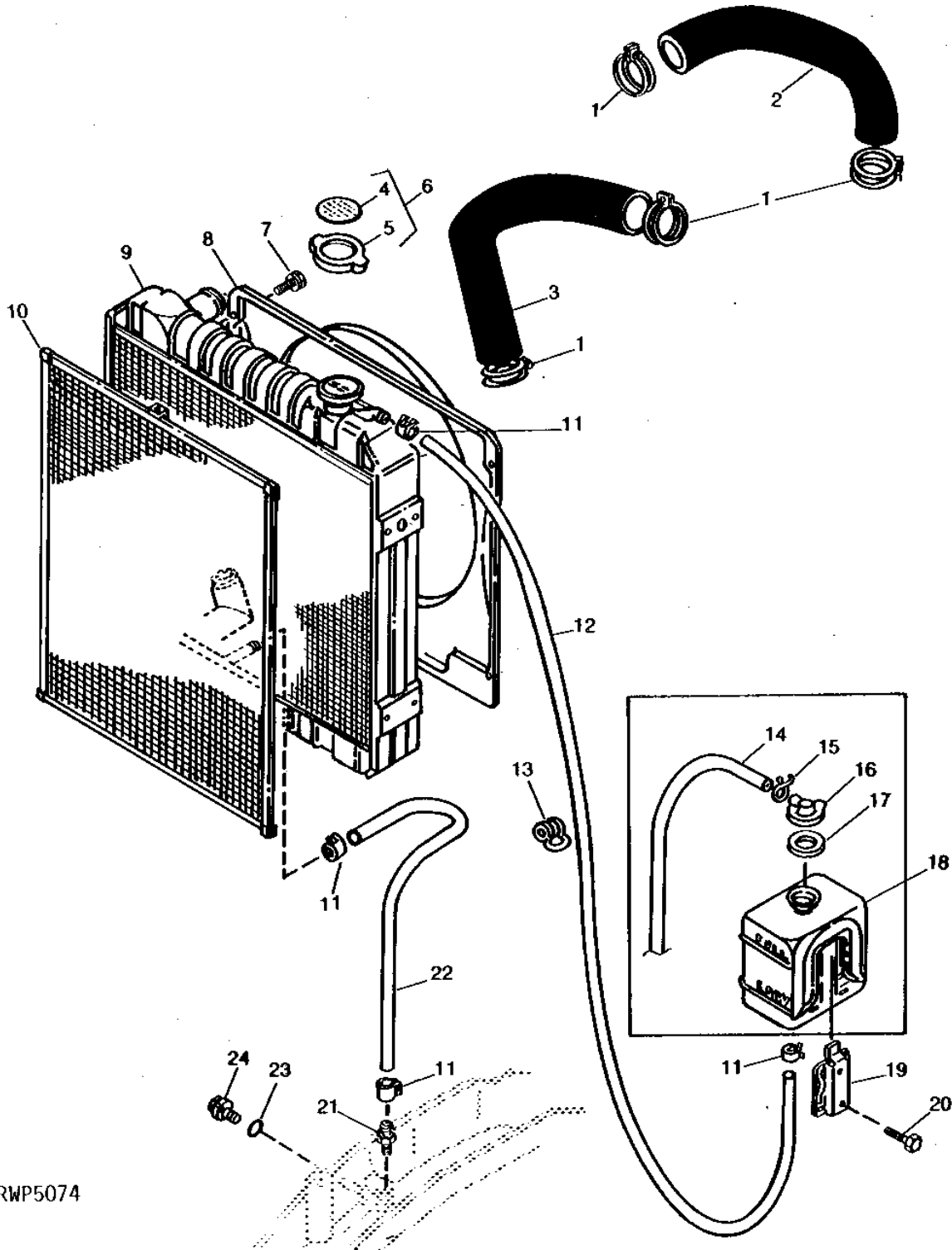
KEY	PART NO.	PART NAME	QTY	ENGINE			REMARKS
				SERIAL NO.	1 1 1	2 4 6	
				5 5 5			
				0 0 0			
1	CH12349	BOLT	4		X X X		M6 X 14
2	CH16876	COVER	1		X X X		
3	CH16877	GASKET	1		X X X		
4	CH16879	THERMOSTAT	1		X X X		
5	CH16878	GASKET	1		X X X		
6	CH16847	PLATE	1		X X X		
7	CH16851	SCREW	3		X X X		
8	CH16846	GASKET	1		X X X		
9	CH16848	IMPELLER	1		X X X		(SUB CH16845)
10	CH12895	SEAL	1		X X X		(SUB CH16845)
11	CH12852	PIPE	1		X X X		
12	CH16853	PLUG	1		X X X		
13	CH16849	BEARING	1		X X X		(SUB CH16845)
14	CH16850	FLANGE	1		X X X		(SUB CH16845)
15	CH16845	PUMP	1		X X X		
16	CH16854	GASKET	1		X X X		
17	CH16857	PACKING	1		X X X		
18	CH16874	SENDER	1		X X X		WATER TEMPERATURE
19	CH19136	BOLT	1		X X X		M8 X 85
20	24M7095	WASHER	3	-XXXXXX	X		8.400 X 15 X 1.600 MM
21	CH19099	BOLT	3		X X X		
22	CH16855	PULLEY	1		X X X		
23	CH16856	BELT	1		X X X		
24	CH16862	FAN	1		X		
	CH18349	FAN	1		X X		410MM O.D.
25	CH15167	BOLT	4		X X X		M8 X 25, (SUB 19M7163 AND 12M7065)

1C18

ENGINE

RWP5074 -UN-01JAN94

RADIATOR



RWP5074

1C19

ENGINE

RADIATOR - CONTINUED

KEY	PART NO.	PART NAME	QTY	TRACTOR SERIAL NO.			REMARKS
				1	2	5	
				1	1	1	
				2	4	6	
				5	5	5	
				0	0	0	
1	AR21840	CLAMP	4	X	X	X	
2	CH16870	HOSE	1	X			UPPER
	CH18351	HOSE	1		X	X	UPPER
3	CH16871	HOSE	1	X	X	X	LOWER
4	CH15946	LABEL	1	X	X	X	
5	CH10427	CAP	1	X	X	X	(SUB CH18207)
6	CH18207	FILLER CAP	1	X	X	X	
7	CH15527	SCREW, WITH WASHER	4	X	X	X	M6 X 10
8	CH16859	SHROUD	1	X			
	CH18345	SHROUD	1		X	X	
9	CH16860	RADIATOR	1	X			
	CH18347	RADIATOR	1		X	X	
10	CH16861	SCREEN	1	X			
	CH18348	SCREEN	1		X	X	
11	AR48236	CLAMP	4	X	X	X	
12	CH16868	HOSE	1	X			
	CH16872	PIPE	1		X	X	
13	CH17297	CLAMP	2	X	X	X	
14	CH16866	HOSE	1	X	X	X	
15	CH16867	CLAMP	1	X	X	X	
16	CH16864	CAP	1	X	X	X	
17	CH16865	GASKET	1	X	X	X	
18	CH16863	TANK	1	X	X	X	
19	CH16869	BRACKET	1	X	X	X	
20	19M7864	SCREW	2	X	X	X	M8 X 12
21	CH16873	FITTING	1	X	X	X	
22	CH16872	PIPE	1	X			
	CH18352	HOSE	1		X	X	
23	CH10570	PACKING	1	X	X	X	
24	CH10275	PLUG	1	X	X	X	

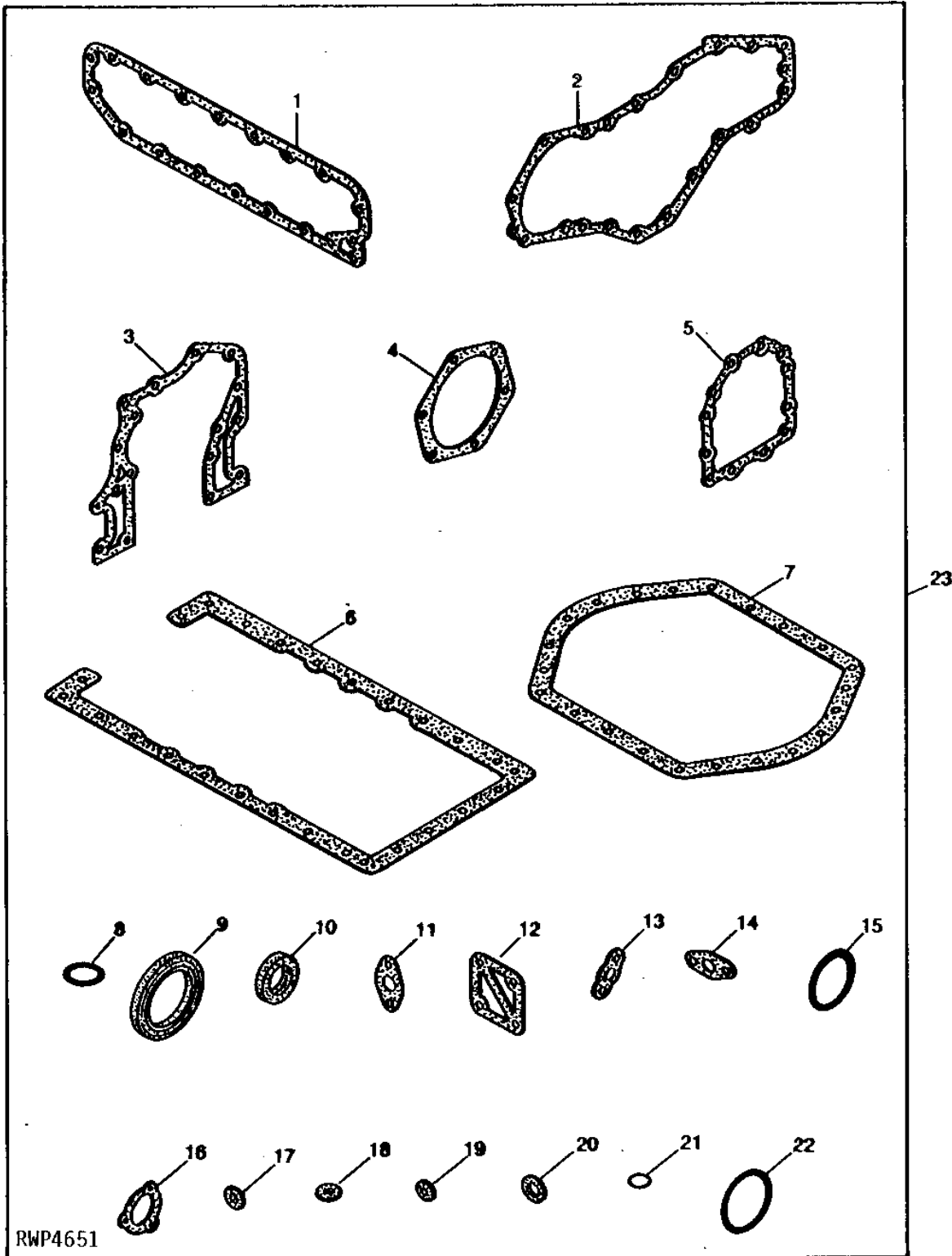
1C20

ENGINE

RWP4651

-UN-01JAN94

CYLINDER BLOCK GASKET SET



RWP4651

1C21

ENGINE

CYLINDER BLOCK GASKET SET - CONTINUED

KEY	PART NO.	PART NAME	QTY	ENGINE			REMARKS
				SERIAL NO.	1 1 1	2 4 6	
					5 5 5		
					0 0 0		
1	CH16707	GASKET	1		X		JACKET COVER
	CH18266	GASKET	1		X X		JACKET COVER
2	CH16713	GASKET	1		X X X		GEAR CASE COVER
3	CH16712	GASKET	1		X X X		GEAR CASE
4	CH16715	GASKET	1		X X X		
5	CH16731	GASKET	1		X X X		OIL SEAL CASE
6	CH16724	GASKET	1		X		OIL PAN
	CH18269	GASKET	1		X X		OIL PAN
7	CH16725	GASKET	1		X		OIL PAN COVER
	CH18271	GASKET	1		X X		OIL PAN COVER
8	M805711	PACKING	1		X X X		
9	CH16732	SEAL	1		X X X		REAR
10	CH16717	SEAL	1		X X X		FRONT
11	CH18311	GASKET	2		X X		OIL COOLER
12	CH17049	GASKET	1		X X X		OIL FILTER BRACKET
13	CH16834	GASKET	3		X X X		
14	CH18336	GASKET	1		X X		VALVE
15	CH16940	O-RING	1		X X X		FUEL INJECTION PUMP
16	CH12822	GASKET	1		X X X		TACHOMETER
17	CH10554	PACKING	4		X X X		
18	CH10555	PACKING	4		X X		
19	CH15116	GASKET	1		X X		
20	CH16842	GASKET	4		X		
	CH16842	GASKET	7		X X		
21	CH16727	WASHER	1		-XXXXXX	X	DRAIN PLUG
	CH14634	O-RING	1	XXXXXX-		X	DRAIN PLUG
	CH14634	O-RING	1			X X	DRAIN PLUG
22	CH14655	PACKING	2		X X X		
23	CH16935	GASKET KIT	1		X		
	CH18400	GASKET KIT	1		X X		

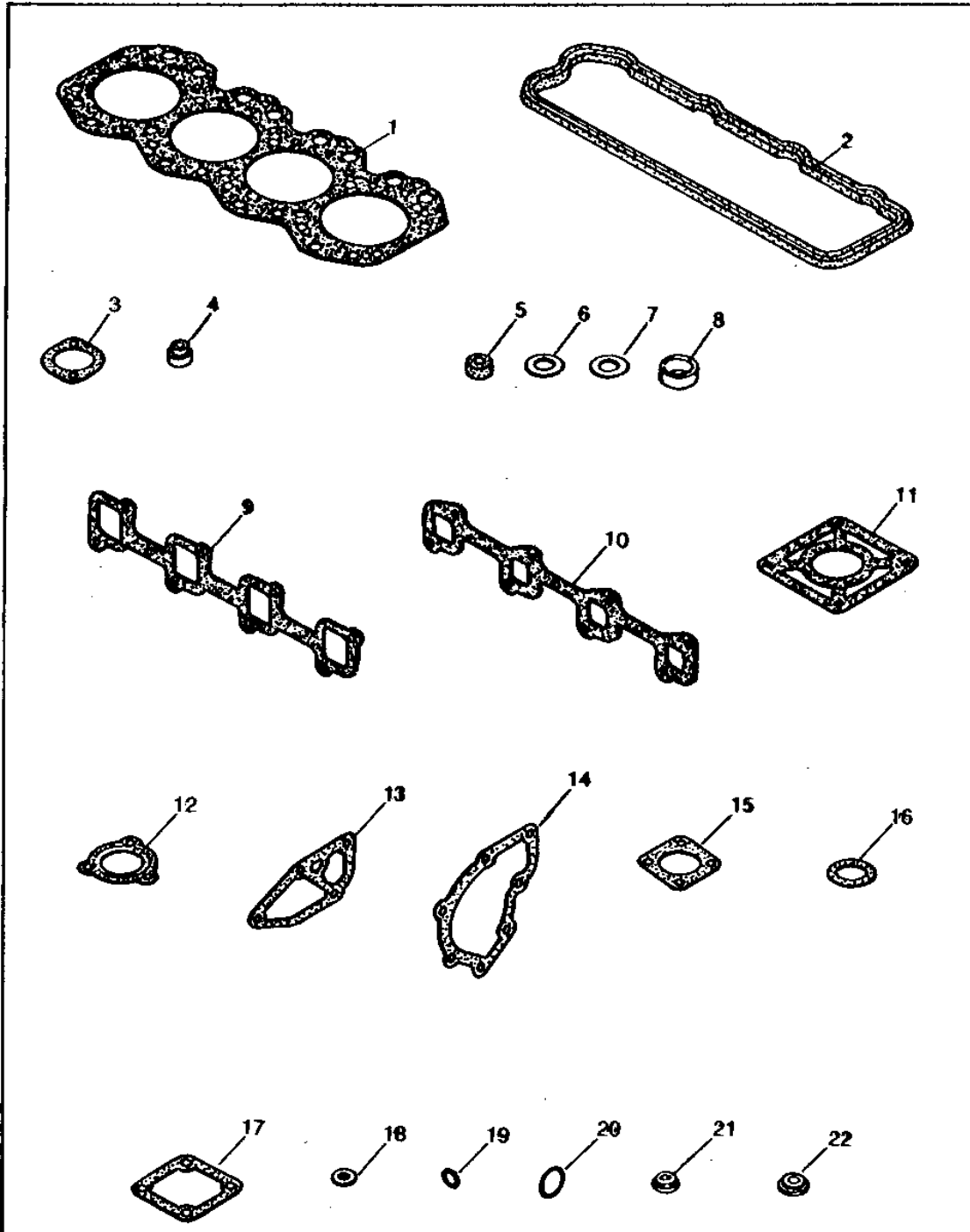
1C22

ENGINE

RWP4652

-UN-01JAN94

CYLINDER HEAD GASKET SET



RWP4652

1C23

ENGINE

CYLINDER HEAD GASKET SET - CONTINUED

KEY	PART NO.	PART NAME	QTY	ENGINE			REMARKS
				SERIAL NO.	1 1 1	2 4 6	
					5 5 5		
					0 0 0		
1	CH16706	GASKET	1		X		CYLINDER HEAD
	CH18264	GASKET	1		X X		CYLINDER HEAD
2	CH16944	GASKET	1		X		ROCKER ARM COVER
	CH18280	GASKET	1		X X		ROCKER ARM COVER
3	CH16739	GASKET	1		X X X		BREATHER
4	CH16755	SEAL	6		X		VALVE
	CH16755	SEAL	8		X X		VALVE
5	CH16799	SEAL	2		X		
	CH16799	SEAL	4		X X		
6	CH16765	COVER	3	-000651	X		FUEL INJECTION NOZZLE, (SUB CH18276 AND CH18277)
	CH18276	INSULATOR	3	000652-	X		FUEL INJECTION NOZZLE
	CH18276	INSULATOR	4		X X		FUEL INJECTION NOZZLE
7	CH18277	WASHER	4		X X		FUEL INJECTION NOZZLE
8	CH16767	COVER	3		X		FUEL INJECTION NOZZLE
	CH16767	COVER	4		X X		FUEL INJECTION NOZZLE
9	CH16772	GASKET	1		X		INTAKE MANIFOLD
	CH18285	GASKET	1		X X		INTAKE MANIFOLD
10	CH16782	GASKET	1		X		EXHAUST MANIFOLD
	CH18293	GASKET	1		X X		EXHAUST MANIFOLD
11	CH20103	GASKET	1		X X X		MUFFLER, (SUB FOR CH16783)
12	CH12853	GASKET	1		X X		EXHAUST MANIFOLD COVER
13	CH16854	GASKET	1		X X X		WATER PUMP
14	CH16846	GASKET	1		X X X		
15	CH16877	GASKET	1		X X X		UPPER, THERMOSTAT
16	CH16878	GASKET	1		X X X		LOWER, THERMOSTAT
17	CH16779	GASKET	1		X		AIR HEATER
	CH16779	GASKET	2		X X		AIR HEATER
18	CH16901	GASKET	5		X X X		
19	CH10570	PACKING	1		X X X		
20	CH16857	PACKING	1		X X X		
21	CH10643	PACKING	1		X X X		
22	CH15385	WASHER	4		X X X		
23	CH16936	GASKET KIT	1		X		
	CH18401	GASKET KIT	1		X X		

MEMORANDA

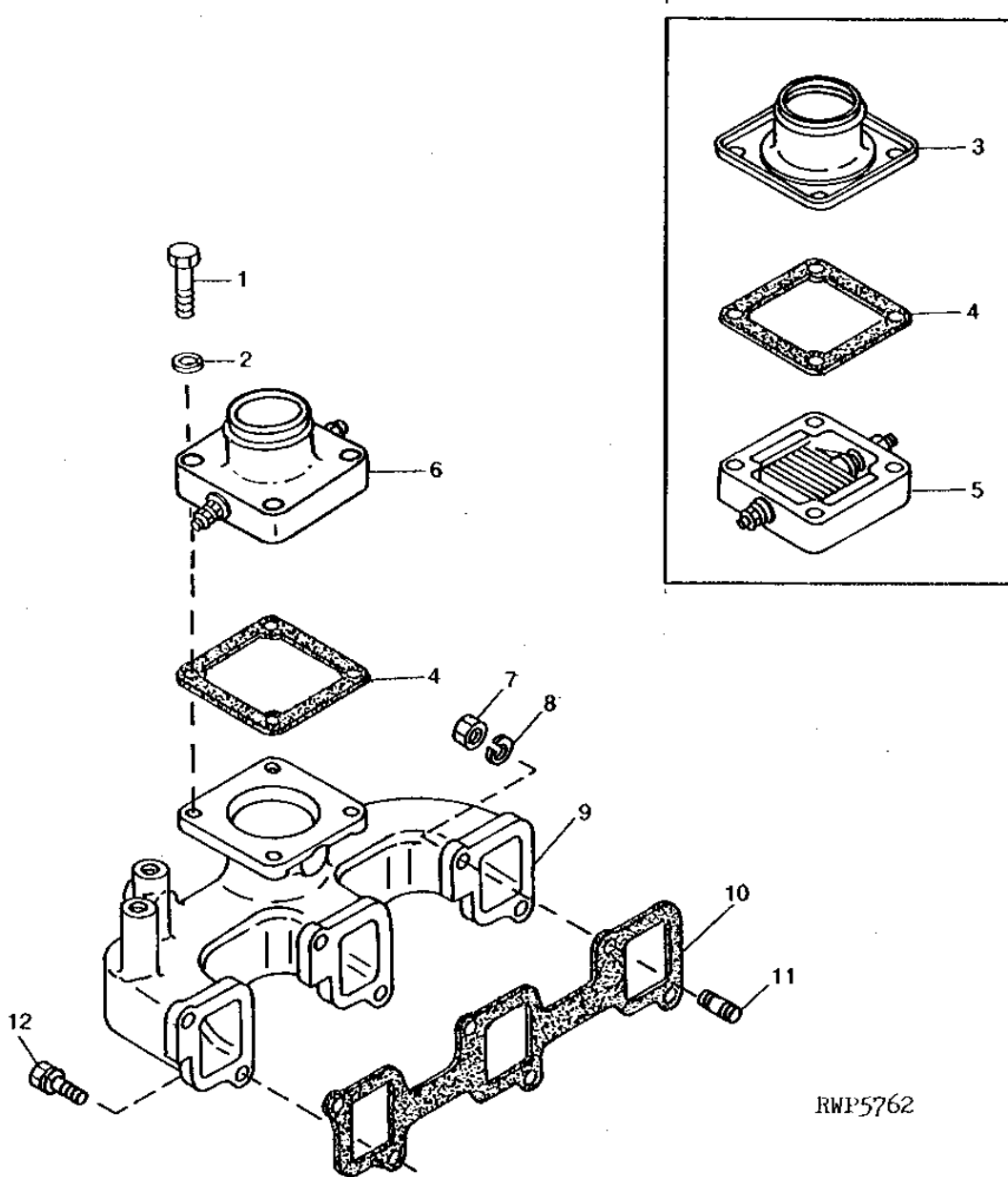
MEMORANDA

1D3

FUEL AND AIR

RWP5762 -UN-01JAN94

INTAKE MANIFOLD



RWP5762

1D4

FUEL AND AIR

INTAKE MANIFOLD - CONTINUED

KEY	PART NO.	PART NAME	QTY	ENGINE SERIAL NO.	1 1 1	REMARKS
					2 4 6	
				5 5 5		
				0 0 0		
1	19M8008	CAP SCREW	4		X X X	M8 X 35
2	12M7065	LOCK WASHER	4		X X X	M8
3	CH16780	COVER	1	-XXXXXX	X X X	
4	CH16779	GASKET	2	-XXXXXX	X X X	
	CH16779	GASKET	1	XXXXXX-	X X X	
5	CH16914	HEATER	1	-XXXXXX	X X X	ELECTRIC (AIR) (SUB CH20204)
6	CH20204	HEATER	1	XXXXXX-	X X X	ELECTRIC (AIR)
7	14M7273	NUT	3		X	M8
	14M7298	FLANGE NUT	4		X X	M8 M8
8	12M7065	LOCK WASHER	3		X	M8
9	CH16771	INTAKE MANIFOLD	1		X	
	CH18284	INTAKE MANIFOLD	1		X X	
10	CH16772	GASKET	1		X	
	CH18285	GASKET	1		X X	
11	CH16781	STUD	3		X	M8 X 20
	CH16781	STUD	4		X X	M8 X 20
12	CH19088	BOLT	3		X	M8 X 22
	CH19088	BOLT	4		X X	M8 X 22

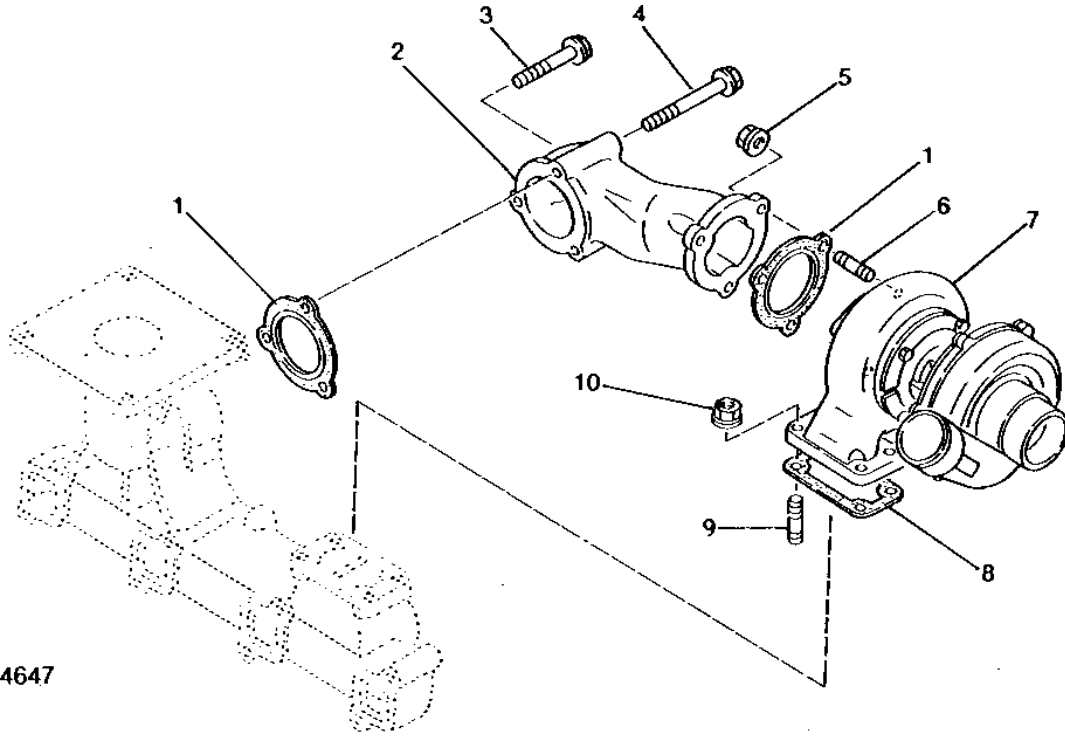
MEMORANDA

1D5

FUEL AND AIR

RWP4647 -UN-01JAN94

TURBOCHARGER AND MOUNTING PARTS



RWP4647

1 1 1
2 4 6
5 5 5
0 0 0

KEY	PART NO.	PART NAME	QTY	ENGINE SERIAL NO.	REMARKS
1	CH12853	GASKET	2		X
2	CH18301	PIPE	1		X
3	CH19101	BOLT	1		X
4	CH19099	BOLT	2		X
5	14M7298	FLANGE NUT	3		X M8
6	CH10614	STUD	3		X M8 X 22
7	CH18300	TURBOCHARGER	1		X
8	CH12851	GASKET	1		X
9	CH10614	STUD	4		X M8 X 22
10	14M7298	FLANGE NUT	4		X M8

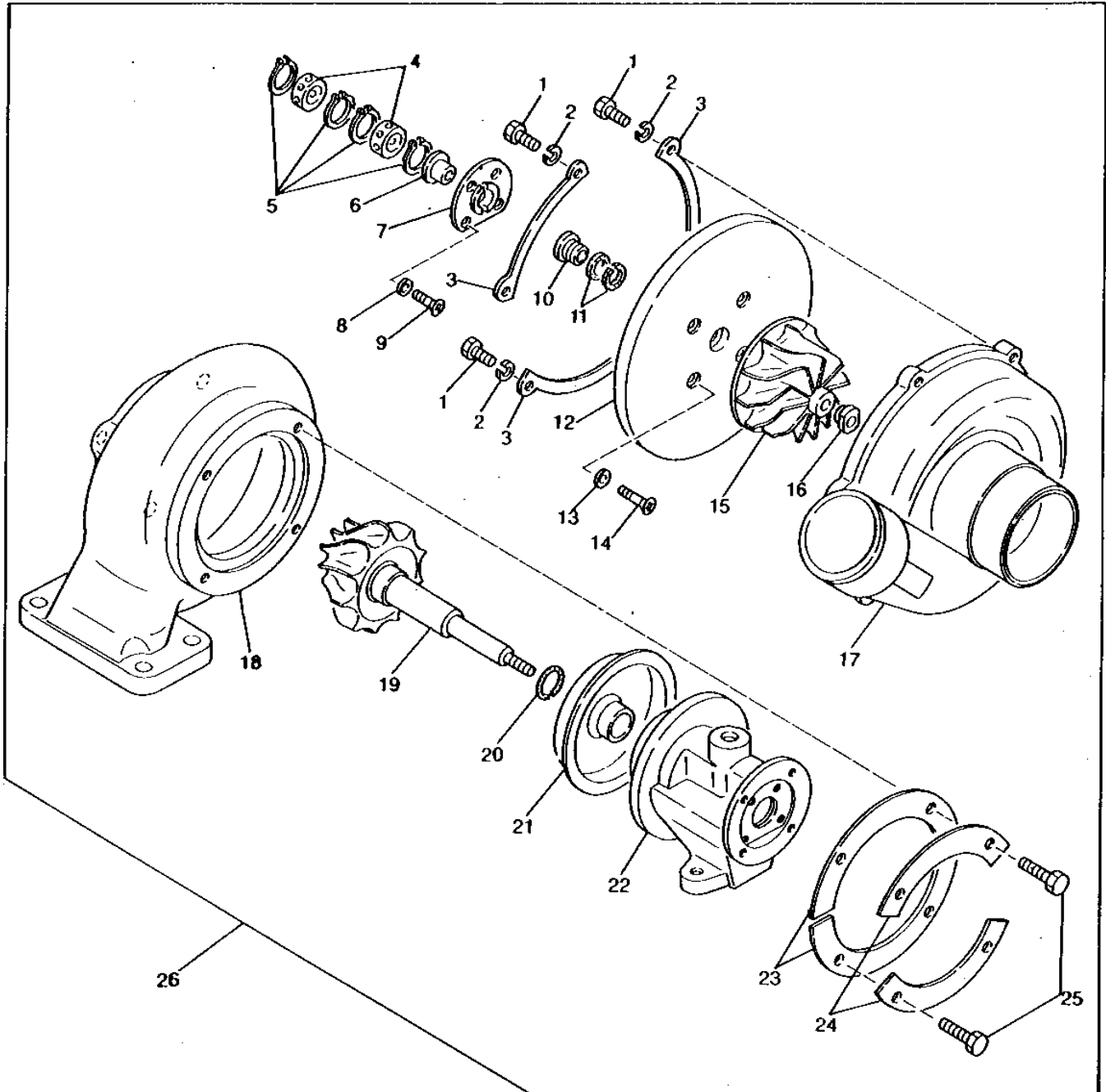
1D6

FUEL AND AIR

RWP4648

-UN-01JAN94

TURBOCHARGER



RWP4648

1D7

FUEL AND AIR

TURBOCHARGER - CONTINUED

KEY	PART NO.	PART NAME	QTY	ENGINE			REMARKS
				SERIAL NO.	1 1 1	2 4 6	
					5 5 5		
					0 0 0		
1	CH12933	BOLT	6			X	M5
2	CH12940	LOCK WASHER	6			X	
3	CH12949	LOCK PLATE	3			X	
4	CH12948	BEARING	2			X	
5	CH12950	SNAP RING	4			X	
6	CH12942	BUSHING	1			X	
7	CH12947	THRUST BEARING	1			X	
8	CH12952	LOCK WASHER	4			X	M3
9	CH15642	BOLT	4			X	M3
10	CH12926	OIL SLINGER	1			X	
11	CH12944	RING	2			X	
12	CH12946	PLATE	1			X	
13	CH12941	LOCK WASHER	4			X	M4
14	CH15641	SCREW	4			X	M4
15	CH18421	WHEEL	1			X	
16	CH15643	NUT	1			X	M6
17	CH18420	HOUSING	1			X	
18	CH18422	HOUSING	1			X	
19	CH18419	WHEEL	1			X	
20	CH12943	RING	1			X	
21	CH12927	HEAT SHIELD	1			X	
22	CH12930	HOUSING	1			X	
23	CH12928	LOCK PLATE	2			X	
24	CH12929	LOCK PLATE	2			X	
25	CH15642	BOLT	4			X	M6
26	CH18300	TURBOCHARGER	1			X	

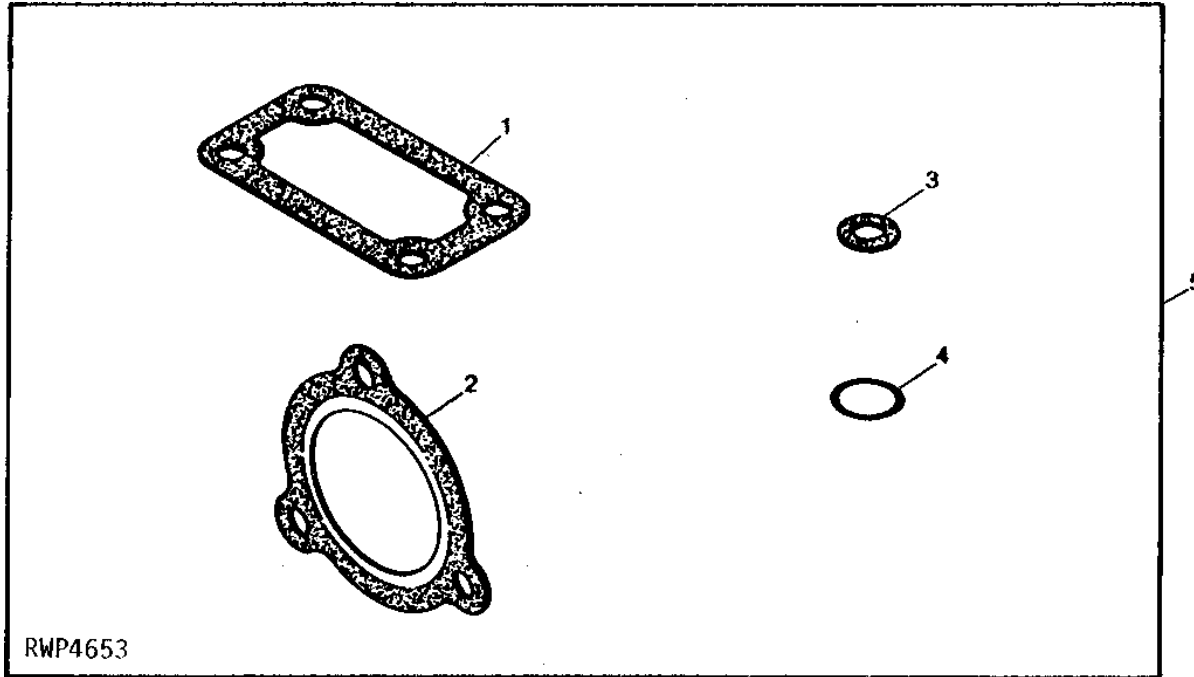
MEMORANDA

1D8

FUEL AND AIR

RWP4653 -UN-01JAN94

TURBOCHARGER GASKET KIT



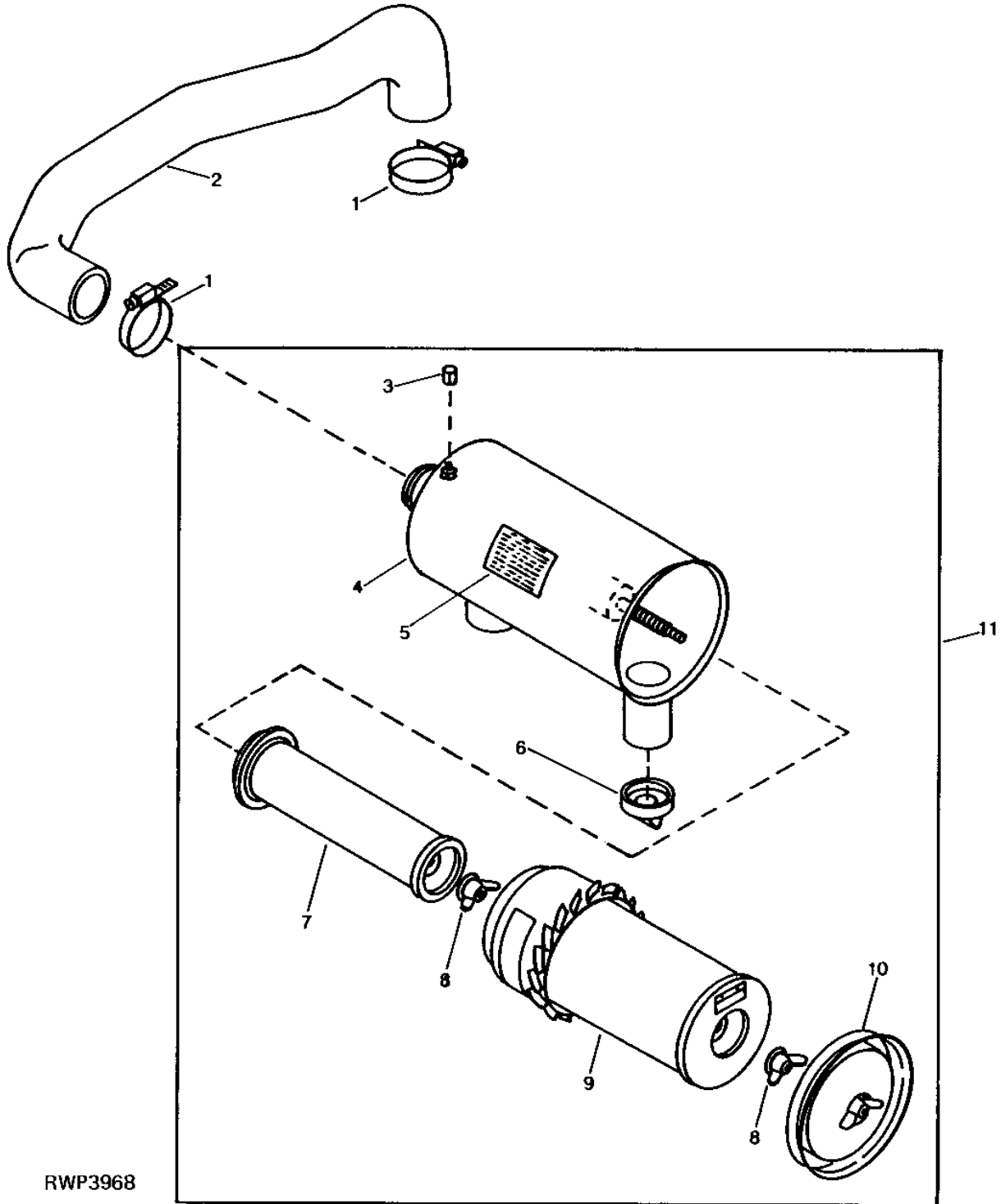
KEY	PART NO.	PART NAME	QTY	ENGINE SERIAL NO.			REMARKS
				1	2	5	
1	CH12851	GASKET	1	1	1	1	
2	CH12853	GASKET	2	2	4	6	
3	CH10555	PACKING	4	5	5	5	
4	CH13625	PACKING	1	0	0	0	OIL LINE
5	CH18066	GASKET KIT	1				

1D9

FUEL AND AIR

RWP3968 -UN-01JAN94

AIR CLEANER



RWP3968

1D10

FUEL AND AIR

AIR CLEANER - CONTINUED

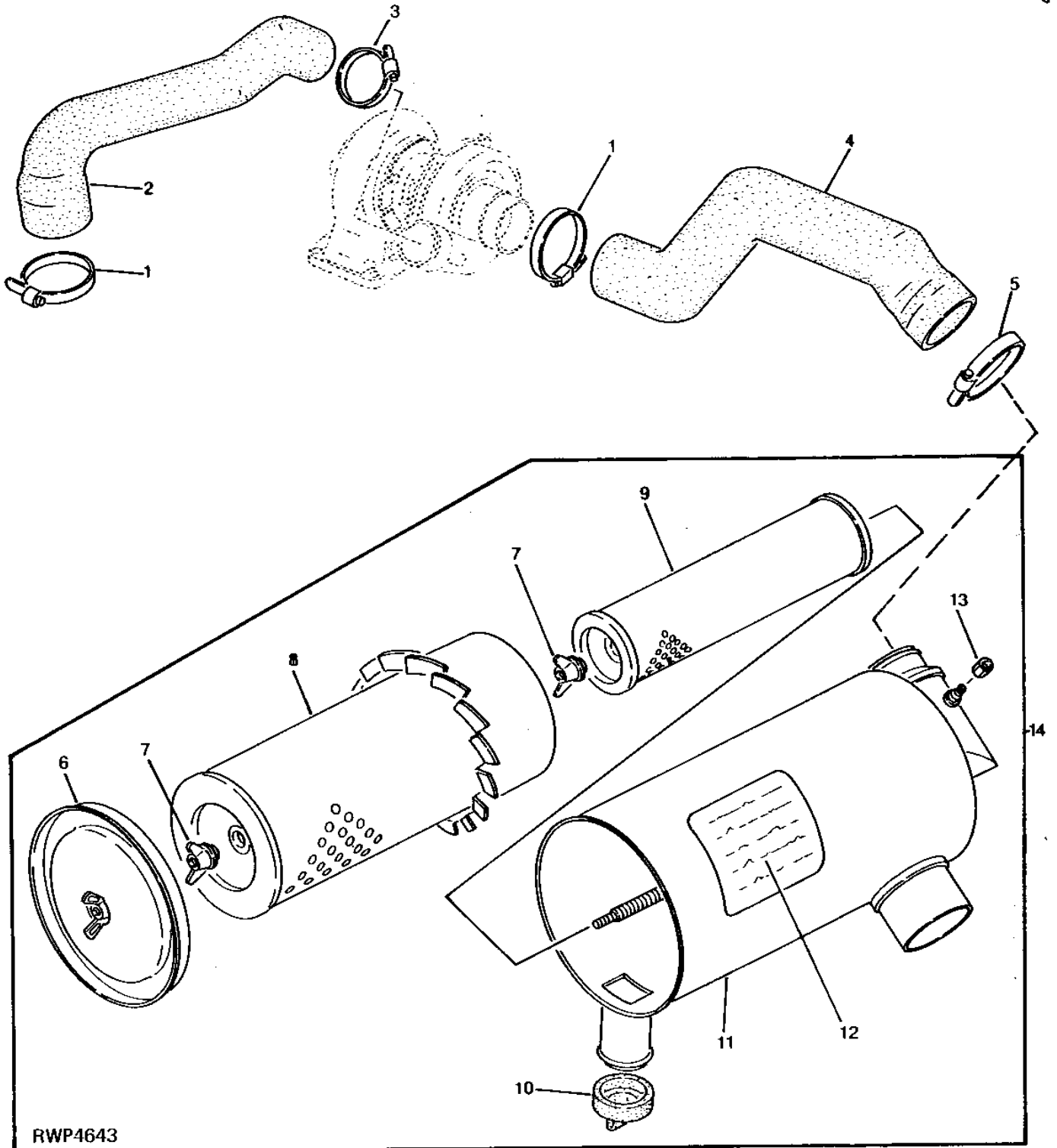
KEY	PART NO.	PART NAME	QTY	TRACTOR SERIAL NO.			REMARKS
				1	5	0	
				1	5	0	
				1	5	0	
				2	4	6	
				5	5	5	
				0	0	0	
1	AR21999	CLAMP	2	X	X		(SUB CH12907)
2	CH16770	HOSE	1	X			(AIR CLEANER TO INTAKE MANIFOLD)
	CH18283	HOSE	1		X		(AIR CLEANER TO INTAKE MANIFOLD)
3	CH16778	THREADED NIPPLE	1	X	X		
4	CH16774	HOUSING	1	X	X		AIR CLEANER
5	CH12078	TAG	1	X	X		
6	CH16777	VALVE	1	X	X		UNLOADER
7	AE31724	FILTER ELEMENT	1	X	X		
8	CH16776	WING NUT	2	X	X		
9	AR84228	FILTER ELEMENT	1	X	X		PRIMARY
10	CH16775	COVER	1	X	X		
11	CH16773	AIR CLEANER	1	X	X		

1D11

FUEL AND AIR

RWP4643 -UN-01JAN94

AIR CLEANER



RWP4643

1D12

FUEL AND AIR

AIR CLEANER - CONTINUED

KEY	PART NO.	PART NAME	QTY	TRACTOR			REMARKS
				SERIAL NO.	1 1 1	2 4 6	
					5 5 5		
					0 0 0		
1	AR21999	CLAMP	2			X	(SUB FOR CH12907)
2	CH18282	HOSE	1			X	(TURBOCHARGER TO INTAKE MANIFOLD)
3	AR21840	CLAMP	1			X	
4	CH18281	HOSE	1			X	(TURBOCHARGER TO AIR CLEANER)
5	AR21999	CLAMP	1			X	
6	CH18290	COVER	1			X	
7	CH16776	WING NUT	2			X	
8	CH18287	FILTER ELEMENT	1			X	PRIMARY
9	CH18289	FILTER ELEMENT	1			X	SAFETY
10	CH16777	VALVE	1			X	UNLOADER
11	CH18288	HOUSING	1			X	
12	CH12078	TAG	1			X	
13	CH16778	THREADED NIPPLE	1			X	
14	CH18286	AIR CLEANER	1			X	

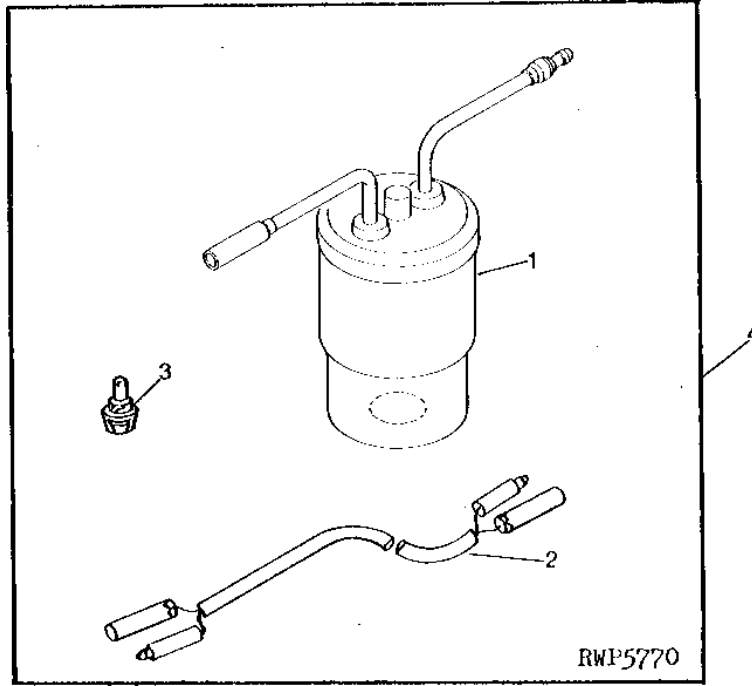
MEMORANDA

1D13

FUEL AND AIR

RWP5770 -UN-01JAN94

AIR CLEANER RESTRICTION INDICATOR KIT



KEY	PART NO.	PART NAME	QTY	TRACTOR SERIAL NO.	REMARKS
				1 1 1 2 4 6 5 5 5 0 0 0	
1	AIR RESTRICTION INDICATOR	1		X X X (ORDER CH20165)
2	CH17054	WIRING HARNESS	1		X X X
3	CH17787	BULB	1		X X X
4	CH20165	INDICATOR LIGHT	1		X X X (SUB FOR CH17053)

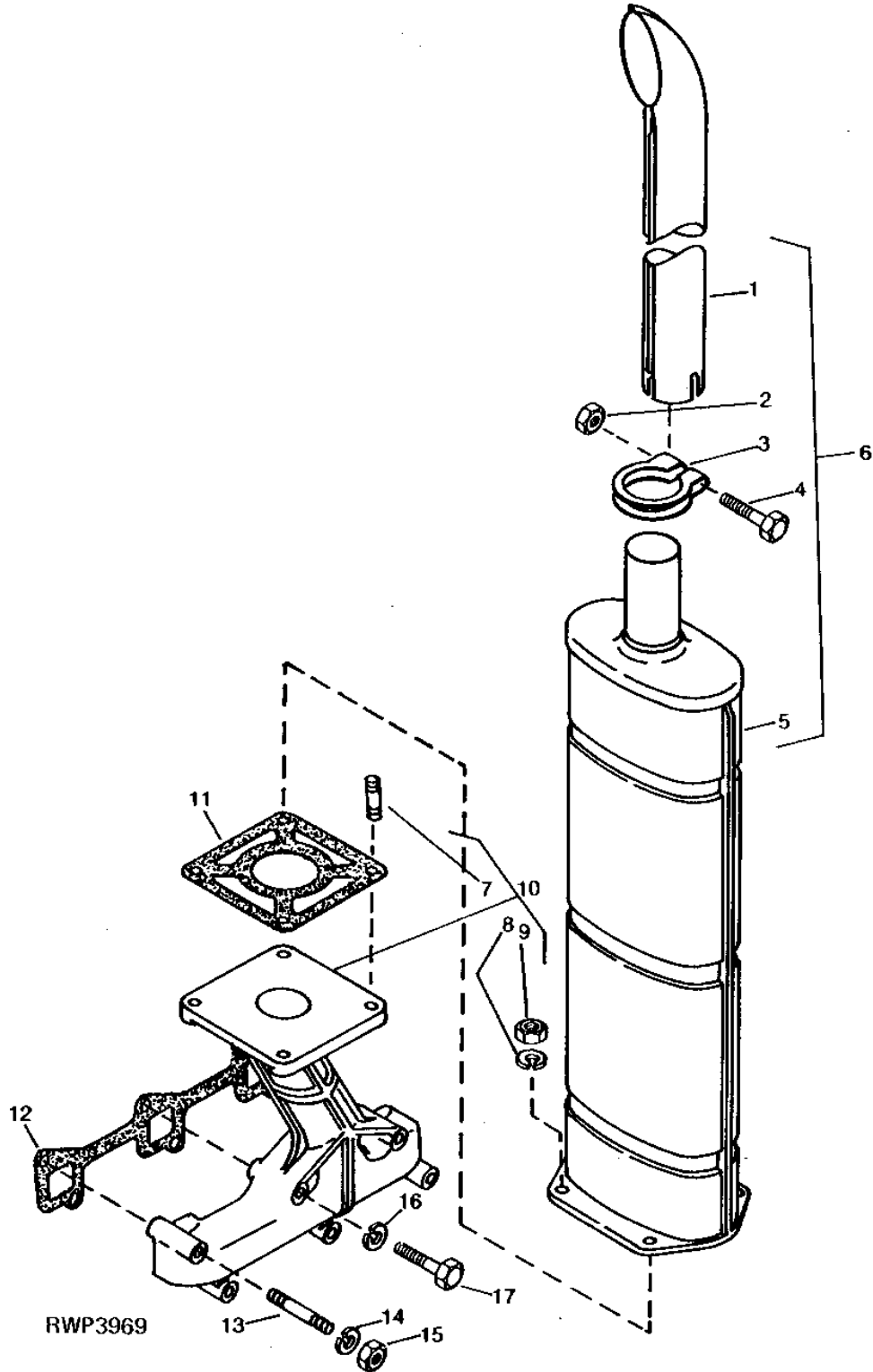
1D14

FUEL AND AIR

RWP3969

-UN-01JAN94

MUFFLER AND EXHAUST MANIFOLD



1D15

FUEL AND AIR

MUFFLER AND EXHAUST MANIFOLD - CONTINUED

KEY	PART NO.	PART NAME	QTY	ENGINE SERIAL NO.	1 1 1 2 4 6 5 5 5 0 0 0			REMARKS
1	CH16786	MUFFLER EXTENSION	1		X			
2	CH18389	NUT	1		X			M10, (SUB 14M7274)
3	CH16787	CLAMP	1		X			EXTENSION
4	19M7807	SCREW	1		X			M10 X 60
5	CH19709	MUFFLER	1		X			
6	MUFFLER	1		X			(NO LONGER AVAILABLE) (ORDER COMPONENT PARTS)
7	CH14783	STUD	4		X			
8	CH11476	WASHER	4		X			(SUB 12M7066)
9	CH18389	NUT	4		X			M10, (SUB 14M7274)
10	CH16932	MANIFOLD	1		X			
11	CH20103	GASKET	1		X			EXHAUST, (SUB FOR CH16783)
12	CH16782	GASKET	1		X			
13	CH15443	STUD	3		X			
14	CH11475	WASHER	3	-XXXXXX	X			(SUB 12M7065)
15	14M7298	FLANGE NUT	3		X			M8
16	CH11475	WASHER	3	-XXXXXX	X			M8, (SUB 12M7065)
17	CH19099	BOLT	3		X			

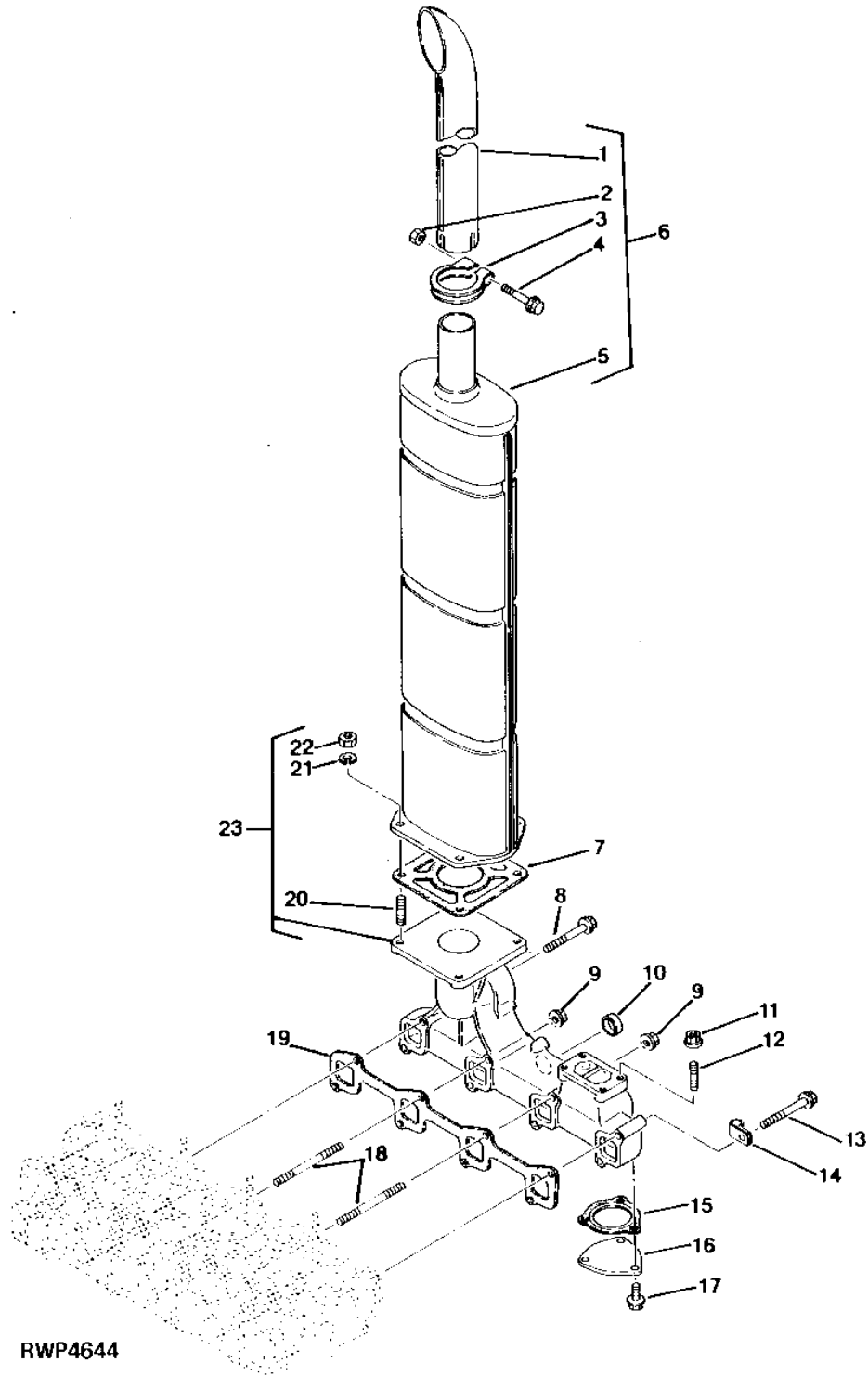
1D16

FUEL AND AIR

RWP4644

-UN-01JAN94

MUFFLER AND EXHAUST MANIFOLD



1D17

FUEL AND AIR

MUFFLER AND EXHAUST MANIFOLD - CONTINUED

KEY	PART NO.	PART NAME	QTY	ENGINE SERIAL NO.	1 1 1	REMARKS
					2 4 6	
				5 5 5		
				0 0 0		
1	CH16786	MUFFLER EXTENSION	1		X X	
2	CH18389	NUT	1		X X	M10, (SUB 14M7274)
3	CH16787	CLAMP	1		X X	
4	19M7807	SCREW	1		X X	M10 X 60
5	CH19709	MUFFLER	1		X	
	CH18295	MUFFLER	1		X	
6	MUFFLER	1		X X	(NO LONGER AVAILABLE) (ORDER COMPONENT PARTS)
7	CH20103	GASKET	1		X X	(SUB FOR CH16783)
8	CH19099	BOLT	3		X	
	19M7979	SCREW	3		X	M8 X 55
9	14M7298	FLANGE NUT	4		X X	M8
10	CH10639	PLUG	1		X	
11	14M7298	FLANGE NUT	4		X	M8
12	CH10614	STUD	4		X	M8 X 22
13	19M7803	SCREW	1		X	M8 X 70
	19M7801	SCREW	1		X	M8 X 60
14	CH19134	CLAMP	1		X	
15	CH12853	GASKET	1		X	
16	CH18296	COVER	1		X	
17	CH18390	BOLT	3		X	M8 X 16, (SUB 19M7865)
18	CH15443	STUD	4		X	M8 X 70
	CH18385	STUD	4		X	M8 X 90
19	CH18293	GASKET	1		X X	
20	CH14783	STUD	4		X X	M10 X 25
21	12M7066	LOCK WASHER	4		X X	M10
22	CH18389	NUT	4		X X	M10, (SUB 14M7274)
23	CH18387	EXHAUST MANIFOLD	1		X	
	CH18388	EXHAUST MANIFOLD	1		X	

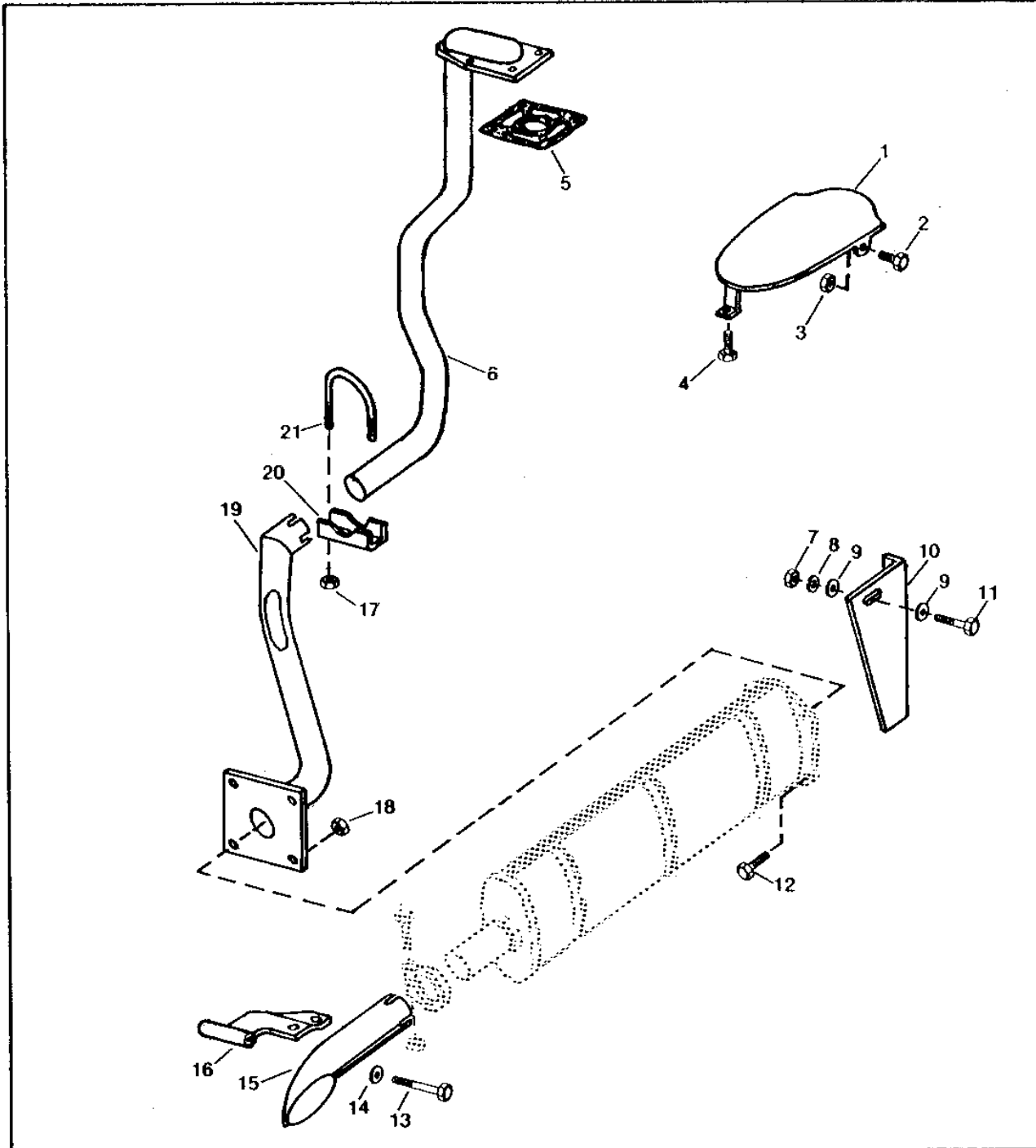
1D18

FUEL AND AIR

RWP3983

-UN-01JAN94

UNDERSLUNG MUFFLER KIT



RWP 3983

1D19

FUEL AND AIR

UNDERSLUNG MUFFLER KIT - CONTINUED

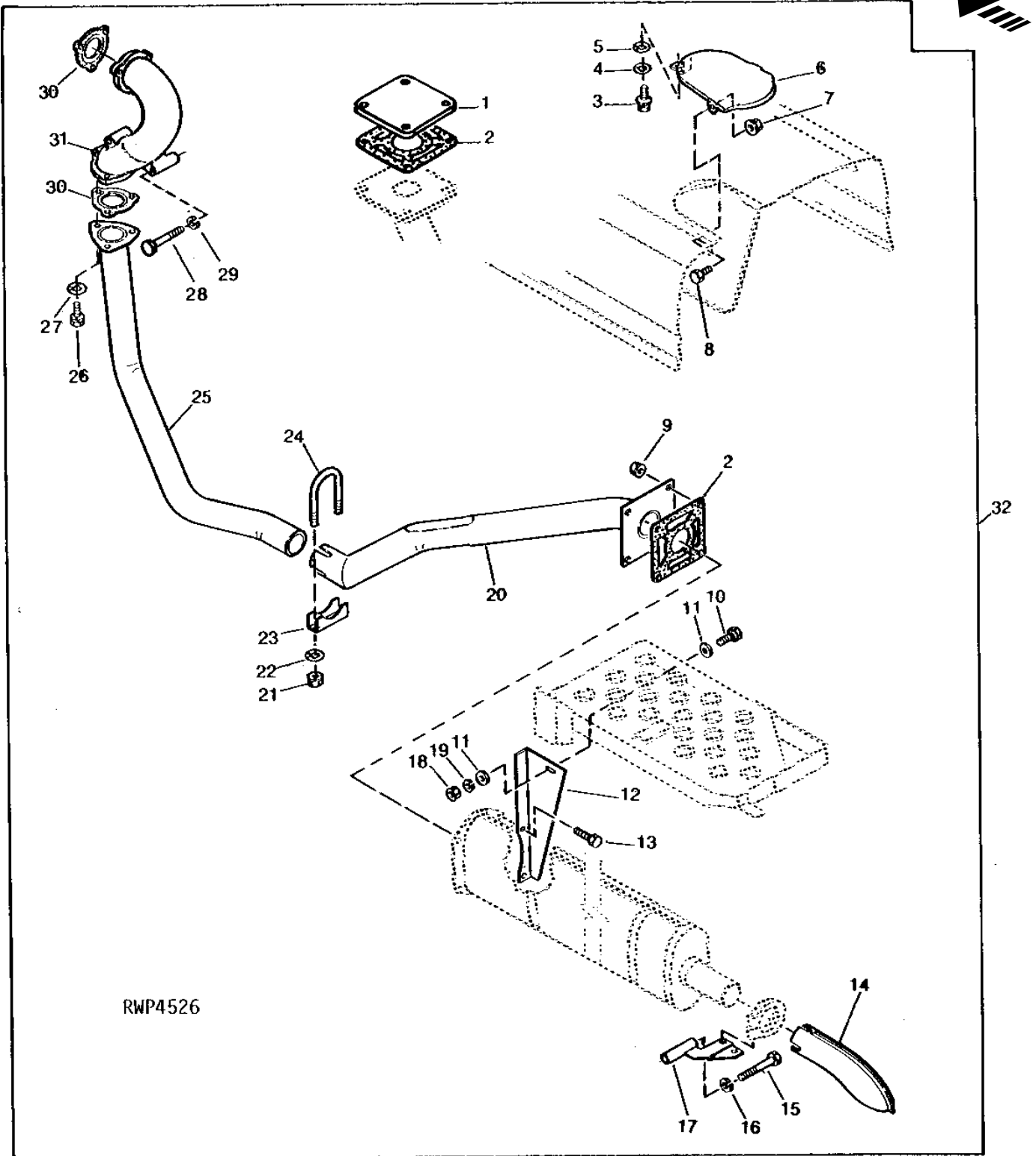
KEY	PART NO.	PART NAME	QTY	ENGINE			REMARKS
				SERIAL NO.	5 5 5	2 4 6	
					1 1 1		
1	CH18092	COVER	1		X		
2	19M7560	CAP SCREW	2		X	M6 X 16	
3	CH11984	NUT	2		X	(SUB 12M7006 AND 14M7272)	
4	CH12331	BOLT	1		X	(SUB 12M7006 AND 19M7560)	
5	CH20103	GASKET	1		X	(SUB FOR CH16783)	
6	CH18086	PIPE	1		X		
7	14M7275	NUT	1		X	M12	
8	12M7067	LOCK WASHER	1		X	M12	
9	24M7047	WASHER	2		X	13 X 24 X 2.500 MM, (SUB FOR CH11470)	
10	CH18181	BRACKET	1		X		
11	19M7872	CAP SCREW	1		X	M12 X 25	
12	CH12364	BOLT	4		X	(SUB 19M7169)	
13	19M7351	CAP SCREW	1		X	M14 X 100	
14	12M7068	LOCK WASHER	1		X	M14	
15	CH18093	EXTENSION	1		X		
16	CH18182	BRACKET	1		X		
17	CH11459	NUT	2		X	(SUB 12M7065 AND 14M7273)	
18	CH11983	NUT	4		X	(SUB 12M7066 AND 14M7274)	
19	CH18180	EXHAUST PIPE	1		X		
20	CH18090	CLAMP	1		X		
21	CH18091	U-BOLT	1		X		
22	CH18179	MUFFLER	1		X		

1D20

FUEL AND AIR

RWP4526 -UN-01JAN94

UNDSLUNG MUFFLER KIT



1D21

FUEL AND AIR

UNDERSLUNG MUFFLER KIT - CONTINUED

KEY	PART NO.	PART NAME	QTY	TRACTOR			REMARKS
				SERIAL NO.	5 5 5	0 0 0	
					1 1 1		
					2 4 6		
					5 5 5		
					0 0 0		
1	CH19247	COVER	1		X		
2	CH20103	GASKET	2		X		(SUB FOR CH16783)
	CH20103	GASKET	1		X		(SUB FOR CH16783)
3	19M7560	CAP SCREW	1		X X		M6 X 16
4	24M7088	WASHER	1		X X		6.600 X 12 X 1.600 MM
5	12M7006	LOCK WASHER	1		X X		M6
6	CH18092	COVER	1		X X		
7	CH11984	NUT	2		X X		(SUB 12M7006 AND 14M7272)
8	19M7560	CAP SCREW	2		X X		M6 X 16
9	CH11983	NUT	4		X X		(SUB 12M7066 AND 14M7274)
10	19M7872	CAP SCREW	1		X X		M12 X 25
11	24M7047	WASHER	2		X X		13 X 24 X 2.500 MM
12	CH18181	BRACKET	1		X X		
13	19M7358	CAP SCREW	4		X X		M10 X 40
14	CH18093	EXTENSION	1		X X		
15	19M7351	CAP SCREW	1		X X		M14 X 100
16	12M7068	LOCK WASHER	1		X X		M14
17	CH18182	BRACKET	1		X X		
18	14M7275	NUT	1		X X		M12
19	12M7067	LOCK WASHER	1		X X		M12
20	CH18180	EXHAUST PIPE	1		X X		
21	14M7273	NUT	2		X X		M8
22	12M7065	LOCK WASHER	2		X X		M8
23	CH18090	CLAMP	1		X X		
24	CH18091	U-BOLT	1		X X		
25	CH19244	EXHAUST PIPE	1		X X		
26	19M7139	CAP SCREW	3		X X		M8 X 20
27	12M7065	LOCK WASHER	3		X X		M8
28	CH12170	BOLT	3		X		(SUB 19M8403)
29	12M7065	LOCK WASHER	3		X		M8
30	CH12853	GASKET	1		X		
	CH12853	GASKET	2		X		
31	CH19248	PIPE	1		X		
32	CH19242	KIT	1		X		
	CH19243	KIT	1		X		

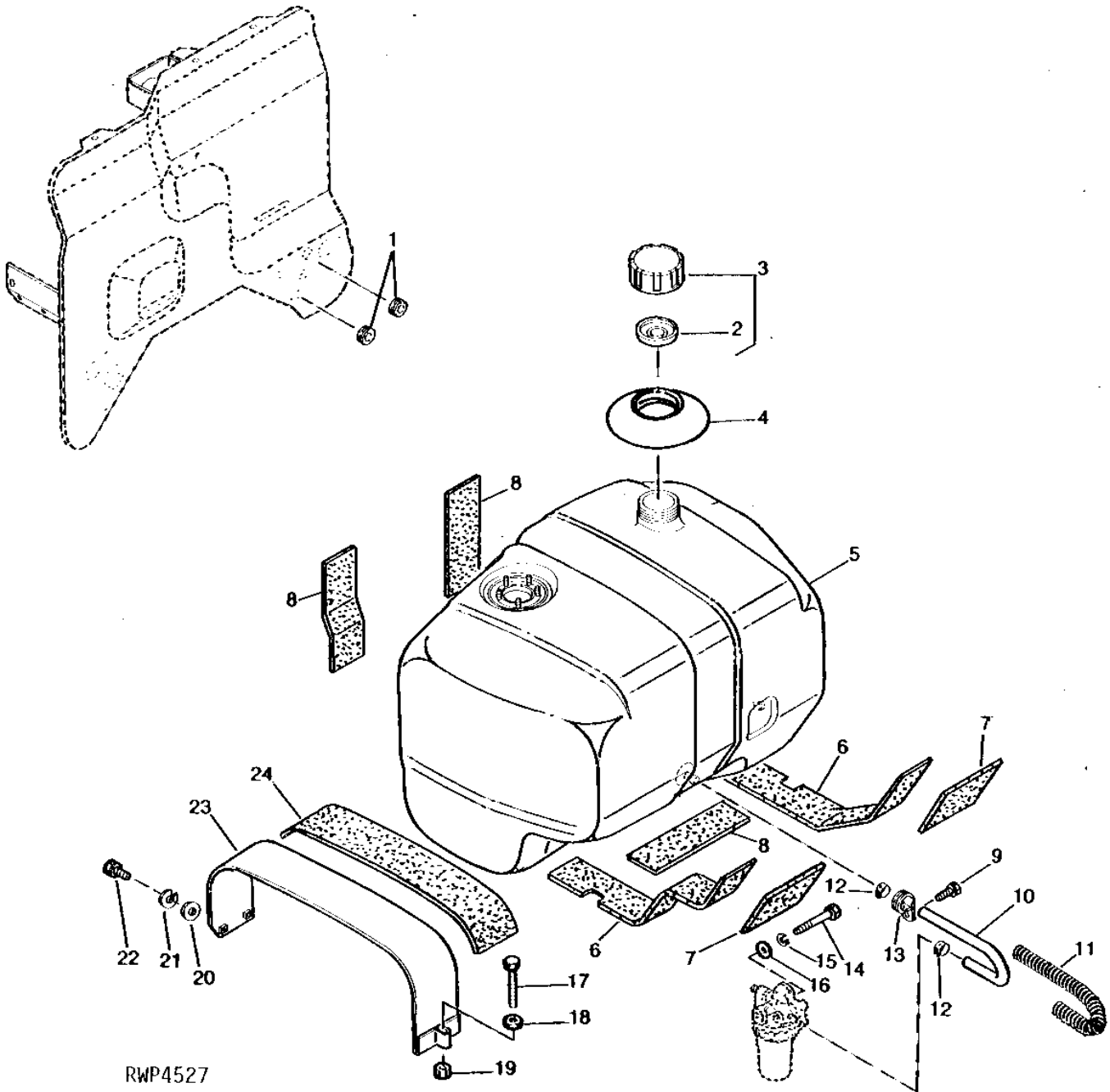
1D22

FUEL AND AIR

RWP4527

-UN-01JAN94

FUEL TANK



RWP4527

1D23

FUEL AND AIR

FUEL TANK - CONTINUED

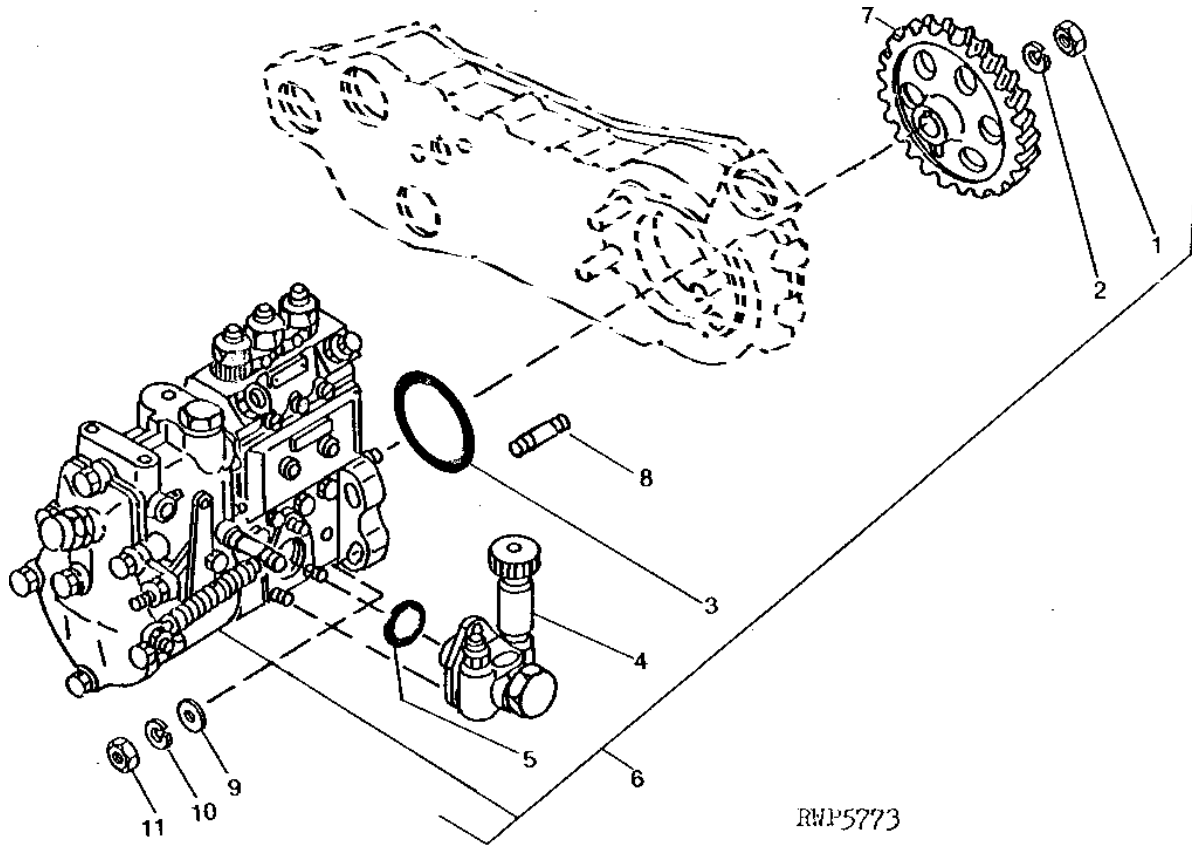
KEY	PART NO.	PART NAME	QTY	TRACTOR			REMARKS
				SERIAL NO.	1 1 1	2 4 6	
					5 5 5		
					0 0 0		
1	CH12123	GROMMET	2		X X X		
2	CH19551	VALVE	1		X X X		VENT, (SUB FOR CH17088)
3	CH17086	CAP	1		X X X		(SUB CH20242)
4	CH18435	COVER	1		X X X		
5	CH18177	FUEL TANK	1	-XXXXXX	X		(SUB FOR CH16157) (SUB CH19610)
	CH19610	FUEL TANK	1	XXXXXX-	X		
	CH18434	FUEL TANK	1		X X		
6	CH16294	PAD	2		X		(SUB CH13284)
	CH13284	PAD	2		X X		
7	CH11411	FOAM PAD	2		X X		
8	CH17265	PAD	3		X X X		
9	CH12335	BOLT	1		X X X		(SUB 19M7964 AND 12M7065)
10	CH11687	PIPE	1		X X X		
11	SPRING	1	-XXXXXX	X		(NO LONGER REQUIRED)
12	AR48236	CLAMP	2		X X X		
13	CH13189	CLAMP	1		X X X		
14	19M7663	CAP SCREW	1		X X X		M8 X 70
15	12M7065	LOCK WASHER	1		X X X		M8
16	24M7095	WASHER	1		X		
17	19M8403	CAP SCREW	1	-XXXXXX	X		M8 X 75
	19M7165	CAP SCREW	1	XXXXXX-	X		M8 X 55
	19M7165	CAP SCREW	1		X X		M8 X 55
18	24M7055	WASHER	1		X X X		8.400 X 16 X 1.600 MM
	12M7065	LOCK WASHER	1		X X		8.100 MM
	12M7065	LOCK WASHER	1	XXXXXX-	X		8.100 MM
19	14M7273	NUT	1		X X X		M8
20	24M7088	WASHER	2		X X		6.600 X 12 X 1.600 MM
21	12H302	LOCK WASHER	2		X		1/4" M6
	12M7006	LOCK WASHER	2		X X		M6
22	19M6614	CAP SCREW	2		X X X		M6 X 12
23	CH20034	BAND	1		X		(SUB FOR CH16292)
	CH18826	BAND	1		X X		(SUB CH20188)
24	CH16293	PAD	1		X X X		TANK BAND

1D24

FUEL AND AIR

RWP5773 -UN-01JAN94

FUEL INJECTION PUMP



RWP5773

1D25

FUEL AND AIR

FUEL INJECTION PUMP - CONTINUED

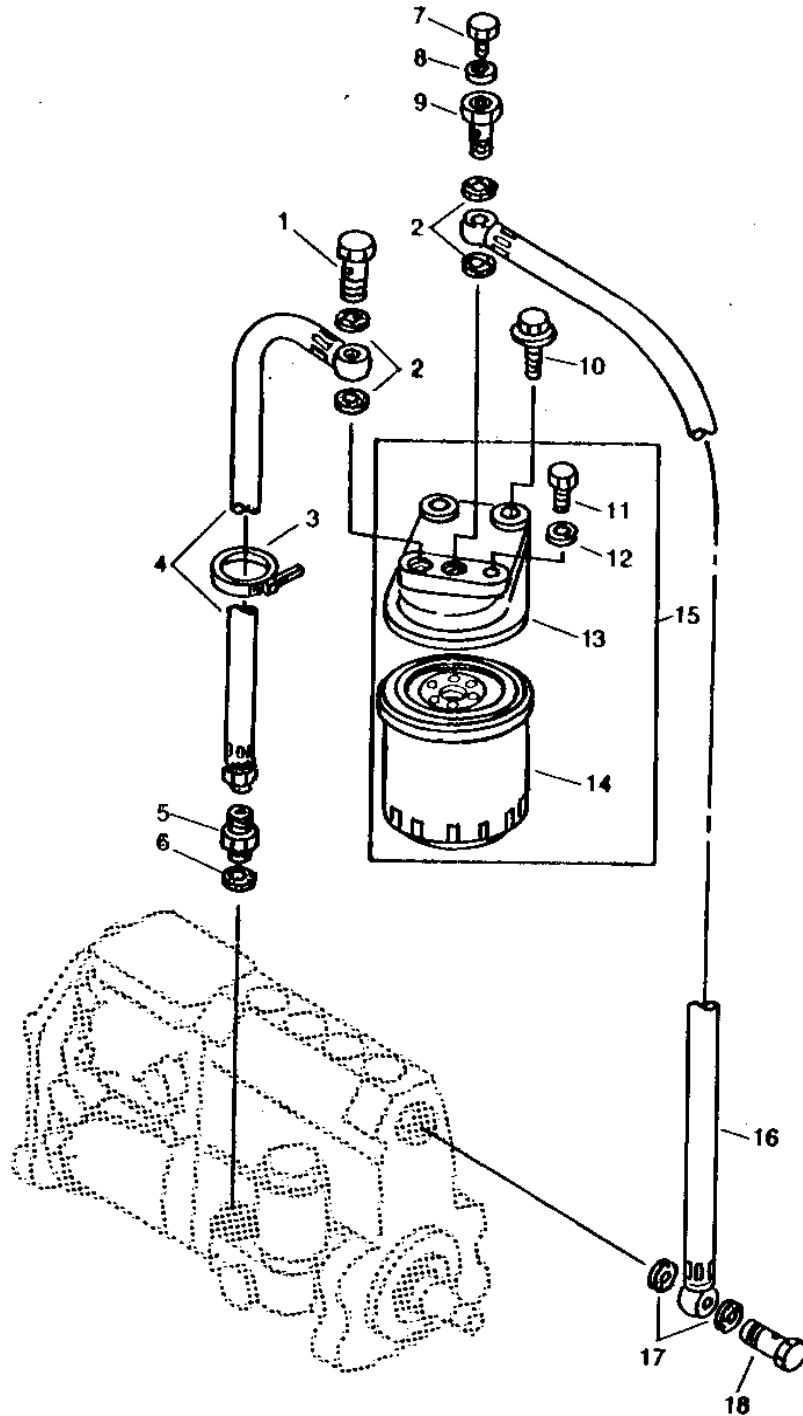
KEY	PART NO.	PART NAME	QTY	ENGINE SERIAL NO.	1 1 1	REMARKS
					2 4 6	
				5 5 5		
				0 0 0		
1	14M7275	NUT	1		X X X	
2	12M7067	LOCK WASHER	1		X X X	M12
3	CH16940	O-RING	1		X X X	
4	CH16880	PUMP	1		X X X	
5	CH16941	GASKET	1		X X X	
6	CH16937	FUEL INJECTION PUMP	1		X	(SUB FOR CH16938)
	CH18392	FUEL INJECTION PUMP	1		X	(SUB FOR CH18394)
	CH18393	FUEL INJECTION PUMP	1		X	(SUB FOR CH18395)
7	CH16810	GEAR	1		X X X	
8	CH16719	STUD	4		X X X	M10 X 32
	CH16720	STUD	2		X X X	M8 X 22, H-O PUMP
9	24M7028	WASHER	4		X X X	10.500 X 20 X 2 MM
10	12M7066	LOCK WASHER	4		X X X	M10
11	M88031	NUT	4		X X X	

1E1

FUEL AND AIR

FUEL FILTER AND LINES
(1250 TRACTOR SERIAL NO. -004208)
(1450 TRACTOR SERIAL NO. -002269)
(1650 TRACTOR SERIAL NO. -002467)

RWP4654 -UN-01JAN94



RWP 4654

1E2

FUEL AND AIR

FUEL FILTER AND LINES - CONTINUED
 (1250 TRACTOR SERIAL NO. -004208)
 (1450 TRACTOR SERIAL NO. -002269)
 (1650 TRACTOR SERIAL NO. -002467)

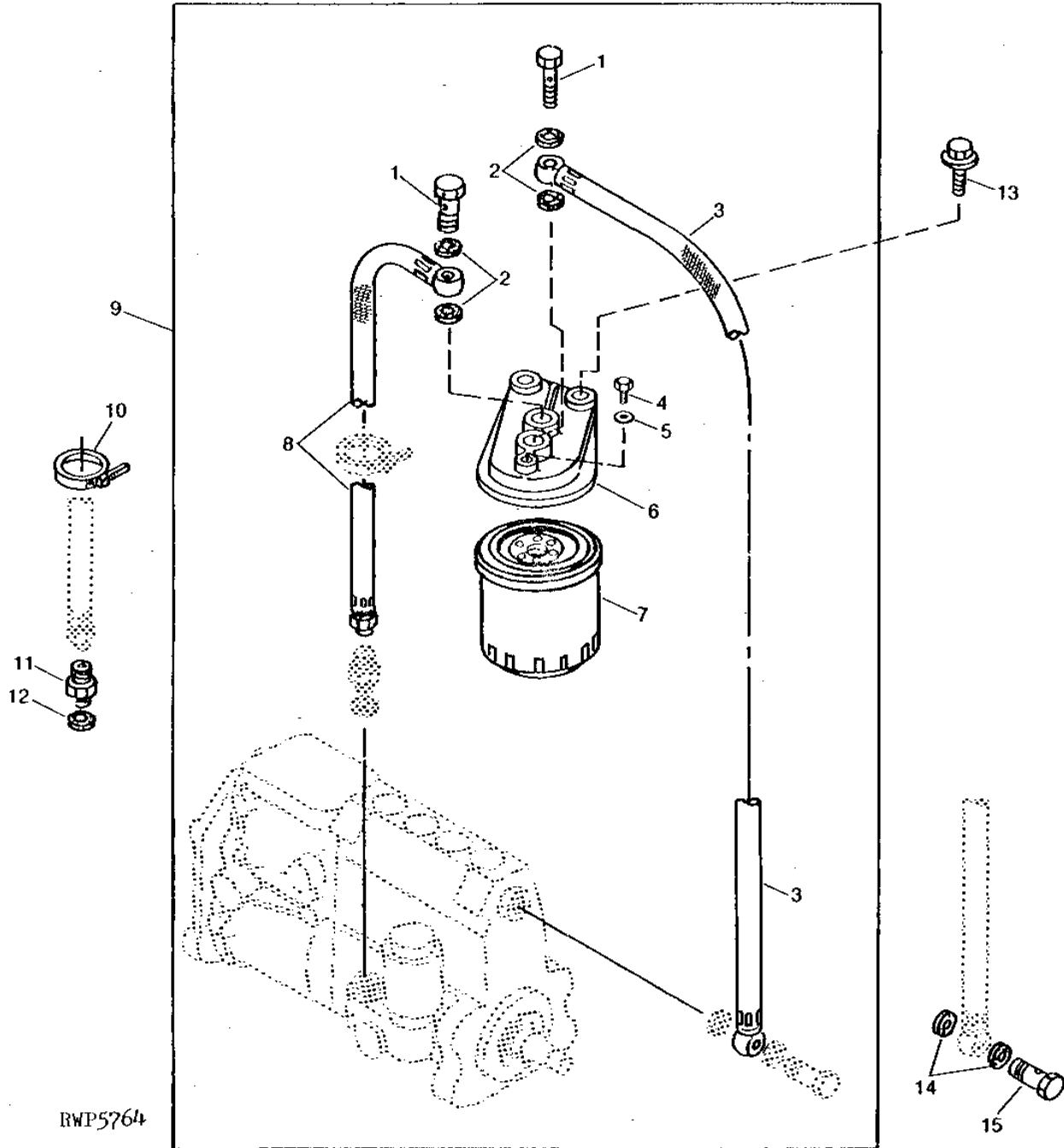
KEY	PART NO.	PART NAME	QTY	ENGINE			REMARKS
				SERIAL NO.	0 0 0	5 5 5	
					1 1 1		
					2 4 6		
					5 5 5		
					0 0 0		
1	CH16902	BOLT	1		X X X		
2	CH15385	WASHER	4		X X X		
3	R44302	TIE BAND	1		X X	(SUB FOR CH16899)	
4	CH16895	PIPE	1		X X X	(FEED PUMP TO FILTER)	
5	CH16900	FITTING	1		X X X		
6	CH16901	GASKET	1		X X X		
7	CH10319	PLUG	1		X X X		
8	CH10643	PACKING	1		X X X		
9	CH17954	FITTING	1		X X X	(SUB FOR CH16904)	
10	CH19129	BOLT	2		X X X		
11	CH10319	PLUG	1		X X X		
12	CH10643	PACKING	1		X X X		
13	CH16884	BRACKET	1		X X X	FILTER, (SUB CH20206)	
14	CH16885	FUEL FILTER	1		X X X		
15	CH16883	FUEL FILTER	1		X X X	(NO LONGER AVAILABLE)	
16	CH16894	PIPE	1		X X X	(FILTER TO FUEL INJECTOR)	
17	CH16901	GASKET	2		X X X		
18	CH16903	BOLT	1		X X X		

1E3

FUEL AND AIR

FUEL FILTER AND LINES
(1250 TRACTOR SERIAL NO. 004209-)
(1450 TRACTOR SERIAL NO. 002270-)
(1650 TRACTOR SERIAL NO. 002468-)

RWP5764 -UN-01JAN94



1E4

FUEL AND AIR

FUEL FILTER AND LINES - CONTINUED
(1250 TRACTOR SERIAL NO. 004209-)
(1450 TRACTOR SERIAL NO. 002270-)
(1650 TRACTOR SERIAL NO. 002468-)

KEY	PART NO.	PART NAME	QTY	ENGINE			REMARKS
				SERIAL NO.	5 5 5	0 0 0	
1	CH16903	BOLT	2		X X X		
2	CH16901	GASKET	4		X X X		
3	CH20200	LINE	1		X X X	(FILTER TO FUEL INJECTOR)	
4	CH10319	PLUG	1		X X X		
5	CH10643	PACKING	1		X X X		
6	CH20199	BRACKET	1		X X X	FILTER	
7	CH20196	FILTER ELEMENT	1		X X X		
8	CH20201	LINE	1		X X X	(FEED PUMP TO FILTER)	
9	CH20206	KIT	1		X X X		
10	R44302	TIE BAND	1		X X	(SUB FOR CH16899)	
11	CH16900	FITTING	1		X X X		
12	CH16901	GASKET	1		X X X		
13	CH19129	BOLT	2		X X X		
14	CH16901	GASKET	2		X X X		
15	CH16903	BOLT	1		X X X		

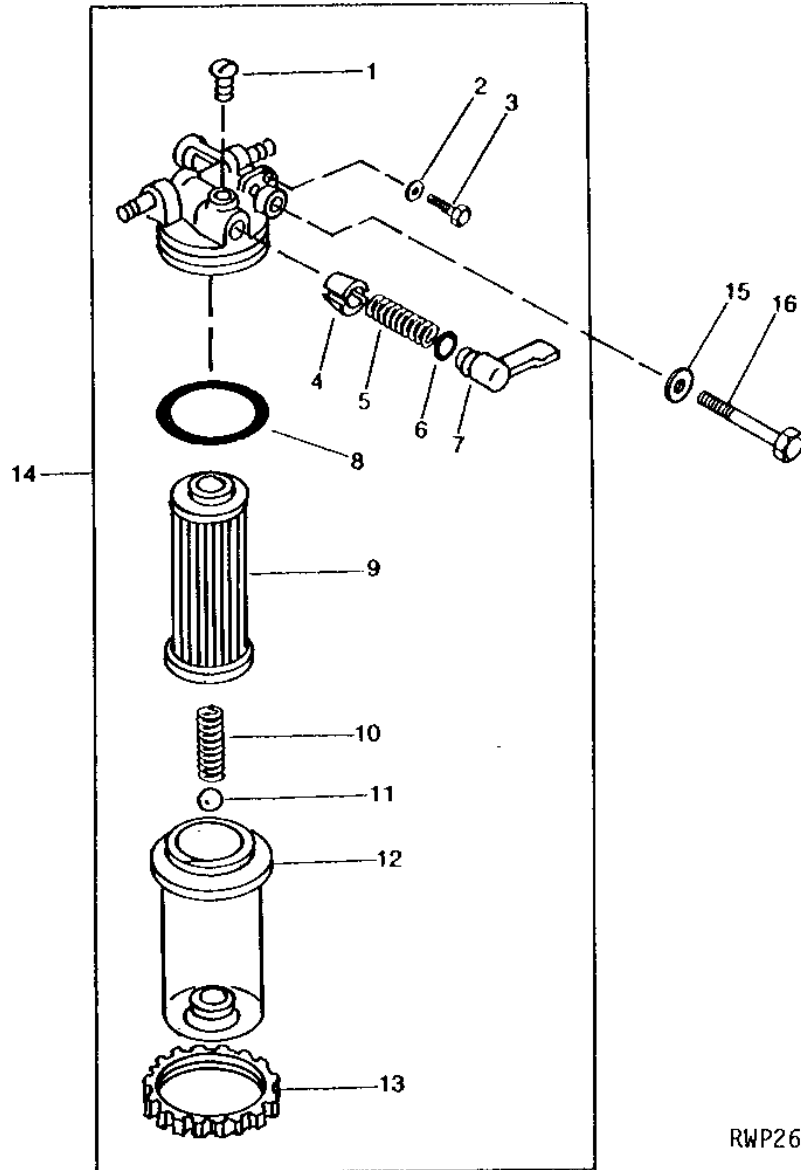
1E5

FUEL AND AIR

RWP2676

-UN-01JAN94

WATER SEPARATOR



RWP2676

1E6

FUEL AND AIR

WATER SEPARATOR - CONTINUED

KEY	PART NO.	PART NAME	QTY	ENGINE			REMARKS
				SERIAL NO.	1 1 1	2 4 6	
					5 5 5		
					0 0 0		
1	CH10084	SCREW	1		X X X		
2	CH10558	PACKING	2		X X X		
3	CH10059	PLUG	2		X X X		
4	CH12734	VALVE	1		X X X		
5	CH10082	SPRING	1		X X X		
6	CH10571	PACKING	1		X X X		
7	CH12735	HANDLE	1		X X X		
8	CH10060	PACKING	1		X X X		
9	CH16887	FILTER ELEMENT	1		X X X		
10	CH16888	SPRING	1		X X X		
11	T111401	FLOAT	1		X X X	(SUB FOR CH16889)	
12	CH15983	COVER	1		X X X		
13	CH10106	RING	1		X X X		
14	CH16886	SEPARATOR	1		X X X		
15	24M7095	WASHER	1	-XXXXXX	X	8.400 X 15 X 1.600 MM	
16	CH19099	BOLT	1		X X X		

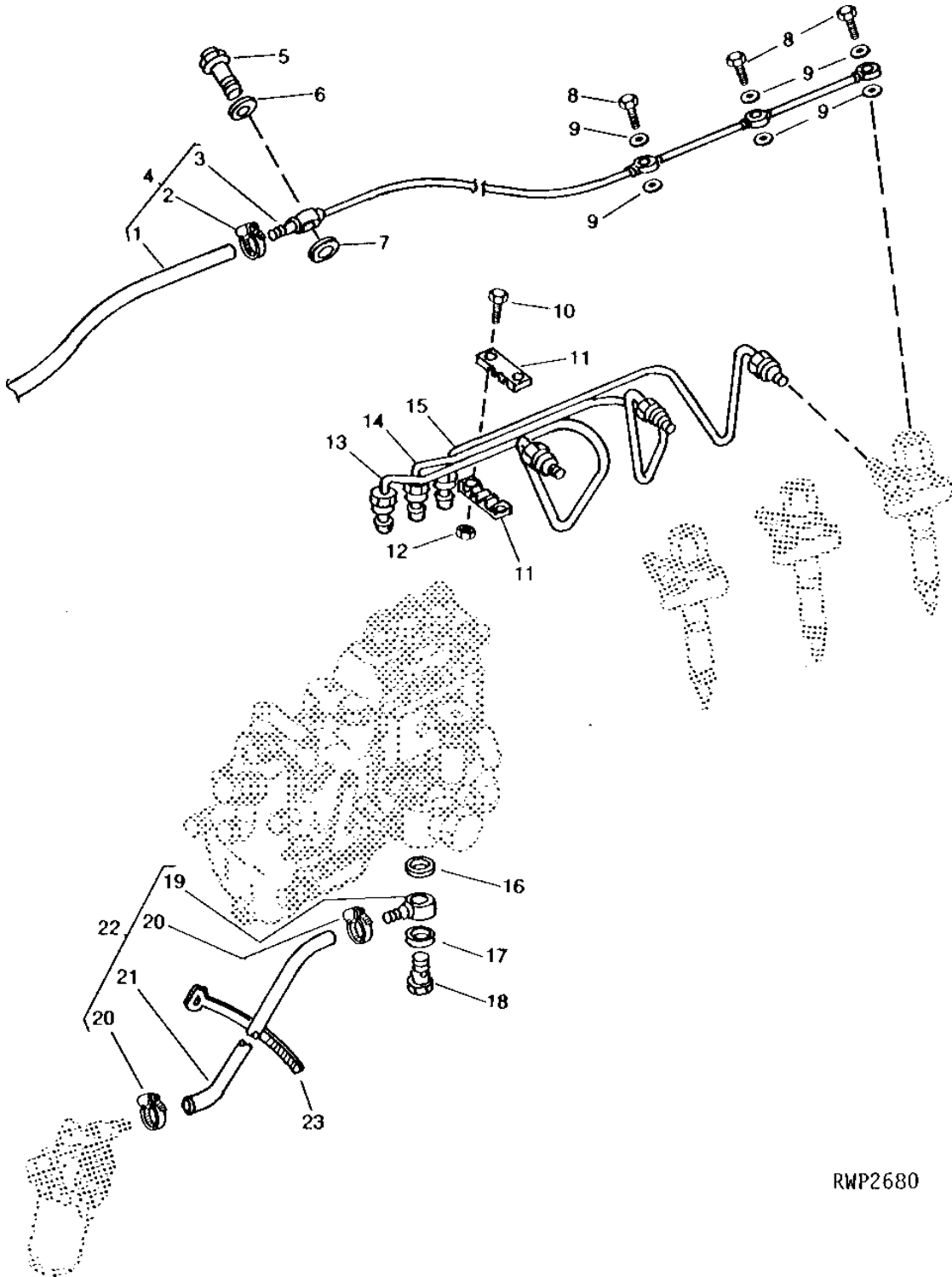
1E7

FUEL AND AIR

RWP2680

-UN-01JAN94

FUEL INJECTION LINES



RWP2680

1E8

FUEL AND AIR

FUEL INJECTION LINES - CONTINUED

KEY	PART NO.	PART NAME	QTY	ENGINE SERIAL NO.	1 1 1	REMARKS
					2 4 6	
				5 5 5		
				0 0 0		
1	CH16908	PIPE	1		X	
2	AR48236	CLAMP	2		X	(SUB FOR CH10322)
3	CH16909	PIPE	1		X	
4	CH16905	PIPE	1		X	NOZZLES, OVERFLOW, (SUB CH16908, CH16909 AND (2) AR48236)
5	CH16907	CHECK VALVE	1		X	
6	CH16901	GASKET	1		X	
7	CH18193	GASKET	1		X	(SUB FOR CH10391)
8	CH10053	BOLT	3		X	
9	CH10554	PACKING	6		X	
10	19M7560	CAP SCREW	2		X	M6 X 16
11	CH16890	CLAMP	2		X	
12	14M7272	NUT	2		X	M6
13	CH16893	FUEL LINE	1		X	NO. 3
14	CH16892	FUEL LINE	1		X	NO. 2
15	CH16891	FUEL LINE	1		X	NO. 1
16	CH10391	PACKING	1		X	
17	CH16901	GASKET	1		X	
18	CH16903	BOLT	1		X	
19	CH16898	FITTING	1		X	
20	AR48236	CLAMP	2		X	
21	CH16897	PIPE	1		X	
22	CH16896	PIPE	1		X	(WATER SEPARATOR TO FEED PUMP)
23	R44302	TIE BAND	AR		X	(SUB FOR CH16899)

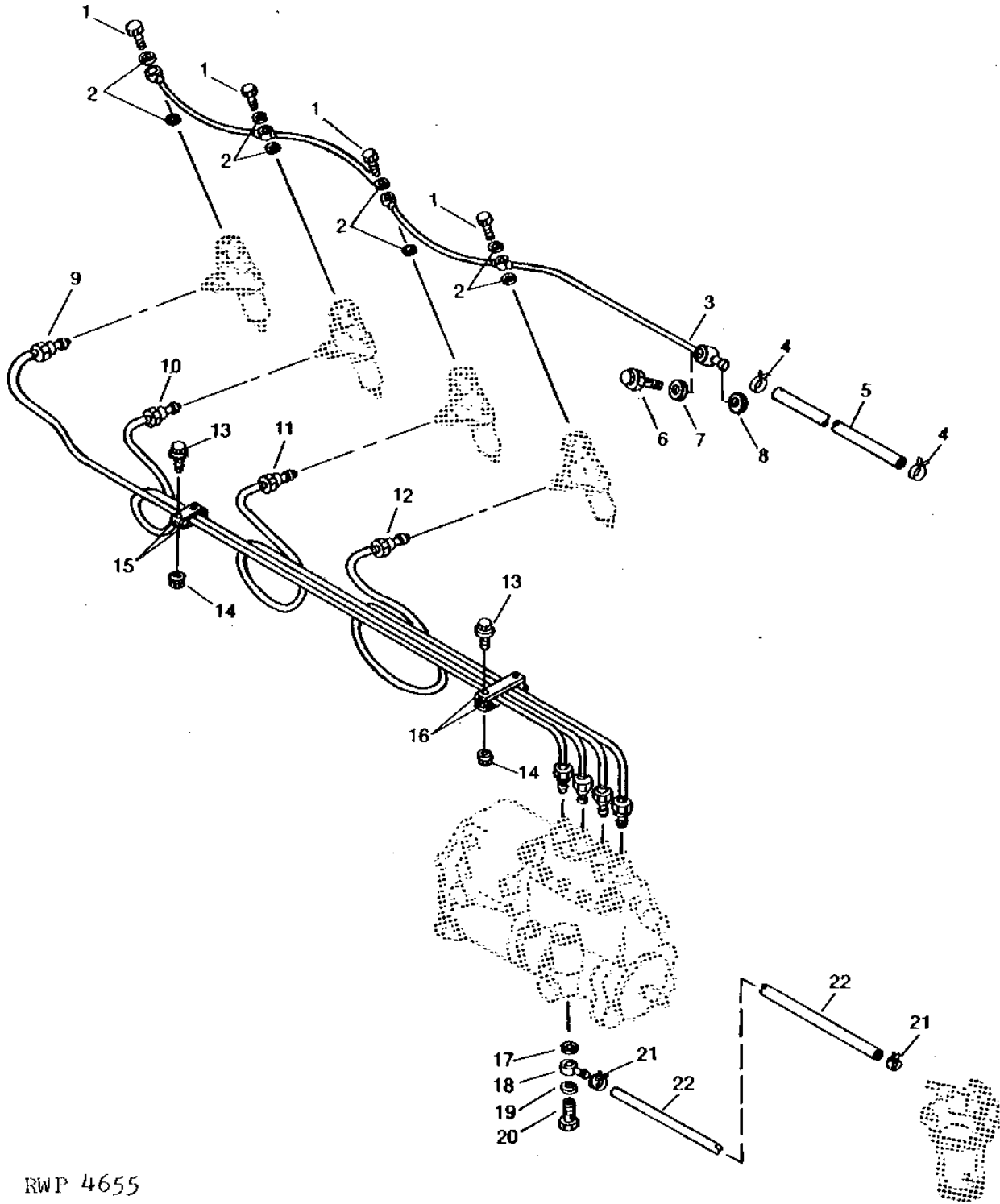
1E9

FUEL AND AIR

RWP4655

-UN-01JAN94

FUEL INJECTION LINES



RWP 4655

1E10

FUEL AND AIR

FUEL INJECTION LINES - CONTINUED

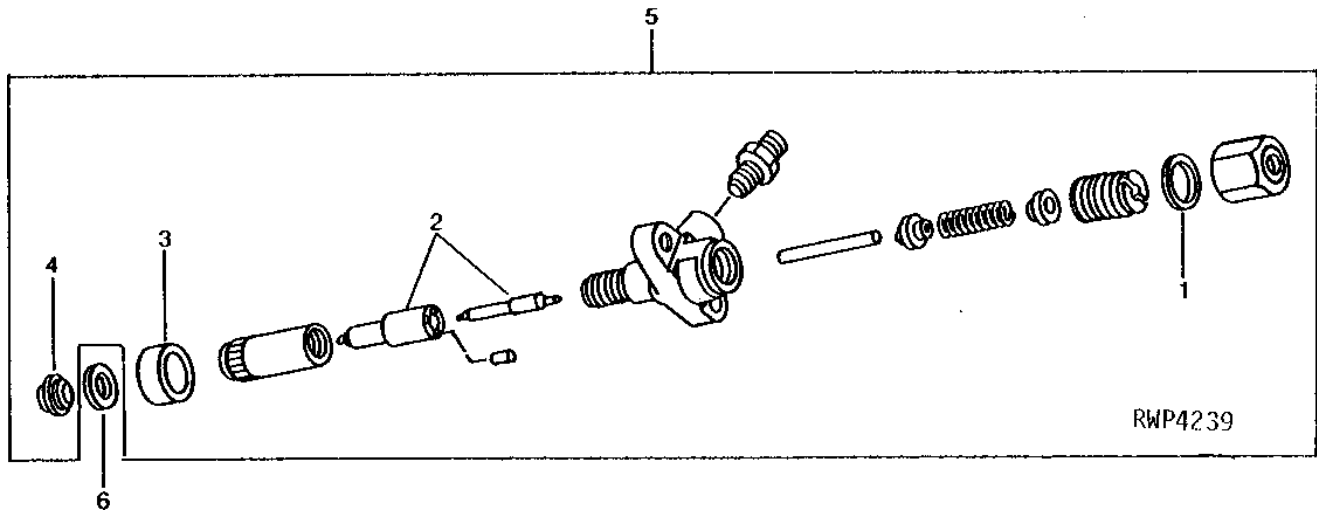
KEY	PART NO.	PART NAME	QTY	ENGINE			REMARKS
				SERIAL NO.	5 5 5	2 4 6	
					1 1 1		
					0 0 0		
1	CH10053	BOLT	4		X X		
2	CH10554	PACKING	8		X X		
3	CH18362	PIPE	1		X X		
4	AR48236	CLAMP	2		X X		
5	CH18363	PIPE	1		X X		
6	CH16907	CHECK VALVE	1		X X	NOZZLES, OVERFLOW	
7	CH16901	GASKET	1		X X		
8	CH10391	PACKING	1		X X		
9	CH18358	FUEL LINE	1		X X		
10	CH16891	FUEL LINE	1		X X		
11	CH16892	FUEL LINE	1		X X		
12	CH16893	FUEL LINE	1		X X		
13	19M7560	CAP SCREW	4		X X	M6 X 16	
14	14M7272	NUT	4		X X	M6	
15	CH18356	CLAMP	2		X X		
16	CH18357	CLAMP	2		X X		
17	CH18193	GASKET	1		X X		
18	CH16898	FITTING	1		X X		
19	CH16901	GASKET	1		X X		
20	CH16903	BOLT	1		X X		
21	AR48236	CLAMP	2		X X		
22	CH18360	PIPE	1		X X		

1E11

FUEL AND AIR

RWP4239 -UN-01JAN94

FUEL INJECTION NOZZLE



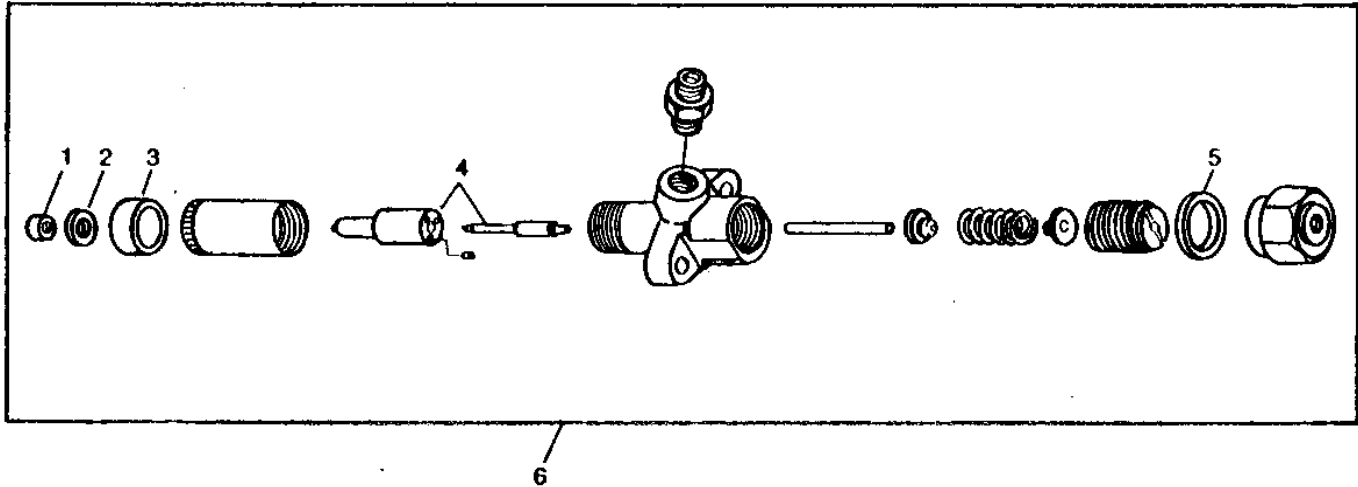
KEY	PART NO.	PART NAME	QTY	ENGINE SERIAL NO.		REMARKS
					1 1 1	
					2 4 6	
					5 5 5	
					0 0 0	
1	CH16882	GASKET	3		X	
2	CH16881	NOZZLE	3		X	
3	CH16767	COVER	3		X	
4	CH16765	COVER	3	-000651	X	(SUB CH18276 AND CH18277)
	CH18276	INSULATOR	3	000652-	X	
5	CH16934	INJECTION NOZZLE	3		X	(SUB CH18397)
6	CH16766	RETAINER	3	-000651	X	(SUB CH18277 AND CH18276)
	CH18277	WASHER	3	000652-	X	

1E12

FUEL AND AIR

FUEL INJECTION NOZZLE

RWP4656 -UN-01JAN94



RWP 4656

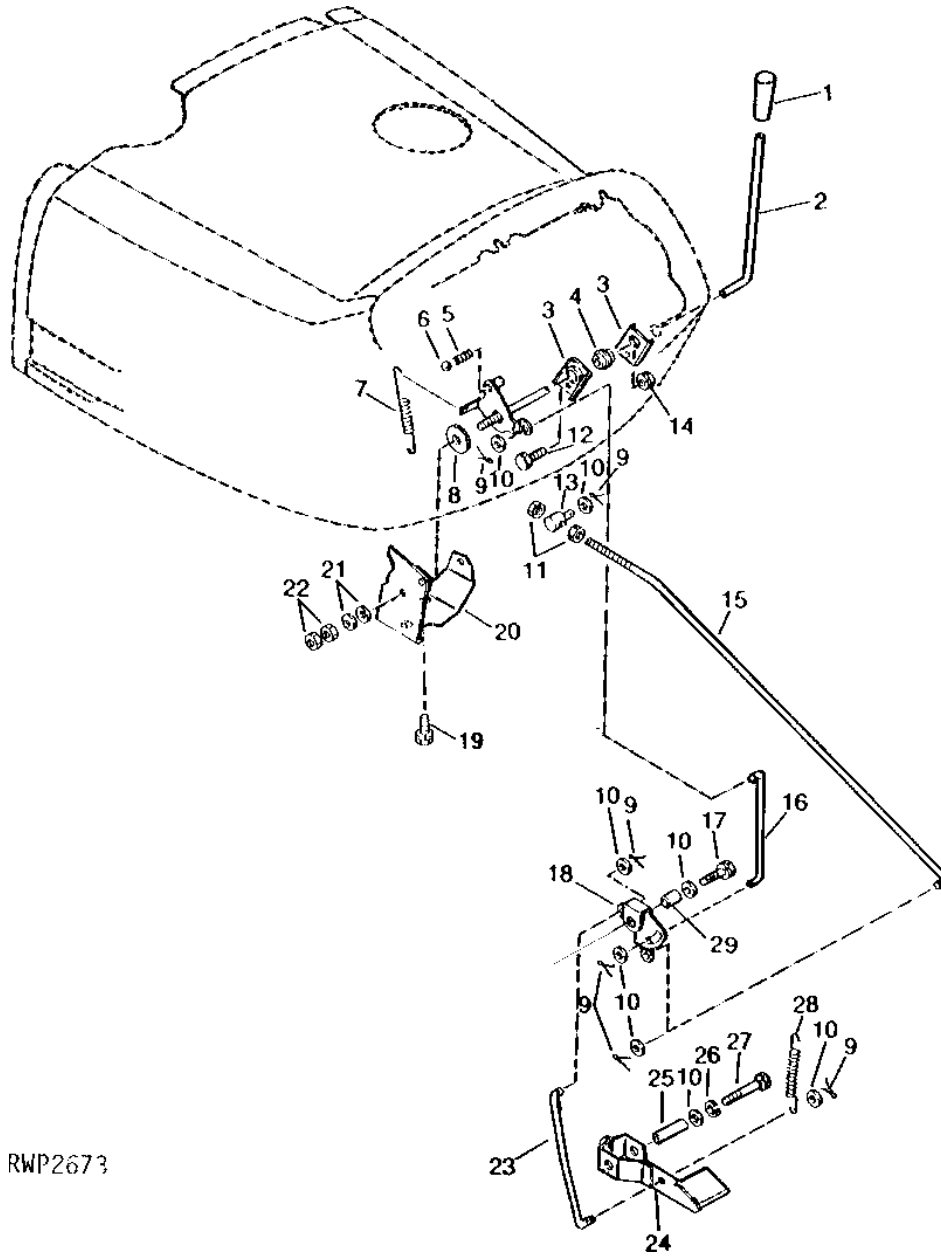
KEY	PART NO.	PART NAME	QTY	ENGINE SERIAL NO.			REMARKS
				1	2	3	
				1	1	1	
				2	4	6	
				5	5	5	
				0	0	0	
1	CH18276	INSULATOR	4	X	X		
2	CH18277	WASHER	4	X	X		
3	CH16767	COVER	4	X	X		
4	CH16881	NOZZLE	4	X			
	CH18353	NOZZLE	4		X		
5	CH16882	GASKET	4	X	X		
6	CH18397	INJECTION NOZZLE	4	X			
	CH18398	INJECTION NOZZLE	4		X		

1E13

FUEL AND AIR

RWP2673 -UN-01JAN94

SPEED CONTROL LINKAGE



RWP2673

1E14

FUEL AND AIR

SPEED CONTROL LINKAGE - CONTINUED

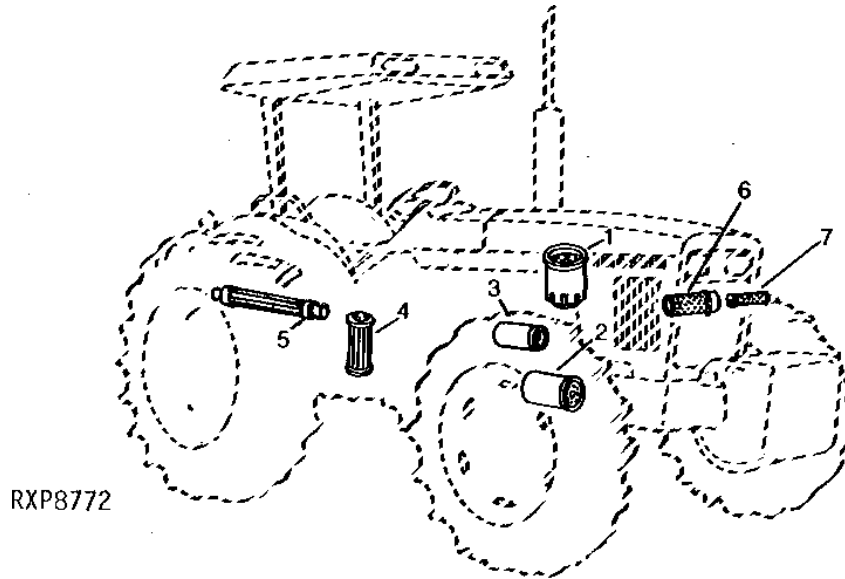
KEY	PART NO.	PART NAME	QTY	TRACTOR			REMARKS
				SERIAL NO.	5 5 5	2 4 6	
					1 1 1		
					2 4 6		
					5 5 5		
					0 0 0		
1	CH13278	KNOB	1		X X X		
2	CH16282	LEVER	1		X X X		
3	CH16284	SUPPORT	2		X X X		
4	CH16287	BUSHING	1		X X X		
5	CH16107	SPRING	1		X X X		
6	H836R	BALL	1		X X X		
7	CH16286	SPRING	1		X X X		
8	CH11860	WASHER	1		X X X	(SUB M804267)	
9	CH12310	PIN	6		X X X		
10	24M7055	WASHER	8		X X X	8.400 X 16 X 1.600 MM	
11	14M7273	NUT	2		X X X		
12	19M7162	CAP SCREW	1		X X X	M8 X 16	
13	CH11884	SWIVEL	1		X X X		
14	CH11459	NUT	1		X X X	(SUB 14M7273 AND 12M7065)	
15	CH17731	ROD	1		X		
	CH18430	ROD	1		X X		
16	CH16289	ROD	1		X		
	CH18431	ROD	1		X X		
17	19M8008	CAP SCREW	1		X X X	M8 X 35	
	12M7065	LOCK WASHER	1		X X X	M8	
18	CH16285	LEVER	1		X X X		
19	19M7162	CAP SCREW	2		X X X	M8 X 16	
	12M7065	LOCK WASHER	2		X X X	M8	
20	CH18178	BRACKET	1		X X X	(SUB FOR CH16283)	
21	CH11981	WASHER	2		X X X		
22	14M7274	NUT	2		X X X		
23	CH16291	ROD	1		X X X		
24	CH16290	PEDAL	1		X X X		
25	CH17085	PIPE	1		X X X		
26	12M7065	LOCK WASHER	1		X X X	M8	
27	19M7185	CAP SCREW	1		X X X	M8 X 60	
28	CH13481	EXTENSION SPRING	1		X X X		
29	CH16126	PIPE	1		X X X		

1E15

FUEL AND AIR

RXP8772 -UN-01JAN94

FILTERS



KEY	PART NO.	PART NAME	QTY	TRACTOR SERIAL NO.			REMARKS
				1	2	5	
				1	1	1	
				2	4	6	
				5	5	5	
				0	0	0	
1	CH16885	FUEL FILTER	1	X	X	X	(A)
	CH20196	FILTER ELEMENT	1	X	X	X	(B) FUEL
2	T19044	OIL FILTER	1	X	X	X	
3	RE27284	FILTER ELEMENT	1	X	X	X	HYDRAULIC
4	CH16887	FILTER ELEMENT	1	X	X	X	WATER SEPERATOR
5	CH18014	FILTER	1	X	X	X	TRANSMISSION
6	CH18287	FILTER ELEMENT	1			X	PRIMARY AIR
	AE31724	FILTER ELEMENT	1	X	X		PRIMARY AIR
7	CH18289	FILTER ELEMENT	1			X	SAFETY AIR
	AR84228	FILTER ELEMENT	1	X	X		SAFETY AIR

(A) (-XXXXXX) 1250-004208; 1450-002269; 1650-002467

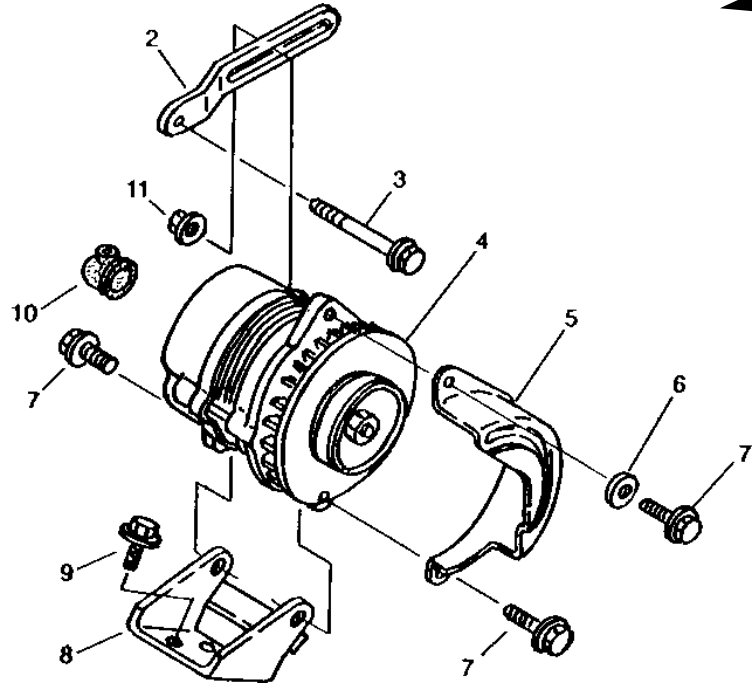
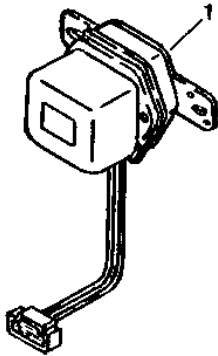
(B) (XXXXXX-) 1250-004209; 1450-002270; 1650-002468

1E18

ELECTRICAL

RWP4433 -UN-01JAN94

ALTERNATOR AND MOUNTING BRACKET



RWP 4433

1 1 1
2 4 6
5 5 5
0 0 0

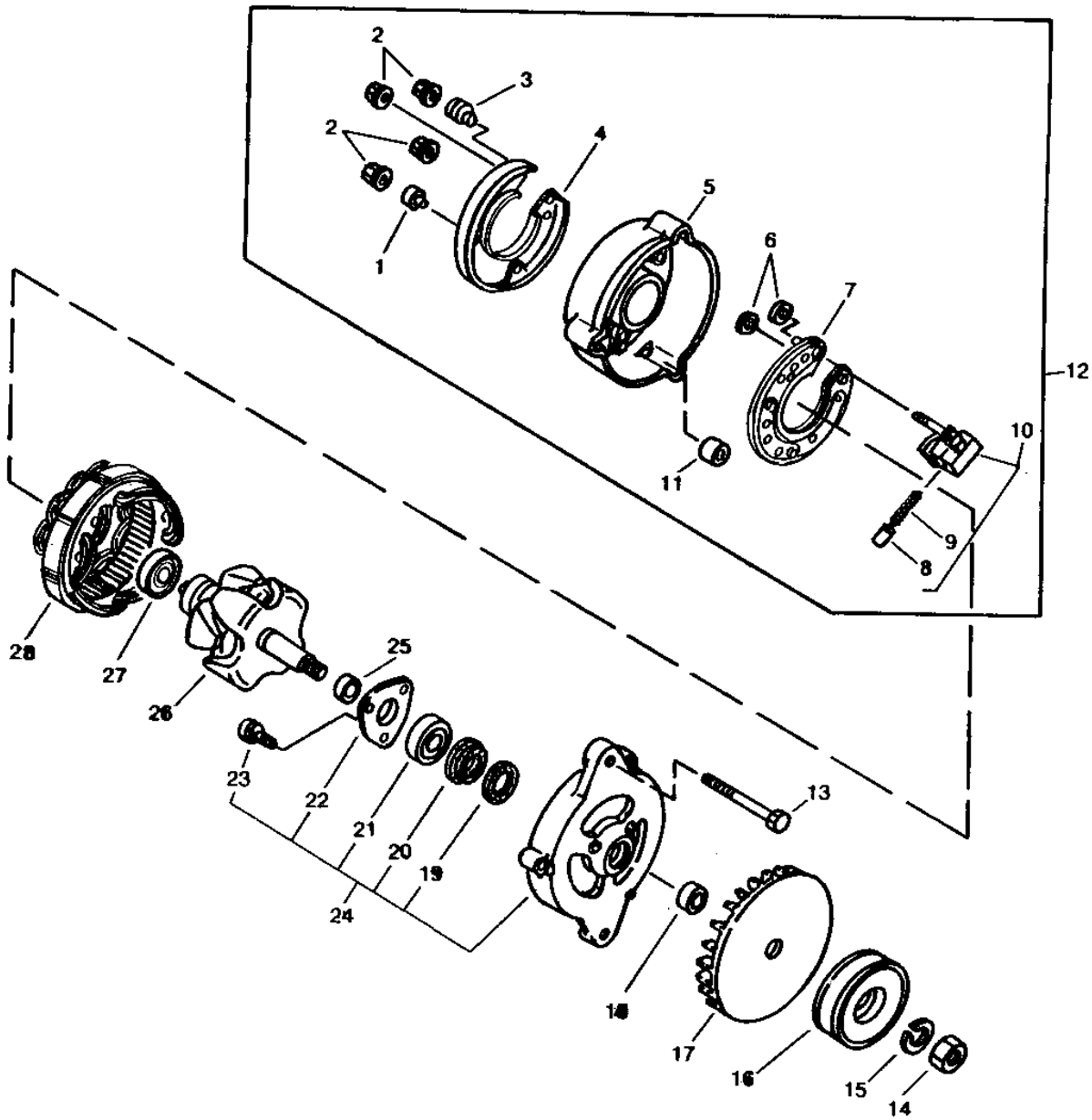
KEY	PART NO.	PART NAME	QTY	TRACTOR SERIAL NO.	REMARKS
1	CH12806	REGULATOR	1	X X X	
2	CH19338	STRAP	1	X X X	
3	19M7691	CAP SCREW	1	X	M8 X 90
	CH19136	BOLT	1	X X	
4	CH10493	GENERATOR	1	X X X	(SUB TY6647)
	TY6647	ALTERNATOR	1	X X X	REMANUFACTURED
5	CH10301	COVER	1	X X X	
6	24M7024	WASHER	1	X X X	9 X 28 X 3 MM
7	19M7868	SCREW	3	X X X	M8 X 30
	12M7065	LOCK WASHER	1	X X X	M8
8	CH16910	BRACKET	1	X X X	
9	19M7866	SCREW	2	X X X	M8 X 20
10	CH10492	COVER	1	X X X	
11	14M7298	FLANGE NUT	1	X X X	M8

1E19

ELECTRICAL

RWP4432 -UN-01JAN94

ALTERNATOR



1E20

ELECTRICAL

ALTERNATOR - CONTINUED

KEY	PART NO.	PART NAME	QTY	TRACTOR			REMARKS
				SERIAL NO.	1 1 1	2 4 6	
1	CH12462	INSULATOR	1		X X X		
2	CH12750	NUT	4		X X X		
3	CH12461	INSULATOR	1		X X X		
4	CH12455	COVER	1		X X X		
5	CH13813	FRAME	1		X X X		
6	CH12529	WASHER	2		X X X		
7	CH12751	RECTIFIER	1		X X X		
8	CH12464	BRUSH	2		X X X		
9	CH12555	SPRING	2		X X X		
10	CH13811	HOLDER	1		X X X		
11	CH12749	BUSHING	1		X X X		
12	CH13812	FRAME	1		X X X		
13	CH12518	SCREW, WITH WASHER	3		X X X		
14	CH12535	NUT	1		X X X		
15	CH12510	LOCK WASHER	1		X X X		
16	CH12434	SHEAVE	1		X X X		
17	CH12436	FAN	1		X X X		
18	CH12435	LOCKING COLLAR	1		X X X		
19	CH12530	FELT	1		X X X		
20	CH12445	COVER	1		X X X		
21	CH12549	BEARING	1		X X X		
22	CH12446	PLATE	1		X X X		
23	CH12517	SCREW	3		X X X		
24	CH12444	FRAME	1		X X X		
25	CH12560	LOCKING COLLAR	1		X X X		
26	CH12440	ROTOR	1		X X X		
27	CH12550	BEARING	1		X X X		
28	CH12438	STATOR	1		X X X		

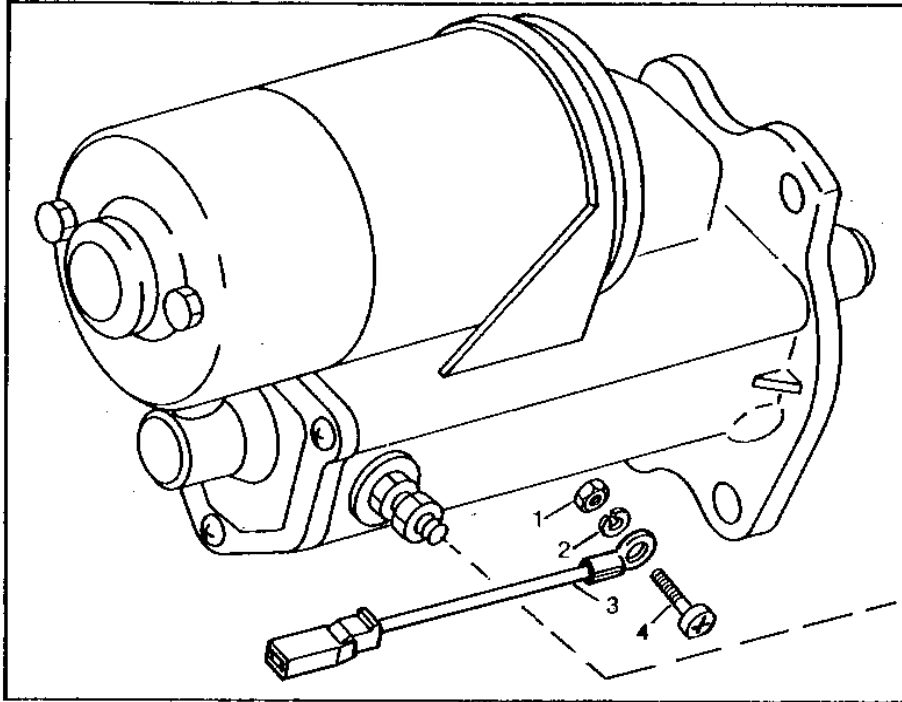
MEMORANDA

1E21

ELECTRICAL

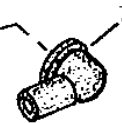
RXP8804 -UN-01JAN94

STARTER



5

6



RXP8804

KEY	PART NO.	PART NAME	QTY	TRACTOR SERIAL NO.	REMARKS
				1 1 1	
				2 4 6	
				5 5 5	
				0 0 0	
1	14M7139	NUT	1	X X X	M4
2	12M7063	LOCK WASHER	1	X X X	M4
3	CH19283	WIRING LEAD	1	X X X	
4	21M7209	SCREW	1	X X X	M4 X 10
5	CH12096	STARTER	1	X	(NIPPONDENSO NO. 028000-5660) (SUB TY6716)
	CH19285	STARTER	1	X X X	(NIPPONDENSO NO. 128000-0790) (SUB TY6716)
	TY6716	STARTER	1	X X X	REMANUFACTURED (NIPPONDENSO) (SUB FOR TY6649 AND TY6674)
6	T134459	WARNING LABEL	1	X X X	(SUB T146102) SAFETY START (ENGLISH)
	T134452	WARNING LABEL	1	X X X	(ESPAÑOL) (SUB T146106)
	T134453	WARNING LABEL	1	X X X	(FRANCAIS) (SUB T146104)
	T134454	WARNING LABEL	1	X X X	(DEUTSCH) (SUB T146515)
	T134455	WARNING LABEL	1	X X X	(ITALIANO) (SUB T146516)
	T134456	WARNING LABEL	1	X X X	(ENGLISH/FRANCAIS) (SUB T146517)
7	CH10486	COVER	1	X X X	BATTERY CABLE
8	CH10485	COVER	1	-XXXXXX X	SOLENOID TERMINAL

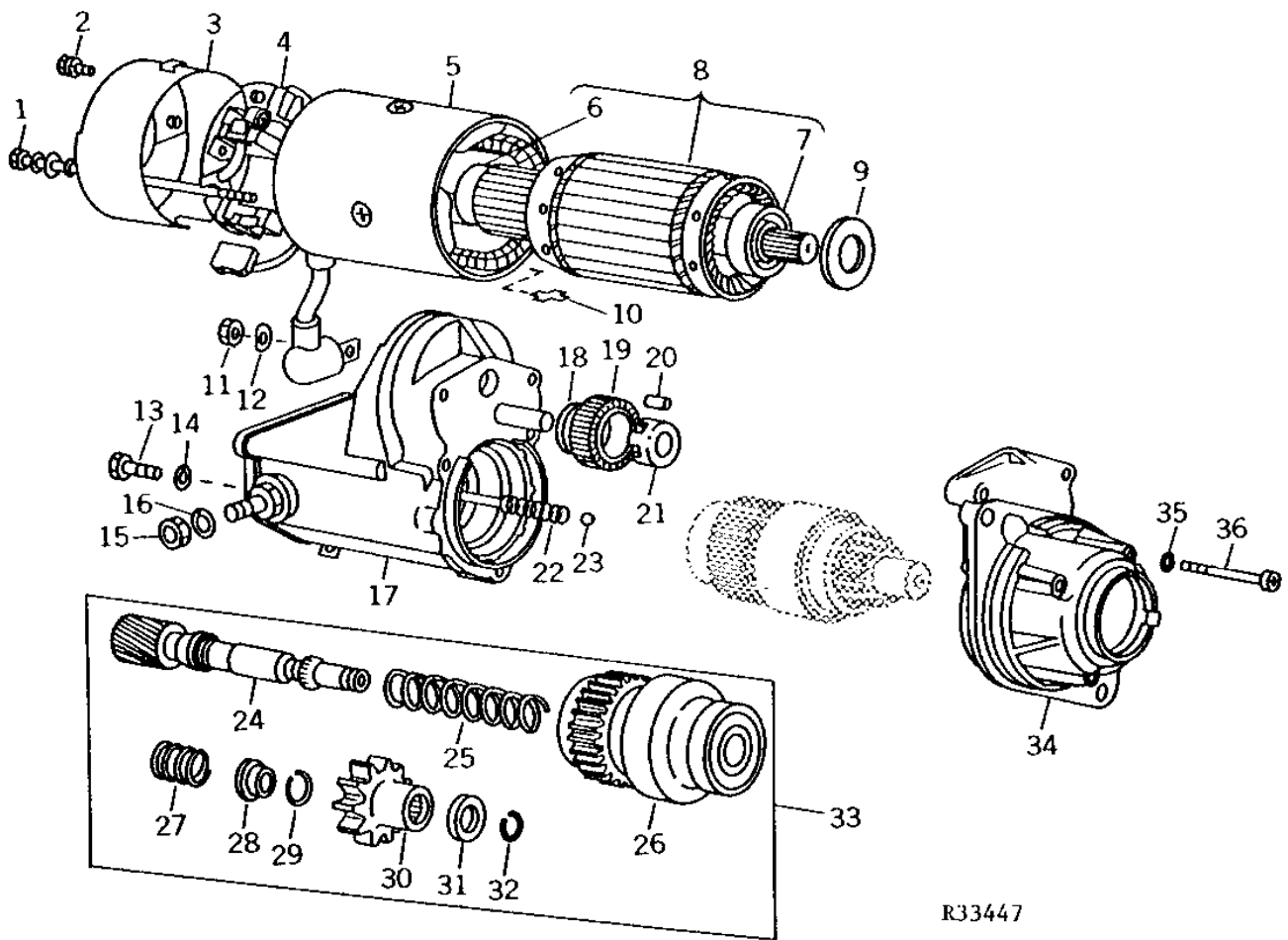
1E22

ELECTRICAL

R33447

-UN-01JAN94

STARTER HOUSING AND ARMATURE



R33447

1E23

ELECTRICAL

STARTER HOUSING AND ARMATURE - CONTINUED

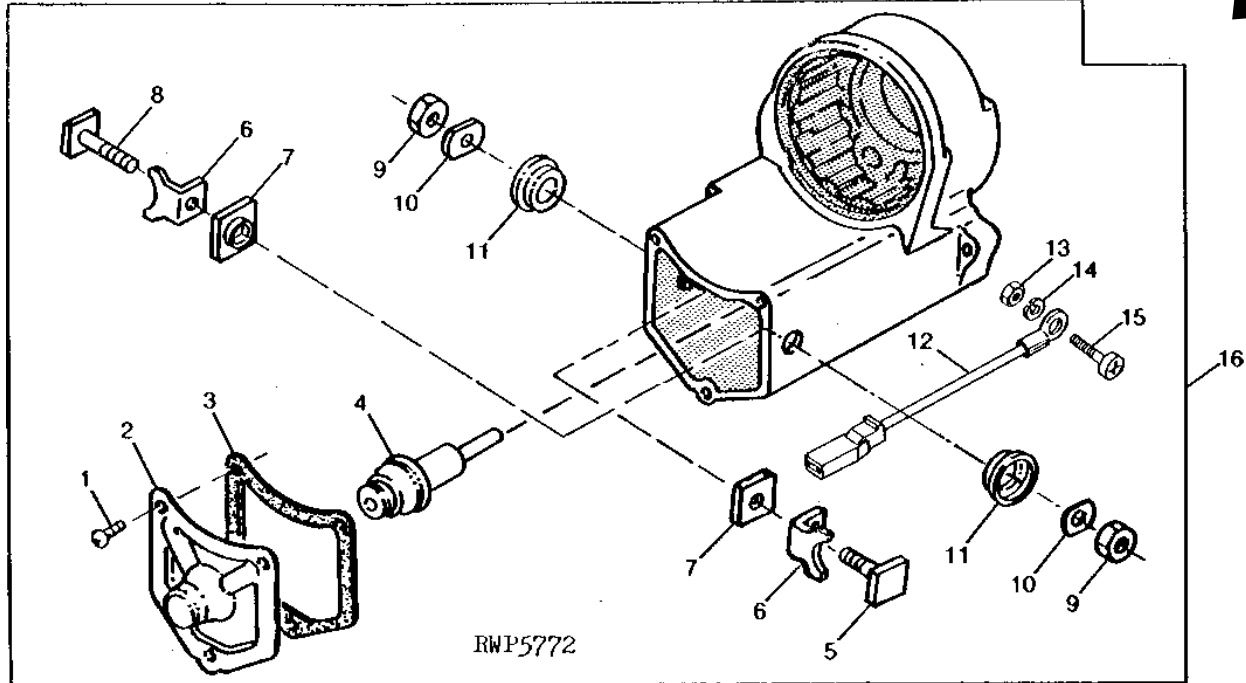
KEY	PART NO.	PART NAME	QTY	TRACTOR			REMARKS
				SERIAL NO.	5 5 5	2 4 6	
					1 1 1		
					5 5 5		
					0 0 0		
1	CH12742	BOLT	2		X X X		
2	CH12541	SCREW	2		X X X		
3	CH12743	FRAME	1		X X X		
4	CH12502	HOLDER	1		X X X		
	CH16005	SPRING	4		X X X		
5	CH12472	YOKE	1		X X X		
6	CH12552	BEARING	1		X X X		
7	CH12553	BEARING	1		X X X		
8	CH12476	ARMATURE	1		X X X		
9	CH12531	WASHER	1		X X X		
10	CH12747	LOCK PLATE	1		X X X		
11	CH12757	NUT	1		X X X		
12	CH12758	WASHER	1		X X X		
13	CH12760	SCREW	1		X X X		
14	CH12761	LOCK WASHER	1		X X X		
15	CH12757	NUT	2		X X X		
16	CH12759	LOCK WASHER	2		X X X		
17	CH19570	KIT	1		X X X	(SUB FOR CH12505)	
18	CH12744	WASHER	1		X X X		
19	CH12745	PINION	1		X X X		
20	CH12488	ROLLER	5		X X X		
21	CH12468	RETAINER	1		X X X		
22	CH12557	SPRING	1		X X X		
23	CH12554	BALL	1		X X X		
24	CH12704	SHAFT	1		X X X		
25	CH12705	SPRING	1		X X X		
26	CH12485	CLUTCH	1		X X X		
27	CH12707	SPRING	1		X X X		
28	CH12489	RETAINER	1		X X X		
29	CH12709	SNAP RING	1		X X X		
30	CH12491	PINION	1		X X X		
31	CH12711	NUT	1		X X X		
32	CH12712	SNAP RING	1		X X X		
33	CH12748	KIT	1		X X X		
34	CH12495	HOUSING	1		X X X		
35	CH12740	LOCK WASHER	3		X X X		
36	CH12746	SCREW	3		X X X		

1E24

ELECTRICAL

RWP5772 -UN-01JAN94

STARTER CENTER HOUSING COVER



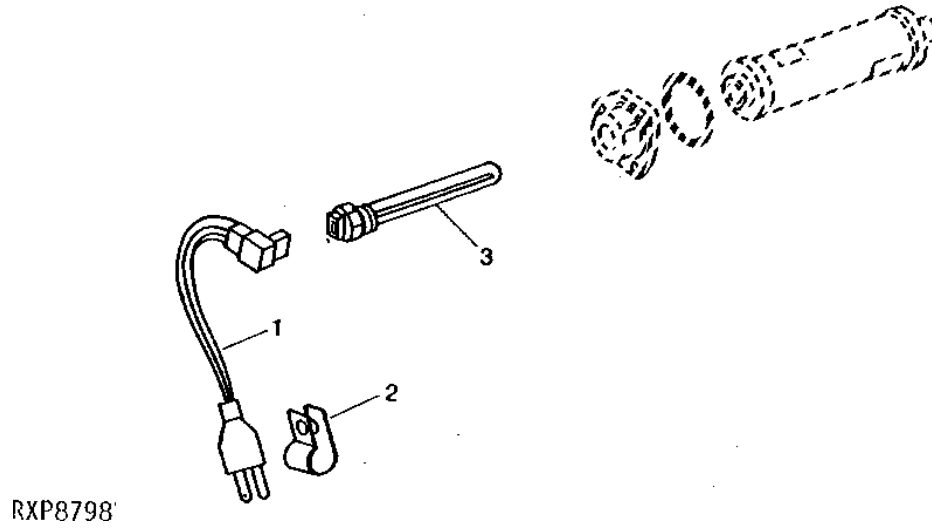
KEY	PART NO.	PART NAME	QTY	TRACTOR SERIAL NO.	REMARKS
				1 1 1	
				2 4 6	
				5 5 5	
				0 0 0	
1	CH15858	SCREW	3	X X X	
2	CH15860	COVER	1	X X X	
3	CH15863	GASKET	1	X X X	
4	CH15866	PLUNGER	1	X X X	
5	CH15878	BOLT	1	X X X	
6	CH15876	PLATE	2	X X X	
7	CH15874	BUSHING	2	X X X	
8	CH15882	BOLT	1	X X X	
9	CH12757	NUT	2	X X X	
10	CH12758	WASHER	2	X X X	
11	CH15871	BUSHING	2	X X X	
12	CH19283	WIRING LEAD	1	X X X	
13	14M7139	NUT	1	X X X	M4
14	12M7063	LOCK WASHER	1	X X X	M4
15	21M7209	SCREW	1	X X X	M4 X 10
16	CH19570	KIT	1	X	MAGNET ASSEMBLY, (SUB FOR CH12505)
	CH19570	KIT	1	X X	MAGNET ASSEMBLY

1E25

ELECTRICAL

RXP8798 -UN-01JAN94

TRANSMISSION OIL HEATER



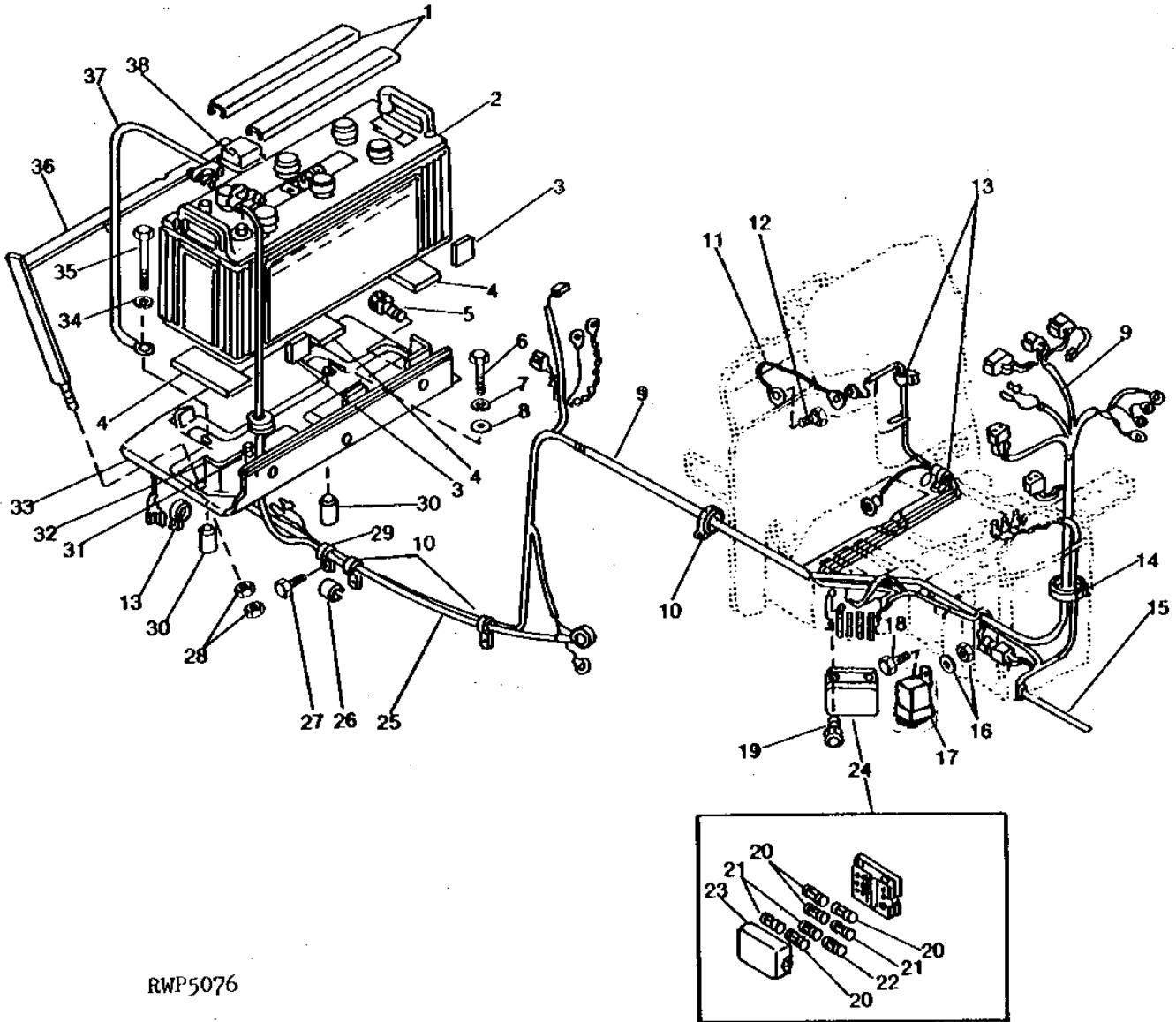
KEY	PART NO.	PART NAME	QTY	TRACTOR SERIAL NO.	REMARKS
				1 1 1 2 4 6 5 5 5 0 0 0	
1	AR95434	WIRE	1		X X X
2	R34557	CLAMP	1		X X X
3	AR94493	HEATER	1		X X X
..	R44302	TIE BAND	2		X X X

1F1

ELECTRICAL

RWP5076 -UN-01JAN94

BATTERY AND WIRING HARNESS



RWP5076

1F2

ELECTRICAL

BATTERY AND WIRING HARNESS - CONTINUED

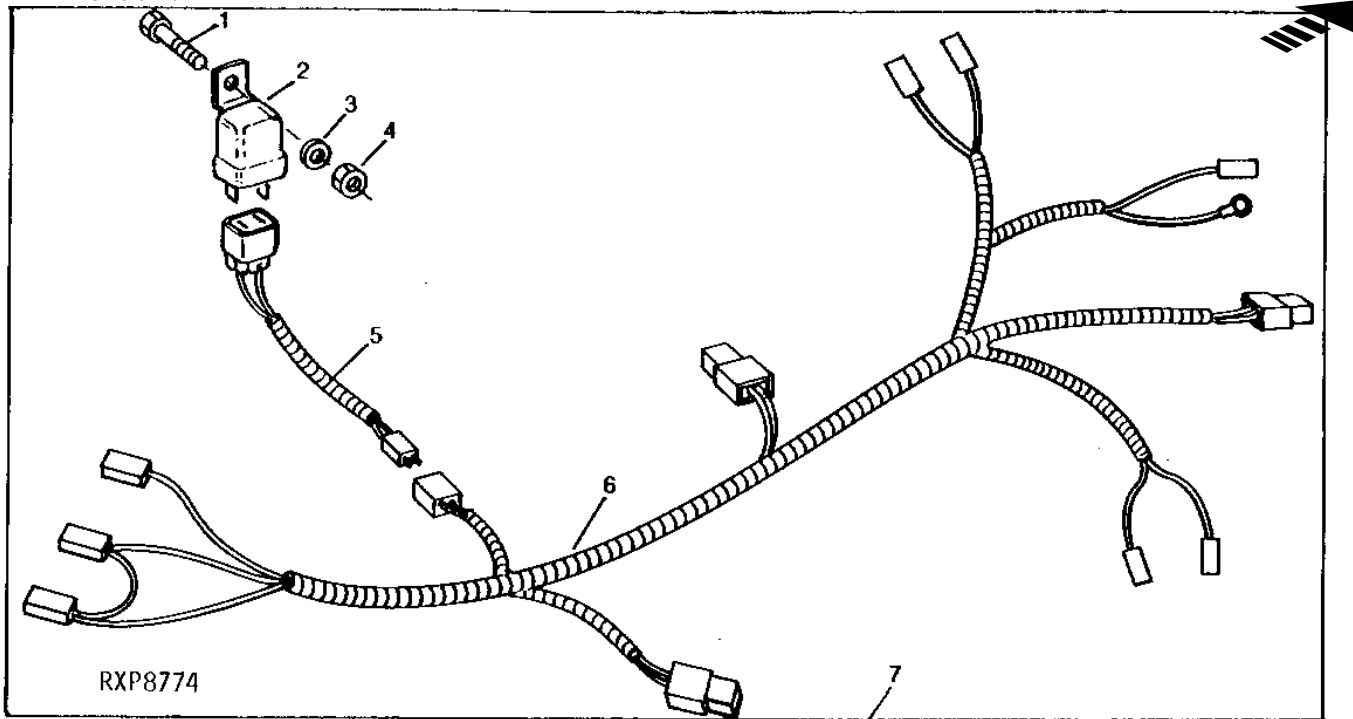
KEY	PART NO.	PART NAME	QTY	TRACTOR SERIAL NO.			REMARKS
				1	2	5	
				1	1	1	
				2	4	6	
				5	5	5	
				0	0	0	
1	CH12150	COVER	2		X		
2	AT29160	BATTERY	1		X		(SUB TY21741)
3	CH12569	CUSHION	2		X		
4	CH17265	PAD	3		X		FUEL TANK
5	CH12351	SCREW, WITH WASHER	3		X		(SUB 12M7065, 19M7162 AND 24M7055)
6	19M7324	CAP SCREW	2		X		M8 X 75
7	12M7065	LOCK WASHER	2		X		M8
8	24M7055	WASHER	1		X		8.400 X 16 X 1.600 MM
9	CH20162	KIT	1	-003000	X		(SUB FOR CH17684)
	CH20161	WIRE	1	-003000	X		(INCLUDED IN CH20162)
	CH20163	RELAY	1	-003000	X		(INCLUDED IN CH20162)
	CH18723	WIRING HARNESS	1	003001-004128	X		(SUB CH20158)
	CH20158	WIRING HARNESS	1	004129-	X		
	CH20156	WIRE	1	004129-	X		(INCLUDED IN CH20158)
	CH20157	WIRE	1	004129-	X		(FUSIBLE LINK) (INCLUDED IN CH20158)
10	R44302	TIE BAND	3		X		(SUB FOR CH16899)
11	CH17300	WIRING HARNESS	1		X		
12	CH12335	BOLT	1		X		(SUB 19M7964 AND 12M7065)
13	CH15781	CLAMP	7		X		
14	CH16579	CLAMP	1		X		
15	CH18724	WIRING HARNESS	1	-004128	X		(SUB FOR CH16574) (SUB CH20160)
	CH20160	WIRING HARNESS	1	004129-	X		
16	CH11984	NUT	1	003001-	X		(SUB 14M7272 AND 12M7006)
17	CH18734	RELAY	1	003001-	X		(SUB M805280)
18	CH10578	BOLT	1	003001-	X		(SUB 19M7560)
19	CH12597	SCREW	2		X		
20	CH11322	FUSE	4		X		(SUB T116143) (15 AMPS)
21	CH11321	FUSE	3		X		(10 AMPS)
22	CH11320	FUSE	1		X		(5 AMPS)
23	CH16072	COVER	1		X		FUSE BOX
24	CH12612	FUSE BOX	1		X		
25	CH16577	CABLE	1		X		
26	CH12630	PIPE	1		X		M12 X 40, (SUB CH19144)
27	CH12334	BOLT	1		X		(SUB 19M7560, 12M7006 AND 24M7088)
28	14M7273	NUT	4		X		M8
29	CH19144	CLAMP	1		X		
30	CH17085	PIPE	2		X		M8 X 46
31	CH12250	PLUG	1		X		
32	CH17296	GROMMET	1		X		
33	CH17811	BASE	1		X		
34	12M7065	LOCK WASHER	2		X		M8
35	19M7324	CAP SCREW	2		X		M8 X 75
36	CH17810	CLAMP	1		X		
37	CH16578	CABLE	1		X		
38	CH12120	COVER	1		X		

1F3

ELECTRICAL

REAR WIRING HARNESS KIT (1250 SERIAL NO. 001001-003000)

RXP8774 -UN-01JAN94



KEY	PART NO.	PART NAME	QTY	TRACTOR SERIAL NO.	REMARKS
				1 1 1	
				2 4 6	
				5 5 5	
				0 0 0	
1	19M7560	CAP SCREW	1	X	M6 X 16
2	CH18734	RELAY	1	X	(SUB M805280)
3	12M7006	LOCK WASHER	1	X	6.100 MM
4	14M7272	NUT	1	X	M6
5	CH19685	WIRING HARNESS	1	X	
6	CH20160	WIRING HARNESS	1	X	
7	CH19533	KIT	1	X	

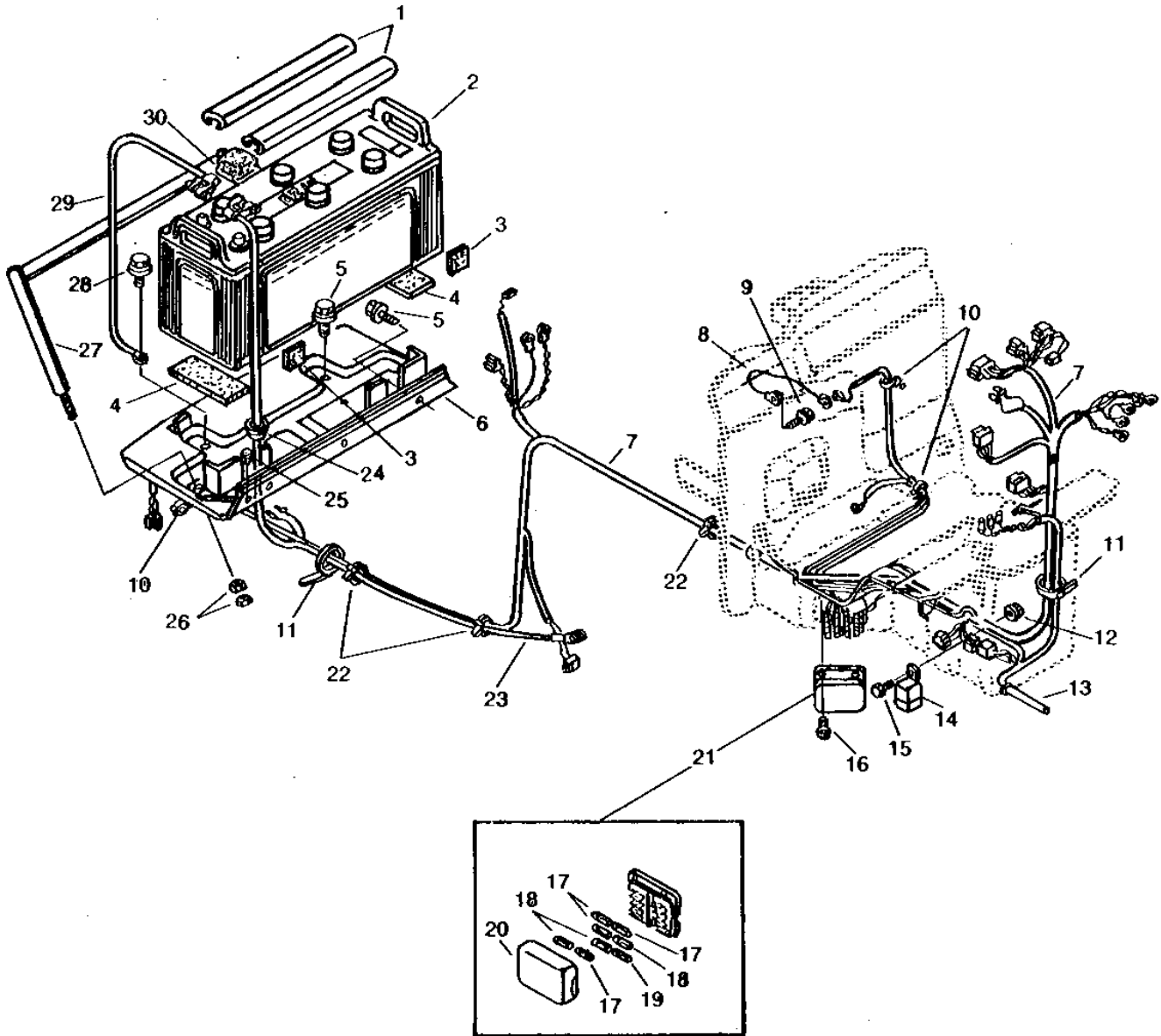
MEMORANDA

1F4

ELECTRICAL

RWP4427 -UN-01JAN94

BATTERY AND WIRING HARNESS



RWP 4427

1F5

ELECTRICAL

BATTERY AND WIRING HARNESS - CONTINUED

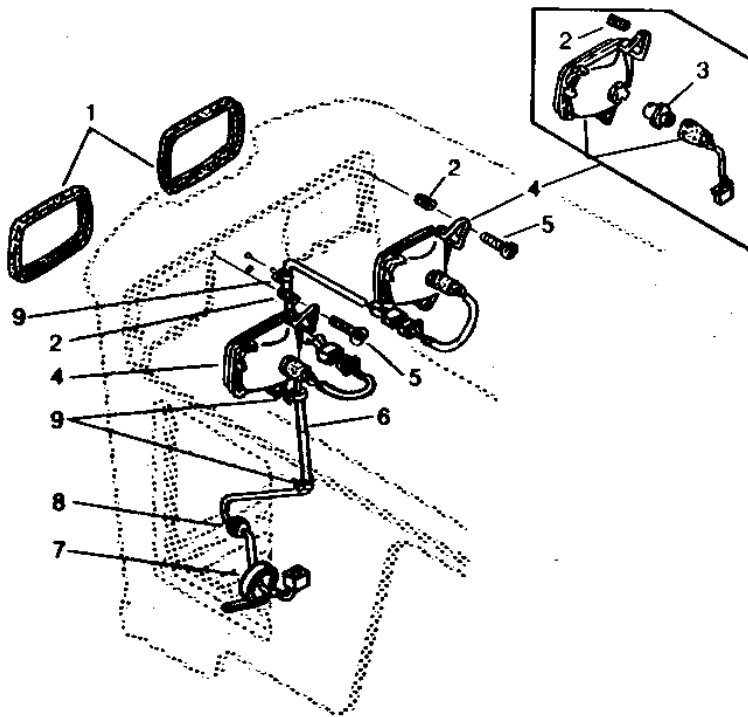
KEY	PART NO.	PART NAME	QTY	TRACTOR			REMARKS
				SERIAL NO.	1 1 1	2 4 6	
					5 5 5		
					0 0 0		
1	CH12150	COVER	2			X X	
2	TY6106	BATTERY	1			X X	(SUB FOR AT29160) (SUB TY21741)
3	CH12569	CUSHION	2			X X	
4	CH17265	PAD	2			X X	
5	CH12351	SCREW, WITH WASHER	4			X X	(SUB 12M7065, 19M7162 AND 24M7055)
6	CH18727	BASE	1			X X	
7	CH18723	WIRING HARNESS	1	-002244		X	(SUB CH20158)
	CH18723	WIRING HARNESS	1	-002454		X	(SUB CH20158)
	CH20158	WIRING HARNESS	1	002245-		X	
	CH20158	WIRING HARNESS	1	002455-		X	
	CH20156	WIRE	1	002245-		X	(INCLUDED IN CH20158)
	CH20156	WIRE	1	002455-		X	(INCLUDED IN CH20158)
	CH20157	WIRE	1	002245-		X	(FUSIBLE LINK) (INCLUDED IN CH20158)
	CH20157	WIRE	1	002455-		X	(FUSIBLE LINK) (INCLUDED IN CH20158)
8	CH17300	WIRING HARNESS	1			X X	
9	CH12335	BOLT	1			X X	(SUB 19M7964 AND 12M7065)
10	CH15781	CLAMP	3			X X	
	CH17297	CLAMP	1			X X	
11	CH16579	CLAMP	2			X X	
12	CH11984	NUT	1			X X	(SUB 14M7272 AND 12M7006)
13	CH18724	WIRING HARNESS	1	-002244		X	(SUB CH20160)
	CH18724	WIRING HARNESS	1	-002454		X	(SUB CH20160)
	CH20160	WIRING HARNESS	1	002245-		X	
	CH20160	WIRING HARNESS	1	002455-		X	
14	CH18734	RELAY	1			X X	(SUB M805280)
15	19M7560	CAP SCREW	1			X X	M6 X 16
16	CH12597	SCREW	2			X X	
17	CH11322	FUSE	4			X X	(15 AMP) (SUB T116143)
18	CH11321	FUSE	3			X X	(10 AMP)
19	CH11320	FUSE	1			X X	(5 AMP)
20	CH16072	COVER	1			X X	
21	CH12612	FUSE BOX	1			X X	
22	R44302	TIE BAND	3			X X	(SUB FOR CH16899)
23	CH18725	CABLE	1			X X	
24	CH17296	GROMMET	1			X X	
25	CH12250	PLUG	1			X X	
26	14M7273	NUT	4			X X	M8
27	CH17810	CLAMP	1			X X	
28	CH12351	SCREW, WITH WASHER	1			X X	(SUB 12M7065, 19M7162 AND 24M7055)
29	CH16578	CABLE	1			X X	
30	CH12120	COVER	1			X X	

1F6

ELECTRICAL

RWP4429 -UN-01JAN94

FRONT LAMP



1 1 1
2 4 6
5 5 5
0 0 0

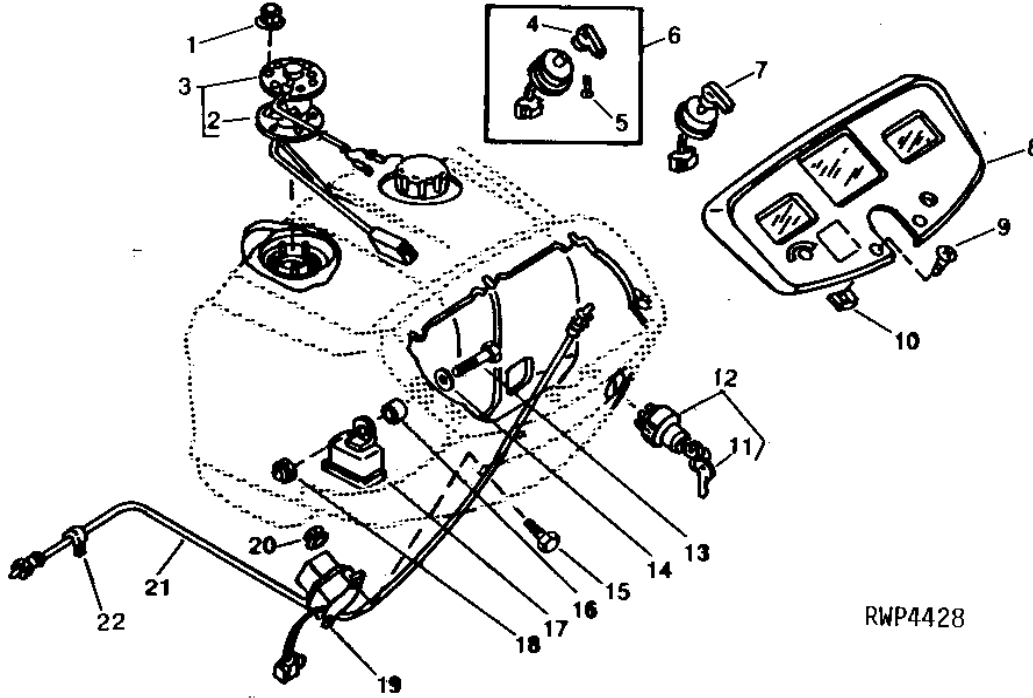
KEY	PART NO.	PART NAME	QTY	TRACTOR SERIAL NO.	REMARKS
1	CH14001	COVER	2	X X X	
2	CH11325	SPRING	6	X X X	
3	CH11439	BULB	2	X X X	
4	CH11323	LAMP	2	X X X	
5	CH12038	BOLT	6	X X X	
6	CH16575	WIRING HARNESS	1	X X X	
7	CH16579	CLAMP	1	X X	
	CH15781	CLAMP	1	X	
8	CH13942	GROMMET	1	X X X	
9	CH15781	CLAMP	3	X X X	

1F7

ELECTRICAL

RWP4428 -UN-01JAN94

INSTRUMENT PANEL



RWP4428

KEY	PART NO.	PART NAME	QTY	TRACTOR SERIAL NO.	REMARKS
				1 1 1	
				2 4 6	
				5 5 5	
				0 0 0	
1	CH10139	NUT	5		X X X
2	CH13272	GASKET	1		X X X
3	CH16583	SENDER	1		X X X
4	CH12209	KNOB	1	001019-	X
	CH12209	KNOB	1		X X
5	CH12210	SCREW	1	001019-	X
	CH12210	SCREW	1		X X
6	CH18036	SWITCH	1	001019-	X
	CH18036	SWITCH	1		X X
7	CH12200	SWITCH	1	-001018	X
8	CH17777	PANEL	1	-003000	X
	CH19517	PANEL	1	003001-	X
	CH19517	PANEL	1		X X
9	CH16585	SCREW	2		X
	CH19239	SCREW	2		X X
10	CH11876	NUT	2		X X X
11	CH12206	KEY	2		X X X
12	CH11696	SWITCH	1		X X X
13	21M7094	SCREW	1		X X X
14	24M7088	WASHER	1		X X X
15	CH10623	SCREW	2		X X X
16	CH11895	SPACER	1		X X X
17	CH11698	FLASHER	1		X X X
18	CH13574	NUT	1		X X X
19	CH12806	REGULATOR	1		X X X
20	CH11984	NUT	2		X X X
21	CH16584	CABLE	1		X
	CH18736	CABLE	1		X X
22	CH13189	CLAMP	1		X X X

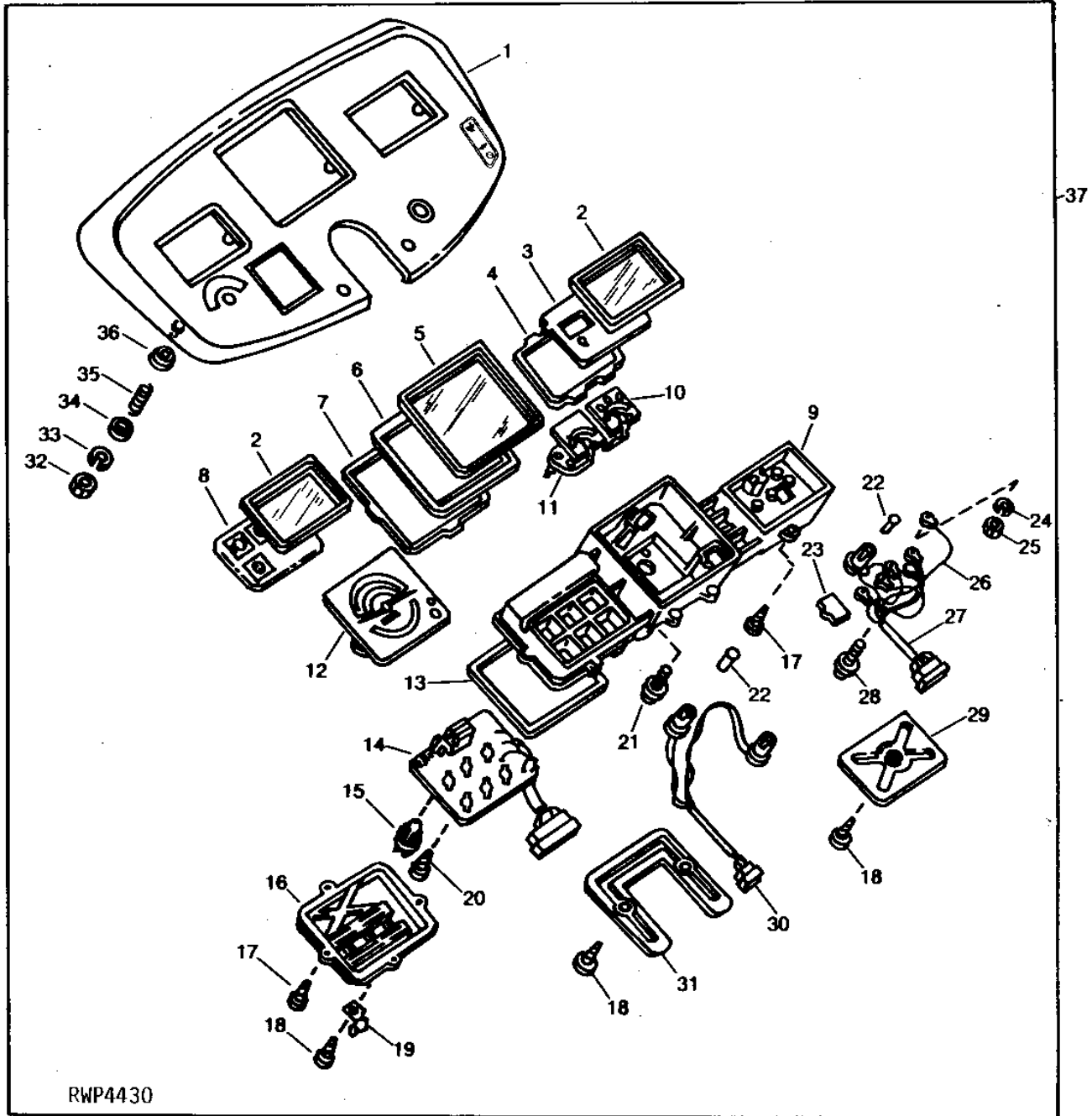
1F8

ELECTRICAL

RWP4430

-UN-01JAN94

INSTRUMENT PANEL



1F9

ELECTRICAL

INSTRUMENT PANEL - CONTINUED

KEY	PART NO.	PART NAME	QTY	TRACTOR			REMARKS
				SERIAL NO.	1 1 1	2 4 6	
					5 5 5		
					0 0 0		
1	CH19517	PANEL	1			X X X	(ILLUSTRATED)
	CH17777	PANEL	1	-003000		X	(SUB CH19517)
	CH19517	PANEL	1	003001-		X	
2	CH17803	WINDOW	2			X X X	
3	CH17804	PLATE	1			X X X	GAUGE
4	CH17805	SEAL	1			X X X	
5	CH17780	WINDOW	1			X X X	TACHOMETER
6	CH17781	BEZEL	1			X X X	TACHOMETER
7	CH17782	SEAL	1			X X X	TACHOMETER
8	CH17788	LENS	1			X X X	INDICATOR LAMP
9	CH17778	HOUSING	1			X X X	
10	CH17802	GAUGE	1			X X X	FUEL
11	CH17796	GAUGE	1			X X X	WATER
12	CH17779	TACHOMETER	1			X X X	
13	CH17789	SEAL	1			X X X	INDICATOR
14	CH17790	PRINTED CIRCUIT	1			X X X	CIRCUIT
15	CH17787	BULB	5			X X X	WITH SOCKET
16	CH17786	COVER	1			X X X	INDICATOR
17	CH17801	SCREW	12			X X X	M4 X 20
18	CH17806	SCREW	4			X X X	
19	CH17792	CLAMP	1			X X X	
20	CH17791	SCREW	1			X X X	M4 X 14
21	CH17807	SCREW	2			X X X	
22	CH12768	BULB	3			X X X	(12-VOLT 1.7 WATT)
23	CH17783	LENS	1			X X X	UPPER BEAM
24	12M7063	LOCK WASHER	5			X X X	M4
25	CH17808	NUT	5			X X X	M4, (SUB 14M7139)
26	CH17799	WIRING LEAD	1			X X X	GAUGE
27	CH17798	WIRING HARNESS	1			X X X	
28	CH17800	SCREW	1			X X X	
29	CH17797	COVER	1			X X X	GAUGE
30	CH17785	WIRING HARNESS	1			X X X	TACHOMETER
31	CH17784	COVER	1			X X X	TACHOMETER
32	14M7272	NUT	5			X X X	M5, (SUB FOR CH17809)
33	12M7064	LOCK WASHER	5			X X X	M5, (SUB FOR CH12290)
34	CH17795	WASHER	5			X X X	
35	CH17794	SPRING	5			X X X	
36	CH17793	WASHER	5			X X X	
37	INSTRUMENT PANEL	1			X X X	(ORDER INDIVIDUAL PARTS)
	CH17687	INSTRUMENT PANEL	1	-003000		X	(SUB CH19517)

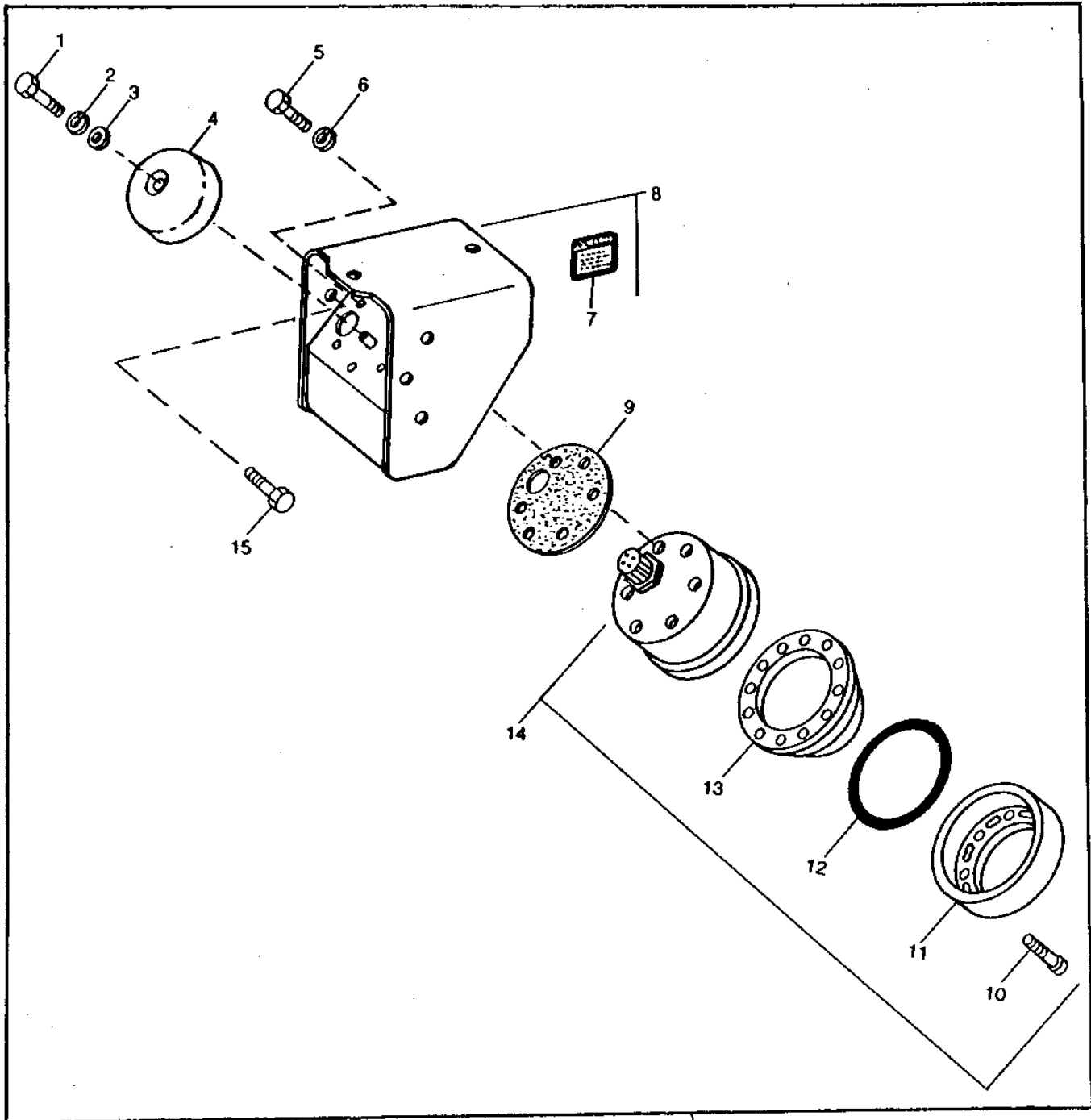
1F10

ELECTRICAL

RXP7683

-UN-01JAN94

RADAR SENSOR



RXP7683

16

1F11

ELECTRICAL

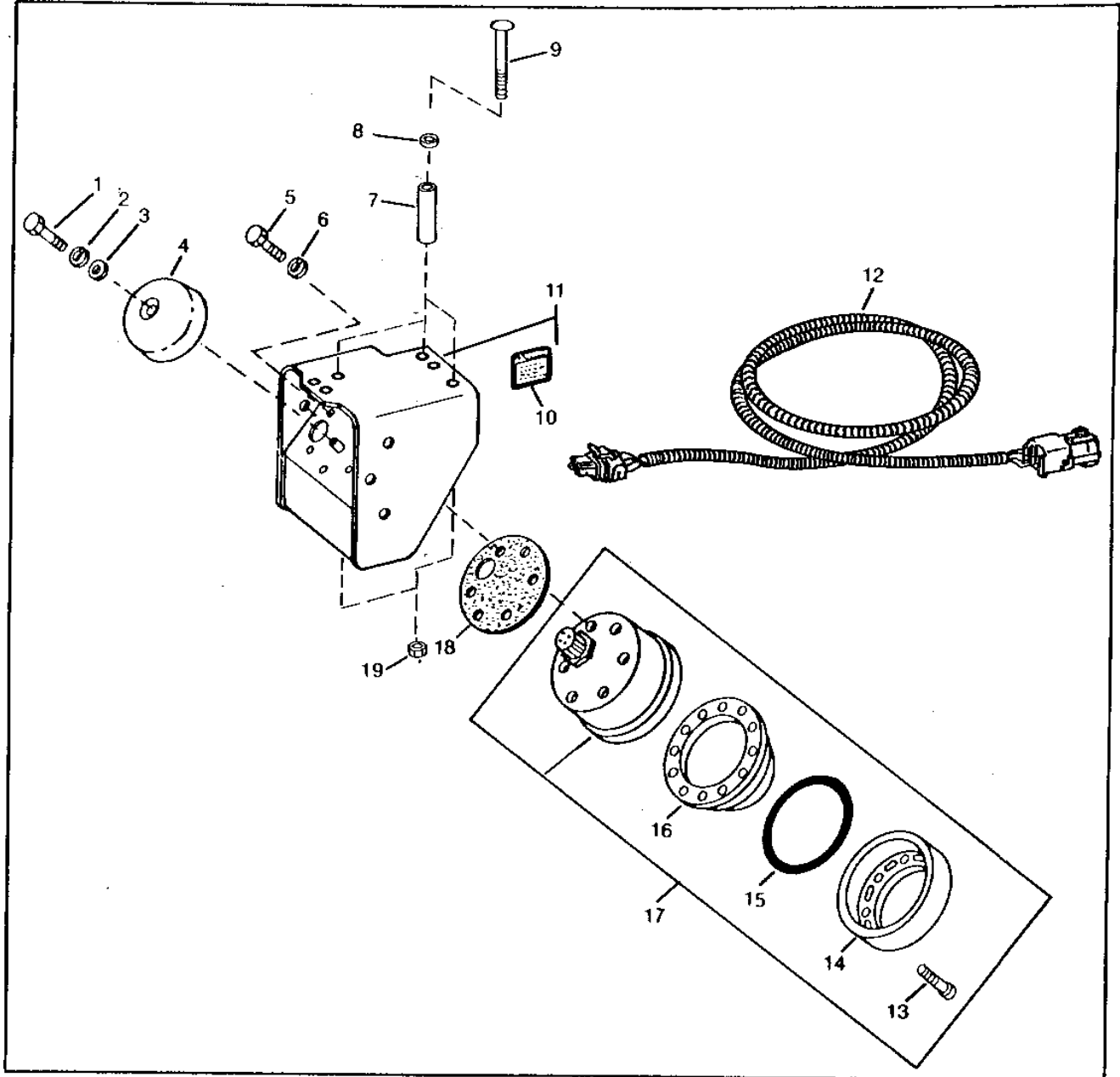
RADAR SENSOR - CONTINUED

KEY	PART NO.	PART NAME	QTY	TRACTOR			REMARKS
				SERIAL NO.	5 5 5	2 4 6	
					1 1 1		
					2 4 6		
					5 5 5		
					0 0 0		
1	19H1813	CAP SCREW	1	X X X			5/16" X 5/8"
2	12H303	LOCK WASHER	1	X X X			5/16"
3	24H1136	WASHER	1	X X X			11/32" X 11/16" X 0.065"
4	R82355	SHIELD	1	X X X			
5	19H1813	CAP SCREW	6	X X X			5/16" X 5/8"
6	12H303	LOCK WASHER	6	X X X			5/16"
7	A49853	SIGN	2	X X X			(ENGLISH) (SUB R120107)
	R105941	DECAL	1	X X X			(FRANCAIS) (SUB R120106)
	R105942	LABEL	1	X X X			(DEUTSCH)
	R105943	LABEL	1	X X X			(ESPANOL) (SUB R120108)
8	RE38707	BRACKET	1	X X X			(SUB FOR RE21096) (SUB RE46317)
9	R82243	GASKET	1	X X X			
10	R82239	SCREW	12	X X X			
11	R82237	SNAP RING	1	X X X			
12	R82238	O-RING	1	X X X			
13	R82236	COVER	1	X X X			
14	RE21073	SENSOR	1	X X X			(SUB RE43025)
15	03H1492	BOLT	2	X X X			1/2" X 2"
16	RW26466	SENSOR	1	X X X			(SUB FOR RE21510) (SUB AR111058) (ALSO ORDER RE29864 WIRE HARNESS, THIS APPLICATION)

1F12

ELECTRICAL

RADAR SENSOR
RXP9306 -UN-01JAN94



RXP9306

20

1F13

ELECTRICAL

RADAR SENSOR - CONTINUED

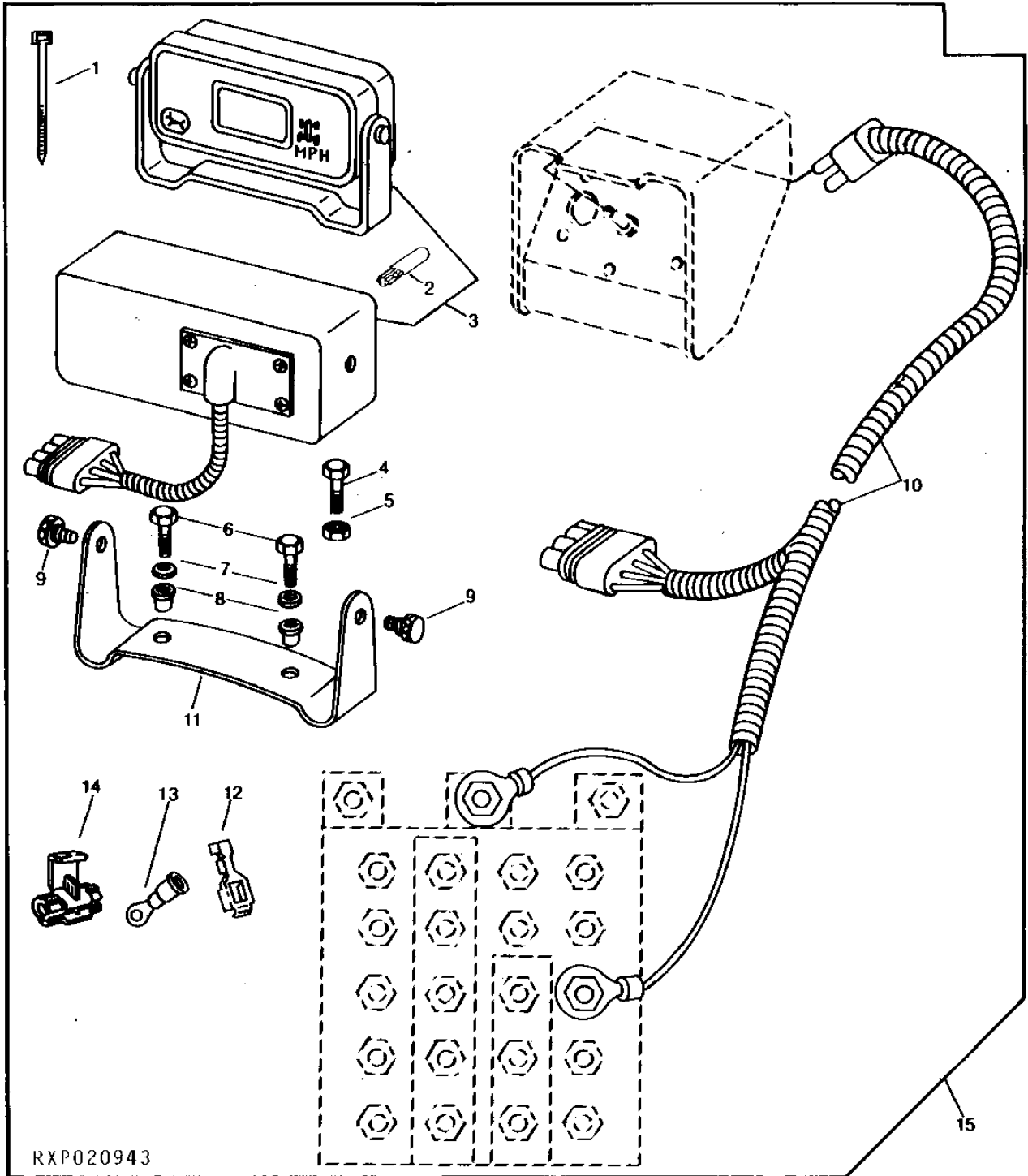
KEY	PART NO.	PART NAME	QTY	TRACTOR SERIAL NO.	REMARKS
				1 1 1	
				2 4 6	
				5 5 5	
				0 0 0	
1	19H1813	CAP SCREW	1	X X X	5/16" X 5/8"
2	12H303	LOCK WASHER	1	X X X	5/16"
3	24H1136	WASHER	1	X X X	11/32" X 11/16" X 0.065"
4	R82355	SHIELD	1	X X X	
5	19H1813	CAP SCREW	6	X X X	5/16" X 5/8"
6	12H303	LOCK WASHER	6	X X X	5/16"
7	28H3343	BUSHING	6	X X X	0.546" X 0.840" X 5-3/8"
8	24H1625	WASHER	2	X X X	17/32" X 1" X 0.120"
9	03H2052	BOLT	3	X X X	1/2" X 6-1/2"
10	R120107	LABEL	1	X X X	(ENGLISH)
	R120106	LABEL	1	X X X	(FRANCAIS)
	R105942	LABEL	1	X X X	(DEUTSCH)
	R120108	LABEL	1	X X X	(ESPANOL)
	L65000	LABEL	1	X X X	
11	RE46317	BRACKET	1	X X X	
12	RE46414	WIRING HARNESS	1	X X X	
13	R82239	SCREW	12	X X X	
14	R82237	SNAP RING	1	X X X	
15	R82238	O-RING	1	X X X	
16	R82236	COVER	1	X X X	
17	RE43025	RADAR SENSOR	1	X X X	
18	R82243	GASKET	1	X X X	
19	14H1040	NUT	3	X X X	1/2"
20	AR111058	SENSOR	1	X X X	(SUB FOR RW26466) (CA)

1F14

ELECTRICAL

PERFORMANCE TRAK II MINI-MONITOR (ANALOG TACHOMETER)

RXP020943 -UN-12OCT94



RXP020943

1F15

ELECTRICAL

PERFORMANCE TRAK II MINI-MONITOR AND WIRING HARNESS - CONTINUED

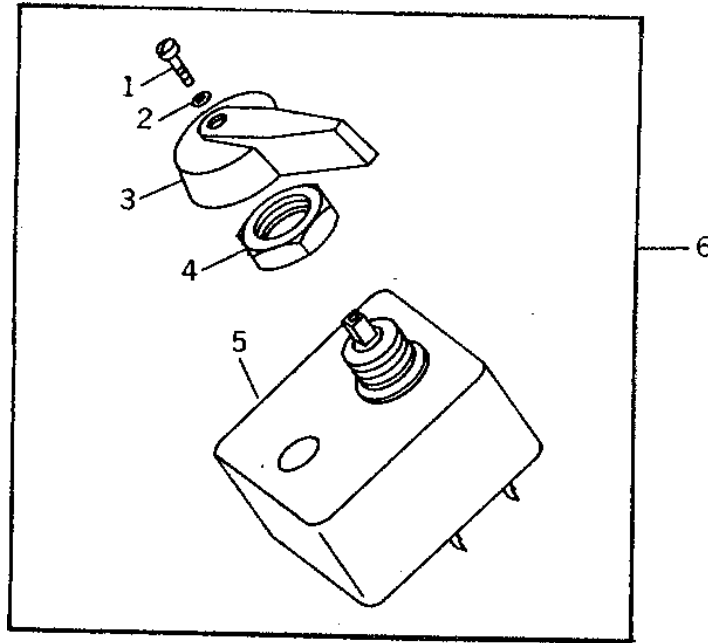
KEY	PART NO.	PART NAME	QTY	TRACTOR SERIAL NO.	REMARKS
				1 1 1 2 4 6 5 5 5 0 0 0	
1	R44302	TIE BAND	AR		X X X
2	RE22589	LAMP	1		X X X
3	RE21112	MONITOR CONSOLE	1		X X X
4	19H1978	CAP SCREW	3		X X X 7/16" X 1-1/2"
	12H293	LOCK WASHER	3		X X X 7/16"
5	14H1047	NUT	3		X X X 7/16"
	14H786	NUT	2		X X X 1/4"
6	19H1914	CAP SCREW	2		X X X 1/4" X 1"
7	24H1287	WASHER	4		X X X 9/32" X 5/8" X 0.065"
8	R82423	NUT	2		X X X RUBBER
9	R83055	WING SCREW	2		X X X
10	RE21113	WIRING HARNESS	1		X X X (ALSO ORDER RE21517)
11	R83109	BRACKET	1		X X X
12	U46662	TERMINAL	1		X X X
13	R77489	TERMINAL	1		X X X
	R84158	TERMINAL	1		X X X
14	AR67855	CONNECTOR	3		X X X
15	RE21738	MONITOR CONSOLE	1		X X X (CA)PERFORMANCE TRAK II MINI-MONITOR

1F16

ELECTRICAL

R33402 -UN-01JAN94

TURN SIGNAL CONTROL



R33402

1 1 1
2 4 6
5 5 5
0 0 0

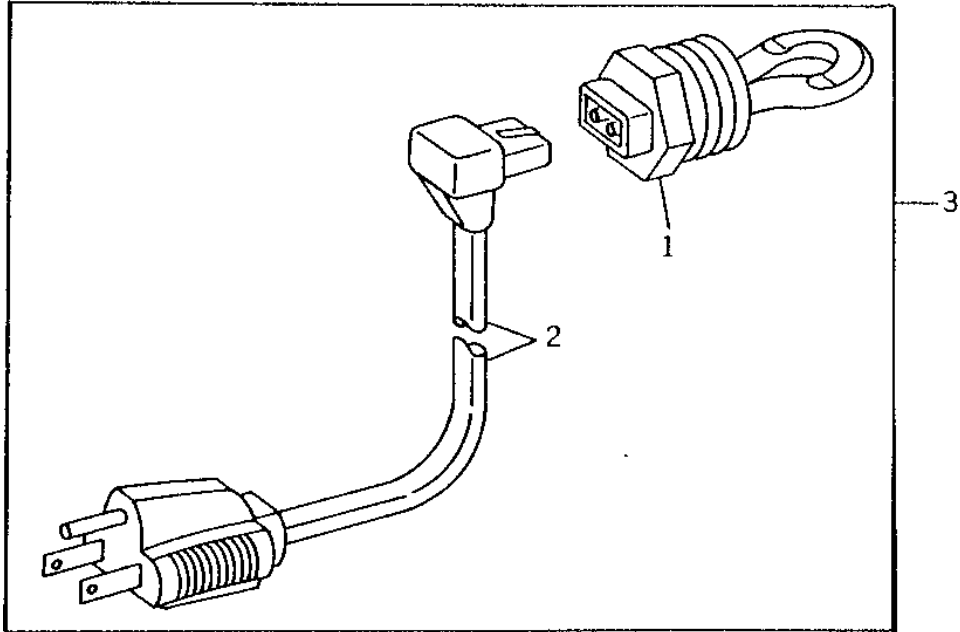
KEY	PART NO.	PART NAME	QTY	TRACTOR SERIAL NO.	REMARKS
1	21H1372	SCREW	1	X X X	1/8" X 3/8"
2	12H233	LOCK WASHER	1	X X X	1/8"
3	R56026	KNOB	1	X X X	
4	R56410	NUT	1	X X X	
5	AR64422	TURN SIGNAL CONTROLLER	1	X X X	
6	AR87054	KIT	1	X X X	

1F17

ELECTRICAL

R33403 -UN-01JAN94

BLOCK HEATER



R33403

KEY	PART NO.	PART NAME	QTY	TRACTOR SERIAL NO.	REMARKS
				1 1 1 2 4 6 5 5 5 0 0 0	
1	AR87184	COOLANT HEATER	1		X X X
2	AR87168	POWER CORD	1		X X X
3	AR87167	COOLANT HEATER	1		X X X

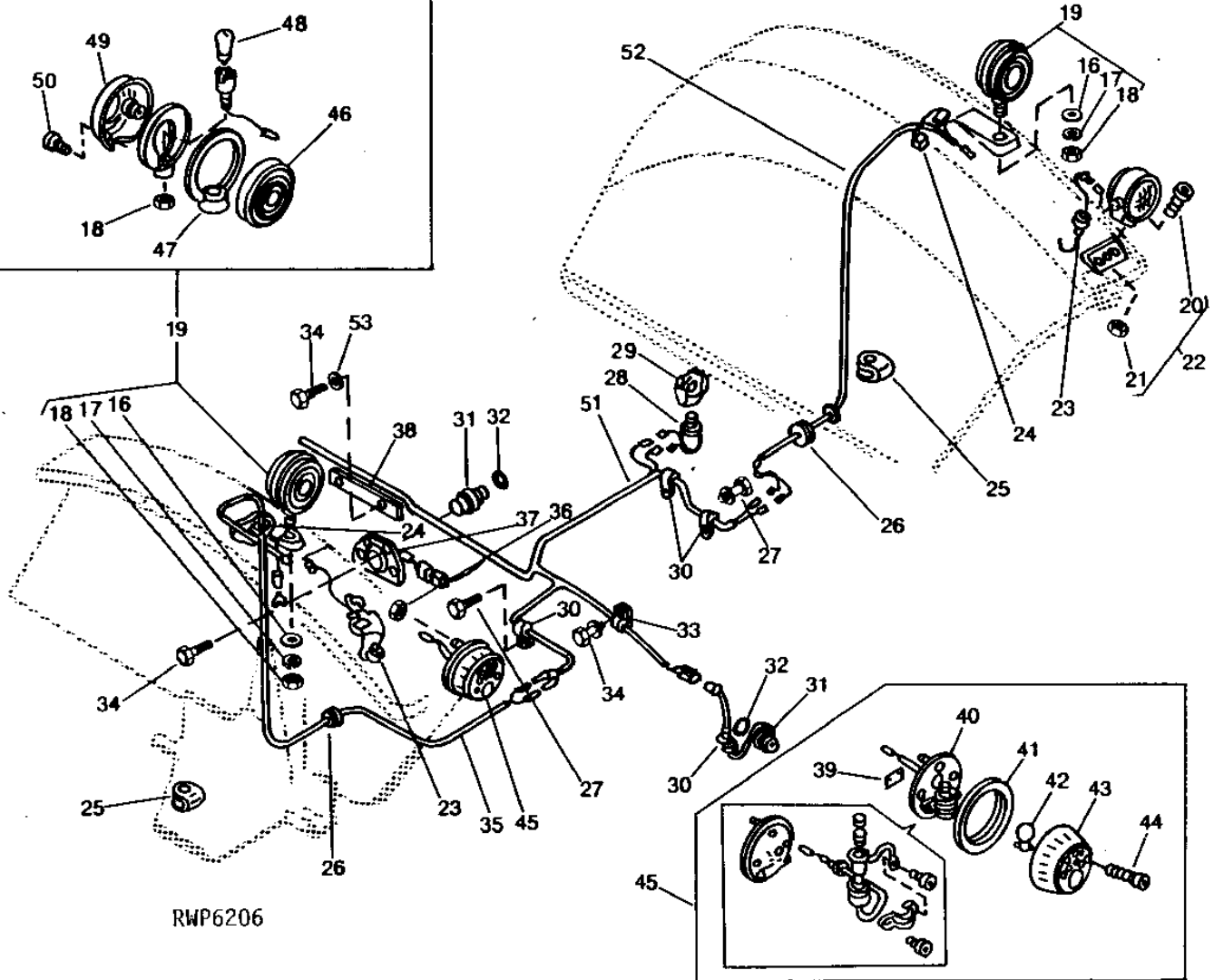
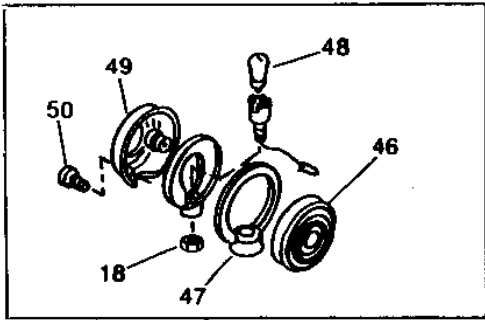
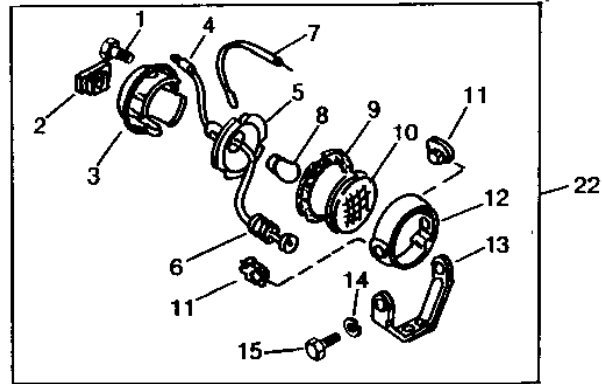
1F18

ELECTRICAL

RWP6206

-UN-01JAN94

REAR LIGHTS AND WIRING



RWP6206

1F19

ELECTRICAL

REAR LIGHTS AND WIRING - CONTINUED

KEY	PART NO.	PART NAME	QTY	TRACTOR			REMARKS
				SERIAL NO.	1 1 1	2 4 6	
					5 5 5		
					0 0 0		
1	CH12384	CAP SCREW	3		X		M4 X 16
2	CH12230	PLUG	1		X		
3	CH12228	HOUSING	1		X		
4	CH12232	WIRING LEAD	1		X		
5	CH12227	REFLECTOR	1		X		
6	CH12780	SPRING	1		X		
7	CH12233	WIRING LEAD	1		X		
8	CH12125	BULB	1		X		
9	CH12229	GASKET	1		X		
10	CH12225	LENS	1		X		
11	CH12234	NUT	2		X		
12	CH12226	HOUSING	1		X		
13	CH12231	BRACKET	1		X		
14	12M7006	LOCK WASHER	2		X		M6
15	19M6614	CAP SCREW	2		X		M6 X 12
16	24M7028	WASHER	2		X		M10
17	12M7066	LOCK WASHER	2		X		M10
18	14M7274	NUT	3		X		M10
19	CH12713	LAMP	2		X		WARNING
20	CH12388	SCREW	1		X		
21	14M7273	NUT	1		X		M8
	12M7065	LOCK WASHER	1		X		M8
22	CH12430	LAMP	1		X		FLOOD
23	CH12123	GROMMET	2		X		
24	CH16108	TUBE	6		X		M7 X 35
25	CH12149	PLATE	2		X		
26	CH11900	GROMMET	2		X		
27	CH12335	BOLT	2		X		M8 X 12, (SUB 19M7964 AND 12M7065)
28	CH16581	SWITCH	1		X		BRAKE LAMP, (SUB M805524)
29	CH13545	NUT	1		X		M12
30	CH13189	CLAMP	5		X		
31	CH13415	SWITCH	2		X		NEUTRAL START
32	CH14634	O-RING	2		X		
33	CH13190	CLAMP	1		X		
34	19M6614	CAP SCREW	7		X		M6 X 12
35	CH11314	WIRING HARNESS	1		X		(SUB CH12197)
36	CH11458	NUT	2		X		M6, (SUB 12M7006 AND 14M7272)
37	CH16582	COVER	1		X		
38	CH19515	COVER	1		X		(SUB FOR CH17685)
39	CH12222	LABEL	1		X		
40	CH12219	BRACKET	1		X		
41	CH12220	HOUSING	1		X		
42	CH12217	BULB	1		X		
43	CH12218	LENS	1		X		
44	CH12221	SCREW	2		X		
45	CH12429	LAMP	1		X		
46	CH12636	LENS	1		X		
47	CH12638	GASKET	1		X		
48	AD2062R	BULB	1		X		
49	CH12637	LENS	1		X		
50	CH12639	SCREW	3		X		
51	CH18724	WIRING HARNESS	1	-004128	X		(SUB FOR CH16574) (SUB CH20160)
	CH20160	WIRING HARNESS	1	004129-	X		
52	CH12197	WIRING HARNESS	1		X		
53	12M7006	LOCK WASHER	7		X		M6
	24M7088	WASHER	7		X		6.600 X 12 X 1.600 MM

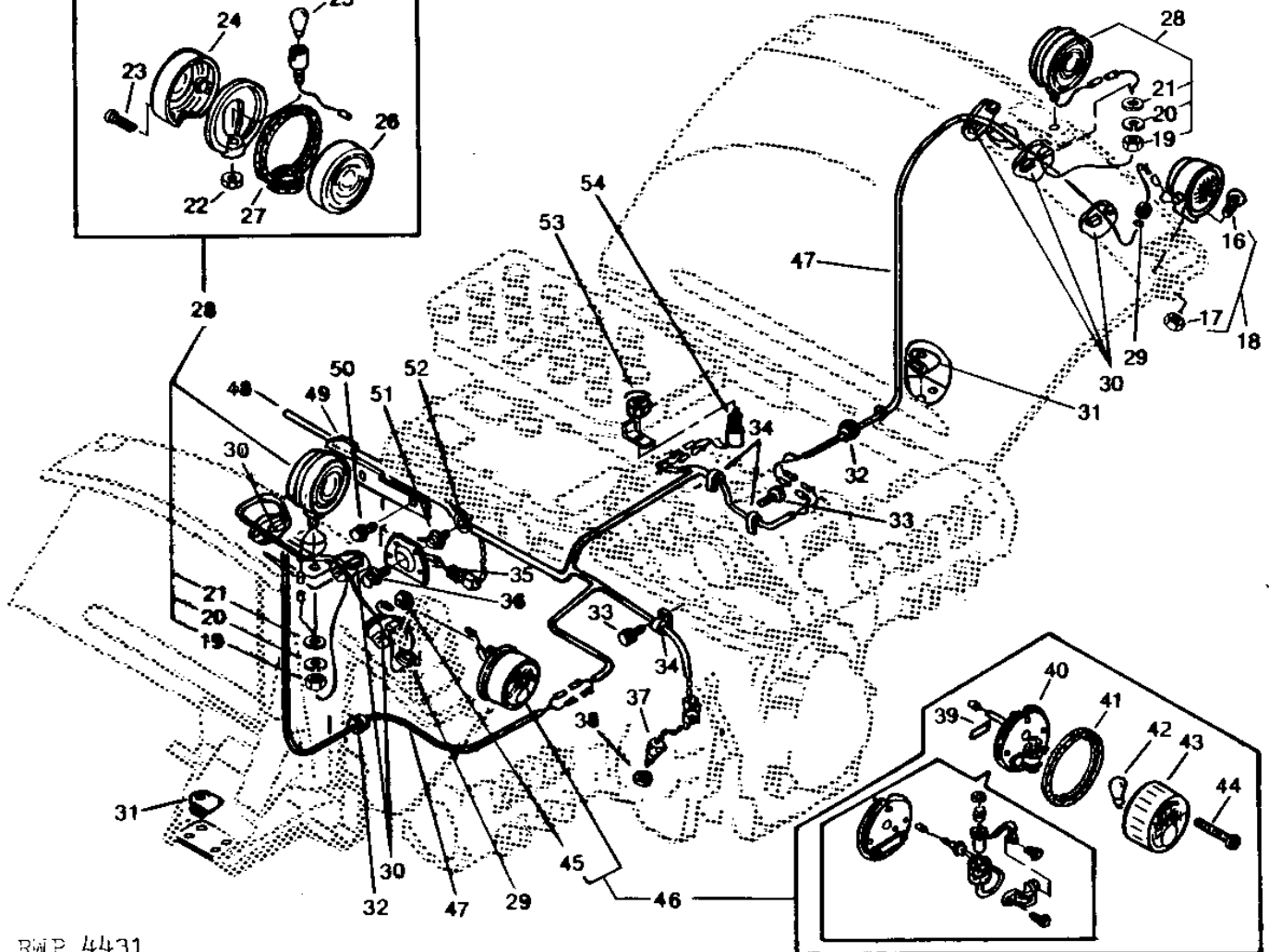
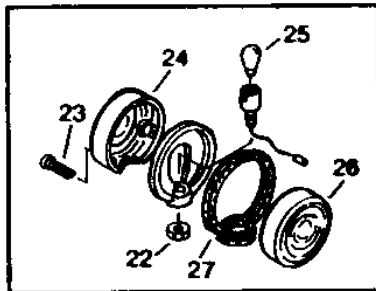
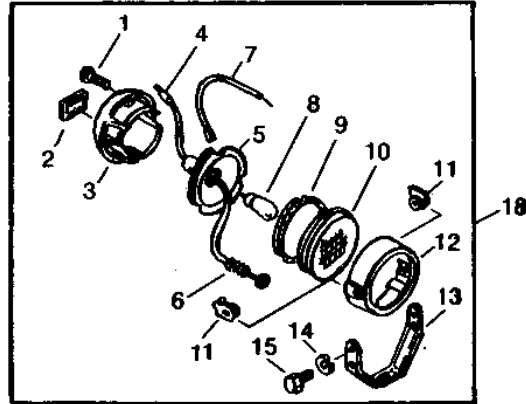
1F20

ELECTRICAL

RWP4431

-UN-01JAN94

REAR LIGHTS AND WIRING



RWP 4431

1F21

ELECTRICAL

REAR LIGHTS AND WIRING - CONTINUED

KEY	PART NO.	PART NAME	QTY	TRACTOR			REMARKS
				SERIAL NO.	1 1 1	2 4 6	
					5 5 5		
					0 0 0		
1	CH12384	CAP SCREW	3			X X	
2	CH12230	PLUG	1			X X	
3	CH12228	HOUSING	1			X X	
4	CH12232	WIRING LEAD	1			X X	
5	CH12227	REFLECTOR	1			X X	
6	CH12780	SPRING	1			X X	
7	CH12233	WIRING LEAD	1			X X	
8	CH12125	BULB	1			X X	
9	CH12229	GASKET	1			X X	
10	CH12225	LENS	1			X X	
11	CH12234	NUT	2			X X	
12	CH12226	HOUSING	1			X X	
13	CH12231	BRACKET	1			X X	
14	12M7006	LOCK WASHER	2			X X	M6
15	19M6614	CAP SCREW	2			X X	M6 X 12
16	CH12388	SCREW	1			X X	
17	14M7273	NUT	1			X X	M8
	12M7065	LOCK WASHER	1			X X	M8
18	CH12430	LAMP	1			X X	FLOOD
19	14M7274	NUT	2			X X	M10
20	12M7066	LOCK WASHER	2			X X	M10
21	24M7028	WASHER	2			X X	10.500 X 20 X 2 MM
22	14M7274	NUT	1			X X	M10
23	CH12639	SCREW	3			X X	
24	CH12637	LENS	1			X X	
25	AD2062R	BULB	1			X X	
26	CH12636	LENS	1			X X	
27	CH12638	GASKET	1			X X	
28	CH12713	LAMP	2			X X	WARNING
29	CH12123	GROMMET	2			X X	
30	CH16108	TUBE	6			X X	
31	CH12149	PLATE	2			X X	
32	CH11900	GROMMET	2			X X	
33	CH12335	BOLT	2			X X	(SUB 19M7964 AND 12M7065)
34	CH13189	CLAMP	3			X X	
	CH13189	CLAMP	4			X X	MFWD
35	CH16582	COVER	1			X X	
36	19M6614	CAP SCREW	4			X X	M6 X 12
	12M7006	LOCK WASHER	4			X X	M6
	24M7088	WASHER	4			X X	6.600 X 12 X 1.600 MM
37	CH20208	SWITCH	1			X X	NEUTRAL START (PTO) (SUB FOR CH10155)
38	CH10158	NUT	1			X X	
39	CH12222	LABEL	1			X X	
40	CH12219	BRACKET	1			X X	
41	CH12220	HOUSING	1			X X	
42	CH12217	BULB	1			X X	
43	CH12218	LENS	1			X X	
44	CH12221	SCREW	2			X X	
45	CH11458	NUT	2			X X	(SUB 12M7006 AND 14M7272)
46	CH12429	LAMP	1			X X	TAIL
47	CH12197	WIRING HARNESS	2			X X	
48	CH18724	WIRING HARNESS	1	-002244		X	(SUB CH20160)
	CH18724	WIRING HARNESS	1	-002454		X	(SUB CH20160)
	CH20160	WIRING HARNESS	1	002245-		X	
	CH20160	WIRING HARNESS	1	002455-		X	
49	CH19515	COVER	1			X X	
50	19M6614	CAP SCREW	2			X X	M6 X 12
	12M7006	LOCK WASHER	2			X X	M6
51	CH13415	SWITCH	1			X X	NEUTRAL START
52	CH14634	O-RING	1			X X	
53	CH13545	NUT	1			X X	
54	CH16581	SWITCH	1			X X	BRAKE LAMP, (SUB M805524)

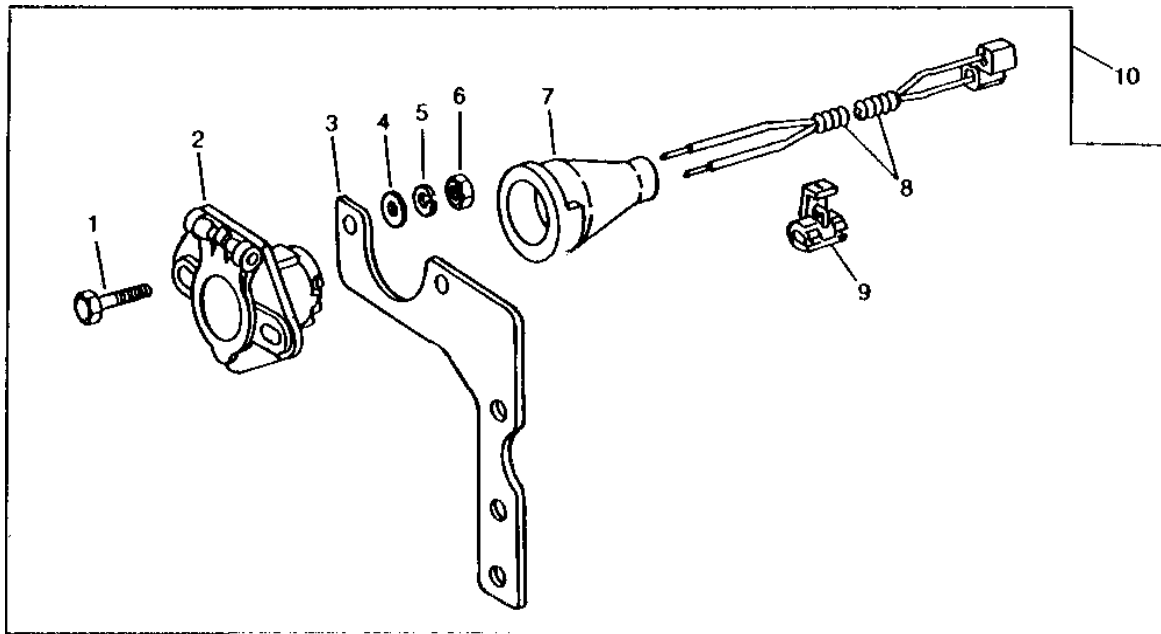
1F22

ELECTRICAL

RWP2699

-UN-01JAN94

7-TERMINAL ELECTRICAL OUTLET SOCKET



RWP2699

KEY	PART NO.	PART NAME	QTY	TRACTOR SERIAL NO.			REMARKS
				1	2	5	
				1	1	1	
				2	4	6	
				5	5	5	
				0	0	0	
1	19H1905	CAP SCREW	2	X	X	X	5/16" X 1"
2	AR75695	SOCKET OUTLET	1	X	X	X	
3	R76815	BRACKET	1	X	X	X	
4	24H1136	WASHER	2	X	X	X	11/32" X 11/16" X 0.065"
5	12H303	LOCK WASHER	2	X	X	X	5/16"
6	14H785	NUT	2	X	X	X	5/16"
7	R61775	BOOT	1	X	X	X	
8	AR75696	WIRING HARNESS	1	X	X	X	
9	AR67855	CONNECTOR	4	X	X	X	
10	AR105484	KIT	1	X	X	X	
..	R44302	TIE BAND	10	X	X	X	

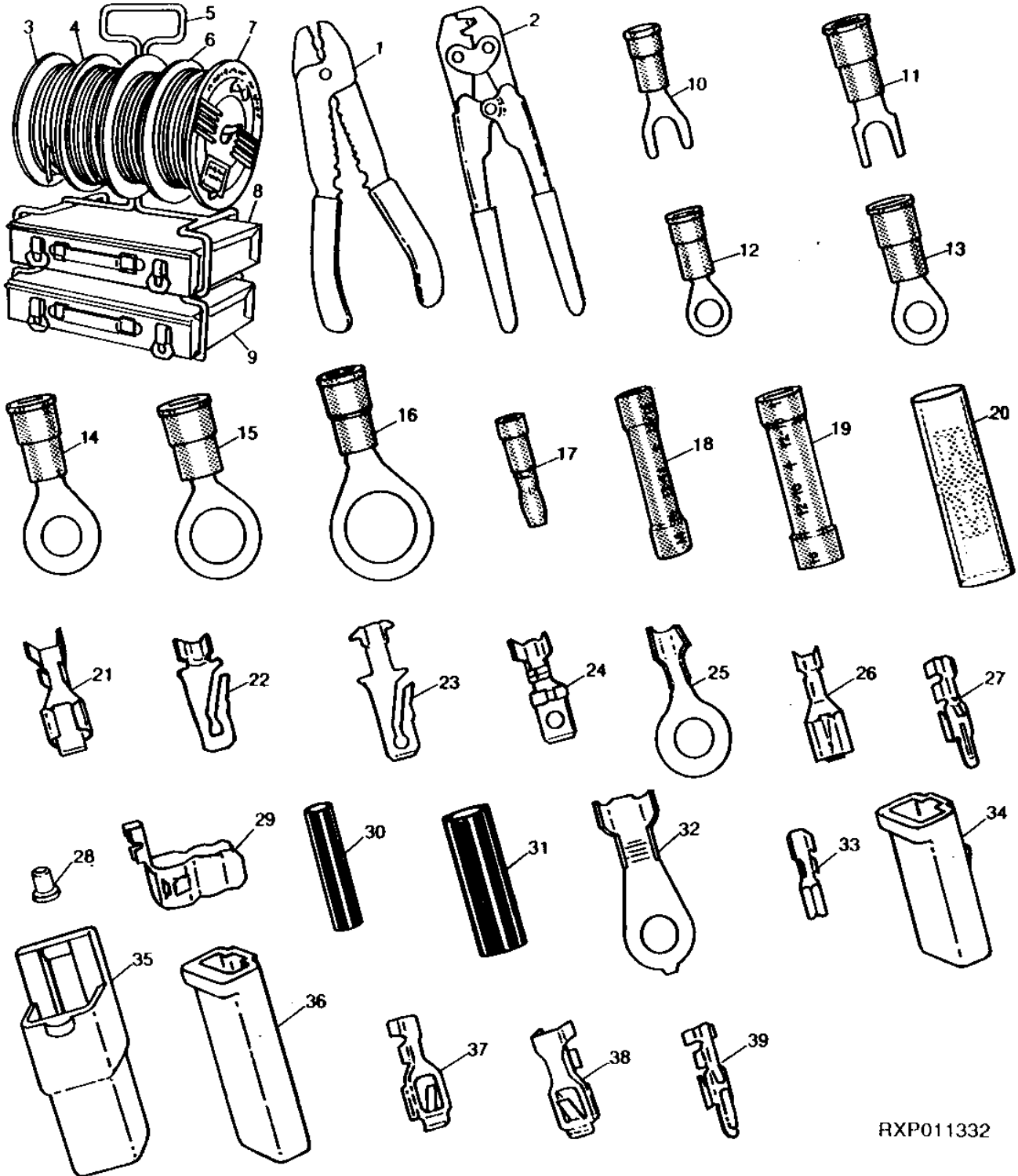
MEMORANDA

1F23

ELECTRICAL

RXP011332 -UN-27SEP94

TERMINAL AND WIRING KIT



RXP011332

1F24

ELECTRICAL

TERMINAL AND WIRING KIT - CONTINUED

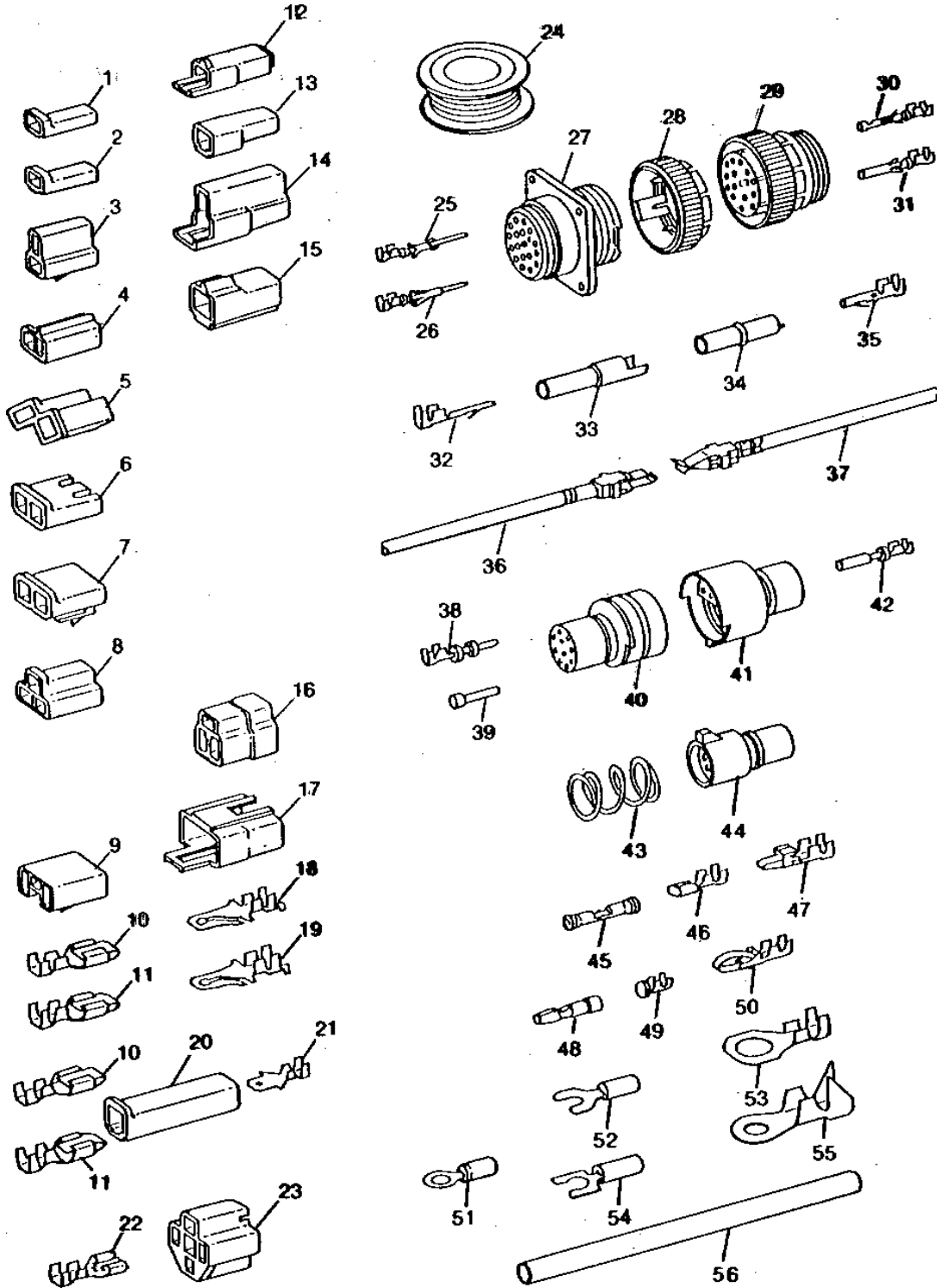
KEY	PART NO.	PART NAME	QTY	TRACTOR SERIAL NO.	REMARKS
				1 1 1	
				2 4 6	
				5 5 5	
				0 0 0	
1	R32011	TOOL	1	X X X	(NLA)
2	R65594	TOOL	1	X X X	
3	R66319	WIRING LEAD	1	X X X	14 GA., 30.5M (100 FT.) (1 SPOOL)
4	R65593	WIRING LEAD	1	X X X	16 GA., 30.5M (100 FT.) (1 SPOOL)
5	R65608	RACK	1	X X X	
6	R66321	WIRING LEAD	1	X X X	10 GA., 15M (50 FT.) (1 SPOOL)
7	R66320	WIRING LEAD	1	X X X	12 GA., 30.5M (100 FT.) (1 SPOOL)
8	R65609	CONTAINER	1	X X X	(NLA)
9	R65610	CONTAINER	1	X X X	
10	R32016	TERMINAL	1	X X X	14-16 GA., NO. 10
11	R32017	TERMINAL	1	X X X	10-12 GA., NO. 10
12	R32018	TERMINAL	1	X X X	14-16 GA., NO. 10
13	R32019	TERMINAL	1	X X X	10-12 GA., NO. 10
14	R32021	TERMINAL	1	X X X	10-12 GA., 1/4"
15	R32022	TERMINAL	1	X X X	10-12 GA., 3/8"
16	R32023	TERMINAL	1	X X X	10-12 GA., 1/2"
17	R32026	TERMINAL	1	X X X	
18	R32027	CONNECTOR	1	X X X	14-16 GA.
19	R32028	TERMINAL	1	X X X	10-12 GA.
20	AL2976T	CONNECTOR	1	X X X	(SUB FOR R32029)
21	R65595	TERMINAL	1	X X X	10 GA.
22	R65596	TERMINAL	1	X X X	10 GA. OR (2) 14 GA. CABLES
23	R65597	TERMINAL	1	X X X	14-16 GA.
24	R65598	TERMINAL	1	X X X	14-16 GA.
25	R65599	TERMINAL	1	X X X	14-16 GA., 1/4"
26	R65600	TERMINAL	1	X X X	14-16 GA.
27	R65601	TERMINAL	1	X X X	TWIN-LOCK, (2) 16 GA. CABLES
28	R65602	SOCKET CONTACT	1	X X X	BULB SOCKET, 16-18 GA.
29	R65603	TERMINAL NIPPLE	1	X X X	FUSE
30	R65604	INSULATING SLEEVE	1	X X X	14-18 GA.
31	R65605	INSULATING SLEEVE	1	X X X	8-12 GA.
32	R65606	TERMINAL	1	X X X	6-8 GA., 1/4"
33	R65607	TERMINAL	1	X X X	18-20 GA.
34	T28583	RECEPTACLE	1	X X X	(1) CONTACT LOCK-TYPE, MALE
35	T28585	TERMINAL	1	X X X	(1) CONTACT LOCK-TYPE, FEMALE
36	U46370	CONNECTOR	1	X X X	CONNECTOR, (1) CONTACT SINGLE BODY, MALE
37	U46662	TERMINAL	1	X X X	FEMALE
38	U46663	TERMINAL	1	X X X	FEMALE
39	U46664	TERMINAL	1	X X X	FEMALE

1G1

ELECTRICAL

RXP010581 -UN-01JAN94

ELECTRICAL CONNECTOR SERVICE KIT



RXP010581

1G2

ELECTRICAL

ELECTRICAL CONNECTOR SERVICE KIT - CONTINUED

KEY	PART NO.	PART NAME	QTY	TRACTOR			REMARKS
				SERIAL NO.	1 1 1	2 4 6	
				5 5 5			
				0 0 0			
1	T28583	RECEPTACLE	1	X X X	(B)	ONE CONTACT LOCK TYPE, MALE	
2	M43835	FLAT CONNECTOR	1	X X X	(B)		
3	R77476	CONNECTOR	1	X X X	(A)		
4	R77477	CONNECTOR	1	X X X	(A)		
5	R77479	CONNECTOR	1	X X X	(A)		
6	R77480	CONNECTOR	1	X X X	(A)		
7	R77481	CONNECTOR	1	X X X	(A)		
8	R77482	CONNECTOR	1	X X X			
9	H104855	CONNECTOR	1	X X X			
10	U46662	TERMINAL	1	X X X	(E) (F)	FEMALE	
11	R65595	TERMINAL	1	X X X	(G)	(SUB FOR N115096) FEMALE (PKG. OF 15)	
12	T28585	TERMINAL	1	X X X	(B)	ONE CONTACT LOCK TYPE, FEMALE	
13	R77475	CONNECTOR	1	X X X	(B)		
14	T28586	CONNECTOR	1	X X X	(A)		
15	R77478	CONNECTOR	1	X X X	(A)		
16	R77483	CONNECTOR	1	X X X			
17	R48887	RECEPTACLE	1	X X X			
18	T34067	TERMINAL	1	X X X	(E) (F)	MALE	
19	R77484	TERMINAL	1	X X X	(G)	(PKG. OF 15)	
20	U46370	CONNECTOR	1	X X X	(B)	CONNECTOR, ONE CONTACT SINGLE BODY, MALE	
21	R77485	TAB	1	X X X	(C) (F)		
22	R77486	TERMINAL	1	X X X	(E) (F)		
23	R77487	CONNECTOR	1	X X X	(B)		
24	R66321	WIRING LEAD	1	X X X		15 M (50 FT.) 10 GA.	
	R66320	WIRING LEAD	1	X X X		30.5 M (100 FT.) 12 GA.	
	R77501	WIRE	1	X X X		30.5 M (100 FT.) 14 GA.	
	R77500	WIRE	1	X X X		30.5 M (100 FT.) 16 GA.	
	R77499	WIRE	1	X X X		30.5 M (100 FT.) 18 GA.	
	R77498	WIRE	1	X X X		30.5 M (100 FT.) 20 GA.	
25	R77462	PIN CONTACT	1	X X X	(PKG. OF 40)	(20-22 OR 24 GA. WIRE)	
26	R77464	PIN CONTACT	1	X X X	(H)	(PKG. OF 50)	
27	R77456	RECEPTACLE	1	X X X	(37 WAY)		
28	R77458	CONNECTOR	1	X X X	(A)	(SIZE 23)	
	R77459	CONNECTOR	1	X X X	(A)	(SIZE 17)	
	R77460	CONNECTOR	1	X X X	(A)	(SIZE 13)	
	R77461	CONNECTOR	1	X X X	(A)	(SIZE 11)	
29	R77457	ELECTRICAL PLUG	1	X X X	(37 WAY)		
30	R77463	SOCKET CONTACT	1	X X X	(PKG. OF 40)	(20-22 OR 24 GA. WIRE)	
31	R77465	SOCKET CONTACT	1	X X X	(H)	(PKG. OF 50)	
32	R77468	TERMINAL	1	X X X	(PKG. OF 5)		
33	R77466	CONNECTOR	1	X X X	(A)		
34	R77467	CONNECTOR	1	X X X	(A)		

(A) PKG. OF 2

(B) PKG. OF 3

(C) PKG. OF 10

(D) PKG. OF 20

(E) PKG. OF 25

(F) 14 OR 16 GA. WIRE

(G) 10 OR 12 GA. WIRE

(H) 14-16 OR 18 GA. WIRE

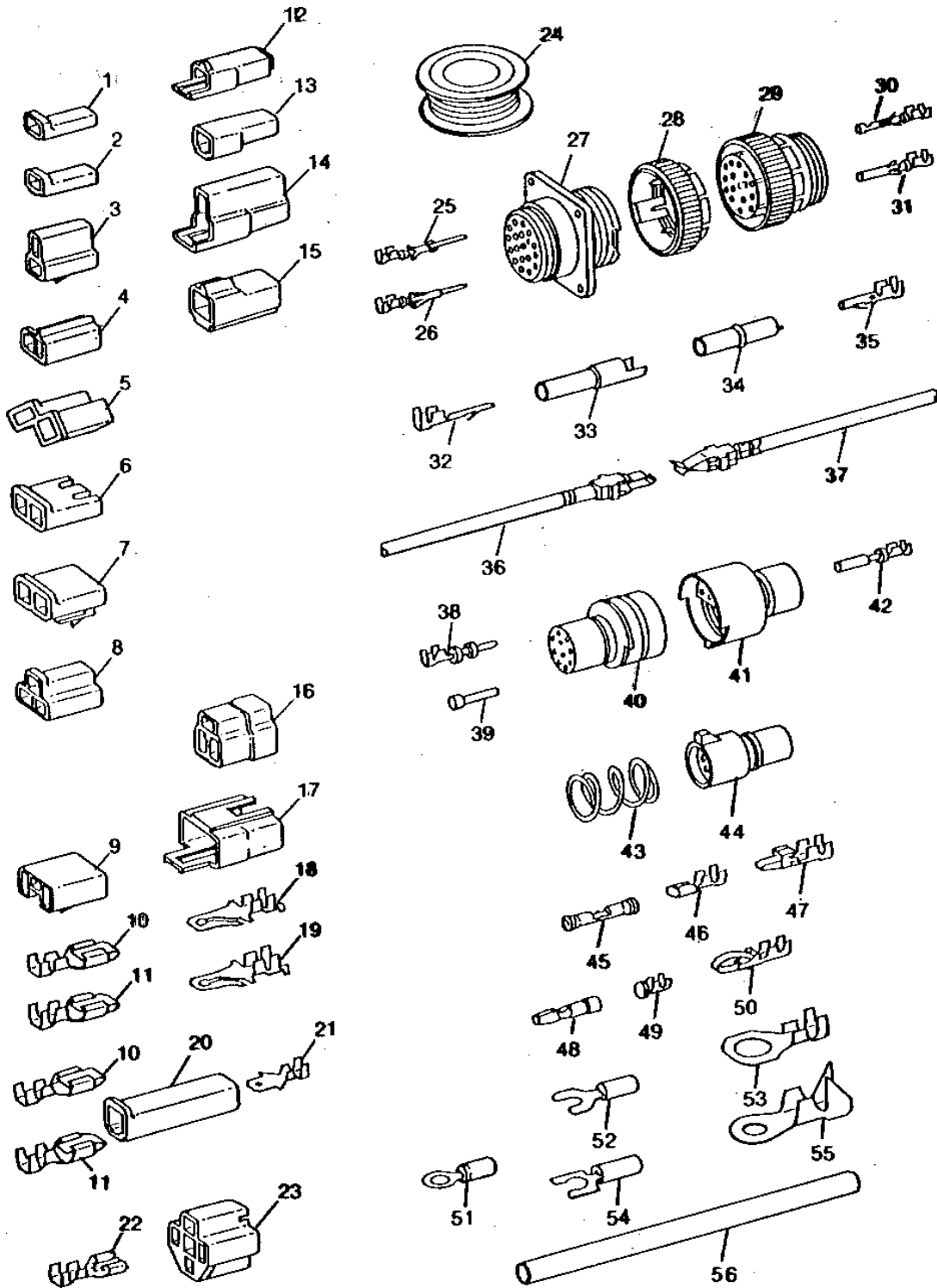
THIS PARTS LISTING IS CONTINUED

1G3

ELECTRICAL

ELECTRICAL CONNECTOR SERVICE KIT - CONTINUED

RXP010581 -UN-01JAN94



RXP010581

1G4

ELECTRICAL

ELECTRICAL CONNECTOR SERVICE KIT - CONTINUED

KEY	PART NO.	PART NAME	QTY	TRACTOR			REMARKS
				SERIAL NO.	1 1 1	2 4 6	
					5 5 5		
					0 0 0		
35	R77469	TERMINAL	1		X X X	(PKG. OF 5)	
36	RE11156	TERMINAL	1		X X X	(B) (MALE)	
37	RE11157	TERMINAL	1		X X X	(B) (FEMALE)	
38	R70222	PIN CONTACT	1		X X X	(D) (H)	
39	R70221	ELECTRICAL PLUG	1		X X X	(E)	
40	R70219	PLUG	1		X X X	(A) (10 WAY)	
	R70217	PLUG	1		X X X	(A) (7 WAY)	
	R70215	PLUG	1		X X X	(A) (4 WAY)	
	R70213	PLUG	1		X X X	(A) (3 WAY)	
	R70211	CONNECTOR	1		X X X	(A) (2 WAY)	
41	R70218	RECEPTACLE	1		X X X	(A) (10 WAY)	
	R70216	RECEPTACLE	1		X X X	(A) (7 WAY)	
	R70214	RECEPTACLE	1		X X X	(A) (4 WAY)	
	R70212	RECEPTACLE	1		X X X	(A) (3 WAY)	
	R70210	RECEPTACLE	1		X X X	(A) (2 WAY)	
42	AR91793	SOCKET CONTACT	1		X X X	(D)	
43	R30378	SPRING	1		X X X	(C)	
44	R77474	CONNECTOR	1		X X X	(A) (6 WAY)	
45	R77470	TERMINAL	1		X X X	SPLICE (PKG. OF 15) (16-18-20 OR 22 GA. WIRE)	
	R77471	TERMINAL	1		X X X	(C) (G) SPLICE	
	R77472	TERMINAL	1		X X X	(A) SPLICE (8 GA. WIRE)	
	R77473	TERMINAL	1		X X X	(A) SPLICE (6 GA. WIRE)	
46	R65607	TERMINAL	1		X X X	(C) (18 OR 20 GA. WIRE)	
47	U46664	TERMINAL	1		X X X	(C) (F) FEMALE	
48	R32026	TERMINAL	1		X X X	(D) (F) MALE	
49	R65602	SOCKET CONTACT	1		X X X	(C) (16 OR 18 GA. WIRE)	
50	R70220	TERMINAL	1		X X X	(C) (18 OR 20 GA. WIRE)	
51	R77489	TERMINAL	1		X X X	(D) (14-16-18 OR 20 GA. WIRE) (NO. 10 EYELET)	
	R77493	TERMINAL	1		X X X	(D) (G) (NO. 10 EYELET)	
	R77488	TERMINAL	1		X X X	(D) (14-16-18 OR 20 GA. WIRE) (3/8" EYELET)	
	R77490	TERMINAL	1		X X X	(D) (G) (1/2" EYELET)	
52	R77496	TERMINAL	1		X X X	(D) (F) (NO. 8 SPADE)	
	R77495	TERMINAL	1		X X X	(D) (18 GA. WIRE) (NO. 10 SPADE)	
53	R77497	TERMINAL	1		X X X	(D) (F) (NO. 6 SPADE)	
54	R77491	TERMINAL	1		X X X	(D) (G) (3/8" EYELET)	
	R77492	TERMINAL	1		X X X	(D) (G) (1/4" EYELET)	
55	R77494	TERMINAL	1		X X X	(D) (6 OR 8 GA. WIRE) (1/4" EYELET)	
56	R77502	TUBE	1		X X X	(PKG. OF 8) 3/8" (HEAT SHRINK)	
	R77503	TUBE	1		X X X	(PKG. OF 8) 3/16" (HEAT SHRINK)	

(A) PKG. OF 2

(B) PKG. OF 3

(C) PKG. OF 10

(D) PKG. OF 20

(E) PKG. OF 25

(F) 14 OR 16 GA. WIRE

(G) 10 OR 12 GA. WIRE

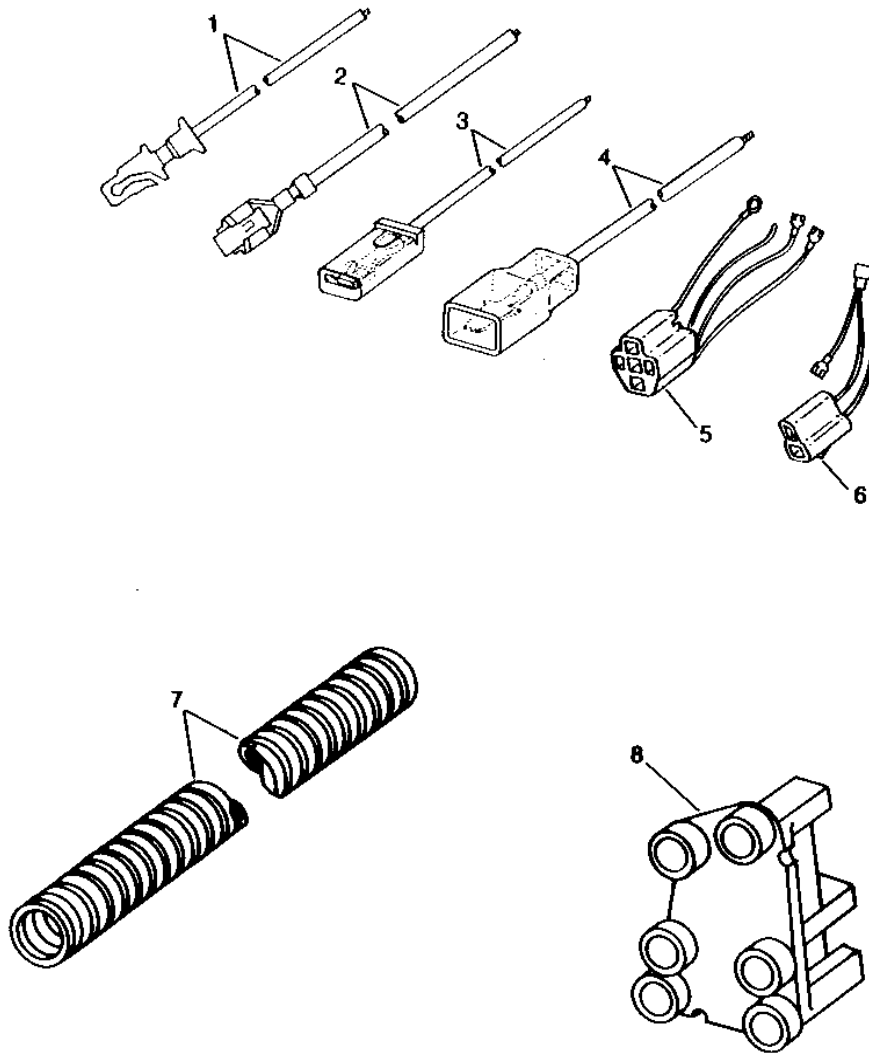
(H) 14-16 OR 18 GA. WIRE

1G5

ELECTRICAL

RXP8619 -UN-28NOV94

SUPPLEMENTARY TERMINALS AND CONNECTORS



1G6

ELECTRICAL

SUPPLEMENTARY TERMINALS AND CONNECTORS - CONTINUED

KEY	PART NO.	PART NAME	QTY	TRACTOR			REMARKS
				SERIAL NO.	1 1 1	2 4 6	
				5 5 5			
				0 0 0			
1	AR65005	TERMINAL	1		X X X		
2	AR65006	TERMINAL	1		X X X		
3	R32024	WIRING LEAD	1		X X X		
4	R32025	WIRING LEAD	1		X X X		
5	RE21730	TERMINAL	1		X X X		
	RE21731	TERMINAL	1		X X X		
6	RE21732	TERMINAL	1		X X X		
7	R93219	CONDUIT	1		X X X	6.3 X 3048 MM (1/4" X 120")	
	R93220	CONDUIT	1		X X X	10.4 X 3048 MM (13/32" X 120")	
	R93221	CONDUIT	1		X X X	15.9 X 3048 MM (5/8" X 120")	
	R93222	CONDUIT	1		X X X	25.4 X 3048 MM (1" X 120")	
8	AR83425	RECEPTACLE CONNECTOR BODY	1		X X X	(LIGHT SWITCH)	

MEMORANDA

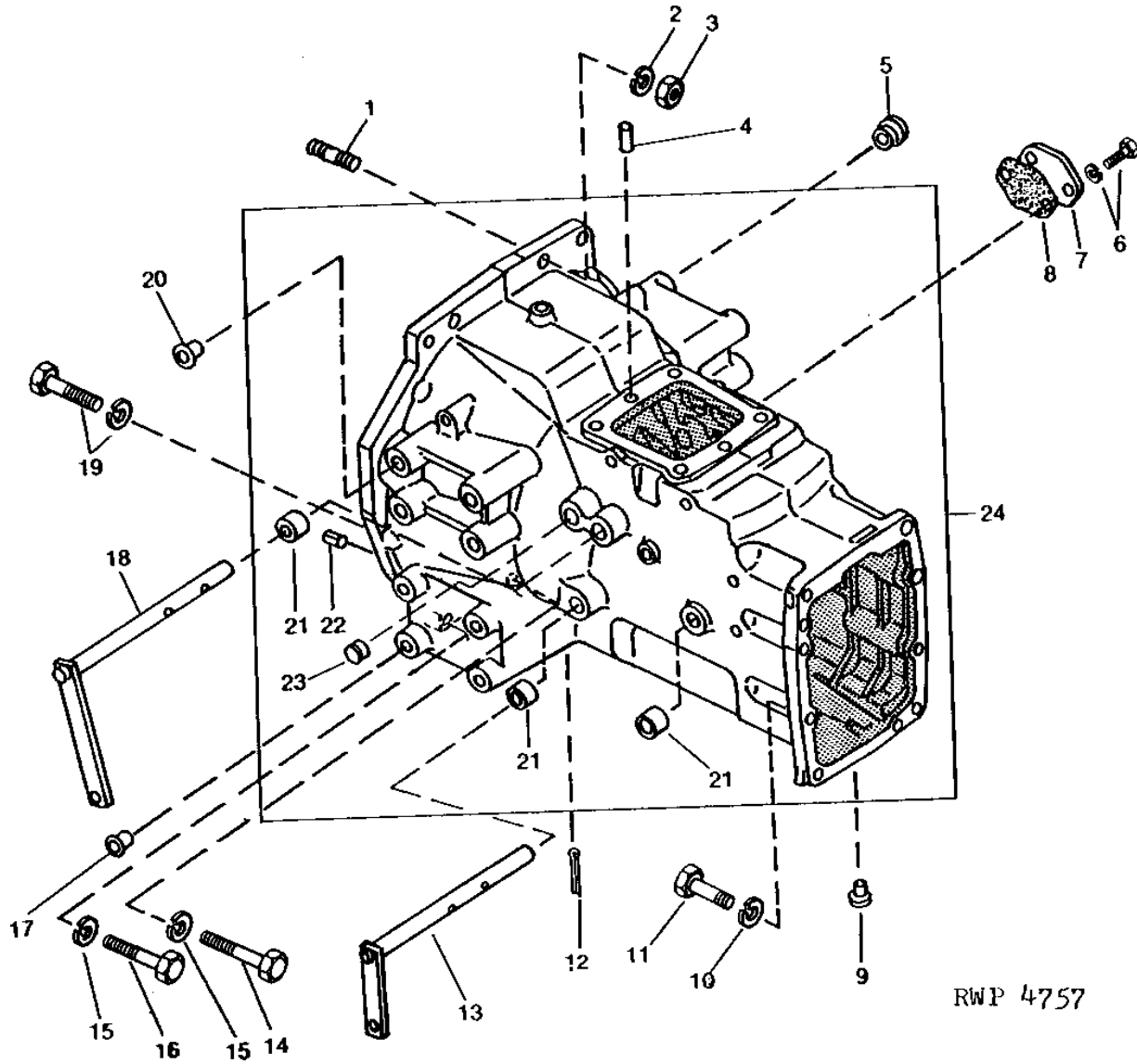
MEMORANDA

1G9

POWER TRAIN

RWP4757 -UN-01JAN94

CLUTCH HOUSING



RWP 4757

1G10

POWER TRAIN

CLUTCH HOUSING - CONTINUED

KEY	PART NO.	PART NAME	QTY	TRACTOR			REMARKS
				SERIAL NO.	5	5	
					1	1	
					2	4	
					5	5	
					0	0	
1	CH17107	STUD	2		X		M14 X 60, (SUB 19M7336)
2	12M7068	LOCK WASHER	2	-XXXXXX	X		M14
3	14M7141	NUT	2	-XXXXXX	X		M14
4	CH17102	PIN	2		X	X	M12 X 18
5	CH17106	CAP	1		X	X	
6	CH12331	BOLT	2		X	X	M6 X 16, (SUB 12M7006 AND 19M7560)
7	CH16334	COVER	1		X	X	
8	CH20107	GASKET	1		X	X	(SUB FOR CH16333)
	CH20105	FOAM PAD	1	XXXXXX-	X	X	
9	CH11220	PLUG	1		X	X	M9.5
10	CH11478	WASHER	7	-003000	X		M14, (SUB 12M7068)
	CH14118	LOCK WASHER	7	003001-	X		M14
	CH14118	LOCK WASHER	7		X	X	M14
11	CH11612	BOLT	7	-003000	X		M14 X 45, (SUB 19M7335)
	CH18854	BOLT	7	003001-	X		M14 X 45
	CH18854	BOLT	7		X	X	M14 X 45
12	11M7021	COTTER PIN	1		X	X	4 X 25 MM M4 X 20
13	CH19795	SHAFT	1		X	X	PTO
14	CH17105	BOLT	1		X	X	M14 X 65
15	12M7068	LOCK WASHER	3		X		M14
	CH11478	WASHER	5		X	X	M14, (SUB 12M7068)
16	19M7336	CAP SCREW	2		X		M14 X 55
	19M7336	CAP SCREW	4		X	X	M14 X 55
17	CH15738	CAP	8		X	X	M15
18	CH17701	SHAFT	1	-001647	X		(SUB CH19027)
	CH19027	SHAFT	1	001648-	X		
	CH19794	SHAFT	1		X	X	(SUB FOR CH18563)
19	CH12344	SCREW, WITH WASHER	6		X	X	M12 X 30, (SUB 12M7067 AND 19M7285)
20	CH16336	PLUG	8		X	X	M20
21	CH10889	BUSHING	4		X		
	CH10889	BUSHING	2		X	X	
	CH19783	BUSHING	4		X	X	
22	CH11504	PIN	2		X	X	M10 X 18
23	CH17101	PLUG	4		X		M25
	CH17101	PLUG	2		X	X	
24	CH16161	HOUSING	1		X		
	CH19781	HOUSING	1		X	X	(SUB FOR CH18852)

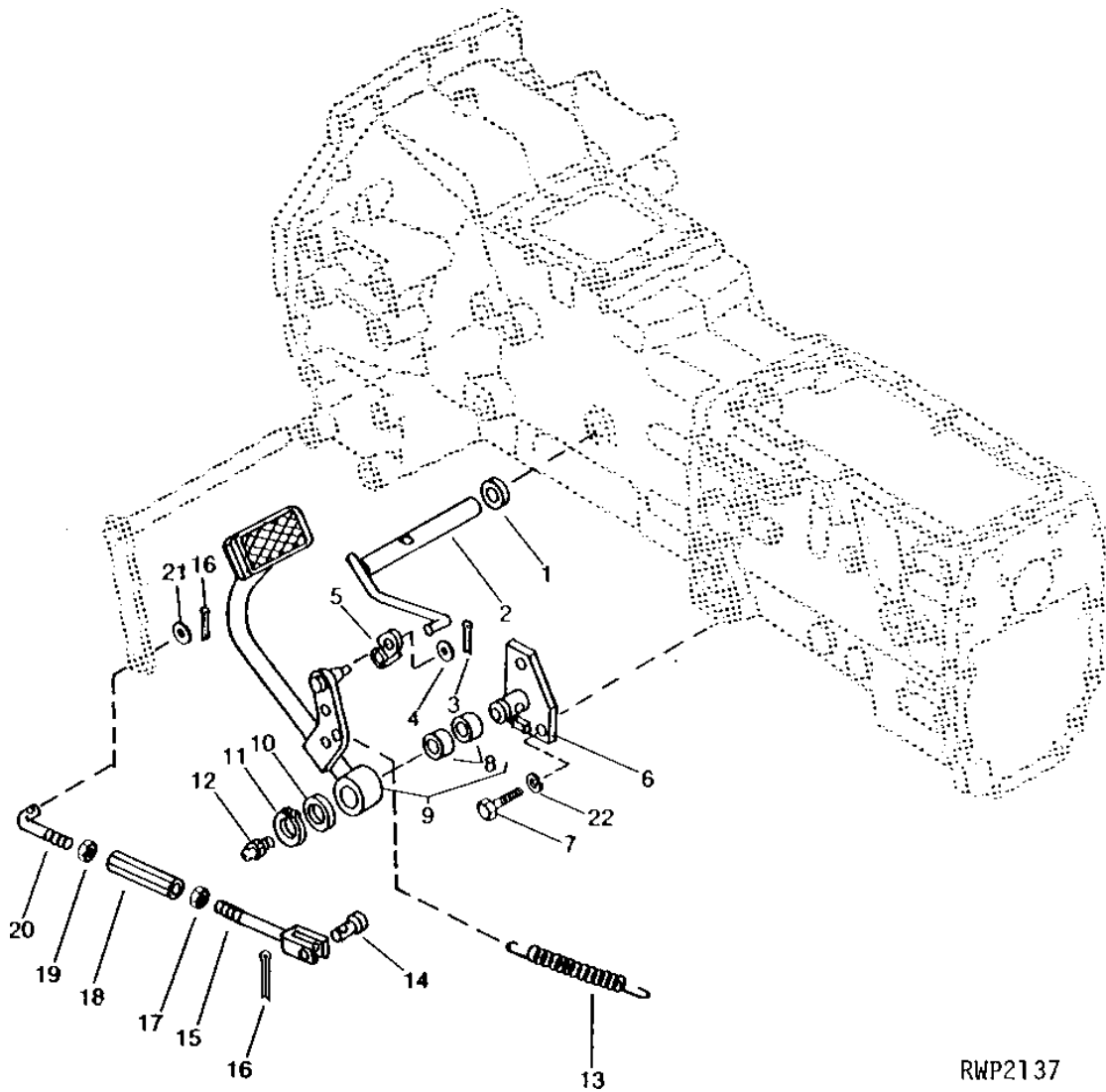
1G11

POWER TRAIN

RWP2137

-UN-01JAN94

CLUTCH PEDAL AND LINKAGE



RWP2137

1G12

POWER TRAIN

CLUTCH PEDAL AND LINKAGE - CONTINUED

KEY	PART NO.	PART NAME	QTY	TRACTOR			REMARKS
				SERIAL NO.	5	5	
					1	1	1
					2	4	6
					5	5	5
					0	0	0
1	24M7049	WASHER	1		X	X	X
2	CH17707	SHAFT	1	-003000	X		
	CH19499	SHAFT	1	003001-	X		
	CH19499	SHAFT	1		X	X	
3	11M7009	COTTER PIN	1		X	X	X
4	24M7028	WASHER	1		X	X	X
5	CH17706	PLATE	1	-003000	X		
	CH19500	PLATE	1	003001-	X		
	CH19500	PLATE	1		X	X	
6	CH17705	SHAFT	1		X	X	X
7	19M7402	CAP SCREW	2		X	X	X
8	CH17384	BUSHING	2		X	X	X
9	CH17702	PEDAL	1		X	X	X
10	CH16356	WASHER	1		X	X	X
11	CH11481	RING	1		X	X	X
12	CH11574	FITTING	1		X	X	X
13	CH16358	EXTENSION SPRING	1		X	X	X
14	CH10857	PIN	1		X	X	X
15	CH17704	ROD	1		X	X	X
16	11M7009	COTTER PIN	2		X	X	X
17	14M7275	NUT	1		X	X	X
18	CH16351	TURNBUCKLE	1		X		
	CH18023	TURNBUCKLE	1		X	X	
19	CH16350	NUT	1		X	X	X
20	CH16349	SHAFT	1		X	X	X
21	CH17725	WASHER	1		X	X	X
22	12M7066	LOCK WASHER	2		X	X	X

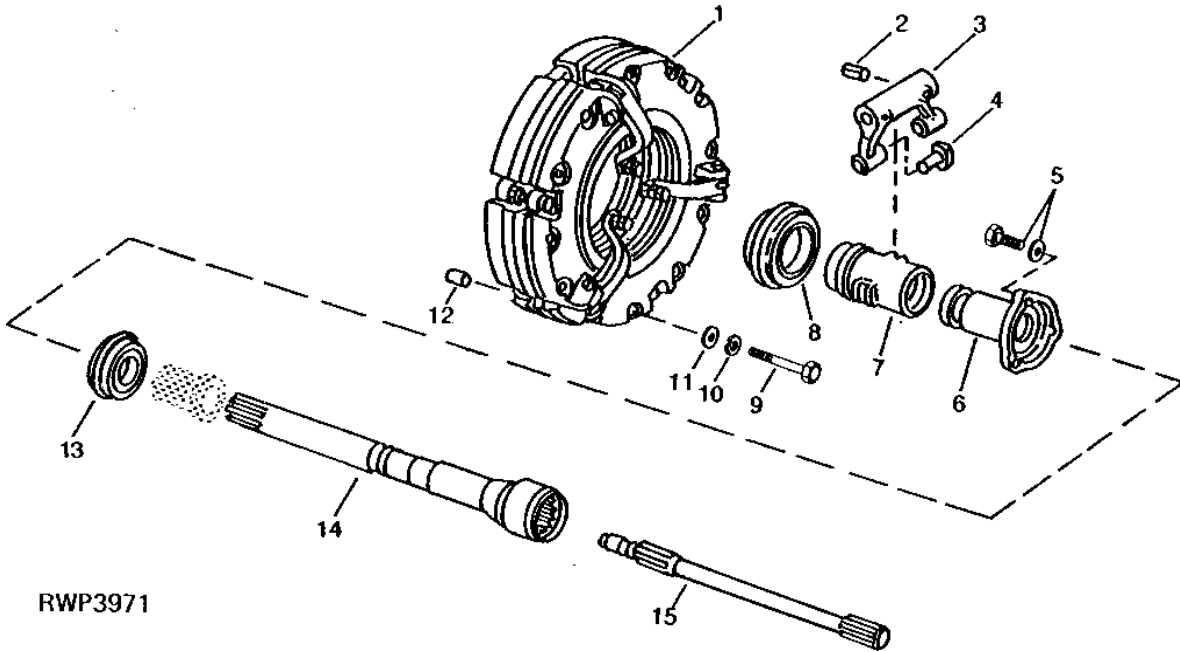
MEMORANDA

1G13

POWER TRAIN

RWP3971 -UN-01JAN94

DUAL CLUTCH



RWP3971

1 1 1
2 4 6
5 5 5
0 0 0

KEY	PART NO.	PART NAME	QTY	TRACTOR SERIAL NO.	REMARKS
1	CH17039	CLUTCH	1		DUAL
2	34M7047	SPRING PIN	2	-001647	8 X 40 MM
	CH11503	PIN	2	001648-	
	CH12302	PIN	2	001648-	
3	CH16345	YOKE	1	-001647	(SUB CH19026)
	CH19026	YOKE	1	001648-	
	CH19030	KIT	1	-001647	(INCLUDES YOKE, PINS AND SHAFT)
4	CH16347	SWIVEL	2		
5	CH15167	BOLT	3		M8 X 25, (SUB 19M7163 AND 12M7065)
6	CH16346	GUIDE	1		
7	CH16344	SLEEVE	1		
8	CH17172	BEARING	1		
9	CH14177	BOLT	12		M8 X 105
10	12M7065	LOCK WASHER	12		M8
11	24M7055	WASHER	12		M8
12	CH15134	PIN	2		M6 X 16
13	CH16341	BEARING	1		
14	CH16342	SHAFT	1		OUTER
15	CH16343	SHAFT	1		INNER

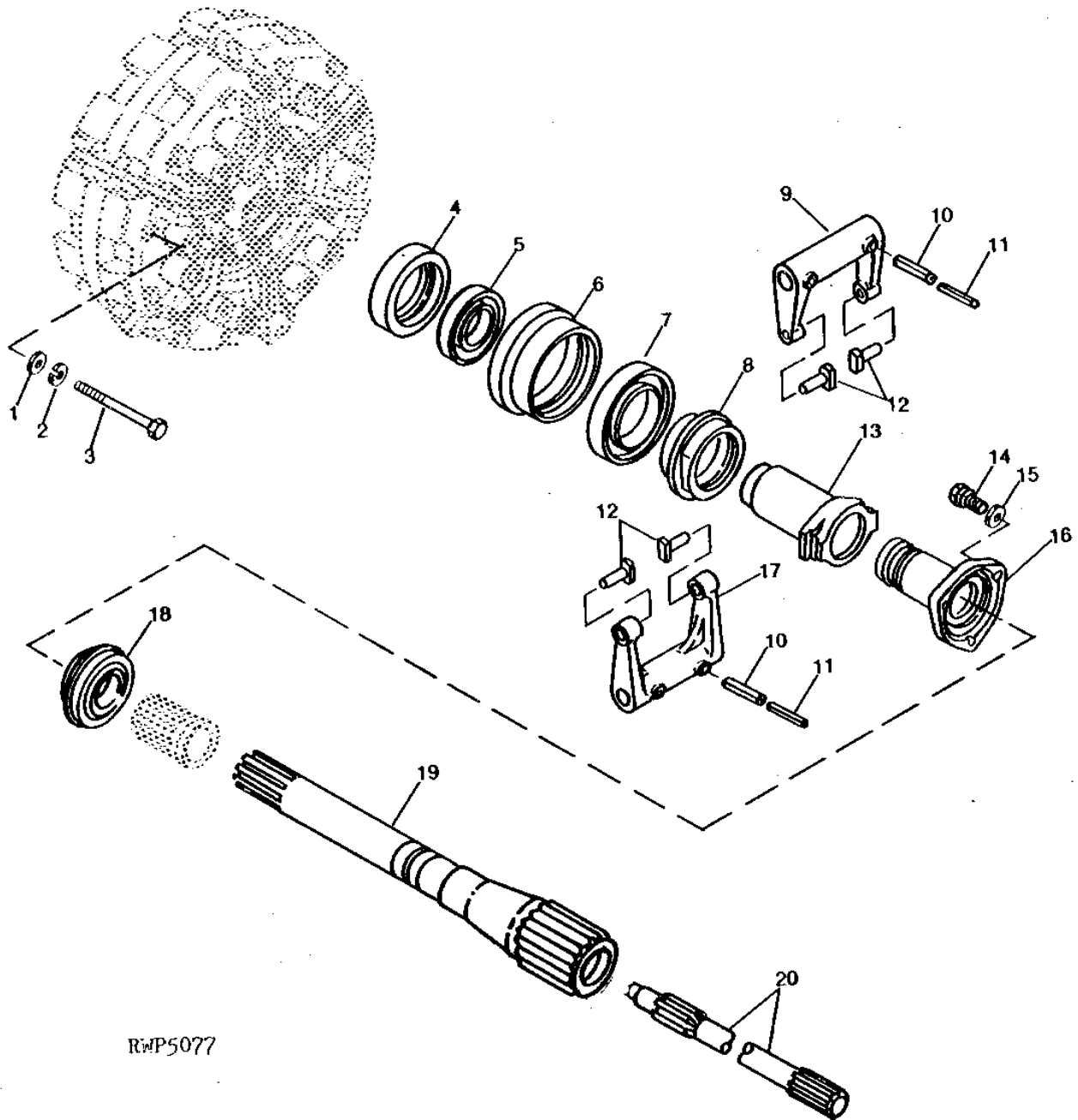
1G14

POWER TRAIN

RWP5077

-UN-01JAN94

CLUTCH SHAFTS AND COLLARS



RWP5077

1G15

POWER TRAIN

CLUTCH SHAFTS AND COLLARS - CONTINUED

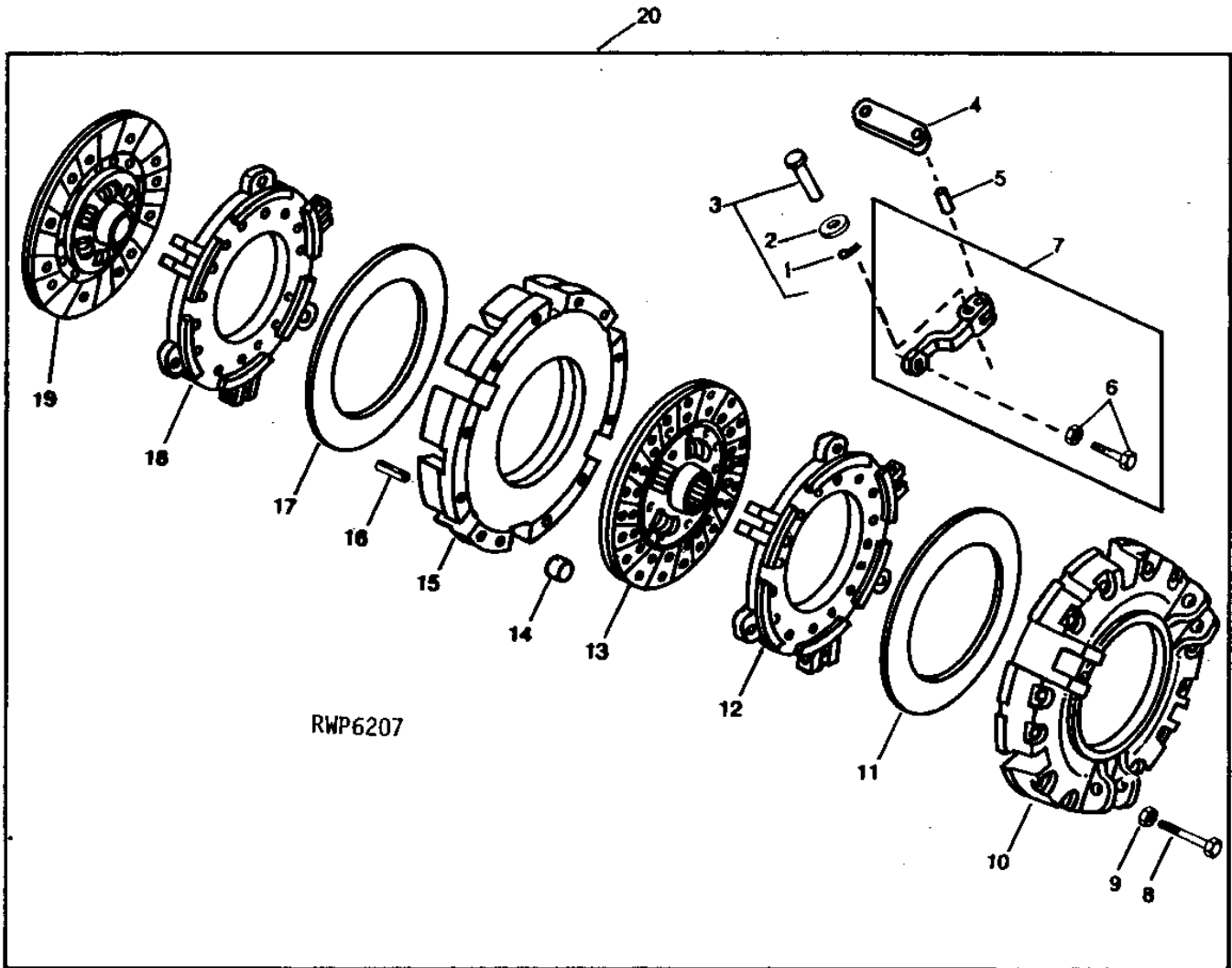
KEY	PART NO.	PART NAME	QTY	TRACTOR			REMARKS
				SERIAL NO.	5 5 5	2 4 6	
					1 1 1		
					5 5 5		
					0 0 0		
1	24M7055	WASHER	12		X X		8.400 X 16 X 1.600 MM
2	12M7065	LOCK WASHER	12		X X		M8
3	CH18511	BOLT	12		X X		M8 X 125
4	CH18556	WEAR RING	1		X X		TRACTION
5	CH18562	BALL BEARING	1		X X		
6	CH18558	WEAR RING	1		X X		PTO
7	CH18554	BALL BEARING	1		X X		
8	CH18557	SLEEVE	1		X X		
9	CH19792	YOKE	1		X X		TRACTION, (SUB FOR CH18559)
10	CH11503	PIN	4		X X		M8 X 50
11	CH12302	PIN	4		X X		M5 X 50
12	CH16347	SWIVEL	4		X X		
13	CH18555	SLEEVE	1		X X		
14	19M7407	CAP SCREW	3		X X		M8 X 25
15	12M7065	LOCK WASHER	3		X X		M8
16	CH18561	GUIDE	1		X X		
17	CH19793	YOKE	1		X X		PTO, (SUB FOR CH18560)
18	CH16341	BEARING	1		X X		
19	CH16342	SHAFT	1		X X		
20	CH18551	SHAFT	1		X X		(SUB CH16343)

1G16

POWER TRAIN

RWP6207 -UN-01JAN94

DUAL CLUTCH



1G17

POWER TRAIN

DUAL CLUTCH - CONTINUED

KEY	PART NO.	PART NAME	QTY	TRACTOR SERIAL NO.			REMARKS
				1 1 1	2 4 6	5 5 5	
1	CH12320	PIN	3	X			(ORDER CH17909)
2	CH17910	WASHER	3	X			(ORDER CH17909)
3	CH17909	PIN	1	X			(A)
4	CH17891	ROD	1	X			(A)
5	CH17888	PIN	1	X			(A) (PKG OF 6)
6	CH19336	BOLT	1	X			ADJUSTING BOLT
7	CH17903	LEVER	1	X			(A)
8	CH17896	BOLT	3	X			
9	CH15626	NUT	3	X			
10	CH17902	COVER	1	X			
11	CH17899	DISK SPRING	1	X			
12	CH17898	PLATE	1	X			
13	CH16339	CLUTCH DISK	1	X			(SUB CH20226) TRACTION
14	CH13682	PIN	3	X			
15	CH17901	COVER	1	X			
16	CH15134	PIN	1	X			
17	CH17895	DISK SPRING	1	X			
18	CH17900	PLATE	1	X			
19	CH16338	CLUTCH DISK	1	X			(SUB CH20255) PTO
20	CH17039	CLUTCH	1	X			

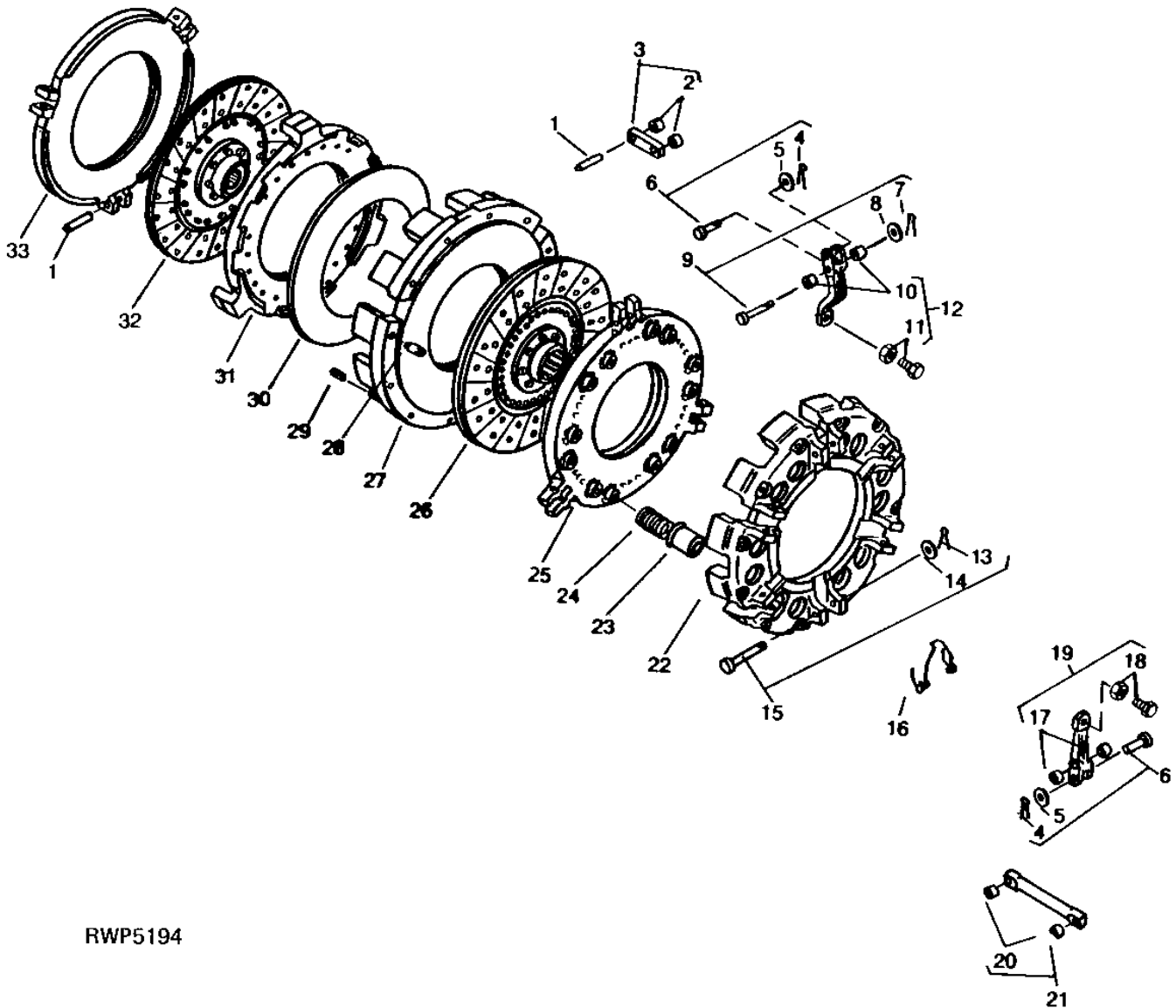
(A) SET OF 3

1G18

POWER TRAIN

CLUTCH (INDEPENDENT PTO)

RWP5194 -UN-01JAN94



RWP5194

1G19

POWER TRAIN

**CLUTCH - CONTINUED
(INDEPENDENT PTO)**

1 1 1
2 4 6
5 5 5
0 0 0

KEY	PART NO.	PART NAME	QTY	TRACTOR SERIAL NO.	REMARKS
1	CH19334	PIN	1	X X	(B)
2	BUSHING	6	X X	(ORDER CH19317)
3	CH19317	ROD	1	X X	(B)
4	11M7080	COTTER PIN	6	X X	2.500 X 16 MM
5	CH19325	WASHER	6	X X	
6	CH19790	PIN	2	X X	(B)
7	11M7080	COTTER PIN	3	X X	2.500 X 16 MM
8	CH19325	WASHER	3	X X	
9	CH19788	PIN	1	X X	(B)
10	BUSHING	6	X X	(ORDER CH19308)
11	CH19336	BOLT	1	X X	(B)
12	CH19308	LEVER	1	X X	(B)
13	11M7080	COTTER PIN	3	X X	2.500 X 16 MM
14	CH19325	WASHER	3	X X	
15	CH19791	PIN	1	X X	(B) (SUB FOR CH19330)
16	CH19315	SPRING	1	X X	(B) RETURN
17	BUSHING	6	X X	(ORDER CH19312)
18	CH19336	BOLT	1	X X	(B)
19	CH19312	LEVER	1	X X	(B) PTO
20	BUSHING	6	X X	(ORDER CH19320)
21	CH19320	ROD	1	X X	(B)
22	CH19785	COVER	1	X X	
23	CH19828	CAP	1	X X	(A)
24	CH19786	SPRING ASSEMBLY	1	X X	(A) PRESSURE, (SUB CH20224)
25	CH19302	PLATE	1	X X	
26	CH18510	CLUTCH DISK	1	X X	TRACTION CLUTCH, (SUB CH20227)
27	CH19301	COVER	1	X X	(SUB CH20223)
28	CH19328	PIN	1	X X	(B)
29	CH15134	PIN	2	X X	M6 X 16
30	CH19307	SPRING	1	X X	
31	CH19303	PLATE	1	X X	
32	CH20257	DISK	1	X X	PTO CLUTCH, (SUB FOR CH18509)
33	CH19304	PLATE	1	X X	(SUB CH20257)

(A) SET OF 12
(B) SET OF 3

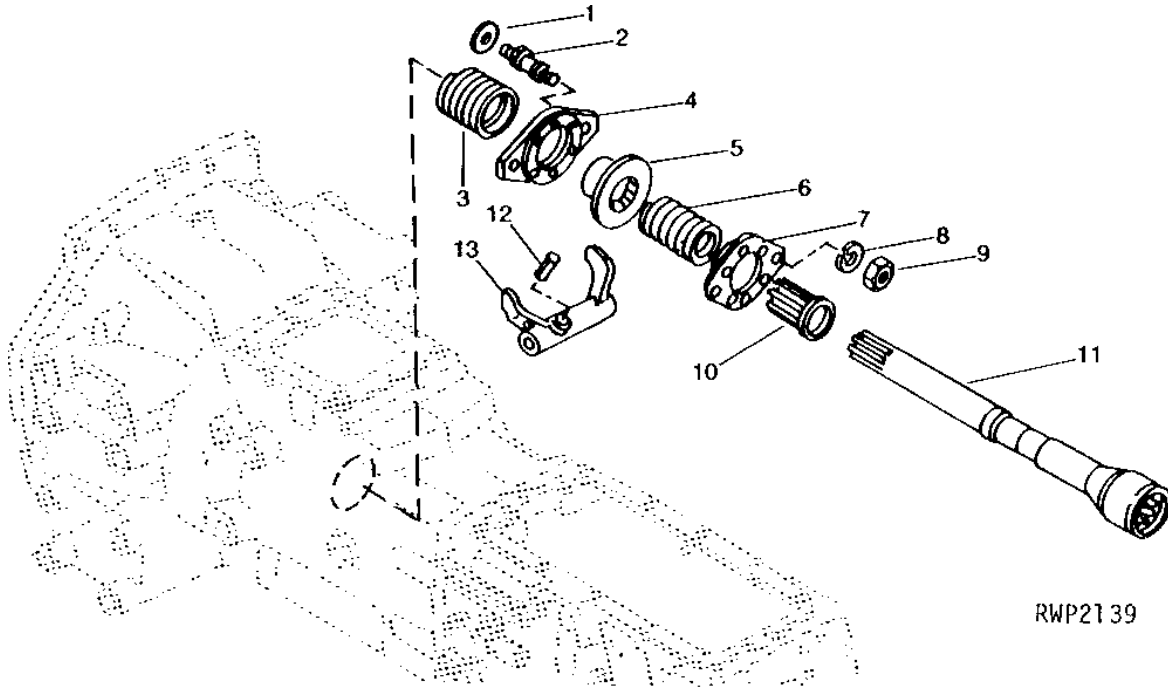
MEMORANDA

1G20

POWER TRAIN

RWP2139 -UN-01JAN94

SNUBBER BRAKE



RWP2139

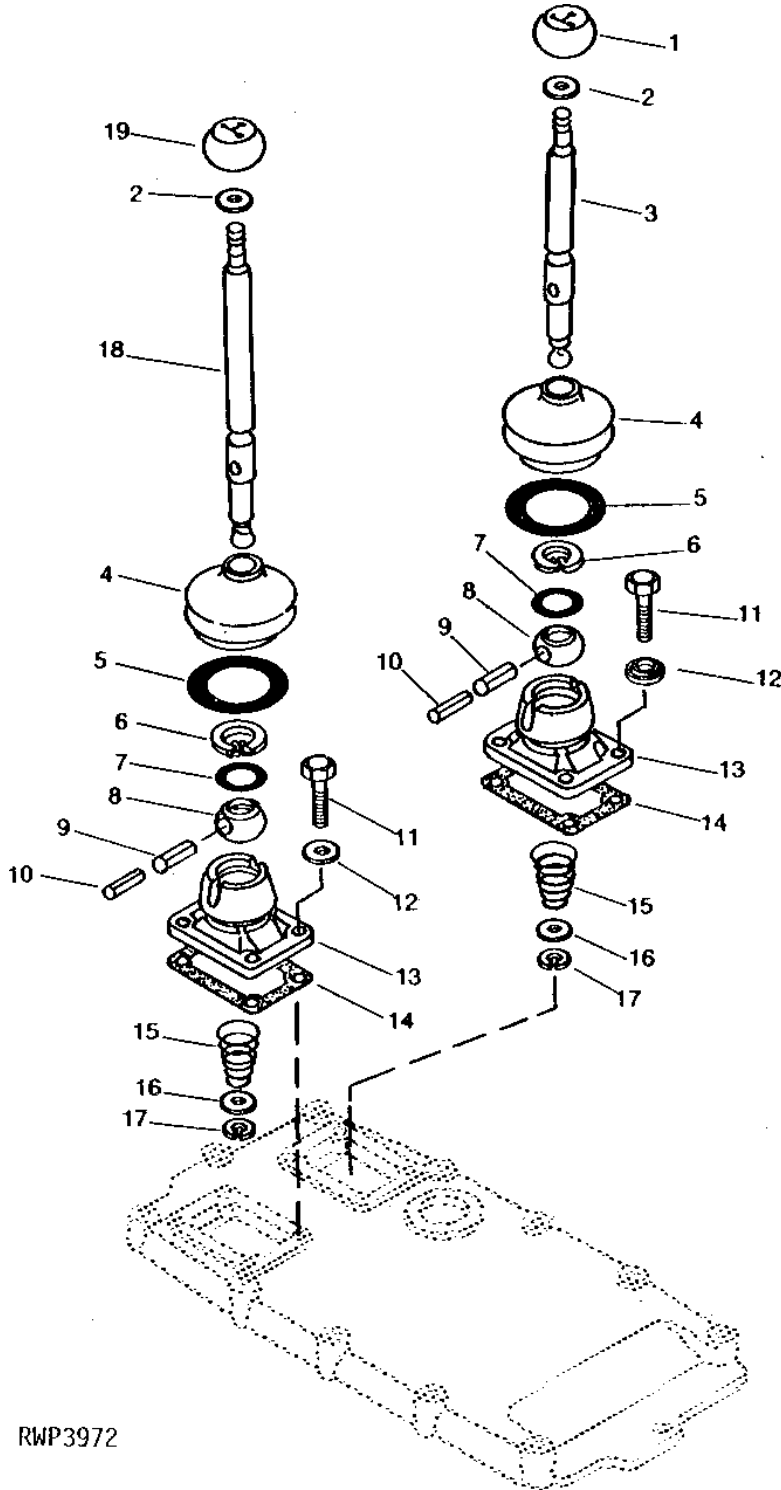
KEY	PART NO.	PART NAME	QTY	TRACTOR SERIAL NO.			REMARKS
				1	2	3	
				1	1	1	
				2	4	6	
				5	5	5	
				0	0	0	
1	12M7067	LOCK WASHER	2	X	X	X	M12
2	CH16369	STUD	2	X	X	X	
3	CH16367	SPRING	1	X	X	X	
4	CH16366	BRAKE SHOE	1	X	X	X	
5	CH16364	PLATE	1	X	X	X	
6	CH16368	SPRING ASSEMBLY	1	X	X	X	
7	CH16365	BRAKE SHOE	1	X	X	X	
8	12M7066	LOCK WASHER	2	X	X	X	M10
9	14M7274	NUT	2	X	X	X	M10
10	CH17688	COUPLING	1	X	X	X	
11	CH16342	SHAFT	1	X	X	X	
12	34M7047	SPRING PIN	1	X	X	X	8 X 40 MM
13	CH16372	YOKE	1	X	X	X	

1G21

POWER TRAIN

RWP3972 -UN-01JAN94

GEAR SHIFT LEVERS



1G22

POWER TRAIN

GEAR SHIFT LEVERS - CONTINUED

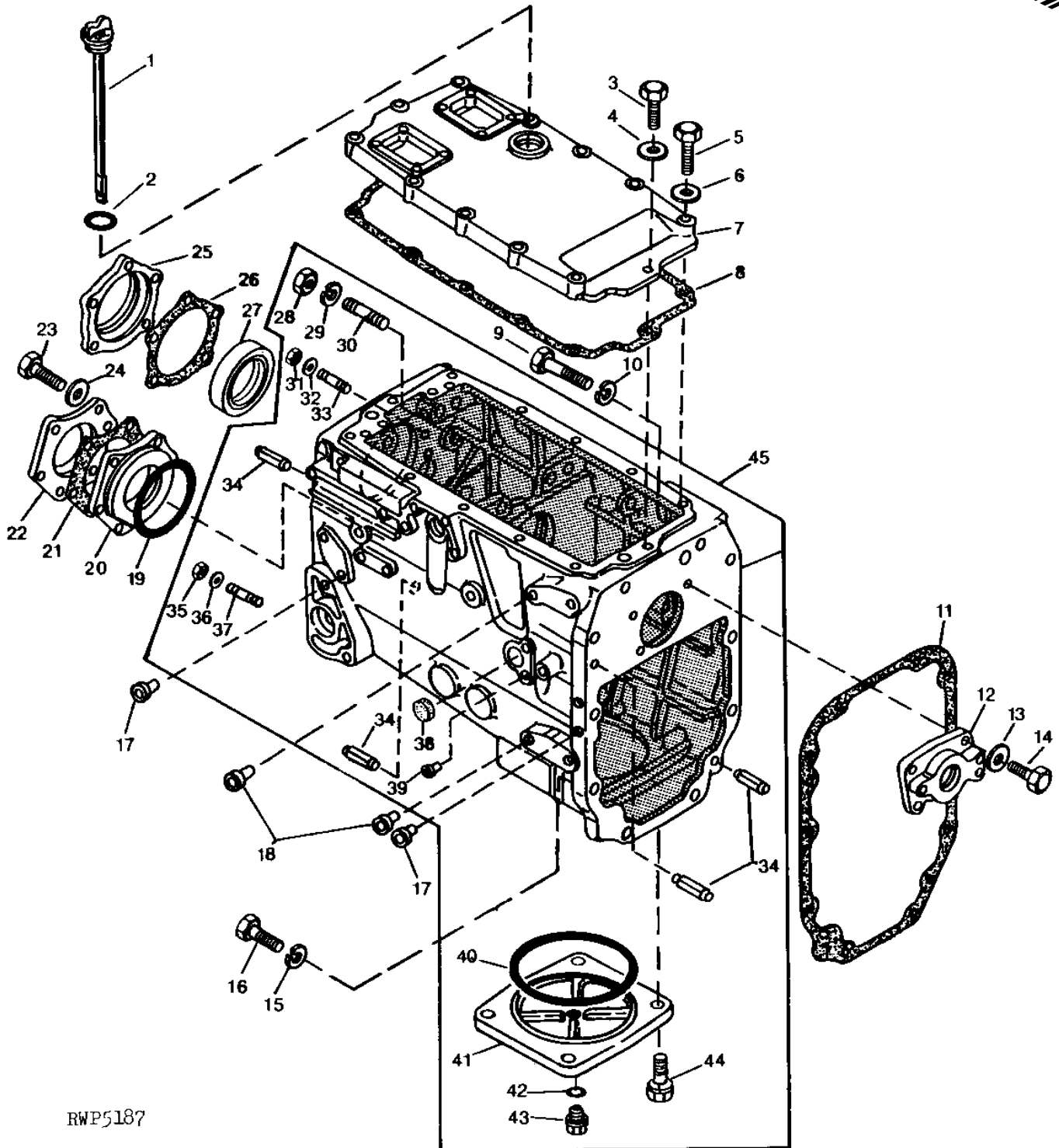
KEY	PART NO.	PART NAME	QTY	TRACTOR SERIAL NO.			REMARKS
				1	4	6	
				1	1	1	
				2	4	6	
				5	5	5	
				0	0	0	
1	CH16441	KNOB	1	X	X	X	
2	14M7274	NUT	2	X	X	X	M10
3	CH16440	LEVER	1	X	X	X	
4	CH10854	BOOT	2	X	X	X	
5	CH11441	RING	2	X	X	X	
6	CH16434	RING	2	X	X	X	M32
7	CH11828	RING	2	X	X	X	M30
8	CH16438	BALL	2	X	X	X	
9	CH17125	PIN	2	X	X	X	M6 X 40
10	CH17124	PIN	2	X	X	X	M3.5 X 40
11	19M7077	CAP SCREW	8	X	X	X	M6 X 20
12	CH16433	WASHER	8	X	X	X	M6
13	CH16430	COVER	2	X	X	X	
14	CH16431	GASKET	2	X	X	X	
15	CH16432	SPRING ASSEMBLY	2	X	X	X	
16	CH10853	WASHER	2	X	X	X	
17	CH11491	RING	2	X	X	X	M10
18	CH16425	LEVER	1	X	X	X	
19	CH16426	KNOB	1	X	X	X	

1G23

POWER TRAIN

RWP5187 -UN-01JAN94

TRANSMISSION CASE



RWP5187

1G24

POWER TRAIN

TRANSMISSION CASE - CONTINUED

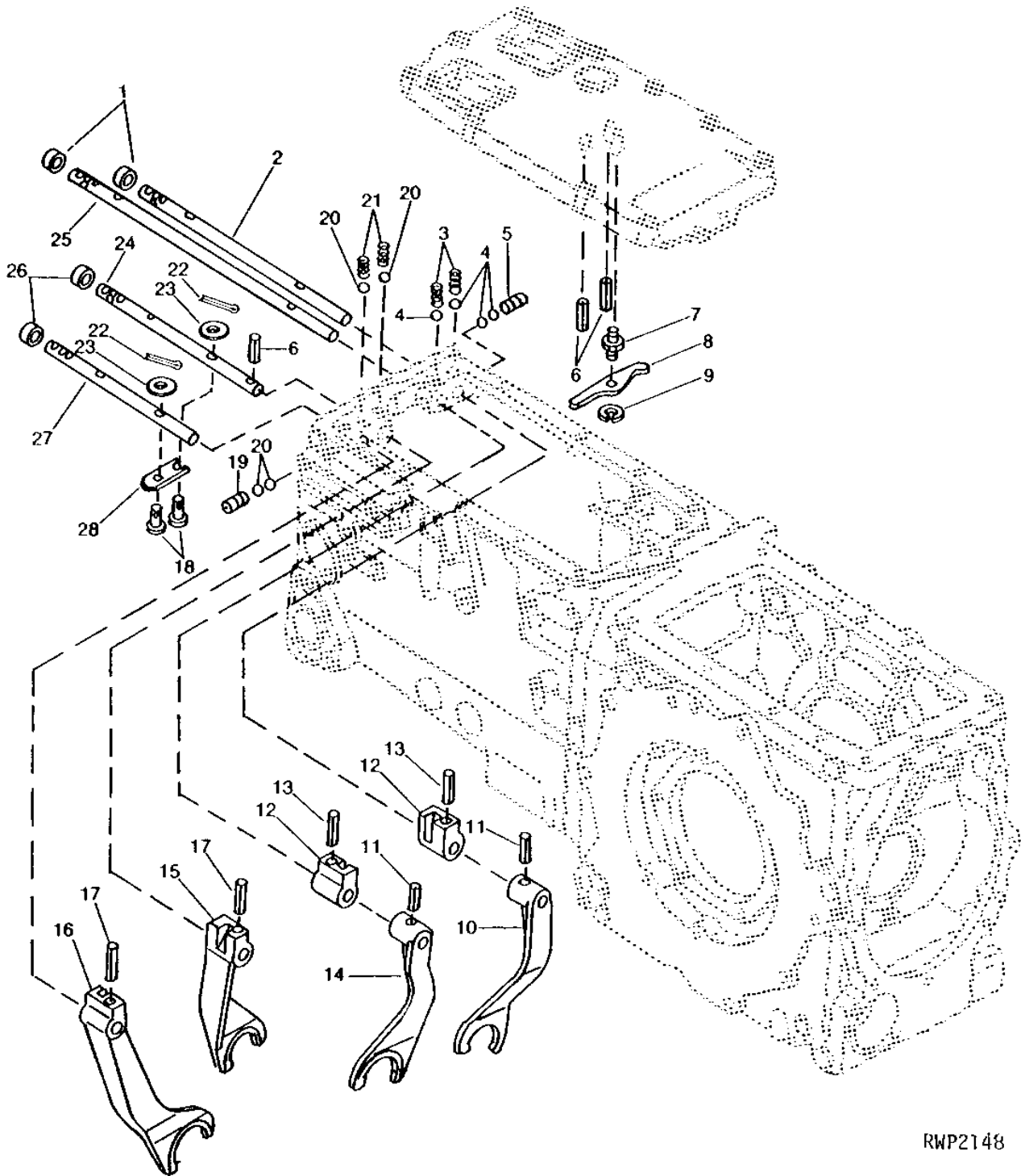
KEY	PART NO.	PART NAME	QTY	TRACTOR			REMARKS
				SERIAL NO.	5 5 5	2 4 6	
					1 1 1		
					2 4 6		
					5 5 5		
					0 0 0		
1	CH20239	DIPSTICK	1		X X X		(SUB FOR CH16379)
2	CH13527	PACKING	1		X X X		(SUB FOR CH18774)
3	19M7139	CAP SCREW	1		X X X		M8 X 20
4	12M7065	LOCK WASHER	1		X X X		M8
5	19M7922	CAP SCREW	11		X X X		M8 X 40
6	12M7065	LOCK WASHER	11		X X X		M8
7	CH16163	COVER	1		X X X		
8	CH16377	GASKET	1		X X X		
9	CH16113	BOLT	2		X X X		M12 X 65, (SUB 19M7331 AND 12M7067)
10	CH13085	LOCK WASHER	2		-XXXXXX X		M12
11	CH16376	GASKET	1		-003000 X		
	CH18862	GASKET	1	003001-	X		
	CH18862	GASKET	1		X X		
12	CH16167	RETAINER	1		-003000 X X X		
	CH19799	BEARING	1	003001-	X		
	CH19799	BEARING	1		X X		
13	12M7065	LOCK WASHER	3		X X X		M8
14	19M7407	CAP SCREW	3		X X X		M8 X 25
15	CH13085	LOCK WASHER	4		X X X		M12
16	19M7303	CAP SCREW	8		-003000 X		M12 X 45
	CH17729	BOLT	4	003001-	X		
	CH17729	BOLT	4		X X		M12 X 45
17	CH12251	CAP	4		-003000 X		M7.8
18	CH11220	PLUG	4		-003000 X		M9.5
19	U46456	O-RING	1		X X X		(SUB FOR CH17858)
20	CH16165	RETAINER	1		X X X		
21	CH16381	GASKET	1		X X X		
22	CH16166	COVER	1		X X X		
23	19M7284	CAP SCREW	2		X		M8 X 18
	19M7139	CAP SCREW	2		X X		M8 X 20
	12M7065	LOCK WASHER	2		X X X		M8
24	24M7055	WASHER	2		X X		8.400 X 16 X 1.600 MM
25	CH16164	CASE	1		X X X		
26	CH16380	GASKET	1		X X X		
27	CH10390	SEAL	1		X X X		
28	14M7141	NUT	1		X		M14
	CH17976	NUT	1		X X		M14
29	12M7068	LOCK WASHER	1		X		M14
	CH14118	LOCK WASHER	1		X X		M14
30	CH17210	STUD	1		X		M14 X 40
	CH18861	STUD	1		X X		M14 X 44
31	14M7273	NUT	7		X X X		M8
32	12M7065	LOCK WASHER	7		X X X		M8
33	CH10614	STUD	7		X X X		M8 X 22
34	CH17100	PIN	4		X X X		M10 X 22
35	14M7273	NUT	4		X X X		M8
36	12M7065	LOCK WASHER	4		X X X		M8
37	CH15384	STUD	4		X X X		M8 X 30
38	CH16382	PLUG	1		X X		
39	CH12251	CAP	2		X X		
	CH12251	CAP	1	003001-	X		
40	CH17213	PACKING	1		X X X		
41	CH17211	COVER	1		X X X		
42	CH10570	PACKING	1		X X X		
43	CH11414	PLUG	1		X X X		
44	CH12347	BOLT	4		X X X		(SUB 19M6332 AND 12M7068)
45	CH17610	CASE	1		-003000 X		
	CH19816	HOUSING	1	003001-	X		
	CH19817	HOUSING	1		X X		

1H1

POWER TRAIN

RWP2148 -UN-01JAN94

SHIFTER ARMS AND SHAFTS



RWP2148

1H2

POWER TRAIN

SHIFTER ARMS AND SHAFTS - CONTINUED

KEY	PART NO.	PART NAME	QTY	TRACTOR			REMARKS
				SERIAL NO.	5 5 5	2 4 6	
					1 1 1		
					2 4 6		
					5 5 5		
					0 0 0		
1	CH10925	PLUG	2		X X X		M15
2	CH16442	RAIL	1		X X X		(A)
3	CH11208	SPRING	2		X X X		
4	R26552	BALL	4		X X X		5/16"
5	CH10559	PLUG	1		X X X		(SUB 15H559)
6	CH11501	PIN	3	-XXXXXX	X X X		(E) M6 X 25, (NO LONGER REQUIRED)
7	CH16428	BOLT	1	-XXXXXX	X X X		(E) (NO LONGER REQUIRED)
8	CH16427	ARM	1	-XXXXXX	X X X		(E) (NO LONGER REQUIRED)
9	CH11490	RING	1	-XXXXXX	X X X		(E) M7, (NO LONGER REQUIRED)
10	CH16170	FORK	1		X		(A)
	CH19813	FORK	1		X X		
11	CH12304	PIN	2		X X X		M6 X 32
12	CH16439	SHIFTER	2		X X X		
13	CH17126	PIN	2		X X X		M6 X 45
14	CH16171	FORK	1		X		(B)
	CH19814	FORK	1		X X		
15	CH17983	FORK	1	-003000	X		(C)
	CH18864	FORK	1	003001-	X		
	CH18864	FORK	1		X X		(C)
16	CH16169	FORK	1	-003000	X		(D)
	CH18865	FORK	1	003001-	X		
	CH18865	FORK	1		X X		
17	CH13609	SPRING PIN	2	-003000	X		M6 X 28
	CH13609	SPRING PIN	1	003001-	X		
	CH13609	SPRING PIN	1		X X		(C) M6 X 28
	CH17126	PIN	1	003001-	X		
	CH17126	PIN	1		X X		(D) M6 X 45
18	CH17726	PIN	2		X X X		M6 X 22
19	CH10559	PLUG	1		X		1/4", (SUB 15H559)
	PT13744	PLUG	1		X X		(SUB CH13504)
20	R26552	BALL	4		X X X		5/16"
21	CH11208	SPRING	2		X X X		
22	CH12310	PIN	2		X X X		M1.6 X 8
23	24M7088	WASHER	2		X X X		M6
24	CH17984	RAIL	1		X X X		(C)
25	CH16443	RAIL	1		X X X		(B)
26	CH10925	PLUG	2		X X X		M15
27	CH16437	RAIL	1		X X X		(D)
28	CH16429	ARM	1		X X X		

(A) 2ND AND 3RD SPEED

(B) 1ST SPEED

(C) 2ND AND REVERSE

(D) 1ST AND 3RD SPEED

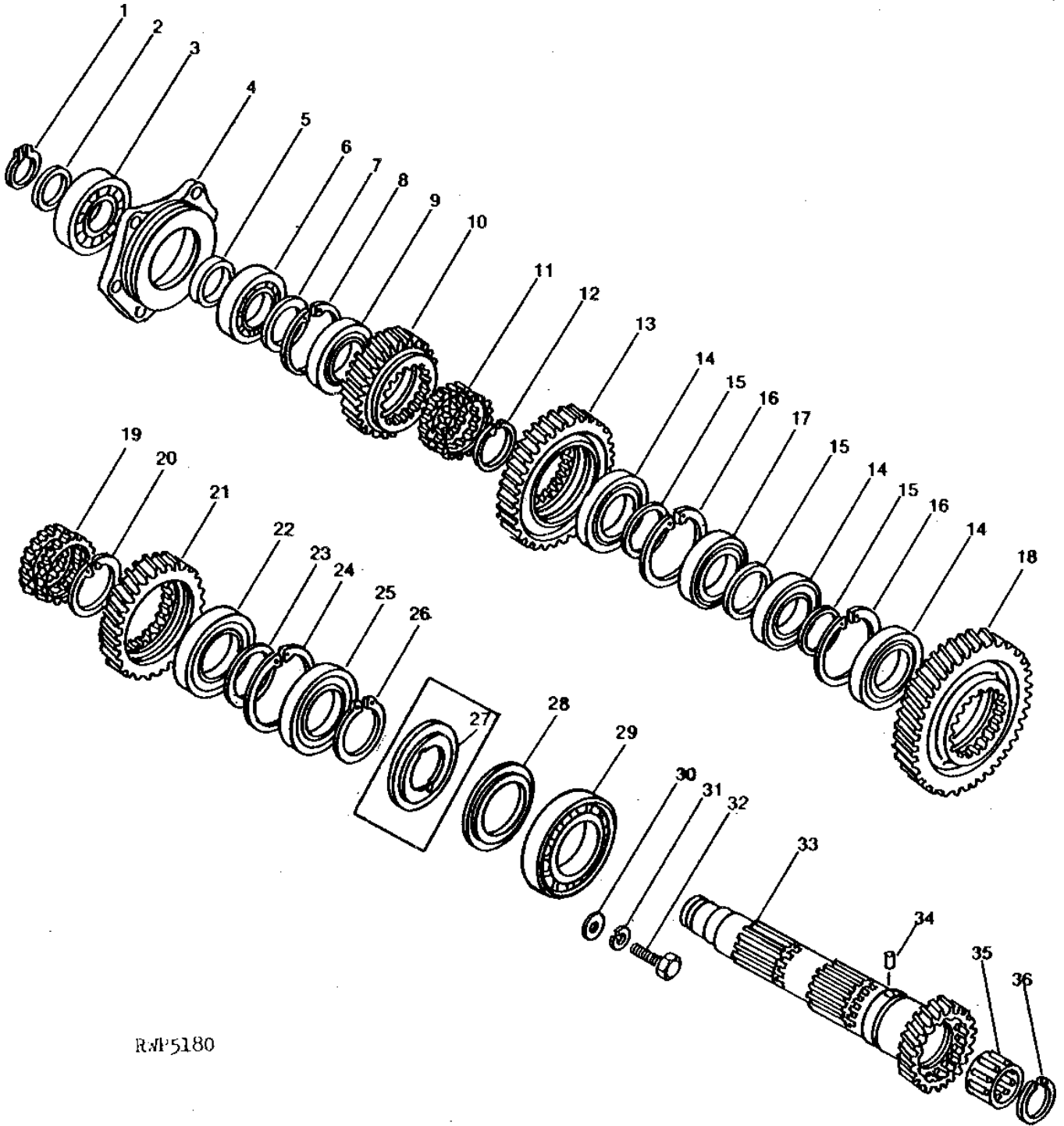
(E) (-XXXXXX) SERIAL NO. 1250 -003677; 1450 -001961; 1650 -002090)

1H3

POWER TRAIN

RWP5180 -UN-01JAN94

COUNTERSHAFT



RWP5180

1H4

POWER TRAIN

COUNTERSHAFT - CONTINUED

KEY	PART NO.	PART NAME	QTY	TRACTOR			REMARKS
				SERIAL NO.	5	5	
					1	1	1
					2	4	6
					5	5	5
					0	0	0
1	CH11482	RING	1		X	X	X
2	CH16393	WASHER	1		X	X	X
3	CH15035	BALL BEARING	1		X	X	X
4	CH16165	RETAINER	1		X	X	X
5	CH17114	BUSHING	1	-003000	X		
	CH18612	SPACER	1	003001-	X		
	CH18612	SPACER	1		X	X	
6	CH13506	BALL BEARING	1		X	X	X
7	CH16401	SPACER	1		X	X	X
8	CH15010	RING	1		X	X	X
9	CH16406	BEARING	1		X	X	X
10	CH16394	GEAR	1	-003000	X		
	CH18604	GEAR	1	003001-	X		
	CH18604	GEAR	1		X	X	
11	CH16398	SHIFT COLLAR	1	-003000	X		
	CH18608	SHIFT COLLAR	1	003001-	X		
	CH18608	SHIFT COLLAR	1		X	X	
12	CH17118	RING	1		X	X	X
13	CH16396	GEAR	1	-003000	X		
	CH18606	GEAR	1	003001-	X		
	CH18606	GEAR	1		X	X	
14	CH16404	BEARING	3		X	X	X
15	CH17116	SPACER	3		X	X	X
16	CH14668	SNAP RING	2		X	X	X
17	CH16404	BEARING	1	-003000	X		
	CH14592	BALL BEARING	1	003001-	X		
	CH14592	BALL BEARING	1		X	X	
18	CH16395	GEAR	1	-003000	X		
	CH18605	GEAR	1	003001-	X		
	CH18605	GEAR	1		X	X	
19	CH16399	SHIFT COLLAR	1	-003000	X		
	CH18609	SHIFT COLLAR	1	003001-	X		
	CH18609	SHIFT COLLAR	1		X	X	
20	CH14885	RING	1		X	X	X
21	CH16397	GEAR	1	-003000	X		
	CH18607	GEAR	1	003001-	X		
	CH18607	GEAR	1		X	X	
22	CH16405	BEARING	2		X	X	X
23	CH17115	SPACER	1		X	X	X
24	CH14694	SNAP RING	1		X	X	X
25	CH16405	BEARING	1	-003000	X		
	CH14581	BALL BEARING	1	003001-	X		
	CH14581	BALL BEARING	1		X	X	
26	CH11485	RING	1	-003000	X		
	CH18611	SPACER	1	003001-	X		
	CH17150	RING	1		X	X	
27	CH18611	SPACER	1	003001-	X		
28	CH16402	SPACER	1	-003000	X		
29	CH16407	ROLLER BEARING	1		X		
	CH13386	BEARING	1		X	X	
30	CH14140	WASHER	2		X	X	
31	12H302	LOCK WASHER	2		X	X	1/4"
32	19M6614	CAP SCREW	2		X	X	M6 X 12
33	CH16400	SHAFT	1	-003000	X		
	CH18610	COUNTERSHAFT	1	003001-	X		
	CH19804	COUNTERSHAFT	1		X	X	
34	CH10911	PIN	1		X	X	
	CH10911	PIN	1	003001-	X		
35	CH16403	BEARING	1		X		
	CH19805	NEEDLE BEARING	1		X	X	
36	CH13496	SNAP RING	1		X	X	
	CH17117	RING	1		X		

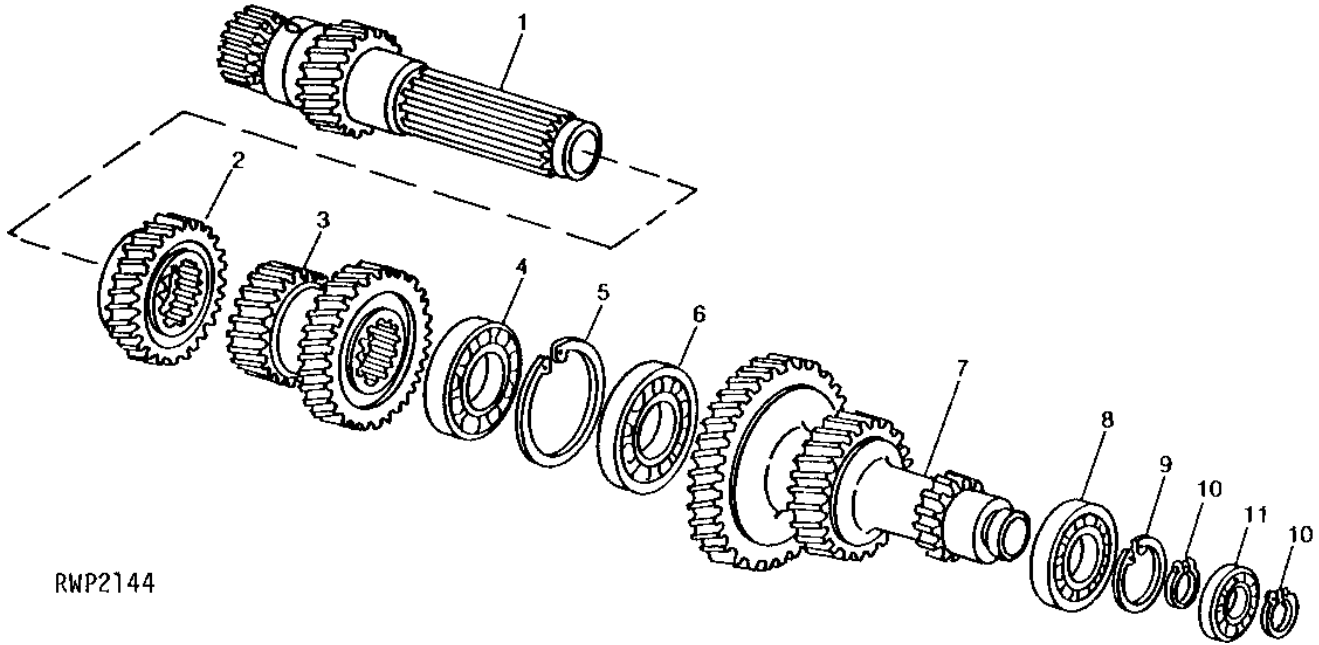
MEMORANDA

1H5

POWER TRAIN

RWP2144 -UN-01JAN94

TRANSMISSION DRIVE SHAFT



RWP2144

KEY	PART NO.	PART NAME	QTY	TRACTOR SERIAL NO.	REMARKS
				1 1 1 2 4 6 5 5 5 0 0 0	
1	CH17614	SHAFT	1		X X X
2	CH16384	GEAR	1	-003000	X
	CH18598	GEAR	1	003001-	X
	CH18598	GEAR	1		X X
3	CH17615	GEAR	1		X X X
4	CH15042	BEARING	1		X X X
5	CH11488	RING	1		X X X
6	CH15042	BEARING	1		X X X
7	CH16411	GEAR	1		X
	CH19810	GEAR	1		X X
8	CH14627	BALL BEARING	1		X X X
9	CH14815	SNAP RING	1		X X X
10	CH13486	SNAP RING	2		X X X
11	CH14828	BALL BEARING	1		X X X

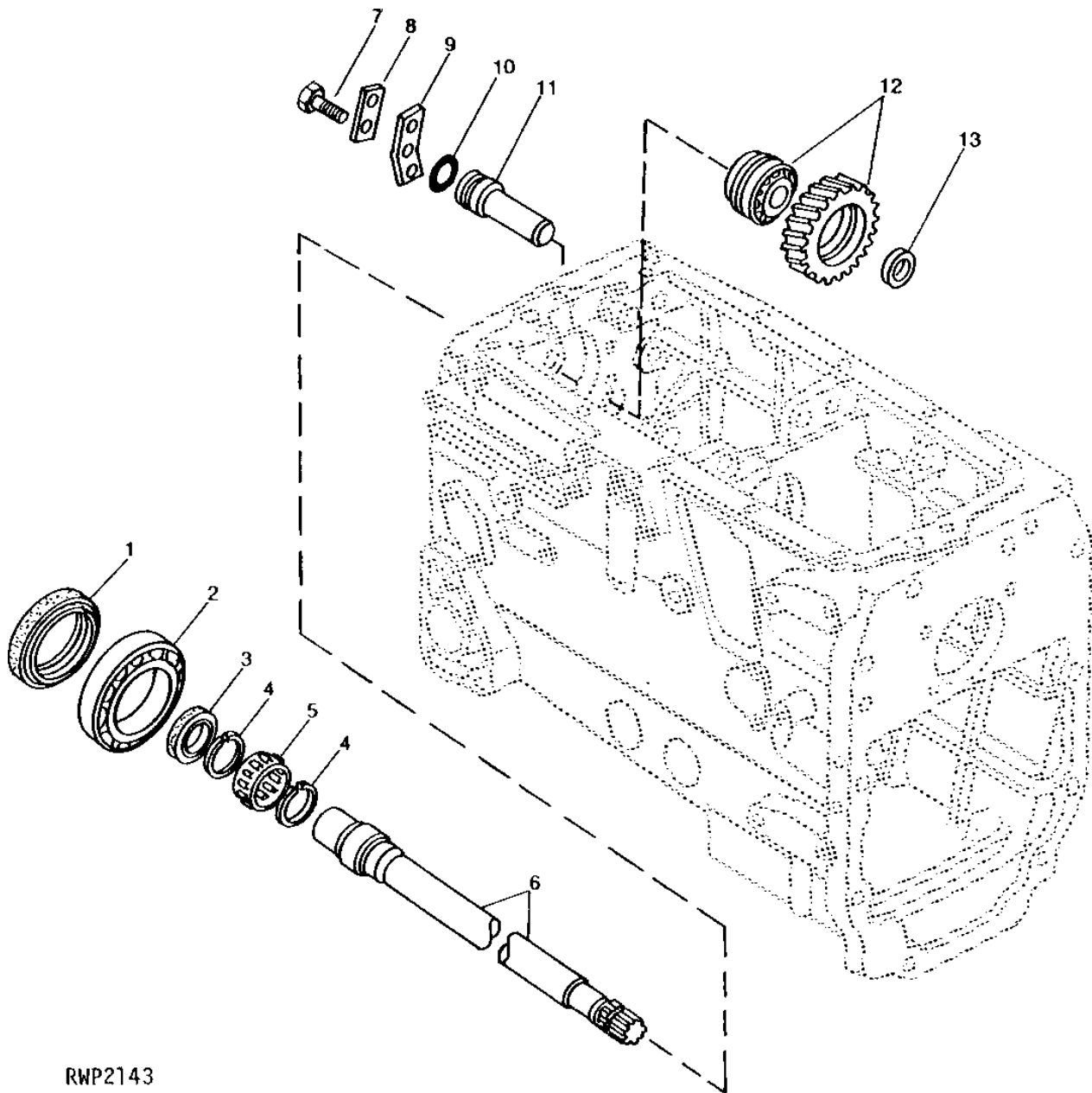
1H6

POWER TRAIN

RWP2143

-UN-01JAN94

PTO SHAFT AND REVERSE IDLER GEAR



RWP2143

1H7

POWER TRAIN

PTO SHAFT AND REVERSE IDLER GEAR - CONTINUED

KEY	PART NO.	PART NAME	QTY	TRACTOR			REMARKS
				SERIAL NO.	1 1 1	2 4 6	
				5 5 5			
				0 0 0			
1	CH10390	SEAL	1		X X X		
2	CH13507	BALL BEARING	1		X X X		
3	CH16391	SEAL	1		X X X		
4	CH17113	RING	2		X X X		
5	CH16389	BEARING	1		X X X		
6	CH16388	SHAFT	1		X X X		
7	19M7139	CAP SCREW	1		X X X	M8 X 20	
8	CH17120	LOCK WASHER	1		X X X		
9	CH16414	PLATE	1		X X X		
10	CH17121	PACKING	1		X X X		
11	CH16413	SHAFT	1		X X X	IDLER	
12	CH17274	GEAR	1		X X X		
13	CH17119	BUSHING	1		X X X		

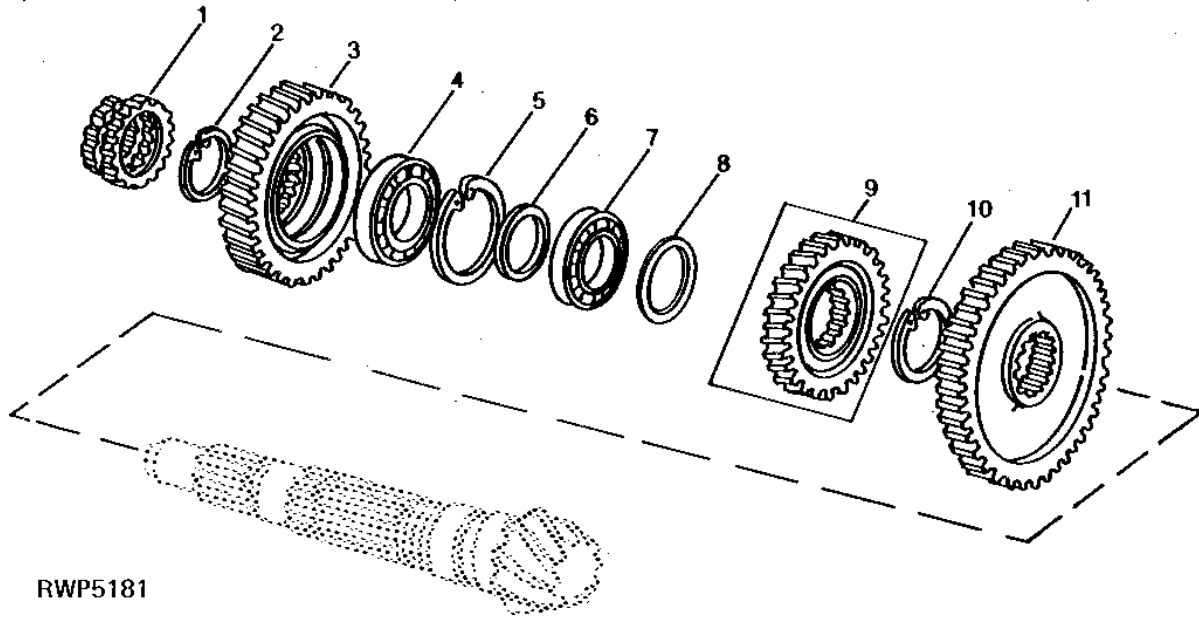
MEMORANDA

1H8

POWER TRAIN

RWP5181 -UN-01JAN94

DIFFERENTIAL DRIVE SHAFT



RWP5181

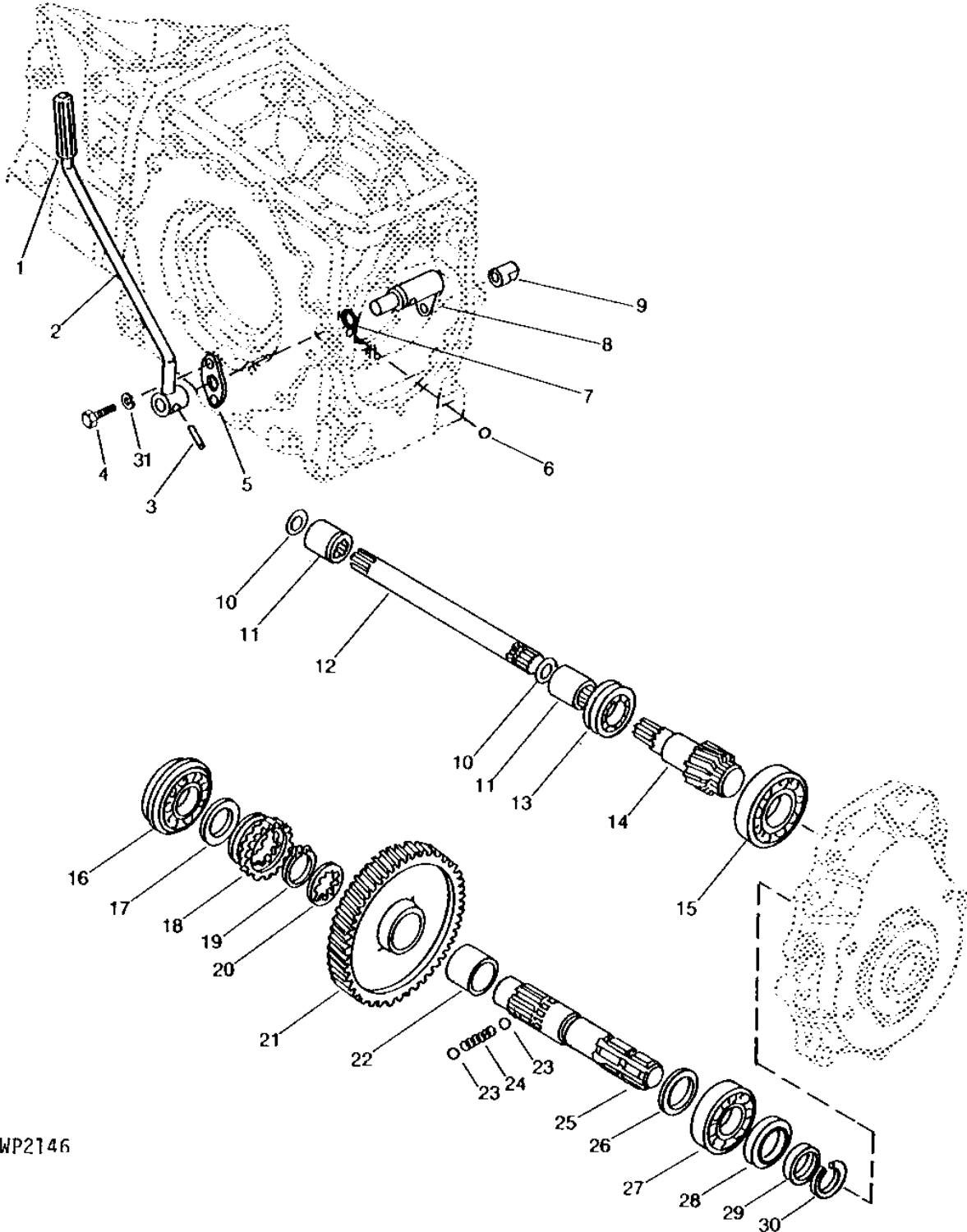
KEY	PART NO.	PART NAME	QTY	TRACTOR			REMARKS
				SERIAL NO.	0	0	
					1	1	1
					2	4	6
					5	5	5
					0	0	0
1	CH16410	SHIFT COLLAR	1	-003000	X		
	CH18615	SHIFT COLLAR	1	003001-	X		
	CH19809	SHIFT COLLAR	1			X X	
2	CH17118	RING	1		X		
	CH14885	RING	1			X X	
3	CH16408	GEAR	1	-003000	X		
	CH18614	GEAR	1	003001-	X		
	CH19807	GEAR	1			X X	
4	CH14592	BALL BEARING	1		X		
	CH16405	BEARING	1			X X	
5	CH14668	SNAP RING	1		X		
	CH14694	SNAP RING	1			X X	
6	CH17116	SPACER	1		X		40 X 47 X 2.5MM
	CH17115	SPACER	1			X X	
7	CH14592	BALL BEARING	1		X		
	CH14581	BALL BEARING	1			X X	
8	CH19808	SPACER	1			X X	
9	CH17478	GEAR	1		X		(MECHANICAL FRONT WHEEL DRIVE)
	CH19812	GEAR	1			X X	
10	CH14885	RING	1		X		
	CH19811	RING	1			X X	
11	CH16409	GEAR	1		X		
	CH19806	GEAR	1			X X	

1H9

POWER TRAIN

PTO SHAFT AND LEVER (CONTINUOUS PTO)

RWP2146 -UN-01JAN94



RWP2146

1H10

POWER TRAIN

PTO SHAFT AND LEVER - CONTINUED
(CONTINUOUS PTO)

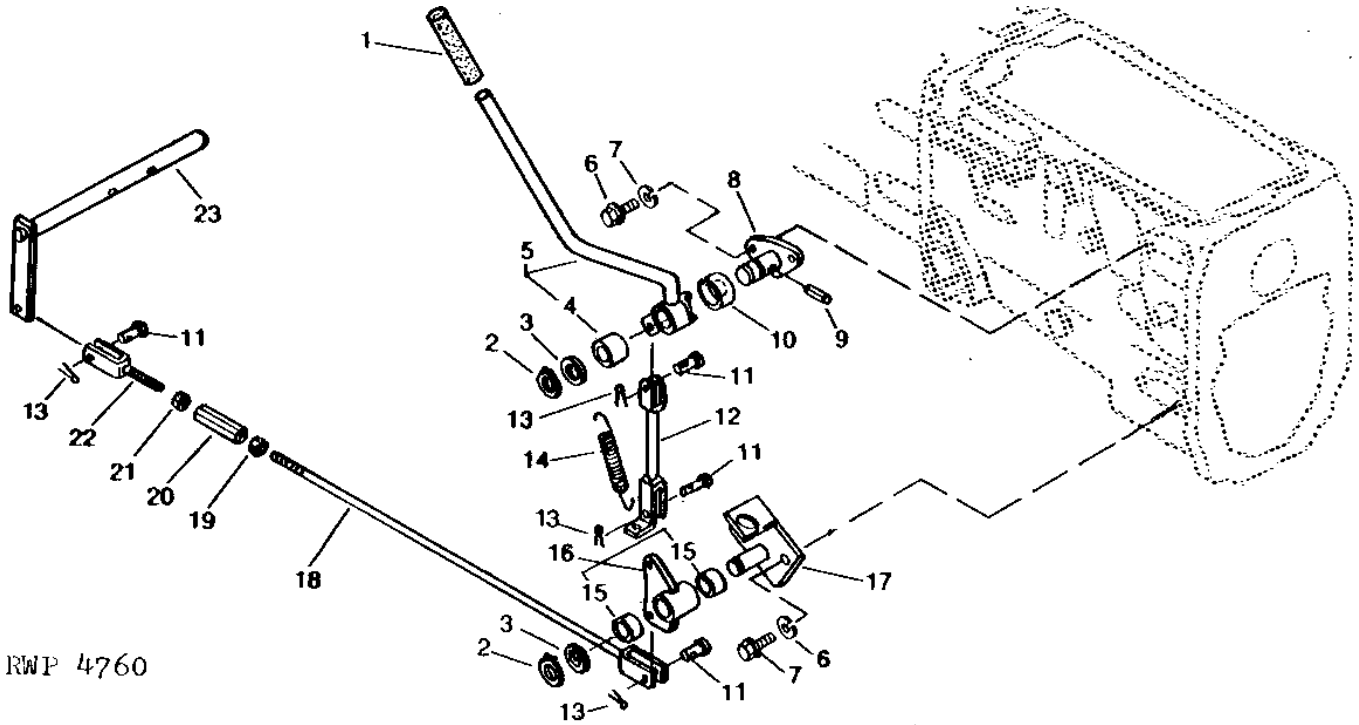
KEY	PART NO.	PART NAME	QTY	TRACTOR SERIAL NO.			REMARKS
				1	2	5	
				1	1	1	
				2	4	6	
				5	5	5	
				0	0	0	
1	CH13363	KNOB	1		X		
2	CH16444	LEVER	1		X		
3	CH12304	PIN	1		X	M6 X 32	
4	19M7162	CAP SCREW	2		X	M8 X 16	
5	CH16445	PLATE	1		X		
6	CH17128	BALL	1		X	7/16"	
7	CH11563	PACKING	1		X		
8	CH18012	ARM	1		X		
9	CH20146	SHOE	1		X	SHIFTER, (SUB FOR CH18013)	
10	CH11486	RING	2		X		
11	CH10870	SPLINED COUPLING	2		X		
12	CH16415	SHAFT	1		X		
13	CH17122	BEARING	1		X		
14	CH16416	PINION	1		X		
15	CH16417	BALL BEARING	1		X		
16	JD9258	BALL BEARING	1		X	(ALSO ORDER R55033) (SUB FOR CH10808)	
17	CH10922	WASHER	1		X		
18	CH16420	SHIFT COLLAR	1		X		
19	CH11484	RING	1		X		
20	CH11941	WASHER	1		X		
21	CH16419	GEAR	1		X		
22	CH16421	BUSHING	1		X	M40 X 45 X 34	
23	400R	BALL	2		X		
24	CH17123	SPRING	1		X		
25	CH16418	SHAFT	1		X		
26	CH16422	THRUST WASHER	1		X		
27	CH16424	BALL BEARING	1		X		
28	CH10921	SEAL	1		X		
29	CH10959	SPACER	1		X		
30	CH10920	RING	1		X		
31	12M7065	LOCK WASHER	2		X	M8	

1H11

POWER TRAIN

RWP4760 -UN-01JAN94

PTO LEVER AND LINKAGE



RWP 4760

1 1 1
2 4 6
5 5 5
0 0 0

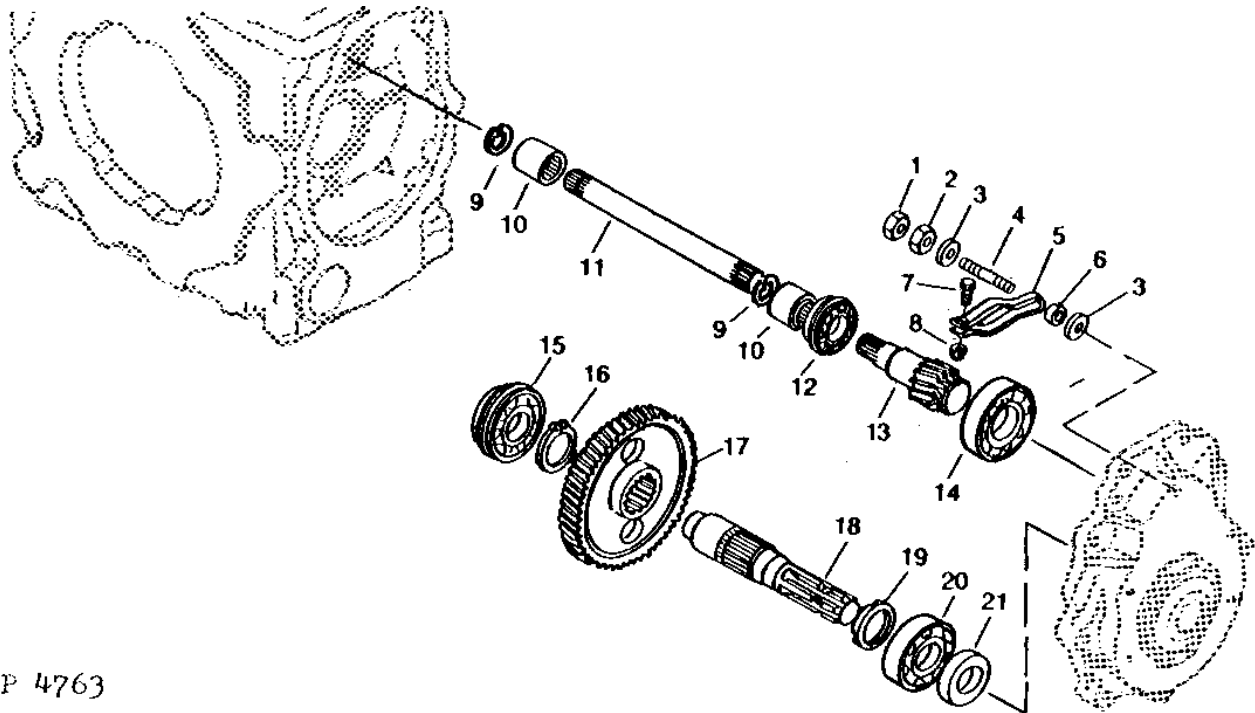
KEY	PART NO.	PART NAME	QTY	TRACTOR SERIAL NO.	REMARKS
1	CH13363	KNOB	1		X X
2	CH16769	SNAP RING	2		X X
3	24M7049	WASHER	2		X X 17.500 X 30 X 3 MM
4	CH18577	BUSHING	1		X X M20 X 25
5	CH18572	LEVER	1		X X
6	19M7402	CAP SCREW	4		X X M10 X 25
7	12M7066	LOCK WASHER	4		X X M10
8	CH18578	SHAFT	1		X X
9	CH18596	PIN	1		X X M10 X 32
10	CH18581	COVER	1		X X
11	CH10857	PIN	4		X X M8 X 25
12	CH18582	ROD	1		X X
13	11M7009	COTTER PIN	4		X X 2 X 16 MM M2 X 30
14	CH18571	SPRING	1		X X
15	CH16361	BUSHING	2		X X
16	CH18590	LINK	1		X X
17	CH18586	SHAFT	1		X X
18	CH18594	ROD	1		X X
19	14M7274	NUT	1		X X M10
20	CH10988	TURNBUCKLE	1		X X
21	CH11399	NUT	1		X X (SUB 14M7228)
22	CH10989	YOKE	1		X X
23	CH18566	SHAFT	1		X X (SUB CH19795)

1H12

POWER TRAIN

PTO SHAFT (INDEPENDENT PTO)

RWP4763 -UN-01JAN94



RWP 4763

1 1 1
2 4 6
5 5 5
0 0 0

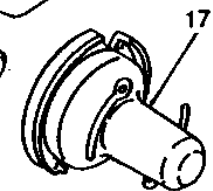
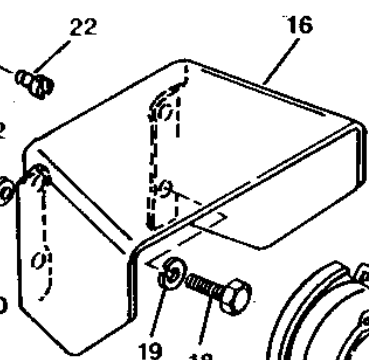
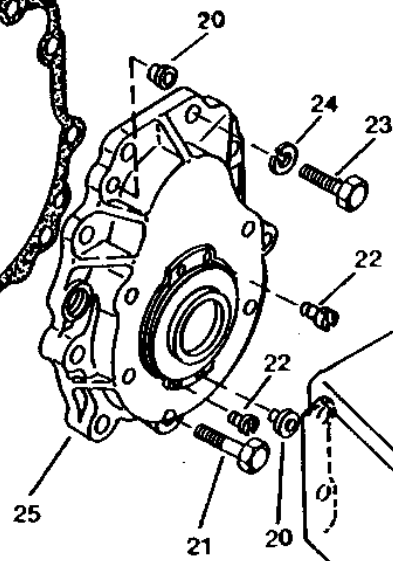
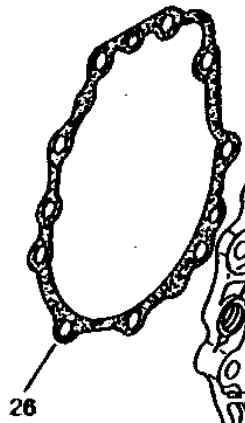
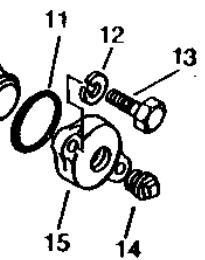
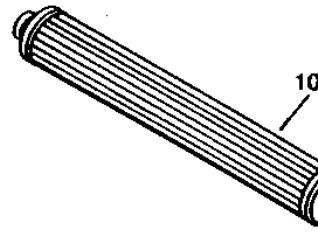
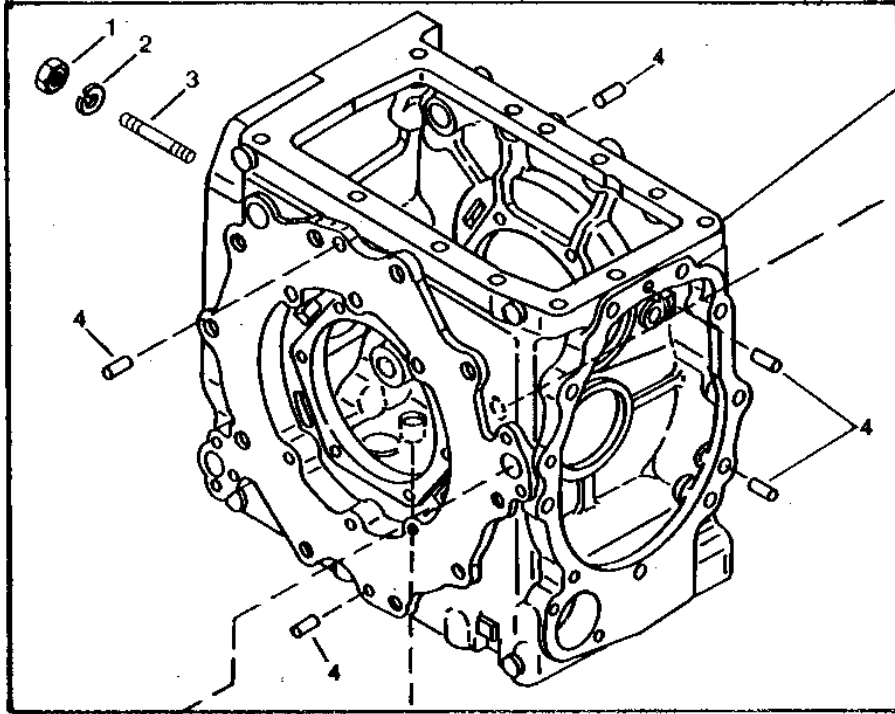
KEY	PART NO.	PART NAME	QTY	TRACTOR SERIAL NO.	REMARKS
1	CH15169	NUT	1	X X	M12
2	14M7275	NUT	1	X X	
3	CH14865	WASHER	2	X X	M12
4	CH19020	STUD	1	X X	M12 X 50
5	CH18618	PLATE	1	X X	
6	CH18617	SPACER	1	X X	
7	19M6614	CAP SCREW	1	X X	M6 X 12
8	CH13574	NUT	1	X X	M6
9	CH11486	RING	2	X X	
10	CH10870	SPLINED COUPLING	2	X X	
11	CH16415	SHAFT	1	X X	
12	CH17122	BEARING	1	X X	
13	CH18619	PINION SHAFT	1	X X	
14	CH16417	BALL BEARING	1	X X	
15	JD9258	BALL BEARING	1	X X	(ALSO ORDER R55033) (SUB FOR CH10808)
16	40M7047	SNAP RING	1	X X	(SUB FOR CH15041)
17	CH18623	GEAR	1	X X	
18	CH18622	SHAFT	1	X X	
19	CH18621	WASHER	1	X X	
20	CH16417	BALL BEARING	1	X X	
21	CH18637	SEAL	1	X X	

1H13

POWER TRAIN

RWP4765 -UN-01JAN94

DIFFERENTIAL CASE AND PTO SHIELD



RWP 4765

1H14

POWER TRAIN

DIFFERENTIAL CASE AND PTO SHIELD - CONTINUED

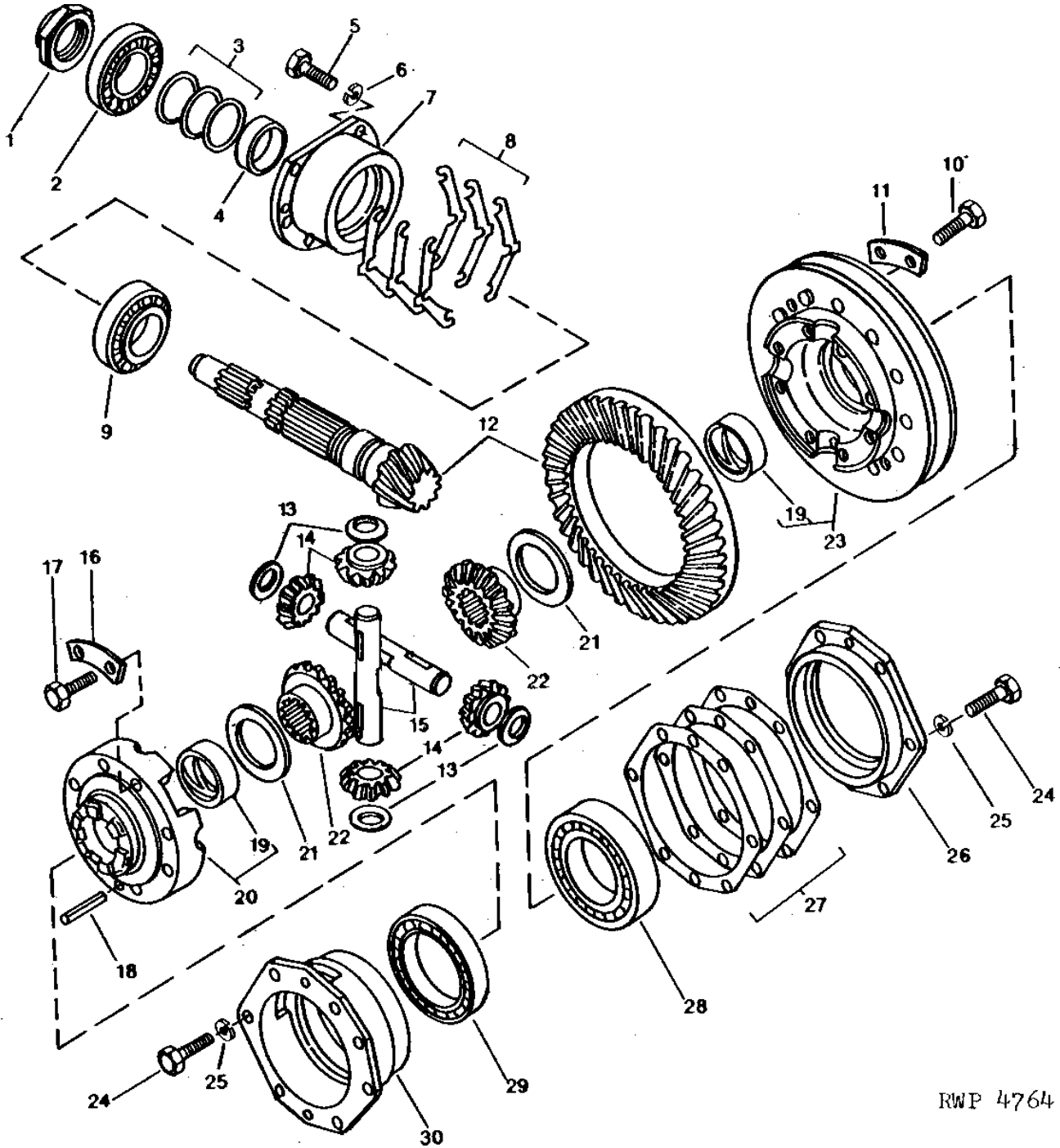
KEY	PART NO.	PART NAME	QTY	TRACTOR			REMARKS
				SERIAL NO.	1 1 1	2 4 6	
					5 5 5		
					0 0 0		
1	CH18633	NUT	4			X X	M12
2	CH13085	LOCK WASHER	4			X X	M12
3	CH18635	STUD	4			X X	M12 X 40
4	CH14782	DOWEL PIN	6			X X X	M10 X 20
5	CH16467	CASE	1	-003000		X	(SUB CH19528)
	CH19815	CASE	1	003001-		X	
	CH19852	CASE	1			X X	(SUB FOR CH19797)
6	CH18638	CAP	1	003001-		X	
	CH18638	CAP	1			X X	
7	CH11563	PACKING	1			X X X	
8	CH11308	PLUG	1			X X X	M20
9	CH16382	PLUG	1			X X	
10	CH18014	FILTER	1			X X X	
11	CH17260	PACKING	1			X X X	
12	12M7065	LOCK WASHER	2			X X	
13	CH17261	SCREW, WITH WASHER	2			X	M8 X 32, (SUB 19M7513 AND 12M7065)
	19M7513	CAP SCREW	2			X X	M8 X 30
14	15H584	PIPE PLUG	1			X X X	1/2", (SUB FOR CH14818)
15	CH16530	COVER	1			X X X	
16	CH16466	SHIELD	1			X X X	(SUB CH20757)
17	AR26782	GUARD	1			X X X	(SUB FOR CH16465)
18	19M7872	CAP SCREW	4			X	M12 X 25
	19M7386	CAP SCREW	4			X X	M12 X 20
19	12M7067	LOCK WASHER	4			X X X	M12
20	CH11396	PLUG	2			X X X	M11
21	CH17143	BOLT	5			X X X	M12 X 50, (SUB 19M7073 AND 12M7067)
22	CH16469	PIN	2			X X X	
23	CH17144	BOLT	4			X	M14 X 35, (SUB 19M6332)
	19M6332	CAP SCREW	4			X X	
24	12M7068	LOCK WASHER	4			X X X	M14
25	CH16178	COVER	1			X	
	CH18636	COVER	1			X X	
26	CH16468	GASKET	1			X X X	REAR

1H15

POWER TRAIN

RWP4764 -UN-01JAN94

DIFFERENTIAL



RWP 4764

1H16

POWER TRAIN

DIFFERENTIAL - CONTINUED

KEY	PART NO.	PART NAME	QTY	TRACTOR			REMARKS
				SERIAL NO.	1 1 1	2 4 6	
					5 5 5		
					0 0 0		
1	CH16450	LOCK NUT	1	-003000	X		M48
	CH19502	LOCK NUT	1	003001-	X		M48
	CH19803	LOCK NUT	1		X X		M48
2	CH16451	BEARING	1		X X X		
3	CH16646	KIT	1		X X X		SHIM
4	CH16449	BUSHING	1		X		
	CH18627	SPACER	1		X X		
5	19M7168	CAP SCREW	6		X X X		M10 X 30
6	12M7066	LOCK WASHER	6		X X X		M10
7	CH16174	RETAINER	1	-003000	X		
	CH19503	RETAINER	1	003001-	X		
	CH18628	QUILL	1		X X		
8	CH16647	KIT	1		X X X		SHIM
9	CH16451	BEARING	1		X		
	CH18629	BEARING	1		X X		
10	CH17136	BOLT	12		X		M12 X 32
	CH18630	BOLT	12		X X		M12 X 32
11	CH16448	PLATE	6		X X X		
12	CH16447	GEAR	1	-003000	X		(SUB CH19527)
	CH19527	BEVEL GEAR DRIVE	1	003001-	X		
	CH19800	BEVEL GEAR DRIVE	1		X X		
13	CH16455	WASHER	2		X X		
	CH16455	WASHER	4		X		
14	CH16454	PINION	2		X X		(SUB FOR CH18779)
	CH16454	PINION	4		X		(SUB FOR CH18779)
15	CH16459	SHAFT	1		X X		
	CH18870	SHAFT	2		X		
16	CH16460	PLATE	4		X X X		
17	CH18219	BOLT	8		X X X		M14 X 60
18	CH17137	PIN	1		X X		M8 X 70
19	CH16457	BUSHING	2		X X X		
20	HOUSING	1		X X X		L.H. (ORDER CH18776)
21	CH16453	WASHER	2		X X X		
22	CH16452	GEAR	2		X X X		
23	HOUSING	1		X X X		R.H. (ORDER CH18776)
24	19M7168	CAP SCREW	12		X X X		M10 X 30
25	12M7066	LOCK WASHER	12		X X X		
26	CH16464	CRADLE	1		X X X		R.H.
27	CH16648	SHIM	1		X X X		SHIM
28	CH16462	BEARING	1		X X X		
29	CH16461	BEARING	1		X X X		
30	CH16463	CRADLE	1	-003000	X		L.H. (SUB CH19504)
	CH19504	CRADLE	1	003001-	X		L.H.
	CH19504	CRADLE	1		X X		L.H.
..	CH18776	HOUSING	1		X X X		DIFFERENTIAL

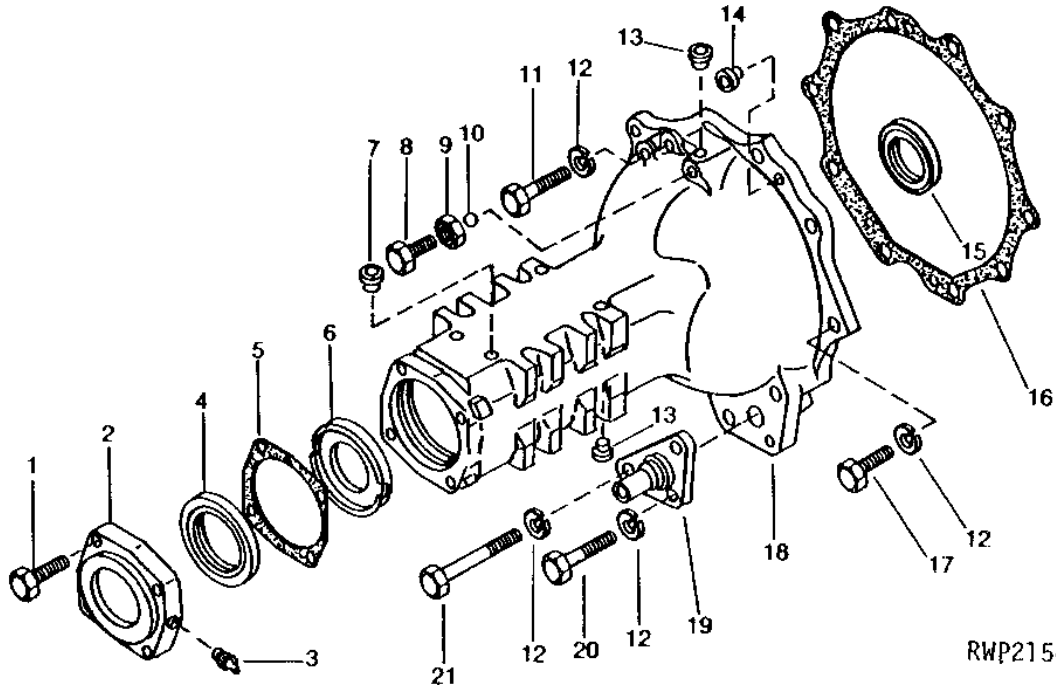
MEMORANDA

1H17

POWER TRAIN

RWP2154 -UN-01JAN94

REAR AXLE HOUSING



RWP2154

KEY	PART NO.	PART NAME	QTY	TRACTOR SERIAL NO.			REMARKS
				1	2	5	
				1	1	1	
				2	4	6	
				5	5	5	
				0	0	0	
1	CH17216	SCREW, WITH WASHER	8	X	X		M10 X 35, (SUB 19M7550 AND 12M7066)
	19M7358	CAP SCREW	12			X	M10 X 40
	12M7066	LOCK WASHER	12			X	M10
2	CH16472	CASE	2	X	X		
	CH18876	COVER	2			X	
3	CH11574	FITTING	2	X	X	X	
4	CH16475	SEAL	2	X	X		
	CH18878	SEAL	2			X	
5	CH16473	GASKET	2	X	X		
	CH18875	GASKET	2			X	
6	CH16471	COVER	2	X	X		
	CH18874	GREASE CUP	2			X	
7	CH11396	PLUG	8	X	X	X	M11
8	19M7168	CAP SCREW	2	X	X	X	M10 X 30
9	14M7274	NUT	2	X	X	X	M10
10	R26552	BALL	2	X	X	X	5/16"
11	CH17218	BOLT	4	X	X	X	M14 X 90
12	CH14118	LOCK WASHER	22	X	X	X	M14
13	CH12251	CAP	4	X	X	X	M7.8
14	CH11400	PLUG	4	X	X	X	M13, (SUB 99M7045)
15	CH16474	SEAL	2	X	X		
	CH18877	SEAL	2			X	
16	CH16470	GASKET	2	X	X	X	
17	CH17220	BOLT	12	X	X	X	M14 X 40
18	CH16179	HOUSING	1	X	X		L.H.
	CH18872	HOUSING	1			X	L.H. (SUB CH20228)
	CH16180	HOUSING	1	X	X		R.H.
	CH18873	HOUSING	1			X	R.H. (SUB CH20229)
19	CH18785	BRACKET	2	X	X	X	DRAFT LINK BRACKET, (INCLUDES 11M7015 AND CH18783) (SUB FOR CH16194)
20	CH17217	BOLT	2	X	X	X	M14 X 60
21	CH17219	BOLT	4	X	X	X	M14 X 105

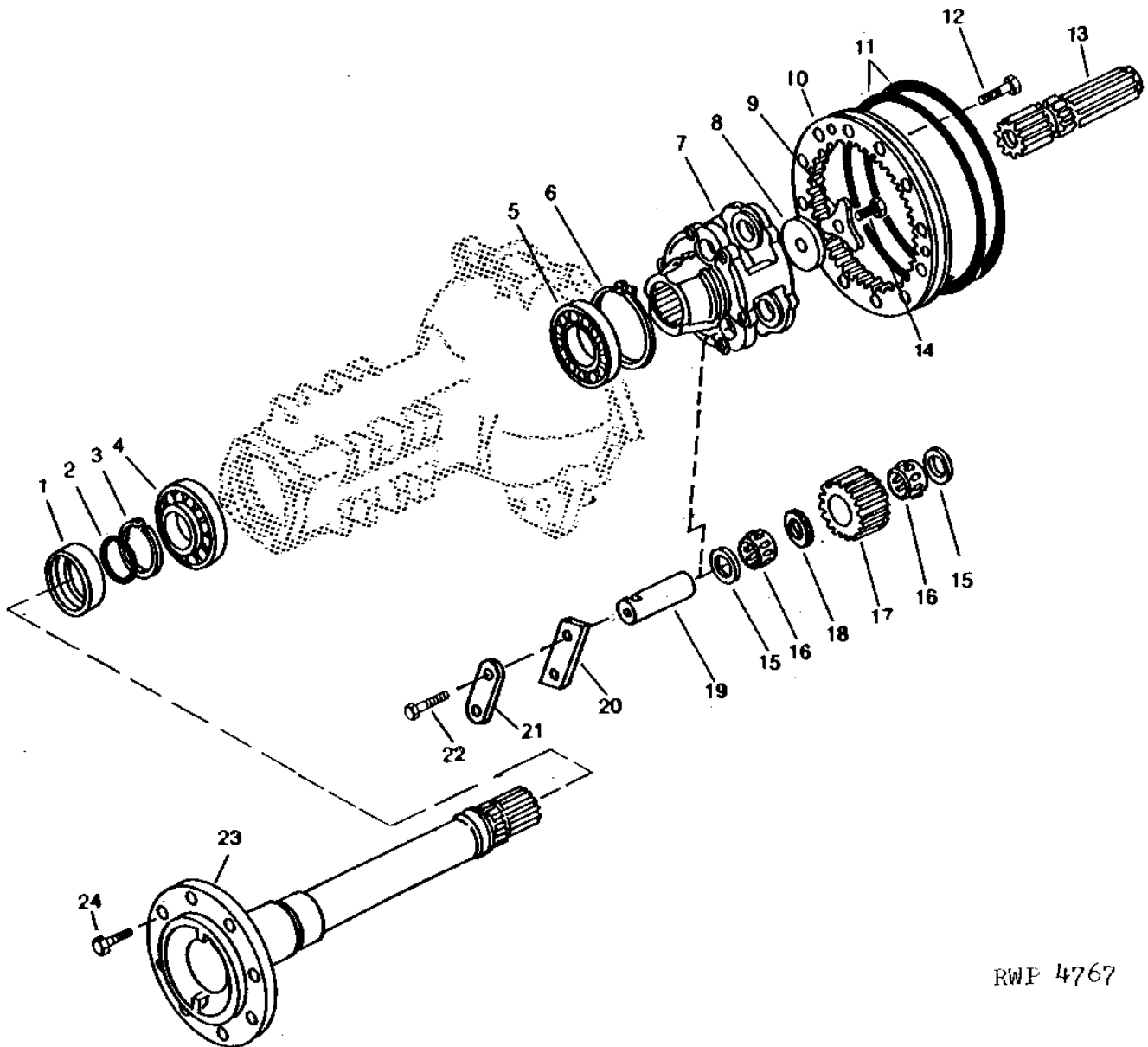
1H18

POWER TRAIN

RWP4767

-UN-01JAN94

REAR AXLE SHAFT



RWP 4767

1H19

POWER TRAIN

REAR AXLE SHAFT - CONTINUED

KEY	PART NO.	PART NAME	QTY	TRACTOR			REMARKS
				SERIAL NO.	1 1 1	2 4 6	
					5 5 5		
					0 0 0		
1	CH16494	BUSHING	2		X X		
	CH18656	SPACER	2		X		
2	CH17154	PACKING	2		X X		
	CH11572	PACKING	2		X		
3	CH16495	SPACER	2		X X		
	CH18657	SPACER	2		X		
4	CH16497	ROLLER BEARING	2		X X		
	CH18659	BEARING	2		X		
5	CH16496	ROLLER BEARING	2		X X		
	CH18658	BEARING	2		X	(SUB JD37125)	
6	CH17153	RING	2	-003000	X		
7	CH16183	HOUSING	2	-003000	X	(SUB CH19530)	
	CH18645	PLANET PINION CARRIER	2	003001-	X		
	CH18645	PLANET PINION CARRIER	2		X		
	CH18646	PLANET PINION CARRIER	2		X		
8	CH16491	WASHER	2		X X X	15 X 75 X 1.2MM	
9	CH16493	WASHER	2		X X X		
10	CH16198	GEAR	2		X X		
	CH18647	GEAR	2		X	(SUB CH20230)	
11	CH16499	PACKING	4		X X X		
12	19M7572	CAP SCREW	24		X	M10 X 45, (SUB FOR CH17613)	
	19M7572	CAP SCREW	24		X	M10 X 45	
	CH18644	BOLT	24		X	M10 X 70	
13	CH18792	PINION SHAFT	1		X X	L.H.	
	CH18793	PINION SHAFT	1		X X	R.H.	
	CH18880	PINION SHAFT	1		X	L.H.	
	CH18881	PINION SHAFT	1		X	R.H.	
14	CH16492	BOLT	2		X X X	M14 X 35	
15	CH16486	THRUST WASHER	12		X X X		
16	CH16489	BEARING	12	-003000	X		
	CH18648	NEEDLE ROLLER	300	003001-	X		
	CH18648	NEEDLE ROLLER	300		X		
	CH18649	NEEDLE ROLLER	300		X		
17	CH16487	PINION	6	-003000	X	(SUB CH19529)	
	CH18641	PINION	6	003001-	X		
	CH18641	PINION	6		X		
	CH19796	PINION	6		X		
18	CH18650	WASHER	6	003001-	X		
	CH18650	WASHER	6		X		
	CH18651	WASHER	6		X		
19	CH16488	SHAFT	6		X X		
	CH18643	SHAFT	6		X		
20	CH18653	SHIM	6		X X		
	CH18653	SHIM	6	003001-	X		
21	CH18652	PLATE	6		X X		
	CH18652	PLATE	6	003001-	X		
22	19M7938	CAP SCREW	12	003001-	X	M10 X 20	
	19M7938	CAP SCREW	12		X X	M10 X 20	
23	CH16184	SHAFT	2		X X		
	CH18655	SHAFT	2		X		
24	CH13899	WHEEL BOLT	16		X X X	M14 X 27	

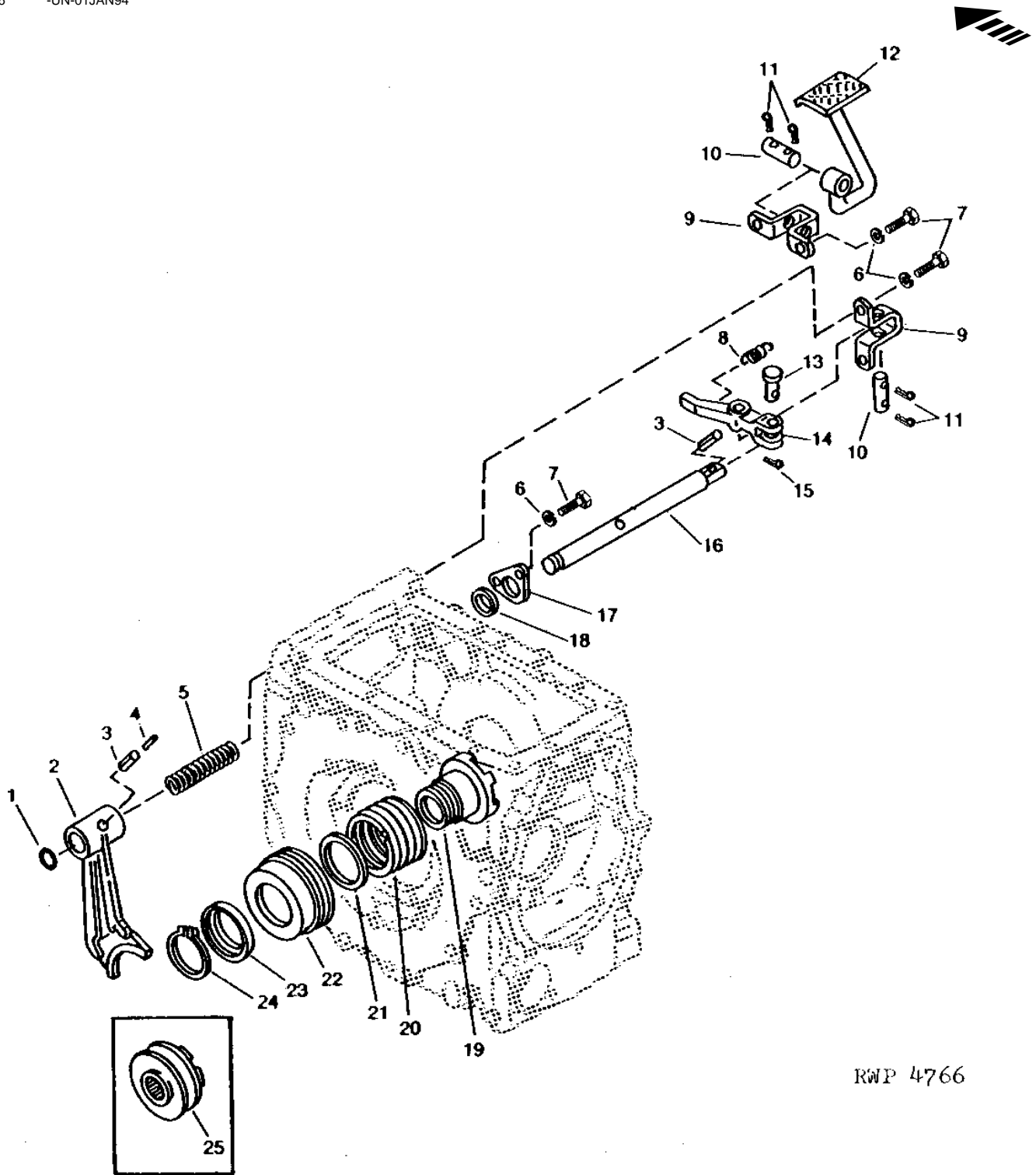
1H20

POWER TRAIN

RWP4766

-UN-01JAN94

DIFFERENTIAL LOCK



RWP 4766

1H21

POWER TRAIN

DIFFERENTIAL LOCK - CONTINUED

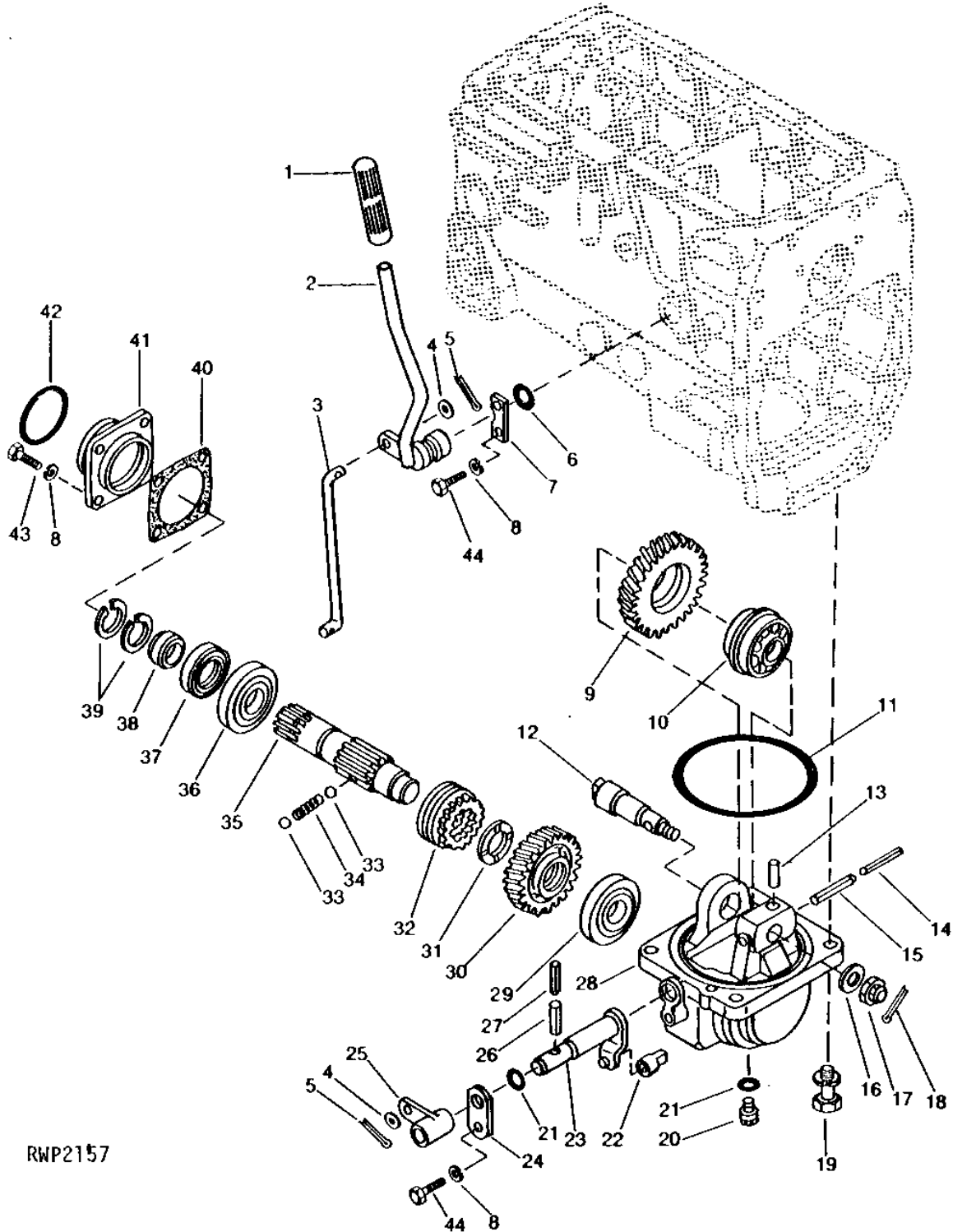
KEY	PART NO.	PART NAME	QTY	TRACTOR			REMARKS
				SERIAL NO.	1 1 1	2 4 6	
					5 5 5		
					0 0 0		
1	CH14583	PACKING	1		X X X		
2	CH16181	FORK	1		X X X		
3	CH12306	PIN	2		X X X	M8 X 36	
4	CH17151	SPRING PIN	1		X X X	M5 X 36	
5	CH16479	SPRING	1		X X X		
6	12M7065	LOCK WASHER	6		X X X	M8	
7	19M7284	CAP SCREW	6		X	M8 X 18	
	19M7162	CAP SCREW	6		X X	M8 X 16	
8	CH16477	SPRING	1		X X X		
9	CH16482	BRACKET	2		X X X		
10	CH16483	PIN	2		X X X		
11	11M7023	COTTER PIN	4		X X X	4 X 32 MM	
12	CH16478	PEDAL	1		X X X		
13	CH17152	PIN	1		X X X	M10 X 30	
14	CH16182	ARM	1		X X X		
15	CH12315	PIN	1		X X X	M2 X 20, (SUB 11M7078)	
16	CH16481	SHAFT	1		X X X		
17	CH16476	COVER	1		X X X		
18	CH16480	SEAL	1		X X X		
19	CH17145	BUSHING	1	-XXXXXX	X	INNER, (SUB CH18787)	
20	CH17147	SPRING	1	-XXXXXX	X	(SUB CH18787)	
21	CH17148	WASHER	1	-XXXXXX	X	62 X 78 X 2 MM, (SUB CH18787)	
22	CH17146	BUSHING	1	-XXXXXX	X	OUTER, (SUB CH18787)	
23	CH17149	WASHER	1	-XXXXXX	X	62 X 80 X 4 MM, (SUB CH18787)	
24	CH17150	RING	1	-XXXXXX	X	M60, (SUB CH18787)	
25	CH18787	SHIFT COLLAR	1		X X X		

1H22

POWER TRAIN

GEAR CASE WITH GEARS AND OPERATING LEVERS (MECHANICAL FRONT WHEEL DRIVE)

RWP2157 -UN-01JAN94



RWP2157

1H23

POWER TRAIN

**GEAR CASE WITH GEARS AND OPERATING LEVERS - CONTINUED
(MECHANICAL FRONT WHEEL DRIVE)**

KEY	PART NO.	PART NAME	QTY	TRACTOR SERIAL NO.			REMARKS
				1	1	1	
				5	5	5	
				0	0	0	
1	CH13478	KNOB	1	X	X	X	
2	CH17495	LEVER	1	X	X	X	
3	CH17497	ROD	1	X	X	X	
4	CH15392	WASHER	2	X	X	X	M10, (SUB 24M7086)
5	CH12310	PIN	2	X	X	X	M1.6 X 18
6	CH11563	PACKING	1	X	X	X	
7	CH17496	PLATE	1	X	X	X	
8	12M7065	LOCK WASHER	7	X	X	X	M8
9	CH17486	GEAR	1	-003000	X		IDLER
	CH18868	GEAR	1	003001-	X		
	CH18868	GEAR	1		X	X	
10	CH17487	BEARING	1		X	X	
11	CH17213	PACKING	1		X	X	
12	CH17658	SHAFT	1		X	X	
13	CH14782	DOWEL PIN	2		X	X	M10 X 20
14	CH17659	SPRING PIN	1		X	X	M3.5 X 50
15	CH13484	SPRING PIN	1		X	X	M6 X 50
16	CH17488	WASHER	1		X	X	15 X 30 X 4.5 MM
17	CH17501	NUT	1	-003000	X		M14, (SUB CH18783)
	CH18783	NUT	1	003001-	X		
	CH18783	NUT	1		X	X	
18	CH12320	PIN	1		X	X	M3 X 25
19	CH12347	BOLT	4		X	X	M14 X 35, (SUB 19M6332 AND 12M7068)
20	CH11414	PLUG	1		X	X	
21	CH10570	PACKING	2		X	X	
22	CH14966	SHOE	1		X	X	SHIFTER
23	CH17493	SHIFTER	1		X	X	
24	CH17481	PLATE	1		X	X	ARM
25	CH17494	ARM	1		X	X	
26	CH11501	PIN	1		X	X	M6 X 25
27	CH14940	SPRING PIN	1		X	X	M3.5 X 25
28	CH17482	HOUSING	1	-003000	X		(SUB CH18867 AND CH18868)
	CH18867	HOUSING	1	003001-	X		
	CH18867	HOUSING	1		X	X	
29	CH15035	BALL BEARING	1		X	X	
30	CH17490	GEAR	1		X	X	BOTTOM
31	CH17480	WASHER	1		X	X	35 X 50 X 3 MM
32	CH17491	SHIFT COLLAR	1		X	X	
33	400R	BALL	2		X	X	
34	CH17123	SPRING	1		X	X	
35	CH17489	SHAFT	1		X	X	BOTTOM
36	CH14627	BALL BEARING	1		X	X	
37	CH10921	SEAL	1		X	X	
38	CH10959	SPACER	1		X	X	
39	CH17498	RING	2		X	X	
40	CH17484	GASKET	1		X	X	
41	CH17483	RETAINER	1		X	X	
42	CH17154	PACKING	1		X	X	
43	19M7139	CAP SCREW	4		X	X	M8 X 20
44	19M7162	CAP SCREW	3		X	X	M8 X 16

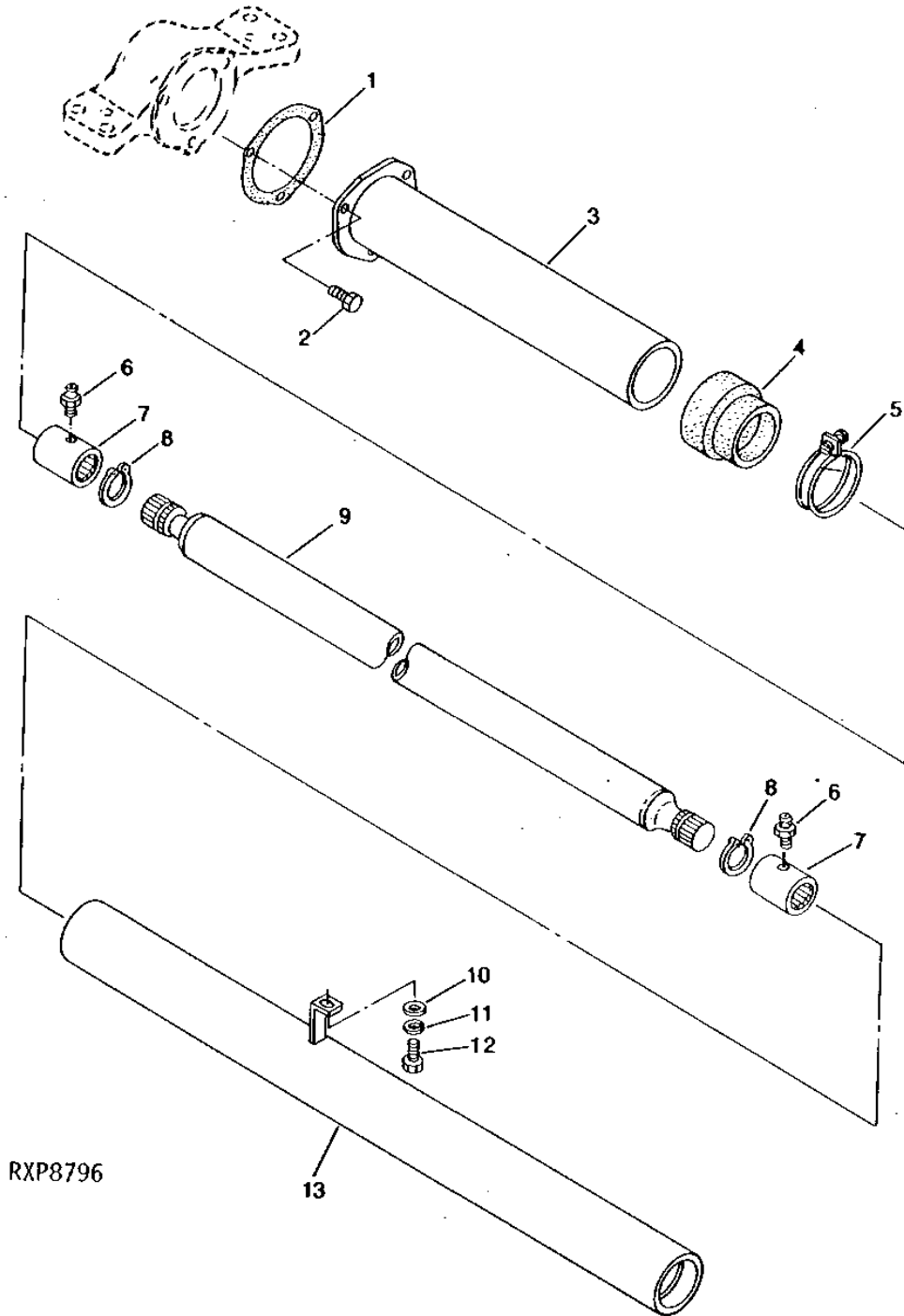
1H24

POWER TRAIN

RXP8796

-UN-01JAN94

FRONT DIFFERENTIAL DRIVE SHAFT (MECHANICAL FRONT WHEEL DRIVE)



1H25

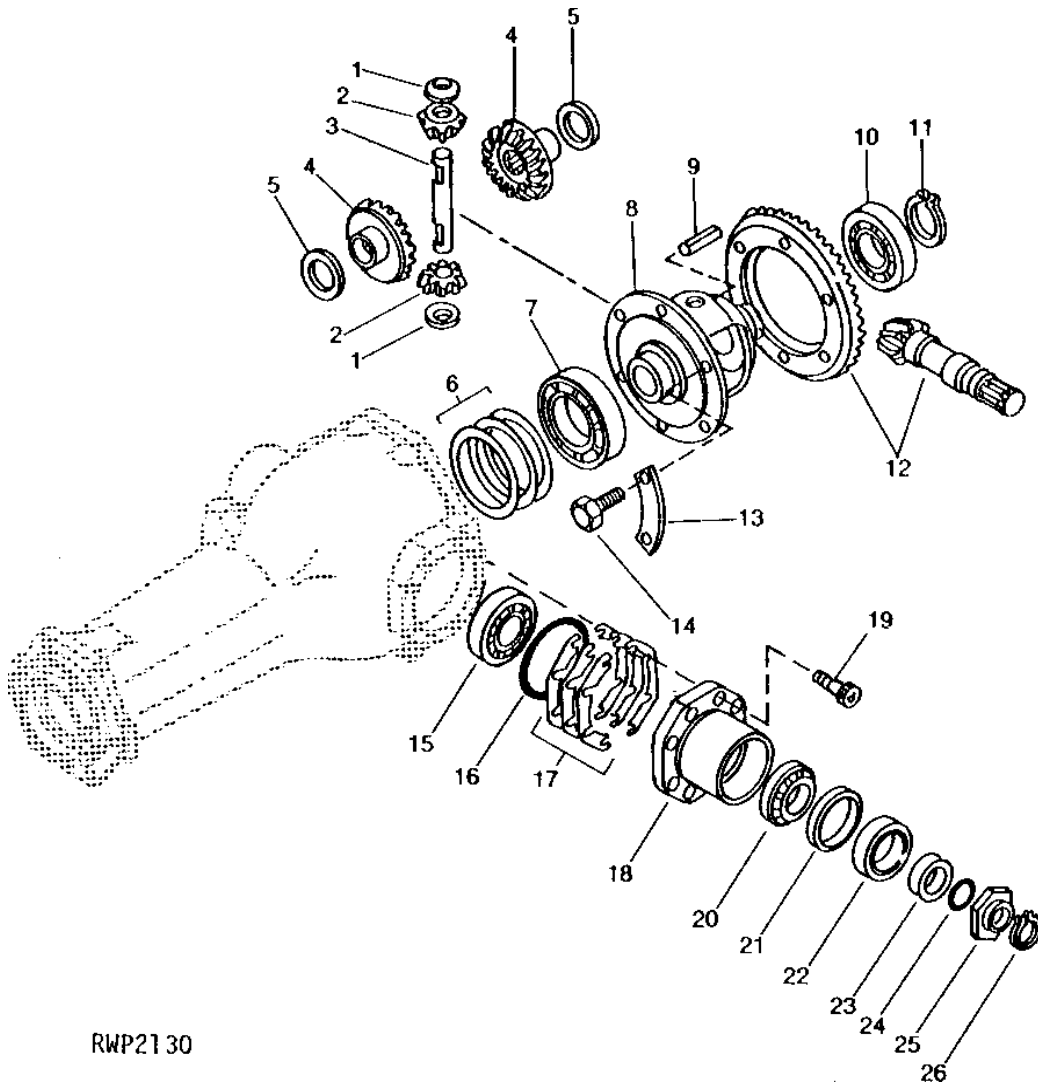
POWER TRAIN

**FRONT DIFFERENTIAL DRIVE SHAFT - CONTINUED
(MECHANICAL FRONT WHEEL DRIVE)**

KEY	PART NO.	PART NAME	QTY	TRACTOR SERIAL NO.			REMARKS
				1	1	1	
				2	4	6	
				5	5	5	
				0	0	0	
1	CH17466	GASKET	1	X	X	X	
2	12M7065	LOCK WASHER	3	X	X	X	M8
	19M7139	CAP SCREW	3	X	X	X	M8 X 20
3	CH17468	COVER	1	X			FRONT
	CH18530	COVER	1		X	X	FRONT
4	CH17467	BOOT	1	X	X	X	
5	AR21841	CLAMP	1	X	X	X	
6	CH11574	FITTING	2	X	X	X	
7	CH17412	COUPLING	2	X	X	X	
8	CH13489	SNAP RING	2	X	X	X	
9	CH17409	SHAFT	1	X			
	CH18523	SHAFT	1		X	X	
10	24M7028	WASHER	1	X	X	X	10.500 X 20 X 2 MM
11	12M7066	LOCK WASHER	1	X	X	X	M10
12	19M7557	CAP SCREW	1	X	X	X	M10 X 16
13	CH17469	COVER	1	X	X	X	REAR

FRONT DIFFERENTIAL BEVEL PINION AND GEAR (MECHANICAL FRONT WHEEL DRIVE)

RWP2130 -UN-01JAN94



RWP2130

112

POWER TRAIN

FRONT DIFFERENTIAL BEVEL PINION AND GEAR - CONTINUED
(MECHANICAL FRONT WHEEL DRIVE)

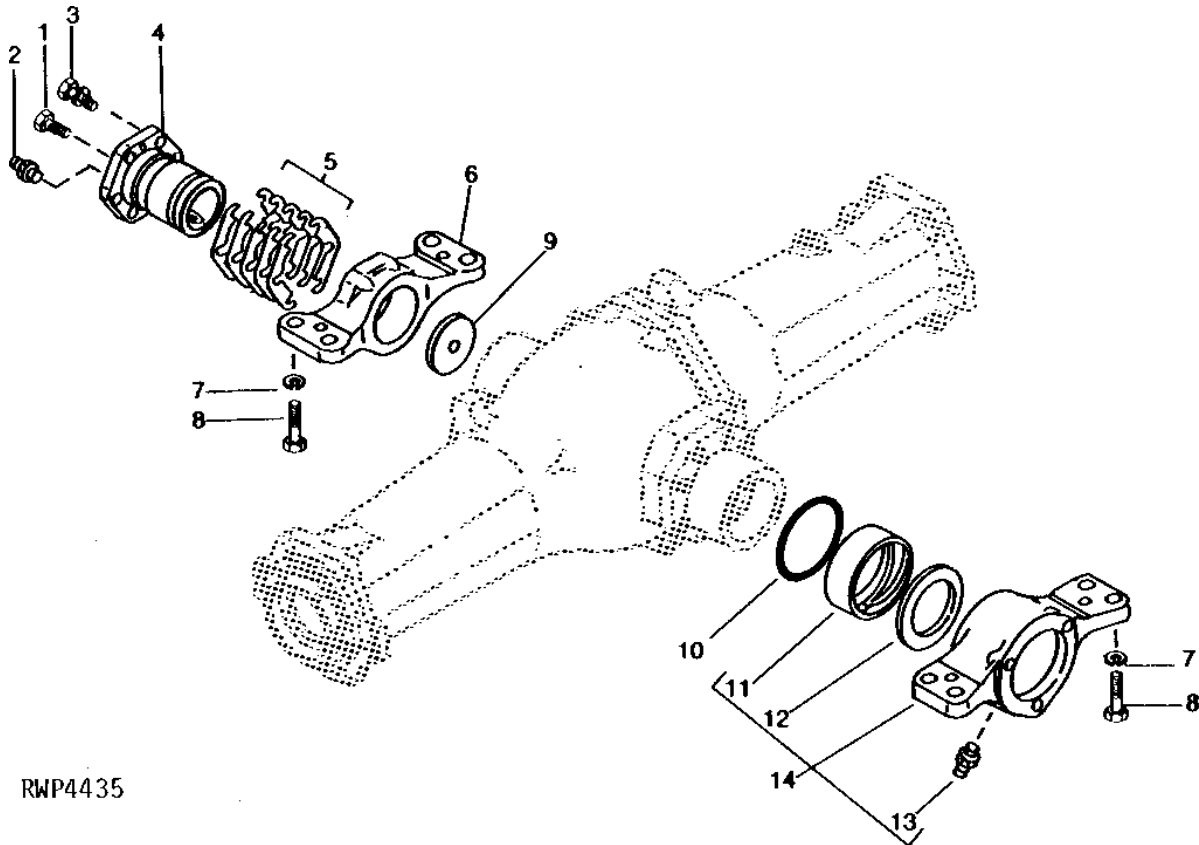
KEY	PART NO.	PART NAME	QTY	TRACTOR SERIAL NO.			REMARKS
				5	5	5	
				1	1	1	
				2	4	6	
				5	5	5	
				0	0	0	
1	CH13122	WASHER	2	X	X	X	
2	CH13120	PINION	2	X	X	X	
3	CH13121	PINION SHAFT	1	X	X	X	
4	CH13119	STEERING GEAR	2	X	X	X	
5	CH13117	WASHER	2	X	X	X	
6	CH17507	SHIM	1	X	X	X	
7	CH13510	BALL BEARING	1	X	X	X	
8	CH17404	HOUSING	1	X	X	X	
9	CH13484	SPRING PIN	1	X	X	X	M6 X 50
10	JD9390	BALL BEARING	1	X	X	X	
11	CH13490	SNAP RING	1	X	X	X	
12	CH17526	GEAR	1	X	X	X	
13	CH13370	LOCK PLATE	3	X	X	X	
14	CH12378	SCREW	6	X	X	X	M10 X 22
15	CH17531	BEARING	1	X	X	X	(SUB JD37035)
16	CH16109	PACKING	1	X	X	X	
17	CH17508	SHIM	1	X	X	X	
18	CH17414	RETAINER	1	X	X	X	
19	CH17502	BOLT	8	X	X	X	M10 X 25
20	CH17532	BEARING	1	X	X	X	
21	CH17418	HALF SLEEVE	1	X	X	X	M80
22	CH17419	SEAL	1	X	X	X	
23	CH17529	BUSHING	1	X	X	X	
24	CH17533	PACKING	1	X	X	X	
25	CH17530	NUT	1	X	X	X	
26	CH13489	SNAP RING	1	X	X	X	

113

POWER TRAIN

RWP4435 -UN-01JAN94

CENTER GEAR HOUSING SUPPORTS (MECHANICAL FRONT WHEEL DRIVE)



RWP4435

114

POWER TRAIN

**CENTER GEAR HOUSING SUPPORTS - CONTINUED
(MECHANICAL FRONT WHEEL DRIVE)**

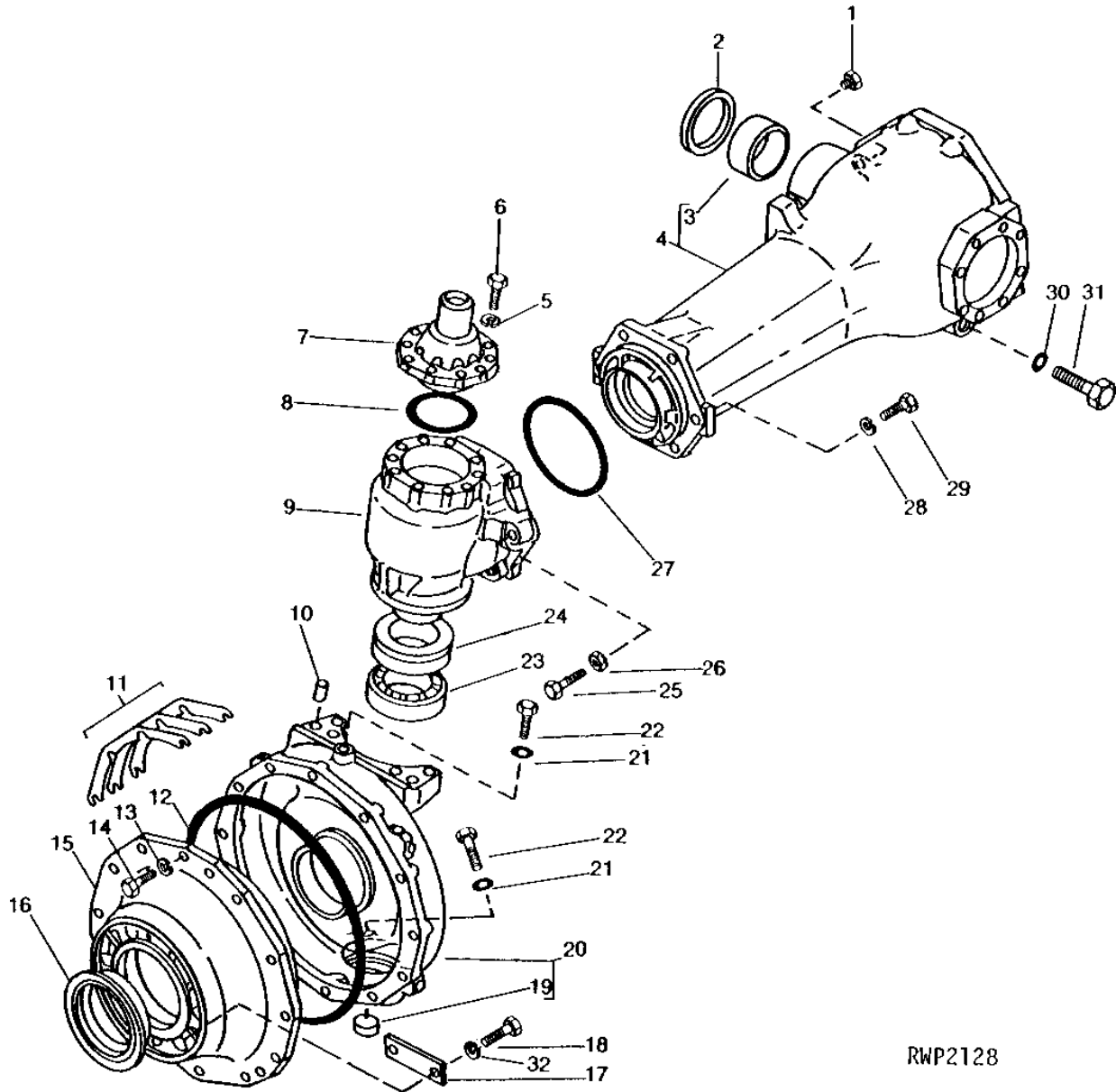
KEY	PART NO.	PART NAME	QTY	TRACTOR SERIAL NO.			REMARKS
				1	2	5	
				1	1	1	
				2	4	6	
				5	5	5	
				0	0	0	
1	CH12354	BOLT	1	X	X	X	M6 X 8
2	CH11574	FITTING	1	X	X	X	
3	19M7168	CAP SCREW	6	X	X	X	M10 X 30
	12M7066	LOCK WASHER	6	X	X	X	M10
4	CH17386	PIVOT	1	X	X	X	
5	CH17506	SHIM	1	X	X	X	M.5
6	CH17392	SUPPORT	1	X	X	X	FRONT
7	12M7069	LOCK WASHER	8	X	X	X	M16
8	CH17398	BOLT	8	X	X	X	M16 X 50
9	CH17387	THRUST WASHER	1	X	X	X	
10	CH17397	PACKING	1	X	X	X	
11	CH17395	BUSHING	1	X	X	X	
12	CH17396	THRUST WASHER	1	X	X	X	
13	CH11574	FITTING	1	X	X	X	
14	CH17393	SUPPORT	1	X	X	X	

115

POWER TRAIN

RWP2128 -UN-01JAN94

FRONT AXLE HOUSING, LEFT-HAND (MECHANICAL FRONT WHEEL DRIVE)



RWP2128

116

POWER TRAIN

**FRONT AXLE HOUSING, LEFT-HAND - CONTINUED
(MECHANICAL FRONT WHEEL DRIVE)**

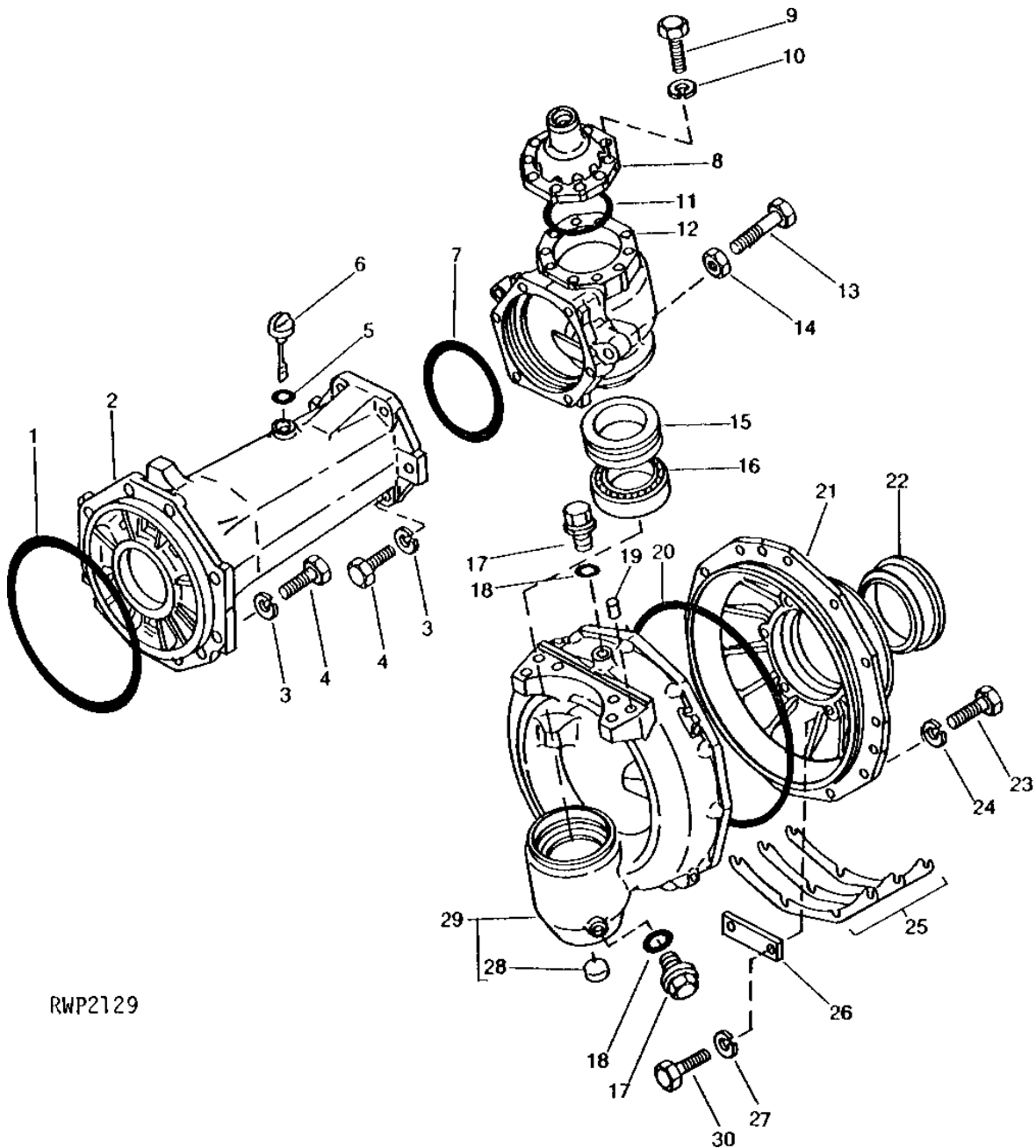
KEY	PART NO.	PART NAME	QTY	TRACTOR SERIAL NO.			REMARKS
				1	1	1	
				2	4	6	
				5	5	5	
				0	0	0	
1	CH11220	PLUG	1	X	X	X	
2	CH17424	SEAL	1	X	X	X	
3	CH17426	BUSHING	1	X	X	X	
4	CH17425	HOUSING	1	X	X	X	
5	12M7065	LOCK WASHER	10	X	X	X	M8
6	19M7407	CAP SCREW	10	X	X	X	M8 X 25
7	CH17435	COVER	1	X	X	X	
8	CH17447	PACKING	1	X	X	X	
9	CH17434	HOUSING	1	X	X	X	
10	CH14782	DOWEL PIN	2	X	X	X	M10 X 20
11	CH17509	SHIM	1	X	X	X	
12	CH17445	PACKING	1	X	X	X	
13	12M7066	LOCK WASHER	12	X	X	X	M10
14	19M7168	CAP SCREW	12	X	X	X	M10 X 30
15	CH17439	CASE	1	X			
	CH18526	HOUSING	1	X	X		
16	CH17446	SEAL	1	X	X	X	
17	CH17440	PLATE	3	X	X	X	
18	19M7402	CAP SCREW	6	X	X	X	M10 X 25
19	CH17438	PLUG	1	X	X	X	M35
20	CH17436	HOUSING	1	X	X	X	
21	CH10570	PACKING	2	X	X	X	
22	CH11414	PLUG	2	X	X	X	
23	CH14687	BALL BEARING	1	X	X	X	
24	CH17444	SEAL	1	X	X	X	
25	CH17433	BOLT	1	X	X	X	M14 X 60
26	14M7156	NUT	1	X	X	X	M14
27	CH17213	PACKING	1	X	X	X	
28	12M7068	LOCK WASHER	6	X	X	X	M14
29	CH17431	BOLT	6	X	X	X	M14 X 45
30	CH10570	PACKING	1	X	X	X	
31	CH11414	PLUG	1	X	X	X	
32	12M7066	LOCK WASHER	6	X	X	X	M10

117

POWER TRAIN

RWP2129 -UN-01JAN94

FRONT AXLE HOUSING, RIGHT-HAND (MECHANICAL FRONT WHEEL DRIVE)



RWP2129

118

POWER TRAIN

**FRONT AXLE HOUSING, RIGHT-HAND - CONTINUED
(MECHANICAL FRONT WHEEL DRIVE)**

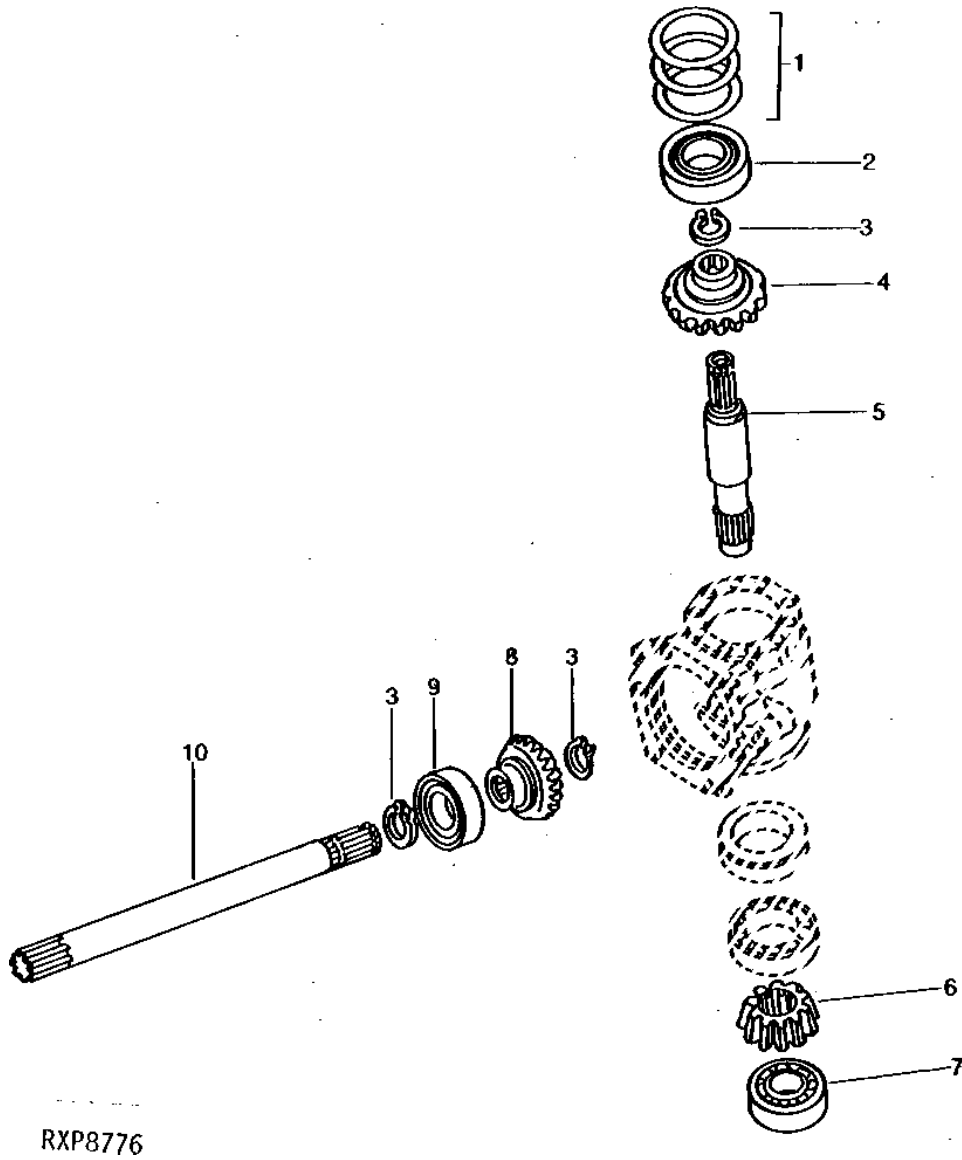
KEY	PART NO.	PART NAME	QTY	TRACTOR SERIAL NO.			REMARKS
				5	5	5	
				1	1	1	
				2	4	6	
				5	5	5	
				0	0	0	
1	CH17430	PACKING	1		X	X	X
2	CH17428	HOUSING	1		X	X	X
3	12M7068	LOCK WASHER	16		X	X	X M14
4	CH17431	BOLT	16		X	X	X M14 X 45
5	CH14634	O-RING	1		X	X	X
6	CH17429	DIPSTICK	1		X	X	X
7	CH17213	PACKING	1		X	X	X
8	CH17435	COVER	1		X	X	X
9	19M7407	CAP SCREW	10		X	X	X M8 X 25
10	12M7065	LOCK WASHER	10		X	X	X M8
11	CH17447	PACKING	1		X	X	X
12	CH17434	HOUSING	1		X	X	X
13	CH17433	BOLT	1		X	X	X M14 X 60
14	14M7156	NUT	1		X	X	X M14
15	CH17444	SEAL	1		X	X	X
16	CH14687	BALL BEARING	1		X	X	X
17	CH11414	PLUG	2		X	X	X
18	CH10570	PACKING	2		X	X	X
19	CH14782	DOWEL PIN	2		X	X	X M10 X 20
20	CH17445	PACKING	1		X	X	X
21	CH17439	CASE	1		X		
	CH18526	HOUSING	1		X	X	
22	CH17446	SEAL	1		X	X	X
23	19M7168	CAP SCREW	12		X	X	X M10 X 30
24	12M7066	LOCK WASHER	12		X	X	X M10
25	CH17509	SHIM	1		X	X	X
26	CH17440	PLATE	3		X	X	X
27	12M7066	LOCK WASHER	6		X	X	X M10
28	CH17438	PLUG	1		X	X	X M35
29	CH17436	HOUSING	1		X	X	X
30	19M7402	CAP SCREW	6		X	X	X M10 X 25

119

POWER TRAIN

RXP8776 -UN-01JAN94

FRONT AXLE DRIVE SHAFTS (MECHANICAL FRONT WHEEL DRIVE)



1110

POWER TRAIN

FRONT AXLE DRIVE SHAFTS - CONTINUED
(MECHANICAL FRONT WHEEL DRIVE)

KEY	PART NO.	PART NAME	QTY	TRACTOR SERIAL NO.			REMARKS
				1 1 1	2 4 6	5 5 5	
1	CH17510	SHIM	1	X	X	X	
2	CH17453	BEARING	2	X	X	X	
3	CH13489	SNAP RING	6	X	X	X	
4	CH17451	GEAR	2	X	X	X	
5	CH17450	SHAFT	2	X	X	X	
6	CH17452	PINION	2	X	X	X	
7	CH16417	BALL BEARING	2	X	X	X	
8	CH17422	PINION	2	X	X	X	
9	CH11551	BEARING	2	X	X	X	
10	CH17421	SHAFT	2	X	X	X	

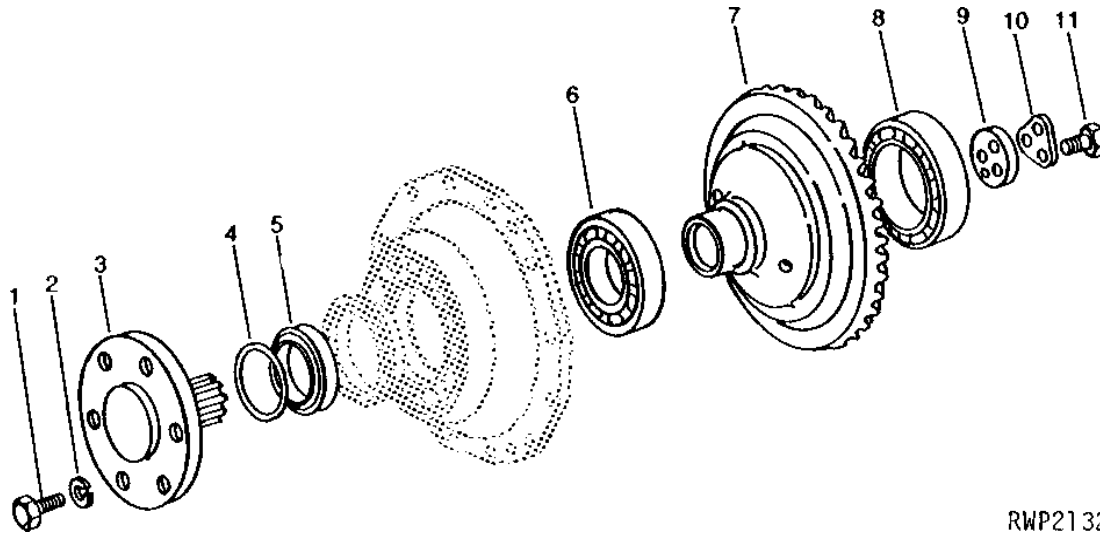
MEMORANDA

1111

POWER TRAIN

RWP2132 -UN-01JAN94

FINAL DRIVE FRONT SHAFT (MECHANICAL FRONT WHEEL DRIVE)



RWP2132

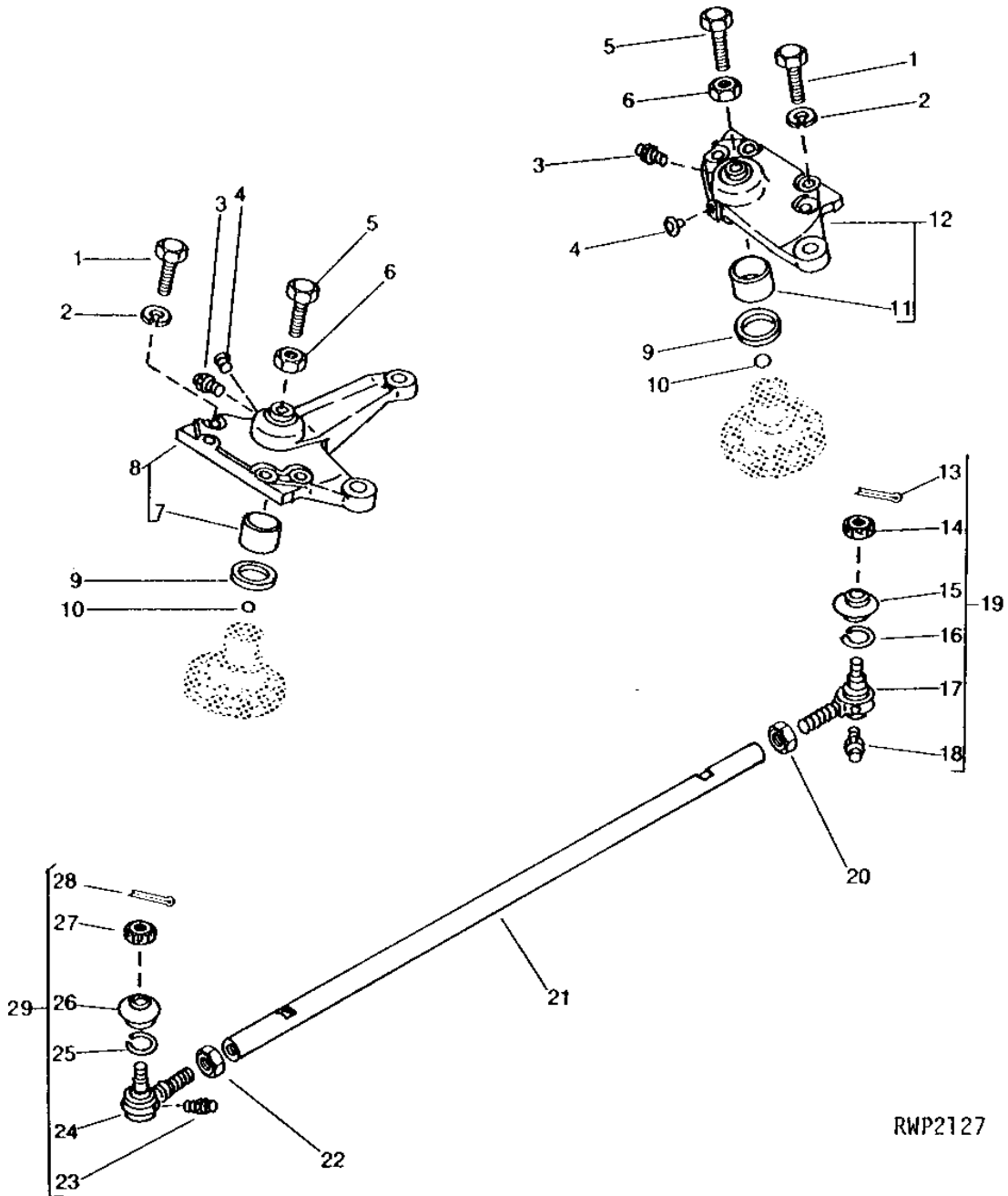
KEY	PART NO.	PART NAME	QTY	TRACTOR SERIAL NO.	1 2 5 0	1 4 5 0	1 6 5 0	REMARKS
1	CH17461	BOLT	12	-003000	X			M16 X 35
	CH13899	WHEEL BOLT	16	003001-	X			
	CH13899	WHEEL BOLT	16			X X		M14 X 27
2	CH17096	LOCK WASHER	12		X			M16
3	CH17458	SHAFT	2	-003000	X			
	CH18528	HUB	2	003001-	X			
	CH18528	HUB	2			X X		
4	CH17212	PACKING	2		X X X			
5	CH17460	BUSHING	2		X X X			
6	CH16462	BEARING	2		X X X			
7	CH17459	GEAR	2		X X X			
8	CH17464	BEARING	2		X X X			
9	CH17462	WASHER	2		X X X			
10	CH17463	LOCK PLATE	2		X X X			
11	19M7744	CAP SCREW	6		X X X			M12 X 35

1112

POWER TRAIN

RWP2127 -UN-01JAN94

STEERING ARMS AND TIE RODS (MECHANICAL FRONT WHEEL DRIVE)



RWP2127

1113

POWER TRAIN

**STEERING ARMS AND TIE RODS - CONTINUED
(MECHANICAL FRONT WHEEL DRIVE)**

KEY	PART NO.	PART NAME	QTY	TRACTOR SERIAL NO.			REMARKS
				1	1	1	
				2	4	6	
				5	5	5	
				0	0	0	
1	CH17431	BOLT	8	X			M14 X 45
2	12M7068	LOCK WASHER	8	X			M14
3	CH11574	FITTING	2	X			
4	CH11220	PLUG	2	X			
5	CH17523	BOLT	2	X			
6	14M7156	NUT	2	X			M14
7	CH17519	BUSHING	1	X			
8	CH17517	STEERING ARM	1	X			L.H.
9	CH17522	SEAL	2	X			
10	CH17524	BALL	2	X			1/2"
11	CH17519	BUSHING	1	X			
12	CH17520	STEERING ARM	1	X			R.H.
13	11M7087	COTTER PIN	1	X			4 X 40 MM
14	CH17199	NUT	1	X			
15	CH13705	COVER	1	X			
16	CH13706	RING	1	X			
17	CH16325	TIE ROD END	1	X			
18	CH15805	FITTING	1	X			(SUB FOR CH11413)
19	CH16325	TIE ROD END	1	X			
20	CH16314	NUT	1	X			L.H.
21	CH17400	TIE ROD	1	X			
22	14M7257	NUT	1	X			M20
23	CH15805	FITTING	1	X			(SUB FOR CH11413)
24	AM878073	TIE ROD END	1	X			(SUB FOR CH17401)
25	CH13706	RING	1	X			
26	CH13705	COVER	1	X			
27	CH17199	NUT	1	X			
28	11M7087	COTTER PIN	1	X			4 X 40 MM
29	AM878073	TIE ROD END	1	X			(SUB FOR CH17401)

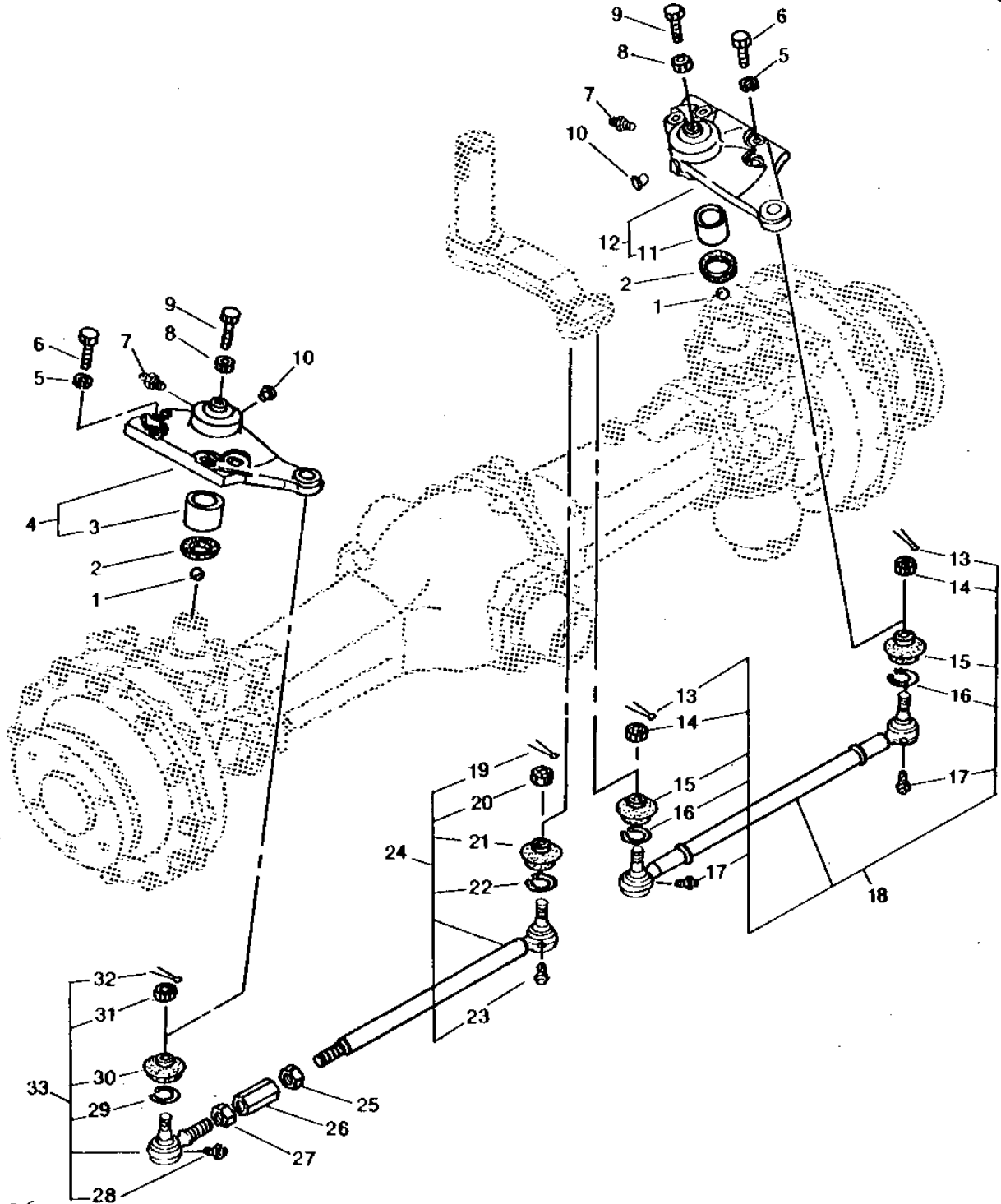
1114

POWER TRAIN

RWP4436

-UN-01JAN94

STEERING ARMS AND TIE RODS (MECHANICAL FRONT WHEEL DRIVE)



RWP 4436

1115

POWER TRAIN

**STEERING ARMS AND TIE RODS - CONTINUED
(MECHANICAL FRONT WHEEL DRIVE)**

KEY	PART NO.	PART NAME	QTY	TRACTOR SERIAL NO.			REMARKS
				1	4	5	
				1	1	1	
				2	4	6	
				5	5	5	
				0	0	0	
1	CH17524	BALL	2		X	X	1/2"
2	CH17522	SEAL	2		X	X	
3	CH17519	BUSHING	1		X	X	
4	CH18515	STEERING ARM	1		X	X	
5	12M7068	LOCK WASHER	8		X	X	M14
6	CH17431	BOLT	8		X	X	M14 X 45
7	CH11574	FITTING	2		X	X	
8	14M7156	NUT	2		X	X	M14
9	CH17523	BOLT	2		X	X	
10	CH11220	PLUG	2		X	X	
11	CH17519	BUSHING	1		X	X	
12	CH18519	STEERING ARM	1		X	X	
13	11M7087	COTTER PIN	2		X	X	4 X 40 MM
14	CH17199	NUT	2		X	X	
15	CH13705	COVER	2		X	X	
16	CH13706	RING	2		X	X	
17	CH15805	FITTING	2		X	X	
18	CH18848	TIE ROD	1		X	X	
19	11M7087	COTTER PIN	1		X	X	4 X 40 MM
20	CH17199	NUT	1		X	X	
21	CH13705	COVER	1		X	X	
22	CH13706	RING	1		X	X	
23	CH15805	FITTING	1		X	X	
24	CH18845	TIE ROD	1		X	X	
25	CH16314	NUT	1		X	X	L.H. THREAD
26	CH18843	TURNBUCKLE	1		X	X	
27	14M7257	NUT	1		X	X	M20
28	CH15805	FITTING	1		X	X	
29	CH13706	RING	1		X	X	
30	CH13705	COVER	1		X	X	
31	CH17199	NUT	1		X	X	
32	11M7087	COTTER PIN	1		X	X	4 X 40 MM
33	AM878073	TIE ROD END	1		X	X	(SUB FOR CH17401)

MEMORANDA

MEMORANDA

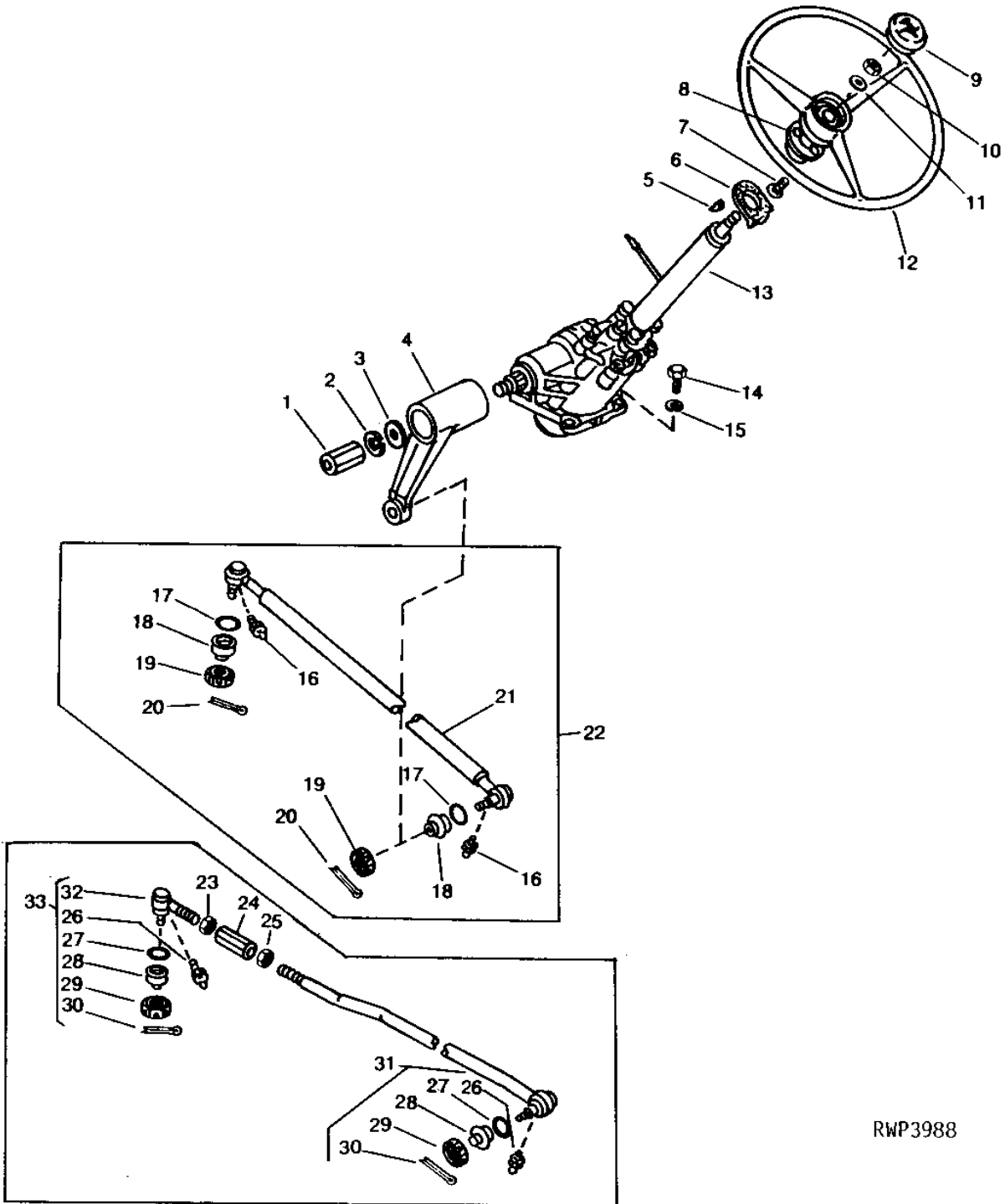
1117

STEERING AND BRAKES

RWP3988

-UN-01JAN94

STEERING WHEEL AND COLUMN



RWP3988

1118

STEERING AND BRAKES

STEERING WHEEL AND COLUMN - CONTINUED

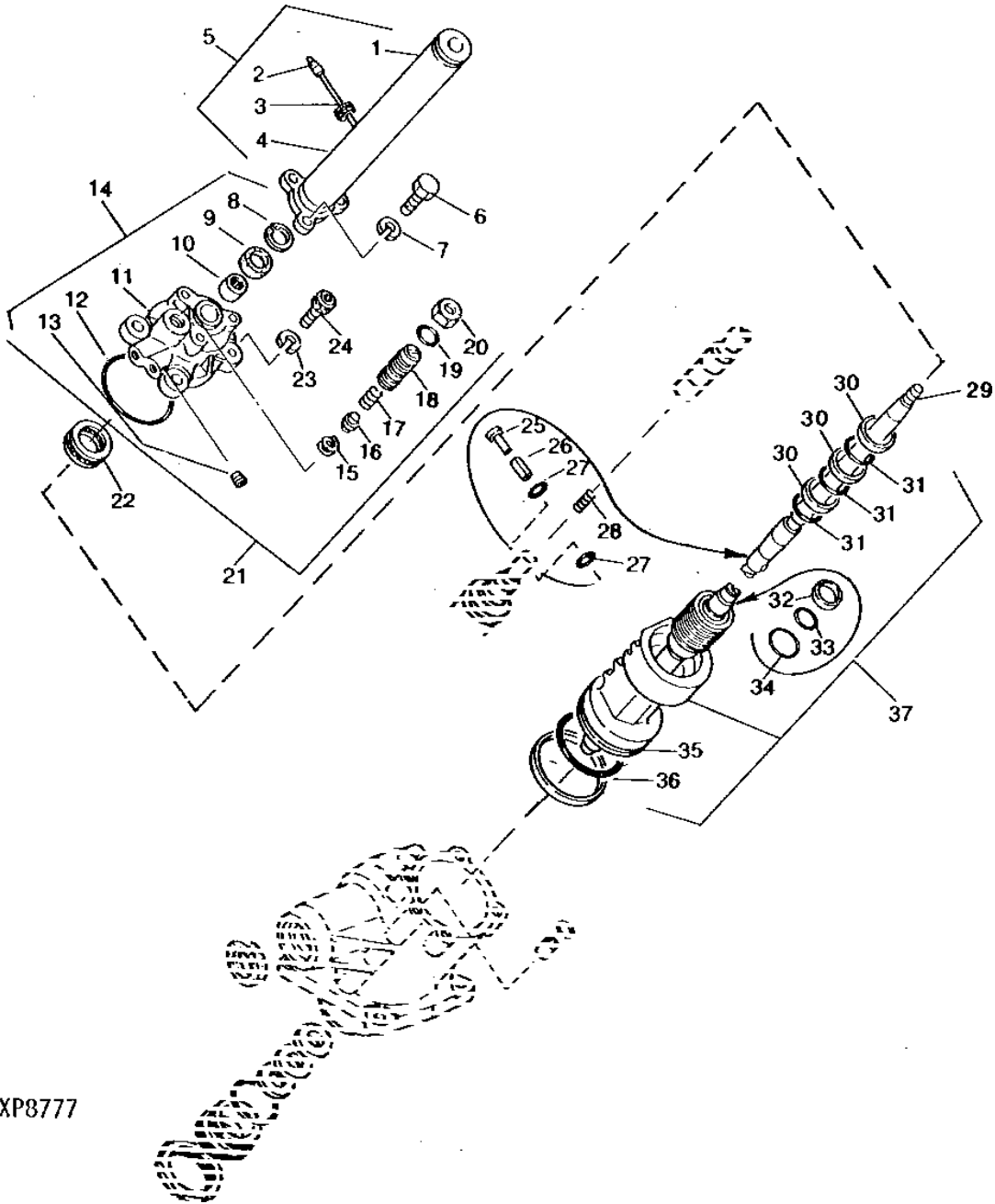
KEY	PART NO.	PART NAME	QTY	TRACTOR			REMARKS
				SERIAL NO.	1 1 1	2 4 6	
				5 5 5	0 0 0		
1	CH16321	NUT	1	X	X	X	
2	CH17534	WASHER	1	X	X	X	M33
3	CH19146	WASHER	1	X	X	X	M33, (SUB FOR CH17598)
4	CH19145	PITMAN ARM	1	X	X	X	(SUB FOR CH16300)
5	CH11544	KEY	1	X	X	X	M5 X 19
6	CH16322	GROMMET	1	X	X	X	
7	CH11625	SCREW	3	X	X	X	M4 X 10
8	CH10883	LOCKING COLLAR	1	X	X	X	
9	CH11663	CAP	1	X	X	X	
10	CH10881	NUT	1	X			M12
	CH13545	NUT	1		X	X	
11	CH10826	WASHER	1	X	X	X	M12
12	CH10882	WHEEL	1	X	X	X	
13	CH16318	STEERING GEAR	1	X			GEAR, (SUB CH19258, CH19261, CH19263, CH19497 AND CH19498)
	STEERING GEAR	1		X	X	(NOT AVAILABLE FOR SERVICE)
14	CH16319	BOLT	4	X	X	X	M16 X 50
15	CH17096	LOCK WASHER	4	X	X	X	M16
16	CH15805	FITTING	2	X			(A) (SUB FOR CH11413)
	CH15805	FITTING	2		X	X	(A) (B)
17	CH13706	RING	2	X			(A)
	CH13706	RING	2		X	X	(A) (B)
18	CH13705	COVER	2	X			(A)
	CH13705	COVER	2		X	X	(A) (B)
19	CH17199	NUT	2	X			(A) M16
	CH17199	NUT	2		X	X	(A) (B)
20	11M7087	COTTER PIN	2	X			(A) 4 X 40 MM
	11M7087	COTTER PIN	2		X	X	(A) (B) 4 X 40 MM
21	CH17473	DRAG LINK	1	X			(A) (SUB CH17472)
	DRAG LINK	1		X	X	(A) (B) (ORDER CH18536)
22	CH17472	DRAG LINK	1	X			(A)
	CH18536	DRAG LINK	1		X	X	(A) (B)
23	CH17202	NUT	1	X			(B) M24
24	CH16324	TURNBUCKLE	1	X			(B)
25	CH17607	NUT	1	X			(B) M24
26	CH15805	FITTING	2	X			(B) (SUB FOR CH11413)
27	CH13706	RING	2	X			(B)
28	CH13705	COVER	2	X			(B)
29	CH17199	NUT	2	X			(B) M16
30	11M7087	COTTER PIN	2	X			(B) 4 X 40 MM
31	CH16323	DRAG LINK	1	X			(B)
32	CH17207	END	1	X			(B) (SUB CH17206)
33	CH17206	END	1	X			(B)

(A) MECHANICAL FRONT WHEEL DRIVE
 (B) LESS MECHANICAL FRONT WHEEL DRIVE

1119

RXP8777 -UN-01JAN94

POWER STEERING GEAR



RXP8777

1120

STEERING AND BRAKES

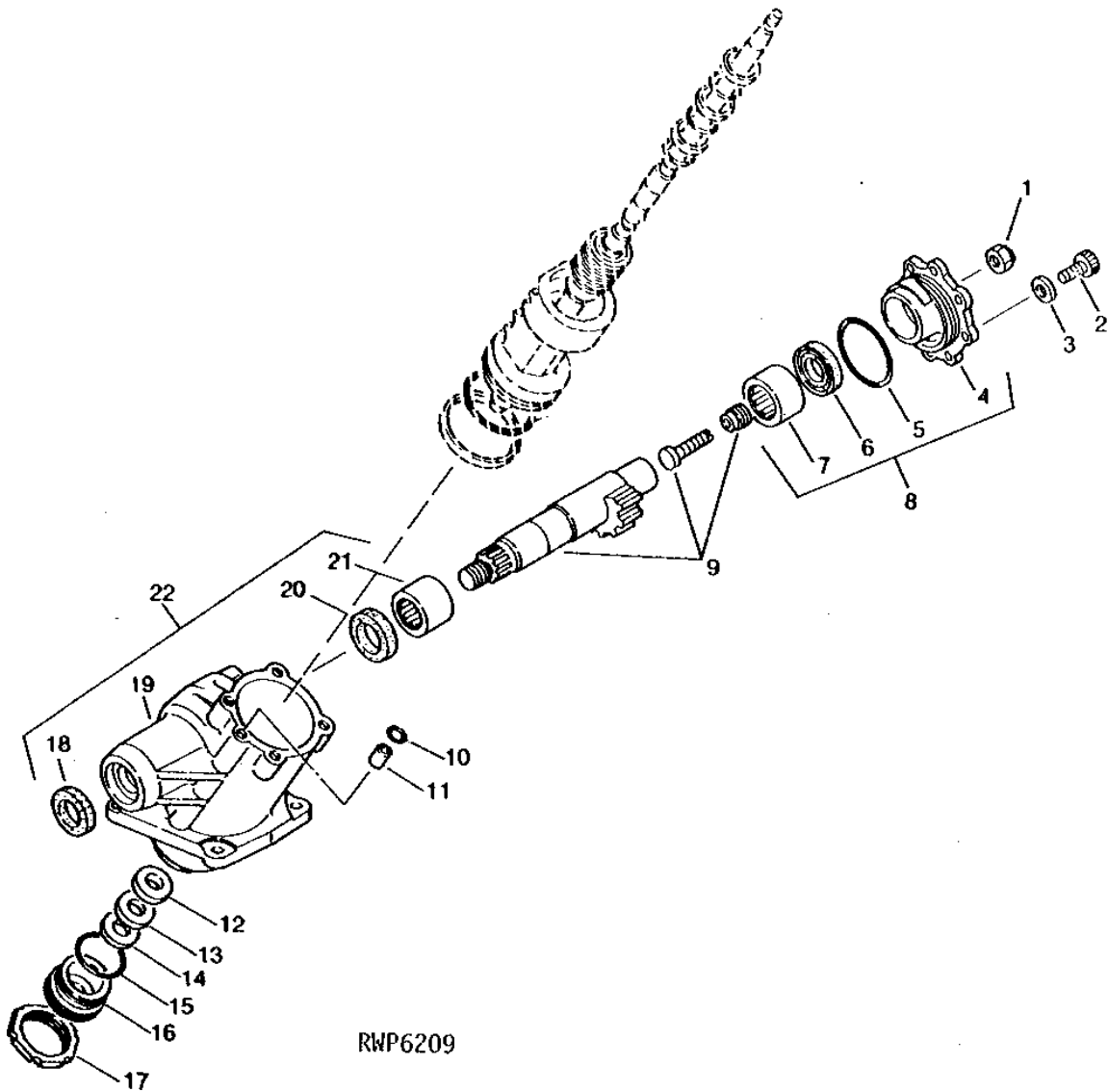
POWER STEERING GEAR - CONTINUED

KEY	PART NO.	PART NAME	QTY	TRACTOR			REMARKS
				SERIAL NO.	5 5 5	2 4 6	
					1 1 1		
					2 4 6		
					5 5 5		
					0 0 0		
1	CH17821	BUSHING	1		X X X		
2	CH17822	COVER	1		X X X		
3	CH10819	GROMMET	1		X X X		
4	CH17818	HOUSING	1		X X X		
5	CH17817	HOUSING	1		X X X		COMPLETE
6	CH17881	CAP SCREW	3		X X X		
7	12M7065	LOCK WASHER	3		X X X		M8
8	CH17861	RING	1		X X X		
9	CH17860	SEAL	1		X		(SUB CH19260)
	CH19260	SEAL	1		X X		
10	CH17859	NEEDLE BEARING	1		X X X		
11	CH17857	HOUSING	1		X		(SUB CH19259)
	CH19259	HOUSING	1		X X		
12	CH17854	PACKING	1		X X X		
13	PT13744	PLUG	1		X X X		(SUB CH13504)
14	CH17856	HOUSING	1	-003000	X		COMPLETE, (SUB CH19258)
	CH19258	HOUSING	1	003001-	X		
15	CH19262	PACKING	1		X X		
16	CH17865	POPPET	1	-003000	X		(SUB CH19261)
	CH19261	VALVE	1	003001-	X		
	CH19261	VALVE	1		X X		
17	CH17867	SPRING	1		X X X		
18	CH17869	SCREW	1		X X X		
19	CH17886	PACKING	1		X X X		
20	CH17871	NUT	1		X X X		
21	CH19258	HOUSING	1		X X		COMPLETE
22	CH17847	BALL BEARING	1	-003000	X		(SUB CH19263)
	CH19263	BALL BEARING	1	003001-	X		
	CH19263	BALL BEARING	1		X X		
23	12M7068	LOCK WASHER	4		X X X		M14
24	CH17848	BOLT	4		X X X		
25	CH17863	RIVET	1		X X X		
26	CH17862	SPRING PIN	1		X X X		
27	CH17855	SEAL	2		X X X		
28	CH17875	SPRING	1		X X X		
29	CH17878	SHAFT	1		X X X		
30	CH17841	RING	3		X X X		TEFLON
31	CH13807	PACKING	3		X X X		
32	CH17845	RING	1		X X X		TEFLON
33	CH17844	O-RING	1		X X X		
34	CH17842	PACKING	1		X X X		
35	CH11573	PACKING	1		X X X		
36	CH17825	SEAL	1		X X X		
37	CH17823	VALVE	1	-003000	X		(SUB CH19497)
	CH19497	VALVE	1	003001-	X		
	CH19254	VALVE	1		X X		

1121

RWP6209 -UN-01JAN94

POWER STEERING GEAR



RWP6209

1122

STEERING AND BRAKES

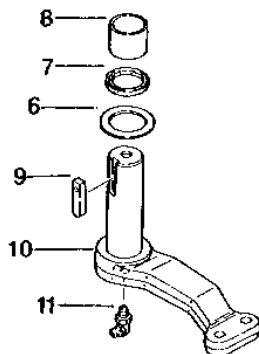
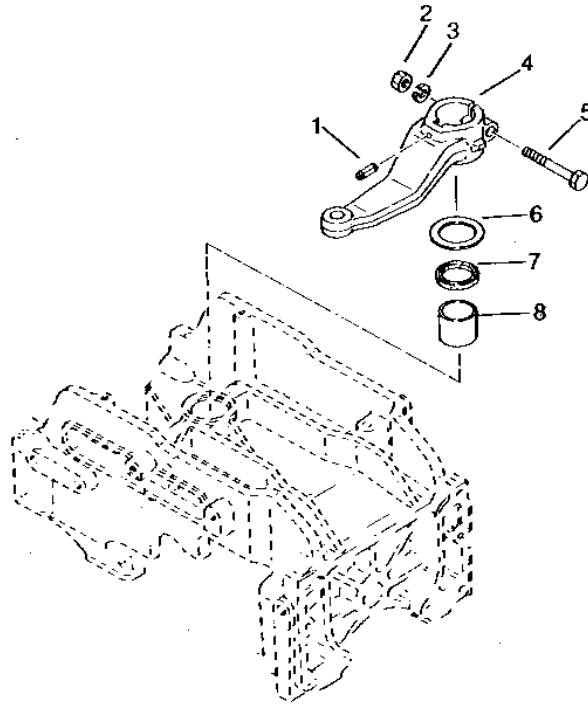
POWER STEERING GEAR - CONTINUED

KEY	PART NO.	PART NAME	QTY	TRACTOR SERIAL NO.			REMARKS
				5	5	5	
				1	1	1	
				2	4	6	
				0	0	0	
1	CH17874	NUT	1				X X X
2	CH17876	BOLT	8				X X X
3	CH17877	WASHER	8				X X X
4	CH17851	HOUSING	1				X X X
5	CH17854	PACKING	1				X X X
6	CH17853	SEAL	1				X X X
7	CH17852	NEEDLE BEARING	1				X X X
8	CH17850	COVER	1				X X X
9	CH17882	SHAFT	1				X X X
10	CH17887	PACKING	1				X X X
11	CH17873	ORIFICE	1				X X X
12	CH17870	RING	1				X X X
13	CH17868	NEEDLE BEARING	1				X X X
14	CH17866	RING	1				X X X
15	CH13807	PACKING	1				X X X
16	CH17864	COVER	1		-003000		X (SUB CH19498)
	CH19498	COVER	1		003001-		X
	CH19498	COVER	1				X X
17	CH17872	NUT	1				X X X
18	CH17813	SEAL	1				X X X
19	CH17814	HOUSING	1				X X X
20	CH17816	SEAL	1				X X X
21	CH17815	NEEDLE BEARING	1				X X X
22	CH17812	HOUSING	1				X X X COMPLETE

1123

RXP8778 -UN-01JAN94

STEERING ARM AND BELLCRANK



RXP8778

1124

STEERING AND BRAKES

STEERING ARM AND BELLCRANK - CONTINUED

KEY	PART NO.	PART NAME	QTY	TRACTOR			REMARKS
				SERIAL NO.	1 1 1	2 4 6	
				5 5 5			
				0 0 0			
1	CH12296	PIN	1		X X		
2	CH12395	NUT	1		X X		
3	12M7069	LOCK WASHER	1		X X	16.200 MM	
4	CH18473	STEERING ARM	1		X X		
5	CH18480	BOLT	2		X X		
6	CH18474	WASHER	2		X X		
7	CH18477	SEAL	2		X X		
8	CH18475	BUSHING	2		X X		
9	CH18476	KEY	1		X X		
10	CH18467	SHAFT	1		X X	(LESS MECHANICAL FRONT WHEEL DRIVE)	
	CH18470	SHAFT	1		X X	(MECHANICAL FRONT WHEEL DRIVE)	
11	CH18478	FITTING	1		X X		

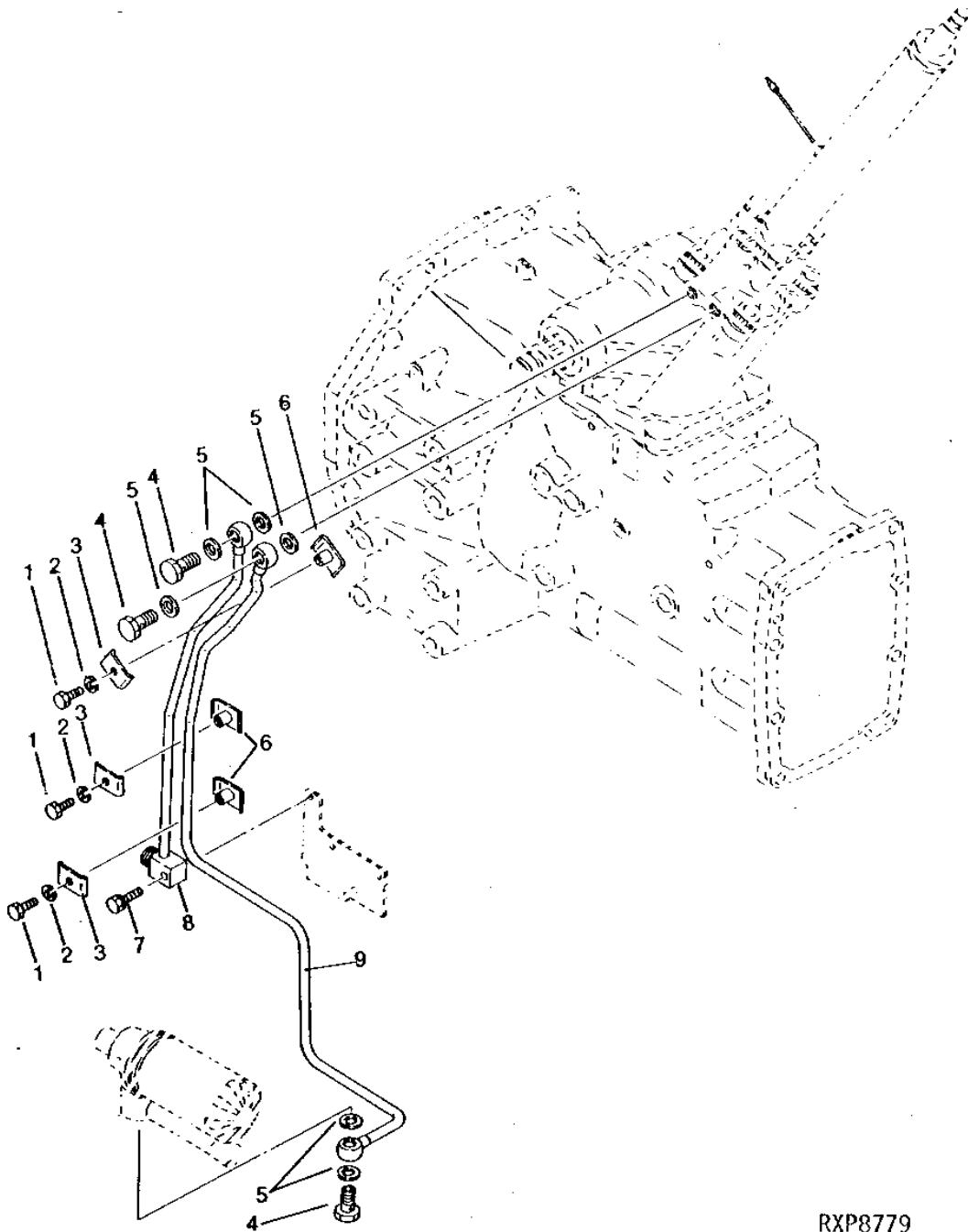
1J1

STEERING AND BRAKES

RXP8779

-UN-01JAN94

STEERING LINES



RXP8779

1J2

STEERING AND BRAKES

STEERING LINES - CONTINUED

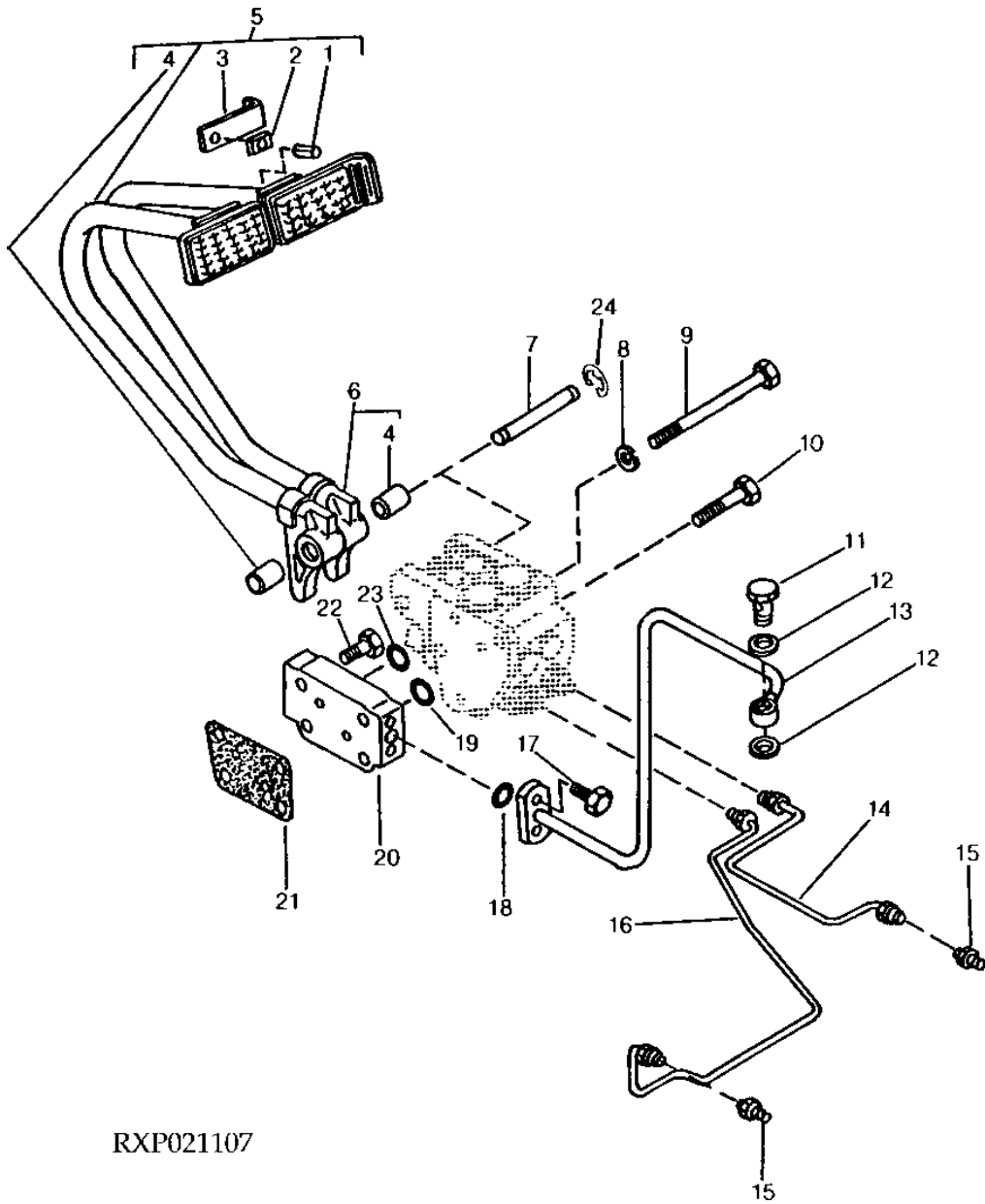
KEY	PART NO.	PART NAME	QTY	TRACTOR			REMARKS
				SERIAL NO.	1 1 1	2 4 6	
1	19M7162	CAP SCREW	3		X X		M8 X 16
	19M7407	CAP SCREW	3	-003000	X		M8 X 25
	19M7162	CAP SCREW	3	003001-	X		M8 X 16
2	12M7065	LOCK WASHER	3		X X X		M8
3	CH17618	CLAMP	3		X X X		
4	CH17621	BOLT	3		X X X		
5	CH17620	GASKET	6		X X X		
6	CH18546	CLAMP	3		X X		
	CH17619	SPACER	1	-003000	X		(SUB CH18546)
	CH18546	CLAMP	3	003001-	X		
7	CH12340	BOLT	1		X X X		(SUB 19M8008 AND 12M7065)
8	CH18542	LINE	1		X X		PRESSURE
	CH16328	LINE	1	-003000	X		PRESSURE, (SUB CH18542)
	CH18542	LINE	1	003001-	X		PRESSURE
9	CH18544	LINE	1		X X		LOW PRESSURE
	CH16331	LINE	1	-003000	X		LOW PRESSURE, (SUB CH18544)
	CH18544	LINE	1	003001-	X		LOW PRESSURE

1J3

STEERING AND BRAKES

RXP021107 -UN-21MAR95

BRAKE PEDAL AND LINKAGE



1J4

STEERING AND BRAKES

BRAKE PEDAL AND LINKAGE - CONTINUED

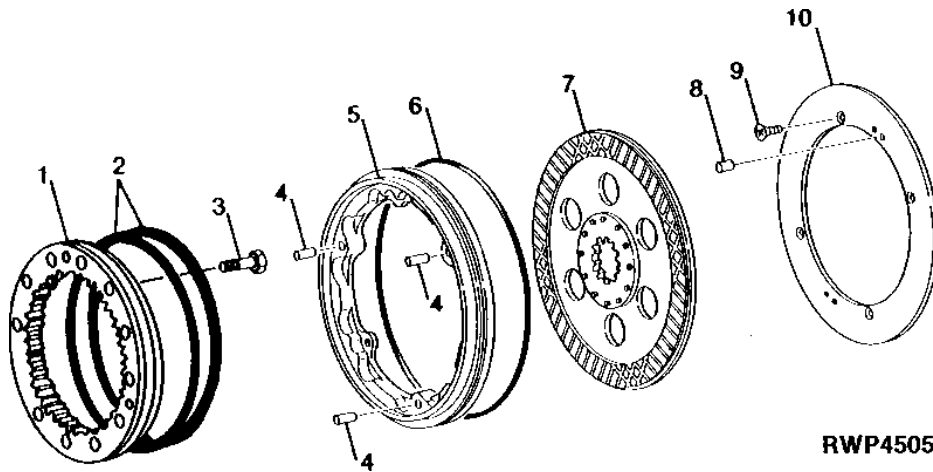
KEY	PART NO.	PART NAME	QTY	TRACTOR			REMARKS
				SERIAL NO.	5 5 5	2 4 6	
					1 1 1		
					2 4 6		
					5 5 5		
					0 0 0		
1	CH17229	DOWEL PIN	1		X X X		
2	CH11402	SPACER	1		X X X		
3	CH11265	CONNECTOR	1		X X X		
4	CH19507	BUSHING	2		X X X	(SUB FOR CH16503)	
5	CH19506	PEDAL	1		X X X	L.H. COMPLETE, (SUB FOR CH16504)	
6	CH19505	PEDAL	1		X X X	R.H. COMPLETE, (SUB FOR CH16502)	
7	T49189	PIN	1		X X X		
8	12M7067	LOCK WASHER	1		X X X	M12, (SUB FOR CH11477)	
9	CH16510	BOLT	1		X X X	M12 X 150, (SUB 19M7307)	
10	CH16113	BOLT	1		X X X	M12 X 65, (SUB 19M7331 AND 12M7067)	
	19M8061	BOLT	1		X X X	M12 X 140, (USE WITH R49664)	
11	CH11014	BOLT	1		X X X		
12	CH11547	WASHER	2		X X X		
13	CH16511	PIPE	1		X X X		
14	CH16508	TUBE	1		X X X		
15	CH16509	FITTING	2		X X X		
16	CH16506	TUBE	1		X X X		
17	CH15167	BOLT	2		X X X	M8 X 25, (SUB 19M7163 AND 12M7065)	
18	CH11562	PACKING	1		X X X		
19	CH14593	PACKING	1		X X X		
20	CH17683	MANIFOLD	1		X X X		
21	CH16505	GASKET	1		X X X		
22	19M8212	SCREW	2		X X X	M10 X 35	
23	CH13526	PACKING	1		X X X		
24	F2863R	SNAP RING	2		X X X		

1J5

STEERING AND BRAKES

RWP4505 -UN-01JAN94

BRAKES



RWP4505

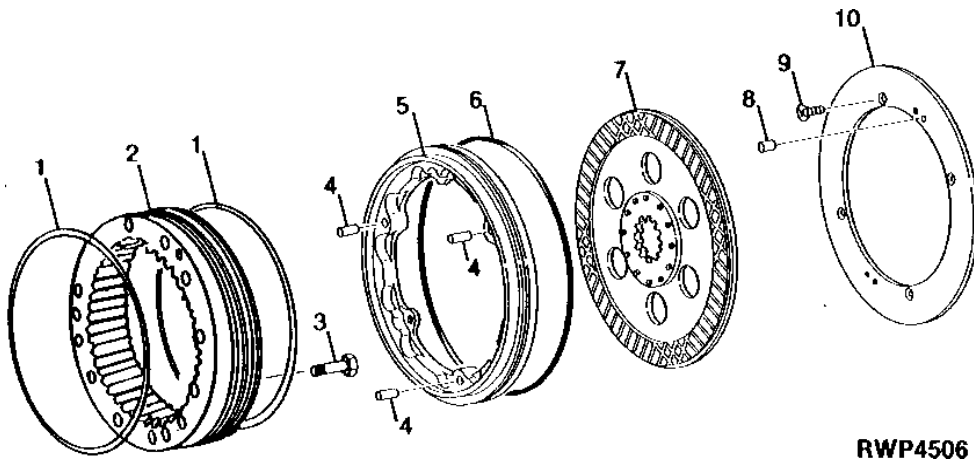
KEY	PART NO.	PART NAME	QTY	TRACTOR SERIAL NO.	REMARKS
				1 1 1	
				2 4 6	
				5 5 5	
				0 0 0	
1	CH16198	GEAR	2	X X	FINAL DRIVE
2	CH16499	PACKING	4	X X	
3	19M7572	CAP SCREW	24	X X	(SUB FOR CH14762)
4	CH16501	PIN	6	X X	10 X 25 MM
5	CH18796	PLATE	2	X X	BRAKE PRESSURE, (SUB FOR CH16185)
6	CH16500	PACKING	2	X X	
7	CH20039	BRAKE DISK	2	X X	(SUB FOR CH16197) (SUB CH20240)
8	CH17155	PIN	4	X X	10 X 16 MM
9	CH17156	SCREW	8	X X	M8 X 16
10	CH16498	PLATE	2	X X	

1J6

STEERING AND BRAKES

RWP4506 -UN-01JAN94

BRAKES



RWP4506

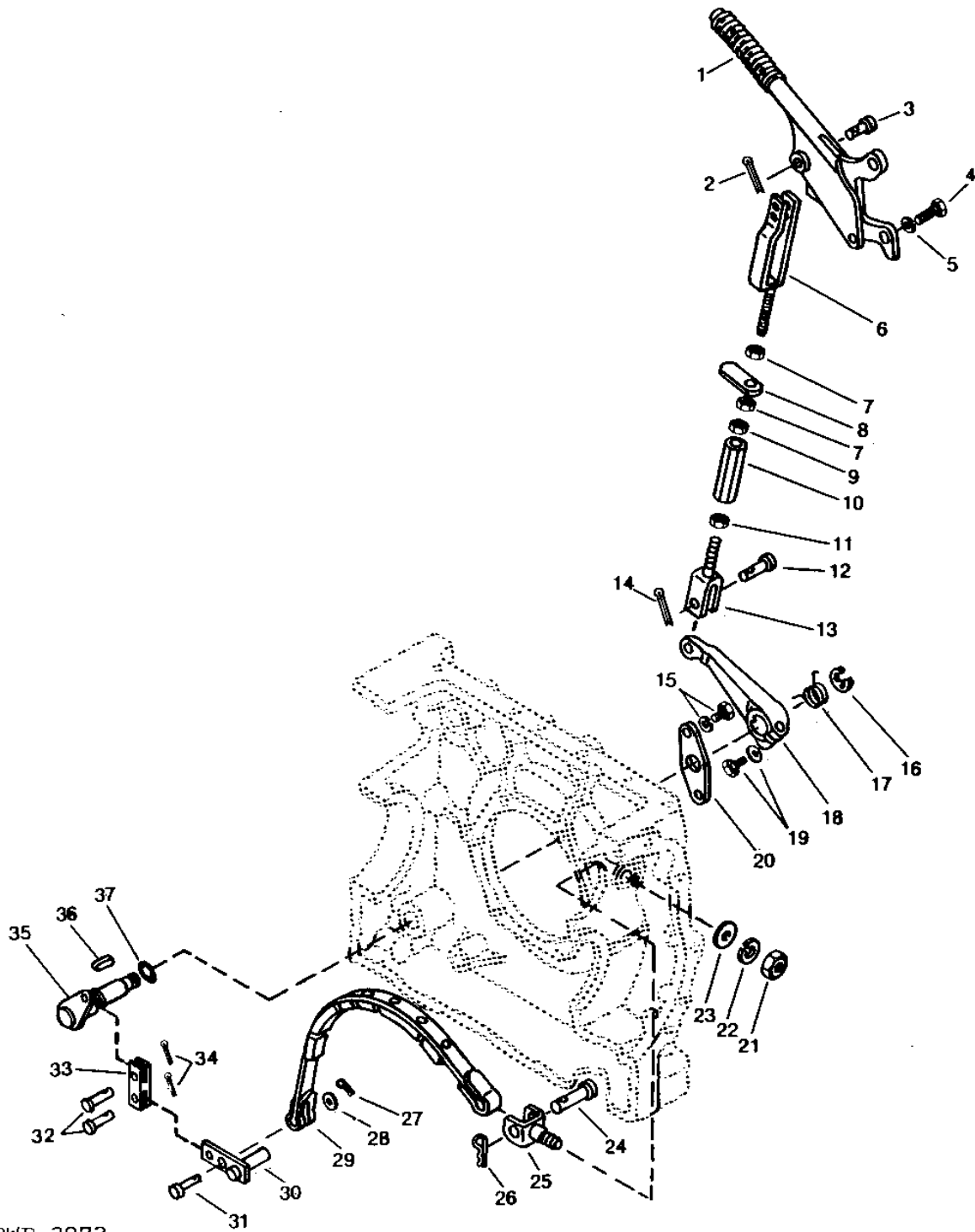
KEY	PART NO.	PART NAME	QTY	TRACTOR SERIAL NO.	REMARKS
				1 1 1	
				2 4 6	
				5 5 5	
				0 0 0	
1	CH16499	PACKING	4		X
2	CH18647	GEAR	2		X FINAL DRIVE, (SUB CH20230)
3	CH18644	BOLT	24		X
4	CH16501	PIN	6		X 10 X 25 MM
5	CH18796	PLATE	2		X BRAKE PRESSURE
6	CH16500	PACKING	2		X
7	CH20241	BRAKE DISK	2		X (SUB FOR CH18884)
8	CH17155	PIN	4		X 10 X 16 MM
9	CH17156	SCREW	8		X M8 X 16
10	CH16498	PLATE	2		X

1J7

RWP3973

-UN-01JAN94

PARK BRAKE LEVER



RWP 3973

1J8

STEERING AND BRAKES

PARK BRAKE LEVER - CONTINUED

KEY	PART NO.	PART NAME	QTY	TRACTOR SERIAL NO.			REMARKS	
				1 1 1	2 4 6	5 5 5		
				0 0 0				
1	CH18050	LEVER	1				X	
2	11M7009	COTTER PIN	1				X	2 X 16 MM
3	CH17717	PIN	1				X	8 X 26 MM
4	19M7162	CAP SCREW	1				X	M8 X 16
5	12M7065	LOCK WASHER	1				X	M8
6	CH18161	ROD	1				X	
7	14M7274	NUT	2				X	M10
8	CH16516	PLATE	1				X	SWITCH ACTIVATOR
9	14M7274	NUT	1				X	M10
10	CH11416	TURNBUCKLE	1				X	M10 X 90
11	CH11399	NUT	1				X	M10, (SUB 14M7288)
12	CH10857	PIN	1				X	8 X 25 MM
13	CH10989	YOKE	1				X	
14	11M7009	COTTER PIN	1				X	2 X 16 MM
15	19M7162	CAP SCREW	2				X	M8 X 16
	12M7065	LOCK WASHER	2				X	M8
16	CH17540	SNAP RING	1				X	
17	CH17553	SPRING	1				X	
18	CH18159	ARM	1				X	
19	CH17216	SCREW, WITH WASHER	1				X	M10 X 35, (SUB 19M7550 AND 12M7066)
20	CH16512	PLATE	1				X	
21	14M7275	NUT	1				X	M12
22	12M7067	LOCK WASHER	1				X	M12
23	24M7047	WASHER	1				X	13 X 24 X 2.500 MM, (SUB FOR CH11470)
24	CH17539	PIN	1				X	12 X 40 MM
25	CH18060	BRACKET	1				X	
26	CH11525	PIN	1				X	M12
27	CH12016	PIN	1				X	M8
28	CH15392	WASHER	1				X	(SUB 24M7096)
29	CH18158	BRAKE BAND	1				X	
30	CH18163	ARM	1		-003000		X	
	CH20123	ARM	1	003001-			X	(SUB FOR CH19508)
31	CH18164	PIN	1				X	
32	CH18047	PIN	2				X	8 X 24 MM
33	CH18162	YOKE	1				X	
34	11M7009	COTTER PIN	2				X	2 X 16 MM
35	CH18160	SHAFT	1				X	
36	CH18165	KEY	1				X	M5 X 18
37	CH14634	O-RING	1				X	

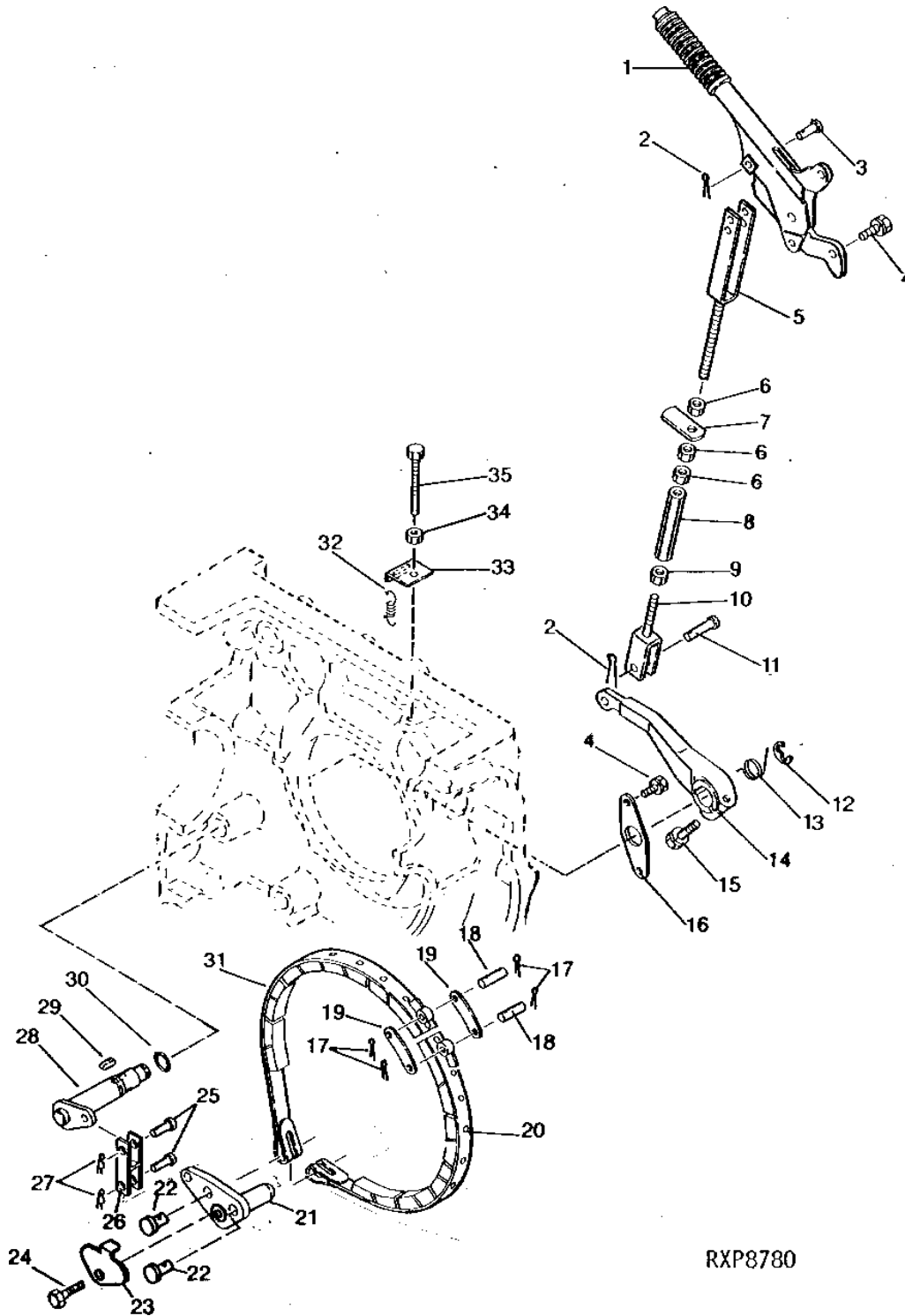
1J9

STEERING AND BRAKES

RXP8780

-UN-01JAN94

PARK BRAKE LEVER



RXP8780

1J10

STEERING AND BRAKES

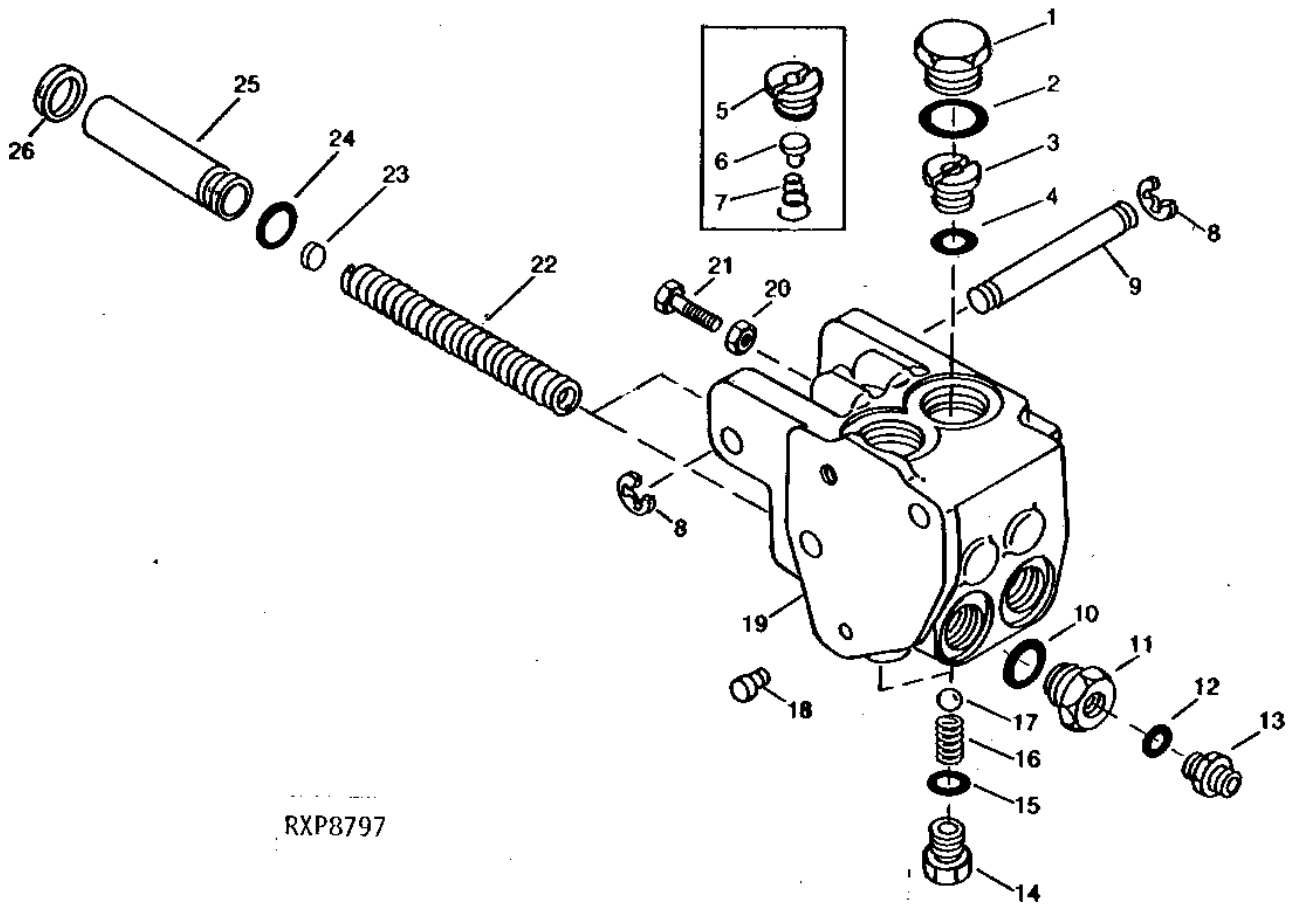
PARK BRAKE LEVER - CONTINUED

KEY	PART NO.	PART NAME	QTY	TRACTOR			REMARKS
				SERIAL NO.	1 1 1	2 4 6	
				5 5 5			
				0 0 0			
1	CH18050	LEVER	1		X X		
2	11M7009	COTTER PIN	2		X X	2 X 16 MM	
3	CH17717	PIN	1		X X		
4	CH12022	BOLT	3		X X	(SUB 19M7162 AND 12M7065)	
5	CH18161	ROD	1		X X		
6	14M7274	NUT	3		X X	M10	
7	CH16516	PLATE	1		X X		
8	CH11416	TURNBUCKLE	1		X X	SWITCH ACTIVATOR	
9	CH11399	NUT	1		X X		
10	CH10989	YOKE	1		X X		
11	CH10857	PIN	1		X X		
12	CH17540	SNAP RING	1		X X		
13	CH18675	SPRING	1		X X		
14	CH18159	ARM	1		X X		
15	CH17216	SCREW, WITH WASHER	1		X X	(SUB 19M7550 AND 12M7066)	
16	CH16512	PLATE	1		X X		
17	CH12315	PIN	4		X X	(SUB 11M7078)	
18	CH18678	PIN	2		X X		
19	CH18679	PLATE	2		X X		
20	CH18668	BRAKE BAND	1		X X	LOWER	
21	CH20046	ARM	2		X X	(SUB FOR CH19818)	
22	CH20122	PIN	1		X X	(SUB FOR CH18683)	
23	CH19819	PLATE	2		X X		
24	CH12022	BOLT	1		X X		
25	CH18047	PIN	2		X X		
26	CH18162	YOKE	1		X X		
27	CH11524	PIN	2		X X		
28	CH18677	SHAFT	1		X X		
29	CH18165	KEY	1		X X		
30	CH14634	O-RING	1		X X		
31	CH18661	BRAKE BAND	1		X X	UPPER	
32	CH17553	SPRING	1		X X		
33	CH18676	BRACKET	1		X X		
34	14M7273	NUT	1		X X	M8	
35	19M7663	CAP SCREW	1		X X	M8 X 70	

1J11

RXP8797 -UN-01JAN94

BRAKE VALVE ASSEMBLY



RXP8797

1J12

STEERING AND BRAKES

BRAKE VALVE ASSEMBLY - CONTINUED

KEY	PART NO.	PART NAME	QTY	TRACTOR SERIAL NO.			REMARKS
				1	2	5	
				1	1	1	
				2	4	6	
				5	5	5	
				0	0	0	
1	T21806	DRAIN PLUG	2	X	X	X	
2	R29936	O-RING	2	X	X	X	
3	AT135655	CHECK VALVE	2	X	X	X	
4	R26906	O-RING	2	X	X	X	
5	T21810	VALVE	2	X	X	X	RESERVOIR CHECK VALVE, (SUB AT135655)
6	AT129106	VALVE	2	X	X	X	RESERVOIR CHECK VALVE, (SUB FOR T21811) (SUB R135655)
7	T21812	SPRING	2	X	X	X	(SUB AT135655)
8	F2863R	SNAP RING	2	X	X	X	
9	T49189	PIN	1	X	X	X	
10	F3171R	O-RING	2	X	X	X	
11	T21813	SEAT	2	X	X	X	LINE CHECK VALVE
12	R26287	O-RING	2	X	X	X	
13	CH17244	FITTING	2	X	X	X	
14	R39112	FITTING	2	X	X	X	
15	R26375	O-RING	2	X	X	X	
16	T21816	SPRING	2	X	X	X	
17	D2361R	BALL	2	X	X	X	
18	15H560	PIPE PLUG	1	X	X	X	1/16"
19	AR53493	HOUSING	1	X	X	X	(MARKED R49664) (ALSO ORDER 19M8061, IF NOT PREVIOUSLY INSTALLED)
20	T21817	SPRING	2	X	X	X	(SUB L62883)
21	14H732	NUT	2	X	X	X	3/8"
22	19H988	CAP SCREW	2	X	X	X	3/8" X 1-1/4"
23	CH18799	DISK	2	X	X	X	
24	R495R	O-RING	2	X	X	X	
25	R73933	PISTON	2	X	X	X	
26	T22101	SEAL	2	X	X	X	PISTON

MEMORANDA

2A19

HYDRAULICS

R32261 -UN-01JAN94

TRANSMISSION AND HYDRAULIC OIL



R32261F

1 1 1
2 4 6
5 5 5
0 0 0

KEY	PART NO.	PART NAME	QTY	TRACTOR SERIAL NO.	REMARKS
1	AR69444	HY-GARD	1	X X X	19L (5 GAL)
	AR69445	HY-GARD	1	X X X	208L (55 GAL) (EMPTY DRUMS NOT RETURNABLE)

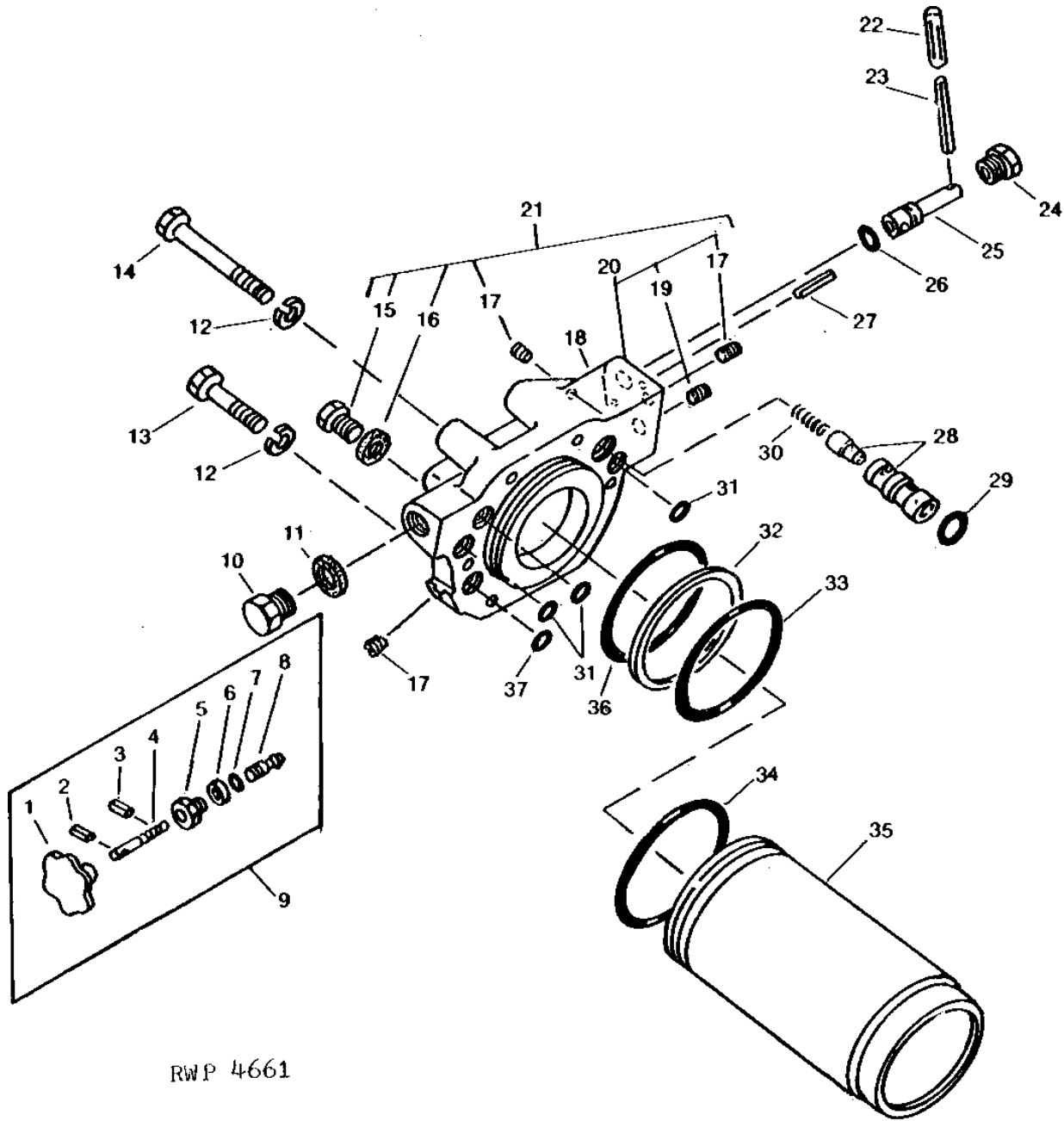
2A20

HYDRAULICS

RWP4661

-UN-01JAN94

ROCKSHAFT HOUSING AND CYLINDER



RWP 4661

2A21

HYDRAULICS

ROCKSHAFT HOUSING AND CYLINDER - CONTINUED

KEY	PART NO.	PART NAME	QTY	TRACTOR			REMARKS
				SERIAL NO.	1 1 1	2 4 6	
					5 5 5		
					0 0 0		
1	CH11431	HANDLE	1		X X X		
2	CH12296	PIN	1		X X X		
3	CH12294	PIN	1		X X X		
4	CH11290	SHAFT	1	-XXXXXX	X X X		(SUB CH20210, CH15143 AND CH10568, THIS APPLICATION)
	CH20210	BOLT	1	XXXXXX-	X X X		
5	CH13115	GUIDE	1	-XXXXXX	X X X		(SUB CH10568, M802206, M80227 AND M80228, THIS APPLICATION)
	CH15143	GUIDE	1	XXXXXX-	X X X		
6	CH17168	BACK-UP RING	1		X X X		
7	CH17167	O-RING	1		X X X		
	CH10568	PACKING	1	XXXXXX-	X X X		
8	CH16551	VALVE	1		X X X		STOP
9	CH19523	KIT	1	-XXXXXX	X X X		STOP VALVE, (SUB CH20209)
	CH20209	KIT	1	XXXXXX-	X X X		STOP VALVE
10	CH19509	PLUG	1		X X X		
11	CH16842	GASKET	1		X X X		
12	12M7067	LOCK WASHER	6		X X X		M12
13	CH16103	BOLT	2		X X X		
14	CH16507	BOLT	4		X X X		
15	CH10561	PLUG	1		X X		
16	CH15116	GASKET	1		X X		
17	CH13504	PLUG	3		X X		(SUB PT13744)
	CH13504	PLUG	4	-003000	X		(SUB PT13744)
	CH13504	PLUG	3	003001-	X		(SUB PT13744)
18	CH18694	COVER	1		X X		
19	15H559	PIPE PLUG	1		X X X		1/4"
20	CH17691	COVER	1		X		COMPLETE
21	CH18693	COVER	1		X X		COMPLETE
22	CH11545	PIN	1		X X X		
23	CH17166	DOWEL PIN	1		X X X		
24	CH16546	RETAINER	1		X X X		
25	CH16547	VALVE	1		X X X		RATE OF DROP
26	CH17167	O-RING	1		X X X		
27	CH11497	PIN	2		X X X		
28	CH16651	VALVE SEAT INSERT	1		X X X		
29	CH14583	PACKING	1		X X X		
30	CH16550	SPRING	1		X X X		
31	CH17159	PACKING	3		X X X		
32	CH18695	RING	1		X X		
	CH16528	BACK-UP RING	1		X		
33	CH18696	PACKING	1		X X		
	CH17160	PACKING	1		X		
34	CH13529	PACKING	1		X X		
35	CH18692	HYDRAULIC CYLINDER BARREL	1		X X		
	CH16526	CYLINDER	1		X		
36	CH17161	PACKING	1		X		
37	CH11561	PACKING	1		X X X		

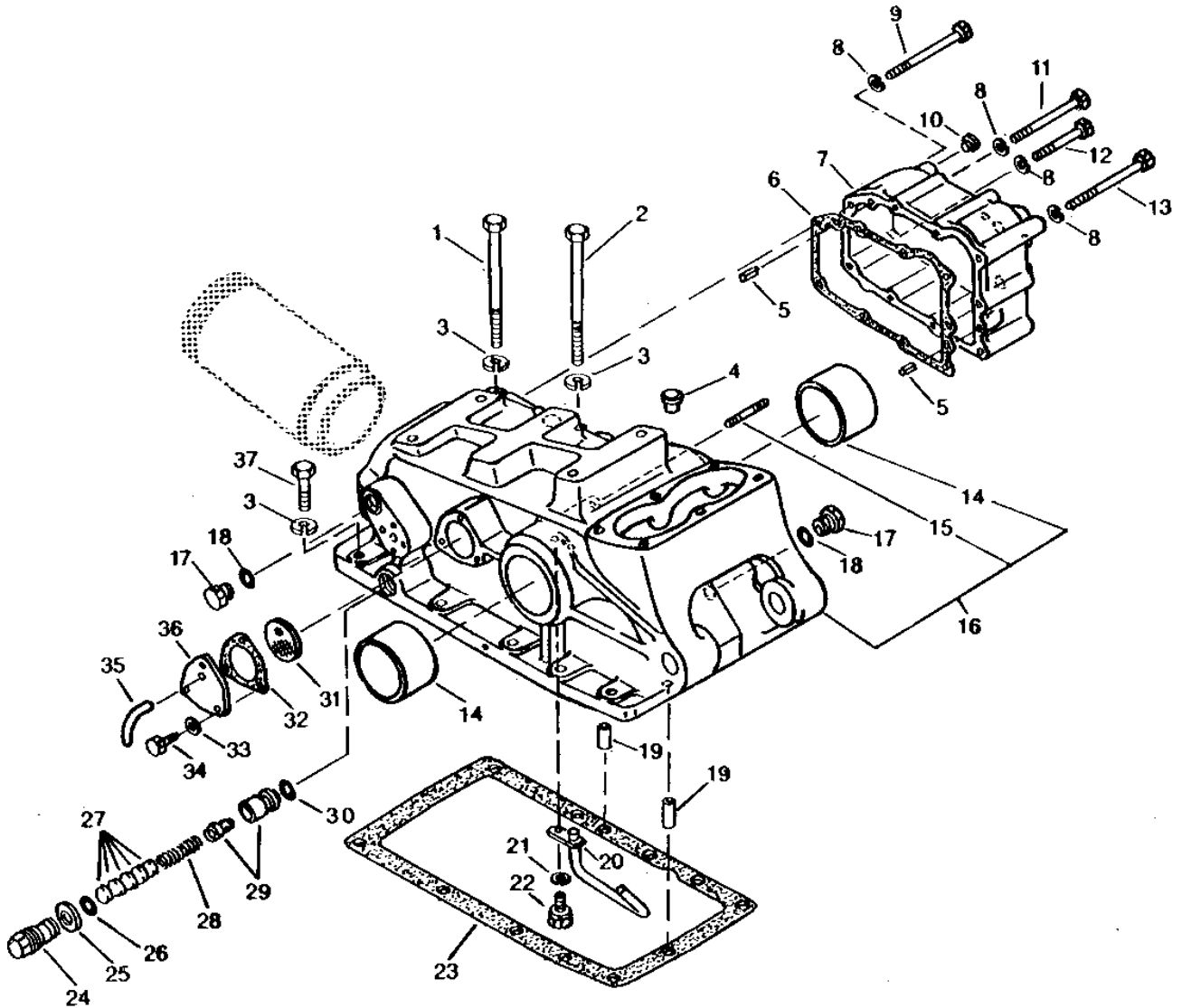
2A22

HYDRAULICS

RWP4662

-UN-01JAN94

ROCKSHAFT HOUSING



RWP 4662

2A23

HYDRAULICS

ROCKSHAFT HOUSING - CONTINUED

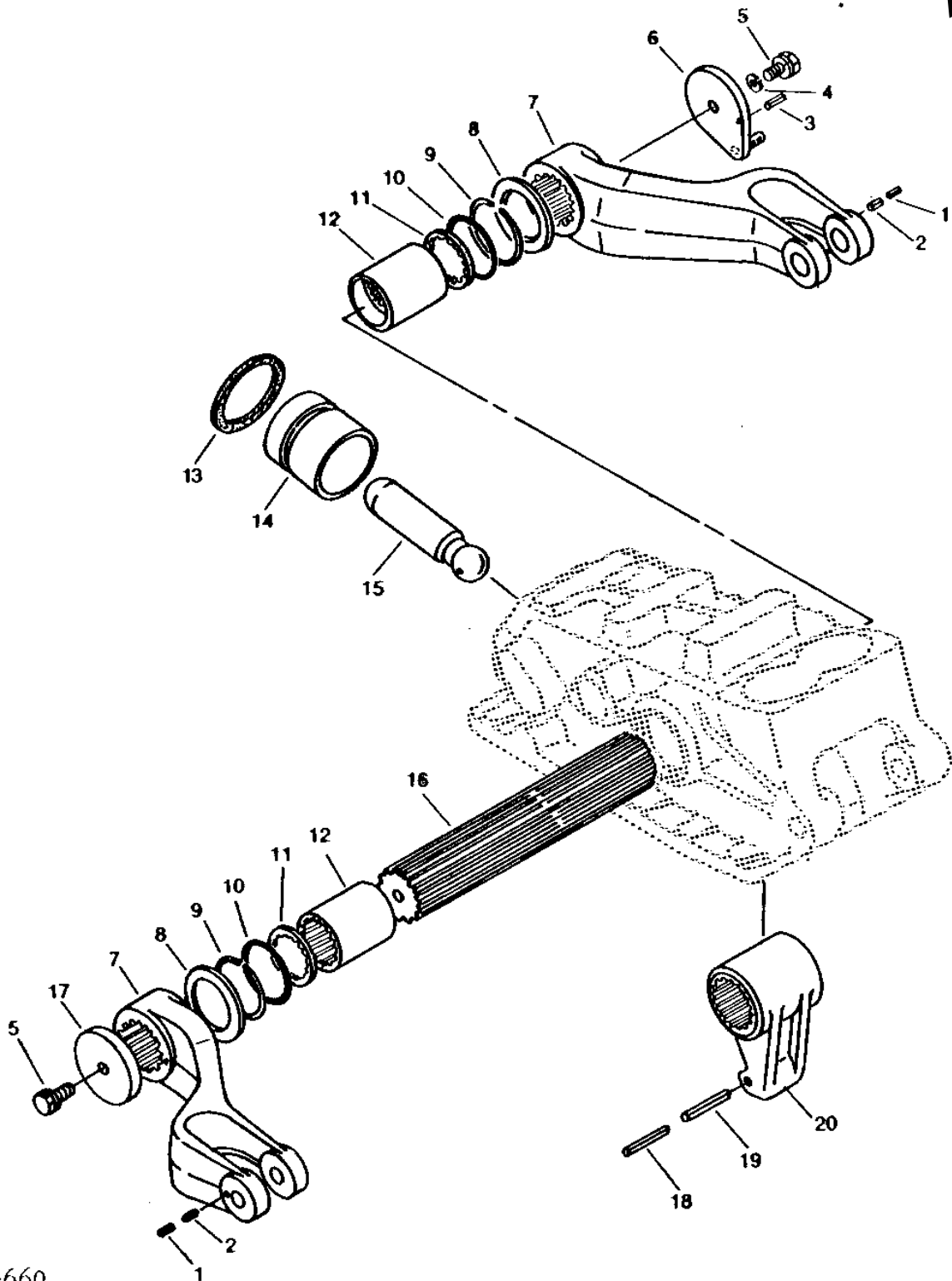
KEY	PART NO.	PART NAME	QTY	TRACTOR			REMARKS
				SERIAL NO.	1 1 1	2 4 6	
					5 5 5		
					0 0 0		
1	CH16510	BOLT	1		X X X		(SUB 19M7307)
2	CH17272	BOLT	1		X X X		(SUB 19M7729)
3	12M7067	LOCK WASHER	10		X X X		M12
4	CH11220	PLUG	2	-003000	X		
	CH14177	BOLT	2	003001-	X		
5	CH14656	SPRING PIN	2		X X X		
6	CH16523	GASKET	1		X X X		
7	CH18691	VALVE COVER	1		X X		ROCKSHAFT VALVE
	CH16190	CASE	1	-003000	X		ROCKSHAFT VALVE, (SUB CH19531)
	CH18691	VALVE COVER	1	003001-	X		
8	12M7065	LOCK WASHER	9		X X X		M8
9	CH17162	BOLT	1		X X X		
10	CH12251	CAP	2		X X X		
11	CH10590	BOLT	5		X X		(SUB 19M7325)
	CH10590	BOLT	7	-003000	X		(SUB 19M7325)
	CH10590	BOLT	5	003001-	X		(SUB 19M7325)
12	CH10589	BOLT	1		X X X		(SUB 19M7663)
13	CH14177	BOLT	2		X X		
14	CH17971	BUSHING	2		X X X		
15	CH16520	STUD	1		X X X		
16	CH18686	HOUSING	1		X X		COMPLETE
	CH17689	HOUSING	1		X		COMPLETE
17	R39112	FITTING	2		X X X		
18	R26375	O-RING	2		X X		
	R26375	O-RING	2		X		
19	CH17158	PIN	2		X X X		
20	CH18688	PIPE	1		X X		
	CH16522	PIPE	1	-003000	X		(SUB CH18688)
	CH18688	PIPE	1	003001-	X		
21	12M7065	LOCK WASHER	1		X X X		M8
22	19M7162	CAP SCREW	1		X X X		M8 X 16
23	CH16521	GASKET	1		X X X		
24	CH16557	PLUG	1		X X X		SAFETY VALVE
25	CH16556	BACK-UP RING	1		X X X		
26	CH10570	PACKING	1		X X X		
27	CH16615	SHIM	1		X X X		
28	CH16555	SPRING	1		X X X		
29	CH18078	VALVE	1		X X X		(SUB FOR CH16652)
30	CH11562	PACKING	1		X X X		
31	CH16740	FILTER	1		X X X		
32	CH16525	GASKET	1		X X X		
33	12H302	LOCK WASHER	1		X X		1/4" M6
	12M7006	LOCK WASHER	1		X		M6
34	19M6614	CAP SCREW	1		X X X		M6 X 12, (SUB FOR CH10577)
35	CH17693	TUBE	1		X X X		
36	CH17694	PLATE	1		X X X		
37	19M7493	CAP SCREW	8		X X X		M12 X 40, (SUB FOR CH17163)

2A24

HYDRAULICS

RWP4660 -UN-01JAN94

ROCKSHAFT ARMS AND SHAFT



RWP 4660

2A25

HYDRAULICS

ROCKSHAFT ARMS AND SHAFT - CONTINUED

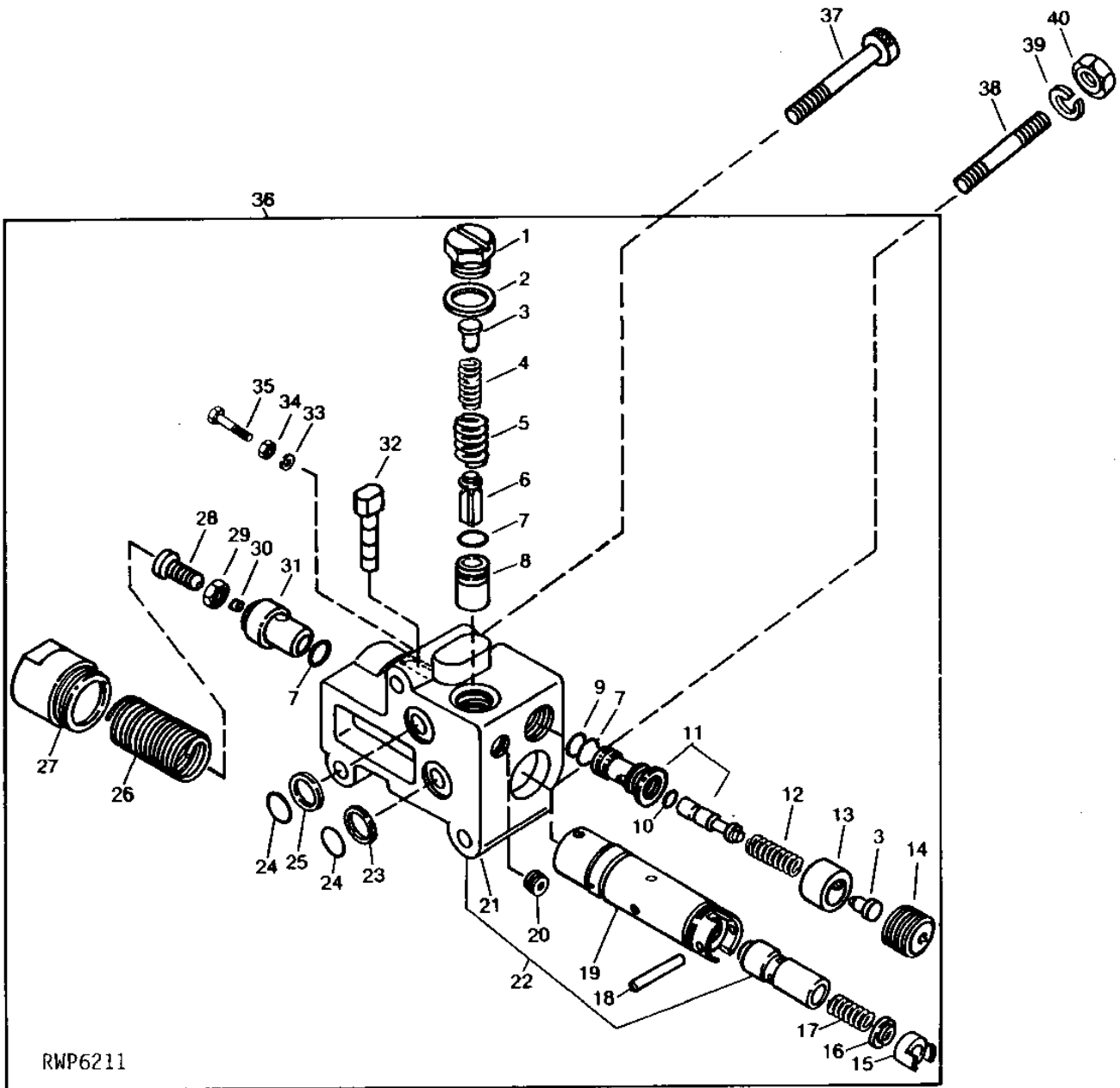
KEY	PART NO.	PART NAME	QTY	TRACTOR			REMARKS
				SERIAL NO.	1 1 1	2 4 6	
					5 5 5		
					0 0 0		
1	CH13499	SPRING PIN	2			X X	
	CH13499	SPRING PIN	2	003001-		X	
2	CH18894	PIN	2			X X	
	CH18894	PIN	2	003001-		X	
3	CH11495	PIN	1			X X X	
4	12M7068	LOCK WASHER	2			X X X	
5	19M7877	CAP SCREW	2	-003000		X	M14 X 30
	19M6332	CAP SCREW	2	003001-		X	M14 X 35
	19M6332	CAP SCREW	2			X X	M14 X 35
6	CH16541	ARM	1	-003000		X	FEEDBACK, (SUB CH18890)
	CH18890	ARM	1	003001-		X	
	CH18890	ARM	1			X X	FEEDBACK
7	CH16540	LIFT ARM	1	-003000		X	(SUB CH18889)
	CH18889	LIFT ARM	1	003001-		X	
	CH18889	LIFT ARM	1			X X	
8	CH16536	THRUST WASHER	2	-003000		X	(SUB 21830)
	CH18888	THRUST WASHER	2	003001-		X	(SUB 21830)
	CH18888	THRUST WASHER	2			X X	(SUB 21830)
9	CH16539	RING	2			X X X	
10	CH14671	PACKING	2			X X X	
11	CH16538	SEAL	2			X X X	
12	CH16537	SLEEVE	2			X X X	
13	CH18699	PACKING	1			X X	
	CH16532	PACKING	1			X	
14	CH18698	PISTON	1			X X	
	CH20191	PISTON	1			X	(SUB FOR CH16531)
15	CH16534	ROD	1			X X X	
16	CH16533	ROCKSHAFT	1	-003000		X	(SUB CH18887)
	CH18887	ROCKSHAFT	1	003001-		X	
	CH18887	ROCKSHAFT	1			X X	
17	CH16542	WASHER	1	-003000		X	(SUB CH18893)
	CH18893	WASHER	1	003001-		X	
	CH18893	WASHER	1			X X	
18	CH18895	PIN	1			X X	
	CH17164	DOWEL PIN	1			X	
19	CH17137	PIN	1			X X	
	CH17165	DOWEL PIN	1			X	
20	CH18886	ARM	1			X X	
	CH16535	ARM	1			X	

2B1

HYDRAULICS

RWP6211 -UN-01JAN94

ROCKSHAFT CONTROL VALVE



2B2

HYDRAULICS

ROCKSHAFT CONTROL VALVE - CONTINUED

KEY	PART NO.	PART NAME	QTY	TRACTOR			REMARKS
				SERIAL NO.	5 5 5	2 4 6	
					1 1 1		
					2 4 6		
					5 5 5		
					0 0 0		
1	CH17776	PLUG	1		X X X		
2	CH13249	GASKET	1		X X X		
3	CH17769	SEAT	2		X X X		
4	CH13243	SPRING	1		X X X		
5	CH17775	SPRING	1		X X X		
6	CH13242	CHECK VALVE	1		X X X		
7	CH17771	PACKING	3		X X X		
8	CH17774	SEAT	1		X X X		
9	CH17773	O-RING	1		X X X		
10	CH13212	PACKING	1		X X X		
11	CH17766	VALVE	1		X X X		
12	CH13211	SPRING	1		X X X		
13	CH17770	BUSHING	1		X X X		
14	CH17772	PLUG	1		X X X		
15	CH13203	SEAT	1		X X X		
16	CH17762	SPACER	1		X X X		
17	CH13201	SPRING	1		X X X		
18	CH17763	PIN	1		X X X		
19	SPOOL	1		X X X		
20	CH13196	PLUG	1		X X X		
21	CH17757	HOUSING	1		X X X	(SUB CH17756)	
22	CH17756	HOUSING	1		X X X		
23	CH17759	RING	1		X X X		
24	CH11570	O-RING	2		X X X		
25	CH17759	RING	1		X X X		
26	CH17761	SPRING	1		X X X		
27	CH13205	EXHAUST CAP	1		X X X		
28	CH13207	CAP SCREW	1		X X X		
29	14M7273	NUT	1		X X X	M8	
30	CH13206	PIN	1		X X X		
31	CH17760	PLUG	1		X X X		
32	CH17765	STUD	1		X X X		
33	12M7064	LOCK WASHER	1		X X X	M5, (SUB FOR CH12290)	
34	14M7229	NUT	1		X X X	M5	
35	CH17764	SCREW	1		X X X		
36	CH16543	VALVE	1		X X X		
37	CH17262	BOLT	2		X X X	M8 X 60	
38	CH16520	STUD	1		X X X		
39	12M7065	LOCK WASHER	1		X X X	M8, (SUB FOR CH11475)	
40	14M7273	NUT	1		X X X	M8, (SUB FOR CH10629)	

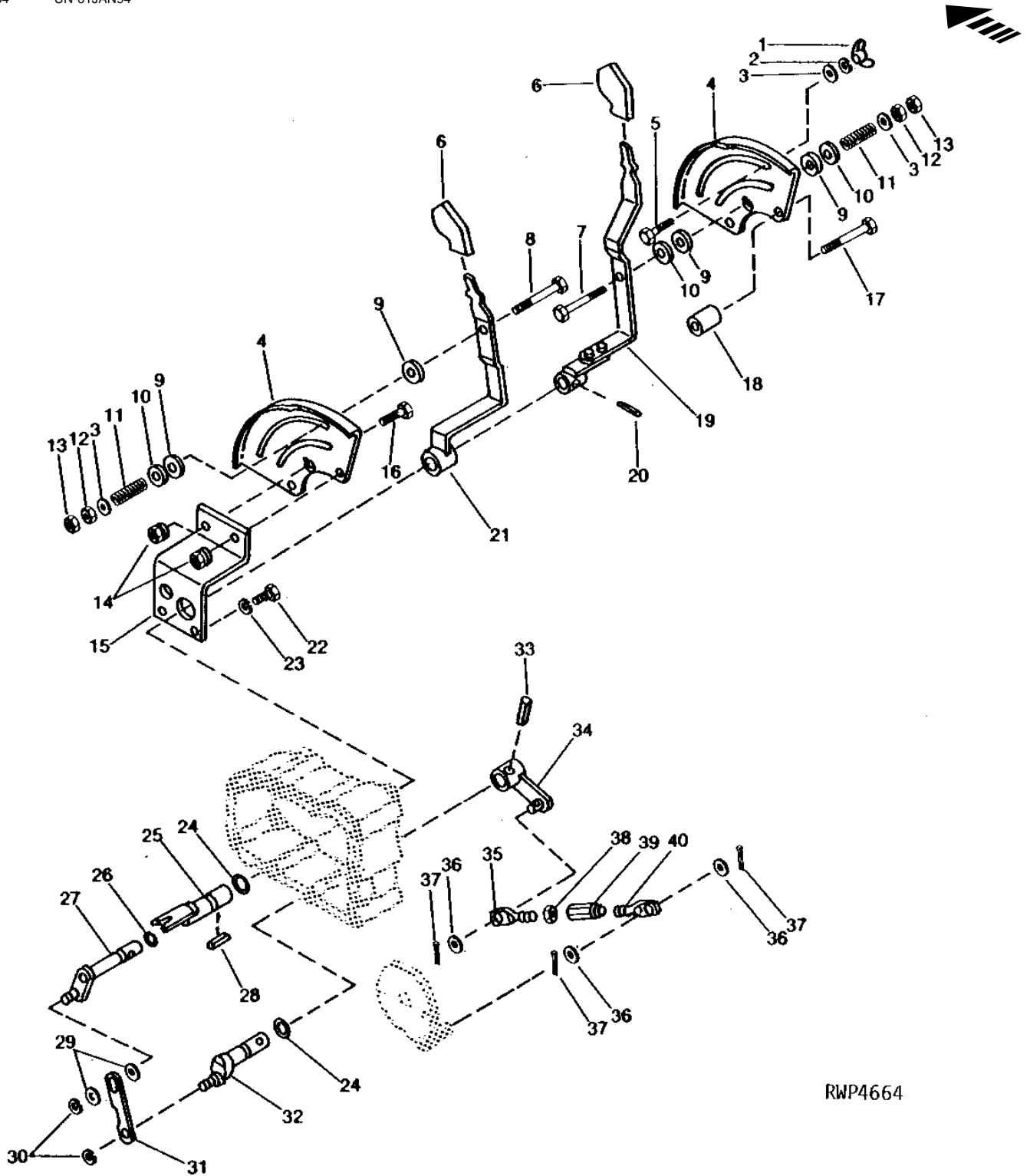
2B3

HYDRAULICS

RWP4664

-UN-01JAN94

ROCKSHAFT CONTROL LEVER



RWP4664

2B4

HYDRAULICS

ROCKSHAFT CONTROL LEVER - CONTINUED

KEY	PART NO.	PART NAME	QTY	TRACTOR SERIAL NO.			REMARKS
				1	2	5	
				1	1	1	
				2	4	6	
				5	5	5	
				0	0	0	
1	CH17264	NUT	1	X			M6
2	12M7006	LOCK WASHER	1	X			M6
3	24M7088	WASHER	3	X			6.600 X 12 X 1.600 MM
4	CH16954	GUIDE	2	X			
5	CH16962	PLUG	1	X			
6	CH13749	KNOB	2	X			
7	CH16955	BOLT	1	X			
8	CH11600	BOLT	1	X			M6 X 50, (SUB 19M7595)
9	CH16968	STOP	4	X			
10	CH16969	WASHER	3	X			
11	CH11009	SPRING	2	X			
12	14M7272	NUT	2	X			M6
13	14M7194	NUT	2	X			M6
14	CH10521	NUT	3	X			(SUB 14M7273, 12M7065 AND 24M7055)
15	CH16953	BRACKET	1	X			
16	CH17612	BOLT	1	X			
17	19M7378	CAP SCREW	2	X			M8 X 45
18	CH13256	SPACER	2	X			
19	CH16956	LEVER	1	X			
20	CH14906	SPRING PIN	1	X			M5 X 25
21	CH16957	LEVER	1	X			
22	19M7162	CAP SCREW	2	X			M8 X 16
23	12M7065	LOCK WASHER	2	X			M8
24	CH17159	PACKING	1	X			
25	CH16959	SHAFT	1	X			
26	CH11560	PACKING	1	X			
27	CH16958	SHAFT	1	X			
28	CH16960	KEY	1	X			M3 X 3.7 X 15
29	24M7055	WASHER	2	X			8.400 X 16 X 1.600 MM
30	CH11489	RING	2	X			M6
31	CH16961	LEVER	1	X			
32	CH16964	SHAFT	1	X			
33	CH17263	DOWEL PIN	1	X			M5 X 28
34	CH16963	ROD	1	X			
35	CH16966	ROD	1	X			FEEDBACK R.H. THREAD
36	24M7028	WASHER	3	X			10.500 X 20 X 2 MM
37	CH12320	PIN	3	X			M3 X 25
38	14M7274	NUT	1	X			M10
39	CH16965	TURNBUCKLE	1	X			M10 X 50
40	CH16967	ROD	1	X			FEEDBACK L.H. THREAD

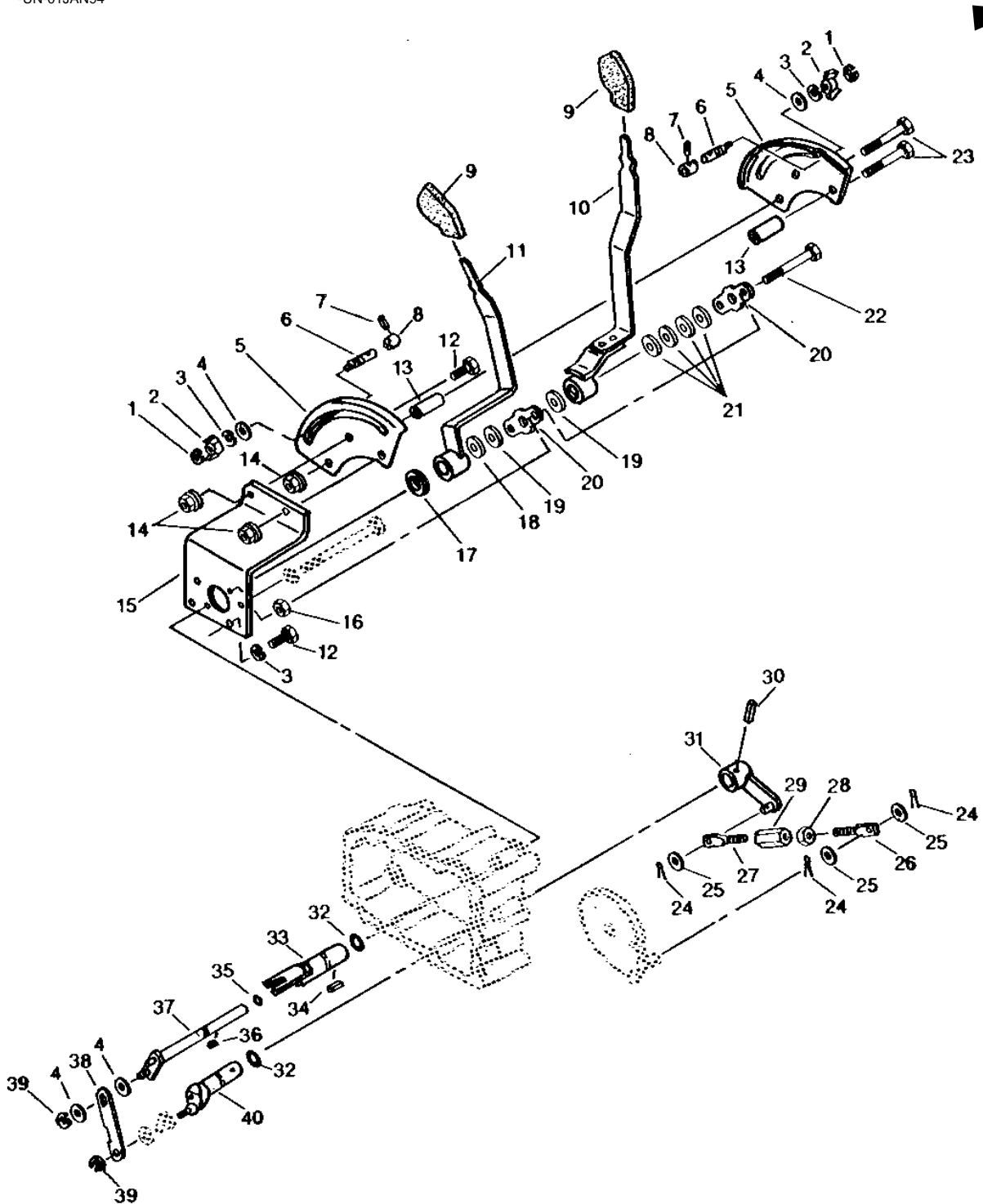
2B5

HYDRAULICS

RWP4659

-UN-01JAN94

ROCKSHAFT CONTROL LEVER



RWP 4659

2B6

HYDRAULICS

ROCKSHAFT CONTROL LEVER - CONTINUED

KEY	PART NO.	PART NAME	QTY	TRACTOR			REMARKS
				SERIAL NO.	1 1 1	2 4 6	
				5 5 5			
				0 0 0			
1	CH13497	SNAP RING	2		X X		
2	CH18919	NUT	2		X X	(SUB 14M7020)	
3	12M7065	LOCK WASHER	4		X X	M8	
4	24M7055	WASHER	4		X X	8.400 X 16 X 1.600 MM	
5	CH18899	GUIDE	2		X X		
6	CH13402	BOLT	2		X X		
7	CH11495	PIN	2		X X		
8	CH13257	STOP	2		X X		
9	CH13749	KNOB	2		X X		
10	CH18901	LEVER	1		X X	POSITION CONTROL	
11	CH18906	LEVER	1		X X	DRAFT CONTROL	
12	19M7139	CAP SCREW	3		X X	M8 X 20	
13	CH18900	SPACER	2		X X		
14	CH10521	NUT	3		X X	(SUB 14M7273, 12M7065 AND 24M7055)	
15	CH18897	BRACKET	1		X X		
16	14M7273	NUT	2		X X	M8	
17	CH18916	WASHER	1		X X		
18	24M7047	WASHER	1		X X	13 X 24 X 2.500 MM	
19	CH15163	PLATE	2		X X		
20	CH18898	PLATE	2		X X		
21	CH15161	WASHER	4		X X		
22	CH18918	BOLT	2		X X		
23	19M7185	CAP SCREW	2		X X	M8 X 60	
24	CH12320	PIN	3		X X		
25	24M7028	WASHER	3		X X	10.500 X 20 X 2 MM	
26	CH16966	ROD	1		X X	FEEDBACK R.H. THREAD	
27	CH16967	ROD	1		X X	FEEDBACK L.H. THREAD	
28	14M7274	NUT	1		X X	M10	
29	CH16965	TURNBUCKLE	1		X X		
30	CH17263	DOWEL PIN	1		X X		
31	CH16963	ROD	1		X X		
32	CH17159	PACKING	2		X X		
33	CH18913	SHAFT	1		X X		
34	CH16960	KEY	1		X X		
35	CH11560	PACKING	1		X X		
36	CH12762	SHAFT KEY	1		X X		
37	CH18909	SHAFT	1		X X		
38	CH16961	LEVER	1		X X		
39	CH11486	RING	2		X X		
40	CH18917	SHAFT	1		X X		

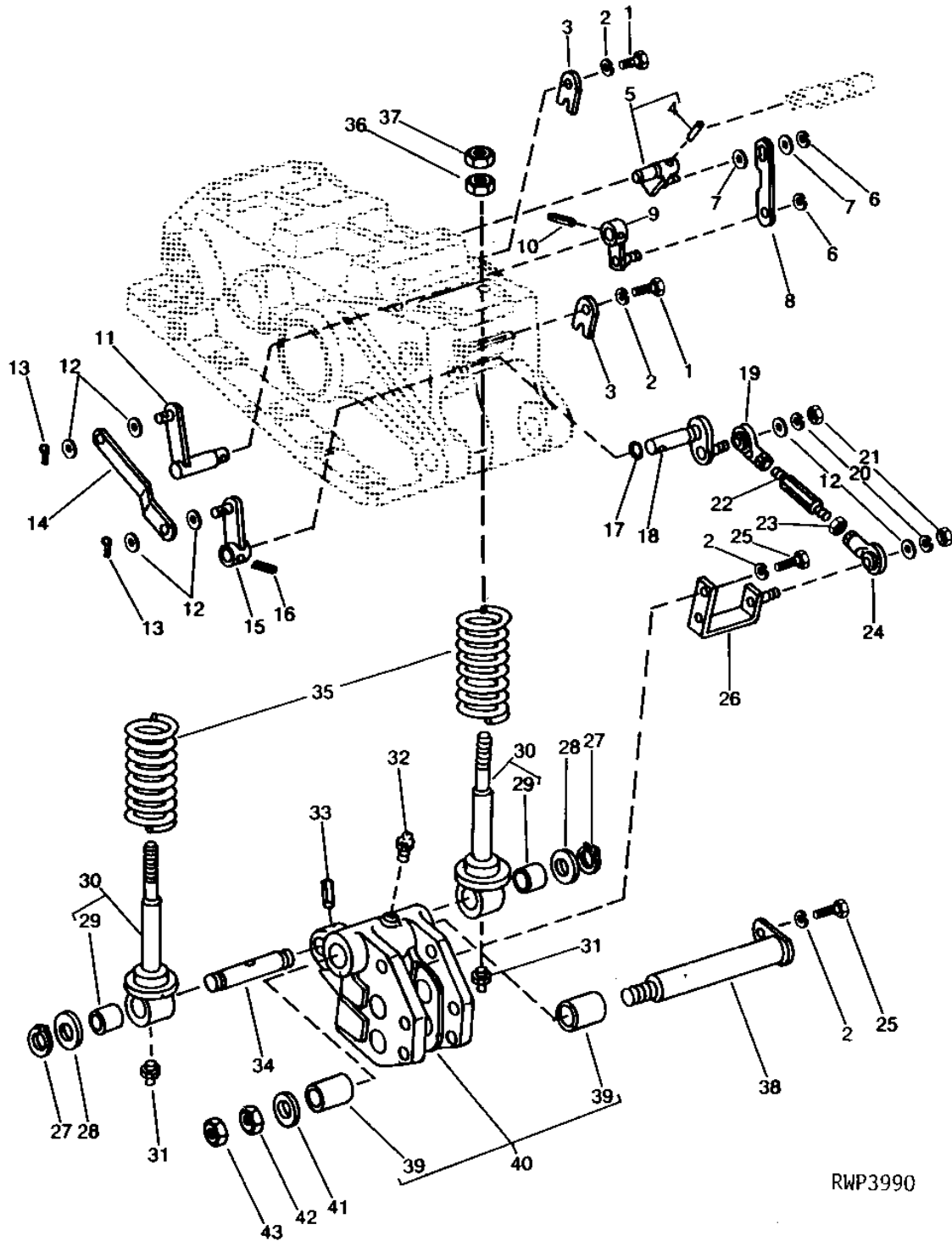
2B7

HYDRAULICS

RWP3990

-UN-01JAN94

ROCKSHAFT CONTROL LINKAGE AND BRACKET



RWP3990

2B8

HYDRAULICS

ROCKSHAFT CONTROL LINKAGE AND BRACKET - CONTINUED

KEY	PART NO.	PART NAME	QTY	TRACTOR SERIAL NO.			REMARKS
				1 1 1	2 4 6	5 5 5	
				0 0 0			
1	19M7162	CAP SCREW	2	X			M8 X 16
2	12M7065	LOCK WASHER	5	X			M8
3	CH16988	PLATE	2	X			
4	CH17294	PIN	1	X			M8 X 18
5	CH18800	LINK	1	X			(SUB FOR CH17697)
6	CH11489	RING	2	X			
7	24M7055	WASHER	2	X			8.400 X 16 X 1.600 MM
8	CH17695	LEVER	1	X			
9	CH16973	ARM	1	X			(SUB CH18923)
10	CH14906	SPRING PIN	1	X			M5 X 25
11	CH16974	LEVER	1	X			
12	24M7028	WASHER	6	X			10.500 X 20 X 2 MM
13	CH12016	PIN	2	X			
14	CH16977	ROD	1	X			
15	CH16975	ARM	1	X			
16	CH14906	SPRING PIN	1	X			
17	CH11561	PACKING	1	X			
18	CH16976	LEVER	1	X			
19	CH17287	ROD	1	X			
20	12M7066	LOCK WASHER	2	X			M10
21	14M7274	NUT	2	X			M10
22	CH17286	ROD	1	X			
23	14M7273	NUT	1	X			M8
24	CH17289	ROD	1	X			
25	19M7162	CAP SCREW	3	X			M8 X 16
26	CH16984	BRACKET	1	X			
27	CH17291	RING	2	X			
28	CH17290	WASHER	2	X			(SUB 24H1436)
29	CH13075	BUSHING	2	X			
30	CH16983	GUIDE	2	-003000	X		(SUB CH19511)
	CH19511	GUIDE	2	003001-	X		
31	CH11574	FITTING	2	X			
32	CH11574	FITTING	1	X			
33	CH13484	SPRING PIN	1	X			
34	CH16982	PIN	1	X			
35	CH16971	SPRING	2	X			
36	14M7141	NUT	2	X			M14
37	14M7157	NUT	2	X			M14
38	CH16981	PIN	1	X			
39	CH16980	BUSHING	2	X			M28 X 31 X 40
40	CH18015	BRACKET	1	-003000	X		(SUB CH19510)
	CH19510	BRACKET	1	003001-004394	X		(SUB CH20170)
	CH20170	BRACKET	1	004395-	X		
41	CH11472	WASHER	1	X			
42	14M7277	NUT	1	X			M20
43	CH16114	NUT	1	X			M20

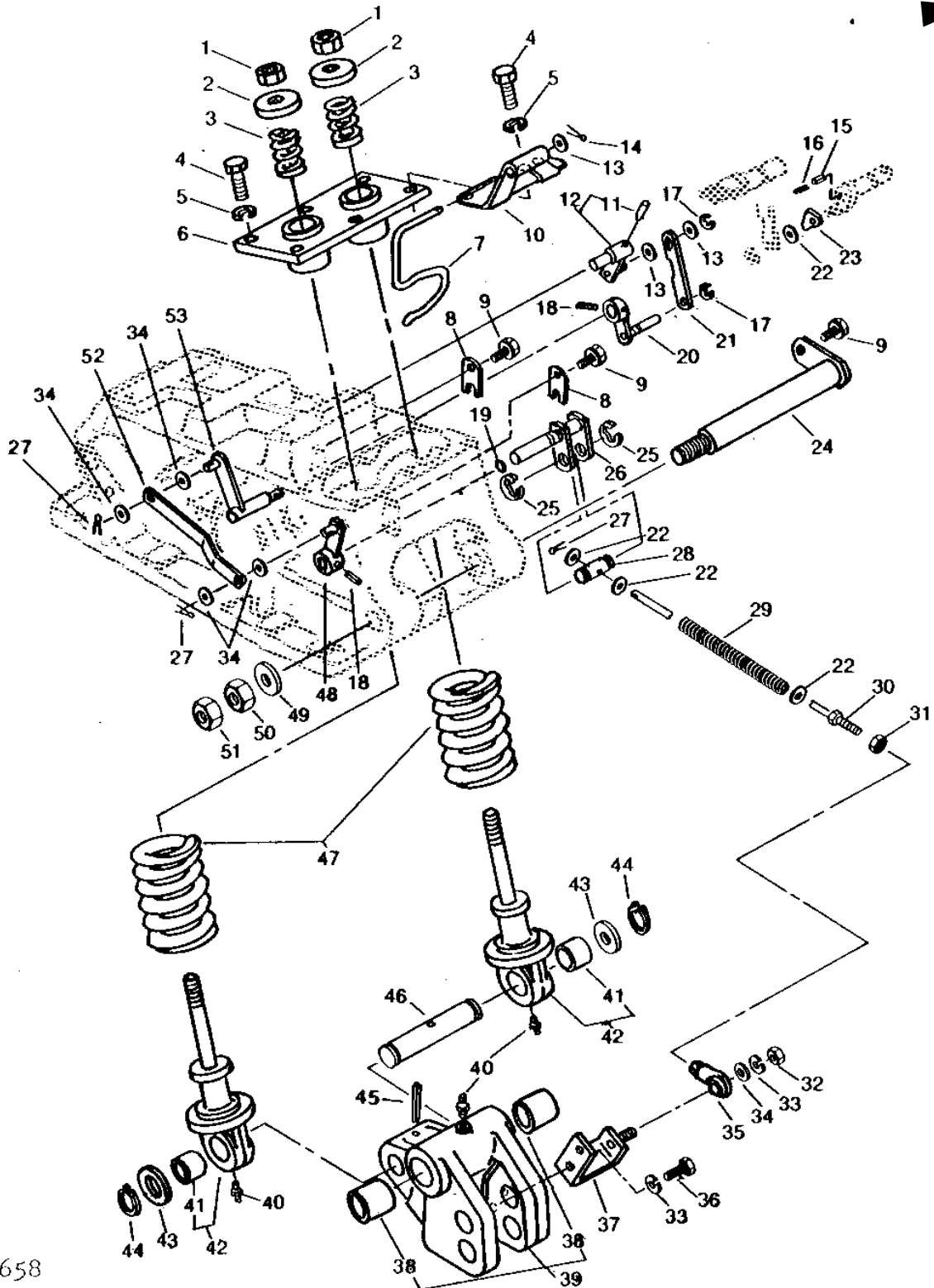
2B9

HYDRAULICS

RWP4658

-UN-01JAN94

ROCKSHAFT CONTROL LINKAGE AND BRACKET



RWP 4658

2B10

HYDRAULICS

ROCKSHAFT CONTROL LINKAGE AND BRACKET - CONTINUED

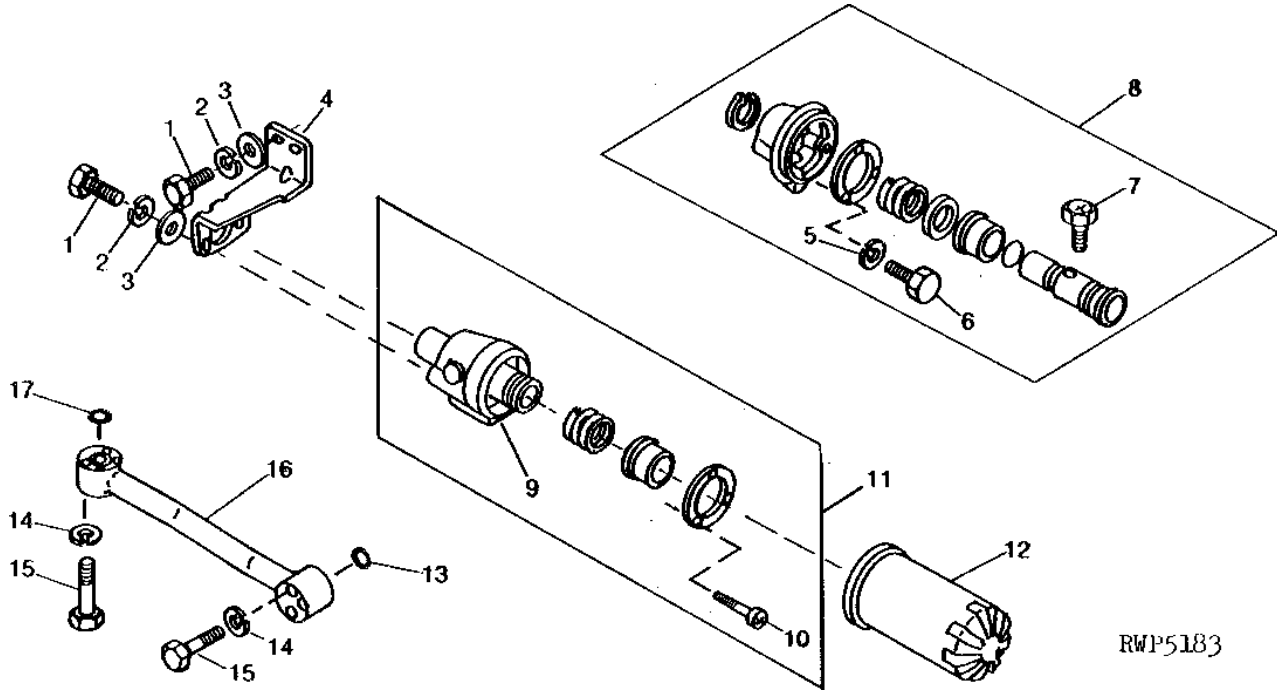
KEY	PART NO.	PART NAME	QTY	TRACTOR			REMARKS
				SERIAL NO.	1 1 1	2 4 6	
					5 5 5		
					0 0 0		
1	14M7274	NUT	2			X X	M10
2	CH18953	WASHER	2			X X	
3	CH18935	SPRING	2			X X	
4	19M7744	CAP SCREW	6			X X	M12 X 35
	19M7938	CAP SCREW	2	003001-		X	M10 X 20
5	12M7067	LOCK WASHER	6			X X	
	12M7066	LOCK WASHER	2	003001-		X	10.200 MM
6	CH18949	GUIDE	1			X X	
7	CH18921	HOOK	1			X X	
	CH18921	HOOK	1	003001-		X	
8	CH16988	PLATE	2			X X	
9	CH12022	BOLT	3			X X	(SUB 19M7162 AND 12M7065)
10	CH18922	BRACKET	1			X X	
	CH18922	BRACKET	1	003001-		X	
11	CH17294	PIN	1			X X	
12	CH18800	LINK	1			X X	
	11M7058	COTTER PIN	1			X X	
13	24M7055	WASHER	3			X X	8.400 X 16 X 1.600 MM
	24M7055	WASHER	3	003001-		X	8.400 X 16 X 1.600 MM
14	CH12315	PIN	1		-XXXXXX	X X	(SUB 11M7078)
	CH12315	PIN	1	003001-	XXXXXX	X	(SUB 11M7078)
	CH12320	PIN	1	XXXXXX-		X	
	CH12320	PIN	1	XXXXXX-		X X	
15	CH10541	PIN	1			X X	
16	CH18955	SPRING PIN	1			X X	
17	CH11489	RING	2			X X	
18	CH14906	SPRING PIN	2			X X	
19	CH11561	PACKING	1			X X	
20	CH18923	ARM	1			X X	
21	CH17695	LEVER	1			X X	
22	24M7095	WASHER	4			X X	8.400 X 15 X 1.600 MM
23	CH20207	DRAFT LINK	1			X X	(SUB FOR CH18927)
24	CH18936	PIN	1			X X	
25	CH17540	SNAP RING	2			X X	
26	CH18928	LEVER	1			X X	
27	11M7081	COTTER PIN	3			X X	2.500 X 20 MM
28	CH18946	PIN	1			X X	
29	CH18945	SPRING	1			X X	
30	CH18947	ROD	1			X X	
31	14M7273	NUT	1			X X	M8
32	14M7274	NUT	1			X X	M10
33	12M7066	LOCK WASHER	3			X X	
34	24M7028	WASHER	5			X X	10.500 X 20 X 2 MM
35	CH17289	ROD	1			X X	
36	19M7167	CAP SCREW	2			X X	M10 X 25
37	CH18942	BRACKET	1			X X	
38	CH18932	BUSHING	2			X X	
	CH16980	BUSHING	2	003001-		X	
39	CH18931	BRACKET	1			X X	
	CH19510	BRACKET	1	003001-		X	(SUB CH20170)
40	CH11574	FITTING	3			X X	
41	CH14652	BUSHING	2			X X	
42	CH18940	BOLT	2			X X	
43	24M7091	WASHER	2			X X	26 X 44 X 4 MM
44	CH11481	RING	2			X X	
45	CH13484	SPRING PIN	1			X X	
46	CH18939	PIN	1			X X	
47	CH18934	SPRING	2			X X	
48	CH16975	ARM	1			X X	
49	CH17290	WASHER	1			X X	(SUB 24H1436)
50	CH12396	NUT	1			X X	
51	CH11641	NUT	1			X X	(SUB 14M7161)
52	CH16977	ROD	1			X X	
53	CH16974	LEVER	1			X X	

2B11

HYDRAULICS

RWP5183 -UN-01JAN94

HYDRAULIC FILTER



RWP5183

KEY	PART NO.	PART NAME	QTY	TRACTOR SERIAL NO.	REMARKS
				1 1 1	
				2 4 6	
				5 5 5	
				0 0 0	
1	19M7162	CAP SCREW	4	X X X	M8 X 16
2	12M7065	LOCK WASHER	4	X X X	M8
3	24M7055	WASHER	4	X X X	8.400 X 16 X 1.600 MM
4	CH17708	BRACKET	1	X X X	
5	12M7063	LOCK WASHER	3	X X X	M4
6	21M7209	SCREW	3	X X X	M4 X 10
	CH19179	BOLT	3	X X X	
7	21M1211	SCREW	1	X X X	M4 X 6
8	HOUSING	1	-XXXXXX	(A)
	CH13489	SNAP RING	1	X X X	(A)
	CH16193	HOUSING	1	X X X	(A)
	CH15338	SEAT	1	X X X	(A)
	CH16569	SPRING	1	X X X	(A)
	CH16570	BUSHING	1	X X X	(A)
	CH15339	SLEEVE	1	X X X	(A)
	CH13527	PACKING	1	X X X	(A)
	CH16568	PIPE	1	X X X	(A)
9	CH19630	FILTER	1	X X X	
10	CH19179	BOLT	3	X X X	
11	CH19224	FILTER	1	XXXXXX-	
12	RE27284	FILTER ELEMENT	1	X X X	(SUB FOR AR99998)
13	CH17653	PACKING	1	X X X	
14	12M7006	LOCK WASHER	7	X X X	M6, (SUB FOR CH11474)
15	19M7319	SCREW	7	X X X	M6 X 60
16	CH16563	LINE	1	X X X	SUCTION (REAR)
17	U46166	O-RING	1	X X X	(SUB FOR CH17654)

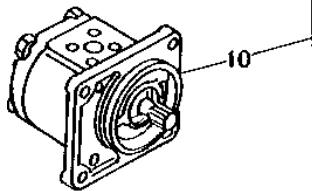
(A) ORDER CH19224

2B12

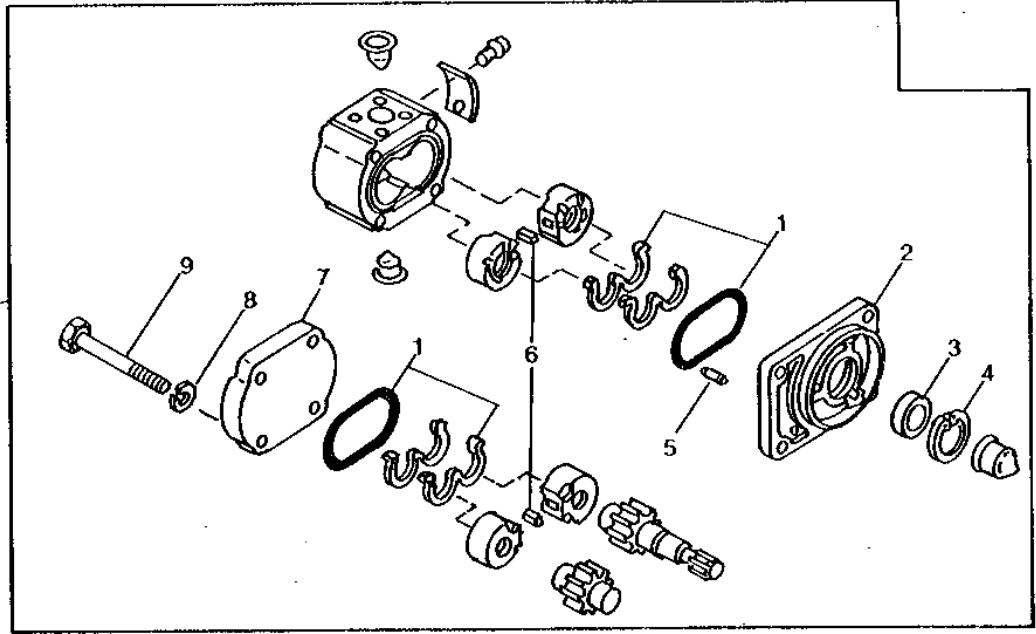
HYDRAULICS

RWP5765 -UN-01JAN94

HYDRAULIC STEERING PUMP (8CC)



RWP5765



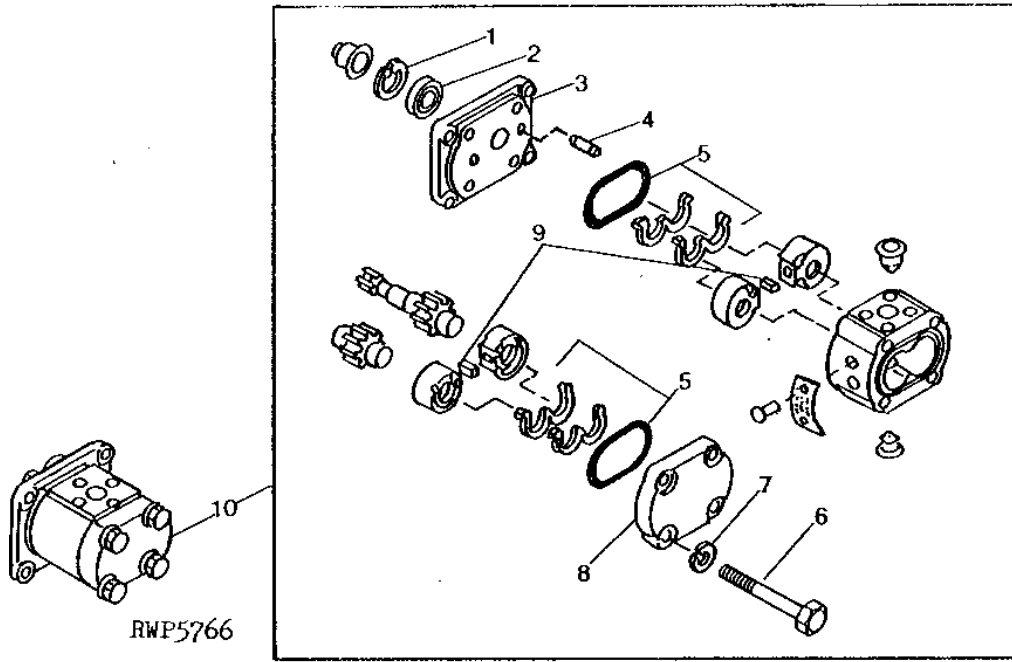
KEY	PART NO.	PART NAME	QTY	TRACTOR SERIAL NO.	REMARKS
				1 1 1	
				2 4 6	
				5 5 5	
				0 0 0	
1	CH14439	SEAL KIT	1	X X X	
2	CH20172	FLANGE	1	X X X	(SUB FOR CH17738)
3	CH14431	SEAL	1	X X X	
4	CH14432	RING	1	X X X	
5	CH20174	PIN	2	X X X	(AS REQUIRED)
6	CH14436	KEY	2	X X X	(NO LONGER AVAILABLE)
7	COVER	1	X X X	(ORDER CH17622)
8	12M7066	LOCK WASHER	4	X X X	M10
9	19M7479	CAP SCREW	4	X X X	M10 X 80
10	CH17622	HYDRAULIC PUMP	1	X X X	

2B13

HYDRAULICS

RWP5766 -UN-01JAN94

HYDRAULIC PUMP (19CC)



RWP5766

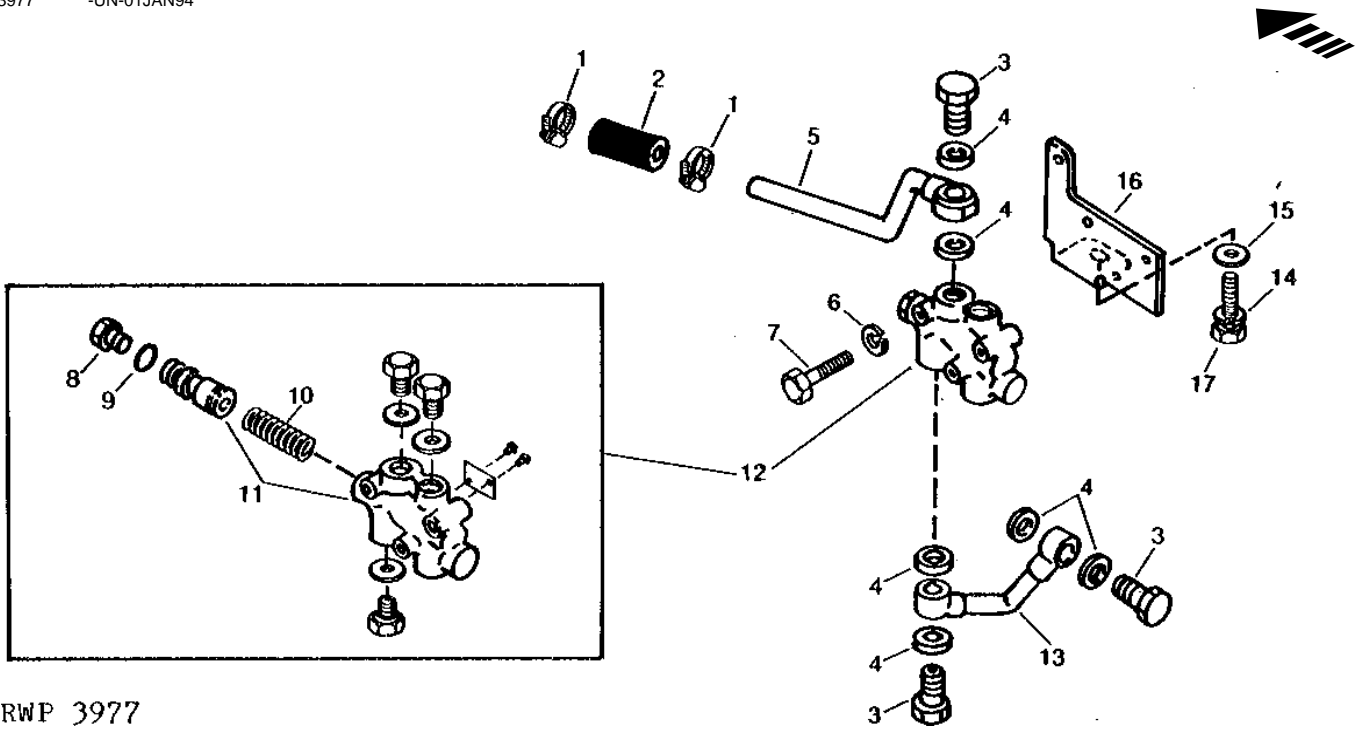
KEY	PART NO.	PART NAME	QTY	TRACTOR SERIAL NO.	REMARKS
				1 1 1	
				2 4 6	
				5 5 5	
				0 0 0	
1	CH14432	RING	1	X X X	
2	CH14431	SEAL	1	X X X	
3	CH20172	FLANGE	1	X X X	(SUB FOR CH17738)
4	CH20174	PIN	2	X X X	(AS REQUIRED)
5	CH14439	SEAL KIT	1	X X X	
6	19M7668	CAP SCREW	4	X X X	M10 X 100
7	12M7066	LOCK WASHER	4	X X X	M10
8	COVER	1	X X X	(ORDER CH16636)
9	CH14436	KEY	2	X X X	(NO LONGER AVAILABLE)
10	CH16636	HYDRAULIC PUMP	1	X X X	

2B14

HYDRAULICS

RWP3977 -UN-01JAN94

FLOW DIVIDER VALVE



RWP 3977

1 1 1
2 4 6
5 5 5
0 0 0

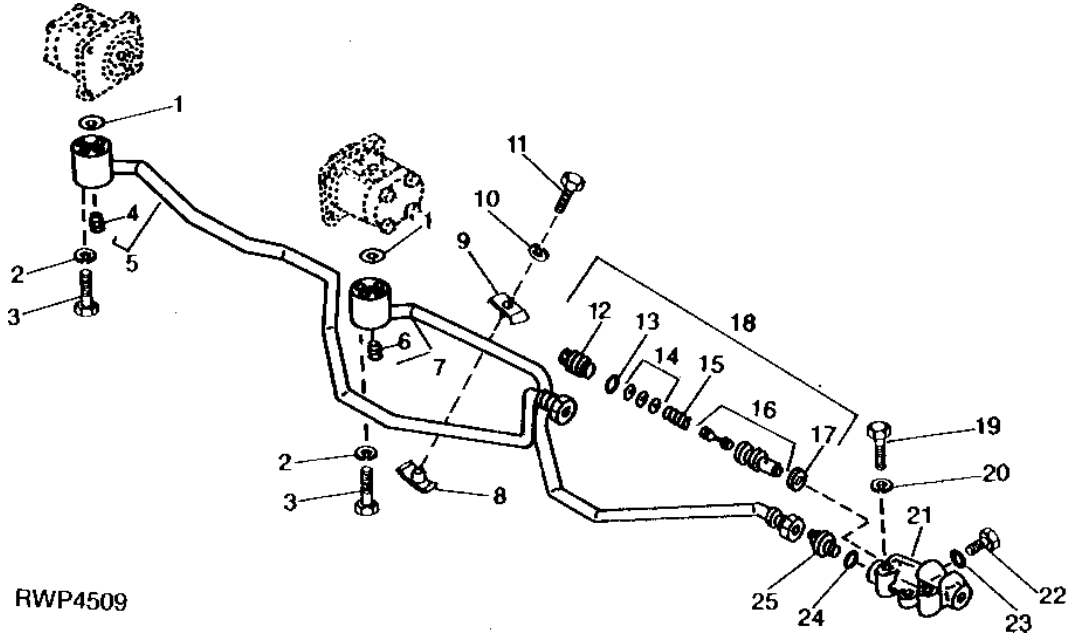
KEY	PART NO.	PART NAME	QTY	TRACTOR SERIAL NO.	REMARKS
1	AR21837	CLAMP	2	X X X	
2	CH17633	HOSE	1	X X X	
3	CH16844	BOLT	3	X X X	M20
4	CH11548	PACKING	6	X X X	
5	CH17640	LINE	1	X	
	CH18717	LINE	1	X X	
6	12M7065	LOCK WASHER	3	X X X	M8
7	CH10586	BOLT	3	X X X	M8 X 50, (SUB 19M7164)
8	CH17645	PLUG	1	X X X	
9	CH11562	PACKING	1	X X X	
10	CH17644	SPRING	1	X X X	
11	CH17648	HOUSING	1	X X X	
12	CH16326	VALVE	1	X X X	
13	CH17639	LINE	1	X X X	
14	12M7066	LOCK WASHER	1	X X X	M10
15	24M7028	WASHER	1	X X X	10.500 X 20 X 2 MM
16	CH17728	BRACKET	1	X X X	FLOW DIVIDER
17	19M7402	CAP SCREW	1	X X X	M10 X 25

2B15

HYDRAULICS

RWP4509 -UN-01JAN94

HYDRAULIC PUMP PRESSURE LINES



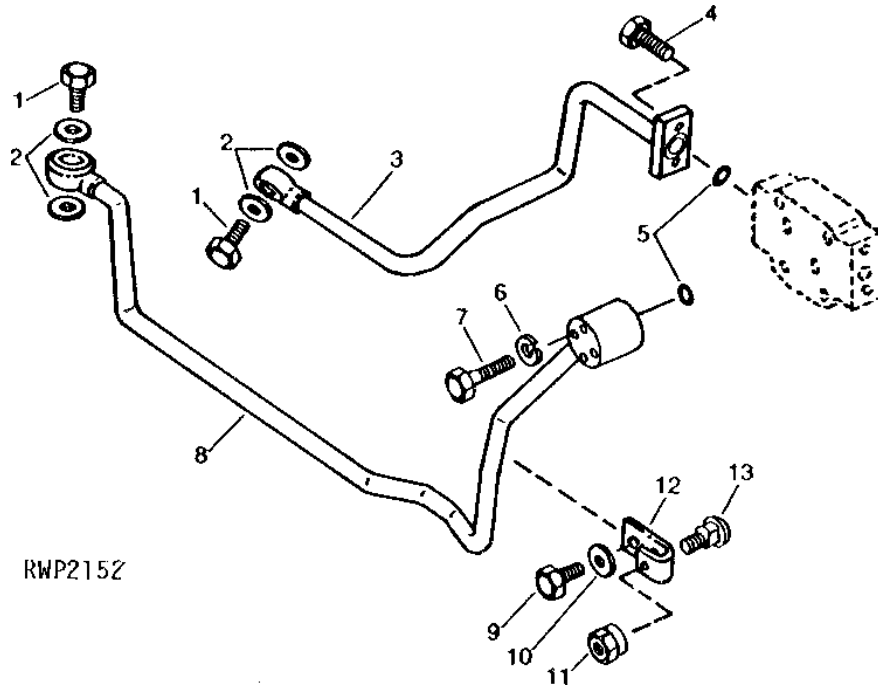
KEY	PART NO.	PART NAME	QTY	TRACTOR SERIAL NO.			REMARKS
				1	1	1	
				2	4	6	
				5	5	5	
				0	0	0	
1	CH11562	PACKING	2	X	X	X	
2	12M7006	LOCK WASHER	8	X	X	X	M6
3	19M7319	SCREW	8	X	X	X	M6 X 60
4	CH13504	PLUG	1	X	X	X	(SUB PT13744)
5	CH17635	LINE	1	X			PRESSURE
	CH18711	LINE	1		X	X	PRESSURE
6	CH13504	PLUG	1	X	X	X	(SUB PT13744)
7	CH17625	LINE	1	X			PRESSURE FRONT
	CH18701	LINE	1		X	X	PRESSURE FRONT
8	CH19514	CLAMP	3	X	X		
9	CH18959	CLAMP	3	X	X		
10	12M7065	LOCK WASHER	3	X	X	X	M8
11	19M7139	CAP SCREW	3	X	X		
12	CH13234	PLUG	1	X	X	X	
13	CH13233	PACKING	1	X	X	X	
14	CH13559	SHIM	1	X	X	X	(SET OF 6)
15	CH13232	SPRING	1	X	X	X	
16	CH13231	RELIEF VALVE	1	X	X	X	
17	CH13235	GASKET	1	X	X	X	
18	CH16545	VALVE	1	X	X	X	RELIEF
19	19M7384	CAP SCREW	2	X	X	X	M10 X 60
20	12M7066	LOCK WASHER	2	X	X	X	M10
21	CH17727	HOUSING	1	X	X	X	MAIN RELIEF VALVE
22	R39112	FITTING	2	X	X	X	
23	R26375	O-RING	2	X	X	X	
24	U46166	O-RING	1	X	X	X	(SUB FOR CH17654)
25	CH16566	ADAPTER	1	X	X	X	

2B16

HYDRAULICS

RWP2152 -UN-01JAN94

ROCKSHAFT PRESSURE LINES



RWP2152

1 1 1
2 4 6
5 5 5
0 0 0

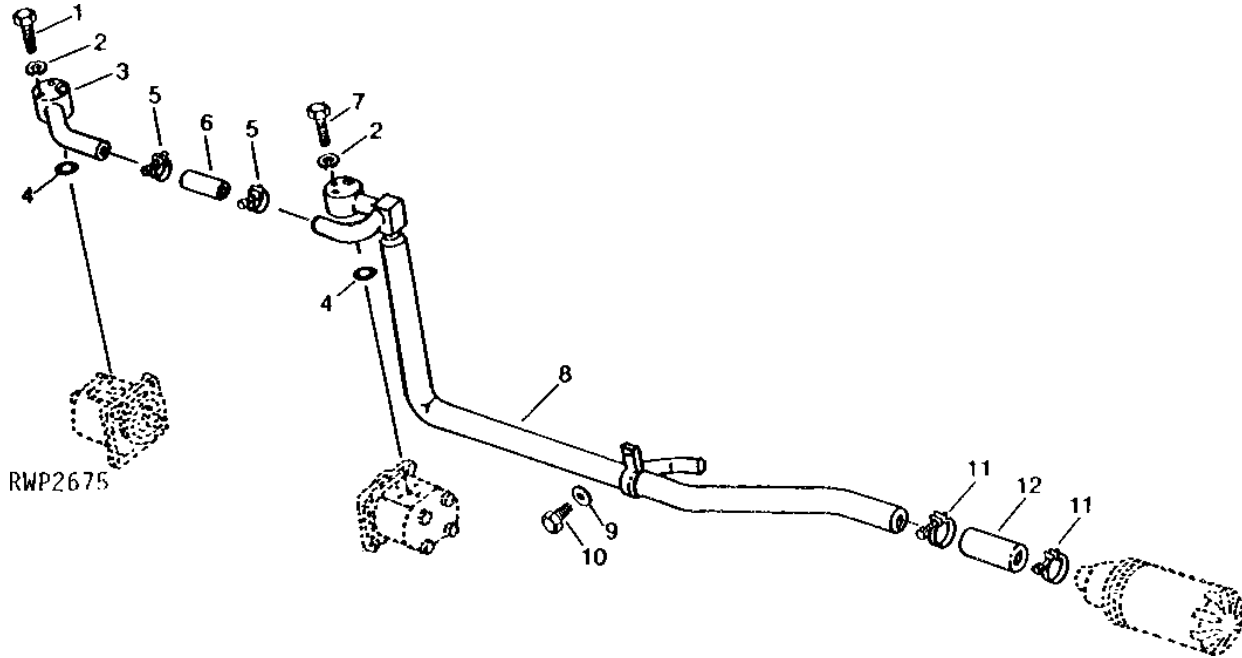
KEY	PART NO.	PART NAME	QTY	TRACTOR SERIAL NO.	REMARKS
1	CH16844	BOLT	2		X X X
2	CH11548	PACKING	4		X X X
3	CH17642	LINE	1	-003000	X SUCTION, (SUB CH19513)
	CH19513	LINE	1	003001-	X
	CH19513	LINE	1		X X
4	CH15167	BOLT	2		X X X (SUB 19M7163 AND 12M7065)
5	CH11562	PACKING	2		X X X
6	CH11474	WASHER	4		X X X M6, (SUB 12M7006)
7	19M7319	SCREW	1		X X X M6 X 60
8	CH16558	LINE	1		X X X PRESSURE, REAR
9	CH12022	BOLT	1		X X X (SUB 19M7162 AND 12M7065)
10	24M7055	WASHER	1		X X X 8.400 X 16 X 1.600 MM
11	CH10521	NUT	1		X X X M8, (SUB 14M7273, 12M7065 AND 24M7055)
12	CH16562	CLAMP	1		X X X
13	CH16561	BOLT	1		X X X CLAMP BOLT

2B17

HYDRAULICS

RWP2675 -UN-01JAN94

HYDRAULIC PUMP INLET LINES



KEY	PART NO.	PART NAME	QTY	TRACTOR SERIAL NO.			REMARKS
					1 1 1		
					2 4 6		
					5 5 5		
					0 0 0		
1	19M7595	CAP SCREW	3	-003000	X		M6 X 50, (SUB FOR CH11600)
	19M7595	CAP SCREW	1	003001-	X		M6 X 50, (SUB FOR CH11600)
	19M7595	CAP SCREW	1		X X		(SUB FOR CH11600)
	19M7529	CAP SCREW	2	003001-	X		M6 X 55
	19M7529	CAP SCREW	2		X X		M6 X 55
2	CH11474	WASHER	6		X X X		M6, (SUB 12M7006)
3	CH17638	LINE	1	-003000	X		
	CH18714	FITTING	1	003001-	X		
	CH18714	FITTING	1		X X		
4	CH14582	PACKING	2		X X X		
5	AR21839	CLAMP	2		X X X		(SUB FOR CH14444)
6	CH17634	HOSE	1	-003000	X		
	CH18710	HOSE	1	003001-	X		
	CH18710	HOSE	1		X X		
7	19M7595	CAP SCREW	3	-003000	X		M6 X 50, (SUB FOR CH11600)
	19M7721	CAP SCREW	1	003001-	X		M6 X 65
	19M7721	CAP SCREW	1		X X		M6 X 65
8	CH16560	LINE	1	-003000	X		SUCTION, FRONT, (SUB CH19532)
	CH19512	LINE	1	003001-	X		SUCTION, FRONT
	CH18704	LINE	1		X X		SUCTION, FRONT
9	24M7055	WASHER	1		X X X		8.400 X 16 X 1.600 MM
10	CH12022	BOLT	1		X X X		M8 X 16, (SUB 19M7162 AND 12M7065)
11	AR21839	CLAMP	2		X X X		
12	CH17632	HOSE	1		X X X		

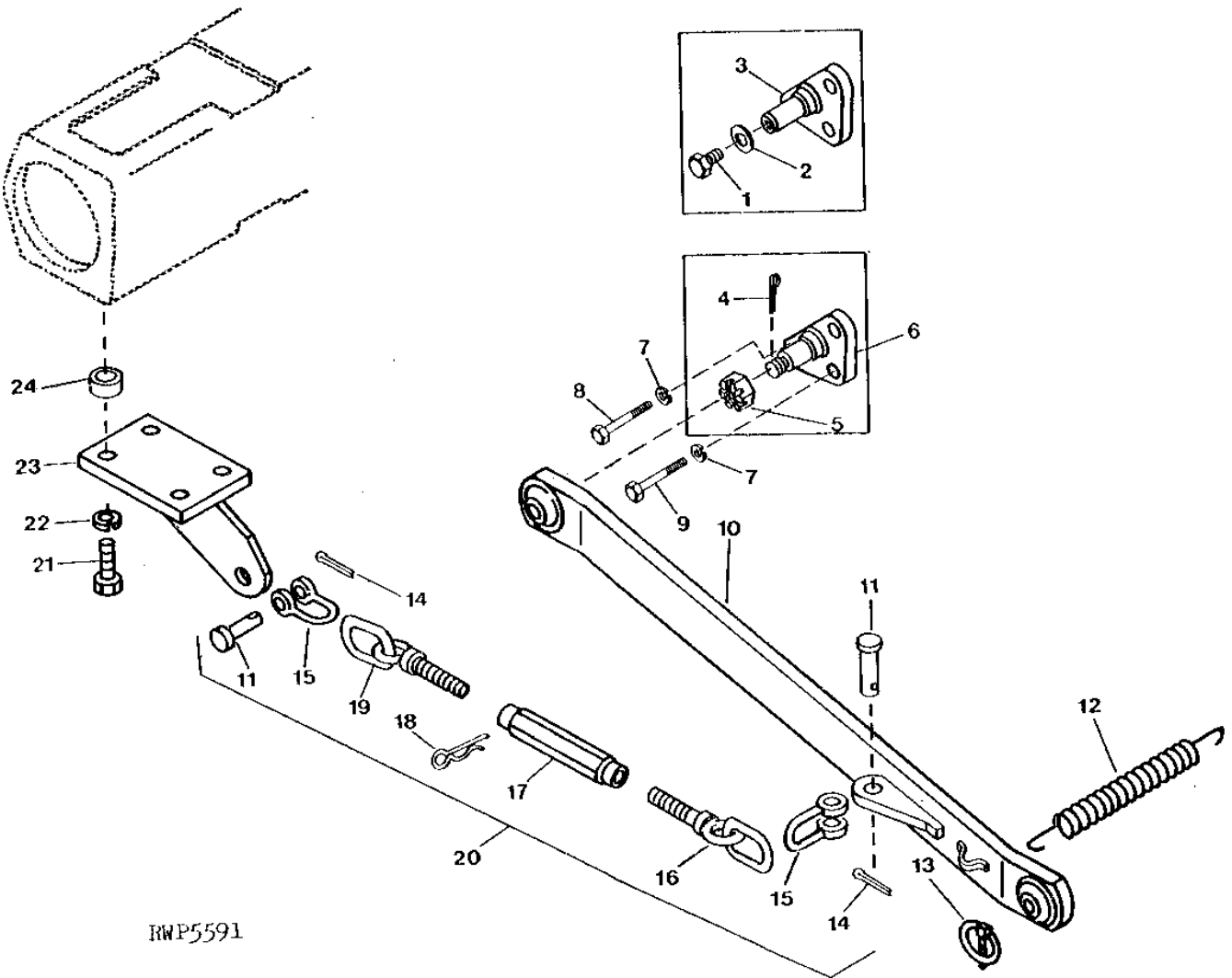
MEMORANDA

2B18

HYDRAULICS

RWP5591 -UN-01JAN94

DRAFT LINKS AND SWAY CHAIN



2B19

HYDRAULICS

DRAFT LINKS AND SWAY CHAIN - CONTINUED

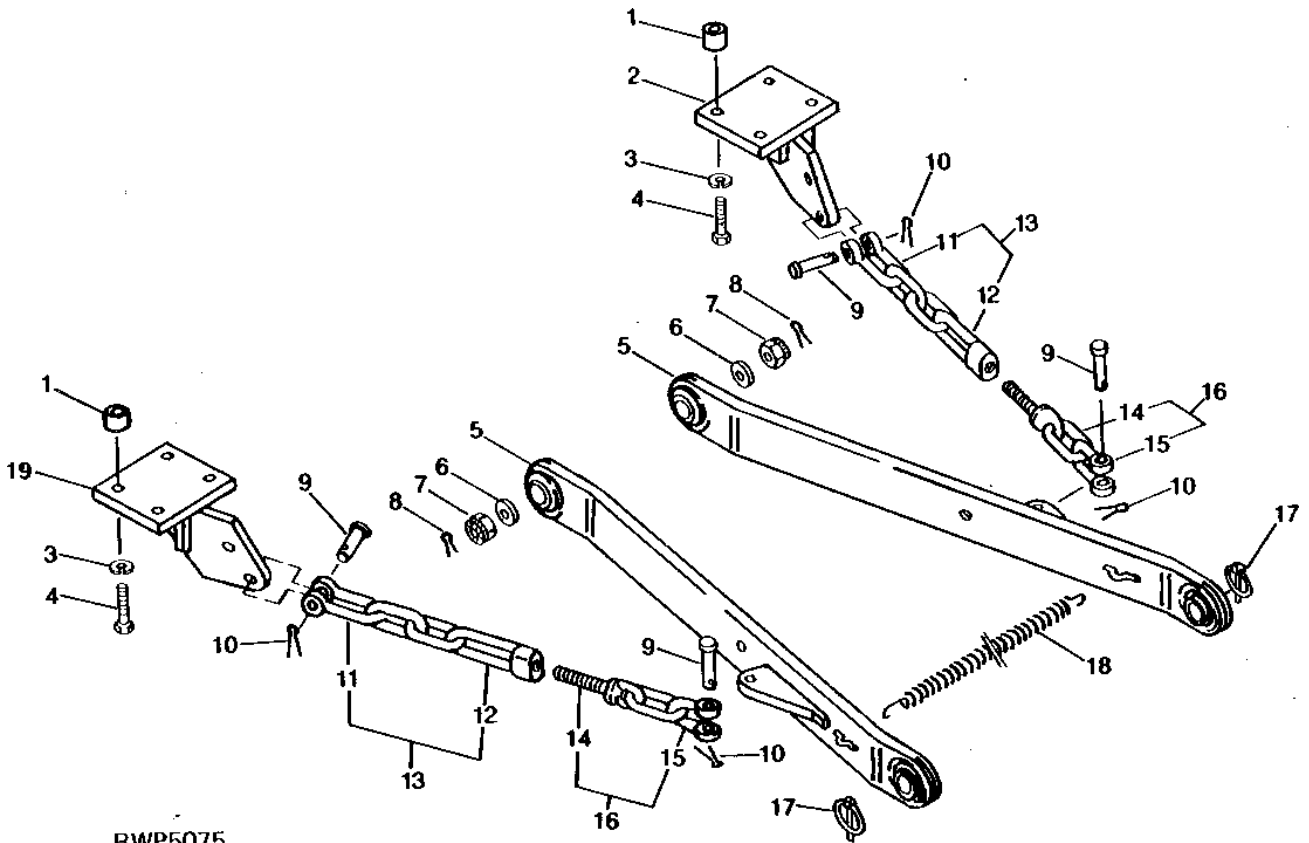
KEY	PART NO.	PART NAME	QTY	TRACTOR SERIAL NO.			REMARKS
				1	2	3	
				1	1	1	
				2	4	6	
				5	5	5	
				0	0	0	
1	19M7877	CAP SCREW	2	-XXXXXX	X		M14 X 30
2	12M7068	LOCK WASHER	2	-XXXXXX	X		14.200 MM
3	CH16194	BRACKET	2		X		(SUB CH18785)
4	11M7015	COTTER PIN	2	XXXXXX-	X		3.200 X 25 MM
5	CH18783	NUT	2	XXXXXX-	X		
6	CH18785	BRACKET	2	XXXXXX-	X		KIT
7	CH14118	LOCK WASHER	6		X		
8	CH17219	BOLT	4		X		
9	CH17217	BOLT	2		X		
10	CH17999	DRAFT LINK	2		X		
11	CH16624	PIN	4		X		
12	CH11378	SPRING	1		X		
13	CH11729	QUICK LOCK PIN	2		X		
14	CH17276	COTTER PIN	4		X		
15	CH17284	CLEVIS	4	-XXXXXX	X		
	CH19520	CHAIN KIT	2	XXXXXX-	X		FRONT
	CH17284	CLEVIS	2	XXXXXX-	X		REAR
16	CH16628	SWAY CHAIN	2	-XXXXXX	X		REAR
	CH16625	SWAY CHAIN	2	XXXXXX-	X		REAR
17	CH16626	TURNBUCKLE	2	-XXXXXX	X		
	CH18771	SWAY CHAIN	2	XXXXXX-	X		
18	CH11844	PIN	2	-XXXXXX	X		
19	CH16625	SWAY CHAIN	2	-XXXXXX	X		FRONT
	CH18771	SWAY CHAIN	2	XXXXXX-	X		FRONT
20	CH18002	SWAY CHAIN	1	-XXXXXX	X		SWAY CHAIN, (SUB CH19686)
21	CH16630	BOLT	8		X		
22	CH11477	WASHER	8		X		(SUB 12M7067)
23	CH18000	BRACKET	1		X		L.H.
	CH18001	BRACKET	1		X		R.H.
24	CH16629	SPACER	8		X		(LESS ROLL-GARD)

2B20

HYDRAULICS

RWP5075 -UN-01JAN94

DRAFT LINKS AND SWAY CHAIN



RWP5075

2B21

HYDRAULICS

DRAFT LINKS AND SWAY CHAIN - CONTINUED

KEY	PART NO.	PART NAME	QTY	TRACTOR SERIAL NO.			REMARKS
				1	2	5	
				1	1	1	
				2	4	6	
				5	5	5	
				0	0	0	
1	CH16629	SPACER	8		X	X	
2	CH18768	BRACKET	1		X	X	R.H.
3	12M7067	LOCK WASHER	8		X	X	M12
4	CH16630	BOLT	8		X	X	
5	CH17999	DRAFT LINK	2		X	X	
6	CH17730	SPACER	2		X	X	
7	CH18783	NUT	2		X	X	
8	11M7015	COTTER PIN	2		X	X	3.200 X 25 MM
9	CH16624	PIN	4		X	X	
10	CH17276	COTTER PIN	4		X	X	
11	CH19677	SHACKLE	2		X	X	
12	CH18771	SWAY CHAIN	2		X	X	FRONT
13	CH19520	CHAIN KIT	2		X	X	
14	CH16625	SWAY CHAIN	2		X	X	
15	CH17284	CLEVIS	2		X	X	
16	CH19609	SAFETY CHAIN ADAPTER KIT	2		X	X	SWAY CHAIN
17	CH11729	QUICK LOCK PIN	2		X	X	
18	CH11378	SPRING	1		X	X	
19	CH18746	BRACKET	4		X	X	L.H.

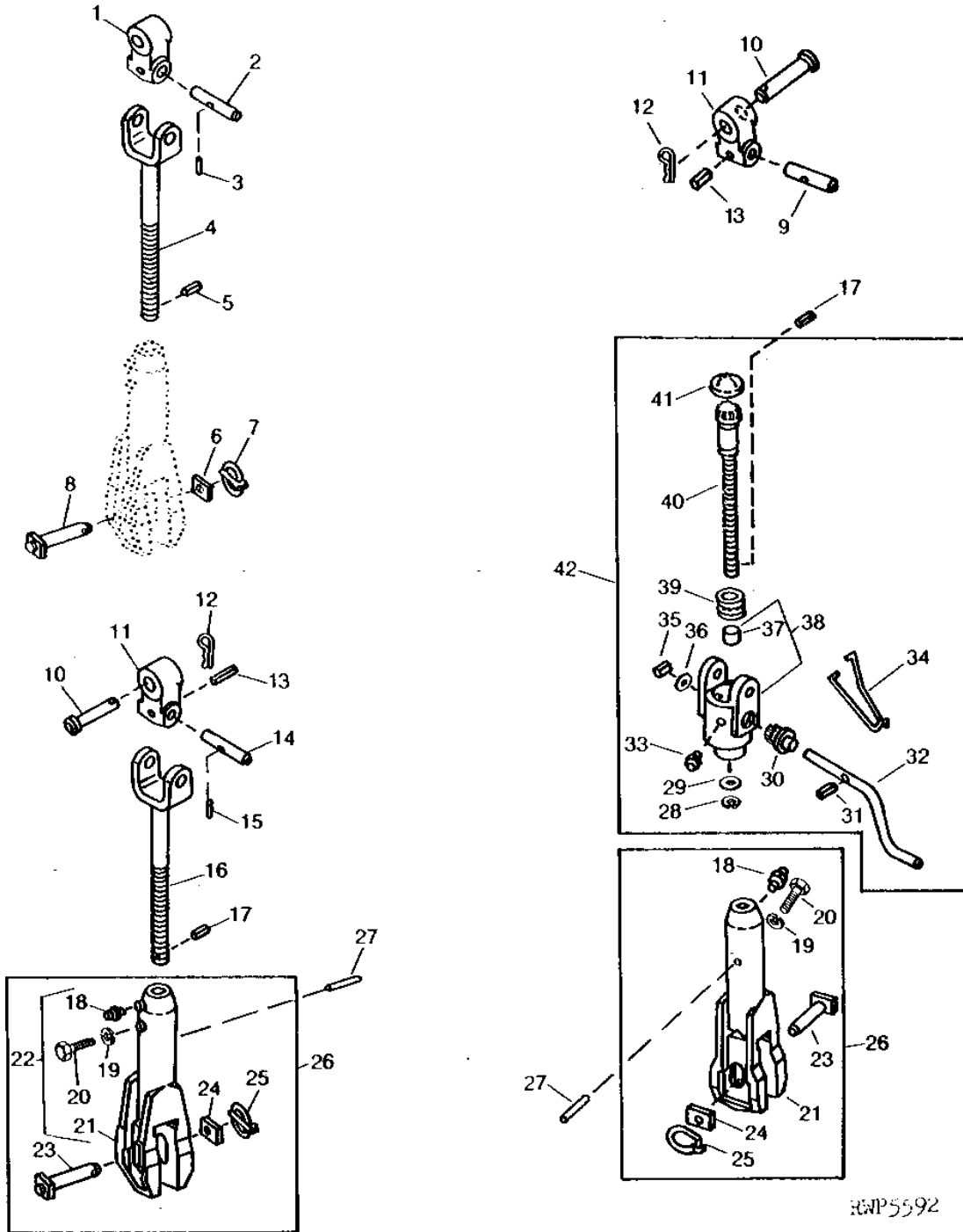
2B22

HYDRAULICS

RWP5592

-UN-01JAN94

LIFT LINKS



RWP5592

2B23

HYDRAULICS

LIFT LINKS - CONTINUED

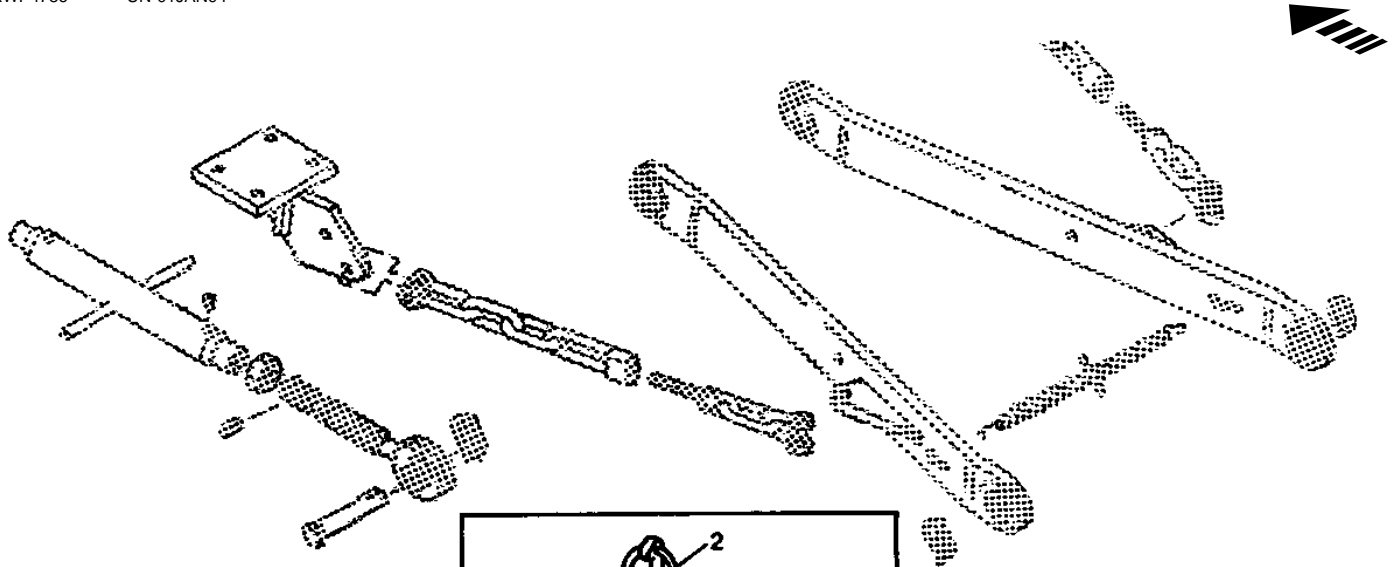
KEY	PART NO.	PART NAME	QTY	TRACTOR			REMARKS
				SERIAL NO.	5 5 5	2 4 6	
					1 1 1		
					2 4 6		
					5 5 5		
					0 0 0		
1	CH18749	ARM	2			X X	
2	CH18762	PIN	1			X X	
3	CH13500	SPRING PIN	1			X X	
4	CH18760	LIFT LINK	1			X X	L.H. (SUB FOR CH19518)
5	CH12296	PIN	1			X X	
6	CH17364	WASHER	1			X X	
7	CH16621	U-JOINT LOCK PIN	1			X X	
8	CH18756	PIN	1			X X	
9	CH16617	PIN	1			X	
	CH18750	PIN	1			X X	
10	CH16618	PIN	2	-003000	X		(SUB CH18753)
	CH18753	PIN	2	003001-	X		
	CH18753	PIN	2			X X	
11	CH16616	ARM	2			X	
	CH18749	ARM	2			X X	
12	L12621	SPRING LOCKING PIN	1			X X X	(SUB FOR CH17363)
13	CH17151	SPRING PIN	2			X	
14	CH16617	PIN	1			X	
	CH18762	PIN	1			X X	
15	CH13500	SPRING PIN	1			X X	
16	CH18760	LIFT LINK	1			X	(SUB FOR CH16622)
	CH18760	LIFT LINK	1			X X	L.H.
17	CH12296	PIN	2			X X X	
18	CH11413	FITTING	2	-XXXXXX	X		(SUB CH15805)
	CH15805	FITTING	2	XXXXXX-	X		
	CH15805	FITTING	2			X X	
19	12M7006	LOCK WASHER	2			X X X	M6
20	CH10622	SCREW	2			X X X	(SUB 21M7279)
21	CH19518	YOKE	2			X X X	
22	CH19672	YOKE	1			X X	L.H.
23	CH16619	PIN	2	-003000	X		(SUB CH18756)
	CH18756	PIN	2	003001-	X		
	CH18756	PIN	2			X X	
24	CH17364	WASHER	2			X X X	
25	CH16621	U-JOINT LOCK PIN	2			X X X	
26	CH17576	YOKE	2			X	(SUB CH19672)
	CH19672	YOKE	2			X X	
27	CH17126	PIN	2			X X	
28	CH11481	RING	1			X X X	
29	CH16613	WASHER	1			X X X	
30	CH11365	PINION	1			X X X	
31	CH11501	PIN	1			X X X	
32	CH11366	CRANK	1			X X X	
33	CH11413	FITTING	1	-XXXXXX	X		(SUB CH15805)
	CH15805	FITTING	1	XXXXXX-	X		
	CH15805	FITTING	1			X X	
34	CH11371	HANDLE	1			X X X	
35	CH11500	PIN	1	-XXXXXX	X		
	CH12304	PIN	1	XXXXXX-	X		
	CH10891	PIN	1			X	
	CH12304	PIN	1			X X	
36	CH15639	WASHER	1			X X X	
37	CH14652	BUSHING	1			X X X	
38	CH18823	HOUSING	1			X X X	(SUB FOR CH17359)
39	CH14542	BEARING	1			X X X	
40	CH16614	GEAR	1			X X X	
41	CH10641	SEAL	1			X X X	
42	CH18822	GEAR	1			X X X	ADJUSTING GEAR, (SUB FOR CH16611)

2B24

HYDRAULICS

RWP4786 -UN-01JAN94

HITCH CONVERSION KIT (CATEGORY I TO CATEGORY II)



RWP 4786

1 1 1
2 4 6
5 5 5
0 0 0

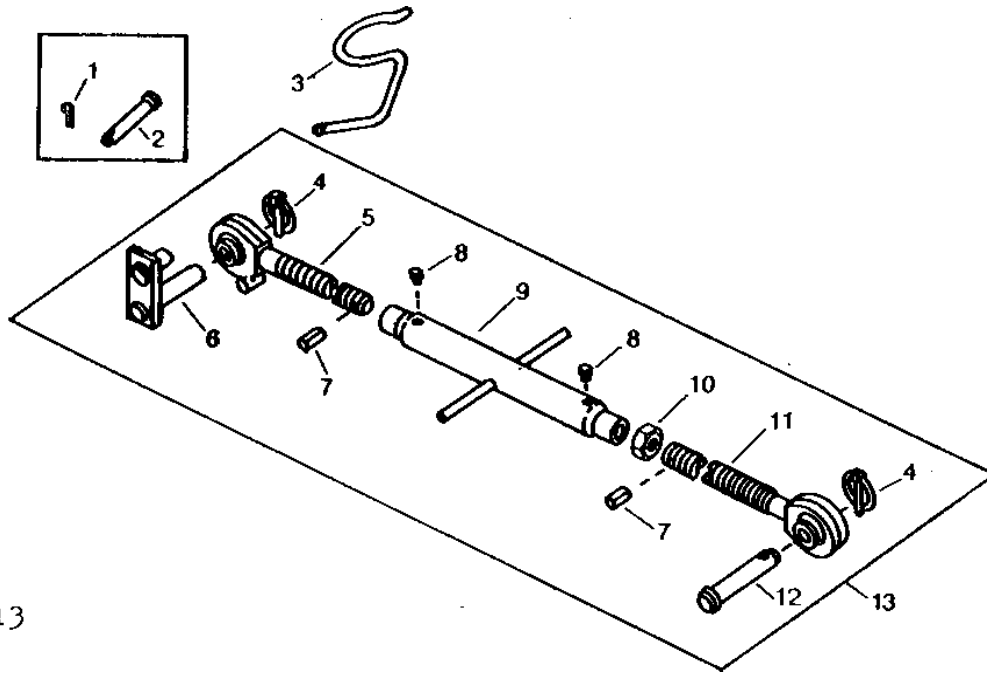
KEY	PART NO.	PART NAME	QTY	TRACTOR SERIAL NO.	REMARKS
1	R66432	BUSHING	2		
2	AR62151	QUICK LOCK PIN	1		
3	R58262	PIN	1		
4	T12553	BUSHING	1		
5	AT12350	BUSHING	1		(ORDER COMPONENT PARTS)

2B25

HYDRAULICS

RWP4513 -UN-01JAN94

CENTER LINK



RWF 4513

KEY	PART NO.	PART NAME	QTY	TRACTOR SERIAL NO.	REMARKS
				1 1 1	
				2 4 6	
				5 5 5	
				0 0 0	
1	CH11525	PIN	1	-XXXXXX	X
2	CH17356	PIN	1	-XXXXXX	X
3	CH18921	HOOK	1	003001-	X
	CH18921	HOOK	1		X X
4	CH11729	QUICK LOCK PIN	2		X X X
5	CH16608	CENTER LINK END	1	-003000	X
	CH18716	END	1	003001-	X
	CH18716	END	1		X X
6	CH17358	PIN	1	-003000	X (SUB R18741)
	CH18741	PIN	1	003001-	X
	CH18741	PIN	1		X X
7	CH12298	PIN	2		X X X
8	CH17989	CAP SCREW	2		X X X (SUB M802018)
9	CH16607	LINK BODY	1	-003000	X (SUB CH18672)
	CH18672	LINK BODY	1	003001-	X
	CH18672	LINK BODY	1		X X
10	CH17357	LOCK NUT	1		X X X
11	CH16610	CENTER LINK END	1	-003000	X (SUB CH18745)
	CH18745	END	1	003001-	X
	CH18745	END	1		X X
12	CH17355	PIN	1		X X X
13	CH18671	LINK	1		X X CENTER LINK
	CH18671	LINK	1	003001-	X

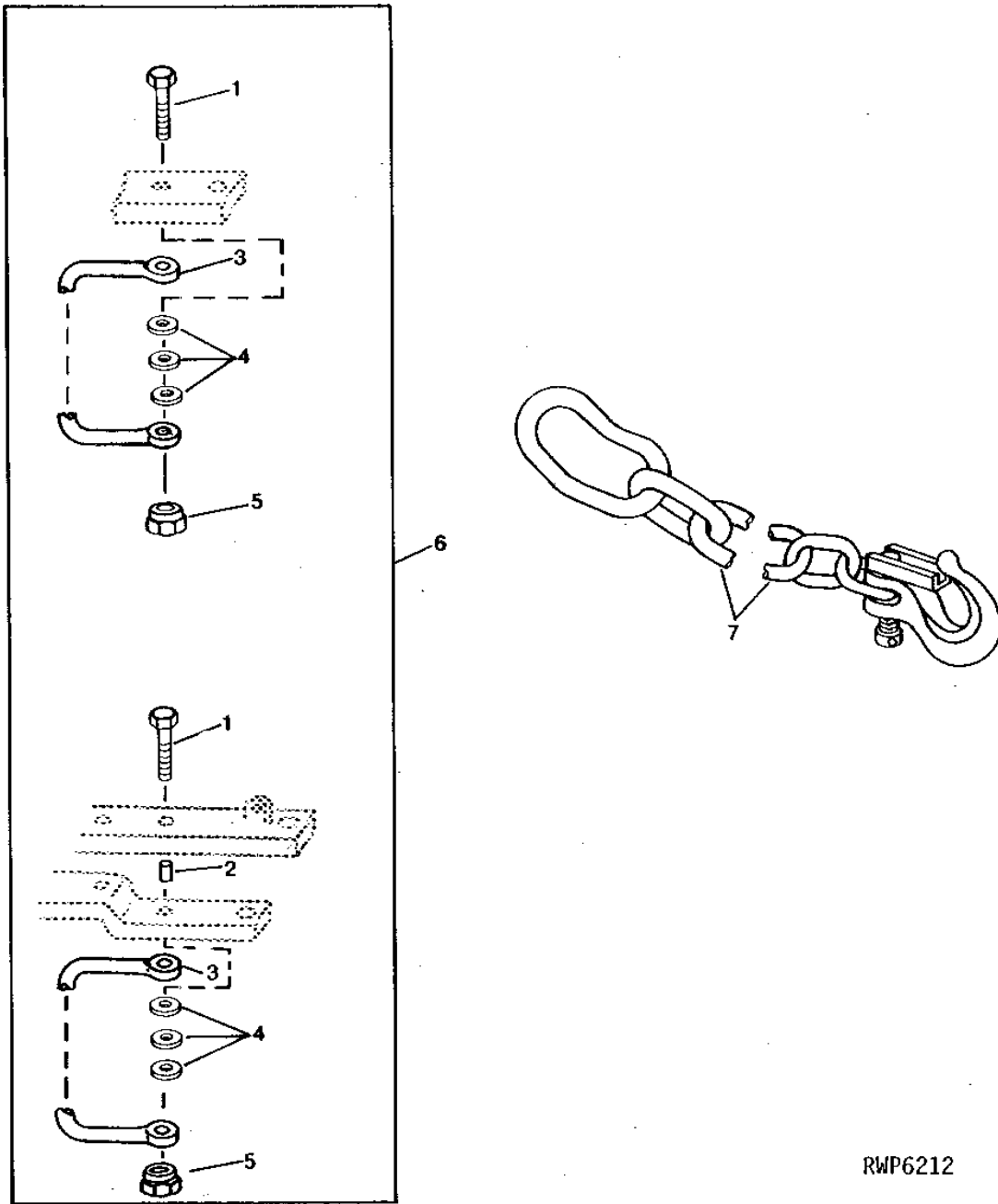
2C1

HYDRAULICS

RWP6212

-UN-01JAN94

SAFETY CHAIN AND ATTACHMENT KIT



RWP6212

2C2

HYDRAULICS

SAFETY CHAIN AND ATTACHMENT KIT - CONTINUED

KEY	PART NO.	PART NAME	QTY	TRACTOR SERIAL NO.			REMARKS
				1	2	5	
				1	1	1	
				2	4	6	
				5	5	5	
				0	0	0	
1	19H2233	CAP SCREW	1	X	X	X	5/8" X 3-1/2"
	08H4770	CAP SCREW	1	X	X	X	5/8" X 8-1/4"
2	N186901	SPACER	1	X	X	X	
3	18940	CLEVIS	1	X	X	X	(ORDER RE19428)
4	R1836R	WASHER	3	X	X	X	
5	N101344	LOCK NUT	1	X	X	X	
6	RE19428	CHAIN KIT	1	X	X	X	(SAFETY CHAIN ATTACHMENT)
7	RE26739	LINK CHAIN	1	X	X	X	61 LINKS 6.4MM (1/4") DIA CHAIN (6,000 LB)
	AR90581	LINK CHAIN	1	X	X	X	61 LINKS 6.4 MM (1/4") DIA CHAIN (10,000 LB)
	AR90579	LINK CHAIN	1	X	X	X	42 LINKS 9.5 MM (3/8") DIA CHAIN
	AR90583	LINK CHAIN	1	X	X	X	43 LINKS 11.1 MM (7/16") DIA CHAIN
	RE26740	LINK CHAIN	1	X	X	X	(SUB AN212996) 42 LINKS 12.7 MM (1/2") DIA CHAIN

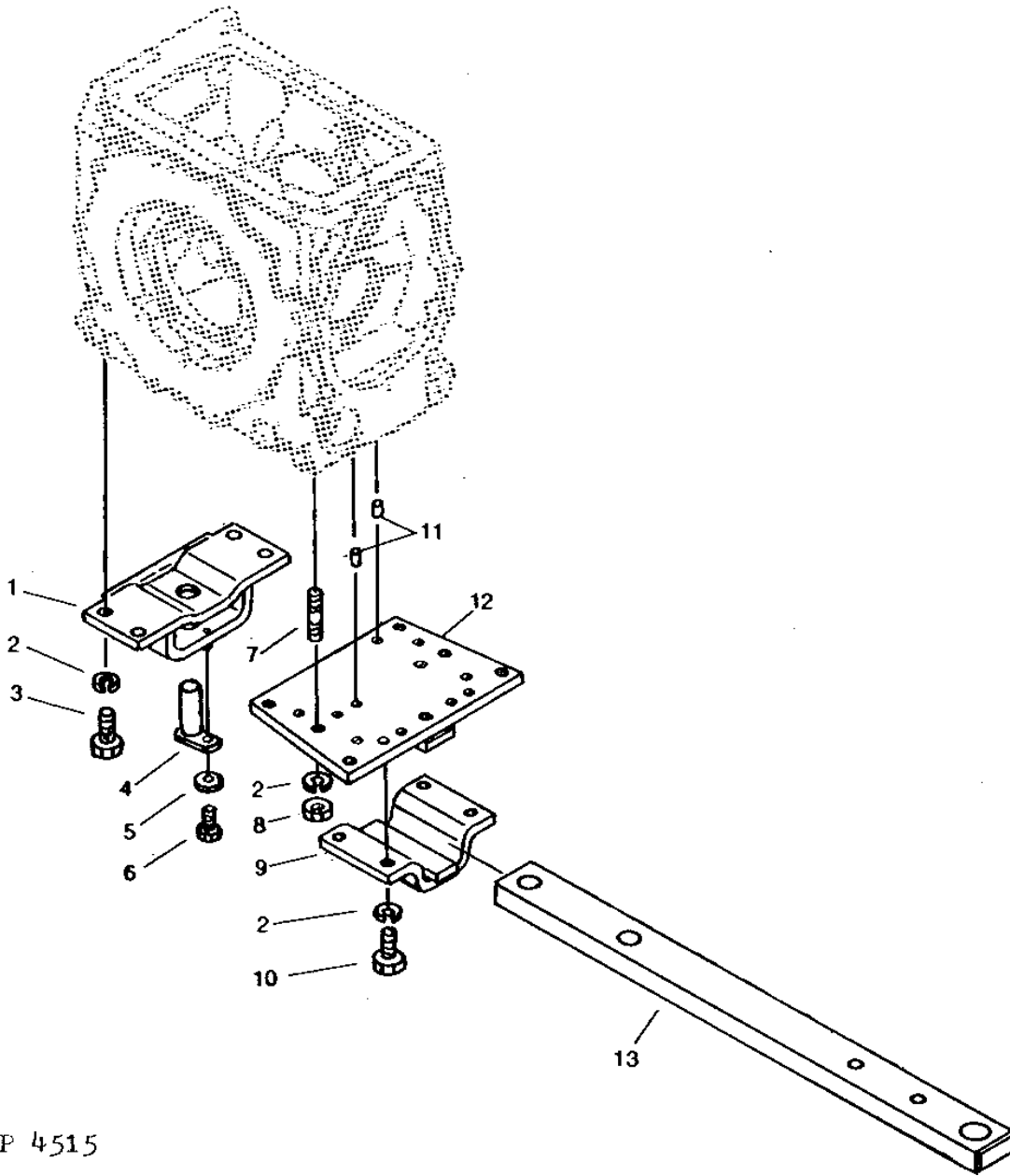
2C3

HYDRAULICS

RWP4515

-UN-01JAN94

DRAWBAR



RWP 4515

2C4

HYDRAULICS

DRAWBAR - CONTINUED

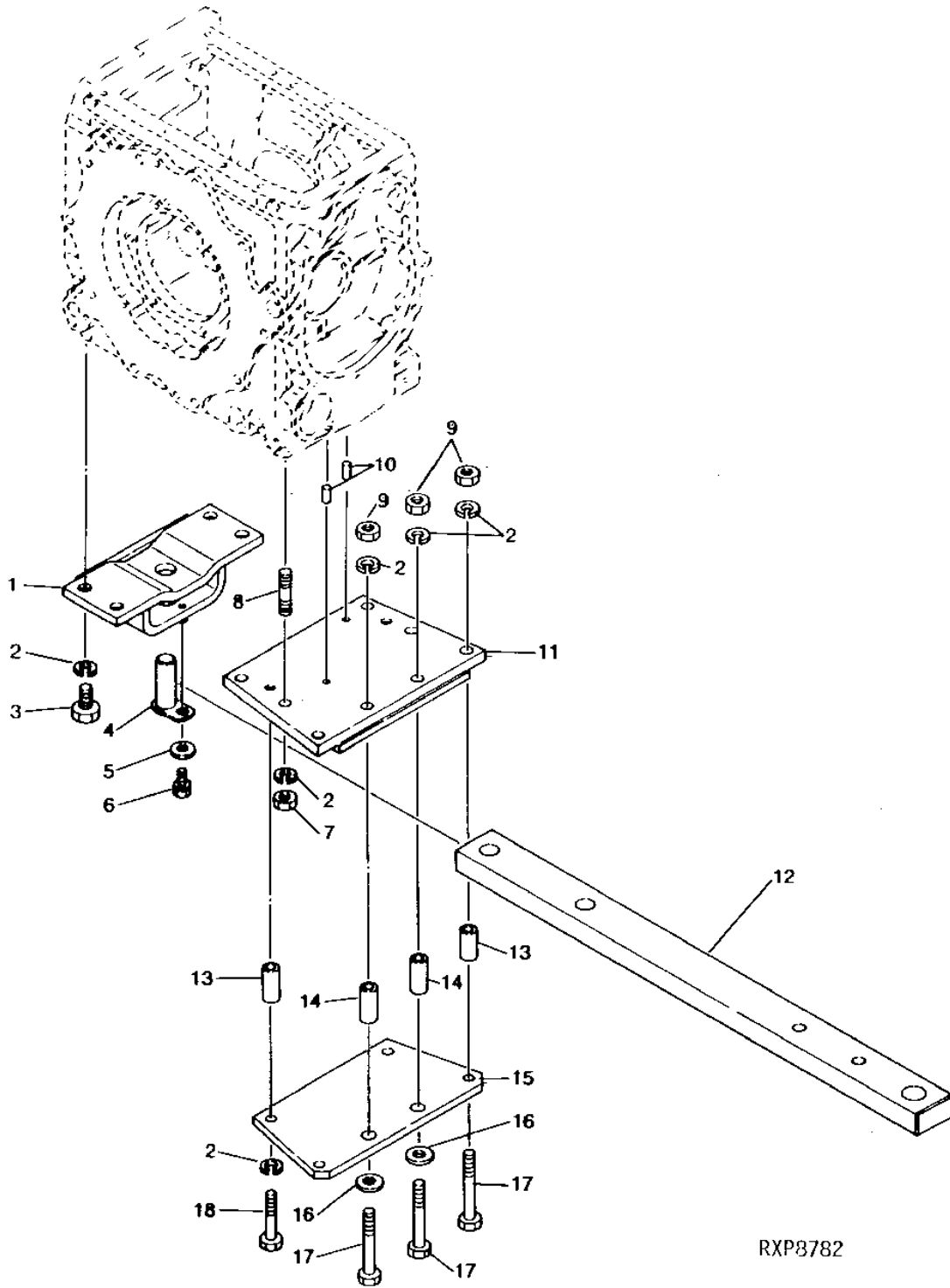
KEY	PART NO.	PART NAME	QTY	TRACTOR SERIAL NO.			REMARKS
				1	2	5	
				1	1	1	
				2	4	6	
				5	5	5	
				0	0	0	
1	CH16633	BRACKET	1	X	X		
2	CH14118	LOCK WASHER	12	X	X		
3	CH17974	BOLT	4	X	X		
4	CH17382	PIN	1	X	X		
5	24M7055	WASHER	1	X	X		8.400 X 16 X 1.600 MM
6	CH12338	SCREW, WITH WASHER	1	X	X		(SUB 12M7065 AND 19M7139) (SUB FOR CH11708)
7	CH17975	STUD	4	X	X		
8	CH17976	NUT	4	X	X		
9	CH16635	BRACKET	1	X	X		
10	CH17973	BOLT	4	X	X		
11	CH14782	DOWEL PIN	2	X	X		
12	CH19522	PLATE	1	X	X		
13	CH20112	DRAWBAR	1	X	X		(SUB FOR CH16632 OR CH19521)

2C5

HYDRAULICS

RXP8782 -UN-01JAN94

SWINGING DRAWBAR



RXP8782

2C6

HYDRAULICS

SWINGING DRAWBAR - CONTINUED

KEY	PART NO.	PART NAME	QTY	TRACTOR SERIAL NO.			REMARKS
				1	2	5	
				1	1	1	
				2	4	6	
				5	5	5	
				0	0	0	
1	CH16633	BRACKET	1				X
2	CH14118	LOCK WASHER	12				X
3	CH17974	BOLT	4				X
4	CH17382	PIN	1				X
5	24M7055	WASHER	1				X 8.400 X 16 X 1.600 MM
6	CH12338	SCREW, WITH WASHER	1				X (SUB 12M7065 AND 19M7139)
7	CH17976	NUT	4				X
8	CH17975	STUD	4				X
9	14M7141	NUT	4				X M14
10	CH14782	DOWEL PIN	2				X
11	CH19011	PLATE	1				X
12	CH20112	DRAWBAR	1				X (SUB FOR CH19521)
13	CH19016	SPACER	4				X
14	CH19014	SPACER	2				X
15	CH19015	PLATE	1				X
16	CH12008	WASHER	2				X
17	CH19018	BOLT	4				X
18	CH19017	BOLT	2				X

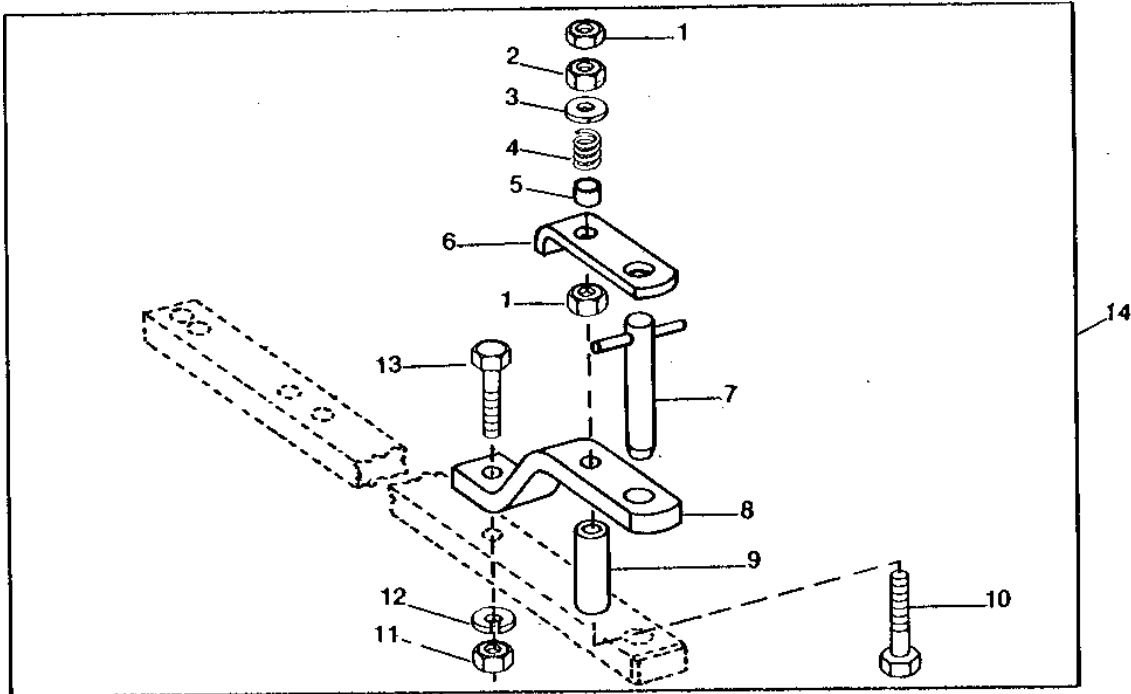
MEMORANDA

2C7

HYDRAULICS

RWP3979 -UN-01JAN94

DRAWBAR HAMMER STRAP



RWP3979

KEY	PART NO.	PART NAME	QTY	TRACTOR SERIAL NO.	REMARKS
				1 1 1	
				2 4 6	
				5 5 5	
				0 0 0	
1	14H821	NUT	2	X X X	(E)
2	14H1039	NUT	1	X X X	5/8"
3	24H1372	WASHER	1	X X X	(A) 21/32" X 1-1/2" X 0.060"
4	F3541R	SPRING	1	X X X	
5	F3542R	BUSHING	1	X X X	
6	F3539R	RETAINER	1	X X X	
7	AR69988	PIN	1	X X X	
8	T29899	STRAP	1	X X X	STRAIGHT DRAWBAR
9	L57595	SPACER	1	X X X	(A) (C) (SUB FOR T29892) (SUB (7) 24H1372)
	N186901	SPACER	1	X X X	(A) (D)
	24H1372	WASHER	7	X X X	(B) (D) 21/32" X 1-1/2" X 0.060"
10	19H2432	CAP SCREW	1	X X X	(A) (C) 5/8" X 7-1/2"
	08H4770	CAP SCREW	1	X X X	(A) (B) (D) 5/8" X 8-1/4"
11	14H1039	NUT	1	X X X	5/8"
12	12H294	LOCK WASHER	1	X X X	5/8"
13	19H1863	CAP SCREW	1	X X X	5/8" X 3"
14	RE13089	KIT	1	X X X	STRAIGHT DRAWBAR, (SUB RE39829)

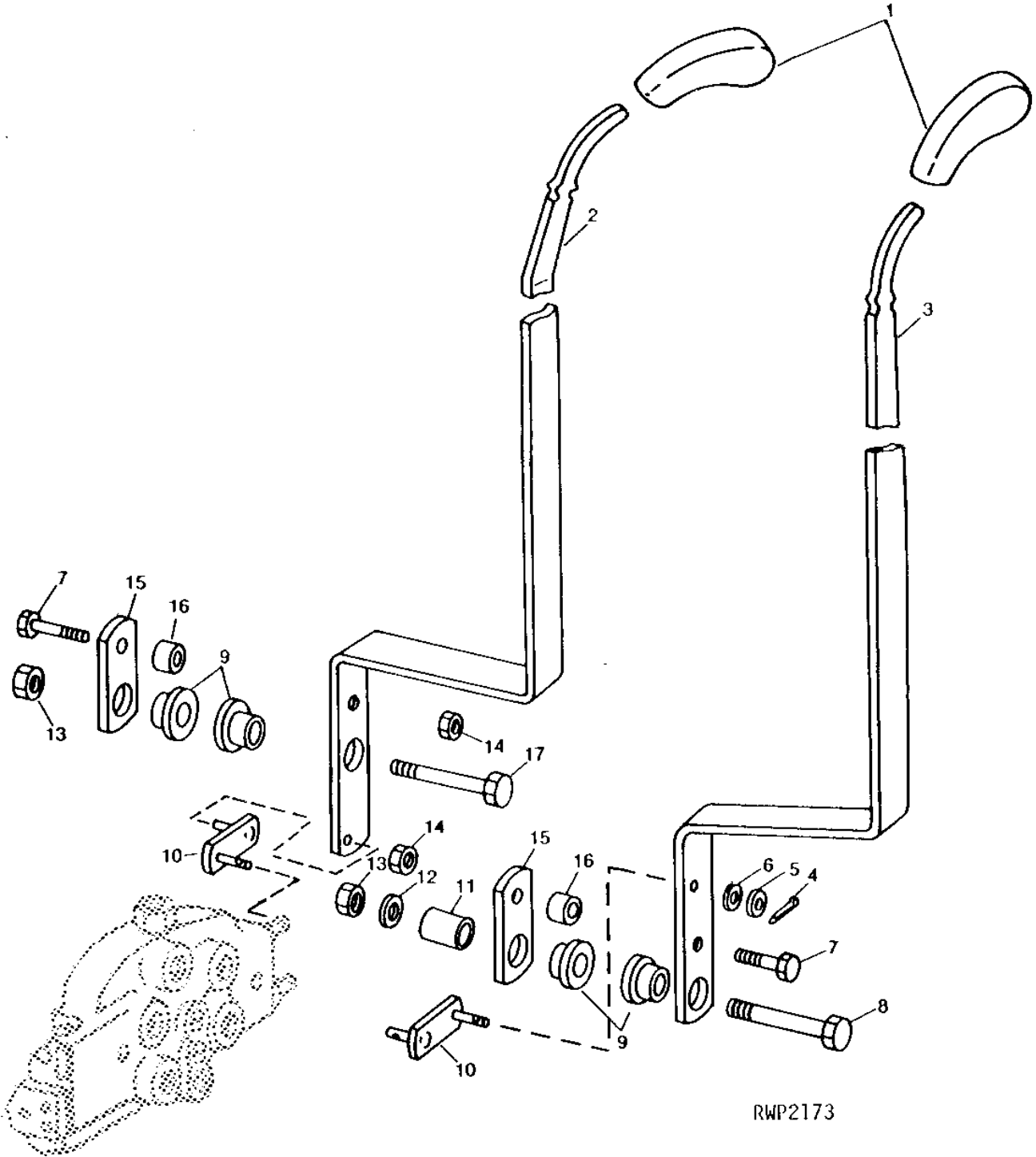
- (A) USE ON RE13089 KIT
- (B) USE ON RE39829 KIT
- (C) WITHOUT SAFETY CHAIN CLEVIS
- (D) WITH SAFETY CHAIN CLEVIS

2C8

HYDRAULICS

RWP2173 -UN-01JAN94

SELECTIVE CONTROL VALVE LEVERS



RWP2173

2C9

HYDRAULICS

SELECTIVE CONTROL VALVE LEVERS - CONTINUED

KEY	PART NO.	PART NAME	QTY	TRACTOR SERIAL NO.			REMARKS
				1	2	3	
				1	1	1	
				2	4	6	
				5	5	5	
				0	0	0	
1	R52691	GRIP	2		X		
2	R76096	LEVER	1		X		INNER
3	R76097	LEVER	1		X		OUTER
4	11M7005	COTTER PIN	4		X		1.600 X 10 MM
5	R65810	WASHER	2		X		
6	24H1283	WASHER	2		X		7/32" X 1/2" X 0.049"
7	19H2127	CAP SCREW	2		X		5/16" X 7/8"
8	19H1820	CAP SCREW	1		X		1/2" X 3"
9	M82224	BUSHING	4		X		
10	AR99074	LINK	2		X		
11	28H3395	BUSHING	1		X		
12	24H1625	WASHER	1		X		17/32" X 1" X 0.120"
13	14H1040	NUT	2		X		1/2"
14	14H785	NUT	2		X		5/16"
15	R74214	BRACE	2		X		
16	28H86	WASHER	2		X		0.364" X 0.540" X 5/16"
17	19H2473	CAP SCREW	1		X		1/2" X 1-3/4"
..	AR102926	VALVE	1		X		KIT, SELECTIVE CONTROL, COMPLETE

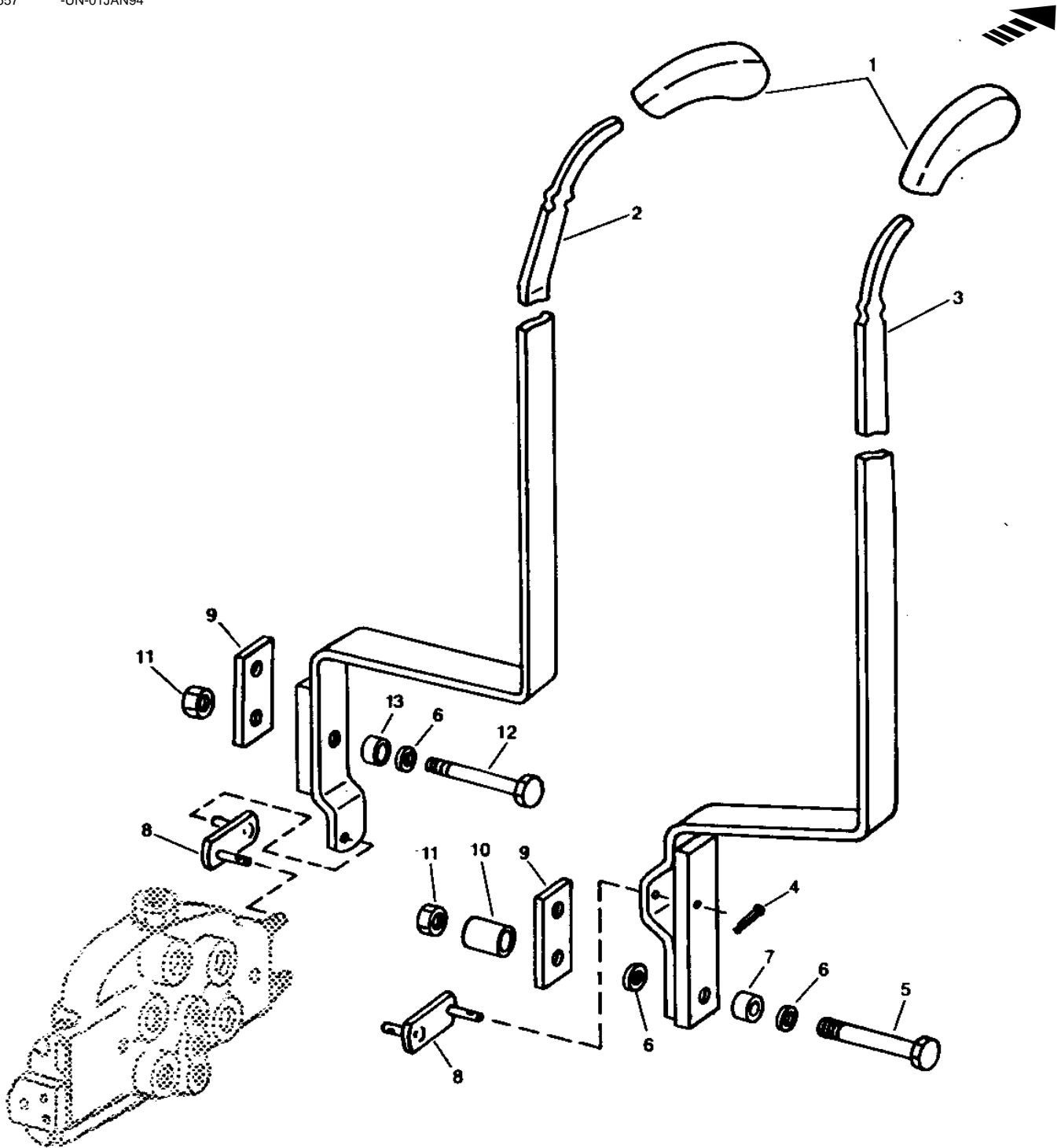
2C10

HYDRAULICS

RWP4657

-UN-01JAN94

SELECTIVE CONTROL VALVE LEVERS



RWP 4657

2C11

HYDRAULICS

SELECTIVE CONTROL VALVE LEVERS - CONTINUED

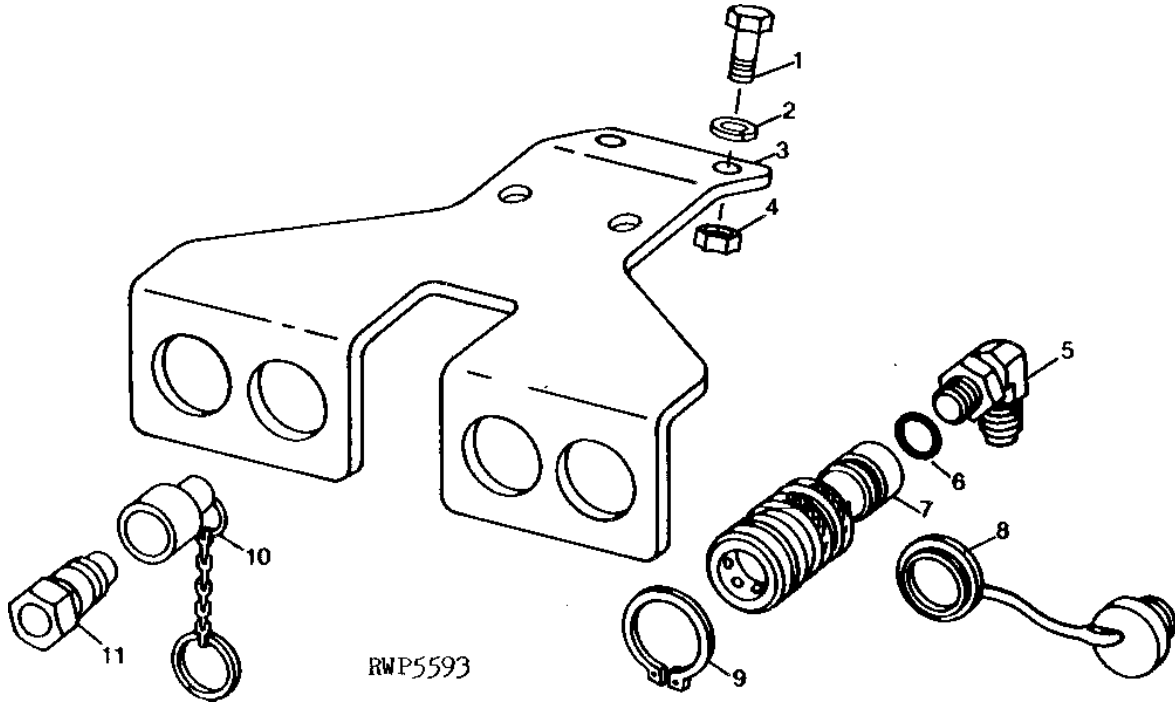
KEY	PART NO.	PART NAME	QTY	TRACTOR			REMARKS
				SERIAL NO.	1 1 1	2 4 6	
					5 5 5		
					0 0 0		
1	R52691	GRIP	2		X X		
2	RE13990	LEVER	1		X X	INNER	
3	RE13991	LEVER	1		X X	OUTER	
4	11M7005	COTTER PIN	4		X X	1.600 X 10 MM	
5	19H1781	CAP SCREW	1		X X	1/2" X 3-1/2"	
6	24H1342	WASHER	3		X X	17/32" X 1-1/4" X 0.036"	
7	M44269	BUSHING	1		X X		
8	AR99074	LINK	2		X X		
9	R79369	LINK	2		X X		
10	28H2592	BUSHING	1		X X	0.546" X 0.840" X 1-3/4"	
11	14H1040	NUT	2		X X	1/2"	
12	19H3579	CAP SCREW	1		X X	1/2" X 1-3/8"	
13	M43318	BUSHING	1		X X		
..	RE13989	VALVE	1		X X	SCV COMPLETE	

2C12

HYDRAULICS

RWP5593 -UN-01JAN94

BREAKAWAY COUPLER BRACKET



RWP5593

1 1 1
2 4 6
5 5 5
0 0 0

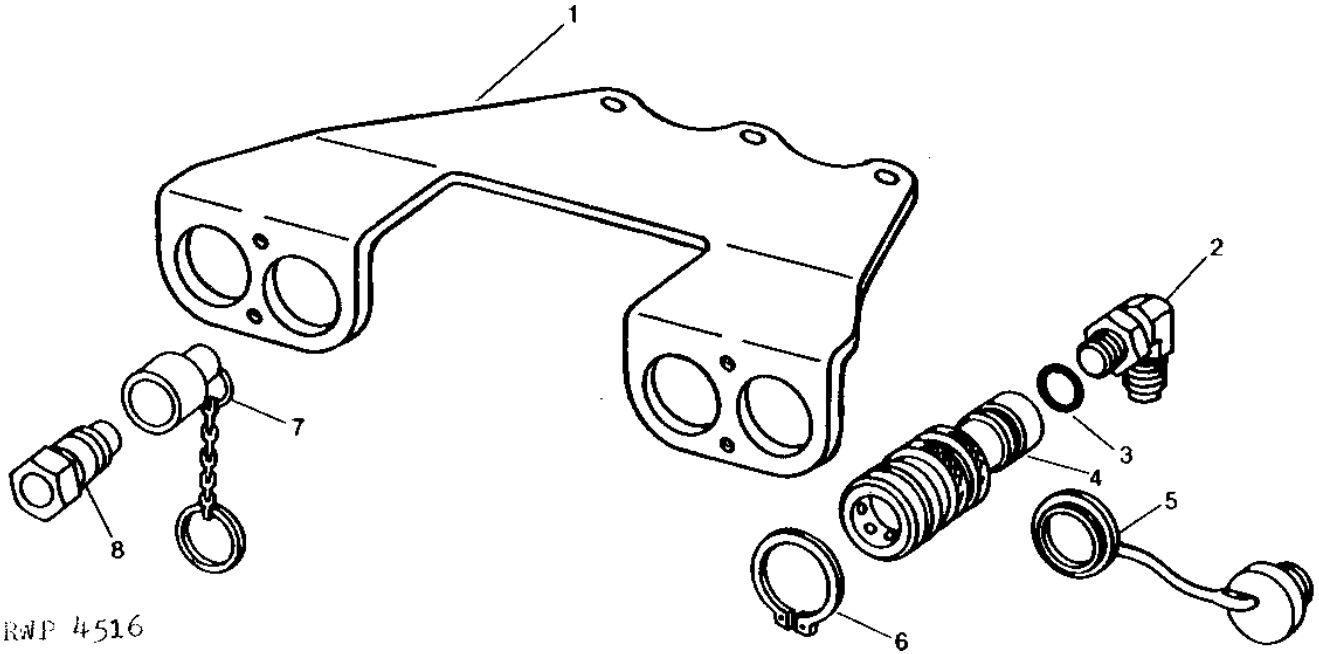
KEY	PART NO.	PART NAME	QTY	TRACTOR SERIAL NO.	REMARKS
1	19M7938	CAP SCREW	2	X	M10 X 20
2	12M7066	LOCK WASHER	2	X	M10
3	R82547	BRACKET	1	X	
4	14M7274	NUT	2	X	M10
5	AH20193	ELBOW FITTING	4	X	
6	R26906	O-RING	4	X	
7	AR102970	HYD. QUICK-CONNECT COUPLER	4	X	
8	A15899	CAP	4	X	
9	U11030	SNAP RING	8	X	
10	A15898	CAP	4	X	
11	AR94522	INTERNAL HALF COUPLER	4	X	
..	AR102926	VALVE	1	X	SCV COMPLETE

2C13

HYDRAULICS

RWP4516 -UN-01JAN94

BREAKAWAY COUPLER BRACKET



RWP 4516

1 1 1
2 4 6
5 5 5
0 0 0

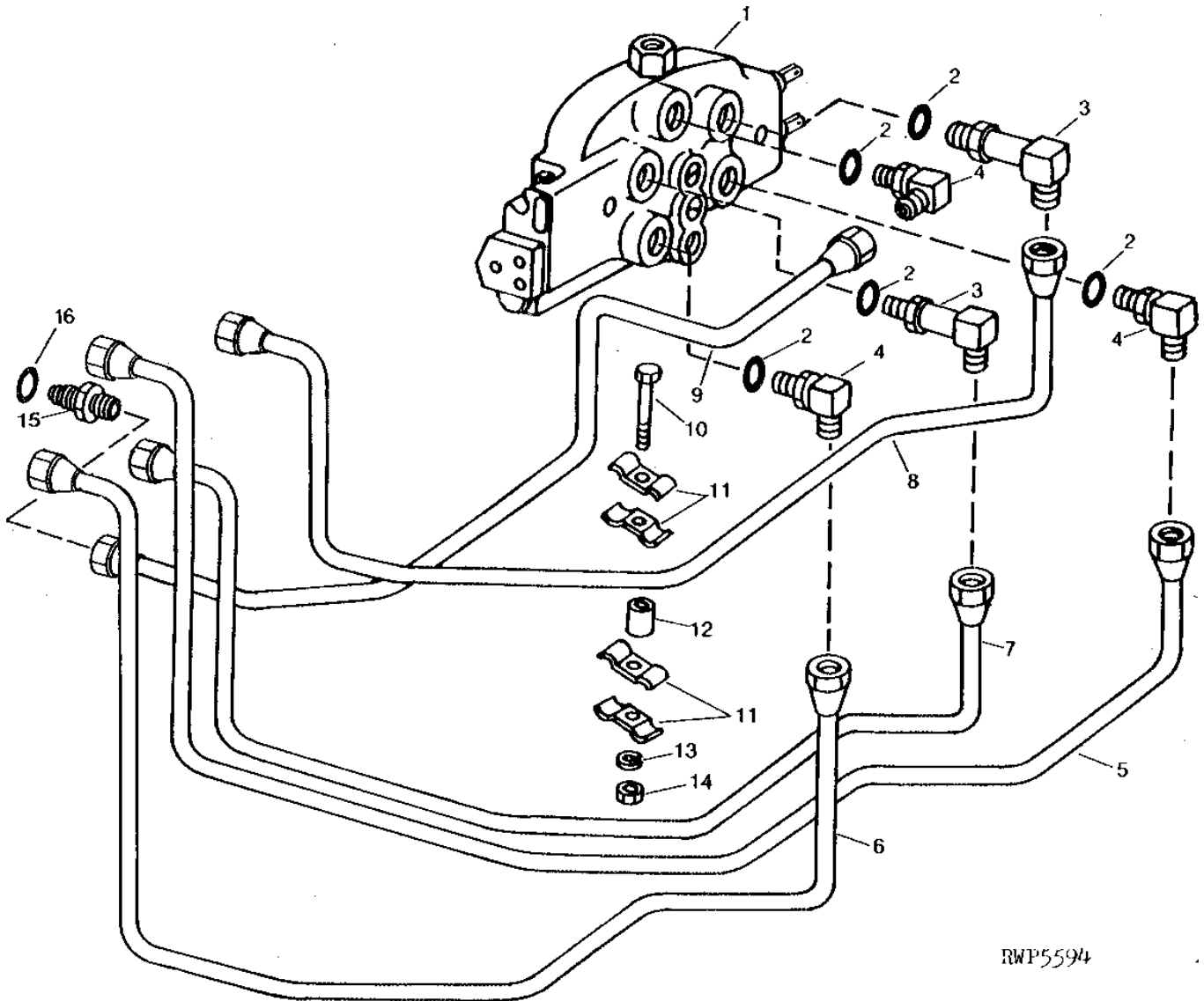
KEY	PART NO.	PART NAME	QTY	TRACTOR SERIAL NO.	REMARKS
1	R78904	BRACKET	1		
2	AH20193	ELBOW FITTING	4		
3	R26906	O-RING	4		
4	AR102970	HYD. QUICK-CONNECT COUPLER	4		
5	A15899	CAP	4		
6	U11030	SNAP RING	8		
7	A15898	CAP	4		
8	AR94522	INTERNAL HALF COUPLER	4		
..	RE13989	VALVE	1		X X SCV COMPLETE

2C14

HYDRAULICS

RWP5594 -UN-01JAN94

SELECTIVE CONTROL VALVE LINES
(TO BREAKAWAY COUPLER AND RETURN LINE)



RWP5594

2C15

HYDRAULICS

**SELECTIVE CONTROL VALVE LINES - CONTINUED
(TO BREAKAWAY COUPLER AND RETURN LINES)**

KEY	PART NO.	PART NAME	QTY	TRACTOR SERIAL NO.			REMARKS
				1	1	1	
				2	4	6	
				5	5	5	
				0	0	0	
1	AW17607	VALVE	1	X	X	X	
2	R26375	O-RING	5	X	X	X	
3	AH61439	ELBOW FITTING	2	X	X	X	
4	AT32332	ELBOW FITTING	3	X	X	X	
5	AR102934	OIL LINE	1	X			(L.H. OUTSIDE)
	RE13995	OIL LINE	1		X	X	(L.H. OUTSIDE)
6	AR102933	OIL LINE	1	X			(L.H. INSIDE)
	RE13994	OIL LINE	1		X	X	(L.H. INSIDE)
7	AR102932	OIL LINE	1	X			
	RE13992	OIL LINE	1		X	X	
8	AR102931	OIL LINE	1	X			
	RE13993	OIL LINE	1		X	X	
9	AR102929	OIL LINE	1	X	X	X	RETURN
10	19H1733	CAP SCREW	1	X			3/8" X 2-1/2"
	19H1801	CAP SCREW	1		X	X	3/8" X 2"
11	R42009	CLAMP	4	X	X	X	
12	28H1697	SPACER	1	X			
	28H1521	SPACER	1		X	X	0.493" X 0.675" X 9/16"
13	12H304	LOCK WASHER	1	X	X	X	3/8"
14	14H1076	NUT	1	X	X	X	3/8"
15	R27237	FITTING	1	X	X	X	
16	R26375	O-RING	1	X	X	X	
..	RE13989	VALVE	1		X	X	SCV COMPLETE
..	AR102926	VALVE	1	X			SCV COMPLETE

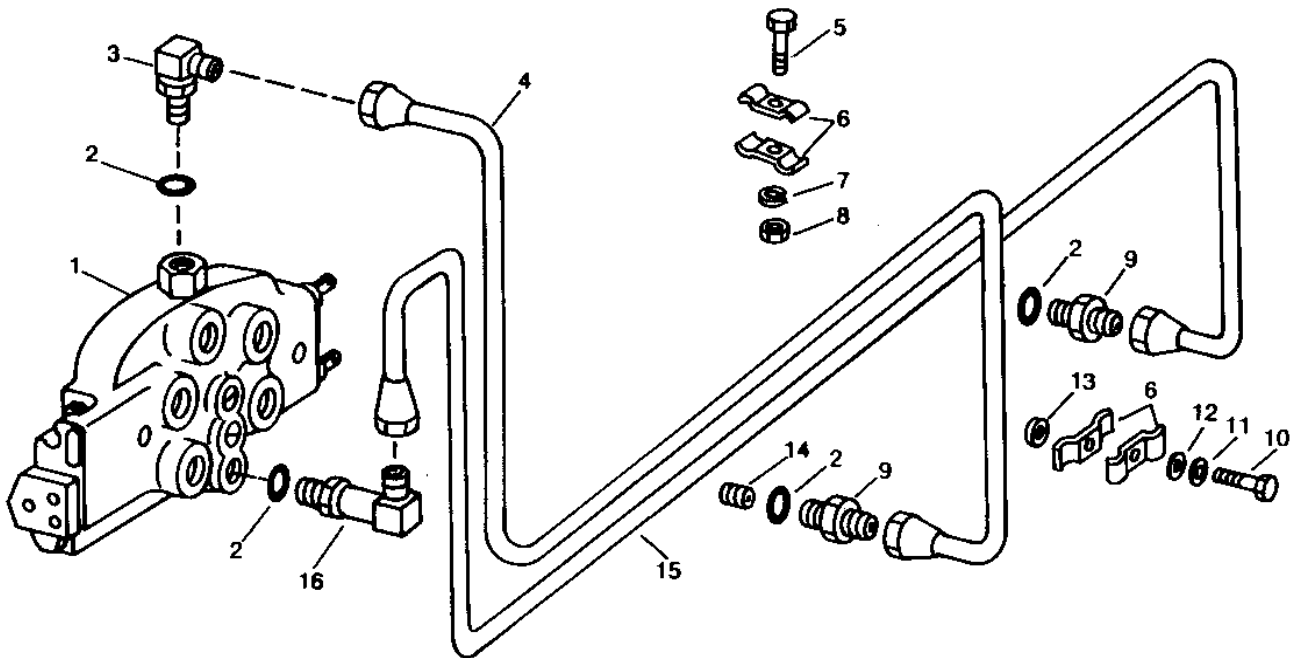
2C16

HYDRAULICS

RWP3991

-UN-01JAN94

SELECTIVE CONTROL VALVE PRESSURE LINES



2C17

HYDRAULICS

SELECTIVE CONTROL VALVE PRESSURE LINES - CONTINUED

KEY	PART NO.	PART NAME	QTY	TRACTOR SERIAL NO.			REMARKS
				1	2	5	
				1	1	1	
				2	4	6	
				5	5	5	
				0	0	0	
1	AW17607	VALVE	1	X	X	X	
2	R26375	O-RING	4	X	X	X	
3	AT32332	ELBOW FITTING	1	X	X	X	
4	AR102930	OIL LINE	1	X	X	X	
5	19H1731	CAP SCREW	1	X	X	X	3/8" X 1"
6	R42009	CLAMP	6	X	X	X	
7	12H304	LOCK WASHER	2	X	X	X	3/8"
8	14H1076	NUT	2	X	X	X	3/8"
9	R27237	FITTING	2	X	X	X	
10	19M7160	CAP SCREW	1	X			M6 X 30
	19M7724	CAP SCREW	1	X	X	X	M10 X 45
11	12M7006	LOCK WASHER	1	X			M6
	12M7066	LOCK WASHER	1	X	X	X	M10
12	24M7088	WASHER	1	X	X	X	6.600 X 12 X 1.600 MM
13	28H1511	WASHER	1	X			1/4" X 1/4"
	28H860	WASHER	1	X	X	X	0.423" X 0.675" X 3/8"
14	15H275	PIPE PLUG	1	X	X	X	1/4"
15	AR102928	OIL LINE	1	X	X	X	
16	AH61439	ELBOW FITTING	1	X	X	X	90°
..	AR102926	VALVE	1	X			SCV COMPLETE
..	RE13989	VALVE	1		X	X	SCV COMPLETE

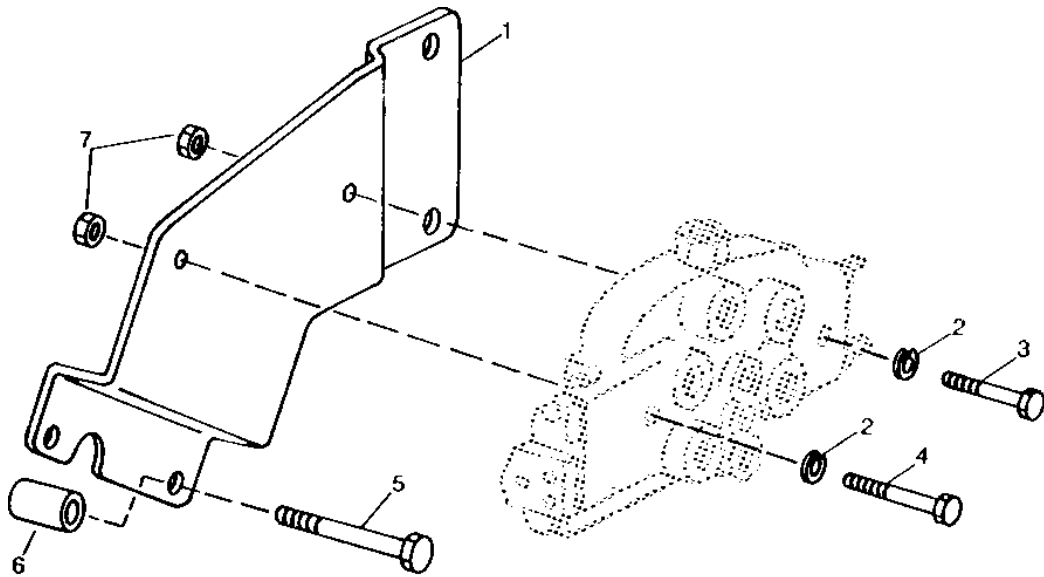
2C18

HYDRAULICS

RWP2177

-UN-01JAN94

SELECTIVE CONTROL VALVE MOUNTING BRACKET



RWP2177

2C19

HYDRAULICS

SELECTIVE CONTROL VALVE MOUNTING BRACKET - CONTINUED

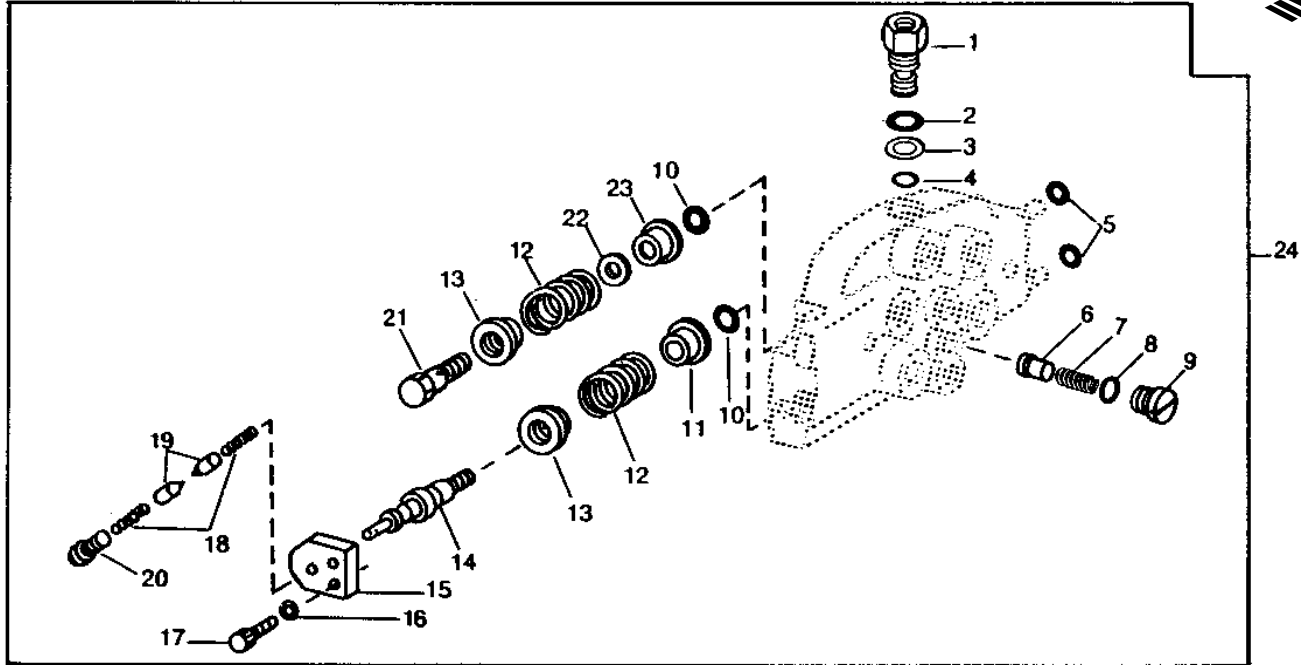
KEY	PART NO.	PART NAME	QTY	TRACTOR SERIAL NO.			REMARKS
				1	2	5	
				1	1	1	
				2	4	6	
				5	5	5	
				0	0	0	
1	R76095	BRACKET	1	X	X	X	
2	12M7032	LOCK WASHER	2	X	X	X	0.331"
3	19H1913	CAP SCREW	1	X	X	X	5/16" X 2-1/4"
4	19H1907	CAP SCREW	1	X	X	X	5/16" X 2-3/4"
5	19M7291	CAP SCREW	1	X	X	X	M14 X 90
6	28H1981	BUSHING	1	X	X	X	
7	14H785	NUT	2	X	X	X	5/16"
..	AR102926	VALVE	1	X			SCV COMPLETE
..	RE13989	VALVE	1		X	X	SCV COMPLETE

2C20

HYDRAULICS

RWP3981 -UN-01JAN94

SELECTIVE CONTROL VALVE



RWP3981

KEY	PART NO.	PART NAME	QTY	TRACTOR SERIAL NO.	REMARKS
				1 1 1	
				2 4 6	
				5 5 5	
				0 0 0	
1	W25405	PLUG	1	X X X	
2	T13119	O-RING	1	X X X	
3	N140001	BACK-UP RING	1	X X X	
4	R27166	O-RING	1	X X X	
5	H36256	O-RING	2	X X X	
6	N85302	PLUNGER	2	X X X	
7	N85304	SPRING	2	X X X	
8	R65287	O-RING	2	X X X	
9	AN85149	FITTING	2	X X X	
10	R375R	O-RING	2	X X X	
11	W14652	WASHER	1	X X X	DEEP
12	H35232	SPRING	2	X X X	
13	N85299	BUSHING	2	X X X	SHALLOW
14	W23207	SCREW	1	X X X	
15	W23206	DETENT	1	X X X	
16	12H302	LOCK WASHER	2	X X X	1/4"
17	19H2932	SCREW	2	X X X	1/4" X 1"
18	W14655	SPRING	2	X X X	
19	W14650	PAWL	2	X X X	
20	W14653	PLUG	1	X X X	
21	N140559	SCREW	1	X X X	
22	H35233	WASHER	1	X X X	
23	H35231	BUSHING	1	X X X	DEEP
24	AW17607	VALVE	1	X X X	
..	AW18327	SEAL KIT	1	X X X	REPAIR

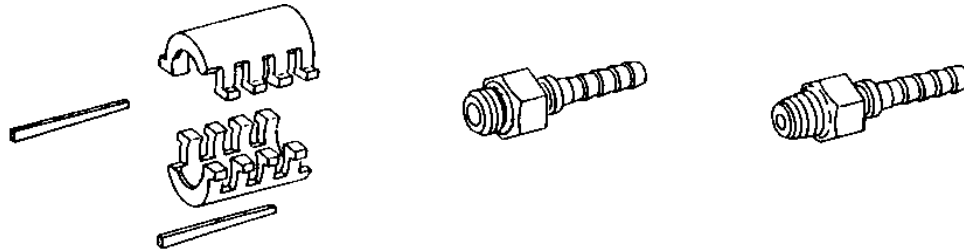
2C21

HYDRAULICS

RXP7733

-UN-23SEP94

BULK FLEXIBLE OIL LINE AND REUSABLE LOK-PIN COUPLINGS



Oil Line (Length) Approx. 50 ft.)		Set of Ferrules with Pins*	Stem-Straight Thread with O-ring	Stem-Pipe Thread
R 34790	3/8" I.D. — 1 Wire	AR 39635* *	R 39687
R 34791	1/2" I.D. — 1 Wire	AR 39636* *	R 39688
R 34792	3/4" I.D. — 1 Wire	AR 39637#	R 39689
R 34793	3/8" I.D. — 2 Wire	AR 39632	AR 39635* *	R 39687
R 34794	1/2" I.D. — 2 Wire	AR 39636* *	R 39688
R 34795	3/4" I.D. — 2 Wire	AR 39637#	R 39689

* Each set of ferrules includes two R39681 pins - extra pins may be ordered, packed 20 in a package.
 **Includes R26375 O-ring.
 # Includes F3171R O-ring.

REUSABLE COUPLINGS (Use With Braid Flexible Oil Line)



1 WR Single Wire		2 WR Double Wire		I.D.	Thread
Coupling No.		Coupling No.			
AF 3585	R	AR 21629		3/8"	3/8" — 18 NPTF
AF 3586	R	AR 21630		1/2"	1/2" — 14 NPTF
AF 3587	R		5/8"	3/4" — 14 NPTF
AF 3588	R	AR 21632		3/4"	3/4" — 14 NPTF
		AR 21634		1"	1" — 11-1/2" NPTF
R 34644			3/8"	3/4" — 16 O-ring type thread
R 34646		R 34647		1/2"	3/4" — 16 O-ring type thread

BULK SINGLE WIRE BRAID FLEXIBLE OIL LINE (Use With Reusable Coupling for Single Wire Braid Flexible Oil Line)

Part No.	I.D.	O.D.	Length
A 5776 R	1/2"	29/32"	Approx. 50 ft.
A 5777 R	5/8"	1-1/32"	Approx. 50 ft.

BULK DOUBLE WIRE BRAID FLEXIBLE OIL LINE (Use with Reusable Coupling for Double Wire Braid Flexible Oil Line)

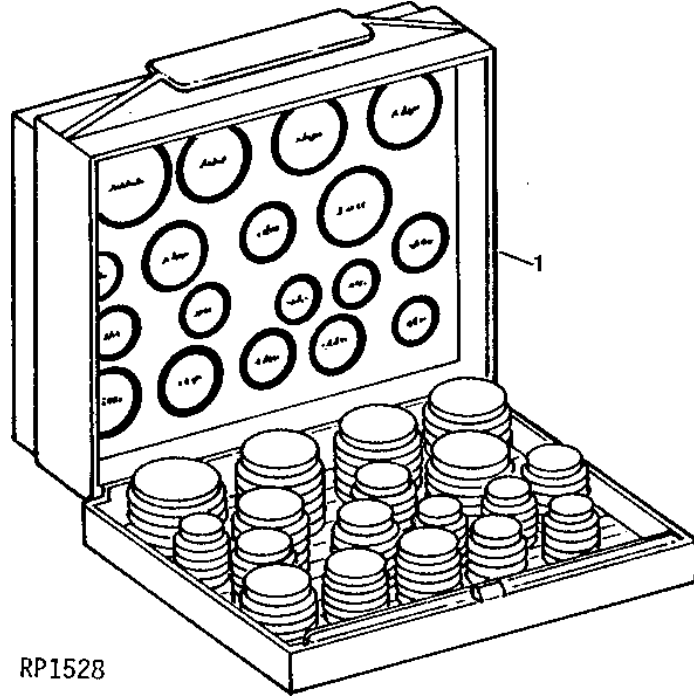
Part No.	I.D.	O.D.	Length
R 21531	3/8"	29/32"	Approx. 50 ft.
R 21532 RXP7733	1/2"	31/32"	Approx. 50 ft.

2C22

HYDRAULICS

RP1528 -UN-01JAN94

O-RING KIT



RP1528

1 1 1
2 4 6
5 5 5
0 0 0

KEY	PART NO.	PART NAME	QTY	TRACTOR SERIAL NO.	REMARKS
1	AR73500 AT66632	KIT KIT	1 1	X X X X X X	HYDRAULIC AIR CONDITIONING

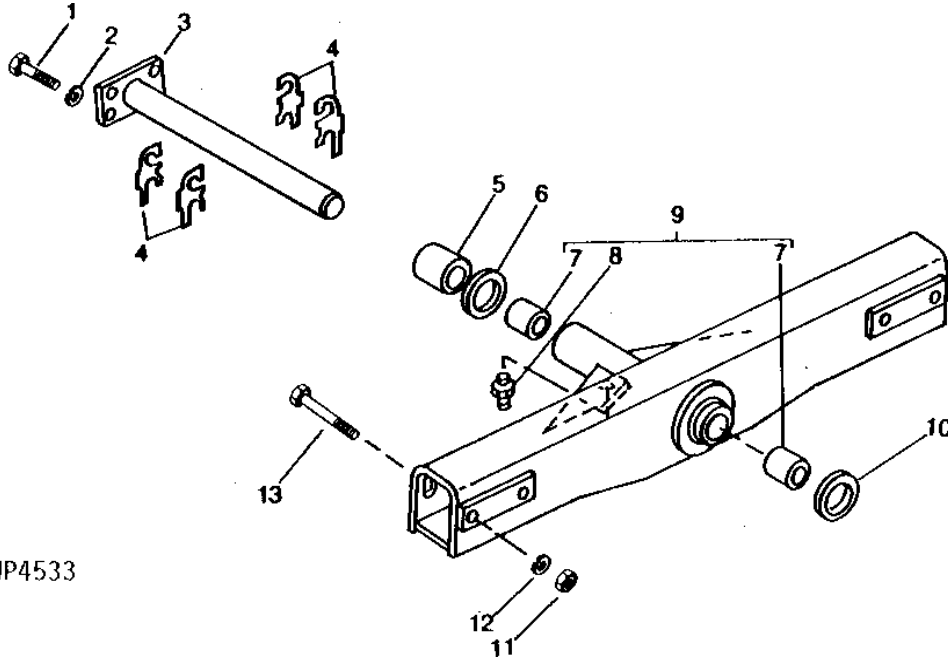
MEMORANDA

2D3

WHEELS, FRONT AXLES, SHEET METAL

RWP4533 -UN-01JAN94

FRONT AXLE



RWP4533

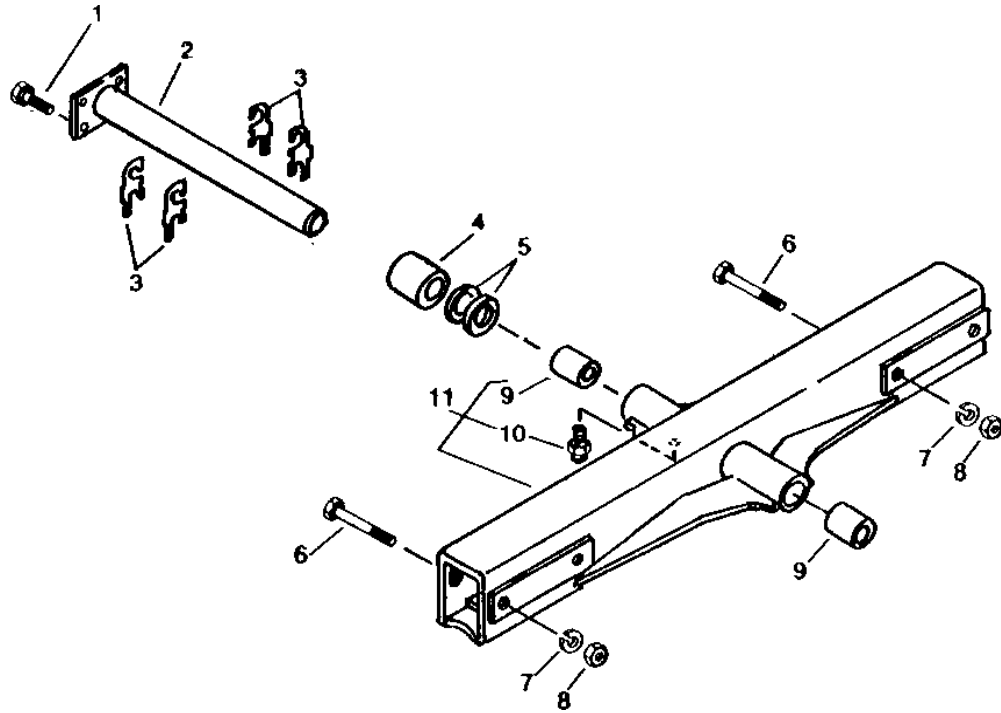
KEY	PART NO.	PART NAME	QTY	TRACTOR SERIAL NO.	REMARKS
				1 1 1	
				2 4 6	
				5 5 5	
				0 0 0	
1	19M7285	CAP SCREW	4	X	M12 X 30
2	12M7067	LOCK WASHER	4	X	M12
3	CH16303	PIN	1	X	
4	CH16645	SHIM	AR	X	
5	CH16304	SPACER	1	X	
6	CH16305	WASHER	2	X	
7	CH16300	BUSHING	2	X	
8	CH15805	FITTING	1	X	(SUB FOR CH11413)
9	CH18003	AXLE	1	X	
10	CH16305	WASHER	2	X	
11	CH12042	NUT	4	X	(SUB 14M7276)
12	CH17096	LOCK WASHER	4	X	
13	CH17091	BOLT	4	X	M16 X 100

2D4

WHEELS, FRONT AXLES, SHEET METAL

RWP4677 -UN-01JAN94

FRONT AXLE



RWP 4677

1 1 1
2 4 6
5 5 5
0 0 0

KEY	PART NO.	PART NAME	QTY	TRACTOR SERIAL NO.	REMARKS
1	CH12344	SCREW, WITH WASHER	4		X X (SUB 12M7067 AND 19M7285)
2	CH16303	PIN	1		X X
3	CH16645	SHIM	AR		X X
4	CH16304	SPACER	1		X X
5	CH16305	WASHER	2		X X
6	CH17091	BOLT	4		X X M16 X 100
7	CH17096	LOCK WASHER	4		X X
8	CH12042	NUT	4		X X (SUB 14M7276)
9	CH16300	BUSHING	2		X X
10	CH15805	FITTING	1		X X
11	CH18486	FRONT AXLE	1		X X

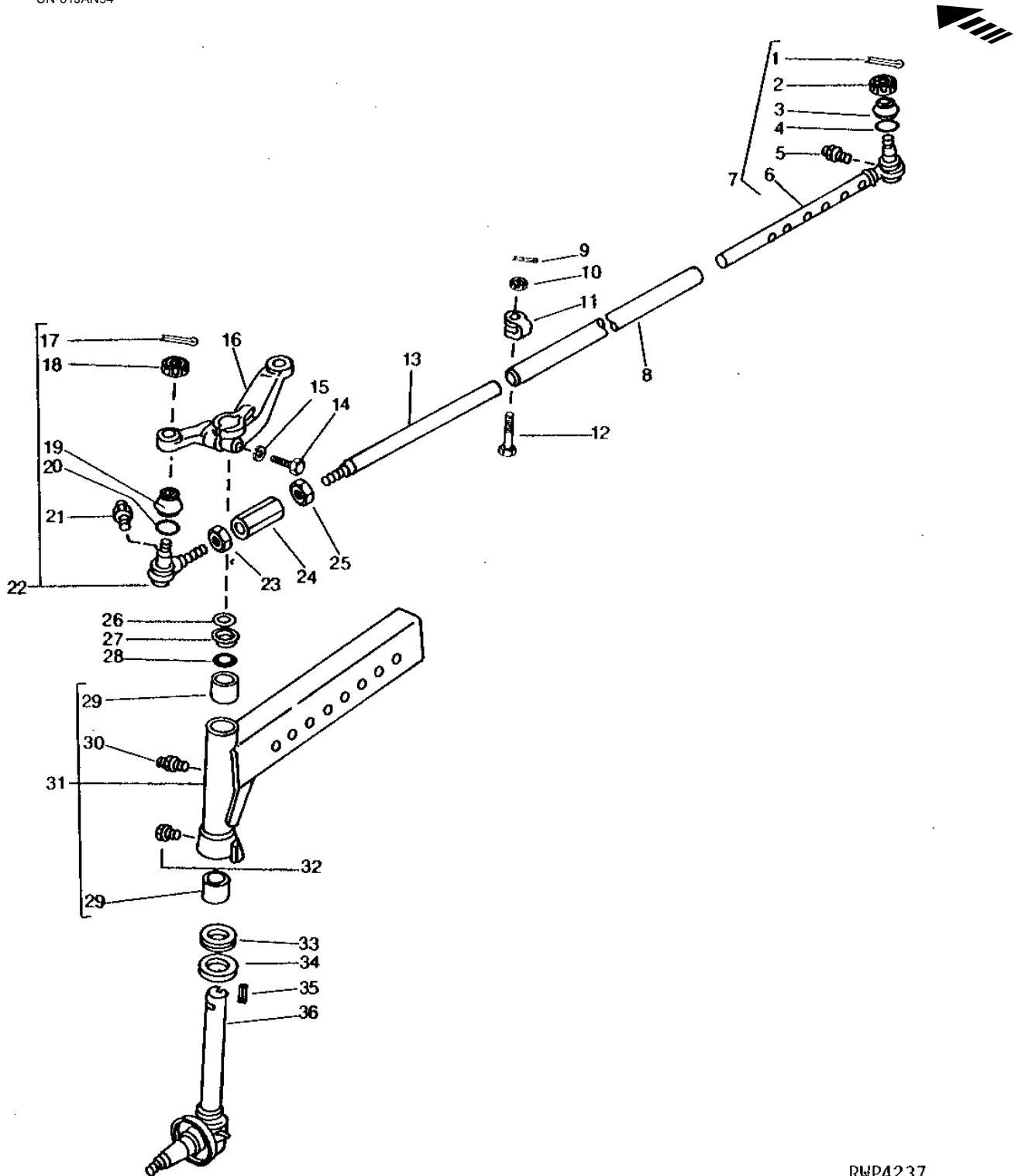
2D5

WHEELS, FRONT AXLES, SHEET METAL

RWP4237

-UN-01JAN94

FRONT KNEE AND TIE RODS



RWP4237

2D6

WHEELS, FRONT AXLES, SHEET METAL

FRONT KNEE AND TIE RODS - CONTINUED

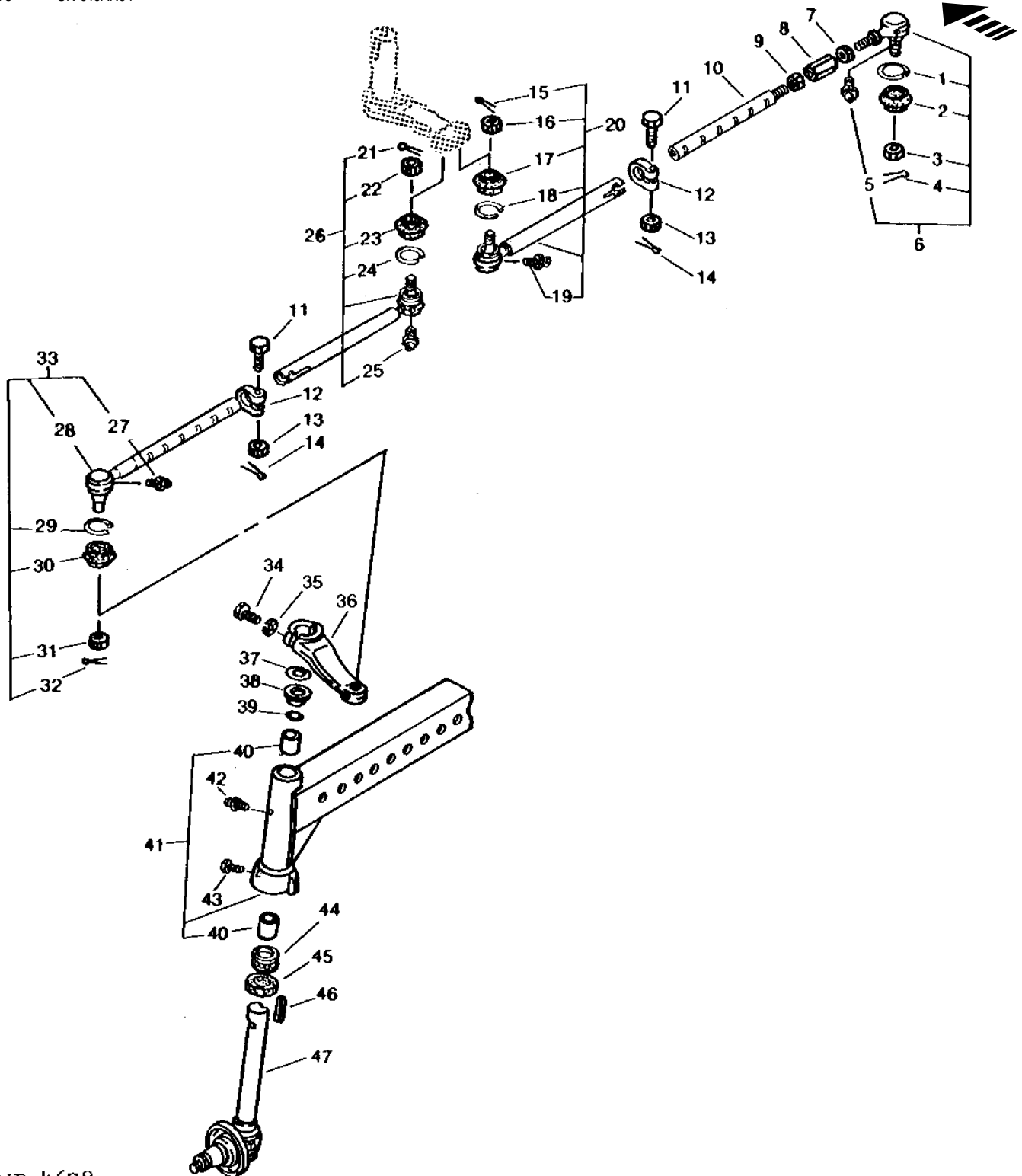
KEY	PART NO.	PART NAME	QTY	TRACTOR			REMARKS
				SERIAL NO.	5 5 5	2 4 6	
					1 1 1		
					2 4 6		
					5 5 5		
					0 0 0		
1	11M7087	COTTER PIN	1		X		4 X 40 MM
2	CH17199	NUT	1		X		
3	CH13705	COVER	1		X		
4	CH13706	RING	1		X		
5	CH15805	FITTING	1		X		(SUB FOR CH11413)
6	CH17196	TIE ROD	1		X		(SUB CH16312)
7	CH16312	TIE ROD END	1		X		R.H.
8	CH16310	TIE ROD	1		X		
9	CH12320	PIN	2		X		M3 X 25
10	CH13599	NUT	2		X		
11	CH13192	CLAMP	2		X		
12	CH14162	CAP SCREW	2		X		M12 X 55
13	CH16311	EXTENSION	1		X		R.H. THREAD
14	CH16308	BOLT	2		X		M14 X 70
15	12M7068	LOCK WASHER	2		X		M14
16	CH16307	STEERING ARM	1		X		L.H.
	CH16309	STEERING ARM	1		X		R.H.
17	11M7087	COTTER PIN	1		X		4 X 40 MM
18	CH17199	NUT	1		X		
19	CH13705	COVER	1		X		
20	CH13706	RING	1		X		
21	CH15805	FITTING	1		X		(SUB FOR CH11413)
22	CH16325	TIE ROD END	1		X		
23	CH16314	NUT	1		X		L.H. THREAD
24	CH16315	TURNBUCKLE	1		X		
25	14M7257	NUT	1		X		M20
26	CH17504	SHIM	2		X		
27	CH17187	COVER	2		X		
28	CH17192	PACKING	2		X		
29	CH11134	BUSHING	4		X		
30	CH15805	FITTING	1		X		(SUB FOR CH11413)
31	CH18005	AXLE KNEE	1		X		L.H.
	CH18007	AXLE KNEE	1		X		R.H.
32	CH11127	BOLT	2		X		M6 X 5
33	CH17191	BEARING	2		X		
34	CH17195	SEAL	2		X		
35	CH17193	KEY	2		X		M10 X 55
36	CH16306	SPINDLE	2		X		

2D7

WHEELS, FRONT AXLES, SHEET METAL

RWP4678 -UN-01JAN94

FRONT KNEE AND TIE RODS



RWP 4678

2D8

WHEELS, FRONT AXLES, SHEET METAL

FRONT KNEE AND TIE RODS - CONTINUED

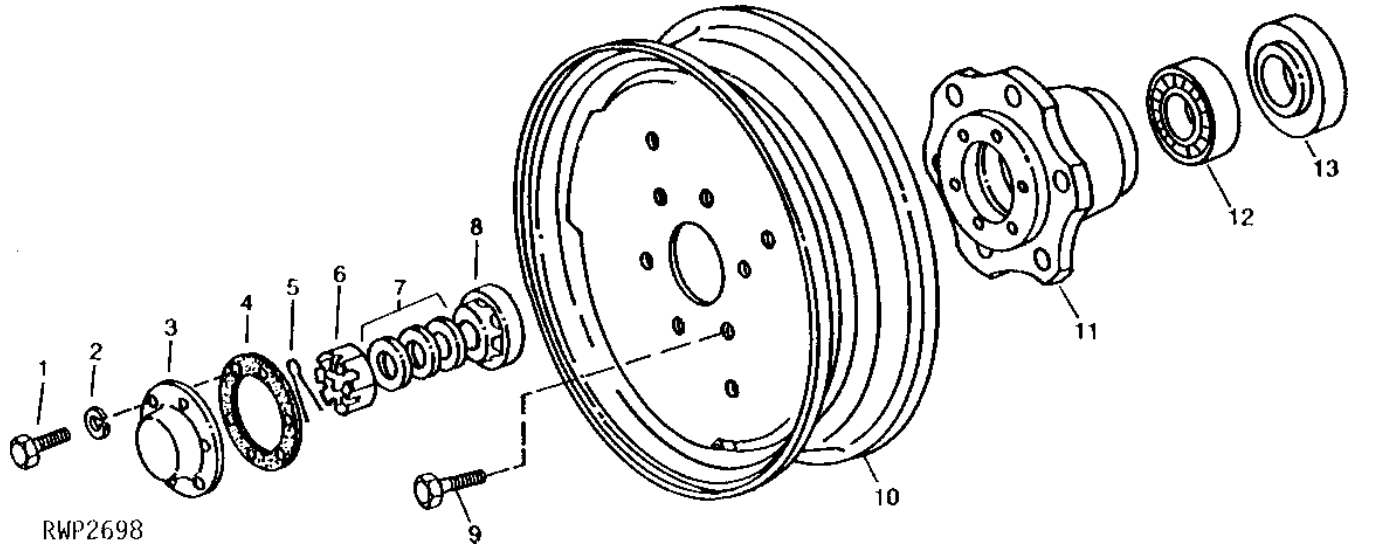
KEY	PART NO.	PART NAME	QTY	TRACTOR			REMARKS
				SERIAL NO.	1 1 1	2 4 6	
				5 5 5	0 0 0		
1	CH13706	RING	1			X X	
2	CH13705	COVER	1			X X	
3	CH17199	NUT	1			X X	
4	11M7087	COTTER PIN	1			X X	4 X 40 MM
5	CH15805	FITTING	1			X X	
6	AM878073	TIE ROD END	1			X X	(SUB FOR CH17401)
7	14M7257	NUT	1			X X	M20
8	CH18843	TURNBUCKLE	1			X X	
9	CH16314	NUT	1			X X	L.H. THREAD
10	CH18835	EXTENSION	1	-XXXXXX		X X	L.H. (SUB CH20219)
	CH20215	EXTENSION	1	XXXXXX-		X X	L.H. (SUB FOR CH18835 IF CH20220 HAS BEEN PREVIOUSLY INSTALLED)
11	CH14162	CAP SCREW	2			X X	M12 X 55
12	CH13192	CLAMP	2			X X	
13	CH13599	NUT	2			X X	
14	11M7059	COTTER PIN	2			X X	M3 X 35
15	11M7087	COTTER PIN	1			X X	4 X 40 MM
16	CH17199	NUT	1			X X	
17	CH13705	COVER	1			X X	
18	CH13706	RING	1			X X	
19	CH15805	FITTING	1			X X	
20	CH18836	TIE ROD	1			X X	
21	11M7087	COTTER PIN	1			X X	4 X 40 MM
22	CH17199	NUT	1			X X	
23	CH13705	COVER	1			X X	
24	CH13706	RING	1			X X	
25	CH15805	FITTING	1			X X	
26	CH18831	TIE ROD	1			X X	
27	CH15805	FITTING	1			X X	
28	EXTENSION	1			X X	(ORDER CH20215 IF CH20220 HAS BEEN PREVIOUSLY INSTALLED)
29	CH13706	RING	1			X X	
30	CH13705	COVER	1			X X	
31	CH17199	NUT	1			X X	
32	11M7087	COTTER PIN	1			X X	4 X 40 MM
33	CH18840	TIE ROD END	1	-XXXXXX		X X	R.H. (SUB CH20220)
	CH20214	EXTENSION	1	XXXXXX-		X X	R.H. (SUB FOR CH18840 IF CH20219 HAS BEEN PREVIOUSLY INSTALLED)
34	CH18518	BOLT	2			X X	M14 X 70
35	12M7068	LOCK WASHER	2			X X	M14
36	CH18517	STEERING ARM	1	-XXXXXX		X X	L.H. (SUB CH20220)
	CH18521	STEERING ARM	1	-XXXXXX		X X	R.H. (SUB CH20219)
	CH20212	STEERING ARM	1	XXXXXX-		X X	L.H. (SUB FOR CH18517 IF CH21220 HAS BEEN PREVIOUSLY INSTALLED)
	CH20213	STEERING ARM	1	XXXXXX-		X X	R.H. (SUB FOR CH18521 IF CH20219 HAS BEEN PREVIOUSLY INSTALLED)
37	CH17504	SHIM	2			X X	
38	CH17187	COVER	2			X X	
39	CH17192	PACKING	2			X X	
40	CH13298	BUSHING	4			X X	
41	CH18499	AXLE KNEE	1			X X	L.H.
	CH18506	AXLE KNEE	1			X X	R.H.
42	CH15805	FITTING	2			X X	
43	CH11127	BOLT	2			X X	M6 X 5
44	CH17191	BEARING	2			X X	
45	CH17195	SEAL	2			X X	
46	CH17193	KEY	2			X X	M10 X 55
47	CH16306	SPINDLE	2			X X	

2D9

WHEELS, FRONT AXLES, SHEET METAL

RWP2698 -UN-01JAN94

FRONT HUB AND RIM



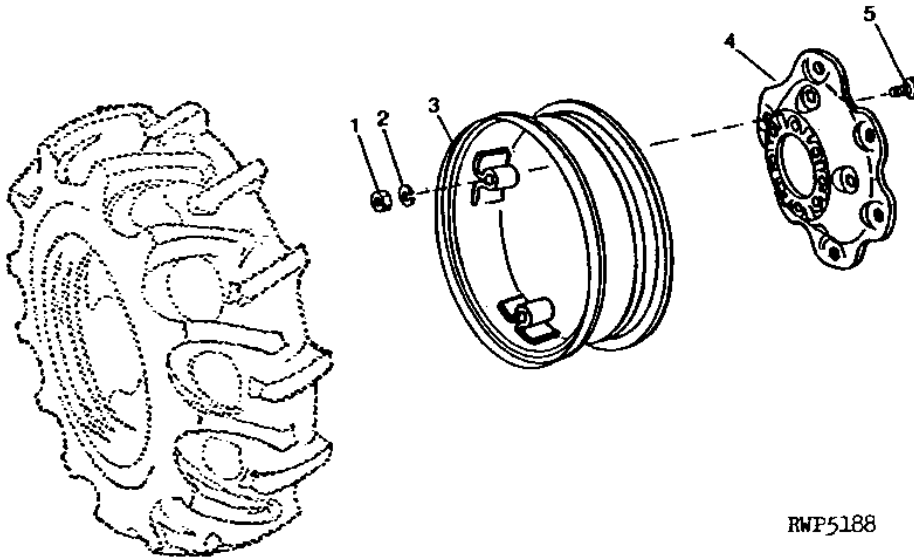
KEY	PART NO.	PART NAME	QTY	TRACTOR SERIAL NO.			REMARKS
				1	4	5	
1	19M6614	CAP SCREW	6	X	X	X	M6 X 12
2	12M7006	LOCK WASHER	6	X	X	X	M6
3	CH17098	CAP	1	X	X	X	
4	CH17097	GASKET	1	X	X	X	
5	CH12324	COTTER PIN	1	X	X	X	M4 X 45
6	CH11144	NUT	1	X	X	X	
7	CH13671	WASHER	1	X	X	X	
8	CH17189	BEARING	1	X	X	X	
9	CH13899	WHEEL BOLT	6	X	X	X	M14 X 27
10	JD3039	WHEEL	1	X	X	X	(6.50-16 AND 7.50-16 TIRE)
	JD3047	WHEEL	1	X	X	X	(27/9.5-15 TIRE)
	JD3211	WHEEL	1	X	X		(7.50-18 TIRE)
	JD3229	WHEEL	1	X	X	X	(9.5L-15 TIRE)
11	CH16316	HUB	1	X	X	X	
12	CH17194	BEARING	1	X	X	X	
13	CH17188	SEAL	1	X	X	X	
..	AM30347	TIRE VALVE STEM	1	X	X	X	

2D10

WHEELS, FRONT AXLES, SHEET METAL

FRONT WHEELS (MECHANICAL FRONT WHEEL DRIVE)

RWP5188 -UN-01JAN94



RWP5188

KEY	PART NO.	PART NAME	QTY	TRACTOR SERIAL NO.	1	1	1	REMARKS
1	CH10973	NUT	4	-003000	X			(SUB 14M7276)
	14M7276	NUT	6	003001-	X			M16
	14M7276	NUT	6			X	X	M16
2	12M7069	LOCK WASHER	4	-003000	X			M16
	12M7069	LOCK WASHER	6	003001-	X			M16
	12M7069	LOCK WASHER	6			X	X	M16
3	CH10972	RIM	1	-003000	X			(A)
	RE16720	RIM	1	003001-	X			(A) (ILLUSTRATED)
	T21742	RIM	1			X	X	(B) (C)
	RE16720	RIM	1			X		(A)
	AT20519	RIM	1			X	X	(D)
	JD3216	WHEEL	1	003001-	X			(E)
	JD3216	WHEEL	1			X	X	(E)
4	CH10971	WHEEL	1	-003000	X			(A)
	T19638	WHEEL CENTER	1	003001-	X			(A)
	T19638	WHEEL CENTER	1			X	X	(B) (C) (D)
	T19638	WHEEL CENTER	1			X		(A)
5	CH10974	SCREW	4	-003000	X			
	19M7720	CAP SCREW	6	003001-	X			
	19M7720	CAP SCREW	6			X	X	M16 X 80
..	AT25226	STEM	1			X	X	X

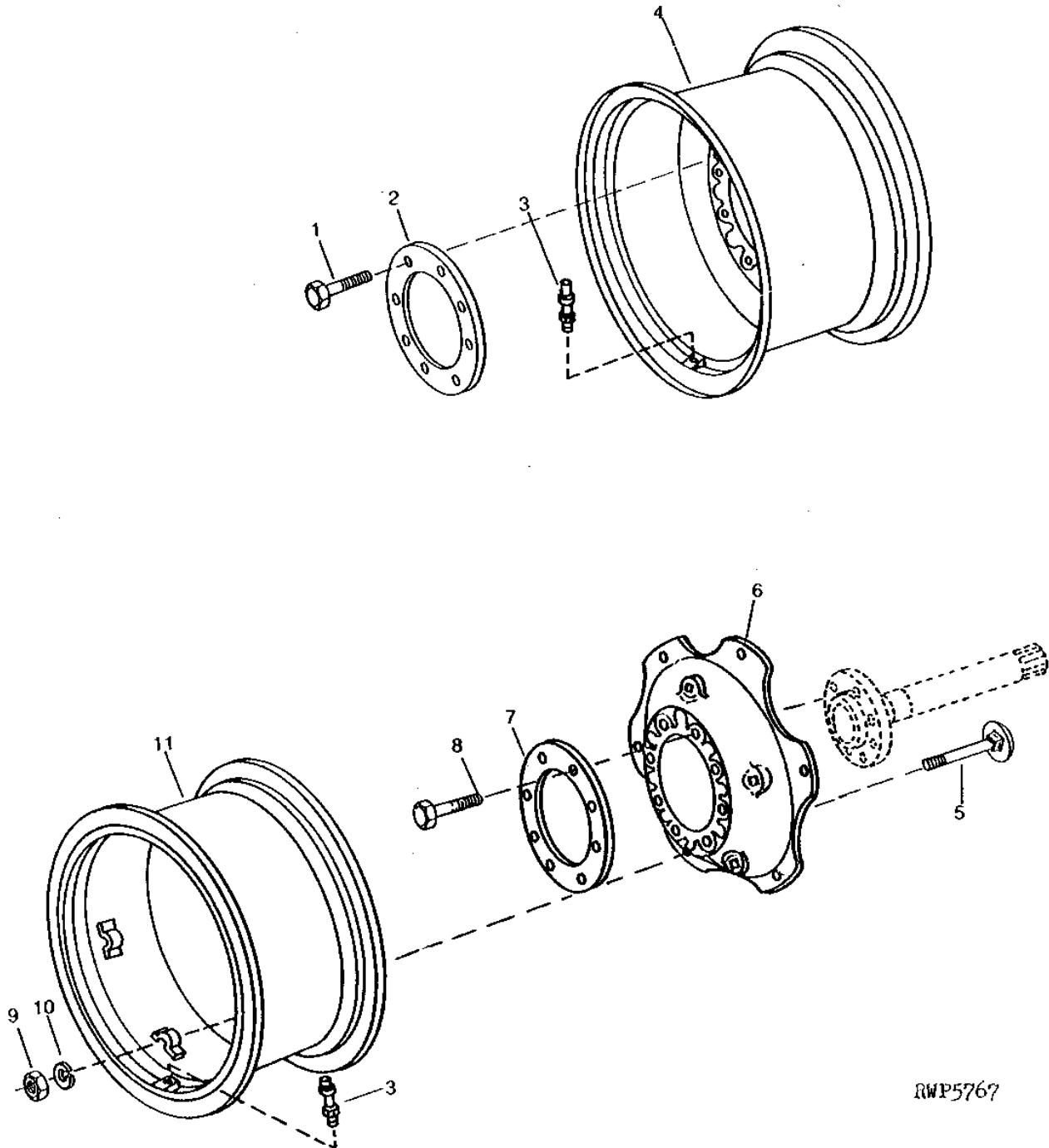
- (A) 9.5-24 TIRE
- (B) 11.2-24 TIRE
- (C) 12.4-24 TIRE FOR 1650 ONLY
- (D) 13.6-24 TIRE
- (E) 9.5-16 TIRE

2D11

WHEELS, FRONT AXLES, SHEET METAL

RWP5767 -UN-01JAN94

REAR RIMS AND WHEELS



RWP5767

2D12

WHEELS, FRONT AXLES, SHEET METAL

REAR RIMS AND WHEELS - CONTINUED

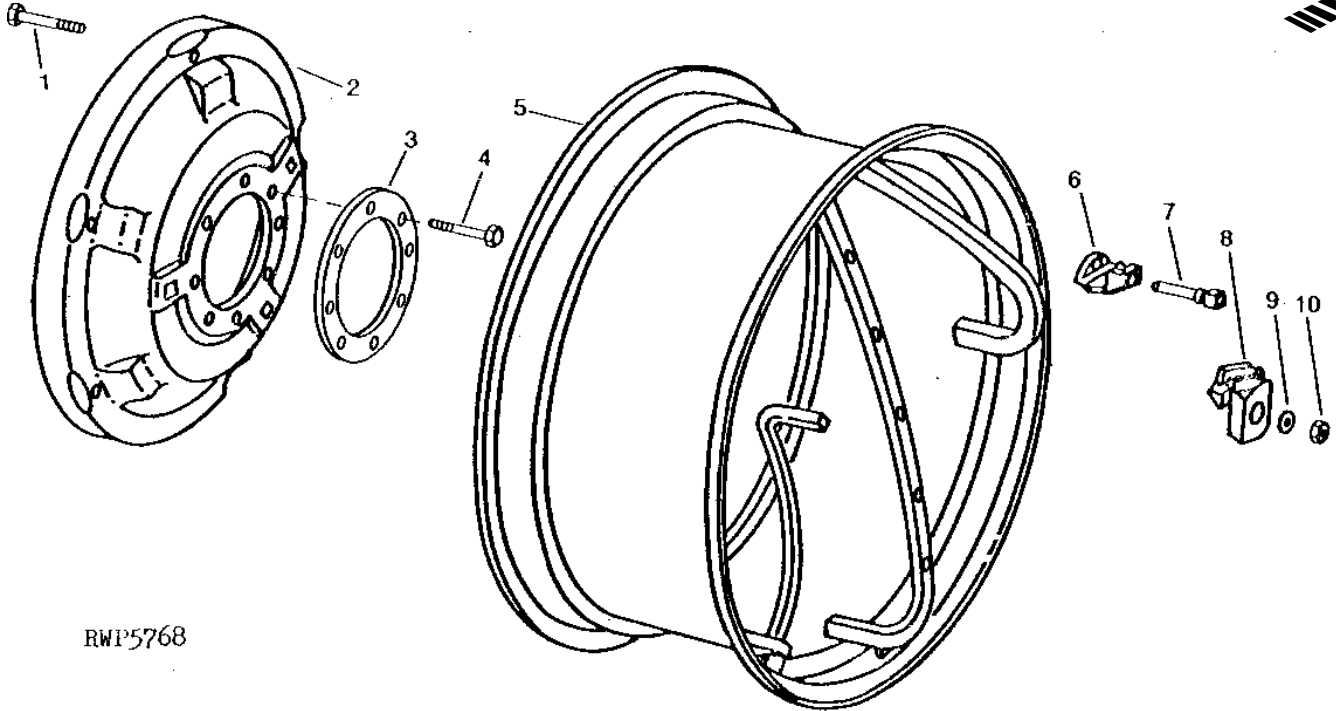
KEY	PART NO.	PART NAME	QTY	TRACTOR SERIAL NO.	1 1 1 2 4 6 5 5 5 0 0 0			REMARKS
1	CH13899	WHEEL BOLT	8	-003000	X			M14 X 27
	CH19674	BOLT	8	003001-	X			
	CH19674	BOLT	8			X X		
2	H84375	RING	1	003001-	X			
	H84375	RING	1			X X		
3	AT25226	STEM	1		X X X			
4	JD3038	WHEEL	1		X X X			(18.4-16 AND 21.5-16 TURF TIRE)
	JD3040	RIM	1			X		(18.4-26 TIRE)
	JD3038	WHEEL	1		X X X			(18.4-16.1 TIRE)
5	19M7720	CAP SCREW	6		X X X			M16 X 80
6	T19065	WHEEL CENTER	1		X X X			(28" OR 30" WHEEL)
	T19638	WHEEL CENTER	1		X X X			(24" WHEEL)
7	H84375	RING	1	003001-	X			
	H84375	RING	1			X X		
8	CH13899	WHEEL BOLT	8	-003000	X			M14 X 27
	CH19674	BOLT	8	003001-	X			
	CH19674	BOLT	8			X X		
9	14M7276	NUT	6		X X X			M16
10	12M7069	LOCK WASHER	6		X X X			M16
11	T21743	RIM	1		X X			(13.6-28 TIRE, 13.6-28 TURF TIRE AND 14.9-28)
	AT20521	RIM	1		X X X			(16.9-24 TIRE)
	RE14003	RIM	1			X		(16.9-28 TIRE)
	RE14008	RIM	1			X		(16.9-30 TIRE)
..	R55151	PLUG	1		X X X			(SECOND HOLE IN RIM)

2D13

WHEELS, FRONT AXLES, SHEET METAL

RWP5768 -UN-01JAN94

POWER ADJUSTED REAR WHEEL



RWP5768

1 1 1
2 4 6
5 5 5
0 0 0

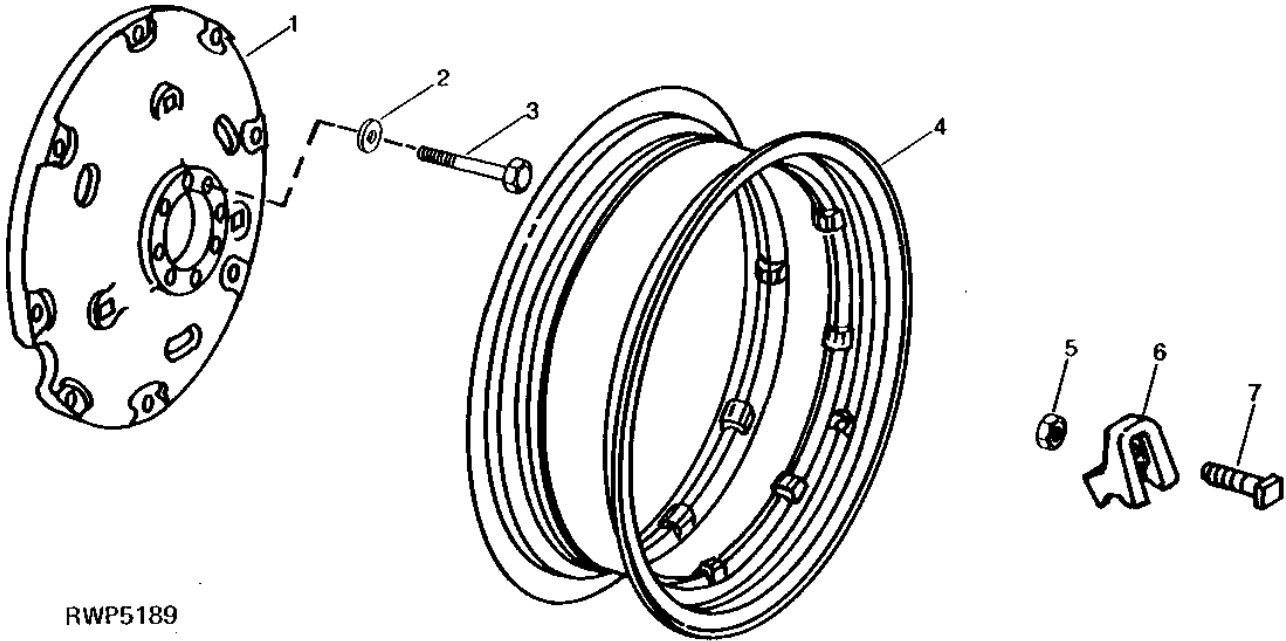
KEY	PART NO.	PART NAME	QTY	TRACTOR SERIAL NO.	REMARKS
1	08H4618	BOLT	5		X X 3/4" X 2-5/8"
	08H4618	BOLT	4	-XXXXXX	X X 3/4" X 2-5/8"
2	R55259	WHEEL	1		X X (USE WITH AR64101)
	T25338	WHEEL	1	-XXXXXX	X X (USE WITH AL60764)
3	H84375	RING	1		X X
	CH14118	LOCK WASHER	8	-XXXXXX	X X
4	CH19674	BOLT	8		X X
	CH18403	CAP SCREW	8	-XXXXXX	X X
5	AR64101	WHEEL	1		X X (16.9-28" TIRES)
	AM3202T	RIM	1	-XXXXXX	X X (14.9-28" TIRES) (SUB AL60764)
6	M2334T	STOP	2		X X X
7	M2335T	SCREW	2		X X X
8	T25339	CLAMP	5		X X
	T25339	CLAMP	4	-XXXXXX	X X
9	24H1161	WASHER	5		X X 13/16" X 1-15/32" X 0.134"
	24H1161	WASHER	4	-XXXXXX	X X 13/16" X 1-15/32" X 0.134"
10	14H858	NUT	5		X X 3/4"
	14H858	NUT	4	-XXXXXX	X X 3/4"
..	AT25226	STEM	1		X X X

2D14

WHEELS, FRONT AXLES, SHEET METAL

RWP5189 -UN-01JAN94

CAST REAR WHEEL (38" RIM)



RWP5189

1 1 1
2 4 6
5 5 5
0 0 0

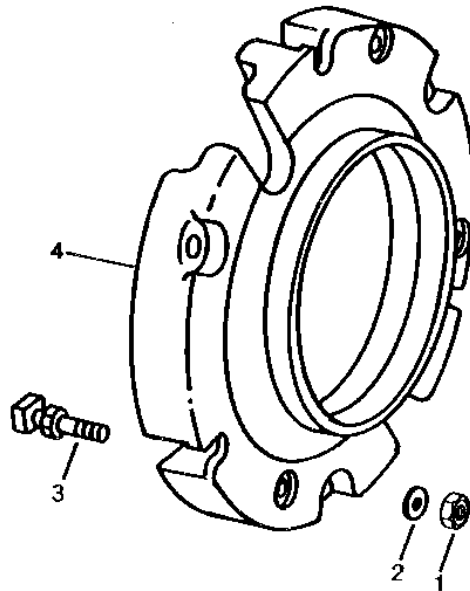
KEY	PART NO.	PART NAME	QTY	TRACTOR SERIAL NO.	REMARKS
1	T21483	WHEEL	1		X X (38" RIM)
2	CH14118	LOCK WASHER	8		X X
3	CH18403	CAP SCREW	8		X X
4	R31491	RIM	1		X X (15.5-38" TIRE)
	A4811R	RIM	1		X X (12.4-38" TIRE)
5	14H800	NUT	8		X X 5/8"
6	R67190	CLAMP	8		X X
7	08H4659	BOLT	8		X X 5/8" X 2-1/2"
..	AT25226	STEM	1		X X (USE WITH TUBELESS TIRES)

2D15

WHEELS, FRONT AXLES, SHEET METAL

RWP5365 -UN-01JAN94

REAR WHEEL WEIGHTS
(FOR 38" CAST DISK WHEELS)
(FOR 12.4-38" OR 15.5-38" TIRES)



RWP5365

KEY	PART NO.	PART NAME	QTY	TRACTOR SERIAL NO.	REMARKS
				1 1 1	
				2 4 6	
				5 5 5	
				0 0 0	
1	14H1039	NUT	3	X X	5/8"
2	12H294	LOCK WASHER	3	X X	5/8"
3	R34801	BOLT	3	X X	5/8" X 3"
4	T21689	WEIGHT	1	X X	54KG (120 LBS) (FIRST AND ADDITIONAL WEIGHTS TO WHEEL)

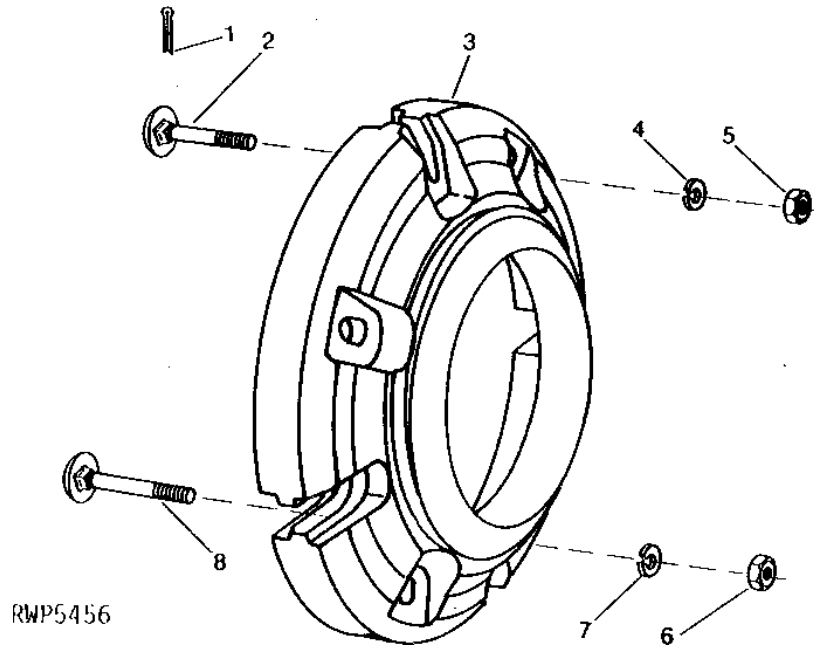
MEMORANDA

2D16

WHEELS, FRONT AXLES, SHEET METAL

REAR WHEEL WEIGHT (26" AND 28" DEMOUNTABLE STEEL DISK WHEELS) (FLANGED AXLE)

RWP5456 -UN-01JAN94



RWP5456

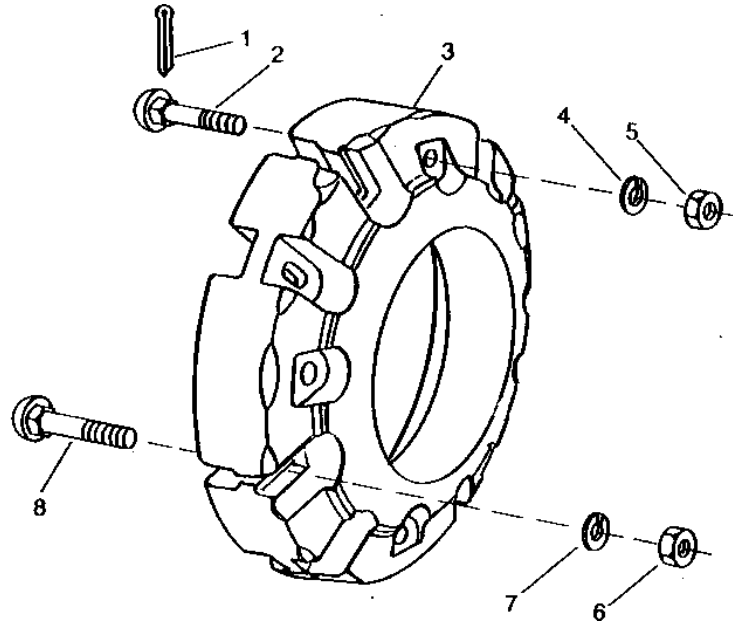
KEY	PART NO.	PART NAME	QTY	TRACTOR SERIAL NO.	REMARKS
				1 1 1	
				2 4 6	
				5 5 5	
				0 0 0	
1	11M7015	COTTER PIN	4	X X X	3.200 X 25 MM
2	R55602	GANG BOLT	4	X X X	5/8" X 2-3/4" (1ST WEIGHT TO WHEEL)
3	R56920	WEIGHT	1	X X X	54KG (120 LBS)
4	12H294	LOCK WASHER	4	X X X	5/8"
5	14H1039	NUT	4	X X X	5/8" HS, SAE 8
6	14H1039	NUT	4	X X X	5/8" HS, SAE 8
7	12H294	LOCK WASHER	4	X X X	5/8"
8	03H1516	BOLT	4	X X X	5/8" X 3-3/4", (ADDITIONAL WEIGHTS TO WHEEL)

2D17

WHEELS, FRONT AXLES, SHEET METAL

REAR WHEEL WEIGHT (24" DEMOUNTABLE STEEL DISK WHEEL) (FLANGED AXLE)

RWP5455 -UN-01JAN94



RWP5455

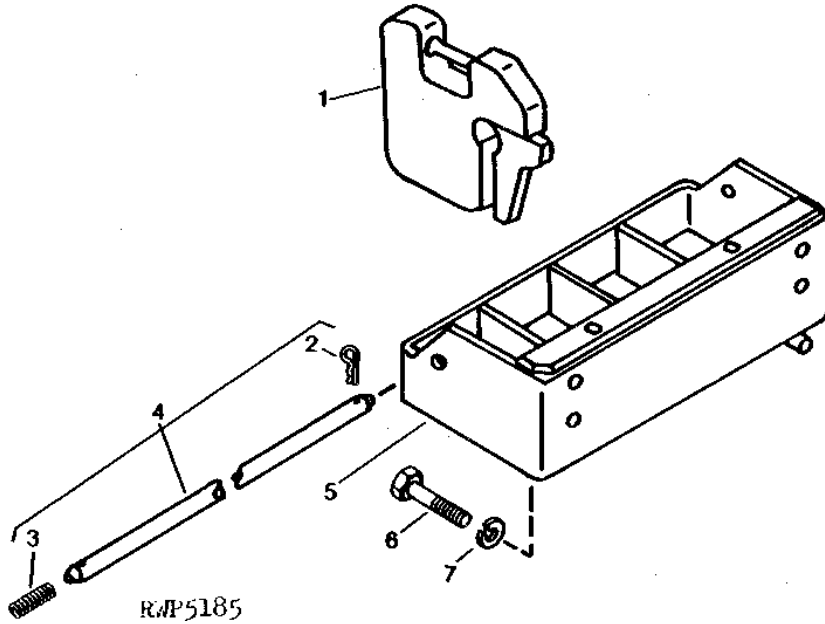
KEY	PART NO.	PART NAME	QTY	TRACTOR SERIAL NO.			REMARKS
				1	1	1	
				2	4	6	
				5	5	5	
				0	0	0	
1	11M7015	COTTER PIN	4	X	X	X	3,200 X 25 MM
2	R28493	BOLT	4	X	X	X	5/8" X 3-1/4", (1ST WEIGHT TO WHEEL)
3	T19293	WEIGHT	1	X	X	X	50KG (110 LBS) (NLA)
4	12H294	LOCK WASHER	4	X	X	X	5/8"
5	14H1039	NUT	4	X	X	X	5/8" HS, SAE 8
6	14H1039	NUT	4	X	X	X	5/8" HS, SAE 8
7	12H294	LOCK WASHER	4	X	X	X	5/8"
8	03H1786	BOLT	4	X	X	X	5/8" X 4-1/2", (ADDITIONAL WEIGHTS TO WHEEL)

2D18

WHEELS, FRONT AXLES, SHEET METAL

RWP5185 -UN-01JAN94

FRONT WEIGHT AND SUPPORT



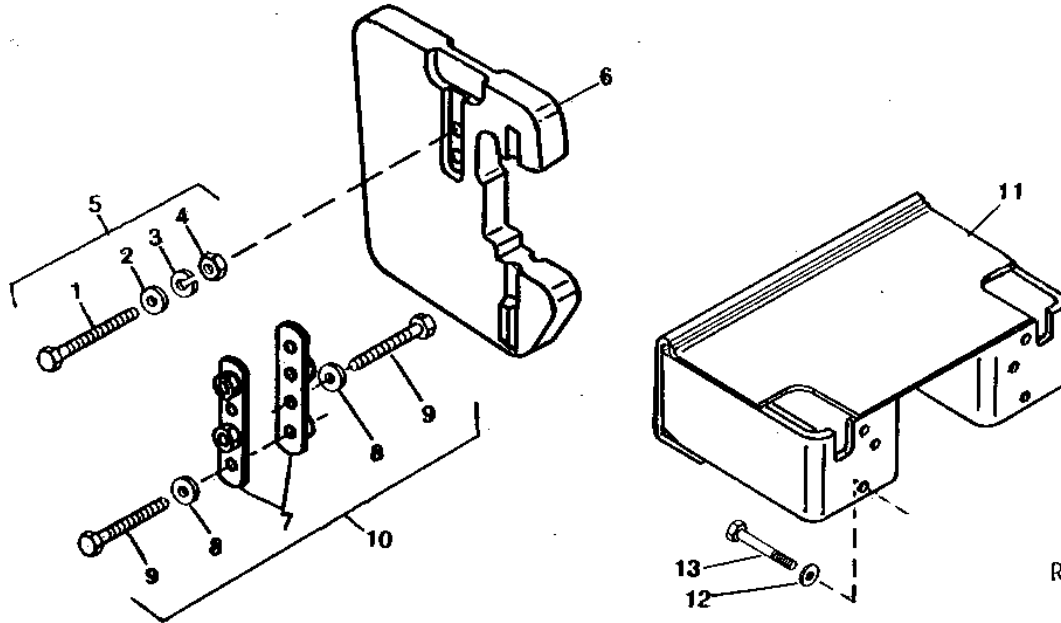
KEY	PART NO.	PART NAME	QTY	TRACTOR SERIAL NO.	REMARKS
				1 1 1	
				2 4 6	
				5 5 5	
				0 0 0	
1	R66949	WEIGHT	1	X	(NLA)
2	CH11527	PIN	1	X	(SUB M40461)
3	CH17545	SPRING	1	X	
4	CH17544	KIT	1	X	
5	CH17698	SUPPORT	1	X	
6	19M6332	CAP SCREW	4	X	M14 X 35, (SUB FOR CH12029)
7	12M7068	LOCK WASHER	4	X	M14

2D19

WHEELS, FRONT AXLES, SHEET METAL

RWP5186 -UN-01JAN94

QUIK-TATCH FRONT WEIGHTS



RWP5186

KEY	PART NO.	PART NAME	QTY	TRACTOR SERIAL NO.	REMARKS
				1 1 1	
				2 4 6	
				5 5 5	
				0 0 0	
1	19H1926	CAP SCREW	1	X X	(A) 5/8" X 4-3/4"
	08H4260	CAP SCREW	1	X X	(B) 5/8" X 9"
	R51681	CAP SCREW	1	X X	(C)
2	24H1367	WASHER	1	X X	21/32" X 1-1/4" X 1/4"
3	12H294	LOCK WASHER	1	X X	5/8"
4	14H1039	NUT	1	X X	5/8"
5	MOUNTING PARTS	1	X X	(A) (AR58350 CANCELLED, ORDER COMPONENT PARTS)
	MOUNTING PARTS	1	X X	(B) (AR58351 CANCELLED, ORDER COMPONENT PARTS)
	MOUNTING PARTS	1	X X	(C) (AR58352 CANCELLED, ORDER COMPONENT PARTS)
6	R51680	WEIGHT	1	X X	(NLA)
7	AR68801	RETAINER	2	X X	(NLA)
8	24H1367	WASHER	2	X X	21/32" X 1-1/4" X 1/4"
9	R51681	CAP SCREW	2	X X	
10	MOUNTING PARTS	1	X X	(D) (AR92424 CANCELLED, ORDER COMPONENT PARTS)
11	CH18449	SUPPORT	1	X X	
12	12M7069	LOCK WASHER	6	X X	M16
13	19M7488	CAP SCREW	6	X X	M16 X 40

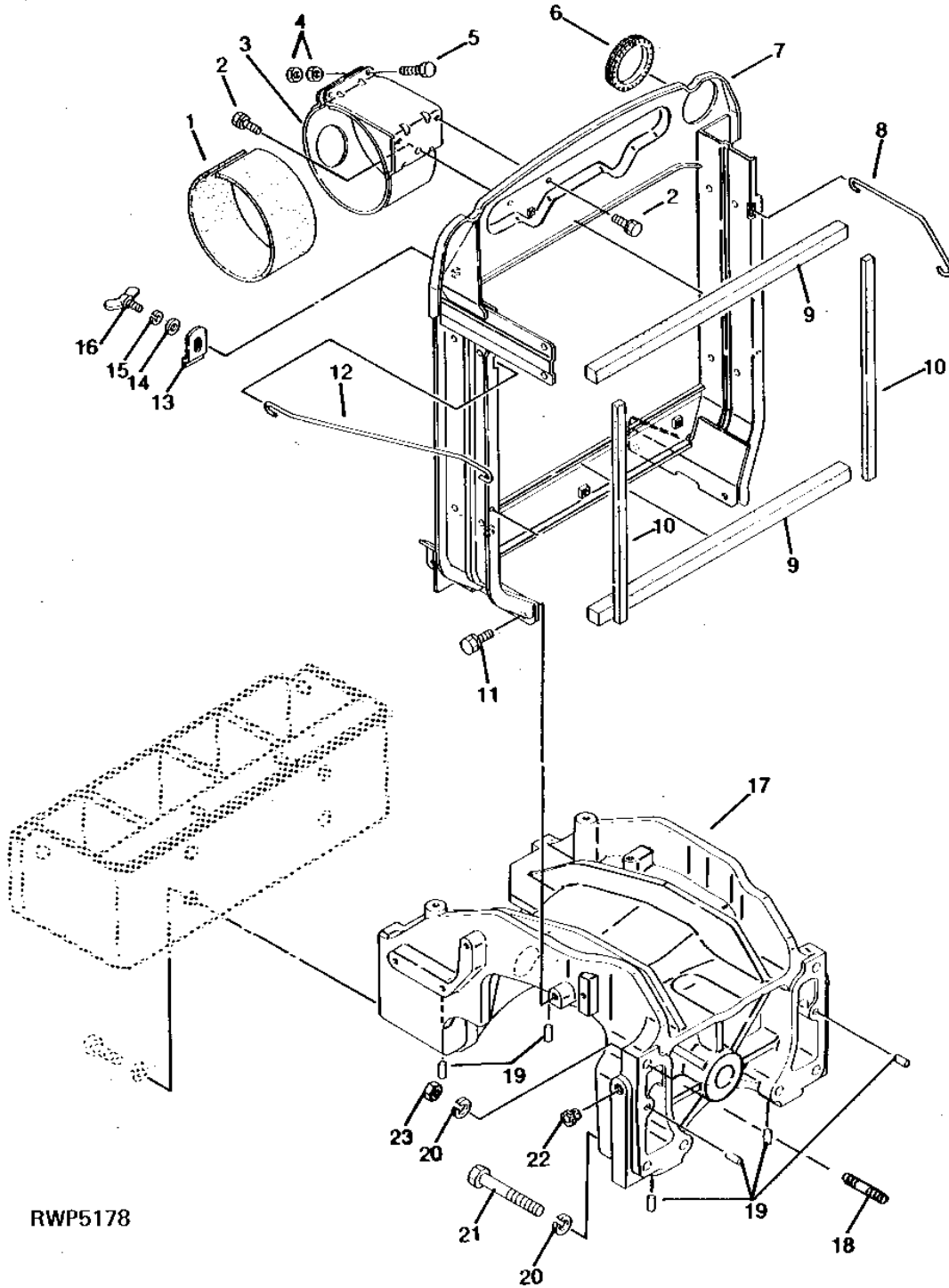
- (A) 2 QUIK-TATCH WEIGHTS
- (B) 4 QUIK-TATCH WEIGHTS
- (C) 6 QUIK-TATCH WEIGHTS
- (D) 8 OR 10 QUIK-TATCH WEIGHTS

2D20

WHEELS, FRONT AXLES, SHEET METAL

RWP5178 -UN-01JAN94

RADIATOR SUPPORT



RWP5178

2D21

WHEELS, FRONT AXLES, SHEET METAL

RADIATOR SUPPORT - CONTINUED

KEY	PART NO.	PART NAME	QTY	TRACTOR SERIAL NO.			REMARKS
				1	2	5	
				1	1	1	
				2	4	6	
				5	5	5	
				0	0	0	
1	CH16293	PAD	1		X		
2	CH12334	BOLT	3		X		(SUB 19M7560, 12M7006 AND 24M7088)
3	CH16296	BRACKET	1		X		
4	14M7273	NUT	4		X		M8
5	19M8008	CAP SCREW	2		X		M8 X 35
6	CH17177	GROMMET	1		X		
7	CH16159	SUPPORT	1		X		
8	CH16298	ROD	1		X		R.H.
9	CH18466	FOAM PAD	2		X		(SUB FOR CH17175)
10	CH17176	SEAL	2		X		(A)
11	CH12341	BOLT	4		X		(SUB 12M7066 AND 19M7938)
12	CH16297	ROD	1		X		L.H.
13	CH17173	HOLDER	1		X		(A)
14	24M7088	WASHER	1	-XXXXXX	X		6.600 X 12 X 1.600 MM
15	12M7006	LOCK WASHER	1	-XXXXXX	X		M6
16	21M1690	WING SCREW	1		X		(A) M6 X 16, (SUB FOR CH17180)
17	CH17505	SUPPORT	1		X		(A)
	CH12251	CAP	2		X		(A)
18	CH17995	STUD	2		X		
19	CH14782	DOWEL PIN	2		X		
20	12M7069	LOCK WASHER	4		X		M16
21	CH17179	BOLT	4		X		
22	CH15738	CAP	2		X		
23	14M7276	NUT	2		X		M16

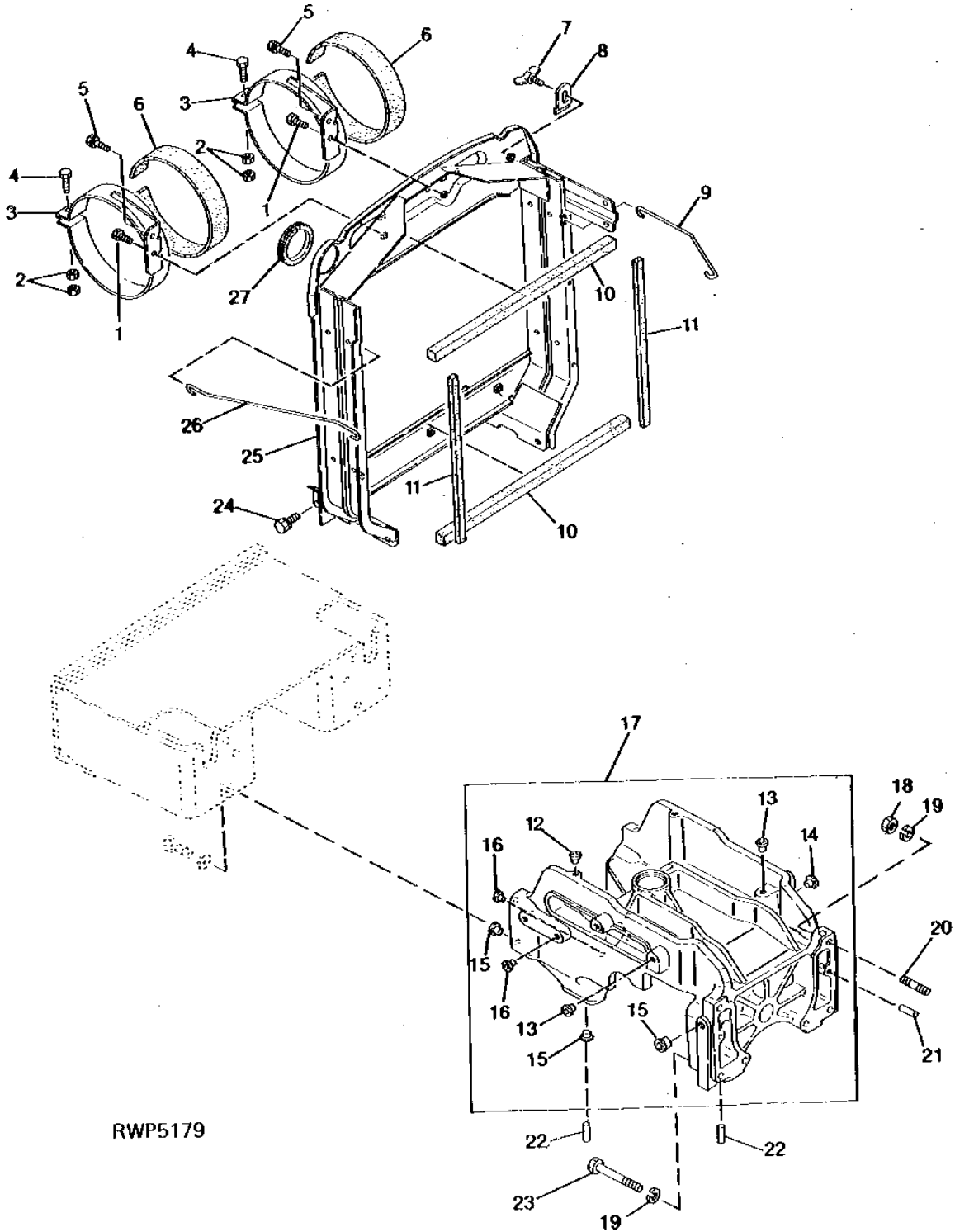
(A) MECHANICAL FRONT WHEEL DRIVE

2D22

WHEELS, FRONT AXLES, SHEET METAL

RWP5179 -UN-01JAN94

RADIATOR SUPPORT



RWP5179

2D23

WHEELS, FRONT AXLES, SHEET METAL

RADIATOR SUPPORT - CONTINUED

KEY	PART NO.	PART NAME	QTY	TRACTOR			REMARKS
				SERIAL NO.	1 1 1	2 4 6	
				5 5 5			
				0 0 0			
1	19M7560	CAP SCREW	2		X		M6 X 16
2	14M7273	NUT	4		X X		M8
3	CH16296	BRACKET	1		X		
	CH18439	BRACKET	2		X		
4	19M8008	CAP SCREW	2		X X		M8 X 35
5	19M7560	CAP SCREW	3		X		M6 X 16
	12M7006	LOCK WASHER	3		X		M6
	24M7088	WASHER	3		X		6.600 X 12 X 1.600 MM
	19M7162	CAP SCREW	2		X		M8 X 16
	12M7065	LOCK WASHER	2		X		M8
6	CH16293	PAD	1		X		
	CH18442	PAD	2		X		
7	21M1690	BOLT	1		X X		M6 X 16
8	CH17173	HOLDER	1		X X		
9	CH18446	ROD	1		X X		R.H.
10	CH17175	FOAM PAD	2		X X		(SUB CH18466)
11	CH18466	FOAM PAD	2		X X		
12	CH12251	CAP	2		X X		
13	CH11220	PLUG	5		X X		
14	CH11400	PLUG	4		X X		(SUB 99M7045)
15	CH15738	CAP	11		X X		
16	CH11396	PLUG	15		X X		
17	CH19251	FRONT AXLE SUPPORT	1		X X		
18	14M7276	NUT	2		X X		M16
19	12M7069	LOCK WASHER	6		X X		M16
20	CH18481	STUD	2		X X		
21	CH14782	DOWEL PIN	2		X X		
22	CH14782	DOWEL PIN	4		X X		(A)
23	CH17179	BOLT	4		X X		
24	CH12341	BOLT	4		X X		(SUB 12M7006, 19M7938 AND 19M7166)
25	CH18455	SUPPORT	1		X X		
26	CH16297	ROD	1		X X		L.H.
27	CH17177	GROMMET	1		X X		

(A) MECHANICAL FRONT WHEEL DRIVE

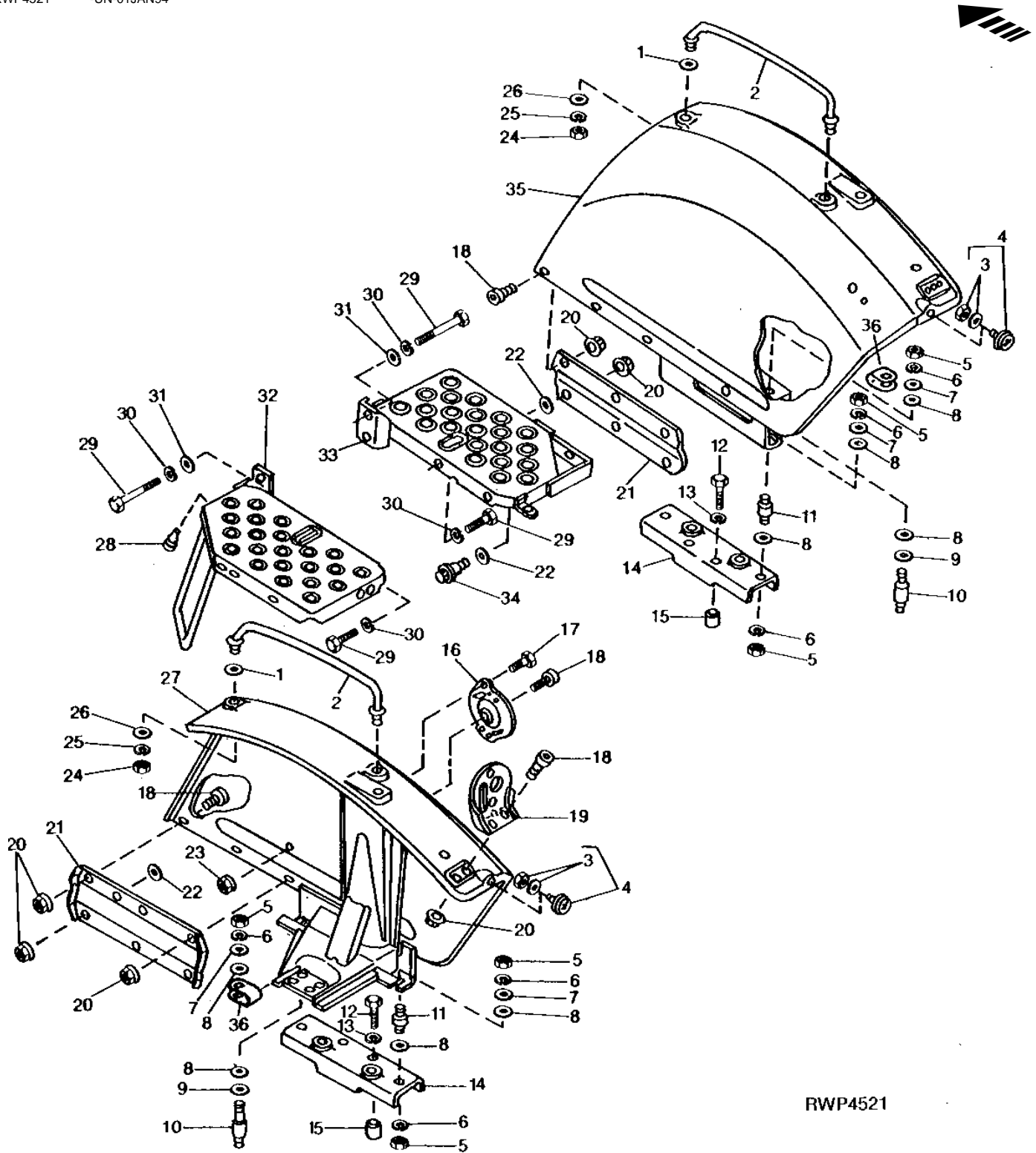
2D24

WHEELS, FRONT AXLES, SHEET METAL

RWP4521

-UN-01JAN94

FENDERS AND STEPS



RWP4521

2D25

WHEELS, FRONT AXLES, SHEET METAL

FENDERS AND STEPS - CONTINUED

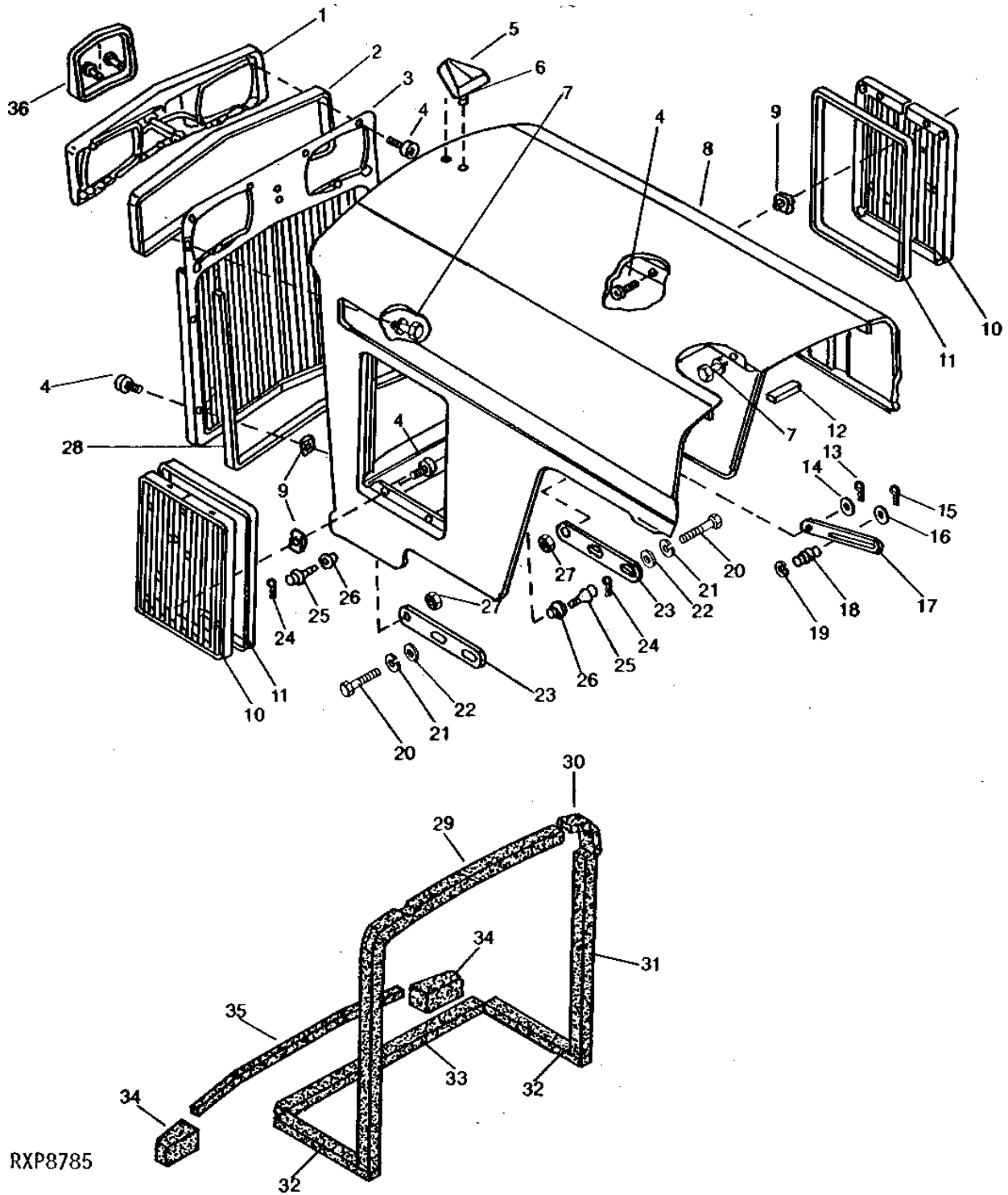
KEY	PART NO.	PART NAME	QTY	TRACTOR			REMARKS
				SERIAL NO.	1 1 1	2 4 6	
				5 5 5			
				0 0 0			
1	CH11340	WASHER	4		X X X		
2	CH13276	HANDLE	2		X X X		
3	CH11982	NUT	2		X X X	M5	
4	CH11453	REFLECTOR	2		X X X	COMPLETE	
5	14M7275	NUT	12		X X X	M12	
6	12M7067	LOCK WASHER	12		X X X	M12	
7	CH11017	WASHER	8		X X X		
8	CH11336	SPACER	16		X X X		
9	CH17273	WASHER	4		X X X	M17 X 36	
10	CH16597	STUD	4		X X X		
11	CH16598	BOLT	4		X X X		
12	CH17724	BOLT	4		X X X	M12 X 70, (SUB 19M7214)	
13	12M7067	LOCK WASHER	4		X X X	M12	
14	CH17722	BRACKET	2		X X X		
15	CH17723	PIPE	4		X X X		
16	CH16599	BRACKET	1		X X X		
17	19M6614	CAP SCREW	1		X X X	M6 X 12	
18	CH11627	BOLT	8		X X X	M8 X 12	
19	CH12260	BRACKET	1		X X X		
20	CH10521	NUT	12		X X X	M8, (SUB 12M7065, 14M7273 AND 24M7055)	
21	CH16595	PLATE	2		X X X		
22	CH11016	SPACER	8		X X X		
23	CH11458	NUT	1		X X X	M6, (SUB 12M7006 AND 14M7272)	
24	14M7275	NUT	4		X X X	M12	
25	12M7067	LOCK WASHER	4		X X X	M12	
26	CH11470	WASHER	4		X X X	M12, (SUB 24M7047)	
27	CH16150	FENDER	1		X X X	L.H. (SUB CH20755)	
28	CH15270	BUMPER	1		X X X		
29	19M7402	CAP SCREW	8		X X X	M10 X 25	
30	12M7066	LOCK WASHER	8		X X X	M10	
31	24M7028	WASHER	4		X X X	10.500 X 20 X 2 MM	
32	CH16153	FOOTREST	1		X X X	L.H.	
33	CH16154	FOOTREST	1		X X X	R.H.	
34	CH13913	BOLT	4		X X X		
35	CH16151	FENDER	1		X X X	R.H. (SUB CH20756)	
36	CH12149	PLATE	2		X X X		

2E1

WHEELS, FRONT AXLES, SHEET METAL

RXP8785 -UN-01JAN94

HOOD, GRILLE AND SEALING



RXP8785

2E2

WHEELS, FRONT AXLES, SHEET METAL

HOOD, GRILLE AND SEALING - CONTINUED

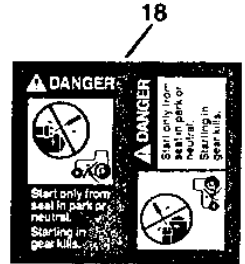
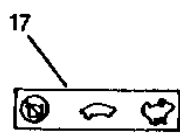
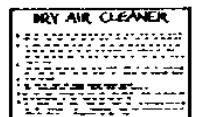
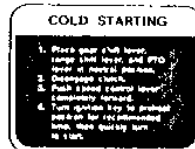
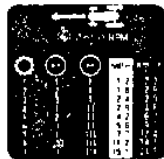
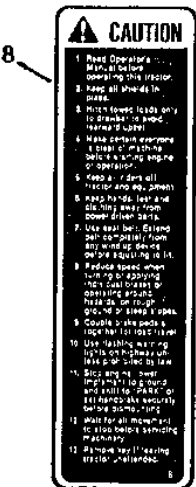
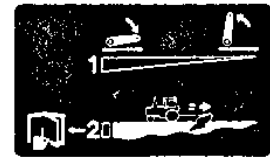
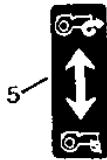
KEY	PART NO.	PART NAME	QTY	TRACTOR			REMARKS
				SERIAL NO.	1 1 1	2 4 6	
				5 5 5			
				0 0 0			
1	CH16586	COVER	1		X X X		
2	CH17324	FOAM PAD	1		X X X		
3	CH16155	GRILLE	1		X X X		
4	CH11875	BOLT	17		X X X	M5 X 16	
5	CH11970	MEDALLION	1		X X X		
6	CH11460	NUT	1		X X X		
7	CH12179	BOLT	4		X X X	M6 X 16, (SUB 19M7560, 12M7006 AND 24M7088)	
8	CH16147	HOOD	1		X		
	CH18962	HOOD	1		X X		
9	CH11876	NUT	12		X X X	M5	
10	CH16590	GRILLE	2		X X X		
11	CH17319	FOAM PAD	2		X X X		
12	CUSHION	1		X	(NO LONGER REQUIRED)	
13	CH11524	PIN	1		X X X	M8	
14	24M7055	WASHER	1		X X X	8.400 X 16 X 1.600 MM	
15	CH12016	PIN	1		X	M10	
16	12M7055	WASHER	1		X X X	13 MM	
	24M7028	WASHER	1		X X	10.500 X 20 X 2 MM	
17	CH16588	STRAP	1		X X X		
18	CH16589	PIN	1		X X X		
19	12M7067	LOCK WASHER	1		X X X	M12	
20	19M7285	CAP SCREW	4		X X X	M12 X 30	
21	12M7067	LOCK WASHER	4		X X X	M12	
22	CH11017	WASHER	4		X X X		
23	CH16587	BRACKET	2		X		
	CH18977	STRAP	2		X X		
24	CH12317	PIN	2		X X	(SUB 11M7082)	
25	CH14152	BOLT	2		X		
	24M7053	WASHER	2		X X	17 X 30 X 3 MM	
26	CH15723	BUSHING	2		X X X		
27	14M7275	NUT	2		X	M12	
28	CH17335	FOAM PAD	1		X X X		
29	CH18807	FOAM PAD	1		X X X	L.H. (SUB FOR CH17734)	
30	CH17325	FOAM PAD	1		X X X	UPPER CORNER	
31	CH18806	FOAM PAD	1		X X X	(SUB FOR CH17733)	
32	CH17322	FOAM PAD	2		X X X	BOTTOM	
33	CH17323	FOAM PAD	1		X X X	BOTTOM FRONT	
34	CH17336	FOAM PAD	2		X X X		
35	CH18466	FOAM PAD	1		X X X	(SUB FOR CH17175)	
36	CH13835	MEDALLION	1		X X X		
	CH11460	NUT	2		X X X		

2E3

WHEELS, FRONT AXLES, SHEET METAL

RXP8805 -UN-01JAN94

LABELS



RXP8805

2E4

WHEELS, FRONT AXLES, SHEET METAL

LABELS - CONTINUED

KEY	PART NO.	PART NAME	QTY	TRACTOR SERIAL NO.			REMARKS
				1	2	5	
				1	1	1	
				2	4	6	
				5	5	5	
				0	0	0	
1	CH16603	LABEL	1	X			L.H.
	CH19006	LABEL	1		X		L.H.
	CH19007	LABEL	1			X	L.H.
2	CH16604	LABEL	1	X			R.H.
	CH19008	LABEL	1		X		R.H.
	CH19009	LABEL	1			X	R.H.
3	CH16605	LABEL	1	X	X	X	L.H.
4	CH16606	LABEL	1	X	X	X	R.H.
5	CH13727	LABEL	1	X	X	X	(A)
6	CH17721	LABEL	1	X	X	X	
7	CH12144	LABEL	1	X	X	X	
8	R87527	LABEL	1	X	X	X	(SUB FOR R82424)
9	CH13835	MEDALLION	1	X	X	X	
10	CH18821	LABEL	1	X	X	X	(SUB FOR CH17720)
11	CH14446	LABEL	1	-001018	X		(SUB CH17732)
	CH17732	LABEL	1	001019-	X		
	CH17732	LABEL	1		X	X	
12	CH12078	TAG	1		X		
13	CH13832	LABEL	1	-XXXXXX	X		
14	CH12146	LABEL	1		X	X	X
15	CH17719	LABEL	1		X	X	X
16	CH17718	LABEL	1		X	X	X
17	CH12142	LABEL	1	-003000	X		
18	T134459	WARNING LABEL	1		X	X	X (SUB T146102) SAFETY START (ENGLISH)
	T134452	WARNING LABEL	1		X	X	X SAFETY START (ESPAÑOL) (SUB T146106)
	T134453	WARNING LABEL	1		X	X	X SAFETY START (FRANCAIS) (SUB T146104)
	T134454	WARNING LABEL	1		X	X	X SAFETY START (DEUTSCH) (SUB T146515)
	T134455	WARNING LABEL	1		X	X	X SAFETY START (ITALIANO) (SUB T146516)
	T134456	WARNING LABEL	1		X	X	X SAFETY START (ENGLISH-FRANCAIS) (SUB T146517)

(A) MECHANICAL FRONT WHEEL DRIVE

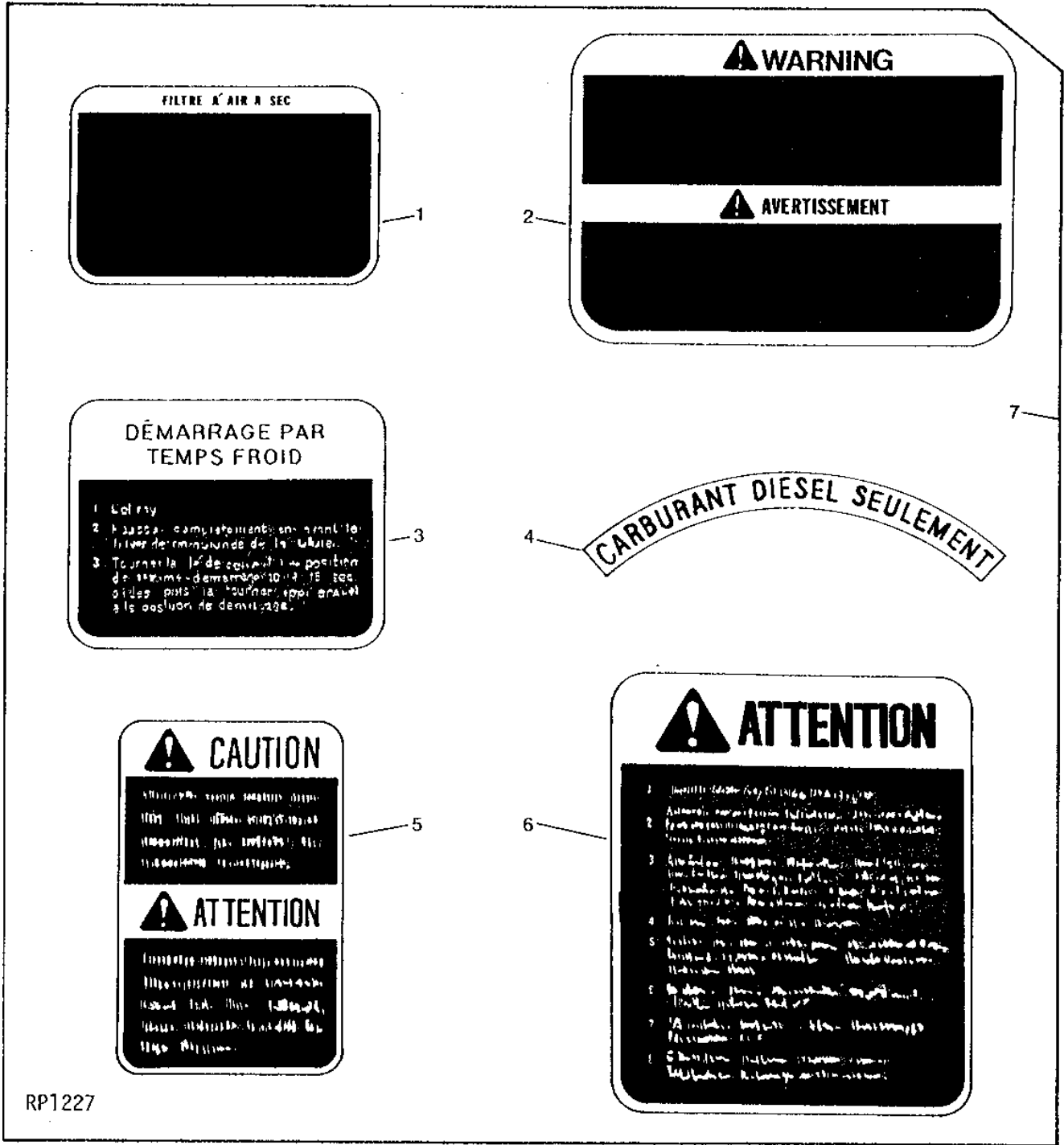
2E5

WHEELS, FRONT AXLES, SHEET METAL

RP1227

-UN-01JAN94

FRENCH LABEL KIT



RP1227

2E6

WHEELS, FRONT AXLES, SHEET METAL

FRENCH LABEL KIT - CONTINUED

KEY	PART NO.	PART NAME	QTY	TRACTOR SERIAL NO.	1 1 1	REMARKS
					2 4 6	
				5 5 5		
				0 0 0		
1	R66010	LABEL	1		X X X	DRY AIR CLEANER
2	R83104	LABEL	1		X X X	PTO SAFETY, (SUB FOR R66004) (SUB R120112)
3	R72542	LABEL	1		X X X	COLD STARTING
4	R71828	LABEL	1		X X X	
5	R66015	DECAL	1		X X X	ROLL-GARD CAUTION
6	R67472	LABEL	1		X X X	SAFETY
7	AR94504	KIT	1		X X X	

2E7

WHEELS, FRONT AXLES, SHEET METAL

RP1526

-UN-02JAN94

SPANISH LABEL KIT

PRECAUCION

- 1. Antes de operar este tractor asegurese de leer el manual de operación y de comprender completamente los procedimientos de operación.
- 2. No opere este tractor si usted no está familiarizado con los procedimientos de operación.
- 3. No opere este tractor si usted no está familiarizado con los procedimientos de operación.
- 4. No opere este tractor si usted no está familiarizado con los procedimientos de operación.
- 5. No opere este tractor si usted no está familiarizado con los procedimientos de operación.
- 6. No opere este tractor si usted no está familiarizado con los procedimientos de operación.
- 7. No opere este tractor si usted no está familiarizado con los procedimientos de operación.
- 8. No opere este tractor si usted no está familiarizado con los procedimientos de operación.
- 9. No opere este tractor si usted no está familiarizado con los procedimientos de operación.
- 10. No opere este tractor si usted no está familiarizado con los procedimientos de operación.

FILTRO DE AIRE SECO

PARA ARRANCAR EN TIEMPO FRIO

PRECAUCION

PRECAUCION

COMBUSTIBLE DIESEL SOLAMENTE

RP1526

2E8

WHEELS, FRONT AXLES, SHEET METAL

SPANISH LABEL KIT - CONTINUED

KEY	PART NO.	PART NAME	QTY	TRACTOR			REMARKS
				SERIAL NO.	1 1 1	2 4 6	
1	R70084	LABEL	1		X X X	(SUB R117681) SAFETY	
2	R56903	LABEL	1		X X X	(NLA)	
3	R74405	LABEL	1		X X X		
4	R61500	LABEL	1		X X X	ROLL-GARD CAUTION	
5	R64064	LABEL	1		X X X	(SUB R120113) PTO SAFETY	
6	R74406	LABEL	1		X X X		
7	R74407	LABEL	1		X X X		
8	R74408	LABEL	1		X X X		
9	R74409	LABEL	1		X X X		
10	AR97536	KIT	1		X X X		

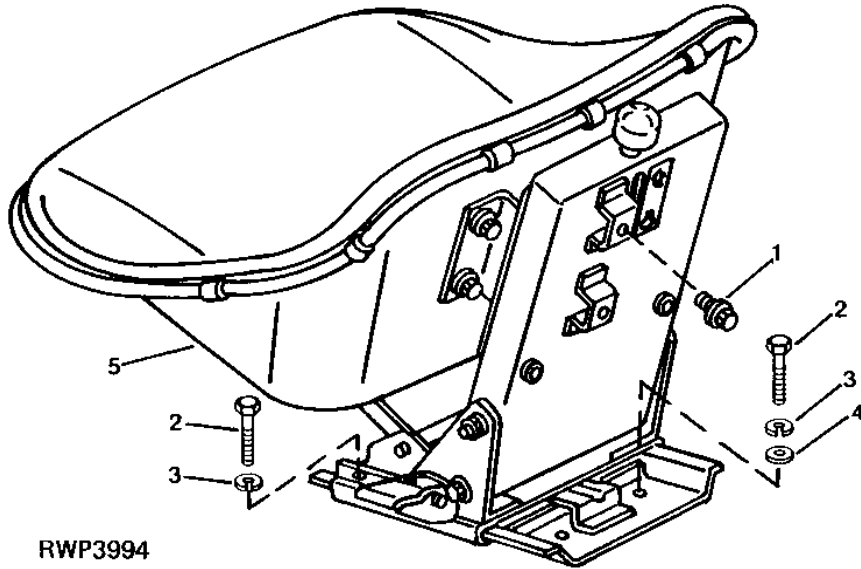
MEMORANDA

2E10

OPERATOR'S STATION

RWP3994 -UN-01JAN94

SEAT



RWP3994

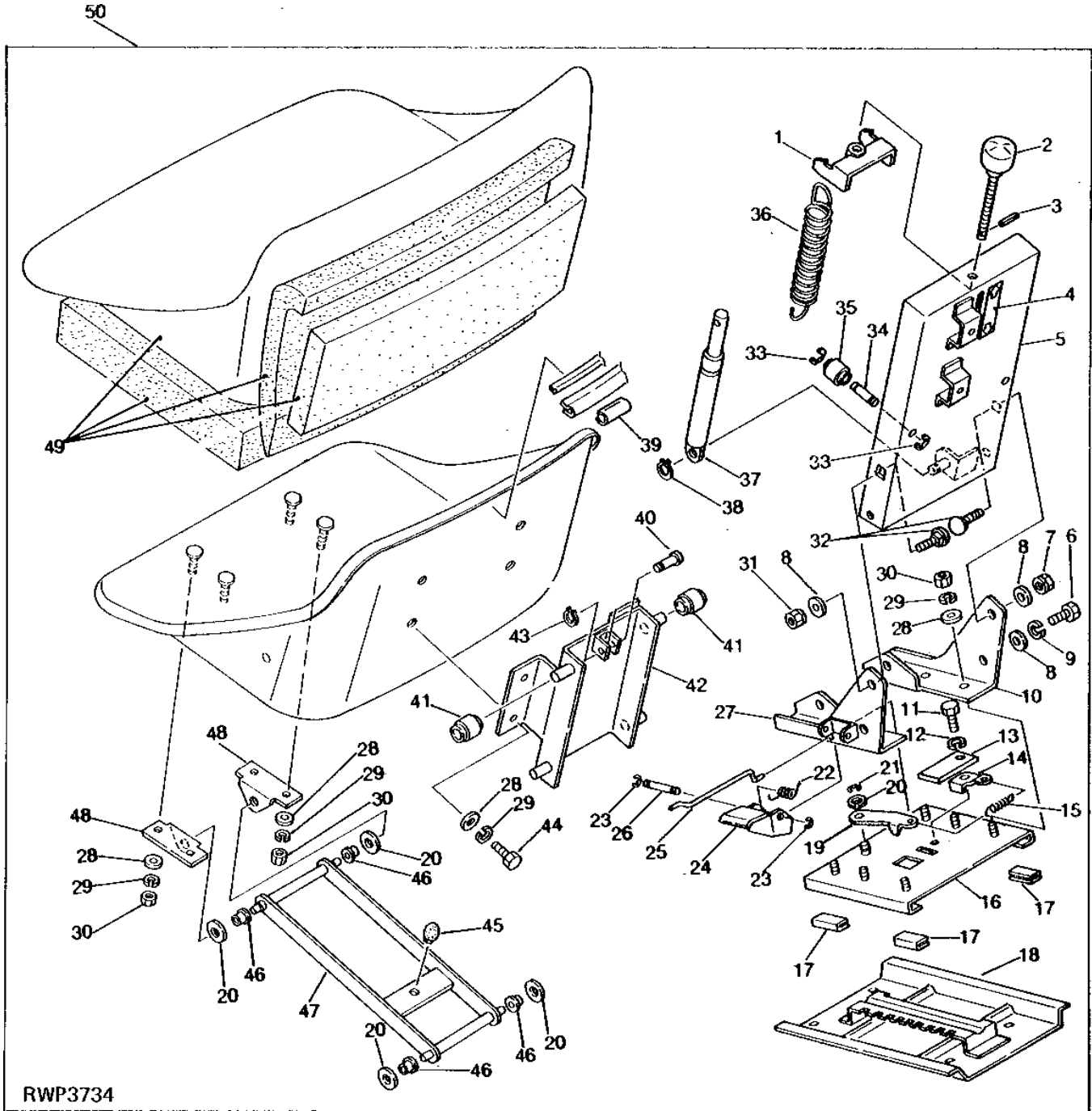
KEY	PART NO.	PART NAME	QTY	TRACTOR SERIAL NO.	REMARKS
				1 1 1 2 4 6 5 5 5 0 0 0	
1	CH12350	BOLT	2	X X X	M6 X 20, (SUB 12M7006, 19M7077 AND 24M7088)
2	19M7938	CAP SCREW	4	X X X	M10 X 20
3	12M7066	LOCK WASHER	4	X X X	M10
4	24M7028	WASHER	2	X X X	10.500 X 20 X 2 MM
5	CH17737	SEAT	1	-003000 X	COMPLETE, (SUB CH18738)
	CH18738	SEAT	1	003001- X	COMPLETE
	CH18738	SEAT	1	X X	COMPLETE

2E11

OPERATOR'S STATION

RWP3734 -UN-01JAN94

COMPLETE SEAT
(TRACTOR SERIAL NO. -003000)



2E12

OPERATOR'S STATION

COMPLETE SEAT - CONTINUED
(TRACTOR SERIAL NO. -003000)

1 1 1
2 4 6
5 5 5
0 0 0

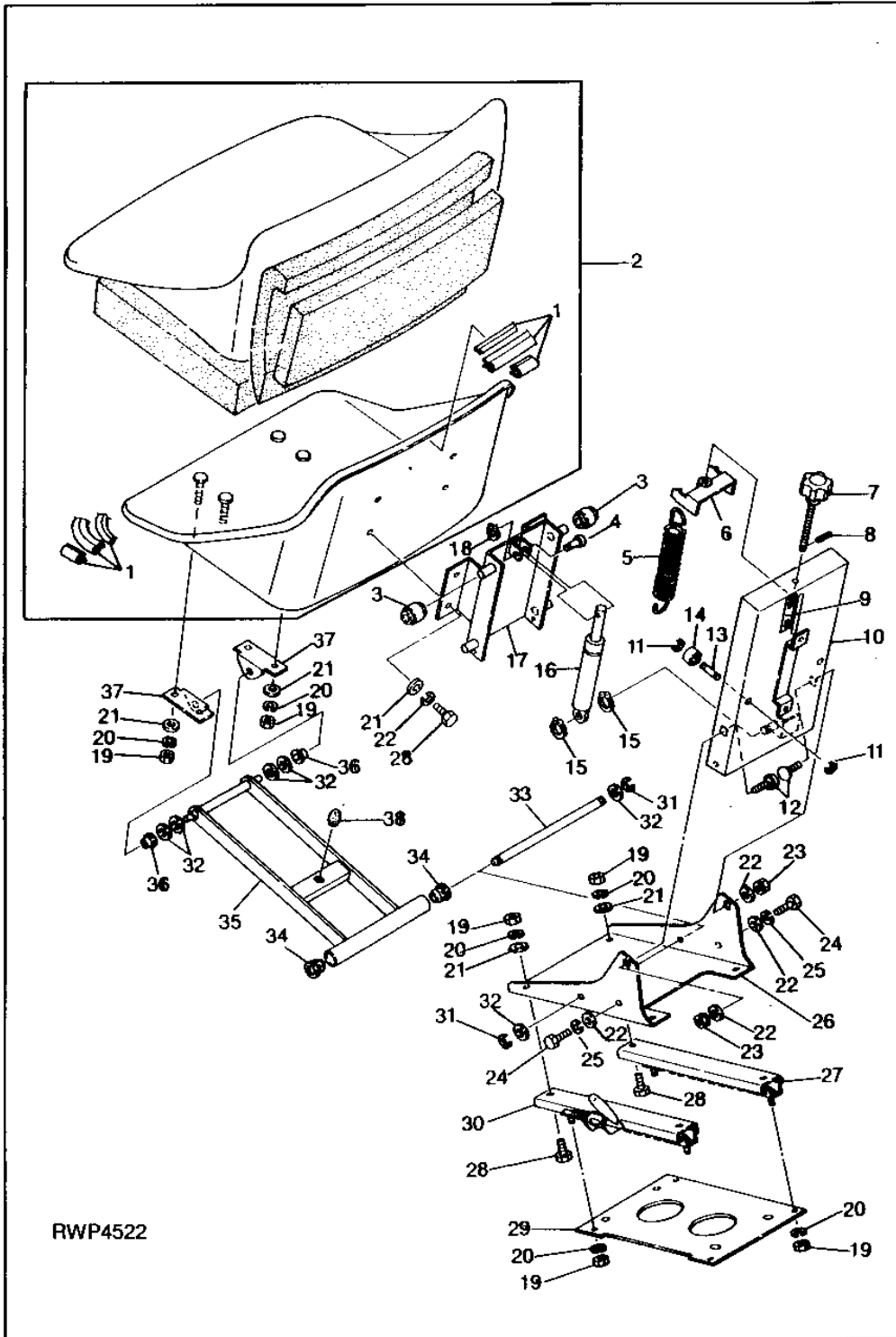
KEY	PART NO.	PART NAME	QTY	TRACTOR SERIAL NO.	REMARKS
1	CH17936	BRACKET	1	X	
2	CH17935	HANDLE	1	X	
3	CH11495	PIN	1	X	
4	CH17945	LABEL	1	X	
5	CH19670	CASE	1	X	(SUB FOR CH17916)
6	CH17897	BOLT	2	X	
7	CH17944	LOCK NUT	1	X	
8	CH15392	WASHER	4	X	(SUB 24M7086)
9	12M7066	LOCK WASHER	2	X	M10
10	CH17915	GUSSET	1	X	
11	19M7139	CAP SCREW	1	X	R.H. M8 X 20
12	12M7065	LOCK WASHER	15	X	M8
13	CH18068	PLATE	1	X	
14	CH17928	STOP	1	X	
15	CH17930	SPRING	1	X	
16	CH17913	RAIL	1	X	
17	CH17933	DEVICE	4	X	
18	CH17912	PLATE	1	X	
19	CH17927	LEVER	1	X	
20	CH17942	WASHER	5	X	
21	CH11491	RING	1	X	
22	CH17932	SPRING	1	X	
23	CH17951	RING	2	X	
24	CH17926	LEVER	1	X	
25	CH17929	WIRE	1	X	
26	CH17931	SHAFT	1	X	
27	CH17914	GUSSET	1	X	L.H.
28	24M7095	WASHER	14	X	8.400 X 15 X 1.600 MM
29	12M7065	LOCK WASHER	15	X	M8
30	14M7273	NUT	10	X	M8
31	CH17944	LOCK NUT	1	X	
32	CH17943	BOLT	2	X	
33	CH17951	RING	4	X	
34	CH17939	SHAFT	2	X	(SUB CH20205)
35	CH17938	ROLLER	2	X	
36	CH17940	SPRING	2	X	
37	CH17941	ABSORBER	1	X	(SUB AL24165)
38	CH17950	RING	1	X	
39	CH17949	CLIP	10	X	
40	CH17946	PIN	1	X	
41	CH17937	ROLLER	2	X	
42	CH17917	FRAME	1	X	
43	CH17947	RETAINER	1	X	
44	19M7139	CAP SCREW	4	X	M8 X 20
45	CH17948	STOP	1	X	
46	CH17934	BUSHING	4	X	
47	CH17918	ARM	1	X	
48	CH17919	SUPPORT	2	X	
49	CH17920	CUSHION	1	X	
50	CH17737	SEAT	1	X	(SUB CH18738)

2E13

OPERATOR'S STATION

SEAT
(1250 TRACTOR SERIAL NO. 003001-)
(1450 AND 1650)

RWP4522 -UN-01JAN94



2E14

OPERATOR'S STATION

SEAT - CONTINUED
(1250 TRACTOR SERIAL NO. 003001-)
(1450 AND 1650)

1 1 1
2 4 6
5 5 5
0 0 0

KEY	PART NO.	PART NAME	QTY	TRACTOR SERIAL NO.	REMARKS
1	CH17949	CLIP	10	X X X	
2	CH17920	CUSHION	1	X X X	
3	CH17937	ROLLER	2	X X X	
4	CH17946	PIN	1	X X X	
5	CH17940	SPRING	2	X X X	
6	CH17936	BRACKET	1	X X X	
7	CH17935	HANDLE	1	X X X	
8	CH11495	PIN	1	X X X	
9	CH17945	LABEL	1	X X X	
10	CH19670	CASE	1	X X X	(SUB FOR CH17916)
11	CH17951	RING	4	-XXXXXX	X X X
	CH17951	RING	2	XXXXXX-	X X X
12	CH17943	BOLT	2	X X X	
13	CH20205	SHAFT	2	X X X	(SUB FOR CH17939)
14	CH17938	ROLLER	2	X X X	
15	CH17950	RING	2	X X X	
16	AL24165	ABSORBER	1	X X X	
17	CH17917	FRAME	1	X X X	
18	CH17947	RETAINER	1	X X X	
19	14M7273	NUT	12	X X X	M8
20	12M7065	LOCK WASHER	16	X X X	M8
21	24M7095	WASHER	12	X X X	8.400 X 15 X 1.600 MM
22	24M7096	WASHER	4	X X X	(SUB FOR CH15392)
23	CH17944	LOCK NUT	2	X X X	
24	CH17897	BOLT	2	X X X	M10 X 20
25	12M7066	LOCK WASHER	2	X X X	M10
26	CH19049	SUPPORT	1	X X X	
27	CH19048	ADJUSTER	1	X X X	
28	19M7139	CAP SCREW	8	-XXXXXX	X X X
	19M7139	CAP SCREW	4	XXXXXX-	X X X
	19M7866	SCREW	4	XXXXXX-	X X X
29	CH19046	PLATE	1	X X X	(ADJUSTER TO SUPPORT)
30	CH19047	ADJUSTER	1	X X X	
31	CH11491	RING	2	X X X	
32	CH17942	WASHER	6	-XXXXXX	X X X
	CH17942	WASHER	2	XXXXXX-	X X X
33	CH19051	SHAFT	1	X X X	
34	CH19052	BUSHING	2	X X X	
35	CH19050	ARM	1	X X X	
36	CH17934	BUSHING	2	X X X	
37	CH17919	SUPPORT	2	X X X	
38	CH17948	STOP	1	X X X	
39	CH18738	SEAT	1	X X X	

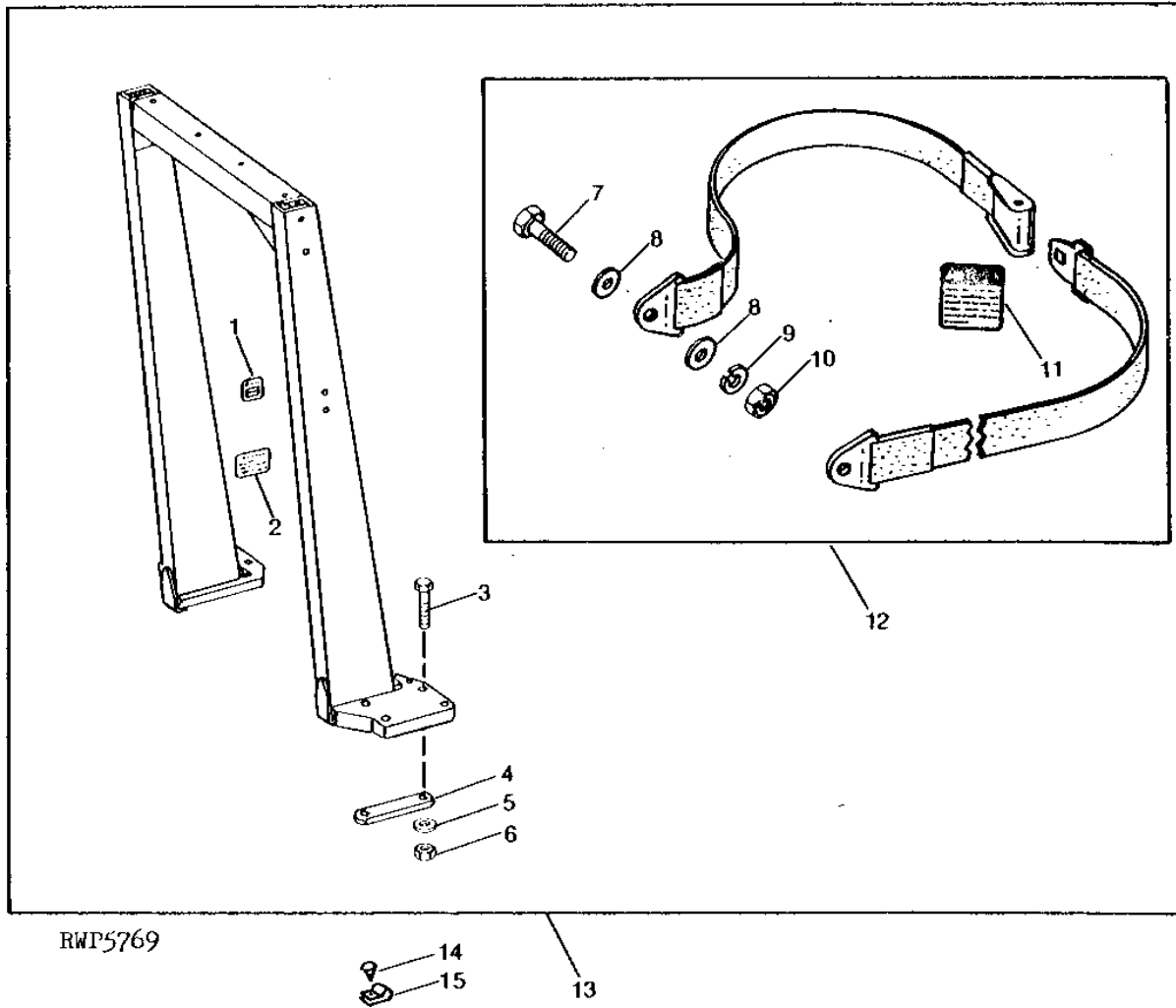
2E15

OPERATOR'S STATION

RWP5769

-UN-01JAN94

ROLL-GARD



2E16

OPERATOR'S STATION

ROLL-GARD - CONTINUED

KEY	PART NO.	PART NAME	QTY	TRACTOR SERIAL NO.	REMARKS
				1 1 1	
				2 4 6	
				5 5 5	
				0 0 0	
1	R41781	DECAL	1	X X X	CAUTION, (SUB R87527)
2	LABEL	1	X X X	(NOT FURNISHED)
3	R48139	CAP SCREW	8	X X X	(WITH 28" AND UNDER REAR WHEELS)
4	R76523	STRAP	4	X X X	
5	24H1404	WASHER	8	X X X	13/16" X 1-1/4" X 1/4"
6	14H1058	NUT	8	X X X	3/4"
7	R41778	BOLT	2	X X X	
8	24H1226	WASHER	4	X X X	1/2" X 1-1/4" X 0.083"
9	12H293	LOCK WASHER	2	X X X	7/16"
10	14H807	NUT	2	X X X	7/16"
11	R81424	LABEL	1	X X X	CAUTION
12	AT37833	SEAT BELT	1	X X X	51 MM (2") WIDTH
13	AL70191	ROLL-GARD	1	X X X	(ALSO ORDER (4) R76523, (4) L55141 AND (8) 24H1139)
14	37H3	SCREW	2	X X X	1/4" X 5/8"
15	T22645	CLIP	2	X X X	

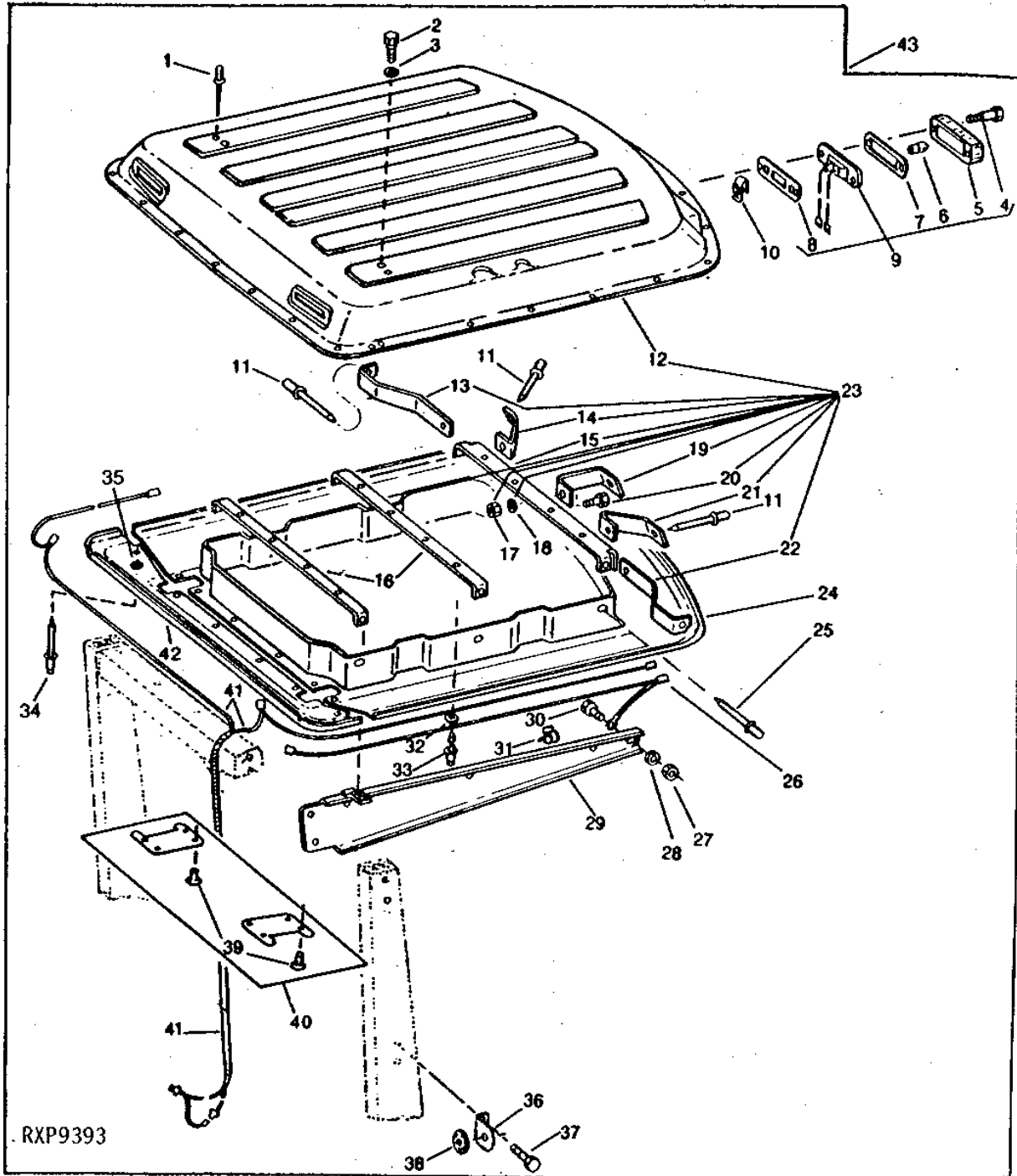
2E17

OPERATOR'S STATION

RXP9393

-UN-01JAN94

ROLL-GARD CANOPY



2E18

OPERATOR'S STATION

KEY	PART NO.	PART NAME	QTY	SERIAL NO.	REMARKS
				1 1 1	
				2 4 6	
				5 5 5	
				0 0 0	
1	R55326	RIVET	2		
2	19H1792	CAP SCREW	2	X X X	1/2" X 1"
3	24H1227	WASHER	2	X X X	17/32" X 13/16" X 0.060"
4	R54781	SCREW	8	X X X	
5	R54779	LENS	4	X X X	
6	AD2062R	BULB	4	X X X	(12-VOLT)
7	R54782	GASKET	4	X X X	
8	R61179	GASKET	4	X X X	
9	AR60250	LAMP	4	X X X	
10	R53528	NUT	8	X X X	(SUB R99350)
11	R55326	RIVET	17	X X X	
12	AR78261	ROOF	1	X X X	
13	R62926	BRACE	1	X X X	
14	R81223	BRACKET	1	X X X	
15	AR77698	SUPPORT	1	X X X	
16	R62922	SUPPORT	2	X X X	
17	14H1076	NUT	7	X X X	3/8"
18	24H1682	WASHER	7	X X X	13/32" X 7/8" X 0.120"
19	R81221	BRACKET	1	X X X	
20	19H1731	CAP SCREW	7	X X X	3/8" X 1"
21	R81222	BRACKET	1	X X X	
22	R62925	BRACE	1	X X X	
23	AR73338	ROOF	1	X X X	
	R60101	ISOLATOR	1	X X X	
24	R60103	PANEL	1	X X X	
25	R55326	RIVET	6	X X X	
26	AR56211	WIRING HARNESS	2	X X X	
27	14H1076	NUT	6	X X X	3/8"
28	24H1682	WASHER	2	X X X	13/32" X 7/8" X 0.120"
29	AR72902	SUPPORT	1	X X X	RH
	AR72903	SUPPORT	1	X X X	LH
30	19H1731	CAP SCREW	6	X X X	3/8" X 1"
31	R21551	CLIP	4	X X X	
32	R52119	WASHER	32	X X X	
33	R63679	RIVET	32	X X X	
34	R63679	RIVET	6	X X X	
35	R52119	WASHER	6	X X X	
36	R60459	BRACKET	2	X X X	
37	37H3	SCREW	4	X X X	1/4" X 5/8"
38	T33745	REFLECTOR	2	X X X	
39	R63679	RIVET	8	X X X	
40	AR76583	COVER	1	X X X	
41	AR72987	WIRING HARNESS	1	X X X	
	H97644	CONDUIT	1	X X X	
42	R60104	PANEL	1	X X X	
43	RE19445	CANOPY	1	X X X	

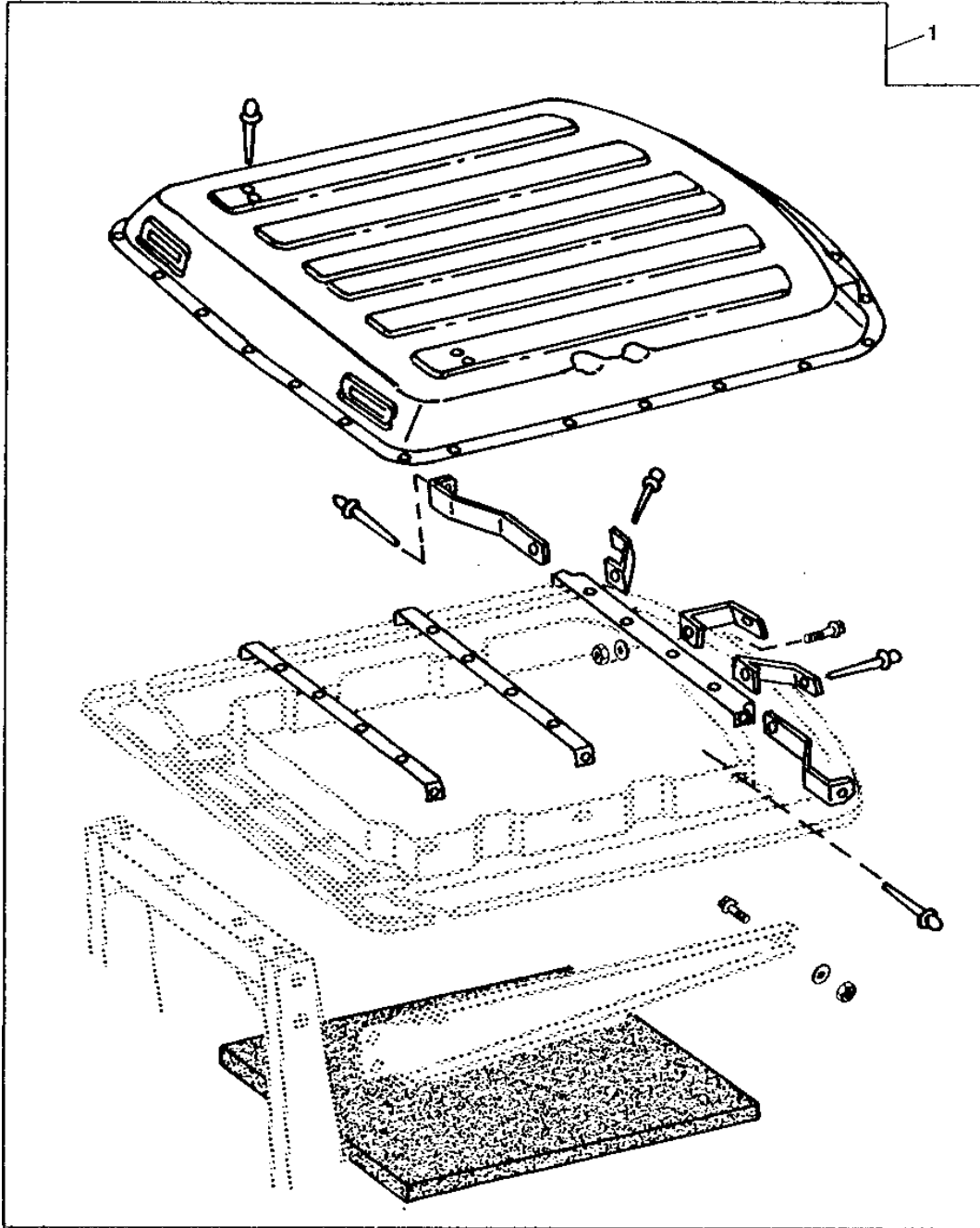
2E19

OPERATOR'S STATION

RWP2603

-UN-01JAN94

CANOPY ROOF



RWP2603

2E20

OPERATOR'S STATION

CANOPY ROOF - CONTINUED

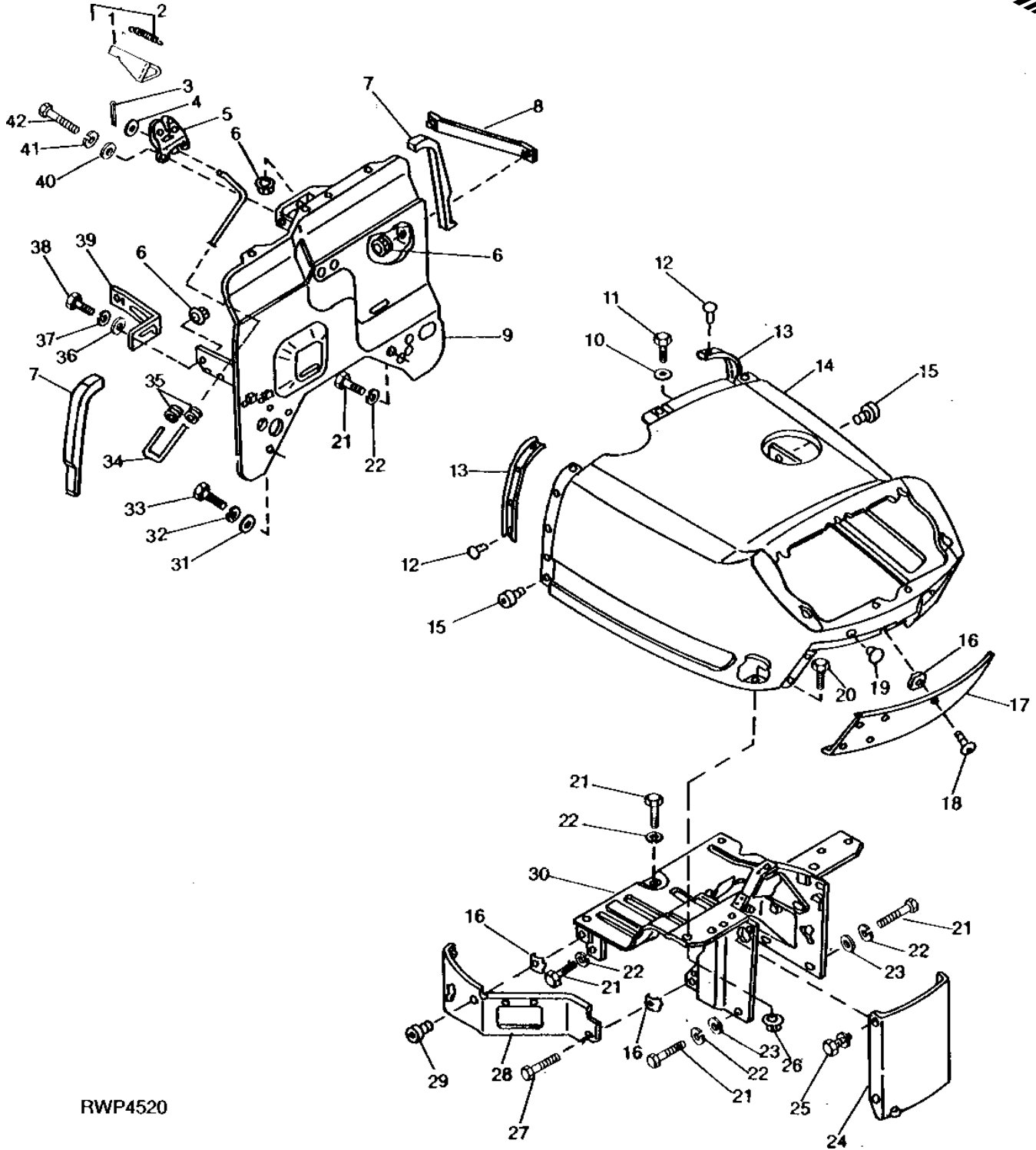
KEY	PART NO.	PART NAME	QTY	TRACTOR			REMARKS
				SERIAL NO.	1 1 1	2 4 6	
1	AR73338	ROOF	1		X X X		
..	R60101	ISOLATOR	1		X X X	(FOAM LINER)	
..	AR49923	ADHESIVE	1		X X X	1 PT. 6.5 OZ. PRESSURIZED CAN	

2E21

OPERATOR'S STATION

RWP4520 -UN-01JAN94

COWL



RWP4520

2E22

OPERATOR'S STATION

COWL - CONTINUED

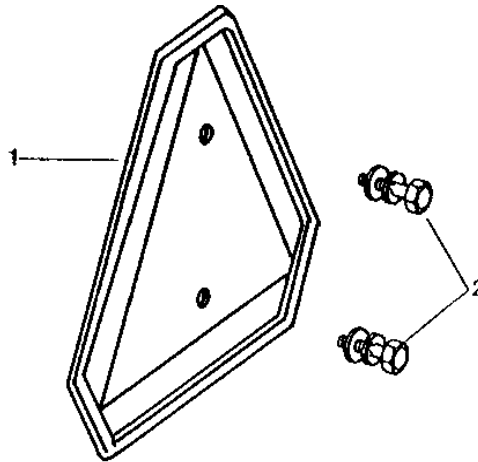
KEY	PART NO.	PART NAME	QTY	TRACTOR SERIAL NO.	1 2 5 0	1 4 5 0	1 6 5 0	REMARKS
1	CH17978	STRIKER	1		X	X	X	
2	CH17977	STRIKER	1		X	X	X	
3	CH12310	PIN	1		X	X	X	M1.6 X 18
4	24M7088	WASHER	1		X			6.600 X 12 X 1.600 MM
	24M7027	WASHER	1			X	X	5.300 X 10 X 1 MM
5	CH17979	LATCH	1		X	X	X	
6	CH11984	NUT	5		X	X	X	M6
7	CH17346	SEAL	2		X	X	X	
8	CH17736	BRACKET	1		X			R.H.
	CH19238	BRACKET	1			X	X	R.H.
9	CH16152	PLATE	1		X			(SUB CH18811)
	CH18996	PLATE	1			X	X	
10	24M7088	WASHER	3		X			6.600 X 12 X 1.600 MM
11	19M7560	CAP SCREW	3		X			M6 X 16
	CH11626	BOLT	3			X	X	
12	CH13867	RIVET	8		X	X	X	
13	CH17345	INSULATOR	2		X	X	X	
14	CH16148	COWL	1		X	X	X	COMPLETE
15	CH11626	BOLT	2		X	X	X	M6 X 16
16	CH11876	NUT	7		X	X	X	M5
17	CH16592	COVER	1		X	X	X	
18	CH11875	BOLT	5		X	X	X	M5 X 16
19	CH12249	CAP	1		X	X	X	M10
20	19M7162	CAP SCREW	2		X	X	X	M8 X 16
21	19M7938	CAP SCREW	9		X	X	X	M10 X 20
22	12M7066	LOCK WASHER	9		X	X	X	M10
23	24M7028	WASHER	4		X	X	X	10.500 X 20 X 2 MM
24	CH16593	COVER	1		X			
	CH18995	COVER	1			X	X	
25	CH12179	BOLT	4		X	X	X	M6 X 16, (SUB 19M7560, 12M7006 AND 24M7088)
26	CH10521	NUT	2		X	X	X	M8, (SUB 14M7273, 12M7065 AND 24M7055)
27	CH18069	CAP SCREW	1		X	X	X	M5 X 12
28	CH16594	COVER	1		X			L.H.
	CH19000	COVER	1	003001-	X			L.H.
	CH19000	COVER	1	-003000		X	X	
29	CH14175	SCREW	1		X	X	X	M5 X 16
30	CH16149	SUPPORT	1		X			
	CH18986	SUPPORT	1			X	X	
31	24M7088	WASHER	2		X	X		6.600 X 12 X 1.600 MM
32	12M7006	LOCK WASHER	2		X	X		M6
33	CH12331	BOLT	2		X			M6 X 16
	19M7560	CAP SCREW	2			X	X	M6 X 16
34	CH17334	ROD	1		X			
	CH18984	ROD	1			X	X	
35	CH12122	GROMMET	2		X	X	X	
36	24M7088	WASHER	2		X	X		6.600 X 12 X 1.600 MM
37	12M7006	LOCK WASHER	2		X	X	X	M6
38	19M7300	CAP SCREW	2		X			M6 X 10
	19M7560	CAP SCREW	2		X	X		M6 X 16
39	CH17735	BRACKET	1		X	X	X	L.H.
40	24M7088	WASHER	2		X	X		6.600 X 12 X 1.600 MM
41	12M7006	LOCK WASHER	2		X	X		M6
42	CH12331	BOLT	2		X			M6 X 16
	19M7560	CAP SCREW	2		X	X		M6 X 16

2E23

OPERATOR'S STATION

RWP2178 -UN-01JAN94

SLOW MOVING VEHICLE EMBLEM



RWP2178

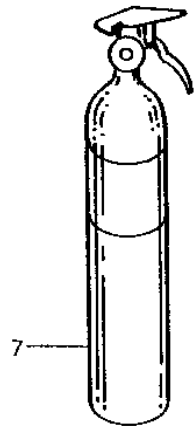
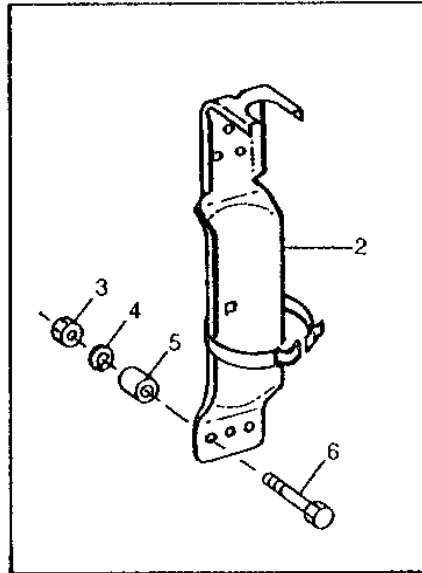
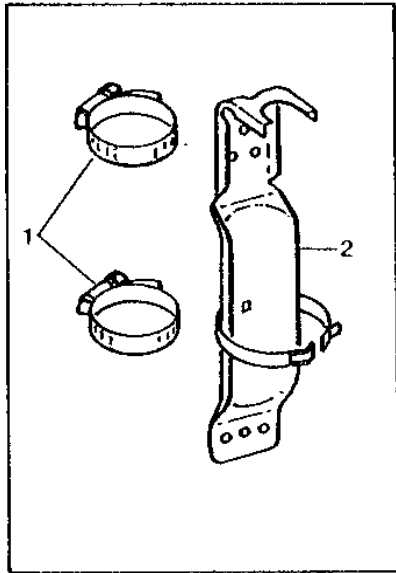
KEY	PART NO.	PART NAME	QTY	TRACTOR SERIAL NO.	REMARKS
				1 1 1	
				2 4 6	
				5 5 5	
				0 0 0	
1	TY2615	SMV EMBLEM	1	X X X	
2	CH12350	BOLT	2	X X X	M6 X 20, (SUB 12M7006, 19M7077 AND 24M7088)

2E24

OPERATOR'S STATION

RP2484 -UN-01JAN94

FIRE EXTINGUISHER



RP2484

KEY	PART NO.	PART NAME	QTY	TRACTOR SERIAL NO.			REMARKS
				1	1	1	
				2	4	6	
				5	5	5	
				0	0	0	
1	AR21999	CLAMP	2	X	X	X	
2	PT4952	BRACKET	1	X	X	X	
3	14H786	NUT	4	X	X	X	1/4"
4	12H302	LOCK WASHER	4	X	X	X	1/4"
5	28H1611	WASHER	4	X	X	X	1/8" X 5/16"
6	21H1025	SCREW	4	X	X	X	1/4" X 3/4"
7	TY15131	FIRE EXTINGUISHER	1	X	X	X	

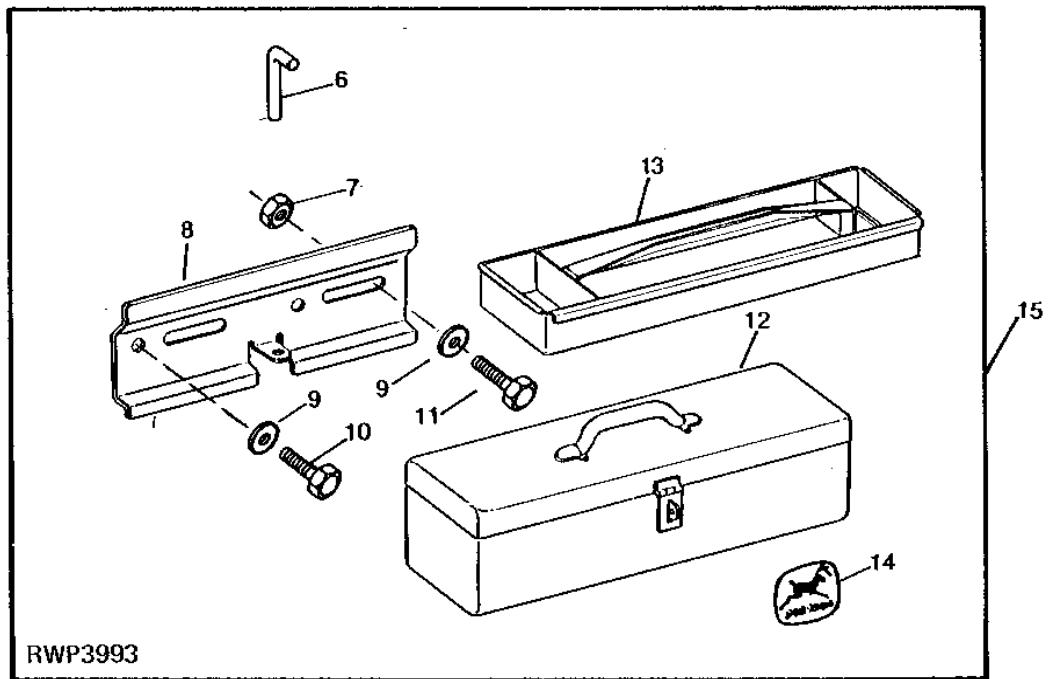
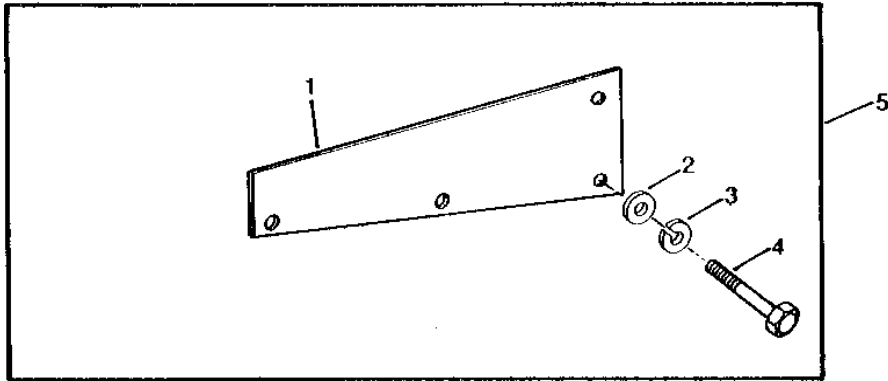
2F1

OPERATOR'S STATION

RWP3993

-UN-01JAN94

TOOLBOX AND SUPPORTS



RWP3993

2F2

OPERATOR'S STATION

TOOLBOX AND SUPPORTS - CONTINUED

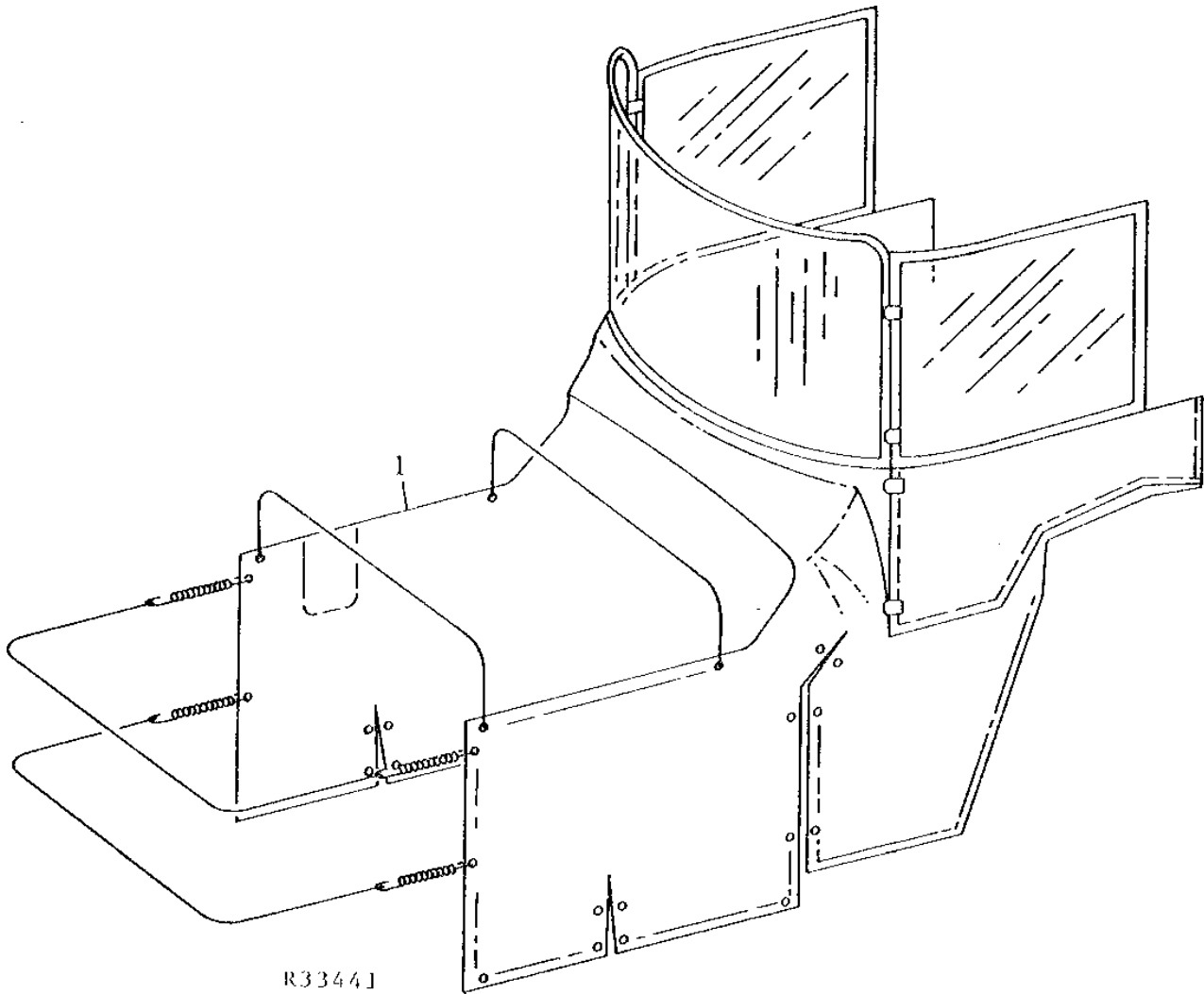
KEY	PART NO.	PART NAME	QTY	TRACTOR			REMARKS
				SERIAL NO.	0 0 0	5 5 5	
					1 1 1		
					2 4 6		
					5 5 5		
					0 0 0		
1	R77511	SUPPORT	1		X X X		
2	R63325	WASHER	6		X X X		
3	12M7017	LOCK WASHER	3		X X X	M16	
4	19M7488	CAP SCREW	2		X X X	M16 X 40	
5	RE11160	KIT	1		X X X		
6	T23027	PIN	1		X X X		
7	14H1039	NUT	1		X X X	5/8"	
8	T23033	BRACKET	1		X X X		
9	24H1363	WASHER	2		X X X	41/64" X 1-1/16" X 0.105"	
10	19H1916	CAP SCREW	1		X X X	5/8" X 1"	
11	19H1833	CAP SCREW	1		X X X	5/8" X 1-1/4"	
12	AT22070	TOOLBOX	1		X X X	WITH TRAY AND LATCH PIN	
13	AT22073	HOLDER	1		X X X		
14	JD5602	LABEL	1	-XXXXXX	X X X		
15	TOOLBOX	1		X X X	(NO LONGER AVAILABLE, ORDER COMPONENT PARTS)	

2F3

OPERATOR'S STATION

R33441 -UN-01JAN94

WEATHERSHIELD



2F4

OPERATOR'S STATION

WEATHERSHIELD - CONTINUED

1 1 1
2 4 6
5 5 5
0 0 0

KEY	PART NO.	PART NAME	QTY	TRACTOR SERIAL NO.	REMARKS
1	TY15243	WEATHER ENCLOSURE	1	X X X	(SUB FOR RE11254)

2F5

OPERATOR'S STATION

R32259 -UN-01JAN94

LOCTITE SEALANT



R32259F

1 1 1
2 4 6
5 5 5
0 0 0

KEY	PART NO.	PART NAME	QTY	TRACTOR SERIAL NO.	REMARKS
1	AT14927	SEALANT	1	X X X	(2 CC) (SUB TY9371)
	AT24538	ADHESIVE	1	X X X	(18 CC) (SUB TY9371)
	TY9371	ADHESIVE	1	X X X	(6 CC)

1L7

1250, 1450 AND 1650 TRACTORS

NUMERICAL INDEX

PART NO.	GRID	KEY	PAGE	PART NO.	GRID	KEY	PAGE	PART NO.	GRID	KEY	PAGE
AD2062R	1F19	48	40 - 25	AR56211	2E18	26	90 - 9	AT25226	2D14	..	80 - 13
AD2062R	1F21	25	40 - 27	AR58350	2D19	5	80 - 17	AT29160	1F2	2	40 - 11
AD2062R	2E18	6	90 - 9	AR58351	2D19	5	80 - 17	AT29160	1F5	2	40 - 13
AE31724	1D10	7	30 - 11	AR58352	2D19	5	80 - 17	AT32332	2C15	4	70 - 49
AE31724	1E15	6	30 - 42	AR60250	2E18	9	90 - 9	AT32332	2C17	3	70 - 51
AH20193	2C12	5	70 - 46	AR62151	2B24	2	70 - 32	AT37833	2E16	12	90 - 7
AH20193	2C13	2	70 - 47	AR63218	1A20	1	20 - 1	AT66632	2C22	1	70 - 56
AH61439	2C15	3	70 - 49	AR63219	1A20	1	20 - 1	AW17607	2C15	1	70 - 49
AH61439	2C17	16	70 - 51	AR63222	1A20	1	20 - 1	AW17607	2C17	1	70 - 51
AL24165	2E12	37	90 - 3	AR63979	1A20	1	20 - 1	AW17607	2C20	24	70 - 54
AL24165	2E14	16	90 - 5	AR64101	2D13	2	80 - 12	AW18327	2C20	..	70 - 54
AL2976T	1F24	20	40 - 31	AR64101	2D13	5	80 - 12	A15898	2C12	10	70 - 46
AL60764	2D13	2	80 - 12	AR64422	1F16	5	40 - 22	A15898	2C13	7	70 - 47
AL60764	2D13	5	80 - 12	AR65005	1G6	1	40 - 37	A15899	2C12	8	70 - 46
AL70191	2E16	13	90 - 7	AR65006	1G6	2	40 - 37	A15899	2C13	5	70 - 47
AM30347	2D9	..	80 - 8	AR67855	1F15	14	40 - 21	A4811R	2D14	4	80 - 13
AM3202T	2D13	5	80 - 12	AR67855	1F22	9	40 - 28	A49853	1F11	7	40 - 19
AM878073	1113	24	50 - 61	AR68801	2D19	7	80 - 17	CH10053	1E8	8	30 - 35
AM878073	1113	29	50 - 61	AR69444	2A19	1	70 - 1	CH10053	1E10	1	30 - 37
AM878073	1115	33	50 - 63	AR69445	2A19	1	70 - 1	CH10059	1E6	3	30 - 33
AM878073	2D8	6	80 - 7	AR69988	2C7	7	70 - 41	CH10060	1E6	8	30 - 33
AN212996	2C2	7	70 - 35	AR72902	2E18	29	90 - 9	CH10082	1E6	5	30 - 33
AN85149	2C20	9	70 - 54	AR72903	2E18	29	90 - 9	CH10084	1E6	1	30 - 33
AR102926	2C9	..	70 - 43	AR72987	2E18	41	90 - 9	CH10106	1E6	13	30 - 33
AR102926	2C12	..	70 - 46	AR73338	2E18	23	90 - 9	CH10139	1F7	1	40 - 15
AR102926	2C15	..	70 - 49	AR73338	2E20	1	90 - 11	CH10155	1F21	37	40 - 27
AR102926	2C17	..	70 - 51	AR73500	2C22	1	70 - 56	CH10158	1F21	38	40 - 27
AR102926	2C19	..	70 - 53	AR75695	1F22	2	40 - 28	CH10258	1C11	20	20 - 43
AR102928	2C17	15	70 - 51	AR75696	1F22	8	40 - 28	CH10258	1C15	17	20 - 47
AR102929	2C15	9	70 - 49	AR76583	2E18	40	90 - 9	CH10275	1C19	24	20 - 51
AR102930	2C17	4	70 - 51	AR77698	2E18	15	90 - 9	CH10301	1E18	5	40 - 1
AR102931	2C15	8	70 - 49	AR78261	2E18	12	90 - 9	CH10319	1E2	7	30 - 29
AR102932	2C15	7	70 - 49	AR83425	1G6	8	40 - 37	CH10319	1E2	11	30 - 29
AR102933	2C15	6	70 - 49	AR84228	1D10	9	30 - 11	CH10319	1E4	4	30 - 31
AR102934	2C15	5	70 - 49	AR84228	1E15	7	30 - 42	CH10322	1E8	2	30 - 35
AR102970	2C12	7	70 - 46	AR87054	1F16	6	40 - 22	CH10332	1C7	8	20 - 39
AR102970	2C13	4	70 - 47	AR87167	1F17	3	40 - 23	CH10348	1B6	8	20 - 13
AR105484	1F22	10	40 - 28	AR87168	1F17	2	40 - 23	CH10389	1B8	7	20 - 15
AR111058	1F11	16	40 - 19	AR87184	1F17	1	40 - 23	CH10389	1B10	5	20 - 17
AR111058	1F13	20	40 - 19B	AR90579	2C2	7	70 - 35	CH10390	1G24	27	50 - 19
AR21837	1B6	2	20 - 13	AR90581	2C2	7	70 - 35	CH10390	1H7	1	50 - 27
AR21837	2B14	1	70 - 21	AR90583	2C2	7	70 - 35	CH10391	1E8	7	30 - 35
AR21839	2B17	5	70 - 24	AR91793	1G4	42	40 - 35	CH10391	1E8	16	30 - 35
AR21839	2B17	11	70 - 24	AR92424	2D19	10	80 - 17	CH10391	1E10	8	30 - 37
AR21840	1C19	1	20 - 51	AR94493	1E25	3	40 - 9	CH10427	1C19	5	20 - 51
AR21840	1D12	3	30 - 13	AR94504	2E6	7	80 - 29	CH10460	1B12	6	20 - 19
AR21841	1H25	5	50 - 47	AR94522	2C12	11	70 - 46	CH10485	1E21	8	40 - 5
AR21969	1A21	1	20 - 2	AR94522	2C13	8	70 - 47	CH10486	1E21	7	40 - 5
AR21999	1D10	1	30 - 11	AR95434	1E25	1	40 - 9	CH10492	1E18	10	40 - 1
AR21999	1D12	1	30 - 13	AR97536	2E8	10	80 - 31	CH10493	1E18	4	40 - 1
AR21999	1D12	5	30 - 13	AR99074	2C9	10	70 - 43	CH10521	2B4	14	70 - 11
AR21999	2E24	1	90 - 15	AR99074	2C11	8	70 - 45	CH10521	2B6	14	70 - 13
AR26782	1H14	17	50 - 35	AR99998	2B11	12	70 - 18	CH10521	2B16	11	70 - 23
AR41785	1A20	..	20 - 1	AT12350	2B24	5	70 - 32	CH10521	2D25	20	80 - 23
AR44402	1A21	1	20 - 2	AT129106	1J12	6	60 - 21	CH10521	2E22	26	90 - 13
AR48236	1B12	6	20 - 19	AT135655	1J12	3	60 - 21	CH10534	1B12	1	20 - 19
AR48236	1B14	3	20 - 21	AT135655	1J12	5	60 - 21	CH10534	1B14	5	20 - 21
AR48236	1C19	11	20 - 51	AT135655	1J12	7	60 - 21	CH10534	1B14	9	20 - 21
AR48236	1D23	12	30 - 25	AT14927	2F5	1	90 - 20	CH10534	1C7	18	20 - 39
AR48236	1E8	2	30 - 35	AT20519	2D10	3	80 - 9	CH10541	2B10	15	70 - 17
AR48236	1E8	4	30 - 35	AT20521	2D12	11	80 - 11	CH10554	1C11	15	20 - 43
AR48236	1E8	20	30 - 35	AT22070	2F2	12	90 - 17	CH10554	1C15	35	20 - 47
AR48236	1E10	4	30 - 37	AT22073	2F2	13	90 - 17	CH10554	1C21	17	20 - 53
AR48236	1E10	21	30 - 37	AT24538	2F5	1	90 - 20	CH10554	1E8	9	30 - 35
AR49923	2E20	..	90 - 11	AT25226	2D10	..	80 - 9	CH10554	1E10	2	30 - 37
AR53493	1J12	19	60 - 21	AT25226	2D12	3	80 - 11	CH10555	1B14	14	20 - 21
AR54749	1A21	4	20 - 2	AT25226	2D13	..	80 - 12	CH10555	1C15	2	20 - 47

1L8

1250, 1450 AND 1650 TRACTORS

NUMERICAL INDEX - CONTINUED

PART NO.	GRID	KEY	PAGE	PART NO.	GRID	KEY	PAGE	PART NO.	GRID	KEY	PAGE
CH10555	1C21	18	20-53	CH10973	2D10	1	80-9	CH11414	1I8	17	50-55
CH10555	1D8	3	30-9	CH10974	2D10	5	80-9	CH11416	1J8	10	60-17
CH10558	1E6	2	30-33	CH10988	1H11	20	50-32	CH11416	1J10	8	60-19
CH10559	1H2	5	50-21	CH10989	1H11	22	50-32	CH11431	2A21	1	70-3
CH10559	1H2	19	50-21	CH10989	1J8	13	60-17	CH11439	1F6	3	40-14
CH10560	1A23	5	20-5	CH10989	1J10	10	60-19	CH11441	1G22	5	50-17
CH10560	1A25	14	20-7	CH11009	2B4	11	70-11	CH11453	2D25	4	80-23
CH10561	1B14	13	20-21	CH11014	1J4	11	60-13	CH11458	1F19	36	40-25
CH10561	2A21	15	70-3	CH11016	2D25	22	80-23	CH11458	1F21	45	40-27
CH10568	2A21	4	70-3	CH11017	2D25	7	80-23	CH11458	2D25	23	80-23
CH10568	2A21	5	70-3	CH11017	2E2	22	80-25	CH11459	1D19	17	30-21
CH10568	2A21	7	70-3	CH11127	2D6	32	80-5	CH11459	1E14	14	30-41
CH10570	1C19	23	20-51	CH11127	2D8	43	80-7	CH11460	2E2	6	80-25
CH10570	1C23	19	20-55	CH11134	2D6	29	80-5	CH11460	2E2	36	80-25
CH10570	1G24	42	50-19	CH11144	2D9	6	80-8	CH11470	1D19	9	30-21
CH10570	1H23	21	50-45	CH11208	1H2	3	50-21	CH11470	1J8	23	60-17
CH10570	1I6	21	50-53	CH11208	1H2	21	50-21	CH11470	2D25	26	80-23
CH10570	1I6	30	50-53	CH11220	1G10	9	50-3	CH11472	2B8	41	70-15
CH10570	1I8	18	50-55	CH11220	1G24	18	50-19	CH11474	2B11	14	70-18
CH10570	2A23	26	70-5	CH11220	1I6	1	50-53	CH11474	2B16	6	70-23
CH10571	1E6	6	30-33	CH11220	1I13	4	50-61	CH11474	2B17	2	70-24
CH10577	2A23	34	70-5	CH11220	1I15	10	50-63	CH11475	1D15	14	30-17
CH10578	1F2	18	40-11	CH11220	2A23	4	70-5	CH11475	1D15	16	30-17
CH10586	2B14	7	70-21	CH11220	2D23	13	80-21	CH11475	2B2	39	70-9
CH10589	2A23	12	70-5	CH11265	1J4	3	60-13	CH11476	1D15	8	30-17
CH10590	2A23	11	70-5	CH11290	2A21	4	70-3	CH11477	1J4	8	60-13
CH10614	1D5	6	30-5	CH11308	1H14	8	50-35	CH11477	2B19	22	70-27
CH10614	1D5	9	30-5	CH11314	1F19	35	40-25	CH11478	1G10	10	50-3
CH10614	1D17	12	30-19	CH11320	1F2	22	40-11	CH11478	1G10	15	50-3
CH10614	1G24	33	50-19	CH11320	1F5	19	40-13	CH11481	1G12	11	50-5
CH10622	2B23	20	70-31	CH11321	1F2	21	40-11	CH11481	2B10	44	70-17
CH10623	1F7	15	40-15	CH11321	1F5	18	40-13	CH11481	2B23	28	70-31
CH10629	2B2	40	70-9	CH11322	1F2	20	40-11	CH11482	1H4	1	50-23
CH10639	1D17	10	30-19	CH11322	1F5	17	40-13	CH11484	1H10	19	50-31
CH10641	2B23	41	70-31	CH11323	1F6	4	40-14	CH11485	1H4	26	50-23
CH10643	1C23	21	20-55	CH11325	1F6	2	40-14	CH11486	1H10	10	50-31
CH10643	1E2	8	30-29	CH11336	2D25	8	80-23	CH11486	1H12	9	50-33
CH10643	1E2	12	30-29	CH11340	2D25	1	80-23	CH11486	2B6	39	70-13
CH10643	1E4	5	30-31	CH11365	2B23	30	70-31	CH11488	1H5	5	50-25
CH10808	1H10	16	50-31	CH11366	2B23	32	70-31	CH11489	2B4	30	70-11
CH10808	1H12	15	50-33	CH11371	2B23	34	70-31	CH11489	2B8	6	70-15
CH10819	1I20	3	60-5	CH11378	2B19	12	70-27	CH11489	2B10	17	70-17
CH10826	1I18	11	60-3	CH11378	2B21	18	70-29	CH11490	1H2	9	50-21
CH10853	1G22	16	50-17	CH11396	1H14	20	50-35	CH11491	1G22	17	50-17
CH10854	1G22	4	50-17	CH11396	1H17	7	50-39	CH11491	2E12	21	90-3
CH10857	1G12	14	50-5	CH11396	2D23	16	80-21	CH11491	2E14	31	90-5
CH10857	1H11	11	50-32	CH11399	1H11	21	50-32	CH11495	2A25	3	70-7
CH10857	1J8	12	60-17	CH11399	1J8	11	60-17	CH11495	2B6	7	70-13
CH10857	1J10	11	60-19	CH11399	1J10	9	60-19	CH11495	2E12	3	90-3
CH10870	1H10	11	50-31	CH11400	1H17	14	50-39	CH11495	2E14	8	90-5
CH10870	1H12	10	50-33	CH11400	2D23	14	80-21	CH11497	2A21	27	70-3
CH10881	1I18	10	60-3	CH11402	1J4	2	60-13	CH11500	2B23	35	70-31
CH10882	1I18	12	60-3	CH11411	1D23	7	30-25	CH11501	1H2	6	50-21
CH10883	1I18	8	60-3	CH11413	1I13	18	50-61	CH11501	1H23	26	50-45
CH10889	1G10	21	50-3	CH11413	1I13	23	50-61	CH11501	2B23	31	70-31
CH10891	2B23	35	70-31	CH11413	1I18	16	60-3	CH11503	1G13	2	50-7
CH10911	1H4	34	50-23	CH11413	1I18	26	60-3	CH11503	1G15	10	50-9
CH10920	1H10	30	50-31	CH11413	2B23	18	70-31	CH11504	1G10	22	50-3
CH10921	1H10	28	50-31	CH11413	2B23	33	70-31	CH11524	1J10	27	60-19
CH10921	1H23	37	50-45	CH11413	2D3	8	80-2	CH11524	2E2	13	80-25
CH10922	1H10	17	50-31	CH11413	2D6	5	80-5	CH11525	1J8	26	60-17
CH10925	1H2	1	50-21	CH11413	2D6	21	80-5	CH11525	2B25	1	70-33
CH10925	1H2	26	50-21	CH11413	2D6	30	80-5	CH11527	2D18	2	80-16
CH10959	1H10	29	50-31	CH11414	1G24	43	50-19	CH11544	1I18	5	60-3
CH10959	1H23	38	50-45	CH11414	1H23	20	50-45	CH11545	2A21	22	70-3
CH10971	2D10	4	80-9	CH11414	1I6	22	50-53	CH11547	1J4	12	60-13
CH10972	2D10	3	80-9	CH11414	1I6	31	50-53	CH11548	2B14	4	70-21

1L9

1250, 1450 AND 1650 TRACTORS

NUMERICAL INDEX - CONTINUED

PART NO.	GRID	KEY	PAGE	PART NO.	GRID	KEY	PAGE	PART NO.	GRID	KEY	PAGE
CH11548	2B16	2	70 - 23	CH11984	1F5	12	40 - 13	CH12229	1F21	9	40 - 27
CH11551	1110	9	50 - 57	CH11984	1F7	20	40 - 15	CH12230	1F19	2	40 - 25
CH11560	2B4	26	70 - 11	CH11984	2E22	6	90 - 13	CH12230	1F21	2	40 - 27
CH11560	2B6	35	70 - 13	CH12008	2C6	16	70 - 39	CH12231	1F19	13	40 - 25
CH11561	2A21	37	70 - 3	CH12016	1J8	27	60 - 17	CH12231	1F21	13	40 - 27
CH11561	2B8	17	70 - 15	CH12016	2B8	13	70 - 15	CH12232	1F19	4	40 - 25
CH11561	2B10	19	70 - 17	CH12016	2E2	15	80 - 25	CH12232	1F21	4	40 - 27
CH11562	1C15	5	20 - 47	CH12022	1J10	4	60 - 19	CH12233	1F19	7	40 - 25
CH11562	1J4	18	60 - 13	CH12022	1J10	24	60 - 19	CH12233	1F21	7	40 - 27
CH11562	2A23	30	70 - 5	CH12022	2B10	9	70 - 17	CH12234	1F19	11	40 - 25
CH11562	2B14	9	70 - 21	CH12022	2B16	9	70 - 23	CH12234	1F21	11	40 - 27
CH11562	2B15	1	70 - 22	CH12022	2B17	10	70 - 24	CH12249	2E22	19	90 - 13
CH11562	2B16	5	70 - 23	CH12029	2D18	6	80 - 16	CH12250	1F2	31	40 - 11
CH11563	1H10	7	50 - 31	CH12038	1F6	5	40 - 14	CH12250	1F5	25	40 - 13
CH11563	1H14	7	50 - 35	CH12042	2D3	11	80 - 2	CH12251	1G24	17	50 - 19
CH11563	1H23	6	50 - 45	CH12042	2D4	8	80 - 3	CH12251	1G24	39	50 - 19
CH11570	2B2	24	70 - 9	CH12078	1D10	5	30 - 11	CH12251	1H17	13	50 - 39
CH11572	1H19	2	50 - 41	CH12078	1D12	12	30 - 13	CH12251	2A23	10	70 - 5
CH11573	1I20	35	60 - 5	CH12078	2E4	12	80 - 27	CH12251	2D21	17	80 - 19
CH11574	1G12	12	50 - 5	CH12096	1E21	5	40 - 5	CH12251	2D23	12	80 - 21
CH11574	1H17	3	50 - 39	CH12120	1F2	38	40 - 11	CH12260	2D25	19	80 - 23
CH11574	1H25	6	50 - 47	CH12120	1F5	30	40 - 13	CH12290	1F9	33	40 - 17
CH11574	1I4	2	50 - 51	CH12122	2E22	35	90 - 13	CH12290	2B2	33	70 - 9
CH11574	1I4	13	50 - 51	CH12123	1D23	1	30 - 25	CH12293	1B12	14	20 - 19
CH11574	1I13	3	50 - 61	CH12123	1F19	23	40 - 25	CH12293	1B14	22	20 - 21
CH11574	1I15	7	50 - 63	CH12123	1F21	29	40 - 27	CH12294	2A21	3	70 - 3
CH11574	2B8	31	70 - 15	CH12125	1F19	8	40 - 25	CH12296	1I24	1	60 - 9
CH11574	2B8	32	70 - 15	CH12125	1F21	8	40 - 27	CH12296	2A21	2	70 - 3
CH11574	2B10	40	70 - 17	CH12142	2E4	17	80 - 27	CH12296	2B23	5	70 - 31
CH11600	2B4	8	70 - 11	CH12144	2E4	7	80 - 27	CH12296	2B23	17	70 - 31
CH11600	2B17	1	70 - 24	CH12146	2E4	14	80 - 27	CH12298	2B25	7	70 - 33
CH11600	2B17	7	70 - 24	CH12149	1F19	25	40 - 25	CH12302	1G13	2	50 - 7
CH11612	1G10	11	50 - 3	CH12149	1F21	31	40 - 27	CH12302	1G15	11	50 - 9
CH11625	1I18	7	60 - 3	CH12149	2D25	36	80 - 23	CH12304	1H2	11	50 - 21
CH11626	2E22	11	90 - 13	CH12150	1F2	1	40 - 11	CH12304	1H10	3	50 - 31
CH11626	2E22	15	90 - 13	CH12150	1F5	1	40 - 13	CH12304	2B23	35	70 - 31
CH11627	2D25	18	80 - 23	CH12170	1D21	28	30 - 23	CH12306	1H21	3	50 - 43
CH11641	2B10	51	70 - 17	CH12179	2E2	7	80 - 25	CH12310	1E14	9	30 - 41
CH11663	1I18	9	60 - 3	CH12179	2E22	25	90 - 13	CH12310	1H2	22	50 - 21
CH11687	1D23	10	30 - 25	CH12197	1F19	35	40 - 25	CH12310	1H23	5	50 - 45
CH11696	1F7	12	40 - 15	CH12197	1F19	52	40 - 25	CH12310	2E22	3	90 - 13
CH11698	1F7	17	40 - 15	CH12197	1F21	47	40 - 27	CH12315	1H21	15	50 - 43
CH11708	2C4	6	70 - 37	CH12200	1F7	7	40 - 15	CH12315	1J10	17	60 - 19
CH11729	2B19	13	70 - 27	CH12206	1F7	11	40 - 15	CH12315	2B10	14	70 - 17
CH11729	2B21	17	70 - 29	CH12209	1F7	4	40 - 15	CH12317	2E2	24	80 - 25
CH11729	2B25	4	70 - 33	CH12210	1F7	5	40 - 15	CH12320	1G17	1	50 - 11
CH11828	1G22	7	50 - 17	CH12217	1F19	42	40 - 25	CH12320	1H23	18	50 - 45
CH11844	2B19	18	70 - 27	CH12217	1F21	42	40 - 27	CH12320	2B4	37	70 - 11
CH11860	1E14	8	30 - 41	CH12218	1F19	43	40 - 25	CH12320	2B6	24	70 - 13
CH11875	2E2	4	80 - 25	CH12218	1F21	43	40 - 27	CH12320	2B10	14	70 - 17
CH11875	2E22	18	90 - 13	CH12219	1F19	40	40 - 25	CH12320	2D6	9	80 - 5
CH11876	1F7	10	40 - 15	CH12219	1F21	40	40 - 27	CH12324	2D9	5	80 - 8
CH11876	2E2	9	80 - 25	CH12220	1F19	41	40 - 25	CH12331	1D19	4	30 - 21
CH11876	2E22	16	90 - 13	CH12220	1F21	41	40 - 27	CH12331	1G10	6	50 - 3
CH11884	1E14	13	30 - 41	CH12221	1F19	44	40 - 25	CH12331	2E22	33	90 - 13
CH11895	1F7	16	40 - 15	CH12221	1F21	44	40 - 27	CH12331	2E22	42	90 - 13
CH11900	1F19	26	40 - 25	CH12222	1F19	39	40 - 25	CH12334	1F2	27	40 - 11
CH11900	1F21	32	40 - 27	CH12222	1F21	39	40 - 27	CH12334	2D21	2	80 - 19
CH11941	1H10	20	50 - 31	CH12225	1F19	10	40 - 25	CH12335	1D23	9	30 - 25
CH11970	2E2	5	80 - 25	CH12225	1F21	10	40 - 27	CH12335	1F2	12	40 - 11
CH11981	1E14	21	30 - 41	CH12226	1F19	12	40 - 25	CH12335	1F5	9	40 - 13
CH11982	2D25	3	80 - 23	CH12226	1F21	12	40 - 27	CH12335	1F19	27	40 - 25
CH11983	1D19	18	30 - 21	CH12227	1F19	5	40 - 25	CH12335	1F21	33	40 - 27
CH11983	1D21	9	30 - 23	CH12227	1F21	5	40 - 27	CH12338	2C4	6	70 - 37
CH11984	1D19	3	30 - 21	CH12228	1F19	3	40 - 25	CH12338	2C6	6	70 - 39
CH11984	1D21	7	30 - 23	CH12228	1F21	3	40 - 27	CH12340	1C11	29	20 - 43
CH11984	1F2	16	40 - 11	CH12229	1F19	9	40 - 25	CH12340	1J2	7	60 - 11

1L10

1250, 1450 AND 1650 TRACTORS

NUMERICAL INDEX - CONTINUED

PART NO.	GRID	KEY	PAGE	PART NO.	GRID	KEY	PAGE	PART NO.	GRID	KEY	PAGE
CH12341	2D21	11	80 - 19	CH12554	1E23	23	40 - 7	CH12905	1C15	9	20 - 47
CH12341	2D23	24	80 - 21	CH12555	1E20	9	40 - 3	CH12907	1D10	1	30 - 11
CH12344	1G10	19	50 - 3	CH12557	1E23	22	40 - 7	CH12907	1D12	1	30 - 13
CH12344	2D4	1	80 - 3	CH12560	1E20	25	40 - 3	CH12926	1D7	10	30 - 7
CH12347	1G24	44	50 - 19	CH12569	1F2	3	40 - 11	CH12927	1D7	21	30 - 7
CH12347	1H23	19	50 - 45	CH12569	1F5	3	40 - 13	CH12928	1D7	23	30 - 7
CH12349	1B6	3	20 - 13	CH12597	1F2	19	40 - 11	CH12929	1D7	24	30 - 7
CH12349	1C17	1	20 - 49	CH12597	1F5	16	40 - 13	CH12930	1D7	22	30 - 7
CH12350	2E10	1	90 - 1	CH12612	1F2	24	40 - 11	CH12933	1D7	1	30 - 7
CH12350	2E23	2	90 - 14	CH12612	1F5	21	40 - 13	CH12940	1D7	2	30 - 7
CH12351	1C7	37	20 - 39	CH12630	1F2	26	40 - 11	CH12941	1D7	13	30 - 7
CH12351	1F2	5	40 - 11	CH12636	1F19	46	40 - 25	CH12942	1D7	6	30 - 7
CH12351	1F5	5	40 - 13	CH12636	1F21	26	40 - 27	CH12943	1D7	20	30 - 7
CH12351	1F5	28	40 - 13	CH12637	1F19	49	40 - 25	CH12944	1D7	11	30 - 7
CH12354	1I4	1	50 - 51	CH12637	1F21	24	40 - 27	CH12946	1D7	12	30 - 7
CH12364	1D19	12	30 - 21	CH12638	1F19	47	40 - 25	CH12947	1D7	7	30 - 7
CH12378	1I2	14	50 - 49	CH12638	1F21	27	40 - 27	CH12948	1D7	4	30 - 7
CH12380	1B12	11	20 - 19	CH12639	1F19	50	40 - 25	CH12949	1D7	3	30 - 7
CH12380	1B14	18	20 - 21	CH12639	1F21	23	40 - 27	CH12950	1D7	5	30 - 7
CH12380	1B20	1	20 - 27	CH12704	1E23	24	40 - 7	CH12952	1D7	8	30 - 7
CH12384	1F19	1	40 - 25	CH12705	1E23	25	40 - 7	CH13075	2B8	29	70 - 15
CH12384	1F21	1	40 - 27	CH12707	1E23	27	40 - 7	CH13085	1G24	10	50 - 19
CH12388	1F19	20	40 - 25	CH12709	1E23	29	40 - 7	CH13085	1G24	15	50 - 19
CH12388	1F21	16	40 - 27	CH12711	1E23	31	40 - 7	CH13085	1H14	2	50 - 35
CH12395	1I24	2	60 - 9	CH12712	1E23	32	40 - 7	CH13115	2A21	5	70 - 3
CH12396	2B10	50	70 - 17	CH12713	1F19	19	40 - 25	CH13117	1I2	5	50 - 49
CH12400	1A23	33	20 - 5	CH12713	1F21	28	40 - 27	CH13119	1I2	4	50 - 49
CH12400	1A23	37	20 - 5	CH12734	1E6	4	30 - 33	CH13120	1I2	2	50 - 49
CH12429	1F19	45	40 - 25	CH12735	1E6	7	30 - 33	CH13121	1I2	3	50 - 49
CH12429	1F21	46	40 - 27	CH12740	1E23	35	40 - 7	CH13122	1I2	1	50 - 49
CH12430	1F19	22	40 - 25	CH12742	1E23	1	40 - 7	CH13189	1C7	25	20 - 39
CH12430	1F21	18	40 - 27	CH12743	1E23	3	40 - 7	CH13189	1D23	13	30 - 25
CH12434	1E20	16	40 - 3	CH12744	1E23	18	40 - 7	CH13189	1F7	22	40 - 15
CH12435	1E20	18	40 - 3	CH12745	1E23	19	40 - 7	CH13189	1F19	30	40 - 25
CH12436	1E20	17	40 - 3	CH12746	1E23	36	40 - 7	CH13189	1F21	34	40 - 27
CH12438	1E20	28	40 - 3	CH12747	1E23	10	40 - 7	CH13190	1F19	33	40 - 25
CH12440	1E20	26	40 - 3	CH12748	1E23	33	40 - 7	CH13192	2D6	11	80 - 5
CH12444	1E20	24	40 - 3	CH12749	1E20	11	40 - 3	CH13192	2D8	12	80 - 7
CH12445	1E20	20	40 - 3	CH12750	1E20	2	40 - 3	CH13196	2B2	20	70 - 9
CH12446	1E20	22	40 - 3	CH12751	1E20	7	40 - 3	CH13201	2B2	17	70 - 9
CH12455	1E20	4	40 - 3	CH12757	1E23	11	40 - 7	CH13203	2B2	15	70 - 9
CH12461	1E20	3	40 - 3	CH12757	1E23	15	40 - 7	CH13205	2B2	27	70 - 9
CH12462	1E20	1	40 - 3	CH12757	1E24	9	40 - 8	CH13206	2B2	30	70 - 9
CH12464	1E20	8	40 - 3	CH12758	1E23	12	40 - 7	CH13207	2B2	28	70 - 9
CH12468	1E23	21	40 - 7	CH12758	1E24	10	40 - 8	CH13211	2B2	12	70 - 9
CH12472	1E23	5	40 - 7	CH12759	1E23	16	40 - 7	CH13212	2B2	10	70 - 9
CH12476	1E23	8	40 - 7	CH12760	1E23	13	40 - 7	CH13231	2B15	16	70 - 22
CH12485	1E23	26	40 - 7	CH12761	1E23	14	40 - 7	CH13232	2B15	15	70 - 22
CH12488	1E23	20	40 - 7	CH12762	2B6	36	70 - 13	CH13233	2B15	13	70 - 22
CH12489	1E23	28	40 - 7	CH12768	1F9	22	40 - 17	CH13234	2B15	12	70 - 22
CH12491	1E23	30	40 - 7	CH12780	1F19	6	40 - 25	CH13235	2B15	17	70 - 22
CH12495	1E23	34	40 - 7	CH12780	1F21	6	40 - 27	CH13242	2B2	6	70 - 9
CH12502	1E23	4	40 - 7	CH12806	1E18	1	40 - 1	CH13243	2B2	4	70 - 9
CH12505	1E23	17	40 - 7	CH12806	1F7	19	40 - 15	CH13249	2B2	2	70 - 9
CH12505	1E24	16	40 - 8	CH12822	1C7	32	20 - 39	CH13256	2B4	18	70 - 11
CH12510	1E20	15	40 - 3	CH12822	1C21	16	20 - 53	CH13257	2B6	8	70 - 13
CH12517	1E20	23	40 - 3	CH12837	1C7	17	20 - 39	CH13272	1F7	2	40 - 15
CH12518	1E20	13	40 - 3	CH12851	1D5	8	30 - 5	CH13276	2D25	2	80 - 23
CH12529	1E20	6	40 - 3	CH12851	1D8	1	30 - 9	CH13278	1E14	1	30 - 41
CH12530	1E20	19	40 - 3	CH12852	1C17	11	20 - 49	CH13284	1D23	6	30 - 25
CH12531	1E23	9	40 - 7	CH12853	1C23	12	20 - 55	CH13298	2D8	40	80 - 7
CH12535	1E20	14	40 - 3	CH12853	1D5	1	30 - 5	CH13363	1H10	1	50 - 31
CH12541	1E23	2	40 - 7	CH12853	1D8	2	30 - 9	CH13363	1H11	1	50 - 32
CH12549	1E20	21	40 - 3	CH12853	1D17	15	30 - 19	CH13370	1I2	13	50 - 49
CH12550	1E20	27	40 - 3	CH12853	1D21	30	30 - 23	CH13386	1H4	29	50 - 23
CH12552	1E23	6	40 - 7	CH12857	1C15	1	20 - 47	CH13402	2B6	6	70 - 13
CH12553	1E23	7	40 - 7	CH12895	1C17	10	20 - 49	CH13415	1F19	31	40 - 25

1L11

1250, 1450 AND 1650 TRACTORS

NUMERICAL INDEX - CONTINUED

PART NO.	GRID	KEY	PAGE	PART NO.	GRID	KEY	PAGE	PART NO.	GRID	KEY	PAGE
CH13415	1F21	51	40 - 27	CH13706	2D6	4	80 - 5	CH14634	1F19	32	40 - 25
CH13478	1H23	1	50 - 45	CH13706	2D6	20	80 - 5	CH14634	1F21	52	40 - 27
CH13481	1E14	28	30 - 41	CH13706	2D8	1	80 - 7	CH14634	1I8	5	50 - 55
CH13484	1H23	15	50 - 45	CH13706	2D8	18	80 - 7	CH14634	1J8	37	60 - 17
CH13484	1I2	9	50 - 49	CH13706	2D8	24	80 - 7	CH14634	1J10	30	60 - 19
CH13484	2B8	33	70 - 15	CH13706	2D8	29	80 - 7	CH14652	2B10	41	70 - 17
CH13484	2B10	45	70 - 17	CH13727	2E4	5	80 - 27	CH14652	2B23	37	70 - 31
CH13486	1H5	10	50 - 25	CH13749	2B4	6	70 - 11	CH14655	1C7	7	20 - 39
CH13489	1H25	8	50 - 47	CH13749	2B6	9	70 - 13	CH14655	1C21	22	20 - 53
CH13489	1I2	26	50 - 49	CH13807	1I20	31	60 - 5	CH14656	2A23	5	70 - 5
CH13489	1I10	3	50 - 57	CH13807	1I22	15	60 - 7	CH14668	1H4	16	50 - 23
CH13489	2B11	8	70 - 18	CH13811	1E20	10	40 - 3	CH14668	1H8	5	50 - 29
CH13490	1I2	11	50 - 49	CH13812	1E20	12	40 - 3	CH14671	2A25	10	70 - 7
CH13496	1H4	36	50 - 23	CH13813	1E20	5	40 - 3	CH14686	1B4	4	20 - 11
CH13497	2B6	1	70 - 13	CH13832	2E4	13	80 - 27	CH14687	1I6	23	50 - 53
CH13499	2A25	1	70 - 7	CH13835	2E2	36	80 - 25	CH14687	1I8	16	50 - 55
CH13500	2B23	3	70 - 31	CH13835	2E4	9	80 - 27	CH14694	1H4	24	50 - 23
CH13500	2B23	15	70 - 31	CH13867	2E22	12	90 - 13	CH14694	1H8	5	50 - 29
CH13504	1A23	17	20 - 5	CH13899	1H19	24	50 - 41	CH14762	1J5	3	60 - 14
CH13504	1A25	26	20 - 7	CH13899	1I11	1	50 - 59	CH14782	1H14	4	50 - 35
CH13504	1B12	17	20 - 19	CH13899	2D9	9	80 - 8	CH14782	1H23	13	50 - 45
CH13504	1B14	1	20 - 21	CH13899	2D12	1	80 - 11	CH14782	1I6	10	50 - 53
CH13504	1H2	19	50 - 21	CH13899	2D12	8	80 - 11	CH14782	1I8	19	50 - 55
CH13504	1I20	13	60 - 5	CH13913	2D25	34	80 - 23	CH14782	2C4	11	70 - 37
CH13504	2A21	17	70 - 3	CH13942	1F6	8	40 - 14	CH14782	2C6	10	70 - 39
CH13504	2B15	4	70 - 22	CH14001	1F6	1	40 - 14	CH14782	2D21	19	80 - 19
CH13504	2B15	6	70 - 22	CH14118	1G10	10	50 - 3	CH14782	2D23	21	80 - 21
CH13505	1B4	9	20 - 11	CH14118	1G24	29	50 - 19	CH14782	2D23	22	80 - 21
CH13506	1H4	6	50 - 23	CH14118	1H17	12	50 - 39	CH14783	1D15	7	30 - 17
CH13507	1H7	2	50 - 27	CH14118	2B19	7	70 - 27	CH14783	1D17	20	30 - 19
CH13510	1I2	7	50 - 49	CH14118	2C4	2	70 - 37	CH14815	1H5	9	50 - 25
CH13526	1J4	23	60 - 13	CH14118	2C6	2	70 - 39	CH14818	1H14	14	50 - 35
CH13527	1G24	2	50 - 19	CH14118	2D13	3	80 - 12	CH14828	1H5	11	50 - 25
CH13527	2B11	8	70 - 18	CH14118	2D14	2	80 - 13	CH14865	1H12	3	50 - 33
CH13529	2A21	34	70 - 3	CH14140	1H4	30	50 - 23	CH14885	1H4	20	50 - 23
CH13545	1F19	29	40 - 25	CH14152	2E2	25	80 - 25	CH14885	1H8	2	50 - 29
CH13545	1F21	53	40 - 27	CH14162	2D6	12	80 - 5	CH14885	1H8	10	50 - 29
CH13545	1I18	10	60 - 3	CH14162	2D8	11	80 - 7	CH14906	2B4	20	70 - 11
CH13559	2B15	14	70 - 22	CH14175	2E22	29	90 - 13	CH14906	2B8	10	70 - 15
CH13574	1F7	18	40 - 15	CH14177	1G13	9	50 - 7	CH14906	2B8	16	70 - 15
CH13574	1H12	8	50 - 33	CH14177	2A23	4	70 - 5	CH14906	2B10	18	70 - 17
CH13599	2D6	10	80 - 5	CH14177	2A23	13	70 - 5	CH14940	1H23	27	50 - 45
CH13599	2D8	13	80 - 7	CH14431	2B12	3	70 - 19	CH14966	1H23	22	50 - 45
CH13609	1H2	17	50 - 21	CH14431	2B13	2	70 - 20	CH15010	1H4	8	50 - 23
CH13625	1D8	4	30 - 9	CH14432	2B12	4	70 - 19	CH15035	1H4	3	50 - 23
CH13671	2D9	7	80 - 8	CH14432	2B13	1	70 - 20	CH15035	1H23	29	50 - 45
CH13682	1G17	14	50 - 11	CH14436	2B12	6	70 - 19	CH15041	1H12	16	50 - 33
CH13705	1I13	15	50 - 61	CH14436	2B13	9	70 - 20	CH15042	1H5	4	50 - 25
CH13705	1I13	26	50 - 61	CH14439	2B12	1	70 - 19	CH15042	1H5	6	50 - 25
CH13705	1I15	15	50 - 63	CH14439	2B13	5	70 - 20	CH15116	1C15	2	20 - 47
CH13705	1I15	21	50 - 63	CH14444	2B17	5	70 - 24	CH15116	1C21	19	20 - 53
CH13705	1I15	30	50 - 63	CH14446	2E4	11	80 - 27	CH15116	2A21	16	70 - 3
CH13705	1I18	18	60 - 3	CH14542	2B23	39	70 - 31	CH15134	1B24	3	20 - 31
CH13705	1I18	28	60 - 3	CH14581	1H4	25	50 - 23	CH15134	1G13	12	50 - 7
CH13705	2D6	3	80 - 5	CH14581	1H8	7	50 - 29	CH15134	1G17	16	50 - 11
CH13705	2D6	19	80 - 5	CH14582	2B17	4	70 - 24	CH15134	1G19	29	50 - 13
CH13705	2D8	2	80 - 7	CH14583	1H21	1	50 - 43	CH15143	2A21	4	70 - 3
CH13705	2D8	17	80 - 7	CH14583	2A21	29	70 - 3	CH15143	2A21	5	70 - 3
CH13705	2D8	23	80 - 7	CH14592	1H4	17	50 - 23	CH15161	2B6	21	70 - 13
CH13705	2D8	30	80 - 7	CH14592	1H8	4	50 - 29	CH15163	2B6	19	70 - 13
CH13706	1I13	16	50 - 61	CH14592	1H8	7	50 - 29	CH15167	1C17	25	20 - 49
CH13706	1I13	25	50 - 61	CH14593	1J4	19	60 - 13	CH15167	1G13	5	50 - 7
CH13706	1I15	16	50 - 63	CH14627	1H5	8	50 - 25	CH15167	1J4	17	60 - 13
CH13706	1I15	22	50 - 63	CH14627	1H23	36	50 - 45	CH15167	2B16	4	70 - 23
CH13706	1I15	29	50 - 63	CH14634	1B18	8	20 - 25	CH15169	1H12	1	50 - 33
CH13706	1I18	17	60 - 3	CH14634	1B20	11	20 - 27	CH15270	2D25	28	80 - 23
CH13706	1I18	27	60 - 3	CH14634	1C21	21	20 - 53	CH15338	2B11	8	70 - 18

1L12

1250, 1450 AND 1650 TRACTORS

NUMERICAL INDEX - CONTINUED

PART NO.	GRID	KEY	PAGE	PART NO.	GRID	KEY	PAGE	PART NO.	GRID	KEY	PAGE
CH15339	2B11	8	70 - 18	CH16107	1E14	5	30 - 41	CH16303	2D3	3	80 - 2
CH15384	1G24	37	50 - 19	CH16108	1F19	24	40 - 25	CH16303	2D4	2	80 - 3
CH15385	1C23	22	20 - 55	CH16108	1F21	30	40 - 27	CH16304	2D3	5	80 - 2
CH15385	1E2	2	30 - 29	CH16109	1I2	16	50 - 49	CH16304	2D4	4	80 - 3
CH15392	1C13	3	20 - 45	CH16113	1G24	9	50 - 19	CH16305	2D3	6	80 - 2
CH15392	1H23	4	50 - 45	CH16113	1J4	10	60 - 13	CH16305	2D3	10	80 - 2
CH15392	1J8	28	60 - 17	CH16114	2B8	43	70 - 15	CH16305	2D4	5	80 - 3
CH15392	2E12	8	90 - 3	CH16126	1E14	29	30 - 41	CH16306	2D6	36	80 - 5
CH15392	2E14	22	90 - 5	CH16147	2E2	8	80 - 25	CH16306	2D8	47	80 - 7
CH15414	1C7	9	20 - 39	CH16148	2E22	14	90 - 13	CH16307	2D6	16	80 - 5
CH15443	1A23	7	20 - 5	CH16149	2E22	30	90 - 13	CH16308	2D6	14	80 - 5
CH15443	1A25	22	20 - 7	CH16150	2D25	27	80 - 23	CH16309	2D6	16	80 - 5
CH15443	1D15	13	30 - 17	CH16151	2D25	35	80 - 23	CH16310	2D6	8	80 - 5
CH15443	1D17	18	30 - 19	CH16152	2E22	9	90 - 13	CH16311	2D6	13	80 - 5
CH15495	1B8	14	20 - 15	CH16153	2D25	32	80 - 23	CH16312	2D6	6	80 - 5
CH15495	1B10	12	20 - 17	CH16154	2D25	33	80 - 23	CH16312	2D6	7	80 - 5
CH15527	1C19	7	20 - 51	CH16155	2E2	3	80 - 25	CH16314	1I13	20	50 - 61
CH15574	1C9	14	20 - 41	CH16157	1D23	5	30 - 25	CH16314	1I15	25	50 - 63
CH15582	1B14	15	20 - 21	CH16159	2D21	7	80 - 19	CH16314	2D6	23	80 - 5
CH15626	1G17	9	50 - 11	CH16161	1G10	24	50 - 3	CH16314	2D8	9	80 - 7
CH15639	2B23	36	70 - 31	CH16163	1G24	7	50 - 19	CH16315	2D6	24	80 - 5
CH15641	1D7	14	30 - 7	CH16164	1G24	25	50 - 19	CH16316	2D9	11	80 - 8
CH15642	1D7	9	30 - 7	CH16165	1G24	20	50 - 19	CH16318	1I18	13	60 - 3
CH15642	1D7	25	30 - 7	CH16165	1H4	4	50 - 23	CH16319	1I18	14	60 - 3
CH15643	1D7	16	30 - 7	CH16166	1G24	22	50 - 19	CH16321	1I18	1	60 - 3
CH15723	2E2	26	80 - 25	CH16167	1G24	12	50 - 19	CH16322	1I18	6	60 - 3
CH15738	1G10	17	50 - 3	CH16169	1H2	16	50 - 21	CH16323	1I18	31	60 - 3
CH15738	2D21	22	80 - 19	CH16170	1H2	10	50 - 21	CH16324	1I18	24	60 - 3
CH15738	2D23	15	80 - 21	CH16171	1H2	14	50 - 21	CH16325	1I13	17	50 - 61
CH15781	1F2	13	40 - 11	CH16174	1H16	7	50 - 37	CH16325	1I13	19	50 - 61
CH15781	1F5	10	40 - 13	CH16178	1H14	25	50 - 35	CH16325	2D6	22	80 - 5
CH15781	1F6	7	40 - 14	CH16179	1H17	18	50 - 39	CH16326	2B14	12	70 - 21
CH15781	1F6	9	40 - 14	CH16180	1H17	18	50 - 39	CH16328	1J2	8	60 - 11
CH15805	1I13	18	50 - 61	CH16181	1H21	2	50 - 43	CH16331	1J2	9	60 - 11
CH15805	1I13	23	50 - 61	CH16182	1H21	14	50 - 43	CH16333	1G10	8	50 - 3
CH15805	1I15	17	50 - 63	CH16183	1H19	7	50 - 41	CH16334	1G10	7	50 - 3
CH15805	1I15	23	50 - 63	CH16184	1H19	23	50 - 41	CH16336	1G10	20	50 - 3
CH15805	1I15	28	50 - 63	CH16185	1J5	5	60 - 14	CH16338	1G17	19	50 - 11
CH15805	1I18	16	60 - 3	CH16190	2A23	7	70 - 5	CH16339	1G17	13	50 - 11
CH15805	1I18	26	60 - 3	CH16193	2B11	8	70 - 18	CH16341	1G13	13	50 - 7
CH15805	2B23	18	70 - 31	CH16194	1H17	19	50 - 39	CH16341	1G15	18	50 - 9
CH15805	2B23	33	70 - 31	CH16194	2B19	3	70 - 27	CH16342	1G13	14	50 - 7
CH15805	2D3	8	80 - 2	CH16197	1J5	7	60 - 14	CH16342	1G15	19	50 - 9
CH15805	2D4	10	80 - 3	CH16198	1H19	10	50 - 41	CH16342	1G20	11	50 - 15
CH15805	2D6	5	80 - 5	CH16198	1J5	1	60 - 14	CH16342	1G13	15	50 - 7
CH15805	2D6	21	80 - 5	CH16282	1E14	2	30 - 41	CH16343	1G15	20	50 - 9
CH15805	2D6	30	80 - 5	CH16283	1E14	20	30 - 41	CH16344	1G13	7	50 - 7
CH15805	2D8	5	80 - 7	CH16284	1E14	3	30 - 41	CH16345	1G13	3	50 - 7
CH15805	2D8	19	80 - 7	CH16284	1E14	3	30 - 41	CH16345	1G13	6	50 - 7
CH15805	2D8	25	80 - 7	CH16285	1E14	18	30 - 41	CH16346	1G13	4	50 - 7
CH15805	2D8	27	80 - 7	CH16286	1E14	7	30 - 41	CH16347	1G13	4	50 - 7
CH15805	2D8	42	80 - 7	CH16287	1E14	4	30 - 41	CH16347	1G15	12	50 - 9
CH15858	1E24	1	40 - 8	CH16287	1E14	4	30 - 41	CH16347	1G15	12	50 - 9
CH15860	1E24	2	40 - 8	CH16289	1E14	16	30 - 41	CH16349	1G12	20	50 - 5
CH15863	1E24	3	40 - 8	CH16290	1E14	24	30 - 41	CH16350	1G12	19	50 - 5
CH15866	1E24	4	40 - 8	CH16291	1E14	23	30 - 41	CH16351	1G12	18	50 - 5
CH15871	1E24	11	40 - 8	CH16292	1D23	23	30 - 25	CH16356	1G12	10	50 - 5
CH15874	1E24	7	40 - 8	CH16293	1D23	24	30 - 25	CH16358	1G12	13	50 - 5
CH15876	1E24	6	40 - 8	CH16293	2D21	1	80 - 19	CH16361	1H11	15	50 - 32
CH15878	1E24	5	40 - 8	CH16293	2D23	6	80 - 21	CH16364	1G20	5	50 - 15
CH15882	1E24	8	40 - 8	CH16294	1D23	6	30 - 25	CH16365	1G20	7	50 - 15
CH15946	1C19	4	20 - 51	CH16296	2D21	3	80 - 19	CH16366	1G20	4	50 - 15
CH15983	1E6	12	30 - 33	CH16296	2D23	3	80 - 21	CH16367	1G20	3	50 - 15
CH16005	1E23	4	40 - 7	CH16297	2D21	12	80 - 19	CH16368	1G20	6	50 - 15
CH16072	1F2	23	40 - 11	CH16297	2D23	26	80 - 21	CH16369	1G20	2	50 - 15
CH16072	1F5	20	40 - 13	CH16298	2D21	8	80 - 19	CH16372	1G20	13	50 - 15
CH16103	2A21	13	70 - 3	CH16300	1I18	4	60 - 3	CH16376	1G24	11	50 - 19
				CH16300	2D3	7	80 - 2	CH16377	1G24	8	50 - 19
				CH16300	2D4	9	80 - 3	CH16379	1G24	1	50 - 19

1L13

1250, 1450 AND 1650 TRACTORS

NUMERICAL INDEX - CONTINUED

PART NO.	GRID	KEY	PAGE	PART NO.	GRID	KEY	PAGE	PART NO.	GRID	KEY	PAGE
CH16380	1G24	26	50 - 19	CH16450	1H16	1	50 - 37	CH16516	1J8	8	60 - 17
CH16381	1G24	21	50 - 19	CH16451	1H16	2	50 - 37	CH16516	1J10	7	60 - 19
CH16382	1G24	38	50 - 19	CH16451	1H16	9	50 - 37	CH16520	2A23	15	70 - 5
CH16382	1H14	9	50 - 35	CH16452	1H16	22	50 - 37	CH16520	2B2	38	70 - 9
CH16384	1H5	2	50 - 25	CH16453	1H16	21	50 - 37	CH16521	2A23	23	70 - 5
CH16388	1H7	6	50 - 27	CH16454	1H16	14	50 - 37	CH16522	2A23	20	70 - 5
CH16389	1H7	5	50 - 27	CH16455	1H16	13	50 - 37	CH16523	2A23	6	70 - 5
CH16391	1H7	3	50 - 27	CH16457	1H16	19	50 - 37	CH16525	2A23	32	70 - 5
CH16393	1H4	2	50 - 23	CH16459	1H16	15	50 - 37	CH16526	2A21	35	70 - 3
CH16394	1H4	10	50 - 23	CH16460	1H16	16	50 - 37	CH16528	2A21	32	70 - 3
CH16395	1H4	18	50 - 23	CH16461	1H16	29	50 - 37	CH16530	1H14	15	50 - 35
CH16396	1H4	13	50 - 23	CH16462	1H16	28	50 - 37	CH16531	2A25	14	70 - 7
CH16397	1H4	21	50 - 23	CH16462	1I11	6	50 - 59	CH16532	2A25	13	70 - 7
CH16398	1H4	11	50 - 23	CH16463	1H16	30	50 - 37	CH16533	2A25	16	70 - 7
CH16399	1H4	19	50 - 23	CH16464	1H16	26	50 - 37	CH16534	2A25	15	70 - 7
CH16400	1H4	33	50 - 23	CH16465	1H14	17	50 - 35	CH16535	2A25	20	70 - 7
CH16401	1H4	7	50 - 23	CH16466	1H14	16	50 - 35	CH16536	2A25	8	70 - 7
CH16402	1H4	28	50 - 23	CH16467	1H14	5	50 - 35	CH16537	2A25	12	70 - 7
CH16403	1H4	35	50 - 23	CH16468	1H14	26	50 - 35	CH16538	2A25	11	70 - 7
CH16404	1H4	14	50 - 23	CH16469	1H14	22	50 - 35	CH16539	2A25	9	70 - 7
CH16404	1H4	17	50 - 23	CH16470	1H17	16	50 - 39	CH16540	2A25	7	70 - 7
CH16405	1H4	22	50 - 23	CH16471	1H17	6	50 - 39	CH16541	2A25	6	70 - 7
CH16405	1H4	25	50 - 23	CH16472	1H17	2	50 - 39	CH16542	2A25	17	70 - 7
CH16405	1H8	4	50 - 29	CH16473	1H17	5	50 - 39	CH16543	2B2	36	70 - 9
CH16406	1H4	9	50 - 23	CH16474	1H17	15	50 - 39	CH16545	2B15	18	70 - 22
CH16407	1H4	29	50 - 23	CH16475	1H17	4	50 - 39	CH16546	2A21	24	70 - 3
CH16408	1H8	3	50 - 29	CH16476	1H21	17	50 - 43	CH16547	2A21	25	70 - 3
CH16409	1H8	11	50 - 29	CH16477	1H21	8	50 - 43	CH16550	2A21	30	70 - 3
CH16410	1H8	1	50 - 29	CH16478	1H21	12	50 - 43	CH16551	2A21	8	70 - 3
CH16411	1H5	7	50 - 25	CH16479	1H21	5	50 - 43	CH16555	2A23	28	70 - 5
CH16413	1H7	11	50 - 27	CH16480	1H21	18	50 - 43	CH16556	2A23	25	70 - 5
CH16414	1H7	9	50 - 27	CH16481	1H21	16	50 - 43	CH16557	2A23	24	70 - 5
CH16415	1H10	12	50 - 31	CH16482	1H21	9	50 - 43	CH16558	2B16	8	70 - 23
CH16415	1H12	11	50 - 33	CH16483	1H21	10	50 - 43	CH16560	2B17	8	70 - 24
CH16416	1H10	14	50 - 31	CH16486	1H19	15	50 - 41	CH16561	2B16	13	70 - 23
CH16417	1H10	15	50 - 31	CH16487	1H19	17	50 - 41	CH16562	2B16	12	70 - 23
CH16417	1H12	14	50 - 33	CH16488	1H19	19	50 - 41	CH16563	2B11	16	70 - 18
CH16417	1H12	20	50 - 33	CH16489	1H19	16	50 - 41	CH16566	2B15	25	70 - 22
CH16417	1I10	7	50 - 57	CH16491	1H19	8	50 - 41	CH16568	2B11	8	70 - 18
CH16418	1H10	25	50 - 31	CH16492	1H19	14	50 - 41	CH16569	2B11	8	70 - 18
CH16419	1H10	21	50 - 31	CH16493	1H19	9	50 - 41	CH16570	2B11	8	70 - 18
CH16420	1H10	18	50 - 31	CH16494	1H19	1	50 - 41	CH16574	1F2	15	40 - 11
CH16421	1H10	22	50 - 31	CH16495	1H19	3	50 - 41	CH16574	1F19	51	40 - 25
CH16422	1H10	26	50 - 31	CH16496	1H19	5	50 - 41	CH16575	1F6	6	40 - 14
CH16424	1H10	27	50 - 31	CH16497	1H19	4	50 - 41	CH16577	1F2	25	40 - 11
CH16425	1G22	18	50 - 17	CH16498	1J5	10	60 - 14	CH16578	1F2	37	40 - 11
CH16426	1G22	19	50 - 17	CH16498	1J6	10	60 - 15	CH16578	1F5	29	40 - 13
CH16427	1H2	8	50 - 21	CH16499	1H19	11	50 - 41	CH16579	1F2	14	40 - 11
CH16428	1H2	7	50 - 21	CH16499	1J5	2	60 - 14	CH16579	1F5	11	40 - 13
CH16429	1H2	28	50 - 21	CH16499	1J6	1	60 - 15	CH16579	1F6	7	40 - 14
CH16430	1G22	13	50 - 17	CH16500	1J5	6	60 - 14	CH16581	1F19	28	40 - 25
CH16431	1G22	14	50 - 17	CH16500	1J6	6	60 - 15	CH16581	1F21	54	40 - 27
CH16432	1G22	15	50 - 17	CH16501	1J5	4	60 - 14	CH16582	1F19	37	40 - 25
CH16433	1G22	12	50 - 17	CH16501	1J6	4	60 - 15	CH16582	1F21	35	40 - 27
CH16434	1G22	6	50 - 17	CH16502	1J4	6	60 - 13	CH16583	1F7	3	40 - 15
CH16437	1H2	27	50 - 21	CH16503	1J4	4	60 - 13	CH16584	1F7	21	40 - 15
CH16438	1G22	8	50 - 17	CH16504	1J4	5	60 - 13	CH16585	1F7	9	40 - 15
CH16439	1H2	12	50 - 21	CH16505	1J4	21	60 - 13	CH16586	2E2	1	80 - 25
CH16440	1G22	3	50 - 17	CH16506	1J4	16	60 - 13	CH16587	2E2	23	80 - 25
CH16441	1G22	1	50 - 17	CH16507	2A21	14	70 - 3	CH16588	2E2	17	80 - 25
CH16442	1H2	2	50 - 21	CH16508	1J4	14	60 - 13	CH16589	2E2	18	80 - 25
CH16443	1H2	25	50 - 21	CH16509	1J4	15	60 - 13	CH16590	2E2	10	80 - 25
CH16444	1H10	2	50 - 31	CH16510	1J4	9	60 - 13	CH16592	2E22	17	90 - 13
CH16445	1H10	5	50 - 31	CH16510	2A23	1	70 - 5	CH16593	2E22	24	90 - 13
CH16447	1H16	12	50 - 37	CH16511	1J4	13	60 - 13	CH16594	2E22	28	90 - 13
CH16448	1H16	11	50 - 37	CH16512	1J8	20	60 - 17	CH16595	2D25	21	80 - 23
CH16449	1H16	4	50 - 37	CH16512	1J10	16	60 - 19	CH16597	2D25	10	80 - 23

1L14

1250, 1450 AND 1650 TRACTORS

NUMERICAL INDEX - CONTINUED

PART NO.	GRID	KEY	PAGE	PART NO.	GRID	KEY	PAGE	PART NO.	GRID	KEY	PAGE
CH16598	2D25	11	80 - 23	CH16715	1C7	39	20 - 39	CH16755	1A23	26	20 - 5
CH16599	2D25	16	80 - 23	CH16715	1C21	4	20 - 53	CH16755	1A25	19	20 - 7
CH16603	2E4	1	80 - 27	CH16716	1C7	10	20 - 39	CH16755	1C23	4	20 - 55
CH16604	2E4	2	80 - 27	CH16717	1C7	40	20 - 39	CH16756	1A23	28	20 - 5
CH16605	2E4	3	80 - 27	CH16717	1C21	10	20 - 53	CH16756	1A25	17	20 - 7
CH16606	2E4	4	80 - 27	CH16719	1C7	14	20 - 39	CH16757	1A23	29	20 - 5
CH16607	2B25	9	70 - 33	CH16719	1D25	8	30 - 27	CH16757	1A25	16	20 - 7
CH16608	2B25	5	70 - 33	CH16720	1C7	15	20 - 39	CH16758	1A23	32	20 - 5
CH16610	2B25	11	70 - 33	CH16720	1D25	8	30 - 27	CH16758	1A23	36	20 - 5
CH16611	2B23	42	70 - 31	CH16724	1B18	1	20 - 25	CH16759	1A23	31	20 - 5
CH16613	2B23	29	70 - 31	CH16724	1C21	6	20 - 53	CH16759	1A23	35	20 - 5
CH16614	2B23	40	70 - 31	CH16725	1B18	6	20 - 25	CH16759	1A25	8	20 - 7
CH16615	2A23	27	70 - 5	CH16725	1C21	7	20 - 53	CH16760	1A23	41	20 - 5
CH16616	2B23	11	70 - 31	CH16726	1B18	3	20 - 25	CH16760	1A25	5	20 - 7
CH16617	2B23	9	70 - 31	CH16726	1B20	6	20 - 27	CH16761	1A23	3	20 - 5
CH16617	2B23	14	70 - 31	CH16727	1C21	21	20 - 53	CH16761	1A25	10	20 - 7
CH16618	2B23	10	70 - 31	CH16728	1B8	6	20 - 15	CH16762	1A23	40	20 - 5
CH16619	2B23	23	70 - 31	CH16728	1B10	4	20 - 17	CH16763	1A23	4	20 - 5
CH16621	2B23	7	70 - 31	CH16729	1B8	5	20 - 15	CH16763	1A25	15	20 - 7
CH16621	2B23	25	70 - 31	CH16729	1B10	1	20 - 17	CH16764	1A23	39	20 - 5
CH16622	2B23	16	70 - 31	CH16730	1B8	3	20 - 15	CH16764	1A25	6	20 - 7
CH16624	2B19	11	70 - 27	CH16730	1B10	7	20 - 17	CH16765	1C23	6	20 - 55
CH16624	2B21	9	70 - 29	CH16730	1B12	..	20 - 19	CH16765	1E11	4	30 - 38
CH16625	2B19	16	70 - 27	CH16730	1B14	6	20 - 21	CH16766	1E11	6	30 - 38
CH16625	2B19	19	70 - 27	CH16730	1B24	6	20 - 31	CH16767	1C23	8	20 - 55
CH16625	2B21	14	70 - 29	CH16731	1C7	4	20 - 39	CH16767	1E11	3	30 - 38
CH16626	2B19	17	70 - 27	CH16731	1C21	5	20 - 53	CH16767	1E12	3	30 - 39
CH16628	2B19	16	70 - 27	CH16732	1C7	2	20 - 39	CH16768	1A23	23	20 - 5
CH16629	2B19	24	70 - 27	CH16732	1C21	9	20 - 53	CH16768	1A25	36	20 - 7
CH16629	2B21	1	70 - 29	CH16733	1B12	9	20 - 19	CH16769	1A23	30	20 - 5
CH16630	2B19	21	70 - 27	CH16733	1B14	21	20 - 21	CH16769	1A25	12	20 - 7
CH16630	2B21	4	70 - 29	CH16734	1B12	10	20 - 19	CH16769	1H11	2	50 - 32
CH16632	2C4	13	70 - 37	CH16734	1B14	23	20 - 21	CH16770	1D10	2	30 - 11
CH16633	2C4	1	70 - 37	CH16735	1B4	8	20 - 11	CH16771	1D4	9	30 - 3
CH16633	2C6	1	70 - 39	CH16735	1B12	15	20 - 19	CH16772	1C23	9	20 - 55
CH16635	2C4	9	70 - 37	CH16735	1B14	10	20 - 21	CH16772	1D4	10	30 - 3
CH16636	2B13	8	70 - 20	CH16736	1B4	3	20 - 11	CH16773	1D10	11	30 - 11
CH16636	2B13	10	70 - 20	CH16736	1B12	4	20 - 19	CH16774	1D10	4	30 - 11
CH16645	2D3	4	80 - 2	CH16736	1B14	8	20 - 21	CH16775	1D10	10	30 - 11
CH16645	2D4	3	80 - 3	CH16737	1B4	5	20 - 11	CH16776	1D10	8	30 - 11
CH16646	1H16	3	50 - 37	CH16738	1B6	4	20 - 13	CH16776	1D12	7	30 - 13
CH16647	1H16	8	50 - 37	CH16739	1B6	5	20 - 13	CH16777	1D10	6	30 - 11
CH16648	1H16	27	50 - 37	CH16739	1C23	3	20 - 55	CH16777	1D12	10	30 - 13
CH16651	2A21	28	70 - 3	CH16740	1B6	7	20 - 13	CH16778	1D10	3	30 - 11
CH16652	2A23	29	70 - 5	CH16740	2A23	31	70 - 5	CH16778	1D12	13	30 - 13
CH16702	1B8	1	20 - 15	CH16741	1B6	1	20 - 13	CH16779	1C23	17	20 - 55
CH16702	1B10	9	20 - 17	CH16742	1B6	6	20 - 13	CH16779	1D4	4	30 - 3
CH16703	1B8	16	20 - 15	CH16745	1A23	16	20 - 5	CH16780	1D4	3	30 - 3
CH16703	1B10	8	20 - 17	CH16745	1A25	28	20 - 7	CH16781	1A23	19	20 - 5
CH16704	1B22	10	20 - 29	CH16746	1A23	13	20 - 5	CH16781	1A25	33	20 - 7
CH16705	1B22	9	20 - 29	CH16746	1A25	31	20 - 7	CH16781	1D4	11	30 - 3
CH16706	1B8	2	20 - 15	CH16747	1A23	11	20 - 5	CH16782	1C23	10	20 - 55
CH16706	1C23	1	20 - 55	CH16747	1A25	25	20 - 7	CH16782	1D15	12	30 - 17
CH16707	1B8	10	20 - 15	CH16748	1A23	10	20 - 5	CH16783	1C23	11	20 - 55
CH16707	1C21	1	20 - 53	CH16748	1A25	24	20 - 7	CH16783	1D15	11	30 - 17
CH16708	1B12	7	20 - 19	CH16749	1A23	12	20 - 5	CH16783	1D17	7	30 - 19
CH16709	1B12	3	20 - 19	CH16749	1A25	32	20 - 7	CH16783	1D19	5	30 - 21
CH16709	1B14	7	20 - 21	CH16750	1A23	22	20 - 5	CH16783	1D21	2	30 - 23
CH16710	1B12	16	20 - 19	CH16750	1A25	35	20 - 7	CH16786	1D15	1	30 - 17
CH16710	1B14	11	20 - 21	CH16751	1A23	18	20 - 5	CH16786	1D17	1	30 - 19
CH16711	1B12	5	20 - 19	CH16751	1A25	27	20 - 7	CH16787	1D15	3	30 - 17
CH16711	1B14	4	20 - 21	CH16752	1A23	15	20 - 5	CH16787	1D17	3	30 - 19
CH16712	1C7	5	20 - 39	CH16752	1A25	29	20 - 7	CH16788	1B4	6	20 - 11
CH16712	1C21	3	20 - 53	CH16753	1A23	14	20 - 5	CH16789	1B4	2	20 - 11
CH16713	1C7	42	20 - 39	CH16753	1A25	30	20 - 7	CH16790	1B4	1	20 - 11
CH16713	1C21	2	20 - 53	CH16754	1A23	27	20 - 5	CH16791	1B24	1	20 - 31
CH16714	1C7	38	20 - 39	CH16754	1A25	18	20 - 7	CH16792	1B24	8	20 - 31

1L15

1250, 1450 AND 1650 TRACTORS

NUMERICAL INDEX - CONTINUED

PART NO.	GRID	KEY	PAGE	PART NO.	GRID	KEY	PAGE	PART NO.	GRID	KEY	PAGE
CH16793	1B24	7	20 - 31	CH16842	1C15	30	20 - 47	CH16891	1E8	15	30 - 35
CH16795	1B24	4	20 - 31	CH16842	1C21	20	20 - 53	CH16891	1E10	10	30 - 37
CH16796	1B24	10	20 - 31	CH16842	2A21	11	70 - 3	CH16892	1E8	14	30 - 35
CH16797	1B24	11	20 - 31	CH16843	1C11	14	20 - 43	CH16892	1E10	11	30 - 37
CH16798	1B24	12	20 - 31	CH16843	1C15	36	20 - 47	CH16893	1E8	13	30 - 35
CH16799	1B6	10	20 - 13	CH16844	1C11	12	20 - 43	CH16893	1E10	12	30 - 37
CH16799	1C23	5	20 - 55	CH16844	1C15	18	20 - 47	CH16894	1E2	16	30 - 29
CH16802	1B22	4	20 - 29	CH16844	1C15	29	20 - 47	CH16895	1E2	4	30 - 29
CH16803	1B22	3	20 - 29	CH16844	2B14	3	70 - 21	CH16896	1E8	22	30 - 35
CH16804	1B22	5	20 - 29	CH16844	2B16	1	70 - 23	CH16897	1E8	21	30 - 35
CH16805	1B22	7	20 - 29	CH16845	1C17	9	20 - 49	CH16898	1E8	19	30 - 35
CH16807	1B4	14	20 - 11	CH16845	1C17	10	20 - 49	CH16898	1E10	18	30 - 37
CH16808	1B4	12	20 - 11	CH16845	1C17	13	20 - 49	CH16899	1E2	3	30 - 29
CH16808	1B4	13	20 - 11	CH16845	1C17	14	20 - 49	CH16899	1E4	10	30 - 31
CH16809	1B4	12	20 - 11	CH16845	1C17	15	20 - 49	CH16899	1E8	23	30 - 35
CH16810	1B4	19	20 - 11	CH16846	1C17	8	20 - 49	CH16899	1F2	10	40 - 11
CH16810	1D25	7	30 - 27	CH16846	1C23	14	20 - 55	CH16899	1F5	22	40 - 13
CH16811	1B4	10	20 - 11	CH16847	1C17	6	20 - 49	CH16900	1E2	5	30 - 29
CH16812	1C9	5	20 - 41	CH16848	1C17	9	20 - 49	CH16900	1E4	11	30 - 31
CH16813	1C9	16	20 - 41	CH16849	1C17	13	20 - 49	CH16901	1C23	18	20 - 55
CH16814	1C9	15	20 - 41	CH16850	1C17	14	20 - 49	CH16901	1E2	6	30 - 29
CH16815	1C9	10	20 - 41	CH16851	1C17	7	20 - 49	CH16901	1E2	17	30 - 29
CH16816	1C9	17	20 - 41	CH16853	1C17	12	20 - 49	CH16901	1E4	2	30 - 31
CH16817	1C9	11	20 - 41	CH16854	1C17	16	20 - 49	CH16901	1E4	12	30 - 31
CH16818	1C9	12	20 - 41	CH16854	1C23	13	20 - 55	CH16901	1E4	14	30 - 31
CH16819	1C9	13	20 - 41	CH16855	1C17	22	20 - 49	CH16901	1E8	6	30 - 35
CH16821	1C9	4	20 - 41	CH16856	1C17	23	20 - 49	CH16901	1E8	17	30 - 35
CH16822	1C9	3	20 - 41	CH16857	1C17	17	20 - 49	CH16901	1E10	7	30 - 37
CH16823	1C9	2	20 - 41	CH16857	1C23	20	20 - 55	CH16901	1E10	19	30 - 37
CH16825	1B8	15	20 - 15	CH16859	1C19	8	20 - 51	CH16902	1E2	1	30 - 29
CH16827	1C11	8	20 - 43	CH16860	1C19	9	20 - 51	CH16903	1E2	18	30 - 29
CH16829	1C11	3	20 - 43	CH16861	1C19	10	20 - 51	CH16903	1E4	1	30 - 31
CH16829	1C13	9	20 - 45	CH16862	1C17	24	20 - 49	CH16903	1E4	15	30 - 31
CH16829	1C13	10	20 - 45	CH16863	1C19	18	20 - 51	CH16903	1E8	18	30 - 35
CH16829	1C13	11	20 - 45	CH16864	1C19	16	20 - 51	CH16903	1E10	20	30 - 37
CH16829	1C13	12	20 - 45	CH16865	1C19	17	20 - 51	CH16904	1E2	9	30 - 29
CH16829	1C13	19	20 - 45	CH16866	1C19	14	20 - 51	CH16905	1E8	4	30 - 35
CH16829	1C13	20	20 - 45	CH16867	1C19	15	20 - 51	CH16907	1E8	5	30 - 35
CH16829	1C13	21	20 - 45	CH16868	1C19	12	20 - 51	CH16907	1E10	6	30 - 37
CH16829	1C13	22	20 - 45	CH16869	1C19	19	20 - 51	CH16908	1E8	1	30 - 35
CH16830	1C11	1	20 - 43	CH16870	1C19	2	20 - 51	CH16908	1E8	4	30 - 35
CH16830	1C13	7	20 - 45	CH16871	1C19	3	20 - 51	CH16909	1E8	3	30 - 35
CH16830	1C13	17	20 - 45	CH16872	1C19	12	20 - 51	CH16909	1E8	4	30 - 35
CH16831	1C11	4	20 - 43	CH16872	1C19	22	20 - 51	CH16910	1E18	8	40 - 1
CH16831	1C13	23	20 - 45	CH16873	1C19	21	20 - 51	CH16912	1C7	31	20 - 39
CH16832	1C11	6	20 - 43	CH16874	1C17	18	20 - 49	CH16914	1D4	5	30 - 3
CH16832	1C13	24	20 - 45	CH16876	1C17	2	20 - 49	CH16916	1B16	1	20 - 23
CH16833	1C11	2	20 - 43	CH16877	1C17	3	20 - 49	CH16917	1B12	18	20 - 19
CH16833	1C13	8	20 - 45	CH16877	1C23	15	20 - 55	CH16918	1B22	11	20 - 29
CH16833	1C13	18	20 - 45	CH16878	1C17	5	20 - 49	CH16919	1B12	8	20 - 19
CH16834	1C11	24	20 - 43	CH16878	1C23	16	20 - 55	CH16919	1C4	1	20 - 35
CH16834	1C11	25	20 - 43	CH16879	1C17	4	20 - 49	CH16920	1B4	7	20 - 11
CH16834	1C13	31	20 - 45	CH16880	1D25	4	30 - 27	CH16921	1B24	9	20 - 31
CH16834	1C15	24	20 - 47	CH16881	1E11	2	30 - 38	CH16922	1B22	8	20 - 29
CH16834	1C21	13	20 - 53	CH16881	1E12	4	30 - 39	CH16923	1B8	12	20 - 15
CH16835	1C11	23	20 - 43	CH16882	1E11	1	30 - 38	CH16924	1B18	11	20 - 25
CH16836	1C11	28	20 - 43	CH16882	1E12	5	30 - 39	CH16925	1B18	10	20 - 25
CH16836	1C15	25	20 - 47	CH16883	1E2	15	30 - 29	CH16926	1C7	22	20 - 39
CH16837	1B6	9	20 - 13	CH16884	1E2	13	30 - 29	CH16927	1C7	41	20 - 39
CH16838	1C11	17	20 - 43	CH16885	1E2	14	30 - 29	CH16928	1C7	3	20 - 39
CH16838	1C15	34	20 - 47	CH16885	1E15	1	30 - 42	CH16929	1A23	34	20 - 5
CH16839	1C11	19	20 - 43	CH16886	1E6	14	30 - 33	CH16929	1A25	11	20 - 7
CH16840	1C11	16	20 - 43	CH16887	1E6	9	30 - 33	CH16930	1A23	38	20 - 5
CH16841	1C11	18	20 - 43	CH16887	1E15	4	30 - 42	CH16930	1A25	9	20 - 7
CH16841	1C15	32	20 - 47	CH16888	1E6	10	30 - 33	CH16931	1B2	1	20 - 9
CH16842	1C11	11	20 - 43	CH16889	1E6	11	30 - 33	CH16932	1D15	10	30 - 17
CH16842	1C15	19	20 - 47	CH16890	1E8	11	30 - 35	CH16933	1B22	1	20 - 29

1L16

1250, 1450 AND 1650 TRACTORS

NUMERICAL INDEX - CONTINUED

PART NO.	GRID	KEY	PAGE	PART NO.	GRID	KEY	PAGE	PART NO.	GRID	KEY	PAGE
CH16934	1E11	5	30 - 38	CH17091	2D4	6	80 - 3	CH17165	2A25	19	70 - 7
CH16935	1C21	23	20 - 53	CH17096	1111	2	50 - 59	CH17166	2A21	23	70 - 3
CH16936	1C23	23	20 - 55	CH17096	1118	15	60 - 3	CH17167	2A21	7	70 - 3
CH16937	1D25	6	30 - 27	CH17096	2D3	12	80 - 2	CH17167	2A21	26	70 - 3
CH16938	1D25	6	30 - 27	CH17096	2D4	7	80 - 3	CH17168	2A21	6	70 - 3
CH16940	1C21	15	20 - 53	CH17097	2D9	4	80 - 8	CH17172	1G13	8	50 - 7
CH16940	1D25	3	30 - 27	CH17098	2D9	3	80 - 8	CH17173	2D21	13	80 - 19
CH16941	1D25	5	30 - 27	CH17100	1G24	34	50 - 19	CH17173	2D23	8	80 - 21
CH16943	1B6	12	20 - 13	CH17101	1G10	23	50 - 3	CH17175	2D21	9	80 - 19
CH16944	1B6	11	20 - 13	CH17102	1G10	4	50 - 3	CH17175	2D23	10	80 - 21
CH16944	1C23	2	20 - 55	CH17105	1G10	14	50 - 3	CH17175	2E2	35	80 - 25
CH16953	2B4	15	70 - 11	CH17106	1G10	5	50 - 3	CH17176	2D21	10	80 - 19
CH16954	2B4	4	70 - 11	CH17107	1G10	1	50 - 3	CH17177	2D21	6	80 - 19
CH16955	2B4	7	70 - 11	CH17112	1G12	12	50 - 5	CH17177	2D23	27	80 - 21
CH16956	2B4	19	70 - 11	CH17113	1H7	4	50 - 27	CH17179	2D21	21	80 - 19
CH16957	2B4	21	70 - 11	CH17114	1H4	5	50 - 23	CH17179	2D23	23	80 - 21
CH16958	2B4	27	70 - 11	CH17115	1H4	23	50 - 23	CH17180	2D21	16	80 - 19
CH16959	2B4	25	70 - 11	CH17115	1H8	6	50 - 29	CH17187	2D6	27	80 - 5
CH16960	2B4	28	70 - 11	CH17116	1H4	15	50 - 23	CH17187	2D8	38	80 - 7
CH16960	2B6	34	70 - 13	CH17116	1H8	6	50 - 29	CH17188	2D9	13	80 - 8
CH16961	2B4	31	70 - 11	CH17117	1H4	36	50 - 23	CH17189	2D9	8	80 - 8
CH16961	2B6	38	70 - 13	CH17118	1H4	12	50 - 23	CH17191	2D6	33	80 - 5
CH16962	2B4	5	70 - 11	CH17118	1H8	2	50 - 29	CH17191	2D8	44	80 - 7
CH16963	2B4	34	70 - 11	CH17119	1H7	13	50 - 27	CH17192	2D6	28	80 - 5
CH16963	2B6	31	70 - 13	CH17120	1H7	8	50 - 27	CH17192	2D8	39	80 - 7
CH16964	2B4	32	70 - 11	CH17121	1H7	10	50 - 27	CH17193	2D6	35	80 - 5
CH16965	2B4	39	70 - 11	CH17122	1H10	13	50 - 31	CH17193	2D8	46	80 - 7
CH16965	2B6	29	70 - 13	CH17122	1H12	12	50 - 33	CH17194	2D9	12	80 - 8
CH16966	2B4	35	70 - 11	CH17123	1H10	24	50 - 31	CH17195	2D6	34	80 - 5
CH16966	2B6	26	70 - 13	CH17123	1H23	34	50 - 45	CH17195	2D8	45	80 - 7
CH16967	2B4	40	70 - 11	CH17124	1G22	10	50 - 17	CH17196	2D6	6	80 - 5
CH16967	2B6	27	70 - 13	CH17125	1G22	9	50 - 17	CH17199	1113	14	50 - 61
CH16968	2B4	9	70 - 11	CH17126	1H2	13	50 - 21	CH17199	1113	27	50 - 61
CH16969	2B4	10	70 - 11	CH17126	1H2	17	50 - 21	CH17199	1115	14	50 - 63
CH16971	2B8	35	70 - 15	CH17126	2B23	27	70 - 31	CH17199	1115	20	50 - 63
CH16973	2B8	9	70 - 15	CH17128	1H10	6	50 - 31	CH17199	1115	31	50 - 63
CH16974	2B8	11	70 - 15	CH17136	1H16	10	50 - 37	CH17199	1118	19	60 - 3
CH16974	2B10	53	70 - 17	CH17137	1H16	18	50 - 37	CH17199	1118	29	60 - 3
CH16975	2B8	15	70 - 15	CH17137	2A25	19	70 - 7	CH17199	2D6	2	80 - 5
CH16975	2B10	48	70 - 17	CH17143	1H14	21	50 - 35	CH17199	2D6	18	80 - 5
CH16976	2B8	18	70 - 15	CH17144	1H14	23	50 - 35	CH17199	2D8	3	80 - 7
CH16977	2B8	14	70 - 15	CH17145	1H21	19	50 - 43	CH17199	2D8	16	80 - 7
CH16977	2B10	52	70 - 17	CH17146	1H21	22	50 - 43	CH17199	2D8	22	80 - 7
CH16980	2B8	39	70 - 15	CH17147	1H21	20	50 - 43	CH17199	2D8	31	80 - 7
CH16980	2B10	38	70 - 17	CH17148	1H21	21	50 - 43	CH17202	1118	23	60 - 3
CH16981	2B8	38	70 - 15	CH17149	1H21	23	50 - 43	CH17206	1118	32	60 - 3
CH16982	2B8	34	70 - 15	CH17150	1H4	26	50 - 23	CH17206	1118	33	60 - 3
CH16983	2B8	30	70 - 15	CH17150	1H21	24	50 - 43	CH17207	1118	32	60 - 3
CH16984	2B8	26	70 - 15	CH17151	1H21	4	50 - 43	CH17210	1G24	30	50 - 19
CH16988	2B8	3	70 - 15	CH17151	2B23	13	70 - 31	CH17211	1G24	41	50 - 19
CH16988	2B10	8	70 - 17	CH17152	1H21	13	50 - 43	CH17212	1111	4	50 - 59
CH17039	1G13	1	50 - 7	CH17153	1H19	6	50 - 41	CH17213	1G24	40	50 - 19
CH17039	1G17	20	50 - 11	CH17154	1H19	2	50 - 41	CH17213	1H23	11	50 - 45
CH17049	1C11	13	20 - 43	CH17154	1H23	42	50 - 45	CH17213	116	27	50 - 53
CH17049	1C13	30	20 - 45	CH17155	1J5	8	60 - 14	CH17213	118	7	50 - 55
CH17049	1C21	12	20 - 53	CH17155	1J6	8	60 - 15	CH17216	1H17	1	50 - 39
CH17053	1D13	4	30 - 15	CH17156	1J5	9	60 - 14	CH17216	1J8	19	60 - 17
CH17054	1D13	2	30 - 15	CH17156	1J6	9	60 - 15	CH17216	1J10	15	60 - 19
CH17080	1A23	24	20 - 5	CH17158	2A23	19	70 - 5	CH17217	1H17	20	50 - 39
CH17080	1A25	21	20 - 7	CH17159	2A21	31	70 - 3	CH17217	2B19	9	70 - 27
CH17081	1A23	25	20 - 5	CH17159	2B4	24	70 - 11	CH17218	1H17	11	50 - 39
CH17081	1A25	20	20 - 7	CH17159	2B6	32	70 - 13	CH17219	1H17	21	50 - 39
CH17085	1E14	25	30 - 41	CH17160	2A21	33	70 - 3	CH17219	2B19	8	70 - 27
CH17085	1F2	30	40 - 11	CH17161	2A21	36	70 - 3	CH17220	1H17	17	50 - 39
CH17086	1D23	3	30 - 25	CH17162	2A23	9	70 - 5	CH17229	1J4	1	60 - 13
CH17088	1D23	2	30 - 25	CH17163	2A23	37	70 - 5	CH17244	1J12	13	60 - 21
CH17091	2D3	13	80 - 2	CH17164	2A25	18	70 - 7	CH17260	1H14	11	50 - 35

1L17

1250, 1450 AND 1650 TRACTORS

NUMERICAL INDEX - CONTINUED

PART NO.	GRID	KEY	PAGE	PART NO.	GRID	KEY	PAGE	PART NO.	GRID	KEY	PAGE
CH17261	1H14	13	50 - 35	CH17412	1H25	7	50 - 47	CH17491	1H23	32	50 - 45
CH17262	2B2	37	70 - 9	CH17414	1I2	18	50 - 49	CH17493	1H23	23	50 - 45
CH17263	2B4	33	70 - 11	CH17418	1I2	21	50 - 49	CH17494	1H23	25	50 - 45
CH17263	2B6	30	70 - 13	CH17419	1I2	22	50 - 49	CH17495	1H23	2	50 - 45
CH17264	2B4	1	70 - 11	CH17421	1I10	10	50 - 57	CH17496	1H23	7	50 - 45
CH17265	1D23	8	30 - 25	CH17422	1I10	8	50 - 57	CH17497	1H23	3	50 - 45
CH17265	1F2	4	40 - 11	CH17424	1I6	2	50 - 53	CH17498	1H23	39	50 - 45
CH17265	1F5	4	40 - 13	CH17425	1I6	4	50 - 53	CH17501	1H23	17	50 - 45
CH17272	2A23	2	70 - 5	CH17426	1I6	3	50 - 53	CH17502	1I2	19	50 - 49
CH17273	2D25	9	80 - 23	CH17428	1I8	2	50 - 55	CH17504	2D6	26	80 - 5
CH17274	1H7	12	50 - 27	CH17429	1I8	6	50 - 55	CH17504	2D8	37	80 - 7
CH17276	2B19	14	70 - 27	CH17430	1I8	1	50 - 55	CH17505	2D21	17	80 - 19
CH17276	2B21	10	70 - 29	CH17431	1I6	29	50 - 53	CH17506	1I4	5	50 - 51
CH17284	2B19	15	70 - 27	CH17431	1I8	4	50 - 55	CH17507	1I2	6	50 - 49
CH17284	2B21	15	70 - 29	CH17431	1I13	1	50 - 61	CH17508	1I2	17	50 - 49
CH17285	1C7	19	20 - 39	CH17431	1I15	6	50 - 63	CH17509	1I6	11	50 - 53
CH17286	2B8	22	70 - 15	CH17433	1I6	25	50 - 53	CH17509	1I8	25	50 - 55
CH17287	2B8	19	70 - 15	CH17433	1I8	13	50 - 55	CH17510	1I10	1	50 - 57
CH17289	2B8	24	70 - 15	CH17434	1I6	9	50 - 53	CH17517	1I13	8	50 - 61
CH17289	2B10	35	70 - 17	CH17434	1I8	12	50 - 55	CH17519	1I13	7	50 - 61
CH17290	2B8	28	70 - 15	CH17435	1I6	7	50 - 53	CH17519	1I13	11	50 - 61
CH17290	2B10	49	70 - 17	CH17435	1I8	8	50 - 55	CH17519	1I15	3	50 - 63
CH17291	2B8	27	70 - 15	CH17436	1I6	20	50 - 53	CH17519	1I15	11	50 - 63
CH17294	2B8	4	70 - 15	CH17436	1I8	29	50 - 55	CH17520	1I13	12	50 - 61
CH17294	2B10	11	70 - 17	CH17438	1I6	19	50 - 53	CH17522	1I13	9	50 - 61
CH17296	1F2	32	40 - 11	CH17438	1I8	28	50 - 55	CH17522	1I15	2	50 - 63
CH17296	1F5	24	40 - 13	CH17439	1I6	15	50 - 53	CH17523	1I13	5	50 - 61
CH17297	1C19	13	20 - 51	CH17439	1I8	21	50 - 55	CH17523	1I15	9	50 - 63
CH17297	1F5	10	40 - 13	CH17440	1I6	17	50 - 53	CH17524	1I13	10	50 - 61
CH17300	1F2	11	40 - 11	CH17440	1I8	26	50 - 55	CH17524	1I15	1	50 - 63
CH17300	1F5	8	40 - 13	CH17444	1I6	24	50 - 53	CH17526	1I2	12	50 - 49
CH17319	2E2	11	80 - 25	CH17444	1I8	15	50 - 55	CH17529	1I2	23	50 - 49
CH17322	2E2	32	80 - 25	CH17445	1I6	12	50 - 53	CH17530	1I2	25	50 - 49
CH17323	2E2	33	80 - 25	CH17445	1I8	20	50 - 55	CH17531	1I2	15	50 - 49
CH17324	2E2	2	80 - 25	CH17446	1I6	16	50 - 53	CH17532	1I2	20	50 - 49
CH17325	2E2	30	80 - 25	CH17446	1I8	22	50 - 55	CH17533	1I2	24	50 - 49
CH17334	2E22	34	90 - 13	CH17447	1I6	8	50 - 53	CH17534	1I18	2	60 - 3
CH17335	2E2	28	80 - 25	CH17447	1I8	11	50 - 55	CH17539	1J8	24	60 - 17
CH17336	2E2	34	80 - 25	CH17450	1I10	5	50 - 57	CH17540	1J8	16	60 - 17
CH17345	2E22	13	90 - 13	CH17451	1I10	4	50 - 57	CH17540	1J10	12	60 - 19
CH17346	2E22	7	90 - 13	CH17452	1I10	6	50 - 57	CH17540	2B10	25	70 - 17
CH17355	2B25	12	70 - 33	CH17453	1I10	2	50 - 57	CH17544	2D18	4	80 - 16
CH17356	2B25	2	70 - 33	CH17458	1I11	3	50 - 59	CH17545	2D18	3	80 - 16
CH17357	2B25	10	70 - 33	CH17459	1I11	7	50 - 59	CH17547	1B18	12	20 - 25
CH17358	2B25	6	70 - 33	CH17460	1I11	5	50 - 59	CH17553	1J8	17	60 - 17
CH17359	2B23	38	70 - 31	CH17461	1I11	1	50 - 59	CH17553	1J10	32	60 - 19
CH17363	2B23	12	70 - 31	CH17462	1I11	9	50 - 59	CH17576	2B23	26	70 - 31
CH17364	2B23	6	70 - 31	CH17463	1I11	10	50 - 59	CH17598	1I18	3	60 - 3
CH17364	2B23	24	70 - 31	CH17464	1I11	8	50 - 59	CH17607	1I18	25	60 - 3
CH17382	2C4	4	70 - 37	CH17466	1H25	1	50 - 47	CH17610	1G24	45	50 - 19
CH17382	2C6	4	70 - 39	CH17467	1H25	4	50 - 47	CH17612	2B4	16	70 - 11
CH17384	1G12	8	50 - 5	CH17468	1H25	3	50 - 47	CH17613	1H19	12	50 - 41
CH17386	1I4	4	50 - 51	CH17469	1H25	13	50 - 47	CH17614	1H5	1	50 - 25
CH17387	1I4	9	50 - 51	CH17472	1I18	21	60 - 3	CH17615	1H5	3	50 - 25
CH17392	1I4	6	50 - 51	CH17472	1I18	22	60 - 3	CH17618	1J2	3	60 - 11
CH17393	1I4	14	50 - 51	CH17473	1I18	21	60 - 3	CH17619	1J2	6	60 - 11
CH17395	1I4	11	50 - 51	CH17478	1H8	9	50 - 29	CH17620	1J2	5	60 - 11
CH17396	1I4	12	50 - 51	CH17480	1H23	31	50 - 45	CH17621	1J2	4	60 - 11
CH17397	1I4	10	50 - 51	CH17481	1H23	24	50 - 45	CH17622	2B12	7	70 - 19
CH17398	1I4	8	50 - 51	CH17482	1H23	28	50 - 45	CH17622	2B12	10	70 - 19
CH17400	1I13	21	50 - 61	CH17483	1H23	41	50 - 45	CH17625	2B15	7	70 - 22
CH17401	1I13	24	50 - 61	CH17484	1H23	40	50 - 45	CH17632	2B17	12	70 - 24
CH17401	1I13	29	50 - 61	CH17486	1H23	9	50 - 45	CH17633	2B14	2	70 - 21
CH17401	1I15	33	50 - 63	CH17487	1H23	10	50 - 45	CH17634	2B17	6	70 - 24
CH17401	2D8	6	80 - 7	CH17488	1H23	16	50 - 45	CH17635	2B15	5	70 - 22
CH17404	1I2	8	50 - 49	CH17489	1H23	35	50 - 45	CH17638	2B17	3	70 - 24
CH17409	1H25	9	50 - 47	CH17490	1H23	30	50 - 45	CH17639	2B14	13	70 - 21

1L18

1250, 1450 AND 1650 TRACTORS

NUMERICAL INDEX - CONTINUED

PART NO.	GRID	KEY	PAGE	PART NO.	GRID	KEY	PAGE	PART NO.	GRID	KEY	PAGE
CH17640	2B14	5	70-21	CH17766	2B2	11	70-9	CH17853	1I22	6	60-7
CH17642	2B16	3	70-23	CH17769	2B2	3	70-9	CH17854	1I20	12	60-5
CH17644	2B14	10	70-21	CH17770	2B2	13	70-9	CH17854	1I22	5	60-7
CH17645	2B14	8	70-21	CH17771	2B2	7	70-9	CH17855	1I20	27	60-5
CH17648	2B14	11	70-21	CH17772	2B2	14	70-9	CH17856	1I20	14	60-5
CH17653	2B11	13	70-18	CH17773	2B2	9	70-9	CH17857	1I20	11	60-5
CH17654	2B11	17	70-18	CH17774	2B2	8	70-9	CH17858	1G24	19	50-19
CH17654	2B15	24	70-22	CH17775	2B2	5	70-9	CH17859	1I20	10	60-5
CH17658	1H23	12	50-45	CH17776	2B2	1	70-9	CH17860	1I20	9	60-5
CH17659	1H23	14	50-45	CH17777	1F7	8	40-15	CH17861	1I20	8	60-5
CH17683	1J4	20	60-13	CH17777	1F9	1	40-17	CH17862	1I20	26	60-5
CH17684	1F2	9	40-11	CH17778	1F9	9	40-17	CH17863	1I20	25	60-5
CH17685	1F19	38	40-25	CH17779	1F9	12	40-17	CH17864	1I22	16	60-7
CH17687	1F7	8	40-15	CH17780	1F9	5	40-17	CH17865	1I20	16	60-5
CH17687	1F9	37	40-17	CH17781	1F9	6	40-17	CH17866	1I22	14	60-7
CH17688	1G20	10	50-15	CH17782	1F9	7	40-17	CH17867	1I20	17	60-5
CH17689	2A23	16	70-5	CH17783	1F9	23	40-17	CH17868	1I22	13	60-7
CH17691	2A21	20	70-3	CH17784	1F9	31	40-17	CH17869	1I20	18	60-5
CH17693	2A23	35	70-5	CH17785	1F9	30	40-17	CH17870	1I22	12	60-7
CH17694	2A23	36	70-5	CH17786	1F9	16	40-17	CH17871	1I20	20	60-5
CH17695	2B8	8	70-15	CH17787	1D13	3	30-15	CH17872	1I22	17	60-7
CH17695	2B10	21	70-17	CH17787	1F9	15	40-17	CH17873	1I22	11	60-7
CH17697	2B8	5	70-15	CH17788	1F9	8	40-17	CH17874	1I22	1	60-7
CH17698	2D18	5	80-16	CH17789	1F9	13	40-17	CH17875	1I20	28	60-5
CH17701	1G10	18	50-3	CH17790	1F9	14	40-17	CH17876	1I22	2	60-7
CH17702	1G12	9	50-5	CH17791	1F9	20	40-17	CH17877	1I22	3	60-7
CH17704	1G12	15	50-5	CH17792	1F9	19	40-17	CH17878	1I20	29	60-5
CH17705	1G12	6	50-5	CH17793	1F9	36	40-17	CH17881	1I20	6	60-5
CH17706	1G12	5	50-5	CH17794	1F9	35	40-17	CH17882	1I22	9	60-7
CH17707	1G12	2	50-5	CH17795	1F9	34	40-17	CH17886	1I20	19	60-5
CH17708	2B11	4	70-18	CH17796	1F9	11	40-17	CH17887	1I22	10	60-7
CH17717	1J8	3	60-17	CH17797	1F9	29	40-17	CH17888	1G17	5	50-11
CH17717	1J10	3	60-19	CH17798	1F9	27	40-17	CH17891	1G17	4	50-11
CH17718	2E4	16	80-27	CH17799	1F9	26	40-17	CH17895	1G17	17	50-11
CH17719	2E4	15	80-27	CH17800	1F9	28	40-17	CH17896	1G17	8	50-11
CH17720	2E4	10	80-27	CH17801	1F9	17	40-17	CH17897	2E12	6	90-3
CH17721	2E4	6	80-27	CH17802	1F9	10	40-17	CH17897	2E14	24	90-5
CH17722	2D25	14	80-23	CH17803	1F9	2	40-17	CH17898	1G17	12	50-11
CH17723	2D25	15	80-23	CH17804	1F9	3	40-17	CH17899	1G17	11	50-11
CH17724	2D25	12	80-23	CH17805	1F9	4	40-17	CH17900	1G17	18	50-11
CH17725	1G12	21	50-5	CH17806	1F9	18	40-17	CH17901	1G17	15	50-11
CH17726	1H2	18	50-21	CH17807	1F9	21	40-17	CH17902	1G17	10	50-11
CH17727	2B15	21	70-22	CH17808	1F9	25	40-17	CH17903	1G17	7	50-11
CH17728	2B14	16	70-21	CH17809	1F9	32	40-17	CH17909	1G17	1	50-11
CH17729	1G24	16	50-19	CH17810	1F2	36	40-11	CH17909	1G17	2	50-11
CH17730	2B21	6	70-29	CH17810	1F5	27	40-13	CH17909	1G17	3	50-11
CH17731	1E14	15	30-41	CH17811	1F2	33	40-11	CH17910	1G17	2	50-11
CH17732	2E4	11	80-27	CH17812	1I22	22	60-7	CH17912	2E12	18	90-3
CH17733	2E2	31	80-25	CH17813	1I22	18	60-7	CH17913	2E12	16	90-3
CH17734	2E2	29	80-25	CH17814	1I22	19	60-7	CH17914	2E12	27	90-3
CH17735	2E22	39	90-13	CH17815	1I22	21	60-7	CH17915	2E12	10	90-3
CH17736	2E22	8	90-13	CH17816	1I22	20	60-7	CH17916	2E12	5	90-3
CH17737	2E10	5	90-1	CH17817	1I20	5	60-5	CH17916	2E14	10	90-5
CH17737	2E12	50	90-3	CH17818	1I20	4	60-5	CH17917	2E12	42	90-3
CH17738	2B12	2	70-19	CH17821	1I20	1	60-5	CH17917	2E14	17	90-5
CH17738	2B13	3	70-20	CH17822	1I20	2	60-5	CH17918	2E12	47	90-3
CH17756	2B2	21	70-9	CH17823	1I20	37	60-5	CH17919	2E12	48	90-3
CH17756	2B2	22	70-9	CH17825	1I20	36	60-5	CH17919	2E14	37	90-5
CH17757	2B2	21	70-9	CH17841	1I20	30	60-5	CH17920	2E12	49	90-3
CH17759	2B2	23	70-9	CH17842	1I20	34	60-5	CH17920	2E14	2	90-5
CH17759	2B2	25	70-9	CH17844	1I20	33	60-5	CH17926	2E12	24	90-3
CH17760	2B2	31	70-9	CH17845	1I20	32	60-5	CH17927	2E12	19	90-3
CH17761	2B2	26	70-9	CH17847	1I20	22	60-5	CH17928	2E12	14	90-3
CH17762	2B2	16	70-9	CH17848	1I20	24	60-5	CH17929	2E12	25	90-3
CH17763	2B2	18	70-9	CH17850	1I22	8	60-7	CH17930	2E12	15	90-3
CH17764	2B2	35	70-9	CH17851	1I22	4	60-7	CH17931	2E12	26	90-3
CH17765	2B2	32	70-9	CH17852	1I22	7	60-7	CH17932	2E12	22	90-3

1L19

1250, 1450 AND 1650 TRACTORS

NUMERICAL INDEX - CONTINUED

PART NO.	GRID	KEY	PAGE	PART NO.	GRID	KEY	PAGE	PART NO.	GRID	KEY	PAGE
CH17933	2E12	17	90 - 3	CH18014	1H14	10	50 - 35	CH18277	1C23	6	20 - 55
CH17934	2E12	46	90 - 3	CH18015	2B8	40	70 - 15	CH18277	1C23	7	20 - 55
CH17934	2E14	36	90 - 5	CH18023	1G12	18	50 - 5	CH18277	1E11	4	30 - 38
CH17935	2E12	2	90 - 3	CH18036	1F7	6	40 - 15	CH18277	1E11	6	30 - 38
CH17935	2E14	7	90 - 5	CH18036	1F7	7	40 - 15	CH18277	1E12	2	30 - 39
CH17936	2E12	1	90 - 3	CH18047	1J8	32	60 - 17	CH18278	1B6	12	20 - 13
CH17936	2E14	6	90 - 5	CH18047	1J10	25	60 - 19	CH18280	1B6	11	20 - 13
CH17937	2E12	41	90 - 3	CH18050	1J8	1	60 - 17	CH18280	1C23	2	20 - 55
CH17937	2E14	3	90 - 5	CH18050	1J10	1	60 - 19	CH18281	1D12	4	30 - 13
CH17938	2E12	35	90 - 3	CH18060	1J8	25	60 - 17	CH18282	1D12	2	30 - 13
CH17938	2E14	14	90 - 5	CH18066	1D8	5	30 - 9	CH18283	1D10	2	30 - 11
CH17939	2E12	34	90 - 3	CH18068	2E12	13	90 - 3	CH18284	1D4	9	30 - 3
CH17939	2E14	13	90 - 5	CH18069	2E22	27	90 - 13	CH18285	1C23	9	20 - 55
CH17940	2E12	36	90 - 3	CH18078	2A23	29	70 - 5	CH18285	1D4	10	30 - 3
CH17940	2E14	5	90 - 5	CH18086	1D19	6	30 - 21	CH18286	1D12	14	30 - 13
CH17941	2E12	37	90 - 3	CH18090	1D19	20	30 - 21	CH18287	1D12	8	30 - 13
CH17942	2E12	20	90 - 3	CH18090	1D21	23	30 - 23	CH18287	1E15	6	30 - 42
CH17942	2E14	32	90 - 5	CH18091	1D19	21	30 - 21	CH18288	1D12	11	30 - 13
CH17943	2E12	32	90 - 3	CH18091	1D21	24	30 - 23	CH18289	1D12	9	30 - 13
CH17943	2E14	12	90 - 5	CH18092	1D19	1	30 - 21	CH18289	1E15	7	30 - 42
CH17944	2E12	7	90 - 3	CH18092	1D21	6	30 - 23	CH18290	1D12	6	30 - 13
CH17944	2E12	31	90 - 3	CH18093	1D19	15	30 - 21	CH18293	1C23	10	20 - 55
CH17944	2E14	23	90 - 5	CH18093	1D21	14	30 - 23	CH18293	1D17	19	30 - 19
CH17945	2E12	4	90 - 3	CH18158	1J8	29	60 - 17	CH18295	1D17	5	30 - 19
CH17945	2E14	9	90 - 5	CH18159	1J8	18	60 - 17	CH18296	1D17	16	30 - 19
CH17946	2E12	40	90 - 3	CH18159	1J10	14	60 - 19	CH18299	1B4	2	20 - 11
CH17946	2E14	4	90 - 5	CH18160	1J8	35	60 - 17	CH18300	1D5	7	30 - 5
CH17947	2E12	43	90 - 3	CH18161	1J8	6	60 - 17	CH18300	1D7	26	30 - 7
CH17947	2E14	18	90 - 5	CH18161	1J10	5	60 - 19	CH18301	1D5	2	30 - 5
CH17948	2E12	45	90 - 3	CH18162	1J8	33	60 - 17	CH18310	1C13	1	20 - 45
CH17948	2E14	38	90 - 5	CH18162	1J10	26	60 - 19	CH18311	1C13	2	20 - 45
CH17949	2E12	39	90 - 3	CH18163	1J8	30	60 - 17	CH18311	1C21	11	20 - 53
CH17949	2E14	1	90 - 5	CH18164	1J8	31	60 - 17	CH18312	1B10	11	20 - 17
CH17950	2E12	38	90 - 3	CH18165	1J8	36	60 - 17	CH18314	1C11	8	20 - 43
CH17950	2E14	15	90 - 5	CH18165	1J10	29	60 - 19	CH18314	1C13	25	20 - 45
CH17951	2E12	23	90 - 3	CH18177	1D23	5	30 - 25	CH18314	1C13	27	20 - 45
CH17951	2E12	33	90 - 3	CH18178	1E14	20	30 - 41	CH18314	1C15	23	20 - 47
CH17951	2E14	11	90 - 5	CH18179	1D19	22	30 - 21	CH18315	1C13	26	20 - 45
CH17954	1E2	9	30 - 29	CH18180	1D19	19	30 - 21	CH18318	1C13	32	20 - 45
CH17967	1B24	5	20 - 31	CH18180	1D21	20	30 - 23	CH18320	1C15	1	20 - 47
CH17971	2A23	14	70 - 5	CH18181	1D19	10	30 - 21	CH18321	1C15	31	20 - 47
CH17973	2C4	10	70 - 37	CH18181	1D21	12	30 - 23	CH18323	1C15	37	20 - 47
CH17974	2C4	3	70 - 37	CH18182	1D19	16	30 - 21	CH18325	1C15	20	20 - 47
CH17974	2C6	3	70 - 39	CH18182	1D21	17	30 - 23	CH18329	1C15	15	20 - 47
CH17975	2C4	7	70 - 37	CH18193	1E8	7	30 - 35	CH18331	1C15	21	20 - 47
CH17975	2C6	8	70 - 39	CH18193	1E10	17	30 - 37	CH18332	1C13	15	20 - 45
CH17976	1G24	28	50 - 19	CH18195	1B12	7	20 - 19	CH18332	1C15	22	20 - 47
CH17976	2C4	8	70 - 37	CH18195	1B14	2	20 - 21	CH18334	1C13	14	20 - 45
CH17976	2C6	7	70 - 39	CH18207	1C19	5	20 - 51	CH18335	1C13	13	20 - 45
CH17977	2E22	2	90 - 13	CH18207	1C19	6	20 - 51	CH18336	1C13	6	20 - 45
CH17978	2E22	1	90 - 13	CH18219	1H16	17	50 - 37	CH18336	1C21	14	20 - 53
CH17979	2E22	5	90 - 13	CH18264	1B10	10	20 - 17	CH18337	1B14	17	20 - 21
CH17983	1H2	15	50 - 21	CH18264	1C23	1	20 - 55	CH18342	1B14	16	20 - 21
CH17984	1H2	24	50 - 21	CH18266	1B10	13	20 - 17	CH18345	1C19	8	20 - 51
CH17989	2B25	8	70 - 33	CH18266	1C21	1	20 - 53	CH18347	1C19	9	20 - 51
CH17995	2D21	18	80 - 19	CH18267	1B18	9	20 - 25	CH18348	1C19	10	20 - 51
CH17999	2B19	10	70 - 27	CH18267	1B20	10	20 - 27	CH18349	1C17	24	20 - 49
CH17999	2B21	5	70 - 29	CH18269	1B20	4	20 - 27	CH18351	1C19	2	20 - 51
CH18000	2B19	23	70 - 27	CH18269	1C21	6	20 - 53	CH18352	1C19	22	20 - 51
CH18001	2B19	23	70 - 27	CH18271	1B20	7	20 - 27	CH18353	1E12	4	30 - 39
CH18002	2B19	20	70 - 27	CH18271	1C21	7	20 - 53	CH18356	1E10	15	30 - 37
CH18003	2D3	9	80 - 2	CH18272	1B20	16	20 - 27	CH18357	1E10	16	30 - 37
CH18005	2D6	31	80 - 5	CH18275	1A25	4	20 - 7	CH18358	1E10	9	30 - 37
CH18007	2D6	31	80 - 5	CH18276	1C23	6	20 - 55	CH18360	1E10	22	30 - 37
CH18012	1H10	8	50 - 31	CH18276	1E11	4	30 - 38	CH18362	1E10	3	30 - 37
CH18013	1H10	9	50 - 31	CH18276	1E11	6	30 - 38	CH18363	1E10	5	30 - 37
CH18014	1E15	5	30 - 42	CH18276	1E12	1	30 - 39	CH18364	1B14	24	20 - 21

1L20

1250, 1450 AND 1650 TRACTORS

NUMERICAL INDEX - CONTINUED

PART NO.	GRID	KEY	PAGE	PART NO.	GRID	KEY	PAGE	PART NO.	GRID	KEY	PAGE
CH18364	1C5	1	20 - 37	CH18510	1G19	26	50 - 13	CH18641	1H19	17	50 - 41
CH18365	1B14	25	20 - 21	CH18511	1G15	3	50 - 9	CH18643	1H19	19	50 - 41
CH18366	1B14	25	20 - 21	CH18515	1115	4	50 - 63	CH18644	1H19	12	50 - 41
CH18369	1B4	7	20 - 11	CH18517	2D8	36	80 - 7	CH18644	1J6	3	60 - 15
CH18370	1B4	7	20 - 11	CH18518	2D8	34	80 - 7	CH18645	1H19	7	50 - 41
CH18371	1B24	9	20 - 31	CH18519	1115	12	50 - 63	CH18646	1H19	7	50 - 41
CH18373	1B16	1	20 - 23	CH18521	2D8	36	80 - 7	CH18647	1H19	10	50 - 41
CH18374	1B16	1	20 - 23	CH18523	1H25	9	50 - 47	CH18647	1J6	2	60 - 15
CH18377	1C15	28	20 - 47	CH18526	116	15	50 - 53	CH18648	1H19	16	50 - 41
CH18378	1B10	15	20 - 17	CH18526	118	21	50 - 55	CH18649	1H19	16	50 - 41
CH18380	1B20	12	20 - 27	CH18528	1111	3	50 - 59	CH18650	1H19	18	50 - 41
CH18381	1B20	13	20 - 27	CH18530	1H25	3	50 - 47	CH18651	1H19	18	50 - 41
CH18383	1B2	1	20 - 9	CH18536	1118	21	60 - 3	CH18652	1H19	21	50 - 41
CH18384	1B2	1	20 - 9	CH18536	1118	22	60 - 3	CH18653	1H19	20	50 - 41
CH18385	1A25	22	20 - 7	CH18542	1J2	8	60 - 11	CH18655	1H19	23	50 - 41
CH18385	1D17	18	30 - 19	CH18544	1J2	9	60 - 11	CH18656	1H19	1	50 - 41
CH18387	1D17	23	30 - 19	CH18546	1J2	6	60 - 11	CH18657	1H19	3	50 - 41
CH18388	1D17	23	30 - 19	CH18551	1G15	20	50 - 9	CH18658	1H19	5	50 - 41
CH18389	1C7	11	20 - 39	CH18554	1G15	7	50 - 9	CH18659	1H19	4	50 - 41
CH18389	1D15	2	30 - 17	CH18555	1G15	13	50 - 9	CH18661	1J10	31	60 - 19
CH18389	1D15	9	30 - 17	CH18556	1G15	4	50 - 9	CH18668	1J10	20	60 - 19
CH18389	1D17	2	30 - 19	CH18557	1G15	8	50 - 9	CH18671	2B25	13	70 - 33
CH18389	1D17	22	30 - 19	CH18558	1G15	6	50 - 9	CH18672	2B25	9	70 - 33
CH18390	1D17	17	30 - 19	CH18559	1G15	9	50 - 9	CH18675	1J10	13	60 - 19
CH18391	1B22	1	20 - 29	CH18560	1G15	17	50 - 9	CH18676	1J10	33	60 - 19
CH18392	1D25	6	30 - 27	CH18561	1G15	16	50 - 9	CH18677	1J10	28	60 - 19
CH18393	1D25	6	30 - 27	CH18562	1G15	5	50 - 9	CH18678	1J10	18	60 - 19
CH18394	1D25	6	30 - 27	CH18563	1G10	18	50 - 3	CH18679	1J10	19	60 - 19
CH18395	1D25	6	30 - 27	CH18566	1H11	23	50 - 32	CH18683	1J10	22	60 - 19
CH18397	1E11	5	30 - 38	CH18571	1H11	14	50 - 32	CH18686	2A23	16	70 - 5
CH18397	1E12	6	30 - 39	CH18572	1H11	5	50 - 32	CH18688	2A23	20	70 - 5
CH18398	1E12	6	30 - 39	CH18577	1H11	4	50 - 32	CH18691	2A23	7	70 - 5
CH18400	1C21	23	20 - 53	CH18578	1H11	8	50 - 32	CH18692	2A21	35	70 - 3
CH18401	1C23	23	20 - 55	CH18581	1H11	10	50 - 32	CH18693	2A21	21	70 - 3
CH18403	2D13	4	80 - 12	CH18582	1H11	12	50 - 32	CH18694	2A21	18	70 - 3
CH18403	2D14	3	80 - 13	CH18586	1H11	17	50 - 32	CH18695	2A21	32	70 - 3
CH18419	1D7	19	30 - 7	CH18590	1H11	16	50 - 32	CH18696	2A21	33	70 - 3
CH18420	1D7	17	30 - 7	CH18594	1H11	18	50 - 32	CH18698	2A25	14	70 - 7
CH18421	1D7	15	30 - 7	CH18596	1H11	9	50 - 32	CH18699	2A25	13	70 - 7
CH18422	1D7	18	30 - 7	CH18598	1H5	2	50 - 25	CH18701	2B15	7	70 - 22
CH18430	1E14	15	30 - 41	CH18604	1H4	10	50 - 23	CH18704	2B17	8	70 - 24
CH18431	1E14	16	30 - 41	CH18605	1H4	18	50 - 23	CH18710	2B17	6	70 - 24
CH18434	1D23	5	30 - 25	CH18606	1H4	13	50 - 23	CH18711	2B15	5	70 - 22
CH18435	1D23	4	30 - 25	CH18607	1H4	21	50 - 23	CH18714	2B17	3	70 - 24
CH18439	2D23	3	80 - 21	CH18608	1H4	11	50 - 23	CH18716	2B25	5	70 - 33
CH18442	2D23	6	80 - 21	CH18609	1H4	19	50 - 23	CH18717	2B14	5	70 - 21
CH18446	2D23	9	80 - 21	CH18610	1H4	33	50 - 23	CH18723	1F2	9	40 - 11
CH18449	2D19	11	80 - 17	CH18611	1H4	26	50 - 23	CH18723	1F5	7	40 - 13
CH18455	2D23	25	80 - 21	CH18611	1H4	27	50 - 23	CH18724	1F2	15	40 - 11
CH18466	2D21	9	80 - 19	CH18612	1H4	5	50 - 23	CH18724	1F5	13	40 - 13
CH18466	2D23	10	80 - 21	CH18614	1H8	3	50 - 29	CH18724	1F19	51	40 - 25
CH18466	2D23	11	80 - 21	CH18615	1H8	1	50 - 29	CH18724	1F21	48	40 - 27
CH18466	2E2	35	80 - 25	CH18617	1H12	6	50 - 33	CH18725	1F5	23	40 - 13
CH18467	1124	10	60 - 9	CH18618	1H12	5	50 - 33	CH18727	1F5	6	40 - 13
CH18470	1124	10	60 - 9	CH18619	1H12	13	50 - 33	CH18734	1F2	17	40 - 11
CH18473	1124	4	60 - 9	CH18621	1H12	19	50 - 33	CH18734	1F3	2	40 - 11A
CH18474	1124	6	60 - 9	CH18622	1H12	18	50 - 33	CH18734	1F5	14	40 - 13
CH18475	1124	8	60 - 9	CH18623	1H12	17	50 - 33	CH18736	1F7	21	40 - 15
CH18476	1124	9	60 - 9	CH18627	1H16	4	50 - 37	CH18738	2E10	5	90 - 1
CH18477	1124	7	60 - 9	CH18628	1H16	7	50 - 37	CH18738	2E12	50	90 - 3
CH18478	1124	11	60 - 9	CH18629	1H16	9	50 - 37	CH18738	2E14	39	90 - 5
CH18480	1124	5	60 - 9	CH18630	1H16	10	50 - 37	CH18741	2B25	6	70 - 33
CH18481	2D23	20	80 - 21	CH18633	1H14	1	50 - 35	CH18745	2B25	11	70 - 33
CH18486	2D4	11	80 - 3	CH18635	1H14	3	50 - 35	CH18746	2B21	19	70 - 29
CH18499	2D8	41	80 - 7	CH18636	1H14	25	50 - 35	CH18749	2B23	1	70 - 31
CH18506	2D8	41	80 - 7	CH18637	1H12	21	50 - 33	CH18749	2B23	11	70 - 31
CH18509	1G19	32	50 - 13	CH18638	1H14	6	50 - 35	CH18750	2B23	9	70 - 31

1L21

1250, 1450 AND 1650 TRACTORS

NUMERICAL INDEX - CONTINUED

PART NO.	GRID	KEY	PAGE	PART NO.	GRID	KEY	PAGE	PART NO.	GRID	KEY	PAGE
CH18753	2B23	10	70 - 31	CH18877	1H17	15	50 - 39	CH19030	1G13	3	50 - 7
CH18756	2B23	8	70 - 31	CH18878	1H17	4	50 - 39	CH19046	2E14	29	90 - 5
CH18756	2B23	23	70 - 31	CH18880	1H19	13	50 - 41	CH19047	2E14	30	90 - 5
CH18760	2B23	4	70 - 31	CH18881	1H19	13	50 - 41	CH19048	2E14	27	90 - 5
CH18760	2B23	16	70 - 31	CH18884	1J6	7	60 - 15	CH19049	2E14	26	90 - 5
CH18762	2B23	2	70 - 31	CH18886	2A25	20	70 - 7	CH19050	2E14	35	90 - 5
CH18762	2B23	14	70 - 31	CH18887	2A25	16	70 - 7	CH19051	2E14	33	90 - 5
CH18768	2B21	2	70 - 29	CH18888	2A25	8	70 - 7	CH19052	2E14	34	90 - 5
CH18771	2B19	17	70 - 27	CH18889	2A25	7	70 - 7	CH19088	1C7	1	20 - 39
CH18771	2B19	19	70 - 27	CH18890	2A25	6	70 - 7	CH19088	1C7	23	20 - 39
CH18771	2B21	12	70 - 29	CH18893	2A25	17	70 - 7	CH19088	1C7	33	20 - 39
CH18774	1G24	2	50 - 19	CH18894	2A25	2	70 - 7	CH19088	1D4	12	30 - 3
CH18776	1H16	20	50 - 37	CH18895	2A25	18	70 - 7	CH19089	1C7	26	20 - 39
CH18776	1H16	23	50 - 37	CH18897	2B6	15	70 - 13	CH19091	1C7	27	20 - 39
CH18776	1H16	..	50 - 37	CH18898	2B6	20	70 - 13	CH19092	1C7	28	20 - 39
CH18779	1H16	14	50 - 37	CH18899	2B6	5	70 - 13	CH19093	1B20	14	20 - 27
CH18783	1H17	19	50 - 39	CH18900	2B6	13	70 - 13	CH19094	1B20	15	20 - 27
CH18783	1H23	17	50 - 45	CH18901	2B6	10	70 - 13	CH19095	1B8	4	20 - 15
CH18783	2B19	5	70 - 27	CH18906	2B6	11	70 - 13	CH19095	1B10	2	20 - 17
CH18783	2B21	7	70 - 29	CH18909	2B6	37	70 - 13	CH19096	1B8	9	20 - 15
CH18785	1H17	19	50 - 39	CH18913	2B6	33	70 - 13	CH19096	1B10	3	20 - 17
CH18785	2B19	3	70 - 27	CH18916	2B6	17	70 - 13	CH19099	1C17	21	20 - 49
CH18785	2B19	6	70 - 27	CH18917	2B6	40	70 - 13	CH19099	1D5	4	30 - 5
CH18787	1H21	19	50 - 43	CH18918	2B6	22	70 - 13	CH19099	1D15	17	30 - 17
CH18787	1H21	20	50 - 43	CH18919	2B6	2	70 - 13	CH19099	1D17	8	30 - 19
CH18787	1H21	21	50 - 43	CH18921	2B10	7	70 - 17	CH19099	1E6	16	30 - 33
CH18787	1H21	22	50 - 43	CH18921	2B25	3	70 - 33	CH19101	1D5	3	30 - 5
CH18787	1H21	23	50 - 43	CH18922	2B10	10	70 - 17	CH19102	1C2	2	20 - 33
CH18787	1H21	24	50 - 43	CH18923	2B8	9	70 - 15	CH19103	1C2	1	20 - 33
CH18787	1H21	25	50 - 43	CH18923	2B10	20	70 - 17	CH19104	1C2	13	20 - 33
CH18792	1H19	13	50 - 41	CH18927	2B10	23	70 - 17	CH19105	1C2	10	20 - 33
CH18793	1H19	13	50 - 41	CH18928	2B10	26	70 - 17	CH19106	1C2	7	20 - 33
CH18796	1J5	5	60 - 14	CH18931	2B10	39	70 - 17	CH19109	1C2	5	20 - 33
CH18796	1J6	5	60 - 15	CH18932	2B10	38	70 - 17	CH19110	1C2	8	20 - 33
CH18799	1J12	23	60 - 21	CH18934	2B10	47	70 - 17	CH19111	1C2	9	20 - 33
CH18800	2B8	5	70 - 15	CH18935	2B10	3	70 - 17	CH19111	1C2	15	20 - 33
CH18800	2B10	12	70 - 17	CH18936	2B10	24	70 - 17	CH19114	1C2	26	20 - 33
CH18806	2E2	31	80 - 25	CH18939	2B10	46	70 - 17	CH19115	1C2	27	20 - 33
CH18807	2E2	29	80 - 25	CH18940	2B10	42	70 - 17	CH19117	1C2	21	20 - 33
CH18811	2E22	9	90 - 13	CH18942	2B10	37	70 - 17	CH19118	1C2	22	20 - 33
CH18821	2E4	10	80 - 27	CH18945	2B10	29	70 - 17	CH19119	1C2	14	20 - 33
CH18822	2B23	42	70 - 31	CH18946	2B10	28	70 - 17	CH19120	1C2	24	20 - 33
CH18823	2B23	38	70 - 31	CH18947	2B10	30	70 - 17	CH19121	1C2	23	20 - 33
CH18826	1D23	23	30 - 25	CH18949	2B10	6	70 - 17	CH19122	1C2	16	20 - 33
CH18831	2D8	26	80 - 7	CH18953	2B10	2	70 - 17	CH19122	1C2	17	20 - 33
CH18835	2D8	10	80 - 7	CH18955	2B10	16	70 - 17	CH19122	1C2	18	20 - 33
CH18836	2D8	20	80 - 7	CH18959	2B15	9	70 - 22	CH19122	1C2	19	20 - 33
CH18840	2D8	33	80 - 7	CH18962	2E2	8	80 - 25	CH19122	1C2	20	20 - 33
CH18843	1115	26	50 - 63	CH18977	2E2	23	80 - 25	CH19127	1C2	25	20 - 33
CH18843	2D8	8	80 - 7	CH18984	2E22	34	90 - 13	CH19128	1C13	5	20 - 45
CH18845	1115	24	50 - 63	CH18986	2E22	30	90 - 13	CH19129	1C11	9	20 - 43
CH18848	1115	18	50 - 63	CH18995	2E22	24	90 - 13	CH19129	1C13	29	20 - 45
CH18852	1G10	24	50 - 3	CH18996	2E22	9	90 - 13	CH19129	1E2	10	30 - 29
CH18854	1G10	11	50 - 3	CH19000	2E22	28	90 - 13	CH19129	1E4	13	30 - 31
CH18861	1G24	30	50 - 19	CH19006	2E4	1	80 - 27	CH19130	1C15	8	20 - 47
CH18862	1G24	11	50 - 19	CH19007	2E4	1	80 - 27	CH19131	1C15	10	20 - 47
CH18864	1H2	15	50 - 21	CH19008	2E4	2	80 - 27	CH19132	1C15	14	20 - 47
CH18865	1H2	16	50 - 21	CH19009	2E4	2	80 - 27	CH19133	1C15	16	20 - 47
CH18867	1H23	28	50 - 45	CH19011	2C6	11	70 - 39	CH19134	1C15	7	20 - 47
CH18868	1H23	9	50 - 45	CH19014	2C6	14	70 - 39	CH19134	1D17	14	30 - 19
CH18868	1H23	28	50 - 45	CH19015	2C6	15	70 - 39	CH19136	1C17	19	20 - 49
CH18870	1H16	15	50 - 37	CH19016	2C6	13	70 - 39	CH19136	1E18	3	40 - 1
CH18872	1H17	18	50 - 39	CH19017	2C6	18	70 - 39	CH19140	1C7	30	20 - 39
CH18873	1H17	18	50 - 39	CH19018	2C6	17	70 - 39	CH19141	1C7	29	20 - 39
CH18874	1H17	6	50 - 39	CH19020	1H12	4	50 - 33	CH19143	1C2	3	20 - 33
CH18875	1H17	5	50 - 39	CH19026	1G13	3	50 - 7	CH19144	1F2	26	40 - 11
CH18876	1H17	2	50 - 39	CH19027	1G10	18	50 - 3	CH19144	1F2	29	40 - 11

1L22

1250, 1450 AND 1650 TRACTORS

NUMERICAL INDEX - CONTINUED

PART NO.	GRID	KEY	PAGE	PART NO.	GRID	KEY	PAGE	PART NO.	GRID	KEY	PAGE
CH19145	1118	4	60-3	CH19507	1J4	4	60-13	CH19803	1H16	1	50-37
CH19146	1118	3	60-3	CH19508	1J8	30	60-17	CH19804	1H4	33	50-23
CH19179	2B11	6	70-18	CH19509	2A21	10	70-3	CH19805	1H4	35	50-23
CH19179	2B11	10	70-18	CH19510	2B8	40	70-15	CH19806	1H8	11	50-29
CH19224	2B11	11	70-18	CH19510	2B10	39	70-17	CH19807	1H8	3	50-29
CH19224	2B11	..	70-18	CH19511	2B8	30	70-15	CH19808	1H8	8	50-29
CH19238	2E22	8	90-13	CH19512	2B17	8	70-24	CH19809	1H8	1	50-29
CH19239	1F7	9	40-15	CH19513	2B16	3	70-23	CH19810	1H5	7	50-25
CH19242	1D21	32	30-23	CH19514	2B15	8	70-22	CH19811	1H8	10	50-29
CH19243	1D21	32	30-23	CH19515	1F19	38	40-25	CH19812	1H8	9	50-29
CH19244	1D21	25	30-23	CH19515	1F21	49	40-27	CH19813	1H2	10	50-21
CH19247	1D21	1	30-23	CH19517	1F7	8	40-15	CH19814	1H2	14	50-21
CH19248	1D21	31	30-23	CH19517	1F9	1	40-17	CH19815	1H14	5	50-35
CH19251	2D23	17	80-21	CH19517	1F9	37	40-17	CH19816	1G24	45	50-19
CH19254	1I20	37	60-5	CH19518	2B23	4	70-31	CH19817	1G24	45	50-19
CH19258	1118	13	60-3	CH19518	2B23	21	70-31	CH19818	1J10	21	60-19
CH19258	1I20	14	60-5	CH19520	2B19	15	70-27	CH19819	1J10	23	60-19
CH19258	1I20	21	60-5	CH19520	2B21	13	70-29	CH19828	1G19	23	50-13
CH19259	1I20	11	60-5	CH19521	2C4	13	70-37	CH19852	1H14	5	50-35
CH19260	1I20	9	60-5	CH19521	2C6	12	70-39	CH20034	1D23	23	30-25
CH19261	1118	13	60-3	CH19522	2C4	12	70-37	CH20039	1J5	7	60-14
CH19261	1I20	16	60-5	CH19523	2A21	9	70-3	CH20046	1J10	21	60-19
CH19262	1I20	15	60-5	CH19525	1G12	2	50-5	CH20099	1B12	8	20-19
CH19263	1118	13	60-3	CH19527	1H16	12	50-37	CH20099	1C4	1	20-35
CH19263	1I20	22	60-5	CH19528	1H14	5	50-35	CH20100	1B14	24	20-21
CH19276	1C11	7	20-43	CH19529	1H19	17	50-41	CH20100	1C5	1	20-37
CH19283	1E21	3	40-5	CH19530	1H19	7	50-41	CH20102	1B22	6	20-29
CH19283	1E24	12	40-8	CH19531	2A23	7	70-5	CH20103	1C23	11	20-55
CH19285	1E21	5	40-5	CH19532	2B17	8	70-24	CH20103	1D15	11	30-17
CH19301	1G19	27	50-13	CH19533	1F3	7	40-11A	CH20103	1D17	7	30-19
CH19302	1G19	25	50-13	CH19551	1D23	2	30-25	CH20103	1D19	5	30-21
CH19303	1G19	31	50-13	CH19570	1E23	17	40-7	CH20103	1D21	2	30-23
CH19304	1G19	33	50-13	CH19570	1E24	16	40-8	CH20105	1G10	8	50-3
CH19307	1G19	30	50-13	CH19609	2B21	16	70-29	CH20107	1G10	8	50-3
CH19308	1G19	10	50-13	CH19610	1D23	5	30-25	CH20112	2C4	13	70-37
CH19308	1G19	12	50-13	CH19630	2B11	9	70-18	CH20112	2C6	12	70-39
CH19312	1G19	17	50-13	CH19670	2E12	5	90-3	CH20117	1B14	15	20-21
CH19312	1G19	19	50-13	CH19670	2E14	10	90-5	CH20122	1J10	22	60-19
CH19315	1G19	16	50-13	CH19672	2B23	22	70-31	CH20123	1J8	30	60-17
CH19317	1G19	2	50-13	CH19672	2B23	26	70-31	CH20146	1H10	9	50-31
CH19317	1G19	3	50-13	CH19674	2D12	1	80-11	CH20156	1F2	9	40-11
CH19320	1G19	20	50-13	CH19674	2D12	8	80-11	CH20156	1F5	7	40-13
CH19320	1G19	21	50-13	CH19674	2D13	4	80-12	CH20157	1F2	9	40-11
CH19325	1G19	5	50-13	CH19677	2B21	11	70-29	CH20157	1F5	7	40-13
CH19325	1G19	8	50-13	CH19685	1F3	5	40-11A	CH20158	1F2	9	40-11
CH19325	1G19	14	50-13	CH19686	2B19	20	70-27	CH20158	1F5	7	40-13
CH19328	1G19	28	50-13	CH19701	1B22	2	20-29	CH20160	1F2	15	40-11
CH19330	1G19	15	50-13	CH19703	1B22	2	20-29	CH20160	1F3	6	40-11A
CH19334	1G19	1	50-13	CH19707	1B24	5	20-31	CH20160	1F5	13	40-13
CH19336	1G17	6	50-11	CH19709	1D15	5	30-17	CH20160	1F19	51	40-25
CH19336	1G19	11	50-13	CH19709	1D17	5	30-19	CH20160	1F21	48	40-27
CH19336	1G19	18	50-13	CH19781	1G10	24	50-3	CH20161	1F2	9	40-11
CH19338	1E18	2	40-1	CH19783	1G10	21	50-3	CH20162	1F2	9	40-11
CH19490	1B4	7	20-11	CH19785	1G19	22	50-13	CH20163	1F2	9	40-11
CH19491	1B4	7	20-11	CH19786	1G19	24	50-13	CH20165	1D13	1	30-15
CH19492	1B4	7	20-11	CH19788	1G19	9	50-13	CH20165	1D13	4	30-15
CH19497	1118	13	60-3	CH19790	1G19	6	50-13	CH20170	2B8	40	70-15
CH19497	1I20	37	60-5	CH19791	1G19	15	50-13	CH20170	2B10	39	70-17
CH19498	1118	13	60-3	CH19792	1G15	9	50-9	CH20172	2B12	2	70-19
CH19498	1I22	16	60-7	CH19793	1G15	17	50-9	CH20172	2B13	3	70-20
CH19499	1G12	2	50-5	CH19794	1G10	18	50-3	CH20174	2B12	5	70-19
CH19500	1G12	5	50-5	CH19795	1G10	13	50-3	CH20174	2B13	4	70-20
CH19502	1H16	1	50-37	CH19795	1H11	23	50-32	CH20188	1D23	23	30-25
CH19503	1H16	7	50-37	CH19796	1H19	17	50-41	CH20191	2A25	14	70-7
CH19504	1H16	30	50-37	CH19797	1H14	5	50-35	CH20194	1B24	5	20-31
CH19505	1J4	6	60-13	CH19799	1G24	12	50-19	CH20195	1B24	5	20-31
CH19506	1J4	5	60-13	CH19800	1H16	12	50-37	CH20196	1E4	7	30-31

1L23

1250, 1450 AND 1650 TRACTORS

NUMERICAL INDEX - CONTINUED

PART NO.	GRID	KEY	PAGE	PART NO.	GRID	KEY	PAGE	PART NO.	GRID	KEY	PAGE
CH20196	1E15	1	30-42	F3539R	2C7	6	70-41	PT13744	1I20	13	60-5
CH20199	1E4	6	30-31	F3541R	2C7	4	70-41	PT13744	2A21	17	70-3
CH20200	1E4	3	30-31	F3542R	2C7	5	70-41	PT13744	2B15	4	70-22
CH20201	1E4	8	30-31	H104855	1G2	9	40-33	PT13744	2B15	6	70-22
CH20204	1D4	5	30-3	H35231	2C20	23	70-54	PT4952	2E24	2	90-15
CH20204	1D4	6	30-3	H35232	2C20	12	70-54	RE11156	1G4	36	40-35
CH20205	2E12	34	90-3	H35233	2C20	22	70-54	RE11157	1G4	37	40-35
CH20205	2E14	13	90-5	H36256	2C20	5	70-54	RE11160	2F2	5	90-17
CH20206	1E2	13	30-29	H836R	1E14	6	30-41	RE11254	2F4	1	90-19
CH20206	1E4	9	30-31	H84375	2D12	2	80-11	RE12842	1A21	2	20-2
CH20207	2B10	23	70-17	H84375	2D12	7	80-11	RE13089	2C7	14	70-41
CH20208	1F21	37	40-27	H84375	2D13	3	80-12	RE13089	2C7	..	70-41
CH20209	2A21	9	70-3	H97644	2E18	41	90-9	RE13989	2C11	..	70-45
CH20210	2A21	4	70-3	JD3038	2D12	4	80-11	RE13989	2C13	..	70-47
CH20211	1B6	1	20-13	JD3039	2D9	10	80-8	RE13989	2C15	..	70-49
CH20212	2D8	36	80-7	JD3040	2D12	4	80-11	RE13989	2C17	..	70-51
CH20213	2D8	36	80-7	JD3047	2D9	10	80-8	RE13989	2C19	..	70-53
CH20214	2D8	33	80-7	JD3211	2D9	10	80-8	RE13990	2C11	2	70-45
CH20215	2D8	10	80-7	JD3216	2D10	3	80-9	RE13991	2C11	3	70-45
CH20215	2D8	28	80-7	JD3229	2D9	10	80-8	RE13992	2C15	7	70-49
CH20219	2D8	10	80-7	JD37035	1I2	15	50-49	RE13993	2C15	8	70-49
CH20219	2D8	36	80-7	JD37125	1H19	5	50-41	RE13994	2C15	6	70-49
CH20220	2D8	33	80-7	JD5602	2F2	14	90-17	RE13995	2C15	5	70-49
CH20220	2D8	36	80-7	JD9258	1H10	16	50-31	RE14003	2D12	11	80-11
CH20223	1G19	27	50-13	JD9258	1H12	15	50-33	RE14008	2D12	11	80-11
CH20224	1G19	24	50-13	JD9390	1I2	10	50-49	RE16720	2D10	3	80-9
CH20226	1G17	13	50-11	JD9449	1B24	2	20-31	RE19428	2C2	3	70-35
CH20227	1G19	26	50-13	L12621	2B23	12	70-31	RE19428	2C2	6	70-35
CH20228	1H17	18	50-39	L55141	2E16	13	90-7	RE19445	2E18	43	90-9
CH20229	1H17	18	50-39	L57595	2C7	9	70-41	RE21073	1F11	14	40-19
CH20230	1H19	10	50-41	L62883	1J12	20	60-21	RE21096	1F11	8	40-19
CH20230	1J6	2	60-15	L65000	1F13	10	40-19B	RE21112	1F15	3	40-21
CH20231	1B12	8	20-19	M2334T	2D13	6	80-12	RE21113	1F15	10	40-21
CH20231	1B14	24	20-21	M2335T	2D13	7	80-12	RE21510	1F11	16	40-19
CH20231	1C4	1	20-35	M40461	2D18	2	80-16	RE21517	1F15	10	40-21
CH20231	1C5	1	20-37	M43318	2C11	13	70-45	RE21730	1G6	5	40-37
CH20232	1B12	8	20-19	M43835	1G2	2	40-33	RE21731	1G6	5	40-37
CH20232	1B14	24	20-21	M44269	2C11	7	70-45	RE21732	1G6	6	40-37
CH20232	1C4	1	20-35	M802018	2B25	8	70-33	RE21738	1F15	15	40-21
CH20232	1C5	1	20-37	M802206	2A21	5	70-3	RE22589	1F15	2	40-21
CH20233	1B22	6	20-29	M80227	2A21	5	70-3	RE23182	1A21	2	20-2
CH20239	1G24	1	50-19	M80228	2A21	5	70-3	RE26739	2C2	7	70-35
CH20240	1J5	7	60-14	M804267	1E14	8	30-41	RE26740	2C2	7	70-35
CH20241	1J6	7	60-15	M805280	1F2	17	40-11	RE27284	1E15	3	30-42
CH20242	1D23	3	30-25	M805280	1F3	2	40-11A	RE27284	2B11	12	70-18
CH20255	1G17	19	50-11	M805280	1F5	14	40-13	RE29864	1F11	16	40-19
CH20257	1G19	32	50-13	M805524	1F19	28	40-25	RE35992	1A21	3	20-2
CH20257	1G19	33	50-13	M805524	1F21	54	40-27	RE38707	1F11	8	40-19
CH20711	1B12	8	20-19	M805710	1C7	8	20-39	RE39829	2C7	14	70-41
CH20711	1B14	24	20-21	M805711	1C7	9	20-39	RE39829	2C7	..	70-41
CH20712	1B12	8	20-19	M805711	1C21	8	20-53	RE43025	1F11	14	40-19
CH20712	1B14	24	20-21	M82224	2C9	9	70-43	RE43025	1F13	17	40-19B
CH20714	1B12	8	20-19	M88031	1D25	11	30-27	RE46317	1F11	8	40-19
CH20714	1B14	24	20-21	N101344	2C2	5	70-35	RE46317	1F13	11	40-19B
CH20715	1B12	8	20-19	N115096	1G2	11	40-33	RE46414	1F13	12	40-19B
CH20715	1B14	24	20-21	N140001	2C20	3	70-54	RW26466	1F11	16	40-19
CH20717	1B22	6	20-29	N140559	2C20	21	70-54	RW26466	1F13	20	40-19B
CH20754	1C11	28	20-43	N186901	2C2	2	70-35	R105941	1F11	7	40-19
CH20754	1C15	25	20-47	N186901	2C7	9	70-41	R105942	1F11	7	40-19
CH20755	2D25	27	80-23	N85299	2C20	13	70-54	R105942	1F13	10	40-19B
CH20756	2D25	35	80-23	N85302	2C20	6	70-54	R105943	1F11	7	40-19
CH20757	1H14	16	50-35	N85304	2C20	7	70-54	R117681	2E8	1	80-31
DE13238	1C15	9	20-47	PT13744	1A23	17	20-5	R120106	1F11	7	40-19
D2361R	1J12	17	60-21	PT13744	1A25	26	20-7	R120106	1F13	10	40-19B
F2863R	1J4	24	60-13	PT13744	1B12	17	20-19	R120107	1F11	7	40-19
F2863R	1J12	8	60-21	PT13744	1B14	1	20-21	R120107	1F13	10	40-19B
F3171R	1J12	10	60-21	PT13744	1H2	19	50-21	R120108	1F11	7	40-19

1L24

1250, 1450 AND 1650 TRACTORS

NUMERICAL INDEX - CONTINUED

PART NO.	GRID	KEY	PAGE	PART NO.	GRID	KEY	PAGE	PART NO.	GRID	KEY	PAGE
R120108	1F13	10	40 - 19B	R51681	2D19	9	80 - 17	R66321	1F24	6	40 - 31
R120112	2E6	2	80 - 29	R52119	2E18	32	90 - 9	R66321	1G2	24	40 - 33
R120113	2E8	5	80 - 31	R52119	2E18	35	90 - 9	R66432	2B24	1	70 - 32
R135655	1J12	6	60 - 21	R52691	2C9	1	70 - 43	R66949	2D18	1	80 - 16
R1836R	2C2	4	70 - 35	R52691	2C11	1	70 - 45	R67190	2D14	6	80 - 13
R18741	2B25	6	70 - 33	R53528	2E18	10	90 - 9	R67472	2E6	6	80 - 29
R21551	2E18	31	90 - 9	R54779	2E18	5	90 - 9	R70084	2E8	1	80 - 31
R26287	1J12	12	60 - 21	R54781	2E18	4	90 - 9	R70210	1G4	41	40 - 35
R26375	1J12	15	60 - 21	R54782	2E18	7	90 - 9	R70211	1G4	40	40 - 35
R26375	2A23	18	70 - 5	R55033	1H10	16	50 - 31	R70212	1G4	41	40 - 35
R26375	2B15	23	70 - 22	R55033	1H12	15	50 - 33	R70213	1G4	40	40 - 35
R26375	2C15	2	70 - 49	R55151	2D12	..	80 - 11	R70214	1G4	41	40 - 35
R26375	2C15	16	70 - 49	R55259	2D13	2	80 - 12	R70215	1G4	40	40 - 35
R26375	2C17	2	70 - 51	R55326	2E18	1	90 - 9	R70216	1G4	41	40 - 35
R26552	1H2	4	50 - 21	R55326	2E18	11	90 - 9	R70217	1G4	40	40 - 35
R26552	1H2	20	50 - 21	R55326	2E18	25	90 - 9	R70218	1G4	41	40 - 35
R26552	1H17	10	50 - 39	R55602	2D16	2	80 - 14	R70219	1G4	40	40 - 35
R26906	1J12	4	60 - 21	R56026	1F16	3	40 - 22	R70220	1G4	50	40 - 35
R26906	2C12	6	70 - 46	R56410	1F16	4	40 - 22	R70221	1G4	39	40 - 35
R26906	2C13	3	70 - 47	R56903	2E8	2	80 - 31	R70222	1G4	38	40 - 35
R27166	2C20	4	70 - 54	R56920	2D16	3	80 - 14	R71828	2E6	4	80 - 29
R27237	2C15	15	70 - 49	R58262	2B24	3	70 - 32	R72542	2E6	3	80 - 29
R27237	2C17	9	70 - 51	R60101	2E18	23	90 - 9	R73933	1J12	25	60 - 21
R28493	2D17	2	80 - 15	R60101	2E20	..	90 - 11	R74214	2C9	15	70 - 43
R29936	1J12	2	60 - 21	R60103	2E18	24	90 - 9	R74405	2E8	3	80 - 31
R30378	1G4	43	40 - 35	R60104	2E18	42	90 - 9	R74406	2E8	6	80 - 31
R31491	2D14	4	80 - 13	R60459	2E18	36	90 - 9	R74407	2E8	7	80 - 31
R32011	1F24	1	40 - 31	R61179	2E18	8	90 - 9	R74408	2E8	8	80 - 31
R32016	1F24	10	40 - 31	R61500	2E8	4	80 - 31	R74409	2E8	9	80 - 31
R32017	1F24	11	40 - 31	R61775	1F22	7	40 - 28	R76095	2C19	1	70 - 53
R32018	1F24	12	40 - 31	R62922	2E18	16	90 - 9	R76096	2C9	2	70 - 43
R32019	1F24	13	40 - 31	R62925	2E18	22	90 - 9	R76097	2C9	3	70 - 43
R32021	1F24	14	40 - 31	R62926	2E18	13	90 - 9	R76523	2E16	4	90 - 7
R32022	1F24	15	40 - 31	R63325	2F2	2	90 - 17	R76523	2E16	13	90 - 7
R32023	1F24	16	40 - 31	R63679	2E18	33	90 - 9	R76815	1F22	3	40 - 28
R32024	1G6	3	40 - 37	R63679	2E18	34	90 - 9	R77456	1G2	27	40 - 33
R32025	1G6	4	40 - 37	R63679	2E18	39	90 - 9	R77457	1G2	29	40 - 33
R32026	1F24	17	40 - 31	R64064	2E8	5	80 - 31	R77458	1G2	28	40 - 33
R32026	1G4	48	40 - 35	R65287	2C20	8	70 - 54	R77459	1G2	28	40 - 33
R32027	1F24	18	40 - 31	R65593	1F24	4	40 - 31	R77460	1G2	28	40 - 33
R32028	1F24	19	40 - 31	R65594	1F24	2	40 - 31	R77461	1G2	28	40 - 33
R32029	1F24	20	40 - 31	R65595	1F24	21	40 - 31	R77462	1G2	25	40 - 33
R34557	1E25	2	40 - 9	R65595	1G2	11	40 - 33	R77463	1G2	30	40 - 33
R34801	2D15	3	80 - 13A	R65596	1F24	22	40 - 31	R77464	1G2	26	40 - 33
R375R	2C20	10	70 - 54	R65597	1F24	23	40 - 31	R77465	1G2	31	40 - 33
R39112	1J12	14	60 - 21	R65598	1F24	24	40 - 31	R77466	1G2	33	40 - 33
R39112	2A23	17	70 - 5	R65599	1F24	25	40 - 31	R77467	1G2	34	40 - 33
R39112	2B15	22	70 - 22	R65600	1F24	26	40 - 31	R77468	1G2	32	40 - 33
R41778	2E16	7	90 - 7	R65601	1F24	27	40 - 31	R77469	1G4	35	40 - 35
R41781	2E16	1	90 - 7	R65602	1F24	28	40 - 31	R77470	1G4	45	40 - 35
R42009	2C15	11	70 - 49	R65602	1G4	49	40 - 35	R77471	1G4	45	40 - 35
R42009	2C17	6	70 - 51	R65603	1F24	29	40 - 31	R77472	1G4	45	40 - 35
R44302	1E2	3	30 - 29	R65604	1F24	30	40 - 31	R77473	1G4	45	40 - 35
R44302	1E4	10	30 - 31	R65605	1F24	31	40 - 31	R77474	1G4	44	40 - 35
R44302	1E8	23	30 - 35	R65606	1F24	32	40 - 31	R77475	1G2	13	40 - 33
R44302	1E25	..	40 - 9	R65607	1F24	33	40 - 31	R77476	1G2	3	40 - 33
R44302	1F2	10	40 - 11	R65607	1G4	46	40 - 35	R77477	1G2	4	40 - 33
R44302	1F5	22	40 - 13	R65608	1F24	5	40 - 31	R77478	1G2	15	40 - 33
R44302	1F15	1	40 - 21	R65609	1F24	8	40 - 31	R77479	1G2	5	40 - 33
R44302	1F22	..	40 - 28	R65610	1F24	9	40 - 31	R77480	1G2	6	40 - 33
R48139	2E16	3	90 - 7	R65810	2C9	5	70 - 43	R77481	1G2	7	40 - 33
R48887	1G2	17	40 - 33	R66004	2E6	2	80 - 29	R77482	1G2	8	40 - 33
R495R	1J12	24	60 - 21	R66010	2E6	1	80 - 29	R77483	1G2	16	40 - 33
R49664	1J4	10	60 - 13	R66015	2E6	5	80 - 29	R77484	1G2	19	40 - 33
R49664	1J12	19	60 - 21	R66319	1F24	3	40 - 31	R77485	1G2	21	40 - 33
R51680	2D19	6	80 - 17	R66320	1F24	7	40 - 31	R77486	1G2	22	40 - 33
R51681	2D19	1	80 - 17	R66320	1G2	24	40 - 33	R77487	1G2	23	40 - 33

1L25

1250, 1450 AND 1650 TRACTORS

NUMERICAL INDEX - CONTINUED

PART NO.	GRID	KEY	PAGE	PART NO.	GRID	KEY	PAGE	PART NO.	GRID	KEY	PAGE
R77488	1G4	51	40-35	TY6311	1A20	1	20-1	T21817	1J12	20	60-21
R77489	1F15	13	40-21	TY6312	1A20	1	20-1	T22101	1J12	26	60-21
R77489	1G4	51	40-35	TY6313	1A20	1	20-1	T22645	2E16	15	90-7
R77490	1G4	51	40-35	TY6359	1A20	1	20-1	T23027	2F2	6	90-17
R77491	1G4	54	40-35	TY6360	1A20	1	20-1	T23033	2F2	8	90-17
R77492	1G4	54	40-35	TY6361	1A20	1	20-1	T25338	2D13	2	80-12
R77493	1G4	51	40-35	TY6389	1A20	2	20-1	T25339	2D13	8	80-12
R77494	1G4	55	40-35	TY6390	1A20	2	20-1	T28583	1F24	34	40-31
R77495	1G4	52	40-35	TY6391	1A20	2	20-1	T28583	1G2	1	40-33
R77496	1G4	52	40-35	TY6392	1A20	2	20-1	T28585	1F24	35	40-31
R77497	1G4	53	40-35	TY6393	1A20	2	20-1	T28585	1G2	12	40-33
R77498	1G2	24	40-33	TY6394	1A20	2	20-1	T28586	1G2	14	40-33
R77499	1G2	24	40-33	TY6647	1E18	4	40-1	T29892	2C7	9	70-41
R77500	1G2	24	40-33	TY6649	1E21	5	40-5	T29899	2C7	8	70-41
R77501	1G2	24	40-33	TY6674	1E21	5	40-5	T33745	2E18	38	90-9
R77502	1G4	56	40-35	TY6716	1E21	5	40-5	T34067	1G2	18	40-33
R77503	1G4	56	40-35	TY9371	2F5	1	90-20	T49189	1J4	7	60-13
R77511	2F2	1	90-17	T111401	1E6	11	30-33	T49189	1J12	9	60-21
R78904	2C13	1	70-47	T111562	1B18	3	20-25	U11030	2C12	9	70-46
R79369	2C11	9	70-45	T111562	1B20	6	20-27	U11030	2C13	6	70-47
R81221	2E18	19	90-9	T116143	1F2	20	40-11	U46166	2B11	17	70-18
R81222	2E18	21	90-9	T116143	1F5	17	40-13	U46166	2B15	24	70-22
R81223	2E18	14	90-9	T12553	2B24	4	70-32	U46370	1F24	36	40-31
R81424	2E16	11	90-7	T13119	2C20	2	70-54	U46370	1G2	20	40-33
R82236	1F11	13	40-19	T134452	1E21	6	40-5	U46456	1G24	19	50-19
R82236	1F13	16	40-19B	T134452	2E4	18	80-27	U46662	1F15	12	40-21
R82237	1F11	11	40-19	T134453	1E21	6	40-5	U46662	1F24	37	40-31
R82237	1F13	14	40-19B	T134453	2E4	18	80-27	U46662	1G2	10	40-33
R82238	1F11	12	40-19	T134454	1E21	6	40-5	U46663	1F24	38	40-31
R82238	1F13	15	40-19B	T134454	2E4	18	80-27	U46664	1F24	39	40-31
R82239	1F11	10	40-19	T134455	1E21	6	40-5	U46664	1G4	47	40-35
R82239	1F13	13	40-19B	T134455	2E4	18	80-27	W14650	2C20	19	70-54
R82243	1F11	9	40-19	T134456	1E21	6	40-5	W14652	2C20	11	70-54
R82243	1F13	18	40-19B	T134456	2E4	18	80-27	W14653	2C20	20	70-54
R82355	1F11	4	40-19	T134459	1E21	6	40-5	W14655	2C20	18	70-54
R82355	1F13	4	40-19B	T134459	2E4	18	80-27	W23206	2C20	15	70-54
R82423	1F15	8	40-21	T146102	1E21	6	40-5	W23207	2C20	14	70-54
R82424	2E4	8	80-27	T146102	2E4	18	80-27	W25405	2C20	1	70-54
R82547	2C12	3	70-46	T146104	1E21	6	40-5	18940	2C2	3	70-35
R83055	1F15	9	40-21	T146104	2E4	18	80-27	21830	2A25	8	70-7
R83104	2E6	2	80-29	T146106	1E21	6	40-5	400R	1H10	23	50-31
R83109	1F15	11	40-21	T146106	2E4	18	80-27	400R	1H23	33	50-45
R84158	1F15	13	40-21	T146515	1E21	6	40-5				
R87527	2E4	8	80-27	T146515	2E4	18	80-27				
R87527	2E16	1	90-7	T146516	1E21	6	40-5				
R93219	1G6	7	40-37	T146516	2E4	18	80-27				
R93220	1G6	7	40-37	T146517	1E21	6	40-5				
R93221	1G6	7	40-37	T146517	2E4	18	80-27				
R93222	1G6	7	40-37	T19044	1C11	5	20-43				
R99350	2E18	10	90-9	T19044	1C13	28	20-45				
TY15131	2E24	7	90-15	T19044	1C15	23	20-47				
TY15243	2F4	1	90-19	T19044	1E15	2	30-42				
TY16005	1A21	3	20-2	T19065	2D12	6	80-11				
TY21741	1F2	2	40-11	T19293	2D17	3	80-15				
TY21741	1F5	2	40-13	T19566	1A21	2	20-2				
TY22007	1A20	2	20-1	T19638	2D10	4	80-9				
TY22008	1A20	2	20-1	T19638	2D12	6	80-11				
TY22009	1A20	1	20-1	T21483	2D14	1	80-13				
TY22010	1A20	2	20-1	T21689	2D15	4	80-13A				
TY22011	1A20	2	20-1	T21742	2D10	3	80-9				
TY2615	2E23	1	90-14	T21743	2D12	11	80-11				
TY6106	1F5	2	40-13	T21806	1J12	1	60-21				
TY6280	1A20	1	20-1	T21810	1J12	5	60-21				
TY6297	1A20	1	20-1	T21811	1J12	6	60-21				
TY6298	1A20	1	20-1	T21812	1J12	7	60-21				
TY6300	1A20	1	20-1	T21813	1J12	11	60-21				
TY6301	1A20	1	20-1	T21816	1J12	16	60-21				