

## JOHN DEERE 670 TRACTOR

MP6409 -UN-01JAN94



1989 MODEL (SERIAL NUMBER M00670A001001-010000)  
1990 MODEL (SERIAL NUMBER M00670A010001-104012)  
1991 MODEL (SERIAL NUMBER M00670A104013-114750)  
1992 MODEL (SERIAL NUMBER M00670A114751-120000)  
1993 MODEL (SERIAL NUMBER M00670A120001-130000)  
1994 MODEL (SERIAL NUMBER M00670A130001-140000)  
1995 MODEL (SERIAL NUMBER M00670A140001-150000)  
1996 MODEL (SERIAL NUMBER M00670A150001-160000)  
1997 MODEL (SERIAL NUMBER M00670A160001- )

EUROPEAN VERSION 1990 MODEL (SERIAL NUMBER M00670C001001-011146)  
EUROPEAN VERSION 1991 MODEL (NONE MANUFACTURED)  
EUROPEAN VERSION 1992 MODEL (SERIAL NUMBER M00670C011147-020000)  
EUROPEAN VERSION 1993 MODEL (SERIAL NUMBER M00670C020001-030000)  
EUROPEAN VERSION 1994 MODEL (SERIAL NUMBER M00670C030001-040000)  
EUROPEAN VERSION 1995 MODEL (SERIAL NUMBER M00670C040001-050000)

*(SPECIFICATIONS AND DESIGN SUBJECT TO CHANGE WITHOUT NOTICE)*

## JOHN DEERE 770 TRACTOR

MP6408 -UN-01JAN94



1989 MODEL (SERIAL NUMBER M00770A001001-010000)  
1990 MODEL (SERIAL NUMBER M00770A010001-105926)  
1991 MODEL (SERIAL NUMBER M00770A105927-116950)  
1992 MODEL (SERIAL NUMBER M00770A116951-120000)  
1993 MODEL (SERIAL NUMBER M00770A120001-130000)  
1994 MODEL (SERIAL NUMBER M00770A130001-140000)  
1995 MODEL (SERIAL NUMBER M00770A140001-150000)  
1996 MODEL (SERIAL NUMBER M00770A150001- )

*(SPECIFICATIONS AND DESIGN SUBJECT TO CHANGE WITHOUT NOTICE)*

## SECTION INDEX

GENERAL INFORMATION .....	10
ENGINE .....	20
FUEL AND AIR .....	30
ELECTRICAL .....	40
POWER TRAIN .....	50
STEERING AND BRAKES .....	60
HYDRAULICS .....	70
WHEELS, FRONT AXLES, SHEET METAL .....	80
OPERATOR'S STATION .....	90
NUMERICAL INDEX .....	95

## PRODUCT IDENTIFICATION AND SERIAL NUMBER PLATE

AN INDIVIDUAL PRODUCT IDENTIFICATION AND SERIAL NUMBER IS ASSIGNED TO EACH MACHINE. WHEN WRITING ABOUT OR FILLING OUT WARRANTY CLAIMS, USE ALL THE CHARACTERS SHOWN ON THE PLATE.

EXAMPLE: M00670A114751

M0- FACTORY DESIGNATION (HORICON WORKS)  
0670- MODEL OR MACHINE DESIGNATION COMPACT UTILITY TRACTOR  
A- CONFIGURATION CODE (COLLAR TRANSMISSION)  
114751- SERIAL NUMBER

## PRODUCT CONFIGURATION CODE

THE CONFIGURATION "ALPHA" CODE IDENTIFIES A VARIATION OF A PRODUCT. (EXAMPLE: A 116 LAWN TRACTOR MAY BE MANUFACTURED AS A HYDROSTATIC OR MANUAL UNIT, AND BE SHIPPED WITH A 970MM OR 1170MM MOWER. FOUR VARIATIONS OF THE 116 LAWN TRACTOR EXIST.)

IT ALSO IDENTIFIES DIFFERENT PRODUCTS WHICH HAVE THE SAME MODEL OR MACHINE DESIGNATION. (EXAMPLE: 216 TRACTOR AND 216 TILLER)

IF NO CONFIGURATION "ALPHA" CODE IS REQUIRED, SPACE IS FILLED IN WITH AN "X".

## SERIAL NUMBER LISTING INFORMATION

SERIAL NUMBER INFORMATION IS LISTED TO SHOW ON WHICH MACHINES EACH PART CAN BE USED; FOR EXAMPLE:

- THE PART CAN BE USED ON ALL MACHINES.
- 000000 - THE PART CAN BE USED ON MACHINES BEGINNING WITH THE SERIAL NUMBER LISTED.
- 000000 THE PART CAN BE USED ON MACHINES UP TO AND INCLUDING THE SERIAL NUMBER LISTED.
- 000000 - 000000 THE PART CAN BE USED ON MACHINES BETWEEN AND INCLUDING THE SERIAL NUMBERS LISTED.

WHEN XXXXXX'S ARE LISTED IN PLACE OF A SERIAL NUMBER, A SERIAL NUMBER CHANGE WAS MADE, BUT THE EXACT SERIAL NUMBER WAS NOT AVAILABLE WHEN THE CATALOG WAS PRODUCED.

## **BOX-ENCLOSED ILLUSTRATIONS**

A KEY NUMBER, SHOWN IN THE PARTS LIST, IS ASSIGNED TO A BOX ENCLOSING ALL PARTS SOLD AS A SERVICE ASSEMBLY.

## **BOLT AND CAP SCREW STRENGTH IDENTIFICATION**

BOLTS AND CAP SCREWS REQUIRED TO HAVE HIGH-STRENGTH QUALITIES EQUIVALENT TO SAE GRADE 8 ARE IDENTIFIED THROUGHOUT THIS CATALOG BY THE DESCRIPTION HS SAE 8 (10.9 FOR METRIC). ALL STANDARD BOLTS AND CAP SCREWS ARE SAE GRADE 5 (METRIC 8.8) OR LOWER.

## **WHOLE GOODS LISTINGS**

WHOLE GOODS ARE LISTED IN BOLD FACE TYPE. REFER TO LAWN AND GROUNDS CARE SALES MANUAL FOR WHOLE GOODS ORDERING INFORMATION. ORDER SEPARATELY. DO NOT INCLUDE ON REPLACEMENT PARTS ORDER.

## **DIRECTION ARROW**

ARROWS ARE USED WITH ILLUSTRATIONS TO INDICATE THE FRONT OF THE UNIT. "RIGHT-HAND" AND "LEFT-HAND" SIDES ARE DETERMINED BY FACING IN THE DIRECTION OF MACHINE FORWARD TRAVEL.

## **TO THE CUSTOMER**

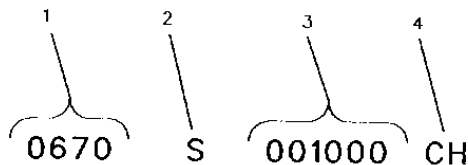
THE PART NUMBERS IN THIS PARTS CATALOG WERE CORRECT AT THE TIME THIS CATALOG WAS PUBLISHED. IT IS OUR POLICY TO CONSTANTLY IMPROVE OUR MACHINES; THEREFORE, PART NUMBERS MAY CHANGE WHEN ORDERING PARTS. VERIFY PART NUMBERS THROUGH YOUR DEALER.

## TRACTOR SERIAL NUMBER

EACH 670 OR 770 TRACTOR HAS THE FOLLOWING SERIAL NUMBER PLATES: BASIC TRACTOR AND ENGINE.

### 670 TRACTOR SERIAL NUMBER UP TO XXXXXX 770 TRACTOR SERIAL NUMBER UP TO XXXXXX

MP6414 -UN-01JAN94

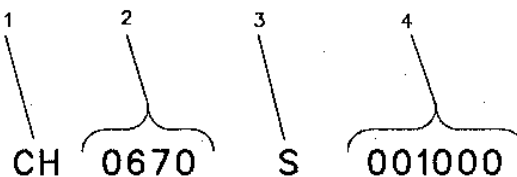


MP6414

- |                                     |                  |
|-------------------------------------|------------------|
| 1. DESIGNATES TRACTOR MODEL         | 670 OR 770       |
| 2. DESIGNATES TRANSMISSION TYPE     | S - SLIDING GEAR |
| 3. DESIGNATES TRACTOR SERIAL NUMBER |                  |
| 4. DESIGNATES TRACTOR MANUFACTURER  | CH - YANMAR      |

### 670 TRACTOR SERIAL NUMBER XXXXXX AND UP 770 TRACTOR SERIAL NUMBER XXXXXX AND UP

MP6415 -UN-14MAY96



MP6415

- |                                     |                  |
|-------------------------------------|------------------|
| 1. DESIGNATES TRACTOR MANUFACTURER  | CH - YANMAR      |
| 2. DESIGNATES TRACTOR MODEL         | 670 OR 770       |
| 3. DESIGNATES TRANSMISSION TYPE     | S - SLIDING GEAR |
| 4. DESIGNATES TRACTOR SERIAL NUMBER |                  |

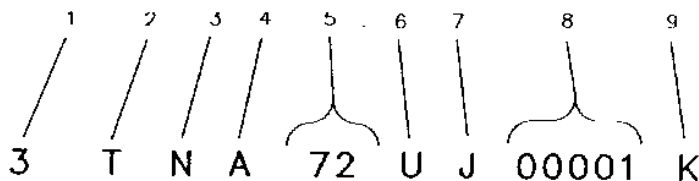
RW1680 -UN-01JAN94



THE BASIC TRACTOR SERIAL NUMBER PLATE IS LOCATED AT THE REAR OF THE TRANSMISSION CASE AT THE PTO SHAFT.

**670 ENGINE SERIAL NUMBER UP TO XXXXXX  
770 ENGINE SERIAL NUMBER UP TO XXXXXX**

MP6413 -UN-01JAN94



**MP6413**

- |                                                                                                                                                                                                                                                                                                                                                                                                           |                                                                                                                                                                                                                                                                                                   |
|-----------------------------------------------------------------------------------------------------------------------------------------------------------------------------------------------------------------------------------------------------------------------------------------------------------------------------------------------------------------------------------------------------------|---------------------------------------------------------------------------------------------------------------------------------------------------------------------------------------------------------------------------------------------------------------------------------------------------|
| <ol style="list-style-type: none"> <li>1. DESIGNATES NUMBER OF CYLINDERS</li> <li>2. DESIGNATES USAGE</li> <li>3. DESIGNATES ENGINE TYPE</li> <li>4. DESIGNATES ENGINE STROKE</li> <li>5. DESIGNATES BORE DIAMETER</li> <li>6. DESIGNATES SLEEVELESS ENGINE</li> <li>7. DESIGNATES DISTRIBUTING COMPANY</li> <li>8. DESIGNATES ENGINE SERIAL NUMBER</li> <li>9. DESIGNATES ENGINE MANUFACTURER</li> </ol> | <ol style="list-style-type: none"> <li>2 - TWO CYLINDERS</li> <li>3 - THREE CYLINDERS</li> <li>T - TRACTOR</li> <li>N - DIESEL</li> <li>A - SHORTER STROKE</li> <li>72 - SEVENTY TWO MILLIMETERS</li> <li>U - SLEEVELESS ENGINE</li> <li>J - JOHN DEERE</li> <li>K - KINOMOTO (YANMAR)</li> </ol> |
|-----------------------------------------------------------------------------------------------------------------------------------------------------------------------------------------------------------------------------------------------------------------------------------------------------------------------------------------------------------------------------------------------------------|---------------------------------------------------------------------------------------------------------------------------------------------------------------------------------------------------------------------------------------------------------------------------------------------------|

RW505 -UN-21APR89



THE ENGINE SERIAL NUMBER IS STAMPED INTO THE LEFT-HAND SIDE OF CYLINDER BLOCK.

TRANSLATED REMARKS  
 REMARQUES TRADUITES  
 UEBERSETZTE ANMERKUNGEN  
 OBSERVACIONES TRADUCIDAS  
 NOTE TRADOTTE  
 OEVERSATTA ANMAERKNINGAR

MP8477 -UN-01JAN94

	ENGLISH	FRANCAIS	DEUTSCH
<b>ALSO ORDER</b>	Also order	Commander aussi	Ebenso bestellen
<b>AMP</b>	Ampere	Ampère	Ampere
<b>AND</b>	And	Et	Und
<b>APPL ONLY</b>	This application only	Uniquement pour cette utilisation	Nur für diese Anwendung
<b>AR</b>	As required	Selon le besoin	Nach bedarf
<b>ASSY</b>	Complete assembly	Ensemble complet	Komplette Baugruppe
<b>COMPLETE</b>	Complete	Complet	Vollständig
<b>FRONT</b>	Front	Avant	Vorn
<b>HP</b>	Horsepower	Puissance en cv	Pferdestärke
<b>ID</b>	Inside diameter	Diamètre intérieur	Innendurchmesser
<b>INCLUDES</b>	Includes	Comprend	Enthält
<b>INCLUDES PARTS MARKED</b>	Includes parts marked	Comprend les pièces marquées	Enthält gekennzeichnete Teile
<b>KIT</b>	Kit	Jeu	Satz
<b>LH</b>	Left-hand	Gauche	Links
<b>LOWER</b>	Lower	Inférieur	Unten
<b>MAKE FROM</b>	Make from	Réaliser avec	Herstellen von
<b>MARKED</b>	Marked	Marqué	Markiert
<b>MFWD</b>	Mechanical front wheel drive	Traction avant mécanique	Mechanischer frontradantrieb
<b>NLA</b>	No longer available	Epuisé	Nicht mehr lieferbar
<b>NOT USED THIS APPL</b>	Not used this application	Ne sert pas pour cette application	In dieser Anwendung nicht benutzt
<b>NSEP</b>	Not supplied separately	Non livré séparément	Einzel nicht lieferbar
<b>OD</b>	Outside diameter	Diamètre extérieur	Außendurchmesser
<b>OPTIONAL</b>	Optional	En option	Wahlweise
<b>OR</b>	Or	Ou	Oder
<b>ORDER</b>	Order	Commander	Bestelle
<b>OS</b>	Oversize	Surdimensionné	Uebergrösse
<b>PKG</b>	Package	Par paquet de	Verpackt zu
<b>REAR</b>	Rear	Arrière	Hinten
<b>RH</b>	Right-hand	Droit	Rechts
<b>SN</b>	Serial number	Numéro de série	Seriennummer
<b>STD</b>	Standard	Standard	Standard
<b>SUB</b>	Replaced by	Remplacé par	Ersetzt durch
<b>SUB FOR</b>	Substitutes for	Remplace	Ersatz für
<b>TEETH</b>	Gear and sprocket teeth number	Nombre de dents des pignons	Zahnezahl für Ketten-und Zahnrad
<b>UPPER</b>	Upper	Supérieur	Oben
<b>US</b>	Undersize	Sous-dimensionné	Untergrosse
<b>USE WITH</b>	Use with	A utiliser avec	Benutzen mit
<b>W/</b>	With	Avec	Mit
<b>W/O</b>	Without	Sans	Ohne

MP8477



TRANSLATED REMARKS  
 REMARQUES TRADUITES  
 UEBERSETZTE ANMERKUNGEN  
 OBSERVACIONES TRADUCIDAS  
 NOTE TRADOTTE  
 OEVERSATTA ANMAERKNINGAR

MP8478 -UN-01JAN94

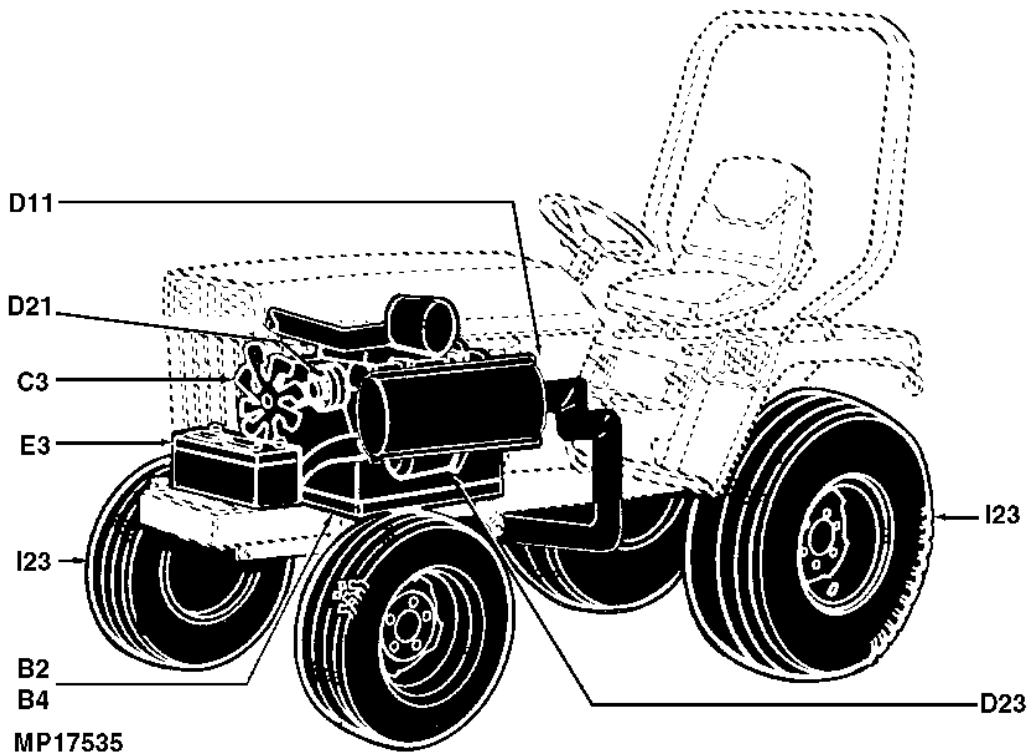
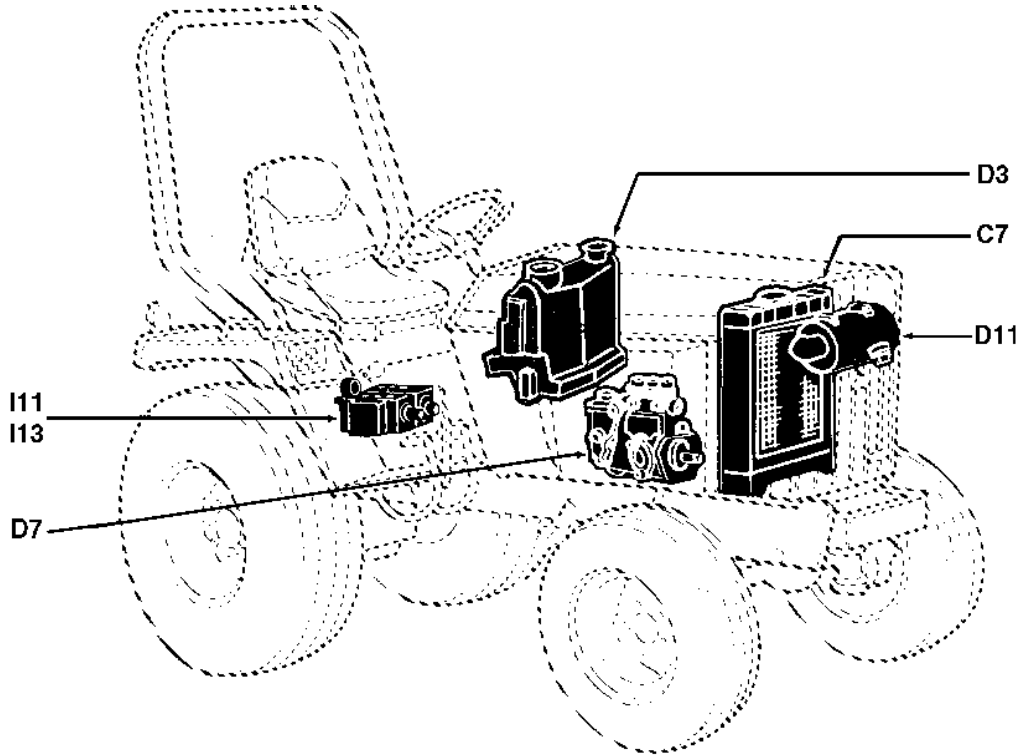
	ITALIANO	ESPAÑOL	SVENSKA
ALSO ORDER	Ordinare anche	Pedir también	Beställ även
AMP	Ampere	Amperio	Ampere
AND	E	Y	Och
APPL ONLY	Solo per questo impiego	Tan sólo para este propósito	Endast för denna användning
AR	Secondo necessità	Según necesidad	Vid behov
ASSY	Gruppo completo	Conjunto completo	Komplett sats
COMPLETE	Completo	Completo	Fullständig
FRONT	Anteriore	Frente	Fram
HP	Potenza in cavalli	Potencia	Hästkraft
ID	Diámetro interno	Diámetro interior	Inre diameter
INCLUDES	Include	Incluye	Inkluderar
INCLUDES PARTS MARKED	Include le parti indicate	Incluye las piezas marcadas	Inkluderar markerade delar
KIT	Corredo	Juego	Sats
LH	Sinistra	Izquierda	Vänster sida
LOWER	Inferiore	Más bajo	Nedre
MAKE FROM	Fabbricare di	Hacer de	Tillverka av
MARKED	Marcato	Marcado	Märkt
MFWD	Trazione anteriore meccanica	Tracción delantera mecánica	Mekanisk framhjulsdrift
NLA	Non più disponibile	Descontinuado	Ej längre tillgänglig
NOT USED THIS APPL	Non usato in questa applicazione	No se usa en esta aplicación	Ej använd i detta sammanhang
NSEP	Non fornito separatamente	No se suministra por separado	Kan ej erhållas separat
OD	Diámetro externo	Diámetro exterior	Yttre diameter
OPTIONAL	Opzionale	Opcional	Valfri
OR	Oppure	O	Eller
ORDER	Ordinare	Pídase	Order, rekvisition
OS	Extra grande	Sobretamaño	Överdimensionerad
PKG	In confezione da	Por paquete de	I sats eller paket
REAR	Posteriore	Trasero	Bak, bakre
RH	Destra	Derecha	Höger
SN	Numero di serie	Número de serie	Serienummer
STD	Standard	Normal	Standard
SUB	Sostituito per	Sustituido por	Ersatt med
SUB FOR	Sostituisce	Sustitucion para	Ersätter
TEETH	No. denti corona o pignone	Número de dientes de los engranajes	Antal tänder på drev och kuggjul
UPPER	Superiore	Superior	Övre
US	Extra piccolo	Subtamaño	Underdimensionerad
USE WITH	Usare con	Usar con	Använd med
W/	Con	Con	Med, inklusive
W/O	Senza	Sin	Utan, exklusive

MP8478

# A11

PRIMARY INDEX  
INDEX PRINCIPAL  
HAUPTINDEX  
INDICE PRINCIPALE  
INDICE DE MATERIAS  
HUVUDFORTECKNING

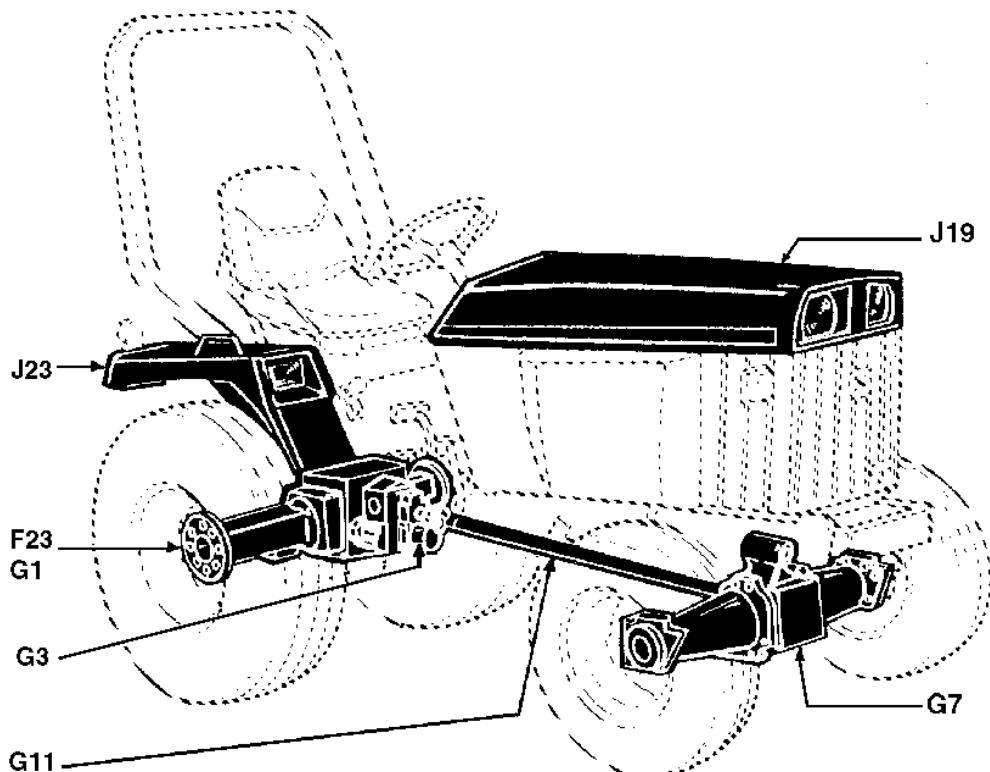
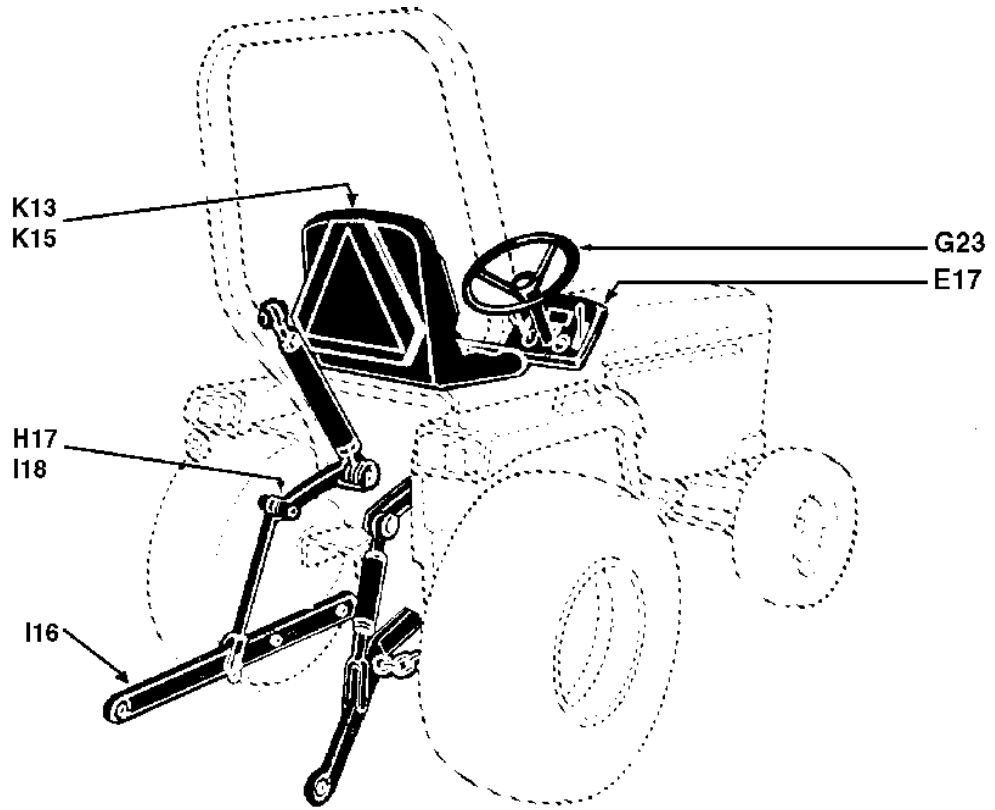
MP17535 -UN-23MAY97



MP17535

PRIMARY INDEX  
INDEX PRINCIPAL  
HAUPTINDEX  
INDICE PRINCIPALE  
INDICE DE MATERIAS  
HUVUDFORTECKNING

MP17536 -UN-23MAY97



MP17536

## ALPHABETICAL INDEX

GRID		PAGE	GRID		PAGE
	A			C	
G3	ACCELERATOR FOOT PEDAL AND LEVER.....	50-32	E13	CABLE, BATTERY (EUROPEAN VERSION) .....	40-20
C13	ADAPTER, BLOCK HEATER (OPTIONAL).....	20-40	E3	CABLE, BATTERY (NORTH AMERICAN VERSION).....	40-10
D15	AIR CLEANER (DUAL ELEMENT) (670 S.N. 104013- ) (770) .....	30-18	B21	CAMSHAFT AND TAPPETS (670) .....	20-24
D11	AIR CLEANER (SINGLE ELEMENT) (670).....	30-14	B22	CAMSHAFT AND TAPPETS (770) .....	20-25
D13	AIR CLEANER (SINGLE ELEMENT) (770).....	30-16	B21	CAMSHAFT GEAR (670) .....	20-24
J12	AIR CLEANER BRACKET .....	80-19	B22	CAMSHAFT GEAR (770) .....	20-25
D19	AIR HEATER .....	40-2	B21	CAMSHAFT, FUEL INJECTION PUMP (670).....	20-24
J15	AIR SHIELD PLATE .....	80-22	B22	CAMSHAFT, FUEL INJECTION PUMP (770).....	20-25
D21	ALTERNATOR .....	40-4	K6	CANOPY, STEEL .....	90-1
I5	ARM, BUCKET CONTROL .....	70-20	B5	CAP, ENGINE GEARCASE OIL (670) .....	20-8
I12	ARM, DRAFT .....	70-28	B7	CAP, ENGINE GEARCASE OIL (770) .....	20-10
H13	ARM, LIFT.....	70-6	D3	CAP, FUEL FILLER .....	30-6
F7	ARM, PTO AND RANGE SHIFTER.....	50-12	B13	CAP, OIL FILLER (670) .....	20-16
B17	ARM, ROCKER (670).....	20-20	B16	CAP, OIL FILLER (770) .....	20-19
B19	ARM, ROCKER (770).....	20-22	C7	CAP, RADIATOR .....	20-34
H13	ARM, ROCKSHAFT CRANK AND FEEDBACK .....	70-6	B5	CASE, GEAR (ENGINE) (670).....	20-8
G1	ARM, SHIFT .....	50-30	B7	CASE, GEAR (ENGINE) (770).....	20-10
G5	ARM, STEERING (MFWD).....	50-34	C9	CASE, GOVERNOR (670) .....	20-36
J5	ARM, STEERING (2WD) (MANUAL STEERING) .....	80-12	C11	CASE, GOVERNOR (770) .....	20-38
J7	ARM, STEERING (2WD) (POWER STEERING).....	80-14	G13	CASE, MID PTO.....	50-42
G17	ARM, STEERING GEAR .....	60-1	H9	CASE, ROCKSHAFT VALVE .....	70-2
G5	AXLE HOUSING, FRONT (MFWD) .....	50-34	I15	CENTER LINK AND BRACKET (3-POINT HITCH).....	70-31
F21	AXLE HOUSING, REAR.....	50-26	F9	CENTER PLATE KIT, TRANSMISSION .....	50-14
G7	AXLE SHAFT, FRONT (MFWD) .....	50-36	I12	CHAIN, SWAY .....	70-28
F23	AXLE SHAFT, REAR .....	50-28	H9	CHECK VALVE POPPET.....	70-2
J5	AXLE, FRONT & TIE ROD (MANUAL STEERING) .....	80-12	J12	CLAMP, AIR CLEANER .....	80-19
J7	AXLE, FRONT & TIE ROD (POWER STEERING).....	80-14	F1	CLUTCH (DUAL) .....	50-6
	B		E24	CLUTCH (SINGLE).....	50-4
B13	BAFFLE, BREATHER (670).....	20-16	J17	CLUTCH COVER .....	80-24
B16	BAFFLE, BREATHER (770).....	20-19	E22	CLUTCH HOUSING .....	50-2
I21	BAR TIRE (MFWD) .....	80-4	J17	CLUTCH HOUSING COVER .....	80-24
I19	BAR TIRE (2WD) .....	80-2	E24	CLUTCH PEDAL (SINGLE CLUTCH) .....	50-4
E3	BATTERY AND CABLE .....	40-10	F1	CLUTCH PLATE (DUAL CLUTCH) .....	50-6
B1	BEARINGS, MAIN (670).....	20-4	G18	COLUMN, STEERING (MANUAL) .....	60-2
B3	BEARINGS, MAIN (770).....	20-6	G20	COLUMN, STEERING (POWER).....	60-4
K9	BELT, SEAT .....	90-4	C1	CONNECTING ROD.....	20-28
C3	BELT, WATER PUMP (670).....	20-30	C23	CONNECTORS, FUEL LINE (670) .....	30-2
C5	BELT, WATER PUMP (770).....	20-32	D1	CONNECTORS, FUEL LINE (770) .....	30-4
B14	BLOCK HEATER (OPTIONAL) .....	20-17	I5	CONTROL ARM .....	70-20
C13	BLOCK HEATER ADAPTER (OPTIONAL) .....	20-40	E3	CONTROL BOX (RELAY MODULE) .....	40-10
B1	BLOCK, CYLINDER ASSEMBLY (670) .....	20-4	H11	CONTROL VALVE, ROCKSHAFT .....	70-4
B3	BLOCK, CYLINDER ASSEMBLY (770).....	20-6	E19	CONTROLLER, TURN SIGNAL.....	40-26
H3	BRAKE DRUM AND SHOE .....	60-12	C7	COOLANT OVERFLOW BOTTLE .....	20-34
H1	BRAKE PEDAL AND LINKAGE .....	60-10	F13	COUNTERSHAFT AND GEARS .....	50-18
E3	BRAKE SWITCH.....	40-10	I1	COUPLER, REAR HYDRAULIC.....	70-18
H5	BRAKE, PARK (EUROPEAN VERSION) .....	60-14	I3	COUPLER, REAR HYDRAULIC (2 HOSES).....	70-19A
H1	BRAKE, PARK (NORTH AMERICAN VERSION) .....	60-10	I16	COUPLER, SCV HYDRAULIC.....	70-32
B16	BREATHER BAFFLE AND CAP (770) .....	20-19	J17	COVER, CLUTCH HOUSING.....	80-24
B13	BREATHER HOSE (670) .....	20-16	B5	COVER, ENGINE GEAR CASE (670).....	20-8
B16	BREATHER HOSE (770) .....	20-19	B7	COVER, ENGINE GEAR CASE (770).....	20-10
I5	BUCKET CONTROL ARM .....	70-20	G9	COVER, FRONT DRIVE SHAFT (MFWD) .....	50-38
E10	BULB, HEADLIGHT (EUROPEAN VERSION) .....	40-17	E9	COVER, HEADLIGHT (NORTH AMERICAN VERSION).....	40-16
E9	BULB, HEADLIGHT (NORTH AMERICAN VERSION) .....	40-16	E10	COVER, HEADLIGHT (EUROPEAN VERSION).....	40-17
E17	BULB, INSTRUMENT PANEL .....	40-24	G15	COVER, MID PTO LINKAGE.....	50-44
E15	BULB, LICENSE (EUROPEAN VERSION) .....	40-22	G13	COVER, MID PTO SHAFT.....	50-42
E11	BULB, TAIL LIGHT (EUROPEAN VERSION) .....	40-18	F14	COVER, REAR PTO.....	50-19
E7	BULB, TAIL LIGHT (NORTH AMERICAN VERSION).....	40-14	J17	COVER, ROCKSHAFT .....	80-24
			F3	COVER, SHIFT LEVER .....	50-8
			G20	COVER, STEERING SHAFT .....	60-4
			C3	COVER, THERMOSTAT (670).....	20-30
			C5	COVER, THERMOSTAT (770).....	20-32
			B13	COVER, VALVE (670) .....	20-16
			B16	COVER, VALVE (770) .....	20-19
			B23	CRANKSHAFT ASSEMBLY (670) .....	20-26

## ALPHABETICAL INDEX - CONTINUED

GRID		PAGE	GRID		PAGE
B24	CRANKSHAFT ASSEMBLY (770) .....	20 - 27		F	
D3	CUP, FUEL TANK .....	30 - 6	C3	FAN AND PULLEY (670) .....	20 - 30
B1	CYLINDER BLOCK (670) .....	20 - 4	C5	FAN AND PULLEY (770) .....	20 - 32
B3	CYLINDER BLOCK (770) .....	20 - 6	B5	FEED PUMP (670) .....	20 - 8
C14	CYLINDER BLOCK GASKET KIT (670) .....	20 - 42	D7	FEED PUMP (770) .....	30 - 10
C16	CYLINDER BLOCK GASKET KIT (770) .....	20 - 44	J19	FENDERS AND SUPPORTS .....	80 - 26
B17	CYLINDER HEAD ASSEMBLY (670) .....	20 - 20	B13	FILLER CAP, OIL (670) .....	20 - 16
B19	CYLINDER HEAD ASSEMBLY (770) .....	20 - 22	B16	FILLER CAP, OIL (770) .....	20 - 19
B13	CYLINDER HEAD COVER (670) .....	20 - 16	D15	FILTER, AIR (DUAL ELEMENT) (670 S.N. 104013- ) (770) .....	30 - 18
B16	CYLINDER HEAD COVER (770) .....	20 - 19	D11	FILTER, AIR (SINGLE ELEMENT) (670) .....	30 - 14
C18	CYLINDER HEAD GASKET KIT (670) .....	20 - 46	D13	FILTER, AIR (SINGLE ELEMENT) (770) .....	30 - 16
C20	CYLINDER HEAD GASKET KIT (770) .....	20 - 48	B9	FILTER, ENGINE OIL (670) .....	20 - 12
G24	CYLINDER, POWER STEERING (MFWD) .....	60 - 8	B11	FILTER, ENGINE OIL (770) .....	20 - 14
G22	CYLINDER, POWER STEERING (2WD) .....	60 - 6	C23	FILTER, FUEL (670) .....	30 - 2
	D		D1	FILTER, FUEL (770) .....	30 - 4
J13	DASH BOARD SUPPORT AND DASH COVER .....	80 - 20	I11	FILTER, HYDRAULIC OIL .....	70 - 26
J24	DECALS, ENGLISH .....	80 - 32	G10	FINAL DRIVE, FRONT (MFWD) .....	50 - 39
K3	DECALS, FRENCH .....	80 - 36	F23	FINAL DRIVE, REAR .....	50 - 28
K1	DECALS, GERMAN .....	80 - 34	C23	FITTINGS, FUEL LINE (670) .....	30 - 2
F19	DIFFERENTIAL .....	50 - 24	D1	FITTINGS, FUEL LINE (770) .....	30 - 4
F23	DIFFERENTIAL LOCK AND PEDAL .....	50 - 28	B9	FLANGE, ENGINE MOUNTING (670) .....	20 - 12
B1	DIPSTICK AND GUIDE (670) .....	20 - 4	B11	FLANGE, ENGINE MOUNTING (770) .....	20 - 14
B3	DIPSTICK AND GUIDE (770) .....	20 - 6	E3	FLASHER RELAY .....	40 - 10
G5	DIPSTICK, FRONT AXLE HOUSING (MFWD) .....	50 - 34	E13	FLASHER, TURN SIGNAL (EUROPEAN VERSION) .....	40 - 20
F14	DIPSTICK, TRANSMISSION OIL .....	50 - 19	B23	FLYWHEEL AND RING GEAR (670) .....	20 - 26
F1	DISK, CLUTCH (DUAL CLUTCH) .....	50 - 6	B24	FLYWHEEL AND RING GEAR (770) .....	20 - 27
E24	DISK, CLUTCH (SINGLE CLUTCH) .....	50 - 4	B21	FOLLOWER, CAMSHAFT (670) .....	20 - 24
F11	DOG CLUTCH GEAR, TRANSMISSION (DUAL CLUTCH) .....	50 - 16	B22	FOLLOWER, CAMSHAFT (770) .....	20 - 25
F10	DOG CLUTCH GEAR, TRANSMISSION (SINGLE CLUTCH) .....	50 - 15	G3	FOOT PEDAL, ACCELERATOR .....	50 - 32
I12	DRAFT LINKS, BRACKET AND SWAY CHAIN .....	70 - 28	J10	FOOTREST AND BRACKET (670) .....	80 - 17
G17	DRAG LINK .....	60 - 1	J11	FOOTREST AND BRACKET (770) .....	80 - 18
C7	DRAIN COCK, RADIATOR .....	20 - 34	F23	FORK, DIFFERENTIAL .....	50 - 28
H19	DRAIN LINE, REAR HYDRAULIC .....	70 - 12	F7	FORK, PTO AND RANGE SHIFTER .....	50 - 12
B1	DRAIN VALVE CRANKCASE (670) .....	20 - 4	F3	FORK, SHIFTER .....	50 - 8
B3	DRAIN VALVE, CRANKCASE (770) .....	20 - 6	J9	FRAME, FRONT .....	80 - 16
J21	DRAWBAR AND BRACKET .....	80 - 28	J12	FRAME, GRILLE .....	80 - 19
F11	DRIVE GEAR, TRANSMISSION (DUAL CLUTCH) .....	50 - 16	J5	FRONT AXLE AND TIE ROD (MANUAL STEERING) .....	80 - 12
F10	DRIVE GEAR, TRANSMISSION (SINGLE CLUTCH) .....	50 - 15	J7	FRONT AXLE AND TIE ROD (POWER STEERING) .....	80 - 14
G1	DRIVE SHAFT (MFWD) .....	50 - 30	G5	FRONT AXLE HOUSING (MFWD) .....	50 - 34
G9	DRIVE SHAFT, FRONT (MFWD) .....	50 - 38	G9	FRONT DRIVE SHAFT (MFWD) .....	50 - 38
G7	DRIVE SHAFT, FRONT AXLE (MFWD) .....	50 - 36	J9	FRONT FRAME .....	80 - 16
F10	DRIVE SHAFT, TRANSMISSION (SINGLE CLUTCH) .....	50 - 15	J12	FRONT GRILLE .....	80 - 19
F11	DRIVE SHAFT, TRANSMISSION (DUAL CLUTCH) .....	50 - 16	J22	FRONT HITCH, OPTIONAL .....	80 - 30
H3	DRUM, BRAKE .....	60 - 12	J9	FRONT TOW HITCH .....	80 - 16
F1	DUAL CLUTCH ASSEMBLY .....	50 - 6	J22	FRONT WEIGHT BRACKET EXTENSION KIT .....	80 - 30
B23	DUAL CLUTCH FLYWHEEL (670) .....	20 - 26	J9	FRONT WEIGHT SUPPORT .....	80 - 16
B24	DUAL CLUTCH FLYWHEEL (770) .....	20 - 27	C9	FUEL CONTROLLER ASSEMBLY (670) .....	20 - 36
	E		C11	FUEL CONTROLLER ASSEMBLY (770) .....	20 - 38
D19	ELECTRICAL SYSTEM COMPONENTS .....	40 - 2	C23	FUEL FILTER (670) .....	30 - 2
B14	ENGINE COOLANT HEATER .....	20 - 17	D1	FUEL FILTER (770) .....	30 - 4
D11	EXHAUST MANIFOLD (670) .....	30 - 14	E3	FUEL GAUGE SENDER .....	40 - 10
D13	EXHAUST MANIFOLD (770) .....	30 - 16	D5	FUEL INJECTION PUMP, LINES, AND NOZZLE .....	30 - 8
D11	EXHAUST PIPE (670) .....	30 - 14	D7	FUEL INJECTION PUMP, LINES, AND NOZZLE (770) .....	30 - 10
D13	EXHAUST PIPE (770) .....	30 - 16	C23	FUEL LINES (670) .....	30 - 2
B17	EXHAUST VALVE (670) .....	20 - 20	D1	FUEL LINES (770) .....	30 - 4
B19	EXHAUST VALVE (770) .....	20 - 22	D9	FUEL SHUTOFF SOLENOID .....	30 - 12
C7	EXPANSION TANK (RADIATOR) .....	20 - 34	D3	FUEL TANK, BRACKETS AND HOSE .....	30 - 6
C13	EXTENSION, EXHAUST (OPTIONAL) .....	20 - 40	E3	FUSES AND FUSE BOX (NORTH AMERICAN VERSION) .....	40 - 10
			E13	FUSES AND FUSE BOX (EUROPEAN VERSION) .....	40 - 20
			D19	FUSIBLE LINK .....	40 - 2

## ALPHABETICAL INDEX - CONTINUED

GRID		PAGE	GRID		PAGE
	<b>G</b>				
C14	GASKET KIT, CYLINDER BLOCK (670).....	20-42	J22	HITCH, OPTIONAL FRONT.....	80-30
C16	GASKET KIT, CYLINDER BLOCK (770).....	20-44	J15	HOOD AND SIDE PANELS.....	80-22
C18	GASKET KIT, CYLINDER HEAD (670).....	20-46	J12	HOOD ROD.....	80-19
C20	GASKET KIT, CYLINDER HEAD (770).....	20-48	C13	HORIZONTAL EXHAUST EXTENSION (OPTIONAL).....	20-40
B1	GASKET, CYLINDER HEAD (670).....	20-4	E13	HORN (EUROPEAN VERSION).....	40-20
B3	GASKET, CYLINDER HEAD (770).....	20-6	E17	HORN SWITCH.....	40-24
B5	GEAR CASE AND COVER, ENGINE (670).....	20-8	D3	HOSE, FUEL TANK.....	30-6
B7	GEAR CASE AND COVER, ENGINE (770).....	20-10	C7	HOSE, RADIATOR.....	20-34
F3	GEAR SHIFT ASSEMBLY.....	50-8	G5	HOUSING, FRONT AXLE (MFWD).....	50-34
B21	GEAR, CAMSHAFT (670).....	20-24	I1	HYDRAULIC COUPLER KIT, REAR.....	70-18
B22	GEAR, CAMSHAFT (770).....	20-25	I3	HYDRAULIC COUPLER KIT, REAR (2 HOSES).....	70-19A
F13	GEAR, COUNTERSHAFT.....	50-18	H21	HYDRAULIC LINES, PUMP.....	70-14
B23	GEAR, CRANKSHAFT (670).....	20-26	H19	HYDRAULIC LINES, REAR.....	70-12
B24	GEAR, CRANKSHAFT (770).....	20-27	I16	HYDRAULIC LINES, SCV.....	70-32
F23	GEAR, FINAL DRIVE.....	50-28	I11	HYDRAULIC OIL FILTER.....	70-26
B23	GEAR, FLYWHEEL (670).....	20-26	H20	HYDRAULIC PUMP (MANUAL STEERING).....	70-13
B24	GEAR, FLYWHEEL (770).....	20-27	H23	HYDRAULIC PUMP (POWER STEERING).....	70-16
G7	GEAR, FRONT AXLE AND DIFFERENTIAL (MFWD).....	50-36	H19	HYDRAULIC PUMP LINE.....	70-12
G10	GEAR, FRONT FINAL DRIVE (MFWD).....	50-39		<b>I</b>	
B21	GEAR, FUEL INJECTION PUMP (670).....	20-24	B21	IDLE GEAR (670).....	20-24
B22	GEAR, FUEL INJECTION PUMP (770).....	20-25	B22	IDLE GEAR (770).....	20-25
B21	GEAR, IDLE (670).....	20-24	B1	IDLE GEAR SHAFT (670).....	20-4
B22	GEAR, IDLE (770).....	20-25	B3	IDLE GEAR SHAFT (770).....	20-6
B21	GEAR, OIL PUMP (670).....	20-24	E17	IGNITION SWITCH AND KEY.....	40-24
B22	GEAR, OIL PUMP (770).....	20-25	D5	INJECTION LINE, FUEL (670).....	30-8
G10	GEAR, PINION (MFWD).....	50-39	D7	INJECTION LINE, FUEL (770).....	30-10
F9	GEAR, REVERSE IDLER (CENTER PLATE KIT).....	50-14	B21	INJECTION PUMP GEAR (670).....	20-24
F11	GEAR, TRANSMISSION DRIVE (DUAL CLUTCH).....	50-16	B22	INJECTION PUMP GEAR (770).....	20-25
F10	GEAR, TRANSMISSION DRIVE (SINGLE CLUTCH).....	50-15	D5	INJECTOR (670).....	30-8
G13	GEARS, MID PTO.....	50-42	D7	INJECTOR (770).....	30-10
F17	GEARS, PTO (DUAL CLUTCH).....	50-22	E17	INSTRUMENT PANEL.....	40-24
F15	GEARS, PTO (SINGLE CLUTCH).....	50-20	J13	INSTRUMENT PANEL SUPPORT.....	80-20
B17	GLOW PLUG (670).....	20-20	D13	INTAKE AIR HEATER (770).....	30-16
B19	GLOW PLUG (770).....	20-22	D11	INTAKE MANIFOLD (670).....	30-14
C9	GOVERNOR (670).....	20-36	D13	INTAKE MANIFOLD (770).....	30-16
C11	GOVERNOR (770).....	20-38	B17	INTAKE VALVE (670).....	20-20
J12	GRILLE AND FRAME.....	80-19	B19	INTAKE VALVE (770).....	20-22
E13	GROUND CABLE (EUROPEAN VERSION).....	40-20		<b>K</b>	
E3	GROUND CABLE (NORTH AMERICAN VERISON).....	40-10	E17	KEY AND SWITCH, IGNITION.....	40-24
G9	GUARD, FRONT DRIVE SHAFT (MFWD).....	50-38	J5	KING PIN, FRONT AXLE (MANUAL STEERING).....	80-12
J19	GUIDE, ROCKSHAFT CONTROL LEVER.....	80-26	J7	KING PIN, FRONT AXLE (POWER STEERING).....	80-14
B17	GUIDE, VALVE (670).....	20-20		<b>L</b>	
B19	GUIDE, VALVE (770).....	20-22	J24	LABELS, ENGLISH.....	80-32
	<b>H</b>		K3	LABELS, FRENCH.....	80-36
E9	HARNES, HEADLIGHT WIRING (NORTH AMERICAN VERSION).....	40-16	K1	LABELS, GERMAN.....	80-34
E17	HARNES, INSTRUMENT PANEL WIRING.....	40-24	E11	LAMP, TAIL AND SIDE (EUROPEAN VERSION).....	40-18
E7	HARNES, REAR LIGHT.....	40-14	E7	LAMP, WARNING.....	40-14
E13	HARNES, WIRING (EUROPEAN VERSION).....	40-20	E11	LENS, TAIL LIGHT (EUROPEAN VERSION).....	40-18
E3	HARNES, WIRING (NORTH AMERICAN VERSION).....	40-10	G3	LEVER ACCELERATOR.....	50-32
E17	HAZARD SWITCH.....	40-24	J19	LEVER GUIDE, ROCKSHAFT CONTROL.....	80-26
B1	HEAD GASKET (670).....	20-4	F3	LEVER, GEAR SHIFT.....	50-8
B3	HEAD GASKET (770).....	20-6	F7	LEVER, HI-LO RANGE SHIFT.....	50-12
E10	HEADLIGHT (EUROPEAN VERSION).....	40-17	G1	LEVER, MFWD.....	50-30
E9	HEADLIGHT (NORTH AMERICAN VERSION).....	40-16	G11	LEVER, MID PTO.....	50-40
C13	HEATER ADAPTER, BLOCK (OPTIONAL).....	20-40	H1	LEVER, PARK BRAKE (NORTH AMERICAN VERSION).....	60-10
B14	HEATER, ENGINE BLOCK (OPTIONAL).....	20-17	H5	LEVER, PARK BRAKE (EUROPEAN VERSION).....	60-14
D13	HEATER, INTAKE AIR (770).....	30-16	F7	LEVER, PTO.....	50-12
B15	HEATER, TRANSMISSION OIL (OPTIONAL).....	20-18			
F7	HI-LO LEVER.....	50-12			
J21	HITCH PIN.....	80-28			

## ALPHABETICAL INDEX - CONTINUED

GRID		PAGE	GRID		PAGE
H15	LEVER, ROCKSHAFT CONTROL .....	70 - 8		O	
I5	LEVER, SCV .....	70 - 20	B9	OIL FILTER (670) .....	20 - 12
G3	LEVER, THROTTLE .....	50 - 32	B11	OIL FILTER (770) .....	20 - 14
E15	LICENSE BRACKET, LAMP AND WIRING (EUROPEAN VERSION) .....	40 - 22	I11	OIL FILTER, HYDRAULIC .....	70 - 26
H13	LIFT ARM .....	70 - 6	B15	OIL HEATER, TRANSMISSION .....	20 - 18
I14	LIFT LINK .....	70 - 30	B9	OIL PAN (670) .....	20 - 12
B17	LIFTING STRAP (670) .....	20 - 20	B11	OIL PAN (770) .....	20 - 14
E16	LIGHT KIT, WORK .....	40 - 23	B1	OIL PRESSURE SWITCH (670) .....	20 - 4
E17	LIGHT SWITCH .....	40 - 24	B3	OIL PRESSURE SWITCH (770) .....	20 - 6
E15	LIGHT, LICENSE (EUROPEAN VERSION) .....	40 - 22	B9	OIL PRESSURE VALVE ASSEMBLY (670) .....	20 - 12
E7	LIGHT, TAIL (NORTH AMERICAN VERSION) .....	40 - 14	B11	OIL PRESSURE VALVE ASSEMBLY (770) .....	20 - 14
E11	LIGHT, TAIL AND SIDE (EUROPEAN VERSION) .....	40 - 18	B5	OIL PUMP (670) .....	20 - 8
D5	LINE, FUEL INJECTION (670) .....	30 - 8	B7	OIL PUMP (770) .....	20 - 10
D7	LINE, FUEL INJECTION (770) .....	30 - 10	B21	OIL PUMP GEAR (670) .....	20 - 24
H17	LINE, REAR AUXILIARY HYDRAULIC .....	70 - 10	B22	OIL PUMP GEAR (770) .....	20 - 25
H19	LINE, REAR HYDRAULIC .....	70 - 12	C7	OVER FLOW TANK, RADIATOR .....	20 - 34
I16	LINE, SCV HYDRAULIC .....	70 - 32		P	
C23	LINES, FUEL (670) .....	30 - 2	B9	PAN, OIL (670) .....	20 - 12
D1	LINES, FUEL (770) .....	30 - 4	B11	PAN, OIL (770) .....	20 - 14
I15	LINK AND BRACKET, CENTER (3-POINT HITCH) .....	70 - 31	E17	PANEL, INSTRUMENT .....	40 - 24
G17	LINK, DRAG .....	60 - 1	H5	PARK BRAKE (EUROPEAN VERSION) .....	60 - 14
I14	LINK, LIFT .....	70 - 30	H1	PARK BRAKE (NORTH AMERICAN VERSION) .....	60 - 10
H1	LINKAGE, BRAKE .....	60 - 10	H1	PEDAL, BRAKE .....	60 - 10
C9	LINKAGE, GOVERNOR (670) .....	20 - 36	F1	PEDAL, CLUTCH (DUAL CLUTCH) .....	50 - 6
C11	LINKAGE, GOVERNOR (770) .....	20 - 38	E24	PEDAL, CLUTCH (SINGLE CLUTCH) .....	50 - 4
G11	LINKAGE, MID PTO .....	50 - 40	F23	PEDAL, DIFFERENTIAL LOCK .....	50 - 28
H5	LINKAGE, PARK BRAKE (EUROPEAN VERSION) .....	60 - 14	G3	PEDAL, THROTTLE .....	50 - 32
H1	LINKAGE, PARK BRAKE (NORTH AMERICAN VERSION) .....	60 - 10	J21	PIN, HITCH .....	80 - 28
H15	LINKAGE, ROCKSHAFT .....	70 - 8	H13	PIN, ROCKSHAFT ARM .....	70 - 6
G3	LINKAGE, THROTTLE .....	50 - 32	G10	PINION GEAR (MFWD) .....	50 - 39
I12	LINKS, DRAFT .....	70 - 28	F19	PINION GEAR, DIFFERENTIAL .....	50 - 24
F23	LOCK, DIFFERENTIAL .....	50 - 28	D11	PIPE, EXHAUST (670) .....	30 - 14
J15	LOWER DASH COVER .....	80 - 22	D13	PIPE, EXHAUST (770) .....	30 - 16
	M		C1	PISTON WITH RINGS .....	20 - 28
B1	MAIN BEARINGS (670) .....	20 - 4	H9	PISTON, ROCKSHAFT LIFT .....	70 - 2
B3	MAIN BEARINGS (770) .....	20 - 6	G17	PITMAN ARM .....	60 - 1
D11	MANIFOLD, EXHAUST AND INTAKE (670) .....	30 - 14	F1	PLATE, CLUTCH (DUAL CLUTCH) .....	50 - 6
D13	MANIFOLD, EXHAUST AND INTAKE (770) .....	30 - 16	E24	PLATE, CLUTCH (SINGLE CLUTCH) .....	50 - 4
G11	MID PTO BRAKE ARM AND ROD .....	50 - 40	F5	PLATE, TRANSMISSION HOUSING .....	50 - 10
G13	MID PTO HOUSING, GEARS AND COVER .....	50 - 42	B17	PLUG, GLOW (670) .....	20 - 20
G11	MID PTO LEVER AND LINKAGE .....	50 - 40	B19	PLUG, GLOW (770) .....	20 - 22
G15	MID PTO LINKAGE COVER .....	50 - 44	G24	POWER STEERING CONTROL VALVE (MFWD) .....	60 - 8
G13	MID PTO SHAFT COVER .....	50 - 42	G22	POWER STEERING CONTROL VALVE (2WD) .....	60 - 6
J15	MIRROR, REAR VIEW .....	80 - 22	G24	POWER STEERING CYLINDER (MFWD) .....	60 - 8
E3	MODULE, CONTROL .....	40 - 10	G22	POWER STEERING CYLINDER (2WD) .....	60 - 6
B9	MOUNTING FLANGE, ENGINE (670) .....	20 - 12	H21	PRESSURE LINE, HYDRAULIC PUMP .....	70 - 14
B11	MOUNTING FLANGE, ENGINE (770) .....	20 - 14	F1	PRESSURE PLATE (DUAL CLUTCH) .....	50 - 6
D11	MUFFLER (670) .....	30 - 14	E24	PRESSURE PLATE (SINGLE CLUTCH) .....	50 - 4
D13	MUFFLER (770) .....	30 - 16	H9	PRESSURE RELIEF VALVE, ROCKSHAFT .....	70 - 2
	N		F14	PTO COVER .....	50 - 19
E7	NEUTRAL START SWITCH (NORTH AMERICAN VERSION) .....	40 - 14	F7	PTO LEVER .....	50 - 12
E11	NEUTRAL START SWITCH (EUROPEAN VERSION) .....	40 - 18	G15	PTO LINKAGE COVER, MID .....	50 - 44
G13	NEUTRAL START SWITCH (MID PTO) .....	50 - 42	F17	PTO SHAFT AND GEARS (DUAL CLUTCH) .....	50 - 22
D5	NOZZLE, FUEL INJECTION (670) .....	30 - 8	F15	PTO SHAFT AND GEARS (SINGLE CLUTCH) .....	50 - 20
D7	NOZZLE, FUEL INJECTION (770) .....	30 - 10	F14	PTO SHIELD AND BRACKET .....	50 - 19
			B23	PULLEY, CRANKSHAFT (670) .....	20 - 26
			B24	PULLEY, CRANKSHAFT (770) .....	20 - 27
			C3	PULLEY, FAN (670) .....	20 - 30
			C5	PULLEY, FAN (770) .....	20 - 32
			B21	PUMP GEAR, OIL (670) .....	20 - 24
			B22	PUMP GEAR, OIL (770) .....	20 - 25
			B5	PUMP, ENGINE OIL (670) .....	20 - 8
			B7	PUMP, ENGINE OIL (770) .....	20 - 10

**ALPHABETICAL INDEX - CONTINUED**

<i>GRID</i>		<i>PAGE</i>	<i>GRID</i>		<i>PAGE</i>
B5	PUMP, FEED (670)	20-8	G5	ROD, TIE (MFWD)	50-34
D7	PUMP, FEED (770)	30-10	J7	ROD, TIE (POWER STEERING)	80-14
D5	PUMP, FUEL INJECTION (670)	30-8	J22	ROD, WEIGHT LOCK	80-30
D7	PUMP, FUEL INJECTION (770)	30-10	K15	ROLL BAR (EUROPEAN VERSION)	90-10
H20	PUMP, HYDRAULIC (MANUAL STEERING)	70-13	K7	ROLL BAR (NORTH AMERICAN VERSION)	90-2
H23	PUMP, HYDRAULIC (POWER STEERING)	70-16	K15	ROLL GUARD (EUROPEAN VERSION)	90-10
C3	PUMP, WATER (670)	20-30	K7	ROLL GUARD (NORTH AMERICAN VERSION)	90-2
C5	PUMP, WATER (770)	20-32	K15	ROPS (EUROPEAN VERSION)	90-10
B21	PUSH ROD (670)	20-24	K7	ROPS (NORTH AMERICAN VERSION)	90-2
B22	PUSH ROD (770)	20-25	K7	ROPS EXTENSION	90-2
			B5	ROTOR ASSEMBLY (670)	20-8
			B7	ROTOR ASSEMBLY (770)	20-10
	<b>Q</b>				
J19	QUADRANT, ROCKSHAFT CONTROL LEVER	80-26			
I1	QUICK COUPLER KIT, REAR	70-18		<b>S</b>	
I3	QUICK COUPLER KIT, REAR (2 HOSES)	70-19A	I5	SCV LEVER	70-20
I16	QUICK COUPLER, SCV	70-32	H23	SCV LINE (POWER STEERING)	70-16
			I16	SCV LINES AND SUPPORT BRACKET	70-32
	<b>R</b>				
C7	RADIATOR AND HOSE	20-34	I9	SCV VALVE (DANFOSS/DUKES)	70-24
F7	RANGE SHIFTER ARM	50-12	I7	SCV VALVE (KANZAKI)	70-22
H17	REAR AUXILIARY HYDRAULIC LINE KIT	70-10	I5	SCV VALVE, LEVER AND LINKAGE	70-20
F21	REAR AXLE HOUSING	50-26	B9	SEAL, ENGINE OIL (670)	20-12
F23	REAR AXLE SHAFT	50-28	B11	SEAL, ENGINE OIL (770)	20-14
J21	REAR PLATE, PTO	80-28	K11	SEAT (EUROPEAN VERSION)	90-6
I1	REAR QUICK COUPLER KIT	70-18	K9	SEAT (NORTH AMERICAN VERSION)	90-4
I3	REAR QUICK COUPLER KIT (2 HOSES)	70-19A	K9	SEAT BELT	90-4
J15	REAR VIEW MIRROR	80-22	K13	SEAT SUSPENSION (EUROPEAN VERSION)	90-8
J3	REAR WHEEL WEIGHT KIT	80-10	E15	SEAT SWITCH (EUROPEAN VERSION)	40-22
J4	REAR WHEEL WEIGHTS (670)	80-11	E7	SEAT SWITCH (NORTH AMERICAN VERSION)	40-14
E11	REFLECTOR (EUROPEAN VERSION)	40-18	E3	SENDER, FUEL GAUGE	40-10
D21	REGULATOR, VOLTAGE	40-4	C3	SENSOR, WATER TEMPERATURE (670)	20-30
E13	RELAY, STARTER (EUROPEAN VERSION)	40-20	C5	SENSOR, WATER TEMPERATURE (770)	20-32
E3	RELAY, STARTER (NORTH AMERICAN VERSION)	40-10	G10	SHAFT, AXLE (MFWD)	50-39
H9	RELIEF VALVE, ROCKSHAFT PRESSURE	70-2	H1	SHAFT, BRAKE PEDAL	60-10
C7	RESERVOIR, OVERFLOW (RADIATOR)	20-34	F1	SHAFT, CLUTCH (DUAL CLUTCH)	50-6
F13	REVERSE IDLER GEAR	50-18	E24	SHAFT, CLUTCH (SINGLE CLUTCH)	50-4
F9	REVERSE IDLER GEAR (CENTER PLATE KIT)	50-14	F19	SHAFT, DIFFERENTIAL PINION	50-24
I21	RIM, FRONT AND REAR (MFWD)	80-4	G1	SHAFT, DRIVE (MFWD)	50-30
I19	RIM, FRONT AND REAR (2WD)	80-2	G7	SHAFT, FRONT AXLE DRIVE (MFWD)	50-36
I23	RIM, TURF TIRE (670)	80-6	G9	SHAFT, FRONT DRIVE (MFWD)	50-38
J1	RIM, TURF TIRE (770)	80-8	G10	SHAFT, FRONT SPINDLE (MFWD)	50-39
B23	RING GEAR (670)	20-26	G20	SHAFT, POWER STEERING	60-4
B24	RING GEAR (770)	20-27	F17	SHAFT, PTO (DUAL CLUTCH)	50-22
F19	RING GEAR AND PINION, DIFFERENTIAL	50-24	F15	SHAFT, PTO (SINGLE CLUTCH)	50-20
C1	RINGS	20-28	F7	SHAFT, PTO LEVER	50-12
B17	ROCKER SHAFT AND ARMS (670)	20-20	F7	SHAFT, RANGE SHIFTER (PTO)	50-12
B19	ROCKER SHAFT AND ARMS (770)	20-22	F23	SHAFT, REAR AXLE	50-28
H13	ROCKSHAFT AND ARMS	70-6	F3	SHAFT, SHIFTER	50-8
H9	ROCKSHAFT CASE	70-2	G18	SHAFT, STEERING	60-2
H15	ROCKSHAFT CONTROL LEVER AND LINKAGE	70-8	G17	SHAFT, STEERING SECTOR	60-1
H11	ROCKSHAFT CONTROL VALVE	70-4	F10	SHAFT, TRANSMISSION DRIVE (SINGLE CLUTCH)	50-15
J17	ROCKSHAFT COVER	80-24	F11	SHAFT, TRANSMISSION DRIVE (DUAL CLUTCH)	50-16
H9	ROCKSHAFT PISTON	70-2	B23	SHEAVE, CRANKSHAFT (670)	20-26
H9	ROCKSHAFT PRESSURE RELIEF VALVE	70-2	B24	SHEAVE, CRANKSHAFT (770)	20-27
H9	ROCKSHAFT STOP VALVE	70-2	C3	SHEAVE, FAN (670)	20-30
J5	ROD END, TIE (MANUAL STEERING)	80-12	C5	SHEAVE, FAN (770)	20-32
G5	ROD END, TIE (MFWD)	50-34	G9	SHIELD, FRONT DRIVE SHAFT (MFWD)	50-38
J7	ROD END, TIE (POWER STEERING)	80-14	G11	SHIFT LEVER AND SHAFT, MID PTO	50-40
C1	ROD, CONNECTING	20-28	F3	SHIFTER FORKS AND SHAFTS (PTO)	50-8
G11	ROD, MID PTO BRAKE	50-40	H3	SHOE, BRAKE	60-12
B21	ROD, PUSH (670)	20-24	A23	SHORT BLOCK (670)	20-2
B22	ROD, PUSH (770)	20-25	A24	SHORT BLOCK (770)	20-3
J5	ROD, TIE (MANUAL STEERING)	80-12	C7	SHROUD, RADIATOR	20-34
			D9	SHUTOFF SOLENOID, FUEL	30-12
			D11	SILENCER (670)	30-14



## ALPHABETICAL INDEX - CONTINUED

GRID		PAGE	GRID		PAGE
D13	SILENCER (770).....	30-16	B7	TACHOMETER, GEAR ASSEMBLY (670) .....	20-10
E9	SOCKET, HEADLIGHT (NORTH AMERICAN VERSION).....	40-16	E11	TAIL LIGHT (EUROPEAN VERSION) .....	40-18
E10	SOCKET, HEADLIGHT (EUROPEAN VERSION) .....	40-17	E7	TAIL LIGHT (NORTH AMERICAN VERSION) .....	40-14
D9	SOLENOID, FUEL SHUTOFF .....	30-12	C7	TANK, EXPANSION (RADIATOR) .....	20-34
C3	SPACER, FAN (670) .....	20-30	C3	THERMOSTAT (670) .....	20-30
C5	SPACER, FAN (770) .....	20-32	C5	THERMOSTAT (770) .....	20-32
G9	SPIDER, FRONT DRIVE SHAFT (MFWD) .....	50-38	G3	THROTTLE LEVER .....	50-32
H11	SPOOL, ROCKSHAFT CONTROL VALVE .....	70-4	G5	TIE ROD (MFWD).....	50-34
I9	SPOOL, SCV VALVE (DANFOSS/DUKES).....	70-24	J5	TIE ROD AND FRONT AXLE (MANUAL STEERING) .....	80-12
I7	SPOOL, SCV VALVE (KANZAKI) .....	70-22	J7	TIE ROD AND FRONT AXLE (POWER STEERING).....	80-14
D23	STARTER (670)(770 1.4 KW) .....	40-6	I21	TIRE, FRONT AND REAR (MFWD) .....	80-4
E1	STARTER (770 1.2 KW) .....	40-8	I19	TIRE, FRONT AND REAR (2WD) .....	80-2
E13	STARTER RELAY (EUROPEAN VERSION).....	40-20	I23	TIRE, TURF (670).....	80-6
E3	STARTER RELAY (NORTH AMERICAN VERSION) .....	40-10	J1	TIRE, TURF (770).....	80-8
E17	STARTER SWITCH .....	40-24	F11	TOP SHAFT, TRANSMISSION (DUAL CLUTCH).....	50-16
G5	STEERING ARM (MFWD) .....	50-34	F10	TOP SHAFT, TRANSMISSION (SINGLE CLUTCH) .....	50-15
J5	STEERING ARM (2WD) (MANUAL STEERING) .....	80-12	J9	TOW HITCH, FRONT.....	80-16
J7	STEERING ARM (2WD) (POWER STEERING) .....	80-14	F9	TRANSMISSION CENTER PLATE KIT .....	50-14
G20	STEERING BOOT.....	60-4	F11	TRANSMISSION DRIVE SHAFT (DUAL CLUTCH) .....	50-16
G18	STEERING COLUMN (MANUAL) .....	60-2	F10	TRANSMISSION DRIVE SHAFT (SINGLE CLUTCH).....	50-15
G20	STEERING COLUMN (POWER) .....	60-4	F5	TRANSMISSION HOUSING AND PLATE .....	50-10
G24	STEERING CYLINDER (MFWD) .....	60-8	B15	TRANSMISSION OIL HEATER .....	20-18
G22	STEERING CYLINDER (2WD).....	60-6	F5	TRANSMISSION STRAINER .....	50-10
G17	STEERING GEAR HOUSING AND ARM .....	60-1	B1	TUBE, DIPSTICK (670) .....	20-4
G18	STEERING GEAR HOUSING AND SHAFT .....	60-2	B3	TUBE, DIPSTICK (770) .....	20-6
G17	STEERING PITMAN ARM .....	60-1	E19	TURN SIGNAL SWITCH (NORTH AMERICAN VERSION).....	40-26
G17	STEERING SECTOR SHAFT .....	60-1	E17	TURN SIGNAL SWITCH (EUROPEAN VERSION).....	40-24
G20	STEERING VALVE (POWER) .....	60-4	E13	URNSIGNAL FLASHER (EUROPEAN VERSION) .....	40-20
G20	STEERING WHEEL .....	60-4			
B9	STRAINER, ENGINE OIL (670).....	20-12		U	
B11	STRAINER, ENGINE OIL (770).....	20-14	G9	UNIVERSAL JOINT, FRONT DRIVE SHAFT (MFWD) .....	50-38
F5	STRAINER, TRANSMISSION.....	50-10	J15	UPPER HOOD .....	80-22
H21	SUCTION LINE, HYDRAULIC PUMP (MANUAL STEERING).....	70-14			
H23	SUCTION LINE, HYDRAULIC PUMP (POWER STEERING) .....	70-16		V	
B9	SUMP, OIL (670) .....	20-12	B13	VALVE COVER (670).....	20-16
B11	SUMP, OIL (770) .....	20-14	B16	VALVE COVER (770).....	20-19
K13	SUSPENSION, SEAT (EUROPEAN VERSION) .....	90-8	H9	VALVE ROCKSHAFT .....	70-2
I12	SWAY CHAIN KIT .....	70-28	B17	VALVE, EXHAUST AND INTAKE (670) .....	20-20
E3	SWITCH, BRAKE LAMP (NORTH AMERICAN VERSION).....	40-10	B19	VALVE, EXHAUST AND INTAKE (770) .....	20-22
E11	SWITCH, BRAKE LAMP (EUROPEAN VERSION).....	40-18	B1	VALVE, OIL DRAIN (670) .....	20-4
C3	SWITCH, COOLANT TEMPERATURE (670) .....	20-30	B3	VALVE, OIL DRAIN (770) .....	20-6
C5	SWITCH, COOLANT TEMPERATURE (770) .....	20-32	G20	VALVE, POWER STEERING .....	60-4
E17	SWITCH, HAZARD .....	40-24	H11	VALVE, ROCKSHAFT CONTROL .....	70-4
E17	SWITCH, HORN .....	40-24	H9	VALVE, ROCKSHAFT PRESSURE RELIEF .....	70-2
E17	SWITCH, IGNITION .....	40-24	I9	VALVE, SCV (DANFOSS/DUKES).....	70-24
E17	SWITCH, LIGHT .....	40-24	I7	VALVE, SCV (KANZAKI) .....	70-22
E7	SWITCH, NEUTRAL START (NORTH AMERICAN VERSION).....	40-14	I5	VALVE, SCV, LEVER AND LINKAGE.....	70-20
E11	SWITCH, NEUTRAL START (EUROPEAN VERSION) .....	40-18	D21	VOLTAGE REGULATOR .....	40-4
G13	SWITCH, NEUTRAL START (MID PTO).....	50-42			
B1	SWITCH, OIL PRESSURE (670).....	20-4		W	
B3	SWITCH, OIL PRESSURE (770).....	20-6	E7	WARNING LAMP .....	40-14
E15	SWITCH, SEAT (EUROPEAN VERSION).....	40-22	C3	WATER PUMP AND BELT (670) .....	20-30
E7	SWITCH, SEAT (NORTH AMERICAN VERSION) .....	40-14	C5	WATER PUMP AND BELT (770) .....	20-32
E19	SWITCH, TURN SIGNAL (NORTH AMERICAN VERSION).....	40-26	C3	WATER TEMPERATURE SENSOR (670).....	20-30
E17	SWITCH, TURN SIGNAL (EUROPEAN VERSION) .....	40-24	C5	WATER TEMPERATURE SENSOR (770).....	20-32
			J9	WEIGHT BRACKET, FRONT .....	80-16
	T		J3	WEIGHT KIT, REAR WHEEL .....	80-10
E17	TACHOMETER .....	40-24	J22	WEIGHT LOCK ROD, FRONT.....	80-30
B5	TACHOMETER, GEAR ASSEMBLY (670) .....	20-8	J4	WEIGHTS, REAR WHEEL (670) .....	80-11

## ALPHABETICAL INDEX - CONTINUED

<i>GRID</i>		<i>PAGE</i>	<i>GRID</i>	<i>PAGE</i>
J5	WHEEL BOLTS, FRONT (2WD) (MANUAL STEERING) .....	80 - 12		
J7	WHEEL BOLTS, FRONT (2WD) (POWER STEERING) .....	80 - 14		
G10	WHEEL BOLTS, FRONT (MFWD) .....	50 - 39		
F23	WHEEL BOLTS, REAR .....	50 - 28		
J3	WHEEL WEIGHT KIT, REAR .....	80 - 10		
J4	WHEEL WEIGHTS, REAR (670) .....	80 - 11		
I21	WHEEL, FRONT AND REAR (MFWD) .....	80 - 4		
I19	WHEEL, FRONT AND REAR (2WD) .....	80 - 2		
I23	WHEEL, FRONT AND REAR (670) .....	80 - 6		
J1	WHEEL, FRONT AND REAR (770) .....	80 - 8		
G20	WHEEL, STEERING .....	60 - 4		
D19	WIRING COMPONENTS .....	40 - 2		
E13	WIRING HARNESS (EUROPEAN VERSION) .....	40 - 20		
E3	WIRING HARNESS (NORTH AMERICAN VERSION) .....	40 - 10		
E9	WIRING HARNESS, HEADLIGHT (NORTH AMERICAN VERSION) .....	40 - 16		
E17	WIRING HARNESS, INSTRUMENT PANEL .....	40 - 24		
E15	WIRING HARNESS, LICENSE LAMP (EUROPEAN VERSION) .....	40 - 22		
E7	WIRING HARNESS, LIGHTING .....	40 - 14		
E16	WORK LIGHT KIT .....	40 - 23		
Y				
F1	YOKE, CLUTCH RELEASE (DUAL CLUTCH) .....	50 - 6		
E24	YOKE, CLUTCH RELEASE (SINGLE CLUTCH) .....	50 - 4		
G9	YOKE, FRONT DRIVE SHAFT (MFWD) .....	50 - 38		

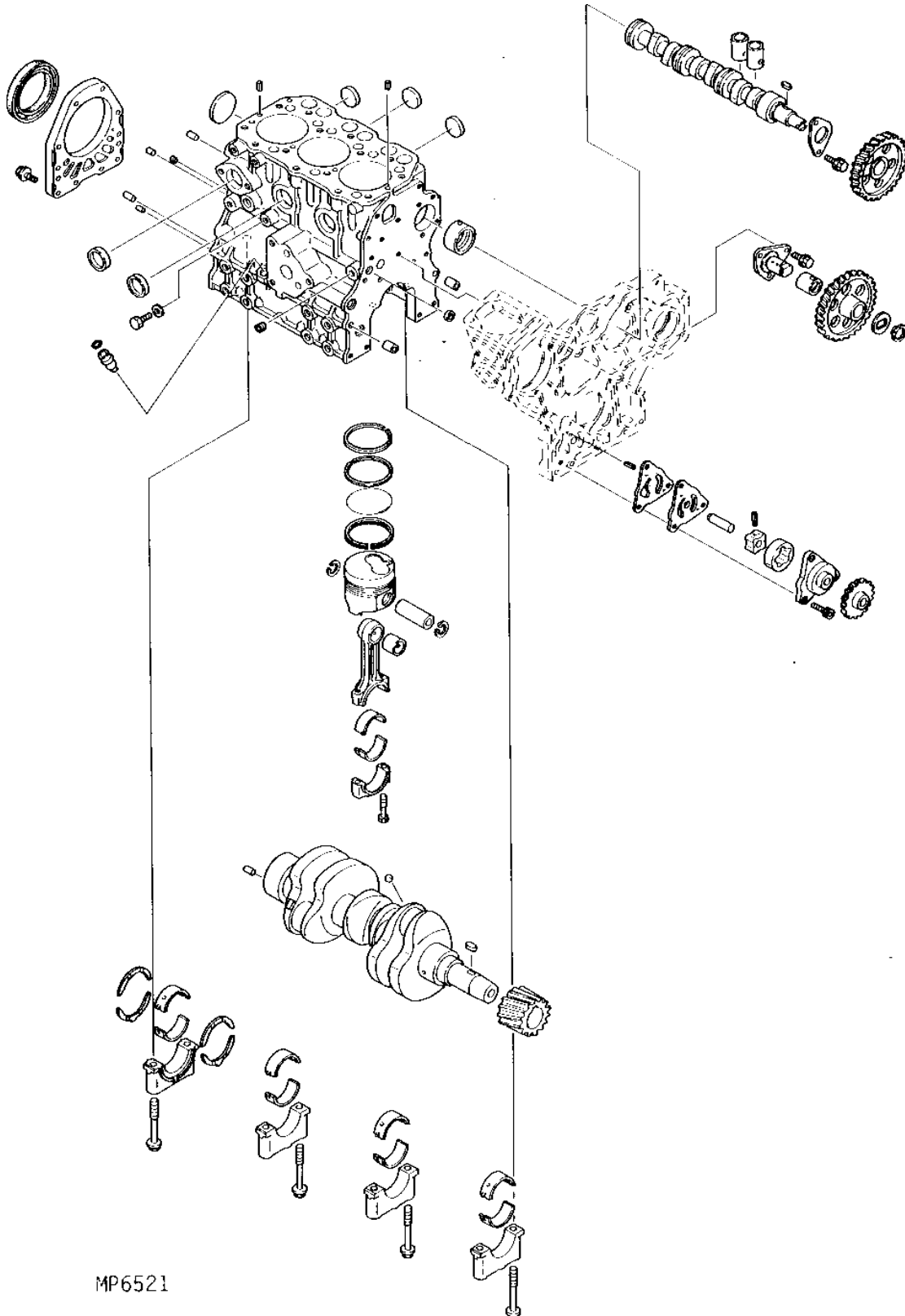
---

MEMORANDA

# A23

ENGINE

SHORT BLOCK (670)  
 BLOC COURT (670)  
 KURZBLOCK (670)  
 BLOQUE CORTO (670)  
 MONOBLOCCO (670)  
 KORTBLOCK (670)  
 MP6521 -UN-01JAN94



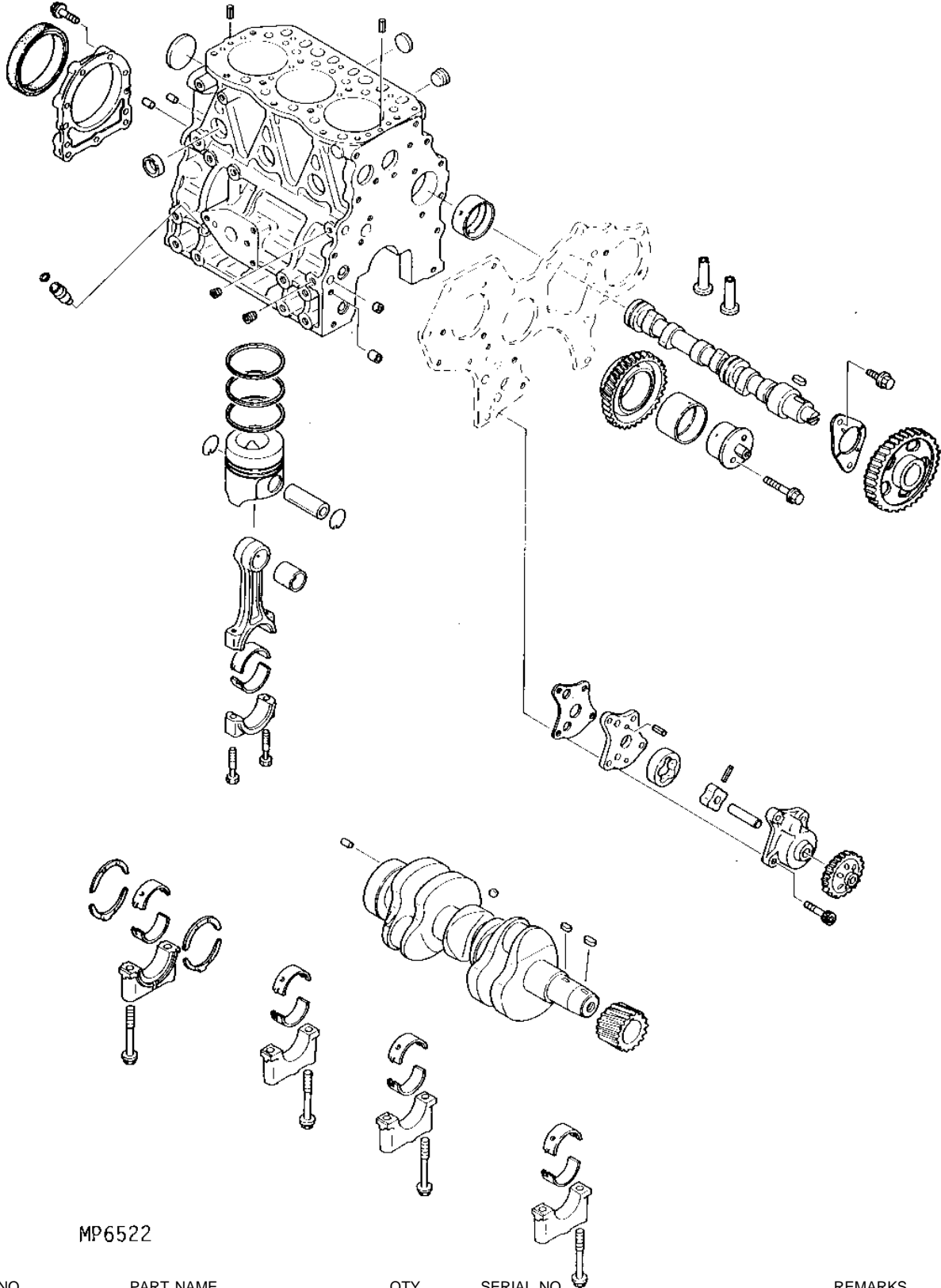
MP6521

KEY	PART NO.	PART NAME	QTY	SERIAL NO.	REMARKS
1	AM876418	SHORT BLOCK ASSEMBLY	1		(SUB FOR AM101391)

# A24

ENGINE

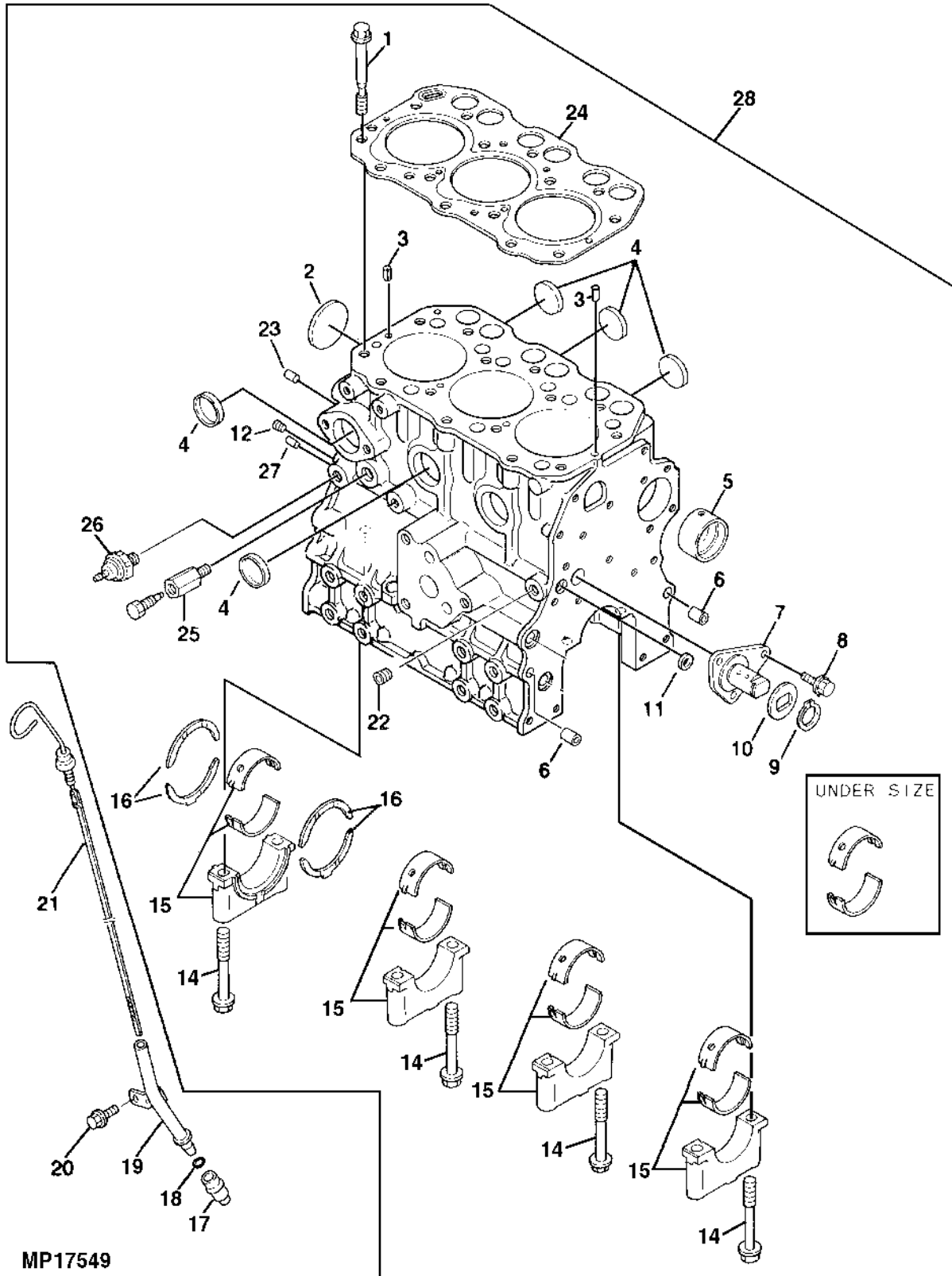
SHORT BLOCK (770)  
 BLOC COURT (770)  
 KURZBLOCK (770)  
 BLOQUE CORTO (770)  
 MONOBLOCCO (770)  
 KORTBLOCK (770)  
 MP6522 -UN-01JAN94



KEY	PART NO.	PART NAME	QTY	SERIAL NO.	REMARKS
1	AM876350	SHORT BLOCK ASSEMBLY	1	(SUB AM878465)	

# B1

CYLINDER BLOCK AND DIPSTICK (670)  
BLOC-CYLINERS ET JAUGE DE NIVEAU (670)  
ZYLINDERBLOCK UND MESSTAB (670)  
MONOBLOCCO ED ASTINA DILIVELLO (670)  
BLOQUE DE CILINDROS Y VARILLA DE MEDICION (670)  
CYLINDERBLOCK OCH MASTIKA (670)  
MP17549 -UN-03JUN97



MP17549

# B2

ENGINE

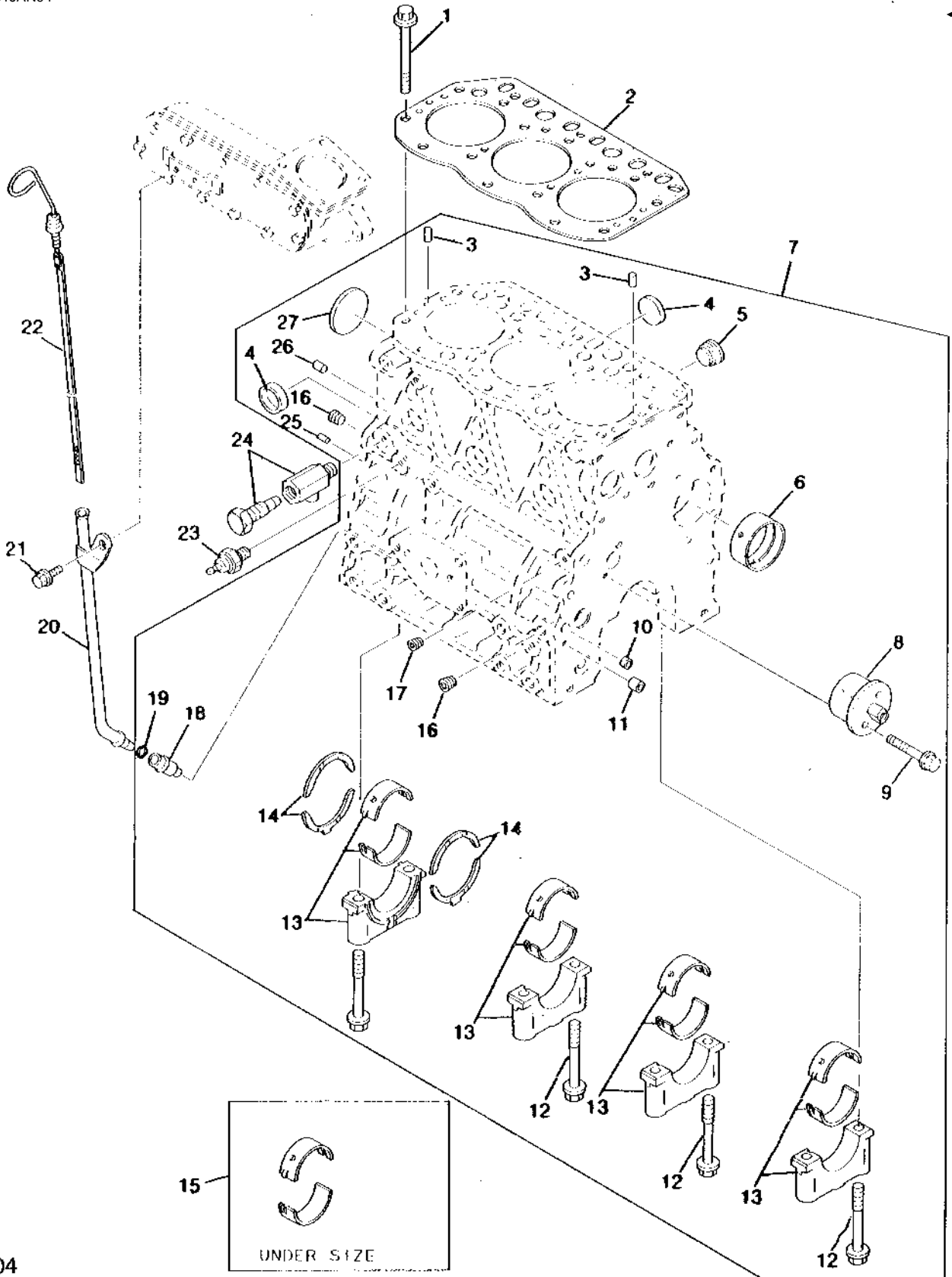
## CYLINDER BLOCK AND DIPSTICK (670) (CONTINUED)

KEY	PART NO.	PART NAME	QTY	SERIAL NO.	REMARKS
1	M87866	BOLT	14		
2	CH10641	PLUG	1	(45)	
3	CH18079	SPRING PIN	2		
4	CH10642	PLUG	6	(30)	
5	M87862	BUSHING	1		
6	M800006	DOWEL PIN	2		
7	M89140	SHAFT	1		
8	19M7774	SCREW	3	M6 X 12 (HS, HEAD MARKED 10.9)	
9	40M7080	SNAP RING	1	(SUB FOR CH16769)	
10	M89139	PLATE	1		
11	M87801	PLUG	1		
12	M802643	PLUG	1		
13	AM100732	BEARING KIT	1	MAIN (.25MM (.010") US)	
14	M87879	BOLT	8		
15	AM100718	BEARING KIT	4	MAIN (STD)	
16	AM100719	BEARING KIT	2	THRUST	
17	M89143	GUIDE	1		
18	CH10571	PACKING	1		
19	M802671	GUIDE	1		
20	19M7300	CAP SCREW	1	M6 X 10	
21	M802672	DIPSTICK	1		
22	15H558	PIPE PLUG	1	1/8"	
23	M802255	PIN	2		
24	M805694	GASKET	1	HEAD, (SUB FOR M87853)	
25	AM100800	DRAIN VALVE	1		
26	CH15500	SWITCH	1	OIL PRESSURE	
27	M802254	PIN	2		
28	AM876419	CYLINDER BLOCK	1	(COMPLETE)	

# B3

ENGINE

CYLINDER BLOCK AND DIPSTICK (770)  
BLOC-CYLINDERS ET JAUGE DE NIVEAU (770)  
ZYLINDERBLOCK UND MESSTAB (770)  
MONOBLOCCO ED ASTINA DILIVELLO (770)  
BLOQUE DE CILINDROS Y VARILLA DE MEDICION (770)  
CYLINDERBLOCK OCH MASTICKA (770)  
MP9604 -UN-01JAN94



MP9604

UNDER SIZE



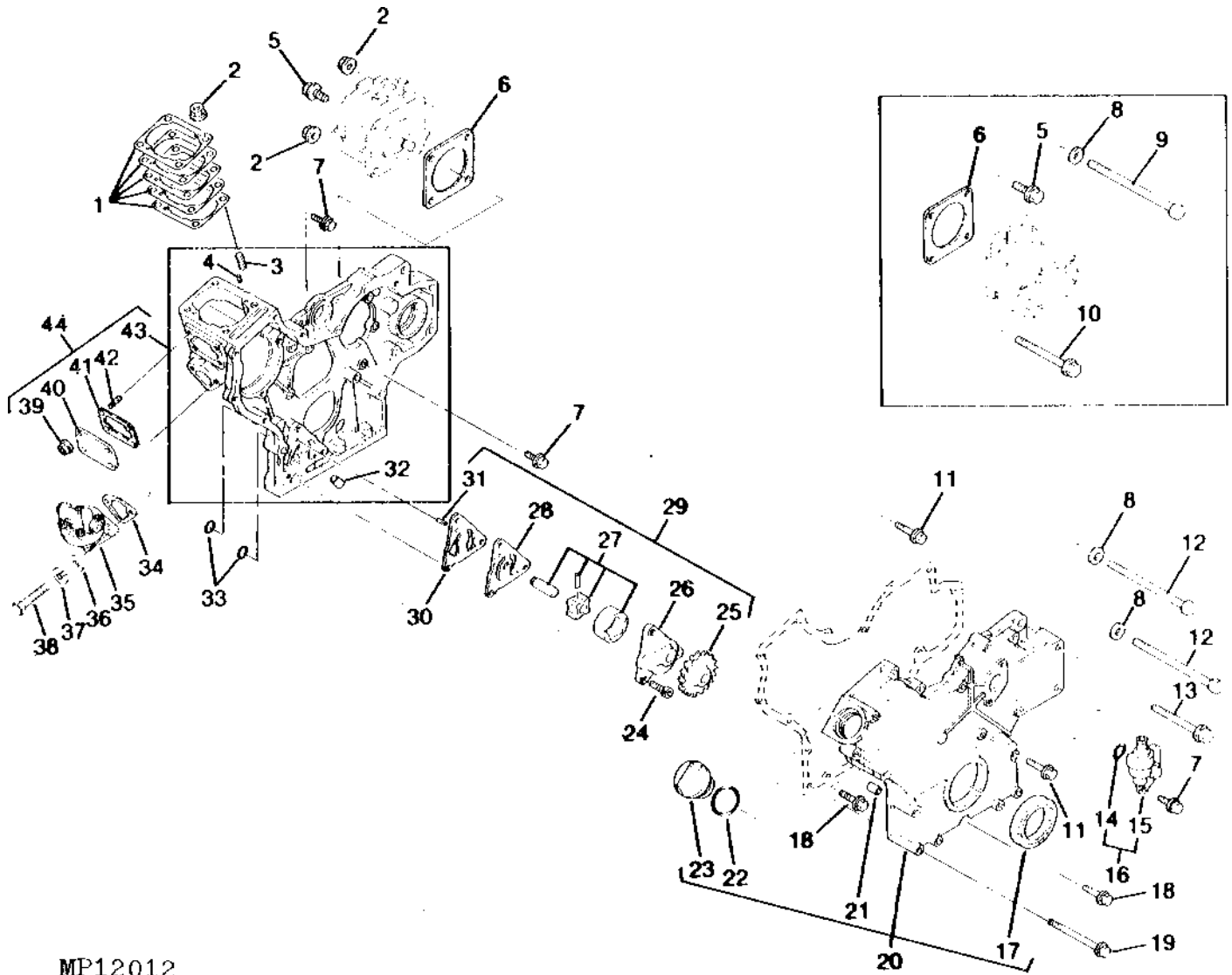
# B4

ENGINE

## CYLINDER BLOCK AND DIPSTICK (770) (CONTINUED)

KEY	PART NO.	PART NAME	QTY	SERIAL NO.	REMARKS
1	M801186	BOLT	14		
2	M805831	GASKET	1		(SUB FOR M802268)
3	CH18079	SPRING PIN	2		
4	CH10642	PLUG	6		(30)
5	15H562	PIPE PLUG	1		1"
6	M800977	BUSHING	1		
7	AM876351	CYLINDER BLOCK	1		(COMPLETE)
8	M800978	SHAFT	1		
9	CH19101	BOLT	2		
10	M87801	PLUG	2		
11	M800974	PIPE	2		
12	M801189	BOLT	8		
13	AM875371	BEARING KIT	4		MAIN
14	AM875373	BEARING KIT	2		THRUST
15	AM875374	BEARING KIT	4		MAIN (.25MM(.010") US)
16	CH10335	PLUG	3		
17	15H558	PIPE PLUG	1		1/8", (SUB FOR CH13504)
18	M89143	GUIDE	1		
19	CH10571	PACKING	1		
20	M802620	GUIDE	1		
21	19M7864	SCREW	1		M8 X 12 (HS, HEAD MARKED 10.9)
22	M802621	DIPSTICK	1		
23	CH15500	SWITCH	1		OIL PRESSURE
24	AM100800	DRAIN VALVE	1		
25	M802255	PIN	2		
26	M802255	PIN	2		
27	M806840	PLUG	1		(SUB FOR M800973)

GEARCASE AND OIL PUMP (670)  
CARTER DE TRANSMISSION ET POMPE A HUILE (670)  
GETTRIEBEGEHAISE UND OL PUMPE (670)  
SCATOLA INGRANAGGI E POMPA DELL'OLIO (670)  
CAJA DE ENGRANAJES Y BOMBA DE ACEITE (670)  
VAXELLADA OCH OLJEPUMP (670)  
MP12012 -UN-01JAN94



MP12012

GEARCASE AND OIL PUMP (670) (CONTINUED)

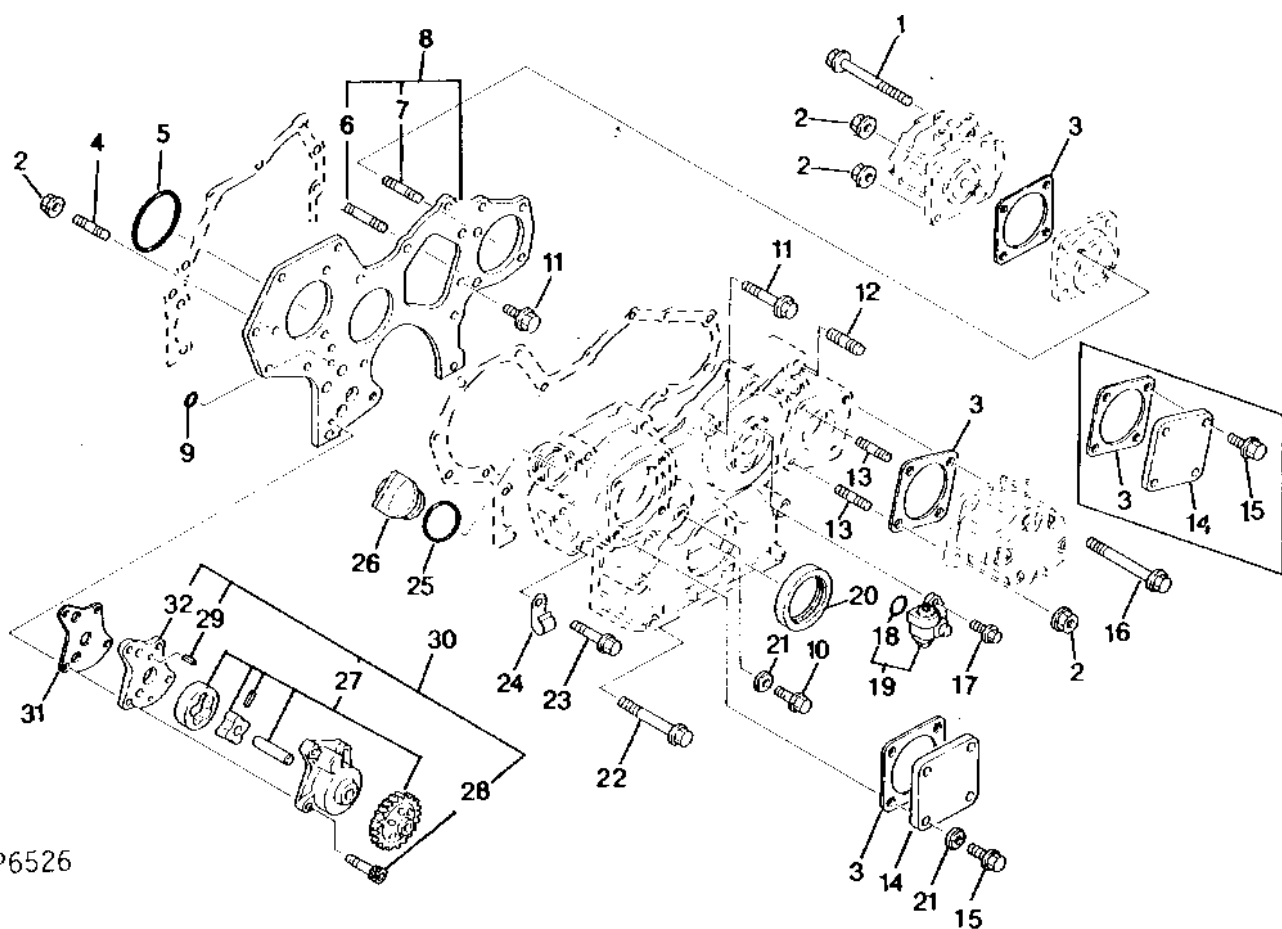
KEY	PART NO.	PART NAME	QTY	SERIAL NO.	REMARKS
1	AM100747	SHIM	1		
2	12M7065	LOCK WASHER	7	8.100 MM	
	14M7273	NUT	7	M8	
3	CH15722	STUD	4		
4	CH12293	PIN	2		
5	19M7866	SCREW	2	M8 X 20 (HS, HEAD MARKED 10.9)	
6	M805696	GASKET	2	(SUB FOR CH12816)	
7	19M7775	SCREW	7	M6 X 16 (HS, HEAD MARKED 10.9) (SUB FOR M87868)	
8	24M7055	WASHER	2	8.400 X 16 X 1.600 MM	
9	M802645	BOLT	2		
10	CH19136	BOLT	1		
11	M89120	BOLT	4		
12	M802646	BOLT	2		
	M802645	BOLT	2	(E)	
13	CH19091	BOLT	1		
	CH19136	BOLT	1	(E)	
14	CH13526	PACKING	1		
15	.....	HOUSING	1	TACHOMETER, (ORDER AM875580)	
16	AM875580	TACHOMETER	1		
17	M87821	SEAL	1	(E)	
	M801940	SEAL	1		
18	CH19141	BOLT	6		
19	M89121	BOLT	6		
20	AM876399	COVER	1		
	AM876397	COVER	1	(E)	
21	M800006	DOWEL PIN	2		
22	M805711	PACKING	1		
23	M805710	CAP	1		
24	19M8627	SCREW	3	M6 X 20 (HS, HEAD MARKED 12.9) (SUB FOR M89176)	
25	.....	GEAR	2	(ORDER AM101377)	
26	.....	HOUSING	1	(ORDER AM101377)	
27	.....	ROTOR	1	(ORDER AM101377)	
28	.....	COVER	1	(ORDER AM101377)	
29	AM101377	OIL PUMP	1		
30	M89142	GASKET	1		
31	CH11495	PIN	2		
32	M89118	PLUG	1		
33	CH10568	PACKING	2		
34	M805703	GASKET	1		
35	AM876410	PUMP	1		
36	24M7054	WASHER	2	6.400 X 12 X 1.600 MM	
37	12M7006	LOCK WASHER	2	6.100 MM	
38	19M7077	CAP SCREW	2	M6 X 20	
39	14M7303	FLANGE NUT	4	M6	
40	M89122	COVER	1		
41	M805695	GASKET	1	(SUB FOR M89123)	
42	M89124	STUD	4		
43	AT110780	GEAR CASE	1		
44	AM876398	GEAR CASE	1		

(E) EUROPEAN VERSION  
 VERSION EUROPEENNE  
 EUROPÄISCHE AUSFUEHRUNG  
 VERSION EUROPEA  
 VERSIONE EUROPEA  
 EUROPEISK VERSION

# B7

ENGINE

GEARCASE AND OIL PUMP (770)  
CARTER DE TRANSMISSION ET POMPE A HUILE (770)  
GETTRIEBEGEHAISE UND OL PUMPE (770)  
SCATOLA INGRANAGGI E POMPA DELL'OLIO (770)  
CAJA DE ENGRANAJES Y BOMBA DE ACEITE (770)  
VAXELLADA OCH OLJEPUMP (770)  
MP6526 -UN-01JAN94



MP6526

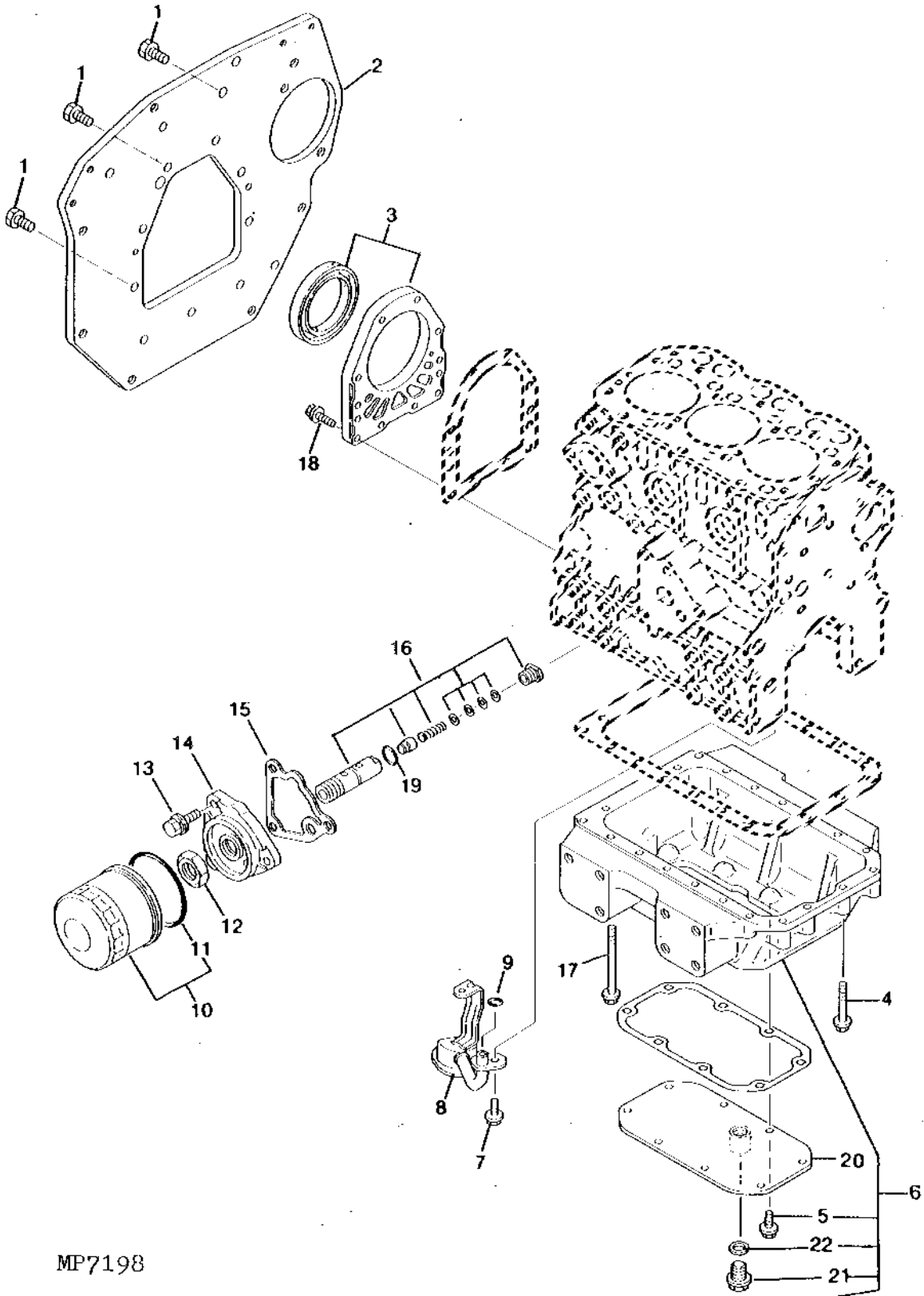
# B8

ENGINE

## GEARCASE AND OIL PUMP (770) (CONTINUED)

KEY	PART NO.	PART NAME	QTY	SERIAL NO.	REMARKS
1	M802597	BOLT	2		
2	14M7273	NUT	7	M8	
	12M7065	LOCK WASHER	7	8.100 MM	
3	M805696	GASKET	3		(SUB FOR CH12816)
4	CH15722	STUD	3		
5	CH16940	O-RING	1		
6	M802596	STUD	1	(A)	
7	M802595	STUD	1		
8	AM876328	PLATE	1		
9	CH10570	PACKING	2		
10	19M7865	SCREW	4	M8 X 16 (HS, HEAD MARKED 10.9)	
11	19M7979	SCREW	3	M8 X 55 (HS, HEAD MARKED 10.9)	
12	CH15389	STUD	1	(A)	
13	CH16781	STUD	2		
14	CH18096	COVER	2		
15	19M7864	SCREW	8	M8 X 12 (HS, HEAD MARKED 10.9)	
16	M87885	BOLT	2		
17	19M7775	SCREW	2	M6 X 16 (HS, HEAD MARKED 10.9)	
18	CH13526	PACKING	1		
19	AM875580	TACHOMETER	1		
20	M800988	SEAL	1	(A)	
21	M806424	WASHER	5		
22	CH19136	BOLT	4		
23	CH19101	BOLT	6		
24	M801038	CLAMP	1		
25	M805711	PACKING	1		
26	M805710	CAP	1		
27	AM875378	ROTOR	1	(SUB AM878786)	
28	M800676	BOLT	4		
29	CH15933	PIN	2		
30	AM875377	OIL PUMP	1	(SUB AM878778)	
31	M801005	GASKET	1		
32	M801211	COVER	1		
..	AM876327	GEAR CASE	1	(INCLUDES PARTS MARKED (A))	

MOUNTING FLANGE AND OIL SUMP (670)  
 FLASQUE DE MONTAGE ET CARTER D'HUILE (670)  
 BEFESTIGUNGSFLANSCH UND OLWANNE (670)  
 FLANGIA DI FISSAGGIO E CARTER (670)  
 BRIDA DE MONTAJE Y CARTER (670)  
 MONTERINGSFLANS OCH SUMP (670)  
 MP7198 -UN-01JAN94



MP7198

# B10

ENGINE

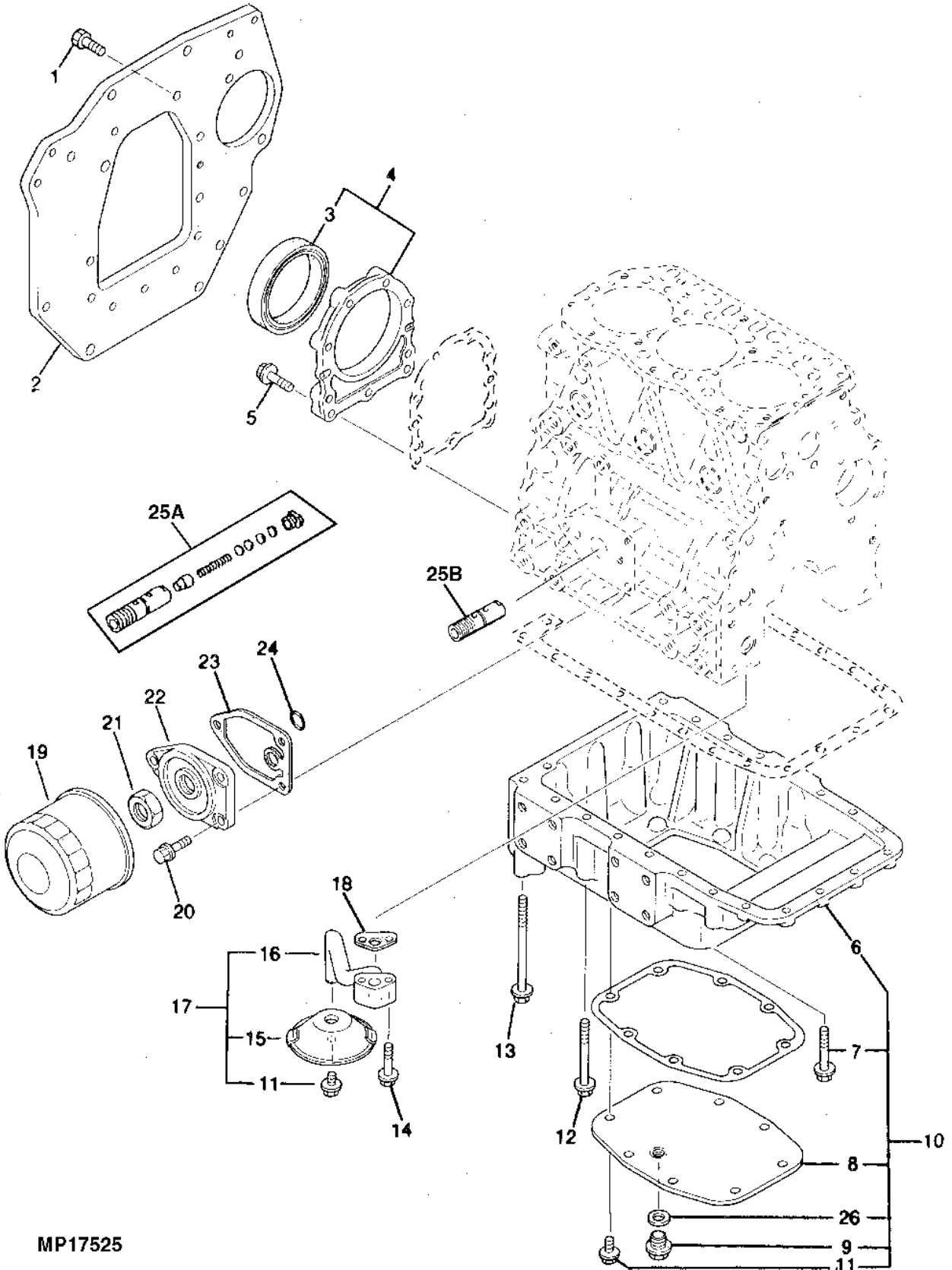
## MOUNTING FLANGE AND OIL SUMP (670) (CONTINUED)

KEY	PART NO.	PART NAME	QTY	SERIAL NO.	REMARKS
1	M800011	BOLT	11		
2	M802647	FLANGE	1		
3	AM876991	CASE	1		
4	M803865	BOLT	6		
5	19M7864	SCREW	8		M8 X 12 (HS, HEAD MARKED 10.9)
6	M803869	OIL PAN	1		
7	19M7300	CAP SCREW	1		M6 X 10
8	M802673	OIL TUBE	1		
9	CH10568	PACKING	1		
10	AM101378	OIL FILTER	1		
11	CH12731	PACKING	1		
12	M89148	NUT	1		
13	19M7866	SCREW	3		M8 X 20 (HS, HEAD MARKED 10.9)
14	M89146	BRACKET	1		
15	M805699	GASKET	1		
16	AM101379	VALVE	1		
17	M802650	BOLT	14		
18	M87826	BOLT	10		
19	CH10570	PACKING	1		
20	M803870	PLATE	1		
21	T111565	PLUG	1		
22	CH16727	WASHER	1		

# B11

ENGINE

MOUNTING FLANGE AND OIL SUMP (770)  
FLASQUE DE MONTAGE ET CARTER D'HUILE (770)  
BEFESTIGUNGSFLANSCH UND OLWANNE (770)  
FLANGIA DI FISSAGGIO E CARTER (770)  
BRIDA DE MONTAJE Y CARTER (770)  
MONTERINGSFLANS OCH SUMP (770)  
MP17525 -UN-16MAY97



MP17525



# B12

ENGINE

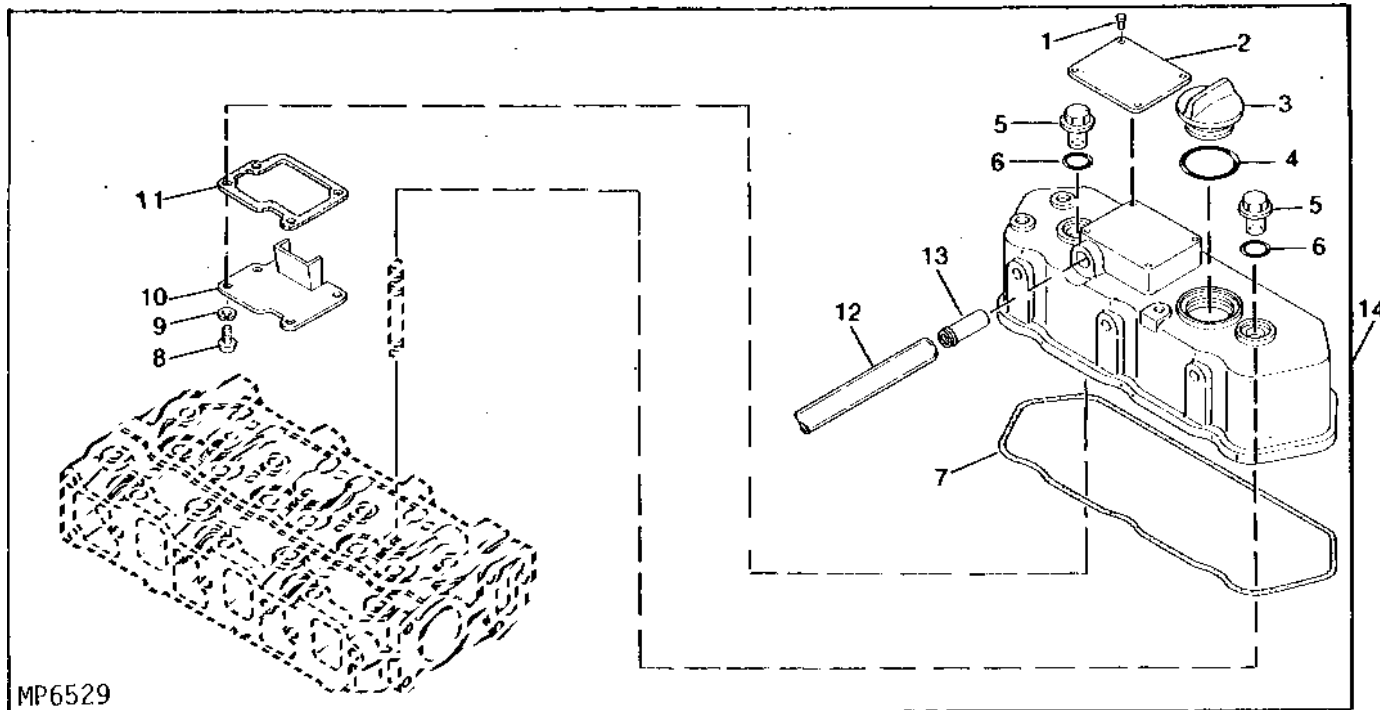
## MOUNTING FLANGE AND OIL SUMP (770) (CONTINUED)

KEY	PART NO.	PART NAME	QTY	SERIAL NO.	REMARKS
1	M800011	BOLT	8		
2	M802598	FLANGE	1		
3	M805278	SEAL	1		(SUB FOR M801203)
4	AM875375	CASE	1		OIL SEAL
5	19M7868	SCREW	9		M8 X 30 (HS, HEAD MARKED 10.9)
6	AT110812	OIL PAN	1		
7	19M7800	SCREW	4		M8 X 50 (HS, HEAD MARKED 10.9)
8	T111566	COVER	1		
9	T111565	PLUG	1		
10	AT110856	OIL PAN	1		
11	19M7864	SCREW	9		M8 X 12 (HS, HEAD MARKED 10.9)
12	CH19136	BOLT	8		
13	T111562	BOLT	4		
14	19M7897	SCREW	2		M8 X 35 (HS, HEAD MARKED 10.9)
15	M802622	STRAINER	1		
16	M802623	HOSE	1		
17	AM876340	STRAINER	1		
18	M805829	GASKET	1		(SUB FOR M800999)
19	M801209	OIL FILTER	1		
20	19M7866	SCREW	3		M8 X 20 (HS, HEAD MARKED 10.9)
21	M89148	NUT	1		
22	M801000	BRACKET	1		
23	M805830	GASKET	1		(SUB FOR M801001)
24	CH10570	PACKING	1		
25A	AM875306	VALVE	1		
25B	AM878778	VALVE	1		
26	CH16727	WASHER	1		

# B13

ENGINE

CYLINDER HEAD COVER AND GASKETS (670)  
 COUVERCLE ET JOINTS DE CULASSE (670)  
 ZYLINDERKOPFABDECKUNGUND DICHTUNGEN (670)  
 COPERCHID TESTATA E GUARNIZIONE (670)  
 EMPAQUETADURAS DE LA CULATA DE CILINDROS (670)  
 SKYDDSKAPA OCH PACKNING FOR CYLINDERHUVUD (670)  
 MP6529 -UN-01JAN94

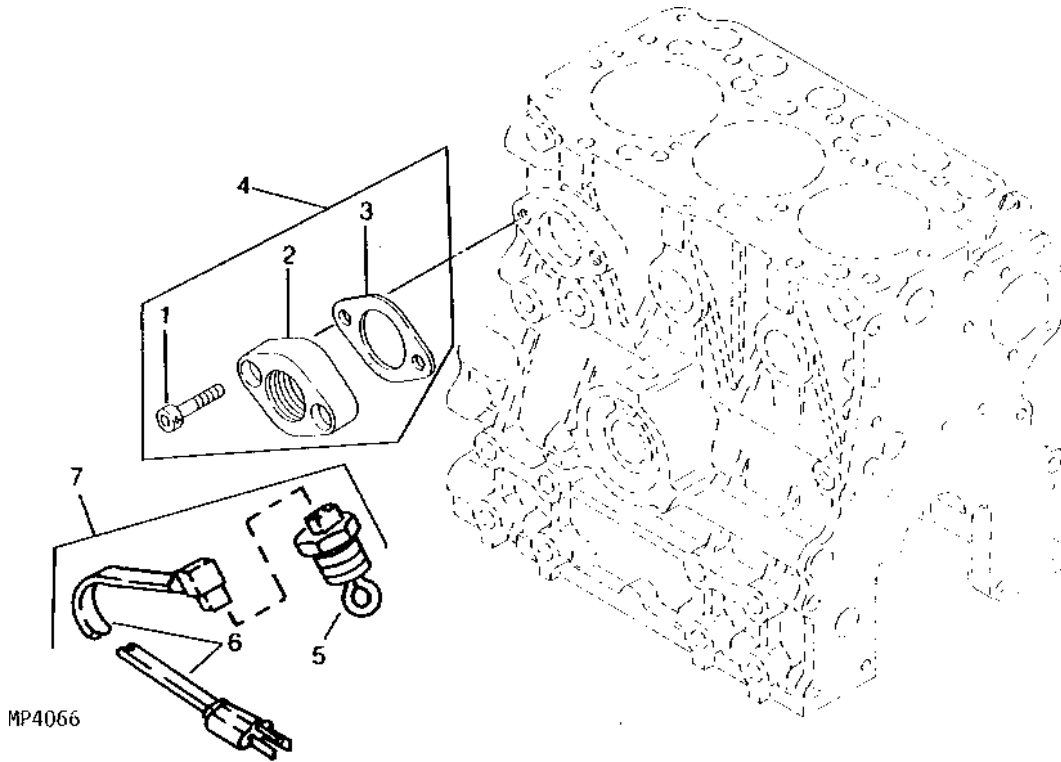


KEY	PART NO.	PART NAME	QTY	SERIAL NO.	REMARKS
1	CH10061	RIVET	4		
2	.....	SERIAL NUMBER PLATE	2	(NSEP)	
3	M805710	CAP	1		
4	M805711	PACKING	1		
5	CH10348	NUT	2		
6	CH10568	PACKING	2		
7	M87854	GASKET	1		
8	M87839	SCREW	4		
9	12M7064	LOCK WASHER	4		
10	M87837	DEFLECTOR	1		
11	M805697	GASKET	1		
12	.....	HOSE	1	(MAKE FROM CH15409)	
13	M87840	FITTING	1		
14	AM100734	VALVE COVER	1		

# B14

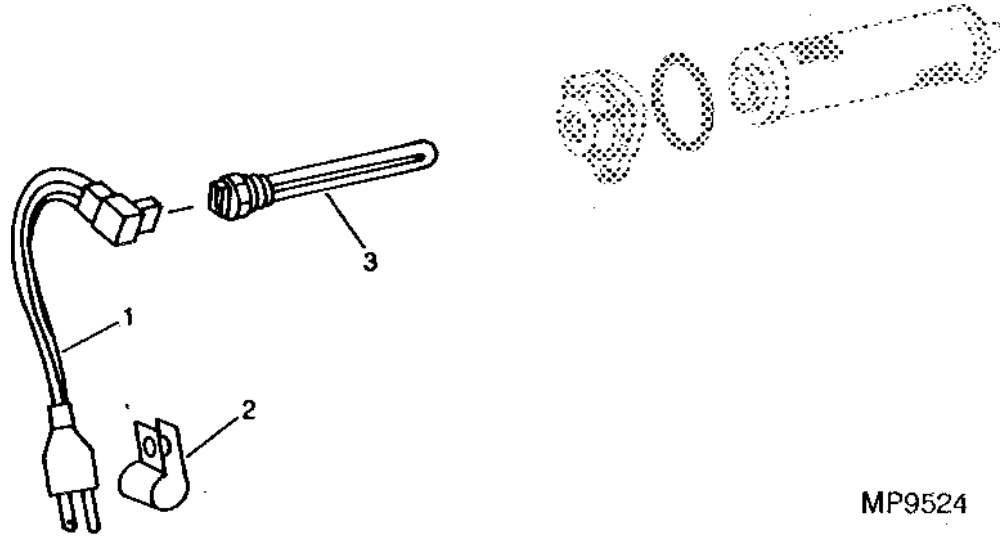
ENGINE

BLOCK HEATER  
 CHAUFFE-BLOC  
 BLOCKHEIZUNG  
 CALENADOR DEL BLOQUE  
 RISCALDATORE DEL BLOCCO MOTORE  
 BLOCKVAERMARE  
 MP4066 -UN-01JAN94



KEY	PART NO.	PART NAME	QTY	TRACTOR		REMARKS
				SERIAL NO.	0 0	
1	19M6887	SCREW	2	X	6 7	M8 X 18
2	M800125	ADAPTER	1	X	7 7	
3	M805828	GASKET	1	X	0 0	(SUB FOR M89174)
4	AM101390	ADAPTER	1	X		
5	AR87184	COOLANT HEATER	1			
6	AR87168	POWER CORD	1			
7	AR87167	COOLANT HEATER	1			

TRANSMISSION OIL HEATER  
 CHAUFFAGE DE L'HUILE DE TRANSMISSION  
 GETRIEBEOEL-HEIZUNG  
 CALENTADOR DE ACEITE DE LA TRANSMISION  
 COPRIVALVOLE E GUARNIZIONI  
 OLJEVAERMARE FOER VAEXELLAADA  
 MP9524 -UN-01JAN94



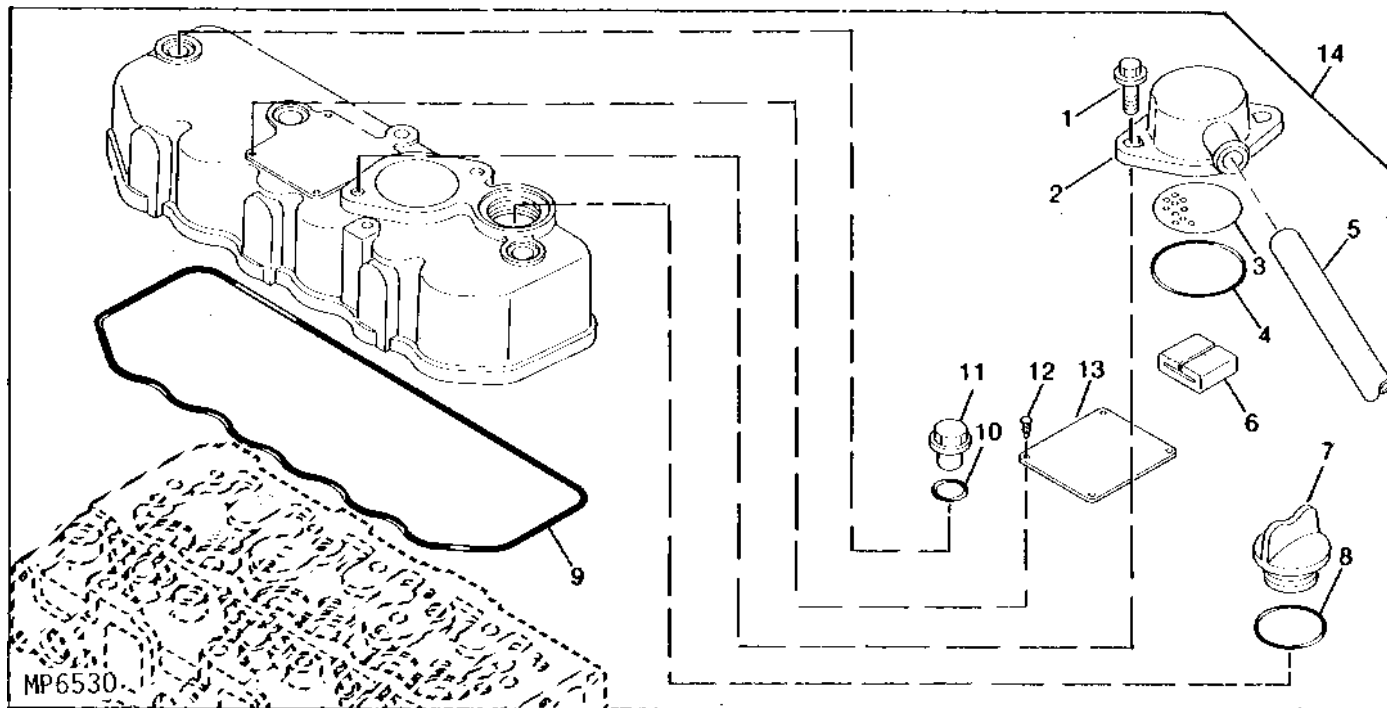
MP9524

KEY	PART NO.	PART NAME	QTY	TRACTOR SERIAL NO.	REMARKS
1	AR95434	WIRE	1		
2	R34557	CLAMP	1		
3	AR94493	HEATER	1		
..	AR99784	KIT	1		(NLA) (ORDER COMPONENTS)
..	R44302	TIE BAND	2		

# B16

ENGINE

VALVE COVER AND GASKETS (770)  
 COUVRE-SOUPAPES ET JOINTS (770)  
 VENTILDECKEL UND DICHTUNGEN (770)  
 CUBIERTA DE VALVULAS Y EMPAQUETADURAS (770)  
 COPRIVALVOLE E GUARNIZIONI (770)  
 VENTILLOCK OCH PACKNINGAR (770)  
 MP6530 -UN-01JAN94

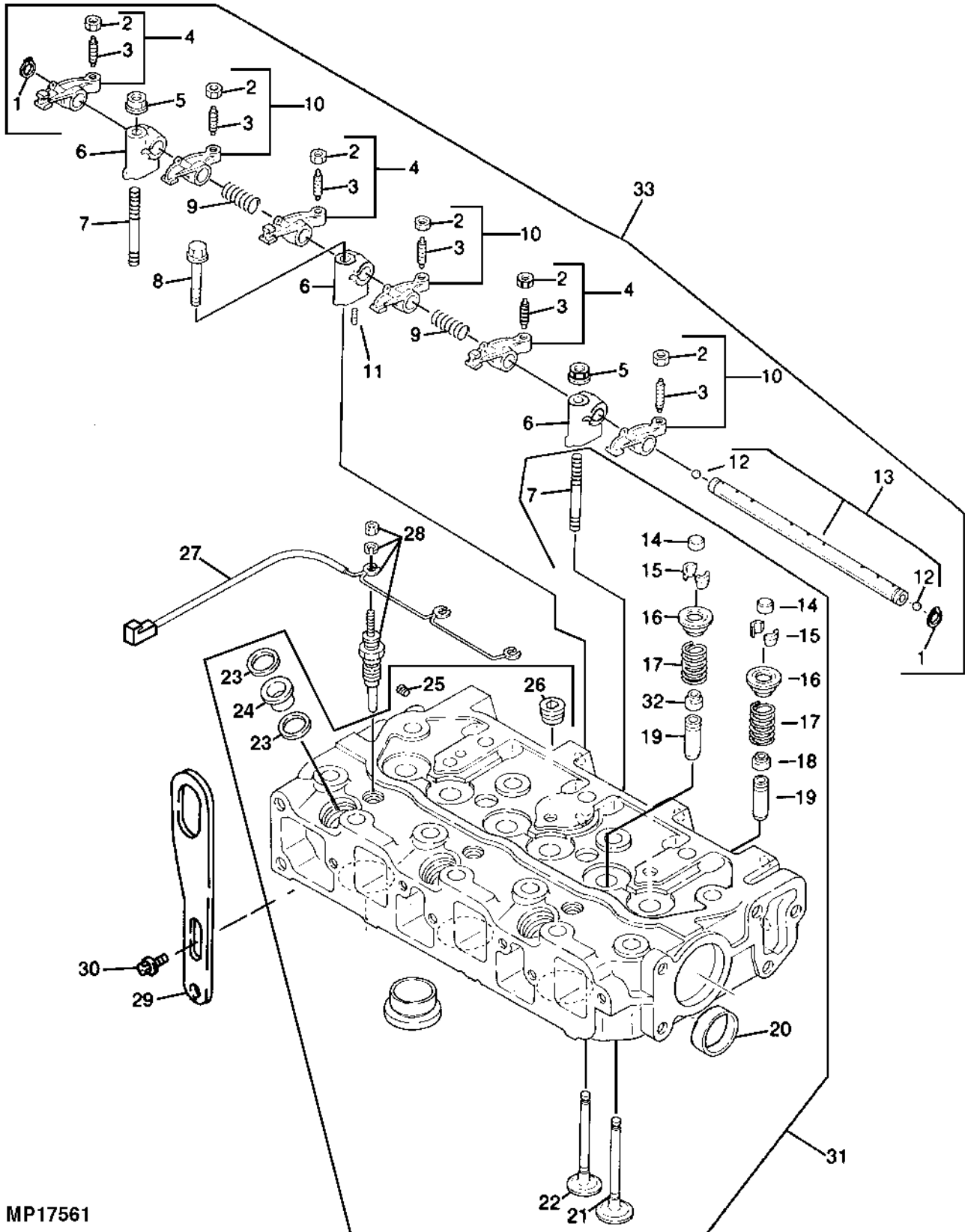


KEY	PART NO.	PART NAME	QTY	SERIAL NO.	REMARKS
1	19M7865	SCREW	2		M8 X 16 (HS, HEAD MARKED 10.9)
2	M801031	CAP	1		
3	M801033	PLATE	1		
4	M801034	O-RING	1		
5	.....	HOSE	1		(MAKE FROM M804268)
6	M801032	DEFLECTOR	1		
7	CH10332	CAP	1		
8	CH15414	PACKING	1		
9	M801741	PACKING	1		
10	CH10568	PACKING	3		
11	CH10348	NUT	3		
12	CH10061	RIVET	4		
13	.....	SERIAL NUMBER PLATE	1		(NSEP)
14	AT110858	VALVE COVER	1		

# B17

ENGINE

CYLINDER HEAD AND ROCKER ARM (670)  
CULASSE, CULBUTEURS (670)  
ZYLINDERKOPF UND KIPPHEBEL (670)  
TESTATA, BILANCIERE (670)  
CULATA, BRAZOS DE BALANCIN (670)  
CYLINDERTOPP, VIPPARMAR (670)  
MP17561 -UN-03JUN97



MP17561

# B18

ENGINE

## CYLINDER HEAD AND ROCKER ARM (670) (CONTINUED)

KEY	PART NO.	PART NAME	QTY	SERIAL NO.	REMARKS
1	M87818	SNAP RING	2		
2	14M7194	NUT	3	M6	
3	M87841	SCREW	3		
4	AM100736	ARM	6	(E)	
5	14M7298	FLANGE NUT	2	M8	
6	M87891	SUPPORT	3		
7	M87836	STUD	2		
8	CH19101	BOLT	1		
9	M87892	SPRING	2		
10	AM100735	ARM	3	(I)	
11	M87893	SCREW	1		
12	400R	BALL	2		
13	AM100749	ROCKER ARM SHAFT	1		
14	CH12585	CAP	6		
15	AM100828	KIT	3		VALVE (PKG. OF 2 SIDES) (SUB FOR CH10054)
16	M87835	HOLDER	6		
17	M87834	SPRING	6		
18	CH10346	SEAL	3	(I)	
19	M87863	GUIDE	6		
20	CH16751	PLUG	2		
21	M87832	VALVE	3	(I)	
22	M87833	VALVE	3	(E)	
23	M89134	PACKING	6		
24	M89135	GASKET	3		
25	M87831	PLUG	1		
26	CH16747	PLUG	2		
27	M802705	CONNECTOR	1		
28	AT110814	GLOW PLUG	3		
29	M96527	BRACKET	1		
30	CH19780	BOLT	2		
31	AM876401	CYLINDER HEAD	1		
32	CH10346	SEAL	1	(E) (SUB FOR CH15432)	
33	AM876422	SUPPORT	1		

(E) EXHAUST VALVE  
SOUPAPE D'ECHAPPEMENT  
AUSLASSVENTIL  
VALVOLA DI SCARICO  
VALVULA DE ESCAPE  
AVGASVENTIL

(I) INTAKE VALVE  
SOUPAPE D'ADMISSION  
EINLASSVENTIL  
VALVOLA D'ASPIRAZIONE  
VALVULA DE ADMISION  
INSUGSVENTIL

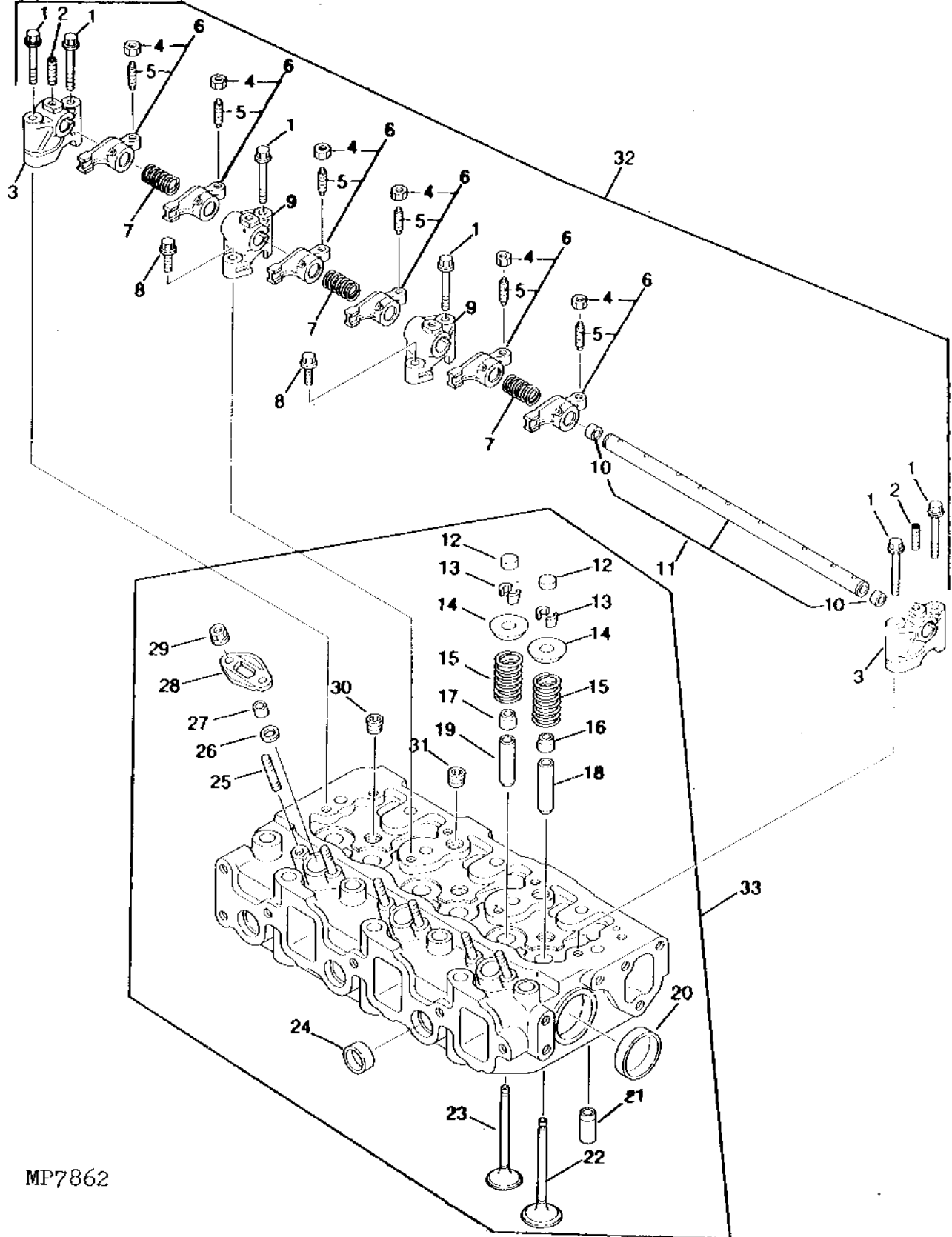
# B19

ENGINE

CYLINDER HEAD AND ROCKER ARM (770)  
CULASSE, CULBUTEURS (770)  
ZYLINDERKOPF UND KIPPHEBEL (770)  
TESTATA, BILANCIERE (770)  
CULATA, BRAZOS DE BALANCIN (770)  
CYLINDERTOPP, VIPPARMAR (770)

MP7862

-UN-01JAN94





# B20

ENGINE

## CYLINDER HEAD AND ROCKER ARM (770) (CONTINUED)

KEY	PART NO.	PART NAME	QTY	SERIAL NO.	REMARKS
1	19M7800	SCREW	6		M8 X 50 (HS, HEAD MARKED 10.9)
2	M801024	STUD	3		
3	M801022	SUPPORT	2		
4	M801028	NUT	6		
5	M801027	SCREW	6		
6	AM875383	ARM	6		
7	M801025	SPRING	3		
8	19M7867	SCREW	2		M8 X 25 (HS, HEAD MARKED 10.9)
9	M801023	SUPPORT	2		
10	M800002	PLUG	2		
11	AM875534	SHAFT	1		
12	M801224	CAP	6		
13	AM878862	KIT	3		VALVE (PKG. OF 2 SIDES) (SUB FOR CH10067)
14	M801223	RETAINER	6		
15	M801222	SPRING	6		
16	T110650	SEAL	3		(E)
17	CH10450	SEAL	3		(I)
18	M801228	GUIDE	3		(E)
19	M801227	GUIDE	3		(I)
20	CH16751	PLUG	2		
21	M801217	PLUG	3		
22	M801221	EXHAUST VALVE	3		
23	M801220	INTAKE VALVE	3		
24	CH16749	PLUG	3		
25	M801219	BOLT	6		
26	M801017	VALVE SEAT	3		
27	M806732	GUARD	3		(SUB FOR M801016)
28	M801018	RETAINER	3		
29	14M7303	FLANGE NUT	6		M6
30	15H666	PIPE PLUG	3		3/8"
31	CH16747	PLUG	2		
32	AM876331	SUPPORT	1		
33	AM876330	CYLINDER HEAD	1		

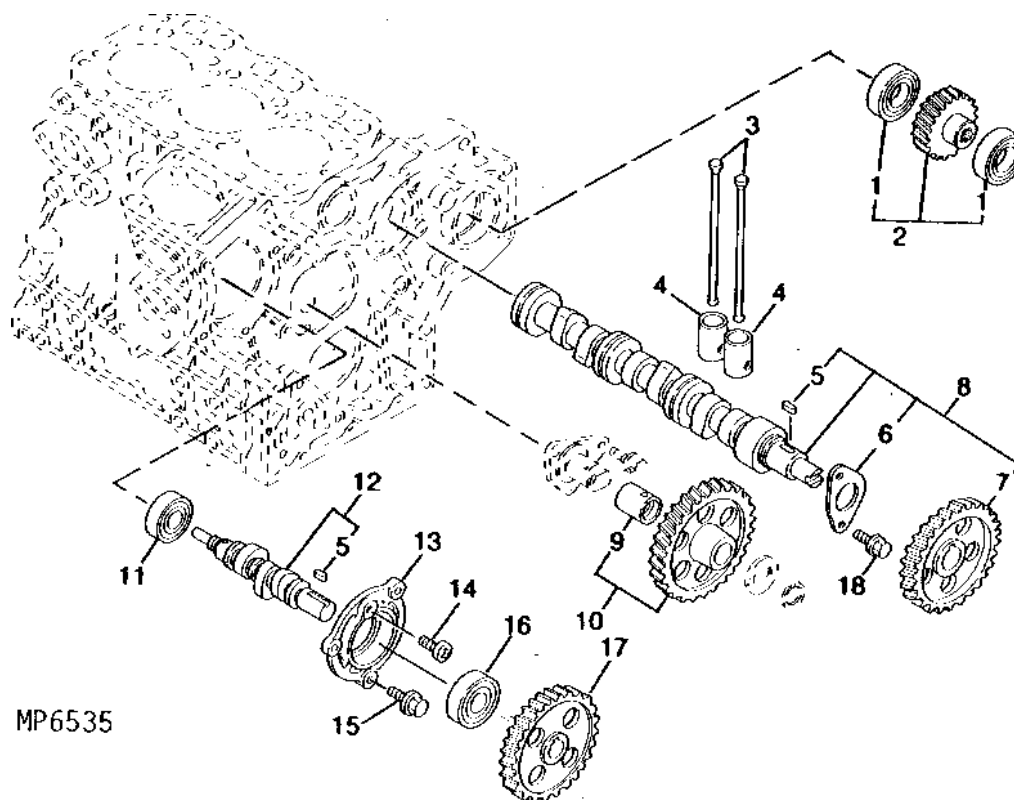
(E) EXHAUST VALVE  
SOUPAPE D'ECHAPPEMENT  
AUSLASSVENTIL  
VALVOLA DI SCARICO  
VALVULA DE ESCAPE  
AVGASVENTIL

(I) INTAKE VALVE  
SOUPAPE D'ADMISSION  
EINLASSVENTIL  
VALVOLA D'ASPIRAZIONE  
VALVULA DE ADMISION  
INSUGSVENTIL

# B21

ENGINE

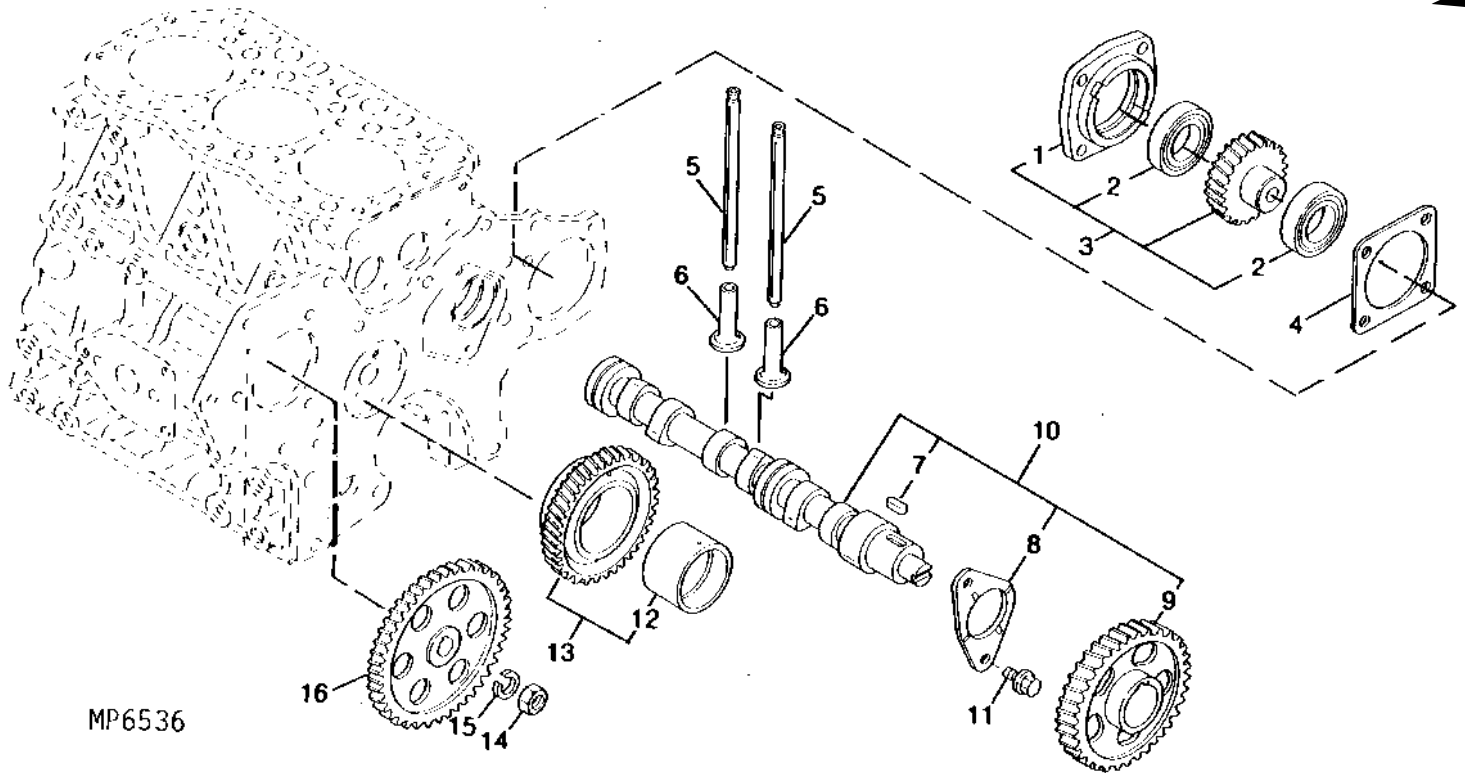
CAMSHAFT AND IDLE GEAR (670)  
 ARBRE A CAMES ET PIGNON FOU (670)  
 NOCKENWELLE UND ZWISCHENZAHNRAD (670)  
 ARBOL DE LEVAS Y ENGRANAJE TENSOR (670)  
 ALBERO A CAMME ED INGRANAGGIO DI RINVIO (670)  
 KAMAXEL OCH PACKNINGAR (670)  
 MP6535 -UN-01JAN94



MP6535

KEY	PART NO.	PART NAME	QTY	SERIAL NO.	REMARKS
1	CH15491	BALL BEARING	2		
2	AM876407	GEAR	1		
3	M806348	PUSH ROD	6		(SUB FOR M87886)
4	M87813	TAPPET	6		
5	M87812	SHAFT KEY	1		(K)
6	M87810	FLANGE	1		
7	M87811	GEAR	1		
8	AM876426	CAMSHAFT	1		
9	M800300	BUSHING	1		
10	AM875078	GEAR	1		
11	M800496	BALL BEARING	1		
12	AM101400	CAMSHAFT	1		F.I. PUMP (INCLUDES PARTS MARKED (K))
13	M89175	CASE	1		
14	CH15405	SCREW	1		
15	19M7775	SCREW	3		M6 X 16 (HS, HEAD MARKED 10.9) (SUB FOR M87868)
16	M800073	BEARING	1		(K)
17	M89141	GEAR	1		(K) F.I. PUMP, (SUB AM101400)
18	19M7774	SCREW	2		M6 X 12 (HS, HEAD MARKED 10.9)

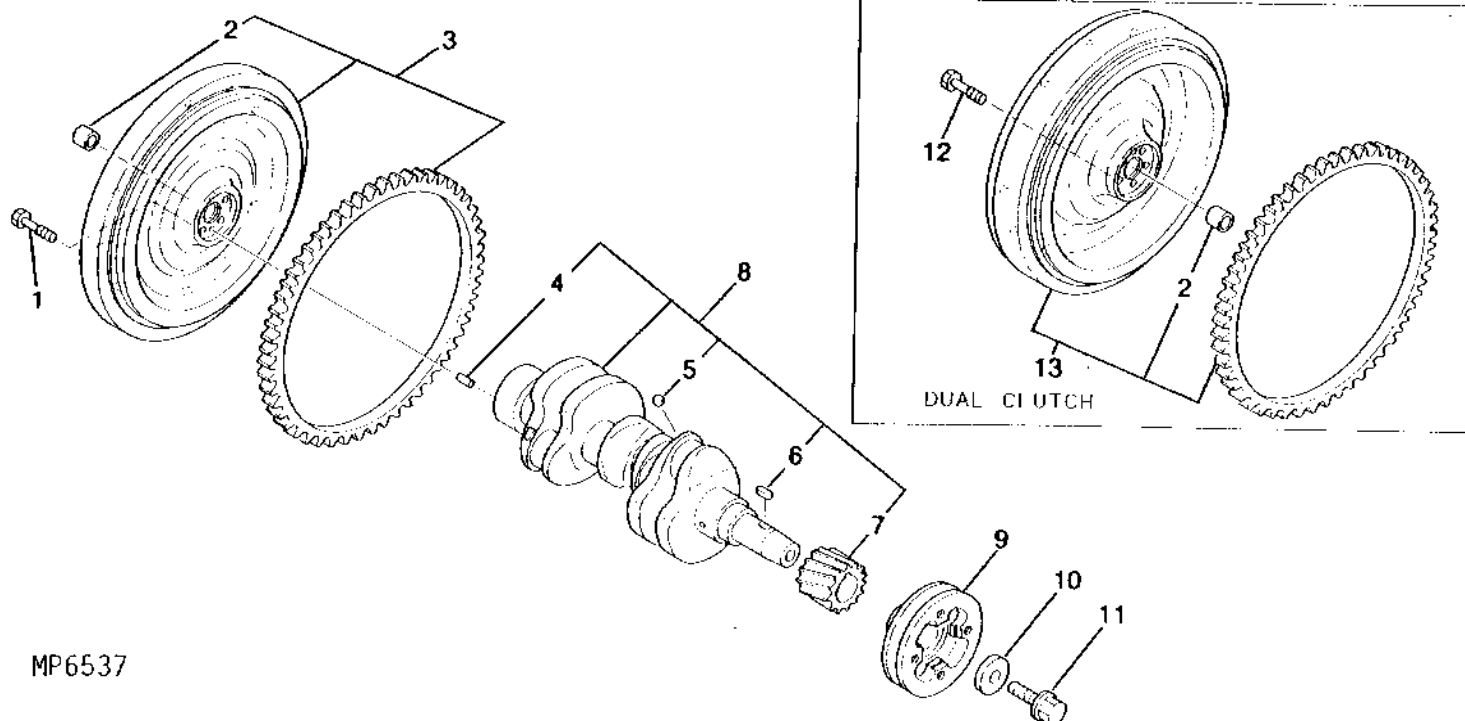
CAMSHAFT AND IDLE GEAR (770)  
 ARBRE A CAMES ET PIGNON FOU (770)  
 NOCKENWELLE UND ZWISCHENZAHNRAD (770)  
 ARBOL DE LEVAS Y ENGRANAJE TENSOR (770)  
 ALBERO A CAMME ED INGRANAGGIO DI RINVO (770)  
 KAMAXEL OCH PAKNINGAR (770)  
 MP6536 -UN-01JAN94



MP6536

KEY	PART NO.	PART NAME	QTY	SERIAL NO.	REMARKS
1	M802618	BRACKET	1		
2	CH13505	BALL BEARING	2		
3	AM876339	GEAR	1		H.O. PUMP
4	M805840	GASKET	1		(SUB FOR M87850)
5	M801238	PUSH ROD	6		
6	M801046	CAM FOLLOWER	6		
7	M801045	SHAFT KEY	1		
8	.....	THRUST BEARING	1		(ORDER AM876430)
9	M801044	GEAR	1		
10	AM876430	CAMSHAFT	1		
11	19M7865	SCREW	2		M8 X 16 (HS, HEAD MARKED 10.9)
12	M801050	BUSHING	1		
13	AM875315	GEAR	1		
14	14M7275	NUT	1		M12
15	12M7067	LOCK WASHER	1		12.200 MM
16	M801239	GEAR	1		

CRANKSHAFT AND FLYWHEEL (670)  
 VILEBREQUIN, VOLANT (670)  
 KURBELWELLE UND SCHWUNGRAD (670)  
 ALBERO A COLLI E VOLANTE (670)  
 CIGUENAL Y VOLANTE (670)  
 VEVAXEL OCH SVANGHJUL (670)  
 MP6537 -UN-01JAN94



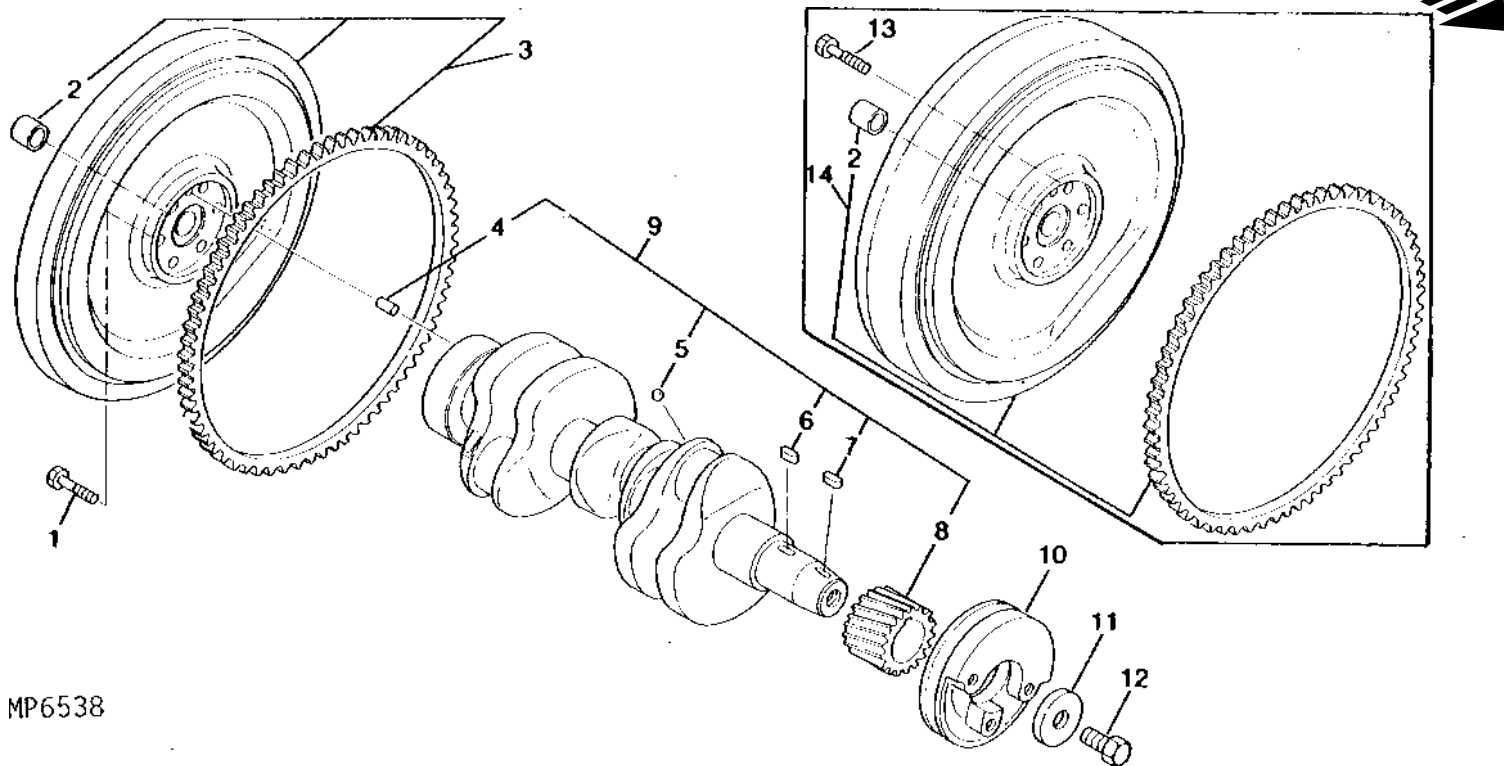
MP6537

KEY	PART NO.	PART NAME	QTY	SERIAL NO.	REMARKS
1	CH20081	BOLT	5		
2	CH10408	BUSHING	2		
3	AM876406	FLYWHEEL	1	(B)	
4	M802255	PIN	1		
5	400R	BALL	3		
6	M87812	SHAFT KEY	1		
7	M89137	GEAR	1		
8	AM101394	CRANKSHAFT	1		
9	M802669	PULLEY	1		
10	M800308	WASHER	1		
11	M800075	BOLT	1		
12	M802667	BOLT	5		
13	AM876405	FLYWHEEL	1	(A)	

(A) SINGLE CLUTCH  
 EMBRAYAGE SIMPLE  
 EINZELKUPPLUNG  
 FRIZIONE SINGOLA  
 EMBRAGUE UNICO  
 ENKEL KOPPLING

(B) DUAL CLUTCH  
 EMBRAYAGE DOUBLE  
 DOPPELKUPPLUNG  
 FRIZIONE DOPPIA  
 EMBRAGUE DOBLE  
 DUBBEL KOPPLING

CRANKSHAFT AND FLYWHEEL (770)  
 VILEBREQUIN, VOLANT (770)  
 KURBELWELLE UND SCHWUNGRAD (770)  
 ALBERO A COLLI E VOLANTE (770)  
 CIGUENAL Y VOLANTE (770)  
 VEVAXEL OCH SVANGHJUL (770)  
 MP6538 -UN-01JAN94



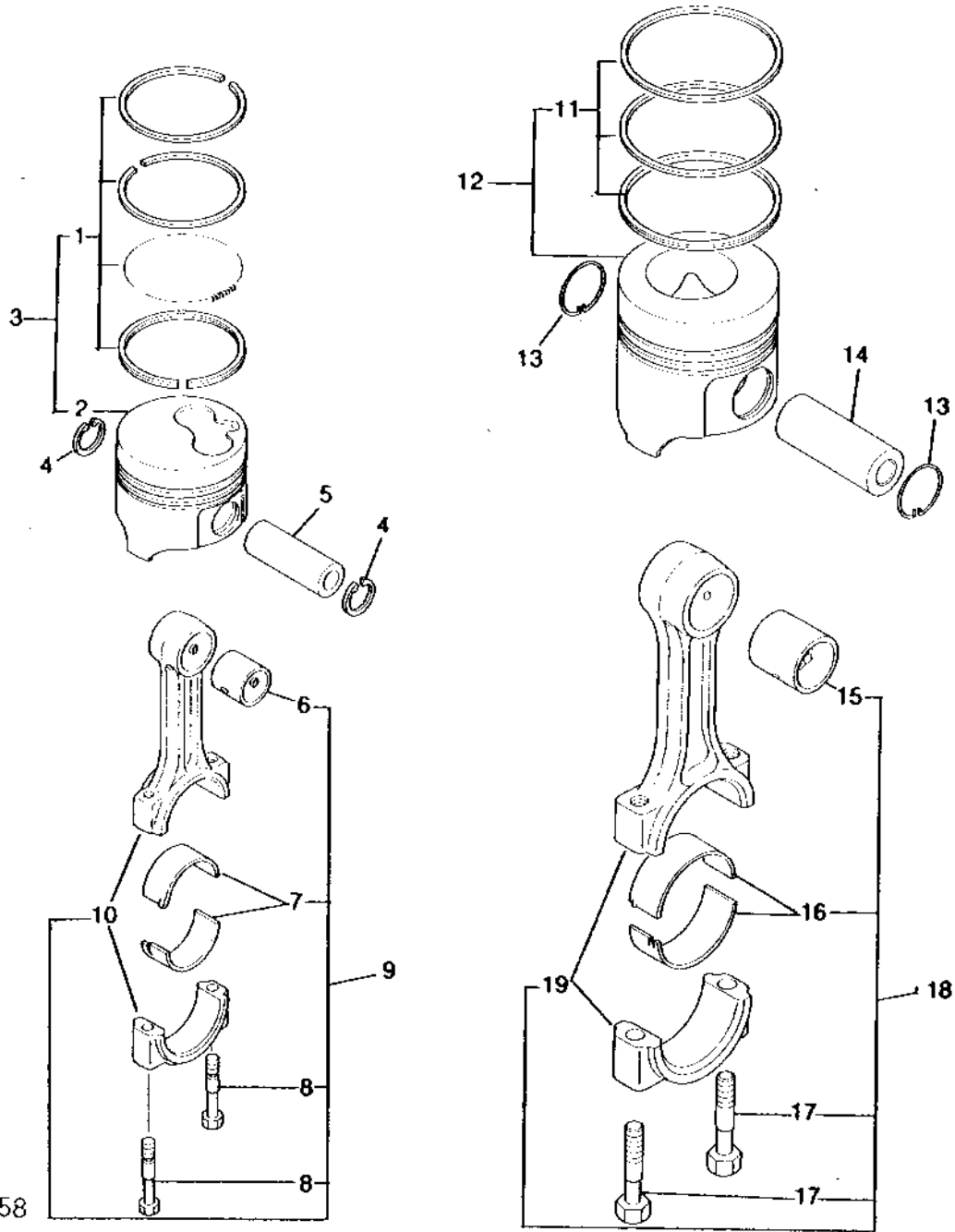
MP6538

KEY	PART NO.	PART NAME	QTY	SERIAL NO.	REMARKS
1	CH19291	BOLT	6		
2	CH10408	BUSHING	2		
3	AM876337	FLYWHEEL	1		(B)
4	M802255	PIN	1		
5	400R	BALL	3		
6	M801045	SHAFT KEY	1		
7	M802614	KEY	1		
8	M801053	GEAR	1		
9	AM876335	CRANKSHAFT	1		
10	M802617	PULLEY	1		
11	M801055	WASHER	1		
12	CH16798	BOLT	1		
13	M802667	BOLT	6		
14	AM876336	FLYWHEEL	1		(A)

(A) SINGLE CLUTCH  
 EMBRAYAGE SIMPLE  
 EINZELKUPPLUNG  
 FRIZIONE SINGOLA  
 EMBRAGUE UNICO  
 ENKEL KOPPLING

(B) DUAL CLUTCH  
 EMBRAYAGE DOUBLE  
 DOPPELKUPPLUNG  
 FRIZIONE DOPPIA  
 EMBRAGUE DOBLE  
 DUBBEL KOPPLING

CONNECTING ROD AND PISTON  
BIELE ET PISTON  
PLEUELSTANGE UND KOLBEN  
BIELLA E PISTONE  
PISTON Y BIELA  
VEVSTAKE OCH KOLV  
MP6558 -UN-01JAN94



MP6558

# C2

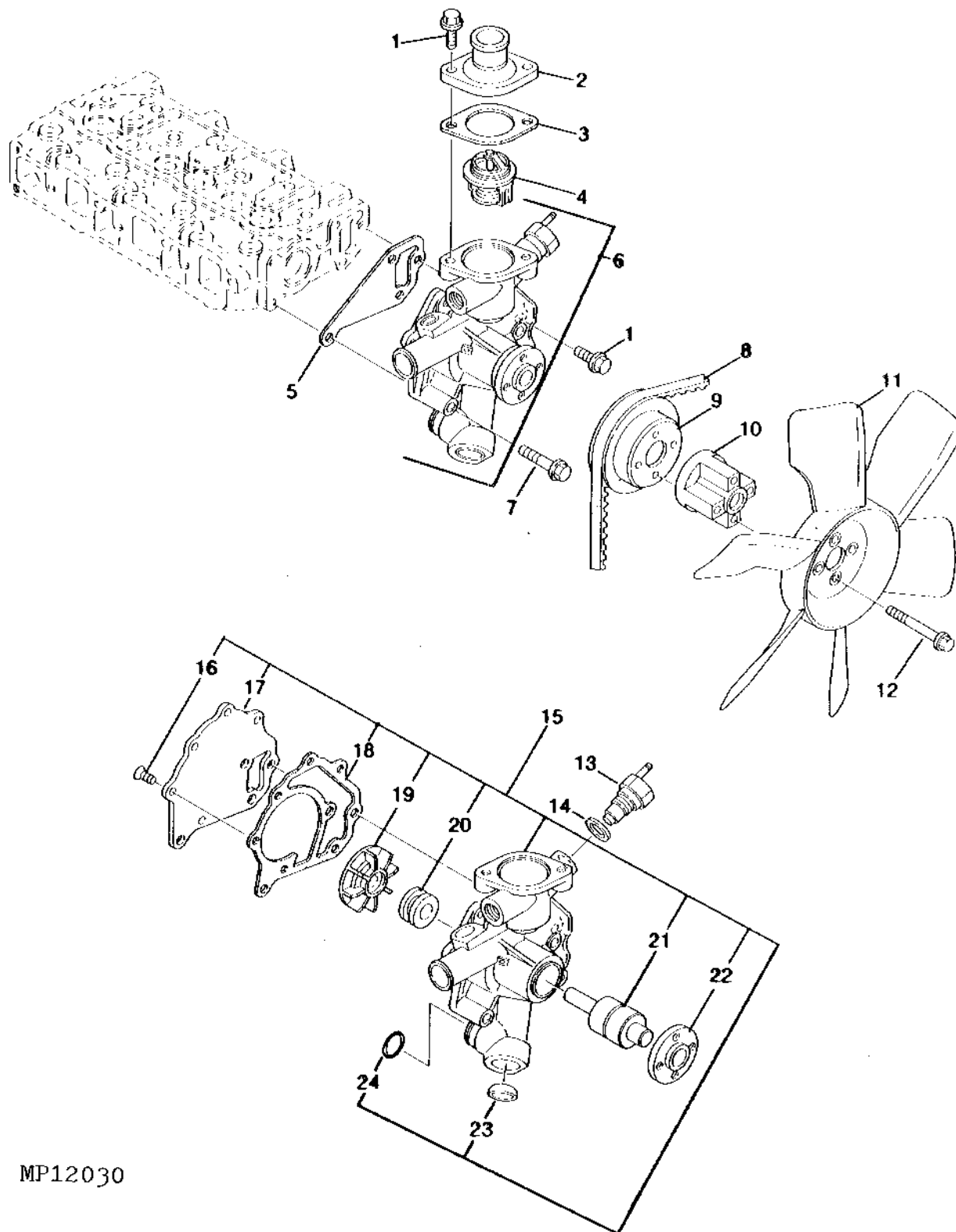
ENGINE

## CONNECTING ROD AND PISTON (CONTINUED)

KEY	PART NO.	PART NAME	QTY	SERIAL NO.	6 7	REMARKS
					7 7	
					0 0	
1	AM100740	PISTON RING KIT	3		X	STD
	AM878239	PISTON RING KIT	3		X	.50 MM (.020") OS
2	.....	PISTON	3		X	(ORDER PISTON AND RING SET)
3	AM100723	PISTON	3		X	STD
	AM100741	PISTON	3		X	.25 MM (.010") OS
	AM878238	PISTON	3		X	.50 MM (.020") OS
4	M87816	SNAP RING	6		X	
5	M87815	PISTON PIN	3		X	
6	M87864	BUSHING	3		X	
7	AM100725	BEARING KIT	3		X	STD
	AM100822	BEARING KIT	3		X	.25 MM (.010") OS
8	M87817	BOLT	6		X	
	M87864	BUSHING	1		X	
9	AM100724	CONNECTING ROD	3		X	
10	.....	CONNECTING ROD	3		X	(ORDER AM100724)
11	AM875390	PISTON RING KIT	3		X	STD
	AM875394	PISTON RING KIT	3		X	.25 MM (.010") OS
	AM878243	RING	3		X	.50 MM (.020") OS
12	AM875389	PISTON	3		X	STD
	AM875393	PISTON	3		X	.25 MM (.010") OS
	AM878242	PISTON	3		X	.50 MM (.020") OS
13	M801247	RETAINER	6		X	
14	M801246	PISTON PIN	3		X	
15	M801256	BEARING	3		X	
16	AM875392	BEARING	3		X	STD
	AM875395	BEARING	3		X	.25 MM (.010") OS
17	CH15483	BOLT	6		X	
18	AM875391	CONNECTING ROD	3		X	
19	.....	CONNECTING ROD	3		X	(ORDER AM875391)

**WATER PUMP AND THERMOSTAT (670)**  
**POMPE A EAU ET THERMOSTAT (670)**  
**WASSERPUMPE UND THERMOSTAT (670)**  
**POMPA DELL'ACQUA E TERMOSTATO (670)**  
**BOMBA DE AGUA Y TERMOSTATO (670)**  
**VATTENPUMP OCH TERMSTAT (670)**

MP12030 -UN-01JAN94



MP12030



# C4

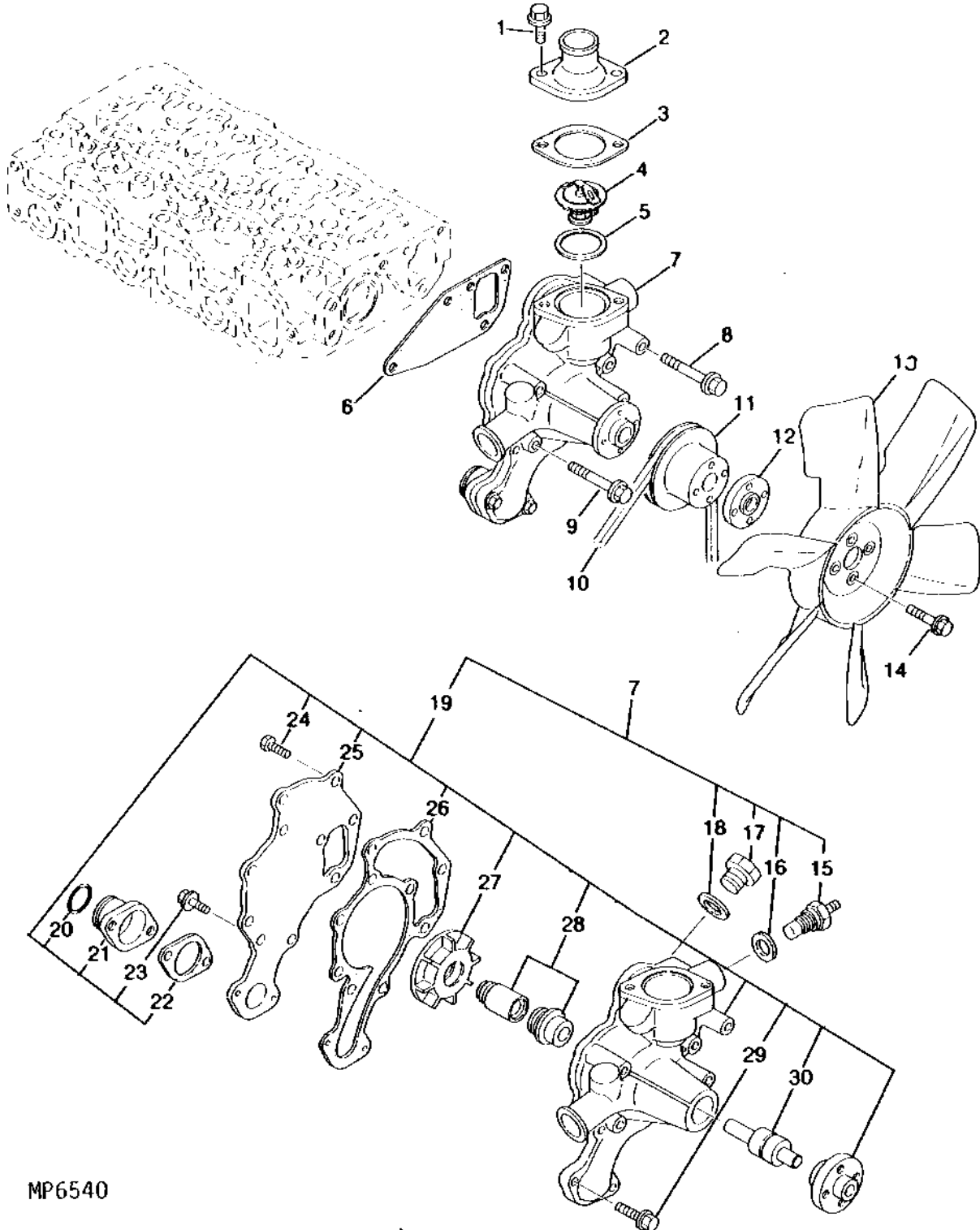
ENGINE

## WATER PUMP AND THERMOSTAT (670) (CONTINUED)

KEY	PART NO.	PART NAME	QTY	SERIAL NO.	REMARKS
1	19M7866	SCREW	3		
2	CH15535	COVER	1		M8 X 20 (HS, HEAD MARKED 10.9)
3	M805702	GASKET	1		
4	CH15536	THERMOSTAT	1		
5	M87858	GASKET	1		
6	AM876427	WATER PUMP	1		(INCLUDES T110736, T110737)
7	CH19101	BOLT	3		
8	M802674	BELT	1		
9	M89150	PULLEY	1		
10	M802675	SPACER	1		
11	CH16048	FAN	1		
12	M89120	BOLT	4		
13	T110736	SENSOR	1		WATER TEMPERATURE
14	T110737	GASKET	1		
15	AM878045	WATER PUMP	1		
16	21M7194	SCREW	5		M6 X 12
17	M800345	PLATE	1		
18	M805701	PACKING	1		
19	M87899	IMPELLER	1		
20	.....	SEAL	1		(ORDER AM878045) (SUB FOR M800083, THIS APPLICATION)
21	M800311	SHAFT	1		
22	M800082	FLANGE	1		
23	M87896	PLUG	1		
24	M87902	O-RING	1		

# C5

WATER PUMP AND THERMOSTAT (770)  
POMPE A EAU ET THERMOATAT (770)  
WASSERPUMPE UND THERMOSTAT (770)  
POMPA DELL'ACQUA E TERMOSTATO (770)  
BOMBA DE AGUA Y TERMOSTATO (770)  
VATTENPUMP OCH TERMSTAT (770)  
MP6540 -UN-01JAN94



MP6540

# C6

ENGINE

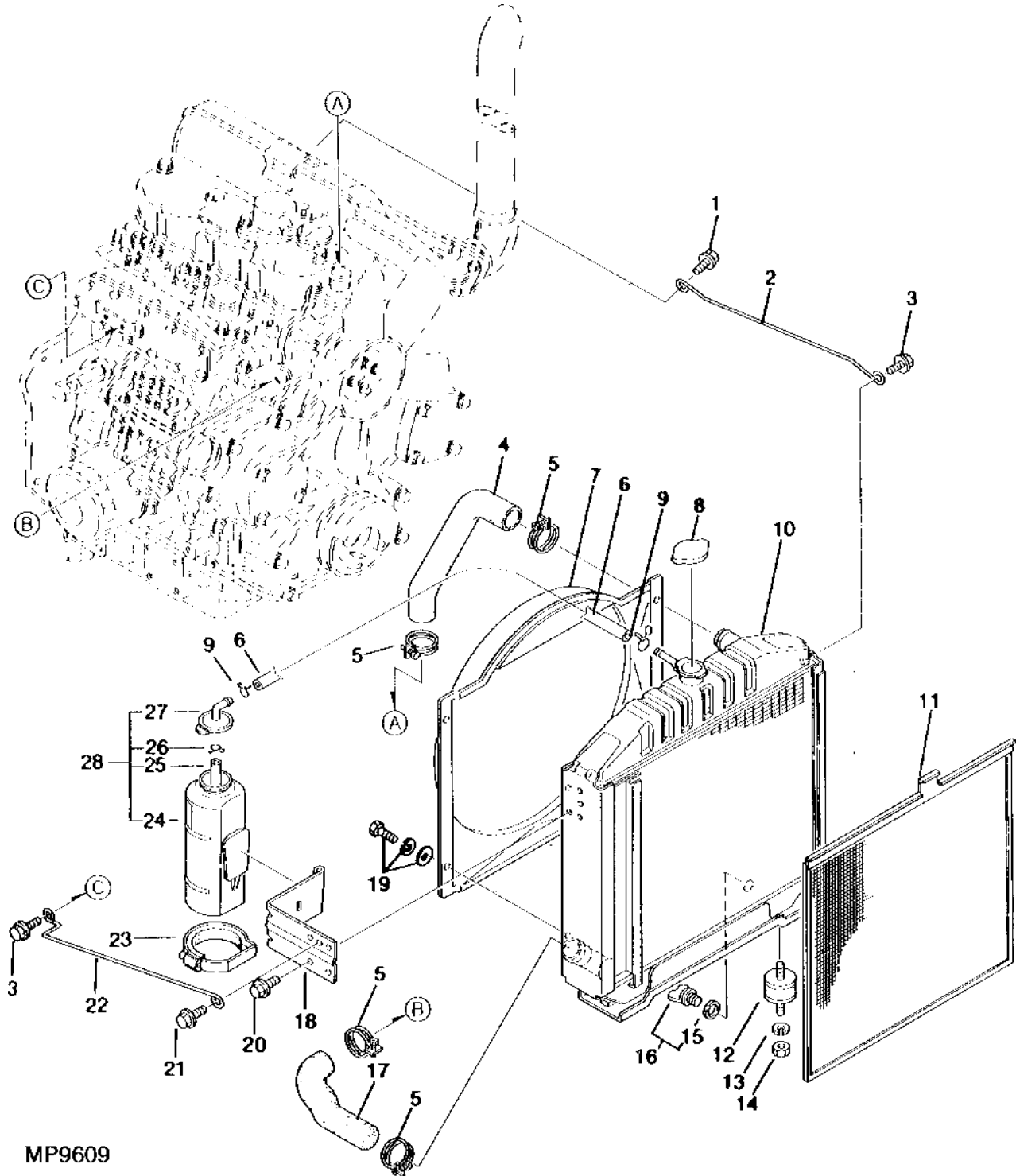
## WATER PUMP AND THERMOSTAT (770) - CONTINUED

KEY	PART NO.	PART NAME	QTY	SERIAL NO.	REMARKS
1	19M7866	SCREW	2		M8 X 20 (HS, HEAD MARKED 10.9)
2	CH15535	COVER	1		
3	M805834	GASKET	1		(SUB FOR M87859)
4	M801088	THERMOSTAT	1		
5	M805835	GASKET	1		(SUB FOR M87860)
6	M801084	GASKET	1		
7	AM876431	WATER PUMP	1		
8	19M7979	SCREW	3		M8 X 55 (HS, HEAD MARKED 10.9)
9	19M7801	SCREW	1		M8 X 60 (HS, HEAD MARKED 10.9)
10	M802627	BELT	1		
11	M801086	PULLEY	1		
12	M802628	SPACER	1		
13	M800955	FAN	1		340 MM DIAMETER
14	M87871	BOLT	4		
15	T110736	SENSOR	1		
16	T110737	GASKET	1		
17	M800312	PLUG	1		
18	CH13814	GASKET	1		
19	AM876341	WATER PUMP	1		
20	M801760	O-RING	1		
21	M801758	PIPE	1		
22	M805844	GASKET	1		(SUB FOR M801759)
23	CH19140	BOLT	5		
24	CH10577	BOLT	1		
25	M801757	PLATE	1		
26	M805841	GASKET	1		(SUB FOR M801756)
27	M801755	IMPELLER	1		
28	.....	SEAL	1		(ORDER M805843) (SUB FOR M800083, THIS APPLICATION)
29	M87820	BOLT	2		
30	CH16849	BEARING	1		

# C7

RADIATOR  
RADIATEUR  
KUHLER  
RADIATORE  
RADIADOR  
KYLARE  
MP9609

-UN-01JAN94



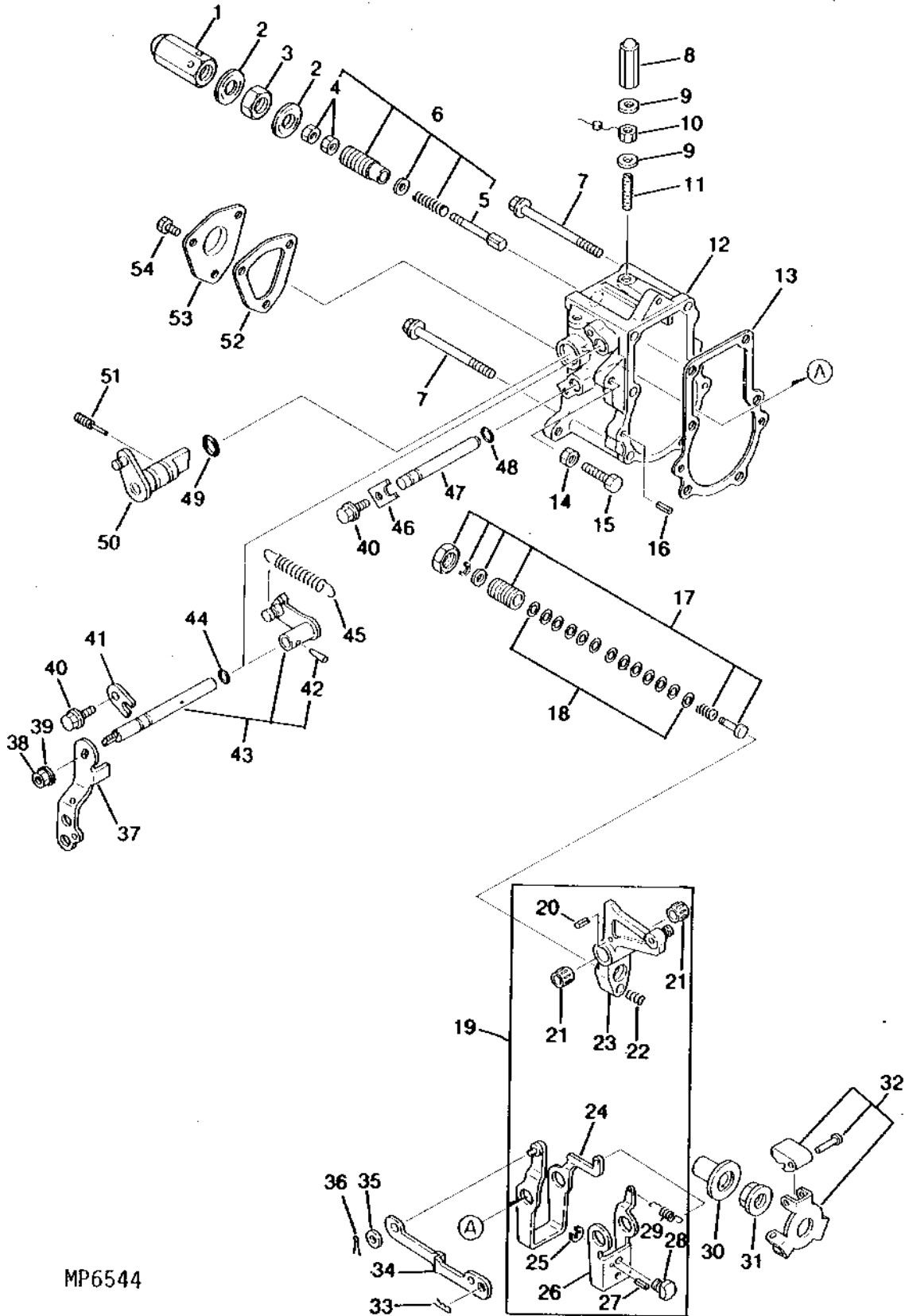
MP9609

## RADIATOR (CONTINUED)

KEY	PART NO.	PART NAME	QTY	SERIAL NO.	REMARKS
				6 7	
				7 7	
				0 0	
1	19M7866	SCREW	3		M8 X 20 (HS, HEAD MARKED 10.9)
2	M802683	SUPPORT	1	X	
	M802632	SUPPORT	1	X	
3	19M7865	SCREW	2		M8 X 16 (HS, HEAD MARKED 10.9)
4	M802686	HOSE	1	X	
	M802633	HOSE	1	X	
5	T110735	CLAMP	4		
6	.....	HOSE	1		(A) (B) (MAKE FROM M88753)
7	M802676	SHROUD	1	X	(A)
	M802630	SHROUD	1	X	(B)
8	M802715	FILLER CAP	1		(A) (B)
9	CH12782	CLAMP	2		(A) (B)
10	M802712	HOUSING	1	X	(A)
	M802629	HOUSING	1	X	(B)
11	M802677	GUARD	1		(A) (B)
12	M802684	RUBBER MOUNT	2		
13	12M7066	LOCK WASHER	2		10.200 MM
14	14M7274	NUT	2		M10
15	M802679	PACKING	1		(A) (B)
16	AM876409	VALVE	1		(A) (B)
17	M802687	HOSE	1	X	
	M802634	HOSE	1	X	
18	M802681	BRACKET	1		
19	19M6614	CAP SCREW	4		M6 X 12
	12M7006	LOCK WASHER	4		6.100 MM
	24M7054	WASHER	4		6.400 X 12 X 1.600 MM
20	19M7864	SCREW	1	X	M8 X 12 (HS, HEAD MARKED 10.9)
	19M7866	SCREW	1	X	M8 X 20 (HS, HEAD MARKED 10.9)
21	19M7866	SCREW	1	X	M8 X 20 (HS, HEAD MARKED 10.9)
	19M7864	SCREW	1	X	M8 X 12 (HS, HEAD MARKED 10.9)
22	M802682	SUPPORT	1	X	
	M802631	SUPPORT	1	X	
23	CH15945	CLAMP	1		
24	CH15519	TANK	1		EXPANSION
25	.....	HOSE	1		(MAKE FROM CH10551)
26	CH10426	RETAINER	1		
27	CH12896	CAP	1		
28	CH15518	TANK	1		EXPANSION
..	AM876408	RADIATOR	1	X	(INCLUDES PARTS MARKED (A))
..	AM876342	RADIATOR	1	X	(NO LONGER AVAILABLE) (ORDER PARTS MARKED (B))

# C9

ENGINE GOVERNOR (670)  
REGULATEUR DU MOTEUR (670)  
DREHZAHLREGLER (670)  
GOBERNADOR DEL MOTOR (670)  
REGOLATORE DEL MOTORE (670)  
MOTOR REGULATOR (670)  
MP6544 -UN-01JAN94



MP6544

THIS PARTS LISTING IS CONTINUED

# C10

ENGINE

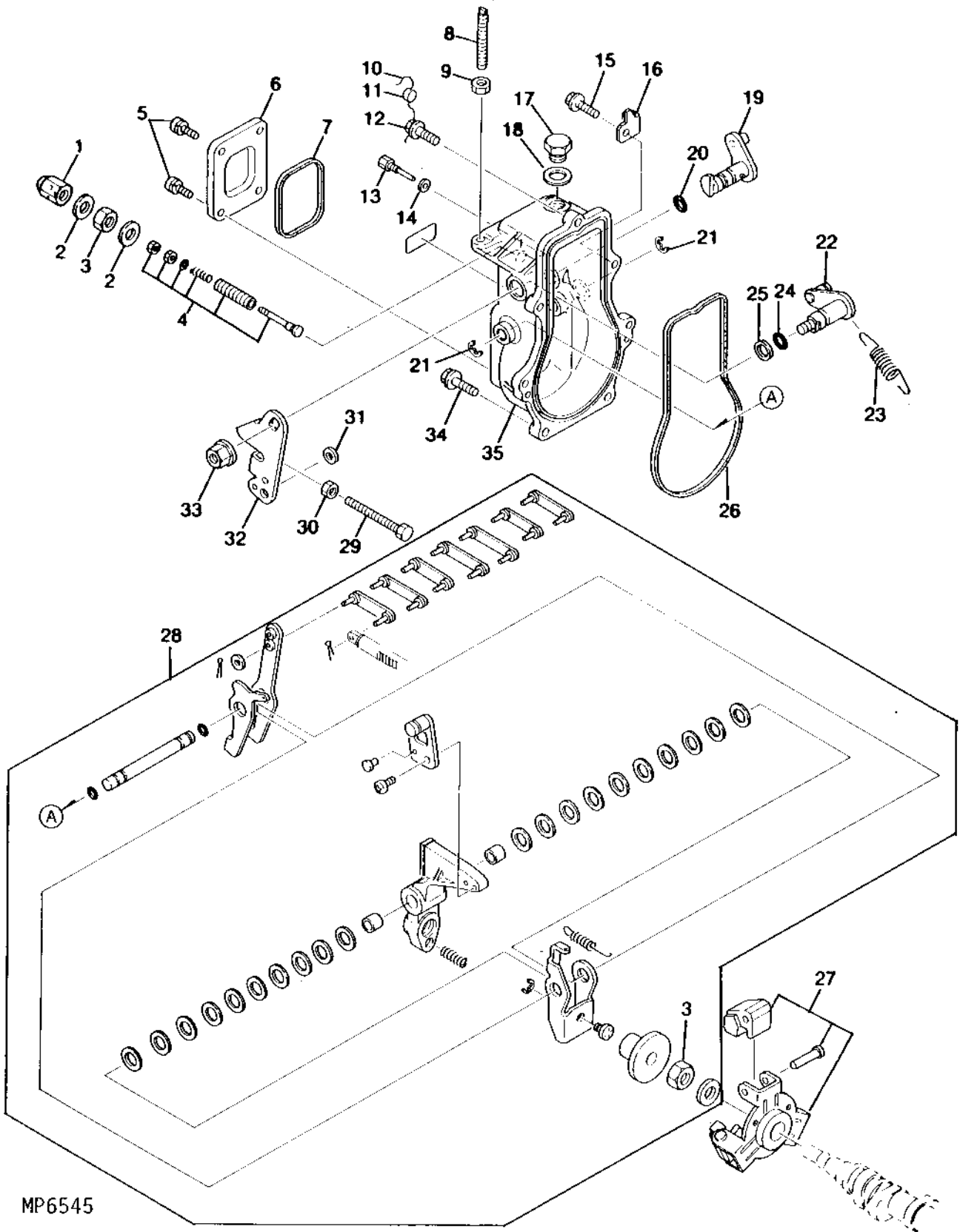
## ENGINE GOVERNOR (670) (CONTINUED)

KEY	PART NO.	PART NAME	QTY	SERIAL NO.	REMARKS
1	M800103	NUT	1		
2	M806438	WASHER	2		(SUB FOR CH15385)
3	M87915	NUT	1		
4	14M7229	NUT	2	M5	
5	CH15581	CONTROL	1		
6	AM876414	ENGINE CONTROLLER	1		
7	M89163	BOLT	6		
8	M801185	NUT	1		
9	M87851	WASHER	2		(SUB FOR CH10644)
10	CH10484	NUT	1		
11	M88661	SCREW	1		
12	M801944	CASE	1		
13	M805704	GASKET	1		(SUB FOR M89153)
14	14M7194	NUT	1	M6	
15	M89169	SCREW	1		
16	CH12293	PIN	2		
17	AM876415	BRACKET	1		
18	AT110817	SHIM	1		
19	AM876992	LEVER	1		
20	M89178	SPRING PIN	1		
21	T111857	NEEDLE BEARING	2		
22	M800098	SPRING	1		
23	AM875682	LEVER	1		
24	.....	LEVER	1		(ORDER AM876992)
25	CH13497	SNAP RING	1		
26	.....	LEVER	1		(ORDER AM876992)
27	M801857	SPRING PIN	1		
28	M801855	SHIFTER	1		
29	M801947	SPRING	1		
30	M89158	SLEEVE	1		
31	M89157	NUT	1		
32	AM875681	WEIGHT	1		
33	CH10542	PIN	1		
34	M89156	LINK	1		
35	M800099	WASHER	1		
36	M89162	PIN	1		
37	M801783	LEVER	1		
38	14M7273	NUT	1	M8	
39	12M7065	LOCK WASHER	1	8.100 MM	
40	19M7300	CAP SCREW	2	M6 X 10	
41	M801784	RETAINER	1		
42	CH10536	PIN	1		
43	AM875555	SHAFT	1		
44	M801785	O-RING	1		
45	AT110766	SPRING	1		
46	M89161	RETAINER	1		
47	M89160	SHAFT	1		
48	M89151	O-RING	1		
49	CH10571	PACKING	1		
50	M801948	LEVER	1		
51	CH12802	SCREW	1		
52	M805705	GASKET	1		(SUB FOR M89155)
53	M89154	COVER	1		
54	M89164	BOLT	3		

# C11

ENGINE

ENGINE GOVERNOR (770)  
REGULATEUR DU MOTEUR (770)  
DREHZAHLREGLER (770)  
GOBERNADOR DEL MOTOR (770)  
REGOLATORE DEL MOTORE (770)  
MOTOR REGULATOR (770)  
MP6545 -UN-01JAN94



MP6545



# C12

ENGINE

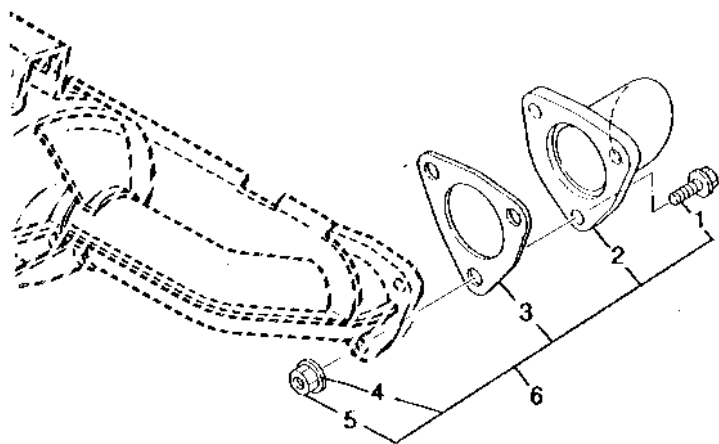
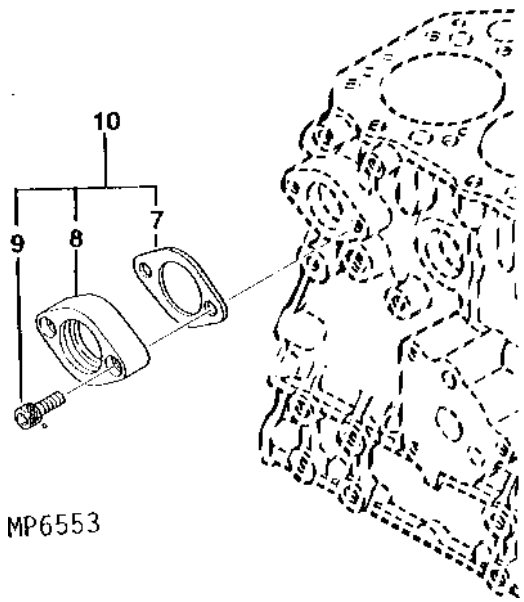
## ENGINE GOVERNOR (770) (CONTINUED)

KEY	PART NO.	PART NAME	QTY	SERIAL NO.	REMARKS
1	M800103	NUT	1		
2	M806438	WASHER	2		(SUB FOR CH15385)
3	CH13545	NUT	2		
4	AM876432	RESTRICTOR	1		
5	21M7278	SCREW	4	M5 X 10	
	12M7064	LOCK WASHER	4	5.100 MM	
6	M801320	COVER	1		
7	M801321	PACKING	1		
8	M801335	BOLT	1		
9	CH10484	NUT	1		
10	CH10544	WIRE	1		
11	CH10503	WIRING LEAD	1		
12	M801348	BOLT	1		
13	.....	PIN	1		(ORDER AM876436)
14	.....	GASKET	1		(ORDER AM876436)
15	M87869	BOLT	1		
16	M802729	SUPPORT	1		
17	CH10561	PLUG	1		
18	T110750	SEAL	1		
19	.....	LEVER	1		(ORDER AM876436)
20	CH19111	O-RING	1		
21	CH11489	RING	2		
22	.....	CONTROL LEVER	1		(ORDER AM876436)
23	.....	SPRING	1		(ORDER AM876436)
24	.....	O-RING	1		(ORDER AM876436)
25	.....	SPACER	1		(ORDER AM876436)
26	.....	PACKING	1		(ORDER AM876436)
27	.....	WEIGHT	1		(ORDER AM876436)
28	.....	LEVER	1		(ORDER AM876436)
29	M802722	BOLT	1		
30	14M7194	NUT	1	M6	
31	12M7064	LOCK WASHER	1	5.100 MM	
32	M801330	LEVER	1		
33	14M7298	FLANGE NUT	1	M8	
34	M87820	BOLT	5		
35	.....	CASE	1		(NSEP)

# C13

ENGINE

OPTIONAL PARTS  
 PIECES EN OPTION  
 SONDERTEILE  
 PIEZAS OPCIONALES  
 PEZZI OPZIONALI  
 VALFRIA DELAR  
 MP6553 -UN-01JAN94



MP6553

KEY	PART NO.	PART NAME	QTY	SERIAL NO.	REMARKS
				6 7	
				7 7	
				0 0	
1	19M7867	SCREW	3		M8 X 25 (HS, HEAD MARKED 10.9)
2	M92715	EXHAUST PIPE	1		
3	M802664	GASKET	1		
4	12M7065	LOCK WASHER	3		8.100 MM
5	14M7273	NUT	3		M8
6	.....	EXTENSION	1		(ASSY NLA)
7	M805828	GASKET	1	X	(SUB FOR M89174)
8	M800125	ADAPTER	1	X	
9	19M6887	SCREW	2	X	M8 X 18
10	AM101390	ADAPTER	1	X	BLOCK HEATER

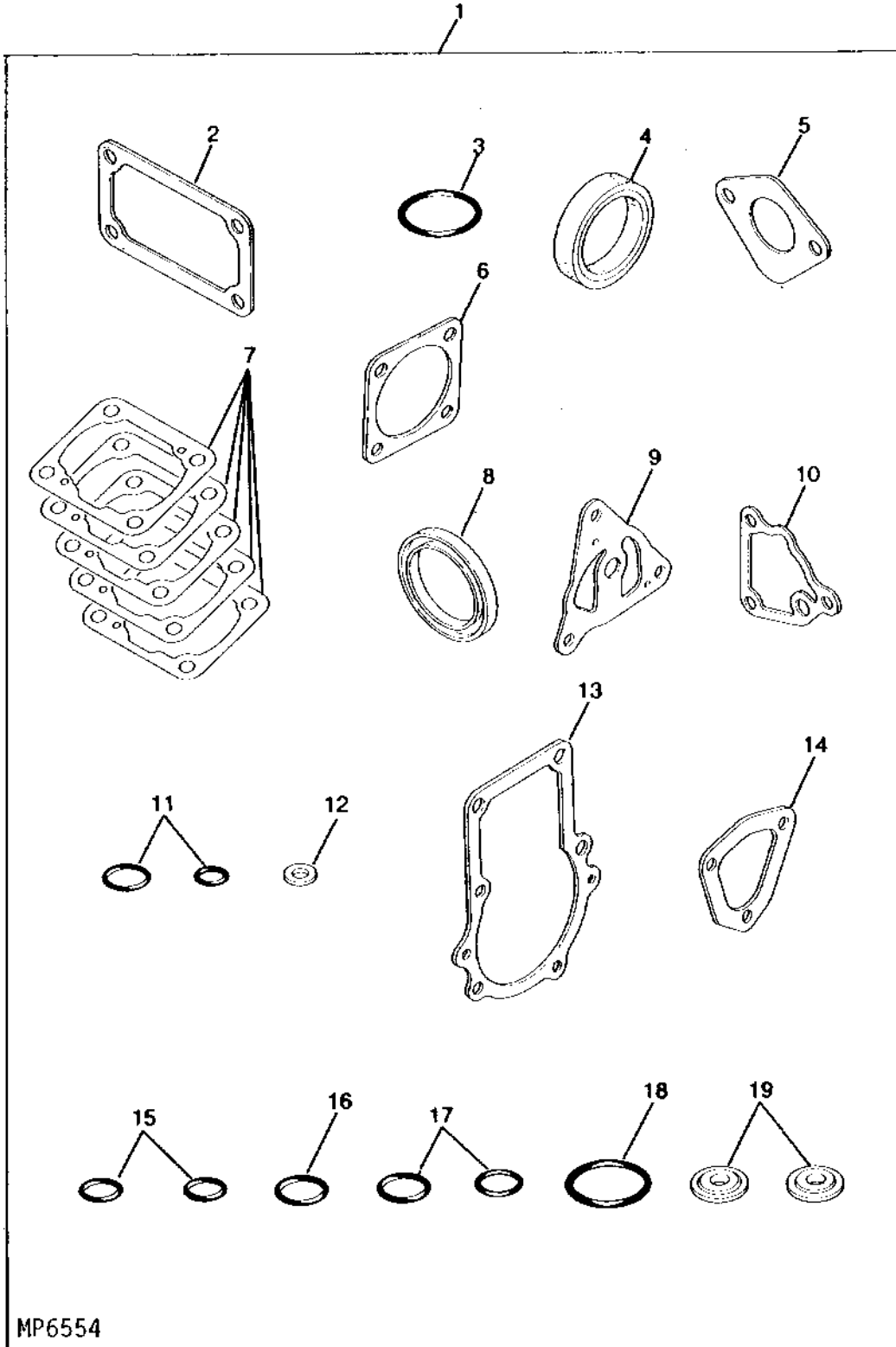
---

MEMORANDA

# C14

ENGINE

CYLINDER BLOCK GASKET KIT (670)  
JEU DE JOINTS D'ETANCHEITE POUR BLOC-CYLINDRES (670)  
ZYLINDERBLOCK-DICHTUNGSSATZ (670)  
CORREDO GUARNIZIONI MONOBLOCCO (670)  
JUEGO DE EMPAQUETADURAS PARA BLOQUE DE CILINDROS (670)  
PACKINGSSATS FOR CYLINDERBLOCK (670)  
MP6554 -UN-01JAN94



MP6554

# C15

ENGINE

## CYLINDER BLOCK GASKET KIT (670) (CONTINUED)

KEY	PART NO.	PART NAME	QTY	SERIAL NO.	REMARKS
1	AM878049	GASKET KIT	1		
2	M805695	GASKET	1		(SUB FOR M89123)
3	CH15414	PACKING	1		
4	M801940	SEAL	1		
5	M805703	GASKET	1	(A)	
6	M805696	GASKET	2		(SUB FOR CH12816)
7	AM100747	SHIM	1	(B)	
8	M801941	SEAL	1		
9	M89142	GASKET	1	(C)	
10	M805699	GASKET	1		
11	M89151	O-RING	2		
12	M89126	GASKET	1		
13	M805704	GASKET	1		(SUB FOR M89153)
14	M805705	GASKET	1		(SUB FOR M89155)
15	CH10568	PACKING	3		
16	CH10570	PACKING	1		
17	CH10571	PACKING	2		
18	CH13526	PACKING	1		
19	M806438	WASHER	3		(SUB FOR CH15385)

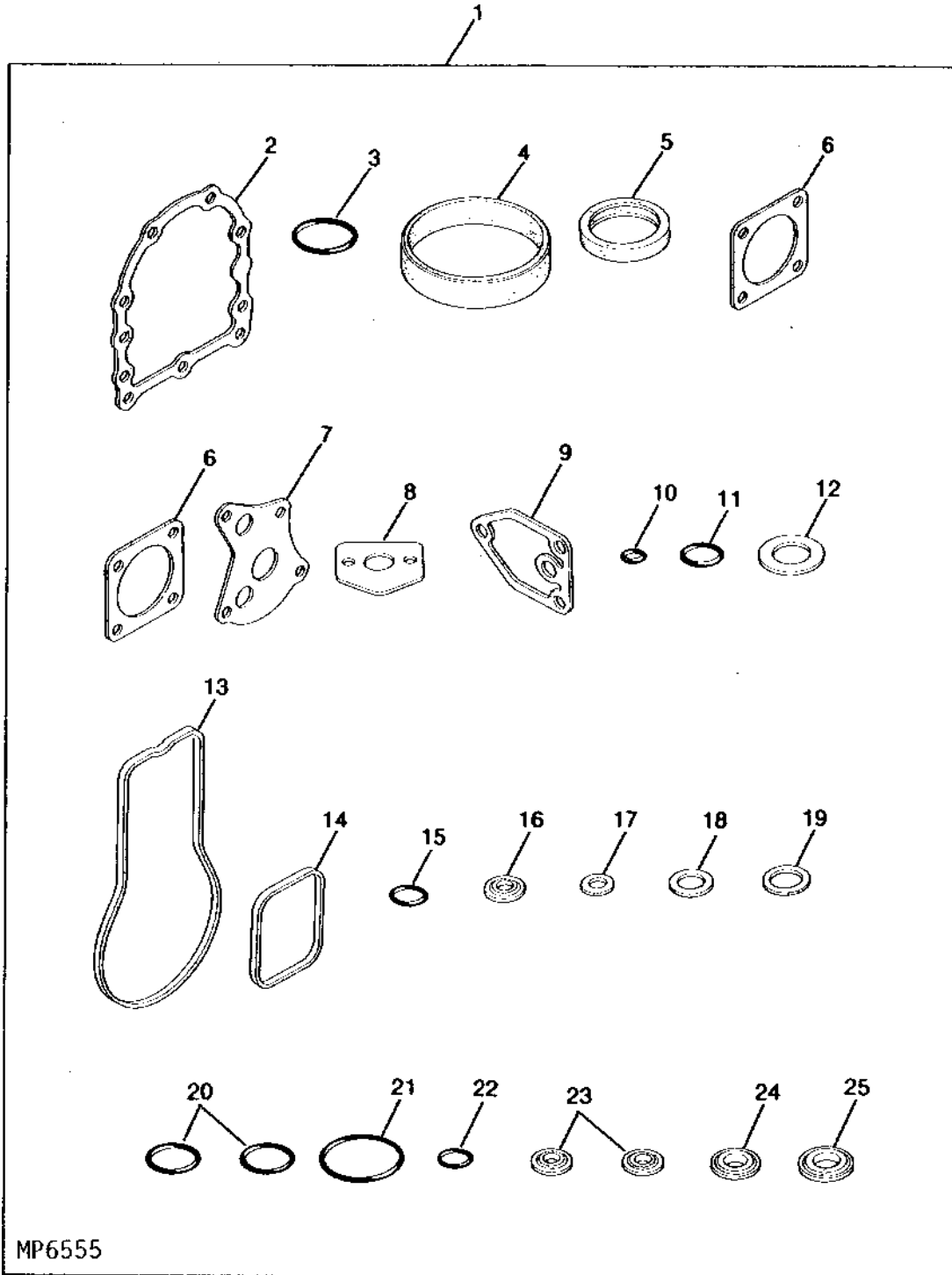
(A) FEED PUMP

(B) FUEL INJECTION PUMP  
POMPE D'INJECTION  
EINSPRITZPUMPE  
POMPA D'INIEZIONE  
BOMBA DE INYECCION  
INSPRUTNINGSPUMP(C) OIL PUMP  
POMPE A HUILE  
OELPUMPE  
POMPA DELL'OLIO  
BOMBA DE ACEITE  
OLJEPUMP

# C16

ENGINE

CYLINDER BLOCK GASKET KIT (770)  
JEU DE JOINTS D'ETANCHEITE POUR BLOC-CYLINDRES (770)  
ZYLINDERBLOCK-DICHTUNGSSATZ (770)  
CORREDO GUARNIZIONI MONOBLOCCO (770)  
JUEGO DE EMPAQUETADURAS PARA BLOQUE DE CILINDROS (770)  
PACKINGSSATS FOR CYLINDERBLOCK (770)  
MP6555 -UN-01JAN94



MP6555

# C17

ENGINE

## CYLINDER BLOCK GASKET KIT (770) (CONTINUED)

KEY	PART NO.	PART NAME	QTY	SERIAL NO.	REMARKS
1	AM878179	GASKET KIT	1	(SUB FOR AM876352)	
2	M64850	SEALANT	1	(SUB FOR M801204)	
3	M805711	PACKING	1		
4	M805278	SEAL	1	(SUB FOR M801203)	
5	M800988	SEAL	1		
6	M805696	GASKET	2	(SUB FOR CH12816)	
7	M801005	GASKET	1	(A)	
8	M805829	GASKET	1	(B) (SUB FOR M800999)	
9	M805830	GASKET	1	(SUB FOR M801001)	
10	M89151	O-RING	2		
11	CH16940	O-RING	1		
12	M801314	GASKET	1		
13	.....	PACKING	1	(ORDER AM878179)	
14	M801321	PACKING	1		
15	.....	O-RING	3	(C) (NSEP)	
16	T110750	SEAL	1		
17	.....	GASKET	1	(ORDER AM878179)	
18	CH10554	PACKING	2		
19	CH10555	PACKING	2		
20	CH10570	PACKING	3		
21	CH11564	PACKING	1		
22	CH10571	PACKING	1		
23	M806424	WASHER	2		
24	M806438	WASHER	2	(SUB FOR CH15385)	
25	.....	WASHER	1	(ORDER AM878179)	

(A) OIL PUMP

POMPE A HUILE  
OELPUMPE  
POMPA DELL'OLIO  
BOMBA DE ACEITE  
OLJEPUMP

(B) STRAINER

CREPINE  
SIEB  
FILTRO  
COLADOR  
SIL

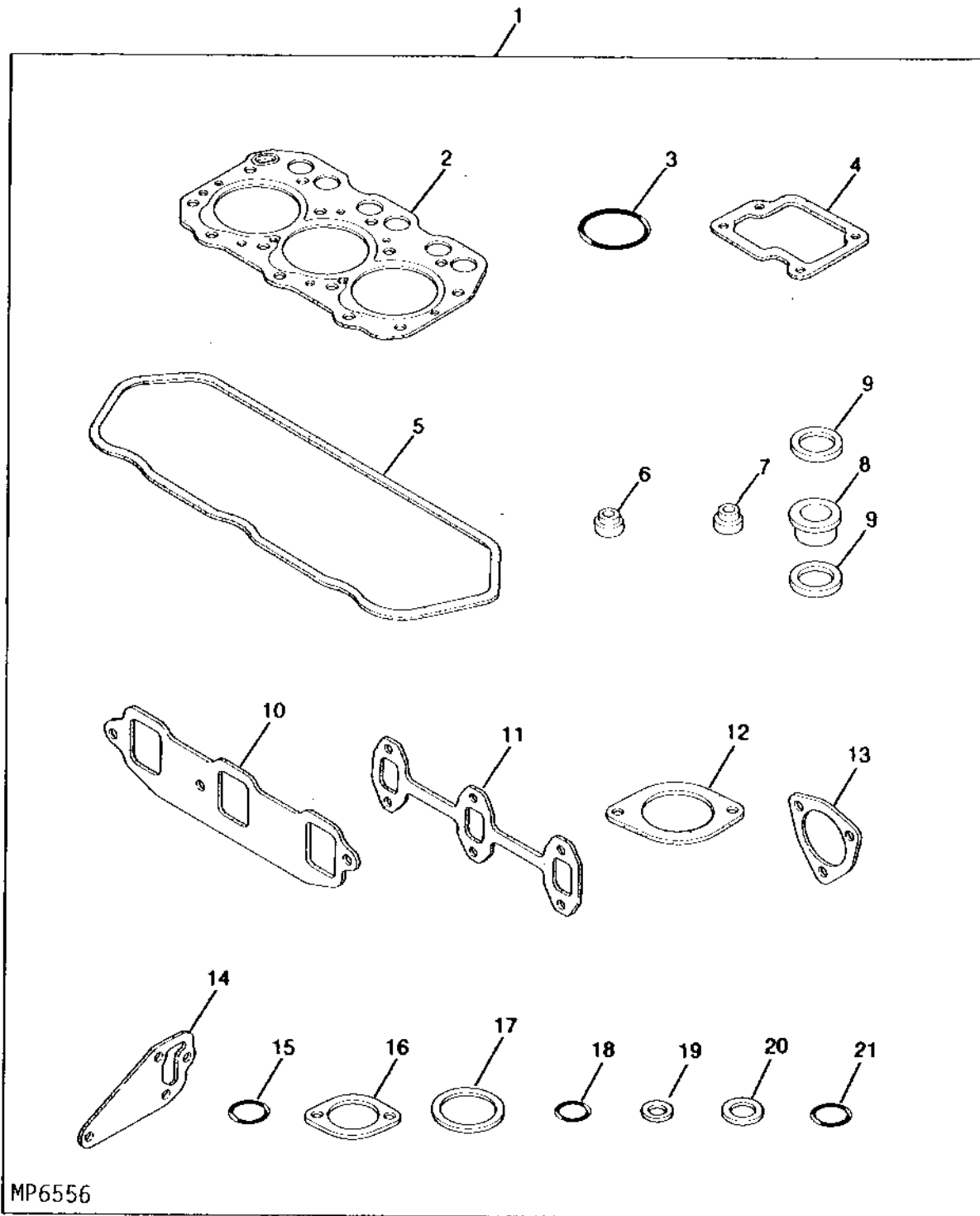
(C) FUEL INJECTION PUMP/GOVERNOR

POMPE D'INJECTION/REGULATEUR DE REGIME  
EINSPRITZPUMPE/DREHZAHLREGLER  
POMPA D'INIEZIONE/REGOLATORE  
BOMBA DE INYECCION/REGULADOR DE VUELTAS  
INSPRUTNINGSPUMP/REGULATOR

# C18

ENGINE

CYLINDER HEAD GASKET KIT (670)  
DE JOINTS D'ETANCHEITE POUR CULASSE(670)  
ZYLINDERKOPF-DICHTUNGSSATZ (670)  
CORREDOGUARNIZIONI DELLA TESTATA (670)  
JUEGO DE EMPAQUETADURAS PARA CULATA DE CILINDROS (670)  
PACKNINGSSATS FOR CYLINDERHUVUD (670)  
MP6556 -UN-01JAN94



MP6556



# C19

ENGINE

## CYLINDER HEAD GASKET KIT (670) (CONTINUED)

KEY	PART NO.	PART NAME	QTY	SERIAL NO.	REMARKS
1	AM878050	GASKET KIT	1		
2	M805694	GASKET	1		(SUB FOR M87853)
3	CH15414	PACKING	1		
4	M805697	GASKET	1		
5	M87854	GASKET	1		
6	CH10346	SEAL	3		(A)
7	CH10346	SEAL	3		(A) (SUB FOR CH15432)
8	M89134	PACKING	3		
9	M89135	GASKET	6		(B)
10	T111548	GASKET	1		
11	M87857	GASKET	1		
12	M802662	GASKET	1		(C)
13	M802664	GASKET	1		
14	M87858	GASKET	1		
15	T110737	GASKET	1		
16	M805834	GASKET	1		(D) UPPER, (SUB FOR M87859)
17	CH10085	PACKING	2		
18	.....	O-RING	3		(E) (NSEP)
19	CH12807	GASKET	6		COPPER
20	CH16901	GASKET	3		
21	CH10568	PACKING	2		

(A) VALVE  
SOUPAPE  
VENTIL  
VALVOLA  
VALVULA  
VENTIL

(B) INJECTION NOZZLE  
INJECTEUR  
EINSPRITZDUESE  
INIETTORE  
INYEKTOR  
INSPRUTARE

(C) MUFFLER  
SILENCIEUX  
SCHALLDAEMPFER  
SILENZIATORE  
SILENCIADOR  
LJUDDAEMPARE

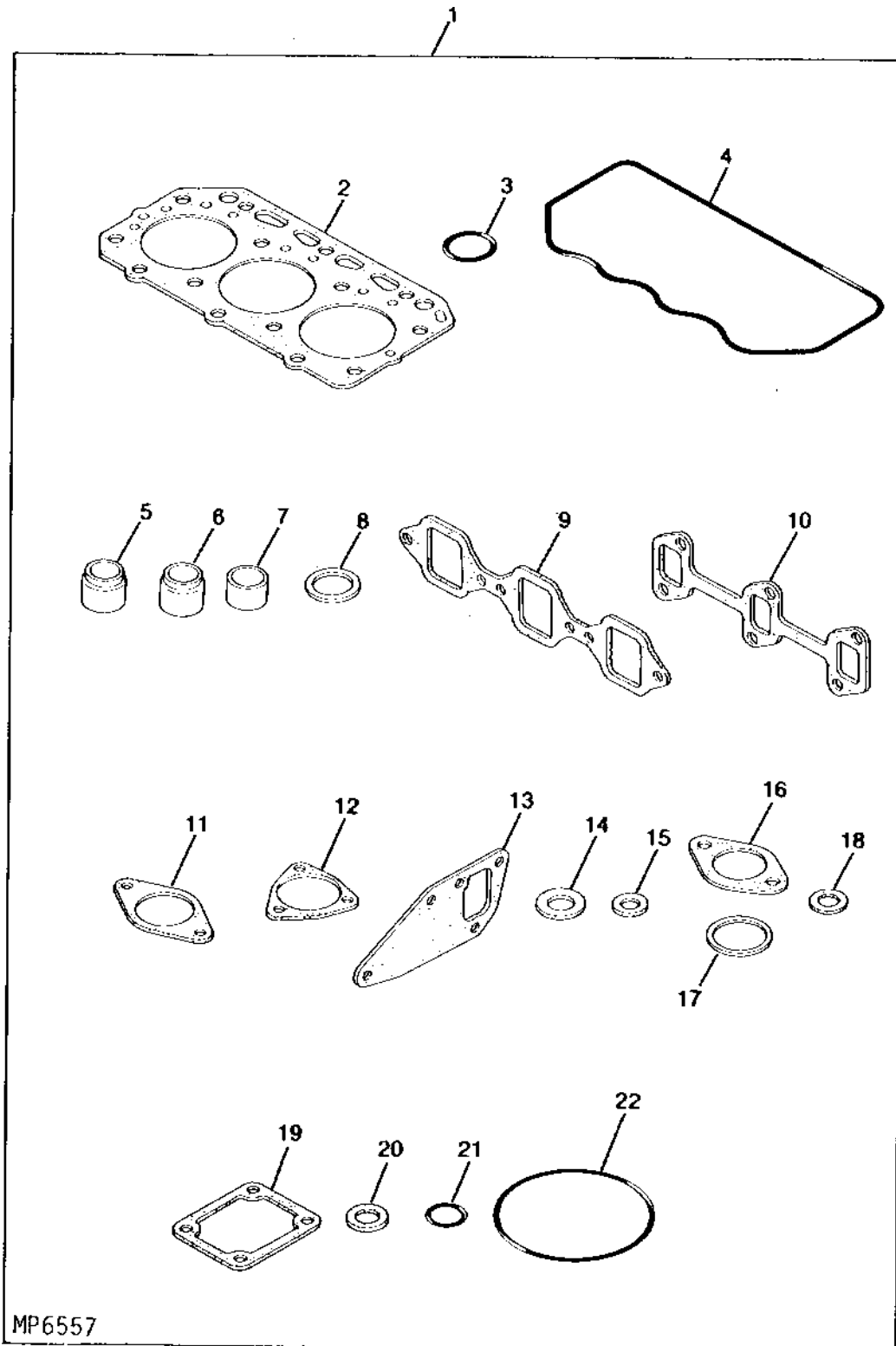
(D) THERMOSTAT  
THERMOSTAT  
THERMOSTAT  
TERMOSTATO  
TERMOSTATO  
THERMOSTAT

(E) FUEL INJECTION PUMP/GOVERNOR  
POMPE D'INJECTION/REGULATEUR DE REGIME  
EINSPRITZPUMPE/DREHZAHLREGLER  
POMPA D'INIEZIONE/REGOLATORE  
BOMBA DE INYECCION/REGULADOR DE VUELTAS  
INSPRUTNINGSPUMP/REGULATOR

# C20

ENGINE

CYLINDER HEAD GASKET KIT (770)  
DE JOINTS D'ETANCHEITE POUR CULASSE (770)  
ZYLINDERKOPF-DICHTUNGSSATZ (770)  
CORREDO GUARNIZIONI DELLA TESTATA (770)  
JUEGO DE EMPAQUETADURAS PARA CULATA DE CILINDROS (770)  
PACKNINGSSATA FOR CYLINDERHUVUD (770)  
MP6557 -UN-01JAN94



MP6557

# C21

ENGINE

## CYLINDER HEAD GASKET KIT (770) (CONTINUED)

KEY	PART NO.	PART NAME	QTY	SERIAL NO.	REMARKS
1	AM878180	GASKET KIT	1		(SUB FOR AM876353)
2	M805831	GASKET	1		(SUB FOR M802268)
3	M805711	PACKING	1		
4	M801741	PACKING	1		
5	T110650	SEAL	3		
6	CH10450	SEAL	3		
7	M806732	GUARD	3		(SUB FOR M801016)
8	M801017	VALVE SEAT	3		
9	M805833	GASKET	1		(SUB FOR M801744)
10	M801746	GASKET	1		
11	M802662	GASKET	1		
12	M802664	GASKET	1		
13	M801084	GASKET	1		
14	CH13814	GASKET	1		
15	.....	GASKET	1		(ORDER AM878180)
16	M805834	GASKET	1		(SUB FOR M87859)
17	M805835	GASKET	1		(SUB FOR M87860)
18	CH10085	PACKING	1		
19	M805836	GASKET	1		(SUB FOR M801119)
20	M806438	WASHER	2		(SUB FOR CH15385)
21	CH10568	PACKING	3		
22	M801034	O-RING	1		

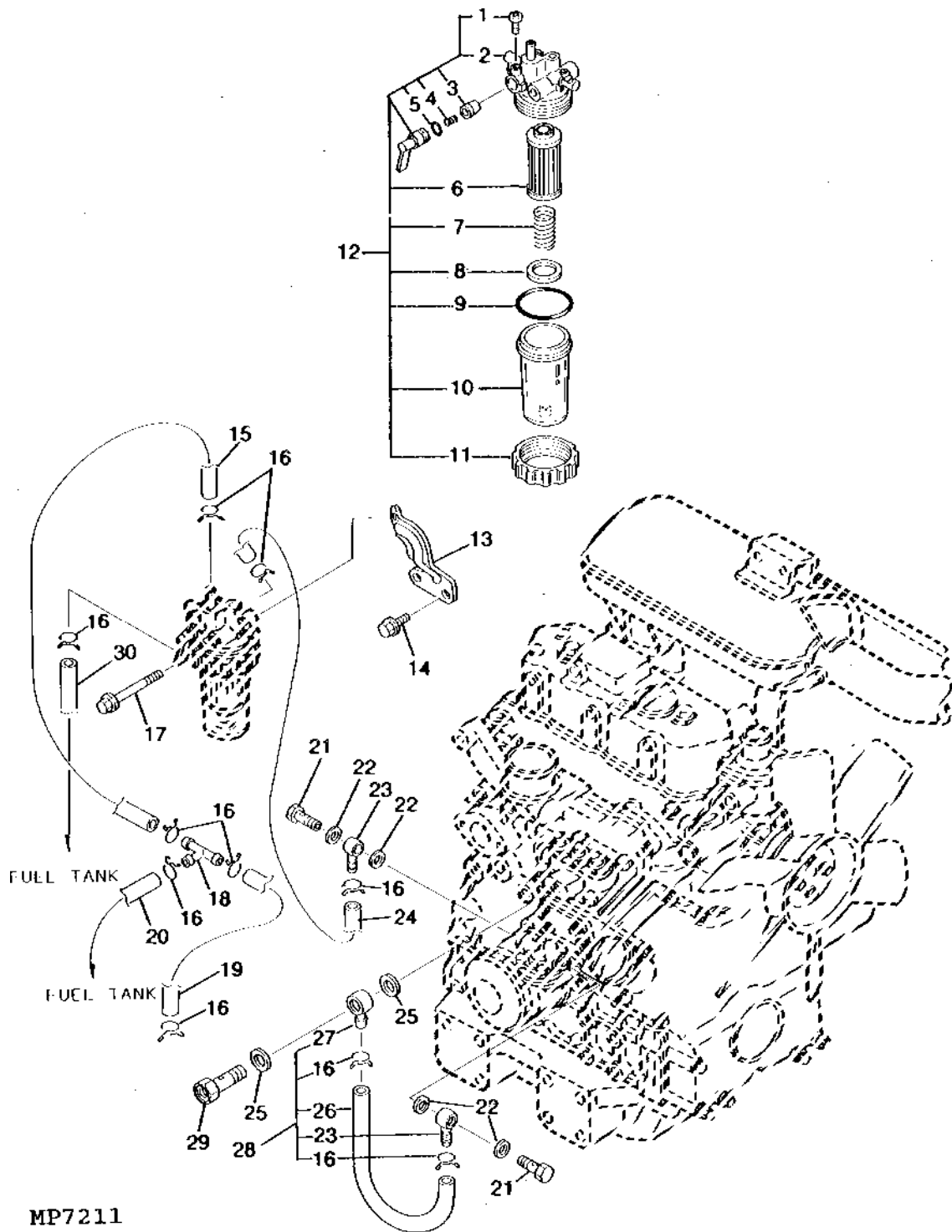
---

MEMORANDA

---

MEMORANDA

FUEL FILTER AND ATTACHING BRACKETS (670)  
FILTRE A CARBURANT ET FERRURES DE FIXATION (670)  
KRAFTSTOFFFILTER UND BEFESTIGUNGSHALTERUNGEN (670)  
FILTRO DE COMBUSTIBLE E STAFFE DI MONTAGGIO (670)  
FILTRO DE COMBUSTIBLE Y ESCUADRAS DE FIJACION (670)  
BRANSLEFILTER OCH ANSLUTNINGSFASTEN (670)  
MP7211 -UN-01JAN94



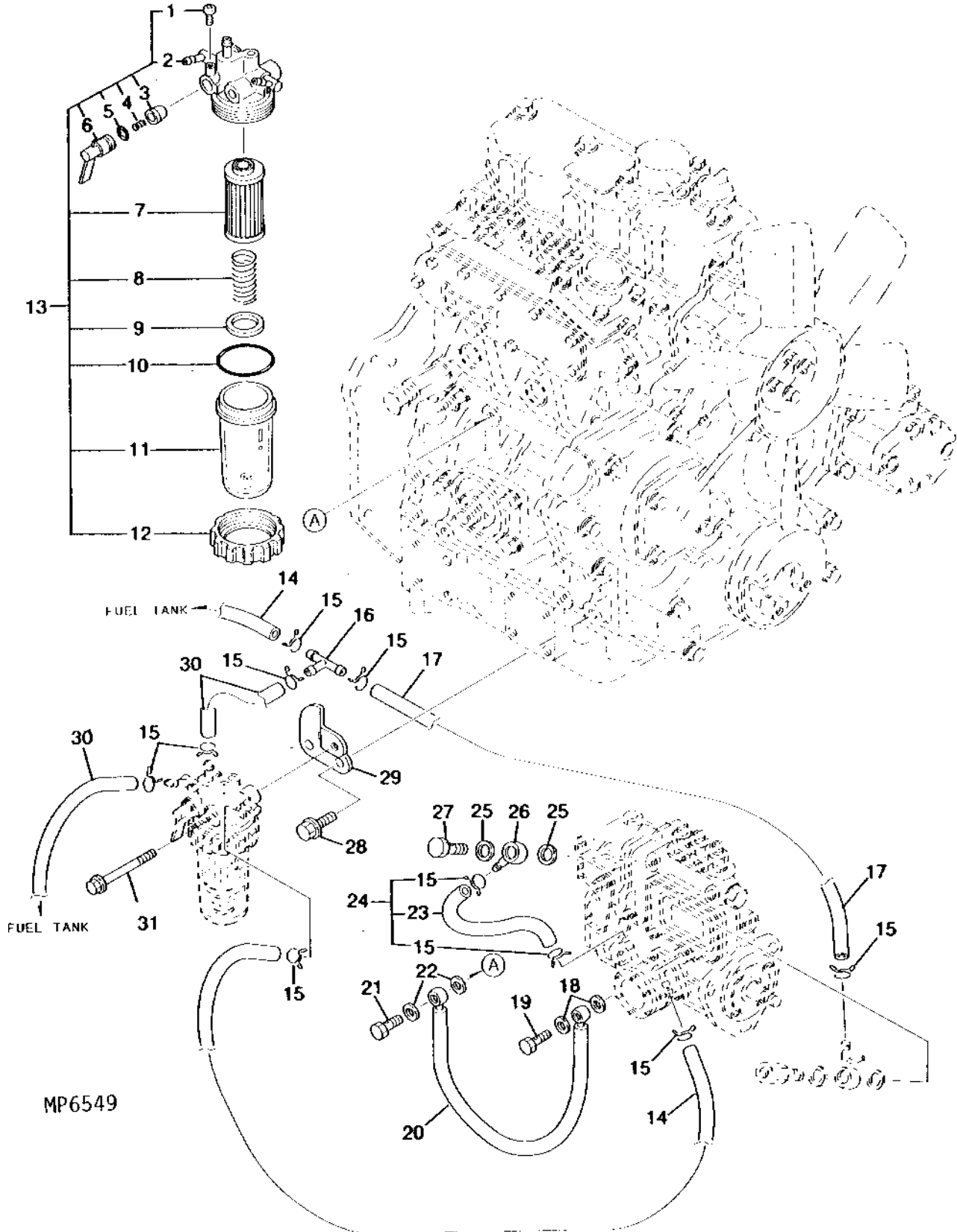
MP7211

FUEL FILTER AND ATTACHING BRACKETS (670) (CONTINUED)

KEY	PART NO.	PART NAME	QTY	SERIAL NO.	REMARKS
1	CH10084	SCREW	1		
2	M802688	HOUSING	1		
3	CH12734	VALVE	1		
4	CH10082	SPRING	1		
5	CH10571	PACKING	1		
6	CH15553	FILTER ELEMENT	1		
7	CH16888	SPRING	1		
8	T111401	FLOAT	1		
9	CH10060	PACKING	1		
10	CH15983	COVER	1		
11	CH10106	RING	1		
12	AM876411	FILTER	1		
13	M802689	BRACKET	1		
14	19M7865	SCREW	2		M8 X 16 (HS, HEAD MARKED 10.9)
15	.....	HOSE	1		(MAKE FROM M88753)
16	AR48236	CLAMP	12		
17	M802713	BOLT	1		
18	M802696	TEE FITTING	1		
19	.....	FUEL LINE	1		(MAKE FROM M88753)
20	.....	FUEL LINE	1		(MAKE FROM M88753)
21	M802692	FITTING	2		
22	CH12807	GASKET	4		
23	M802691	CONNECTOR	2		
24	.....	HOSE	1		(MAKE FROM M88753) (SUB FOR M802049)
25	CH10085	PACKING	2		
26	M802690	LINE	1		
27	CH17960	FITTING	1		
28	AM876412	FUEL LINE	1		
29	M802693	BOLT	1		
30	M805072	HOSE	1		

FUEL FILTER AND ATTACHING BRACKETS (770)  
FILTRE A CARBURANT ET FERRURES DE FIXATION (770)  
KRAFTSTOFFFILTER UND BEFESTIGUNGSHALTERUNGEN (770)  
FILTRO DE COMBUSTIBILE E STAFFE DI MONTAGGIO (770)  
FILTRO DE COMBUSTIBLE Y ESCUADRAS DE FIJACION (770)  
BRANSLEFILTER OCH ANSLUTNINGSFASTEN (770)

MP6549 -UN-01JAN94



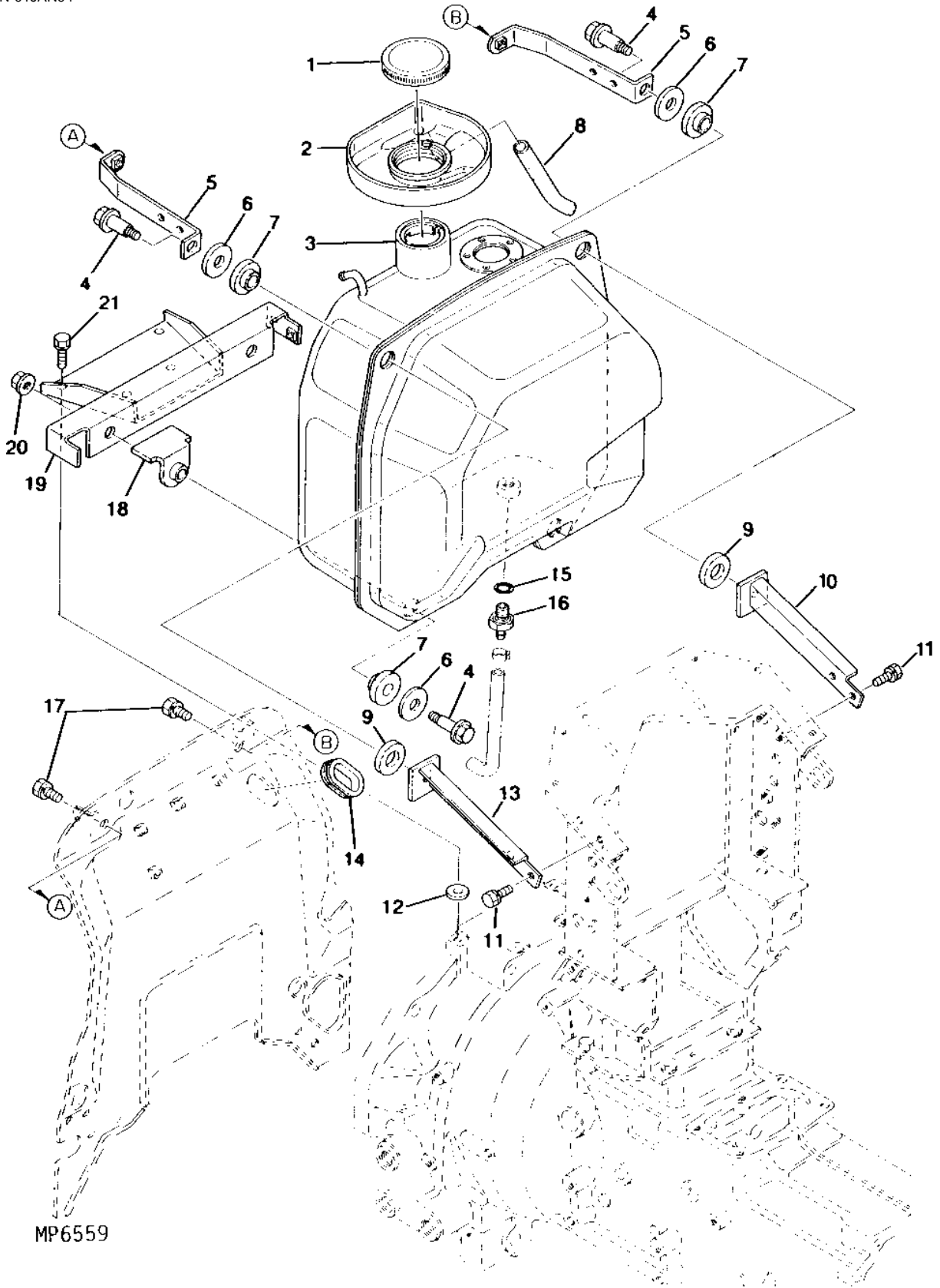


## FUEL FILTER AND ATTACHING BRACKETS (770) (CONTINUED)

KEY	PART NO.	PART NAME	QTY	SERIAL NO.	REMARKS
1	CH10084	SCREW	1		
2	M802637	HOUSING	1		
3	CH12734	VALVE	1		
4	CH10082	SPRING	1		
5	CH10571	PACKING	1		
6	.....	LEVER	1		(ORDER AM876344)
7	M801101	FILTER ELEMENT	1		
8	CH16888	SPRING	1		
9	T111401	FLOAT	1		
10	CH10060	PACKING	1		
11	M802636	CAP	1		
12	CH10106	RING	1		
13	AM876344	FILTER	1		
14	.....	HOSE	2		(MAKE FROM M88753) (SUB FOR M802049)
15	AR48236	CLAMP	12		
16	M802696	TEE FITTING	1		
17	.....	FUEL LINE	1		(MAKE FROM M88753)
18	CH10554	PACKING	2		
19	CH15501	BOLT	1		
20	M805077	HOSE	1		
21	CH10361	BOLT	1		
22	CH10555	PACKING	2		
23	.....	FUEL LINE	1		(MAKE FROM M88753)
24	AM876349	FUEL LINE	1		
25	CH10085	PACKING	2		
26	CH17960	FITTING	1		
27	M801108	FITTING	1		
28	M803787	BOLT	2		
29	M802638	BRACKET	1		
30	M806860	FUEL LINE	1		(SUB FOR M805076)
31	M802713	BOLT	1		

# D3

FUEL TANK  
RESERVOIR A COMBUSTIBLE  
KRAFTSTOFFTANK  
SERBATOIO COMBUSTIBILE  
DEPOSITO DE COMBUSTIBLE  
BRANSLLETANK  
MP6559 -UN-01JAN94



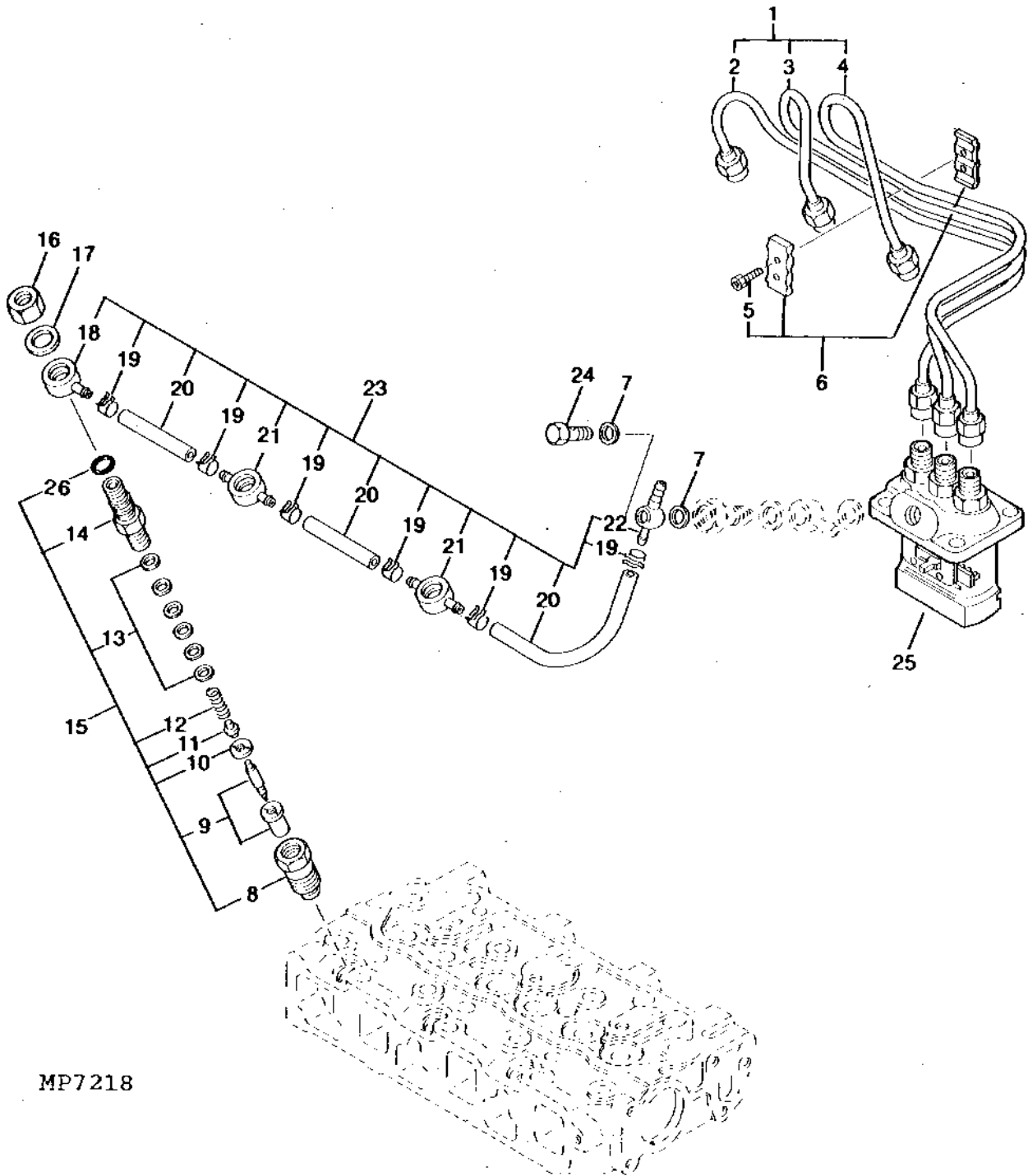
MP6559

# D4

**FUEL TANK (CONTINUED)**

KEY	PART NO.	PART NAME	QTY	SERIAL NO.	REMARKS
1	AT20911	FILLER CAP	1		
2	M802749	HOPPER	1		
3	AM876610	FUEL TANK	1		
4	M802756	BOLT	4		
5	AM876614	SUPPORT	2		FRONT
6	M803458	WASHER	4		
7	M802754	ISOLATOR	2		
8	M804268	HOSE	1		
9	M802755	ISOLATOR	4		
10	AM876612	SUPPORT	1		UPPER RH
11	19M7162	CAP SCREW	4		M8 X 16
	12M7065	LOCK WASHER	4		8.100 MM
12	CH11865	SPACER	4		
13	AM876613	SUPPORT	1		UPPER LH
14	.....	GROMMET	1		(NSEP)
15	CH17159	PACKING	1		
16	M805814	FITTING	1		(SUB FOR M802750)
17	19M7162	CAP SCREW	2		M8 X 16
	12M7065	LOCK WASHER	2		8.100 MM
	24M7055	WASHER	2		8.400 X 16 X 1.600 MM
18	M802757	ISOLATOR	2		
19	AM876611	BRACKET	1		
20	14M7273	NUT	2		M8
	12M7065	LOCK WASHER	2		8.100 MM
	24M7055	WASHER	2		8.400 X 16 X 1.600 MM
21	19M7139	CAP SCREW	4		M8 X 20
	12M7065	LOCK WASHER	4		8.100 MM

FUEL INJECTION PUMP, NOZZLES AND LINES (670)  
 POMPE D'INJECTION, INJECTEURS ET CONDUITES DE CARBURANT (670)  
 KRAFTSTOFFEINSPRITZPUMPE, DUSEN UND LEITUNGEN (670)  
 POMPA D'INIEZIONE, UGELLIE TUBAZIONI (670)  
 BOMBA, TOBERAS Y LINEAS DE INYECCION DE COMBUSTIBLE (670)  
 INSRUNTINGSPUMP, MUNSTYCKEN OCH LEDNINGGAR (670)  
 MP7218 -UN-01JAN94



MP7218

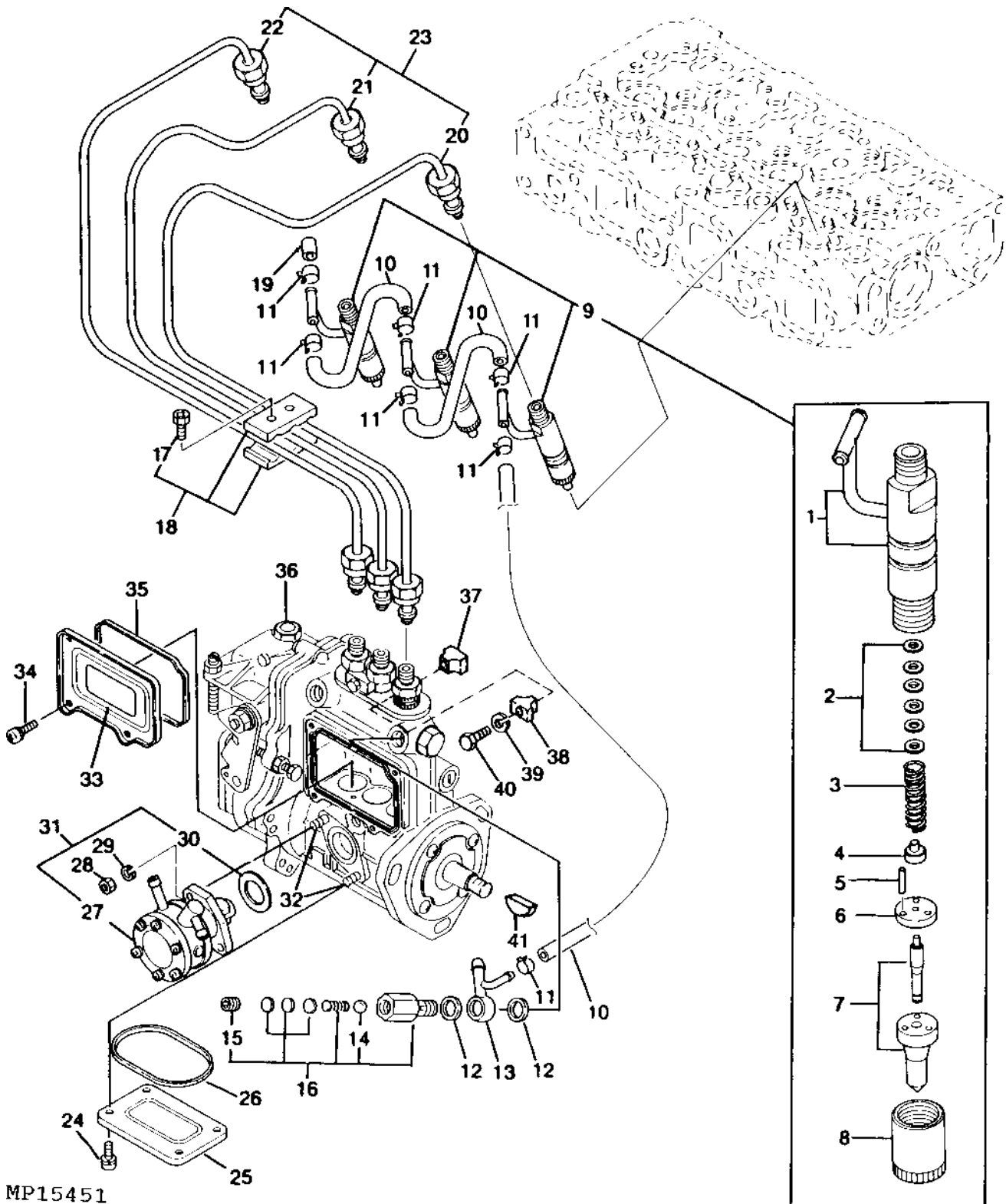
## FUEL INJECTION PUMP, NOZZLES AND LINES (670) (CONTINUED)

KEY	PART NO.	PART NAME	QTY	SERIAL NO.	REMARKS
1	AM876239	FUEL LINE	1		
2	AM876210	FUEL LINE	1		NO. 1 CYLINDER
3	AM876211	FUEL LINE	1		NO. 2 CYLINDER
4	AM876212	FUEL LINE	1		NO. 3 CYLINDER
5	M87907	BOLT	2		
6	AM100752	CLAMP	1		
7	CH12807	GASKET	2		
8	M800209	NUT	3		
9	AM875068	NOZZLE	3		
10	M800213	VALVE SEAT	3		
11	M800212	RETAINER	3		
12	M800211	SPRING	3		
13	AM875069	SHIM	3		
14	M800210	HOUSING	3		
15	AM100744	NOZZLE	3		
16	M87908	NUT	3		
17	CH16901	GASKET	3		
18	M800091	UNIVERSAL JOINT	1		
19	CH10323	RETAINER	6		
20	.....	HOSE	1		(MAKE FROM M88201)
21	M800092	UNIVERSAL JOINT	2		
22	CH11795	UNIVERSAL JOINT	1		
23	AM876413	FUEL LINE	1		
24	CH15501	BOLT	1		
25	AM101403	FUEL INJECTION PUMP	1		(A)
	M87979	O-RING	3		(B)
	M87846	GASKET	3		(B) BRONZE
26	M87861	O-RING	3		

(A) SEE YOUR AUTHORIZED PUMP REPAIR STATION FOR INTERNAL PARTS  
 POUR LES PIECES INTERNES, CONSULTER LE SERVICE AGREE DE REPARATION DE POMPES.  
 IHRE AUTORISIERTE PUMPENWERKSTATT FUER INNERE TEILE AUFSUCHEN  
 PER RICAMBI INTERNI CONSULTARE IL PROPRIO RIVENDITORE AUTORIZZATO ALLA RIPARAZIONE DELLE POMPE  
 VISITE SU TALLER AUTORIZADO DE REPARACIONES DE BOMBAS PARA OBTENER LAS PIEZAS INTERNAS  
 VAEND DIG TILL EN AUKTORISERAD PUMPVERKSTAD FOER INVAENDIGA LOESDELAR

(B) VALVE SEAT  
 SIEGE DE SOUPAPE  
 VENTILSITZ  
 SEDE VALVOLA  
 ASIENTO DE VALVULA  
 VENTILSAETE

FUEL INJECTION PUMP, NOZZLES AND LINES (770)  
POMPE D'INJECTION, INJECTEURS ET CONDUITES DE CARBURANT (770)  
KRAFTSTOFFEINSPRITZPUMPE, DUSEN UND LEITUNGEN (770)  
POMPA D'INIEZIONE, UGELLIE TUBAZIONI (770)  
BOMBA, TOBERAS Y LINEAS DE INYECCION DE COMBUSTIBLE (770)  
INSRRUNTINGSPUMP, MUNSTYCKEN OCH LEDINGAR (770)  
MP15451 -UN-22MAR96

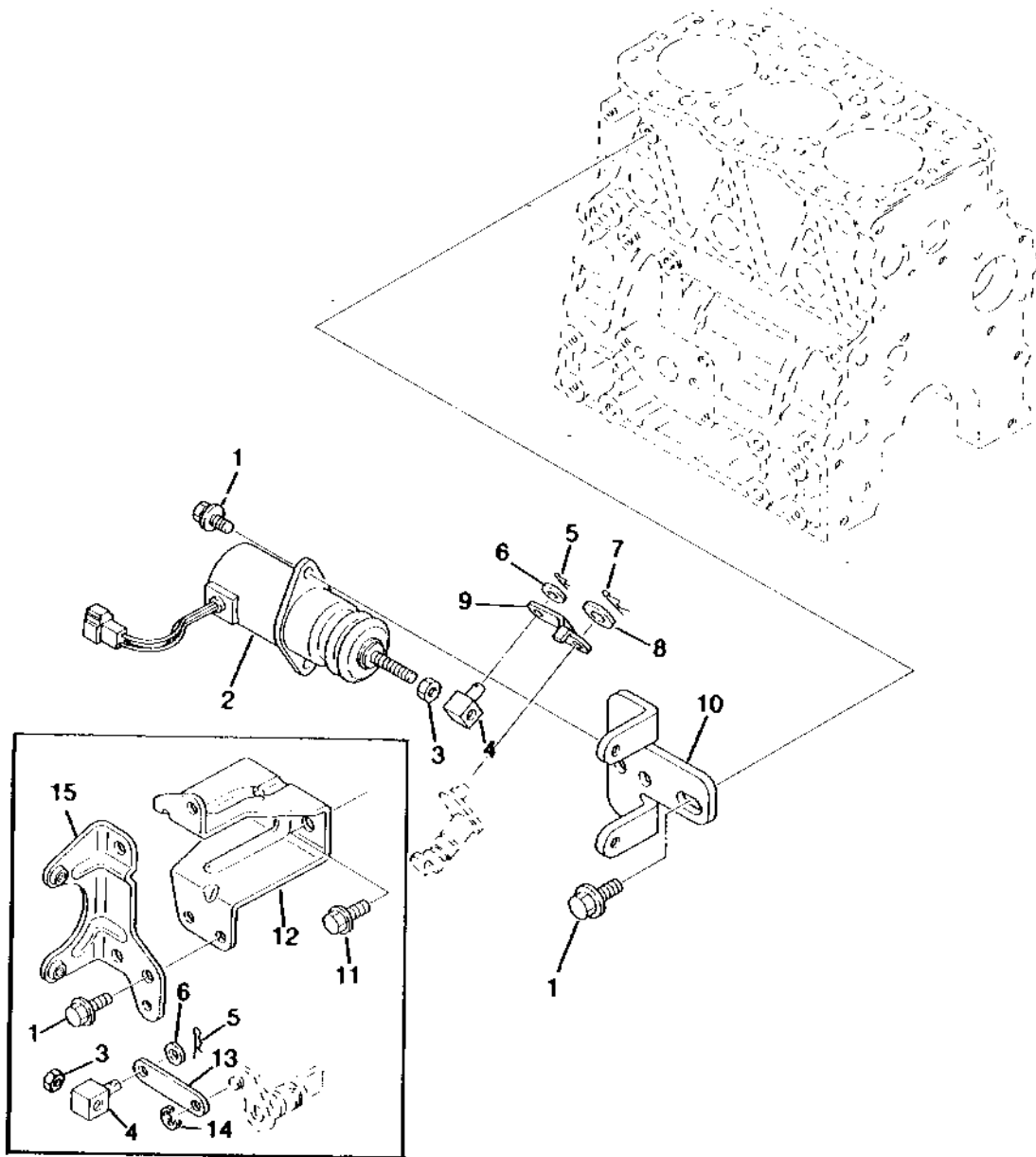


MP15451

## FUEL INJECTION PUMP, NOZZLES AND LINES (770) (CONTINUED)

KEY	PART NO.	PART NAME	QTY	SERIAL NO.	REMARKS
1	AM875330	NOZZLE HOLDER	3		
2	AM875069	SHIM	3		
3	M801096	SPRING	3		
4	M800212	RETAINER	3		
5	M801098	PIN	6		
6	M801097	VALVE SEAT INSERT	3		
7	AM875412	NOZZLE	3		
8	M801093	NUT	3		
9	AM875411	NOZZLE	1		
10	.....	HOSE	2		(MAKE FROM M88201)
11	CH10323	RETAINER	7		
12	M806438	WASHER	2		(SUB FOR CH15385)
13	T114158	CONNECTOR	1		
14	400R	BALL	1		
15	M800002	PLUG	1		
16	M801112	VALVE	1		
17	M87907	BOLT	2		
18	AM100752	CLAMP	1		
19	M801111	CAP	1		
20	AM876348	FUEL LINE	1		NO. 3 CYLINDER
21	AM876347	FUEL LINE	1		NO. 2 CYLINDER
22	AM876346	FUEL LINE	1		NO. 1 CYLINDER
23	AM876345	FUEL LINE	1		
24	T111377	SCREW	4		(A)
25	M801770	COVER	1		(A)
26	M801771	GASKET	1		(A)
27	AM876343	PUMP	1		(A)
28	14M7272	NUT	2		(A) M6
29	12M7006	LOCK WASHER	2		(A) 6.100 MM
30	M801314	GASKET	1		(A)
31	AM876438	PUMP	1		(A)
32	M802635	STUD	2		(A)
33	M801772	COVER	1		(A)
34	21M7278	SCREW	8		(A) M5 X 10
	12M7064	LOCK WASHER	8		(A) 5.100 MM
35	M801773	GASKET	1		(A)
36	AM876436	FUEL PUMP	1		(INCLUDES PARTS MARKED (A))
37	M801289	STOP	2		(A)
38	M801290	STOP	2		(A)
39	12M7064	LOCK WASHER	2		(A) 5.100 MM
40	M800794	BOLT	2		(A)
41	M87843	SHAFT KEY	1		(A)

FUEL SHUTOFF SOLENOID AND BRACKETS  
 ELECTROVANNE D'ARRET DE CARBURANT ET SUPPORTS  
 KRAFTSTOFFABSPERR-MAGNETVENTIL UND HALTERUNGEN  
 SOLENOIDE DE CORTE DE COMBUSTIBLE Y SOPORTES  
 SOLENOIDE DI ARRESTO DEL COMBUSTIBILE E SUPPORTI  
 BRAENSLEAVSTAENGNINGSSOLENOID OCH FAESTEN  
 MP6550 -UN-01JAN94



MP6550



# D10

FUEL AND AIR

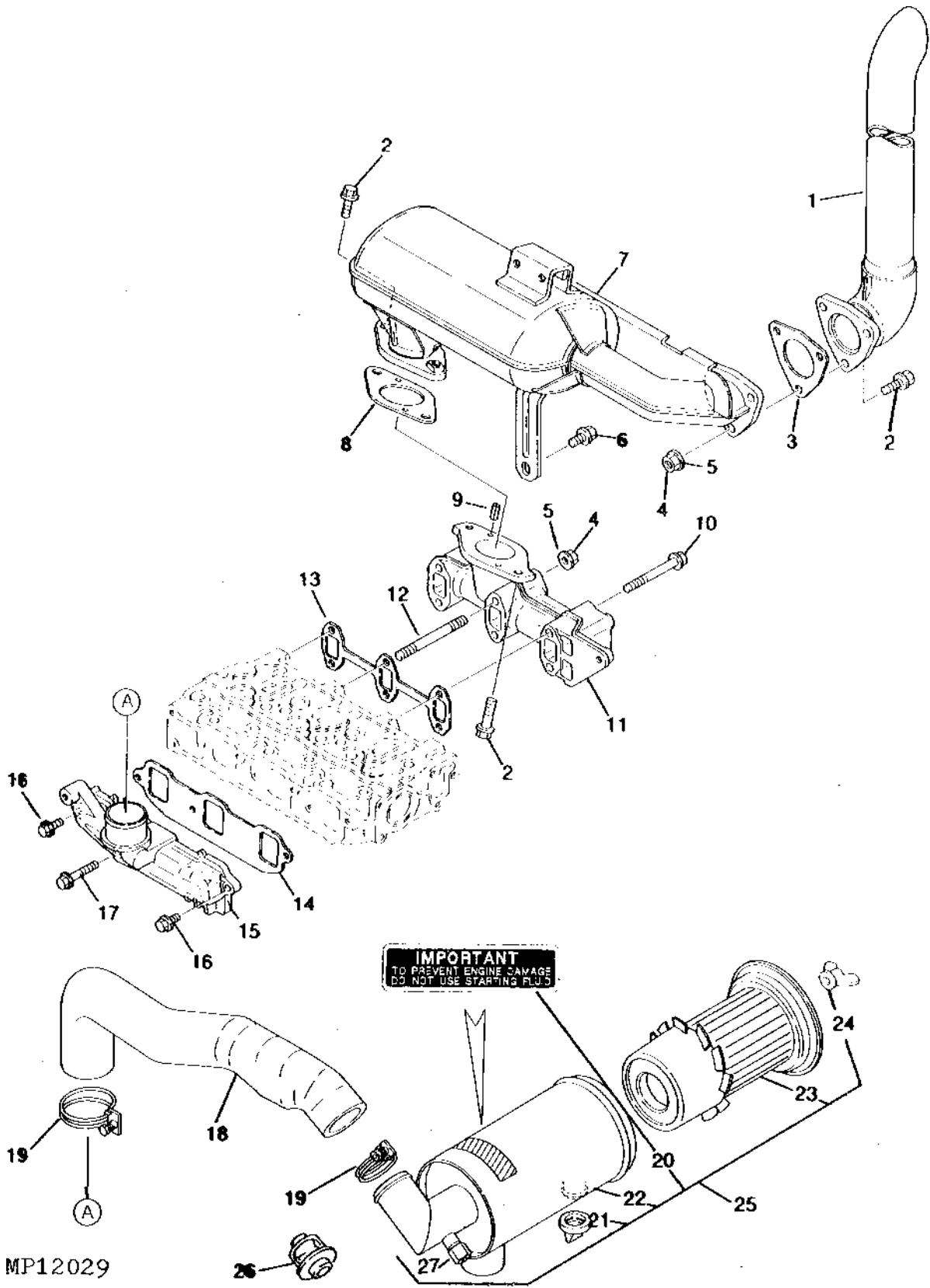
## FUEL SHUTOFF SOLENOID AND BRACKETS (CONTINUED)

KEY	PART NO.	PART NAME	QTY	SERIAL NO.	6 7 7 7 0 0	REMARKS
1	19M7300	CAP SCREW	5		X	M6 X 10
	19M7865	SCREW	2		X	M8 X 16 (HS, HEAD MARKED 10.9)
2	AM876416	SOLENOID	1			
3	14M7194	NUT	1			M6
4	M88832	PIN	1			(K) (SUB AM875579)
5	CH10542	PIN	1			(K)
6	24M7088	WASHER	2			(K) 6.600 X 12 X 1.600 MM, (SUB FOR CH10522)
7	CH11524	PIN	1		X	(K)
8	24M7095	WASHER	1		X	(K) 8.400 X 15 X 1.600 MM, (SUB FOR CH10523)
9	M802641	LINK	1		X	
10	M801822	BRACKET	1		X	
11	19M7864	SCREW	2		X	M8 X 12 (HS, HEAD MARKED 10.9)
12	M802702	BRACKET	1		X	
13	M802701	LINK	1		X	
14	CH17951	SNAP RING	1		X	
15	M802703	BRACKET	1		X	
..	AM875579	KIT	1			SOLENOID LINK (INCLUDES PARTS MARKED (K))

# D11

FUEL AND AIR

AIR CLEANER AND MUFFLER (670)  
FILTRE A AIR ET SILENCIEUX (670)  
LUFTFILTER UND SCHALLDAEMPFER (670)  
FILTRO DE AIRE Y SILENCIADOR (670)  
DEPURATORE D'ARIA E MARMITTA (670)  
LUFTRENARE OCH LJUDDAEMPAE (670)  
MP12029 -UN-01JAN94



MP12029

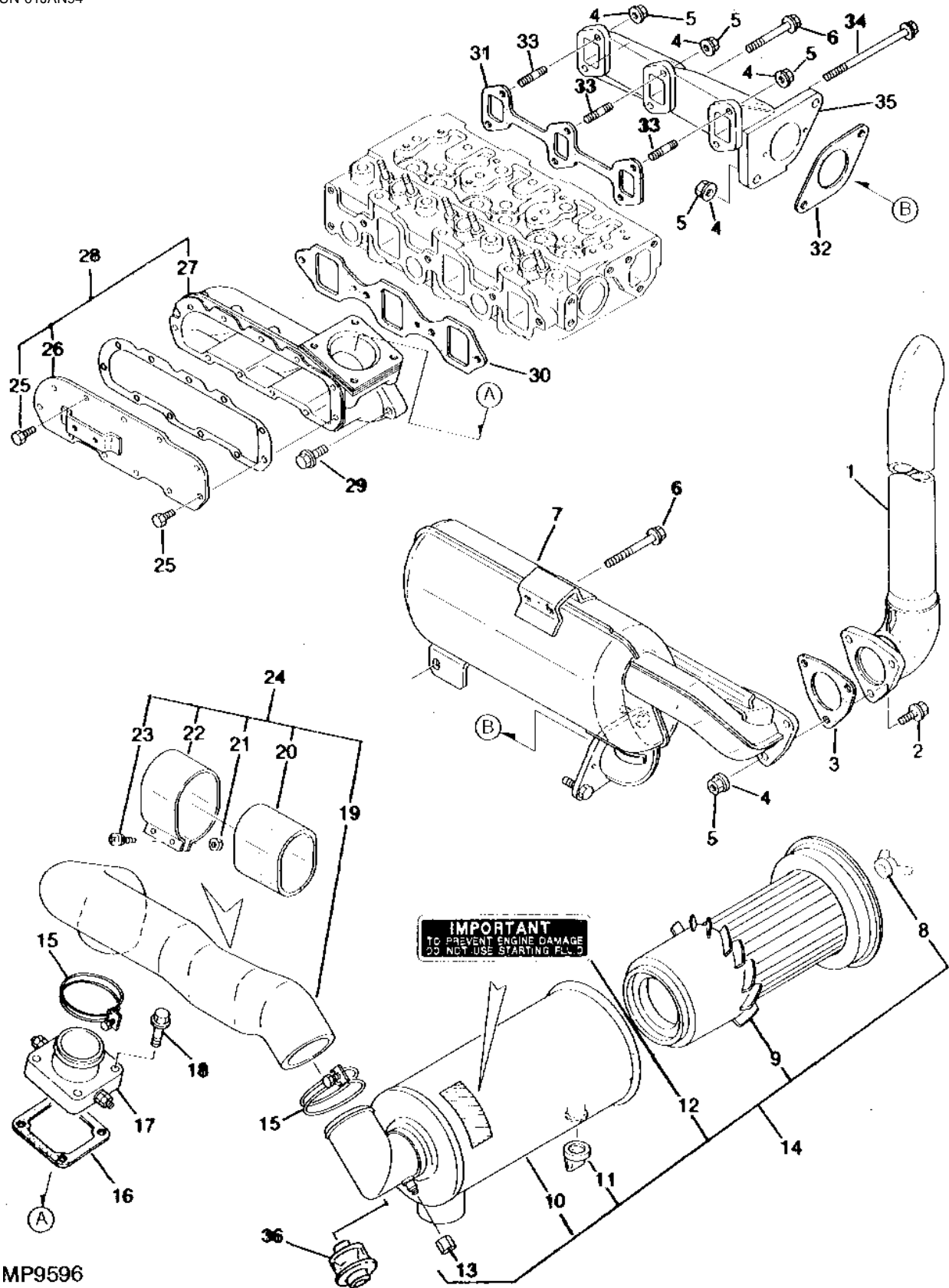
# D12

**AIR CLEANER AND MUFFLER (670) (CONTINUED)**

KEY	PART NO.	PART NAME	QTY	SERIAL NO.	REMARKS
1	M805862	EXHAUST PIPE	1		(SUB FOR M802663)
2	19M7867	SCREW	3		M8 X 25 (HS, HEAD MARKED 10.9)
3	M802664	GASKET	1		
4	14M7273	NUT	3	M8	
5	12M7065	LOCK WASHER	3	8.100 MM	
6	19M7864	SCREW	1		M8 X 12 (HS, HEAD MARKED 10.9)
7	M802661	MUFFLER	1		
8	M802662	GASKET	1		
9	CH12294	PIN	2		
10	19M7803	SCREW	4		M8 X 70 (HS, HEAD MARKED 10.9)
11	M802665	EXHAUST MANIFOLD	1		
12	CH15443	STUD	2		
13	M87857	GASKET	1		
14	T111548	GASKET	1		
15	M802660	INTAKE MANIFOLD	1		
16	19M7775	SCREW	2		M6 X 16 (HS, HEAD MARKED 10.9)
17	M800008	BOLT	1		
18	M801942	HOSE	1		
19	AR65293	CLAMP	2		(SUB FOR CH12906)
20	M88198	LABEL	1	-104012	
21	CH12882	VALVE	1	-104012	
22	M802659	HOUSING	1	-104012	(INCLUDES M802711 LABEL) (NORTH AMERICA ONLY)
23	M802658	FILTER ELEMENT	1	-104012	
24	CH15456	WING NUT	1	-104012	
25	AM876404	AIR CLEANER	1	-104012	(INCLUDES M88198 LABEL) (NORTH AMERICA ONLY)
26	AT118553	AIR RESTRICTION INDICATOR	1		(OPTIONAL)
27	CH16778	THREADED NIPPLE	1		

# D13

AIR CLEANER AND MUFFLER (770)  
FILTRE A AIR ET SILENCIEUX (770)  
LUFTFILTER UND SCHALLDAEMPFER (770)  
FILTRO DE AIRE Y SILENCIADOR (770)  
DUPURATORE D'ARIA E MARMITTA (770)  
LUFTRENARE OCH LJUDDAEPARE (770)  
MP9596 -UN-01JAN94



**IMPORTANT**  
TO PREVENT ENGINE DAMAGE  
DO NOT USE STARTING FLUID

MP9596

# D14

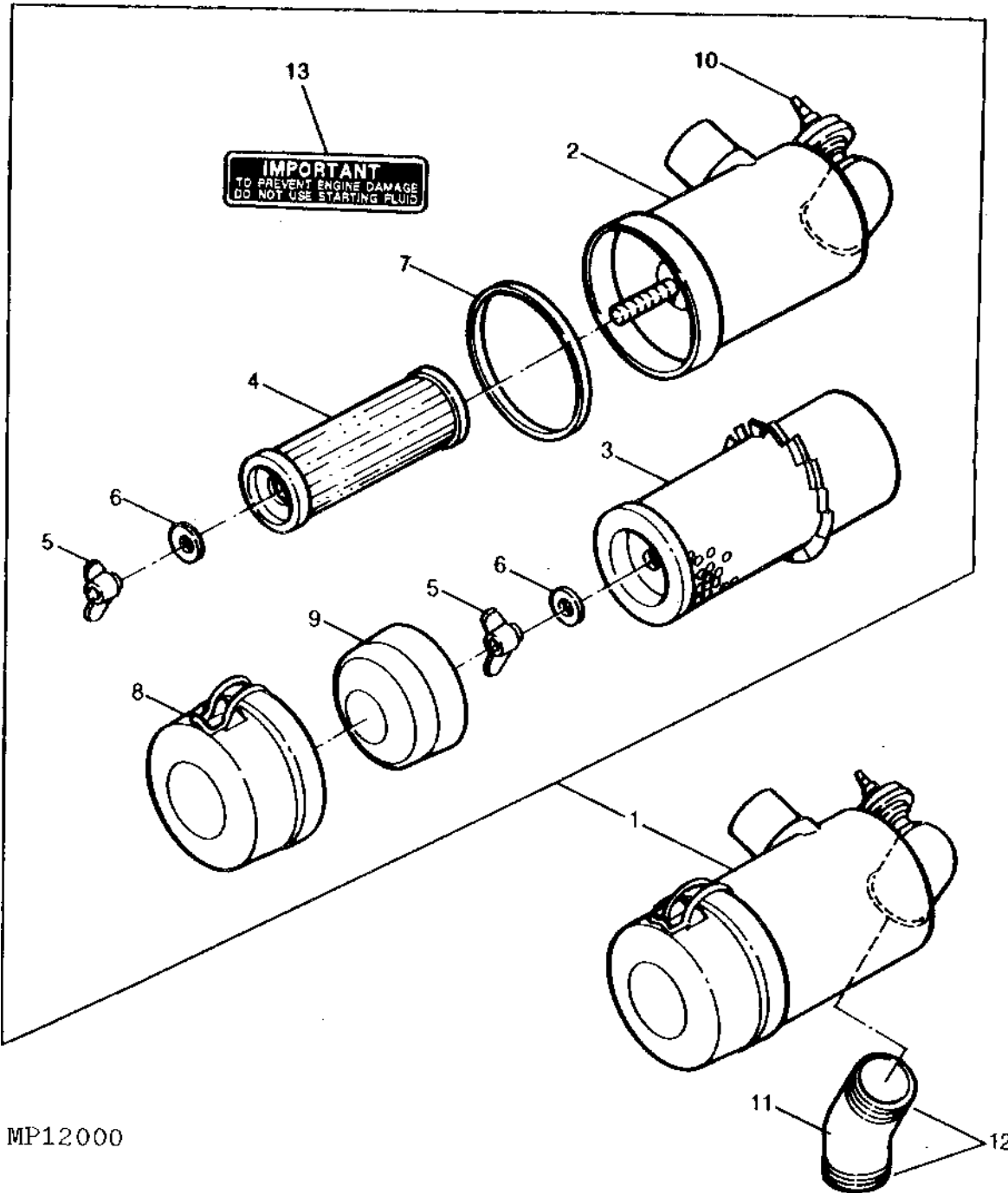
FUEL AND AIR

## AIR CLEANER AND MUFFLER (770) (CONTINUED)

KEY	PART NO.	PART NAME	QTY	SERIAL NO.	REMARKS
1	M805862	EXHAUST PIPE	1	(SUB FOR M802663)	
2	19M7867	SCREW	3	M8 X 25 (HS, HEAD MARKED 10.9)	
3	M802664	GASKET	1		
4	12M7065	LOCK WASHER	5	8.100 MM	
5	14M7273	NUT	5	M8	
6	CH19091	BOLT	2		
7	M802611	MUFFLER	1		
8	AH20849	WING NUT	1	(SUB FOR CH16055)	
9	M802606	FILTER ELEMENT	1		
10	M802607	HOUSING	1	(INCLUDES M802711 LABEL)	
11	CH12882	VALVE	1		
12	M88198	LABEL	1		
13	CH16778	THREADED NIPPLE	1		
14	AM876333	AIR CLEANER	1	(INCLUDES M88198 LABEL) (SUB AM878128)	
15	AR21840	CLAMP	2		
16	M805836	GASKET	1	(SUB FOR M801119)	
17	M801118	HEATER	1		
18	19M7897	SCREW	4	M8 X 35 (HS, HEAD MARKED 10.9)	
19	.....	HOSE	1	(ORDER AM877052)	
20	M802605	SEAL	1		
21	14M7030	NUT	2	M3, (SUB FOR M803868)	
22	M803866	SEAL	1		
23	M803867	SCREW, WITH WASHER	2		
24	AM877052	HOSE	1		
25	M802610	BOLT	12		
26	M802609	PLATE	1		
27	.....	INTAKE MANIFOLD	1	(ORDER AM876334)	
28	AM876334	INTAKE MANIFOLD	1		
29	19M7867	SCREW	4	M8 X 25 (HS, HEAD MARKED 10.9)	
30	M805833	GASKET	1	(SUB FOR M801744)	
31	M801746	GASKET	1		
32	M802662	GASKET	1		
33	CH16781	STUD	3		
34	CH20073	BOLT	1		
35	M802612	EXHAUST MANIFOLD	1		
36	AT118553	AIR RESTRICTION INDICATOR	1	(OPTIONAL)	

# D15

AIR CLEANER (670 S.N. 104013- ) (770)  
FILTRE A AIR (670 S.N. 104013- ) (770)  
LUFTFILTER-ZUSB. (670 S.N. 104013- ) (770)  
DEPURATORE D'ARIA (670 S.N. 104013- ) (770)  
FILTRO DE AIRE (670 S.N. 104013- ) (770)  
LUFTRENARE (670 S.N. 104013- ) (770)  
MP12000 -UN-01JAN94



MP12000

# D16

FUEL AND AIR

AIR CLEANER (670 S.N. 104013- ) (770) (CONTINUED)

KEY	PART NO.	PART NAME	QTY	SERIAL NO.	0 0	REMARKS
1	AM878127	AIR CLEANER	1	104013-	X	
	AM878128	AIR CLEANER	1		X	
2	.....	HOUSING	1		X	(ORDER AM878127)
	.....	HOUSING	1		X	(ORDER AM878128)
3	AT110770	FILTER ELEMENT	1		X	
	M802606	FILTER ELEMENT	1		X	
4	AT110771	FILTER ELEMENT	1		X	
	CH12881	FILTER ELEMENT	1		X	
5	T111538	WING NUT	2		X	
	AH20849	WING NUT	2		X	
6	T111539	SEALING WASHER	2		X	
7	.....	GASKET	1		X	(ORDER AM878127)
	.....	GASKET	1		X	(ORDER AM878128)
8	T111550	CAP	1		X	
	.....	CAP	1		X	(ORDER AM878128)
9	T111549	ISOLATOR	1		X	
	.....	DEFLECTOR	1		X	(ORDER AM878128)
10	AT118553	AIR RESTRICTION INDICATOR	1			(OPTIONAL)
11	M801942	HOSE	1		X	
12	AR65293	CLAMP	2		X	(SUB FOR CH12906)
13	M88198	LABEL	1			"IMPORTANT"

---

MEMORANDA



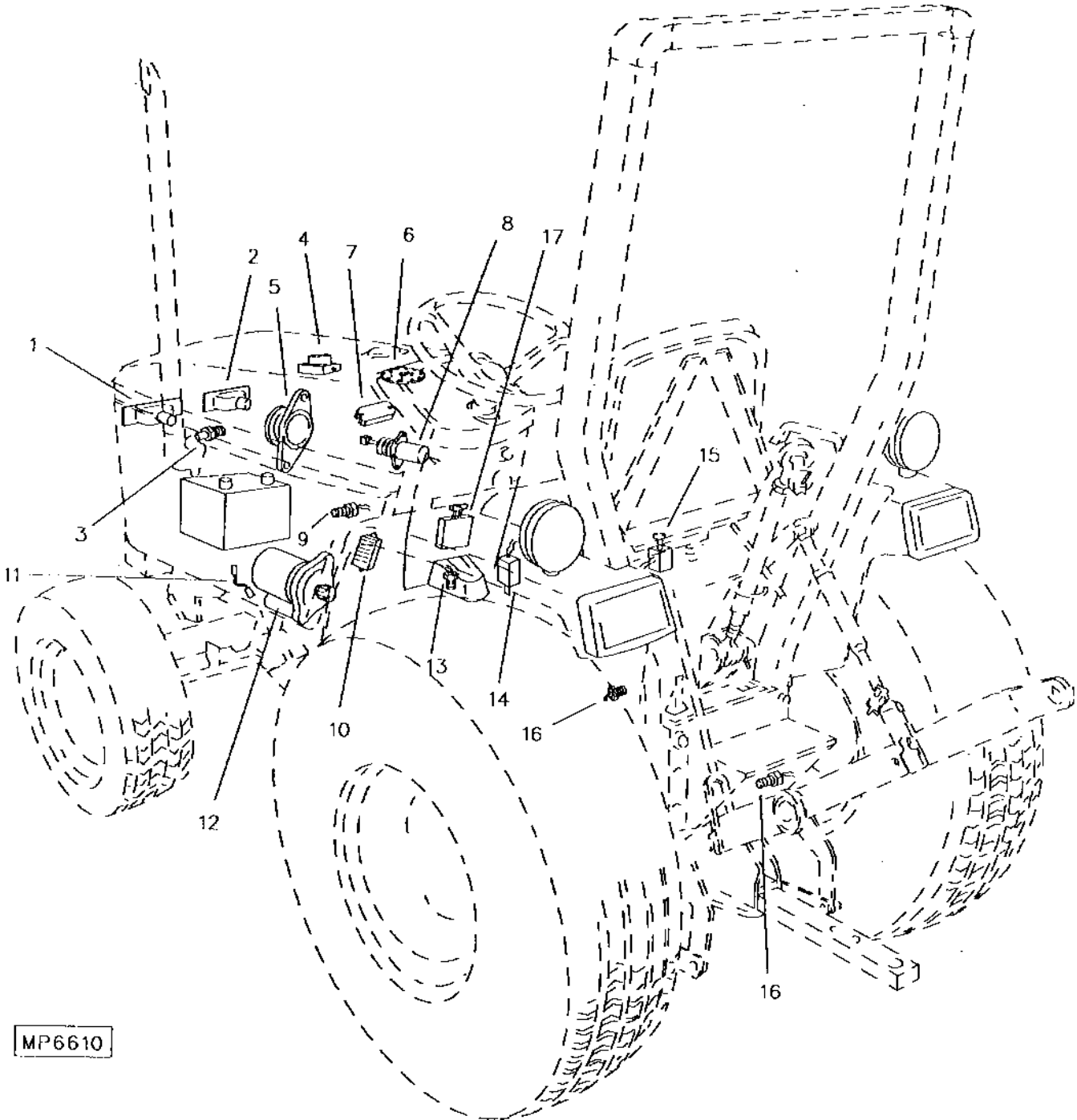
---

MEMORANDA

# D19

ELECTRICAL

ELECTRICAL SYSTEM COMPONENTS  
COMPOSANTS DU CIRCUIT ELECTRIQUE  
KOMPONENTEN DER ELEKTRISCHEN ANLAGE  
COMPONENTES DEL SISTEMA ELECTRICO  
COMPONENTI DELL'IMPIANTO ELETTRICO  
ELSYSTEMBESTAANDSDELAR  
MP6610 -UN-01JAN94



MP6610

# D20

ELECTRICAL

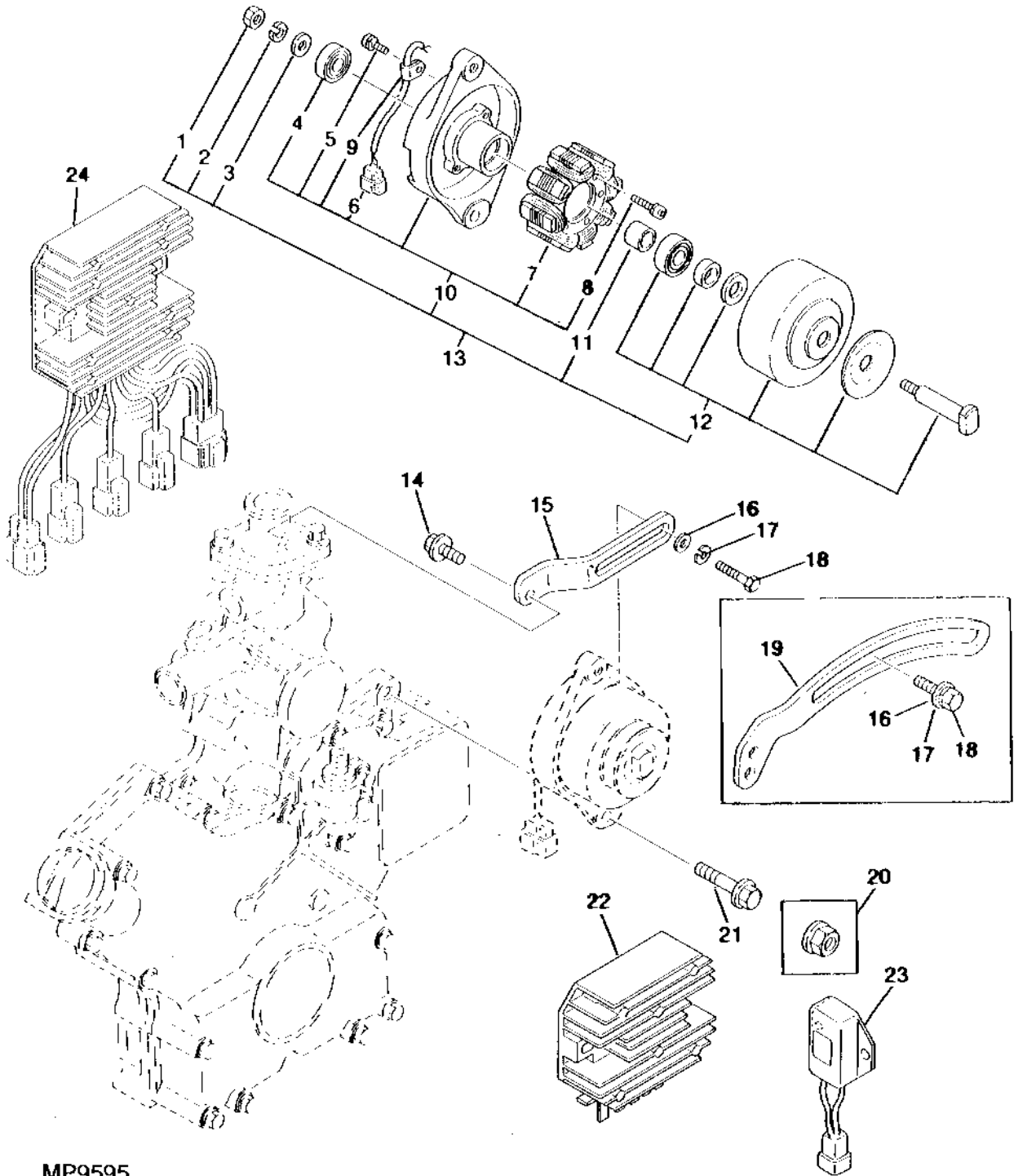
## ELECTRICAL SYSTEM COMPONENTS (CONTINUED)

KEY	PART NO.	PART NAME	QTY	SERIAL NO.	REMARKS
				6 7	
				7 7	
				0 0	
1	M803331	SIDE LIGHT	1		LH
2	M803330	SIDE LIGHT	1		RH
3	T110736	SENSOR	1		WATER TEMPERATURE
4	M801118	HEATER	1		X AIR
5	AM877557	ALTERNATOR	1		20 AMP, (SUB FOR AM877050)
	AM877957	ALTERNATOR	1		35 AMP
6	AM876791	SENDER	1		FUEL GAUGE
7	AM101406	VOLTAGE REGULATOR	1		
8	AM876416	SOLENOID	1		FUEL SHUTOFF
9	CH15500	SWITCH	1		OIL PRESSURE
10	AM876779	WIRING HARNESS	1		(WIRE WITH FUSE BLOCK)
11	CH20157	WIRE	1		FUSIBLE
12	TY6717	STARTER	1		X (INCLUDES T146102 LABEL) (SUB FOR AM876428 OR TY6675)
	TY6715	STARTER	1		X (INCLUDES T146102) (SUB FOR AM876435 OR TY6673)
13	CH13415	SWITCH	1		NEUTRAL START
14	M805524	SWITCH	1		BRAKE
15	M803327	SWITCH	1		SEAT
16	CH13415	SWITCH	2		NEUTRAL START
17	M803344	RELAY MODULE	1		
..	T146102	LABEL	1		BYPASS START, (SUB FOR T84409)

# D21

ELECTRICAL

ALTERNATOR/VOLTAGE REGULATOR  
ALTERNATEUR/REGULATEUR DE TENSION  
DREHSTROMGENERATOR/SPANNUNGSREGLER  
ALTERNATORE/REGOLATORE DI TENSIONE  
ALTERNADOR/REGULADOR DE VOLTAJE  
VAEXELSTROEMSGENERATOR/SPAENNINGREGULATOR  
MP9595 -UN-01JAN94



MP9595

**ALTERNATOR/VOLTAGE REGULATOR (CONTINUED)**

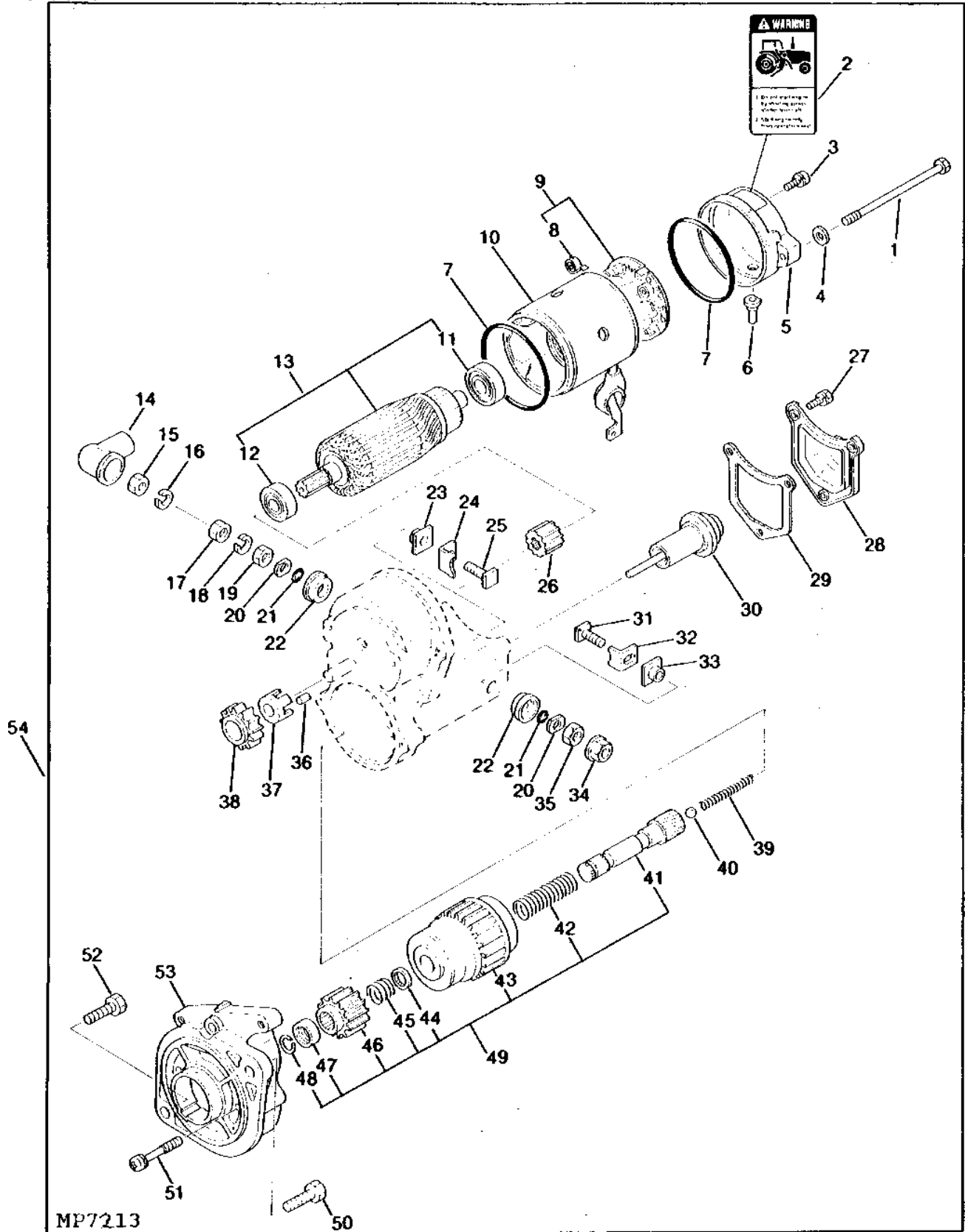
KEY	PART NO.	PART NAME	QTY	SERIAL NO.	REMARKS
				6 7	
				7 7	
				0 0	
1	M800116	NUT	1		
2	12M7066	LOCK WASHER	1		10.200 MM, (SUB FOR M800117)
3	CH15993	WASHER	1		
4	M800123	BEARING	1		
5	M800119	SCREW	1		
6	M800121	CONNECTOR	1		
7	M804969	STATOR	1		(SUB FOR M800114)
8	M800122	SCREW	6		
9	CH15996	CLAMP	1		
10	AM877802	PLATE	1		(SUB FOR AM875055)
11	CH15987	LOCKING COLLAR	1		
12	AM877051	ROTOR	1		
13	AM877557	ALTERNATOR	1		20 AMP, (SUB FOR AM877050)
	AM877957	ALTERNATOR	1		(K) 35 AMP
14	CH20047	BOLT	1	X	
15	AT110784	ADJUSTER	1	X	
16	24M7055	WASHER	1		8.400 X 16 X 1.600 MM
17	12M7065	LOCK WASHER	1		8.100 MM
18	19M7163	CAP SCREW	1		M8 X 25
19	M802642	ADJUSTER	1	X	
20	M88031	NUT	1	X	
21	19M7804	SCREW	1	X	M10 X 40 (HS, HEAD MARKED 10.9) (SUB FOR M800124)
22	AM101406	VOLTAGE REGULATOR	1		20 AMP
23	T111002	RESISTOR	1	X	(A)
24	AM877958	VOLTAGE REGULATOR	1		(K) 35 AMP
..	M805471	WIRING HARNESS	1		(K) ALTERNATOR (35 AMP)
..	M805472	WIRING HARNESS	1		(K) REGULATOR (35 AMP)
..	M805473	WIRING HARNESS	1		(K) GROUND (35 AMP)
..	AM107223	KIT	1		35 AMP ALTERNATOR (INCLUDES PARTS MARKED (K)) (FOR CONVERTING FROM 20 AMPS TO 35 AMPS) (OPTIONAL 35 AMP HIGH CAPACITY)
..	AM878709	ALTERNATOR	1		OPTIONAL LOW SPEED, HIGH CAPACITY (670 EUROPEAN VERSION ONLY)

- (A) STARTING AID  
 AIDE AU DEMARRAGE  
 STARHILFE  
 DISPOS.AUSIL.DI AVVIAMENTO  
 TERMOARRANQUE  
 STARHJAELP

# D23

ELECTRICAL

STARTER (670) (770 1.4 KW)  
DEMARREUR (670) (770 1.4 KW)  
ANLASSER (670) (770 1.4 KW)  
MOTORINO D'AVVIAMENTO (670) (770 1.4 KW)  
MOTOR DE ARRANQUE (670) (770 1.4 KW)  
STARTMOTOR (670) (770 1.4 KW)  
MP7213 -UN-01JAN94



# D24

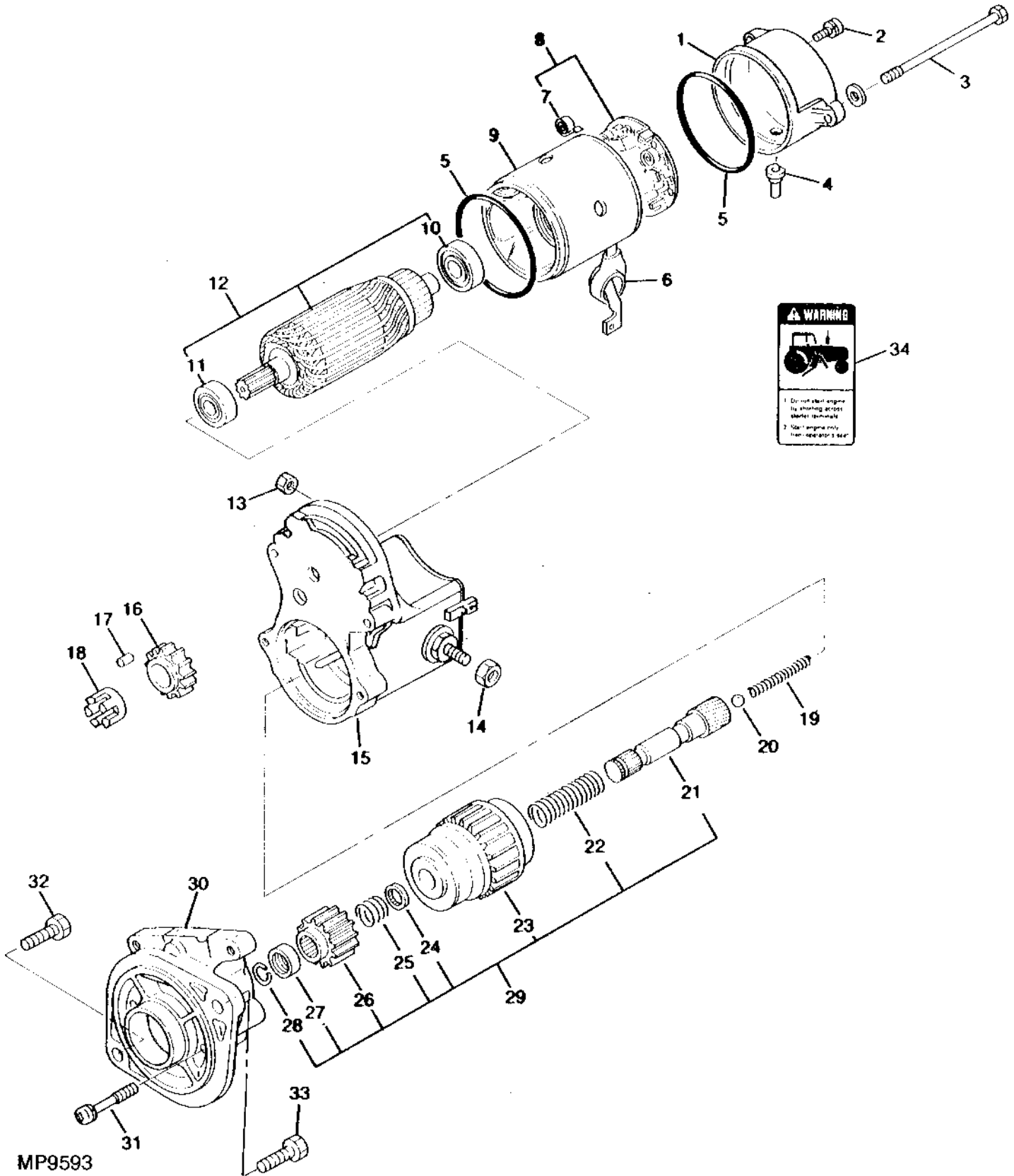
ELECTRICAL

STARTER (670) (770 1.4 KW) (CONTINUED)

KEY	PART NO.	PART NAME	QTY	TRACTOR		REMARKS
				SERIAL NO.		
					6 7	
					7 7	
					0 0	
1	M802566	CAP SCREW	1		X	
	CH19563	BOLT	1		X	
2	T146102	LABEL	1			(SUB FOR M805295 OR T134459)
3	CH15978	BOLT	2		X	
	CH19567	SCREW	2		X	
4	CH12740	LOCK WASHER	2		X	
5	CH15979	FRAME	1		X	
	CH19566	FRAME	1		X	
6	CH19565	BUSHING	1		X	
7	CH19564	O-RING	2		X	
8	CH15977	SPRING	4			
9	CH15976	HOLDER	1		X	BRUSH ASSY
	CH19561	HOLDER	1		X	BRUSH ASSY
10	.....	COMMUTATOR HOUSING	1		X	(ORDER TY6717) (SUB FOR CH19552)
	TY6715	STARTER	1		X	(SUB FOR CH19556)
11	CH12511	BALL BEARING	1		X	
	CH19557	BALL BEARING	1		X	
12	CH15974	BALL BEARING	1		X	
	CH19558	BALL BEARING	1		X	
13	CH15973	ARMATURE	1		X	
	.....	ARMATURE	1		X	(ORDER TY6715) (SUB FOR CH19556)
14	CH10486	COVER	1			
15	14M7273	NUT	1			M8
16	12M7065	LOCK WASHER	1			8.100 MM
17	14M7273	NUT	1			M8
18	CH12754	WASHER	1			
19	CH15867	NUT	1			
20	CH15868	LOCK WASHER	1			WAVE
21	CH15869	O-RING	1			
22	CH15872	BUSHING	1			
23	CH15873	BUSHING	1			
24	CH15875	PLATE	1			
25	CH15877	BOLT	1			
26	CH19559	PINION	1		X	
27	CH19554	SCREW, WITH WASHER	3			
28	CH15861	COVER	1			
29	CH15864	GASKET	1			
30	CH15865	PLUNGER	1			
31	CH15881	BOLT	1			
32	CH15879	PLATE	1			
33	CH15873	BUSHING	1			
34	CH12752	NUT	1			
35	CH15867	NUT	1			
36	CH12487	ROLLER	1			
37	CH12467	RETAINER	1			
38	CH12738	PINION	1			
39	CH12556	SPRING	1			
40	CH12554	BALL	1			
41	CH12696	SHAFT	1			
42	CH12697	SPRING	1			
43	CH18200	BENDIX DRIVE	1			
44	CH12699	RETAINER	1			
45	CH12700	SPRING	1			
46	CH15982	PINION	1		X	
	CH12701	PINION	1		X	
47	CH12702	NUT	1			
48	CH12703	SNAP RING	1			
49	CH16653	KIT	1		X	CLUTCH
	CH18199	BENDIX DRIVE	1		X	
50	19M8017	CAP SCREW	1			M12 X 20 (HS, HEAD MARKED 10.9) (SUB FOR CH12371)
51	CH15981	SCREW	1			
52	M802704	BOLT	1			
53	CH15985	HOUSING	1		X	
	CH19560	HOUSING	1		X	
54	.....	STARTER	1		X	(ORDER TY6717) (SUB FOR AM876428 OR TY6675)
	.....	STARTER	1	-106789	X	1.4 KW, (ORDER TY6715) (SUB FOR CH19280)

# E1

STARTER (770 1.2 KW)(ENGINE SERIAL NO. 6842- ) (TRACTOR SERIAL NO. 106790- )  
DEMARREUR (770 1.2 KW) (NO. DE SERIE DE MOTEUR 6842- )  
ANLASSER (770 1.2 KW) (MOTORSERIENNR. 6842- )  
MOTORINO D'AVVIAMENTO (770 1.2 KW) (N. DI SERIE DEL MOTORE 6842- )  
MOTOR DE ARRANQUE (770 1.2 KW) (MOTOR NO. DE SERIE 6842- )  
STARTMOTOR (770 1.2 KW) (MOTORSERIENUMMER 6842- )  
MP9593 -UN-01JAN94



MP9593



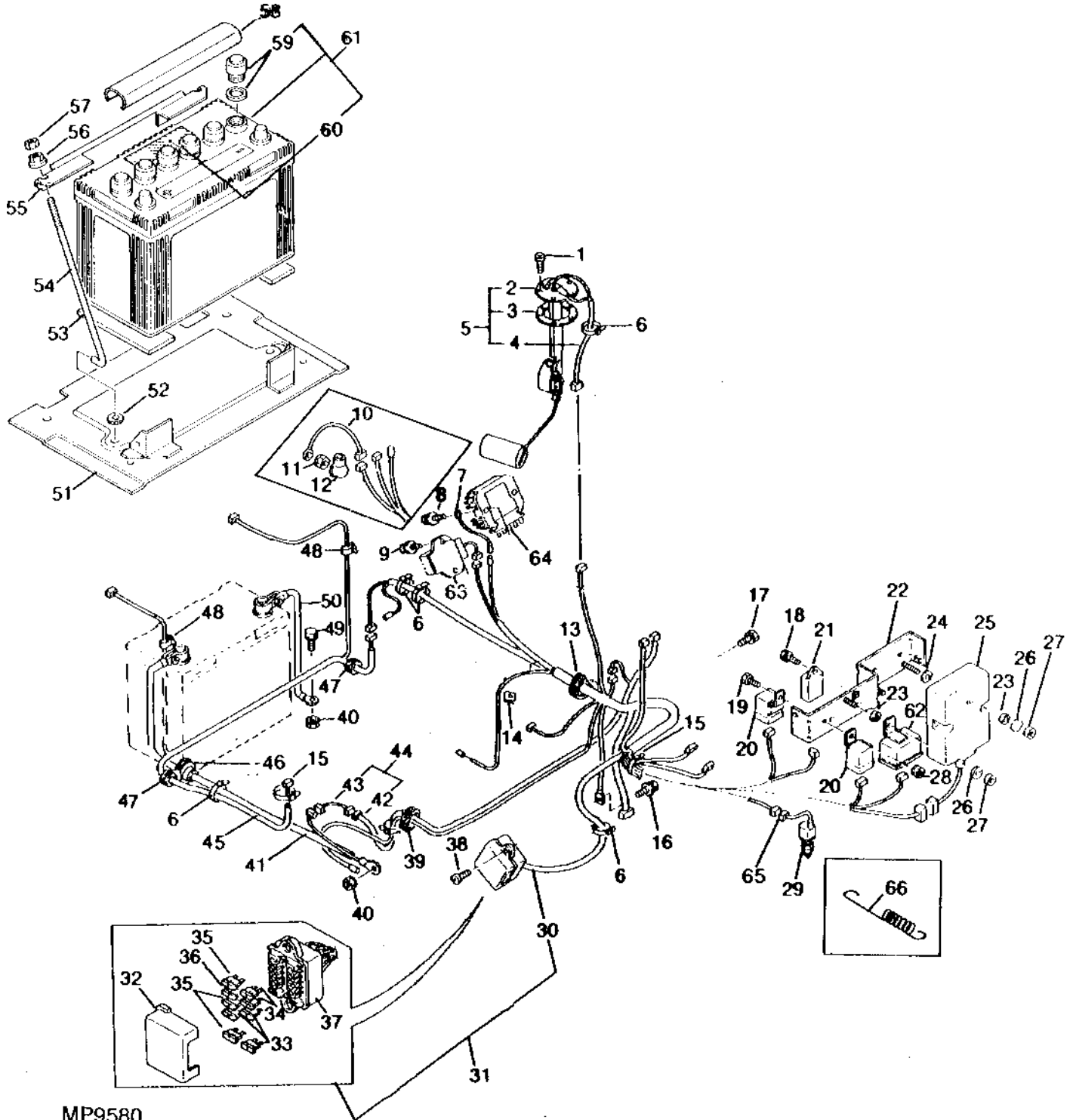
# E2

ELECTRICAL

STARTER (770 1.2 KW) (ENGINE SERIAL NO. 6842- ) (TRACTOR SERIAL NO. 106790- ) (CONTINUED)

KEY	PART NO.	PART NAME	QTY	SERIAL NO.	REMARKS
1	M806255	FRAME	1		
2	CH19567	SCREW	2		
3	M806258	BOLT	2		
4	M806261	BUSHING	1		
5	M806260	COMMUTATOR HOUSING	2		
6	M806262	CAP	1		
7	CH15977	SPRING	4		
8	AM878419	HOLDER	1		
9	.....	FIELD WINDING COIL	1		(ORDER TY6715)
10	M806244	BEARING	1		
11	M806245	BEARING	1		
12	.....	ARMATURE	1		(ORDER TY6715)
13	M806018	NUT	1		(WITH WAVE WASHER)
14	CH12752	NUT	1		
15	M806256	HOUSING	1		
16	M806253	PINION	1		
17	CH12487	ROLLER	5		
18	M806252	RETAINER	1		
19	M806259	SPRING	1		
20	CH12554	BALL	1		
21	.....	SHAFT	1		(ORDER AM878417)
22	.....	SPRING	1		(ORDER AM878417)
23	.....	CLUTCH	1		(ORDER AM878417)
24	CH12699	RETAINER	1		
25	CH12700	SPRING	1		
26	.....	PINION	1		(ORDER AM878417)
27	CH12702	NUT	1		
28	.....	SNAP RING	1		(ORDER AM878417)
29	AM878417	KIT	1		STARTER
30	M806254	HOUSING	1		
31	M806257	BOLT	2		
32	M802704	BOLT	1		
33	19M8017	CAP SCREW	1		M12 X 20 (HS, HEAD MARKED 10.9)
34	T146102	LABEL	1		
..	.....	STARTER	1		(ORDER TY6715)

BATTERY AND WIRING HARNESS  
BATTERIE ET FAISCEAU DE FILS  
BATTERIE UND KABELBAUM  
BATERIA Y ARNES DE CABLEADO  
BATTERIA E COMPLESSO CONDUTTORI  
BATTERI OCH KABELHAERVA  
MP9580 -UN-01JAN94



MP9580

BATTERY AND WIRING HARNESS (CONTINUED)

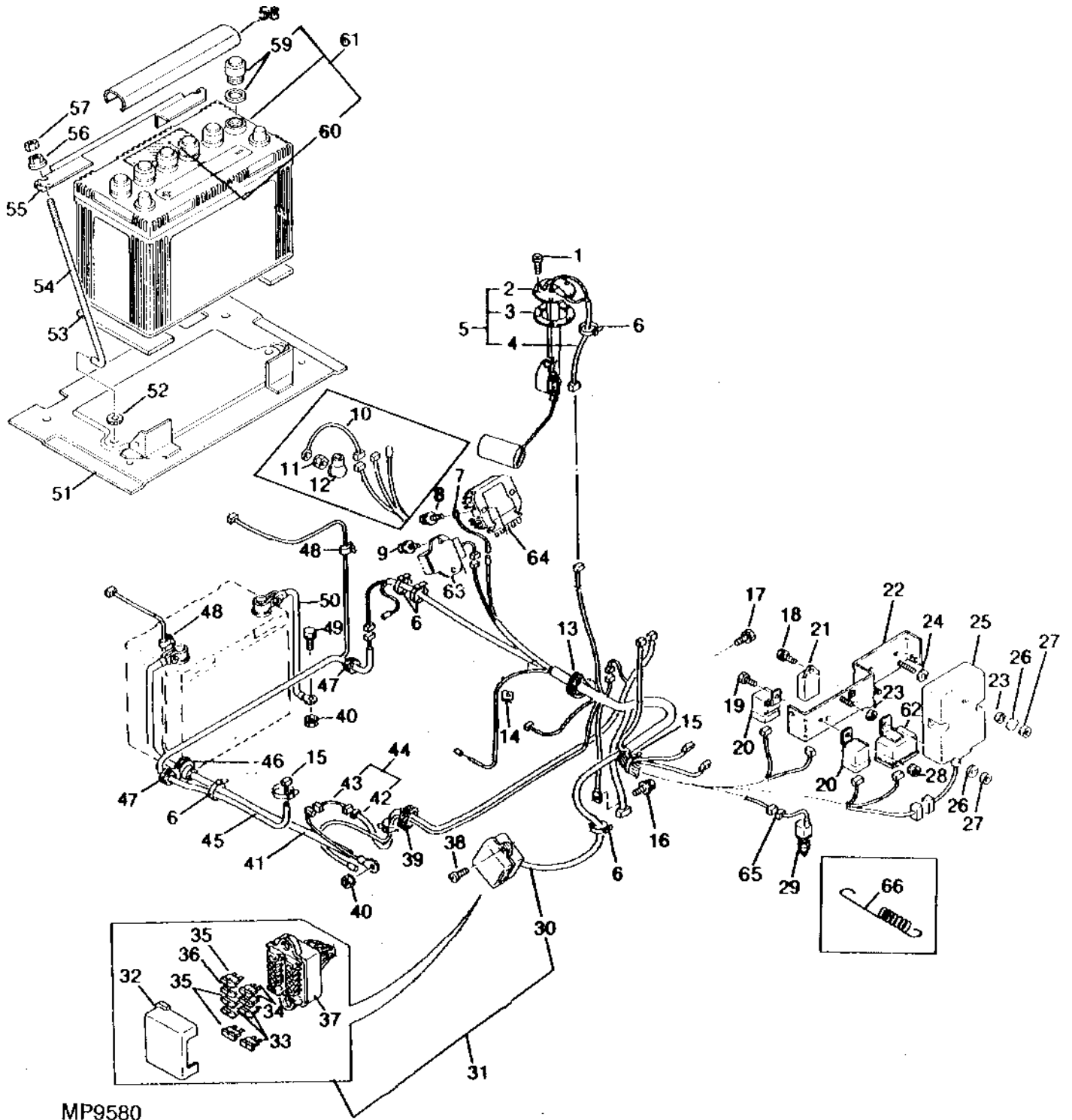
KEY	PART NO.	PART NAME	QTY	SERIAL NO.	6 7 7 7 0 0	REMARKS
1	CH10620	SCREW	5			
2	.....	SENDER	1			FUEL GAUGE, (ORDER AM876791)
3	M800792	GASKET	1			
4	M803343	WIRE	1			
5	AM876791	SENDER	1			FUEL GAUGE
6	R44302	TIE BAND	2			
7	M803795	WIRE	1			
8	M803548	BOLT	2			
9	19M7162	CAP SCREW	4		X	M8 X 16
	12M7065	LOCK WASHER	4		X	8.100 MM
	24M7055	WASHER	4		X	8.400 X 16 X 1.600 MM
10	M803302	WIRE	1		X	
11	14M7272	NUT	1		X	M6
	12M7006	LOCK WASHER	1		X	6.100 MM
12	CH10492	COVER	1		X	
13	M803308	GROMMET	1			
14	CH11876	NUT	4			
15	CH16579	CLAMP	1		X	
16	19M7162	CAP SCREW	1			M8 X 16
	12M7065	LOCK WASHER	1			8.100 MM
	24M7055	WASHER	1			8.400 X 16 X 1.600 MM
17	19M7162	CAP SCREW	2			M8 X 16
	12M7065	LOCK WASHER	2			8.100 MM
18	19M6614	CAP SCREW	1			M6 X 12
	12M7012	LOCK WASHER	1			6.100 MM
19	19M6614	CAP SCREW	1			M6 X 12
20	M805280	RELAY	2			(SUB FOR CH18734)
21	M803347	RELAY	1			FLASHER
22	AM876792	BRACKET	1			
23	CH11895	SPACER	3			
24	CH15255	WASHER	2			
25	M803344	RELAY MODULE	1			CONTROL
26	24M7054	WASHER	3			6.400 X 12 X 1.600 MM
27	M803350	LOCK NUT	3			
28	14M7272	NUT	1			M6
	12M7006	LOCK WASHER	1			6.100 MM
29	M803326	SWITCH	1	-104074	X	BRAKE
	M803326	SWITCH	1	-105936	X	BRAKE
	M805524	SWITCH	1	104075-	X	BRAKE
	M805524	SWITCH	1	105937-	X	BRAKE
30	M803290	WIRING HARNESS	1			
	AM877852	WIRING HARNESS	1		X	(E)
31	AM878125	WIRING HARNESS	1			
32	M803291	COVER	1			
33	57M7121	FUSE	3			10 AMP
34	57M7124	FUSE	2			3 AMP
35	99M7065	FUSE	3			15 AMP
36	57M7125	FUSE	1			5 AMP
37	.....	HOUSING	1			FUSE, (ORDER AM876779)
38	CH10623	SCREW	2			

(E) EUROPEAN VERSION  
 VERSION EUROPEENNE  
 EUROPÄISCHE AUSFÜHRUNG  
 VERSION EUROPEA  
 VERSIONE EUROPEA  
 EUROPEISK VERSION

# E5

MP9580 -UN-01JAN94

## BATTERY AND WIRING HARNESS (CONTINUED)



# E6

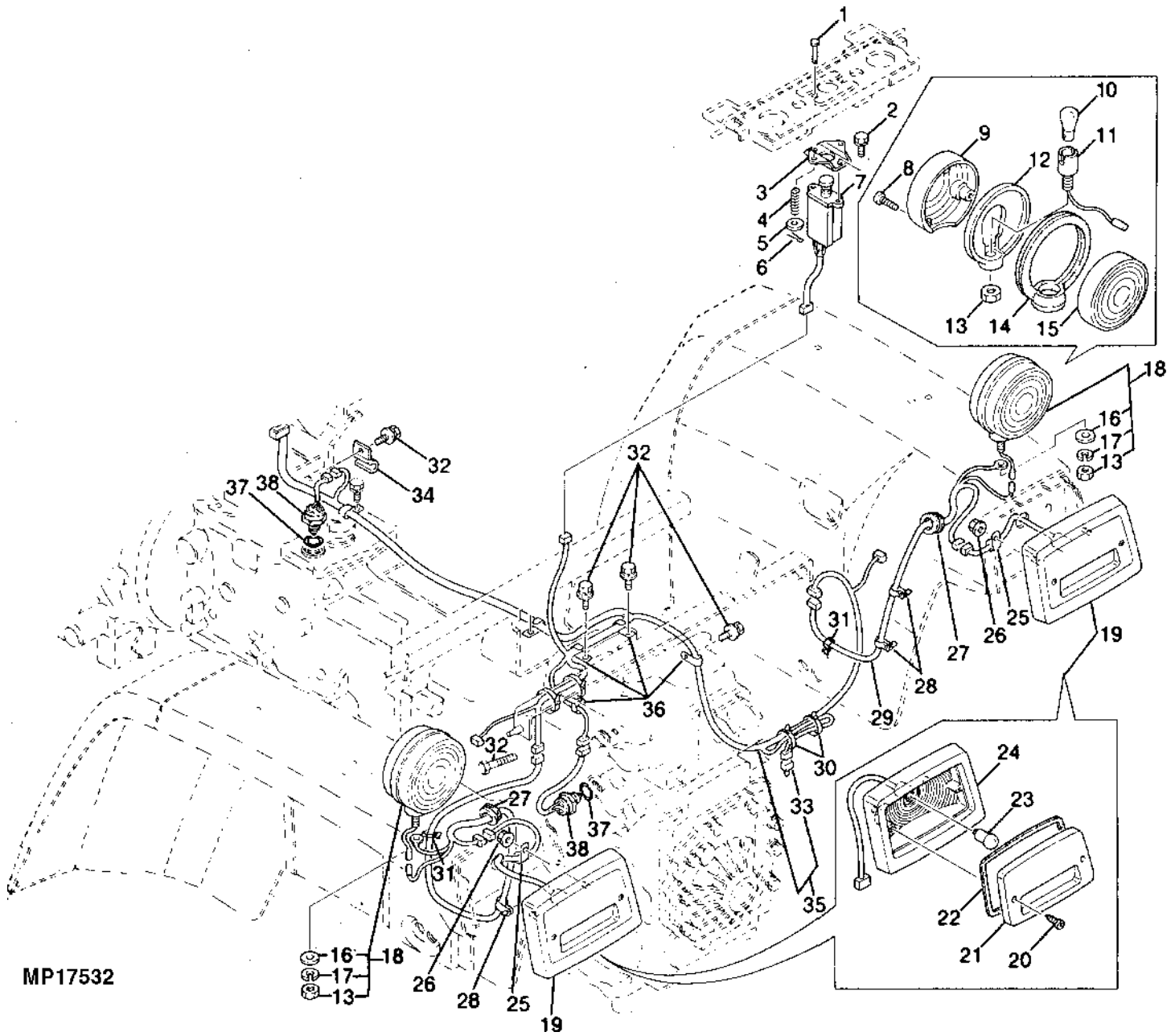
ELECTRICAL

## BATTERY AND WIRING HARNESS (CONTINUED)

KEY	PART NO.	PART NAME	QTY	SERIAL NO.	6 7 7 7 0 0	REMARKS
39	AB2599R	BULB	1			(SUB FOR M803337)
40	14M7273	NUT	2			M8
	12M7065	LOCK WASHER	2			8.100 MM
41	M803309	CABLE	1			
42	M803298	WIRING HARNESS	1			
43	CH20157	WIRE	1			FUSIBLE
44	AM876780	WIRING HARNESS	1			
45	M803297	WIRING HARNESS	1			
46	M803301	GROMMET	1			
47	M801885	GROMMET	2			
48	CH17297	CLAMP	2			
49	19M7139	CAP SCREW	1			M8 X 20
	12M7065	LOCK WASHER	1			8.100 MM
50	CH16578	CABLE	1			BATTERY GROUND
51	AM876784	BRACKET	1		X	
	AM876785	BRACKET	1		X	
52	M803796	SEAL	2			
53	CH10872	FOAM PAD	2		X	(SUB FOR CH11411)
54	M803314	ROD	2			
55	M803315	CLAMP	1		X	
	M805279	CLAMP	1		X	
56	14M7273	NUT	2			M8
	12M7065	LOCK WASHER	2			8.100 MM
	24M7055	WASHER	2			8.400 X 16 X 1.600 MM
57	14M7273	NUT	2			M8
58	M803313	COVER	1		X	
	CH15205	COVER	1		X	
59	M803312	CAP	6		X	
	M802200	CAP	6		X	
60	M802738	LABEL	1			
61	TY21755	BATTERY	1		X	(SUB FOR TY6185)
	TY6092	BATTERY	1		X	
62	CH11698	FLASHER	1			
63	T111002	RESISTOR	1		X	(E)
64	AM101406	VOLTAGE REGULATOR	1			
	AM877958	REGULATOR	1		X	(E) (PART NOT SHOWN)
65	M805806	WIRING HARNESS	1	104075-	X	
	M805806	WIRING HARNESS	1	105937-	X	
66	M803320	EXTENSION SPRING	1	-104074	X	(USE WITH M803326 BRAKE SWITCH)
	M803320	EXTENSION SPRING	1	-105936	X	(USE WITH M803326 BRAKE SWITCH)
..	M804306	GUIDE	1			HOSE

(E) EUROPEAN VERSION  
 VERSION EUROPEENNE  
 EUROPÄISCHE AUSFUEHRUNG  
 VERSION EUROPEA  
 VERSIONE EUROPEA  
 EUROPEISK VERSION

REAR LIGHTS AND WIRING HARNESS  
FEUX ARRIERE ET FAISCEAU DE FILS  
RUECKLICHTER UND KABELBAUM  
LUCES DE COLA Y ARNES DE CABLEADO  
FANALINI DI COSA E COMPLESSO CONDUTTORI  
BAKLYKTOR OCH KABELHAEVA  
MP17532 -UN-21MAY97

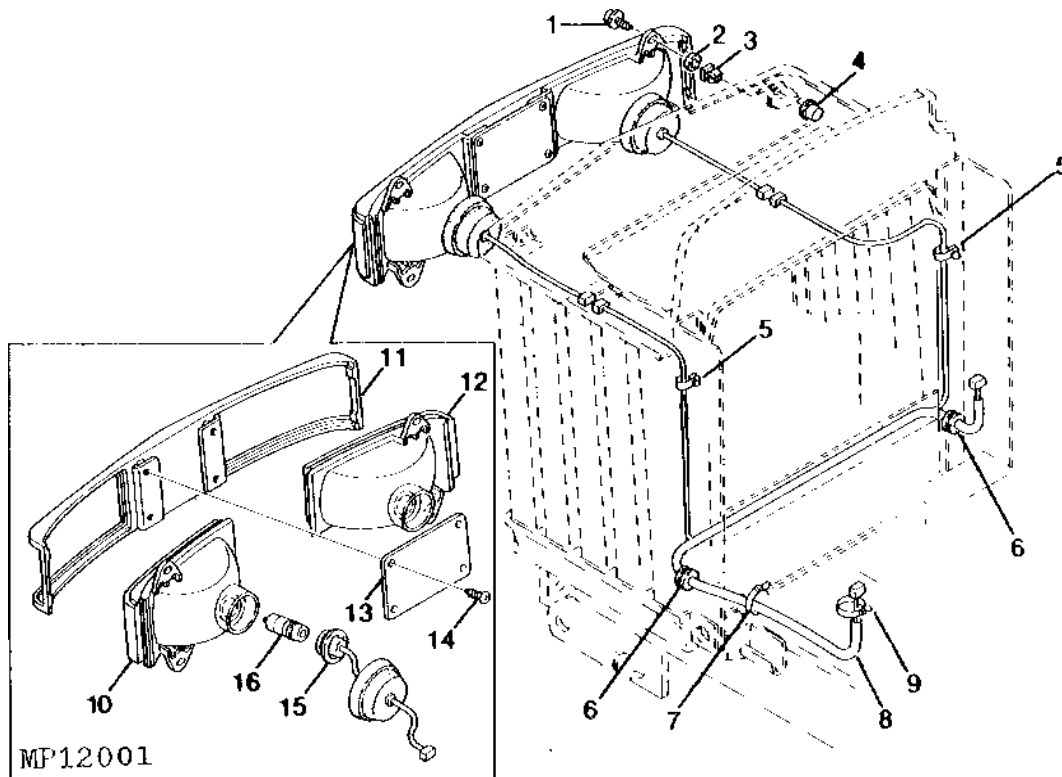


MP17532

## REAR LIGHTS AND WIRING HARNESS (CONTINUED)

KEY	PART NO.	PART NAME	QTY	SERIAL NO.	REMARKS
1	.....	PIN	2		
2	19M7560	CAP SCREW	2	M6 X 16	
	12M7006	LOCK WASHER	2	6.100 MM	
3	M803328	BRACKET	1		
4	M803351	COMPRESSION SPRING	2		
5	CH14140	WASHER	2		
6	CH12310	PIN	2		
7	M803327	SWITCH	1		
8	CH12639	SCREW	6		
9	CH12637	LENS	2	(SUB T116275)	
10	AD2062R	BULB	2		
11	.....	HOUSING	2	(ORDER CH12713)	
12	.....	BASE	2	(ORDER CH12713)	
13	14M7274	NUT	4	M10	
14	CH12638	GASKET	2		
15	CH12636	LENS	2		
16	24M7028	WASHER	2	10.500 X 20 X 2 MM	
17	12M7066	LOCK WASHER	2	10.200 MM	
18	CH12713	LAMP	2		
19	AM876789	TAIL LAMP	2		
20	M803341	SCREW	4		
21	M803338	LENS	2		
22	M803340	SEAL	2		
23	M803337	BULB	2		
24	M803339	HOUSING	2		
25	CH13190	CLAMP	2		
26	14M7272	NUT	4	M6	
	12M7006	LOCK WASHER	4	6.100 MM	
27	CH11900	GROMMET	2		
28	CH15781	CLAMP	4		
29	M803296	WIRING HARNESS	2		
30	CH16579	CLAMP	4		
31	R44302	TIE BAND	2		
32	19M7162	CAP SCREW	5	M8 X 16	
	12M7065	LOCK WASHER	5	8.100 MM	
	24M7055	WASHER	5	8.400 X 16 X 1.600 MM	
33	M803300	WIRE	1		
34	AM876782	CLAMP	1	(SUB AM878125)	
35	AM878125	WIRING HARNESS	1	(SUB FOR AM876781 OR M803299)	
36	CH13189	CLAMP	4		
37	CH14634	O-RING	2		
38	CH13415	SWITCH	2	NEUTRAL START	

HEAD LIGHTS (NORTH AMERICAN VERSION)  
 PHARES (AMERIQUE DU NORD)  
 SCHEINWERFER (NORDAMERIKA)  
 FARO (NORD AMERICA)  
 LUCES DELANTERAS (NORTEAMERICA)  
 STRALKASTARE (NORDAMERIKA)  
 MP12001 -UN-01JAN94



KEY	PART NO.	PART NAME	QTY	SERIAL NO.	REMARKS
1	M803429	SCREW	4		
2	CH11895	SPACER	4		
3	M803336	GROMMET	4		
4	99M7045	PLUG	2		
5	CH17297	CLAMP	2		
6	M801885	GROMMET	2		
7	R44302	TIE BAND	1		
8	M803297	WIRING HARNESS	2		
9	CH16579	CLAMP	1		
10	M803331	SIDE LIGHT	1		LH
11	M803332	BEZEL	1		RH
12	M803330	SIDE LIGHT	1		
13	M803334	PLATE	1		
14	M803335	SCREW	4		
15	M803333	SOCKET	2		
16	M803329	BULB	2		

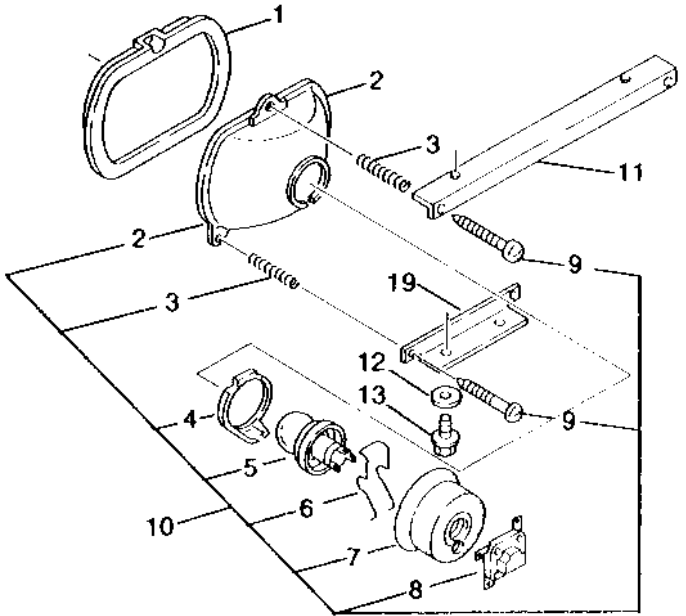
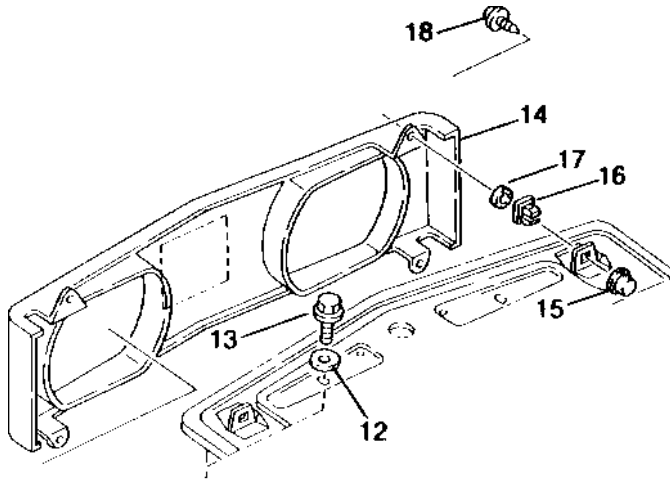


# E10

ELECTRICAL

HEAD LIGHT (EUROPEAN VERSION)  
 PHARES (VERSION EUROPE)  
 SCHEINWERFER (EUROPAEISCHE AUSFUEHRUNG)  
 FARO (VERSION EUROPEA)  
 LUCES DELANTERAS (VERSIONE EUROPEA)  
 STRALKASTARE (EUROPEISK VERSION)

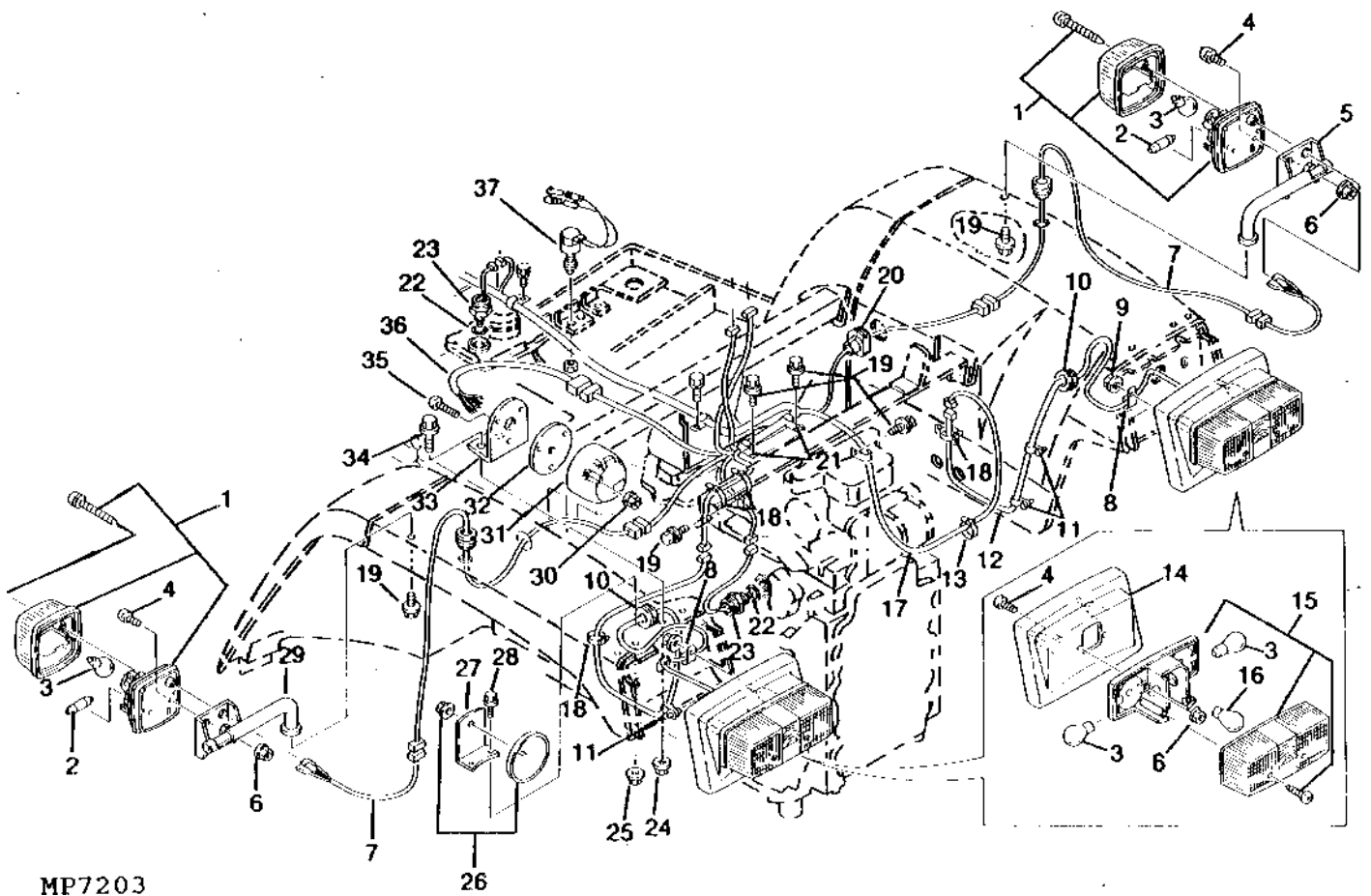
MP12035 -UN-01JAN94



MP12035

KEY	PART NO.	PART NAME	QTY	SERIAL NO.	REMARKS
1	M805344	SEAL	2		
2	AM107856	LENS	2		
3	M93688	COMPRESSION SPRING	6		
4	AM107856	LENS	2		
5	57M6844	BULB	2		
6	M93689	SPRING	2		
7	M93686	COVER	2		
8	AM108117	RECEPTACLE CONNECTOR BODY	2		
9	M93687	SCREW	6		
10	AM107851	HEADLIGHT	2		
11	AM878039	BRACKET	1		UPPER LH
	AM878040	BRACKET	1		UPPER RH
12	CH10525	WASHER	6		
13	19M7774	SCREW	6		M6 X 12 (HS, HEAD MARKED 10.9)
14	AM878004	COVER	1		
15	CH11400	PLUG	2		
16	M803336	GROMMET	4		
17	CH11895	SPACER	4		
18	M803429	SCREW	4		
19	M805689	BRACKET	1		(SUB FOR M805345)

REAR LIGHTS AND WIRING HARNESS (EUROPEAN VERSION)  
FEUX ARRIERE ET FAISCEAU DE FILS (VERSION EUROPEENNE)  
RUECKLICHTER UND KABELBAUM (EUROPAEISCHE AUSFUEHRUNG)  
LUCES DE COLA Y ARNES DE CABLEADO (VERSION EUROPEA)  
FANALINI DI COSA E COMPLESSO CONDUTTORI (VERSIONE EUROPEA)  
BAKLYKTOR OCH KABELHAEVA (EUROPEISK VERSION)  
MP7203 -UN-01JAN94



MP7203

# E12

ELECTRICAL

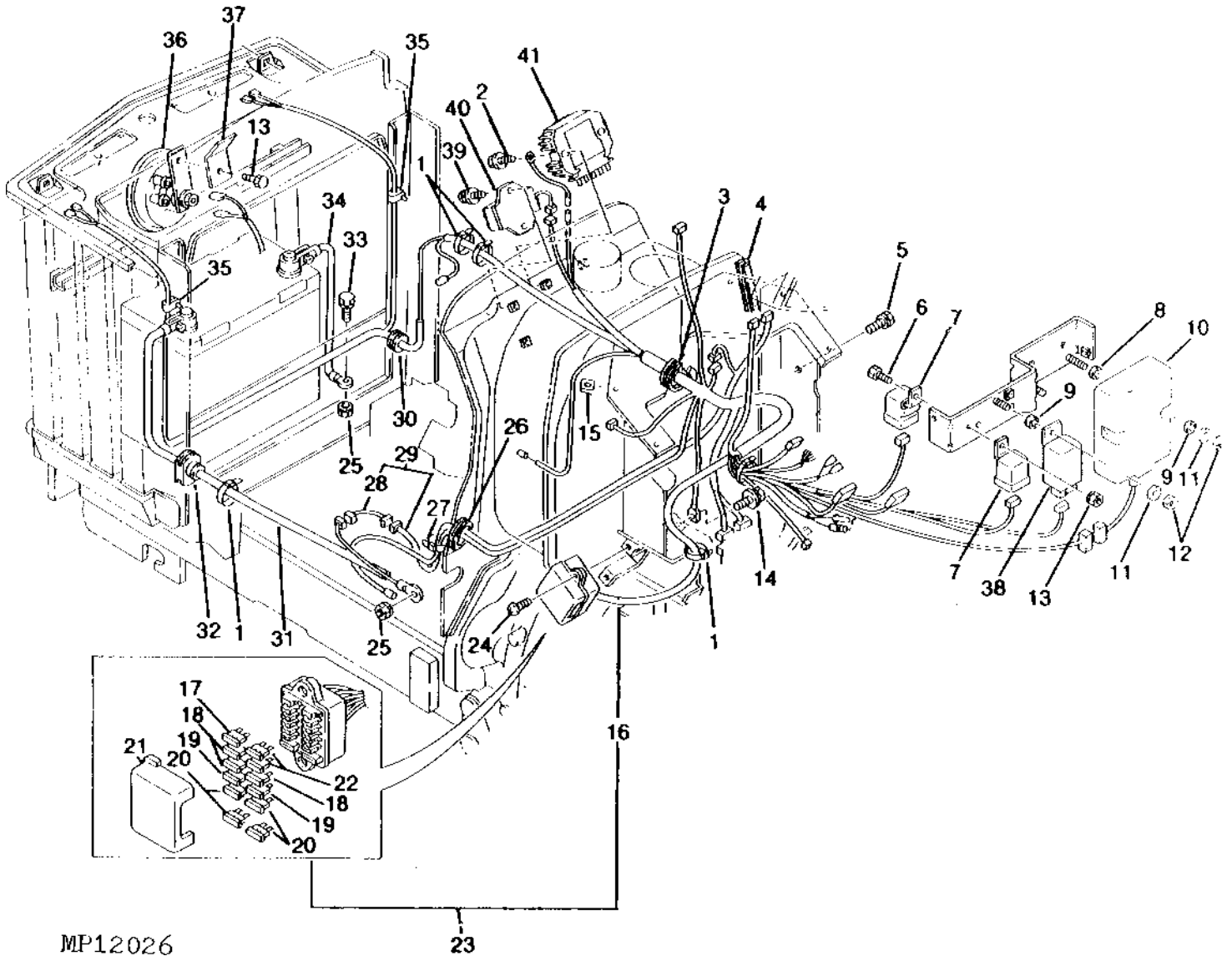
## REAR LIGHTS AND WIRING HARNESS (EUROPEAN VERSION) (CONTINUED)

KEY	PART NO.	PART NAME	QTY	SERIAL NO.	REMARKS
1	AL58739	SIDE LIGHT	2		
2	57M6274	BULB	2		
3	57M7014	BULB	4		
4	CH12384	CAP SCREW	4		
5	M805348	BRACKET	2		
6	CH10139	NUT	4		
7	M805329	WIRING HARNESS	2		
8	CH13190	CLAMP	2		
9	14M7272	NUT	4	M6	
	12M7006	LOCK WASHER	4	6.100 MM	
10	CH11900	GROMMET	2		
11	CH15781	CLAMP	4		
12	.....	WIRING HARNESS	2	(ORDER M805522)	
13	AT41441	TIE BAND	2		
14	AM877859	BRACKET	2		
15	AL64946	TAIL LAMP	1	RH	
	AL64947	TAIL LAMP	1	LH	
16	57M7014	BULB	2		
17	AM878042	WIRING HARNESS	1		
	M803300	WIRE	1		
	M805326	WIRING HARNESS	1		
18	CH16899	TIE BAND	2		
19	19M7162	CAP SCREW	4	M8 X 16	
	12M7065	LOCK WASHER	4	8.100 MM	
	24M7055	WASHER	4	8.400 X 16 X 1.600 MM	
20	M803301	GROMMET	2		
21	CH13189	CLAMP	4		
22	CH14634	O-RING	2		
23	CH13415	SWITCH	2	NEUTRAL START	
24	CH16952	NUT	2		
25	14M7272	NUT	2	M6	
	12M7006	LOCK WASHER	2	6.100 MM	
26	L39871	REFLECTOR	2		
27	M805352	SUPPORT	2		
28	19M7774	SCREW	2	M6 X 12 (HS, HEAD MARKED 10.9)	
29	M805349	BRACKET	2		
30	CH11460	NUT	3		
31	L83677	SOCKET OUTLET	1		
32	M93671	GASKET	1		
33	M93038	BRACKET	1		
34	CH12034	SCREW	2	(SUB FOR T111409)	
35	21M7325	SCREW	3	M5 X 30	
36	AM107664	WIRING HARNESS	1		
37	M805524	SWITCH	1	BRAKE LAMP	

# E13

ELECTRICAL

WIRING HARNESS (EUROPEAN VERSION)  
FAISCEAU DE CABLES (VERSION EUROPEENNE)  
KABELBAUM (EUROPÄISCHE AUSFÜHRUNG)  
CABLAGGIO (VERSIONE EUROPEA)  
GRUPO DE CABLES (VERSION EUROPEA)  
KABELHAERVA (EUROPEISK VERSION)  
MP12026 -UN-01JAN94



MP12026

23

# E14

ELECTRICAL

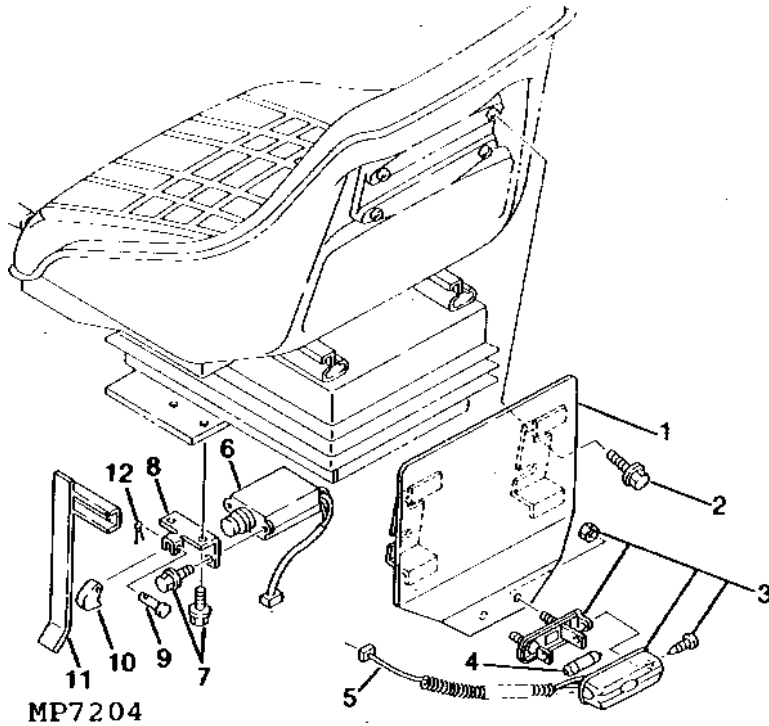
## WIRING HARNESS (EUROPEAN VERSION) (CONTINUED)

KEY	PART NO.	PART NAME	QTY	SERIAL NO.	REMARKS
1	AT41441	TIE BAND	1		
2	M803548	BOLT	2		
3	M803308	GROMMET	1		
4	M804306	GUIDE	1		HOSE
5	19M7162	CAP SCREW	2		M8 X 16
	12M7065	LOCK WASHER	2		8.100 MM
6	19M6614	CAP SCREW	1		M6 X 12
7	M805280	RELAY	2		STARTER
8	CH15255	WASHER	2		
9	CH11895	SPACER	2		
10	M803344	RELAY MODULE	1		
11	24M7054	WASHER	2		6.400 X 12 X 1.600 MM
12	M803350	LOCK NUT	3		
13	14M7272	NUT	1		M6
	12M7006	LOCK WASHER	1		6.100 MM
14	19M7162	CAP SCREW	1		M8 X 16
	12M7065	LOCK WASHER	1		8.100 MM
	24M7055	WASHER	1		8.400 X 16 X 1.600 MM
15	CH11876	NUT	4		
16	.....	WIRING HARNESS	1		(ORDER AM877852)
17	57M7121	FUSE	1		10 AMP, (BLADE TYPE-RED)
18	99M7065	FUSE	3		15 AMP, (BLADE TYPE-LIGHT BLUE)
19	57M7146	FUSE	2		30 AMP
20	57M7120	FUSE	4		20 AMP, (BLADE TYPE-YELLOW)
21	M803291	COVER	1		
22	57M7124	FUSE	2		3 AMP, (BLADE TYPE-VIOLET)
23	AM877852	WIRING HARNESS	1		
24	CH10623	SCREW	2		
25	14M7273	NUT	1		M8
26	M803305	GROMMET	1		
27	CH16899	TIE BAND	1		
28	CH20157	WIRE	1		FUSIBLE
29	AM876780	WIRING HARNESS	1		
30	M801885	GROMMET	2		
31	M803309	CABLE	1		
32	M803301	GROMMET	1		
33	19M7139	CAP SCREW	1		M8 X 20
	12M7065	LOCK WASHER	1		8.100 MM
34	CH16578	CABLE	1		GROUND
35	CH17297	CLAMP	2		
36	AL14896	HORN	1		
37	M805357	BRACKET	1		HORN, (ORDER AM878038)
38	AL32891	FLASHER	1		TURN SIGNAL
39	19M7162	CAP SCREW	4		M8 X 16
	12M7065	LOCK WASHER	4		8.100 MM
	24M7055	WASHER	4		8.400 X 16 X 1.600 MM
40	T111002	RESISTOR	1		
41	AM101406	VOLTAGE REGULATOR	1		
..	AM877958	REGULATOR	1		(PART NOT SHOWN)

# E15

ELECTRICAL

SEAT SWITCH (EUROPEAN VERSION)  
 INTERRUPTEUR DE SIEGE (VERSION EUROPEENNE)  
 SITZ-SCHALTER (EUROPAEISCHE AUSFUEHRUNG)  
 INTERRUPTOR DEL ASIENTO (VERSION EUROPEA)  
 INTERRUPTORE DEL SEDILE (VERSIONE EUROPEA)  
 SITTSSTROEMBRYTARE (EUROPEISK VERSION)  
 MP7204 -UN-01JAN94

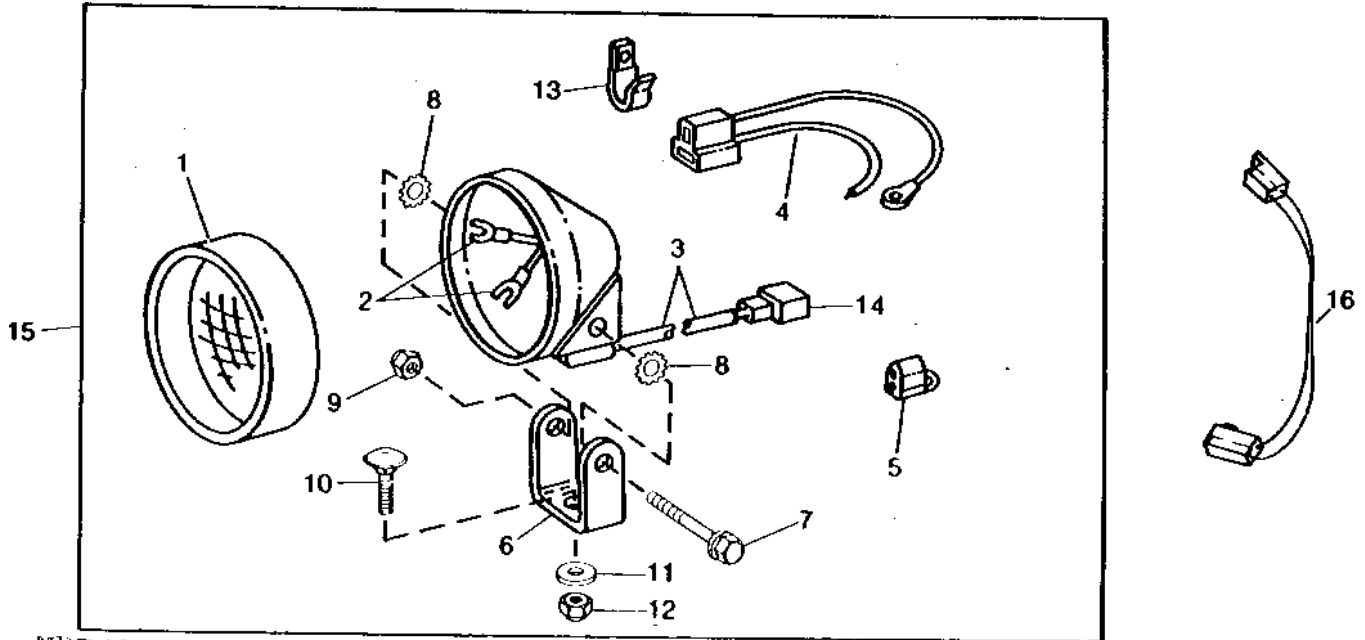


KEY	PART NO.	PART NAME	QTY	SERIAL NO.	REMARKS
1	AM877947	BRACKET	1		
2	19M7162	CAP SCREW	4	M8 X 16	
	12M7065	LOCK WASHER	4	8.100 MM	
3	AL59724	LAMP	1		
4	57M6274	BULB	1		
5	M805331	WIRING HARNESS	1		
6	M803327	SWITCH	1		
7	19M7774	SCREW	4	M6 X 12 (HS, HEAD MARKED 10.9)	
8	M805341	BRACKET	1		
9	.....	PIN	1	(NSEP)	
10	M805342	CAM	1		
11	AM877857	ARM	1		
12	.....	COTTER PIN	1	(NSEP)	

# E16

ELECTRICAL

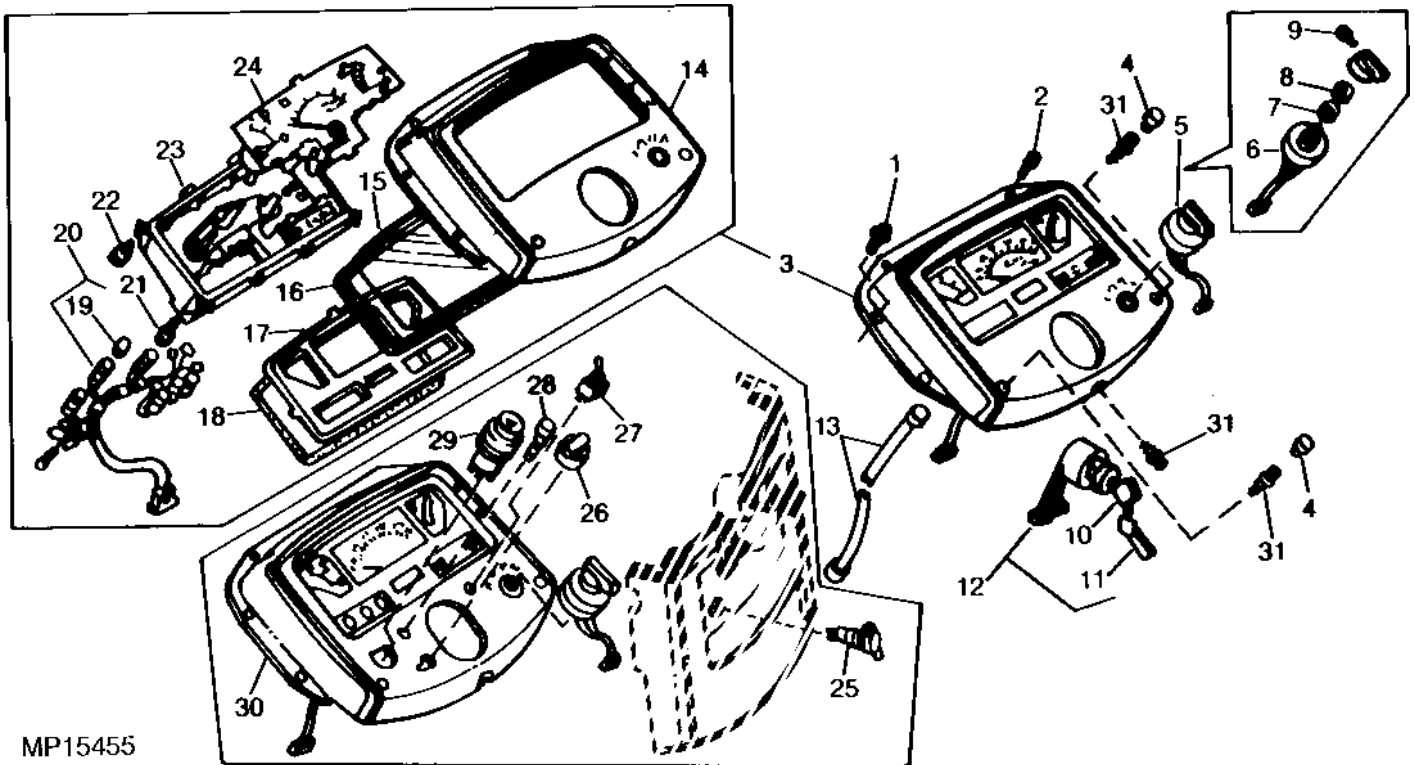
WORK LIGHT KIT  
 JEU DE PROJECTOR DE TRAVAIL  
 ARBEITSLICHTSATZ  
 670 ED 770 SERIE PEZZI FARO DI LAVORO  
 JUEGO DE LUCES DE TRABAJO 670 Y 770  
 ARBETSBELYSNINGSSATS  
 MP7505 -UN-01JAN94



MP7505

KEY	PART NO.	PART NAME	QTY	SERIAL NO.	REMARKS
1	AF3892R	HEADLIGHT	1		
2	T34067	TERMINAL	2		
3	AM100778	WIRING HARNESS	1		
4	.....	WIRING HARNESS	1		(NOT USED THIS APPL)
5	AM52175	CONNECTOR	1		WIRE
6	.....	BRACKET	1		(NOT USED THIS APPL)
7	19H1949	CAP SCREW	1		5/16" X 2-1/2"
8	12H347	LOCK WASHER	2		5/16"
9	14H785	NUT	1		5/16"
10	03H1500	BOLT	1		3/8" X 1"
11	24H1307	WASHER	1		13/32" X 1" X 1/16"
12	T11234	LOCK NUT	1		3/8"
13	N10011	CLIP	1		
14	T28586	CONNECTOR	1		
15	<b>BM17981</b>	<b>KIT</b>	1		<b>WORK LAMP, (SUB FOR AM102724)</b>
16	AM108244	WIRING HARNESS	1		

INSTRUMENT PANEL  
TABLEAU DE BORD  
ARMATURENBRETT  
TABLERO DE INSTRUMENTOS  
QUADRO DEGLI STRUMENTI  
INSTRUMENTBRAEDA  
MP15455 -UN-26MAR96



MP15455



# E18

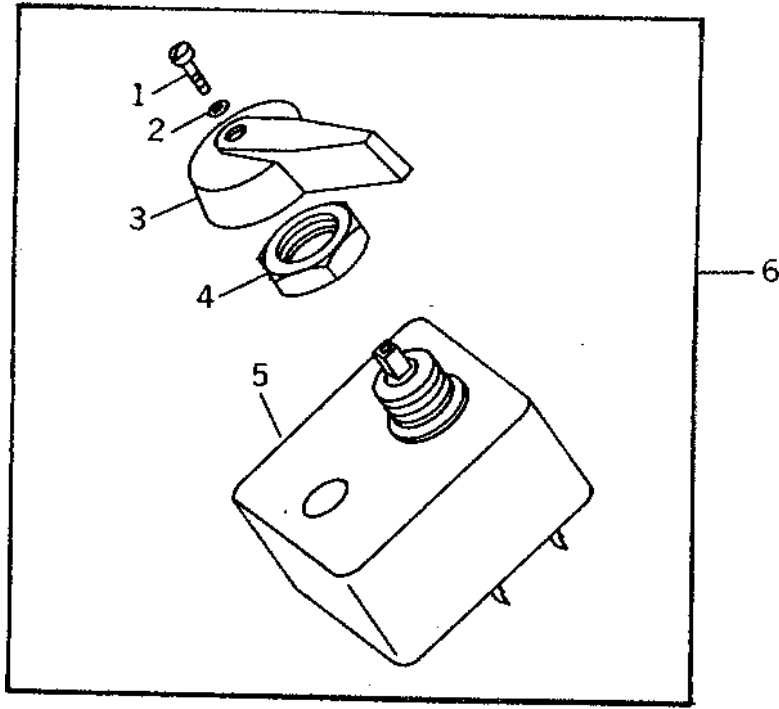
ELECTRICAL

## INSTRUMENT PANEL (CONTINUED)

KEY	PART NO.	PART NAME	QTY	SERIAL NO.	6 7 7 7 0 0	REMARKS
1	M805121	SCREW	4			M5 X 16
2	M805122	SCREW	2		X	
	CH10623	SCREW	2		X	
3	AM876790	INSTRUMENT PANEL	1			
4	M804308	PLUG	2			
5	AM876786	SWITCH	1			(INCLUDES M803323 KNOB)
6	.....	SWITCH	1			(ORDER AM876786)
7	.....	WASHER	1			(ORDER AM876786)
8	.....	NUT	1			(ORDER AM876786)
9	M803325	SCREW	1			
10	M803322	KEY	2			
11	CH12207	RING	1			
12	AM876787	SWITCH	1			
13	CH12241	CABLE	1			
14	M803800	PANEL	1			
15	M803802	WINDOW	1			
16	M803801	SEAL	1			
17	M803805	REFLECTOR	1			
18	M803803	SEAL	1			
19	M803807	BULB	6			
20	M803804	WIRING HARNESS	1			
21	M803808	SCREW	6			
22	M803335	SCREW	8			
23	M803806	CASE	1			
24	M803799	METER	1			
25	AL25073	SOCKET OUTLET	1		X	(E)
26	M805412	SWITCH	1		X	(E)
27	AM877856	SWITCH	1		X	(E)
28	M805413	SWITCH	1		X	(E)
29	AL32062	SWITCH	1		X	(E)
30	AM877860	PANEL	1		X	(E)
31	M803429	SCREW	3		X X	M5 X 25

(E) EUROPEAN VERSION  
 VERSION EUROPEENNE  
 EUROPÄISCHE AUSFÜHRUNG  
 VERSION EUROPEA  
 VERSIONE EUROPEA  
 EUROPEISK VERSION

TURN SIGNAL CONTROL (OPTIONAL)  
 CONTACTEUR DE CLIGNOTANT  
 BLINKLEUCHTESCHALTER  
 INTERRUPTORE INDICATORE DI DIREZIONE  
 INTERRUPTOR INDICADOR DE DIRECCION  
 KOERRIKTNINGSVISARE KONTACT  
 R33402 -UN-01JAN94



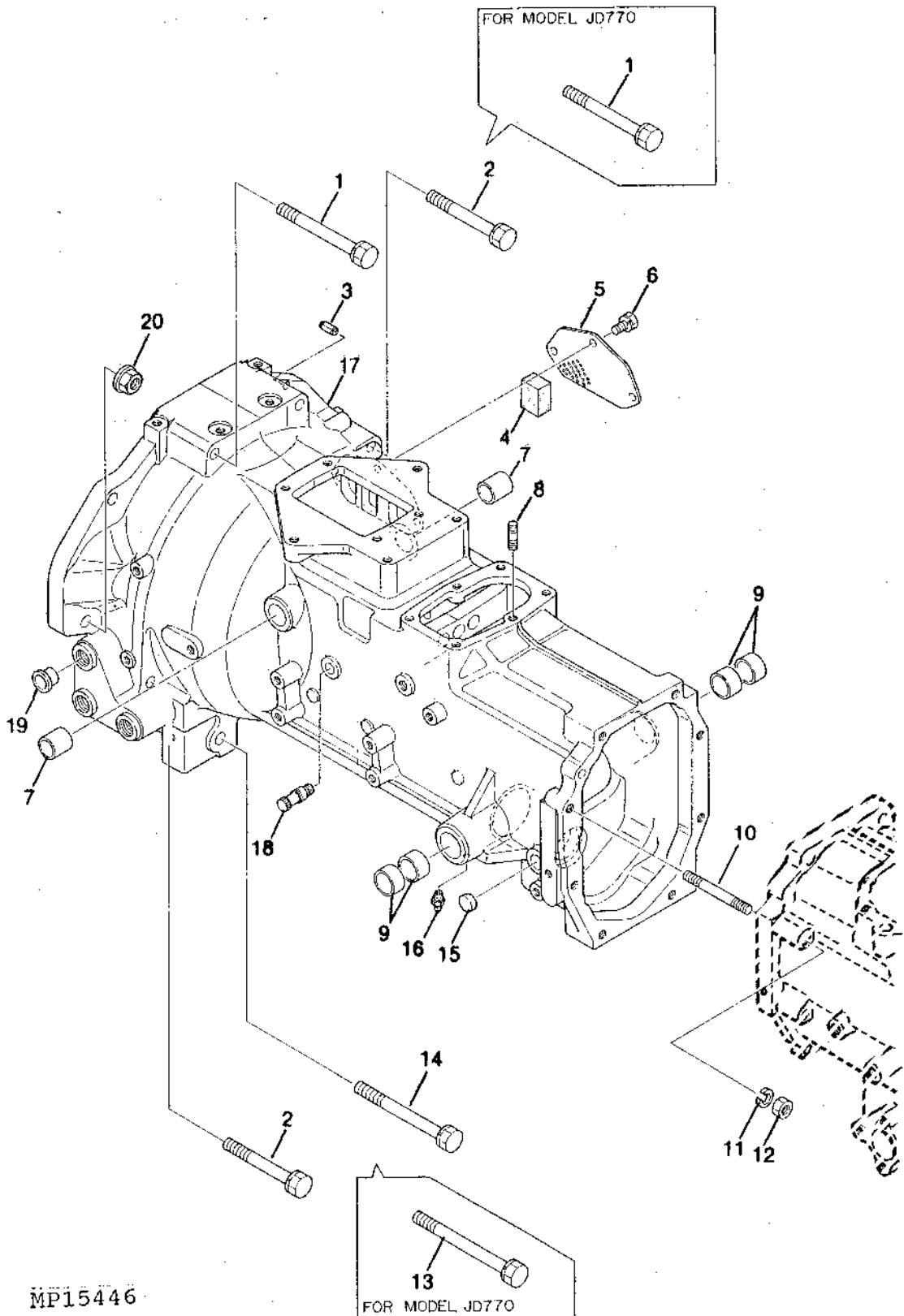
R33402

KEY	PART NO.	PART NAME	QTY	TRACTOR SERIAL NO.	REMARKS
1	21H1372	SCREW	1	1/8" X 3/8"	
2	12H233	LOCK WASHER	1	1/8"	
3	R56026	KNOB	1		
4	R56410	NUT	1		
5	AR64422	TURN SIGNAL CONTROLLER	1		
6	AR87054	KIT	1	TURN SIGNAL	

---

MEMORANDA

CLUTCH HOUSING  
CARTER D'EMBRAYAGE  
KUPPLUNGSGEHAUSE  
CAJA DEL EMBRAGUE  
SCATOLA DELLA FRIZIONE  
KOPPLINGSLAADA  
MP15446 -UN-13MAY96



# E23

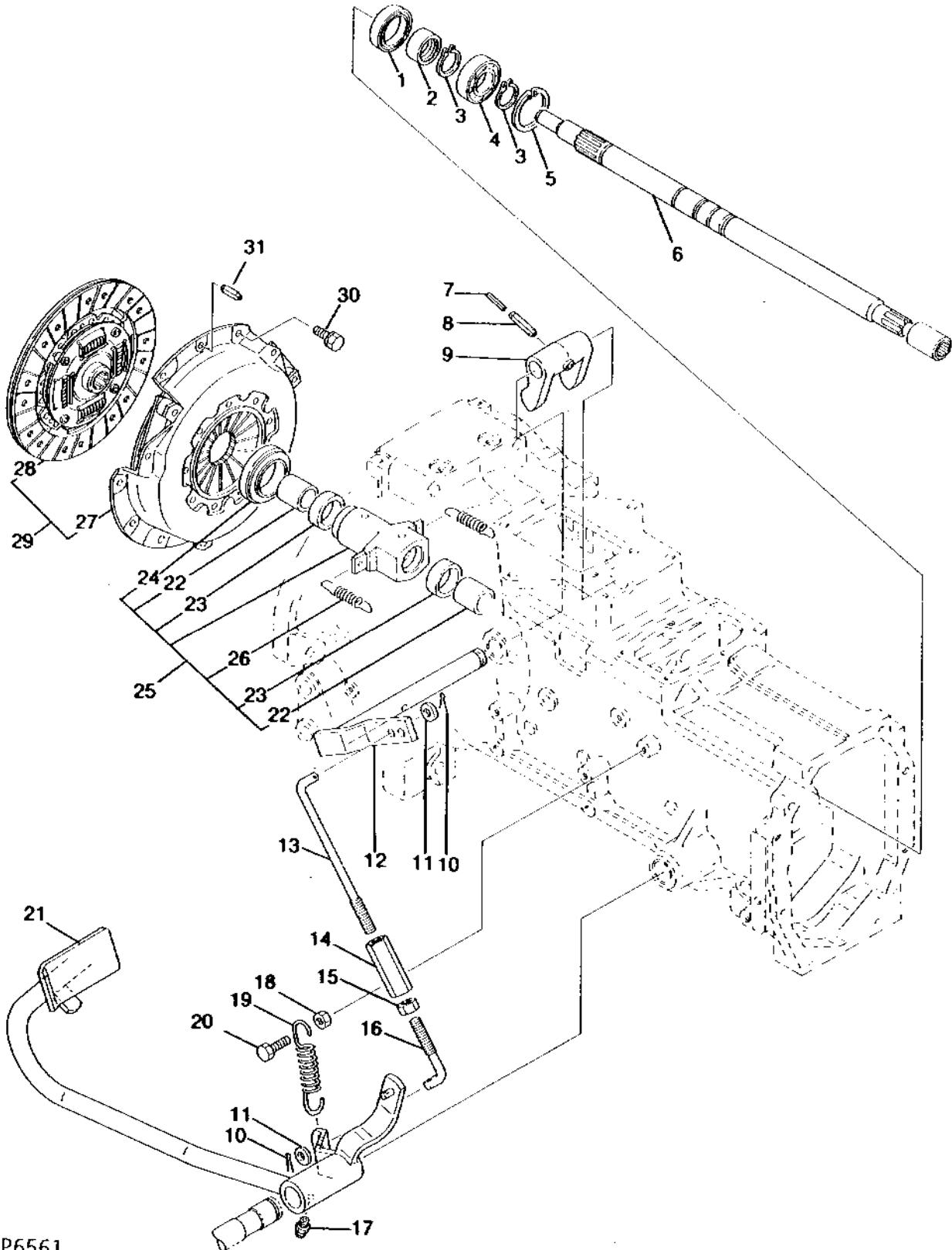
## CLUTCH HOUSING (CONTINUED)

KEY	PART NO.	PART NAME	QTY	SERIAL NO.	6 7	REMARKS
					7 7	
					0 0	
1	M804262	SCREW, WITH WASHER	2		X	(SUB FOR M802961)
	M804262	SCREW, WITH WASHER	4		X	(SUB FOR M802961)
2	M804261	SCREW, WITH WASHER	3		X	
	M804261	SCREW, WITH WASHER	1		X	
3	CH11502	PIN	2			
4	CH20105	FOAM PAD	1			
5	M805029	COVER	1			(SUB FOR M802959)
6	19M7162	CAP SCREW	3			M8 X 16
	12M7065	LOCK WASHER	3			8.100 MM
7	CH10889	BUSHING	2			(A)
8	CH16781	STUD	2			(A)
9	CH14748	BUSHING	4			(A)
10	CH15754	STUD	2			(A)
11	12M7066	LOCK WASHER	2			10.200 MM
12	14M7274	NUT	2			M10
13	M804264	SCREW, WITH WASHER	2		X	(NLA)
14	M804263	SCREW, WITH WASHER	2		X	(SUB FOR M802962)
15	CH14751	CAP	1			
16	TH100074	LUBRICATION FITTING	2			
17	AM876689	HOUSING	1	-150109		(NLA)
	AM878940	HOUSING	1	150110-		(INCLUDES PARTS MARKED (A))
18	CH14755	PIN	2			(A)
19	CH15738	CAP	6			
20	14M7275	NUT	1			M12
	24M7047	WASHER	1			13 X 24 X 2.500 MM
	12M7067	LOCK WASHER	1			12.200 MM

# E24

POWER TRAIN

SINGLE CLUTCH  
EMBRAYAGE SIMPLE  
EINZELKUPPLUNG  
EMBRAGUE UNICO  
FRIZIONE SINGOLA  
ENKEL KOPPLING  
MP6561 -UN-01JAN94



MP6561

# E25

POWER TRAIN

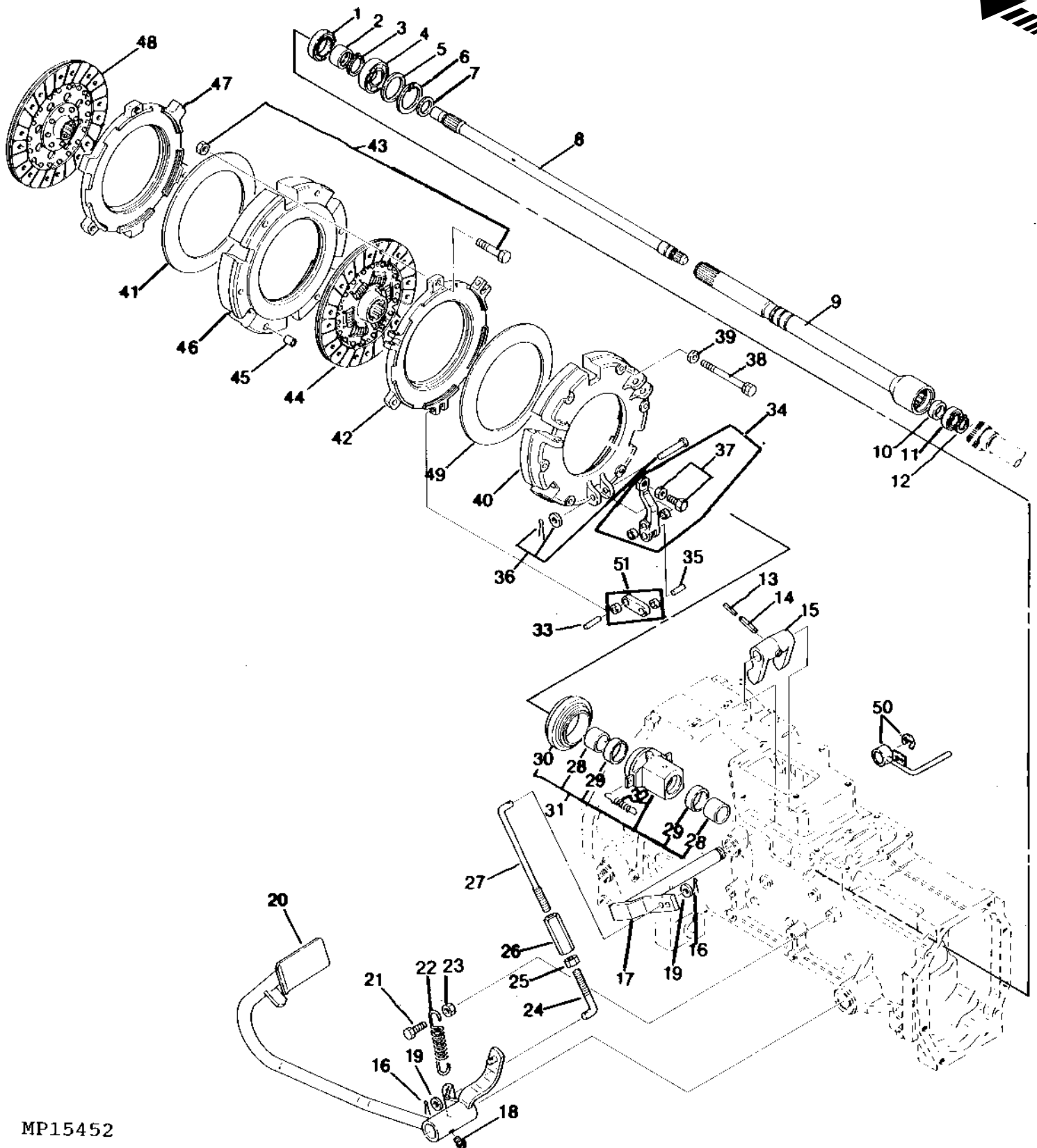
## SINGLE CLUTCH (CONTINUED)

KEY	PART NO.	PART NAME	QTY	SERIAL NO.	REMARKS
1	M803809	SEAL	1		
2	M802984	SLEEVE	1		
3	CH11481	RING	2		
4	CH11550	BALL BEARING	1		
5	CH11487	RING	1		
6	M802983	SHAFT	1		
7	CH17124	PIN	1		
8	CH17125	PIN	1		
9	M802993	YOKE	1		
10	CH12319	PIN	2		
11	24M7028	WASHER	2		10.500 X 20 X 2 MM
12	AM876703	SHAFT	1		
13	M803005	ROD	1		
14	M802996	TURNBUCKLE	1		
15	14M7228	NUT	1		M10
16	M802997	ROD	1		
17	CH11574	FITTING	1		
18	14M7273	NUT	1		M8
19	M804266	SPRING	1		
20	19M7163	CAP SCREW	1		M8 X 25
21	AM876705	PEDAL	1		
22	CH10886	BUSHING	2		
23	CH10887	SEAL	2		
24	CH14769	BALL BEARING	1		
25	AM876702	SLEEVE	1		
26	M802990	SPRING	2		
27	M802965	PLATE	1		PRESSURE
28	M802964	CLUTCH DISK	1		
29	AM876690	CLUTCH	1		
30	19M7162	CAP SCREW	6		M8 X 16
	12M7065	LOCK WASHER	6		8.100 MM
31	CH15134	PIN	3		

# F1

POWER TRAIN

DUAL CLUTCH  
EMBRAYAGE DOUBLE  
DOPPELKUPPLUNG  
EMBRAGUE DOBLE  
FRIZIONE DOPPIA  
DUBBEL KOPPLING  
MP15452 -UN-22MAR96



MP15452

THIS PARTS LISTING IS CONTINUED

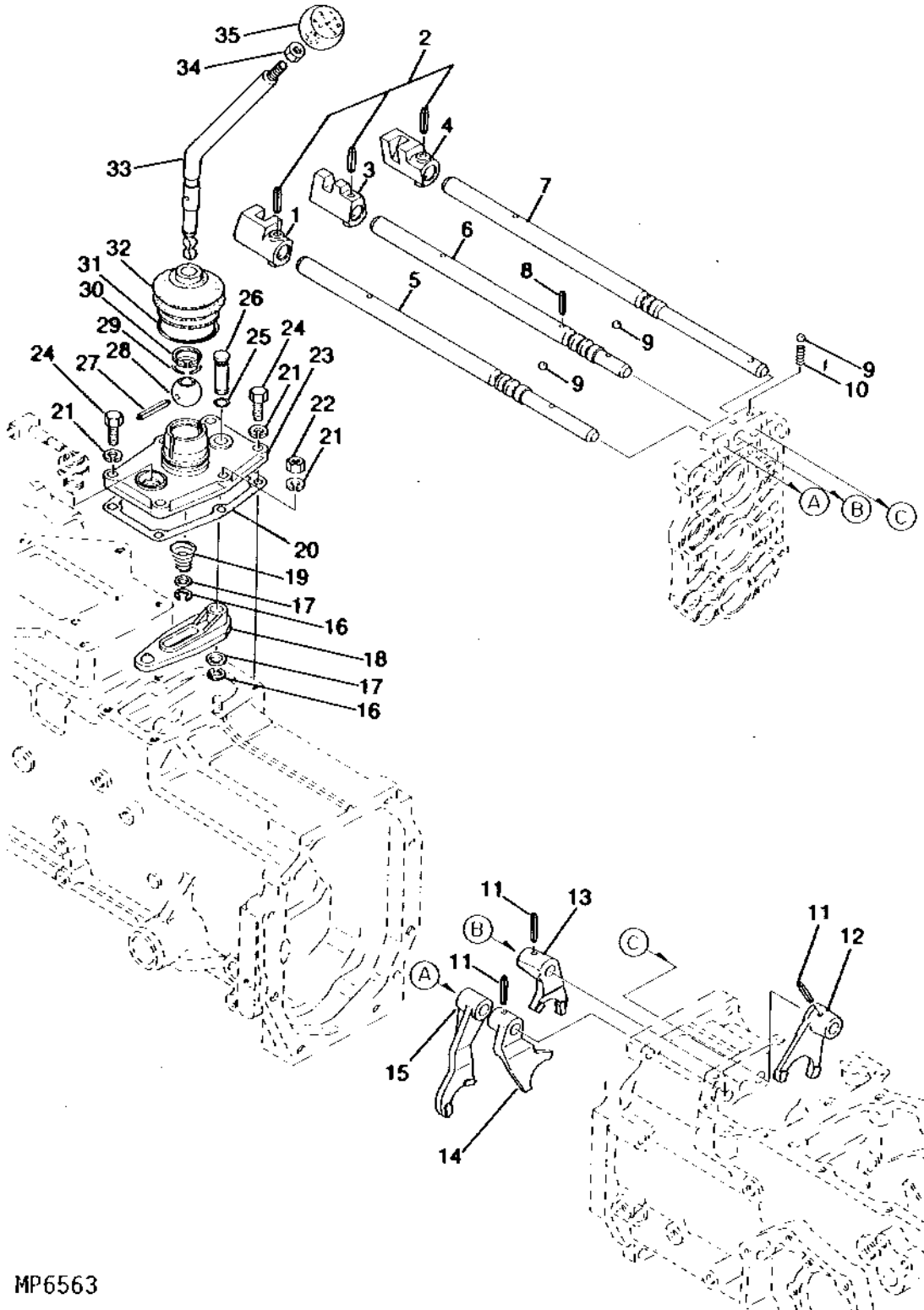


# F2

## DUAL CLUTCH (CONTINUED)

KEY	PART NO.	PART NAME	QTY	SERIAL NO.	REMARKS
1	M803809	SEAL	1		
2	M802987	SLEEVE	1		
3	40M7078	SNAP RING	1		(SUB FOR CH13487)
4	M802988	BEARING	1		
5	M804265	SPACER	1		
6	CH11487	RING	1		
7	CH14680	WASHER	1		
8	M802985	SHAFT	1		
9	M803775	SHAFT	1		
10	M802986	SEAL	1		
11	CH14811	BALL BEARING	1		
12	40M1823	SNAP RING	1		(SUB FOR CH14826)
13	CH17124	PIN	1		
14	CH17125	PIN	1		
15	M802993	YOKE	1		
16	CH12319	PIN	2		
17	AM876703	SHAFT	1		CLUTCH RELEASE
18	CH11574	FITTING	1		
19	24M7028	WASHER	2		10.500 X 20 X 2 MM
20	AM876706	PEDAL	1		
21	19M7163	CAP SCREW	1		M8 X 25
22	M804266	SPRING	1		
23	14M7273	NUT	1		M8
24	M802997	ROD	1		
25	14M7228	NUT	1		M10
26	M802996	TURNBUCKLE	1		
27	M803005	ROD	1		
28	M802994	BUSHING	2		
29	CH10887	SEAL	2		
30	CH13099	BEARING	1		
31	AM876704	SLEEVE	1		
32	M802990	SPRING	2		
33	AM876693	PIN	1		
34	AM876698	KIT	1		LEVER
35	AM876692	PIN	1		
36	AM876701	PIN	1		
37	AM876700	BOLT	1		
38	M802982	BOLT	6		
39	24M7055	WASHER	6		8.400 X 16 X 1.600 MM
40	M802976	COVER	1		
41	M802973	DISK SPRING	1		
42	M802974	PLATE	1		PRESSURE
43	AM876697	KIT	1		BOLT (SET OF (3) BOLTS AND (3) NUTS)
44	M802968	CLUTCH DISK	1		
45	AM876694	PIN	1		
46	M802977	COVER	1		
47	M802975	PLATE	1		PRESSURE
48	M802967	CLUTCH DISK	1		(SUB M806752)
49	M802970	DISK SPRING	1		
50	AM876608	PEDAL	1		
51	AM876695	KIT	1		ROD RELEASE
..	AM876691	CLUTCH	1		(SUB AM878805)

**MAIN GEAR SHAFT**  
**ARBRE D'ENGRENAGE PRINCIPAL**  
**HAUPTGETRIEBEWELLE**  
**EJE DEL ENGRANAJE PRINCIPAL**  
**ALBERO AD INGRANAGGI PRINCIPALE**  
**HUVUDKOPPLINGSAXEL**  
 MP6563 -UN-01JAN94



MP6563

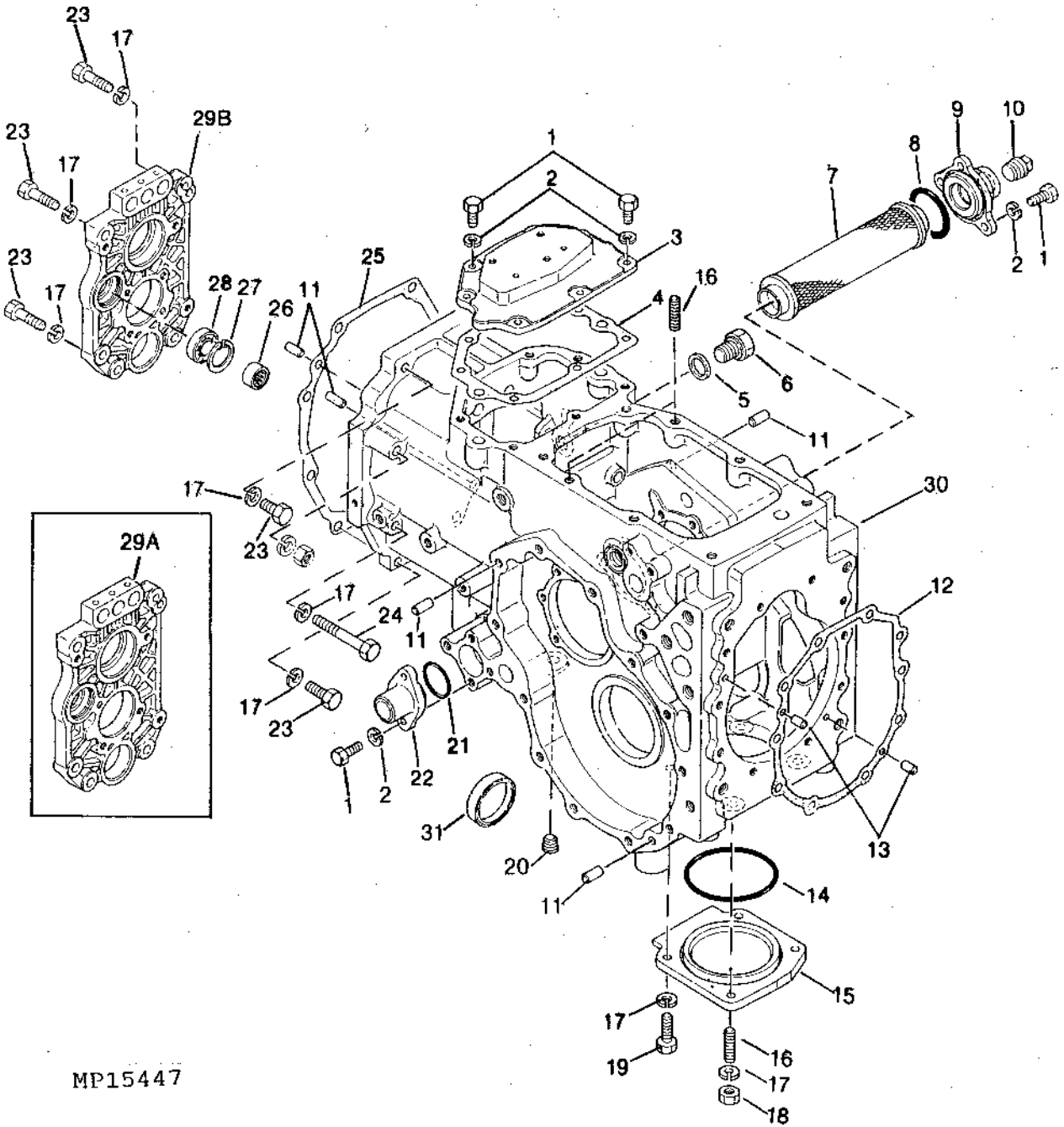
# F4

## MAIN GEAR SHAFT (CONTINUED)

KEY	PART NO.	PART NAME	QTY	SERIAL NO.	REMARKS
1	M803089	YOKE	1		
2	CH14906	SPRING PIN	3		
3	M803091	YOKE	1		
4	M803090	YOKE	1		
5	M803086	UNIVERSAL DRIVESHAFT	1		
6	M803088	UNIVERSAL DRIVESHAFT	1		
7	M803087	UNIVERSAL DRIVESHAFT	1		
8	CH11501	PIN	1		
9	R26552	BALL	5		
10	CH14903	SPRING	3		
11	CH12304	PIN	3		
12	CH14901	FORK	1	4TH	
13	M803085	FORK	1		
14	M803083	FORK	1		
15	M803084	FORK	1		
16	CH11491	RING	2		
17	CH10853	WASHER	2		
18	M803092	GUIDE	1		
19	CH10852	SPRING	1		
20	M803081	GASKET	1		
21	CH11475	WASHER	6		
22	14M7273	NUT	2	M8	
23	M803080	COVER	1		
24	19M7163	CAP SCREW	4	M8 X 25	
25	CH11560	PACKING	1		
26	M803093	PIN	1		
27	34M7035	SPRING PIN	1	5 X 40 MM, (SUB FOR CH12301)	
28	CH10802	BALL	1		
29	M803095	RIM	1		
30	M803094	RING	1		
31	CH11441	RING	1		
32	M803082	BOOT	1		
33	M803078	GEARSHIFT LEVER	1		
34	14M7274	NUT	1	M10	
35	M803079	KNOB	1		

# F5

TRANSMISSION HOUSING  
CARTER DE TRANSMISSION  
GETRIEBEGEHAEUSE  
CAJA DE LA TRANSMISION  
SCATOLA DELLA TRASMISSIONE  
VAEXELLAADA  
MP15447 -UN-13MAY96



MP15447

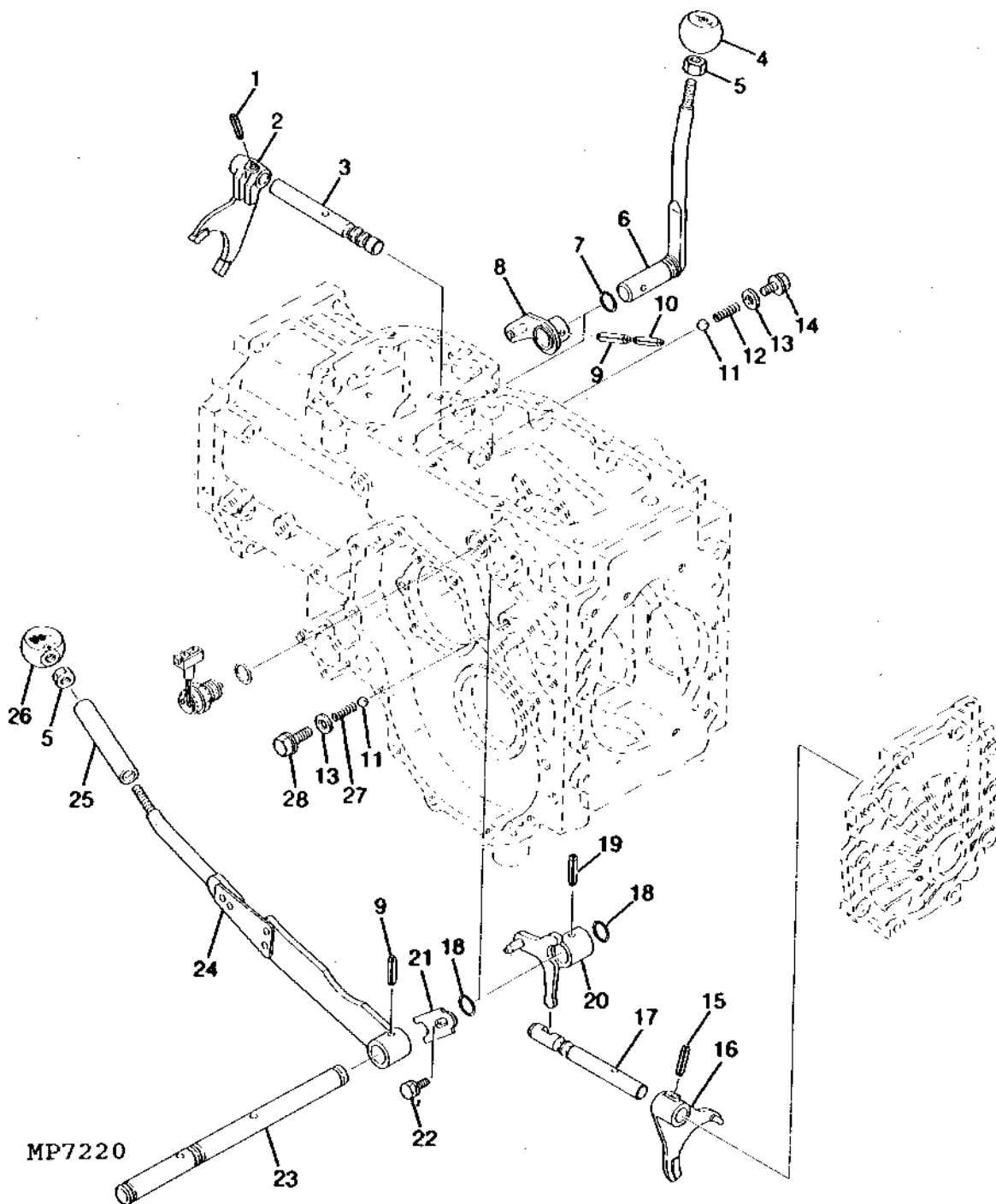
# F6

POWER TRAIN

## TRANSMISSION HOUSING (CONTINUED)

KEY	PART NO.	PART NAME	QTY	SERIAL NO.	6 7 7 7 0 0	REMARKS
1	19M7139	CAP SCREW	12			M8 X 20
2	12M7065	LOCK WASHER	28			8.100 MM
3	M803010	COVER	1			
4	M803011	GASKET	1			
5	M800848	GASKET	1			(W/O SCV)
6	M803022	PLUG	1			(W/O SCV)
7	M803024	STRAINER	1			
8	CH11436	PACKING	1			
9	M803025	COVER	1			
10	15H584	PIPE PLUG	1			1/2", (SUB FOR CH14818)
11	44M7072	PIN	8			(NLA)
12	M803013	GASKET	1			
13	CH10534	PIN	2			
14	CH17447	PACKING	1			
15	M803014	COVER	1			
16	CH14783	STUD	3			
17	12M7066	LOCK WASHER	14			10.200 MM
18	14M7274	NUT	1			M10
19	19M7168	CAP SCREW	3			M10 X 30
20	15H559	PIPE PLUG	1			1/4"
21	M803021	PACKING	1			
22	M805102	FLANGE	1			
23	19M7550	CAP SCREW	8			M10 X 35 (HS, HEAD MARKED 10.9)
24	19M7329	CAP SCREW	2			M10 X 75
25	M803008	GASKET	1			
26	CH14781	NEEDLE BEARING	1			
27	CH13493	SNAP RING	1			
28	CH14811	BALL BEARING	1			
29A	M803023	PLATE	1	-104522	X	(NLA) (ORDER AM878217)
	M803023	PLATE	1	-106671	X	(NLA) (ORDER AM878217)
29B	M805855	PLATE	1			(A)
30	AM876707	TRANSMISSION	1			(COMPLETE) (INCLUDES (8) CH14782, (2) CH10534, CH14781 AND (3) CH14783)
31	CH14752	PLUG	1			(2WD ONLY)
..	AM878217	KIT	1			CENTER PLATE (INCLUDES PARTS MARKED (A) AND M805860, AM878216, AND AM878214)

PTO AND RANGE SHIFTER  
 PDF ET CHANGEUR DE GAMME  
 ZAPFWELLE UND BEREICHSCHALTHEBEL  
 TDF Y SELECTOR DE GAMAS  
 PRESA DI FORZA E CAMBIO  
 KRAFTUTTAG OCH VAEXELSPAK  
 MP7220 -UN-01JAN94

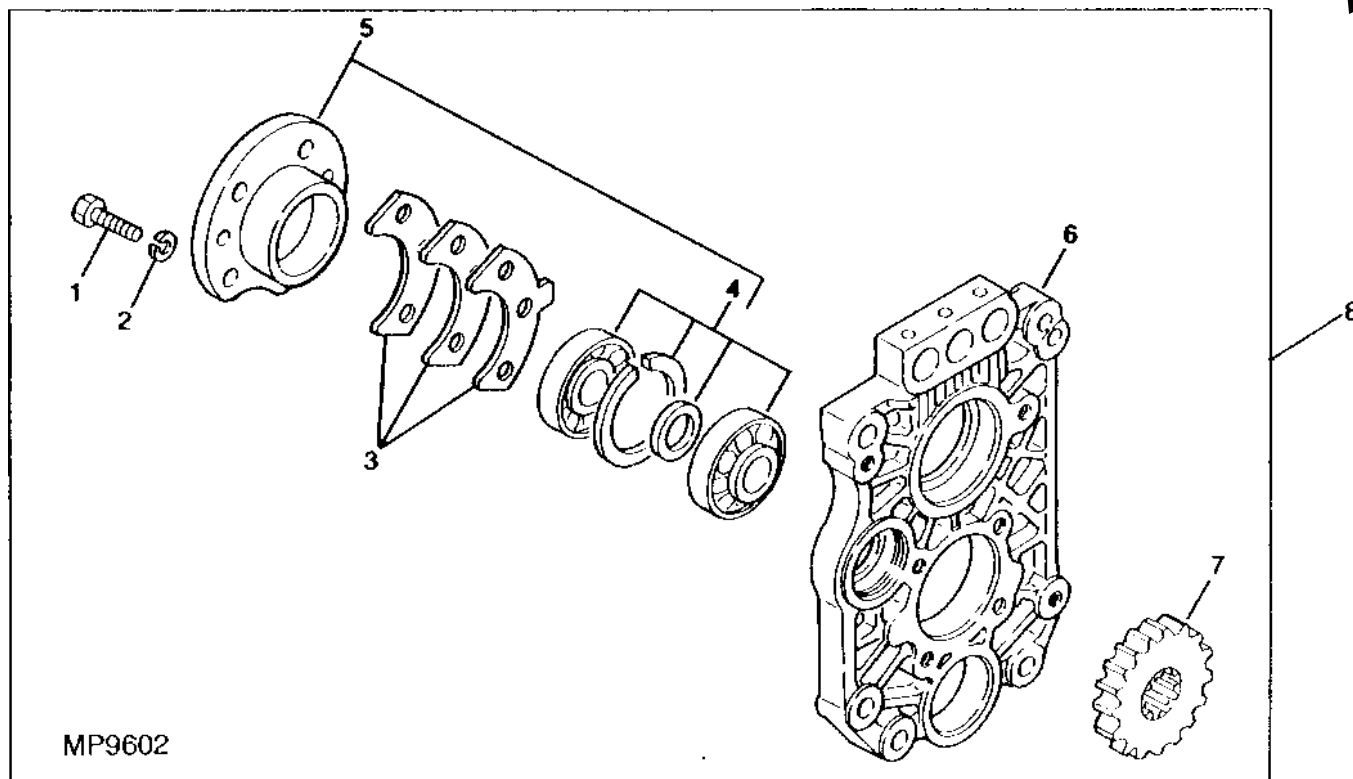


# F8

PTO AND RANGE SHIFTER (CONTINUED)

KEY	PART NO.	PART NAME	QTY	SERIAL NO.	REMARKS
1	CH14993	PIN	1		
2	M803101	FORK	1		
3	M803102	UNIVERSAL DRIVESHAFT	1		
4	CH18022	KNOB	1		
5	14M7274	NUT	2	M10	
6	AM876714	LEVER	1		
7	CH14926	PACKING	1		
8	AM876715	ARM	1		
9	CH17125	PIN	1	(SUB FOR CH12304)	
10	CH17124	PIN	1	(SUB FOR CH10891)	
11	R26552	BALL	2		
12	CH14903	SPRING	1		
13	T110750	SEAL	1		
14	M803787	BOLT	1		
15	CH15721	SPRING PIN	1		
16	M803104	FORK	1		
17	M803105	UNIVERSAL DRIVESHAFT	1		
18	CH10570	PACKING	2		
19	CH12304	PIN	2		
20	AM876716	ARM	1		
21	M803114	PLATE	1		
22	19M7162	CAP SCREW	1	M8 X 16	
	12M7065	LOCK WASHER	1	8.100 MM	
23	M803109	UNIVERSAL DRIVESHAFT	1		
24	AM876717	LEVER	1		
25	M803812	BUSHING	1		
26	M803103	KNOB	1		
27	CH11208	SPRING	1		
28	M800112	BOLT	1		

CENTER PLATE KIT  
 PLAQUE CENTRAL  
 ZENTRALPLATTE  
 PIASTRA CENTRALE  
 PLACA CENTRAL  
 CENTRUMPLATTA  
 MP9602 -UN-01JAN94



MP9602

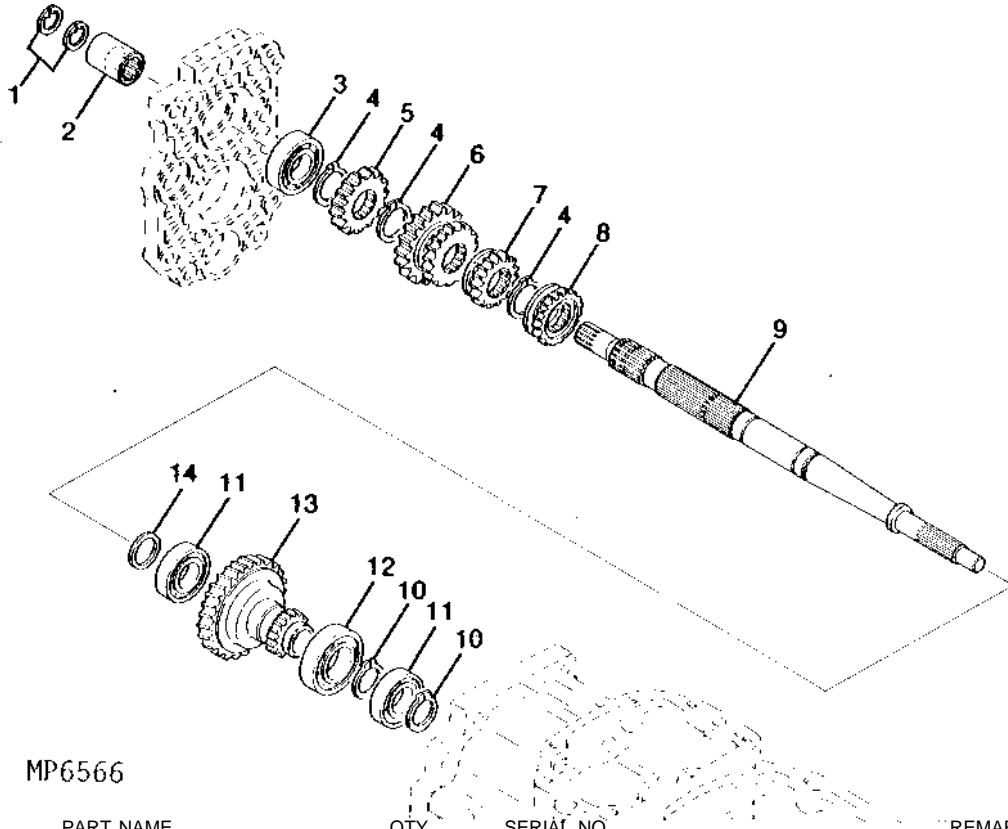
KEY	PART NO.	PART NAME	QTY	SERIAL NO.	REMARKS
1	19M7163	CAP SCREW	4		M8 X 25
2	12M7065	LOCK WASHER	4		8.100 MM
3	AM878214	SHIM	1		
4	AM876723	BEARING	1		
5	AM878216	BEARING	1		
6	M805855	PLATE	1		
7	M805860	GEAR	1		REVERSE IDLER
8	AM878217	KIT	1		CENTER PLATE



# F10

TRANSMISSION SHAFT (SINGLE CLUTCH)  
 ARBRE DE TRANSMISSION (EMBAYAGE SIMPLE)  
 GETRIEBEWELLE (EINZELKUPPLUNG)  
 EJE DE LA TRANSMISION (EMBRAGUE UNICO)  
 ALBERO DI TRASMISSIONE (FRIZIONE SINGOLA)  
 HUVUDAXEL (ENKEL KOPPLING)

MP6566 -UN-01JAN94



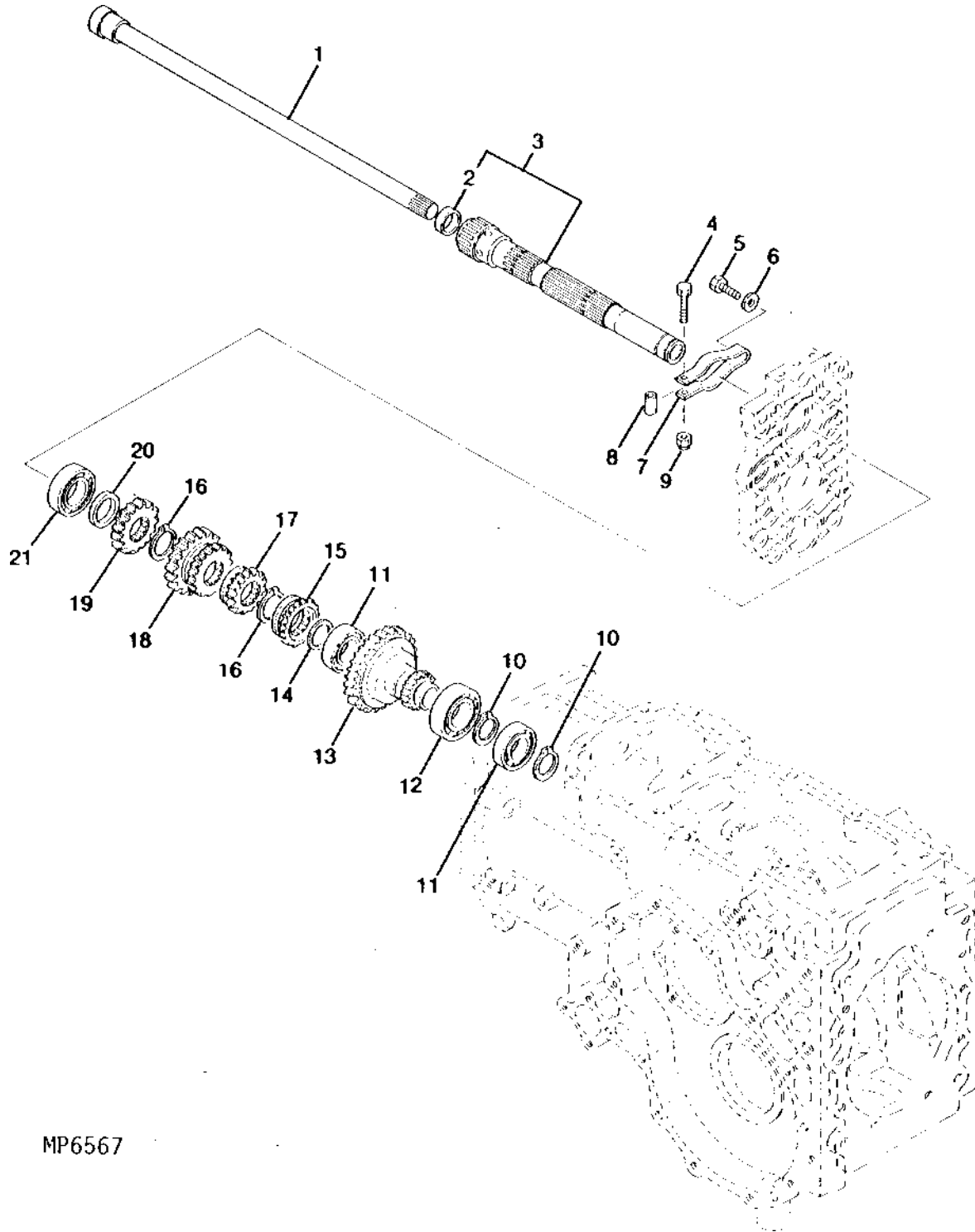
MP6566

KEY	PART NO.	PART NAME	QTY	SERIAL NO.	REMARKS
1	CH13492	SNAP RING	2		
2	AM877127	SPLINED COUPLING	1		(INCLUDES (2) CH13492) (SUB FOR M803034)
3	CH13511	BALL BEARING	1		
4	40M7078	SNAP RING	3		(SUB FOR CH13487)
5	M803030	GEAR	1		
6	M803031	GEAR	1		
7	M803033	GEAR	1		
8	M803032	GEAR	1		DOG CLUTCH
9	M803026	UNIVERSAL DRIVESHAFT	1		TOP
10	CH11481	RING	2		
11	CH14828	BALL BEARING	1		
12	M803029	BEARING	1		
13	M803028	GEAR	1		REDUCTION
14	M803027	SPACER	1		

# F11

TRANSMISSION SHAFT FOR DUAL TYPE CLUTCH  
ARBRE DE TRANSMISSION (EMBAYAGE DOUBLE)  
GETRIEBEWELLE (DOPPELKUPPLUNG)  
EJE DE LA TRANSMISION (EMBRAGUE DOBLE)  
ALBERO DI TRASMISSIONE (FRIZIONE DOPPIA)  
HUVUDAXEL (DUBBEL KOPPLING)

MP6567 -UN-01JAN94



MP6567

# F12

POWER TRAIN

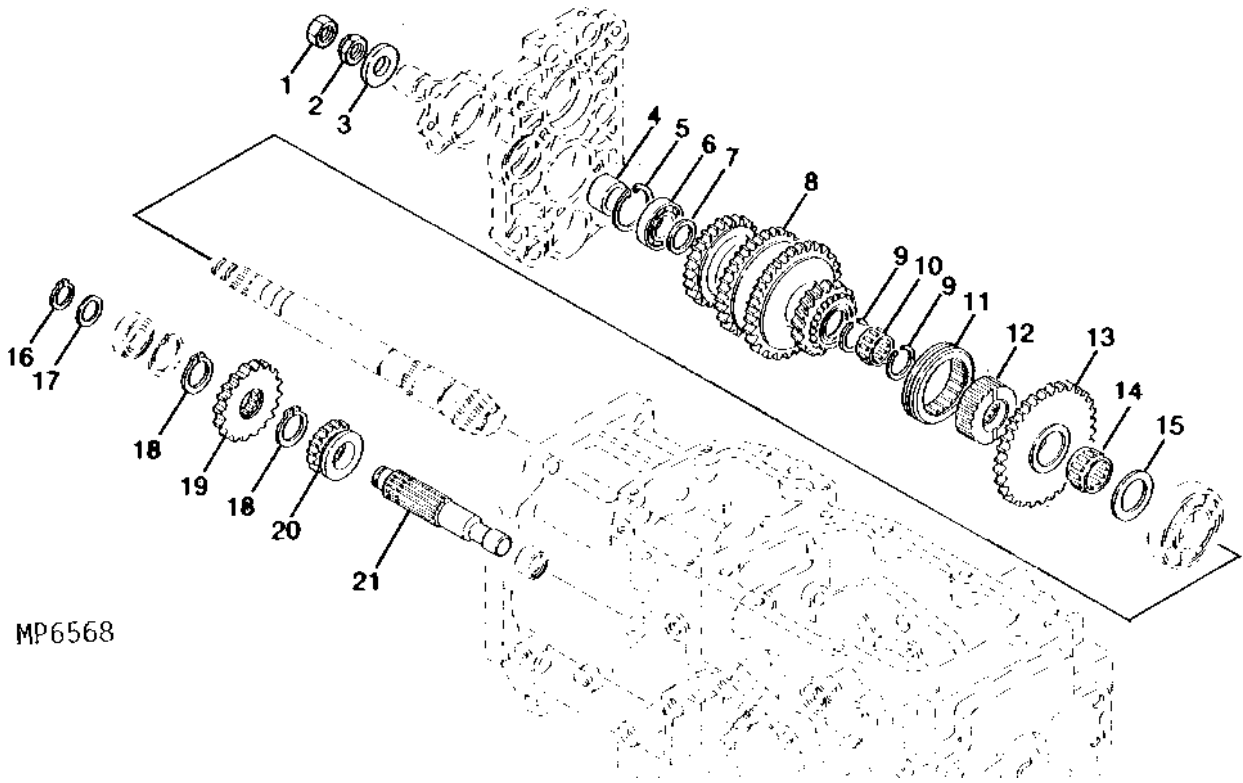
## TRANSMISSION SHAFT FOR DUAL TYPE CLUTCH (CONTINUED)

KEY	PART NO.	PART NAME	QTY	SERIAL NO.	REMARKS
1	M803038	SHAFT	1		TOP INNER
2	M803036	BUSHING	1		
3	AM876712	SHAFT	1		TOP
4	CH11598	BOLT	1		
5	19M7163	CAP SCREW	1		M8 X 25
6	24M7024	WASHER	1		9 X 28 X 3 MM
7	M803039	LEAF SPRING	1		
8	M803040	SPACER	1		
9	CH13574	NUT	1		
10	CH11481	RING	2		
11	CH14828	BALL BEARING	2		
12	M803029	BEARING	1		
13	M803028	GEAR	1		REDUCTION
14	M803027	SPACER	1		
15	M803032	GEAR	1		DOG CLUTCH
16	40M7078	SNAP RING	2		(SUB FOR CH13487)
17	M803033	GEAR	1		
18	M803031	GEAR	1		
19	M803030	GEAR	1		
20	M803037	SPACER	1		
21	M802988	BEARING	1		

# F13

POWER TRAIN

COUNTERSHAFT  
 CONTRE-ARBRE  
 NEBENWELLE  
 CONTRAEJE  
 ALBERO SECONDARIO  
 MELLANAXEL  
 MP6568 -UN-01JAN94



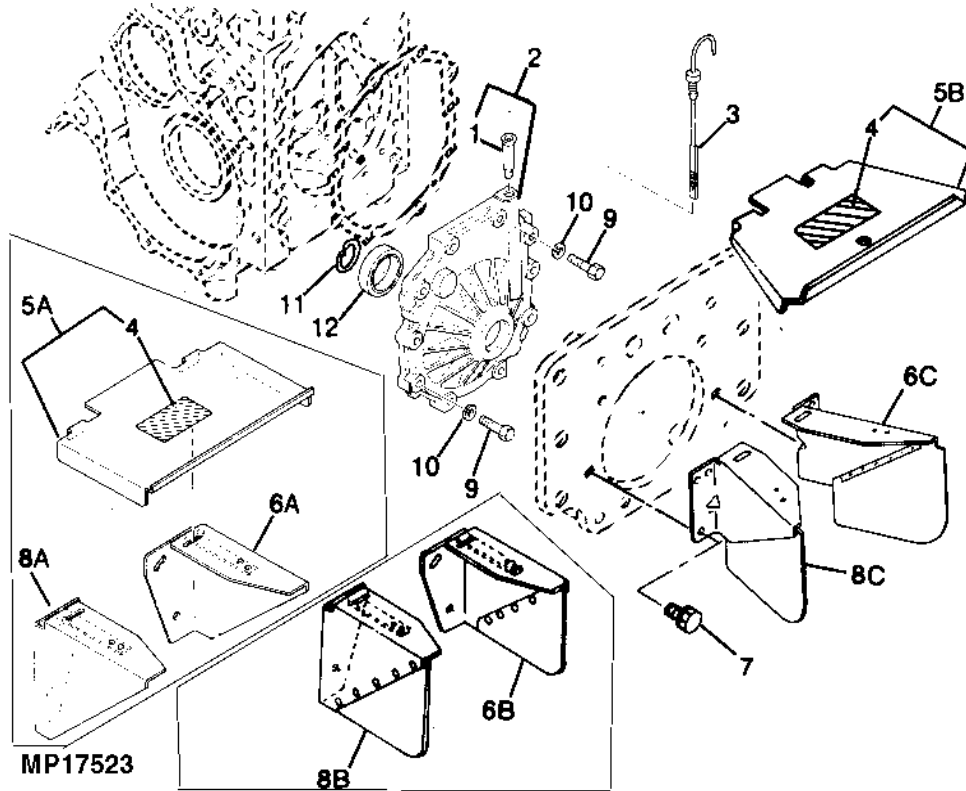
MP6568

KEY	PART NO.	PART NAME	QTY	SERIAL NO.	REMARKS
1	M803048	NUT	1		UPPER
2	M803047	NUT	1		LOWER
3	M803049	WASHER	1		
4	M803045	SPACER	1		
5	M803051	RING	1		
6	M803041	BEARING	1		
7	M803043	SPACER	1		
8	M803042	GEAR	1		
9	M803054	RING	2		
10	M803052	NEEDLE BEARING	1		
11	M803050	SHIFTER	1		
12	M803044	SLEEVE	1		
13	M803046	GEAR	1		
14	M803053	NEEDLE BEARING	1		
15	CH14878	THRUST WASHER	1		
16	40M1823	SNAP RING	1		(SUB FOR CH14826)
17	CH14860	WASHER	1		
18	40M7076	SNAP RING	2		(SUB FOR CH13486)
19	M805860	GEAR	1		(SUB FOR M803057)
20	M803058	GEAR	1		
21	M803056	SHAFT	1		REVERSE

# F14

POWER TRAIN

PTO SHIELD AND COVER  
 GARANT ET COUVERCLE DE PDF  
 ZAPFWELLENSCHUTZ UND ABDECKUNG  
 ESCUDO Y CUBIERTA DE LA TDF  
 PROTEZIONE E COPERTURA DELLA PRESA DI FORZA  
 SKYDDSPLAAT OCH KAAPA FOER KRAFTUTTAG  
 MP17523 -UN-14MAY97

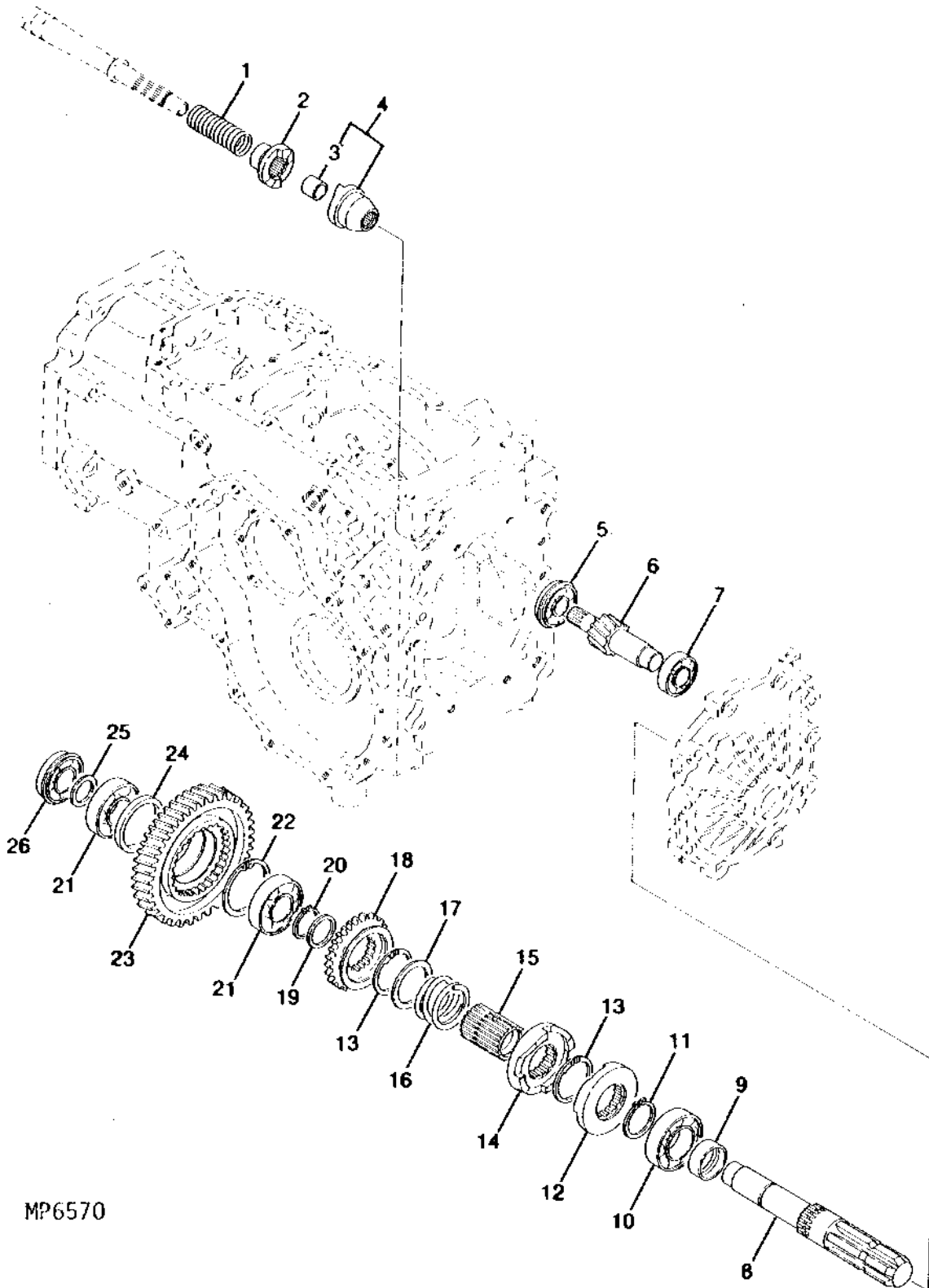


KEY	PART NO.	PART NAME	QTY	SERIAL NO.	REMARKS
1	M803779	GUIDE	1		
2	AM877990	COVER	1		REAR
3	AM877804	DIPSTICK	1		(SUB FOR M800473)
4	M117557	LABEL	1		PTO WARNING, (SUB FOR M85522)
5A	AM876709	PTO POWR-GARD SHIELD	1		(SUB AM877991) (ALSO ORDER AM878286 AND AM878289)
5B	AM877991	SHIELD	1		
6A	AM876710	BRACKET	1		(SUB AM878286) (ALSO ORDER AM877991 AND AM878289)
6B	.....	BRACKET	1		RH, (SUB AM878286)
6C	AM878286	BRACKET	1		RH, (SUB FOR AM877992)
7	CH18215	BOLT	4		
8A	AM876711	BRACKET	1		(SUB AM878289) (ALSO ORDER AM877991 AND AM878286)
8B	.....	BRACKET	1		LH, (SUB AM878289)
8C	AM878289	BRACKET	1		LH, (SUB FOR AM877993)
9	19M7298	CAP SCREW	10		M8 X 35
10	12M7065	LOCK WASHER	10		8.100 MM
11	CH15010	RING	1		
12	CH14620	SEAL	1		

# F15

POWER TRAIN

PTO DRIVESHAFT FOR SINGLE CLUTCH  
ARBRE D'ENTRAINEMENT DE PDF POUR EMBRAYAGE SIMPLE  
ZAPFWELLEN-ANTRIEBSWELLE FUER EINZELKUPPLUNG  
EJE DE MANDO DE LA TDF (EMBRAGUE UNICO)  
ALBERO CARDANICO DI COMANDO DELLA PRESA DI FORZA PER FRIZIONE SINGOLA  
KRAFTUTTAGSAXEL FOER ENKEL KOPPLING  
MP6570 -UN-01JAN94



MP6570

# F16

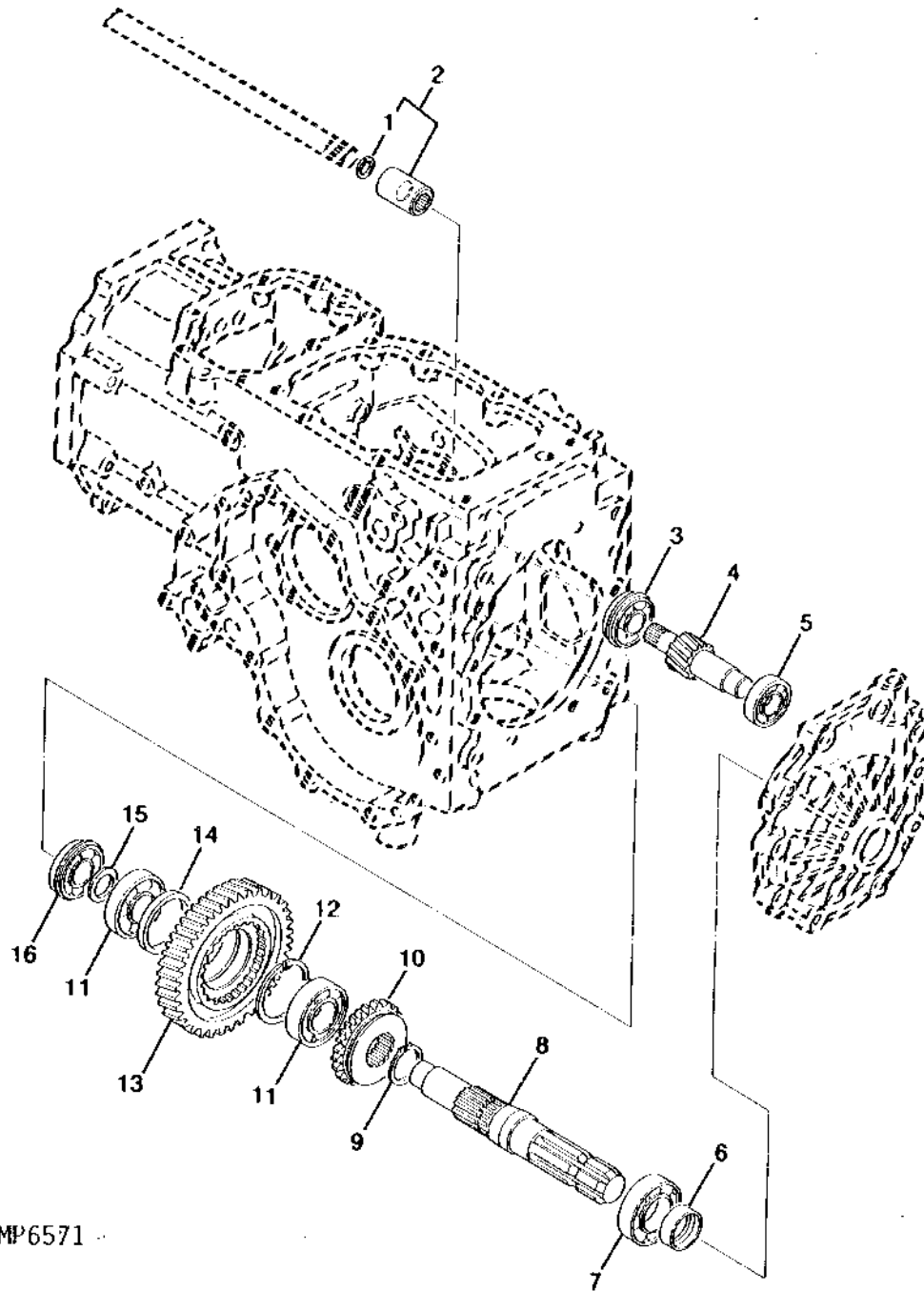
POWER TRAIN

## PTO DRIVESHAFT FOR SINGLE CLUTCH (CONTINUED)

KEY	PART NO.	PART NAME	QTY	SERIAL NO.	REMARKS
1	M804289	SPRING	1		
2	M803061	CAM	1		
3	M803062	BUSHING	1		
4	AM876713	CAM	1		
5	M803060	BEARING	1		
6	M803059	SHAFT	1		
7	M803810	BALL BEARING	1		(SUB FOR CH13508)
8	M803069	SHAFT	1		
9	M803070	SLEEVE	1		
10	CH13506	BALL BEARING	1		
11	CH17498	RING	1		
12	M803066	CAM	1		
13	CH14885	RING	2		
14	M803065	CAM	1		
15	M803071	SLEEVE	1		
16	CH14884	SPRING	1		
17	.....	SPACER	1		(NEVER USED)
18	CH14881	GEAR	1		DOG CLUTCH
19	M803785	GUIDE	1		
20	40M7129	SNAP RING	1		(SUB FOR CH11482)
21	M803811	BALL BEARING	1		(SUB FOR M803887)
22	CH15010	RING	1		
23	M803073	GEAR	1		
24	M803074	SPACER	1		
25	CH14839	WASHER	1		
26	CH14888	BALL BEARING	1		

# F17

PTO DRIVESHAFT FOR DUAL CLUTCH  
ARBRE D'ENTRAINMENT DE PDF POUR EMBRAYAGE DOUBLE  
ZAPFWELLEN-ANTRIEBSWELLE FUER DOPPELKUPPLUNG  
EJE DE MANDO DE LA (EMBRAGUE DOBLE)  
ALBERO CARDANICO DI COMANDO DELLA PRESA DI FORZA PER FRIZIONE DOPPIA  
KRAFTUTTAGSAXEL FOER DUBBEL KOPPLING  
MP6571 -UN-01JAN94



MP6571



# F18

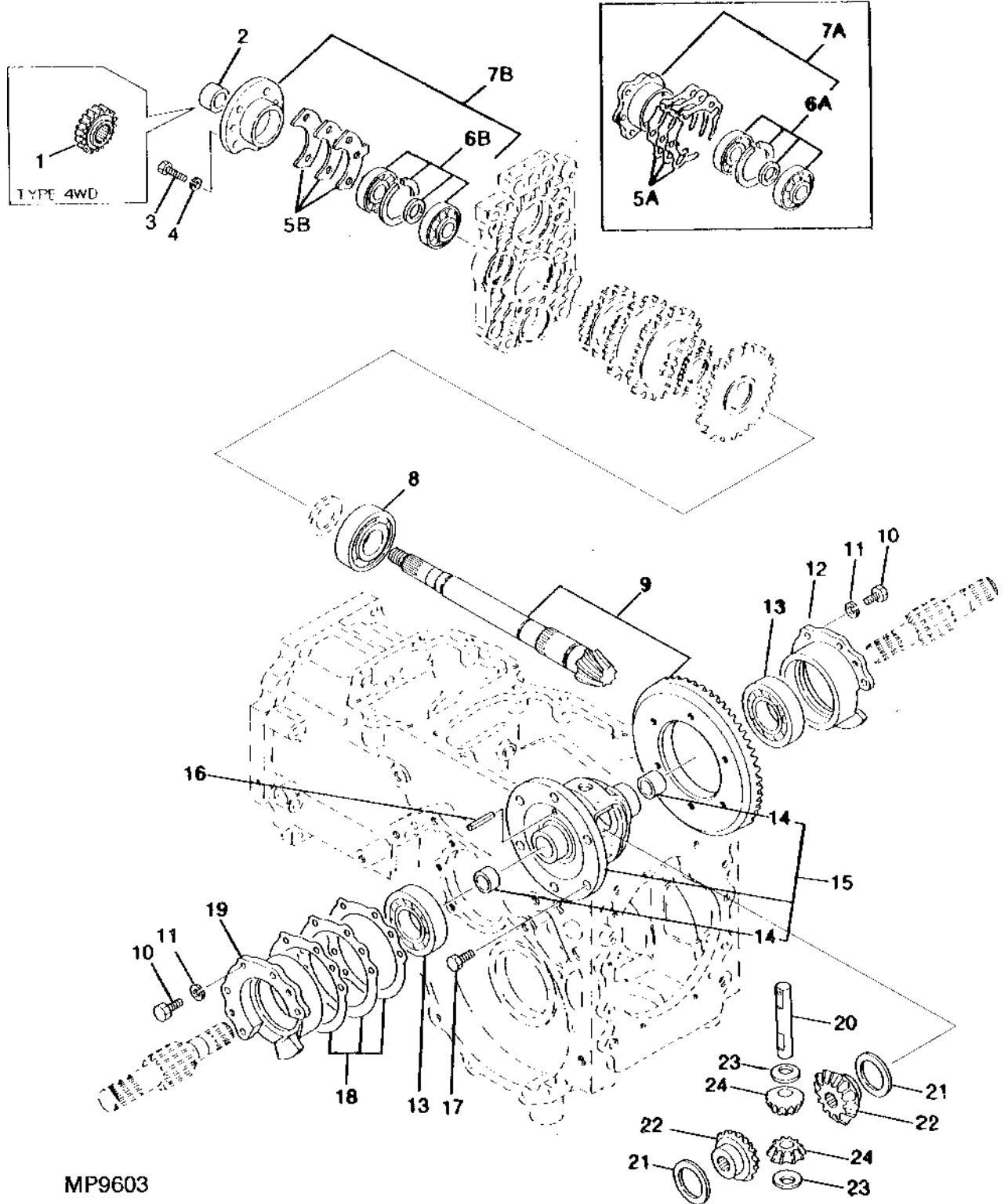
POWER TRAIN

## PTO DRIVESHAFT FOR DUAL CLUTCH (CONTINUED)

KEY	PART NO.	PART NAME	QTY	SERIAL NO.	REMARKS
1	40M7129	SNAP RING	1		
2	CH14838	SPLINED COUPLING	1		(SUB FOR CH14841)
3	M803060	BEARING	1		
4	M803059	SHAFT	1		
5	M803810	BALL BEARING	1		
6	M803070	SLEEVE	1		
7	CH13506	BALL BEARING	1		
8	M803076	SHAFT	1		
9	CH11483	RING	1		
10	M803077	GEAR	1		DOG CLUTCH
11	M803811	BALL BEARING	2		
12	CH15010	RING	1		
13	M803073	GEAR	1		
14	M803074	SPACER	1		
15	CH14839	WASHER	1		
16	CH14888	BALL BEARING	1		

# F19

DIFFERENTIAL  
DIFFERENTIEL  
DIFFERENTIAL  
DIFFERENZIALE  
DIFFERENTIAL  
MP9603 -UN-01JAN94



MP9603

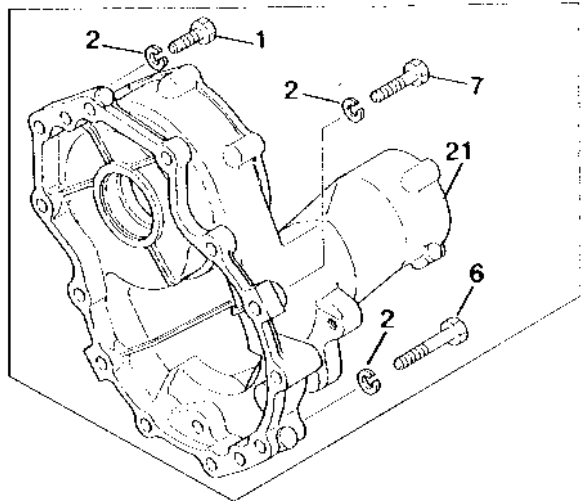
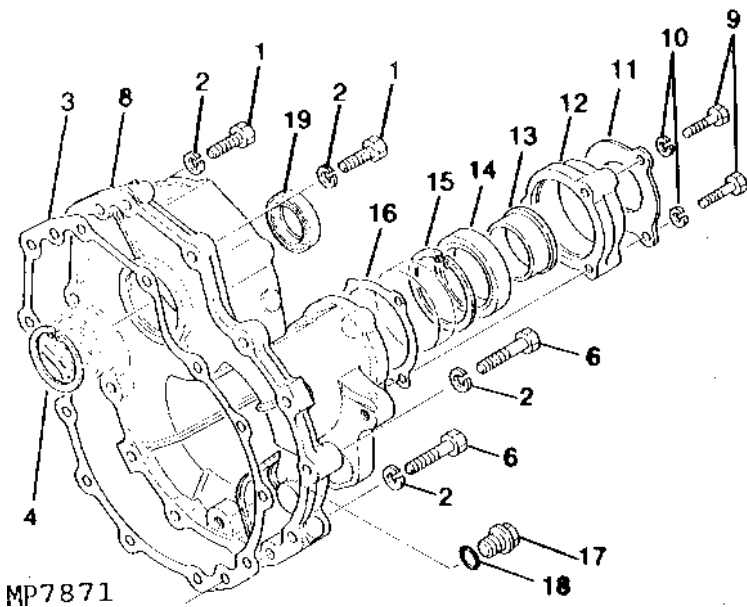
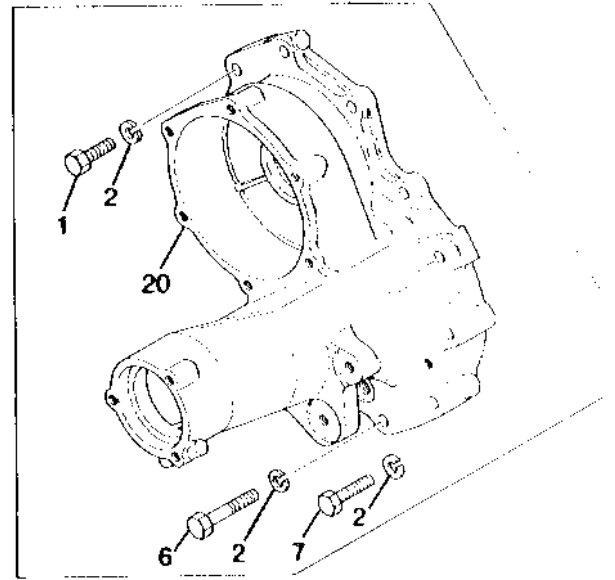
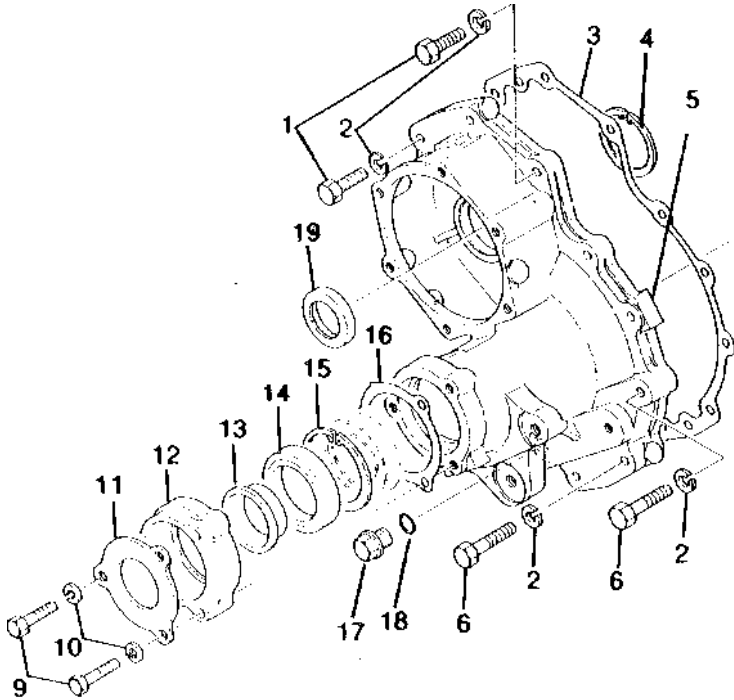
# F20

POWER TRAIN

## DIFFERENTIAL (CONTINUED)

KEY	PART NO.	PART NAME	QTY	SERIAL NO.	6 7		REMARKS
					7 7	0 0	
1	M803140	GEAR	1		X		
	M803141	GEAR	1			X	
2	M803139	BUSHING	1				
3	19M7163	CAP SCREW	3	-104522	X		M8 X 25
	19M7163	CAP SCREW	3	-106671	X		M8 X 25
	19M7163	CAP SCREW	4	104523-	X		M8 X 25
	19M7163	CAP SCREW	4	106672-	X		M8 X 25
4	12M7065	LOCK WASHER	3	-104522	X		8.100 MM
	12M7065	LOCK WASHER	3	-106671	X		8.100 MM
	12M7065	LOCK WASHER	4	104523-	X		8.100 MM
	12M7065	LOCK WASHER	4	106672-	X		8.100 MM
5A	AM876721	SHIM	1	-104522	X		KIT
	AM876721	SHIM	1	-106671	X		KIT
5B	AM878214	SHIM	1	104523-	X		KIT
	AM878214	SHIM	1	106672-	X		KIT
6A	.....	BEARING KIT	1	-104522	X		(ORDER CH14971)
	AM876723	BEARING	1		X		
6B	.....	BEARING KIT	1	104523-	X		(ORDER AM878215)
	AM876723	BEARING	1		X		
7A	CH14971	BEARING KIT	1	-104522	X		
	.....	BEARING	1	-106671	X		(ORDER AM878217)
7B	AM878215	BEARING KIT	1	104523-	X		
	AM878216	BEARING	1	106672-	X		
8	M803138	BALL BEARING	1				
9	AM876724	GEAR	1		X		
	AM876725	GEAR	1		X		
10	19M7163	CAP SCREW	10				M8 X 25
11	12M7065	LOCK WASHER	10				8.100 MM
12	CH14995	HOUSING	2		X		
	M803147	SHIFT COLLAR CARRIER	2		X		
13	JD9344	BALL BEARING	2		X		(SUB FOR CH14627)
	CH14693	BALL BEARING	2		X		
14	CH14981	BUSHING	2		X		
15	CH14979	CASE	1		X		
	M803146	CASE	1		X		
16	CH11498	PIN	1		X		
	CH14993	PIN	1		X		
17	CH17897	BOLT	6		X		
	19M7139	CAP SCREW	8		X		M8 X 20
	12M7065	LOCK WASHER	8		X		8.100 MM
18	CH15358	SHIM	1				
19	CH14995	HOUSING	2		X		
	M803147	SHIFT COLLAR CARRIER	2		X		
20	CH14984	SHAFT	1		X		
	CH14991	SHAFT	1		X		
21	CH14588	WASHER	2		X		
	CH14990	WASHER	2		X		
22	CH14982	GEAR	2		X		
	M803145	GEAR	2		X		
23	CH14985	WASHER	2		X		
	CH14992	WASHER	2		X		
24	CH14595	PINION	2		X		
	CH13154	PINION	2		X		

REAR AXLE HOUSING  
TRAIN ARRIERE  
HINTERACHSGEHAUSE  
CARCASSA ASSALE POSTERIORE  
ENVUELTA DEL EJE TRASERO  
BAKAXELHUS  
MP7871 -UN-01JAN94



MP7871

# F22

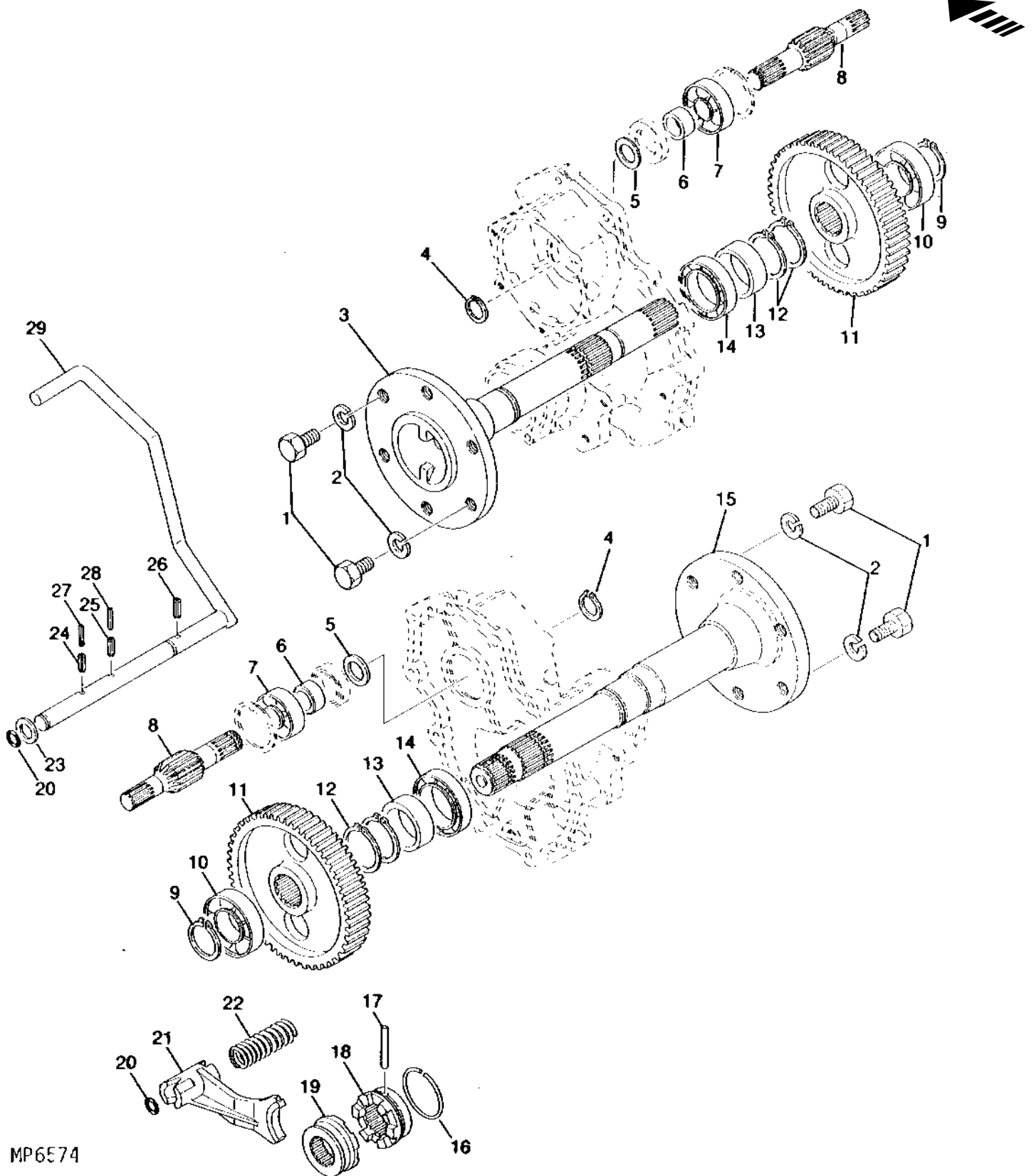
POWER TRAIN

## REAR AXLE HOUSING (CONTINUED)

KEY	PART NO.	PART NAME	QTY	SERIAL NO.	6 7	REMARKS
					7 7	
					0 0	
1	19M7550	CAP SCREW	16		X	M10 X 35 (HS, HEAD MARKED 10.9)
	19M7550	CAP SCREW	8		X	M10 X 35 (HS, HEAD MARKED 10.9)
2	12M7066	LOCK WASHER	24			10.200 MM
3	M803152	GASKET	2			
4	CH15010	RING	2			
5	M803149	HOUSING	1		X	LH
6	19M7170	CAP SCREW	8		X	M10 X 50
	19M7384	CAP SCREW	8		X	M10 X 60
7	19M7180	CAP SCREW	8		X	M10 X 45
8	M803148	HOUSING	1		X	RH
9	19M7301	CAP SCREW	6			M8 X 40
10	12M7065	LOCK WASHER	6			8.100 MM
11	CH15009	COVER	2			
12	CH15007	HOUSING	2			
13	CH14692	SLEEVE	2			
14	CH14691	SEAL	2			
15	40M5099	SNAP RING	2			(SUB FOR CH14694)
16	M803153	GASKET	2			
17	CH11414	PLUG	2			
18	CH10570	PACKING	2			
19	CH19718	SEAL	2			
20	M803151	HOUSING	1		X	LH
21	M803150	HOUSING	1		X	RH

# F23

REAR AXLE SHAFT  
CARTER D'ESSIEU ARRIERE  
HINTERACHSENGEHAUSE  
CAJA DEL EJE TRASERO  
ALLOGGIAMENTO DELL'ASSALE POSTERIORE  
BAKRE AXELHUS  
MP6574 -UN-01JAN94



MP6574

# F24

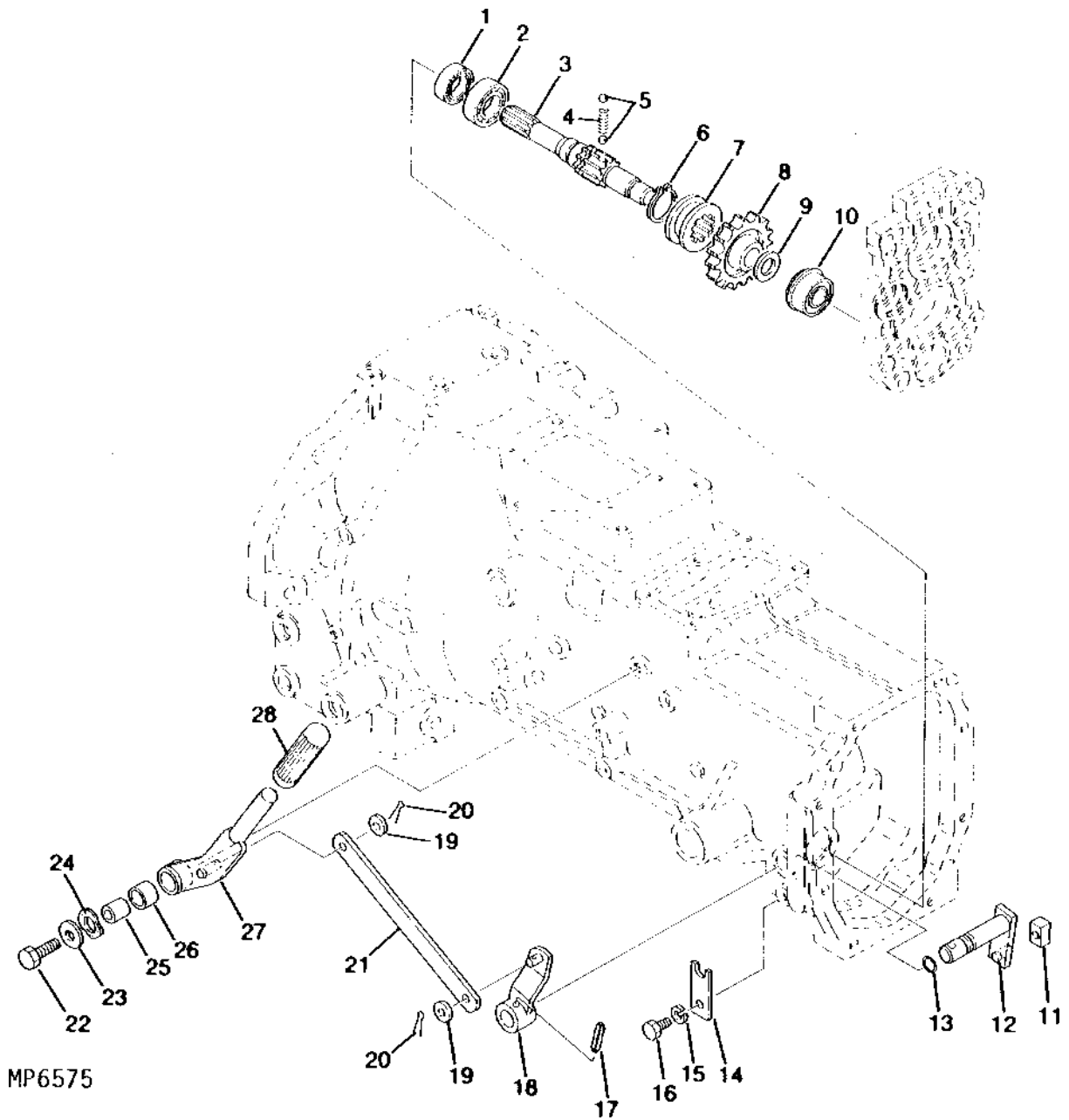
## REAR AXLE SHAFT (CONTINUED)

KEY	PART NO.	PART NAME	QTY	SERIAL NO.	6 7 7 7 0 0	REMARKS
1	CH10964	BOLT	12			
2	12M7069	LOCK WASHER	12			16.200 MM
3	M803163	SHAFT	1		X	LH
4	M803165	SHAFT	1		X	LH
	40M7076	SNAP RING	2		X	(SUB FOR CH13486)
	CH13488	SNAP RING	2		X	
5	CH15084	WASHER	2		X	
6	CH19719	SLEEVE	2		X	(SUB FOR CH15032)
	M805910	SLEEVE	2		X	
7	CH11554	BALL BEARING	2		X	
	CH14887	BALL BEARING	4		X	
8	M803158	SHAFT	2		X	
	M803159	SHAFT	2		X	
9	CH11484	RING	2			
10	CH15042	BEARING	2			
11	M803161	GEAR	2		X	
	M803160	GEAR	2		X	
12	40M7047	SNAP RING	4			(SUB FOR CH15041)
13	CH15040	SLEEVE	2			
14	CH14581	BALL BEARING	2			
15	M803162	SHAFT	1		X	RH
	M803164	SHAFT	1		X	RH
16	CH15025	RING	1			
17	M803157	PIN	1			
18	CH15020	LOCKING COLLAR	1			(A) RH
19	CH15019	LOCKING COLLAR	1			(A) LH
20	CH10570	PACKING	2			
21	M803154	DIFFERENTIAL LOCK	1			
22	CH15030	COMPRESSION SPRING	1			(A)
23	CH15024	WASHER	1			
24	CH13851	PIN	1			
25	CH17125	PIN	1			
26	34M7047	SPRING PIN	1			8 X 40 MM, (SUB FOR CH15027)
27	34M7035	SPRING PIN	1			5 X 40 MM, (SUB FOR CH12301)
28	CH17124	PIN	1			
29	AM876726	PEDAL	1			(A)

(A) DIFFERENTIAL LOCK  
 BLOCAGE DE DIFFERENTIEL  
 DIFFERENTIALSPERRE  
 BLOCCAGGIO DIFFERENZIALE  
 BLOCAJE DE DIFERENCIAL  
 DIFFERENTIALSPAERR

# G1

FRONT DRIVE  
ENTRAINMENT AVANT  
FRONTANTRIEB  
TRACCION DELANTERA  
TRASMISSIONE ANTERIORE  
FRAMHJULSDRIFT  
MP6575 -UN-01JAN94



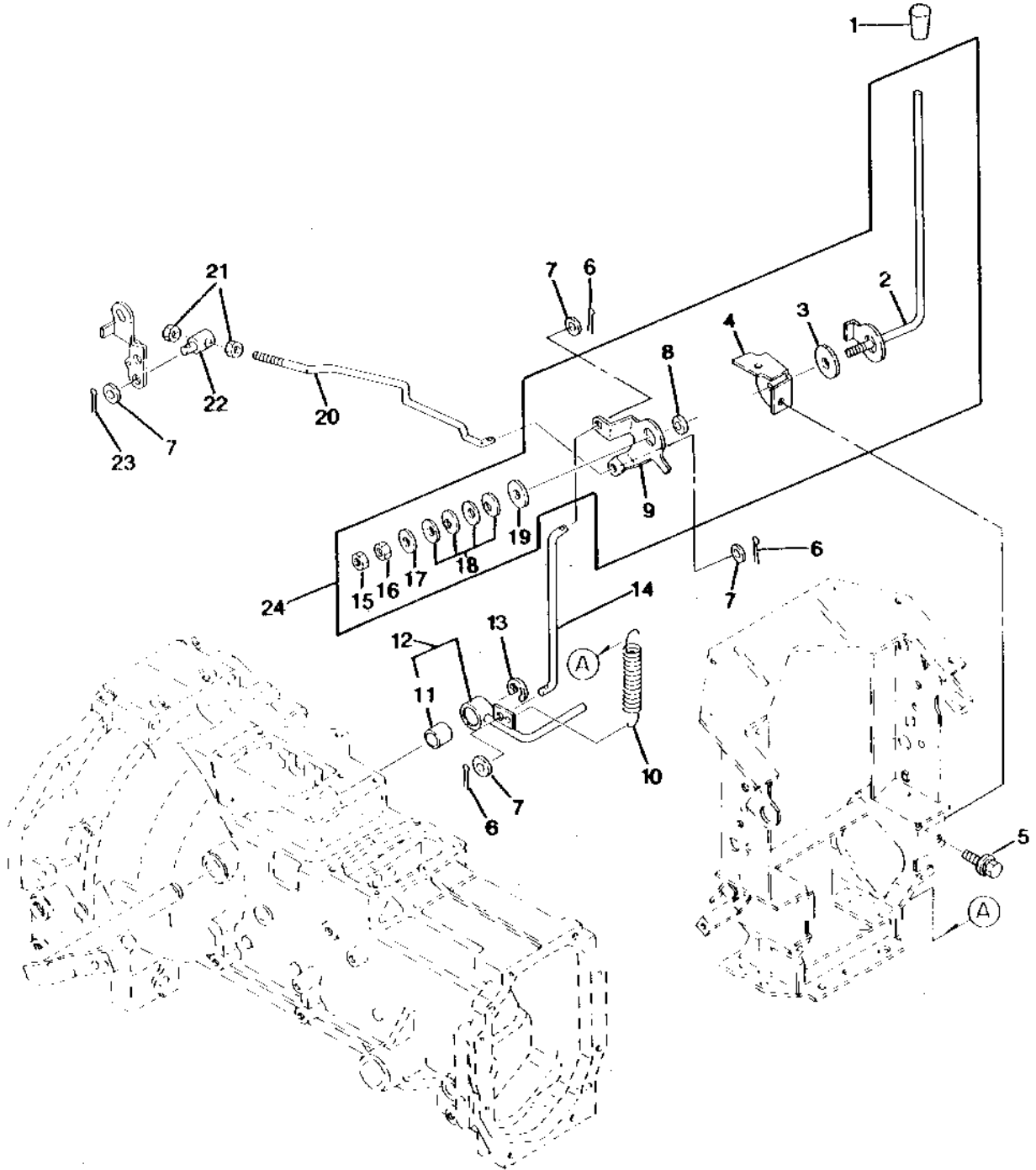


FRONT DRIVE (CONTINUED)

KEY	PART NO.	PART NAME	QTY	SERIAL NO.	REMARKS
				6 7	
				7 7	
				0 0	
1	CH14950	SEAL	1		
2	CH14828	BALL BEARING	1		
3	M803115	UNIVERSAL DRIVESHAFT	1		
4	CH14949	SPRING	1		
5	400R	BALL	2		
6	CH13488	SNAP RING	1		
7	M800569	SHIFTER	1		FRONT
8	M803116	GEAR	1	X	31 TEETH
	M803117	GEAR	1	X	30 TEETH
9	M800593	WASHER	1		
10	CH14870	BALL BEARING	1		
11	M800565	SHIFT COLLAR	1		
12	AM876718	ARM	1		
13	CH14926	PACKING	1		
14	M803114	PLATE	1		
15	12M7065	LOCK WASHER	1		8.100 MM
16	CH10581	BOLT	1		
17	CH12304	PIN	1		
18	AM876720	ARM	1		
19	24M7055	WASHER	2		8.400 X 16 X 1.600 MM
20	CH12316	COTTER PIN	2		
21	M803125	PLATE	1		
22	CH12028	BOLT	1		
23	CH12117	WASHER	1		
24	M803852	WASHER	1		
25	M803129	BUSHING	1		
26	M803130	BUSHING	1		
27	AM876719	LEVER	1		
28	CH13478	KNOB	1		

THROTTLE SPEED CONTROL LINKAGES  
TRINGLERIE DE COMMANDE D'ACCELERATION  
GASSTEUERGESTAENGE  
VARILLAJE DE CONTROL DE VELOCIDAD  
TIRANERIA DI COMANDO DELL'ACCELERATORE  
LAENKSYSYEM FOER GASREGLAGE

MP9589 -UN-01JAN94



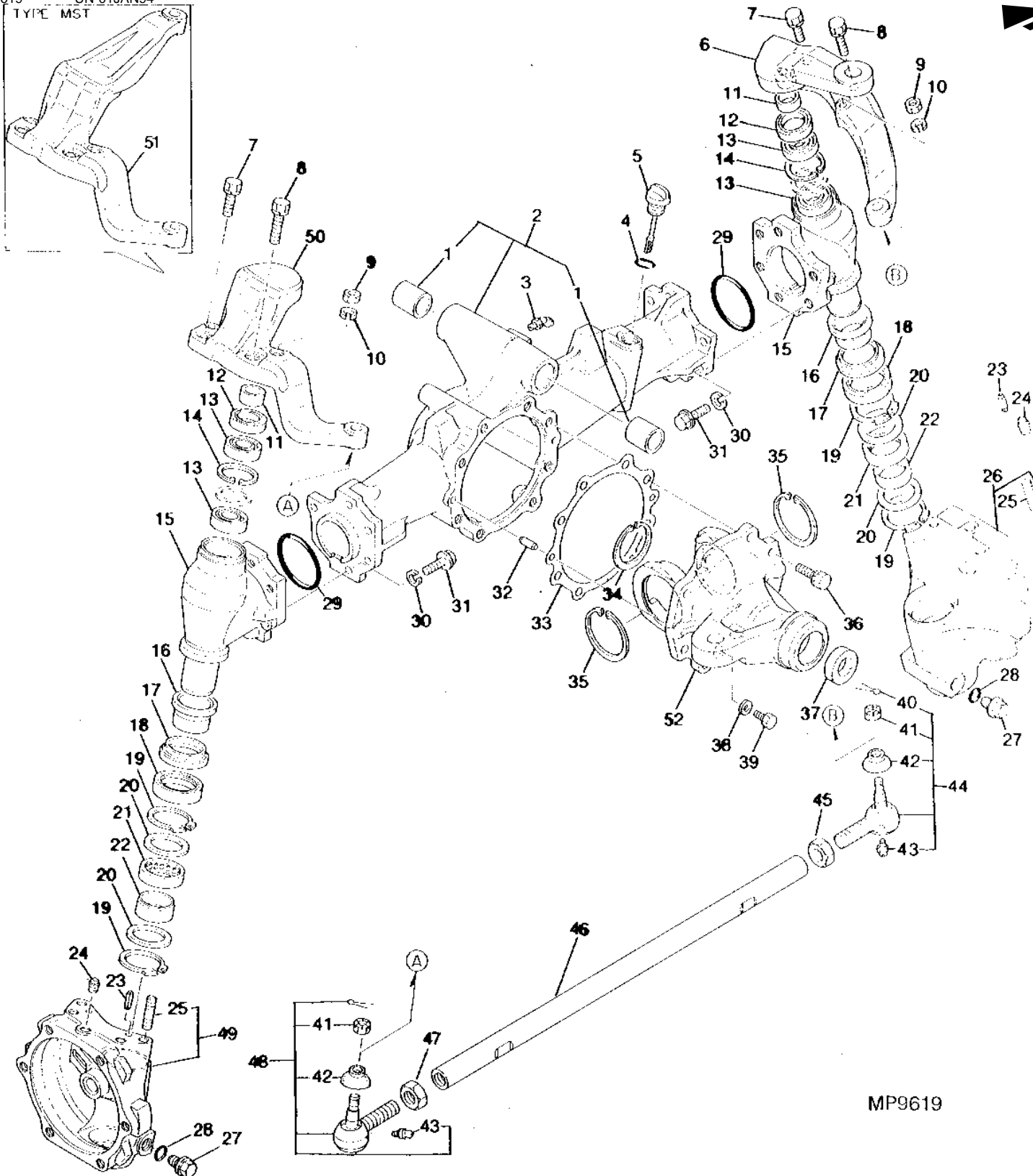
MP9589

THROTTLE SPEED CONTROL LINKAGES (CONTINUED)

KEY	PART NO.	PART NAME	QTY	SERIAL NO.	REMARKS
				6 7	
				7 7	
				0 0	
1	CH13278	KNOB	1		
2	.....	CONTROL LEVER	1		(ORDER AM878163)
3	M804267	PLATE	1		(SUB FOR M802733)
4	.....	BRACKET	1		(ORDER AM878163)
5	19M7162	CAP SCREW	2		M8 X 16
	12M7065	LOCK WASHER	2		8.100 MM
	24M7055	WASHER	2		8.400 X 16 X 1.600 MM
6	CH12319	PIN	3		
7	24M7055	WASHER	4		8.400 X 16 X 1.600 MM
8	CH11883	WASHER	1		
9	.....	LEVER	1		(ORDER AM878163)
10	CH13481	EXTENSION SPRING	1		
11	M802741	BUSHING	1		
12	AM876608	PEDAL	1		
13	CH17540	SNAP RING	1		
14	M802737	ROD	1		
15	14M7274	NUT	1		M10
16	M802742	LOCK NUT	1		
17	CH12620	WASHER	1		
18	CH11981	WASHER	4		CONICAL
19	24M7178	WASHER	1		10.500 X 30 X 2.500 MM
20	M802734	ROD	1	X	
	M802735	ROD	1	X	
21	14M7273	NUT	2		M8
22	CH11884	SWIVEL	1		
23	CH12310	PIN	1		
24	AM878163	KIT	1		CONTROL LEVER

FRONT AXLE, HOUSING AND TIE ROD (MFWD)  
 TRAIN AVANT ET BARRE D'ACCOUPEMENT (TRACTION AVANT MECANIQUE)  
 VORDERACHSGEHÄUSE UND SPURSTANGE (MECHANISCHER VORFDERRADANTRIEB)  
 CARCASSA DELL'ASSE ANTERIORE E BARRA D'ACCOPIAMENTO  
 BARRA DE ACOPLAMIEETO Y ENVUETA DEL EJE DELANTERO  
 FRAMAXELHUSE OCH PARRALLELLSTAG (MEKANISK FRAMHJULSDRIFT)

MP9619 -UN-01JAN94



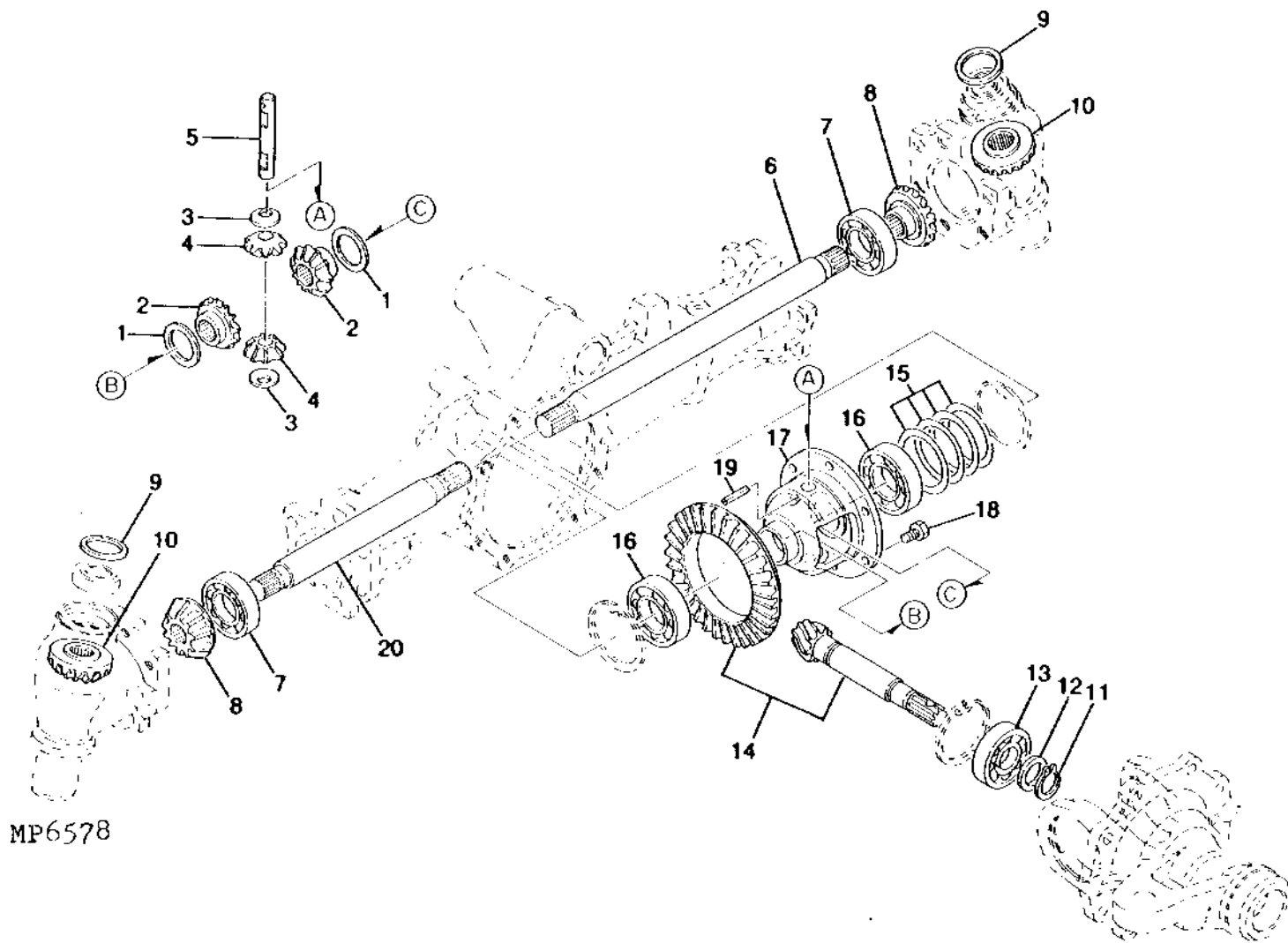
MP9619

## FRONT AXLE, HOUSING AND TIE ROD (MFWD) (CONTINUED)

KEY	PART NO.	PART NAME	QTY	SERIAL NO.	REMARKS
1	M90574	BUSHING	2		
2	AM876642	HOUSING	1		
3	M802010	LUBRICATION FITTING	1		
4	CH14634	O-RING	1		
5	CH14631	DIPSTICK	1		
6	M802844	STEERING ARM	1		RH
7	19M7167	CAP SCREW	2		M10 X 25
	12M7066	LOCK WASHER	2		10.200 MM
8	M802846	BOLT	2		
9	14M7274	NUT	4		M10
10	12M7066	LOCK WASHER	4		10.200 MM
11	CH14967	SLEEVE	2		
12	M800448	SEAL	2		
13	M800451	BALL BEARING	4		
14	CH14815	SNAP RING	2		
15	M802840	CASE	2		
16	M800447	SLEEVE	2		
17	M800446	BUSHING	2		
18	CH14642	SEAL	2		
19	CH14657	SNAP RING	4		
20	CH14645	WASHER	4		
21	CH14643	NEEDLE BEARING	2		
22	CH14644	BEARING RACE	2		INNER
23	CH14656	SPRING PIN	4		
24	CH11415	PLUG	2		
25	M800056	STUD	2		
26	AM876644	CASE	1		RH
27	CH11414	PLUG	2		
28	CH10570	PACKING	2		
29	CH11571	PACKING	2		
30	CH13940	LOCK WASHER	12		
31	19M7786	SCREW	12		M10 X 30 (HS, HEAD MARKED 10.9)
32	CH10534	PIN	2		
33	M802839	GASKET	1		
34	CH15010	RING	1		
35	CH14668	SNAP RING	2		
36	19M7168	CAP SCREW	8		M10 X 30
	12M7066	LOCK WASHER	8		10.200 MM
37	R91130	SEAL	1		
38	M803523	WASHER	1		(SUB FOR CH14787)
39	19M7297	CAP SCREW	1		M8 X 12
40	CH12320	PIN	2		
41	CH11450	NUT	2		
42	CH11448	COVER	2		
43	CH15805	FITTING	2		
44	AM878081	KIT	1		TIE ROD END RH (ALSO INCLUDES CH11462) (SUB FOR AM875952)
45	CH11462	NUT	1		RH
46	M802814	TIE ROD	1		
47	CH11461	NUT	1		LH
48	AM878082	KIT	1		TIE ROD END LH (ALSO INCLUDES CH11461) (SUB FOR AM875940)
49	AM876643	CASE	1		LH
50	M802845	STEERING ARM	1		LH
51	M802843	STEERING ARM	1		LH
52	M802838	SHIFT COLLAR CARRIER	1		

FRONT AXLE AND DIFFERENTIAL DRIVE (MFWD)  
ESSIEU AVANT ET DIFFERENTIEL (TRACTION AVANT MECANIQUE)  
VORDERACHSE UND DIFFERENTIALANTRIEB  
ASSALE ANTERIORE E COMANDO DIFFERENZIAL  
EJE DELANTERO Y MANDO DEL DIFERENCIAL  
FRAMAXEL OCH DIFFERENTIALDREV (MEKANISK FRAMHJULSDRIFT)

MP6578 -UN-01JAN94

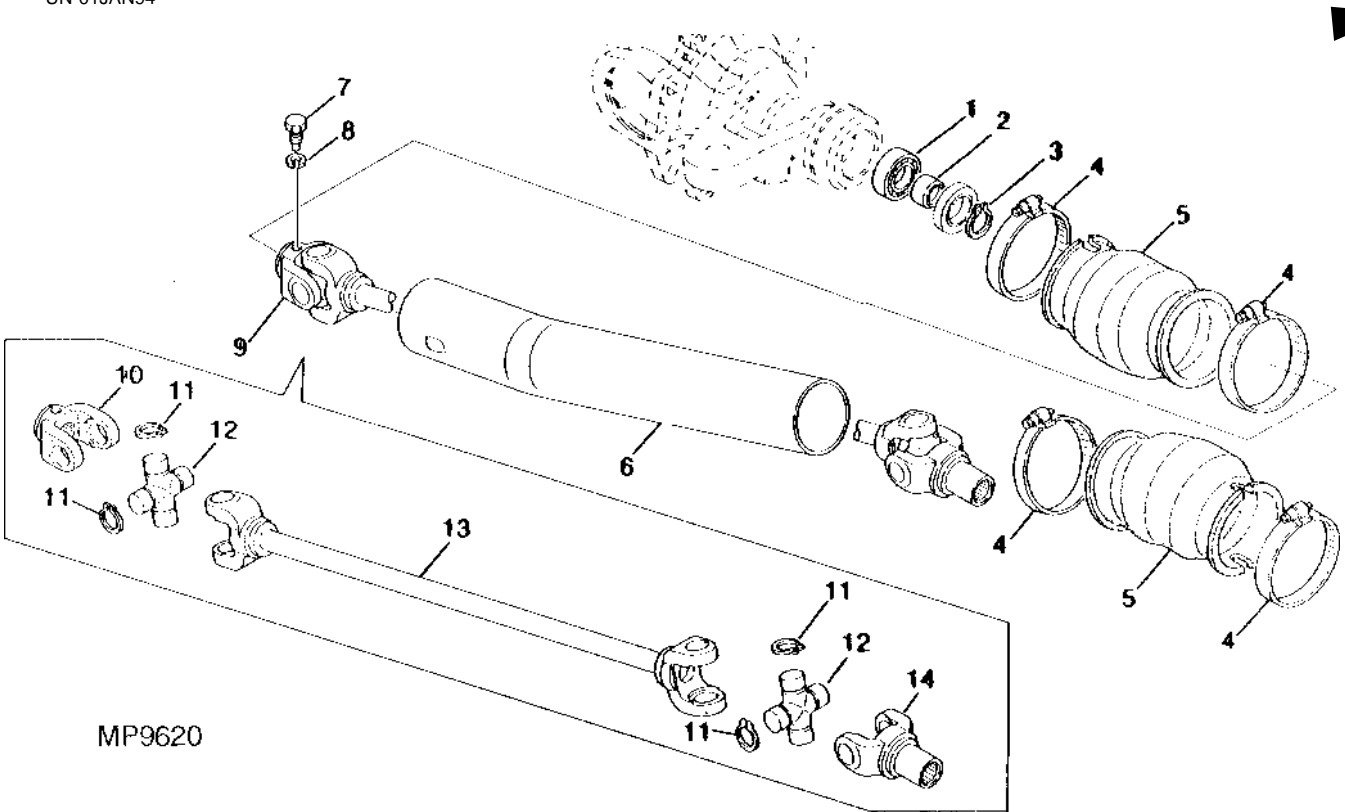


MP6578

## FRONT AXLE AND DIFFERENTIAL DRIVE (MFWD) (CONTINUED)

KEY	PART NO.	PART NAME	QTY	SERIAL NO.	REMARKS
1	CH14588	WASHER	2		
2	CH14585	GEAR	2		
3	CH14589	WASHER	2		
4	CH14586	GEAR	2		
5	CH14587	PINION SHAFT	1		
6	M802836	UNIVERSAL DRIVESHAFT	1		RH
7	CH14887	BALL BEARING	2		
8	M805260	GEAR	2		FRONT, (SUB FOR M800437)
9	M802848	WASHER	2		
10	M805263	GEAR	2		2ND SHAFT, (SUB FOR M801780)
11	M800589	RING	1		
12	M802825	SPACER	1		
13	M800431	BALL BEARING	1		
14	AM876637	BEVEL GEAR DRIVE	1		
15	CH15351	SHIM	1		
16	CH14592	BALL BEARING	2		
17	M802826	CASE	1		
18	CH14590	BOLT	6		
19	CH14591	SPRING PIN	1		
20	M802835	UNIVERSAL DRIVESHAFT	1		LH

FRONT DRIVE SHAFT (MFWD)  
 ARBRE D'ENTRAINEMENT AVANT (TAM)  
 FRONTANTRIEBSWELLE (MECHANISCHER VORDERRADANTRIEB)  
 EJE DE MANDO DELANTERO (TRACCION DELANTERA MECANICA)  
 ALBERO DI TRASMISSIONE ANTERIORE (TRAZIONE ANTERIORE MECCANICA)  
 AXEL FOER FRAMHJULSDRIFT (MEKANISK FRAMHJULSDRIFT)  
 MP9620 -UN-01JAN94

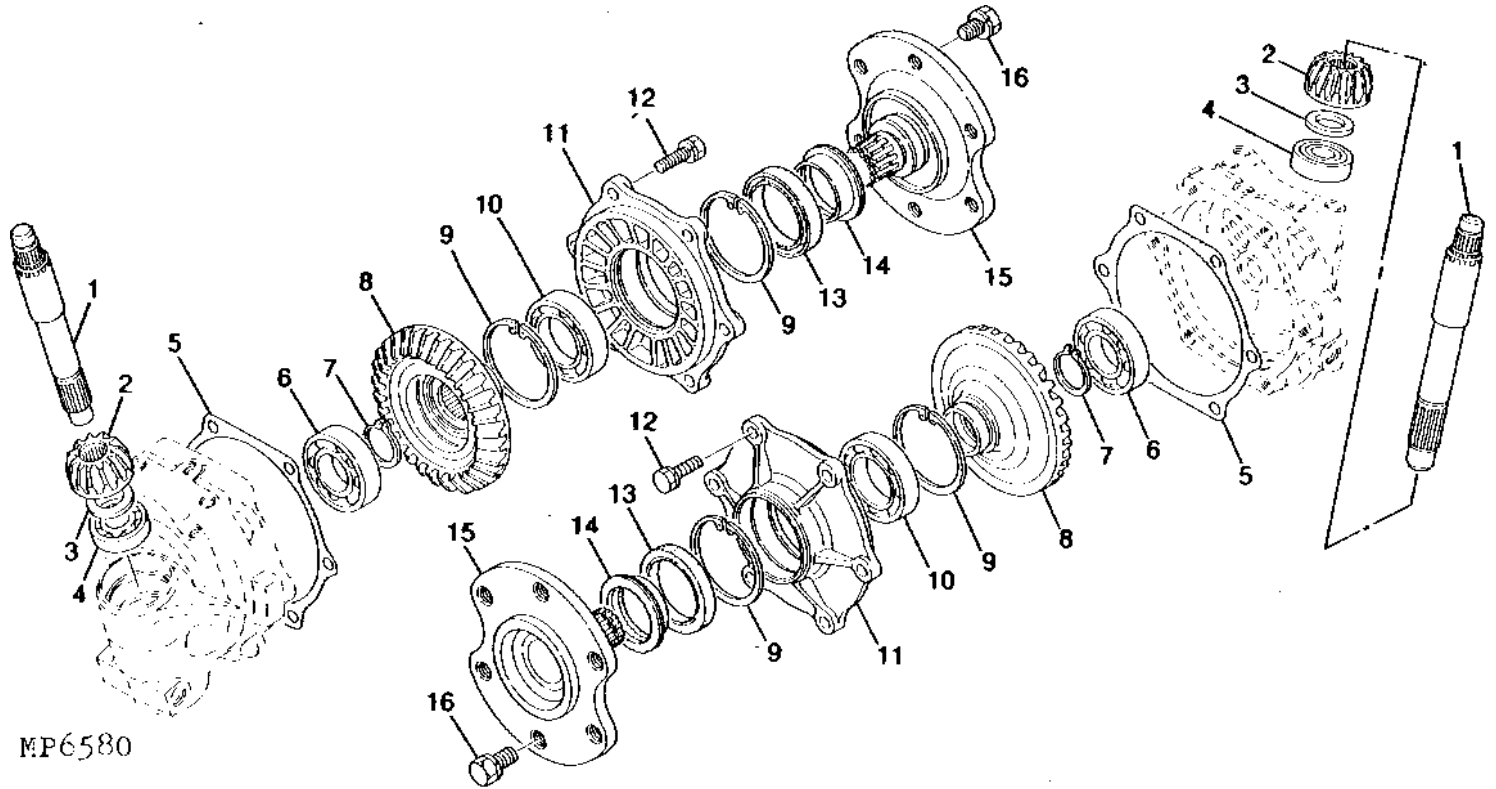


KEY	PART NO.	PART NAME	QTY	SERIAL NO.	REMARKS
				6 7	
				7 7	
				0 0	
1	CH10564	BEARING	1		
2	R92288	SLEEVE	1		
3	40M7080	SNAP RING	1		(SUB FOR CH16769)
4	AR21999	CLAMP	4		
5	M802857	BOOT	2		
6	M802855	COVER	1	X	
	M802856	COVER	1	X	
7	M802834	BOLT	1		
8	CH11475	WASHER	1		
9	AM876638	UNIVERSAL JOINT, WITH SHAFT	1	X	
	AM876639	UNIVERSAL JOINT, WITH SHAFT	1	X	
	M802827	YOKE	1		
10	M802833	RING	8		
11	M802832	SPIDER	2		
12	M802832	SPIDER	2		
13	AM876640	SHAFT	1	X	
	AM876641	SHAFT	1	X	
14	M802831	YOKE	1		



# G10

FRONT SPINDLE AND FINAL DRIVE GEARS (MFWD)  
 FUSEE AVANT ET ENGRENAGES REDUCTEURS  
 VORDERSPINDEL UND ENDANTRIEBSZAHNRADER  
 FUSELLO ANTERIORE ED INGRANAGGI DELLA COPPIA AL PONTE  
 ENGRANAJES DE MANDO FINAL Y ARBOL DELANTERO  
 FRAMRE SPINDEL OCH REDUCERDREV  
 MP6580 -UN-01JAN94



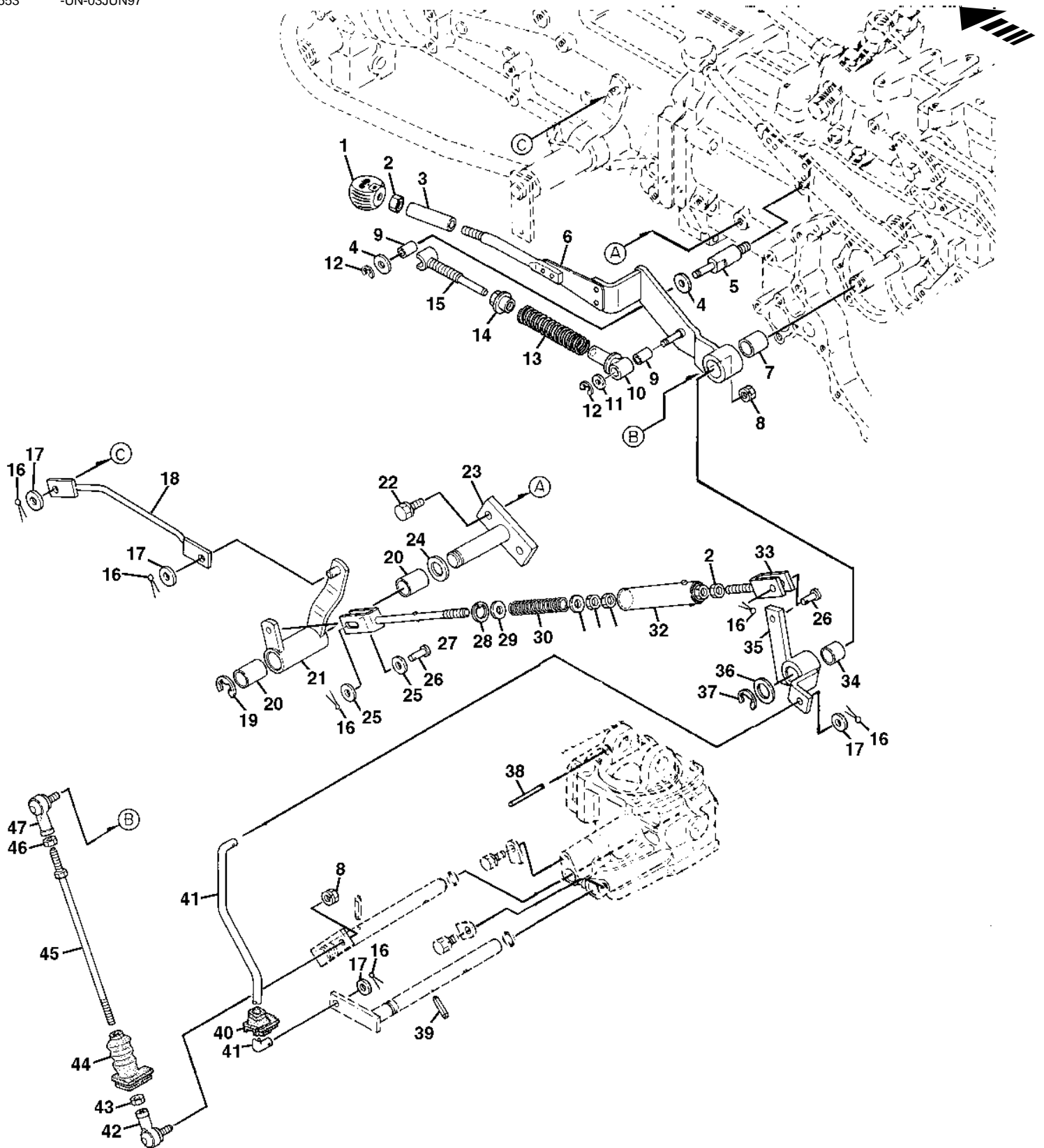
MP6580

KEY	PART NO.	PART NAME	QTY	SERIAL NO.	REMARKS
1	M802847	SHAFT	2		
2	M805262	PINION	2		(SUB FOR M802849)
3	M802850	WASHER	2		
4	CH13511	BALL BEARING	2		
5	M802854	GASKET	2		
6	JD9344	BALL BEARING	2		(SUB FOR CH14627)
7	CH13489	SNAP RING	2		
8	M805261	GEAR	2		(SUB FOR M802852)
9	40M5099	SNAP RING	4		(SUB FOR CH14694)
10	CH14581	BALL BEARING	2		
11	M802853	COVER	2		
12	19M7168	CAP SCREW	12	M10 X 30	
	12M7066	LOCK WASHER	12	10.200 MM	
13	CH14691	SEAL	2		
14	CH14692	SLEEVE	2		
15	M802851	SHAFT	2		
16	19M7646	CAP SCREW	12	M14 X 25	
	12M7068	LOCK WASHER	12	14.200 MM	

# G11

POWER TRAIN

MID PTO SHIFT LEVER AND LINKAGE  
LEVIER ET TRINGLERIE DE PDF MOYENNE  
MITTLERE ZAPFWELLE, GEHAEUSE UND ZAHNRAEDER  
PALANCA DE CAMBIOS Y VARILLAJE DE LA TDF CENTRAL  
TIRANTERIA E LEVA DEL GAMBIO DELLA PRESA DI FORZA MEDIANA  
VAEXELSPAK OCH LAENKSYSTEM FOER MELLANKRAFTUTTAG  
MP17553 -UN-03JUN97



MP17553

# G12

POWER TRAIN

## MID PTO SHIFT LEVER AND LINKAGE (CONTINUED)

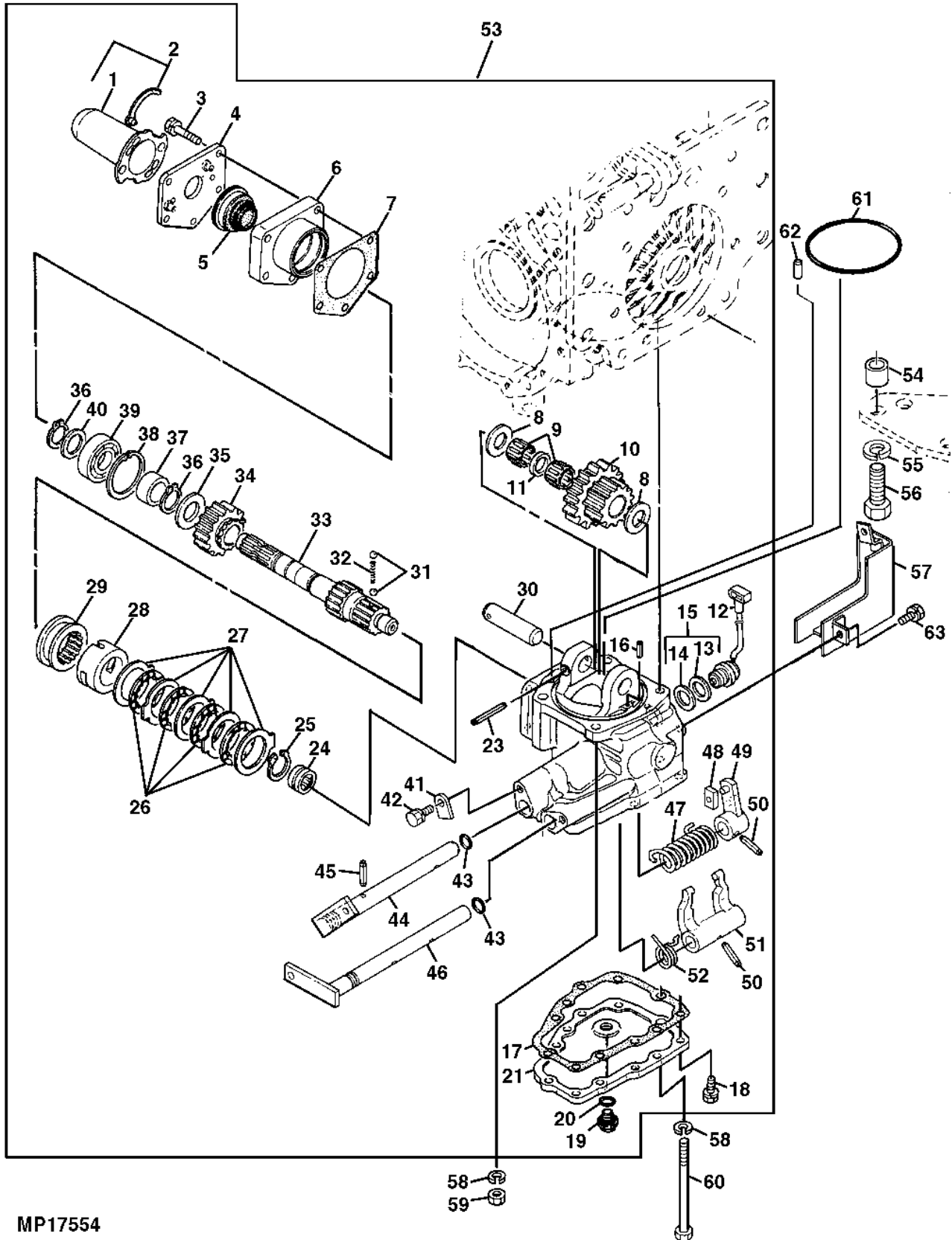
KEY	PART NO.	PART NAME	QTY	SERIAL NO.	REMARKS
1	M803735	KNOB	1		
2	14M7274	NUT	4	M10	
3	M803812	BUSHING	1		
4	24M7024	WASHER	2	9 X 28 X 3 MM	
5	M803751	BOLT	1		
6	AM876909	LEVER	1		
7	CH18577	BUSHING	1		
8	14M7272	NUT	2	M6	
	12M7065	LOCK WASHER	2	8.100 MM	
9	M803682	BUSHING	1		
10	AM876912	PLATE	1		
11	24M7055	WASHER	1	8.400 X 16 X 1.600 MM	
12	CH11490	RING	2		
13	M803718	COMPRESSION SPRING	1		
14	AM876908	PLATE	1		
15	AM876901	ROD	1		
16	11M7082	COTTER PIN	6	2.500 X 25 MM	
17	24M7028	WASHER	4	10.500 X 20 X 2 MM	
18	AM876904	ROD	1		
19	CH15088	SNAP RING	1		
20	CH18577	BUSHING	2		
21	AM876062	BELLCRANK	1		
22	19M7168	CAP SCREW	2	M10 X 30	
	12M7066	LOCK WASHER	2	10.200 MM	
23	AM876905	SHAFT	1		
24	CH11472	WASHER	1		
25	24M7024	WASHER	2	9 X 28 X 3 MM	
26	M805040	PIN	2		
27	AM876910	ROD	1		
28	CH14607	RING	1		
29	CH11883	WASHER	1		
30	AM876913	SPRING	1		
31	24M7096	WASHER	1	10.500 X 18 X 1.600 MM	
32	AM876906	HOLDER	1		
33	M803758	CLEVIS	1		
34	CH18577	BUSHING	1		
35	AM876070	BELLCRANK	1	(INCLUDES CH18577)	
36	CH14615	WASHER	1		
37	CH17540	SNAP RING	1		
38	CH12302	PIN	1		
39	CH13609	SPRING PIN	4		
40	M804300	BOOT	1		
41	M803754	ROD	1		
42	M803734	END	1		
43	14M7145	NUT	1	M8	
44	M804301	BOOT	1		
45	AM876907	ROD	1		
46	14M7273	NUT	1	M8	
47	T110021	BALL JOINT SOCKET	1		
..	AM876894	POWER-TAKEOFF	1	(INCLUDES PARTS MARKED (A))	

# G13

POWER TRAIN

MID PTO HOUSING AND GEARS  
LOGEMENT ET PIGNONS DE PDF MOYENNE  
MITTLERE ZAPFWELLE, GEHAEUSE UND ZAHNRAEDER  
CAJA Y ENGRANAJES DE LA TDF CENTRAL  
ALLOGGIAMENTO ED INGRANAGGI DELLA PRESA DI FORZA MEDIANA  
KAAPA OCH KUGGHJUL FOER MELLANKRAFTUTTAG

MP17554 -UN-03JUN97



MP17554

# G14

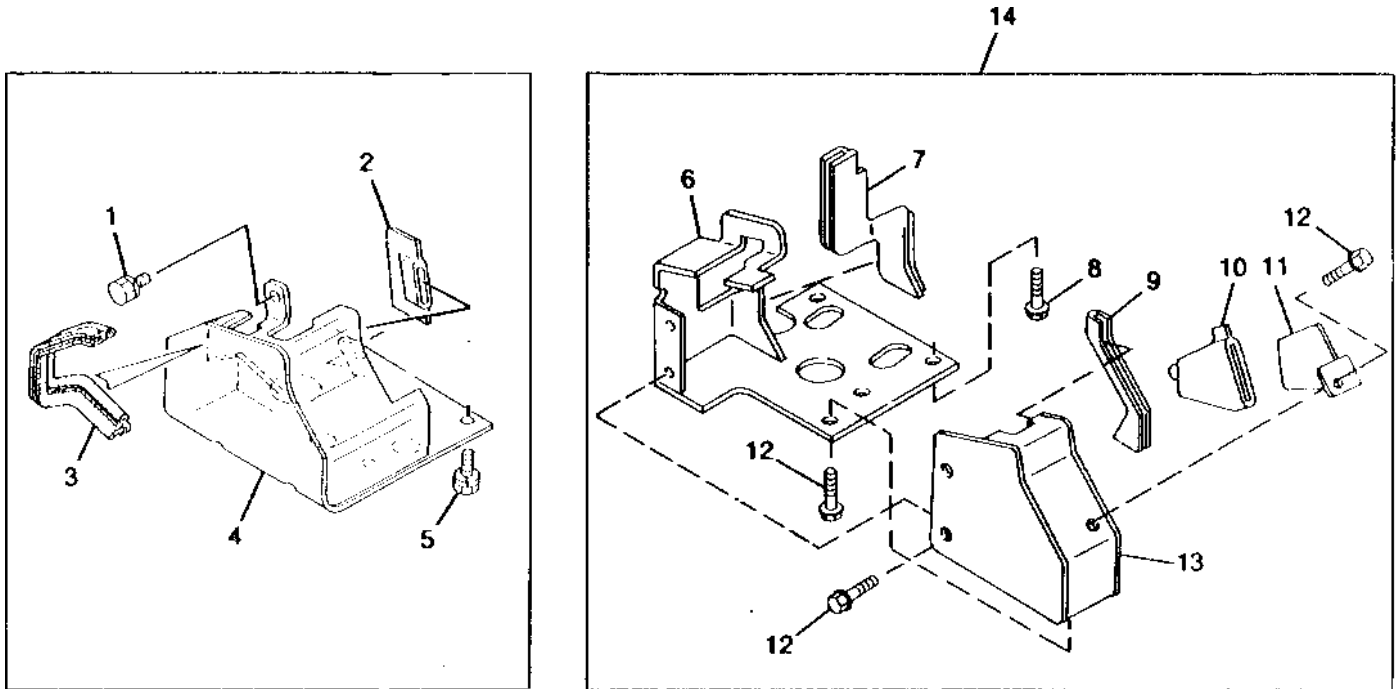
## POWER TRAIN

KEY	PART NO.	PART NAME	QTY	SERIAL NO.	REMARKS
1	.....	COVER	1	(ORDER AM875151)	
2	AM875151	COVER	1		
3	19M7298	CAP SCREW	5	(A) M8 X 35	
	12M7065	LOCK WASHER	5	(A) 8.100 MM	
4	AM876895	COVER	1	(A)	
5	M803717	SEAL	1	(A)	
6	M803688	CASE	1	(A)	
7	M803687	GASKET	1	(A)	
8	M803716	WASHER	2	(A)	
9	M803723	NEEDLE BEARING	2	(A)	
10	AM876896	GEAR	1	(A)	
11	M803685	WASHER	1	(A)	
12	CH13415	SWITCH	1	(A) NEUTRAL START	
13	.....	GASKET	1	(A) (ORDER AM877197)	
14	.....	GASKET	1	(A) (ORDER AM877197)	
15	AM877197	KIT	1	GASKET	
16	34M7030	SPRING PIN	1	(A) 5 X 20 MM, (SUB FOR CH20038)	
17	M805067	GASKET	1	(A)	
18	19M7139	CAP SCREW	7	(A) M8 X 20	
	12M7065	LOCK WASHER	7	(A) 8.100 MM	
19	CH11414	PLUG	1	(A)	
20	CH10570	PACKING	1	(A)	
21	M805063	COVER	1	(A)	
22	AM877702	CASE	1	(A) (SUB FOR M803686)	
23	CH12302	PIN	1	(A)	
24	M803693	NEEDLE BEARING	1	(A)	
25	M803722	RING	1	(A)	
26	M803703	BRAKE SHOE	4	(A)	
27	M803702	PLATE	5	(A)	
28	M803701	ACTUATOR	1	(A)	
29	M803704	POWER-TAKEOFF	1	(A)	
30	M803696	SHAFT	1	(A)	
31	M803705	SPRING	1	(A)	
32	400R	BALL	2	(A)	
33	M803700	SHAFT	1	(A)	
34	M803695	GEAR	1	(A)	
35	M803683	WASHER	1	(A)	
36	CH11481	RING	2	(A)	
37	M803699	BUSHING	1	(A)	
38	CH11487	RING	1	(A)	
39	M803684	BALL BEARING	1	(A)	
40	CH14839	WASHER	1	(A)	
41	M805068	PLATE	2	(A)	
42	19M7297	CAP SCREW	2	M8 X 12	
43	CH14926	PACKING	2	(A)	
44	AM876898	SHAFT	1	(A)	
45	CH13609	SPRING PIN	4	(A)	
46	AM876900	SHAFT	1	(A)	
47	M803706	SPRING	1	(A)	
48	M803694	SHOE	1	(A) SHIFTER	
49	AM876897	ARM	1	(A)	
50	CH13609	SPRING PIN	1	(A)	
51	M803715	LEVER	1	(A)	
52	AM876899	SPRING	1	(A)	
53	AM876894	POWER-TAKEOFF	1	(INCLUDES PARTS MARKED (A))	
54	M803760	BUSHING	2		
55	12M7069	LOCK WASHER	2	16.200 MM	
56	M804990	BOLT	2		
57	AM876902	COVER	1		
58	12M7066	LOCK WASHER	1	10.200 MM	
59	14M7274	NUT	1	M10	
60	M803762	BOLT	1		
61	CH16109	PACKING	1		
62	M805040	PIN	1		
63	19M7162	CAP SCREW	2	M8 X 16	
	12M7065	LOCK WASHER	2	8.100 MM	

# G15

POWER TRAIN

MID PTO LINKAGE COVER  
 COUVERCLE/TRINGLERIE DE PDF MOYENNE  
 DECKEL/MITTLERE ZAPFWELLE  
 COPERCHIO/TIRANTERIA DI FORZA MEDIANA  
 TAPADERA/VARILLAJE DE LA TDF CENTRAL  
 SKYDDSKAAPA/LAENKSYSTEM FOER MELLANKRAFTUTTAG  
 MP9592 -UN-01JAN94

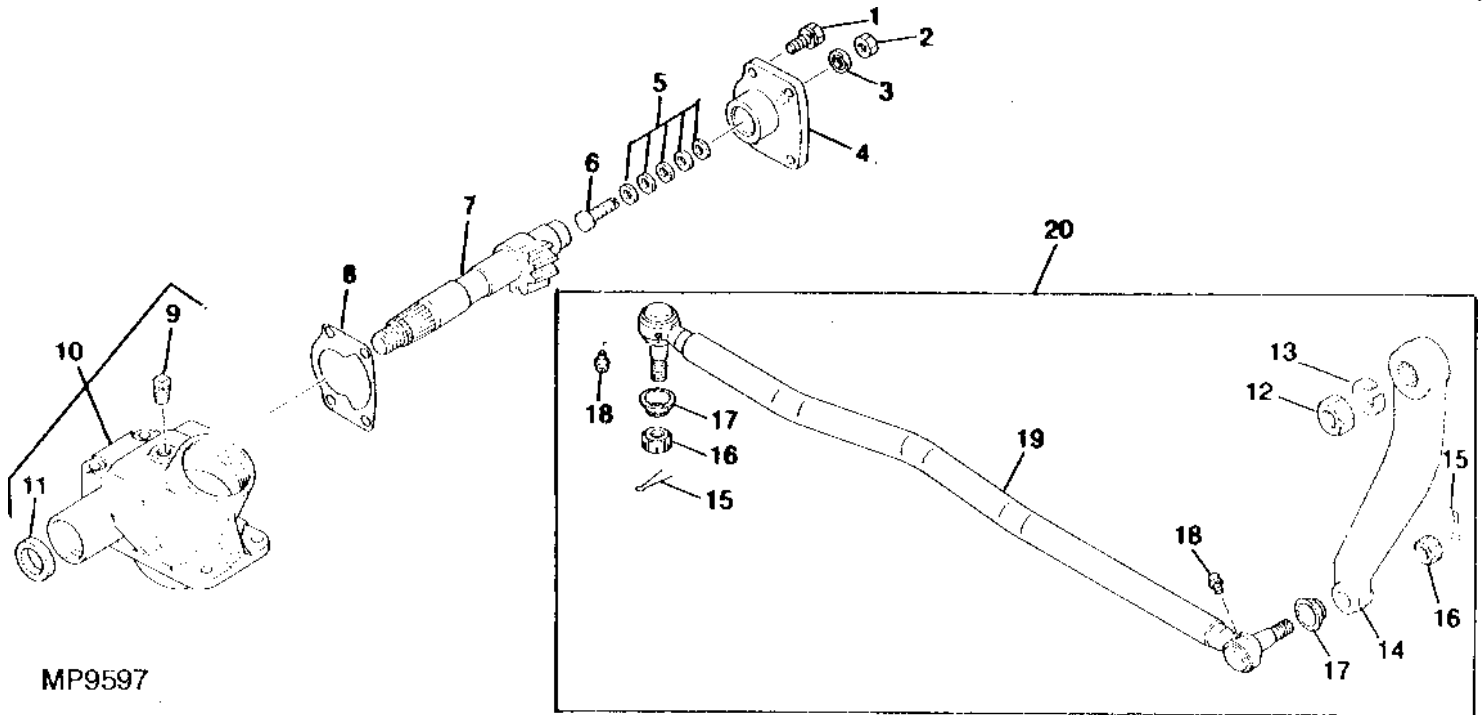


MP9592

KEY	PART NO.	PART NAME	QTY	SERIAL NO.	6 7 7 7 0 0	REMARKS
1	19M7162	CAP SCREW	1			M8 X 16
	12M7065	LOCK WASHER	1			8.100 MM
2	M804524	PLATE	1	-104425	X	(ORDER AM878251)
	M804524	PLATE	1	-106428	X	(ORDER AM878251)
3	AM877713	WEATHERSTRIP	1	-104425	X	(ORDER AM878251)
	AM877713	WEATHERSTRIP	1	-106428	X	(ORDER AM878251)
	M805057	SEAL	2	-104425	X	
	M805057	SEAL	2	-106428	X	
4	AM877712	COVER	1	-104425	X	(ORDER AM878251) (SUB FOR AM876903)
	AM877712	COVER	1	-106428	X	(ORDER AM878251)
5	19M7163	CAP SCREW	3			M8 X 25
	12M7065	LOCK WASHER	3			8.100 MM
6	AM878197	COVER	1			
7	M805907	SEAL	1			
8	19M7866	SCREW	3			M8 X 20 (HS, HEAD MARKED 10.9)
9	M805908	SEAL	1			
10	M805909	SEAL	1			
11	M805906	COVER	1			
12	19M7774	SCREW	4			M6 X 12 (HS, HEAD MARKED 10.9)
13	AM878250	COVER	1			
14	AM878251	KIT	1	104426-	X	
	AM878251	KIT	1	106429-	X	

# G17

STEERING GEAR HOUSING AND ARM  
 LOGEMENT ET BRAS DE PIGNON DE DIRECTION  
 LENGETRIEBE-GEHAEUSE UND ARM  
 BRAZO Y CAJA DEL MECANISMO DE LA DIRECCION  
 SCATOLA GUIDA E E BRACCIO DI COMANDO DELLO STERZO  
 STYRHUS OCH -ARM  
 MP9597 -UN-01JAN94



MP9597

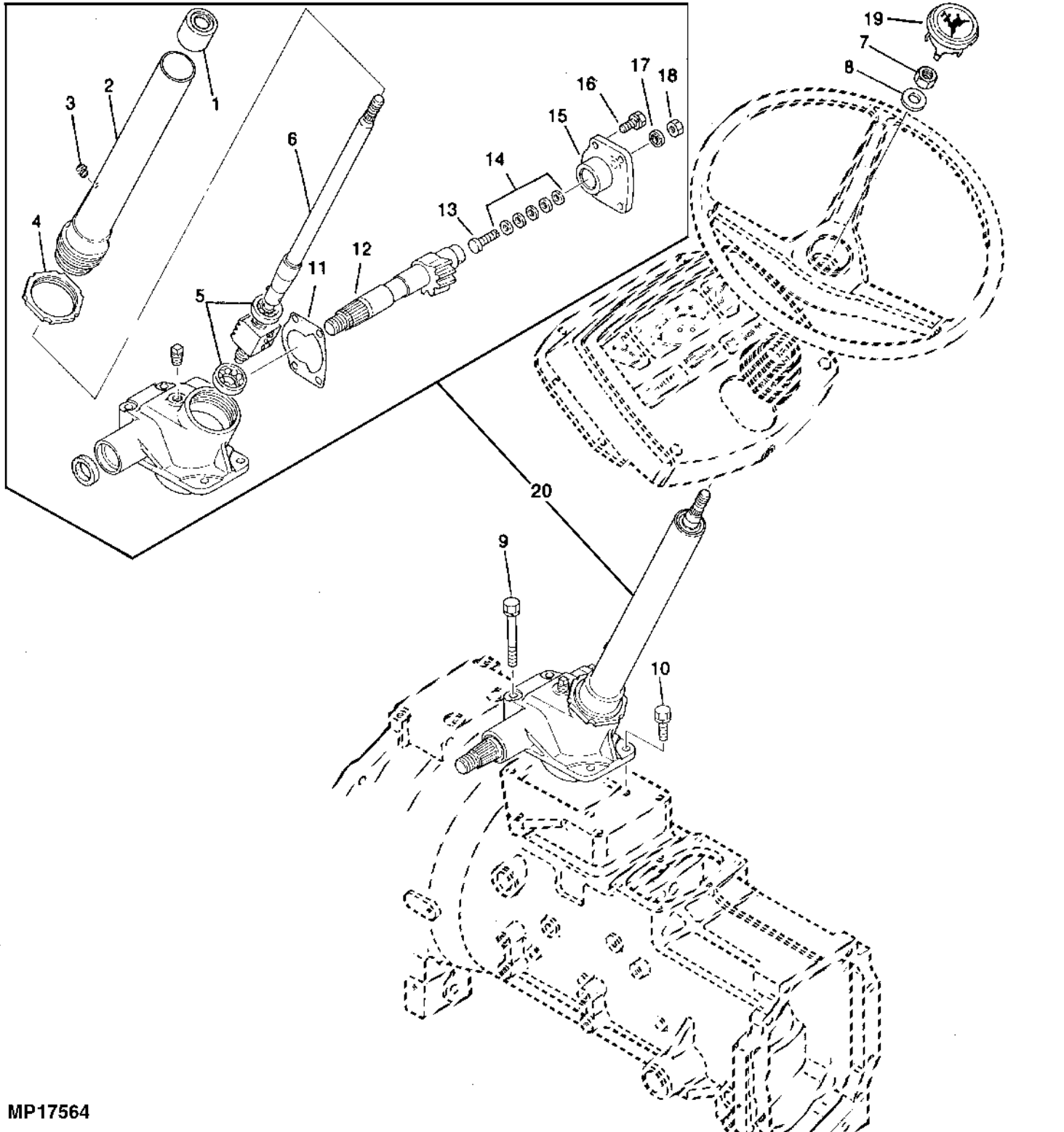
KEY	PART NO.	PART NAME	QTY	SERIAL NO.	REMARKS
				6 7	
				7 7	
				0 0	
1	19M7139	CAP SCREW	1		M8 X 20
	12M7065	LOCK WASHER	4		8.100 MM
2	CH12404	NUT	1		
3	CH13797	SEAL	1		
4	M802870	COVER	1		
5	CH12763	KIT	1		
6	CH14738	SCREW	1		(INCLUDED IN AM876656 STEERING BOX ASSY)
7	M802868	SHAFT	1		
8	CH11172	PACKING	1		
9	CH10880	PLUG	1		
10	M802866	HOUSING	1		(INCLUDED IN AM876656 STEERING BOX ASSY)
11	CH14736	SEAL	1		
12	14M7275	NUT	1		M12
13	12M7070	LOCK WASHER	1		20.200 MM
14	M802874	PITMAN ARM	1		
15	CH12320	PIN	2		
16	CH11450	NUT	2		
17	CH11448	COVER	2		
18	CH15805	FITTING	2		
19	AM876662	DRAG LINK	1		X
	AM876665	DRAG LINK	1		X
20	AM876661	DRAG LINK	1		X COMPLETE
	AM876664	DRAG LINK	1		X COMPLETE

# G18

STEERING AND BRAKES

STEERING GEAR HOUSING AND SHAFT  
LOGEMENT ET ARBRE DE PIGNON DE DIRECTION  
LENKGETRIEBE-GEHAEUSE UND WELLE  
CAJA DEL MECANISMO Y EJE DE LA DIRECCION  
SCATOLA GUIDA ED ALBERO DELLO STERZO  
STYRHUS OCH - KOLONN

MP17564 -UN-03JUN97



MP17564



# G19

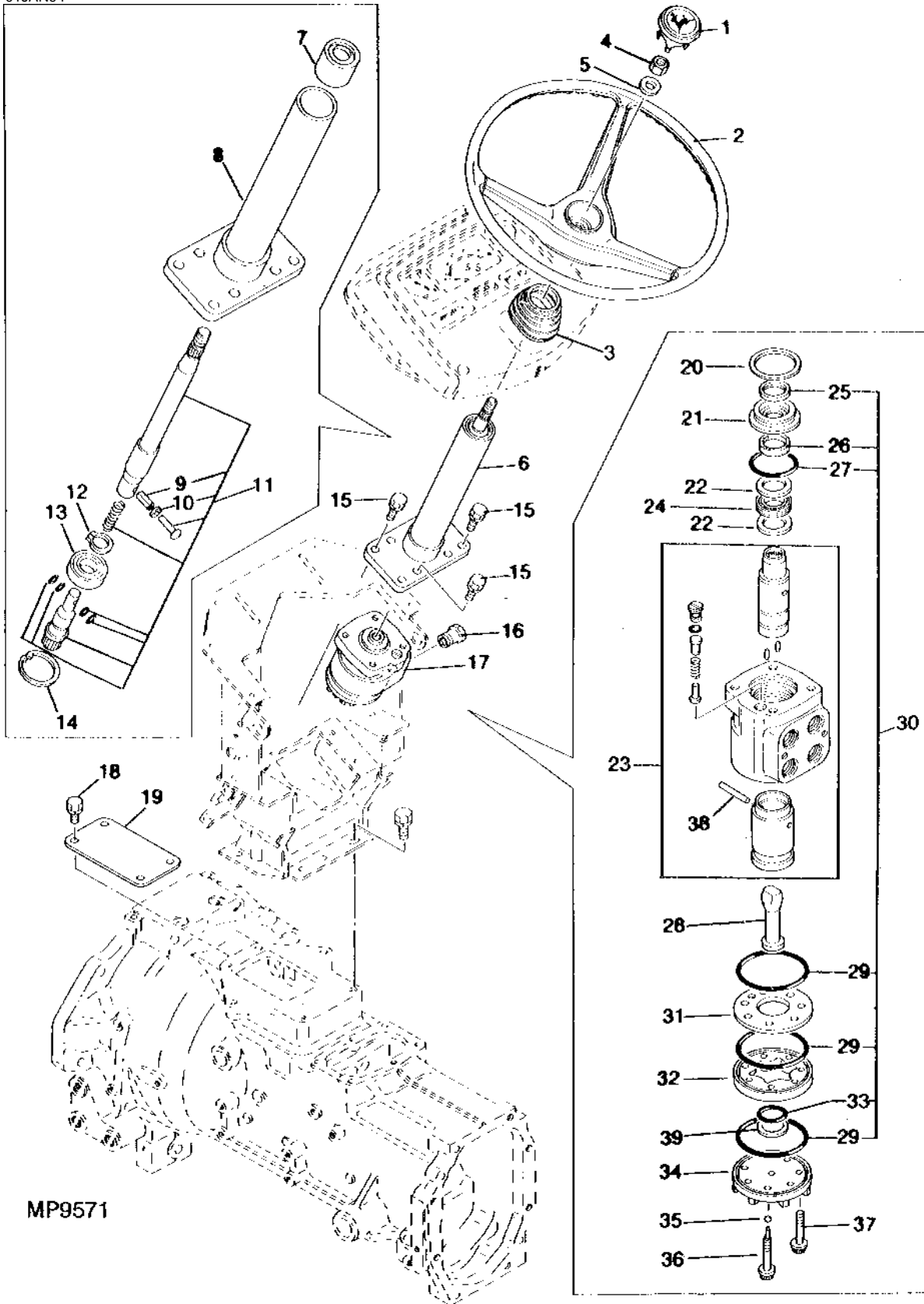
## STEERING AND BRAKES

### STEERING GEAR HOUSING AND SHAFT (CONTINUED)

KEY	PART NO.	PART NAME	QTY	SERIAL NO.	REMARKS
1	M804226	BUSHING	1		
2	M802869	STEERING COLUMN	1		
3	M802872	PLUG	1		
4	M802871	NUT	1		
5	CH14732	BEARING	2		
6	M802867	SHAFT	1		(INCLUDES RECIRCULATING BALLS)
7	CH18540	NUT	1		
8	24M7053	WASHER	1		17 X 30 X 3 MM
9	19M7810	SCREW	2		M10 X 80, (SUB 19M7810)
10	19M7168	CAP SCREW	2		M10 X 30
	12M7066	LOCK WASHER	2		10.200 MM
11	CH11172	PACKING	1		
12	M802868	SHAFT	1		
13	CH14738	SCREW	1		
14	CH12763	KIT	1		SHIM
15	M802870	COVER	1		
16	19M7139	CAP SCREW	4		M8 X 20
	12M7065	LOCK WASHER	4		8.100 MM
17	CH13797	SEAL	1		
18	CH12404	NUT	1		
19	AM876660	CAP	1		
20	AM876656	BOX	1		STEERING ASSEMBLY

POWER STEERING CONTROL VALVE AND STEERING WHEEL  
 SOUPAPE DE TRINGLERIE ASSISTEET VOLANT DE DIRECTION  
 SERVLENKUNG-STEUERVENTIL UND LENKRAD  
 DISTRIBUTORESERVOSTERZO E VOLANTE  
 VOLANTE DE LA DIRECCION Y VALVULA DE CONTROL DE LA DIRECCION DE POTENCIA  
 REGLERVENTIL FOR SERVOSTYRNING OCH RATT

MP9571 -UN-01JAN94



MP9571

# G21

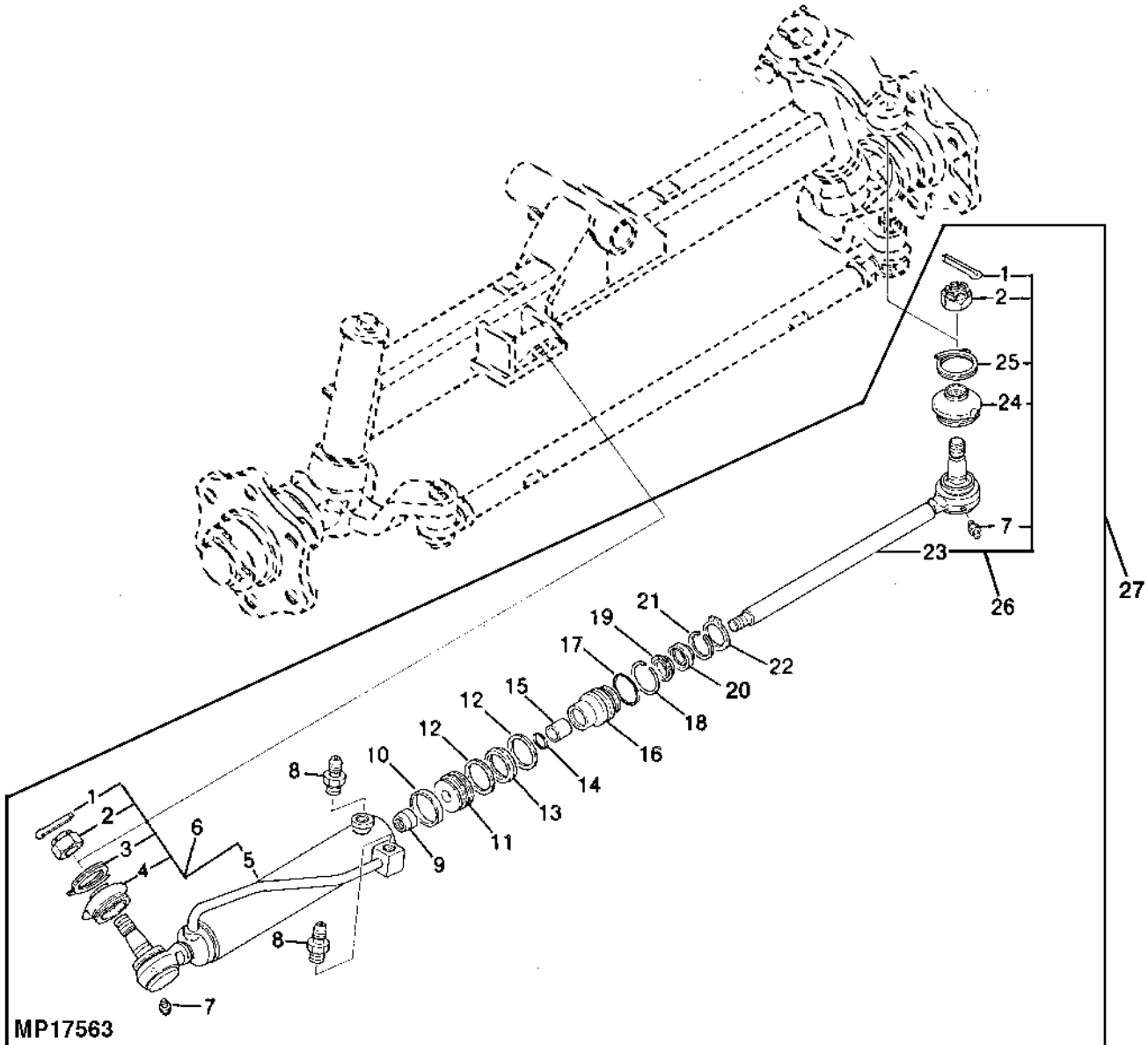
STEERING AND BRAKES

POWER STEERING CONTROL VALVE AND STEERING WHEEL (CONTINUED)

KEY	PART NO.	PART NAME	QTY	SERIAL NO.	6 6 7 7 7 0 0 7 A C 0	REMARKS
1	AM876660	CAP	1			
2	AM876658	STEERING WHEEL	1			
3	M802875	COVER	1			
4	CH18540	NUT	1			
5	24M7053	WASHER	1			17 X 30 X 3 MM
6	AM876675	STEERING COLUMN	1			ASSY
7	M802910	BUSHING	1			
8	AM876676	STEERING COLUMN	1			
9	34M7030	SPRING PIN	1			(SUB FOR CH20038)
10	T110410	WASHER	1			
11	AM876677	SHAFT	1			
12	40M7080	SNAP RING	1			(SUB FOR CH16769)
13	M802917	BEARING	1			
14	40M7225	SNAP RING	1			(SUB FOR CH10530)
15	19M7402	CAP SCREW	8			M10 X 25 (HS, HEAD MARKED 10.9)
	12M7066	LOCK WASHER	8			10.200 MM
16	M800853	BOLT	1			(SUB FOR AM877700 OR AM876682)
17	AM876679	VALVE	1			
18	19M7557	CAP SCREW	4			M10 X 16
	12M7066	LOCK WASHER	4			10.200 MM
19	M802939	PLATE	1			
20	M802923	RING	1			
21	M802924	BUSHING	1			
22	M802921	BEARING	2			
23	AM876681	VALVE	1			(INCLUDES (4) M802933 SPRINGS AND (2) M802934 SPRINGS)
24	M802922	BEARING	1			
25	.....	SEAL	1			(A)
26	.....	SEAL	1			(A)
27	.....	PACKING	1			(A)
28	.....	DRIVE	1			(B) (ORDER AM878065) (SUB FOR M802920)
29	.....	PACKING	3			(A)
30	AM876680	SEAL KIT	1	-104012	X	
	AM876680	SEAL KIT	1	-011146	X	
	AM876680	SEAL KIT	1	-105926	X	
	AM878066	KIT	1	104013-	X	
	AM878066	KIT	1	011147-	X	
	AM878066	KIT	1	105927-	X	
31	M802919	PLATE	1			
32	.....	CAM	1			(B) (ORDER AM878065) (SUB FOR M802927)
33	.....	SEAL	1			(A) (B)
34	M802918	CAP	1			
35	R63075	BALL	1			
36	M802926	BOLT	1			
37	M802925	BOLT	1			
38	M802935	PIN	1			
39	M805985	PLUG	1			(B)
..	AM878065	ROTATOR	1			(INCLUDES PARTS MARKED (B))

(A) ORDER SEAL KIT/JEU DE JOINTS ANNULAIRES/DICHTRINGSATZ/SERIE ANELLI DI TENUTA/  
JUEGO DE RETENES/TAETNINGSSATS

POWER STEERING CYLINDER (2WD)  
VERIN DE DIRECTION ASSISTEE (2 ROUES MOTRICES)  
SERVOLENKZYLINDER (ZWEIRAD-ANTRIEB)  
CILINDRO DE LA SERVODIRECCION (TRACCION EN DOS RUEDAS)  
CILINDRO DEL SERVOSTERZO (TRAZIONE A DUE ROUTE MOTRICI)  
CYLINDER FOER SERVOSTYRNING (2-HJULSDRIVNING)  
MP17563 -UN-03JUN97



MP17563

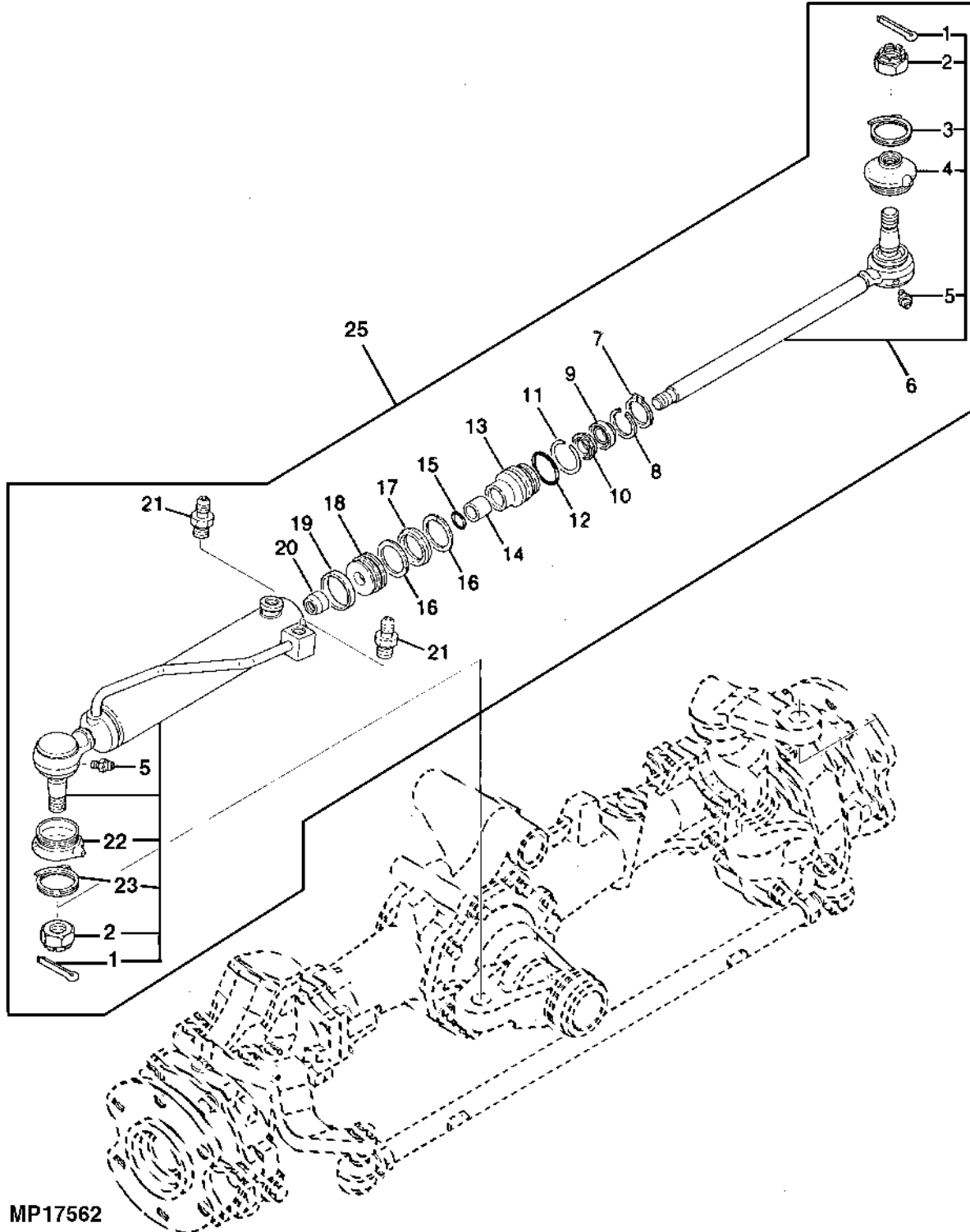
POWER STEERING CYLINDER (2WD) (CONTINUED)

KEY	PART NO.	PART NAME	QTY	SERIAL NO.	REMARKS
1	11M7087	COTTER PIN	1		
2	CH17199	NUT	1		
3	M804236	RING	1		4 X 40 MM (SUB 14M7331)
4	M804235	COVER	1		
5	.....	TUBE	1		(ORDER AM878649)
6	.....	TUBE	1		(COMPLETE) (ORDER AM878649)
7	CH15805	FITTING	2		
8	M802903	FITTING	2		(A) (SUB FOR M804247)
9	M802906	LOCK NUT	1		(A)
10	M802899	RING	1		(A)
11	M802900	PISTON	1		(A)
12	M802901	RING	2		(A)
13	M802902	SEAL	1		(A)
14	CH14634	O-RING	1		(A)
15	M802905	BUSHING	1		(A)
16	M802894	CAP	1		(A)
17	M806543	PACKING	1		(A) (SUB FOR M802904)
18	M802886	RING	1		(A)
19	M802896	SEAL	1		(A)
20	M802895	SCRAPER	1		(A)
21	M802897	RING	1		(A)
22	40M4624	SNAP RING	1		(SUB FOR CH16110)
23	.....	ROD	1		(ORDER AM876670) (SUB FOR AM876671)
24	M804235	COVER	1		
25	M804236	RING	1		
26	AM876670	ROD	1		(A) (COMPLETE)
27	AM878649	KIT	1		POWER STEERING CYLINDER (INCLUDES PARTS MARKED (A))

# G24

POWER STEERING CYLINDER (MFWD)  
VERIN DE DIRECTION ASSISTEE (TRACTION AVANT MECANIQUE)  
SERVOLENZYLINDER (MECANISCHER VORDERRADANTRIEB)  
CILINDRO DE LA SERVODIRECCION (TRACCION DELANTERA MECANICA)  
CILINDRO DEL SERVOSTERZO (TRAZIONE ANTERIORE MECCANICA)  
CYLINDER FOER SERVOSTYRNING (MEKANISK FRAMHJULSDRIFT)

MP17562 -UN-03JUN97



MP17562

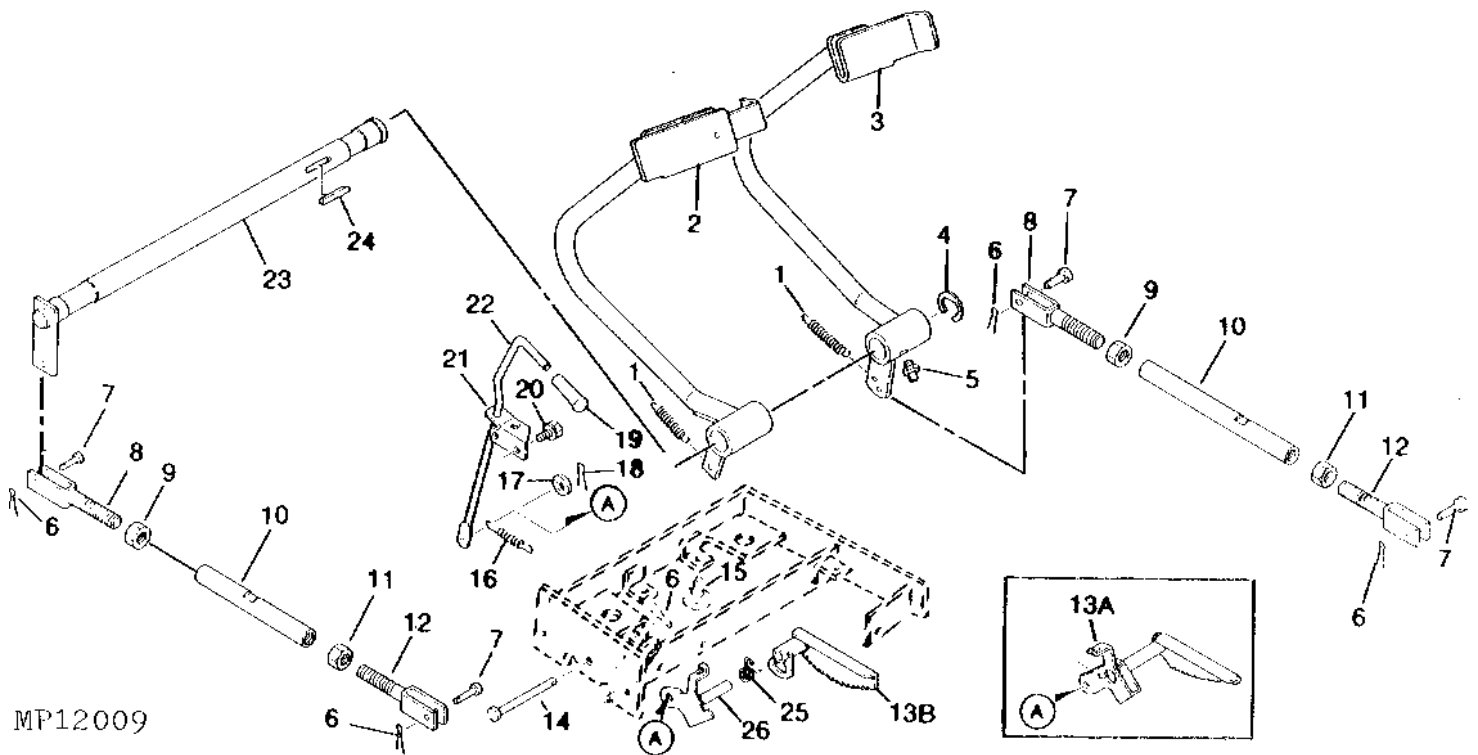
# G25

## STEERING AND BRAKES

### POWER STEERING CYLINDER (MFWD) (CONTINUED)

KEY	PART NO.	PART NAME	QTY	SERIAL NO.	REMARKS
1	11M7087	COTTER PIN	2		
2	CH17199	NUT	2		4 X 40 MM, (SUB FOR CH14559)
3	M804236	RING	1		(SUB FOR CH13706, THIS APPLICATION)
4	M804235	COVER	1		(SUB FOR CH13705, THIS APPLICATION)
5	CH15805	FITTING	2		
6	AM876674	ROD	1		
7	40M4624	SNAP RING	1		(SUB FOR CH16110)
8	M802897	RING	1		
9	M802895	SCRAPER	1		
10	M802896	SEAL	1		
11	M802886	RING	1		
12	M806543	PACKING	1		
13	M802894	CAP	1		
14	M802905	BUSHING	1		
15	CH14634	O-RING	1		
16	M802901	RING	2		
17	M802902	SEAL	1		
18	M802900	PISTON	1		
19	M802899	RING	1		
20	M802906	LOCK NUT	1		
21	M802903	FITTING	2		(SUB FOR M804247)
22	CH13705	COVER	1		
23	M804236	RING	1		(SUB FOR CH13706)
24	AM876672	TUBE	1		(ORDER AM878650)
25	AM878650	KIT	1		POWER STEERING CYLINDER

BRAKE SHAFT, PEDALS AND LINKAGE  
AXE, PEDALES ET TRINGLERIE DE FREIN  
BREMSWELLE, PEDALEN UND GESTANGE  
ALBERO, PEDALI E TIRANERIA DEL FRENO  
VARILLAJE, PEDALES Y EJES DE LOS FRENS  
BROMSAXEL, PEDALER OCH LANKSYSTEM  
MP12009 -UN-01JAN94



MP12009



# H2

## STEERING AND BRAKES

### BRAKE SHAFT, PEDALS AND LINKAGE (CONTINUED)

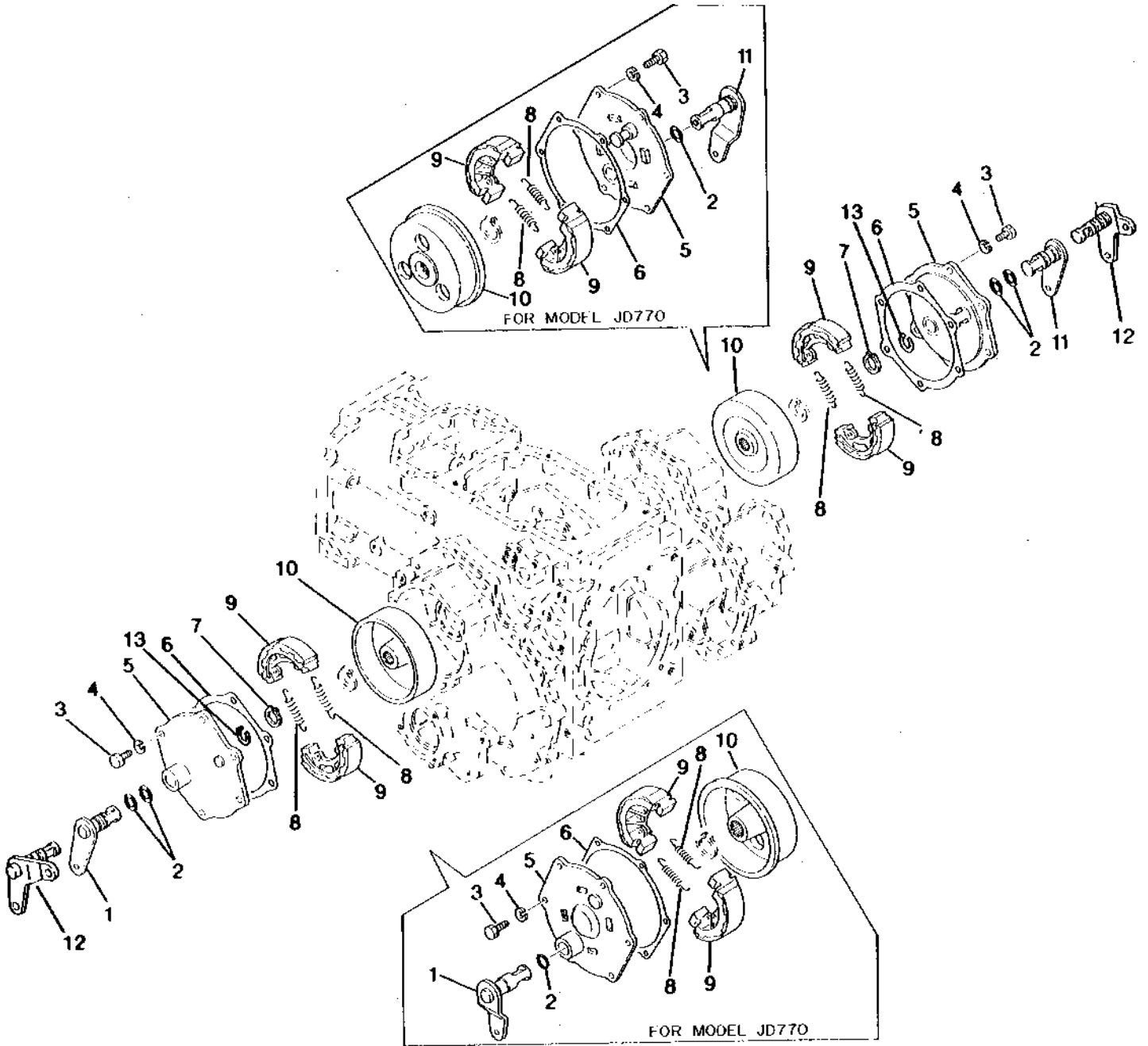
KEY	PART NO.	PART NAME	QTY	SERIAL NO.	6 7 7 7 0 0	REMARKS
1	M803006	SPRING	2			
2	AM877843	PEDAL	1			LH (INCLUDES CH11402 SPACER) (EXPORT ONLY)
	AM876741	PEDAL	1			LH, (NORTH AMERICAN)
3	AM877844	PEDAL	1			RH
4	CH15088	SNAP RING	1			
5	CH11574	FITTING	1			
6	CH12319	PIN	5			
7	M805040	PIN	4			(SUB FOR M803200)
8	AM876747	ROD	2			(ALSO ORDER M803197 TURNBUCKLE)
9	14M7141	NUT	2			M14
10	M803197	TURNBUCKLE	2			
11	M803203	NUT	2			(ALSO ORDER AM876747)
12	AM876748	ROD	2			
13A	AM876746	LEVER	1	-104074	X	(A)
	AM876746	LEVER	1	-105936	X	(A)
13B	AM878133	LEVER	1	104075-	X	
	AM878133	LEVER	1	105937-	X	
14	AM876749	PIN	1			
15	CH15270	BUMPER	2			
16	M803817	SPRING	1			(SUB FOR M803178)
17	24M7055	WASHER	1			8.400 X 16 X 1.600 MM
18	11M7081	COTTER PIN	1			2.500 X 20 MM
19	M803190	KNOB	1	-104074	X	(A)
	M803190	KNOB	1	-105936	X	(A)
	M805459	KNOB	1	104075-	X	
	M805459	KNOB	1	105937-	X	
20	19M7162	CAP SCREW	2			M8 X 16
	12M7065	LOCK WASHER	2			8.100 MM
21	M803193	PLATE	1			(ORDER AM878132)
22	AM876745	ROD	1	-104074	X	(A)
	AM876745	ROD	1	-105936	X	(A)
	AM878132	ROD	1	104075-	X	
	AM878132	ROD	1	105937-	X	
23	AM876744	SHAFT	1			
24	CH11542	KEY	1			
25	M805800	TORSION SPRING	1	104075-	X	
	M805800	TORSION SPRING	1	105937-	X	
26	AM878134	LEVER	1	104075-	X	
	AM878134	LEVER	1	105937-	X	

(A) ORDER AM878132, M805800, AM878133, AM878134, M805524, M805806 AND M805459

# H3

BRAKES  
FREINS  
BREMSEN  
FRENOS  
FRENI  
BROMSAR  
MP7199

-UN-01JAN94



MP7199

# H4

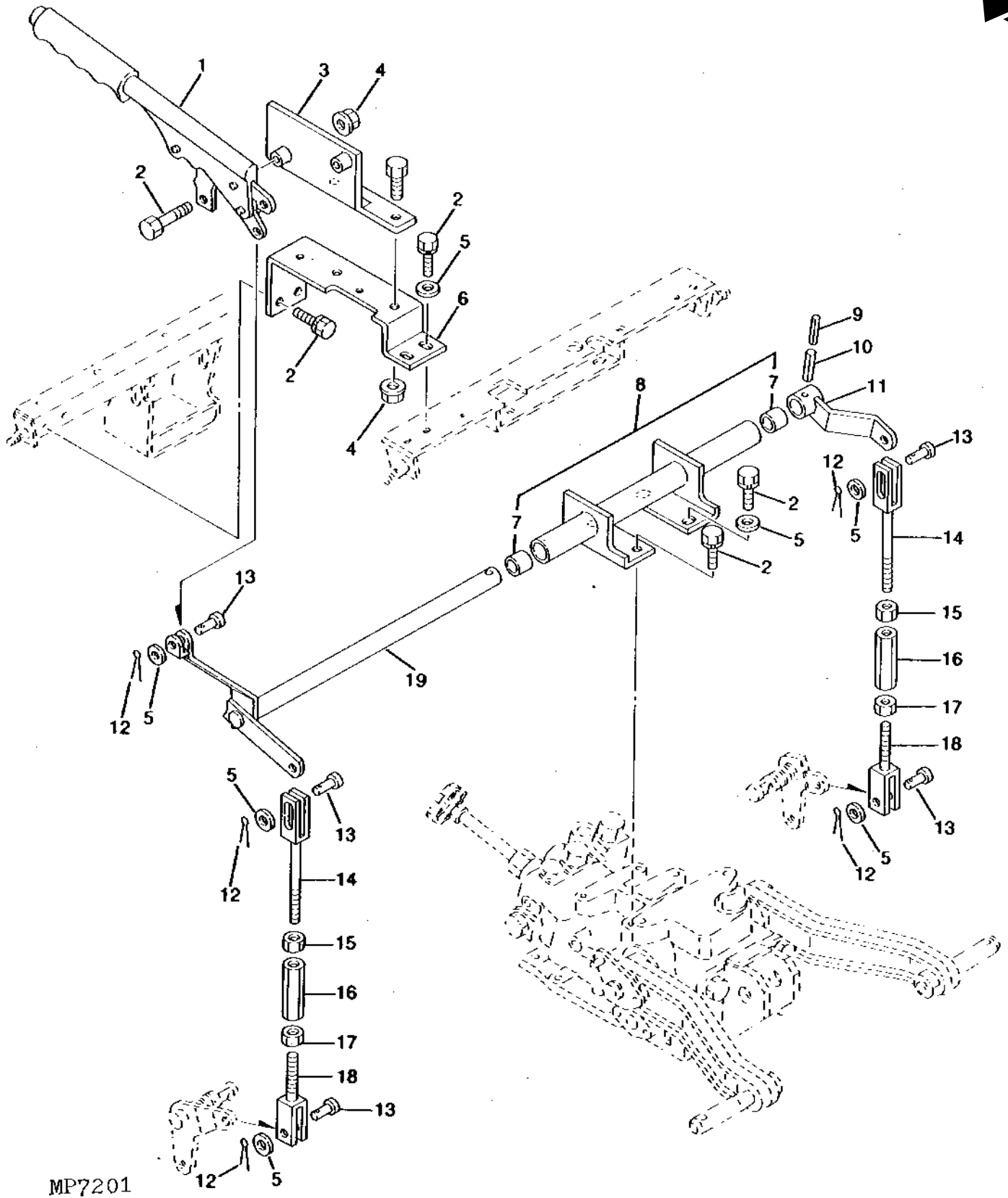
**BRAKES (CONTINUED)**

KEY	PART NO.	PART NAME	QTY	SERIAL NO.	6 7	REMARKS
					7 7	
					0 0	
1	AM876737	CAM	1		X	LH
	AM876739	CAM	1		X	LH
2	CH14574	PACKING	4		X	
	CH13778	PACKING	2		X	
3	19M7139	CAP SCREW	12		X	M8 X 20
	19M7163	CAP SCREW	12		X	M8 X 25
4	12M7065	LOCK WASHER	12			8.100 MM
5	AM877041	COVER	2		X	(SUB FOR CH15064)
	CH15070	COVER	2		X	
6	M803176	GASKET	2		X	
	M803177	GASKET	2		X	
7	40M7080	SNAP RING	2		X	(SUB FOR CH16769)
8	CH15066	EXTENSION SPRING	4		X	
	CH15073	EXTENSION SPRING	4		X	
9	CH20140	BRAKE SHOE	4		X	
	CH15072	BRAKE SHOE	4		X	
	M805305	BRAKE SHOE	4		X	(E)
10	CH15069	BRAKE DRUM	2		X	
	CH15074	BRAKE DRUM	2		X	
11	AM876738	CAM	1		X	RH
	AM876740	CAM	1		X	RH
12	AM877841	BRAKE	1		X	(E) LH
	AM877842	BRAKE	1		X	(E) RH
13	CH15067	RING	2		X	(E)

(E) EUROPEAN VERSION  
 VERSION EUROPEENNE  
 EUROPÄISCHE AUSFUEHRUNG  
 VERSION EUROPEA  
 VERSIONE EUROPEA  
 EUROPEISK VERSION

# H5

PARKING BRAKE (EUROPEAN VERSION)  
FREIN DE STATIONNEMENT (VERSION EUROPE)  
PARKBREMSE (EUROPAEISCHE AUSFUEHRUNG)  
FRENO DI PARCHEGGIO (VERSION EUROPEA)  
FRENO DE ESTACIONAMIENTO (VERSIONE EUROPEA)  
PARKERINGSBROMS (EUROPEISK VERSION)  
MP7201 -UN-01JAN94



MP7201

# H6

STEERING AND BRAKES

## PARKING BRAKE (EUROPEAN VERSION) (CONTINUED)

KEY	PART NO.	PART NAME	QTY	SERIAL NO.	REMARKS
1	AM877846	HANDBRAKE LEVER	1		
2	19M7139	CAP SCREW	8	M8 X 20	
	12M7065	LOCK WASHER	8	8.100 MM	
3	AM877848	BRACKET	1		
4	14M7273	NUT	4	M8	
	12M7065	LOCK WASHER	4	8.100 MM	
	24M7055	WASHER	4	8.400 X 16 X 1.600 MM	
5	24M7055	WASHER	9	8.400 X 16 X 1.600 MM	
6	AM877845	BRACKET	1		
7	CH18577	BUSHING	2		
8	AM877849	BRACKET	1		
9	CH17124	PIN	1		
10	CH17125	PIN	1		
11	AM877851	ARM	1		
12	CH12319	PIN	4		
13	M805040	PIN	5		
14	AM877847	ROD	1		
15	14M7274	NUT	2	M10	
16	CH10988	TURNBUCKLE	2		
17	14M7228	NUT	2	M10	
18	CH10989	YOKE	2		
19	AM877850	SHAFT	1		

---

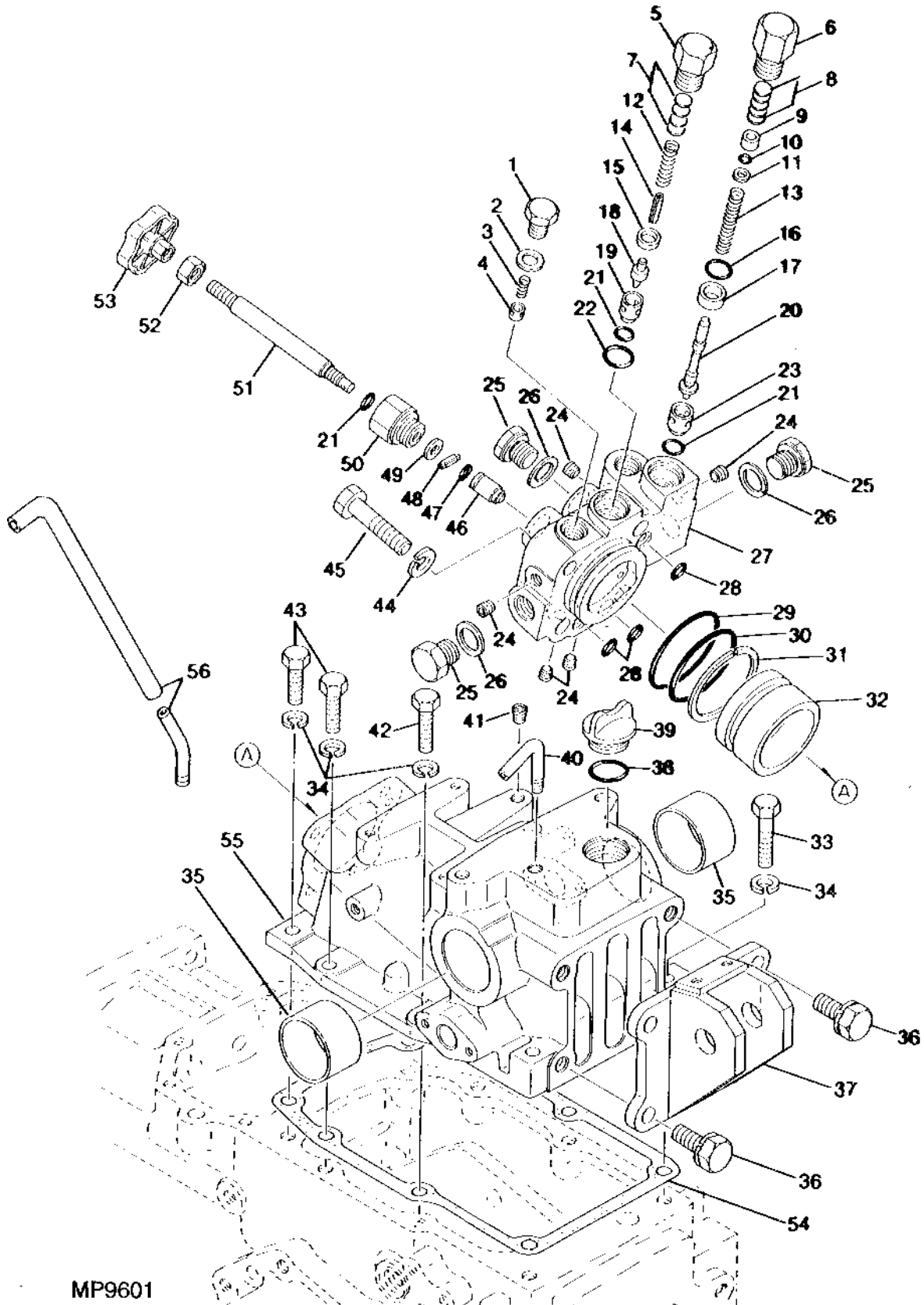
MEMORANDA

---

MEMORANDA

# H9

ROCKSHAFT CASE  
BOITIER D'ARBRE DE RELEVAGE  
HUBWELLEN-GEHAEUSE  
CAJA DEL EJE OSCILANTE  
ALLOGGIAMENTO DELL'ALBERO OSCILLANTE  
LYFTARMSAXELHUS  
MP9601 -UN-01JAN94



MP9601



# H10

HYDRAULICS

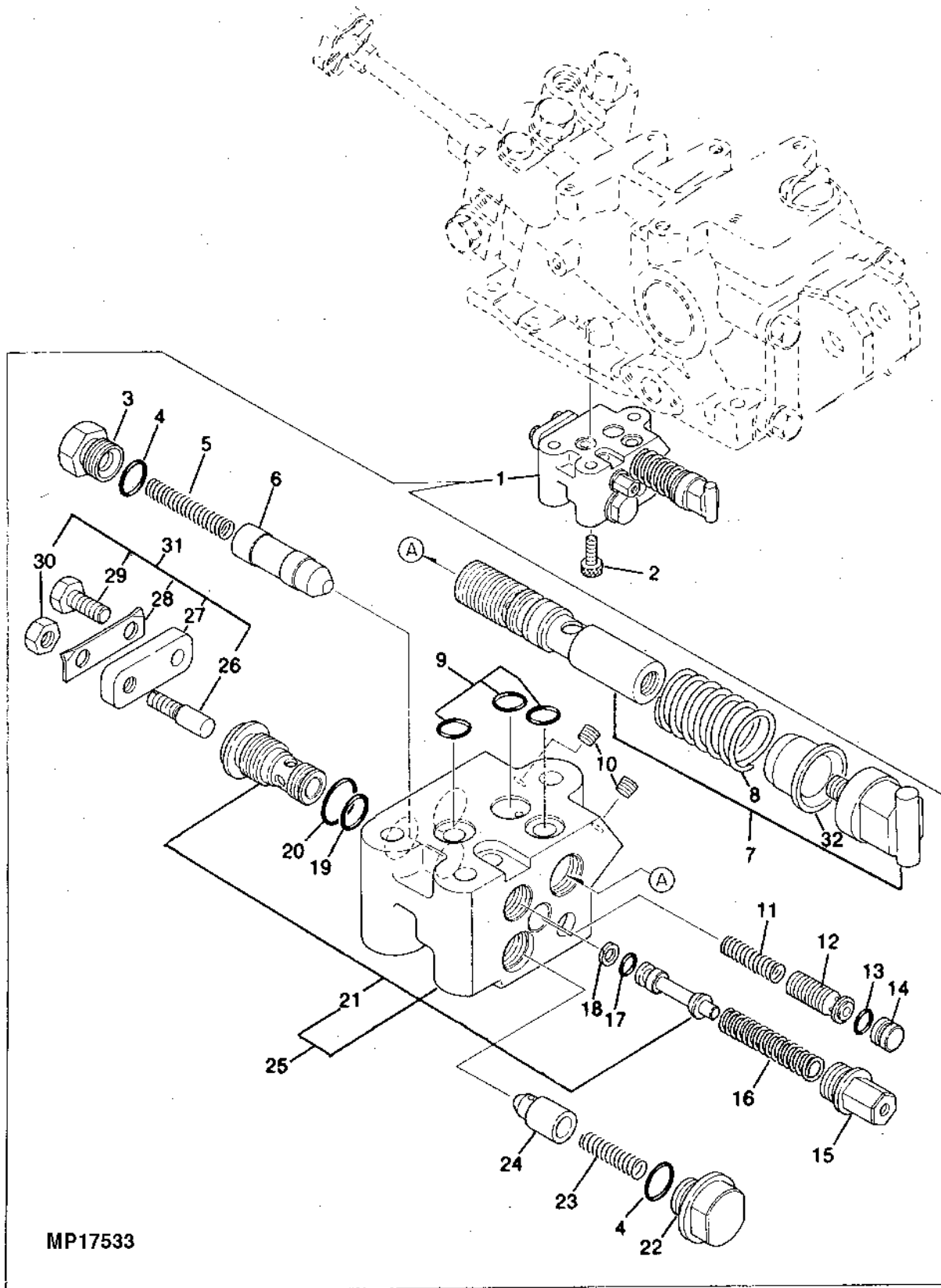
## ROCKSHAFT CASE (CONTINUED)

KEY	PART NO.	PART NAME	QTY	SERIAL NO.	REMARKS
1	M800634	PLUG	1		
2	CH16901	GASKET	1		(SUB FOR M87852)
3	CH16550	SPRING	1		
4	CH16549	POPPET	1		
5	M803242	PLUG	1		
6	M803237	PLUG	1		
7	AM876765	SHIM	1		
8	AM875169	SHIM	1		
9	M800688	BUSHING	1		
10	M800687	O-RING	1		
11	M800686	WASHER	1		
12	CH11885	COMPRESSION SPRING	1		
13	M800685	SPRING	1		
14	CH13609	SPRING PIN	1		
15	M803241	BUSHING	1		
16	CH14634	O-RING	1		
17	M803236	BUSHING	1		
18	M800662	POPPET	1		
19	M800661	VALVE SEAT	1		
20	M801143	POPPET	1		
21	CH10568	PACKING	3		
22	CH14634	O-RING	1		
23	M801163	VALVE SEAT	1		
24	15H558	PIPE PLUG	5		1/8"
25	M803022	PLUG	3		
26	M800848	GASKET	3		
27	AM876757	CYLINDER HEAD	1		(INCLUDES 15H558, M800848 AND M803022)
28	M800650	PACKING	3		
29	M803221	PACKING	1		
30	CH15123	PACKING	1		
31	CH15122	BACK-UP RING	1		
32	M803222	PISTON	1		
33	19M7180	CAP SCREW	3		M10 X 45
34	12M7066	LOCK WASHER	8		10.200 MM
35	CH15103	BUSHING	2		
36	19M7285	CAP SCREW	4		M12 X 30
	12M7067	LOCK WASHER	4		12.200 MM
37	CH19596	BRACKET	1		
38	M802001	O-RING	1		
39	M800628	CAP	1		
40	M803219	PIPE	1		
41	15H558	PIPE PLUG	1		1/8"
42	19M7550	CAP SCREW	1		M10 X 35 (HS, HEAD MARKED 10.9)
43	19M7168	CAP SCREW	4		M10 X 30
44	12M7067	LOCK WASHER	4		12.200 MM
45	19M7073	CAP SCREW	4		M12 X 50
46	M803238	SHUT-OFF VALVE	1		
47	CH11569	PACKING	1		
48	CH12294	PIN	1		
49	24M7095	WASHER	1		8.400 X 15 X 1.600 MM
50	CH15143	GUIDE	1		
51	M803239	BOLT	1		
52	14M7274	NUT	1		M10
53	M803240	KNOB	1		
54	M803218	PACKING	1		
55	AM876756	CASE	1		(INCLUDES 15H558 AND (3) CH15103)
56	AM878011	BREATHER	1		

# H11

HYDRAULICS

ROCKSHAFT CONTROL VALVE  
DISTRIBUTEUR D'ARBRE DE RELEVAGE  
DISTRIBUTORE DELL'ALBERO OSCILANTE  
VALVULA DE CONTROL DEL EJE OSCILANTE  
REGLERVENTIL FOR LYFTAEMSAXEL  
MP17533 -UN-21MAY97



MP17533

# H12

HYDRAULICS

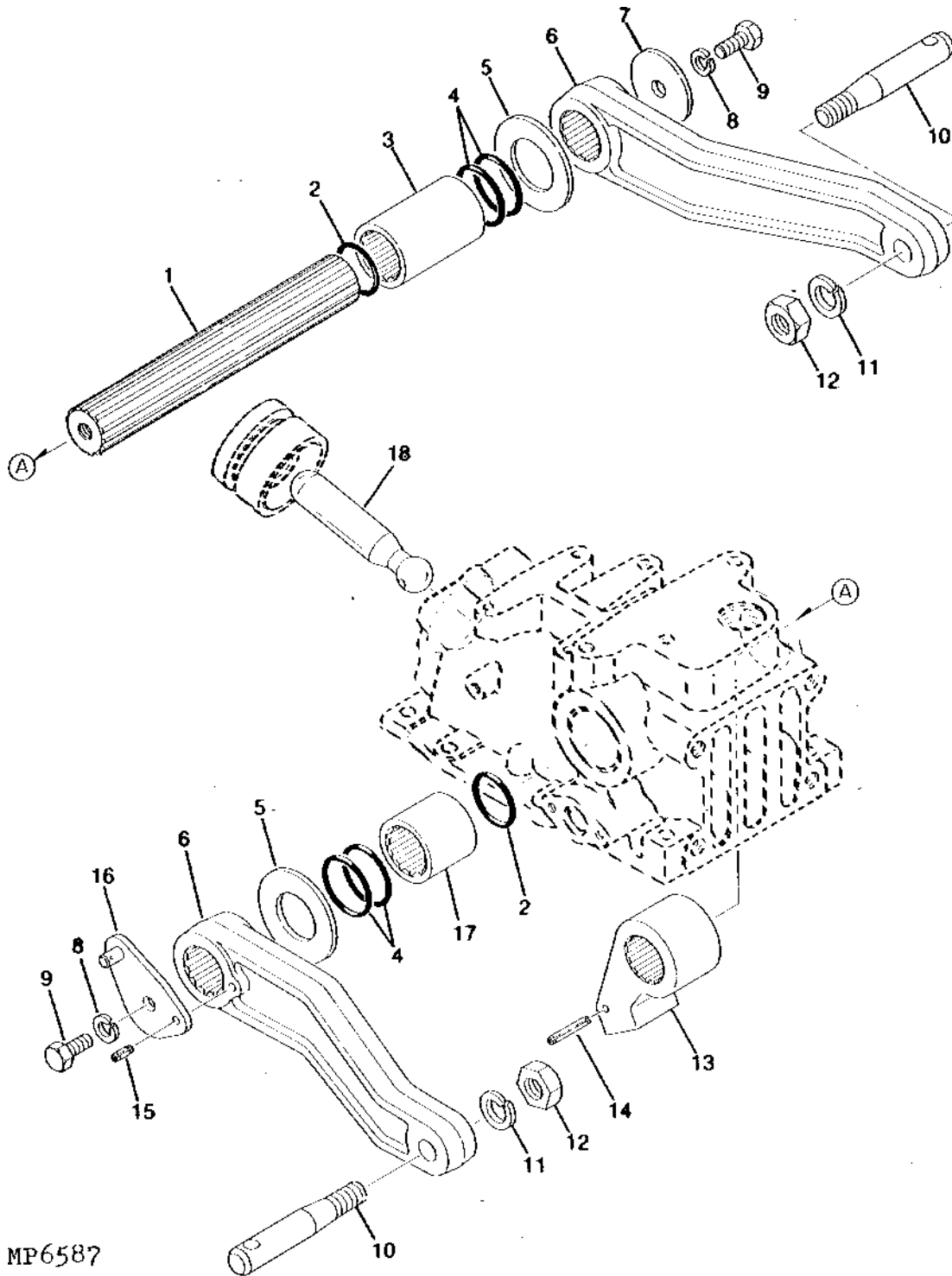
## ROCKSHAFT CONTROL VALVE (CONTINUED)

KEY	PART NO.	PART NAME	QTY	SERIAL NO.	REMARKS
1	AM876759	VALVE	1		COMPLETE
2	CH13542	BOLT	3		
3	M803235	PLUG	1		
4	CH10568	PACKING	2		
5	M800390	SPRING	1		
6	.....	POPPET	1		(ORDER AM876759)
7	.....	SPOOL	1		COMPLETE, (ORDER AM876759)
8	M800646	SPRING	1		
9	M800650	PACKING	3		
10	CH13504	PLUG	2		
11	M800397	SPRING	1		
12	M800644	SPOOL	1		
13	CH11568	PACKING	1		
14	M800635	PLUG	1		
15	.....	HOLDER	1		(ORDER AM876759)
16	M800392	SPRING	1		
17	CH11559	PACKING	1		
18	M800404	BACK-UP RING	1		
19	CH15146	PACKING	1		
20	CH10569	PACKING	1		
21	.....	VALVE	1		(ORDER AM876759)
22	M800645	PLUG	1		
23	M800388	SPRING	1		
24	.....	POPPET	1		(ORDER AM876759)
25	.....	CASE	1		(ORDER AM876759)
26	M800647	PUSH PIN	1		
27	M802554	BAR	1		
28	M800649	PLATE	1		
29	19M7560	CAP SCREW	1	M6 X 16	
30	14M7194	NUT	1	M6	
31	AM876764	PUSH PIN	1		
32	M801674	HOLDER	1		

# H13

HYDRAULICS

ROCKSHAFT CONTROL LIFT ARMS  
COMMANDE DES BRAS DE LEVAGE DE L'ARBRE DE RELEVAGE  
HUBWELLEN-HUBARMBEDIENUNG  
BRAZOS DE LEVANTE DEL EJE OSCILANTE  
BRACCI DI SOLLEVAMENTO DEL COMANDO DELL'ALBERO OSCILLANTE  
LYFTARMSREGLAGE FOER LYFTARMSAXEL  
MP6587 -UN-01JAN94



MP6587

# H14

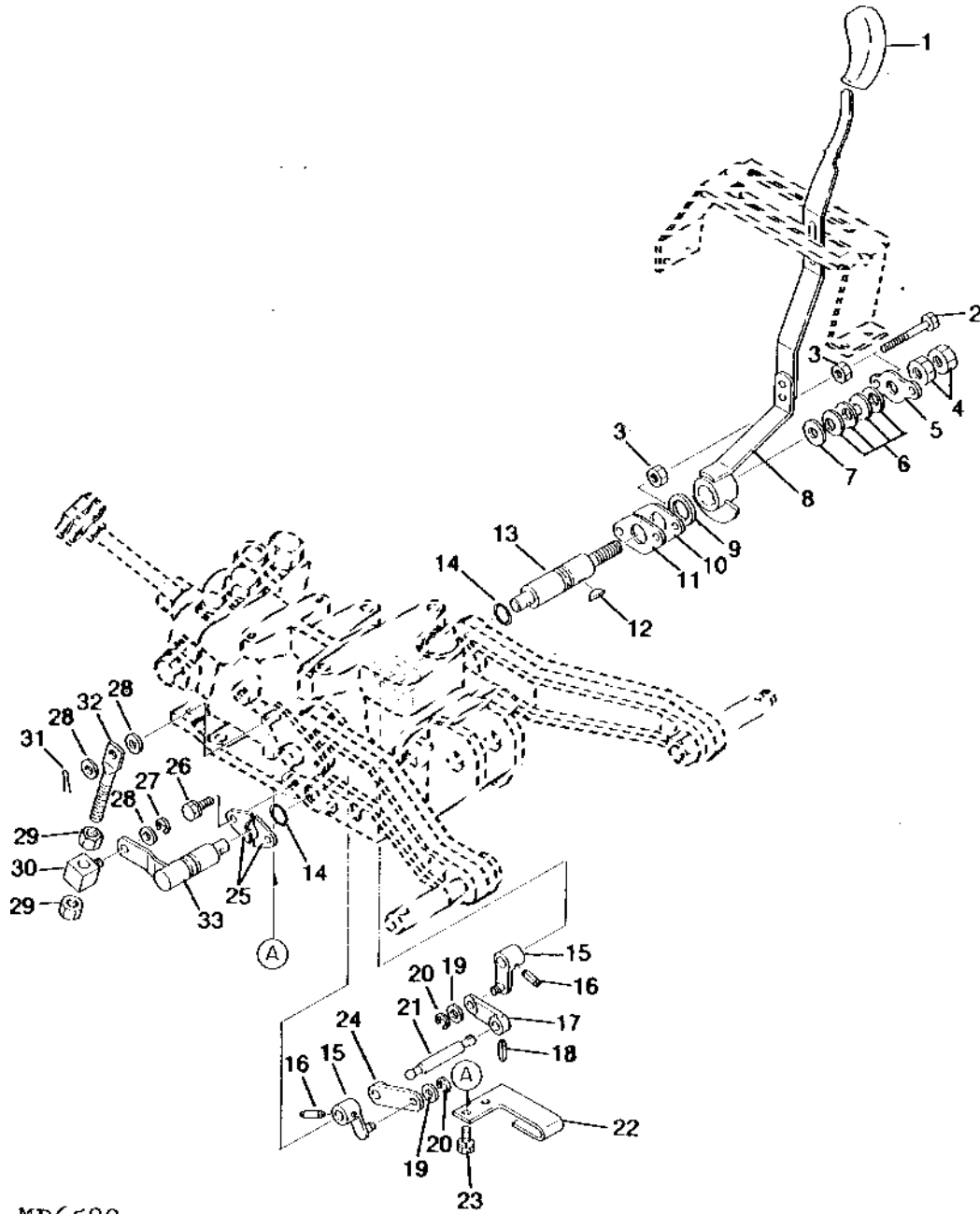
HYDRAULICS

## ROCKSHAFT CONTROL LIFT ARMS (CONTINUED)

KEY	PART NO.	PART NAME	QTY	SERIAL NO.	REMARKS
1	M803223	ROCKSHAFT	1		
2	CH14593	PACKING	2		
3	M803226	SLEEVE	1		
4	CH13520	PACKING	4		
5	M803224	SLEEVE	2		
6	M801982	ARM	2		
7	CH15133	WASHER	1		
8	12M7066	LOCK WASHER	2	10.200 MM	
9	CH12027	BOLT	2		
10	CH10998	STUD	2		
11	12M7069	LOCK WASHER	2	16.200 MM	
12	CH12395	NUT	2		
13	CH15124	CRANK	1		
14	34M7035	SPRING PIN	1	5 X 40 MM, (SUB FOR CH12301)	
15	CH15134	PIN	1		
16	AM876758	PLATE	1		
17	M803225	SLEEVE	1		
18	CH15127	ROD	1		

# H15

ROCKSHAFT HYDRAULIC CONTROL  
COMMANDE HYDRAULIQUE D'ARBRE DE RELEVAGE  
HUBWELLEN-HYDRAULIKBRDIENUNG  
CONTROL HIDRAULICO DEL EJE OSCILANTE  
COMANDO IDRAULICO DELL'ALBERO OSCILLANTE  
HYDRAULREGLAGE FOER LYFTARMSAXEL  
MP6588 -UN-01JAN94



MP6588

# H16

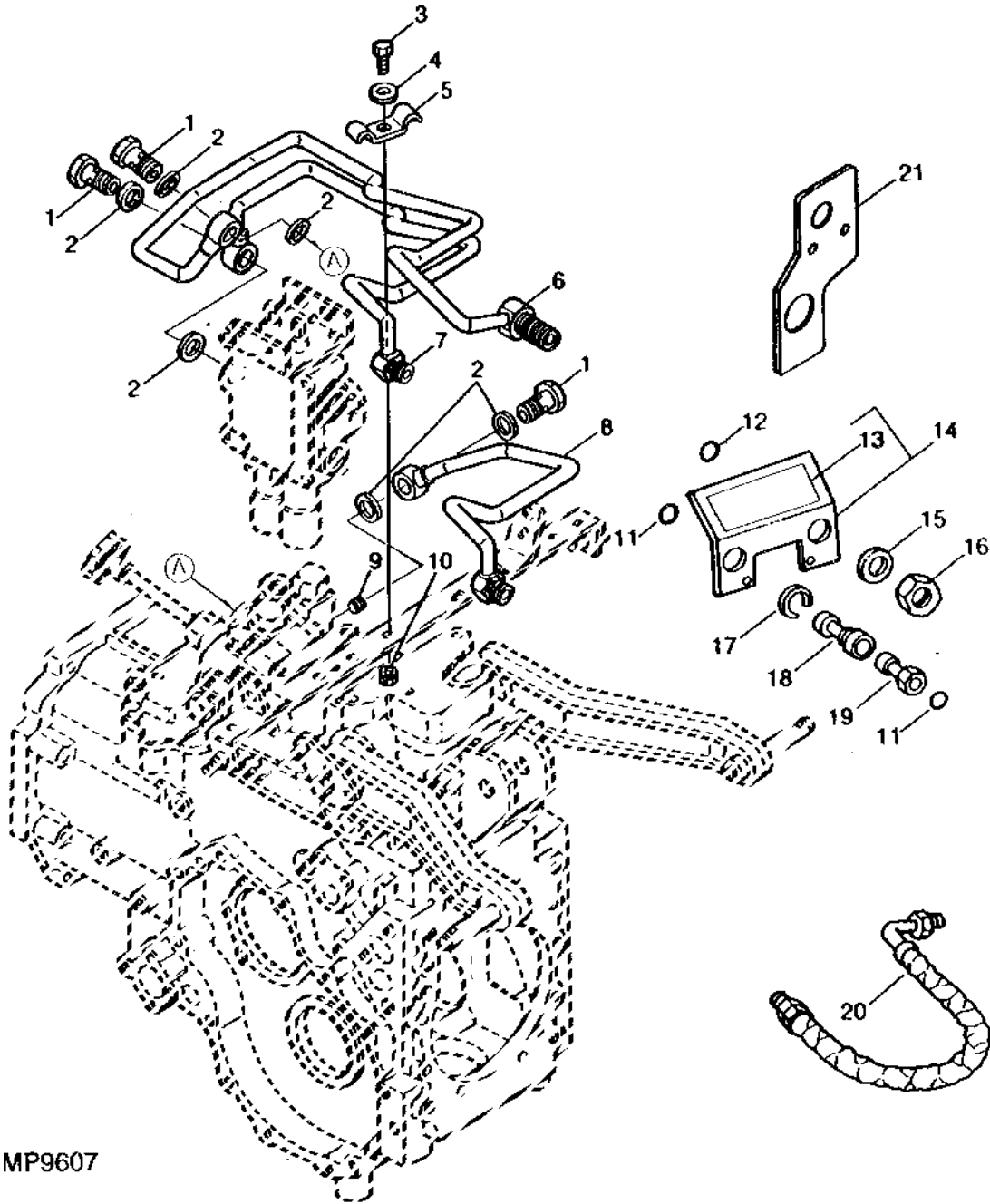
HYDRAULICS

**ROCKSHAFT HYDRAULIC CONTROL (CONTINUED)**

KEY	PART NO.	PART NAME	QTY	SERIAL NO.	REMARKS
1	M803245	KNOB	1		
2	M803262	BOLT	2		
3	14M7273	NUT	4	M8	
4	14M7275	NUT	2	M12	
5	CH18898	PLATE	1		
6	12M6191	WASHER	4		12.200 X 25 X 1.500 MM
7	24M7047	WASHER	1		13 X 24 X 2.500 MM
8	AM876767	LEVER	1		
9	CH18916	WASHER	1		
10	M803244	PLATE	1		
11	M803243	PLATE	1		
12	CH12762	SHAFT KEY	1		WOODRUFF
13	M803246	SHAFT	1		
14	CH17159	PACKING	2		
15	M803250	LEVER	2		
16	34M7030	SPRING PIN	1		(SUB FOR CH20038)
17	M803255	BAR	1		
18	34M7094	SPRING PIN	1		(SUB FOR M803261)
19	24M7095	WASHER	2		8.400 X 15 X 1.600 MM
20	CH11489	RING	2		
21	M803247	BAR	1		
22	M803785	GUIDE	1		
23	19M7162	CAP SCREW	2	M8 X 16	
	12M7065	LOCK WASHER	2	8.100 MM	
24	M803252	BAR	1		
25	M803260	HOLDER	2		
26	19M7162	CAP SCREW	2	M8 X 16	
	12M7065	LOCK WASHER	2	8.100 MM	
27	CH11490	RING	1		
28	24M7028	WASHER	3		10.500 X 20 X 2 MM
29	14M7274	NUT	2	M10	
30	M803253	PIN	1		
31	11M7023	COTTER PIN	1		4 X 32 MM
32	M803254	ROD	1		
33	AM876766	SHAFT	1		

# H17

REAR AUXILIARY LINE KIT  
JEU DE LIGNE AUXILIAIRE ARRIERE  
HINTERE ZUSATZLEITUNG-SATZ  
JUEGO DE CONDUCTOS AUXILIARES TRASEROS  
KIT DELLE LINEE IDRAULICHE POSTERIORI  
BAKRE RESERVLEDNINGSSATS  
MP9607 -UN-01JAN94



MP9607



# H18

HYDRAULICS

## REAR AUXILIARY LINE KIT (CONTINUED)

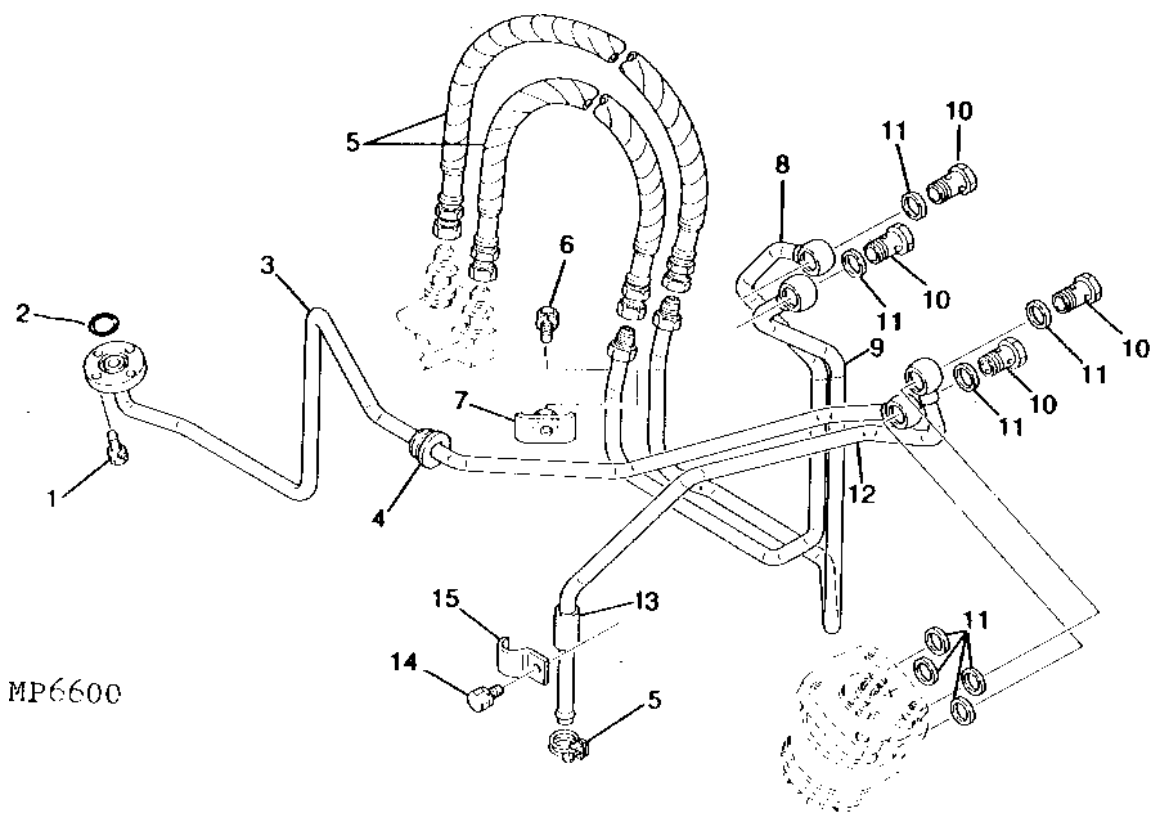
KEY	PART NO.	PART NAME	QTY	SERIAL NO.	REMARKS
1	M800853	BOLT	3		(2 OF 3 INCLUDED IN BM18005)
2	M800848	GASKET	6		(4 OF 6 INCLUDED IN BM18005)
3	19M7139	CAP SCREW	1		M8 X 20
4	24M7051	WASHER	1		21 X 37 X 3 MM
5	M803846	CLAMP	1		
6	AM876917	LINE	1		
	AM878001	LINE	1		(E)
7	AM876919	LINE	1		
	AM878002	LINE	1		(E)
8	AM876918	LINE	1		
9	15H275	PIPE PLUG	1		
10	14M7273	NUT	1		M8
	12M7065	LOCK WASHER	1		8.100 MM
11	R26375	O-RING	2		
12	T77857	O-RING	3		
13	M72810	LABEL	1		ENGLISH
	M76402	LABEL	1		FRANCAIS
	M93620	LABEL	1		DEUTSCH
14	AM105469	BRACKET	1		
15	24M7051	WASHER	1		21 X 37 X 3 MM
16	T78716	NUT	1		
17	M42702	SNAP RING	1		
18	AM105466	HYD. QUICK-CONNECT COUPLER	1		
19	AM105467	INTERNAL HALF COUPLER	1		
20	AM105465	HYDRAULIC HOSE	1		
21	M805526	BRACKET	1		(E)
..	AM878008	DECAL KIT	1		(E)
..	<b>BM18005</b>	<b>KIT</b>	<b>1</b>		<b>REAR AUXILIARY HYDRAULIC (ALSO INCLUDES M802950 CLAMP AND M804307 CLAMP) (SUB FOR AM107221)</b>

(E) EUROPEAN VERSION  
 VERSION EUROPEENNE  
 EUROPÄISCHE AUSFUEHRUNG  
 VERSION EUROPEA  
 VERSIONE EUROPEA  
 EUROPEISK VERSION

# H19

HYDRAULICS

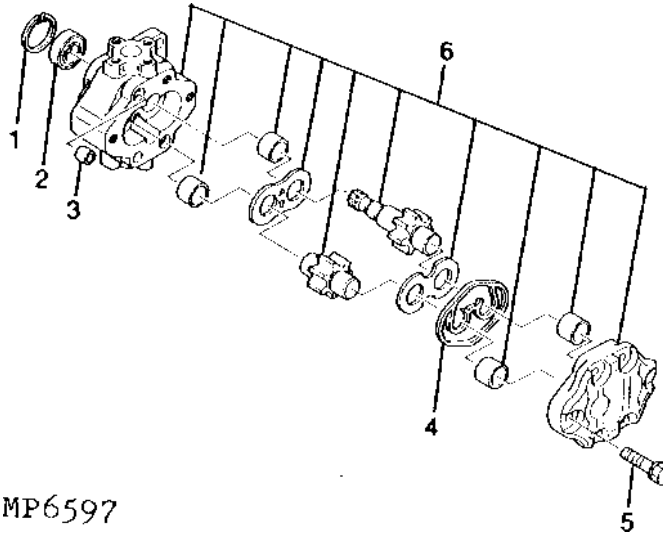
REAR HYDRAULIC LINES  
 CONDUITES HYDRAULIQUES ARRIERE  
 HINTERE HYDRAULIKLEITUNGEN  
 CONDUCTOS HIDRAULICOS TRASEROS  
 LINEE IDRAULICHE POSTERIORI  
 BAKRE HYDRAULISKA LEDNINGAR  
 MP6600 -UN-01JAN94



MP6600

KEY	PART NO.	PART NAME	QTY	SERIAL NO.	REMARKS
1	T111732	BOLT	4		X
	19M7077	CAP SCREW	4		X M6 X 20
	12M7006	LOCK WASHER	4		X 6.100 MM
2	CH11562	PACKING	1		
3	AM876685	LINE	1		X PUMP
	AM876688	LINE	1		X PUMP
4	CH17296	GROMMET	1		
5	M802947	HYDRAULIC HOSE	2		X
	M802954	HOSE	2		X
6	19M7139	CAP SCREW	1		M8 X 20
	12M7065	LOCK WASHER	1		8.100 MM
7	AM876687	CLAMP	2		
8	AM876683	HYDRAULIC HOSE	1		LH
9	AM876684	LINE	1		RH
10	M800853	BOLT	4		
11	M800848	GASKET	8		
12	AM876686	LINE	1		DRAIN
13	CH13865	BUSHING	1		
14	19M7162	CAP SCREW	1		M8 X 16
	12M7065	LOCK WASHER	1		8.100 MM
15	M802956	CLAMP	1		

HYDRAULIC PUMP  
 POMPE HYDRAULIQUE  
 HYDRAULIKLETUNGEN  
 BOMBA HIDRAULICA  
 POMPA IDRAULICA  
 HYDRAULPUMP  
 MP6597 -UN-01JAN94



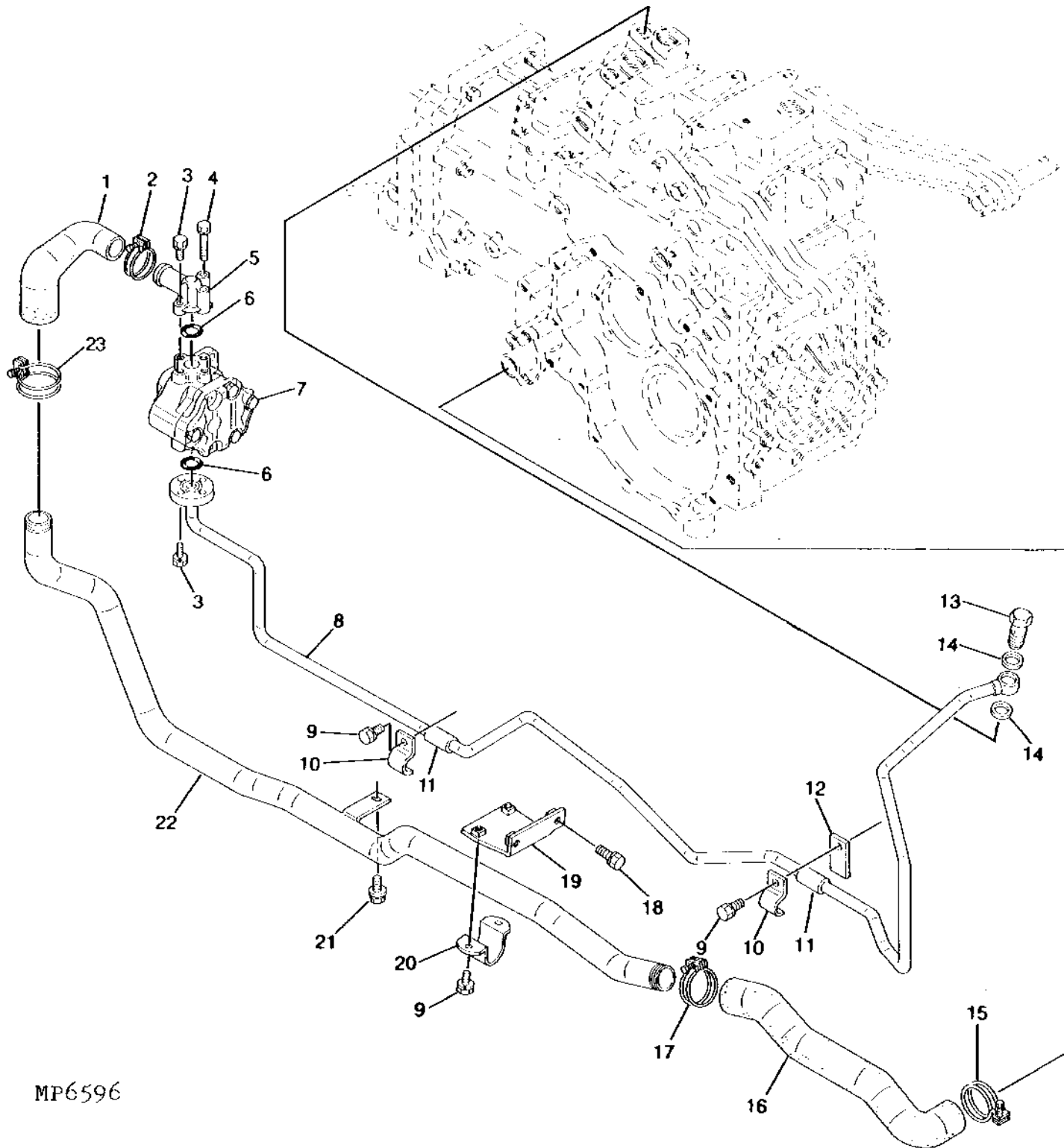
MP6597

KEY	PART NO.	PART NAME	QTY	SERIAL NO.	REMARKS
1	CH17861	RING	1		
2	ET14364	SEAL	1		
3	ET14356	BUSHING	2		
4	M803206	RING	1		
5	M800566	SCREW, WITH WASHER	4		
6	AM876750	HYDRAULIC PUMP	1		

# H21

HYDRAULICS

HYDRAULIC LINES AND TRANSMISSION SUCTION LINE  
CONDUITES HYDRAULIQUES ET CONDUITE D'ASPIRATION DE BOITE DE VITESSES  
HYDRAULIKLEITUNGEN UND GETRIEBE-SAUGLEITUNG  
TUBAZIONI IDRAULICHE E TUBAZIONE DI ASPIRAZIONE DELLA TRASMISSIONE  
TUBERIA HIDRAULICA Y DE ASPIRACION DE LA TRANSMISION  
HYDRAULISKA LEDNINGAR OCH VAXELSUGLEDNING  
MP6596 -UN-01JAN94



MP6596

# H22

HYDRAULICS

## HYDRAULIC LINES AND TRANSMISSION SUCTION LINE (CONTINUED)

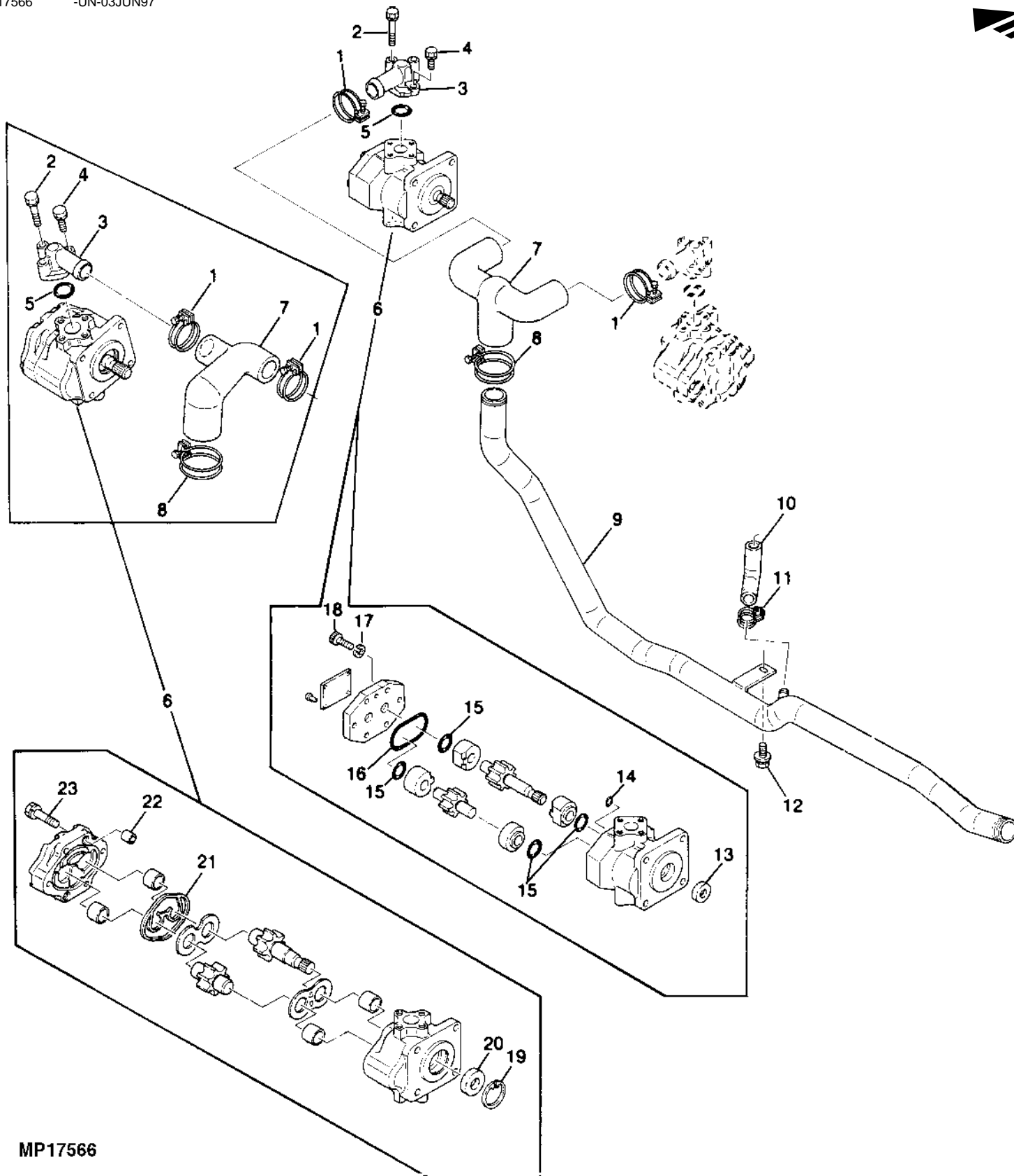
KEY	PART NO.	PART NAME	QTY	SERIAL NO.	6 7	REMARKS
					7 7	
					0 0	
1	M803268	HOSE	1		X	
	M803267	HOSE	1		X	
2	AR21839	CLAMP	1			
3	19M7077	CAP SCREW	5			M6 X 20
	12M7006	LOCK WASHER	5			6.100 MM
4	19M7374	CAP SCREW	2			M6 X 40
	12M7006	LOCK WASHER	2			6.100 MM
5	M802952	FLANGE	1			
6	CH11562	PACKING	2			
7	AM876750	HYDRAULIC PUMP	1			
8	AM877820	LINE	1		X	PRESSURE, (SUB FOR AM876768)
	AM877821	LINE	1		X	PRESSURE, (SUB FOR AM876769)
9	19M7162	CAP SCREW	2			M8 X 16
	12M7065	LOCK WASHER	2			8.100 MM
10	M802956	CLAMP	2			
11	CH13865	BUSHING	2			
12	AR21839	CLAMP	1			
13	AM876772	FITTING	1			
14	CH11547	WASHER	2			
15	M803280	CLAMP	1			
16	M803266	HOSE	1			
17	AR21840	CLAMP	1			(SUB FOR M804348 OR M804837)
18	19M7139	CAP SCREW	2			M8 X 20
	12M7065	LOCK WASHER	2			8.100 MM
19	AM876773	CLAMP	1			
20	M803282	CLAMP	1			
21	19M7162	CAP SCREW	1			M8 X 16
	24M7055	WASHER	1			8.400 X 16 X 1.600 MM
	12M7065	LOCK WASHER	1			8.100 MM
22	AM877818	LINE	1		X	SUCTION
	AM877638	LINE	1		X	SUCTION, (SUB FOR AM876771)
23	AR21840	CLAMP	1			

# H23

HYDRAULICS

HYDRAULIC PUMP AND LINES FOR POWER STEERING  
POMPE HYDRAULIQUE ET CONDUITES POUR LA DIRECTION ASSISTEE  
HYDRAULIKPUMPE UND LEITUNGEN FUER SERVOLENKUNG  
BOMBA HIDRAULICA Y CONDUCTOS PARA LA SERVODIRECCION  
POMPA IDRAULICA E LINEE DEL SERVOSTERZO  
HYDRAULPUMP OCH LEDNINGAR FOR SERVOSTYRNING

MP17566 -UN-03JUN97



MP17566

# H24

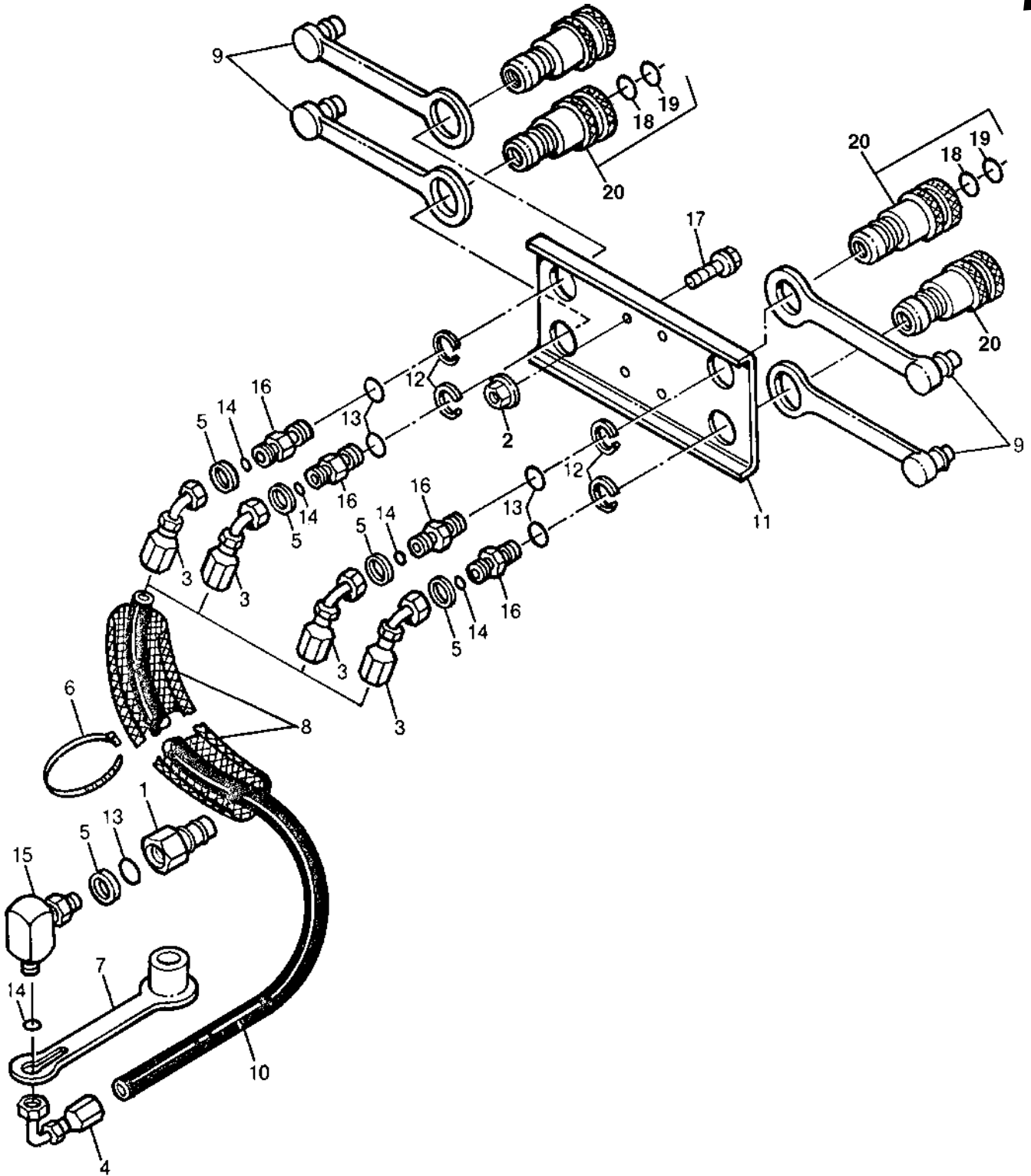
HYDRAULICS

## HYDRAULIC PUMP AND LINES FOR POWER STEERING (CONTINUED)

KEY	PART NO.	PART NAME	QTY	SERIAL NO.	6 7	REMARKS
					7 7	
					0 0	
1	AR21839	CLAMP	2			
2	19M7374	CAP SCREW	2			M6 X 40
	12M7006	LOCK WASHER	2			6.100 MM
3	M802952	FLANGE	1			
4	19M7077	CAP SCREW	1			M6 X 20
	12M7006	LOCK WASHER	1			6.100 MM
5	CH11562	PACKING	1			
6	AM876755	PUMP	1		X	
	AM876753	HYDRAULIC PUMP	1		X	
7	M803281	HOSE	1		X	SUCTION
	M803284	HOSE	1		X	SUCTION
8	AR21840	CLAMP	1			
9	AM877819	LINE	1		X	(SUB FOR AM876774)
	AM876775	HYDRAULIC LINE	1		X	
10	M802949	HOSE	1			
11	AR21836	CLAMP	2			
12	19M7162	CAP SCREW	1			M8 X 16
	24M7055	WASHER	1			8.400 X 16 X 1.600 MM
	12M7065	LOCK WASHER	1			8.100 MM
13	CH15098	SEAL	1		X	
14	CH15099	O-RING	1		X	
15	CH12329	PACKING	4		X	
16	CH15100	O-RING	1		X	
17	12M7065	LOCK WASHER	6		X	8.100 MM
18	19M7657	SCREW	6		X	M8 X 25 (HS, HEAD MARKED 10.9)
19	CH17861	RING	1		X	
20	ET14364	SEAL	1		X	
21	M803206	RING	1		X	
22	ET14356	BUSHING	2		X	
23	M800566	SCREW, WITH WASHER	4		X	

REAR QUICK COUPLER KIT  
JEU DE ACCOUPLEMENT RAPIDE HYDR. ARRIERE  
HYDRAULIK-STECKKUPPLUNGSATZ  
SERIE PEZZI ATTACCO RAPIDO POSTER.  
JUEGO ACOPLAMIENTO HIDR. RAPIDO TRASERAS  
HYDRAULISK SNABBKOPPLINGSATS  
MP17526 -UN-19MAY97

(SN -120000)



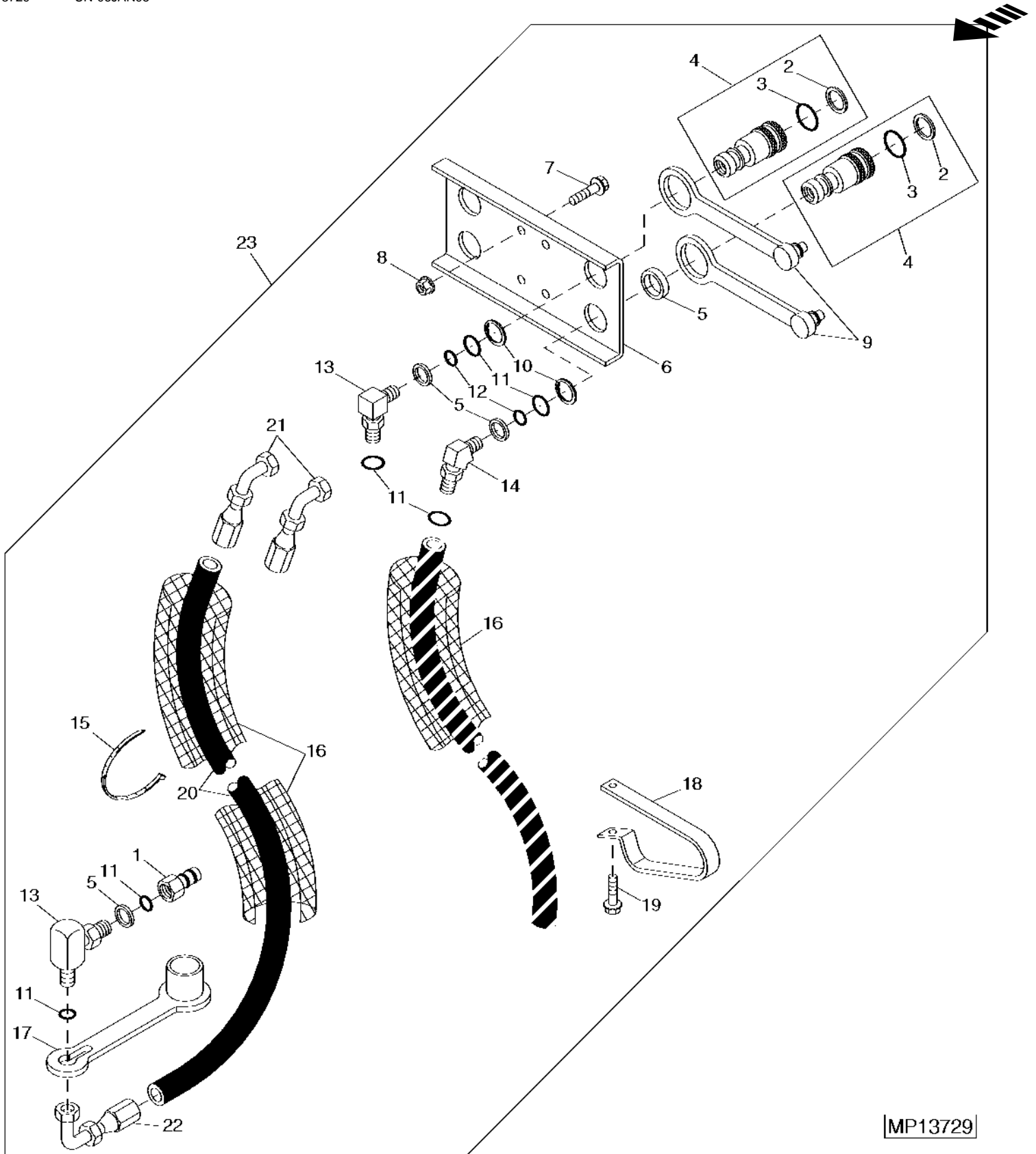
MP17526



**REAR QUICK COUPLER KIT (SN -120000) (CONTINUED)**

KEY	PART NO.	PART NAME	QTY	SERIAL NO.	REMARKS
1	AM102420	INTERNAL HALF COUPLER	4	(A)	
2	14M7265	LOCK NUT	4	(A)	
3	AM102817	ELBOW FITTING	4	(A) 45°	
4	AM102818	ELBOW FITTING	4	(A) 90° SHORT DROP	
5	AM106200	KIT	2	(A) (SET OF (4) COLOR-CODED RINGS)	
6	H77698	TIE BAND	10	(A)	
7	M70728	CAP	4	(A)	
8	M78720	COVER	1	(A) 1.07 M (42")	
9	M85099	CAP	4	(A)	
10	.....	HOSE	4	(A) (MAKE FROM M91486)	
11	M96709	BRACKET	1	(A) REAR	
12	R26192	SNAP RING	4	(A)	
13	R26448	O-RING	8	(A)	
14	T77814	O-RING	8	(A)	
15	38H1009	ELBOW FITTING	4	(A) 90° O-RING FSF	
16	38H1168	ADAPTER	4	(A) O-RING FSF 9/16 ORS 9/16 ORB	
17	19M7640	CAP SCREW	4	M5 X 12	
18	M122639	BACK-UP RING	4	SERRATED	
19	M122638	O-RING	1		
20	AM116986	HYD. QUICK-CONNECT COUPLER	1		
..	AM116804	KIT	1	REAR QUICK COUPLER (INCLUDES PARTS MARKED (A))	

REAR QUICK COUPLER KIT (2 HOSES)  
JEU DE ACCOUPLEMENT RAPIDE HYDR. ARRIERE (2 FLEXIBLES)  
HYDRAULIK-STECKKUPPLUNGSATZ (2 SCHLAEUCHE)  
SERIE PEZZI ATTACCO RAPIDO POSTER. (2 TUBI FLESSIBILI)  
JUEGO ACOPLAMIENTO HIDR. RAPIDO TRASERAS (2 MANGUERAS)  
HYDRAULISK SNABBKOPPLINGSATS (2 SLANGAR)  
MP13729 -UN-06JAN95

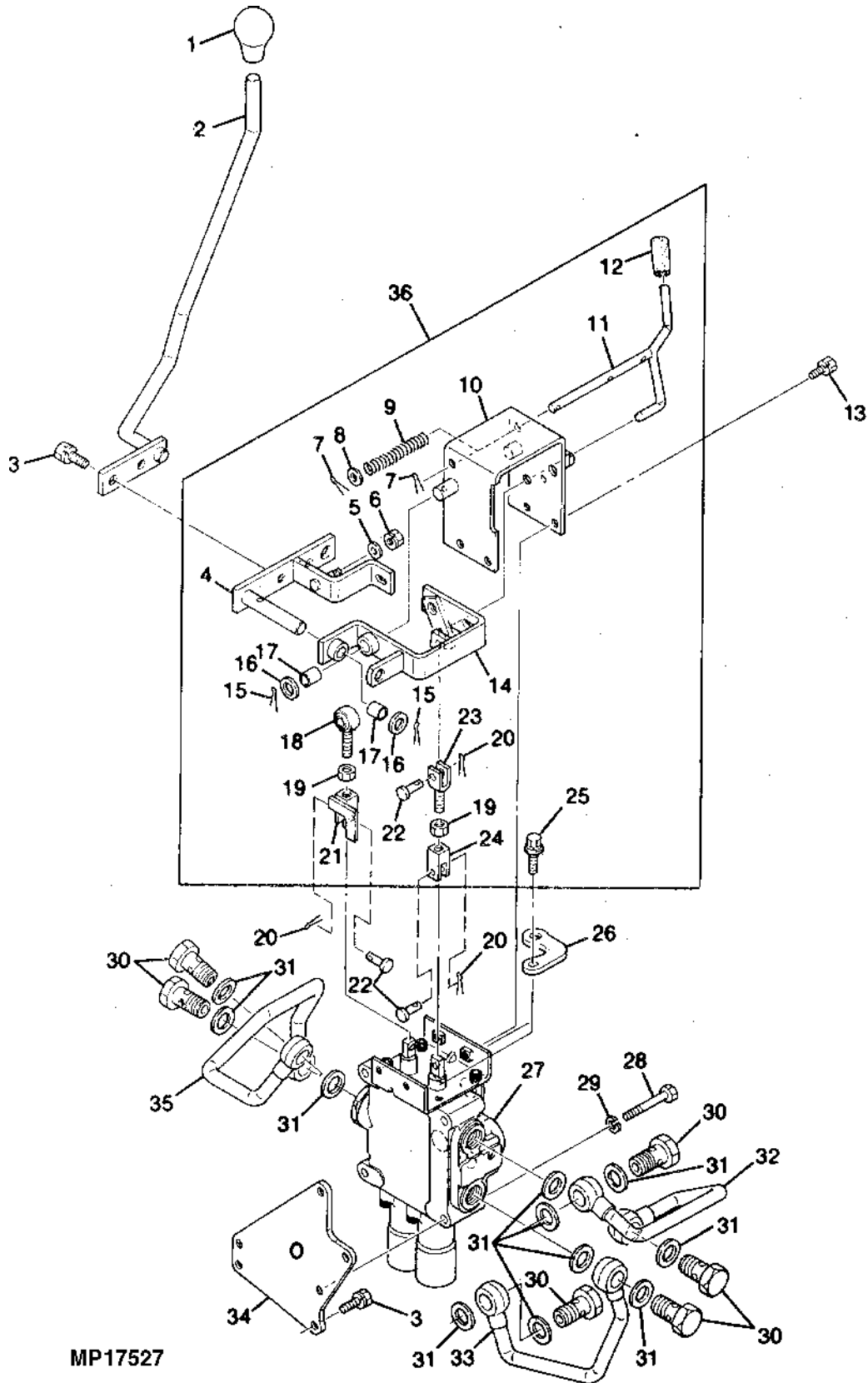


MP13729

## REAR QUICK COUPLER KIT (2 HOSES) (SN 120001- ) (CONTINUED)

KEY	PART NO.	PART NAME	QTY	SERIAL NO.	REMARKS
1	AM102420	INTERNAL HALF COUPLER	2		
2	M122639	BACK-UP RING	2		
3	M122638	O-RING	2		
4	AM116986	HYD. QUICK-CONNECT COUPLER	2		
5	AM106200	KIT	1		(SET OF (4) COLOR-CODED RINGS)
6	.....	BRACKET	1		(ORDER BM18046)
7	19M7373	CAP SCREW	4		M5 X 20
8	14M7375	FLANGE NUT	4		M5
9	M85099	CAP	2		
10	R26192	SNAP RING	2		
11	R26448	O-RING	4		
12	T77814	O-RING	4		
13	38H1009	ELBOW FITTING	3		90°
14	38H1545	ELBOW FITTING	1		45°
15	H77698	TIE BAND	7		
16	M78720	COVER	2		1.07 M (42")
17	M70728	CAP	2		
18	AH77884	CLIP	3		
19	19M7863	SCREW	1		M6 X 25 (HS, HEAD MARKED 10.9)
	19M7862	SCREW	1		M6 X 20 (HS, HEAD MARKED 10.9)
	19M7867	SCREW	1		M8 X 25 (HS, HEAD MARKED 10.9)
	14M7303	FLANGE NUT	1		M6
20	.....	HOSE	2		(MAKE FROM M91486)
21	AM102817	ELBOW FITTING	2		
22	AM102818	ELBOW FITTING	2		
23	<b>BM18046</b>	<b>KIT</b>	<b>1</b>		<b>REAR QUICK COUPLER</b>

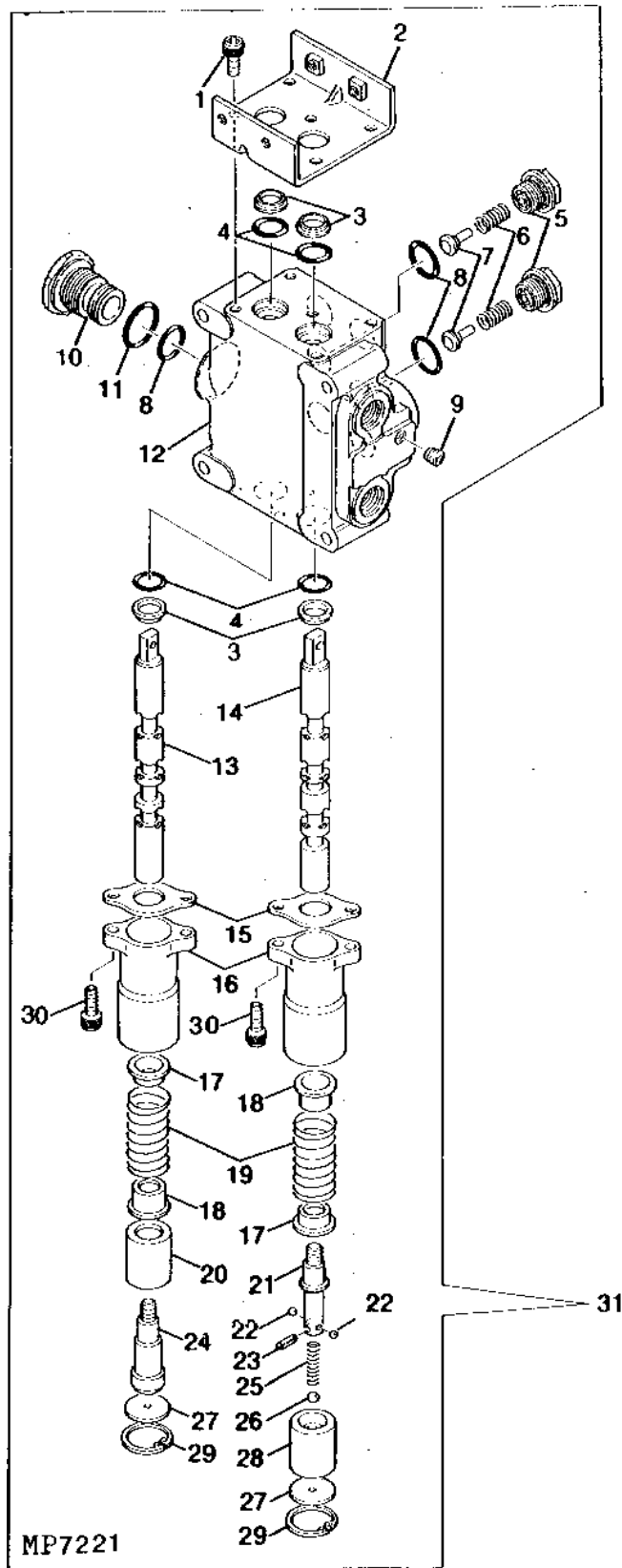
SELECTIVE CONTROL VALVE LEVER AND LINKAGE  
LEVIER ET TRINGLERIE DE DISTRIBUTEUR SELECTIF  
ZUSATZSTEUERGERAT-BETATIGUNGHEBEL UND GESTANGE  
LEVA E TIRANTERIA DISTRIBUTORI SELSTTIVI  
PALANCA Y VARILLAJE DE LA VALVULA DE CONTROL SELECTIVO  
SPAK OCH LANKSYSTEM FOR SELEKTIV REGLERVENTIL  
MP17527 -UN-16MAY97



## SELECTIVE CONTROL VALVE LEVER AND LINKAGE (CONTINUED)

KEY	PART NO.	PART NAME	QTY	SERIAL NO.	REMARKS
1	CH11985	KNOB	1	(B)	
2	AM876887	LEVER	1	(B)	
3	19M7139	CAP SCREW	5	(B) M8 X 20	
	12M7065	LOCK WASHER	5	(B) 8.100 MM	
4	AM876877	ARM	1	(B)	
5	M804304	WASHER	1		
6	14M7272	NUT	1	M6	
	12M7006	LOCK WASHER	1	6.100 MM	
7	11M7081	COTTER PIN	2	2.500 X 20 MM	
8	24M7095	WASHER	1	8.400 X 15 X 1.600 MM	
9	M803641	SPRING	1		
10	AM876888	SUPPORT	1	(B)	
11	AM876885	LEVER	1	(B)	
12	CH11882	KNOB	1	(SUB FOR M803640)	
13	19M7560	CAP SCREW	4	(B) M6 X 16	
	12M7006	LOCK WASHER	4	(B) 6.100 MM	
14	AM876891	ARM	1		
15	11M7082	COTTER PIN	2	2.500 X 25 MM	
16	CH14865	WASHER	2		
17	M803680	BUSHING	2		
18	M803643	ROD	1		
19	14M7273	NUT	2	M8	
20	11M7076	COTTER PIN	3	(B) 1.600 X 12 MM	
21	AM876889	CLEVIS	1	(B)	
22	M803681	PIN	3	(B)	
23	AM876890	CLEVIS	1	(B)	
24	M803668	CLEVIS	1	(B)	
25	19M7077	CAP SCREW	1	(B) M6 X 20	
	12M7006	LOCK WASHER	1	(B) 6.100 MM	
	24M7054	WASHER	1	(B) 6.400 X 12 X 1.600 MM	
26	M803644	PLATE	1	(B)	
27	AM117842	VALVE	1	-XXXXXX	KANZAKI (SHOWN) (SUB FOR AM876873)
	AM117015	VALVE	1	XXXXXX-XXXXXX	DANFOSS/DUKES 1560-AA
	AM117842	VALVE	1	XXXXXX-	(B) DANFOSS/DUKES 1560-AC
28	19M7165	CAP SCREW	3	(B) M8 X 55	
29	12M7065	LOCK WASHER	3	(B) 8.100 MM	
30	M800853	BOLT	6	(B)	
31	M800848	GASKET	12	(B)	
32	AM876883	LINE	1	(B)	(PORT MARKED "P")
33	AM876886	LINE	1	(B)	(PORT MARKED "T")
34	M806838	BRACKET	1	(B)	(SUB FOR M803663)
35	AM876884	LINE	1	(B)	(PORT MARKED "C")
36	AM117371	LINKAGE	1	(B) (B)	
..	AM878861	KIT	1		SCV (INCLUDES PARTS MARKED (B) AND M803678, AND M803679 LABELS) (SUB FOR AM876872)

SELECTIVE CONTROL VALVE (KANZAKI)  
 DISTRIBUTEURS SELECTIFS (KANZAKI)  
 ZUSATZSTEUERGERATE (KANZAKI)  
 DISTRIBUTORI SELETTIVI (KANZAKI)  
 VALVULAS DE CONTROL SELECTIVO (KANZAKI)  
 SELEKTIVA REGLERVENTILER (KANZAKI)  
 MP7221 -UN-01JAN94

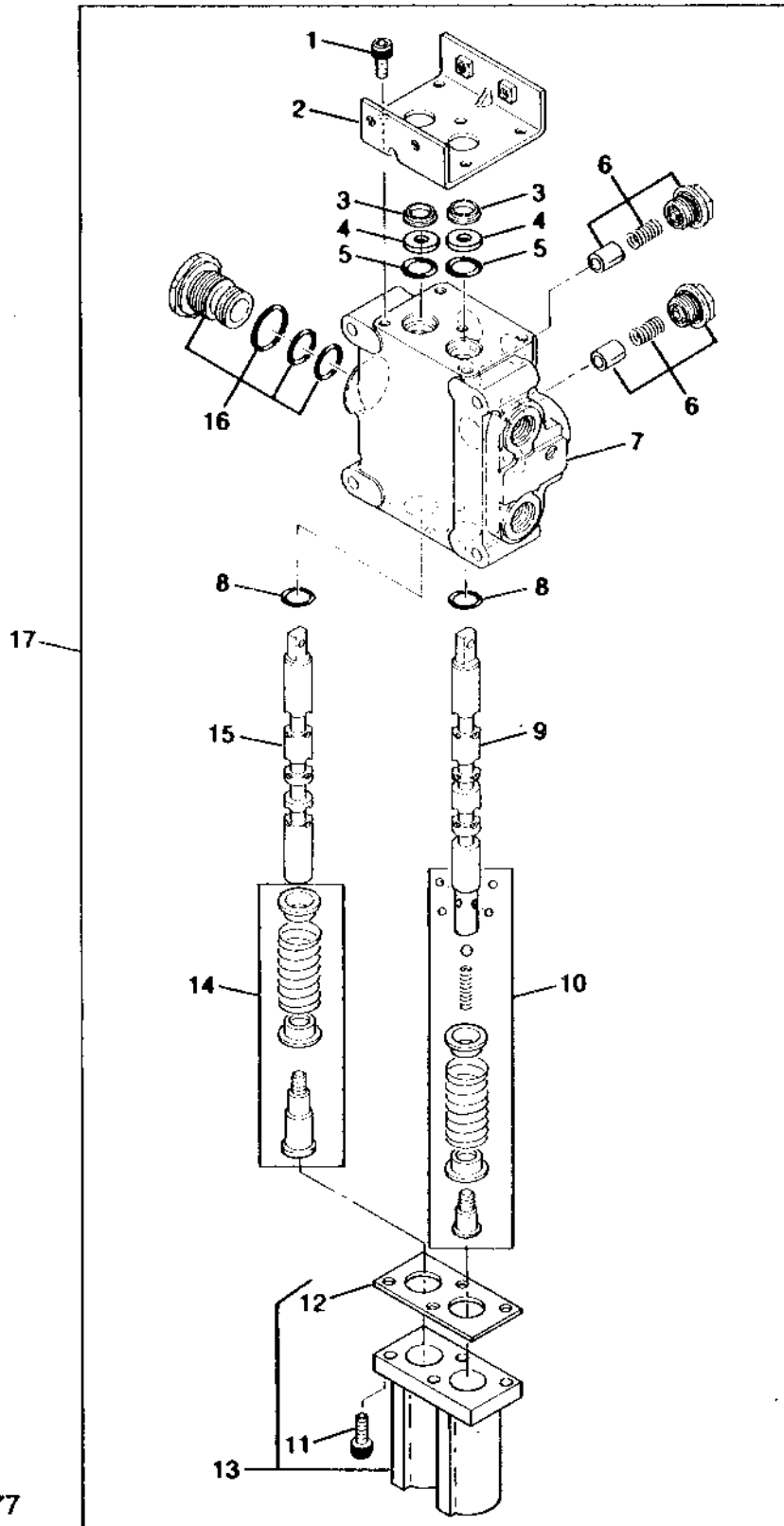


MP7221

## SELECTIVE CONTROL VALVE (KANZAKI) (CONTINUED)

KEY	PART NO.	PART NAME	QTY	SERIAL NO.	REMARKS
1	M801517	BOLT	4		
2	AM876924	BRACKET	1		
3	AM876922	SEAL	4		
4	CH10570	PACKING	4		
5	AM876925	PLUG	2		
6	AM876926	SPRING	2		
7	M800699	POPPET	1		
8	U46489	O-RING	2		
9	AM876921	PLUG	1		
10	AM876927	PLUG	1		
11	CH11564	PACKING	1		
12	.....	VALVE	1		(ORDER AM876873)
13	.....	SPOOL	1		(ORDER AM117842)
14	.....	SPOOL	1		(ORDER AM117842)
15	AM876923	COVER	2		
16	M803634	COVER	2		
17	AM876930	RETAINER	2		
18	AM876931	RETAINER	2		
19	AM876929	SPRING	2		
20	M803638	RETAINER	1		
21	AM876932	RETAINER	1		
22	M800710	BALL	2		
23	M800711	SPRING PIN	1		
24	M803639	GUIDE	1		
25	M800709	COMPRESSION SPRING	1		
26	R63075	BALL	1		
27	M803636	COVER	2		
28	M803635	RETAINER	1		
29	M803642	RING	2		
30	19M8627	SCREW	4		M6 X 20 (HS, HEAD MARKED 12.9) (SUB FOR M89176)
31	AM117842	VALVE	1	-XXXXXX	COMPLETE, (SUB FOR AM876873)

SELECTIVE CONTROL VALVE (DANFOSS/DUKES 1560-AA, 1560-AC)  
DISTRIBUTEURS SELECTIFS (DANFOSS/DUKES 1560-A, 1560-AC)  
ZUSATZSTEUERGERATE (DANFOSS/DUKES 1560-AA, 1560-AC)  
DISTRIBUTORI SELETTIVI (DANFOSS/DUKES 1560-AA, 1560-AC)  
VALVULAS DE CONTROL SELECTIVO (DANFOSS/DUKES 1560-AA, 1560-AC)  
SELEKTIVA REGLERVENTILER (DANFOSS/DUKES 1560-AA, 1560-AC)  
MP9577 -UN-01JAN94



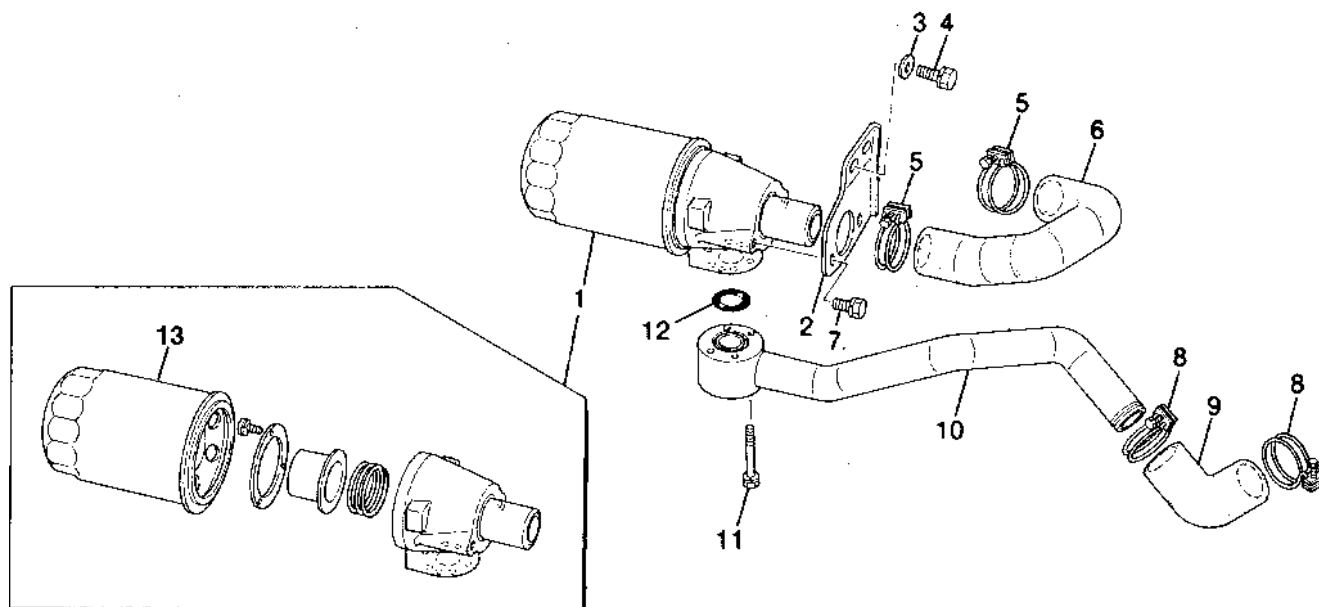
MP9577



**SELECTIVE CONTROL VALVE (DANFOSS/DUKES 1560-AA, 1560-AC) (CONTINUED)**

KEY	PART NO.	PART NAME	QTY	SERIAL NO.	REMARKS
1	M801517	BOLT	5		
2	AM117917	BRACKET	1		(SUB FOR AM876924)
3	.....	SEAL	2		(B) (ORDER AM117916)
4	.....	SPACER	2		(A) (ORDER AM117369)
	.....	WASHER	2		(B) (ORDER AM117916)
5	.....	SEAL	2		(A) (ORDER AM117369)
	R51603	O-RING	2		(B)
6	AM100201	KIT	2		LOAD CHECK (INCLUDES R26448 O-RING)
7	.....	HOUSING	1		(A) (ORDER AM117015)
	.....	HOUSING	1		(B) (ORDER AM117842)
8	R51603	O-RING	2		
9	.....	SPOOL	1		(A) (ORDER AM117015)
	.....	SPOOL	1		(B) (ORDER AM117842)
10	AM117317	SPRING	1		SPRING CENTER FLOAT
11	M114910	SCREW	4		
12	.....	GASKET	1		(A) (ORDER AM117369)
	.....	GASKET	1		(B) (ORDER AM117916)
13	AM117327	KIT	1		END CAP
14	AM117325	SPRING	1		SPRING CENTER REGEN.
15	.....	SPOOL	1		(A) REGEN. (ORDER AM117015)
	.....	SPOOL	1		(B) REGEN. (ORDER AM117842)
16	AM117366	PLUG	1		
17	AM117015	VALVE	1	-XXXXXX	(INCLUDES PARTS MARKED (A)) (MARKED 1560-AA)
	AM117842	VALVE	1	XXXXXX-	(INCLUDES PARTS MARKED (B)) (MARKED 1560-AC)
..	AM117369	SEAL KIT	1	-XXXXXX	(FOR VALVE MARKED 1560-AA)
..	AM117916	SEAL KIT	1	XXXXXX-	(FOR VALVE MARKED 1560-AC)

HYDRAULIC OIL FILTER  
 FILTRE A HUILE HYDRAULIQUE  
 HYDRAULIKOEL-FILTER  
 FILTRO DE ACEITE HIDRAULICO  
 FILTRO DELL'OLIO IDRAULICO  
 HYDRAULISKT OLJEFILTER  
 MP17534 -UN-21MAY97

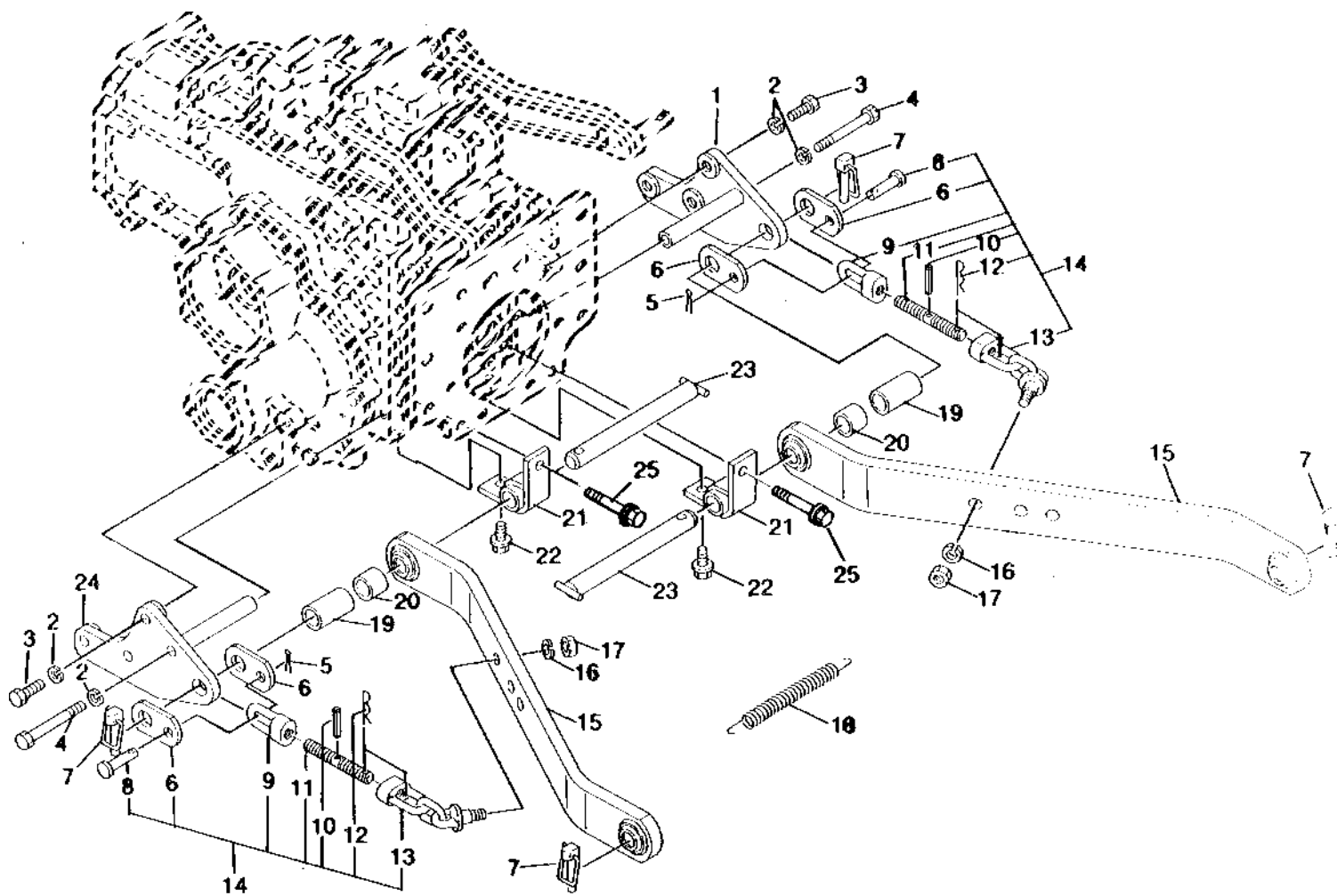


**MP17534**

KEY	PART NO.	PART NAME	QTY	SERIAL NO.	REMARKS
1	CH19224	FILTER	1	COMPLETE	
	RE27284	FILTER ELEMENT	1		
2	M803288	BRACKET	1		
3	24M7055	WASHER	2	8.400 X 16 X 1.600 MM	
4	19M7139	CAP SCREW	2	M8 X 20	
	12M7065	LOCK WASHER	2	8.100 MM	
5	AR21840	CLAMP	2	(SUB FOR M804348 OR M804837)	
6	M803289	HOSE	1		
7	19M7162	CAP SCREW	2	M8 X 16	
	12M7065	LOCK WASHER	2	8.100 MM	
8	AR21840	CLAMP	2	(SUB FOR M803280 OR M804837)	
	19M7595	CAP SCREW	4	M6 X 50	
	12M7006	LOCK WASHER	4	6.100 MM	
9	M801936	HOSE	1		
10	AM877803	LINE	1	(SUB FOR AM876776)	
11	19M7374	CAP SCREW	4	M6 X 40	
	12M7006	LOCK WASHER	4	6.100 MM	
12	U46166	O-RING	1		
13	RE27284	FILTER ELEMENT	1		

MEMORANDA

DRAFT LINKS AND SUPPORTS  
TIRANTS ET SUPPORTS  
UNTERLENKER UND STUETZEN  
ESLABONES DE TIRO Y SOPORTES  
ARTICOLAZIONI DI TRAINO  
DRAGARMAR OCH STOED  
MP9588 -UN-01JAN94

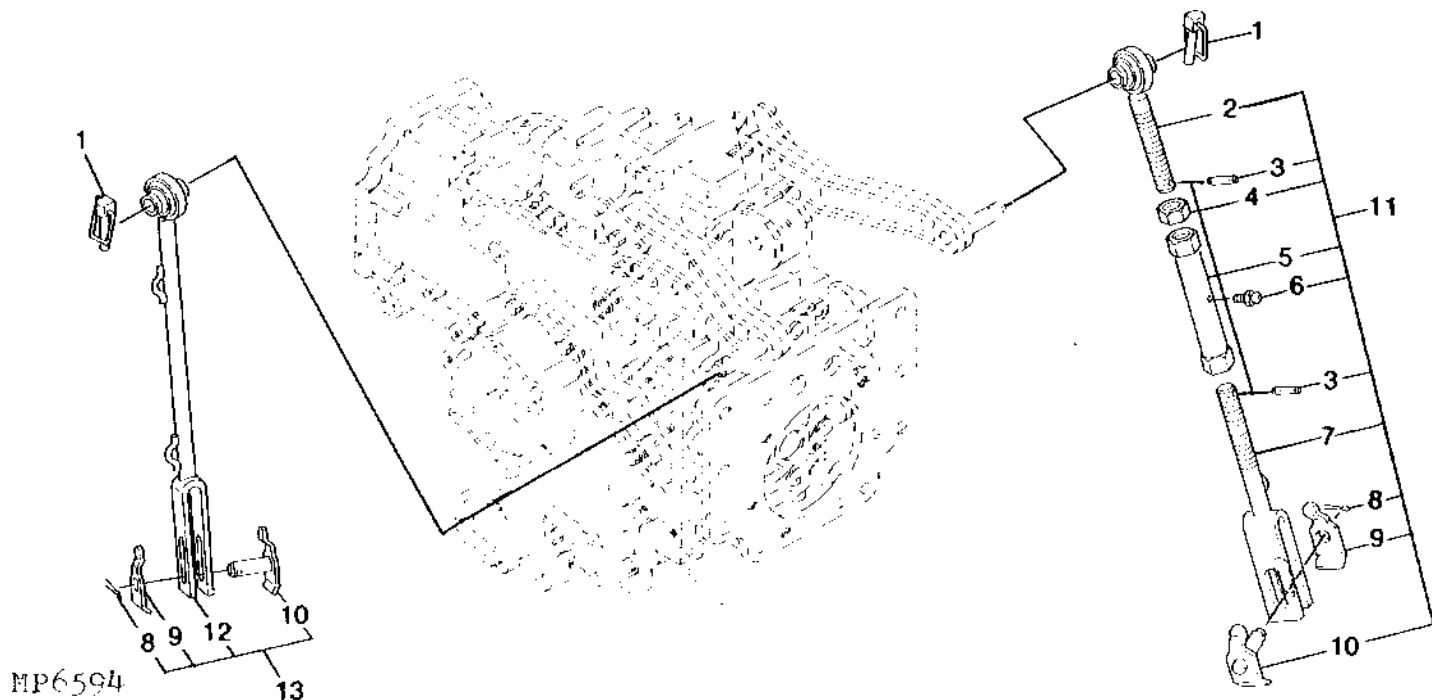


MP9588

## DRAFT LINKS AND SUPPORTS (CONTINUED)

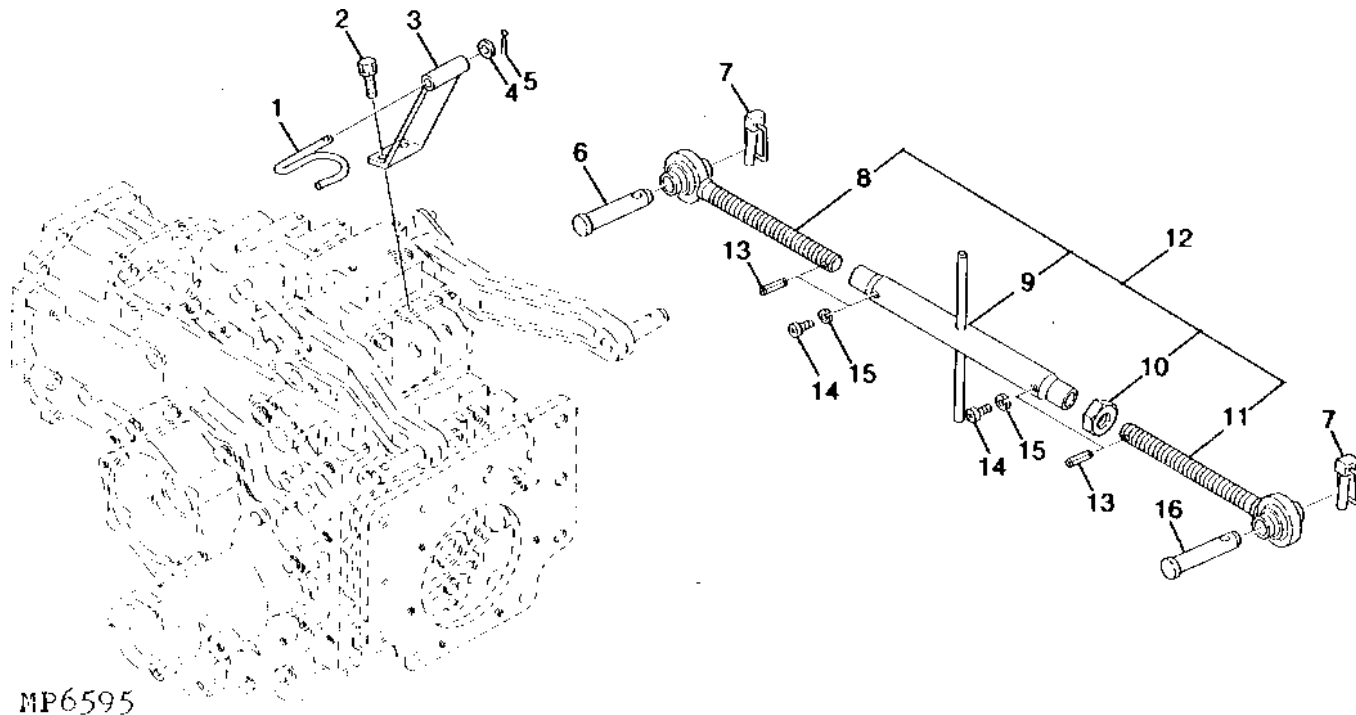
KEY	PART NO.	PART NAME	QTY	SERIAL NO.	6 7 7 7 0 0	REMARKS
1	AM876866	BRACKET	1			RH
2	12M7067	LOCK WASHER	8			12.200 MM
3	19M7493	CAP SCREW	6			M12 X 40 (HS, HEAD MARKED 10.9)
4	19M7729	CAP SCREW	2			M12 X 160, (SUB FOR CH17272)
5	11M7021	COTTER PIN	2			4 X 25 MM
6	M804294	PLATE	4			
7	AM876850	PIN	4			
8	M805925	PIN	2			(SUB FOR CH10859)
9	CH16948	NUT	2			
10	CH12300	PIN	2			
11	M803607	BOLT	2			
12	M40461	SPRING LOCKING PIN	2			(SUB FOR CH11528 OR P43660)
13	AM876864	SWAY CHAIN	2			
14	AM876863	KIT	2			SWAY CHAIN
15	AM876861	DRAFT LINK	2			
16	12M7068	LOCK WASHER	2			14.200 MM
17	14M7141	NUT	2			M14
18	M804293	SPRING	1			
19	M804292	BUSHING	2			
20	M803602	BUSHING	2			
21	AM876862	SUPPORT	2	-002595	X	(SUB AM877780 AND AM877781)
	AM876862	SUPPORT	2	-003534	X	(SUB AM877780 AND AM877781)
	AM877781	SUPPORT	1			
22	19M7788	SCREW	2			M12 X 25 (HS, HEAD MARKED 10.9) (SUB FOR M802788)
23	M803603	PIN	2	-002595	X	(SUB AM877780 AND AM877781)
	M803603	PIN	2	-003534	X	(SUB AM877780 AND AM877781)
	AM877780	PIN	2			8 MM WELD PIN HEAD
24	AM876865	BRACKET	1			LH
25	M803598	BOLT	2			

**LIFT LINKS**  
**BIELLES DE LEVAGE**  
**HUBSPINDELN**  
**ESLABONES DE LEVANTE**  
**ARTICOLAZIONI DI SOLLEVAMENTO**  
**LYFTARMAR**  
 MP6594 -UN-01JAN94



KEY	PART NO.	PART NAME	QTY	SERIAL NO.	REMARKS
				6 7	
				7 7	
				0 0	
1	AM876850	PIN	2		
2	AM876854	LINK	1		RH
3	34M7028	SPRING PIN	2		4 X 22 MM, (SUB FOR CH12296)
4	CH16114	NUT	1		
5	CH15288	TURNBUCKLE	1		
6	CH11574	FITTING	1		
7	AM876856	YOKE	1	X	RH
	AM876860	YOKE	1	X	RH
8	11M7023	COTTER PIN	2		4 X 32 MM
9	M803591	PLATE	2		
10	AM876855	PIN	2		
11	AM876852	LINK	1	X	RH (COMPLETE)
	AM876858	LINK	1	X	RH (COMPLETE)
12	AM876853	LINK	1	X	LH
	AM876859	LINK	1	X	LH
13	AM876851	LINK	1	X	LH (COMPLETE)
	AM876857	LINK	1	X	LH (COMPLETE)

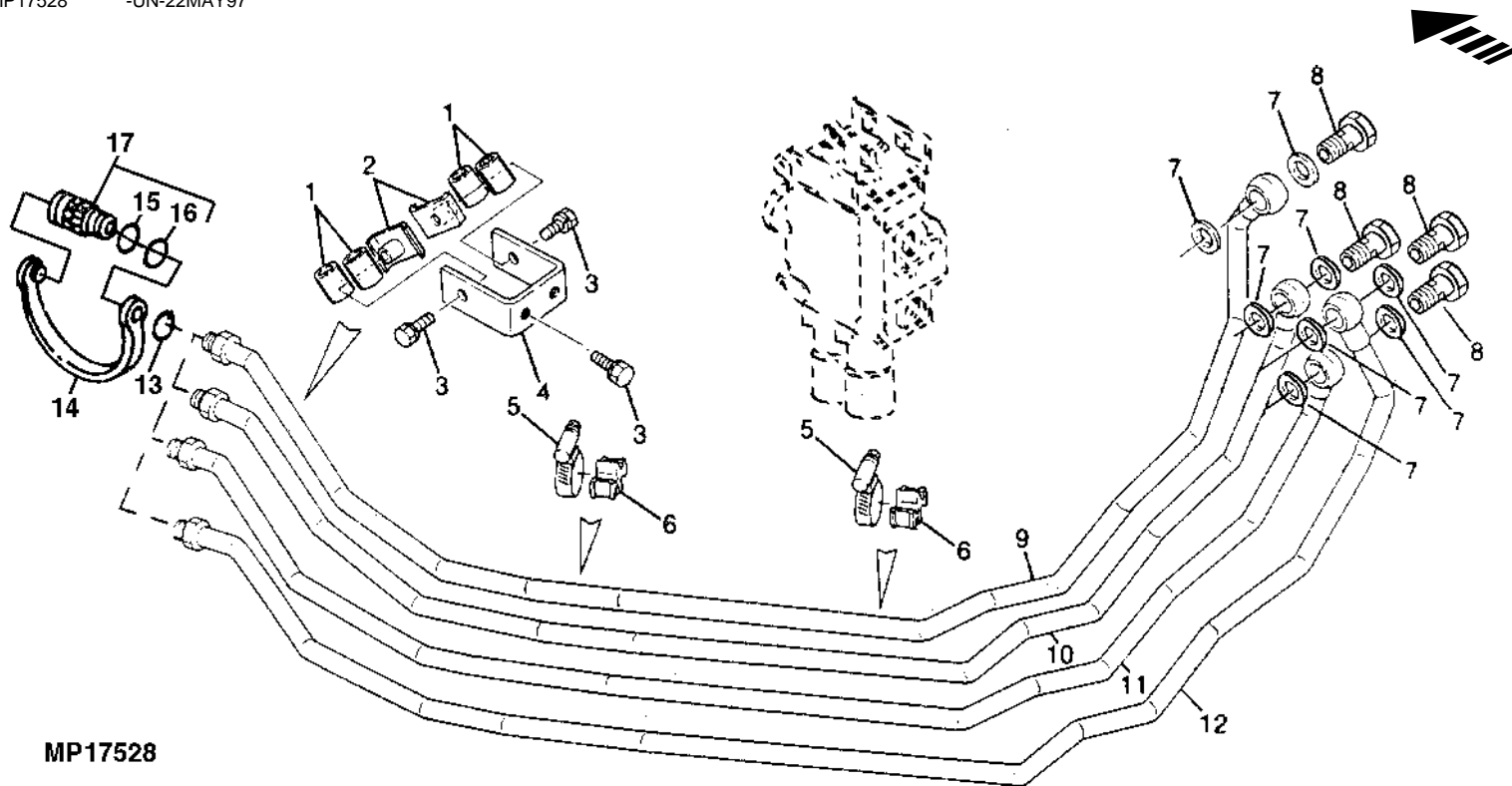
CENTER LINK  
 BIELLE CENTRALE  
 OBERLENKER  
 ESLABON CENTRAL  
 ARTICOLAZIONE CENTRALE  
 MITTLAENK  
 MP6595 -UN-01JAN94



KEY	PART NO.	PART NAME	QTY	SERIAL NO.	REMARKS
1	CH19220	SPRING	1		
2	19M7162	CAP SCREW	2	M8 X 16	
	12M7065	LOCK WASHER	2	8.100 MM	
3	AM878041	BRACKET	1	(SUB FOR M803588)	
4	24M7055	WASHER	1	8.400 X 16 X 1.600 MM	
5	CH12320	PIN	1		
6	M805208	PIN	1	(SUB FOR CH18201)	
7	AM876850	PIN	2		
8	AM877779	LINK	1	(SUB FOR AM876849)	
9	AM877777	TURNBUCKLE	1	(SUB FOR CH19218)	
10	14M7240	NUT	1	M24	
11	AM877778	LINK	1	(SUB FOR AM876848)	
12	AM877776	KIT	1	CENTER LINK, (SUB FOR AM876847)	
13	34M7127	SPRING PIN	2	4 X 24 MM, (SUB FOR CH12014)	
14	M802018	BOLT	2		
15	12M7006	LOCK WASHER	1	6.100 MM	
16	CH18201	PIN	1		

HYDRAULIC LINES (WITH SELECTIVE CONTROL VALVE)  
 CONDUITES HYDRAULIQUES (AVEC DISTRIBUTEUR SELECTIF)  
 HYDRAULIKLEITUNGEN (MIT ZUSATZSTEUERGERAT)  
 TUBAZIONI IDRAULICHE (CON DISTRIBUORESELETTIVO)  
 TUBERIA HIDRAULICA (CON VALVULA DE CONTROL SELECTIVO)  
 HYDRAULISKA LEDNINGAR (MED SELEKTIV REGLERVENTIL)

MP17528 -UN-22MAY97



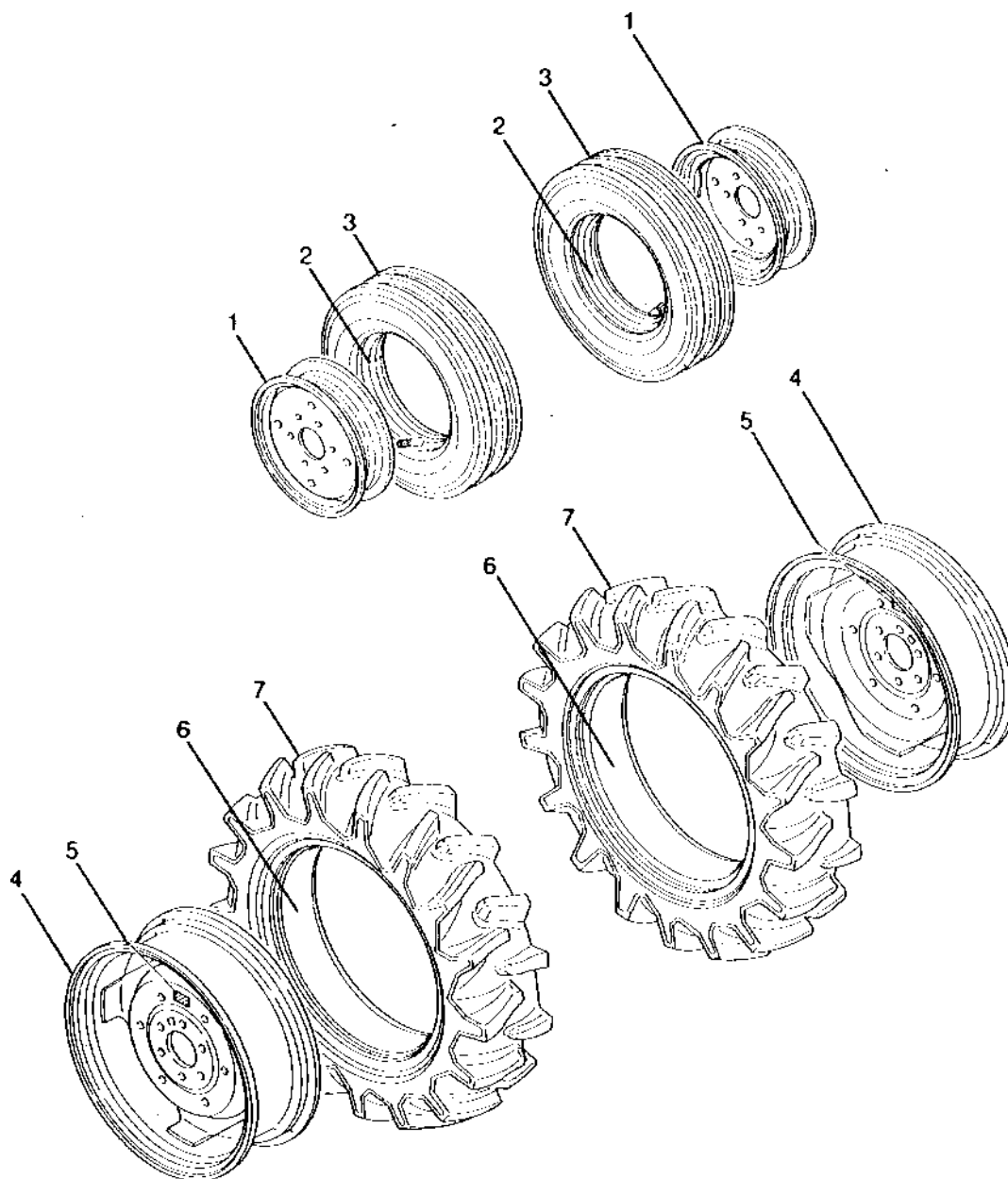
**MP17528**

KEY	PART NO.	PART NAME	QTY	SERIAL NO.	REMARKS
1	CH13865	BUSHING	4	(A)	
2	CH19514	CLAMP	2	(A)	
3	19M7139	CAP SCREW	4	(A) M8 X 20	
	12M7065	LOCK WASHER	4	(A) 8.100 MM	
4	AM876882	SUPPORT	1	(A)	
5	TY22467	CLAMP	2	(A) (SUB FOR AR21839)	
6	M801935	CLAMP	2	(A)	
7	M800848	GASKET	8	(A)	
8	M800853	BOLT	4	(A)	
9	AM876879	LINE	1	(A) SCV-2 (B2)	
10	AM876881	LINE	1	(A) SCV-1 (A2)	
11	AM876880	LINE	1	(A) SCV-3 (A1)	
12	AM876878	LINE	1	(A) SCV-4 (B1)	
13	R26448	O-RING	4		
14	M85099	CAP	4		
15	M122638	O-RING	4		
16	M122639	BACK-UP RING	1		
17	AM116986	HYD. QUICK-CONNECT COUPLER	1		
..	<b>BM17996</b>	<b>KIT</b>	<b>1</b>		<b>DUAL SCV (INCLUDES PARTS MARKED (A)) (SUB FOR AM107215)</b>



MEMORANDA

WHEELS AND TIRES (2WD)  
ROUES ET PNEUS (2 ROUES MOTRICES)  
RAEDER UND REIFEN (ZWEIRAD-ANTRIEB)  
RUEDAS Y NEUMATICOS (TRACCION EN DOS RUEDAS)  
RUOTE E PNEUMATICI (TRAZIONE A DUE RUOTE MOTRICI)  
HJUL OCH DAECK (2-HJULSDRIVNING)  
MP6614 -UN-01JAN94

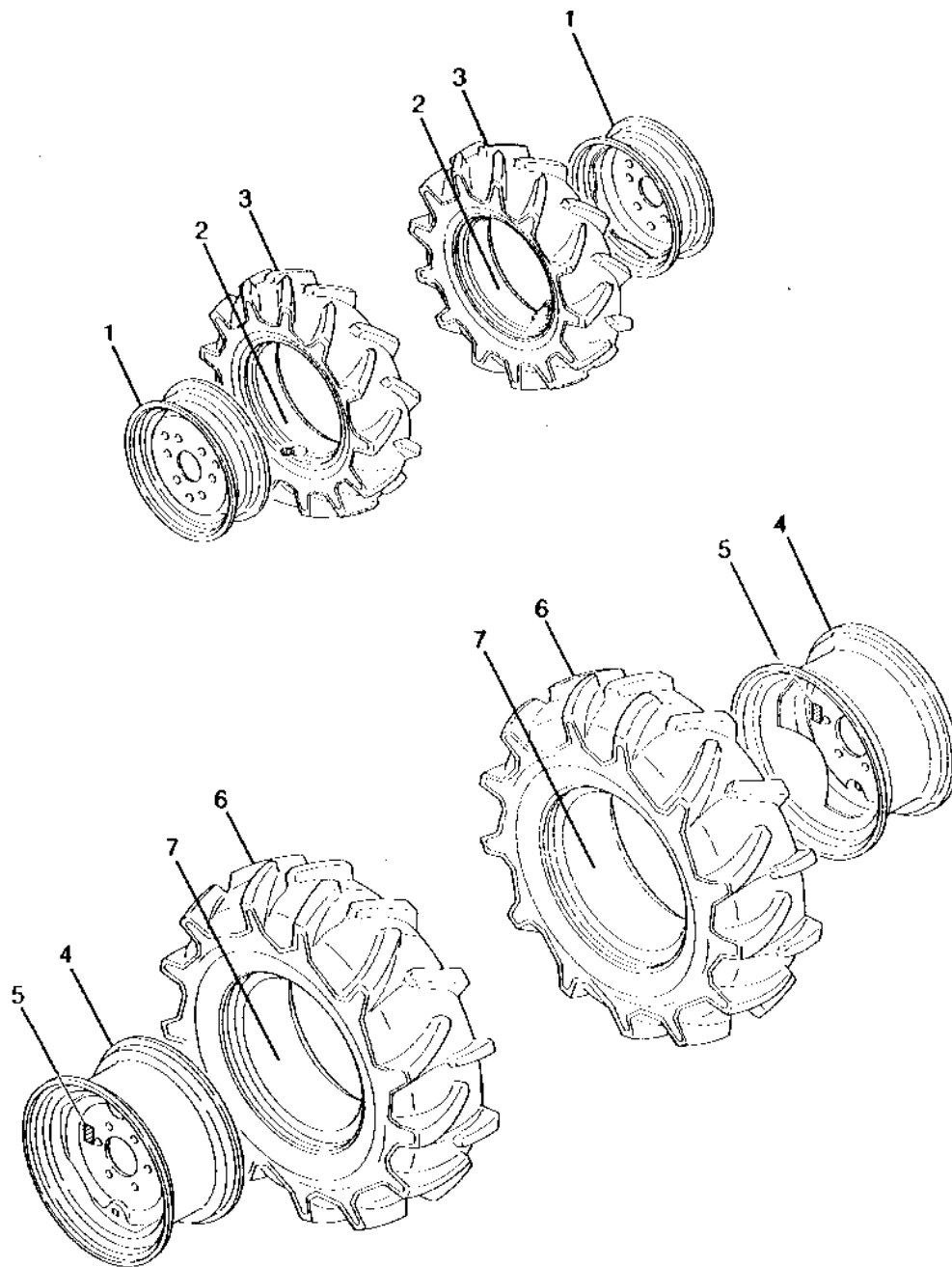


MP6614

WHEELS AND TIRES (2WD) (CONTINUED)

KEY	PART NO.	PART NAME	QTY	SERIAL NO.	6 7 7 7 0 0	REMARKS
1	M803770	WHEEL	2		X	(A) 3.00D-12
	CH11917	RIM	2		X	(C) 3.00-15
	M802822	WHEEL	2		X	5JA-10
2	CH14564	TUBE	2		X	(A) 5.00-12
	CH10812	TUBE	2		X	(C) 4.00-15
	M802821	INNERTUBE	2		X	
3	CH14563	TIRE	2		X	(A) 5.00-12
	CH10811	TIRE	2		X	(C) 4.00-15
	M802820	TIRE	2		X	6.50-10
4	AM877039	WHEEL	2		X	(B) 8.00-15
	AM877038	WHEEL	2		X	(D) 7.00-24
	AM877014	WHEEL	2		X	11-16
5	M93008	LABEL	2			(B) (D)
6	CH15057	INNERTUBE	2		X	(B) 9.5-16
	CH10856	TUBE	2		X	(D) 9.5/9-24
	M803171	TUBE	2		X	12.4-16
7	CH15056	TIRE	2		X	(B) 9.5-16
	CH10855	TIRE	2		X	(D) 9.5-24
	M803170	TIRE	2		X	12.5-16
..	<b>BM16831</b>	<b>WHEEL AND TIRE ASSEMBLY</b>	<b>1</b>			<b>5 X 12 (INCLUDES PARTS MARKED (A))</b>
..	<b>BM16832</b>	<b>WHEEL AND TIRE ASSEMBLY</b>	<b>1</b>			<b>9.5 X 16 (INCLUDES PARTS MARKED (B))</b>
..	<b>BM16838</b>	<b>WHEEL AND TIRE ASSEMBLY</b>	<b>1</b>		X	<b>4 X 15 (INCLUDES PARTS MARKED (C))</b>
..	<b>BM16839</b>	<b>WHEEL AND TIRE ASSEMBLY</b>	<b>1</b>		X	<b>9.5 X 24 (INCLUDES PARTS MARKED (D))</b>

BAR TIRES AND WHEELS (MFWD)  
 PNEUS A BARRETTES ET ROUES (4 RUOES MOTRICES)  
 ACKERBEREIFUNG UND RAEDER (VIERRAD-ANTRIEB)  
 NEUMATICOS TIPO TACO Y RUEDAS (TRACCION EN CUATRO RUEDAS)  
 PNEUMATICI FUORISTRADA E RUOTE (TRAZIONE A QUATRO RUOTE MOTRICI)  
 DAECK FOER AAKERBRUK OCH HJUL (4-HJULSDRIVNING)  
 MP6615 -UN-01JAN94

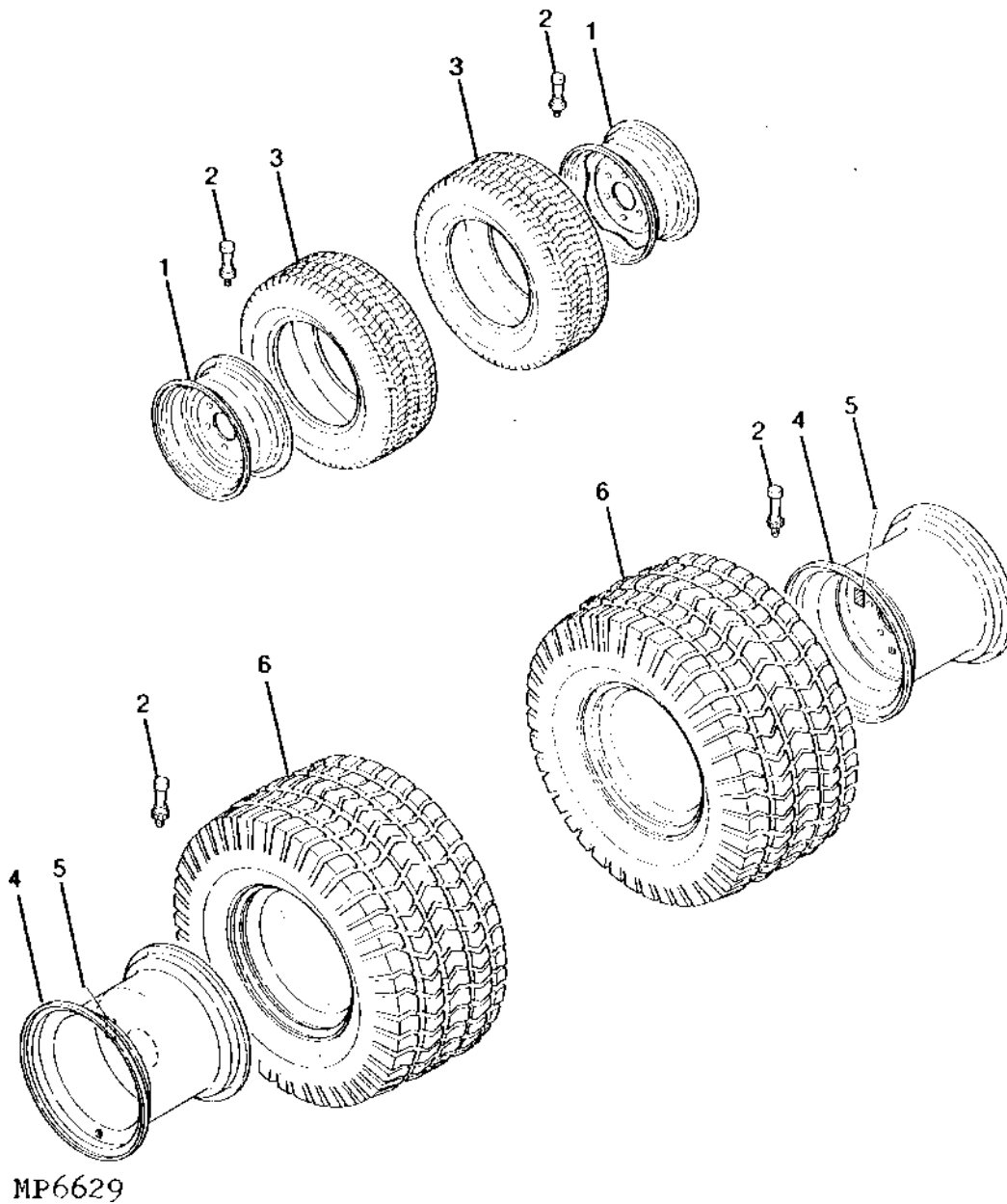


MP6615

**BAR TIRES AND WHEELS (MFWD) (CONTINUED)**

KEY	PART NO.	PART NAME	QTY	SERIAL NO.	REMARKS
				6 7	
				7 7	
				0 0	
1	AM876655	WHEEL	2	X	(A) 5JA - 12W
	AM876649	WHEEL	2	X	(C) (D) 4JA - 12W
2	CH14718	TUBE	2	X	(A) 6.00 - 12
	M802862	INNERTUBE	2	X	(C)
3	CH14717	TIRE	2	X	(A) 6.00 - 12
	M802861	TIRE	2	X	(C) 6.00 - 12
	M805566	TIRE	2	X	(D) 5 - 12
4	AM877039	WHEEL	2	X	(B) 8.00 - 16
	AM877014	WHEEL	2	X	11 - 16
5	M93008	LABEL	2		(B)
6	CH15056	TIRE	2	X	(B) 9.5 - 16
	M803170	TIRE	2	X	12.4 - 16
7	CH15057	TUBE	2	X	(B) 9.5 - 16
	M803171	TUBE	2	X	12.4 - 16
..	<b>BM16833</b>	<b>WHEEL AND TIRE ASSEMBLY</b>	<b>1</b>		<b>5 X 12 FRONT (INCLUDES PARTS MARKED (A))</b>
..	<b>BM16832</b>	<b>WHEEL AND TIRE ASSEMBLY</b>	<b>1</b>		<b>9.5 X 16 REAR (INCLUDES PARTS MARKED (B))</b>
..	<b>BM16837</b>	<b>WHEEL AND TIRE ASSEMBLY</b>	<b>1</b>	X	<b>6 X 12 FRONT (INCLUDES PARTS MARKED (C))</b>
..	<b>BM16987</b>	<b>WHEEL AND TIRE ASSEMBLY</b>	<b>1</b>	X	<b>5 X 12 FRONT (INCLUDES PARTS MARKED (D))</b>

TURF TIRES (670)  
 PNEUS POUR GAZON (670)  
 RASENBEREIFUNG (670)  
 NEUMATICOS PARA PRADOS (670)  
 PNEUMATICI A BATTISTRADA BUGNATO (670)  
 DAECK FOER TRÆDGAARDSARBEDE (670)  
 MP6629 -UN-01JAN94



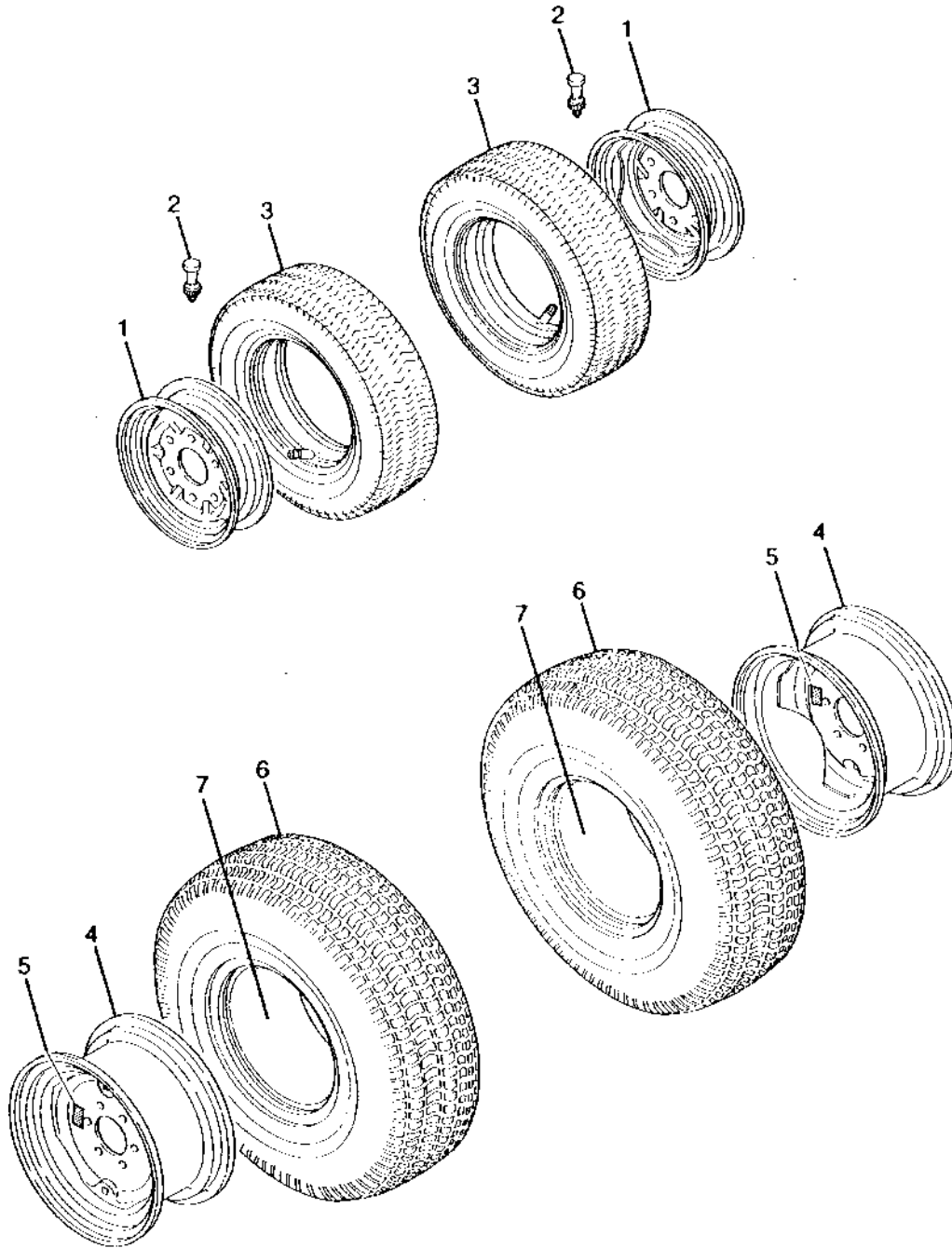
**TURF TIRES (670) (CONTINUED)**

KEY	PART NO.	PART NAME	QTY	SERIAL NO.	REMARKS
1	M802863	WHEEL	2	7JA - 12WDC	
2	AM30346	TIRE VALVE STEM	2		
3	M802864	TIRE	2	23 - 8.5 - 12	
4	AM877013	WHEEL	2	13LB - 15 (INCLUDES M93008 LABEL)	
5	M93008	LABEL	2		
6	CH15047	TIRE	2	TURF 31/15.5 - 15	
..	M91248	TIRE	2	31 X15.5-15; FOR 670 REAR TIRE; XTRA TRAC/TERRA/TUBELESS (NO LONGER AVAILABLE)	
..	M93661	INNERTUBE	2		

# J1

## WHEELS, FRONT AXLES, AND SHEET METAL

TURF TIRES (770)  
PNEUS POUR GAZON (770)  
RASENBEREIFUNG (770)  
NEUMATICOS PARA PRADOS (770)  
PNEUMATICI A BATTISTRADA BUGNATO (770)  
DAECK FOER TRÆDGAARDSARBETE (770)  
MP6616 -UN-01JAN94



MP6616



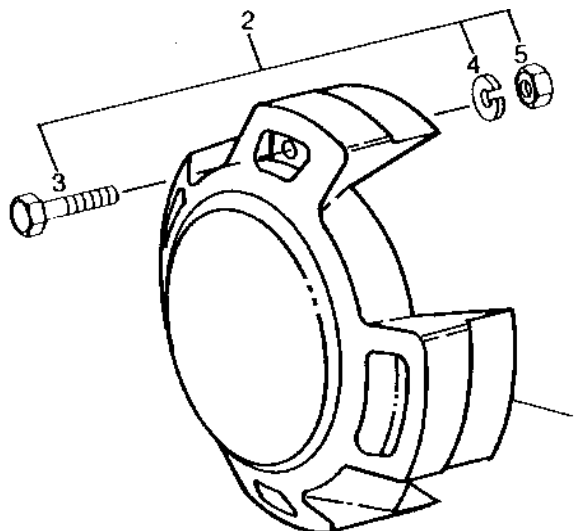
# J2

WHEELS, FRONT AXLES, AND SHEET METAL

## TURF TIRES (770) (CONTINUED)

KEY	PART NO.	PART NAME	QTY	SERIAL NO.	REMARKS
1	M802865	WHEEL	2		
2	AM30346	TIRE VALVE STEM	2		7JA - 14WDC
3	CH14714	TIRE	2		25 X 8.50 - 14
4	AM877014	WHEEL	2		11 - 16
5	M93008	LABEL	2		
6	CH18152	TIRE	2		13.6 - 16
7	CH11094	TUBE	2		13.6 - 16
..	M93709	INNERTUBE	2		(FOR CH14714 (25 X 8.50-14) TIRE)
..	<b>BM16841</b>	<b>WHEEL AND TIRE ASSEMBLY</b>	<b>1</b>		<b>13.6 - 16 REAR</b>

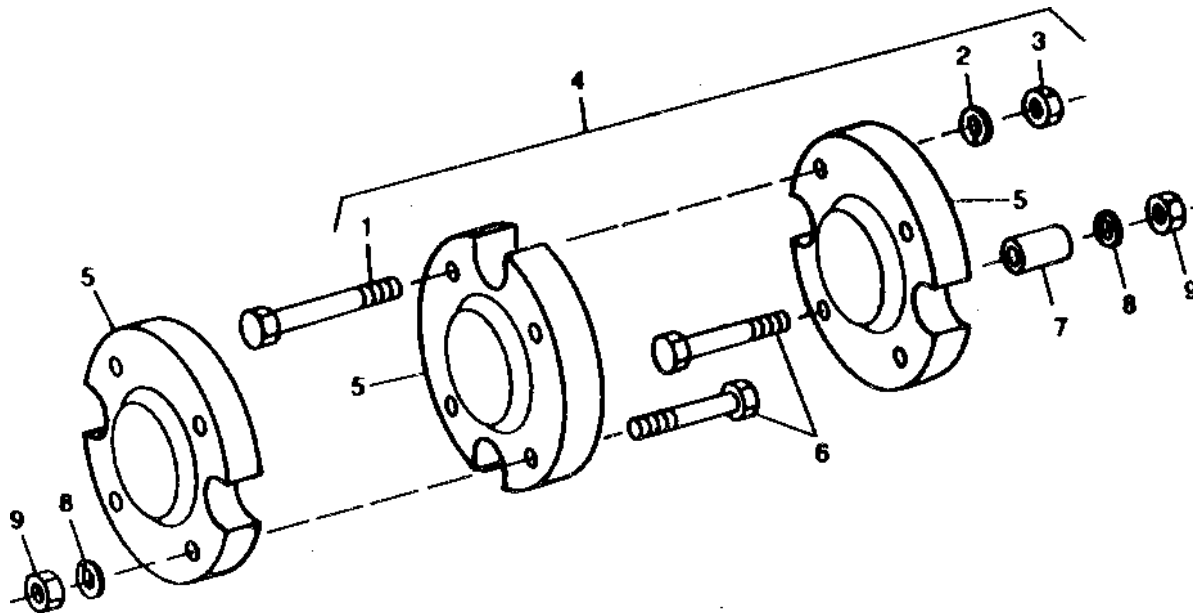
**REAR WHEEL WEIGHT KIT**  
**JEU DE LEST DE ROUE ARRIERE**  
**HINTERRAD-GEWICHTSATZ**  
**SERIE PEZZI ZAVORRA ROUTE POSTERIORI**  
**JEUGO DE CONTRAPESOS PARA RUEDAS TRASERAS**  
**TYNGDSATS FOR BAKHUL**  
 MP6643 -UN-01JAN94



MP6643

KEY	PART NO.	PART NAME	QTY	SERIAL NO.	REMARKS
1	M71764	WEIGHT	1		(MAXIMUM 3 WEIGHTS PER WHEEL)
2	AM107276	KIT	1		STARTER WEIGHT MOUNTING HARDWARE
	AM105582	KIT	1		EXTRA WEIGHT MOUNTING HARDWARE
3	03H1596	BOLT	2		1/2" X 3", (USE WITH STARTER WEIGHT)
	03H1602	BOLT	2		1/2" X 5", (USE WITH EXTRA WEIGHTS)
4	24M7047	WASHER	2		13 X 24 X 2.500 MM
5	14H1040	NUT	2		1/2"

REAR WHEEL WEIGHTS (670)  
 MASSES DE RUOES ARRIERE (670)  
 HINTERRADGEWICHTE (670)  
 PESOS DE LAS RUEDAS TRASERAS (670)  
 PESI PER LE RUOTE POSTERIORI (670)  
 BAKHJULSTYNGDER (670)  
 MP9581 -UN-01JAN94



MP9581

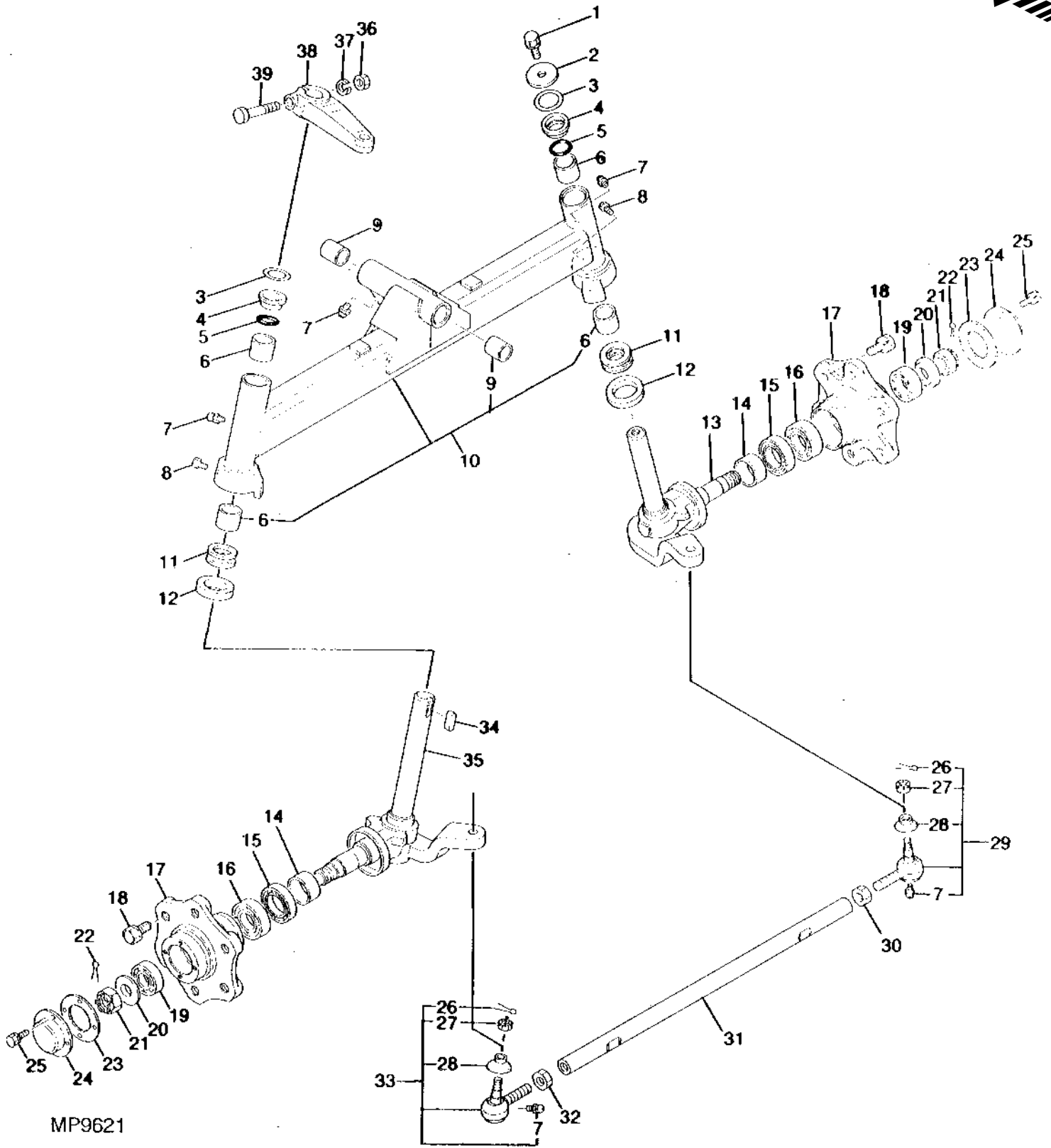
KEY	PART NO.	PART NAME	QTY	TRACTOR SERIAL NO.	REMARKS
1	08H4564	CAP SCREW	4	1/2" X 6-1/2"	
2	12H301	LOCK WASHER	4	1/2"	
3	14H1040	NUT	4	1/2"	
4	AM106797	KIT	1		WHEEL WEIGHT MOUNTING HARDWARE
5	M11028	WEIGHT	AR		
6	19H3178	CAP SCREW	AR	1/2" X 4-1/2"	
7	R34355	BUSHING	8		
8	12H301	LOCK WASHER	AR	1/2"	
9	14H1040	NUT	AR	1/2"	
..	AM107644	KIT	1		(E) WEIGHT MOUNTING HARDWARE (NO LONGER AVAILABLE) (ORDER (2) M93026 BOLTS, (2) 12H301 AND (2) 14H809)

(E) EUROPEAN VERSION  
 VERSION EUROPEENNE  
 EUROPÄISCHE AUSFUEHRUNG  
 VERSION EUROPEA  
 VERSIONE EUROPEA  
 EUROPEISK VERSION

# J5

WHEELS, FRONT AXLES, AND SHEET METAL

FRONT AXLE (MANUAL STEERING)  
ESSIEU AVANT (DIRECTION MANUELLE)  
VORDERACHSE (HANDLENKUNG)  
EJE DELANTERO (DIRECCION NORMAL)  
ASSALE ANTERIORE (STERZO NON ASSISTITO)  
FRAMAXEL (MANUELL STYRNING)  
MP9621 -UN-01JAN94



MP9621

# J6

WHEELS, FRONT AXLES, AND SHEET METAL

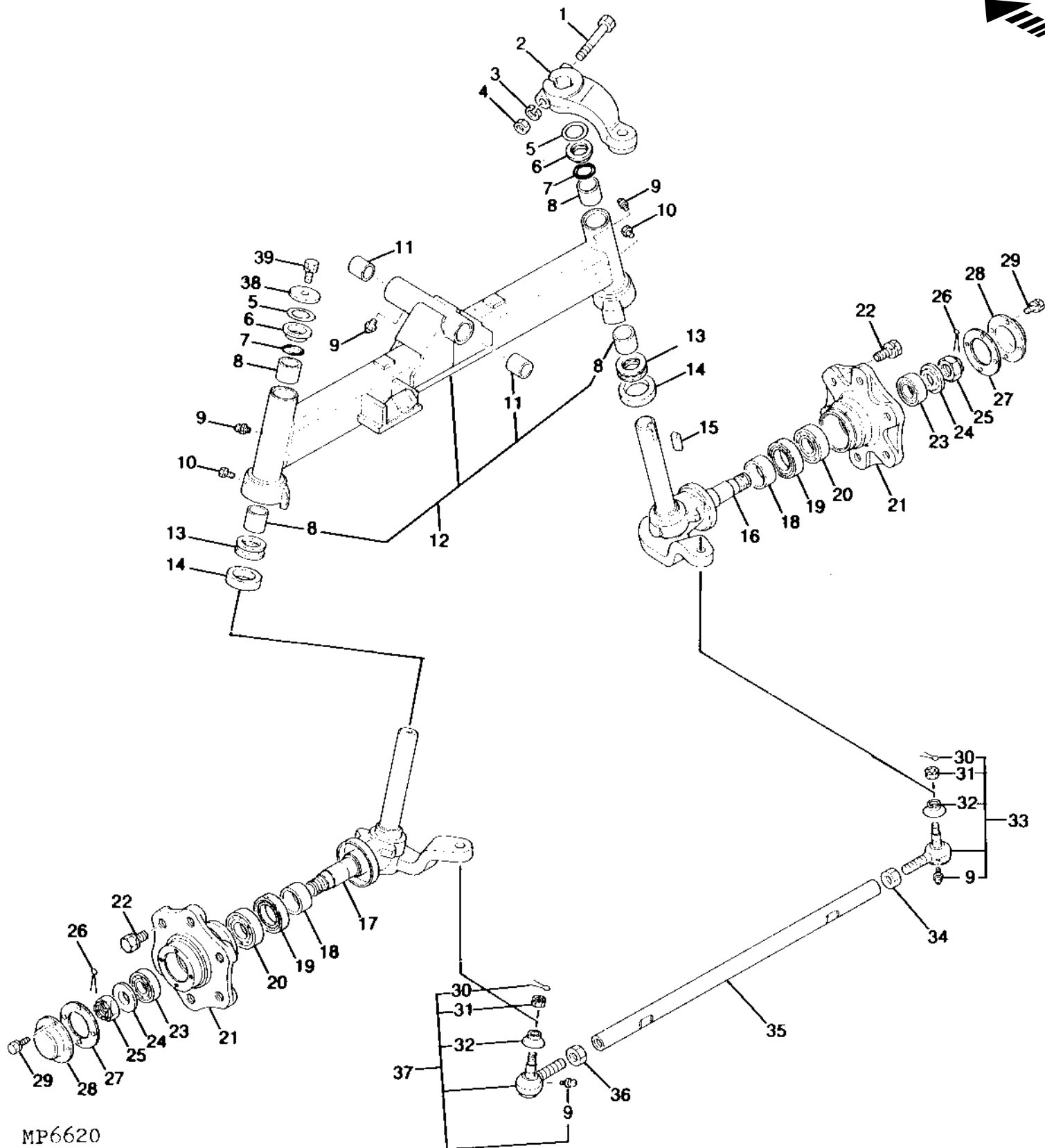
## FRONT AXLE (MANUAL STEERING) (CONTINUED)

KEY	PART NO.	PART NAME	QTY	SERIAL NO.	REMARKS
1	19M7402	CAP SCREW	1		
	12M7066	LOCK WASHER	1		M10 X 25 (HS, HEAD MARKED 10.9)
2	CH15133	WASHER	1		10.200 MM
3	CH11147	SHIM	2		
4	CH11140	RETAINER	2		
5	CH11466	PISTON RING	2		
6	CH13301	BUSHING	4		
7	CH15805	FITTING	3		
8	CH11127	BOLT	2		
9	CH14531	BUSHING	2		
10	AM876625	AXLE	1		
11	CH11827	BALL BEARING	2		
12	CH11143	SEAL	2		(SUB FOR M802811)
13	AM876630	PIN	1		RH ASSY
14	M802815	SLEEVE	2		
15	M802819	SEAL	2		
16	CH14887	BALL BEARING	2		
17	M802816	HUB	2		
18	19M7646	CAP SCREW	12		M14 X 25
	12M7068	LOCK WASHER	12		14.200 MM
19	CH11550	BALL BEARING	2		
20	M802805	SPACER	2		
21	CH10873	NUT	2		
22	11M7087	COTTER PIN	2		4 X 40 MM
23	M802818	GASKET	2		
24	M802817	CAP	2		
25	19M7774	SCREW	8		M6 X 12 (HS, HEAD MARKED 10.9)
26	CH12320	PIN	2		
27	CH11450	NUT	2		
28	CH11448	COVER	2		
29	AM875952	TIE ROD	1		RH ASSY, (SUB AM878081)
30	CH11462	NUT	1		RH THREAD
31	M802814	TIE ROD	1		
32	CH11461	NUT	1		LH THREAD
33	AM875940	TIE ROD	1		LH ASSY, (SUB AM878082)
34	CH11543	KEY	1		
35	AM876631	PIN	1		LH ASSY
36	14M7275	NUT	1		M12
37	12M7067	LOCK WASHER	1		12.200 MM
38	M802813	STEERING ARM	1		LH
39	19M7390	CAP SCREW	1		M12 X 75

# J7

WHEELS, FRONT AXLES, AND SHEET METAL

FRONT AXLE (POWER STEERING)  
ESSIEU AVANT POUR DIRECTION ASSISTEE  
VORDERACHSE FUER SERVLENKUNG  
EJE DELANTERO (SERVODIRECCION)  
ASSALE ANTERIORE PER SERVOSTERZO  
FRAMAXEL (SERVOSTYRNING)  
MP6620 -UN-01JAN94



MP6620

# J8

WHEELS, FRONT AXLES, AND SHEET METAL

## FRONT AXLE (POWER STEERING) (CONTINUED)

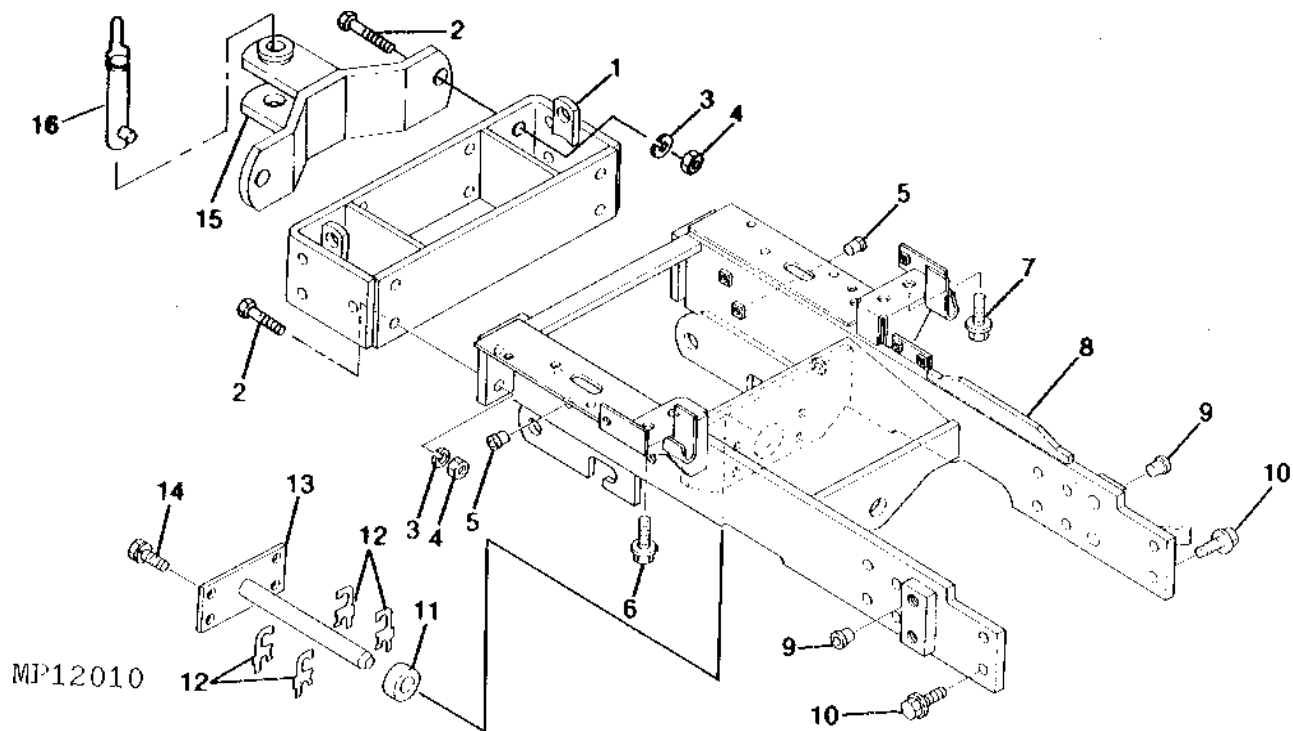
KEY	PART NO.	PART NAME	QTY	SERIAL NO.	REMARKS
1	19M7414	CAP SCREW	1		
2	M802812	STEERING ARM	1		M12 X 90
3	12M7067	LOCK WASHER	1		12.200 MM
4	14M7275	NUT	1		M12
5	CH11147	SHIM	2		
6	CH11140	RETAINER	2		
7	CH11466	O-RING	2		
8	CH13301	BUSHING	4		
9	CH15805	FITTING	3		
10	CH11127	BOLT	2		
11	CH14531	BUSHING	2		
12	AM876627	AXLE	1		
13	CH11827	BALL BEARING	2		
14	M802811	SEAL	2		
15	CH11543	KEY	1		
16	AM876632	PIN	1		RH
17	AM876633	PIN	1		LH
18	M802815	SLEEVE	2		
19	M802819	SEAL	2		
20	CH14887	BALL BEARING	2		
21	M802816	HUB	2		
22	19M7646	CAP SCREW	12		M14 X 25
	12M7068	LOCK WASHER	12		14.200 MM
23	CH11550	BALL BEARING	2		
24	M802805	SPACER	2		
25	CH10873	NUT	2		
26	11M7087	COTTER PIN	2		4 X 40 MM
27	M802818	GASKET	2		
28	M802817	CAP	2		
29	19M7774	SCREW	8		M6 X 12 (HS, HEAD MARKED 10.9)
30	CH12320	PIN	2		
31	CH11450	NUT	2		
32	CH11448	COVER	2		
33	AM875952	TIE ROD	1		(SUB AM878081)
34	CH11462	NUT	1		RH THREAD
35	M802814	TIE ROD	1		
36	CH11461	NUT	1		LH THREAD
37	AM875940	TIE ROD	1		(SUB AM878082)
38	CH15133	WASHER	1		
39	19M7402	CAP SCREW	1		M10 X 25 (HS, HEAD MARKED 10.9)
	12M7066	LOCK WASHER	1		10.200 MM

# J9

WHEELS, FRONT AXLES, AND SHEET METAL

FRAME  
CHASSIS  
RAHMEN  
TELAIO  
CHASIS  
RAM  
MP12010

-UN-01JAN94



KEY	PART NO.	PART NAME	QTY	SERIAL NO.	REMARKS
1	AM878019	HITCH	1		(A)
2	19M7403	CAP SCREW	8		M12 X 35 (HS, HEAD MARKED 10.9)
3	12M7067	LOCK WASHER	8		12.200 MM
4	14M7275	NUT	8		M12
5	M802787	PLUG	6	X	
	M802787	PLUG	8	X	
6	M802790	BOLT	2		
7	M802789	BOLT	2		
8	AM876622	FRAME	1	X	
	AM876616	FRAME	1	X	
9	CH15738	CAP	4		
10	19M7788	SCREW	12		M12 X 25 (HS, HEAD MARKED 10.9) (SUB FOR M802788)
11	M802804	SPACER	1		
12	CH15350	SHIM	1		
13	AM876629	PIN	1		
14	19M7872	CAP SCREW	4		M12 X 25 (HS, HEAD MARKED 10.9)
	12M7067	LOCK WASHER	4		12.200 MM
15	AM877995	HITCH	1	X	(E)
16	AM878036	QUICK LOCK PIN	1	X	(E)
..	AR112783	WEIGHT	1		(KIT OF 12) (SUB FOR R66949)

(A) WEIGHT  
MASSE ADDITIONNELLE  
GEWICHT  
ZAVORRA  
LASTRE  
VIKT

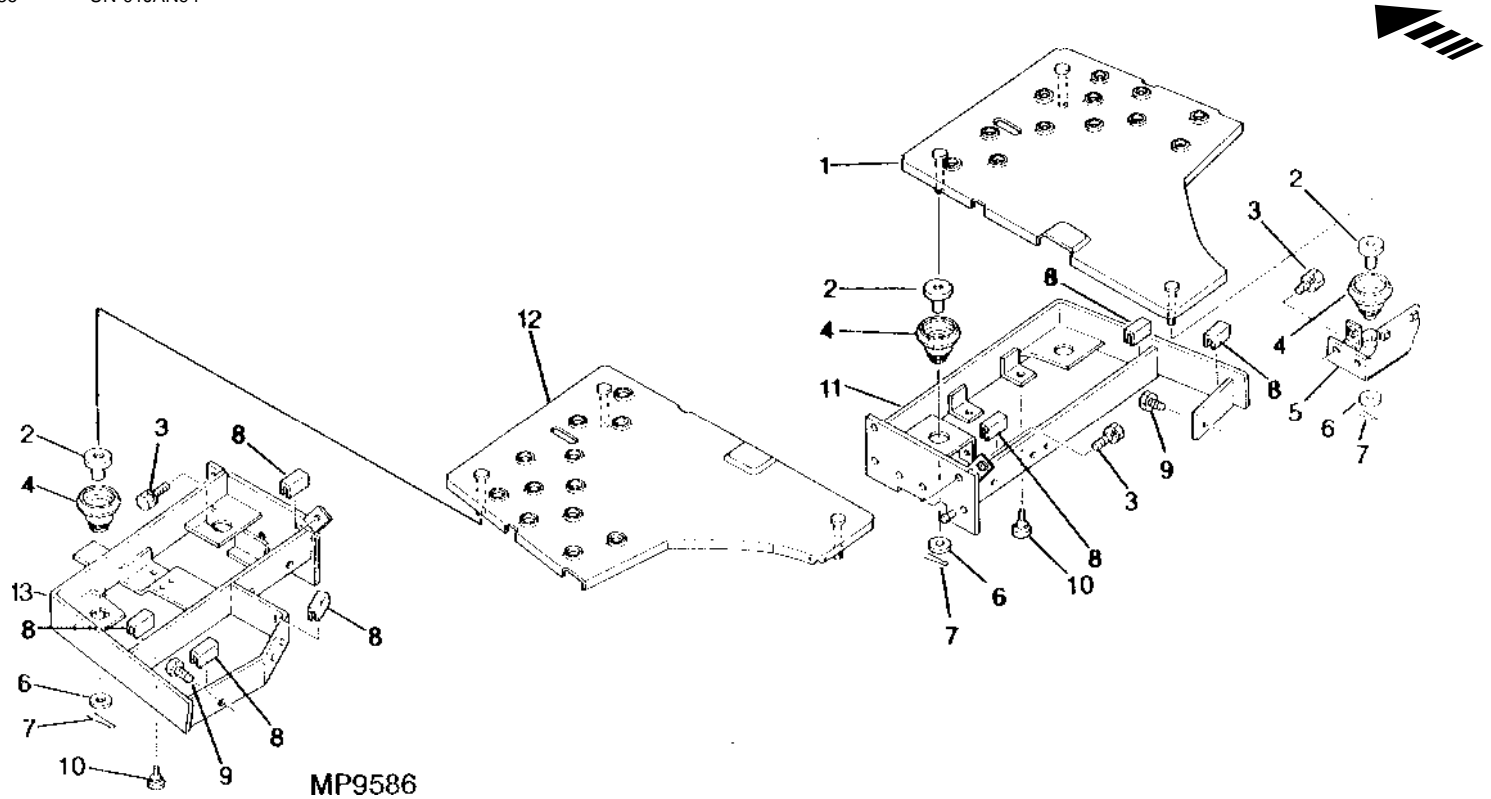
(E) EUROPEAN VERSION  
VERSION EUROPEENNE  
EUROPAEISCHE AUSFUEHRUNG  
VERSION EUROPEA  
VERSIONE EUROPEA  
EUROPEISK VERSION



# J10

WHEELS, FRONT AXLES, AND SHEET METAL

FOOT REST (670)  
 REPOSE-PIEDS (670)  
 FUSSTUETZE (670)  
 APOYAPIES (670)  
 PEDANA (670)  
 FOTSTOED (670)  
 MP9586 -UN-01JAN94

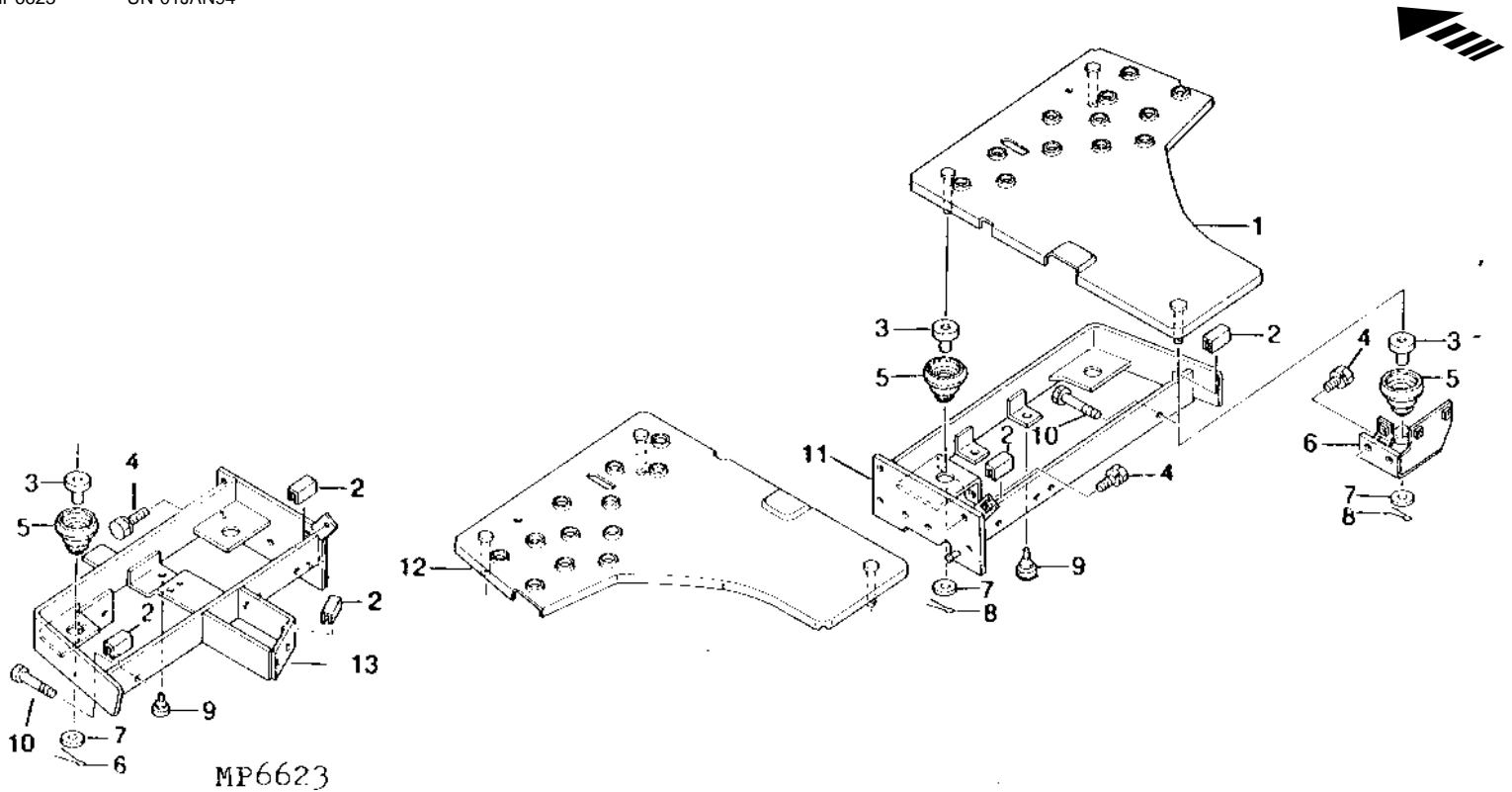


KEY	PART NO.	PART NAME	QTY	SERIAL NO.	REMARKS
1	AM876824	FOOTREST	1		RH
2	M803958	FOAM PAD	5		(NSEP) (SUB M805286)
3	19M7139	CAP SCREW	12		M8 X 20
	12M7065	LOCK WASHER	12		8.100 MM
4	M803521	RUBBER MOUNT	6		(SUB M805286)
5	AM876828	SUPPORT	1		RH
6	AM877042	WASHER	5		(SUB FOR M803523)
7	11M7082	COTTER PIN	6		2.500 X 25 MM
8	M803833	PLUG	7		
9	19M7288	CAP SCREW	2		M8 X 30
10	CH15270	BUMPER	3		
11	AM877868	BRACKET	1		RH, (SUB FOR AM876842)
12	AM876823	FOOTREST	1		LH
13	AM876841	BRACKET	1		LH

# J11

WHEELS, FRONT AXLES, AND SHEET METAL

FOOT REST (770)  
 REPOSE-PIEDS (770)  
 FUSSTUETZE (770)  
 APOYAPIES (770)  
 PEDANA (770)  
 FOTSTOED (770)  
 MP6623 -UN-01JAN94



MP6623

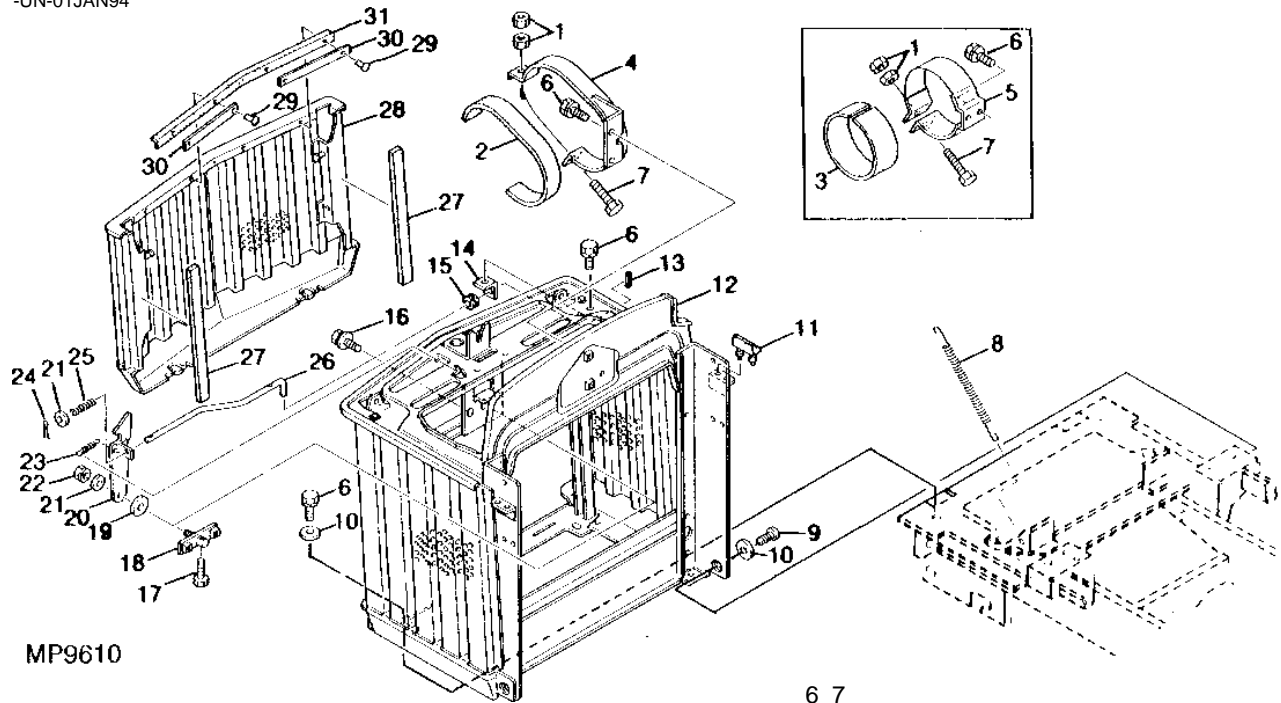
KEY	PART NO.	PART NAME	QTY	SERIAL NO.	REMARKS
1	AM876826	FOOTREST	1		RH
2	M803833	PLUG	5		
3	M803958	FOAM PAD	6		(NSEP) (SUB M805286)
4	19M7139	CAP SCREW	4		M8 X 20
	12M7065	LOCK WASHER	4		
5	M803521	RUBBER MOUNT	6		(SUB M805286)
6	AM876828	SUPPORT	1		RH
7	M803523	WASHER	6		
8	11M7082	COTTER PIN	5		2.500 X 25 MM
9	CH15270	BUMPER	3		
10	19M7185	CAP SCREW	2		M8 X 60
11	AM876844	LINK	1		RH
12	AM876825	FOOTREST	1		LH
13	AM876843	BRACKET	1		LH

# J12

WHEELS, FRONT AXLES, AND SHEET METAL

GRILLE  
CALANDRE  
SCHUTZGRILL  
GRATA  
ENREJADO  
GALLER  
MP9610

-UN-01JAN94



MP9610

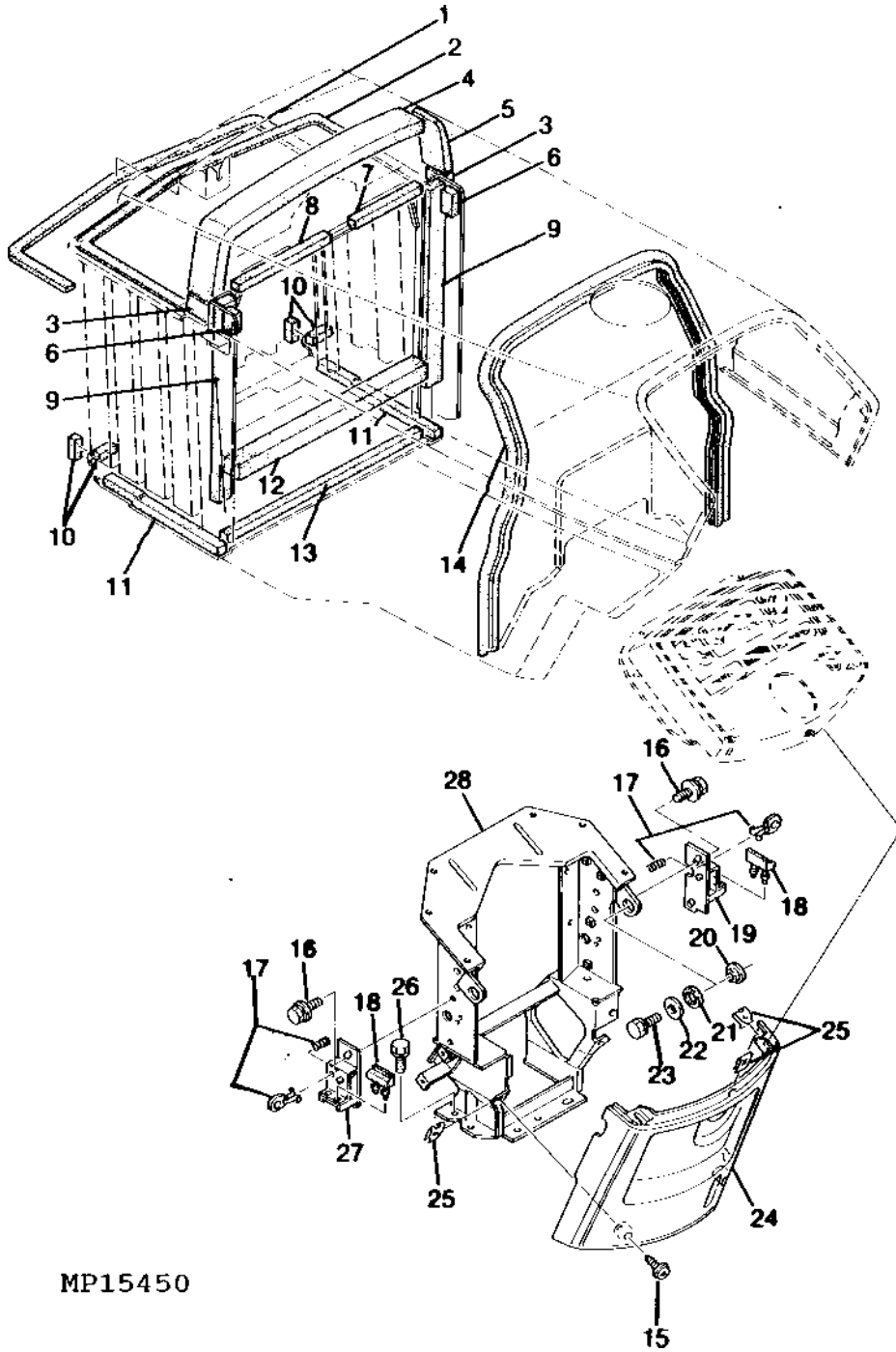
KEY	PART NO.	PART NAME	QTY	SERIAL NO.	REMARKS
				6 7 7 7 0 0	
1	14M7273	NUT	2		M8
2	M802764	ISOLATOR	1	X	
3	M802763	ISOLATOR	1	X	
4	AM876615	BRACKET	1	X	
5	CH15232	CLAMP	1	X	
6	19M7162	CAP SCREW	3		M8 X 16
	12M7065	LOCK WASHER	3		8.100 MM
7	M804270	BOLT	1		
8	M803410	SPRING	2		
9	CH12388	SCREW	2		
10	24M7024	WASHER	4		9 X 28 X 3 MM
11	M803366	HOLDER	4		
12	AM876798	FRAME	1	X	
	AM876799	FRAME	1	X	
	AM878038	FRAME	1	X	(EUROPE) (SUB FOR AM877863)
13	CH13499	SPRING PIN	1		
14	AM876801	SUPPORT	1		
15	CH12122	GROMMET	1		
16	19M7560	CAP SCREW	2		M6 X 16
	12M7006	LOCK WASHER	2		6.100 MM
	24M7095	WASHER	2		8.400 X 15 X 1.600 MM
17	CH13745	CAP SCREW	1		
18	AM876812	PIN	1		
19	24M7047	WASHER	1		13 X 24 X 2.500 MM
20	AM876793	LEVER	1		
21	24M7055	WASHER	2		8.400 X 16 X 1.600 MM
22	14M7273	NUT	1		M8
	12M7065	LOCK WASHER	1		8.100 MM
23	M803454	SPRING	1		
24	11M7009	COTTER PIN	1		2 X 16 MM
25	M803351	COMPRESSION SPRING	1		
26	M803357	ROD	1		
27	M803354	STRIP	2		
28	AM876800	GRILLE	1		FRONT
	AM877864	GRILLE	1	X	FRONT (EUROPE)
29	M803459	RIVET	4		
30	M803823	PLATE	2		
31	M803409	SEAL	1	X	FRONT

# J13

WHEELS, FRONT AXLES, AND SHEET METAL

CONTROL SUPPORT AND FOAM SEALS  
SUPPORT DE COMMANDE ET JOINTS EN MOUSSE  
BEDIENUNGSELEMENTENTRAEGER UND SCHAUMSTOFFDICHTUNGEN  
SOPORTE DE LOS CONTROLES Y BURLETES DE ESPUMA  
SUPPORTO DEL CRUSCOTTO E GUARNIZIONI  
REGLAGESTOED OCH SKUMGUMMITAETNINGAR

MP15450 -UN-25MAR96



MP15450

# J14

WHEELS, FRONT AXLES, AND SHEET METAL

## CONTROL SUPPORT AND FOAM SEALS (CONTINUED)

KEY	PART NO.	PART NAME	QTY	SERIAL NO.	REMARKS
				6 7	
				7 7	
				0 0	
1	M803443	SEAL	1		(SUB M806758)
2	M803452	FOAM PAD	1		
3	M803824	FOAM PAD	2		FRONT
4	M803445	SEAL	1		
5	M805514	SEAL	1	X	
	M803446	SEAL	1		(SUB M805115)
6	M803825	STOP	2		
7	M805023	FOAM PAD	1		
8	M805023	FOAM PAD	1		
9	M803447	SEAL	2		
10	M804310	SEAL	4		FRONT
11	M803353	SEAL	2		
12	M803448	INSULATOR	1		
13	M803352	SEAL	1		
14	M803453	SEAL	1		
15	M803429	SCREW	2		
16	19M7162	CAP SCREW	4		M8 X 16
	12M7065	LOCK WASHER	4		8.100 MM
	24M7055	WASHER	4		8.400 X 16 X 1.600 MM
17	AM102018	CLIP	2		
18	M803366	HOLDER	2		
19	AM876808	BRACKET	1		RH
20	M803412	BUSHING	2		
21	M803442	PACKING	2		
22	24M7149	WASHER	2		10.500 X 30 X 2.500 MM
23	19M7402	CAP SCREW	2		M10 X 25 (HS, HEAD MARKED 10.9)
	12M7066	LOCK WASHER	2		10.200 MM
24	M803462	COVER	1		
25	M804314	NUT	4		
26	19M7166	CAP SCREW	4		M10 X 20
	12M7066	LOCK WASHER	4		10.200 MM
27	AM876807	BRACKET	1		LH
28	AM876813	SUPPORT	1		(A)
	AM876846	SUPPORT	1		(B)

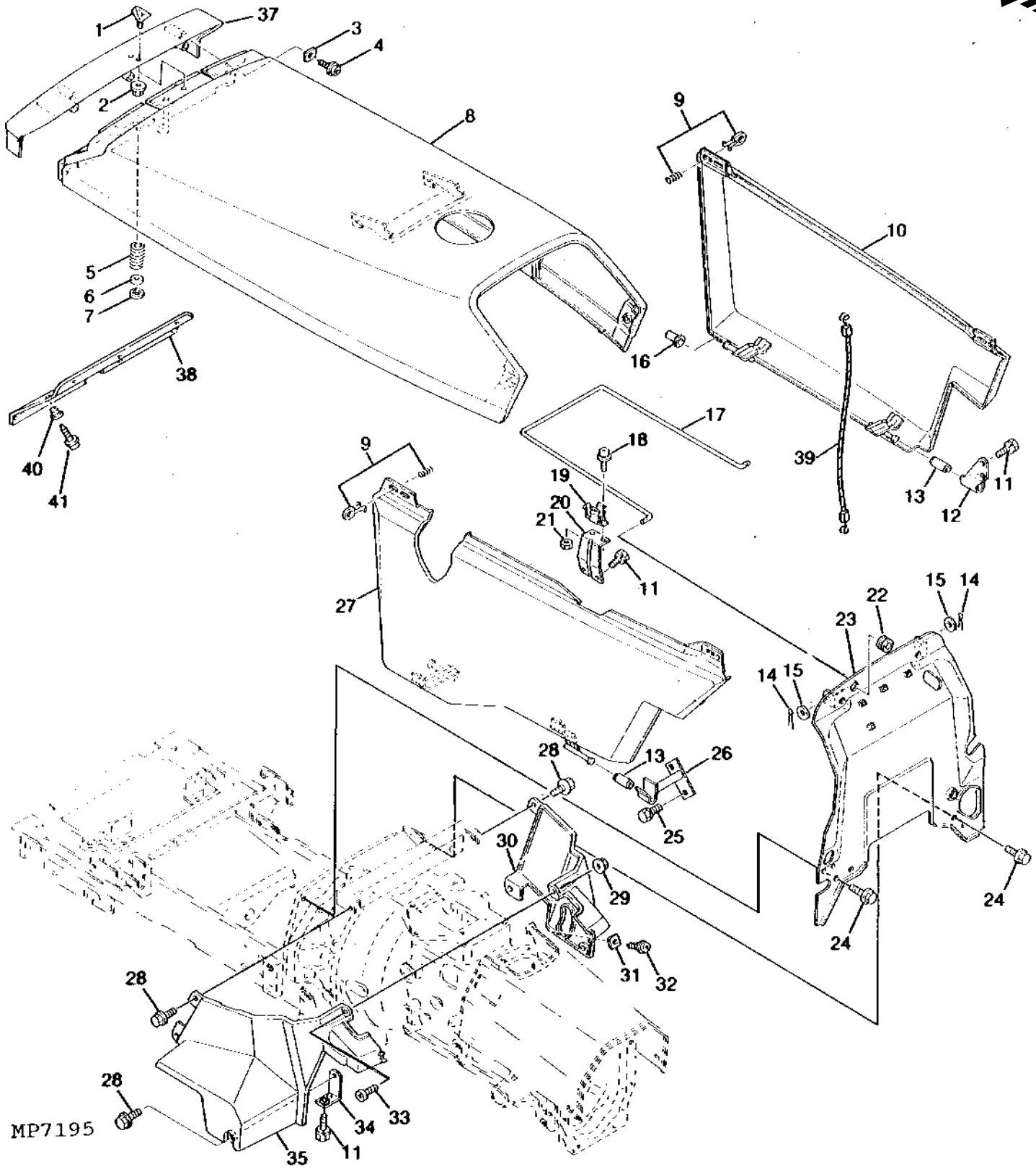
(A) MANUAL STEERING  
 DIRECTION MANUELLE  
 MANUELLE LENKUNG  
 STERZO MANUALE  
 DIRECCION MANUAL  
 MANUELL STYRNING

(B) POWER STEERING  
 DIRECTION ASSISTEE  
 SERVOLENKUNG  
 SERVOSTERZO  
 SERVODIRECCION  
 SERVOSTYRNING

# J15

WHEELS, FRONT AXLES, AND SHEET METAL

HOOD AND PANELS  
CAPOT ET PANNEAUX  
MOTORHAUBE UND VERKLEIDUNGEN  
CAPO Y PANELES  
COFANO E PANNELLI  
MOTORHUV OCH PANELER  
MP7195 -UN-01JAN94



MP7195

THIS PARTS LISTING IS CONTINUED

# J16

WHEELS, FRONT AXLES, AND SHEET METAL

## HOOD AND PANELS (CONTINUED)

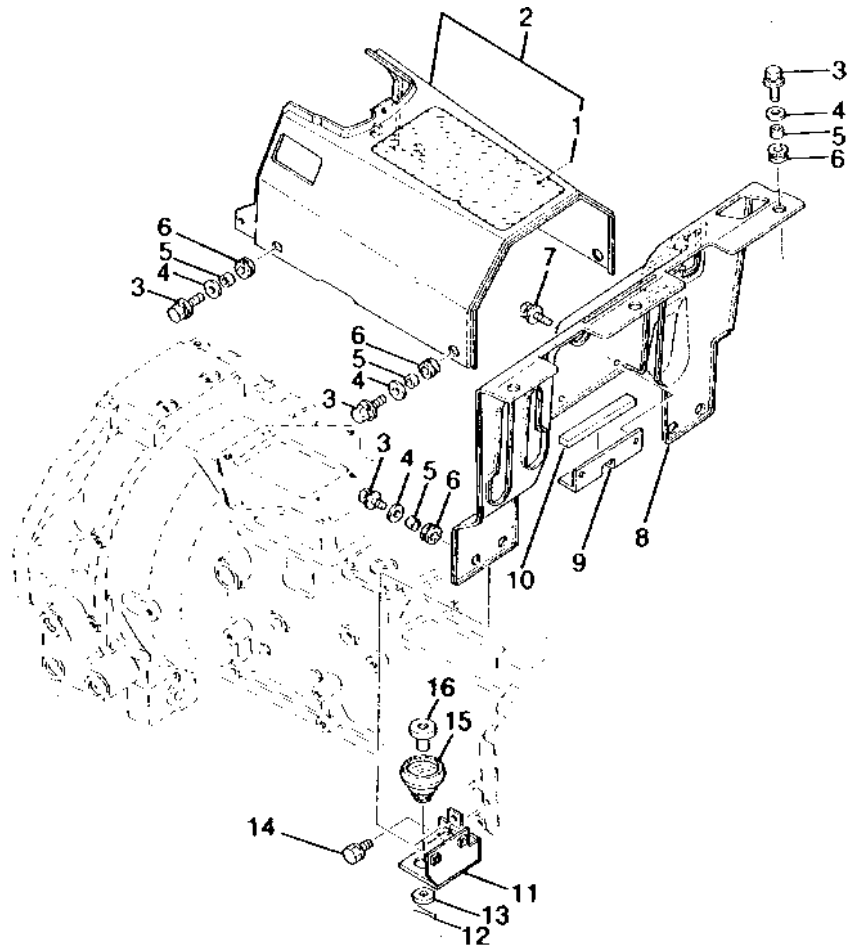
KEY	PART NO.	PART NAME	QTY	SERIAL NO.	6 7 7 7 0 0	REMARKS
1	CH11970	MEDALLION	1			
2	CH11460	NUT	1			
3	M804311	WASHER	2			
4	CH14175	SCREW	6			
5	M803402	SPRING	1			
6	24M7055	WASHER	1			8.400 X 16 X 1.600 MM
7	M803455	NUT	1			(CANNOT BE REUSED)
8	AM877679	HOOD	1	X		(SUB FOR AM876794)
	AM877680	HOOD	1	X		
	M805037	PLATE	1			NOSE (NOT SHOWN) (SUB FOR M803408)
9	AM102018	CLIP	4			
10	AM877862	SHIELD	1			RH, (SUB FOR AM876796)
11	19M7162	CAP SCREW	4			M8 X 16
	12M7065	LOCK WASHER	4			8.100 MM
12	M803444	HOOK	1			RH
13	M803416	CUSHION	1			
14	11M7082	COTTER PIN	2			2.500 X 25 MM
15	24M7054	WASHER	2			6.400 X 12 X 1.600 MM
16	M803827	CUSHION	2			
17	M803449	STAND	1			
18	21M7278	SCREW	2			M5 X 10
	24M7027	WASHER	2			5.300 X 10 X 1 MM
	12M7064	LOCK WASHER	2			5.100 MM
19	M803411	HOLDER	1			
20	M803450	SUPPORT	1			
21	CH17809	NUT	2			
22	CH12123	GROMMET	1			
23	AM876802	PLATE	1			AIRSHIELD
24	19M7864	SCREW	4			M8 X 12 (HS, HEAD MARKED 10.9)
25	19M7166	CAP SCREW	2			M10 X 20
	12M7066	LOCK WASHER	2			10.200 MM
26	AM876803	HOOK	1	X		LH
	AM876805	HOOK	1	X		LH
27	AM876933	SHIELD	1			(A) LH
	AM877861	SHIELD	1			(B) (E) LH
28	19M7865	SCREW	6			M8 X 16 (HS, HEAD MARKED 10.9)
29	14M7272	NUT	1			M6
	12M7006	LOCK WASHER	1			6.100 MM
30	M803460	COVER	1			
31	AM876804	WASHER	1			
	M803430	NUT	1			
32	M803429	SCREW	1			
33	CH12597	SCREW	1			
34	AM876934	SUPPORT	1			
35	M803776	COVER	1			(A) LH LOWER
	M803461	COVER	1			(B) LH LOWER
36	M803430	NUT	1			
37	M805036	HOOD	1			
38	M805037	PLATE	1			NOSE
39	M805361	WIRE	2	X		
40	M803336	GROMMET	7			
41	M803429	SCREW	7			
..	AL58554	REAR VIEW MIRROR	1	X		(E) (NOT SHOWN)
..	M805523	SUPPORT	1	X		(ALSO ORDER (2) 19M7804 BOLTS)

(A) MANUAL STEERING  
DIRECTION MANUELLE  
MANUELLE LENKUNG  
STERZO MANUALE  
DIRECCION MANUAL  
MANUELL STYRNING

(B) POWER STEERING  
DIRECTION ASSISTEE  
SERVOLENKUNG  
SERVOSTERZO  
SERVODIRECCION  
SERVOSTYRNING

(E) EUROPEAN VERSION  
VERSION EUROPEENNE  
EUROPAEISCHE AUSFUEHRUNG  
VERSION EUROPEA  
VERSIONE EUROPEA  
EUROPEISK VERSION

CLUTCH HOUSING AND ROCKSHAFT COVERS  
CARTER D'EMBRAYAGE ET GARANTS D'ARBRE DE RELEVAGE  
KUPPLUNGSGEHAUSE UND HUBWELLENABDECKUNGEN  
CAJA DEL EMBRAGUE Y CUBIERTAS DEL EJE OSCILANTE  
COPERTURE DELLA SCATOLA DELLA FRIZIONE E DELL'ABERO OSCILLANTE  
KOPPLINGSLAADA OCH LYFTARMSAXELSKYDD  
MP6624 -UN-01JAN94



MP6624



# J18

WHEELS, FRONT AXLES, AND SHEET METAL

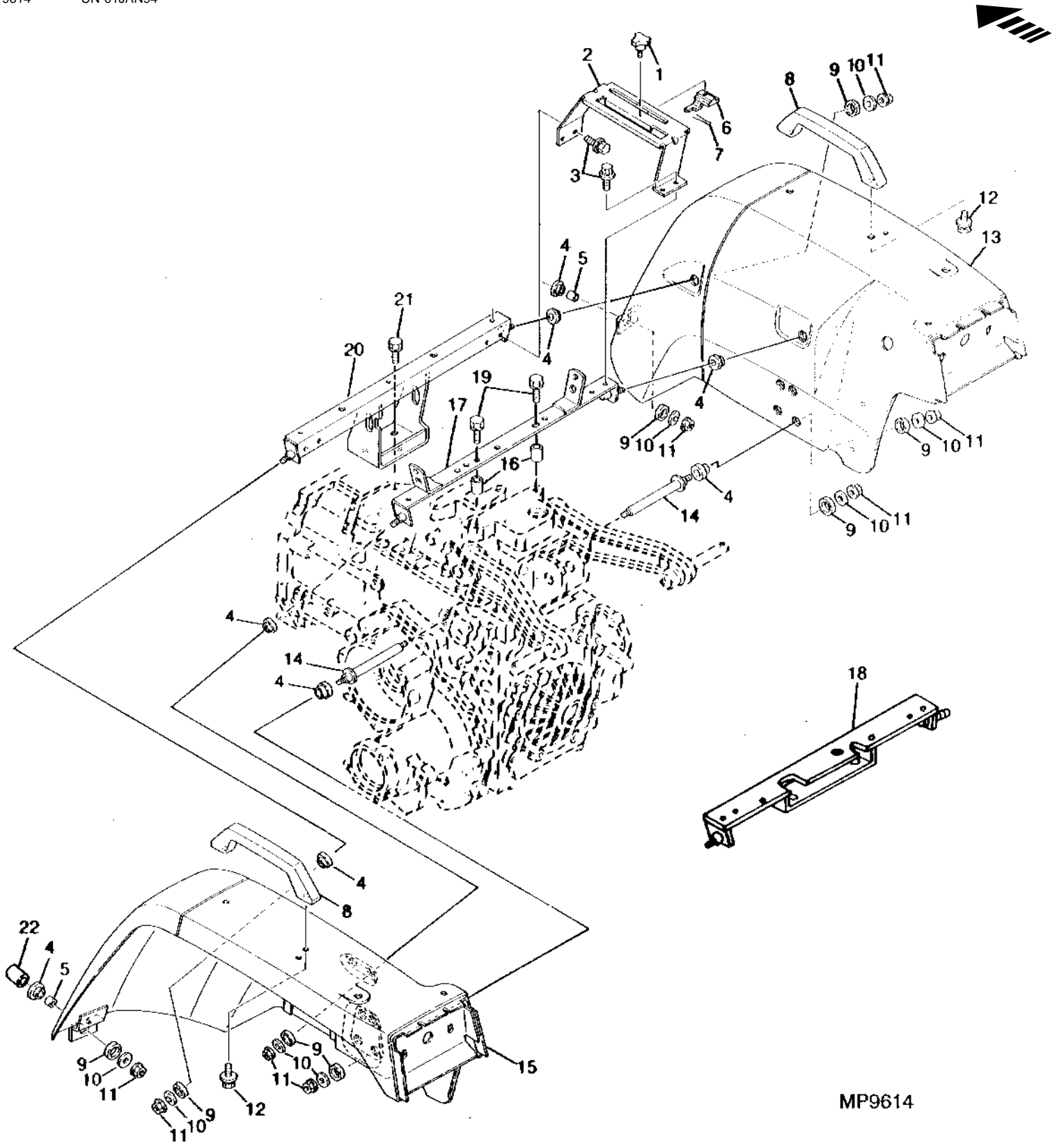
## CLUTCH HOUSING AND ROCKSHAFT COVERS (CONTINUED)

KEY	PART NO.	PART NAME	QTY	SERIAL NO.	6 7 7 7 0 0	REMARKS
1	M803535	LABEL	1			CAUTION
2	AM876831	COVER	1			
3	M803548	BOLT	11			
4	24M7024	WASHER	11			9 X 28 X 3 MM
5	M803502	BUSHING	11			
6	M803530	GROMMET	11			
7	19M7560	CAP SCREW	2			M6 X 16
	12M7006	LOCK WASHER	2			6.100 MM
	24M7095	WASHER	2			8.400 X 15 X 1.600 MM
8	M803531	COVER	1		X	
	AM876830	COVER	1		X	
9	AM876839	SUPPORT	1			
10	M801927	FOAM PAD	1			
11	AM876827	SUPPORT	1			LH
	AM876828	SUPPORT	1			RH
12	11M7082	COTTER PIN	6			2.500 X 25 MM
13	AM877042	WASHER	AR			
14	19M7139	CAP SCREW	8			M8 X 20
	12M7065	LOCK WASHER	8			8.100 MM
15	M803521	RUBBER MOUNT	2			(SUB M805286)
16	M803958	FOAM PAD	2			(SUB M805286)

# J19

WHEELS, FRONT AXLES, AND SHEET METAL

REAR FENDERS  
GARDE-BOUE ARRIERE  
HINTERE KOTFLUEGEL  
GUARDABARROS TRASEROS  
PARAFANGHI POSTERIORI  
BAKRE STAENKSKAERMAR  
MP9614 -UN-01JAN94



MP9614

# J20

WHEELS, FRONT AXLES, AND SHEET METAL

## REAR FENDERS (CONTINUED)

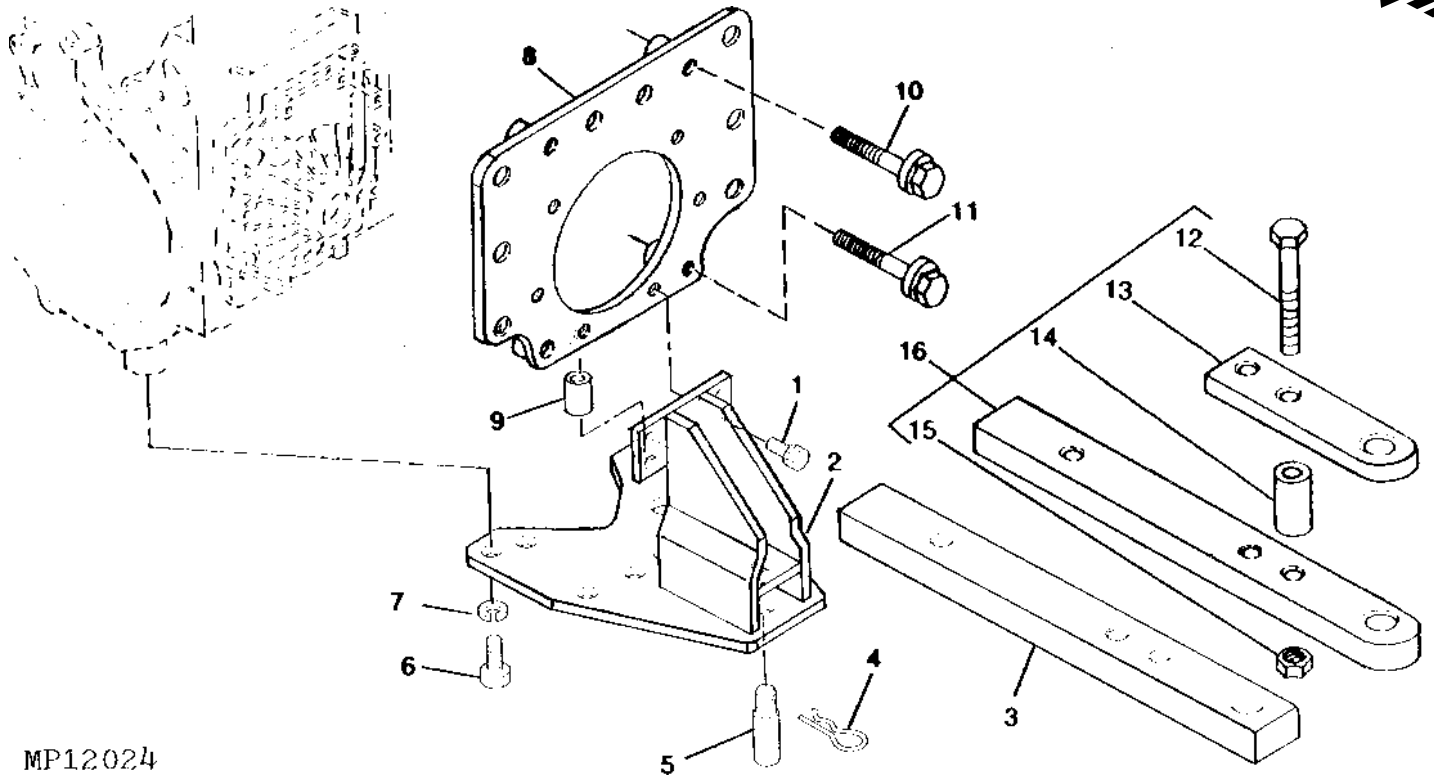
KEY	PART NO.	PART NAME	QTY	SERIAL NO.	6 7 7 7 0 0	REMARKS
1	CH11011	CAP	1			
2	AM876806	GUIDE	1			
3	19M7560	CAP SCREW	4			M6 X 16
	12M7006	LOCK WASHER	4			6.100 MM
	24M7095	WASHER	4			8.400 X 15 X 1.600 MM
4	M803507	RUBBER MOUNT	8			
5	M803541	BUSHING	2			
6	AM876809	PLUG	1			
7	11M7009	COTTER PIN	1			2 X 16 MM
8	AM876822	BAR	1			
9	M803506	RUBBER MOUNT	8			
10	24M7024	WASHER	8			9 X 28 X 3 MM
11	14M7273	NUT	8			M8
	12M7065	LOCK WASHER	8			8.100 MM
	24M7055	WASHER	8			8.400 X 16 X 1.600 MM
12	19M7162	CAP SCREW	4			M8 X 16
	12M7065	LOCK WASHER	4			8.100 MM
	24M7055	WASHER	4			8.400 X 16 X 1.600 MM
13	AM876810	FENDER	1	X		RH
	AM876820	FENDER	1	X		RH
	AM877866	FENDER	1	X		(E) RH
14	AM876818	SUPPORT	2	X		
	AM876821	SUPPORT	2	X		
15	AM876811	FENDER	1	X		LH
	AM876819	FENDER	1	X		LH
	AM877865	FENDER	1	X		(E) LH
16	AM876833	BUSHING	2			
17	AM876834	BRACKET	1	X		
	AM876835	BRACKET	1	X		
	AM877867	BRACKET	1	X		(ALSO ORDER (2) T110464 U-BOLT)
19	19M7358	CAP SCREW	2	X		M10 X 40 (HS, HEAD MARKED 10.9)
	12M7066	LOCK WASHER	2	X		10.200 MM
	19M7301	CAP SCREW	2	X		M8 X 40
	12M7065	LOCK WASHER	2	X		8.100 MM
20	AM877989	SUPPORT	1	X		
	AM876838	SUPPORT	1	X		
21	19M7139	CAP SCREW	3			M8 X 20
	12M7065	LOCK WASHER	3			8.100 MM
22	AM876836	BRACKET	2	X		

(E) EUROPEAN VERSION  
 VERSION EUROPEENNE  
 EUROPÄISCHE AUSFUEHRUNG  
 VERSION EUROPEA  
 VERSIONE EUROPEA  
 EUROPEISK VERSION

# J21

WHEELS, FRONT AXLES, AND SHEET METAL

DRAWBAR  
 BARRE D'ATTELAGE  
 BARRA D'ATTELAGE  
 ZUGPENDEL  
 BARRA DE TIRO  
 DRAGBOM  
 MP12024 -UN-01JAN94



MP12024

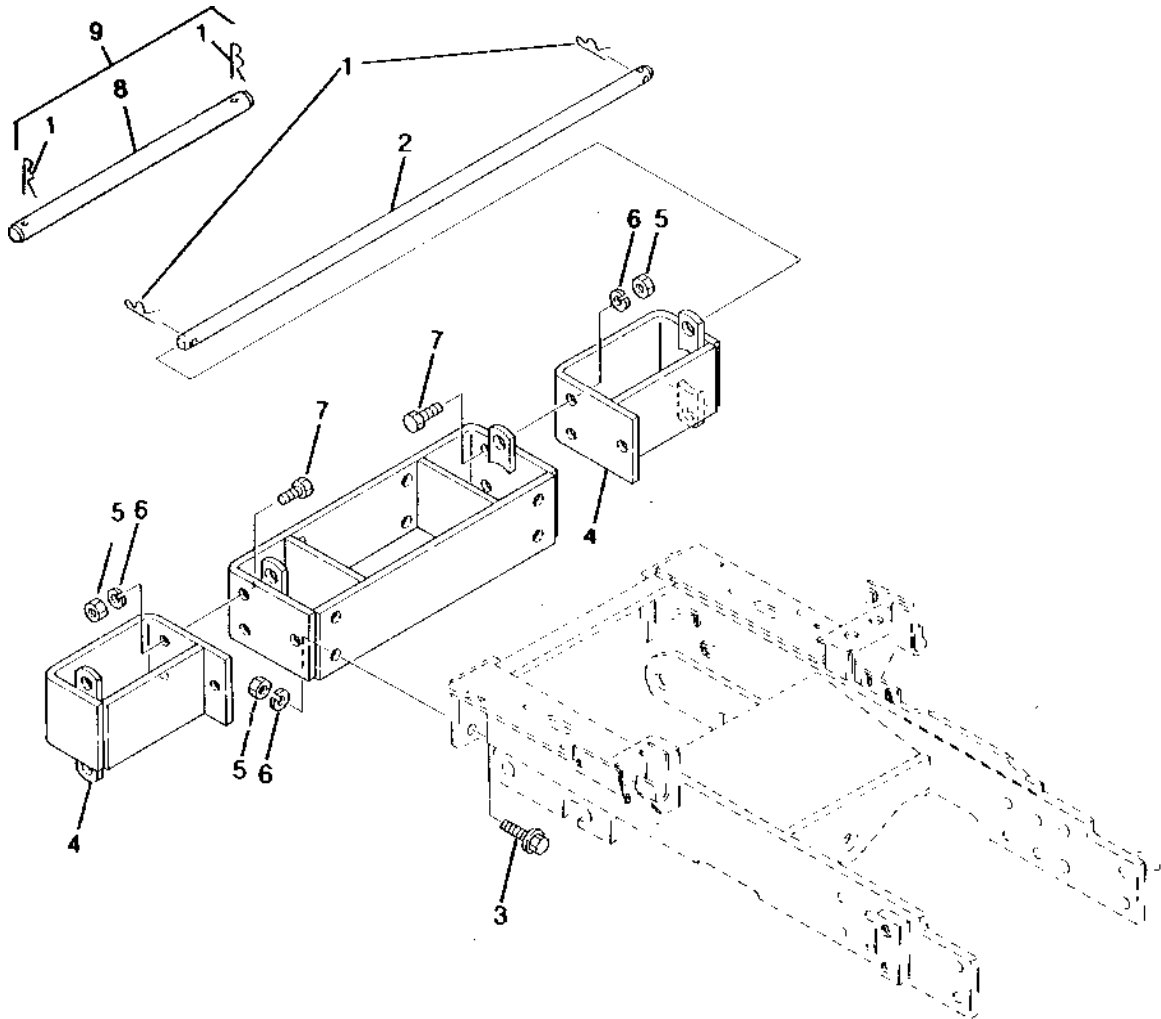
KEY	PART NO.	PART NAME	QTY	SERIAL NO.	REMARKS
1	19M7872	CAP SCREW	2		M12 X 25 (HS, HEAD MARKED 10.9)
	12M7067	LOCK WASHER	2		12.200 MM
2	AM876867	BRACKET	1		
3	M803613	DRAWBAR	1		
4	CH15317	PIN	1		
5	M803614	PIN	1		
6	M804989	BOLT	2		(W/O MID PTO)
	M804990	BOLT	2		(W/MID PTO) (USE WITH (2) M803760 SPACERS)
7	12M7069	LOCK WASHER	2		16.200 MM
8	AM877999	PLATE	1		REAR
9	.....	SPACER	1		(INCLUDED IN AM877999)
10	M803632	BOLT	2		
11	M803598	BOLT	2		
12	M804263	SCREW, WITH WASHER	2		(E)
13	M805520	CLEVIS	1		(E)
14	M805521	SPACER	2		(E)
15	14M7275	NUT	2		(E) M12
16	AM877994	DRAWBAR	1		(E)

(E) EUROPEAN VERSION  
 VERSION EUROPEENNE  
 EUROPÄISCHE AUSFÜHRUNG  
 VERSION EUROPEA  
 VERSIONE EUROPEA  
 EUROPEISK VERSION

---

**MEMORANDA**

OPTIONAL FRONT HITCH WEIGHT KIT  
JEU DE MASSES AVANT EN OPTION  
FRONTANHAENGEVORRICHTUNGS-TRAEGERSETZ WAHLWEISE  
JUEGO OPCIONAL DE CONTRAPESO DELANTERO PARA EL ENGANCHE  
KIT OPZIONALE DEL PESO ANTERIORE  
VALFRI FRAEMRE TYNGDSATS  
MP9587 -UN-01JAN94



MP9587

# J23

WHEELS, FRONT AXLES, AND SHEET METAL

## OPTIONAL FRONT HITCH WEIGHT KIT (CONTINUED)

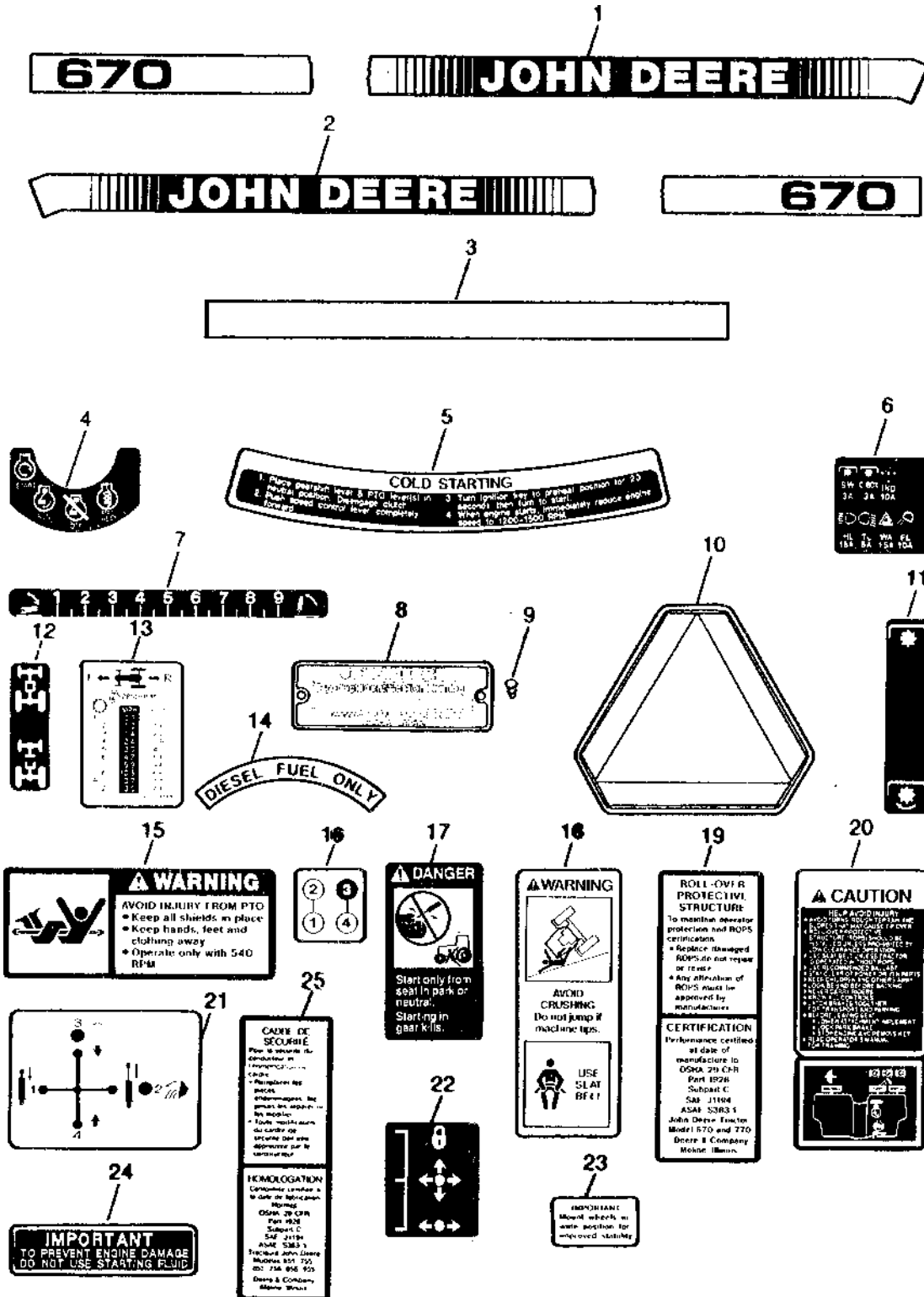
KEY	PART NO.	PART NAME	QTY	SERIAL NO.	REMARKS
1	M40461	SPRING LOCKING PIN	2		
2	M803843	ROD	1	914 MM (36")	
3	19M7791	SCREW	4	M12 X 40 (HS, HEAD MARKED 10.9) (SUB FOR M802789)	
4	AM877048	EXTENSION	2		
5	14M7275	NUT	10	M12	
6	12H301	LOCK WASHER	10	1/2", (SUB FOR CH13085)	
7	19M7403	CAP SCREW	6	M12 X 35 (HS, HEAD MARKED 10.9) (SUB FOR CH13463)	
8	CH15319	QUICK LOCK PIN	1	457 MM (18")	
9	CH15318	PIN	1		

# J24

WHEELS, FRONT AXLES, AND SHEET METAL

DECALS  
AUTOCOLLANTS  
AUFKLEBER  
AUTODESIVI  
CALCOMAMIAS  
ETIKETTER

MP12011 -UN-01JAN94



MP12011



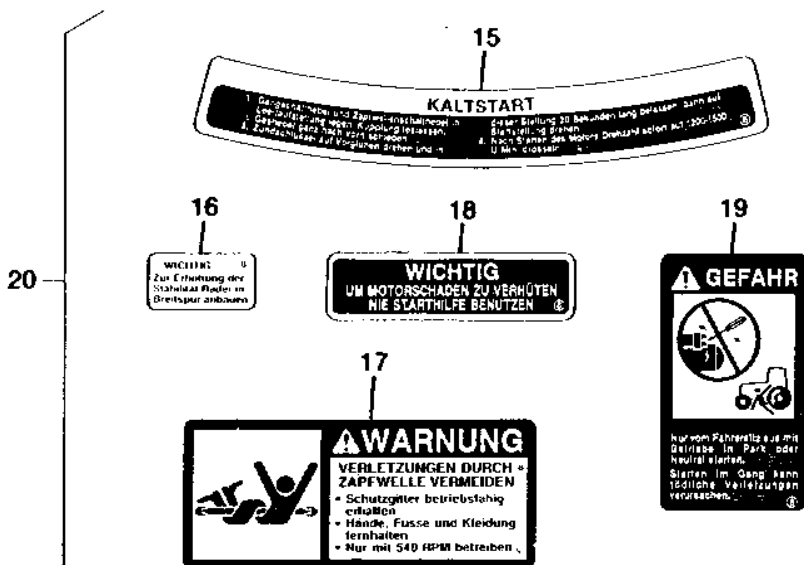
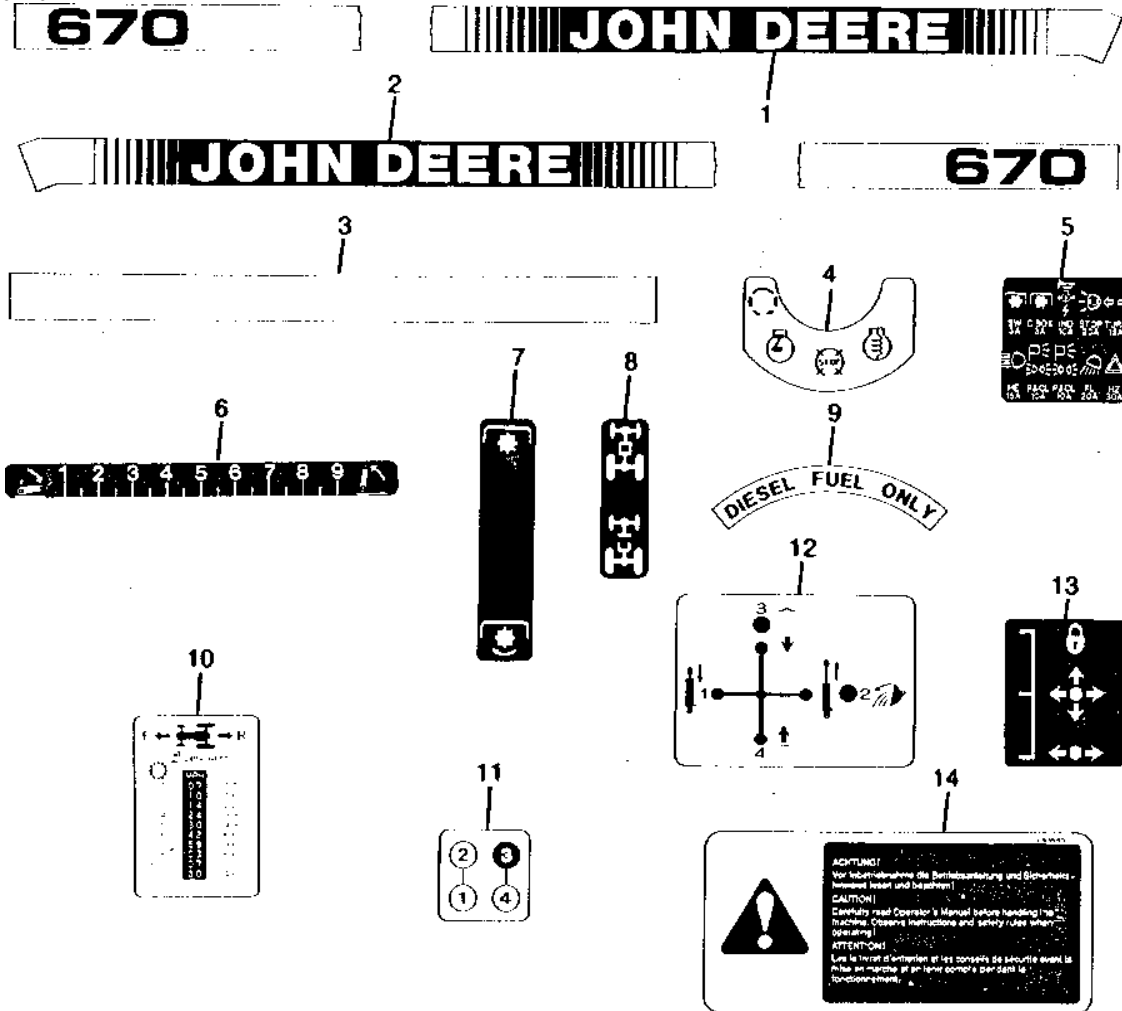
# J25

WHEELS, FRONT AXLES, AND SHEET METAL

## DECALS (CONTINUED)

KEY	PART NO.	PART NAME	QTY	SERIAL NO.	6 7	REMARKS
					7 7	
					0 0	
1	M803569	LABEL	1		X	LH
	M803579	LABEL	1		X	LH (NOT SHOWN)
2	M803570	LABEL	1		X	RH
	M803580	LABEL	1		X	RH (NOT SHOWN)
3	M803568	LABEL	1			FRONT
4	M803571	LABEL	1			START SWITCH
5	M803572	LABEL	1			COLD SWITCH
6	M803573	LABEL	1			FUSE
7	M803574	LABEL	1			LEVER
8	.....	SERIAL NUMBER PLATE	1			(NSEP)
9	.....	RIVET	2			(NSEP)
10	TY2615	SMV EMBLEM	1			SMV COMPLETE
11	M803575	LABEL	1			PTO
12	M803576	LABEL	1			MFWD
13	M803577	LABEL	1		X	SPEED
	M803578	LABEL	1		X	SPEED (NOT SHOWN)
14	CH13832	LABEL	1		X	FUEL FILLER
15	M803017	LABEL	1			PTO WARNING
16	M803679	LABEL	1			SCV COUPLER
17	T134459	SAFETY SIGN	1			STARTER, (SUB FOR M802714)
18	M76637	LABEL	1			ROPS WARNING
19	M76636	LABEL	1			INFORMATION, (SUB FOR M803772)
20	M803535	LABEL	1			CAUTION
21	M90604	LABEL	1			SCV LEVER
22	M803678	LABEL	1			SCV LOCK
23	M93008	LABEL	1			WHEEL
24	M88198	LABEL	1			AIR CLEANER
25	M76643	LABEL	1			INFORMATION (ROPS) (FR.)
..	AM108944	DECAL KIT	1			DECAL (CANADA)
..	AM878005	DECAL KIT	1		X	(U.K.)

DECALS (GERMAN)  
 AUTOCOLLANTS (ALLEMAND)  
 SICHERHEITSAUFKLEBER (DEUTSCH)  
 CALCOMANIAS (ALEMAN)  
 DECALCOMANIE (TEDESCO)  
 ETIKETTER (TYSKA)  
 MP7214 -UN-01JAN94



MP7214

# K2

WHEELS, FRONT AXLES, AND SHEET METAL

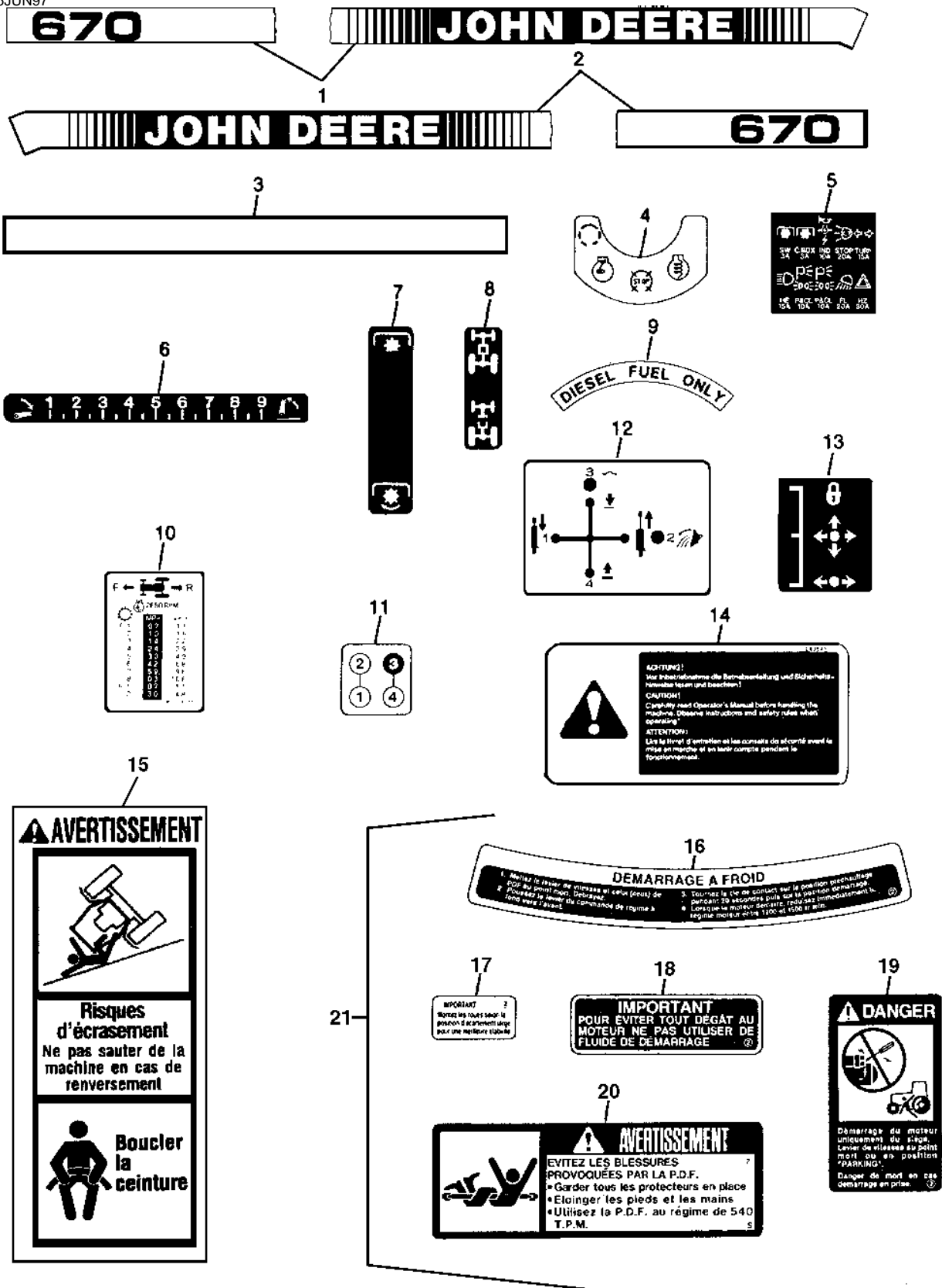
## DECALS (GERMAN) (CONTINUED)

KEY	PART NO.	PART NAME	QTY	SERIAL NO.	REMARKS
1	M803569	LABEL	1	LH	
2	M803570	LABEL	1	RH	
3	M803568	LABEL	1	FRONT	
4	.....	DECAL	1	START SWITCH, (ORDER AM878006)	
5	.....	DECAL	1	FUSE, (ORDER AM878006)	
6	M803574	LABEL	1	LEVER	
7	M803575	LABEL	1	PTO	
8	M803576	LABEL	1	MFWD	
9	CH13832	LABEL	1	"DIESEL FUEL ONLY"	
10	M803577	LABEL	1	SPEED	
11	M803679	LABEL	1	SCV COUPLER	
12	M90604	LABEL	1	SCV LEVER	
13	M803678	LABEL	1	SCV LOCK	
14	.....	LABEL	1	EEC SAFETY (NOT USED THIS APPL)	
15	.....	LABEL	1	COLD START, (ORDER AM878006)	
16	.....	LABEL	2	TIRE WHEEL, (ORDER AM878006)	
17	M79721	LABEL	1	PTO WARNING (GR)	
18	M79725	LABEL	1	IMPORTANT (GR)	
19	T146515	SAFETY SIGN	1	DANGER, (SUB FOR T84412)	
<b>20</b>	<b>BM16929</b>	<b>DECAL KIT</b>	<b>1</b>		
..	AM878006	DECAL KIT	1	(COMPLETE)	

# K3

WHEELS, FRONT AXLES, AND SHEET METAL

DECALS (FRENCH)  
 AUTOCOLLANTS (FRANCAIS)  
 SICHERHEITSAUFKLEBER (FRANZOESISCH)  
 CALCOMANIAS (FRANCES)  
 DECALCOMANIE (FRANCESE)  
 ETIKETTER (FRANSKA)  
 MP17565 -UN-05JUN97



MP17565

# K4

WHEELS, FRONT AXLES, AND SHEET METAL

## DECALS (FRENCH) (CONTINUED)

KEY	PART NO.	PART NAME	QTY	SERIAL NO.	REMARKS
1	M803569	LABEL	1	LH	
2	M803570	LABEL	1	RH	
3	M803568	LABEL	1	FRONT	
4	.....	DECAL	1	START SWITCH, (ORDER AM878007)	
5	.....	DECAL	1	FUSE, (ORDER AM878007)	
6	M803574	LABEL	1	LEVER	
7	M803575	LABEL	1	PTO	
8	M803576	LABEL	1	MFWD	
9	CH13832	LABEL	1	"DIESEL FUEL ONLY"	
10	M803577	LABEL	1	SPEED	
11	M803679	LABEL	1	SCV COUPLER	
12	M90604	LABEL	1	HYDRAULIC CONTROL LEVER	
13	M803678	LABEL	1	SCV LOCK	
14	L63645	LABEL	1	EEC SAFETY	
15	M76641	LABEL	1		
16	M805299	LABEL	1	COLD START	
17	M805301	LABEL	1	TIRE WHEEL	
18	M88337	LABEL	1	IMPORTANT (FR)	
19	T134453	SAFETY SIGN	1	BYPASS START (FR)	
20	M118208	LABEL	1	PTO WARNING (FR) (SUB FOR M85525)	
21	<b>BM16921</b>	<b>DECAL KIT</b>	1	<b>(SUB FOR AM877950)</b>	
..	AM878007	DECAL KIT	1	(FR) COMPLETE	

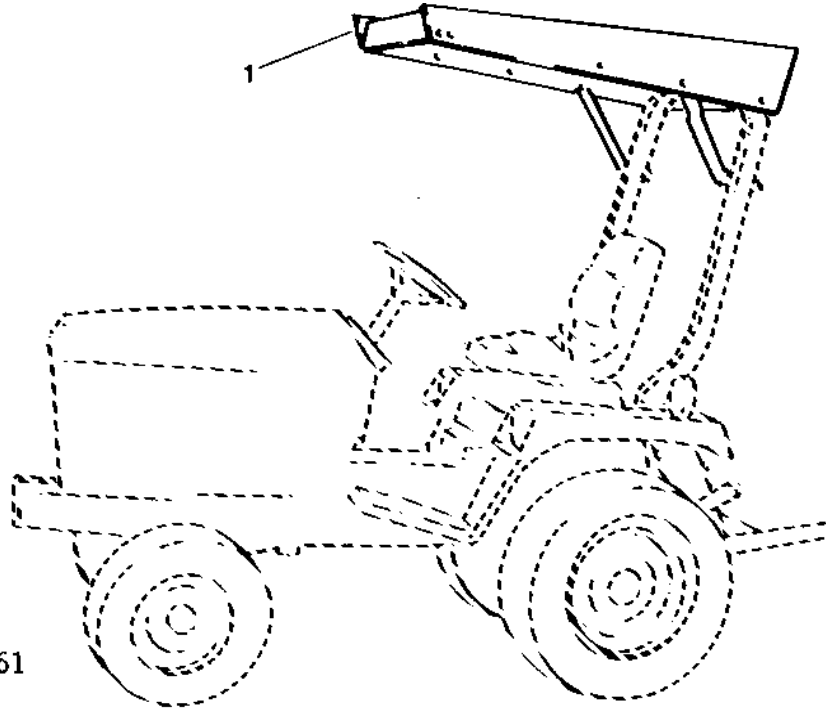
---

MEMORANDA

# K6

OPERATOR STATION

STEEL CANOPY  
AUVENT ACIER  
STAHL-SCHUTZDACH  
TETTUCCID IN ACCIAIO  
TECHO DE ACERO  
STOLTAK AV STAL  
MP4761 -UN-01JAN94

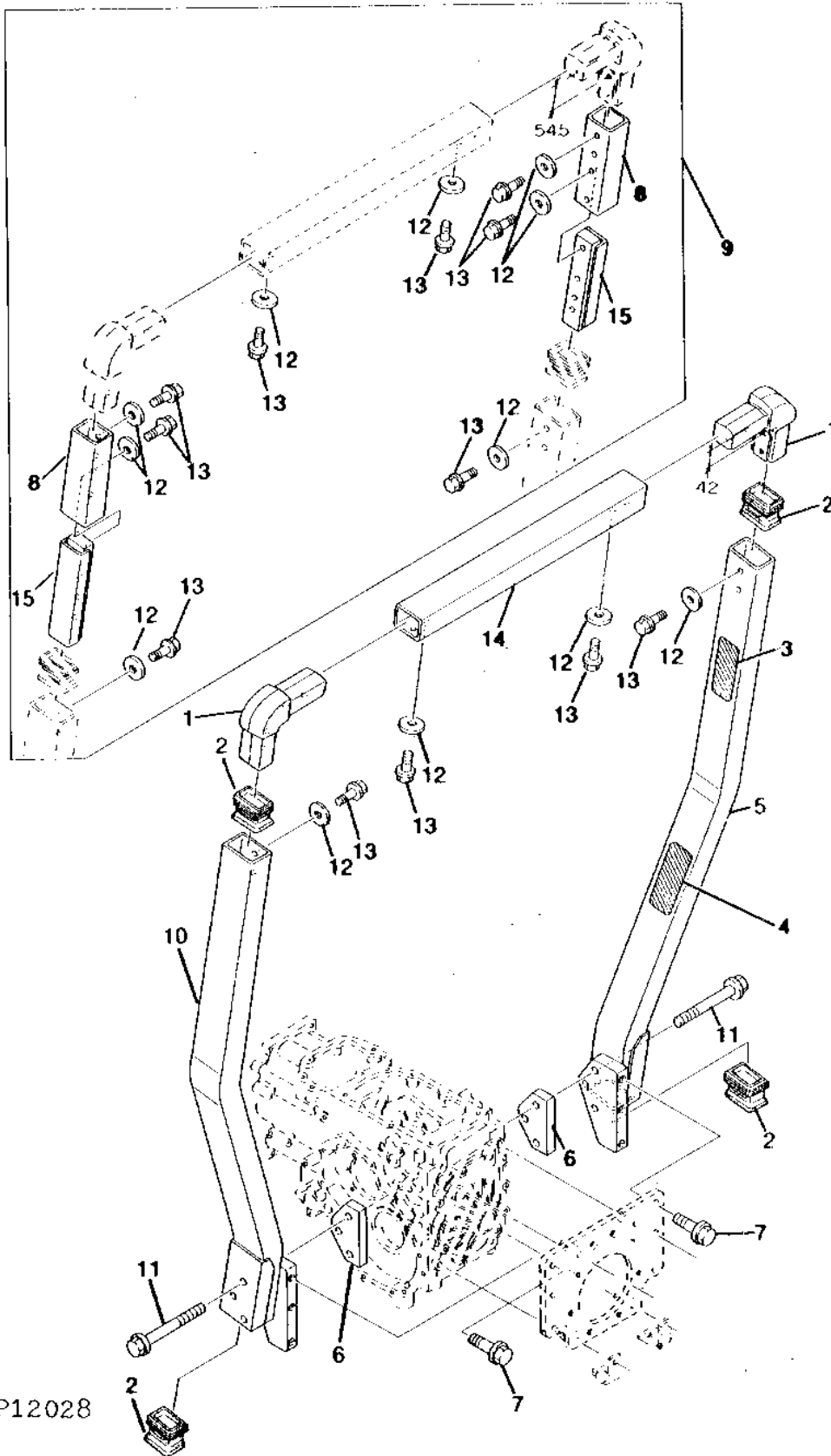


MP4761

KEY	PART NO.	PART NAME	QTY	SERIAL NO.	REMARKS
1	TY15631	CANOPY	1	(SUB FOR TY15425)	

ROLLOVER PROTECTION STRUCTURE  
ARCEAU DE SECURITE  
UEBERSCHLAGSCHUTZ  
ESTRUCTURA PROTECTORA CONTRA VOLCADURAS  
STRUTTURA PROTETTIVA ANTI-ROLLOVER  
SKYDDSAAGE

MP12028 -UN-01JAN94



MP12028

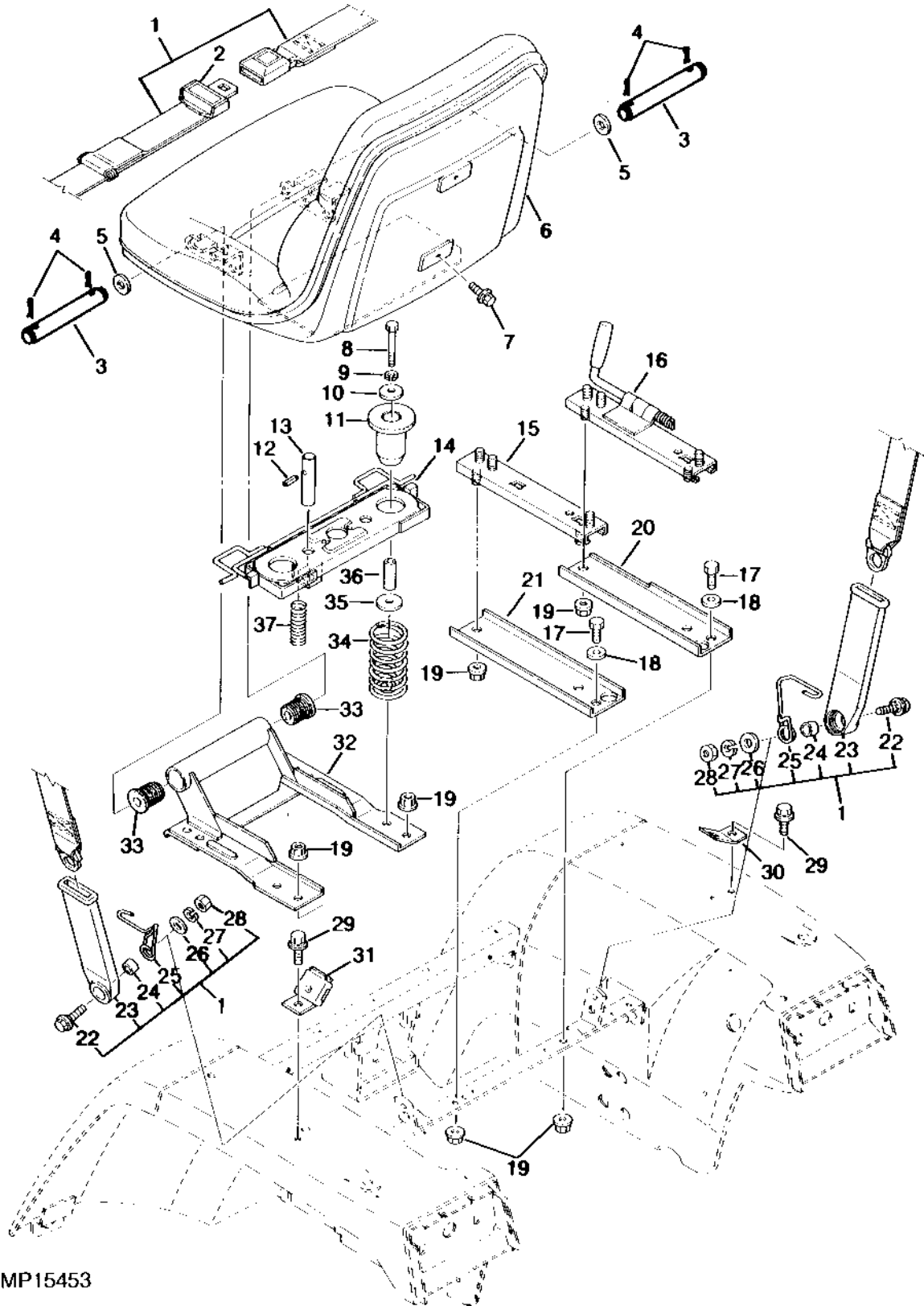


ROLLOVER PROTECTIVE STRUCTURE (CONTINUED)

KEY	PART NO.	PART NAME	QTY	SERIAL NO.	REMARKS
1	.....	CORNER	1	(A) (ORDER AM877964)	
2	M803851	SEAL	4		
3	M76637	LABEL	1	ROPS WARNING	
4	M76636	LABEL	1	INFORMATION, (SUB FOR M803772)	
5	.....	FRAME	1	RH, (ORDER AM876935)	
6	M803626	PLATE	2		
7	M803629	BOLT	6		
8	M801937	PIPE	2		
9	AM107212	KIT	1	EXTENSION	
10	.....	FRAME	1	LH, (ORDER AM876935)	
11	M803628	BOLT	6	(SUB FOR M802788)	
12	M803621	WASHER	8		
13	19M7788	SCREW	AR	(A) M12 X 25 (HS, HEAD MARKED 10.9)	
14	.....	FRAME	1	(ORDER AM876935)	
15	AM876943	PLATE	2		
..	AM876935	KIT	1	ROPS	
..	AM877964	KIT	1	ROPS CORNER (INCLUDES PARTS MARKED (A) AND INSTRUCTIONS)	

# K9

SEAT AND SEAT BELT  
SIEGE ET CEINTURE DE SECURITE  
SITZ UND SICHERHEITSGURT  
SEDILE E CINTURA DE SICUREZZA  
ASIENTO Y CINTURON DE SEGURIDAD  
SATE OCH SAKERHETSBALTE  
MP15453 -UN-26MAR96



MP15453

# K10

OPERATOR STATION

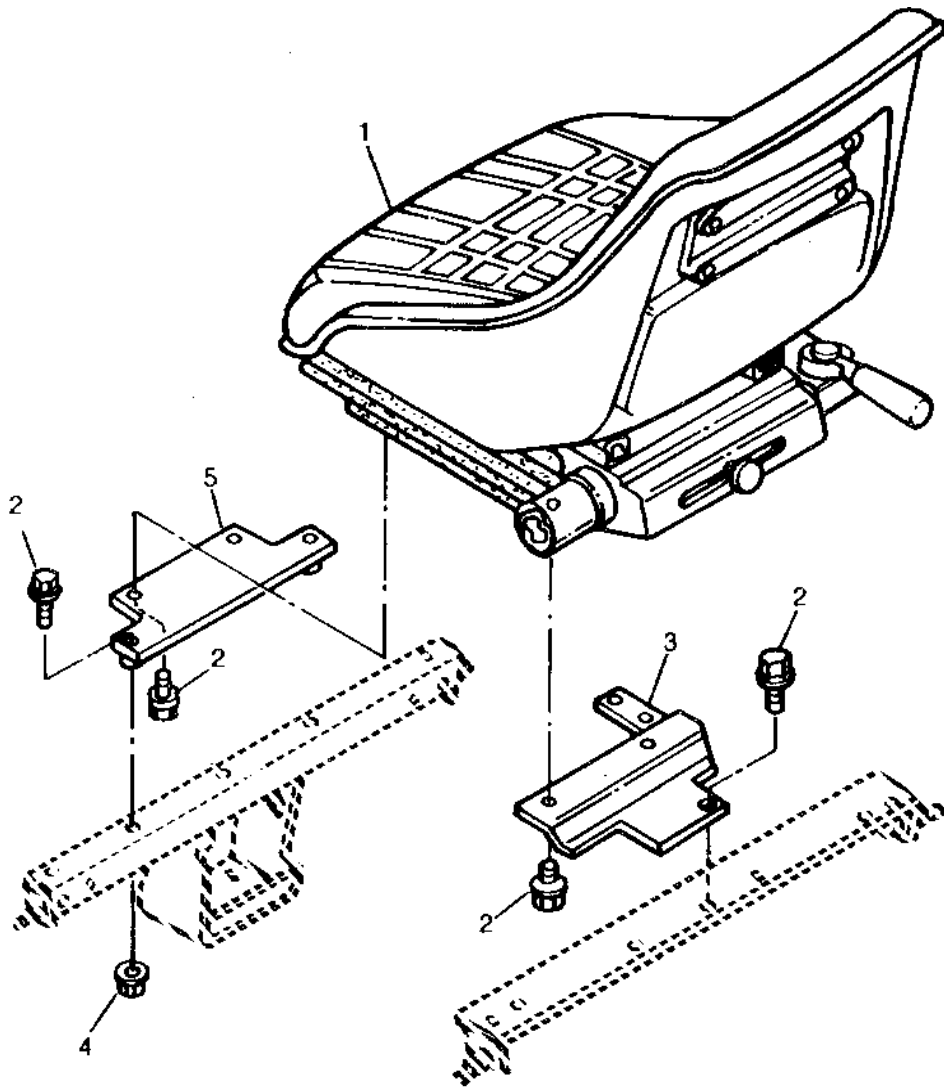
## SEAT AND SEAT BELT (CONTINUED)

KEY	PART NO.	PART NAME	QTY	SERIAL NO.	REMARKS
1	AM876817	SEAT BELT	1		
2	M803483	COVER	1		
3	M805020	PIN	2		
4	CH12319	PIN	4		
5	.....	WASHER	2		(NEVER USED)
6	M805158	SEAT	1		(SUB FOR M803465)
7	19M7077	CAP SCREW	2		M6 X 20
	12M7006	LOCK WASHER	2		6.100 MM
	24M7054	WASHER	2		6.400 X 12 X 1.600 MM
8	19M7274	CAP SCREW	2		M8 X 70
9	12M7065	LOCK WASHER	2		8.100 MM
10	M803479	SPACER	2		
11	M803474	RUBBER MOUNT	2		
12	M800654	SPRING PIN	2		
13	M803526	PIN	2		
14	AM876829	BRACKET	1		
15	M804319	ADJUSTER	1		LH, (ORDER AM876814)
16	M804318	ADJUSTER	1		RH, (ORDER AM876814)
17	19M7139	CAP SCREW	2		M8 X 20
18	24M7055	WASHER	2		8.400 X 16 X 1.600 MM
19	14M7273	NUT	8		M8
	12M7065	LOCK WASHER	8		8.100 MM
	24M7055	WASHER	8		8.400 X 16 X 1.600 MM
20	M803468	PLATE	1		RH, (ORDER AM876814)
21	M803469	PLATE	1		LH, (ORDER AM876814)
22	M800880	BOLT	2		
23	M803481	COVER	2		
24	M803482	BUSHING	2		
25	M803780	HOLDER	2		
26	24H1325	WASHER	2		15/32" X 59/64" X 0.065", (SUB FOR M800882)
27	12H293	LOCK WASHER	2		7/16", (SUB FOR M800883)
28	M803480	NUT	2		
29	19M7162	CAP SCREW	2		M8 X 16
	12M7065	LOCK WASHER	2		8.100 MM
	24M7055	WASHER	2		8.400 X 16 X 1.600 MM
30	14H807	NUT	1		7/16", RH
31	AM877045	HOOK	1		LH
32	AM876814	BRACKET	1		
33	M803470	RUBBER MOUNT	2		
34	M803473	SPRING	2		
35	24H1296	WASHER	2		11/32" X 1-3/8" X 0.134", (SUB FOR M803519)
36	M803464	BUSHING	2		
37	M803527	SPRING	2		

# K11

OPERATOR STATION

SEAT (EUROPEAN VERSION)  
SIEGE (VERSION EUROPEENNE)  
SITZ (EUROPAEISCHE AUSFUEHRUNG)  
ASIENTO (VERSION EUROPEA)  
SEDILE (VERSIONE EUROPEA)  
SITS (EUROPEISK VERSION)  
MP7880 -UN-01JAN94



MP7880

# K12

OPERATOR STATION

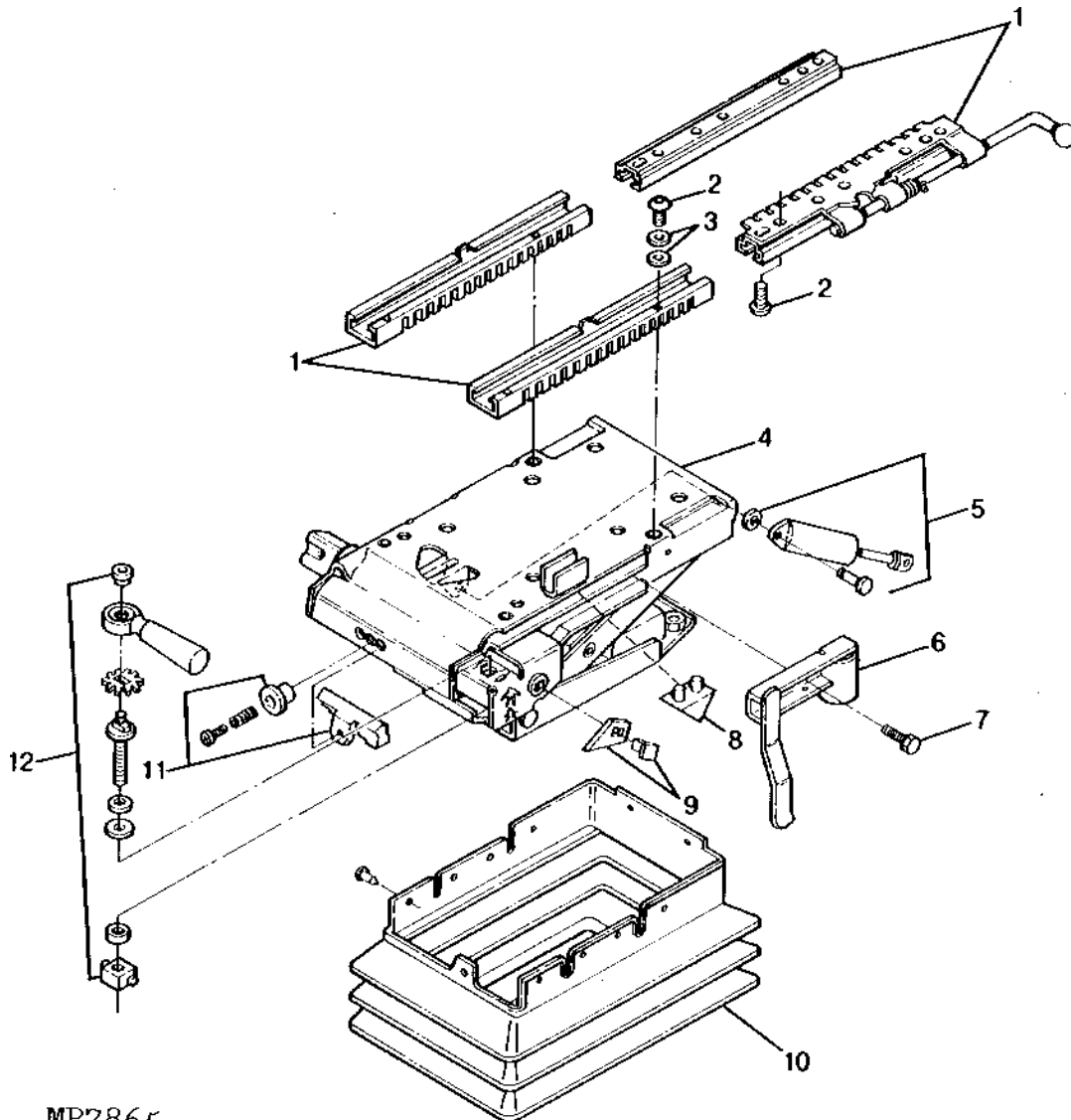
## SEAT (EUROPEAN VERSION) (CONTINUED)

KEY	PART NO.	PART NAME	QTY	SERIAL NO.	REMARKS
1	AM108802	SEAT	1		
2	19M7866	SCREW	7		M8 X 20 (HS, HEAD MARKED 10.9)
3	M805372	BRACKET	1		
4	14M7273	NUT	2		M8
	12M7065	LOCK WASHER	2		8.100 MM
	24M7055	WASHER	2		8.400 X 16 X 1.600 MM
5	M805378	BRACKET	1		

# K13

OPERATOR STATION

SEAT SUSPENSION (EUROPEAN VERSION)  
SUSPENSION DE SIEGE (VERSION EUROPEENNE)  
SITZFEDERUNG (EUROPÄISCHE AUSFUEHRUNG)  
SOSPENSIONI DEL SEDILE (VERSIONE EUROPEA)  
SUSPENSION DEL ASIENTO (VERSIONE EUROPEA)  
SATESSUPPHANGNING (EUROPEISK VERSION)  
MP7865 -UN-01JAN94



MP7865

# K14

OPERATOR STATION

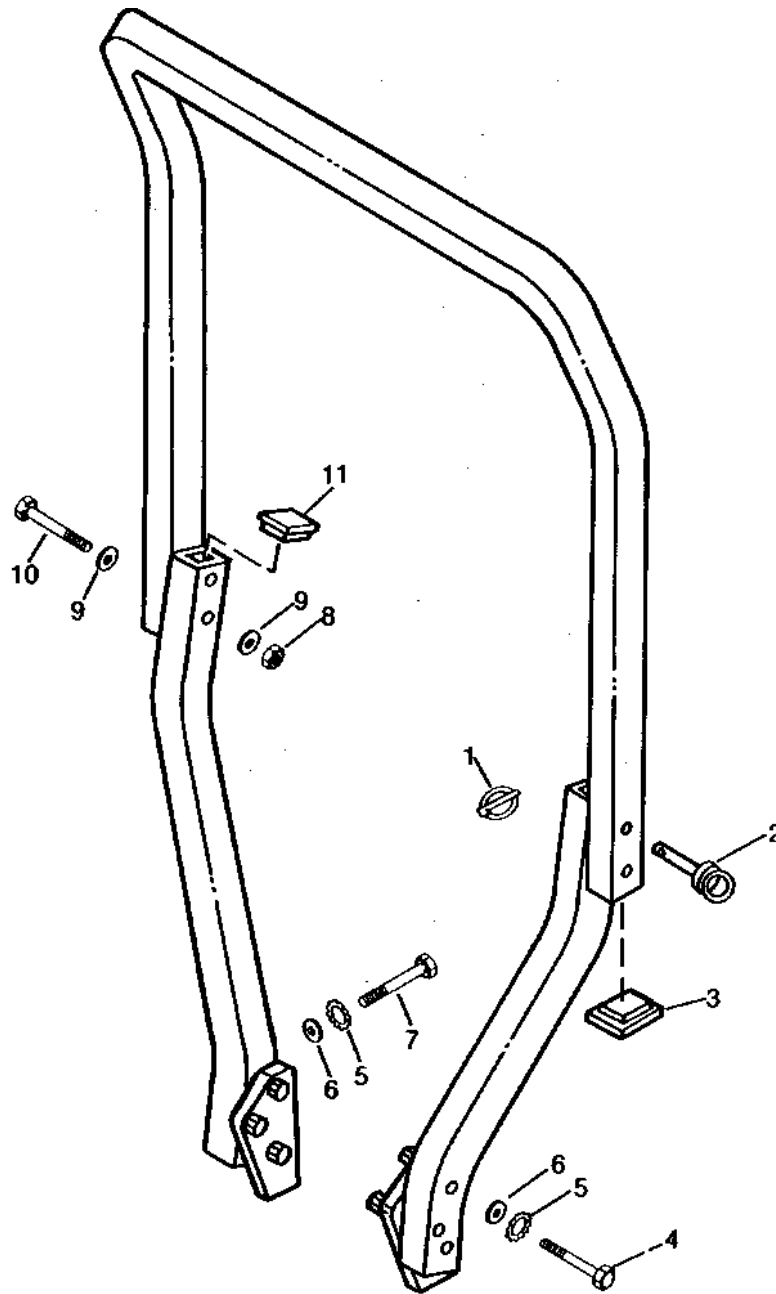
## SEAT SUSPENSION (EUROPEAN VERSION) (CONTINUED)

KEY	PART NO.	PART NAME	QTY	SERIAL NO.	REMARKS
1	AM108947	KIT	1		ADJUSTER (NLA)
2	M96595	SCREW	4		
3	24M7055	WASHER	8		8.400 X 16 X 1.600 MM
4	AM108803	SEAT SUSPENSION	1		(NLA)
5	AM108807	KIT	1		DAMPER ASSEMBLY (NLA)
6	AM108886	BRACKET	1		
7	19M7881	SCREW	1		M8 X 20 (HS, HEAD MARKED 10.9)
8	M95925	STOP	1		(NLA)
9	.....	INDICATOR	1		OPERATOR WEIGHT, (ORDER AM108803)
10	M95926	COVER	1		(NLA)
11	AM108806	KIT	1		HEIGHT ADJUSTER (NLA)
12	AM108805	KIT	1		WEIGHT ADJUSTER (NLA)

# K15

OPERATOR STATION

ROLLOVER PROTECTION STRUCTURE (EUROPEAN VERSION)  
ARCEAU DE SECURITE (VERSION EUROPEENNE)  
UEBERSCHLAGSCHUTZ (EUROPAEISCHE AUSFUEHRUNG)  
ESTRUCTURA PROTECTORA CONTRA VOLCADURAS (VERSION EUROPEA)  
STRUTTURA PROTETTIVA ANTI-ROLLOVER (VERSIONE EUROPEA)  
SKYDDSPAAR (EUROPEISKVERSION)  
MP7207 -UN-01JAN94



MP7207



# K16

OPERATOR STATION

## ROLLOVER PROTECTION STRUCTURE (EUROPEAN VERSION) (CONTINUED)

KEY	PART NO.	PART NAME	QTY	SERIAL NO.	REMARKS
1	M96524	PIN	2		
2	M95943	PIN	2		
3	M95934	PLUG	2		
4	19M7501	CAP SCREW	6	M16 X 110	
5	12M7038	LOCK WASHER	12	16.500 MM	
6	24M7053	WASHER	12	17 X 30 X 3 MM	
7	19M7395	CAP SCREW	6	M16 X 40	
8	14M7410	LOCK NUT	2	M20	
9	24M7031	WASHER	4	21 X 40 X 3 MM, (NLA)	
10	19M7620	CAP SCREW	2	M20 X 130	
11	M95935	PLUG	1		
..	AM108811	KIT	1	R.O.P.S.	

---

MEMORANDA

## NUMERICAL INDEX

PART NO.	GRID	KEY	PAGE	PART NO.	GRID	KEY	PAGE	PART NO.	GRID	KEY	PAGE
AB2599R	E6	39	40 - 13	AM105466	H18	18	70 - 11	AM875078	B21	10	20 - 24
AD2062R	E8	10	40 - 15	AM105467	H18	19	70 - 11	AM875151	G14	1	50 - 43
AF3892R	E16	1	40 - 23	AM105469	H18	14	70 - 11	AM875151	G14	2	50 - 43
AH20849	D14	8	30 - 17	AM105582	J3	2	80 - 10	AM875169	H10	8	70 - 3
AH20849	D16	5	30 - 19	AM106200	I2	5	70 - 19	AM875306	B12	25A	20 - 15
AH77884	I4	18	70 - 19B	AM106200	I4	5	70 - 19B	AM875315	B22	13	20 - 25
AL14896	E14	36	40 - 21	AM106797	J4	4	80 - 11	AM875330	D8	1	30 - 11
AL25073	E18	25	40 - 25	AM107212	K8	9	90 - 3	AM875371	B4	13	20 - 7
AL32062	E18	29	40 - 25	AM107215	I16	..	70 - 32	AM875373	B4	14	20 - 7
AL32891	E14	38	40 - 21	AM107221	H18	..	70 - 11	AM875374	B4	15	20 - 7
AL58554	J16	..	80 - 23	AM107223	D22	..	40 - 5	AM875375	B12	4	20 - 15
AL58739	E12	1	40 - 19	AM107276	J3	2	80 - 10	AM875377	B8	30	20 - 11
AL59724	E15	3	40 - 22	AM107644	J4	..	80 - 11	AM875378	B8	27	20 - 11
AL64946	E12	15	40 - 19	AM107664	E12	36	40 - 19	AM875383	B20	6	20 - 23
AL64947	E12	15	40 - 19	AM107851	E10	10	40 - 17	AM875389	C2	12	20 - 29
AM100201	I10	6	70 - 25	AM107856	E10	2	40 - 17	AM875390	C2	11	20 - 29
AM100718	B2	15	20 - 5	AM107856	E10	4	40 - 17	AM875391	C2	18	20 - 29
AM100719	B2	16	20 - 5	AM108117	E10	8	40 - 17	AM875391	C2	19	20 - 29
AM100723	C2	3	20 - 29	AM108244	E16	16	40 - 23	AM875392	C2	16	20 - 29
AM100724	C2	9	20 - 29	AM108802	K12	1	90 - 7	AM875393	C2	12	20 - 29
AM100724	C2	10	20 - 29	AM108803	K14	4	90 - 9	AM875394	C2	11	20 - 29
AM100725	C2	7	20 - 29	AM108803	K14	9	90 - 9	AM875395	C2	16	20 - 29
AM100732	B2	13	20 - 5	AM108805	K14	12	90 - 9	AM875411	D8	9	30 - 11
AM100734	B13	14	20 - 16	AM108806	K14	11	90 - 9	AM875412	D8	7	30 - 11
AM100735	B18	10	20 - 21	AM108807	K14	5	90 - 9	AM875534	B20	11	20 - 23
AM100736	B18	4	20 - 21	AM108811	K16	..	90 - 11	AM875555	C10	43	20 - 37
AM100740	C2	1	20 - 29	AM108886	K14	6	90 - 9	AM875579	D10	4	30 - 13
AM100741	C2	3	20 - 29	AM108944	J25	..	80 - 33	AM875579	D10	..	30 - 13
AM100744	D6	15	30 - 9	AM108947	K14	1	90 - 9	AM875580	B6	15	20 - 9
AM100747	B6	1	20 - 9	AM116804	I2	..	70 - 19	AM875580	B6	16	20 - 9
AM100747	C15	7	20 - 43	AM116986	I2	20	70 - 19	AM875580	B8	19	20 - 11
AM100749	B18	13	20 - 21	AM116986	I4	4	70 - 19B	AM875681	C10	32	20 - 37
AM100752	D6	6	30 - 9	AM116986	I16	17	70 - 32	AM875682	C10	23	20 - 37
AM100752	D8	18	30 - 11	AM117015	I6	27	70 - 21	AM875940	G6	48	50 - 35
AM100778	E16	3	40 - 23	AM117015	I10	7	70 - 25	AM875940	J6	33	80 - 13
AM100800	B2	25	20 - 5	AM117015	I10	9	70 - 25	AM875940	J8	37	80 - 15
AM100800	B4	24	20 - 7	AM117015	I10	15	70 - 25	AM875952	G6	44	50 - 35
AM100822	C2	7	20 - 29	AM117015	I10	17	70 - 25	AM875952	J6	29	80 - 13
AM100828	B18	15	20 - 21	AM117317	I10	10	70 - 25	AM875952	J8	33	80 - 15
AM101377	B6	25	20 - 9	AM117325	I10	14	70 - 25	AM876062	G12	21	50 - 41
AM101377	B6	26	20 - 9	AM117327	I10	13	70 - 25	AM876070	G12	35	50 - 41
AM101377	B6	27	20 - 9	AM117366	I10	16	70 - 25	AM876210	D6	2	30 - 9
AM101377	B6	28	20 - 9	AM117369	I10	4	70 - 25	AM876211	D6	3	30 - 9
AM101377	B6	29	20 - 9	AM117369	I10	5	70 - 25	AM876212	D6	4	30 - 9
AM101378	B10	10	20 - 13	AM117369	I10	12	70 - 25	AM876239	D6	1	30 - 9
AM101379	B10	16	20 - 13	AM117369	I10	..	70 - 25	AM876327	B8	..	20 - 11
AM101390	B14	4	20 - 17	AM117371	I6	36	70 - 21	AM876328	B8	8	20 - 11
AM101390	C13	10	20 - 40	AM117842	I6	27	70 - 21	AM876330	B20	33	20 - 23
AM101391	A23	1	20 - 2	AM117842	I8	13	70 - 23	AM876331	B20	32	20 - 23
AM101394	B23	8	20 - 26	AM117842	I8	14	70 - 23	AM876333	D14	14	30 - 17
AM101400	B21	12	20 - 24	AM117842	I8	31	70 - 23	AM876334	D14	27	30 - 17
AM101400	B21	17	20 - 24	AM117842	I10	7	70 - 25	AM876334	D14	28	30 - 17
AM101403	D6	25	30 - 9	AM117842	I10	9	70 - 25	AM876335	B24	9	20 - 27
AM101406	D20	7	40 - 3	AM117842	I10	15	70 - 25	AM876336	B24	14	20 - 27
AM101406	D22	22	40 - 5	AM117842	I10	17	70 - 25	AM876337	B24	3	20 - 27
AM101406	E6	64	40 - 13	AM117916	I10	3	70 - 25	AM876339	B22	3	20 - 25
AM101406	E14	41	40 - 21	AM117916	I10	4	70 - 25	AM876340	B12	17	20 - 15
AM102018	J14	17	80 - 21	AM117916	I10	12	70 - 25	AM876341	C6	19	20 - 33
AM102018	J16	9	80 - 23	AM117916	I10	..	70 - 25	AM876342	C8	..	20 - 35
AM102420	I2	1	70 - 19	AM117917	I10	2	70 - 25	AM876343	D8	27	30 - 11
AM102420	I4	1	70 - 19B	AM30346	I24	2	80 - 7	AM876344	D2	6	30 - 5
AM102724	E16	15	40 - 23	AM30346	J2	2	80 - 9	AM876344	D2	13	30 - 5
AM102817	I2	3	70 - 19	AM52175	E16	5	40 - 23	AM876345	D8	23	30 - 11
AM102817	I4	21	70 - 19B	AM875055	D22	10	40 - 5	AM876346	D8	22	30 - 11
AM102818	I2	4	70 - 19	AM875068	D6	9	30 - 9	AM876347	D8	21	30 - 11
AM102818	I4	22	70 - 19B	AM875069	D6	13	30 - 9	AM876348	D8	20	30 - 11
AM105465	H18	20	70 - 11	AM875069	D8	2	30 - 11	AM876349	D2	24	30 - 5

## NUMERICAL INDEX - CONTINUED

PART NO.	GRID	KEY	PAGE	PART NO.	GRID	KEY	PAGE	PART NO.	GRID	KEY	PAGE
AM876350	A24	1	20-3	AM876641	G9	13	50-38	AM876723	F20	6B	50-25
AM876351	B4	7	20-7	AM876642	G6	2	50-35	AM876724	F20	9	50-25
AM876352	C17	1	20-45	AM876643	G6	49	50-35	AM876725	F20	9	50-25
AM876353	C21	1	20-49	AM876644	G6	26	50-35	AM876726	F24	29	50-29
AM876397	B6	20	20-9	AM876649	I22	1	80-5	AM876737	H4	1	60-13
AM876398	B6	44	20-9	AM876655	I22	1	80-5	AM876738	H4	11	60-13
AM876399	B6	20	20-9	AM876656	G17	6	60-1	AM876739	H4	1	60-13
AM876401	B18	31	20-21	AM876656	G17	10	60-1	AM876740	H4	11	60-13
AM876404	D12	25	30-15	AM876656	G19	20	60-3	AM876741	H2	2	60-11
AM876405	B23	13	20-26	AM876658	G21	2	60-5	AM876744	H2	23	60-11
AM876406	B23	3	20-26	AM876660	G19	19	60-3	AM876745	H2	22	60-11
AM876407	B21	2	20-24	AM876660	G21	1	60-5	AM876746	H2	13A	60-11
AM876408	C8	..	20-35	AM876661	G17	20	60-1	AM876747	H2	8	60-11
AM876409	C8	16	20-35	AM876662	G17	19	60-1	AM876747	H2	11	60-11
AM876410	B6	35	20-9	AM876664	G17	20	60-1	AM876748	H2	12	60-11
AM876411	C24	12	30-3	AM876665	G17	19	60-1	AM876749	H2	14	60-11
AM876412	C24	28	30-3	AM876670	G23	23	60-7	AM876750	H20	6	70-13
AM876413	D6	23	30-9	AM876670	G23	26	60-7	AM876750	H22	7	70-15
AM876414	C10	6	20-37	AM876671	G23	23	60-7	AM876753	H24	6	70-17
AM876415	C10	17	20-37	AM876672	G25	24	60-9	AM876755	H24	6	70-17
AM876416	D10	2	30-13	AM876674	G25	6	60-9	AM876756	H10	55	70-3
AM876416	D20	8	40-3	AM876675	G21	6	60-5	AM876757	H10	27	70-3
AM876418	A23	1	20-2	AM876676	G21	8	60-5	AM876758	H14	16	70-7
AM876419	B2	28	20-5	AM876677	G21	11	60-5	AM876759	H12	1	70-5
AM876422	B18	33	20-21	AM876679	G21	17	60-5	AM876759	H12	6	70-5
AM876426	B21	8	20-24	AM876680	G21	30	60-5	AM876759	H12	7	70-5
AM876427	C4	6	20-31	AM876681	G21	23	60-5	AM876759	H12	15	70-5
AM876428	D20	12	40-3	AM876682	G21	16	60-5	AM876759	H12	21	70-5
AM876428	D24	54	40-7	AM876683	H19	8	70-12	AM876759	H12	24	70-5
AM876430	B22	8	20-25	AM876684	H19	9	70-12	AM876759	H12	25	70-5
AM876430	B22	10	20-25	AM876685	H19	3	70-12	AM876764	H12	31	70-5
AM876431	C6	7	20-33	AM876686	H19	12	70-12	AM876765	H10	7	70-3
AM876432	C12	4	20-39	AM876687	H19	7	70-12	AM876766	H16	33	70-9
AM876435	D20	12	40-3	AM876688	H19	3	70-12	AM876767	H16	8	70-9
AM876436	C12	13	20-39	AM876689	E23	17	50-3	AM876768	H22	8	70-15
AM876436	C12	14	20-39	AM876690	E25	29	50-5	AM876769	H22	8	70-15
AM876436	C12	19	20-39	AM876691	F2	..	50-7	AM876771	H22	22	70-15
AM876436	C12	22	20-39	AM876692	F2	35	50-7	AM876772	H22	13	70-15
AM876436	C12	23	20-39	AM876693	F2	33	50-7	AM876773	H22	19	70-15
AM876436	C12	24	20-39	AM876694	F2	45	50-7	AM876774	H24	9	70-17
AM876436	C12	25	20-39	AM876695	F2	51	50-7	AM876775	H24	9	70-17
AM876436	C12	26	20-39	AM876697	F2	43	50-7	AM876776	I11	10	70-26
AM876436	C12	27	20-39	AM876698	F2	34	50-7	AM876779	D20	10	40-3
AM876436	C12	28	20-39	AM876700	F2	37	50-7	AM876779	E4	37	40-11
AM876436	D8	36	30-11	AM876701	F2	36	50-7	AM876780	E6	44	40-13
AM876438	D8	31	30-11	AM876702	E25	25	50-5	AM876780	E14	29	40-21
AM876608	F2	50	50-7	AM876703	E25	12	50-5	AM876781	E8	35	40-15
AM876608	G4	12	50-33	AM876703	F2	17	50-7	AM876782	E8	34	40-15
AM876610	D4	3	30-7	AM876704	F2	31	50-7	AM876784	E6	51	40-13
AM876611	D4	19	30-7	AM876705	E25	21	50-5	AM876785	E6	51	40-13
AM876612	D4	10	30-7	AM876706	F2	20	50-7	AM876786	E18	5	40-25
AM876613	D4	13	30-7	AM876707	F6	30	50-11	AM876786	E18	6	40-25
AM876614	D4	5	30-7	AM876709	F14	5A	50-19	AM876786	E18	7	40-25
AM876615	J12	4	80-19	AM876710	F14	6A	50-19	AM876786	E18	8	40-25
AM876616	J9	8	80-16	AM876711	F14	8A	50-19	AM876787	E18	12	40-25
AM876622	J9	8	80-16	AM876712	F12	3	50-17	AM876789	E8	19	40-15
AM876625	J6	10	80-13	AM876713	F16	4	50-21	AM876790	E18	3	40-25
AM876627	J8	12	80-15	AM876714	F8	6	50-13	AM876791	D20	6	40-3
AM876629	J9	13	80-16	AM876715	F8	8	50-13	AM876791	E4	2	40-11
AM876630	J6	13	80-13	AM876716	F8	20	50-13	AM876791	E4	5	40-11
AM876631	J6	35	80-13	AM876717	F8	24	50-13	AM876792	E4	22	40-11
AM876632	J8	16	80-15	AM876718	G2	12	50-31	AM876793	J12	20	80-19
AM876633	J8	17	80-15	AM876719	G2	27	50-31	AM876794	J16	8	80-23
AM876637	G8	14	50-37	AM876720	G2	18	50-31	AM876796	J16	10	80-23
AM876638	G9	9	50-38	AM876721	F20	5A	50-25	AM876798	J12	12	80-19
AM876639	G9	9	50-38	AM876723	F9	4	50-14	AM876799	J12	12	80-19
AM876640	G9	13	50-38	AM876723	F20	6A	50-25	AM876800	J12	28	80-19

## NUMERICAL INDEX - CONTINUED

PART NO.	GRID	KEY	PAGE	PART NO.	GRID	KEY	PAGE	PART NO.	GRID	KEY	PAGE
AM876801	J12	14	80 - 19	AM876866	I13	1	70 - 29	AM877013	I24	4	80 - 7
AM876802	J16	23	80 - 23	AM876867	J21	2	80 - 28	AM877014	I20	4	80 - 3
AM876803	J16	26	80 - 23	AM876872	I6	..	70 - 21	AM877014	I22	4	80 - 5
AM876804	J16	31	80 - 23	AM876873	I6	27	70 - 21	AM877014	J2	4	80 - 9
AM876805	J16	26	80 - 23	AM876873	I8	12	70 - 23	AM877038	I20	4	80 - 3
AM876806	J20	2	80 - 27	AM876873	I8	31	70 - 23	AM877039	I20	4	80 - 3
AM876807	J14	27	80 - 21	AM876877	I6	4	70 - 21	AM877039	I22	4	80 - 5
AM876808	J14	19	80 - 21	AM876878	I16	12	70 - 32	AM877041	H4	5	60 - 13
AM876809	J20	6	80 - 27	AM876879	I16	9	70 - 32	AM877042	J10	6	80 - 17
AM876810	J20	13	80 - 27	AM876880	I16	11	70 - 32	AM877042	J18	13	80 - 25
AM876811	J20	15	80 - 27	AM876881	I16	10	70 - 32	AM877045	K10	31	90 - 5
AM876812	J12	18	80 - 19	AM876882	I16	4	70 - 32	AM877048	J23	4	80 - 31
AM876813	J14	28	80 - 21	AM876883	I6	32	70 - 21	AM877050	D20	5	40 - 3
AM876814	K10	15	90 - 5	AM876884	I6	35	70 - 21	AM877050	D22	13	40 - 5
AM876814	K10	16	90 - 5	AM876885	I6	11	70 - 21	AM877051	D22	12	40 - 5
AM876814	K10	20	90 - 5	AM876886	I6	33	70 - 21	AM877052	D14	19	30 - 17
AM876814	K10	21	90 - 5	AM876887	I6	2	70 - 21	AM877052	D14	24	30 - 17
AM876814	K10	32	90 - 5	AM876888	I6	10	70 - 21	AM877127	F10	2	50 - 15
AM876817	K10	1	90 - 5	AM876889	I6	21	70 - 21	AM877197	G14	13	50 - 43
AM876818	J20	14	80 - 27	AM876890	I6	23	70 - 21	AM877197	G14	14	50 - 43
AM876819	J20	15	80 - 27	AM876891	I6	14	70 - 21	AM877197	G14	15	50 - 43
AM876820	J20	13	80 - 27	AM876894	G12	..	50 - 41	AM877557	D20	5	40 - 3
AM876821	J20	14	80 - 27	AM876894	G14	53	50 - 43	AM877557	D22	13	40 - 5
AM876822	J20	8	80 - 27	AM876895	G14	4	50 - 43	AM877638	H22	22	70 - 15
AM876823	J10	12	80 - 17	AM876896	G14	10	50 - 43	AM877679	J16	8	80 - 23
AM876824	J10	1	80 - 17	AM876897	G14	49	50 - 43	AM877680	J16	8	80 - 23
AM876825	J11	12	80 - 18	AM876898	G14	44	50 - 43	AM877700	G21	16	60 - 5
AM876826	J11	1	80 - 18	AM876899	G14	52	50 - 43	AM877702	G14	22	50 - 43
AM876827	J18	11	80 - 25	AM876900	G14	46	50 - 43	AM877712	G15	4	50 - 44
AM876828	J10	5	80 - 17	AM876901	G12	15	50 - 41	AM877713	G15	3	50 - 44
AM876828	J11	6	80 - 18	AM876902	G14	57	50 - 43	AM877776	I15	12	70 - 31
AM876828	J18	11	80 - 25	AM876903	G15	4	50 - 44	AM877777	I15	9	70 - 31
AM876829	K10	14	90 - 5	AM876904	G12	18	50 - 41	AM877778	I15	11	70 - 31
AM876830	J18	8	80 - 25	AM876905	G12	23	50 - 41	AM877779	I15	8	70 - 31
AM876831	J18	2	80 - 25	AM876906	G12	32	50 - 41	AM877780	I13	21	70 - 29
AM876833	J20	16	80 - 27	AM876907	G12	45	50 - 41	AM877780	I13	23	70 - 29
AM876834	J20	17	80 - 27	AM876908	G12	14	50 - 41	AM877781	I13	21	70 - 29
AM876835	J20	17	80 - 27	AM876909	G12	6	50 - 41	AM877781	I13	23	70 - 29
AM876836	J20	22	80 - 27	AM876910	G12	27	50 - 41	AM877802	D22	10	40 - 5
AM876838	J20	20	80 - 27	AM876912	G12	10	50 - 41	AM877803	I11	10	70 - 26
AM876839	J18	9	80 - 25	AM876913	G12	30	50 - 41	AM877804	F14	3	50 - 19
AM876841	J10	13	80 - 17	AM876917	H18	6	70 - 11	AM877818	H22	22	70 - 15
AM876842	J10	11	80 - 17	AM876918	H18	8	70 - 11	AM877819	H24	9	70 - 17
AM876843	J11	13	80 - 18	AM876919	H18	7	70 - 11	AM877820	H22	8	70 - 15
AM876844	J11	11	80 - 18	AM876921	I8	9	70 - 23	AM877821	H22	8	70 - 15
AM876846	J14	28	80 - 21	AM876922	I8	3	70 - 23	AM877841	H4	12	60 - 13
AM876847	I15	12	70 - 31	AM876923	I8	15	70 - 23	AM877842	H4	12	60 - 13
AM876848	I15	11	70 - 31	AM876924	I8	2	70 - 23	AM877843	H2	2	60 - 11
AM876849	I15	8	70 - 31	AM876924	I10	2	70 - 25	AM877844	H2	3	60 - 11
AM876850	I13	7	70 - 29	AM876925	I8	5	70 - 23	AM877845	H6	6	60 - 15
AM876850	I14	1	70 - 30	AM876926	I8	6	70 - 23	AM877846	H6	1	60 - 15
AM876850	I15	7	70 - 31	AM876927	I8	10	70 - 23	AM877847	H6	14	60 - 15
AM876851	I14	13	70 - 30	AM876929	I8	19	70 - 23	AM877848	H6	3	60 - 15
AM876852	I14	11	70 - 30	AM876930	I8	17	70 - 23	AM877849	H6	8	60 - 15
AM876853	I14	12	70 - 30	AM876931	I8	18	70 - 23	AM877850	H6	19	60 - 15
AM876854	I14	2	70 - 30	AM876932	I8	21	70 - 23	AM877851	H6	11	60 - 15
AM876855	I14	10	70 - 30	AM876933	J16	27	80 - 23	AM877852	E4	30	40 - 11
AM876856	I14	7	70 - 30	AM876934	J16	34	80 - 23	AM877852	E14	16	40 - 21
AM876857	I14	13	70 - 30	AM876935	K8	5	90 - 3	AM877852	E14	23	40 - 21
AM876858	I14	11	70 - 30	AM876935	K8	10	90 - 3	AM877856	E18	27	40 - 25
AM876859	I14	12	70 - 30	AM876935	K8	14	90 - 3	AM877857	E15	11	40 - 22
AM876860	I14	7	70 - 30	AM876935	K8	..	90 - 3	AM877859	E12	14	40 - 19
AM876861	I13	15	70 - 29	AM876943	K8	15	90 - 3	AM877860	E18	30	40 - 25
AM876862	I13	21	70 - 29	AM876991	B10	3	20 - 13	AM877861	J16	27	80 - 23
AM876863	I13	14	70 - 29	AM876992	C10	19	20 - 37	AM877862	J16	10	80 - 23
AM876864	I13	13	70 - 29	AM876992	C10	24	20 - 37	AM877863	J12	12	80 - 19
AM876865	I13	24	70 - 29	AM876992	C10	26	20 - 37	AM877864	J12	28	80 - 19

## NUMERICAL INDEX - CONTINUED

PART NO.	GRID	KEY	PAGE	PART NO.	GRID	KEY	PAGE	PART NO.	GRID	KEY	PAGE
AM877865	J20	15	80-27	AM878128	D14	14	30-17	AM878778	B8	30	20-11
AM877866	J20	13	80-27	AM878128	D16	1	30-19	AM878778	B12	25B	20-15
AM877867	J20	18	80-27	AM878128	D16	2	30-19	AM878786	B8	27	20-11
AM877868	J10	11	80-17	AM878128	D16	7	30-19	AM878805	F2	..	50-7
AM877947	E15	1	40-22	AM878128	D16	8	30-19	AM878861	I6	..	70-21
AM877950	K4	21	80-37	AM878128	D16	9	30-19	AM878862	B20	13	20-23
AM877957	D20	5	40-3	AM878132	H2	21	60-11	AM878940	E23	17	50-3
AM877957	D22	13	40-5	AM878132	H2	22	60-11	AR112783	J9	..	80-16
AM877958	D22	24	40-5	AM878132	H2	..	60-11	AR21836	H24	11	70-17
AM877958	E6	64	40-13	AM878133	H2	13B	60-11	AR21839	H22	2	70-15
AM877958	E14	..	40-21	AM878133	H2	..	60-11	AR21839	H22	12	70-15
AM877964	K8	1	90-3	AM878134	H2	26	60-11	AR21839	H24	1	70-17
AM877964	K8	..	90-3	AM878134	H2	..	60-11	AR21839	I16	5	70-32
AM877989	J20	20	80-27	AM878163	G4	2	50-33	AR21840	D14	15	30-17
AM877990	F14	2	50-19	AM878163	G4	4	50-33	AR21840	H22	17	70-15
AM877991	F14	5A	50-19	AM878163	G4	9	50-33	AR21840	H22	23	70-15
AM877991	F14	5B	50-19	AM878163	G4	24	50-33	AR21840	H24	8	70-17
AM877991	F14	6A	50-19	AM878179	C17	1	20-45	AR21840	I11	5	70-26
AM877991	F14	8A	50-19	AM878179	C17	13	20-45	AR21840	I11	8	70-26
AM877992	F14	6C	50-19	AM878179	C17	17	20-45	AR21999	G9	4	50-38
AM877993	F14	8C	50-19	AM878179	C17	25	20-45	AR48236	C24	16	30-3
AM877994	J21	16	80-28	AM878180	C21	1	20-49	AR48236	D2	15	30-5
AM877995	J9	15	80-16	AM878180	C21	15	20-49	AR64422	E19	5	40-26
AM877999	J21	8	80-28	AM878197	G15	6	50-44	AR65293	D12	19	30-15
AM877999	J21	9	80-28	AM878214	F9	3	50-14	AR65293	D16	12	30-19
AM878001	H18	6	70-11	AM878214	F20	5B	50-25	AR87054	E19	6	40-26
AM878002	H18	7	70-11	AM878215	F20	6B	50-25	AR87167	B14	7	20-17
AM878004	E10	14	40-17	AM878215	F20	7B	50-25	AR87168	B14	6	20-17
AM878005	J25	..	80-33	AM878216	F9	5	50-14	AR87184	B14	5	20-17
AM878006	K2	4	80-35	AM878216	F20	7B	50-25	AR94493	B15	3	20-18
AM878006	K2	5	80-35	AM878217	F6	29A	50-11	AR95434	B15	1	20-18
AM878006	K2	15	80-35	AM878217	F6	..	50-11	AR99784	B15	..	20-18
AM878006	K2	16	80-35	AM878217	F9	8	50-14	AT110766	C10	45	20-37
AM878006	K2	..	80-35	AM878217	F20	7A	50-25	AT110770	D16	3	30-19
AM878007	K4	4	80-37	AM878238	C2	3	20-29	AT110771	D16	4	30-19
AM878007	K4	5	80-37	AM878239	C2	1	20-29	AT110780	B6	43	20-9
AM878007	K4	..	80-37	AM878242	C2	12	20-29	AT110784	D22	15	40-5
AM878008	H18	..	70-11	AM878243	C2	11	20-29	AT110812	B12	6	20-15
AM878011	H10	56	70-3	AM878250	G15	13	50-44	AT110814	B18	28	20-21
AM878019	J9	1	80-16	AM878251	G15	2	50-44	AT110817	C10	18	20-37
AM878036	J9	16	80-16	AM878251	G15	3	50-44	AT110856	B12	10	20-15
AM878038	E14	37	40-21	AM878251	G15	4	50-44	AT110858	B16	14	20-19
AM878038	J12	12	80-19	AM878251	G15	14	50-44	AT118553	D12	26	30-15
AM878039	E10	11	40-17	AM878286	F14	5A	50-19	AT118553	D14	36	30-17
AM878040	E10	11	40-17	AM878286	F14	6A	50-19	AT118553	D16	10	30-19
AM878041	I15	3	70-31	AM878286	F14	6B	50-19	AT20911	D4	1	30-7
AM878042	E12	17	40-19	AM878286	F14	6C	50-19	AT41441	E12	13	40-19
AM878045	C4	15	20-31	AM878286	F14	8A	50-19	AT41441	E14	1	40-21
AM878045	C4	20	20-31	AM878289	F14	5A	50-19	BM16831	I20	..	80-3
AM878049	C15	1	20-43	AM878289	F14	6A	50-19	BM16832	I20	..	80-3
AM878050	C19	1	20-47	AM878289	F14	8A	50-19	BM16832	I22	..	80-5
AM878065	G21	28	60-5	AM878289	F14	8B	50-19	BM16833	I22	..	80-5
AM878065	G21	32	60-5	AM878289	F14	8C	50-19	BM16837	I22	..	80-5
AM878065	G21	..	60-5	AM878417	E2	21	40-9	BM16838	I20	..	80-3
AM878066	G21	30	60-5	AM878417	E2	22	40-9	BM16839	I20	..	80-3
AM878081	G6	44	50-35	AM878417	E2	23	40-9	BM16841	J2	..	80-9
AM878081	J6	29	80-13	AM878417	E2	26	40-9	BM16921	K4	21	80-37
AM878081	J8	33	80-15	AM878417	E2	28	40-9	BM16929	K2	20	80-35
AM878082	G6	48	50-35	AM878417	E2	29	40-9	BM16987	I22	..	80-5
AM878082	J6	33	80-13	AM878419	E2	8	40-9	BM17981	E16	15	40-23
AM878082	J8	37	80-15	AM878465	A24	1	20-3	BM17996	I16	..	70-32
AM878125	E4	31	40-11	AM878649	G23	5	60-7	BM18005	H18	..	70-11
AM878125	E8	34	40-15	AM878649	G23	6	60-7	BM18046	I4	6	70-19B
AM878125	E8	35	40-15	AM878649	G23	27	60-7	BM18046	I4	23	70-19B
AM878127	D16	1	30-19	AM878650	G25	24	60-9	CH10054	B18	15	20-21
AM878127	D16	2	30-19	AM878650	G25	25	60-9	CH10060	C24	9	30-3
AM878127	D16	7	30-19	AM878709	D22	..	40-5	CH10060	D2	10	30-5

## NUMERICAL INDEX - CONTINUED

PART NO.	GRID	KEY	PAGE	PART NO.	GRID	KEY	PAGE	PART NO.	GRID	KEY	PAGE
CH10061	B13	1	20-16	CH10570	C17	20	20-45	CH11448	G17	17	60-1
CH10061	B16	12	20-19	CH10570	F8	18	50-13	CH11448	J6	28	80-13
CH10067	B20	13	20-23	CH10570	F22	18	50-27	CH11448	J8	32	80-15
CH10082	C24	4	30-3	CH10570	F24	20	50-29	CH11450	G6	41	50-35
CH10082	D2	4	30-5	CH10570	G6	28	50-35	CH11450	G17	16	60-1
CH10084	C24	1	30-3	CH10570	G14	20	50-43	CH11450	J6	27	80-13
CH10084	D2	1	30-5	CH10570	I8	4	70-23	CH11450	J8	31	80-15
CH10085	C19	17	20-47	CH10571	B2	18	20-5	CH11460	E12	30	40-19
CH10085	C21	18	20-49	CH10571	B4	19	20-7	CH11460	J16	2	80-23
CH10085	C24	25	30-3	CH10571	C10	49	20-37	CH11461	G6	47	50-35
CH10085	D2	25	30-5	CH10571	C15	17	20-43	CH11461	G6	48	50-35
CH10106	C24	11	30-3	CH10571	C17	22	20-45	CH11461	J6	32	80-13
CH10106	D2	12	30-5	CH10571	C24	5	30-3	CH11461	J8	36	80-15
CH10139	E12	6	40-19	CH10571	D2	5	30-5	CH11462	G6	44	50-35
CH10323	D6	19	30-9	CH10577	C6	24	20-33	CH11462	G6	45	50-35
CH10323	D8	11	30-11	CH10581	G2	16	50-31	CH11462	J6	30	80-13
CH10332	B16	7	20-19	CH10620	E4	1	40-11	CH11462	J8	34	80-15
CH10335	B4	16	20-7	CH10623	E4	38	40-11	CH11466	J6	5	80-13
CH10346	B18	18	20-21	CH10623	E14	24	40-21	CH11466	J8	7	80-15
CH10346	B18	32	20-21	CH10623	E18	2	40-25	CH11472	G12	24	50-41
CH10346	C19	6	20-47	CH10641	B2	2	20-5	CH11475	F4	21	50-9
CH10346	C19	7	20-47	CH10642	B2	4	20-5	CH11475	G9	8	50-38
CH10348	B13	5	20-16	CH10642	B4	4	20-7	CH11481	E25	3	50-5
CH10348	B16	11	20-19	CH10644	C10	9	20-37	CH11481	F10	10	50-15
CH10361	D2	21	30-5	CH10802	F4	28	50-9	CH11481	F12	10	50-17
CH10408	B23	2	20-26	CH10811	I20	3	80-3	CH11481	G14	36	50-43
CH10408	B24	2	20-27	CH10812	I20	2	80-3	CH11482	F16	20	50-21
CH10426	C8	26	20-35	CH10852	F4	19	50-9	CH11483	F18	9	50-23
CH10450	B20	17	20-23	CH10853	F4	17	50-9	CH11484	F24	9	50-29
CH10450	C21	6	20-49	CH10855	I20	7	80-3	CH11487	E25	5	50-5
CH10484	C10	10	20-37	CH10856	I20	6	80-3	CH11487	F2	6	50-7
CH10484	C12	9	20-39	CH10859	I13	8	70-29	CH11487	G14	38	50-43
CH10486	D24	14	40-7	CH10872	E6	53	40-13	CH11489	C12	21	20-39
CH10492	E4	12	40-11	CH10873	J6	21	80-13	CH11489	H16	20	70-9
CH10503	C12	11	20-39	CH10873	J8	25	80-15	CH11490	G12	12	50-41
CH10522	D10	6	30-13	CH10880	G17	9	60-1	CH11490	H16	27	70-9
CH10523	D10	8	30-13	CH10886	E25	22	50-5	CH11491	F4	16	50-9
CH10525	E10	12	40-17	CH10887	E25	23	50-5	CH11495	B6	31	20-9
CH10530	G21	14	60-5	CH10887	F2	29	50-7	CH11498	F20	16	50-25
CH10534	F6	13	50-11	CH10889	E23	7	50-3	CH11501	F4	8	50-9
CH10534	F6	30	50-11	CH10891	F8	10	50-13	CH11502	E23	3	50-3
CH10534	G6	32	50-35	CH10964	F24	1	50-29	CH11524	D10	7	30-13
CH10536	C10	42	20-37	CH10988	H6	16	60-15	CH11528	I13	12	70-29
CH10542	C10	33	20-37	CH10989	H6	18	60-15	CH11542	H2	24	60-11
CH10542	D10	5	30-13	CH10998	H14	10	70-7	CH11543	J6	34	80-13
CH10544	C12	10	20-39	CH11011	J20	1	80-27	CH11543	J8	15	80-15
CH10551	C8	25	20-35	CH11094	J2	7	80-9	CH11547	H22	14	70-15
CH10554	C17	18	20-45	CH11127	J6	8	80-13	CH11550	E25	4	50-5
CH10554	D2	18	30-5	CH11127	J8	10	80-15	CH11550	J6	19	80-13
CH10555	C17	19	20-45	CH11140	J6	4	80-13	CH11550	J8	23	80-15
CH10555	D2	22	30-5	CH11140	J8	6	80-15	CH11554	F24	7	50-29
CH10561	C12	17	20-39	CH11143	J6	12	80-13	CH11559	H12	17	70-5
CH10564	G9	1	50-38	CH11147	J6	3	80-13	CH11560	F4	25	50-9
CH10568	B6	33	20-9	CH11147	J8	5	80-15	CH11562	H19	2	70-12
CH10568	B10	9	20-13	CH11172	G17	8	60-1	CH11562	H22	6	70-15
CH10568	B13	6	20-16	CH11172	G19	11	60-3	CH11562	H24	5	70-17
CH10568	B16	10	20-19	CH11208	F8	27	50-13	CH11564	C17	21	20-45
CH10568	C15	15	20-43	CH11400	E10	15	40-17	CH11564	I8	11	70-23
CH10568	C19	21	20-47	CH11402	H2	2	60-11	CH11568	H12	13	70-5
CH10568	C21	21	20-49	CH11411	E6	53	40-13	CH11569	H10	47	70-3
CH10568	H10	21	70-3	CH11414	F22	17	50-27	CH11571	G6	29	50-35
CH10568	H12	4	70-5	CH11414	G6	27	50-35	CH11574	E25	17	50-5
CH10569	H12	20	70-5	CH11414	G14	19	50-43	CH11574	F2	18	50-7
CH10570	B8	9	20-11	CH11415	G6	24	50-35	CH11574	H2	5	60-11
CH10570	B10	19	20-13	CH11436	F6	8	50-11	CH11574	I14	6	70-30
CH10570	B12	24	20-15	CH11441	F4	31	50-9	CH11598	F12	4	50-17
CH10570	C15	16	20-43	CH11448	G6	42	50-35	CH11698	E6	62	40-13

**NUMERICAL INDEX - CONTINUED**

PART NO.	GRID	KEY	PAGE	PART NO.	GRID	KEY	PAGE	PART NO.	GRID	KEY	PAGE
CH11795	D6	22	30-9	CH12487	D24	36	40-7	CH13463	J23	7	80-31
CH11827	J6	11	80-13	CH12487	E2	17	40-9	CH13478	G2	28	50-31
CH11827	J8	13	80-15	CH12511	D24	11	40-7	CH13481	G4	10	50-33
CH11865	D4	12	30-7	CH12554	D24	40	40-7	CH13486	F13	18	50-18
CH11876	E4	14	40-11	CH12554	E2	20	40-9	CH13486	F24	4	50-29
CH11876	E14	15	40-21	CH12556	D24	39	40-7	CH13487	F2	3	50-7
CH11882	I6	12	70-21	CH12585	B18	14	20-21	CH13487	F10	4	50-15
CH11883	G4	8	50-33	CH12597	J16	33	80-23	CH13487	F12	16	50-17
CH11883	G12	29	50-41	CH12620	G4	17	50-33	CH13488	F24	4	50-29
CH11884	G4	22	50-33	CH12636	E8	15	40-15	CH13488	G2	6	50-31
CH11885	H10	12	70-3	CH12637	E8	9	40-15	CH13489	G10	7	50-39
CH11895	E4	23	40-11	CH12638	E8	14	40-15	CH13492	F10	1	50-15
CH11895	E9	2	40-16	CH12639	E8	8	40-15	CH13492	F10	2	50-15
CH11895	E10	17	40-17	CH12696	D24	41	40-7	CH13493	F6	27	50-11
CH11895	E14	9	40-21	CH12697	D24	42	40-7	CH13497	C10	25	20-37
CH11900	E8	27	40-15	CH12699	D24	44	40-7	CH13499	J12	13	80-19
CH11900	E12	10	40-19	CH12699	E2	24	40-9	CH13504	B4	17	20-7
CH11917	I20	1	80-3	CH12700	D24	45	40-7	CH13504	H12	10	70-5
CH11970	J16	1	80-23	CH12700	E2	25	40-9	CH13505	B22	2	20-25
CH11981	G4	18	50-33	CH12701	D24	46	40-7	CH13506	F16	10	50-21
CH11985	I6	1	70-21	CH12702	D24	47	40-7	CH13506	F18	7	50-23
CH12014	I15	13	70-31	CH12702	E2	27	40-9	CH13508	F16	7	50-21
CH12027	H14	9	70-7	CH12703	D24	48	40-7	CH13511	F10	3	50-15
CH12028	G2	22	50-31	CH12713	E8	11	40-15	CH13511	G10	4	50-39
CH12034	E12	34	40-19	CH12713	E8	12	40-15	CH13520	H14	4	70-7
CH12117	G2	23	50-31	CH12713	E8	18	40-15	CH13526	B6	14	20-9
CH12122	J12	15	80-19	CH12731	B10	11	20-13	CH13526	B8	18	20-11
CH12123	J16	22	80-23	CH12734	C24	3	30-3	CH13526	C15	18	20-43
CH12207	E18	11	40-25	CH12734	D2	3	30-5	CH13542	H12	2	70-5
CH12241	E18	13	40-25	CH12738	D24	38	40-7	CH13545	C12	3	20-39
CH12293	B6	4	20-9	CH12740	D24	4	40-7	CH13574	F12	9	50-17
CH12293	C10	16	20-37	CH12752	D24	34	40-7	CH13609	G12	39	50-41
CH12294	D12	9	30-15	CH12752	E2	14	40-9	CH13609	G14	45	50-43
CH12294	H10	48	70-3	CH12754	D24	18	40-7	CH13609	G14	50	50-43
CH12296	I14	3	70-30	CH12762	H16	12	70-9	CH13609	H10	14	70-3
CH12300	I13	10	70-29	CH12763	G17	5	60-1	CH13705	G25	4	60-9
CH12301	F4	27	50-9	CH12763	G19	14	60-3	CH13705	G25	22	60-9
CH12301	F24	27	50-29	CH12782	C8	9	20-35	CH13706	G25	3	60-9
CH12301	H14	14	70-7	CH12802	C10	51	20-37	CH13706	G25	23	60-9
CH12302	G12	38	50-41	CH12807	C19	19	20-47	CH13745	J12	17	80-19
CH12302	G14	23	50-43	CH12807	C24	22	30-3	CH13778	H4	2	60-13
CH12304	F4	11	50-9	CH12807	D6	7	30-9	CH13797	G17	3	60-1
CH12304	F8	9	50-13	CH12816	B6	6	20-9	CH13797	G19	17	60-3
CH12304	F8	19	50-13	CH12816	B8	3	20-11	CH13814	C6	18	20-33
CH12304	G2	17	50-31	CH12816	C15	6	20-43	CH13814	C21	14	20-49
CH12310	E8	6	40-15	CH12816	C17	6	20-45	CH13832	J25	14	80-33
CH12310	G4	23	50-33	CH12881	D16	4	30-19	CH13832	K2	9	80-35
CH12316	G2	20	50-31	CH12882	D12	21	30-15	CH13832	K4	9	80-37
CH12319	E25	10	50-5	CH12882	D14	11	30-17	CH13851	F24	24	50-29
CH12319	F2	16	50-7	CH12896	C8	27	20-35	CH13865	H19	13	70-12
CH12319	G4	6	50-33	CH12906	D12	19	30-15	CH13865	H22	11	70-15
CH12319	H2	6	60-11	CH12906	D16	12	30-19	CH13865	I16	1	70-32
CH12319	H6	12	60-15	CH13085	J23	6	80-31	CH13940	G6	30	50-35
CH12319	K10	4	90-5	CH13099	F2	30	50-7	CH14140	E8	5	40-15
CH12320	G6	40	50-35	CH13154	F20	24	50-25	CH14175	J16	4	80-23
CH12320	G17	15	60-1	CH13189	E8	36	40-15	CH14531	J6	9	80-13
CH12320	I15	5	70-31	CH13189	E12	21	40-19	CH14531	J8	11	80-15
CH12320	J6	26	80-13	CH13190	E8	25	40-15	CH14559	G25	1	60-9
CH12320	J8	30	80-15	CH13190	E12	8	40-19	CH14563	I20	3	80-3
CH12329	H24	15	70-17	CH13278	G4	1	50-33	CH14564	I20	2	80-3
CH12371	D24	50	40-7	CH13301	J6	6	80-13	CH14574	H4	2	60-13
CH12384	E12	4	40-19	CH13301	J8	8	80-15	CH14581	F24	14	50-29
CH12388	J12	9	80-19	CH13415	D20	13	40-3	CH14581	G10	10	50-39
CH12395	H14	12	70-7	CH13415	D20	16	40-3	CH14585	G8	2	50-37
CH12404	G17	2	60-1	CH13415	E8	38	40-15	CH14586	G8	4	50-37
CH12404	G19	18	60-3	CH13415	E12	23	40-19	CH14587	G8	5	50-37
CH12467	D24	37	40-7	CH13415	G14	12	50-43	CH14588	F20	21	50-25



**NUMERICAL INDEX - CONTINUED**

PART NO.	GRID	KEY	PAGE	PART NO.	GRID	KEY	PAGE	PART NO.	GRID	KEY	PAGE
CH14588	G8	1	50-37	CH14860	F13	17	50-18	CH15084	F24	5	50-29
CH14589	G8	3	50-37	CH14865	I6	16	70-21	CH15088	G12	19	50-41
CH14590	G8	18	50-37	CH14870	G2	10	50-31	CH15088	H2	4	60-11
CH14591	G8	19	50-37	CH14878	F13	15	50-18	CH15098	H24	13	70-17
CH14592	G8	16	50-37	CH14881	F16	18	50-21	CH15099	H24	14	70-17
CH14593	H14	2	70-7	CH14884	F16	16	50-21	CH15100	H24	16	70-17
CH14595	F20	24	50-25	CH14885	F16	13	50-21	CH15103	H10	35	70-3
CH14607	G12	28	50-41	CH14887	F24	7	50-29	CH15103	H10	55	70-3
CH14615	G12	36	50-41	CH14887	G8	7	50-37	CH15122	H10	31	70-3
CH14620	F14	12	50-19	CH14887	J6	16	80-13	CH15123	H10	30	70-3
CH14627	F20	13	50-25	CH14887	J8	20	80-15	CH15124	H14	13	70-7
CH14627	G10	6	50-39	CH14888	F16	26	50-21	CH15127	H14	18	70-7
CH14631	G6	5	50-35	CH14888	F18	16	50-23	CH15133	H14	7	70-7
CH14634	E8	37	40-15	CH14901	F4	12	50-9	CH15133	J6	2	80-13
CH14634	E12	22	40-19	CH14903	F4	10	50-9	CH15133	J8	38	80-15
CH14634	G6	4	50-35	CH14903	F8	12	50-13	CH15134	E25	31	50-5
CH14634	G23	14	60-7	CH14906	F4	2	50-9	CH15134	H14	15	70-7
CH14634	G25	15	60-9	CH14926	F8	7	50-13	CH15143	H10	50	70-3
CH14634	H10	16	70-3	CH14926	G2	13	50-31	CH15146	H12	19	70-5
CH14634	H10	22	70-3	CH14926	G14	43	50-43	CH15205	E6	58	40-13
CH14642	G6	18	50-35	CH14949	G2	4	50-31	CH15232	J12	5	80-19
CH14643	G6	21	50-35	CH14950	G2	1	50-31	CH15255	E4	24	40-11
CH14644	G6	22	50-35	CH14967	G6	11	50-35	CH15255	E14	8	40-21
CH14645	G6	20	50-35	CH14971	F20	6A	50-25	CH15270	H2	15	60-11
CH14656	G6	23	50-35	CH14971	F20	7A	50-25	CH15270	J10	10	80-17
CH14657	G6	19	50-35	CH14979	F20	15	50-25	CH15270	J11	9	80-18
CH14668	G6	35	50-35	CH14981	F20	14	50-25	CH15288	I14	5	70-30
CH14680	F2	7	50-7	CH14982	F20	22	50-25	CH15317	J21	4	80-28
CH14691	F22	14	50-27	CH14984	F20	20	50-25	CH15318	J23	9	80-31
CH14691	G10	13	50-39	CH14985	F20	23	50-25	CH15319	J23	8	80-31
CH14692	F22	13	50-27	CH14990	F20	21	50-25	CH15350	J9	12	80-16
CH14692	G10	14	50-39	CH14991	F20	20	50-25	CH15351	G8	15	50-37
CH14693	F20	13	50-25	CH14992	F20	23	50-25	CH15358	F20	18	50-25
CH14694	F22	15	50-27	CH14993	F8	1	50-13	CH15385	C10	2	20-37
CH14694	G10	9	50-39	CH14993	F20	16	50-25	CH15385	C12	2	20-39
CH14714	J2	3	80-9	CH14995	F20	12	50-25	CH15385	C15	19	20-43
CH14717	I22	3	80-5	CH14995	F20	19	50-25	CH15385	C17	24	20-45
CH14718	I22	2	80-5	CH15007	F22	12	50-27	CH15385	C21	20	20-49
CH14732	G19	5	60-3	CH15009	F22	11	50-27	CH15385	D8	12	30-11
CH14736	G17	11	60-1	CH15010	F14	11	50-19	CH15389	B8	12	20-11
CH14738	G17	6	60-1	CH15010	F16	22	50-21	CH15405	B21	14	20-24
CH14738	G19	13	60-3	CH15010	F18	12	50-23	CH15409	B13	12	20-16
CH14748	E23	9	50-3	CH15010	F22	4	50-27	CH15414	B16	8	20-19
CH14751	E23	15	50-3	CH15010	G6	34	50-35	CH15414	C15	3	20-43
CH14752	F6	31	50-11	CH15019	F24	19	50-29	CH15414	C19	3	20-47
CH14755	E23	18	50-3	CH15020	F24	18	50-29	CH15432	B18	32	20-21
CH14769	E25	24	50-5	CH15024	F24	23	50-29	CH15432	C19	7	20-47
CH14781	F6	26	50-11	CH15025	F24	16	50-29	CH15443	D12	12	30-15
CH14781	F6	30	50-11	CH15027	F24	26	50-29	CH15456	D12	24	30-15
CH14782	F6	30	50-11	CH15030	F24	22	50-29	CH15483	C2	17	20-29
CH14783	F6	16	50-11	CH15032	F24	6	50-29	CH15491	B21	1	20-24
CH14783	F6	30	50-11	CH15040	F24	13	50-29	CH15500	B2	26	20-5
CH14787	G6	38	50-35	CH15041	F24	12	50-29	CH15500	B4	23	20-7
CH14811	F2	11	50-7	CH15042	F24	10	50-29	CH15500	D20	9	40-3
CH14811	F6	28	50-11	CH15047	I24	6	80-7	CH15501	D2	19	30-5
CH14815	G6	14	50-35	CH15056	I20	7	80-3	CH15501	D6	24	30-9
CH14818	F6	10	50-11	CH15056	I22	6	80-5	CH15518	C8	28	20-35
CH14826	F2	12	50-7	CH15057	I20	6	80-3	CH15519	C8	24	20-35
CH14826	F13	16	50-18	CH15057	I22	7	80-5	CH15535	C4	2	20-31
CH14828	F10	11	50-15	CH15064	H4	5	60-13	CH15535	C6	2	20-33
CH14828	F12	11	50-17	CH15066	H4	8	60-13	CH15536	C4	4	20-31
CH14828	G2	2	50-31	CH15067	H4	13	60-13	CH15553	C24	6	30-3
CH14838	F18	2	50-23	CH15069	H4	10	60-13	CH15581	C10	5	20-37
CH14839	F16	25	50-21	CH15070	H4	5	60-13	CH15721	F8	15	50-13
CH14839	F18	15	50-23	CH15072	H4	9	60-13	CH15722	B6	3	20-9
CH14839	G14	40	50-43	CH15073	H4	8	60-13	CH15722	B8	4	20-11
CH14841	F18	1	50-23	CH15074	H4	10	60-13	CH15738	E23	19	50-3

**NUMERICAL INDEX - CONTINUED**

PART NO.	GRID	KEY	PAGE	PART NO.	GRID	KEY	PAGE	PART NO.	GRID	KEY	PAGE
CH15738	J9	9	80-16	CH16781	B8	13	20-11	CH19091	D14	6	30-17
CH15754	E23	10	50-3	CH16781	D14	33	30-17	CH19101	B4	9	20-7
CH15781	E8	28	40-15	CH16781	E23	8	50-3	CH19101	B8	23	20-11
CH15781	E12	11	40-19	CH16798	B24	12	20-27	CH19101	B18	8	20-21
CH15805	G6	43	50-35	CH16849	C6	30	20-33	CH19101	C4	7	20-31
CH15805	G17	18	60-1	CH16888	C24	7	30-3	CH19111	C12	20	20-39
CH15805	G23	7	60-7	CH16888	D2	8	30-5	CH19136	B6	10	20-9
CH15805	G25	5	60-9	CH16899	E12	18	40-19	CH19136	B6	13	20-9
CH15805	J6	7	80-13	CH16899	E14	27	40-21	CH19136	B8	22	20-11
CH15805	J8	9	80-15	CH16901	C19	20	20-47	CH19136	B12	12	20-15
CH15861	D24	28	40-7	CH16901	D6	17	30-9	CH19140	C6	23	20-33
CH15864	D24	29	40-7	CH16901	H10	2	70-3	CH19141	B6	18	20-9
CH15865	D24	30	40-7	CH16940	B8	5	20-11	CH19218	I15	9	70-31
CH15867	D24	19	40-7	CH16940	C17	11	20-45	CH19220	I15	1	70-31
CH15867	D24	35	40-7	CH16948	I13	9	70-29	CH19224	I11	1	70-26
CH15868	D24	20	40-7	CH16952	E12	24	40-19	CH19280	D24	54	40-7
CH15869	D24	21	40-7	CH17124	E25	7	50-5	CH19291	B24	1	20-27
CH15872	D24	22	40-7	CH17124	F2	13	50-7	CH19514	I16	2	70-32
CH15873	D24	23	40-7	CH17124	F8	10	50-13	CH19552	D24	10	40-7
CH15873	D24	33	40-7	CH17124	F24	28	50-29	CH19554	D24	27	40-7
CH15875	D24	24	40-7	CH17124	H6	9	60-15	CH19556	D24	10	40-7
CH15877	D24	25	40-7	CH17125	E25	8	50-5	CH19556	D24	13	40-7
CH15879	D24	32	40-7	CH17125	F2	14	50-7	CH19557	D24	11	40-7
CH15881	D24	31	40-7	CH17125	F8	9	50-13	CH19558	D24	12	40-7
CH15933	B8	29	20-11	CH17125	F24	25	50-29	CH19559	D24	26	40-7
CH15945	C8	23	20-35	CH17125	H6	10	60-15	CH19560	D24	53	40-7
CH15973	D24	13	40-7	CH17159	D4	15	30-7	CH19561	D24	9	40-7
CH15974	D24	12	40-7	CH17159	H16	14	70-9	CH19563	D24	1	40-7
CH15976	D24	9	40-7	CH17199	G23	2	60-7	CH19564	D24	7	40-7
CH15977	D24	8	40-7	CH17199	G25	2	60-9	CH19565	D24	6	40-7
CH15977	E2	7	40-9	CH17272	I13	4	70-29	CH19566	D24	5	40-7
CH15978	D24	3	40-7	CH17296	H19	4	70-12	CH19567	D24	3	40-7
CH15979	D24	5	40-7	CH17297	E6	48	40-13	CH19567	E2	2	40-9
CH15981	D24	51	40-7	CH17297	E9	5	40-16	CH19596	H10	37	70-3
CH15982	D24	46	40-7	CH17297	E14	35	40-21	CH19718	F22	19	50-27
CH15983	C24	10	30-3	CH17447	F6	14	50-11	CH19719	F24	6	50-29
CH15985	D24	53	40-7	CH17498	F16	11	50-21	CH19780	B18	30	20-21
CH15987	D22	11	40-5	CH17540	G4	13	50-33	CH20038	G14	16	50-43
CH15993	D22	3	40-5	CH17540	G12	37	50-41	CH20038	G21	9	60-5
CH15996	D22	9	40-5	CH17809	J16	21	80-23	CH20038	H16	16	70-9
CH16048	C4	11	20-31	CH17861	H20	1	70-13	CH20047	D22	14	40-5
CH16055	D14	8	30-17	CH17861	H24	19	70-17	CH20073	D14	34	30-17
CH16109	G14	61	50-43	CH17897	F20	17	50-25	CH20081	B23	1	20-26
CH16110	G23	22	60-7	CH17951	D10	14	30-13	CH20105	E23	4	50-3
CH16110	G25	7	60-9	CH17960	C24	27	30-3	CH20140	H4	9	60-13
CH16114	I14	4	70-30	CH17960	D2	26	30-5	CH20157	D20	11	40-3
CH16549	H10	4	70-3	CH18022	F8	4	50-13	CH20157	E6	43	40-13
CH16550	H10	3	70-3	CH18079	B2	3	20-5	CH20157	E14	28	40-21
CH16578	E6	50	40-13	CH18079	B4	3	20-7	ET14356	H20	3	70-13
CH16578	E14	34	40-21	CH18096	B8	14	20-11	ET14356	H24	22	70-17
CH16579	E4	15	40-11	CH18152	J2	6	80-9	ET14364	H20	2	70-13
CH16579	E8	30	40-15	CH18199	D24	49	40-7	ET14364	H24	20	70-17
CH16579	E9	9	40-16	CH18200	D24	43	40-7	H77698	I2	6	70-19
CH16653	D24	49	40-7	CH18201	I15	6	70-31	H77698	I4	15	70-19B
CH16727	B10	22	20-13	CH18201	I15	16	70-31	JD9344	F20	13	50-25
CH16727	B12	26	20-15	CH18215	F14	7	50-19	JD9344	G10	6	50-39
CH16747	B18	26	20-21	CH18540	G19	7	60-3	L39871	E12	26	40-19
CH16747	B20	31	20-23	CH18540	G21	4	60-5	L63645	K4	14	80-37
CH16749	B20	24	20-23	CH18577	G12	7	50-41	L83677	E12	31	40-19
CH16751	B18	20	20-21	CH18577	G12	20	50-41	M11028	J4	5	80-11
CH16751	B20	20	20-23	CH18577	G12	34	50-41	M114910	I10	11	70-25
CH16769	B2	9	20-5	CH18577	G12	35	50-41	M117557	F14	4	50-19
CH16769	G9	3	50-38	CH18577	H6	7	60-15	M118208	K4	20	80-37
CH16769	G21	12	60-5	CH18734	E4	20	40-11	M122638	I2	19	70-19
CH16769	H4	7	60-13	CH18898	H16	5	70-9	M122638	I4	3	70-19B
CH16778	D12	27	30-15	CH18916	H16	9	70-9	M122638	I16	15	70-32
CH16778	D14	13	30-17	CH19091	B6	13	20-9	M122639	I2	18	70-19

**NUMERICAL INDEX - CONTINUED**

PART NO.	GRID	KEY	PAGE	PART NO.	GRID	KEY	PAGE	PART NO.	GRID	KEY	PAGE
M122639	I4	2	70-19B	M800431	G8	13	50-37	M801016	B20	27	20-23
M122639	I16	16	70-32	M800437	G8	8	50-37	M801016	C21	7	20-49
M40461	I13	12	70-29	M800446	G6	17	50-35	M801017	B20	26	20-23
M40461	J23	1	80-31	M800447	G6	16	50-35	M801017	C21	8	20-49
M42702	H18	17	70-11	M800448	G6	12	50-35	M801018	B20	28	20-23
M64850	C17	2	20-45	M800451	G6	13	50-35	M801022	B20	3	20-23
M70728	I2	7	70-19	M800473	F14	3	50-19	M801023	B20	9	20-23
M70728	I4	17	70-19B	M800496	B21	11	20-24	M801024	B20	2	20-23
M71764	J3	1	80-10	M800565	G2	11	50-31	M801025	B20	7	20-23
M72810	H18	13	70-11	M800566	H20	5	70-13	M801027	B20	5	20-23
M76402	H18	13	70-11	M800566	H24	23	70-17	M801028	B20	4	20-23
M76636	J25	19	80-33	M800569	G2	7	50-31	M801031	B16	2	20-19
M76636	K8	4	90-3	M800589	G8	11	50-37	M801032	B16	6	20-19
M76637	J25	18	80-33	M800593	G2	9	50-31	M801033	B16	3	20-19
M76637	K8	3	90-3	M800628	H10	39	70-3	M801034	B16	4	20-19
M76641	K4	15	80-37	M800634	H10	1	70-3	M801034	C21	22	20-49
M76643	J25	25	80-33	M800635	H12	14	70-5	M801038	B8	24	20-11
M78720	I2	8	70-19	M800644	H12	12	70-5	M801044	B22	9	20-25
M78720	I4	16	70-19B	M800645	H12	22	70-5	M801045	B22	7	20-25
M79721	K2	17	80-35	M800646	H12	8	70-5	M801045	B24	6	20-27
M79725	K2	18	80-35	M800647	H12	26	70-5	M801046	B22	6	20-25
M800002	B20	10	20-23	M800649	H12	28	70-5	M801050	B22	12	20-25
M800002	D8	15	30-11	M800650	H10	28	70-3	M801053	B24	8	20-27
M800006	B2	6	20-5	M800650	H12	9	70-5	M801055	B24	11	20-27
M800006	B6	21	20-9	M800654	K10	12	90-5	M801084	C6	6	20-33
M800008	D12	17	30-15	M800661	H10	19	70-3	M801084	C21	13	20-49
M800011	B10	1	20-13	M800662	H10	18	70-3	M801086	C6	11	20-33
M800011	B12	1	20-15	M800676	B8	28	20-11	M801088	C6	4	20-33
M800056	G6	25	50-35	M800685	H10	13	70-3	M801093	D8	8	30-11
M800073	B21	16	20-24	M800686	H10	11	70-3	M801096	D8	3	30-11
M800075	B23	11	20-26	M800687	H10	10	70-3	M801097	D8	6	30-11
M800082	C4	22	20-31	M800688	H10	9	70-3	M801098	D8	5	30-11
M800083	C4	20	20-31	M800699	I8	7	70-23	M801101	D2	7	30-5
M800083	C6	28	20-33	M800709	I8	25	70-23	M801108	D2	27	30-5
M800091	D6	18	30-9	M800710	I8	22	70-23	M801111	D8	19	30-11
M800092	D6	21	30-9	M800711	I8	23	70-23	M801112	D8	16	30-11
M800098	C10	22	20-37	M800792	E4	3	40-11	M801118	D14	17	30-17
M800099	C10	35	20-37	M800794	D8	40	30-11	M801118	D20	4	40-3
M800103	C10	1	20-37	M800848	F6	5	50-11	M801119	C21	19	20-49
M800103	C12	1	20-39	M800848	H10	26	70-3	M801119	D14	16	30-17
M800112	F8	28	50-13	M800848	H10	27	70-3	M801143	H10	20	70-3
M800114	D22	7	40-5	M800848	H18	2	70-11	M801163	H10	23	70-3
M800116	D22	1	40-5	M800848	H19	11	70-12	M801185	C10	8	20-37
M800117	D22	2	40-5	M800848	I6	31	70-21	M801186	B4	1	20-7
M800119	D22	5	40-5	M800848	I16	7	70-32	M801189	B4	12	20-7
M800121	D22	6	40-5	M800853	G21	16	60-5	M801203	B12	3	20-15
M800122	D22	8	40-5	M800853	H18	1	70-11	M801203	C17	4	20-45
M800123	D22	4	40-5	M800853	H19	10	70-12	M801204	C17	2	20-45
M800124	D22	21	40-5	M800853	I6	30	70-21	M801209	B12	19	20-15
M800125	B14	2	20-17	M800853	I16	8	70-32	M801211	B8	32	20-11
M800125	C13	8	20-40	M800880	K10	22	90-5	M801217	B20	21	20-23
M800209	D6	8	30-9	M800882	K10	26	90-5	M801219	B20	25	20-23
M800210	D6	14	30-9	M800883	K10	27	90-5	M801220	B20	23	20-23
M800211	D6	12	30-9	M800955	C6	13	20-33	M801221	B20	22	20-23
M800212	D6	11	30-9	M800973	B4	27	20-7	M801222	B20	15	20-23
M800212	D8	4	30-11	M800974	B4	11	20-7	M801223	B20	14	20-23
M800213	D6	10	30-9	M800977	B4	6	20-7	M801224	B20	12	20-23
M800300	B21	9	20-24	M800978	B4	8	20-7	M801227	B20	19	20-23
M800308	B23	10	20-26	M800988	B8	20	20-11	M801228	B20	18	20-23
M800311	C4	21	20-31	M800988	C17	5	20-45	M801238	B22	5	20-25
M800312	C6	17	20-33	M800999	B12	18	20-15	M801239	B22	16	20-25
M800345	C4	17	20-31	M800999	C17	8	20-45	M801246	C2	14	20-29
M800388	H12	23	70-5	M801000	B12	22	20-15	M801247	C2	13	20-29
M800390	H12	5	70-5	M801001	B12	23	20-15	M801256	C2	15	20-29
M800392	H12	16	70-5	M801001	C17	9	20-45	M801289	D8	37	30-11
M800397	H12	11	70-5	M801005	B8	31	20-11	M801290	D8	38	30-11
M800404	H12	18	70-5	M801005	C17	7	20-45	M801314	C17	12	20-45

**NUMERICAL INDEX - CONTINUED**

PART NO.	GRID	KEY	PAGE	PART NO.	GRID	KEY	PAGE	PART NO.	GRID	KEY	PAGE
M801314	D8	30	30 - 11	M802597	B8	1	20 - 11	M802684	C8	12	20 - 35
M801320	C12	6	20 - 39	M802598	B12	2	20 - 15	M802686	C8	4	20 - 35
M801321	C12	7	20 - 39	M802605	D14	20	30 - 17	M802687	C8	17	20 - 35
M801321	C17	14	20 - 45	M802606	D14	9	30 - 17	M802688	C24	2	30 - 3
M801330	C12	32	20 - 39	M802606	D16	3	30 - 19	M802689	C24	13	30 - 3
M801335	C12	8	20 - 39	M802607	D14	10	30 - 17	M802690	C24	26	30 - 3
M801348	C12	12	20 - 39	M802609	D14	26	30 - 17	M802691	C24	23	30 - 3
M801517	I8	1	70 - 23	M802610	D14	25	30 - 17	M802692	C24	21	30 - 3
M801517	I10	1	70 - 25	M802611	D14	7	30 - 17	M802693	C24	29	30 - 3
M801674	H12	32	70 - 5	M802612	D14	35	30 - 17	M802696	C24	18	30 - 3
M801741	B16	9	20 - 19	M802614	B24	7	20 - 27	M802696	D2	16	30 - 5
M801741	C21	4	20 - 49	M802617	B24	10	20 - 27	M802701	D10	13	30 - 13
M801744	C21	9	20 - 49	M802618	B22	1	20 - 25	M802702	D10	12	30 - 13
M801744	D14	30	30 - 17	M802620	B4	20	20 - 7	M802703	D10	15	30 - 13
M801746	C21	10	20 - 49	M802621	B4	22	20 - 7	M802704	D24	52	40 - 7
M801746	D14	31	30 - 17	M802622	B12	15	20 - 15	M802704	E2	32	40 - 9
M801755	C6	27	20 - 33	M802623	B12	16	20 - 15	M802705	B18	27	20 - 21
M801756	C6	26	20 - 33	M802627	C6	10	20 - 33	M802711	D12	22	30 - 15
M801757	C6	25	20 - 33	M802628	C6	12	20 - 33	M802711	D14	10	30 - 17
M801758	C6	21	20 - 33	M802629	C8	10	20 - 35	M802712	C8	10	20 - 35
M801759	C6	22	20 - 33	M802630	C8	7	20 - 35	M802713	C24	17	30 - 3
M801760	C6	20	20 - 33	M802631	C8	22	20 - 35	M802713	D2	31	30 - 5
M801770	D8	25	30 - 11	M802632	C8	2	20 - 35	M802714	J25	17	80 - 33
M801771	D8	26	30 - 11	M802633	C8	4	20 - 35	M802715	C8	8	20 - 35
M801772	D8	33	30 - 11	M802634	C8	17	20 - 35	M802722	C12	29	20 - 39
M801773	D8	35	30 - 11	M802635	D8	32	30 - 11	M802729	C12	16	20 - 39
M801780	G8	10	50 - 37	M802636	D2	11	30 - 5	M802733	G4	3	50 - 33
M801783	C10	37	20 - 37	M802637	D2	2	30 - 5	M802734	G4	20	50 - 33
M801784	C10	41	20 - 37	M802638	D2	29	30 - 5	M802735	G4	20	50 - 33
M801785	C10	44	20 - 37	M802641	D10	9	30 - 13	M802737	G4	14	50 - 33
M801822	D10	10	30 - 13	M802642	D22	19	40 - 5	M802738	E6	60	40 - 13
M801855	C10	28	20 - 37	M802643	B2	12	20 - 5	M802741	G4	11	50 - 33
M801857	C10	27	20 - 37	M802645	B6	9	20 - 9	M802742	G4	16	50 - 33
M801885	E6	47	40 - 13	M802645	B6	12	20 - 9	M802749	D4	2	30 - 7
M801885	E9	6	40 - 16	M802646	B6	12	20 - 9	M802750	D4	16	30 - 7
M801885	E14	30	40 - 21	M802647	B10	2	20 - 13	M802754	D4	7	30 - 7
M801927	J18	10	80 - 25	M802650	B10	17	20 - 13	M802755	D4	9	30 - 7
M801935	I16	6	70 - 32	M802658	D12	23	30 - 15	M802756	D4	4	30 - 7
M801936	I11	9	70 - 26	M802659	D12	22	30 - 15	M802757	D4	18	30 - 7
M801937	K8	8	90 - 3	M802660	D12	15	30 - 15	M802763	J12	3	80 - 19
M801940	B6	17	20 - 9	M802661	D12	7	30 - 15	M802764	J12	2	80 - 19
M801940	C15	4	20 - 43	M802662	C19	12	20 - 47	M802787	J9	5	80 - 16
M801941	C15	8	20 - 43	M802662	C21	11	20 - 49	M802788	I13	22	70 - 29
M801942	D12	18	30 - 15	M802662	D12	8	30 - 15	M802788	J9	10	80 - 16
M801942	D16	11	30 - 19	M802662	D14	32	30 - 17	M802788	K8	11	90 - 3
M801944	C10	12	20 - 37	M802663	D12	1	30 - 15	M802789	J9	7	80 - 16
M801947	C10	29	20 - 37	M802663	D14	1	30 - 17	M802789	J23	3	80 - 31
M801948	C10	50	20 - 37	M802664	C13	3	20 - 40	M802790	J9	6	80 - 16
M801982	H14	6	70 - 7	M802664	C19	13	20 - 47	M802804	J9	11	80 - 16
M802001	H10	38	70 - 3	M802664	C21	12	20 - 49	M802805	J6	20	80 - 13
M802010	G6	3	50 - 35	M802664	D12	3	30 - 15	M802805	J8	24	80 - 15
M802018	I15	14	70 - 31	M802664	D14	3	30 - 17	M802811	J6	12	80 - 13
M802049	C24	24	30 - 3	M802665	D12	11	30 - 15	M802811	J8	14	80 - 15
M802049	D2	14	30 - 5	M802667	B23	12	20 - 26	M802812	J8	2	80 - 15
M802200	E6	59	40 - 13	M802667	B24	13	20 - 27	M802813	J6	38	80 - 13
M802254	B2	27	20 - 5	M802669	B23	9	20 - 26	M802814	G6	46	50 - 35
M802255	B2	23	20 - 5	M802671	B2	19	20 - 5	M802814	J6	31	80 - 13
M802255	B4	25	20 - 7	M802672	B2	21	20 - 5	M802814	J8	35	80 - 15
M802255	B4	26	20 - 7	M802673	B10	8	20 - 13	M802815	J6	14	80 - 13
M802255	B23	4	20 - 26	M802674	C4	8	20 - 31	M802815	J8	18	80 - 15
M802255	B24	4	20 - 27	M802675	C4	10	20 - 31	M802816	J6	17	80 - 13
M802268	B4	2	20 - 7	M802676	C8	7	20 - 35	M802816	J8	21	80 - 15
M802268	C21	2	20 - 49	M802677	C8	11	20 - 35	M802817	J6	24	80 - 13
M802554	H12	27	70 - 5	M802679	C8	15	20 - 35	M802817	J8	28	80 - 15
M802566	D24	1	40 - 7	M802681	C8	18	20 - 35	M802818	J6	23	80 - 13
M802595	B8	7	20 - 11	M802682	C8	22	20 - 35	M802818	J8	27	80 - 15
M802596	B8	6	20 - 11	M802683	C8	2	20 - 35	M802819	J6	15	80 - 13

## NUMERICAL INDEX - CONTINUED

PART NO.	GRID	KEY	PAGE	PART NO.	GRID	KEY	PAGE	PART NO.	GRID	KEY	PAGE
M802819	J8	19	80 - 15	M802904	G23	17	60 - 7	M803017	J25	15	80 - 33
M802820	I20	3	80 - 3	M802905	G23	15	60 - 7	M803021	F6	21	50 - 11
M802821	I20	2	80 - 3	M802905	G25	14	60 - 9	M803022	F6	6	50 - 11
M802822	I20	1	80 - 3	M802906	G23	9	60 - 7	M803022	H10	25	70 - 3
M802825	G8	12	50 - 37	M802906	G25	20	60 - 9	M803022	H10	27	70 - 3
M802826	G8	17	50 - 37	M802910	G21	7	60 - 5	M803023	F6	29A	50 - 11
M802827	G9	10	50 - 38	M802917	G21	13	60 - 5	M803024	F6	7	50 - 11
M802831	G9	14	50 - 38	M802918	G21	34	60 - 5	M803025	F6	9	50 - 11
M802832	G9	12	50 - 38	M802919	G21	31	60 - 5	M803026	F10	9	50 - 15
M802833	G9	11	50 - 38	M802920	G21	28	60 - 5	M803027	F10	14	50 - 15
M802834	G9	7	50 - 38	M802921	G21	22	60 - 5	M803027	F12	14	50 - 17
M802835	G8	20	50 - 37	M802922	G21	24	60 - 5	M803028	F10	13	50 - 15
M802836	G8	6	50 - 37	M802923	G21	20	60 - 5	M803028	F12	13	50 - 17
M802838	G6	52	50 - 35	M802924	G21	21	60 - 5	M803029	F10	12	50 - 15
M802839	G6	33	50 - 35	M802925	G21	37	60 - 5	M803029	F12	12	50 - 17
M802840	G6	15	50 - 35	M802926	G21	36	60 - 5	M803030	F10	5	50 - 15
M802843	G6	51	50 - 35	M802927	G21	32	60 - 5	M803030	F12	19	50 - 17
M802844	G6	6	50 - 35	M802933	G21	23	60 - 5	M803031	F10	6	50 - 15
M802845	G6	50	50 - 35	M802934	G21	23	60 - 5	M803031	F12	18	50 - 17
M802846	G6	8	50 - 35	M802935	G21	38	60 - 5	M803032	F10	8	50 - 15
M802847	G10	1	50 - 39	M802939	G21	19	60 - 5	M803032	F12	15	50 - 17
M802848	G8	9	50 - 37	M802947	H19	5	70 - 12	M803033	F10	7	50 - 15
M802849	G10	2	50 - 39	M802949	H24	10	70 - 17	M803033	F12	17	50 - 17
M802850	G10	3	50 - 39	M802950	H18	..	70 - 11	M803034	F10	2	50 - 15
M802851	G10	15	50 - 39	M802952	H22	5	70 - 15	M803036	F12	2	50 - 17
M802852	G10	8	50 - 39	M802952	H24	3	70 - 17	M803037	F12	20	50 - 17
M802853	G10	11	50 - 39	M802954	H19	5	70 - 12	M803038	F12	1	50 - 17
M802854	G10	5	50 - 39	M802956	H19	15	70 - 12	M803039	F12	7	50 - 17
M802855	G9	6	50 - 38	M802956	H22	10	70 - 15	M803040	F12	8	50 - 17
M802856	G9	6	50 - 38	M802959	E23	5	50 - 3	M803041	F13	6	50 - 18
M802857	G9	5	50 - 38	M802961	E23	1	50 - 3	M803042	F13	8	50 - 18
M802861	I22	3	80 - 5	M802962	E23	14	50 - 3	M803043	F13	7	50 - 18
M802862	I22	2	80 - 5	M802964	E25	28	50 - 5	M803044	F13	12	50 - 18
M802863	I24	1	80 - 7	M802965	E25	27	50 - 5	M803045	F13	4	50 - 18
M802864	I24	3	80 - 7	M802967	F2	48	50 - 7	M803046	F13	13	50 - 18
M802865	J2	1	80 - 9	M802968	F2	44	50 - 7	M803047	F13	2	50 - 18
M802866	G17	10	60 - 1	M802970	F2	49	50 - 7	M803048	F13	1	50 - 18
M802867	G19	6	60 - 3	M802973	F2	41	50 - 7	M803049	F13	3	50 - 18
M802868	G17	7	60 - 1	M802974	F2	42	50 - 7	M803050	F13	11	50 - 18
M802868	G19	12	60 - 3	M802975	F2	47	50 - 7	M803051	F13	5	50 - 18
M802869	G19	2	60 - 3	M802976	F2	40	50 - 7	M803052	F13	10	50 - 18
M802870	G17	4	60 - 1	M802977	F2	46	50 - 7	M803053	F13	14	50 - 18
M802870	G19	15	60 - 3	M802982	F2	38	50 - 7	M803054	F13	9	50 - 18
M802871	G19	4	60 - 3	M802983	E25	6	50 - 5	M803056	F13	21	50 - 18
M802872	G19	3	60 - 3	M802984	E25	2	50 - 5	M803057	F13	19	50 - 18
M802874	G17	14	60 - 1	M802985	F2	8	50 - 7	M803058	F13	20	50 - 18
M802875	G21	3	60 - 5	M802986	F2	10	50 - 7	M803059	F16	6	50 - 21
M802886	G23	18	60 - 7	M802987	F2	2	50 - 7	M803059	F18	4	50 - 23
M802886	G25	11	60 - 9	M802988	F2	4	50 - 7	M803060	F16	5	50 - 21
M802894	G23	16	60 - 7	M802988	F12	21	50 - 17	M803060	F18	3	50 - 23
M802894	G25	13	60 - 9	M802990	E25	26	50 - 5	M803061	F16	2	50 - 21
M802895	G23	20	60 - 7	M802990	F2	32	50 - 7	M803062	F16	3	50 - 21
M802895	G25	9	60 - 9	M802993	E25	9	50 - 5	M803064	F16	1	50 - 21
M802896	G23	19	60 - 7	M802993	F2	15	50 - 7	M803065	F16	14	50 - 21
M802896	G25	10	60 - 9	M802994	F2	28	50 - 7	M803066	F16	12	50 - 21
M802897	G23	21	60 - 7	M802996	E25	14	50 - 5	M803069	F16	8	50 - 21
M802897	G25	8	60 - 9	M802996	F2	26	50 - 7	M803070	F16	9	50 - 21
M802899	G23	10	60 - 7	M802997	E25	16	50 - 5	M803070	F18	6	50 - 23
M802899	G25	19	60 - 9	M802997	F2	24	50 - 7	M803071	F16	15	50 - 21
M802900	G23	11	60 - 7	M803005	E25	13	50 - 5	M803073	F16	23	50 - 21
M802900	G25	18	60 - 9	M803005	F2	27	50 - 7	M803073	F18	13	50 - 23
M802901	G23	12	60 - 7	M803006	H2	1	60 - 11	M803074	F16	24	50 - 21
M802901	G25	16	60 - 9	M803008	F6	25	50 - 11	M803074	F18	14	50 - 23
M802902	G23	13	60 - 7	M803010	F6	3	50 - 11	M803076	F18	8	50 - 23
M802902	G25	17	60 - 9	M803011	F6	4	50 - 11	M803077	F18	10	50 - 23
M802903	G23	8	60 - 7	M803013	F6	12	50 - 11	M803078	F4	33	50 - 9
M802903	G25	21	60 - 9	M803014	F6	15	50 - 11	M803079	F4	35	50 - 9

## NUMERICAL INDEX - CONTINUED

PART NO.	GRID	KEY	PAGE	PART NO.	GRID	KEY	PAGE	PART NO.	GRID	KEY	PAGE
M803080	F4	23	50-9	M803206	H20	4	70-13	M803325	E18	9	40-25
M803081	F4	20	50-9	M803206	H24	21	70-17	M803326	E4	29	40-11
M803082	F4	32	50-9	M803218	H10	54	70-3	M803326	E6	66	40-13
M803083	F4	14	50-9	M803219	H10	40	70-3	M803327	D20	15	40-3
M803084	F4	15	50-9	M803221	H10	29	70-3	M803327	E8	7	40-15
M803085	F4	13	50-9	M803222	H10	32	70-3	M803327	E15	6	40-22
M803086	F4	5	50-9	M803223	H14	1	70-7	M803328	E8	3	40-15
M803087	F4	7	50-9	M803224	H14	5	70-7	M803329	E9	16	40-16
M803088	F4	6	50-9	M803225	H14	17	70-7	M803330	D20	2	40-3
M803089	F4	1	50-9	M803226	H14	3	70-7	M803330	E9	12	40-16
M803090	F4	4	50-9	M803235	H12	3	70-5	M803331	D20	1	40-3
M803091	F4	3	50-9	M803236	H10	17	70-3	M803331	E9	10	40-16
M803092	F4	18	50-9	M803237	H10	6	70-3	M803332	E9	11	40-16
M803093	F4	26	50-9	M803238	H10	46	70-3	M803333	E9	15	40-16
M803094	F4	30	50-9	M803239	H10	51	70-3	M803334	E9	13	40-16
M803095	F4	29	50-9	M803240	H10	53	70-3	M803335	E9	14	40-16
M803101	F8	2	50-13	M803241	H10	15	70-3	M803335	E18	22	40-25
M803102	F8	3	50-13	M803242	H10	5	70-3	M803336	E9	3	40-16
M803103	F8	26	50-13	M803243	H16	11	70-9	M803336	E10	16	40-17
M803104	F8	16	50-13	M803244	H16	10	70-9	M803336	J16	40	80-23
M803105	F8	17	50-13	M803245	H16	1	70-9	M803337	E6	39	40-13
M803109	F8	23	50-13	M803246	H16	13	70-9	M803337	E8	23	40-15
M803114	F8	21	50-13	M803247	H16	21	70-9	M803338	E8	21	40-15
M803114	G2	14	50-31	M803250	H16	15	70-9	M803339	E8	24	40-15
M803115	G2	3	50-31	M803252	H16	24	70-9	M803340	E8	22	40-15
M803116	G2	8	50-31	M803253	H16	30	70-9	M803341	E8	20	40-15
M803117	G2	8	50-31	M803254	H16	32	70-9	M803343	E4	4	40-11
M803125	G2	21	50-31	M803255	H16	17	70-9	M803344	D20	17	40-3
M803129	G2	25	50-31	M803260	H16	25	70-9	M803344	E4	25	40-11
M803130	G2	26	50-31	M803261	H16	18	70-9	M803344	E14	10	40-21
M803138	F20	8	50-25	M803262	H16	2	70-9	M803347	E4	21	40-11
M803139	F20	2	50-25	M803266	H22	16	70-15	M803350	E4	27	40-11
M803140	F20	1	50-25	M803267	H22	1	70-15	M803350	E14	12	40-21
M803141	F20	1	50-25	M803268	H22	1	70-15	M803351	E8	4	40-15
M803145	F20	22	50-25	M803280	H22	15	70-15	M803351	J12	25	80-19
M803146	F20	15	50-25	M803280	I11	8	70-26	M803352	J14	13	80-21
M803147	F20	12	50-25	M803281	H24	7	70-17	M803353	J14	11	80-21
M803147	F20	19	50-25	M803282	H22	20	70-15	M803354	J12	27	80-19
M803148	F22	8	50-27	M803284	H24	7	70-17	M803357	J12	26	80-19
M803149	F22	5	50-27	M803288	I11	2	70-26	M803366	J12	11	80-19
M803150	F22	21	50-27	M803289	I11	6	70-26	M803366	J14	18	80-21
M803151	F22	20	50-27	M803290	E4	30	40-11	M803402	J16	5	80-23
M803152	F22	3	50-27	M803291	E4	32	40-11	M803408	J16	8	80-23
M803153	F22	16	50-27	M803291	E14	21	40-21	M803409	J12	31	80-19
M803154	F24	21	50-29	M803296	E8	29	40-15	M803410	J12	8	80-19
M803157	F24	17	50-29	M803297	E6	45	40-13	M803411	J16	19	80-23
M803158	F24	8	50-29	M803297	E9	8	40-16	M803412	J14	20	80-21
M803159	F24	8	50-29	M803298	E6	42	40-13	M803416	J16	13	80-23
M803160	F24	11	50-29	M803299	E8	35	40-15	M803429	E9	1	40-16
M803161	F24	11	50-29	M803300	E8	33	40-15	M803429	E10	18	40-17
M803162	F24	15	50-29	M803300	E12	17	40-19	M803429	E18	31	40-25
M803163	F24	3	50-29	M803301	E6	46	40-13	M803429	J14	15	80-21
M803164	F24	15	50-29	M803301	E12	20	40-19	M803429	J16	32	80-23
M803165	F24	3	50-29	M803301	E14	32	40-21	M803429	J16	41	80-23
M803170	I20	7	80-3	M803302	E4	10	40-11	M803430	J16	31	80-23
M803170	I22	6	80-5	M803305	E14	26	40-21	M803430	J16	36	80-23
M803171	I20	6	80-3	M803308	E4	13	40-11	M803442	J14	21	80-21
M803171	I22	7	80-5	M803308	E14	3	40-21	M803443	J14	1	80-21
M803176	H4	6	60-13	M803309	E6	41	40-13	M803444	J16	12	80-23
M803177	H4	6	60-13	M803309	E14	31	40-21	M803445	J14	4	80-21
M803178	H2	16	60-11	M803312	E6	59	40-13	M803446	J14	5	80-21
M803190	H2	19	60-11	M803313	E6	58	40-13	M803447	J14	9	80-21
M803193	H2	21	60-11	M803314	E6	54	40-13	M803448	J14	12	80-21
M803197	H2	8	60-11	M803315	E6	55	40-13	M803449	J16	17	80-23
M803197	H2	10	60-11	M803320	E6	66	40-13	M803450	J16	20	80-23
M803200	H2	7	60-11	M803322	E18	10	40-25	M803452	J14	2	80-21
M803203	H2	11	60-11	M803323	E18	5	40-25	M803453	J14	14	80-21

## NUMERICAL INDEX - CONTINUED

PART NO.	GRID	KEY	PAGE	PART NO.	GRID	KEY	PAGE	PART NO.	GRID	KEY	PAGE
M803454	J12	23	80 - 19	M803591	I14	9	70 - 30	M803772	J25	19	80 - 33
M803455	J16	7	80 - 23	M803598	I13	25	70 - 29	M803772	K8	4	90 - 3
M803458	D4	6	30 - 7	M803598	J21	11	80 - 28	M803775	F2	9	50 - 7
M803459	J12	29	80 - 19	M803602	I13	20	70 - 29	M803776	J16	35	80 - 23
M803460	J16	30	80 - 23	M803603	I13	23	70 - 29	M803779	F14	1	50 - 19
M803461	J16	35	80 - 23	M803607	I13	11	70 - 29	M803780	K10	25	90 - 5
M803462	J14	24	80 - 21	M803613	J21	3	80 - 28	M803785	F16	19	50 - 21
M803464	K10	36	90 - 5	M803614	J21	5	80 - 28	M803785	H16	22	70 - 9
M803465	K10	6	90 - 5	M803621	K8	12	90 - 3	M803787	D2	28	30 - 5
M803468	K10	20	90 - 5	M803626	K8	6	90 - 3	M803787	F8	14	50 - 13
M803469	K10	21	90 - 5	M803628	K8	11	90 - 3	M803795	E4	7	40 - 11
M803470	K10	33	90 - 5	M803629	K8	7	90 - 3	M803796	E6	52	40 - 13
M803473	K10	34	90 - 5	M803632	J21	10	80 - 28	M803799	E18	24	40 - 25
M803474	K10	11	90 - 5	M803634	I8	16	70 - 23	M803800	E18	14	40 - 25
M803479	K10	10	90 - 5	M803635	I8	28	70 - 23	M803801	E18	16	40 - 25
M803480	K10	28	90 - 5	M803636	I8	27	70 - 23	M803802	E18	15	40 - 25
M803481	K10	23	90 - 5	M803638	I8	20	70 - 23	M803803	E18	18	40 - 25
M803482	K10	24	90 - 5	M803639	I8	24	70 - 23	M803804	E18	20	40 - 25
M803483	K10	2	90 - 5	M803640	I6	12	70 - 21	M803805	E18	17	40 - 25
M803502	J18	5	80 - 25	M803641	I6	9	70 - 21	M803806	E18	23	40 - 25
M803506	J20	9	80 - 27	M803642	I8	29	70 - 23	M803807	E18	19	40 - 25
M803507	J20	4	80 - 27	M803643	I6	18	70 - 21	M803808	E18	21	40 - 25
M803519	K10	35	90 - 5	M803644	I6	26	70 - 21	M803809	E25	1	50 - 5
M803521	J10	4	80 - 17	M803663	I6	34	70 - 21	M803809	F2	1	50 - 7
M803521	J11	5	80 - 18	M803668	I6	24	70 - 21	M803810	F16	7	50 - 21
M803521	J18	15	80 - 25	M803678	J25	22	80 - 33	M803810	F18	5	50 - 23
M803523	G6	38	50 - 35	M803678	K2	13	80 - 35	M803811	F16	21	50 - 21
M803523	J10	6	80 - 17	M803678	K4	13	80 - 37	M803811	F18	11	50 - 23
M803523	J11	7	80 - 18	M803679	J25	16	80 - 33	M803812	F8	25	50 - 13
M803526	K10	13	90 - 5	M803679	K2	11	80 - 35	M803812	G12	3	50 - 41
M803527	K10	37	90 - 5	M803679	K4	11	80 - 37	M803817	H2	16	60 - 11
M803530	J18	6	80 - 25	M803680	I6	17	70 - 21	M803823	J12	30	80 - 19
M803531	J18	8	80 - 25	M803681	I6	22	70 - 21	M803824	J14	3	80 - 21
M803535	J18	1	80 - 25	M803682	G12	9	50 - 41	M803825	J14	6	80 - 21
M803535	J25	20	80 - 33	M803683	G14	35	50 - 43	M803827	J16	16	80 - 23
M803541	J20	5	80 - 27	M803684	G14	39	50 - 43	M803833	J10	8	80 - 17
M803548	E4	8	40 - 11	M803685	G14	11	50 - 43	M803833	J11	2	80 - 18
M803548	E14	2	40 - 21	M803686	G14	22	50 - 43	M803843	J23	2	80 - 31
M803548	J18	3	80 - 25	M803687	G14	7	50 - 43	M803846	H18	5	70 - 11
M803568	J25	3	80 - 33	M803688	G14	6	50 - 43	M803851	K8	2	90 - 3
M803568	K2	3	80 - 35	M803693	G14	24	50 - 43	M803852	G2	24	50 - 31
M803568	K4	3	80 - 37	M803694	G14	48	50 - 43	M803865	B10	4	20 - 13
M803569	J25	1	80 - 33	M803695	G14	34	50 - 43	M803866	D14	22	30 - 17
M803569	K2	1	80 - 35	M803696	G14	30	50 - 43	M803867	D14	23	30 - 17
M803569	K4	1	80 - 37	M803699	G14	37	50 - 43	M803868	D14	21	30 - 17
M803570	J25	2	80 - 33	M803700	G14	33	50 - 43	M803869	B10	6	20 - 13
M803570	K2	2	80 - 35	M803701	G14	28	50 - 43	M803870	B10	20	20 - 13
M803570	K4	2	80 - 37	M803702	G14	27	50 - 43	M803887	F16	21	50 - 21
M803571	J25	4	80 - 33	M803703	G14	26	50 - 43	M803958	J10	2	80 - 17
M803572	J25	5	80 - 33	M803704	G14	29	50 - 43	M803958	J11	3	80 - 18
M803573	J25	6	80 - 33	M803705	G14	31	50 - 43	M803958	J18	16	80 - 25
M803574	J25	7	80 - 33	M803706	G14	47	50 - 43	M804226	G19	1	60 - 3
M803574	K2	6	80 - 35	M803715	G14	51	50 - 43	M804235	G23	4	60 - 7
M803574	K4	6	80 - 37	M803716	G14	8	50 - 43	M804235	G23	24	60 - 7
M803575	J25	11	80 - 33	M803717	G14	5	50 - 43	M804235	G25	4	60 - 9
M803575	K2	7	80 - 35	M803718	G12	13	50 - 41	M804236	G23	3	60 - 7
M803575	K4	7	80 - 37	M803722	G14	25	50 - 43	M804236	G23	25	60 - 7
M803576	J25	12	80 - 33	M803723	G14	9	50 - 43	M804236	G25	3	60 - 9
M803576	K2	8	80 - 35	M803734	G12	42	50 - 41	M804236	G25	23	60 - 9
M803576	K4	8	80 - 37	M803735	G12	1	50 - 41	M804247	G23	8	60 - 7
M803577	J25	13	80 - 33	M803751	G12	5	50 - 41	M804247	G25	21	60 - 9
M803577	K2	10	80 - 35	M803754	G12	41	50 - 41	M804261	E23	2	50 - 3
M803577	K4	10	80 - 37	M803758	G12	33	50 - 41	M804262	E23	1	50 - 3
M803578	J25	13	80 - 33	M803760	G14	54	50 - 43	M804263	E23	14	50 - 3
M803579	J25	1	80 - 33	M803760	J21	6	80 - 28	M804263	J21	12	80 - 28
M803580	J25	2	80 - 33	M803762	G14	60	50 - 43	M804264	E23	13	50 - 3
M803588	I15	3	70 - 31	M803770	I20	1	80 - 3	M804265	F2	5	50 - 7

## NUMERICAL INDEX - CONTINUED

PART NO.	GRID	KEY	PAGE	PART NO.	GRID	KEY	PAGE	PART NO.	GRID	KEY	PAGE
M804266	E25	19	50-5	M805286	J11	3	80-18	M805711	C17	3	20-45
M804266	F2	22	50-7	M805286	J11	5	80-18	M805711	C21	3	20-49
M804267	G4	3	50-33	M805286	J18	15	80-25	M805800	H2	25	60-11
M804268	B16	5	20-19	M805286	J18	16	80-25	M805800	H2	..	60-11
M804268	D4	8	30-7	M805295	D24	2	40-7	M805806	E6	65	40-13
M804270	J12	7	80-19	M805299	K4	16	80-37	M805806	H2	..	60-11
M804289	F16	1	50-21	M805301	K4	17	80-37	M805814	D4	16	30-7
M804292	I13	19	70-29	M805305	H4	9	60-13	M805828	B14	3	20-17
M804293	I13	18	70-29	M805326	E12	17	40-19	M805828	C13	7	20-40
M804294	I13	6	70-29	M805329	E12	7	40-19	M805829	B12	18	20-15
M804300	G12	40	50-41	M805331	E15	5	40-22	M805829	C17	8	20-45
M804301	G12	44	50-41	M805341	E15	8	40-22	M805830	B12	23	20-15
M804304	I6	5	70-21	M805342	E15	10	40-22	M805830	C17	9	20-45
M804306	E6	..	40-13	M805344	E10	1	40-17	M805831	B4	2	20-7
M804306	E14	4	40-21	M805345	E10	19	40-17	M805831	C21	2	20-49
M804307	H18	..	70-11	M805348	E12	5	40-19	M805833	C21	9	20-49
M804308	E18	4	40-25	M805349	E12	29	40-19	M805833	D14	30	30-17
M804310	J14	10	80-21	M805352	E12	27	40-19	M805834	C6	3	20-33
M804311	J16	3	80-23	M805357	E14	37	40-21	M805834	C19	16	20-47
M804314	J14	25	80-21	M805361	J16	39	80-23	M805834	C21	16	20-49
M804318	K10	16	90-5	M805372	K12	3	90-7	M805835	C6	5	20-33
M804319	K10	15	90-5	M805378	K12	5	90-7	M805835	C21	17	20-49
M804348	H22	17	70-15	M805412	E18	26	40-25	M805836	C21	19	20-49
M804348	I11	5	70-26	M805413	E18	28	40-25	M805836	D14	16	30-17
M804524	G15	2	50-44	M805459	H2	19	60-11	M805840	B22	4	20-25
M804837	H22	17	70-15	M805459	H2	..	60-11	M805841	C6	26	20-33
M804837	I11	5	70-26	M805471	D22	..	40-5	M805843	C6	28	20-33
M804837	I11	8	70-26	M805472	D22	..	40-5	M805844	C6	22	20-33
M804969	D22	7	40-5	M805473	D22	..	40-5	M805855	F6	29B	50-11
M804989	J21	6	80-28	M805514	J14	5	80-21	M805855	F9	6	50-14
M804990	G14	56	50-43	M805520	J21	13	80-28	M805860	F9	7	50-14
M804990	J21	6	80-28	M805521	J21	14	80-28	M805860	F13	19	50-18
M805020	K10	3	90-5	M805522	E12	12	40-19	M805862	D12	1	30-15
M805023	J14	7	80-21	M805523	J16	..	80-23	M805862	D14	1	30-17
M805023	J14	8	80-21	M805524	D20	14	40-3	M805906	G15	11	50-44
M805029	E23	5	50-3	M805524	E4	29	40-11	M805907	G15	7	50-44
M805036	J16	37	80-23	M805524	E12	37	40-19	M805908	G15	9	50-44
M805037	J16	8	80-23	M805524	H2	..	60-11	M805909	G15	10	50-44
M805037	J16	38	80-23	M805526	H18	21	70-11	M805910	F24	6	50-29
M805040	G12	26	50-41	M805566	I22	3	80-5	M805925	I13	8	70-29
M805040	G14	62	50-43	M805689	E10	19	40-17	M805985	G21	39	60-5
M805040	H2	7	60-11	M805694	B2	24	20-5	M806018	E2	13	40-9
M805040	H6	13	60-15	M805694	C19	2	20-47	M806244	E2	10	40-9
M805057	G15	3	50-44	M805695	B6	41	20-9	M806245	E2	11	40-9
M805063	G14	21	50-43	M805695	C15	2	20-43	M806252	E2	18	40-9
M805067	G14	17	50-43	M805696	B6	6	20-9	M806253	E2	16	40-9
M805068	G14	41	50-43	M805696	B8	3	20-11	M806254	E2	30	40-9
M805072	C24	30	30-3	M805696	C15	6	20-43	M806255	E2	1	40-9
M805076	D2	30	30-5	M805696	C17	6	20-45	M806256	E2	15	40-9
M805077	D2	20	30-5	M805697	B13	11	20-16	M806257	E2	31	40-9
M805102	F6	22	50-11	M805697	C19	4	20-47	M806258	E2	3	40-9
M805115	J14	5	80-21	M805699	B10	15	20-13	M806259	E2	19	40-9
M805121	E18	1	40-25	M805699	C15	10	20-43	M806260	E2	5	40-9
M805122	E18	2	40-25	M805701	C4	18	20-31	M806261	E2	4	40-9
M805158	K10	6	90-5	M805702	C4	3	20-31	M806262	E2	6	40-9
M805208	I15	6	70-31	M805703	B6	34	20-9	M806348	B21	3	20-24
M805260	G8	8	50-37	M805703	C15	5	20-43	M806424	B8	21	20-11
M805261	G10	8	50-39	M805704	C10	13	20-37	M806424	C17	23	20-45
M805262	G10	2	50-39	M805704	C15	13	20-43	M806438	C10	2	20-37
M805263	G8	10	50-37	M805705	C10	52	20-37	M806438	C12	2	20-39
M805278	B12	3	20-15	M805705	C15	14	20-43	M806438	C15	19	20-43
M805278	C17	4	20-45	M805710	B6	23	20-9	M806438	C17	24	20-45
M805279	E6	55	40-13	M805710	B8	26	20-11	M806438	C21	20	20-49
M805280	E4	20	40-11	M805710	B13	3	20-16	M806438	D8	12	30-11
M805280	E14	7	40-21	M805711	B6	22	20-9	M806543	G23	17	60-7
M805286	J10	2	80-17	M805711	B8	25	20-11	M806543	G25	12	60-9
M805286	J10	4	80-17	M805711	B13	4	20-16	M806732	B20	27	20-23



## NUMERICAL INDEX - CONTINUED

PART NO.	GRID	KEY	PAGE	PART NO.	GRID	KEY	PAGE	PART NO.	GRID	KEY	PAGE
M806732	C21	7	20-49	M87891	B18	6	20-21	M89160	C10	47	20-37
M806752	F2	48	50-7	M87892	B18	9	20-21	M89161	C10	46	20-37
M806758	J14	1	80-21	M87893	B18	11	20-21	M89162	C10	36	20-37
M806838	I6	34	70-21	M87896	C4	23	20-31	M89163	C10	7	20-37
M806840	B4	27	20-7	M87899	C4	19	20-31	M89164	C10	54	20-37
M806860	D2	30	30-5	M87902	C4	24	20-31	M89169	C10	15	20-37
M85099	I2	9	70-19	M87907	D6	5	30-9	M89174	B14	3	20-17
M85099	I4	9	70-19B	M87907	D8	17	30-11	M89174	C13	7	20-40
M85099	I16	14	70-32	M87908	D6	16	30-9	M89175	B21	13	20-24
M85522	F14	4	50-19	M87915	C10	3	20-37	M89176	B6	24	20-9
M85525	K4	20	80-37	M87979	D6	25	30-9	M89176	I8	30	70-23
M87801	B2	11	20-5	M88031	D22	20	40-5	M89178	C10	20	20-37
M87801	B4	10	20-7	M88198	D12	20	30-15	M90574	G6	1	50-35
M87810	B21	6	20-24	M88198	D12	25	30-15	M90604	J25	21	80-33
M87811	B21	7	20-24	M88198	D14	12	30-17	M90604	K2	12	80-35
M87812	B21	5	20-24	M88198	D14	14	30-17	M90604	K4	12	80-37
M87812	B23	6	20-26	M88198	D16	13	30-19	M91248	I24	..	80-7
M87813	B21	4	20-24	M88198	J25	24	80-33	M91486	I2	10	70-19
M87815	C2	5	20-29	M88201	D6	20	30-9	M91486	I4	20	70-19B
M87816	C2	4	20-29	M88201	D8	10	30-11	M92715	C13	2	20-40
M87817	C2	8	20-29	M88337	K4	18	80-37	M93008	I20	5	80-3
M87818	B18	1	20-21	M88661	C10	11	20-37	M93008	I22	5	80-5
M87820	C6	29	20-33	M88753	C8	6	20-35	M93008	I24	4	80-7
M87820	C12	34	20-39	M88753	C24	15	30-3	M93008	I24	5	80-7
M87821	B6	17	20-9	M88753	C24	19	30-3	M93008	J2	5	80-9
M87826	B10	18	20-13	M88753	C24	20	30-3	M93008	J25	23	80-33
M87831	B18	25	20-21	M88753	C24	24	30-3	M93026	J4	..	80-11
M87832	B18	21	20-21	M88753	D2	14	30-5	M93038	E12	33	40-19
M87833	B18	22	20-21	M88753	D2	17	30-5	M93620	H18	13	70-11
M87834	B18	17	20-21	M88753	D2	23	30-5	M93661	I24	..	80-7
M87835	B18	16	20-21	M88832	D10	4	30-13	M93671	E12	32	40-19
M87836	B18	7	20-21	M89118	B6	32	20-9	M93686	E10	7	40-17
M87837	B13	10	20-16	M89120	B6	11	20-9	M93687	E10	9	40-17
M87839	B13	8	20-16	M89120	C4	12	20-31	M93688	E10	3	40-17
M87840	B13	13	20-16	M89121	B6	19	20-9	M93689	E10	6	40-17
M87841	B18	3	20-21	M89122	B6	40	20-9	M93709	J2	..	80-9
M87843	D8	41	30-11	M89123	B6	41	20-9	M95925	K14	8	90-9
M87846	D6	25	30-9	M89123	C15	2	20-43	M95926	K14	10	90-9
M87850	B22	4	20-25	M89124	B6	42	20-9	M95934	K16	3	90-11
M87851	C10	9	20-37	M89126	C15	12	20-43	M95935	K16	11	90-11
M87852	H10	2	70-3	M89134	B18	23	20-21	M95943	K16	2	90-11
M87853	B2	24	20-5	M89134	C19	8	20-47	M96524	K16	1	90-11
M87853	C19	2	20-47	M89135	B18	24	20-21	M96527	B18	29	20-21
M87854	B13	7	20-16	M89135	C19	9	20-47	M96595	K14	2	90-9
M87854	C19	5	20-47	M89137	B23	7	20-26	M96709	I2	11	70-19
M87857	C19	11	20-47	M89139	B2	10	20-5	N10011	E16	13	40-23
M87857	D12	13	30-15	M89140	B2	7	20-5	P43660	I13	12	70-29
M87858	C4	5	20-31	M89141	B21	17	20-24	RE27284	I11	1	70-26
M87858	C19	14	20-47	M89142	B6	30	20-9	RE27284	I11	13	70-26
M87859	C6	3	20-33	M89142	C15	9	20-43	R26192	I2	12	70-19
M87859	C19	16	20-47	M89143	B2	17	20-5	R26192	I4	10	70-19B
M87859	C21	16	20-49	M89143	B4	18	20-7	R26375	H18	11	70-11
M87860	C6	5	20-33	M89146	B10	14	20-13	R26448	I2	13	70-19
M87860	C21	17	20-49	M89148	B10	12	20-13	R26448	I4	11	70-19B
M87861	D6	26	30-9	M89148	B12	21	20-15	R26448	I10	6	70-25
M87862	B2	5	20-5	M89150	C4	9	20-31	R26448	I16	13	70-32
M87863	B18	19	20-21	M89151	C10	48	20-37	R26552	F4	9	50-9
M87864	C2	6	20-29	M89151	C15	11	20-43	R26552	F8	11	50-13
M87864	C2	8	20-29	M89151	C17	10	20-45	R34355	J4	7	80-11
M87866	B2	1	20-5	M89153	C10	13	20-37	R34557	B15	2	20-18
M87868	B6	7	20-9	M89153	C15	13	20-43	R44302	B15	..	20-18
M87868	B21	15	20-24	M89154	C10	53	20-37	R44302	E4	6	40-11
M87869	C12	15	20-39	M89155	C10	52	20-37	R44302	E8	31	40-15
M87871	C6	14	20-33	M89155	C15	14	20-43	R44302	E9	7	40-16
M87879	B2	14	20-5	M89156	C10	34	20-37	R51603	I10	5	70-25
M87885	B8	16	20-11	M89157	C10	31	20-37	R51603	I10	8	70-25
M87886	B21	3	20-24	M89158	C10	30	20-37	R56026	E19	3	40-26

## NUMERICAL INDEX - CONTINUED

PART NO.	GRID	KEY	PAGE	PART NO.	GRID	KEY	PAGE	PART NO.	GRID	KEY	PAGE
R56410	E19	4	40-26	T134459	D24	2	40-7				
R63075	G21	35	60-5	T134459	J25	17	80-33				
R63075	I8	26	70-23	T146102	D20	12	40-3				
R66949	J9	..	80-16	T146102	D20	..	40-3				
R91130	G6	37	50-35	T146102	D24	2	40-7				
R92288	G9	2	50-38	T146102	E2	34	40-9				
TH100074	E23	16	50-3	T146515	K2	19	80-35				
TY15425	K6	1	90-1	T28586	E16	14	40-23				
TY15631	K6	1	90-1	T34067	E16	2	40-23				
TY21755	E6	61	40-13	T77814	I2	14	70-19				
TY22467	I16	5	70-32	T77814	I4	12	70-19B				
TY2615	J25	10	80-33	T77857	H18	12	70-11				
TY6092	E6	61	40-13	T78716	H18	16	70-11				
TY6185	E6	61	40-13	T84409	D20	..	40-3				
TY6673	D20	12	40-3	T84412	K2	19	80-35				
TY6675	D20	12	40-3	U46166	I11	12	70-26				
TY6675	D24	54	40-7	U46489	I8	8	70-23				
TY6715	D20	12	40-3	1560-AA	I6	27	70-21				
TY6715	D24	10	40-7	1560-AA	I10	17	70-25				
TY6715	D24	13	40-7	1560-AC	I6	27	70-21				
TY6715	D24	54	40-7	1560-AC	I10	17	70-25				
TY6715	E2	9	40-9	400R	B18	12	20-21				
TY6715	E2	12	40-9	400R	B23	5	20-26				
TY6715	E2	..	40-9	400R	B24	5	20-27				
TY6717	D20	12	40-3	400R	D8	14	30-11				
TY6717	D24	10	40-7	400R	G2	5	50-31				
TY6717	D24	54	40-7	400R	G14	32	50-43				
T110021	G12	47	50-41								
T110410	G21	10	60-5								
T110464	J20	18	80-27								
T110650	B20	16	20-23								
T110650	C21	5	20-49								
T110735	C8	5	20-35								
T110736	C4	6	20-31								
T110736	C4	13	20-31								
T110736	C6	15	20-33								
T110736	D20	3	40-3								
T110737	C4	6	20-31								
T110737	C4	14	20-31								
T110737	C6	16	20-33								
T110737	C19	15	20-47								
T110750	C12	18	20-39								
T110750	C17	16	20-45								
T110750	F8	13	50-13								
T111002	D22	23	40-5								
T111002	E6	63	40-13								
T111002	E14	40	40-21								
T111377	D8	24	30-11								
T111401	C24	8	30-3								
T111401	D2	9	30-5								
T111409	E12	34	40-19								
T111538	D16	5	30-19								
T111539	D16	6	30-19								
T111548	C19	10	20-47								
T111548	D12	14	30-15								
T111549	D16	9	30-19								
T111550	D16	8	30-19								
T111562	B12	13	20-15								
T111565	B10	21	20-13								
T111565	B12	9	20-15								
T111566	B12	8	20-15								
T111732	H19	1	70-12								
T111857	C10	21	20-37								
T11234	E16	12	40-23								
T114158	D8	13	30-11								
T116275	E8	9	40-15								
T134453	K4	19	80-37								