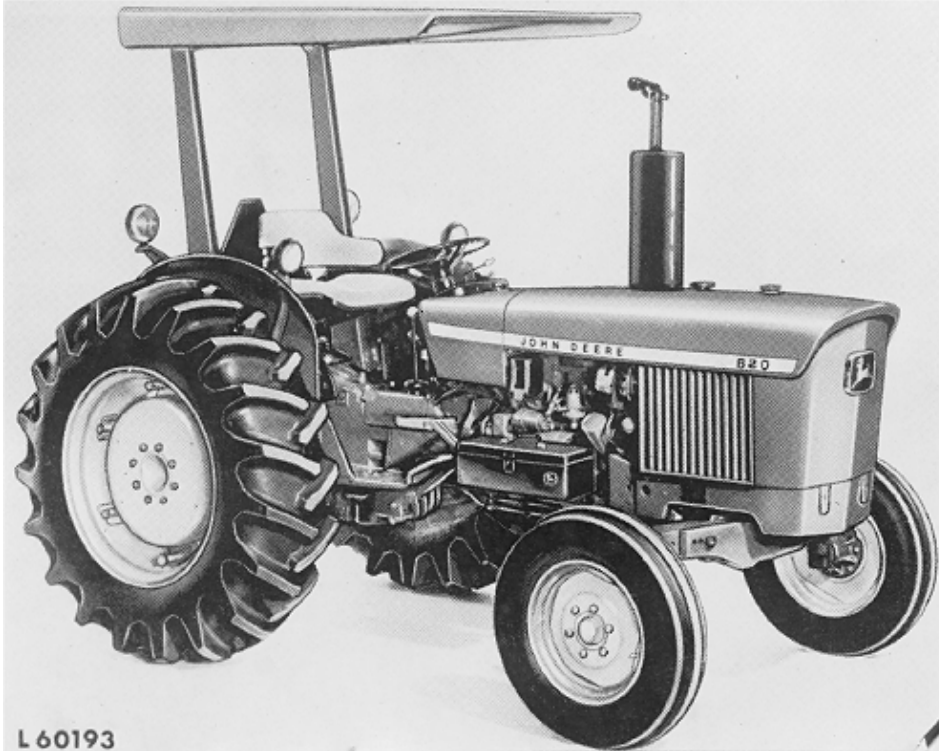


1A2

TRACTOR - 820 UTILITY

L60193 -UN-01JAN94



L60192 -UN-01JAN94



JOHN DEERE 820 TRACTOR

(SPECIFICATIONS AND DESIGN SUBJECT TO CHANGE WITHOUT NOTICE)

COPYRIGHT (C) 1995. DEERE & COMPANY, MOLINE, ILLINOIS. ALL RIGHTS RESERVED.

1A3

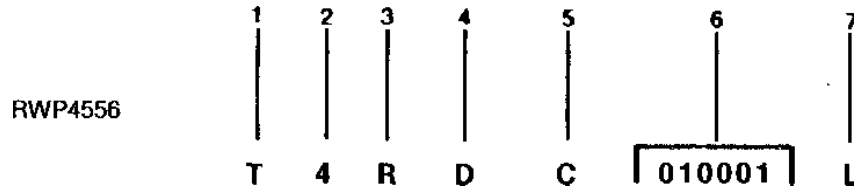
TRACTOR - 820 UTILITY

SERIAL NUMBERS

EACH 820 TRACTOR HAS THE FOLLOWING SERIAL NUMBERS: BASIC TRACTOR AND ENGINE.

TRACTOR SERIAL NUMBER

RWP4556 -UN-01JAN94



- | | |
|--|--------------------------------|
| 1. DESIGNATES USAGE | T - TRACTOR |
| 2. DESIGNATES TRACTOR MODEL | 4 - 820 |
| 3. DESIGNATES TRACTOR TYPE (CHASSIS VERSION) | R - RU
H - HU |
| 4. DESIGNATES ENGINE FUEL TYPE | D - DIESEL |
| 5. DESIGNATES TRANSMISSION TYPE | C - COLLAR
S - SLIDING GEAR |
| 6. DESIGNATES TRACTOR SERIAL NUMBER | |
| 7. DESIGNATES TRACTOR MANUFACTURER | L - JOHN DEERE WERKE MANNHEIM |

1A4

TRACTOR - 820 UTILITY

SERIAL NUMBER LISTING INFORMATION

SERIAL NUMBER INFORMATION IS LISTED TO SHOW ON WHICH MACHINES EACH PART CAN BE USED; FOR EXAMPLE:

- THE PART CAN BE USED ON ALL MACHINES.
- 000000- THE PART CAN BE USED ON ALL MACHINES BEGINNING WITH THE SERIAL NUMBER LISTED.
- 000000 THE PART CAN BE USED ON ALL MACHINES UP TO AND INCLUDING THE SERIAL NUMBER LISTED.
- 000000-000000 THE PART CAN BE USED ON ALL MACHINES BETWEEN AND INCLUDING THE SERIAL NUMBERS LISTED.

- 15BV1- WHEN A MODEL NUMBER BEGINS WITH 15BV, 14HA, 15PP, 25SC, 2RC, 4RC, 15RS, 3CY, 2SP, OR 31SV, IT REFERS TO THE MODEL NUMBER OF THE BRAKE VALVE, HYDRAULIC ACCUMULATOR, HYDRAULIC PUMP, REMOTE CYLINDER SELECTIVE CONTROL VALVE FOR NO ROCKSHAFT, REMOTE CYLINDER SELECTIVE CONTROL VALVES, REMOTE CYLINDERS, REMOTE CYLINDERS WITH MECHANICAL STOPS, ROCKSHAFT CONTROL VALVE, STEERING CYLINDER, STEERING METERING PUMP, OR STEERING VALVE.

WHEN XXXXXX'S ARE LISTED IN PLACE OF A SERIAL NUMBER, A SERIAL NUMBER CHANGE WAS MADE BUT THE EXACT SERIAL NUMBER WAS NOT AVAILABLE WHEN THE CATALOG WAS PRODUCED.

MODEL NUMBERS

THE FOLLOWING COMPONENTS HAVE MODEL NUMBERS:

HYDRAULIC PUMP	1MP1
REMOTE CYLINDER SELECTIVE CONTROL VALVE	1SC1
REMOTE CYLINDERS	1RC1
ROCKSHAFT CONTROL VALVE	1RS1

EACH OF THE ABOVE COMPONENTS HAS A MODEL NUMBER. WHEN THE DESIGN OF ONE OF THESE COMPONENTS IS CHANGED, THE MODEL NUMBER FOR THE NEWLY DESIGNED COMPONENT IS CHANGED.

QUANTITY COLUMN OR REMARKS COLUMN

GENERALLY THE QUANTITY SHOWN IS FOR THE ENTIRE TRACTOR AT ANY GIVEN LOCATION. THERE ARE EXCEPTIONS AS IN WHEEL HARDWARE WHERE ONLY ENOUGH IS SHOWN FOR ONE WHEEL.

THE FOLLOWING ABBREVIATIONS ARE USED IN THE REMARKS COLUMN:

NLR - NO LONGER REQUIRED

NA - NOT APPLICABLE

NLA - NO LONGER AVAILABLE

FI - FIELD INSTALLED

CA - COMPLETE GOODS ATTACHMENT

CA AND FI ARE OPTIONS THAT MUST BE ORDERED DIRECT FROM THE PRODUCING FACTORY.

DIRECTION ARROW

ARROWS ARE USED WITH ILLUSTRATIONS TO INDICATE THE FRONT OF THE UNIT. "RIGHT-HAND" AND "LEFT-HAND" SIDES ARE DETERMINED BY FACING IN THE DIRECTION OF MACHINE FORWARD TRAVEL.

BOX-ENCLOSED ILLUSTRATIONS

A KEY NUMBER, SHOWN IN THE PARTS LIST, IS ASSIGNED TO A BOX ENCLOSING ALL PARTS SOLD AS A SERVICE ASSEMBLY.

BOLT AND CAP SCREW STRENGTH IDENTIFICATION

U.S. CUSTOMARY DIMENSIONED PRODUCT: BOLTS AND CAP SCREWS REQUIRED TO HAVE HIGH-STRENGTH QUALITIES EQUIVALENT TO SAE GRADE 8 ARE IDENTIFIED THROUGHOUT THIS CATALOG BY THE DESCRIPTION HS SAE 8. ALL STANDARD BOLTS AND CAP SCREWS ARE SAE GRADE 5 OR LOWER.

METRIC DIMENSIONED PRODUCT: BOLTS AND CAP SCREWS REQUIRED TO HAVE HIGH-STRENGTH QUALITIES EQUIVALENT TO PROPERTY CLASS 10.9 ARE IDENTIFIED THROUGHOUT THIS CATALOG BY THE DESCRIPTION HS 10.9. ALL STANDARD BOLTS AND CAP SCREWS ARE PROPERTY CLASS 8.8 OR LOWER.

JDM REMANUFACTURED COMPONENTS

THE SERVICE PARTS LISTED IN THIS CATALOG ARE INTENDED FOR THE REPAIR OF ORIGINAL EQUIPMENT COMPONENTS. ALTHOUGH MOST SERVICE PARTS MAY BE USED TO REPAIR REMANUFACTURED COMPONENTS, THE REMANUFACTURING PROCESS MAY CHANGE PARTS SUFFICIENTLY SO THAT SERVICE PARTS ARE INADEQUATE OR NOT USABLE.

TRADEMARKS

THROUGHOUT THIS PARTS CATALOG, YOU WILL FIND THE FOLLOWING DEERE AND COMPANY TRADEMARKS:

HYDRACUSHIONED™
INTELLITRAK®
PERSONAL-POSTURE™
QUAD-RANGE™
PERFORMANCE TRAK™ II

ROLL-GARD®
SOUND-GARD®
TORQ-GARD PLUS 50®
HY-GARD®
QUIK-TATCH®

CHANGE INDICATOR LINE (MICROFICHE CATALOGS ONLY)

CHANGES AFFECTING THE ORDERING OF PARTS ARE IDENTIFIED BY VERTICAL LINES MARKED IN THE LEFT-HAND MARGIN OF REVISED PARTS LISTING IMAGES. A LINE IS ALSO AT THE LEFT-HAND EDGE OF THE SAME PART NUMBER IN THE NUMERICAL INDEX TO SHOW THE LOCATION OF REVISED INFORMATION.

1A6

TRACTOR - 820 UTILITY

SECTION INDEX

GENERAL INFORMATION	10
ENGINE	20
FUEL AND AIR	30
ELECTRICAL	40
POWER TRAIN	50
STEERING AND BRAKES	60
HYDRAULICS	70
WHEELS, FRONT AXLES, SHEET METAL	80
OPERATOR'S STATION	90
NUMERICAL INDEX	95

1A7

TRACTOR - 820 UTILITY

ALPHABETICAL INDEX

GRID		PAGE	GRID		PAGE
A					
1D10	ACCELERATOR	30-36	1G9	CASE, TRANSMISSION	50-16
1D12	ACCELERATOR	30-38	1J17	CENTER LINK, 3-POINT HITCH	70-41
2C11	ACCESSORY PARTS	90-22	1K3	CHAIN, IMPLEMENT SAFETY	70-52
1C10	AID, COLD WEATHER STARTING	30-9	2B3	CLAMPS, BATTERY	80-15
1C4	AIR CLEANER DRY	30-2	1C3	CLEANER, OIL BATH AIR	30-1
1D15	AIR CLEANER RESTRICTION INDICATOR	40-1	1F20	CLUTCH HOUSING	50-2
1D20	AIR CLEANER RESTRICTION INDICATOR	40-6	1G3	CLUTCH PEDAL	50-10
1C3	AIR CLEANER, OIL BATH	30-1	1G4	CLUTCH SHAFT	50-11
1D24	ALTERNATOR	40-10	1G6	CLUTCH SHAFT	50-13
1D25	ALTERNATOR	40-11	1G1	CLUTCH, DUAL-STAGE FOR GP-TRACTORS	50-8
1E1	ALTERNATOR (55 AMP)	40-11A	1F22	CLUTCH, ENGINE	50-4
1D24	ALTERNATOR SHIELD	40-10	1F24	CLUTCH, ENGINE	50-6
1F5	ANALOG TACHOMETER	40-27C	1B18	COCK, WATER DRAIN	20-34
1A21	ARM, ROCKER	20-8	1E11	COIL, FIELD	40-20
2A14	ARM, STEERING	80-2	1H16	COLUMN, STEERING	60-2
2A18	ARM, STEERING	80-6	1H18	COLUMN, STEERING	60-4
1E9	ARMATURE, STARTING MOTOR	40-18	1B8	CONNECTING ROD	20-20
1C25	AUTOMATIC ADVANCE, FUEL INJECTION PUMP	30-25	1F9	CONNECTORS,ELECTRICAL	40-30
1D7	AUTOMATIC ADVANCE, FUEL INJECTION PUMP	30-33	1F11	CONNECTORS,ELECTRICAL	40-32
2A20	AXLE KNEE, SPINDLE AND KNUCKLE	80-8	1F13	CONNECTORS,ELECTRICAL	40-34
2A14	AXLE, FRONT	80-2	1F9	CONTAINER,ELECTRICAL PARTS	40-30
2A18	AXLE, FRONT	80-6	1A16	COOLANT,ENGINE	20-2
1H13	AXLE, REAR	50-46	1G14	COUNTERSHAFT TRANSMISSION	50-21
2A16	AXLE, SWEEPED BACK ADJUSTABLE FRONT	80-4	1G13	COUNTERSHAFT, TRANSMISSION	50-20
B					
1I4	BAND, HAND BRAKE	60-16	1J12	COUPLER, QUICK-CONNECT	70-36
1E3	BATTERIES	40-12	2B4	COVER, FRONT SUPPORT BOTTOM	80-16
1E3	BATTERY CABLES	40-12	1A17	COVER, ROCKER ARM	20-4
2B3	BATTERY CLAMPS	80-15	1A19	COVER, ROCKER ARM	20-6
1B8	BEARING, CONNECTING ROD	20-20	1E19	COVER, STARTING MOTOR SOLENOID	40-23E
1B1	BEARING, MAIN	20-12	1E20	COVER, STARTING MOTOR SOLENOID	40-23G
2A16	BELL CRANK, STEERING	80-4	1A23	COVER, TIMING GEAR	20-10
2A14	BELLCRANK, STEERING	80-2	1G19	COVER, TRANSMISSION TOP	50-26
2A18	BELLCRANK, STEERING	80-6	1G21	COVER, TRANSMISSION TOP	50-28
1B15	BELT, FAN	20-30	2C7	COWL	90-18
1H11	BELT, PULLEY	50-44	1B1	CRANKSHAFT	20-12
2B17	BELT, SEAT	90-4	1B3	CYLINDER BLOCK	20-14
1E20	BENDEX DRIVE, STARTING MOTOR	40-23G	1A17	CYLINDER HEAD	20-4
1B3	BLOCK, CYLINDER	20-14	1A19	CYLINDER HEAD	20-6
1J22	BLOCK, SWAY	70-46	1B10	CYLINDER LINER KIT	20-23
1D20	BOX, FUSE	40-6	1I24	CYLINDER, ROCKSHAFT	70-22
2C5	BRACKET, FIRE EXTINGUISHER	90-16	1J2	CYLINDER, ROCKSHAFT	70-26
1I19	BRACKET, PRESSURE CONTROL VALVE	70-16	D		
1F2	BRACKET, REAR LIGHT	40-27	2C7	DASHBOARD	90-18
1F3	BRACKET,RADAR SENSOR	40-27A	2B10	DECALS	80-22
1H24	BRAKE DISK ASSEMBLY	60-10	2B19	DELUXE SEAT	90-6
1I1	BRAKE OIL LINES	60-12	2B20	DELUXE SEAT	90-7
1H25	BRAKE PEDAL	60-11	2B21	DELUXE SEAT	90-8
1I1	BRAKE VALVE	60-12	2B23	DELUXE SEAT	90-10
1I3	BRAKE VALVE OVERHAUL KIT	60-15	2C1	DELUXE SEAT	90-12
1E11	BRUSH, STARTING MOTOR	40-20	2C3	DELUXE SEAT ASSEMBLY	90-14
1J25	BULK OIL LINES	70-49	2C6	DELUXE SEAT ASSEMBLY	90-17
C					
1F8	CABLE, SPEED-HOUR METER DRIVE	40-29	1H2	DIFFERENTIAL	50-34
1E3	CABLES, BATTERY	40-12	1H3	DIFFERENTIAL LOCK LEVER	50-35
1A21	CAMSHAFT	20-8	1H3	DIFFERENTIAL LOCK MECHANISM	50-35
2B15	CANOPY, ROLL-GARD	90-2	1G17	DIFFERENTIAL SHAFT ASSEMBLY	50-24
1B18	CAP, RADIATOR	20-34	1G18	DIFFERENTIAL SHAFT ASSEMBLY	50-25
1G7	CASE, TRANSMISSION	50-14	1F22	DISK CLUTCH	50-4
			1F24	DISK CLUTCH	50-6
			2A25	DISK REAR WHEEL	80-12
			1H24	DISK, BRAKE	60-10
			1J16	DRAFT LINKS, 3-POINT HITCH	70-40
			1H16	DRAG LINK	60-2
			1J20	DRAWBAR	70-44
			1J23	DRAWBAR HAMMER STRAP	70-47

1A9

TRACTOR - 820 UTILITY

ALPHABETICAL INDEX - CONTINUED

GRID		PAGE	GRID		PAGE
H			L		
1J23	HAMMER STRAP, DRAWBAR	70-47	2B12	LABEL REFINISHING KIT	80-24
1I4	HAND BRAKE BAND	60-16	1E20	LABEL, BYPASS START	40-23G
1I4	HAND BRAKE LEVER	60-16	1E19	LABEL, BYPASSSTART	40-23E
1I4	HAND BRAKE SWITCH	60-16	2B10	LABELS	80-22
1A17	HEAD, CYLINDER	20-4	1F1	LAMP, REAR WORK	40-26
1A19	HEAD, CYLINDER	20-6	1H3	LEVER, DIFFERENTIAL LOCK	50-35
1C21	HEAD, FUEL INJECTION PUMP	30-21	1I4	LEVER, HAND BRAKE	60-16
1J17	HITCH CENTER LINK, 3-POINT	70-41	1J1	LEVER, ROCKSHAFT CONTROL	70-25
1J18	HITCH, 3-POINT, LIFT LINKS	70-42	1D10	LEVER, SPEED CONTROL	30-36
2B6	HOOD	80-18	1J8	LEVERS, SELECTIVE CONTROL	70-32
1C9	HORIZONTAL MUFFLER	30-8	1J10	LEVERS, SELECTIVE CONTROL	70-34
1F20	HOUSING, CLUTCH	50-2	1J18	LIFT LINKS, 3-POINT HITCH	70-42
1B7	HOUSING, FLYWHEEL	20-19	1F1	LIGHT, REAR	40-26
1I22	HOUSING, ROCKSHAFT	70-20	1F2	LIGHT, REAR	40-27
1I23	HOUSING, ROCKSHAFT	70-21	1E25	LIGHT, WARNING	40-25
1I24	HOUSING, ROCKSHAFT CYLINDER AND VALVE	70-22	1B10	LINER KIT, CYLINDER	20-23
1H20	HOUSING, STEERING VALVE	60-6	1C18	LINES, FUEL INJECTION	30-18
2A23	HUB, FRONT WHEEL	80-11	1K2	LINES, OIL, IMPLEMENT HYDRAULIC	70-51
1K1	HYDRAULIC AND TRANSMISSION OIL	70-50	1J17	LINK, CENTER, 3-POINT HITCH	70-41
1I14	HYDRAULIC OIL LINES	70-10	1J16	LINK, DRAFT, 3-POINT HITCH	70-40
1I16	HYDRAULIC OIL LINES	70-12	1C24	LINKAGE, FUEL INJECTION PUMP	30-24
1K2	HYDRAULIC OIL LINES, IMPLEMENT	70-51	1D5	LINKAGE, FUEL INJECTION PUMP	30-31
1I10	HYDRAULIC PUMP	70-4	1D10	LINKAGE, THROTTLE	30-36
1I12	HYDRAULIC PUMP	70-6	1D12	LINKAGE, THROTTLE	30-38
1I9	HYDRAULIC PUMP (POWER STEERING)	70-3	1J3	LOAD CONTROL	70-27
1I8	HYDRAULIC PUMP DRIVE	70-2	1J3	LOAD SELECTOR LEVER	70-27
1I8	HYDRAULIC PUMP MOUNTING PARTS	70-2	1G24	LOCK, SHIFTER SHAFT	50-31
I			M		
1K2	IMPLEMENT HYDRAULIC OIL LINES	70-51	1B1	MAIN BEARING	20-12
1F1	IMPLEMENT LIGHT	40-26	1D20	MAIN SWITCH	40-6
1F2	IMPLEMENT LIGHT	40-27	1C7	MANIFOLD, EXHAUST	30-6
1K3	IMPLEMENT SAFETY CHAIN	70-52	1H16	MANUAL STEERING	60-2
1D9	INJECTION NOZZLE, FUEL	30-35	1E3	MOTOR, STARTING	40-12
1C24	INJECTION PUMP LINKAGE, FUEL	30-24	1E5	MOTOR, STARTING	40-14
1A21	INLET VALVE	20-8	1E7	MOTOR, STARTING	40-16
1A23	INLET, OIL FILLER	20-10	1E15	MOTOR, STARTING	40-23A
K			1C8	MUFFLER EXTENSION	30-7
2B12	KIT LABEL REFINISHING	80-24	1C9	MUFFLER, HORIZONTAL	30-8
1G5	KIT, DUAL-STAGE CLUTCH REPAIR	50-12	1C9	MUFFLER, REAR EXHAUST	30-8
2A24	KIT, FRONT WHEEL DRIVE	80-11A	1C8	MUFFLER, VERTICAL	30-7
1G11	KIT, GASKET CLUTCH HOUSING TO CASE	50-18	N		
1F7	KIT, NEUTRAL START SWITCH	40-28	1I22	NEUTRAL START SWITCH	70-20
1J24	KIT, O-RING	70-48	1F7	NEUTRAL START SWITCH KIT	40-28
1I3	KIT, OVERHAUL, BRAKE VALVE	60-15	1D9	NOZZLE, FUEL INJECTION	30-35
1H22	KIT, OVERHAUL, POWER STEERING	60-8	O		
1G23	KIT, PARK LOCK ASSURANCE	50-30	1J24	O-RING PACKING KIT	70-48
1B20	KIT, RADIATOR OVERFLOW	20-36	1C3	OIL BATH AIR CLEANER	30-1
1J4	KIT, ROCKSHAFT REBUILD SEAL	70-28	1A23	OIL FILLER INLET	20-10
1E6	KIT, STARTER SOLENOID KIT	40-15	1H9	OIL FILTER, TRANSMISSION	50-42
1E20	KIT, STARTING MOTOR BRUSH	40-23G	1I1	OIL LINES, BRAKE	60-12
1E23	KIT, STARTING MOTOR SEAL	40-23J	1J25	OIL LINES, BULK FLEXIBLE	70-49
2C11	KIT, STORAGE	90-22	1J14	OIL LINES, COUPLER	70-38
1H1	KIT, THRUST CAPACITY	50-33	1I14	OIL LINES, HYDRAULIC	70-10
1B17	KIT, WATER PUMP OVERHAUL	20-33	1I16	OIL LINES, HYDRAULIC	70-12
1F17	KIT, ELECTRICAL CONNECTOR AND TERMINAL	40-38	1K2	OIL LINES, HYDRAULIC, IMPLEMENT	70-51
			1I16	OIL LINES, POWER STEERING	70-12

1A10

TRACTOR - 820 UTILITY

ALPHABETICAL INDEX - CONTINUED

GRID		PAGE	GRID		PAGE
1J14	OIL LINES, SELECTIVE CONTROL VALVE	70-38	1J12	QUICK-CONNECT COUPLER BRACKET	70-36
1H7	OIL LINES, TRANSMISSION	50-40			
1H8	OIL LINES, TRANSMISSION	50-41			
1B6	OIL PAN	20-18		R	
1B6	OIL PAN GASKET	20-18			
1B11	OIL PUMP	20-24	1F3	RADAR SENSOR	40-27A
1B11	OIL PUMP INTAKE KIT	20-24	1F3	RADAR SENSOR BRACKET	40-27A
1H7	OIL PUMP, TRANSMISSION	50-40	1F3	RADAR SENSOR WIRING HARNESS	40-27A
1H8	OIL PUMP, TRANSMISSION	50-41	1B18	RADIATOR	20-34
1G7	OIL SCREEN, TRANSMISSION	50-14	1B20	RADIATOR OVERFLOW KIT	20-36
1A15	OIL, ENGINE	20-1	1H13	REAR AXLE	50-46
1K1	OIL, TRANSMISSION AND HYDRAULIC	70-50	1F1	REAR LIGHT	40-26
2C11	OPERATORS MANUAL	90-22	1F2	REAR LIGHT	40-27
1B20	OVERFLOW KIT, RADIATOR	20-36	1D22	REGULATOR	40-8
1I3	OVERHAUL KIT, BRAKE VALVE	60-15	1D24	REGULATOR	40-10
1C17	OVERHAUL KIT, FUEL TRANSFER PUMP	30-17	1D7	REGULATOR, FUEL INJECTION PUMP	30-33
			1H2	RING GEAR	50-34
	P		1A17	ROCKER ARM COVER	20-4
1B6	PAN, OIL	20-18	1A19	ROCKER ARM COVER	20-6
1G23	PARK LOCK ASSURANCE KIT	50-30	1A21	ROCKER ARM SHAFT	20-8
1H25	PEDAL, BRAKE	60-11	1I21	ROCKSHAFT	70-19
1G3	PEDAL, CLUTCH	50-10	1J1	ROCKSHAFT CONTROL LEVER	70-25
1F5	PERFORMANCE TRAK II MINI-MONITOR	40-27C	1J2	ROCKSHAFT CYLINDER	70-26
1G6	PILOT BEARING	50-13	1I24	ROCKSHAFT CYLINDER AND VALVE HOUSING	70-22
1G4	PILOT BEARING, CLUTCH	50-11	1I22	ROCKSHAFT HOUSING	70-20
1B10	PISTON LINER KIT	20-23	1I23	ROCKSHAFT HOUSING	70-21
1B8	PISTONS	20-20	1J1	ROCKSHAFT QUADRANT	70-25
1H13	PLANETARY AND REAR AXLE	50-46	1J4	ROCKSHAFT REBUILD SEAL KIT	70-28
1I4	PLATE, BRAKE LATCH	60-16	1J2	ROCKSHAFT VALVE HOUSING LINKAGE	70-26
2B6	PLATE, ENGINE FRONT	80-18	1I21	ROCKSHAFT, PISTON AND LIFT ARMS	70-19
1H5	POWER SHAFT SHIELD AND GUARD	50-37	1I4	ROD, BRAKE LATCH	60-16
1H4	POWER SHAFT SHIFTER	50-36	1B8	ROD, CONNECTING	20-20
1H18	POWER STEERING	60-4	2A20	ROD, TIE	80-8
1H20	POWER STEERING	60-6	2A22	ROD, TIE, ASSEMBLY	80-10
1I16	POWER STEERING OIL LINES	70-12	2B17	ROLL-GARD	90-4
1H22	POWER STEERING OVERHAUL KIT	60-8	2B15	ROLL-GARD CANOPY	90-2
1C6	PRE-CLEANER	30-5	1C21	ROTOR, FUEL INJECTION PUMP	30-21
1I19	PRESSURE CONTROL VALVE	70-16	1D6	ROTOR, FUEL INJECTION PUMP	30-32
1I19	PRESSURE RELIEF VALVE	70-16			
1H6	PTO GUARD	50-39		S	
1G25	PTO SHAFT	50-32	1K3	SAFETY CHAIN, IMPLEMENT	70-52
1B15	PULLEY FAN	20-30	1G9	SCREEN, TRANSMISSION	50-16
1B15	PULLEY V-BELT	20-30	1G7	SCREEN, TRANSMISSION OIL	50-14
1H11	PULLEY, BELT	50-44	1E23	SEAL KIT, STARTING MOTOR	40-23J
1I8	PUMP DRIVE, HYDRAULIC	70-2	2C3	SEAT ASSEMBLY, DELUXE	90-14
1C20	PUMP HOUSING, FUEL INJECTION	30-20	2B17	SEAT BELT	90-4
1C17	PUMP, FUEL	30-17	2B19	SEAT, DELUXE	90-6
1C18	PUMP, FUEL INJECTION	30-18	2B20	SEAT, DELUXE	90-7
1D2	PUMP, FUEL INJECTION	30-28	2B21	SEAT, DELUXE	90-8
1D4	PUMP, FUEL INJECTION	30-30	2B23	SEAT, DELUXE	90-10
1I10	PUMP, HYDRAULIC	70-4	2C1	SEAT, DELUXE	90-12
1I12	PUMP, HYDRAULIC	70-6	2C6	SEAT, DELUXE ASSEMBLY	90-17
1I9	PUMP, HYDRAULIC (POWER STEERING)	70-3	1J8	SELECTIVE CONTROL LEVERS	70-32
1B11	PUMP, OIL	20-24	1J10	SELECTIVE CONTROL LEVERS	70-34
1I10	PUMP, POWER STEERING	70-4	1I14	SELECTIVE CONTROL VALVE OIL LINES	70-10
1H7	PUMP, TRANSMISSION OIL	50-40	1I16	SELECTIVE CONTROL VALVE OIL LINES	70-12
1H8	PUMP, TRANSMISSION OIL	50-41	1J6	SELECTIVE CONTROL VALVES	70-30
1B15	PUMP, WATER	20-30	1J7	SELECTIVE CONTROL VALVES	70-31
1B13	PUMP, WATER (COMPLETE)	20-26	1C11	SENDER, FUEL GAUGE	30-11
			1J3	SENSING SHAFT, LOAD CONTROL	70-27
	Q		1F3	SENSOR, RADAR	40-27A
1J1	QUADRANT, ROCKSHAFT	70-25	1G4	SHAFT, CLUTCH	50-11
1J12	QUICK CONNECT COUPLERS	70-36	1G6	SHAFT, CLUTCH	50-13
			1G17	SHAFT, DIFFERENTIAL	50-24
			1G18	SHAFT, DIFFERENTIAL	50-25

1A12

TRACTOR - 820 UTILITY

ALPHABETICAL INDEX - CONTINUED

<i>GRID</i>		<i>PAGE</i>	<i>GRID</i>	<i>PAGE</i>
2A23	WHEEL, FRONT	80-11		
2A25	WHEEL, REAR	80-12		
2B1	WHEEL, STEEL DISK REAR.....	80-13		
1H18	WHEEL, STEERING.....	60-4		
1F3	WIRING HARNESS,RADAR SENSOR	40-27A		
1D16	WIRING SYSTEM, ELECTRICAL	40-2		
1D18	WIRING SYSTEM, ELECTRICAL	40-4		

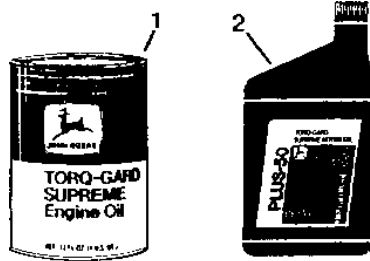
MEMORANDA

1A15

ENGINE

RGP3291 -UN-01JAN94

TORQ-GARD PLUS 50 ENGINE OIL



RGP 3291

KEY	PART NO.	PART NAME	QTY	ENGINE SERIAL NO.	REMARKS
1	TY6359	OIL	1	(SAE 5W/30), 0.9L (1 QT)	
	TY6360	OIL	1	(SAE 5W/30), 19L (5 GAL)	
	TY6361	OIL	1	(SAE 5W/30), 208L (55 GAL)	
	TY6297	OIL	1	(SAE 15W/40), 0.9L (1 QT)	
	TY6298	OIL	1	(SAE 15W/40), 19L (5 GAL)	
	TY6300	OIL	1	(SAE 15W/40), 113.6L (30 GAL)	
	TY6301	OIL	1	(SAE 15W/40), 208L (55 GAL)	
	TY6311	OIL	1	(SAE 10W), 0.9L (1 QT)	
	TY22009	OIL	1	(SAE 10), 3.8L (1 GAL)	
	TY6312	OIL	1	(SAE 10W), 19L (5 GAL)	
TY6313	OIL	1	(SAE 10W), 208L (55 GAL)		
AR63979	OIL	1	(SAE 30), 0.2L (.25 QT)		
AR63218	OIL	1	(SAE 30), 0.9L (1 QT)		
AR63219	OIL	1	(SAE 30), 19L (5 GAL)		
TY6280	OIL	1	(SAE 30), 113.6L (30 GAL)		
AR63222	OIL	1	(SAE 30), 208L (55 GAL)		
2	TY6389	OIL	1	(SAE 15W/40), 0.9L (1 QT)	
	TY22008	OIL	1	(SAE 15W/40), 3.8L (1 GAL)	
	TY6390	OIL	1	(SAE 15W/40), 19L (5 GAL)	
	TY22010	OIL	1	(SAE 15W/40), 113.6L (30 GAL)	
	TY6391	OIL	1	(SAE 15W/40), 208L (55 GAL)	
	TY6392	OIL	1	(SAE 30), 0.9L (1 QT)	
	TY22007	OIL	1	(SAE 30), 3.8L (1 GAL)	
	TY6393	OIL	1	(SAE 30), 19L (5 GAL)	
	TY22011	OIL	1	(SAE 30), 113.6L (30 GAL)	
	TY6394	OIL	1	(SAE 30), 208L (55 GAL)	

KIT FOR OFF-SEASON STORAGE

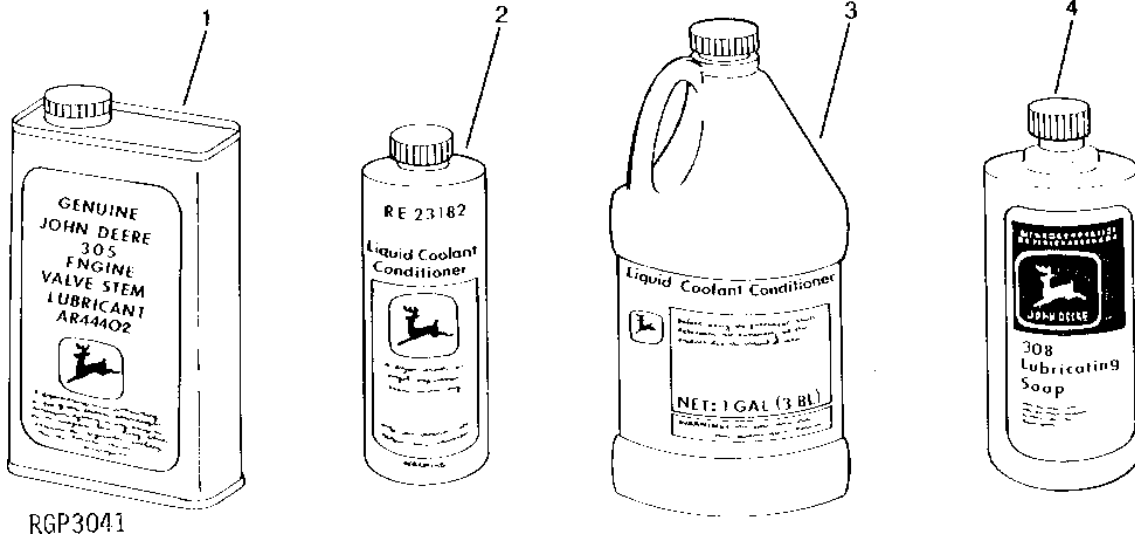
KEY	PART NO.	PART NAME	QTY	ENGINE SERIAL NO.	REMARKS
1	AR41785	KIT	1		0.9L (1 QT.)

1A16

ENGINE

ACCESSORY PARTS

RGP3041 -UN-01JAN94



RGP3041

KEY	PART NO.	PART NAME	QTY	TRACTOR SERIAL NO.	REMARKS
1	AR44402	OIL	1		0.9L (1 QT.)
2	TY16004	ENGINE COOLANT CONDITIONER	1		(SUB FOR T19566, RE12842 OR RE23182)
3	TY16005	ENGINE COOLANT CONDITIONER	1		3.8L (1 GAL.) (SUB FOR RE35992)
4	AR54749	LUBRICANT	1		0.9L (1 QT.)
..	AR41785	KIT	1		0.9L (1 QT.)
..	AR21969	KIT	1		CAP PLUG

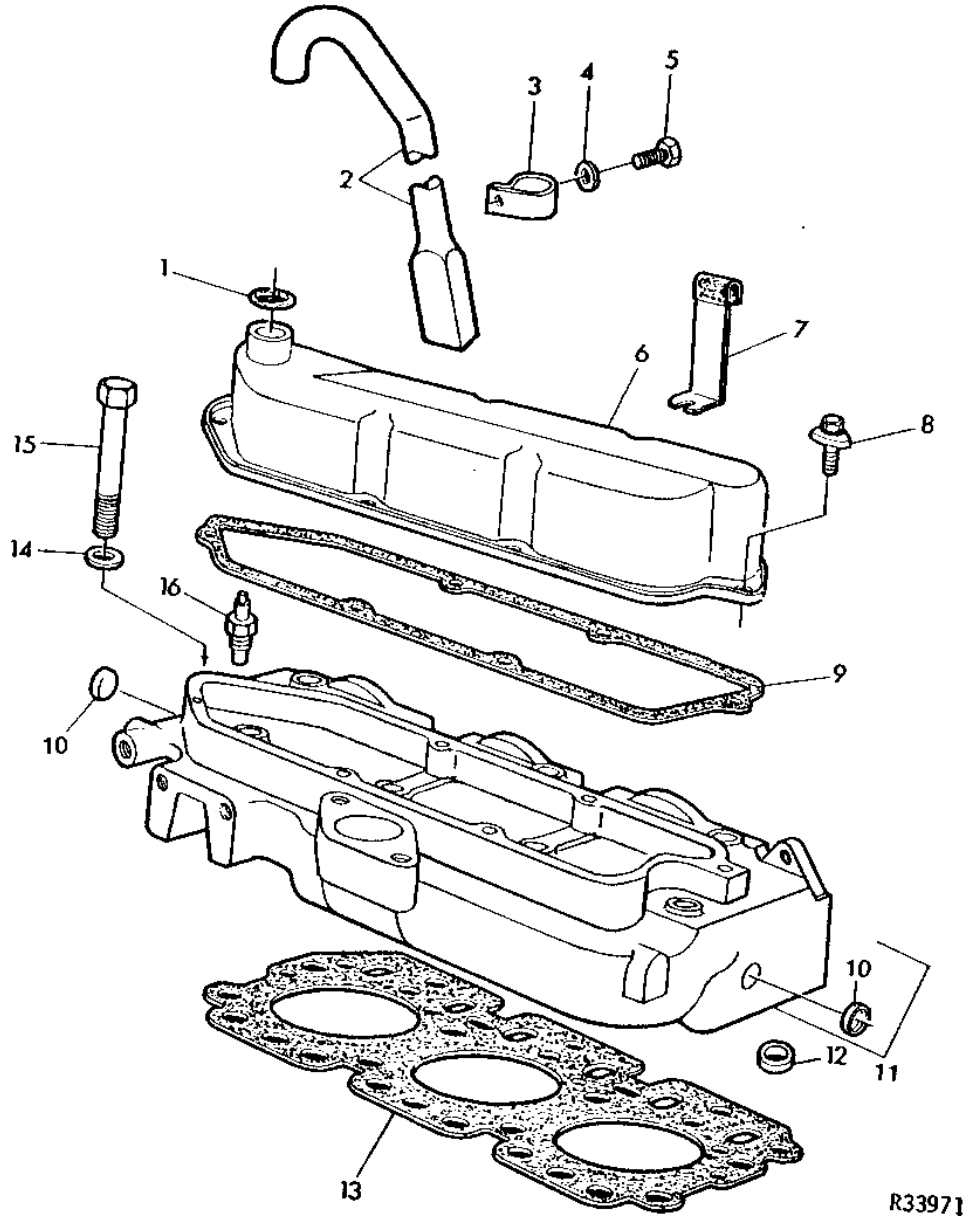
MEMORANDA

1A17

ENGINE

CYLINDER HEAD AND ROCKER ARM COVER (LATE DESIGN)

R33971 -UN-01JAN94



1A18

ENGINE

CYLINDER HEAD AND ROCKER ARM COVER - CONTINUED (LATE DESIGN)

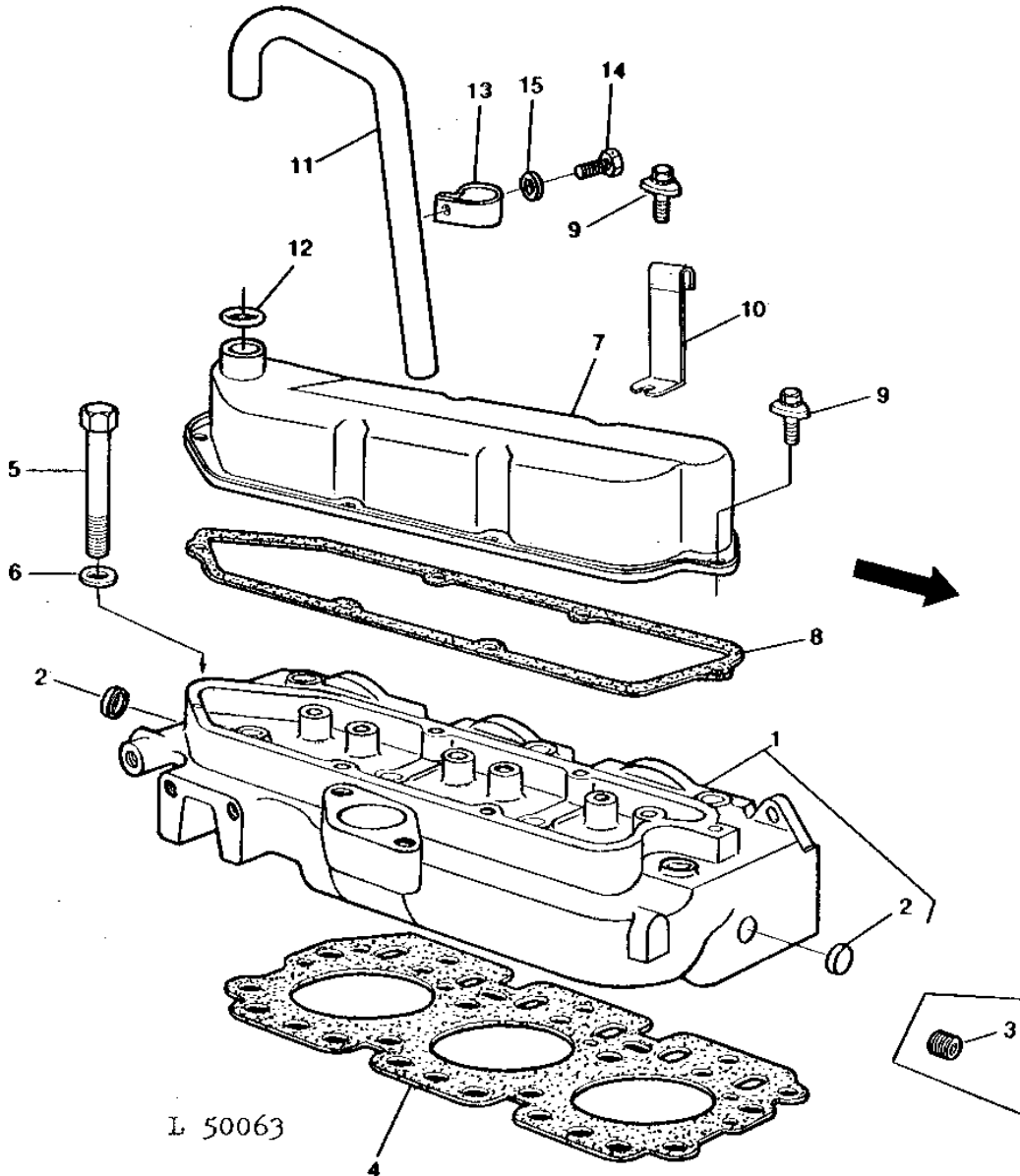
KEY	PART NO.	PART NAME	QTY	ENGINE SERIAL NO.	REMARKS
1	R495R	O-RING	1		
2	R60890	LINE	1		OUTLET
3	R40791	CLAMP	1		
4	24H1685	WASHER	1		11/32" X 47/64" X 0.083"
5	19H1813	CAP SCREW	1		5/16" X 5/8"
6	AT18016	VALVE COVER	1		(SUB RE44202 AND (6) RE32140)
7	T24151	CLAMP	1		
8	AR45530	SCREW, WITH WASHER	6		(SUB AR103811)
9	T20111	GASKET	1		(SUB R75729)
10	A3910R	CAP	2		(SUB N102039)
11	AR70583	CYLINDER HEAD	1		(SUB FOR AR70582) (SUB RE56309)
12	CD13979	VALVE SEAT INSERT	3		(SUB R97778)
13	R97356	GASKET	1		STD, (SUB FOR R64151, R59447 OR R80241)
14	T20168	WASHER	14		
15	R53223	CAP SCREW	14		1/2" X 4"
16	RE51774	SENSOR	1		WATER TEMPERATURE GAUGE, (SUB RE51774)

1A19

ENGINE

CYLINDER HEAD AND ROCKER ARM COVER (EARLY DESIGN)

L50063 -UN-01JAN94



1A20

ENGINE

CYLINDER HEAD AND ROCKER ARM COVER - CONTINUED (EARLY DESIGN)

KEY	PART NO.	PART NAME	QTY	ENGINE SERIAL NO.	REMARKS
1	AR70582	CYLINDER HEAD	1		(SUB FOR AT21799) (SUB RE56309)
2	A3910R	CAP	2		
3	15H559	PIPE PLUG	1	-XXXXXX	1/4"
4	R52789	GASKET	1		(SUB FOR T20039) (SUB R98460)
5	T20183	CAP SCREW	14	-114526	
	R53223	CAP SCREW	14	114527-	
6	T20168	WASHER	14		
7	AT18016	VALVE COVER	1		(SUB RE44202 AND (6) RE32140)
8	T20111	GASKET	1		(SUB R75729)
9	AR45530	SCREW, WITH WASHER	6		(SUB FOR AR27702) (SUB AR103811)
10	T24151	CLAMP	1		
11	T20074	TUBE	1		
12	R495R	O-RING	1		
13	R40791	CLAMP	1		(SUB FOR A4656R)
14	19H1813	CAP SCREW	1		5/16" X 5/8"
15	24H1685	WASHER	1		11/32" X 47/64" X 0.083"

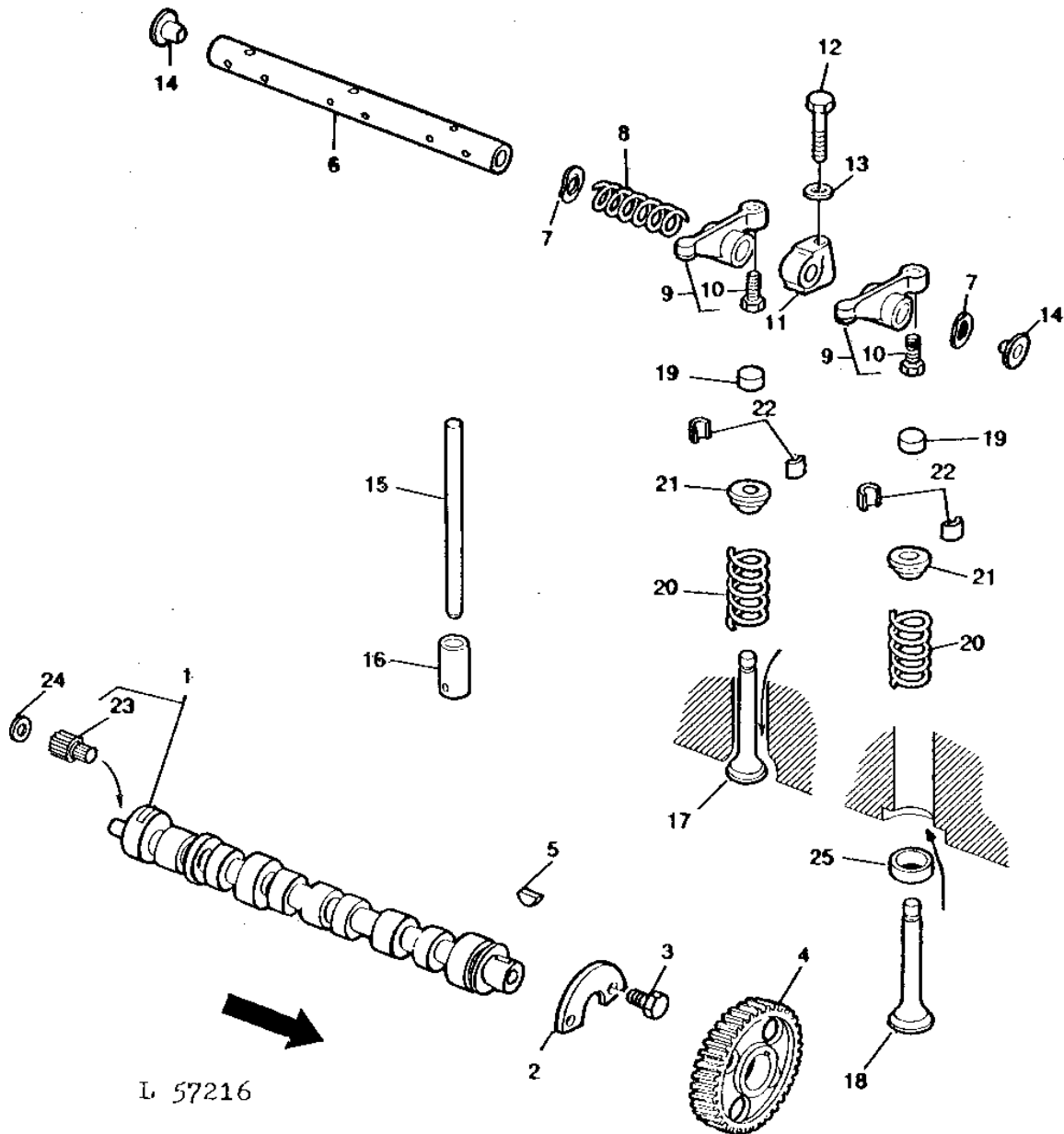
1A21

ENGINE

L57216

-UN-01JAN94

CAMSHAFT, VALVES AND ROCKER ARM SHAFT



L 57216

1A22

ENGINE

CAMSHAFT, VALVES AND ROCKER ARM SHAFT - CONTINUED

KEY	PART NO.	PART NAME	QTY	ENGINE SERIAL NO.	REMARKS
1	AT18053	CAMSHAFT	1		(MARKED T20071) (SUB FOR AT18055) (SUB R119707 AND R81513)
2	T20072	PLATE	1		
3	19H1731	CAP SCREW	2		3/8" X 1"
4	T20070	GEAR	1		(48 TEETH)
5	T28041	SHAFT KEY	1		
6	T23468	ROCKER ARM SHAFT	1		(ORDER DD12119 AND (2) R54565)
7	T20316	WASHER	2		
8	T20314	SPRING	2		
9	RE31973	ROCKER ARM	6		(SUB FOR AT22665, AR103769, AT31250, RE19031 OR AR103769) (ORDER RE31973)
10	SCREW	6		
11	T20315	SUPPORT	3		
12	19H1733	CAP SCREW	3		3/8" X 2-1/2"
13	R42729	WASHER	3		
14	T23469	PLUG	2		
15	T20310	PIN	6		(SUB R82896)
16	T20073	TAPPET	6		
17	R79623	INTAKE VALVE	3		STD, (SUB FOR T20174 OR R52251)
	R57332	INTAKE VALVE	3		0.076MM (.003") OS STEM, (SUB FOR T23546 OR CDX7284) (SUB R79628)
	R79629	INTAKE VALVE	3		0.381MM (.015") OS STEM, (SUB FOR T23547, CDX7285 OR R57334)
	R79630	INTAKE VALVE	3		0.762MM (.030") OS STEM, (SUB FOR T23548, CDX7286 OR R57336) (NLA)
18	R52252	EXHAUST VALVE	3		STD, (SUB FOR T20175) (SUB R79624)
	R57333	EXHAUST VALVE	3		0.076MM (.003") OS STEM, (SUB FOR T23549 OR CDX7290) (SUB R79625)
	R79626	EXHAUST VALVE	3		0.381MM (.015") OS STEM, (SUB FOR T23550, CDX7291 OR R57335)
	R79627	EXHAUST VALVE	3		0.762MM (.030") OS STEM, (SUB FOR T23551, CDX7292 OR R57337) (NLA)
19	T20129	CAP	6		
20	R26125	SPRING	6		
21	T20176	RETAINER	6		(SUB RE11410)
22	T20077	RETAINER	12		
23	T20071	DRIVE SHAFT	1		(USE WHEN AT18053 PREVIOUSLY INSTALLED)
	R81513	DRIVE SHAFT	1		(USE WITH R82819)
24	T20304	WASHER	1		
25	CD13979	VALVE SEAT INSERT	3		

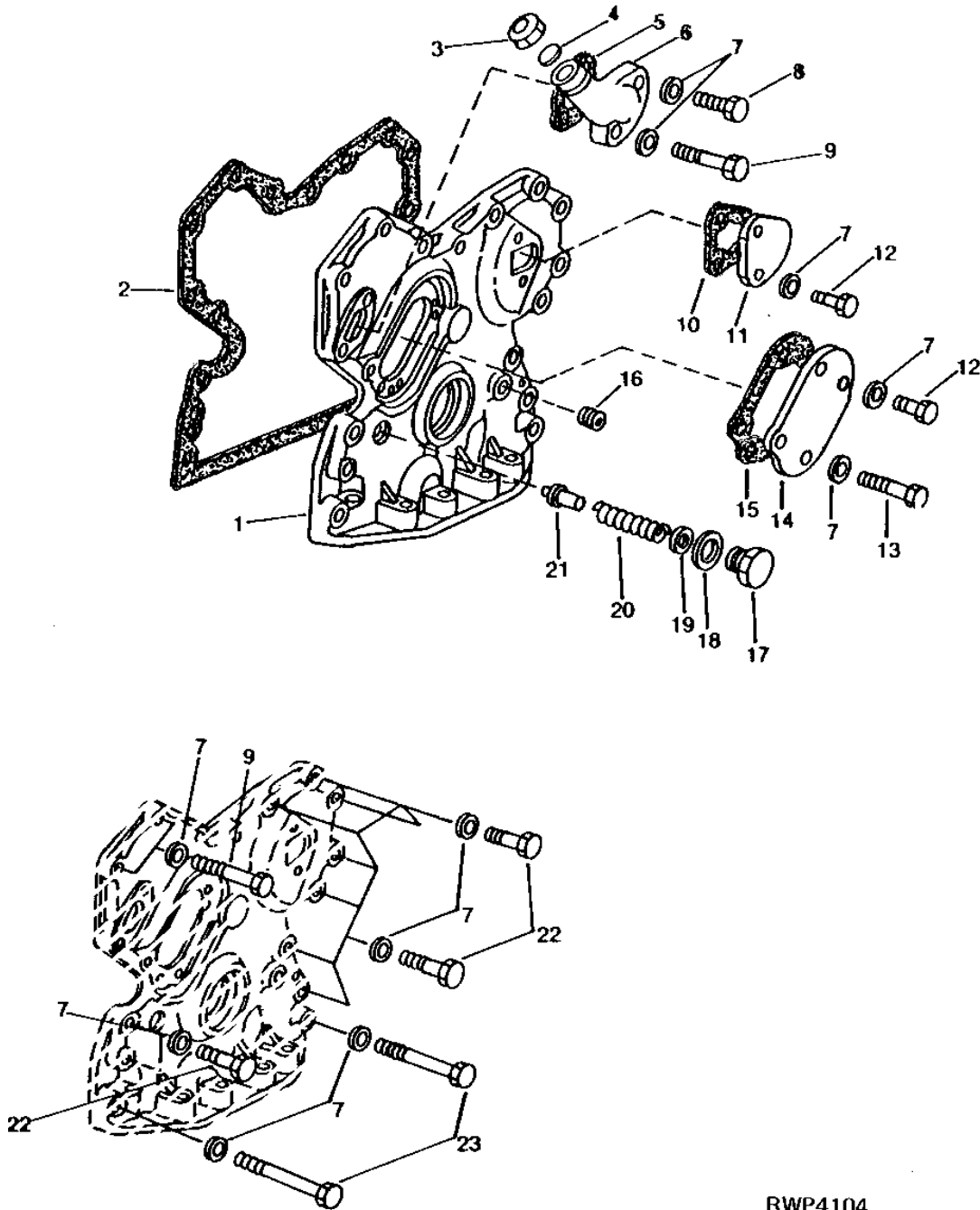
1A23

ENGINE

RWP4104

-UN-01JAN94

TIMING GEAR COVER AND OIL FILLER INLET



RWP4104

1A24

ENGINE

TIMING GEAR COVER AND OIL FILLER INLET - CONTINUED

KEY	PART NO.	PART NAME	QTY	ENGINE SERIAL NO.	REMARKS
1	AT19509	COVER	1		(SUB AR58196)
2	T20155	GASKET	1		(SUB R97454)
3	T20294	CAP	1		
4	T20328	GASKET	1		
5	T20336	GASKET	1		(SUB R97352)
6	T23614	FILLER NECK	1		
7	24M7106	WASHER	21		10 X 18 X 2.500 MM
8	19H2665	CAP SCREW	1		3/8" X 1-5/8"
9	19H2128	CAP SCREW	3		3/8" X 3"
10	R69260	GASKET	1		(SUB FOR T20364) (SUB R78366)
11	T20362	COVER	1		
12	19H2284	CAP SCREW	5		3/8" X 7/8"
13	19H1726	CAP SCREW	1		3/8" X 2-1/4"
14	T20272	COVER	1		
15	T20273	GASKET	1		
16	15H275	PIPE PLUG	1		1/4"
17	T20069	CAP SCREW	1	-042640	(SUB T27658, T27657 AND R83169, THIS APPLICATION)
	T27657	FITTING PLUG	1	042641-	
18	A4827R	WASHER	1		
19	24H1290	WASHER	AR		21/64" X 3/4" X 0.035"
20	T20303	SPRING	1	-031311	
	T24964	SPRING	1	031312-042640	(SUB T27658 AND T27657, THIS APPLICATION)
	T27658	SPRING	1	042641-	
21	R83169	VALVE	1		(SUB FOR T20067 OR R51516)
22	19H1801	CAP SCREW	9		3/8" X 2"
23	19H1733	CAP SCREW	2		3/8" X 2-1/2"

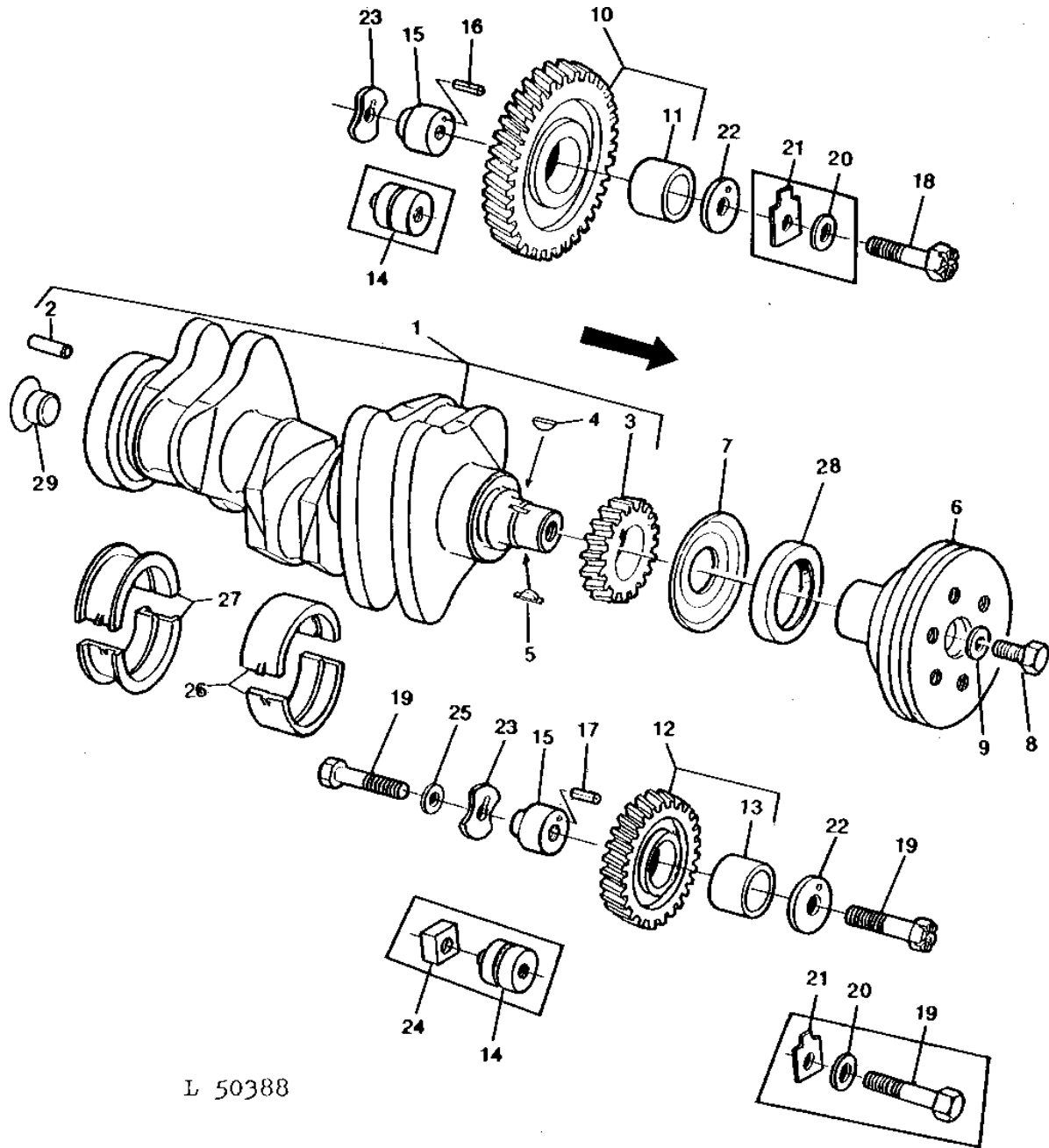
1B1

ENGINE

L50388

-UN-01JAN94

CRANKSHAFT, TIMING GEARS AND MAIN BEARINGS



L 50388

1B2

ENGINE

CRANKSHAFT, TIMING GEARS AND MAIN BEARINGS - CONTINUED

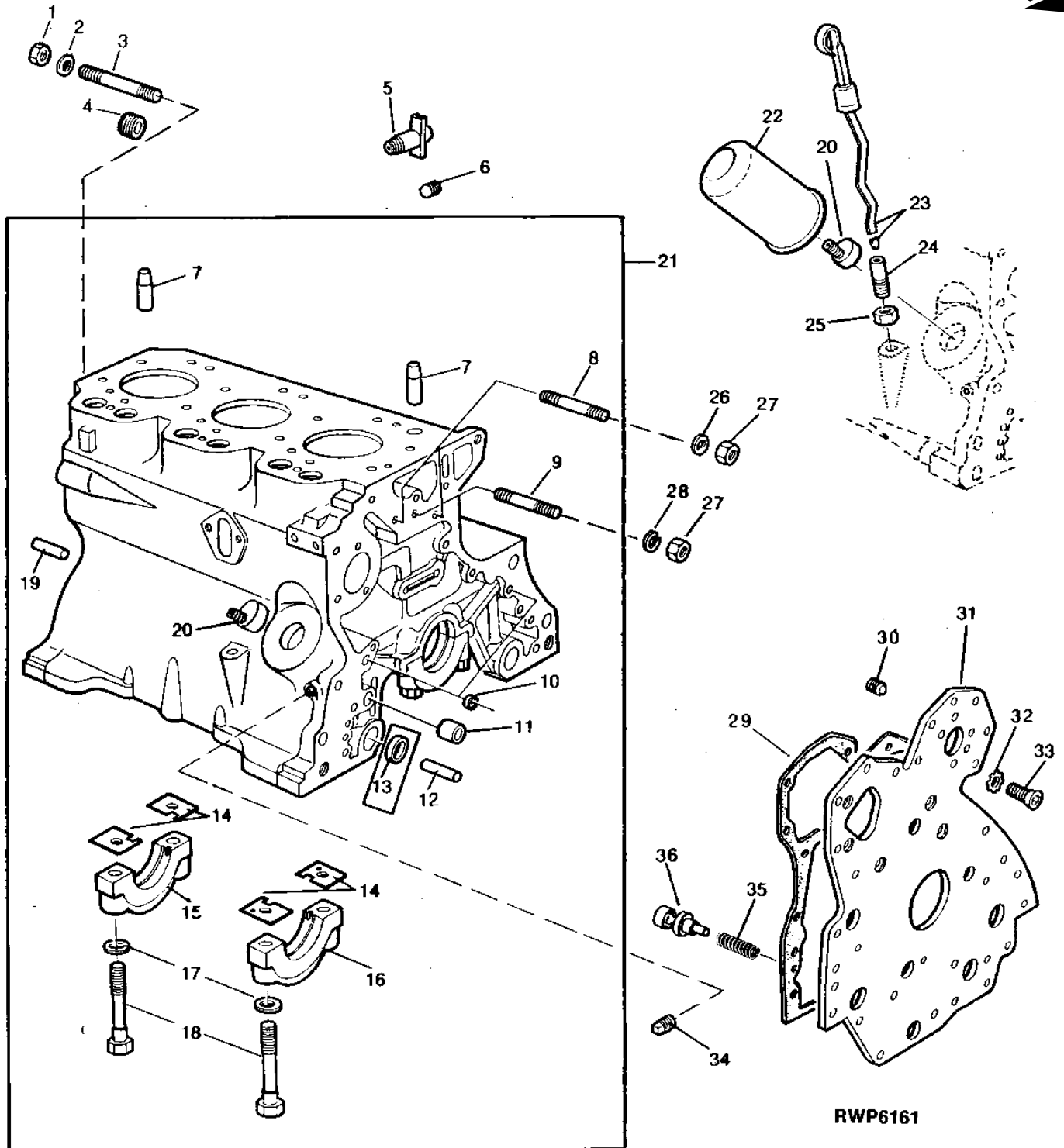
KEY	PART NO.	PART NAME	QTY	ENGINE SERIAL NO.	REMARKS
1	AT18031	CRANKSHAFT	1		(SUB RE46896)
2	T26565	DOWEL PIN	1		(SUB FOR C1220R)
3	T20094	GEAR	1		(24 TEETH)
4	26H72	SHAFT KEY	1		1/8" X 5/8"
5	T23604	SHAFT KEY	1		
6	T25366	PULLEY	1		(SUB R59915)
7	T20046	OIL SLINGER	1		
8	19H1721	CAP SCREW	1		1/2" X 1-1/2"
9	T20217	WASHER	1		
10	AT18009	GEAR	1		(55 TEETH) (SUB AR91660)
11	T20034	BUSHING	1		
12	AT18039	GEAR	1	-037142	(45 TEETH) (SUB AT24252)
	AT24252	GEAR	1	037143-	(45 TEETH)
13	T20034	BUSHING	1	-037142	
	T26321	BUSHING	1	037143-	
14	T20036	SHAFT	2	-037142	(SUB T26323)
15	T26323	SHAFT	2	037143-	
16	34H283	SPRING PIN	1	037143-	3/16" X 1-1/8"
17	34H286	SPRING PIN	1	037143-	3/16" X 1-1/2"
18	19H2644	CAP SCREW	1	-037142	1/2" X 2-1/2"
	T26325	SCREW	2	037143-	
19	19H1990	CAP SCREW	1	-037142	1/2" X 2-1/4"
	T26327	SCREW	2	037143-	
20	T20290	SHIM	2	-037142	
21	T20291	WEAR PLATE	2	-037142	
22	T20038	THRUST WASHER	2	-037142	(SUB T26326)
	T26326	THRUST WASHER	2	037143-	
23	T20037	THRUST WASHER	2	-037142	(SUB T26324)
	T26324	THRUST WASHER	2	037143-	
24	T20136	FITTING	1	-037142	
25	24H1890	WASHER	1	037143-	19/32" X 1" X 1/4"
26	AT21140	BEARING	3		STD (2 HALVES)
	AT21108	BEARING	3		0.051MM (.002") US, PLAIN (2 HALVES)
	AT21110	BEARING	3		0.254MM (.010") US, PLAIN (2 HALVES)
	AT21112	BEARING	3		0.508MM (.020") US, PLAIN (2 HALVES)
	AT21114	BEARING	3		0.762MM (.030") US, PLAIN (2 HALVES)
27	AT21139	BEARING	1		STD (2 HALVES)
	AT21130	BEARING	1		0.051MM (.002") US (2 HALVES)
	AT21132	BEARING	1		0.254MM (.010") US (2 HALVES)
	AT21134	BEARING	1		0.508MM (.020") US (2 HALVES)
	AT21136	BEARING	1		0.762MM (.030") US (2 HALVES)
28	AR67942	SEAL	1		(SUB FOR AT21608)
29	T20445	PLUG	1		

1B3

ENGINE

CYLINDER BLOCK (3152D)

RWP6161 -UN-01JAN94



1B4

ENGINE

CYLINDER BLOCK - CONTINUED (3152D)

KEY	PART NO.	PART NAME	QTY	ENGINE SERIAL NO.	REMARKS
1	14H1039	NUT	1	102060-	5/8"
2	R70268	WASHER	1		(SUB FOR R42363)
3	R53790	STUD	1	102060-	
4	15H665	PIPE PLUG	1		3/4"
5	AT13740	DRAIN VALVE	1		
6	15H275	PIPE PLUG	1		1/4"
7	R26241	DOWEL PIN	2		
8	T20173	STUD	2	-068403	(SUB T33279 AND 24M7096)
	T33279	STUD	2	068404-	
9	T25701	STUD	1		
10	T18891	CAP	2	-XXXXXX	
	T18891	CAP	1	XXXXXX-	
11	R26493	BUSHING	1		
12	R26650	DOWEL PIN	2		
13	T20330	BUSHING	1	-XXXXXX	
14	T23670	SHIM	AR		0.076MM (.003") (NO LONGER AVAILABLE)
	T23671	SHIM	AR		0.05MM (.002") (NO LONGER AVAILABLE)
15	AR82295	BEARING CAP	1		(SUB FOR AT21227) (SUB R79089)
16	AR82294	BEARING CAP	3		(SUB FOR AT21226) (SUB R65215)
17	T20168	WASHER	8		
18	T23474	CAP SCREW	8		
19	R48685	DOWEL PIN	2		(SUB FOR A120R)
20	T23435	THREADED NIPPLE	1		
21	AR64721	CYLINDER BLOCK	1	-XXXXXX	(MARKED R55100 OR R52340) (SUB FOR AT31582, AT18105, AT24999 OR AR59055) (SUB AR97025, R46625, R73139 AND R90648)
	AR97025	CYLINDER BLOCK	1	XXXXXX-	(MARKED R72967)
22	T19044	OIL FILTER	1		
23	AT21534	DIPSTICK	1		
24	T24409	THREADED NIPPLE	1		(SUB R55299 AND R10093)
25	14H826	NUT	1		1/2"
26	24M7106	WASHER	2	-068403	10 X 18 X 2.500 MM
	24M7096	WASHER	2	068404-	10.500 X 18 X 1.600 MM
27	14H1076	NUT	4		3/8"
28	12H304	LOCK WASHER	3		3/8"
29	R90648	GASKET	1		(SUB FOR T24965 OR R73140)
30	AT21191	SET SCREW	8		
	AT22919	SET SCREW	2		
31	R56736	PLATE	1		(SUB FOR T24531, T20295 OR AT29928) (SUB (8) AT21191, (2) AT22919 AND RE16149)
32	12H324	WASHER	5		3/8"
33	T20166	SCREW	5		
34	15H255	PIPE PLUG	2	031312-	3/8"
35	R46625	SPRING	1	XXXXXX-	
36	R73139	VALVE	1	XXXXXX-	

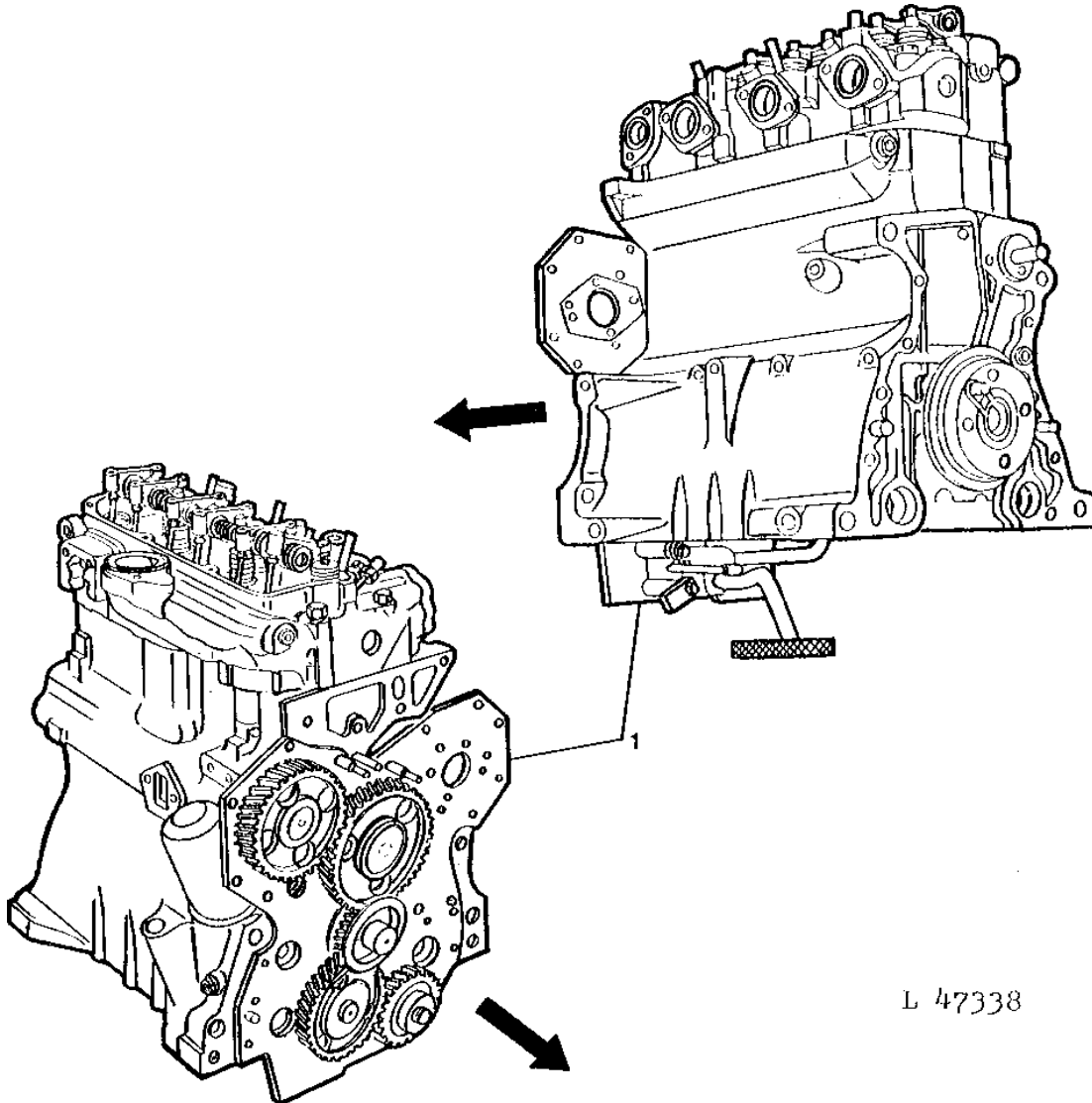
MEMORANDA

1B5

ENGINE

SHORT ENGINE (3152D)

L47338 -UN-01JAN94



L 47338

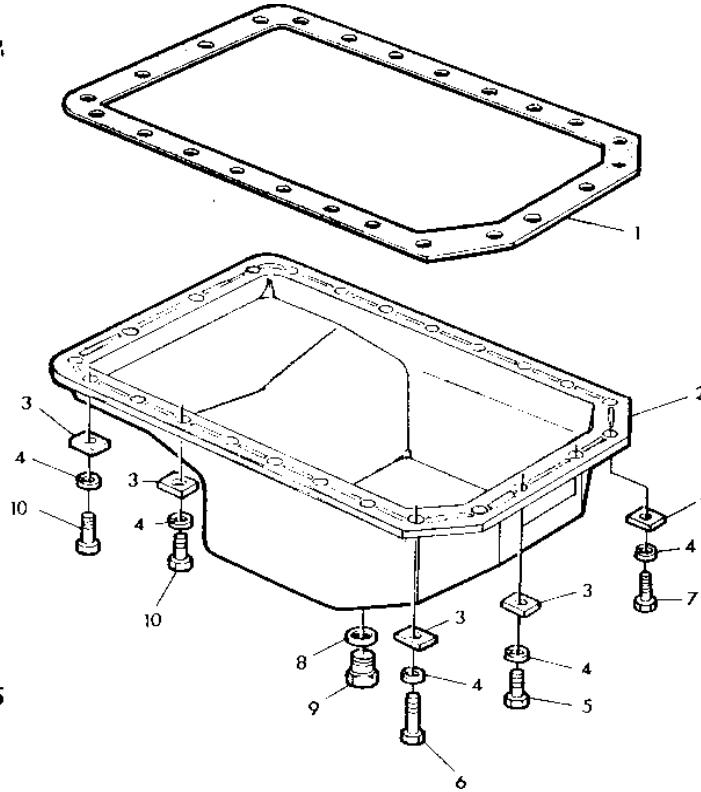
KEY	PART NO.	PART NAME	QTY	ENGINE SERIAL NO.	REMARKS
1	DD12093 AR97032	ENGINE SHORT BLOCK ASSEMBLY	1 1	(SUB FOR DD11408) (SUB RE19842 AND R81513)	

1B6

ENGINE

L59705 -UN-01JAN94

OIL PAN



L 59705

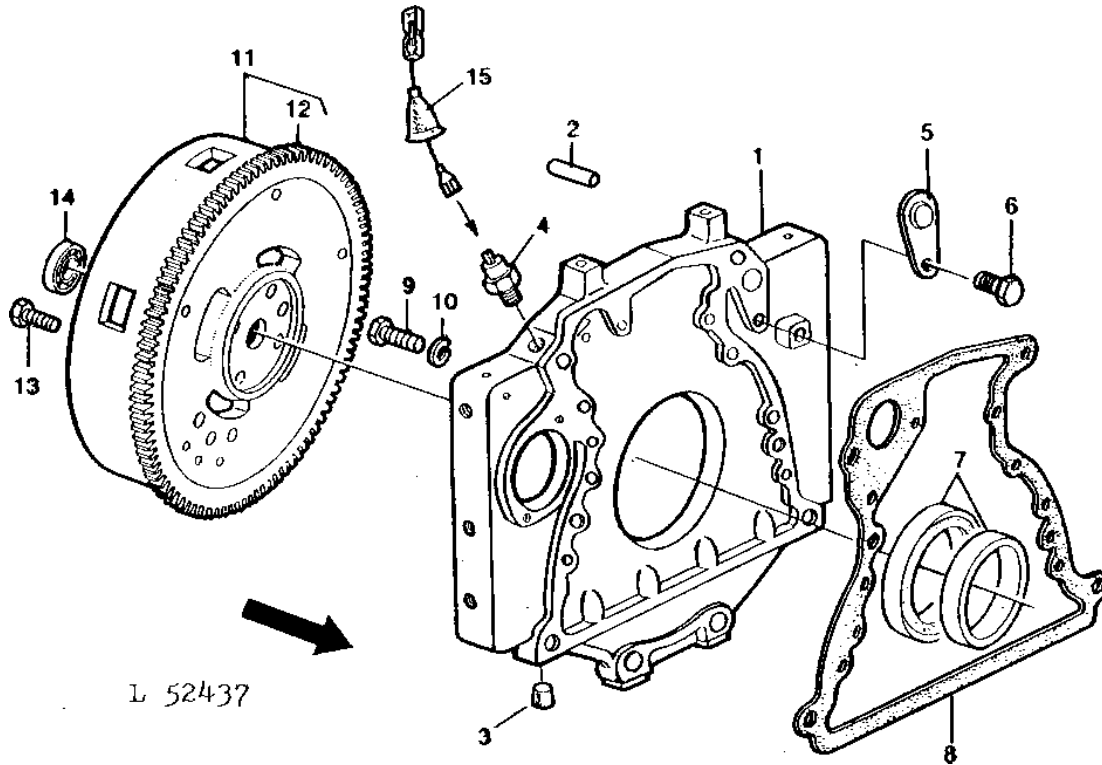
KEY	PART NO.	PART NAME	QTY	ENGINE SERIAL NO.	REMARKS
1	T24534	GASKET	1	(SUB R119359)	
2	AT18180	OIL PAN	1	(SUB FOR AT18178)	
	15H624	PIPE PLUG	1	1/2"	
	15H665	PIPE PLUG	1	3/4"	
3	24M7106	WASHER	24	10 X 18 X 2.500 MM, (SUB FOR T23200 OR T30726)	
4	12H304	LOCK WASHER	24	3/8"	
5	19H1732	CAP SCREW	3	3/8" X 1-1/4"	
6	19H1801	CAP SCREW	1	3/8" X 2"	
7	19H1732	CAP SCREW	2	3/8" X 1-1/4"	
8	T13213	WASHER	1		
9	T20098	DRAIN PLUG	1		
10	19H1936	CAP SCREW	18	3/8" X 3/4"	

1B7

ENGINE

L52437 -UN-01JAN94

FLYWHEEL AND FLYWHEEL HOUSING



L 52437

KEY	PART NO.	PART NAME	QTY	ENGINE SERIAL NO.	REMARKS
1	T22991	HOUSING	1	-038435	(SUB R63434)
	T25117	HOUSING	1	038436-110369	(SUB R63434)
	T28433	HOUSING	1	110370-	(SUB R63434)
2	T26565	DOWEL PIN	2		(SUB FOR C1220R)
3	T23590	PLUG	1		
4	AR27977	TOUCH SWITCH	1		
5	T20089	COVER	1	-110369	
	T28435	COVER	1	110370-	
6	19H2351	CAP SCREW	1		1/2" X 1/2", (SUB FOR T20090)
7	T20326	SEAL	1	-038435	
	RE24959	SEAL	1	038436-	(SUB FOR AT22965 OR AR92893)
8	R70483	GASKET	1		(SUB FOR T23596) (SUB R97351)
9	19H1800	CAP SCREW	8		3/8" X 1-1/2"
10	12H304	LOCK WASHER	8		3/8"
11	AT21382	FLYWHEEL	1		(MARKED T24126) (SUB AR92506)
12	T20088	GEAR	1		(142 TEETH)
13	T20139	CAP SCREW	4		
14	JD10107	BALL BEARING	1		(SUB FOR JD8511, AR56268 OR AL28037)
15	AT30691	WIRING LEAD	1		

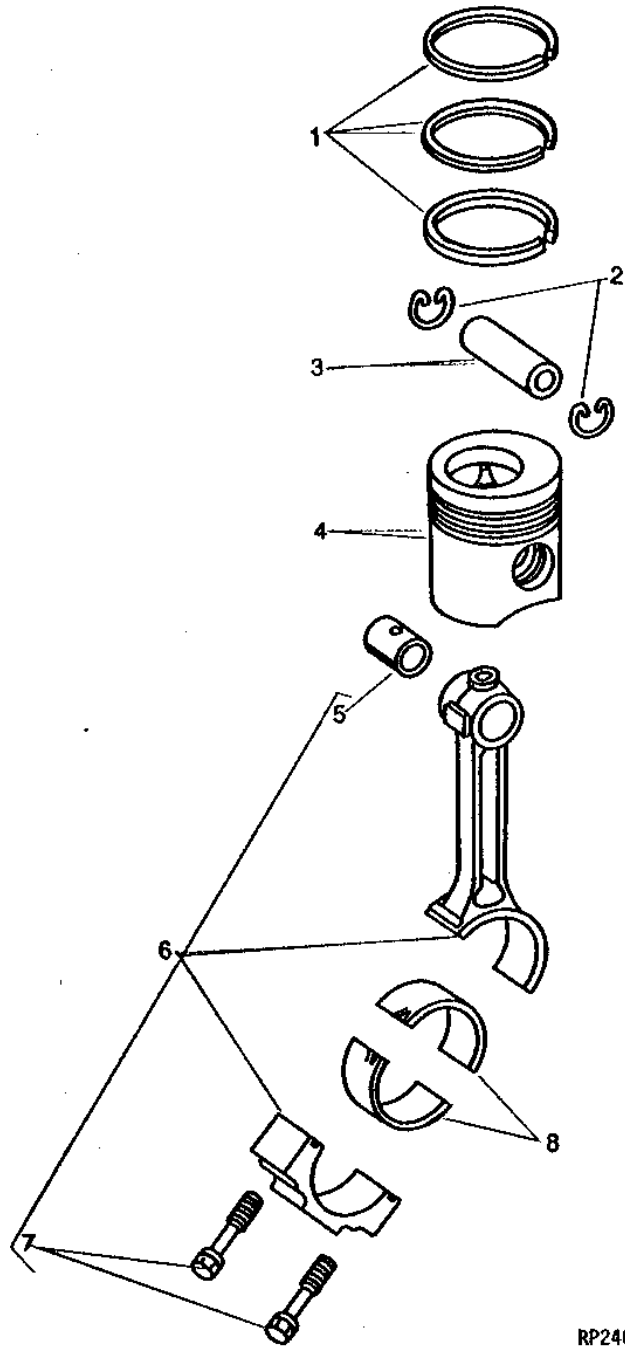
1B8

ENGINE

RP240

-UN-01JAN94

PISTONS AND CONNECTING RODS



1B9

ENGINE

PISTONS AND CONNECTING RODS - CONTINUED

KEY	PART NO.	PART NAME	QTY	ENGINE SERIAL NO.	REMARKS
1	AR70633	PISTON RING KIT	3		(SUB FOR AT18012 OR AR55758) (SET OF 3)
2	M67T	SNAP RING	6		(PKG OF 2)
3	T23482	PISTON PIN	3		
4	T23481	PISTON	3		
5	T23471	BUSHING	3		
6	AT18005	CONNECTING ROD	3		(SUB RE19733)
7	T20009	CAP SCREW	6		
	R80033	SCREW	6		(USE WITH RE19733)
8	AT21138	BEARING	3		STD (2 HALVES)
	AT21122	BEARING	3		0.051MM (.002") US (2 HALVES)
	AT21124	BEARING	3		0.254MM (.010") US (2 HALVES)
	AT21126	BEARING	3		0.508MM (.020") US (2 HALVES)
	AT21128	BEARING	3		0.762MM (.030") US (2 HALVES)

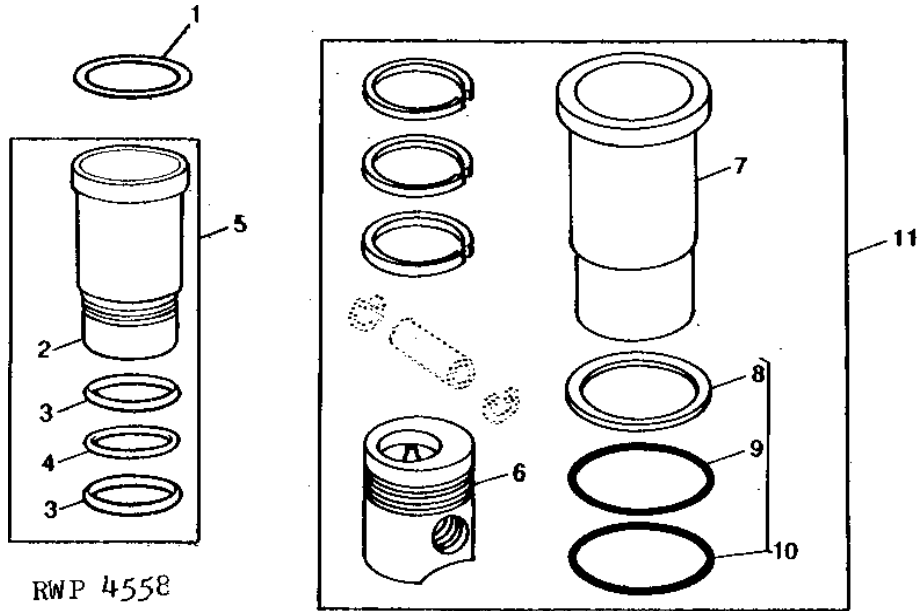
MEMORANDA

1B10

ENGINE

RWP4558 -UN-01JAN94

PISTON LINER KIT



RWP 4558

KEY	PART NO.	PART NAME	QTY	ENGINE SERIAL NO.	REMARKS
1	R46905	SHIM	AR		0.10MM (.004")
	CD15464	SHIM	AR		0.05MM (.002")
2	CYLINDER LINER	3		(SUB AR51902)
3	R48637	WASHER	6	-074999	
4	R48638	O-RING	AR	-074999	
	CD13603	O-RING	AR	-074999	
5	AR51902	KIT	3	-074999	(SUB FOR T20085 OR T32010)
6	T23481	PISTON	1		
7	T32340	CYLINDER LINER	1	075000-	(SUB FOR T20085)
8	R48767	PACKING	1		(SUB FOR T32261)
9	BUSHING	1		(SUB AR71617)
10	AR71617	KIT	3	075000-	(SUB FOR AT31609)
11	AR71591	PISTON-LINER KIT	1	075000-	

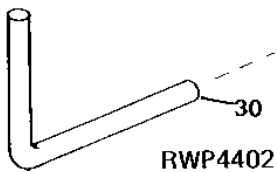
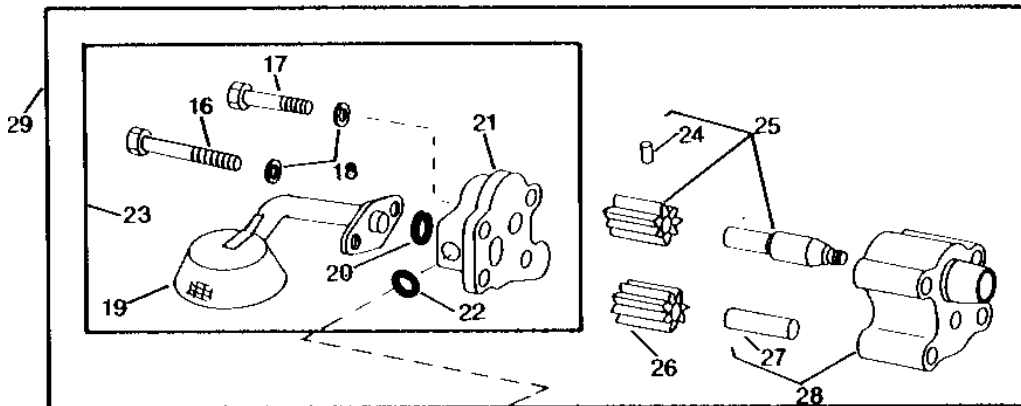
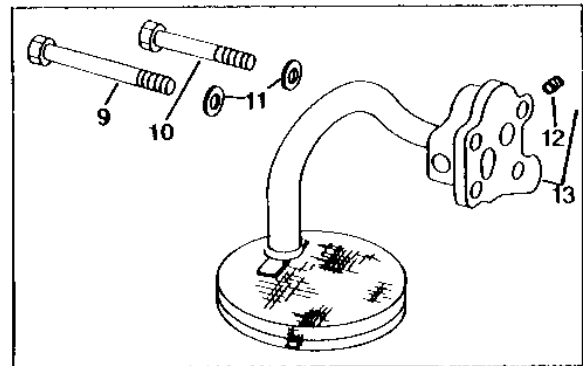
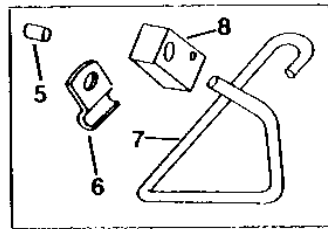
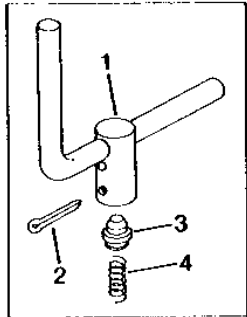
1B11

ENGINE

RWP4402

-UN-01JAN94

LUBRICATING OIL PUMP



RWP4402

1B12

ENGINE

LUBRICATING OIL PUMP - CONTINUED

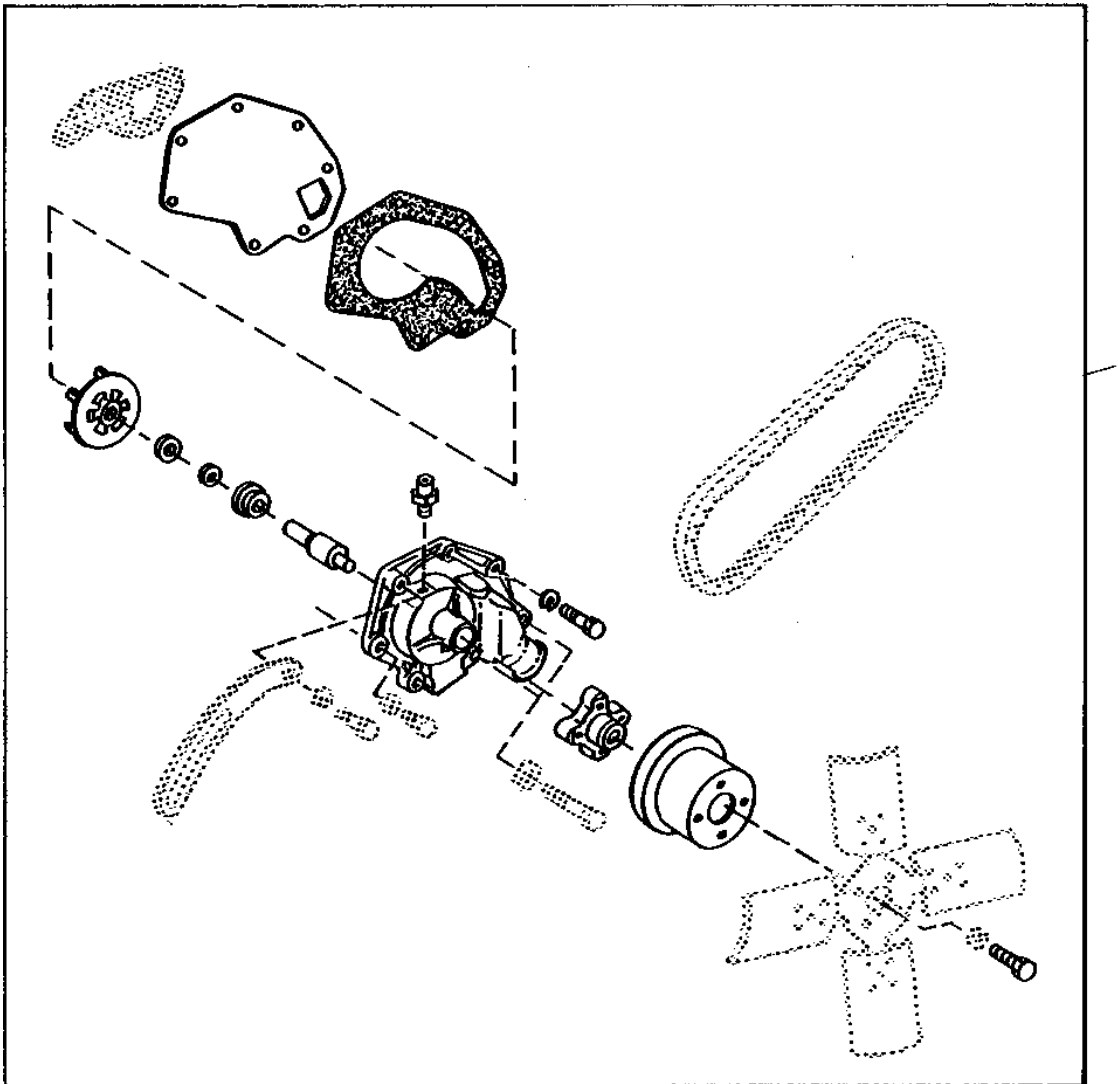
KEY	PART NO.	PART NAME	QTY	ENGINE SERIAL NO.	REMARKS
1	AT21199	SET SCREW	1	-031311	
2	11M7030	COTTER PIN	1	-031311	0.197" X 1.575"
3	R51516	VALVE	1	-031311	(SUB FOR T20067) (SUB R83169)
4	T23619	SPRING	1	-031311	
5	B2641R	DOWEL PIN	1	-037142	
6	R27528	CLAMP	1	-037142	(SUB FOR T24168)
7	T24758	OIL LINE	1	-037142	
8	T20136	FITTING	1	-037142	
9	19H1854	CAP SCREW	1	-XXXXXX	3/8" X 3-3/4"
10	19H1944	CAP SCREW	3	-XXXXXX	3/8" X 2-3/4"
11	12H304	LOCK WASHER	4		3/8"
12	15H560	PIPE PLUG	1		1/16"
13	AT24254	COVER	1		(SUB RE55345 AND R113752)
14	14H826	NUT	1		1/2"
15	T20298	GEAR	1		(33 TEETH)
16	19H2228	CAP SCREW	2	XXXXXX-	3/8" X 4", (USE WITH AR60701)
17	19H1944	CAP SCREW	2	XXXXXX-	3/8" X 2-3/4", (USE WITH AR60701)
18	12H304	LOCK WASHER	4		3/8"
19	AR60701	FILLER NECK	1		(USE WITH R53382) (SUB RE36425)
20	A4730R	O-RING	1		(USE WITH AR60701)
21	R53382	COVER	1		(USE WITH AR60701) (SUB FOR AT24254)
22	R74354	O-RING	1		
23	AR67670	KIT	1		(SUB RE55345 AND R113752)
24	M3853T	GROOVE PIN	1		
25	AT18126	DRIVE SHAFT	1	-116746	
	AR62978	PINION	1	116747-	
26	T20097	GEAR	2	-116746	(7 TEETH)
	R54614	GEAR	2	116747-	(7 TEETH)
27	T20091	DOWEL PIN	1		
28	AT32606	HOUSING	1	-116746	(SUB FOR AT18021) (SUB RE35685)
	AR62979	HOUSING	1	116747-	(SUB RE35685)
	T20093	BUSHING	1	-106131	
29	AR67074	OIL PUMP	1		(SUB RE35685 AND RE36425)
30	T20050	OIL TUBE	1	031312-	

1B13

ENGINE

RWP4571 -UN-01JAN94

WATER PUMP
(COMPLETE)



RWP4571

1B14

ENGINE

WATER PUMP - CONTINUED
(COMPLETE)

KEY	PART NO.	PART NAME	QTY	ENGINE SERIAL NO.	REMARKS
1	AT29619	WATER PUMP	1		(SUB RE19944, T20270, R97455, T30720, T23628, (4) 19H2127 AND (2) 19H3219)

MEMORANDA

MEMORANDA

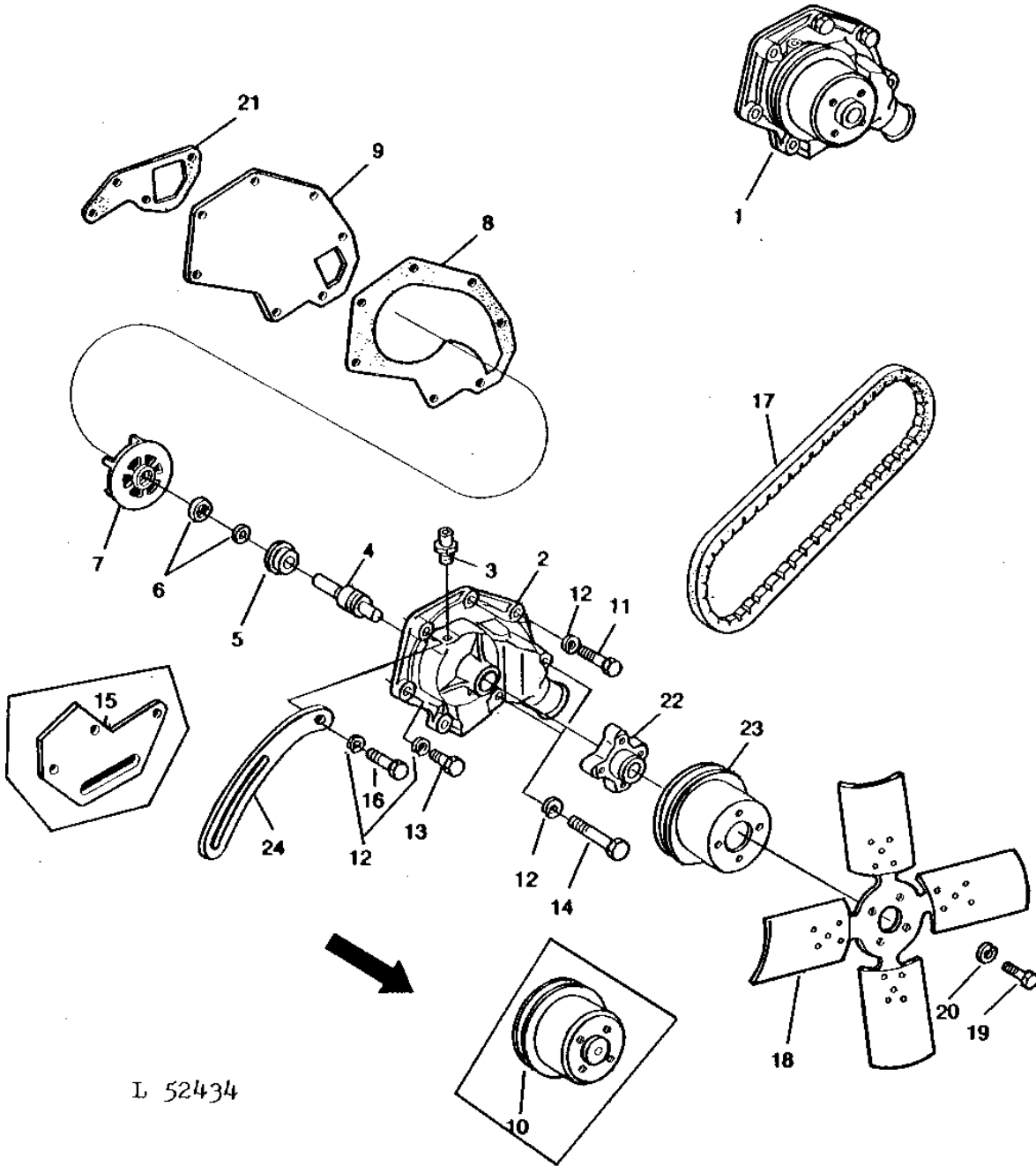
1B15

ENGINE

L52434

-UN-01JAN94

WATER PUMP ASSEMBLY



L 52434

1B16

ENGINE

WATER PUMP ASSEMBLY - CONTINUED

KEY	PART NO.	PART NAME	QTY	ENGINE SERIAL NO.	REMARKS
1	AR55094	WATER PUMP	1	-088179	(SUB FOR AT21206 OR AT27018) (SUB RE19944, R97455, T20270, T23628, T30720, (2) 19H2545 AND (4) 19H2127)
	AT29619	WATER PUMP	1	088180-	(SUB FOR AT27018) (SUB RE19944, R97455, T20270, T23628, T30720, (2) 19H2545 AND (4) 19H2127)
2	R48997	HOUSING	1		(SUB FOR T28992) (SUB RE19944, R97455, T20270, T23628, T30720, (2) 19H2545 AND (4) 19H2127)
3	T19651	HOSE FITTING	1		
4	JD9257	BALL BEARING	1		
5	T27261	SEAL	1		(SUB AR101549)
6	AR41691	INSERT	1		(SUB FOR R32174 OR R40243)
7	T30897	IMPELLER	1		
8	T20271	GASKET	1		(SUB R97455)
9	T20270	COVER	1		
10	T23628	PULLEY	1	-088179	(SUB T30720, T23628 AND (4) 19H1849)
11	19H1800	CAP SCREW	2		3/8" X 1-1/2"
12	12H304	LOCK WASHER	6		3/8"
13	19H1801	CAP SCREW	2		3/8" X 2"
14	19H1912	CAP SCREW	2		3/8" X 3-1/2"
15	T20351	PLATE	1	-075344	(NLA)
16	19H1819	CAP SCREW	1		3/8" X 2-1/8"
17	T23505	BELT	1	-075344	
	T20334	BELT	1	075345-	(SUB R97758)
18	AT23180	FAN	1		(SUB FOR AT20829)
19	19H2127	CAP SCREW	4	-088179	5/16" X 7/8"
	19H1849	CAP SCREW	4	088180-	5/16" X 1-1/4"
20	12H303	LOCK WASHER	4		5/16"
21	T20243	GASKET	1		
22	T30720	HUB	1	088180-	
23	T30721	PULLEY	1	088180-	(SUB T23628)
24	T20204	STRAP	1	075345-	(SUB R107734)
..	AT32489	KIT	1		(REPAIR) (ALSO ORDER R97455 AND T30897) (SUB AR101549 AND JD9257)
..	AT32489	KIT	1	058545-	REPAIR, (ALSO ORDER T20271) (SUB RE19505)

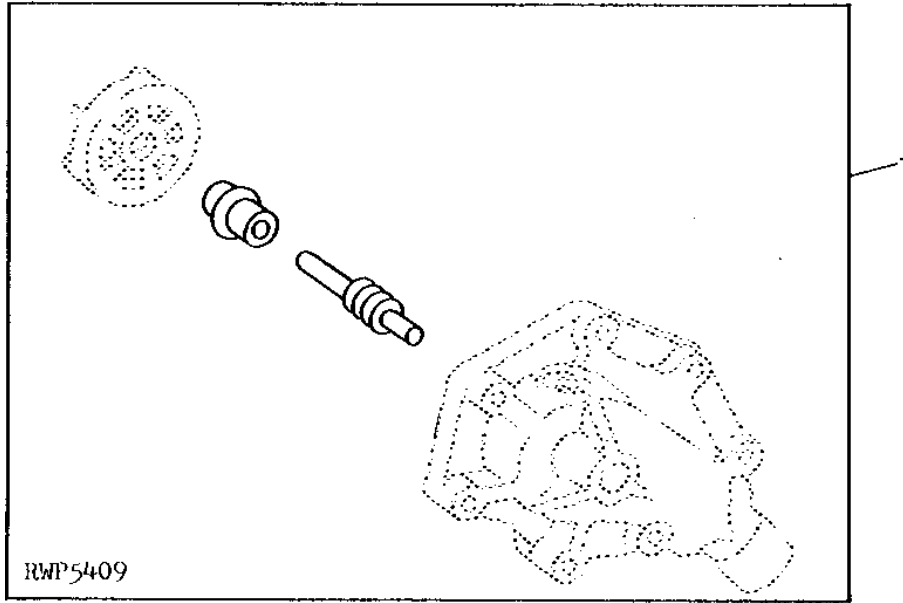
MEMORANDA

1B17

ENGINE

RWP5409 -UN-01JAN94

WATER PUMP OVERHAUL KIT



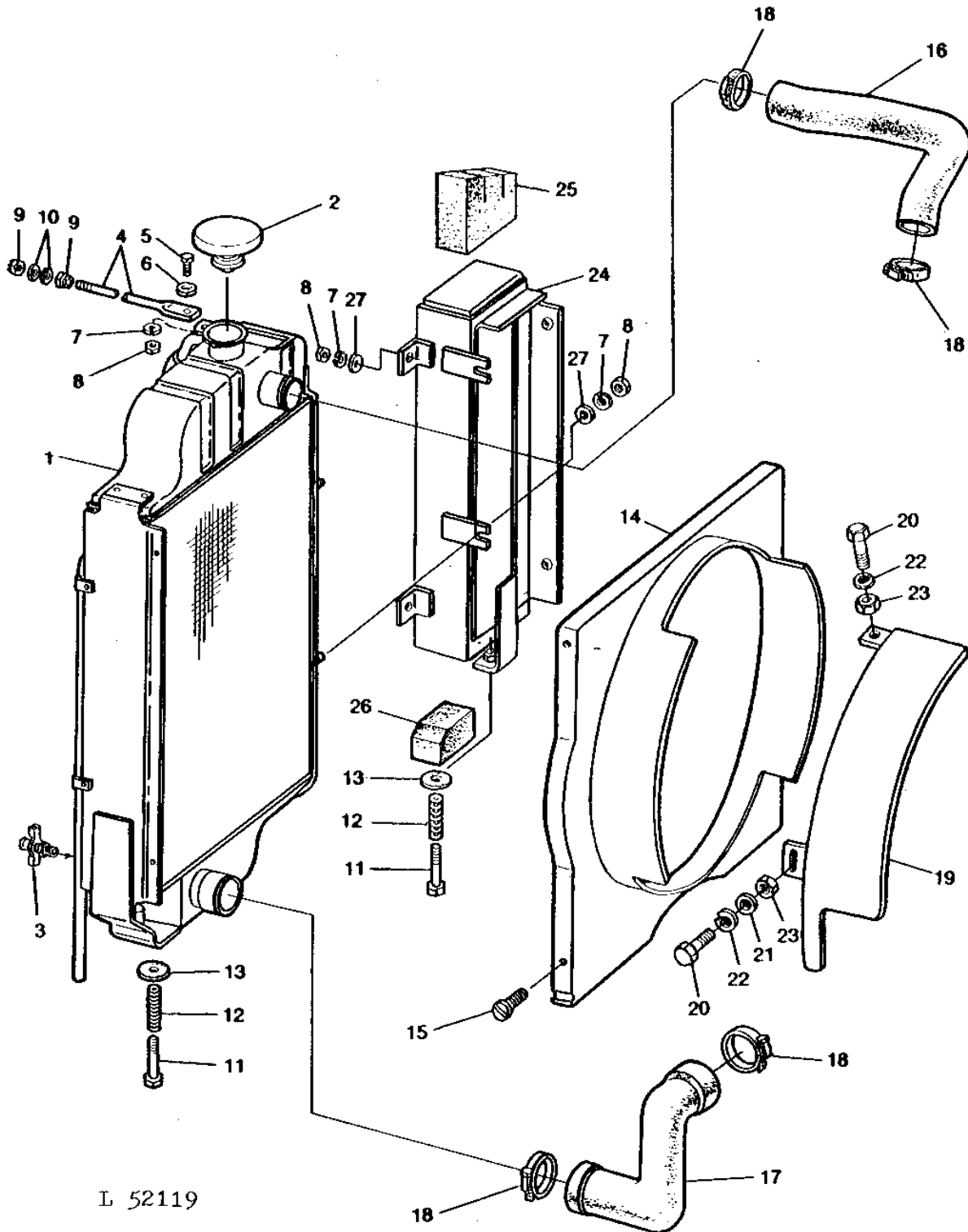
KEY	PART NO.	PART NAME	QTY	ENGINE SERIAL NO.	REMARKS
1	RE19505	KIT	1	(SUB FOR AT32489) (SUB AR101549 AND JD9257)	

1B18

ENGINE

L52119 -UN-01JAN94

RADIATOR ASSEMBLY



L 52119

1B19

ENGINE

RADIATOR ASSEMBLY - CONTINUED

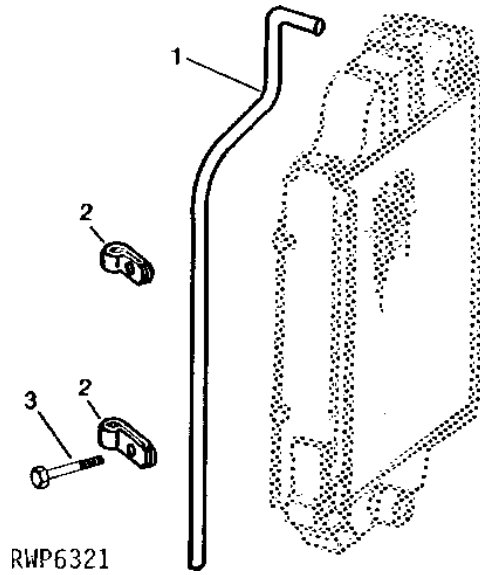
KEY	PART NO.	PART NAME	QTY	TRACTOR SERIAL NO.	REMARKS
1	AT20797	RADIATOR	1	-075429	
	AT20849	RADIATOR	1	075430-	
2	AT27585	CAP	1		(SUB FOR AT20719 OR AT29054)
3	AT13740	DRAIN VALVE	1		
4	R61460	ROD	1		
5	19H1900	CAP SCREW	1		5/16" X 3/4"
6	24H1122	WASHER	1		3/8" X 7/8" X 0.083"
7	12H303	LOCK WASHER	1	-075429	5/16"
	12H303	LOCK WASHER	5	075430-	5/16"
8	14H785	NUT	1	-075429	5/16"
	14H785	NUT	5	075430-	5/16"
9	T11234	LOCK NUT	2		
10	24H1305	WASHER	2		13/32" X 13/16" X 0.065"
11	19H2128	CAP SCREW	2		3/8" X 3"
12	R62372	SPRING	2		(SUB FOR R34352)
13	T22381	WASHER	2		
14	T21687	SHROUD	1		(SUB FOR T31478)
15	37H79	SCREW	4		1/4" X 5/8"
16	T23534	HOSE	1		
17	T22500	HOSE	1		
18	AR21840	CLAMP	4		(SUB TY22470)
19	AT28064	GUARD	1		
20	19H1227	CAP SCREW	2		1/4" X 1/2"
21	24H1287	WASHER	1		9/32" X 5/8" X 0.065"
22	12H302	LOCK WASHER	2		1/4"
23	14H786	NUT	2		1/4"
24	AR55384	PARTITION	1	075430-	
25	T22376	FOAM PAD	1	075430-	
26	T26043	FOAM PAD	1	075430-	(SUB L57054)
27	24H1685	WASHER	4	075430-	11/32" X 47/64" X 0.083"

1B20

ENGINE

RWP6321 -UN-01JAN94

RADIATOR OVERFLOW KIT



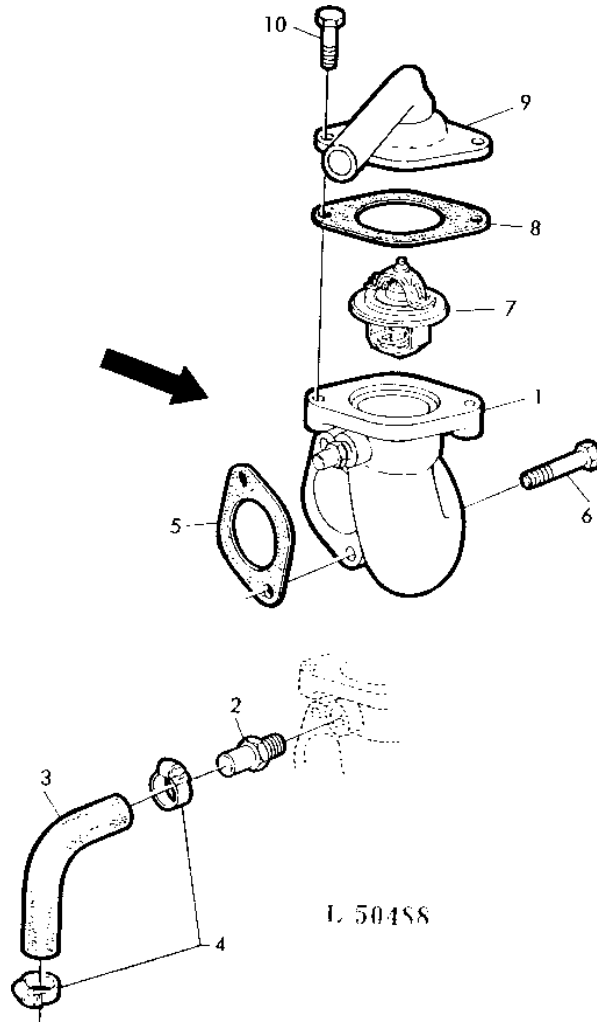
KEY	PART NO.	PART NAME	QTY	TRACTOR SERIAL NO.	REMARKS
1	R67035	HOSE	1		
2	T12250	CLIP	2		
3	19H1900	CAP SCREW	2	5/16" X 3/4"	

1B21

ENGINE

L50488 -UN-01JAN94

THERMOSTAT HOUSING ASSEMBLY



L 50488

KEY	PART NO.	PART NAME	QTY	ENGINE SERIAL NO.	REMARKS
1	AT18074	HOUSING	1		(INCLUDES T19651) (SUB AR73097)
2	T19651	HOSE FITTING	1		
3	T20277	HOSE	1		
4	AR21837	CLAMP	2		(SUB FOR T439T) (SUB TY22465)
5	T20219	GASKET	1		
6	19H1726	CAP SCREW	2		3/8" X 2-1/4"
7	AT22961	THERMOSTAT	AR		180°F (82°C) (SUB RE33705)
	AT22963	THERMOSTAT	AR		194°F (90°C)
8	T20215	GASKET	1		
9	T23620	COVER	1		
10	19H1732	CAP SCREW	2		3/8" X 1-1/4"

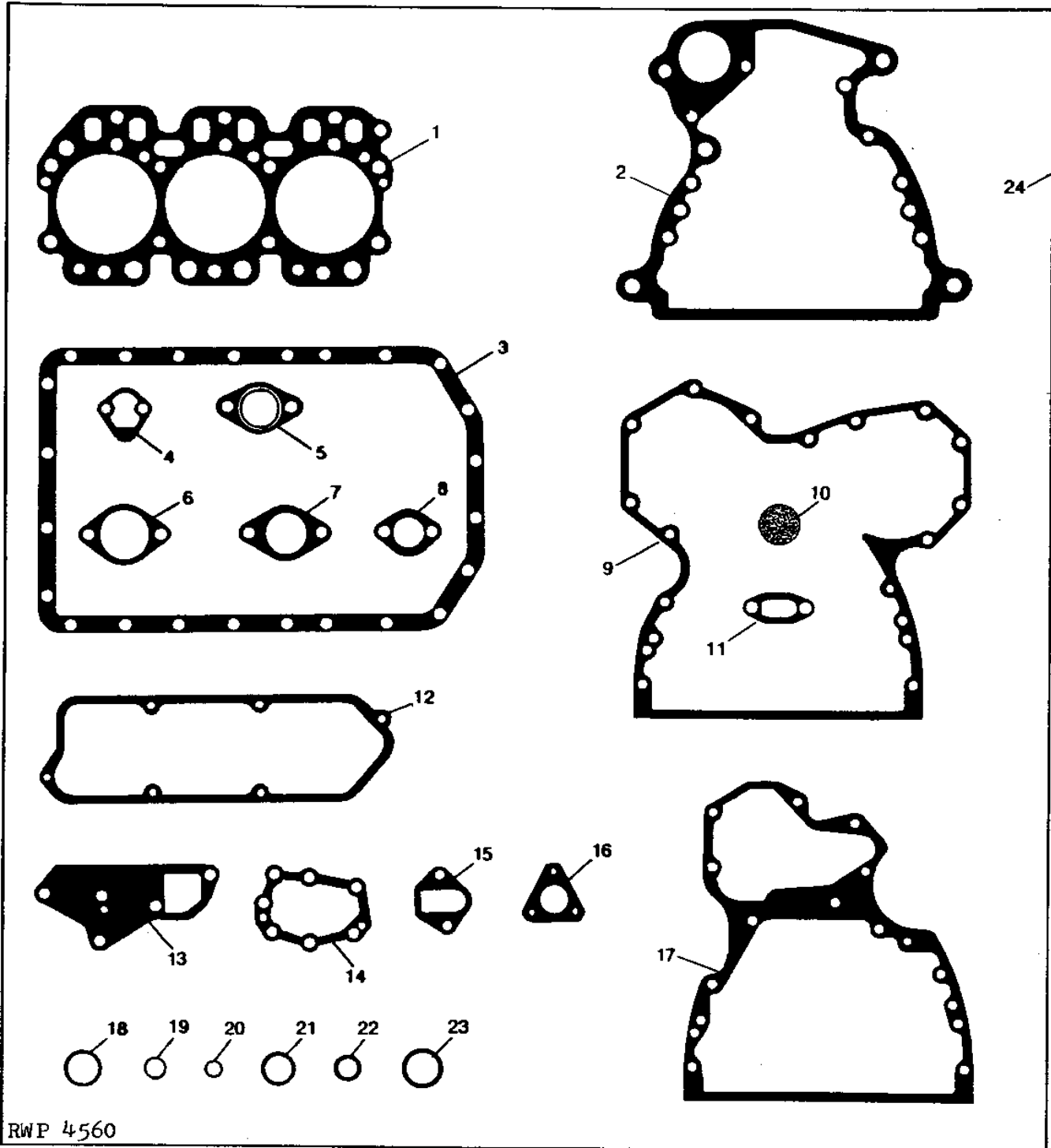
1B22

ENGINE

RWP4560

-UN-01JAN94

ENGINE OVERHAUL GASKET SET



1B23

ENGINE

ENGINE OVERHAUL GASKET SET - CONTINUED

KEY	PART NO.	PART NAME	QTY	ENGINE SERIAL NO.	REMARKS
1	R98460	GASKET	1		(SUB FOR T20039)
2	R70483	GASKET	1		(SUB FOR T23596) (SUB R97351)
3	T24534	GASKET	1		(SUB R119359)
	R49514	GASKET	1		(SUB FOR T22769) (SUB R97341)
4	R27285	GASKET	1		
5	T20006	GASKET	3		(SUB R90658)
6	T20159	GASKET	1		AIR INLET, (SUB R81275)
7	T20215	GASKET	1		
8	T20219	GASKET	1		
9	T20155	GASKET	1		(SUB R97454)
10	T20328	GASKET	1		
11	T20336	GASKET	1		(SUB R97352)
12	R75729	GASKET	1		
13	T20243	GASKET	1		
14	T20273	GASKET	1		
15	R69260	GASKET	1		(SUB FOR T20364) (SUB R78366)
16	R77126	GASKET	1		(SUB R97354)
17	R90648	GASKET	1		(SUB FOR T24965 OR R73140)
18	R56463	O-RING	1		
19	R74354	O-RING	1		
20	R34764	WASHER	3		
21	R48000	WASHER	3		(SUB FOR R34767)
22	T20304	WASHER	1		
23	T13213	WASHER	1		
24	RE38570	GASKET KIT	1		(ALSO ORDER (6) AR103811 AND (3) AR71617) (SUB FOR AT23201, AR97196 OR AR102291)

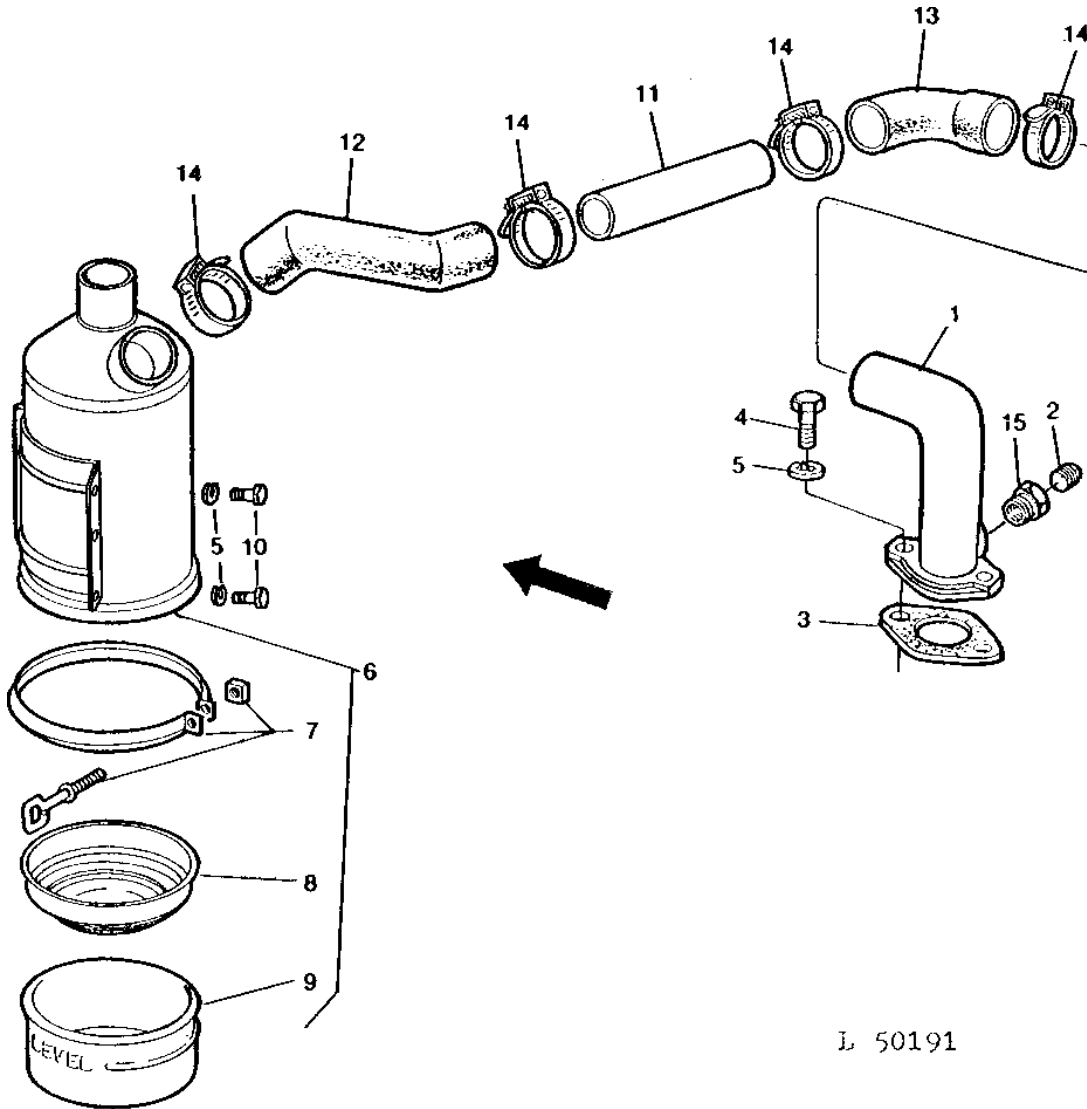
MEMORANDA

1C3

FUEL AND AIR

L50191 -UN-01JAN94

OIL BATH AIR CLEANER



L 50191

KEY	PART NO.	PART NAME	QTY	TRACTOR SERIAL NO.	REMARKS
1	T23613	INTAKE MANIFOLD	1		(SUB R56455 AND T27986)
	T27980	FILLER NECK	1		(SUB R56455)
2	15H255	PIPE PLUG	1		3/8"
3	T20159	GASKET	1		(SUB FOR L22870) (SUB R81275)
4	19H1732	CAP SCREW	2		3/8" X 1-1/4"
5	12H304	LOCK WASHER	6		3/8"
6	AT20245	AIR CLEANER	1		
7	AT10589	CLAMP	1		
8	T18600	OIL CUP	1		
9	T24988	OIL CUP	1		
10	19H2021	CAP SCREW	3		3/8" X 5/8"
	19H2284	CAP SCREW	3		3/8" X 7/8"
11	T21726	TUBE	1		
12	T22783	HOSE	1		
13	T21699	HOSE	1		
14	AR21999	CLAMP	4		
15	T27986	FITTING	1		

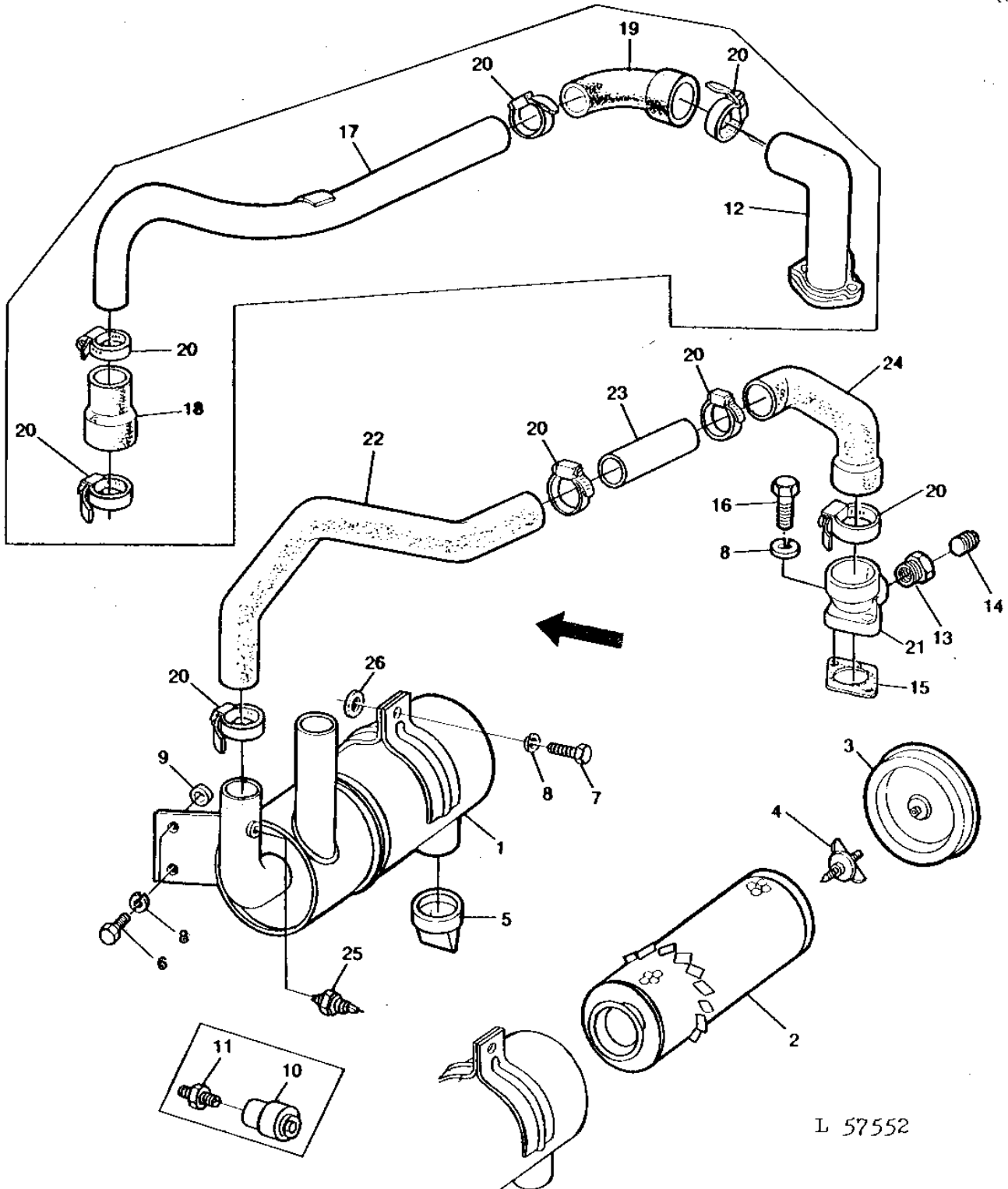
1C4

FUEL AND AIR

L57552

-UN-01JAN94

DRY AIR CLEANER



L 57552

1C5

FUEL AND AIR

DRY AIR CLEANER - CONTINUED

KEY	PART NO.	PART NAME	QTY	TRACTOR SERIAL NO.	REMARKS
1	AT20727	AIR CLEANER	1		(INCLUDES KEYS 2-4)
2	AT20728	FILTER ELEMENT	1		
3	AT24438	COVER	1		(SUB AT81398)
4	AT24437	WING SCREW	1		
5	T23262	VALVE	1		
6	19H2021	CAP SCREW	2		3/8" X 5/8"
7	19H2284	CAP SCREW	1		3/8" X 7/8"
8	12H304	LOCK WASHER	5		3/8"
9	M1335T	WASHER	1		(LESS HYDRAULIC PUMP)
10	AR45672	GAUGE	1	-103326	(SUB FOR R39578 OR AT25983)
11	AR44361	FITTING	1	-103326	(SUB FOR AR40360)
12	T23613	INTAKE MANIFOLD	1		(SUB R56455 AND T27986)
	T27980	FILLER NECK	1	-137528	(SUB R56455)
13	T27986	FITTING	1		
14	15H255	PIPE PLUG	1		3/8"
15	T20159	GASKET	1		(SUB FOR L22870) (SUB R81275)
16	19H1732	CAP SCREW	2		3/8" X 1-1/4"
17	AT20841	PIPE	1		(SUB T22830 AND T22385)
18	T23084	HOSE	1		
19	T21699	HOSE	1		
20	AR21999	CLAMP	4		
21	R56455	FILLER NECK	1	137529-	
22	L29374	HOSE	1		
23	L29372	TUBE	1	XXXXXX-	
24	L29373	HOSE	1	XXXXXX-	
25	RE17515	SENSOR	1	103327-	(SUB FOR AL32975 OR AL24194)
26	24H1308	WASHER	1		13/32" X 1" X 0.134"

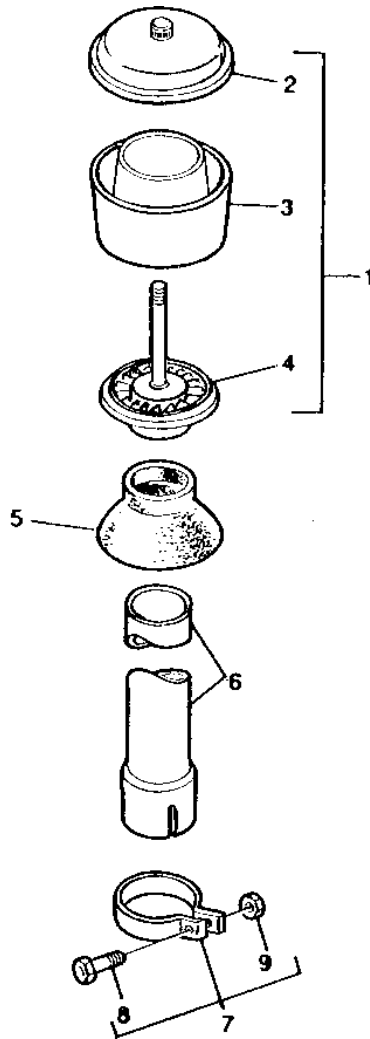
MEMORANDA

1C6

FUEL AND AIR

L55521 -UN-01JAN94

AIR PRE-CLEANER (FOR DRY AIR CLEANER)



L 55521

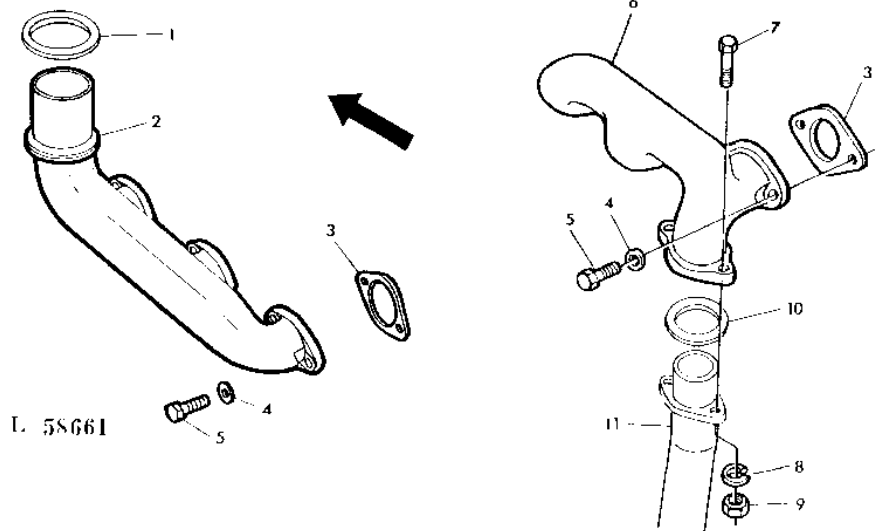
KEY	PART NO.	PART NAME	QTY	TRACTOR SERIAL NO.	REMARKS
1	AL39934	PRESCREENER	1		(SUB FOR AL37357 OR AF3580R)
2	AL37364	COVER	1		(INCLUDED IN AL39934) (SUB FOR AF3583R)
3	R28794	DUST BOWL	1		
4	AF3584R	BASE	1		
	AL37365	BASE	1		(INCLUDED IN AL37357) (SUB L41855)
	L41855	PRESCREENER	1		(INCLUDED IN AL39934)
	AR62936	CLAMP	1		(INCLUDED IN AL37357 OR AL39934)
5	R57119	SEAL	1		(SUB FOR R28799)
6	T32409	PIPE	1		
7	AR26930	CLAMP	1		
8	19H1732	CAP SCREW	1		3/8" X 1-1/4"
9	14H1076	NUT	1		3/8"

1C7

FUEL AND AIR

L58661 -UN-01JAN94

EXHAUST MANIFOLD



L 58661

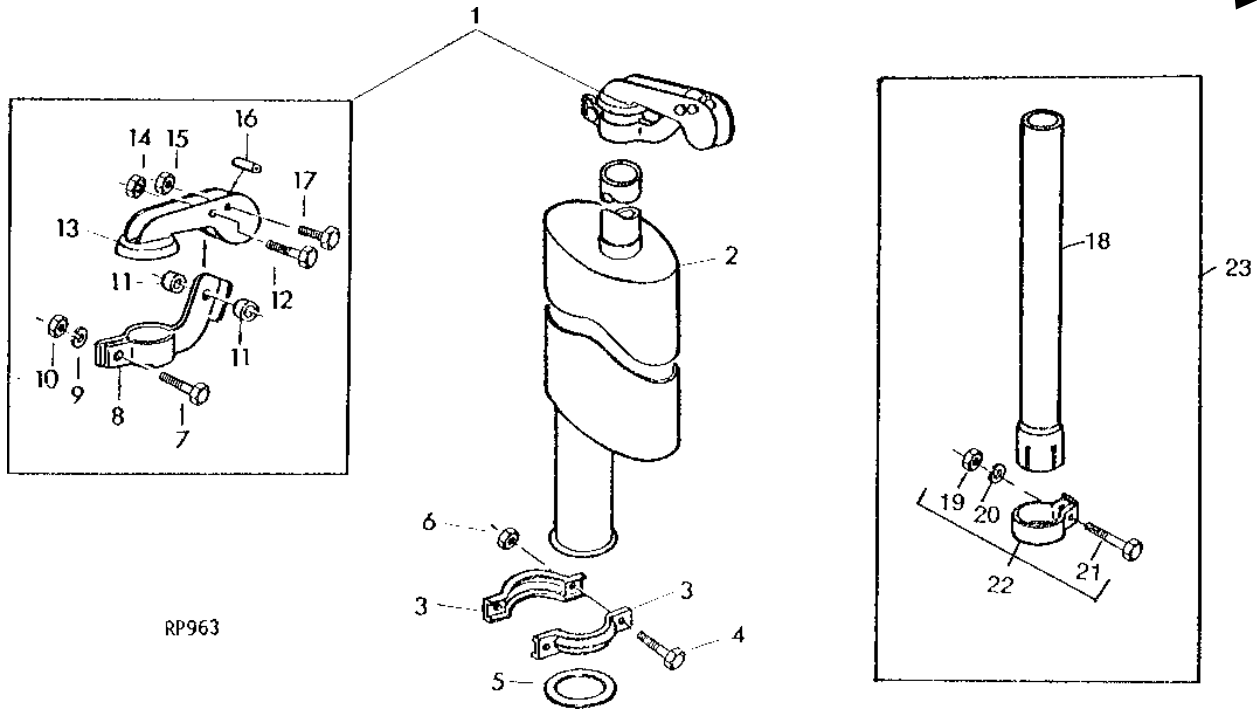
KEY	PART NO.	PART NAME	QTY	ENGINE SERIAL NO.	REMARKS
1	T20141	SEAL	1		
2	T20252	EXHAUST MANIFOLD	1		(VERTICAL MUFFLER)
3	T20006	GASKET	3		(PKG OF 4) (SUB R90658)
4	24M7106	WASHER	6		10 X 18 X 2.500 MM
5	19H1732	CAP SCREW	6		3/8" X 1-1/4"
6	T20257	EXHAUST MANIFOLD	1		(HORIZONTAL MUFFLER)
7	19H1801	CAP SCREW	2		3/8" X 2"
8	12H304	LOCK WASHER	2		3/8"
9	14H1076	NUT	2		3/8"
10	51M4282	RING	1		38 X 44 X 2.5MM, (SUB 51M4249)
11	AT20154	EXHAUST PIPE	1		

1C8

FUEL AND AIR

RP963 -UN-01JAN94

VERTICAL MUFFLER



RP963

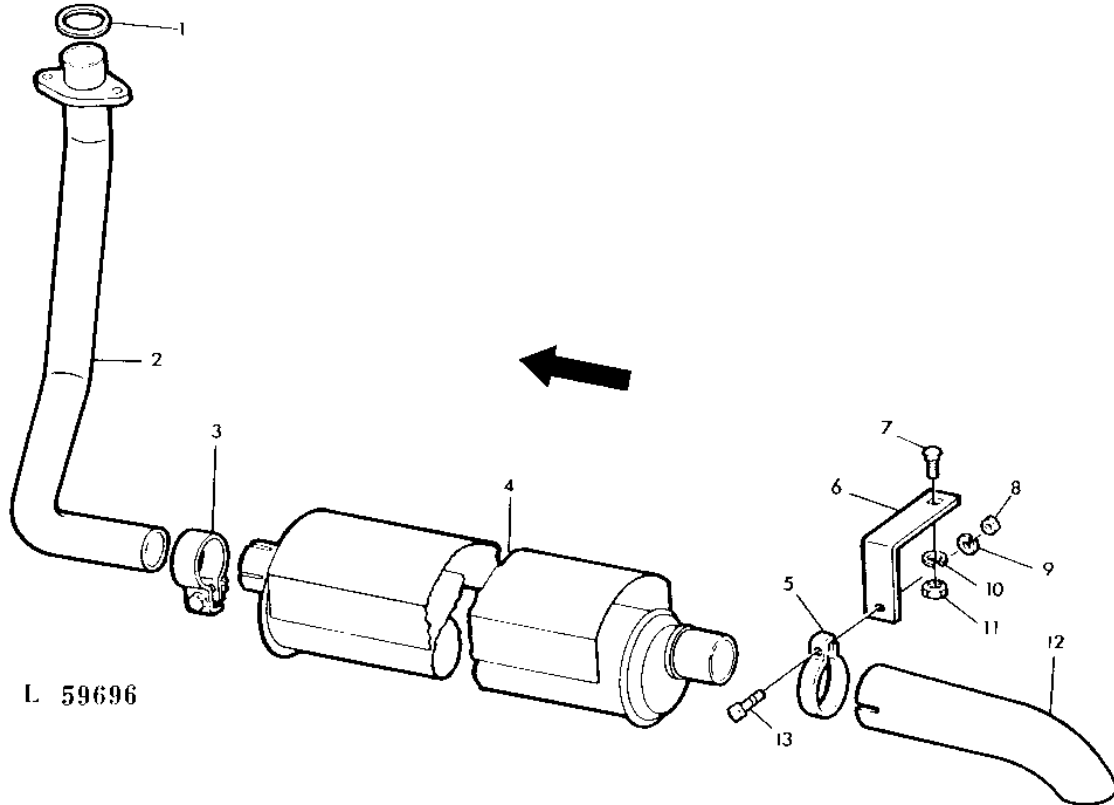
KEY	PART NO.	PART NAME	QTY	TRACTOR SERIAL NO.	REMARKS
1	AT10611	EXHAUST CAP	1	-XXXXXX	(SUB AR56782)
	AR56782	EXHAUST CAP	1	XXXXXX-	
2	AT21689	MUFFLER	1		
	AT29432	MUFFLER	1		(SWEDEN)
3	AT63813	HALF CLAMP	2		(SUB T19978)
4	19H1906	CAP SCREW	2		5/16" X 1-1/2"
5	T20141	SEAL	1		
6	14H785	NUT	2		5/16"
	12H303	LOCK WASHER	2		5/16"
7	19M7407	CAP SCREW	1		M8 X 25
8	AL18236	RETAINER	1		(SUB AR56782)
9	12M7016	LOCK WASHER	1		M8
10	14M6825	NUT	1		M8
11	L24921	SPACER	2		
12	19M7177	CAP SCREW	1		M6 X 35
13	AL18047	EXHAUST CAP	1		
14	L48705	LOCK NUT	1		
15	14M7297	NUT	1		M5, (SUB FOR L48704)
16	L24922	BUSHING	1		
17	19M7176	CAP SCREW	1		M5 X 35
18	R38358	EXHAUST PIPE	1		
19	14H785	NUT	1		5/16"
20	12H303	LOCK WASHER	1		5/16"
21	19H1849	CAP SCREW	1		5/16" X 1-1/4"
22	AR38398	CLAMP	1		
23	AR38397	MUFFLER EXTENSION	1		(WITH CANOPY)

1C9

FUEL AND AIR

HORIZONTAL MUFFLER

L59696 -UN-01JAN94



L 59696

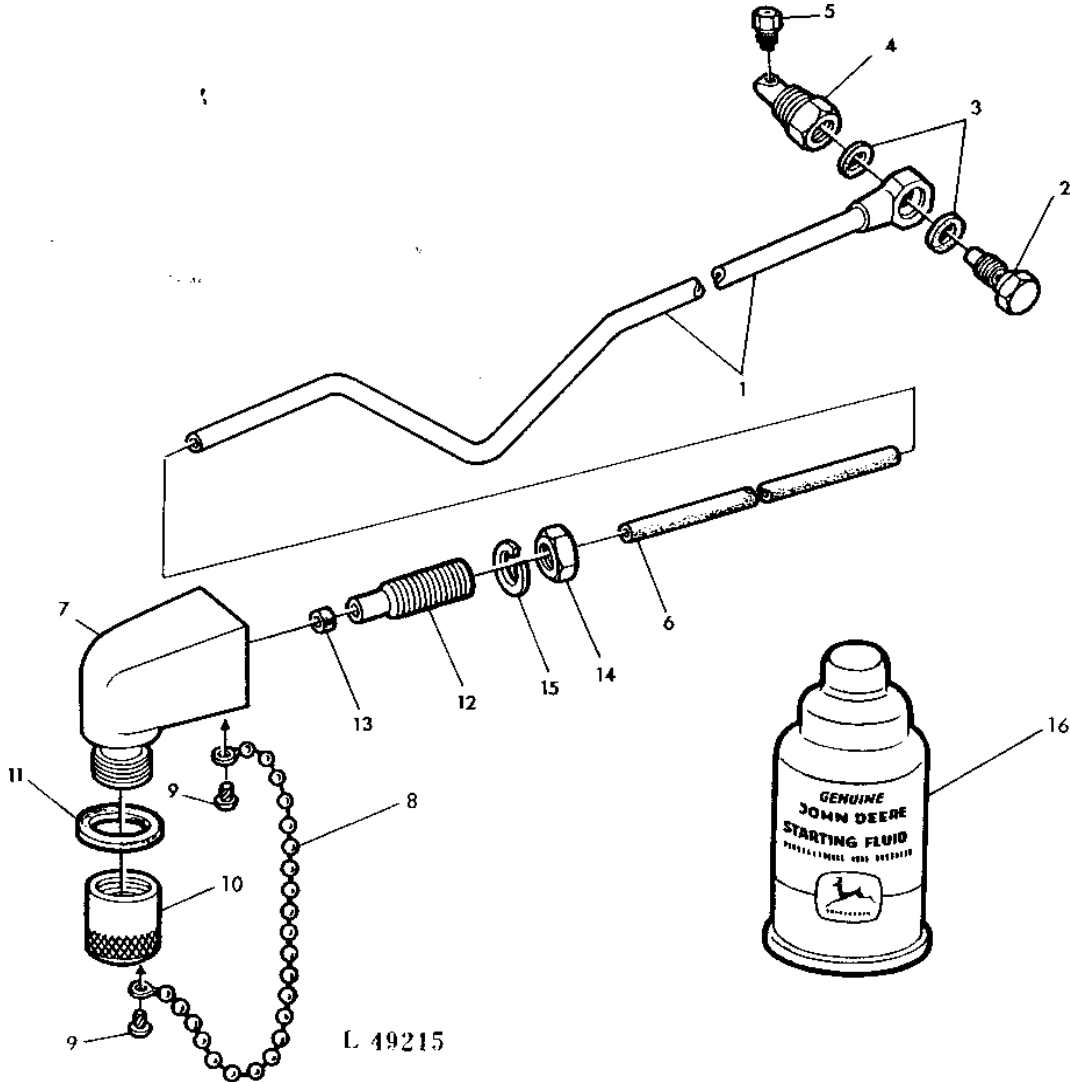
KEY	PART NO.	PART NAME	QTY	TRACTOR SERIAL NO.	REMARKS
1	R47728	RING	1	047380-075874	
	51M6230	RING	1	047380-075874	45.30 X 51.90 X 2MM
	51M4282	RING	1	075875-	(SUB 51M4249)
2	AT20154	EXHAUST PIPE	1	-047379	
	AR50559	PIPE	1	047380-075874	(SUB AT20154 AND 51M4249)
	AT20154	EXHAUST PIPE	1	075875-	
3	AR26928	CLAMP	1		
4	AT21795	MUFFLER	1		
5	M3119T	CLAMP	1		
6	T24844	ANGLE	1		
7	03H1765	BOLT	1		3/8" X 3/4"
8	14H785	NUT	1		5/16"
9	12H303	LOCK WASHER	1		5/16"
10	12H304	LOCK WASHER	1		3/8"
11	14H1076	NUT	1		3/8"
12	R48634	EXHAUST PIPE	1		(SUB FOR T24748)
13	19H1849	CAP SCREW	1		5/16" X 1-1/4"

1C10

FUEL AND AIR

COLD WEATHER STARTING AID

L49215 -UN-01JAN94



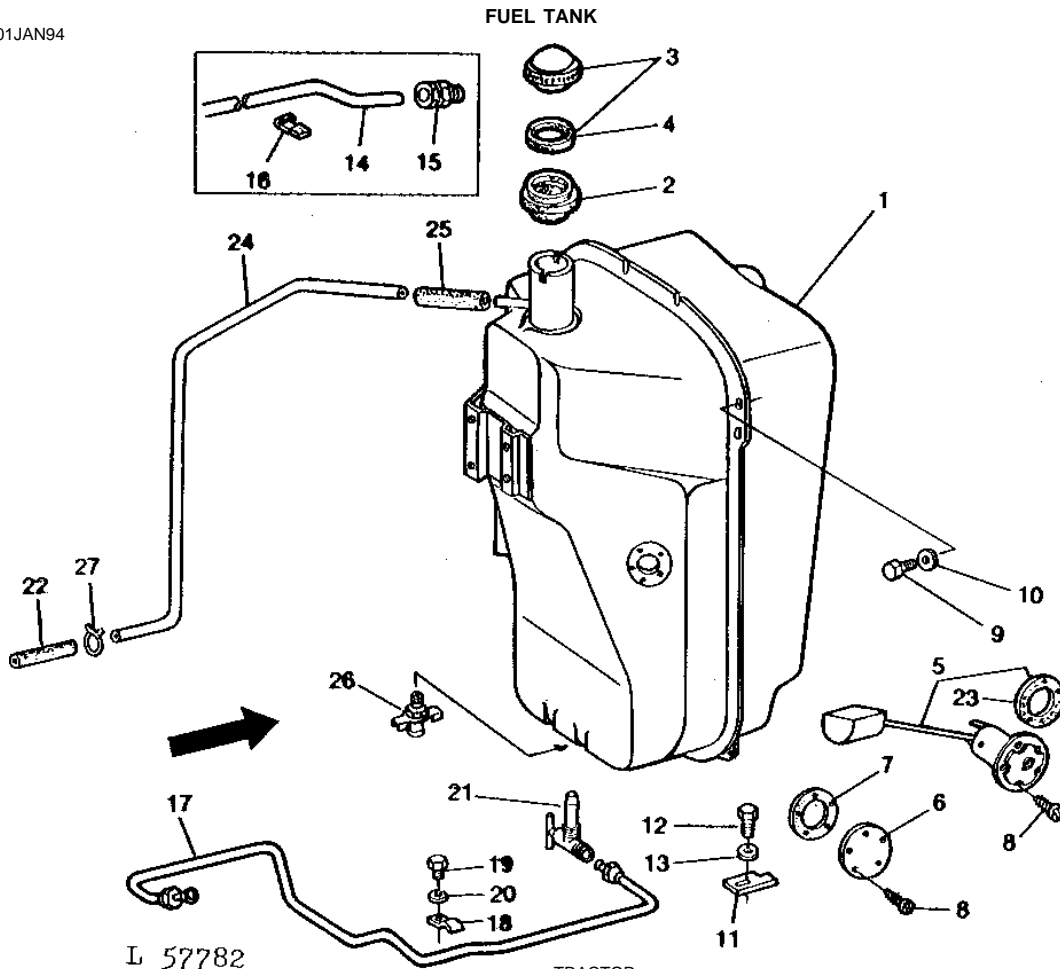
KEY	PART NO.	PART NAME	QTY	TRACTOR SERIAL NO.	REMARKS
1	AT20748	LINE	1		(SUB AT25265, T27256, T78593 AND (6) R44302)
2	R26726	FITTING	1		
3	T11292	WASHER	2		
4	R28584	FITTING	1		
5	R28583	NOZZLE	1		
6	HOSE	1		635MM (25") (MAKE FROM T79479) (SUB FOR T32029 OR T64421)
7	T22534	ADAPTER	1		
8	AR27940	LINK CHAIN	1		
9	37H44	SCREW	2		0.151" X 3/8"
10	R32306	CAP	1		
11	R26149	PACKING	1		
12	R34395	ADAPTER	1		
13	R34394	WASHER	1		
14	14H809	NUT	1		1/2"
15	12H301	LOCK WASHER	1		1/2"
16	RE30174	STARTING FLUID	1		(SUB FOR AR27814 OR RE24561)

MEMORANDA

1C11

FUEL AND AIR

L57782 -UN-01JAN94



L 57782

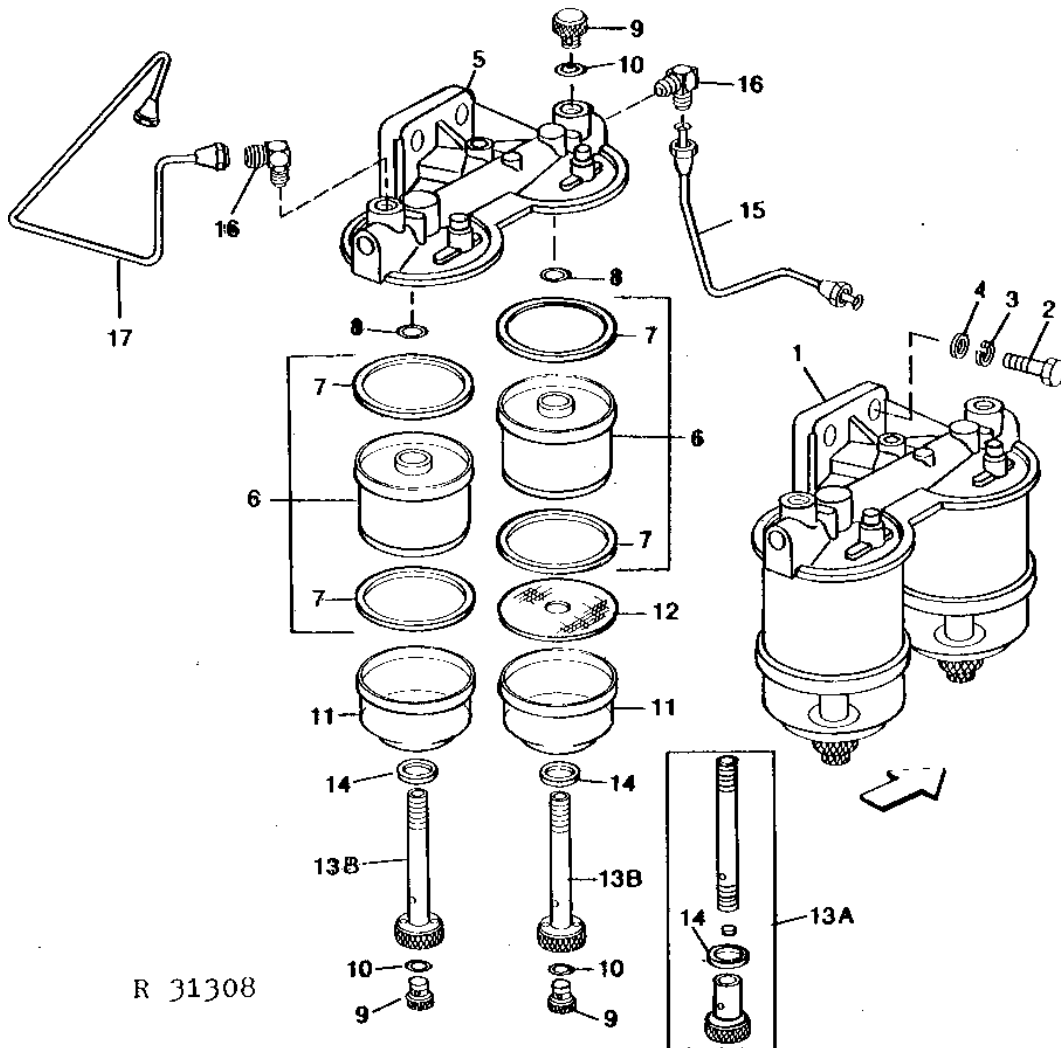
KEY	PART NO.	PART NAME	QTY	TRACTOR SERIAL NO.	REMARKS
1	AT31633	FUEL TANK	1	-XXXXXX	(SUB AR72910)
	AL24219	FUEL TANK	1	XXXXXX-	(SUB AR72910)
2	R39613	GROMMET	1		
3	AT20911	FILLER CAP	1		
4	R39615	WASHER	1		
5	AL18156	SENDER	1	-043164	
	AT31619	FLOAT	1	043165-	
6	F2506R	COVER	1		
7	R27181	GASKET	1		
8	37H95	SCREW	5		NO. 8 X 12
9	19H1936	CAP SCREW	4		3/8" X 3/4"
10	24H1305	WASHER	4		13/32" X 13/16" X 0.065"
11	T33232	STOP	2		(SUB FOR T21859)
12	19H1815	CAP SCREW	2		1/2" X 1-1/4"
13	24H1341	WASHER	2		17/32" X 15/16" X 0.060"
14	T25757	FUEL LINE	1	-XXXXXX	
15	AT22089	FITTING	1	-XXXXXX	
16	R21551	CLIP	1	-XXXXXX	(SUB FOR T15737)
17	AT48214	FUEL LINE	1		(SUB FOR AT19983)
18	A4881R	CLIP	1		
19	19H2038	CAP SCREW	1		3/8" X 1/2"
20	12H304	LOCK WASHER	1		3/8"
21	R34656	SHUT-OFF VALVE	1		
22	HOSE	1		6 X 38MM (1/4" X 1-1/2") (MAKE FROM R68281)
23	L29265	GASKET	1		
24	L29396	FUEL LINE	1	XXXXXX-	
25	HOSE	1	XXXXXX-	6 X 44MM (1/4" X 1-3/4") (MAKE FROM R68281)
26	AT13740	DRAIN VALVE	1	XXXXXX-	
27	R34766	CLAMP	1		
..	R68281	BULK HOSE	1		127MM (5") (SUB FOR AT32064)

1C12

FUEL AND AIR

DUAL-STAGE FUEL FILTER
(ROTO DIESEL)
(ENGINE SERIAL NO. -129451)

R31308 -UN-01JAN94



1C13

FUEL AND AIR

DUAL-STAGE FUEL FILTER - CONTINUED
(ROTO DIESEL)
(ENGINE SERIAL NO. -129451)

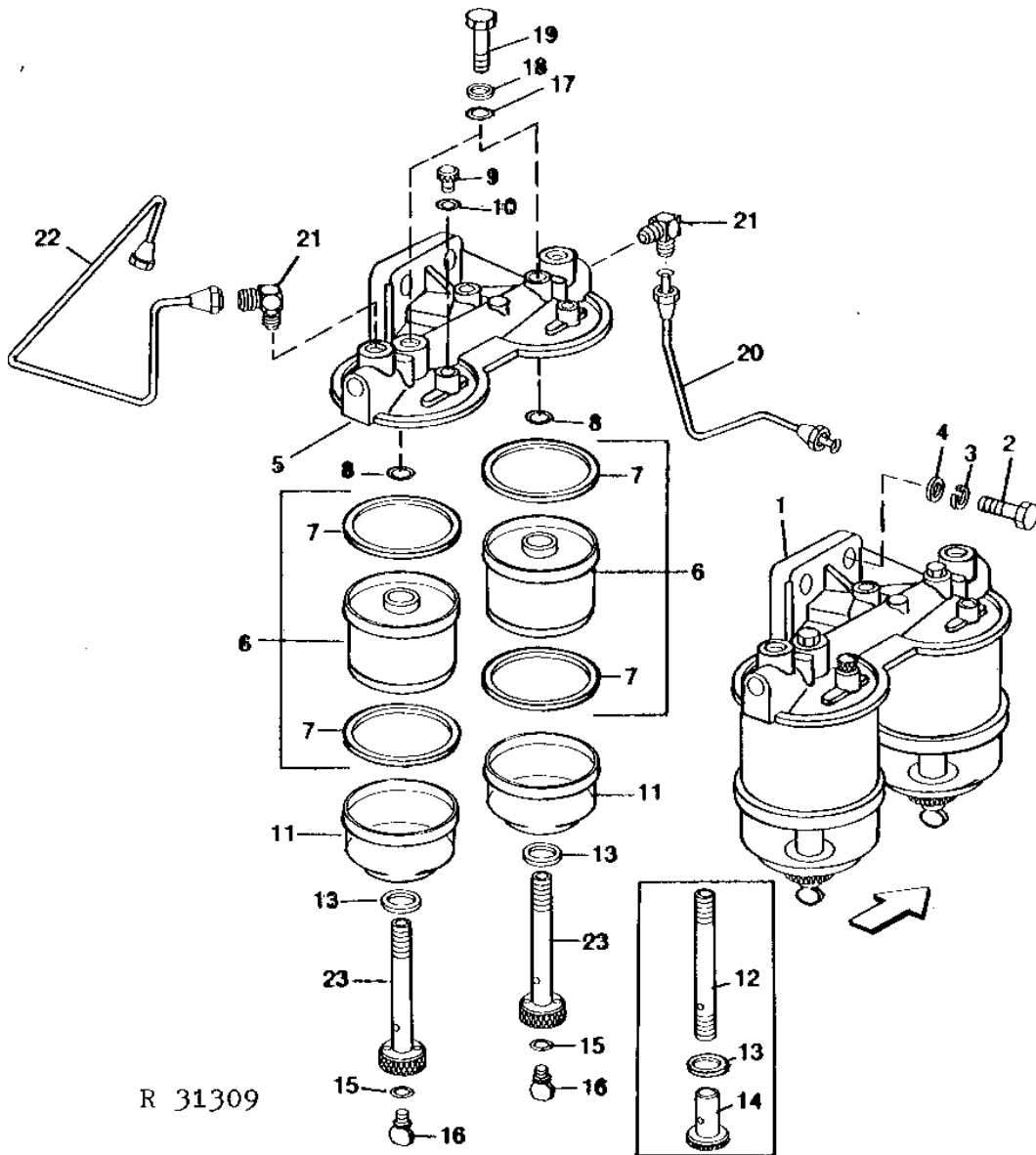
KEY	PART NO.	PART NAME	QTY	ENGINE SERIAL NO.	REMARKS
1	AT22900	FUEL FILTER	1		(SUB AR66294)
2	19H1732	CAP SCREW	2		3/8" X 1-1/4"
3	12H304	LOCK WASHER	2		3/8"
4	24M7096	WASHER	2		10.500 X 18 X 1.600 MM
5	AT17389	COVER	1		
6	AT17387	FILTER ELEMENT	2		
7	R64374	WASHER	4		(SUB FOR T19114)
8	R459R	O-RING	2		(SUB FOR T19118)
9	R34446	DRAIN PLUG	4		(SUB FOR T25817)
10	T25818	WASHER	4		
11	R56434	SEDIMENT BOWL	2		(SUB FOR T25819)
12	T25821	SCREEN	1		
13A	AT23751	HOLLOW SCREW	2	-XXXXXX	
13B	T32365	HOLLOW SCREW	2		
14	T25820	WASHER	2	-XXXXXX	
15	AT18168	FUEL LINE	1		
16	T30738	ELBOW FITTING	3		(SUB FOR AR26674)
	T13201	ELBOW FITTING	1		(USE WITH AT29390 OR AT29736)
17	AR50895	FUEL LINE	1		(SUB FOR AT18144) (USE WITH AT28225)
	AT23054	FUEL LINE	1		(USE WITH AT29390 OR AT29736)

1C14

FUEL AND AIR

DUAL-STAGE FUEL FILTER
(ROTO DIESEL)
(ENGINE SERIAL NO. 129452-173884)

R31309 -UN-01JAN94



R 31309

1C15

FUEL AND AIR

DUAL-STAGE FUEL FILTER - CONTINUED
(ROTO DIESEL)
(ENGINE SERIAL NO. 129452-173884)

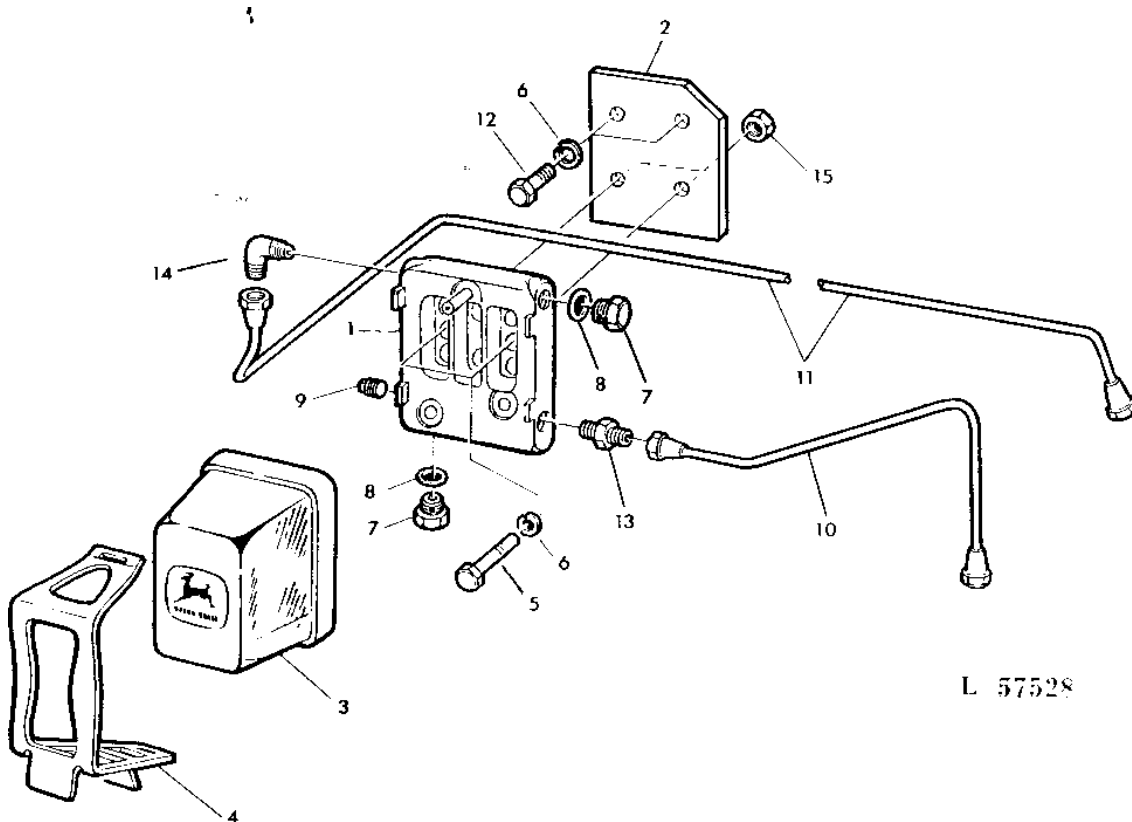
KEY	PART NO.	PART NAME	QTY	ENGINE SERIAL NO.	REMARKS
1	AT17379	FUEL FILTER	1		(SUB AR66294)
2	19H1732	CAP SCREW	2		3/8" X 1-1/4"
3	12H304	LOCK WASHER	2		3/8"
4	24M7096	WASHER	2		10.500 X 18 X 1.600 MM
5	AR67009	FILTER HEAD	1		
6	AT17387	FILTER ELEMENT	2		
7	R64374	WASHER	4		(SUB FOR T19114)
8	R459R	O-RING	2		
9	R34446	DRAIN PLUG	4		(SUB FOR T25817)
10	T25818	WASHER	4		
11	R56434	SEDIMENT BOWL	2		
12	R56437	STUD	2	-XXXXXX	
13	T25820	WASHER	2	-XXXXXX	
14	R56436	HOLLOW SCREW	2	-XXXXXX	
15	CD13191	WASHER	2		
16	R56435	BOLT	2		
17	T24647	O-RING	2		
18	R56438	WASHER	2		
19	CD13188	CAP SCREW	2		
20	AT18168	FUEL LINE	1		
21	T30738	ELBOW FITTING	2		90°
22	AT21643	FUEL LINE	1		
23	T32365	HOLLOW SCREW	2		

1C16

FUEL AND AIR

FUEL FILTER AND FUEL LINES (ENGINE SERIAL NO. 173885-)

L57528 -UN-01JAN94



L 57528

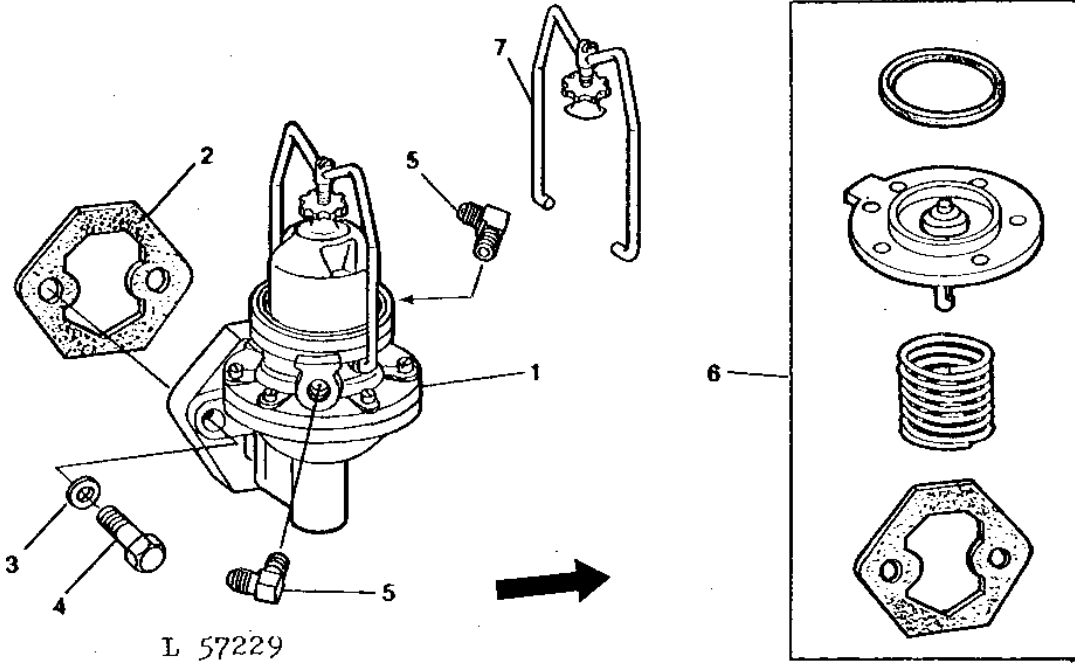
KEY	PART NO.	PART NAME	QTY	ENGINE SERIAL NO.	REMARKS
1	AR50040	HOUSING	1		
2	R54998	BRACKET	1		
3	AR50041	FUEL FILTER	1		
4	R66821	CLAMP	1		(SUB FOR R57258)
5	19H1731	CAP SCREW	2		3/8" X 1"
6	12H304	LOCK WASHER	4		3/8"
7	R48071	DRAIN PLUG	2		
8	R26287	O-RING	2		
9	15H558	PIPE PLUG	1		1/8"
10	AR63653	FUEL LINE	1		
11	AR67091	FUEL LINE	1		
12	19H2284	CAP SCREW	2		3/8" X 7/8"
13	R27346	FITTING	1		
14	T30738	ELBOW FITTING	1		
15	14H1076	NUT	2		3/8"

1C17

FUEL AND AIR

L57229 -UN-01JAN94

FUEL PUMP



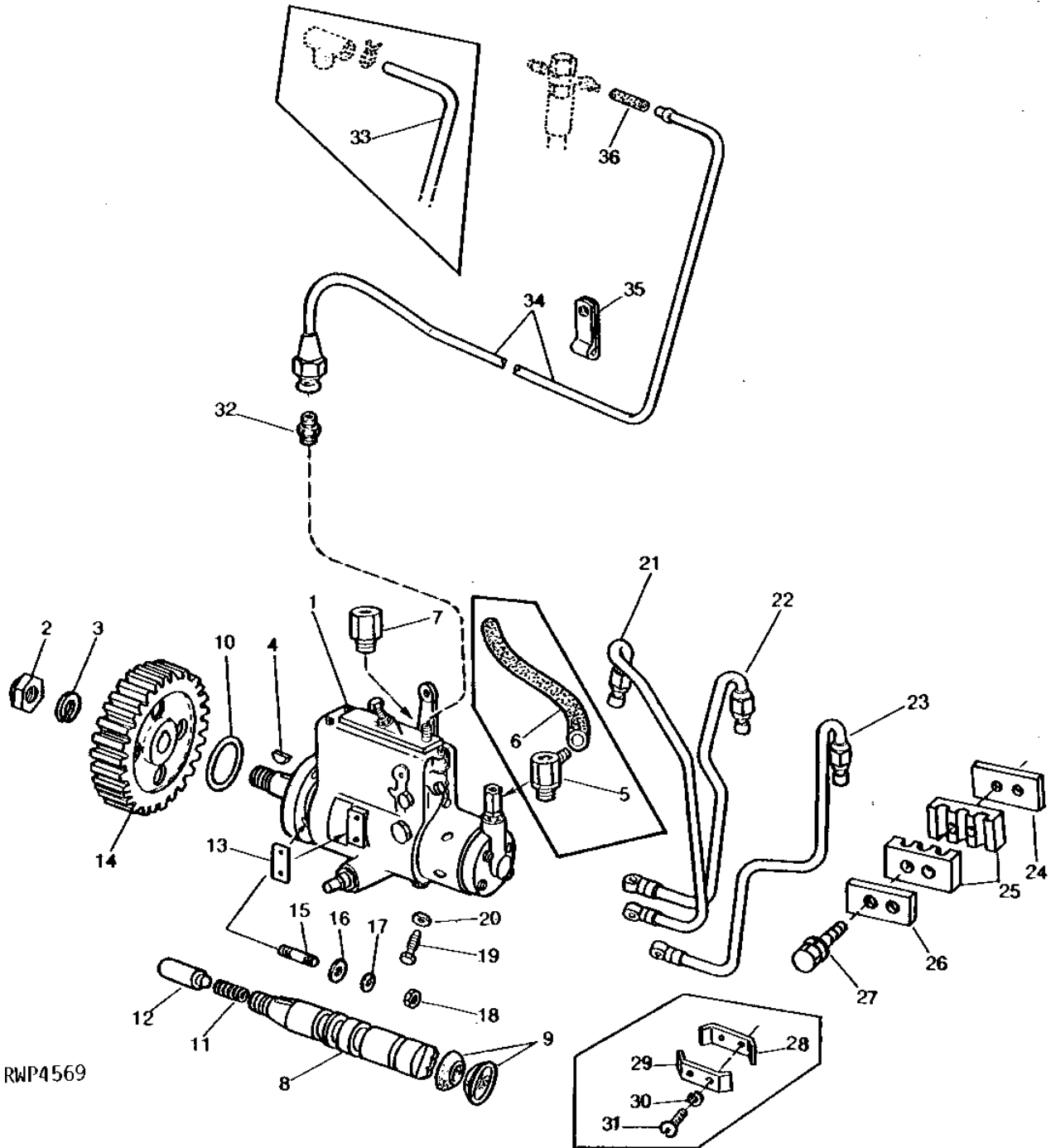
KEY	PART NO.	PART NAME	QTY	ENGINE SERIAL NO.	REMARKS
1	AR55730	FUEL PUMP	1		
2	R27285	GASKET	1		
3	R20498	WASHER	2		
4	19H1849	CAP SCREW	2	5/16" X 1-1/4"	
5	T30738	ELBOW FITTING	2		
6	AR60559	KIT	1	(SUB RE13517)	
7	AT10638	BAIL	1		

1C18

FUEL AND AIR

FUEL INJECTION PUMP
(ROOSA-MASTER)
(ENGINE SERIAL NO. -047752)
(ENGINE SERIAL NO. 082143-)

RWP4569 -UN-01JAN94



RWP4569

1C19

FUEL AND AIR

FUEL INJECTION PUMP - CONTINUED
(ROOSA-MASTER)
(ENGINE SERIAL NO. -047752)
(ENGINE SERIAL NO. 082143-)

KEY	PART NO.	PART NAME	QTY	ENGINE SERIAL NO.	REMARKS
1	AR70143	FUEL PUMP	1	-047752	(SUB FOR AT28225)
2	AR50901	FUEL INJECTION PUMP	1	082143-	COMPLETE
	14H832	NUT	1		9/16"
3	12H317	LOCK WASHER	1		9/16"
4	26H10	SHAFT KEY	1		5/32" X 5/8"
5	AT16553	FITTING	NA	-047752	
6	T18379	HOSE	NA	-047752	
7	AT16555	FITTING	NA	-082142	
8	R36538	DRIVE SHAFT	NA		
9	T11290	SEAL	2		
10	T19854	O-RING	1		
11	R36540	SPRING	1		
12	T19855	PIN	1		
13	T11883	GASKET	1		
14	T20165	GEAR	1		(48 TEETH)
15	T20052	STUD	2		
16	24M7096	WASHER	2		10.500 X 18 X 1.600 MM
17	12H304	LOCK WASHER	2		3/8"
18	14H1076	NUT	2		3/8"
19	R26726	FITTING	3		
20	T20055	WASHER	6		
21	AT18065	FUEL LINE	1		
22	AT18099	FUEL LINE	1		
23	AT18111	FUEL LINE	1		
24	R61145	STRAP	1	XXXXXX-	
25	R59297	HALF CLAMP	1	XXXXXX-	(SUB FOR T23460, T23461 OR AR62194) (SUB R59297, R59298, R61145 AND (2) AR76704)
26	R59298	STRAP	1	XXXXXX-	
27	AR76704	SCREW	2	XXXXXX-	
28	T23461	HALF CLAMP	1	-XXXXXX	(SUB (2) R59297, R59298, R61145 AND (2) AR76704)
29	T23460	HALF CLAMP	1	-XXXXXX	(SUB (2) R59297, R59298, R61145 AND (2) AR76704)
30	12H246	LOCK WASHER	2	-XXXXXX	0.190"
31	21H1162	SCREW	2	-XXXXXX	0.190" X 5/8"
32	R35352	FITTING	1		
33	AT20284	FUEL LINE	1	-056779	
34	AT27615	FUEL LINE	1	056780-	
35	T29969	CLAMP	1	082143-	(SUB FOR R47281)
36	HOSE	1	056780-	13 X 38MM (1/2" X 1-1/2") (MAKE FROM AT32064)

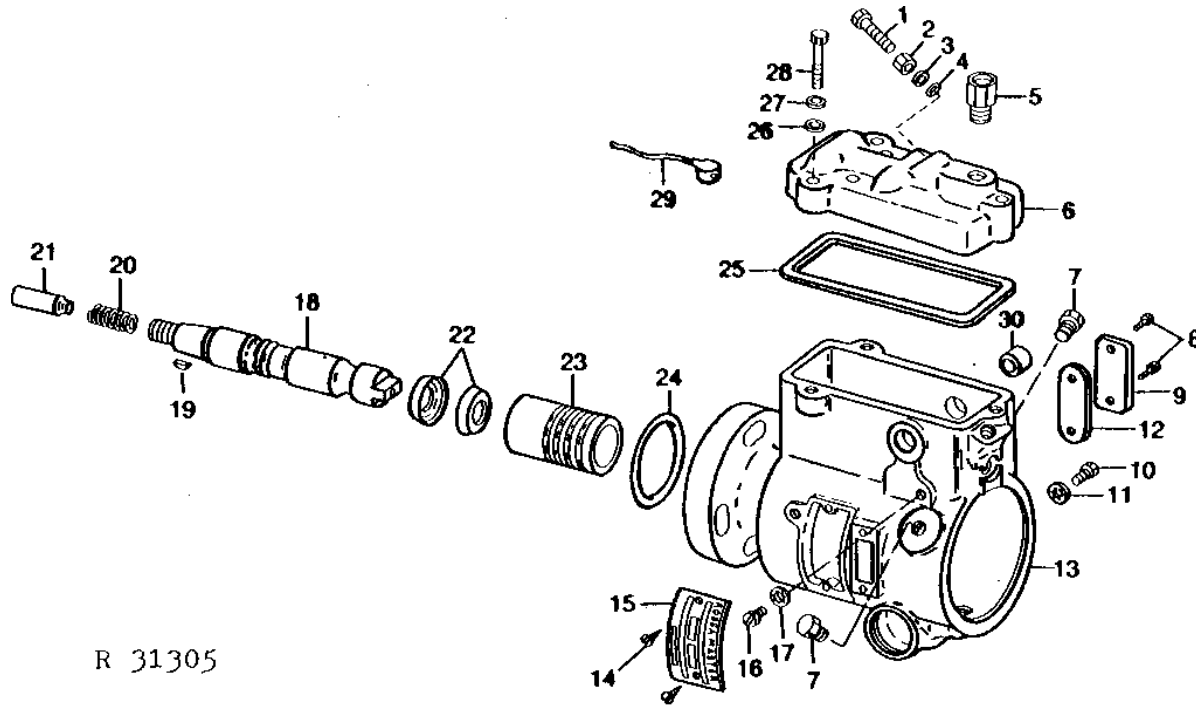
NOTE: SEE YOUR AUTHORIZED PUMP REPAIR STATION FOR INTERNAL PARTS NOT AVAILABLE (NA)

1C20

FUEL AND AIR

FUEL INJECTION PUMP HOUSING AND DRIVE
(ROOSA-MASTER)
(ENGINE SERIAL NO. -047752)
(ENGINE SERIAL NO. 082143-)

R31305 -UN-01JAN94



R 31305

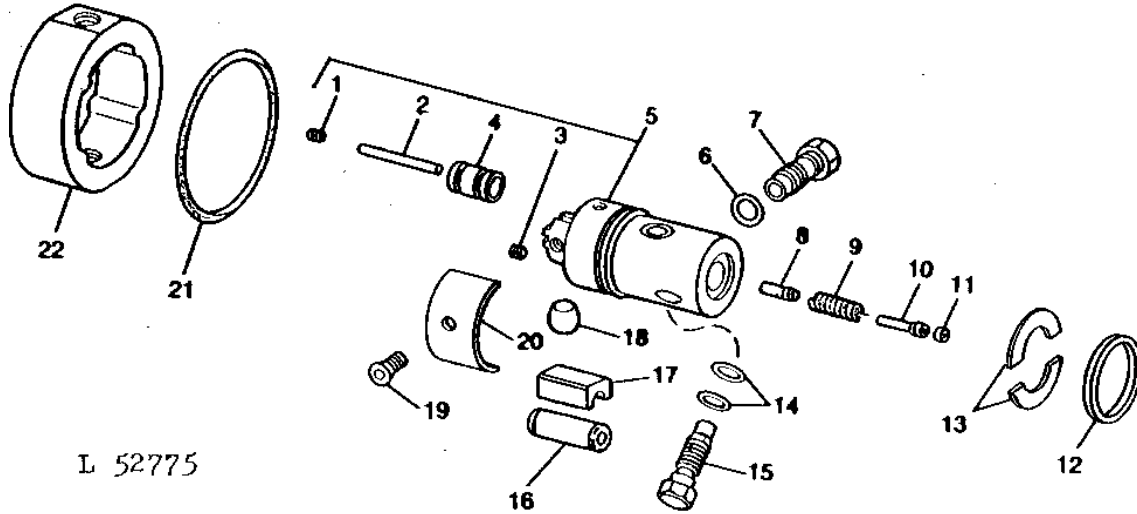
KEY	PART NO.	PART NAME	QTY	ENGINE SERIAL NO.	REMARKS
1	T17953	CAP SCREW	1		
2	T11921	NUT	1		
3	T17947	WASHER	1		
4	R34812	O-RING	1		(SUB FOR T17951 AND T11906)
5	R36535	CHECK VALVE	1		
6	R37139	COVER	NA		
7	R30714	BOLT	NA		
8	T11884	SCREW	4		
9	T11882	COVER	2		
10	T11930	SCREW	NA		
11	T11878	WASHER	1		
12	T11883	GASKET	2		
13	AR67675	HOUSING	NA		
14	T11876	SCREW	NA		
15	T11875	IDENTIFICATION PLATE	NA		
16	T11930	SCREW	NA		
17	T11878	WASHER	1		
18	R36538	DRIVE SHAFT	NA		
19	26H10	SHAFT KEY	1		5/32" X 5/8"
20	R36540	SPRING	1		
21	T19855	PIN	1		
22	T11290	SEAL	2		
23	T19865	BUSHING	NA		
24	T19854	O-RING	1		
25	T11918	GASKET	1		
26	T15715	WASHER	3		
27	12M7060	WASHER	3		0.209"
28	T15721	SCREW	1		
	R71851	SCREW	2		
29	T11877	WIRE	NA		
30	R48493	BUSHING	NA		
..	AR50901	FUEL INJECTION PUMP	1		COMPLETE

1C21

FUEL AND AIR

FUEL INJECTION PUMP HEAD AND ROTOR
(ROOSA-MASTER)
(ENGINE SERIAL NO. -047752)
(ENGINE SERIAL NO. 082143-)

L52775 -UN-01JAN94



L 52775

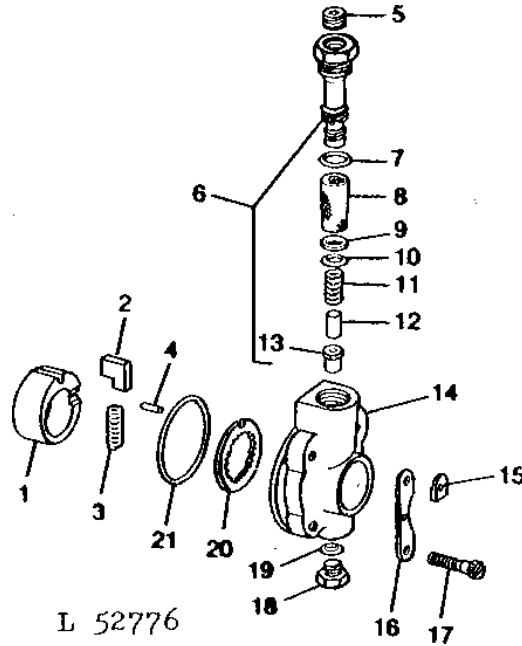
KEY	PART NO.	PART NAME	QTY	ENGINE SERIAL NO.	REMARKS
1	R30725	SCREW	NA		
2	R30727	RETAINER	NA		
3	T11926	SET SCREW	NA		
4	R48495	WIRE	NA		
5	AR64078	HYDRAULIC HEAD, AND ROTOR	NA		(SUB FOR AR51816)
6	T24435	SCREW	NA		
7	T20055	WASHER	3		
8	T19856	VALVE	NA		
	T19857	VALVE	NA		(OVERSIZE)
9	R30735	SPRING	NA		
10	T26223	STOP	NA		
11	R30737	SCREW	NA		
12	T11889	SNAP RING	NA		
13	T11890	RETAINER	NA		
14	T20055	WASHER	12		
15	R26726	FITTING	6		
16	T11886	NEEDLE ROLLER	NA		
	R56483	SHOE	NA		(SUB FOR T11885)
18	R30728	PLUNGER	NA		ROTOR (A)
	R30729	PLUNGER	NA		ROTOR (B)
	R30730	PLUNGER	NA		ROTOR (C)
	R30731	PLUNGER	NA		ROTOR (D)
19	T11887	SCREW	NA		
20	T11888	LEAF SPRING	NA		
21	T11891	O-RING	NA		
22	R48494	RING	1		
..	AR50901	FUEL INJECTION PUMP	1		COMPLETE

1C22

FUEL AND AIR

FUEL INJECTION PUMP TRANSFER
(ROOSA-MASTER)
(ENGINE SERIAL NO. -047752)
(ENGINE SERIAL NO. 082143-)

L52776 -UN-01JAN94



L 52776

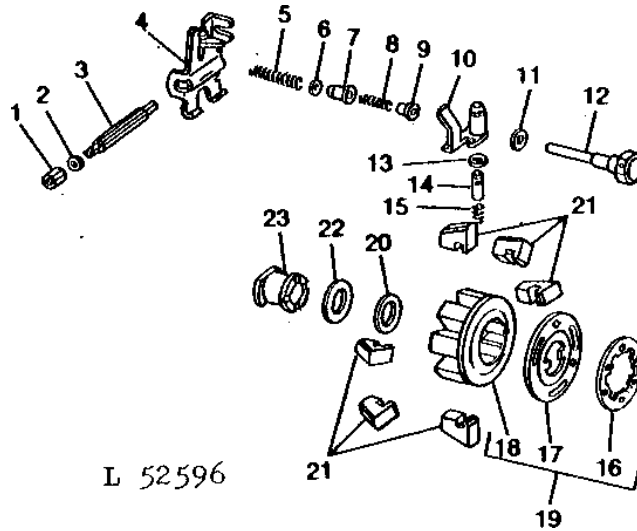
KEY	PART NO.	PART NAME	QTY	ENGINE SERIAL NO.	REMARKS
1	T26238	SLEEVE	NA		
2	AR73828	KIT	NA		BLADE (STANDARD) (INCLUDES (2) R34630)
	AR73829	KIT	NA		BLADE (OVERSIZE) (RED) (INCLUDES (2) R34630)
3	R34630	SPRING	NA		
4	34H240	SPRING PIN	1		1/8" X 1/4", (SUB FOR R34638)
5	R34623	PLUG	NA		
6	AT25959	SLEEVE	NA		(SUB RE21439)
	RE21439	SLEEVE	NA		
7	T11934	O-RING	1		
8	R34625	STRAINER	NA		
9	R34632	WASHER	NA		
10	T11899	O-RING	1		
11	R49209	SPRING	NA		(SUB FOR R34627) (RED AND GREEN)
12	T11900	DOWEL PIN	NA		
13	T25142	SEAL	NA		(SUB R42439)
14	R34624	PLATE	NA		
15	R48496	CLIP	NA		
16	R48497	STRAP	NA		
17	R48498	BOLT	NA		
18	T30607	DRAIN PLUG	NA		
19	T26256	O-RING	1		
20	R34631	PLATE	NA		
21	T11894	O-RING	NA		
..	AR50901	FUEL INJECTION PUMP	1		

1C23

FUEL AND AIR

**FUEL INJECTION PUMP GOVERNOR
(ROOSA-MASTER)
(ENGINE SERIAL NO. -047752)
(ENGINE SERIAL NO. 082143-)**

L52596 -UN-01JAN94



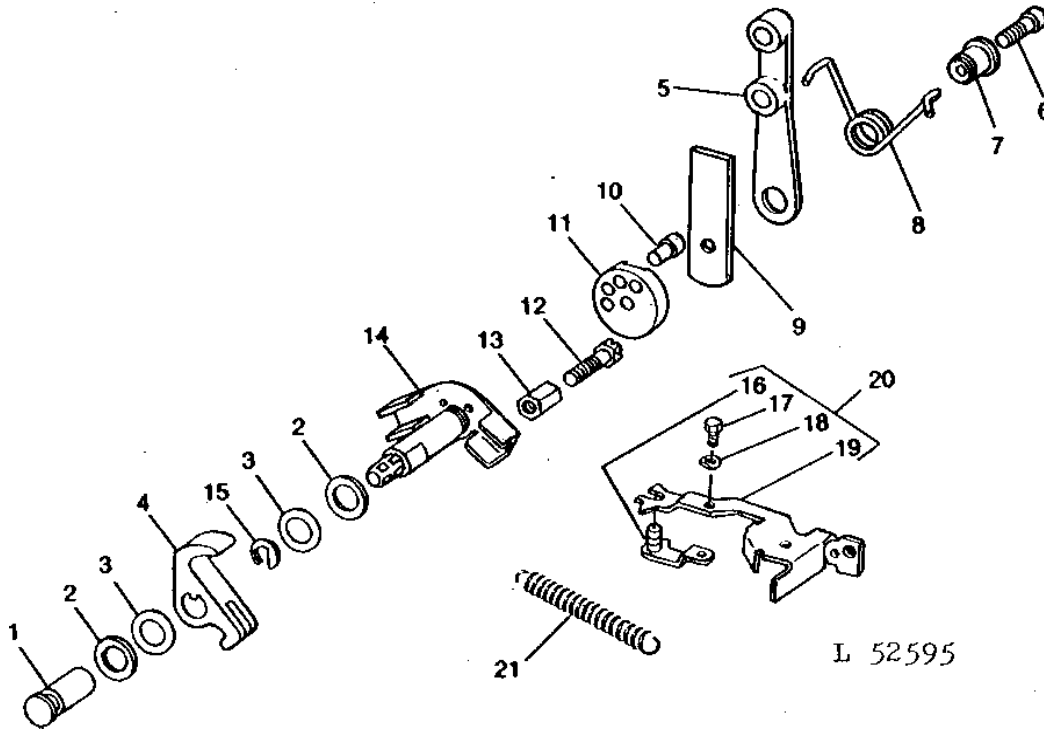
KEY	PART NO.	PART NAME	QTY	ENGINE SERIAL NO.	REMARKS
1	T11932	NUT	NA		
2	R34812	O-RING	2		(SUB FOR T11906)
3	T11925	SHAFT	NA		
4	T16602	ARM	NA		
5	T15700	SPRING	NA		(RED AND YELLOW)
6	T17952	WASHER	NA		
7	T11924	RETAINER	NA		
8	T11913	SPRING	NA		
9	T11914	GUIDE	NA		
10	R74312	ARM	NA		
11	T11943	WASHER	NA		
12	T11923	STUD	NA		
13	R30732	SHIM	NA		
14	R48500	VALVE	NA		(SUB AR91548)
15	R58422	SPRING	NA		(SUB FOR T11907)
16	R42483	RING	NA		
17	AR63213	HUB	NA		
18	AR63212	RETAINER	NA		
19	AR51960	RETAINER	NA		
20	T11931	RING	NA		
21	T11910	WEIGHT	NA		
22	T11909	WASHER	NA		
23	T16601	SLEEVE	NA		(SUB R74472)
..	AR50901	FUEL INJECTION PUMP	1		

1C24

FUEL AND AIR

FUEL INJECTION PUMP LINKAGE
(ROOSA-MASTER)
(ENGINE SERIAL NO. -047752)
(ENGINE SERIAL NO. 082143-)

L52595 -UN-01JAN94



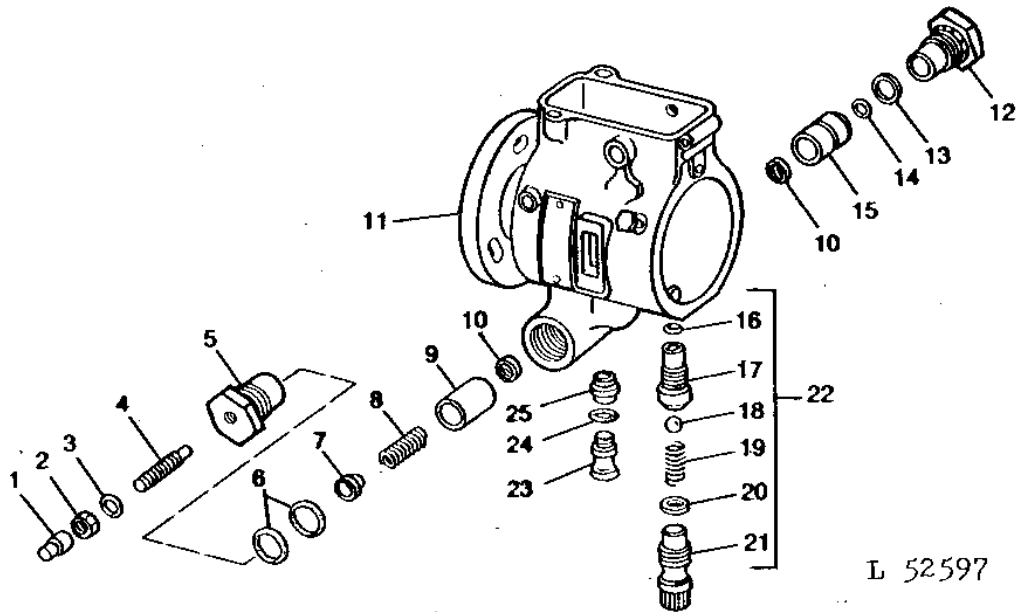
KEY	PART NO.	PART NAME	QTY	ENGINE SERIAL NO.	REMARKS
1	R59079	SHAFT	NA		(SUB FOR T17946, THIS APPLICATION)
2	T15720	WASHER	NA		
3	T11915	O-RING	1		
4	T11927	LEVER	NA		
5	T19858	LEVER	1		
6	R70513	SCREW	1		
7	T17950	RETAINER	1		
8	T17949	SPRING	1		
9	T19860	STRAP	1		
10	T11917	SCREW	1		
11	T19861	SPACER	1		
12	T11920	SCREW	NA		
13	T19862	NUT	NA		
14	R36542	SHAFT	NA		
15	T11929	CLIP	NA		
16	AR28602	LINK	NA		
17	R30718	SCREW	NA		
18	R30719	LOCK WASHER	NA		
19	T15699	HOOK	NA		
20	AT11520	HOOK	NA		
21	T11911	SPRING	NA		
..	AR50901	FUEL INJECTION PUMP	1		

1C25

FUEL AND AIR

FUEL INJECTION PUMP AUTOMATIC ADVANCE
(ROOSA-MASTER)
(ENGINE SERIAL NO. -047752)
(ENGINE SERIAL NO. 082143-)

L52597 -UN-01JAN94



KEY	PART NO.	PART NAME	QTY	ENGINE SERIAL NO.	REMARKS
1	T17117	CAP	NA		
2	T17122	NUT	NA		
3	T11915	O-RING	2		
4	T17123	SET SCREW	NA		
5	T17126	PLUG	NA		
6	T15710	O-RING	4		
7	T17125	GUIDE	NA		
8	R49238	SPRING	NA	(SUB FOR T24413)	
9	R70315	PISTON	NA		
10	T15705	WASHER	NA		
11	AR67675	HOUSING	NA		
12	R74310	PLUG	NA	(SUB FOR T15707 OR R49212)	
13	R49211	WASHER	NA	(SUB FOR R36651)	
14	R34635	WASHER	NA		
15	R34824	PISTON	NA		
16	T11899	O-RING	2		
17	R48604	PLUG	NA	(SUB AR51712)	
18	T17137	BALL	NA	(SUB AR51712)	
19	R48601	SPRING	NA	(SUB AR51712)	
20	R48603	WASHER	NA	(SUB AR51712)	
21	R48602	SCREW	NA	(SUB AR51712)	
22	AR51712	SCREW	NA		
23	R36646	SCREW	NA		
24	T15712	O-RING	1		
25	R40707	PLUG	NA		
..	AR50901	FUEL INJECTION PUMP	1		

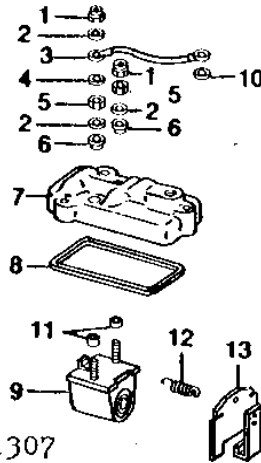
MEMORANDA

1D1

FUEL AND AIR

FUEL INJECTION PUMP ELECTRIC SHUT-OFF
 (ROOSA-MASTER)
 (ENGINE SERIAL NO. -047752)
 (ENGINE SERIAL NO. 082143-)

R31307 -UN-01JAN94



KEY	PART NO.	PART NAME	QTY	ENGINE SERIAL NO.	REMARKS
1	T19977	LOCK NUT	2		
2	R47049	WASHER	3	(SUB AR90601)	
3	AR50874	KIT	1		
4	R47077	LOCK WASHER	1		
5	T11938	NUT	2		
6	T11936	WASHER	2	(SUB AR90601)	
7	R37139	COVER	NA		
8	T11918	GASKET	1		
9	AR90340	KIT	1	(SUB FOR AR48219)	
10	12M7060	WASHER	1	0.209"	
11	T11937	INSULATOR	1		
12	T11935	SPRING	NA		
13	AR87068	KIT	1	(SUB FOR AT11524) (SUB AR90340)	
..	AR50901	FUEL INJECTION PUMP	1		

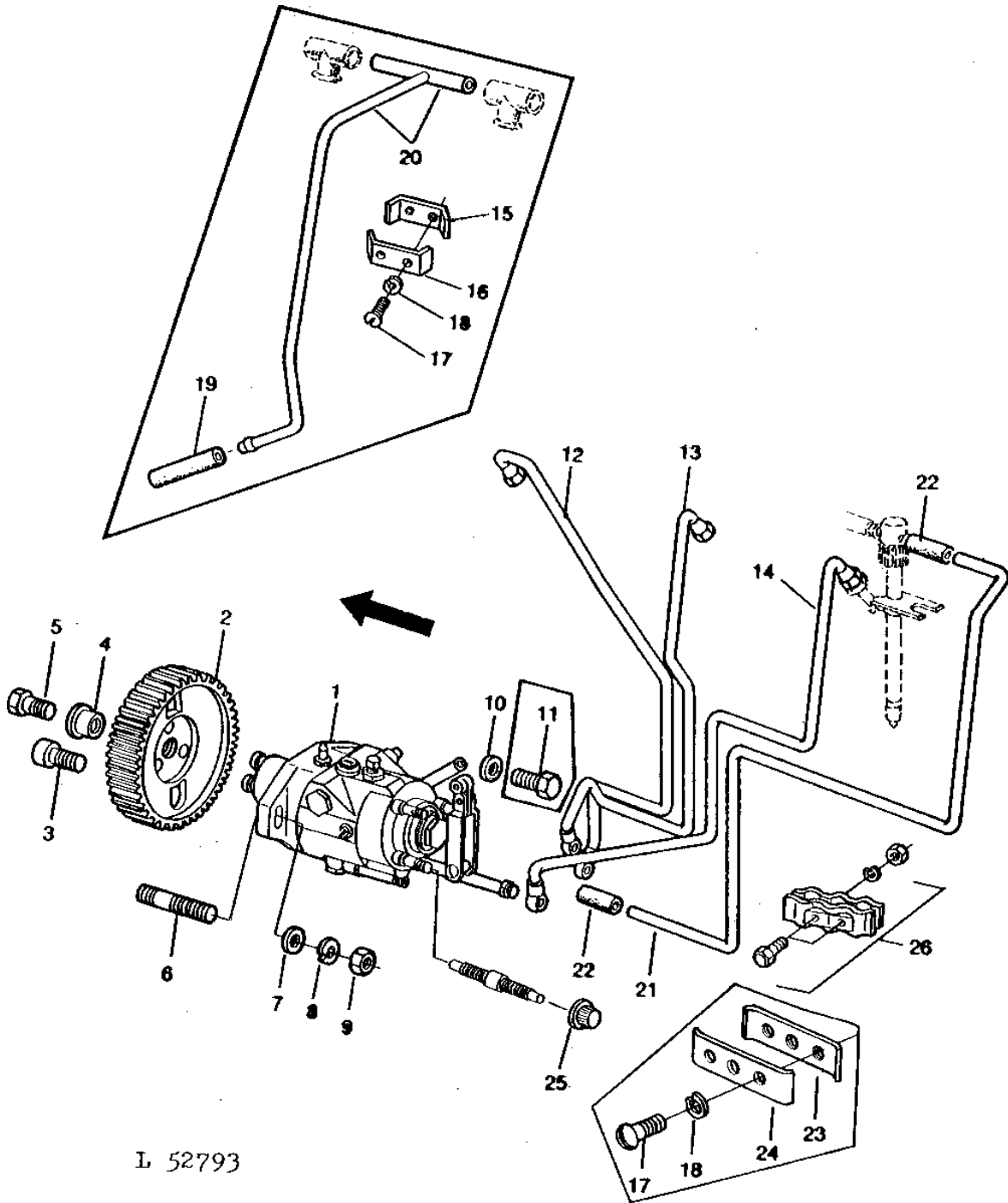
1D2

FUEL AND AIR

FUEL INJECTION PUMP (ROOSA-MASTER) (ENGINE SERIAL NO. 047753-054484)

L52793

-UN-01JAN94



L 52793

1D3

FUEL AND AIR

**FUEL INJECTION PUMP - CONTINUED
(ROOSA-MASTER)
(ENGINE SERIAL NO. 047753-054484)**

KEY	PART NO.	PART NAME	QTY	ENGINE SERIAL NO.	REMARKS
1	AT29390	FUEL PUMP	1		(SUB AT29736)
2	T24772	GEAR	1		(48 TEETH)
3	T26497	SCREW	NA		
4	T26496	BUSHING	NA		
5	19H2948	SCREW	1		1/4" X 0.380"
6	T25813	STUD	2		
7	24H1685	WASHER	2		11/32" X 47/64" X 0.083"
8	12H303	LOCK WASHER	2		5/16"
9	14H785	NUT	2		5/16"
10	T20055	WASHER	6		
11	R41680	SCREW	3	-089291	
12	AT24515	FUEL LINE	1		
13	AT24516	FUEL LINE	1		
14	AT24517	FUEL LINE	1		
15	T23461	HALF CLAMP	1	-XXXXXX	(SUB (2) R59299, R59300, R61146 AND (2) AR76704)
16	T23460	HALF CLAMP	1	-XXXXXX	(SUB (2) R59299, R59300, R61146 AND (2) AR76704)
17	21H1162	SCREW	3	-XXXXXX	0.190" X 5/8"
18	12H246	LOCK WASHER	3	-XXXXXX	0.190"
19	T24773	HOSE	1	-XXXXXX	49.53MM (1.95") (MAKE FROM AT32064)
20	AT21845	FUEL LINE	1	-XXXXXX	
21	T29529	FUEL LINE	1	XXXXXX-	
22	HOSE	2	XXXXXX-	12 X 38MM (1/2" X 1-1/2") (MAKE FROM AT32064)
23	T23463	STRAP	1	XXXXXX-XXXXXX	(SUB (2) R59299, R59300, R61146 AND (3) AR76704)
24	T23462	CLAMP	1	XXXXXX-XXXXXX	(SUB (2) R59299, R59300, R61146 AND (3) AR76704)
25	R46669	NUT	3	089292-	
26	AR61355	CLAMP	1	XXXXXX-	(SUB FOR T23462 OR T23463) (SUB R59300, R61146, (2) R59299 AND (3) AR76704)

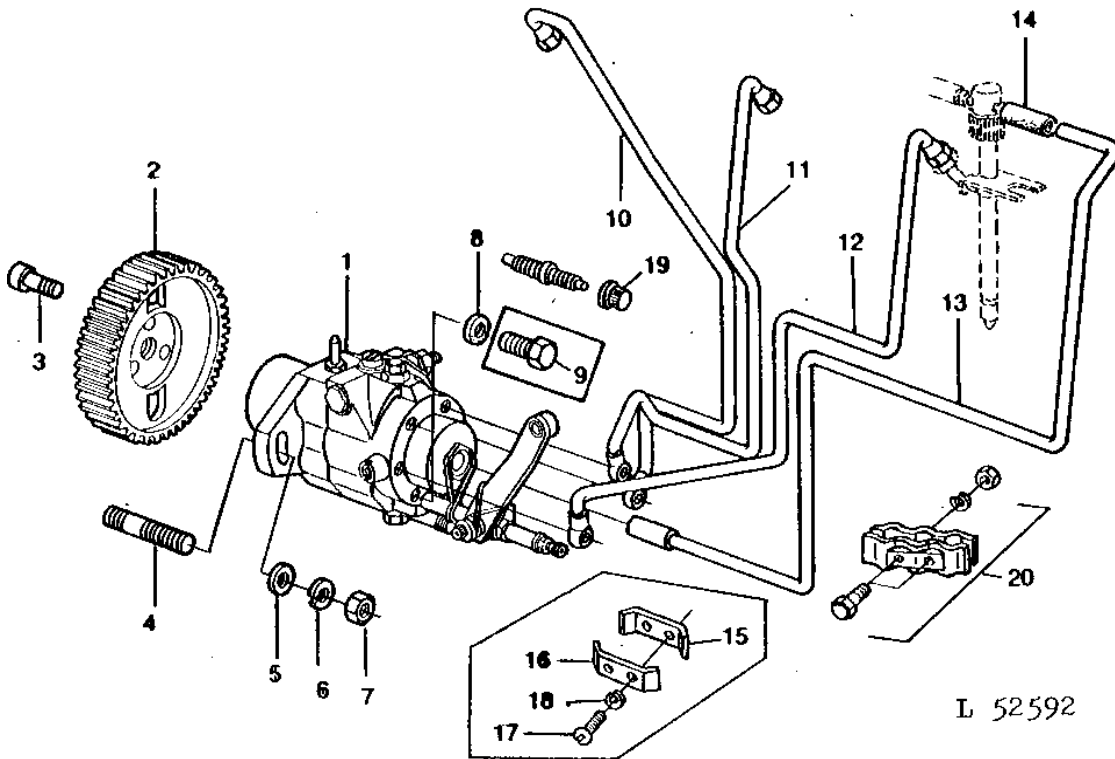
NOTE: SEE YOUR AUTHORIZED PUMP REPAIR STATION FOR INTERNAL PARTS NOT AVAILABLE (NA)

1D4

FUEL AND AIR

FUEL INJECTION PUMP
(ROOSA-MASTER)
(ENGINE SERIAL NO. 054485-082142)

L52592 -UN-01JAN94



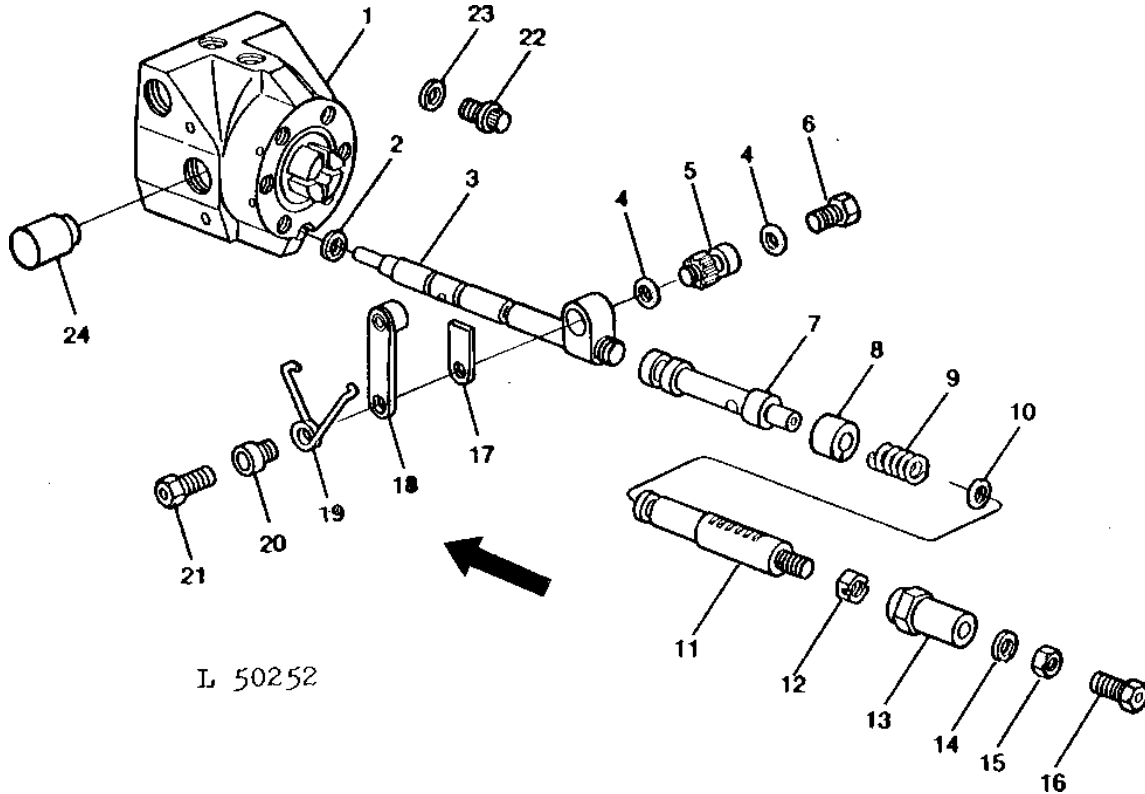
KEY	PART NO.	PART NAME	QTY	ENGINE SERIAL NO.	REMARKS
1	AT29736	FUEL PUMP	1		
2	T24772	GEAR	1		(48 TEETH)
3	T26497	SCREW	NA		
4	T25813	STUD	2		
5	24H1685	WASHER	2		11/32" X 47/64" X 0.083"
6	12H303	LOCK WASHER	2		5/16"
7	14H785	NUT	2		5/16"
8	T20055	WASHER	6		
9	R41680	SCREW	3	-089291	
10	AT24515	FUEL LINE	1		NO. 1
11	AT24516	FUEL LINE	1		NO. 2
12	AT24517	FUEL LINE	1		NO. 3
13	T29529	FUEL LINE	1		
14	HOSE	3		13 X 38MM (1/2" X 1-1/2") (MAKE FROM AT32064)
15	T23463	STRAP	1	-XXXXXX	(SUB (2) R59299, R59300, R61146 AND (3) AR76704)
16	T23462	CLAMP	1	-XXXXXX	(SUB (2) R59299, R59300, R61146 AND (3) AR76704)
17	21H1162	SCREW	3	-XXXXXX	0.190" X 5/8"
18	12H246	LOCK WASHER	3	-XXXXXX	0.190"
19	R46669	NUT	3	089292-	
20	AR61355	CLAMP	1	XXXXXX-	(SUB FOR T23462 OR T23463) (SUB (2) R59299, R59300, R61146 AND (3) AR76704)

1D5

FUEL AND AIR

FUEL INJECTION PUMP GOVERNOR AND LINKAGE (ROOSA-MASTER) (ENGINE SERIAL NO. 054485-082142)

L50252 -UN-01JAN94



KEY	PART NO.	PART NAME	QTY	ENGINE SERIAL NO.	REMARKS
1	AT30148	MANIFOLD	NA		(SUB AR69816, AR69809, AT27615, AR50895 AND R48126) (CONTAINS KEYS 22-24 PLUS R30737 AND T26223)
2	T11899	O-RING	1		
3	AT30146	SLEEVE	NA		
4	T26256	O-RING	2		
5	R45054	GEAR	NA		
6	R45058	NUT	NA		
7	R45049	VALVE	NA		
8	R46619	WASHER	NA		(SUB FOR R45053)
9	T31481	SPRING	NA		
10	T26257	O-RING	NA		
11	R45055	ROD	NA		
12	R45057	NUT	NA		
13	R45056	CAP	NA		
14	AT24209	SEAL	1		
15	14H631	NUT	1	0.190"	
16	T17948	SCREW	1		
17	T29164	LEVER	1		
18	T19858	LEVER	1		(SUB FOR AT27194)
19	T17949	SPRING	1		
20	T17950	RETAINER	1		
21	R70513	SCREW	1		
22	T31480	BOLT	NA		
23	T20055	WASHER	3		
24	R30728	PLUNGER	NA		ROTOR, A
	R30729	PLUNGER	NA		ROTOR, B
	R30730	PLUNGER	NA		ROTOR, C
	R30731	PLUNGER	NA		ROTOR, D
..	AR52271	KIT	NA		OVERHAUL, (SUB FOR AR46977)

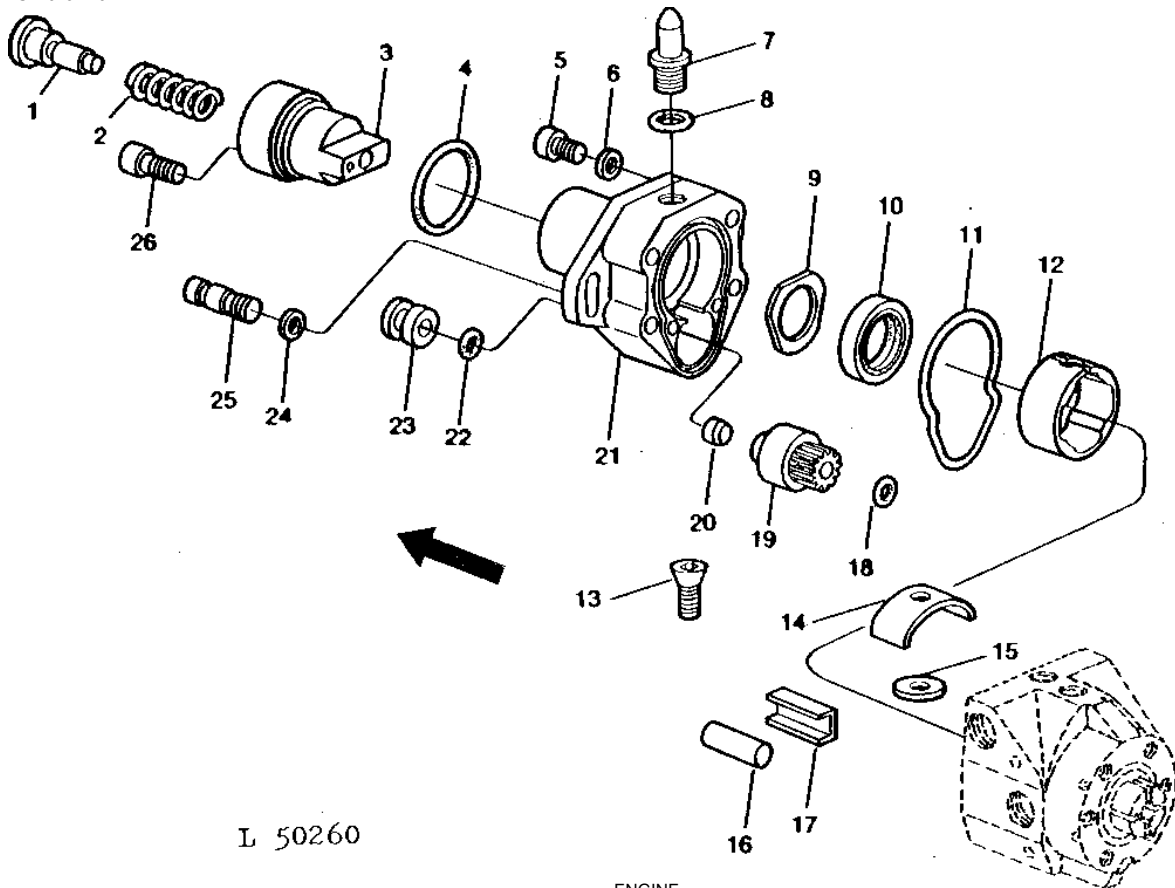
1D6

FUEL AND AIR

FUEL INJECTION PUMP DRIVE AND HEAD AND ROTOR ASSEMBLY (ROOSA-MASTER) (ENGINE SERIAL NO. 054485-082142)

L50260

-UN-01JAN94



L 50260

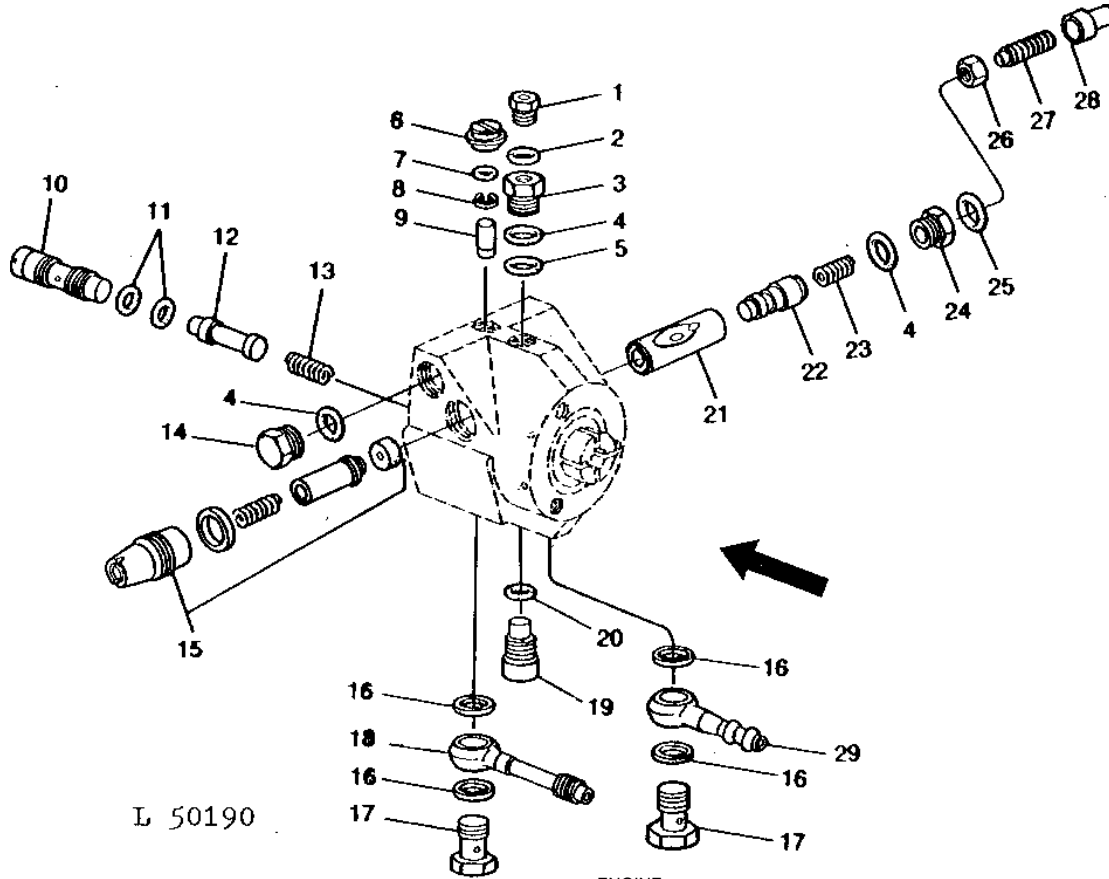
KEY	PART NO.	PART NAME	QTY	ENGINE SERIAL NO.	REMARKS
1	AT30145	PUSH BUTTON	1		
2	T31123	SPRING	1		
3	AT29831	SHAFT	NA		
4	T28582	O-RING	1		
5	T26227	SCREW	NA		
6	T26226	WASHER	NA		
7	T26233	PIN	NA		
8	T11878	WASHER	1		
9	R45041	GUIDE	NA		
10	AT30144	SEAL	NA		
11	T11891	O-RING	NA		
12	R45543	RING	1		(SUB FOR T31130) (SUB AR69816 AND AR69809)
13	T11887	SCREW	NA		
14	T11888	LEAF SPRING	NA		
15	T31124	SHIM	NA	0.127MM (.005")	
	T31125	SHIM	NA	0.152MM (.006")	
	T31126	SHIM	NA	0.178MM (.007")	
	T31127	SHIM	NA	0.203MM (.008")	
	T31128	SHIM	NA	0.229MM (.009")	
16	T11886	NEEDLE ROLLER	NA		
17	R56483	SHOE	NA		(SUB FOR T11885)
18	R45052	WASHER	NA		
19	AR46841	GOVERNOR	NA		
20	R46618	SCREW	NA		(SUB FOR R45051)
21	R45040	HOUSING	NA		
22	T26243	O-RING	NA		
23	R46618	SCREW	NA		(SUB FOR R45048)
24	T26230	O-RING	NA		
25	T26229	PLUG	NA		
26	T26497	SCREW	NA		

1D7

FUEL AND AIR

FUEL INJECTION PUMP AUTOMATIC ADVANCE, ELECTRIC SHUT-OFF REGULATOR (ENGINE SERIAL NO. 054485-082142)

L50190 -UN-01JAN94



L 50190

KEY	PART NO.	PART NAME	QTY	ENGINE SERIAL NO.	REMARKS
1	T30607	DRAIN PLUG	NA		
2	T26256	O-RING	1		
3	R45036	PLUG	NA		
4	T11934	O-RING	3		
5	T26209	RING	1		
6	T26263	PLUG	NA		
7	T15712	O-RING	1		
8	T27300	SNAP RING	NA		
9	T27306	PIN	NA		
10	T26211	SLEEVE	NA		
11	T26212	O-RING	NA		
12	T26213	PISTON	NA		
13	T26214	SPRING	NA		
14	T26265	DRAIN PLUG	NA		
15	AT28951	KIT	NA		SOLENOID REPLACEMENT
16	T20055	WASHER	4		
17	T26217	FITTING	2		
18	AT24200	FITTING	1		
19	T26216	SCREW	NA		
20	T26215	O-RING	NA		
21	T26268	PISTON	NA		
22	AT25325	PISTON	NA		
23	T31482	SPRING	NA		
24	R45060	DRAIN PLUG	NA		
25	T11915	O-RING	1		
26	T17122	NUT	NA		
27	T26267	SET SCREW	NA		
28	T17117	CAP	NA		
29	AT24201	FITTING	1		

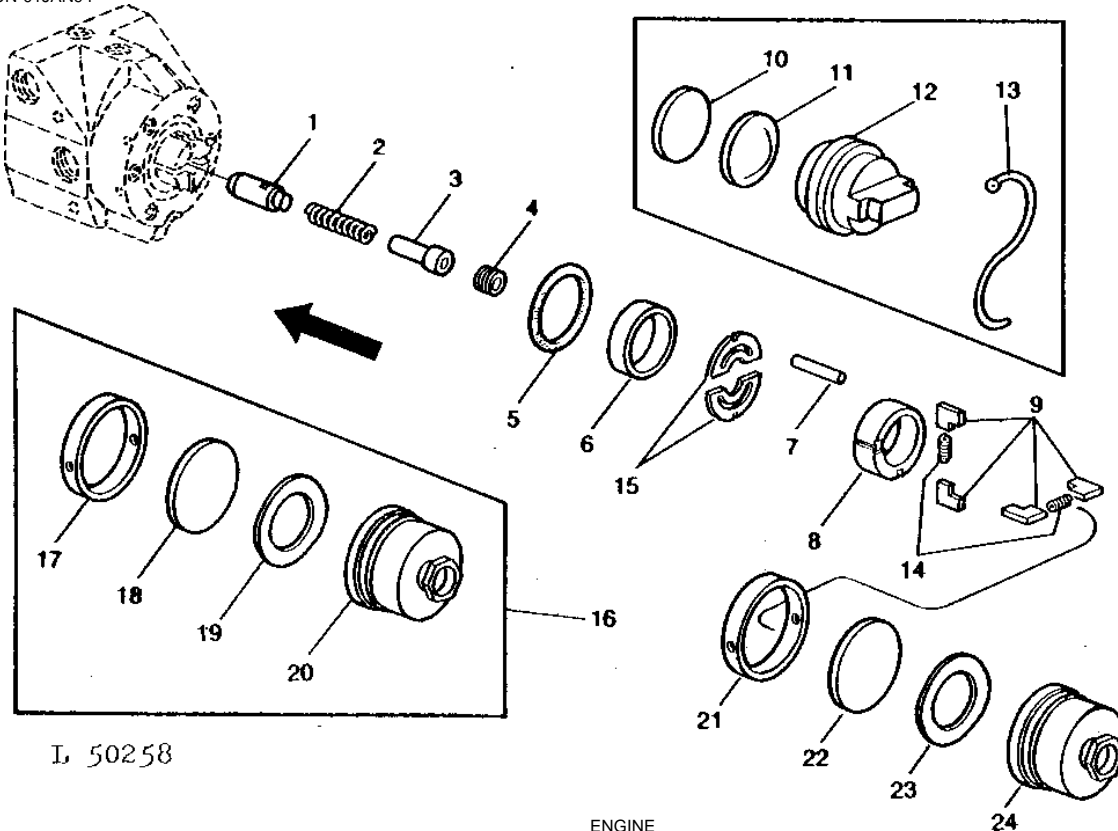
1D8

FUEL AND AIR

FUEL INJECTION PUMP TRANSFER PUMP AND CAP (ROOSA-MASTER) (ENGINE SERIAL NO. 054485-082142)

L50258

-UN-01JAN94



L 50258

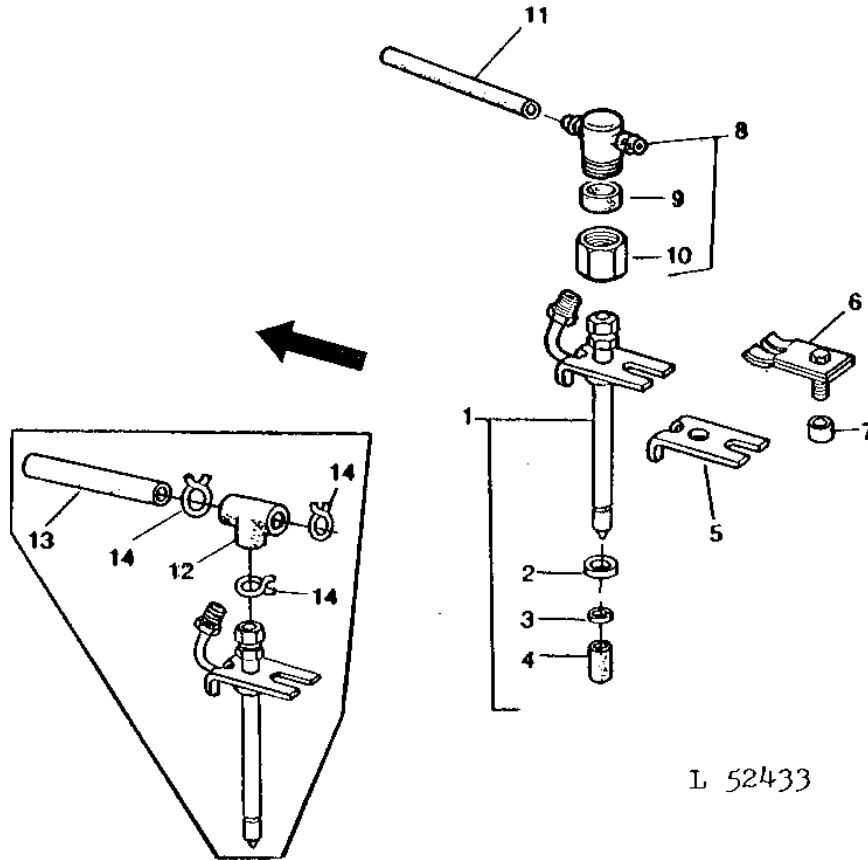
KEY	PART NO.	PART NAME	QTY	ENGINE SERIAL NO.	REMARKS
1	T19856	VALVE	NA	XXXXXX-XXXXXX	
	T31129	VALVE	NA	XXXXXX-	
	T19857	VALVE	NA	-XXXXXX	(USE ON ROTOR MARKED "OV")
	R31125	VALVE	NA	XXXXXX-	(USE ON ROTOR MARKED "OV")
2	R30735	SPRING	NA		
3	T26223	STOP	NA		
4	R30737	SCREW	NA		
5	T26236	O-RING	NA		
6	T26237	BUSHING	NA	-XXXXXX	
7	T26239	DOWEL PIN	NA		
8	T26238	SLEEVE	NA		
9	AR73828	KIT	NA		BLADE (STANDARD) (INCLUDES (2) R34630)
	AR73829	KIT	NA		BLADE (OVERSIZE) (RED) (INCLUDES (2) R34630)
10	T27304	PLATE	NA	-XXXXXX	
11	T27302	PLATE	NA	-XXXXXX	(SUB AT30117)
12	T27303	CAP	NA	-XXXXXX	(SUB AT30117)
13	T11877	WIRE	NA	-XXXXXX	
14	R34630	SPRING	NA		
15	T26222	RETAINER	NA		
16	AT30117	KIT	NA	-XXXXXX	TRANSFER PUMP
17	R45044	WASHER	NA	-XXXXXX	
18	T27304	PLATE	NA	-XXXXXX	
19	R45046	WASHER	NA	-XXXXXX	
20	R45047	CAP	NA	-XXXXXX	
21	R45044	WASHER	NA	XXXXXX-	
22	T27304	PLATE	NA	XXXXXX-	
23	R45046	WASHER	NA	XXXXXX-	
24	R45047	CAP	NA	XXXXXX-	
..	AT30120	KIT	NA	-XXXXXX	DELIVERY VALVE, (INCLUDES T31129, T26223, T11888 AND T31203)

1D9

FUEL AND AIR

L52433 -UN-01JAN94

FUEL INJECTION NOZZLE ASSEMBLY



L 52433

KEY	PART NO.	PART NAME	QTY	ENGINE SERIAL NO.	REMARKS
1	AR73673	INJECTION NOZZLE	3		(SUB FOR AR49877) (SUB AR89564)
2	R34764	WASHER	3		
3	R48000	WASHER	3		(SUB FOR R39767)
4	T24472	PLUG	3		
5	R67779	CLAMP	3		(SUB FOR T26870)
6	R34760	CLAMP	3		
7	R34761	SPACER	3		
8	AT27622	CAP	3	056780-	
9	R79605	WASHER	3	056780-	(SUB FOR T29539)
10	R79604	TUBE NUT	3	056780-	(SUB FOR T29540)
11	HOSE	2	056780-	12 X 114MM (1/2" X 4-1/2") (MAKE FROM R68281)
12	T23425	BOOT	3	-056779	
13	T23422	TUBE	2	-056779	
	R68281	BULK HOSE	1		127MM (5") (SUB FOR AT32064)
14	R34766	CLAMP	9	-056779	

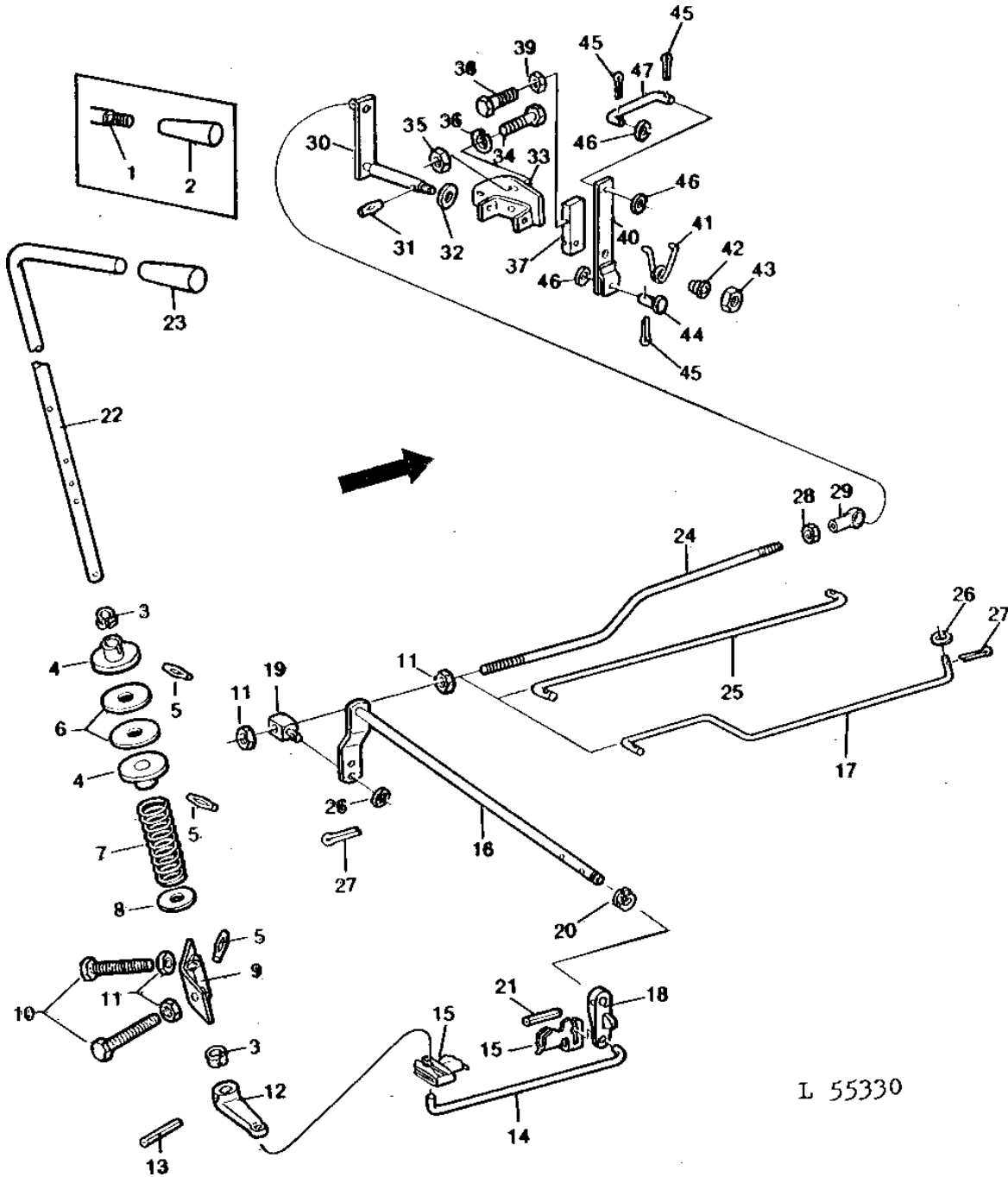
1D10

FUEL AND AIR

L55330

-UN-01JAN94

THROTTLE LINKAGE



L 55330

1D11

FUEL AND AIR

THROTTLE LINKAGE - CONTINUED

KEY	PART NO.	PART NAME	QTY	TRACTOR SERIAL NO.	REMARKS
1	T26841	ACCELERATOR	1	-075469	(SUB T35675 AND T33746)
2	T26832	KNOB	1	-075469	
3	R34811	GROMMET	2		
4	T22698	DISK	2		
5	25H747	GROOVE PIN	3		3/16" X 3/4"
6	R40983	WASHER	2		(SUB FOR T22696)
7	R26637	SPRING	1		
8	24H1211	WASHER	1		9/16" X 1-3/8" X 0.105"
9	AT24885	STOP	1		(SUB R60462)
10	19H1738	CAP SCREW	2		1/4" X 2", (SUB FOR F2269R)
11	14H850	NUT	4		1/4"
12	T22239	LEVER	1		
13	34H284	SPRING PIN	1		3/16" X 1-1/4"
14	T22134	ROD	1		
15	R26524	CLIP	2		(SUB FOR T29741 OR T26937)
16	AT20042	SHAFT	1		(WITH BOSCH, ROOSA-MASTER DP AND C)
17	L28091	ROD	1	082143-	(C)
18	T22240	ARM	1		
19	T48835	SWIVEL	1		(SUB FOR T22242)
20	T22241	GROMMET	2		
21	34H264	SPRING PIN	1		5/32" X 7/8"
22	T35675	PIN	1	075470-	
23	R54271	KNOB	1	075470-	
24	L25806	LEVER	1		(A)
25	T26836	ROD	1	-047752	(B)
26	24H1286	WASHER	2		9/32" X 1/2" X 1/16"
27	11M7077	COTTER PIN	2		0.063" X 0.984"
28	14M7297	NUT	1		M5
29	56M5259	BALL JOINT SOCKET	1		(A)
30	AL16666	LEVER	1		(A)
31	25M3821	GROOVE PIN	1		(A) 3 X 16 MM
32	24M1583	WASHER	1		(A) 8.400 X 16 X 1.600 MM
33	AL16663	BRACKET	1		(A) (NO LONGER AVAILABLE)
34	19H1726	CAP SCREW	2		(A) 3/8" X 2-1/4"
35	14H1076	NUT	2		(A) 3/8"
36	12H304	LOCK WASHER	2		(A) 3/8"
37	L23737	ARM	1		(A)
38	19M7176	CAP SCREW	1		(A) M5 X 35
39	14M7297	NUT	1		(A) M5
40	AL16667	BRACKET	1		(A)
41	L23839	SPRING	1		(A)
42	L23740	BUSHING	1		(A)
43	14M3242	NUT	1		(A) M6
44	45M6776	PIN	1		(A) 6 X 12 MM, (NO LONGER AVAILABLE)
45	11M1370	COTTER PIN	3		(A) 1.600 X 10 MM
46	24M7088	WASHER	3		(A) 6.600 X 12 X 1.600 MM
47	L23741	ROD	1		

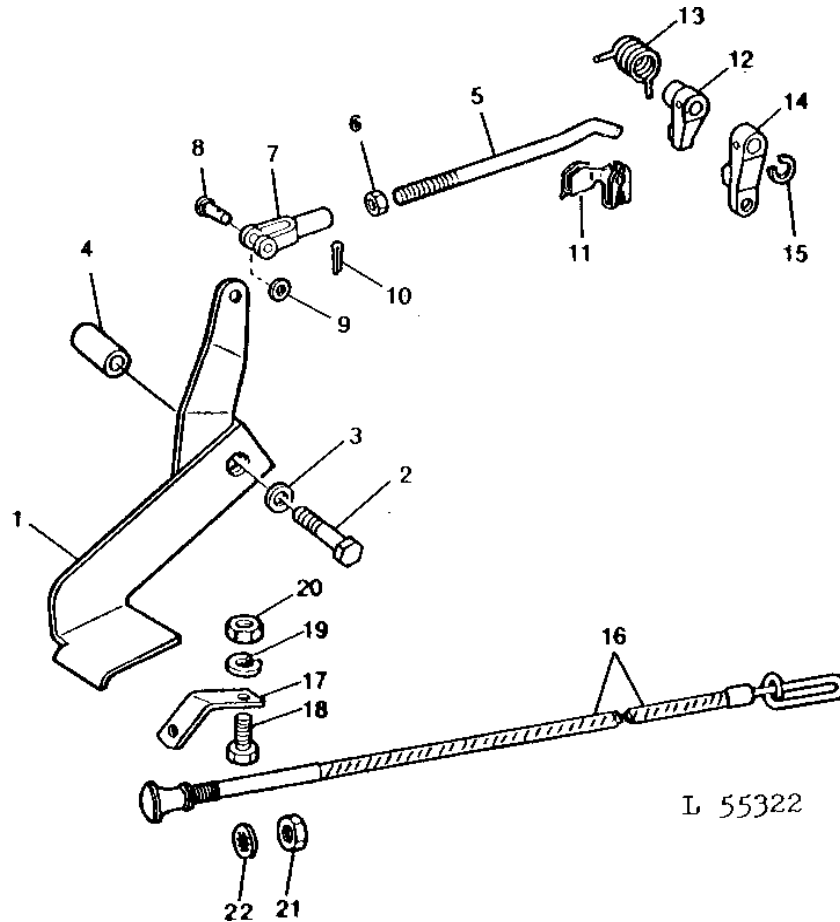
- (A) FOR ROOSA-MASTER DP INJECTION PUMP
- (B) FOR ROOSA-MASTER C INJECTION PUMP
- (C) FOR ROOSA-MASTER JDB INJECTION PUMP

1D12

FUEL AND AIR

L55322 -UN-01JAN94

FOOT THROTTLE



L 55322

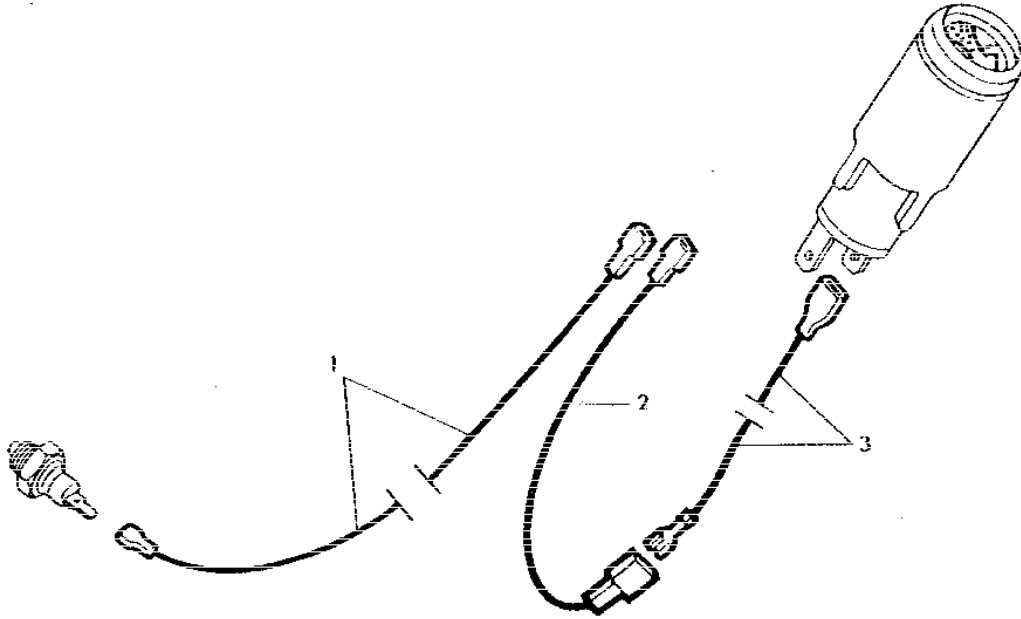
KEY	PART NO.	PART NAME	QTY	TRACTOR SERIAL NO.	REMARKS
1	AT20044	PEDAL	1		(SUB AR94952)
2	19H1765	CAP SCREW	1		3/8" X 1-3/4"
3	24H1305	WASHER	1		13/32" X 13/16" X 0.065"
4	M1339T	SPACER	1		
5	T22149	ROD	1		
6	14H649	NUT	1		1/4"
7	M3742T	YOKE	1		
8	L4667T	PIN	1		(SUB R72660 AND 11M7081)
9	24H1286	WASHER	2		9/32" X 1/2" X 1/16"
10	11M7077	COTTER PIN	1		0.063" X 0.984"
11	T26937	CAP	1		(SUB FOR R26501 OR T29742)
12	T22150	ARM	1		
13	T50467	SPRING	1		(SUB FOR T22151)
14	T22240	ARM	1		
15	F3396R	SNAP RING	1		
16	AL18752	PUSH PULL CABLE	1		
17	T29658	BRACKET	1	-024923	
	T30525	BRACKET	1	024924-	
18	19H1936	CAP SCREW	1		3/8" X 3/4"
19	12H304	LOCK WASHER	1		3/8"
20	14H1076	NUT	1		3/8"
21	14H774	NUT	1	-024923	3/8"
	14H934	NUT	1	024924-	7/16"
22	12H310	LOCK WASHER	1	-024923	3/8"
	12H325	LOCK WASHER	1	024924-	7/16"

1D15

ELECTRICAL

L57213 -UN-01JAN94

AIR CLEANER RESTRICTION INDICATOR



L 57213

KEY	PART NO.	PART NAME	QTY	TRACTOR SERIAL NO.	REMARKS
1	AL19905	WIRING LEAD	1		
2	AL18604	WIRING LEAD	1		
3	AL19906	WIRING LEAD	1		

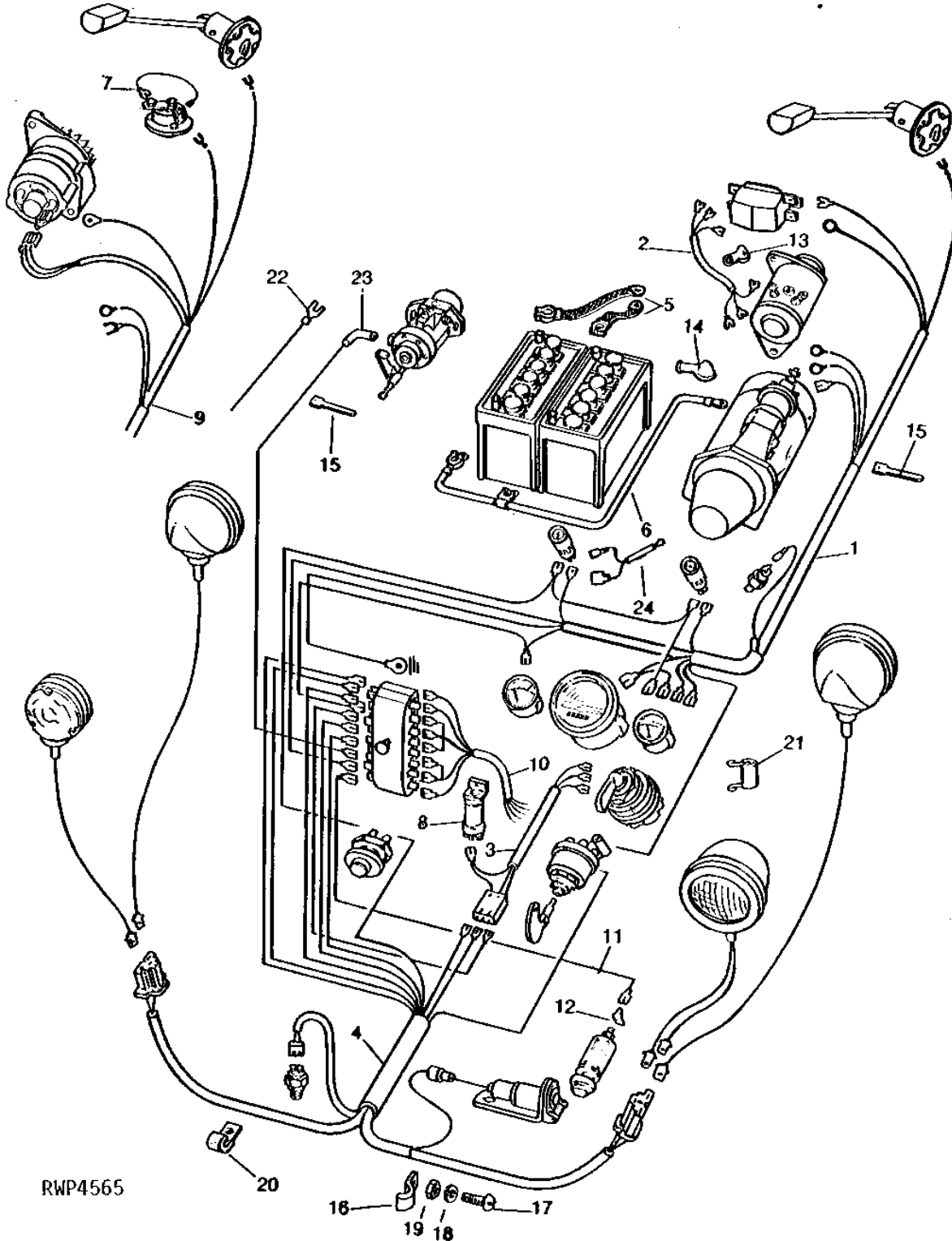
1D16

ELECTRICAL

ELECTRICAL WIRING SYSTEM
(TRACTOR SERIAL NO. -077053)

RWP4565

-UN-01JAN94



RWP4565

1D17

ELECTRICAL

ELECTRICAL WIRING SYSTEM - CONTINUED
(TRACTOR SERIAL NO. -077053)

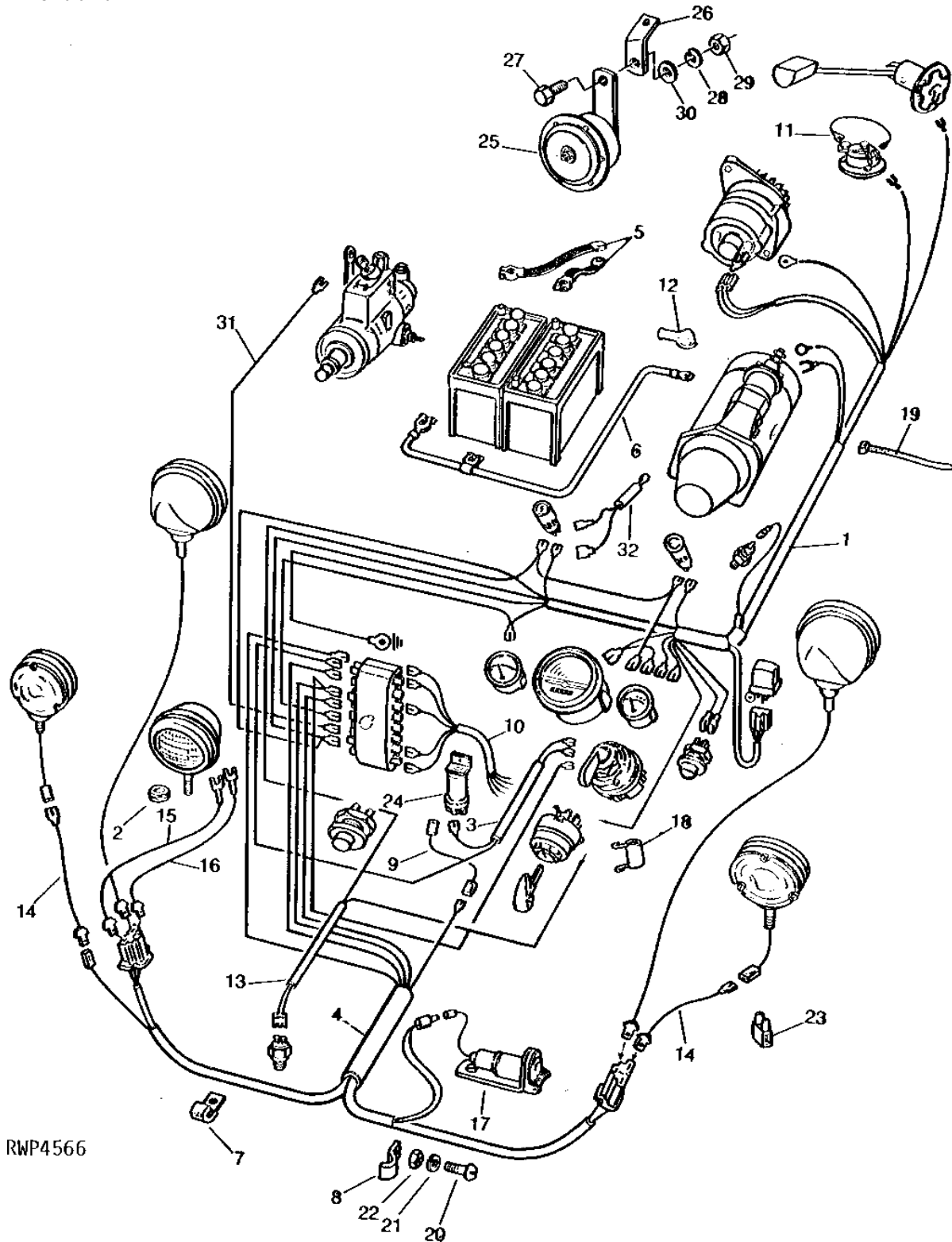
KEY	PART NO.	PART NAME	QTY	TRACTOR SERIAL NO.	REMARKS
1	AL18745	WIRING HARNESS	1	-075344	(SUB AT29396)
2	AT24535	WIRING HARNESS	1	-075344	
3	AL18749	WIRING HARNESS	1		
4	AL18751	WIRING HARNESS	1		
5	AL11176	GROUND CABLE	1		
	AT18702	GROUND CABLE	2		(SUB FOR AT20749)
6	AR53999	CABLE	1		
7	AT24549	WIRING LEAD	1		
8	AL14008	FLASHER	1		
9	AR74519	WIRING HARNESS	1	075345-	(SUB FOR AL23048)
10	AT24694	WIRING HARNESS	1		
11	AT23451	WIRING LEAD	1		
12	L17569	ELECTRICAL PLUG	1		
13	L12808	CAP	1		
14	L12809	TERMINAL NIPPLE	1		
15	R44302	TIE BAND	5		(SUB FOR R27457)
16	L84612	CLAMP	2		
17	21M1256	SCREW	2		M5 X 16, (NO LONGER AVAILABLE)
18	12M7064	LOCK WASHER	2		M5
19	14M7297	NUT	2		M5
20	T13744	CLAMP	2		
21	AL18748	RESISTOR	1		
22	AT27129	WIRING LEAD	1	-075344	
23	AL19508	WIRING LEAD	1	075345-	
24	AT30110	WIRING HARNESS	1		(SUB AL25431)

1D18

ELECTRICAL

ELECTRICAL WIRING SYSTEM (TRACTOR SERIAL NO. 077054-)

RWP4566 -UN-01JAN94



RWP4566

1D19

ELECTRICAL

ELECTRICAL WIRING SYSTEM - CONTINUED
(TRACTOR SERIAL NO. 077054-)

KEY	PART NO.	PART NAME	QTY	TRACTOR SERIAL NO.	REMARKS
1	AR74519	WIRING HARNESS	1		(SUB FOR AL23048)
2	R26409	GROMMET	1		(SUB FOR L13325)
3	AR56009	WIRING HARNESS	1		
4	AR51406	WIRING HARNESS	1		
5	AL11176	GROUND CABLE	1		
	AT18702	GROUND CABLE	2		(SUB FOR AT20749)
6	AR53999	CABLE	1		
7	T13744	CLAMP	3		
8	L84612	CLAMP	2		
9	WIRING LEAD	1		
10	AT24694	WIRING HARNESS	1		
11	AT24549	WIRING LEAD	1		
12	L12809	TERMINAL NIPPLE	1		
13	AL17794	WIRING LEAD	1		
14	AR51403	WIRING LEAD	2		
15	AR51404	WIRING LEAD	1		
16	AR51405	WIRING LEAD	1		
17	AT20709	SOCKET OUTLET	1		
18	AL18748	RESISTOR	1		
19	R44302	TIE BAND	3		
20	21H1317	SCREW	2		0.190" X 5/8"
21	12H246	LOCK WASHER	2		0.190"
22	14H778	NUT	2		0.190"
23	L84396	THREADED NIPPLE	1		(NO LONGER AVAILABLE)
24	AL14008	FLASHER	1		
25	AL14896	HORN	1		(SUB R11278, R64700, R75833, 12H291, 14M7273, 19M7139 AND 24M7055)
26	T30525	BRACKET	2		
27	19H1900	CAP SCREW	1		5/16" X 3/4"
28	12H303	LOCK WASHER	1		5/16"
29	14H785	NUT	1		5/16"
30	24H1136	WASHER	1		11/32" X 11/16" X 0.065"
31	AL19508	WIRING LEAD	1		
32	AT30110	WIRING HARNESS	1		(SUB AL25431)

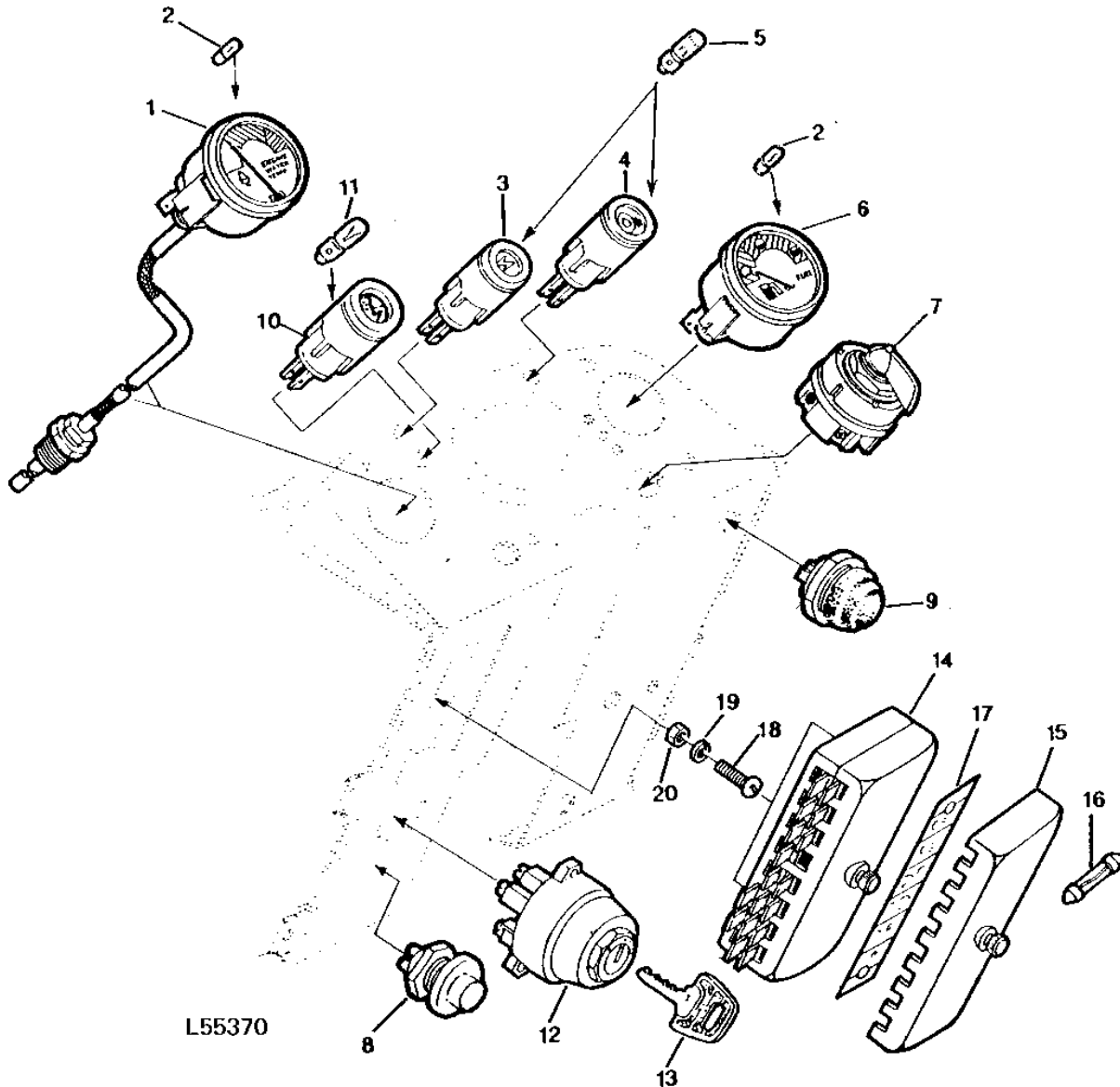
1D20

ELECTRICAL

L55370

-UN-01JAN94

ELECTRICAL INSTRUMENTS



L55370

1D21

ELECTRICAL

ELECTRICAL INSTRUMENTS - CONTINUED

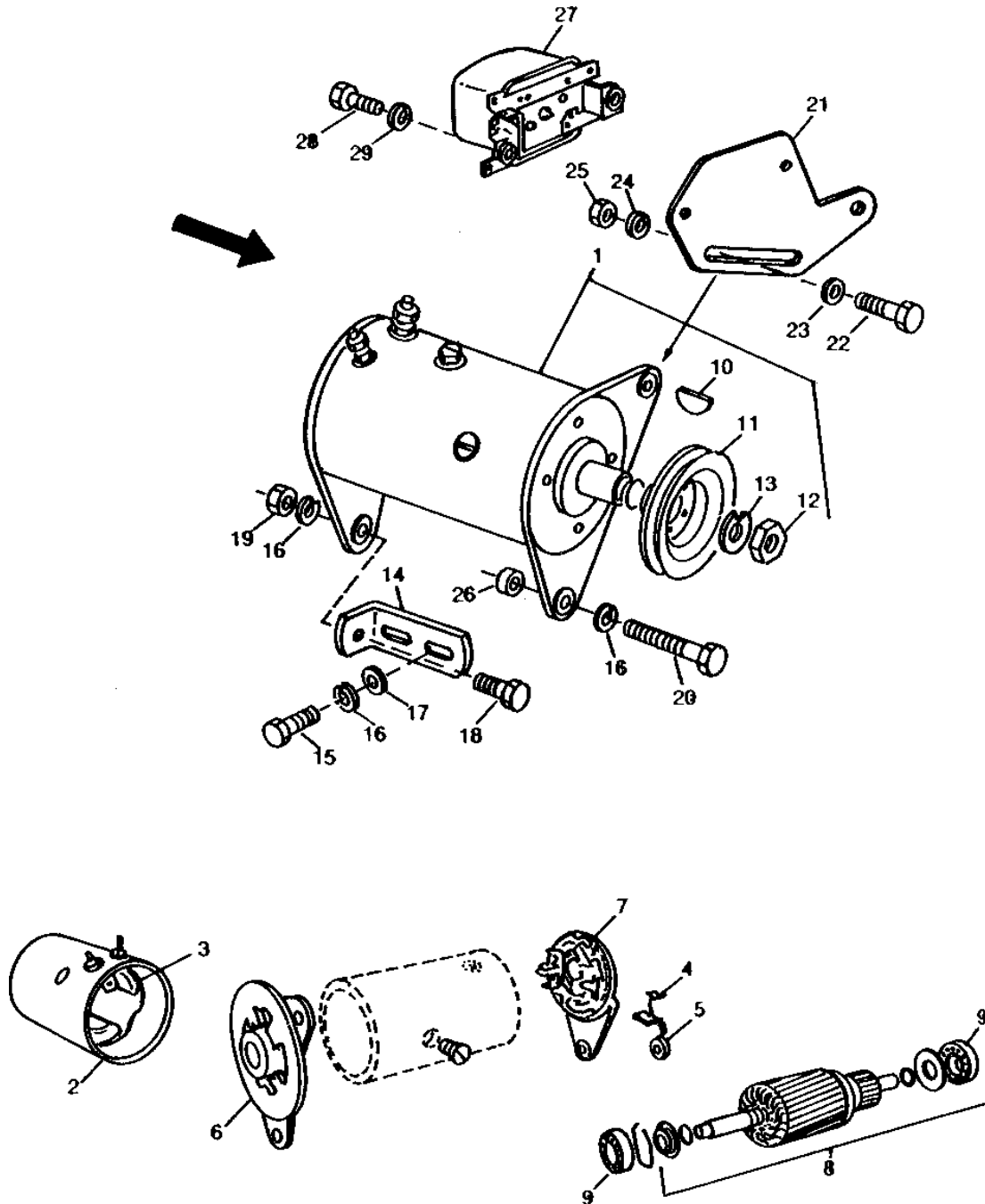
KEY	PART NO.	PART NAME	QTY	TRACTOR SERIAL NO.	REMARKS
1	AT67693	TEMPERATURE GAUGE	1		(SUB FOR AL18154 OR AR65443)
2	57M6343	BULB	4		(12-VOLT) 2W
3	AT24692	INDICATOR LIGHT	1		
4	AT24693	HEADLIGHT	1		
5	57M6277	BULB	2		(12-VOLT) 2W
6	AL18155	LEVEL GAUGE	1		(SUB AL24294)
7	AL13308	SWITCH	1	-XXXXXX	(SCREW-ON CONNECTIONS)
	AT27651	SWITCH	1		(PLUG-IN CONNECTIONS)
8	AL17355	PUSH BUTTON	1		ENGINE START
9	AL17684	PUSH BUTTON	1		HORN
10	AL19907	INDICATOR LIGHT	1	XXXXXX-	
11	57M6394	BULB	1	XXXXXX-	(12-VOLT) 4W
12	AR55721	SWITCH	1	078074-100174	(SUB FOR AL16046) (SUB AL19890 AND L28520)
	AL19890	SWITCH	1	100175-	
13	L22964	KEY	1	-100174	
	L28520	KEY	1	100175-	
14	AL14007	FUSE BOX	1		
15	AL14235	COVER	1		
16	L12624	FUSE	8		(8 AMP) (SUB 57M7048)
17	AT24540	LABEL	1		
18	21H1128	SCREW	2		0.190" X 3/4"
19	12H246	LOCK WASHER	2		0.190"
20	14H631	NUT	2		0.190"

1D22

ELECTRICAL

GENERATOR AND REGULATOR
(ROBERT BOSCH)
(TRACTOR SERIAL NO. -075344)

L42874 -UN-01JAN94



L42874

1D23

ELECTRICAL

GENERATOR AND REGULATOR - CONTINUED
(ROBERT BOSCH)
(TRACTOR SERIAL NO. -075344)

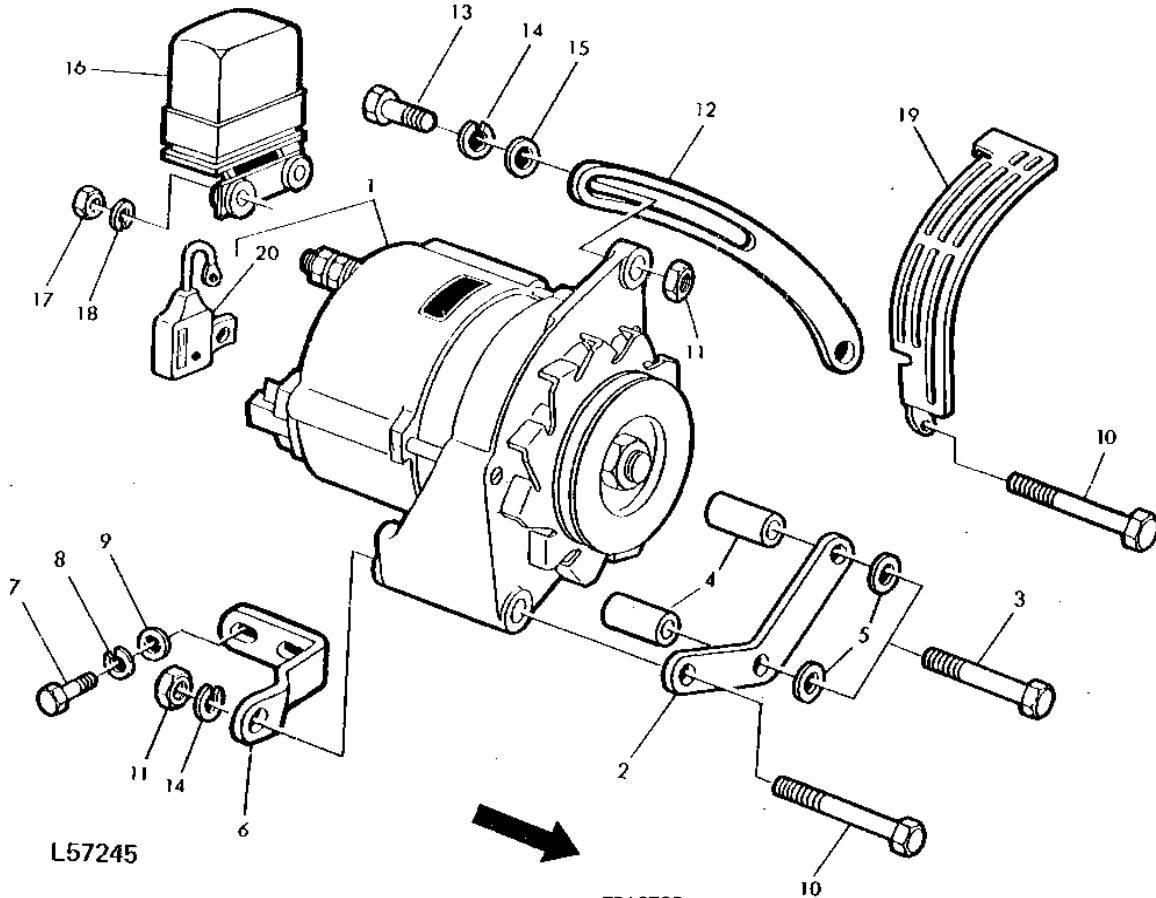
KEY	PART NO.	PART NAME	QTY	TRACTOR SERIAL NO.	REMARKS
1	AL16276	GENERATOR	1		(INCLUDES KEYS 2 THRU 13) (R. BOSCH NO. 0017447) (NLA)
2	AL17407	ELECTRICAL COIL	1		
3	AL17408	ELECTRICAL COIL	1		
4	AL14991	CARBON BRUSH CONDUCTOR	1		
5	L10384	SPRING	1		
6	L24690	QUILL	1		
7	L24691	QUILL	1		
8	AL14992	ARMATURE	1		
9	JD30003	BALL BEARING	2		
10	26M4221	SHAFT KEY	1		3 X 13 MM
11	L23660	PULLEY	1		
12	14M7116	NUT	1		M12
13	12H301	LOCK WASHER	1		1/2" M12
14	T20279	BRACKET	1		
15	19H1731	CAP SCREW	2		3/8" X 1"
16	12H304	LOCK WASHER	4		3/8"
17	24H1305	WASHER	2		13/32" X 13/16" X 0.065"
18	19H2552	CAP SCREW	1		3/8" X 1-1/8"
19	14H1076	NUT	1		3/8"
20	19H1733	CAP SCREW	1		3/8" X 2-1/2"
21	T20351	PLATE	1		
22	19H1849	CAP SCREW	1		5/16" X 1-1/4"
23	24H1136	WASHER	1		11/32" X 11/16" X 0.065"
24	12H303	LOCK WASHER	1		5/16"
25	14H785	NUT	1		5/16"
26	T20280	WASHER	1		
27	AL14445	REGULATOR	1		
28	37H3	SCREW	2		1/4" X 5/8"
29	12H302	LOCK WASHER	2		1/4"

1D24

ELECTRICAL

**ALTERNATOR AND VOLTAGE REGULATOR
(12-VOLT) (28 AMP)
(ROBERT BOSCH)
(TRACTOR SERIAL NO. 075345-)**

L57245 -UN-01JAN94



L57245

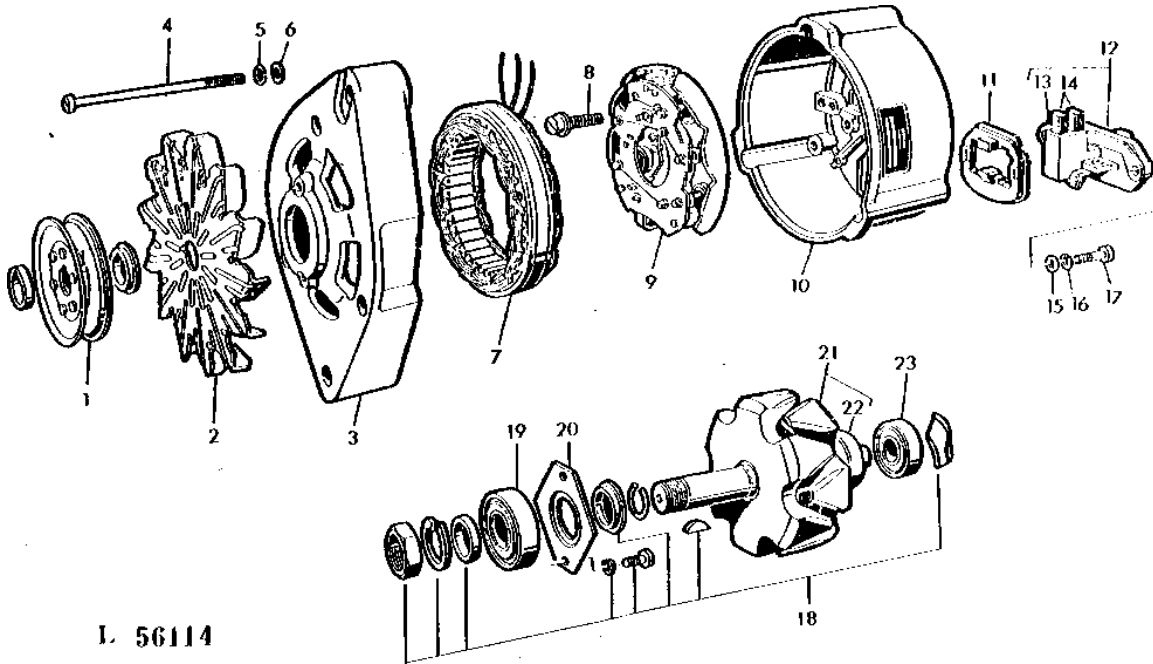
KEY	PART NO.	PART NAME	QTY	TRACTOR SERIAL NO.	REMARKS
1	AR62401	ALTERNATOR	1		(28 AMP) (SUB FOR AL19129) (SUB AL36391)
	TY6651	ALTERNATOR	1		(33 AMP) (REMANUFACTURED) (SUB FOR TY6605)
2	T20202	BRACKET	1		
3	19H2128	CAP SCREW	2		3/8" X 3"
4	28H2547	SPACER	2		0.423" X 0.675" X 1"
5	24M7106	WASHER	2		10 X 18 X 2.500 MM
6	R50557	SUPPORT	1		
7	19H2284	CAP SCREW	2		3/8" X 7/8"
8	12H304	LOCK WASHER	3		3/8"
9	24H1305	WASHER	2		13/32" X 13/16" X 0.065"
10	19H1921	CAP SCREW	1		5/16" X 3-1/4"
11	14H785	NUT	2		5/16"
12	T20204	STRAP	1		
13	19H1849	CAP SCREW	1		5/16" X 1-1/4"
14	12H303	LOCK WASHER	2		5/16"
15	24H1136	WASHER	1		11/32" X 11/16" X 0.065"
16	AT31413	VOLTAGE REGULATOR	1		
17	14H631	NUT	2		0.190"
18	12H246	LOCK WASHER	2		0.190"
19	R56012	SHIELD	1		(SUB FOR AL19226 OR AL23387)
20	AL23434	CAPACITOR	1		

1D25

ELECTRICAL

ALTERNATOR
(12-VOLT) (28 AMP)
(ROBERT BOSCH)
(TRACTOR SERIAL NO. 075345-)

L56114 -UN-01JAN94



L. 56114

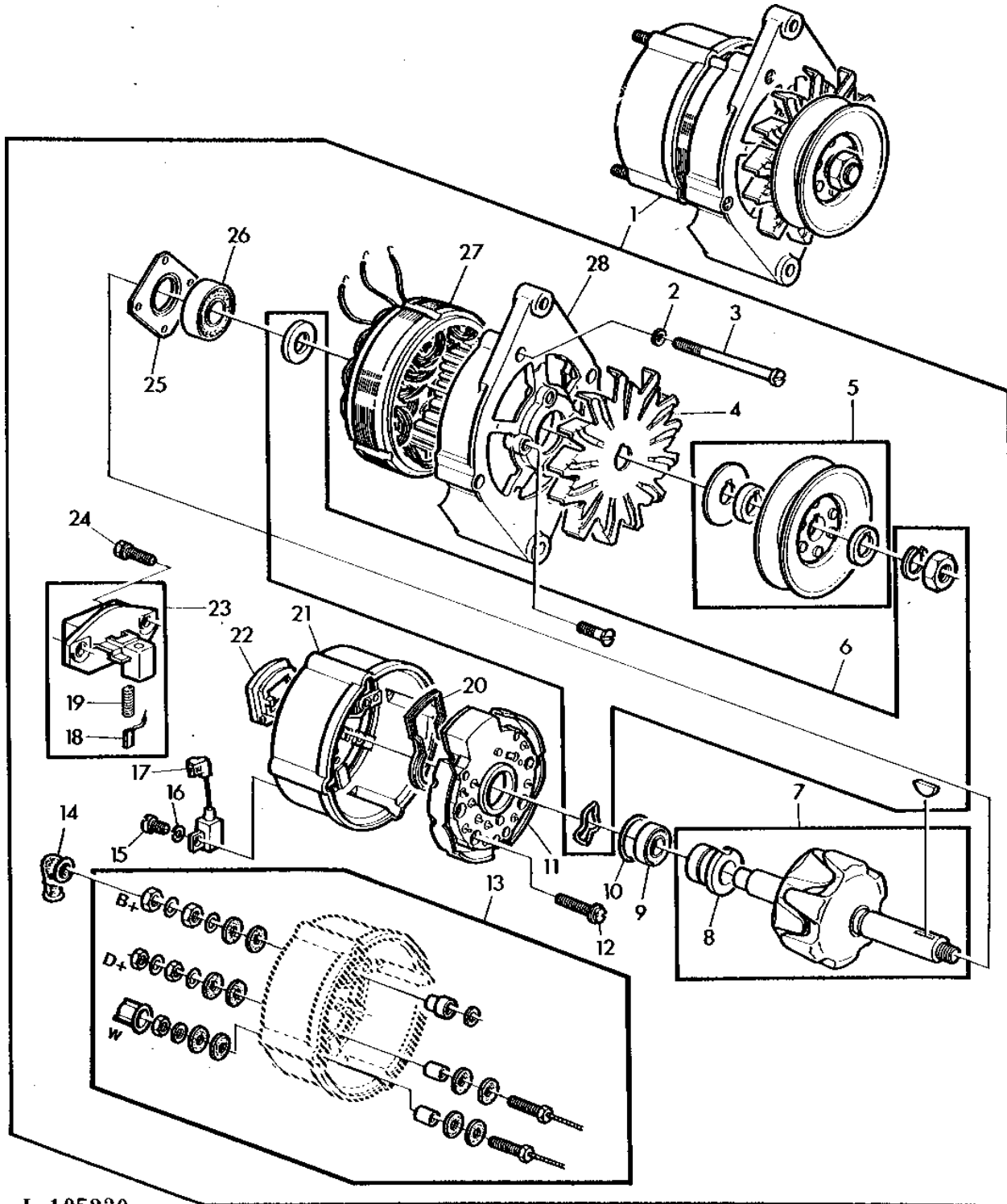
KEY	PART NO.	PART NAME	QTY	TRACTOR SERIAL NO.	REMARKS
1	AL23856	PULLEY	1		
2	L29167	FAN	1		
3	L29159	CASE	1		
4	L29166	SCREW	3		
5	12M7064	LOCK WASHER	3	M5	
6	24M7027	WASHER	3	5.300 X 10 X 1 MM	
7	AL23849	STATOR	1	(SUB AL27371)	
8	L29163	SCREW	3		
9	AL27374	RECTIFIER	1	(SUB FOR AL23855)	
10	L29164	HOUSING	1		
11	L29165	GASKET	1		
12	AL27372	CARBON BRUSH HOLDER	1	(SUB FOR AL23853)	
13	L27339	SPRING	2		
14	AL27373	CARBON BRUSH CONDUCTOR	1	BRUSH, (SUB FOR AL23854)	
15	L29162	WASHER	2		
16	12M7031	LOCK WASHER	2	M4	
17	AL19208	SCREW	2		
18	AL23857	KIT	1	ROTOR	
19	AL23851	BEARING	1		
20	L29161	PLATE	1		
21	AL23850	ROTOR	1		
22	L29160	RING	1		
23	AL23852	BEARING	1		
..	AR62401	ALTERNATOR	1	(28 AMP) (SUB AL36391)	
..	TY6651	ALTERNATOR	1	(33 AMP) (REMANUFACTURED) (SUB FOR TY6605)	

1E1

ELECTRICAL

ALTERNATOR
(12-VOLT) (55 AMP)
(ROBERT BOSCH)
(TRACTOR SERIAL NO. 075345-)

L105220 -UN-01JAN94



L 105220

1E2

ELECTRICAL

ALTERNATOR - CONTINUED
(12-VOLT) (55 AMP)
(ROBERT BOSCH)
(TRACTOR SERIAL NO. 075345-)

KEY	PART NO.	PART NAME	QTY	ENGINE SERIAL NO.	REMARKS
1	AL36391	ALTERNATOR	1		(INCLUDES AL36390 AND AL35998) (SUB FOR AR62401)
	AL36390	WIRING LEAD	1		
2	24M7027	WASHER	4		5.300 X 10 X 1 MM
3	L41575	SCREW	4		
4	L33993	FAN	1		
5	AL32863	PULLEY	1		
6	AL23857	KIT	1		(SUB FOR AL30424)
7	AL30416	ROTOR	1		
8	L33986	RING	1		
9	AL30417	BEARING	1		
10	L33987	O-RING	1		
11	AL30419	DIODE HOLDER	1		(ALSO ORDER AL30425)
12	Z42049	SCREW	3		
13	AL30425	KIT	1		
14	L33994	TERMINAL NIPPLE	2		
15	21M7198	SCREW	1		M5 X 8
16	12M7075	WASHER	1		5.300 X 11 X 0.500 MM
17	AL30423	CAPACITOR	1		
18	AL65077	CARBON BRUSH CONDUCTOR	1		KIT, (SUB FOR AL30421)
19	Z42048	SPRING	2		
20	L41296	GASKET	1		
21	AL30418	HOUSING	1		
22	L33992	INSULATOR	1		(NLA)
23	AL65077	REGULATOR	1		(SUB FOR AL35999)
24	Z42047	SCREW	2		
25	L33985	FLANGE	1		
26	JD10036	BALL BEARING	1		
27	AL30422	STATOR	1		
28	AL30414	CASE	1		

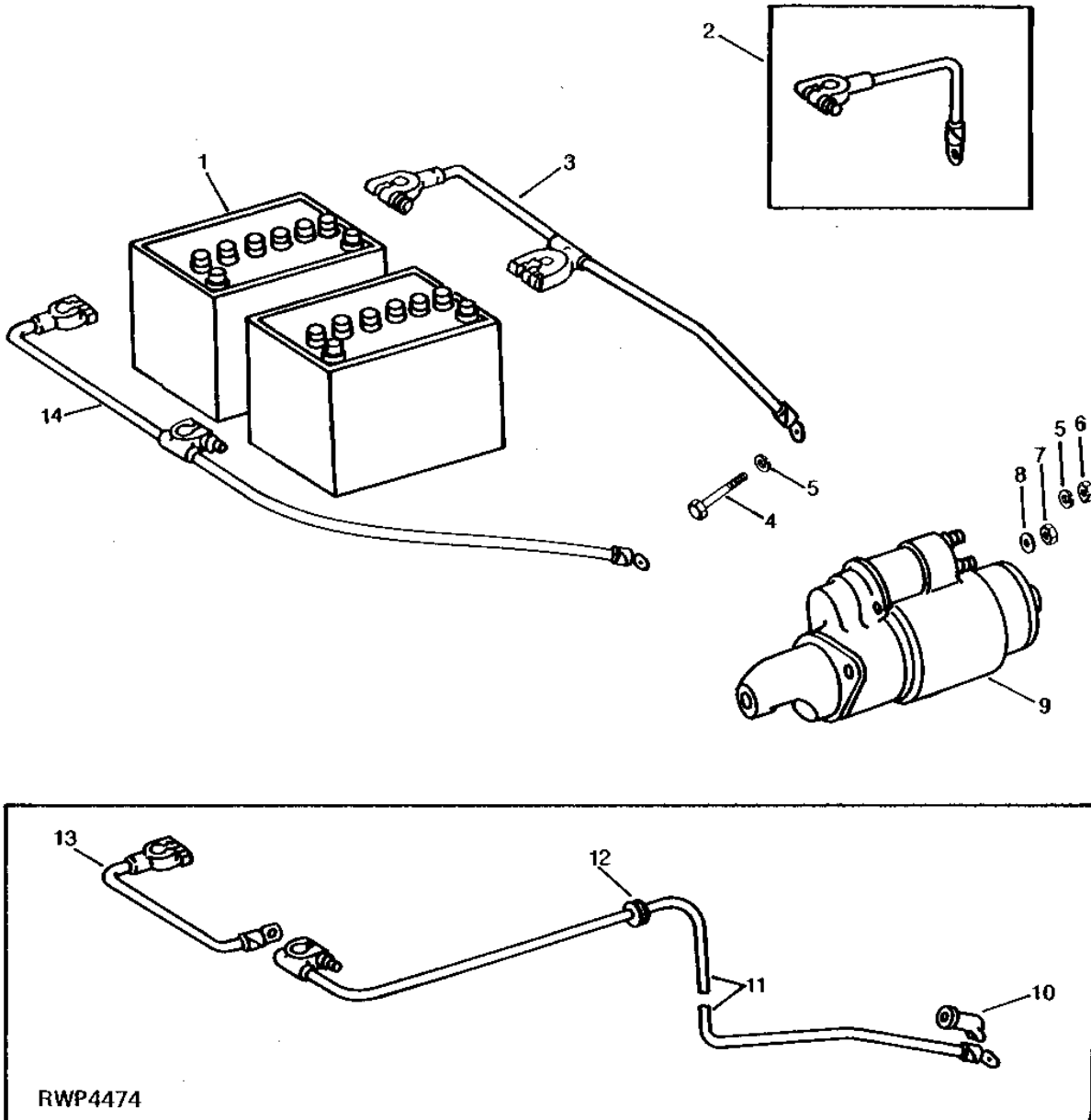
1E3

ELECTRICAL

RWP4474

-UN-01JAN94

BATTERY CABLES AND STARTING MOTOR



1E4

ELECTRICAL

BATTERY CABLES AND STARTING MOTOR - CONTINUED

KEY	PART NO.	PART NAME	QTY	TRACTOR SERIAL NO.	REMARKS
1	TY21730	BATTERY	AR		(12-VOLT) 420 COLD CRANKING AMPS AT 0°F, 70 MINUTE RESERVE CAPACITY AT 25 AMPS, (SUB FOR AR67338)
	AR61868	CAP	1		NON-SPILL CAP (6 USED PER BATTERY)
2	AR67453	CABLE	AR	-XXXXXX	(A) (B) (D) (SUB RE14513 OR AT14764)
3	RE14513	CABLE	1	XXXXXX-	(B) (D) (SUB FOR AR67453)
	RE14515	CABLE	1	XXXXXX-	(A) (D) (SUB FOR AR67453) (SUB AT14764)
4	19H2021	CAP SCREW	1		3/8" X 5/8"
5	12H304	LOCK WASHER	2		3/8"
6	14H732	NUT	1		3/8"
7	14H605	NUT	1		0.164"
8	T19603	LOCK WASHER	1		
9	RE62916	STARTER	1		(DELCO-REMY NO. 10479628) (SUB FOR AT23401, AT25619, RE19187, RE42730 OR RE50095) (REMANUFACTURED) (SUB FOR TY6620)
	TY6702	STARTER	1		
10	R30964	COVER	1	-XXXXXX	(A)
11	AR103525	CABLE	1	-XXXXXX	(C) (SUB FOR AR70711 OR T21887)
12	R40445	GROMMET	1	-XXXXXX	
13	T21889	CABLE	1		(B) (C)
14	RE14512	CABLE	1	XXXXXX-	(B) (C) (SUB FOR AR70711)

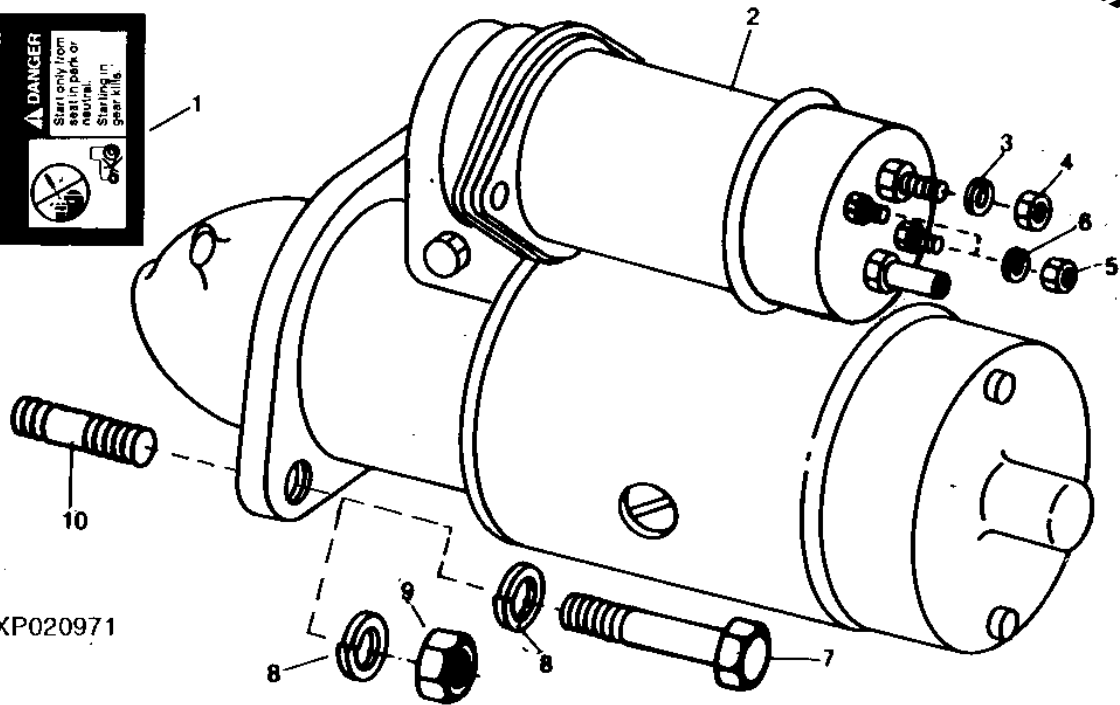
- (A) SINGLE BATTERY
- (B) DUAL BATTERY
- (C) POSITIVE
- (D) NEGATIVE

1E5

ELECTRICAL

RXP020971 -UN-14NOV94

STARTING MOTOR AND ATTACHING PARTS



RXP020971

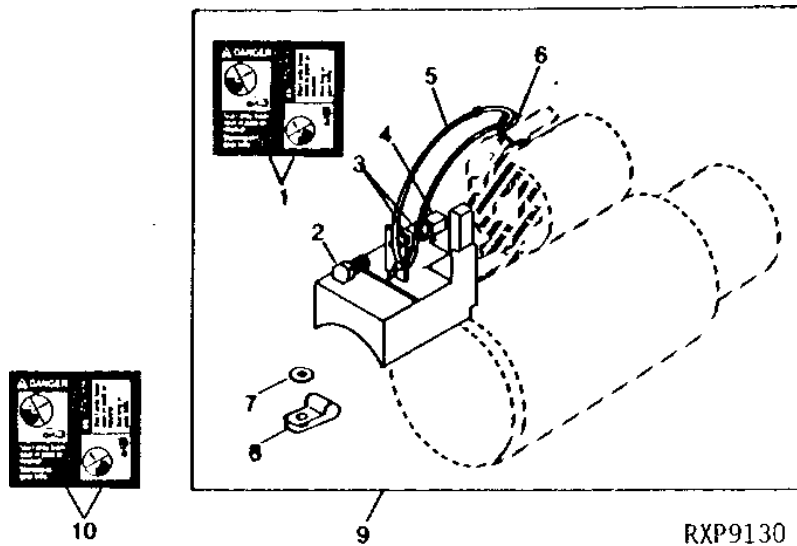
KEY	PART NO.	PART NAME	QTY	ENGINE SERIAL NO.	REMARKS
1	T146102	WARNING LABEL	1	(ENGLISH) (SUB FOR R77403, R77402, T84409 OR T134459)	
	T146104	WARNING LABEL	1	(FRANCAIS) (SUB FOR T84411 OR T134453)	
	T146106	WARNING LABEL	1	(ESPAÑOL) (SUB FOR T84410 OR T134452)	
	T146515	WARNING LABEL	1	(DEUTSCH) (SUB FOR T84412 OR T134454)	
	T146516	WARNING LABEL	1	(ITALIANO) (SUB FOR T84413 OR T134455)	
	T146517	WARNING LABEL	1	(ENGLISH/FRANCAIS) (SUB FOR T84578 OR T134456)	
2	AT23401	STARTER	1	(R. BOSCH NO. 001359016) (SUB RE62916 OR TY6702)	
	AT25619	STARTER	1	(DELCO-REMY NO. 1107871) (SUB RE62916 OR TY6702)	
	RE19187	STARTER	1	(DELCO-REMY NO. 1107871 OR 1998367) (SUB RE62916 OR TY6702)	
	RE62916	STARTER	1	(DELCO-REMY NO. 10479628) (SUB FOR AT23401, AT25619, RE19187, RE42730 OR RE50095)	
	TY6702	STARTER	1	(REMANUFACTURED) (SUB FOR TY6620)	
3	12M7013	LOCK WASHER	1	M10, (USE WITH RE19187)	
4	14M7274	NUT	1	M10, (USE WITH RE19187)	
5	14M7297	NUT	2	M5, (USE WITH RE19187)	
6	12M7064	LOCK WASHER	2	M5, (USE WITH RE19187)	
7	19H1731	CAP SCREW	1	3/8" X 1"	
8	12H304	LOCK WASHER	2	3/8"	
9	14H1076	NUT	1	3/8"	
10	M3636T	STUD	1		
	R56481	STUD	1	(SUB FOR M3636T, THIS APPLICATION) (USE WITH AT25619)	

1E6

ELECTRICAL

RXP9130 -UN-01JAN94

STARTER SOLENOID COVER KIT (DELCO-REMY OR ROBERT BOSCH)



RXP9130

KEY	PART NO.	PART NAME	QTY	TRACTOR SERIAL NO.	REMARKS
1	T146102	WARNING LABEL	1	(ENGLISH)	
2	19H2038	CAP SCREW	1	3/8" X 1/2"	
3	24H1305	WASHER	2	13/32" X 13/16" X 0.065"	
4	R100380	NUT	1		
5	R76477	TIE BAND	1		
6	R44302	TIE BAND	1		
7	24H1288	WASHER	1	9/32" X 1" X 1/16"	
8	R46414	CLAMP	1		
9	RE39061	SHIELD	1	(A)	
10	T146106	WARNING LABEL	1	(ESPAÑOL)	
	T146104	WARNING LABEL	1	(FRANCAIS)	
	T146515	WARNING LABEL	1	(DEUTSCH)	
	T146516	WARNING LABEL	1	(ITALIANO)	
	T146517	WARNING LABEL	1	(ENGLISH/FRANCAIS)	

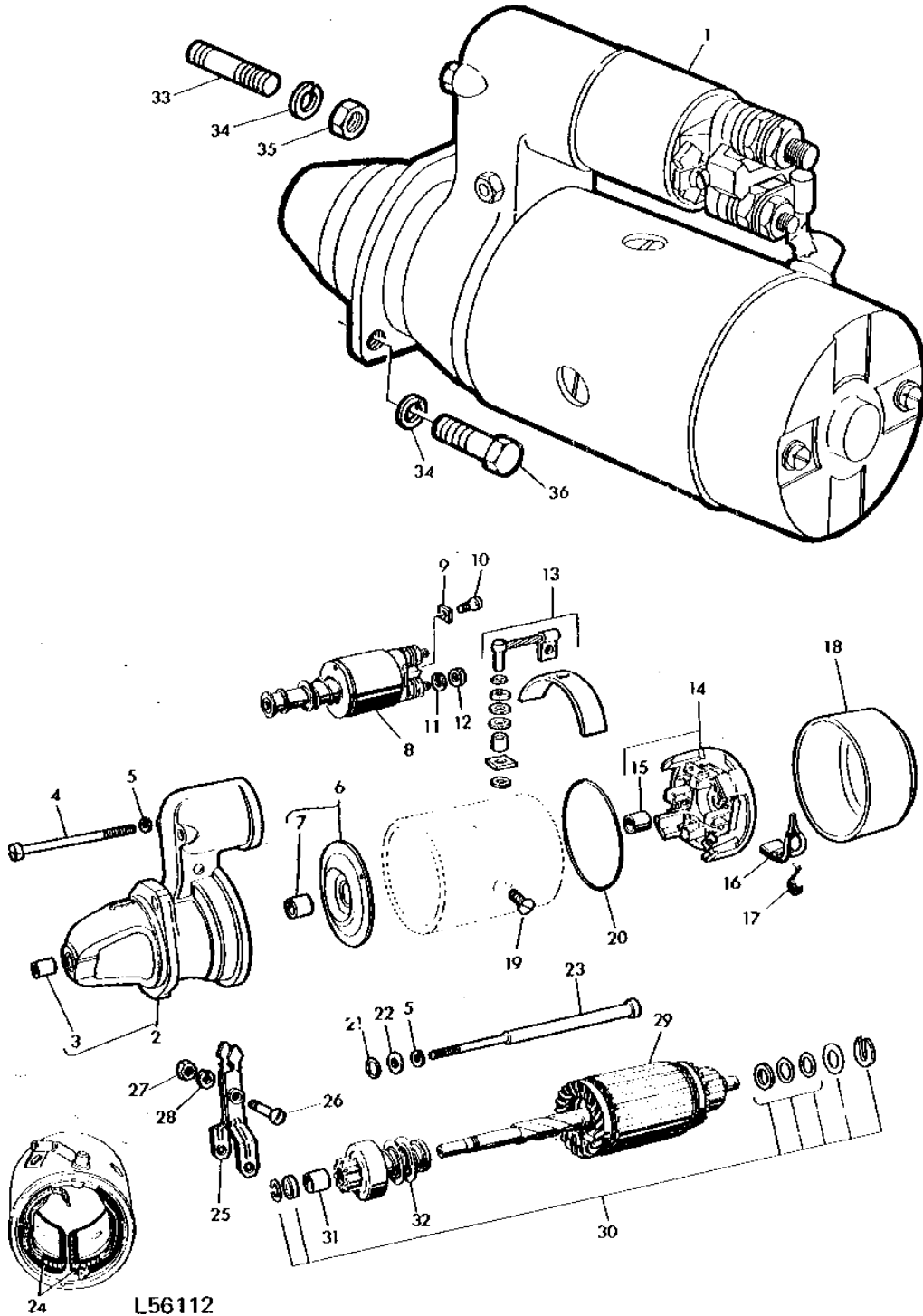
(A) USE ON AT23401, AT25619, RE19187, RE42730, TY6620 OR TY6702

1E7

ELECTRICAL

STARTING MOTOR
(12-VOLT)
(ROBERT BOSCH)
(AT23401)

L56112 -UN-01JAN94



L56112

1E8

ELECTRICAL

STARTING MOTOR - CONTINUED
(12-VOLT)
(ROBERT BOSCH)
(AT23401)

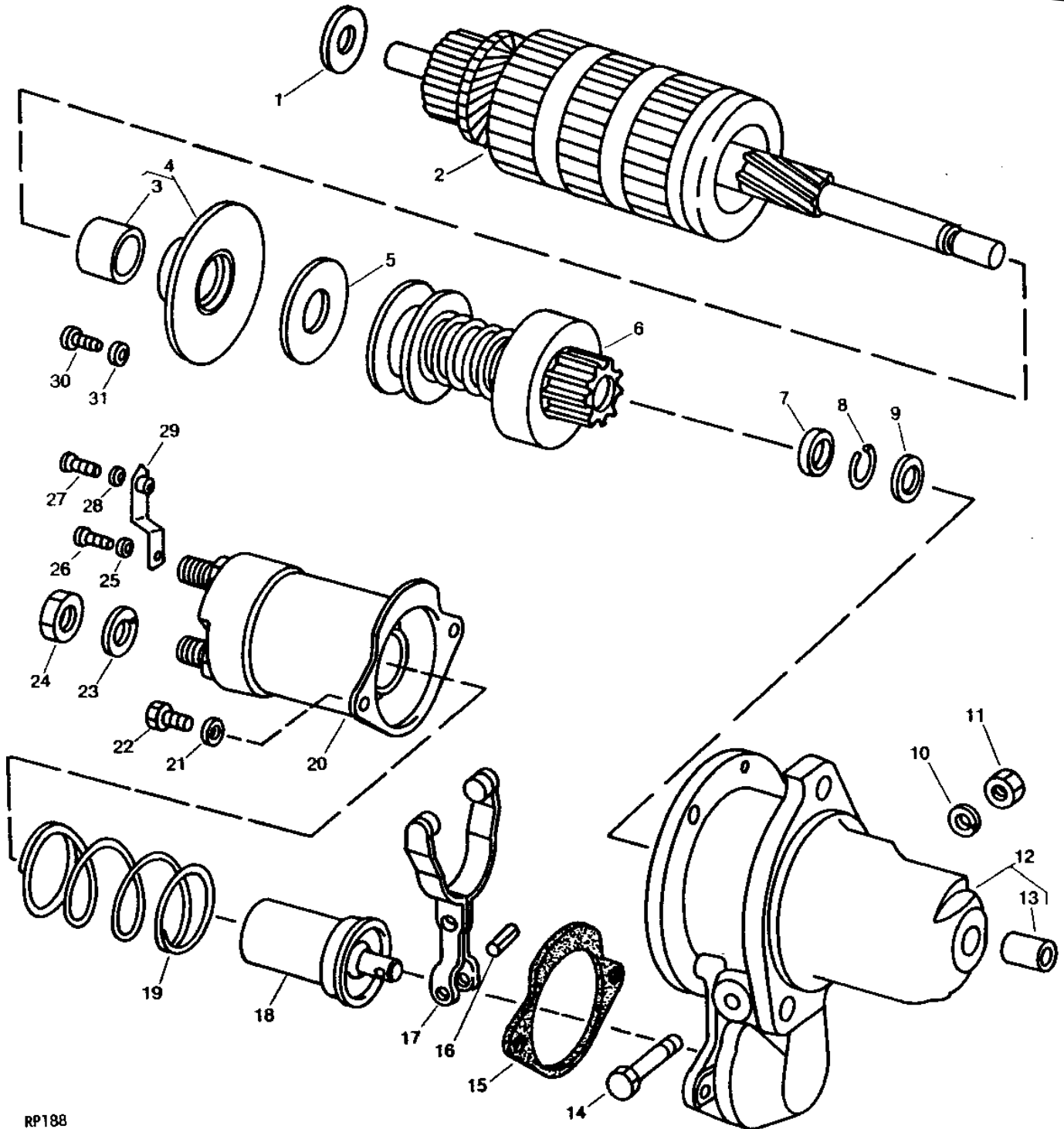
KEY	PART NO.	PART NAME	QTY	TRACTOR SERIAL NO.	REMARKS
1	AT23401	STARTER	1		(R. BOSCH NO. 001359016) (SUB RE62916 OR TY6702)
2	AL23844	CASE	1		
3	AL70854	KIT	1		(SUB FOR L19651)
4	21M6041	SCREW	2		M6 X 50
5	L29153	LOCK WASHER	4		
6	Z24798	BEARING	1		
7	L19654	BUSHING	1		
8	AL19192	SOLENOID	1		
9	L29156	CLAMP	1		
10	21M1211	SCREW	1		M4 X 6
11	R53858	LOCK WASHER	2		M10
12	14M7152	NUT	4		M10
13	AL23847	TERMINAL	1		(SUB AL25269)
14	AL23846	COMMUTATOR HOUSING	1		(SUB AL25270)
15	Z24799	BUSHING	1		
16	AL25271	CARBON BRUSH CONDUCTOR	1		(SUB FOR AZ14507)
17	L41579	COMPRESSION SPRING	4		(SUB FOR Z24810)
18	L29158	COVER	1		
19	L29157	SCREW	1		
20	T27670	RING	1		(SUB FOR Z24801)
21	L29155	O-RING	1		
22	L29154	WASHER	1		
23	L29152	SCREW	1		
24	AZ14504	FIELD WINDING COIL	1		
25	AT25914	LEVER	1		
26	T27671	SCREW	1		
27	14M7151	NUT	1		M8
28	12H304	LOCK WASHER	1		3/8"
29	AZ14506	ARMATURE	1		(SUB AL25274 AND AL25275)
30	AL23848	ARMATURE	1		KIT
31	Z24800	BUSHING	1		
32	AT25910	DRIVE	1		
33	M3636T	STUD	1		
34	12H304	LOCK WASHER	2		3/8"
35	14H1076	NUT	1		3/8"
36	19H1731	CAP SCREW	1		3/8" X 1"

1E9

ELECTRICAL

STARTING MOTOR DRIVE MOTOR AND ARMATURE ASSEMBLY (DELCO-REMY) (AT25619)

RP188 -UN-01JAN94



RP188

1E10

ELECTRICAL

STARTING MOTOR DRIVE MOTOR AND ARMATURE ASSEMBLY - CONTINUED
(DELCO-REMY)
(AT25619)

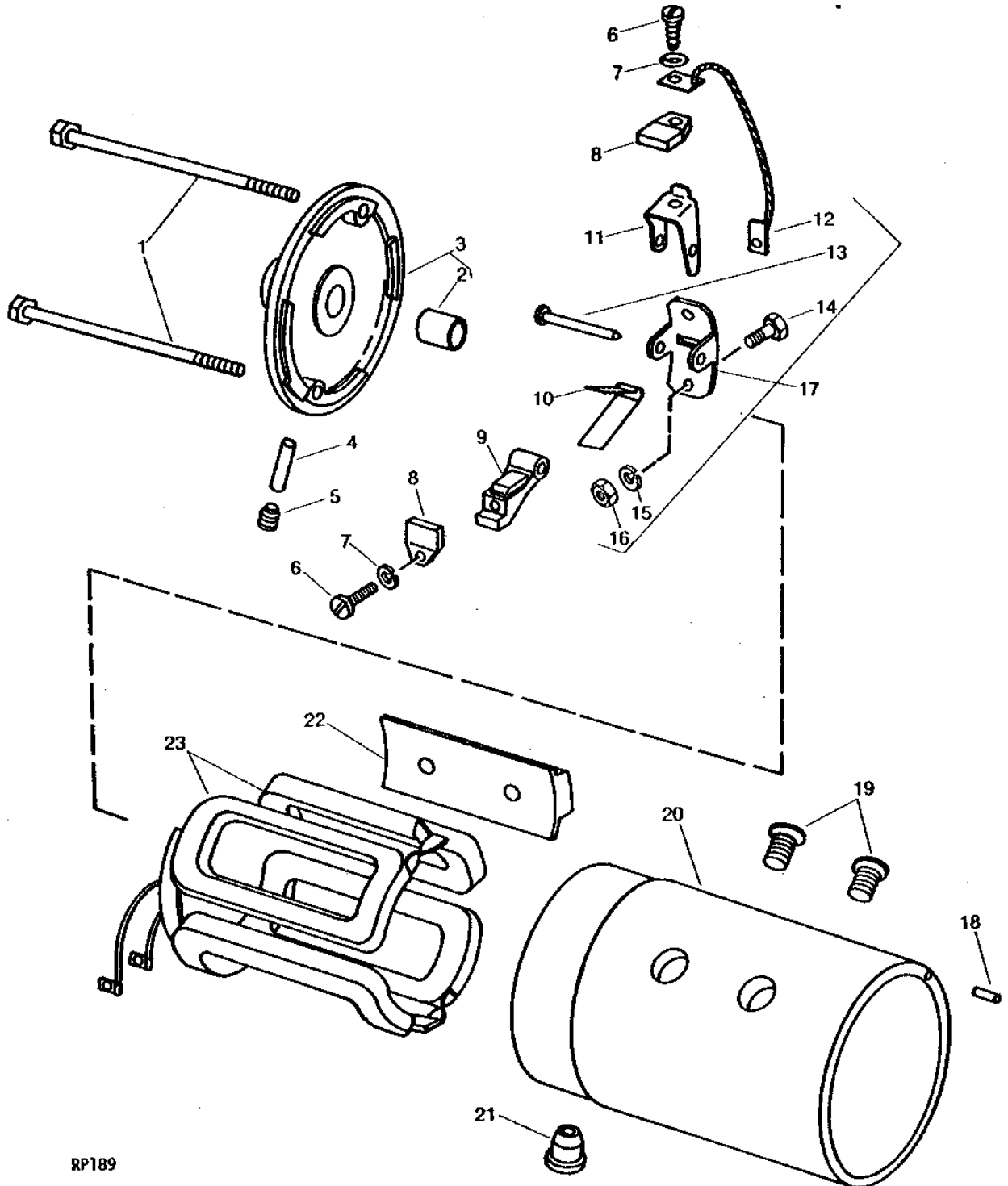
KEY	PART NO.	PART NAME	QTY	TRACTOR SERIAL NO.	REMARKS
1	R11096	WASHER	1		
2	AT16291	ARMATURE	1		
3	820148	BUSHING	1		
4	820149	BEARING	1		
5	R11095	WASHER	1		
6	AR54923	BENDIX DRIVE	1		
7	R11116	SPACER	1		
8	R11117	SNAP RING	1		
9	T24539	WASHER	1		
10	12H303	LOCK WASHER	1	5/16"	
11	14H611	NUT	1	5/16"	
12	RE19193	HOUSING	1		(SUB FOR AR70082)
13	T17987	BUSHING	1		
14	T11672	CAP SCREW	1		
15	T17058	GASKET	1		
16	34H279	SPRING PIN	1	3/16" X 13/16"	
17	T18113	SHIFTER	1		
18	AT15147	PLUNGER	1		
19	T11675	SPRING	1		
20	AR68304 TY6690	SOLENOID SOLENOID	1 1		SOLENOID (REMANUFACTURED)
21	12H302	LOCK WASHER	2	1/4"	
22	21H1142	SCREW	2	1/4" X 1/2"	
23	12H304	LOCK WASHER	1	3/8"	
24	14H732	NUT	1	3/8"	
25	12M7060	WASHER	1	0.209"	
26	T15564	SCREW	1		
27	21H1127	SCREW	1	0.190" X 7/16"	
28	12H246	LOCK WASHER	1	0.190"	
29	R11235	FITTING	1		
30	T19589	SCREW	2		
31	T19569	LOCK WASHER	2		
..	AT25619	STARTER	1		(DELCO-REMY NO. 1107871) (SUB FOR AT23401) (SUB RE62916 OR TY6702)

1E11

ELECTRICAL

STARTING MOTOR HOUSING AND COIL ASSEMBLY (DELCO-REMY) (AT25619)

RP189 -UN-01JAN94



RP189

1E12

ELECTRICAL

STARTING MOTOR HOUSING AND COIL ASSEMBLY - CONTINUED
(DELCO-REMY)
(AT25619)

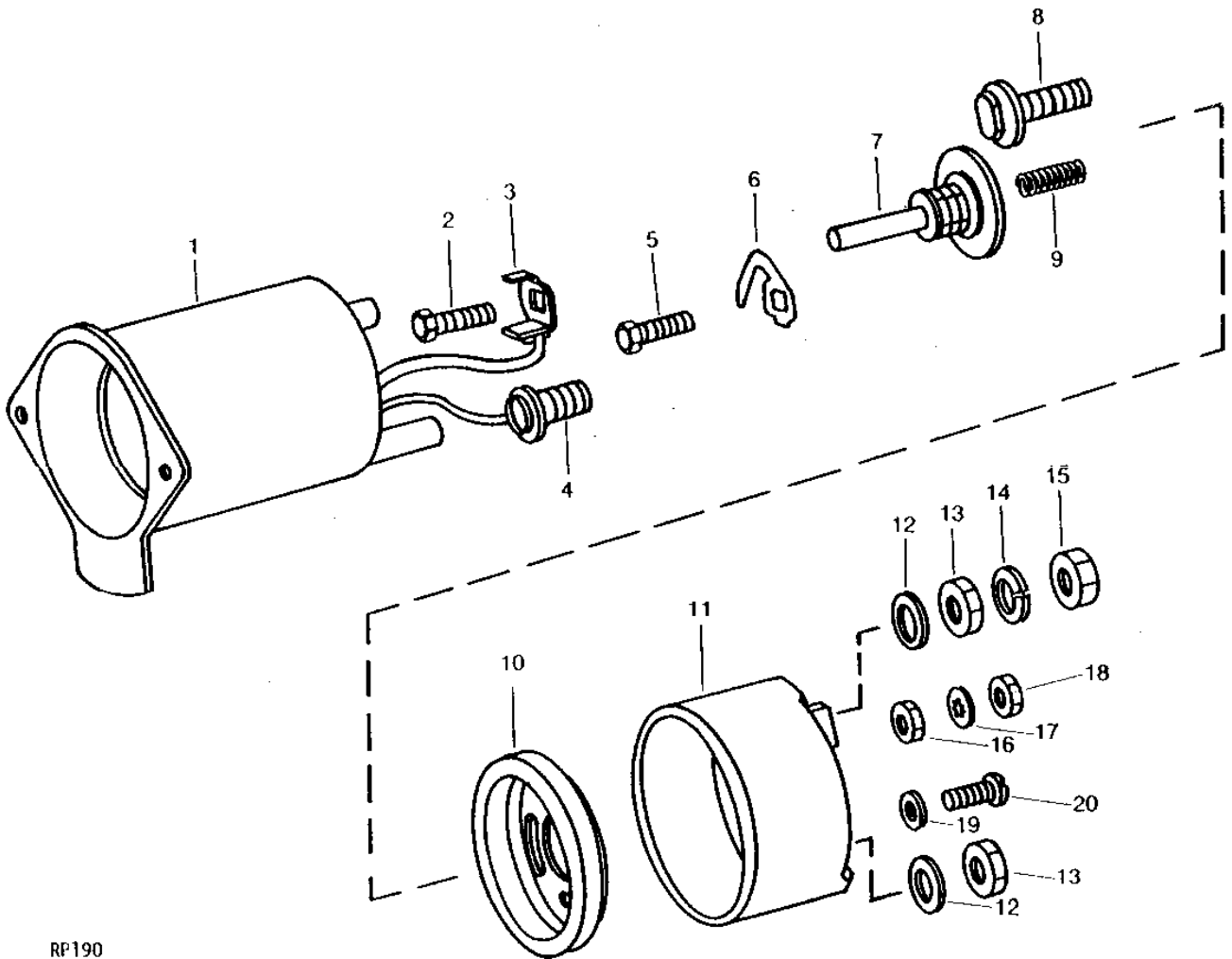
KEY	PART NO.	PART NAME	QTY	TRACTOR SERIAL NO.	REMARKS
1	R11243	CAP SCREW	2		
2	R61932	BUSHING	1		
3	R11238	END PLATE	1		
4	H23193	FELT	1		
5	15H558	PIPE PLUG	1		1/8"
6	37H78	SCREW	4		0.164" X 3/4"
7	12M7084	LOCK WASHER	4		0.169"
8	R11239	BRUSH	4		
9	T739T	HOLDER	2		
10	T740T	SPRING	4		
11	T738T	HOLDER	2		
12	AT514T	WIRING LEAD	2		
13	T736T	PIN	2		
14	21H1301	SCREW	4		0.190" X 1/2"
15	12H246	LOCK WASHER	4		0.190"
16	14H778	NUT	4		0.190"
17	AT516T	KIT	2		
18	R11087	DOWEL PIN	1		
19	21H1280	SCREW	8		3/8" X 3/4"
20	FRAME	1		(ORDER RE62916 OR TY6702)
21	R11236	GROMMET	1		
22	T11680	SHOE	4		
23	AT16290	FIELD WINDING COIL	1		
..	AT25619	STARTER	1		(DELCO-REMY NO. 1107871) (SUB FOR AT23401) (SUB RE62916 OR TY6702)

1E13

ELECTRICAL

RP190 -UN-01JAN94

SOLENOID SWITCH
(DELCO-REMY)



RP190

1E14

ELECTRICAL

SOLENOID SWITCH - CONTINUED (DELCO-REMY)

KEY	PART NO.	PART NAME	QTY	TRACTOR SERIAL NO.	REMARKS
1	HOUSING	1		(ORDER AR68304 OR TY6690)
2	T19606	STUD	1		
3	R11198	CLIP	1		
4	T18354	SCREW	1		
5	T19606	STUD	1		
6	T19604	CONTACT	1		
7	AT15146	CONTACT	1		
8	T18105	STUD	1		
9	R11066	SPRING	1		
10	R61133	GASKET	1		
11	COVER	1		(ORDER AR68304 OR TY6690)
12	R11194	WASHER	2		
13	14H732	NUT	2	3/8"	
14	12H304	LOCK WASHER	1	3/8"	
15	14H1076	NUT	1	3/8"	
16	AR11131	NUT	2		
17	12M7084	LOCK WASHER	2	0.169"	
18	14H605	NUT	2	0.164"	
19	R11039	WASHER	2		
20	21H1298	SCREW	2	0.190" X 3/8"	
..	AR68304	SOLENOID	1		(A) (12-VOLT)
..	TY6690	SOLENOID	1		(A) (REMANUFACTURED)

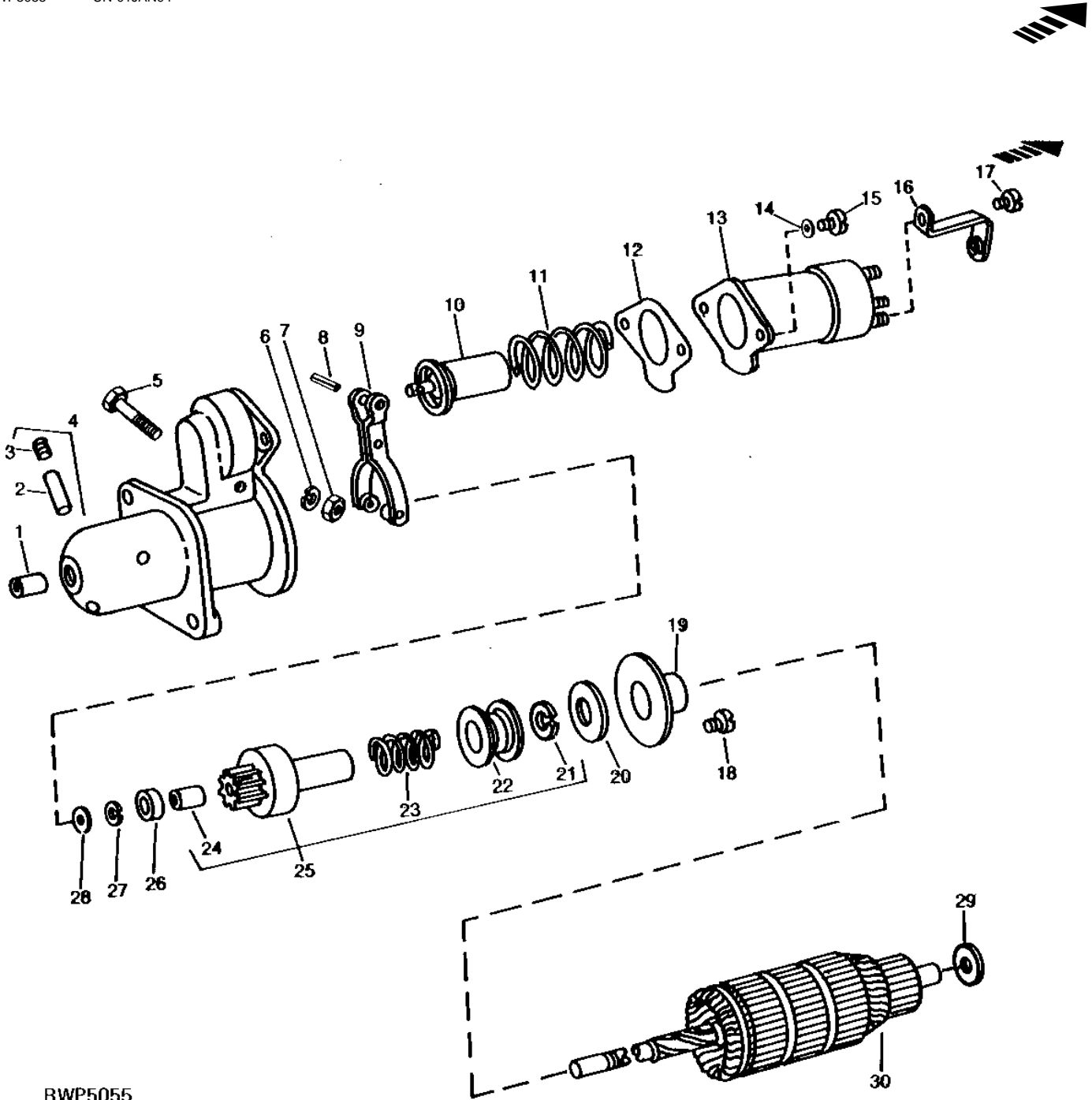
(A) USE WITH AT25619

1E15

ELECTRICAL

STARTING MOTOR DRIVE MOTOR AND SWITCH ASSEMBLY (DELCO-REMY NO. 1998367) (RE19187 AND RE42730)

RWP5055 -UN-01JAN94



RWP5055

1E16

ELECTRICAL

STARTING MOTOR DRIVE MOTOR AND SWITCH ASSEMBLY - CONTINUED
 (DELCO-REMY NO. 1998367)
 (RE19187 AND RE42730)

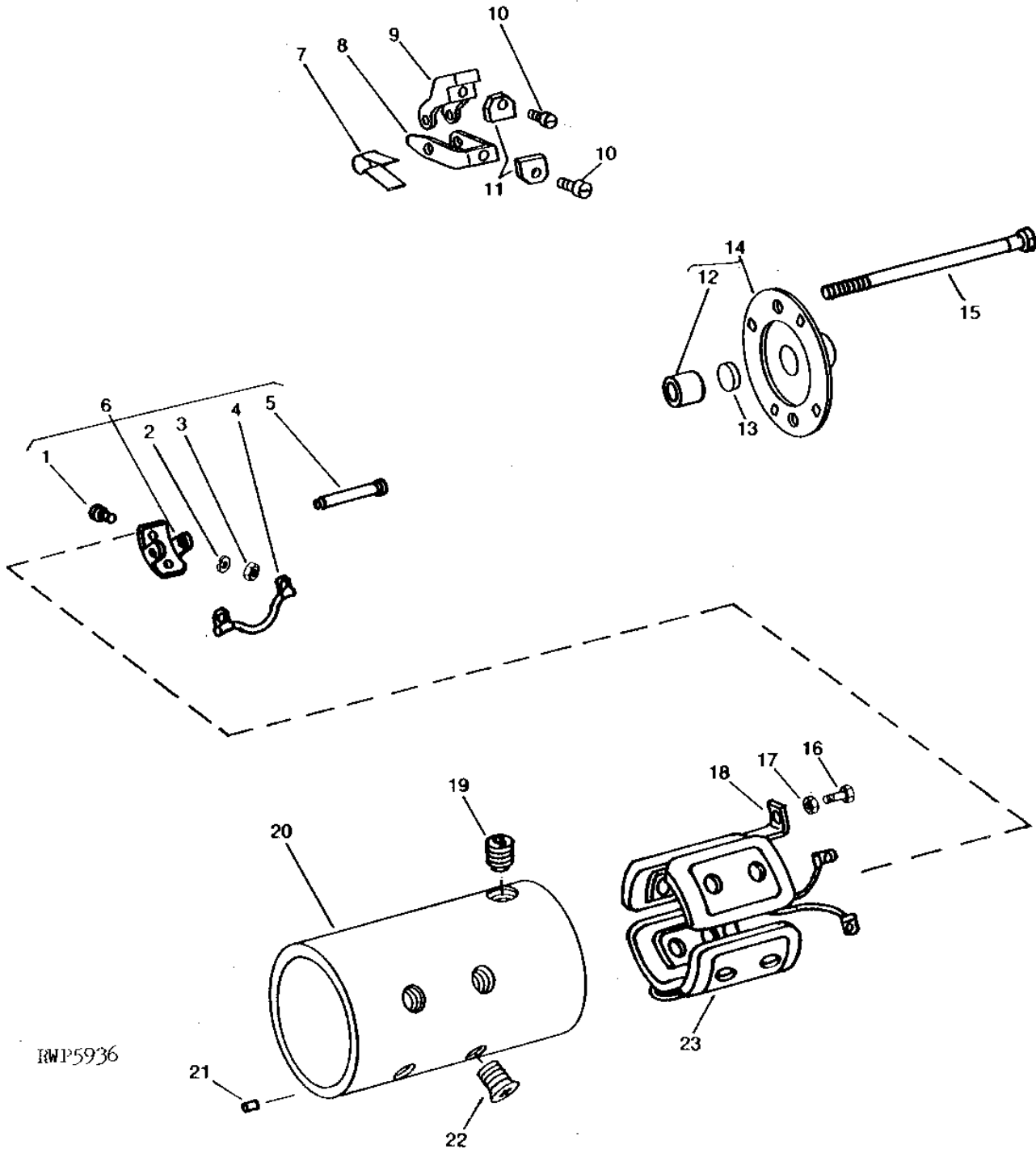
KEY	PART NO.	PART NAME	QTY	ENGINE SERIAL NO.	REMARKS
1	R57029	BUSHING	1		
2	R81175	WICK	1		
3	R81174	PLUG	1		
4	RE19193	HOUSING	1		
5	T11672	CAP SCREW	1		
6	12H303	LOCK WASHER	1	5/16"	
7	14H611	NUT	1	5/16"	
8	34H279	SPRING PIN	1	3/16" X 13/16"	
9	T18113	SHIFTER	1		
10	AM39970	PLUNGER	1		
11	R81176	COMPRESSION SPRING	1		
12	T17058	GASKET	1		
13	AM39968	SOLENOID	1		(DELCO-REMY NO.1114524)
14	12H302	LOCK WASHER	2	1/4"	
15	21H1142	SCREW	2	1/4" X 1/2"	
16	R57025	FITTING	1		
17	T15564	SCREW	1		
18	RE19191	SCREW, WITH WASHER	2		
19	RE19192	PLATE	1		
20	R81172	WASHER	1		
21	R11118	WIRE	1		
22	SHIFT COLLAR	1		(ORDER AR54923)
23	T26601	SPRING	1		
24	1873796	BUSHING	2		
25	AR54923	BENDIX DRIVE	1		
26	R11116	SPACER	1		
27	R11117	SNAP RING	1		
28	T24539	WASHER	1		
29	R81198	THRUST WASHER	1		
30	AR68299	ARMATURE	1		(SUB RE62916 OR TY6702)
..	RE19187	STARTER	1		(SUB RE62916 OR TY6702)
..	RE42730	STARTER	1		(SUB RE62916 OR TY6702)

1E17

ELECTRICAL

STARTING MOTOR COIL ASSEMBLY, HOUSING AND BRUSHES (DELCO-REMY NO. 1998367) (RE19187 AND RE42730)

RWP5936 -UN-01JAN94



RWP5936

1E18

ELECTRICAL

STARTING MOTOR COIL ASSEMBLY, HOUSING AND BRUSHES - CONTINUED
(DELCO-REMY NO. 1998367)
(RE19187 AND RE42730)

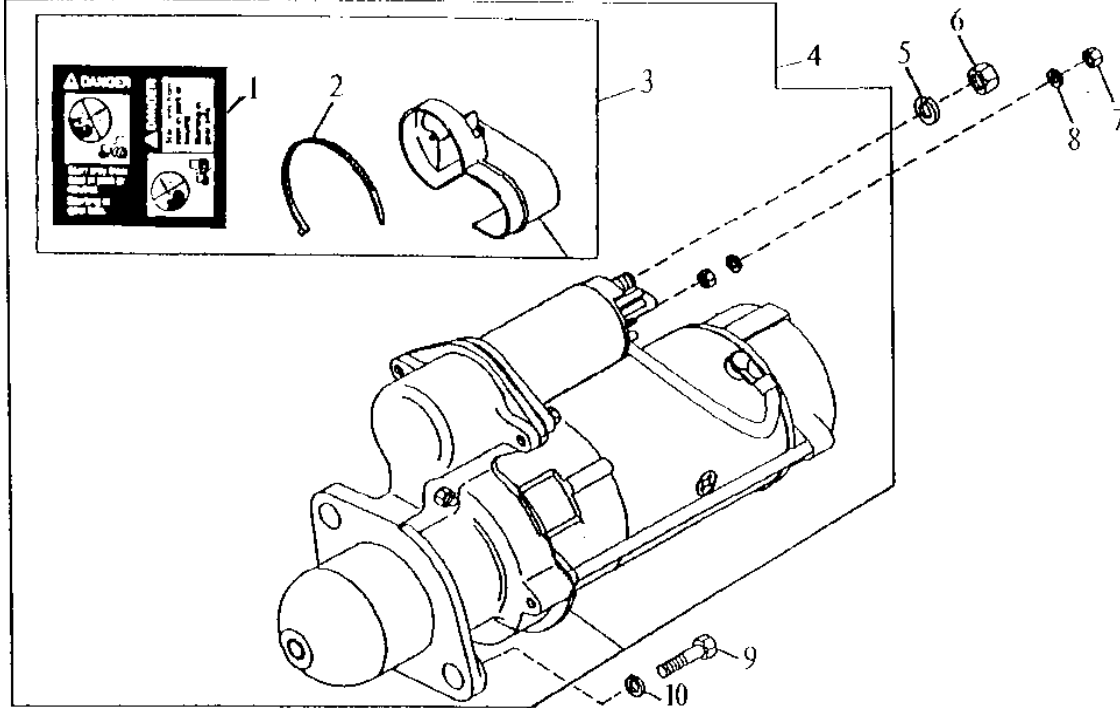
KEY	PART NO.	PART NAME	QTY	ENGINE SERIAL NO.	REMARKS
1	21H1301	SCREW	4		0.190" X 1/2"
2	12H246	LOCK WASHER	4		0.190"
3	14H778	NUT	4		0.190"
4	R57028	WIRING LEAD	2		
5	T736T	PIN	2		
6	AR68302	KIT	2		
7	R81170	SPRING	2		
8	R57027	HOLDER	2		
9	R81169	CARBON BRUSH HOLDER	2		
10	37H78	SCREW	4		0.164" X 3/4"
11	R81168	BRUSH	4		
12	R61932	BUSHING	1		
13	R61934	WICK	1		
14	R81167	END PLATE	1		
15	R81171	BOLT	2		
16	37H91	SCREW	1		0.190" X 1/2"
17	12H246	LOCK WASHER	1		0.190"
18	RE19188	FIELD WINDING COIL	1		
19	R11236	GROMMET	1		
20	HOUSING	1		(ORDER RE62916 OR TY6702)
21	R81173	DOWEL PIN	1		
22	21H1280	SCREW	8		3/8" X 3/4"
23	T11680	SHOE	4		
..	RE19187	STARTER	1		(SUB RE62916 OR TY6702)
..	RE42730	STARTER	1		(SUB RE62916 OR TY6702)

1E19

ELECTRICAL

STARTING MOTOR WITH ATTACHING HARDWARE (RE62916)

RXP021236 -UN-23AUG95



RXP021236

KEY	PART NO.	PART NAME	QTY	ENGINE SERIAL NO.	REMARKS
1	T146102	WARNING LABEL	1	(ENGLISH)	
	T146106	WARNING LABEL	1	(ESPAÑOL)	
	T146104	WARNING LABEL	1	(FRANCAIS)	
	T146515	WARNING LABEL	1	(DEUTSCH)	
	T146516	WARNING LABEL	1	(ITALIANO)	
	T146517	WARNING LABEL	1	(ENGLISH/FRANCAIS)	
2	H113196	TIE BAND	1		
	R44302	TIE BAND	2		
3	RE50096	KIT	1		
4	RE62916	STARTER	1		(SUB FOR AT23401, AT25619, RE19187, RE42730 OR RE50095)
5	12M7013	LOCK WASHER	1	10.200 MM	
6	14M7274	NUT	1	M10	
7	14M7297	NUT	1	M5	
8	12M7064	LOCK WASHER	1	5.100 MM	
9	19H3239	CAP SCREW	2	3/8" X 1-1/4"	
10	12H304	LOCK WASHER	2	3/8"	

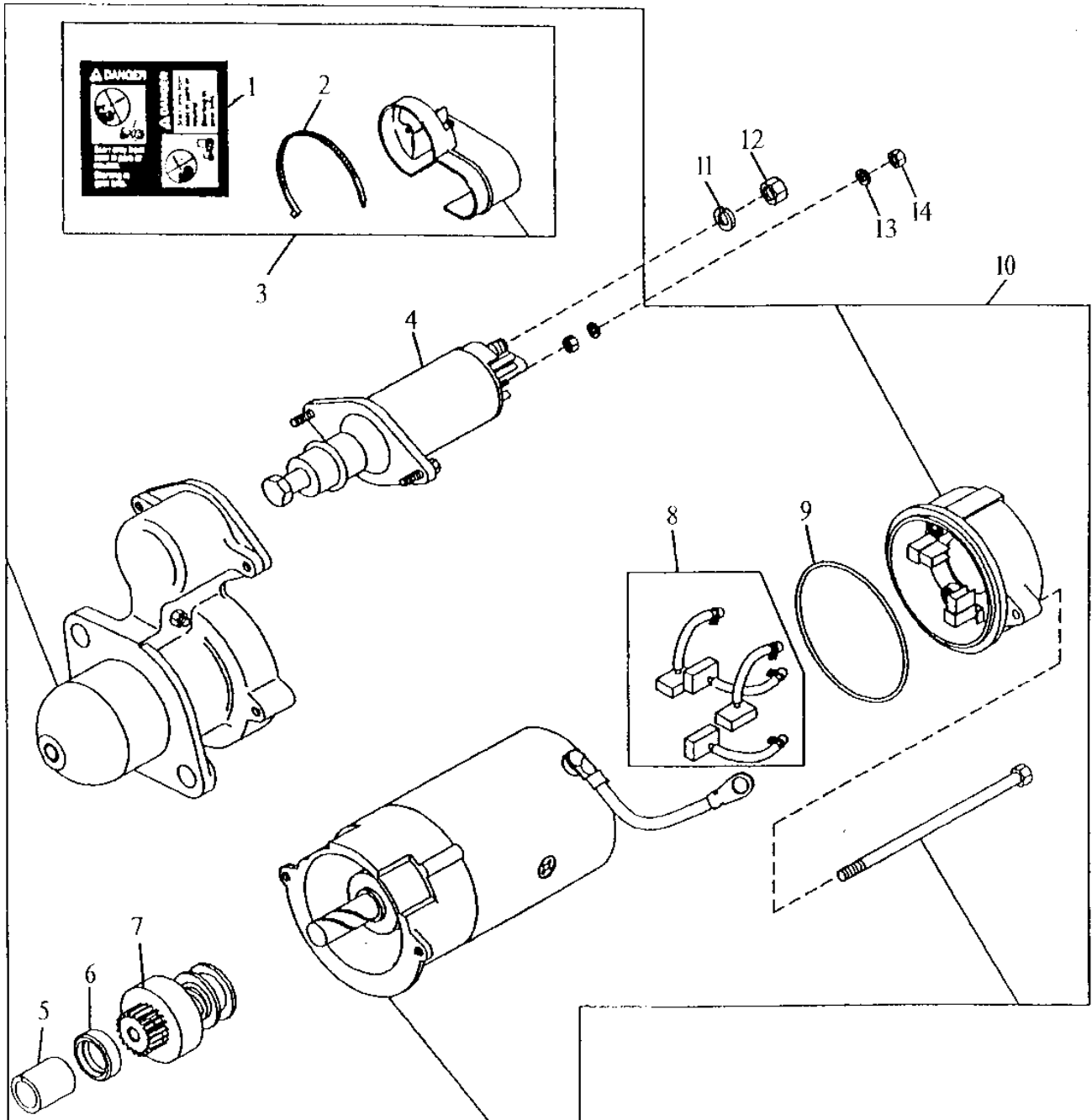
MEMORANDA

1E20

ELECTRICAL

STARTING MOTOR (RE62916)

RXP021237 -UN-18AUG95



RXP021237

1E21

ELECTRICAL

STARTING MOTOR - CONTINUED (RE62916)

KEY	PART NO.	PART NAME	QTY	ENGINE SERIAL NO.	REMARKS
1	T146102	WARNING LABEL	1	(ENGLISH)	
	T146106	WARNING LABEL	1	(ESPANOL)	
	T146104	WARNING LABEL	1	(FRANCAIS)	
	T146515	WARNING LABEL	1	(DEUTSCH)	
	T146516	WARNING LABEL	1	(ITALIANO)	
	T146517	WARNING LABEL	1	(ENGLISH/FRANCAIS)	
2	H113196	TIE BAND	1		
	R44302	TIE BAND	2		
3	RE50096	KIT	1		
4	RE49984	SWITCH	1		
5	R112923	BUSHING	1		
6	R112922	STOP	1		
7	RE49985	BENDIX DRIVE	1		
8	RE49986	KIT	1		
9	R112926	O-RING	1		
10	RE62916	STARTER	1		(SUB FOR AT23401, AT25619, RE19187, RE42730 OR RE50095)
11	12M7013	LOCK WASHER	1		10.200 MM
12	14M7274	NUT	1		M10
13	12M7064	LOCK WASHER	1		5.100 MM
14	14M7297	NUT	1		M5

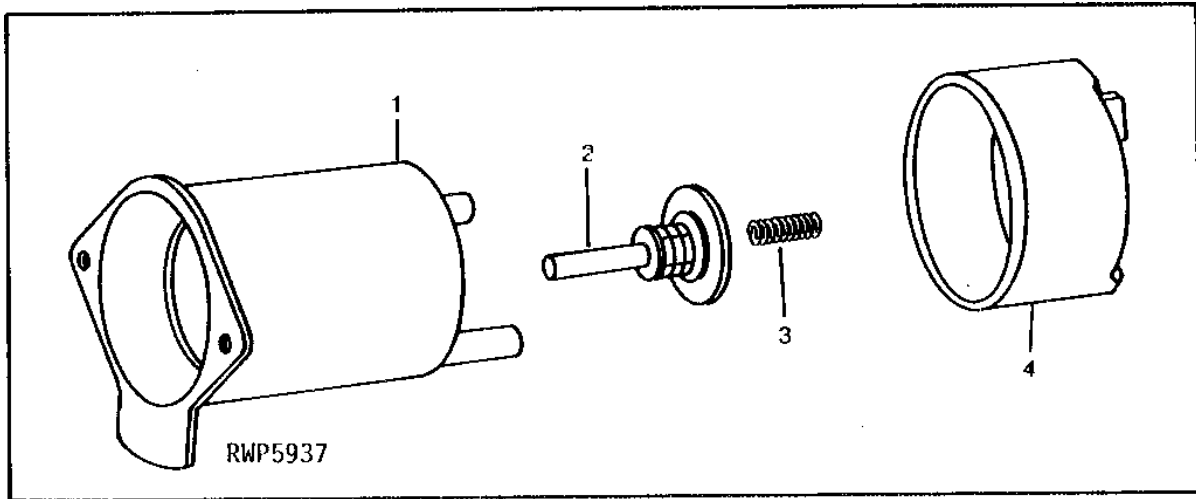
THIS PARTS LISTING IS CONTINUED

1E22

ELECTRICAL

RWP5937 -UN-01JAN94

SOLENOID SWITCH
(DELCO-REMY NO. 1114524)



KEY	PART NO.	PART NAME	QTY	ENGINE SERIAL NO.	REMARKS
1	SOLENOID	1	(SUB AM39968)	
2	AM39969	CONTACT	1		
3	R11066	SPRING	1		
4	RE24175	COVER	1		
5	AM39968	SOLENOID	1	(A) (12-VOLT)	

(A) USE ON RE19187 OR RE42730

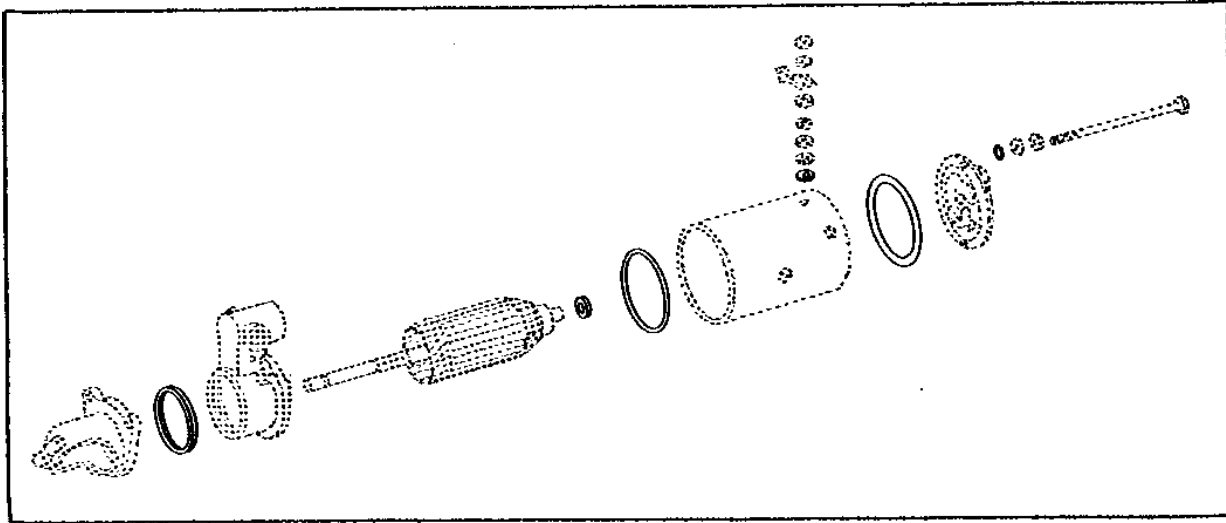
1E23

ELECTRICAL

RP1234

-UN-01JAN94

STARTING MOTOR SEALING KIT (DELCO-REMY)



RP1234

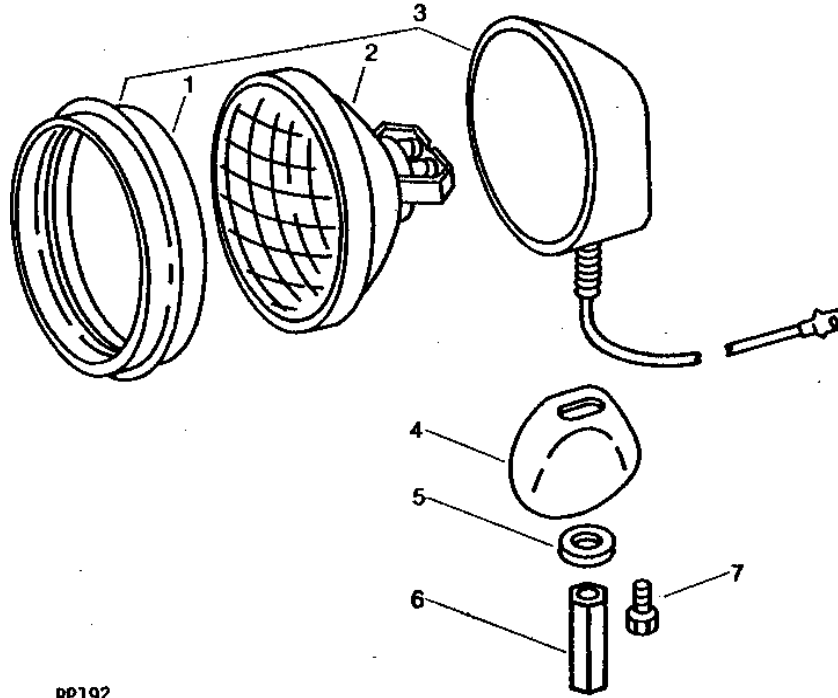
KEY	PART NO.	PART NAME	QTY	TRACTOR SERIAL NO.	REMARKS
1	AR100161	SEAL KIT	1	(SUB FOR AR40174 OR AR85407)	

1E24

ELECTRICAL

RP192 -UN-01JAN94

FRONT LAMP



RP192

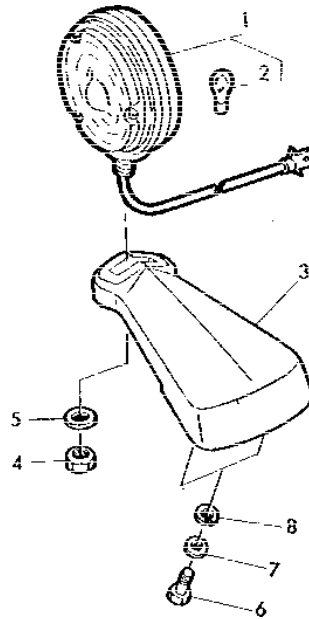
KEY	PART NO.	PART NAME	QTY	TRACTOR SERIAL NO.	REMARKS
1	R31250	BEZEL	1		(GUIDE)
	R30182	BEZEL	1		(HOBBS)
2	AF3892R	HEADLIGHT	1		
3	AT20106	LAMP	1		(SUB RE27099)
4	T21761	SUPPORT	1		
5	24H1355	WASHER	1		37/64" X 1-1/8" X 0.120", (SUB FOR R31892)
6	T22522	NUT	1		
7	T19179	CAP SCREW	2		

1E25

ELECTRICAL

L50617 -UN-01JAN94

WARNING LIGHT



L 50617

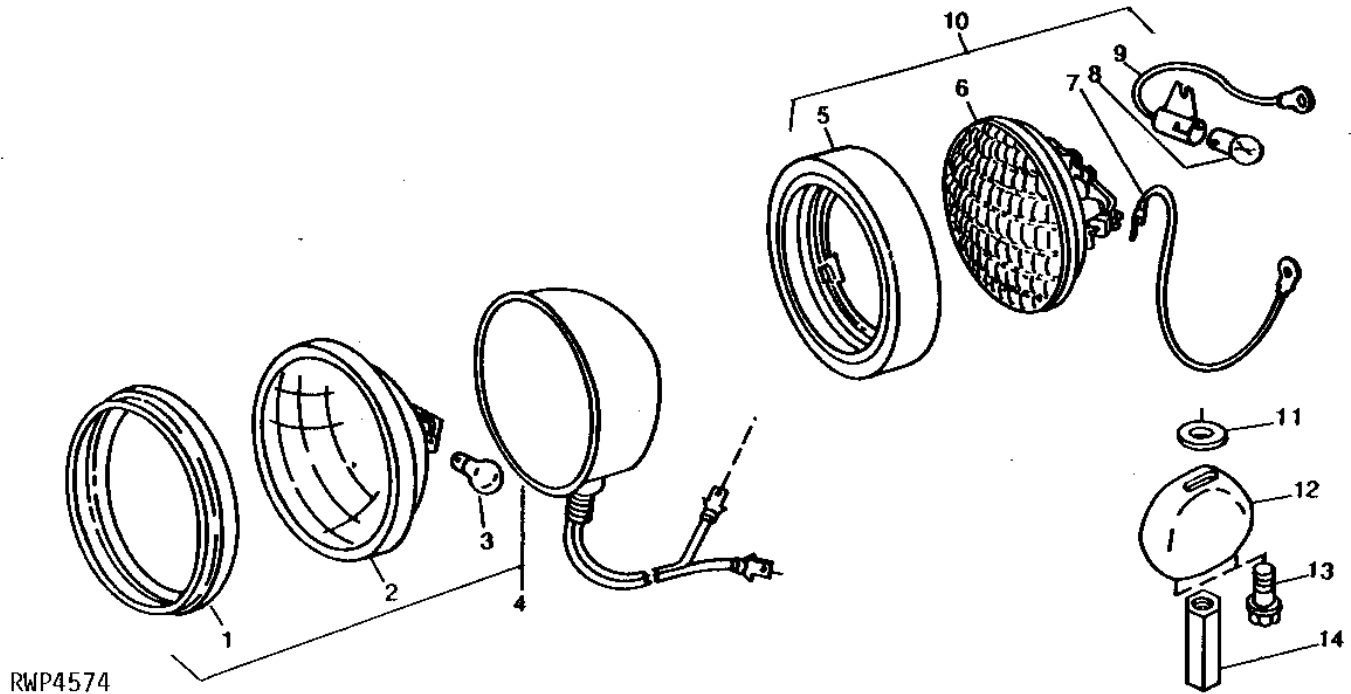
KEY	PART NO.	PART NAME	QTY	TRACTOR SERIAL NO.	REMARKS
1	AT23467	LAMP	1	-077053	
	AR50580	LAMP	2	077054-	
	R48664	LENS	1		(USE WITH AR50580)
	R48665	LENS	1		(USE WITH AR50580)
2	AD2062R	BULB	2		(12-VOLT)
3	T22524	SUPPORT	1	-077053	(SUB R48352)
	R48352	SUPPORT	2	077054-	(SUB FOR L29390)
4	14H865	NUT	2		1/2"
5	R47831	WASHER	2		(SUB FOR R38371)
6	19H2021	CAP SCREW	4		3/8" X 5/8"
7	24H1307	WASHER	4		13/32" X 1" X 1/16"
8	12H304	LOCK WASHER	4		3/8"

1F1

ELECTRICAL

REAR WORK LIGHT AND BRACKETS (TRACTOR SERIAL NO. -077053)

RWP4574 -UN-01JAN94



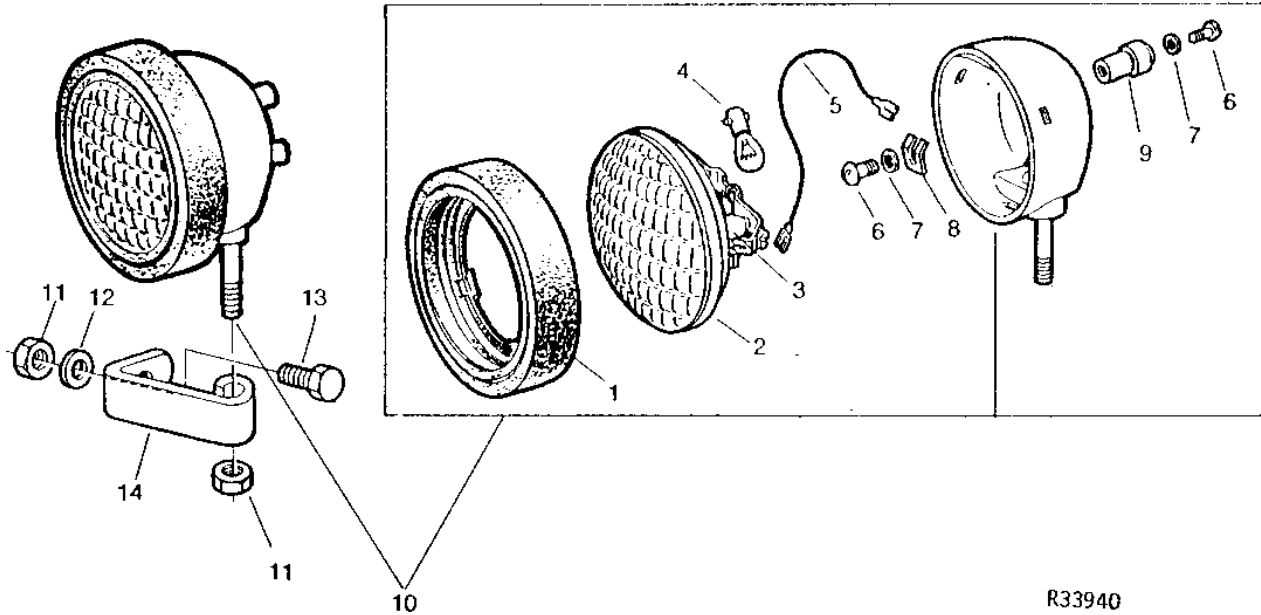
KEY	PART NO.	PART NAME	QTY	TRACTOR SERIAL NO.	REMARKS
1	R31250	BEZEL	2	-XXXXXX	(GUIDE)
	R30182	BEZEL	2	-XXXXXX	(HOBBS)
2	AR21737	LAMP	2	-XXXXXX	(SUB AR77324, AD2062R AND AR77325)
3	AR86969	BULB	1	-XXXXXX	(SUB FOR AR21739)
4	AT20107	LAMP	2	-XXXXXX	(SUB AR77327)
5	R30182	BEZEL	1	XXXXXX-	
6	AR77324	LAMP	1	XXXXXX-	
7	WIRING LEAD	2	XXXXXX-	(ORDER R66319 AND (2) R32016)
8	AD2062R	BULB	1	XXXXXX-	(12-VOLT)
9	AR77325	SOCKET	1	XXXXXX-	
10	AR77327	LAMP	1	XXXXXX-	
11	24H1355	WASHER	2		37/64" X 1-1/8" X 0.120", (SUB FOR R31892)
12	T21761	SUPPORT	2		
13	T19179	CAP SCREW	4		
14	T22522	NUT	2		

1F2

ELECTRICAL

R33940 -UN-01JAN94

REAR LIGHT AND BRACKET



R33940

KEY	PART NO.	PART NAME	QTY	TRACTOR SERIAL NO.	REMARKS
1	R30182	BEZEL	1		(HOBBS)
	R31250	BEZEL	1		(GUIDE)
2	AR21737	LAMP	1	-XXXXXX	(SUB AR77324, AD2062R AND AR77325)
	AR77324	LAMP	1		(USE WITH AR77326)
	AR55888	SOCKET	1		(USE WITH AT16288)
	AR77325	SOCKET	1		(USE WITH AR77326)
3	AR21737	LAMP	1		(SUB AD2062R, AR77324 AND AR77325)
4	AR86969	BULB	1		(12-VOLT) (USE WITH AT16288) (SUB FOR AR21739)
	AD2062R	BULB	1		(12-VOLT) (USE WITH AR77326)
5	WIRING LEAD	1		165MM (6-1/2") (SEALED UNIT TO TERMINAL PLATE) (MAKE FROM R66319 AND (2) R32016)
6	21H1293	SCREW	4		0.164" X 5/16"
7	12M7084	LOCK WASHER	4		0.169"
8	A2899R	ASSEMBLY LINE PARTS	2		
9	AA3495R	SUPPORT	2		(GUIDE)
	R30181	PLATE	2		(HOBBS)
10	AR77326	FLOODLAMP	2		(SUB FOR AT16288)
11	14H1040	NUT	2		1/2"
12	24H1211	WASHER	1		9/16" X 1-3/8" X 0.105"
13	19H1792	CAP SCREW	1		1/2" X 1"
14	R59160	BRACKET	1		(SUB FOR T19178 OR R27460)

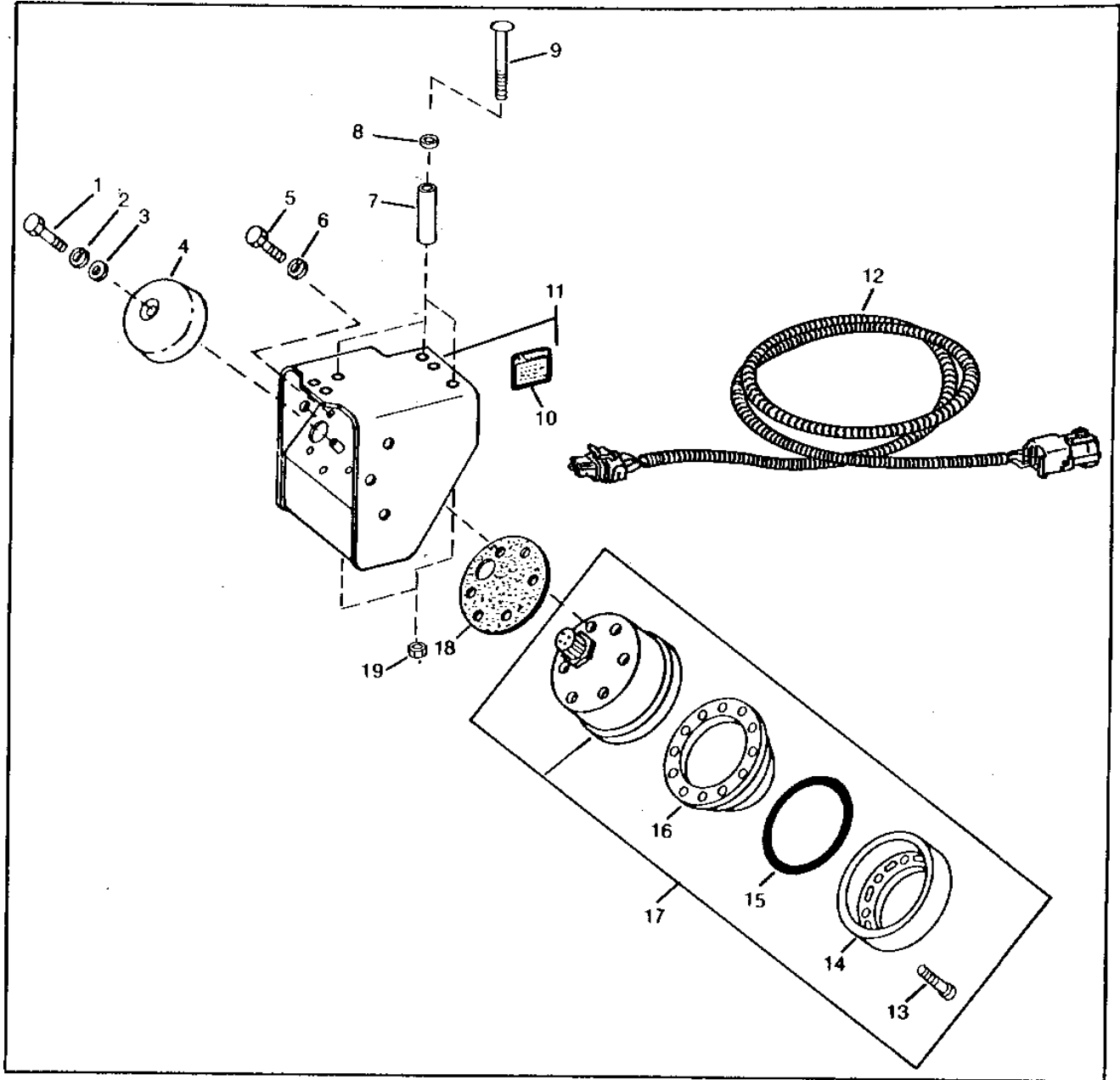
1F3

ELECTRICAL

RXP9306

-UN-01JAN94

RADAR SENSOR



RXP9306

20

1F4

ELECTRICAL

RADAR SENSOR - CONTINUED

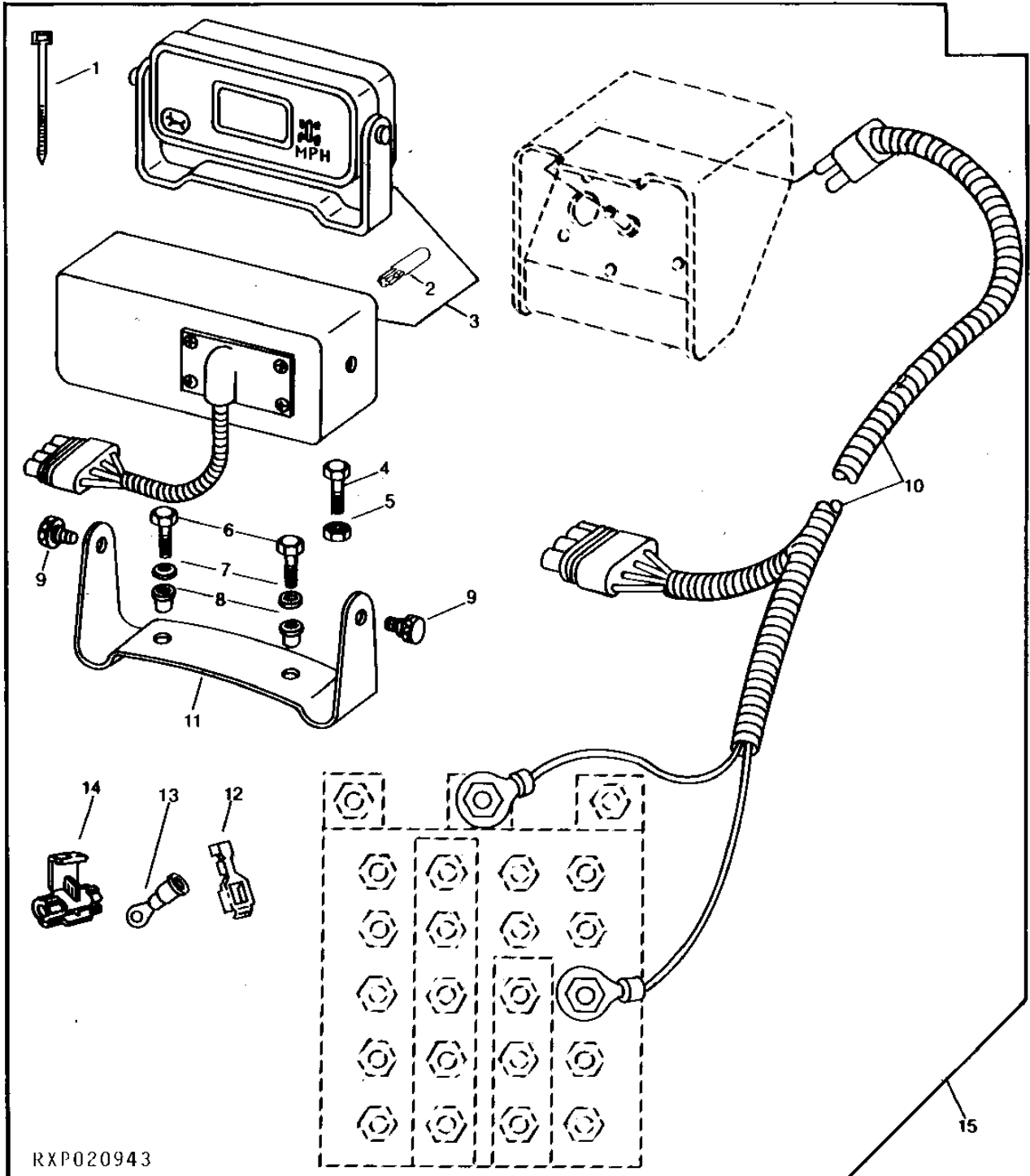
KEY	PART NO.	PART NAME	QTY	TRACTOR SERIAL NO.	REMARKS
1	19H1813	CAP SCREW	1	5/16" X 5/8"	
2	12H303	LOCK WASHER	1	5/16"	
3	24H1136	WASHER	1	11/32" X 11/16" X 0.065"	
4	R82355	SHIELD	1		
5	19H1813	CAP SCREW	6	5/16" X 5/8"	
6	12H303	LOCK WASHER	6	5/16"	
7	28H3343	BUSHING	3	0.546" X 0.840" X 5-3/8"	
8	24H1625	WASHER	2	17/32" X 1" X 0.120"	
9	03H2052	BOLT	3	1/2" X 6-1/2"	
10	R120107	LABEL	1	(ENGLISH)	
	R120106	LABEL	1	(FRANCAIS)	
	R105942	LABEL	1	(DEUTSCH)	
	R120108	LABEL	1	(ESPANOL)	
	L65000	LABEL	1		
11	RE46317	BRACKET	1	(SUB FOR RE21096 OR RE38707)	
12	RE46414	WIRING HARNESS	1		
13	R82239	SCREW	12		
14	R82237	SNAP RING	1		
15	R82238	O-RING	1		
16	R82236	COVER	1		
17	RE43025	RADAR SENSOR	1	(SUB FOR RE21073)	
18	R82243	GASKET	1		
19	14H1040	NUT	3	1/2"	
20	AR111058	SENSOR	1	(SUB FOR RE21510 OR RW26466) (FI)	

1F5

ELECTRICAL

PERFORMANCE TRAK II MINI-MONITOR (ANALOG TACHOMETER)

RXP020943 -UN-12OCT94



1F6

ELECTRICAL

PERFORMANCE TRAK II MINI-MONITOR - CONTINUED
(ANALOG TACHOMETER)

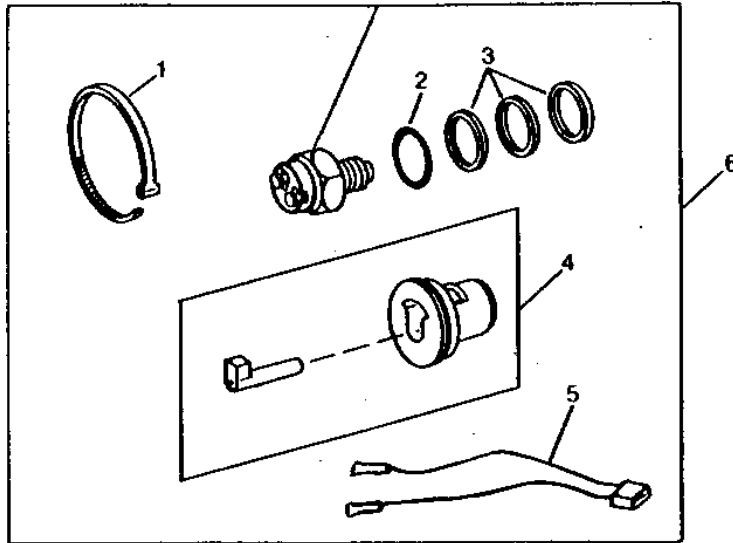
KEY	PART NO.	PART NAME	QTY	TRACTOR SERIAL NO.	REMARKS
1	R44302	TIE BAND	AR		
2	RE22589	LAMP	1		
3	RE21112	MONITOR CONSOLE	1		
4	19H1978	CAP SCREW	3	7/16" X 1-1/2"	
	12H293	LOCK WASHER	3	7/16"	
5	14H1047	NUT	3	7/16"	
	14H786	NUT	2	1/4"	
6	19H1914	CAP SCREW	2	1/4" X 1"	
7	24H1287	WASHER	4	9/32" X 5/8" X 0.065"	
8	R82423	NUT	2	RUBBER	
9	R83055	WING SCREW	2		
10	RE21113	WIRING HARNESS	1	3500MM (138")	
11	R83109	BRACKET	1		
12	U46662	TERMINAL	1		
13	R77489	TERMINAL	1		
	R84158	TERMINAL	1		
14	AR67855	CONNECTOR	3		
15	RE21738	MONITOR CONSOLE	1	(FI)	

1F7

ELECTRICAL

RXP8097 -UN-01JAN94

NEUTRAL START SWITCH KIT



RXP8097

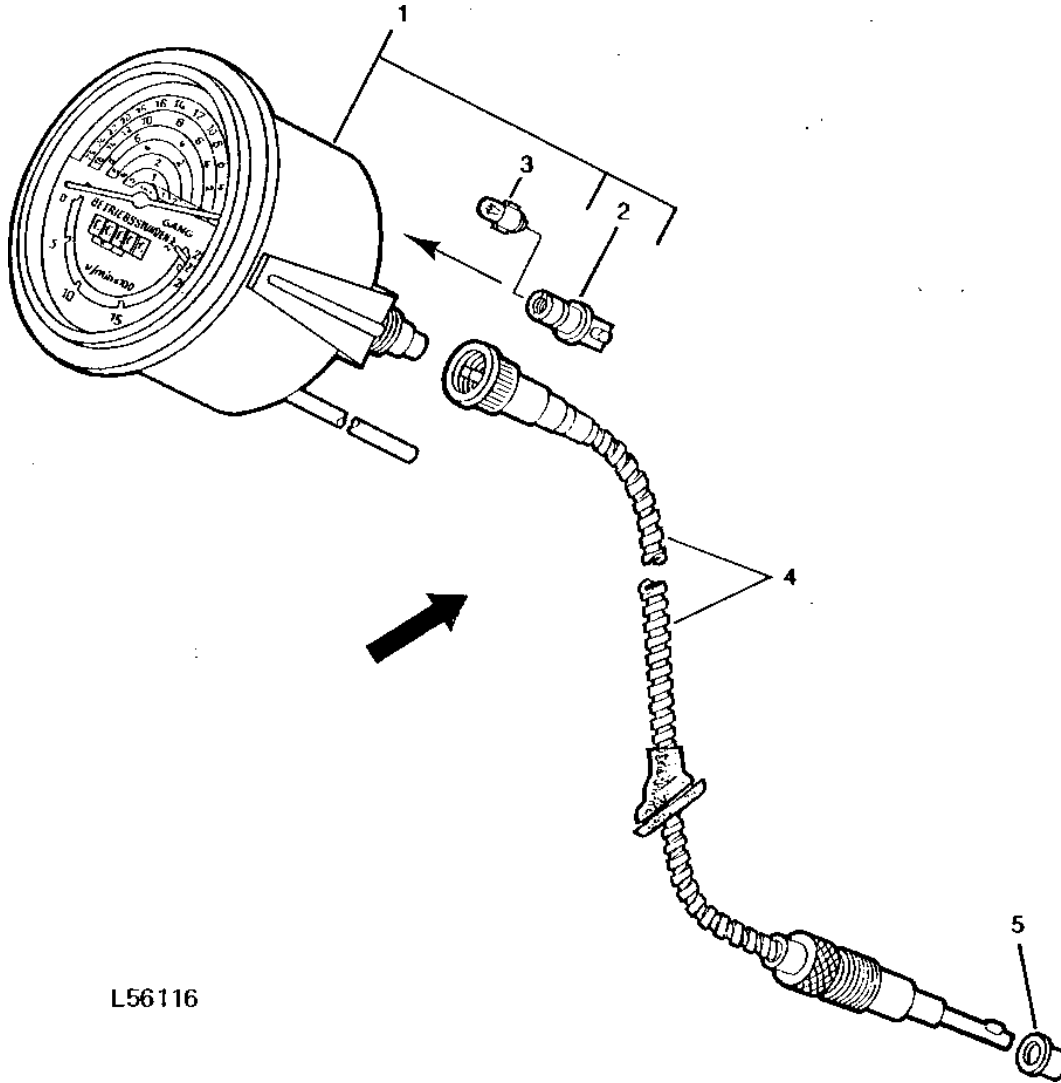
KEY	PART NO.	PART NAME	QTY	TRACTOR SERIAL NO.	REMARKS
1	R44302	TIE BAND	2		
2	R26448	O-RING	1		
3	T16911	SHIM	3		
4	RE37996	GAUGE	1		(NEUTRAL START SWITCH ADJ.)
5	RE14069	WIRING HARNESS	1		
6	RE38390	SWITCH	1		(SUB FOR R36265, AR85323, AR89691 OR AT85153)

1F8

ELECTRICAL

L56116 -UN-01JAN94

SPEED-HOUR METER



L56116

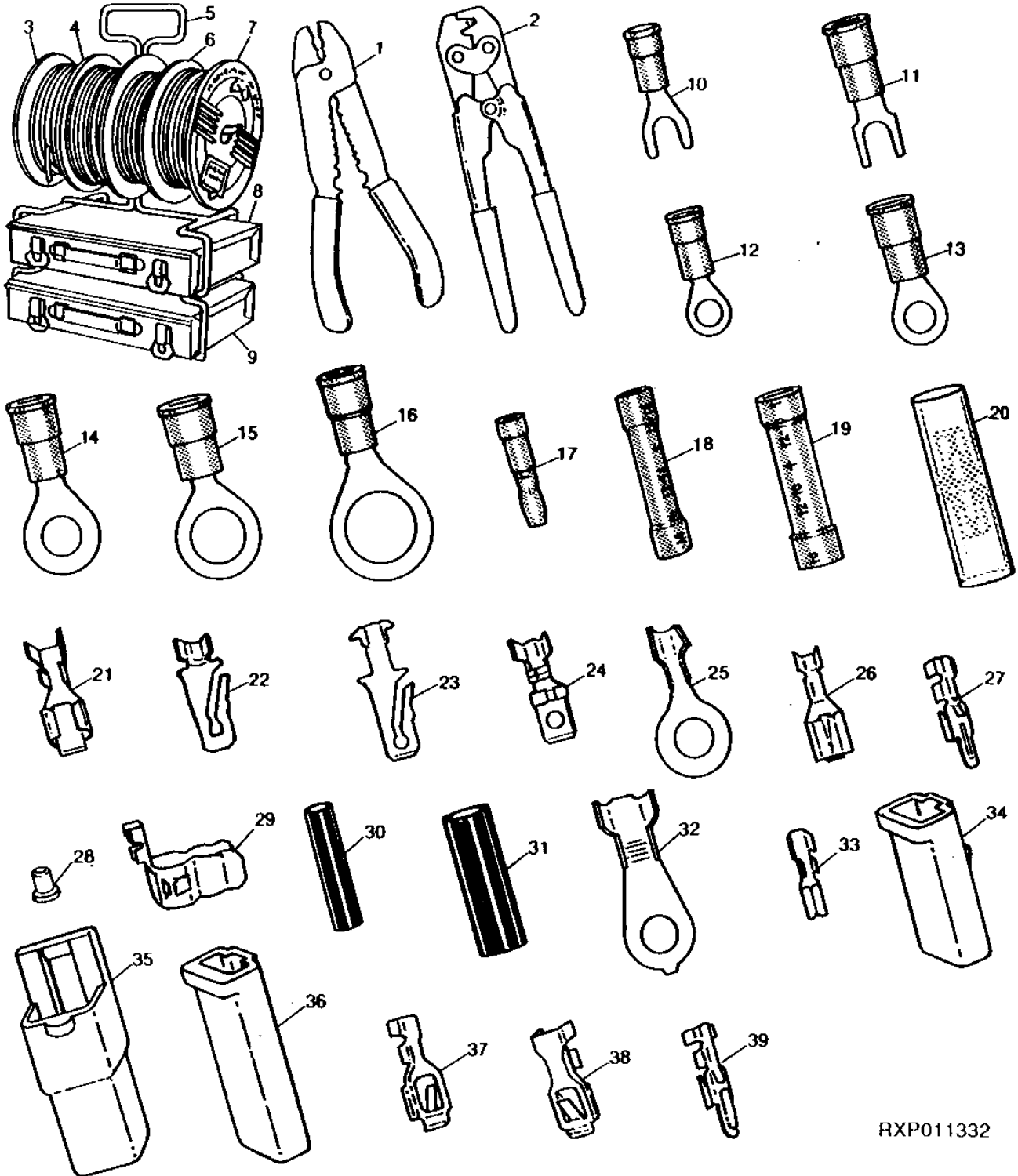
KEY	PART NO.	PART NAME	QTY	TRACTOR SERIAL NO.	REMARKS
1	AL30801	SPEED-HOUR METER	1		(15.5 MPH) (8-SPEED TRANSMISSION) (SUB FOR AT26083 OR AL24290)
	AT26084	TACHOMETER	1		(15.5 MPH) (7-SPEED TRANSMISSION)
2	L23742	SOCKET	1		
3	57M6343	BULB	1		
4	AT19905	CABLE	1		(SUB FOR AL23837)
5	T31437	BUSHING	1		(SUB FOR T21827)

1F9

ELECTRICAL

RXP011332 -UN-27SEP94

ELECTRICAL TERMINALS,CONNECTORS AND WIRING



RXP011332

1F10

ELECTRICAL

ELECTRICAL TERMINALS,CONNECTORS AND WIRING - CONTINUED

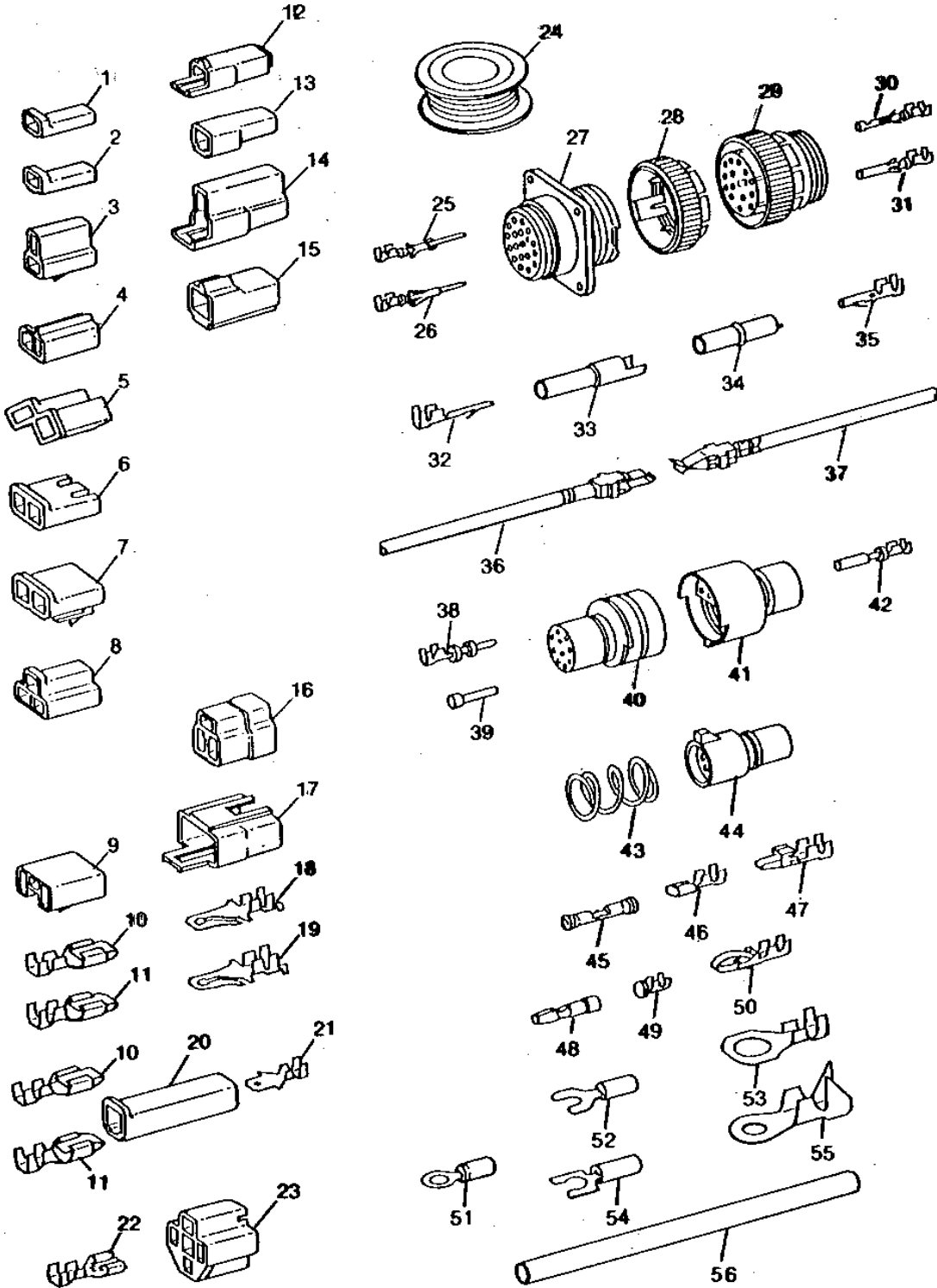
KEY	PART NO.	PART NAME	QTY	TRACTOR SERIAL NO.	REMARKS
1	R32011	TOOL	1	(NLA)	
2	R65594	TOOL	1		
3	R66319	WIRING LEAD	1	14 GA., 30.5 M (100 FT.) (1 SPOOL)	
4	R65593	WIRING LEAD	1	16 GA., 30.5 M (100 FT.) (1 SPOOL)	
5	R65608	RACK	1		
6	R66321	WIRING LEAD	1	10 GA., 15 M (50 FT.) (1 SPOOL)	
7	R66320	WIRING LEAD	1	12 GA., 30.5 M (100 FT.) (1 SPOOL)	
8	R65609	CONTAINER	1	(NLA)	
9	R65610	CONTAINER	1		
10	R32016	TERMINAL	1	14-16 GA., NO. 10 SPADE	
11	R32017	TERMINAL	1	10-12 GA., NO. 10 SPADE	
12	R32018	TERMINAL	1	14-16 GA., NO. 10 EYELET	
13	R32019	TERMINAL	1	10-12 GA., NO. 10 EYELET	
14	R32021	TERMINAL	1	10-12 GA., 1/4" EYELET	
15	R32022	TERMINAL	1	10-12 GA., 3/8" EYELET	
16	R32023	TERMINAL	1	10-12 GA., 1/2" EYELET	
17	R32026	TERMINAL	1	MALE BULLETT	
18	R32027	CONNECTOR	1	SPLICE, 14-16 GA.	
19	R32028	TERMINAL	1	SPLICE, 10-12 GA.	
20	AL2976T	CONNECTOR	1	(SUB FOR R32029) 2-WIRE BULLETT CONNECTOR	
21	R65595	TERMINAL	1	FEMALE, 10 GA.	
22	R65596	TERMINAL	1	MALE, 10 GA. OR TWO 14 GA. CABLES	
23	R65597	TERMINAL	1	MALE, 14-16 GA.	
24	R65598	TERMINAL	1	MALE, SHORT, 14-16 GA.	
25	R65599	TERMINAL	1	14-16 GA., 1/4" EYELET	
26	R65600	TERMINAL	1	FEMALE, 14-16 GA.	
27	R65601	TERMINAL	1	TWIN-LOCK, TWO 16 GA. CABLES	
28	R65602	SOCKET CONTACT	1	BULB SOCKET, 16-18 GA.	
29	R65603	TERMINAL NIPPLE	1	FUSE	
30	R65604	INSULATING SLEEVE	1	14-18 GA.	
31	R65605	INSULATING SLEEVE	1	8-12 GA.	
32	R65606	TERMINAL	1	6-8 GA., 1/4" EYELET	
33	R65607	TERMINAL	1	18-20 GA.	
34	T28583	RECEPTACLE	1	ONE CONTACT LOCK-TYPE, MALE	
35	T28585	TERMINAL	1	ONE CONTACT LOCK-TYPE, FEMALE	
36	U46370	CONNECTOR	1	CONNECTOR, ONE CONTACT SINGLE BODY, MALE	
37	U46662	TERMINAL	1	FEMALE	
38	U46663	TERMINAL	1	FEMALE	
39	U46664	TERMINAL	1	FEMALE	

1F11

ELECTRICAL

RXP010581 -UN-01JAN94

ELECTRICAL CONNECTORS, TERMINALS AND WIRING



RXP010581

1F12

ELECTRICAL

ELECTRICAL CONNECTORS, TERMINALS AND WIRING - CONTINUED

KEY	PART NO.	PART NAME	QTY	TRACTOR SERIAL NO.	REMARKS
1	T28583	RECEPTACLE	1	(B)	
2	M43835	FLAT CONNECTOR	1	(B)	
3	R77476	CONNECTOR	1	(A)	
4	R77477	CONNECTOR	1	(A)	
5	R77479	CONNECTOR	1	(A)	
6	R77480	CONNECTOR	1	(A)	
7	R77481	CONNECTOR	1	(A)	
8	R77482	CONNECTOR	1		
9	H104855	CONNECTOR	1		
10	U46662	TERMINAL	1	(E) (F)	
11	N115096	TERMINAL	1	(G) (SUB R65595) (PKG. OF 15)	
12	T28585	TERMINAL	1	(B)	
13	R77475	CONNECTOR	1	(B)	
14	T28586	CONNECTOR	1	(A)	
15	R77478	CONNECTOR	1	(A)	
16	R77483	CONNECTOR	1		
17	R48887	RECEPTACLE	1		
18	T34067	TERMINAL	1	(E) (F)	
19	R77484	TERMINAL	1	(G) (PKG. OF 15)	
20	U46370	CONNECTOR	1	(B)	
21	R77485	TAB	1	(C) (F)	
22	R77486	TERMINAL	1	(E) (F)	
23	R77487	CONNECTOR	1	(B)	
24	R66321	WIRING LEAD	1	15M (50 FT.) 10 GA.	
	R66320	WIRING LEAD	1	30.5M (100 FT.) 12 GA.	
	R77501	WIRE	1	30.5M (100 FT.) 14 GA.	
	R77500	WIRE	1	30.5M (100 FT.) 16 GA.	
	R77499	WIRE	1	30.5M (100 FT.) 18 GA.	
	R77498	WIRE	1	30.5M (100 FT.) 20 GA.	
25	R77462	PIN CONTACT	1	(PKG. OF 40) (20-22 OR 24 GA. WIRE)	
26	R77464	PIN CONTACT	1	(H) (PKG. OF 50)	
27	R77456	RECEPTACLE	1	(37 WAY)	
28	R77458	CONNECTOR	1	(A) (SIZE 23)	
	R77459	CONNECTOR	1	(A) (SIZE 17)	
	R77460	CONNECTOR	1	(A) (SIZE 13)	
	R77461	CONNECTOR	1	(A) (SIZE 11)	
29	R77457	ELECTRICAL PLUG	1	(37 WAY)	
30	R77463	SOCKET CONTACT	1	(PKG. OF 40) (20-22 OR 24 GA. WIRE)	
31	R77465	SOCKET CONTACT	1	(H) (PKG. OF 50)	
32	R77468	TERMINAL	1	(PKG. OF 5)	
33	R77466	CONNECTOR	1	(A)	
34	R77467	CONNECTOR	1	(A)	

(A) PKG. OF 2

(B) PKG. OF 3

(C) PKG. OF 10

(D) PKG. OF 20

(E) PKG. OF 25

(F) 14 OR 16 GA. WIRE

(G) 10 OR 12 GA. WIRE

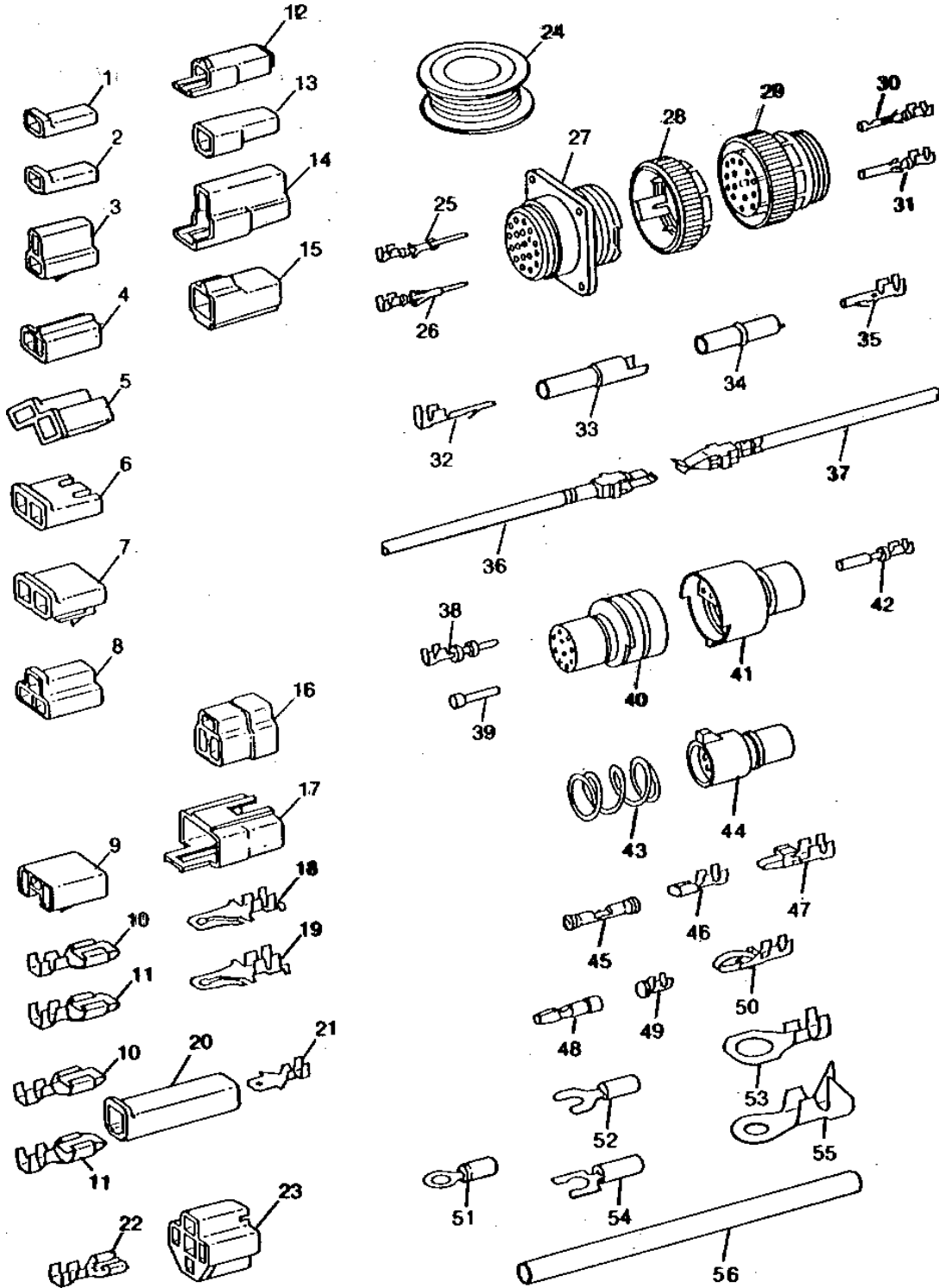
(H) 14-16 OR 18 GA. WIRE

1F13

ELECTRICAL

RXP010581 -UN-01JAN94

ELECTRICAL CONNECTORS, TERMINALS AND WIRING - CONTINUED



RXP010581

1F14

ELECTRICAL

ELECTRICAL CONNECTORS, TERMINALS AND WIRING - CONTINUED

KEY	PART NO.	PART NAME	QTY	TRACTOR SERIAL NO.	REMARKS
35	R77469	TERMINAL	1		(PKG. OF 5)
36	RE11156	TERMINAL	1		(B) (MALE)
37	RE11157	TERMINAL	1		(B) (FEMALE)
38	R70222	PIN CONTACT	1		(D) (H)
39	R70221	ELECTRICAL PLUG	1		(E)
40	R70219	PLUG	1		(A) (10 WAY)
	R70217	PLUG	1		(A) (7 WAY)
	R70215	PLUG	1		(A) (4 WAY)
	R70213	PLUG	1		(A) (3 WAY)
41	R70211	CONNECTOR	1		(A) (2 WAY)
	R70218	RECEPTACLE	1		(A) (10 WAY)
	R70216	RECEPTACLE	1		(A) (7 WAY)
	R70214	RECEPTACLE	1		(A) (4 WAY)
	R70212	RECEPTACLE	1		(A) (3 WAY)
	R70210	RECEPTACLE	1		(A) (2 WAY)
42	AR91793	SOCKET CONTACT	1		(D)
43	R30378	SPRING	1		(C)
44	R77474	CONNECTOR	1		(A) (6 WAY)
45	R77470	TERMINAL	1		SPLICE (PKG. OF 15) (16-18-20 OR 22 GA. WIRE)
	R77471	TERMINAL	1		(C) (G) SPLICE
	R77472	TERMINAL	1		(A) SPLICE (8 GA. WIRE)
	R77473	TERMINAL	1		(A) SPLICE (6 GA. WIRE)
46	R65607	TERMINAL	1		(C) (18 OR 20 GA. WIRE)
47	U46664	TERMINAL	1		(C) (F)
48	R32026	TERMINAL	1		(D) (F)
49	R65602	SOCKET CONTACT	1		(C) (16 OR 18 GA. WIRE)
50	R70220	TERMINAL	1		(C) (18 OR 20 GA. WIRE)
51	R77489	TERMINAL	1		(D) (14-16-18 OR 20 GA. WIRE) (NO. 10 EYELET)
	R77493	TERMINAL	1		(D) (G) (NO. 10 EYELET)
	R77488	TERMINAL	1		(D) (14-16-18 OR 20 GA. WIRE) (3/8" EYELET)
	R77490	TERMINAL	1		(D) (G) (1/2" EYELET)
52	R77496	TERMINAL	1		(D) (F) (NO. 8 SPADE)
	R77495	TERMINAL	1		(D) (18 GA. WIRE) (NO. 10 SPADE)
53	R77497	TERMINAL	1		(D) (F) (NO. 6 SPADE)
54	R77491	TERMINAL	1		(D) (G) (3/8" EYELET)
	R77492	TERMINAL	1		(D) (G) (1/4" EYELET)
55	R77494	TERMINAL	1		(D) (6 OR 8 GA. WIRE) (1/4" EYELET)
56	R77502	TUBE	1		(PKG. OF 8) 3/8" (HEAT SHRINK)
	R77503	TUBE	1		(PKG. OF 8) 3/16" (HEAT SHRINK)

(A) PKG. OF 2

(B) PKG. OF 3

(C) PKG. OF 10

(D) PKG. OF 20

(E) PKG. OF 25

(F) 14 OR 16 GA. WIRE

(G) 10 OR 12 GA. WIRE

(H) 14-16 OR 18 GA. WIRE

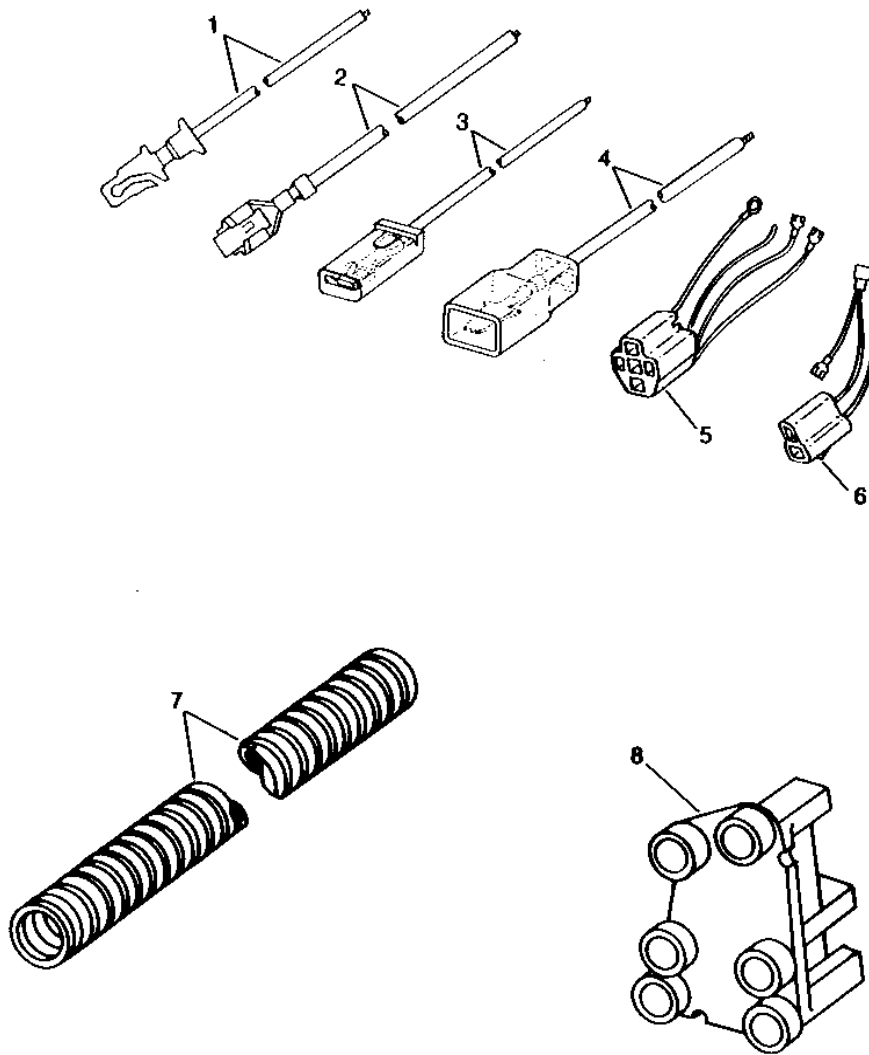
1F15

ELECTRICAL

RXP8619

-UN-28NOV94

SUPPLEMENTARY TERMINALS AND CONNECTORS



1F16

ELECTRICAL

SUPPLEMENTARY TERMINALS, CONNECTORS AND REPAIR CONDUIT - CONTINUED

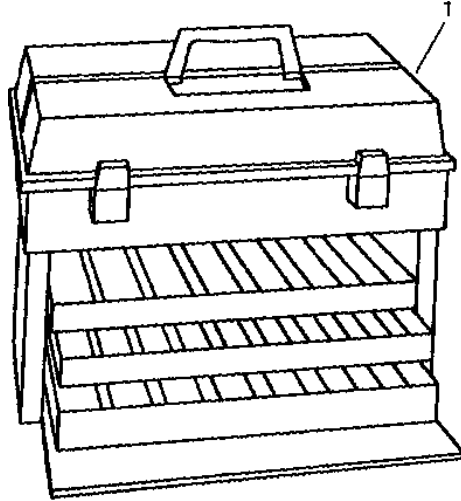
KEY	PART NO.	PART NAME	QTY	TRACTOR SERIAL NO.	REMARKS
1	AR65005	TERMINAL	1		
2	AR65006	TERMINAL	1		
3	R32024	WIRING LEAD	1		
4	R32025	WIRING LEAD	1		
5	RE21730	TERMINAL	1		
	RE21731	TERMINAL	1		
6	RE21732	TERMINAL	1		
7	R93219	CONDUIT	1		6.3 X 3048MM (1/4" X 120")
	R93220	CONDUIT	1		10.4 X 3048MM (13/32" X 120")
	R93221	CONDUIT	1		15.9 X 3048MM (5/8" X 120")
	R93222	CONDUIT	1		25.4 X 3048MM (1" X 120")
8	AR83425	RECEPTACLE CONNECTOR BODY	1		(LIGHT SWITCH)

1F17

ELECTRICAL

RXP010001 -UN-01JAN94

ELECTRICAL CONNECTOR AND TERMINAL KIT



RXP010001

KEY	PART NO.	PART NAME	QTY	TRACTOR SERIAL NO.	REMARKS
1	PM797NA	KIT	1	(A)	
(A) KIT INCLUDES CONNECTORS,TERMINALS AND TOOLS					

MEMORANDA

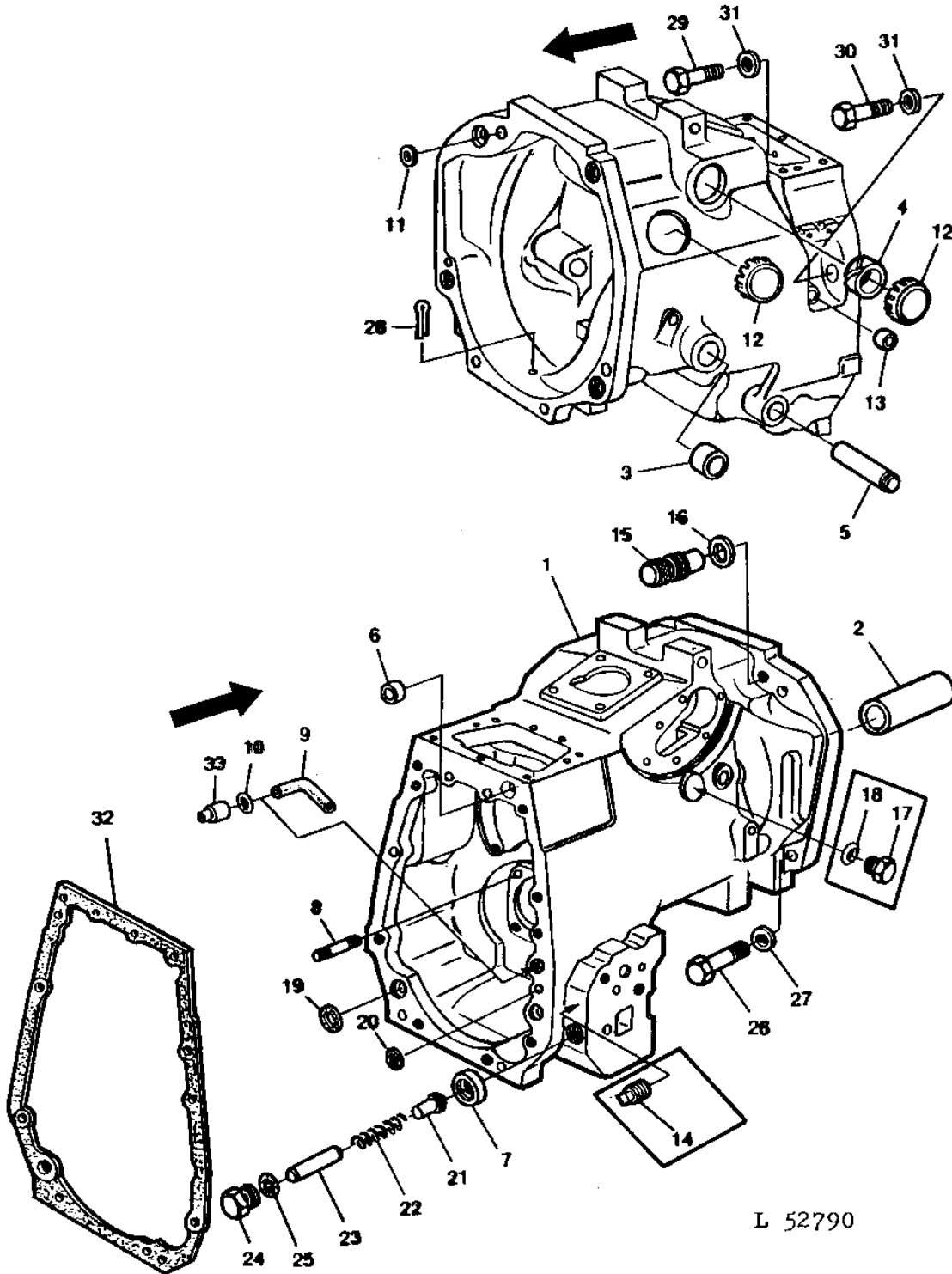
1F20

POWER TRAIN

L52790

-UN-01JAN94

CLUTCH HOUSING



L 52790

1F21

POWER TRAIN

CLUTCH HOUSING - CONTINUED

KEY	PART NO.	PART NAME	QTY	TRACTOR SERIAL NO.	REMARKS
1	AT19800	HOUSING	1	-041089	(NLA)
	AT29679	HOUSING	1	041090-102059	(NLA)
	AT41649	HOUSING	1	102060-XXXXXX	(MARKED R63438) (SUB FOR AL24089) (SUB AR94535, L29854, T23059 AND 14H1039)
	AR94535	HOUSING	1	XXXXXX-	(MARKED R71696) (NLA)
2	T21447	SLEEVE	1		
3	T21446	BUSHING	1		
4	T21445	BUSHING	1		
5	T21448	PIN	1		
6	T12083	CAP	1		
7	T28797	VALVE SEAT INSERT	1		(A) (SUB FOR T22858)
8	R55396	STUD	4		(SUB FOR C2175R)
9	R64806	OIL TUBE	1		(SUB FOR R48290)
10	R375R	O-RING	1		
11	R26919	WASHER	1		
12	AL24554	PLUG	2		
13	M4224T	PLUG	1		(LESS FRONT PTO SHAFT)
14	15H638	PIPE PLUG	1		1/8"
15	T22898	PLUG	1		
16	T21827	WASHER	1		
17	R39112	FITTING	1		
18	R26375	O-RING	1		
19	T22851	WASHER	1		
20	A4847R	WASHER	1		
21	T26430	VALVE	1		(A)
22	T30141	SPRING	1		(A) (SUB FOR F3322R)
23	T26431	GUIDE	1		(A)
24	R27175	DRAIN PLUG	1		
25	F3171R	O-RING	1		
26	19H2133	CAP SCREW	4	-102059	5/8" X 4-1/2"
	19H2133	CAP SCREW	3	102060-	5/8" X 4-1/2"
27	R70268	WASHER	4		(SUB FOR R36995 OR R42363)
28	11M7084	COTTER PIN	1		5 X 25 MM
29	19H2550	CAP SCREW	2		1/2" X 1-5/8"
30	19H1831	CAP SCREW	1		1/2" X 2"
31	T20168	WASHER	3		(SUB FOR M2834T)
32	T36236	GASKET	1		(SUB FOR T21968)
33	T25408	SLEEVE	1		
..	AR94702	GASKET KIT	1		(SUB RE50756)

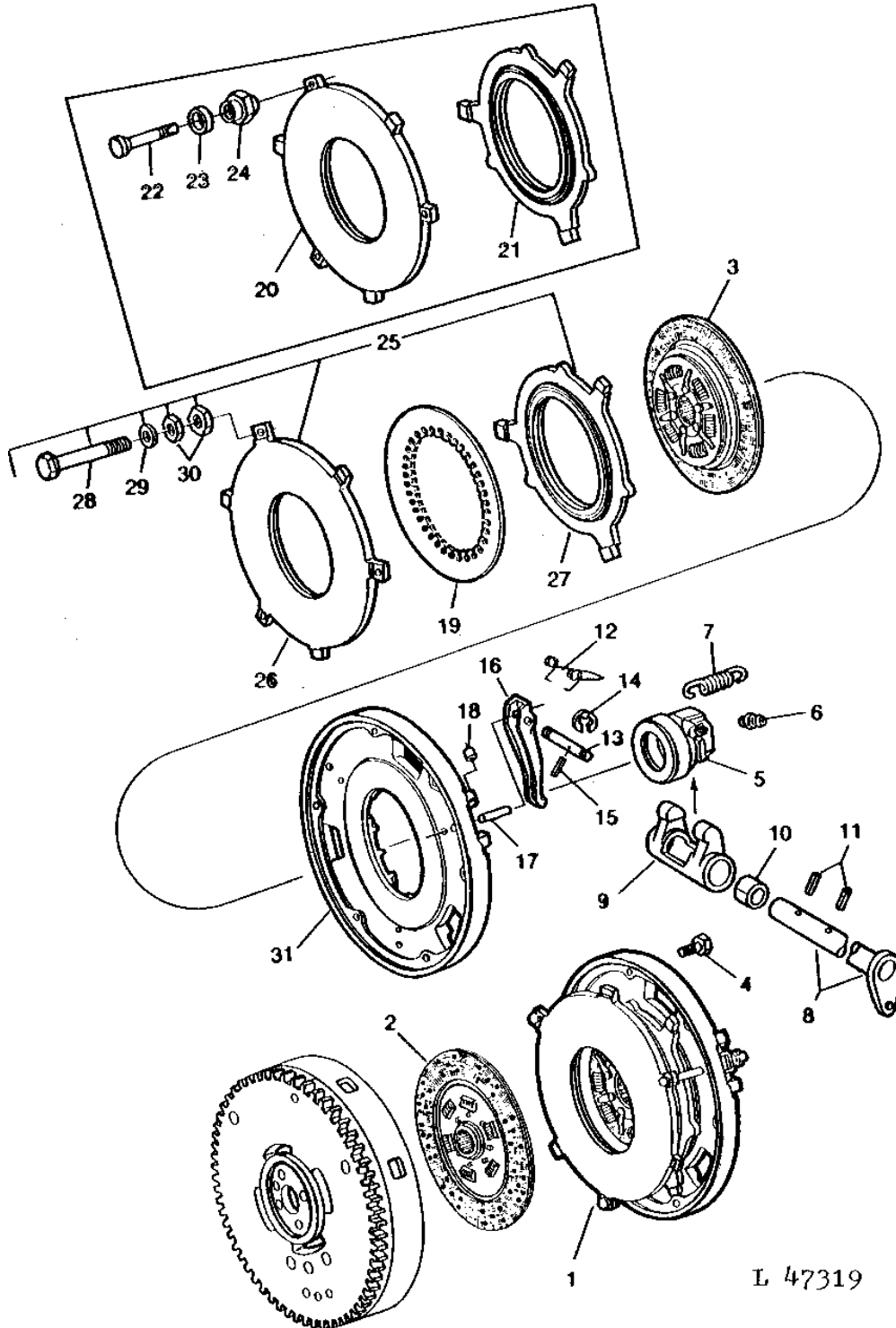
(A) COLLAR SHIFT TRANSMISSION

1F22

POWER TRAIN

DUAL STAGE CLUTCH (SLIDING GEAR TRANSMISSION)

L47319 -UN-01JAN94



L 47319

1F23

POWER TRAIN

**DUAL STAGE CLUTCH - CONTINUED
(SLIDING GEAR TRANSMISSION)**

KEY	PART NO.	PART NAME	QTY	TRACTOR SERIAL NO.	REMARKS
1	AL18714	CLUTCH	1	071166-	(INCLUDES AL19092, T28221, T28222, T28224, T28225, T28226, T28230, T28231, T29353, T29646, T29647, T29648, T29649 AND T29650) (SUB FOR AT27793) (SUB AL55140)
2	AT25899	CLUTCH DISK	1		(TRANSMISSION DRIVE)
3	AL19092	CLUTCH	1		(PTO DRIVE) (SUB FOR AT21675)
4	19H3219	CAP SCREW	6		3/8" X 1-3/8"
5	AT24699	BEARING	1		(SUB AL30777)
6	T27178	LUBRICATION FITTING	1		
7	T21450	EXTENSION SPRING	1		
8	AR101631	SHAFT	1		(SUB FOR AT19837)
9	T21999	FORK	1		
10	T21446	BUSHING	1		
11	34H353	SPRING PIN	2		3/8" X 1-3/4"
12	T28230	SPRING	3		
13	T28222	PIN	3		
14	T28231	SNAP RING	6		
15	T28226	SPRING PIN	3		
16	T28221	LEVER	3		(SUB AL60271)
17	T28224	PIN	3		(SUB L40902 AND L40903)
18	T28225	BUSHING	6		
19	L39302	DIAPHRAGM	1		(SUB FOR T28229, L25750 OR L29246)
20	T28220	CLUTCH PLATE	1	-013499	(SUB AL18667)
21	T28219	CLUTCH PLATE	1	-013499	(SUB AL18667)
22	T28223	BALL STUD	3	-013499	(SUB AL18667)
23	T28228	BUSHING	3	-013499	(SUB AL18667)
24	T28227	NUT	3	-013499	(SUB AL18667)
25	AL18667	KIT	1	013500-	
26	T29647	CLUTCH PLATE	1	013500-	
27	T29646	CLUTCH PLATE	1	013500-	(PTO)
28	T29648	CAP SCREW	3	013500-	
29	T29650	WASHER	3	013500-	
30	T29649	NUT	6	013500-	
31	T29353	PLATE	1		

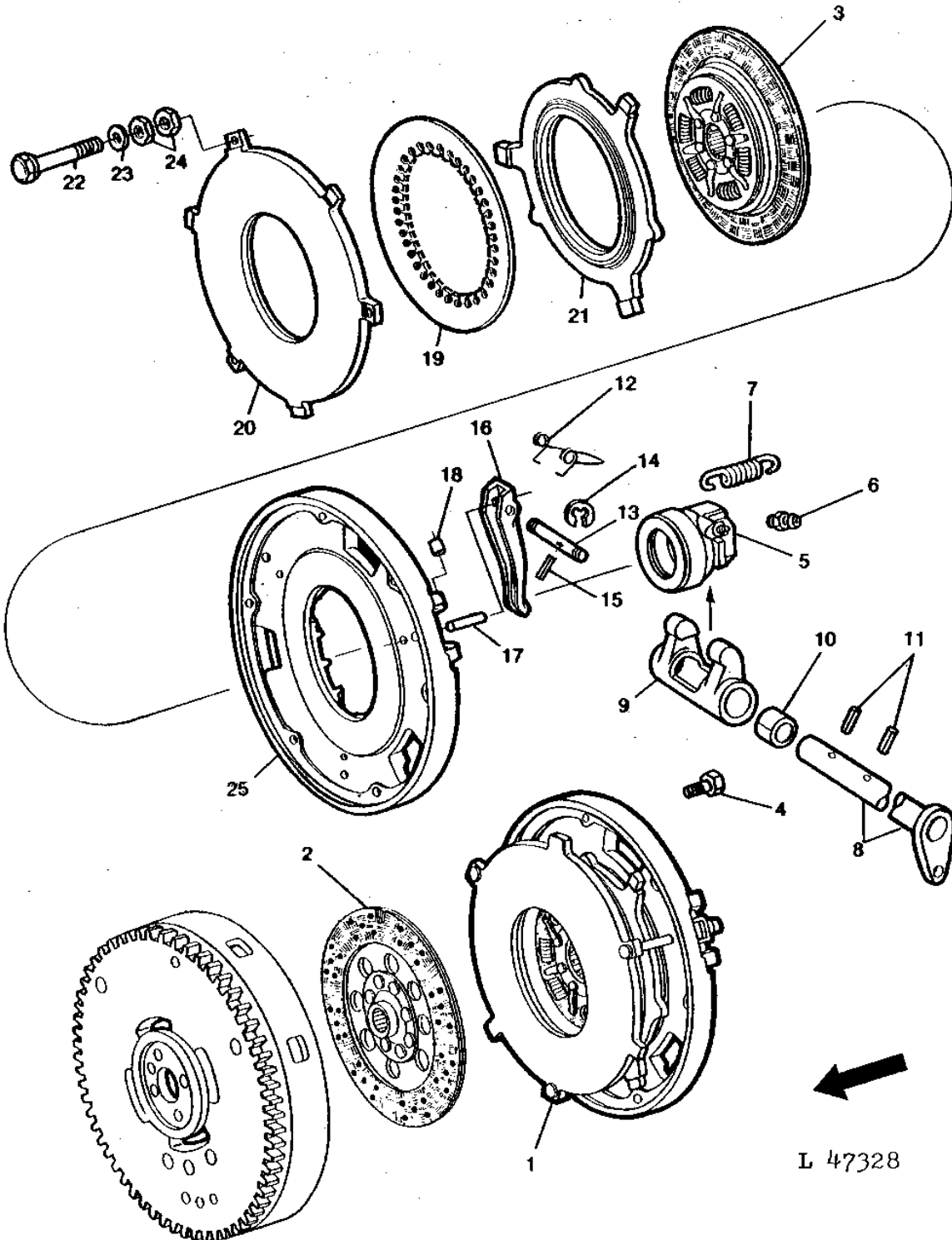
1F24

POWER TRAIN

L47328

-UN-01JAN94

DUAL STAGE CLUTCH (COLLAR SHIFT TRANSMISSION)



L 47328

1F25

POWER TRAIN

DUAL STAGE CLUTCH - CONTINUED (COLLAR SHIFT TRANSMISSION)

KEY	PART NO.	PART NAME	QTY	TRACTOR SERIAL NO.	REMARKS
1	AL18714	CLUTCH	1	-XXXXXX	(3 BOLT) (INCLUDES T28230, T28222, T28226, T28221, T28224, T28225, T29647, T29646, T29648, T29650, T29649 AND T29353) (SUB FOR AT27793) (SUB AL55140)
2	AL40882 AR66924	CLUTCH CLUTCH DISK	1 1	XXXXXX-	(SUB AL55140) (TRANSMISSION DRIVE) (SUB FOR AT25481, AT20061 OR AT32208)
3	AL19092	CLUTCH	1		(PTO DRIVE) (SUB FOR AT21675)
4	19H3219	CAP SCREW	6		3/8" X 1-3/8"
5	AT24699	BEARING	1		(SUB AL30777)
6	T27178	LUBRICATION FITTING	1		
7	T21450	EXTENSION SPRING	1		
8	AR101631	SHAFT	1		(SUB FOR AT19837)
9	T21999	FORK	1		
10	T21446	BUSHING	1		
11	34H353	SPRING PIN	2		3/8" X 1-3/4"
12	T28230	SPRING	3		(A) (B)
13	T28222	PIN	3		(A) (B)
14	L38513	SNAP RING	6		(A) (B) (SUB FOR T28231)
15	T28226	SPRING PIN	3		(A)
	34M7010	SPRING PIN	3		(B) 3 X 20 MM
16	T28221	LEVER	3		(A) (SUB AL60271)
	L41389	LEVER	3		(B) (SUB AL60271)
17	T28224	PIN	3		(A)
	L41390	PIN	3		(B)
18	T28225	BUSHING	6		(A) (B)
19	L39302	DIAPHRAGM	1		(A) (B) (SUB FOR T28229, L25750 OR L29246)
20	T29647	CLUTCH PLATE	1		(A) (B)
21	T29646	CLUTCH PLATE	1		(A) (B) (PTO)
22	T29648	CAP SCREW	3		(A)
	L41388	CAP SCREW	3		(B)
	L41588	COMPRESSION SPRING	3		(B)
	L41589	WASHER	3		(B)
23	T29650	WASHER	3		(A) (B)
24	T29649	NUT	6		(A) (B)
25	T29353	PLATE	1		(A) (B)

(A) USE WITH AL18714

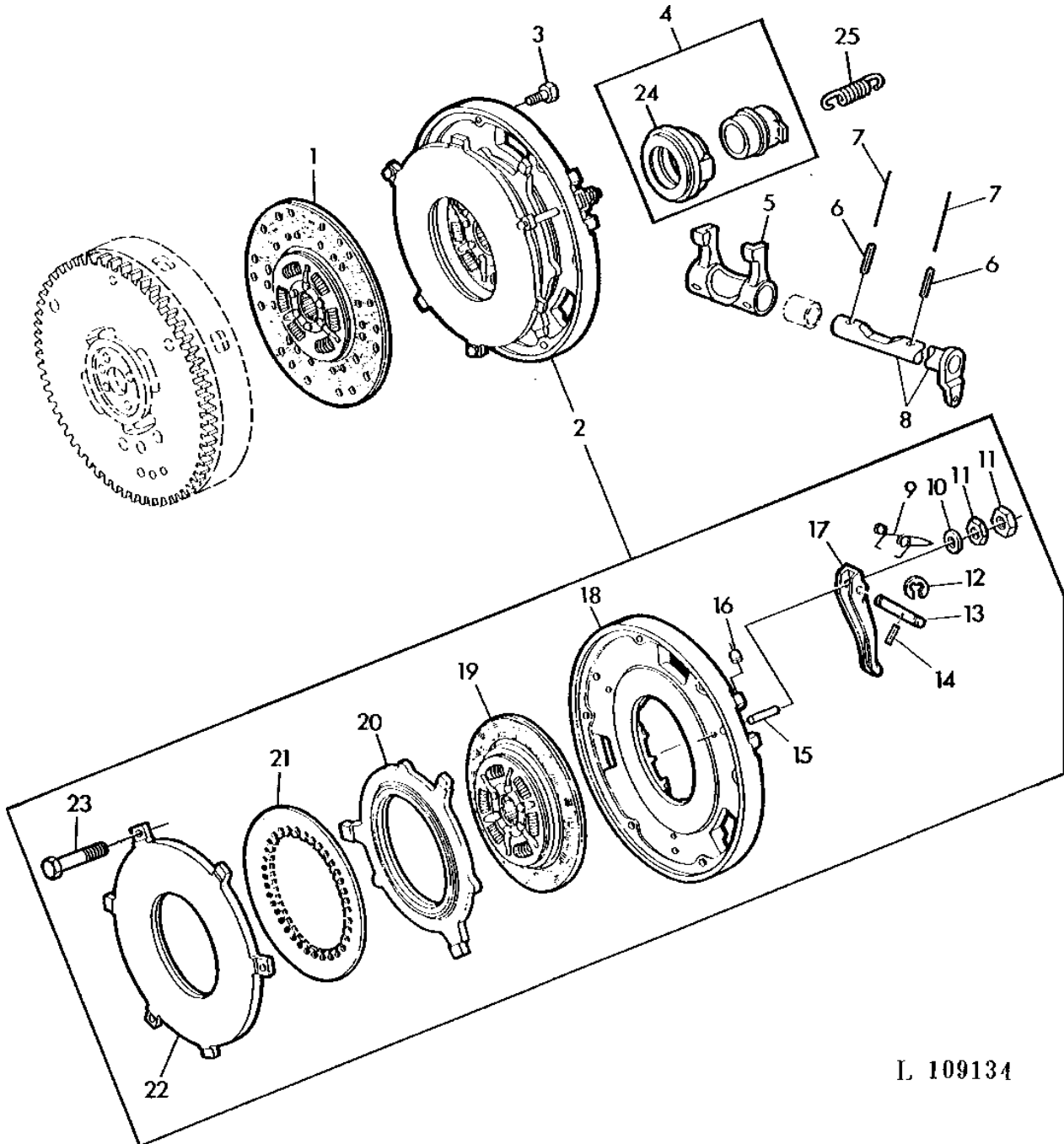
(B) USE WITH AL40882

1G1

POWER TRAIN

L109134 -UN-01JAN94

DUAL-STAGE CLUTCH



L 109134

1G2

POWER TRAIN

DUAL-STAGE CLUTCH - CONTINUED

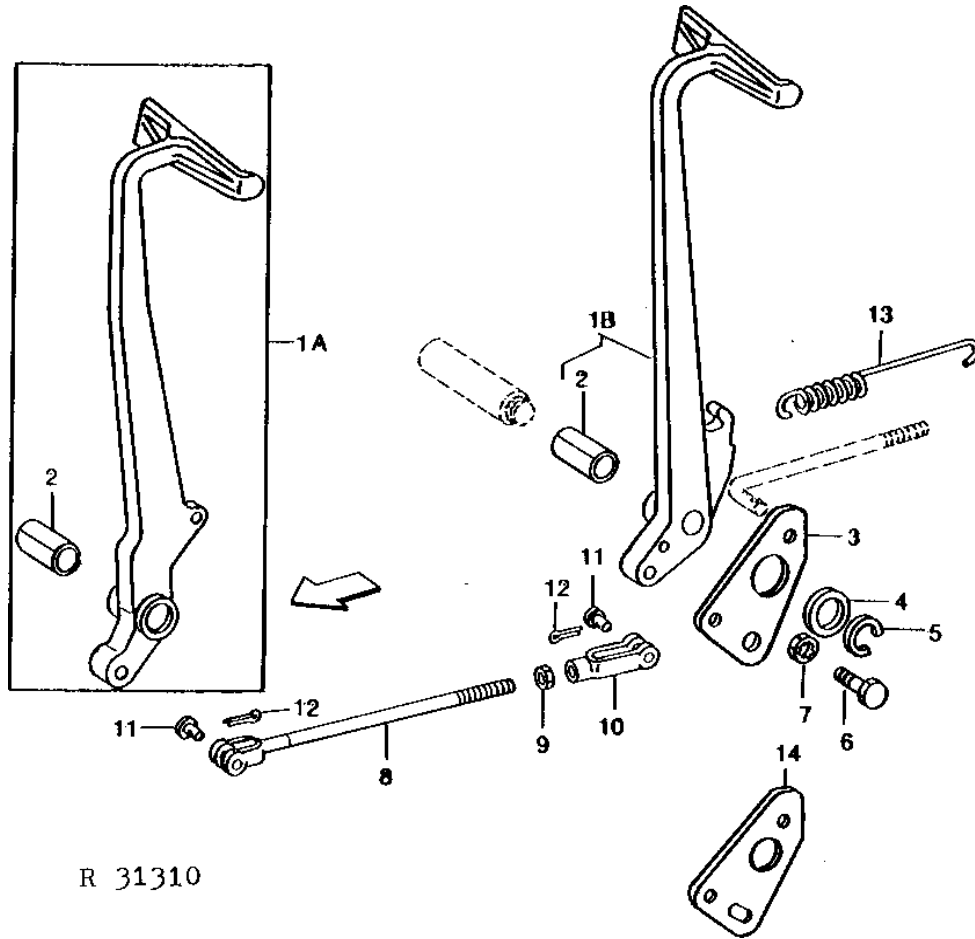
KEY	PART NO.	PART NAME	QTY	SERIAL NO.	REMARKS
1	AT25899	CLUTCH DISK	1		TRANSMISSION DRIVE
2	AL55140	CLUTCH	1		F+S 32.1888053.001, (SUB FOR AT27793, AL18714, AL39624 OR AL40882)
3	19H3219	CAP SCREW	6		3/8" X 1-3/8"
4	AL30777	THRUST BEARING	1		(SUB FOR AT24699)
5	T21999	FORK	1		
	T21446	BUSHING	1		
6	34H353	SPRING PIN	2		
7	A2552R	WIRE	2		
8	AT19837	SHAFT	1		(SUB FOR AR101631)
9	L55214	TORSION SPRING	3		
10	T29650	WASHER	3		
11	T29649	NUT	6		3/8"
12	L38513	SNAP RING	6		
13	L55215	PIN	3		
14	34M7010	SPRING PIN	3		3 X 20 MM
15	L55216	PIN	3		
16	T28225	BUSHING	6		
17	L55213	LEVER	3		
	AL60271	SHIPPING BUNDLE	1		(INCL. KEYS 9, 12, 13, 14, 15 AND 17)
18	T29353	PLATE	1		
19	AL19092	CLUTCH	1		
20	T29646	CLUTCH PLATE	1		
21	L39302	DIAPHRAGM	1		
22	T29647	CLUTCH PLATE	1		
23	L41388	CAP SCREW	3		
24	JD10248	THROW-OUT BEARING	1		
25	T21450	EXTENSION SPRING	1		

1G3

POWER TRAIN

CLUTCH PEDAL AND LINKAGE

R31310 -UN-01JAN94



R 31310

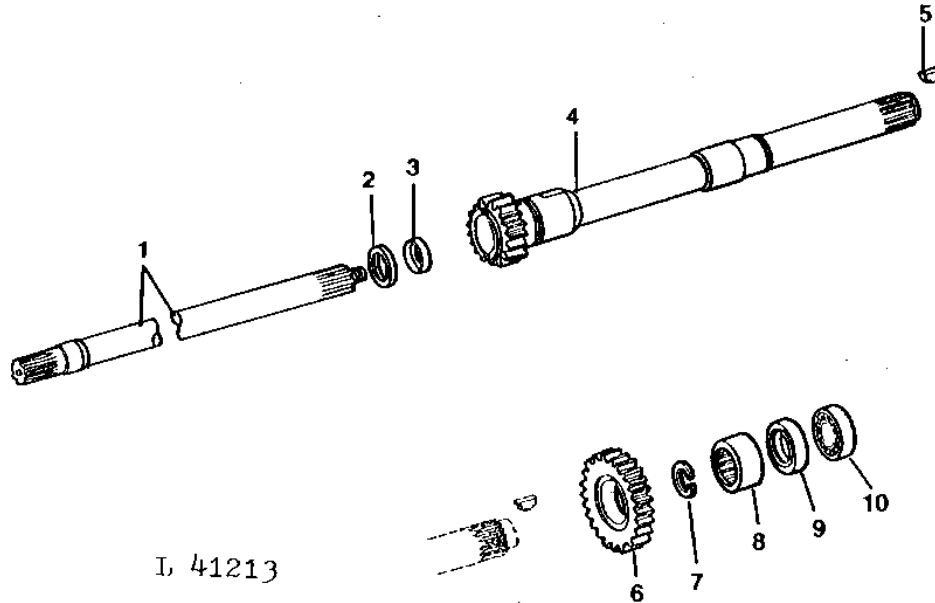
KEY	PART NO.	PART NAME	QTY	TRACTOR SERIAL NO.	REMARKS
1A	AT22096	PEDAL	1	-XXXXXX	(SUB AL38242)
1B	AL27229	PEDAL	1	XXXXXX-	(SUB AL38242)
2	T21998	BUSHING	1		
3	T25543	LEVER	1		(SLIDING GEAR TRANSMISSION) (NO LONGER AVAILABLE)
4	24H1451	WASHER	1		1-1/32" X 1-3/4" X 0.060"
5	A602R	SNAP RING	1		
6	19H3579	CAP SCREW	1		1/2" X 1-3/8"
7	T26198	WASHER	1		
8	AT22926	ROD	1		
9	14H774	NUT	1		3/8"
10	M80373	YOKE	1		(SUB FOR L324T)
11	R65563	PIN	2		(SUB FOR C1067R)
12	11M7059	COTTER PIN	2		3.200 X 20 MM
13	T21452	EXTENSION SPRING	1		
14	T25544	ARM	1		(COLLAR SHIFT TRANSMISSION) (NLA)

1G4

POWER TRAIN

CLUTCH SHAFT (SLIDING GEAR TRANSMISSION)

L41213 -UN-01JAN94



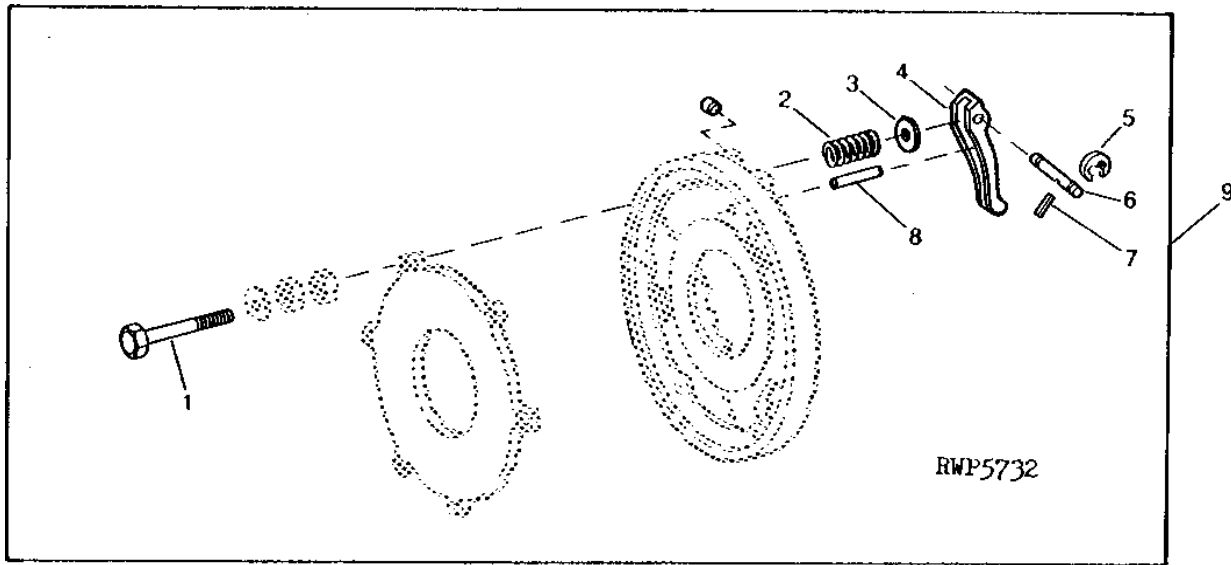
KEY	PART NO.	PART NAME	QTY	TRACTOR SERIAL NO.	REMARKS
1	R56514	SHAFT	1		(SUB FOR T22003 OR T30791)
2	AT21780	SEAL	1		
3	T23062	CAP	1		
4	T24144	SHAFT	1		(19 TEETH)
5	26H11	SHAFT KEY	1		3/16" X 5/8"
6	R39261	GEAR	1		(30 TEETH) (REAR 1000 RPM OR MID PTO)
7	R39081	SNAP RING	1		
8	JD9813	NEEDLE BEARING	1		(SUB JD8823)
9	T22198	SEAL	1		
10	AL24903	BEARING	1	075436-	(SUB FOR JD8511 OR AR56268)

1G5

POWER TRAIN

RWP5732 -UN-01JAN94

DUAL-STAGE CLUTCH REPAIR KIT



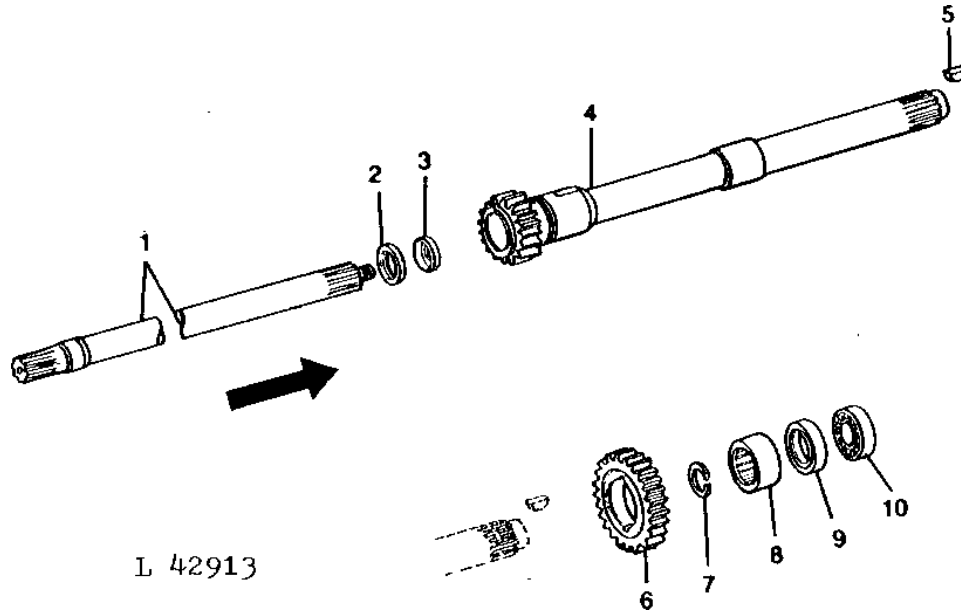
KEY	PART NO.	PART NAME	QTY	TRACTOR SERIAL NO.	REMARKS
1	L41388	CAP SCREW	3		
2	L41588	COMPRESSION SPRING	3		
	L41587	COMPRESSION SPRING	3		
3	L41589	WASHER	3		
4	L41389	LEVER	3		
5	L38513	SNAP RING	7		
6	L41387	PIN	3		
7	34M7010	SPRING PIN	3	3 X 20 MM	
8	L41390	PIN	3		
9	AL39936	KIT	1	(SUB AL60271)	

1G6

POWER TRAIN

CLUTCH SHAFT AND PILOT (COLLAR SHIFT TRANSMISSION)

L42913 -UN-01JAN94



KEY	PART NO.	PART NAME	QTY	TRACTOR SERIAL NO.	REMARKS
1	R56514	SHAFT	1		(SUB FOR T22003 OR T30791)
2	AT21780	SEAL	1		
3	T23062	CAP	1		
4	T42381	SHAFT	1		(SUB FOR T22219) (19 TEETH)
5	26H77	SHAFT KEY	1		3/16" X 3/4"
6	R47004	STEERING GEAR	1		(SUB FOR T22126) (30 TEETH) (REAR 1000 RPM)
7	R39081	SNAP RING	1		
8	JD9813	NEEDLE BEARING	1		(SUB JD8823)
9	T22198	SEAL	1		
10	AL24903	BEARING	1	075436-	(SUB FOR JD8511 OR AR56268)

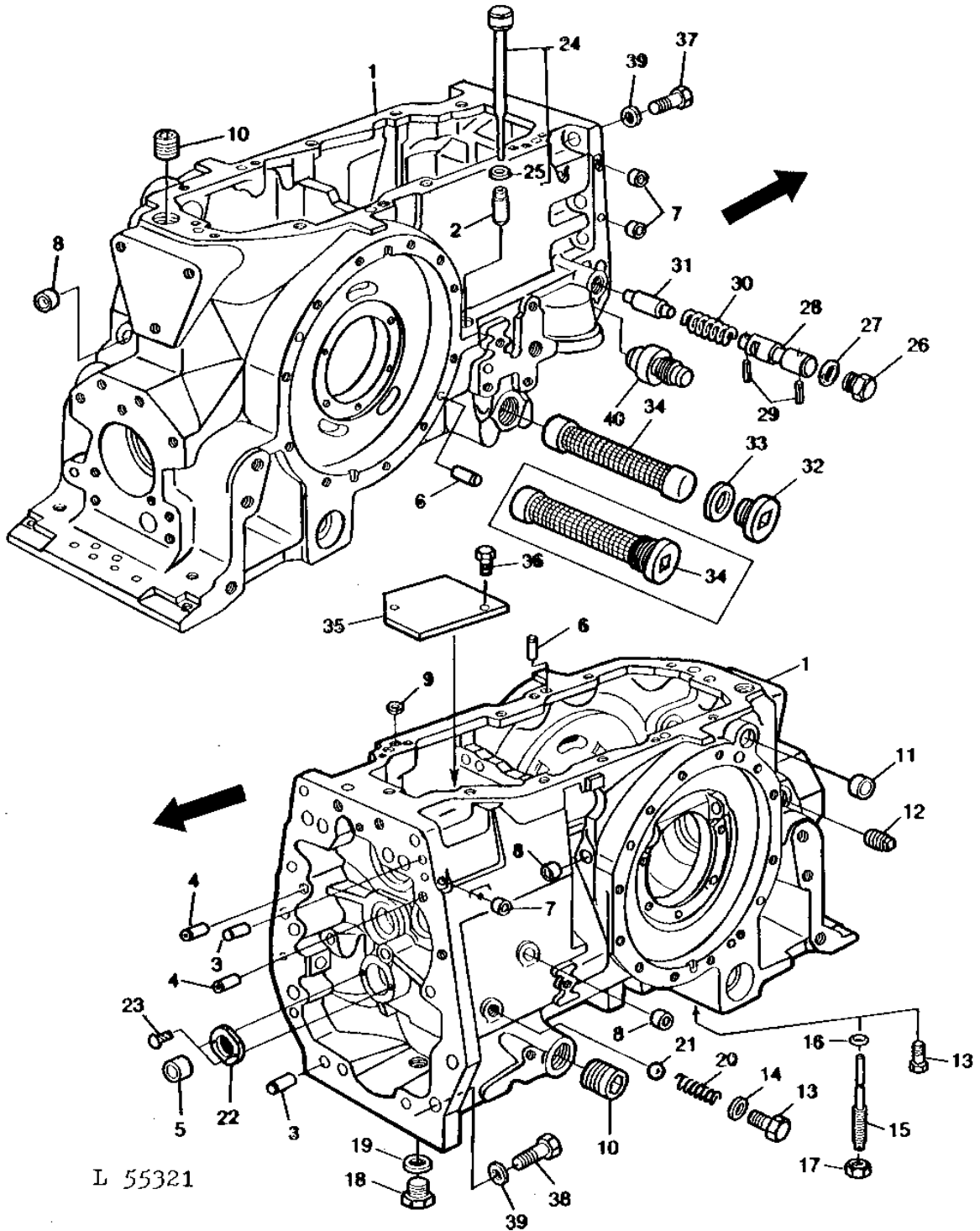
1G7

POWER TRAIN

L55321

-UN-01JAN94

TRANSMISSION CASE



L 55321

1G8

POWER TRAIN

TRANSMISSION CASE - CONTINUED

KEY	PART NO.	PART NAME	QTY	TRACTOR SERIAL NO.	REMARKS
1	AT23345	TRANSMISSION CASE	1		(A) (INCLUDES T21562, T26565, T24729, T22128 AND T26435)
	AR91514	TRANSMISSION CASE	1	-XXXXXX	(B) (MARKED R70136) (INCLUDES T21562, T26565, T24729 AND T22128) (ALSO ORDER R56615, JD9878, L29048 AND AR94724) (SUB FOR AT23308, AT28922 AND AT43407) (SUB AR101832)
	AR101832	TRANSMISSION CASE	1	XXXXXX-	(B) (MARKED R75561) (ALSO ORDER JD9878, L29048, R56615 AND AR94724) (SUB FOR AR91514)
2	T21562	TUBE	1		
3	T26565	DOWEL PIN	2		
4	T24729	BUSHING	2		
5	T22128	BUSHING	1		(REAR PTO)
6	R48685	DOWEL PIN	6		
7	M1102T	CAP	3		
8	T18891	CAP	3		
9	T17882	WASHER	1		
10	15H562	PIPE PLUG	2		1"
11	T21937	CAP	1		
12	15H584	PIPE PLUG	1		1/2"
13	R53802	CAP SCREW	2		
14	R27003	WASHER	1		
15	T21776	SCREW	1		
16	T17951	O-RING	1		(SUB FOR R27490)
17	14H971	NUT	1		1/2"
18	R51895	FITTING	2		(SUB FOR R26727 OR T28464)
19	A4827R	WASHER	72		
20	T27716	SPRING	1		(SUB FOR T22739)
21	R26552	BALL	1		
22	T28668	THRUST WASHER	1		(SUB FOR T22217)
23	37H44	SCREW	2		0.151" X 3/8"
24	AT23346	DIPSTICK	1		(A)
	AT19830	DIPSTICK	1		(B) (SUB FOR AR63909)
25	R1590R	WASHER	1		
26	R27175	DRAIN PLUG	1		
27	F3171R	O-RING	1		
28	T22853	SLEEVE	1		
29	34H247	SPRING PIN	2		1/8" X 3/4"
30	R31698	SPRING	1		(SUB FOR T24999) (SUB R74417 AND R74418)
31	R39294	PIN	1		(SUB FOR R39138)
32	R40147	FITTING	1		(SUB FOR A4806R)
33	A4808R	WASHER	1		
34	AR26375	SCREEN	1		(STEEL)
	R53169	SCREEN	1		(NYLON)
35	T22854	COVER	1		
36	19H2021	CAP SCREW	2		3/8" X 5/8"
37	19H1831	CAP SCREW	3		1/2" X 2"
38	19H2550	CAP SCREW	6		1/2" X 1-5/8"
39	T20168	WASHER	9		(SUB FOR M2834T)
40	T26435	FITTING	1		
..	AR94702	GASKET KIT	1		

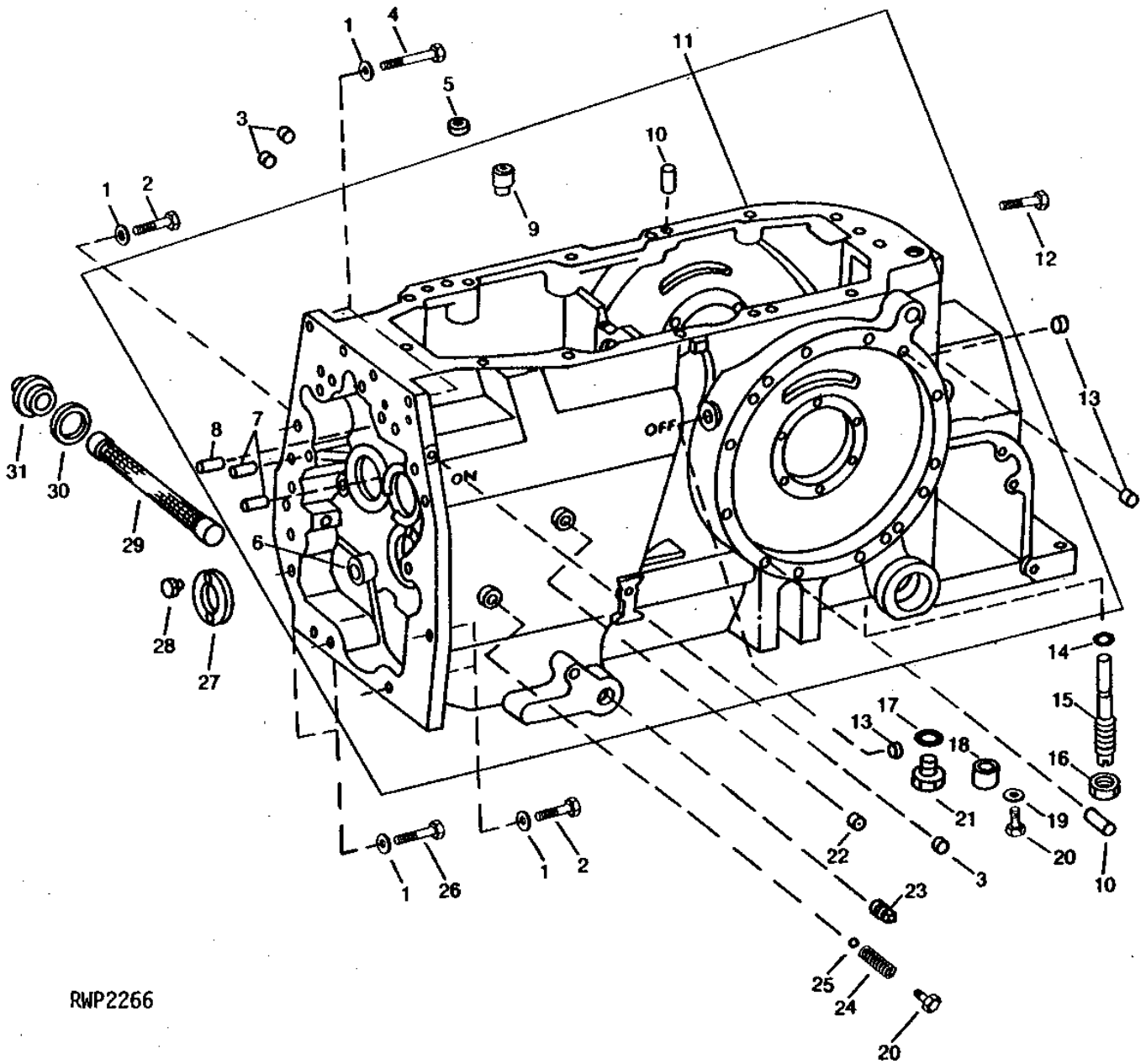
(A) SLIDING GEAR TRANSMISSION
 (B) COLLAR SHIFT TRANSMISSION

1G9

POWER TRAIN

RWP2266 -UN-01JAN94

TRANSMISSION CASE



RWP2266

1G10

POWER TRAIN

TRANSMISSION CASE - CONTINUED

KEY	PART NO.	PART NAME	QTY	TRACTOR SERIAL NO.	REMARKS
1	T20168	WASHER	8		
2	19H2735	CAP SCREW	4	1/2" X 2"	
3	M1102T	CAP	3		
4	19H2644	CAP SCREW	2	1/2" X 2-1/2"	
5	T17882	WASHER	2		
6	T22128	BUSHING	1		
7	T24729	BUSHING	2		
8	T26565	DOWEL PIN	2		
9	T21562	TUBE	1		
10	R48685	DOWEL PIN	6		
11	AR101832	TRANSMISSION CASE	1	(MARKED R70138, R70136 OR R75561) (SUB FOR AR91514 OR AT43407) (ALSO ORDER AR94724)	
12	19H2367	CAP SCREW	1	5/8" X 3/4", (CENTER LINK BRACKET STUD HOLE)	
13	T18891	CAP	4		
14	T17951	O-RING	1	(SUB FOR R27490)	
15	T21776	SCREW	1		
16	14H971	NUT	1	1/2"	
17	A4827R	WASHER	2		
18	T21671	BUSHING	1		
19	R27003	WASHER	1		
20	19H2351	CAP SCREW	1	1/2" X 1/2"	
21	R26727	DRAIN PLUG	2		
22	T18891	CAP	1	(LESS REAR PTO)	
23	15H562	PIPE PLUG	1	1"	
24	T27716	SPRING	1	(REAR PTO)	
25	R26552	BALL	1	(REAR PTO)	
26	19H2510	CAP SCREW	2	1/2" X 1-5/8"	
27	T28668	THRUST WASHER	1		
28	37H44	SCREW	2	0.151" X 3/8"	
29	R53169	SCREEN	1	(NYLON)	
	AR26375	SCREEN	1	(STEEL)	
30	A4808R	WASHER	1		
31	R40147	FITTING	1		
..	AR94702	GASKET KIT	1	CLUTCH HOUSING TO TRANSMISSION CASE, (SUB RE50756)	

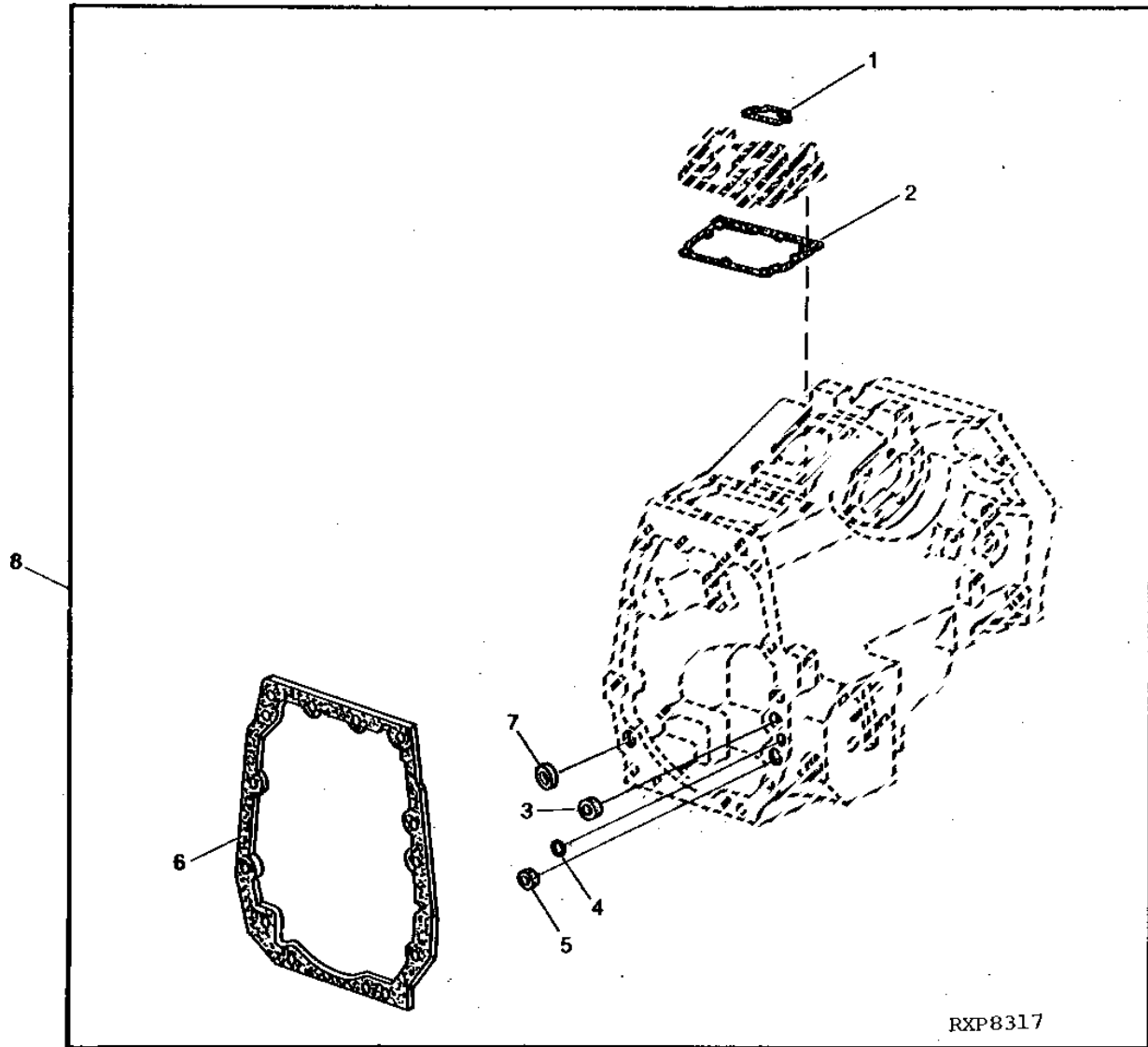
1G11

POWER TRAIN

RXP8317

-UN-01JAN94

CLUTCH HOUSING TO TRANSMISSION CASE GASKET KIT



1G12

POWER TRAIN

CLUTCH HOUSING TO TRANSMISSION CASE GASKET KIT - CONTINUED

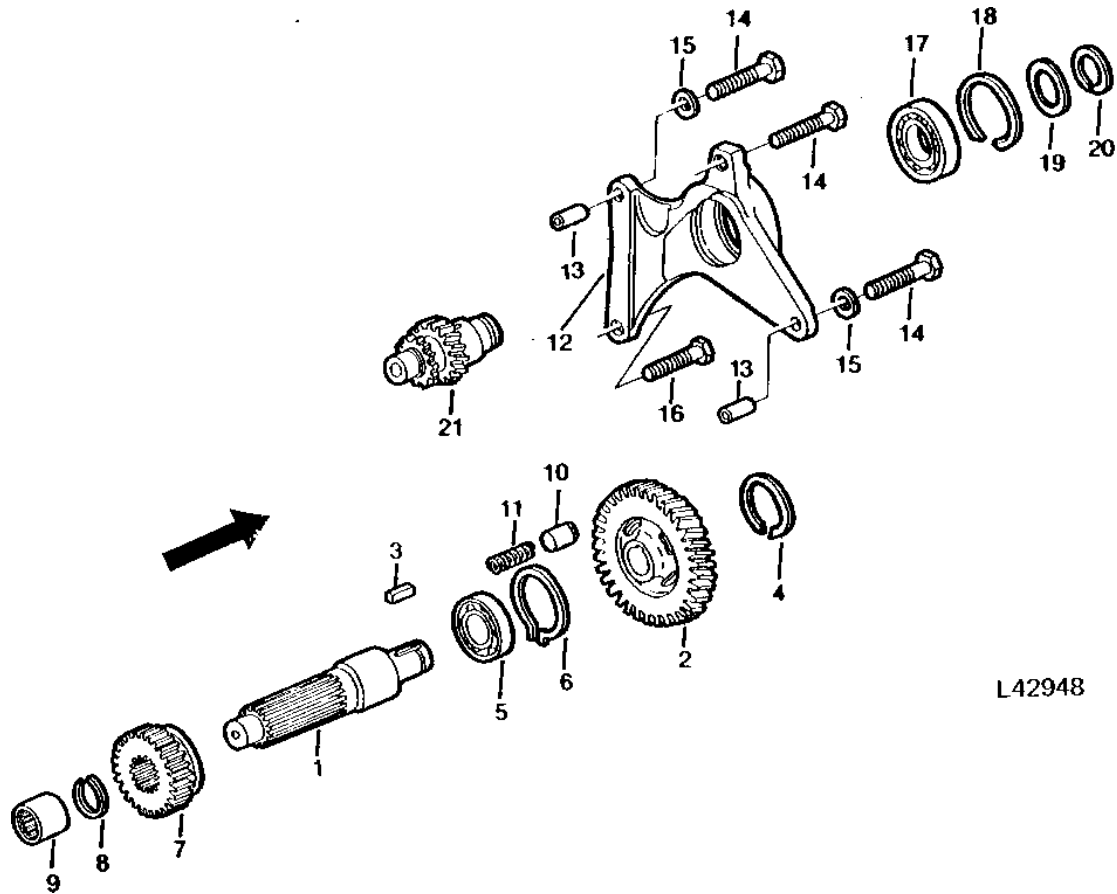
KEY	PART NO.	PART NAME	QTY	TRACTOR SERIAL NO.	REMARKS
1	T25397	GASKET	1		
2	T36042	GASKET	1		
3	T22851	WASHER	1		
4	A4847R	WASHER	1		
5	T22851	WASHER	1		
6	L61918	GASKET	1		(SUB FOR L33139)
7	R26149	PACKING	1		
8	RE50137	GASKET KIT	1		(SUB FOR AR94702) (SUB RE50756) (INCLUDES ADDITIONAL O-RINGS AND GASKETS)

1G13

POWER TRAIN

COUNTERSHAFT AND BEARING SUPPORT (SLIDING GEAR TRANSMISSION)

L42948 -UN-01JAN94



L42948

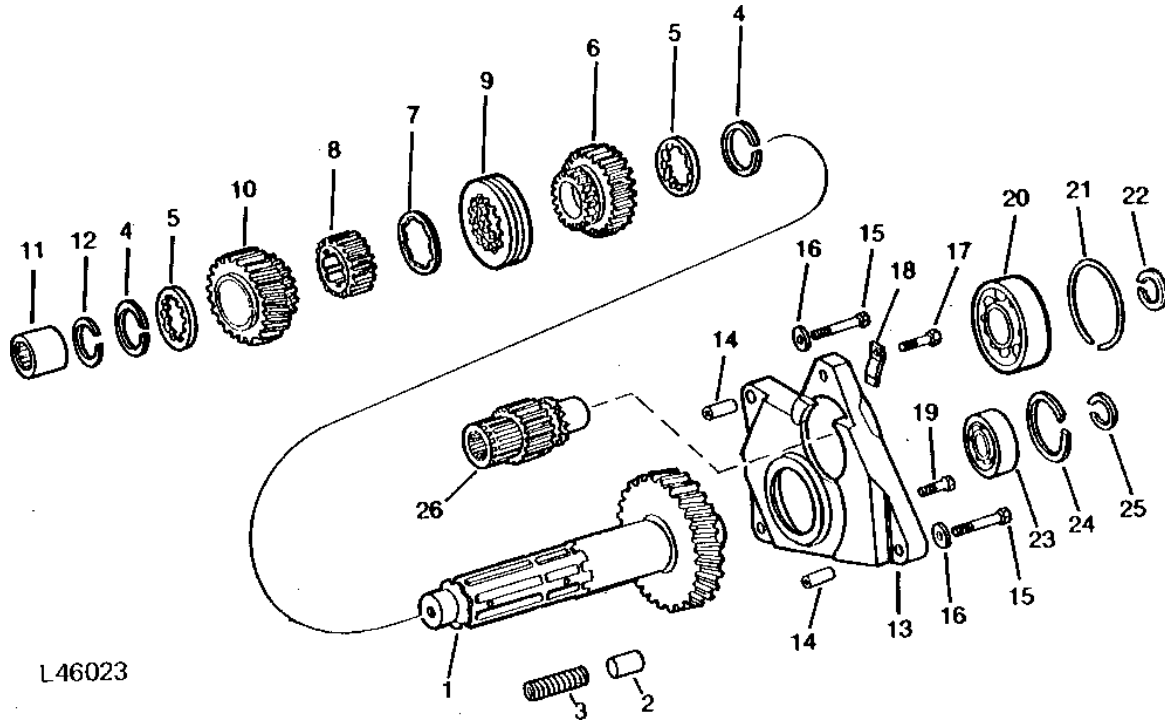
KEY	PART NO.	PART NAME	QTY	TRACTOR SERIAL NO.	REMARKS
1	T25508	COUNTERSHAFT	1		
2	T25509	STEERING GEAR	1		(34 TEETH)
3	T24488	SHAFT KEY	1		
4	F1495R	SNAP RING	1		
5	JD7681	BALL BEARING	1		
6	T22430	SNAP RING	1		
7	T23797	PINION	1		(25 TEETH)
8	T24538	SNAP RING	1		
9	JD8873	NEEDLE BEARING	1		
10	T21969	FRICTION PLUG	2		
11	T24732	SPRING	2		
12	T25511	SUPPORT	1		
13	T24729	BUSHING	2		
14	19H2549	CAP SCREW	3		3/8" X 1-7/8"
15	R1870R	WASHER	2		(SUB R57696)
16	19H1732	CAP SCREW	1		3/8" X 1-1/4"
17	JD9344	BALL BEARING	1		(SUB FOR JD7128)
18	A365R	SNAP RING	1		
19	T25513	WASHER	1		
20	M2353T	SNAP RING	1		
21	T25512	GEAR	1		(15 TEETH)

1G14

POWER TRAIN

COUNTERSHAFT AND BEARING SUPPORT (COLLAR SHIFT TRANSMISSION)

L46023 -UN-01JAN94



L46023

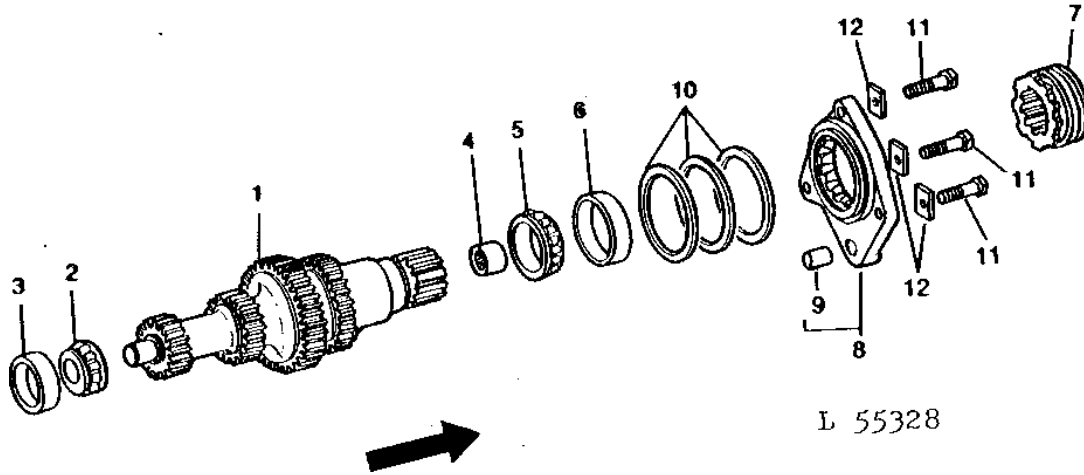
KEY	PART NO.	PART NAME	QTY	TRACTOR SERIAL NO.	REMARKS
1	T24726	COUNTERSHAFT	1		(37 TEETH)
2	T21969	FRICTION PLUG	2		
3	T24732	SPRING	2		
4	T19242	SNAP RING	1		
5	T19245	THRUST WASHER	2		
6	T21981	GEAR	1		(21 TEETH)
7	R55721	THRUST WASHER	1		(SUB FOR T24730)
8	T21964	SLEEVE	1		
9	T21970	SHIFT COLLAR	1		
10	T30065	GEAR	1		(22 TEETH) (SUB FOR T21978)
11	JD9822	NEEDLE BEARING	1		
12	R34399	SNAP RING	1		
13	T24691	SUPPORT	1		(SUB L36557)
14	T24729	BUSHING	2		
15	19H1801	CAP SCREW	2		3/8" X 2"
16	R1870R	WASHER	1		(SUB R57696)
17	19H1732	CAP SCREW	1		3/8" X 1-1/4"
18	T24736	CLAMP	1		
19	19H1731	CAP SCREW	1		3/8" X 1"
20	AR52706	BEARING CONE	1		(SUB FOR JD7674) (SUB JD10172)
21	T24737	SNAP RING	1		
22	A364R	SNAP RING	1		
23	JD9258	BALL BEARING	1		
24	B190R	SNAP RING	1		
25	F215R	RING	1		
26	R67341	GEAR	1		(12 TEETH) (SUB FOR T24728 OR R65576)

1G15

POWER TRAIN

TRANSMISSION INPUT SHAFT (SLIDING GEAR TRANSMISSION)

L55328 -UN-01JAN94



L 55328

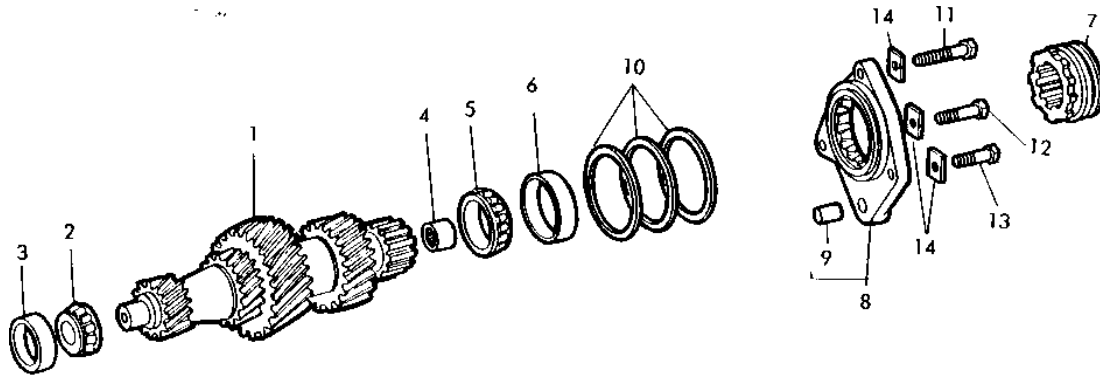
KEY	PART NO.	PART NAME	QTY	TRACTOR SERIAL NO.	REMARKS
1	T23800	SHAFT	1	(NLA)	
2	JD8135	BEARING CONE	1		
3	JD7438	BEARING CUP	1		
4	JD9839	NEEDLE BEARING	1		
5	JD8171	BEARING CONE	1		
6	JD8276	BEARING CUP	1		
7	R67336	SHIFT COLLAR	1	(SUB FOR T22934 OR R65579)	
8	AT22315	QUILL	1		
9	R54380	DOWEL PIN	1	(SUB FOR T25317)	
10	T21442	SHIM	AR	0.076MM (.003")	
	T21443	SHIM	AR	0.127MM (.005")	
	T21444	SHIM	AR	0.254MM (.010")	
	T29561	SHIM	AR	0.508MM (.020")	
	T29562	WASHER	AR	1.016MM (.040")	
11	19H1732	CAP SCREW	3	3/8" X 1-1/4"	
12	H246R	STRAP	3		

1G16

POWER TRAIN

TRANSMISSION DRIVE SHAFT ASSEMBLY (COLLAR SHIFT TRANSMISSION)

L55508 -UN-01JAN94



L 55508

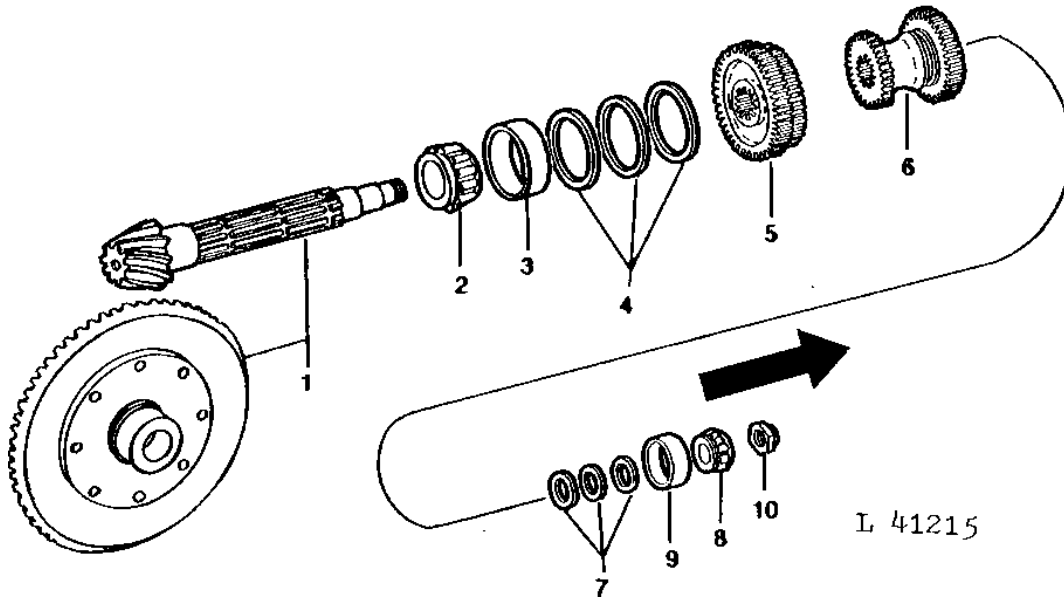
KEY	PART NO.	PART NAME	QTY	TRACTOR SERIAL NO.	REMARKS
1	T21980	DRIVE SHAFT	1		
2	JD7375	BEARING CONE	1		
3	JD7449	BEARING CUP	1		
4	JD9839	NEEDLE BEARING	1		
5	JD8171	BEARING CONE	1		
6	JD8276	BEARING CUP	1		
7	R67336	SHIFT COLLAR	1		(SUB FOR T22934 OR R65579)
8	AT22315	QUILL	1		
9	R54380	DOWEL PIN	1		(SUB FOR T25317)
10	T21442	SHIM	AR		0.076MM (.003")
	T21443	SHIM	AR		0.127MM (.005")
	T21444	SHIM	AR		0.254MM (.010")
	T29561	SHIM	AR		0.508MM (.020")
	T29562	WASHER	AR		1.016MM (.040")
11	T22984	CAP SCREW	1	-XXXXXX	
	19H1731	CAP SCREW	1	XXXXXX-	3/8" X 1"
12	19H1800	CAP SCREW	1		3/8" X 1-1/2"
13	19H1732	CAP SCREW	1		3/8" X 1-1/4"
14	H246R	STRAP	3		

1G17

POWER TRAIN

DIFFERENTIAL DRIVE SHAFT ASSEMBLY (SLIDING GEAR TRANSMISSION)

L41215 -UN-01JAN94



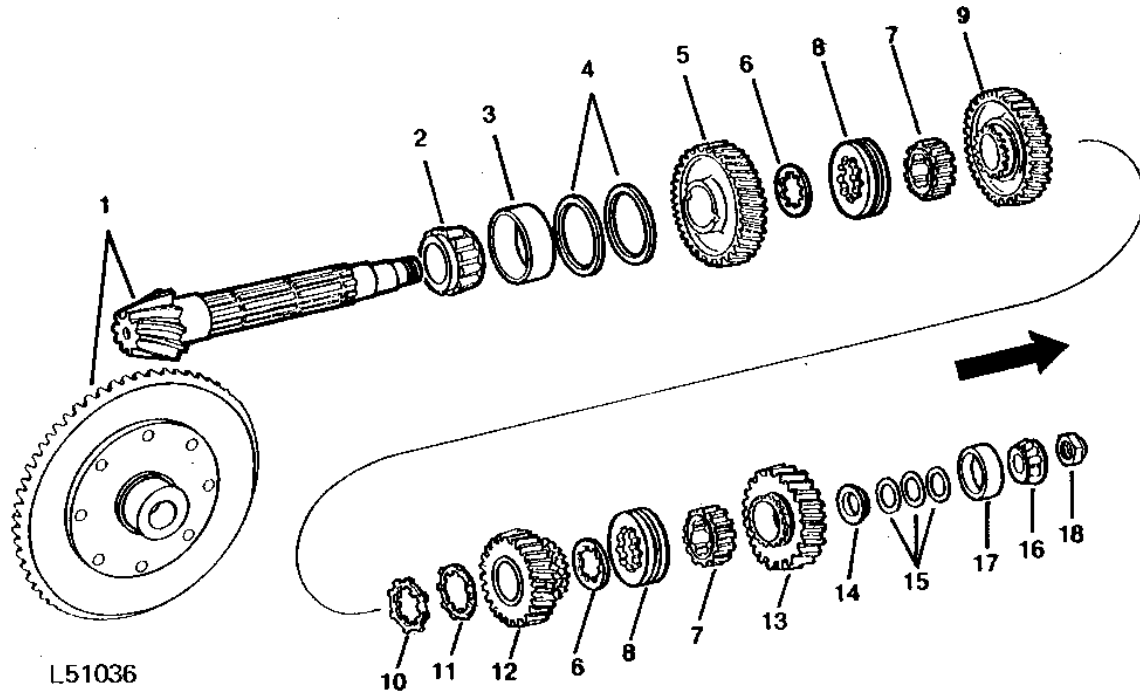
KEY	PART NO.	PART NAME	QTY	TRACTOR SERIAL NO.	REMARKS
1	AT25401	RING GEAR	1		(43 TEETH) (BEVEL PINION 9 TEETH)
2	JD9014	BEARING	1		
3	JD8240	BEARING CUP	1		
4	M4262T	SHIM	AR		0.254MM (.010")
	T30530	SHIM	AR		0.508MM (.020")
	T30531	WASHER	AR		1.016MM (.040") (SUB T30530)
5	T25510	GEAR	1		(TEETH 44/47)
6	T24101	GEAR	1		(TEETH 29/36)
7	M2056T	SHIM	AR		0.051MM (.002") (SUB FOR L29269)
	M2057T	SHIM	AR		0.127MM (.005") (SUB FOR L29270) (SUB AT146268)
	M2058T	SHIM	AR		0.254MM (.010") (SUB FOR L29271) (SUB AT146268)
	L35024	SHIM	AR		0.39MM (.015")
8	JD8979	BEARING	1		
9	JD8267	BEARING CUP	1		
10	T24917	NUT	1		

1G18

POWER TRAIN

DIFFERENTIAL DRIVE SHAFT ASSEMBLY (COLLAR SHIFT TRANSMISSION)

L51036 -UN-01JAN94



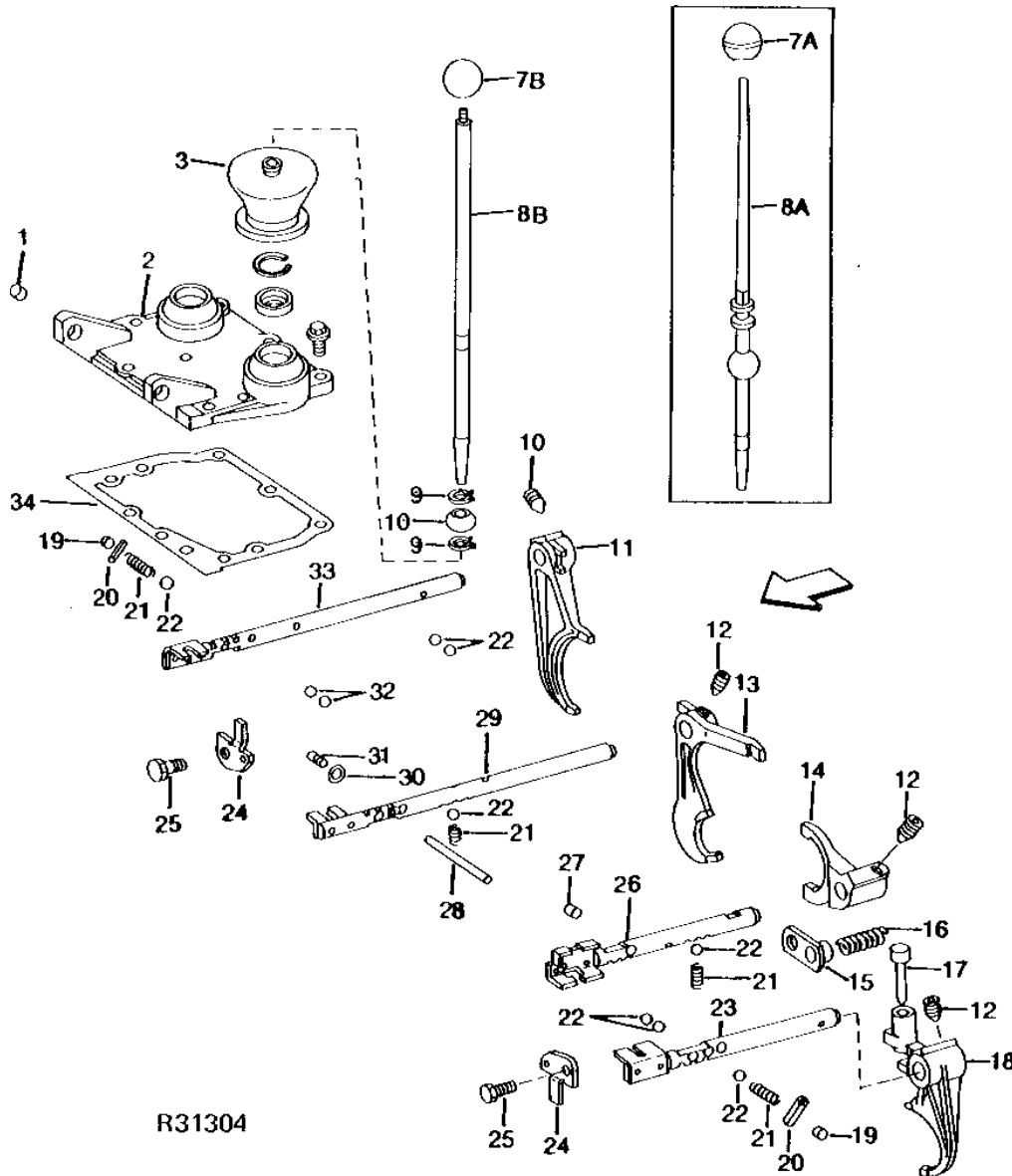
KEY	PART NO.	PART NAME	QTY	TRACTOR SERIAL NO.	REMARKS
1	AT21621	RING GEAR	1		(43 TEETH) (BEVEL PINION 9 TEETH)
2	JD8997	BEARING CONE	1		
3	JD8255	BEARING CUP	1		
4	T31794	SHIM	AR		0.254MM (.010") (SUB FOR T17201)
5	T21975	GEAR	1		(40 TEETH) (FIRST AND FIFTH SPEED)
6	R55721	THRUST WASHER	2		(SUB FOR T24730)
7	T21964	SLEEVE	2		
8	T21970	SHIFT COLLAR	2		
9	T21976	GEAR	1		(36 TEETH) (SECOND AND SIXTH SPEED)
10	R55722	THRUST WASHER	1		(SUB FOR T24731)
11	R56473	THRUST WASHER	1		
12	T21977	GEAR	1		(27 TEETH) (FOURTH AND EIGHTH SPEED)
13	AT19966	GEAR	1		(31 TEETH) (THIRD AND SEVENTH SPEED)
14	T21965	WASHER	1		
15	M2056T	SHIM	AR		0.051MM (.002") (SUB FOR L29269)
	M2057T	SHIM	AR		0.127MM (.005") (SUB FOR L29270) (SUB AT146268)
	M2058T	SHIM	AR		0.254MM (.010") (SUB FOR L29271) (SUB AT146268)
16	JD8979	BEARING	1		
17	JD8267	BEARING CUP	1		
18	T24917	NUT	1		

1G19

POWER TRAIN

GEAR SHIFTING PARTS (SLIDING GEAR TRANSMISSION)

R31304 -UN-01JAN94



R31304

1G20

POWER TRAIN

GEAR SHIFTING PARTS - CONTINUED (SLIDING GEAR TRANSMISSION)

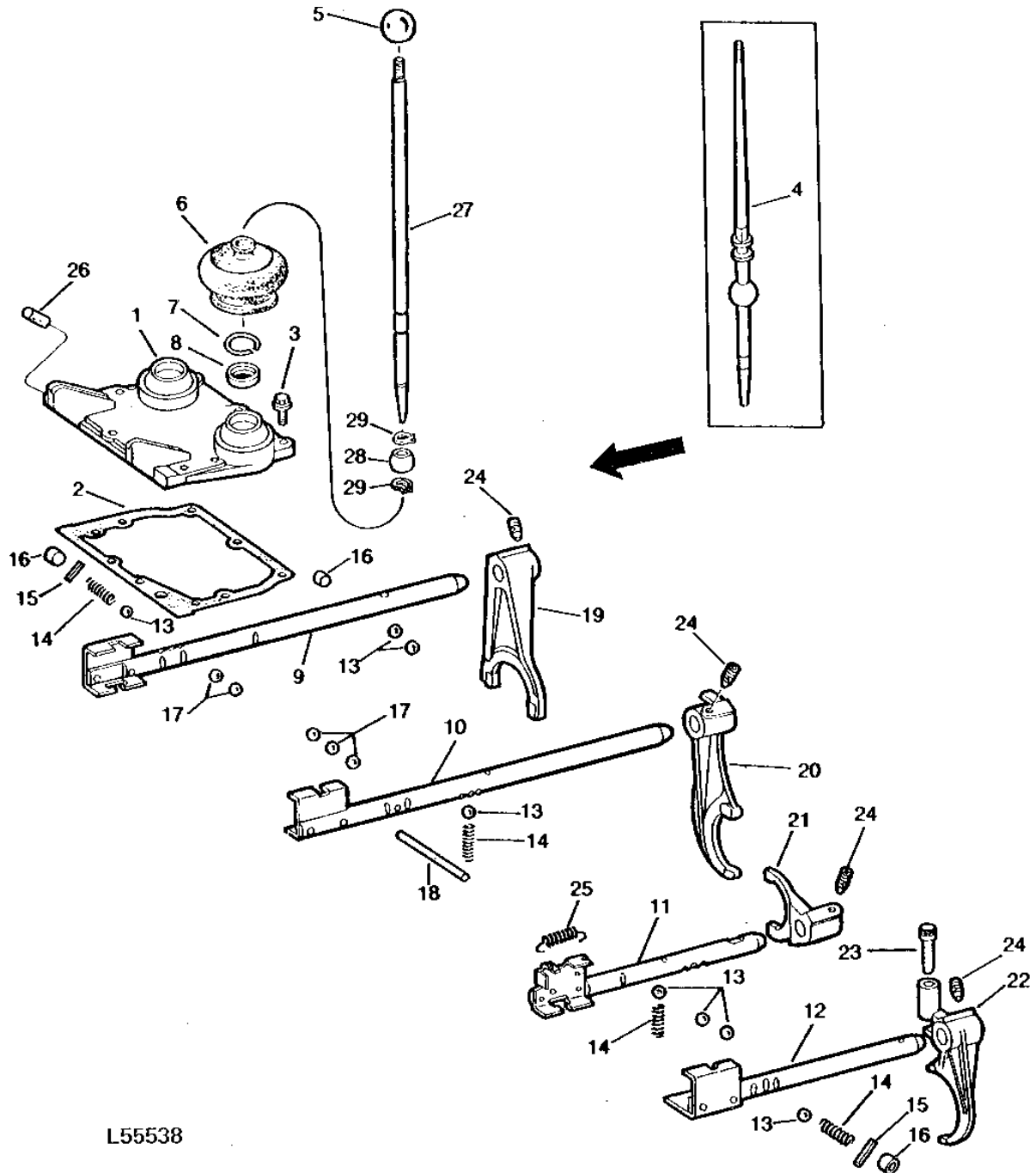
KEY	PART NO.	PART NAME	QTY	TRACTOR SERIAL NO.	REMARKS
1	T32541	CAP	1		
2	AT23579	COVER	1		(SUB FOR T22729)
3	T27559	BOOT	2		(SUB FOR T22730)
4	L4035T	SNAP RING	2		
5	L4027T	BUSHING	2		
6	T22728	SCREW	7		
7A	F2861R	KNOB	2	-092218	(SUB R60458)
7B	R50864	KNOB	2	092219-	
8A	T22809	GEARSHIFT LEVER	2	-092218	(SUB CE14048, L34349, R29936 AND 34H251)
8B	R53817	GEARSHIFT LEVER	2	092219-	(SUB AL32791 AND (2) R29936)
9	R32507	SNAP RING	4	092219-	
10	R53815	BALL STUD	2	092219-	
11	T25515	CONTROL	1		
12	T25614	SET SCREW	4		
13	T25514	SHIFTER	1		
14	R59176	SHIFTER	1	-XXXXXX	(SUB FOR T26197)
	T25701	STUD	1	XXXXXX-	
15	AL18597	STRAP	1	-XXXXXX	
16	L10729	SPRING	1	-XXXXXX	
17	R48312	PIN	1		(SUB T22435)
18	T25516	SHIFTER	1		
19	M1102T	CAP	3		
20	34H251	SPRING PIN	2		1/8" X 1"
21	T27716	SPRING	4		
22	R26552	BALL	8		
23	AT23357	SHAFT	1		
24	T25517	STOP	2		
25	19H1936	CAP SCREW	2		3/8" X 3/4"
26	AT23356	SHAFT	1		
27	T25518	PIN	1		
28	T25519	DOWEL PIN	1		
29	AT23354	SHAFT	1		
30	R34812	O-RING	1		
31	T25520	PIN	1		
32	400R	BALL	2		
33	AT23355	SHAFT	1		
34	T36042	GASKET	1		(SUB FOR T22731)

1G21

POWER TRAIN

GEAR SHIFTING PARTS (COLLAR SHIFT TRANSMISSION)

L55538 -UN-01JAN94



L55538

1G22

POWER TRAIN

GEAR SHIFTING PARTS - CONTINUED (COLLAR SHIFT TRANSMISSION)

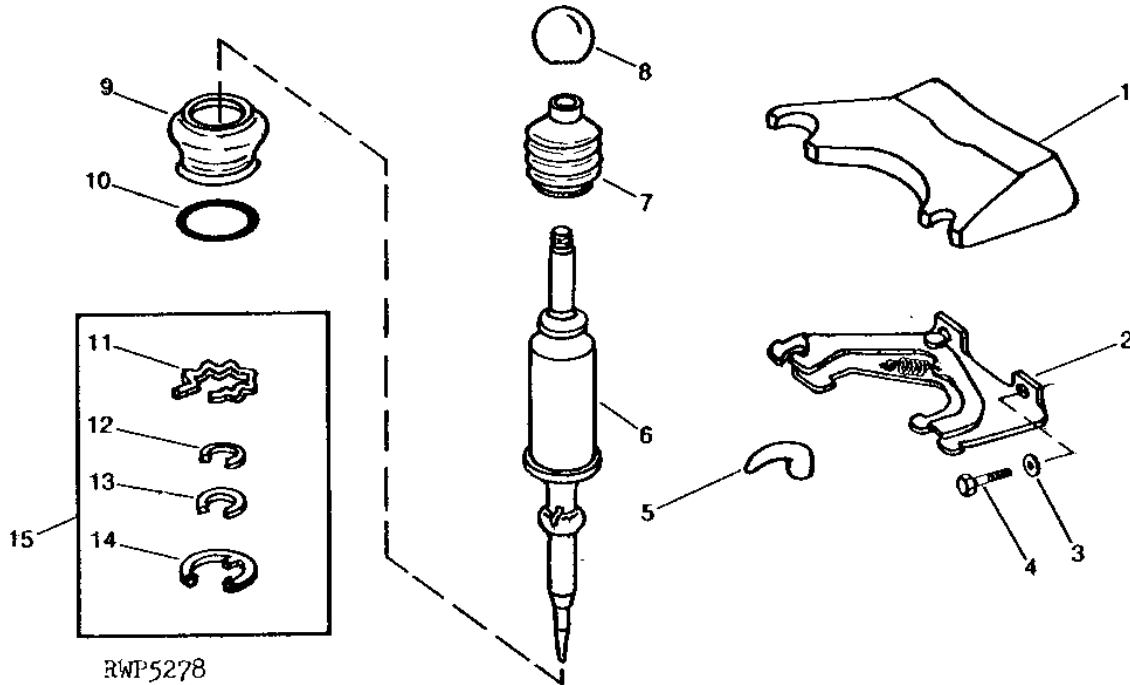
KEY	PART NO.	PART NAME	QTY	TRACTOR SERIAL NO.	REMARKS
1	AT23579	COVER	1		(SUB FOR T22729)
2	R54189	GASKET	1		(SUB FOR T22731 OR T36042)
3	T22728	SCREW	7	-XXXXXX	
	T22728	SCREW	5	XXXXXX-	
4	T22809	GEARSHIFT LEVER	2	-092218	(SUB AL32791 AND (2) R29936)
5	F2861R	KNOB	2	-092218	(SUB R60458)
	R50864	KNOB	2	092219-	
6	T27559	BOOT	2	-092218	(SUB FOR T22730)
	L31055	BOOT	2	092219-	(SUB FOR R53818)
7	L4035T	SNAP RING	2		
8	L4027T	BUSHING	2		
9	AT20786	SHIFTER ROD	1		(1ST AND 5TH, 2ND AND 6TH)
10	AT20784	SHIFTER ROD	1		(8TH SPEED LOCKED)
	AT20802	SHIFTER ROD	1		(SUB RE18646, AL33250, T28680, T30603 AND T28660)
11	AT20785	SHIFTER ROD	1	-023018	(SUB RE18646, AL33250, T28680, T30603 AND T28660)
	AT20803	SHIFTER ROD	1		(8TH SPEED LOCKED) (SUB AL33257)
	RE18646	SHAFT	1	023019-	(SUB FOR AT29386)
12	AT20787	SHIFTER ROD	1	-023018	(SUB RE18646, AT29387, T28680 AND T32214)
	AL33250	SHIFTER ROD	1	023019-	(SUB FOR AT29387)
13	R26552	BALL	5		
14	T27716	SPRING	1		
15	34H251	SPRING PIN	2		1/8" X 1"
16	M1102T	CAP	3		
17	400R	BALL	5		(WITH PARKING LOCK)
18	T22736	PIN	1		(WITH PARKING LOCK)
19	L28401	SHIFTER	1		(1ST AND 5TH, 2ND AND 6TH) (SUB FOR T21603)
20	R59032	SHIFTER	1		(3RD AND 7TH, 4TH AND 8TH) (SUB FOR T21604 OR T32142)
21	R59176	SHIFTER	1	-XXXXXX	(SUB FOR T26197)
	L25701	FORK	1	XXXXXX-	
22	T21602	SHIFTER	1		
23	R48312	PIN	1		(SUB T22435)
24	T25614	SET SCREW	4		
25	T28680	SPRING	1	023019-	
26	T32541	CAP	1		
27	R53817	GEARSHIFT LEVER	1	092219-	(SUB AL32791 AND (2) R29936)
28	R53815	BALL STUD	1	092219-	
29	R32507	SNAP RING	2	092219-	

1G23

POWER TRAIN

RWP5278 -UN-01JAN94

PARK LOCK ASSURANCE KIT (LEFT-HAND LEVER)



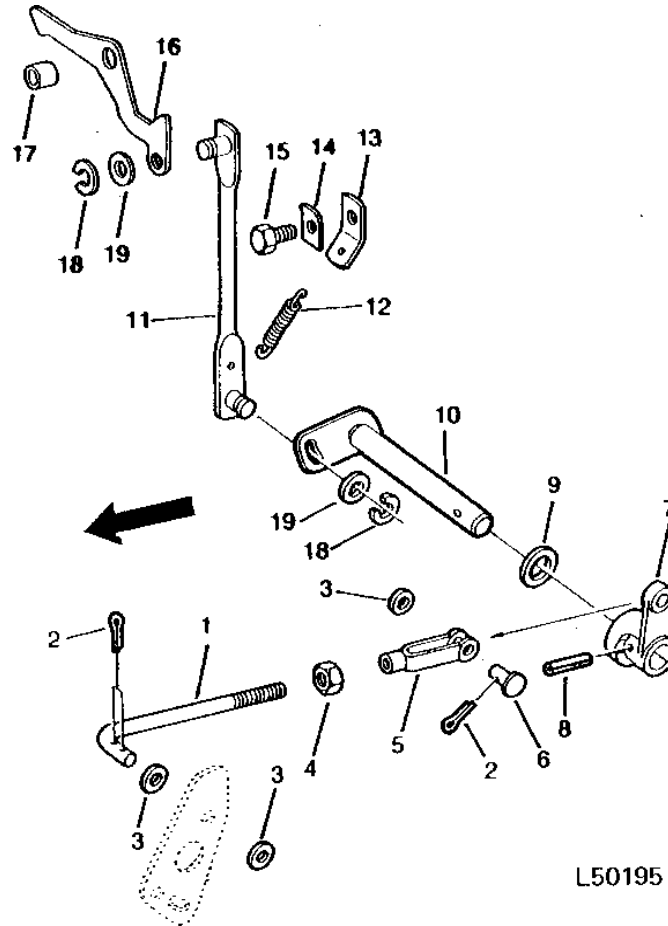
KEY	PART NO.	PART NAME	QTY	TRACTOR SERIAL NO.	REMARKS
1	R75442	COVER	1		
2	AR101754	BRACKET	1		
3	24H1822	WASHER	18		
4	19H1901	CAP SCREW	2		11/32" X 7/8" X 1/16"
5	R75440	HANDLE	1		5/16" X 2"
6	AR101755	LEVER	1		
7	R75451	BOOT	1		
8	R50864	KNOB	1		
9	R78249	BOOT	1		
10	L31311	O-RING	1		
11	R80839	SNAP RING	1		(SUB FOR R75450)
12	R80840	SHIM	3		
13	R80841	SHIM	3		
14	R75449	BEARING	1		
15	RE18116	KIT	1		

1G24

POWER TRAIN

SHIFTER SHAFT LOCK (SLIDING GEAR TRANSMISSION)

L50195 -UN-01JAN94



L50195

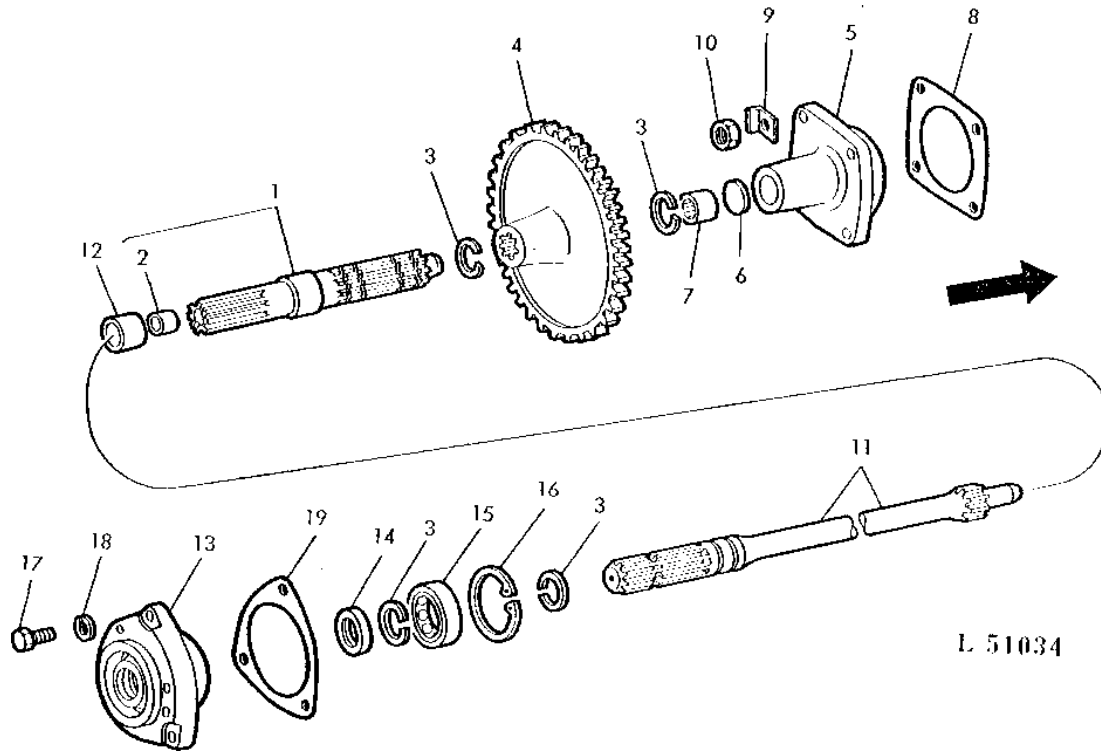
KEY	PART NO.	PART NAME	QTY	TRACTOR SERIAL NO.	REMARKS
1	T25538	HOOK BOLT	1		
2	11M7059	COTTER PIN	3	3.200 X 20 MM	
3	24M7096	WASHER	1	10.500 X 18 X 1.600 MM	
4	14H466	NUT	1	3/8"	
5	M80373	YOKE	1	(SUB FOR L324T)	
6	R65563	PIN	1	(SUB FOR C1067R)	
7	T25535	ARM	1		
8	34H284	SPRING PIN	1	3/16" X 1-1/4"	
9	AT12820	SEAL	1		
10	AT23358	SHAFT	1		
11	AT23359	LINK	1		
12	T25530	SPRING	1		
13	T25529	STRIP	1		
14	R1888R	STRAP	1		
15	19H2038	CAP SCREW	1	3/8" X 1/2"	
16	T25531	LOCK	1		
17	T25532	BUSHING	1		
18	F3396R	SNAP RING	2		
19	24H1305	WASHER	2	13/32" X 13/16" X 0.065"	

1G25

POWER TRAIN

GEARS AND SHAFTS, REAR (540 RPM PTO)

L51034 -UN-01JAN94



L 51034

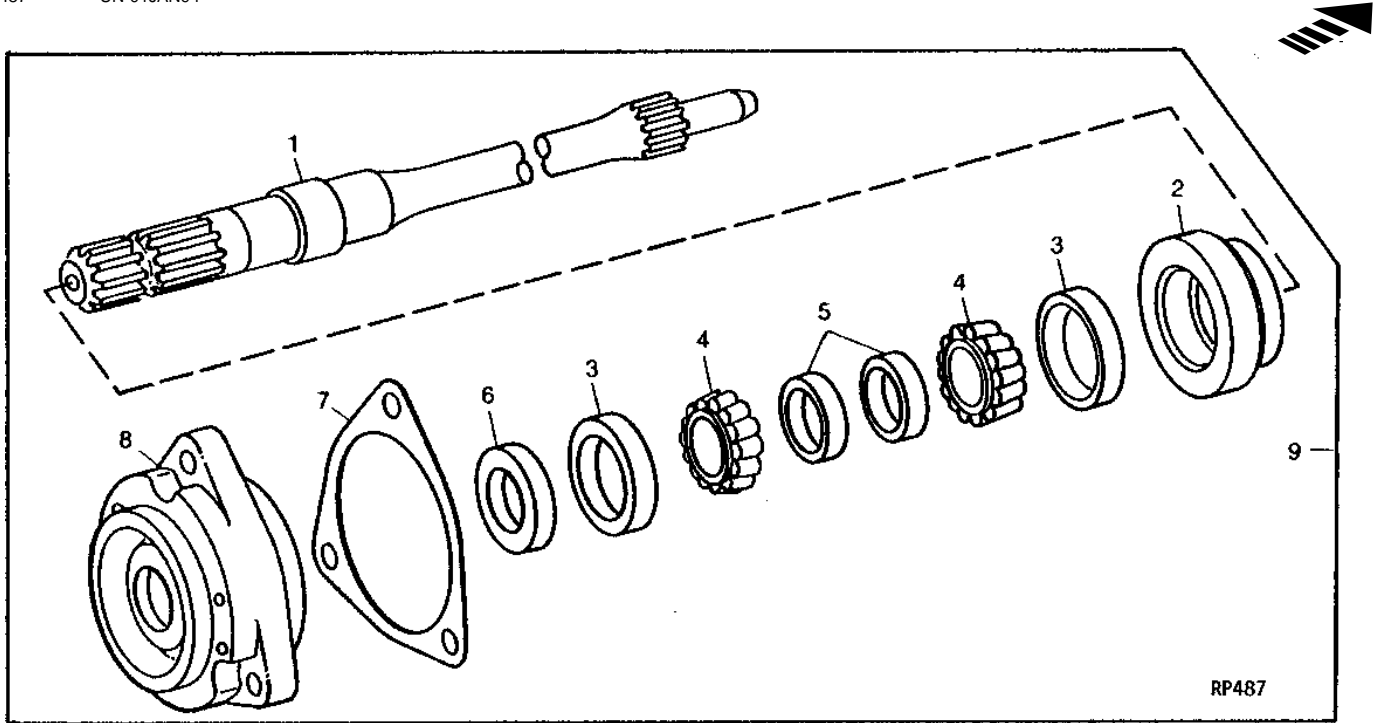
KEY	PART NO.	PART NAME	QTY	TRACTOR SERIAL NO.	REMARKS
1	AT23224	SHAFT	1		
2	T22127	BUSHING	1		
3	M2353T	SNAP RING	4		
4	T22214	GEAR	1		(73 TEETH)
5	T22234	QUILL	1		
6	R26656	WASHER	1		
7	JD8877	NEEDLE BEARING	1		
8	T21997	GASKET	1		
9	R30958	LOCK PLATE	4		
10	14H1076	NUT	4		3/8"
11	R47249	SHAFT	1		(SUB FOR T22115 OR T25540)
12	T22128	BUSHING	1		
13	R47514	QUILL	1		(SUB FOR T22237)
14	T22069	SEAL	1		
15	JD9344	BALL BEARING	1		(SUB FOR JD7128)
16	R47513	SNAP RING	1		(SUB FOR F2367R) (SUB 40M7044)
17	19H1721	CAP SCREW	3		1/2" X 1-1/2"
18	12H301	LOCK WASHER	3		1/2"
19	T22080	GASKET	1		

1H1

POWER TRAIN

THRUST CAPACITY IMPROVEMENT KIT (540 RPM PTO)

RP487 -UN-01JAN94



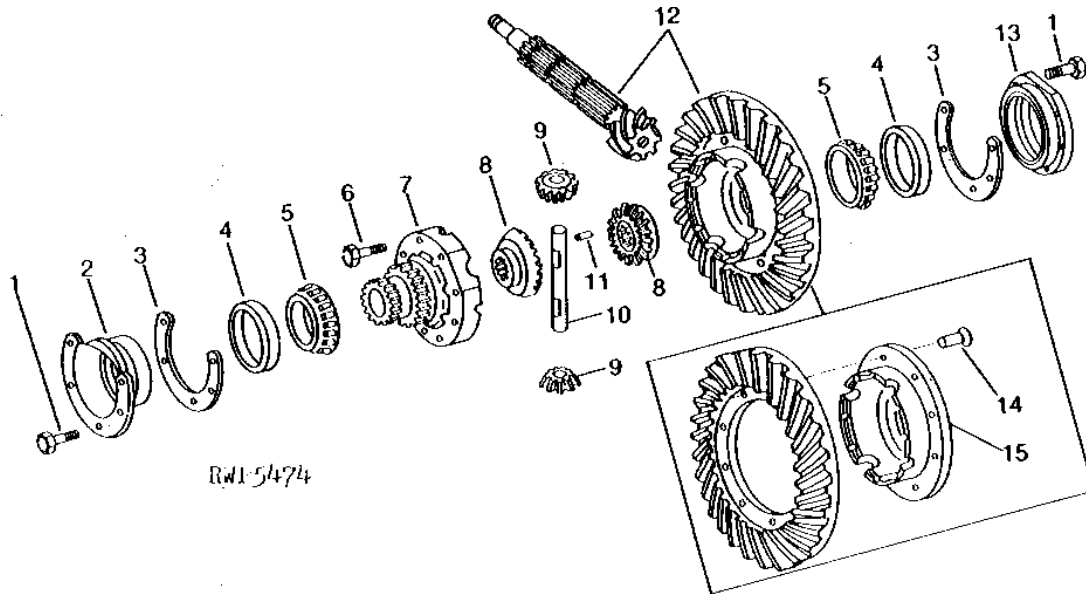
KEY	PART NO.	PART NAME	QTY	TRACTOR SERIAL NO.	REMARKS
1	R69509	SHAFT	1		
2	R69511	BUSHING	1		
3	JD9125	BEARING CUP	1		
4	JD9065	BEARING CONE	1		
5	R69510	SPACER	2		
6	T22069	SEAL	1		
7	R69513	SHIM	AR	0.13MM (.005") (SUB AT146240)	
	R69515	SHIM	AR	0.25MM (.010") (SUB AT146240)	
	R69516	SHIM	AR	0.50MM (.020") (SUB AT146240)	
	R69514	SHIM	AR	0.13MM (.005") PAPER, (SUB AT146240)	
8	R69512	QUILL	1		
9	AR93928	KIT	1		

1H2

POWER TRAIN

RWP5474 -UN-01JAN94

DIFFERENTIAL ASSEMBLY



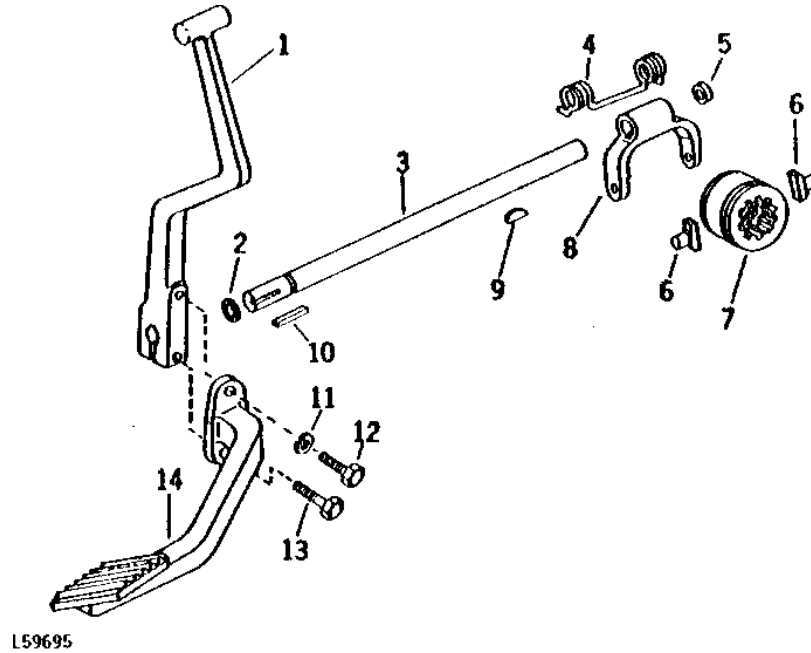
KEY	PART NO.	PART NAME	QTY	TRACTOR SERIAL NO.	REMARKS
1	T22874	BOLT	10		
2	T21433	QUILL	1		
3	T21434	SHIM	AR	0.076MM (.003")	
	T21435	SHIM	AR	0.127MM (.005")	
	T21436	SHIM	AR	0.254MM (.010")	
4	JD7425	BEARING CUP	2		
5	JD8147	BEARING CONE	2		
6	T21430	CAP SCREW	8		
7	T21974	HOUSING	1	-075481	(SUB R51500 AND R51501)
	R51500	HOUSING	1	075482-	
8	T29394	BEVEL GEAR	2		(18 TEETH) (SUB FOR T21971) (SUB (2) T118949 AND (2) T118950)
9	T21876	BEVEL GEAR	2		(11 TEETH) (SUB (2) T118949 AND (2) T118950)
10	T21831	PINION SHAFT	1		
11	R30587	DOWEL PIN	1		
12	AT21621	RING GEAR	1		(43 TEETH) (BEVEL PINION 9 TEETH) (COLLAR SHIFT TRANSMISSION) (INCLUDES T24382 AND 16H1592)
	AT25401	RING GEAR	1		(43 TEETH) (BEVEL PINION 9 TEETH) (SLIDING GEAR TRANSMISSION) (INCLUDES T24382 AND 16H1592)
13	T21458	QUILL	1		
14	16H1592	RIVET	8	7/16" X 1-3/4"	
15	T24382	HOUSING	1		

1H3

POWER TRAIN

L59695 -UN-01JAN94

DIFFERENTIAL LOCK MECHANISM



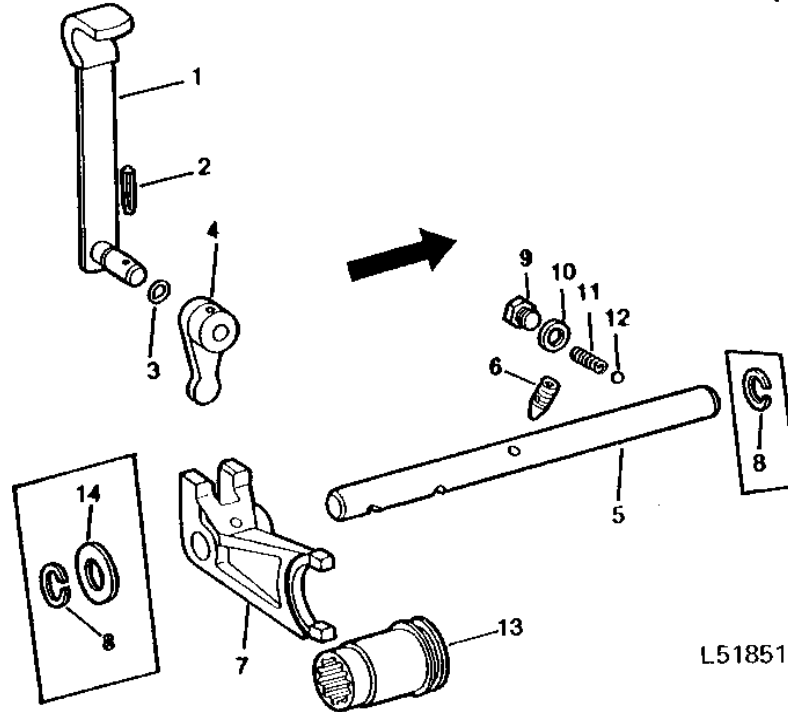
KEY	PART NO.	PART NAME	QTY	TRACTOR SERIAL NO.	REMARKS
1	T27429	LEVER	1		
2	R28776	O-RING	1	-106075	
	L29406	O-RING	1	106076-	
3	T21839	SHAFT	1		(SUB L32839, R28776, 26H77 AND L29406)
	L29404	SHAFT	1	106076-121091	(SUB L32839, R28776, 26H77 AND L29834)
	L29833	SHAFT	1	121092-	(SUB FOR L29404) (SUB L32839, R28776 AND 26H77)
4	T24522	SPRING	1		
5	T18891	CAP	1		
6	T21841	SHOE	2		
7	R51501	SHIFT COLLAR	1		(SUB FOR T21819)
8	T21840	YOKE	1		
9	26H77	SHAFT KEY	1	-123317	3/16" X 3/4"
	26H77	SHAFT KEY	2	123318-	3/16" X 3/4"
10	L29834	SHAFT KEY	1		(SUB FOR H410R)
11	12H304	LOCK WASHER	1		3/8"
12	19H1731	CAP SCREW	1		3/8" X 1"
13	19H2665	CAP SCREW	1		3/8" X 1-5/8"
14	T27430	PEDAL	1		

1H4

POWER TRAIN

L51851 -UN-01JAN94

REAR POWER SHAFT SHIFTER LINKAGE



L51851

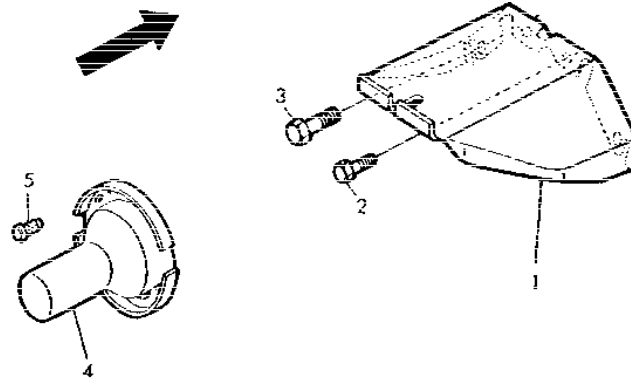
KEY	PART NO.	PART NAME	QTY	TRACTOR SERIAL NO.	REMARKS
1	AT20093	LEVER	1	-024012	
	AT29827	LEVER	1	024013-	
2	T27544	GROOVE PIN	1		
3	R28776	O-RING	1		
4	AT20025	ARM	1		
5	R48289	SHAFT	1	077798-	(SUB FOR T21993, A369R OR T10510)
6	T25614	SET SCREW	1		
7	T21992	SHIFTER	1		
8	A369R	SNAP RING	2	-077797	
9	R53802	CAP SCREW	1		
10	R27003	WASHER	1		
11	T27716	SPRING	1		(SUB FOR T27739)
12	R26552	BALL	1		7.93MM (5/16")
13	T26337	SHIFT COLLAR	1		(COLLAR SHIFT TRANSMISSION)
	T25541	SHIFT COLLAR	1		(SLIDING GEAR TRANSMISSION)
14	T10510	WASHER	1	-077797	

1H5

POWER TRAIN

L57280 -UN-01JAN94

POWER SHAFT SHIELD AND GUARD



L 57280

KEY	PART NO.	PART NAME	QTY	TRACTOR SERIAL NO.	REMARKS
1	AT20761	SHIELD	1		(SUB FOR T30037) (SUB RE13912)
2	19H2284	CAP SCREW	2		3/8" X 7/8"
3	19H1792	CAP SCREW	2		1/2" X 1"
4	AR26782	GUARD	1		(SUB L64456)
5	R27329	SCREW	2		

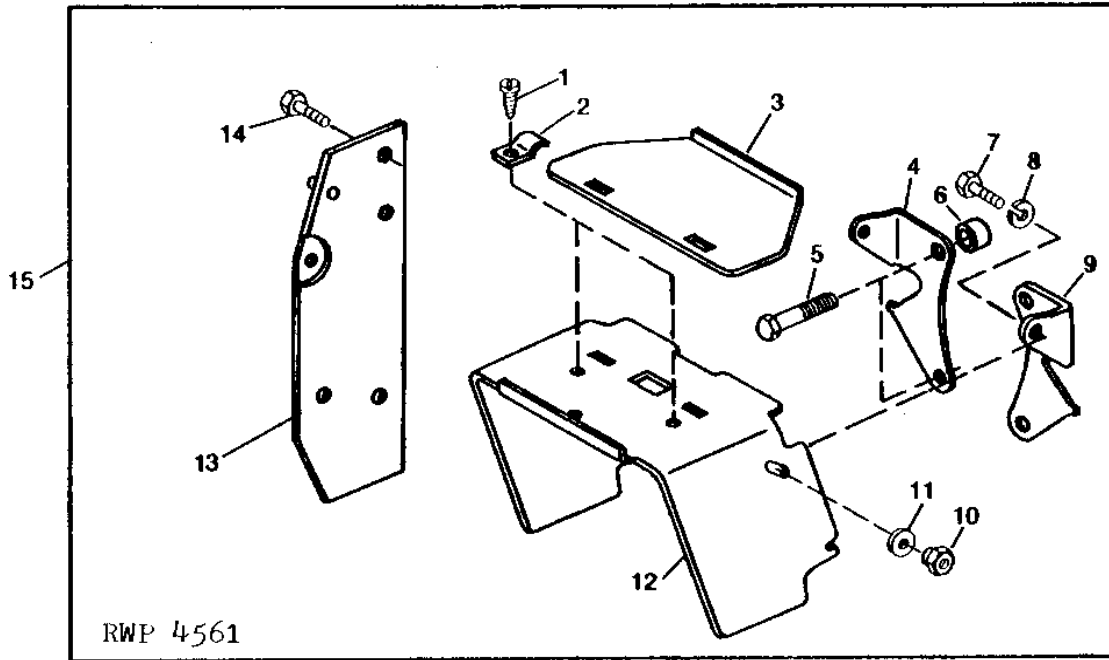
MEMORANDA

1H6

POWER TRAIN

RWP4561 -UN-01JAN94

PTO MASTER SHIELD KIT



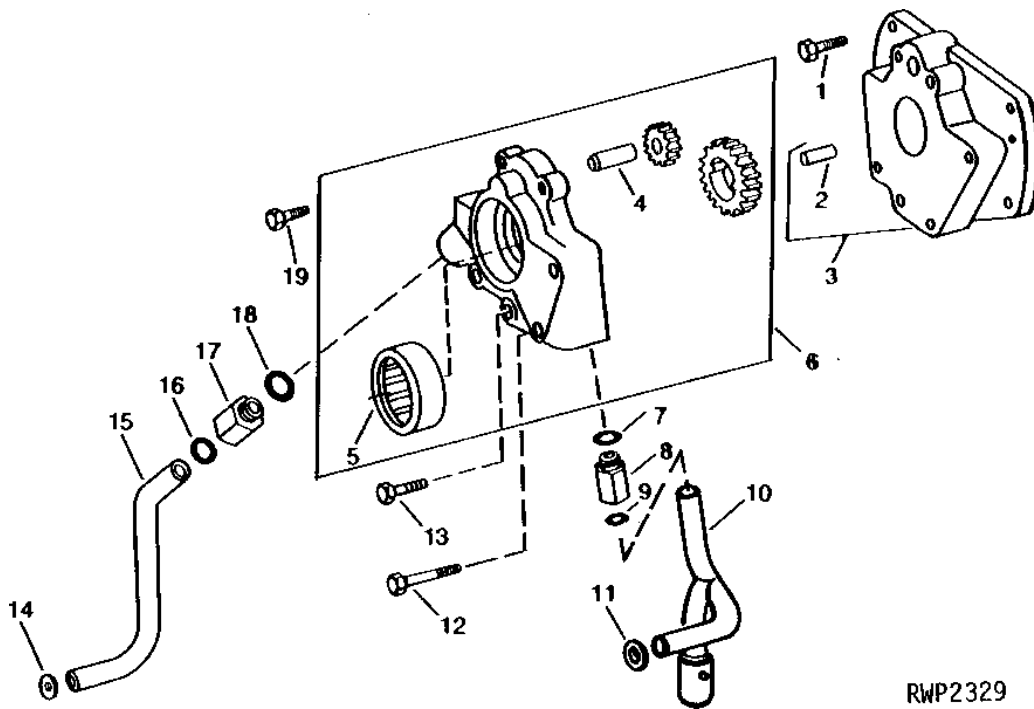
KEY	PART NO.	PART NAME	QTY	TRACTOR SERIAL NO.	REMARKS
1	37H52	SCREW	2		1/4" X 3/8"
2	R69657	CLAMP	2		
3	L38694	COVER	1		
4	R69655	SUPPORT	1		L.H.
5	19H1831	CAP SCREW	4		1/2" X 2"
6	28H1785	BUSHING	4		0.546" X 0.840" X 1-1/16"
7	19H1731	CAP SCREW	2		3/8" X 1"
8	12H304	LOCK WASHER	2		3/8"
9	R69654	SUPPORT	1		R.H.
10	R63607	WELD NUT	2		3/8"
11	R73290	WASHER	2		(SUB FOR T497T)
12	R69628	SHIELD	1		
13	AR90971	SUPPORT	1		
14	19H1792	CAP SCREW	1		1/2" X 1"
15	RE13912	KIT	1		

1H7

POWER TRAIN

TRANSMISSION OIL PUMP AND OIL LINES (SLIDING GEAR TRANSMISSION)

RWP2329 -UN-01JAN94



RWP2329

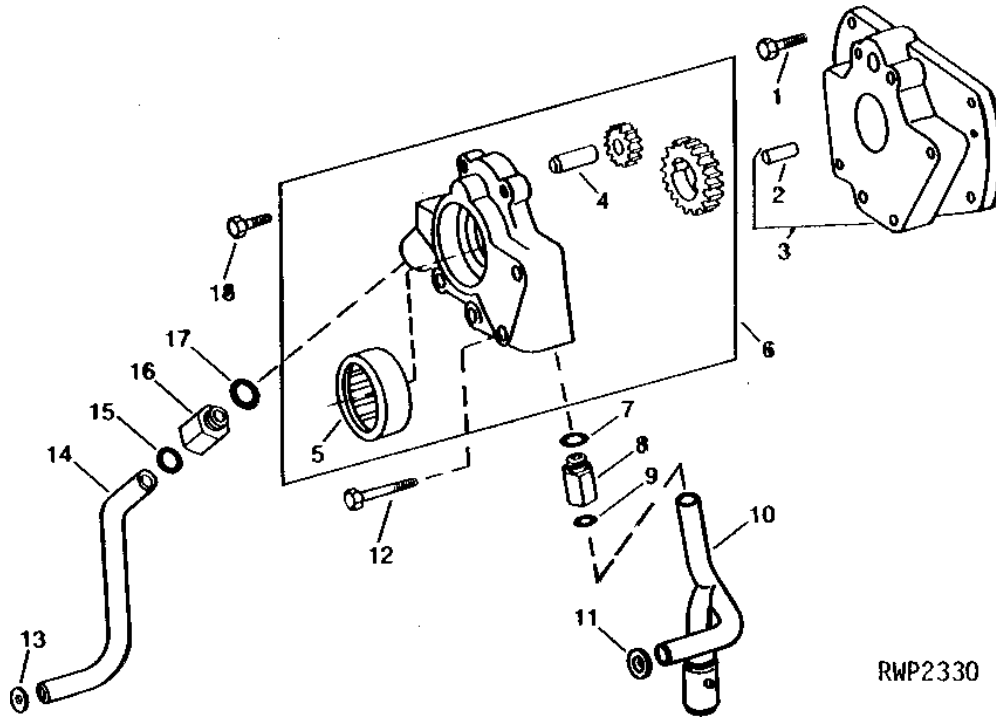
KEY	PART NO.	PART NAME	QTY	TRACTOR SERIAL NO.	REMARKS
1	19H2552	CAP SCREW	4		3/8" X 1-1/8"
2	R30587	DOWEL PIN	2	-XXXXXX	
	R26650	DOWEL PIN	2	-XXXXXX	(SUB FOR B153R)
	R30587	DOWEL PIN	3	XXXXXX-	
3	AR71396	ADAPTER	1		(MARKED R39185 OR R57964) (SUB FOR AT23398)
4	R58661	DOWEL PIN	1		(SUB FOR R39224)
5	JD8720	ROLLER BEARING	1		
6	AR96662	OIL PUMP	1		(MARKED R39244 OR R57595)
7	R26906	O-RING	1		
8	T22862	ADAPTER	1		
9	R375R	O-RING	1		
10	AT24392	OIL LINE	1		
11	T22851	WASHER	1		
12	19H2939	CAP SCREW	1		3/8" X 2.380"
13	19H1732	CAP SCREW	1		3/8" X 1-1/4"
14	R26149	PACKING	1		
15	T25418	OIL TUBE	1		
16	T13119	O-RING	1		
17	T30754	ADAPTER	1		(SUB FOR T22861)
18	F3171R	O-RING	1		
19	19H1726	CAP SCREW	4		3/8" X 2-1/4"

1H8

POWER TRAIN

RWP2330 -UN-01JAN94

TRANSMISSION OIL PUMP AND OIL LINES (COLLAR SHIFT TRANSMISSION)



RWP2330

KEY	PART NO.	PART NAME	QTY	TRACTOR SERIAL NO.	REMARKS
1	19H2552	CAP SCREW	4	3/8" X 1-1/8"	
2	R30587	DOWEL PIN	3		
3	AR69659	ADAPTER	1		(SUB FOR AR39093)
4	R58661	DOWEL PIN	1		(SUB FOR R39224)
5	JD8720	ROLLER BEARING	1		
6	AR96662	OIL PUMP	1		(MARKED R39244 OR R57959) (SUB FOR AR39028)
7	R26906	O-RING	1		
8	T22862	ADAPTER	1		
9	R375R	O-RING	1		
10	AT24392	OIL LINE	1		
11	T22851	WASHER	1		
12	R40235	CAP SCREW	5		
13	R26149	PACKING	1		
14	T25418	OIL TUBE	1		
15	T13119	O-RING	1		
16	T30754	ADAPTER	1		(SUB FOR T22861)
17	F3171R	O-RING	1		
18	R41041	CAP SCREW	1		

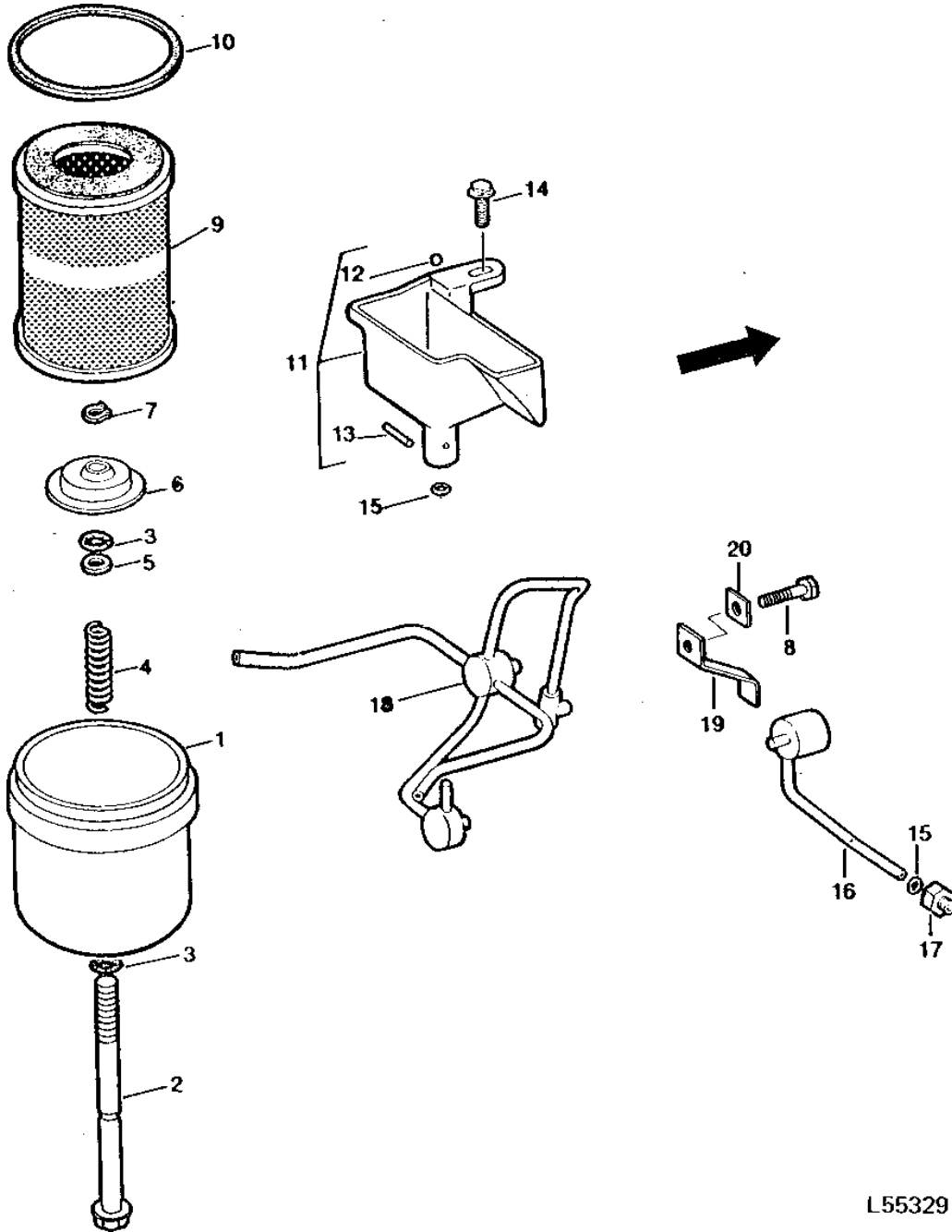
1H9

POWER TRAIN

L55329

-UN-01JAN94

TRANSMISSION OIL FILTER AND LUBRICATING OIL LINES



L55329

1H10

POWER TRAIN

TRANSMISSION OIL FILTER AND LUBRICATING OIL LINES - CONTINUED

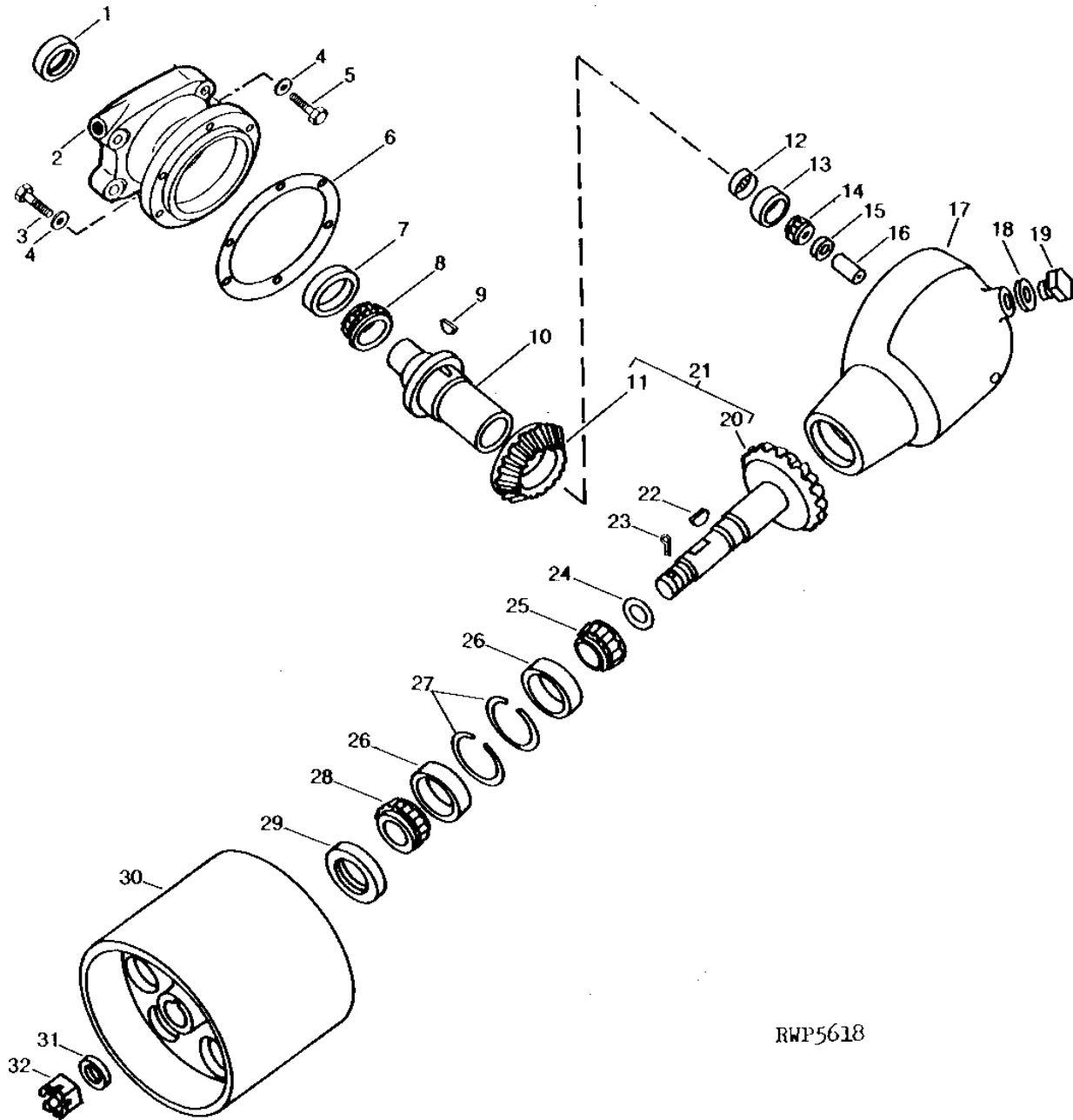
KEY	PART NO.	PART NAME	QTY	TRACTOR SERIAL NO.	REMARKS
1	R39796	COVER	1	-099580	(ALSO ORDER L29251, L29252 AND L29253)
	R39796	COVER	1	099581-	(SUB FOR L29250)
2	R82731	CAP SCREW	1	-099580	(SUB FOR R39799, R54752 OR R54753)
	L29253	CAP SCREW	1	099581-	
3	R394R	O-RING	2		
4	R66064	SPRING	1	-099580	(SUB FOR R1769R)
	L29252	COMPRESSION SPRING	1	099581-	
5	24H1227	WASHER	1		17/32" X 13/16" X 0.060"
6	R28593	RETAINER	1	-099580	
	L29251	RETAINER	1	099581-	
7	R32507	SNAP RING	1		
8	19H1800	CAP SCREW	1		3/8" X 1-1/2"
9	AR75603	FILTER ELEMENT	1		(SUB FOR AR28271 OR AR28072)
10	R34733	WASHER	1		
11	AR66588	OIL CUP	1		(SUB FOR AT22359) (SUB AR87416 AND 21H1322)
12	R26552	BALL	1		
13	R39090	NEEDLE ROLLER	1		
14	T22728	SCREW	1		
15	A3917R	O-RING	2		
16	AT29752	OIL LINE	1		(SUB FOR AT22002)
17	T22852	ADAPTER	1		
18	AL28232	MANIFOLD	1		(SUB FOR AT22001 OR AL24496)
19	T22974	CLAMP	1		
20	H246R	STRAP	2		

1H11

POWER TRAIN

RWP5618 -UN-01JAN94

BELT PULLEY
(540 RPM PTO)



RWP5618

1H12

POWER TRAIN

**BELT PULLEY - CONTINUED
(540 RPM PTO)**

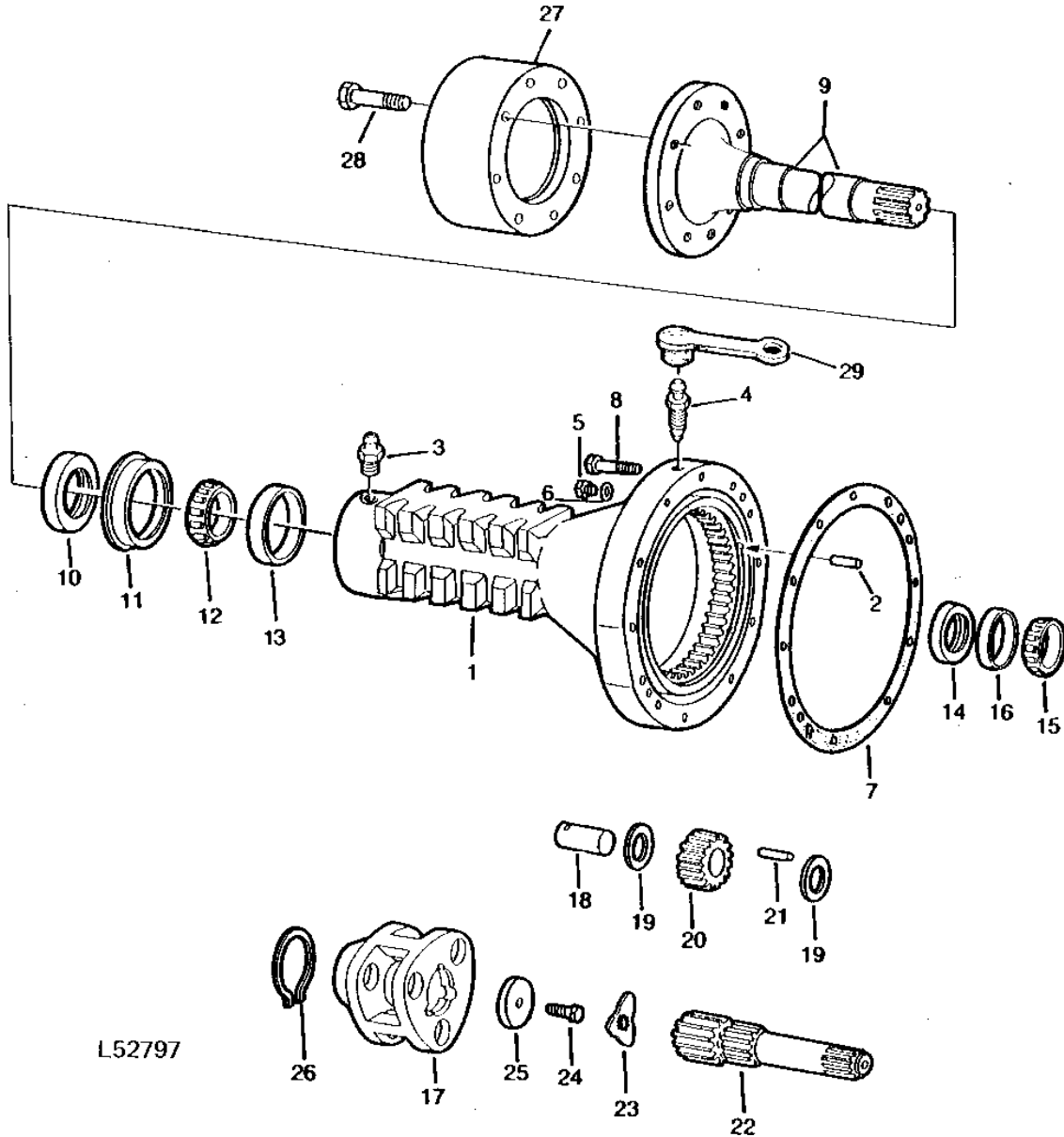
KEY	PART NO.	PART NAME	QTY	TRACTOR SERIAL NO.	REMARKS
1	AT12431	SEAL	1		
2	T29243	QUILL	1		
3	19H3579	CAP SCREW	6		1/2" X 1-3/8"
4	12H301	LOCK WASHER	10		1/2"
5	19H2644	CAP SCREW	4		1/2" X 2-1/2"
6	R44361	SHIM	AR		0.08MM (.003")
	R44372	SHIM	AR		0.13MM (.005") PAPER
	T13341	SHIM	AR		0.25MM (.010")
7	JD8247	BEARING CUP	1		
8	JD8922	BEARING CONE	1		
9	26H85	SHAFT KEY	1		1/4" X 1"
10	T22999	HUB	1		
11	T23000	GEAR	1		(ORDER AT28049)
12	M2206T	CAP	1		
13	JD7438	BEARING CUP	1		
14	JD8135	BEARING CONE	1		
15	T13331	SHIM	AR		0.08MM (.003")
	T13332	SHIM	AR		0.13MM (.005")
	T13333	SHIM	AR		0.25MM (.010")
16	T13471	PIN	1		
17	T29242	CASE	1		
18	A4827R	WASHER	1		
19	R26727	DRAIN PLUG	1		
20	T22998	SHAFT	1		(ORDER AT28049)
21	AT28049	SHAFT	1		
22	26H93	SHAFT KEY	1		1/4" X 1-1/4"
23	11M7032	COTTER PIN	1		0.197" X 1.969"
24	L11027	SHIM	AR		0.10MM (.004")
	L11028	SHIM	AR		0.20MM (.008")
25	JD8969	BEARING CONE	1		
26	JD7418	BEARING CUP	2		
27	T13325	SNAP RING	2		
28	JD8982	BEARING CONE	1		
29	AT16887	SEAL	1		
30	T18718	PULLEY	1		
31	R30399	WASHER	1		(SUB FOR T18996)
32	14H920	NUT	1		1"

1H13

POWER TRAIN

L52797 -UN-01JAN94

PLANETARY AND REAR AXLE



L52797

1H14

POWER TRAIN

PLANETARY AND REAR AXLE - CONTINUED

KEY	PART NO.	PART NAME	QTY	TRACTOR SERIAL NO.	REMARKS
1	AT19628	HOUSING	2		(SUB FOR AT24671 OR AL35996)
2	T21428	DOWEL PIN	6		
3	JD7759	LUBRICATION FITTING	2		
4	R21612	BLEED SCREW	2		
5	R27216	DRAIN PLUG	2		(SUB FOR R31631)
6	R26287	O-RING	2		
7	R98915	GASKET	2		(SUB FOR T21419)
8	19H1990	CAP SCREW	22		1/2" X 2-1/4"
	19H1945	CAP SCREW	2		1/2" X 3-1/4"
9	T21620	SPINDLE	2		(SUB FOR T25827 OR AT29218)
10	AT20703	SEAL	2		
11	T21429	BEARING CUP	2		
12	JD8147	BEARING CONE	2		
13	JD7425	BEARING CUP	2		
14	AT20701	SEAL	2		(SUB AN102006)
15	JD8171	BEARING CONE	2		
16	JD8217	BEARING CUP	2		
17	T21415	PLANET PINION CARRIER	2	-XXXXXX	(SUB T28763 AND (3) T21547)
	T28763	PLANET PINION CARRIER	2	XXXXXX-	
18	T21886	PINION SHAFT	6	-XXXXXX	
	T21548	PINION SHAFT	6	XXXXXX-	
19	T21424	THRUST WASHER	12		
20	T21885	GEAR	6	-XXXXXX	(18 TEETH) (1-1/4" WIDE)
	T21547	GEAR	6	XXXXXX-	(18 TEETH) (1-3/4" WIDE)
21	R26006	NEEDLE ROLLER	138	-XXXXXX	(1-1/4")
	T21418	PIN	138	XXXXXX-	(1-3/4")
22	T28908	DRIVE SHAFT	1		LEFT, (SUB FOR T21820) (SUB T71926)
	T28907	DRIVE SHAFT	1		RIGHT, (SUB FOR T21821) (SUB T71925)
23	T21427	LOCK PLATE	2		
24	L37325	CAP SCREW	2		1/2" X 1.496"
25	T21423	BUSHING	2		(SUB L38057)
26	T21409	SNAP RING	2		
27	T22690	EXTENSION	2		
28	19H2647	CAP SCREW	16		9/16" X 4-1/2"
29	R47862	CAP	2		

MEMORANDA

MEMORANDA

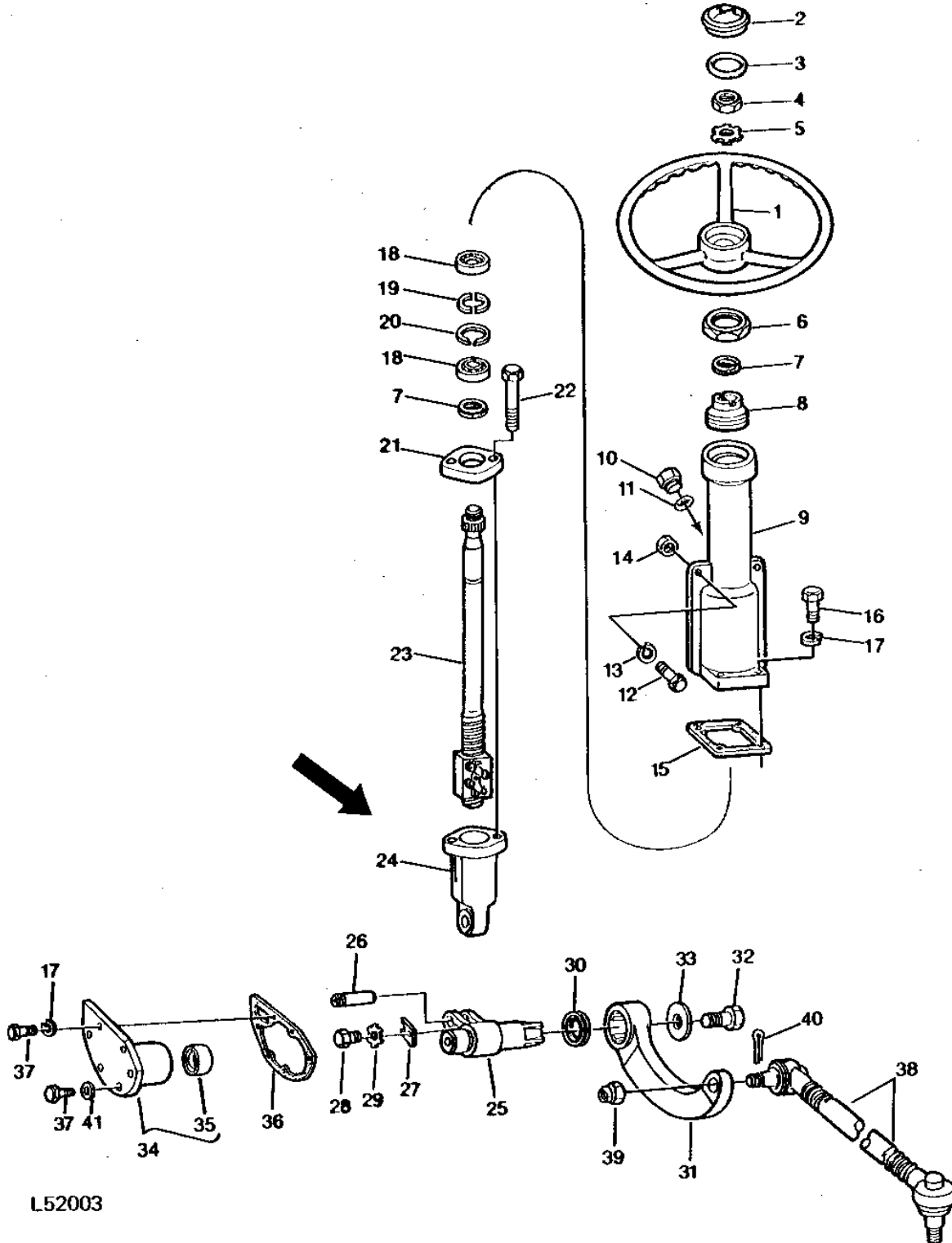
1H16

STEERING AND BRAKES

L52003

-UN-01JAN94

MANUAL STEERING GEAR AND DRAG LINK



L52003

1H17

STEERING AND BRAKES

MANUAL STEERING GEAR AND DRAG LINK - CONTINUED

KEY	PART NO.	PART NAME	QTY	TRACTOR SERIAL NO.	REMARKS
1	T22875	STEERING WHEEL	1		
2	R47998	CAP	1		(SUB FOR T19345 OR L29260)
3	B3690R	O-RING	1		
4	14H904	NUT	1	3/4"	
5	T17148	LOCK WASHER	1		
6	T22481	NUT	1		(SUB FOR R51952)
7	T22260	SEAL	2		(ALSO ORDER AT19858)
8	T22480	BUSHING	1		
9	R52989	HOUSING	1		(SUB FOR T25294)
10	R39112	FITTING	1		
11	R26375	O-RING	1		
12	19H1849	CAP SCREW	2	5/16" X 1-1/4"	
13	12H303	LOCK WASHER	2	5/16"	
14	14H785	NUT	2	5/16"	
15	T21528	GASKET	1		(SUB FOR T25337)
16	19H1765	CAP SCREW	4	3/8" X 1-3/4"	
17	12H304	LOCK WASHER	9	3/8"	
18	JD8728	BEARING	2		
19	T22482	WASHER	2		
20	F215R	RING	1		
21	T22527	RETAINER	1		
22	19H3586	CAP SCREW	2	1/2" X 4-1/4" HS, SAE 8	
23	AT20372	SHAFT	1		
24	T22526	YOKE	1		
25	T21866	SHAFT	1		
26	T21722	PIN	1		
27	T21659	PLATE	1		
28	19H1227	CAP SCREW	1	1/4" X 1/2"	
29	12H297	LOCK WASHER	1	1/4"	
30	AT11927	SEAL	1		
31	T28272	LEVER	1		(SUB FOR T22525)
32	19H1833	CAP SCREW	1	5/8" X 1-1/4"	
33	R20135	WASHER	1		
34	AT46457	COVER	1		(SUB FOR AT20854) (SUB AT54955)
35	T21445	BUSHING	1		
36	T21527	GASKET	1		
37	19H2552	CAP SCREW	6	3/8" X 1-1/8"	
38	AR68818	DRAG LINK	1		(SUB FOR AT19808)
39	14H918	NUT	2	5/8"	
40	11M7023	COTTER PIN	2	4 X 32 MM	
41	T11292	WASHER	1		

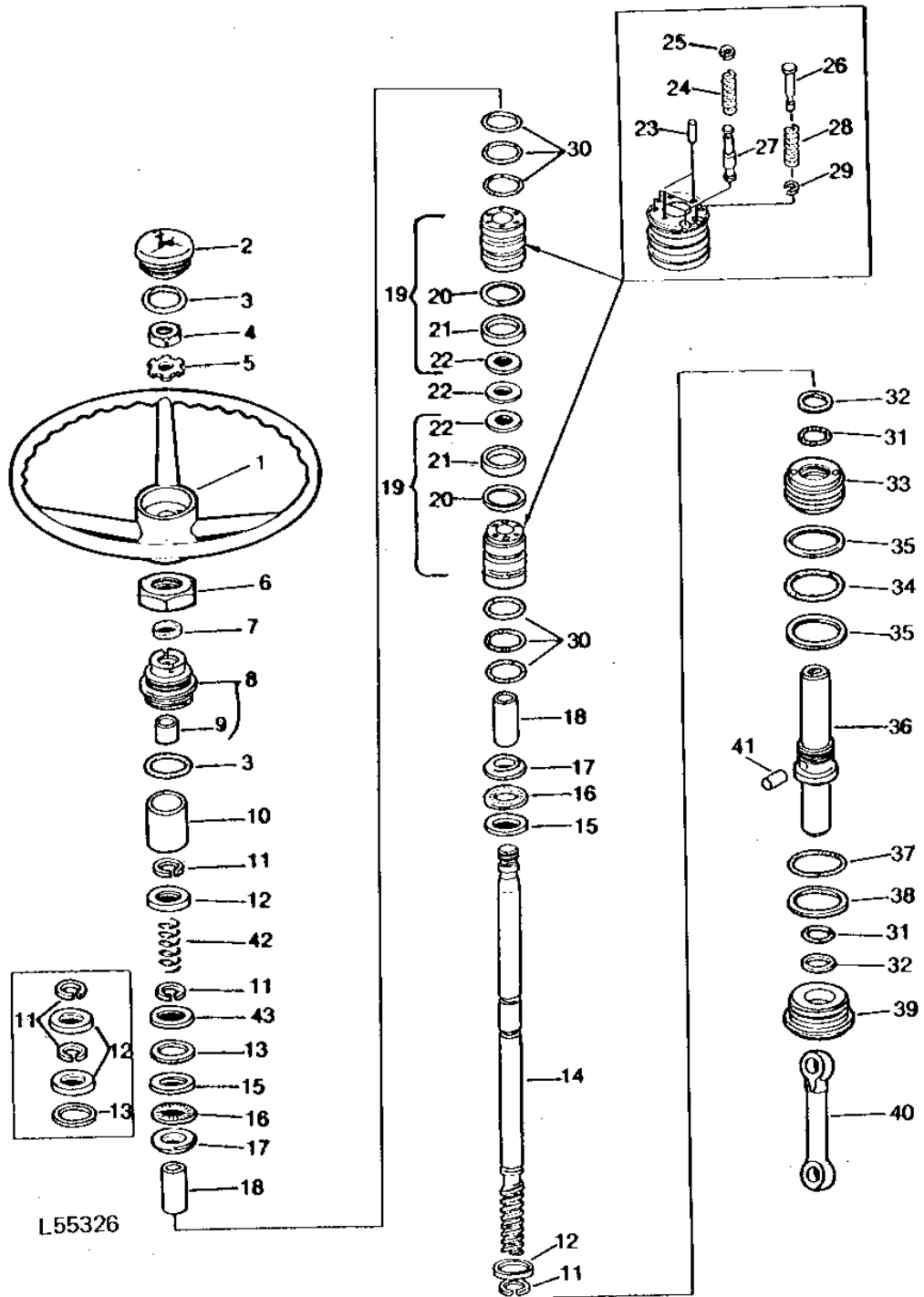
1H18

STEERING AND BRAKES

L55326

-UN-01JAN94

POWER STEERING



1H19

STEERING AND BRAKES

POWER STEERING - CONTINUED

KEY	PART NO.	PART NAME	QTY	TRACTOR SERIAL NO.	REMARKS
1	T22875	STEERING WHEEL	1		
2	R47998	CAP	1		(SUB FOR L29260)
3	B3690R	O-RING	2		
4	14H904	NUT	1		3/4"
5	T17148	LOCK WASHER	1		
6	T21718	NUT	1		
7	T22260	SEAL	1		(SUB FOR R51264 OR L29611) (ALSO ORDER AT19858 IF NOT PREVIOUSLY INSTALLED)
8	AT19858	ADJUSTER	1		(SUB FOR AR55359) (ALSO ORDER T22260 IF NOT PREVIOUSLY INSTALLED)
9	R27320	BUSHING	1		
10	T22823	SLEEVE	1		
11	R35226	SNAP RING	2	-110141	
	R35226	SNAP RING	3	110142-	
12	T22824	BUSHING	2		
13	T22825	SHIM	6		0.127MM (.005")
	T25741	SHIM	2		0.051MM (.002")
	T31290	SHIM	1		0.762MM (.003")
14	T25328	STEERING WHEEL SHAFT	1	-110141	(SUB L29199, T13555, L29197 AND R35226)
	L29199	STEERING WHEEL SHAFT	1	110142-	
15	T21716	WASHER	2		
16	JD9832	THRUST BEARING	2		
17	T25329	WASHER	2		
18	R49980	SLEEVE	2		
19	AR55358	HOUSING	2		
20	T25333	SHIM	2		0.051MM (.002")
	T25334	SHIM	4		0.254MM (.010")
21	T25332	WASHER	2		
22	T27409	WASHER	3		
23	R51260	DOWEL PIN	4		
24	R52651	SPRING	4		
25	40M7000	SNAP RING	4		
26	R54576	PIN	4		
27	R51262	SPOOL	4		
28	R54575	SPRING	4		
29	R52650	WASHER	4		
30	T25335	O-RING	6		
31	U10289	O-RING	2		
32	T25327	BACK-UP RING	2		
33	T25325	PISTON	1		
34	F3450R	O-RING	1		
35	T25326	BACK-UP RING	2		
36	T25323	ROD	1		(SUB AL70300)
37	U12331	O-RING	1		
38	R35684	BACK-UP RING	1		
39	T25336	GUIDE	1		
40	T25324	ROD	1		
41	T21655	PIN	1		
42	T13555	SPRING	1	110142-	
43	L29197	THRUST WASHER	1	110142-	

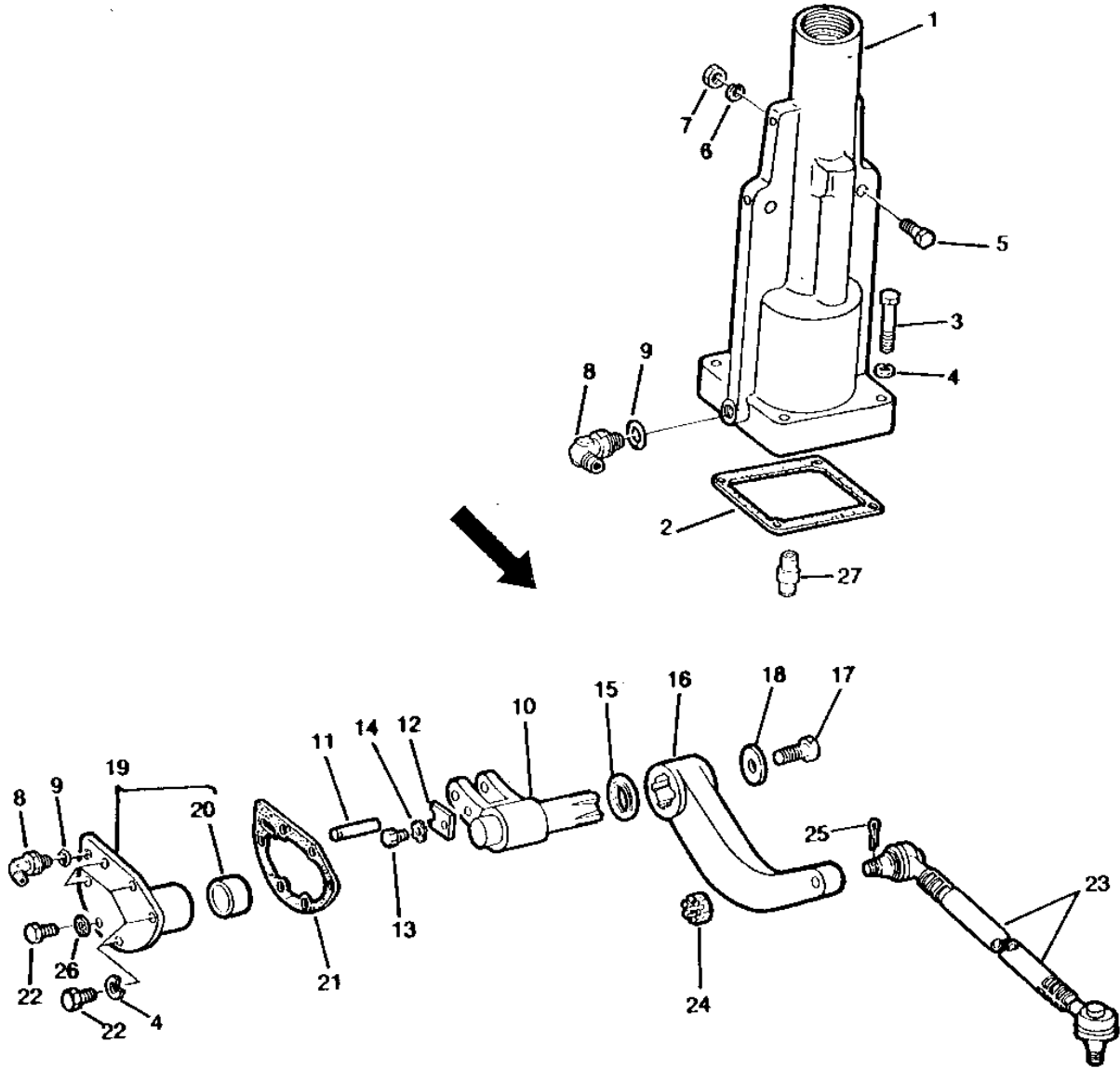
1H20

STEERING AND BRAKES

L52168

-UN-01JAN94

STEERING VALVE HOUSING AND SHAFT



L52168

1H21

STEERING AND BRAKES

STEERING VALVE HOUSING AND SHAFT - CONTINUED

KEY	PART NO.	PART NAME	QTY	TRACTOR SERIAL NO.	REMARKS
1	AT23175	HOUSING	1		(SUB RE10800)
2	T21528	GASKET	1		(SUB FOR T25337)
3	19H1801	CAP SCREW	4		3/8" X 2"
4	12H304	LOCK WASHER	9		3/8"
5	19H1849	CAP SCREW	2		5/16" X 1-1/4"
6	12H303	LOCK WASHER	2		5/16"
7	14H785	NUT	2		5/16"
8	AT35121	ELBOW FITTING	2		90°, (SUB FOR AR26725)
9	R26448	O-RING	2		
10	T36482	SHAFT	1		(SUB FOR T21546)
11	T21722	PIN	1		
12	T21659	PLATE	1		
13	19H1227	CAP SCREW	1		1/4" X 1/2"
14	12H297	LOCK WASHER	1		1/4"
15	AT11927	SEAL	1		
16	T28272	LEVER	1		(SUB FOR T22525)
17	19H1833	CAP SCREW	1		5/8" X 1-1/4"
18	R20135	WASHER	1		
19	AR55356	COVER	1		
20	T21445	BUSHING	1		
21	T21527	GASKET	1		
22	19H1732	CAP SCREW	6		3/8" X 1-1/4"
23	AR68818	DRAG LINK	1		(SUB FOR AT19808)
24	14H918	NUT	2		5/8"
25	11M7023	COTTER PIN	2		4 X 32 MM
26	T11292	WASHER	1		COPPER
27	R51258	SLEEVE	1		

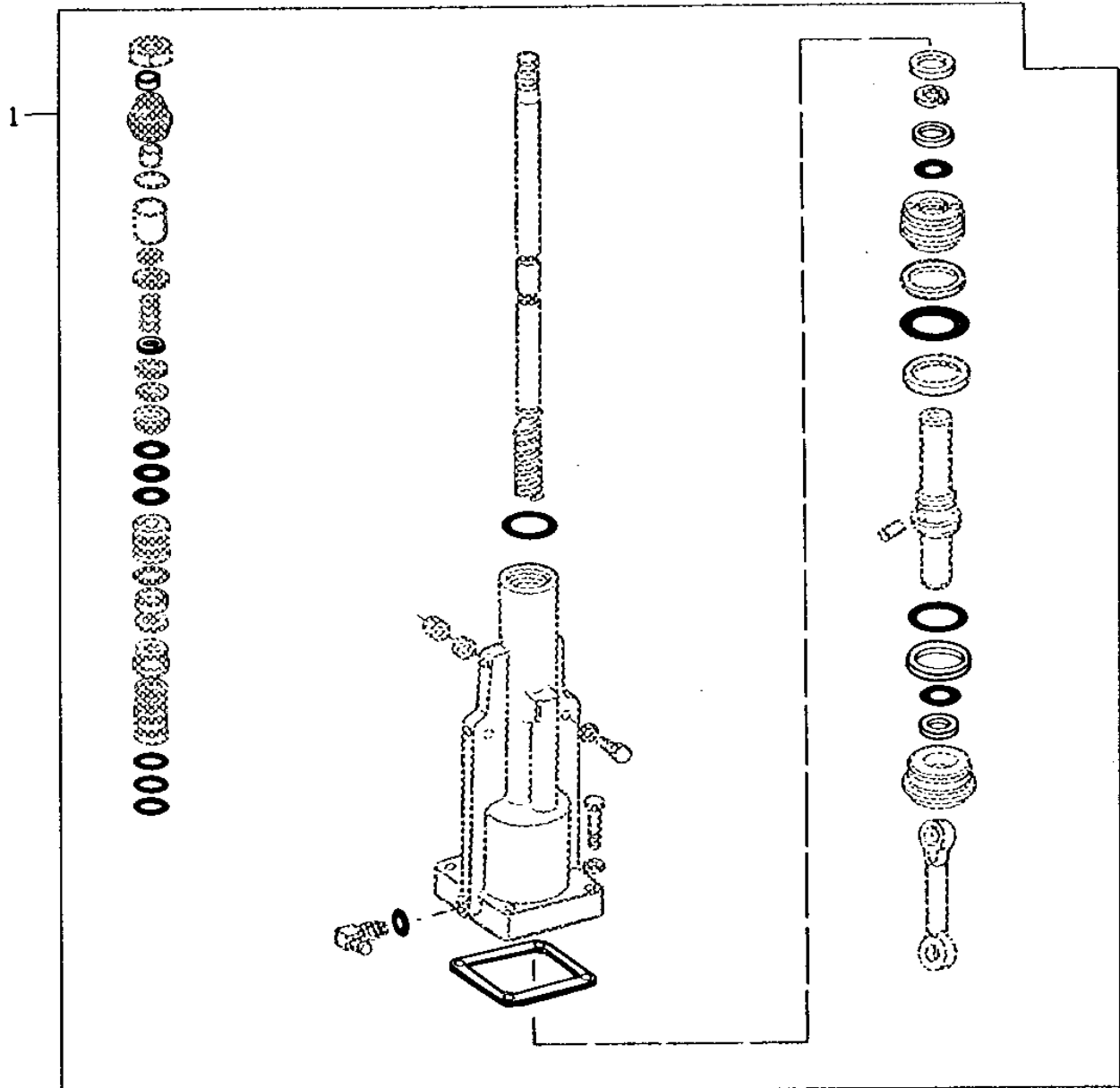
1H22

STEERING AND BRAKES

R33551

-UN-01JAN94

POWER STEERING OVERHAUL KIT



R33551

1H23

STEERING AND BRAKES

POWER STEERING OVERHAUL KIT - CONTINUED

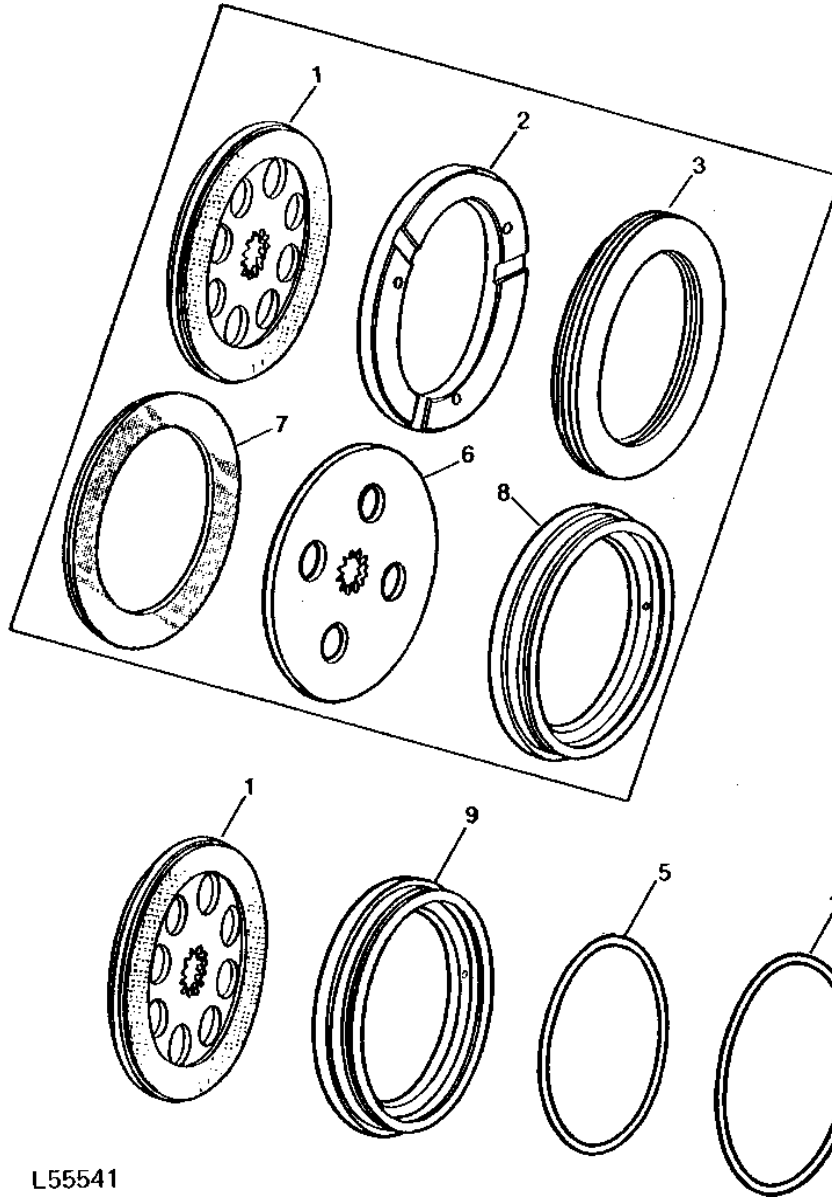
KEY	PART NO.	PART NAME	QTY	TRACTOR SERIAL NO.	REMARKS
1	AT26188	KIT	1		

1H24

STEERING AND BRAKES

L55541 -UN-01JAN94

BRAKE DISK ASSEMBLY



L55541

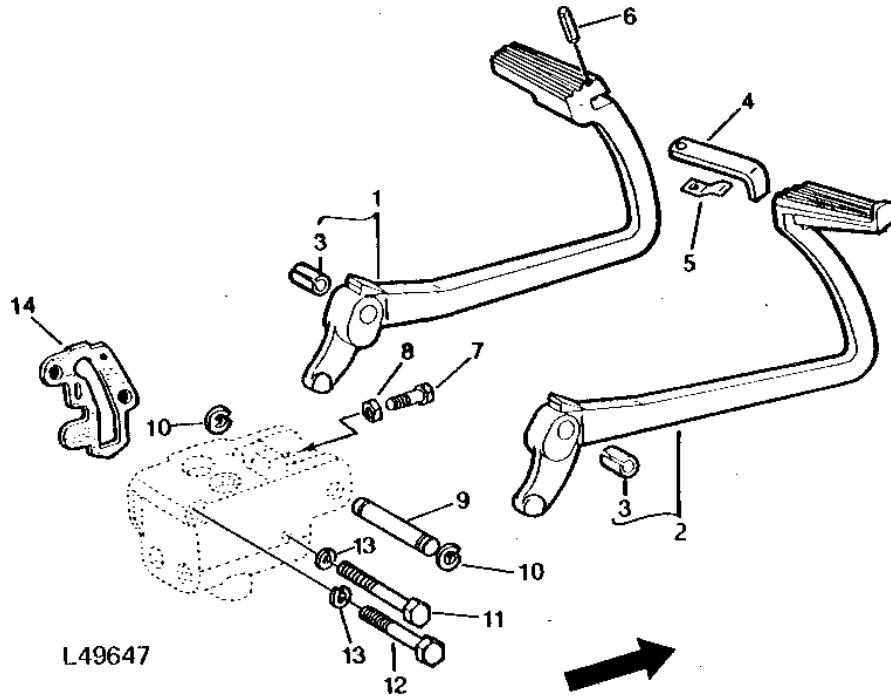
KEY	PART NO.	PART NAME	QTY	TRACTOR SERIAL NO.	REMARKS
1	AT22034	BRAKE DISK	2	-027500	
	AT22034	BRAKE DISK	2	088863-	
2	T21807	BRAKE ACTUATING DISK	2	-027500	(SUB L31016)
3	T21455	RING	2	-027500	(SUB L31016)
4	R50704	SEALING WASHER	2		(SUB FOR T22103)
5	R50703	WASHER	2		(SUB FOR T22102)
6	T28177	BRAKE DISK	2	027501-088862	(SUB FOR T32268) (SUB AT22034 AND L31016)
7	AT26290	LINING	2	027501-088862	
8	AT26289	RING	2	027501-088862	(SUB AT22034 AND L31016)
9	L31016	PLATE	2	088863-	(SUB FOR T38063)

1H25

STEERING AND BRAKES

L49647 -UN-01JAN94

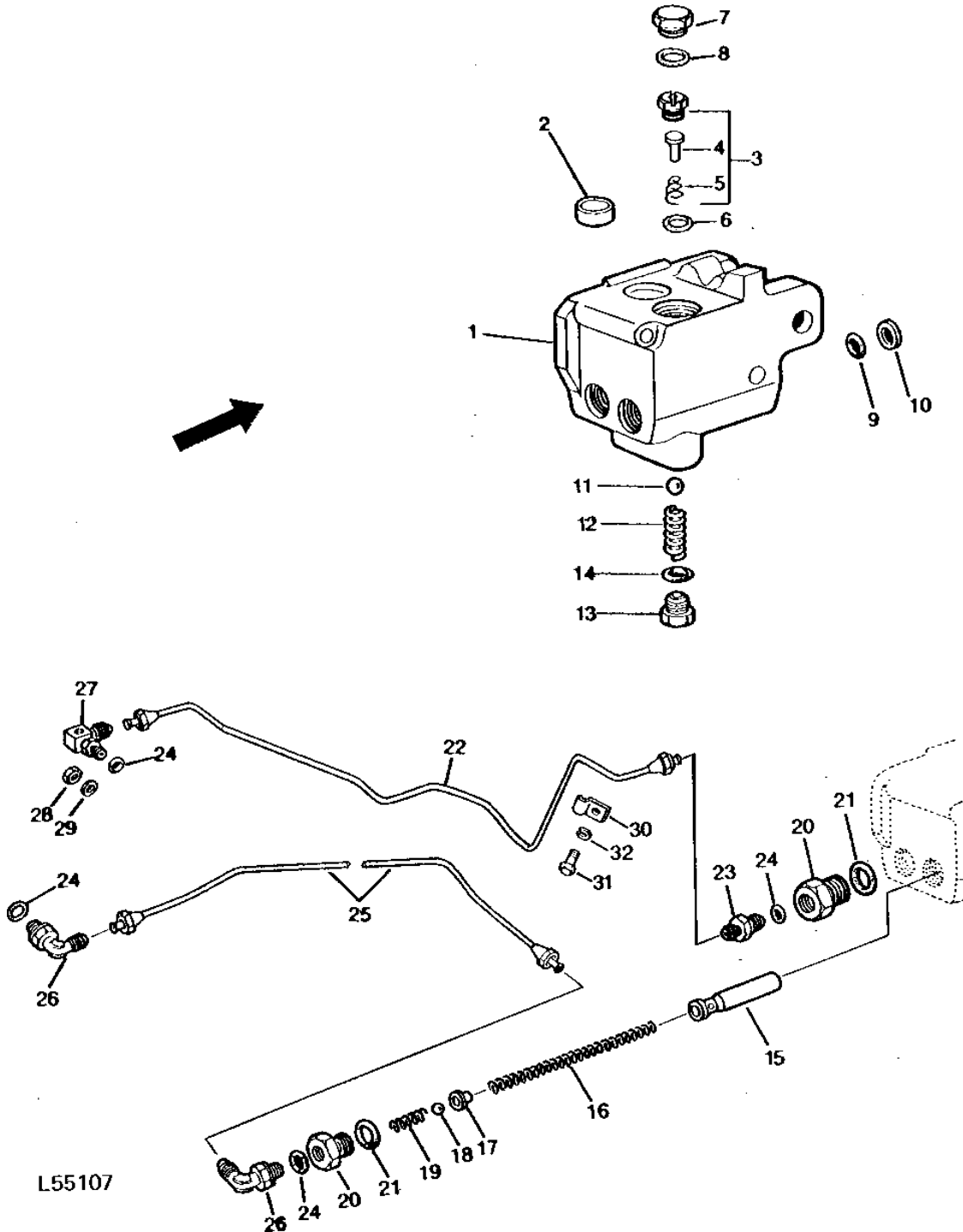
BRAKE PEDALS



KEY	PART NO.	PART NAME	QTY	TRACTOR SERIAL NO.	REMARKS
1	AT20756	PEDAL	1		(SUB FOR AL24065)
2	AT20755	PEDAL	1		(SUB FOR AL24064)
3	B177R	BUSHING	2		
4	R50879	ARM	1		(SUB FOR T23225 OR L29418)
5	R50034	LEAF SPRING	1		(SUB FOR R31602 OR T31134)
6	34H312	SPRING PIN	1		1/4" X 1"
7	19H1732	CAP SCREW	2		3/8" X 1-1/4"
8	14H732	NUT	2		3/8"
9	T49189	PIN	1		(SUB FOR T21803)
10	F2863R	SNAP RING	2		
11	19H3597	CAP SCREW	1		1/2" X 4-3/4"
12	19H3586	CAP SCREW	1		1/2" X 4-1/4" HS, SAE 8
13	12H301	LOCK WASHER	2		1/2"
14	T30687	GASKET	1		(SUB FOR T25141)

L55107 -UN-01JAN94

BRAKE VALVE AND OIL LINES



112

STEERING AND BRAKES

BRAKE VALVE AND OIL LINES - CONTINUED

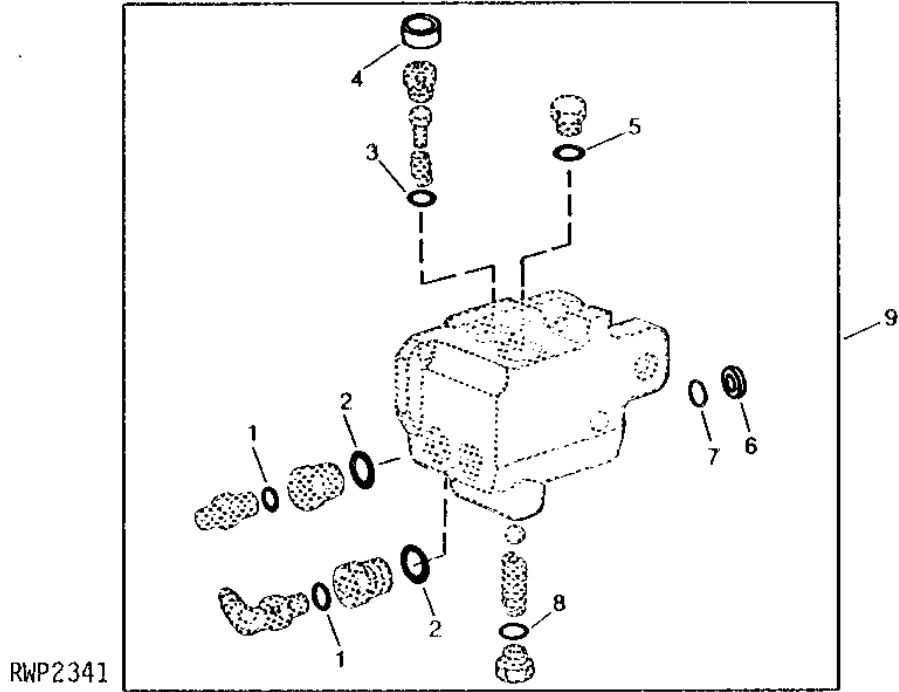
KEY	PART NO.	PART NAME	QTY	TRACTOR SERIAL NO.	REMARKS
1	AR53494	HOUSING	1		(SUB FOR AT20909)
2	R35286	CAP	1		
3	AL23836	CHECK VALVE	2		(SUB FOR T21812, T21811 OR T21810)
4	VALVE	1		(ORDER AL23836)
5	SPRING	1		(ORDER AL23836)
6	R26906	O-RING	2		
7	T21806	DRAIN PLUG	1		
8	R29936	O-RING	1		
9	R495R	O-RING	2		
10	T22101	SEAL	2		
11	D2361R	BALL	2		
12	T21816	SPRING	2		
13	R39112	FITTING	2		
14	R26375	O-RING	2		
15	T22100	PISTON	2	-XXXXXX	(SUB R73933)
	R50111	PISTON	2	XXXXXX-	(SUB R73933)
16	T21817	SPRING	2		(SUB FOR R50112)
17	T21815	RETAINER	2		
18	400R	BALL	2		
19	T21814	SPRING	2		
20	T21813	SEAT	2	-XXXXXX	
	R50110	FITTING	2	XXXXXX-	(SUB T21813)
21	F3171R	O-RING	2		
22	AR65686	LINE	1		(SUB FOR AT19899)
23	R27527	ADAPTER	1		(SUB FOR R27139)
24	R26287	O-RING	4		
25	AR65688	LINE	1		(SUB FOR AT23544)
26	AT32335	ELBOW FITTING	2		
27	AT32335	ELBOW FITTING	1		(SUB FOR AT24652)
28	R27453	NUT	2		
29	R27358	WASHER	2		
30	R27528	CLAMP	2		
31	19H1936	CAP SCREW	2		3/8" X 3/4"
32	12H304	LOCK WASHER	2		3/8"

MEMORANDA

113

RWP2341 -UN-01JAN94

BRAKE VALVE OVERHAUL KIT

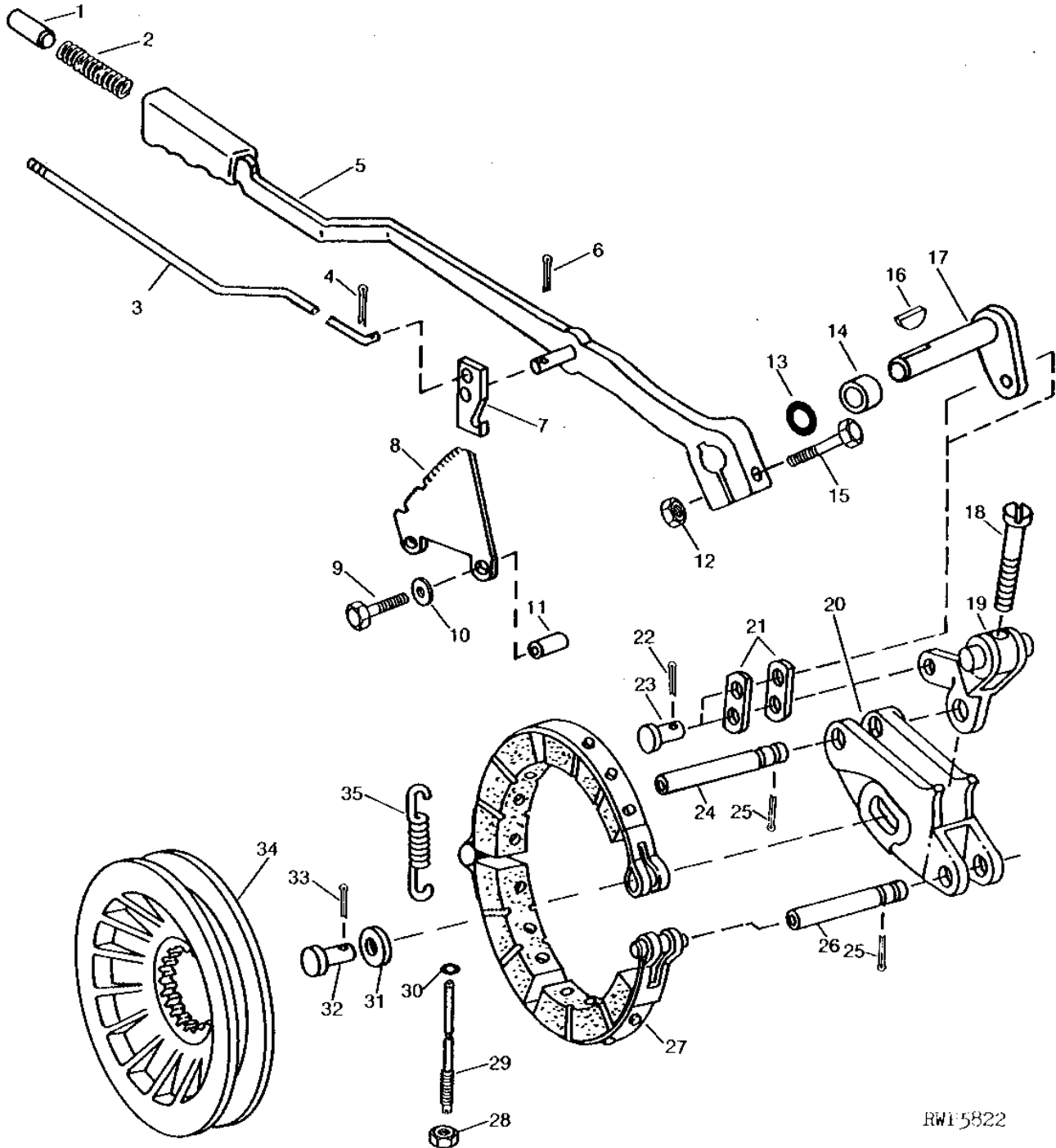


KEY	PART NO.	PART NAME	QTY	TRACTOR SERIAL NO.	REMARKS
1	R26287	O-RING	2		
2	F3171R	O-RING	2		
3	R26906	O-RING	2		
4	R35286	CAP	1		
5	R29936	O-RING	1		
6	T22101	SEAL	2		
7	R495R	O-RING	2		
8	R26375	O-RING	2		
9	AR54929	KIT	1		(ALSO ORDER R35286) (ONLY WITH R54978)

114

HAND BRAKE

RWP5822 -UN-01JAN94



RW15822

115

STEERING AND BRAKES

HAND BRAKE - CONTINUED

KEY	PART NO.	PART NAME	QTY	TRACTOR SERIAL NO.	REMARKS
1	T21595	PIN	1		(SUB L62606)
2	T21576	SPRING	1		
3	T21594	ROD	1		
4	11M7077	COTTER PIN	1		0.063" X 0.984"
5	AT19834	HANDBRAKE LEVER	1		
6	11M7059	COTTER PIN	1		3.200 X 20 MM
7	T21587	PAWL	1		
8	T21588	PLATE	1		
9	19H1974	CAP SCREW	2		1/2" X 2-3/4"
10	T20168	WASHER	2		
11	28H1597	WASHER	2		0.546" X 0.840" X 3/8"
12	14H1076	NUT	1		3/8"
13	R495R	O-RING	1		
14	L29882	SPACER	1		
15	19H2549	CAP SCREW	1		3/8" X 1-7/8"
16	26H77	SHAFT KEY	1		3/16" X 3/4"
17	AL24550	SHAFT	1		
18	T21579	SET SCREW	1		
19	L29884	LEVER	1		
20	T21772	ANCHOR	1		
21	L29883	STRAP	2		
22	11M7059	COTTER PIN	2		3.200 X 20 MM
23	F2653R	PIN	2		
24	T21775	PIN	2		
25	11M7087	COTTER PIN	2		0.157" X 1.575"
26	T21775	PIN	1		
27	AT19833	BRAKE BAND	1		
28	14H971	NUT	1		1/2"
29	T21776	SCREW	1		
30	T17951	O-RING	1		(SUB FOR R27490)
31	24H1658	WASHER	1		21/32" X 1" X 0.060"
32	T25285	PIN	1		
33	11M7015	COTTER PIN	1		3.200 X 25 MM
34	T21596	BRAKE DRUM	1		
35	T21577	SPRING	1		

MEMORANDA

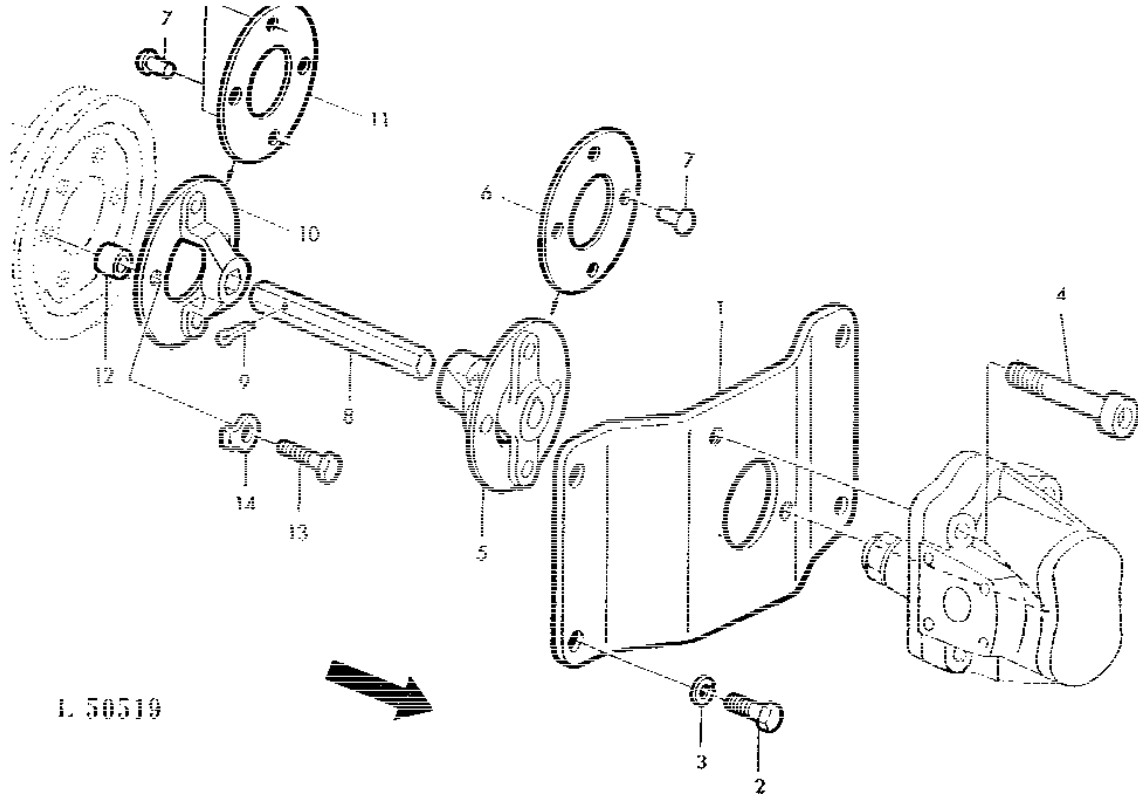
MEMORANDA

118

HYDRAULICS

L50519 -UN-01JAN94

HYDRAULIC PUMP DRIVE AND MOUNTING PARTS



L 50519

KEY	PART NO.	PART NAME	QTY	TRACTOR SERIAL NO.	REMARKS
1	T25774	PLATE	1		
2	19H3579	CAP SCREW	4		1/2" X 1-3/8"
3	12H301	LOCK WASHER	4		1/2"
4	CAP SCREW	4	-020540	7/16" X 3-1/4" (NO LONGER AVAILABLE)
	19H3103	SCREW	2	020541-	7/16" X 1.620"
	19H3237	SCREW	2		(A) 7/16" X 5-3/4"
	19H3241	CAP SCREW	2		(A) (USE WITH AL37750)
5	AL16163	COUPLING	1		
6	L22772	WASHER	3		
7	16M4707	RIVET	6		8 X 12 MM
8	T25775	SHAFT	1		
9	11M7015	COTTER PIN	1		3.200 X 25 MM
10	AL16162	COUPLING	1		
11	L22773	WASHER	3		
12	M89028	SPACER	2		(SUB FOR M48997)
13	19H1732	CAP SCREW	2		3/8" X 1-1/4"
14	L24199	PLATE	2		

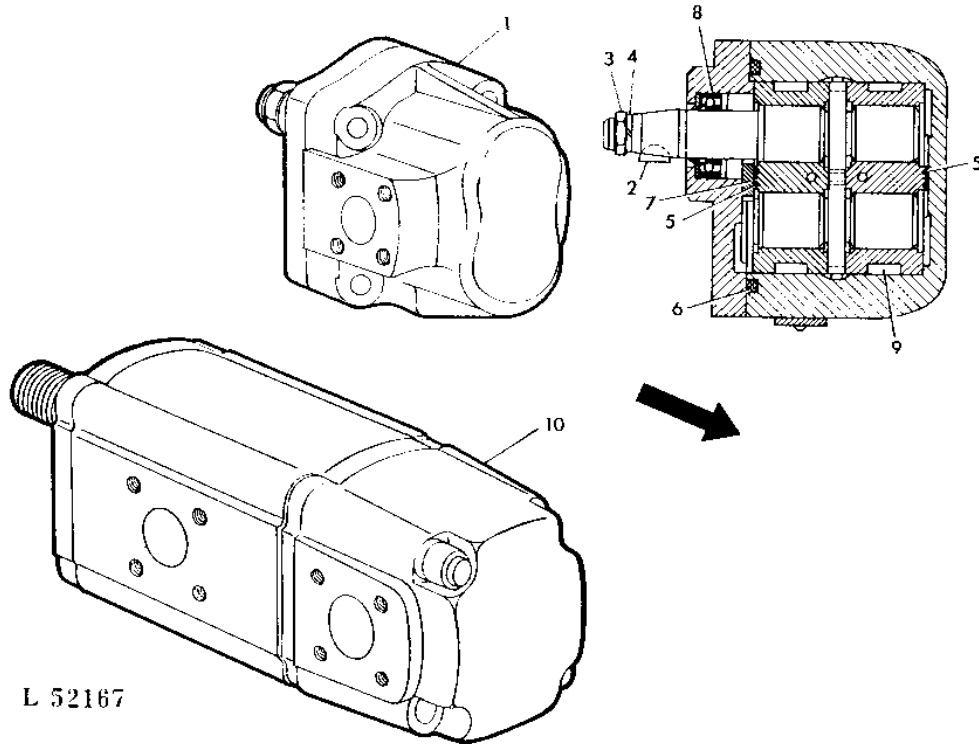
(A) POWER STEERING

119

HYDRAULICS

**HYDRAULIC PUMP
11 CM3 (0.67 IN.3)**

L52167 -UN-01JAN94



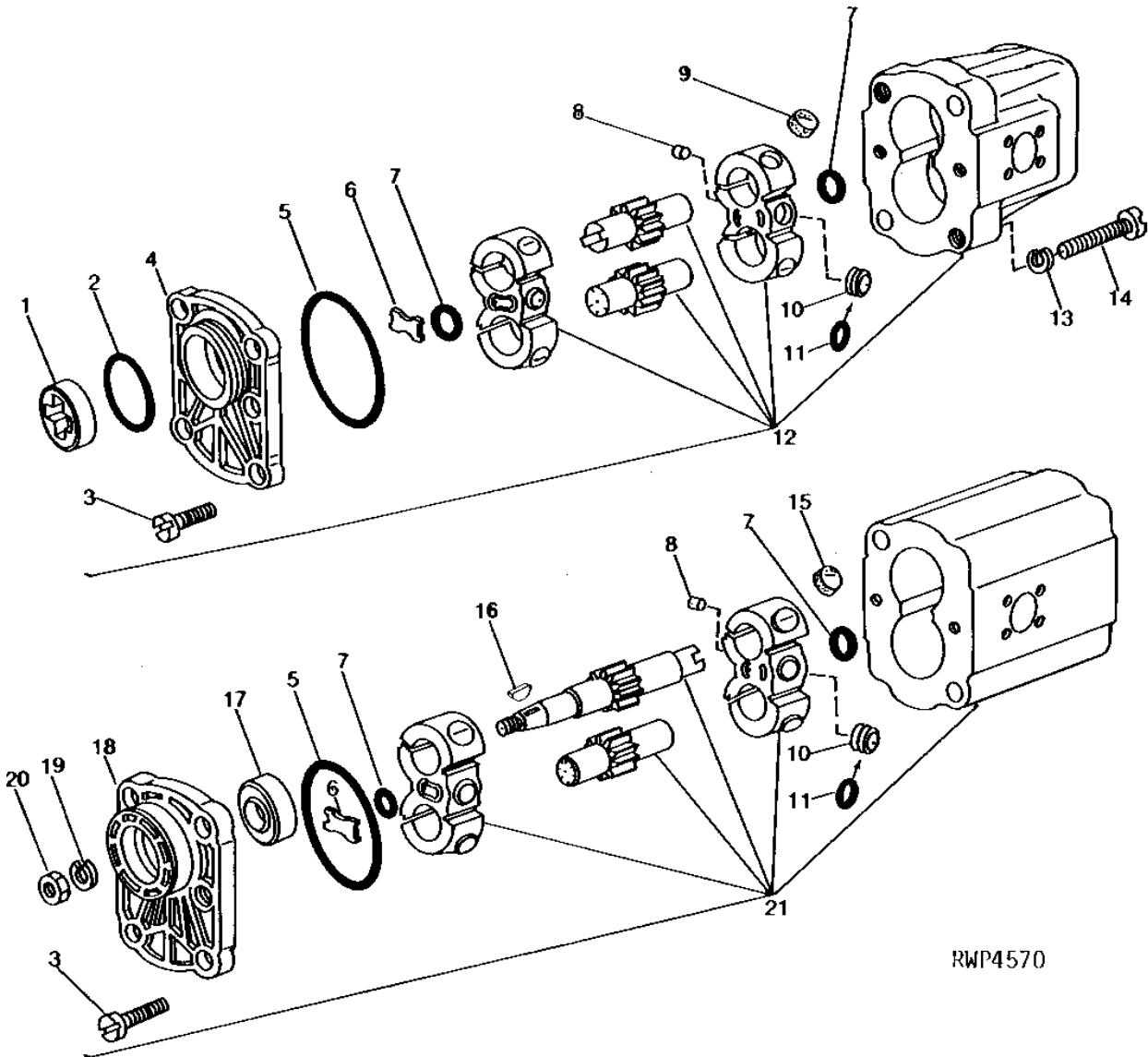
KEY	PART NO.	PART NAME	QTY	TRACTOR SERIAL NO.	REMARKS
1	AT24940 AT28460	HYDRAULIC PUMP HYDRAULIC PUMP	1 1	-020540 020541-	(ALSO ORDER (2) 19H3103) (SUB AT28460) (SUB AL36652, AL36654, AL37751, (2) 12H293 AND (2) 19H1828)
2	26M4222	SHAFT KEY	1		3 X 16 MM
3	14M7155	NUT	1		M12
4	12H301	LOCK WASHER	1		M12
5	L25366	RING	2		(SUB AL25629)
6	L24688	RING	1		
7	L25367	SPACER	1		(SUB AL37750)
8	L25365	RING	1		
9	L25368	PLUG	4		(SUB AL25629)
10	AR55346	HYDRAULIC PUMP	1		(POWER STEERING) (SUB AL37750, AL36651, AL36652, AL36653, (2) 19H3241 AND (2) 12H293)

1110

HYDRAULICS

RWP4570 -UN-01JAN94

HYDRAULIC PUMP
(POWER STEERING)
11 CM3 (0.67 IN.3)



1111

HYDRAULICS

**HYDRAULIC PUMP - CONTINUED
(POWER STEERING)
11 CM3 (0.67 IN.3)**

KEY	PART NO.	PART NAME	QTY	TRACTOR SERIAL NO.	REMARKS
1	L29364	DRIVER	1		
2	L29371	O-RING	1		
3	L29366	SCREW	4		
4	L29359	COVER	1		(SUB AL37750)
5	L24688	RING	2		
6	L25367	SPACER	2		(SUB AL37750)
7	L25366	RING	4		(SUB AL25629)
8	PLUG	4		(SUB AL25629) (SUB FOR L29362)
9	L29363	PLUG	4		(SUB AL25630)
10	PLUG	4		(SUB AL25629) (SUB FOR L29360)
11	L29361	PACKING	4		(SUB AL25629)
12	AL24191	KIT	1		PART 2, (SUB AL37750, AL36651, AL36652, AL36653, (2) 19H3241 AND (2) 12H293)
13	L29368	LOCK WASHER	2		
14	L29367	SCREW	2		
15	L25368	PLUG	4		(SUB AL25629)
16	26M4222	SHAFT KEY	1		3 X 16 MM
17	L25365	RING	1		
18	L29365	COVER	1		(SUB AL37750)
19	12H301	LOCK WASHER	1		M12
20	14M7155	NUT	1		M12
21	AL24190	KIT	1		PART 1, (SUB AL37750, AL36651, AL36652, AL36653, 19H3241 AND (2) 12H293)
..	AR55346	HYDRAULIC PUMP	1		(SUB AL37750, AL36651, AL36652, AL36653, (2) 19H3241 AND (2) 12H293)

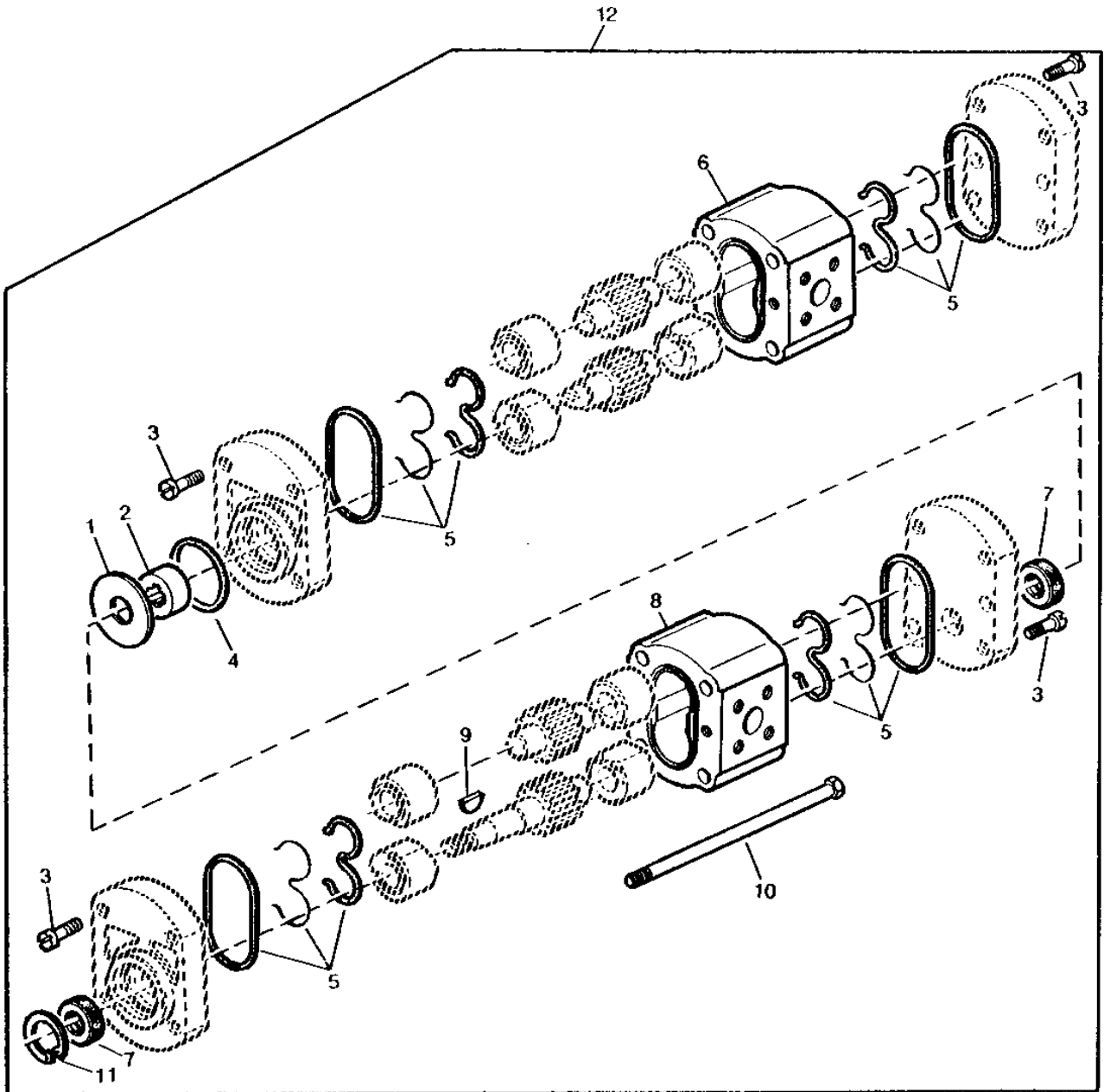
1112

HYDRAULICS

RWP4573

-UN-01JAN94

HYDRAULIC PUMP



RWP4573

1113

HYDRAULICS

HYDRAULIC PUMP - CONTINUED

KEY	PART NO.	PART NAME	QTY	TRACTOR SERIAL NO.	REMARKS
1	L40914	WASHER	1		
2	L29364	DRIVER	1		
3	21M7095	SCREW	8		M8 X 16
4	L29371	O-RING	1		
5	AZ30292	SEAL KIT	1		
6	AL39150	HYDRAULIC PUMP	1		(NLA)
7	AZ25987	SEAL	2		
8	AL39149	HYDRAULIC PUMP	1		
9	26M4221	SHAFT KEY	1		3 X 13 MM
10	19M8198	CAP SCREW	2		M10 X 175
11	40M1855	SNAP RING	1		30 X 1.2MM
12	AL37750	HYDRAULIC PUMP	1		

MEMORANDA

MEMORANDA

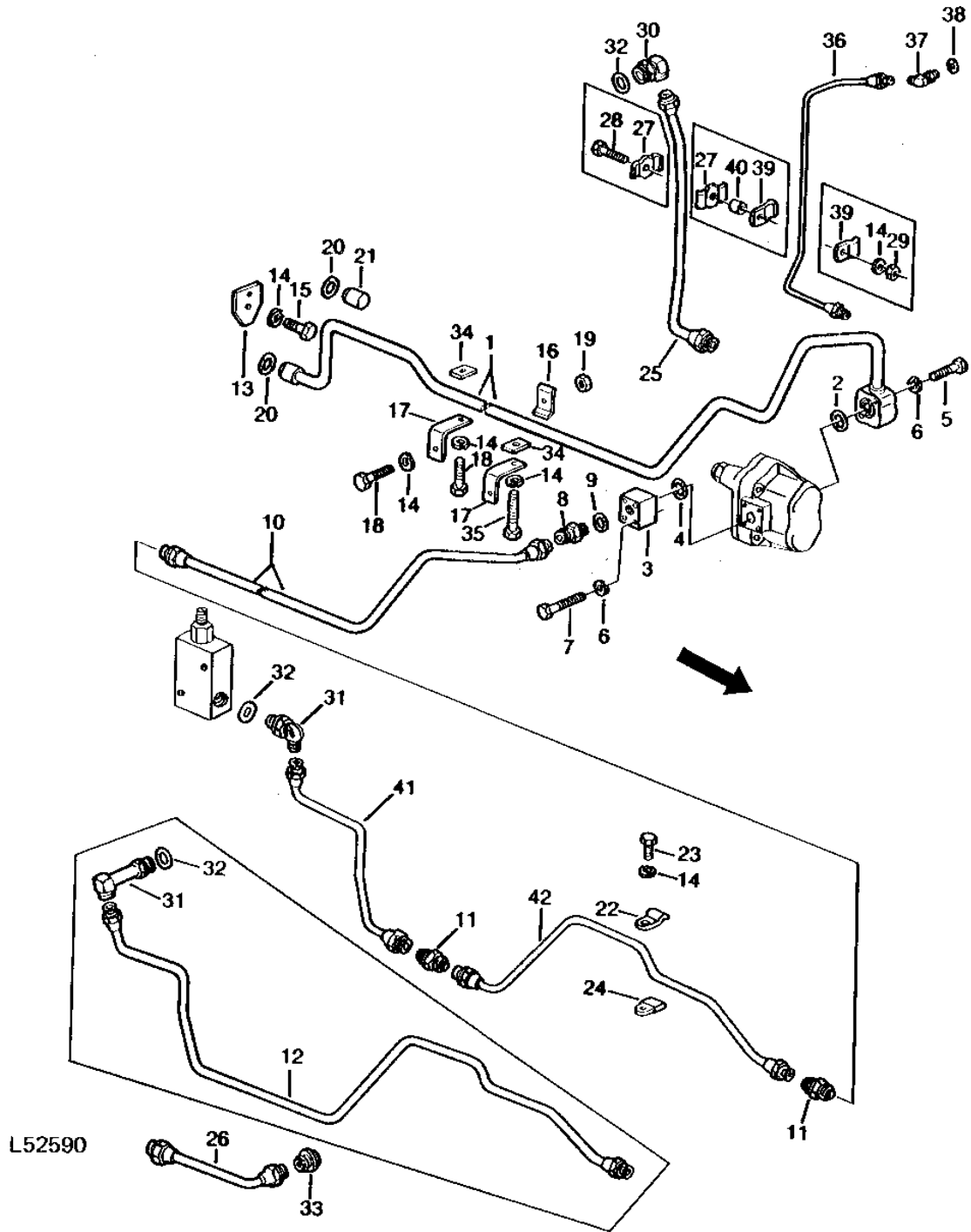
1114

HYDRAULICS

L52590

-UN-01JAN94

HYDRAULIC OIL LINES



1115

HYDRAULICS

HYDRAULIC OIL LINES - CONTINUED

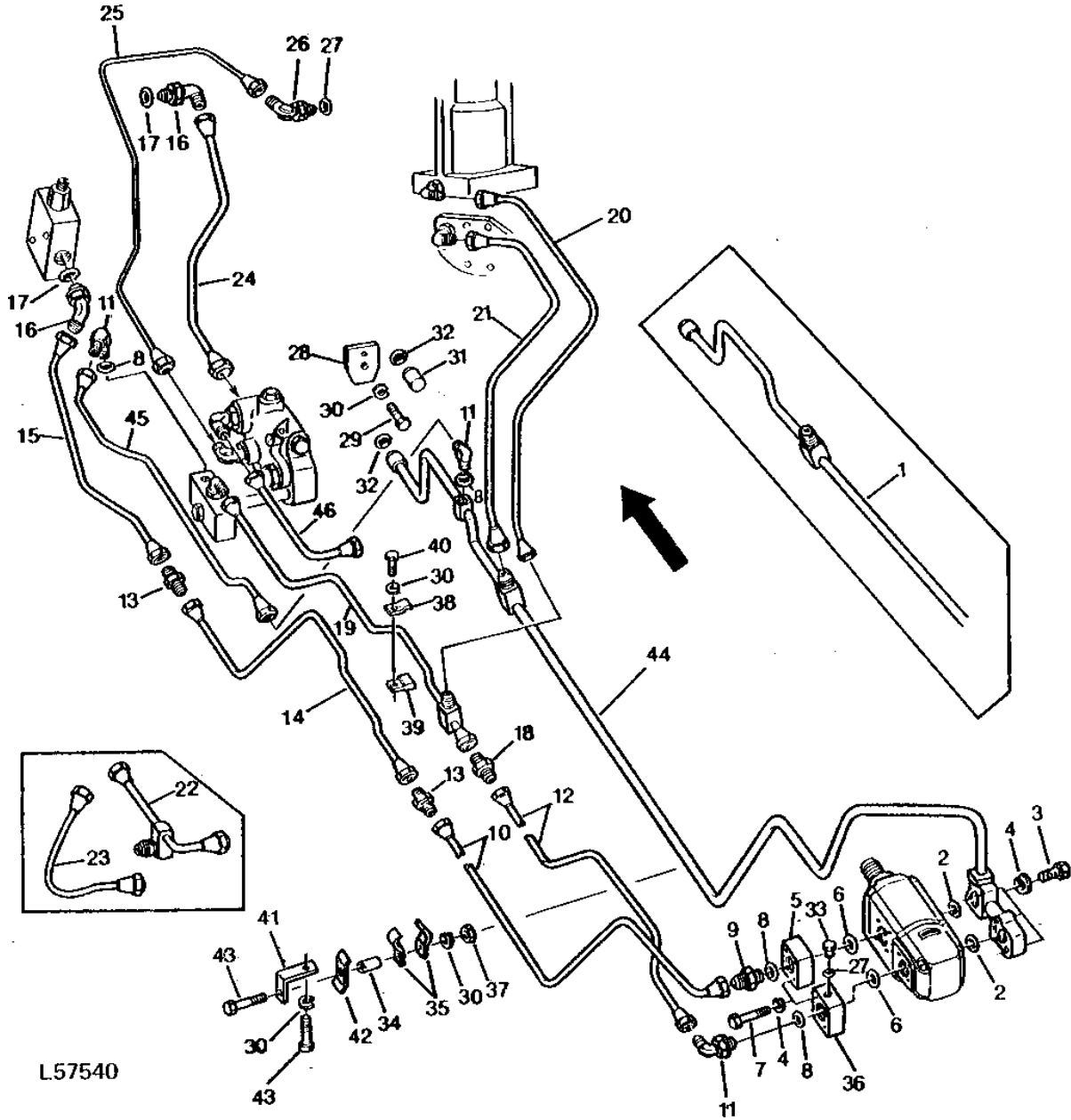
KEY	PART NO.	PART NAME	QTY	TRACTOR SERIAL NO.	REMARKS
1	AT23682	LINE	1		
2	L24414	PACKING	1		(SUB FOR L53840)
3	T25780	ADAPTER	1		
4	L53839	O-RING	1		
5	19M7374	CAP SCREW	2		M6 X 40
6	12M7006	LOCK WASHER	6		M6
7	19M2841	CAP SCREW	4		M6 X 50
8	R39249	ADAPTER	1		
9	R26448	O-RING	1		
10	AL28469	OIL LINE	1		(SUB FOR AT23683)
11	R34063	FITTING	2		
12	AT23686	LINE	1	-057741	
13	AT27313	RETAINER	1		(SUB FOR T23059 OR AL18334)
14	12H304	LOCK WASHER	6		3/8"
15	19H2552	CAP SCREW	1		3/8" X 1-1/8"
16	T25781	CLAMP	2		
17	T25782	SUPPORT	2		
18	19H1732	CAP SCREW	3		3/8" X 1-1/4"
19	14H1076	NUT	2		3/8"
20	R1662R	WASHER	2		
21	T25783	PLUG	1		
22	R28538	CLAMP	1		(SUB FOR L28744) (SUB (2) R27539, 28H1518, 19H1732 AND 12H304)
23	19H2284	CAP SCREW	1		3/8" X 7/8"
24	R28539	CLAMP	1		(SUB (2) R27539, 28H1518, 19H1732 AND 12H304)
25	AT23688	LINE	1		
26	AT23689	LINE	1		
27	R34064	CLAMP	2	-057741	
28	19H1800	CAP SCREW	1	-057741	3/8" X 1-1/2"
29	14H1076	NUT	1	-057741	3/8"
30	AT32332	ELBOW FITTING	1		(SUB FOR AR26763)
31	AT23715	ELBOW FITTING	1	-057741	(LESS SELECTIVE CONTROL VALVE)
	AT23717	ELBOW FITTING	1	-057741	(SINGLE SELECTIVE CONTROL VALVE)
	AT32332	ELBOW FITTING	1		(DUAL SELECTIVE CONTROL VALVES) (SUB FOR AR26763)
32	R26375	O-RING	1		
33	T26435	FITTING	1		
34	24M7106	WASHER	4		10 X 18 X 2.500 MM, (SUB FOR T23200)
35	19H1801	CAP SCREW	1		3/8" X 2"
36	AT23690	OIL LINE	1		
37	AT32335	ELBOW FITTING	1		
38	R26287	O-RING	1		
39	R31654	CLAMP	2	-057741	
40	28H1884	SPACER	1	-057741	0.493" X 0.675" X 1/2"
41	AL28482	OIL LINE	1	057742-	(SUB FOR AR52341)
42	AL28483	OIL LINE	1	057742-	(SUB FOR AR52342)

1116

HYDRAULICS

L57540 -UN-01JAN94

HYDRAULIC OIL LINES (POWER STEERING)



L57540

1117

HYDRAULICS

HYDRAULIC OIL LINES - CONTINUED (POWER STEERING)

KEY	PART NO.	PART NAME	QTY	TRACTOR SERIAL NO.	REMARKS
1	AR55352	OIL LINE	1	-XXXXXX	
2	L24414	PACKING	2		(SUB FOR L53840)
3	19M7374	CAP SCREW	4		M6 X 40
4	12M7006	LOCK WASHER	12		M6
5	T25780	ADAPTER	1		
6	L53839	O-RING	2		
7	19M2841	CAP SCREW	8		M6 X 50
8	R26448	O-RING	4		
9	R39249	ADAPTER	1		
10	AL28469	OIL LINE	1		(SUB FOR AT23683)
11	AT35121	ELBOW FITTING	3		(SUB FOR AR26725)
12	AR55348	LINE	1		(POWER STEERING PUMP)
13	R34063	FITTING	2		
14	AL28483	OIL LINE	1		(SUB FOR AR52342)
15	AL28482	OIL LINE	1		(SUB FOR AR52341)
16	AT32332	ELBOW FITTING	2		
17	R26375	O-RING	2		
18	R27095	FITTING	1		
19	AR55349	LINE	1		(POWER STEERING PUMP)
20	AR55353	LINE	1		(POWER STEERING BODY)
21	AR55354	LINE	1		(STEERING HOUSING COVER)
22	AR55347	OIL LINE	1	-XXXXXX	
23	AR55351	LINE	1	-XXXXXX	(PRESSURE CONTROL VALVE)
24	AT23688	LINE	1		(ROCKSHAFT OR HYDRAULIC OIL RETURN)
25	AT23690	OIL LINE	1		
26	AT32335	ELBOW FITTING	1		
27	R26287	O-RING	2		
28	AT27313	RETAINER	1		
29	19H2552	CAP SCREW	1		3/8" X 1-1/8"
30	12H304	LOCK WASHER	6		3/8"
31	T25783	PLUG	1		
32	R1662R	WASHER	2		
33	R27216	DRAIN PLUG	1		(SUB FOR R31631)
34	28H1884	SPACER	2		0.493" X 0.675" X 1/2"
35	R31654	CLAMP	4		
36	R52653	ADAPTER	1		
37	14H1076	NUT	2		3/8"
38	R28538	CLAMP	1		(SUB (2) R27539, 28H1518, 19H1732 AND 12H304)
39	R28539	CLAMP	1		(SUB (2) R27539, 28H1518, 19H1732 AND 12H304)
40	19H2284	CAP SCREW	1		3/8" X 7/8"
41	T25782	SUPPORT	2		
42	T25781	CLAMP	2		
43	19H1801	CAP SCREW	4		3/8" X 2"
44	AL24495	LINE	1	XXXXXX-	(NLA)
45	AL24494	LINE	1	XXXXXX-	(PRESSURE CONTROL VALVE)
46	AT23689	LINE	1	XXXXXX-	

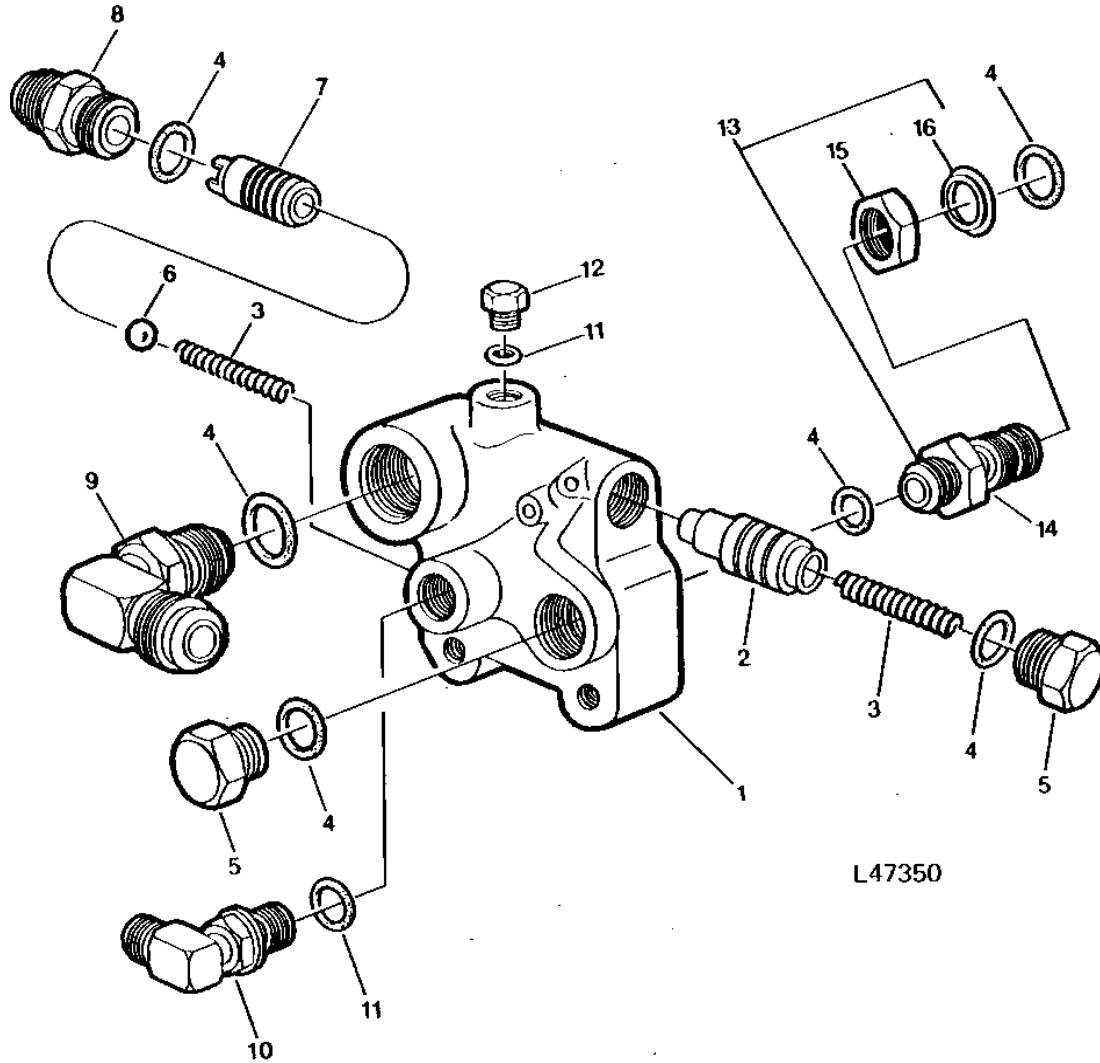
MEMORANDA

1118

HYDRAULICS

DUMP VALVE

L47350 -UN-01JAN94



L47350

KEY	PART NO.	PART NAME	QTY	TRACTOR SERIAL NO.	REMARKS
1	AT23708	HOUSING	1		
2	T24173	VALVE	1		
3	R31278	SPRING	2		
4	R26375	O-RING	5		
5	R39112	FITTING	2		
6	T23426	BALL	1		10MM (13/32") (SUB FOR T25793)
7	T25792	VALVE	1		
8	R27237	FITTING	1		
9	AT32332	ELBOW FITTING	1		90°, (SUB FOR AR26763)
10	AT32335	ELBOW FITTING	1		90°
11	R26287	O-RING	2		
12	R27216	DRAIN PLUG	1		(SUB FOR R31631)
13	AT23709	FITTING	1		
14	T25791	THREADED NIPPLE	1		
15	R27448	NUT	1		
16	R27449	WASHER	1		

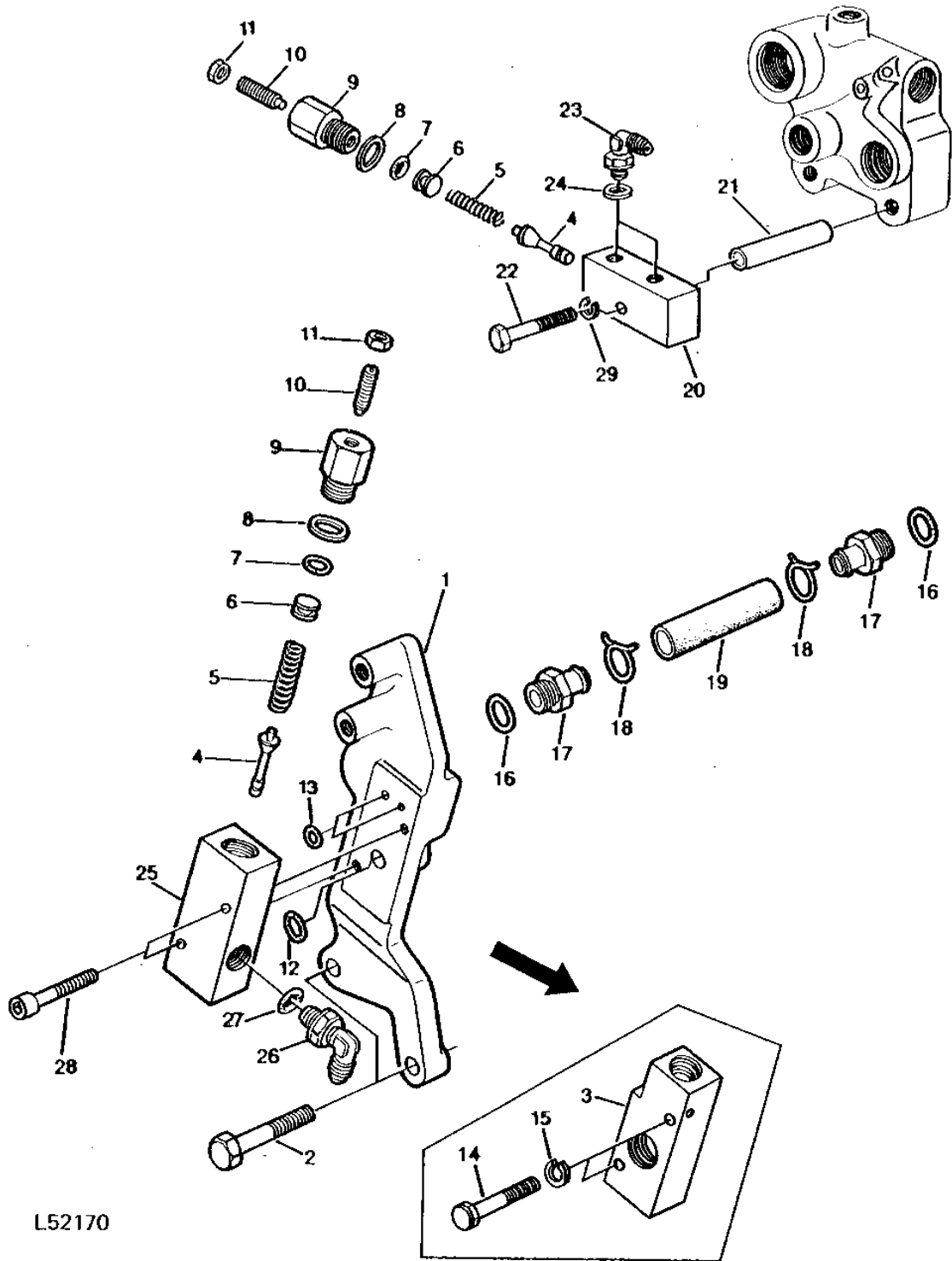
1119

HYDRAULICS

L52170

-UN-01JAN94

PRESSURE RELIEF VALVE AND BRACKET



L52170

1120

HYDRAULICS

PRESSURE RELIEF VALVE AND BRACKET - CONTINUED

KEY	PART NO.	PART NAME	QTY	TRACTOR SERIAL NO.	REMARKS
1	T25789	BRACKET	1		
2	19H3520	CAP SCREW	2		1/2" X 3-1/4"
3	T25785	HOUSING	1	-057741	
4	T26437	VALVE	1		(A)
5	T28676	SPRING	1		(A) (SUB FOR L17656)
6	L20093	WASHER	1		(A)
7	L53826	O-RING	1		(A)
8	51M4242	RING	1		(A)
9	L17650	CAP	1		(A)
10	22M6535	SET SCREW	1		(A) M8 X 30
11	14M1975	LOCK NUT	1		(A) M8
12	L53836	O-RING	1		
13	L53830	O-RING	2		
14	19H1901	CAP SCREW	2	-057741	5/16" X 2"
15	12H303	LOCK WASHER	2	-057741	5/16"
16	R26906	O-RING	2		
17	R39171	HOSE FITTING	2		
18	AR21837	CLAMP	2		(SUB FOR T439T)
19	T23753	HOSE	1		
20	R51251	HOUSING	1		(B)
21	28H1685	SPACER	1		(B) 0.493" X 0.675" X 1-11/16"
22	19H1854	CAP SCREW	1		(B) 3/8" X 3-3/4"
23	AT35121	ELBOW FITTING	2		(A) 90°, (SUB FOR AR26725)
24	R26448	O-RING	1		(A)
25	R48922	HOUSING	1	057742-	
26	AT32332	ELBOW FITTING	1	057742-	
27	R26375	O-RING	1	057742-	
28	19H3191	SCREW	2	057742-	5/16" X 1.620"
29	12H304	LOCK WASHER	1	057742-	(B) 3/8"

(A) 2 USED WITH POWER STEERING
 (B) POWER STEERING

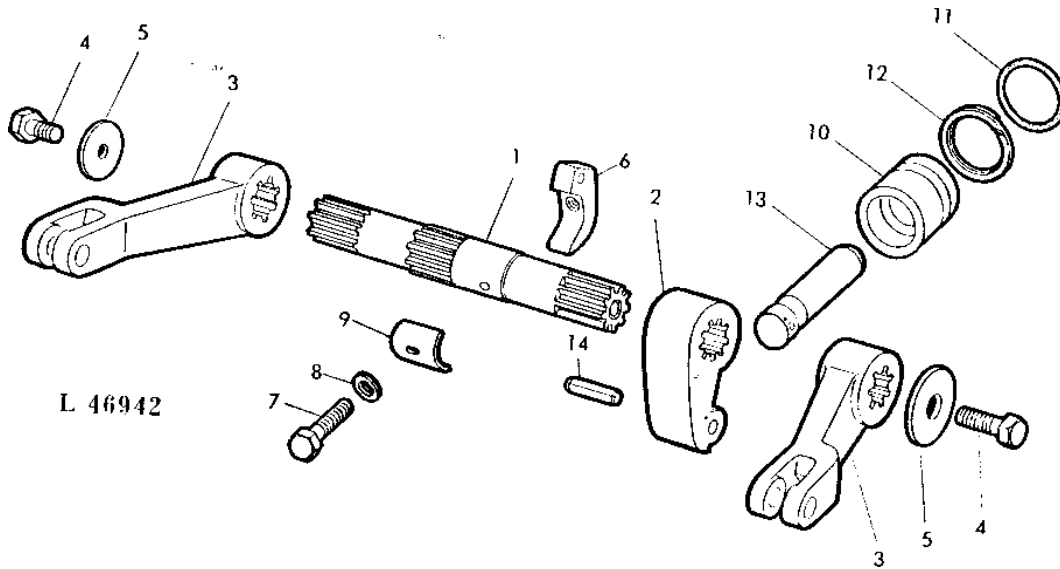
MEMORANDA

1121

HYDRAULICS

L46942 -UN-01JAN94

ROCKSHAFT, PISTON AND LIFT ARMS



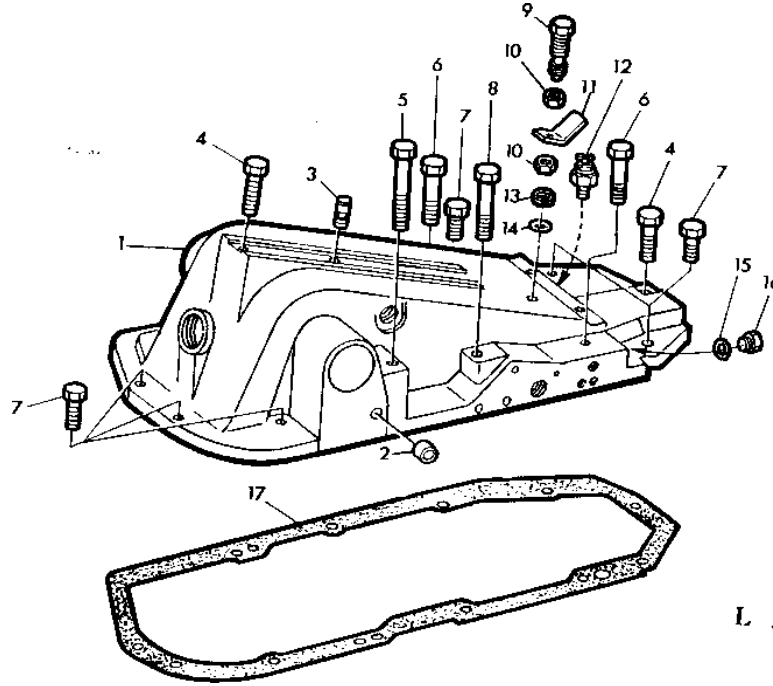
KEY	PART NO.	PART NAME	QTY	TRACTOR SERIAL NO.	REMARKS
1	T22318	ROCKSHAFT	1		(SUB FOR T26905) (ALSO ORDER (2) R26863)
2	T21474	LEVER	1		
3	T29931	LIFT ARM	2		(SUB FOR T21466)
4	19H1792	CAP SCREW	2		1/2" X 1"
5	T21956	WASHER	2		
6	T22319	CAM	1		
7	19H2151	CAP SCREW	1		1/4" X 3"
8	24H1287	WASHER	1		9/32" X 5/8" X 0.065"
9	T28362	SPACER	1		
10	R42298	PISTON	1		(SUB FOR R27648 OR R47345)
11	A4728R	O-RING	1		
12	R27649	BACK-UP RING	1		
13	F2570R	ROD	1		
14	34H320	SPRING PIN	1		1/4" X 2-1/4"

1122

HYDRAULICS

L58714 -UN-01JAN94

ROCKSHAFT HOUSING



L 58714

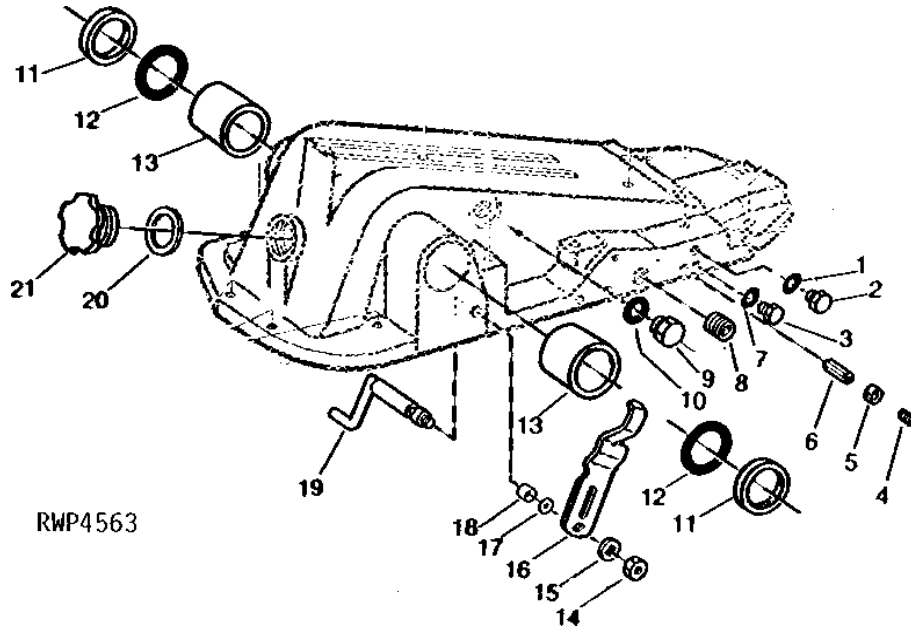
KEY	PART NO.	PART NAME	QTY	TRACTOR SERIAL NO.	REMARKS
1	AR83400	HOUSING	1		(INCLUDES T21630 AND T21631) (SUB FOR AT20881) (SUB AR104660)
2	T21631	BUSHING	1		
3	T21630	PIN	1		
4	19H1831	CAP SCREW	2	1/2" X 2"	
5	19H3550	CAP SCREW	1	1/2" X 4"	
6	19H1974	CAP SCREW	3	1/2" X 2-3/4"	
7	19H1721	CAP SCREW	6	1/2" X 1-1/2"	
8	19H3520	CAP SCREW	1	1/2" X 3-1/4"	
9	T27259	CAP SCREW	1		(SUB FOR T22471) (SUB L41301, L41302, L41303, R26448, 21M7336 AND 40M7088)
10	14H832	NUT	2	9/16"	
11	T27258	STRAP	1		
12	RE38390	SWITCH	1		NEUTRAL-START, (SUB FOR R36265, AR85323, AR89691 OR AT85153)
	T16911	SHIM	1		
13	T27260	WASHER	1		
14	R26448	O-RING	1		
15	R26287	O-RING	1		
16	R27216	DRAIN PLUG	1		
17	T21641	GASKET	1		

1123

HYDRAULICS

RWP4563 -UN-01JAN94

ROCKSHAFT HOUSING PARTS



RWP4563

KEY	PART NO.	PART NAME	QTY	TRACTOR SERIAL NO.	REMARKS
1	R26375	O-RING	1		
2	R39112	FITTING	1		
3	R27216	DRAIN PLUG	2		(SUB FOR R31631)
4	R721R	SPRING	1		
5	T26939	WASHER	1		
6	T26938	VALVE	1		
7	R26287	O-RING	2		
8	15H562	PIPE PLUG	1	1"	
9	R27474	DRAIN PLUG	1		
10	R26906	O-RING	1		
11	T21615	CAP	2		
12	T26904	O-RING	2		
13	T22474	BUSHING	2		
14	14H732	NUT	1	3/8"	
15	T22876	WASHER	1		
16	L29848	LEVER	1		
17	F3353R	O-RING	1		
18	T21631	BUSHING	1		
19	AT19839	LEVER	1		(SUB AL28674)
20	T21564	WASHER	1		
21	AL38083	FILLER CAP	1		

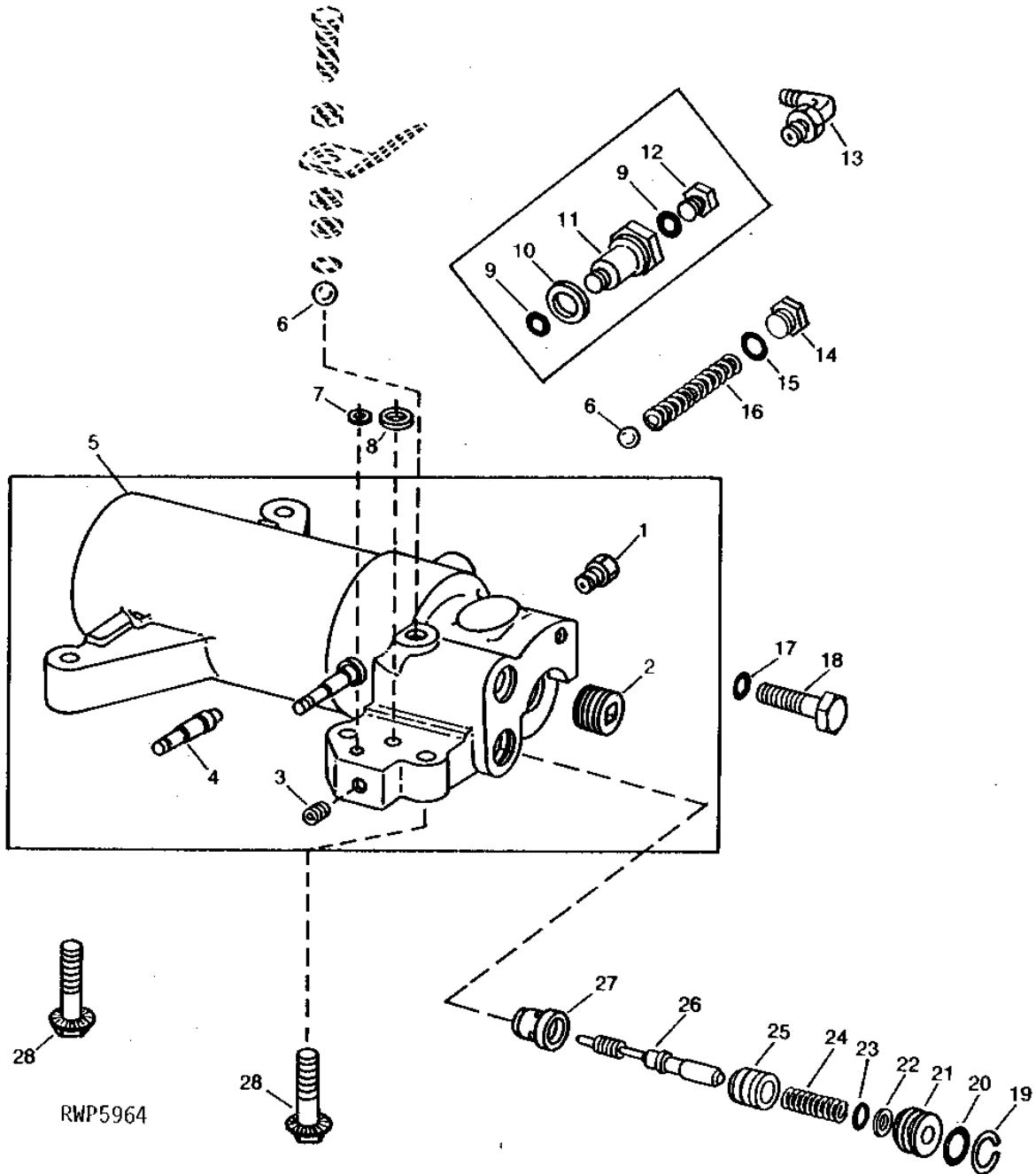
1124

HYDRAULICS

RWP5964

-UN-01JAN94

ROCKSHAFT CYLINDER AND VALVE HOUSING



1125

HYDRAULICS

ROCKSHAFT CYLINDER AND VALVE HOUSING - CONTINUED

KEY	PART NO.	PART NAME	QTY	TRACTOR SERIAL NO.	REMARKS
1	AT21781	VALVE	1		
2	15H562	PIPE PLUG	1		1"
3	15H559	PIPE PLUG	1		1/4"
4	T22469	PIN	1		
5	AT24396	HOUSING	1	-111256	(SUB AL40887, F1791R, L41383, L41384, (2) L41536, L41726 AND L62507)
	AR67095	HOUSING	1	111257-XXXXXX	(MARKED R56501) (SUB AL40887, F1791R, L41383, L41384, L41536, L41726 AND L62507) (ALSO ORDER R27218 AND R26448)
	AL40887	HOUSING	1	XXXXXX-	(MARKED L41724)
6	D2361R	BALL	1		
7	A4847R	WASHER	1		
8	F2741R	PACKING	1		
9	R26448	O-RING	2		13MM (1/2") (USE WITH AR67095)
	L41536	O-RING	1	XXXXXX-	(USE WITH AL40887)
10	F1791R	WASHER	1		(USE WITH AR67095 OR AL40887)
11	T21638	ADAPTER	1	-XXXXXX	(USE WITH AR67095)
	L41538	FITTING	1	XXXXXX-	(USE WITH AL40887)
12	R27218	FITTING PLUG	1	-XXXXXX	9/16", (USE WITH AR67095)
	L41726	PIPE PLUG	1	XXXXXX-	M16, (USE WITH AL40887)
13	ELBOW FITTING	1	XXXXXX-	(NOT USED THIS APPLICATION)
14	T22867	DRAIN PLUG	1	-XXXXXX	(USE WITH AR67095)
	L41384	PIPE PLUG	1	XXXXXX-	M18, (USE WITH AL40887)
15	R26375	O-RING	1	-XXXXXX	(USE WITH AR67095)
	L41383	RING	1	XXXXXX-	(USE WITH AL40887)
16	F2962R	SPRING ASSEMBLY	2	-111256	(SUB FOR R26974)
	F3322R	SPRING	1	111257-	
17	R26286	O-RING	1		
18	19H1765	CAP SCREW	1		3/8" X 1-3/4"
19	M3265T	SNAP RING	1		
20	L55204	O-RING	2		(SUB FOR R65548)
21	T24485	PLUG	2		
22	R31136	BACK-UP RING	2		
23	R10093	O-RING	2		
24	R49648	SPRING	2		
25	T24540	SLEEVE	2		(SUB FOR T19526)
26	R54969	VALVE SPOOL	2	-043176	(SUB R54969 AND T28538)
	T28537	VALVE	2	043177-	(SUB R54969)
27	T24483	VALVE SEAT INSERT	2	-043176	(SUB R54969 AND T28538)
	T28538	VALVE SEAT INSERT	2	043177-	
28	R48593	CAP SCREW	4		

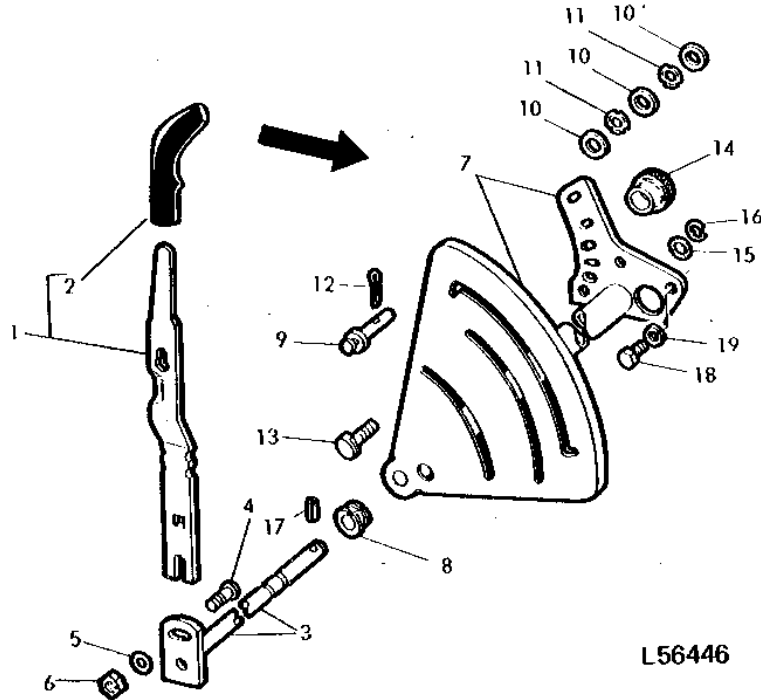
MEMORANDA

1J1

HYDRAULICS

L56446 -UN-01JAN94

ROCKSHAFT CONTROL LEVER AND QUADRANT



L56446

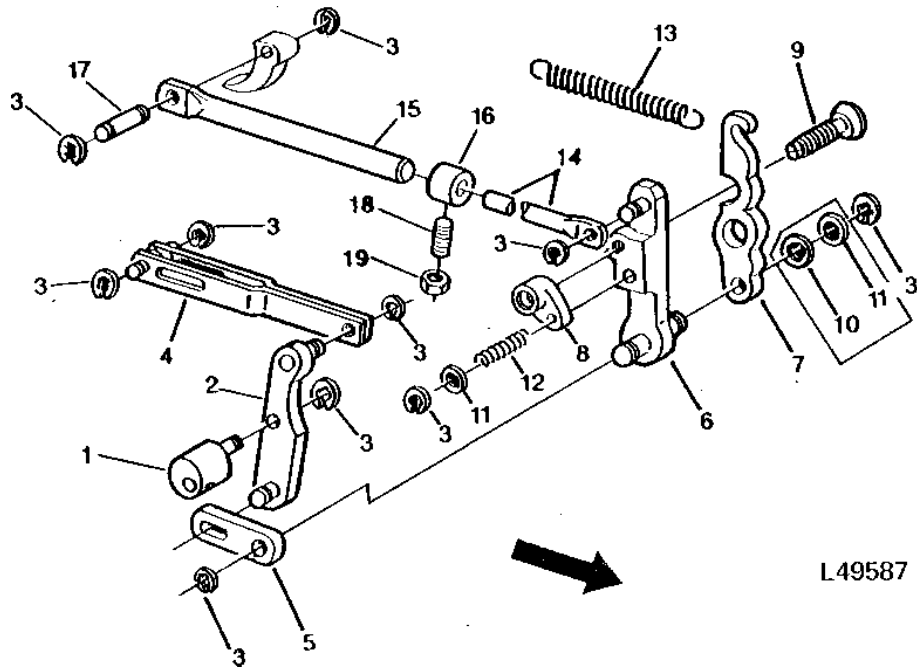
KEY	PART NO.	PART NAME	QTY	TRACTOR SERIAL NO.	REMARKS
1	AL24015	LEVER	1		(SUB FOR AT24724)
2	T24487	GRIP	1	-XXXXXX	
	R54273	GRIP	1	XXXXXX-	
3	AT19838	SHAFT	1		
4	03H1765	BOLT	1		3/8" X 3/4"
5	24H1305	WASHER	1		13/32" X 13/16" X 0.065"
6	14H1076	NUT	1		3/8"
7	AL33044	QUADRANT	1		(SUB FOR AT24725)
8	T26626	GROMMET	1		
9	T26625	PIN	1		
10	24M7207	WASHER	3		8.400 X 24 X 2 MM
11	T22877	LOCK WASHER	2		
12	11M7081	COTTER PIN	1		0.098" X 0.787"
13	T22865	SCREW	1		
14	T22470	KNOB	1		
15	R10093	O-RING	1		
16	R30437	SNAP RING	1		
17	34H268	SPRING PIN	1		5/32" X 1-1/4"
18	19H2284	CAP SCREW	3		3/8" X 7/8"
19	12H304	LOCK WASHER	3		3/8"

1J2

HYDRAULICS

L49587 -UN-01JAN94

ROCKSHAFT CYLINDER AND VALVE HOUSING LINKAGE



L49587

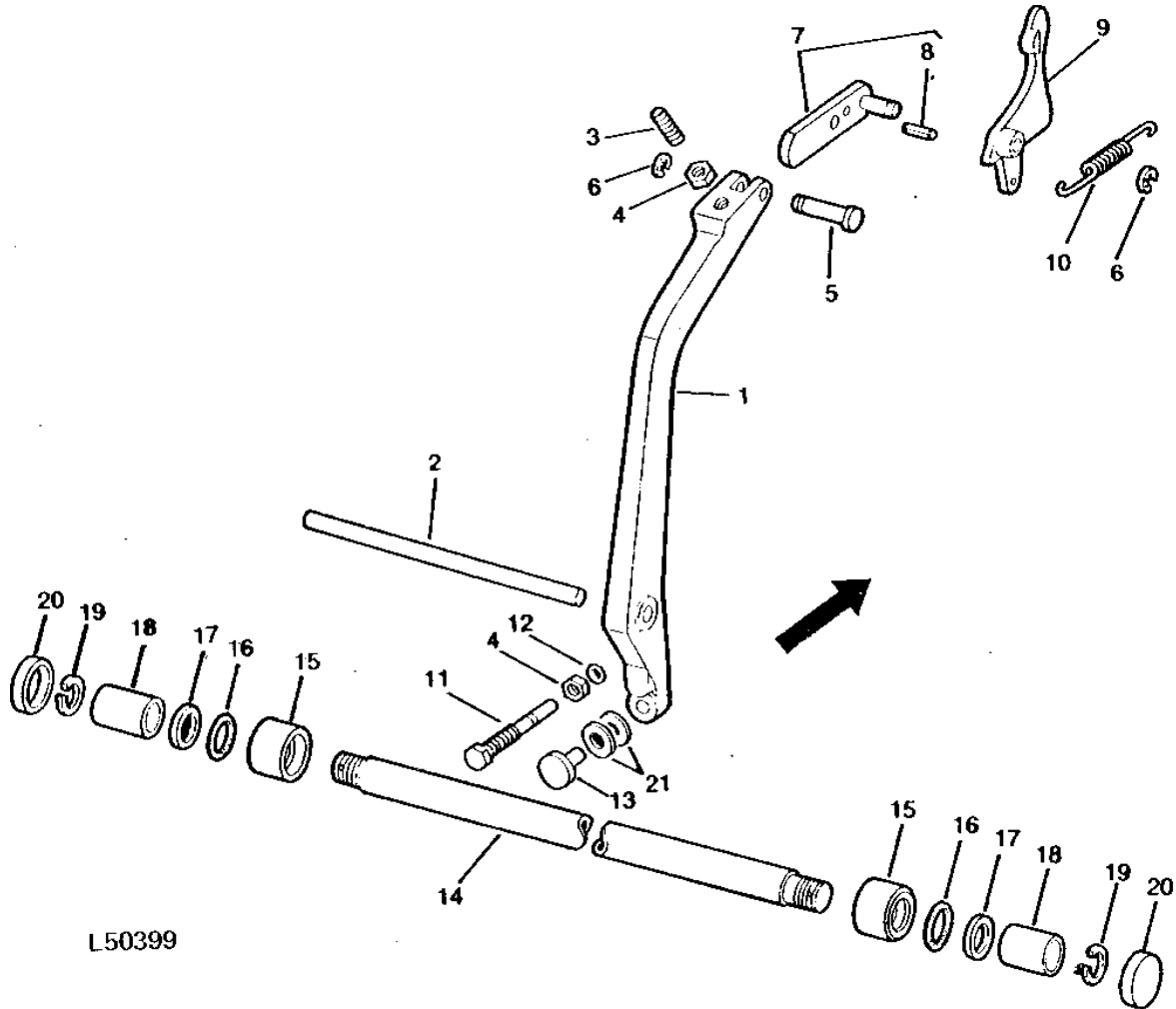
KEY	PART NO.	PART NAME	QTY	TRACTOR SERIAL NO.	REMARKS
1	AT19840	FULCRUM	1		
2	AT20085	LINK	1		
3	R72653	SNAP RING	10		(SUB FOR M2396T)
4	AT20141	LEVER	1		
5	T22232	STRAP	1		
6	AR52278	LEVER	1		(SUB FOR AT21416)
7	T22224	CAM	1		
8	T22229	NUT	1		
9	T22228	SCREW	1		
10	T22233	WASHER	1	-XXXXXX	
11	24H1290	WASHER	1		21/64" X 3/4" X 0.035"
12	F1942R	SPRING	1		
13	T22473	SPRING	1		
14	T24171	PIN	1		
15	R73443	TUBE	1		(SUB FOR T24169)
16	L29873	BUSHING	1		(SUB FOR T24170)
17	T24181	PIN	1		
18	22H812	SET SCREW	1		5/16" X 3/4"
19	14H785	NUT	1		5/16"

1J3

HYDRAULICS

L50399 -UN-01JAN94

LOAD CONTROL



L50399

KEY	PART NO.	PART NAME	QTY	TRACTOR SERIAL NO.	REMARKS
1	L39881	LEVER	1		
2	T21681	DOWEL PIN	1		
3	T29311	SET SCREW	1		
4	14H856	NUT	2	1/2"	
5	T24690	PIN	1		
6	R72653	SNAP RING	2		(SUB FOR M2396T)
7	AT30631	EXTENSION	1		(SUB FOR AT19848) (SUB AL61479)
8	34H279	SPRING PIN	1		3/16" X 13/16"
9	T28551	CAM FOLLOWER	1		(SUB FOR T22317)
10	T21955	EXTENSION SPRING	1		
11	T23216	CAP SCREW	1		
	19H2643	CAP SCREW	1	1/2" X 7/8", (LESS ROCKSHAFT)	
12	A4365R	O-RING	1		
13	T21680	PIN	1		
14	T23759	SHAFT	1		
15	T23758	BUSHING	2		
16	R27149	O-RING	2		
17	T25795	WASHER	2		
18	T25794	BUSHING	2		
19	F3366R	SNAP RING	2		
20	T22653	CAP	2		(LESS ROCKSHAFT)
21	24H1302	WASHER	2		13/32" X 11/16" X 0.035"

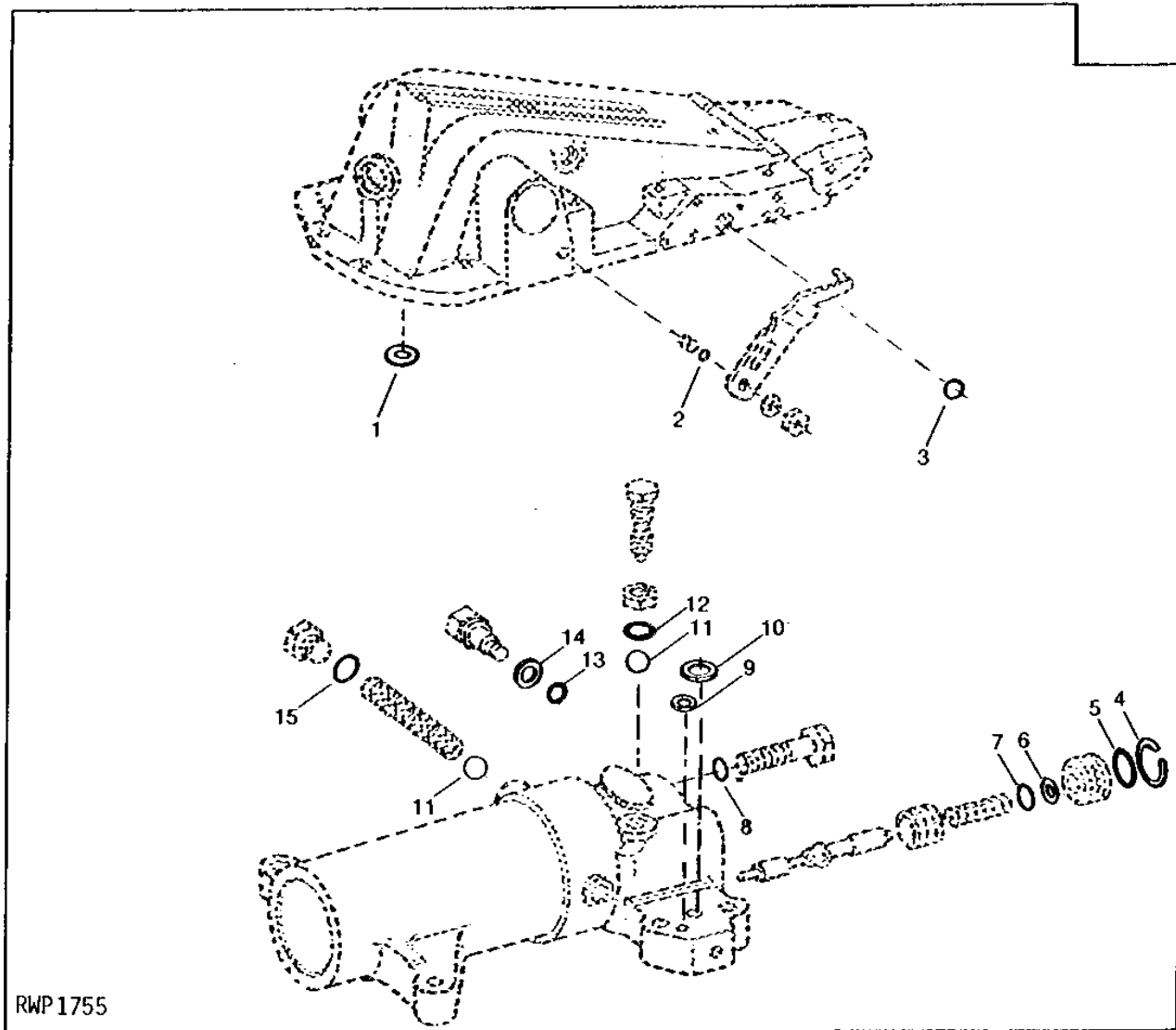
1J4

HYDRAULICS

RWP1755

-UN-01JAN94

ROCKSHAFT REBUILD SEAL KIT



RWP 1755

1J5

HYDRAULICS

ROCKSHAFT REBUILD SEAL KIT - CONTINUED

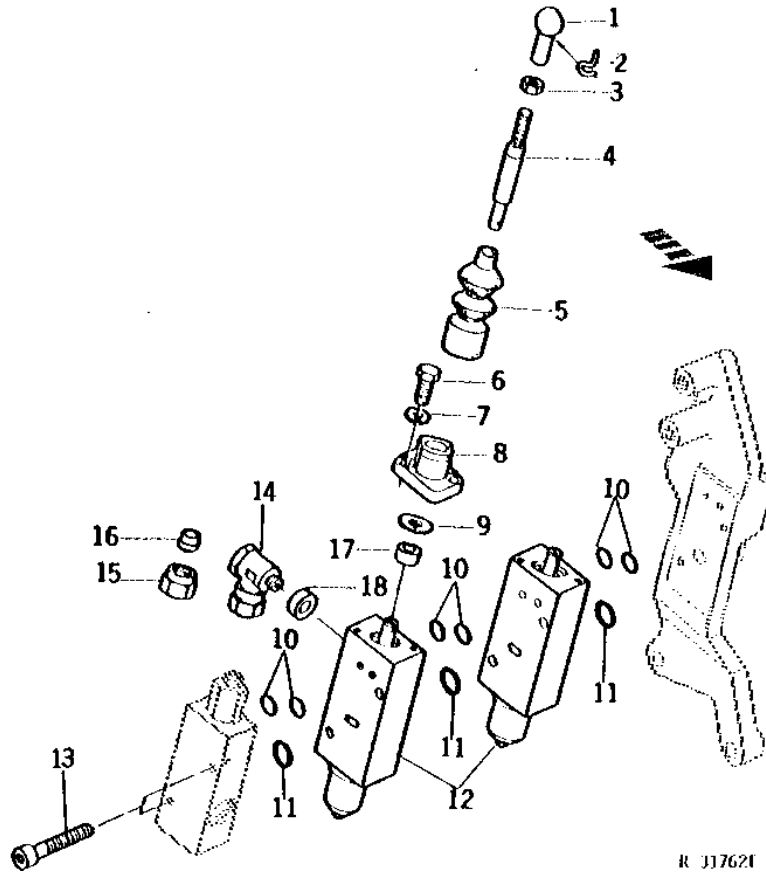
KEY	PART NO.	PART NAME	QTY	TRACTOR SERIAL NO.	REMARKS
1	T17882	WASHER	1		
2	F3353R	O-RING	1		
3	R10093	O-RING	1		
4	M3265T	SNAP RING	2		
5	L55204	O-RING	2		(SUB FOR T13119 OR R65548)
6	R31136	BACK-UP RING	2		
7	R10093	O-RING	2		
8	R26286	O-RING	1		
9	A4847R	WASHER	1		
10	F2741R	PACKING	1		
11	D2361R	BALL	2		
12	R26448	O-RING	1		
	T27260	WASHER	1		
13	R26448	O-RING	1		
14	F1791R	WASHER	1		
15	R26375	O-RING	1		
16	AR92385	KIT	1		

1J6

HYDRAULICS

R31762 -UN-01JAN94

SELECTIVE CONTROL VALVES



R 117621

KEY	PART NO.	PART NAME	QTY	TRACTOR SERIAL NO.	REMARKS
1	56M4437	BALL JOINT SOCKET	AR	(A) M13	
2	56M7004	BALL JOINT SOCKET	1	M13	
3	14M7273	NUT	AR	(A) M8	
4	AT23719	ROD	AR	(A)	
5	L17657	BOOT	AR	(A)	
6	19M7375	CAP SCREW	AR	M6 X 18, (2 USED SINGLE) (4 USED DUAL)	
7	12M7006	LOCK WASHER	AR	6.100 MM M6, (2 USED SINGLE) (4 USED DUAL)	
8	L17659	COVER	AR	(A)	
9	L17658	WASHER	AR	(A)	
10	L53830	O-RING	AR	(4 USED SINGLE) (6 USED DUAL)	
11	L53836	O-RING	AR		
12	AL26986	CONTROL VALVE	AR	(A) (SUB FOR AL14160)	
13	19H1921	CAP SCREW	2	-057741	5/16" X 3-1/4", (SINGLE)
	19H2342	CAP SCREW	2	-057741	5/16" X 4-1/2", (DUAL)
	12H303	LOCK WASHER	2	-057741	5/16"
19H3152	19H3152	SCREW	2	057742-	5/16" X 2-3/4", (SINGLE)
	19H3246	SCREW	1	057742-	5/16" X 4", (DUAL)
14	AL14157	UNION FITTING	AR	(A) (INCLUDES 15M6139 AND 15M6130)	
15	15M6139	FITTING	1	M12	
16	15M6130	SLEEVE FITTING	AR	(A) M12	
17	L20102	SEAL	AR	(A)	
18	51M4238	RING	AR	(A)	

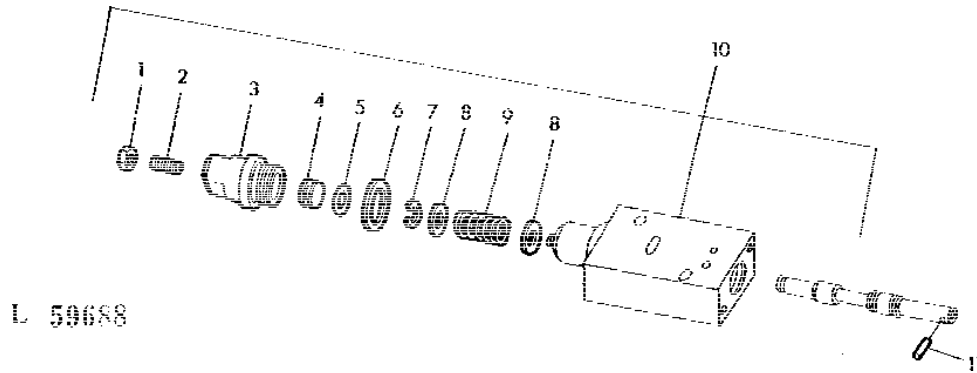
(A) (1 USED SINGLE) (2 USED DUAL)

1J7

HYDRAULICS

L59688 -UN-01JAN94

SELECTIVE CONTROL VALVE



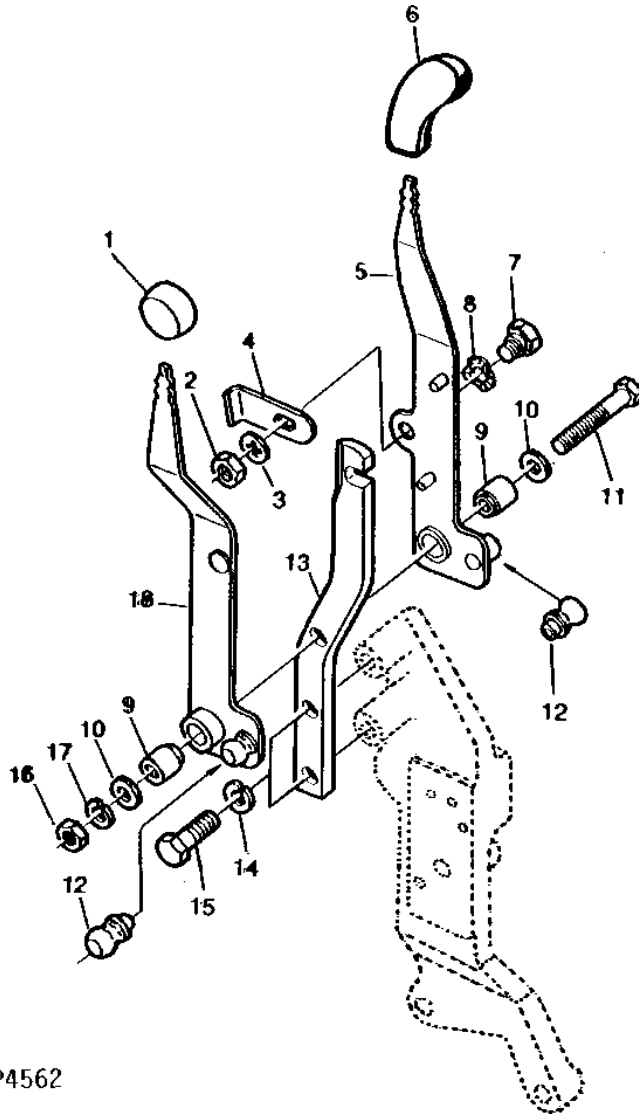
KEY	PART NO.	PART NAME	QTY	TRACTOR SERIAL NO.	REMARKS
1	14M1775	NUT	1	M6	
2	L39810	SET SCREW	1		
3	L20094	COVER	1		
4	L20093	WASHER	1		
5	L53826	O-RING	1		
6	51M4245	RING	1		
7	L18893	SNAP RING	1		
8	L20095	WASHER	2		
9	L17056	SPRING	1		
10	AL14160	CONTROL	AR		(1 USED SINGLE) (2 USED DUAL) (SUB AL26986)
	AL26986	CONTROL VALVE	1		(INCLUDES L17056, L18893, (2) L20095, L31754, L39810 AND 51M4245)
11	R53218	NEEDLE ROLLER	1		

1J8

HYDRAULICS

RWP4562 -UN-01JAN94

SELECTIVE CONTROL LEVERS (FOR SINGLE OR DUAL SELECTIVE CONTROL VALVES)



RWP4562

1J9

HYDRAULICS

**SELECTIVE CONTROL LEVERS - CONTINUED
(FOR SINGLE OR DUAL SELECTIVE CONTROL VALVES)**

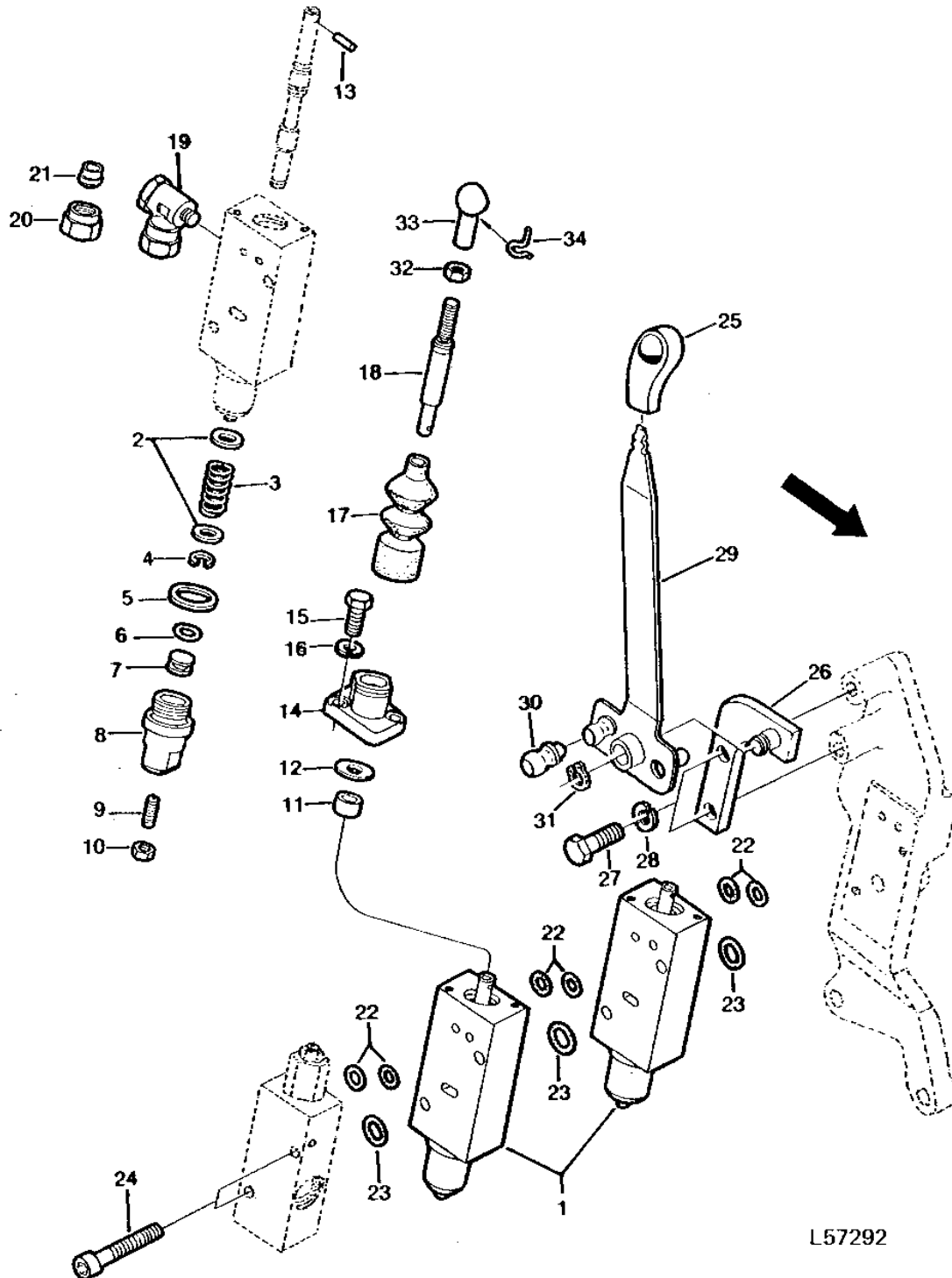
KEY	PART NO.	PART NAME	QTY	TRACTOR SERIAL NO.	REMARKS
1	T22883	GRIP	1		(SUB FOR R27829)
2	14H611	NUT	1		5/16"
3	12M7032	LOCK WASHER	1		0.331"
4	T25802	LEVER	1		
5	AR66937	LEVER	1		5/16", (INCLUDES 55M6194) (SUB FOR AT23720)
6	R54274	GRIP	1		(SUB R62147)
7	T25803	CAP SCREW	1		
8	T25804	LOCK WASHER	1		
9	L17652	BUSHING	2		
10	24M7055	WASHER	2		8.400 X 16 X 1.600 MM
11	19M7184	CAP SCREW	1		M8 X 55
12	55M6194	BALL STUD	2		M13 X 5
13	T23755	SUPPORT	1		
14	12H304	LOCK WASHER	2		3/8"
15	19H1731	CAP SCREW	2		3/8" X 1"
16	14M7273	NUT	AR		M8, (2 USED SINGLE) (3 USED DUAL)
17	12H304	LOCK WASHER	1		3/8"
18	AR66938	LEVER	1		(INCLUDES 55M6194) (SUB FOR AT23721)

1J10

HYDRAULICS

SELECTIVE CONTROL VALVES AND CONTROL LEVER (DOUBLE ACTING)

L57292 -UN-01JAN94



L57292

1J11

HYDRAULICS

**SELECTIVE CONTROL VALVES AND CONTROL LEVER - CONTINUED
(DOUBLE ACTING)**

KEY	PART NO.	PART NAME	QTY	TRACTOR SERIAL NO.	REMARKS
1	AL26986	CONTROL VALVE	2		(SUB FOR AL14160) (INCLUDES (2) L20095, L17056, L31754, L18893, L39810 AND 51M4245)
2	L20095	WASHER	4		
3	L17056	SPRING	2		
4	L18893	SNAP RING	2		
5	51M4245	RING	2		24.30 X 29.90 X 2MM
6	L53826	O-RING	2		
7	L20093	WASHER	2		
8	L20094	COVER	2		
9	L39810	SET SCREW	2		
10	14M1775	NUT	2	M6	
11	L20102	SEAL	2		
12	L17658	WASHER	2		
13	R53218	NEEDLE ROLLER	2		
14	L17659	COVER	2		
15	19M7375	CAP SCREW	4	M6 X 18	
16	12M7006	LOCK WASHER	4	6.100 MM M6	
17	L17657	BOOT	2		
18	AT23719	ROD	2		
19	AL14157	UNION FITTING	2		(INCLUDES 15M6139 AND 15M6130)
20	15M6139	FITTING	2		
21	15M6130	SLEEVE FITTING	2		
22	L53830	O-RING	6		
23	L53836	O-RING	AR		
24	19H3246	SCREW	2	5/16" X 4"	
25	T22883	GRIP	1		
26	AR51872	BRACKET	1		
27	19H2021	CAP SCREW	2	3/8" X 5/8"	
28	12H304	LOCK WASHER	2	3/8"	
29	AR51873	LEVER	1		(INCLUDES 55M6194) (SUB AR66939)
	AR66939	LEVER	1		
30	55M6194	BALL STUD	2		
31	40M1821	SNAP RING	1		
32	14M7273	NUT	2	M8	
33	56M4437	BALL JOINT SOCKET	2		
34	56M7004	BALL JOINT SOCKET	1		

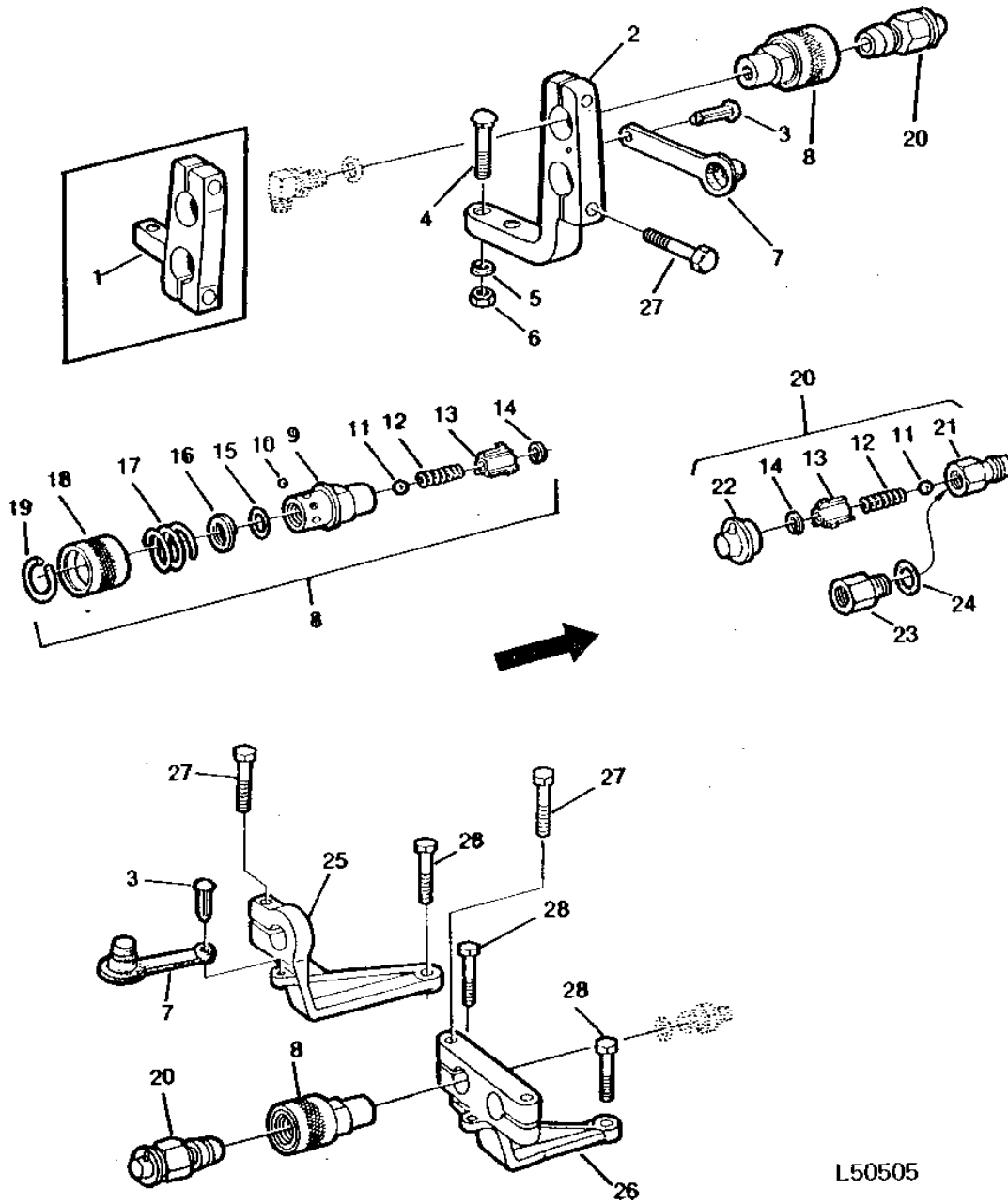
1J12

HYDRAULICS

L50505

-UN-01JAN94

QUICK-CONNECT COUPLERS AND BRACKETS



L50505

1J13

HYDRAULICS

QUICK-CONNECT COUPLERS AND BRACKETS - CONTINUED

KEY	PART NO.	PART NAME	QTY	TRACTOR SERIAL NO.	REMARKS
1	T23078	BRACKET	1	-XXXXXX	
2	T29915	CLAMP	1	XXXXXX-	(SUB FOR L25494)
3	T22244	STUD	AR		
4	03H1495	BOLT	2		3/8" X 1-1/2"
5	12H304	LOCK WASHER	2		3/8"
6	14H1076	NUT	2		3/8"
7	R32419	COVER	AR		
8	AR47331	SOCKET OUTLET	AR		(SUB RE15361)
9	R32353	SOCKET OUTLET	1		
10	400R	BALL	6		6MM (1/4")
11	D2361R	BALL	1		13MM (1/2")
12	R28084	SPRING	1		
13	R28085	GUIDE	1		(SUB RE15361 OR AR93819, THIS APPLICATION)
14	R59633	WEAR RING	1		(SUB FOR R28204)
15	R495R	O-RING	1		
16	R26485	BACK-UP RING	1		
17	R32354	SPRING	1		(SUB RE15361)
18	R32355	SLEEVE	1		
19	R32356	SNAP RING	1		
20	AR30210	INTERNAL HALF COUPLER	AR		(SUB AR93819)
21	R27430	HYD. QUICK-CONNECT COUPLER	1		(SUB AR93819)
22	R28006	CAP	1		
23	T25807	INTERNAL HALF COUPLER	AR		
24	R26375	O-RING	1		
25	T26440	BRACKET	1		
26	T22243	CLAMP	1		
27	19H1765	CAP SCREW	AR		3/8" X 1-3/4"
28	19H1831	CAP SCREW	2		1/2" X 2"

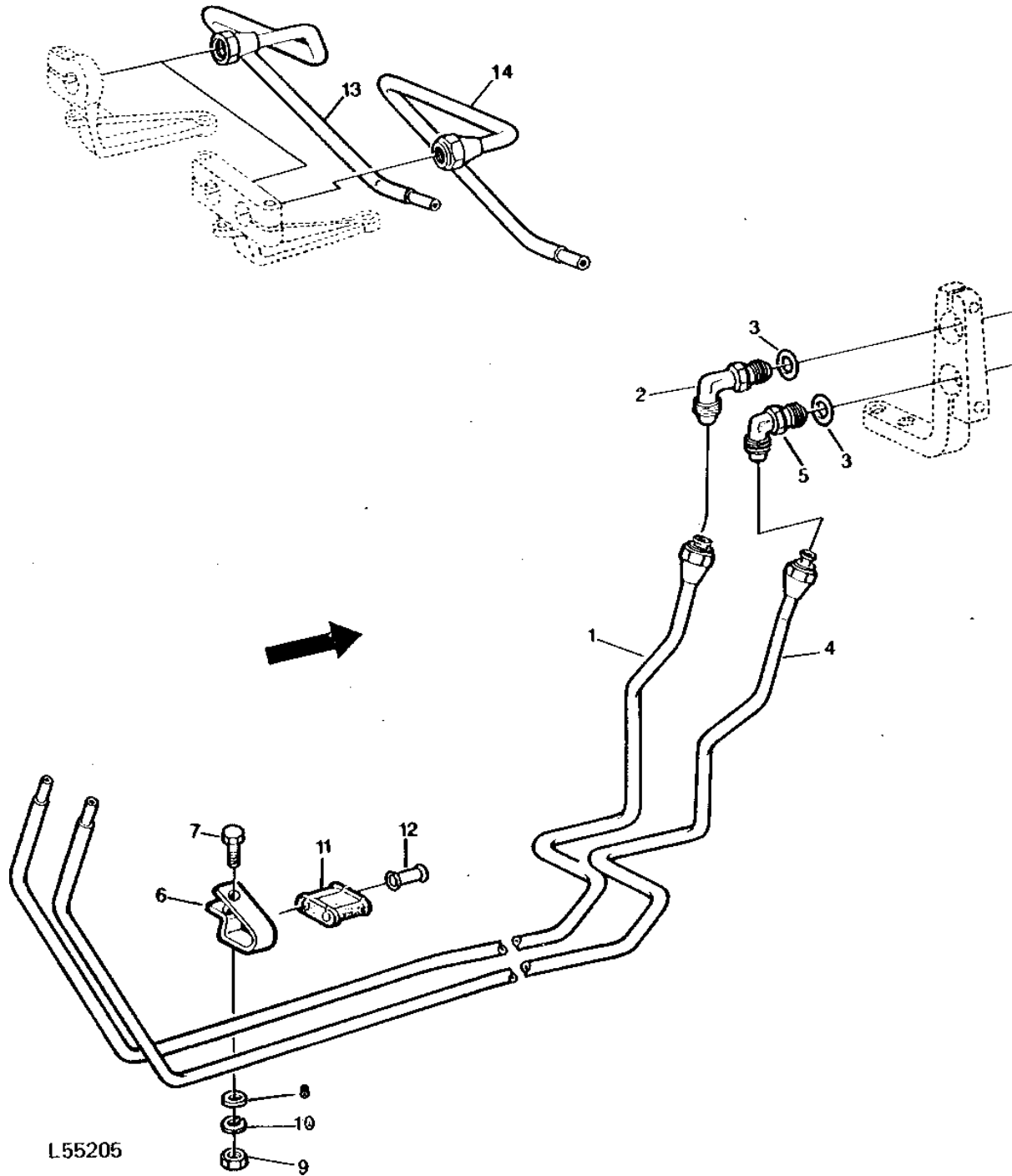
1J14

HYDRAULICS

L55205

-UN-01JAN94

OIL LINES FOR QUICK-COUPERS



L55205

1J15

HYDRAULICS

OIL LINES FOR QUICK-COUPERS - CONTINUED

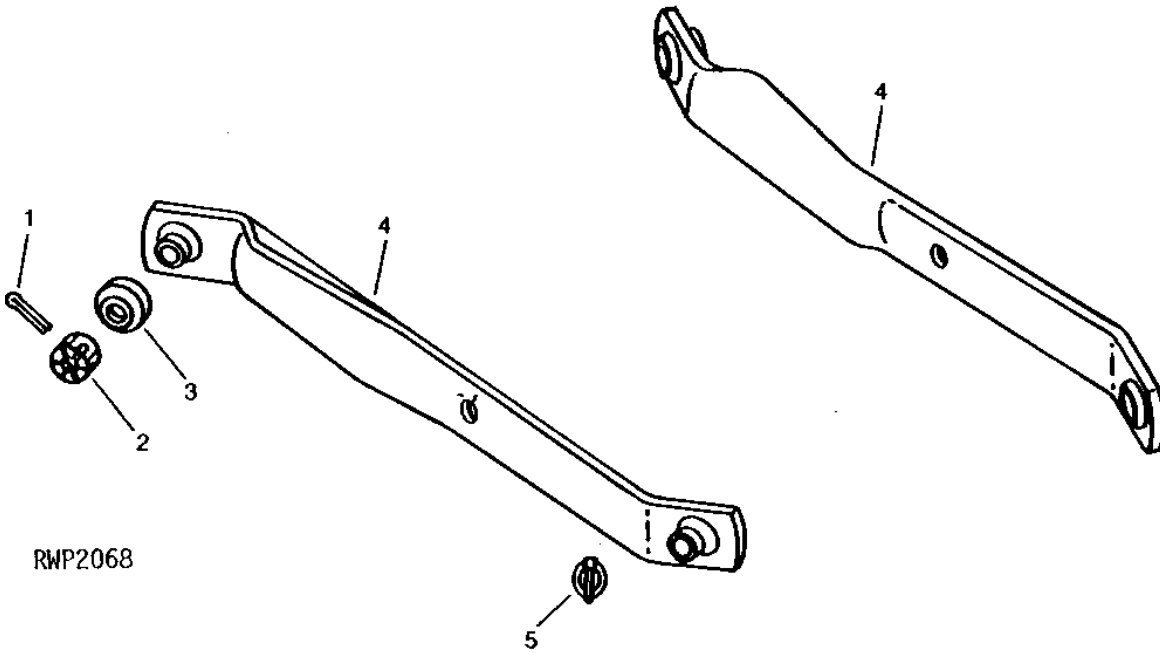
KEY	PART NO.	PART NAME	QTY	TRACTOR SERIAL NO.	REMARKS
1	AT28251	LINE	1		(SUB FOR AL18553 OR AT24245)
2	AR27699	ELBOW FITTING	1		90°
3	R26375	O-RING	2		
4	AT28251	LINE	1	-XXXXXX	(SUB FOR AT24244)
	AT28247	LINE	1	XXXXXX-	(SUB FOR AL18549)
5	AT32332	ELBOW FITTING	1		90°, (SUB FOR AR26763)
6	R28733	CLAMP	1		
7	03H1519	BOLT	1		3/8" X 1"
8	A4624R	WASHER	1		
9	14H1076	NUT	1		3/8"
10	12H304	LOCK WASHER	1		3/8"
11	R35163	GROMMET	1		
12	T23162	SPACER	1		
13	AL28484	OIL LINE	1		INNER, (SUB FOR AT23734)
14	AL28485	OIL LINE	1		OUTER, (SUB FOR AT23738)

1J16

HYDRAULICS

RWP2068 -UN-01JAN94

3-POINT HITCH AND DRAFT LINKS



RWP2068

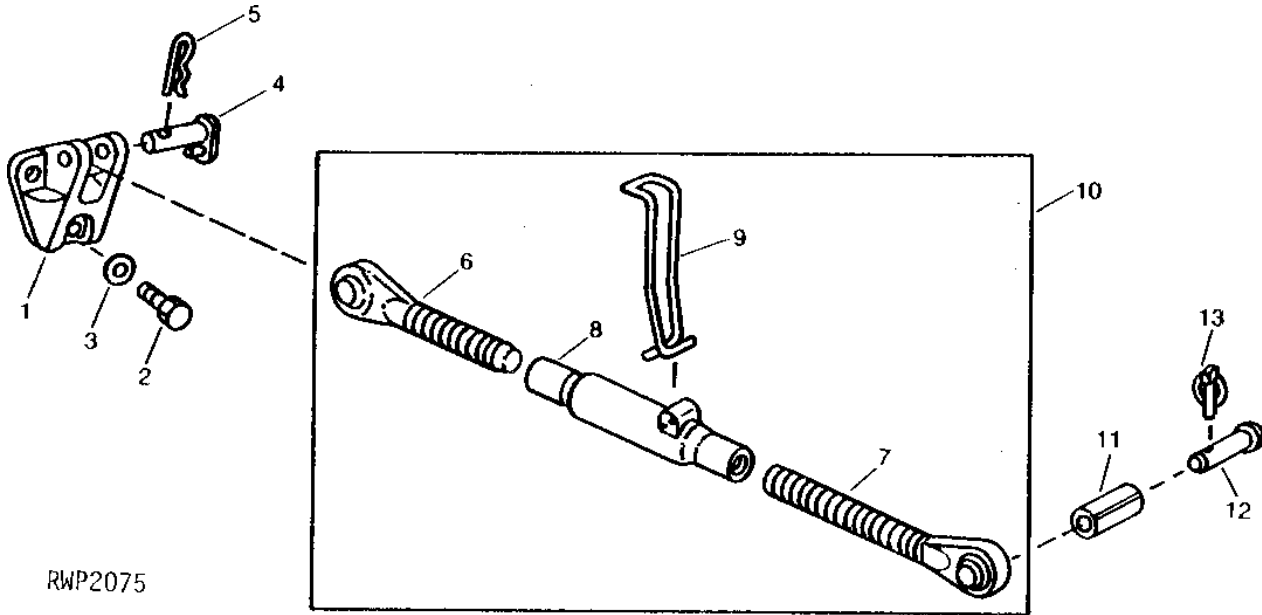
KEY	PART NO.	PART NAME	QTY	TRACTOR SERIAL NO.	REMARKS
1	11M7030	COTTER PIN	2		
2	14H918	NUT	2		0.197" X 1.575"
3	T25828	BUSHING	2		5/8"
	R66197	THRUST WASHER	2		
4	AT56648	DRAFT LINK	2		(SUB FOR AT19857)
5	AR62149	QUICK LOCK PIN	2		REAR, (SUB FOR DA5883A)

1J17

HYDRAULICS

RWP2075 -UN-01JAN94

3-POINT HITCH CENTER LINK



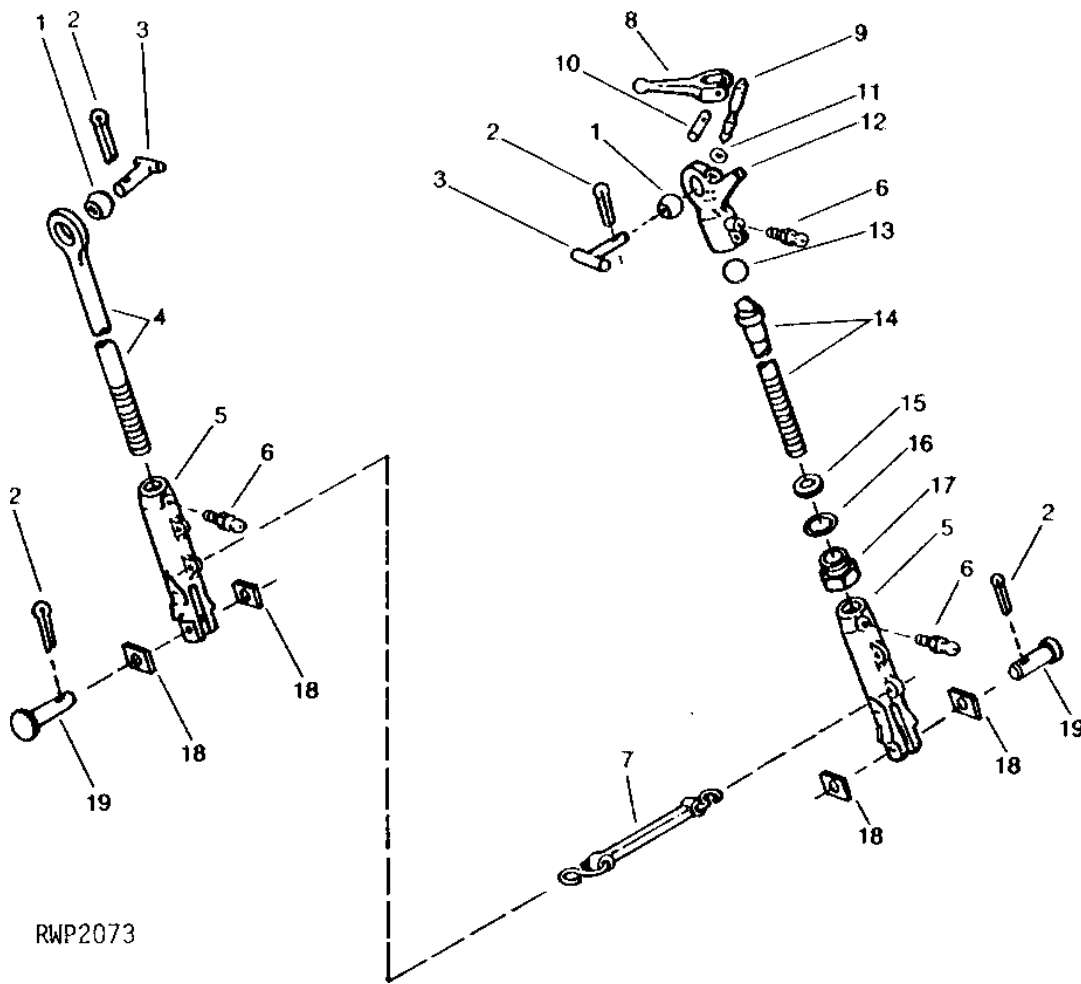
KEY	PART NO.	PART NAME	QTY	TRACTOR SERIAL NO.	REMARKS
1	T21685	BRACKET	1		
2	19H1708	CAP SCREW	3		5/8" X 1-3/4", (SUB FOR T22648 AND 14H1039)
3	12H294	LOCK WASHER	3		5/8"
4	AT21912	PIN	1		
5	A3581R	SPRING LOCKING PIN	1		(SUB FOR L18955)
6	AT23759	END	1		(SUB AL39172)
7	AL18136	END	1	-096277	(SUB AL39171)
	AL24058	ADJUSTER	1	096278-	
8	AL18135	LINK BODY	1		
9	T27136	HANDLE	1		
10	AT23758	LINK	1		(SUB AL39170)
11	L11292	BUSHING	1	-096277	
12	R58262	PIN	1		(SUB FOR R44917 OR R28061)
13	AR62151	QUICK LOCK PIN	1		(SUB FOR B11182) (SUB M115827)

1J18

HYDRAULICS

RWP2073 -UN-01JAN94

3-POINT HITCH
(RIGHT AND LEFT LIFT LINKS)



RWP2073

1J19

HYDRAULICS

**3-POINT HITCH - CONTINUED
(RIGHT AND LEFT LIFT LINKS)**

KEY	PART NO.	PART NAME	QTY	TRACTOR SERIAL NO.	REMARKS
1	T21901	BALL	2		
2	11M7030	COTTER PIN	4		0.197" X 1.575"
	14H821	NUT	4	-028325	5/8"
3	AT21754	PIN	2		
4	T25836	END	1		547MM (21-1/2")
5	R48595	LINK BODY	2		(SUB FOR T21497)
6	JD7798	LUBRICATION FITTING	3		
7	AR68071	STRAP	1		(SUB FOR M2734T, T32064 OR AR64845)
8	T21559	HANDLE	1		
9	T21558	SHAFT	1		
10	34H314	SPRING PIN	1		1/4" X 1-1/4"
11	P46051	O-RING	1		
12	L28374	HOUSING	1		(SUB FOR L28374 OR T21462)
13	T22399	BALL	1		
14	T25835	SHAFT	1		445MM (17-1/2")
15	T32488	WASHER	1		(SUB FOR JD8856) (ALSO ORDER (2) JD9812)
16	T21903	WASHER	1		
17	T21758	ADAPTER	1		
18	T21759	STRAP	4	-028325	
19	T22714	PIN	2	028326-	(SUB FOR T30956 OR AR55695)
	19H2072	CAP SCREW	2	-028325	5/8" X 3-1/4"

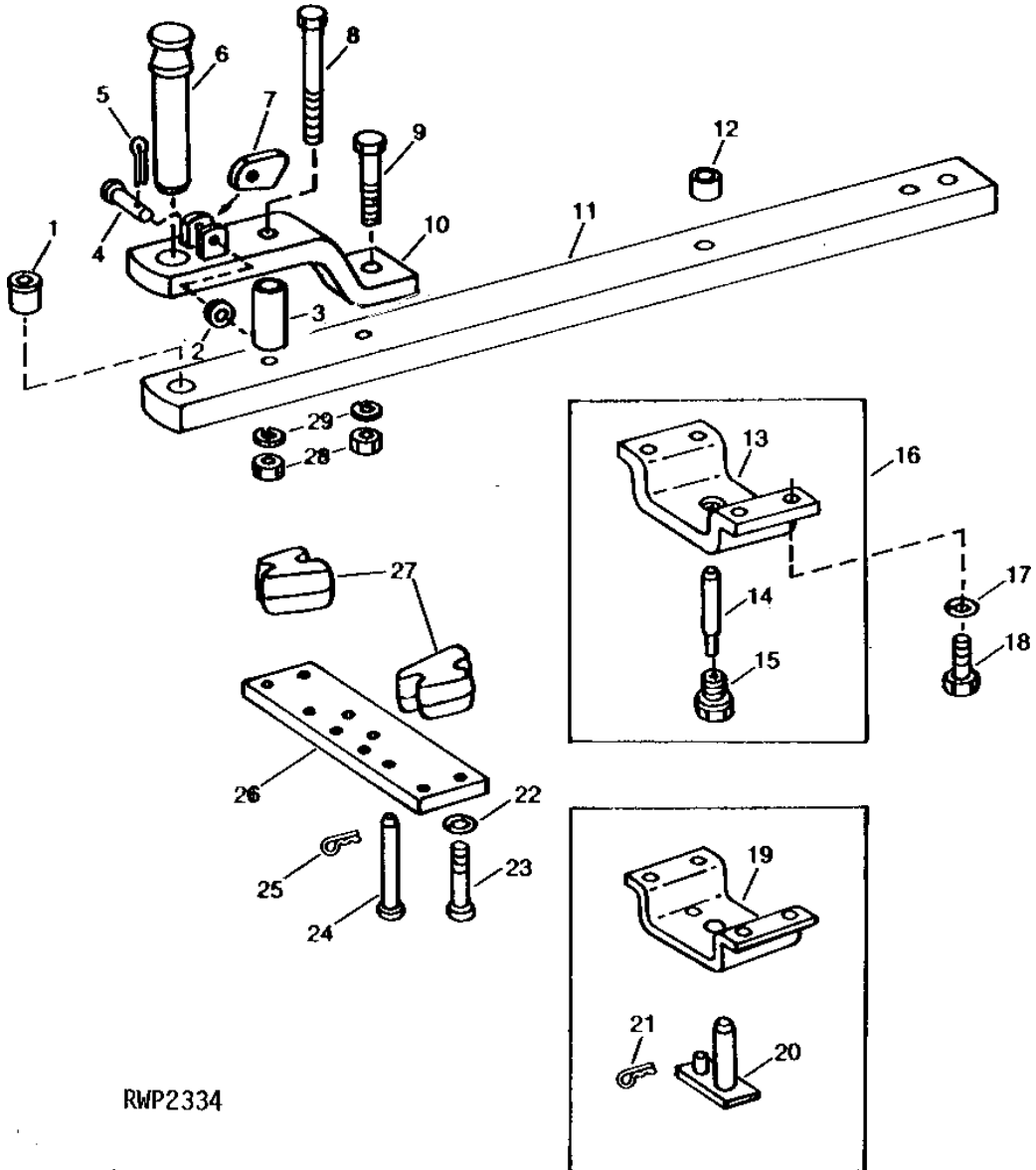
1J20

HYDRAULICS

RWP2334

-UN-01JAN94

DRAWBAR



RWP2334

1J21

HYDRAULICS

DRAWBAR - CONTINUED

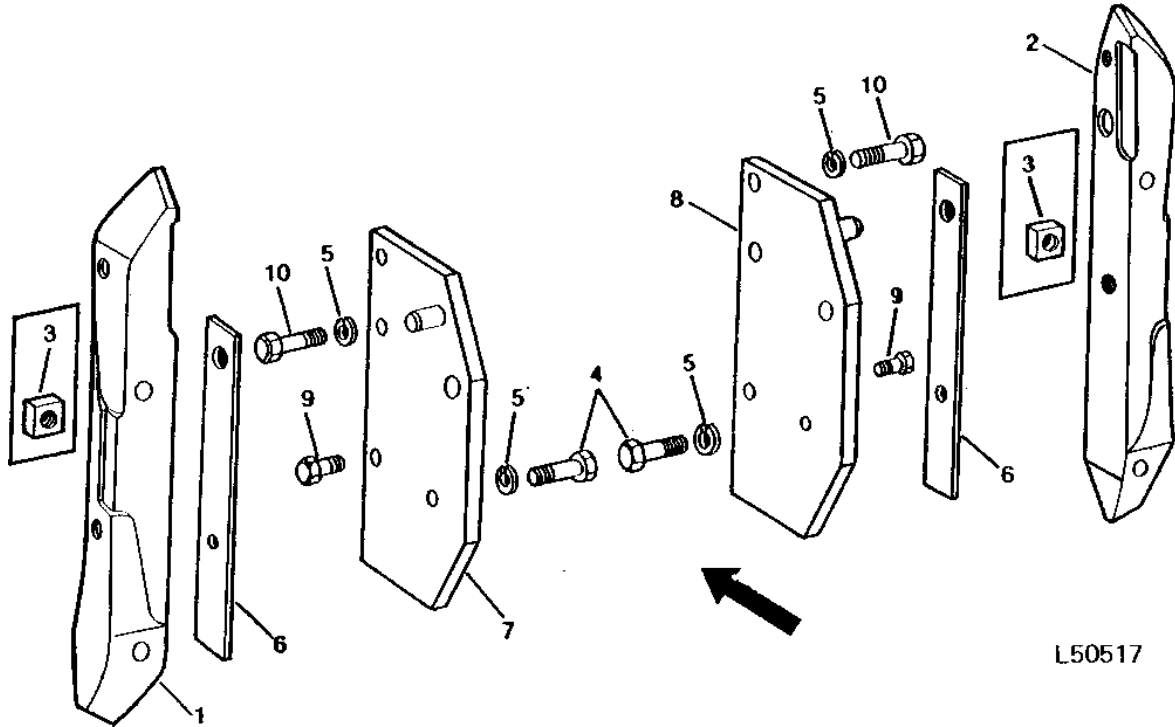
KEY	PART NO.	PART NAME	QTY	TRACTOR SERIAL NO.	REMARKS
1	R70080	SPACER	1		(TO CONVERT 33MM TO 19.8MM)
2	24M7055	WASHER	1		8.400 X 16 X 1.600 MM
3	T29892	SPACER	1		(SUB FOR L25543)
4	45M6305	PIN	1		8 X 35 MM
5	11M1374	COTTER PIN	1		2 X 14 MM
6	T29645	PIN	1		(SUB FOR L25550)
7	T29644	LATCH	1		
8	19H3174	CAP SCREW	1		5/8" X 5-1/4"
9	19H1863	CAP SCREW	1		5/8" X 3"
10	AT28198	STRAP	1		(SUB FOR AL18546)
11	R61126	DRAWBAR	1		(ALSO ORDER L29023) (SUB FOR T29898, T27568 OR T21667)
12	T21671	BUSHING	1		
13	AL27203	SUPPORT	1	XXXXXX-	
14	L32016	PIN	1	XXXXXX-	
15	L31849	ADAPTER	1	XXXXXX-	
16	AR101210	KIT	1	XXXXXX-	(SUB AL27203, L31849 AND L32016)
17	12H301	LOCK WASHER	4		1/2"
18	19H1815	CAP SCREW	4		1/2" X 1-1/4"
19	T21672	SUPPORT	1	-XXXXXX	(SUB AL27203, L31849 AND L32016)
20	AT19850	PIN	1	-XXXXXX	(SUB AL27203, L31849 AND L32016)
21	T22848	SPRING LOCKING PIN	1	-XXXXXX	
22	12H301	LOCK WASHER	4		1/2"
23	19H1820	CAP SCREW	4		1/2" X 3"
24	L29022	PIN	2		(SUB FOR T21911) (SUB L29022)
25	A3581R	SPRING LOCKING PIN	2		
26	T21677	SUPPORT	1		
27	T21913	SPACER	2	-XXXXXX	(2" WIDE DRAWBAR)
	L29023	SPACER	2	XXXXXX-	(2-1/2" WIDE DRAWBAR)
28	14H1039	NUT	2		5/8"
29	12H294	LOCK WASHER	2		5/8"

1J22

HYDRAULICS

L50517 -UN-01JAN94

SWAY BLOCKS AND SUPPORTS



L50517

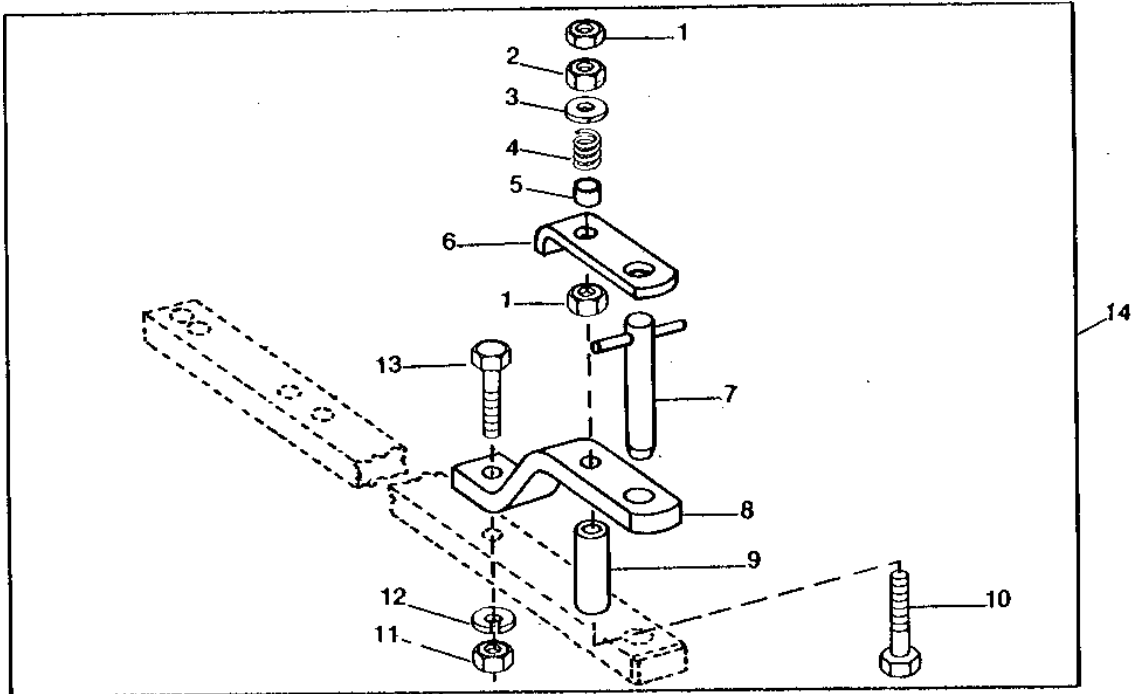
KEY	PART NO.	PART NAME	QTY	TRACTOR SERIAL NO.	REMARKS
1	T30277	SWAY BLOCK	1		L.H. (SUB FOR T25769 OR T21464)
2	T30276	SWAY BLOCK	1		R.H. (SUB FOR T25768 OR T21463)
3	14H823	NUT	2	-XXXXXX	1/2"
4	19H1721	CAP SCREW	2		1/2" X 1-1/2"
5	12H301	LOCK WASHER	8		1/2"
6	AT29301	SHIM	2		
7	AR90971	SUPPORT	1		L.H. (SUB FOR AT20168)
8	AT20167	SUPPORT	1		R.H.
9	19H1936	CAP SCREW	2		3/8" X 3/4"
10	19H1815	CAP SCREW	4		1/2" X 1-1/4"

1J23

HYDRAULICS

RWP3979 -UN-01JAN94

DRAWBAR HAMMER STRAP



RWP3979

KEY	PART NO.	PART NAME	QTY	TRACTOR SERIAL NO.	REMARKS
1	14H821	NUT	2	5/8"	
2	14H1039	NUT	1	5/8"	
3	24H1372	WASHER	1	21/32" X 1-1/2" X 0.060"	
4	F3541R	SPRING	1		
5	F3542R	BUSHING	1		
6	F3539R	RETAINER	1		
7	AR69988	PIN	1		
8	T29899	STRAP	1		STRAIGHT DRAWBAR
	T29897	STRAP	1		OFFSET DRAWBAR
9	L57595	SPACER	1	(A) (C) (SUB FOR T29892)	
	N186901	SPACER	1	(A) (D)	
	24H1372	WASHER	7	(B) (D) 21/32" X 1-1/2" X 0.060"	
10	19H2432	CAP SCREW	1	(A) (C) 5/8" X 7-1/2"	
	08H4770	CAP SCREW	2	(B) (D) 5/8" X 8-1/4"	
11	14H1039	NUT	1	5/8"	
12	12H294	LOCK WASHER	1	5/8"	
13	19H1863	CAP SCREW	1	5/8" X 3"	
14	RE13089	KIT	1		STRAIGHT DRAWBAR, (SUB RE39829)
	RE13090	KIT	1		OFFSET DRAWBAR, (SUB RE39830)

(A) USE WITH RE13089 OR RE13090

(B) USE WITH RE39829 OR RE39830

(C) LESS SAFETY CHAIN CLEVIS

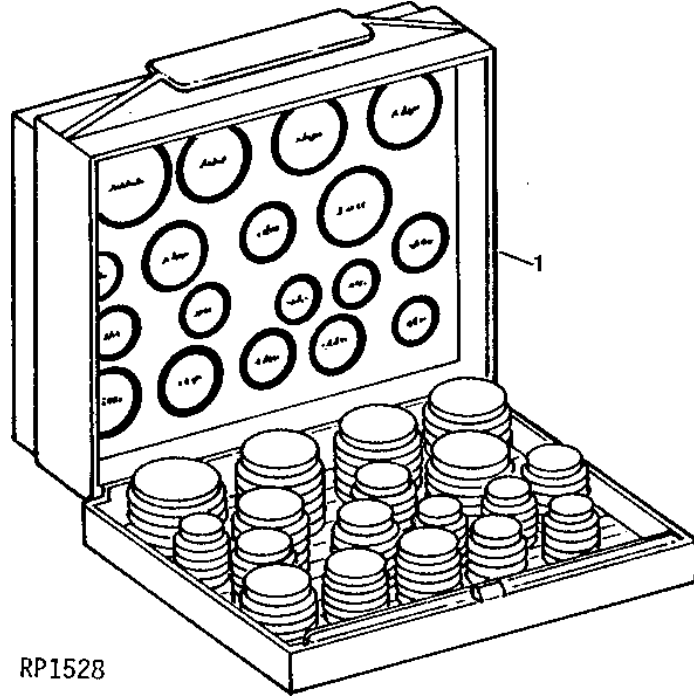
(D) SAFETY CHAIN CLEVIS

1J24

HYDRAULICS

RP1528 -UN-01JAN94

O-RING KIT



RP1528

KEY	PART NO.	PART NAME	QTY	TRACTOR SERIAL NO.	REMARKS
1	AR73500	KIT	1		

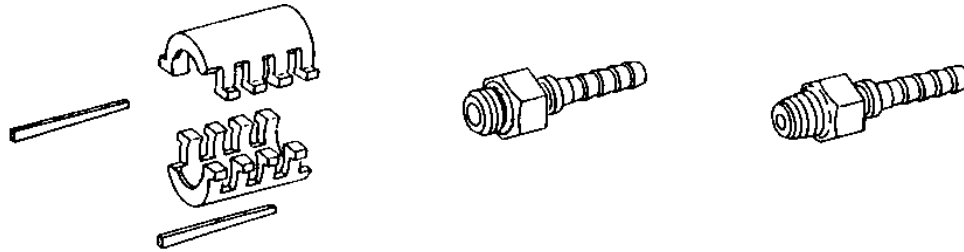
1J25

HYDRAULICS

RXP7733

-UN-23SEP94

BULK FLEXIBLE OIL LINE AND REUSABLE LOK-PIN COUPLINGS



Oil Line (Length) Approx. 50 ft.)		Set of Ferrules with Pins*	Stem-Straight Thread with O-ring	Stem-Pipe Thread
R 34790	3/8" I.D. — 1 Wire	AR 39635* *	R 39687
R 34791	1/2" I.D. — 1 Wire	AR 39636* *	R 39688
R 34792	3/4" I.D. — 1 Wire	AR 39637#	R 39689
R 34793	3/8" I.D. — 2 Wire	AR 39632	AR 39635* *	R 39687
R 34794	1/2" I.D. — 2 Wire	AR 39636* *	R 39688
R 34795	3/4" I.D. — 2 Wire	AR 39637#	R 39689

* Each set of ferrules includes two R39681 pins - extra pins may be ordered, packed 20 in a package.
 **Includes R26375 O-ring.
 # Includes F3171R O-ring.

REUSABLE COUPLINGS (Use With Braid Flexible Oil Line)



1 WR Single Wire		2 WR Double Wire		I.D.	Thread
<i>Coupling No.</i>		<i>Coupling No.</i>			
AF 3585	R	AR 21629		3/8"	3/8" — 18 NPTF
AF 3586	R	AR 21630		1/2"	1/2" — 14 NPTF
AF 3587	R		5/8"	3/4" — 14 NPTF
AF 3588	R	AR 21632		3/4"	3/4" — 14 NPTF
R 34644		AR 21634		1"	1" — 11-1/2" NPTF
R 34646		R 34647		3/8"	3/4" — 16 O-ring type thread
				1/2"	3/4" — 16 O-ring type thread

BULK SINGLE WIRE BRAID FLEXIBLE OIL LINE (Use With Reusable Coupling for Single Wire Braid Flexible Oil Line)

Part No.	I.D.	O.D.	Length
A 5776 R	1/2"	29/32"	Approx. 50 ft.
A 5777 R	5/8"	1-1/32"	Approx. 50 ft.

BULK DOUBLE WIRE BRAID FLEXIBLE OIL LINE (Use with Reusable Coupling for Double Wire Braid Flexible Oil Line)

Part No.	I.D.	O.D.	Length
R 21531	3/8"	29/32"	Approx. 50 ft.
R 21532 RXP7733	1/2"	31/32"	Approx. 50 ft.

1K1

HYDRAULICS

R32261 -UN-01JAN94

TRANSMISSION AND HYDRAULIC OIL



R32261F

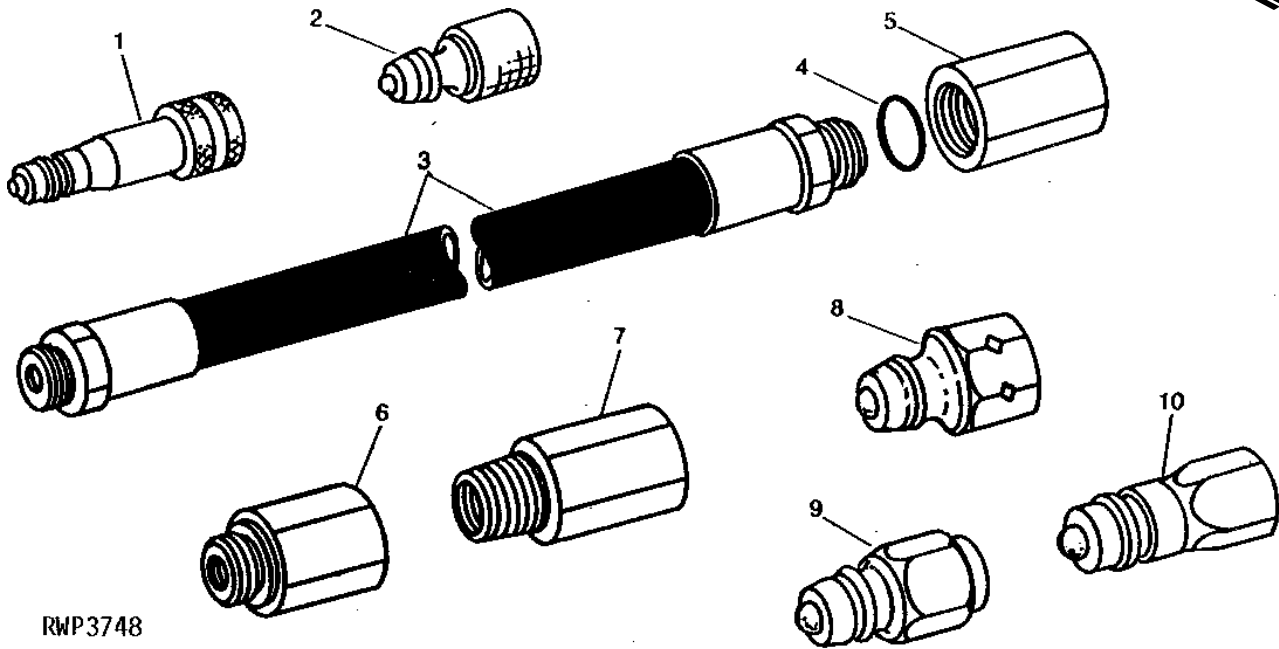
KEY	PART NO.	PART NAME	QTY	TRACTOR SERIAL NO.	REMARKS
1	AR69444	HY-GARD	1		19 L (5 GAL)
	AR69445	HY-GARD	1		208 L (55 GAL)

1K2

HYDRAULICS

RWP3748 -UN-01JAN94

IMPLEMENT HYDRAULIC OIL LINES AND FITTINGS



RWP3748

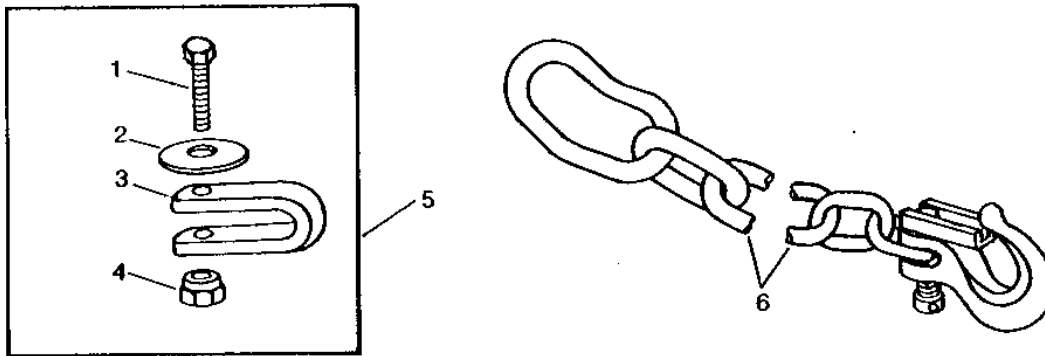
KEY	PART NO.	PART NAME	QTY	TRACTOR SERIAL NO.	REMARKS
1	AR98202	HYD. QUICK-CONNECT COUPLER	1	JOHN DEERE TO ISO	
	R21722	O-RING	1	(INCLUDED IN AR98202)	
	RE11457	ADAPTER	1	IHC TO ISO	
	U11647	O-RING	1	(INCLUDED IN RE11457)	
2	AR98201	HYD. QUICK-CONNECT COUPLER	1	ISO TO JOHN DEERE	
	RE11456	ADAPTER	1	IHC TO JOHN DEERE	
	RE11458	ADAPTER	1	JOHN DEERE TO IHC	
	RE11463	ADAPTER	1	ISO TO IHC	
	R21722	O-RING	1	(INCLUDED IN AR98201, RE11463 AND RE11458)	
	R71387	WASHER	1	(INCLUDED IN AR98201)	
3	AR28754	HYDRAULIC HOSE	1	(SUB TY3018) 10 X 610MM (3/8" X 24")	
	AR28755	HYDRAULIC HOSE	1	10 X 914MM (3/8" X 36")	
	R36658	HYDRAULIC HOSE	1	13 X 610MM (1/2" X 24")	
	R36659	HYDRAULIC HOSE	1	13 X 914MM (1/2" X 36")	
4	R26375	O-RING	1		
5	R30815	FITTING	1	3/4" THREAD	
6	R30817	ADAPTER	1	3/4"-16UNF MALE X 1/2"-14NPT FEMALE	
7	R30816	ADAPTER	1	1/2"-14NPT MALE X 3/4"-16UNF FEMALE	
8	AR93820	FITTING	1	JOHN DEERE, 3/4"-16 UNF	
9	RE11447	FITTING	1	JOHN DEERE, 1/2"-14NPT	
10	AR94522	INTERNAL HALF COUPLER	1	ISO, 3/4"-16UNF	

1K3

HYDRAULICS

RWP5796 -UN-01JAN94

IMPLEMENT SAFETY CHAIN



RWP5796

KEY	PART NO.	PART NAME	QTY	TRACTOR SERIAL NO.	REMARKS
1	19H1768	CAP SCREW	1	(A) (B)	
	19H2084	CAP SCREW	1	(A)	
	19H2174	CAP SCREW	1	(B)	
2	R36402	WASHER	1	(A) (B)	
3	R69408	CLEVIS	1	(A)	
	R69409	CLEVIS	1	(B)	
4	T25879	NUT	2	(A) (B)	
5	AR90577	SAFETY CHAIN ADAPTER KIT	1		CATEGORY IV DRAWBARS
	AR90578	CHAIN KIT	1		CATEGORY II AND III DRAWBARS
6	RE26739	LINK CHAIN	1		61 LINKS 6.4MM (1/4") DIA CHAIN (6,000 LB)
	AR90581	LINK CHAIN	1		61 LINKS 6.4MM (1/4") DIA CHAIN (10,000 LB)
	AR90579	LINK CHAIN	1		42 LINKS 9.5MM (3/8") DIA CHAIN
	AR90583	LINK CHAIN	1		43 LINKS 11.1MM (7/16") DIA CHAIN
	RE26740	LINK CHAIN	1		42 LINKS 12.7MM (1/2") DIA CHAIN, (SUB AN212996)

(A) INCLUDED IN AR90577
 (B) INCLUDED IN AR90578

MEMORANDA

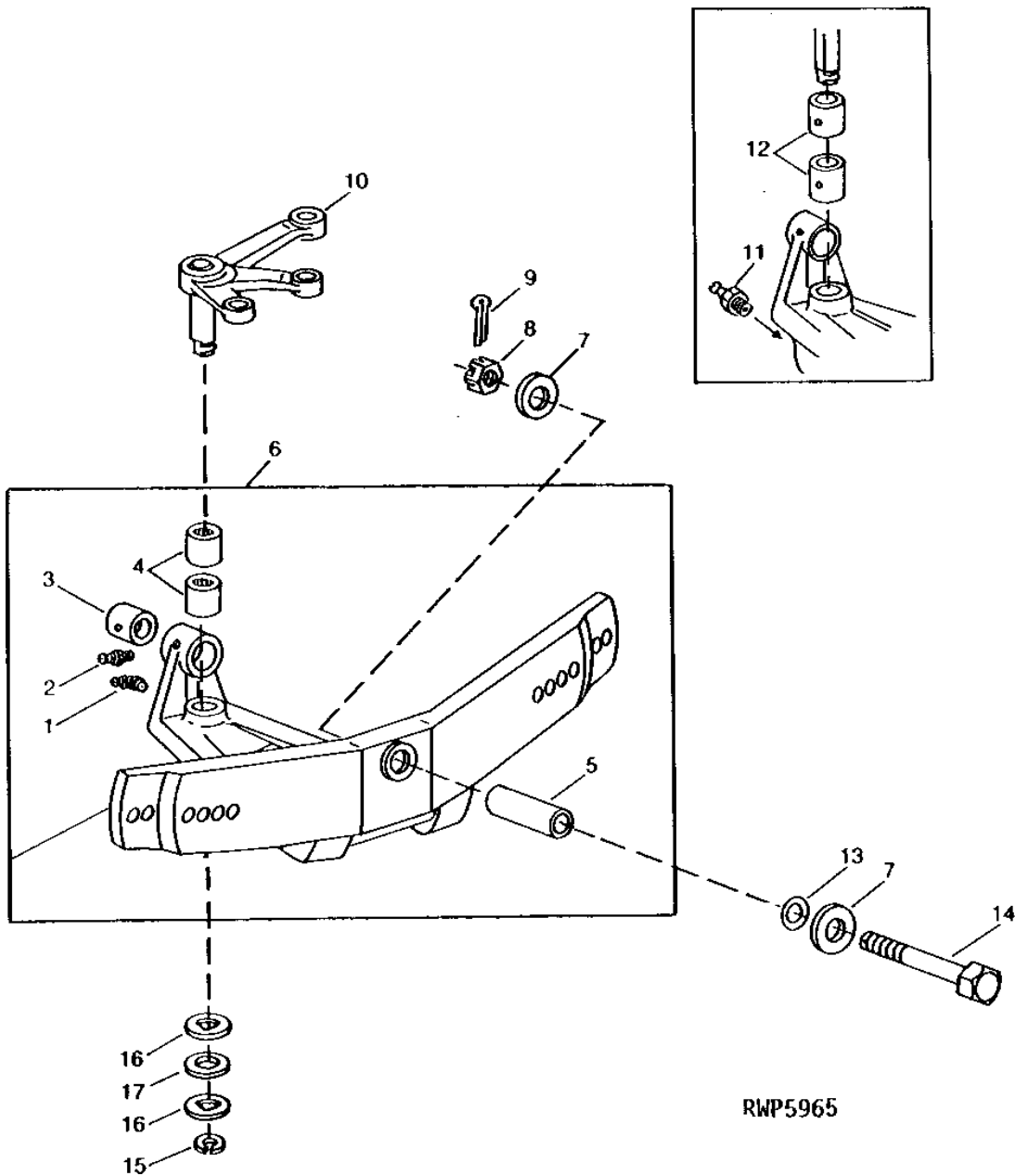
2A14

WHEELS, FRONT AXLES, SHEET METAL

RWP5965

-UN-01JAN94

FRONT AXLE



2A15

WHEELS, FRONT AXLES, SHEET METAL

FRONT AXLE - CONTINUED

KEY	PART NO.	PART NAME	QTY	TRACTOR SERIAL NO.	REMARKS
1	JD7799	LUBRICATION FITTING	1		
2	JD7798	LUBRICATION FITTING	1		
3	T23170	BUSHING	1		
4	JD9911	NEEDLE BEARING	2	068814-	
5	T21669	BUSHING	1		
6	AT22220	FRONT AXLE	1	-068813	(SUB AR91808)
	AR53862	AXLE	1	068814-XXXXXX	(SUB AR91808 AND AR92944)
	AR91808	FRONT AXLE	1	XXXXXX-	(MARKED R70227) (SUB FOR AR53862 OR AT34970) (ALSO ORDER AR92944)
7	T25922	WASHER	2		
8	14H902	NUT	1		3/4"
9	11M7030	COTTER PIN	1		0.197" X 1.575"
10	AT19794	LEVER	1		(SUB FOR AR53864)
11	JD7798	LUBRICATION FITTING	1	-068813	
12	T23118	BUSHING	2	-068813	
13	T25921	SHIM	AR		0.406MM (.016")
	T30991	WASHER	AR		1.016MM (.040")
14	T25840	CAP SCREW	1		
15	F534R	SNAP RING	1		
16	T23229	WASHER	2		
17	R49065	SHIM	AR		0.102MM (.004")
	R49066	SHIM	AR		0.508MM (.020")
	R49067	WASHER	AR		1.016MM (.040")
	T23228	SHIM	AR		0.254MM (.010")

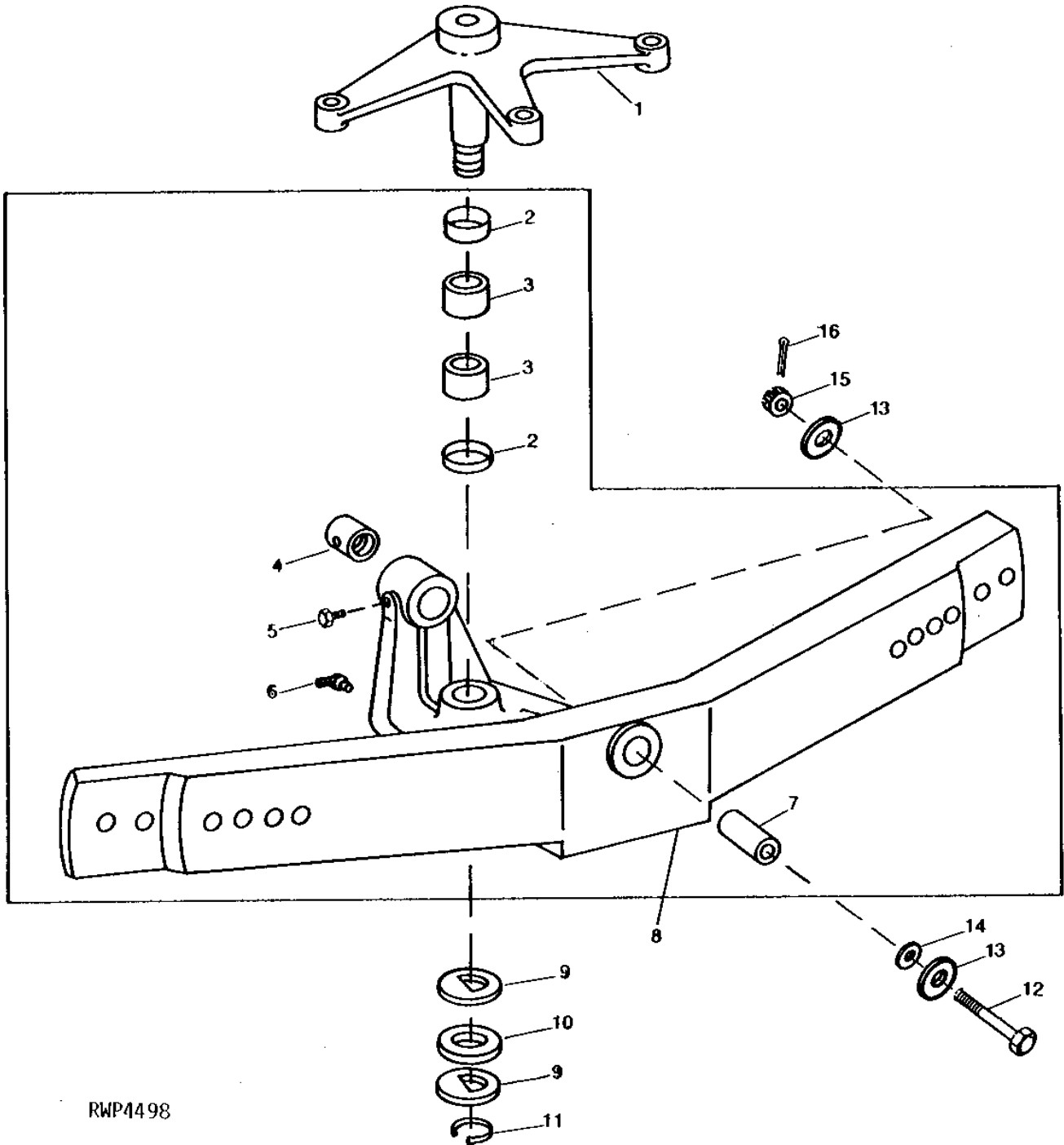
2A16

WHEELS, FRONT AXLES, SHEET METAL

RWP4498

-UN-01JAN94

SWEPT BACK ADJUSTABLE FRONT AXLE



RWP4498

2A17

WHEELS, FRONT AXLES, SHEET METAL

SWEPT BACK ADJUSTABLE FRONT AXLE - CONTINUED

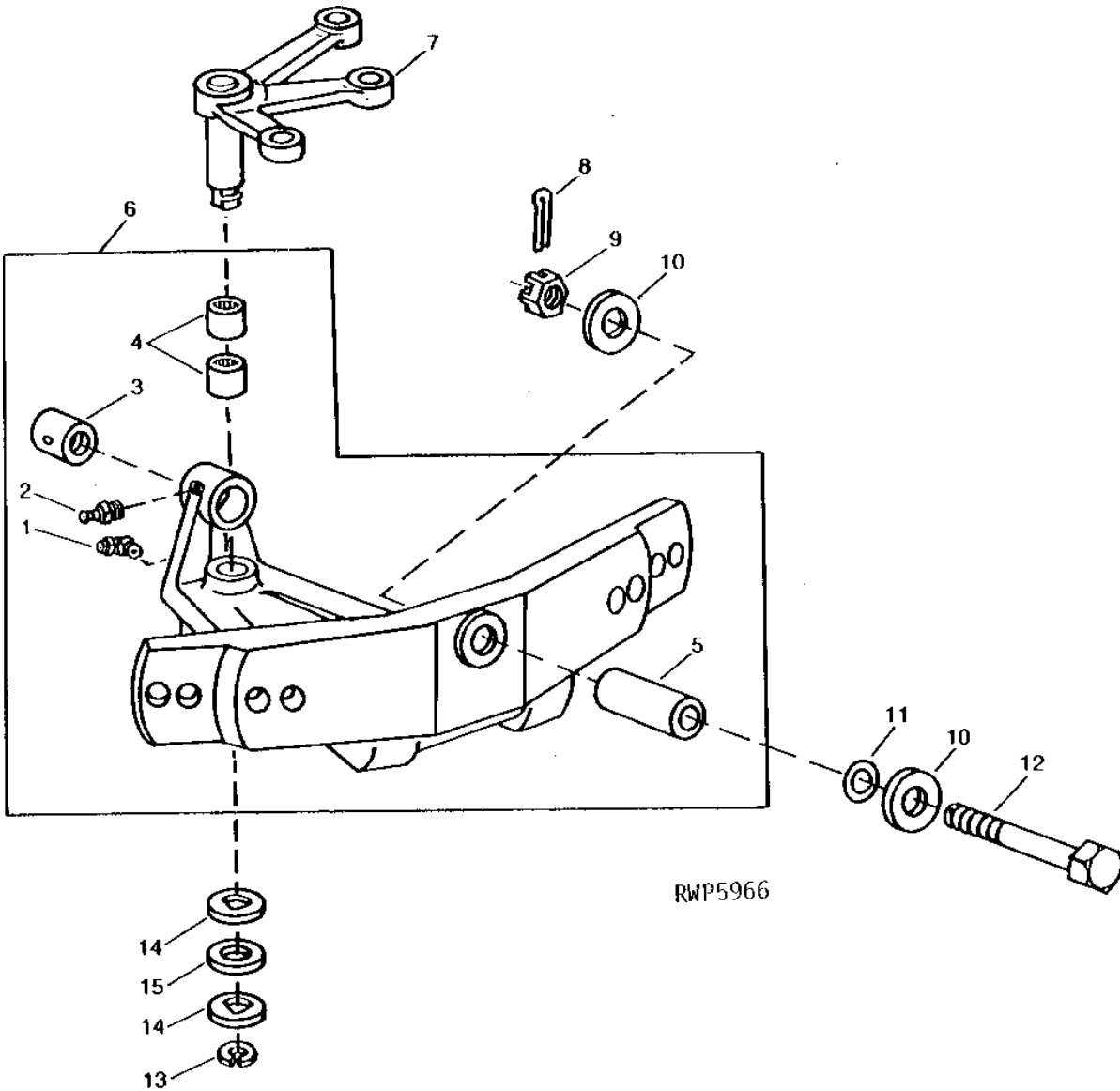
KEY	PART NO.	PART NAME	QTY	TRACTOR SERIAL NO.	REMARKS
1	AR92944	LEVER	1		
2	U10296	SEAL	2		
3	JD8827	NEEDLE BEARING	2		
4	T23170	BUSHING	1		
5	JD7798	LUBRICATION FITTING	1		
6	JD7799	LUBRICATION FITTING	1		
7	T21669	BUSHING	1		
8	AR91808	FRONT AXLE	1		
9	T23229	WASHER	2		0.13MM (.005")
10	T23228	SHIM	3		0.25MM (.010")
11	F534R	SNAP RING	1		
12	T25840	CAP SCREW	1		
13	T25922	WASHER	2		
14	T25921	SHIM	AR		0.38MM (.015")
15	14H902	NUT	1		3/4"
16	11M7030	COTTER PIN	1		0.197" X 1.575"

2A18

WHEELS, FRONT AXLES, SHEET METAL

SWEPT BACK ADJUSTABLE FRONT AXLE
(FOR 16.1" REAR TIRES)

RWP5966 -UN-01JAN94



RWP5966

2A19

WHEELS, FRONT AXLES, SHEET METAL

**SWEPT BACK ADJUSTABLE FRONT AXLE - CONTINUED
(FOR 16.1" REAR TIRES)**

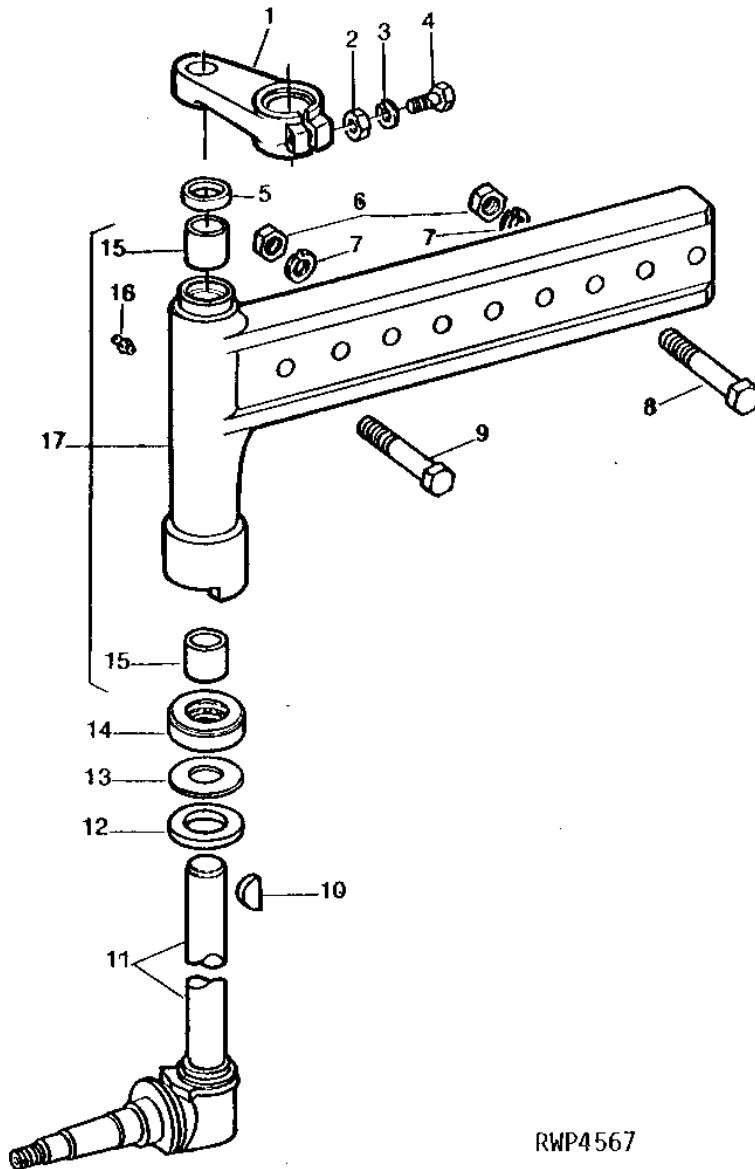
KEY	PART NO.	PART NAME	QTY	TRACTOR SERIAL NO.	REMARKS
1	JD7799	LUBRICATION FITTING	1		
2	JD7798	LUBRICATION FITTING	1		
3	T23170	BUSHING	1		
4	JD9911	NEEDLE BEARING	2		
5	T21669	BUSHING	1		
6	AT22278	AXLE	1		(SUB FOR AR53863)
7	AT19794	LEVER	1		(SUB FOR AR53864)
8	11M7030	COTTER PIN	1		0.197" X 1.575"
9	14H902	NUT	1		3/4"
10	T25922	WASHER	2		
11	T25921	SHIM	AR		0.406MM (.016")
	T30991	WASHER	AR		1.016MM (.040")
12	T25840	CAP SCREW	1		
13	F534R	SNAP RING	1		
14	T23229	WASHER	2		
15	R49065	SHIM	AR		0.102MM (.004")
	R49066	SHIM	AR		0.508MM (.020")
	R49067	WASHER	AR		1.016MM (.040")
	T23228	SHIM	AR		0.254MM (.010")

2A20

WHEELS, FRONT AXLES, SHEET METAL

FRONT AXLE KNEE, SPINDLE, AND KNUCKLE
(SWEEPED BACK FRONT AXLE FOR 16.1", 24" AND 28" REAR TIRES)

RWP4567 -UN-01JAN94



RWP4567

2A21

WHEELS, FRONT AXLES, SHEET METAL

**FRONT AXLE KNEE, SPINDLE, AND KNUCKLE - CONTINUED
(SWEPT BACK FRONT AXLE FOR 16.1", 24" AND 28" REAR TIRES)**

KEY	PART NO.	PART NAME	QTY	TRACTOR SERIAL NO.	REMARKS
1	T21518	LEVER	1		L.H.
	T21517	LEVER	1		R.H.
2	14H809	NUT	2		1/2"
3	12H301	LOCK WASHER	2		1/2"
4	19H2644	CAP SCREW	2		1/2" X 2-1/2"
5	M1518T	WASHER	2		
6	14H794	NUT	4		3/4"
7	12H236	LOCK WASHER	4		3/4"
8	19H2000	CAP SCREW	2		3/4" X 5"
	19H2827	CAP SCREW	2		3/4" X 4-3/4"
9	19H2826	CAP SCREW	2		3/4" X 4-1/2" HS, SAE 8
10	26H93	SHAFT KEY	2		1/4" X 1-1/4"
11	AT23636	KNUCKLE	2	-042924	(SUB AR103472, AR49592 AND JD7798)
	AR103472	KNUCKLE	2	042925-	(A) (SUB FOR AR49589, AR58606 OR AR52861)
	AR103473	KNUCKLE	2		(B) (SUB FOR AR58608 OR AR52862)
12	M2282T	WASHER	2		
13	M2283T	WASHER	2		
14	JD8407	THRUST BEARING	2		
15	T21539	BUSHING	4		
16	JD7798	LUBRICATION FITTING	2		
17	AT22221	AXLE KNEE	1		(A) R.H.
	AT22222	AXLE KNEE	1		(A) L.H.
	AT22279	AXLE KNEE	1		(B) R.H. (SUB T21942, (2) T21539 AND JD7798)
	AT22280	AXLE KNEE	1		(B) L.H.

(A) FOR 24" AND 28" REAR TIRES

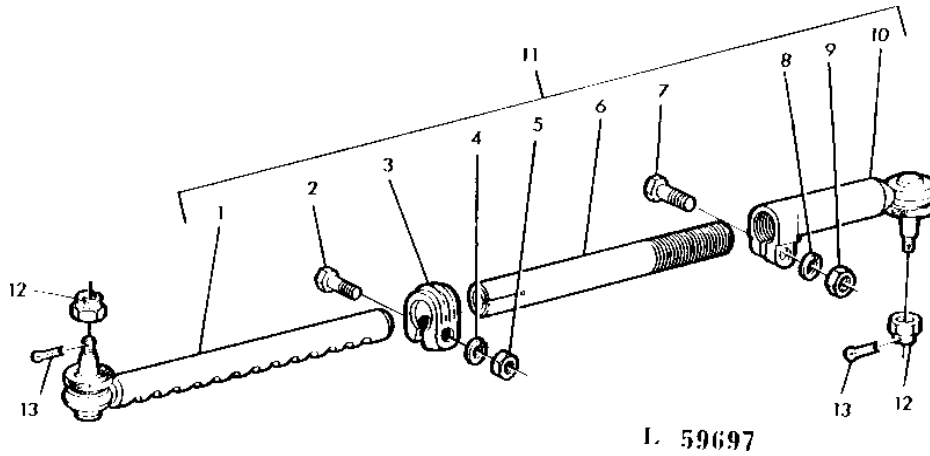
(B) FOR 16.1" REAR TIRES

2A22

WHEELS, FRONT AXLES, SHEET METAL

TIE ROD ASSEMBLY (WITH SWEPT FRONT AXLE FOR 16.1", 24" AND 28" REAR TIRES)

L59697 -UN-01JAN94



KEY	PART NO.	PART NAME	QTY	TRACTOR SERIAL NO.	REMARKS
1	AT23885	ROD	1	(A)	
	AT27131	TIE ROD END	1	(B)	
2	19H2528	CAP SCREW	2	-XXXXXX	1/2" X 2"
	19H3183	CAP SCREW	2	XXXXXX-	1/2" X 2-1/8"
3	T25902	CLAMP	2	-XXXXXX	(SUB R50507 AND 19H3183)
	R50507	CLAMP	2	XXXXXX-	
4	12H301	LOCK WASHER	2		1/2"
5	14H865	NUT	1		1/2"
6	T25901	PIPE	2		(A)
	T29106	PIPE	2		(B)
7	19H2544	CAP SCREW	2		3/8" X 1-1/2"
8	12H304	LOCK WASHER	2		3/8"
9	14H1080	NUT	2		3/8"
10	AT27130	TIE ROD END	1		
11	AR54634	ROD	2		(A) (SUB FOR AT19821 OR AT23884)
	AR54635	ROD	2		(B) (ORDER COMPONENT PARTS)
12	14H918	NUT	4		5/8"
13	11M7023	COTTER PIN	4		4 X 32 MM

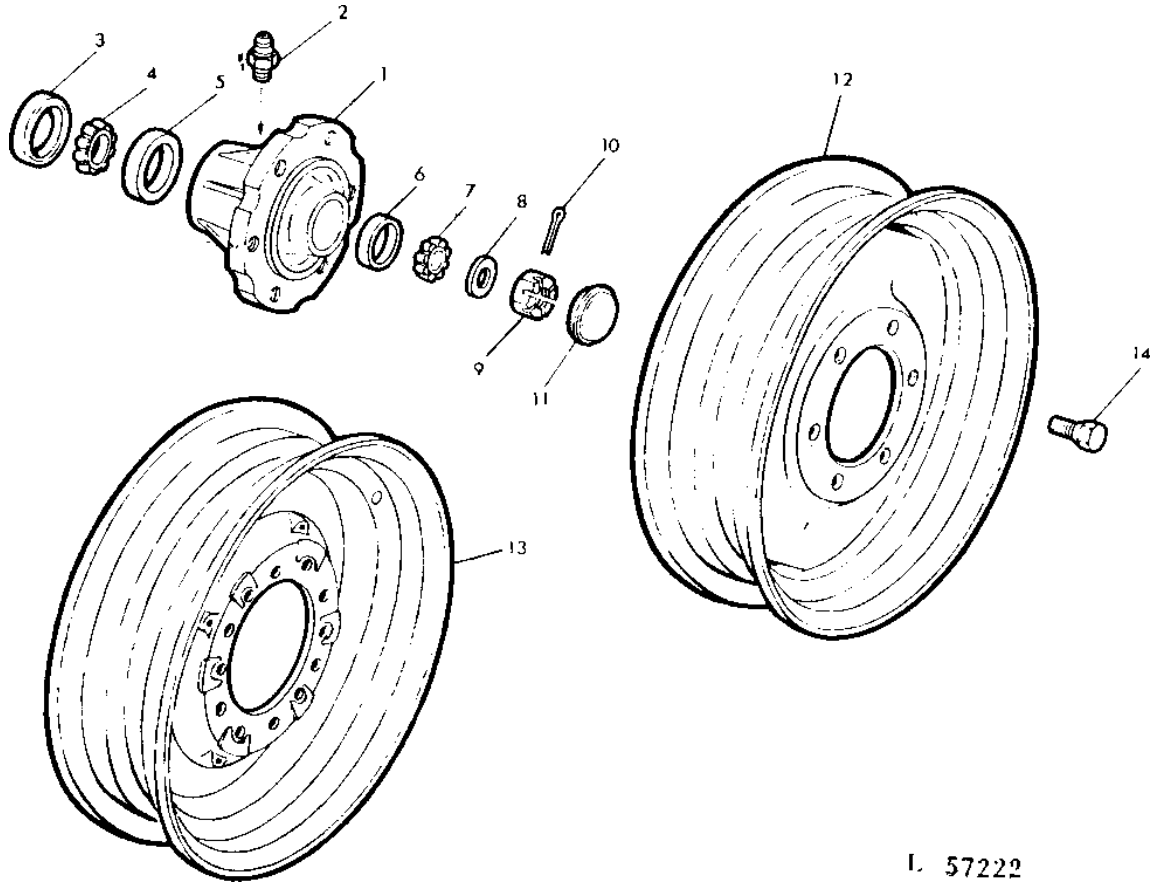
(A) FOR 24" AND 28" REAR TIRES
(B) FOR 16.1" REAR TIRES

2A23

WHEELS, FRONT AXLES, SHEET METAL

L57222 -UN-01JAN94

FRONT WHEEL ASSEMBLY



I. 57222

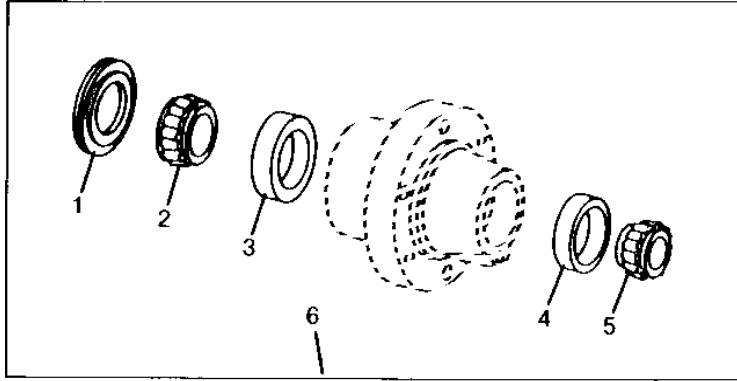
KEY	PART NO.	PART NAME	QTY	TRACTOR SERIAL NO.	REMARKS
1	T25809	HUB	2	-042924	(SUB R47076, AR49592 AND JD7798)
	R47076	HUB	2	042925-	
2	JD7798	LUBRICATION FITTING	2	042925-	
3	AT10344	SEAL	2	-042924	(SUB AR49592 AND JD7798)
	AR49592	SEAL	2	042925-	
4	JD8194	BEARING CONE	2		
5	JD8230	BEARING CUP	2		
6	JD8239	BEARING CUP	2		
7	JD8905	BEARING CONE	2		
8	T10510	WASHER	2		
9	14H902	NUT	2	3/4"	
10	11M7030	COTTER PIN	2	0.197" X 1.575"	
11	T12688	CAP	2		
12	AL17850	RIM	2	(5.50-16 TIRE) (SUB JD3002)	
	JD3002	RIM	2	(6.00-16 TIRE) (SUB FOR AL17847 OR AR52506)	
13	JD691	WHEEL	2	(23/10.5-12 TIRE)	
	JD3047	WHEEL	2	(27/9.5-15 TIRE)	
14	JD21	WHEEL BOLT	12	(SUB FOR L24702, JD16 OR L28462)	

2A24

WHEELS, FRONT AXLES, SHEET METAL

RXP9982 -UN-05JUL95

FRONT WHEEL BEARING KIT



RXP9982

KEY	PART NO.	PART NAME	QTY	TRACTOR SERIAL NO.	REMARKS
1	AT10344	SEAL	1		
2	JD8194	BEARING CONE	1		
3	JD8230	BEARING CUP	1		
4	JD8239	BEARING CUP	1		
5	JD8905	BEARING CONE	1		
6	RE54817	BEARING KIT	1	(USE WITH T25809)	

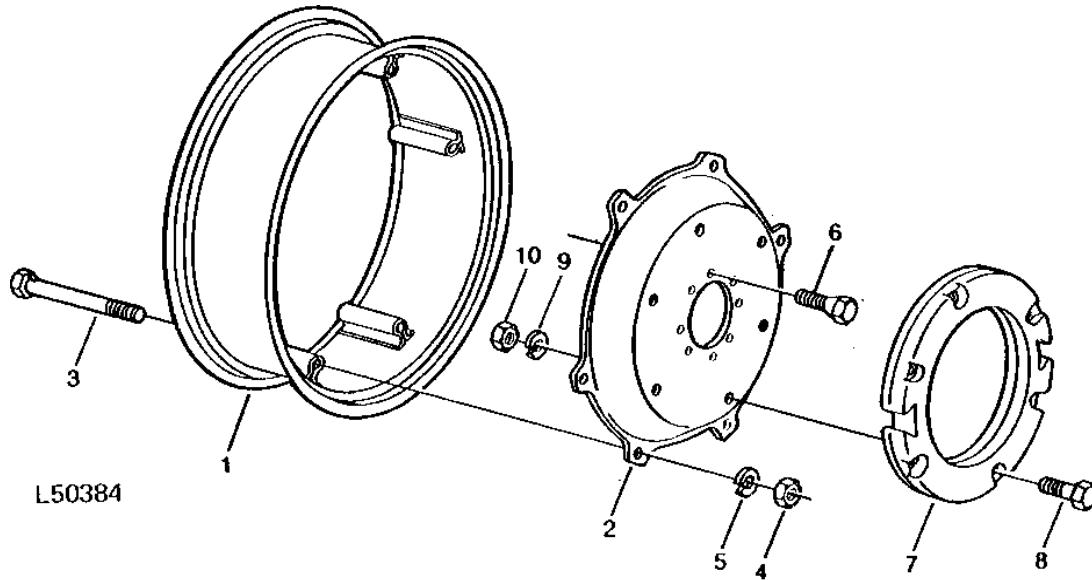
MEMORANDA

2A25

WHEELS, FRONT AXLES, SHEET METAL

DISK REAR WHEELS AND WEIGHTS (BRACKET WELDED)

L50384 -UN-01JAN94



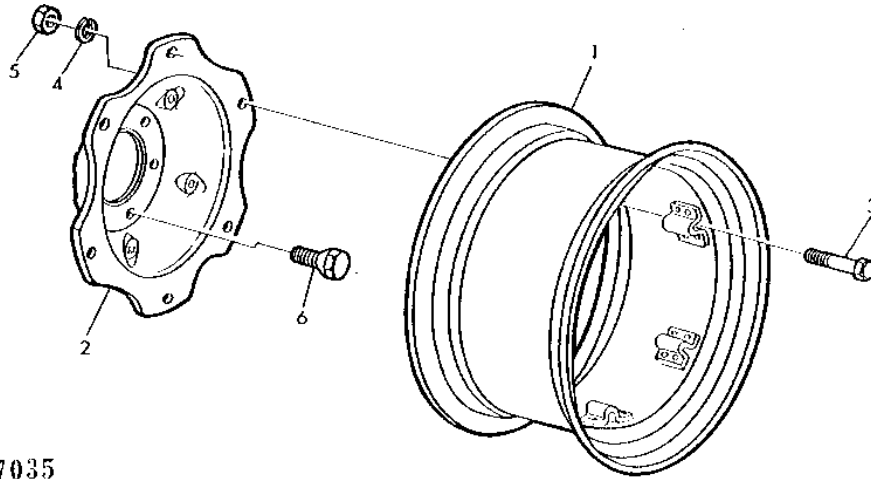
KEY	PART NO.	PART NAME	QTY	TRACTOR SERIAL NO.	REMARKS
1	AL15369	RIM	2	(13.6/12-28 TIRE)	
	AL16602	RIM	2	(11.2/10-28, 12.4/11-28 TIRE)	
2	L25819	WHEEL CENTER	2	(13.6/12-28 TIRE) (SUB L31667, (8) L31689 AND (8) 24M7112)	
3	T27511	CAP SCREW	12		
4	14H888	NUT	12	9/16"	
5	24M7145	WASHER	12	15 X 24 X 2.500 MM, (SUB FOR T31506)	
6	JD21	WHEEL BOLT	16	(SUB FOR L24702, JD16 OR L28642)	
7	L24710	COUNTERWEIGHT	2	50 KG (110 LBS) (NLA)	
8	19H2233	CAP SCREW	6	5/8" X 3-1/2"	
9	12M1629	LOCK WASHER	6	M16	
10	14H1039	NUT	6	5/8"	

2B1

WHEELS, FRONT AXLES, SHEET METAL

STEEL DISK REAR WHEELS (BRACKET RIVITED)

L57035 -UN-01JAN94



L 57035

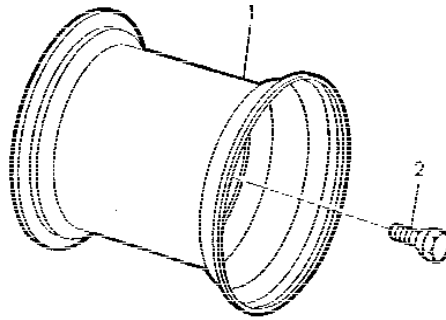
KEY	PART NO.	PART NAME	QTY	TRACTOR SERIAL NO.	REMARKS
1	AT20521	RIM	2		(16.9-24 TIRE)
2	T19638	WHEEL CENTER	2		(16.9-24 TIRE)
3	19H1863	CAP SCREW	12		5/8" X 3"
4	12H294	LOCK WASHER	12		5/8"
5	14H1039	NUT	12		5/8"
6	JD21	WHEEL BOLT	16		(SUB FOR L28642)

2B2

WHEELS, FRONT AXLES, SHEET METAL

L57249 -UN-01JAN94

DUAL STEEL DISK REAR WHEELS



L 57249

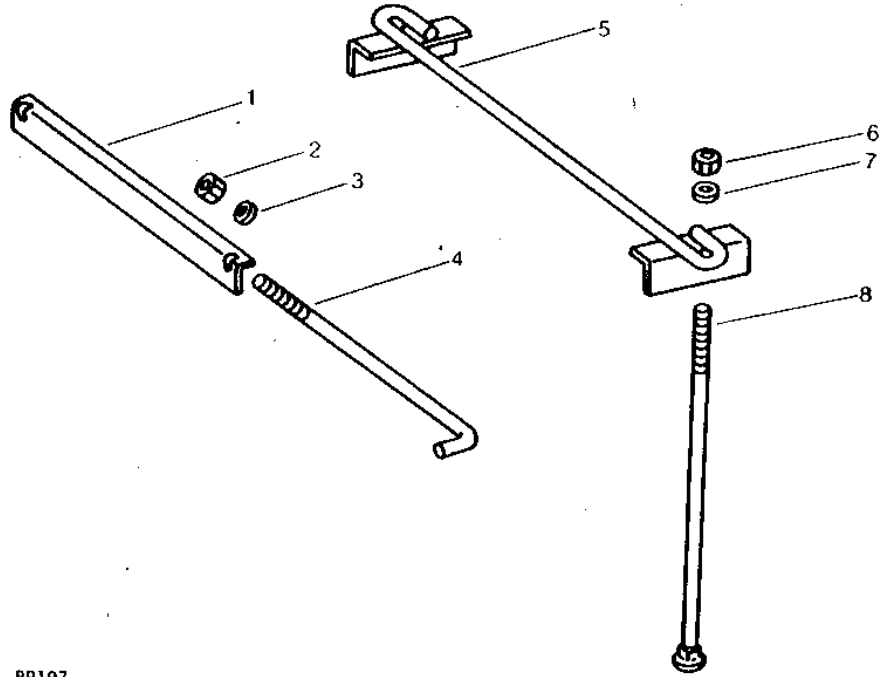
KEY	PART NO.	PART NAME	QTY	TRACTOR SERIAL NO.	REMARKS
1	AL24094	WHEEL	2		(16.5-16.1 TIRE) (NLA)
	JD3038	WHEEL	2		(18.4-16.1 AND 21.5-16.1 TIRE)
2	JD21	WHEEL BOLT	16		(SUB FOR L28642)

2B3

WHEELS, FRONT AXLES, SHEET METAL

RP197 -UN-01JAN94

BATTERY CLAMPS



RP197

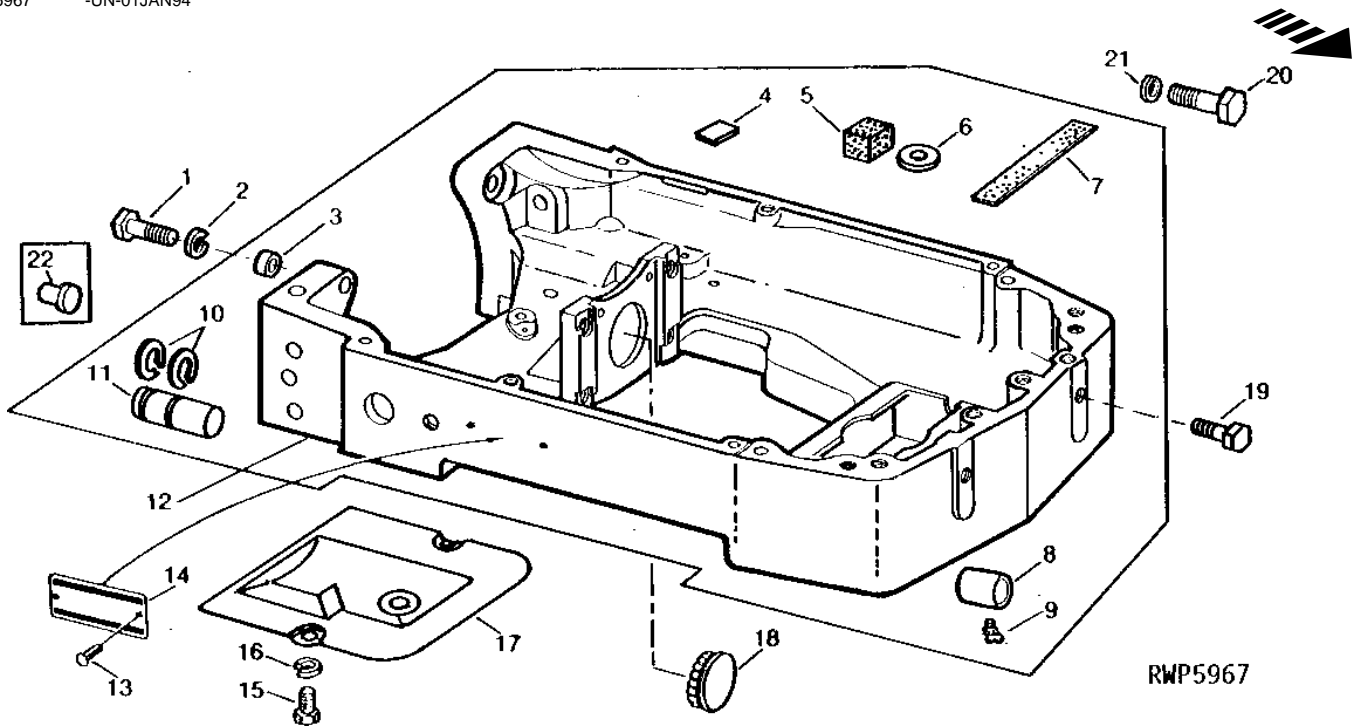
KEY	PART NO.	PART NAME	QTY	TRACTOR SERIAL NO.	REMARKS
1	T22570	CLAMP	1		
2	14H952	WING NUT	2	1/4", WING	
3	24H1821	WASHER	2	9/32" X 47/64" X 1/16"	
4	T22571	BOLT	2		
5	AT20452	CLAMP	1	(SUB AR101727)	
6	14H952	WING NUT	2	1/4", WING	
7	24H1821	WASHER	2	9/32" X 47/64" X 1/16"	
8	03H2137	BOLT	2	1/4" X 10-1/4"	

2B4

WHEELS, FRONT AXLES, SHEET METAL

RWP5967 -UN-01JAN94

FRONT SUPPORT



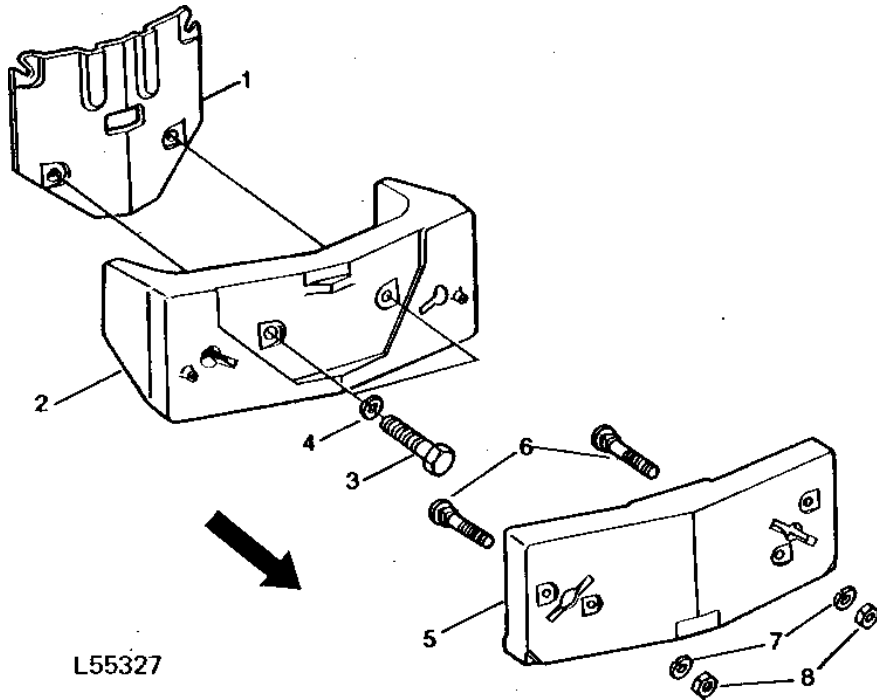
KEY	PART NO.	PART NAME	QTY	TRACTOR SERIAL NO.	REMARKS
1	19H2358	CAP SCREW	2	031312-	9/16" X 2-1/4"
2	12H317	LOCK WASHER	2	031212-	9/16"
3	T26929	BUSHING	2	031312-	
4	T22375	FOAM PAD	1		
5	FOAM PAD	1		25 X 38 X 102MM (1" X 1-1/2" X 4") (MAKE FROM R35416)
6	T22381	WASHER	2		
7	T21540	PAD	1		
8	T23118	BUSHING	1		
9	JD7799	LUBRICATION FITTING	1		
10	T24160	SNAP RING	1		
11	R54195	SPRING PIN	1		(SUB FOR T21778)
12	AR72474	SUPPORT	1		(SUB FOR AT24401)
13	25M3827	GROOVE PIN	2		3 X 8 MM
14	LABEL	1		FACTORY (SEE LABELS)
15	19H2021	CAP SCREW	2		3/8" X 5/8"
16	12H304	LOCK WASHER	2		3/8"
17	T22864	COVER	1		(SUB FOR T27717)
18	AL24554	PLUG	1		(SUB FOR T22569)
19	19H2009	CAP SCREW	2		3/4" X 1-5/8"
20	19H1890	CAP SCREW	4		5/8" X 2-3/4"
21	12H294	LOCK WASHER	4		5/8"
22	T26928	PIN	2	-031211	

2B5

WHEELS, FRONT AXLES, SHEET METAL

L55327 -UN-01JAN94

FRAME WEIGHTS



KEY	PART NO.	PART NAME	QTY	TRACTOR SERIAL NO.	REMARKS
1	T22446	SUPPORT	1		
2	AT20186	WEIGHT	1		(SUB FOR T22444) (SUB R70340, (2) 12H236 AND (2) 19H3167)
3	19H2113	CAP SCREW	2		3/4" X 3-1/4"
4	12H236	LOCK WASHER	2		3/4"
5	R27643	WEIGHT	1		(SUB FOR L23020)
6	03H1857	BOLT	2		5/8" X 2-3/4", (SUB FOR R27644)
7	12H294	LOCK WASHER	2		5/8"
8	14H800	NUT	2		5/8"

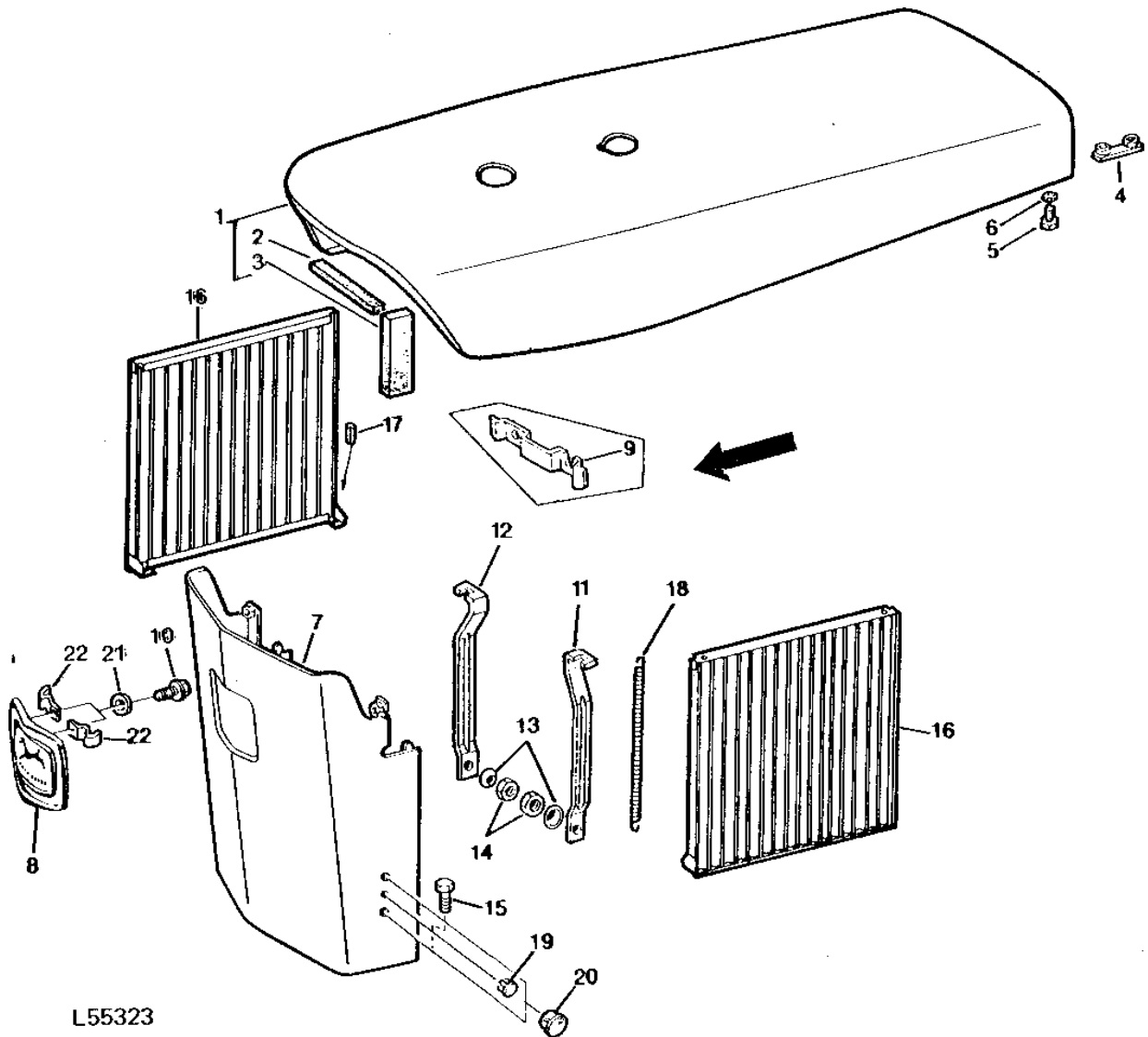
2B6

WHEELS, FRONT AXLES, SHEET METAL

L55323

-UN-01JAN94

FRONT PLATE, HOOD AND GRILLE ASSEMBLY



L55323

2B7

WHEELS, FRONT AXLES, SHEET METAL

FRONT PLATE, HOOD AND GRILLE ASSEMBLY - CONTINUED

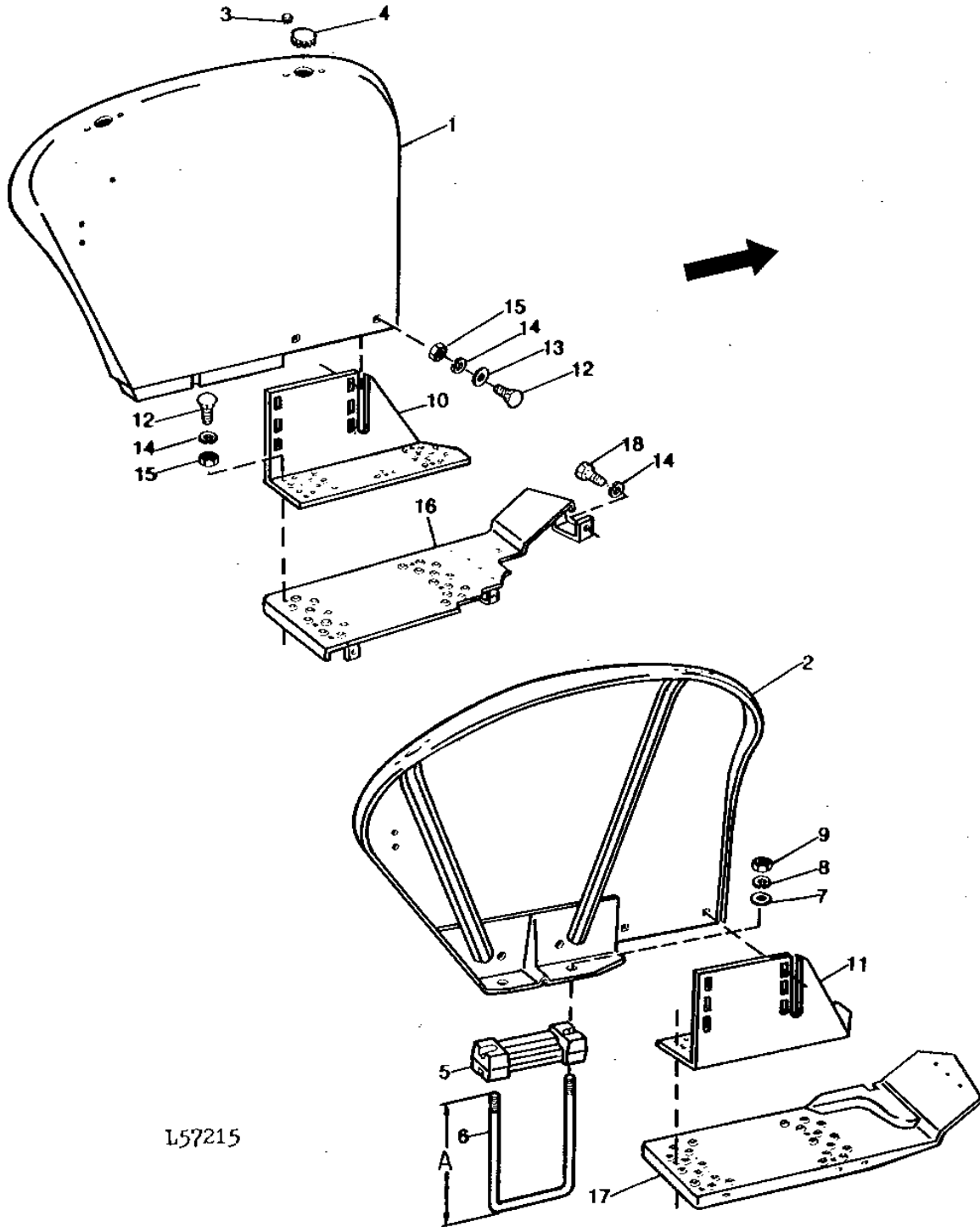
KEY	PART NO.	PART NAME	QTY	TRACTOR SERIAL NO.	REMARKS
1	AT19788	HOOD	1		(VERTICAL MUFFLER)
	AT19786	HOOD	1		HORIZONTAL MUFFLER
2	T21491	ISOLATOR	2		
3	T21490	FOAM PAD	2		
4	T25291	REINFORCEMENT	2		(SUB FOR AT20027)
5	19H1936	CAP SCREW	4		3/8" X 3/4"
6	12H310	LOCK WASHER	4		3/8"
7	AT22981	SHIELD	1		
8	T24437	MEDALLION	1	-XXXXXX	
	R48294	MEDALLION	1	XXXXXX-	
9	T24439	RETAINER	1	-XXXXXX	
	R48295	RETAINER	1	XXXXXX-102252	
10	37H29	SCREW	2		5/16" X 5/8", (SUB FOR T24438)
11	T21865	LATCH	1		
12	T21864	LATCH	1		
13	12M7051	WASHER	2		10.500 X 18 X 0.800 MM, (SUB FOR T21863)
14	M63440	LOCK NUT	2		(SUB FOR C744DN)
15	19H2548	CAP SCREW	8		1/2" X 7/8"
16	AR72949	GRILLE	2		(SUB FOR AT19881)
17	34H340	SPRING PIN	4		5/16" X 13/16"
18	R26858	SPRING	2		
19	M42229	PLUG	2		(SUB FOR T11708)
20	L55913	PLUG	4		
21	24H1292	WASHER	2		11/32" X 3/4" X 0.120"
22	T24439	RETAINER	2	102253-	(SUB FOR L28918)

2B8

WHEELS, FRONT AXLES, SHEET METAL

REAR FENDERS

L57215 -UN-01JAN94



2B9

WHEELS, FRONT AXLES, SHEET METAL

REAR FENDERS - CONTINUED

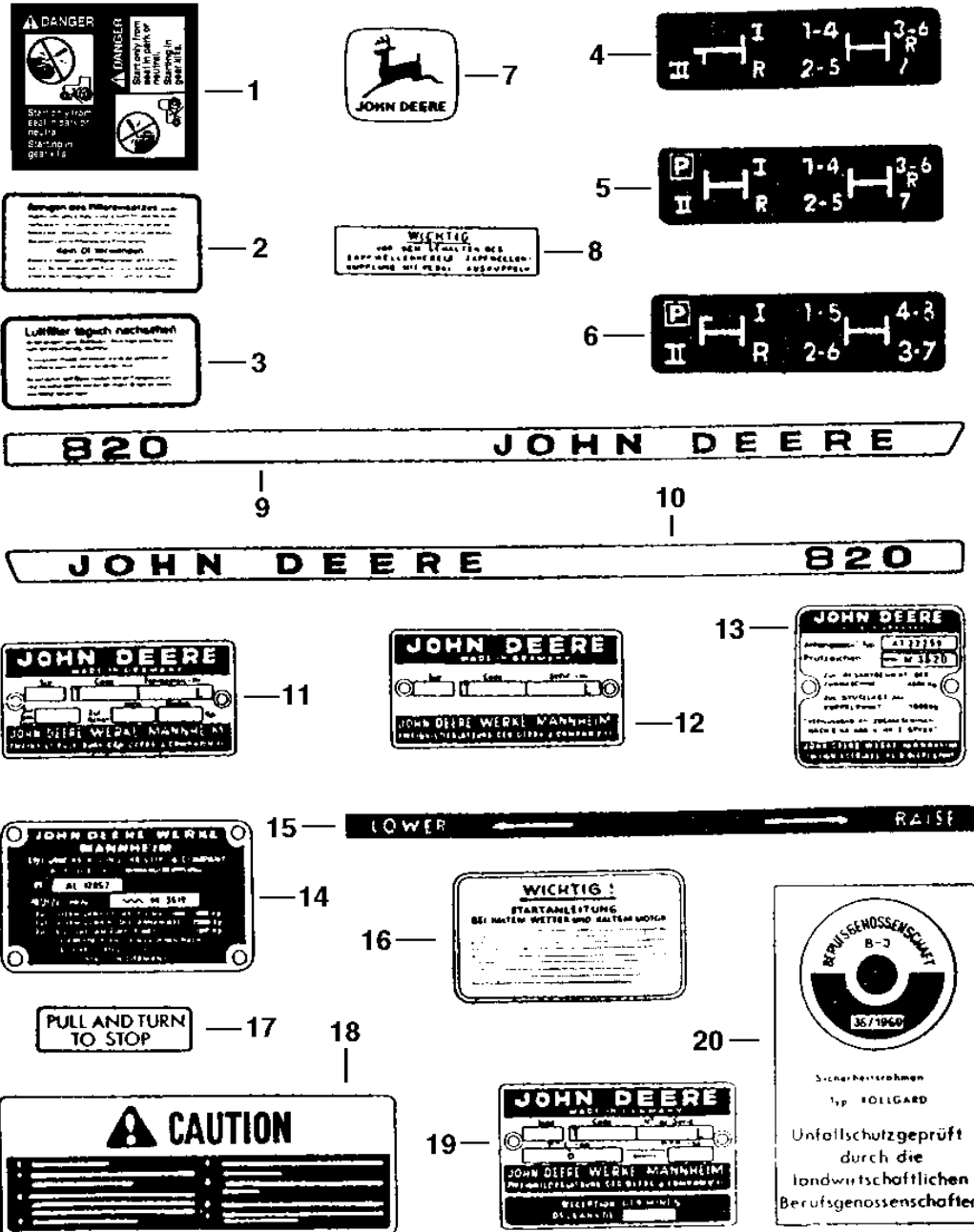
KEY	PART NO.	PART NAME	QTY	TRACTOR SERIAL NO.	REMARKS
1	AR51407	FENDER	1		(SUB FOR AT20779)
	AL65458	FENDER	1		(LESS SPACER FOR TIRES 21.5L-16.1 AND 16.5L-16.1) (SUB FOR AL24124)
2	AT20777	FENDER	1		(SUB FOR AL24479)
	AL24123	FENDER	1		(LESS SPACER FOR TIRES 21.5L-16.1 AND 16.5L-16.1)
3	R42451	PLUG	4		(SUB FOR R31420)
4	H23746	PLUG	2		(SUB FOR T22520)
5	T21571	SPACER	2		(SUB FOR L25283)
6	T22705	U-BOLT	2		A = 6.89"
	T22706	U-BOLT	2		A = 9.06", (SUB FOR L29330)
7	24H1698	WASHER	4		21/32" X 1-5/8" X 1/4"
8	12H294	LOCK WASHER	4		5/8"
9	14H1039	NUT	4		5/8"
10	T32414	SPACER	1		(SUB FOR L25281)
11	T32413	SPACER	1		(SUB FOR L25280)
12	03H1765	BOLT	8		3/8" X 3/4"
13	24H1307	WASHER	4		13/32" X 1" X 1/16"
14	12H304	LOCK WASHER	13		3/8"
15	14H1076	NUT	8		3/8"
16	AT19847	FOOTREST	1		
17	AR73848	FOOTREST	1		(SUB FOR AT19846)
18	19H1731	CAP SCREW	5		3/8" X 1"

2B10

WHEELS, FRONT AXLES, SHEET METAL

RXP021349 -UN-11OCT95

LABELS, NAME PLATES AND DECALS



RXP021349

2B11

WHEELS, FRONT AXLES, SHEET METAL

LABELS, NAME PLATES AND DECALS - CONTINUED

KEY	PART NO.	PART NAME	QTY	TRACTOR SERIAL NO.	REMARKS
1	T146102	WARNING LABEL	1		(ENGLISH) (SUB FOR T84409 OR T134459)
	T146106	WARNING LABEL	1		(ESPANOL) (SUB FOR T84410 OR T134452)
	T146104	WARNING LABEL	1		(FRANCAIS) (SUB FOR T84411 OR T134453)
	T146515	WARNING LABEL	1		(DEUTSCH) (SUB FOR T84412 OR T134454)
	T146516	WARNING LABEL	1		(ITALIANO) (SUB FOR T84413 OR T134455)
	T146517	WARNING LABEL	1		(ENGLISH/FRANCAIS) (SUB FOR T84578 OR T134456)
2	T24986	LABEL	1		(C) DRY AIR CLEANER (NO LONGER AVAILABLE)
	T23258	LABEL	1		(A) DRY AIR CLEANER, (SUB R72816)
3	R56902	LABEL	1		DRY AIR CLEANER
	T24985	LABEL	1		(C) OIL BATH AIR CLEANER
4	T19390	DECAL	1		(A) OIL BATH AIR CLEANER
	T25548	LABEL	1		(7 SPEED)
5	T25547	LABEL	1		(7 SPEED AND PARKING BRAKE)
6	R68277	LABEL	1		(A) (8 SPEED AND PARKING BRAKE) (SUB FOR T22800, T30603 OR T32214)
7	JD5232	DECAL	1		(SUB FOR T23026)
	JD5272	LABEL	1		(TOOL BOX)
8	T26853	INSTRUCTION PLATE	1		(C)
	T25899	INSTRUCTION PLATE	1		(A) PTO
	T26854	LABEL	1		PTO, SPANISH
	T26855	INSTRUCTION PLATE	1		(B) PTO
	T30123	INSTRUCTION PLATE	1		PTO, DANISH (NO LONGER AVAILABLE)
	T30122	INSTRUCTION PLATE	1		PTO, DUTCH
	T30124	INSTRUCTION PLATE	1		PTO, ITALIAN
	T30122	INSTRUCTION PLATE	1		PTO, PORTUGUESE
	T30129	INSTRUCTION PLATE	1		PTO, GREEK
	T30126	INSTRUCTION PLATE	1		PTO, SWEDISH
	T30127	INSTRUCTION PLATE	1		PTO, NORWEGIAN
T30125	INSTRUCTION PLATE	1		PTO, FINNISH	
9	R48195	LABEL	1		HOOD, R.H. (SUB FOR T25165 OR T25163) (SUB L65347 AND L65446)
10	R48196	LABEL	1		HOOD, L.H. (SUB FOR T25166 OR T25164) (SUB L65348 AND L65446)
11	T25814	SERIAL NUMBER PLATE	1	-XXXXXX	(C) (NO LONGER AVAILABLE)
	T29089	PLATE	1	XXXXXX-	(C) (NO LONGER AVAILABLE)
12	T25815	SERIAL NUMBER PLATE	1	-XXXXXX	(B)
	T29090	SERIAL NUMBER PLATE	1	-055510	(B)
12	T29092	PLATE	1		(FOR EXPORT)
13	L25408	LABEL	1	-XXXXXX	(D) (NO LONGER AVAILABLE)
	T30500	SERIAL NUMBER PLATE	1	XXXXXX-	(D)
	L24803	SERIAL NUMBER PLATE	1		(E) JOHN DEERE LANZ A.G.
14	L25409	LABEL	1	-XXXXXX	(D)
	T30712	SERIAL NUMBER PLATE	1	XXXXXX-	(D)
	L24802	SERIAL NUMBER PLATE	1		(E) JOHN DEERE LANZ A.G.
	T30852	SERIAL NUMBER PLATE	1		(E) JOHN DEERE WERKE, (SUB FOR T29093)
15	L36319	DECAL	1		ROCKSHAFT OPERATION, (SUB FOR T26936) (SUB AL70963)
16	CD12933	LABEL	1		(C) COLD WEATHER START (NO LONGER AVAILABLE)
	CD12932	DECAL	1		(A) COLD WEATHER START
	CD12931	DECAL	1		(B) COLD WEATHER START
17	T29577	LABEL	1		FUEL SHUT-OFF, (SUB AL70963)
18	R51821	DECAL	1		SAFETY
19	L28082	SERIAL NUMBER PLATE	1	055511-	(B) (NO LONGER AVAILABLE)
20	L29323	LABEL	1		DISK INSPECTION
..	AR73918	LABEL	1		KIT, REFINISHING, (SUB AR105634)

- (A) ENGLISH
- (B) FRANCAIS
- (C) DEUTSCH
- (D) FOR PIVOTING WAGON HITCH
- (E) FOR FIXED PICK-UP HITCH

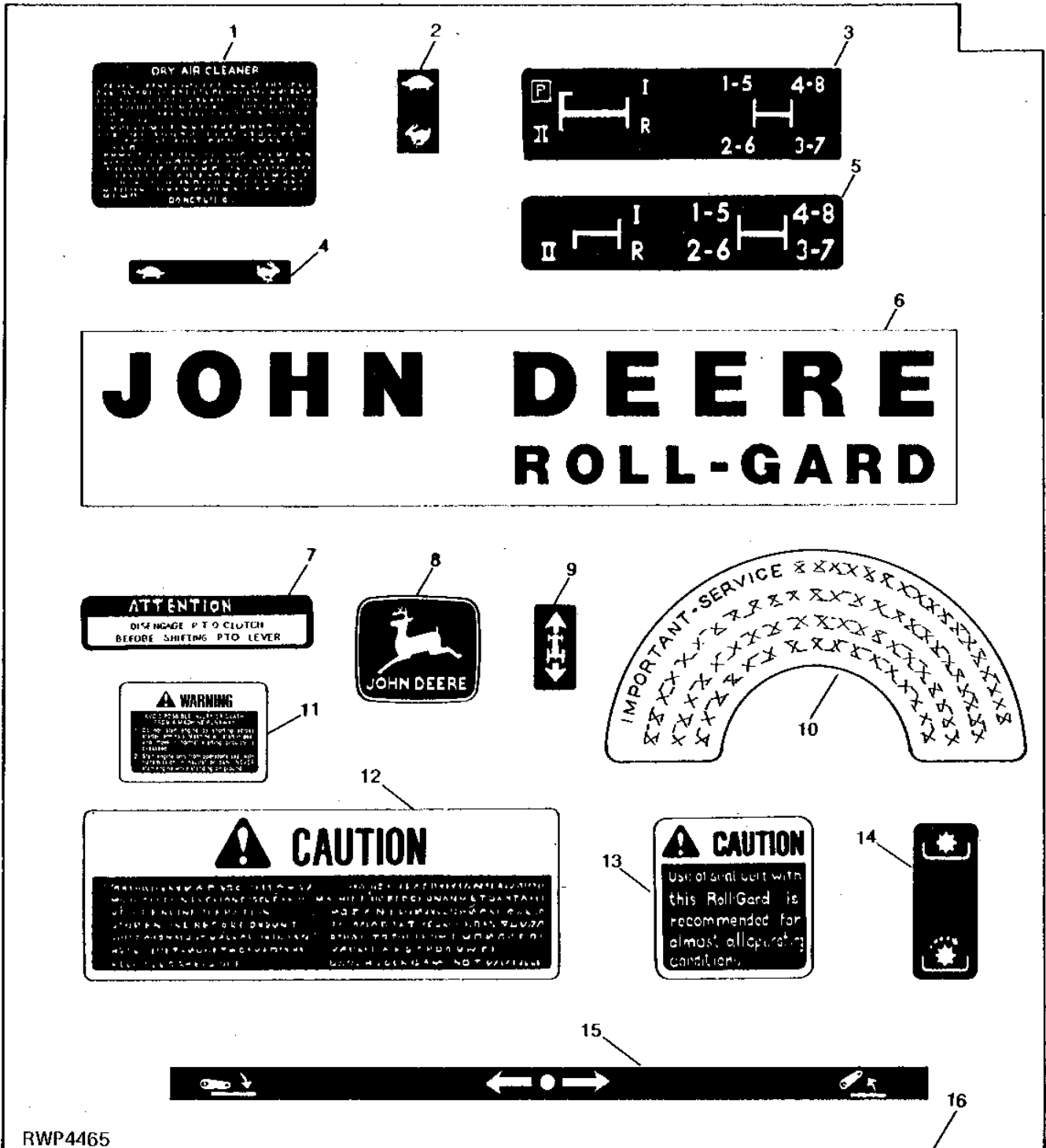
2B12

WHEELS, FRONT AXLES, SHEET METAL

RWP4465

-UN-01JAN94

LABEL REFINISHING KIT



RWP4465

2B13

WHEELS, FRONT AXLES, SHEET METAL

LABEL REFINISHING KIT - CONTINUED

KEY	PART NO.	PART NAME	QTY	TRACTOR SERIAL NO.	REMARKS
1	R56902	LABEL	1		DRY AIR CLEANER (FUEL TANK)
2	R56467	LABEL	1		TRANSMISSION HI-LO CONTROL LEVER
3	R68277	LABEL	1		SHIFT LEVER
4	R77420	LABEL	2		SCV FLOW
5	L35521	LABEL	1		SHIFT LEVER (COLLAR SHIFT)
6	R47292	LABEL	1		ROLL-GARD (CROSS MEMBER)
7	T65880	WARNING LABEL	1		CONTINUOUS PTO
8	JD5272	LABEL	1		(TOOL BOX)
9	R56468	LABEL	1		REVERSER TRANSMISSION CONTROL LEVER
10	R72816	LABEL	1		DRY AIR CLEANER (COVER)
11	R77403	LABEL	1		SAFETY START, (SUB R77402)
12	R76341	LABEL	1		SAFETY (FENDER) (SUB R82425)
13	R41781	DECAL	1		CAUTION, ROLL-GARD (STRUT)
14	T30772	LABEL	1		PTO CLUTCH LEVER
15	L36319	DECAL	1		ROCKSHAFT QUADRANT
16	AR105634	KIT	1		(SUB FOR AR73918)

MEMORANDA

MEMORANDA

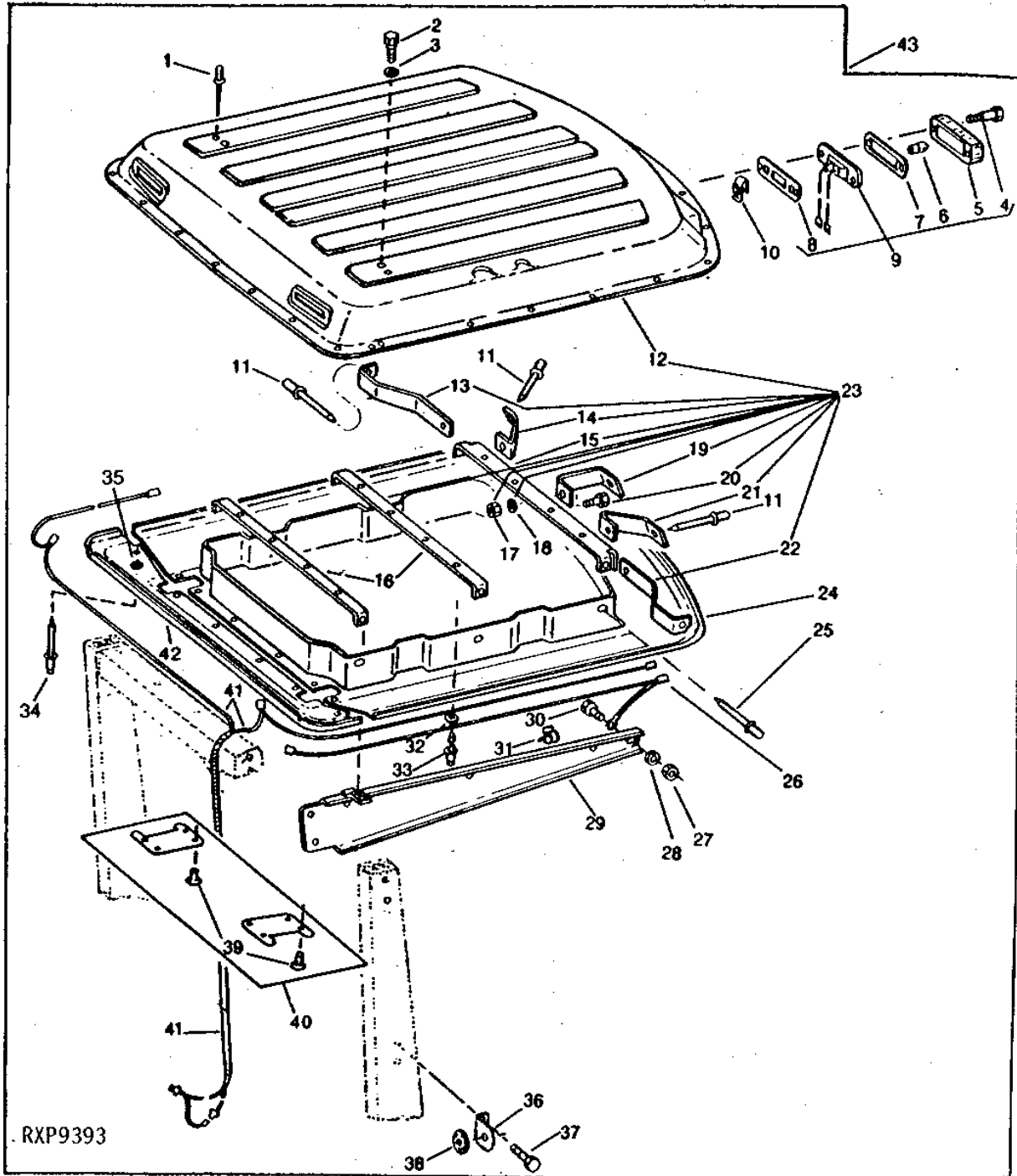
2B15

OPERATOR'S STATION

RXP9393

-UN-01JAN94

ROLL-GARD CANOPY



RXP9393

2B16

OPERATOR'S STATION

ROLL-GARD CANOPY - CONTINUED

KEY	PART NO.	PART NAME	QTY	TRACTOR SERIAL NO.	REMARKS
1	R55326	RIVET	2		
2	19H1792	CAP SCREW	2	1/2" X 1"	
3	24H1227	WASHER	2	17/32" X 13/16" X 0.060"	
4	R54781	SCREW	8		
5	R54779	LENS	4		
6	AD2062R	BULB	4	(12-VOLT)	
7	R54782	GASKET	4		
8	R61179	GASKET	4		
9	AR60250	LAMP	4		
10	R99350	NUT	8	(SUB FOR R53528, THIS APPLICATION)	
11	R55326	RIVET	17		
12	AR78261	ROOF	1		
13	R62926	BRACE	1		
14	R62924	BRACKET	1	(USE WITH AR73336)	
	R81223	BRACKET	1	(USE WITH RE19445)	
15	AR77698	SUPPORT	1		
16	R62922	SUPPORT	2		
17	14H1076	NUT	7	3/8" HS, SAE 8	
18	24H1682	WASHER	7	13/32" X 7/8" X 0.120"	
19	R62929	BRACKET	1	(USE WITH AR73336)	
	R81221	BRACKET	1	(USE WITH RE19445)	
20	19H1731	CAP SCREW	7	3/8" X 1"	
21	R62923	BRACKET	1	(USE WITH AR73336)	
	R81222	BRACKET	1	(USE WITH RE19445)	
22	R62925	BRACE	1		
23	AR73338	ROOF	1		
	R60101	ISOLATOR	1		
24	R60103	PANEL	1		
25	R55326	RIVET	6		
26	AR56211	WIRING HARNESS	2		
27	14H1076	NUT	6	3/8" HS, SAE 8	
28	24H1682	WASHER	2	13/32" X 7/8" X 0.120"	
29	AR72902	SUPPORT	1	R.H.	
	AR72903	SUPPORT	1	L.H.	
30	19H1731	CAP SCREW	6	3/8" X 1"	
31	R21551	CLIP	4		
32	R52119	WASHER	32		
33	19H1820	CAP SCREW	32	1/2" X 3"	
34	R63679	RIVET	6		
35	R52119	WASHER	6		
36	R60459	BRACKET	2		
37	37H3	SCREW	4	1/4" X 5/8"	
38	T33745	REFLECTOR	2		
39	R63679	RIVET	8	XXXXXX-	
40	AR76583	COVER	2	XXXXXX-	
41	AR72987	WIRING HARNESS	1		
	H97644	CONDUIT	1	(SUB FOR R50452)	
42	R60104	PANEL	1		
43	RE19445	CANOPY	1	(SUB FOR AR73336)	

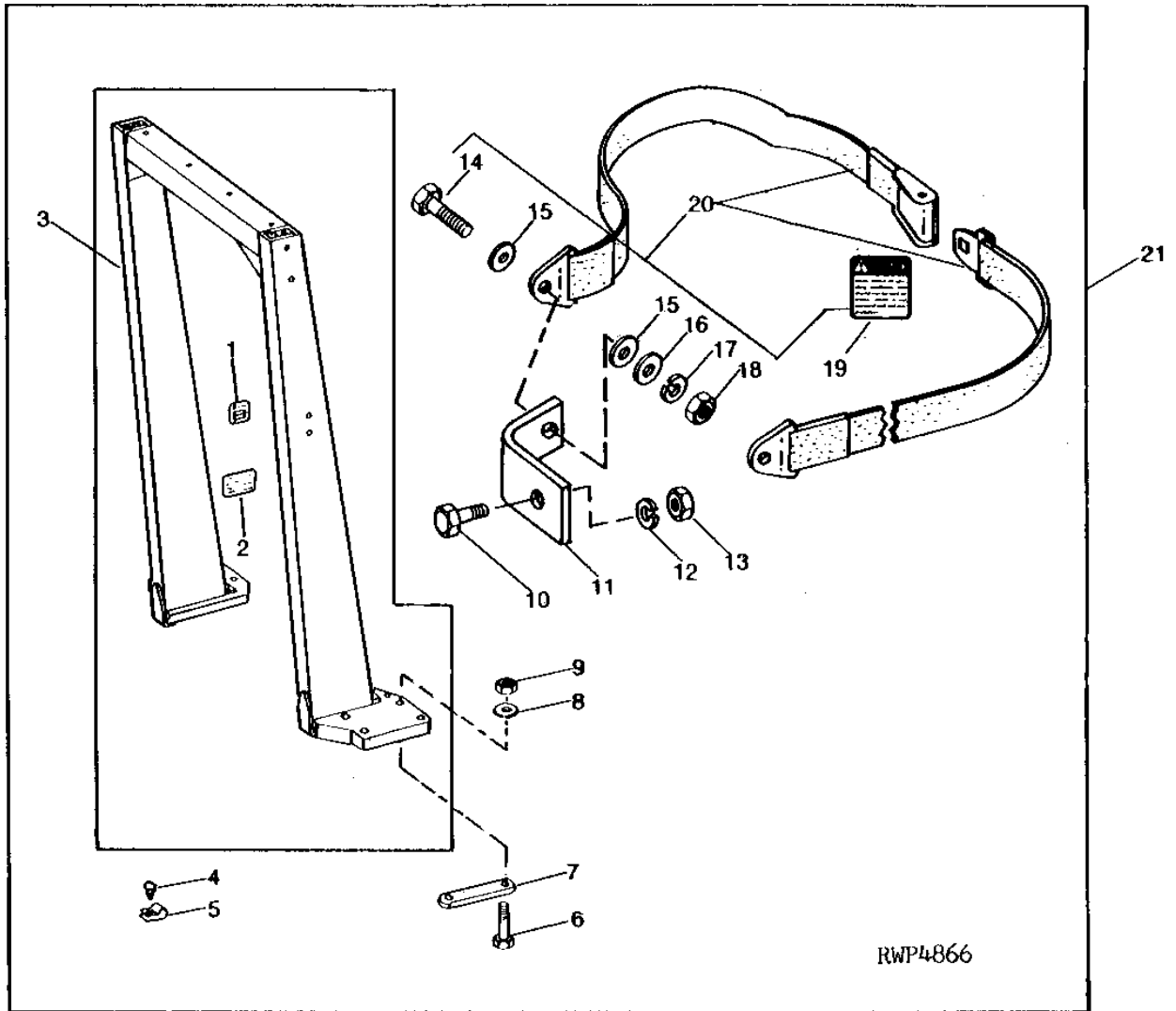
2B17

OPERATOR'S STATION

RWP4866

-UN-01JAN94

ROLL-GARD



2B18

OPERATOR'S STATION

ROLL-GARD - CONTINUED

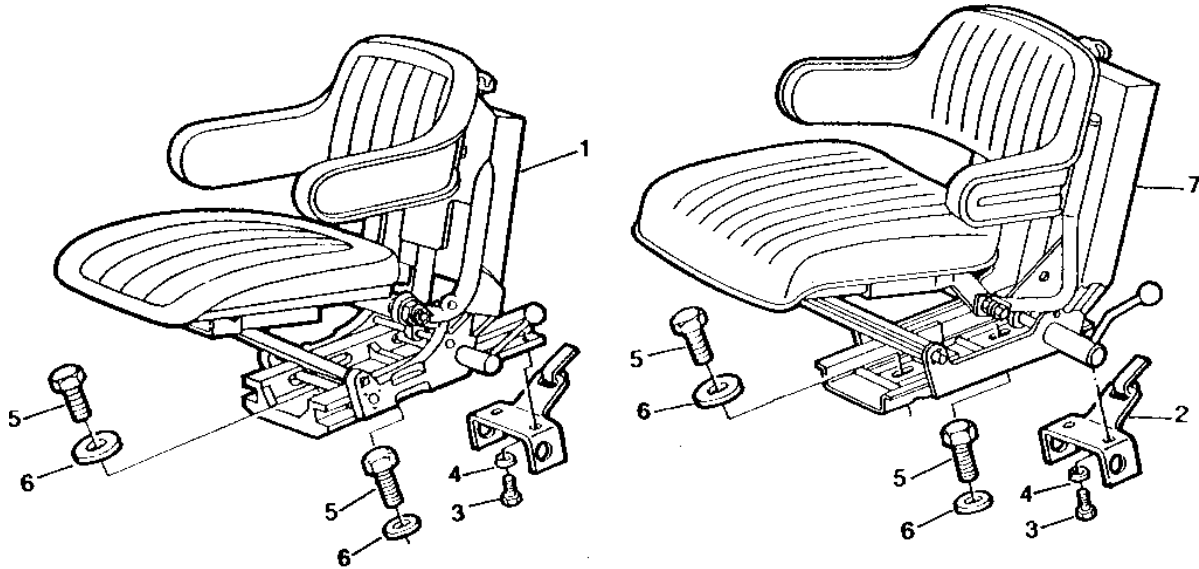
KEY	PART NO.	PART NAME	QTY	TRACTOR SERIAL NO.	REMARKS
1	R41781	DECAL	1		CAUTION
2	LABEL	1		(NOT FURNISHED)
3	ROLL-GARD	1		(ORDER AR51143)
4	37H3	SCREW	2		1/4" X 5/8"
5	T22645	CLIP	2		
6	R48139	CAP SCREW	4		
	R42581	BOLT	4		
7	U40656	STRAP	4		
8	24H1400	WASHER	8		25/32" X 1-5/8" X 1/4"
9	14H794	NUT	8		3/4"
10	19H3650	CAP SCREW	2		5/8" X 11"
11	T26153	ANGLE	2		
12	12H301	LOCK WASHER	2		1/2"
13	14H1040	NUT	2		1/2"
14	R41778	BOLT	2		
15	24H1226	WASHER	4		1/2" X 1-1/4" X 0.083"
16	24H1363	WASHER	2		41/64" X 1-1/16" X 0.105"
17	12H293	LOCK WASHER	2		7/16"
18	14H1047	NUT	2		7/16"
19	R42732	DECAL	1		CAUTION
20	AT37833	SEAT BELT	1		51MM (2") WIDTH
	AT38518	SEAT BELT	1		(3" WIDE)
21	AL70191	ROLL-GARD	1		(30" AND OVER DIAMETER REAR WHEELS) (SUB AL70191)
	AR51143	ROLL-GARD	1		28" OR SMALLER

2B19

OPERATOR'S STATION

DELUXE SEAT ASSEMBLY
(TRACTOR SERIAL NO. -092139)

L51965 -UN-01JAN94



L51965

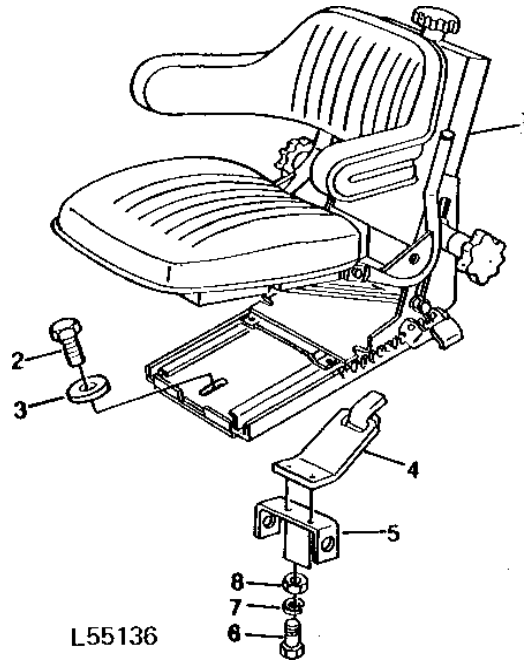
KEY	PART NO.	PART NAME	QTY	TRACTOR SERIAL NO.	REMARKS
1	AT25383	SEAT	1	-046139	(SUB AL56097 AND (2) 19H1815)
2	AL63296	SUPPORT	1		(SUB FOR AT25805 OR AL23433)
3	19H1900	CAP SCREW	2		5/16" X 3/4"
4	12H303	LOCK WASHER	2		5/16"
5	19H1815	CAP SCREW	2		1/2" X 1-1/4"
6	24H1349	WASHER	2		9/16" X 1-1/4" X 0.134", (SUB FOR M557T)
7	AR50553	SEAT	1	046140-092139	(SUB AL56097 AND (2) 19H1815)

2B20

OPERATOR'S STATION

**DELUXE SEAT ASSEMBLY
(TRACTOR SERIAL NO. 092140-)**

L55136 -UN-01JAN94



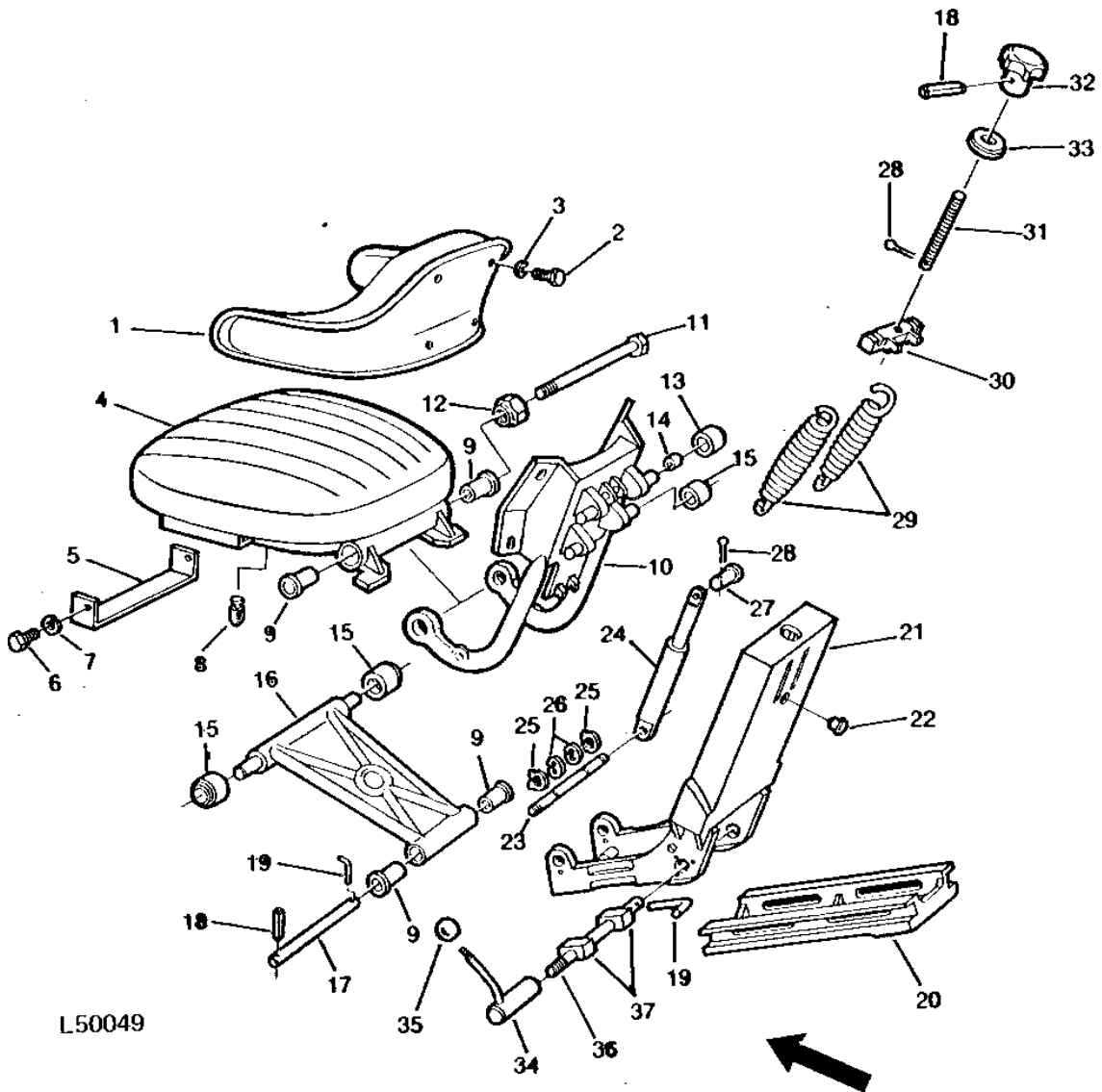
KEY	PART NO.	PART NAME	QTY	TRACTOR SERIAL NO.	REMARKS
1	AL19794	SEAT	1		(SUB AL56097 AND (2) 19H1815)
2	19H1815	CAP SCREW	2		1/2" X 1-1/4"
3	24H1349	WASHER	2		9/16" X 1-1/4" X 0.134"
4	AL23433	RETAINER	1		
5	L29217	RETAINER	1		
6	19H1849	CAP SCREW	2		5/16" X 1-1/4"
7	12H303	LOCK WASHER	2		5/16"
8	14H785	NUT	2		5/16"

2B21

OPERATOR'S STATION

DELUXE SEAT ASSEMBLY
(TRACTOR SERIAL NO. -046139)

L50049 -UN-01JAN94



L50049

2B22

OPERATOR'S STATION

DELUXE SEAT ASSEMBLY - CONTINUED
(TRACTOR SERIAL NO. -046139)

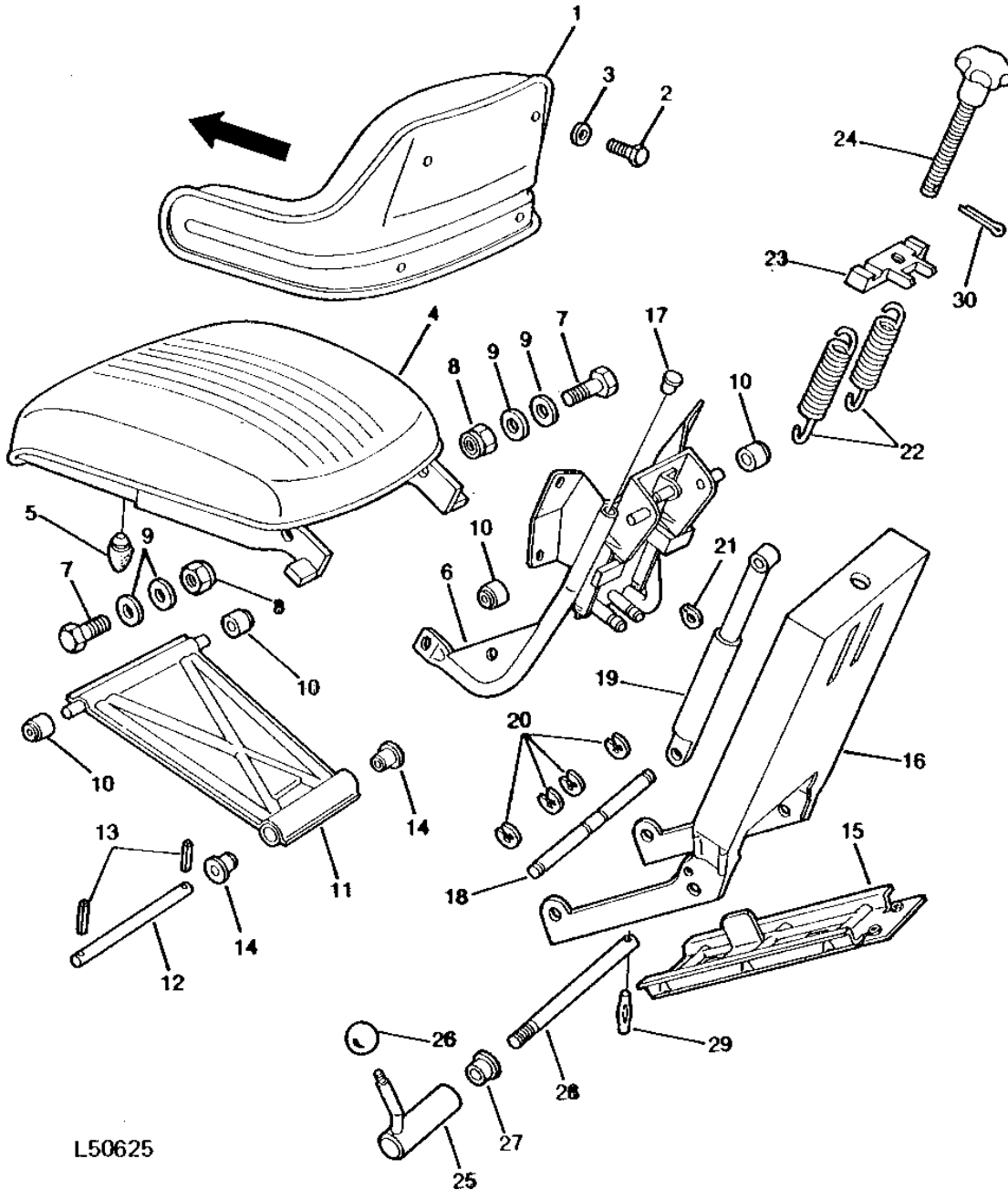
KEY	PART NO.	PART NAME	QTY	TRACTOR SERIAL NO.	REMARKS
1	AL18632	SEAT BACK	1		(YELLOW) (SUB AL56097)
2	19M7162	CAP SCREW	4		M8 X 16
3	12M7065	LOCK WASHER	4		M8
4	AL18633	SEAT	1		(YELLOW)
5	L25698	RETAINER	1		
6	19M6614	CAP SCREW	2		M6 X 12
7	12M7006	LOCK WASHER	2		M6
8	L25678	BUMPER	1		
9	L25679	BUSHING	4		
10	L25685	PLATE	1		
11	L25688	CAP SCREW	1		
12	14M7168	LOCK NUT	1		M12
13	L25686	ROLLER	2		(SUB L64688)
14	L25687	BUSHING	2		(NO LONGER AVAILABLE)
15	L25681	ROLLER	4		
16	L25680	ARM	1		
17	L25682	PIN	1		
18	34M3843	SPRING PIN	2		3 X 24 MM
19	L25683	FUSE	2		
20	L25684	ADJUSTER	1		
21	AL18635	SPRING ASSEMBLY	1		
22	L25689	PLUG	1		
23	L25690	PIN	1		
24	AL23805	ABSORBER	1		(SUB FOR AL18634)
25	L27166	SNAP RING	2		
26	40M7030	SNAP RING	2		
27	45M7011	PIN	1		10 X 35 MM
28	11M1383	COTTER PIN	2		3.200 X 20 MM
29	L25699	EXTENSION SPRING	2		
30	L25697	SUPPORT	1		
31	L25696	STUD	1		
32	L25695	HANDLE	1		
33	24M7047	WASHER	1		13 X 24 X 2.500 MM
34	AL18768	HANDLE	1		
35	L25692	KNOB	1		
36	L25694	SHAFT	1		
37	L25693	GUIDE	2		
..	AT25383	SEAT	1		COMPLETE KIT, (SUB AL56097 AND (2) 19H1815)

2B23

OPERATOR'S STATION

L50625 -UN-01JAN94

DELUXE SEAT ASSEMBLY
(TRACTOR SERIAL NO. 046140-092139)



L50625

2B24

OPERATOR'S STATION

DELUXE SEAT ASSEMBLY - CONTINUED
(TRACTOR SERIAL NO. 046140-092139)

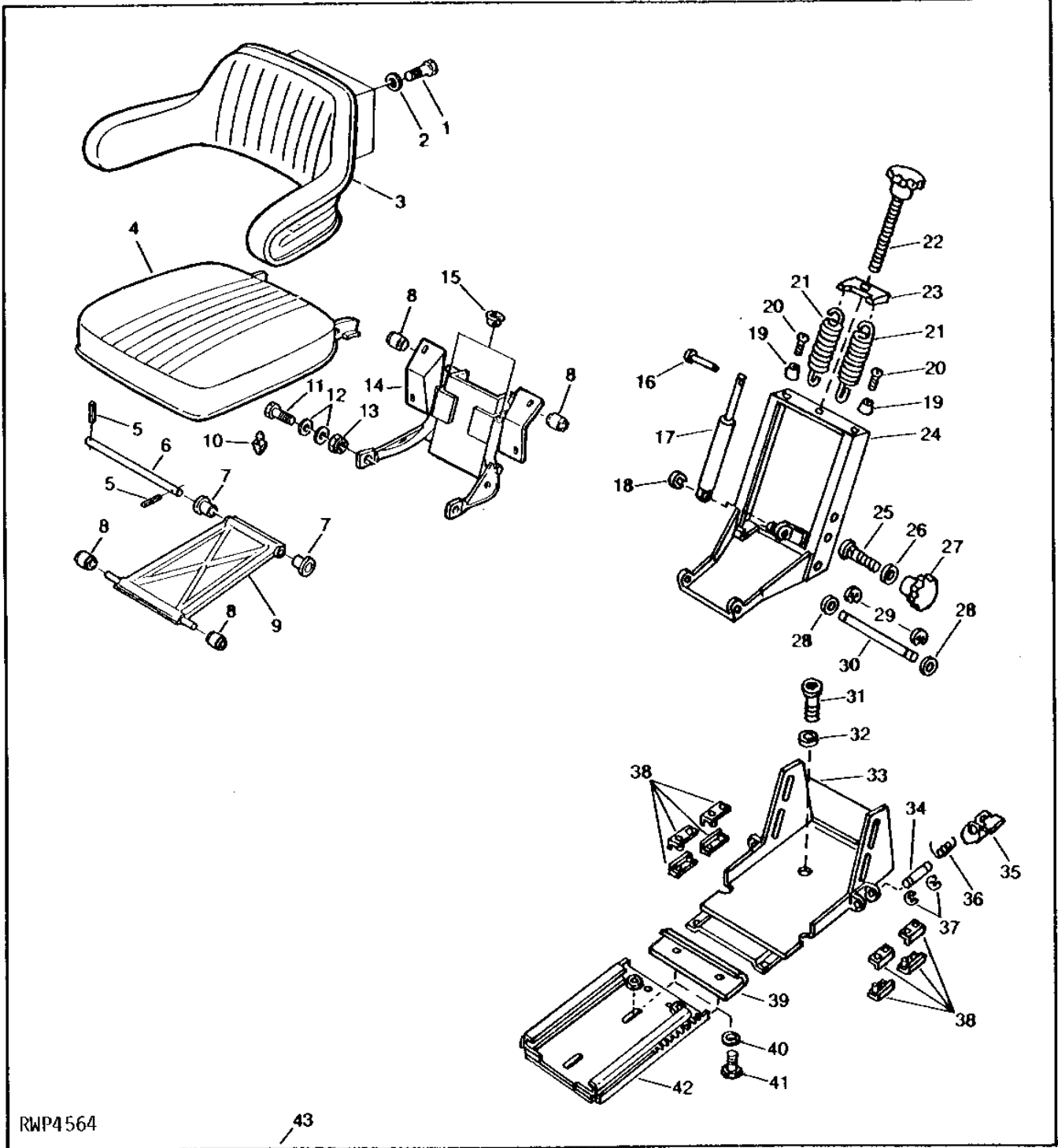
KEY	PART NO.	PART NAME	QTY	TRACTOR SERIAL NO.	REMARKS
1	AL19071	CUSHION	1		(YELLOW) (SUB AL39816)
2	19H1813	CAP SCREW	4		5/16" X 5/8"
3	24M7055	WASHER	4		8.400 X 16 X 1.600 MM
4	AL19072	PAD	1		(YELLOW) (NLA)
5	L25678	BUMPER	1		
6	AL19076	FRAME	1		(NLA)
7	19H3579	CAP SCREW	2		1/2" X 1-3/8"
8	T27645	NUT	2		
9	24M7047	WASHER	4		13 X 24 X 2.500 MM
10	L25686	ROLLER	4		(SUB L64688)
11	AL24164	SEAT	1		(SUB FOR AL19075)
12	L27169	PIN	1		
13	34M3851	SPRING PIN	2		4 X 24 MM
14	L27167	BUSHING	2		
15	AL19074	SUPPORT	1		
16	AL19073	SPRING ASSEMBLY	1		
17	L25689	PLUG	2		
18	L27168	PIN	1		
19	AL23805	ABSORBER	1		(SUB FOR AL18634)
20	40M7030	SNAP RING	4		
21	L27166	SNAP RING	1		
22	L27170	EXTENSION SPRING	2		
23	L25697	SUPPORT	1		
24	AL19077	KNOB	1		
25	AL18768	HANDLE	1		
26	L25692	KNOB	1		
27	L27171	BUSHING	1		
28	L29130	STUD	1		(SUB FOR L25694)
29	25M7012	GROOVE PIN	1		5 X 22 MM
30	11M1383	COTTER PIN	1		3.200 X 20 MM
..	AR50553	SEAT	1		COMPLETE KIT, (SUB AL56097 AND (2) 19H1815)

2C1

OPERATOR'S STATION

DELUXE SEAT ASSEMBLY
(TRACTOR SERIAL NO. 092140-)

RWP4564 -UN-01JAN94



2C2

OPERATOR'S STATION

DELUXE SEAT ASSEMBLY - CONTINUED
(TRACTOR SERIAL NO. 092140-)

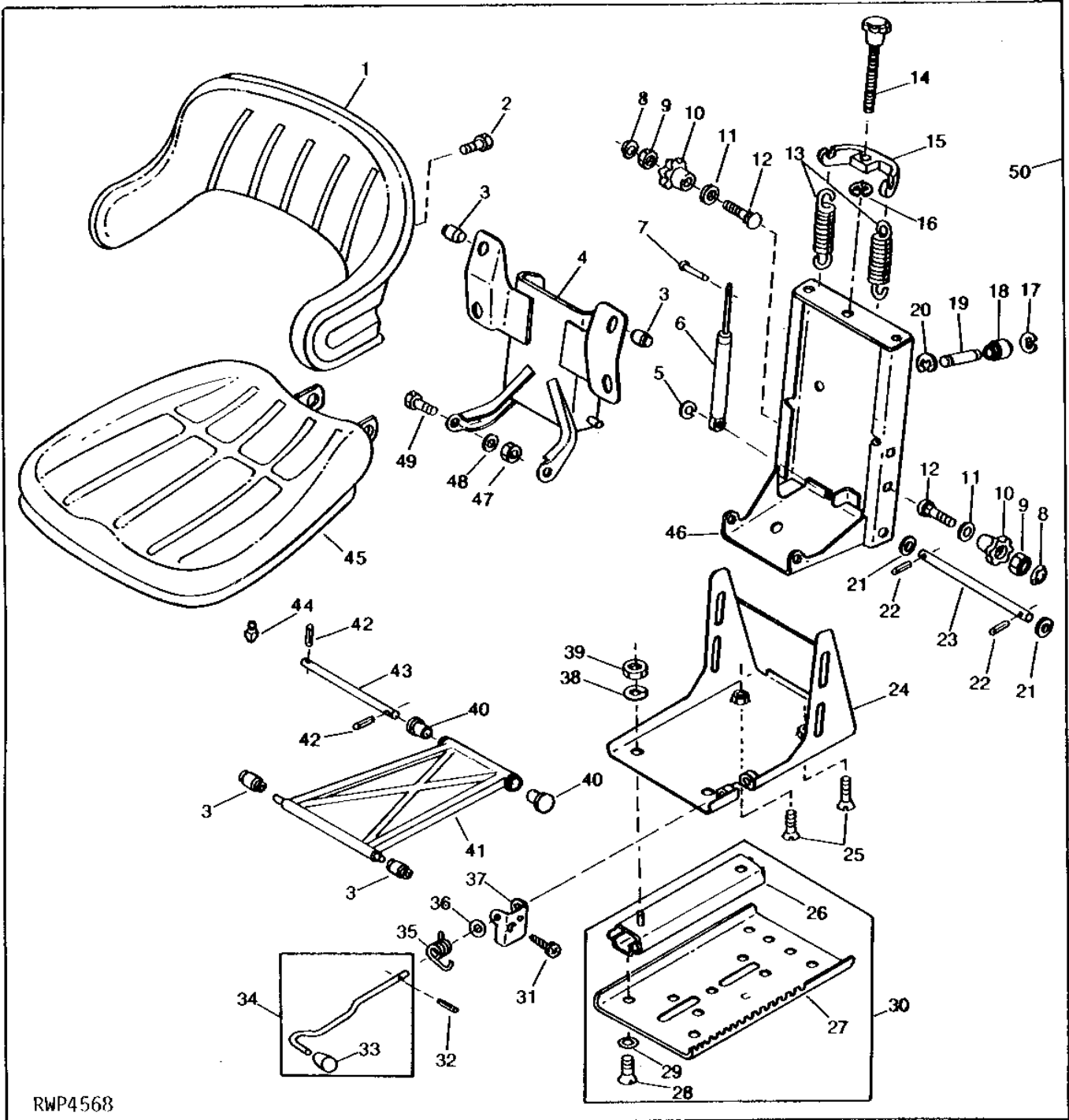
KEY	PART NO.	PART NAME	QTY	TRACTOR SERIAL NO.	REMARKS
1	19H1813	CAP SCREW	4		5/16" X 5/8"
2	24M7055	WASHER	4		8.400 X 16 X 1.600 MM
3	AL24163	ARMREST	1		(YELLOW) (SUB FOR AL19017) (SUB AL39816)
4	AL24170	CUSHION	1		(YELLOW) (SUB FOR AL23885) (SUB AL70202)
5	34M3851	SPRING PIN	2		4 X 24 MM
6	L29209	PIN	1		
7	L27167	BUSHING	2		
8	L25686	ROLLER	4		(SUB L64688)
9	AL24164	SEAT	1		(SUB FOR AL19075)
10	L25678	BUMPER	1		
11	19H3579	CAP SCREW	2		1/2" X 1-3/8"
12	24M7047	WASHER	4		13 X 24 X 2.500 MM
13	T27645	NUT	2		
14	AL24169	SUPPORT	1		(SUB FOR AL23884)
15	L25689	PLUG	2		
16	16M7061	RIVET	1		4 X 25 MM, (SUB FOR L28081)
17	AL24165	ABSORBER	1		
18	L27166	SNAP RING	1		
19	L28078	BUMPER	2		
20	37M7016	SCREW	2		4.8 X 22MM
21	L28076	EXTENSION SPRING	2		
22	AL23886	BOLT	1		
23	L28077	RETAINER	1		
24	AL30692	HOUSING	1		(SUB FOR AL23883 OR AL24168)
25	03M7191	BOLT	1		M10 X 25
26	24M7149	WASHER	2		10.500 X 30 X 2.500 MM
27	L29211	HANDLE	2		
28	24M7044	WASHER	2		13 X 20 X 2 MM
29	40M7030	SNAP RING	2		
30	L29208	PIN	1		
31	19M7695	SCREW	1		M10 X 20
32	12H304	LOCK WASHER	1		3/8"
33	AL30691	FRAME	1		(SUB FOR AL23882 OR AL24167)
34	L29205	PIN	1		
35	L29204	PAWL	1		
36	L29206	SPRING	1		
37	40M7041	SNAP RING	2		
38	L29202	RAIL	2		
39	L29353	RETAINER	1		(SUB FOR L29203)
40	12H303	LOCK WASHER	2		5/16"
41	19H1813	CAP SCREW	2		5/16" X 5/8"
42	AL24166	ALIGNER	1		(SUB FOR AL23881)
43	AL24161	SEAT	1		(SUB FOR AL19794) (SUB AL56097 AND (2) 19H1815)

2C3

OPERATOR'S STATION

RWP4568 -UN-01JAN94

DELUXE SEAT ASSEMBLY
(TRACTOR SERIAL NO. 092140-)



RWP4568

2C4

OPERATOR'S STATION

DELUXE SEAT ASSEMBLY - CONTINUED
(TRACTOR SERIAL NO. 092140-)

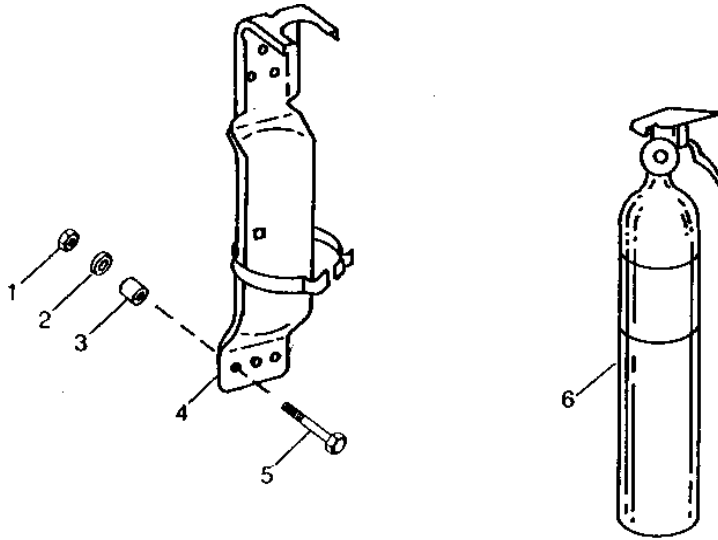
KEY	PART NO.	PART NAME	QTY	TRACTOR SERIAL NO.	REMARKS
1	AL36555	SEAT BACK	1		(SUB AL39816)
2	19H1813	CAP SCREW	4		5/16" X 5/8"
3	L25686	ROLLER	4		GUIDE, 480 I.D.
4	AL24169	SUPPORT	1		(SUB L64688)
5	L27166	SNAP RING	1		
6	AL24165	ABSORBER	1		
7	16M7061	RIVET	1		4 X 25 MM
8	L31727	COVER	2		
9	L31730	NUT	2		
10	L29211	HANDLE	2		
11	24M7149	WASHER	2		10.500 X 30 X 2.500 MM
12	03M7099	BOLT	2		M10 X 45
13	L35825	LEAF SPRING	2		
14	AL33069	SPINDLE	1		
15	L28077	RETAINER	1		
16	40M7042	SNAP RING	2		
17	40M7041	SNAP RING	2		
18	AL26918	ROLLER	2		
19	L31731	PIN	2		
20	40M7041	SNAP RING	2		
21	24M7044	WASHER	2		13 X 20 X 2 MM
22	34M3851	SPRING PIN	2		4 X 24 MM
23	L29208	PIN	1		
24	AL33010	ADJUSTER	1		
25	19M7902	SCREW	2		M8 X 16
26	AL33439	RAIL	2		
27	L36269	PLATE	1		
28	19M7924	SCREW	4		M8 X 16
29	L36292	LOCK NUT	4		
30	AL33016	ADJUSTER	1		
31	37M7079	SCREW	1		
32	34M7121	SPRING PIN	1		4 X 28 MM
33	L34156	KNOB	1		
34	AL36327	LEVER	1		
35	L35769	SPRING	1		
36	24M7207	WASHER	1		8.400 X 24 X 2 MM
37	L38377	PAWL	1		
38	12M7032	LOCK WASHER	1		M8
39	14M7273	NUT	2		M8
40	L27167	BUSHING	2		
41	AL24164	SEAT	1		
42	34M3851	SPRING PIN	2		4 X 24 MM
43	L29209	PIN	1		
44	L25678	BUMPER	1		
45	AL36324	SEAT	1		(SUB AL70202)
46	AL30692	HOUSING	1		
47	T27645	NUT	2		
48	24M7047	WASHER	1		13 X 24 X 2.500 MM
49	19H3579	CAP SCREW	2		1/2" X 1-3/8"
50	AL36556	SEAT	1		(SUB FOR AL19794) (SUB AL56097 AND (2) 19H1815)

2C5

OPERATOR'S STATION

RWP2787 -UN-01JAN94

FIRE EXTINGUISHER



RWP2787

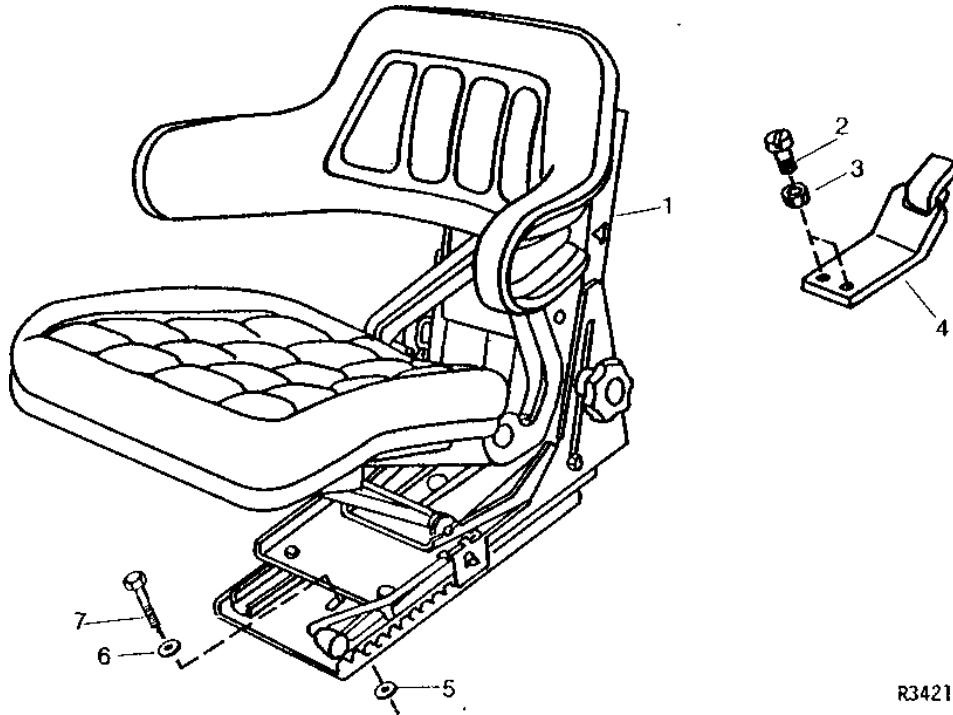
KEY	PART NO.	PART NAME	QTY	TRACTOR SERIAL NO.	REMARKS
1	14H786	NUT	2		1/4", (SUB FOR 28H1914)
2	24H1287	WASHER	2		9/32" X 5/8" X 0.065"
3	28H3423	BUSHING	2		
4	AT75387	BRACKET	1		(SUB FOR AT62019)
5	21H1035	SCREW	2		1/4" X 1-1/2"
6	AT141924	FIRE EXTINGUISHER	1		(SUB FOR AT62018 OR AT81764)

2C6

OPERATOR'S STATION

R34214 -UN-01JAN94

DELUXE SEAT ASSEMBLY



R34214

KEY	PART NO.	PART NAME	QTY	TRACTOR SERIAL NO.	REMARKS
1	AL39913	SEAT	1		(SUB FOR AL35635 OR AL36556) (SUB AL56097 AND (2) 19H1815)
2	21H1331	SCREW	2		5/16" X 1"
3	14H785	NUT	2		5/16"
4	AL23433	RETAINER	1		(SUB AL63296)
5	24H1254	WASHER	2		17/32" X 1-1/8" X 0.105"
6	24H1349	WASHER	2		9/16" X 1-1/4" X 0.134"
7	19H1815	CAP SCREW	2		1/2" X 1-1/4"

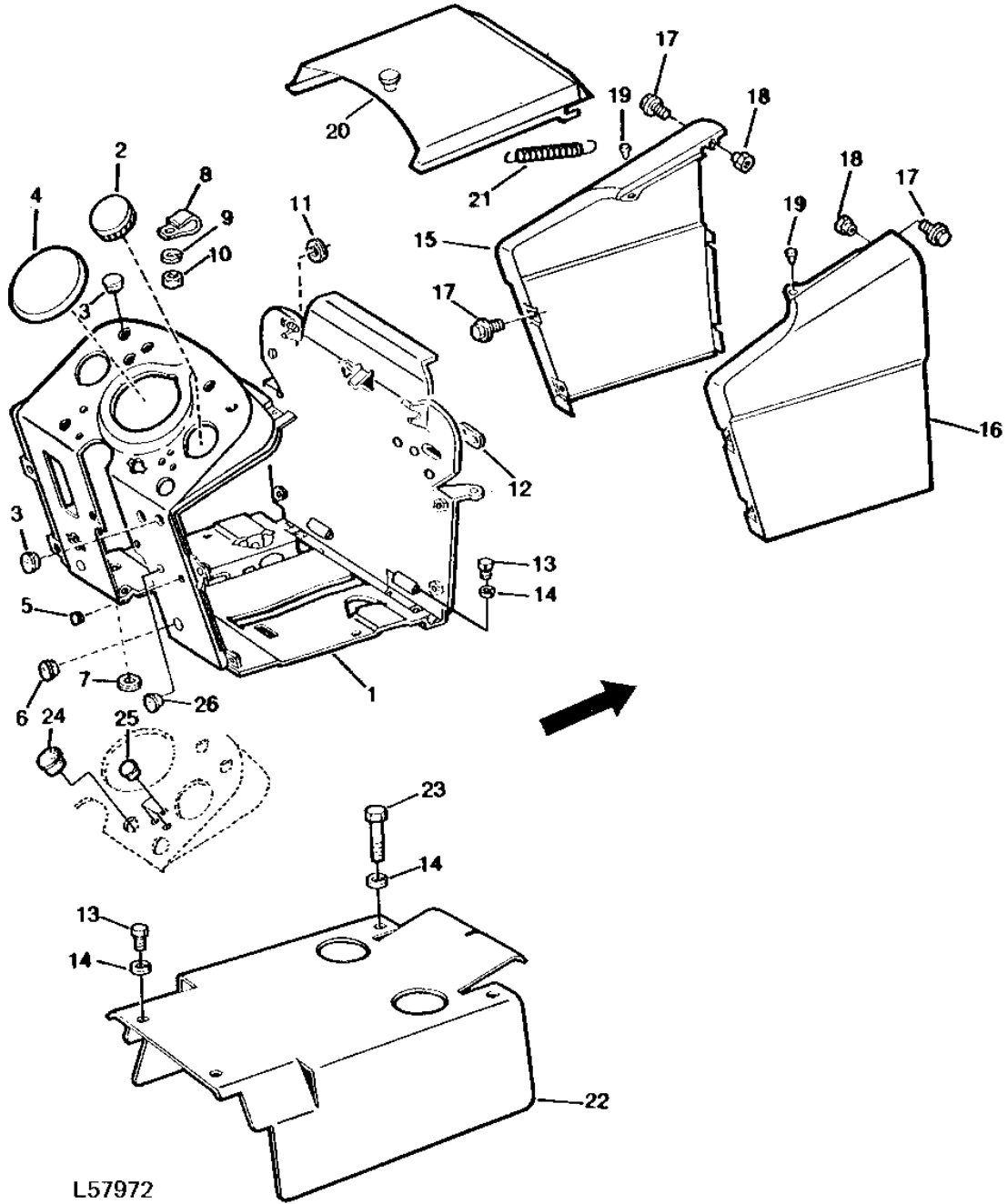
2C7

OPERATOR'S STATION

L57972

-UN-01JAN94

DASH AND COWL



2C8

OPERATOR'S STATION

DASH AND COWL - CONTINUED

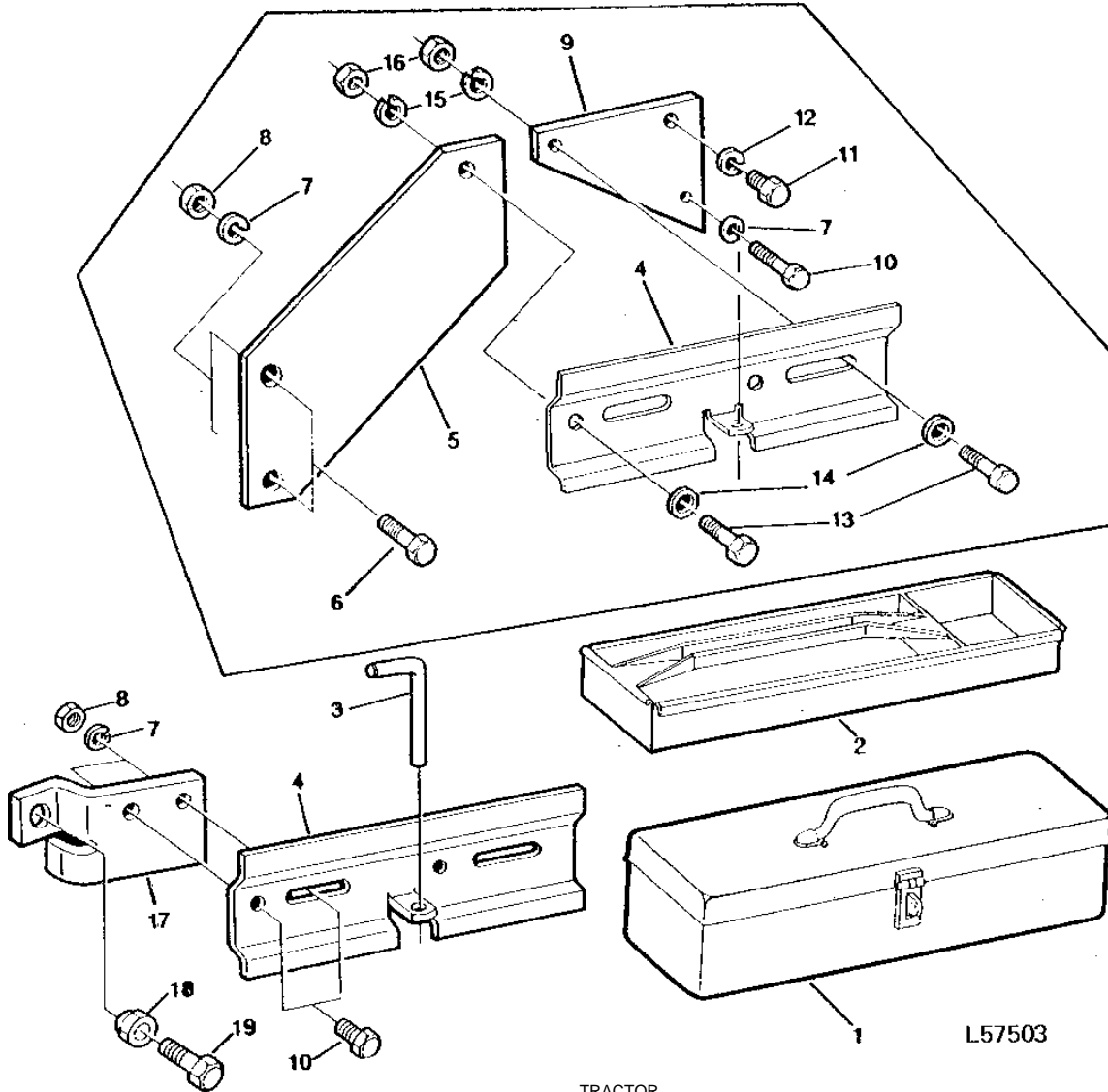
KEY	PART NO.	PART NAME	QTY	TRACTOR SERIAL NO.	REMARKS
1	AL24074	INSTRUMENT PANEL, W/SUPPOR	1		(ALSO ORDER (3) AL23015 AND (3) 57M6277) (SUB FOR AT21876)
2	T14500	PLUG	1		
3	99M7012	PLUG	2		(USE WITH AL24074) (SUB FOR T16738)
4	T27540	PLUG	1		
5	M42229	PLUG	1		(USE WITH AL24074) (SUB FOR T11708 OR 99M7009)
6	99M7011	PLUG	1		(SUB FOR M2291)
7	T23247	GROMMET	1		
8	R46414	CLAMP	3		(SUB FOR T22645 OR L84617)
9	12H302	LOCK WASHER	3		1/4"
10	14H786	NUT	3		1/4"
11	R26936	GROMMET	1		
12	R26418	GROMMET	1		
13	19H2021	CAP SCREW	6		3/8" X 5/8"
14	12H304	LOCK WASHER	10		3/8"
15	L29201	SIDE WALL	1		L.H. (SUB FOR T22088) (NLA)
16	L29200	SIDE WALL	1		R.H. (SUB FOR T22087) (NLA)
17	T22211	SCREW, WITH WASHER	10		
18	T22086	NUT	2		
19	T22085	BUMPER	2		
20	AT20026	COVER	1		
21	T25367	EXTENSION SPRING	1		
22	T22394	SHIELD	1		
23	19H1765	CAP SCREW	4		3/8" X 1-3/4"
24	99M7014	PLUG	1		(SUB FOR L55891 OR 99M5891)
25	99M5913	PLUG	2		-XXXXXX (SUB FOR L55913)
	99M7015	PLUG	3	XXXXXX-	
26	99M7010	PLUG	1		

2C9

OPERATOR'S STATION

L57503 -UN-01JAN94

TOOLBOX AND SUPPORTS



L57503

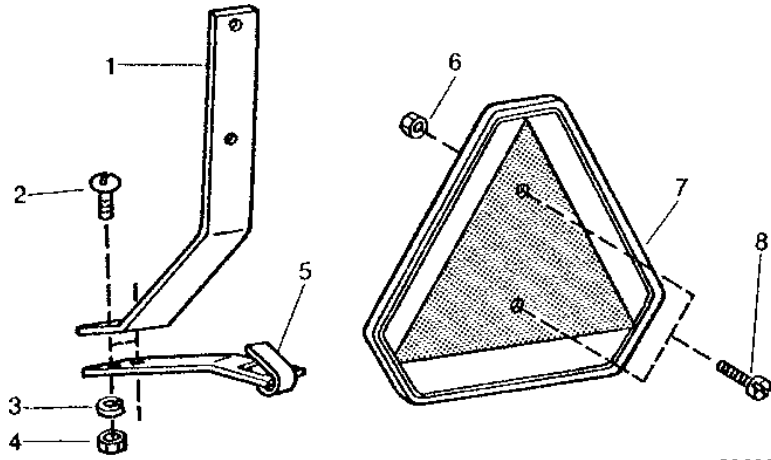
KEY	PART NO.	PART NAME	QTY	TRACTOR SERIAL NO.	REMARKS
1	AT22071	TOOLBOX	1		
2	AT22073	HOLDER	1		(SUB AT22070)
3	T23027	PIN	1		(SUB FOR AL24044)
4	T23033	BRACKET	1		
5	T29807	PLATE	1		-XXXXXX
6	19H2233	CAP SCREW	2		-XXXXXX 5/8" X 3-1/2"
7	12H294	LOCK WASHER	2	XXXXXX-	5/8"
	12H294	LOCK WASHER	3		-XXXXXX 5/8"
8	14H1039	NUT	2		5/8"
9	T29806	PLATE	1		-XXXXXX
10	19H1833	CAP SCREW	1		-XXXXXX 5/8" X 1-1/4"
	19H1833	CAP SCREW	2	XXXXXX-	5/8" X 1-1/4"
11	19H1871	CAP SCREW	1		-XXXXXX 3/4" X 1-1/4"
12	12H236	LOCK WASHER	1		-XXXXXX 3/4"
13	19H1815	CAP SCREW	2		-XXXXXX 1/2" X 1-1/4"
14	24H1349	WASHER	2		-XXXXXX 9/16" X 1-1/4" X 0.134"
15	12H301	LOCK WASHER	2		-XXXXXX 1/2"
16	14H809	NUT	2		-XXXXXX 1/2"
17	L29051	SUPPORT	1	XXXXXX-	(SUB L34351 AND 19H1871)
18	L29052	BUSHING	1	XXXXXX-	
19	19H1708	CAP SCREW	1	XXXXXX-	5/8" X 1-3/4"

2C10

OPERATOR'S STATION

RP388 -UN-01JAN94

EMBLEM FOR SLOW MOVING VEHICLES



RP388

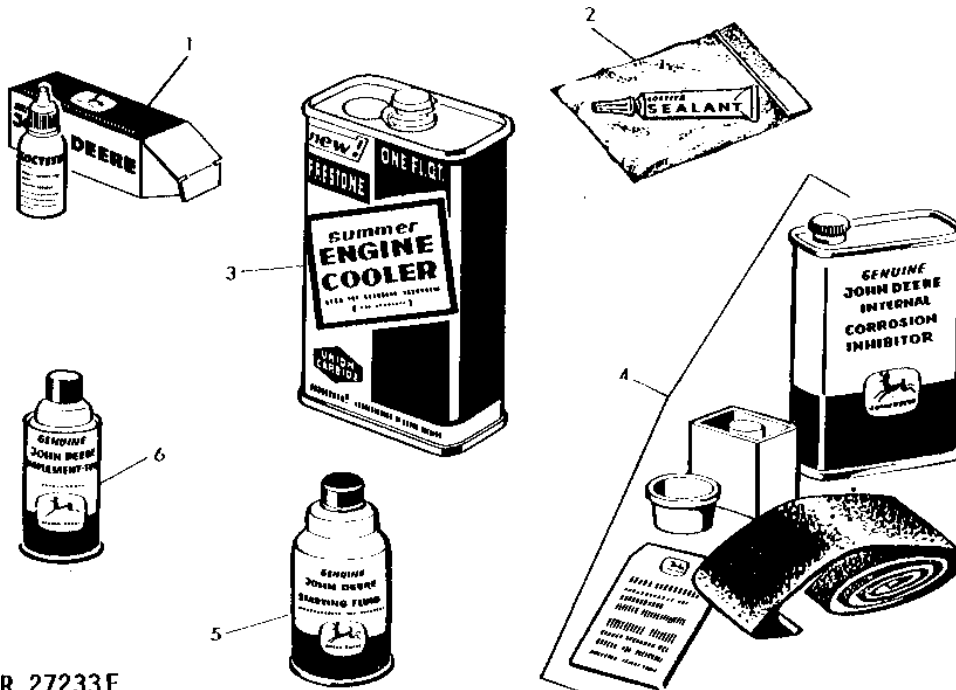
KEY	PART NO.	PART NAME	QTY	TRACTOR SERIAL NO.	REMARKS
1	AR63597	BRACKET	1	-XXXXXX	(SUB AL63296 AND R54972)
	R54972	BRACKET	1	XXXXXX-	
2	19H1900	CAP SCREW	2		5/16" X 3/4"
3	12H303	LOCK WASHER	2		5/16"
4	14H785	NUT	2		5/16"
5	AL23433	RETAINER	1	XXXXXX-	(SUB AL63296)
6	14H786	NUT	2		1/4"
7	TY2615	SMV EMBLEM	1		(SUB FOR AR61194)
8	21H1303	SCREW	2		1/4" X 3/4"

2C11

OPERATOR'S STATION

R27233 -UN-01JAN94

ACCESSORY PARTS



R 27233F

KEY	PART NO.	PART NAME	QTY	TRACTOR SERIAL NO.	REMARKS
1	TY9371	ADHESIVE	1		(6 CC) (SUB FOR AT24538)
	AT26340	SEALANT	1		(59 CC)
2	AT14927	SEALANT	1		(2 CC) (SUB TY9371)
3	T19566	COOLANT	1		(1 QT) (SUB RE23182)
4	AR41785	KIT	1		STORAGE
5	RE30174	STARTING FLUID	1		(SUB FOR AR27814 OR RE24561)
6	L94772	PAINT	1		(SUB PT99)

1L4

TRACTOR - 820 UTILITY

NUMERICAL INDEX

PART NO.	GRID	KEY	PAGE	PART NO.	GRID	KEY	PAGE	PART NO.	GRID	KEY	PAGE
AA3495R	1F2	9	40 - 27	AL18667	1F23	25	50 - 5	AL23857	1E2	6	40 - 11B
AD2062R	1E25	2	40 - 25	AL18714	1F23	1	50 - 5	AL23881	2C2	42	90 - 13
AD2062R	1F1	2	40 - 26	AL18714	1F25	1	50 - 7	AL23882	2C2	33	90 - 13
AD2062R	1F1	8	40 - 26	AL18714	1F25	..	50 - 7	AL23883	2C2	24	90 - 13
AD2062R	1F2	2	40 - 27	AL18714	1G2	2	50 - 9	AL23884	2C2	14	90 - 13
AD2062R	1F2	3	40 - 27	AL18745	1D17	1	40 - 3	AL23885	2C2	4	90 - 13
AD2062R	1F2	4	40 - 27	AL18748	1D17	21	40 - 3	AL23886	2C2	22	90 - 13
AD2062R	2B16	6	90 - 3	AL18748	1D19	18	40 - 5	AL24015	1J1	1	70 - 25
AF3580R	1C6	1	30 - 5	AL18749	1D17	3	40 - 3	AL24044	2C9	2	90 - 20
AF3583R	1C6	2	30 - 5	AL18751	1D17	4	40 - 3	AL24058	1J17	7	70 - 41
AF3584R	1C6	4	30 - 5	AL18752	1D12	16	30 - 38	AL24064	1H25	2	60 - 11
AF3892R	1E24	2	40 - 24	AL18768	2B22	34	90 - 9	AL24065	1H25	1	60 - 11
AL11176	1D17	5	40 - 3	AL18768	2B24	25	90 - 11	AL24074	2C8	1	90 - 19
AL11176	1D19	5	40 - 5	AL19017	2C2	3	90 - 13	AL24074	2C8	3	90 - 19
AL13308	1D21	7	40 - 7	AL19071	2B24	1	90 - 11	AL24074	2C8	5	90 - 19
AL14007	1D21	14	40 - 7	AL19072	2B24	4	90 - 11	AL24089	1F21	1	50 - 3
AL14008	1D17	8	40 - 3	AL19073	2B24	16	90 - 11	AL24094	2B2	1	80 - 14
AL14008	1D19	24	40 - 5	AL19074	2B24	15	90 - 11	AL24123	2B9	2	80 - 21
AL14157	1J6	14	70 - 30	AL19075	2B24	11	90 - 11	AL24124	2B9	1	80 - 21
AL14157	1J11	19	70 - 35	AL19075	2C2	9	90 - 13	AL24161	2C2	43	90 - 13
AL14160	1J6	12	70 - 30	AL19076	2B24	6	90 - 11	AL24163	2C2	3	90 - 13
AL14160	1J7	10	70 - 31	AL19077	2B24	24	90 - 11	AL24164	2B24	11	90 - 11
AL14160	1J11	1	70 - 35	AL19092	1F23	1	50 - 5	AL24164	2C2	9	90 - 13
AL14235	1D21	15	40 - 7	AL19092	1F23	3	50 - 5	AL24164	2C4	41	90 - 15
AL14445	1D23	27	40 - 9	AL19092	1F25	3	50 - 7	AL24165	2C2	17	90 - 13
AL14896	1D19	25	40 - 5	AL19092	1G2	19	50 - 9	AL24165	2C4	6	90 - 15
AL14991	1D23	4	40 - 9	AL19129	1D24	1	40 - 10	AL24166	2C2	42	90 - 13
AL14992	1D23	8	40 - 9	AL19192	1E8	8	40 - 17	AL24167	2C2	33	90 - 13
AL15369	2A25	1	80 - 12	AL19208	1D25	17	40 - 11	AL24168	2C2	24	90 - 13
AL16046	1D21	12	40 - 7	AL19226	1D24	19	40 - 10	AL24169	2C2	14	90 - 13
AL16162	1I8	10	70 - 2	AL19508	1D17	23	40 - 3	AL24169	2C4	4	90 - 15
AL16163	1I8	5	70 - 2	AL19508	1D19	31	40 - 5	AL24170	2C2	4	90 - 13
AL16276	1D23	1	40 - 9	AL19794	2B20	1	90 - 7	AL24190	1I11	21	70 - 5
AL16602	2A25	1	80 - 12	AL19794	2C2	43	90 - 13	AL24191	1I11	12	70 - 5
AL16663	1D11	33	30 - 37	AL19794	2C4	50	90 - 15	AL24194	1C5	25	30 - 3
AL16666	1D11	30	30 - 37	AL19890	1D21	12	40 - 7	AL24219	1C11	1	30 - 11
AL16667	1D11	40	30 - 37	AL19905	1D15	1	40 - 1	AL24290	1F8	1	40 - 29
AL17355	1D21	8	40 - 7	AL19906	1D15	3	40 - 1	AL24294	1D21	6	40 - 7
AL17407	1D23	2	40 - 9	AL19907	1D21	10	40 - 7	AL24479	2B9	2	80 - 21
AL17408	1D23	3	40 - 9	AL23015	2C8	1	90 - 19	AL24494	1I17	45	70 - 13
AL17684	1D21	9	40 - 7	AL23048	1D17	9	40 - 3	AL24495	1I17	44	70 - 13
AL17794	1D19	13	40 - 5	AL23048	1D19	1	40 - 5	AL24496	1H10	18	50 - 43
AL17847	2A23	12	80 - 11	AL23387	1D24	19	40 - 10	AL24550	1I5	17	60 - 17
AL17850	2A23	12	80 - 11	AL23433	2B19	2	90 - 6	AL24554	1F21	12	50 - 3
AL18047	1C8	13	30 - 7	AL23433	2B20	4	90 - 7	AL24554	2B4	18	80 - 16
AL18135	1J17	8	70 - 41	AL23433	2C6	4	90 - 17	AL24903	1G4	10	50 - 11
AL18136	1J17	7	70 - 41	AL23433	2C10	5	90 - 21	AL24903	1G6	10	50 - 13
AL18154	1D21	1	40 - 7	AL23434	1D24	20	40 - 10	AL25269	1E8	13	40 - 17
AL18155	1D21	6	40 - 7	AL23805	2B22	24	90 - 9	AL25270	1E8	14	40 - 17
AL18156	1C11	5	30 - 11	AL23805	2B24	19	90 - 11	AL25271	1E8	16	40 - 17
AL18236	1C8	8	30 - 7	AL23836	1I2	3	60 - 13	AL25274	1E8	29	40 - 17
AL18334	1I15	13	70 - 11	AL23836	1I2	4	60 - 13	AL25275	1E8	29	40 - 17
AL18546	1J21	10	70 - 45	AL23836	1I2	5	60 - 13	AL25431	1D17	24	40 - 3
AL18549	1J15	4	70 - 39	AL23837	1F8	4	40 - 29	AL25431	1D19	32	40 - 5
AL18553	1J15	1	70 - 39	AL23844	1E8	2	40 - 17	AL25629	1I9	5	70 - 3
AL18597	1G20	15	50 - 27	AL23846	1E8	14	40 - 17	AL25629	1I9	9	70 - 3
AL18604	1D15	2	40 - 1	AL23847	1E8	13	40 - 17	AL25629	1I11	7	70 - 5
AL18632	2B22	1	90 - 9	AL23848	1E8	30	40 - 17	AL25629	1I11	8	70 - 5
AL18633	2B22	4	90 - 9	AL23849	1D25	7	40 - 11	AL25629	1I11	10	70 - 5
AL18634	2B22	24	90 - 9	AL23850	1D25	21	40 - 11	AL25629	1I11	11	70 - 5
AL18634	2B24	19	90 - 11	AL23851	1D25	19	40 - 11	AL25629	1I11	15	70 - 5
AL18635	2B22	21	90 - 9	AL23852	1D25	23	40 - 11	AL25630	1I11	9	70 - 5
AL18667	1F23	20	50 - 5	AL23853	1D25	12	40 - 11	AL26918	2C4	18	90 - 15
AL18667	1F23	21	50 - 5	AL23854	1D25	14	40 - 11	AL26986	1J6	12	70 - 30
AL18667	1F23	22	50 - 5	AL23855	1D25	9	40 - 11	AL26986	1J7	10	70 - 31
AL18667	1F23	23	50 - 5	AL23856	1D25	1	40 - 11	AL26986	1J11	1	70 - 35
AL18667	1F23	24	50 - 5	AL23857	1D25	18	40 - 11	AL27203	1J21	13	70 - 45

1L5

TRACTOR - 820 UTILITY

NUMERICAL INDEX - CONTINUED

PART NO.	GRID	KEY	PAGE	PART NO.	GRID	KEY	PAGE	PART NO.	GRID	KEY	PAGE
AL27203	1J21	16	70 - 45	AL36651	1111	..	70 - 5	AL60271	1G2	17	50 - 9
AL27203	1J21	19	70 - 45	AL36652	119	1	70 - 3	AL60271	1G5	9	50 - 12
AL27203	1J21	20	70 - 45	AL36652	119	10	70 - 3	AL61479	1J3	7	70 - 27
AL27229	1G3	1B	50 - 10	AL36652	1111	12	70 - 5	AL63296	2B19	2	90 - 6
AL27371	1D25	7	40 - 11	AL36652	1111	21	70 - 5	AL63296	2C6	4	90 - 17
AL27372	1D25	12	40 - 11	AL36652	1111	..	70 - 5	AL63296	2C10	1	90 - 21
AL27373	1D25	14	40 - 11	AL36653	119	10	70 - 3	AL63296	2C10	5	90 - 21
AL27374	1D25	9	40 - 11	AL36653	1111	12	70 - 5	AL65077	1E2	18	40 - 11B
AL28037	1B7	14	20 - 19	AL36653	1111	21	70 - 5	AL65077	1E2	23	40 - 11B
AL28232	1H10	18	50 - 43	AL36653	1111	..	70 - 5	AL65458	2B9	1	80 - 21
AL28469	1115	10	70 - 11	AL36654	119	1	70 - 3	AL70191	2B18	21	90 - 5
AL28469	1117	10	70 - 13	AL37357	1C6	1	30 - 5	AL70202	2C2	4	90 - 13
AL28482	1115	41	70 - 11	AL37357	1C6	4	30 - 5	AL70202	2C4	45	90 - 15
AL28482	1117	15	70 - 13	AL37364	1C6	2	30 - 5	AL70300	1H19	36	60 - 5
AL28483	1115	42	70 - 11	AL37365	1C6	4	30 - 5	AL70854	1E8	3	40 - 17
AL28483	1117	14	70 - 13	AL37750	118	4	70 - 2	AL70963	2B11	15	80 - 23
AL28484	1J15	13	70 - 39	AL37750	119	7	70 - 3	AL70963	2B11	17	80 - 23
AL28485	1J15	14	70 - 39	AL37750	119	10	70 - 3	AM39968	1E16	13	40 - 23B
AL28674	1I23	19	70 - 21	AL37750	1111	4	70 - 5	AM39968	1E22	1	40 - 23I
AL2976T	1F10	20	40 - 31	AL37750	1111	6	70 - 5	AM39968	1E22	5	40 - 23I
AL30414	1E2	28	40 - 11B	AL37750	1111	12	70 - 5	AM39969	1E22	2	40 - 23I
AL30416	1E2	7	40 - 11B	AL37750	1111	18	70 - 5	AM39970	1E16	10	40 - 23B
AL30417	1E2	9	40 - 11B	AL37750	1111	21	70 - 5	AN102006	1H14	14	50 - 47
AL30418	1E2	21	40 - 11B	AL37750	1111	..	70 - 5	AN212996	1K3	6	70 - 52
AL30419	1E2	11	40 - 11B	AL37750	1113	12	70 - 7	AR100161	1E23	1	40 - 23J
AL30421	1E2	18	40 - 11B	AL37751	119	1	70 - 3	AR101210	1J21	16	70 - 45
AL30422	1E2	27	40 - 11B	AL38083	1I23	21	70 - 21	AR101549	1B16	5	20 - 31
AL30423	1E2	17	40 - 11B	AL38242	1G3	1A	50 - 10	AR101549	1B16	..	20 - 31
AL30424	1E2	6	40 - 11B	AL38242	1G3	1B	50 - 10	AR101549	1B17	1	20 - 33
AL30425	1E2	11	40 - 11B	AL39149	1113	8	70 - 7	AR101631	1F23	8	50 - 5
AL30425	1E2	13	40 - 11B	AL39150	1113	6	70 - 7	AR101631	1F25	8	50 - 7
AL30691	2C2	33	90 - 13	AL39170	1J17	10	70 - 41	AR101631	1G2	8	50 - 9
AL30692	2C2	24	90 - 13	AL39171	1J17	7	70 - 41	AR101727	2B3	5	80 - 15
AL30692	2C4	46	90 - 15	AL39172	1J17	6	70 - 41	AR101754	1G23	2	50 - 30
AL30777	1F23	5	50 - 5	AL39624	1G2	2	50 - 9	AR101755	1G23	6	50 - 30
AL30777	1F25	5	50 - 7	AL39816	2B24	1	90 - 11	AR101832	1G8	1	50 - 15
AL30777	1G2	4	50 - 9	AL39816	2C2	3	90 - 13	AR101832	1G10	11	50 - 17
AL30801	1F8	1	40 - 29	AL39816	2C4	1	90 - 15	AR102291	1B23	24	20 - 39
AL32791	1G20	8B	50 - 27	AL39913	2C6	1	90 - 17	AR103472	2A21	11	80 - 9
AL32791	1G22	4	50 - 29	AL39934	1C6	1	30 - 5	AR103473	2A21	11	80 - 9
AL32791	1G22	27	50 - 29	AL39934	1C6	2	30 - 5	AR103525	1E4	11	40 - 13
AL32863	1E2	5	40 - 11B	AL39934	1C6	4	30 - 5	AR103769	1A22	9	20 - 9
AL32975	1C5	25	30 - 3	AL39936	1G5	9	50 - 12	AR103811	1A18	8	20 - 5
AL33010	2C4	24	90 - 15	AL40882	1F25	1	50 - 7	AR103811	1A20	9	20 - 7
AL33016	2C4	30	90 - 15	AL40882	1F25	..	50 - 7	AR103811	1B23	24	20 - 39
AL33044	1J1	7	70 - 25	AL40882	1G2	2	50 - 9	AR104660	1I22	1	70 - 20
AL33069	2C4	14	90 - 15	AL40887	1I25	5	70 - 23	AR105634	2B11	..	80 - 23
AL33250	1G22	11	50 - 29	AL40887	1I25	9	70 - 23	AR105634	2B13	16	80 - 25
AL33250	1G22	12	50 - 29	AL40887	1I25	10	70 - 23	AR111058	1F4	20	40 - 27B
AL33257	1G22	11	50 - 29	AL40887	1I25	11	70 - 23	AR111131	1E14	16	40 - 23
AL33439	2C4	26	90 - 15	AL40887	1I25	12	70 - 23	AR21737	1F1	2	40 - 26
AL35635	2C6	1	90 - 17	AL40887	1I25	14	70 - 23	AR21737	1F2	2	40 - 27
AL35996	1H14	1	50 - 47	AL40887	1I25	15	70 - 23	AR21737	1F2	3	40 - 27
AL35998	1E2	1	40 - 11B	AL55140	1F23	1	50 - 5	AR21739	1F1	3	40 - 26
AL35999	1E2	23	40 - 11B	AL55140	1F25	1	50 - 7	AR21739	1F2	4	40 - 27
AL36324	2C4	45	90 - 15	AL55140	1G2	2	50 - 9	AR21837	1B21	4	20 - 37
AL36327	2C4	34	90 - 15	AL56097	2B19	1	90 - 6	AR21837	1I20	18	70 - 17
AL36390	1E2	1	40 - 11B	AL56097	2B19	7	90 - 6	AR21840	1B19	18	20 - 35
AL36391	1D24	1	40 - 10	AL56097	2B20	1	90 - 7	AR21969	1A16	..	20 - 2
AL36391	1D25	..	40 - 11	AL56097	2B22	1	90 - 9	AR21999	1C3	14	30 - 1
AL36391	1E2	1	40 - 11B	AL56097	2B22	..	90 - 9	AR21999	1C5	20	30 - 3
AL36555	2C4	1	90 - 15	AL56097	2B24	..	90 - 11	AR26375	1G8	34	50 - 15
AL36556	2C4	50	90 - 15	AL56097	2C2	43	90 - 13	AR26375	1G10	29	50 - 17
AL36556	2C6	1	90 - 17	AL56097	2C4	50	90 - 15	AR26674	1C13	16	30 - 13
AL36651	119	10	70 - 3	AL56097	2C6	1	90 - 17	AR26725	1H21	8	60 - 7
AL36651	1111	12	70 - 5	AL60271	1F23	16	50 - 5	AR26725	1117	11	70 - 13
AL36651	1111	21	70 - 5	AL60271	1F25	16	50 - 7	AR26725	1I20	23	70 - 17

1L6

TRACTOR - 820 UTILITY

NUMERICAL INDEX - CONTINUED

PART NO.	GRID	KEY	PAGE	PART NO.	GRID	KEY	PAGE	PART NO.	GRID	KEY	PAGE
AR26763	1115	30	70 - 11	AR51712	1C25	17	30 - 25	AR60559	1C17	6	30 - 17
AR26763	1115	31	70 - 11	AR51712	1C25	18	30 - 25	AR60701	1B12	16	20 - 25
AR26763	1118	9	70 - 15	AR51712	1C25	19	30 - 25	AR60701	1B12	17	20 - 25
AR26763	1J15	5	70 - 39	AR51712	1C25	20	30 - 25	AR60701	1B12	19	20 - 25
AR26782	1H5	4	50 - 37	AR51712	1C25	21	30 - 25	AR60701	1B12	20	20 - 25
AR26928	1C9	3	30 - 8	AR51712	1C25	22	30 - 25	AR60701	1B12	21	20 - 25
AR26930	1C6	7	30 - 5	AR51816	1C21	5	30 - 21	AR61194	2C10	7	90 - 21
AR27699	1J15	2	70 - 39	AR51872	1J11	26	70 - 35	AR61355	1D3	26	30 - 29
AR27702	1A20	9	20 - 7	AR51873	1J11	29	70 - 35	AR61355	1D4	20	30 - 30
AR27814	1C10	16	30 - 9	AR51902	1B10	2	20 - 23	AR61868	1E4	1	40 - 13
AR27814	2C11	5	90 - 22	AR51902	1B10	5	20 - 23	AR62149	1J16	5	70 - 40
AR27940	1C10	8	30 - 9	AR51960	1C23	19	30 - 23	AR62151	1J17	13	70 - 41
AR27977	1B7	4	20 - 19	AR52271	1D5	..	30 - 31	AR62194	1C19	25	30 - 19
AR28072	1H10	9	50 - 43	AR52278	1J2	6	70 - 26	AR62401	1D24	1	40 - 10
AR28271	1H10	9	50 - 43	AR52341	1115	41	70 - 11	AR62401	1D25	..	40 - 11
AR28602	1C24	16	30 - 24	AR52341	1117	15	70 - 13	AR62401	1E2	1	40 - 11B
AR28754	1K2	3	70 - 51	AR52342	1115	42	70 - 11	AR62936	1C6	4	30 - 5
AR28755	1K2	3	70 - 51	AR52342	1117	14	70 - 13	AR62978	1B12	25	20 - 25
AR30210	1J13	20	70 - 37	AR52506	2A23	12	80 - 11	AR62979	1B12	28	20 - 25
AR38397	1C8	23	30 - 7	AR52706	1G14	20	50 - 21	AR63212	1C23	18	30 - 23
AR38398	1C8	22	30 - 7	AR52861	2A21	11	80 - 9	AR63213	1C23	17	30 - 23
AR39028	1H8	6	50 - 41	AR52862	2A21	11	80 - 9	AR63218	1A15	1	20 - 1
AR39093	1H8	3	50 - 41	AR53494	1I2	1	60 - 13	AR63219	1A15	1	20 - 1
AR40174	1E23	1	40 - 23J	AR53862	2A15	6	80 - 3	AR63222	1A15	1	20 - 1
AR40360	1C5	11	30 - 3	AR53863	2A19	6	80 - 7	AR63597	2C10	1	90 - 21
AR41691	1B16	6	20 - 31	AR53864	2A15	10	80 - 3	AR63653	1C16	10	30 - 16
AR41785	1A15	1	20 - 1	AR53864	2A19	7	80 - 7	AR63909	1G8	24	50 - 15
AR41785	1A16	..	20 - 2	AR53999	1D17	6	40 - 3	AR63979	1A15	1	20 - 1
AR41785	2C11	4	90 - 22	AR53999	1D19	6	40 - 5	AR64078	1C21	5	30 - 21
AR44361	1C5	11	30 - 3	AR54634	2A22	11	80 - 10	AR64721	1B4	21	20 - 15
AR44402	1A16	1	20 - 2	AR54635	2A22	11	80 - 10	AR64845	1J19	7	70 - 43
AR45530	1A18	8	20 - 5	AR54749	1A16	4	20 - 2	AR65005	1F16	1	40 - 37
AR45530	1A20	9	20 - 7	AR54923	1E10	6	40 - 19	AR65006	1F16	2	40 - 37
AR45672	1C5	10	30 - 3	AR54923	1E16	22	40 - 23B	AR65443	1D21	1	40 - 7
AR46841	1D6	19	30 - 32	AR54923	1E16	25	40 - 23B	AR65686	1I2	22	60 - 13
AR46977	1D5	..	30 - 31	AR54929	1I3	9	60 - 15	AR65688	1I2	25	60 - 13
AR47331	1J13	8	70 - 37	AR55094	1B16	1	20 - 31	AR66294	1C13	1	30 - 13
AR48219	1D1	9	30 - 27	AR55346	1I9	10	70 - 3	AR66294	1C15	1	30 - 15
AR49589	2A21	11	80 - 9	AR55346	1111	..	70 - 5	AR66588	1H10	11	50 - 43
AR49592	2A21	11	80 - 9	AR55347	1117	22	70 - 13	AR66924	1F25	2	50 - 7
AR49592	2A23	1	80 - 11	AR55348	1117	12	70 - 13	AR66937	1J9	5	70 - 33
AR49592	2A23	3	80 - 11	AR55349	1117	19	70 - 13	AR66938	1J9	18	70 - 33
AR49877	1D9	1	30 - 35	AR55351	1117	23	70 - 13	AR66939	1J11	29	70 - 35
AR50040	1C16	1	30 - 16	AR55352	1117	1	70 - 13	AR67009	1C15	5	30 - 15
AR50041	1C16	3	30 - 16	AR55353	1117	20	70 - 13	AR67074	1B12	29	20 - 25
AR50553	2B19	7	90 - 6	AR55354	1117	21	70 - 13	AR67091	1C16	11	30 - 16
AR50553	2B24	..	90 - 11	AR55356	1H21	19	60 - 7	AR67095	1I25	5	70 - 23
AR50559	1C9	2	30 - 8	AR55358	1H19	19	60 - 5	AR67095	1I25	9	70 - 23
AR50580	1E25	1	40 - 25	AR55359	1H19	8	60 - 5	AR67095	1I25	10	70 - 23
AR50874	1D1	3	30 - 27	AR55384	1B19	24	20 - 35	AR67095	1I25	11	70 - 23
AR50895	1C13	17	30 - 13	AR55695	1J19	19	70 - 43	AR67095	1I25	12	70 - 23
AR50895	1D5	1	30 - 31	AR55721	1D21	12	40 - 7	AR67095	1I25	14	70 - 23
AR50901	1C19	1	30 - 19	AR55730	1C17	1	30 - 17	AR67095	1I25	15	70 - 23
AR50901	1C20	..	30 - 20	AR55758	1B9	1	20 - 21	AR67338	1E4	1	40 - 13
AR50901	1C21	..	30 - 21	AR55888	1F2	2	40 - 27	AR67453	1E4	2	40 - 13
AR50901	1C22	..	30 - 22	AR56009	1D19	3	40 - 5	AR67453	1E4	3	40 - 13
AR50901	1C23	..	30 - 23	AR56211	2B16	26	90 - 3	AR67670	1B12	23	20 - 25
AR50901	1C24	..	30 - 24	AR56268	1B7	14	20 - 19	AR67675	1C20	13	30 - 20
AR50901	1C25	..	30 - 25	AR56268	1G4	10	50 - 11	AR67675	1C25	11	30 - 25
AR50901	1D1	..	30 - 27	AR56268	1G6	10	50 - 13	AR67855	1F6	14	40 - 27D
AR51143	2B18	3	90 - 5	AR56782	1C8	1	30 - 7	AR67942	1B2	28	20 - 13
AR51143	2B18	21	90 - 5	AR56782	1C8	8	30 - 7	AR68071	1J19	7	70 - 43
AR51403	1D19	14	40 - 5	AR58196	1A24	1	20 - 11	AR68299	1E16	30	40 - 23B
AR51404	1D19	15	40 - 5	AR58606	2A21	11	80 - 9	AR68302	1E18	6	40 - 23D
AR51405	1D19	16	40 - 5	AR58608	2A21	11	80 - 9	AR68304	1E10	20	40 - 19
AR51406	1D19	4	40 - 5	AR59055	1B4	21	20 - 15	AR68304	1E14	1	40 - 23
AR51407	2B9	1	80 - 21	AR60250	2B16	9	90 - 3	AR68304	1E14	11	40 - 23

1L7

TRACTOR - 820 UTILITY

NUMERICAL INDEX - CONTINUED

PART NO.	GRID	KEY	PAGE	PART NO.	GRID	KEY	PAGE	PART NO.	GRID	KEY	PAGE
AR68304	1E14	..	40 - 23	AR77325	1F2	2	40 - 27	AR98201	1K2	2	70 - 51
AR68818	1H17	38	60 - 3	AR77325	1F2	3	40 - 27	AR98202	1K2	1	70 - 51
AR68818	1H21	23	60 - 7	AR77326	1F2	2	40 - 27	AT10344	2A23	3	80 - 11
AR69444	1K1	1	70 - 50	AR77326	1F2	4	40 - 27	AT10344	2A24	1	80 - 11A
AR69445	1K1	1	70 - 50	AR77326	1F2	10	40 - 27	AT10589	1C3	7	30 - 1
AR69659	1H8	3	50 - 41	AR77327	1F1	4	40 - 26	AT10611	1C8	1	30 - 7
AR69809	1D5	1	30 - 31	AR77327	1F1	10	40 - 26	AT10638	1C17	7	30 - 17
AR69809	1D6	12	30 - 32	AR77698	2B16	15	90 - 3	AT11520	1C24	20	30 - 24
AR69816	1D5	1	30 - 31	AR78261	2B16	12	90 - 3	AT11524	1D1	13	30 - 27
AR69816	1D6	12	30 - 32	AR82294	1B4	16	20 - 15	AT11927	1H17	30	60 - 3
AR69988	1J23	7	70 - 47	AR82295	1B4	15	20 - 15	AT11927	1H21	15	60 - 7
AR70082	1E10	12	40 - 19	AR83400	1I22	1	70 - 20	AT12431	1H12	1	50 - 45
AR70143	1C19	1	30 - 19	AR83425	1F16	8	40 - 37	AT12820	1G24	9	50 - 31
AR70582	1A18	11	20 - 5	AR85323	1F7	6	40 - 28	AT13740	1B4	5	20 - 15
AR70582	1A20	1	20 - 7	AR85323	1I22	12	70 - 20	AT13740	1B19	3	20 - 35
AR70583	1A18	11	20 - 5	AR85407	1E23	1	40 - 23J	AT13740	1C11	26	30 - 11
AR70633	1B9	1	20 - 21	AR86969	1F1	3	40 - 26	AT141924	2C5	6	90 - 16
AR70711	1E4	11	40 - 13	AR86969	1F2	4	40 - 27	AT146240	1H1	7	50 - 33
AR70711	1E4	14	40 - 13	AR87068	1D1	13	30 - 27	AT146268	1G17	7	50 - 24
AR71396	1H7	3	50 - 40	AR87416	1H10	11	50 - 43	AT146268	1G18	15	50 - 25
AR71591	1B10	11	20 - 23	AR89564	1D9	1	30 - 35	AT14764	1E4	2	40 - 13
AR71617	1B10	9	20 - 23	AR89691	1F7	6	40 - 28	AT14764	1E4	3	40 - 13
AR71617	1B10	10	20 - 23	AR89691	1I22	12	70 - 20	AT14927	2C11	2	90 - 22
AR71617	1B23	24	20 - 39	AR90340	1D1	9	30 - 27	AT15146	1E14	7	40 - 23
AR72474	2B4	12	80 - 16	AR90340	1D1	13	30 - 27	AT15147	1E10	18	40 - 19
AR72902	2B16	29	90 - 3	AR90577	1K3	5	70 - 52	AT16288	1F2	2	40 - 27
AR72903	2B16	29	90 - 3	AR90577	1K3	..	70 - 52	AT16288	1F2	4	40 - 27
AR72910	1C11	1	30 - 11	AR90578	1K3	5	70 - 52	AT16288	1F2	10	40 - 27
AR72949	2B7	16	80 - 19	AR90578	1K3	..	70 - 52	AT16290	1E12	23	40 - 21
AR72987	2B16	41	90 - 3	AR90579	1K3	6	70 - 52	AT16291	1E10	2	40 - 19
AR73097	1B21	1	20 - 37	AR90581	1K3	6	70 - 52	AT16553	1C19	5	30 - 19
AR73336	2B16	14	90 - 3	AR90583	1K3	6	70 - 52	AT16555	1C19	7	30 - 19
AR73336	2B16	19	90 - 3	AR90601	1D1	2	30 - 27	AT16887	1H12	29	50 - 45
AR73336	2B16	21	90 - 3	AR90601	1D1	6	30 - 27	AT17379	1C15	1	30 - 15
AR73336	2B16	43	90 - 3	AR90971	1H6	13	50 - 39	AT17387	1C13	6	30 - 13
AR73338	2B16	23	90 - 3	AR90971	1J22	7	70 - 46	AT17387	1C15	6	30 - 15
AR73500	1J24	1	70 - 48	AR91514	1G8	1	50 - 15	AT17389	1C13	5	30 - 13
AR73673	1D9	1	30 - 35	AR91514	1G10	11	50 - 17	AT18005	1B9	6	20 - 21
AR73828	1C22	2	30 - 22	AR91548	1C23	14	30 - 23	AT18009	1B2	10	20 - 13
AR73828	1D8	9	30 - 34	AR91660	1B2	10	20 - 13	AT18012	1B9	1	20 - 21
AR73829	1C22	2	30 - 22	AR91793	1F14	42	40 - 35	AT18016	1A18	6	20 - 5
AR73829	1D8	9	30 - 34	AR91808	2A15	6	80 - 3	AT18016	1A20	7	20 - 7
AR73848	2B9	17	80 - 21	AR91808	2A17	8	80 - 5	AT18021	1B12	28	20 - 25
AR73918	2B11	..	80 - 23	AR92385	1J5	16	70 - 29	AT18031	1B2	1	20 - 13
AR73918	2B13	16	80 - 25	AR92506	1B7	11	20 - 19	AT18039	1B2	12	20 - 13
AR74519	1D17	9	40 - 3	AR92893	1B7	7	20 - 19	AT18053	1A22	1	20 - 9
AR74519	1D19	1	40 - 5	AR92944	2A15	6	80 - 3	AT18053	1A22	23	20 - 9
AR75603	1H10	9	50 - 43	AR92944	2A17	1	80 - 5	AT18055	1A22	1	20 - 9
AR76583	2B16	40	90 - 3	AR93819	1J13	13	70 - 37	AT18065	1C19	21	30 - 19
AR76704	1C19	25	30 - 19	AR93819	1J13	20	70 - 37	AT18074	1B21	1	20 - 37
AR76704	1C19	27	30 - 19	AR93819	1J13	21	70 - 37	AT18099	1C19	22	30 - 19
AR76704	1C19	28	30 - 19	AR93820	1K2	8	70 - 51	AT18105	1B4	21	20 - 15
AR76704	1C19	29	30 - 19	AR93928	1H1	9	50 - 33	AT18111	1C19	23	30 - 19
AR76704	1D3	15	30 - 29	AR94522	1K2	10	70 - 51	AT18126	1B12	25	20 - 25
AR76704	1D3	16	30 - 29	AR94535	1F21	1	50 - 3	AT18144	1C13	17	30 - 13
AR76704	1D3	23	30 - 29	AR94702	1F21	..	50 - 3	AT18168	1C13	15	30 - 13
AR76704	1D3	24	30 - 29	AR94702	1G8	..	50 - 15	AT18168	1C15	20	30 - 15
AR76704	1D3	26	30 - 29	AR94702	1G10	..	50 - 17	AT18178	1B6	2	20 - 18
AR76704	1D4	15	30 - 30	AR94702	1G12	8	50 - 19	AT18180	1B6	2	20 - 18
AR76704	1D4	16	30 - 30	AR94724	1G8	1	50 - 15	AT18702	1D17	5	40 - 3
AR76704	1D4	20	30 - 30	AR94724	1G10	11	50 - 17	AT18702	1D19	5	40 - 5
AR77324	1F1	2	40 - 26	AR94952	1D12	1	30 - 38	AT19509	1A24	1	20 - 11
AR77324	1F1	6	40 - 26	AR96662	1H7	6	50 - 40	AT19628	1H14	1	50 - 47
AR77324	1F2	2	40 - 27	AR96662	1H8	6	50 - 41	AT19786	2B7	1	80 - 19
AR77324	1F2	3	40 - 27	AR97025	1B4	21	20 - 15	AT19788	2B7	1	80 - 19
AR77325	1F1	2	40 - 26	AR97032	1B5	1	20 - 17	AT19794	2A15	10	80 - 3
AR77325	1F1	9	40 - 26	AR97196	1B23	24	20 - 39	AT19794	2A19	7	80 - 7

1L8

TRACTOR - 820 UTILITY

NUMERICAL INDEX - CONTINUED

PART NO.	GRID	KEY	PAGE	PART NO.	GRID	KEY	PAGE	PART NO.	GRID	KEY	PAGE
AT19800	1F21	1	50 - 3	AT20803	1G22	11	50 - 29	AT22665	1A22	9	20 - 9
AT19808	1H17	38	60 - 3	AT20829	1B16	18	20 - 31	AT22900	1C13	1	30 - 13
AT19808	1H21	23	60 - 7	AT20841	1C5	17	30 - 3	AT22919	1B4	30	20 - 15
AT19821	2A22	11	80 - 10	AT20849	1B19	1	20 - 35	AT22919	1B4	31	20 - 15
AT19830	1G8	24	50 - 15	AT20854	1H17	34	60 - 3	AT22926	1G3	8	50 - 10
AT19833	1I5	27	60 - 17	AT20881	1I22	1	70 - 20	AT22961	1B21	7	20 - 37
AT19834	1I5	5	60 - 17	AT20909	1I2	1	60 - 13	AT22963	1B21	7	20 - 37
AT19837	1F23	8	50 - 5	AT20911	1C11	3	30 - 11	AT22965	1B7	7	20 - 19
AT19837	1F25	8	50 - 7	AT21108	1B2	26	20 - 13	AT22981	2B7	7	80 - 19
AT19837	1G2	8	50 - 9	AT21110	1B2	26	20 - 13	AT23054	1C13	17	30 - 13
AT19838	1J1	3	70 - 25	AT21112	1B2	26	20 - 13	AT23175	1H21	1	60 - 7
AT19839	1I23	19	70 - 21	AT21114	1B2	26	20 - 13	AT23180	1B16	18	20 - 31
AT19840	1J2	1	70 - 26	AT21122	1B9	8	20 - 21	AT23201	1B23	24	20 - 39
AT19846	2B9	17	80 - 21	AT21124	1B9	8	20 - 21	AT23224	1G25	1	50 - 32
AT19847	2B9	16	80 - 21	AT21126	1B9	8	20 - 21	AT23308	1G8	1	50 - 15
AT19848	1J3	7	70 - 27	AT21128	1B9	8	20 - 21	AT23345	1G8	1	50 - 15
AT19850	1J21	20	70 - 45	AT21130	1B2	27	20 - 13	AT23346	1G8	24	50 - 15
AT19857	1J16	4	70 - 40	AT21132	1B2	27	20 - 13	AT23354	1G20	29	50 - 27
AT19858	1H17	7	60 - 3	AT21134	1B2	27	20 - 13	AT23355	1G20	33	50 - 27
AT19858	1H19	7	60 - 5	AT21136	1B2	27	20 - 13	AT23356	1G20	26	50 - 27
AT19858	1H19	8	60 - 5	AT21138	1B9	8	20 - 21	AT23357	1G20	23	50 - 27
AT19881	2B7	16	80 - 19	AT21139	1B2	27	20 - 13	AT23358	1G24	10	50 - 31
AT19899	1I2	22	60 - 13	AT21140	1B2	26	20 - 13	AT23359	1G24	11	50 - 31
AT19905	1F8	4	40 - 29	AT21191	1B4	30	20 - 15	AT23398	1H7	3	50 - 40
AT19966	1G18	13	50 - 25	AT21191	1B4	31	20 - 15	AT23401	1E4	9	40 - 13
AT19983	1C11	17	30 - 11	AT21199	1B12	1	20 - 25	AT23401	1E5	2	40 - 14
AT20025	1H4	4	50 - 36	AT21206	1B16	1	20 - 31	AT23401	1E6	..	40 - 15
AT20026	2C8	20	90 - 19	AT21226	1B4	16	20 - 15	AT23401	1E8	1	40 - 17
AT20027	2B7	4	80 - 19	AT21227	1B4	15	20 - 15	AT23401	1E10	..	40 - 19
AT20042	1D11	16	30 - 37	AT21382	1B7	11	20 - 19	AT23401	1E12	..	40 - 21
AT20044	1D12	1	30 - 38	AT21416	1J2	6	70 - 26	AT23401	1E19	4	40 - 23E
AT20061	1F25	2	50 - 7	AT21534	1B4	23	20 - 15	AT23401	1E21	10	40 - 23H
AT20085	1J2	2	70 - 26	AT21608	1B2	28	20 - 13	AT23451	1D17	11	40 - 3
AT20093	1H4	1	50 - 36	AT21621	1G18	1	50 - 25	AT23467	1E25	1	40 - 25
AT20106	1E24	3	40 - 24	AT21621	1H2	12	50 - 34	AT23544	1I2	25	60 - 13
AT20107	1F1	4	40 - 26	AT21643	1C15	22	30 - 15	AT23579	1G20	2	50 - 27
AT20141	1J2	4	70 - 26	AT21675	1F23	3	50 - 5	AT23579	1G22	1	50 - 29
AT20154	1C7	11	30 - 6	AT21675	1F25	3	50 - 7	AT23636	2A21	11	80 - 9
AT20154	1C9	2	30 - 8	AT21689	1C8	2	30 - 7	AT23682	1I15	1	70 - 11
AT20167	1J22	8	70 - 46	AT21754	1J19	3	70 - 43	AT23683	1I15	10	70 - 11
AT20168	1J22	7	70 - 46	AT21780	1G4	2	50 - 11	AT23683	1I17	10	70 - 13
AT20186	2B5	2	80 - 17	AT21780	1G6	2	50 - 13	AT23686	1I15	12	70 - 11
AT20245	1C3	6	30 - 1	AT21781	1I25	1	70 - 23	AT23688	1I15	25	70 - 11
AT20284	1C19	33	30 - 19	AT21795	1C9	4	30 - 8	AT23688	1I17	24	70 - 13
AT20372	1H17	23	60 - 3	AT21799	1A20	1	20 - 7	AT23689	1I15	26	70 - 11
AT20452	2B3	5	80 - 15	AT21845	1D3	20	30 - 29	AT23689	1I17	46	70 - 13
AT20521	2B1	1	80 - 13	AT21876	2C8	1	90 - 19	AT23690	1I15	36	70 - 11
AT20701	1H14	14	50 - 47	AT21912	1J17	4	70 - 41	AT23690	1I17	25	70 - 13
AT20703	1H14	10	50 - 47	AT22001	1H10	18	50 - 43	AT23708	1I18	1	70 - 15
AT20709	1D19	17	40 - 5	AT22002	1H10	16	50 - 43	AT23709	1I18	13	70 - 15
AT20719	1B19	2	20 - 35	AT22034	1H24	1	60 - 10	AT23715	1I15	31	70 - 11
AT20727	1C5	1	30 - 3	AT22034	1H24	6	60 - 10	AT23717	1I15	31	70 - 11
AT20728	1C5	2	30 - 3	AT22034	1H24	8	60 - 10	AT23719	1J6	4	70 - 30
AT20748	1C10	1	30 - 9	AT22070	2C9	1	90 - 20	AT23719	1J11	18	70 - 35
AT20749	1D17	5	40 - 3	AT22071	2C9	1	90 - 20	AT23720	1J9	5	70 - 33
AT20749	1D19	5	40 - 5	AT22073	2C9	2	90 - 20	AT23721	1J9	18	70 - 33
AT20755	1H25	2	60 - 11	AT22089	1C11	15	30 - 11	AT23734	1J15	13	70 - 39
AT20756	1H25	1	60 - 11	AT22096	1G3	1A	50 - 10	AT23738	1J15	14	70 - 39
AT20761	1H5	1	50 - 37	AT22220	2A15	6	80 - 3	AT23751	1C13	13A	30 - 13
AT20777	2B9	2	80 - 21	AT22221	2A21	17	80 - 9	AT23758	1J17	10	70 - 41
AT20779	2B9	1	80 - 21	AT22222	2A21	17	80 - 9	AT23759	1J17	6	70 - 41
AT20784	1G22	10	50 - 29	AT22278	2A19	6	80 - 7	AT23884	2A22	11	80 - 10
AT20785	1G22	11	50 - 29	AT22279	2A21	17	80 - 9	AT23885	2A22	1	80 - 10
AT20786	1G22	9	50 - 29	AT22280	2A21	17	80 - 9	AT24200	1D7	18	30 - 33
AT20787	1G22	12	50 - 29	AT22315	1G15	8	50 - 22	AT24201	1D7	29	30 - 33
AT20797	1B19	1	20 - 35	AT22315	1G16	8	50 - 23	AT24209	1D5	14	30 - 31
AT20802	1G22	10	50 - 29	AT22359	1H10	11	50 - 43	AT24244	1J15	4	70 - 39

1L9

TRACTOR - 820 UTILITY

NUMERICAL INDEX - CONTINUED

PART NO.	GRID	KEY	PAGE	PART NO.	GRID	KEY	PAGE	PART NO.	GRID	KEY	PAGE
AT24245	1J15	1	70 - 39	AT27131	2A22	1	80 - 10	AT32064	1D3	22	30 - 29
AT24252	1B2	12	20 - 13	AT27194	1D5	18	30 - 31	AT32064	1D4	14	30 - 30
AT24254	1B12	13	20 - 25	AT27313	1115	13	70 - 11	AT32064	1D9	13	30 - 35
AT24254	1B12	21	20 - 25	AT27313	1117	28	70 - 13	AT32208	1F25	2	50 - 7
AT24392	1H7	10	50 - 40	AT27585	1B19	2	20 - 35	AT32332	1115	30	70 - 11
AT24392	1H8	10	50 - 41	AT27615	1C19	34	30 - 19	AT32332	1115	31	70 - 11
AT24396	1I25	5	70 - 23	AT27615	1D5	1	30 - 31	AT32332	1117	16	70 - 13
AT24401	2B4	12	80 - 16	AT27622	1D9	8	30 - 35	AT32332	1118	9	70 - 15
AT24437	1C5	4	30 - 3	AT27651	1D21	7	40 - 7	AT32332	1120	26	70 - 17
AT24438	1C5	3	30 - 3	AT27793	1F23	1	50 - 5	AT32332	1J15	5	70 - 39
AT24515	1D3	12	30 - 29	AT27793	1F25	1	50 - 7	AT32335	112	26	60 - 13
AT24515	1D4	10	30 - 30	AT27793	1G2	2	50 - 9	AT32335	112	27	60 - 13
AT24516	1D3	13	30 - 29	AT28049	1H12	11	50 - 45	AT32335	1115	37	70 - 11
AT24516	1D4	11	30 - 30	AT28049	1H12	20	50 - 45	AT32335	1117	26	70 - 13
AT24517	1D3	14	30 - 29	AT28049	1H12	21	50 - 45	AT32335	1118	10	70 - 15
AT24517	1D4	12	30 - 30	AT28064	1B19	19	20 - 35	AT32489	1B16	..	20 - 31
AT24535	1D17	2	40 - 3	AT28198	1J21	10	70 - 45	AT32489	1B17	1	20 - 33
AT24538	2C11	1	90 - 22	AT28225	1C13	17	30 - 13	AT32606	1B12	28	20 - 25
AT24540	1D21	17	40 - 7	AT28225	1C19	1	30 - 19	AT34970	2A15	6	80 - 3
AT24549	1D17	7	40 - 3	AT28247	1J15	4	70 - 39	AT35121	1H21	8	60 - 7
AT24549	1D19	11	40 - 5	AT28251	1J15	1	70 - 39	AT35121	1117	11	70 - 13
AT24652	1I2	27	60 - 13	AT28251	1J15	4	70 - 39	AT35121	1120	23	70 - 17
AT24671	1H14	1	50 - 47	AT28460	1I9	1	70 - 3	AT37833	2B18	20	90 - 5
AT24692	1D21	3	40 - 7	AT28922	1G8	1	50 - 15	AT38518	2B18	20	90 - 5
AT24693	1D21	4	40 - 7	AT28951	1D7	15	30 - 33	AT41649	1F21	1	50 - 3
AT24694	1D17	10	40 - 3	AT29054	1B19	2	20 - 35	AT43407	1G8	1	50 - 15
AT24694	1D19	10	40 - 5	AT29218	1H14	9	50 - 47	AT43407	1G10	11	50 - 17
AT24699	1F23	5	50 - 5	AT29301	1J22	6	70 - 46	AT46457	1H17	34	60 - 3
AT24699	1F25	5	50 - 7	AT29386	1G22	11	50 - 29	AT48214	1C11	17	30 - 11
AT24699	1G2	4	50 - 9	AT29387	1G22	12	50 - 29	AT514T	1E12	12	40 - 21
AT24724	1J1	1	70 - 25	AT29390	1C13	16	30 - 13	AT516T	1E12	17	40 - 21
AT24725	1J1	7	70 - 25	AT29390	1C13	17	30 - 13	AT54955	1H17	34	60 - 3
AT24885	1D11	9	30 - 37	AT29390	1D3	1	30 - 29	AT56648	1J16	4	70 - 40
AT24940	1I9	1	70 - 3	AT29396	1D17	1	40 - 3	AT62018	2C5	6	90 - 16
AT24999	1B4	21	20 - 15	AT29432	1C8	2	30 - 7	AT62019	2C5	4	90 - 16
AT25265	1C10	1	30 - 9	AT29619	1B14	1	20 - 27	AT63813	1C8	3	30 - 7
AT25325	1D7	22	30 - 33	AT29619	1B16	1	20 - 31	AT67693	1D21	1	40 - 7
AT25383	2B19	1	90 - 6	AT29679	1F21	1	50 - 3	AT75387	2C5	4	90 - 16
AT25383	2B22	..	90 - 9	AT29736	1C13	16	30 - 13	AT81398	1C5	3	30 - 3
AT25401	1G17	1	50 - 24	AT29736	1C13	17	30 - 13	AT81764	2C5	6	90 - 16
AT25401	1H2	12	50 - 34	AT29736	1D3	1	30 - 29	AT85153	1F7	6	40 - 28
AT25481	1F25	2	50 - 7	AT29736	1D4	1	30 - 30	AT85153	1I22	12	70 - 20
AT25619	1E4	9	40 - 13	AT29752	1H10	16	50 - 43	AZ14504	1E8	24	40 - 17
AT25619	1E5	2	40 - 14	AT29827	1H4	1	50 - 36	AZ14506	1E8	29	40 - 17
AT25619	1E5	10	40 - 14	AT29831	1D6	3	30 - 32	AZ14507	1E8	16	40 - 17
AT25619	1E6	..	40 - 15	AT29928	1B4	31	20 - 15	AZ25987	11I3	7	70 - 7
AT25619	1E10	..	40 - 19	AT30110	1D17	24	40 - 3	AZ30292	11I3	5	70 - 7
AT25619	1E12	..	40 - 21	AT30110	1D19	32	40 - 5	A120R	1B4	19	20 - 15
AT25619	1E14	..	40 - 23	AT30117	1D8	11	30 - 34	A2552R	1G2	7	50 - 9
AT25619	1E19	4	40 - 23E	AT30117	1D8	12	30 - 34	A2899R	1F2	8	40 - 27
AT25619	1E21	10	40 - 23H	AT30117	1D8	16	30 - 34	A3581R	1J17	5	70 - 41
AT25805	2B19	2	90 - 6	AT30120	1D8	..	30 - 34	A3581R	1J21	25	70 - 45
AT25899	1F23	2	50 - 5	AT30144	1D6	10	30 - 32	A364R	1G14	22	50 - 21
AT25899	1G2	1	50 - 9	AT30145	1D6	1	30 - 32	A365R	1G13	18	50 - 20
AT25910	1E8	32	40 - 17	AT30146	1D5	3	30 - 31	A369R	1H4	5	50 - 36
AT25914	1E8	25	40 - 17	AT30148	1D5	1	30 - 31	A369R	1H4	8	50 - 36
AT25959	1C22	6	30 - 22	AT30631	1J3	7	70 - 27	A3910R	1A18	10	20 - 5
AT25983	1C5	10	30 - 3	AT30691	1B7	15	20 - 19	A3910R	1A20	2	20 - 7
AT26083	1F8	1	40 - 29	AT31250	1A22	9	20 - 9	A3917R	1H10	15	50 - 43
AT26084	1F8	1	40 - 29	AT31413	1D24	16	40 - 10	A4365R	1J3	12	70 - 27
AT26188	1H23	1	60 - 9	AT31582	1B4	21	20 - 15	A4624R	1J15	8	70 - 39
AT26289	1H24	8	60 - 10	AT31609	1B10	10	20 - 23	A4656R	1A20	13	20 - 7
AT26290	1H24	7	60 - 10	AT31619	1C11	5	30 - 11	A4728R	1I21	11	70 - 19
AT26340	2C11	1	90 - 22	AT31633	1C11	1	30 - 11	A4730R	1B12	20	20 - 25
AT27018	1B16	1	20 - 31	AT32064	1C11	..	30 - 11	A4806R	1G8	32	50 - 15
AT27129	1D17	22	40 - 3	AT32064	1C19	36	30 - 19	A4808R	1G8	33	50 - 15
AT27130	2A22	10	80 - 10	AT32064	1D3	19	30 - 29	A4808R	1G10	30	50 - 17

1L10

TRACTOR - 820 UTILITY

NUMERICAL INDEX - CONTINUED

PART NO.	GRID	KEY	PAGE	PART NO.	GRID	KEY	PAGE	PART NO.	GRID	KEY	PAGE
A4827R	1A24	18	20 - 11	F3171R	1H7	18	50 - 40	JD7798	2A23	2	80 - 11
A4827R	1G8	19	50 - 15	F3171R	1H8	17	50 - 41	JD7798	2A23	3	80 - 11
A4827R	1G10	17	50 - 17	F3171R	1I2	21	60 - 13	JD7799	2A15	1	80 - 3
A4827R	1H12	18	50 - 45	F3171R	1I3	2	60 - 15	JD7799	2A17	6	80 - 5
A4847R	1F21	20	50 - 3	F3322R	1F21	22	50 - 3	JD7799	2A19	1	80 - 7
A4847R	1G12	4	50 - 19	F3322R	1I25	16	70 - 23	JD7799	2B4	9	80 - 16
A4847R	1I25	7	70 - 23	F3353R	1I23	17	70 - 21	JD8135	1G15	2	50 - 22
A4847R	1J5	9	70 - 29	F3353R	1J5	2	70 - 29	JD8135	1H12	14	50 - 45
A4881R	1C11	18	30 - 11	F3366R	1J3	19	70 - 27	JD8147	1H2	5	50 - 34
A602R	1G3	5	50 - 10	F3396R	1D12	15	30 - 38	JD8147	1H14	12	50 - 47
B11182	1J17	13	70 - 41	F3396R	1G24	18	50 - 31	JD8171	1G15	5	50 - 22
B153R	1H7	2	50 - 40	F3450R	1H19	34	60 - 5	JD8171	1G16	5	50 - 23
B177R	1H25	3	60 - 11	F3539R	1J23	6	70 - 47	JD8171	1H14	15	50 - 47
B190R	1G14	24	50 - 21	F3541R	1J23	4	70 - 47	JD8194	2A23	4	80 - 11
B2641R	1B12	5	20 - 25	F3542R	1J23	5	70 - 47	JD8194	2A24	2	80 - 11A
B3690R	1H17	3	60 - 3	F534R	2A15	15	80 - 3	JD8217	1H14	16	50 - 47
B3690R	1H19	3	60 - 5	F534R	2A17	11	80 - 5	JD8230	2A23	5	80 - 11
CDX7284	1A22	17	20 - 9	F534R	2A19	13	80 - 7	JD8230	2A24	3	80 - 11A
CDX7285	1A22	17	20 - 9	H104855	1F12	9	40 - 33	JD8239	2A23	6	80 - 11
CDX7286	1A22	17	20 - 9	H113196	1E19	2	40 - 23E	JD8239	2A24	4	80 - 11A
CDX7290	1A22	18	20 - 9	H113196	1E21	2	40 - 23H	JD8240	1G17	3	50 - 24
CDX7291	1A22	18	20 - 9	H23193	1E12	4	40 - 21	JD8247	1H12	7	50 - 45
CDX7292	1A22	18	20 - 9	H23746	2B9	4	80 - 21	JD8255	1G18	3	50 - 25
CD12931	2B11	16	80 - 23	H246R	1G15	12	50 - 22	JD8267	1G17	9	50 - 24
CD12932	2B11	16	80 - 23	H246R	1G16	14	50 - 23	JD8267	1G18	17	50 - 25
CD12933	2B11	16	80 - 23	H246R	1H10	20	50 - 43	JD8276	1G15	6	50 - 22
CD13188	1C15	19	30 - 15	H410R	1H3	10	50 - 35	JD8276	1G16	6	50 - 23
CD13191	1C15	15	30 - 15	H97644	2B16	41	90 - 3	JD8407	2A21	14	80 - 9
CD13603	1B10	4	20 - 23	JD10036	1E2	26	40 - 11B	JD8511	1B7	14	20 - 19
CD13979	1A18	12	20 - 5	JD10107	1B7	14	20 - 19	JD8511	1G4	10	50 - 11
CD13979	1A22	25	20 - 9	JD10172	1G14	20	50 - 21	JD8511	1G6	10	50 - 13
CD15464	1B10	1	20 - 23	JD10248	1G2	24	50 - 9	JD8720	1H7	5	50 - 40
CE14048	1G20	8A	50 - 27	JD16	2A23	14	80 - 11	JD8720	1H8	5	50 - 41
C1067R	1G3	11	50 - 10	JD16	2A25	6	80 - 12	JD8728	1H17	18	60 - 3
C1067R	1G24	6	50 - 31	JD21	2A23	14	80 - 11	JD8823	1G4	8	50 - 11
C1220R	1B2	2	20 - 13	JD21	2A25	6	80 - 12	JD8823	1G6	8	50 - 13
C1220R	1B7	2	20 - 19	JD21	2B1	6	80 - 13	JD8827	2A17	3	80 - 5
C2175R	1F21	8	50 - 3	JD21	2B2	2	80 - 14	JD8856	1J19	15	70 - 43
C744DN	2B7	14	80 - 19	JD30003	1D23	9	40 - 9	JD8873	1G13	9	50 - 20
DA5883A	1J16	5	70 - 40	JD3002	2A23	12	80 - 11	JD8877	1G25	7	50 - 32
DD11408	1B5	1	20 - 17	JD3038	2B2	1	80 - 14	JD8905	2A23	7	80 - 11
DD12093	1B5	1	20 - 17	JD3047	2A23	13	80 - 11	JD8905	2A24	5	80 - 11A
DD12119	1A22	6	20 - 9	JD5232	2B11	7	80 - 23	JD8922	1H12	8	50 - 45
D2361R	1I2	11	60 - 13	JD5272	2B11	7	80 - 23	JD8969	1H12	25	50 - 45
D2361R	1I25	6	70 - 23	JD5272	2B13	8	80 - 25	JD8979	1G17	8	50 - 24
D2361R	1J5	11	70 - 29	JD691	2A23	13	80 - 11	JD8979	1G18	16	50 - 25
D2361R	1J13	11	70 - 37	JD7128	1G13	17	50 - 20	JD8982	1H12	28	50 - 45
F1495R	1G13	4	50 - 20	JD7128	1G25	15	50 - 32	JD8997	1G18	2	50 - 25
F1791R	1I25	5	70 - 23	JD7375	1G16	2	50 - 23	JD9014	1G17	2	50 - 24
F1791R	1I25	10	70 - 23	JD7418	1H12	26	50 - 45	JD9065	1H1	4	50 - 33
F1791R	1J5	14	70 - 29	JD7425	1H2	4	50 - 34	JD9125	1H1	3	50 - 33
F1942R	1J2	12	70 - 26	JD7425	1H14	13	50 - 47	JD9257	1B16	4	20 - 31
F215R	1G14	25	50 - 21	JD7438	1G15	3	50 - 22	JD9257	1B16	..	20 - 31
F215R	1H17	20	60 - 3	JD7438	1H12	13	50 - 45	JD9257	1B17	1	20 - 33
F2269R	1D11	10	30 - 37	JD7449	1G16	3	50 - 23	JD9258	1G14	23	50 - 21
F2367R	1G25	16	50 - 32	JD7674	1G14	20	50 - 21	JD9344	1G13	17	50 - 20
F2506R	1C11	6	30 - 11	JD7681	1G13	5	50 - 20	JD9344	1G25	15	50 - 32
F2570R	1I21	13	70 - 19	JD7759	1H14	3	50 - 47	JD9812	1J19	15	70 - 43
F2653R	1I5	23	60 - 17	JD7798	1J19	6	70 - 43	JD9813	1G4	8	50 - 11
F2741R	1I25	8	70 - 23	JD7798	2A15	2	80 - 3	JD9813	1G6	8	50 - 13
F2741R	1J5	10	70 - 29	JD7798	2A15	11	80 - 3	JD9822	1G14	11	50 - 21
F2861R	1G20	7A	50 - 27	JD7798	2A17	5	80 - 5	JD9832	1H19	16	60 - 5
F2861R	1G22	5	50 - 29	JD7798	2A19	2	80 - 7	JD9839	1G15	4	50 - 22
F2863R	1H25	10	60 - 11	JD7798	2A21	11	80 - 9	JD9839	1G16	4	50 - 23
F2962R	1I25	16	70 - 23	JD7798	2A21	16	80 - 9	JD9878	1G8	1	50 - 15
F3171R	1F21	25	50 - 3	JD7798	2A21	17	80 - 9	JD9911	2A15	4	80 - 3
F3171R	1G8	27	50 - 15	JD7798	2A23	1	80 - 11	JD9911	2A19	4	80 - 7

1L11

TRACTOR - 820 UTILITY

NUMERICAL INDEX - CONTINUED

PART NO.	GRID	KEY	PAGE	PART NO.	GRID	KEY	PAGE	PART NO.	GRID	KEY	PAGE
L10384	1D23	5	40-9	L24922	1C8	16	30-7	L28077	2C2	23	90-13
L10729	1G20	16	50-27	L25280	2B9	11	80-21	L28077	2C4	15	90-15
L11027	1H12	24	50-45	L25281	2B9	10	80-21	L28078	2C2	19	90-13
L11028	1H12	24	50-45	L25283	2B9	5	80-21	L28081	2C2	16	90-13
L11292	1J17	11	70-41	L25365	1I9	8	70-3	L28082	2B11	19	80-23
L12624	1D21	16	40-7	L25365	1I11	17	70-5	L28091	1D11	17	30-37
L12808	1D17	13	40-3	L25366	1I9	5	70-3	L28374	1J19	12	70-43
L12809	1D17	14	40-3	L25366	1I11	7	70-5	L28401	1G22	19	50-29
L12809	1D19	12	40-5	L25367	1I9	7	70-3	L28462	2A23	14	80-11
L13325	1D19	2	40-5	L25367	1I11	6	70-5	L28520	1D21	12	40-7
L17056	1J7	9	70-31	L25368	1I9	9	70-3	L28520	1D21	13	40-7
L17056	1J7	10	70-31	L25368	1I11	15	70-5	L28642	2A25	6	80-12
L17056	1J11	1	70-35	L25408	2B11	13	80-23	L28642	2B1	6	80-13
L17056	1J11	3	70-35	L25409	2B11	14	80-23	L28642	2B2	2	80-14
L17569	1D17	12	40-3	L25494	1J13	2	70-37	L28744	1I15	22	70-11
L17650	1I20	9	70-17	L25543	1J21	3	70-45	L28918	2B7	22	80-19
L17652	1J9	9	70-33	L25550	1J21	6	70-45	L29022	1J21	24	70-45
L17656	1I20	5	70-17	L25678	2B22	8	90-9	L29023	1J21	11	70-45
L17657	1J6	5	70-30	L25678	2B24	5	90-11	L29023	1J21	27	70-45
L17657	1J11	17	70-35	L25678	2C2	10	90-13	L29048	1G8	1	50-15
L17658	1J6	9	70-30	L25678	2C4	44	90-15	L29051	2C9	17	90-20
L17658	1J11	12	70-35	L25679	2B22	9	90-9	L29052	2C9	18	90-20
L17659	1J6	8	70-30	L25680	2B22	16	90-9	L29130	2B24	28	90-11
L17659	1J11	14	70-35	L25681	2B22	15	90-9	L29152	1E8	23	40-17
L18893	1J7	7	70-31	L25682	2B22	17	90-9	L29153	1E8	5	40-17
L18893	1J7	10	70-31	L25683	2B22	19	90-9	L29154	1E8	22	40-17
L18893	1J11	1	70-35	L25684	2B22	20	90-9	L29155	1E8	21	40-17
L18893	1J11	4	70-35	L25685	2B22	10	90-9	L29156	1E8	9	40-17
L18955	1J17	5	70-41	L25686	2B22	13	90-9	L29157	1E8	19	40-17
L19651	1E8	3	40-17	L25686	2B24	10	90-11	L29158	1E8	18	40-17
L19654	1E8	7	40-17	L25686	2C2	8	90-13	L29159	1D25	3	40-11
L20093	1I20	6	70-17	L25686	2C4	3	90-15	L29160	1D25	22	40-11
L20093	1J7	4	70-31	L25687	2B22	14	90-9	L29161	1D25	20	40-11
L20093	1J11	7	70-35	L25688	2B22	11	90-9	L29162	1D25	15	40-11
L20094	1J7	3	70-31	L25689	2B22	22	90-9	L29163	1D25	8	40-11
L20094	1J11	8	70-35	L25689	2B24	17	90-11	L29164	1D25	10	40-11
L20095	1J7	8	70-31	L25689	2C2	15	90-13	L29165	1D25	11	40-11
L20095	1J7	10	70-31	L25690	2B22	23	90-9	L29166	1D25	4	40-11
L20095	1J11	1	70-35	L25692	2B22	35	90-9	L29167	1D25	2	40-11
L20095	1J11	2	70-35	L25692	2B24	26	90-11	L29197	1H19	14	60-5
L20102	1J6	17	70-30	L25693	2B22	37	90-9	L29197	1H19	43	60-5
L20102	1J11	11	70-35	L25694	2B22	36	90-9	L29199	1H19	14	60-5
L22772	1I8	6	70-2	L25694	2B24	28	90-11	L29200	2C8	16	90-19
L22773	1I8	11	70-2	L25695	2B22	32	90-9	L29201	2C8	15	90-19
L22870	1C3	3	30-1	L25696	2B22	31	90-9	L29202	2C2	38	90-13
L22870	1C5	15	30-3	L25697	2B22	30	90-9	L29203	2C2	39	90-13
L22964	1D21	13	40-7	L25697	2B24	23	90-11	L29204	2C2	35	90-13
L23020	2B5	5	80-17	L25698	2B22	5	90-9	L29205	2C2	34	90-13
L23660	1D23	11	40-9	L25699	2B22	29	90-9	L29206	2C2	36	90-13
L23737	1D11	37	30-37	L25701	1G22	21	50-29	L29208	2C2	30	90-13
L23740	1D11	42	30-37	L25750	1F23	19	50-5	L29208	2C4	23	90-15
L23741	1D11	47	30-37	L25750	1F25	19	50-7	L29209	2C2	6	90-13
L23742	1F8	2	40-29	L25806	1D11	24	30-37	L29209	2C4	43	90-15
L23839	1D11	41	30-37	L25819	2A25	2	80-12	L29211	2C2	27	90-13
L24199	1I8	14	70-2	L27166	2B22	25	90-9	L29211	2C4	10	90-15
L24414	1I15	2	70-11	L27166	2B24	21	90-11	L29217	2B20	5	90-7
L24414	1I17	2	70-13	L27166	2C2	18	90-13	L29246	1F23	19	50-5
L24688	1I9	6	70-3	L27166	2C4	5	90-15	L29246	1F25	19	50-7
L24688	1I11	5	70-5	L27167	2B24	14	90-11	L29250	1H10	1	50-43
L24690	1D23	6	40-9	L27167	2C2	7	90-13	L29251	1H10	1	50-43
L24691	1D23	7	40-9	L27167	2C4	40	90-15	L29251	1H10	6	50-43
L24702	2A23	14	80-11	L27168	2B24	18	90-11	L29252	1H10	1	50-43
L24702	2A25	6	80-12	L27169	2B24	12	90-11	L29252	1H10	4	50-43
L24710	2A25	7	80-12	L27170	2B24	22	90-11	L29253	1H10	1	50-43
L24802	2B11	14	80-23	L27171	2B24	27	90-11	L29253	1H10	2	50-43
L24803	2B11	13	80-23	L27339	1D25	13	40-11	L29260	1H17	2	60-3
L24921	1C8	11	30-7	L28076	2C2	21	90-13	L29260	1H19	2	60-5

1L12

TRACTOR - 820 UTILITY

NUMERICAL INDEX - CONTINUED

PART NO.	GRID	KEY	PAGE	PART NO.	GRID	KEY	PAGE	PART NO.	GRID	KEY	PAGE
L29265	1C11	23	30 - 11	L33139	1G12	6	50 - 19	L41724	1I25	5	70 - 23
L29269	1G17	7	50 - 24	L33985	1E2	25	40 - 11B	L41726	1I25	5	70 - 23
L29269	1G18	15	50 - 25	L33986	1E2	8	40 - 11B	L41726	1I25	12	70 - 23
L29270	1G17	7	50 - 24	L33987	1E2	10	40 - 11B	L41855	1C6	4	30 - 5
L29270	1G18	15	50 - 25	L33992	1E2	22	40 - 11B	L4667T	1D12	8	30 - 38
L29271	1G17	7	50 - 24	L33993	1E2	4	40 - 11B	L48704	1C8	15	30 - 7
L29271	1G18	15	50 - 25	L33994	1E2	14	40 - 11B	L48705	1C8	14	30 - 7
L29323	2B11	20	80 - 23	L34156	2C4	33	90 - 15	L53826	1I20	7	70 - 17
L29330	2B9	6	80 - 21	L34349	1G20	8A	50 - 27	L53826	1J7	5	70 - 31
L29353	2C2	39	90 - 13	L34351	2C9	17	90 - 20	L53826	1J11	6	70 - 35
L29359	1I11	4	70 - 5	L35024	1G17	7	50 - 24	L53830	1I20	13	70 - 17
L29360	1I11	10	70 - 5	L35521	2B13	5	80 - 25	L53830	1J6	10	70 - 30
L29361	1I11	11	70 - 5	L35769	2C4	35	90 - 15	L53830	1J11	22	70 - 35
L29362	1I11	8	70 - 5	L35825	2C4	13	90 - 15	L53836	1I20	12	70 - 17
L29363	1I11	9	70 - 5	L36269	2C4	27	90 - 15	L53836	1J6	11	70 - 30
L29364	1I11	1	70 - 5	L36292	2C4	29	90 - 15	L53836	1J11	23	70 - 35
L29364	1I13	2	70 - 7	L36319	2B11	15	80 - 23	L53839	1I15	4	70 - 11
L29365	1I11	18	70 - 5	L36319	2B13	15	80 - 25	L53839	1I17	6	70 - 13
L29366	1I11	3	70 - 5	L36557	1G14	13	50 - 21	L53840	1I15	2	70 - 11
L29367	1I11	14	70 - 5	L37325	1H14	24	50 - 47	L53840	1I17	2	70 - 13
L29368	1I11	13	70 - 5	L38057	1H14	25	50 - 47	L55204	1I25	20	70 - 23
L29371	1I11	2	70 - 5	L38377	2C4	37	90 - 15	L55204	1J5	5	70 - 29
L29371	1I13	4	70 - 7	L38513	1F25	14	50 - 7	L55213	1G2	17	50 - 9
L29372	1C5	23	30 - 3	L38513	1G2	12	50 - 9	L55214	1G2	9	50 - 9
L29373	1C5	24	30 - 3	L38513	1G5	5	50 - 12	L55215	1G2	13	50 - 9
L29374	1C5	22	30 - 3	L38694	1H6	3	50 - 39	L55216	1G2	15	50 - 9
L29390	1E25	3	40 - 25	L39302	1F23	19	50 - 5	L55891	2C8	24	90 - 19
L29396	1C11	24	30 - 11	L39302	1F25	19	50 - 7	L55913	2B7	20	80 - 19
L29404	1H3	3	50 - 35	L39302	1G2	21	50 - 9	L55913	2C8	25	90 - 19
L29406	1H3	2	50 - 35	L39810	1J7	2	70 - 31	L57054	1B19	26	20 - 35
L29406	1H3	3	50 - 35	L39810	1J7	10	70 - 31	L57595	1J23	9	70 - 47
L29418	1H25	4	60 - 11	L39810	1J11	1	70 - 35	L61918	1G12	6	50 - 19
L29611	1H19	7	60 - 5	L39810	1J11	9	70 - 35	L62507	1I25	5	70 - 23
L29833	1H3	3	50 - 35	L39881	1J3	1	70 - 27	L62606	1I5	1	60 - 17
L29834	1H3	3	50 - 35	L4027T	1G20	5	50 - 27	L64456	1H5	4	50 - 37
L29834	1H3	10	50 - 35	L4027T	1G22	8	50 - 29	L64688	2B22	13	90 - 9
L29848	1I23	16	70 - 21	L4035T	1G20	4	50 - 27	L64688	2B24	10	90 - 11
L29854	1F21	1	50 - 3	L4035T	1G22	7	50 - 29	L64688	2C2	8	90 - 13
L29873	1J2	16	70 - 26	L40902	1F23	17	50 - 5	L64688	2C4	4	90 - 15
L29882	1I5	14	60 - 17	L40903	1F23	17	50 - 5	L65000	1F4	10	40 - 27B
L29883	1I5	21	60 - 17	L40914	1I13	1	70 - 7	L65347	2B11	9	80 - 23
L29884	1I5	19	60 - 17	L41296	1E2	20	40 - 11B	L65348	2B11	10	80 - 23
L31016	1H24	2	60 - 10	L41301	1I22	9	70 - 20	L65446	2B11	9	80 - 23
L31016	1H24	3	60 - 10	L41302	1I22	9	70 - 20	L65446	2B11	10	80 - 23
L31016	1H24	6	60 - 10	L41303	1I22	9	70 - 20	L84396	1D19	23	40 - 5
L31016	1H24	8	60 - 10	L41383	1I25	5	70 - 23	L84612	1D17	16	40 - 3
L31016	1H24	9	60 - 10	L41383	1I25	15	70 - 23	L84612	1D19	8	40 - 5
L31055	1G22	6	50 - 29	L41384	1I25	5	70 - 23	L84617	2C8	8	90 - 19
L31311	1G23	10	50 - 30	L41384	1I25	14	70 - 23	L94772	2C11	6	90 - 22
L31667	2A25	2	80 - 12	L41387	1G5	6	50 - 12	M1102T	1G8	7	50 - 15
L31689	2A25	2	80 - 12	L41388	1F25	22	50 - 7	M1102T	1G10	3	50 - 17
L31727	2C4	8	90 - 15	L41388	1G2	23	50 - 9	M1102T	1G20	19	50 - 27
L31730	2C4	9	90 - 15	L41388	1G5	1	50 - 12	M1102T	1G22	16	50 - 29
L31731	2C4	19	90 - 15	L41389	1F25	16	50 - 7	M115827	1J17	13	70 - 41
L31754	1J7	10	70 - 31	L41389	1G5	4	50 - 12	M1335T	1C5	9	30 - 3
L31754	1J11	1	70 - 35	L41390	1F25	17	50 - 7	M1339T	1D12	4	30 - 38
L31849	1J21	15	70 - 45	L41390	1G5	8	50 - 12	M1518T	2A21	5	80 - 9
L31849	1J21	16	70 - 45	L41536	1I25	5	70 - 23	M2056T	1G17	7	50 - 24
L31849	1J21	19	70 - 45	L41536	1I25	9	70 - 23	M2056T	1G18	15	50 - 25
L31849	1J21	20	70 - 45	L41538	1I25	11	70 - 23	M2057T	1G17	7	50 - 24
L32016	1J21	14	70 - 45	L41575	1E2	3	40 - 11B	M2057T	1G18	15	50 - 25
L32016	1J21	16	70 - 45	L41579	1E8	17	40 - 17	M2058T	1G17	7	50 - 24
L32016	1J21	19	70 - 45	L41587	1G5	2	50 - 12	M2058T	1G18	15	50 - 25
L32016	1J21	20	70 - 45	L41588	1F25	22	50 - 7	M2206T	1H12	12	50 - 45
L324T	1G3	10	50 - 10	L41588	1G5	2	50 - 12	M2282T	2A21	12	80 - 9
L324T	1G24	5	50 - 31	L41589	1F25	22	50 - 7	M2283T	2A21	13	80 - 9
L32839	1H3	3	50 - 35	L41589	1G5	3	50 - 12	M2291	2C8	6	90 - 19

1L13

TRACTOR - 820 UTILITY

NUMERICAL INDEX - CONTINUED

PART NO.	GRID	KEY	PAGE	PART NO.	GRID	KEY	PAGE	PART NO.	GRID	KEY	PAGE
M2353T	1G13	20	50 - 20	RE19187	1E6	..	40 - 15	RE42730	1E18	..	40 - 23D
M2353T	1G25	3	50 - 32	RE19187	1E16	..	40 - 23B	RE42730	1E19	4	40 - 23E
M2396T	1J2	3	70 - 26	RE19187	1E18	..	40 - 23D	RE42730	1E21	10	40 - 23H
M2396T	1J3	6	70 - 27	RE19187	1E19	4	40 - 23E	RE42730	1E22	..	40 - 23I
M2734T	1J19	7	70 - 43	RE19187	1E21	10	40 - 23H	RE43025	1F4	17	40 - 27B
M2834T	1F21	31	50 - 3	RE19187	1E22	..	40 - 23I	RE44202	1A18	6	20 - 5
M2834T	1G8	39	50 - 15	RE19188	1E18	18	40 - 23D	RE44202	1A20	7	20 - 7
M3119T	1C9	5	30 - 8	RE19191	1E16	18	40 - 23B	RE46317	1F4	11	40 - 27B
M3265T	1I25	19	70 - 23	RE19192	1E16	19	40 - 23B	RE46414	1F4	12	40 - 27B
M3265T	1J5	4	70 - 29	RE19193	1E10	12	40 - 19	RE46896	1B2	1	20 - 13
M3636T	1E5	10	40 - 14	RE19193	1E16	4	40 - 23B	RE49984	1E21	4	40 - 23H
M3636T	1E8	33	40 - 17	RE19445	2B16	14	90 - 3	RE49985	1E21	7	40 - 23H
M3742T	1D12	7	30 - 38	RE19445	2B16	19	90 - 3	RE49986	1E21	8	40 - 23H
M3853T	1B12	24	20 - 25	RE19445	2B16	21	90 - 3	RE50095	1E4	9	40 - 13
M42229	2B7	19	80 - 19	RE19445	2B16	43	90 - 3	RE50095	1E5	2	40 - 14
M42229	2C8	5	90 - 19	RE19505	1B16	..	20 - 31	RE50095	1E19	4	40 - 23E
M4224T	1F21	13	50 - 3	RE19505	1B17	1	20 - 33	RE50095	1E21	10	40 - 23H
M4262T	1G17	4	50 - 24	RE19733	1B9	6	20 - 21	RE50096	1E19	3	40 - 23E
M43835	1F12	2	40 - 33	RE19733	1B9	7	20 - 21	RE50096	1E21	3	40 - 23H
M48997	1I8	12	70 - 2	RE19842	1B5	1	20 - 17	RE50137	1G12	8	50 - 19
M557T	2B19	6	90 - 6	RE19944	1B14	1	20 - 27	RE50756	1F21	..	50 - 3
M63440	2B7	14	80 - 19	RE19944	1B16	1	20 - 31	RE50756	1G10	..	50 - 17
M67T	1B9	2	20 - 21	RE19944	1B16	2	20 - 31	RE50756	1G12	8	50 - 19
M80373	1G3	10	50 - 10	RE21073	1F4	17	40 - 27B	RE51774	1A18	16	20 - 5
M80373	1G24	5	50 - 31	RE21096	1F4	11	40 - 27B	RE54817	2A24	6	80 - 11A
M89028	1I8	12	70 - 2	RE21112	1F6	3	40 - 27D	RE55345	1B12	13	20 - 25
N102039	1A18	10	20 - 5	RE21113	1F6	10	40 - 27D	RE55345	1B12	23	20 - 25
N115096	1F12	11	40 - 33	RE21439	1C22	6	30 - 22	RE56309	1A18	11	20 - 5
N186901	1J23	9	70 - 47	RE21510	1F4	20	40 - 27B	RE56309	1A20	1	20 - 7
PM797NA	1F17	1	40 - 38	RE21730	1F16	5	40 - 37	RE62916	1E4	9	40 - 13
PT99	2C11	6	90 - 22	RE21731	1F16	5	40 - 37	RE62916	1E5	2	40 - 14
P46051	1J19	11	70 - 43	RE21732	1F16	6	40 - 37	RE62916	1E8	1	40 - 17
RE10800	1H21	1	60 - 7	RE21738	1F6	15	40 - 27D	RE62916	1E10	..	40 - 19
RE11156	1F14	36	40 - 35	RE22589	1F6	2	40 - 27D	RE62916	1E12	20	40 - 21
RE11157	1F14	37	40 - 35	RE23182	1A16	2	20 - 2	RE62916	1E12	..	40 - 21
RE11410	1A22	21	20 - 9	RE23182	2C11	3	90 - 22	RE62916	1E16	30	40 - 23B
RE11447	1K2	9	70 - 51	RE24175	1E22	4	40 - 23I	RE62916	1E16	..	40 - 23B
RE11456	1K2	2	70 - 51	RE24561	1C10	16	30 - 9	RE62916	1E18	20	40 - 23D
RE11457	1K2	1	70 - 51	RE24561	2C11	5	90 - 22	RE62916	1E18	..	40 - 23D
RE11458	1K2	2	70 - 51	RE24959	1B7	7	20 - 19	RE62916	1E19	4	40 - 23E
RE11463	1K2	2	70 - 51	RE26739	1K3	6	70 - 52	RE62916	1E21	10	40 - 23H
RE12842	1A16	2	20 - 2	RE26740	1K3	6	70 - 52	RW26466	1F4	20	40 - 27B
RE13089	1J23	14	70 - 47	RE27099	1E24	3	40 - 24	R100380	1E6	4	40 - 15
RE13090	1J23	14	70 - 47	RE30174	1C10	16	30 - 9	R10093	1B4	24	20 - 15
RE13517	1C17	6	30 - 17	RE30174	2C11	5	90 - 22	R10093	1I25	23	70 - 23
RE13912	1H5	1	50 - 37	RE31973	1A22	9	20 - 9	R10093	1J1	15	70 - 25
RE13912	1H6	15	50 - 39	RE31973	1A22	10	20 - 9	R10093	1J5	3	70 - 29
RE14069	1F7	5	40 - 28	RE32140	1A18	6	20 - 5	R10093	1J5	7	70 - 29
RE14512	1E4	14	40 - 13	RE32140	1A20	7	20 - 7	R105942	1F4	10	40 - 27B
RE14513	1E4	2	40 - 13	RE33705	1B21	7	20 - 37	R107734	1B16	24	20 - 31
RE14513	1E4	3	40 - 13	RE35685	1B12	28	20 - 25	R11039	1E14	19	40 - 23
RE14515	1E4	3	40 - 13	RE35685	1B12	29	20 - 25	R11066	1E14	9	40 - 23
RE15361	1J13	8	70 - 37	RE35992	1A16	3	20 - 2	R11066	1E22	3	40 - 23I
RE15361	1J13	13	70 - 37	RE36425	1B12	19	20 - 25	R11087	1E12	18	40 - 21
RE15361	1J13	17	70 - 37	RE36425	1B12	29	20 - 25	R11095	1E10	5	40 - 19
RE16149	1B4	31	20 - 15	RE37996	1F7	4	40 - 28	R11096	1E10	1	40 - 19
RE17515	1C5	25	30 - 3	RE38390	1F7	6	40 - 28	R11116	1E10	7	40 - 19
RE18116	1G23	15	50 - 30	RE38390	1I22	12	70 - 20	R11116	1E16	26	40 - 23B
RE18646	1G22	11	50 - 29	RE38570	1B23	24	20 - 39	R11117	1E10	8	40 - 19
RE18646	1G22	12	50 - 29	RE38707	1F4	11	40 - 27B	R11117	1E16	27	40 - 23B
RE19031	1A22	9	20 - 9	RE39061	1E6	9	40 - 15	R11118	1E16	21	40 - 23B
RE19187	1E4	9	40 - 13	RE39829	1J23	14	70 - 47	R11194	1E14	12	40 - 23
RE19187	1E5	2	40 - 14	RE39830	1J23	14	70 - 47	R11198	1E14	3	40 - 23
RE19187	1E5	3	40 - 14	RE42730	1E4	9	40 - 13	R11235	1E10	29	40 - 19
RE19187	1E5	4	40 - 14	RE42730	1E5	2	40 - 14	R11236	1E12	21	40 - 21
RE19187	1E5	5	40 - 14	RE42730	1E6	..	40 - 15	R11236	1E18	19	40 - 23D
RE19187	1E5	6	40 - 14	RE42730	1E16	..	40 - 23B	R11238	1E12	3	40 - 21

1L14

TRACTOR - 820 UTILITY

NUMERICAL INDEX - CONTINUED

PART NO.	GRID	KEY	PAGE	PART NO.	GRID	KEY	PAGE	PART NO.	GRID	KEY	PAGE
R11239	1E12	8	40 - 21	R26448	1I20	24	70 - 17	R27474	1I23	9	70 - 21
R11243	1E12	1	40 - 21	R26448	1I22	9	70 - 20	R27490	1G8	16	50 - 15
R11278	1D19	25	40 - 5	R26448	1I22	14	70 - 20	R27490	1G10	14	50 - 17
R112922	1E21	6	40 - 23H	R26448	1I25	5	70 - 23	R27490	1I5	30	60 - 17
R112923	1E21	5	40 - 23H	R26448	1I25	9	70 - 23	R27527	1I2	23	60 - 13
R112926	1E21	9	40 - 23H	R26448	1J5	12	70 - 29	R27528	1B12	6	20 - 25
R113752	1B12	13	20 - 25	R26448	1J5	13	70 - 29	R27528	1I2	30	60 - 13
R113752	1B12	23	20 - 25	R26485	1J13	16	70 - 37	R27539	1I15	22	70 - 11
R119359	1B6	1	20 - 18	R26493	1B4	11	20 - 15	R27539	1I15	24	70 - 11
R119359	1B23	3	20 - 39	R26501	1D12	11	30 - 38	R27539	1I17	38	70 - 13
R119707	1A22	1	20 - 9	R26524	1D11	15	30 - 37	R27539	1I17	39	70 - 13
R120106	1F4	10	40 - 27B	R26552	1G8	21	50 - 15	R27643	2B5	5	80 - 17
R120107	1F4	10	40 - 27B	R26552	1G10	25	50 - 17	R27644	2B5	6	80 - 17
R120108	1F4	10	40 - 27B	R26552	1G20	22	50 - 27	R27648	1I21	10	70 - 19
R1590R	1G8	25	50 - 15	R26552	1G22	13	50 - 29	R27649	1I21	12	70 - 19
R1662R	1I15	20	70 - 11	R26552	1H4	12	50 - 36	R27829	1J9	1	70 - 33
R1662R	1I17	32	70 - 13	R26552	1H10	12	50 - 43	R28006	1J13	22	70 - 37
R1769R	1H10	4	50 - 43	R26637	1D11	7	30 - 37	R28061	1J17	12	70 - 41
R1870R	1G13	15	50 - 20	R26650	1B4	12	20 - 15	R28084	1J13	12	70 - 37
R1870R	1G14	16	50 - 21	R26650	1H7	2	50 - 40	R28085	1J13	13	70 - 37
R1888R	1G24	14	50 - 31	R26656	1G25	6	50 - 32	R28204	1J13	14	70 - 37
R20135	1H17	33	60 - 3	R26726	1C10	2	30 - 9	R28538	1I15	22	70 - 11
R20135	1H21	18	60 - 7	R26726	1C19	19	30 - 19	R28538	1I17	38	70 - 13
R20498	1C17	3	30 - 17	R26726	1C21	15	30 - 21	R28539	1I15	24	70 - 11
R21551	1C11	16	30 - 11	R26727	1G8	18	50 - 15	R28539	1I17	39	70 - 13
R21551	2B16	31	90 - 3	R26727	1G10	21	50 - 17	R28583	1C10	5	30 - 9
R21612	1H14	4	50 - 47	R26727	1H12	19	50 - 45	R28584	1C10	4	30 - 9
R21722	1K2	1	70 - 51	R26858	2B7	18	80 - 19	R28593	1H10	6	50 - 43
R21722	1K2	2	70 - 51	R26863	1I21	1	70 - 19	R28733	1J15	6	70 - 39
R26006	1H14	21	50 - 47	R26906	1H7	7	50 - 40	R28776	1H3	2	50 - 35
R26125	1A22	20	20 - 9	R26906	1H8	7	50 - 41	R28776	1H3	3	50 - 35
R26149	1C10	11	30 - 9	R26906	1I2	6	60 - 13	R28776	1H4	3	50 - 36
R26149	1G12	7	50 - 19	R26906	1I3	3	60 - 15	R28794	1C6	3	30 - 5
R26149	1H7	14	50 - 40	R26906	1I20	16	70 - 17	R28799	1C6	5	30 - 5
R26149	1H8	13	50 - 41	R26906	1I23	10	70 - 21	R29936	1G20	8A	50 - 27
R26241	1B4	7	20 - 15	R26919	1F21	11	50 - 3	R29936	1G20	8B	50 - 27
R26286	1I25	17	70 - 23	R26936	2C8	11	90 - 19	R29936	1G22	4	50 - 29
R26286	1J5	8	70 - 29	R26974	1I25	16	70 - 23	R29936	1G22	27	50 - 29
R26287	1C16	8	30 - 16	R27003	1G8	14	50 - 15	R29936	1I2	8	60 - 13
R26287	1H14	6	50 - 47	R27003	1G10	19	50 - 17	R29936	1I3	5	60 - 15
R26287	1I2	24	60 - 13	R27003	1H4	10	50 - 36	R30181	1F2	9	40 - 27
R26287	1I3	1	60 - 15	R27095	1I17	18	70 - 13	R30182	1E24	1	40 - 24
R26287	1I15	38	70 - 11	R27139	1I2	23	60 - 13	R30182	1F1	1	40 - 26
R26287	1I17	27	70 - 13	R27149	1J3	16	70 - 27	R30182	1F1	5	40 - 26
R26287	1I18	11	70 - 15	R27175	1F21	24	50 - 3	R30182	1F2	1	40 - 27
R26287	1I22	15	70 - 20	R27175	1G8	26	50 - 15	R30378	1F14	43	40 - 35
R26287	1I23	7	70 - 21	R27181	1C11	7	30 - 11	R30399	1H12	31	50 - 45
R26375	1F21	18	50 - 3	R27216	1H14	5	50 - 47	R30437	1J1	16	70 - 25
R26375	1H17	11	60 - 3	R27216	1I17	33	70 - 13	R30587	1H2	11	50 - 34
R26375	1I2	14	60 - 13	R27216	1I18	12	70 - 15	R30587	1H7	2	50 - 40
R26375	1I3	8	60 - 15	R27216	1I22	16	70 - 20	R30587	1H8	2	50 - 41
R26375	1I15	32	70 - 11	R27216	1I23	3	70 - 21	R30714	1C20	7	30 - 20
R26375	1I17	17	70 - 13	R27216	1I25	5	70 - 23	R30718	1C24	17	30 - 24
R26375	1I18	4	70 - 15	R27218	1I25	12	70 - 23	R30719	1C24	18	30 - 24
R26375	1I20	27	70 - 17	R27237	1I18	8	70 - 15	R30725	1C21	1	30 - 21
R26375	1I23	1	70 - 21	R27285	1B23	4	20 - 39	R30727	1C21	2	30 - 21
R26375	1I25	15	70 - 23	R27285	1C17	2	30 - 17	R30728	1C21	18	30 - 21
R26375	1J5	15	70 - 29	R27320	1H19	9	60 - 5	R30728	1D5	24	30 - 31
R26375	1J13	24	70 - 37	R27329	1H5	5	50 - 37	R30729	1C21	18	30 - 21
R26375	1J15	3	70 - 39	R27346	1C16	13	30 - 16	R30729	1D5	24	30 - 31
R26375	1K2	4	70 - 51	R27358	1I2	29	60 - 13	R30730	1C21	18	30 - 21
R26409	1D19	2	40 - 5	R27430	1J13	21	70 - 37	R30730	1D5	24	30 - 31
R26418	2C8	12	90 - 19	R27448	1I18	15	70 - 15	R30731	1C21	18	30 - 21
R26448	1F7	2	40 - 28	R27449	1I18	16	70 - 15	R30731	1D5	24	30 - 31
R26448	1H21	9	60 - 7	R27453	1I2	28	60 - 13	R30732	1C23	13	30 - 23
R26448	1I15	9	70 - 11	R27457	1D17	15	40 - 3	R30735	1C21	9	30 - 21
R26448	1I17	8	70 - 13	R27460	1F2	14	40 - 27	R30735	1D8	2	30 - 34

1L15

TRACTOR - 820 UTILITY

NUMERICAL INDEX - CONTINUED

PART NO.	GRID	KEY	PAGE	PART NO.	GRID	KEY	PAGE	PART NO.	GRID	KEY	PAGE
R30737	1C21	11	30 - 21	R34630	1C22	3	30 - 22	R39249	1I17	9	70 - 13
R30737	1D5	1	30 - 31	R34630	1D8	9	30 - 34	R39261	1G4	6	50 - 11
R30737	1D8	4	30 - 34	R34630	1D8	14	30 - 34	R39294	1G8	31	50 - 15
R30815	1K2	5	70 - 51	R34631	1C22	20	30 - 22	R394R	1H10	3	50 - 43
R30816	1K2	7	70 - 51	R34632	1C22	9	30 - 22	R39578	1C5	10	30 - 3
R30817	1K2	6	70 - 51	R34635	1C25	14	30 - 25	R39613	1C11	2	30 - 11
R30958	1G25	9	50 - 32	R34638	1C22	4	30 - 22	R39615	1C11	4	30 - 11
R30964	1E4	10	40 - 13	R34656	1C11	21	30 - 11	R39767	1D9	3	30 - 35
R31125	1D8	1	30 - 34	R34733	1H10	10	50 - 43	R39796	1H10	1	50 - 43
R31136	1I25	22	70 - 23	R34760	1D9	6	30 - 35	R39799	1H10	2	50 - 43
R31136	1J5	6	70 - 29	R34761	1D9	7	30 - 35	R40147	1G8	32	50 - 15
R31250	1E24	1	40 - 24	R34764	1B23	20	20 - 39	R40147	1G10	31	50 - 17
R31250	1F1	1	40 - 26	R34764	1D9	2	30 - 35	R40235	1H8	12	50 - 41
R31250	1F2	1	40 - 27	R34766	1C11	27	30 - 11	R40243	1B16	6	20 - 31
R31278	1I18	3	70 - 15	R34766	1D9	14	30 - 35	R40445	1E4	12	40 - 13
R31420	2B9	3	80 - 21	R34767	1B23	21	20 - 39	R40707	1C25	25	30 - 25
R31602	1H25	5	60 - 11	R34811	1D11	3	30 - 37	R40791	1A18	3	20 - 5
R31631	1H14	5	50 - 47	R34812	1C20	4	30 - 20	R40791	1A20	13	20 - 7
R31631	1I17	33	70 - 13	R34812	1C23	2	30 - 23	R40983	1D11	6	30 - 37
R31631	1I18	12	70 - 15	R34812	1G20	30	50 - 27	R41041	1H8	18	50 - 41
R31631	1I23	3	70 - 21	R34824	1C25	15	30 - 25	R41680	1D3	11	30 - 29
R31654	1I15	39	70 - 11	R35163	1J15	11	70 - 39	R41680	1D4	9	30 - 30
R31654	1I17	35	70 - 13	R35226	1H19	11	60 - 5	R41778	2B18	14	90 - 5
R31698	1G8	30	50 - 15	R35226	1H19	14	60 - 5	R41781	2B13	13	80 - 25
R31892	1E24	5	40 - 24	R35286	1I2	2	60 - 13	R41781	2B18	1	90 - 5
R31892	1F1	11	40 - 26	R35286	1I3	4	60 - 15	R42298	1I21	10	70 - 19
R32011	1F10	1	40 - 31	R35286	1I3	9	60 - 15	R42363	1B4	2	20 - 15
R32016	1F1	7	40 - 26	R35352	1C19	32	30 - 19	R42363	1F21	27	50 - 3
R32016	1F2	5	40 - 27	R35416	2B4	5	80 - 16	R42439	1C22	13	30 - 22
R32016	1F10	10	40 - 31	R35684	1H19	38	60 - 5	R42451	2B9	3	80 - 21
R32017	1F10	11	40 - 31	R36265	1F7	6	40 - 28	R42483	1C23	16	30 - 23
R32018	1F10	12	40 - 31	R36265	1I22	12	70 - 20	R42581	2B18	6	90 - 5
R32019	1F10	13	40 - 31	R36402	1K3	2	70 - 52	R42729	1A22	13	20 - 9
R32021	1F10	14	40 - 31	R36535	1C20	5	30 - 20	R42732	2B18	19	90 - 5
R32022	1F10	15	40 - 31	R36538	1C19	8	30 - 19	R44302	1C10	1	30 - 9
R32023	1F10	16	40 - 31	R36538	1C20	18	30 - 20	R44302	1D17	15	40 - 3
R32024	1F16	3	40 - 37	R36540	1C19	11	30 - 19	R44302	1D19	19	40 - 5
R32025	1F16	4	40 - 37	R36540	1C20	20	30 - 20	R44302	1E6	6	40 - 15
R32026	1F10	17	40 - 31	R36542	1C24	14	30 - 24	R44302	1E19	2	40 - 23E
R32026	1F14	48	40 - 35	R36646	1C25	23	30 - 25	R44302	1E21	2	40 - 23H
R32027	1F10	18	40 - 31	R36651	1C25	13	30 - 25	R44302	1F6	1	40 - 27D
R32028	1F10	19	40 - 31	R36658	1K2	3	70 - 51	R44302	1F7	1	40 - 28
R32029	1F10	20	40 - 31	R36659	1K2	3	70 - 51	R44361	1H12	6	50 - 45
R32174	1B16	6	20 - 31	R36995	1F21	27	50 - 3	R44372	1H12	6	50 - 45
R32306	1C10	10	30 - 9	R37139	1C20	6	30 - 20	R44917	1J17	12	70 - 41
R32353	1J13	9	70 - 37	R37139	1D1	7	30 - 27	R45036	1D7	3	30 - 33
R32354	1J13	17	70 - 37	R375R	1F21	10	50 - 3	R45040	1D6	21	30 - 32
R32355	1J13	18	70 - 37	R375R	1H7	9	50 - 40	R45041	1D6	9	30 - 32
R32356	1J13	19	70 - 37	R375R	1H8	9	50 - 41	R45044	1D8	17	30 - 34
R32419	1J13	7	70 - 37	R38358	1C8	18	30 - 7	R45044	1D8	21	30 - 34
R32507	1G20	9	50 - 27	R38371	1E25	5	40 - 25	R45046	1D8	19	30 - 34
R32507	1G22	29	50 - 29	R39081	1G4	7	50 - 11	R45046	1D8	23	30 - 34
R32507	1H10	7	50 - 43	R39081	1G6	7	50 - 13	R45047	1D8	20	30 - 34
R34063	1I15	11	70 - 11	R39090	1H10	13	50 - 43	R45047	1D8	24	30 - 34
R34063	1I17	13	70 - 13	R39112	1F21	17	50 - 3	R45048	1D6	23	30 - 32
R34064	1I15	27	70 - 11	R39112	1H17	10	60 - 3	R45049	1D5	7	30 - 31
R34352	1B19	12	20 - 35	R39112	1I2	13	60 - 13	R45051	1D6	20	30 - 32
R34394	1C10	13	30 - 9	R39112	1I18	5	70 - 15	R45052	1D6	18	30 - 32
R34395	1C10	12	30 - 9	R39112	1I23	2	70 - 21	R45053	1D5	8	30 - 31
R34399	1G14	12	50 - 21	R39138	1G8	31	50 - 15	R45054	1D5	5	30 - 31
R34446	1C13	9	30 - 13	R39171	1I20	17	70 - 17	R45055	1D5	11	30 - 31
R34446	1C15	9	30 - 15	R39185	1H7	3	50 - 40	R45056	1D5	13	30 - 31
R34623	1C22	5	30 - 22	R39224	1H7	4	50 - 40	R45057	1D5	12	30 - 31
R34624	1C22	14	30 - 22	R39224	1H8	4	50 - 41	R45058	1D5	6	30 - 31
R34625	1C22	8	30 - 22	R39244	1H7	6	50 - 40	R45060	1D7	24	30 - 33
R34627	1C22	11	30 - 22	R39244	1H8	6	50 - 41	R45543	1D6	12	30 - 32
R34630	1C22	2	30 - 22	R39249	1I15	8	70 - 11	R459R	1C13	8	30 - 13

1L16

TRACTOR - 820 UTILITY

NUMERICAL INDEX - CONTINUED

PART NO.	GRID	KEY	PAGE	PART NO.	GRID	KEY	PAGE	PART NO.	GRID	KEY	PAGE
R459R	1C15	8	30 - 15	R49066	2A15	17	80 - 3	R53817	1G20	8B	50 - 27
R46414	1E6	8	40 - 15	R49066	2A19	15	80 - 7	R53817	1G22	27	50 - 29
R46414	2C8	8	90 - 19	R49067	2A15	17	80 - 3	R53818	1G22	6	50 - 29
R46618	1D6	20	30 - 32	R49067	2A19	15	80 - 7	R53858	1E8	11	40 - 17
R46618	1D6	23	30 - 32	R49209	1C22	11	30 - 22	R54189	1G22	2	50 - 29
R46619	1D5	8	30 - 31	R49211	1C25	13	30 - 25	R54195	2B4	11	80 - 16
R46625	1B4	21	20 - 15	R49212	1C25	12	30 - 25	R54271	1D11	23	30 - 37
R46625	1B4	35	20 - 15	R49238	1C25	8	30 - 25	R54273	1J1	2	70 - 25
R46669	1D3	25	30 - 29	R495R	1A18	1	20 - 5	R54274	1J9	6	70 - 33
R46669	1D4	19	30 - 30	R495R	1A20	12	20 - 7	R54380	1G15	9	50 - 22
R46905	1B10	1	20 - 23	R495R	1I2	9	60 - 13	R54380	1G16	9	50 - 23
R47004	1G6	6	50 - 13	R495R	1I3	7	60 - 15	R54565	1A22	6	20 - 9
R47049	1D1	2	30 - 27	R495R	1I5	13	60 - 17	R54575	1H19	28	60 - 5
R47076	2A23	1	80 - 11	R495R	1J13	15	70 - 37	R54576	1H19	26	60 - 5
R47077	1D1	4	30 - 27	R49514	1B23	3	20 - 39	R54614	1B12	26	20 - 25
R47249	1G25	11	50 - 32	R49648	1I25	24	70 - 23	R54752	1H10	2	50 - 43
R47281	1C19	35	30 - 19	R49980	1H19	18	60 - 5	R54753	1H10	2	50 - 43
R47292	2B13	6	80 - 25	R50034	1H25	5	60 - 11	R54779	2B16	5	90 - 3
R47345	1I21	10	70 - 19	R50110	1I2	20	60 - 13	R54781	2B16	4	90 - 3
R47513	1G25	16	50 - 32	R50111	1I2	15	60 - 13	R54782	2B16	7	90 - 3
R47514	1G25	13	50 - 32	R50112	1I2	16	60 - 13	R54969	1I25	26	70 - 23
R47728	1C9	1	30 - 8	R50452	2B16	41	90 - 3	R54969	1I25	27	70 - 23
R47831	1E25	5	40 - 25	R50507	2A22	3	80 - 10	R54972	2C10	1	90 - 21
R47862	1H14	29	50 - 47	R50557	1D24	6	40 - 10	R54978	1I3	9	60 - 15
R47998	1H17	2	60 - 3	R50703	1H24	5	60 - 10	R54998	1C16	2	30 - 16
R47998	1H19	2	60 - 5	R50704	1H24	4	60 - 10	R55100	1B4	21	20 - 15
R48000	1B23	21	20 - 39	R50864	1G20	7B	50 - 27	R55299	1B4	24	20 - 15
R48000	1D9	3	30 - 35	R50864	1G22	5	50 - 29	R55326	2B16	1	90 - 3
R48071	1C16	7	30 - 16	R50864	1G23	8	50 - 30	R55326	2B16	11	90 - 3
R48126	1D5	1	30 - 31	R50879	1H25	4	60 - 11	R55326	2B16	25	90 - 3
R48139	2B18	6	90 - 5	R51251	1I20	20	70 - 17	R55396	1F21	8	50 - 3
R48195	2B11	9	80 - 23	R51258	1H21	27	60 - 7	R55721	1G14	7	50 - 21
R48196	2B11	10	80 - 23	R51260	1H19	23	60 - 5	R55721	1G18	6	50 - 25
R48289	1H4	5	50 - 36	R51262	1H19	27	60 - 5	R55722	1G18	10	50 - 25
R48290	1F21	9	50 - 3	R51264	1H19	7	60 - 5	R56012	1D24	19	40 - 10
R48294	2B7	8	80 - 19	R51500	1H2	7	50 - 34	R56434	1C13	11	30 - 13
R48295	2B7	9	80 - 19	R51501	1H2	7	50 - 34	R56434	1C15	11	30 - 15
R48312	1G20	17	50 - 27	R51501	1H3	7	50 - 35	R56435	1C15	16	30 - 15
R48312	1G22	23	50 - 29	R51516	1A24	21	20 - 11	R56436	1C15	14	30 - 15
R48352	1E25	3	40 - 25	R51516	1B12	3	20 - 25	R56437	1C15	12	30 - 15
R48493	1C20	30	30 - 20	R51821	2B11	18	80 - 23	R56438	1C15	18	30 - 15
R48494	1C21	22	30 - 21	R51895	1G8	18	50 - 15	R56455	1C3	1	30 - 1
R48495	1C21	4	30 - 21	R51952	1H17	6	60 - 3	R56455	1C5	12	30 - 3
R48496	1C22	15	30 - 22	R52119	2B16	32	90 - 3	R56455	1C5	21	30 - 3
R48497	1C22	16	30 - 22	R52119	2B16	35	90 - 3	R56463	1B23	18	20 - 39
R48498	1C22	17	30 - 22	R52251	1A22	17	20 - 9	R56467	2B13	2	80 - 25
R48500	1C23	14	30 - 23	R52252	1A22	18	20 - 9	R56468	2B13	9	80 - 25
R48593	1I25	28	70 - 23	R52340	1B4	21	20 - 15	R56473	1G18	11	50 - 25
R48595	1J19	5	70 - 43	R52650	1H19	29	60 - 5	R56481	1E5	10	40 - 14
R48601	1C25	19	30 - 25	R52651	1H19	24	60 - 5	R56483	1C21	17	30 - 21
R48602	1C25	21	30 - 25	R52653	1I17	36	70 - 13	R56483	1D6	17	30 - 32
R48603	1C25	20	30 - 25	R52789	1A20	4	20 - 7	R56501	1I25	5	70 - 23
R48604	1C25	17	30 - 25	R52989	1H17	9	60 - 3	R56514	1G4	1	50 - 11
R48634	1C9	12	30 - 8	R53169	1G8	34	50 - 15	R56514	1G6	1	50 - 13
R48637	1B10	3	20 - 23	R53169	1G10	29	50 - 17	R56615	1G8	1	50 - 15
R48638	1B10	4	20 - 23	R53218	1J7	11	70 - 31	R56736	1B4	31	20 - 15
R48664	1E25	1	40 - 25	R53218	1J11	13	70 - 35	R56902	2B11	2	80 - 23
R48665	1E25	1	40 - 25	R53223	1A18	15	20 - 5	R56902	2B13	1	80 - 25
R48685	1B4	19	20 - 15	R53223	1A20	5	20 - 7	R57025	1E16	16	40 - 23B
R48685	1G8	6	50 - 15	R53382	1B12	19	20 - 25	R57027	1E18	8	40 - 23D
R48685	1G10	10	50 - 17	R53382	1B12	21	20 - 25	R57028	1E18	4	40 - 23D
R48767	1B10	8	20 - 23	R53528	2B16	10	90 - 3	R57029	1E16	1	40 - 23B
R48887	1F12	17	40 - 33	R53790	1B4	3	20 - 15	R57119	1C6	5	30 - 5
R48922	1I20	25	70 - 17	R53802	1G8	13	50 - 15	R57258	1C16	4	30 - 16
R48997	1B16	2	20 - 31	R53802	1H4	9	50 - 36	R57332	1A22	17	20 - 9
R49065	2A15	17	80 - 3	R53815	1G20	10	50 - 27	R57333	1A22	18	20 - 9
R49065	2A19	15	80 - 7	R53815	1G22	28	50 - 29	R57334	1A22	17	20 - 9

1L17

TRACTOR - 820 UTILITY

NUMERICAL INDEX - CONTINUED

PART NO.	GRID	KEY	PAGE	PART NO.	GRID	KEY	PAGE	PART NO.	GRID	KEY	PAGE
R57335	1A22	18	20 - 9	R61932	1E12	2	40 - 21	R68281	1C11	22	30 - 11
R57336	1A22	17	20 - 9	R61932	1E18	12	40 - 23D	R68281	1C11	25	30 - 11
R57337	1A22	18	20 - 9	R61934	1E18	13	40 - 23D	R68281	1C11	..	30 - 11
R57595	1H7	6	50 - 40	R62147	1J9	6	70 - 33	R68281	1D9	11	30 - 35
R57696	1G13	15	50 - 20	R62372	1B19	12	20 - 35	R68281	1D9	13	30 - 35
R57696	1G14	16	50 - 21	R62922	2B16	16	90 - 3	R69260	1A24	10	20 - 11
R57959	1H8	6	50 - 41	R62923	2B16	21	90 - 3	R69260	1B23	15	20 - 39
R57964	1H7	3	50 - 40	R62924	2B16	14	90 - 3	R69408	1K3	3	70 - 52
R58262	1J17	12	70 - 41	R62925	2B16	22	90 - 3	R69409	1K3	3	70 - 52
R58422	1C23	15	30 - 23	R62926	2B16	13	90 - 3	R69509	1H1	1	50 - 33
R58661	1H7	4	50 - 40	R62929	2B16	19	90 - 3	R69510	1H1	5	50 - 33
R58661	1H8	4	50 - 41	R63434	1B7	1	20 - 19	R69511	1H1	2	50 - 33
R59032	1G22	20	50 - 29	R63438	1F21	1	50 - 3	R69512	1H1	8	50 - 33
R59079	1C24	1	30 - 24	R63607	1H6	10	50 - 39	R69513	1H1	7	50 - 33
R59160	1F2	14	40 - 27	R63679	2B16	34	90 - 3	R69514	1H1	7	50 - 33
R59176	1G20	14	50 - 27	R63679	2B16	39	90 - 3	R69515	1H1	7	50 - 33
R59176	1G22	21	50 - 29	R64151	1A18	13	20 - 5	R69516	1H1	7	50 - 33
R59297	1C19	25	30 - 19	R64374	1C13	7	30 - 13	R69628	1H6	12	50 - 39
R59297	1C19	28	30 - 19	R64374	1C15	7	30 - 15	R69654	1H6	9	50 - 39
R59297	1C19	29	30 - 19	R64700	1D19	25	40 - 5	R69655	1H6	4	50 - 39
R59298	1C19	25	30 - 19	R64806	1F21	9	50 - 3	R69657	1H6	2	50 - 39
R59298	1C19	26	30 - 19	R65215	1B4	16	20 - 15	R70080	1J21	1	70 - 45
R59298	1C19	28	30 - 19	R65548	1I25	20	70 - 23	R70136	1G8	1	50 - 15
R59298	1C19	29	30 - 19	R65548	1J5	5	70 - 29	R70136	1G10	11	50 - 17
R59299	1D3	15	30 - 29	R65563	1G3	11	50 - 10	R70138	1G10	11	50 - 17
R59299	1D3	16	30 - 29	R65563	1G24	6	50 - 31	R70210	1F14	41	40 - 35
R59299	1D3	23	30 - 29	R65576	1G14	26	50 - 21	R70211	1F14	40	40 - 35
R59299	1D3	24	30 - 29	R65579	1G15	7	50 - 22	R70212	1F14	41	40 - 35
R59299	1D3	26	30 - 29	R65579	1G16	7	50 - 23	R70213	1F14	40	40 - 35
R59299	1D4	15	30 - 30	R65593	1F10	4	40 - 31	R70214	1F14	41	40 - 35
R59299	1D4	16	30 - 30	R65594	1F10	2	40 - 31	R70215	1F14	40	40 - 35
R59299	1D4	20	30 - 30	R65595	1F10	21	40 - 31	R70216	1F14	41	40 - 35
R59300	1D3	15	30 - 29	R65595	1F12	11	40 - 33	R70217	1F14	40	40 - 35
R59300	1D3	16	30 - 29	R65596	1F10	22	40 - 31	R70218	1F14	41	40 - 35
R59300	1D3	23	30 - 29	R65597	1F10	23	40 - 31	R70219	1F14	40	40 - 35
R59300	1D3	24	30 - 29	R65598	1F10	24	40 - 31	R70220	1F14	50	40 - 35
R59300	1D3	26	30 - 29	R65599	1F10	25	40 - 31	R70221	1F14	39	40 - 35
R59300	1D4	15	30 - 30	R65600	1F10	26	40 - 31	R70222	1F14	38	40 - 35
R59300	1D4	16	30 - 30	R65601	1F10	27	40 - 31	R70227	2A15	6	80 - 3
R59300	1D4	20	30 - 30	R65602	1F10	28	40 - 31	R70268	1B4	2	20 - 15
R59447	1A18	13	20 - 5	R65602	1F14	49	40 - 35	R70268	1F21	27	50 - 3
R59633	1J13	14	70 - 37	R65603	1F10	29	40 - 31	R70315	1C25	9	30 - 25
R59915	1B2	6	20 - 13	R65604	1F10	30	40 - 31	R70340	2B5	2	80 - 17
R60101	2B16	23	90 - 3	R65605	1F10	31	40 - 31	R70483	1B7	8	20 - 19
R60103	2B16	24	90 - 3	R65606	1F10	32	40 - 31	R70483	1B23	2	20 - 39
R60104	2B16	42	90 - 3	R65607	1F10	33	40 - 31	R70513	1C24	6	30 - 24
R60458	1G20	7A	50 - 27	R65607	1F14	46	40 - 35	R70513	1D5	21	30 - 31
R60458	1G22	5	50 - 29	R65608	1F10	5	40 - 31	R71387	1K2	2	70 - 51
R60459	2B16	36	90 - 3	R65609	1F10	8	40 - 31	R71696	1F21	1	50 - 3
R60462	1D11	9	30 - 37	R65610	1F10	9	40 - 31	R71851	1C20	28	30 - 20
R60890	1A18	2	20 - 5	R66064	1H10	4	50 - 43	R721R	1I23	4	70 - 21
R61126	1J21	11	70 - 45	R66197	1J16	3	70 - 40	R72653	1J2	3	70 - 26
R61133	1E14	10	40 - 23	R66319	1F1	7	40 - 26	R72653	1J3	6	70 - 27
R61145	1C19	24	30 - 19	R66319	1F2	5	40 - 27	R72660	1D12	8	30 - 38
R61145	1C19	25	30 - 19	R66319	1F10	3	40 - 31	R72816	2B11	2	80 - 23
R61145	1C19	28	30 - 19	R66320	1F10	7	40 - 31	R72816	2B13	10	80 - 25
R61145	1C19	29	30 - 19	R66320	1F12	24	40 - 33	R72967	1B4	21	20 - 15
R61146	1D3	15	30 - 29	R66321	1F10	6	40 - 31	R73139	1B4	21	20 - 15
R61146	1D3	16	30 - 29	R66321	1F12	24	40 - 33	R73139	1B4	36	20 - 15
R61146	1D3	23	30 - 29	R66821	1C16	4	30 - 16	R73140	1B4	29	20 - 15
R61146	1D3	24	30 - 29	R67035	1B20	1	20 - 36	R73140	1B23	17	20 - 39
R61146	1D3	26	30 - 29	R67336	1G15	7	50 - 22	R73290	1H6	11	50 - 39
R61146	1D4	15	30 - 30	R67336	1G16	7	50 - 23	R73443	1J2	15	70 - 26
R61146	1D4	16	30 - 30	R67341	1G14	26	50 - 21	R73933	1I2	15	60 - 13
R61146	1D4	20	30 - 30	R67779	1D9	5	30 - 35	R74310	1C25	12	30 - 25
R61179	2B16	8	90 - 3	R68277	2B11	6	80 - 23	R74312	1C23	10	30 - 23
R61460	1B19	4	20 - 35	R68277	2B13	3	80 - 25	R74354	1B12	22	20 - 25

1L18

TRACTOR - 820 UTILITY

NUMERICAL INDEX - CONTINUED

PART NO.	GRID	KEY	PAGE	PART NO.	GRID	KEY	PAGE	PART NO.	GRID	KEY	PAGE
R74354	1B23	19	20 - 39	R77499	1F12	24	40 - 33	R93220	1F16	7	40 - 37
R74417	1G8	30	50 - 15	R77500	1F12	24	40 - 33	R93221	1F16	7	40 - 37
R74418	1G8	30	50 - 15	R77501	1F12	24	40 - 33	R93222	1F16	7	40 - 37
R74472	1C23	23	30 - 23	R77502	1F14	56	40 - 35	R97341	1B23	3	20 - 39
R75440	1G23	5	50 - 30	R77503	1F14	56	40 - 35	R97351	1B7	8	20 - 19
R75442	1G23	1	50 - 30	R78249	1G23	9	50 - 30	R97351	1B23	2	20 - 39
R75449	1G23	14	50 - 30	R78366	1A24	10	20 - 11	R97352	1A24	5	20 - 11
R75450	1G23	11	50 - 30	R78366	1B23	15	20 - 39	R97352	1B23	11	20 - 39
R75451	1G23	7	50 - 30	R79089	1B4	15	20 - 15	R97354	1B23	16	20 - 39
R75561	1G8	1	50 - 15	R79604	1D9	10	30 - 35	R97356	1A18	13	20 - 5
R75561	1G10	11	50 - 17	R79605	1D9	9	30 - 35	R97454	1A24	2	20 - 11
R75729	1A18	9	20 - 5	R79623	1A22	17	20 - 9	R97454	1B23	9	20 - 39
R75729	1A20	8	20 - 7	R79624	1A22	18	20 - 9	R97455	1B14	1	20 - 27
R75729	1B23	12	20 - 39	R79625	1A22	18	20 - 9	R97455	1B16	1	20 - 31
R75833	1D19	25	40 - 5	R79626	1A22	18	20 - 9	R97455	1B16	2	20 - 31
R76341	2B13	12	80 - 25	R79627	1A22	18	20 - 9	R97455	1B16	8	20 - 31
R76477	1E6	5	40 - 15	R79628	1A22	17	20 - 9	R97455	1B16	..	20 - 31
R77126	1B23	16	20 - 39	R79629	1A22	17	20 - 9	R97758	1B16	17	20 - 31
R77402	1E5	1	40 - 14	R79630	1A22	17	20 - 9	R97778	1A18	12	20 - 5
R77402	2B13	11	80 - 25	R80033	1B9	7	20 - 21	R98460	1A20	4	20 - 7
R77403	1E5	1	40 - 14	R80241	1A18	13	20 - 5	R98460	1B23	1	20 - 39
R77403	2B13	11	80 - 25	R80839	1G23	11	50 - 30	R98915	1H14	7	50 - 47
R77420	2B13	4	80 - 25	R80840	1G23	12	50 - 30	R99350	2B16	10	90 - 3
R77456	1F12	27	40 - 33	R80841	1G23	13	50 - 30	TY16004	1A16	2	20 - 2
R77457	1F12	29	40 - 33	R81167	1E18	14	40 - 23D	TY16005	1A16	3	20 - 2
R77458	1F12	28	40 - 33	R81168	1E18	11	40 - 23D	TY21730	1E4	1	40 - 13
R77459	1F12	28	40 - 33	R81169	1E18	9	40 - 23D	TY22007	1A15	2	20 - 1
R77460	1F12	28	40 - 33	R81170	1E18	7	40 - 23D	TY22008	1A15	2	20 - 1
R77461	1F12	28	40 - 33	R81171	1E18	15	40 - 23D	TY22009	1A15	1	20 - 1
R77462	1F12	25	40 - 33	R81172	1E16	20	40 - 23B	TY22010	1A15	2	20 - 1
R77463	1F12	30	40 - 33	R81173	1E18	21	40 - 23D	TY22011	1A15	2	20 - 1
R77464	1F12	26	40 - 33	R81174	1E16	3	40 - 23B	TY22465	1B21	4	20 - 37
R77465	1F12	31	40 - 33	R81175	1E16	2	40 - 23B	TY22470	1B19	18	20 - 35
R77466	1F12	33	40 - 33	R81176	1E16	11	40 - 23B	TY2615	2C10	7	90 - 21
R77467	1F12	34	40 - 33	R81198	1E16	29	40 - 23B	TY3018	1K2	3	70 - 51
R77468	1F12	32	40 - 33	R81221	2B16	19	90 - 3	TY6280	1A15	1	20 - 1
R77469	1F14	35	40 - 35	R81222	2B16	21	90 - 3	TY6297	1A15	1	20 - 1
R77470	1F14	45	40 - 35	R81223	2B16	14	90 - 3	TY6298	1A15	1	20 - 1
R77471	1F14	45	40 - 35	R81275	1B23	6	20 - 39	TY6300	1A15	1	20 - 1
R77472	1F14	45	40 - 35	R81275	1C3	3	30 - 1	TY6301	1A15	1	20 - 1
R77473	1F14	45	40 - 35	R81275	1C5	15	30 - 3	TY6311	1A15	1	20 - 1
R77474	1F14	44	40 - 35	R81513	1A22	1	20 - 9	TY6312	1A15	1	20 - 1
R77475	1F12	13	40 - 33	R81513	1A22	23	20 - 9	TY6313	1A15	1	20 - 1
R77476	1F12	3	40 - 33	R81513	1B5	1	20 - 17	TY6359	1A15	1	20 - 1
R77477	1F12	4	40 - 33	R82236	1F4	16	40 - 27B	TY6360	1A15	1	20 - 1
R77478	1F12	15	40 - 33	R82237	1F4	14	40 - 27B	TY6361	1A15	1	20 - 1
R77479	1F12	5	40 - 33	R82238	1F4	15	40 - 27B	TY6389	1A15	2	20 - 1
R77480	1F12	6	40 - 33	R82239	1F4	13	40 - 27B	TY6390	1A15	2	20 - 1
R77481	1F12	7	40 - 33	R82243	1F4	18	40 - 27B	TY6391	1A15	2	20 - 1
R77482	1F12	8	40 - 33	R82355	1F4	4	40 - 27B	TY6392	1A15	2	20 - 1
R77483	1F12	16	40 - 33	R82423	1F6	8	40 - 27D	TY6393	1A15	2	20 - 1
R77484	1F12	19	40 - 33	R82425	2B13	12	80 - 25	TY6394	1A15	2	20 - 1
R77485	1F12	21	40 - 33	R82731	1H10	2	50 - 43	TY6605	1D24	1	40 - 10
R77486	1F12	22	40 - 33	R82819	1A22	23	20 - 9	TY6605	1D25	..	40 - 11
R77487	1F12	23	40 - 33	R82896	1A22	15	20 - 9	TY6620	1E4	9	40 - 13
R77488	1F14	51	40 - 35	R83055	1F6	9	40 - 27D	TY6620	1E5	2	40 - 14
R77489	1F6	13	40 - 27D	R83109	1F6	11	40 - 27D	TY6620	1E6	..	40 - 15
R77489	1F14	51	40 - 35	R83169	1A24	17	20 - 11	TY6651	1D24	1	40 - 10
R77490	1F14	51	40 - 35	R83169	1A24	21	20 - 11	TY6651	1D25	..	40 - 11
R77491	1F14	54	40 - 35	R83169	1B12	3	20 - 25	TY6690	1E10	20	40 - 19
R77492	1F14	54	40 - 35	R84158	1F6	13	40 - 27D	TY6690	1E14	1	40 - 23
R77493	1F14	51	40 - 35	R90648	1B4	21	20 - 15	TY6690	1E14	11	40 - 23
R77494	1F14	55	40 - 35	R90648	1B4	29	20 - 15	TY6690	1E14	..	40 - 23
R77495	1F14	52	40 - 35	R90648	1B23	17	20 - 39	TY6702	1E4	9	40 - 13
R77496	1F14	52	40 - 35	R90658	1B23	5	20 - 39	TY6702	1E5	2	40 - 14
R77497	1F14	53	40 - 35	R90658	1C7	3	30 - 6	TY6702	1E6	..	40 - 15
R77498	1F12	24	40 - 33	R93219	1F16	7	40 - 37	TY6702	1E8	1	40 - 17

1L19

TRACTOR - 820 UTILITY

NUMERICAL INDEX - CONTINUED

PART NO.	GRID	KEY	PAGE	PART NO.	GRID	KEY	PAGE	PART NO.	GRID	KEY	PAGE
TY6702	1E10	..	40 - 19	T11915	1C25	3	30 - 25	T146106	1E6	10	40 - 15
TY6702	1E12	20	40 - 21	T11915	1D7	25	30 - 33	T146106	1E19	1	40 - 23E
TY6702	1E12	..	40 - 21	T11917	1C24	10	30 - 24	T146106	1E21	1	40 - 23H
TY6702	1E16	30	40 - 23B	T11918	1C20	25	30 - 20	T146106	2B11	1	80 - 23
TY6702	1E16	..	40 - 23B	T11918	1D1	8	30 - 27	T146515	1E5	1	40 - 14
TY6702	1E18	20	40 - 23D	T11920	1C24	12	30 - 24	T146515	1E6	10	40 - 15
TY6702	1E18	..	40 - 23D	T11921	1C20	2	30 - 20	T146515	1E19	1	40 - 23E
TY9371	2C11	1	90 - 22	T11923	1C23	12	30 - 23	T146515	1E21	1	40 - 23H
TY9371	2C11	2	90 - 22	T11924	1C23	7	30 - 23	T146515	2B11	1	80 - 23
T10510	1H4	5	50 - 36	T11925	1C23	3	30 - 23	T146516	1E5	1	40 - 14
T10510	1H4	14	50 - 36	T11926	1C21	3	30 - 21	T146516	1E6	10	40 - 15
T10510	2A23	8	80 - 11	T11927	1C24	4	30 - 24	T146516	1E19	1	40 - 23E
T11234	1B19	9	20 - 35	T11929	1C24	15	30 - 24	T146516	1E21	1	40 - 23H
T11290	1C19	9	30 - 19	T11930	1C20	10	30 - 20	T146516	2B11	1	80 - 23
T11290	1C20	22	30 - 20	T11930	1C20	16	30 - 20	T146517	1E5	1	40 - 14
T11292	1C10	3	30 - 9	T11931	1C23	20	30 - 23	T146517	1E6	10	40 - 15
T11292	1H17	41	60 - 3	T11932	1C23	1	30 - 23	T146517	1E19	1	40 - 23E
T11292	1H21	26	60 - 7	T11934	1C22	7	30 - 22	T146517	1E21	1	40 - 23H
T11672	1E10	14	40 - 19	T11934	1D7	4	30 - 33	T146517	2B11	1	80 - 23
T11672	1E16	5	40 - 23B	T11935	1D1	12	30 - 27	T15564	1E10	26	40 - 19
T11675	1E10	19	40 - 19	T11936	1D1	6	30 - 27	T15564	1E16	17	40 - 23B
T11680	1E12	22	40 - 21	T11937	1D1	11	30 - 27	T15699	1C24	19	30 - 24
T11680	1E18	23	40 - 23D	T11938	1D1	5	30 - 27	T15700	1C23	5	30 - 23
T11708	2B7	19	80 - 19	T11943	1C23	11	30 - 23	T15705	1C25	10	30 - 25
T11708	2C8	5	90 - 19	T12083	1F21	6	50 - 3	T15707	1C25	12	30 - 25
T11875	1C20	15	30 - 20	T12250	1B20	2	20 - 36	T15710	1C25	6	30 - 25
T11876	1C20	14	30 - 20	T12688	2A23	11	80 - 11	T15712	1C25	24	30 - 25
T11877	1C20	29	30 - 20	T13119	1H7	16	50 - 40	T15712	1D7	7	30 - 33
T11877	1D8	13	30 - 34	T13119	1H8	15	50 - 41	T15715	1C20	26	30 - 20
T11878	1C20	11	30 - 20	T13119	1J5	5	70 - 29	T15720	1C24	2	30 - 24
T11878	1C20	17	30 - 20	T13201	1C13	16	30 - 13	T15721	1C20	28	30 - 20
T11878	1D6	8	30 - 32	T13213	1B6	8	20 - 18	T15737	1C11	16	30 - 11
T11882	1C20	9	30 - 20	T13213	1B23	23	20 - 39	T16601	1C23	23	30 - 23
T11883	1C19	13	30 - 19	T13325	1H12	27	50 - 45	T16602	1C23	4	30 - 23
T11883	1C20	12	30 - 20	T13331	1H12	15	50 - 45	T16738	2C8	3	90 - 19
T11884	1C20	8	30 - 20	T13332	1H12	15	50 - 45	T16911	1F7	3	40 - 28
T11885	1C21	17	30 - 21	T13333	1H12	15	50 - 45	T16911	1I22	12	70 - 20
T11885	1D6	17	30 - 32	T13341	1H12	6	50 - 45	T17058	1E10	15	40 - 19
T11886	1C21	16	30 - 21	T134452	1E5	1	40 - 14	T17058	1E16	12	40 - 23B
T11886	1D6	16	30 - 32	T134452	2B11	1	80 - 23	T17117	1C25	1	30 - 25
T11887	1C21	19	30 - 21	T134453	1E5	1	40 - 14	T17117	1D7	28	30 - 33
T11887	1D6	13	30 - 32	T134453	2B11	1	80 - 23	T17122	1C25	2	30 - 25
T11888	1C21	20	30 - 21	T134454	1E5	1	40 - 14	T17122	1D7	26	30 - 33
T11888	1D6	14	30 - 32	T134454	2B11	1	80 - 23	T17123	1C25	4	30 - 25
T11888	1D8	..	30 - 34	T134455	1E5	1	40 - 14	T17125	1C25	7	30 - 25
T11889	1C21	12	30 - 21	T134455	2B11	1	80 - 23	T17126	1C25	5	30 - 25
T11890	1C21	13	30 - 21	T134456	1E5	1	40 - 14	T17137	1C25	18	30 - 25
T11891	1C21	21	30 - 21	T134456	2B11	1	80 - 23	T17148	1H17	5	60 - 3
T11891	1D6	11	30 - 32	T134459	1E5	1	40 - 14	T17148	1H19	5	60 - 5
T11894	1C22	21	30 - 22	T134459	2B11	1	80 - 23	T17201	1G18	4	50 - 25
T118949	1H2	8	50 - 34	T13471	1H12	16	50 - 45	T17882	1G8	9	50 - 15
T118949	1H2	9	50 - 34	T13555	1H19	14	60 - 5	T17882	1G10	5	50 - 17
T118950	1H2	8	50 - 34	T13555	1H19	42	60 - 5	T17882	1J5	1	70 - 29
T118950	1H2	9	50 - 34	T13744	1D17	20	40 - 3	T17946	1C24	1	30 - 24
T11899	1C22	10	30 - 22	T13744	1D19	7	40 - 5	T17947	1C20	3	30 - 20
T11899	1C25	16	30 - 25	T14500	2C8	2	90 - 19	T17948	1D5	16	30 - 31
T11899	1D5	2	30 - 31	T146102	1E5	1	40 - 14	T17949	1C24	8	30 - 24
T11900	1C22	12	30 - 22	T146102	1E6	1	40 - 15	T17949	1D5	19	30 - 31
T11906	1C20	4	30 - 20	T146102	1E19	1	40 - 23E	T17950	1C24	7	30 - 24
T11906	1C23	2	30 - 23	T146102	1E21	1	40 - 23H	T17950	1D5	20	30 - 31
T11907	1C23	15	30 - 23	T146102	2B11	1	80 - 23	T17951	1C20	4	30 - 20
T11909	1C23	22	30 - 23	T146104	1E5	1	40 - 14	T17951	1G8	16	50 - 15
T11910	1C23	21	30 - 23	T146104	1E6	10	40 - 15	T17951	1G10	14	50 - 17
T11911	1C24	21	30 - 24	T146104	1E19	1	40 - 23E	T17951	1I5	30	60 - 17
T11913	1C23	8	30 - 23	T146104	1E21	1	40 - 23H	T17952	1C23	6	30 - 23
T11914	1C23	9	30 - 23	T146104	2B11	1	80 - 23	T17953	1C20	1	30 - 20
T11915	1C24	3	30 - 24	T146106	1E5	1	40 - 14	T17987	1E10	13	40 - 19

1L20

TRACTOR - 820 UTILITY

NUMERICAL INDEX - CONTINUED

PART NO.	GRID	KEY	PAGE	PART NO.	GRID	KEY	PAGE	PART NO.	GRID	KEY	PAGE
T18105	1E14	8	40-23	T20055	1C21	7	30-21	T20270	1B16	2	20-31
T18113	1E10	17	40-19	T20055	1C21	14	30-21	T20270	1B16	9	20-31
T18113	1E16	9	40-23B	T20055	1D3	10	30-29	T20271	1B16	8	20-31
T18354	1E14	4	40-23	T20055	1D4	8	30-30	T20271	1B16	..	20-31
T18379	1C19	6	30-19	T20055	1D5	23	30-31	T20272	1A24	14	20-11
T18600	1C3	8	30-1	T20055	1D7	16	30-33	T20273	1A24	15	20-11
T18718	1H12	30	50-45	T20067	1A24	21	20-11	T20273	1B23	14	20-39
T18891	1B4	10	20-15	T20067	1B12	3	20-25	T20277	1B21	3	20-37
T18891	1G8	8	50-15	T20069	1A24	17	20-11	T20279	1D23	14	40-9
T18891	1G10	13	50-17	T20070	1A22	4	20-9	T20280	1D23	26	40-9
T18891	1G10	22	50-17	T20071	1A22	1	20-9	T20290	1B2	20	20-13
T18891	1H3	5	50-35	T20071	1A22	23	20-9	T20291	1B2	21	20-13
T18996	1H12	31	50-45	T20072	1A22	2	20-9	T20294	1A24	3	20-11
T19044	1B4	22	20-15	T20073	1A22	16	20-9	T20295	1B4	31	20-15
T19114	1C13	7	30-13	T20074	1A20	11	20-7	T20298	1B12	15	20-25
T19114	1C15	7	30-15	T20077	1A22	22	20-9	T20303	1A24	20	20-11
T19118	1C13	8	30-13	T20085	1B10	5	20-23	T20304	1A22	24	20-9
T19178	1F2	14	40-27	T20085	1B10	7	20-23	T20304	1B23	22	20-39
T19179	1E24	7	40-24	T20088	1B7	12	20-19	T20310	1A22	15	20-9
T19179	1F1	13	40-26	T20089	1B7	5	20-19	T20314	1A22	8	20-9
T19242	1G14	4	50-21	T20090	1B7	6	20-19	T20315	1A22	11	20-9
T19245	1G14	5	50-21	T20091	1B12	27	20-25	T20316	1A22	7	20-9
T19345	1H17	2	60-3	T20093	1B12	28	20-25	T20326	1B7	7	20-19
T19390	2B11	3	80-23	T20094	1B2	3	20-13	T20328	1A24	4	20-11
T19526	1I25	25	70-23	T20097	1B12	26	20-25	T20328	1B23	10	20-39
T19566	1A16	2	20-2	T20098	1B6	9	20-18	T20330	1B4	13	20-15
T19566	2C11	3	90-22	T20111	1A18	9	20-5	T20334	1B16	17	20-31
T19569	1E10	31	40-19	T20111	1A20	8	20-7	T20336	1A24	5	20-11
T19589	1E10	30	40-19	T20129	1A22	19	20-9	T20336	1B23	11	20-39
T19603	1E4	8	40-13	T20136	1B2	24	20-13	T20351	1B16	15	20-31
T19604	1E14	6	40-23	T20136	1B12	8	20-25	T20351	1D23	21	40-9
T19606	1E14	2	40-23	T20139	1B7	13	20-19	T20362	1A24	11	20-11
T19606	1E14	5	40-23	T20141	1C7	1	30-6	T20364	1A24	10	20-11
T19638	2B1	2	80-13	T20141	1C8	5	30-7	T20364	1B23	15	20-39
T19651	1B16	3	20-31	T20155	1A24	2	20-11	T20445	1B2	29	20-13
T19651	1B21	1	20-37	T20155	1B23	9	20-39	T21409	1H14	26	50-47
T19651	1B21	2	20-37	T20159	1B23	6	20-39	T21415	1H14	17	50-47
T19854	1C19	10	30-19	T20159	1C3	3	30-1	T21418	1H14	21	50-47
T19854	1C20	24	30-20	T20159	1C5	15	30-3	T21419	1H14	7	50-47
T19855	1C19	12	30-19	T20165	1C19	14	30-19	T21423	1H14	25	50-47
T19855	1C20	21	30-20	T20166	1B4	33	20-15	T21424	1H14	19	50-47
T19856	1C21	8	30-21	T20168	1A18	14	20-5	T21427	1H14	23	50-47
T19856	1D8	1	30-34	T20168	1A20	6	20-7	T21428	1H14	2	50-47
T19857	1C21	8	30-21	T20168	1B4	17	20-15	T21429	1H14	11	50-47
T19857	1D8	1	30-34	T20168	1F21	31	50-3	T21430	1H2	6	50-34
T19858	1C24	5	30-24	T20168	1G8	39	50-15	T21433	1H2	2	50-34
T19858	1D5	18	30-31	T20168	1G10	1	50-17	T21434	1H2	3	50-34
T19860	1C24	9	30-24	T20168	1I5	10	60-17	T21435	1H2	3	50-34
T19861	1C24	11	30-24	T20173	1B4	8	20-15	T21436	1H2	3	50-34
T19862	1C24	13	30-24	T20174	1A22	17	20-9	T21442	1G15	10	50-22
T19865	1C20	23	30-20	T20175	1A22	18	20-9	T21442	1G16	10	50-23
T19977	1D1	1	30-27	T20176	1A22	21	20-9	T21443	1G15	10	50-22
T19978	1C8	3	30-7	T20183	1A20	5	20-7	T21443	1G16	10	50-23
T20006	1B23	5	20-39	T20202	1D24	2	40-10	T21444	1G15	10	50-22
T20006	1C7	3	30-6	T20204	1B16	24	20-31	T21444	1G16	10	50-23
T20009	1B9	7	20-21	T20204	1D24	12	40-10	T21445	1F21	4	50-3
T20034	1B2	11	20-13	T20215	1B21	8	20-37	T21445	1H17	35	60-3
T20034	1B2	13	20-13	T20215	1B23	7	20-39	T21445	1H21	20	60-7
T20036	1B2	14	20-13	T20217	1B2	9	20-13	T21446	1F21	3	50-3
T20037	1B2	23	20-13	T20219	1B21	5	20-37	T21446	1F23	10	50-5
T20038	1B2	22	20-13	T20219	1B23	8	20-39	T21446	1F25	10	50-7
T20039	1A20	4	20-7	T20243	1B16	21	20-31	T21446	1G2	5	50-9
T20039	1B23	1	20-39	T20243	1B23	13	20-39	T21447	1F21	2	50-3
T20046	1B2	7	20-13	T20252	1C7	2	30-6	T21448	1F21	5	50-3
T20050	1B12	30	20-25	T20257	1C7	6	30-6	T21450	1F23	7	50-5
T20052	1C19	15	30-19	T20270	1B14	1	20-27	T21450	1F25	7	50-7
T20055	1C19	20	30-19	T20270	1B16	1	20-31	T21450	1G2	25	50-9

1L21

TRACTOR - 820 UTILITY

NUMERICAL INDEX - CONTINUED

PART NO.	GRID	KEY	PAGE	PART NO.	GRID	KEY	PAGE	PART NO.	GRID	KEY	PAGE
T21452	1G3	13	50 - 10	T21699	1C5	19	30 - 3	T21977	1G18	12	50 - 25
T21455	1H24	3	60 - 10	T21716	1H19	15	60 - 5	T21978	1G14	10	50 - 21
T21458	1H2	13	50 - 34	T21718	1H19	6	60 - 5	T21980	1G16	1	50 - 23
T21462	1J19	12	70 - 43	T21722	1H17	26	60 - 3	T21981	1G14	6	50 - 21
T21463	1J22	2	70 - 46	T21722	1H21	11	60 - 7	T21992	1H4	7	50 - 36
T21464	1J22	1	70 - 46	T21726	1C3	11	30 - 1	T21993	1H4	5	50 - 36
T21466	1I21	3	70 - 19	T21758	1J19	17	70 - 43	T21997	1G25	8	50 - 32
T21474	1I21	2	70 - 19	T21759	1J19	18	70 - 43	T21998	1G3	2	50 - 10
T21490	2B7	3	80 - 19	T21761	1E24	4	40 - 24	T21999	1F23	9	50 - 5
T21491	2B7	2	80 - 19	T21761	1F1	12	40 - 26	T21999	1F25	9	50 - 7
T21497	1J19	5	70 - 43	T21772	1I5	20	60 - 17	T21999	1G2	5	50 - 9
T21517	2A21	1	80 - 9	T21775	1I5	24	60 - 17	T22003	1G4	1	50 - 11
T21518	2A21	1	80 - 9	T21775	1I5	26	60 - 17	T22003	1G6	1	50 - 13
T21527	1H17	36	60 - 3	T21776	1G8	15	50 - 15	T22069	1G25	14	50 - 32
T21527	1H21	21	60 - 7	T21776	1G10	15	50 - 17	T22069	1H1	6	50 - 33
T21528	1H17	15	60 - 3	T21776	1I5	29	60 - 17	T22080	1G25	19	50 - 32
T21528	1H21	2	60 - 7	T21778	2B4	11	80 - 16	T22085	2C8	19	90 - 19
T21539	2A21	15	80 - 9	T21803	1H25	9	60 - 11	T22086	2C8	18	90 - 19
T21539	2A21	17	80 - 9	T21806	1I2	7	60 - 13	T22087	2C8	16	90 - 19
T21540	2B4	7	80 - 16	T21807	1H24	2	60 - 10	T22088	2C8	15	90 - 19
T21546	1H21	10	60 - 7	T21810	1I2	3	60 - 13	T22100	1I2	15	60 - 13
T21547	1H14	17	50 - 47	T21811	1I2	3	60 - 13	T22101	1I2	10	60 - 13
T21547	1H14	20	50 - 47	T21812	1I2	3	60 - 13	T22101	1I3	6	60 - 15
T21548	1H14	18	50 - 47	T21813	1I2	20	60 - 13	T22102	1H24	5	60 - 10
T21558	1J19	9	70 - 43	T21814	1J19	19	60 - 13	T22103	1H24	4	60 - 10
T21559	1J19	8	70 - 43	T21815	1I2	17	60 - 13	T22115	1G25	11	50 - 32
T21562	1G8	1	50 - 15	T21816	1I2	12	60 - 13	T22126	1G6	6	50 - 13
T21562	1G8	2	50 - 15	T21817	1I2	16	60 - 13	T22127	1G25	2	50 - 32
T21562	1G10	9	50 - 17	T21819	1H3	7	50 - 35	T22128	1G8	1	50 - 15
T21564	1I23	20	70 - 21	T21820	1H14	22	50 - 47	T22128	1G8	5	50 - 15
T21571	2B9	5	80 - 21	T21821	1H14	22	50 - 47	T22128	1G10	6	50 - 17
T21576	1I5	2	60 - 17	T21827	1F8	5	40 - 29	T22128	1G25	12	50 - 32
T21577	1I5	35	60 - 17	T21827	1F21	16	50 - 3	T22134	1D11	14	30 - 37
T21579	1I5	18	60 - 17	T21831	1H2	10	50 - 34	T22149	1D12	5	30 - 38
T21587	1I5	7	60 - 17	T21839	1H3	3	50 - 35	T22150	1D12	12	30 - 38
T21588	1I5	8	60 - 17	T21840	1H3	8	50 - 35	T22151	1D12	13	30 - 38
T21594	1I5	3	60 - 17	T21841	1H3	6	50 - 35	T22198	1G4	9	50 - 11
T21595	1I5	1	60 - 17	T21859	1C11	11	30 - 11	T22198	1G6	9	50 - 13
T21596	1I5	34	60 - 17	T21863	2B7	13	80 - 19	T22211	2C8	17	90 - 19
T21602	1G22	22	50 - 29	T21864	2B7	12	80 - 19	T22214	1G25	4	50 - 32
T21603	1G22	19	50 - 29	T21865	2B7	11	80 - 19	T22217	1G8	22	50 - 15
T21604	1G22	20	50 - 29	T21866	1H17	25	60 - 3	T22219	1G6	4	50 - 13
T21615	1I23	11	70 - 21	T21876	1H2	9	50 - 34	T22224	1J2	7	70 - 26
T21620	1H14	9	50 - 47	T21885	1H14	20	50 - 47	T22228	1J2	9	70 - 26
T21630	1I22	1	70 - 20	T21886	1H14	18	50 - 47	T22229	1J2	8	70 - 26
T21630	1I22	3	70 - 20	T21887	1E4	11	40 - 13	T22232	1J2	5	70 - 26
T21631	1I22	1	70 - 20	T21889	1E4	13	40 - 13	T22233	1J2	10	70 - 26
T21631	1I22	2	70 - 20	T21901	1J19	1	70 - 43	T22234	1G25	5	50 - 32
T21631	1I23	18	70 - 21	T21903	1J19	16	70 - 43	T22237	1G25	13	50 - 32
T21638	1I25	11	70 - 23	T21911	1J21	24	70 - 45	T22239	1D11	12	30 - 37
T21641	1I22	17	70 - 20	T21913	1J21	27	70 - 45	T22240	1D11	18	30 - 37
T21655	1H19	41	60 - 5	T21937	1G8	11	50 - 15	T22240	1D12	14	30 - 38
T21659	1H17	27	60 - 3	T21942	2A21	17	80 - 9	T22241	1D11	20	30 - 37
T21659	1H21	12	60 - 7	T21955	1J3	10	70 - 27	T22242	1D11	19	30 - 37
T21667	1J21	11	70 - 45	T21956	1I21	5	70 - 19	T22243	1J13	26	70 - 37
T21669	2A15	5	80 - 3	T21964	1G14	8	50 - 21	T22244	1J13	3	70 - 37
T21669	2A17	7	80 - 5	T21964	1G18	7	50 - 25	T22260	1H17	7	60 - 3
T21669	2A19	5	80 - 7	T21965	1G18	14	50 - 25	T22260	1H19	7	60 - 5
T21671	1G10	18	50 - 17	T21968	1F21	32	50 - 3	T22260	1H19	8	60 - 5
T21671	1J21	12	70 - 45	T21969	1G13	10	50 - 20	T22317	1J3	9	70 - 27
T21672	1J21	19	70 - 45	T21969	1G14	2	50 - 21	T22318	1I21	1	70 - 19
T21677	1J21	26	70 - 45	T21970	1G14	9	50 - 21	T22319	1I21	6	70 - 19
T21680	1J3	13	70 - 27	T21970	1G18	8	50 - 25	T22375	2B4	4	80 - 16
T21681	1J3	2	70 - 27	T21971	1H2	8	50 - 34	T22376	1B19	25	20 - 35
T21685	1J17	1	70 - 41	T21974	1H2	7	50 - 34	T22381	1B19	13	20 - 35
T21687	1B19	14	20 - 35	T21975	1G18	5	50 - 25	T22381	2B4	6	80 - 16
T21699	1C3	13	30 - 1	T21976	1G18	9	50 - 25	T22385	1C5	17	30 - 3

1L22

TRACTOR - 820 UTILITY

NUMERICAL INDEX - CONTINUED

PART NO.	GRID	KEY	PAGE	PART NO.	GRID	KEY	PAGE	PART NO.	GRID	KEY	PAGE
T22394	2C8	22	90 - 19	T22858	1F21	7	50 - 3	T23463	1D3	26	30 - 29
T22399	1J19	13	70 - 43	T22861	1H7	17	50 - 40	T23463	1D4	15	30 - 30
T22430	1G13	6	50 - 20	T22861	1H8	16	50 - 41	T23463	1D4	20	30 - 30
T22435	1G20	17	50 - 27	T22862	1H7	8	50 - 40	T23468	1A22	6	20 - 9
T22435	1G22	23	50 - 29	T22862	1H8	8	50 - 41	T23469	1A22	14	20 - 9
T22444	2B5	2	80 - 17	T22864	2B4	17	80 - 16	T23471	1B9	5	20 - 21
T22446	2B5	1	80 - 17	T22865	1J1	13	70 - 25	T23474	1B4	18	20 - 15
T22469	1I25	4	70 - 23	T22867	1I25	14	70 - 23	T23481	1B9	4	20 - 21
T22470	1J1	14	70 - 25	T22874	1H2	1	50 - 34	T23481	1B10	6	20 - 23
T22471	1I22	9	70 - 20	T22875	1H17	1	60 - 3	T23482	1B9	3	20 - 21
T22473	1J2	13	70 - 26	T22875	1H19	1	60 - 5	T23505	1B16	17	20 - 31
T22474	1I23	13	70 - 21	T22876	1I23	15	70 - 21	T23534	1B19	16	20 - 35
T22480	1H17	8	60 - 3	T22877	1J1	11	70 - 25	T23546	1A22	17	20 - 9
T22481	1H17	6	60 - 3	T22883	1J9	1	70 - 33	T23547	1A22	17	20 - 9
T22482	1H17	19	60 - 3	T22883	1J11	25	70 - 35	T23548	1A22	17	20 - 9
T22500	1B19	17	20 - 35	T22898	1F21	15	50 - 3	T23549	1A22	18	20 - 9
T22520	2B9	4	80 - 21	T22934	1G15	7	50 - 22	T23550	1A22	18	20 - 9
T22522	1E24	6	40 - 24	T22934	1G16	7	50 - 23	T23551	1A22	18	20 - 9
T22522	1F1	14	40 - 26	T22974	1H10	19	50 - 43	T23590	1B7	3	20 - 19
T22524	1E25	3	40 - 25	T22984	1G16	11	50 - 23	T23596	1B7	8	20 - 19
T22525	1H17	31	60 - 3	T22991	1B7	1	20 - 19	T23596	1B23	2	20 - 39
T22525	1H21	16	60 - 7	T22998	1H12	20	50 - 45	T23604	1B2	5	20 - 13
T22526	1H17	24	60 - 3	T22999	1H12	10	50 - 45	T23613	1C3	1	30 - 1
T22527	1H17	21	60 - 3	T23000	1H12	11	50 - 45	T23613	1C5	12	30 - 3
T22534	1C10	7	30 - 9	T23026	2B11	7	80 - 23	T23614	1A24	6	20 - 11
T22569	2B4	18	80 - 16	T23027	2C9	3	90 - 20	T23619	1B12	4	20 - 25
T22570	2B3	1	80 - 15	T23033	2C9	4	90 - 20	T23620	1B21	9	20 - 37
T22571	2B3	4	80 - 15	T23059	1F21	1	50 - 3	T23628	1B14	1	20 - 27
T22645	2B18	5	90 - 5	T23059	1I15	13	70 - 11	T23628	1B16	1	20 - 31
T22645	2C8	8	90 - 19	T23062	1G4	3	50 - 11	T23628	1B16	2	20 - 31
T22648	1J17	2	70 - 41	T23062	1G6	3	50 - 13	T23628	1B16	10	20 - 31
T22653	1J3	20	70 - 27	T23078	1J13	1	70 - 37	T23628	1B16	23	20 - 31
T22690	1H14	27	50 - 47	T23084	1C5	18	30 - 3	T23670	1B4	14	20 - 15
T22696	1D11	6	30 - 37	T23118	2A15	12	80 - 3	T23671	1B4	14	20 - 15
T22698	1D11	4	30 - 37	T23118	2B4	8	80 - 16	T23753	1I20	19	70 - 17
T22705	2B9	6	80 - 21	T23162	1J15	12	70 - 39	T23755	1J9	13	70 - 33
T22706	2B9	6	80 - 21	T23170	2A15	3	80 - 3	T23758	1J3	15	70 - 27
T22714	1J19	19	70 - 43	T23170	2A17	4	80 - 5	T23759	1J3	14	70 - 27
T22728	1G20	6	50 - 27	T23170	2A19	3	80 - 7	T23797	1G13	7	50 - 20
T22728	1G22	3	50 - 29	T23200	1B6	3	20 - 18	T23800	1G15	1	50 - 22
T22728	1H10	14	50 - 43	T23200	1I15	34	70 - 11	T24101	1G17	6	50 - 24
T22729	1G20	2	50 - 27	T23216	1J3	11	70 - 27	T24126	1B7	11	20 - 19
T22729	1G22	1	50 - 29	T23225	1H25	4	60 - 11	T24144	1G4	4	50 - 11
T22730	1G20	3	50 - 27	T23228	2A15	17	80 - 3	T24151	1A18	7	20 - 5
T22730	1G22	6	50 - 29	T23228	2A17	10	80 - 5	T24151	1A20	10	20 - 7
T22731	1G20	34	50 - 27	T23228	2A19	15	80 - 7	T24160	2B4	10	80 - 16
T22731	1G22	2	50 - 29	T23229	2A15	16	80 - 3	T24168	1B12	6	20 - 25
T22736	1G22	18	50 - 29	T23229	2A17	9	80 - 5	T24169	1J2	15	70 - 26
T22739	1G8	20	50 - 15	T23229	2A19	14	80 - 7	T24170	1J2	16	70 - 26
T22769	1B23	3	20 - 39	T23247	2C8	7	90 - 19	T24171	1J2	14	70 - 26
T22783	1C3	12	30 - 1	T23258	2B11	2	80 - 23	T24173	1I18	2	70 - 15
T22800	2B11	6	80 - 23	T23262	1C5	5	30 - 3	T24181	1J2	17	70 - 26
T22809	1G20	8A	50 - 27	T23422	1D9	13	30 - 35	T24382	1H2	12	50 - 34
T22809	1G22	4	50 - 29	T23425	1D9	12	30 - 35	T24382	1H2	15	50 - 34
T22823	1H19	10	60 - 5	T23426	1I18	6	70 - 15	T24409	1B4	24	20 - 15
T22824	1H19	12	60 - 5	T23435	1B4	20	20 - 15	T24413	1C25	8	30 - 25
T22825	1H19	13	60 - 5	T23460	1C19	25	30 - 19	T24435	1C21	6	30 - 21
T22830	1C5	17	30 - 3	T23460	1C19	29	30 - 19	T24437	2B7	8	80 - 19
T22848	1J21	21	70 - 45	T23460	1D3	16	30 - 29	T24438	2B7	10	80 - 19
T22851	1F21	19	50 - 3	T23461	1C19	25	30 - 19	T24439	2B7	9	80 - 19
T22851	1G12	3	50 - 19	T23461	1C19	28	30 - 19	T24439	2B7	22	80 - 19
T22851	1G12	5	50 - 19	T23461	1D3	15	30 - 29	T24472	1D9	4	30 - 35
T22851	1H7	11	50 - 40	T23462	1D3	24	30 - 29	T24483	1I25	27	70 - 23
T22851	1H8	11	50 - 41	T23462	1D3	26	30 - 29	T24485	1I25	21	70 - 23
T22852	1H10	17	50 - 43	T23462	1D4	16	30 - 30	T24487	1J1	2	70 - 25
T22853	1G8	28	50 - 15	T23462	1D4	20	30 - 30	T24488	1G13	3	50 - 20
T22854	1G8	35	50 - 15	T23463	1D3	23	30 - 29	T24522	1H3	4	50 - 35

1L23

TRACTOR - 820 UTILITY

NUMERICAL INDEX - CONTINUED

PART NO.	GRID	KEY	PAGE	PART NO.	GRID	KEY	PAGE	PART NO.	GRID	KEY	PAGE
T24531	1B4	31	20 - 15	T25397	1G12	1	50 - 19	T25818	1C13	10	30 - 13
T24534	1B6	1	20 - 18	T25408	1F21	33	50 - 3	T25818	1C15	10	30 - 15
T24534	1B23	3	20 - 39	T25418	1H7	15	50 - 40	T25819	1C13	11	30 - 13
T24538	1G13	8	50 - 20	T25418	1H8	14	50 - 41	T25820	1C13	14	30 - 13
T24539	1E10	9	40 - 19	T25508	1G13	1	50 - 20	T25820	1C15	13	30 - 15
T24539	1E16	28	40 - 23B	T25509	1G13	2	50 - 20	T25821	1C13	12	30 - 13
T24540	1I25	25	70 - 23	T25510	1G17	5	50 - 24	T25827	1H14	9	50 - 47
T24647	1C15	17	30 - 15	T25511	1G13	12	50 - 20	T25828	1J16	3	70 - 40
T24690	1J3	5	70 - 27	T25512	1G13	21	50 - 20	T25835	1J19	14	70 - 43
T24691	1G14	13	50 - 21	T25513	1G13	19	50 - 20	T25836	1J19	4	70 - 43
T24726	1G14	1	50 - 21	T25514	1G20	13	50 - 27	T25840	2A15	14	80 - 3
T24728	1G14	26	50 - 21	T25515	1G20	11	50 - 27	T25840	2A17	12	80 - 5
T24729	1G8	1	50 - 15	T25516	1G20	18	50 - 27	T25840	2A19	12	80 - 7
T24729	1G8	4	50 - 15	T25517	1G20	24	50 - 27	T25879	1K3	4	70 - 52
T24729	1G10	7	50 - 17	T25518	1G20	27	50 - 27	T25899	2B11	8	80 - 23
T24729	1G13	13	50 - 20	T25519	1G20	28	50 - 27	T25901	2A22	6	80 - 10
T24729	1G14	14	50 - 21	T25520	1G20	31	50 - 27	T25902	2A22	3	80 - 10
T24730	1G14	7	50 - 21	T25529	1G24	13	50 - 31	T25921	2A15	13	80 - 3
T24730	1G18	6	50 - 25	T25530	1G24	12	50 - 31	T25921	2A17	14	80 - 5
T24731	1G18	10	50 - 25	T25531	1G24	16	50 - 31	T25921	2A19	11	80 - 7
T24732	1G13	11	50 - 20	T25532	1G24	17	50 - 31	T25922	2A15	7	80 - 3
T24732	1G14	3	50 - 21	T25535	1G24	7	50 - 31	T25922	2A17	13	80 - 5
T24736	1G14	18	50 - 21	T25538	1G24	1	50 - 31	T25922	2A19	10	80 - 7
T24737	1G14	21	50 - 21	T25540	1G25	11	50 - 32	T26043	1B19	26	20 - 35
T24748	1C9	12	30 - 8	T25541	1H4	13	50 - 36	T26153	2B18	11	90 - 5
T24758	1B12	7	20 - 25	T25543	1G3	3	50 - 10	T26197	1G20	14	50 - 27
T24772	1D3	2	30 - 29	T25544	1G3	14	50 - 10	T26197	1G22	21	50 - 29
T24772	1D4	2	30 - 30	T25547	2B11	5	80 - 23	T26198	1G3	7	50 - 10
T24773	1D3	19	30 - 29	T25548	2B11	4	80 - 23	T26209	1D7	5	30 - 33
T24844	1C9	6	30 - 8	T25614	1G20	12	50 - 27	T26211	1D7	10	30 - 33
T24917	1G17	10	50 - 24	T25614	1G22	24	50 - 29	T26212	1D7	11	30 - 33
T24917	1G18	18	50 - 25	T25614	1H4	6	50 - 36	T26213	1D7	12	30 - 33
T24964	1A24	20	20 - 11	T25701	1B4	9	20 - 15	T26214	1D7	13	30 - 33
T24965	1B4	29	20 - 15	T25701	1G20	14	50 - 27	T26215	1D7	20	30 - 33
T24965	1B23	17	20 - 39	T25741	1H19	13	60 - 5	T26216	1D7	19	30 - 33
T24985	2B11	3	80 - 23	T25757	1C11	14	30 - 11	T26217	1D7	17	30 - 33
T24986	2B11	2	80 - 23	T25768	1J22	2	70 - 46	T26222	1D8	15	30 - 34
T24988	1C3	9	30 - 1	T25769	1J22	1	70 - 46	T26223	1C21	10	30 - 21
T24999	1G8	30	50 - 15	T25774	1I8	1	70 - 2	T26223	1D5	1	30 - 31
T25117	1B7	1	20 - 19	T25775	1I8	8	70 - 2	T26223	1D8	3	30 - 34
T25141	1H25	14	60 - 11	T25780	1I15	3	70 - 11	T26223	1D8	..	30 - 34
T25142	1C22	13	30 - 22	T25780	1I17	5	70 - 13	T26226	1D6	6	30 - 32
T25163	2B11	9	80 - 23	T25781	1I15	16	70 - 11	T26227	1D6	5	30 - 32
T25164	2B11	10	80 - 23	T25781	1I17	42	70 - 13	T26229	1D6	25	30 - 32
T25165	2B11	9	80 - 23	T25782	1I15	17	70 - 11	T26230	1D6	24	30 - 32
T25166	2B11	10	80 - 23	T25782	1I17	41	70 - 13	T26233	1D6	7	30 - 32
T25285	1I5	32	60 - 17	T25783	1I15	21	70 - 11	T26236	1D8	5	30 - 34
T25291	2B7	4	80 - 19	T25783	1I17	31	70 - 13	T26237	1D8	6	30 - 34
T25294	1H17	9	60 - 3	T25785	1I20	3	70 - 17	T26238	1C22	1	30 - 22
T25317	1G15	9	50 - 22	T25789	1I20	1	70 - 17	T26238	1D8	8	30 - 34
T25317	1G16	9	50 - 23	T25791	1I18	14	70 - 15	T26239	1D8	7	30 - 34
T25323	1H19	36	60 - 5	T25792	1I18	7	70 - 15	T26243	1D6	22	30 - 32
T25324	1H19	40	60 - 5	T25793	1I18	6	70 - 15	T26256	1C22	19	30 - 22
T25325	1H19	33	60 - 5	T25794	1J3	18	70 - 27	T26256	1D5	4	30 - 31
T25326	1H19	35	60 - 5	T25795	1J3	17	70 - 27	T26256	1D7	2	30 - 33
T25327	1H19	32	60 - 5	T25802	1J9	4	70 - 33	T26257	1D5	10	30 - 31
T25328	1H19	14	60 - 5	T25803	1J9	7	70 - 33	T26263	1D7	6	30 - 33
T25329	1H19	17	60 - 5	T25804	1J9	8	70 - 33	T26265	1D7	14	30 - 33
T25332	1H19	21	60 - 5	T25807	1J13	23	70 - 37	T26267	1D7	27	30 - 33
T25333	1H19	20	60 - 5	T25809	2A23	1	80 - 11	T26268	1D7	21	30 - 33
T25334	1H19	20	60 - 5	T25809	2A24	6	80 - 11A	T26321	1B2	13	20 - 13
T25335	1H19	30	60 - 5	T25813	1D3	6	30 - 29	T26323	1B2	14	20 - 13
T25336	1H19	39	60 - 5	T25813	1D4	4	30 - 30	T26323	1B2	15	20 - 13
T25337	1H17	15	60 - 3	T25814	2B11	11	80 - 23	T26324	1B2	23	20 - 13
T25337	1H21	2	60 - 7	T25815	2B11	11	80 - 23	T26325	1B2	18	20 - 13
T25366	1B2	6	20 - 13	T25817	1C13	9	30 - 13	T26326	1B2	22	20 - 13
T25367	2C8	21	90 - 19	T25817	1C15	9	30 - 15	T26327	1B2	19	20 - 13

1L24

TRACTOR - 820 UTILITY

NUMERICAL INDEX - CONTINUED

PART NO.	GRID	KEY	PAGE	PART NO.	GRID	KEY	PAGE	PART NO.	GRID	KEY	PAGE
T26337	1H4	13	50 - 36	T27658	1A24	20	20 - 11	T28585	1F12	12	40 - 33
T26430	1F21	21	50 - 3	T27670	1E8	20	40 - 17	T28586	1F12	14	40 - 33
T26431	1F21	23	50 - 3	T27671	1E8	26	40 - 17	T28660	1G22	11	50 - 29
T26435	1G8	1	50 - 15	T27716	1G8	20	50 - 15	T28668	1G8	22	50 - 15
T26435	1G8	40	50 - 15	T27716	1G10	24	50 - 17	T28668	1G10	27	50 - 17
T26435	1I15	33	70 - 11	T27716	1G20	21	50 - 27	T28676	1I20	5	70 - 17
T26437	1I20	4	70 - 17	T27716	1G22	14	50 - 29	T28680	1G22	11	50 - 29
T26440	1J13	25	70 - 37	T27716	1H4	11	50 - 36	T28680	1G22	12	50 - 29
T26496	1D3	4	30 - 29	T27717	2B4	17	80 - 16	T28680	1G22	25	50 - 29
T26497	1D3	3	30 - 29	T27739	1H4	11	50 - 36	T28763	1H14	17	50 - 47
T26497	1D4	3	30 - 30	T27980	1C3	1	30 - 1	T28797	1F21	7	50 - 3
T26497	1D6	26	30 - 32	T27980	1C5	12	30 - 3	T28907	1H14	22	50 - 47
T26565	1B2	2	20 - 13	T27986	1C3	1	30 - 1	T28908	1H14	22	50 - 47
T26565	1B7	2	20 - 19	T27986	1C3	15	30 - 1	T28992	1B16	2	20 - 31
T26565	1G8	1	50 - 15	T27986	1C5	12	30 - 3	T29089	2B11	11	80 - 23
T26565	1G8	3	50 - 15	T27986	1C5	13	30 - 3	T29090	2B11	11	80 - 23
T26565	1G10	8	50 - 17	T28041	1A22	5	20 - 9	T29092	2B11	12	80 - 23
T26601	1E16	23	40 - 23B	T28177	1H24	6	60 - 10	T29093	2B11	14	80 - 23
T26625	1J1	9	70 - 25	T28219	1F23	21	50 - 5	T29106	2A22	6	80 - 10
T26626	1J1	8	70 - 25	T28220	1F23	20	50 - 5	T29164	1D5	17	30 - 31
T26832	1D11	2	30 - 37	T28221	1F23	1	50 - 5	T29242	1H12	17	50 - 45
T26836	1D11	25	30 - 37	T28221	1F23	16	50 - 5	T29243	1H12	2	50 - 45
T26841	1D11	1	30 - 37	T28221	1F25	1	50 - 7	T29311	1J3	3	70 - 27
T26853	2B11	8	80 - 23	T28221	1F25	16	50 - 7	T29353	1F23	1	50 - 5
T26854	2B11	8	80 - 23	T28222	1F23	1	50 - 5	T29353	1F23	31	50 - 5
T26855	2B11	8	80 - 23	T28222	1F23	13	50 - 5	T29353	1F25	1	50 - 7
T26870	1D9	5	30 - 35	T28222	1F25	1	50 - 7	T29353	1F25	25	50 - 7
T26904	1I23	12	70 - 21	T28222	1F25	13	50 - 7	T29353	1G2	18	50 - 9
T26905	1I21	1	70 - 19	T28223	1F23	22	50 - 5	T29394	1H2	8	50 - 34
T26928	2B4	22	80 - 16	T28224	1F23	1	50 - 5	T29529	1D3	21	30 - 29
T26929	2B4	3	80 - 16	T28224	1F23	17	50 - 5	T29529	1D4	13	30 - 30
T26936	2B11	15	80 - 23	T28224	1F25	1	50 - 7	T29539	1D9	9	30 - 35
T26937	1D11	15	30 - 37	T28224	1F25	17	50 - 7	T29540	1D9	10	30 - 35
T26937	1D12	11	30 - 38	T28225	1F23	1	50 - 5	T29561	1G15	10	50 - 22
T26938	1I23	6	70 - 21	T28225	1F23	18	50 - 5	T29561	1G16	10	50 - 23
T26939	1I23	5	70 - 21	T28225	1F25	1	50 - 7	T29562	1G15	10	50 - 22
T27136	1J17	9	70 - 41	T28225	1F25	18	50 - 7	T29562	1G16	10	50 - 23
T27178	1F23	6	50 - 5	T28225	1G2	16	50 - 9	T29577	2B11	17	80 - 23
T27178	1F25	6	50 - 7	T28226	1F23	1	50 - 5	T29644	1J21	7	70 - 45
T27256	1C10	1	30 - 9	T28226	1F23	15	50 - 5	T29645	1J21	6	70 - 45
T27258	1I22	11	70 - 20	T28226	1F25	1	50 - 7	T29646	1F23	1	50 - 5
T27259	1I22	9	70 - 20	T28226	1F25	15	50 - 7	T29646	1F23	27	50 - 5
T27260	1I22	13	70 - 20	T28227	1F23	24	50 - 5	T29646	1F25	1	50 - 7
T27260	1J5	12	70 - 29	T28228	1F23	23	50 - 5	T29646	1F25	21	50 - 7
T27261	1B16	5	20 - 31	T28229	1F23	19	50 - 5	T29646	1G2	20	50 - 9
T27300	1D7	8	30 - 33	T28229	1F25	19	50 - 7	T29647	1F23	1	50 - 5
T27302	1D8	11	30 - 34	T28230	1F23	1	50 - 5	T29647	1F23	26	50 - 5
T27303	1D8	12	30 - 34	T28230	1F23	12	50 - 5	T29647	1F25	1	50 - 7
T27304	1D8	10	30 - 34	T28230	1F25	1	50 - 7	T29647	1F25	20	50 - 7
T27304	1D8	18	30 - 34	T28230	1F25	12	50 - 7	T29647	1G2	22	50 - 9
T27304	1D8	22	30 - 34	T28231	1F23	1	50 - 5	T29648	1F23	1	50 - 5
T27306	1D7	9	30 - 33	T28231	1F23	14	50 - 5	T29648	1F23	28	50 - 5
T27409	1H19	22	60 - 5	T28231	1F25	14	50 - 7	T29648	1F25	1	50 - 7
T27429	1H3	1	50 - 35	T28272	1H17	31	60 - 3	T29648	1F25	22	50 - 7
T27430	1H3	14	50 - 35	T28362	1H21	16	60 - 7	T29649	1F23	1	50 - 5
T27511	2A25	3	80 - 12	T28433	1I21	9	70 - 19	T29649	1F23	30	50 - 5
T27540	2C8	4	90 - 19	T28435	1B7	1	20 - 19	T29649	1F25	1	50 - 7
T27544	1H4	2	50 - 36	T28464	1G8	18	50 - 15	T29649	1F25	24	50 - 7
T27559	1G20	3	50 - 27	T28537	1I25	26	70 - 23	T29649	1G2	11	50 - 9
T27559	1G22	6	50 - 29	T28538	1I25	26	70 - 23	T29650	1F23	1	50 - 5
T27568	1J21	11	70 - 45	T28538	1I25	27	70 - 23	T29650	1F23	29	50 - 5
T27645	2B24	8	90 - 11	T28551	1J3	9	70 - 27	T29650	1F25	1	50 - 7
T27645	2C2	13	90 - 13	T28582	1D6	4	30 - 32	T29650	1F25	23	50 - 7
T27645	2C4	47	90 - 15	T28583	1F10	4	30 - 32	T29650	1G2	10	50 - 9
T27657	1A24	17	20 - 11	T28583	1F10	34	40 - 31	T29658	1D12	17	30 - 38
T27657	1A24	20	20 - 11	T28583	1F12	1	40 - 33	T29741	1D11	15	30 - 37
T27658	1A24	17	20 - 11	T28585	1F10	35	40 - 31	T29742	1D12	11	30 - 38

1L25

TRACTOR - 820 UTILITY

NUMERICAL INDEX - CONTINUED

PART NO.	GRID	KEY	PAGE	PART NO.	GRID	KEY	PAGE	PART NO.	GRID	KEY	PAGE
T29806	2C9	9	90 - 20	T31437	1F8	5	40 - 29	U10289	1H19	31	60 - 5
T29807	2C9	5	90 - 20	T31478	1B19	14	20 - 35	U10296	2A17	2	80 - 5
T29892	1J21	3	70 - 45	T31480	1D5	22	30 - 31	U11647	1K2	1	70 - 51
T29892	1J23	9	70 - 47	T31481	1D5	9	30 - 31	U12331	1H19	37	60 - 5
T29897	1J23	8	70 - 47	T31482	1D7	23	30 - 33	U40656	2B18	7	90 - 5
T29898	1J21	11	70 - 45	T31506	2A25	5	80 - 12	U46370	1F10	36	40 - 31
T29899	1J23	8	70 - 47	T31794	1G18	4	50 - 25	U46370	1F12	20	40 - 33
T29915	1J13	2	70 - 37	T32010	1B10	5	20 - 23	U46662	1F6	12	40 - 27D
T29931	1I21	3	70 - 19	T32029	1C10	6	30 - 9	U46662	1F10	37	40 - 31
T29969	1C19	35	30 - 19	T32064	1J19	7	70 - 43	U46662	1F12	10	40 - 33
T30037	1H5	1	50 - 37	T32142	1G22	20	50 - 29	U46663	1F10	38	40 - 31
T30065	1G14	10	50 - 21	T32214	1G22	12	50 - 29	U46664	1F10	39	40 - 31
T30122	2B11	8	80 - 23	T32214	2B11	6	80 - 23	U46664	1F14	47	40 - 35
T30123	2B11	8	80 - 23	T32261	1B10	8	20 - 23	Z24798	1E8	6	40 - 17
T30124	2B11	8	80 - 23	T32268	1H24	6	60 - 10	Z24799	1E8	15	40 - 17
T30125	2B11	8	80 - 23	T32340	1B10	7	20 - 23	Z24800	1E8	31	40 - 17
T30126	2B11	8	80 - 23	T32365	1C13	13B	30 - 13	Z24801	1E8	20	40 - 17
T30127	2B11	8	80 - 23	T32365	1C15	23	30 - 15	Z24810	1E8	17	40 - 17
T30129	2B11	8	80 - 23	T32409	1C6	6	30 - 5	Z42047	1E2	24	40 - 11B
T30141	1F21	22	50 - 3	T32413	2B9	11	80 - 21	Z42048	1E2	19	40 - 11B
T30276	1J22	2	70 - 46	T32414	2B9	10	80 - 21	Z42049	1E2	12	40 - 11B
T30277	1J22	1	70 - 46	T32488	1J19	15	70 - 43	1873796	1E16	24	40 - 23B
T30500	2B11	13	80 - 23	T32541	1G20	1	50 - 27	400R	1G20	32	50 - 27
T30525	1D12	17	30 - 38	T32541	1G22	26	50 - 29	400R	1G22	17	50 - 29
T30525	1D19	26	40 - 5	T33232	1C11	11	30 - 11	400R	1I2	18	60 - 13
T30530	1G17	4	50 - 24	T33279	1B4	8	20 - 15	400R	1J13	10	70 - 37
T30531	1G17	4	50 - 24	T33745	2B16	38	90 - 3	820148	1E10	3	40 - 19
T30603	1G22	11	50 - 29	T33746	1D11	1	30 - 37	820149	1E10	4	40 - 19
T30603	2B11	6	80 - 23	T34067	1F12	18	40 - 33				
T30607	1C22	18	30 - 22	T35675	1D11	1	30 - 37				
T30607	1D7	1	30 - 33	T35675	1D11	22	30 - 37				
T30687	1H25	14	60 - 11	T36042	1G12	2	50 - 19				
T30712	2B11	14	80 - 23	T36042	1G20	34	50 - 27				
T30720	1B14	1	20 - 27	T36042	1G22	2	50 - 29				
T30720	1B16	1	20 - 31	T36236	1F21	32	50 - 3				
T30720	1B16	2	20 - 31	T36482	1H21	10	60 - 7				
T30720	1B16	10	20 - 31	T38063	1H24	9	60 - 10				
T30720	1B16	22	20 - 31	T42381	1G6	4	50 - 13				
T30721	1B16	23	20 - 31	T439T	1B21	4	20 - 37				
T30726	1B6	3	20 - 18	T439T	1I20	18	70 - 17				
T30738	1C13	16	30 - 13	T48835	1D11	19	30 - 37				
T30738	1C15	21	30 - 15	T49189	1H25	9	60 - 11				
T30738	1C16	14	30 - 16	T497T	1H6	11	50 - 39				
T30738	1C17	5	30 - 17	T50467	1D12	13	30 - 38				
T30754	1H7	17	50 - 40	T64421	1C10	6	30 - 9				
T30754	1H8	16	50 - 41	T65880	2B13	7	80 - 25				
T30772	2B13	14	80 - 25	T71925	1H14	22	50 - 47				
T30791	1G4	1	50 - 11	T71926	1H14	22	50 - 47				
T30791	1G6	1	50 - 13	T736T	1E12	13	40 - 21				
T30852	2B11	14	80 - 23	T736T	1E18	5	40 - 23D				
T30897	1B16	7	20 - 31	T738T	1E12	11	40 - 21				
T30897	1B16	..	20 - 31	T739T	1E12	9	40 - 21				
T30956	1J19	19	70 - 43	T740T	1E12	10	40 - 21				
T30991	2A15	13	80 - 3	T78593	1C10	1	30 - 9				
T30991	2A19	11	80 - 7	T79479	1C10	6	30 - 9				
T31123	1D6	2	30 - 32	T84409	1E5	1	40 - 14				
T31124	1D6	15	30 - 32	T84409	2B11	1	80 - 23				
T31125	1D6	15	30 - 32	T84410	1E5	1	40 - 14				
T31126	1D6	15	30 - 32	T84410	2B11	1	80 - 23				
T31127	1D6	15	30 - 32	T84411	1E5	1	40 - 14				
T31128	1D6	15	30 - 32	T84411	2B11	1	80 - 23				
T31129	1D8	1	30 - 34	T84412	1E5	1	40 - 14				
T31129	1D8	..	30 - 34	T84412	2B11	1	80 - 23				
T31130	1D6	12	30 - 32	T84413	1E5	1	40 - 14				
T31134	1H25	5	60 - 11	T84413	2B11	1	80 - 23				
T31203	1D8	..	30 - 34	T84578	1E5	1	40 - 14				
T31290	1H19	13	60 - 5	T84578	2B11	1	80 - 23				