

# 1A1

TRACTOR 3030,3130

CODES USED IN "REMARKS" COLUMN  
 CODES UTILISES DANS LA COLONNE "REMARQUES"  
 KODE-ZEICHEN IN DER SPALTE "BEMERKUNGEN"  
 CODICI USATI NELLA COLONNA "NOTE"  
 CODIFICACION EN LA COLUMNA "NOTAS"  
 KODATS SOM AVANDS PA KOLUMN "ANMAERKNINGER"

ES107700 -UN-01JAN94

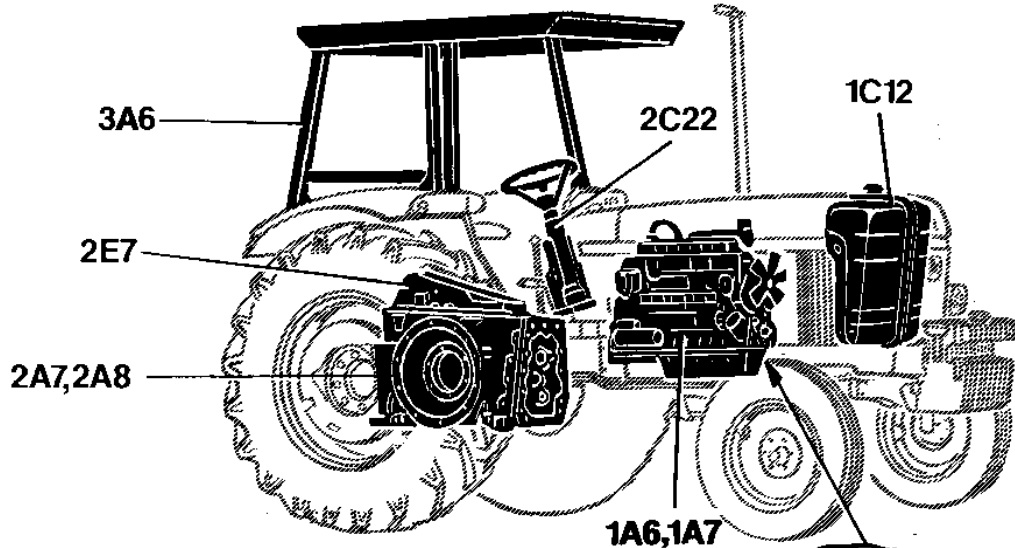
	English	Français	Deutsch	Italiano	Español	Svenska
<b>APPL</b>	This application only	uniquement pour cette utilisation	nur für diese Anwendung	solo per questo impiego	tan sólo para este propósito	Endast för detta användning
<b>AR</b>	As required	Suivant besoin	Nach Bedarf	Secondo necessità	Según necesidad	I ma av behöv
<b>ASSY</b>	Complete assembly	Ensemble complet	Kompletter Zusammenbau	Gruppo completo	Conjunto completo	Komplett enhet
<b>FOR</b>	For	Pour	für	Per	Para	För
<b>FRONT</b>	Front	Avant	Vorn	Anteriore	Fronte	Fram
<b>GRID</b>	See grid	Voir case	siehe Koordinate	Vedi coordinata	Véase coordenada	Se ruta
<b>I.D.</b>	Inside diameter	Diamètre intérieur	Innendurchmesser	Diametro interno	Diámetro interior	Inre diameter
<b>INCL. KEYS</b>	Including keys	Comprend les repères . . .	Einschließlich Teile	Chiavette incluse	incluye las posiciones	Inklusive nycklar
<b>KIT</b>	Kit	Nécessaire de réparation	Reparatursatz	Corredo	Juego de piezas para una reparación	Sats
<b>L</b>	Number of links	Nombre de maillons	Zahl der Glieder	Numero di maglie	Número de eslabones	Antal länkar eller led
<b>LGTH</b>	Length	Longueur	Länge	Lunghezza	Longitud	Längd
<b>L.H.</b>	Left-hand	Gauche	Links	Sinistra	Izquierda	Vänster sida
<b>LOW</b>	Lower	Inférieur	Unten	Inferiore	Más bajo	Nedre
<b>MARKED</b>	Marked	Marqué	Markiert	Marcato	Marcado	Märkt
<b>MF</b>	Make from	Réaliser avec	Herstellen von	Fabbricare di	Hacer de	Tillverka av
<b>NSEP</b>	Not supplied separately	Non livré séparément	Einzel nicht lieferbar	Non fornito separatamente	No se suministra por separado	Kan ej erhållas separat
<b>O.D.</b>	Outside diameter	Diamètre extérieur	Außen-durchmesser	Diametro esterno	Diámetro exterior	Yttre diameter
<b>OR</b>	Or	Ou	Oder	Oppure	O	Eller
<b>ORD</b>	Order	Commander	Bestelle	Ordinare	Pídase	Order, rekvisition
<b>PACKG</b>	By packet of	Par paquet de	Verpackt zu	In confezione da	Por paquete de	I sats eller paket
<b>R.H.</b>	Right-hand	Droit	Rechts	Destra	Derecha	Höger sida
<b>REAR</b>	Rear	Arrière	Hinten	Posteriore	Trasero	Bak, bakre
<b>SUB.</b>	Replaced by	Remplacé par	Ersetzt durch	Sostituito per	Sustituido por	Ersättad med
<b>SUB. FOR</b>	Substitutes for	Remplace	Ersatz für	Sostituisce	Sustitución para	Ersätter
<b>TK</b>	Thickness	Epaisseur	Stärke	Spessore	Espesor	Tjocklek
<b>UP</b>	Upper	Supérieur	Oben	Superiore	Superior	Upp
<b>W/</b>	With	Avec	Mit	Con	Con	Med, inklusive
<b>W/O</b>	Without	Sans	Ohne	Senza	Sin	Utän, exklusive
<b>Z</b>	Gear and sprocket teeth number	Nombre de dents des pignons	Zahnzahl für Ketten- und Zahnrad	No. denti corona o pignone	Número de dientes de los engranajes	Antal tänder på driv och kugghjul

ES107700

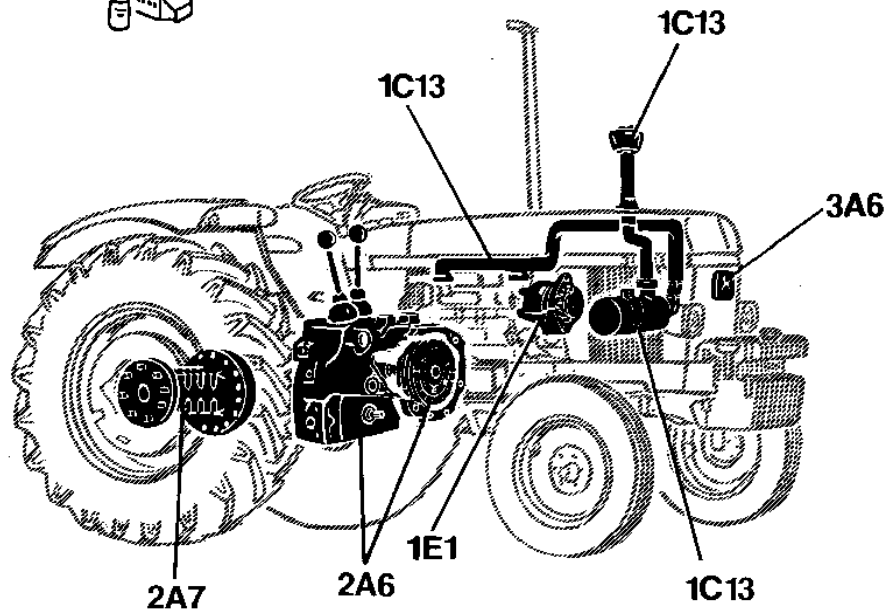
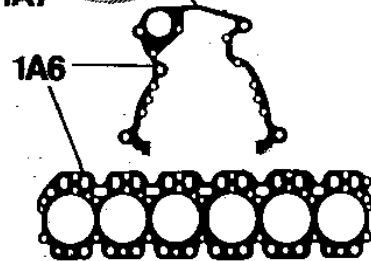
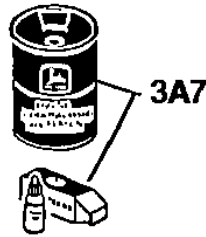
# 1A2

TRACTOR 3030,3130

PRIMARY INDEX  
 INDEX PRINCIPAL  
 HAUPTINDEX  
 INDICE PRINCIPALE  
 INDICE DE MATERIAS  
 HUVUDFORTECKNING  
 L122300 -UN-23OCT95



20	=	1A6
30	=	1C12
40	=	1E1
50	=	2A6
60	=	2C22
70	=	2E6
80	=	3A6

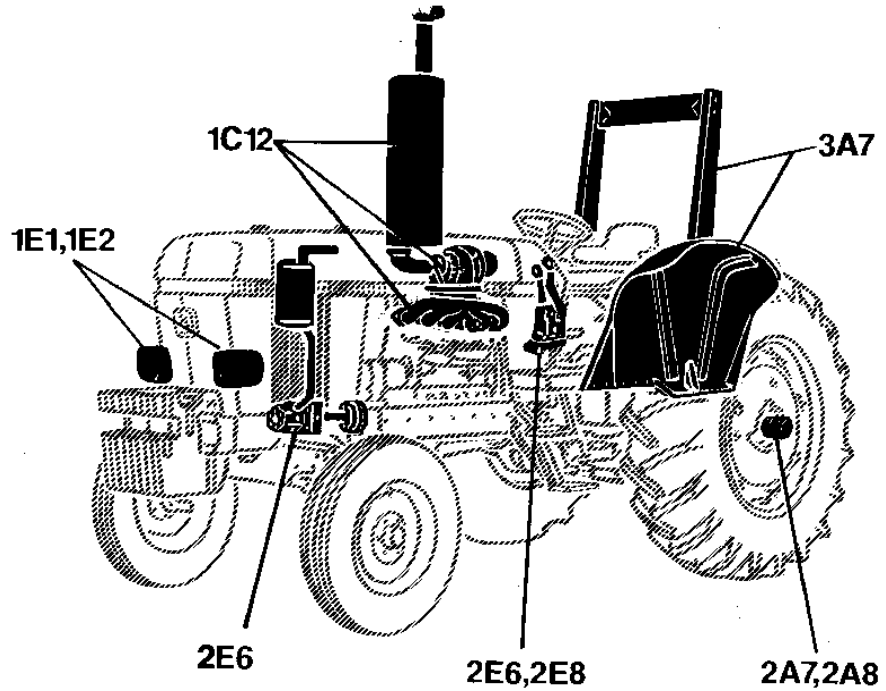


L122300

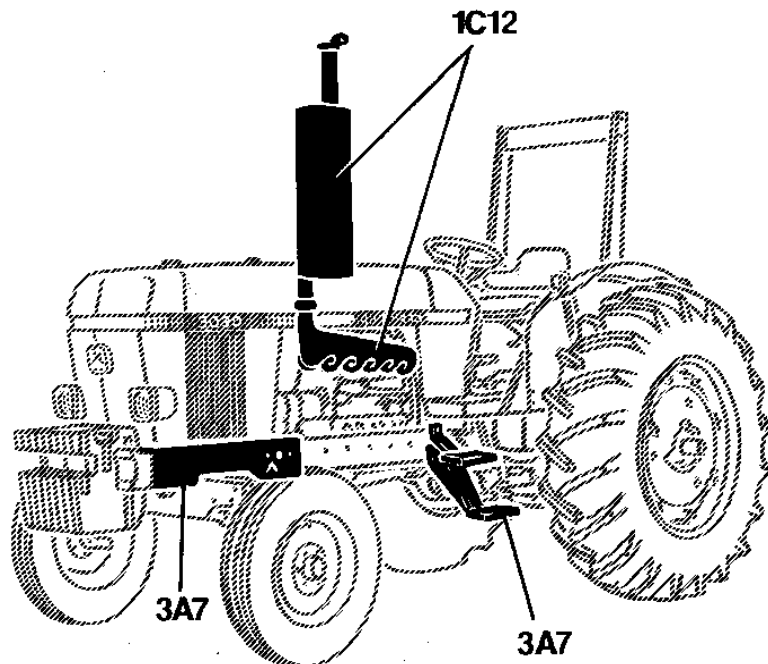
# 1A3

TRACTOR 3030,3130

PRIMARY INDEX  
INDEX PRINCIPAL  
HAUPTINDEX  
INDICE PRINCIPALE  
INDICE DE MATERIAS  
HUVUDFORTECKNING  
L122301 -UN-23OCT95



- |    |   |      |
|----|---|------|
| 30 | = | 1C12 |
| 40 | = | 1E1  |
| 50 | = | 2A6  |
| 70 | = | 2E6  |
| 80 | = | 3A6  |

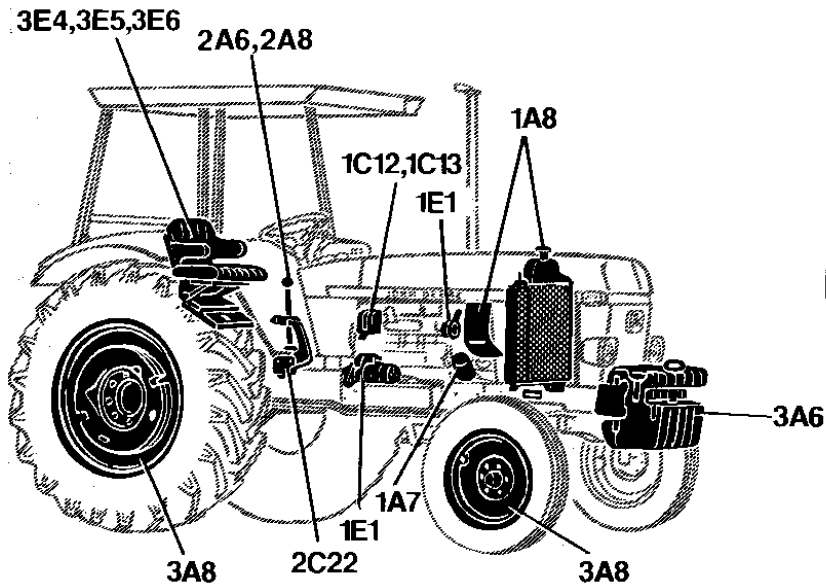
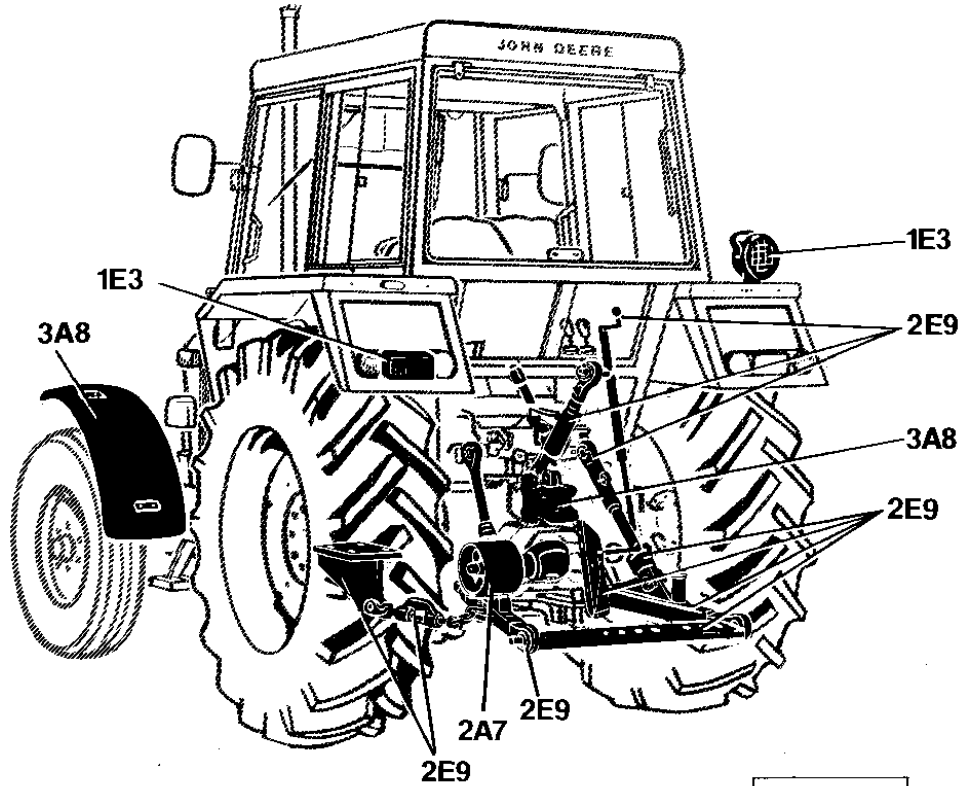


L122301

# 1A4

TRACTOR 3030,3130

PRIMARY INDEX  
 INDEX PRINCIPAL  
 HAUPTINDEX  
 INDICE PRINCIPALE  
 INDICE DE MATERIAS  
 HUVUDFORTECKNING  
 L122302 -UN-23OCT95



20 = 1A6
30 = 1C12
40 = 1E1
50 = 2A6
60 = 2C22
70 = 2E6
80 = 3A6
90 = 3E4

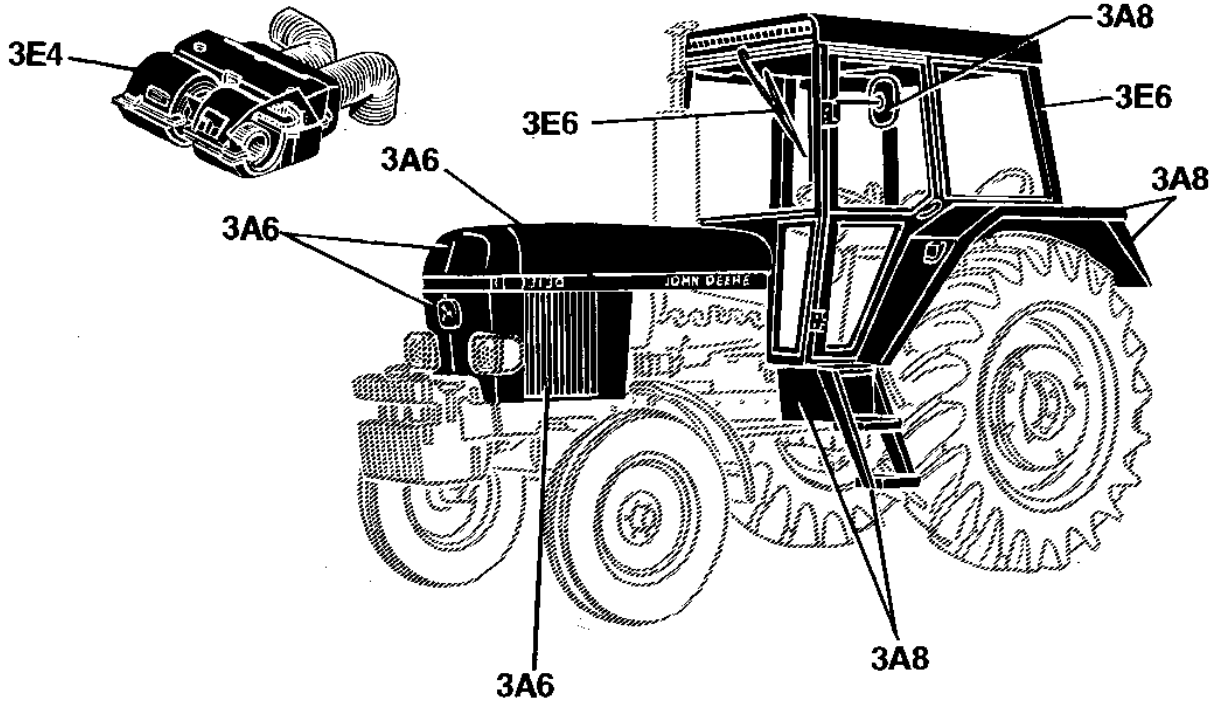
L122302



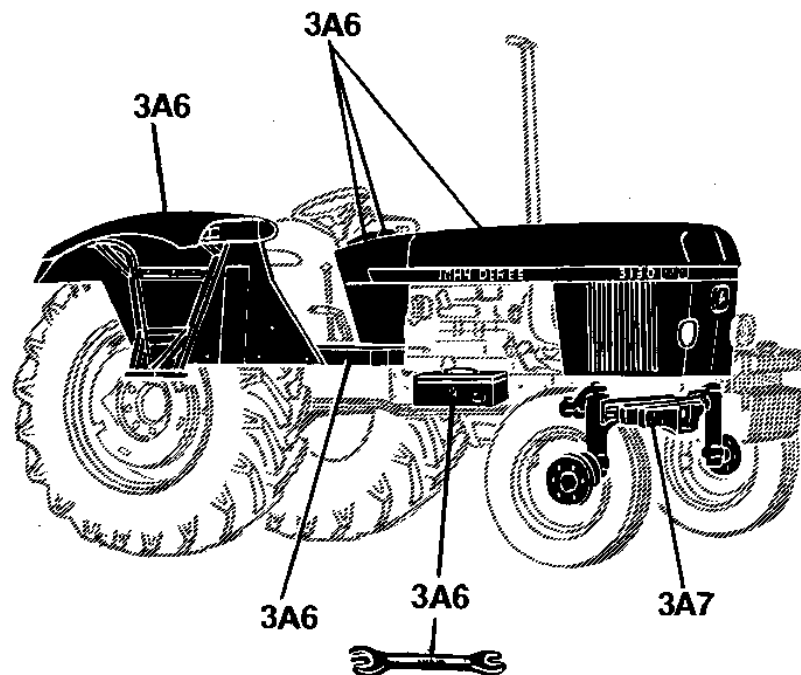
# 1A5

TRACTOR 3030,3130

PRIMARY INDEX  
INDEX PRINCIPAL  
HAUPTINDEX  
INDICE PRINCIPALE  
INDICE DE MATERIAS  
HUVUDFORTECKNING  
L122303 -UN-23OCT95



80 = 3A6  
90 = 3E4

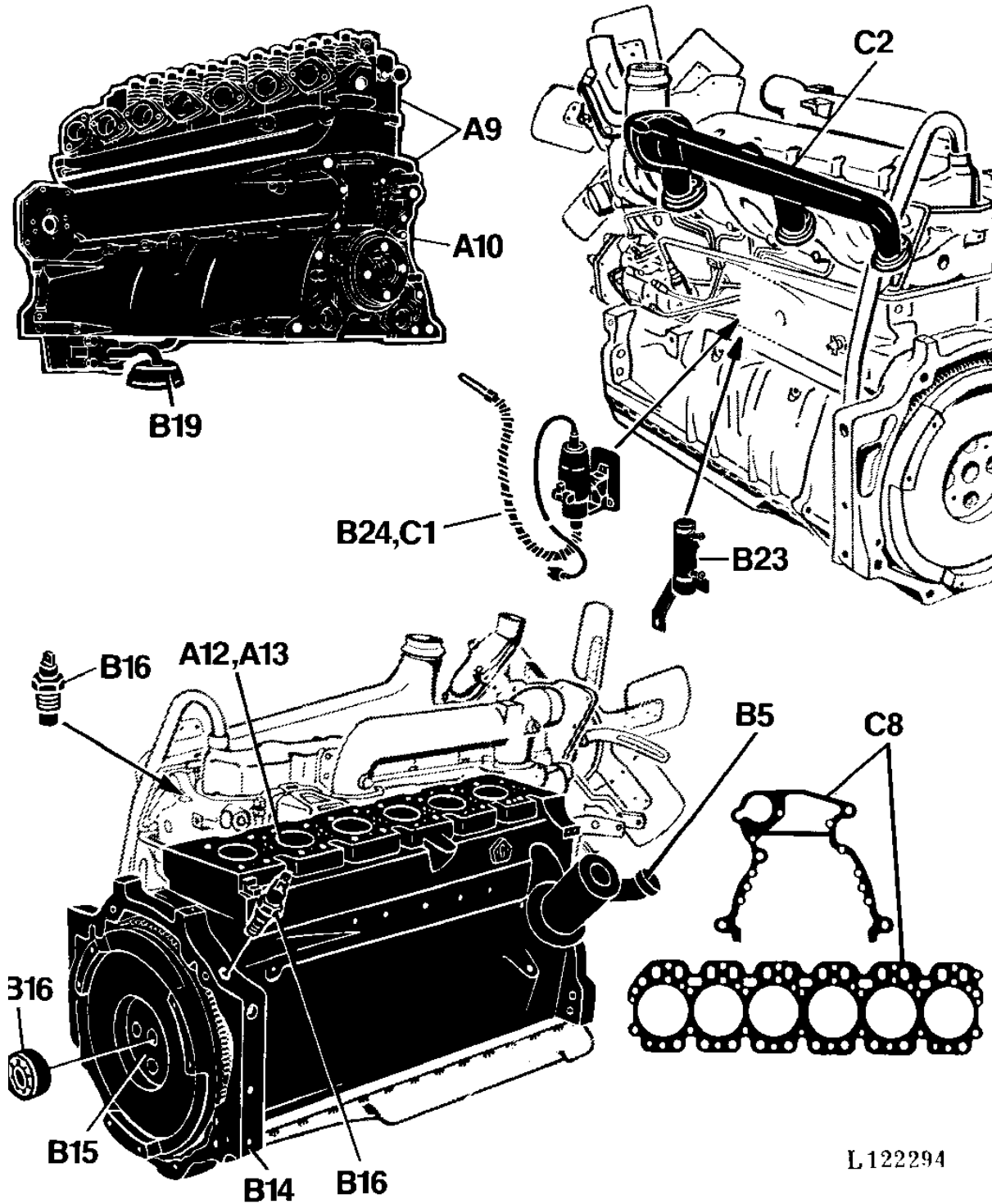


L122303

# 1A6

ENGINE

SECTIONAL INDEX  
INDEX DE SECTION  
GRUPPENINDEX  
INDICE DELLA SEZIONE  
INDICE DE SECCION  
GRUPPSFORTECKNING  
L122294 -UN-23OCT95

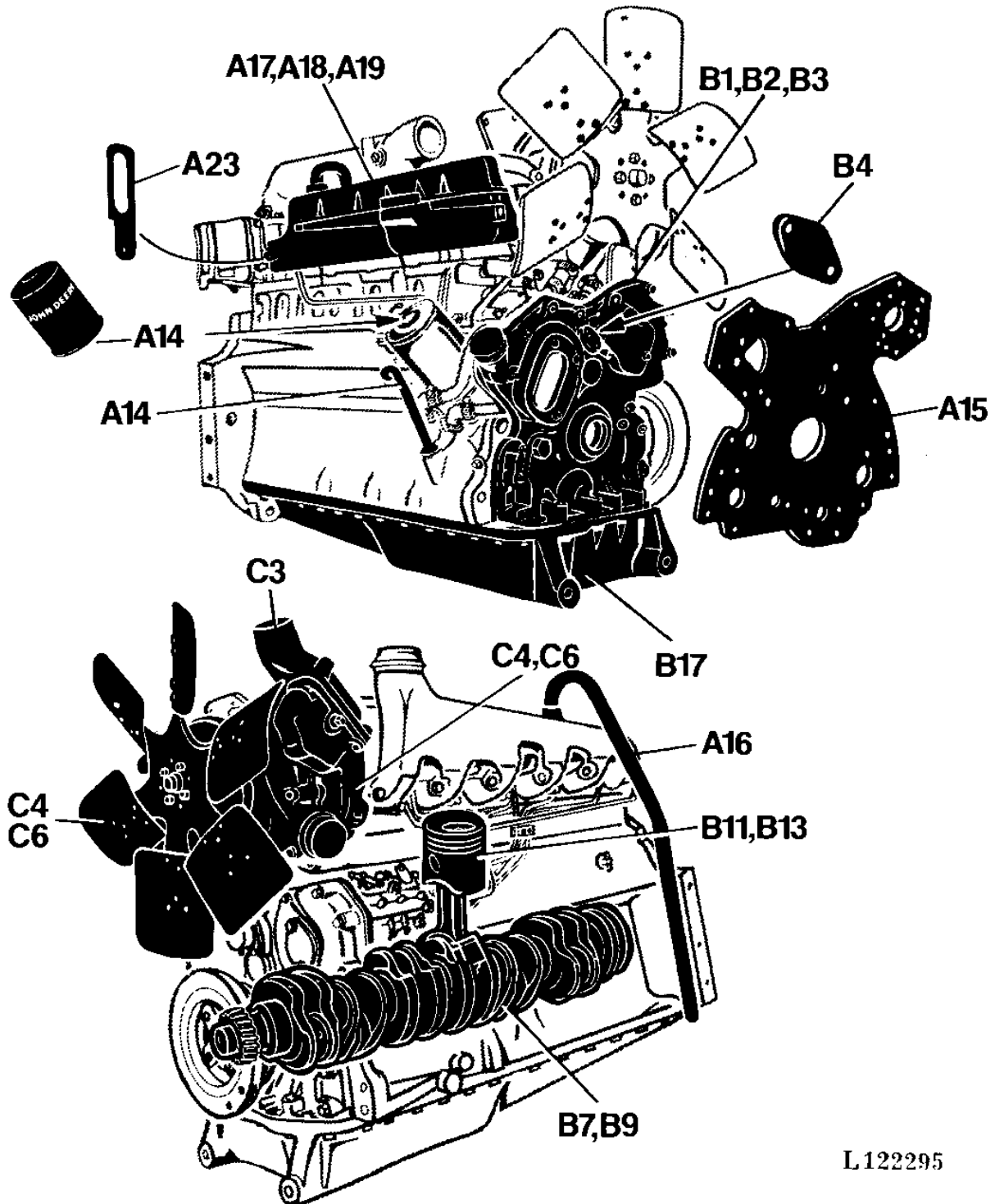


L122294

# 1A7

ENGINE

SECTIONAL INDEX  
INDEX DE SECTION  
GRUPPENINDEX  
INDICE DELLA SEZIONE  
INDICE DE SECCION  
GRUPPSFORTECKNING  
L122295 -UN-23OCT95

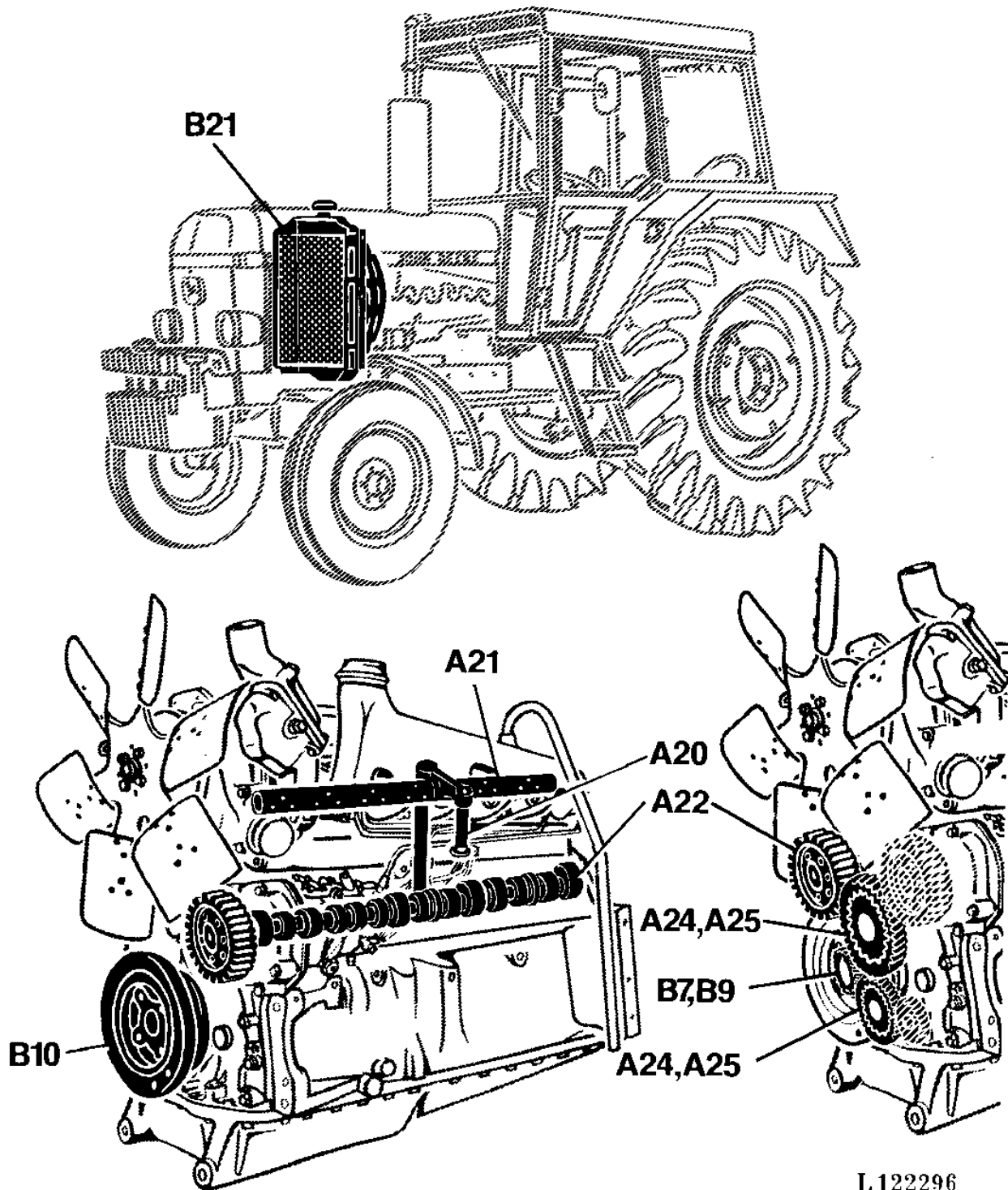


L122295

# 1A8

ENGINE

SECTIONAL INDEX  
INDEX DE SECTION  
GRUPPENINDEX  
INDICE DELLA SEZIONE  
INDICE DE SECCION  
GRUPPSFORTECKNING  
L122296 -UN-23OCT95

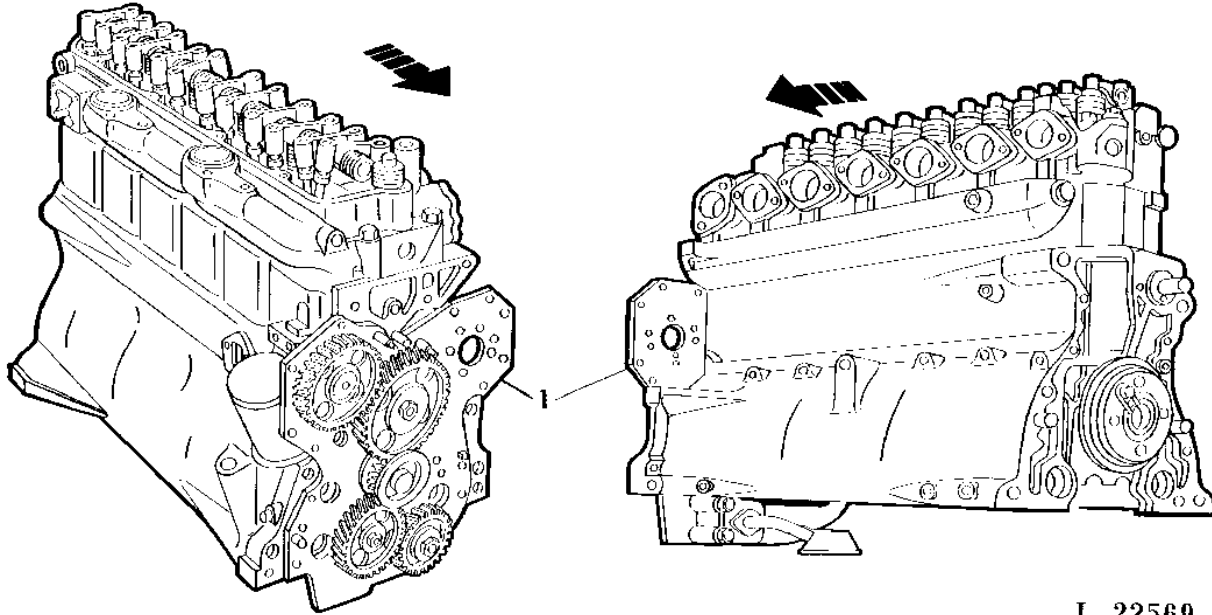


L.122296

# 1A9

ENGINE

SHORT ENGINE  
 MOTEUR DEPOUILLE  
 KURZMOTOR  
 MOTORE CORTO  
 KORT MOTOR  
 L22569 -UN-27OCT95



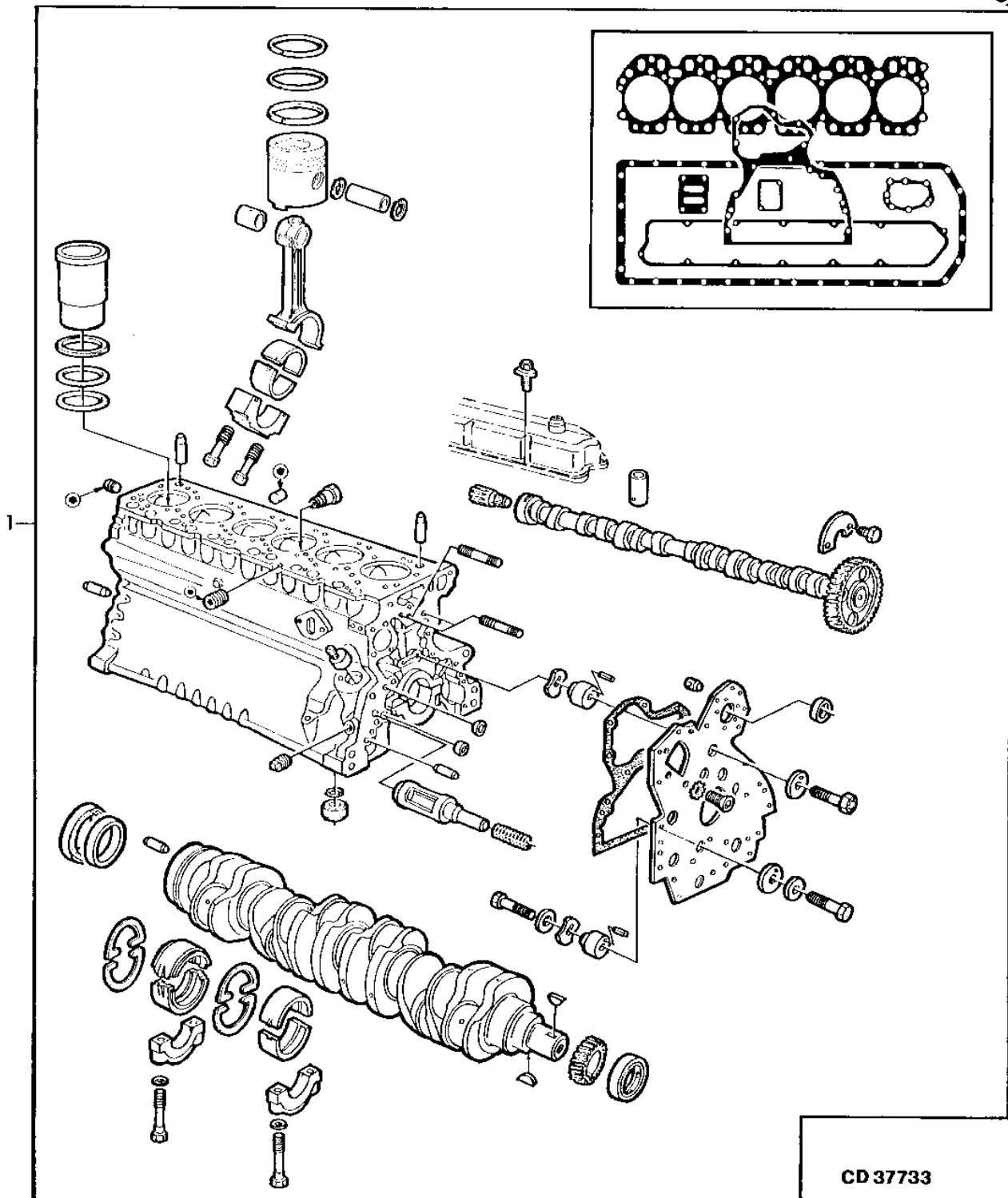
I. 22569

KEY	PART NO.	PART NAME	QTY	ENGINE SERIAL NO.		REMARKS
				3 3	0 1	
				3 3	0 0	
1	AR97285	SHORT ENGINE	AR	-235169	X	(ORD RE19873)
	AR97287	SHORT ENGINE	AR	235170-	X X	(ORD RE19873)

# 1A10

ENGINE

SHORT BLOCK ASSEMBLY  
BLOC-CYL.AVEC EQUIP.MOBILE  
RUMPFMOTOR  
GRUPPO MOTORE CORTO  
BLOQUE DE CIL.CON PIEZ.MOV.  
KORTMOTORENHET  
CD37733 -UN-27OCT95



# 1A11

ENGINE

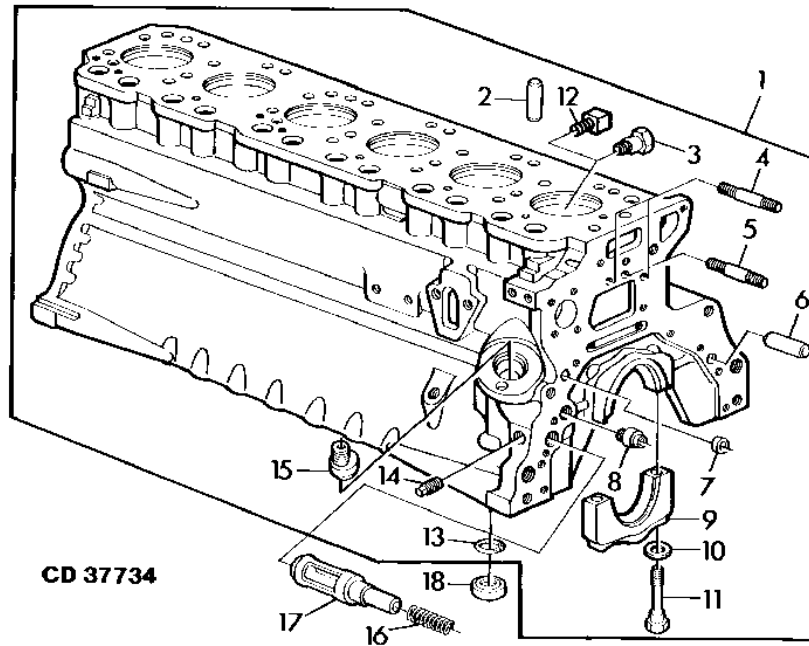
KEY	PART NO.	PART NAME	QTY	SERIAL NO.	3 3 0 1 3 3 0 0	REMARKS
1	RE19873	SHORT BLOCK ASSEMBLY	AR		X X	(A) (MARKED R80405, R99576 SUB FOR DD11414, DD12195, DD13433)

(A) W/O OIL PUMP  
SANS POMPE A HUILE  
OHNE OELPUMPE  
SENZA POMPA OLIO  
SIN BOMBA DE ACEITE  
UTAN OLJEPUMP

# 1A12

ENGINE

CYLINDER BLOCK-FRONT R.H.  
 BLOC-CYLINDRES-AVANT DROIT  
 ZYLINDERBLOCK-VORN RECHTS  
 MONOBLOCCO-LATO ANTERIORE DESTRO  
 BLOQUE DE CILINDROS-PARTE FRONTAL DER.  
 CYLINDERBLOCK-FRAMRE HOGER SIDA  
 CD37734 -UN-27OCT95



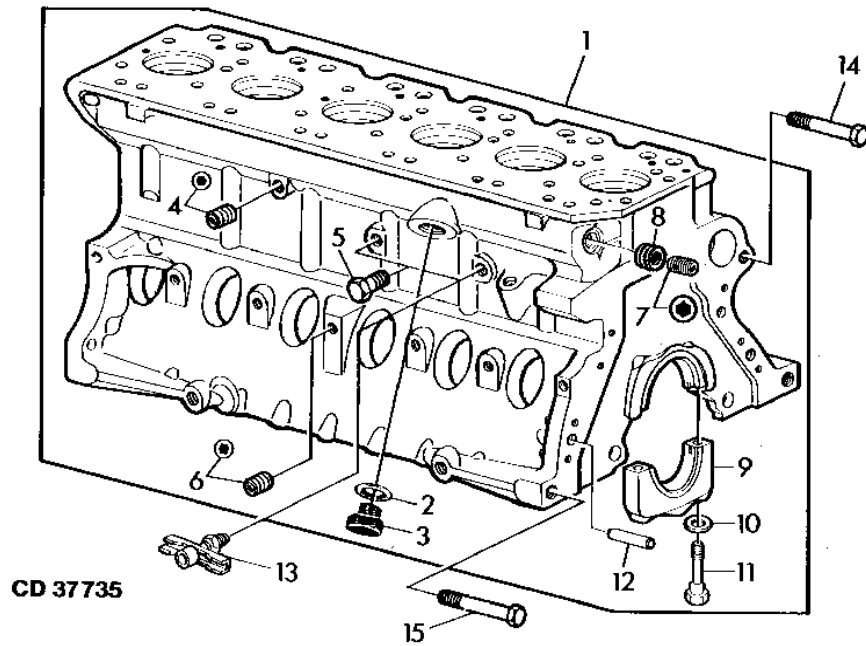
KEY	PART NO.	PART NAME	QTY	SERIAL NO.	REMARKS
				3 3	
				0 1	
				3 3	
				0 0	
1	RE19872	CYLINDER BLOCK	1	X X	(MARKED R80405, R99576) ORD W/R46625, R99948) (SUB FOR AR67683, AR93792, AR97274)
2	A120R	DOWEL PIN	2	X X	LOW
3	R54802	ORIFICE	6	X X	
4	T33279	STUD	2	X X	3/8"-16UNC
5	T25701	STUD	1	X X	3/8"-16UNC
6	A4879R	DOWEL PIN	2	X X	
7	T18891	CAP	1	X X	
8	R26493	BUSHING	1	X X	
9	R65215	BEARING CAP	6	X X	(SUB FOR AR82294, T23670, T23671)
10	T20168	WASHER	12	X X	
11	T23474	CAP SCREW	12	X X	
12	22H932	SET SCREW	AR	X	5/16"X3/8"
13	R75892	O-RING	1	X X	
14	15H255	PIPE PLUG	1	X X	3/8"
15	T23435	THREADED NIPPLE	1	X X	
16	R46625	SPRING	1	X X	
17	R99948	VALVE	1	X X	(SUB FOR R73139)
18	R75893	FITTING	1	X X	



# 1A13

ENGINE

CYLINDER BLOCK-REAR L.H.  
 BLOC-CYLINDRE-ARRIERE GAUCHE  
 ZYLINDERBLOCK-HINTEN LINKS  
 MONOBLOCCO-LATO POSTERIORE SINISTRO  
 BLOQUE DE CYLINDROS-PARTE TRAS.IZQDA.  
 CYLINDERBLOCK-BAKRE VANSTER SIDA  
 CD37735 -UN-27OCT95

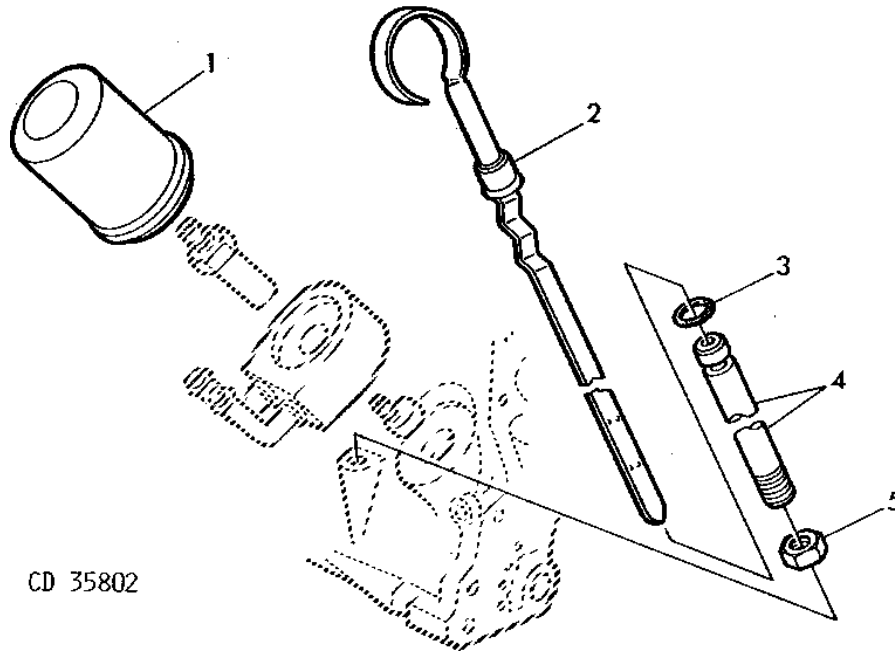


KEY	PART NO.	PART NAME	QTY	SERIAL NO.	REMARKS
				3 3	
				0 1	
				3 3	
				0 0	
1	RE19872	CYLINDER BLOCK	1	X X	(MARKED R80405, R99576) (ORD W/R46625, R99948) (SUB FOR AR67683, AR97274)
2	U13639	O-RING	1	X X	
3	R39741	DRAIN PLUG	1	X X	
4	15H275	PIPE PLUG	1	X X	1/4"
5	R55233	PIPE PLUG	2	X X	
6	15H558	PIPE PLUG	6	X X	1/8"
7	15H665	PIPE PLUG	1	X X	3/4"
8	L62675	ADAPTER	1	X X	1"X3/4"
9	R79089	CAP	1	X X	(SUB FOR AR82295, T23670, T23671)
10	T20168	WASHER	2	X X	
11	T23474	CAP SCREW	2	X X	
12	A120R	DOWEL PIN	2	X X	
13	AT13740	DRAIN VALVE	AR	X X	
14	.....		2	X X	5/8"-11UNC,UP
15	.....		2	X X	5/8"-11UNC,LOW

# 1A14

ENGINE

OIL FILTER AND DIPSTICK  
 FILTRE A HUILE ET JAUGE  
 OELFILTER UND MESSTAB  
 FILTRO OLIO E ASTA LIVELLO OLIO  
 FILTRO DE ACEITE Y VARILLA DE NIVEL  
 OLJEFILTER OCH OLJESTICK  
 CD35802 -UN-01JAN94



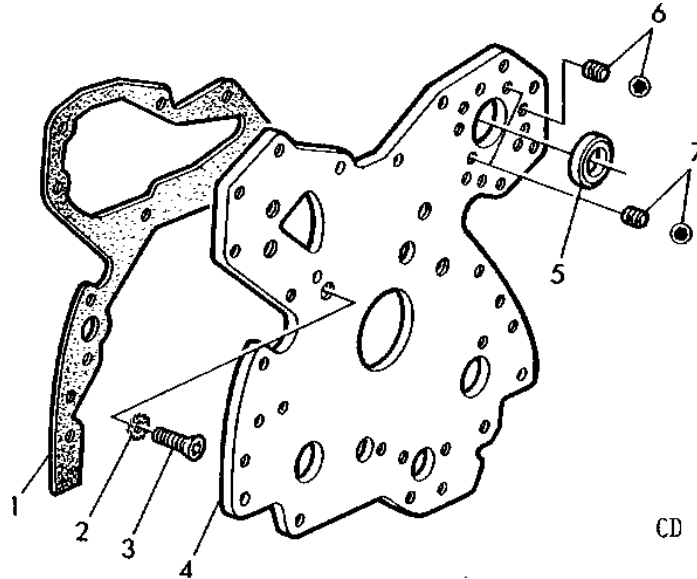
CD 35802

KEY	PART NO.	PART NAME	QTY	ENGINE SERIAL NO.	3 3 0 1 3 3 0 0	REMARKS
1	T19044	OIL FILTER	1		X X	
2	AT21535	DIPSTICK	1	-281074	X X	LGTH=289MM(11.38")
	AT21534	DIPSTICK	1	281075-	X X	LGTH=270MM(10.63")
3	R10093	O-RING	1	175647-	X X	(FOR R55302, R61352)
4	T24476	THREADED NIPPLE	1	-175646	X	(ORD AT21535, R10093, R61352)
	R55302	THREADED NIPPLE	1	175647-281074	X X	LGTH=109MM(4.29") (ORD AT21535, R61352)
	R61352	THREADED NIPPLE	1	281075-	X X	LGTH=100MM(3.94")
5	14H826	NUT	1		X X	1/2"

# 1A15

ENGINE

FRONT PLATE  
 PLAQUE AVANT  
 VORDERE PLATTE  
 PIASTRA ANTERIORE  
 PLACA DELANTERA  
 FRONTPLATTA  
 CD35803 -UN-01JAN94



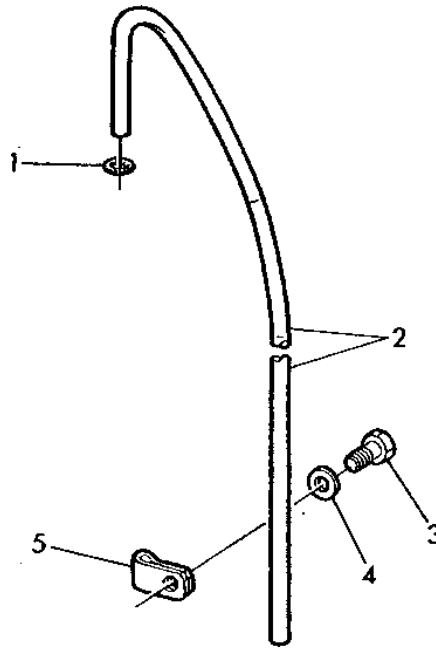
CD 35803

KEY	PART NO.	PART NAME	QTY	SERIAL NO.	REMARKS
				3 3	
				0 1	
				3 3	
				0 0	
1	R90648	GASKET	1	X X	(SUB FOR R73140, T24965)
2	12H324	WASHER	5	X X	3/8"
3	T20166	SCREW	5	X X	3/8"X5/8"
4	R79863	PLATE	1	X X	(ORD W/ (8) AT21191, (2) AT22919, R79854) (SUB FOR AT29928)
5	R79854	WASHER	1	X X	OD=50MM(1.97")X ID=46MM(1.81")
6	AT21191	SET SCREW	8	X X	5/16"X0.380"
7	AT22919	SET SCREW	2	X X	3/8"X0.380"

# 1A16

ENGINE

VENT TUBE  
 RENIFLARD  
 ENTLUEFTUNGSROHR  
 TUBO DI SPIATO  
 RESPIADERO  
 VENTILATIONSROHR  
 CD13514 -UN-01JAN94



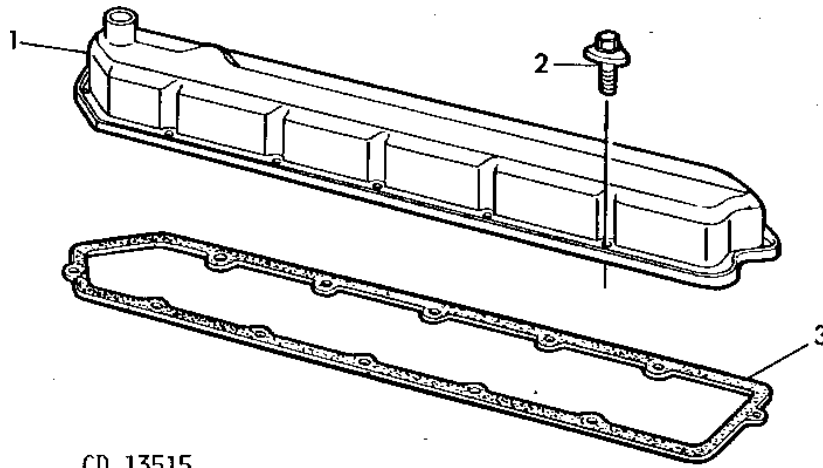
CD 13514

KEY	PART NO.	PART NAME	QTY	SERIAL NO.	REMARKS
				3 3	
				0 1	
				3 3	
				0 0	
1	R56463	O-RING	1	X X	(SUB FOR R495R APPL)
2	T20074	TUBE	1	X X	
3	19H1813	CAP SCREW	1	X X	5/16"X5/8"
4	24H1685	WASHER	1	X X	11/32"X3/4"X0.075"
5	R40791	CLAMP	1	X X	

# 1A17

ENGINE

ROCKER ARM COVER  
 CACHE-CULBUTEURS  
 ZYLINDERKOPFHAUBE  
 COPERCHIO PUNTERIE  
 TAPA DE BALANCINES  
 VENTILKAPA  
 CD13515 -UN-01JAN94



CD 13515

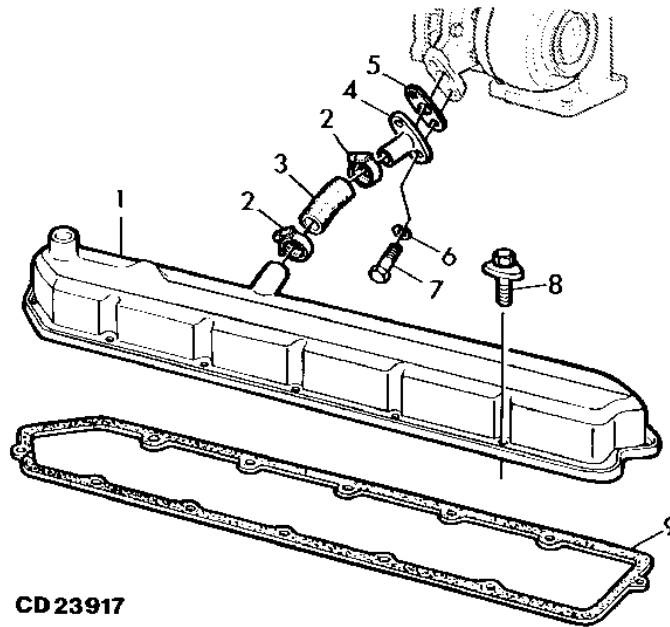
KEY	PART NO.	PART NAME	QTY	SERIAL NO.	REMARKS
				3 3	
				0 1	
				3 3	
				0 0	
1	AT21679	VALVE COVER	1		X X
2	AR100124	SCREW, WITH WASHER	12		X X (SUB FOR AR45530)
3	R68228	GASKET	1		X X (ORD R75728) (ORD W/ (12) AR100124)
	R75728	GASKET	AR		X X

# 1A18

ENGINE

ROCKER ARM COVER  
 CACHE-CULBUTEURS  
 ZYLINDERKOPFHAUBE  
 COPERCHIO PUNTERIE  
 TAPA DE BALANCINES  
 VENTILKAPA

CD23917 -UN-02AUG95



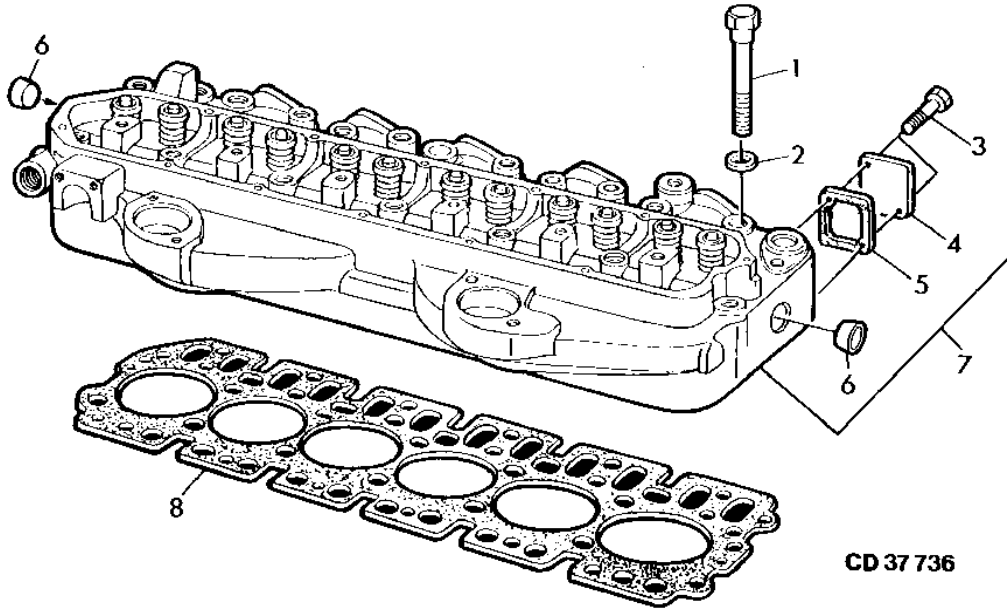
KEY	PART NO.	PART NAME	QTY	SERIAL NO.	REMARKS
				3 3	
				0 1	
				3 3	
				0 0	
1	AT29739	VALVE COVER	1		X (A)
2	AR89478	CLAMP	2		X (A) (SUB FOR AR21837)
3	R79828	HOSE	1		X (A) (SUB FOR R34603, T29321)
.....			1		X (A) LGTH=114MM(4.49")NSEP (ORD R83063) (SUB FOR R79828, R34603)
4	AR67500	ADAPTER	1		X (A)
5	R97349	GASKET	1		X (A) (SUB FOR R43416)
6	12H304	LOCK WASHER	2		X (A) 3/8"
7	19H2284	CAP SCREW	2		X (A) 3/8"X7/8"
8	AR100124	SCREW, WITH WASHER	12		X (A) (SUB FOR AR45530)
9	R68228	GASKET	1		X (A) (ORD R75728) (ORD W/ (12) AR100124)
	R75728	GASKET	AR		X (A)
..	R83063	HOSE	AR		X (A) ID=16MM(0.63"),LGTH= 2370MM (93.30")

(A) WITH ALT.COMPENS.(TURBOCH.)  
 AVEC COMP.D'ALT.(TURBOCOMPR.)  
 MIT HOEHENKOMPENS.(TURBOL.)  
 CON COMPENS.ALTI.(TURBOC.)  
 CON COMPENS.DE ALT.(TURBOC.)  
 VID TURBOAGGREGAT (TURBOL.)

# 1A19

ENGINE

CYLINDER HEAD  
 CULASSE  
 ZYLINDERKOPF  
 TESTATA  
 CULATA  
 CYLINDERTOPP  
 CD37736 -UN-27OCT95



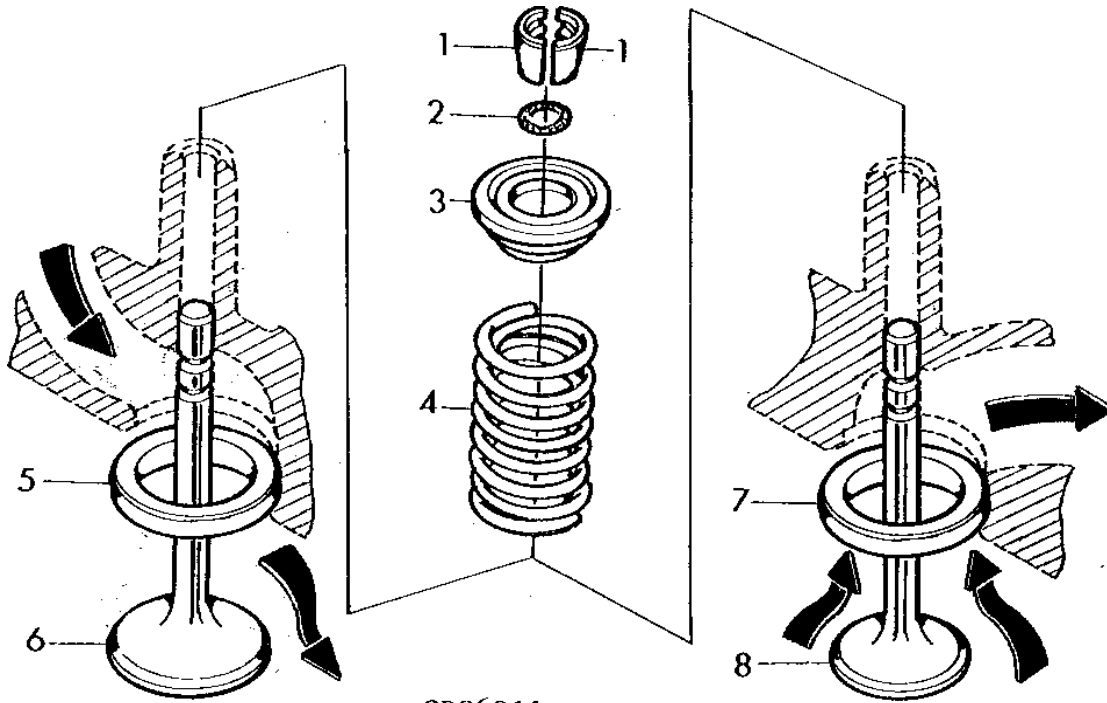
CD 37 736

KEY	PART NO.	PART NAME	QTY	ENGINE SERIAL NO.		REMARKS
					3 3	
					0 1	
					3 3	
					0 0	
1	R53223	CAP SCREW	26		X	
	T20183	CAP SCREW	26	-115700	X	1/2"X4"
	R53223	CAP SCREW	23	115701-235169	X	1/2"X4-1/4"
	R53219	CAP SCREW	3	115701-235169	X	1/2"X5"
2	T20168	WASHER	26		X X	
3	19H1936	CAP SCREW	2	-235169	X	3/8"X3/4"
4	R56725	COVER	1	-235169	X	
5	R54641	GASKET	1	-235169	X	
6	A3910R	CAP	2		X X	OD=25,4MM(1")
	CD16284	CAP	AR		X X	OD=32,4MM(1.274")
7	AR76289	CYLINDER HEAD	1		X	ASSY,INCL KEY 6
	AR78607	CYLINDER HEAD	1	-235169	X	ASSY,INCL KEYS 3-6 (SUB FOR AR70585)
	AR76289	CYLINDER HEAD	1	235170-	X	ASSY,INCL KEY 6
8	R92426	GASKET	1		X X	(SUB FOR R59449, T20472)

# 1A20

ENGINE

VALVE/VALVE SEAT/SPRING/RETAINER  
 SOUPAPE/SIEGE DE SOUPAPE/RESSORT/ELEMENT DE MAINTIEN  
 VENTILE/VENTILSITZ/FEDER/HALTER  
 VALVOLE/SEDE VALVOLA/MOLLA/ELEMENTO DI FERMO  
 VALVULA/ASIENTO DE VALVULA/RESORTE/RETENEDOR  
 VENTILER/VENTILSATE/FJADER/HALLARE  
 CD36911 -UN-01JAN94



CD36911

3 3  
 0 1  
 3 3  
 0 0

KEY	PART NO.	PART NAME	QTY	SERIAL NO.	REMARKS
1	T20077	RETAINER	24	X X	
2	R87627	O-RING	AR	X X	(FOR R79625, R79626, R79627, R79628, R79629, R79630) APPL (ORD W/R41412)
3	R41412	CAP	12	X X	(SUB FOR T20176)
4	R26125	SPRING	1	X X	
5	R97779	VALVE SEAT INSERT	AR	X X	INTAKE (SUB FOR CD14725)
6	R79623	INTAKE VALVE	6	X X	OD=STANDARD (SUB FOR R52251)
	R79628	INTAKE VALVE	AR	X X	OD=+0.076MM(0.003") (SUB FOR R57332)
	R79629	INTAKE VALVE	AR	X X	OD=+0.381MM (0.015") (SUB FOR R57334)
	R79630	INTAKE VALVE	AR	X X	OD=+0.762MM (0.030") (SUB FOR R57336)
7	R97778	VALVE SEAT INSERT	6	X X	EXHAUST (SUB FOR CD13979)
8	R79624	EXHAUST VALVE	6	X X	OD=STANDARD (SUB FOR R52252)
	R79625	EXHAUST VALVE	AR	X X	OD=+0.076MM (0.003") (SUB FOR R57333)
	R79626	EXHAUST VALVE	AR	X X	OD=+0.381MM (0.015") (SUB FOR R57335)
	R79627	EXHAUST VALVE	AR	X X	O.D.=+0.762MM (0.030") (SUB FOR R57337)

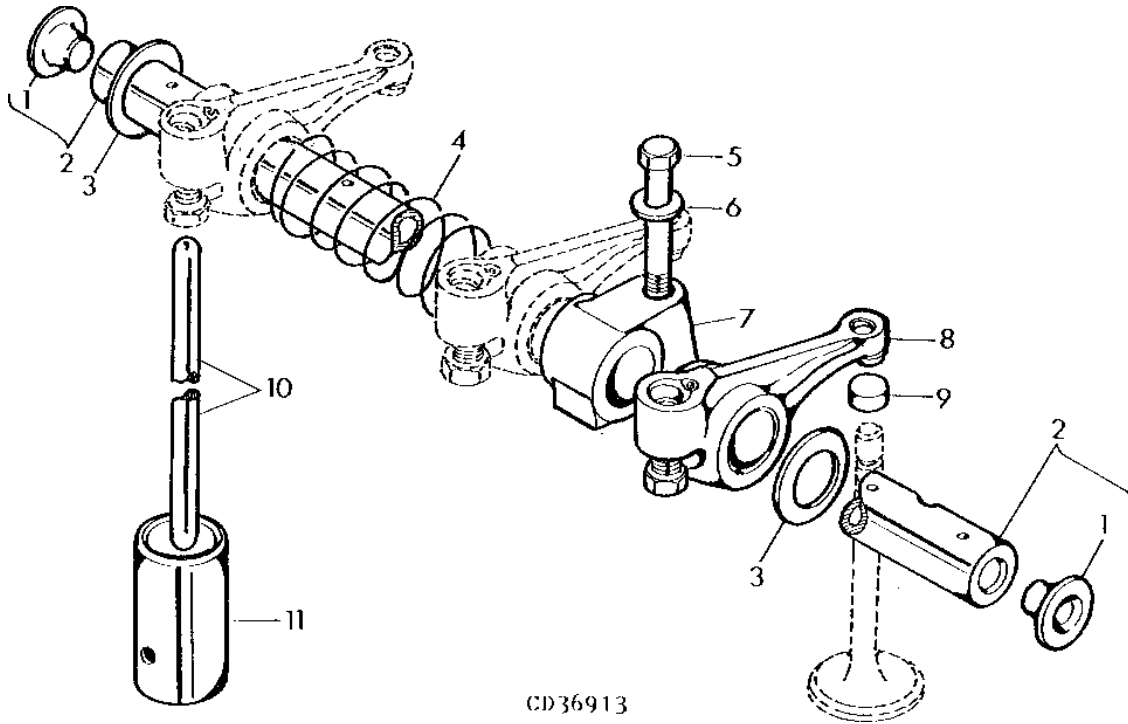


# 1A21

ENGINE

ROCKER ARM/SHAFT/TAPPET/PUSH ROD  
 CULBUTEUR/ARBRE/POUSSOIR/TIGE DE CULBUTEUR  
 KIPPEBEL/WELLE/VENTILSTOESSEL/STOESSELSTANGE  
 BILANCIERE/ALBERO/CEDEnte/ASTINA PUNTERIE  
 BALANCIN/ARBOL/BOTADOR/VARILLA DE EMPUJE  
 VIPPARM/AXEL/KAMFOLJARE/STOTSTANG

CD36913 -UN-01JAN94



CD36913

3 3  
 0 1  
 3 3  
 0 0

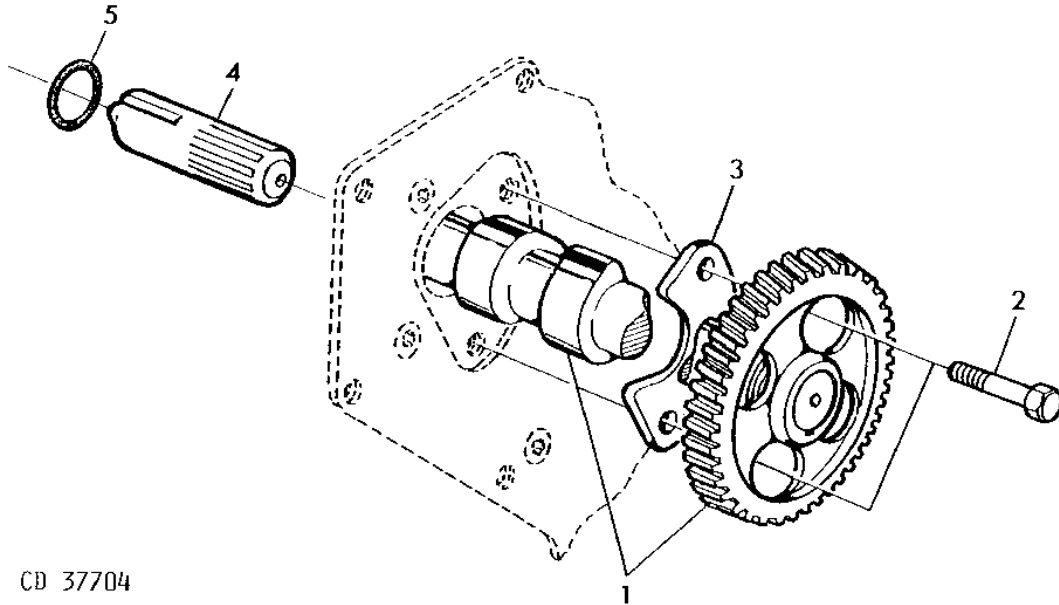
KEY	PART NO.	PART NAME	QTY	ENGINE SERIAL NO.	REMARKS
1	T23469	PLUG	2	-158342	X X
	R54565	PLUG	2	158343-	X X
2	T20465	ROCKER ARM SHAFT	1	-158342	X X (ORD DD12121)
	DD12121	ROCKER ARM SHAFT	1	158343-	X X (SUB FOR R54986)
3	T20316	WASHER	2		X X
4	T20314	SPRING	5		X X
5	19H1733	CAP SCREW	6		X X 3/8"X2-1/2"
6	R42729	WASHER	6		X X (SUB FOR T23594)
7	T20315	SUPPORT	6		X X
8	RE19031	ROCKER ARM	12		X X (SUB FOR AT31250)
9	T20129	CAP	12		X X
10	T20310	PIN	12		X X
11	T20073	TAPPET	12		X X

# 1A22

ENGINE

CAMSHAFT  
 ARBRE A CAMES  
 NOCKENWELLE  
 ALBERO CAMME  
 ARBOL DE LEVAS  
 KAMAXEL

CD37704 -UN-27OCT95



CD 37704

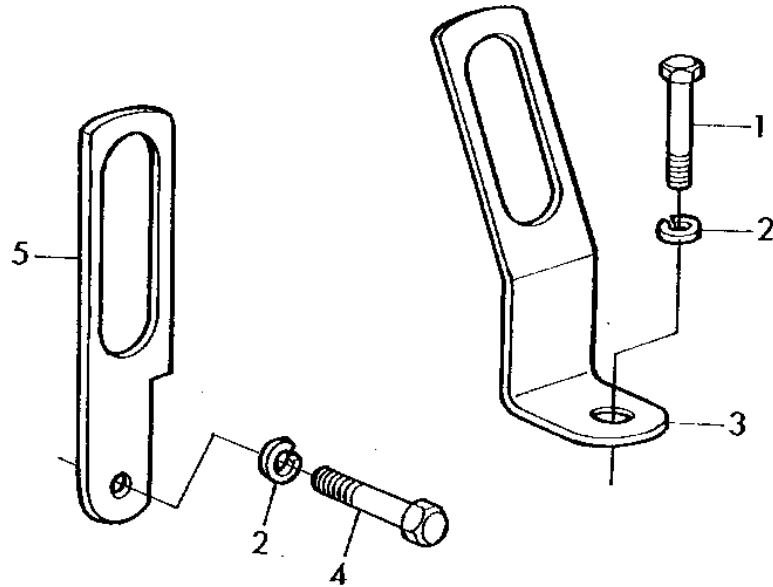
3 3  
 0 1  
 3 3  
 0 0

KEY	PART NO.	PART NAME	QTY	SERIAL NO.	REMARKS
1	RE14977	CAMSHAFT	1		X X (MARKED R79345) (SUB FOR AR79624) (MARKED T20468) (SUB FOR AT18190)
2	19H2676	CAP SCREW	2		X X 3/8"X1"
3	T20072	PLATE	1		X X
4	T20071	DRIVE SHAFT	1		X X
5	T20304	WASHER	AR		X X

# 1A23

ENGINE

SHACKLES  
 MANILLES  
 LASCHEN  
 OCCHIELLI DI SOLLEVAMENTO  
 SOPORTES  
 LYFTOGLAR  
 CD35674 -UN-01JAN94



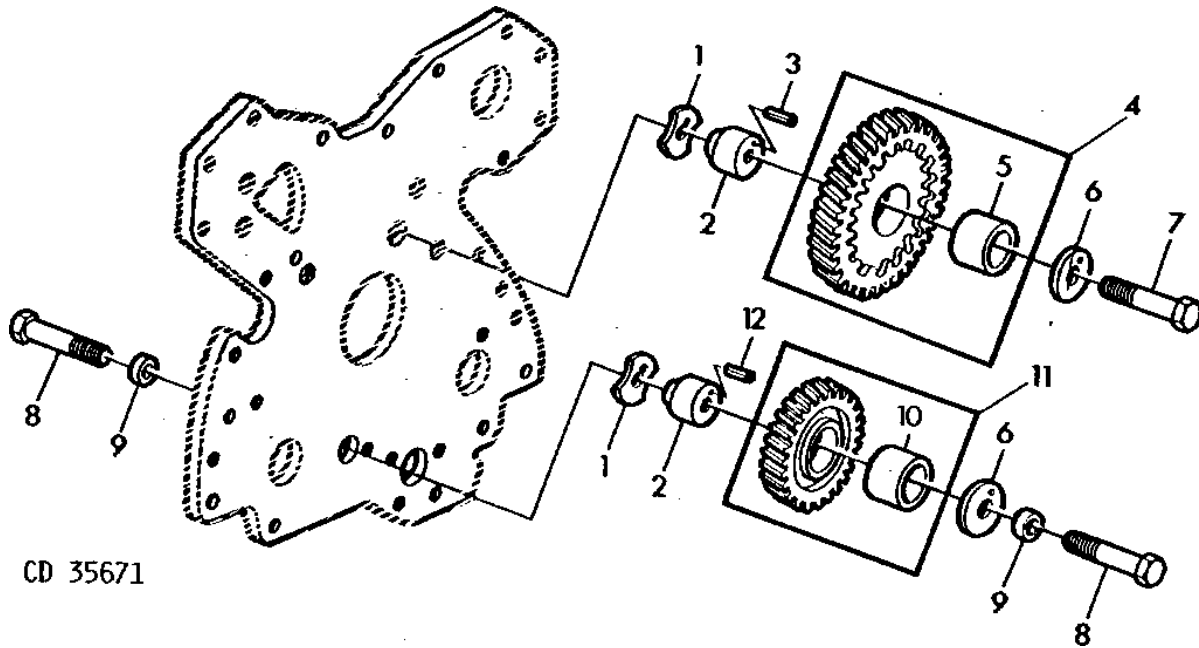
CD35674

KEY	PART NO.	PART NAME	QTY	SERIAL NO.	REMARKS
					3 3
					0 1
					3 3
					0 0
1	19H1792	CAP SCREW	1		X X 1/2"X1",FRONT
2	12H301	LOCK WASHER	2		X X 1/2"
3	R100074	SHACKLE	1		X X FRONT
4	19H1895	CAP SCREW	1		X X 1/2"X3/4",REAR
5	R100075	SHACKLE	1		X X REAR

# 1A24

ENGINE

IDLE GEARS  
 PIGNONS DE LA DISTRIBUTION  
 STEUERRAEDER  
 INGRANAGGI DISTRIBUZIONE  
 ENGRANAJES DE DISTRIBUCION  
 TIDHJUL  
 CD35671 -UN-01JAN94



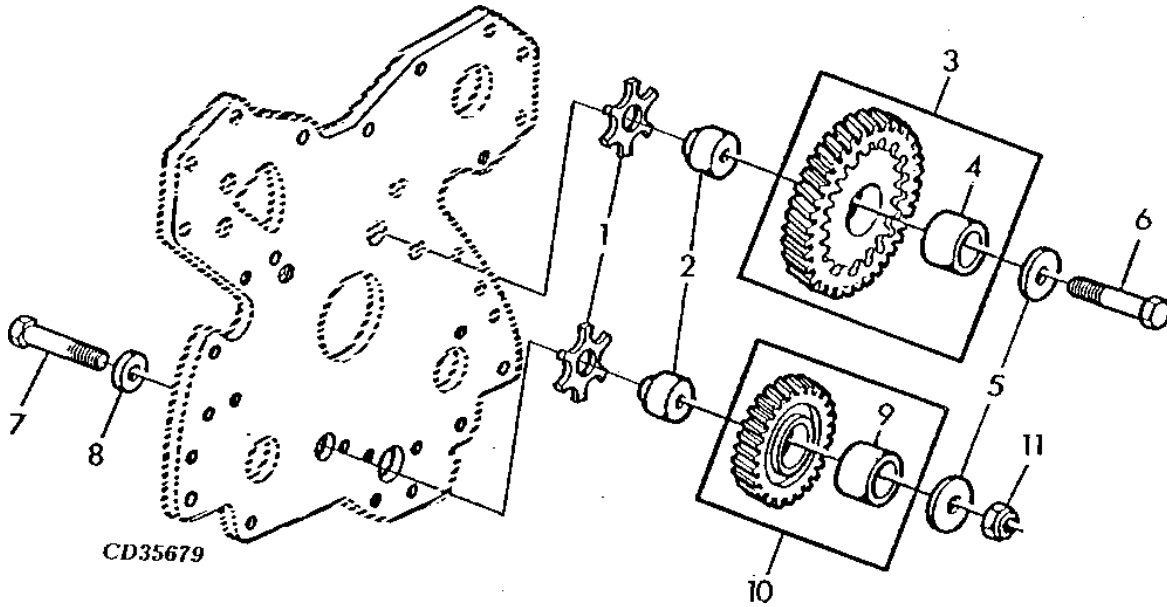
CD 35671

KEY	PART NO.	PART NAME	QTY	SERIAL NO.	REMARKS
				3 3	
				0 1	
				3 3	
				0 0	
1	T26324	THRUST WASHER	2	X X	
2	R89825	PIN	1	X X	UP (ORD R89824)
	R89825	PIN	1	X X	LOW (ORD R89824, 14H865, 19H3011) (SUB FOR T26323) APPL
3	34H283	SPRING PIN	1	X X	UP,3/16"X1-1/8"
4	AR91660	GEAR	1	X X	Z=55,UP (SUB FOR AT18009)
5	T20034	BUSHING	1	X X	UP
6	T26326	THRUST WASHER	2	X X	
7	T26327	SCREW	1	X X	UP
8	T26325	SCREW	2	X X	LOW
9	R76126	WASHER	2	X X	LOW (ORD R100105)
10	T26321	BUSHING	1	X X	LOW
11	AT24252	GEAR	1	X X	Z=45,LOW
12	34H286	SPRING PIN	1	X X	LOW,3/16"X1-1/2"

# 1A25

ENGINE

IDLE GEARS  
 PIGNONS DE LA DISTRIBUTION  
 STEUERRAEDER  
 INGRANAGGI DISTRIBUZIONE  
 ENGRANAJES DE DISTRIBUCION  
 TIDHJUL  
 CD35679 -UN-01JAN94

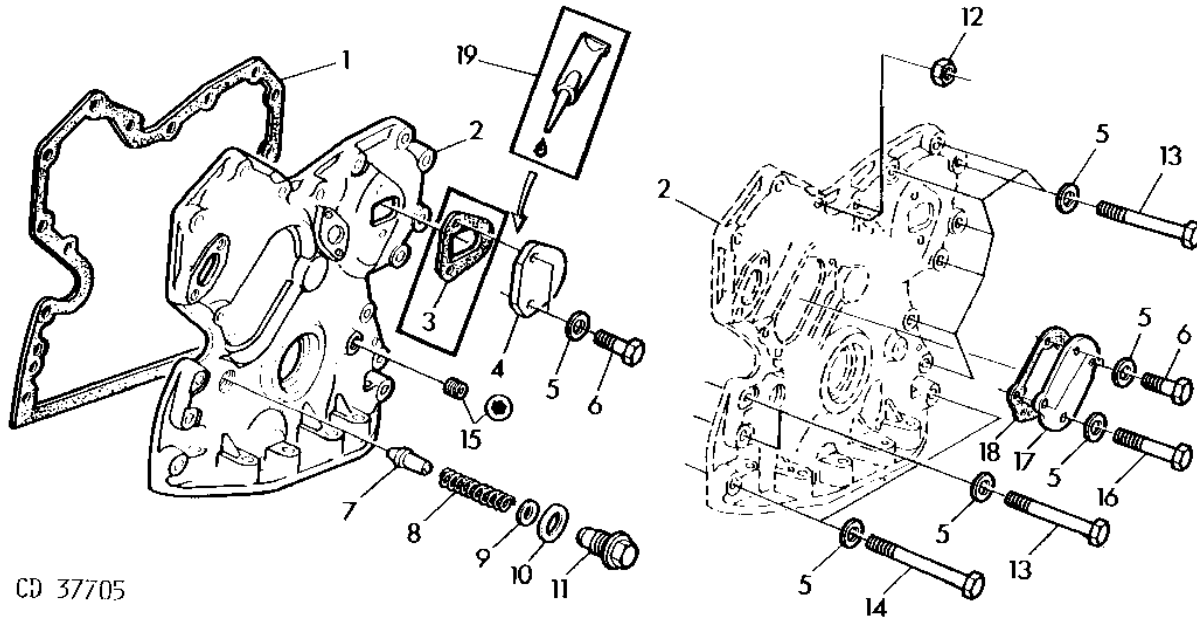


KEY	PART NO.	PART NAME	QTY	SERIAL NO.	REMARKS
				3 3	
				0 1	
				3 3	
				0 0	
1	R101225	THRUST WASHER	2	X X	
2	R101224	PIN	2	X X	
3	AR91660	GEAR	1	X X	Z=55,UP (SUB FOR AT18009)
4	T20034	BUSHING	1	X X	UP
5	T26323	SHAFT	2	X X	
6	T26327	SCREW	1	X X	UP
7	19H3011	CAP SCREW	1	X X	1/2"X2-1/8",LOW
8	R100105	WASHER	1	X X	LOW
9	T26321	BUSHING	1	X X	LOW
10	AT24252	GEAR	1	X X	Z=45,LOW
11	14H865	NUT	1	X X	1/2",LOW

# 1B1

ENGINE

TIMING GEAR COVER  
 COUVERCLE DE DISTRIBUTION  
 STEUERGEHAEUSE  
 COPERCHIO DISTRIBUZIONE  
 TAPA DE LA DISTRIBUCION  
 TIDHJULSKAPA  
 CD37705 -UN-27OCT95



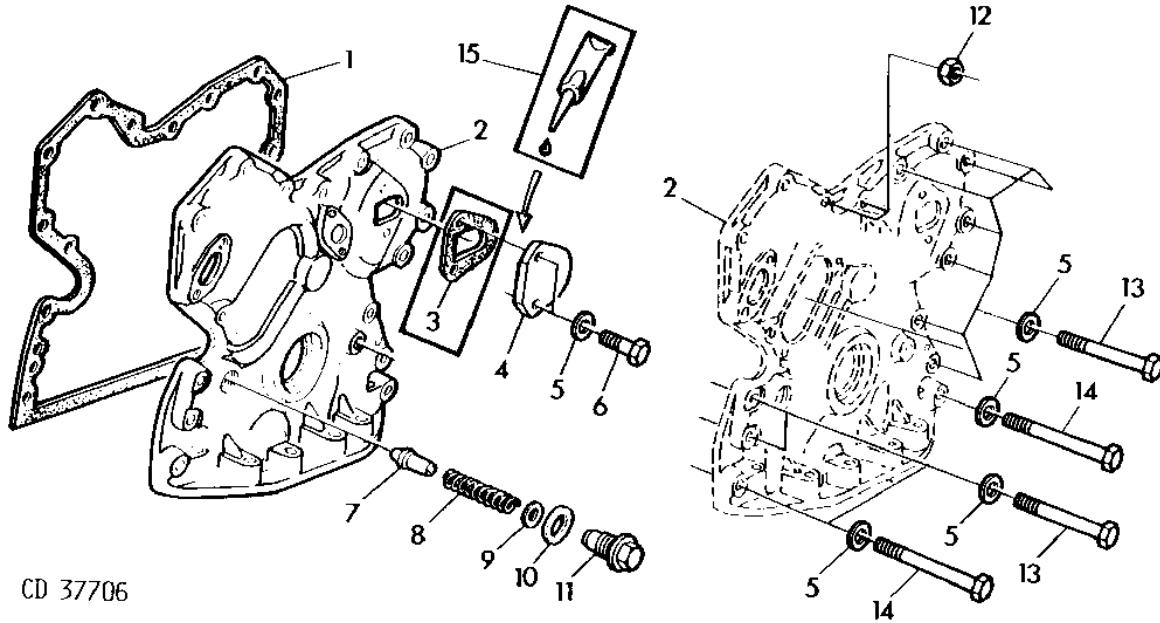
CD 37705

KEY	PART NO.	PART NAME	QTY	SERIAL NO.	REMARKS
				3 3	
				0 1	
				3 3	
				0 0	
1	R97454	GASKET	1	X X	(SUB FOR T20155)
2	AR58196	COVER	1	X X	(ORD RE30685, R47154, R67769, (2) 12H302, (2) 19H1948, (4) 19H2545 (4) 19H2549, 19H3181) (SUB FOR AT19509)
3	R69260	GASKET	1	X X	(ORD DD14928) (SUB FOR T20364)
4	T20362	COVER	1	X X	
5	24H1304	WASHER	13	X X	13/32"X23/32"X0.120"
6	19H2284	CAP SCREW	2	X X	3/8"X7/8"
7	R83169	VALVE	1	X X	(SUB FOR R51516, T20067)
8	T27658	SPRING	1	X X	
9	24H1290	WASHER	AR	X X	21/64"X3/4"X0.036"
10	A4827R	WASHER	1	X X	
11	R91692	FITTING PLUG	1	X X	(SUB FOR T27657)
12	14H812	NUT	1	X X	3/8"
13	19H1801	CAP SCREW	9	X X	3/8"X2"
14	19H1733	CAP SCREW	2	X X	3/8"X2-1/2"
15	15H275	PIPE PLUG	1	X X	1/4"
16	19H1726	CAP SCREW	1	X X	3/8"X2-1/4"
17	T20272	COVER	1	X X	
18	T20273	GASKET	1	X X	
19	DD14928	KIT	AR	X X	KIT

# 1B2

ENGINE

TIMING GEAR COVER  
 COUVERCLE DE DISTRIBUTION  
 STEUERGEHAEUSE  
 COPERCHIO DISTRIBUZIONE  
 TAPA DE LA DISTRIBUCION  
 TIDHJULSKAPA  
 CD37706 -UN-27OCT95

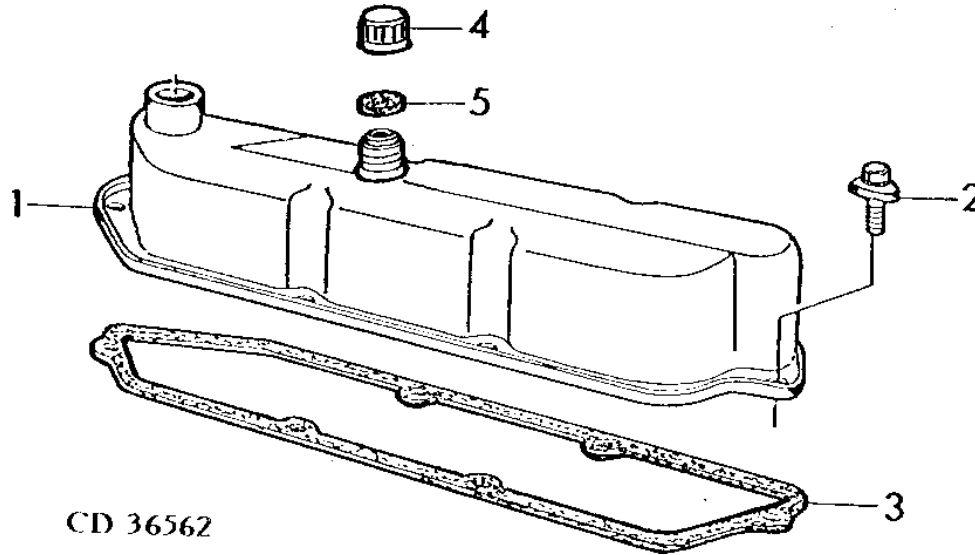


KEY	PART NO.	PART NAME	QTY	SERIAL NO.	REMARKS
				3 3	
				0 1	
				3 3	
				0 0	
1	R97454	GASKET	1	X X	(SUB FOR T20155)
2	AR91662	COVER	1	X X	(ORD RE30685, R47154, R67769, (2) 12H302, (2) 19H1948 (4) 19H2545, (4) 19H2549, 19H3181) (SUB FOR AR97707)
3	R69260	GASKET	1	X X	(ORD DD14928)
4	T20362	COVER	1	X X	
5	24H1304	WASHER	13	X X	13/32"X23/32"X0.120"
6	19H2284	CAP SCREW	2	X X	3/8"X7/8"
7	R83169	VALVE	1	X X	
8	T27658	SPRING	1	X X	
9	24H1290	WASHER	AR	X X	21/64"X3/4"X0.036"
10	A4827R	WASHER	1	X X	
11	R91692	FITTING PLUG	1	X X	(SUB FOR T27657)
12	14H812	NUT	1	X X	3/8"
13	19H1801	CAP SCREW	9	X X	3/8"X2"
14	19H1733	CAP SCREW	2	X X	3/8"X2-1/2"
15	DD14928	KIT	AR	X X	KIT

# 1B3

ENGINE

TIMING GEAR COVER (CONVERSION PARTS)  
 COUVERCLE DE DISTRIBUTION (PIECES DE'CONVERSION)  
 STEUERGEHAEUSE (UMBAUTEILE)  
 COPERCHIO DISTRIBUZIONE (PARTI CONVERSIONE)  
 TAPA DE LA DISTRIBUCION (PIEZAS DE CONVERSION)  
 TIDHJULSKAPA (OMBYGGNADSEDLAR)  
 CD36562 -UN-01JAN94



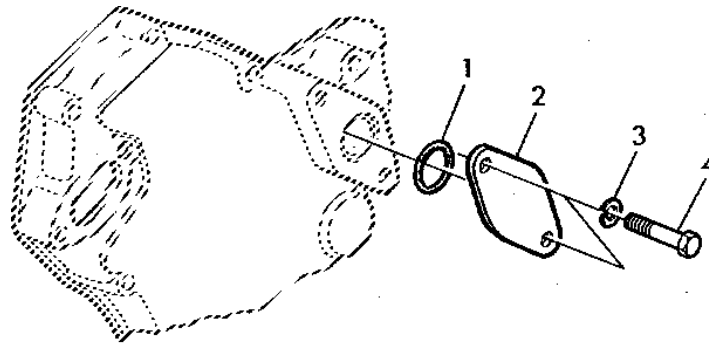
KEY	PART NO.	PART NAME	QTY	SERIAL NO.	REMARKS
				3 3	
				0 1	
				3 3	
				0 0	
1	R97454	GASKET	1	X X	
2	RE30685	COVER	AR	X X	
3	DD14928	KIT	AR	X X	KIT
4	T20362	COVER	1	X X	
5	24H1304	WASHER	13	X X	13/32"X23/32"X0.120"
6	19H2284	CAP SCREW	2	X X	3/8"X7/8"
7	R83169	VALVE	1	X X	
8	T27658	SPRING	1	X X	
9	24H1290	WASHER	AR	X X	21/64"X3/4"X0.036"
10	A4827R	WASHER	1	X X	
11	R91692	FITTING PLUG	1	X X	
12	19H1733	CAP SCREW	1	X X	3/8"X2-1/2"
13	19H2545	CAP SCREW	4	X X	3/8"X1-3/8"
14	19H3181	CAP SCREW	1	X X	3/8"X2"
15	19H2549	CAP SCREW	4	X X	3/8"X1-7/8"



# 1B4

ENGINE

COVER (WITHOUT MAGNETIC PICK UP),CONVERSION PARTS  
 OBTURATION (SANS CAPTEUR MAGNETIQUE),PIECES DE'CONVERSION  
 ABDECKUNG (OHNE MAGNETISCHER IMPULSGEBER),UMBAUTEILE  
 COPERCHIO (SENZA SENSORE MAGNETICO CONTAGIRI),PARTI CONVERSIONE  
 TAPA (SIN CAPTADOR MAGNETICO),PIEZAS DE CONVERSION  
 LOCK (UTAN MAGNETGIVARE),OMBYGGNADSDELAR  
 CD26024 -UN-01JAN94



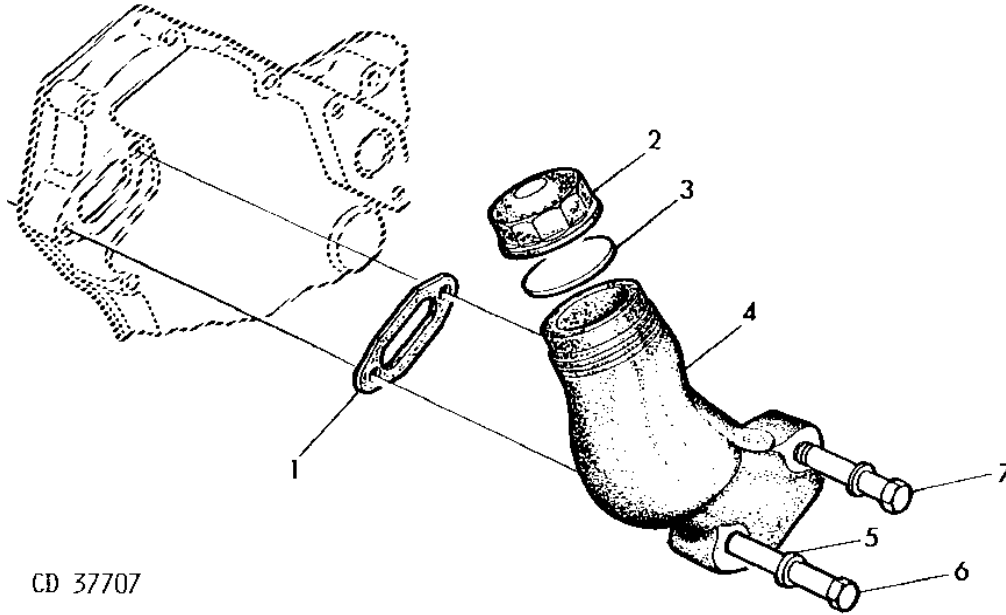
CD 26024

KEY	PART NO.	PART NAME	QTY	SERIAL NO.	REMARKS
				3 3	
				0 1	
				3 3	
				0 0	
1	R47154	O-RING	1	X X	(FOR AR91662, RE30685)
2	R67769	COVER	1	X X	(FOR AR91662, RE30685)
3	12H302	LOCK WASHER	2	X X	1/4" (FOR AR91662, RE30685)
4	19H1948	CAP SCREW	2	X X	1/4"X3/4 (FOR AR91662, RE30685)

# 1B5

ENGINE

OIL FILLER  
 GOULOTTE DE REMPLISSAGE D'HUILE  
 ÖLEINFUELLSTUTZEN  
 BOCCHETTONE RIEMPIMENTO OLIO  
 BOCA DE LLENADO DE ACEITE  
 OLJEPAFYLLING  
 CD37707 -UN-27OCT95



CD 37707

KEY	PART NO.	PART NAME	QTY	SERIAL NO.	REMARKS
				3 3	
				0 1	
				3 3	
				0 0	
1	R97352	GASKET	1	X X	(SUB FOR T20336)
2	R90788	PLUG	1	X X	(SUB FOR T20294)
3	T20328	GASKET	1	X X	
4	T23614	FILLER NECK	1	X X	
5	24H1304	WASHER	2	X X	13/32"X23/32"X0.120"
6	19H2128	CAP SCREW	1	X X	3/8"X3"
7	19H2665	CAP SCREW	1	X X	3/8"X1-5/8"

# 1B6

ENGINE

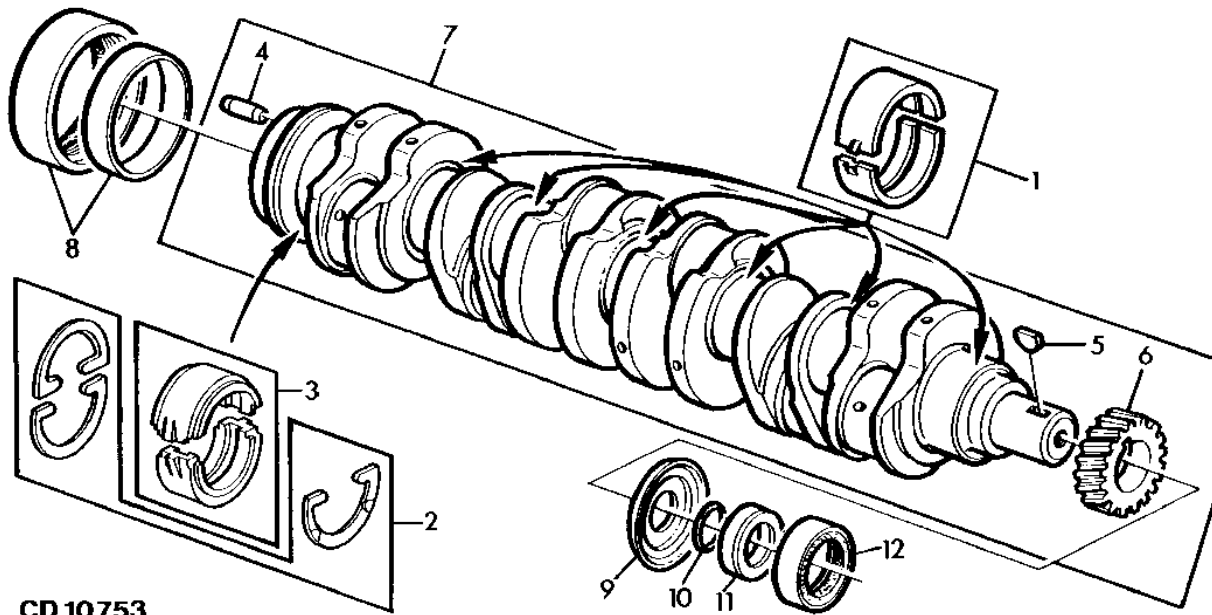
---

MEMORANDA  
MEMORANDA  
MEMORANDA  
MEMORANDA  
MEMORANDA

# 1B7

ENGINE

CRANKSHAFT/BEARINGS  
VILEBREQUIN/DEMI-COUSSINETS  
KURBELWELLE/LAGER  
ALBERO COLLI/BRONZINE  
CIGUENAL/COJINETES  
VEVAXEL/RAMLAGER  
CD10753 -UN-02AUG95



CD 10753

# 1B8

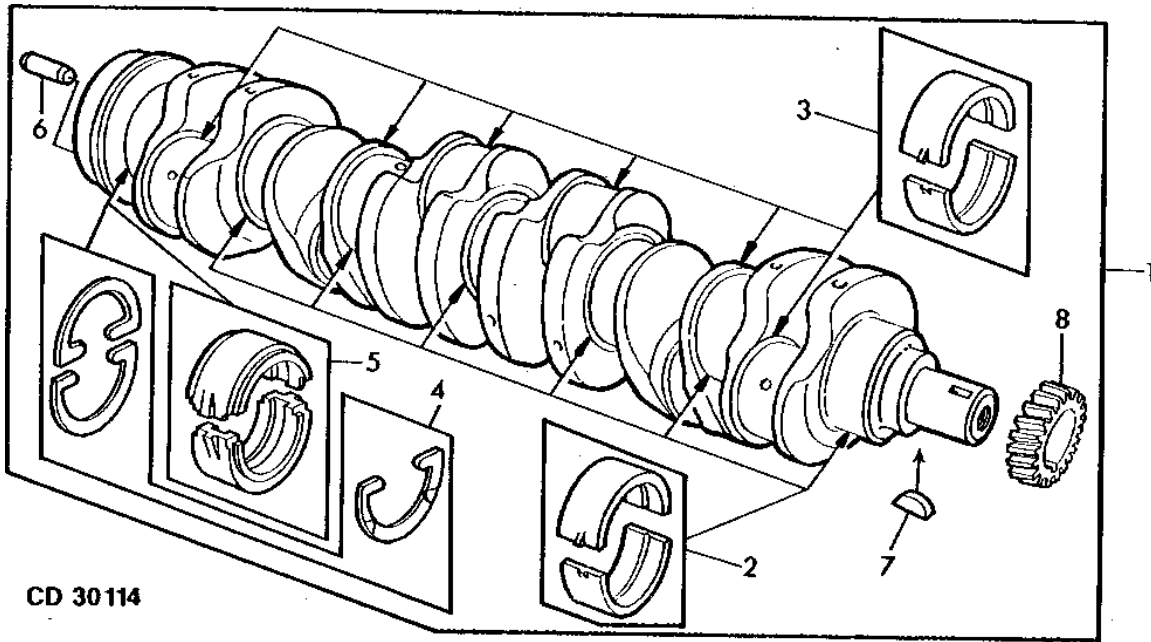
ENGINE

KEY	PART NO.	PART NAME	QTY	SERIAL NO.	3 0 3 0	3 1 3 0	REMARKS
1	RE27352	KIT	4		X	X	ID=STANDARD (KIT (2) R83380) (SUB FOR AT21140) (KIT (2) T23214)
	RE27353	KIT	AR		X	X	ID=-0,254MM(0.010") (KIT (2) R87750) (SUB FOR AT21108) (KIT (2) T23552) (SUB FOR AT21110) (KIT (2) T23554)
	RE27360	KIT	AR		X	X	ID=-0,508MM(0.020") (KIT(2) R87756) (SUB FOR AT21112) (KIT (2) T23556)
	RE27368	KIT	AR		X	X	ID=-0,762MM(0.030") (KIT (2) R87759) (SUB FOR AT21114) (KIT (2) T23558)
2	RE13571	KIT	1		X	X	TK=STANDARD (KIT (3) R78598) (SUB FOR AR81791, AR95931)
	AR95932	KIT	AR		X	X	TK=+0,17MM(.007") (MARKED R64851) (SUB FOR AR81792)
3	RE27350	KIT	1		X	X	REAR ID=STANDARD (KIT (2) R83381) (SUB FOR AR81786) (KIT (2) R64264) (SUB FOR AT21139)
	RE27351	KIT	AR		X	X	REAR ID=-0,254MM(0.010") (KIT (2) R87749) (SUB FOR AR81787) (KIT (2) R64847) (SUB FOR AR81788) (KIT (2) R64848) (SUB FOR AT21130, AT21132)
	RE27359	KIT	AR		X	X	REAR ID=-0,508MM(0.020") (KIT (2) R87755) (SUB FOR AR81789) (KIT (2) R64849) (SUB FOR AT21134)
	RE27366	KIT	AR		X	X	REAR ID=-0,762MM(0.030") (KIT (2) R87758) (SUB FOR AR81790) (KIT (2) R64850) (SUB FOR AT21136)
4	A120R	DOWEL PIN	1		X	X	(SUB FOR T26565)
5	26H72	SHAFT KEY	1		X	X	1/8"X5/8"
6	T20094	GEAR	1		X	X	Z=24
7	AT22562	CRANKSHAFT	1		X	X	(MARKED T23260)
8	RE44574	SEAL	1		X	X	(SUB FOR AR92893, AT22965, RE24959)
9	T20046	OIL SLINGER	1		X	X	
10	H35244	RING	1		X	X	FRONT
11	T30413	WEAR RING	1		X	X	(ORD H35244, R81989)
	R81989	SLEEVE	AR		X	X	
12	AR67942	SEAL	1		X	X	

# 1B9

ENGINE

CRANKSHAFT FOR 0,254MM(0.010 IN.)UNDERSIZE BEARINGS  
 VILEBREQUIN POUR PALIERS COTE REPAR.0,254MM(0.010IN)  
 KURBELWELLE MIT 0,254MM(0.010 IN.)KLEINEREM LAGERDURCHMESSER  
 ALBERO A GOMITO CON BRONZINE MINORATI DI 0,254MM(0.01 IN.)  
 CIGUENAL CON DIAMETRO DE COJINETES REDUCIDO 0,254MM/0.010IN  
 VEVAXEL MED UNDERDIMENS,RAMLAGER(0,254MM-0,01 IN MINDRE)  
 CD30114 -UN-01JAN94



CD 30114

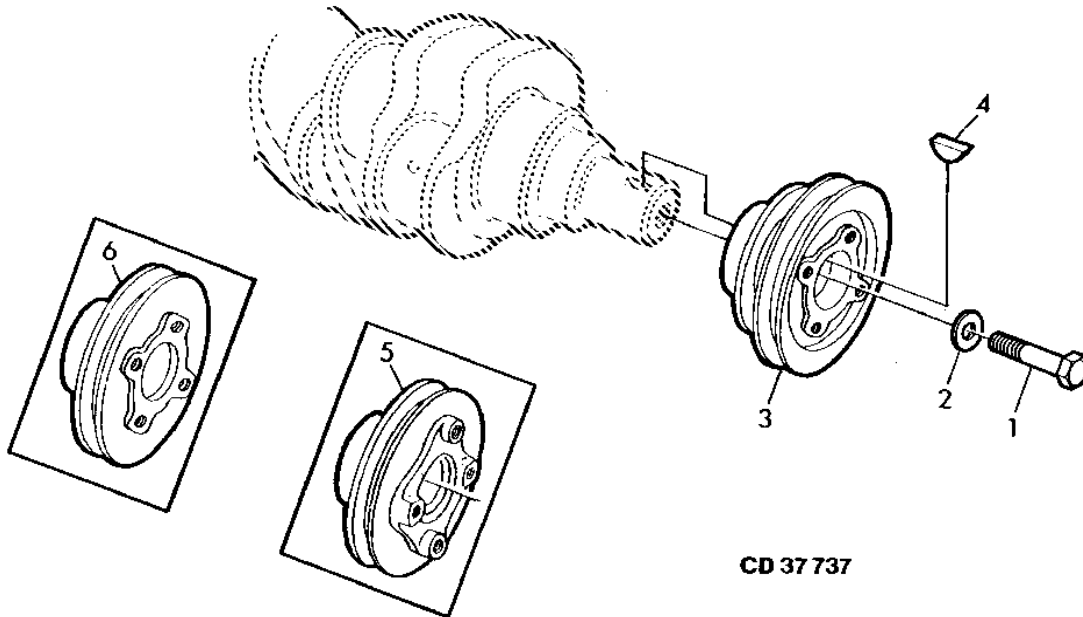
KEY	PART NO.	PART NAME	QTY	SERIAL NO.	REMARKS
				3 3	
				0 1	
				3 3	
				0 0	
1	RE26205	KIT	AR	X X	(A) KIT (MARKED R)
2	RE27353	KIT	6	X X	ID=-0,254MM(.010") (KIT (2) R87750)
3	RE27349	KIT	6	X X	ID=-0,254MM(.010") (KIT (2) R87748)
4	RE13571	KIT	1	X X	TK=STANDARD (KIT (3) R78598)
5	RE27351	KIT	1	X X	ID=-0,254MM(.010") (KIT (2) R87749)
6	A120R	DOWEL PIN	1	X X	
7	26H72	SHAFT KEY	1	X X	
8	T20094	GEAR	1	X X	Z=24

(A) CHECK LOCAL AVAILABILITY  
 VERIFIER DISPONIBILITE LOCALE  
 LOKALE VERFUEGBARKEIT UEBERPRUEFEN  
 ESAMINARE SI OTTENIBILE  
 VERIFICAR EL SUMINISTRO LOCAL  
 KONTROLLERA ATKOMLIGHET

# 1B10

ENGINE

V-BELT PULLEY  
 POULIE  
 KEILRIEMENSCHLEIBE  
 PULEGGIA  
 POLEA DE LA CORREA TRAPEZOIDAL  
 KILREMSKIVA  
 CD37737 -UN-27OCT95



CD 37 737

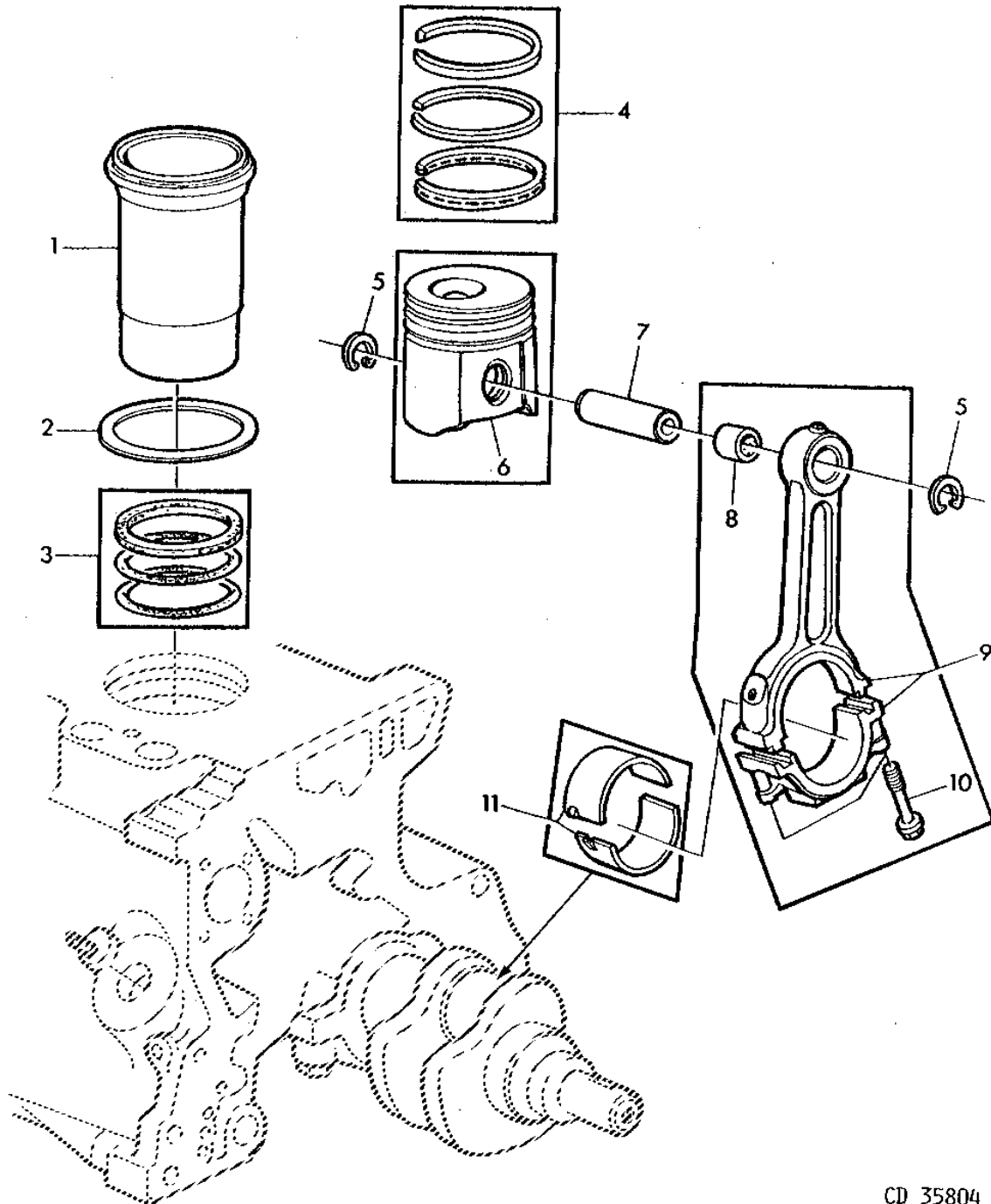
KEY	PART NO.	PART NAME	QTY	ENGINE SERIAL NO.	REMARKS
				3 3	
				0 1	
				3 3	
				0 0	
1	19H1721	CAP SCREW	1	X X	1/2"X1-1/2" (ORD CD16045, 19H2473)
	19H2473	CAP SCREW	AR	X X	1/2"X1-3/4" (FOR CD16045)
2	T20217	WASHER	1	X X	TK=6MM(0.236") (ORD CD16045, 19H2473)
	CD16045	SPACER	1	X X	TK=12MM(0.472") (FOR 19H2473)
3	R66795	PULLEY	1	381271-	X
	R66795	PULLEY	1	380540-	X
	R66795	PULLEY	1	381271-	X (A)
4	26H27	SHAFT KEY	1	X X	5/16"X1-1/8"
5	R59313	SHEAVE	1	-381270	X
	R59313	SHEAVE	1	203015-380539	X
	R59313	SHEAVE	1	-381270	X (A)
6	T28434	PULLEY	1	-203014	X

(A) WITH ALTITUDE COMPENSATOR (TURBOCHARGER)  
 AVEC COMPENSATOR D'ALYITUDE (TURBOCOMPRESSEUR)  
 BEI HOEHENKOMPENSATOR (TURBOLADER)  
 CON COMPENSATORE ALTITUDINE (TURBOCOMPRESSORE)  
 CON COMPENSADOR DE ALTITUD (TURBOCOMPRESOR)  
 VID TURBOAGGREGAT (TURBOLADDARE)

# 1B11

ENGINE

PISTON/CONNECTING ROD/LINER  
PISTON/BIELLE/CHEMISE  
KOLBEN/PLEUELSTANGE/BUECHSE  
PISTONE/BIELLA/CAMICCIA  
PISTON/BIELA/CAMISAS  
KOLV/KOLVSTAKE/CYLINDERFODER  
CD35804 -UN-01JAN94



CD 35804



# 1B12

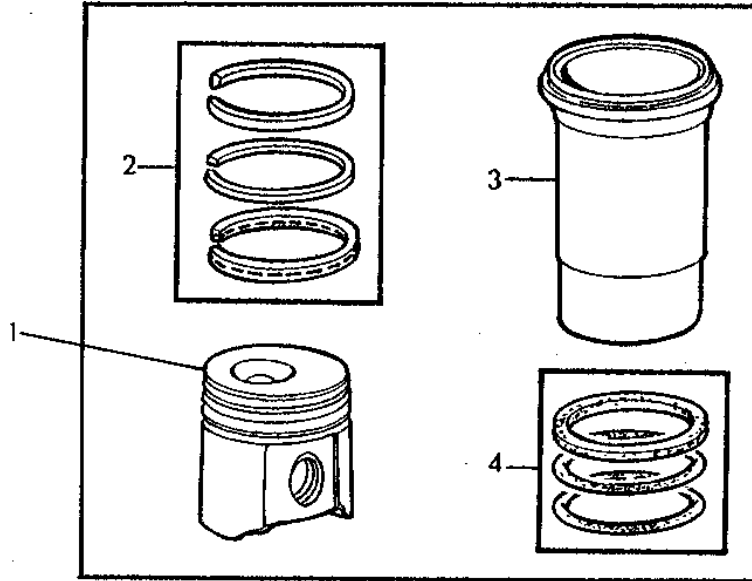
ENGINE

KEY	PART NO.	PART NAME	QTY	SERIAL NO.	REMARKS
					3 3
					0 1
					3 3
					0 0
1	T32343	CYLINDER LINER	6		X X
2	CD15465	SHIM	AR		X X TK=0,05MM(0.002")
	R46906	SHIM	AR		X X TK=0,10MM(0.004")
3	AR71618	KIT	6		X X PACKG (3) (SUB FOR AT31610, DD13276, R48768)
4	AR55759	PISTON RING KIT	6		X X PACKG (3)
5	M41029	SNAP RING	12		X X PACKG (6)
6	.....		AR		X X NSEP (ORD AR90550)
7	R51731	PISTON PIN	6		X X OD=35MM(1.37")
8	R55647	BUSHING	6		X X (SUB FOR R51728)
9	RE16495	CONNECTING ROD	6		X X (MARKED R80034) (SUB FOR AR55978)
10	R74194	SCREW	2		X X (FOR AR55978) (SUB FOR T20009)
11	RE27348	KIT	6		X X ID=STANDARD (KIT (2) R83379) (SUB FOR AT21138) (KIT (2) T20011)
	RE27349	KIT	AR		X X ID=-0,254MM(0.010") (KIT (2) R87748) (SUB FOR AT21122) (KIT (2) T23566) (SUB FOR AT21124) (KIT (2) T23568)
	RE27358	KIT	AR		X X ID=-0,508MM(0.020") (KIT (2) R87754) (SUB FOR AT21126) (KIT (2) T23570)
	RE27364	BEARING KIT	AR		X X ID=-0,762MM(0.030") (KIT (2) R87757) (SUB FOR AT22128) (KIT (2) T23572)

# 1B13

ENGINE

CYLINDERLINER AND PISTON KIT  
 CHEMISE ET PISTON-JEU DE REPARATION  
 ZYLINDERBUECHSE UND KOLBEN-REPARATURSATZ  
 GRUPPO CAMICCIA E PISTONE  
 CAMISAS Y PISTONES-JUEGO DE REPARACION  
 CYLINDERFODER OCH KOLV/ENHET  
 CD10694 -UN-01JAN94



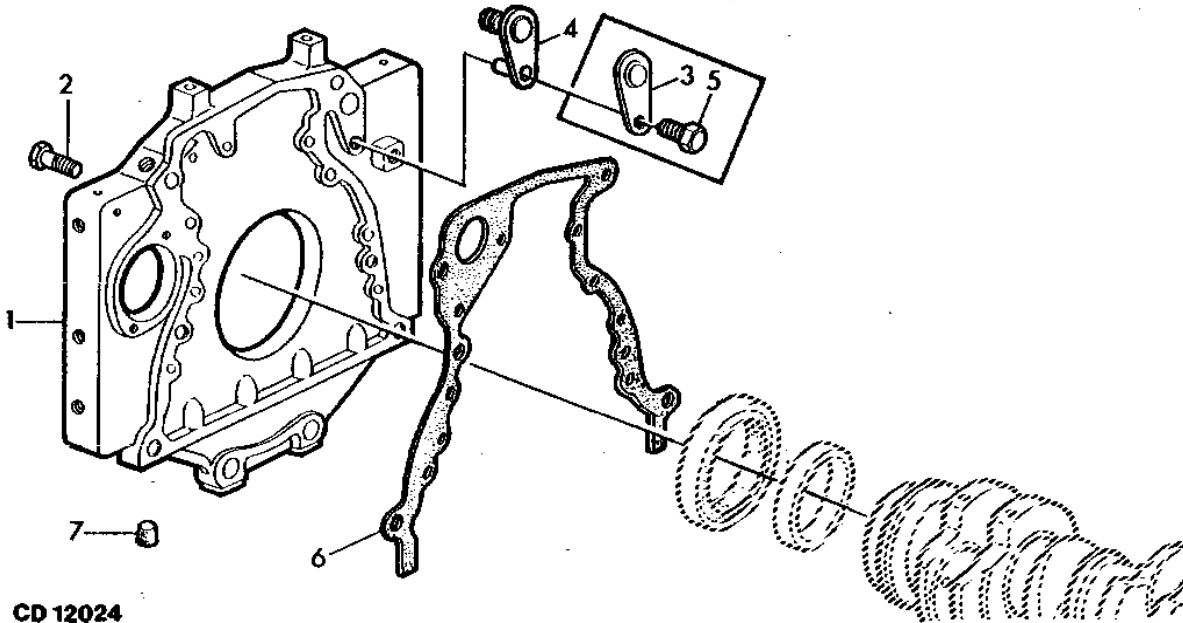
CD 10694

KEY	PART NO.	PART NAME	QTY	SERIAL NO.	REMARKS
				3 3	
				0 1	
				3 3	
				0 0	
1	AR90550	PISTON-LINER KIT	AR	X X	
2	AR55759	PISTON RING KIT	1	X X	PACKG (3)
3	R80724	CYLINDER LINER	1	X X	
4	AR71618	KIT	1	X X	PACKG (3) (SUB FOR AT31610, DD13276, R48768)

# 1B14

ENGINE

FLYWHEEL HOUSING  
 CARTER DE VOLANT  
 SCHWUNGRADGEHAEUSE  
 CARTER VOLANO  
 CARTER DE VOLANTE  
 SVANGHJULSKAPA  
 CD12024 -UN-01JAN94



CD 12024

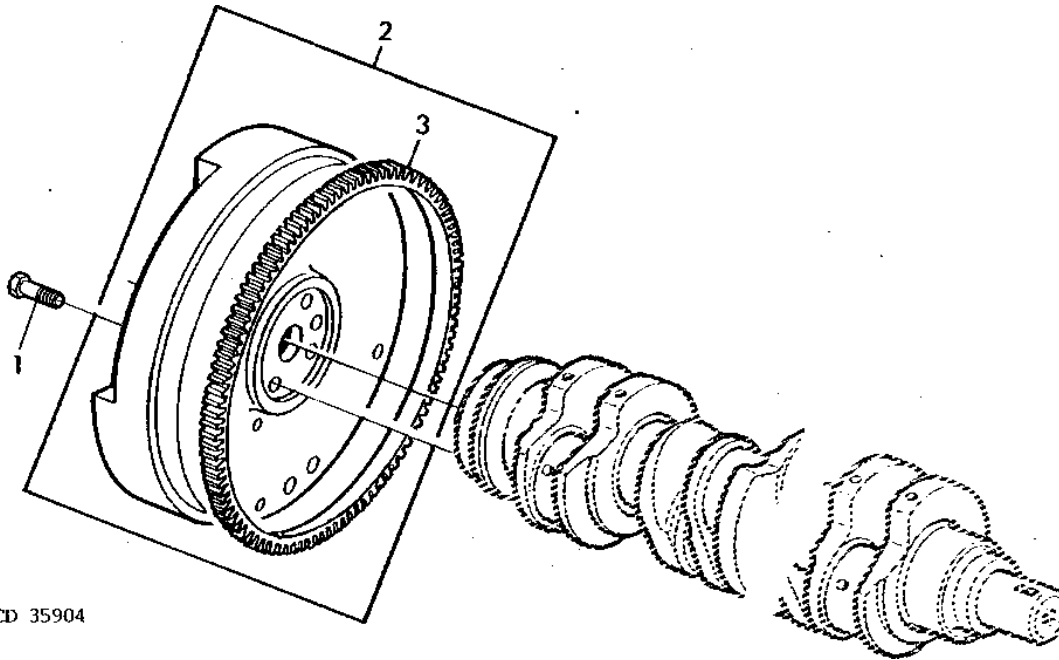
KEY	PART NO.	PART NAME	QTY	SERIAL NO.	REMARKS
				3 3	
				0 1	
				3 3	
				0 0	
1	T28433	HOUSING	1	X X	
2	19H2545	CAP SCREW	8	X X	3/8"X1-3/8" (SUB FOR 12H304, 19H1800)
3	T28435	COVER	1	X X	(ORD R83554)
4	R83554	PLUG	AR	X X	(SUB FOR T28435, 19H2351)
5	19H2351	CAP SCREW	1	X X	1/2"X1/8" (FOR T28435)
6	R97351	GASKET	1	X X	(SUB FOR R49516, R70483, T23596)
7	T23590	PLUG	1	X X	

# 1B15

ENGINE

FLYWHEEL  
VOLANT  
SCHWUNGRAD  
VOLANO  
VOLANTE  
SVANGHJUL

CD35904 -UN-01JAN94



CD 35904

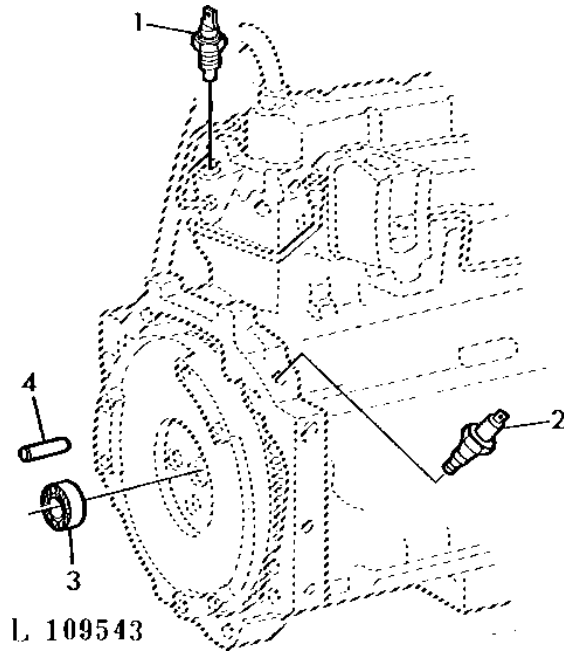
KEY	PART NO.	PART NAME	QTY	ENGINE SERIAL NO.		REMARKS
					3 3	
					0 1	
					3 3	
					0 0	
1	T20139	CAP SCREW	4	-333624	X X	(ORD (4) 19H2993)
	19H2993	CAP SCREW	4	333625-	X X	1/2"X1-1/2" (SUB FOR 19H3025)
2	AR92508	FLYWHEEL	1		X X	(SUB FOR AT26482)
	AR87487	FLYWHEEL	1		X	(A)
3	T20088	GEAR	1		X X	Z=142

(A) FOR TURKEY ONLY  
UNIQUEMENT TURQUIE  
NUR FUER TUERKEI  
SOLTANTO PER TURCHIA  
SOLAMENTE PARA TURQUIA  
ENDAST FOR TURKIET

# 1B16

ENGINE

COOLANT TEMP.GAUGE/ENGINE OIL PRESSURE SENDINE UNIT,PILOT BEARING  
 CAPTEUR TEMP.LIQU.REFR.-PRESSION D'HUILE MOTEUR/BAQUE PILOTE  
 GEBER-WASSERTEMPERATUR-MOTOROELDRUCK/FUEHRUNGLAGER  
 TRASM.TEMP.REFRIG./CONTATTO PRESS.OLIO/CUSCIN.PILOTA  
 SONDA TEMP.REFRIG./-PRESION ACEITE MOTOR/RODAM.GUIA  
 TEMPERATURGIVARE MOTOROLJETRYCK-GIVARE/KULLAGER  
 L109543 -UN-01JAN94



L 109543

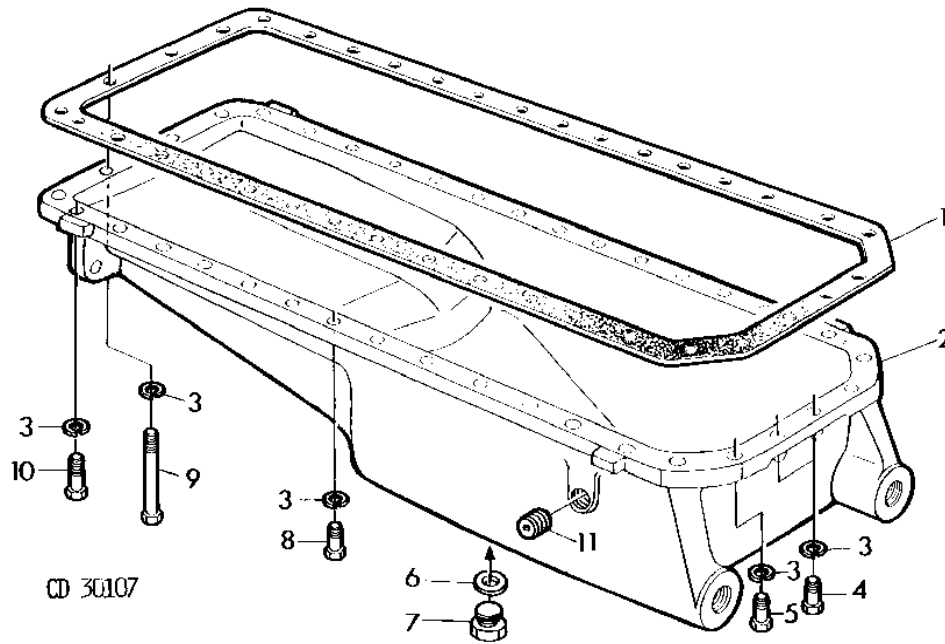
KEY	PART NO.	PART NAME	QTY	SERIAL NO.	REMARKS
				3 3	
				0 1	
				3 3	
				0 0	
1	AL24527	SENDER	1	X X	
2	AR27977	TOUCH SWITCH	1	X X	
3	JD10107	BALL BEARING	1	X X	(SUB FOR AL28037, AR56268)
4	T26565	DOWEL PIN	2	X X	

# 1B17

ENGINE

OIL PAN FOR TRACTORS WITHOUT INCREASED LIFTING CAPACITY  
 CARTER D'HUILE POUR TRACTEUR SANS CAPACITE DE RELEVAGE AUGM.  
 OELWANNE FUER TRAKTOREN OHNE HUBKRAFTERHOEHUNG  
 COPPA OLIO PER TRATTORI SENZA ELEVATA CAPACITA SOLLEVAMENTO  
 CARTER DE ACEITE PARA TRACTORES SIN FUERZA DE ELEV.AUMENT.  
 OLJETRAG FOR TRAKTORER UTAN OKAD LYFTKAPACITET

CD30107 -UN-22JUN95



KEY	PART NO.	PART NAME	QTY	SERIAL NO.	REMARKS
				3 3	
				0 1	
				3 3	
				0 0	
1	R97344	GASKET	1	X X	(SUB FOR R56933)
2	R72231	OIL PAN	1	X X	(SUB FOR T28436)
3	12H304	LOCK WASHER	36	X X	3/8"
4	19H988	CAP SCREW	2	X X	3/8"X1-1/4"
5	19H1800	CAP SCREW	4	X X	3/8"X1-1/2"
6	T13213	WASHER	1	X X	
7	M1746T	DRAIN PLUG	1	X X	
8	19H2633	CAP SCREW	26	X X	3/8"X1-1/2"
9	19H3404	CAP SCREW	2	X X	3/8"X4"
10	19H1733	CAP SCREW	2	X X	3/8"X2-1/2"
11	15H562	PIPE PLUG	AR	X X	1"

# 1B18

ENGINE

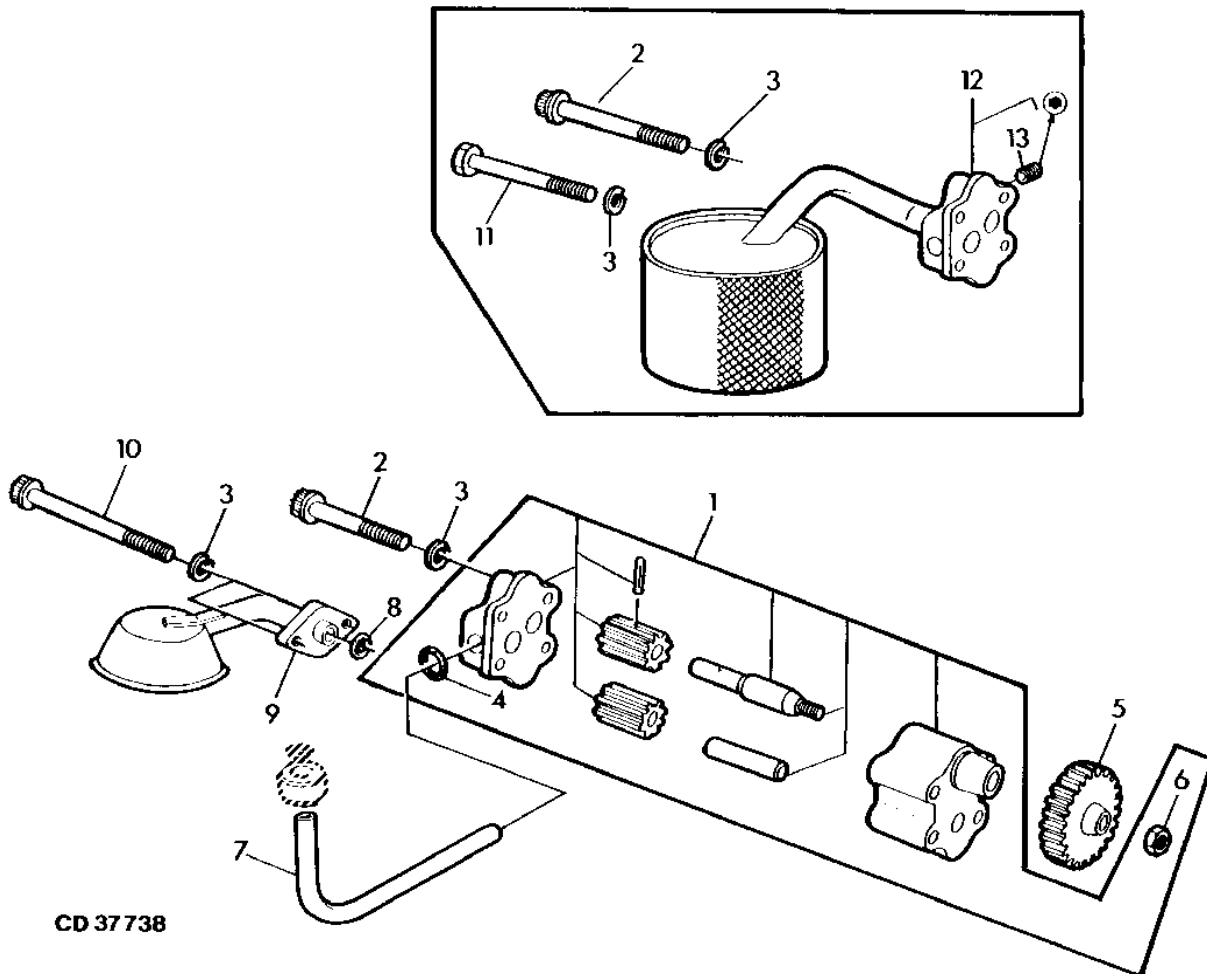
---

MEMORANDA  
MEMORANDA  
MEMORANDA  
MEMORANDA  
MEMORANDA

# 1B19

ENGINE

OIL PUMP  
POMPE A HUILE  
OELPUMPE  
POMPA OLIO  
BOMBA DE ACEITE  
OLJEPUMP  
CD37738 -UN-27OCT95





# 1B20

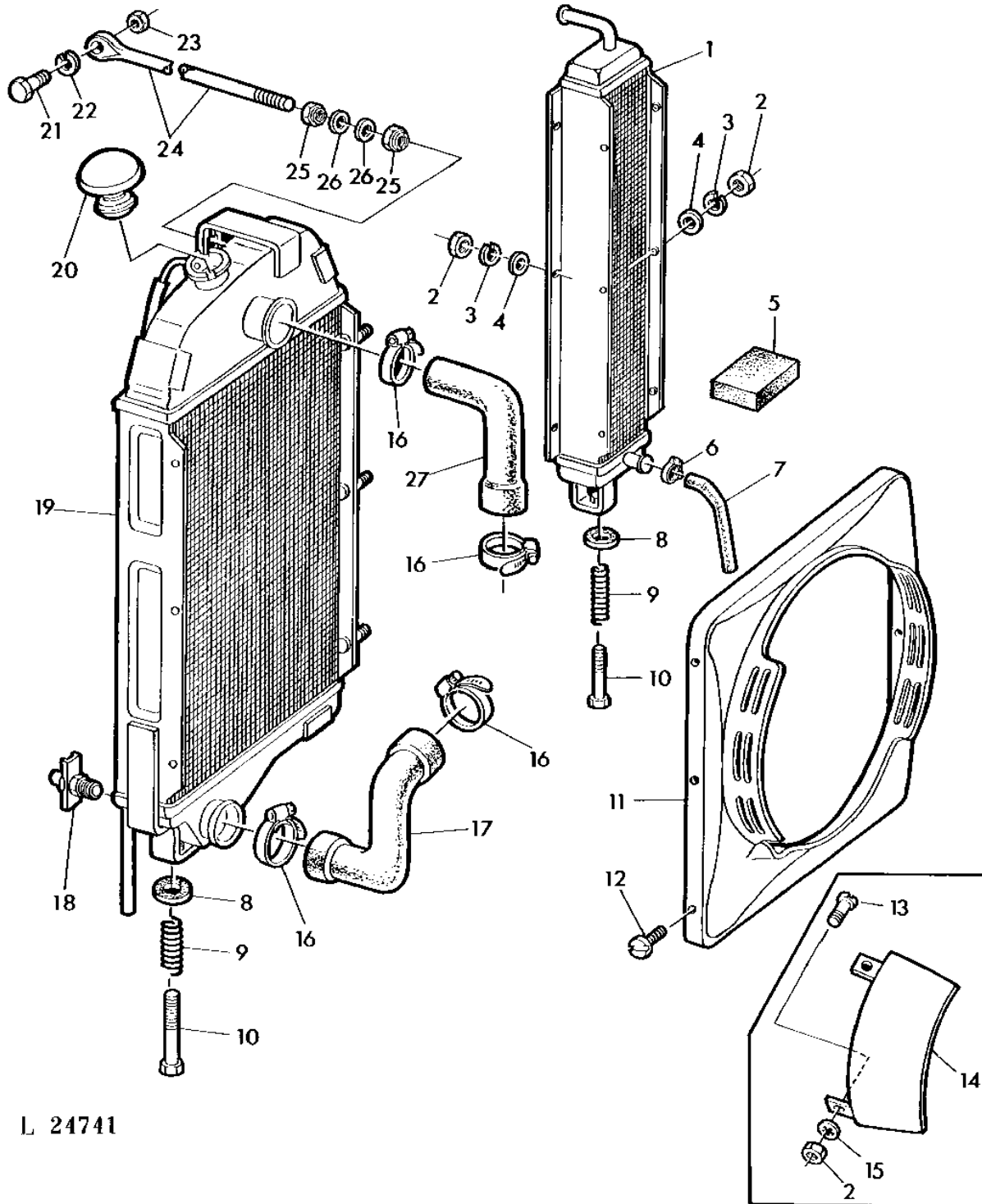
ENGINE

KEY	PART NO.	PART NAME	QTY	ENGINE SERIAL NO.	3 3		REMARKS
					0 1	3 3	
					0 0		
1	RE35685	OIL PUMP	1	173209-	X X	(SUB FOR AR62978, AR62979, DD11785, DD11786, DD14760, R53382, R54614)	
2	R57059	CAP SCREW	2		X X	3/8"X2-3/4"	
3	12H304	LOCK WASHER	2		X X	3/8"	
4	R74354	O-RING	1		X X	(SUB FOR R27166)	
5	T20298	GEAR	1		X X	Z=33	
6	14H826	NUT	1		X X	1/2"	
7	T20050	OIL TUBE	1		X X		
8	R61871	O-RING	1	173209-	X X	(SUB FOR A4730R)	
9	AR59621	OIL PUMP INTAKE	1	173209-	X X		
10	R81072	CAP SCREW	2	173209-	X X	(SUB FOR R59409, 19H2228)	
11	19H1854	CAP SCREW	1	-173208	X	3/8"X3-3/4"	
12	AT24256	COVER	1	-173208	X	(ORD AR59621, RE35685, R61871, R81072)	
13	15H560	PIPE PLUG	1	-173208	X	1/16"	

# 1B21

ENGINE

RADIATOR/WATER HOSES/OIL COOLER  
RADIATEUR/FLEXIBLES D'EAU/REFROIDISSEUR D'HUILE  
KUEHLER/WASSERSCHLAEUICHE/OELKUEHLER  
RADIATORE/MANICOTTI/RAFFREDDATORE OLIO  
RADIADOR/MANGUERAS DE AGUA/RADIADOR DE ACEITE  
KYLARE/VATTENSLANGAR/OLJEKYLARE  
L24741 -UN-26OCT95



L 24741

# 1B22

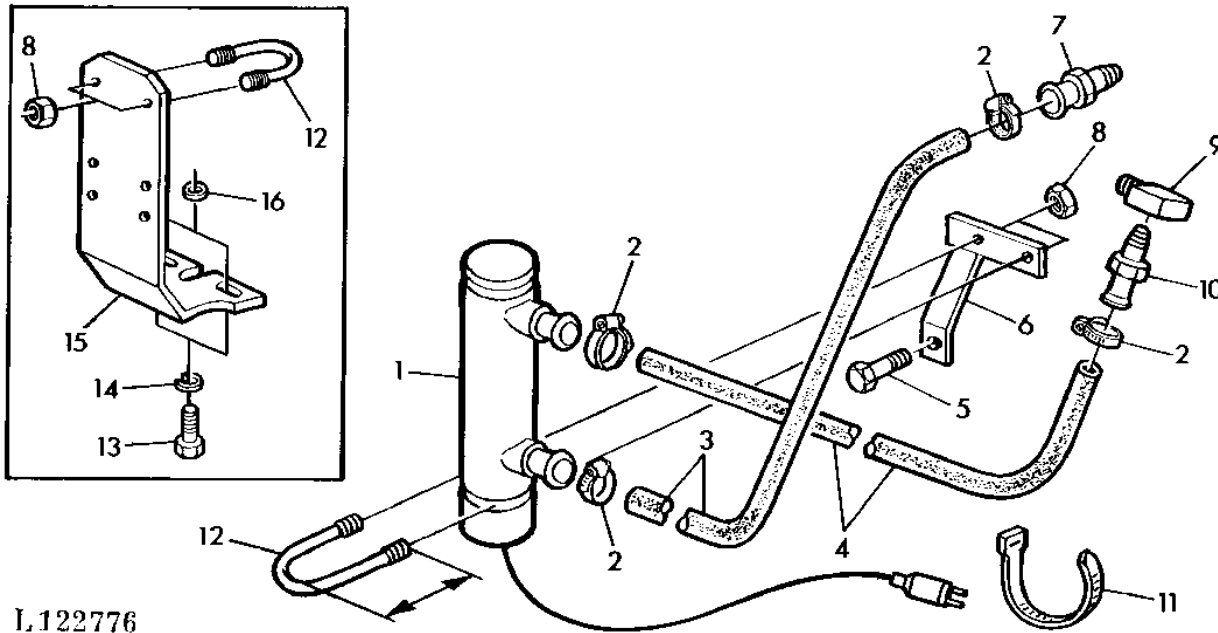
ENGINE

KEY	PART NO.	PART NAME	QTY	ENGINE		REMARKS
				SERIAL NO.		
					3 3	
					0 1	
					3 3	
					0 0	
1	AT26734	OIL COOLER	1		X X	
2	14H785	NUT	8		X X	5/16"
3	12H303	LOCK WASHER	6		X X	5/16"
4	24H1243	WASHER	6		X X	11/32"X5/8"X.060"
5	T28764	ISOLATOR	1		X X	
6	AL37451	CLAMP	2		X X	(SUB FOR AL31992, AR21839)
7	L35846	HOSE	1		X X	(SUB FOR L32853, T28769)
8	T22381	WASHER	2		X X	
9	R34352	SPRING	2		X X	
10	19H2023	CAP SCREW	2		X X	3/8"X3-1/4"
11	T28424	SHROUD	1		X X	
12	37H24	SCREW	6		X X	1/4"X3/4" (SUB FOR 37H79)
13	21H1311	SCREW	2		X X	5/16"X1/2"
14	AT32233	ISOLATOR	1		X X	
15	12H291	LOCK WASHER	2		X X	5/16"
16	AR40418	CLAMP	4		X X	
17	T28426	HOSE	1		X X	
18	AT13740	DRAIN VALVE	1		X X	1/4"
19	AT26474	RADIATOR	1		X X	(SUB FOR AL24115)
20	AT29054	FILLER CAP	1		X X	
21	19H1900	CAP SCREW	1		X X	5/16"X3/4"
22	12H303	LOCK WASHER	1		X X	5/16"
23	14H785	NUT	1		X X	5/16"
24	L29890	EYEBOLT	1		X X	(SUB FOR J18015)
25	T11234	LOCK NUT	1		X X	3/8"
26	24H1305	WASHER	2		X X	13/32"X13/16"X.060"
27	T28425	HOSE	1	-189677	X X	
	L31795	HOSE	1	189678-	X X	

# 1B23

ENGINE

ENGINE COOLANT HEATER 110V,1000W  
 RECHAUFFEUR DU LIQUIDE DE REFROIDISSEMENT 110V,1000W  
 KUEHLWASSER-VORWAERMER 110V,1000W  
 RISCALDATORE REFRIGERANTE 110V,1000W  
 DISPOSITIVO PARA EL CALENTAMIENTO DEL LIQUIDO REFRIGERANTE 110V,1000W  
 KYLVATSKEVARMARE 110V,1000W  
 L122776 -UN-26OCT95



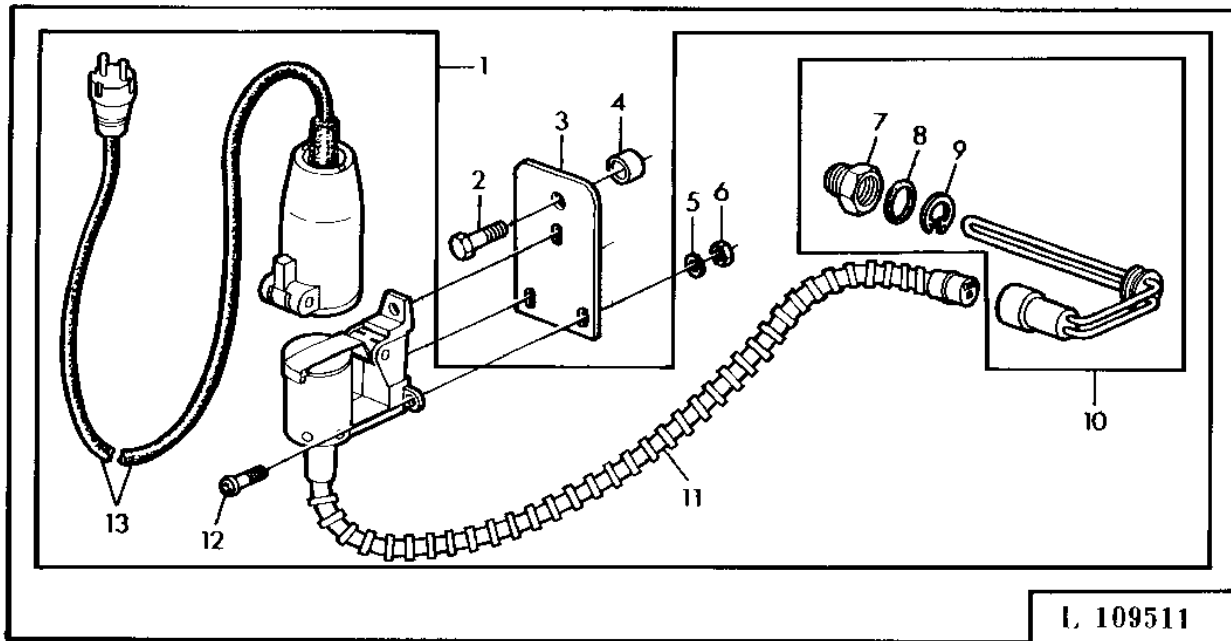
L122776

KEY	PART NO.	PART NAME	QTY	SERIAL NO.	REMARKS
				3 3	
				0 1	
				3 3	
				0 0	
1	AR72957	COOLANT HEATER	1	X X	
	AT27413	COOLANT HEATER	1	X X	(ORD AL28473, AR72957, R60124)
2	AR37451	CLAMP	4	X X	(SUB FOR AL31992, AR21839)
3	L32824	HOSE	1	X X	(SUB FOR L30289)
4	L35638	HOSE	1	X X	(SUB FOR L30288, L32822 APPL)
5	19H1792	CAP SCREW	AR	X X	1/2"X1"
	19H2353	CAP SCREW	AR	X X	9/16"X1"
6	AL28473	RETAINER	1	X X	
7	T29388	UNION FITTING	1	X X	
8	E45229	LOCK NUT	AR	X X	1/4"
9	L31023	FITTING	1	X X	
10	R41985	FITTING	1	X X	
11	R44302	TIE BAND	1	X X	
12	T29380	U-BOLT	AR	X X	57MM(2.24")
	R60124	U-BOLT	AR	X X	66,5MM(2.62")
13	19H1765	CAP SCREW	2	X X	3/8"X1-3/4"
14	12H304	LOCK WASHER	2	X X	3/8"
15	R60123	BRACKET	1	X X	(ORD AL28473)
16	24H1304	WASHER	2	X X	13/32"X23/32"X.120"

# 1B24

ENGINE

ENGINE COOLANT HEATER 220V,750W  
 RECHAUFFEUR DU LIQUIDE DE REFRROIDISSEMENT 220V,750W  
 KUEHLWASSER-VORWAERMER 220V,750W  
 RISCALDATORE REDRIGERANTE 220V,750W  
 DISPOSITIVO PARA EL CALENTAMIENTO DEL LIQUIDO REFRIGERANTE 220V,750W  
 KYLVATSKEVARMARE 220V,750W  
 L109511 -UN-07JUL95



L 109511

KEY	PART NO.	PART NAME	QTY	SERIAL NO.	REMARKS
				3 3	
				0 1	
				3 3	
				0 0	
1	AL33526	COOLANT HEATER	1	X X	(ORD AL40847) (SUB FOR AL31565)
2	19H1792	CAP SCREW	AR	X X	1/2"X1"
	19H2353	CAP SCREW	AR	X X	9/16"X1"
3	L36372	STRAP	1	X X	
4	28H1863	WASHER	1	X X	
5	24M7146	WASHER	3	X X	4,3X12X1MM
6	14M7139	NUT	3	X X	M4
7	L37507	ADAPTER	1	X X	
8	L53836	O-RING	1	X X	
9	40M1851	SNAP RING	1	X X	22X1MM
10	AL33530	COOLANT HEATER	1	X X	(ORD AL68214)
11	AL33531	CABLE	1	X X	
12	21M7250	SCREW	3	X X	M4X12
13	AL33532	CABLE	1	X X	

# 1B25

ENGINE

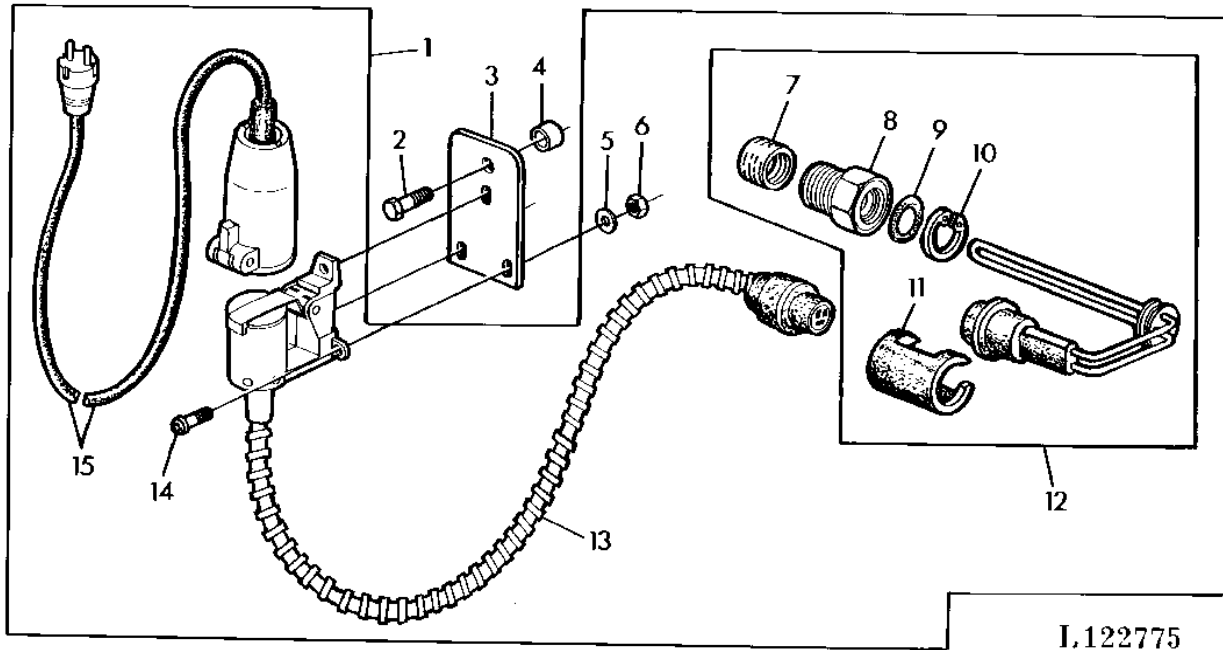
---

MEMORANDA  
MEMORANDA  
MEMORANDA  
MEMORANDA

# 1C1

ENGINE

ENGINE COOLANT HEATER 220V,500W  
 RECHAUFFEUR DU LIQUIDE DE REFROIDISSEMENT 220V,500W  
 KUEHLWASSER-VORWAERMER 220V,500W  
 RISCALDATORE REDRIGERANTE 220V,500W  
 DISPOSITIVO PARA EL CALENTAMIENTO DEL LIQUIDO REFRIGERANTE 220V,500W  
 KYLVATSKEVARMARE 220V,500W  
 L122775 -UN-15MAY95



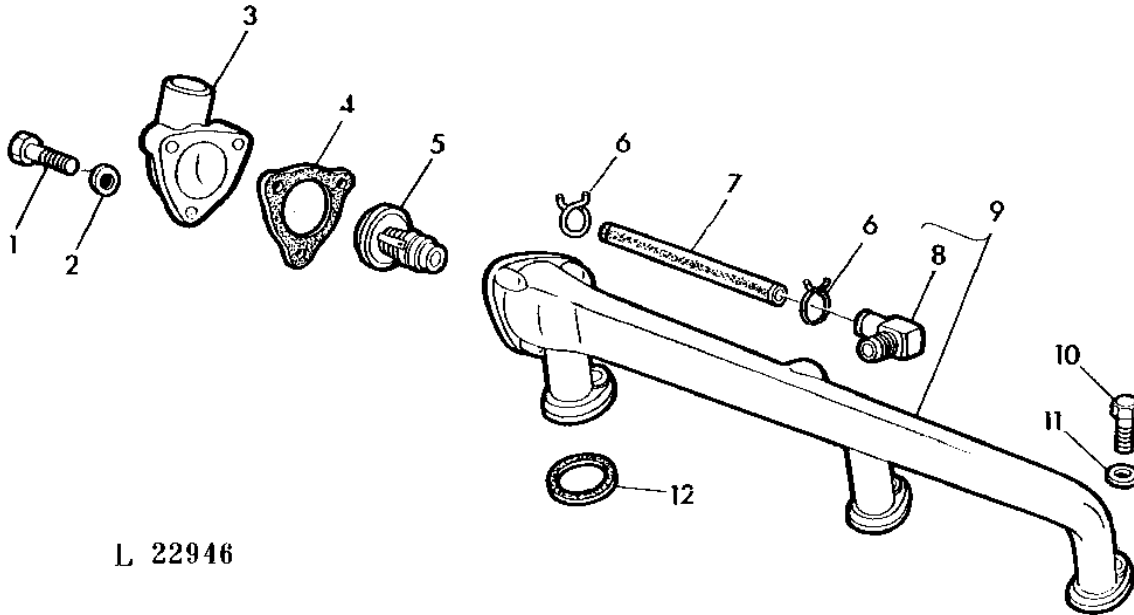
L.122775

KEY	PART NO.	PART NAME	QTY	SERIAL NO.	REMARKS
				3 3	
				0 1	
				3 3	
				0 0	
1	AL40847	COOLANT HEATER	1	X X	
2	19H1792	CAP SCREW	AR	X X	1/2"X1"
	19H2353	CAP SCREW	AR	X X	9/16"X1"
3	L36372	STRAP	1	X X	
4	28H1863	WASHER	1	X X	
5	24M7146	WASHER	3	X X	4,3X12X1MM
6	14M7139	NUT	3	X X	M4
7	L62675	ADAPTER	1	X X	1"X3/4"
8	L37507	ADAPTER	1	X X	
9	L53836	O-RING	1	X X	
10	40M1851	SNAP RING	1	X X	22X1MM
11	L77837	CLAMP	1	X X	
12	AL68214	HEATING ELEMENT	1	X X	
13	AL57945	WIRING HARNESS	1	X X	
14	21M7250	SCREW	3	X X	M4X12
15	AL33532	CABLE	1	X X	

# 1C2

ENGINE

WATER MANIFOLD/THERMOSTAT  
 PIPE D'EAU/THERMOSTAT  
 KUEHLWASSERKRUEMMER/THERMOSTAT  
 COLLETTORE DELL'ACQUA/THERMOSTATO  
 COLECTOR DEL AGUA DE REFRIGERACION/THERMOSTATO  
 VATTENMANTEL/THERMOSTAT  
 L22946 -UN-27OCT95



L 22946

KEY	PART NO.	PART NAME	QTY	ENGINE SERIAL NO.		REMARKS
					3 3	
					0 1	
					3 3	
					0 0	
1	19H1801	CAP SCREW	3	-235169	X	3/8"X2"
2	24H1304	WASHER	3	-235169	X	13/32"X23/32"X.120"
3	T24934	COVER	1	-235169	X	
4	T24932	GASKET	1	-235169	X	
5	AR77411	THERMOSTAT	1	-235169	X	90C(195F) (SUB FOR AR70601)
6	T29130	CLAMP	2	-235169	X	
7	T25479	HOSE	1	-235169	X	
8	AR50710	HOSE FITTING	1	-235169	X	
9	AT23071	COOLANT MANIFOLD	1	-235169	X	ASSY,INCL KEY 8
10	R53219	CAP SCREW	3	-235169	X	1/2"X5" (SUB FOR T23089)
11	T20168	WASHER	3	-235169	X	
12	T23002	GASKET	3	-235169	X	



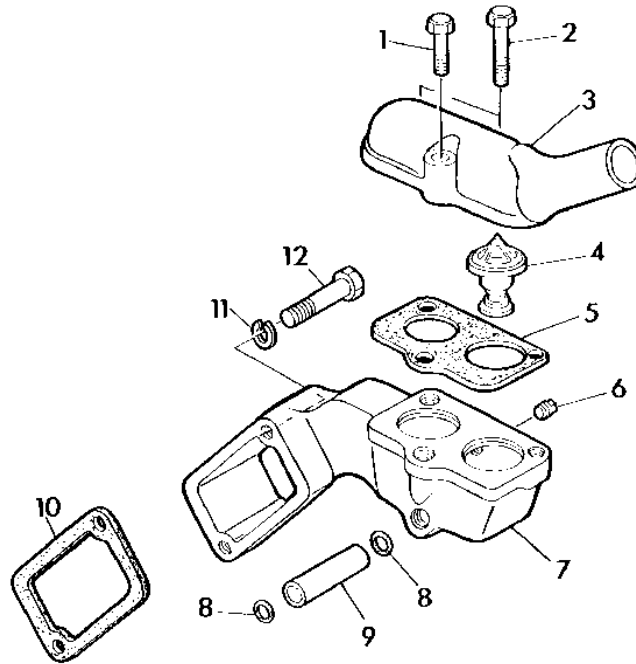
# 1C3

ENGINE

WATER MANIFOLD/THERMOSTAT  
 PIPE D'EAU/THERMOSTAT  
 KUEHLWASSERKRUEMMER/THERMOSTAT  
 COLLETTORE DELL'ACQUA/THERMOSTATO  
 COLECTOR DEL AGUA DE REFRIGERACION/THERMOSTATO  
 VATTENMANTEL/THERMOSTAT  
 L22945 -UN-27OCT95



I, 22945

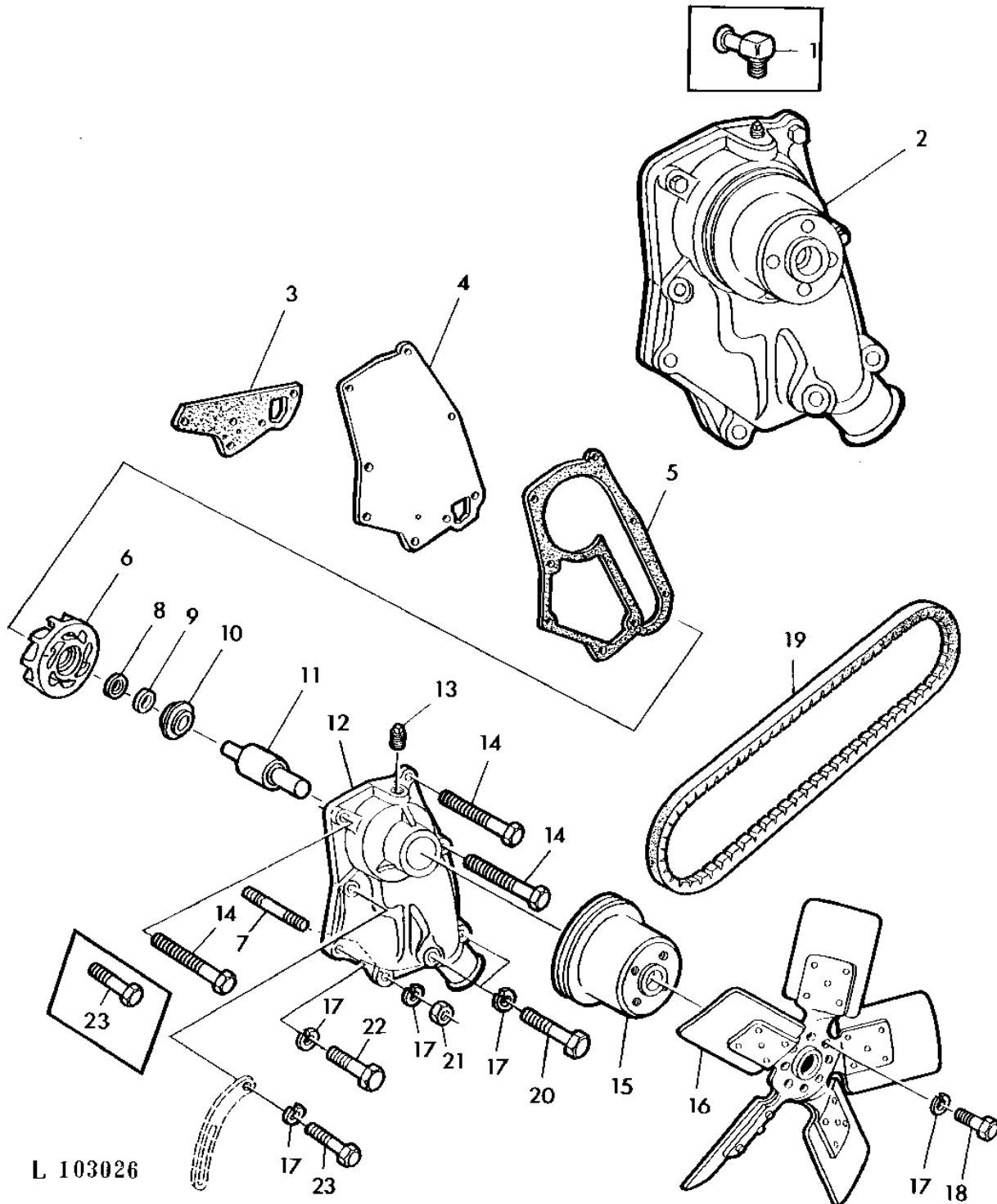


KEY	PART NO.	PART NAME	QTY	ENGINE SERIAL NO.	REMARKS
				3 3	
				0 1	
				3 3	
				0 0	
1	19H1801	CAP SCREW	1	235170-	X X 3/8"X2"
2	19H1732	CAP SCREW	2	235170-	X X 3/8"X1-1/4"
3	R55968	CASE	1	235170-	X X
4	AR48675	THERMOSTAT	1	235170-	X X 82C(180F)
5	R54638	GASKET	1	235170-	X X
6	15H584	PIPE PLUG	1	235170-	X X 1/2"
7	R54637	HOUSING	1	235170-	X X
8	R56461	O-RING	2	235170-	X X (SUB FOR R47144)
9	R62158	TUBE	1	235170-	X X
10	R54641	GASKET	1	235170-	X X
11	12H304	LOCK WASHER	2	235170-	X X 3/8"
12	19H1912	CAP SCREW	2	235170-	X X 3/8"X3-1/2"

# 1C4

ENGINE

WATER PUMP/FAN  
POMPE A EAU/VENTILATEUR  
WASSERPUMPE/LUEFTER  
POMPA ACQUA/VENTILATORE  
BOMBA DE AGUA/VENTILADOR  
VATTENPUMP/FLAKT  
L103026 -UN-07NOV95



L 103026

# 1C5

ENGINE

KEY	PART NO.	PART NAME	QTY	ENGINE SERIAL NO.	3 0 3 0	3 1 3 0	REMARKS
1	AR50710	HOSE FITTING	1	-235169	X		
2	AT26489	WATER PUMP	1	-235169	X		INCL KEYS 1,4-6,8-12,14,15,23
	AR76292	WATER PUMP	1	235170-318122	X		INCL KEYS 4-6,8-12,14,15
	AR80962	WATER PUMP	1	318123-380539	X		INCL KEYS 4-6,8-15
	AR80962	WATER PUMP	1	-381270	X		(A) (B) INCL KEYS 1,4-6 8-12,14,15
	AR86806	WATER PUMP	1	380540-	X		(A) INCL KEYS 1,4-6,8-12,14,15
	AR86806	WATER PUMP	1	381271-	X		(A) (B) INCL KEYS 1,4-6 8-12,14,15
3	T20243	GASKET	1		X		
4	R102902	COVER	1		X		TK=6MM(0.231") (SUB FOR T25484)
							TK=7MM(0.275")
5	T28440	GASKET	1		X		
6	.....		1		X		NSEP (ORD RE37484)
7	T25701	STUD	1		X		
8	.....		1		X		NSEP (ORD RE37484)
9	.....		1		X		NSEP (ORD RE37484)
10	.....		1		X		NSEP (ORD RE37484)
11	.....		1		X		NSEP (ORD RE37484)
12	.....		1	-235169	X		NSEP (ORD AT26489)
	.....		1	235170-318122	X		NSEP (ORD AT76292)
	.....		1	318123-380539	X		NSEP (ORD AR80962)
	.....		1	380540-	X		(A) NSEP (ORD AR86806)
	.....		1	-381270	X		(A) (B) NSEP (ORD AR80962)
	.....		1	381271-	X		(A) (B) NSEP (ORD AR86806)
13	15H584	PIPE PLUG	1		X		(A)
	15H584	PIPE PLUG	1	235170-	X		
14	19H1800	CAP SCREW	2	-318122	X		3/8"X1-1/2"
	19H1819	CAP SCREW	3		X		(A) 3/8"X2-1/8"
	19H1819	CAP SCREW	3	318123-	X		3/8"X2-1/8" (SUB FOR 19H1800)
15	T28439	SHEAVE	1	-318122	X		
	R64619	SHEAVE	1	318123-380539	X		
	R64619	SHEAVE	1	-381270	X		(A) (B)
	R66793	SHEAVE	1	381271-	X		(A) (B)
16	RE41269	SUCTION FAN	1		X		(SUB FOR AR26382)
17	12H304	LOCK WASHER	9		X		3/8"
18	19H2284	CAP SCREW	4		X		3/8"X7/8"
19	N150864	BELT	1		X		(A)
	R73784	BELT	1	-318122	X		(SUB FOR T31710)
	N150864	BELT	1	318123-	X		
20	19H1912	CAP SCREW	2		X		3/8"X3-1/2"
21	14H812	NUT	1		X		3/8"
22	19H1819	CAP SCREW	1	-380539	X		3/8"X2-1/8"
	19H2128	CAP SCREW	1	380540-	X		3/8"X2-1/8"
	19H2128	CAP SCREW	1		X		(A) 3/8"X3"
23	19H1801	CAP SCREW	1		X		(A) 3/8"X2"
	19H1801	CAP SCREW	2	-318122	X		3/8"X2"
	19H1801	CAP SCREW	1	318123-	X		3/8"X2"
..	RE37484	KIT	AR		X		KIT,INCL KEYS 3,5,6,8,9-11 (SUB FOR RE11346)

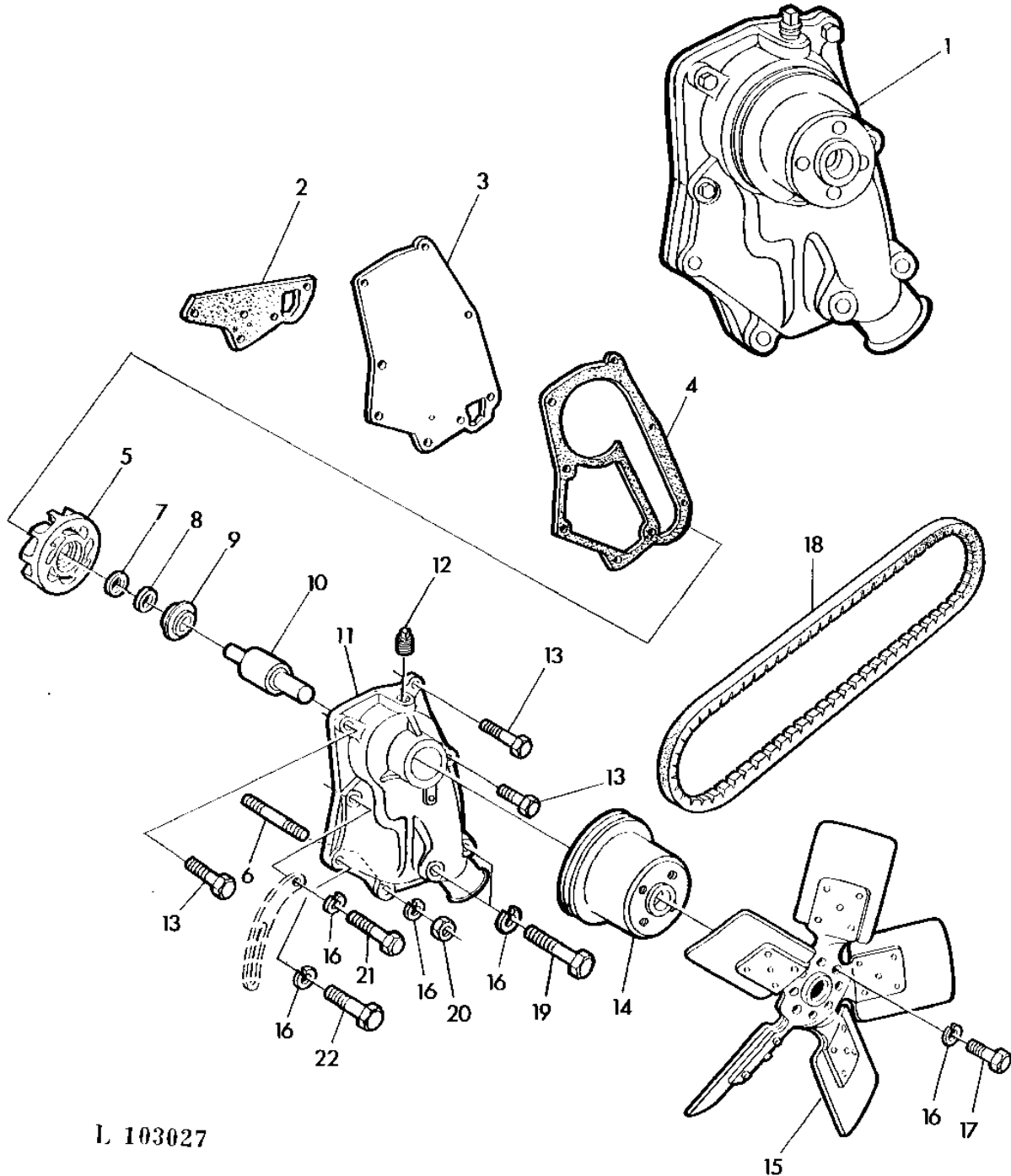
(A) WITH AIR CONDITIONING  
 AVEC CLIMATISATION  
 BEI KLIMAANLAGE  
 CON IMPIANTO D'ARIA CONDIZIONATA  
 CON SISTEMA DE AIRE ACONDICIONADA  
 MED LUFTKONDITIONERING

(B) WITH ALTITUDE COMPENSATOR (TURBOCHARGER)  
 AVEC COMPENSATEUR D'ALTITUDE (TURBOCOMPRES)  
 BEI HOEHENKOMPENSATOR (TURBOLADER)  
 CON COMPENSATORE ALTITUDINE (TURBOCOMPRESS)  
 CON COMPENSADOR DE ALTITUD (TURBOCOMPRESOR)  
 VID TURBOAGGREGAT (TURBOLADDARE)

# 1C6

ENGINE

WATER PUMP/FAN  
POMPE A EAU/VENTILATEUR  
WASSERPUMPE/LUEFTER  
POMPA ACQUA/VENTILATORE  
BOMBA DE AGUA/VENTILADOR  
VATTENPUMP/FLAKT  
L103027 -UN-07NOV95



L 103027

# 1C7

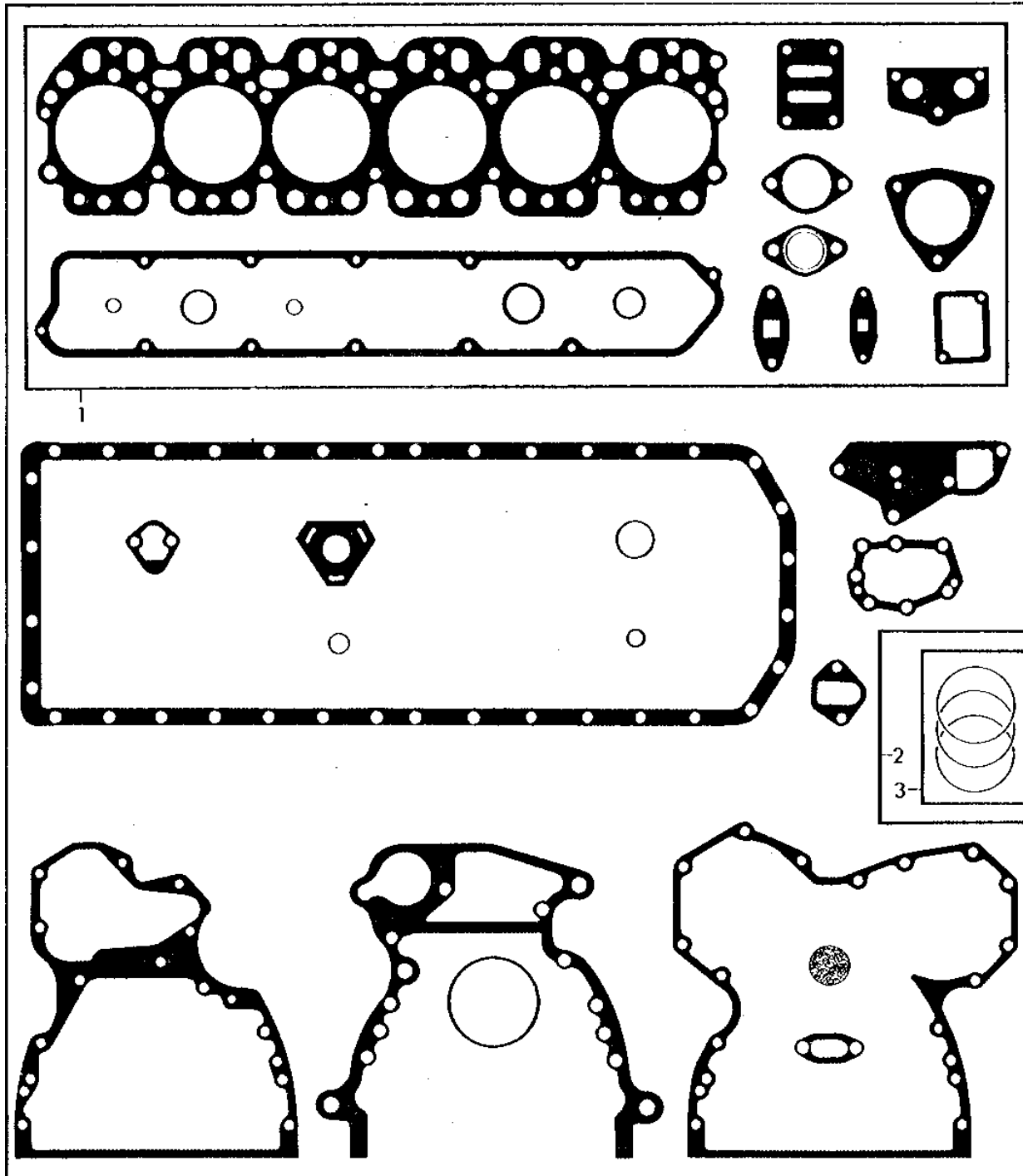
ENGINE

KEY	PART NO.	PART NAME	QTY	ENGINE		REMARKS
				SERIAL NO.		
					3 3	
					0 1	
					3 3	
					0 0	
1	AR80962	WATER PUMP	1	-381270	X	ASSY,INCL KEYS 3-5,7-14
	AR86806	WATER PUMP	1	381271-	X	ASSY,INCL KEYS 3-5,7-14
2	T20243	GASKET	1		X	
3	R102902	COVER	1		X	TK=6MM(0.231") TK=7MM(0.275") (SUB FOR T25484)
4	T28440	GASKET	1		X	
5	.....		1		X	NSEP (ORD RE37484)
6	T25701	STUD	1		X	
7	.....		1		X	NSEP (ORD RE37484)
8	.....		1		X	NSEP (ORD RE37484)
9	.....		1		X	NSEP (ORD RE37484)
10	.....		1		X	NSEP (ORD RE37484)
11	.....		1	-381270	X	NSEP (ORD AR80962)
	.....		1	381271-	X	NSEP (ORD AR86806)
12	15H584	PIPE PLUG	1		X	
13	19H1819	CAP SCREW	3		X	3/8"X2-1/8" (SUB FOR 19H1800)
14	R64619	SHEAVE	1	-381270	X	
	R66793	SHEAVE	1	381271-	X	
15	RE41269	SUCTION FAN	1		X	(SUB FOR AR26382)
16	12H304	LOCK WASHER	9		X	3/8"
17	19H2284	CAP SCREW	4		X	3/8"X7/8"
18	N150864	BELT	1		X	
19	19H1912	CAP SCREW	2		X	3/8"X3-1/2"
20	14H812	NUT	1		X	3/8"
21	19H2128	CAP SCREW	1		X	3/8"X3"
22	19H1801	CAP SCREW	1		X	3/8"X2"
..	RE37484	KIT	AR		X	KIT,INCL KEYS 2,4,5,7-9 (SUB FOR RE11346)

# 1C8

ENGINE

ENGINE GASKET SET  
JEU DE JOINTS MOTEUR  
MOTOR-DICHTUNGSSATZ  
SERIE GUARNIZIONI MOTORE  
JUEGO DE JUNTAS PARA EL MOTOR  
PACKNINGSSATS FOR MOTOR  
CD20516 -UN-01JAN94



CD 20516

# 1C9

ENGINE

KEY	PART NO.	PART NAME	QTY	SERIAL NO.	3 3 0 1 3 3 0 0	REMARKS
1	AR71994	GASKET KIT	AR		X X	(ORD (12) AR100124, RE38852) (SUB FOR AT21631)
	RE38852	GASKET KIT	AR		X X	
2	AR97786	GASKET KIT	AR		X X	(ORD (12) AR100124, (6) AR71618, RE38860) (SUB FOR AR74367, AR97786)
	RE38860	GASKET KIT	AR		X X	
3	AR71618	KIT	6		X X	KIT (SUB FOR DD13276)

# 1C10

ENGINE

---

MEMORANDA  
MEMORANDA  
MEMORANDA  
MEMORANDA



# 1C11

ENGINE

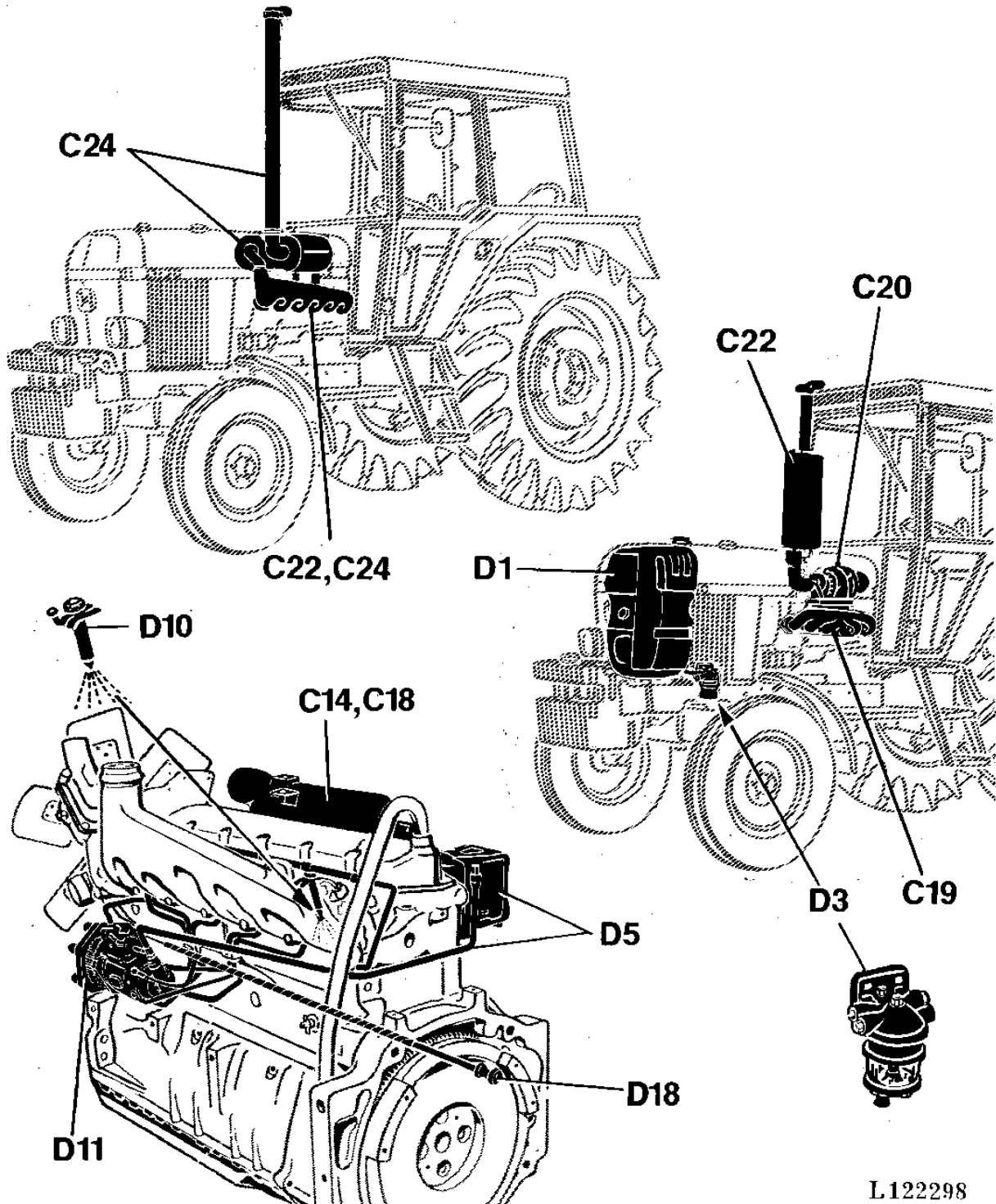
---

MEMORANDA  
MEMORANDA  
MEMORANDA  
MEMORANDA  
MEMORANDA

# 1C12

FUEL SYSTEM AND AIR INTAKE SYSTEM

SECTIONAL INDEX  
INDEX DE SECTION  
GRUPPENINDEX  
INDICE DELLA SEZIONE  
INDICE DE SECCION  
GRUPPSFORTECKNING  
L122298 -UN-23OCT95

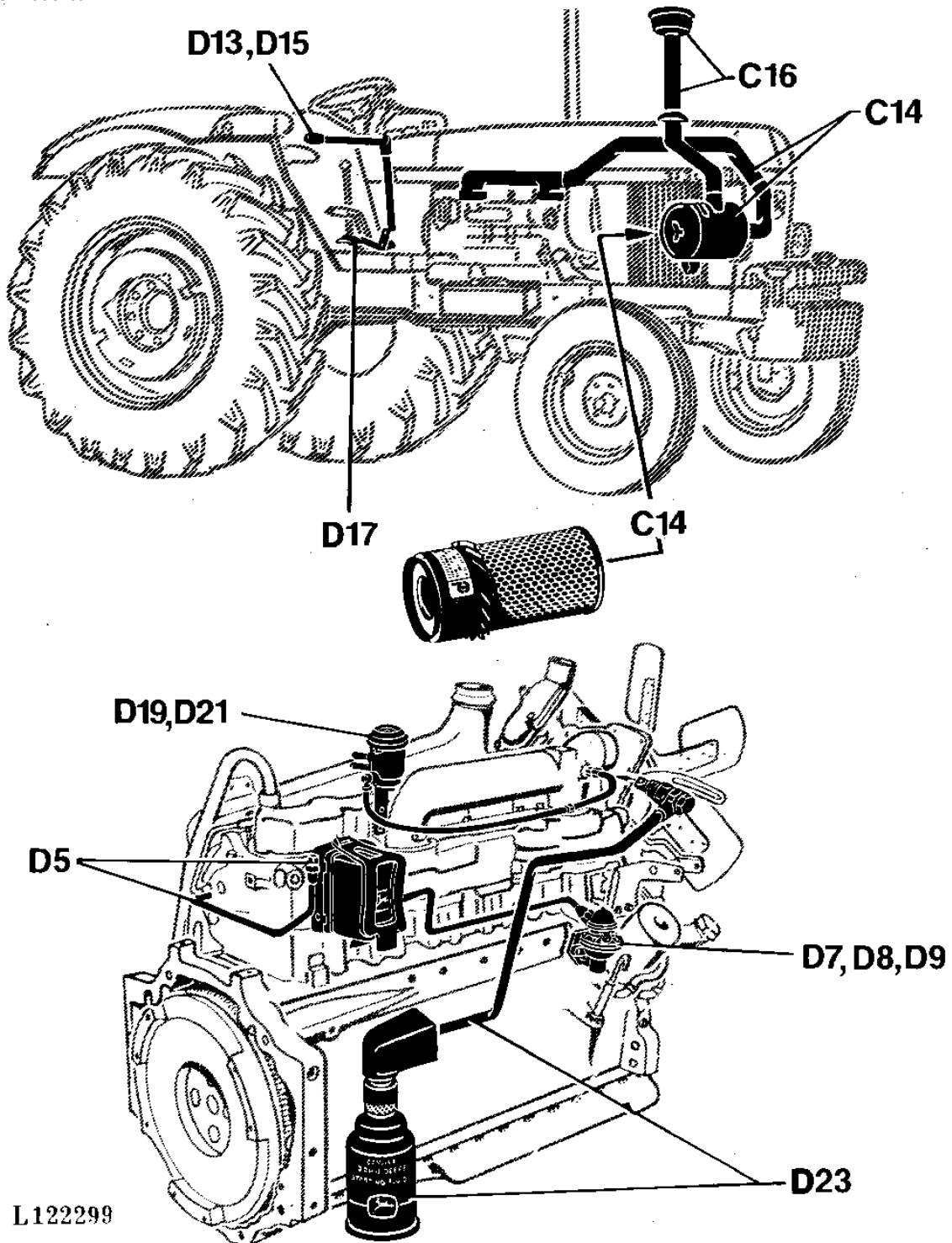


L122298

# 1C13

FUEL SYSTEM AND AIR INTAKE SYSTEM

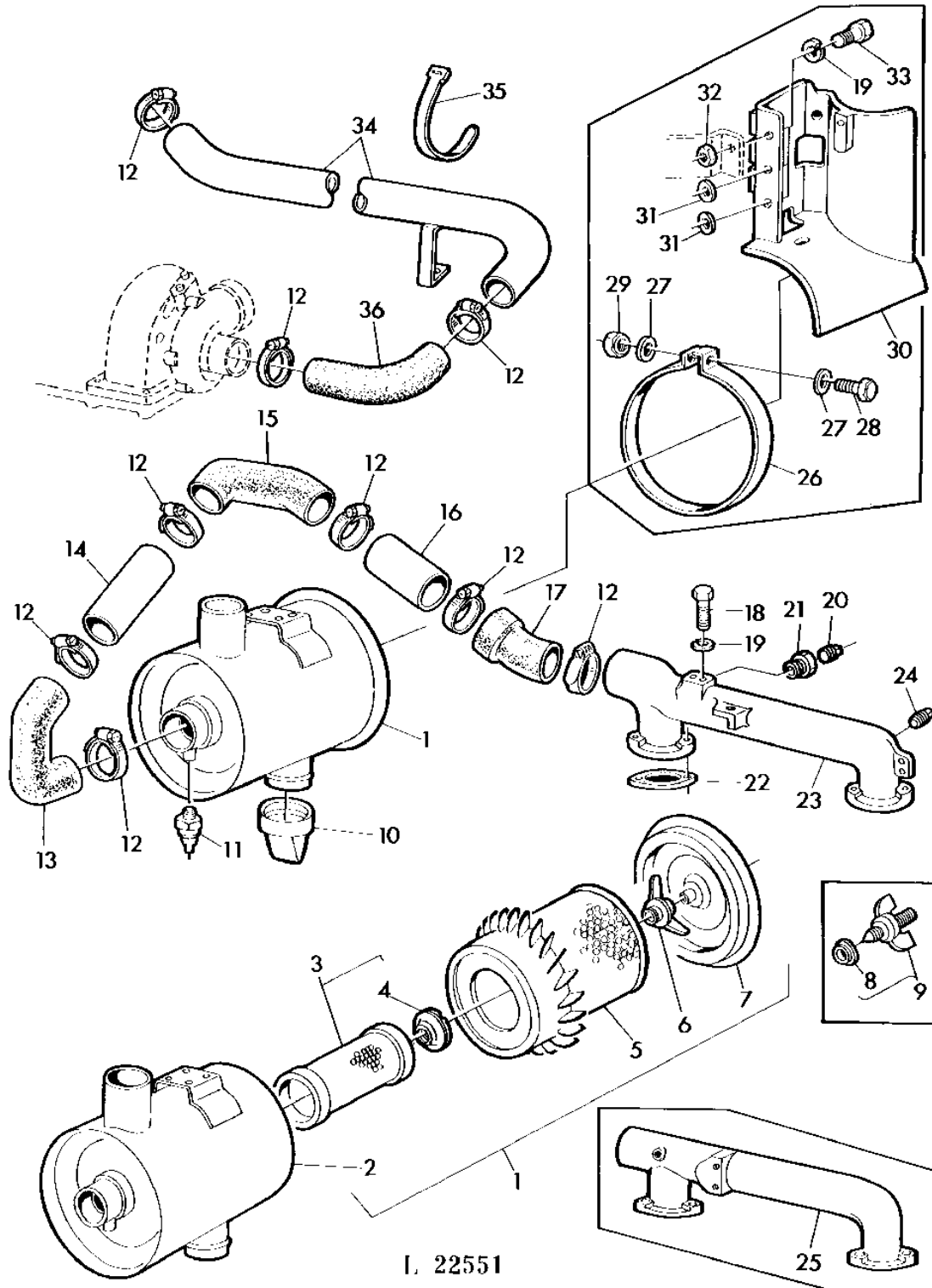
SECTIONAL INDEX  
INDEX DE SECTION  
GRUPPENINDEX  
INDICE DELLA SEZIONE  
INDICE DE SECCION  
GRUPPSFORTECKNING  
L122299 -UN-23OCT95



# 1C14

FUEL SYSTEM AND AIR INTAKE SYSTEM

DRY AIR CLEANER  
FILTRE A AIR SEC  
TROCKENLUFTFILTER  
FILTRO ARIA SECCO  
FILTRO DE AIRE EN SECO  
TORRLUFTRENARE  
L22551 -UN-27OCT95



# 1C15

## FUEL SYSTEM AND AIR INTAKE SYSTEM

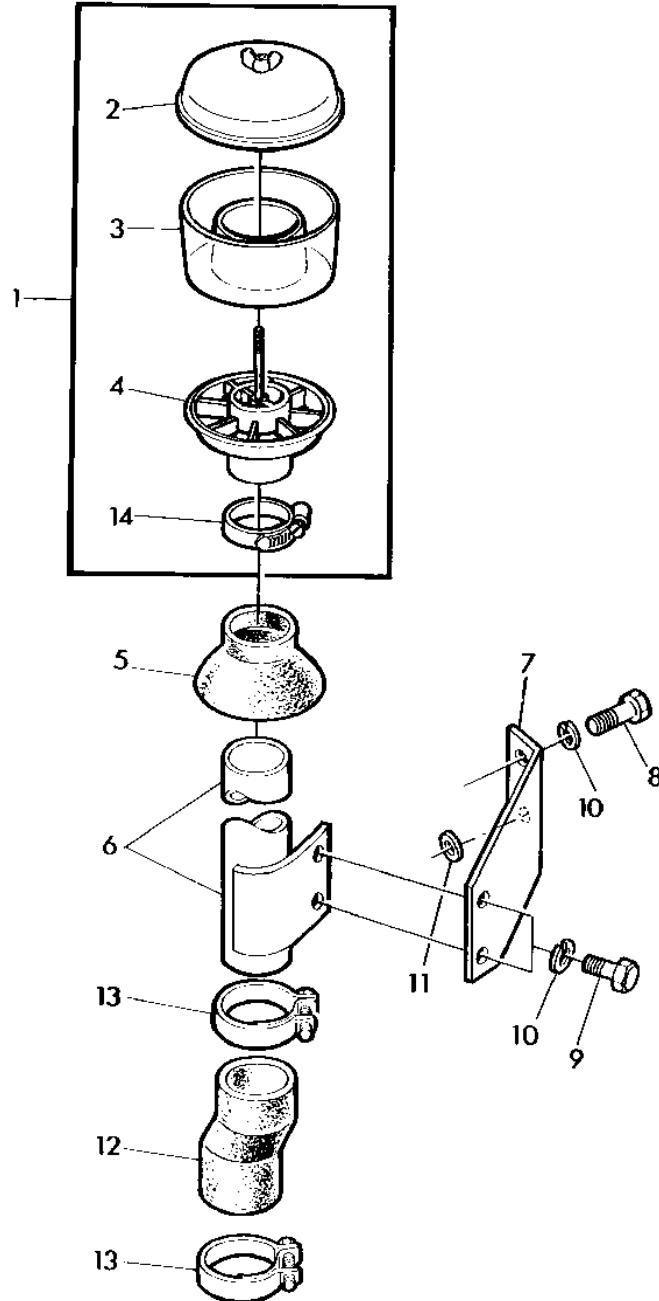
KEY	PART NO.	PART NAME	QTY	SERIAL NO.	3 0 3 0	3 1 3 0	REMARKS
1	AL19916	AIR CLEANER	1	-151542	X	X	ASSY,INCL KEYS 2,5,7-9
	AL25278	AIR CLEANER	1	151543-192099	X	X	(ORD AL28178)
	AL28178	AIR CLEANER	1	192100-	X	X	ASSY,INCL KEYS 2-7 (SUB FOR AL25278, AL27157)
2	AL19918	HOUSING	1	-151542	X	X	NSEP (ORD AL19916)
	AL25279	AIR CLEANER	1	151543-	X	X	NSEP (ORD AL28178)
3	AL27160	FILTER ELEMENT	1	192100-	X	X	(ORD W/ R48567)
4	R48567	NUT	1		X	X	
5	AL27158	FILTER ELEMENT	1		X	X	(SUB FOR AR39799)
6	AH20849	WING NUT	1	192100-	X	X	
7	AL19919	COVER	1		X	X	
8	R39825	SEAL	1	-192099	X	X	NSEP (SUB FOR L28518)
9	AT24437	WING SCREW	1	-192099	X	X	INCL KEY 8 (SUB FOR L28517)
10	T23263	VALVE	1		X	X	
11	AL32975	TOUCH SWITCH	1		X	X	(SUB FOR AL24194)
12	AR21841	CLAMP	6		X	X	(SUB FOR AL19910, AR21999)
13	L28511	HOSE	1		X	X	
14	L28510	TUBE	1		X	X	FRONT
15	L28513	HOSE	1		X	X	
16	L28512	TUBE	1		X	X	REAR
17	L28514	HOSE	1		X	X	
18	19H1732	CAP SCREW	4		X	X	3/8"X1-1/4"
19	12H304	LOCK WASHER	7	-151542	X	X	3/8"
	12H304	LOCK WASHER	2	151543-	X	X	3/8"
20	15H255	PIPE PLUG	1		X	X	3/8"
21	T27986	FITTING	1		X	X	7/8", 3/8"
22	R81275	GASKET	2		X	X	(SUB FOR T20159)
23	R65851	INTAKE MANIFOLD	1	318123-	X	X	
24	15H638	PIPE PLUG	1		X	X	1/8"
25	T29676	INTAKE MANIFOLD	1	-318122	X	X	
26	T28395	CLAMP	1	-151542	X	X	
27	24H1287	WASHER	2	-151542	X	X	9/32"X5/8"X.060"
28	19H1898	CAP SCREW	1	-151542	X	X	1/4"X1-1/2"
29	14H786	NUT	1	-151542	X	X	1/4"
30	AT26454	BRACKET	1	-151542	X	X	
31	24H1122	WASHER	2		X	X	3/8"X7/8"X.075"
32	14H732	NUT	3	-151542	X	X	3/8"
33	19H1731	CAP SCREW	3	-151542	X	X	3/8"X1"
34	AL27470	PIPE	1	192811-	X	X	(A)
35	T44946	TIE BAND	1		X	X	(A)
36	Z30401	HOSE	1	192811-	X	X	(A)

(A) WITH ALTITUDE COMPENSATOR (TURBOCHARGER)  
 AVEC COMPENSATEUR D'ALTITUDE (TURBOCOMPRESSEUR)  
 BEI HOEHENKOMPENSATOR (TURBOLADER)  
 CON COMPENSATORE ALTITUDINE (TURBOCOMPRESSORE)  
 CON COMPENSADOR DE ALTITUD (TURBOCOMPRESOR)  
 VID TURBOAGGREGAT (TURBOLADDARE)

# 1C16

FUEL SYSTEM AND AIR INTAKE SYSTEM

AIR PRE-CLEANER (FOR DRY AIR CLEANER)  
PRÉFILTRE A AIR (POUR FILTRE AIR SEC)  
LUFTVORFILTER (FUER TROCKENLUFTFILTER)  
PRÉFILTRO (PER FILTRO ARIA SECCO)  
PRE-PURIFICADOR DE AIRE (PARA FILTRO DE AIRE EN SECO)  
FOERRENARE (FOR TORRLUFTRENARE)  
L100602 -UN-03NOV95



L 100602

# 1C17

## FUEL SYSTEM AND AIR INTAKE SYSTEM

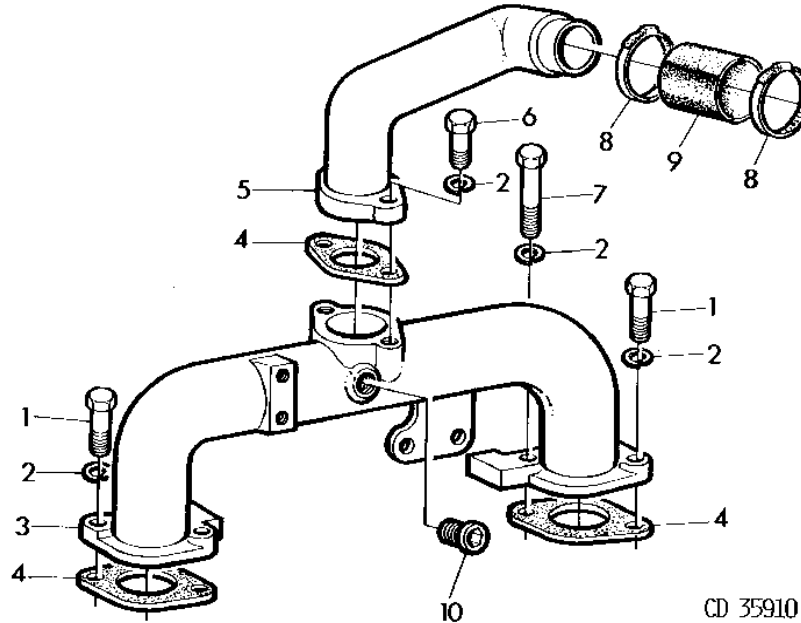
KEY	PART NO.	PART NAME	QTY	SERIAL NO.	3 3 0 1 3 3 0 0	REMARKS
1	AZ24175	PRESCREENER	1		X X	(SUB FOR AL19917)
2	AR1729R	COVER	1		X X	(SUB FOR AL19921)
3	L28519	BOWL	1		X X	
4	AZ24178	FILTER	1		X X	(SUB FOR AL19920, AR28040)
5	R28799	SEAL	1		X X	
6	AL37358	PIPE	1		X X	(SUB FOR AL19744)
7	L28515	RETAINER	1		X X	
8	19H1732	CAP SCREW	2		X X	3/8"X1-1/4"
9	19H1936	CAP SCREW	2		X X	3/8"X3/4"
10	12H304	LOCK WASHER	4		X X	3/8"
11	14H732	NUT	2		X X	3/8"
12	L28516	HOSE	1		X X	
13	AR21841	CLAMP	2		X X	(SUB FOR AL19910, AR21999)
14	AL38379	CLAMP	1		X X	(SUB FOR AR62936 APPL)

# 1C18

FUEL SYSTEM AND AIR INTAKE SYSTEM

AIR INTAKE MANIFOLD, WITH ALTITUDE COMPENSATOR  
 PIPE D'ADMISSION(AVEC COMPENSATEUR D'ALTITUDE)  
 ANSAUGKRUEMMER (BEI HOEHENKOMPENSATOR)  
 COLLETTORE ASPIRAZIONE(CON COMPENSATORE ALTITUDINE)  
 COLECTOR DE ADMISION DE AIRE CON COMPENSADOR DE ALTITUDO  
 INSUGNINGSROR (VID TURBOAGGREGAT)

CD35910 -UN-22JUN95



CD 35910

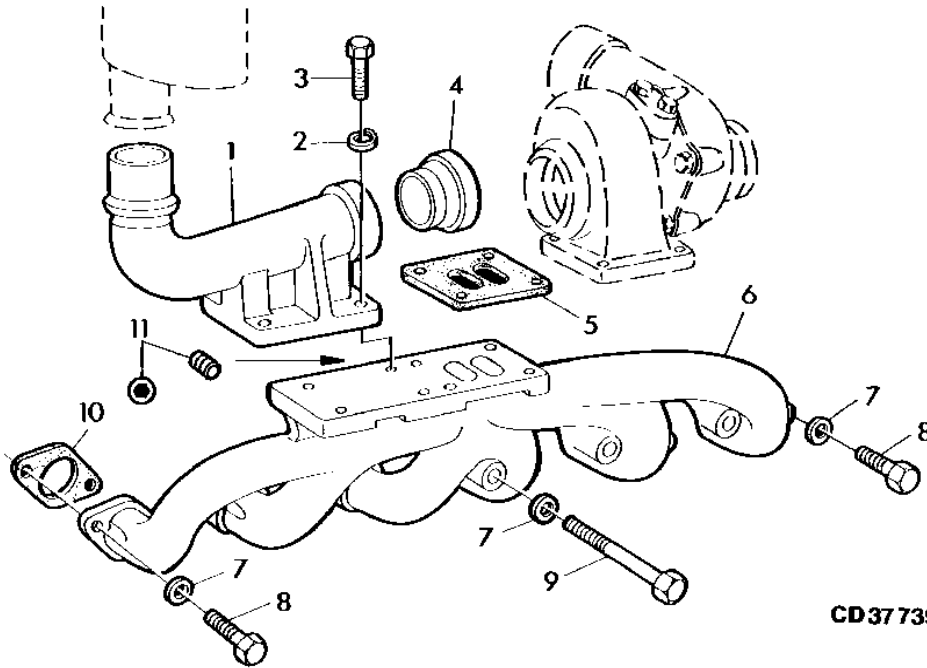
KEY	PART NO.	PART NAME	QTY	SERIAL NO.	REMARKS
				3 3	
				0 1	
				3 3	
				0 0	
1	19H1732	CAP SCREW	3	X	3/8"X1-1/4"
2	12H304	LOCK WASHER	6	X	3/8"
3	R90262	INTAKE MANIFOLD	1	X	(SUB FOR CD13616)
4	R81275	GASKET	3	X	(SUB FOR T20159)
5	T30819	ELBOW FITTING	1	X	
6	19H218	CAP SCREW	2	X	3/8"X1"
7	19H1800	CAP SCREW	1	X	3/8"X1-1/2"
8	AR65294	CLAMP	2	X	
9	R56551	HOSE	1	X	
10	R84982	PLUG	AR	X	



# 1C19

FUEL SYSTEM AND AIR INTAKE SYSTEM

EXHAUST MANIFOLD, WITH ALTITUDE COMPENSATOR  
 COLLECTEUR D'ÉCHAPPEMENT AVEC COMPENSATEUR D'ALTITUDE  
 AUSLASSKRUEMMER MIT HOEHENKOMPENSATOR  
 COLLETTORE SCARICO (CON COMPENSATORE ALTITUDINE)  
 COLECTOR DE ESCAPE CON COMPENSADOR DE ALTITUD  
 AVGASROR (VID TURBOAGGREGAT)  
 CD37739 -UN-27OCT95



CD37739

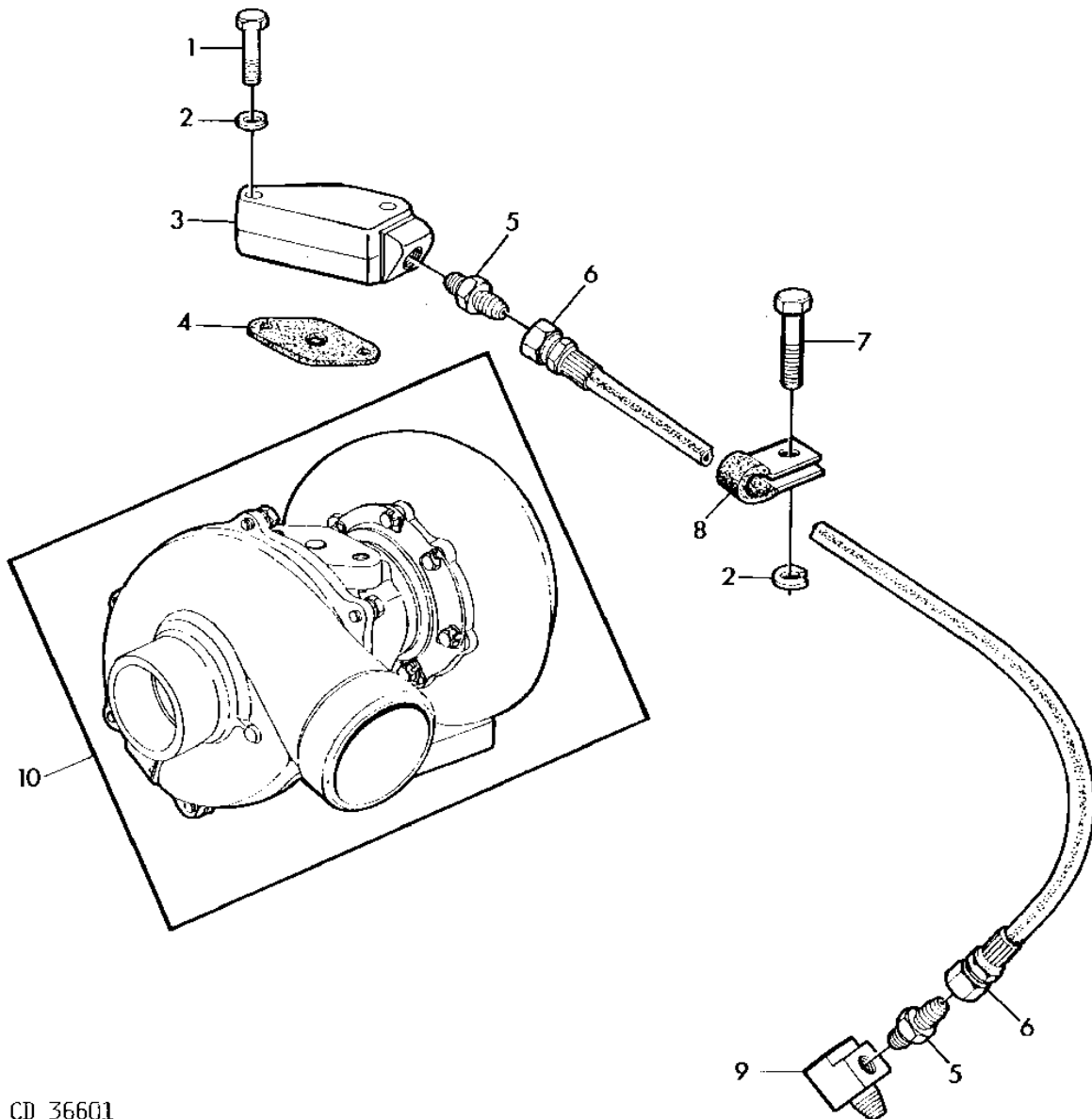
KEY	PART NO.	PART NAME	QTY	SERIAL NO.	REMARKS
				3 3	
				0 1	
				3 3	
				0 0	
1	R63116	ELBOW FITTING	1	X	
2	12H304	LOCK WASHER	4	X	3/8"
3	19H2552	CAP SCREW	4	X	3/8"X1-1/8"
4	R51736	ADAPTER	1	X	
5	R89879	GASKET	1	X	(SUB FOR R55509)
6	CE15515	EXHAUST MANIFOLD	AR	X	
.....			1	X	(MARKED T30818) NSEP (ORD CE15515, 15M7044)
7	24H1305	WASHER	12	X	13/32"X13/16"X.060"
8	19H1732	CAP SCREW	9	X	3/8"X1-1/4"
9	19H1912	CAP SCREW	3	X	3/8"X3-1/2"
10	R90658	GASKET	6	X	(SUB FOR T20006)
11	15M7044	DRAIN PLUG	1	X	12X1,25MM (FOR CE15515)

# 1C20

FUEL SYSTEM AND AIR INTAKE SYSTEM

ALTITUDE COMPENSATOR(TURBOCHARGER)  
COMPENSATEUR D'ALTITUDE(TURBOCOMPRESSEUR)  
HOEHENKOMPENSATOR(TURBOLADER)  
COMPENSATORE ALTITUDINE(TURBOCOMPRESSORE)  
COMPENSADOR DE ALTITUD(TURBOCOMPRESOR)  
TURBOAGGREGAT(TURBOLADDARE)

CD36601 -UN-22JUN95



CD 36601

# 1C21

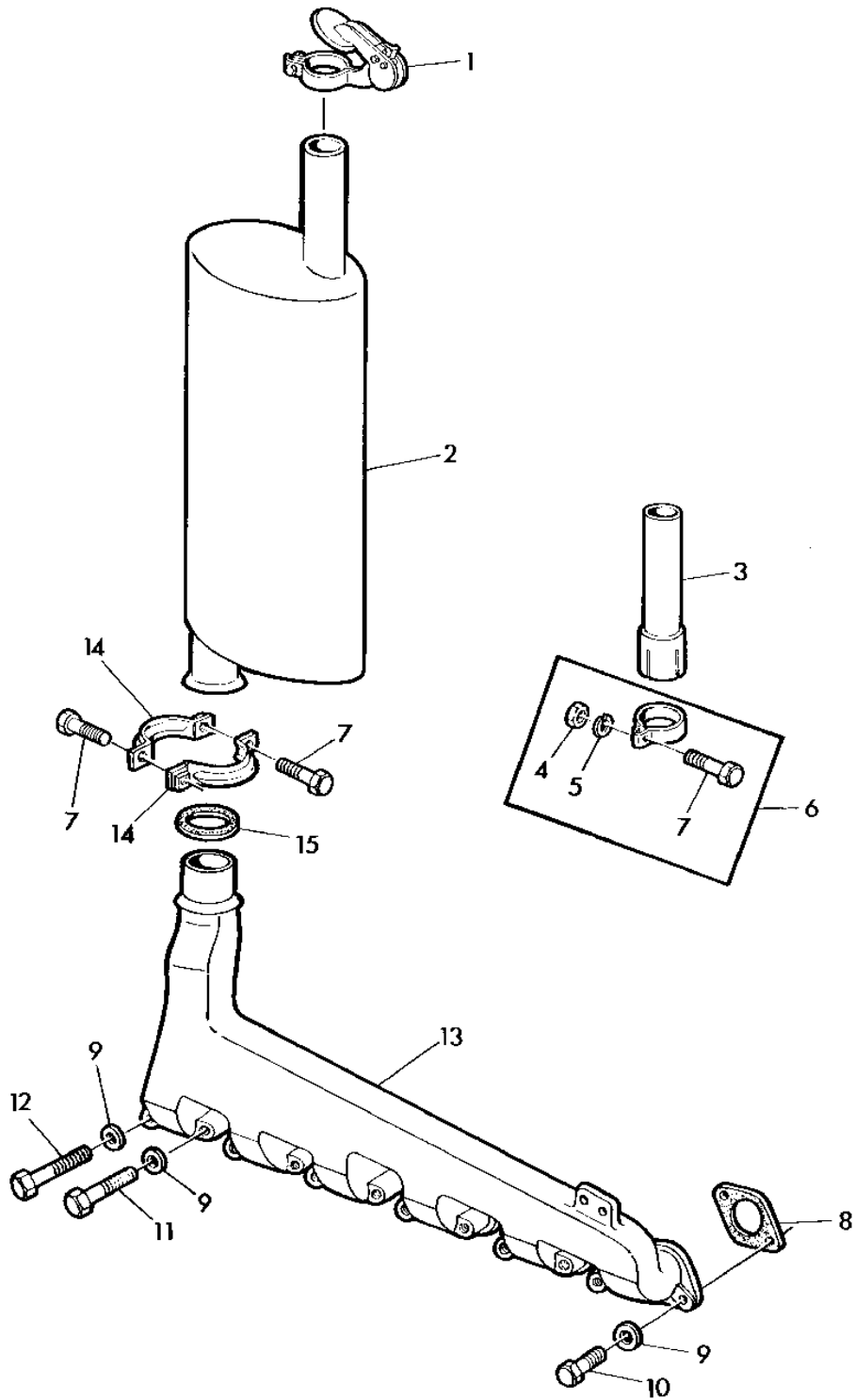
## FUEL SYSTEM AND AIR INTAKE SYSTEM

KEY	PART NO.	PART NAME	QTY	SERIAL NO.	3 3 0 1 3 3 0 0	REMARKS
1	19H1901	CAP SCREW	2		X	5/16"X2"
2	12M7065	LOCK WASHER	3		X	
3	T30199	ADAPTER	1		X	
4	R97348	GASKET	1		X	(SUB FOR R43413)
5	R27346	FITTING	2		X	
6	RE23181	HYDRAULIC HOSE	1		X	(SUB FOR AR47297, AR78832)
7	19H1800	CAP SCREW	1		X	3/8"X1-1/2"
8	R46414	CLAMP	1		X	
9	T19158	TEE FITTING	1		X	
10	.....		1		X	MODEL TA3401 (SUB FOR AR64567) MODEL TO4833, NSEP (ORD RE32204)
	RE32204	KIT	AR		X	MODEL TA3401

# 1C22

FUEL SYSTEM AND AIR INTAKE SYSTEM

EXHAUST SYSTEM  
SYSTEME D'ECHAPPEMENT  
ABGASANLAGE  
SISTEMA SCARICO  
SISTEMA DE ESCAPE  
AVGASSYSTEM  
L102060 -UN-07NOV95



I. 102060

# 1C23

## FUEL SYSTEM AND AIR INTAKE SYSTEM

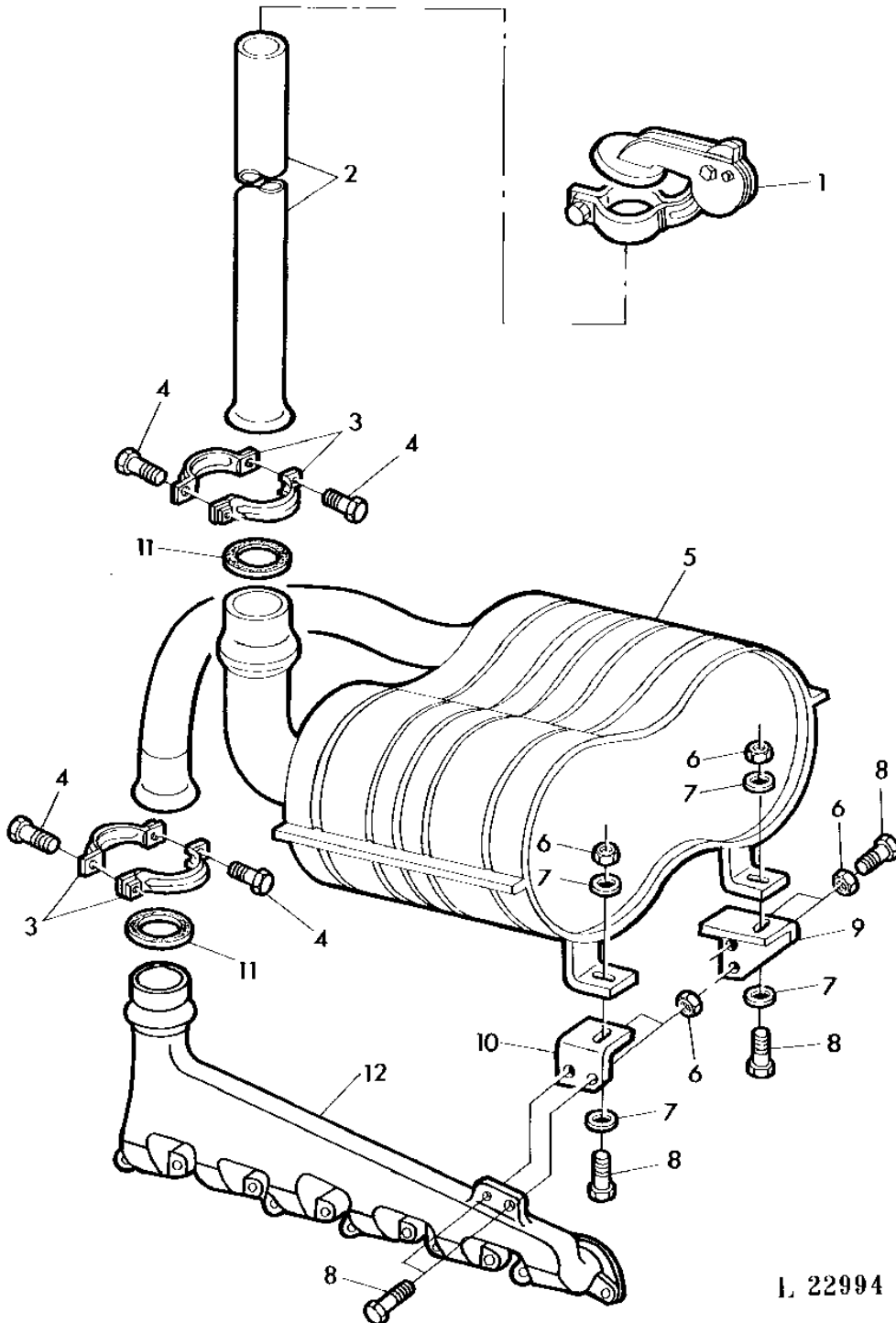
KEY	PART NO.	PART NAME	QTY	SERIAL NO.	REMARKS
					3 3
					0 1
					3 3
					0 0
1	AT32240	EXHAUST CAP	1		X X
2	AL24553	MUFFLER	1		X X (SUB FOR AT25957)
	AT32221	MUFFLER	1		X X (A) (ORD AL24553)
3	T32537	EXHAUST PIPE	1		X X
4	14H785	NUT	1		X X 5/16"
5	12H303	LOCK WASHER	1		X X 5/16"
6	AR38398	CLAMP	1		X X (SUB FOR T32536 APPL)
7	19H1849	CAP SCREW	3		X X 5/16"X1-1/4"
8	R90658	GASKET	6		X X (SUB FOR T20006)
9	24H1303	WASHER	12		X X 13/32"X11/16"X.060"
10	19H1732	CAP SCREW	1		X X 3/8"X1-1/4"
11	19H1733	CAP SCREW	5		X X 3/8"X2-1/2"
12	19H1912	CAP SCREW	6		X X 3/8"X3-1/2"
13	T28437	EXHAUST MANIFOLD	1		X X
14	AT32239	HALF CLAMP	2		X X
15	L62429	GASKET	1		X X (SUB FOR R31142)

(A) ONLY FOR SWEDEN AND NORWAY  
 UNIQUEMENT SUEDE ET NORVEGE  
 NUR FUER SCHWEDEN UND NORWEGEN  
 SOLO PER SVEZIA E NORVEGIA  
 SOLAMENTE PARA SUECIA Y NORUEGA  
 ENDAST FOR SVERIGE OCH NORGE

# 1C24

FUEL SYSTEM AND AIR INTAKE SYSTEM

EXHAUST SYSTEM WITH MUFFLER  
ECHAPPEMENT AVEC SILENCIEUX  
ABGASANLAGE MIT SCHALLDAEMPfung  
SISTEMA SCARICO CON SILENZIATORE  
SISTEMA DE ESCAPE CON SILENCIADOR  
AVGASSYSTEM CON LJUDDAMPARE  
L22994 -UN-27OCT95



L 22994

# 1C25

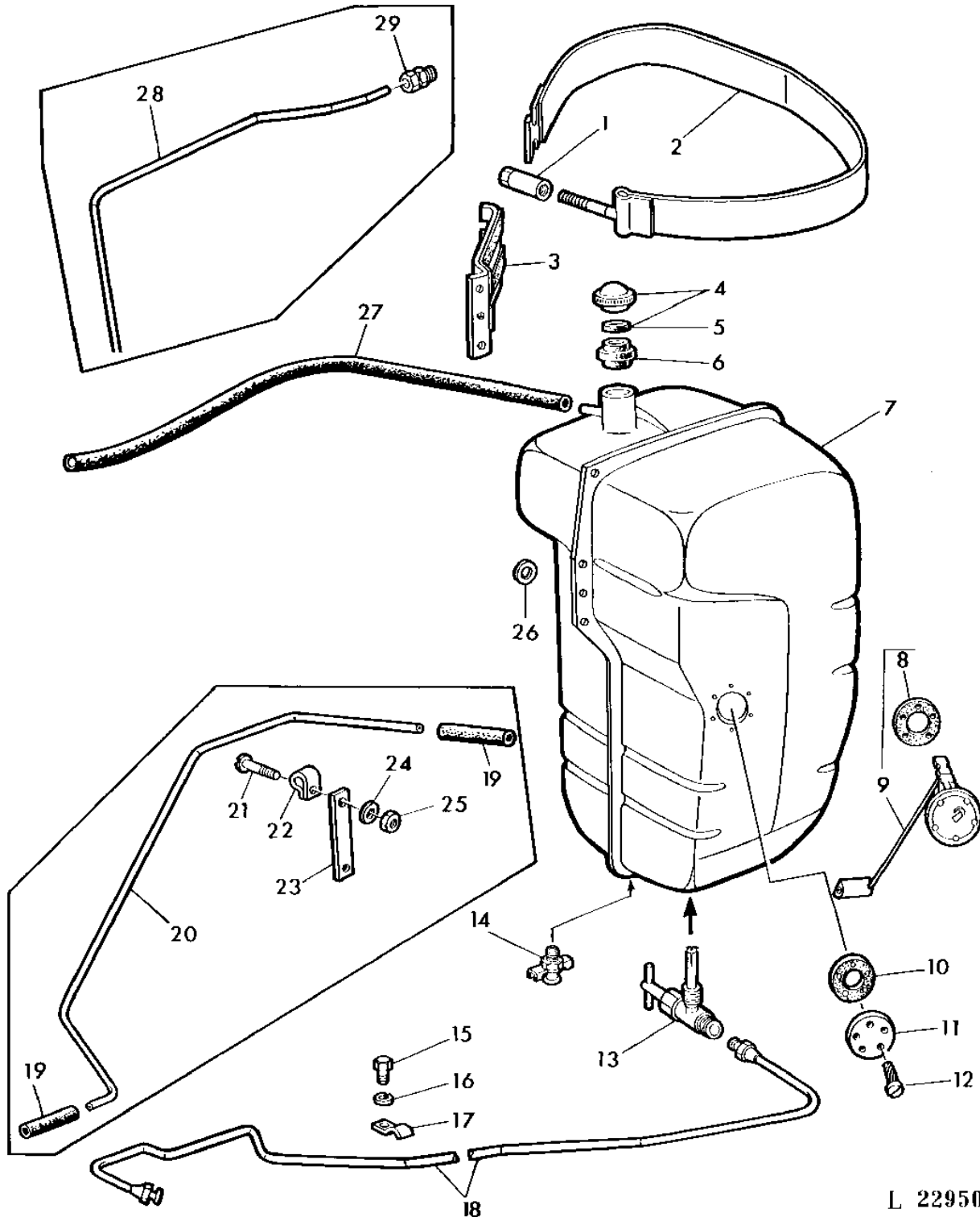
## FUEL SYSTEM AND AIR INTAKE SYSTEM

KEY	PART NO.	PART NAME	QTY	SERIAL NO.	3 3 0 1 3 3 0 0	REMARKS
1	AL28307	EXHAUST CAP	1		X X	
2	L32741	LINE	1		X X	
3	AT32239	HALF CLAMP	4		X X	
4	19H1849	CAP SCREW	4		X X	5/16"X1-1/4"
5	AL28305	MUFFLER	1		X X	
6	14M7273	NUT	7		X X	8MM
7	24M7037	WASHER	6		X X	9X16X2MM
8	19M7163	CAP SCREW	7		X X	8X25MM
9	L32740	ANGLE	1		X X	
10	L32739	ANGLE	1		X X	
11	L62429	GASKET	2		X X	(SUB FOR R31142)
12	R65850	EXHAUST MANIFOLD	1		X X	

# 1D1

FUEL SYSTEM AND AIR INTAKE SYSTEM

FUEL TANK  
RESERVOIR A COMBUSTIBLE  
KRAFTSTOFFTANK  
SERBATOIO COMBUSTIBILE  
DEPOSITO DE COMBUSTIBLE  
BRANSETANK  
L22950 -UN-27OCT95



L 22950



# 1D2

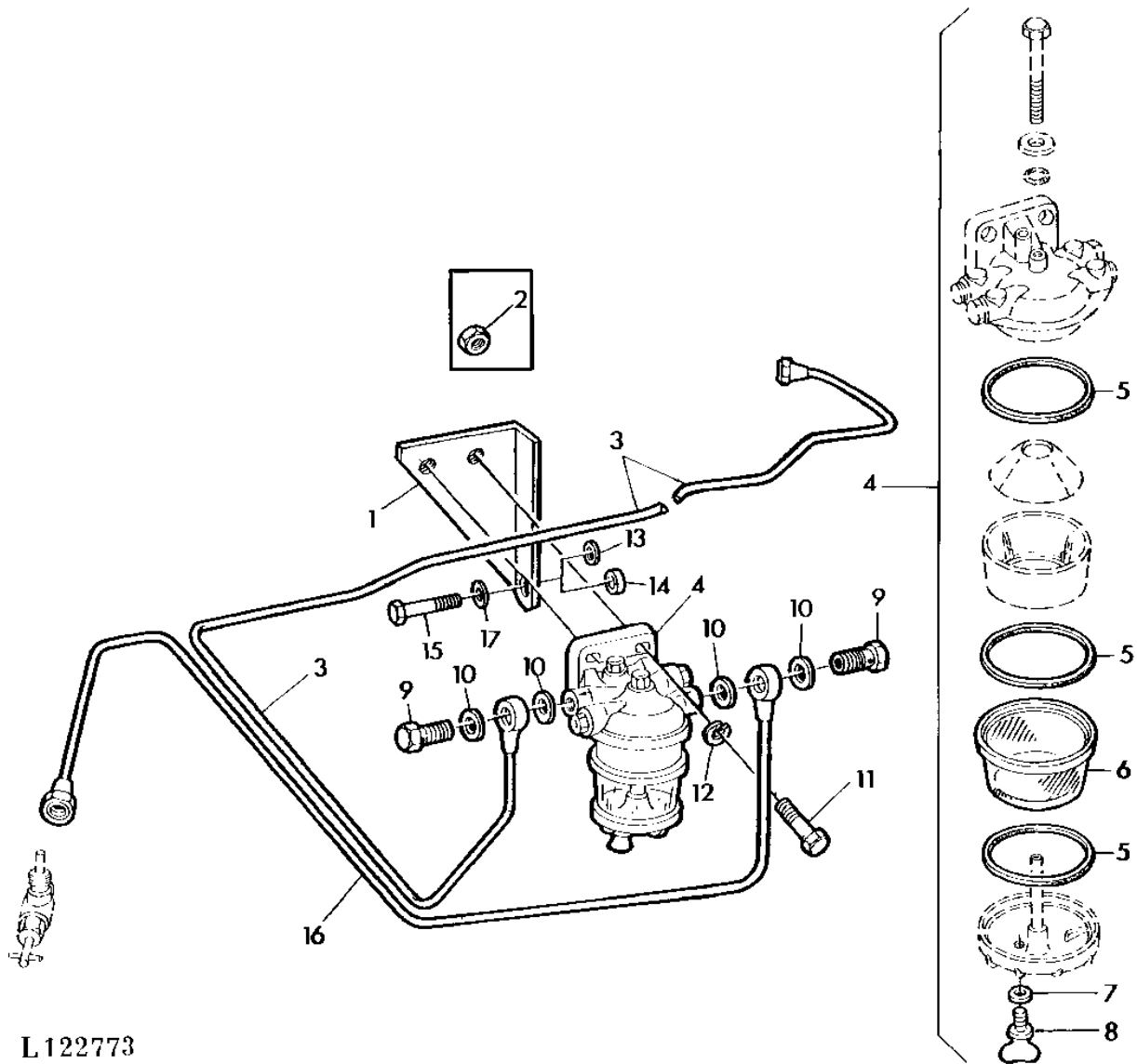
## FUEL SYSTEM AND AIR INTAKE SYSTEM

KEY	PART NO.	PART NAME	QTY	SERIAL NO.	3 0 3 0	3 1 3 0	REMARKS
1	R26594	NUT	1		X	X	
2	AT26548	STRAP	1		X	X	
3	AL23270	RETAINER	1		X	X	
4	AT20911	FILLER CAP	1		X	X	
5	R39615	WASHER	1		X	X	
6	R82873	GROMMET	1		X	X	(SUB FOR R39613)
7	AL24484	FUEL TANK	1		X	X	
	AT26547	FUEL TANK	1		X	X	(ORD AL24484, AT13740, L29823, T26379)
8	L29265	GASKET	1		X	X	
9	AT31619	FLOAT	1		X	X	
10	R27181	GASKET	1		X	X	
11	F2506R	COVER	1		X	X	
12	37H47	SCREW	5		X	X	(SUB FOR 37M7020)
13	R34656	SHUT-OFF VALVE	1		X	X	
14	AT13740	DRAIN VALVE	1		X	X	
15	19H2038	CAP SCREW	1		X	X	3/8"X1/2"
16	12H304	LOCK WASHER	1		X	X	3/8"
17	L36022	CLAMP	1		X	X	(SUB FOR A4881R)
18	AL25029	FUEL LINE	1		X	X	(SUB FOR AT26549)
19	.....		2		X	X	(ORD R68281)
20	L29823	FUEL LINE	1	-189677	X	X	
	L31796	FUEL LINE	1	189678-	X	X	(ORD L32919)
21	21H1302	SCREW	1	189678-311338	X	X	1/4"X5/8"
22	BP13682	CLIP	1	189678-311338	X	X	
23	L31098	STRAP	1	189678-311338	X	X	
24	24H1287	WASHER	1	189678-311338	X	X	9/32"X5/8"X.060"
25	14H786	NUT	1	189678-311338	X	X	1/4"
26	24H1305	WASHER	4		X	X	13/32"X13/16"
27	L32919	BULK HOSE	1		X	X	
28	R48751	TUBE	1		X	X	
29	AT22089	FITTING	1		X	X	1/8"
..	R68281	BULK HOSE	1		X	X	KIT,LGTH=1,5M(59") (SUB FOR AT32064)

# 1D3

FUEL SYSTEM AND AIR INTAKE SYSTEM

WATER TRAP  
 DECANTEUR  
 WASSERABSCHIEDER  
 POZZETTO CONDENSA  
 SEPARADOR DE AGUA  
 VATTENAVSKILJARE  
 L122773 -UN-26OCT95



L122773

# 1D4

## FUEL SYSTEM AND AIR INTAKE SYSTEM

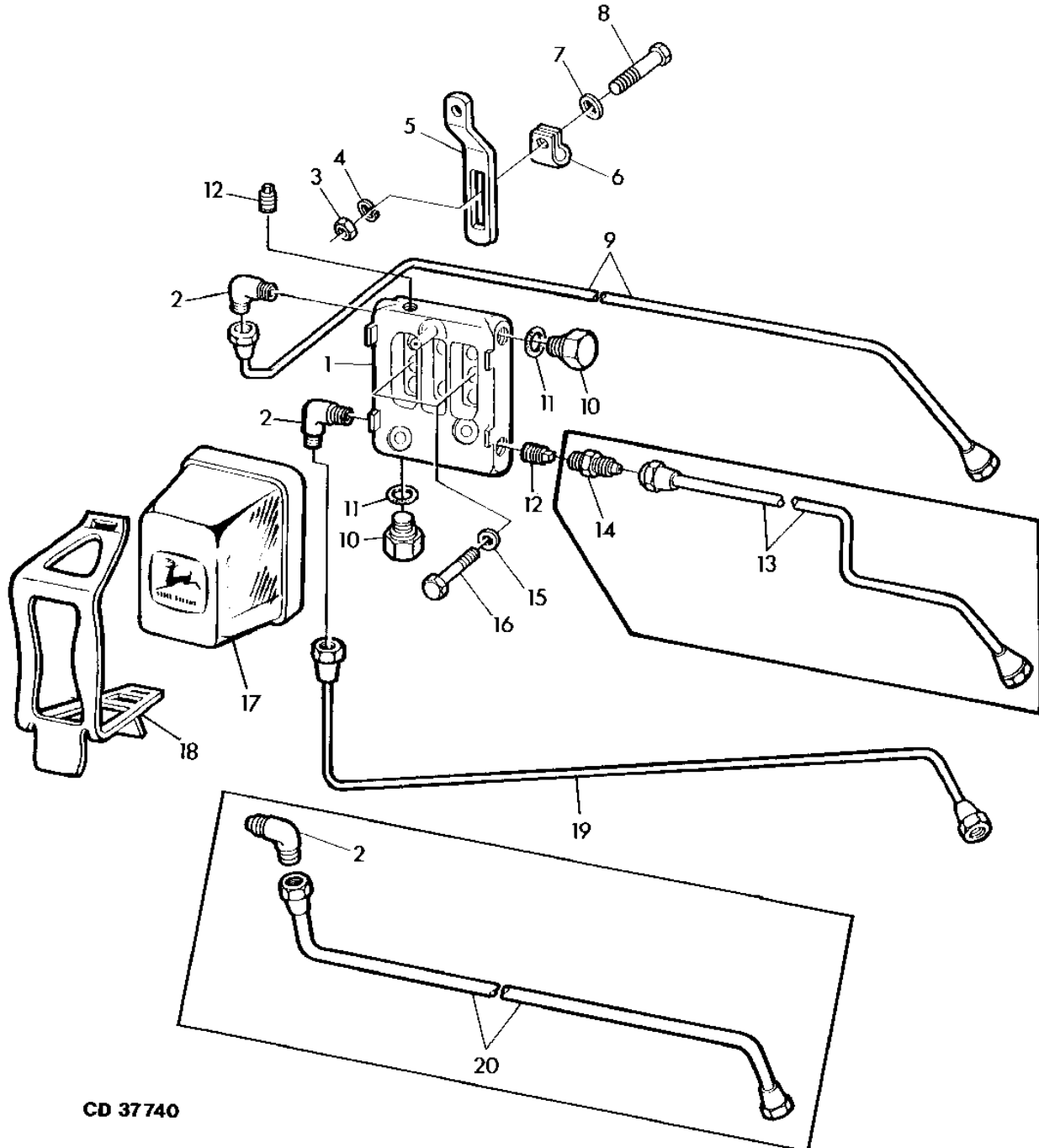
KEY	PART NO.	PART NAME	QTY	SERIAL NO.	3 0 3 0	3 1 3 0	REMARKS
1	AL25034	RETAINER	1	-180999	X	X	(ORD AL59350, 24M7044) (SUB FOR CD13647)
	AL59350	SUPPORT	1	-180999	X	X	
	AL26456	BRACKET	1	181000-	X	X	
2	14H812	NUT	2		X	X	3/8"
3	AL25033	FUEL LINE	1	-180999	X	X	(SUB FOR DD11840)
	AL26455	LINE	1	181000-	X	X	
4	DD11218	WATER TRAP	1		X	X	ASSY,INCL KEYS 5-8 (SUB FOR AL25031)
5	L32110	SEAL	3		X	X	
6	L32108	SEDIMENT BOWL	1		X	X	
7	L32111	PACKING	1		X	X	
8	L32109	WING SCREW	1		X	X	
9	L30607	BLEED SCREW	2		X	X	(SUB FOR CD13182)
10	T24608	WASHER	4		X	X	
11	19H1731	CAP SCREW	2		X	X	3/8"x1"
12	12H304	LOCK WASHER	2		X	X	3/8"
13	24H1785	WASHER	1		X	X	1"x1/2"x0,75"
14	L28612	SPACER	1		X	X	(A) (SUB FOR CD13650)
15	19H1974	CAP SCREW	1		X	X	(A) 1/2"x2-3/4"
16	AL25032	FUEL LINE	1	-180999	X	X	(SUB FOR DD11839)
	AL25926	LINE	1	181000-	X	X	
17	24M7044	WASHER	1		X	X	13X20X2MM

(A) WITH HFWD  
 AVEC ESSIEU AVANT MOTEUR HYDROSTATIQUE  
 BEI HYDROSTATISCHEM FRONTANTRIEB  
 CON TRAZIONE ANTER. IDROSTATICA  
 CON TRACCION HIDROSTATICA DELANTERA  
 VID HYDROSTATISK FRAMHJULSDRIFT

# 1D5

## FUEL SYSTEM AND AIR INTAKE SYSTEM

FUEL FILTER  
FILTRE A COMBUSTIBLE  
KRAFTSTOFF-FILTER  
FILTRO COMBUSTIBILE  
BRANSLEFILTER  
CD37740 -UN-27OCT95



CD 37740

# 1D6

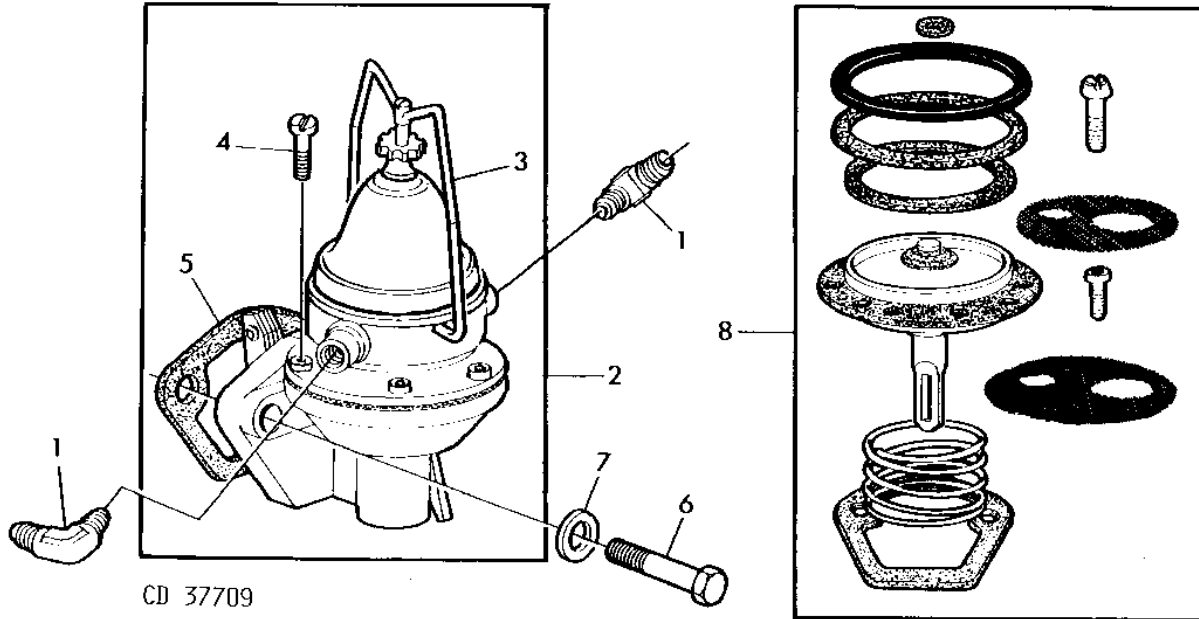
## FUEL SYSTEM AND AIR INTAKE SYSTEM

KEY	PART NO.	PART NAME	QTY	ENGINE		REMARKS
				SERIAL NO.		
					3 3	
					0 1	
					3 3	
					0 0	
1	AR50040	HOUSING	1		X X	(ORD RE28535, 15H558 APPL)
	RE28535	HOUSING	AR		X X	
2	R82131	ELBOW FITTING	AR		X X	(SUB FOR T30738)
3	14H785	NUT	1		X X	5/16"
4	12H303	LOCK WASHER	1		X X	5/16"
5	R48569	BRACKET	1		X X	
6	T13914	CLAMP	1		X X	
7	24H1136	WASHER	1		X X	11/32"X11/16"X.060"
8	19H1813	CAP SCREW	1		X X	5/16"X5/8"
9	RE26982	FUEL LINE	1		X X	(SUB FOR AR63954)
10	R48071	DRAIN PLUG	2		X X	
11	R26287	O-RING	2		X X	
12	15H558	PIPE PLUG	AR		X X	1/8"
13	AR84732	FUEL LINE	1	324805-	X X	(ORD RE26218, R82131 APPL)
14	R27346	FITTING	1	324805-	X X	
15	24H1303	WASHER	2		X X	13/32"X11/16"X.060"
16	19H1731	CAP SCREW	2		X X	3/8"X1"
17	AR50041	FUEL FILTER	1		X X	
18	R66821	CLAMP	1		X X	
19	RE26218	FUEL LINE	AR		X X	
20	AR63953	FUEL LINE	1	-324804	X X	(ORD RE26218, R82131)

# 1D7

## FUEL SYSTEM AND AIR INTAKE SYSTEM

FUEL TRANSFER PUMP "AC"  
 POMPE D'ALIMENTATION "AC"  
 KRAFTSTOFFOERDERPUMPE "AC"  
 POMPA ALIMENTAZIONE "AC"  
 BOMBA DE ALIMENTACION DE COMBUSTIBLE "AC"  
 MATAREPUMP "AC"  
 CD37709 -UN-27OCT95



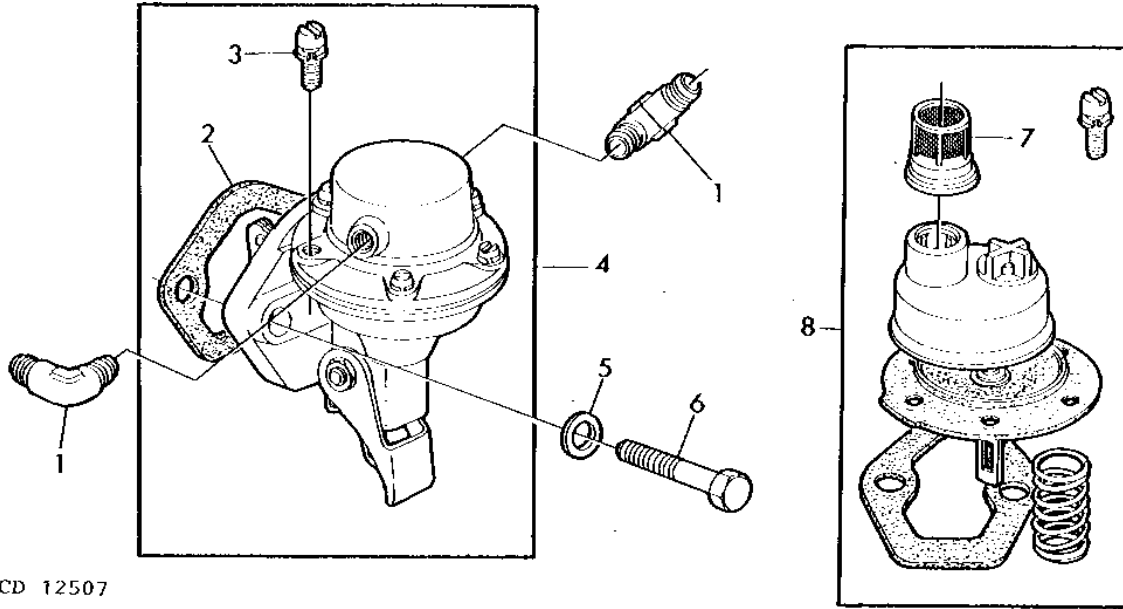
CD 37709

KEY	PART NO.	PART NAME	QTY	SERIAL NO.	REMARKS
				3 3	
				0 1	
				3 3	
				0 0	
1	R82131	ELBOW FITTING	2	X X	(SUB FOR T30738)
2	DD13483	FUEL PUMP	1	X X	(ORD RE37482) (SUB FOR AR52729)
3	AT10638	BAIL	1	X X	(FOR AR52729)
4	R49266	BOLT	8	X X	(SUB FOR T30908)
5	R97350	GASKET	1	X X	(SUB FOR R27285)
6	19H1849	CAP SCREW	2	X X	5/16"X1-1/4"
7	24H1136	WASHER	2	X X	11/32"X11/16"X0.060"
8	RE37463	KIT	AR	X X	(SUB FOR AR102452, AR60559 APPL)

# 1D8

## FUEL SYSTEM AND AIR INTAKE SYSTEM

FUEL TRANSFER PUMP "CORONA"  
 POMPE D'ALIMENTATION "CORONA"  
 KRAFTSTOFFOERDERPUMPE "CORONA"  
 POMPA ALIMENTAZIONE "CORONA"  
 BOMBA DE ALIMENTACION DE COMBUSTIBLE "CORONA"  
 MATAREPUMP "CORONA"  
 CD12507 -UN-01JAN94



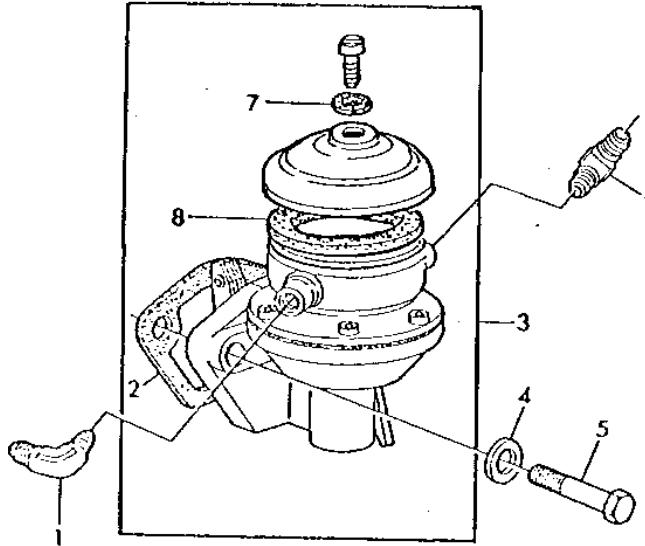
CD 12507

KEY	PART NO.	PART NAME	QTY	SERIAL NO.	REMARKS
				3 3	
				0 1	
				3 3	
				0 0	
1	R82131	ELBOW FITTING	2	X X	(SUB FOR T30738)
2	R97350	GASKET	1	X X	(SUB FOR R27285)
3	AR102676	SCREW, WITH WASHER	6	X X	
4	DD14195	FUEL PUMP	1	X X	(ORD RE37482)
5	24H1136	WASHER	2	X X	11/32"X11/16"X.060"
6	19H1849	CAP SCREW	2	X X	5/16"X1-1/4"
7	R75931	STRAINER	1	X X	
8	RE37466	KIT	AR	X X	(SUB FOR DD14194)

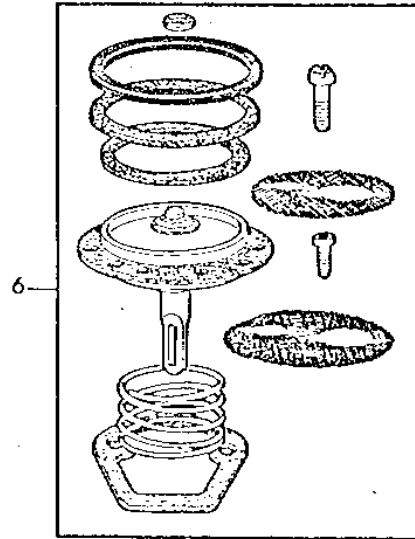
# 1D9

## FUEL SYSTEM AND AIR INTAKE SYSTEM

FUEL TRANSFER PUMP "SOFABEX"  
 POMPE D'ALIMENTATION "SOFABEX"  
 KRAFTSTOFFOERDERPUMPE "SOFABEX"  
 POMPA ALIMENTAZIONE "SOFABEX"  
 BOMBA DE ALIMENTACION DE COMBUSTIBLE "SOFABEX"  
 MATAREPUMP "SOFABEX"  
 CD35015 -UN-01JAN94



CD35015



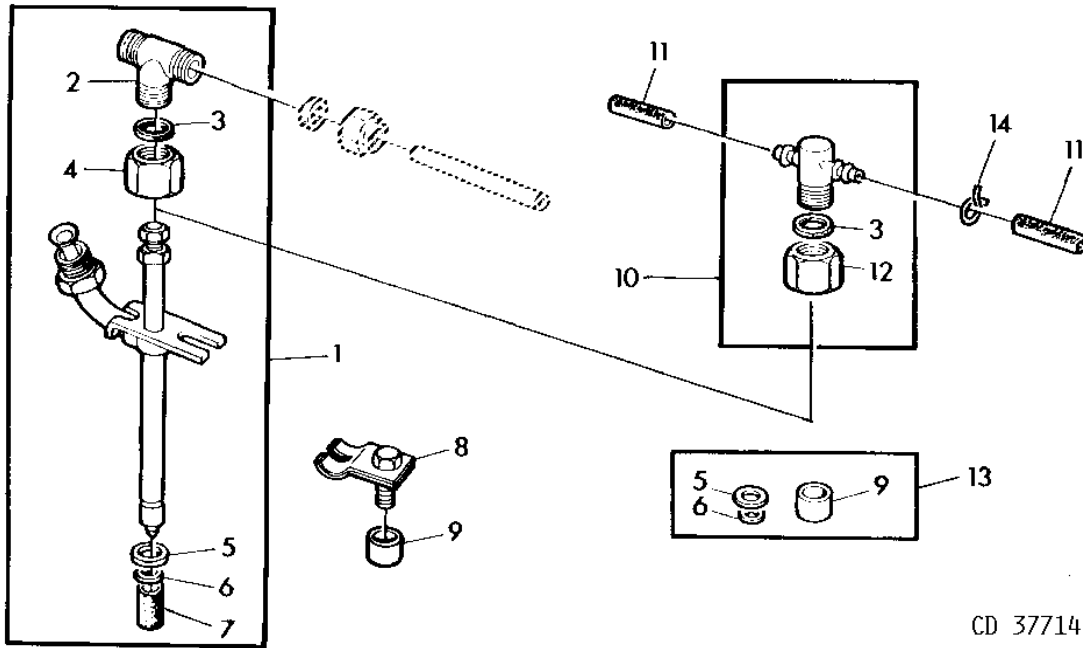
KEY	PART NO.	PART NAME	QTY	SERIAL NO.	REMARKS
				3 3	
				0 1	
				3 3	
				0 0	
1	R82131	ELBOW FITTING	2	X X	
2	R97350	GASKET	1	X X	
3	RE37482	FUEL PUMP	1	X X	
4	24H1136	WASHER	2	X X	11/32"X11/16"X0.060"
5	19H1849	CAP SCREW	2	X X	5/16"X1-1/4"
6	RE37463	KIT	AR	X X	
7	R75832	GASKET	1	X X	
8	R64506	WASHER	1	X X	



# 1D10

FUEL SYSTEM AND AIR INTAKE SYSTEM

FUEL INJECTION NOZZLE "STANADYNE"  
 INJECTEUR "STANADYNE"  
 KRAFTSTOFF-EINSPRITZDUESE "STANADYNE"  
 INIETTORE "STANADYNE"  
 INYECTOR DE COMBUSTIBLE "STANADYNE"  
 BRANSLIENSPRUTARE "STANADYNE"  
 CD37714 -UN-27OCT95



CD 37714

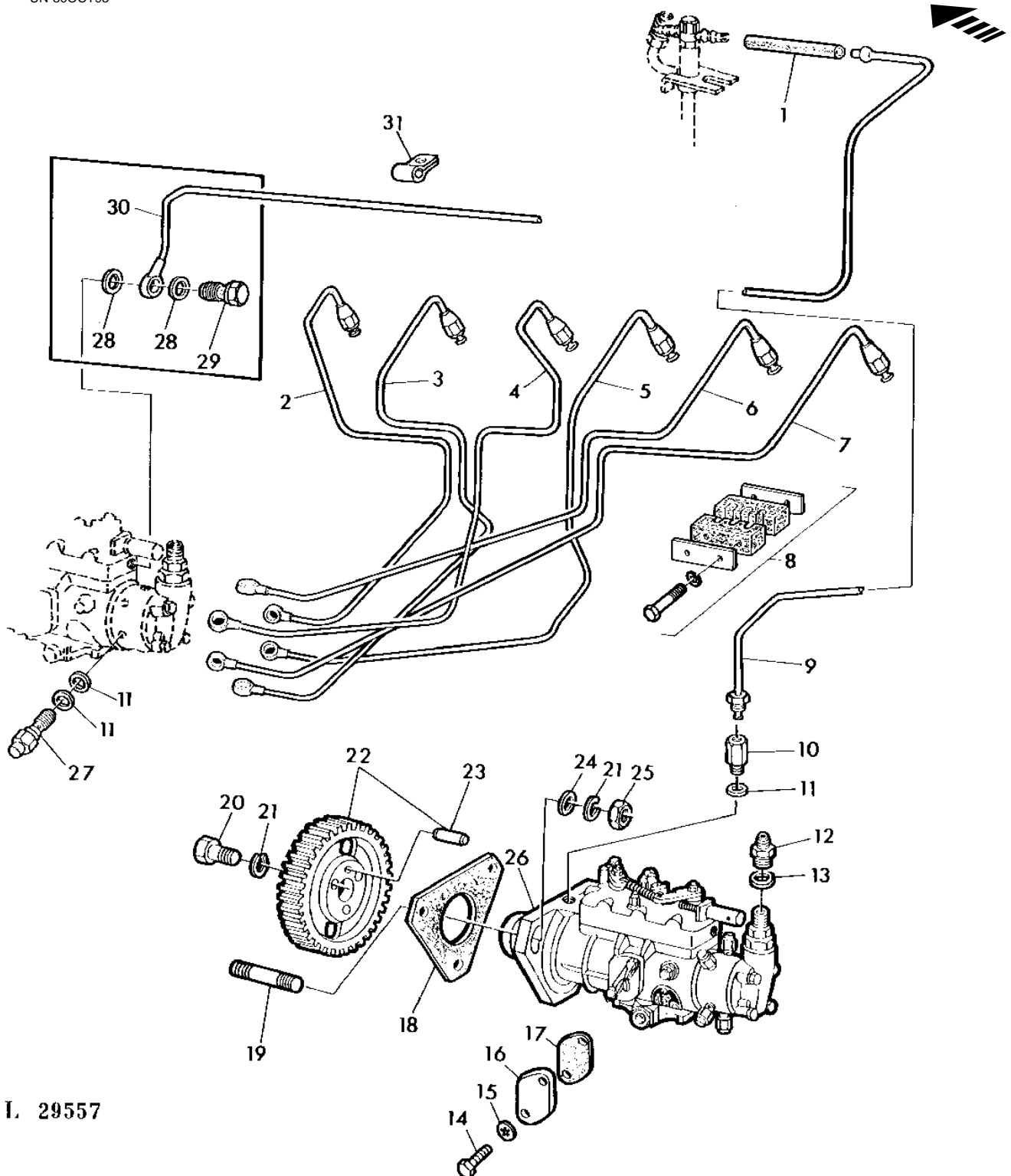
KEY	PART NO.	PART NAME	QTY	SERIAL NO.	REMARKS
1	AR89563	INJECTION NOZZLE	4	X X	STANADYNE-27333 (SUB FOR AR73673, AR88236, AR88239)
2	R79606	TEE FITTING	1	X X	(FOR AR89563) (ORD AT27622 APPL)
3	R79605	WASHER	1	X X	(SUB FOR T29539)
4	R79604	TUBE NUT	1	X X	(FOR AR89563) (ORD AT27622 APPL)
5	.....	.....	1	X X	UP,TK=3MM(0.118")NSEP (ORD RE13887) (SUB FOR R34764, R60746)
6	.....	.....	1	X X	LOW,NSEP (ORD RE13887) (SUB FOR R34767, R48000)
7	T24472	PLUG	AR	X X	
8	R34760	CLAMP	4	X X	
9	.....	.....	4	X X	TK=12,5MM (0.492"),NSEP (ORD RE13887) (SUB FOR R60745)
10	AT27622	CAP	4	X X	
11	.....	.....	2	X X	NSEP (MF R68281)
12	.....	.....	1	X X	NSEP (ORD AT27622)
13	RE13887	O-RING KIT	AR	X X	
14	R34766	CLAMP	8	X X	(A)
..	R68281	BULK HOSE	1	X X	LGTH=1500MM (SUB FOR AT32064)

(A) ONLY FOR SWEDEN  
 SUEDE UNIQUEMENT  
 NUR FUER SCHWEDEN  
 TAN SOLO PARA SUECIA  
 SOLAMENTE PARA LA SUECIA  
 ENDAST FOR SVERIGE

# 1D11

FUEL SYSTEM AND AIR INTAKE SYSTEM

FUEL INJECTION PUMP "ROTO-DIESEL"  
POMPE D'INJECTION "ROTO-DIESEL"  
KRAFTSTOFF-EINSPRITZPUMPE "ROTO-DIESEL"  
POMPA D'INIEZIONE "ROTO-DIESEL"  
BOMBA DE INYECCION DE COMBUSTIBLE "ROTO-DIESEL"  
INSPRUTNINGSPUMP "ROTO-DIESEL"  
L29557 -UN-30OCT95



L 29557

# 1D12

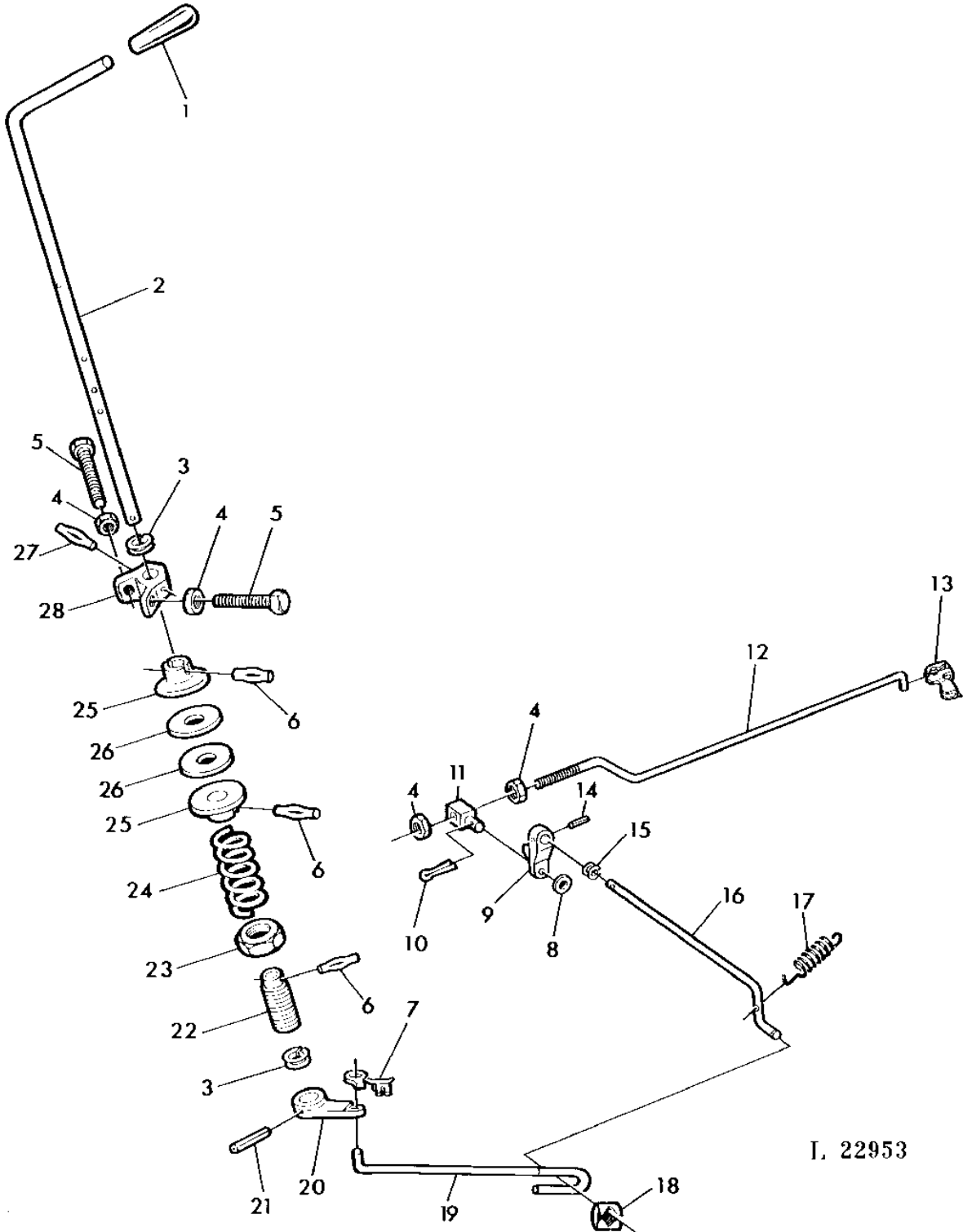
## FUEL SYSTEM AND AIR INTAKE SYSTEM

KEY	PART NO.	PART NAME	QTY	ENGINE SERIAL NO.	3 3		REMARKS
					0 1	3 3	
					0 0		
1	.....		1		X X	(ORD R68281)	
2	AR67737	FUEL LINE	1		X X	NO.1 (ORD RE20787, RE20788) (SUB FOR AT29629)	
	RE20787	FUEL LINE	AR		X X	NO.1 (FOR RE20788)	
3	AR67738	FUEL LINE	1		X X	NO.2 (ORD RE20788) (SUB FOR AT29630)	
	RE20788	FUEL LINE	AR		X X	NO.2 (FOR RE20787)	
4	AR67739	FUEL LINE	1		X X	NO.3 (SUB FOR AT29631)	
5	AR67740	FUEL LINE	1		X X	NO.4 (SUB FOR AT29632)	
6	AR67741	FUEL LINE	1		X X	NO.5 (SUB FOR AT29633)	
7	AR67742	FUEL LINE	1		X X	NO.6 (SUB FOR AT29634)	
8	DD13912	FLANGE	2		X X	(SUB FOR AR62194, DD11791)	
9	AR72882	FUEL LINE	1	213212-	X X		
10	RE11602	BALL CHECK	1	213212-	X X	(SUB FOR AR76102)	
11	T20055	WASHER	13	213212-	X X		
	T20055	WASHER	12	-213211	X		
12	R79015	FITTING	1		X X	(SUB FOR T24607)	
13	T24608	WASHER	1		X X	OD=16MM(0.62") (FOR T24607)	
	T24619	WASHER	1		X X	OD=23MM(0.90") (FOR R79015)	
14	.....		2		X X	NSEP	
15	.....		2		X X	NSEP	
16	.....		1		X X	NSEP	
17	.....		1		X X	NSEP	
18	R97354	GASKET	1		X X	(SUB FOR T24460)	
19	T23442	STUD	3		X X		
20	19H2551	CAP SCREW	3		X X	5/16"X3/4"	
21	12H303	LOCK WASHER	6		X X	5/16"	
22	AR85710	GEAR	1		X X	Z=48,INCL KEY 23 (SUB FOR AT27917)	
23	T28030	DOWEL PIN	1		X X		
24	24H1243	WASHER	3		X X	11/32"X5/8"X.060"	
25	14H785	NUT	3		X X	5/16"	
26	AR87951	FUEL INJECTION PUMP	1		X	(ORD AR91777, AR72882) ROTO-DIESEL-R3462F590,ASSY INCL KEYS 10-17,27	
	AR68260	FUEL PUMP	1	-213211	X	ASSY,INCL KEYS 11-17,27-29 (ORD AR72882, AND AR91777) (SUB FOR AR50328)	
	AR91777	FUEL INJECTION PUMP	1	213212-	X	ROTO-DIESEL-R3462F660,ASSY INCL KEYS10-17,27 (SUB FOR AR72873, AR81621)	
27	AT29464	VALVE	6		X X		
28	T27765	WASHER	2	-213211	X		
29	T27764	HOLLOW SCREW	1	-213211	X		
30	AT28174	FUEL LINE	1	-213211	X		
31	T29969	CLAMP	1		X X		
..	R68281	BULK HOSE	AR		X X	KIT,LGTH=1,5M (59") (SUB FOR AT32064)	

# 1D13

FUEL SYSTEM AND AIR INTAKE SYSTEM

SPEED CONTROL LEVER AND LINKAGE  
MANETTE D'ACCELERATION ET TRINGLERIE  
DREHZAHHANDHEBEL UND GESTÄNGE  
TIRANTERIA REGOLAZIONE VELOCITÀ  
PALANCA Y VARILLAJE DE ACELERACION  
VARVTALSREGULATOR  
L22953 -UN-27OCT95



I. 22953

# 1D14

## FUEL SYSTEM AND AIR INTAKE SYSTEM

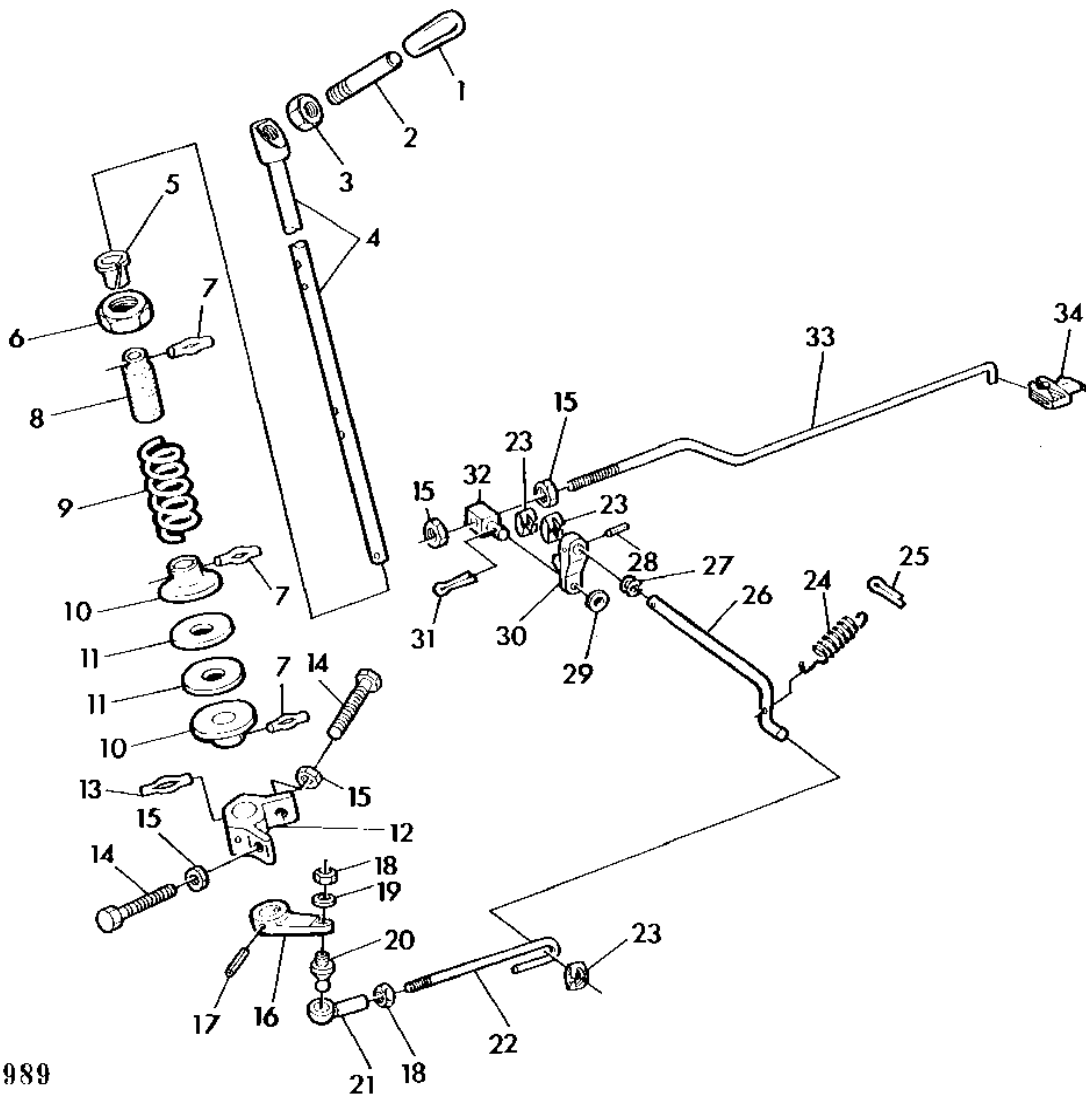
KEY	PART NO.	PART NAME	QTY	SERIAL NO.	3 0 3 0	REMARKS
1	L56922	GRIP	1		X X	(SUB FOR R54271)
2	L28643	LEVER	1		X X	
3	R34811	GROMMET	2		X X	
4	14H850	NUT	4		X X	1/4"
5	19H2180	CAP SCREW	1		X X	1/4"X1-1/4"
6	25H747	GROOVE PIN	3		X X	3/16"X3/4"
7	T29741	CLIP	1		X X	
8	24H1286	WASHER	2		X X	9/32"X1/2"X.060"
9	T22240	ARM	1		X X	
10	11H231	COTTER PIN	2		X X	1/16"X1"
11	T22242	SWIVEL	1		X X	
12	L28605	ROD	1		X X	
13	T29742	CLIP	1		X X	
14	34H264	SPRING PIN	1		X X	5/32"X7/8"
15	T22241	GROMMET	2		X X	
16	L28415	ROD	1		X X	
17	L28414	EXTENSION SPRING	1		X X	
18	L28416	NUT	1		X X	
19	L28602	ROD	1		X X	
20	T22239	LEVER	1		X X	
21	34H284	SPRING PIN	1		X X	3/16"X1-1/4"
22	T22694	SLEEVE	1		X X	
23	14H830	NUT	1		X X	7/8"
24	R26637	SPRING	1		X X	
25	T22698	DISK	2		X X	
26	L41465	WASHER	2		X X	(SUB FOR T22696)
27	25H73	GROOVE PIN	1		X X	3/16"X1-1/8"
28	L28601	RETAINER	1		X X	

# 1D15

FUEL SYSTEM AND AIR INTAKE SYSTEM

SPEED CONTROL LEVER/LINKAGE (WITH OPERATOR'S CAB)  
MANETTE D'ACCELERATION/TRINGLERIE (AVEC CABINE)  
DREHZAHHANDHEBEL/GESTAENGE (BEI KABINE)  
TIRANTERIA REGOLAZIONE VELOCITA (CON CABINA)  
PALANCA Y VARILLAJE DE ACELERACION (CON CABINA)  
VARVTALSREGULATOR (VID FORARHYTT)

L22989 -UN-27OCT95



L 22989

# 1D16

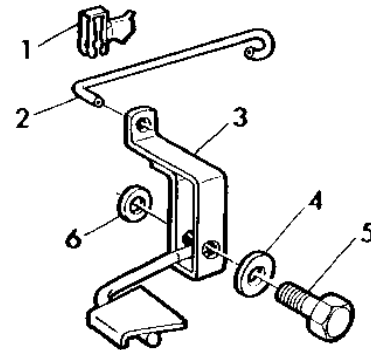
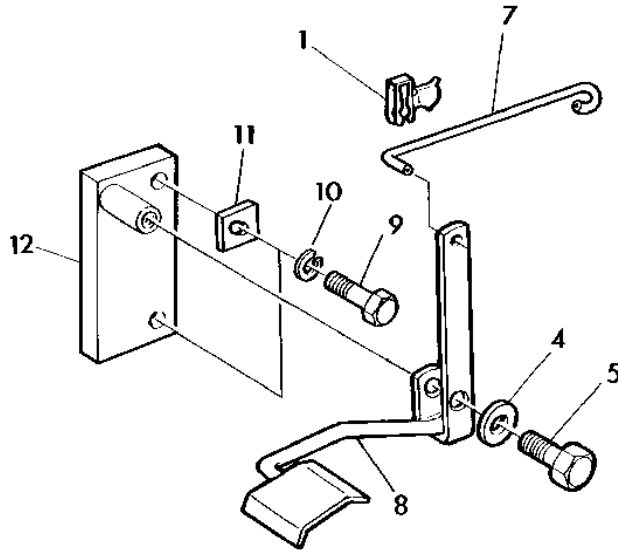
## FUEL SYSTEM AND AIR INTAKE SYSTEM

KEY	PART NO.	PART NAME	QTY	SERIAL NO.	3 0 3 0	3 1 3 0	REMARKS
1	L56922	GRIP	1		X	X	(SUB FOR R54271)
2	L30795	STUD	1		X	X	
3	14H856	NUT	1		X	X	1/2"
4	AL25224	LEVER	1		X	X	
5	L30470	BUSHING	1		X	X	
6	14H830	NUT	1		X	X	7/8"
7	25H747	GROOVE PIN	3		X	X	3/16"X3/4"
8	T22694	SLEEVE	1		X	X	
9	R26637	SPRING	1		X	X	
10	T22698	DISK	2		X	X	
11	L41465	WASHER	2		X	X	(SUB FOR T22696)
12	L28601	RETAINER	1		X	X	
13	25H73	GROOVE PIN	1		X	X	3/16"X1-1/8"
14	19H2180	CAP SCREW	2		X	X	1/4"X1-1/4"
15	14H850	NUT	4		X	X	1/4"
16	T22239	LEVER	1		X	X	
17	34H284	SPRING PIN	1		X	X	3/16"X1-1/4"
18	14M7009	NUT	2		X	X	6MM
19	24M7054	WASHER	1		X	X	6,4MM
20	55M4430	BALL STUD	1		X	X	
21	56M4435	BALL JOINT SOCKET	1		X	X	
22	L31107	HOOK BOLT	1		X	X	
23	L28416	NUT	3		X	X	
24	L28414	EXTENSION SPRING	1		X	X	
25	11H233	COTTER PIN	1		X	X	3/32"X1/2"
26	L30418	ROD	1		X	X	
27	T22241	GROMMET	2		X	X	
28	34H264	SPRING PIN	1		X	X	5/32"X7/8"
29	24H1286	WASHER	2		X	X	9/32"X1/2"X.060"
30	T22240	ARM	1		X	X	
31	11H231	COTTER PIN	2		X	X	1/16"X1"
32	T22242	SWIVEL	1		X	X	
33	L30409	ROD	1		X	X	
34	T29742	CLIP	1		X	X	

# 1D17

FUEL SYSTEM AND AIR INTAKE SYSTEM

ACCELERATOR PEDAL AND LINKAGE  
 PEDALE D'ACCELERATION  
 DREHZAHLFUSSHEBEL  
 PEDALE ACCELERATORE E TIRANTERIA  
 ACELERADOR DE PIE  
 VARVTALSPEDAL OCH REGLAGE  
 L22990 -UN-27OCT95



I. 22990

KEY	PART NO.	PART NAME	QTY	SERIAL NO.	REMARKS
					3 3
					0 1
					3 3
					0 0
1	T29742	CLIP	1		X X
2	L30853	COTTER PIN	1		X X (A)
3	AL25265	PEDAL	1		X X (A)
4	24H1305	WASHER	1		X X 13/32"X13/16"X.060"
5	19H1936	CAP SCREW	1		X X 3/8"X3/4"
6	24M7049	WASHER	1		X X (A) 18X38X3MM (SUB FOR L30849)
7	L28622	COTTER PIN	1		X X
8	AL28235	ACCELERATOR	1		X X (SUB FOR AL23330, AL24085, AL27589)
9	19H2545	CAP SCREW	2		X X 3/8"X1-3/8"
10	12H304	LOCK WASHER	3		X X 3/8"
11	L32674	PLATE	1		X X
12	AL23331	SUPPORT	1		X X

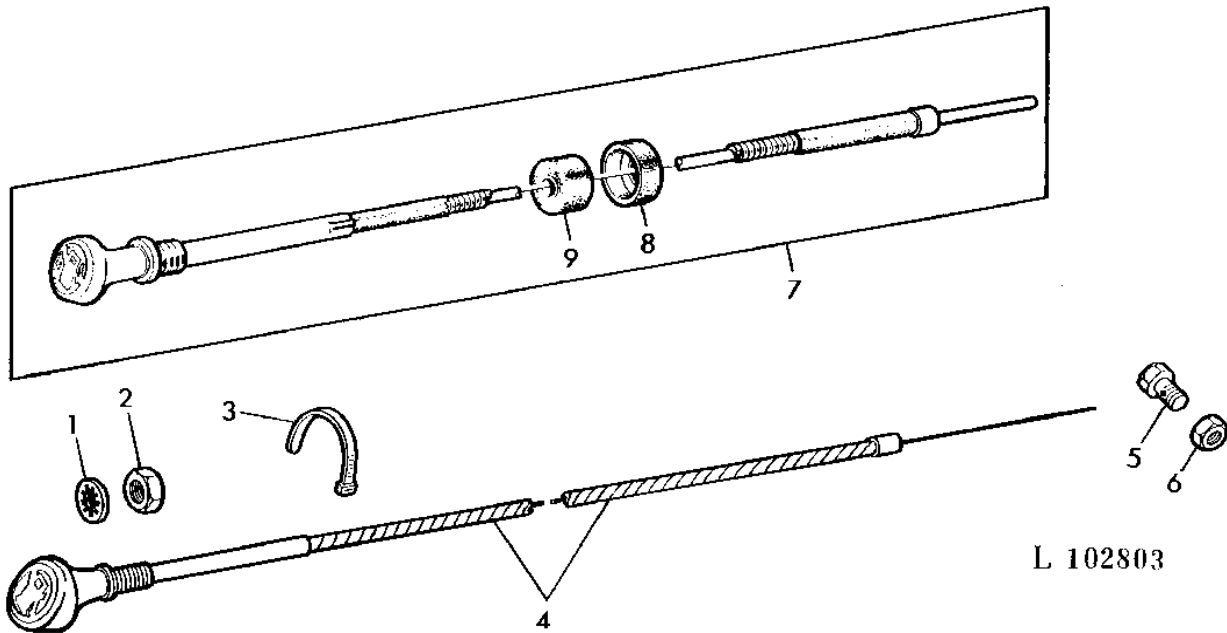
(A) WITH OPERATOR'S CAB  
 AVEC CABINE  
 BEI FAHRERHAUS  
 CON CABINA  
 CON CABINA  
 VID FORARHYTT



# 1D18

FUEL SYSTEM AND AIR INTAKE SYSTEM

ENGINE SHUT-OFF CABLE  
TIRETTE D'ARRET  
ABSTELLZUG  
TIRANTE ARRESTO  
DISPOSITIVO DE PARADA  
STOPPREGLAGE  
L102803 -UN-07NOV95



L 102803

KEY	PART NO.	PART NAME	QTY	SERIAL NO.	REMARKS
				3 3	
				0 1	
				3 3	
				0 0	
1	12H325	LOCK WASHER	1	X X	7/16"
2	14H934	NUT	1	X X	7/16"
3	R44302	TIE BAND	1	X X	(SUB FOR L24648)
4	AL24787	PUSH PULL CABLE	1	X X	(A) (SUB FOR AT31338)
	AL36900	PUSH PULL CABLE	1	X X	(B) (SUB FOR AL25220)
	AL36902	PUSH PULL CABLE	1	X X	(A) (B) (SUB FOR AL25222)
5	T29185	BOLT	1	X X	1/4"
6	14H850	NUT	1	X X	1/4"
7	AL36924	PUSH PULL CABLE	1	X X	(SUB FOR AL24786, AL36920, AT31336)
8	L39089	WASHER	1	X X	
9	L39090	SEAL	1	X X	

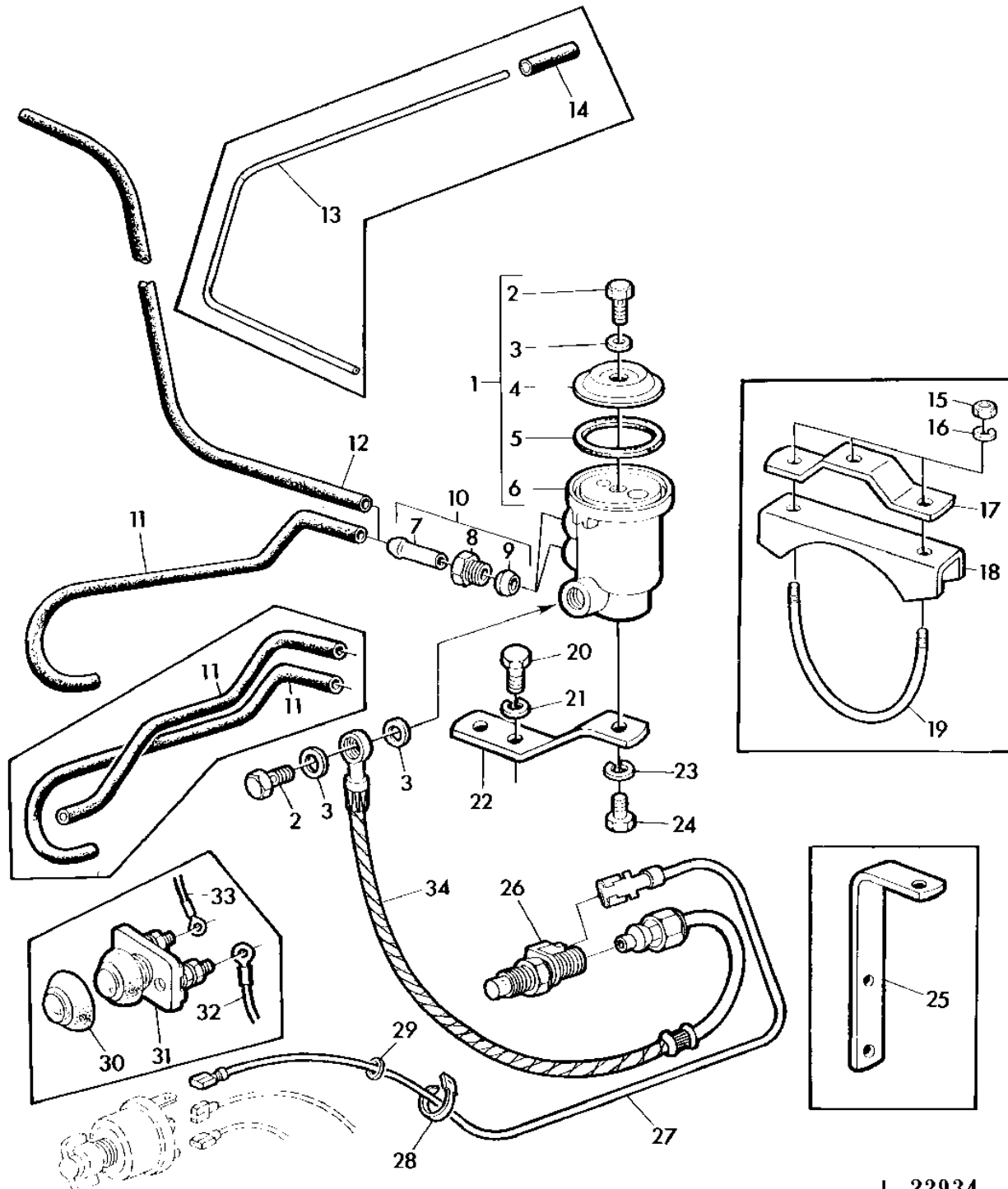
(A) FOR NORWAY AND ENGLAND ONLY  
UNIQUEMENT LA NORVEGE ET LA GRANDE-BRETAGNE  
NUR FUER NORWEGEN UND ENGLAND  
SOLTANTO PER NORVEGIA E GRAN BRETAGNA  
SOLO PARA NORUEGA Y GRAN BRETANA  
ENDAST FOR NORGE OCH STORBRIANNIEN

(B) WITH OPERATOR'S CAB  
AVEC CABINE  
BEI FAHRERHAUS  
CON CABINA  
CON CABINA  
VID FORARHYTT

# 1D19

FUEL SYSTEM AND AIR INTAKE SYSTEM

COLD WEATHER STARTING AID "THERMOSTART"  
AIDE THERMOSTART  
THERMO-STARHILFE  
AIUTO DI AVVIAMENTO "THERMOSTART"  
AYUDA DE ARRANQUE "THERMOSTART"  
THERMOSTART  
L22934 -UN-27OCT95



L 22934

# 1D20

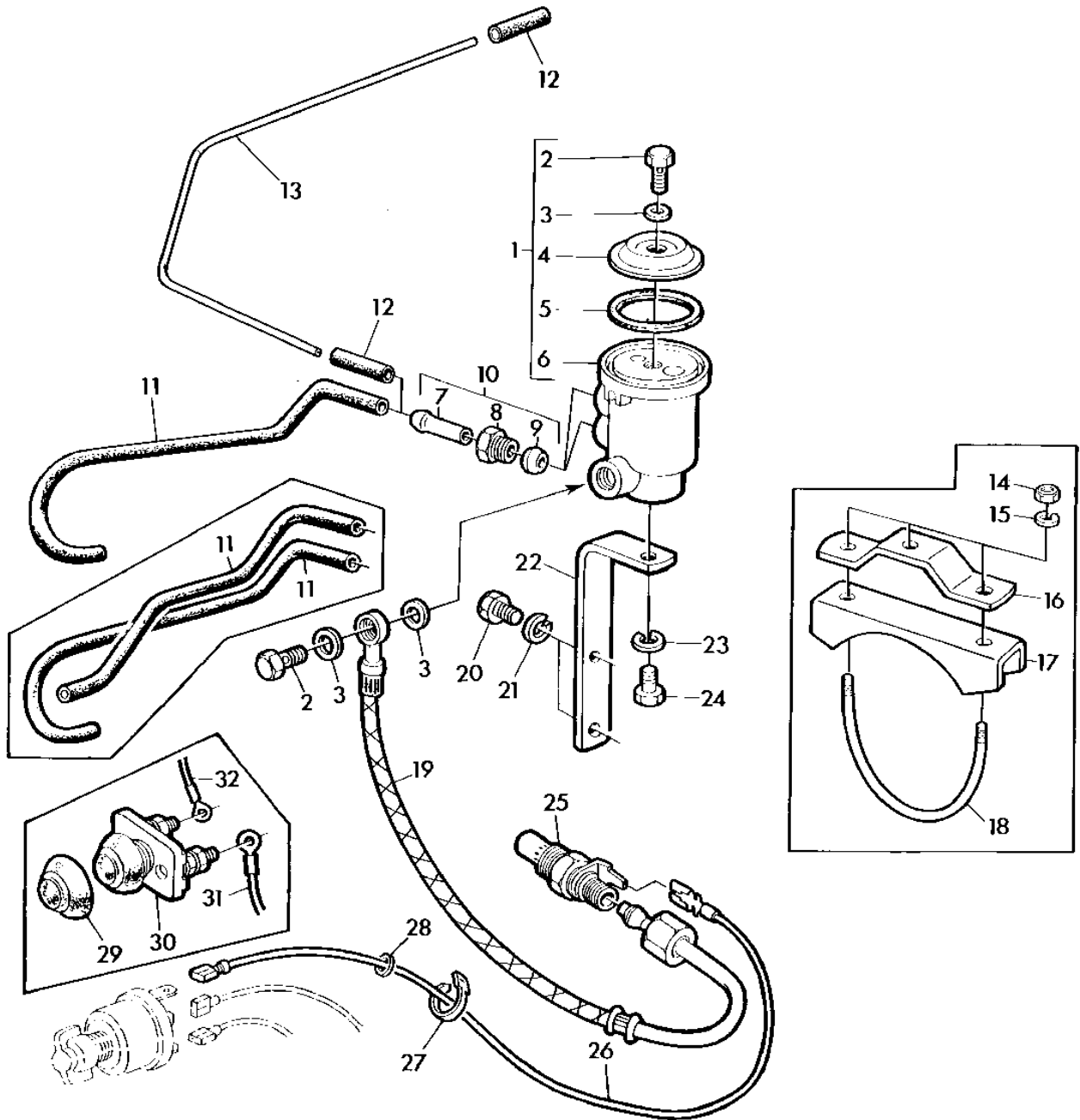
## FUEL SYSTEM AND AIR INTAKE SYSTEM

KEY	PART NO.	PART NAME	QTY	ENGINE		REMARKS
				SERIAL NO.		
					3 3	
					0 1	
					3 3	
					0 0	
1	AT26140	RESERVOIR	1		X X	ASSY,INCL KEYS 2-6 (SUB FOR DD11381)
2	CD12887	FITTING	2		X X	
3	CD12888	GASKET	3		X X	
4	T27974	COVER	1		X X	
5	T27973	WASHER	1		X X	
6	.....		1		X X	(ORD AT26140)
7	CD14805	HOSE FITTING	2		X X	NSEP (ORD KIT DD13407) (SUB FOR CD12884)
8	R62035	FITTING	2		X X	NSEP (ORD KIT DD13407) (SUB FOR CD12886)
9	R62034	SLEEVE FITTING	2		X X	(SUB FOR CD12885)
10	DD13407	HOSE FITTING	1		X X	KIT,INCL KEYS 7-9
11	.....		1		X X	NSEP (ORD R68281)
12	L32919	BULK HOSE	1	254132-	X X	(SUB FOR L32818)
13	L31097	LINE	1	160310-254131	X X	
14	.....		2	160310-254131	X X	(ORD R68281)
15	14H786	NUT	2	-234013	X X	1/4"
16	12H302	LOCK WASHER	2	-234013	X X	1/4"
17	CD13202	HOLDER	1	-234013	X X	
18	CD13203	RETAINER	1	-234013	X X	
19	CD13204	BAIL	1	-234013	X X	
20	19H2020	CAP SCREW	2	234014-	X X	5/16"X1/2"
21	12H303	LOCK WASHER	2	234014-	X X	5/16"
22	R65852	SUPPORT	1	254132-	X X	
23	12H304	LOCK WASHER	1		X X	3/8"
24	19H1894	CAP SCREW	1		X X	3/8"X3/4"
25	CD14873	HOLDER	1	234014-254131	X X	
26	AR63105	BURNER	1		X X	(SUB FOR DDX4375)
27	AL25872	CABLE	1		X X	
28	CD12892	TIE BAND	3		X X	
29	T29801	GROMMET	1		X X	
30	CD13157	CAP	1	-164463	X X	
31	AT26136	CAP	1	-164463	X X	(ORD W/ CD13157)
32	AR63106	WIRING LEAD	1	-164463	X X	(SUB FOR DDX4377)
33	AT26137	WIRING LEAD	1	-164463	X X	(SUB FOR DD11376)
34	AR94126	HOSE	1		X X	(SUB FOR AR65440)
..	R68281	BULK HOSE	AR		X X	KIT,LGTH=1,5M (59") (SUB FOR AT32064)

# 1D21

FUEL SYSTEM AND AIR INTAKE SYSTEM

COLD WEATHER STARTING AID "THERMOSTART"  
 AIDE THERMOSTART  
 THERMO-STARHILFE  
 AIUTO DI AVVIAMENTO "THERMOSTART"  
 AYUDA DE ARRANQUE "THERMOSTART"  
 TERMOSTART  
 L22935 -UN-27OCT95



I. 22935

# 1D22

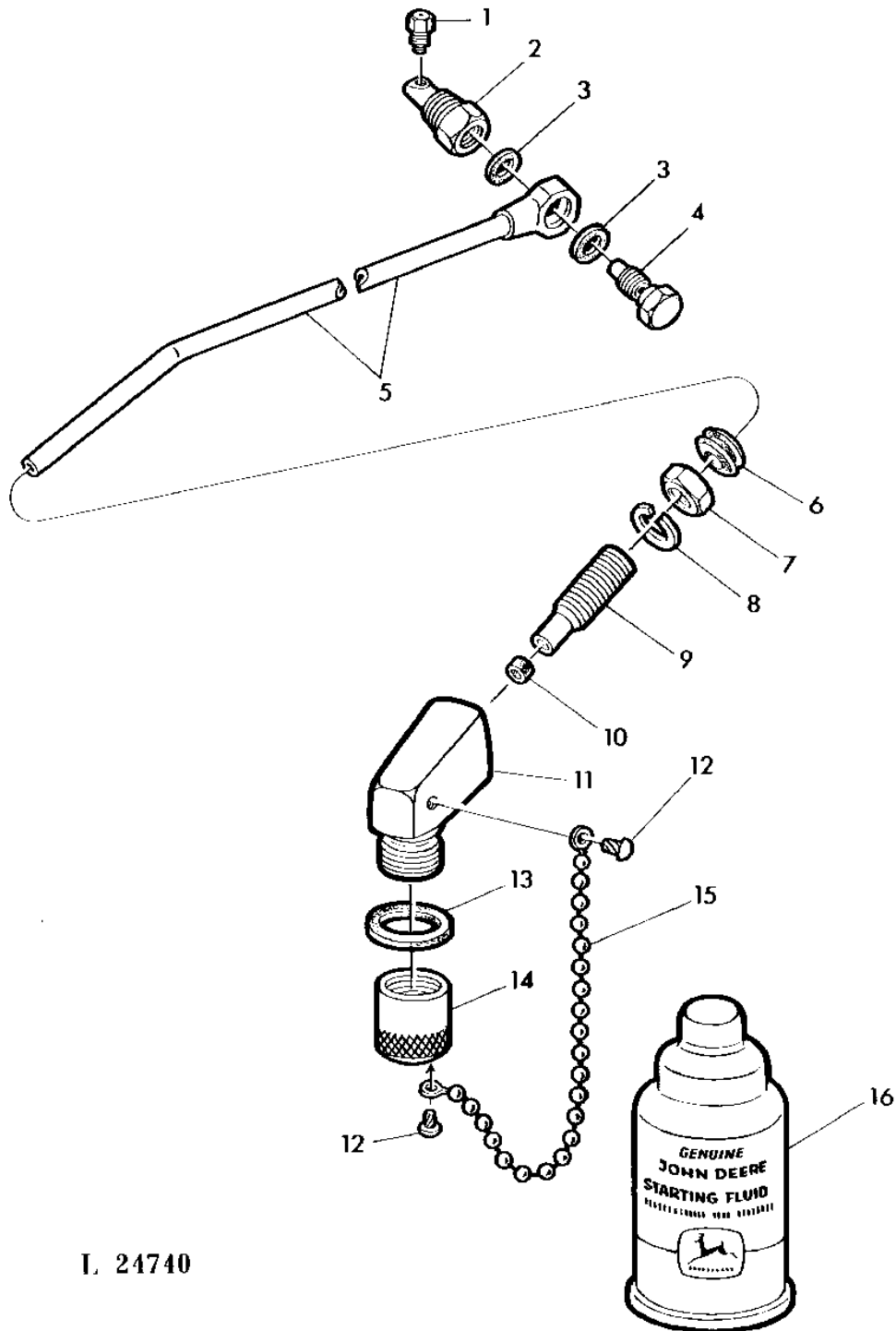
## FUEL SYSTEM AND AIR INTAKE SYSTEM

KEY	PART NO.	PART NAME	QTY	ENGINE		REMARKS
				SERIAL NO.		
					3 3	
					0 1	
					3 3	
					0 0	
1	AT26140	RESERVOIR	1		X X	ASSY,INCL KEYS 2-6 (SUB FOR DD11381)
2	CD12887	FITTING	2		X X	
3	CD12888	GASKET	3		X X	
4	T27974	COVER	1		X X	
5	T27973	WASHER	1		X X	
6	.....		1		X X	(ORD AT26140)
7	CD14805	HOSE FITTING	2		X X	NSEP (ORD KIT DD13407) (SUB FOR CD12884)
8	R62035	FITTING	2		X X	NSEP (ORD KIT DD13407) (SUB FOR CD12886)
9	R62034	SLEEVE FITTING	2		X X	(SUB FOR CD12885)
10	DD13407	HOSE FITTING	1		X X	KIT,INCL KEYS 7-9
11	.....		1		X X	NSEP (ORD R68281)
12	.....		2	160310-	X X	NSEP (ORD R68281)
13	L31097	LINE	1	160310-	X X	
14	14H786	NUT	2	-234013	X X	1/4"
15	12H302	LOCK WASHER	2	-234013	X X	1/4"
16	CD13202	HOLDER	1	-234013	X X	
17	CD13203	RETAINER	1	-234013	X X	
18	CD13204	BAIL	1	-234013	X X	
19	AR94126	HOSE	1		X X	(SUB FOR AR65440, DD11376)
20	19H2020	CAP SCREW	2	234014-	X X	5/16"X1/2"
21	12H303	LOCK WASHER	2	234014-	X X	5/16"
22	CD14873	HOLDER	1	234014-	X X	
23	12H304	LOCK WASHER	1		X X	3/8"
24	19H1894	CAP SCREW	1		X X	3/8"X3/4"
25	AR63105	BURNER	1		X X	(SUB FOR DDX4375)
26	AL25872	CABLE	1		X X	
27	CD12892	TIE BAND	3		X X	
28	T29801	GROMMET	1		X X	
29	CD13157	CAP	1	-164463	X X	
30	AT26136	CAP	1	-164463	X X	(ORD W/ CD13157)
31	AR63106	WIRING LEAD	1	-164463	X X	(SUB FOR DDX4377)
32	AT26137	WIRING LEAD	1	-164463	X X	
..	R68281	BULK HOSE	AR		X X	KIT,LGTH=1,5M (59") (SUB FOR AT32064)

# 1D23

## FUEL SYSTEM AND AIR INTAKE SYSTEM

COLD WEATHER STARTING AID "ETHER"  
AIDE AU DEMARRAGE A L'ETHER  
AETHER-STARHILFE  
AIUTO DI AVVIAMENTO A ETERE  
AYUDA DE ARRANQUE POR ETER  
ETERSTART  
L24740 -UN-26OCT95



I. 24740

# 1D24

## FUEL SYSTEM AND AIR INTAKE SYSTEM

KEY	PART NO.	PART NAME	QTY	ENGINE SERIAL NO.	3 3	REMARKS
					0 1	
					3 3	
					0 0	
1	R28583	NOZZLE	1		X X	
2	R28584	FITTING	1		X X	
3	T11292	WASHER	2		X X	
4	R26726	FITTING	1		X X	
5	AR52691	LINE	1	-318122	X X	
	AL30003	LINE	1	318123-	X X	
6	R27180	GROMMET	1		X X	
7	14H1040	NUT	1		X X	1/2"
8	12H301	LOCK WASHER	1		X X	1/2"
9	R34395	ADAPTER	1		X X	
10	R34394	WASHER	1		X X	
11	T22534	ADAPTER	1		X X	
12	37H44	SCREW	2		X X	NO.7X3/8"
13	R26149	PACKING	1		X X	
14	R32306	CAP	1		X X	
15	AR27940	LINK CHAIN	1		X X	
16	RE33636	STARTING FLUID	1		X X	(SUB FOR AR27814, RE30174)

# 1D25

FUEL SYSTEM AND AIR INTAKE SYSTEM

---

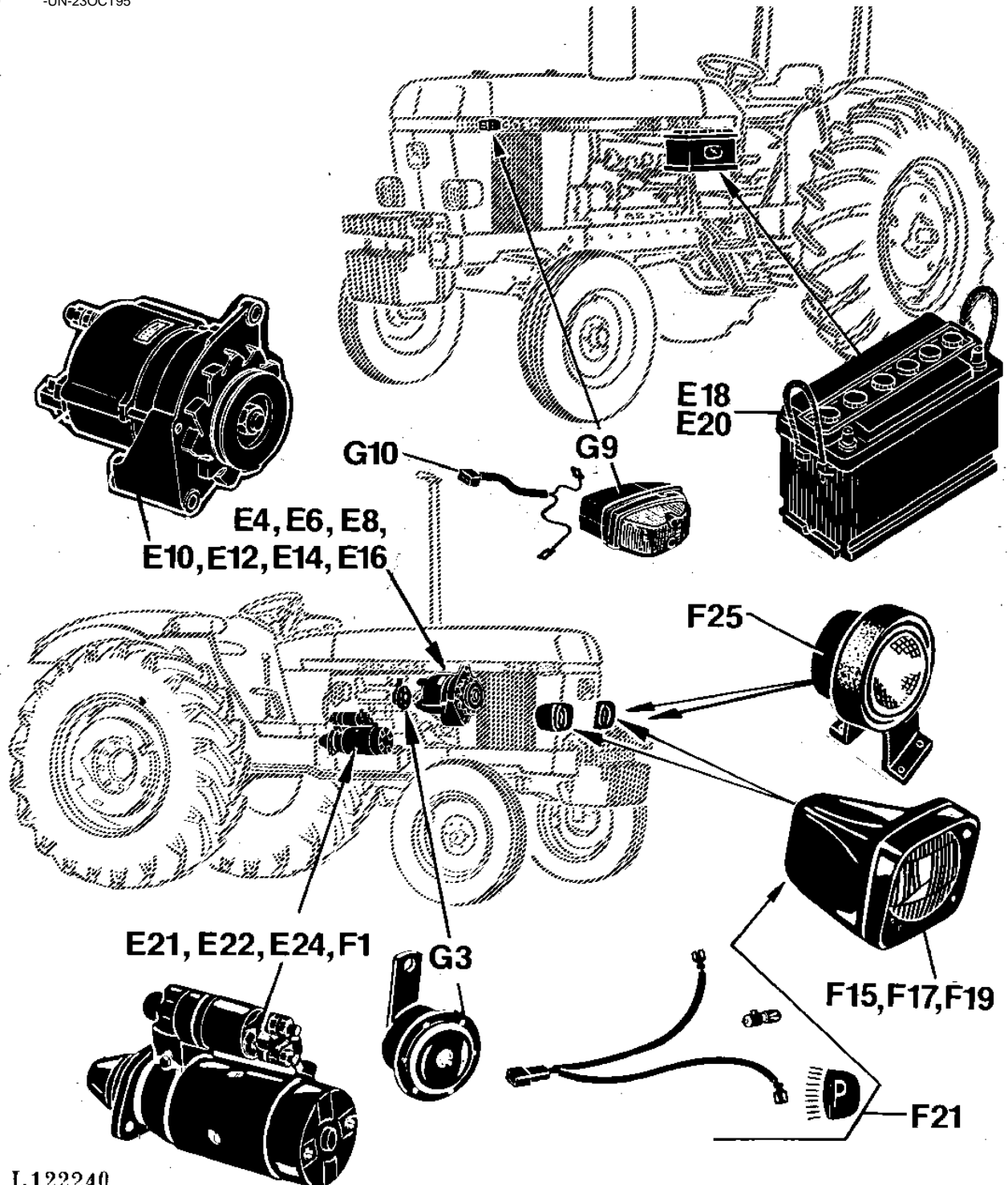
MEMORANDA  
MEMORANDA  
MEMORANDA  
MEMORANDA  
MEMORANDA



# 1E1

ELECTRICAL SYSTEM

SECTIONAL INDEX  
INDEX DE SECTION  
GRUPPENINDEX  
INDICE DELLA SEZIONE  
INDICE DE SECCION  
GRUPPSFORTECKNING  
L122240 -UN-23OCT95

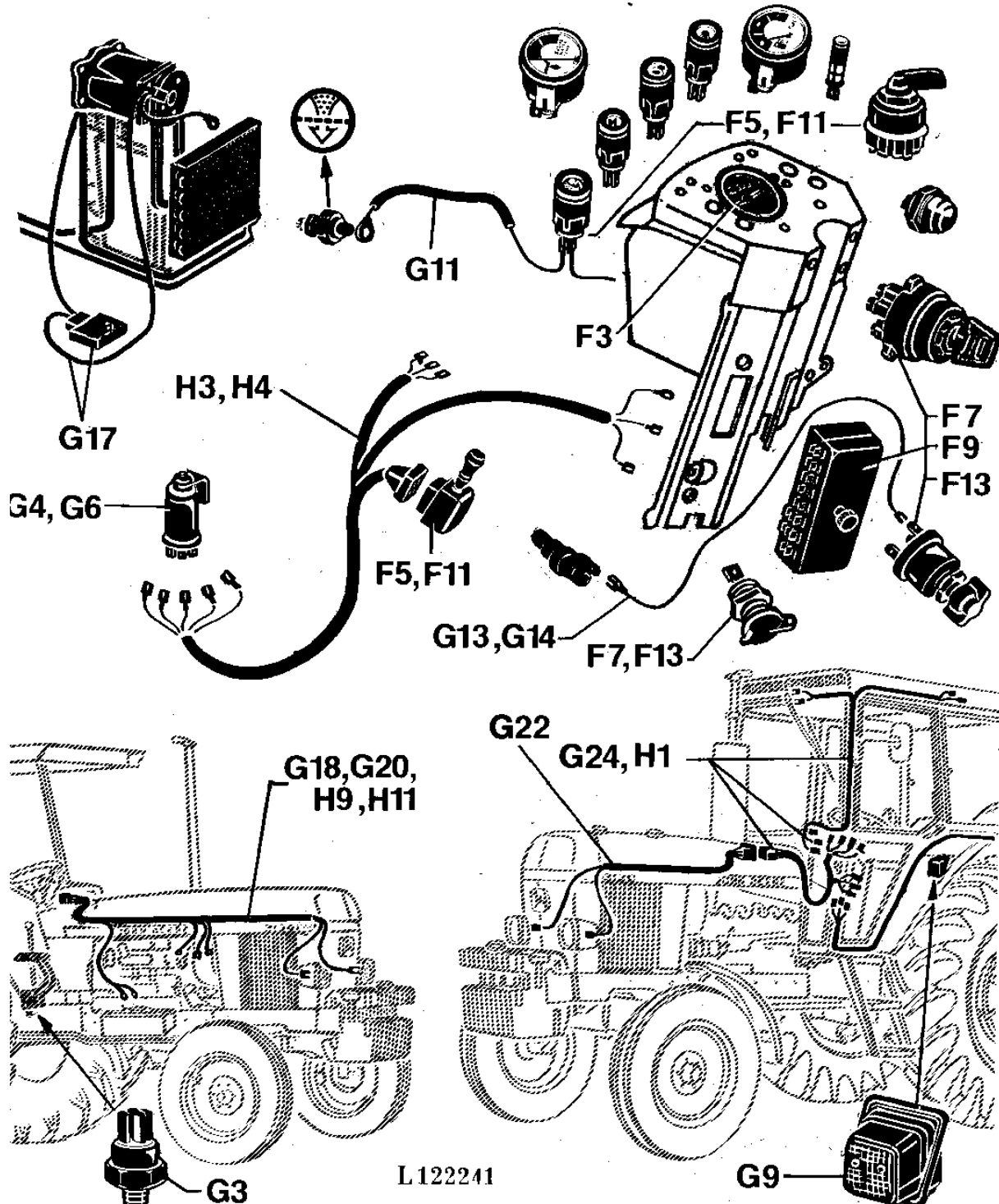


L122240

# 1E2

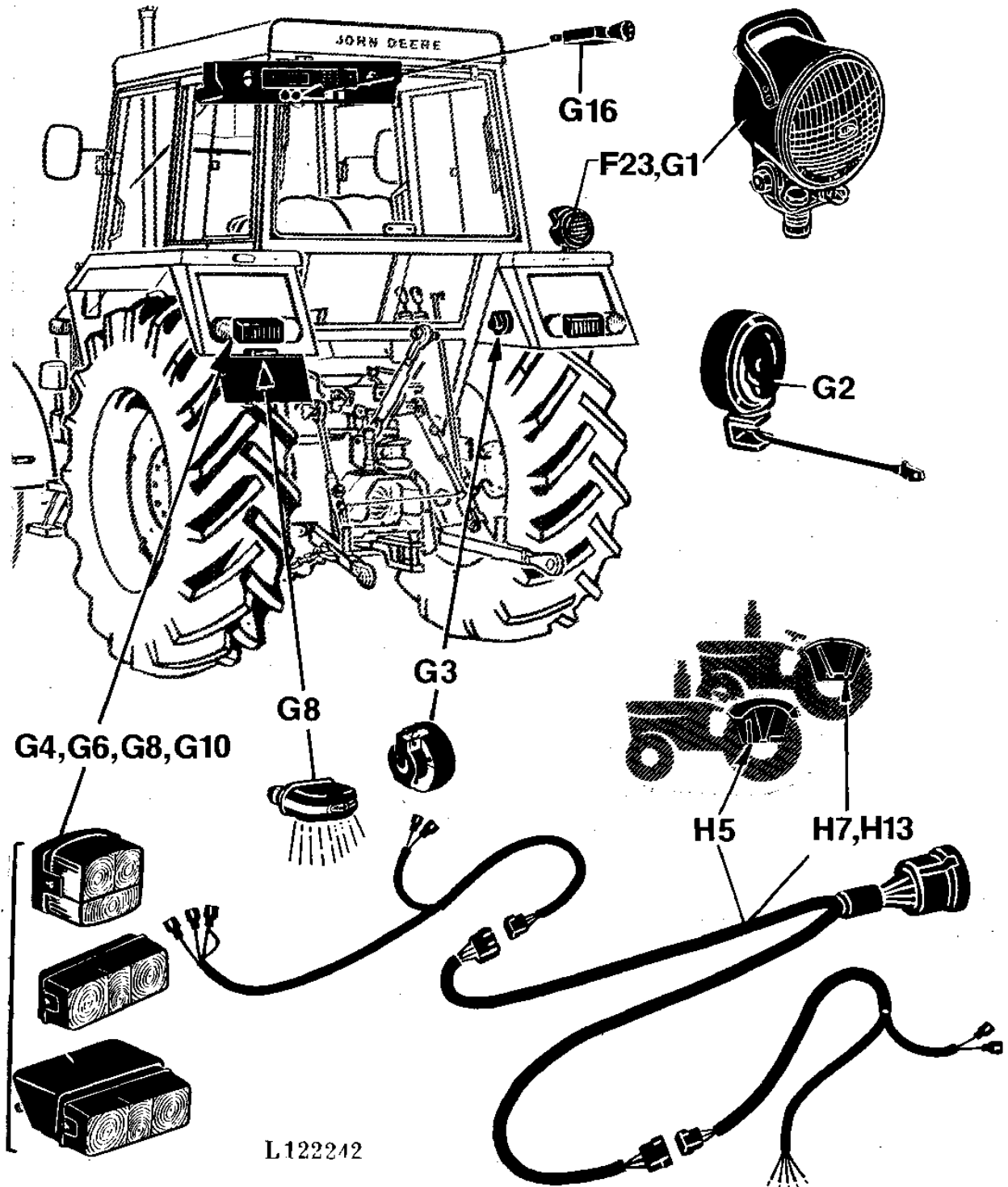
ELECTRICAL SYSTEM

SECTIONAL INDEX  
INDEX DE SECTION  
GRUPPENINDEX  
INDICE DELLA SEZIONE  
INDICE DE SECCION  
GRUPPSFORTECKNING  
L122241 -UN-23OCT95



# 1E3

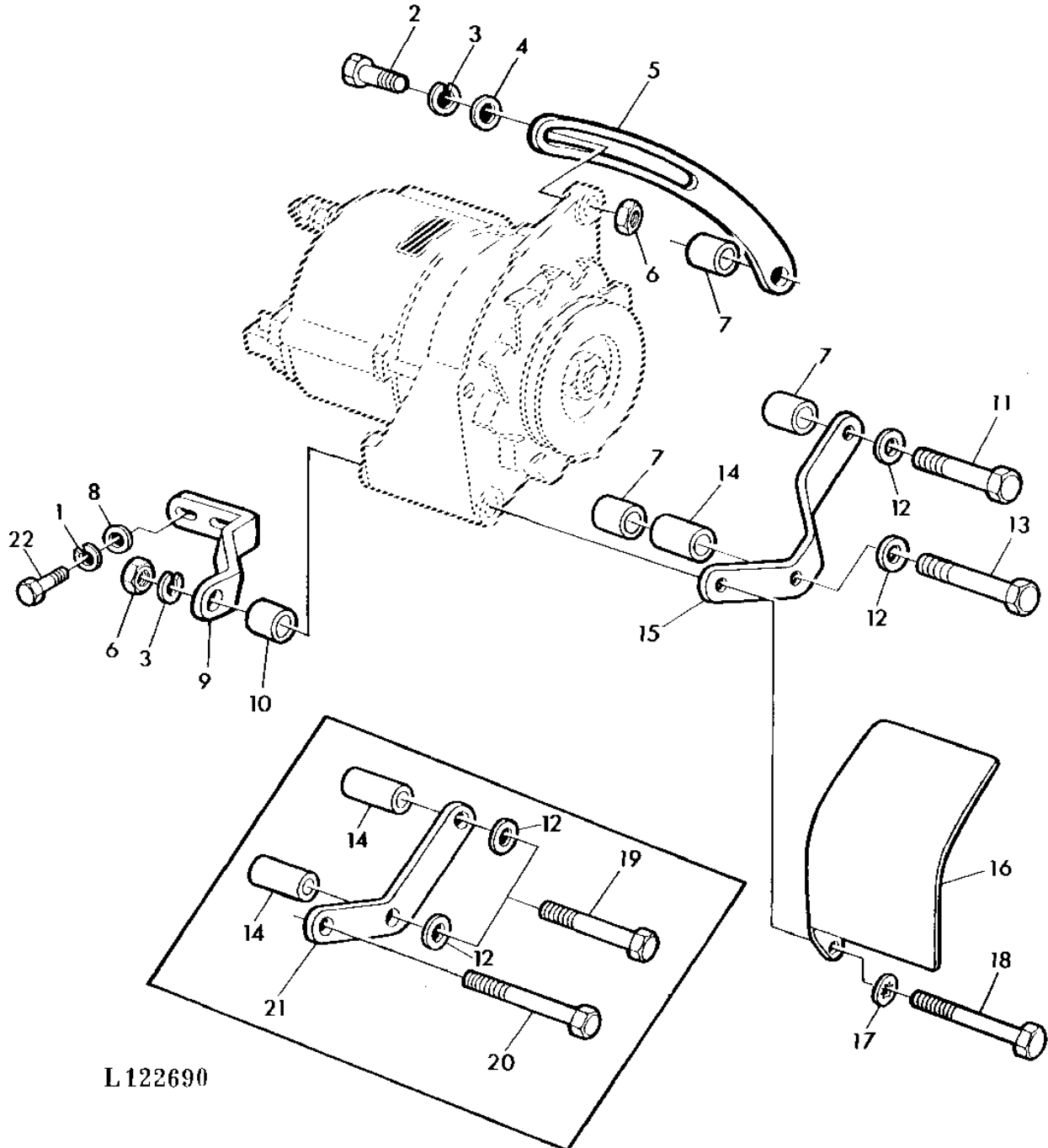
SECTIONAL INDEX  
INDEX DE SECTION  
GRUPPENINDEX  
INDICE DELLA SEZIONE  
INDICE DE SECCION  
GRUPPSFORTECKNING  
L122242 -UN-23OCT95



# 1E4

ELECTRICAL SYSTEM

ALTERNATOR ATTACHING PARTS  
ELEMENTS DE FIXATION DE L'ALTERNATEUR  
BEFESTIGUNGSTEILE DREHSTROM-GENERATOR  
PARTI DA FISSAGIO DELL'ALTERNATORE  
PIEZAS DE FIJACION DEL ALTERNADOR  
MONTERINGSDELAR FOR VAXELSTROMSGENERATOR  
L122690 -UN-26OCT95



# 1E5

## ELECTRICAL SYSTEM

KEY	PART NO.	PART NAME	QTY	SERIAL NO.	3 0 3 0	3 1 3 0	REMARKS
1	12H304	LOCK WASHER	3		X	X	3/8"
2	19H1849	CAP SCREW	1		X	X	5/16"X1-1/4"
3	12H303	LOCK WASHER	1		X	X	5/16"
4	24H1136	WASHER	1		X	X	11/32"X11/16"X.060"
5	T20204	STRAP	1		X	X	
6	14H785	NUT	2		X	X	5/16"
7	T14040	BUSHING	3	381271-	X		
	T14040	BUSHING	3	380540-	X		
8	24H1305	WASHER	2		X	X	13/32"X13/16"X.060"
9	R60828	BRACKET	1		X	X	REAR (SUB FOR R50557)
10	28H1903	BUSHING	1	381271-	X		1/4"
	28H1903	BUSHING	1	380540-	X		1/4"
11	19H1944	CAP SCREW	1	381271-	X		3/8"X2-3/4"
	19H1944	CAP SCREW	1	380540-	X		3/8"X2-3/4"
12	24H1304	WASHER	2		X	X	13/32"X23/32"X.120"
13	19H1854	CAP SCREW	1	381271-	X		3/8"X3-3/4"
	19H1854	CAP SCREW	1	380540-	X		3/8"X3-3/4"
14	R64449	BUSHING	2	-381270	X		
	R64449	BUSHING	1	381271-	X		
	R64449	BUSHING	2	-380539	X		(SUB FOR 28H2547)
	R64449	BUSHING	1	380540-	X		
15	R66794	BRACKET	1	381271-	X		FRONT
	R66794	BRACKET	1	380540-	X		FRONT
16	AR56144	SHIELD	1		X	X	
	R56012	SHIELD	1	162948-	X	X	(A) (B)
17	12H291	LOCK WASHER	1		X	X	5/16"
18	19H2652	CAP SCREW	1	381271-	X		5/16"X4-1/8"
	19H2652	CAP SCREW	1	380540-	X		5/16"X4-1/8"
19	19H2128	CAP SCREW	2	-381270	X		3/8"X3"
	19H2128	CAP SCREW	2	-380539	X		3/8"X3"
20	19H1921	CAP SCREW	1	-381270	X		5/16"X3-1/4"
	19H1921	CAP SCREW	1	-380539	X		5/16"X3-1/4"
21	R60827	SUPPORT	1	-381270	X		FRONT (SUB FOR T20202)
	R60827	SUPPORT	1	-380539	X		FRONT (SUB FOR T20202)
22	19H2284	CAP SCREW	2		X	X	3/8"X7/8"

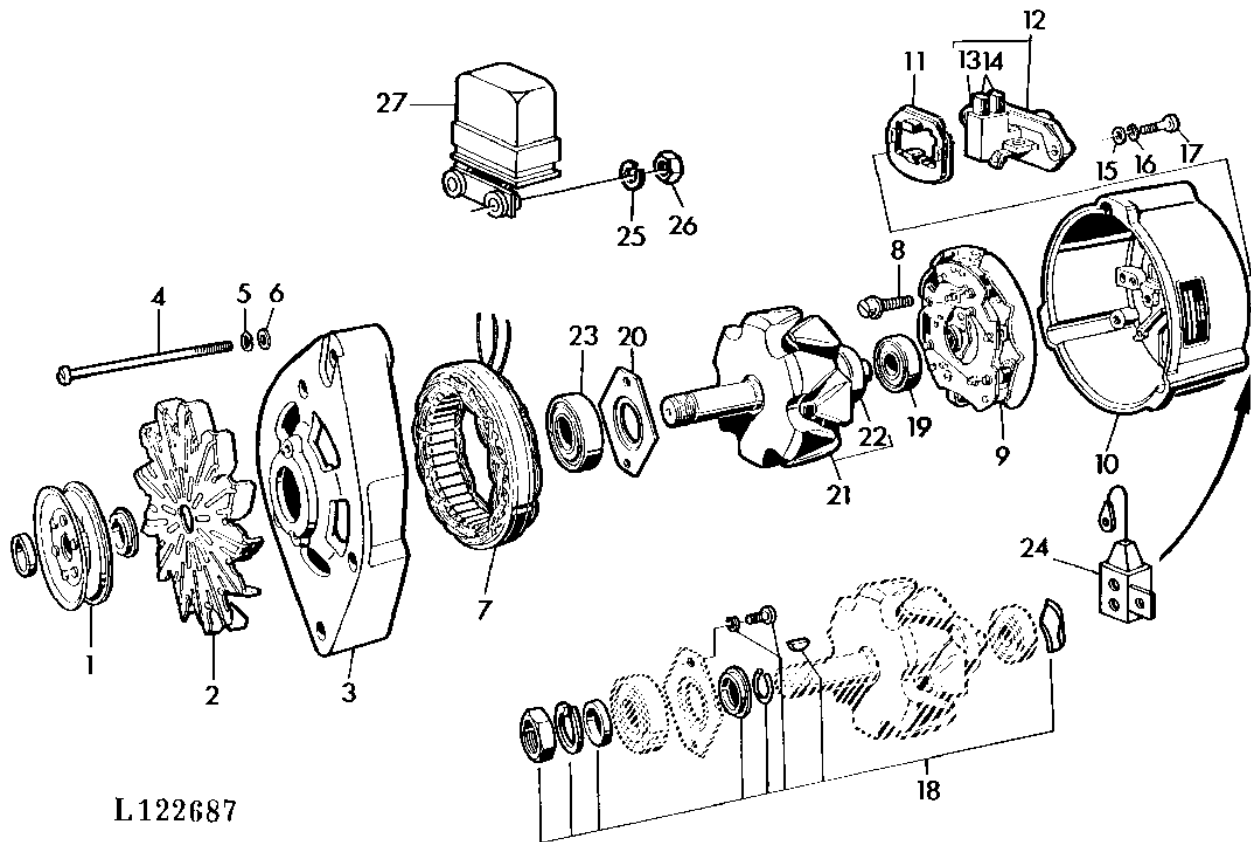
(A) WITH CHASSIS NO.  
 AVEC CHASSIS NO.  
 BEI FAHRGESTELLNR.  
 CON NUM.MATRIC.TRATTORE  
 CON NUM.DEL CHASIS  
 VID TRAKT.SERIENUMMER

(B) WIRING SYSTEM SEALED BEAM  
 CIRCUIT OPTIQUE SCELLEE  
 EL.ANLAGE SEALED BEAM  
 CIRCUITI FARO SIGILLATO  
 SIST.DE LUCES SEALED BEAM  
 KABELDRGNING SEALED BEAM

# 1E6

ELECTRICAL SYSTEM

28 AMP ALTERNATOR REGULATOR  
ALTERNATEUR 28 A/REGULATEUR  
DREHSTROM-GENERATOR (28A)/REGLERSCHALTER  
ALTERNATORE (28A)/REGOLATORE  
ALTERNADOR 28A/REGULADOR  
VAXELSTROMGENERATOR (28A)/REGULATOR  
L122687 -UN-26OCT95



L122687

# 1E7

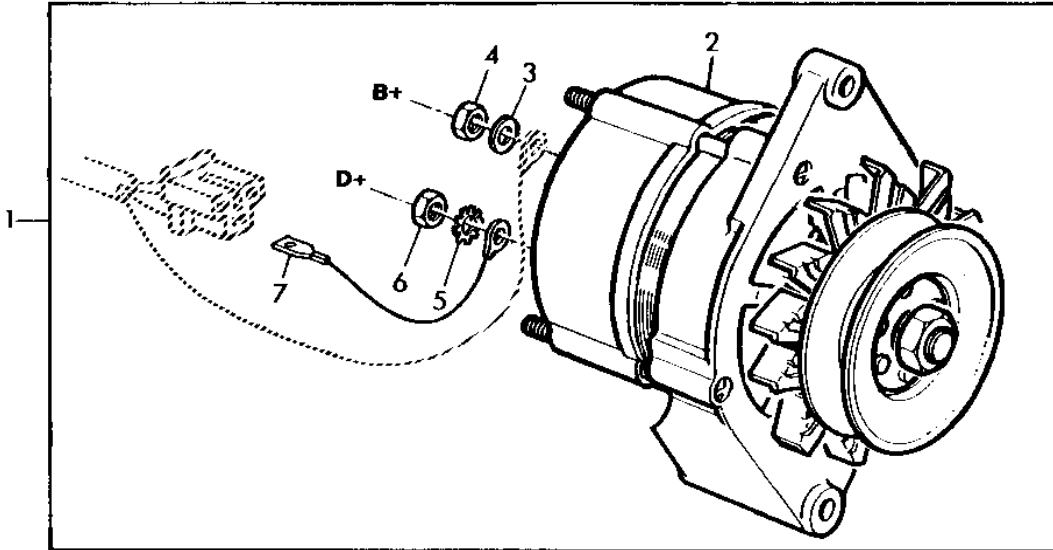
## ELECTRICAL SYSTEM

KEY	PART NO.	PART NAME	QTY	SERIAL NO.	REMARKS
					3 3
					0 1
					3 3
					0 0
1	AL23856	PULLEY	1		X X
2	L29167	FAN	1		X X
3	L29159	CASE	1		X X
4	L32147	SCREW	3		X X (SUB FOR L29166)
5	12M7011	LOCK WASHER	3		X X 5MM
6	24M7027	WASHER	3		X X 5,3MM
7	AL27371	STATOR	1		X X (SUB FOR AL23849)
8	21M7242	SCREW	3		X X 4X16MM (SUB FOR L29163)
9	AL27374	RECTIFIER	1		X X (SUB FOR AL23855)
10	L29164	HOUSING	1		X X
11	L29165	GASKET	1		X X
12	AL27372	CARBON BRUSH HOLDER	1		X X INCL KEYS 13,14 (SUB FOR AL23853)
13	L27339	SPRING	2		X X
14	AL27373	CARBON BRUSH CONDUCTOR	1		X X KIT (SUB FOR AL23854)
15	L29162	WASHER	2		X X
16	12M1622	LOCK WASHER	2		X X 4MM
17	AL19208	SCREW	2		X X
18	AL23857	KIT	1		X X KIT
19	AL23851	BEARING	1		X X
20	L29161	PLATE	1		X X
21	AL23850	ROTOR	1		X X (ORD W/ L29160)
22	L29160	RING	2		X X
23	AL23852	BEARING	1		X X
24	AL23434	CAPACITOR	1		X X
25	12M7064	LOCK WASHER	2		X X
26	14H631	NUT	2		X X 0.190"
27	AT31413	VOLTAGE REGULATOR	1		X X
..	AR62401	ALTERNATOR	1		X X R.BOSCH-14V-28A,0120 300 535 ASSY,INCL KEYS 1-24 (ORD AL36391)

# 1E8

ELECTRICAL SYSTEM

ALTERNATOR (55A)  
 ALTERNATEUR (55A)  
 DREHSTROM-GENERATOR (55A)  
 ALTERNATORE (55A)  
 ALTERNADOR (55A)  
 VAXELSTROMGENERATOR (55A)  
 L122685 -UN-26OCT95



L122685

KEY	PART NO.	PART NAME	QTY	SERIAL NO.	REMARKS
				3 3	
				0 1	
				3 3	
				0 0	
1	AL36391	ALTERNATOR	1	X X	(SUB FOR AR62401)
2	AL67175	ALTERNATOR	1	X X	R.BOSCH-14V,55A,0 120 488 218
3	24M7238	WASHER	1	X X	8,7X17X2MM
4	14M7273	NUT	1	X X	M8
5	12M7060	WASHER	1	X X	
6	14M7028	NUT	1	X X	M5
7	AL36390	WIRING LEAD	1	X X	



# 1E9

ELECTRICAL SYSTEM

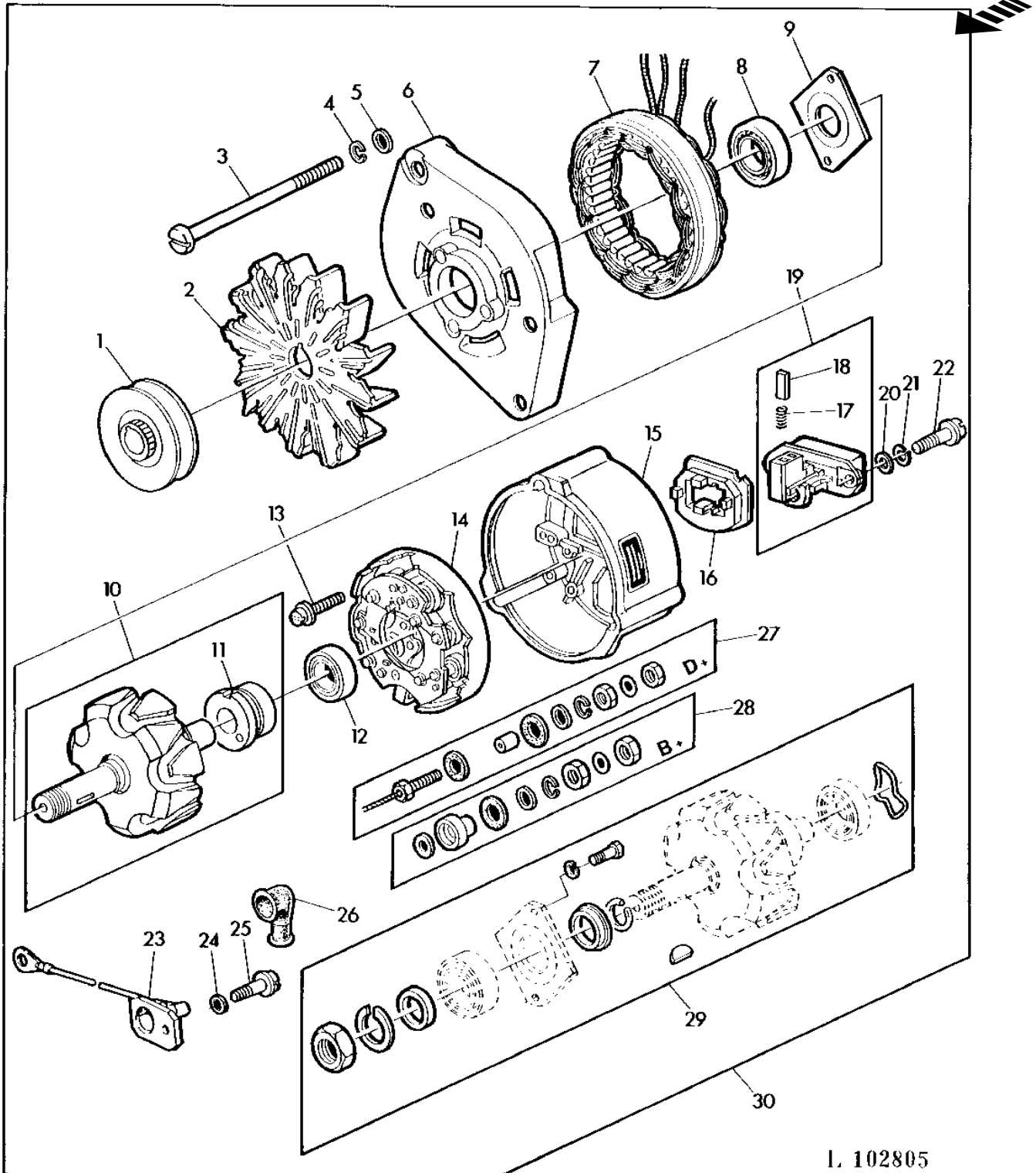
---

MEMORANDA  
MEMORANDA  
MEMORANDA  
MEMORANDA  
MEMORANDA

# 1E10

ELECTRICAL SYSTEM

ALTERNATOR (33A)  
ALTERNATEUR (33A)  
DREHSTROM-GENERATOR (33A)  
ALTERNATORE (33A)  
ALTERNADOR (33A)  
VAXELSTROMGENERATOR (33A)  
L102805 -UN-07NOV95



L 102805

# 1E11

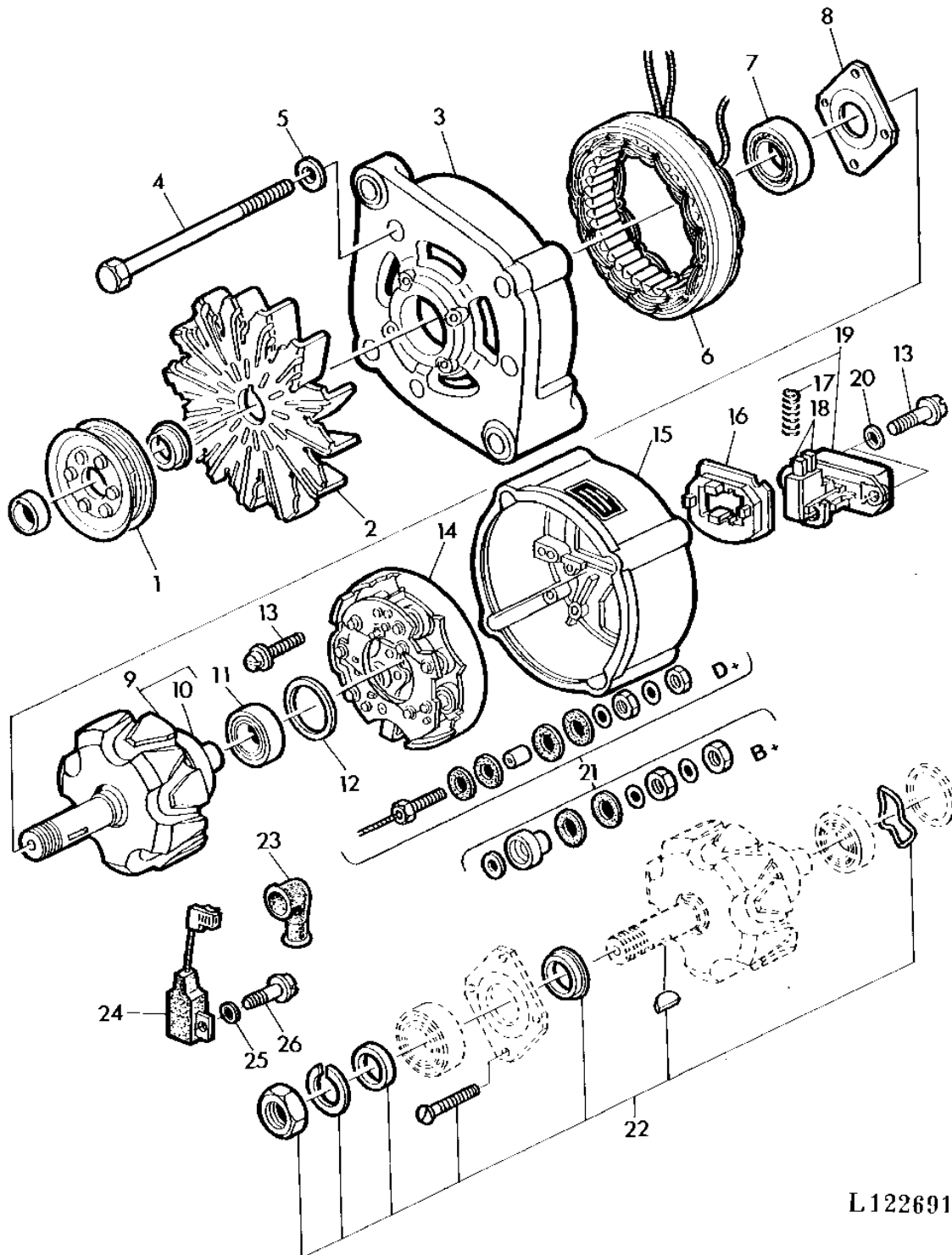
ELECTRICAL SYSTEM

KEY	PART NO.	PART NAME	QTY	SERIAL NO.	REMARKS
					3 3
					0 1
					3 3
					0 0
1	AL32863	PULLEY	1		X X
2	L29167	FAN	1		X X
3	L32147	SCREW	3		X X
4	12M7011	LOCK WASHER	3		X X 5MM
5	24M7027	WASHER	3		X X 5,3X10X1MM
6	L29159	CASE	1		X X
7	AZ24487	STATOR	1		X X
8	AL23851	BEARING	1		X X
9	L29161	PLATE	1		X X
10	AZ24489	ROTOR	1		X X
11	L29160	RING	1		X X
12	AL23852	BEARING	1		X X
13	21M7242	SCREW	3		X X 4X16MM
14	AL27374	RECTIFIER	1		X X
15	AZ24488	CASE	1		X X
16	Z35542	INSULATOR	1		X X
17	L27339	SPRING	2		X X
18	AL27373	CARBON BRUSH CONDUCTOR	1		X X
19	AL36101	REGULATOR	1		X X
20	L29162	WASHER	2		X X
21	12M1622	LOCK WASHER	2		X X 4MM
22	AL19208	SCREW	2		X X
23	AZ24485	CAPACITOR	1		X X
24	12M7075	WASHER	1		X X 5MM
25	21M7198	SCREW	1		X X M5X10
26	L33994	TERMINAL NIPPLE	2		X X
27	AL33271	KIT	1		X X
28	AL33270	KIT	1		X X
29	AL23857	KIT	1		X X
30	AL36100	ALTERNATOR	1		X X R.BOSCH-14V,33A,0 120 339 545, (ORD AL67175, 12M7060, 14M7028, 14M7273, 24M7238)

# 1E12

ELECTRICAL SYSTEM

ALTERNATOR (55A)  
ALTERNATEUR (55A)  
DREHSTROM-GENERATOR (55A)  
ALTERNATORE (55A)  
ALTERNADOR (55A)  
VAXELSTROMGENERATOR (55A)  
L122691 -UN-26OCT95



L122691

# 1E13

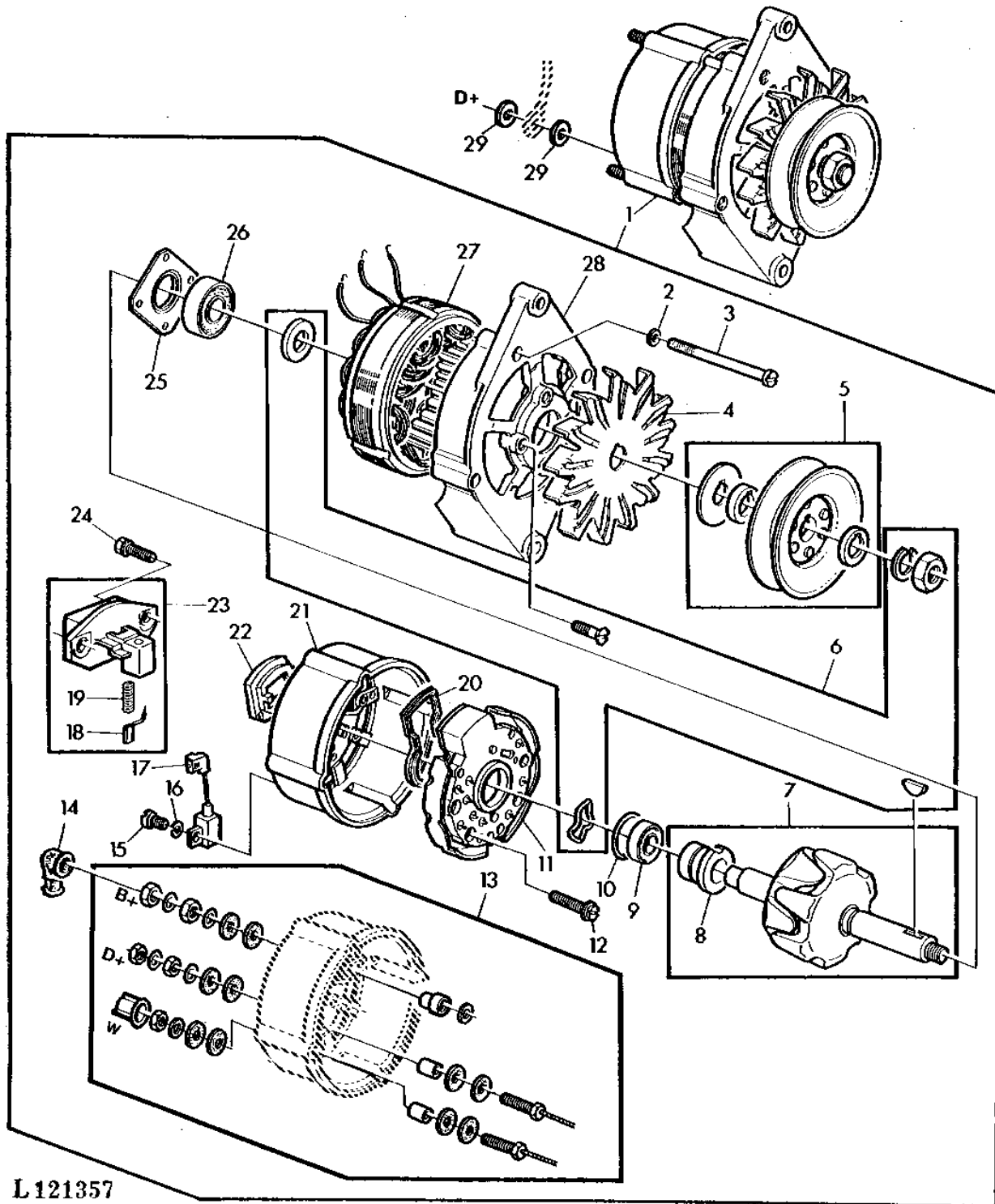
ELECTRICAL SYSTEM

KEY	PART NO.	PART NAME	QTY	SERIAL NO.	REMARKS
					3 3
					0 1
					3 3
					0 0
1	AL32863	PULLEY	1		X X
2	L33993	FAN	1		X X
3	AL30414	CASE	1		X X
4	21M7241	SCREW	4		X X 5X110MM
5	24M7027	WASHER	4		X X 5,3X10X1MM
6	AL30422	STATOR	1		X X
7	JD10036	BALL BEARING	1		X X
8	L33985	FLANGE	1		X X
9	AL30416	ROTOR	1		X X (ORD W/ L33986)
10	L33986	RING	1		X X
11	AL30417	BEARING	1		X X
12	L33987	O-RING	1		X X
13	21M7242	SCREW	5		X X 4X16MM
14	AL30419	DIODE HOLDER	1		X X
15	AL30418	HOUSING	1		X X
16	L33992	INSULATOR	1		X X
17	L33988	SPRING	2		X X
18	AL30421	CARBON BRUSH CONDUCTOR	1		X X KIT
19	AL30420	REGULATOR	1		X X INCL KEYS 17,18
20	12M7031	LOCK WASHER	2		X X 4MM
21	AL30425	KIT	1		X X KIT
22	AL30424	KIT	1		X X KIT
23	L33994	TERMINAL NIPPLE	2		X X
24	AL30423	CAPACITOR	1		X X
25	12M7075	WASHER	1		X X 5MM
26	21M7198	SCREW	1		X X M5X8
..	AL28516	ALTERNATOR	1		X X R.BOSCH-14V-55A,0 120 421 407, ASSY,INCL KEYS 1-26 (ORD AL67175, 12M7060, 14M7028, 14M7273, 24M7238)

# 1E14

ELECTRICAL SYSTEM

ALTERNATOR (55A)  
ALTERNATEUR (55A)  
DREHSTROM-GENERATOR (55A)  
ALTERNATORE (55A)  
ALTERNADOR (55A)  
VAXELSTROMSGENERATOR (55A)  
L121357 -UN-01JAN94



L121357

# 1E15

ELECTRICAL SYSTEM

KEY	PART NO.	PART NAME	QTY	SERIAL NO.	REMARKS
					3 3
					0 1
					3 3
					0 0
1	AL35998	ALTERNATOR	1	X X	R.BOSCH-14V,55A,1 120 489 704, (ORD AL67175, 12M7060, 14M7028, 14M7273, 24M7238) (SUB FOR AL28516, AL36100)
2	24M7027	WASHER	4	X X	5,3X10X1MM
3	L41575	SCREW	4	X X	
4	L33993	FAN	1	X X	
5	AL32863	PULLEY	1	X X	
6	AL30424	KIT	1	X X	KIT
7	AL30416	ROTOR	1	X X	
8	L33986	RING	1	X X	
9	AL30417	BEARING	1	X X	
10	L33987	O-RING	1	X X	
11	AL30419	DIODE HOLDER	1	X X	
12	Z42049	SCREW	3	X X	
13	AL30425	KIT	1	X X	KIT
14	L33994	TERMINAL NIPPLE	2	X X	
15	21M7198	SCREW	1	X X	M5X8
16	12M7075	WASHER	1	X X	5MM
17	AL30423	CAPACITOR	1	X X	
18	AL30421	CARBON BRUSH CONDUCTOR	1	X X	KIT
19	Z42048	SPRING	2	X X	
20	L41296	GASKET	1	X X	
21	AL30418	HOUSING	1	X X	
22	L33992	INSULATOR	1	X X	
23	AL35999	REGULATOR	1	X X	
24	Z42047	SCREW	2	X X	
25	L33985	FLANGE	1	X X	
26	JD10036	BALL BEARING	1	X X	
27	AL30422	STATOR	1	X X	
28	AL30414	CASE	1	X X	
29	24M7146	WASHER	2	X X	4,3X12X1MM





# 1E17

ELECTRICAL SYSTEM

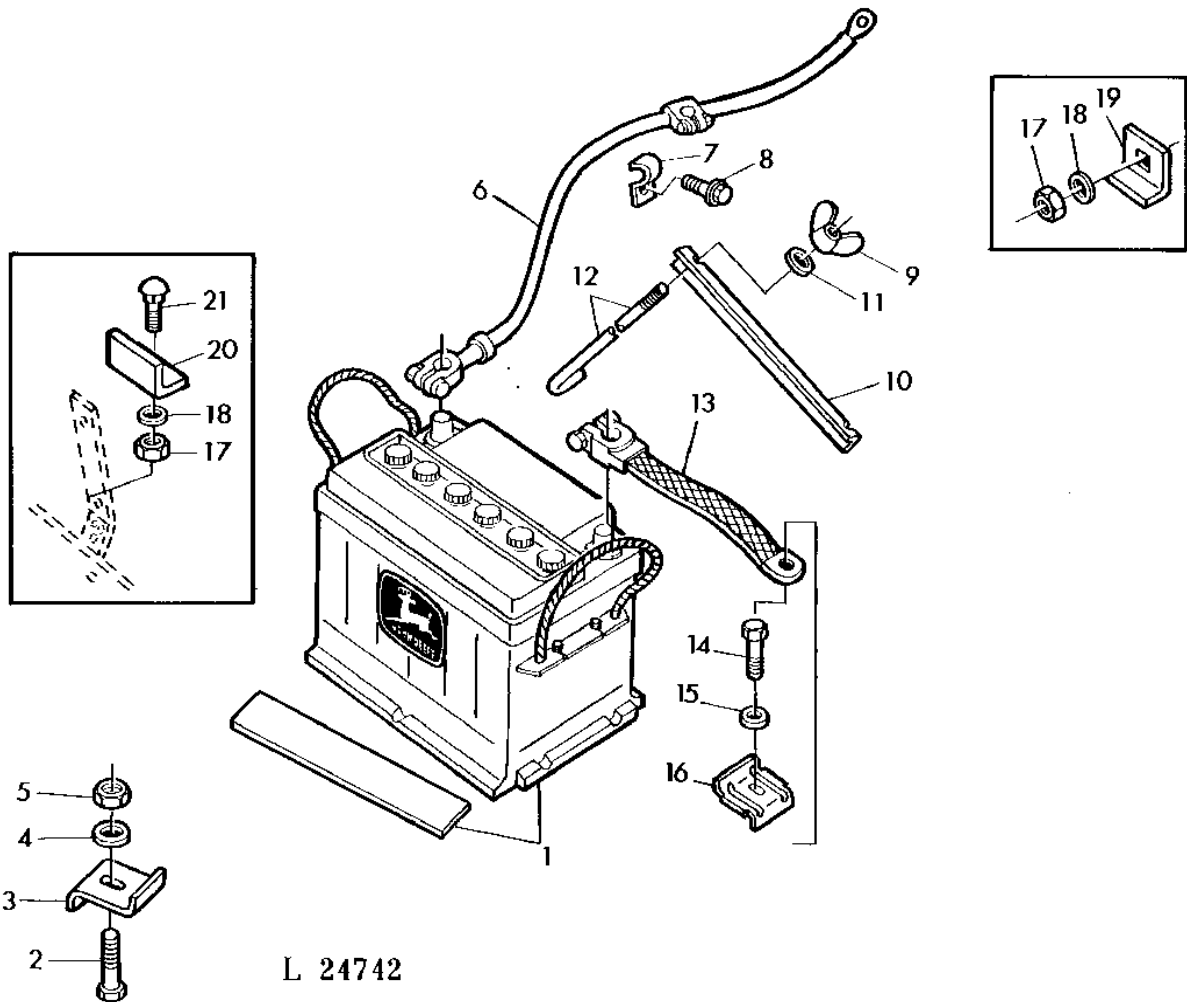
KEY	PART NO.	PART NAME	QTY	SERIAL NO.	3 3 0 1 3 3 0 0	REMARKS
1	AL67175	ALTERNATOR	1		X X	R.BOSCH-14V,55A,0 120 488 218,
2	AL68883	BEARING	1		X X	
3	L41575	SCREW	4		X X	
4	L33993	FAN	1		X X	
5	AL68891	PULLEY	1		X X	
6	AL23857	KIT	1		X X	KIT
7	AL68885	ROTOR	1		X X	
8	JD30001	BALL BEARING	1		X X	
9	L64324	RING	1		X X	
10	Z42047	SCREW	2		X X	
11	AL68887	RECTIFIER	1		X X	
12	L61844	GUARD	1		X X	
13	AL68893	KIT	1		X X	KIT
14	L64325	BEARING	1		X X	
15	L64371	SCREW	2		X X	
16	AL30423	CAPACITOR	1		X X	
17	AL65077	REGULATOR	1		X X	
18	AL30421	CARBON BRUSH CONDUCTOR	1		X X	KIT
19	Z42048	SPRING	2		X X	
20	L64371	SCREW	2		X X	
21	L64323	PLATE	1		X X	
22	JD10036	BALL BEARING	1		X X	
23	AL68889	STAND-OFF	1		X X	
24	14M7028	NUT	1		X X	M5
25	12M7060	WASHER	1		X X	
26	24M7238	WASHER	1		X X	8,7X17X2MM
27	14M7273	NUT	1		X X	M8

# 1E18

ELECTRICAL SYSTEM

BATTERY  
BATTERIE  
BATTERIE  
BATTERIA  
BATTERI  
L24742

-UN-26OCT95



L 24742

# 1E19

## ELECTRICAL SYSTEM

KEY	PART NO.	PART NAME	QTY	SERIAL NO.	3 0 3 0	REMARKS
1	AL37560	BATTERY	1		X X	12V,88AH (ORD AL66622, L62877) (SUB FOR AL19931, AL26940)
2	19M7169	CAP SCREW	2		X X	(A) 10X35MM
3	L31143	CLAMP	2		X X	(A)
4	24M7028	WASHER	2		X X	(A) 10,5X21X2MM
5	14M7140	NUT	2		X X	(A) 10MM
6	AL35521	CABLE	1		X X	(A) (+) (SUB FOR AL25219)
	AL35591	CABLE	1		X X	(+) (SUB FOR AL24228, AL31219, (2) AT26559)
7	99M7044	CLAMP	3		X X	(A)
8	37H24	SCREW	3		X X	(A)
9	14H952	WING NUT	4	324529-	X X	1/4"
10	L34337	ANGLE	2	324529-	X X	
11	24H1646	WASHER	4	324529-	X X	17/64"X3/4"X.060"
12	L36972	HOOK BOLT	4	324529-	X X	(SUB FOR R56525)
13	AT20749	GROUND CABLE	2		X X	(-)
14	19M7163	CAP SCREW	2		X X	8X25MM
15	24M7055	WASHER	2		X X	8,4MM
16	L31742	CLAMP	2		X X	
17	14H812	NUT	4	-324528	X X	3/8"
18	24H1305	WASHER	4	-324528	X X	13/32"X13/16"X.060"
19	L31743	ANGLE	2	-324528	X X	(SUB FOR T28522)
20	T28521	CLAMP	2	-324528	X X	
21	03H1463	BOLT	4	-324528	X X	3/8"X3/4"
	03H1463	BOLT	2	324529-	X X	3/8"X3/4"

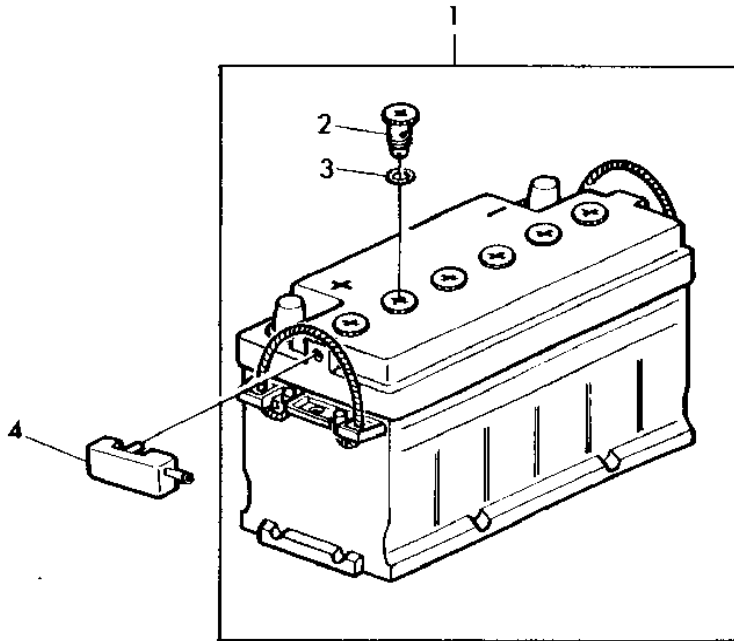
(A) W/OPERATOR'S CAB  
 AVEC CABINE  
 BEI KABINE  
 CON CABINA  
 CON CABINA  
 VID FORARHYTT

# 1E20

ELECTRICAL SYSTEM

BATTERY  
BATTERIE  
BATTERIE  
BATTERIA  
BATTERI  
L121150

-UN-20OCT95



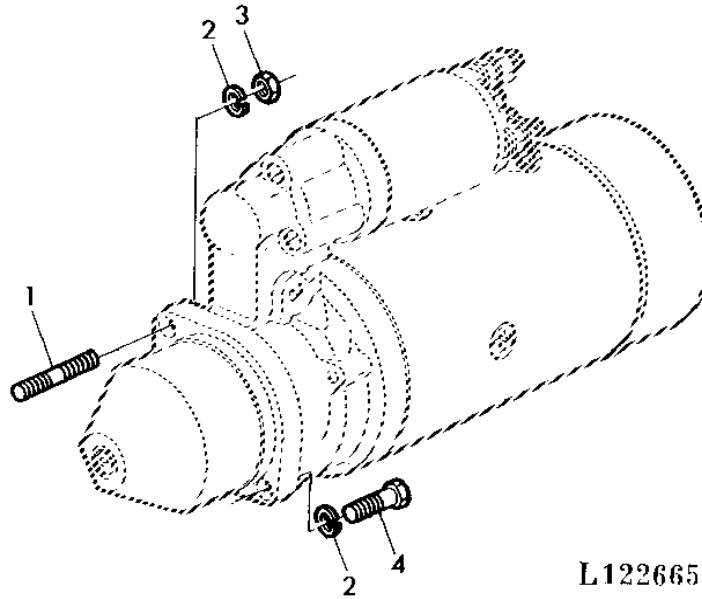
L121150

KEY	PART NO.	PART NAME	QTY	SERIAL NO.	REMARKS
				3 3	
				0 1	
				3 3	
				0 0	
1	AL66622	BATTERY	AR	X X	12V,88AH
2	L62874	PIPE PLUG	6	X X	
3	L62875	O-RING	6	X X	
4	L62877	CONTAINER	AR	X X	

# 1E21

ELECTRICAL SYSTEM

STARTER MOTOR ATTACHING PARTS  
 PIECES DE FIXATION DU DEMARREUR  
 BEFESTIGUNGSTEILE STARTER  
 PARTI FISSAGGIO PER MOTORINO AVVIAMENTO  
 PIEZAS DE FIJACION DEL MOTOR DE ARRANQUE  
 FASTDELAR FOR STARTMOTOR  
 L122665 -UN-26OCT95



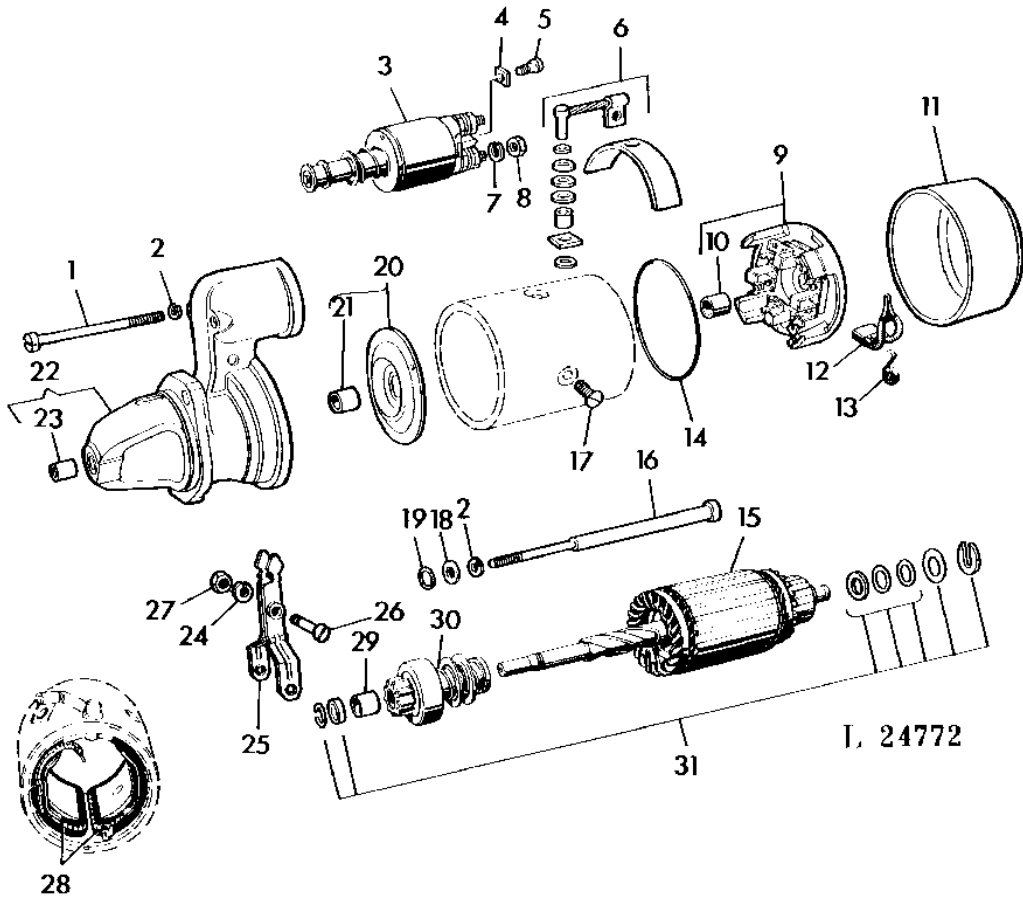
L122665

KEY	PART NO.	PART NAME	QTY	SERIAL NO.	REMARKS
				3 3	
				0 1	
				3 3	
				0 0	
1	M3636T	STUD	1	X X	3/8"X1/2"
2	12H304	LOCK WASHER	2	X X	3/8"
3	14H812	NUT	1	X X	3/8"
4	19H1731	CAP SCREW	1	X X	3/8"X1"

# 1E22

ELECTRICAL SYSTEM

STARTING MOTOR  
DEMARREUR  
STARTER  
AVVIATORE  
MOTOR DE ARRANQUE  
STARTMOTOR  
L24772 -UN-26OCT95



# 1E23

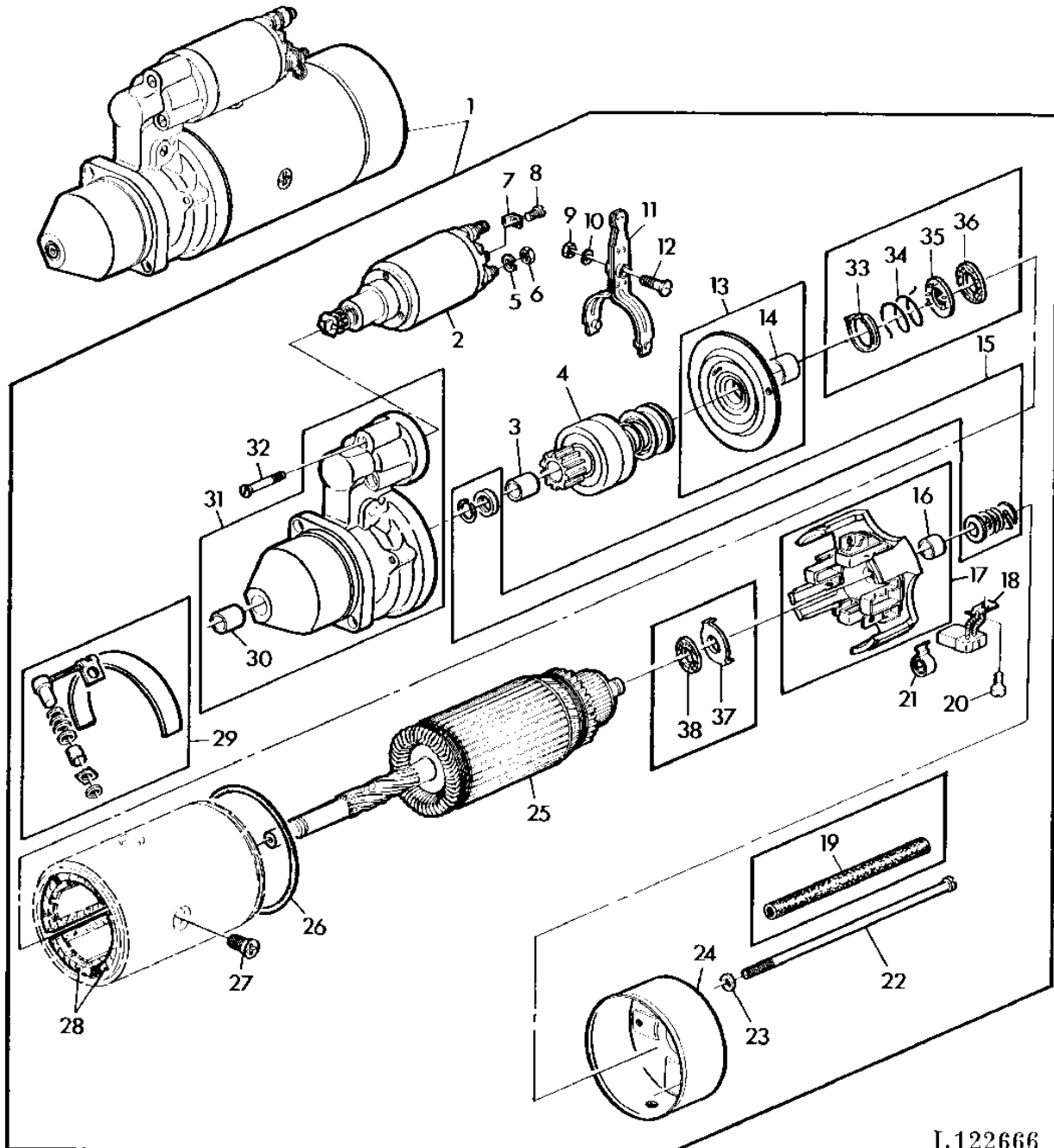
ELECTRICAL SYSTEM

KEY	PART NO.	PART NAME	QTY	SERIAL NO.	3 3 0 1 3 3 0 0	REMARKS
1	21M6041	SCREW	2		X X	6X50MM
2	L29153	LOCK WASHER	4		X X	
3	AL19192	SOLENOID	1		X X	
4	L29156	CLAMP	1		X X	
5	21M1211	SCREW	1		X X	4X6MM
6	AL23847	TERMINAL	1		X X	KIT
7	12M7013	LOCK WASHER	2		X X	10MM
8	14M7152	NUT	4		X X	10MM
9	AL25270	COMMUTATOR HOUSING	1		X X	INCL KEY 10 (SUB FOR AL23846)
10	Z24799	BUSHING	1		X X	
11	L29158	COVER	1		X X	
12	AZ14507	CARBON BRUSH CONDUCTOR	1		X X	KIT
13	Z24810	COMPRESSION SPRING	4		X X	
14	Z24801	O-RING	1		X X	(SUB FOR T27670)
15	AZ14506	ARMATURE	1		X X	
16	L29152	SCREW	1		X X	
17	L29157	SCREW	1		X X	
18	L29154	WASHER	1		X X	
19	T27670	RING	1		X X	(SUB FOR L29155)
20	Z24798	BEARING	1		X X	INCL KEY 21 (SUB FOR AL23845)
21	L19654	BUSHING	1		X X	
22	AL23844	CASE	1		X X	INCL KEY 23
23	L19651	BUSHING	1		X X	
24	12M7008	LOCK WASHER	1		X X	8MM
25	AT25914	LEVER	1		X X	
26	T27671	SCREW	1		X X	
27	14M7151	NUT	1		X X	8MM
28	AZ14504	FIELD WINDING COIL	1		X X	
29	Z24800	BUSHING	1		X X	(SUB FOR L29151)
30	AT25910	DRIVE	1		X X	
31	AL23848	ARMATURE	1		X X	
..	AT23401	STARTER	1		X X	ASSY,INCL KEYS 1-31 (ORD AR70436)

# 1E24

ELECTRICAL SYSTEM

STARTING MOTOR  
DEMARREUR  
STARTER  
AVVIATORE ELETTRICO  
MOTOR DE ARRANQUE  
STARTMOTOR  
L122666 -UN-26OCT95



L122666



# 1E25

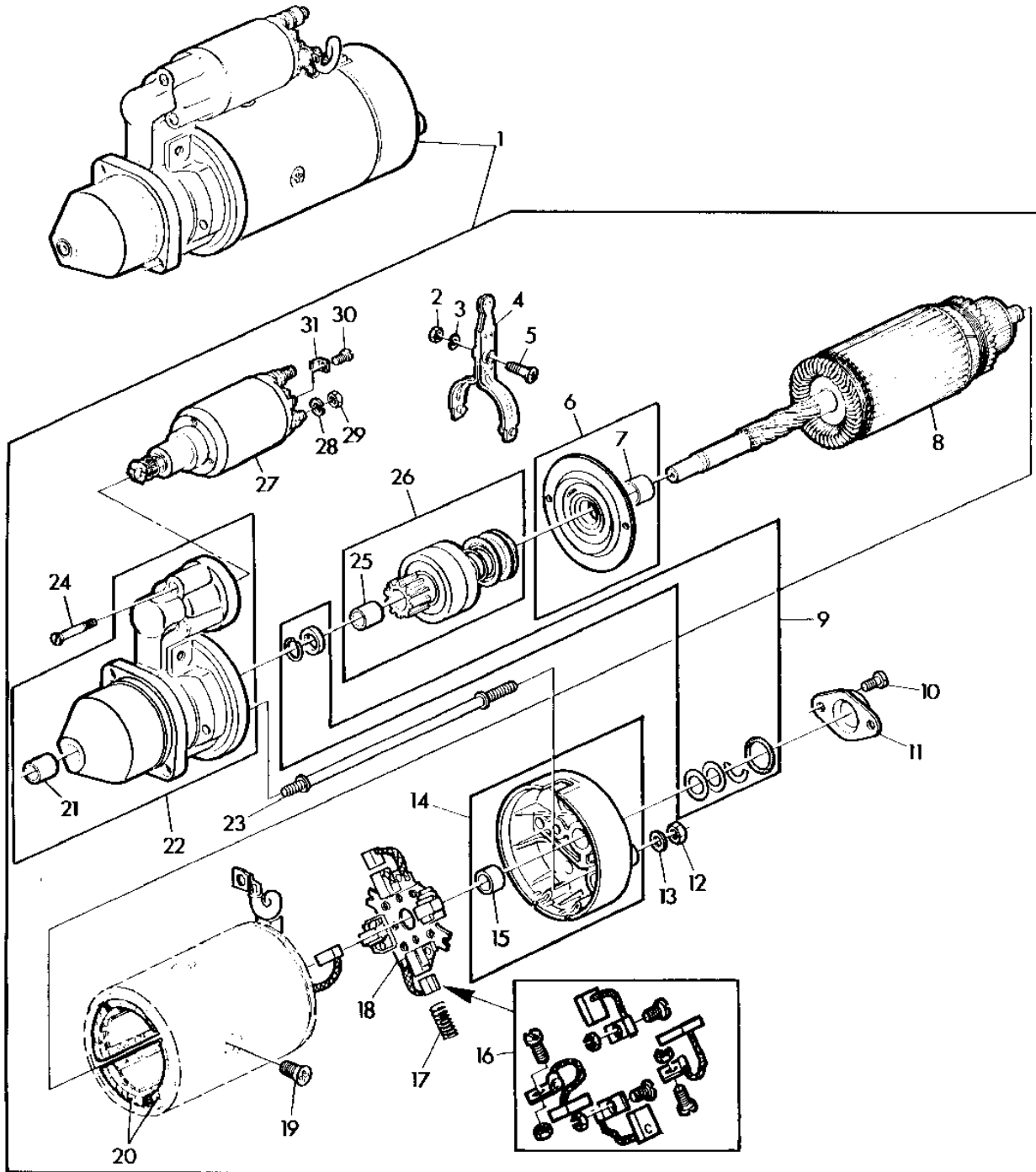
## ELECTRICAL SYSTEM

KEY	PART NO.	PART NAME	QTY	SERIAL NO.	REMARKS
					3 3
					0 1
					3 3
					0 0
1	AR70436	STARTER	1	X X	R.BOSCH-0001 359 090 (ORD AL39700)
2	AL55046	SOLENOID	1	X X	(SUB FOR AL25268)
3	Z24800	BUSHING	1	X X	
4	AL25275	DRIVE	1	X X	
5	12M7013	LOCK WASHER	2	X X	10MM
6	14M7152	NUT	4	X X	M10
7	L29156	CLAMP	1	X X	
8	21M1211	SCREW	1	X X	M4X6
9	14M7151	NUT	1	X X	M8
10	12M5442	WASHER	1	X X	8,4MM (SUB FOR 12M7008 APPL)
11	AL25273	LEVER	1	X X	
12	L41582	SCREW	1	X X	M8X40
	T27671	SCREW	1	X X	M8X45
13	AL25267	QUILL	1	X X	
14	L30862	BUSHING	1	X X	
15	AL23848	ARMATURE	1	X X	
16	Z24799	BUSHING	1	X X	
17	AL25270	COMMUTATOR HOUSING	1	X X	
18	AL25271	CARBON BRUSH CONDUCTOR	4	X X	KIT
19	L30861	PIPE	2	X X	
20	21M7198	SCREW	4	X X	M5X8
21	L41579	COMPRESSION SPRING	4	X X	(SUB FOR Z24810)
22	L29152	SCREW	2	X X	
23	24M7054	WASHER	2	X X	6,4X12,5X1,6MM (SUB FOR L30863)
24	L29158	COVER	1	X X	
25	AL25274	ARMATURE	1	X X	
26	Z24801	O-RING	1	X X	
27	L29157	SCREW	4	X X	
28	AL25272	FIELD WINDING COIL	1	X X	
29	AL25269	KIT	1	X X	
30	L19651	BUSHING	1	X X	
31	AL25266	HOUSING	1	X X	
32	L30860	SCREW	3	X X	
33	L30864	GUIDE	1	X X	(ORD (4) L41579)
34	L30865	SPRING	1	X X	(ORD (4) L41579)
35	L30866	GUIDE	1	X X	(ORD (4) L41579)
36	L30867	BRAKE DISK	1	X X	(ORD (4) L41579)
37	L30869	DISK	1	X X	
38	L30868	THRUST WASHER	1	X X	

# 1F1

ELECTRICAL SYSTEM

STARTING MOTOR  
DEMARREUR  
STARTER  
AVVIATORE ELETTRICO  
MOTOR DE ARRANQUE  
STARTMOTOR  
L122667 -UN-26OCT95



L 122667

# 1F2

## ELECTRICAL SYSTEM

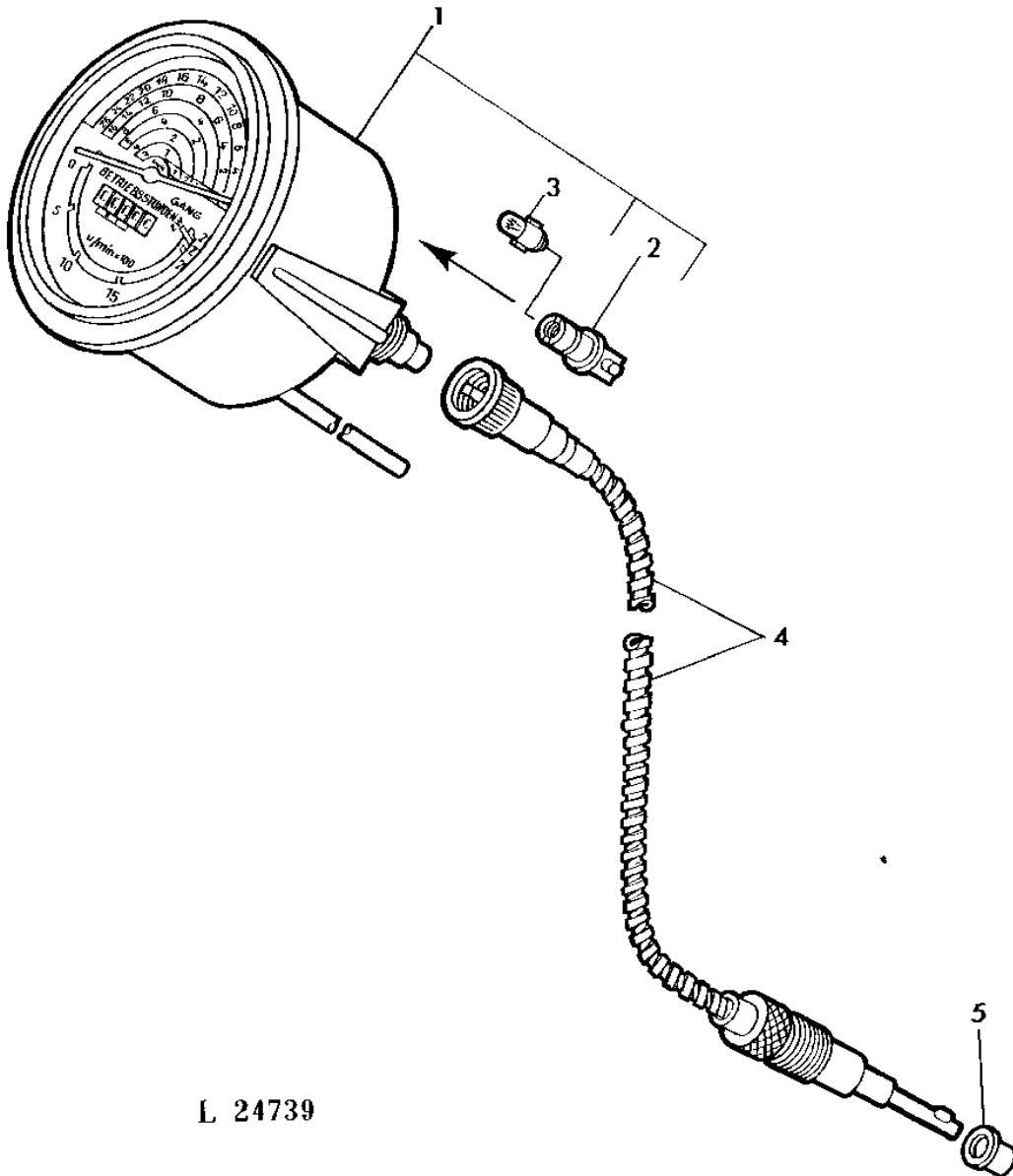
KEY	PART NO.	PART NAME	QTY	SERIAL NO.	REMARKS
					3 3
					0 1
					3 3
					0 0
1	AL39700	STARTER	1	X X	R.BOSCH-0 001 369 001 (ORD AL62772) (SUB FOR AR70436 APPL)
	AL62772	STARTER	1	X X	R.BOSCH 0 001 369 005 (SUB FOR AL39700)
2	14M7151	NUT	1	X X	M8
3	12M7008	LOCK WASHER	1	X X	8MM
4	AL25273	LEVER	1	X X	
5	L41582	SCREW	1	X X	
6	AL25267	QUILL	1	X X	
7	L30862	BUSHING	1	X X	
8	AL41625	ARMATURE	1	X X	
9	AL41522	KIT	1	X X	
10	21M7271	SCREW	2	X X	M5X16
11	L42043	CAP	1	X X	
12	14M7272	NUT	2	X X	M6
13	24M7054	WASHER	2	X X	
14	AL41520	COMMUTATOR HOUSING	1	X X	
15	L41081	BUSHING	1	X X	
16	AL41521	CARBON BRUSH CONDUCTOR	1	X X	
17	L41084	COMPRESSION SPRING	4	X X	
18	AL41479	CARBON BRUSH HOLDER	1	X X	
19	L29157	SCREW	4	X X	
20	AL41627	FIELD WINDING COIL	1	X X	
21	L19651	BUSHING	1	X X	
22	AL41525	HOUSING	1	X X	
23	L41083	STUD	2	X X	
24	L30860	SCREW	3	X X	
25	Z24800	BUSHING	2	X X	(A) (ORD AL63095)
26	AL63095	BENDIX DRIVE	1	X X	
	AL41626	BENDIX DRIVE	1	X X	(A) (ORD AL63095)
27	AL55046	SOLENOID	1	X X	(SUB FOR AL41524)
28	12M7013	LOCK WASHER	2	X X	10MM
29	14M7152	NUT	2	X X	M10
30	21M1211	SCREW	1	X X	M4X6
31	L29156	CLAMP	1	X X	

(A) ONLY WITH STARTING MOTOR AL39700  
 UNIQUEMENT AVEC DEMARREUR AL39700  
 NUR BEI STARTER AL39700  
 SOLO CON MOT.AVVIAMENTO AL39700  
 SOLO CON MOTOR DE ARRANQUE AL39700  
 ENDAST VID STARTMOTOR AL39700

# 1F3

ELECTRICAL SYSTEM

SPEED-HOUR METER  
TRACTOMETRE  
TRAKTORMETER  
TRATTOMETRO  
TRACTOMETRO  
TRAKTORMETER  
L24739 -UN-26OCT95



L 24739

# 1F4

## ELECTRICAL SYSTEM

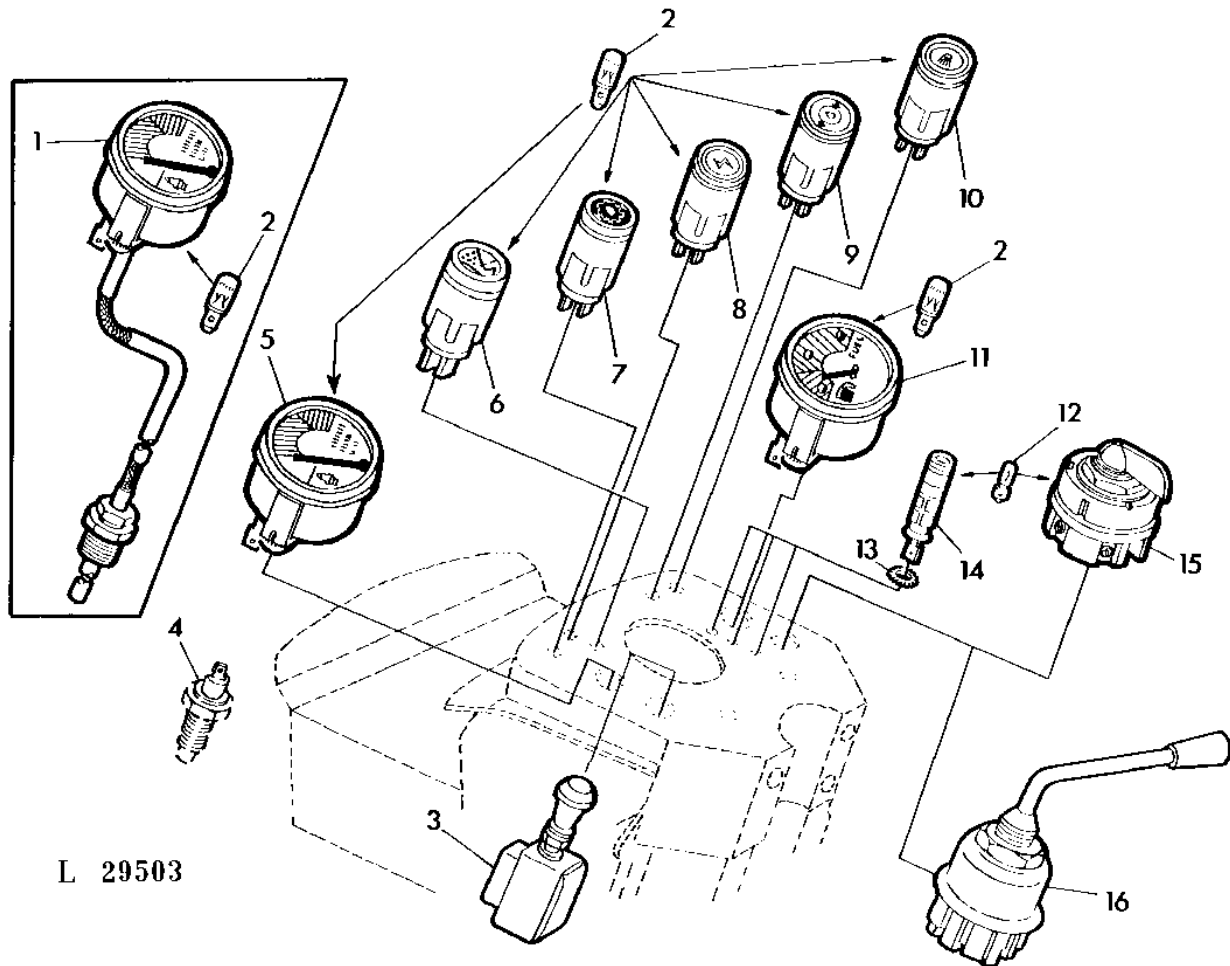
KEY	PART NO.	PART NAME	QTY	SERIAL NO.	3 3 0 1 3 3 0 0	REMARKS
1	AL30807	SPEED-HOUR METER	1		X X	MPH-15,5, INCL KEY 2 (SUB FOR AL19694, AL24778)
	AL30805	TACHOMETER	1		X X	MPH-19, INCL KEY 2 (SUB FOR AL19692, AL24776)
	AL30806	SPEED-HOUR METER	1		X X	KM/H-25, INCL KEY 2 (SUB FOR AL19693, AL24777)
	AL30804	TACHOMETER	1		X X	KM/H-28, INCL KEY 2 (SUB FOR AL19690, AL24775)
2	L23742	SOCKET	1		X X	
3	57M6343	BULB	1		X X	12V,2W
4	AT27372	CABLE	1		X X	
	AL25366	DRIVE SHAFT	1		X X	(A)
5	L35628	SEAL	1		X X	(SUB FOR T31437)

(A) WITH OPERATOR'S CAB  
AVEC CABINE  
BEI KABINE  
CON CABINA  
CON CABINA  
VID FORARHYTT

# 1F5

ELECTRICAL SYSTEM

ELECTRICAL INSTRUMENTS  
INSTRUMENTS ELECTRIQUES  
ELEKTRISCHE ARMATUREN  
STRUMENTAZIONE ELETTRICA  
MANDOS E INSTRUMENTOS ELECTRICOS  
ELEKTRISKA INSTRUMENT  
L29503 -UN-27OCT95



L 29503

# 1F6

## ELECTRICAL SYSTEM

KEY	PART NO.	PART NAME	QTY	SERIAL NO.		REMARKS
					3 3	
					0 1	
					3 3	
					0 0	
1	AL24293	GAUGE	1	-268526	X X	(ORD AL24526, AL24527, AL28497, AL28498, AL28499) (SUB FOR AL18154)
	AL24186	GAUGE	1	-268526	X X	(A) (ORD AL24526, AL24527, AL28497, AL28498, AL28499)
2	57M6394	BULB	AR		X X	12V,4W
3	AL23512	SWITCH	1		X X	
4	.....		1		X X	(AL24527)
5	AL24526	TEMPERATURE GAUGE	1	268527-	X X	
6	AL19907	INDICATOR LIGHT	1		X X	
7	AT27371	INDICATOR LIGHT	1		X X	
8	AT24692	INDICATOR LIGHT	1		X X	
9	AT24693	HEADLIGHT	1		X X	
10	AT24691	INDICATOR LIGHT	1		X X	12V,2W
11	AL24294	GAUGE	1	-162947	X X	(SUB FOR AL18155)
	AL24187	GAUGE	1		X X	(A)
12	57M6277	BULB	4		X X	12V,2W
13	12H331	LOCK WASHER	1		X X	3/8"
14	AL23015	INDICATOR LIGHT	3		X X	
15	AT27651	SWITCH	1	-162947	X X	(A)
16	AL23053	SWITCH	1		X X	

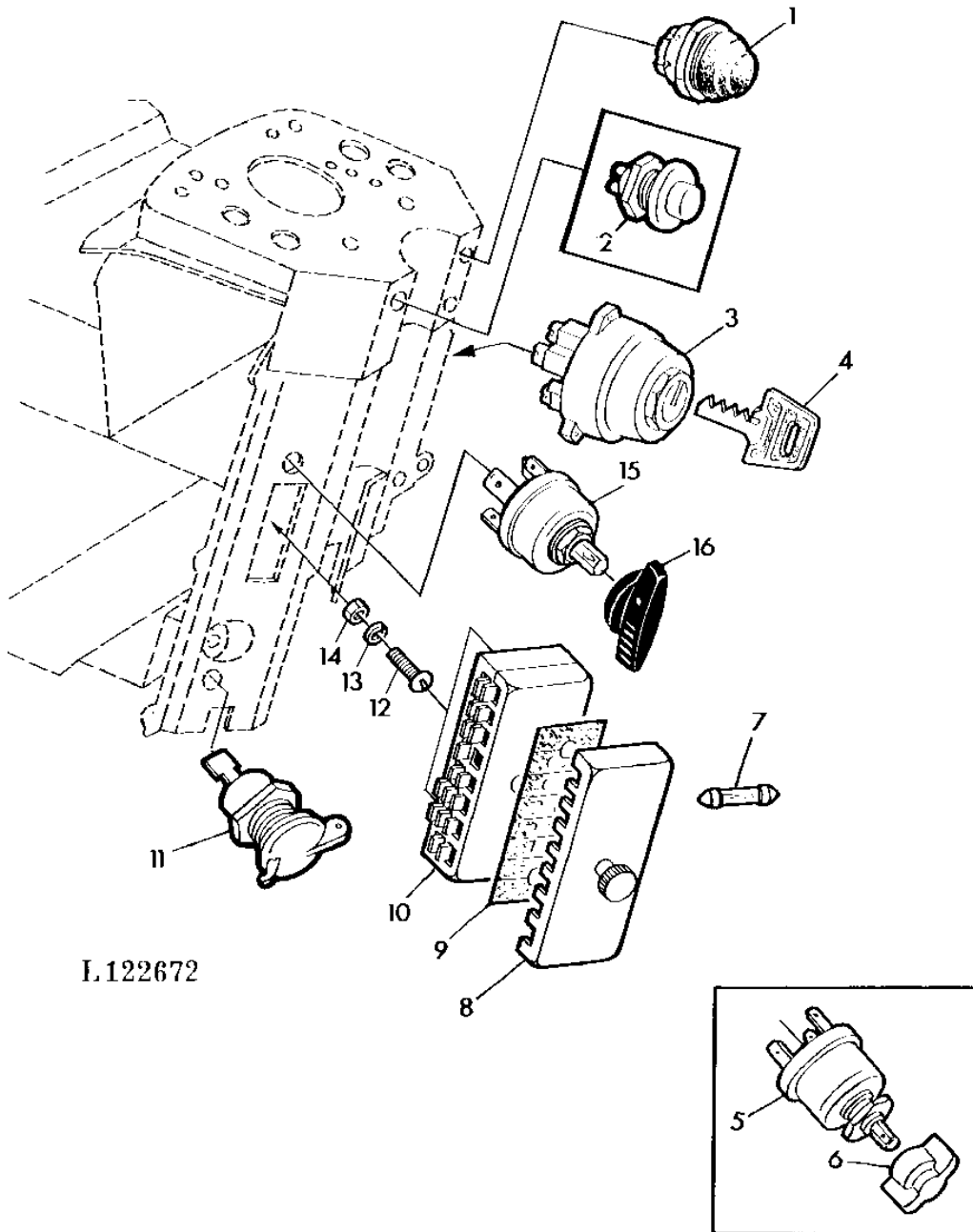
(A) ELECTRICAL WIRING SYSTEM "SEALED BEAM"  
 CIRCUIT ELECTRIQUE OPTIQUE SCHELLEE  
 ELEKTRISCHE ANLAGE "SEALED BEAM"  
 CABLAGGIO ELETTRICO "SEALED BEAM"  
 EQUIPO ELETTRICO "SEALED BEAM"  
 ELEKTRISK KABELDRAGNING "SEALED BEAM"

# 1F7

ELECTRICAL SYSTEM

ELECTRICAL INSTRUMENTS  
INSTRUMENTS ELECTRIQUES  
ELEKTRISCHE ARMATUREN  
STRUMENTAZIONE ELETTRICA  
MANDOS E INSTRUMENTOS ELECTRICOS  
ELEKTRISKA INSTRUMENT

L122672 -UN-26OCT95





# 1F8

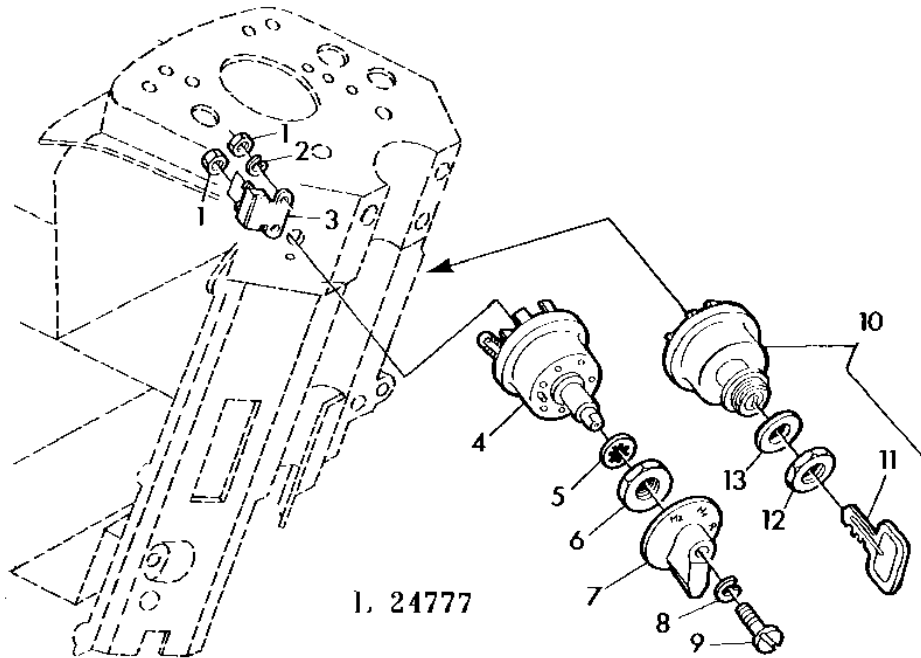
ELECTRICAL SYSTEM

KEY	PART NO.	PART NAME	QTY	SERIAL NO.	3 3 0 1 3 3 0 0	REMARKS
1	AL17684	PUSH BUTTON	1		X X	
2	AL17355	PUSH BUTTON	1		X X	
3	AL19890	SWITCH	1		X X	
4	Z44576	KEY	1		X X	(SUB FOR L28520)
5	AL25064	SWITCH	1		X X	(ORD AL62707, L34972)
6	L30655	KNOB	1		X X	
7	99M7048	FUSE	8		X X	8AMP (SUB FOR L12624)
8	AL14235	COVER	1		X X	
9	AT24540	LABEL	1		X X	
10	AL14007	FUSE BOX	1		X X	INCL W/ AL14235
11	AL16048	SOCKET OUTLET	1		X X	
12	21H1128	SCREW	2		X X	NO.10X3/4"
13	12M7064	LOCK WASHER	2		X X	NO.10 (SUB FOR 12H246)
14	14H631	NUT	2		X X	NO.10
15	AL62707	SWITCH	1		X X	(SUB FOR AL36365)
16	L34972	KNOB	1		X X	

# 1F9

ELECTRICAL SYSTEM

ELECTRICAL INSTRUMENTS "SEALED BEAM"  
 INSTRUMENTS ELECTRIQUES OPTIQUE SCHELLEE  
 ELEKTRISCHE ARMATUREN "SEALED BEAM"  
 STRUMENTAZIONE ELETTRICA "SEALED BEAM"  
 MANDOS E INSTRUMENTOS ELECTRICOS "SEALED BEAM"  
 ELEKTRISKA INSTRUMENT "SEALED BEAM"  
 L24777 -UN-26OCT95



3 3  
 0 1  
 3 3  
 0 0

KEY	PART NO.	PART NAME	QTY	SERIAL NO.		REMARKS
1	14H631	NUT	4	162948-	X X	NO.10
2	12H295	LOCK WASHER	2	162948-	X X	NO.10
3	AR28403	CIRCUIT BREAKER	1	162948-	X X	
4	AR66478	SWITCH	1	162948-	X X	
5	12H292	LOCK WASHER	1	162948-	X X	1/2"
6	A4655R	NUT	1	162948-	X X	
7	AR66799	KNOB	1	162948-	X X	
8	12H315	LOCK WASHER	1	162948-	X X	NO.8
9	21H973	SCREW	1	162948-	X X	NO.8X3/8"
10	AR58126	KEY SWITCH	1	162948-	X X	INCL AR51481
11	AR51481	KEY	1	162948-	X X	
12	R44342	NUT	1	162948-	X X	
13	24H1462	WASHER	1	162948-	X X	1-1/16"X1-1/2".060"

# 1F10

ELECTRICAL SYSTEM

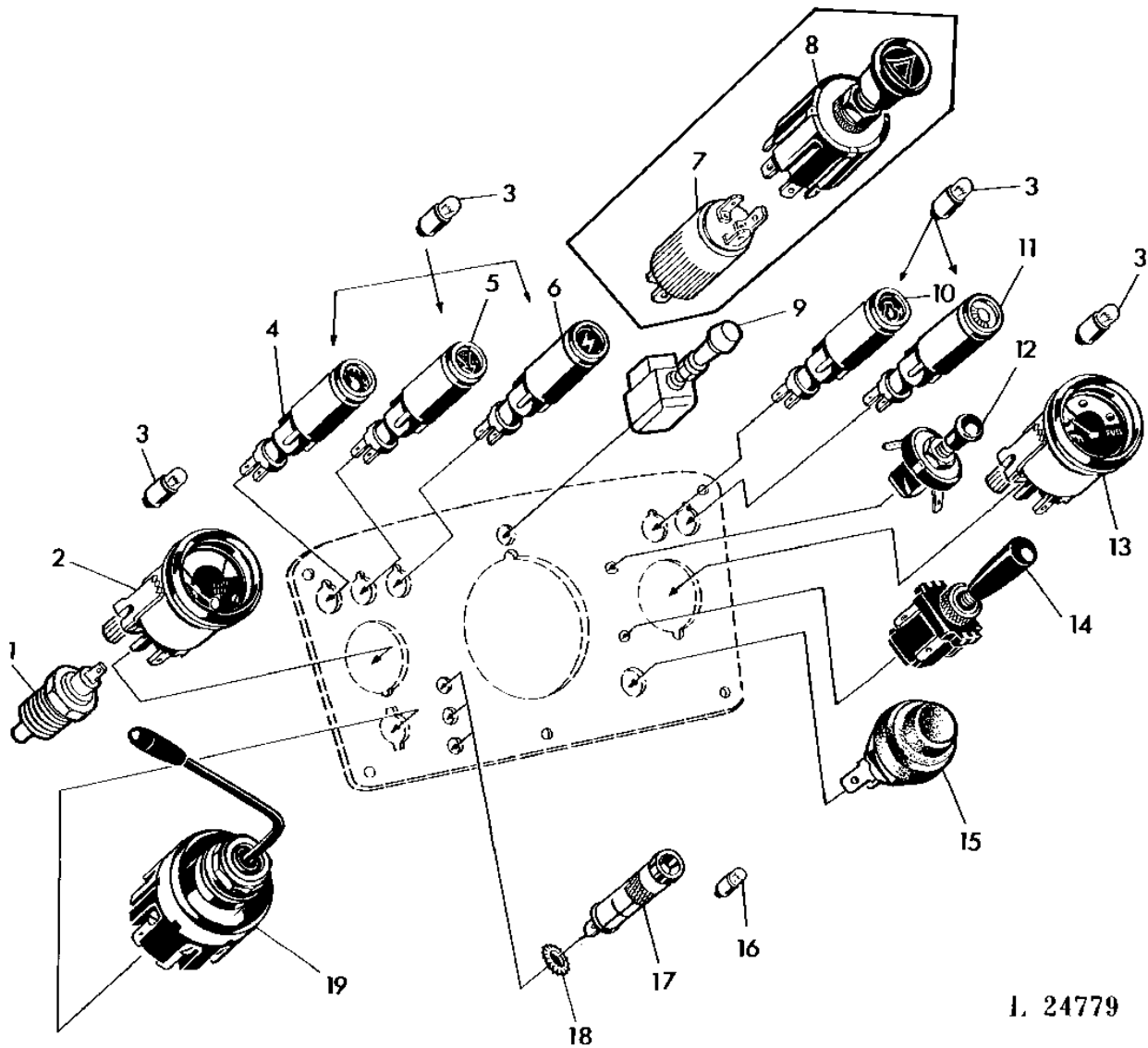
---

MEMORANDA  
MEMORANDA  
MEMORANDA  
MEMORANDA  
MEMORANDA

# 1F11

ELECTRICAL SYSTEM

ELECTRICAL INSTRUMENTS WITH OPERATOR'S CAB  
INSTRUMENTS ELECTRIQUES AVEC CABINE  
ELEKTRISCHE ARMATUREN BEI KABINE  
STRUMENTAZIONE ELETTRICA CON CABINA  
MANDOS E INSTRUMENTOS ELECTRICOS CON CABINA  
ELEKTRISKA INSTRUMENT VID FORARHYTT  
L24779 -UN-26OCT95



L. 24779

# 1F12

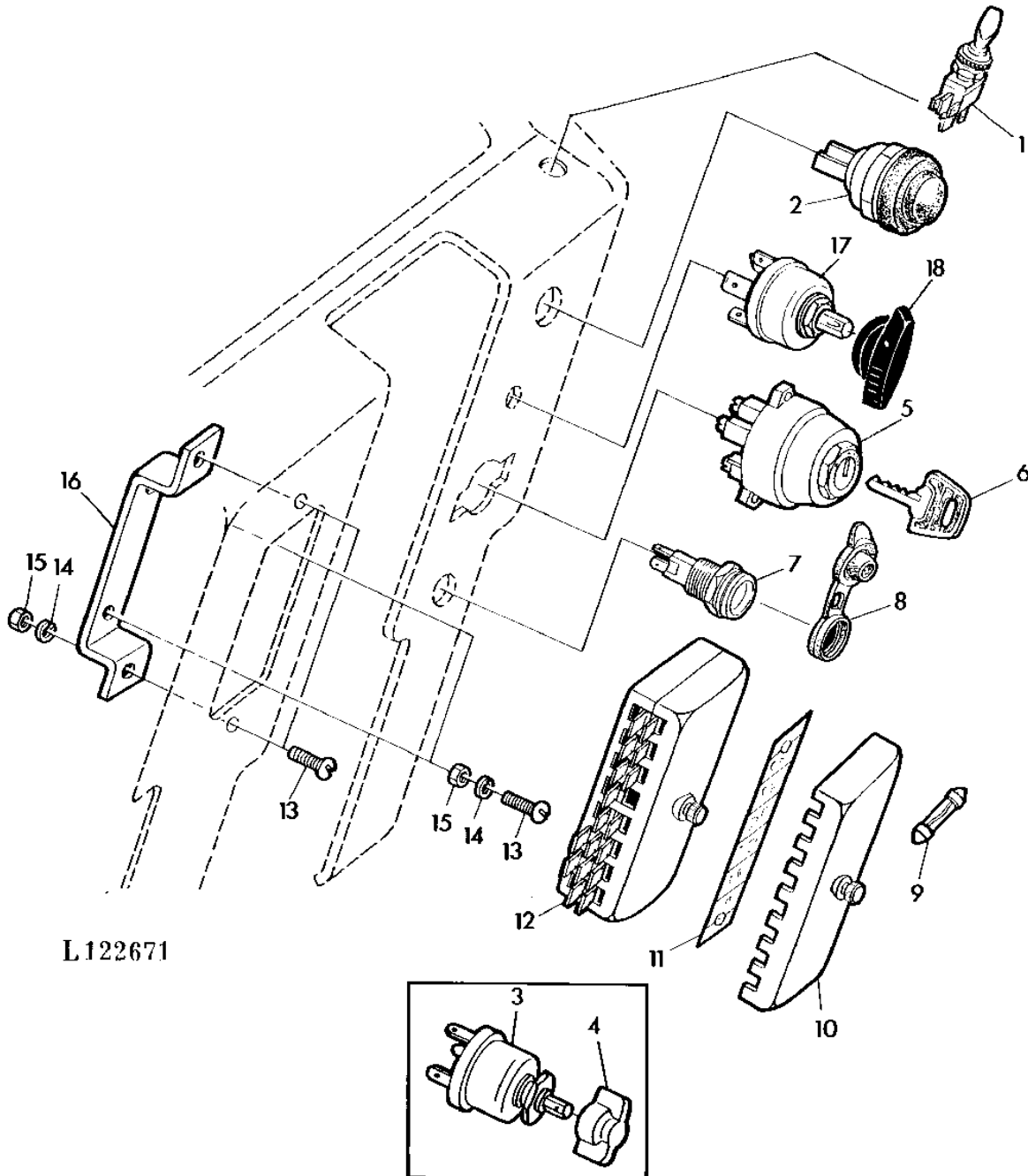
ELECTRICAL SYSTEM

KEY	PART NO.	PART NAME	QTY	SERIAL NO.	3 3 0 1 3 3 0 0	REMARKS
1	AL24527	SENDER	1		X X	
2	AL24526	TEMPERATURE GAUGE	1		X X	
3	57M6394	BULB	7		X X	12V,4W
4	AT27371	INDICATOR LIGHT	1		X X	
5	AL19907	INDICATOR LIGHT	1		X X	
6	AT24692	INDICATOR LIGHT	1		X X	
7	AL24542	FLASHER	1		X X	(ORD AL66934)
8	AL25312	SWITCH	1		X X	(ORD AL66934)
9	AL23512	SWITCH	1		X X	
10	AT24693	HEADLIGHT	1		X X	
11	AT24691	INDICATOR LIGHT	1		X X	
12	AL24042	SWITCH	1		X X	
13	AL24294	GAUGE	1		X X	
14	AL25051	SWITCH	1		X X	
15	AL17684	PUSH BUTTON	1		X X	
16	57M6277	BULB	3		X X	12V,2W
17	AL23015	INDICATOR LIGHT	3		X X	
18	12H331	LOCK WASHER	3		X X	3/8"
19	AL23016	SWITCH	1		X X	

# 1F13

ELECTRICAL SYSTEM

ELECTRICAL INSTRUMENTS WITH OPERATOR'S CAB  
INSTRUMENTS ELECTRIQUES AVEC CABINE  
ELEKTRISCHE ARMATUREN BEI KABINE  
STRUMENTAZIONE ELETTRICA CON CABINA  
MANDOS E INSTRUMENTOS ELECTRICOS CON CABINA  
ELEKTRISKA INSTRUMENT VID FORARHYTT  
L122671 -UN-26OCT95



L122671

# 1F14

ELECTRICAL SYSTEM

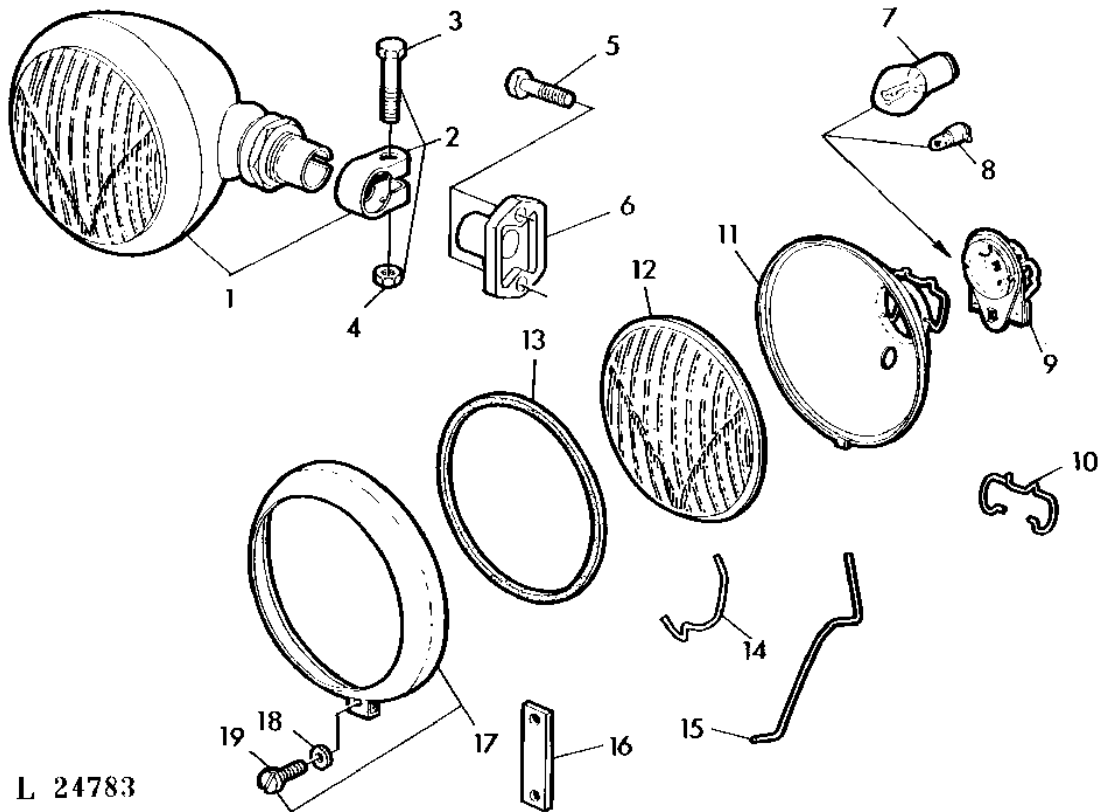
KEY	PART NO.	PART NAME	QTY	SERIAL NO.	REMARKS
					3 3
					0 1
					3 3
					0 0
1	AL31976	SWITCH	1		X X (A) (SUB FOR AL27561)
2	AL17684	PUSH BUTTON	1		X X
3	AL25064	SWITCH	1		X X (ORD AL62707, L34972)
4	L30655	KNOB	1		X X
5	AL19890	SWITCH	1		X X
6	Z44576	KEY	2		X X (SUB FOR L28520)
7	AL24543	SOCKET OUTLET	1		X X
8	L30661	CAP	1		X X
9	99M7048	FUSE	8		X X 8AMP (SUB FOR L12624)
10	AL14235	COVER	1		X X
11	AT24540	LABEL	1		X X
12	AL14007	FUSE BOX	1		X X (INCL AL14235)
13	21H1128	SCREW	4		X X NO.10X3/4"
14	12M7064	LOCK WASHER	4		X X NO.10 (SUB FOR 12H246)
15	14H631	NUT	4		X X NO.10
16	L31047	RETAINER	1		X X
17	AL62707	SWITCH	1		X X (SUB FOR AL36365)
18	L34972	KNOB	1		X X

(A) ONLY FOR SWEDEN  
 SUEDE UNIQUEMENT  
 NUR FUER SCHWEDEN  
 SOLTANTO PER LA SVEZIA  
 TAN SOLO PARA SUECIA  
 ENDAST FOR SVERIGE

# 1F15

ELECTRICAL SYSTEM

LIGHTS "HELLA"- "BILUX"  
PROJECTEURS HELLA CODE-PHARE  
SCHEINWERFER "HELLA"- "BILUX"  
FARI BILUX "HELLA"  
FAROS "HELLA"- "BILUX"  
STRALKASTARE MED LJUSMORKERGRANS "HELLA"  
L24783 -UN-26OCT95





# 1F16

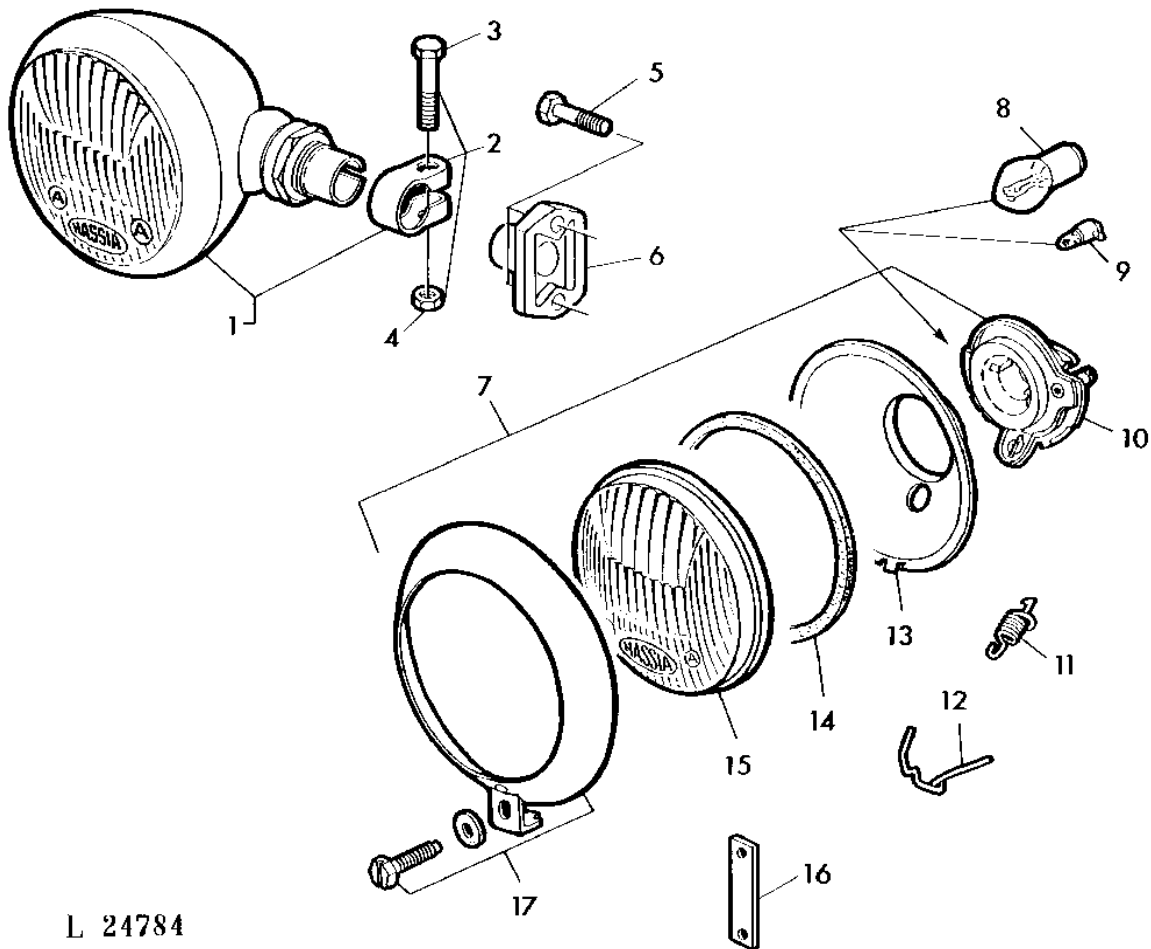
ELECTRICAL SYSTEM

KEY	PART NO.	PART NAME	QTY	SERIAL NO.	3 3		REMARKS
					0 1	3 3	
					0 0		
1	AL14044	HEADLIGHT	1	-182149	X X		RH, ASSY, INCL KEYS 2-4,9-13 15,17-19(OD=105MM)
	AL14045	HEADLIGHT	1	-182149	X X		LH, ASSY, INCL KEYS 2-4,9-13 15,17-19(OD=105MM)
	AL12064	HEADLIGHT	1	-182149	X X		RH, ASSY, INCL KEYS 2-4,9-14 17-19(OD=130MM)
	AL12065	HEADLIGHT	1	-182149	X X		LH, ASSY, INCL KEYS 2-4,9-14 17-19(OD=130MM)
2	AL15007	CLAMP	2	-182149	X X		ASSY, INCL KEYS 3,4
3	19M7180	CAP SCREW	2	-182149	X X		10X45MM
4	14M7060	NUT	2	-182149	X X		10MM
5	19H1731	CAP SCREW	4	-182149	X X		3/8"X1"
6	T26165	HOLDER	2	-182149	X X		
7	57M6276	BULB	2	-182149	X X		12V,35/35W
	57M7000	BULB	2	-182149	X X		12V,35/35W,GELB,YELLOW,3JAUNE, AMARILLO,GIALLA,GUL,GEEL
8	57M6394	BULB	2	-182149	X X		12V,4W
9	L13958	SOCKET	2	-182149	X X		
10	L17672	CLIP	2	-182149	X X		
11	AL14203	REFLECTOR	2	-182149	X X		(OD=105MM) (ORD W/ L17672)
	AL15005	REFLECTOR	2	-182149	X X		(OD=130MM) (ORD W/ L17672)
12	L17673	LENS	2	-182149	X X		(OD=105MM)
	L18704	LENS	2	-182149	X X		(OD=130MM)
13	L13957	SEAL	2	-182149	X X		(OD=105MM)
	L18703	PACKING	2	-182149	X X		(OD=130MM)
14	L18705	CLIP	12	-182149	X X		(OD=130MM)
15	L17674	CLIP	10	-182149	X X		
16	T29175	STRAP	2	-182149	X X		
17	AL14204	BEZEL	2	-182149	X X		ASSY, INCL KEYS 18,19 (OD=105MM)
	AL15006	BEZEL	2	-182149	X X		ASSY, INCL KEYS 18,19 (OD=130MM)
18	24M7117	WASHER	2	-182149	X X		4,3MM
19	21M7033	SCREW	2	-182149	X X		4X15MM

# 1F17

ELECTRICAL SYSTEM

LIGHTS "HASSIA"- "BILUX"  
PROJECTEURS HELLA CODE-PHARE  
SCHEINWERFER "HASSIA"- "BILUX"  
FARI BILUX "HASSIA"  
FAROS "HASSIA"- "BILUX"  
STRALKASTARE MED LJUSMORKERGRANS "HASSIA"  
L24784 -UN-26OCT95



L 24784

# 1F18

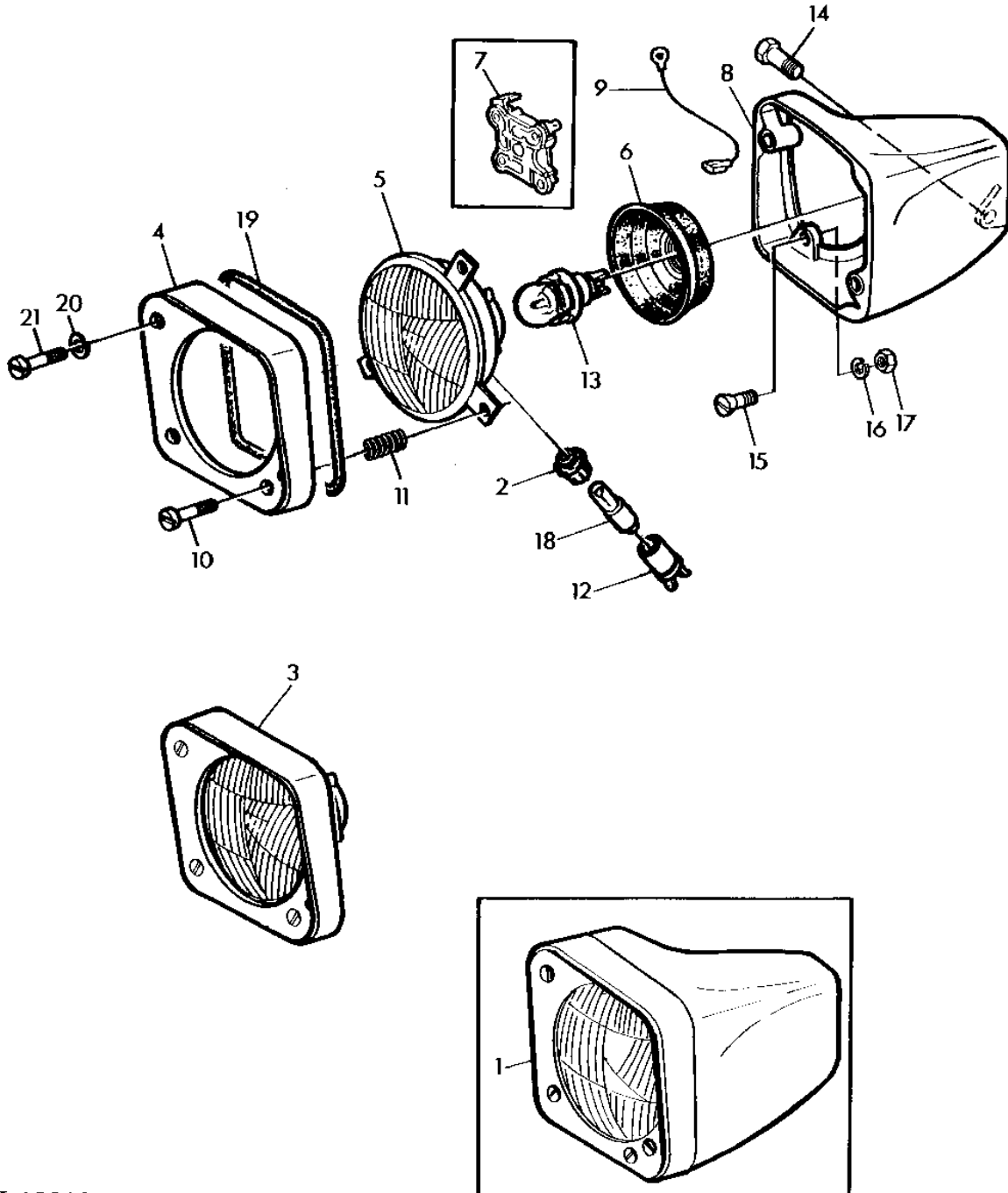
ELECTRICAL SYSTEM

KEY	PART NO.	PART NAME	QTY	SERIAL NO.			REMARKS
						3 3	
						0 1	
						3 3	
						0 0	
1	AL13656	HEADLIGHT	1	-182149	X X		RH, ASSY,INCL KEYS 2-4,7 10-15,17 (ORD AL14044, AL14045)
	AL13657	HEADLIGHT	1	-182149	X X		LH, ASSY,INCL KEYS 2-4,7 10-15,17 (ORD AL14044, AL14045)
2	AL15007	CLAMP	2	-182149	X X		ASSY, INCL KEYS 3,4
3	19M7180	CAP SCREW	2	-182149	X X		10X45MM
4	14M7060	NUT	2	-182149	X X		10MM
5	19H1731	CAP SCREW	4	-182149	X X		3/4"X1"
6	T26165	HOLDER	2	-182149	X X		
7	AL14797	HEADLIGHT	2	-182149	X X		ASSY, INCL KEYS 10-15,17 (ORD AL14044, AL14045)
8	57M6276	BULB	2	-182149	X X		12V,35/35W
	57M7000	BULB	2	-182149	X X		12V,35/35W,GELB,YELLOW AMARILLO,JAUNE,GIALLA,GUL,GEEL
9	57M6394	BULB	2	-182149	X X		12V,4W
10	L19144	SOCKET	2	-182149	X X		(ORD AL14044, AL14045)
11	L19148	SPRING	2	-182149	X X		(ORD AL14044, AL14045)
12	L19146	CLIP	4	-182149	X X		(ORD AL14044, AL14045)
13	L26952	REFLECTOR	2	-182149	X X		(ORD AL14044, AL14045)
14	L19149	PACKING	2	-182149	X X		(ORD AL14044, AL14045)
15	L26951	LENS	2	-182149	X X		(ORD AL14044, AL14045)
16	T29175	STRAP	2	-182149	X X		
17	AL18944	BEZEL	2	-182149	X X		ASSY (ORD AL14044, AL14045)

# 1F19

ELECTRICAL SYSTEM

LIGHTS "BILUX"  
PROJECTEURS CODE-PHARE  
SCHEINWERFER "BILUX"  
FARI "BILUX"  
FAROS "BILUX"  
STRALKASTARE MED LJUSMORKERGRANS  
L122684 -UN-26OCT95



L122684

# 1F20

## ELECTRICAL SYSTEM

KEY	PART NO.	PART NAME	QTY	SERIAL NO.	REMARKS
					3 3
					0 1
					3 3
					0 0
1	DE13523	HEADLIGHT	1	X X	ASSY, RH, INCL KEYS 4-11,20,21
	DE13524	HEADLIGHT	1	X X	ASSY, LH, INCL KEYS 4-11,20,21
	DE13567	HEADLIGHT	1	X X	(A) ASSY, RH, INCL KEYS 2,4-12 20,21
	DE13568	HEADLIGHT	1	X X	(A) ASSY, LH, INCL KEYS 2,4-12 20,21
	DE13569	HEADLIGHT	1	X X	(B) ASSY, RH, INCL KEYS 4-11 20,21
	DE13570	HEADLIGHT	1	X X	(B) ASSY, LH, INCL KEYS 4-11 20,21
2	CE14070	GROMMET	2	X X	(A)
3	DE13652	HEADLIGHT	2	X X	ASSY, INCL KEYS 4,5,10,11
	DE13654	HEADLIGHT	2	X X	(A) ASSY, INCL KEYS 2,4,5,10-12
	DE13653	HEADLIGHT	2	X X	(B) ASSY, INCL KEYS 4,5,10,11
4	R60135	BEZEL	2	X X	(ORD L55980, L60167)
	L55980	BEZEL	2	X X	
5	DE17426	HEADLIGHT	2	X X	(SUB FOR DE12298)
	DE13582	HEADLIGHT	2	X X	(A)
	DE13583	HEADLIGHT	2	X X	(B)
6	CE15294	DUST SHIELD	2	X X	(SUB FOR CE12986)
	CE14071	DUST SHIELD	2	X X	(A)
7	AR49563	SOCKET	2	X X	
8	R60138	HOUSING	1	X X	RH
	R60139	HOUSING	1	X X	LH
9	AL27901	WIRING LEAD	2	X X	(SUB FOR CE13750)
10	21M7173	SCREW	6	X X	5X25MM (SUB FOR 21M7124, 21M7142)
11	T28631	SPRING	6	X X	(SUB FOR CE12985 APPL)
12	CE14020	SOCKET	2	X X	(A)
13	57M6844	BULB	2	X X	12V,40/45W
	57M7016	BULB	2	X X	12V,40/45W(GELB,YELLOW,JAUNE AMARILLO,GIALLA,GUL,GEEL)
14	19M7162	CAP SCREW	2	X X	8X18MM
15	21M7206	SCREW	4	X X	6X20MM
16	12M7012	LOCK WASHER	4	X X	6MM
17	14M7272	NUT	4	X X	6MM
18	57M6394	BULB	2	X X	(A) 12V,4W
19	L60167	O-RING	2	X X	(FOR L55980)
20	12M7011	LOCK WASHER	4	X X	5MM (SUB FOR 12M3998)
21	21M7173	SCREW	4	X X	5X25MM

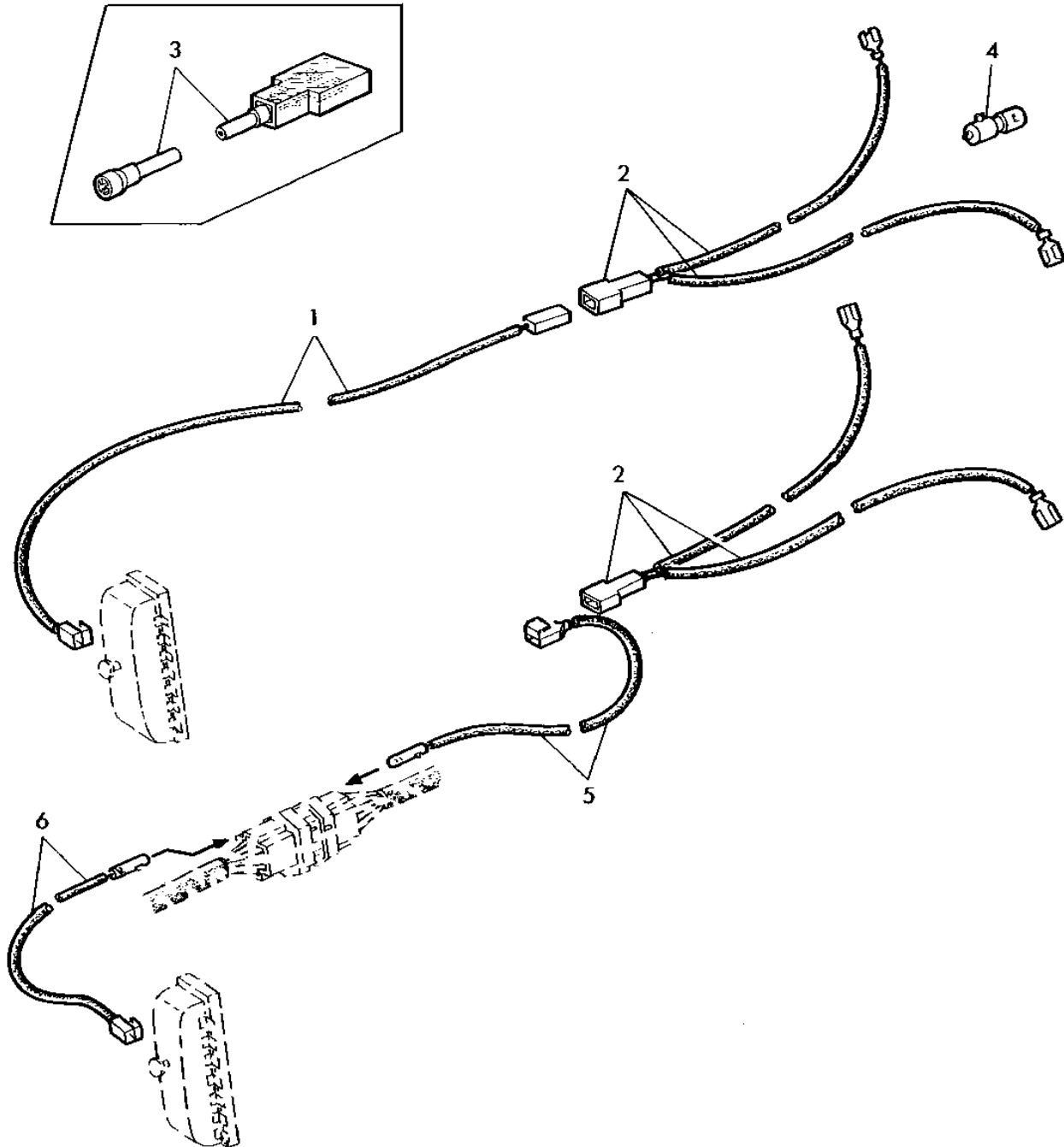
(A) FOR PARKING LIGHT  
 AVEC FEUX DE STATIONNEMENT  
 MIT STANDLICHT  
 CON LUCI DI STAZIONAMENTO  
 CON LUZ DE ESTACIONAMIENTO  
 MED PARKERINGS LJUS

(B) FOR L.H.-TRAFFIC  
 POUR CIRCULATION A GAUCHE  
 BEI LINKSVERKEHR  
 CON TRAFFICO A SINISTRA  
 EN PAISES DE CIRCULACION POR LA IZQUIERDA  
 MED VANSTERTRAFIK

# 1F21

ELECTRICAL SYSTEM

PARTS FOR PARKING LIGHT IN HEADLIGHTS  
PIECES POUR FEU DE STATIONNEMENT DANS LES PHARES  
TEILE FUER STANDLICHT IN DEN SCHEINWERFERN  
PARTI PER LUCI DI STAZIONAMENTO NEGLI FARI  
PIEZAS PARA LUZ DE ESTACIONAMIENTO EN LOS FAROS  
DELAR FOR PARKERINGS LJUS I STRALKASTARE  
L24786 -UN-26OCT95



I. 24786

# 1F22

ELECTRICAL SYSTEM

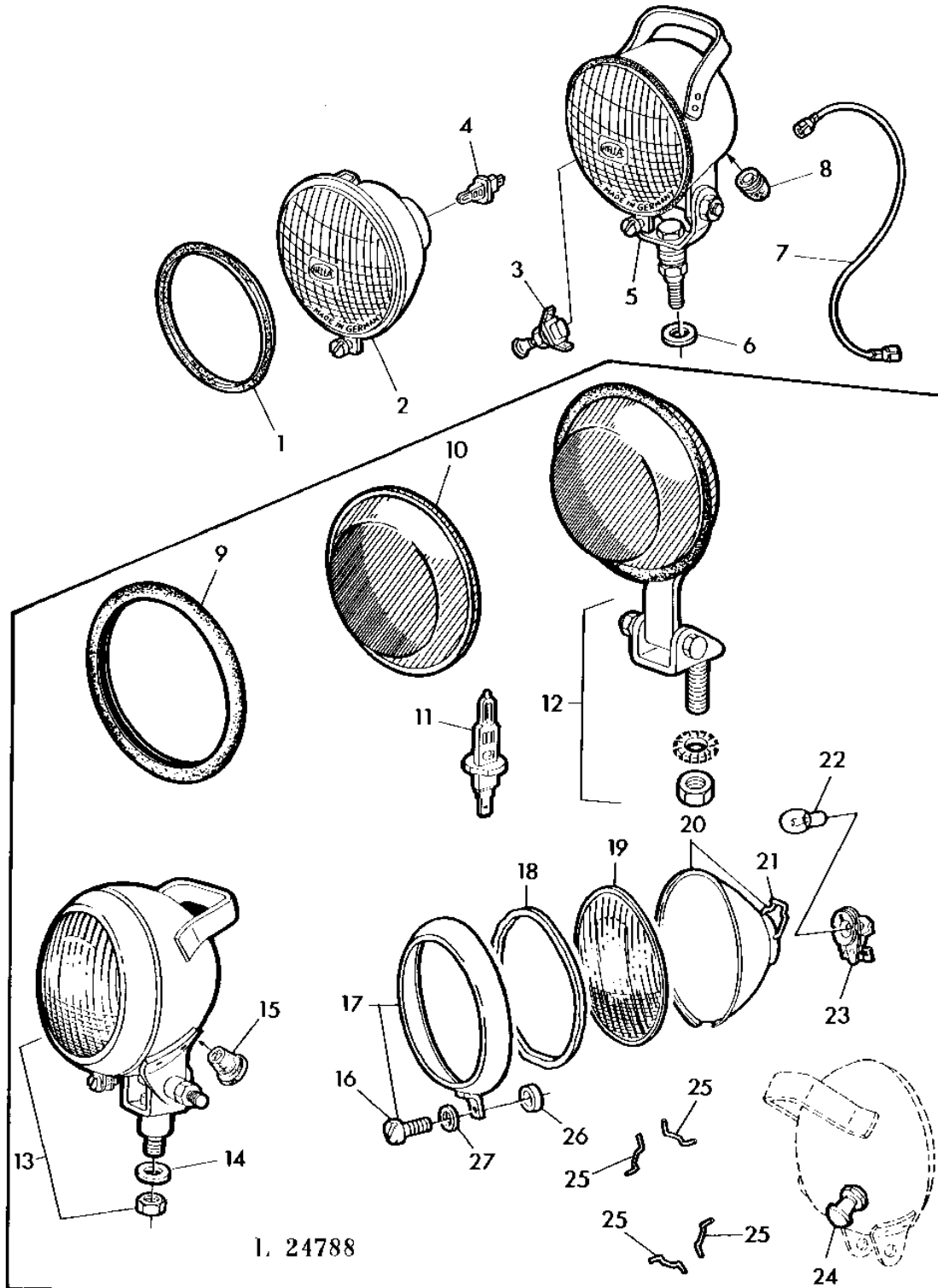
KEY	PART NO.	PART NAME	QTY	SERIAL NO.	3 3 0 1 3 3 0 0	REMARKS
1	AL26906	CABLE	1		X X	(SUB FOR AL31699)
2	AL26905	WIRING HARNESS	1		X X	RH (SUB FOR AL18229, AL18230)
3	AL18604	WIRING LEAD	1		X X	
4	57M6394	BULB	2		X X	12V,4W
5	AL26946	CABLE	1		X X	(A)
6	AL26947	CABLE	1		X X	(A)

(A) WITH OPERATOR'S CAB  
AVEC CABINE  
BEI KABINE  
CON CABINA  
CON CABINA  
VID FORARHYTT

# 1F23

ELECTRICAL SYSTEM

WORK LIGHT  
PHARE DE LABOUR  
GERAETESCHINWERFER  
LUCE DI LAVORO  
FARO AUXILIAR  
ARBETSLAMPA  
L24788 -UN-26OCT95





# 1F24

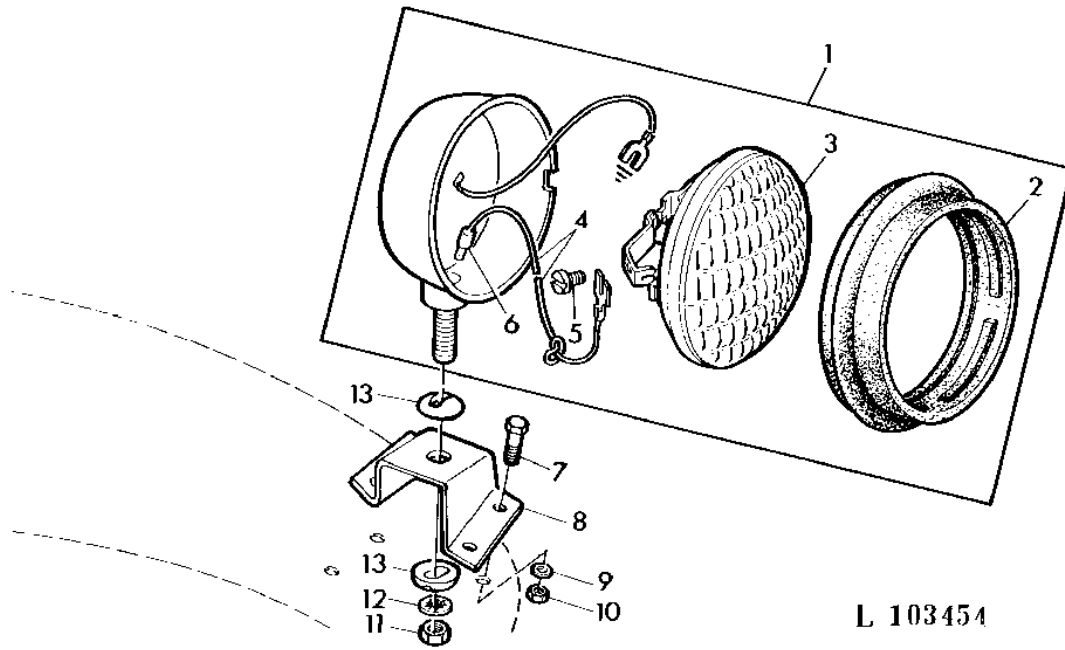
ELECTRICAL SYSTEM

KEY	PART NO.	PART NAME	QTY	SERIAL NO.	REMARKS
					3 3
					0 1
					3 3
					0 0
1	L33463	BEZEL	1		X X
2	AL29614	LAMP	1		X X
3	AL29615	SWITCH	1		X X
4	Z26998	BULB	1		X X H3-12V,55W
5	AL29611	FLOODLAMP	1		X X ASSY, INCL KEYS 1-3
6	24H1322	WASHER	1		X X 29/64"X13/16"X.060"
7	AT24696	CABLE	1		X X
8	L12807	GROMMET	1		X X
9	L32106	BEZEL	1		X X
10	L32107	LENS	1		X X
11	57M7019	BULB	1		X X 12V,55W(HALOGEN) (SUB FOR L31339)
12	AL25851	FLOODLAMP	1		X X (ORD AL29611) (ORD W/ AT24696)
13	AL23091	FLOODLAMP	1		X X ASSY, INCL KEYS 14-21,23-27 (ORD AL29611)
					(ORD W/ AT24696)
14	24H1322	WASHER	1		X X 29/64"X13/16"X.060"
15	L29249	GROMMET	1		X X
16	L13558	SCREW	1		X X 5X12MM
17	L13557	BEZEL	1		X X ASSY, INCL KEYS 16,26,27
18	L18703	PACKING	1		X X
19	L13555	LENS	1		X X
20	L13553	REFLECTOR	1		X X (ORD W/ L17672)
21	L17672	CLIP	1		X X
22	57M7015	BULB	1		X X 12V,35W
23	AL24041	SOCKET	1		X X
24	AL24042	SWITCH	1		X X
25	L18705	CLIP	1		X X
26	L13560	WASHER	1		X X
27	L13559	WASHER	1		X X

# 1F25

ELECTRICAL SYSTEM

HEADLIGHTS (SEALED BEAM)  
 PROJECTEURS (SEALED BEAM)  
 SCHEINWERFER (SEALED BEAM)  
 FARI (SEALED BEAM)  
 FAROS (SEALED BEAM)  
 STRALKASTARE (SEALED BEAM)  
 L103454 -UN-03NOV95



L 103454

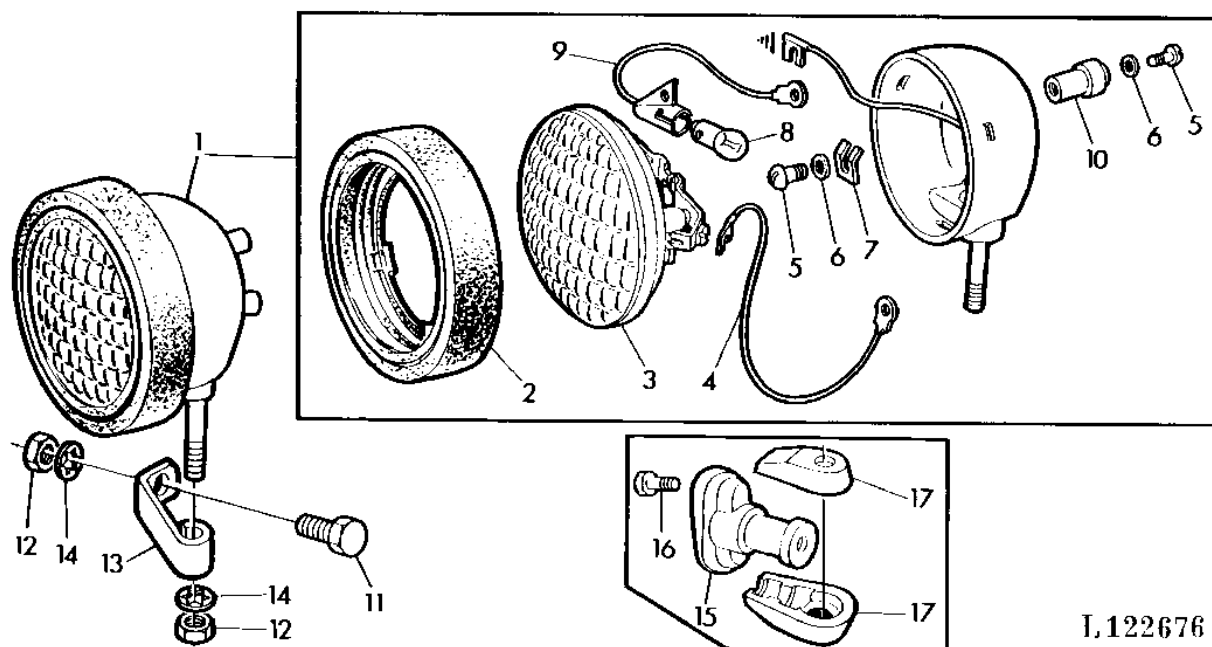
KEY	PART NO.	PART NAME	QTY	SERIAL NO.	REMARKS
				3 3	
				0 1	
				3 3	
				0 0	
1	AT18815	HEADLIGHT	2	X X	
2	R30182	BEZEL	2	X X	HOBBS
	R31250	BEZEL	2	X X	GUIDE LAMP
3	AF3892R	HEADLIGHT	2	X X	(SUB FOR AR21059)
4	AT14771	WIRING LEAD	2	X X	HOBBS
	AT18995	WIRING LEAD	2	X X	GUIDE LAMP
5	R11100	SCREW	2	X X	
6	T16623	TERMINAL	2	X X	
7	19H1900	CAP SCREW	8	X X	5/16"X3/4"
8	L28678	SUPPORT	1	X X	RH
	L28679	SUPPORT	1	X X	LH
9	24H1341	WASHER	8	X X	17/32"X15/16"X.060"
10	14H785	NUT	8	X X	5/16"
11	14H1040	NUT	2	X X	1/2"
12	12H292	LOCK WASHER	2	X X	1/2"
13	T20693	WASHER	4	X X	

# 1G1

ELECTRICAL SYSTEM

REAR WORK LIGHT (SEALED BEAM)  
 PHARE DE LABOUR (SEALED BEAM)  
 GERAETESCHINWERFER (SEALED BEAM)  
 LUCE LAVORO (SEALED BEAM)  
 FARO AUXILIAR (SEALED BEAM)  
 BAKRE ARBETSLAMPA (SEALED BEAM)

L122676 -UN-26OCT95



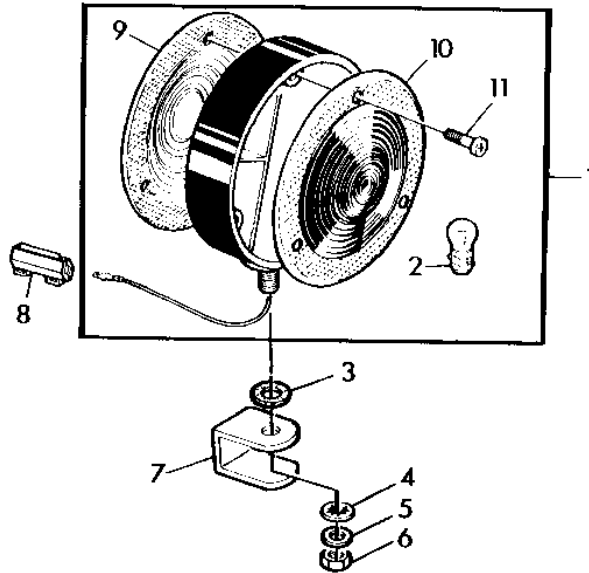
L122676

KEY	PART NO.	PART NAME	QTY	SERIAL NO.	REMARKS
				3 3	
				0 1	
				3 3	
				0 0	
1	AR77326	FLOODLAMP	1		X X (SUB FOR AR77323, AT16288)
2	R30182	BEZEL	1		X X HOBBS
	R31250	BEZEL	1	-260500	X X GUIDE LAMP
3	AR77324	LAMP	1		X X (SUB FOR AR21737)
4	.....		1		X X NSEP (ORD (2) R32016, R66319)
5	21H1293	SCREW	4		X X NO.8X5/16"
6	12H290	WASHER	4		X X NO.8
7	A2899R	ASSEMBLY LINE PARTS	2		X X
8	AR21739	BULB	1	-260500	X X 12-16V,15C.P.
	AD20062R	BULB	1	260501-	X X 12-16V,32C.P.
9	AR77325	SOCKET	1		X X
10	R30181	PLATE	1		X X HOBBS
	AA3495R	SUPPORT	1	-260500	X X GUIDE LAMP, ASSY, INCL KEYS 5-7
11	19H1792	CAP SCREW	1		X X 1/2"X1"
12	14H1040	NUT	2		X X 1/2"
13	L62245	BRACKET	1		X X (SUB FOR R59160)
14	12H292	LOCK WASHER	2		X X 1/2"
15	T19178	BRACKET	1		X X (ORD R59160, (2) 12H292, (2) 14H809, 19H1792)
16	T19179	CAP SCREW	2		X X
17	R27460	CLAMP	2		X X (ORD R59160, (2) 12H292, (2) 14H809, 19H1792)
..	R66319	WIRING LEAD	1		X X LGTH=30,5M(100FT.)

# 1G2

ELECTRICAL SYSTEM

WARNING LIGHT - SHELL-TYPE FENDERS (SEALED BEAM)  
 FEU DE DETRESSE-AILES COQUILLES (OPTIQUE SCHELLEE)  
 WARNLEUCHTE-MUSCHELKOTFLUEGEL (SEALED BEAM)  
 LUCE D'AVVISO-PARAFANGHI A CONCHIGLIA (FARI SIGILLATI)  
 LUZ DE AVISO-GUARDABARROS DE CONCHA (FAROS SEALED BEAM)  
 VARNINGSBLINKERS-DELTACKANDE SKARMAR (SEALED BEAM)  
 L125096 -UN-20OCT95



L125096

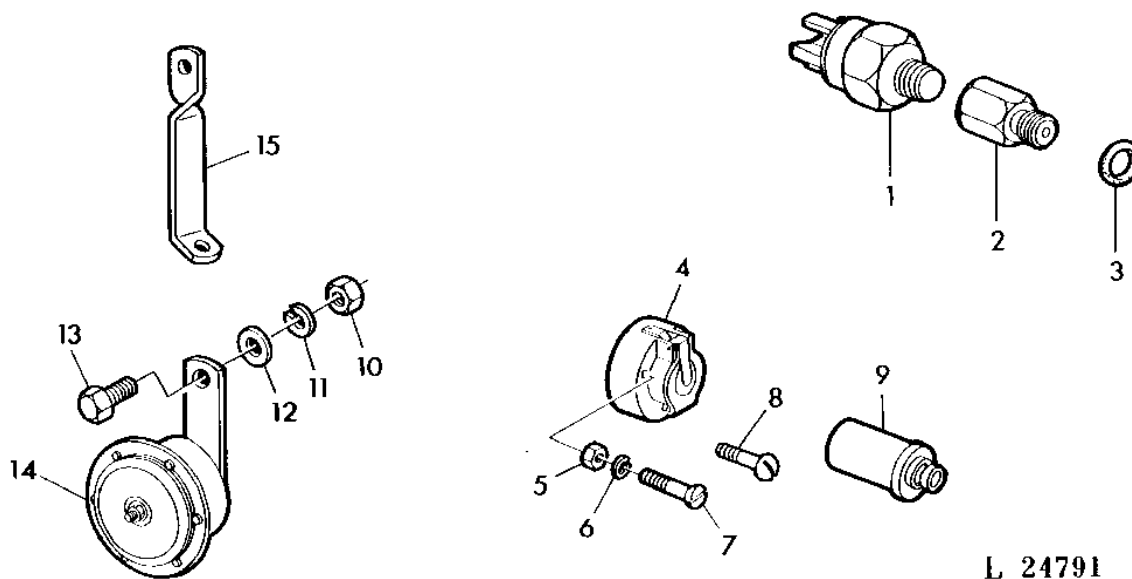
KEY	PART NO.	PART NAME	QTY	SERIAL NO.	REMARKS
				3 3	
				0 1	
				3 3	
				0 0	
1	AR50580	LAMP	2	X X	
2	AD2062R	BULB	2	X X	
3	R47831	WASHER	2	X X	
4	12H292	LOCK WASHER	2	X X	1/2"
5	24H1341	WASHER	2	X X	17/32"X15/16"X.060"
6	14H865	NUT	2	X X	1/2"
7	L28680	SUPPORT	2	X X	
8	L31124	INSULATING CAPSULE	2	X X	
9	R48665	LENS	1	X X	FRONT
10	R48664	LENS	1	X X	REAR
11	R49296	SCREW	6	X X	

# 1G3

ELECTRICAL SYSTEM

HORN/SOCKET/STOP LIGHT SWITCH  
 AVERTISSEUR/PRISE DE COURANT/CONTACTEUR FEUX DE STOP  
 SIGNALHORN/STECKDOSE/BREMSLICHTSCHALTER  
 AVVISATORE ACUSTICO/PRESA CORRENTE/INTERRUTTORE STOP  
 BOCINA/BASE DE ENCHUFE/INTERRUPTOR DE LA LUZ DE "PARE"  
 SIGNALHORN/STICKKONTAKT/BROMSLJUSKONTAKT

L24791 -UN-26OCT95



L 24791

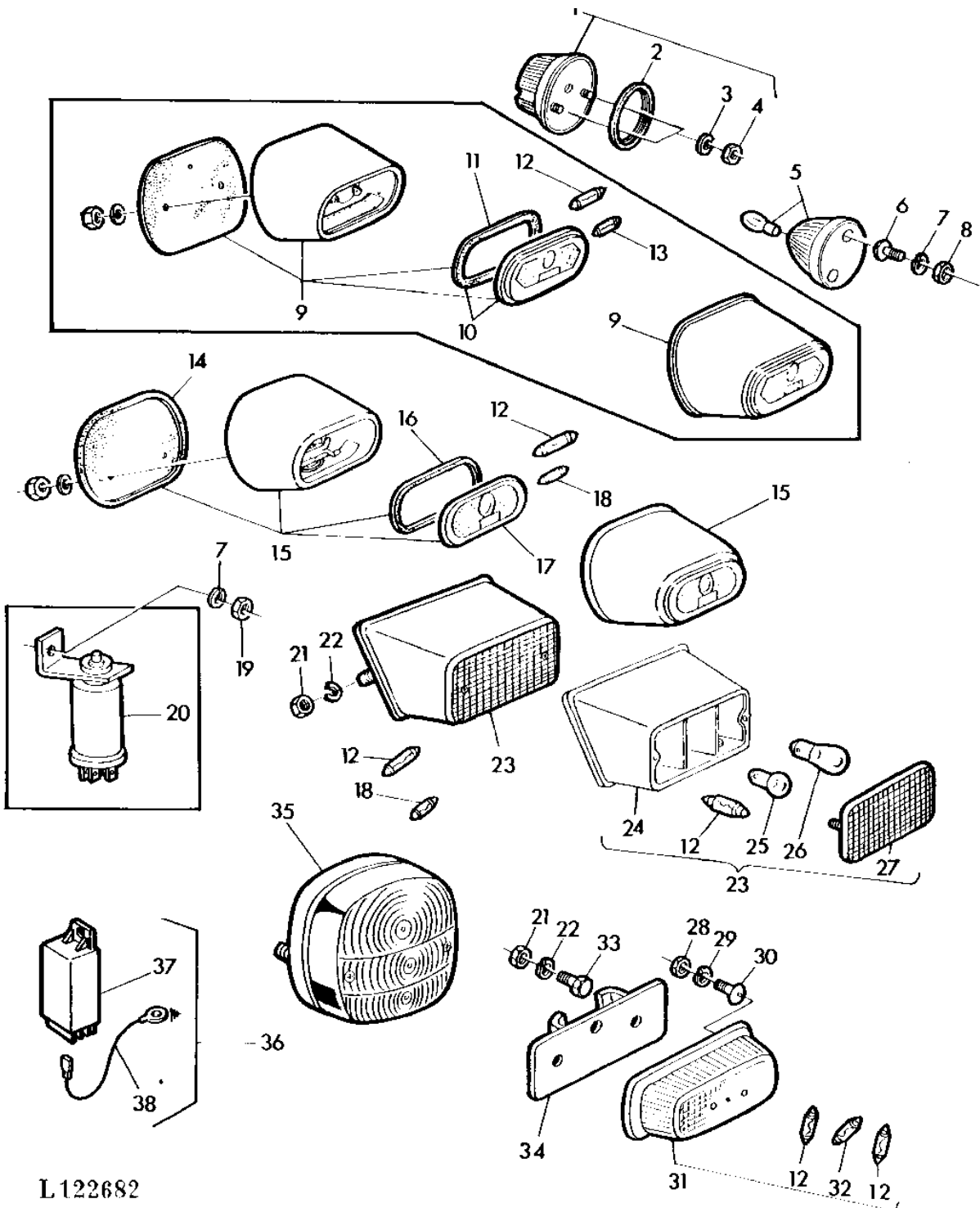
KEY	PART NO.	PART NAME	QTY	SERIAL NO.	REMARKS
				3 3	
				0 1	
				3 3	
				0 0	
1	AL67715	BRAKE LIGHT SWITCH	1	X X	(SUB FOR AL17696, AL27809)
2	T29586	ADAPTER	1	X X	3/8", 1/8"
3	R26287	O-RING	1	X X	
4	L83677	SOCKET OUTLET	1	X X	
5	14H778	NUT	3	X X	NO.10 (SUB FOR 14H631)
6	12M7064	LOCK WASHER	3	X X	NO.10 (SUB FOR 12H246)
7	21H1356	SCREW	3	X X	NO.10X1-1/4" (SUB FOR 21H1342)
8	21H1356	SCREW	3	X X	NO.10X1-1/4"
9	L83676	ELECTRICAL PLUG	1	X X	
10	14H785	NUT	1	X X	5/16"
11	12H303	LOCK WASHER	1	X X	5/16"
12	24H1136	WASHER	1	X X	11/32"X11/16"X.060"
13	19H1900	CAP SCREW	1	X X	5/16"X3/4"
14	AL14896	HORN	1	X X	
15	L31106	BRACKET	1	X X	(SUB FOR T30525)

# 1G4

ELECTRICAL SYSTEM

SIDE LAMPS/TURN LIGHTS/TAIL LIGHTS  
FEUX DE POSITION, CLIGNOTANTS ET FEUX ARRIERE  
POSITIONS-BLINK-UND SCHLUSSLEUCHTEN  
LUCI D'INGOMBRO/INDICATORI DIREZIONE/LUCI DI CODA  
LUCES DE POSICION, INTERMITENTES Y PILOTOS TRASEROS  
POSITIONS-BLINK- OCH BAKLJUS

L122682 -UN-26OCT95



L122682

# 1G5

## ELECTRICAL SYSTEM

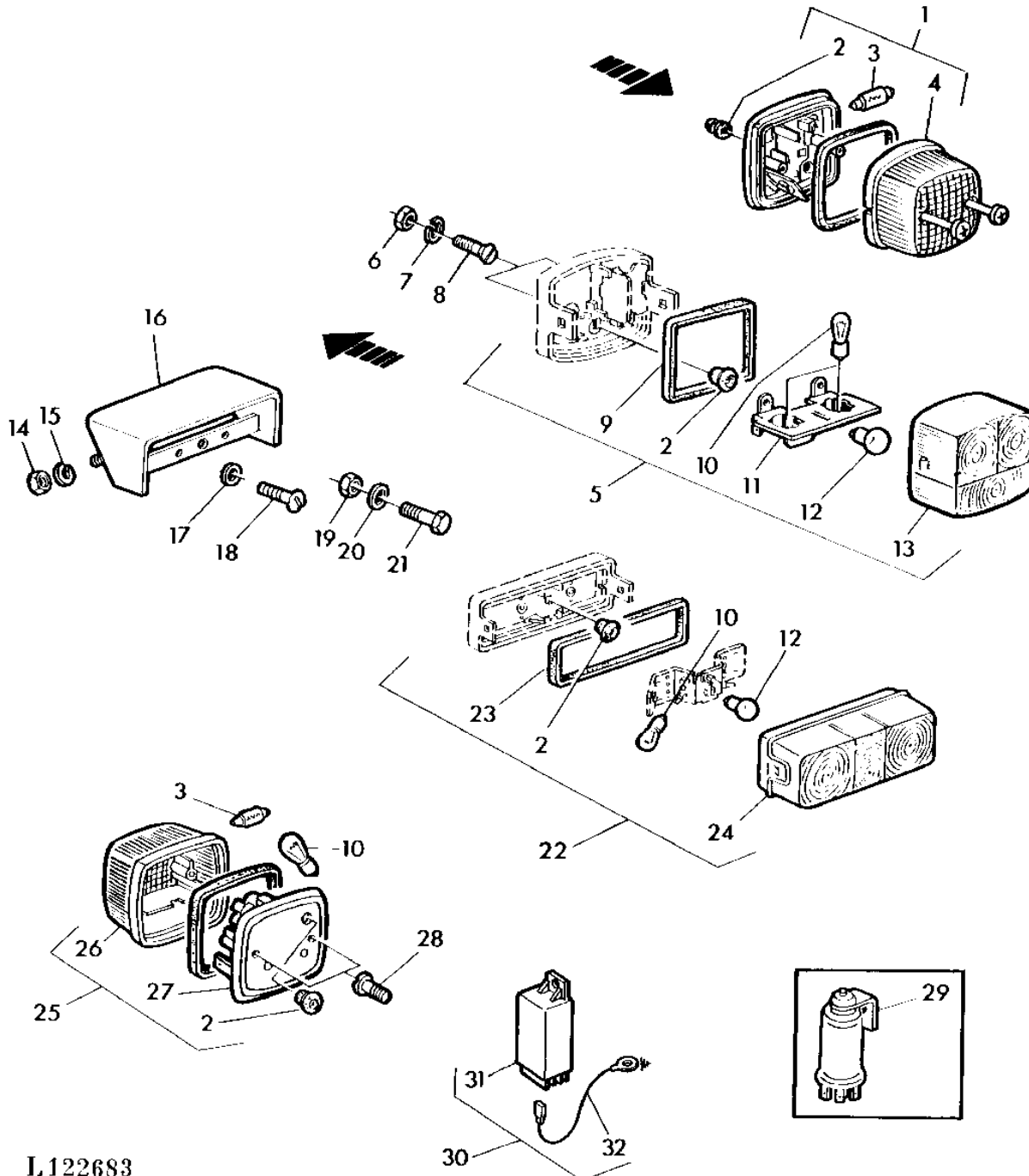
KEY	PART NO.	PART NAME	QTY	SERIAL NO.		REMARKS
					3 3	
					0 1	
					3 3	
					0 0	
1	AL13659	SIDE LIGHT	2	-145600	X X	ASSY,INCL KEYS 2-4,FRONT
2	L18042	SEAL	2	-145600	X X	
3	12M1623	LOCK WASHER	4	-145600	X X	5MM
4	14M7028	NUT	4	-145600	X X	5MM
5	AL23030	DIRECTION INDICATOR	1	-145600	X X	FRONT
6	21H1301	SCREW	4	-145600	X X	NO.10X1/2"
7	12M7064	LOCK WASHER	5	-145600	X X	NO.10 (SUB FOR 12H246)
8	14H778	NUT	4	-145600	X X	NO.10
9	AL14572	LAMP	1	-145600	X X	RH, REAR (ORD W/AL11905) (HASSIA) (ORD AL11212, AL11213)
	AL14571	LAMP	1	-145600	X X	LH, REAR (ORD W/AL11905) (HASSIA) (ORD AL11212, AL11213)
10	AL11905	LENS	2	-145600	X X	(ORD AL11212, AL11213)
11	L13579	GASKET	2	-145600	X X	(ORD AL11212, AL11213)
12	57M6275	BULB	6	-145600	X X	12V,18W
13	57M6583	BULB	2	-145600	X X	12V,3W
14	L13961	COVER	2	-145600	X X	
15	AL11213	LAMP	1	-145600	X X	RH, REAR, ASSY, INCL KEYS 14 16,17(HELLA)
	AL11212	LAMP	1	-145600	X X	LH, REAR, ASSY, INCL KEYS 14 16,17(HELLA)
16	L13960	GASKET	2	-145600	X X	
17	L13959	LENS	2	-145600	X X	
18	57M6274	BULB	2	-145600	X X	12V,5W
19	14H631	NUT	1	-145600	X X	NO.10
20	AL14008	FLASHER	1	-145600	X X	(ORD AL66935)
21	14H786	NUT	4	-145600	X X	1/4"
22	12H302	LOCK WASHER	4	-145600	X X	1/4"
23	AR49740	LAMP	1	-145600	X X	RH (KIT ORD AL25875)
	AR49741	LAMP	1	-145600	X X	LH (KIT ORD AL25875)
24	AL19113	HOUSING	1	-145600	X X	RH (KIT ORD AL25875)
	AL19115	HOUSING	1	-145600	X X	LH (KIT ORD AL25875)
25	57M7013	BULB	2	-145600	X X	12V,10W
26	57M7014	BULB	2	-145600	X X	12V,21W
27	AL19114	LENS	2	-145600	X X	(KIT ORD AL25875)
28	14H608	NUT	4	-145600	X X	NO.12
29	12H346	LOCK WASHER	4	-145600	X X	NO.12
30	21H1297	SCREW	4	-145600	X X	NO.12X3/4"
31	AL23031	STOP LIGHT	1	-145600	X X	RH, ASSY, INCL KEYS 12(2)
	AL23032	LAMP	1	-145600	X X	LH, ASSY, INCL KEYS 12(2)
32	57M6511	BULB	2	-145600	X X	12V,10W
33	19H1227	CAP SCREW	4	-145600	X X	1/4"X1/2"
34	AL23155	RETAINER	2	-145600	X X	
35	AT32246	TAIL LAMP	1	-145600	X X	(A) LH, REAR, ASSY (SUB FOR AL19893)
36	AL66935	KIT	1		X X	INCL.KEYS 37,38
37	AL32891	FLASHER	1		X X	
38	AT24549	WIRING LEAD	1		X X	
..	AT32247	TAIL LAMP	1	-145600	X X	(A) RH, REAR, ASSY (SUB FOR AL19894)

(A) WITH REAR FENDERS (SHELL TYPE)  
 AVEC AILES ARRIERE (TYPE COQUILLE)  
 BEI MUSCHELKOTFLUEGEL  
 CON PARAFANGHI A CONCHIGLIA  
 CON GUARDABARROS DE CONCHA  
 VID MUSSELFORMIGA BAKSTANKSKARMAR

# 1G6

ELECTRICAL SYSTEM

SIDE LAMPS/TURN LIGHTS/TAIL LIGHTS  
FEUX DE POSITION, CLIGNOTANTS ET FEUX ARRIERE  
POSITIONS-BLINK-UND SCHLUSSLEUCHTEN  
LUCI D'INGOMBRO/INDICATORI DIREZIONE/LUCI DI CODA  
LUCES DE POSICION, INTERMITENTES Y PILOTOS TRASEROS  
POSITIONS-BLINK- OCH BAKLJUS  
L122683 -UN-26OCT95



L122683



# 1G7

## ELECTRICAL SYSTEM

KEY	PART NO.	PART NAME	QTY	SERIAL NO.		REMARKS
					3 3	
					0 1	
					3 3	
					0 0	
1	AL25877	SIDE LIGHT	2	145601-	X X	FRONT,INCL KEYS 2-4
2	L31774	GROMMET	4	145601-	X X	
3	57M6274	BULB	2	145601-	X X	12V,5W
4	AL27012	LENS	1	145601-	X X	
5	AT43601	LAMP	1	145601-	X X	(A) RH, REAR, INCL KEYS 2,9-13
	AL26799	LAMP	1	145601-	X X	(A) LH, REAR, INCL KEYS 2,9-13 (SUB FOR AT43600)
6	14H631	NUT	4	145601-	X X	(A) NO.10
7	12M7064	LOCK WASHER	4	145601-	X X	(A) NO.10 (SUB FOR 12H246)
8	21H1128	SCREW	4	145601-	X X	(A) NO.10X3/4"
9	L31778	GASKET	2	145601-	X X	(A)
10	57M7014	BULB	6	145601-	X X	12V,21W
11	L31777	HOLDER	2	145601-	X X	(A)
12	57M7013	BULB	2	145601-	X X	12V,10W
13	L31781	LENS	1	145601-	X X	(A) RH
	L31776	LENS	1	145601-	X X	(A) LH
14	14M7272	NUT	4	145601-	X X	6MM
15	12M7012	LOCK WASHER	4	145601-	X X	6MM
16	AL25643	RETAINER	2	145601-	X X	
17	L34217	BUSHING	4	145601-	X X	(B)
18	37M7000	SCREW	4	145601-	X X	4,8X19MM
19	14M7028	NUT	4	145601-	X X	(C) 5MM
20	24M7138	WASHER	4	145601-	X X	(C) 5,3X15X1,5MM
21	19M7372	CAP SCREW	4	145601-	X X	(C) 5X16MM
22	AL24545	TAIL LAMP	1	145601-	X X	RH, REAR, INCL KEYS 2,23,24
	AL25645	TAIL LAMP	1	145601-	X X	LH, REAR, INCL KEYS 2,23,24
	AL24544	TAIL LAMP	1	145601-	X X	(C) LH, REAR, INCL KEYS 2,23,24
23	L31775	GASKET	2	145601-	X X	
24	AL27008	LAMP	1	145601-	X X	RH
	AL27014	LAMP	1	145601-	X X	LH
	AL27007	LENS	1	145601-	X X	(C) LH
25	AL58739	SIDE LIGHT	2	145601-	X X	FRONT,INCL KEYS 2,26,27 (SUB FOR AL25644)
26	AL27013	LENS	2	145601-	X X	(ORD AL58739)
27	L34099	SOCKET	1	145601-	X X	
28	37M7025	SCREW	4	145601-	X X	4,8X13MM (SUB FOR 37M7026)
29	AL25646	FLASHER	1	145601-	X X	(ORD AL66935)
30	AL66935	KIT	1		X X	
31	AL32891	FLASHER	1		X X	
32	AT24549	WIRING LEAD	1		X X	
..	AL25875	LAMP	1	145601-	X X	KIT, INCL KEYS 3,10,12,14-16 18,22,25,28,29

(A) W/REAR FENDERS (SHELL TYPE)  
AVEC AILES ARRIERE COQUILLE  
BEI MUSCHELKOTFLUEGEL  
CON PARAFANGHI A CONCHIGLIA  
CON GUARDABRROS DE CONCHA  
VID MUSSELFORM. SKARMAR

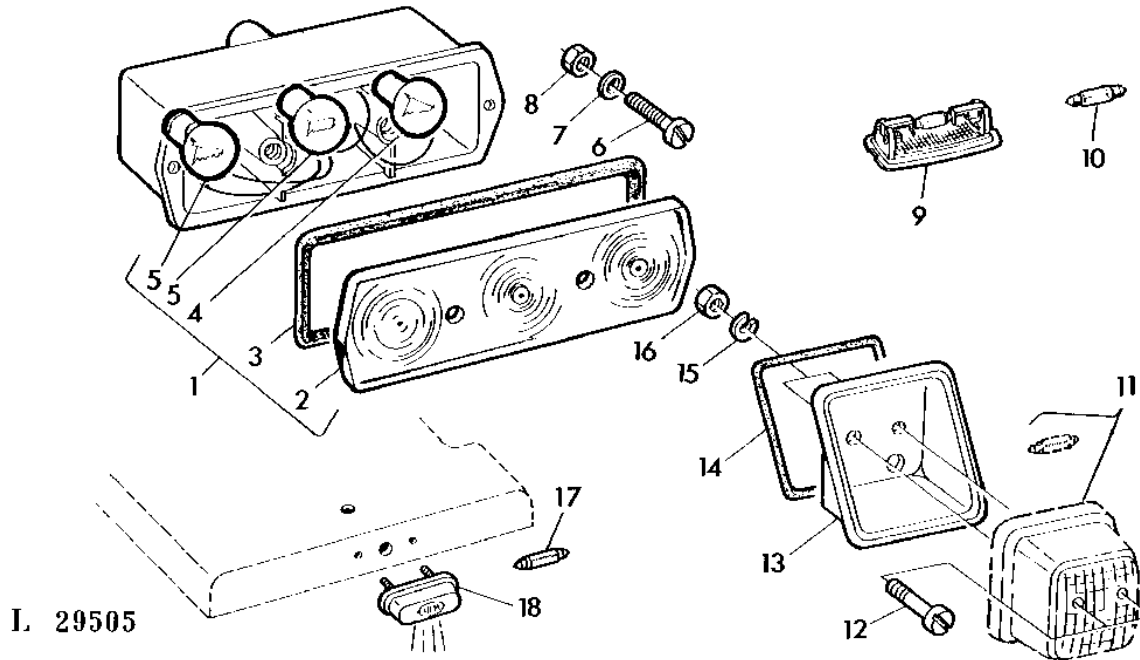
(B) ONLY FOR SWEDEN  
SUEDE UNIQUEMENT  
NUR FUER SCHWEDEN  
SOLTANTO PER LA SVEZIA  
TAN SOLO PARA SUECIA  
ENDAST FOR SVERIGE

(C) WITH OPERATOR'S CAB  
AVEC CABINE  
BEI KABINE  
CON CABINA  
CON CABINA  
VID FORARHYTT

# 1G8

ELECTRICAL SYSTEM

SIDE LAMPS/TURN LIGHTS/TAIL LIGHTS WITH OPERATOR'S CAB  
 FEUX DE POSITION, CLIGNOTANTS ET FEUX ARRIERE AVEC CABINE  
 POSITIONS-BLINK-UND SCHLUSSELEUCHTEN BEI KABINE  
 LUCI D'INGOMBRO/INDICATORI DIREZIONE/LUCI DI CODA  
 LUCES DE POSICION, INTERM.Y PILOTOS TRAS.CON CABINA  
 POSITIONS-BLINK- OCH BAKLJUS VID FORARHYTT  
 L29505 -UN-30OCT95



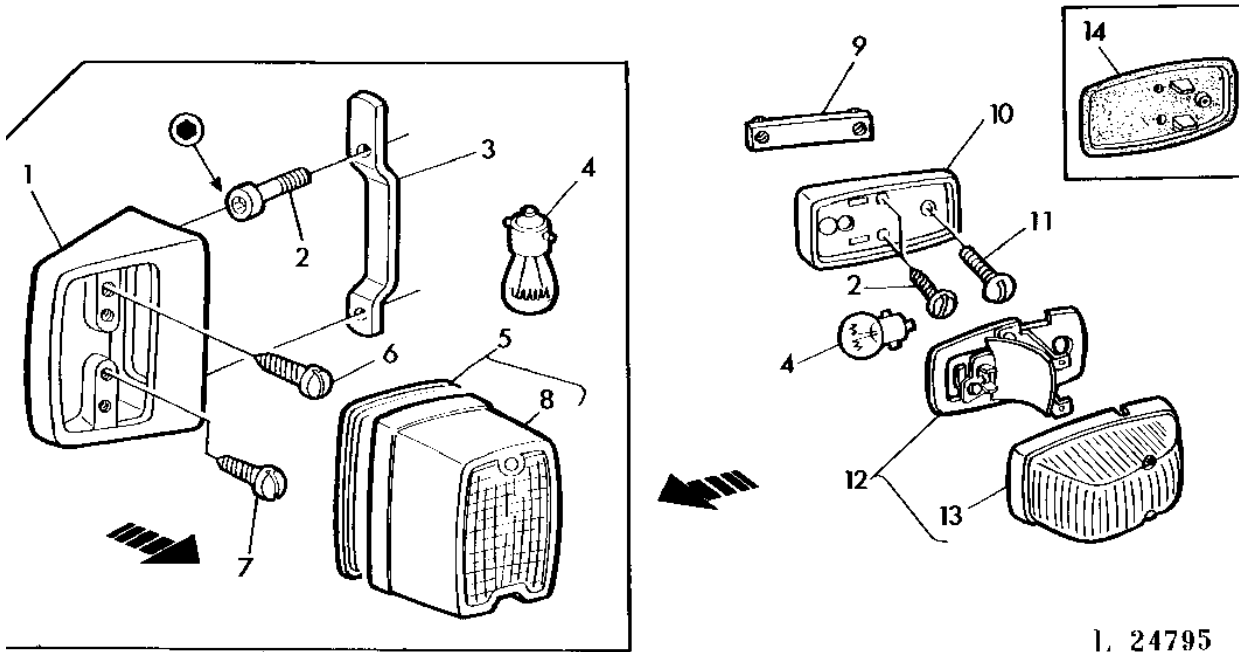
L. 29505

KEY	PART NO.	PART NAME	QTY	SERIAL NO.	REMARKS
				3 3	
				0 1	
				3 3	
				0 0	
1	AL25879	KIT	2	X X	ASSY, INCL. KEYS 2-5
2	L31351	LENS	2	X X	
3	L31352	SEAL	2	X X	
4	57M7013	BULB	2	X X	12V, 10W
5	57M7014	BULB	4	X X	12V, 21W
6	21M7149	SCREW	4	X X	6X25MM
7	24M7054	WASHER	4	X X	6MM
8	14M7272	NUT	4	X X	6MM
9	AL25927	LAMP	1	X X	
10	57M6511	BULB	1	X X	12V, 10W
11	.....		2	X X	
12	21M7197	SCREW	4	X X	4X20MM
13	L31138	COVER	2	X X	
14	L31348	O-RING	2	X X	
15	12M7079	LOCK WASHER	4	X X	4MM
16	14M7139	NUT	4	X X	4MM
17	57M6274	BULB	3	X X	12V, 5W
18	AT27535	LAMP	1	X X	

# 1G9

ELECTRICAL SYSTEM

SIDE LAMPS/TURN LIGHTS/TAIL LIGHTS WITH OPERATOR'S CAB  
 FEUX DE POSITION,CLIGNOTANTS ET FEUX ARRIERE AVEC CABINE  
 POSITIONS-BLINK-UND SCHLUSSLEUCHTEN BEI KABINE  
 LUCI D'INGOMBRO/INDICATORI DIREZIONE/LUCI DI CODA  
 LUCES DE POSICION,INTERM.Y PILOTOS TRAS.CON CABINA  
 POSITIONS-BLINK-UCH BAKLJUS VID FORARHYTT  
 L24795 -UN-26OCT95



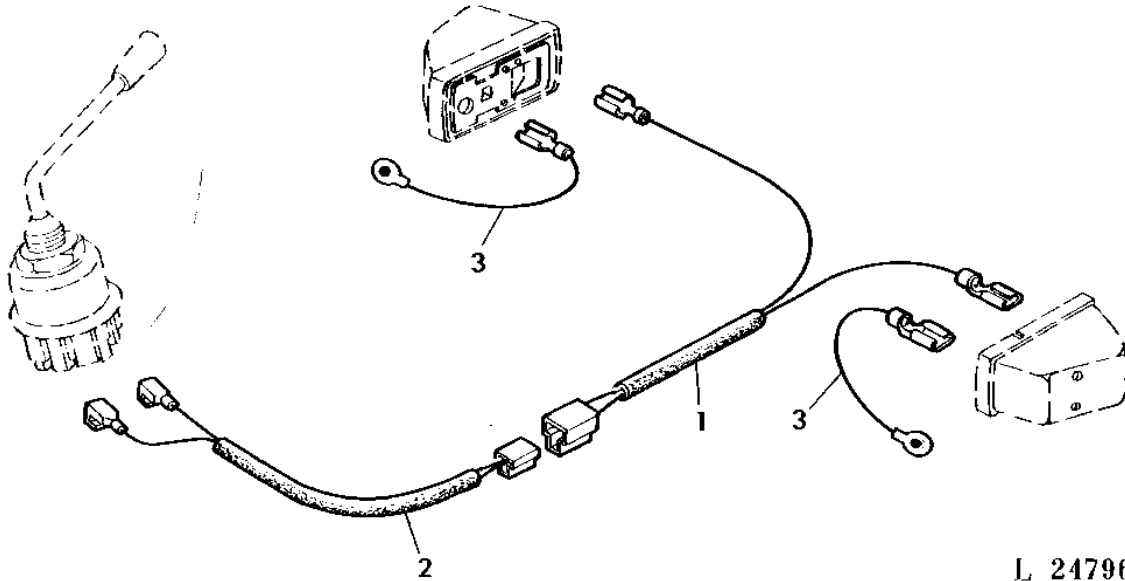
1. 24795

KEY	PART NO.	PART NAME	QTY	SERIAL NO.		REMARKS
					3 3	
					0 1	
					3 3	
					0 0	
1	L31032	BRACKET	2	-182149	X X	
2	37M7025	SCREW	4		X X	4,8X13MM (SUB FOR 19M7600)
3	L31031	RETAINER	2	-182149	X X	
4	57M7014	BULB	2		X X	12V,21W
5	AL25537	LAMP	2	-182149	X X	INCL KEY 8
6	21M7200	SCREW	2	-182149	X X	5X20MM
7	21M7199	SCREW	2	-182149	X X	5X10MM
8	AL27011	LAMP	2	-182149	X X	
9	AL26916	STRAP	2	182150-	X X	
10	L31752	BRACKET	2	182150-	X X	
11	21M7086	SCREW	4		X X	6X20MM (SUB FOR 21M7206)
12	AL26463	DIRECTION INDICATOR	1	182150-	X X	RH, INCL KEY 13
	AL26464	DIRECTION INDICATOR	1	182150-	X X	LH, INCL KEY 13
13	AL27016	LENS	1	182150-	X X	RH
	AL27017	LENS	1	182150-	X X	LH
14	L31779	PACKING	1	182150-	X X	

# 1G10

ELECTRICAL SYSTEM

PARTS FOR FRONT TURN SIGNAL LIGHTS  
 ELEMENTS DES CLIGNOTANTS AVANT  
 TEILE FUER BLINKLICHT-ANBAU VORN  
 PARTI PER FANALI LAMPEGGIATORI ANTERIORI  
 PIEZAS PARA LAS LUCES DIRECCIONALES DELANTERAS  
 DELAR FOR FRAMRE BLINKERS  
 L24796 -UN-26OCT95



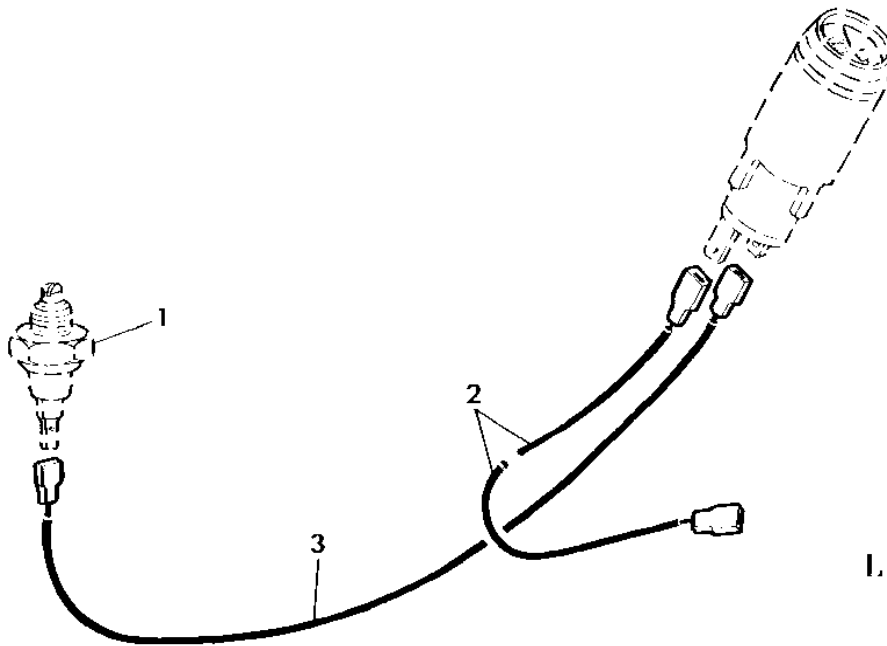
L 24796

KEY	PART NO.	PART NAME	QTY	SERIAL NO.	3 0 3 0	3 1 3 0	REMARKS
1	AR74811	WIRING HARNESS	1	182150-	X	X	
2	AR74812	WIRING HARNESS	1	182150-	X	X	
3	AT24549	WIRING LEAD	2	182150-	X	X	

# 1G11

ELECTRICAL SYSTEM

PARTS FOR AIR CLEANER RESTRICTION INDICATOR  
 PIECES POUR INDIC DE COLMATAGE DU FILTRE A AIR  
 TEILE FUER LUFTFILTER-VERSCHMUTZUNGSANZEIGE  
 PARTI PER IL INDIC AFFLUSSO INSUFIC.ARIA FILTRO D'ARIA  
 PIEZAS PARA EL INDIC DE SUCIEDAD DEL FILTRO DE AIRE  
 DELAR FOR FORMUTNINGSINDIKATOR AV LUFTRENARE  
 L22550 -UN-27OCT95



I. 22550

KEY	PART NO.	PART NAME	QTY	SERIAL NO.	REMARKS
1	.....		1		
2	AL19914	WIRING LEAD	1		
3	AL19915	CABLE	1		

3 3  
 0 1  
 3 3  
 0 0

# 1G12

ELECTRICAL SYSTEM

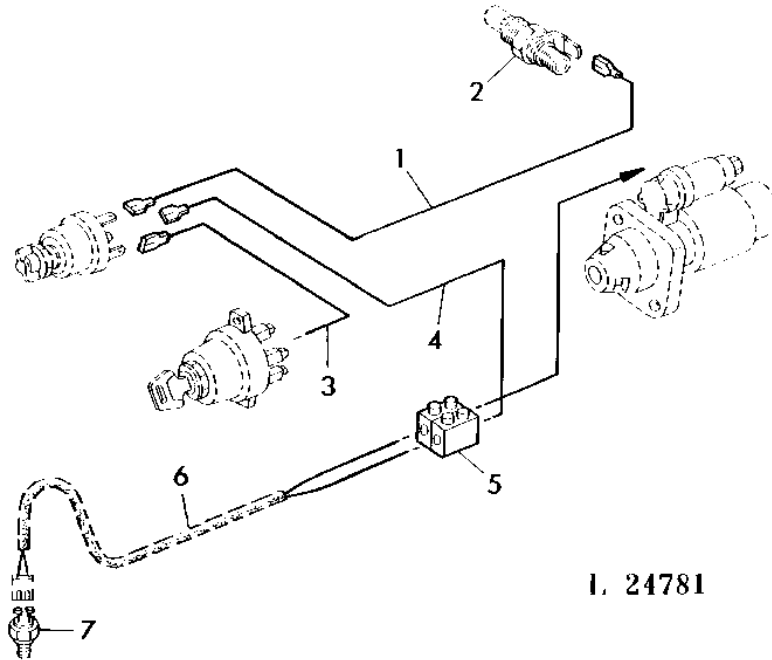
---

MEMORANDA  
MEMORANDA  
MEMORANDA  
MEMORANDA  
MEMORANDA

# 1G13

ELECTRICAL SYSTEM

PARTS FOR THERMOSTART AND STARTING SWITCH "BILUX"  
 CABLAGE THERMOSTART ET CONTACTEUR DE DEMARRAGE CODE-PHARE  
 TEILE FUER THERMOSTART UND ANLASSCHALTER "BILUX"  
 PARTI PER THERMOST.E INTERRUPTORE D'AVVIAM. "IMPIANTO BILUX"  
 PIEZAS PARA INTERRUPTOR DE ARRANQUE Y THERMOSTART "BILUX"  
 DELAR FOR THERM.OCH STARTSTROMBR. "BILUX"  
 L24781 -UN-26OCT95



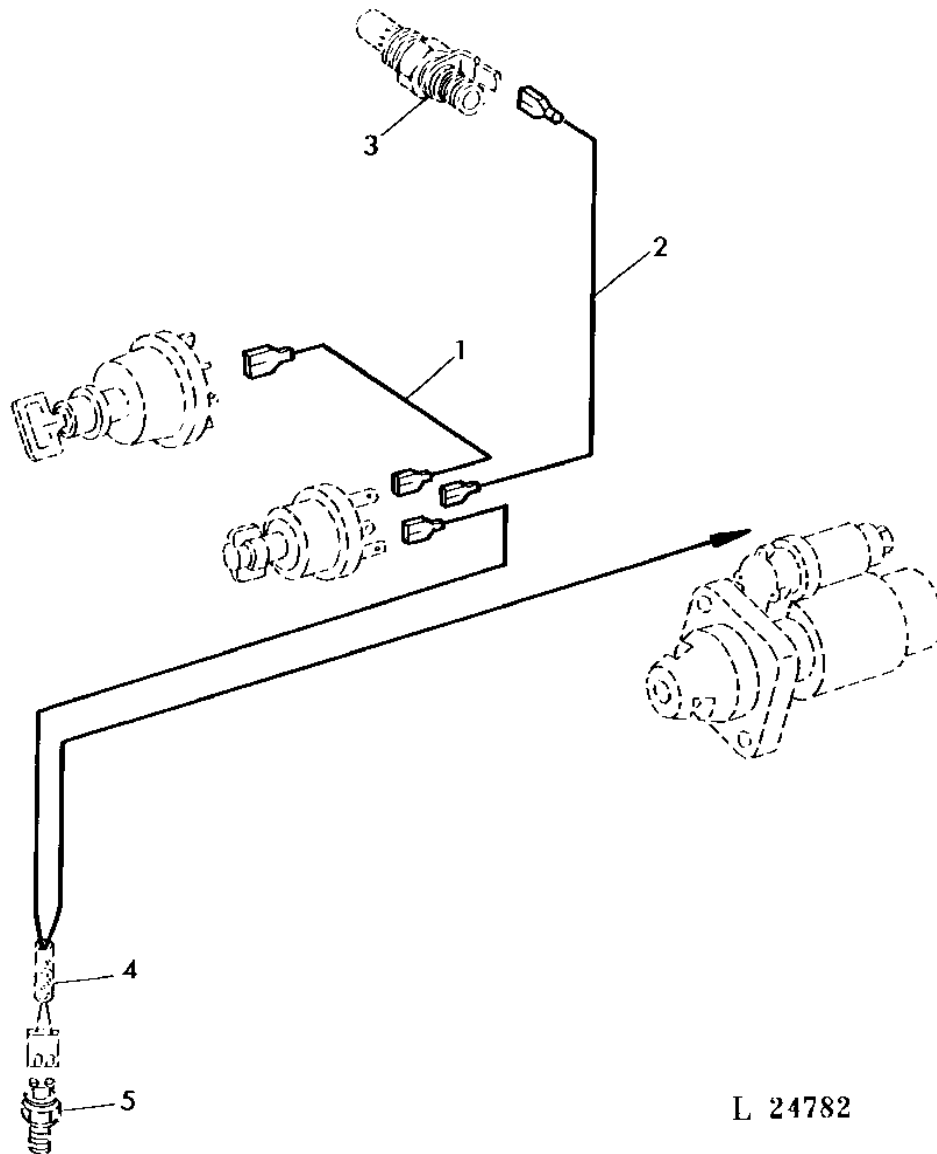
I. 24781

KEY	PART NO.	PART NAME	QTY	SERIAL NO.	3 3 0 1 3 3 0 0	REMARKS
1	AL25872	CABLE	1	164464-	X X	
2	.....		1		X X	
3	AL25065	WIRING LEAD	1	164464-	X X	
4	AL25870	CABLE	1	164464-	X X	
5	AZ15003	CONNECTOR	1	164464-	X X	(SUB FOR L84076)
6	.....		1		X X	
7	.....		1		X X	

# 1G14

ELECTRICAL SYSTEM

PARTS FOR THERMOSTART AND STARTING SWITCH "SEALED BEAM"  
THERMOSTART ET CONTACTEUR DE DEMARRAGE "SEALED BEAM"  
TEILE FUER THERMOSTART-ANLASSCHALTER "SEALED BEAM"  
PARTI PER THERMOSTART E INTERRUETTORE D'AVVIAMENTO "SEALED BE  
PIEZAS PARA EL THERMOSTART Y EL INTERRUPTOR DE ARRANQUE "SEA  
DELAR FOR THERMOSTART OCH STARTSTROMBRYTARE "SEALED BEAM"  
L24782 -UN-26OCT95





# 1G15

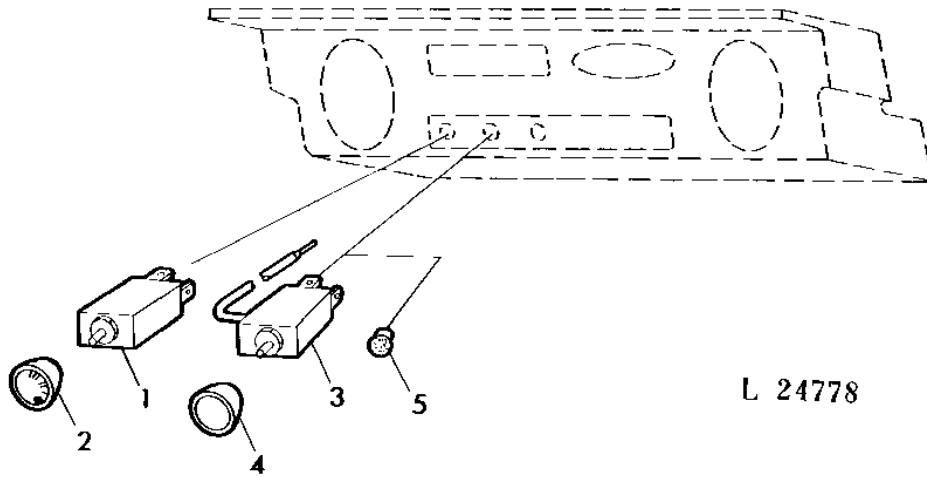
ELECTRICAL SYSTEM

KEY	PART NO.	PART NAME	QTY	SERIAL NO.	3 3 0 1 3 3 0 0	REMARKS
1	AL25873	CABLE	1	164464-	X X	
2	AL25872	CABLE	1	164464-	X X	
3	.....		1		X X	
4	.....		1		X X	
5	.....		1		X X	

# 1G16

ELECTRICAL SYSTEM

CAB SWITCHES  
 CONTACTEURS CABINE  
 SCHALTER-KABINE  
 INTERRUITORI CABINA  
 INTERRUPTORES DE CABINA  
 FORARHYTTENS BRYTTARE  
 L24778 -UN-26OCT95



L 24778

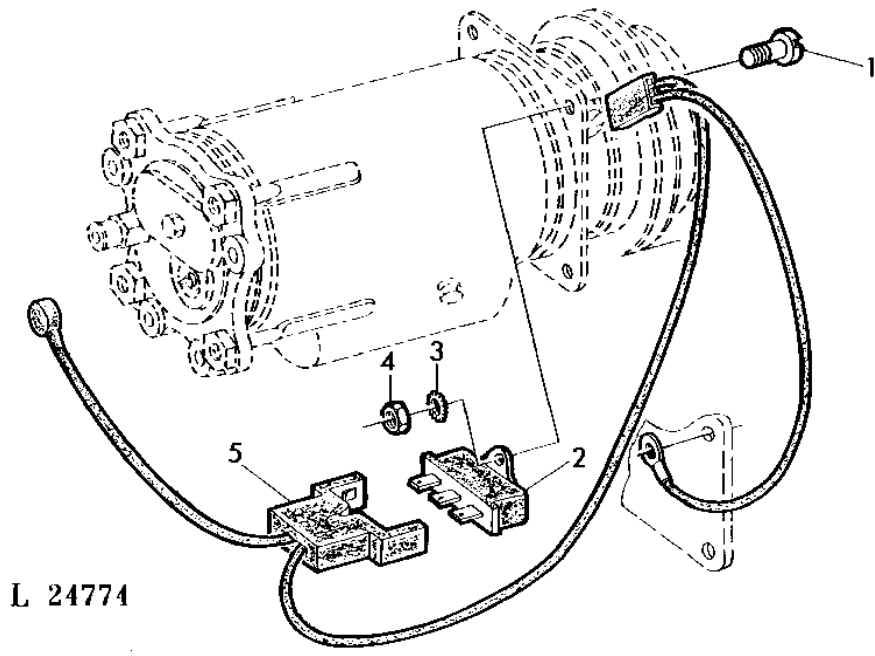
KEY	PART NO.	PART NAME	QTY	SERIAL NO.	REMARKS
				3 3	
				0 1	
				3 3	
				0 0	
1	AL28604	SWITCH	1	X X	
2	AL28619	KNOB	1	X X	
3	AL28603	SWITCH	1	X X	
4	AL28622	KNOB	1	X X	
5	L33597	PLUG	1	X X	(A)

(A) WITHOUT AIR CONDITIONING  
 SANS CLIMATISATION  
 OHNE KLIMAANLAGE  
 SENZA IMPIANTO D'ARIA CONDIZIONATA  
 SIN SISTEMA DE AIRE ACONDICIONADO  
 UTAN LUFTKONDITIONERING

# 1G17

ELECTRICAL SYSTEM

COMPRESSOR WIRING HARNESS  
 FAISCEAU COMPRESSEUR  
 KABELBAUM-KOMPRESSOR  
 FASCIO CAVI DEL COMPRESSORE  
 HAZ DE CABLES DEL COMPRESSOR  
 KOMPRESSORNS KABLAR  
 L24774 -UN-26OCT95



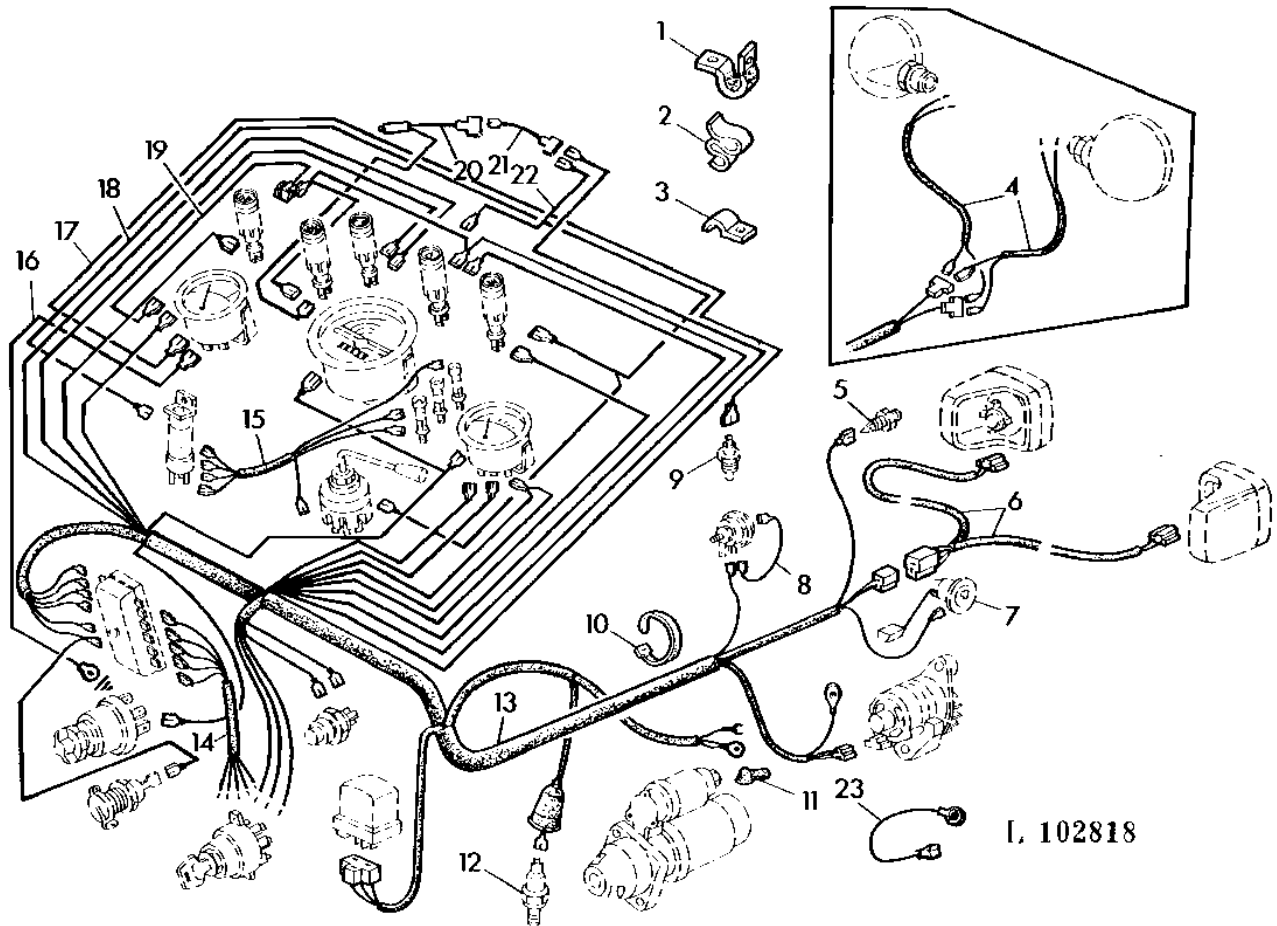
L 24774

KEY	PART NO.	PART NAME	QTY	SERIAL NO.	REMARKS
				3 3	
				0 1	
				3 3	
				0 0	
1	21H1295	SCREW	1	X X	NO.10X5/8"
2	AR77344	FUSE	1	X X	
3	12H295	LOCK WASHER	1	X X	NO.10
4	14H631	NUT	1	X X	0.190"
5	AR77345	WIRING HARNESS	1	X X	

# 1G18

ELECTRICAL SYSTEM

WIRING HARNESS DASH/ENGINE "BILUX"  
FAISCEAU DE TABLEAU DE BORD/MOTEUR "BILUX"  
KABELBAUM-ARMATURENWAND/MOTOR "BILUX"  
GRUPPO CAVI CRUSCOTTO/MOTORE "IMPIANTO BILUX"  
MAZA DEL TABLERO DE INSTRUMENTOS/MOTOR "BILUX"  
LEDNINGSNAT-INSTRUMENTPANEL/MOTOR "BILUX"  
L102818 -UN-07NOV95



# 1G19

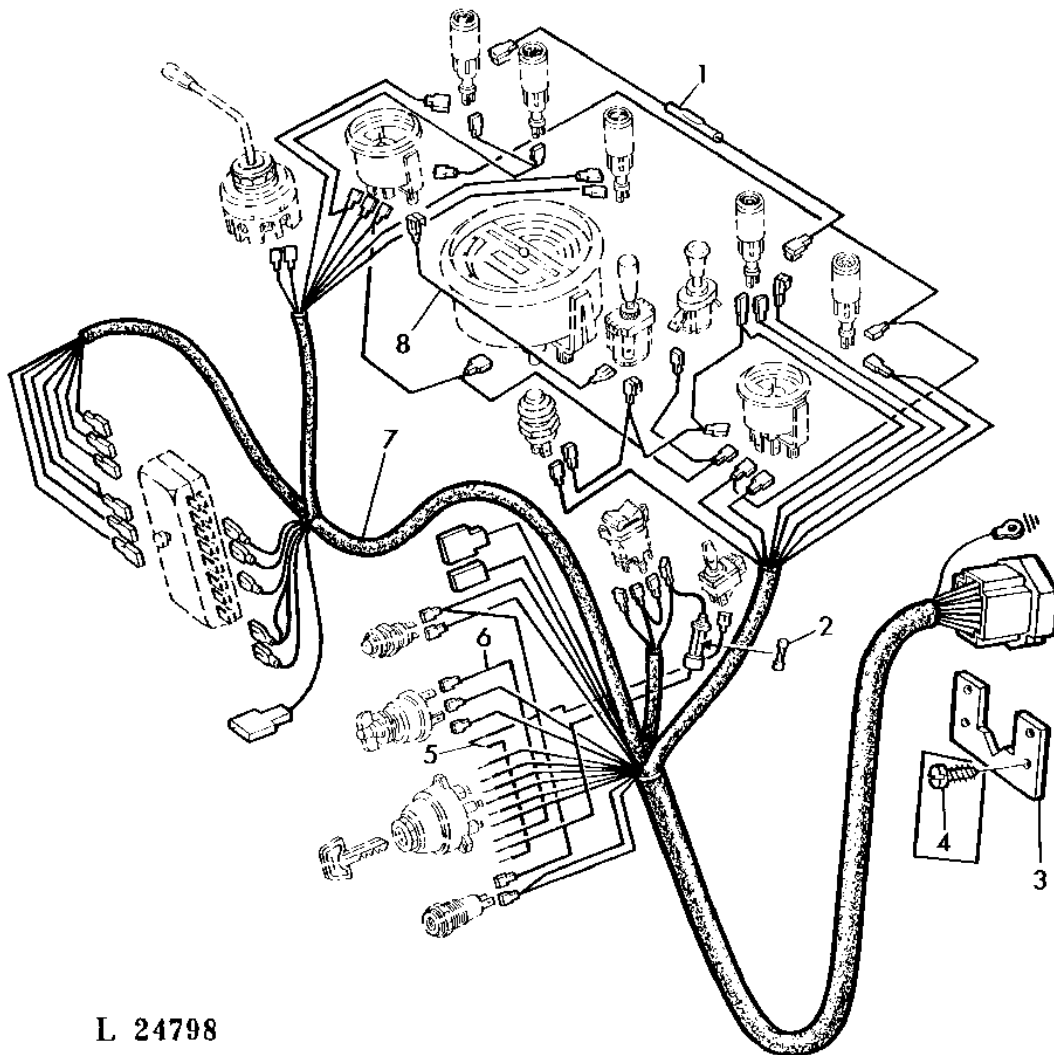
ELECTRICAL SYSTEM

KEY	PART NO.	PART NAME	QTY	SERIAL NO.	3 0 3 0	3 1 3 0	REMARKS
1	R27591	CLAMP	2		X	X	(SUB FOR T13814)
2	T41072	CLIP	2		X	X	
3	R27531	CLAMP	1		X	X	
4	AT27735	WIRING HARNESS	2	-182149	X	X	
5	.....		1		X	X	
6	AL27220	WIRING HARNESS	1		X	X	(SUB FOR AR74518)
7	.....		1		X	X	
8	AT24549	WIRING LEAD	1		X	X	
9	.....		1		X	X	
10	R44302	TIE BAND	4		X	X	
11	L12809	TERMINAL NIPPLE	1		X	X	
12	.....		1		X	X	
13	AL23537	WIRING HARNESS	1	-182149	X	X	
	AR74521	WIRING HARNESS	1	182150-	X	X	
14	AT27730	WIRING HARNESS	1		X	X	
15	AT27652	WIRING HARNESS	1		X	X	
16	AL28499	WIRING LEAD	1	268527-	X	X	
17	AL28497	WIRING LEAD	1	268527-	X	X	
18	AT31773	WIRING LEAD	1		X	X	
19	AL28498	WIRING LEAD	1	268527-	X	X	
20	AL25431	RECTIFIER	1		X	X	(SUB FOR AT30110)
21	AL18604	WIRING LEAD	1		X	X	
22	AT24696	CABLE	1		X	X	
23	AL36390	WIRING LEAD	1		X	X	(FOR AL36391)

# 1G20

ELECTRICAL SYSTEM

WIRING HARNESS-DASH WITH OPERATOR'S CAB  
FAISCEAU DE TABLEAU DE BORD AVEC CABINE  
KABELBAUM-ARMATURENWAND BEI KABINE  
GRUPPO CAVI DEL CRUSCOTTO CON CABINA  
MAZA DEL TABLERO DE INSTRUMENTOS CON CABINA  
LEDNINGSNAT-INSTRUMENTPANEL VID FORARHYTT  
L24798 -UN-26OCT95



L 24798

# 1G21

ELECTRICAL SYSTEM

KEY	PART NO.	PART NAME	QTY	SERIAL NO.	REMARKS
					3 3
					0 1
					3 3
					0 0
1	AL25431	RECTIFIER	1		X X
2	L31028	FUSE	1		X X (A)
3	L31033	RETAINER	1		X X
4	37M7026	SCREW	4		X X 4,2X9,5MM
5	AL27559	WIRING LEAD	1		X X (B)
6	AL25539	WIRING LEAD	1		X X
7	AL25538	WIRING HARNESS	1		X X
	AL28507	WIRING HARNESS	1		X X (C)
8	AL25985	WIRING LEAD	1		X X

(A) W/HYDROST.FRONT WHEEL DR.  
 AVEC ESSIEU AV.MOT.HYDR.  
 BEI HYDROST. FRONTANTRIEB  
 CON TRAZIONE ANTERIORE IDRO  
 CON TRACCION HIDROST DELANT  
 VID HYDR.FRAMHJULSDRIVN.

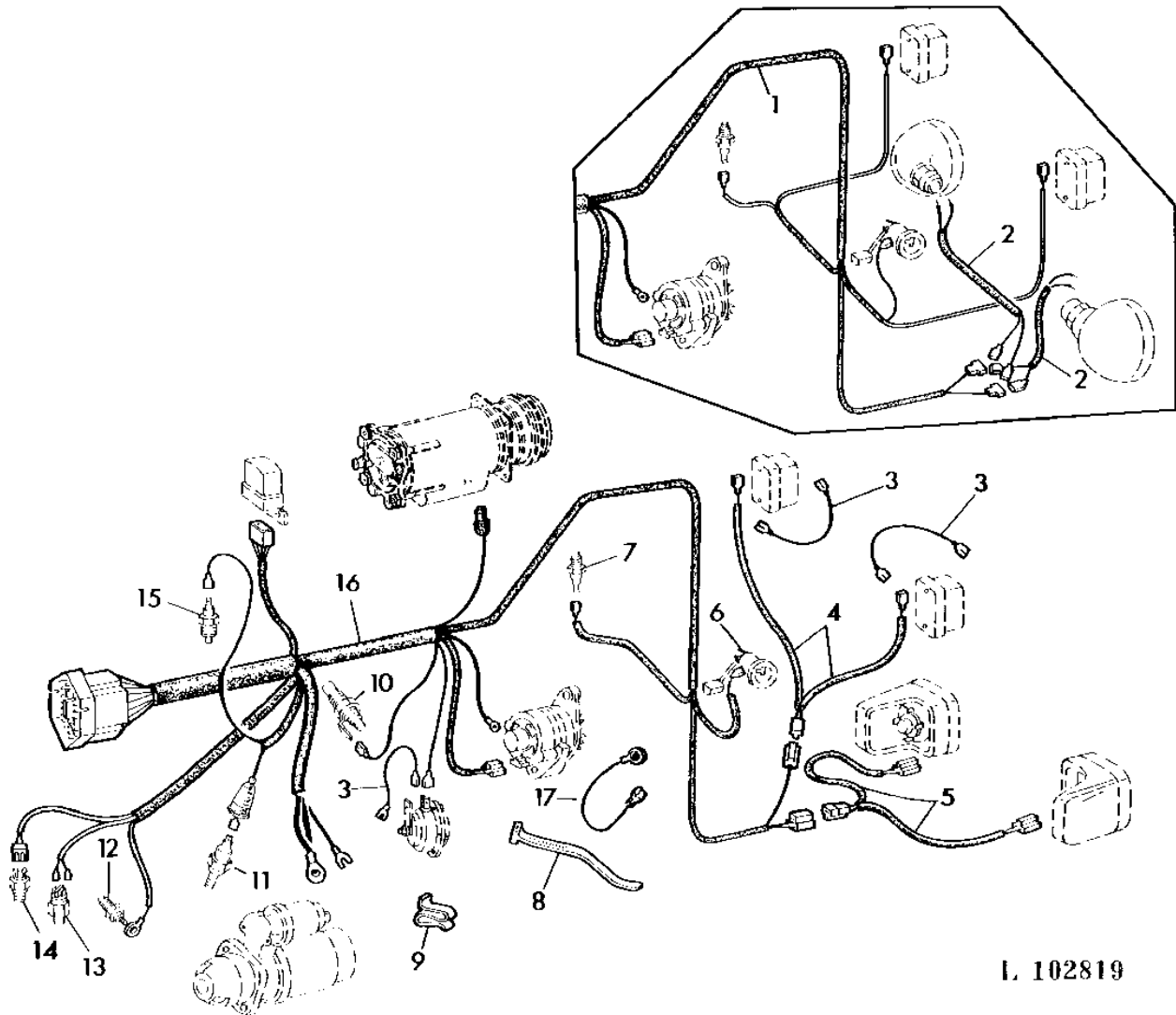
(B) ONLY FOR SWEDEN  
 SUEDE UNIQUEMENT  
 NUR FUER SCHWEDEN  
 SOLTANTO PER LA SVEZIA  
 TAN SOLO PARA SUECIA  
 ENDAST FOR SVERIGE

(C) WITH AIR CONDITIONING  
 AVEC CLIMATISATION  
 BEI KLIMAANLAGE  
 CON ARIA CONDIZION  
 CON AIRE ACONDICION  
 VID LUFTKONDITIONERING

# 1G22

ELECTRICAL SYSTEM

ENGINE WIRING HARNESS WITH OPERATOR'S CAB  
FAISCEAU DU HOTEUR AVEC CABINE  
KABELBAUM-MOTOR BEI KABINE  
GRUPPO CAVI DEL MOTORE CON CABINA  
MAZA DE CABLES DEL MOTOR CON CABINA  
LEDNINGSNAT-MOTOR VID FORARHYTT  
L102819 -UN-07NOV95





# 1G23

## ELECTRICAL SYSTEM

KEY	PART NO.	PART NAME	QTY	SERIAL NO.	3 3 0 1 3 3 0 0	REMARKS
1	AL25544	WIRING HARNESS	1	-182149	X X	
2	AT24651	WIRING HARNESS	2	-182149	X X	
3	AT24549	WIRING LEAD	3		X X	
4	AL30611	WIRING HARNESS	1		X X	(A) R.H.
	AL30612	WIRING HARNESS	1		X X	(A) L.H.
	AR74812	WIRING HARNESS	1	182150-	X X	
5	AL27220	WIRING HARNESS	1		X X	(SUB FOR AR74518)
6	.....		1		X X	
7	.....		1		X X	
8	R44302	TIE BAND	4		X X	
9	T41072	CLIP	2		X X	(SUB FOR M644T)
10	.....		1		X X	
11	.....		1		X X	
12	.....		1		X X	
13	.....		1		X X	
14	.....		1		X X	
15	.....		1		X X	
16	AL28517	WIRING HARNESS	1		X X	(B)
	AR74522	WIRING HARNESS	1	182150-	X X	
17	AL36390	WIRING LEAD	1		X X	(FOR AL36391)

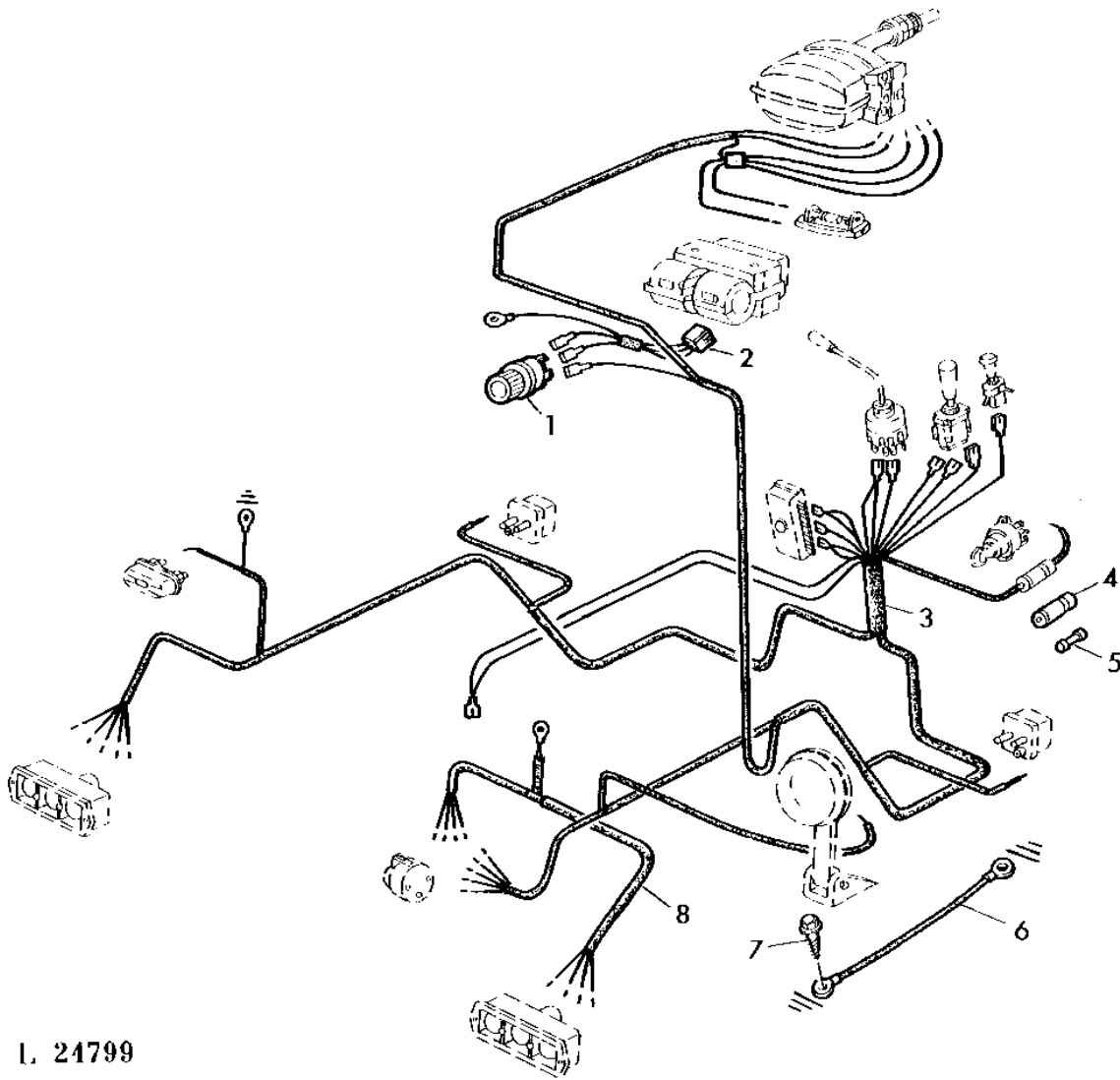
(A) FOR NORWAY ONLY  
 UNIQUEMENT NORVEGE  
 NUR FUER NORWEGEN  
 SOLO PER NORVEGIA  
 TAN SOLO PARA NORUEGA  
 ENDAST FOR NORGE

(B) WITH AIR CONDITIONING  
 AVEC CLIMATISATION  
 BEI KLIMAANLAGE  
 CON IMPIANTO D'ARIA CONDIZIONATA  
 CON SISTEMA DE AIRE ACONDICIONADA  
 MED LUFTKONDITIONERING

# 1G24

ELECTRICAL SYSTEM

WIRING HARNESS-OPERATOR'S CAB  
FAISCEAU DE LA CABINE  
KABELBAUM-KABINE  
GRUPPO CAVI-CABINA  
MAZA DE CABLES DE LA CABINA  
LEDNINGSNAT-FORARHYTT  
L24799 -UN-26OCT95



L. 24799

# 1G25

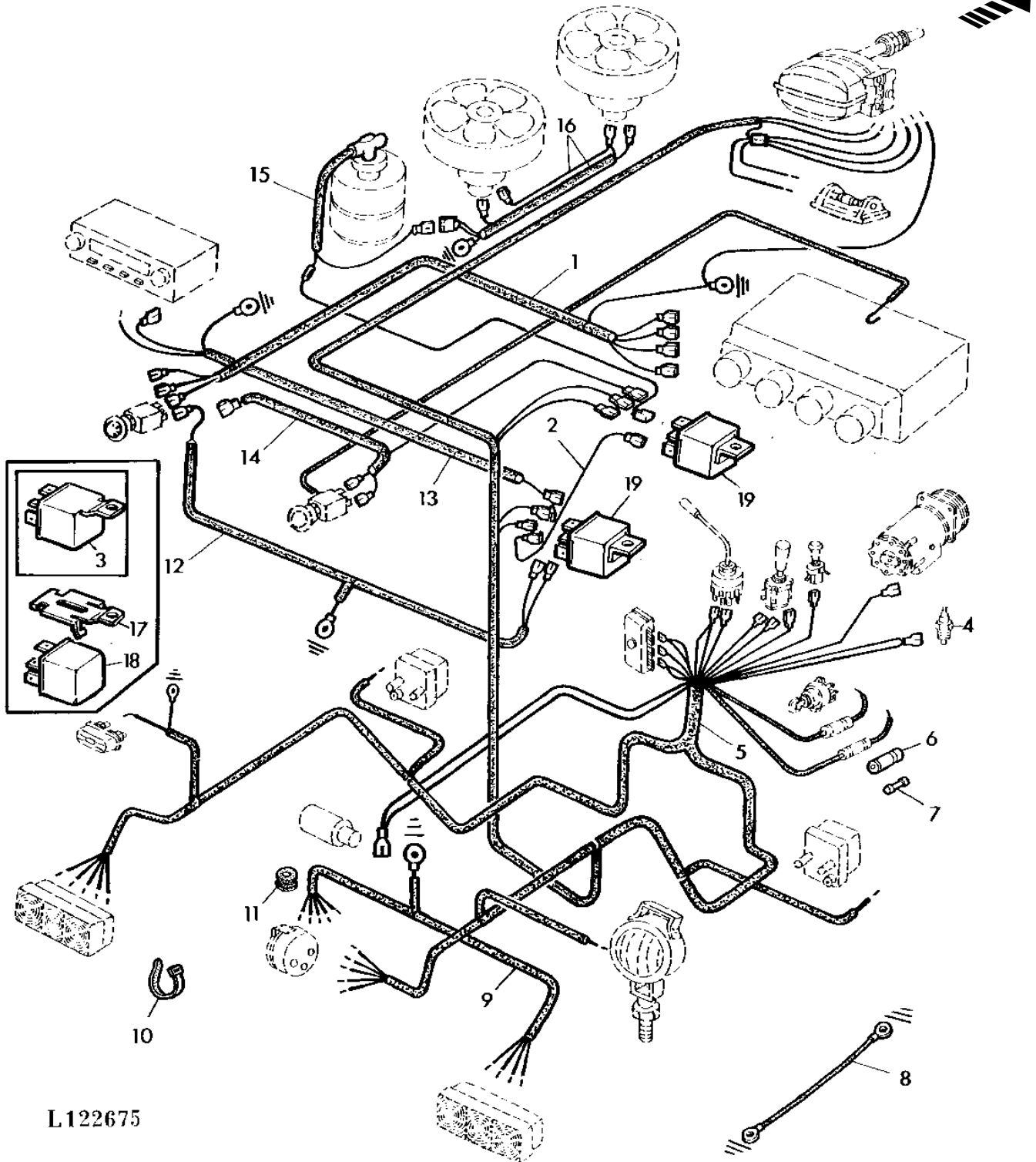
ELECTRICAL SYSTEM

KEY	PART NO.	PART NAME	QTY	SERIAL NO.	3 3 0 1 3 3 0 0	REMARKS
1	AL25929	SWITCH	1	-266999	X X	
2	AL25919	WIRING HARNESS	1	-266999	X X	
3	AL25918	WIRING HARNESS	1	-266999	X X	
4	AL25957	FUSE HOLDER	1	-266999	X X	
5	99M7030	FUSE	1	-266999	X X	16AMP
6	AL25986	WIRING LEAD	1	-266999	X X	
7	37M6163	SCREW	1	-266999	X X	6X12MM
8	AL25880	WIRING HARNESS	1	-266999	X X	

# 1H1

ELECTRICAL SYSTEM

WIRING HARNESS-OPERATOR'S CAB  
FAISCEAU DE LA CABINE  
KABELBAUM-KABINE  
GRUPPO CAVI-CABINA  
MAZA DE CABLES DE LA CABINA  
LEDNINGSNAT-FORARHYTT  
L122675 -UN-26OCT95



L122675

# 1H2

## ELECTRICAL SYSTEM

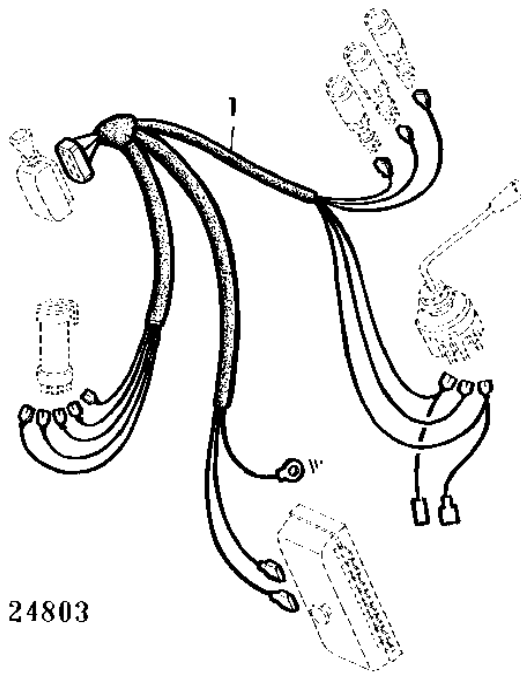
KEY	PART NO.	PART NAME	QTY	SERIAL NO.	3 3 0 1 3 3 0 0	REMARKS
1	AL28606	WIRING HARNESS	1	267000-	X X	
2	AL32934	WIRING LEAD	1	267000-	X X	(A)
3	AL29657	RELAY	1	267000-	X X	(ORD AL36335, L38387)
	AL29657	RELAY	2	267000-	X X	(A) (ORD AL36335, L38387)
4	.....		1		X X	
5	AL28602	WIRING HARNESS	1	267000-	X X	
6	AL25957	FUSE HOLDER	1	267000-	X X	
7	99M7030	FUSE	1	267000-	X X	
8	AL28508	WIRING LEAD	1	267000-	X X	
9	AL25880	WIRING HARNESS	1	267000-	X X	
10	R44302	TIE BAND	2	267000-	X X	
11	L12807	GROMMET	2	267000-	X X	
12	AL28611	WIRING HARNESS	1	267000-	X X	
13	AL27999	WIRING HARNESS	1	267000-	X X	
14	AL28610	WIRING HARNESS	1	267000-	X X	(A)
15	AL32933	SENDER	1	267000-	X X	(A)
16	AL28615	WIRING HARNESS	1	267000-	X X	(A)
17	L38387	CLIP	1	267000-	X X	(ORD AL58367)
18	AL36335	RELAY	1	267000-	X X	(ORD AL58367)
19	AL58367	RELAY	AR	267000-	X X	

(A) WITH AIR CONDITIONING  
 AVEC CLIMATISATION  
 BEI KLIMAANLAGE  
 CON IMPIANTO D'ARIA CONDIZIONATA  
 CON SISTEMA DE AIRE ACONDICIONADA  
 MED LUFTKONDITIONERING

# 1H3

ELECTRICAL SYSTEM

ELECTR. SYSTEM WITH FLASHER WARN. LIGHTS "BILUX"  
 PIECES POUR CIRCUIT ELECTRIQUE AVEC FEUX DE DETRESSE "BILUX"  
 TEILE FUER ANLAGE MIT WARNBLINKLEUCHTEN- "BILUX"  
 PARTI PER IMPIANTO ELETTRICO CON LUCI SEGN. PERICOLO "BILUX"  
 SISTEMA ELECTRICO CON LUCES INTERMITENTES DE AVERIA "BILUX"  
 DELAR FOR ELEKTRISK KABELDRAGNING VID VARNBLINKERS "BILUX"  
 L24803 -UN-26OCT95



I. 24803

3 3  
 0 1  
 3 3  
 0 0

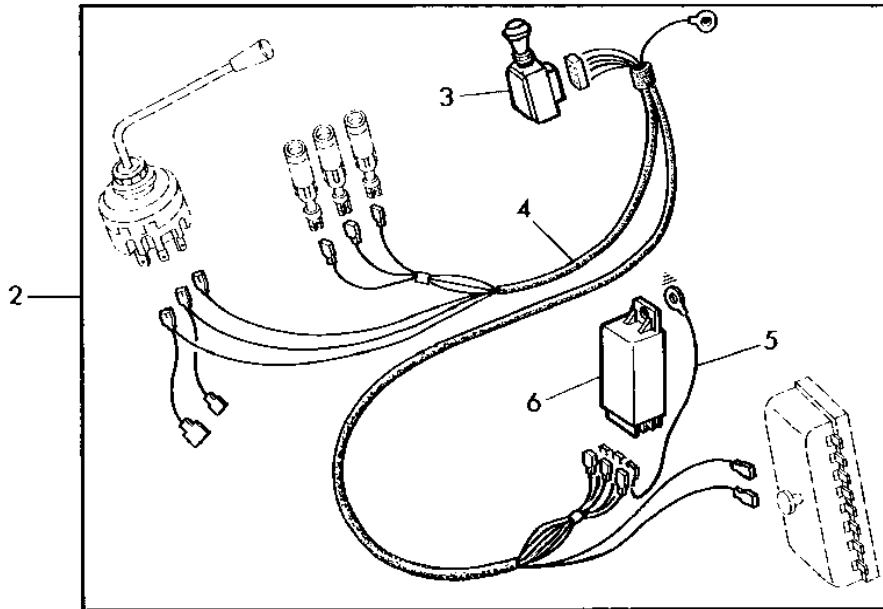
KEY	PART NO.	PART NAME	QTY	SERIAL NO.	REMARKS
1	AT31776	WIRING HARNESS	1	X X	

# 1H4

ELECTRICAL SYSTEM

ELECTR. SYSTEM WITH FLASHER WARN. LIGHTS "BILUX"(W/CAB)  
 PIECES POUR CIRCUIT ELECTRIQUE AVEC FEUX DE DETRESSE BILUX (AVEC CABINE)  
 TEILE FUER WARNBLINKLEUCHTEN-"BILUX" (BEI KABINE)  
 PARTI PER IMPIANTO CON LUCI SEGN.PERICOLO BILUX (CON CABINA)  
 SISTEMA CON LUCES INTERMIT DE AVERIA BILUX (CON CABINA)  
 DELAR FOR ELEKTRISK KABELDRAGNING BILUX VID VARNBLINKERS (VID FORARHYTT)

L122680 -UN-26OCT95



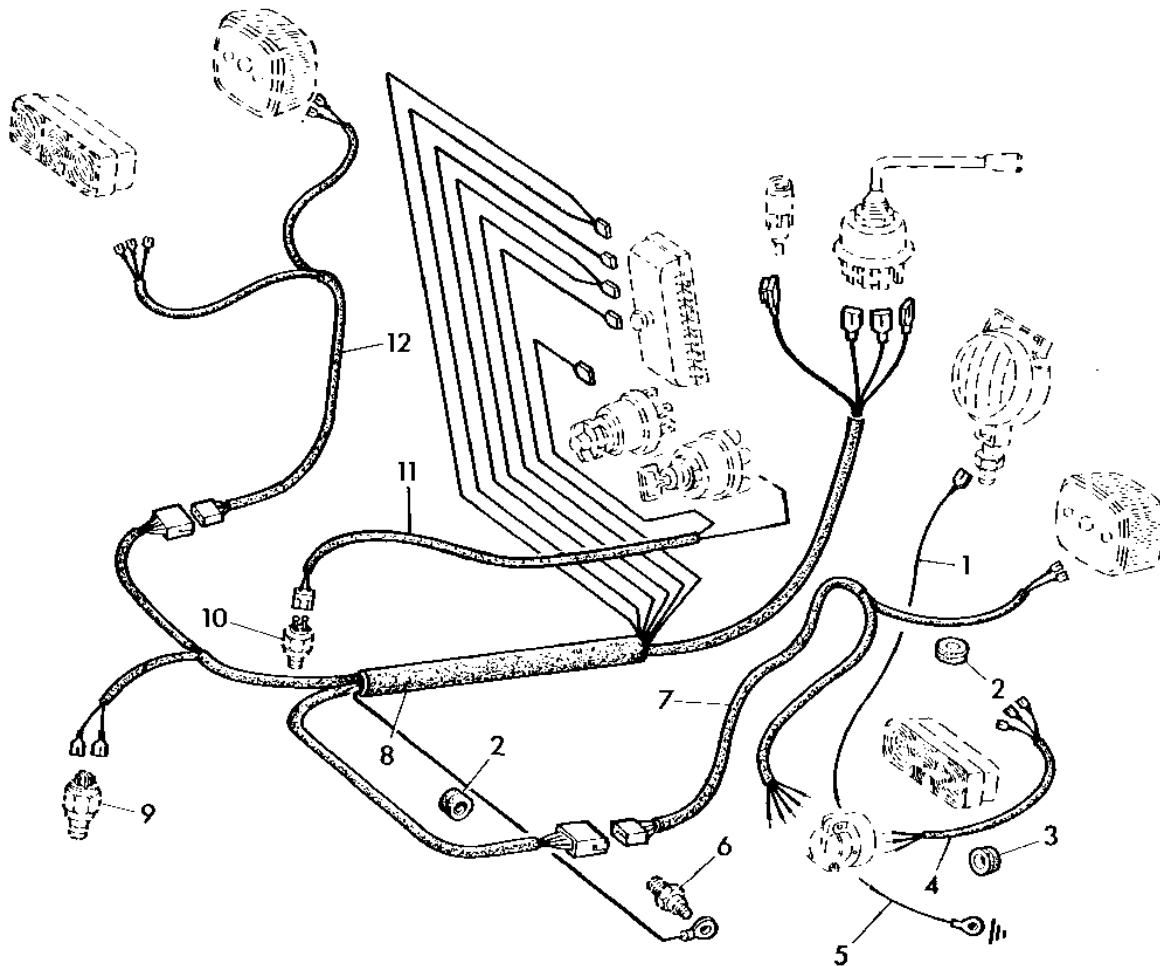
L122680

KEY	PART NO.	PART NAME	QTY	SERIAL NO.	REMARKS
				3 3	
				0 1	
				3 3	
				0 0	
1	AL25313	WIRING HARNESS	1	X X	(ORD AL66934)
2	AL66934	KIT	1	X X	
3	AL23512	SWITCH	1	X X	
4	AL26303	WIRING HARNESS	1	X X	
5	AT24549	WIRING LEAD	1	X X	
6	AL32891	FLASHER	1	X X	

# 1H5

ELECTRICAL SYSTEM

WIRING HARNESS WITH WIDE FENDERS "BILUX"  
FAISCEAU AVEC AILES ENVELOPPANTES "BILUX"  
KABELBAUM BEI DACHKOTFLUEGEL "BILUX"  
GRUPPO CAVI CON PARAFANGHI NOMALI IMPIANTO "BILUX"  
MAZA DE CABLES CON GUARDABARROS DE TEJADILLO "BILUX"  
LEDNINGSNAT VID BREDA SKARMAR "BILUX"  
L24805 -UN-26OCT95



L 24805



# 1H6

## ELECTRICAL SYSTEM

KEY	PART NO.	PART NAME	QTY	SERIAL NO.	3 3 0 1 3 3 0 0	REMARKS
1	AL23087	WIRING LEAD	1		X X	
	AL23090	WIRING LEAD	1		X X	(A)
2	L13325	GROMMET	4		X X	
3	L12807	GROMMET	1		X X	
4	AL17765	WIRING HARNESS	1		X X	R.H.
	AL19818	WIRING HARNESS	1		X X	(A) R.H.
	AL19826	WIRING HARNESS	1		X X	(B) R.H. (SUB FOR AT31780)
5	AL17099	WIRING LEAD	1		X X	
6	.....		1		X X	
7	AL19828	WIRING HARNESS	1	-145600	X X	(B) R.H.
	AL25648	WIRING HARNESS	1	145601-	X X	(B) R.H.
8	AL19827	WIRING HARNESS	1	-158852	X X	
	AL25692	WIRING HARNESS	1	158853-	X X	
9	.....		1		X X	
10	.....		1		X X	
11	AL19829	CABLE	1		X X	
12	AL19896	WIRING HARNESS	1	-145600	X X	L.H.
	AL19897	WIRING HARNESS	1	-145600	X X	L.H.
	AL19817	WIRING HARNESS	1	-145600	X X	(A) L.H.
	AL19825	WIRING HARNESS	1	-145600	X X	(B) L.H.
	AL25647	WIRING HARNESS	1	145601-	X X	(B) L.H.

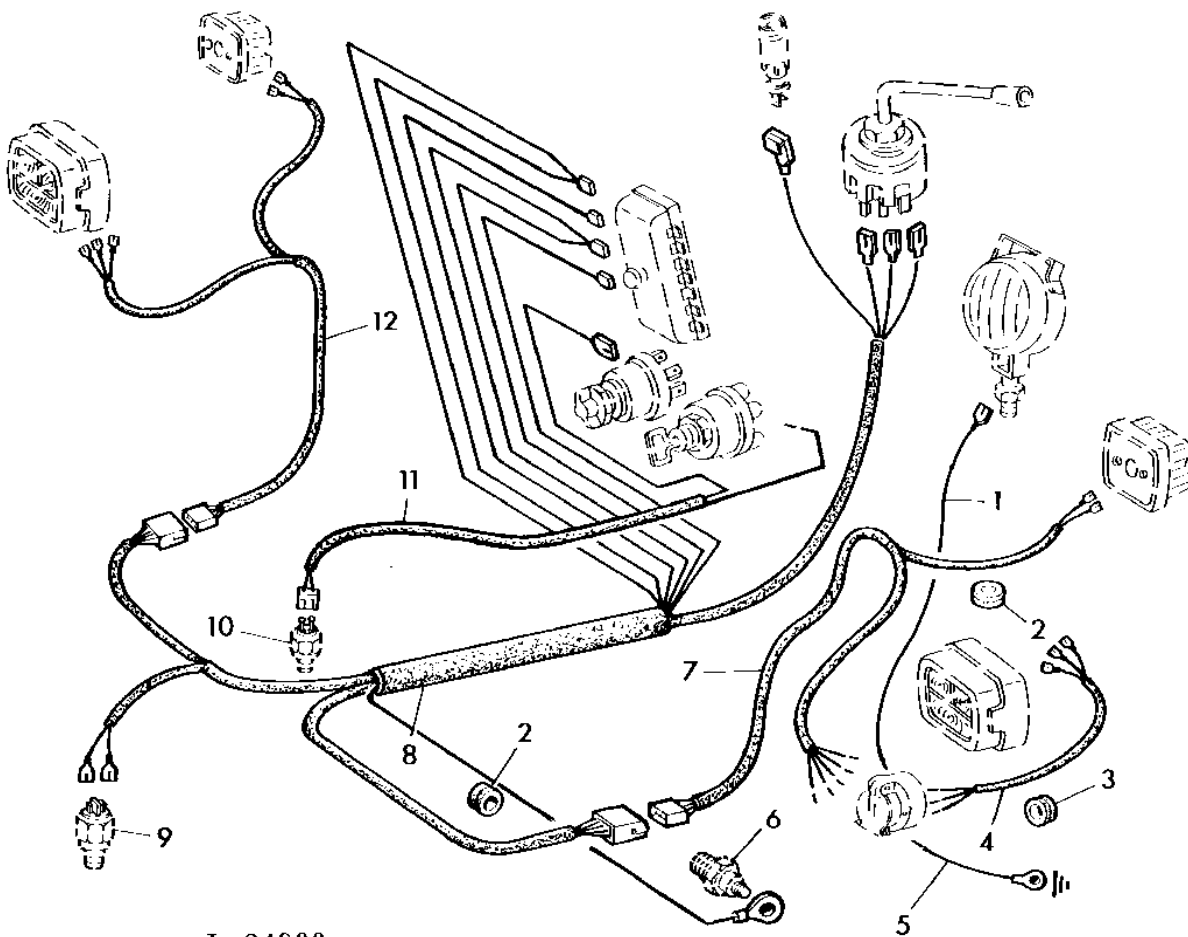
(A) W/O REAR LIGHTS  
 SANS FEUX ARRIERE  
 OHNE HINTERE BELEUCHTUNG  
 SENZA LUCI POSTERIORI  
 SIN LUCES TRASERAS  
 UTAN BAKLJUS

(B) W/FLASHER WARNING LIGHTS ONLY  
 UNIQUEMENT AVEC FEUX DE DETRESSE  
 NUR BEI WARNBLINKLEUCHTEN  
 SOLTANTO CON LUCI SEGN.PERICOLO  
 SOLAMENTE CON LUCES INTERMITENTES DE AVERIA  
 ENDAST VID VARNBLINKERS

# 1H7

ELECTRICAL SYSTEM

WIRING HARNESS WITH SHELL-TYPE FENDERS "BILUX"  
FAISCEAU AVEC AILES COQUILLE CODE-PHARE  
KABELBAUM BEI MUSCHELKOTFLUEGEL "BILUX"  
GRUPPO CAVI CON PARAFANGHI A CONCHIGLIA IMPIANTO "BILUX"  
MAZA DE CABLES CON GUARDABARROS DE CONCHA "BILUX"  
LEDNINGSN. VID MUSSELFORM. STANKSK. "BILUX"  
L24806 -UN-26OCT95



L 24806

# 1H8

## ELECTRICAL SYSTEM

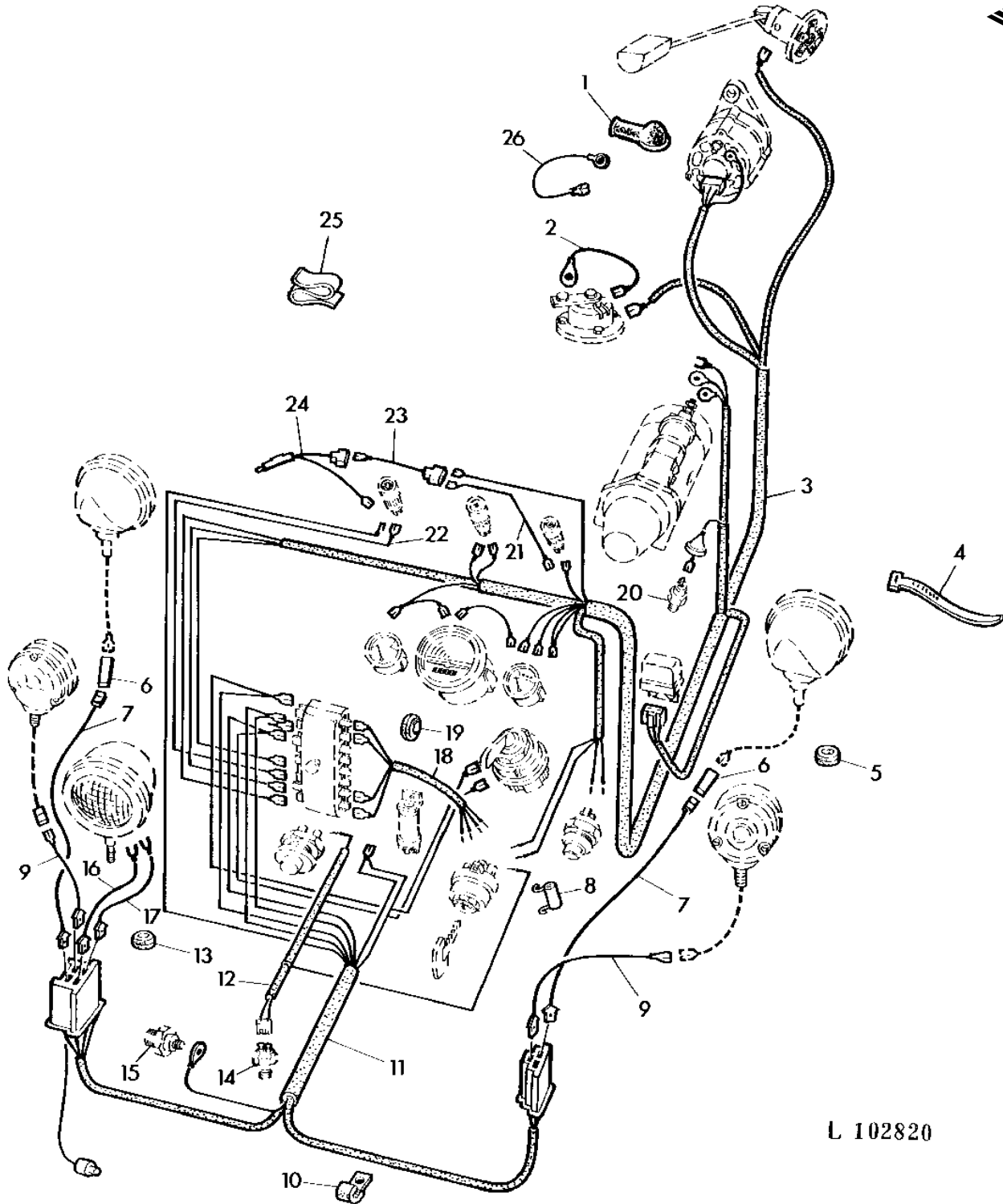
KEY	PART NO.	PART NAME	QTY	SERIAL NO.	3 3 0 1 3 3 0 0	REMARKS
1	AL23089	WIRING LEAD	1		X X	
2	L13325	GROMMET	4		X X	
3	L12807	GROMMET	1		X X	
4	AL27085	WIRING HARNESS	1		X X	RH (SUB FOR AL23024, AT32251)
5	AL17099	WIRING LEAD	1		X X	
6	.....		1		X X	
7	AL19891	WIRING HARNESS	1	-145600	X X	RH
	AL25696	WIRING HARNESS	1	145601-	X X	(A) RH
8	AL19827	WIRING HARNESS	1	-158852	X X	
	AL25692	WIRING HARNESS	1	158853-	X X	
9	.....		1		X X	
10	.....		1		X X	
11	AL19829	CABLE	1		X X	
12	AL23023	WIRING HARNESS	1	-145600	X X	LH (SUB FOR AL19898)
	AL25697	WIRING HARNESS	1	145601-	X X	(A) LH

(A) W/FLASHER WARNING LIGHTS ONLY  
 UNIQUEMENT AVEC DE DETRESSE  
 NUR BEI WARNBLINKLEUCHTEN  
 SOLTANTO CON LUCI SEGN.PERICOLO  
 SOLAMENTE CON LUCES INTERMITENTES DE AVERIA  
 ENDAST VID VARNBLINKERS

# 1H9

ELECTRICAL SYSTEM

"SEALED BEAM" WIRING SYSTEM  
CIRCUIT ELECTRIQUE OPTIQUE SCLEE  
ELEKTRISCHE ANLAGE "SEALED BEAM"  
SIST. ILLUMINAZIONE A FARO SIGILLATO  
SIST. ELECTRICO CON FAROS "SEALED BEAM"  
EL. KABELDRAGNING "SEALED BEAM"  
L102820 -UN-07NOV95



L 102820

# 1H10

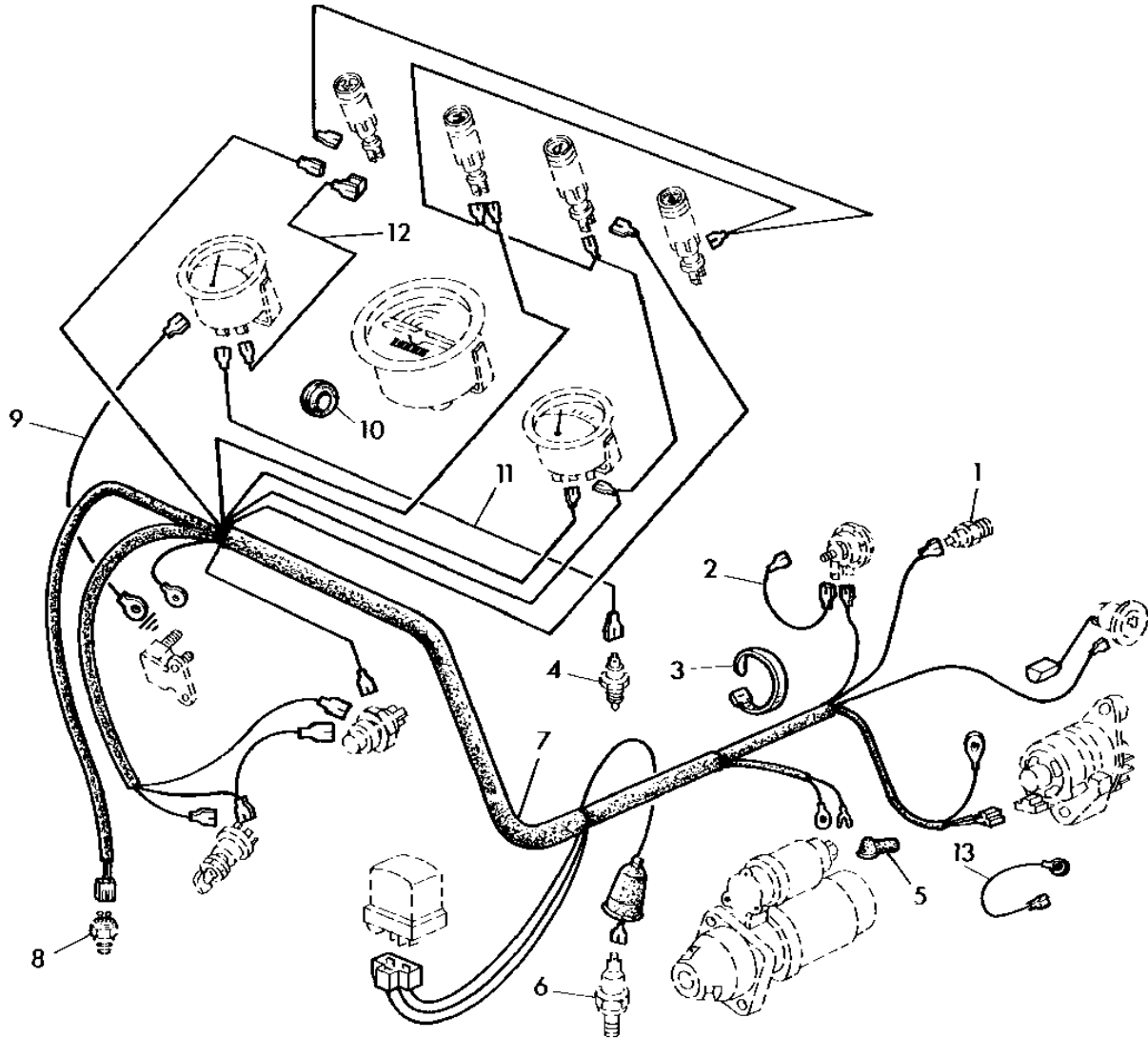
ELECTRICAL SYSTEM

KEY	PART NO.	PART NAME	QTY	SERIAL NO.	3 0 3 0	3 1 3 0	REMARKS
1	L12809	TERMINAL NIPPLE	1	-162947	X	X	
2	AT24549	WIRING LEAD	1	-162947	X	X	
3	AL23127	WIRING HARNESS	1	-162947	X	X	
4	R44302	TIE BAND	4	-162947	X	X	
5	L12807	GROMMET	2	-162947	X	X	
6	AL2976T	CONNECTOR	2	-162947	X	X	
7	AL23130	WIRING LEAD	2	-162947	X	X	
8	AL18748	RESISTOR	1	-162947	X	X	
9	AL23131	WIRING LEAD	2	-162947	X	X	
10	T13744	CLAMP	3	-162947	X	X	
11	AL23134	WIRING HARNESS	1	-162947	X	X	
12	AL19829	CABLE	1	-162947	X	X	
13	L13325	GROMMET	1	-162947	X	X	
14	.....		1		X	X	
15	.....		1		X	X	
16	AL23133	WIRING LEAD	1	-162947	X	X	
17	AL23132	WIRING LEAD	1	-162947	X	X	
18	AT27730	WIRING HARNESS	1	-162947	X	X	
19	T23247	GROMMET	1	-162947	X	X	
20	.....		1		X	X	
21	AT24696	CABLE	1	-162947	X	X	
22	AT23451	WIRING LEAD	1	-162947	X	X	
23	AL18604	WIRING LEAD	1	-162947	X	X	
24	AL25431	RECTIFIER	1	-162947	X	X	(SUB FOR AT30110)
25	T41072	CLIP	1	-162947	X	X	(SUB FOR M644T)
26	AL36390	WIRING LEAD	1		X	X	(FOR AL36391)

# 1H11

ELECTRICAL SYSTEM

WIRING HARNESS-DASH/ENGINE "SEALED BEAM"  
FAISCEAU DE TABLEAU DE BORD/MOTEUR "SEALED BEAM"  
KABELBAUM-ARMATURENWAND/MOTOR "SEALED BEAM"  
GRUPPO CAVI CRUSCOTTO/MOTORE "SEALED BEAM"  
MAZA DEL TABLERO DE INSTRUMENTOS/MOTOR "SEALED BEAM"  
LEDNINGSNAT INSTRUMENTP./MOTOR "SEALED BEAM"  
L102875 -UN-07NOV95



L 102875

# 1H12

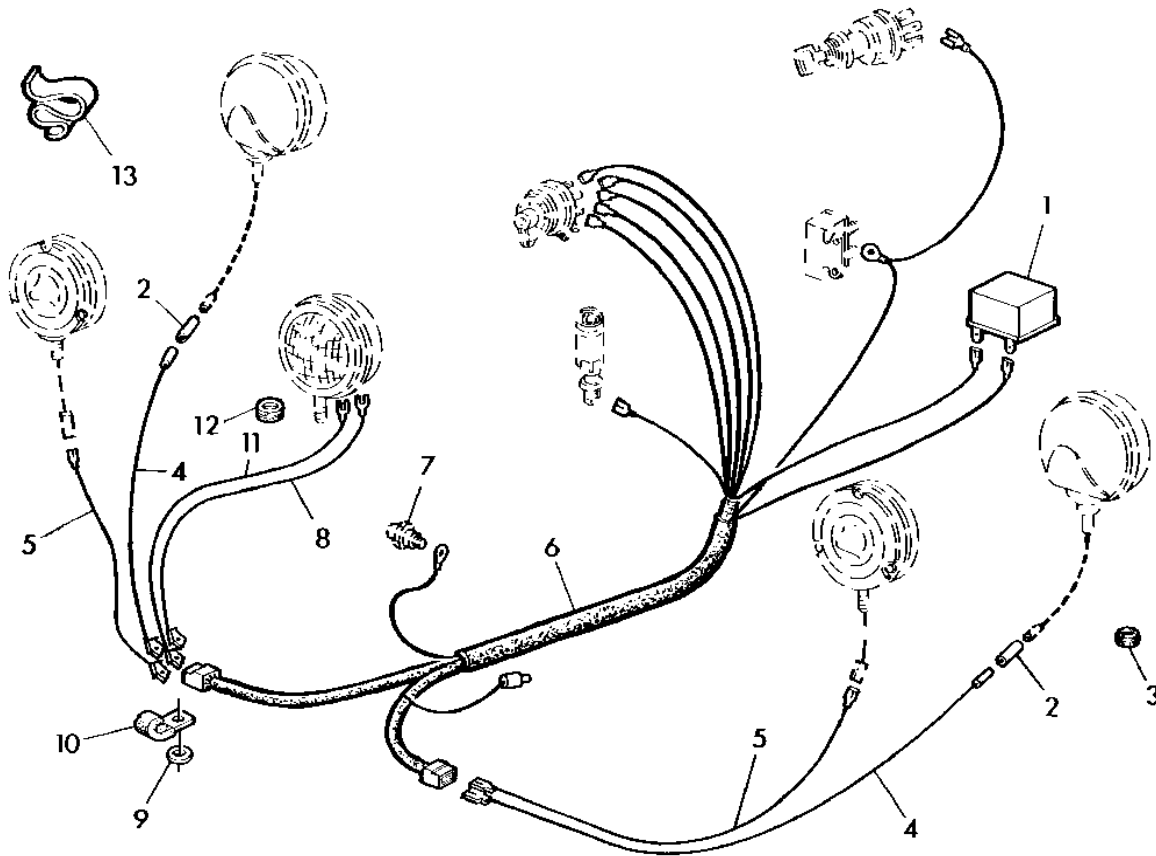
ELECTRICAL SYSTEM

KEY	PART NO.	PART NAME	QTY	SERIAL NO.	3 3 0 1 3 3 0 0	REMARKS
1	.....		1		X X	
2	AT24549	WIRING LEAD	1	162948-	X X	
3	R44302	TIE BAND	4	162948-	X X	
4	.....		1		X X	
5	L12809	TERMINAL NIPPLE	1	162948-	X X	
6	.....		1		X X	
7	AL25429	WIRING HARNESS	1	162948-	X X	
8	.....		1		X X	
9	AL28499	WIRING LEAD	1	268527-	X X	
10	T23247	GROMMET	1	162948-	X X	
11	AL28497	WIRING LEAD	1	268527-	X X	
12	AL28498	WIRING LEAD	1	268527-	X X	
13	AL36390	WIRING LEAD	1		X X	(FOR AL36391)

# 1H13

ELECTRICAL SYSTEM

WIRING HARNESS (WITH SHELL-TYPE FENDERS) "SEALED BEAM"  
FAISCEAU (AVEC AILES COQUILLE) OPTIQUE SCELLEE  
KABELBAUM (BEI MUSCHELKOTFLUEGEL) "SEALED BEAM"  
GRUPPO CAVI CON PARAFANGHI A CONCHIGLIA (FARI SIGILLATI)  
MAZA DE CABLES (CON GUARDABARROS DE CONCHA) "SEALED BEAM"  
LEDNINGSN. MED MUSSELF. STANKSK. (ELSYST. UTAN LJUSMORKERGR.  
L24809 -UN-26OCT95



I. 24809



# 1H14

ELECTRICAL SYSTEM

KEY	PART NO.	PART NAME	QTY	SERIAL NO.	3 3 0 1 3 3 0 0	REMARKS
1	AU41465	FLASHER	1	162948-	X X	
2	AL2976T	CONNECTOR	2	162948-	X X	
3	L12807	GROMMET	2	162948-	X X	
4	AL23130	WIRING LEAD	2	162948-	X X	
5	AL23131	WIRING LEAD	2	162948-	X X	
6	AL25430	WIRING HARNESS	1	162948-	X X	
7	.....		1		X X	
8	AL23132	WIRING LEAD	1	162948-	X X	
9	T28324	SHIM	3	162948-	X X	
10	T13744	CLAMP	3	162948-	X X	
11	AL23133	WIRING LEAD	1	162948-	X X	
12	L13325	GROMMET	1	162948-	X X	
13	T41072	CLIP	1	162948-	X X	(SUB FOR M644T)

# 1H15

ELECTRICAL SYSTEM

---

MEMORANDA  
MEMORANDA  
MEMORANDA  
MEMORANDA  
MEMORANDA

# 1H16

ELECTRICAL SYSTEM

---

MEMORANDA  
MEMORANDA  
MEMORANDA  
MEMORANDA  
MEMORANDA

# 1H17

ELECTRICAL SYSTEM

---

MEMORANDA  
MEMORANDA  
MEMORANDA  
MEMORANDA  
MEMORANDA

# 1H18

ELECTRICAL SYSTEM

---

MEMORANDA  
MEMORANDA  
MEMORANDA  
MEMORANDA  
MEMORANDA

# 1H19

ELECTRICAL SYSTEM

---

MEMORANDA  
MEMORANDA  
MEMORANDA  
MEMORANDA  
MEMORANDA

# 1H20

ELECTRICAL SYSTEM

---

MEMORANDA  
MEMORANDA  
MEMORANDA  
MEMORANDA  
MEMORANDA

# 1H21

ELECTRICAL SYSTEM

---

MEMORANDA  
MEMORANDA  
MEMORANDA  
MEMORANDA  
MEMORANDA



# 1H22

ELECTRICAL SYSTEM

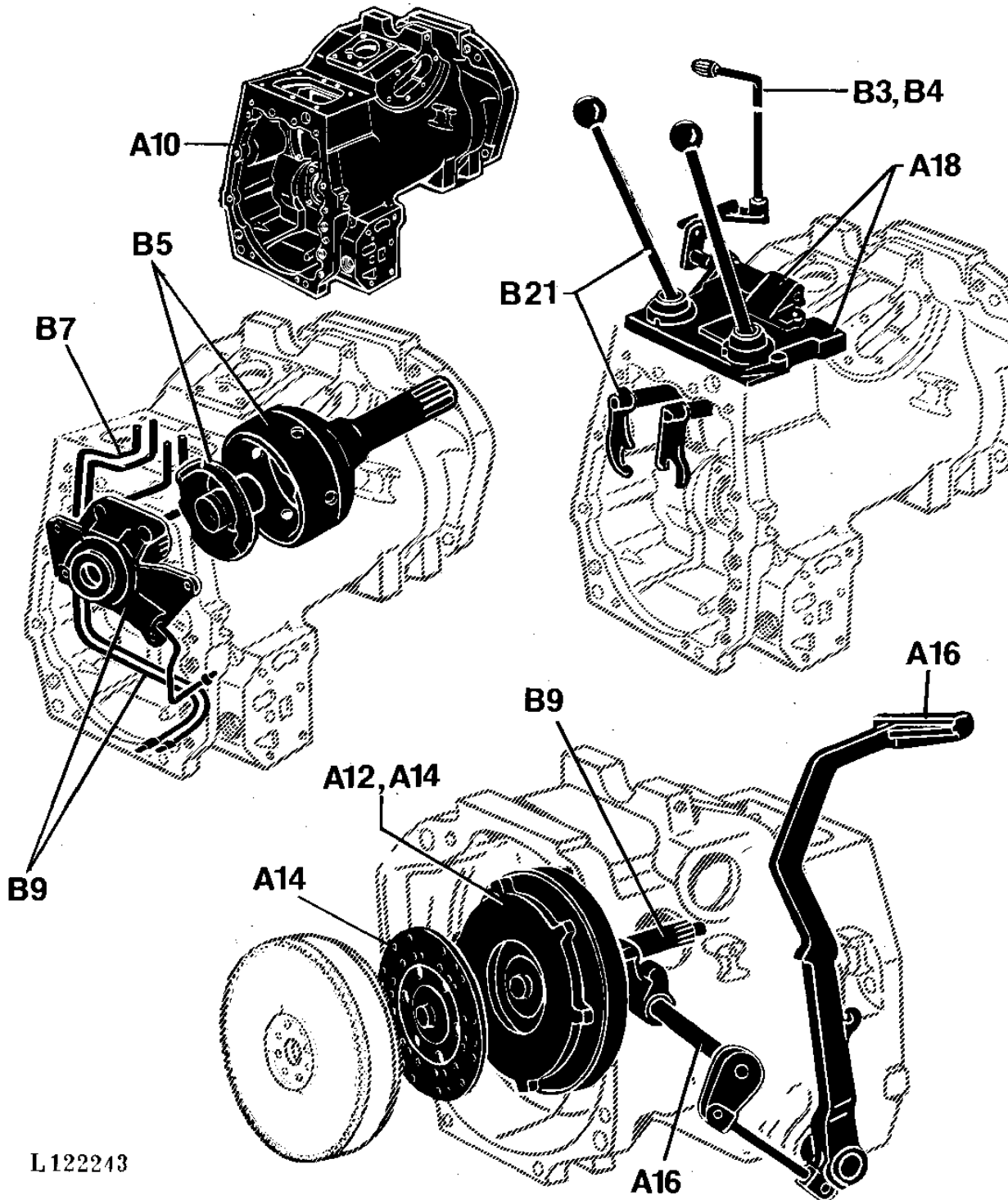
---

MEMORANDA  
MEMORANDA  
MEMORANDA  
MEMORANDA  
MEMORANDA

# 2A6

POWER TRAIN

SECTIONAL INDEX  
INDEX DE SECTION  
GRUPPENINDEX  
INDICE DELLA SEZIONE  
INDICE DE SECCION  
GRUPPSFORTECKNING  
L122243 -UN-23OCT95

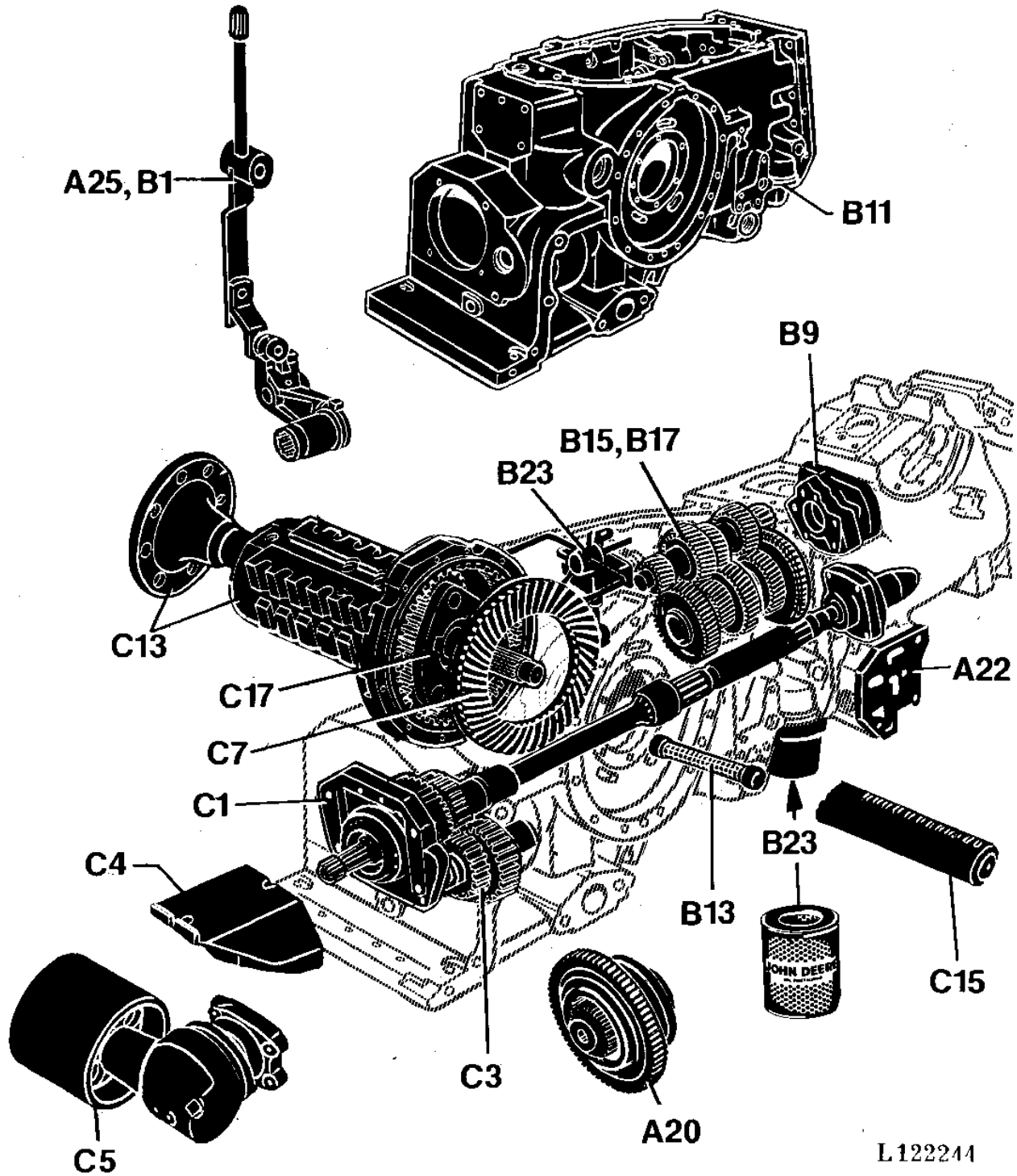


L122243

# 2A7

POWER TRAIN

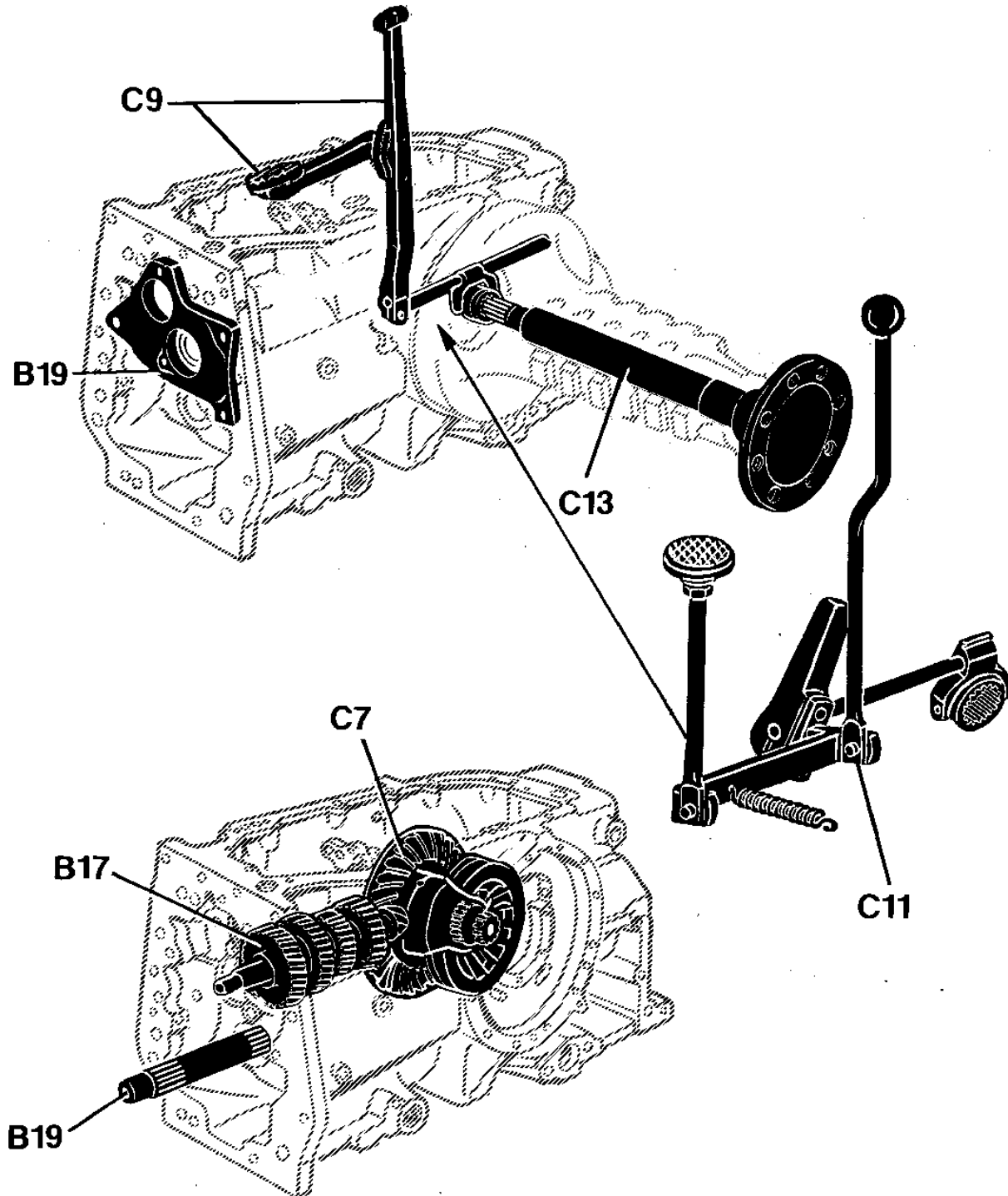
SECTIONAL INDEX  
INDEX DE SECTION  
GRUPPENINDEX  
INDICE DELLA SEZIONE  
INDICE DE SECCION  
GRUPPSFORTECKNING  
L122244 -UN-23OCT95



# 2A8

POWER TRAIN

SECTIONAL INDEX  
INDEX DE SECTION  
GRUPPENINDEX  
INDICE DELLA SEZIONE  
INDICE DE SECCION  
GRUPPSFORTECKNING  
L122245 -UN-23OCT95



L122245

# 2A9

POWER TRAIN

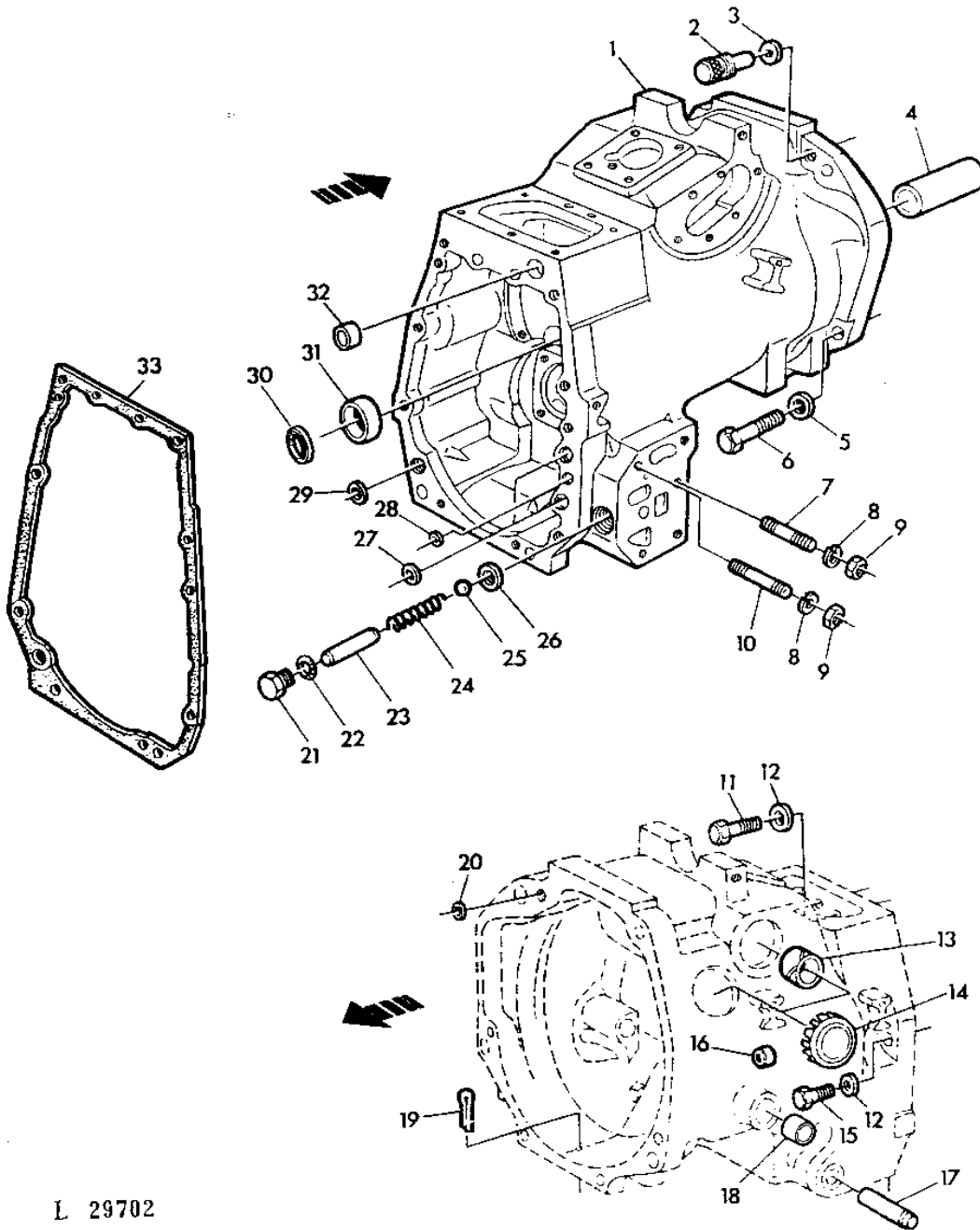
---

MEMORANDA  
MEMORANDA  
MEMORANDA  
MEMORANDA  
MEMORANDA

# 2A10

POWER TRAIN

CLUTCH HOUSING  
CARTER D'EMBRAYAGE  
KUPPLUNGSGEHAUSE  
SCATOLA FRIZIONE  
CARTER DEL EMBRAGUE  
COPPLINGSHUS  
L29702 -UN-12DEC95



L 29702

# 2A11

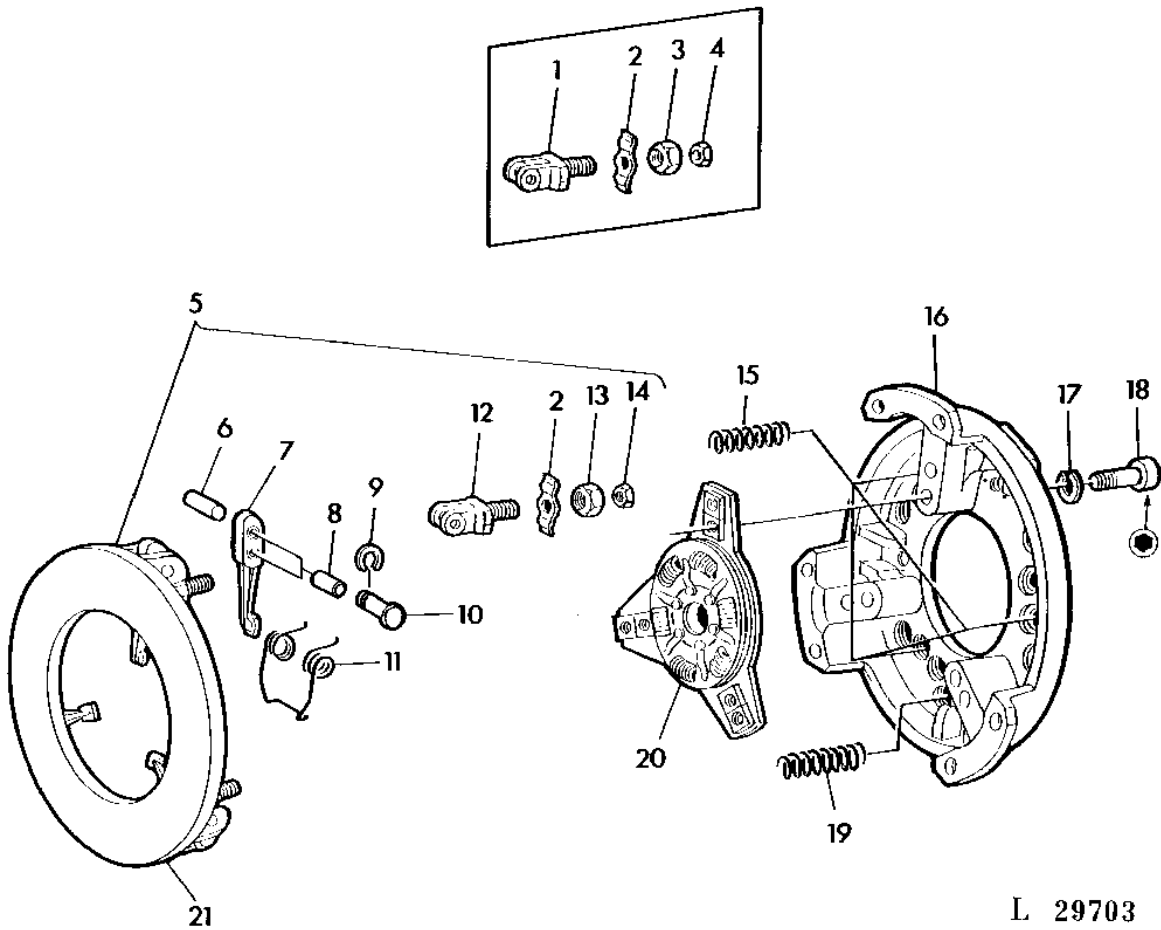
POWER TRAIN

KEY	PART NO.	PART NAME	QTY	SERIAL NO.	REMARKS
					3 3
					0 1
					3 3
					0 0
1	AT26778	HOUSING	1		X X ASSY,INCL.KEYS 4,13,16-18,31
2	T22898	PLUG	1		X X
3	T21827	WASHER	1		X X
4	T28795	SPACER	1		X X
5	R42363	WASHER	3		X X
6	19H1926	CAP SCREW	3		X X 5/8"X4-3/4"
7	T28798	STUD	1		X X 1/2"
8	12H301	LOCK WASHER	2		X X 1/2"
9	14H1040	NUT	2		X X 1/2"
10	R465R	STUD	1		X X 1/2"
11	19H2735	CAP SCREW	2		X X 1/2"X2"
12	L30695	WASHER	3		X X (SUB FOR M2834T)
13	T21445	BUSHING	1		X X
14	AL24554	PLUG	2		X X (SUB FOR T22569)
15	19H1990	CAP SCREW	1		X X 1/2"X2-1/4"
16	T22584	BUSHING	1		X X
17	T21448	PIN	1		X X
18	T21446	BUSHING	1		X X
19	11H216	COTTER PIN	1		X X 3/16"X1"
20	L35628	SEAL	1		X X (SUB FOR R26919)
21	R27175	DRAIN PLUG	1		X X
22	F3171R	O-RING	1		X X
23	T22850	PIN	1		X X
24	T28703	SPRING	1		X X
25	F2772R	BALL	1		X X 11/16"
26	T28797	VALVE SEAT INSERT	1		X X
27	R26149	PACKING	2		X X I.D.19MM(.75")
28	A4847R	WASHER	1		X X I.D.9.5MM(.38")
29	T22851	WASHER	1		X X I.D.16MM(.63")
30	AT27728	SEAL	1		X X
31	L29343	BUSHING	1		X X (SUB FOR T28804)
32	T12083	CAP	1		X X
33	L62437	GASKET	1		X X (SUB FOR T21968)

# 2A12

POWER TRAIN

ENGINE CLUTCH  
EMBAYAGE MOTEUR  
MOTORKUPPLUNG  
FRIZIONE MOTORE  
EMBRAGUE DEL MOTOR  
MOTORKOPPLING  
L29703 -UN-27OCT95





# 2A13

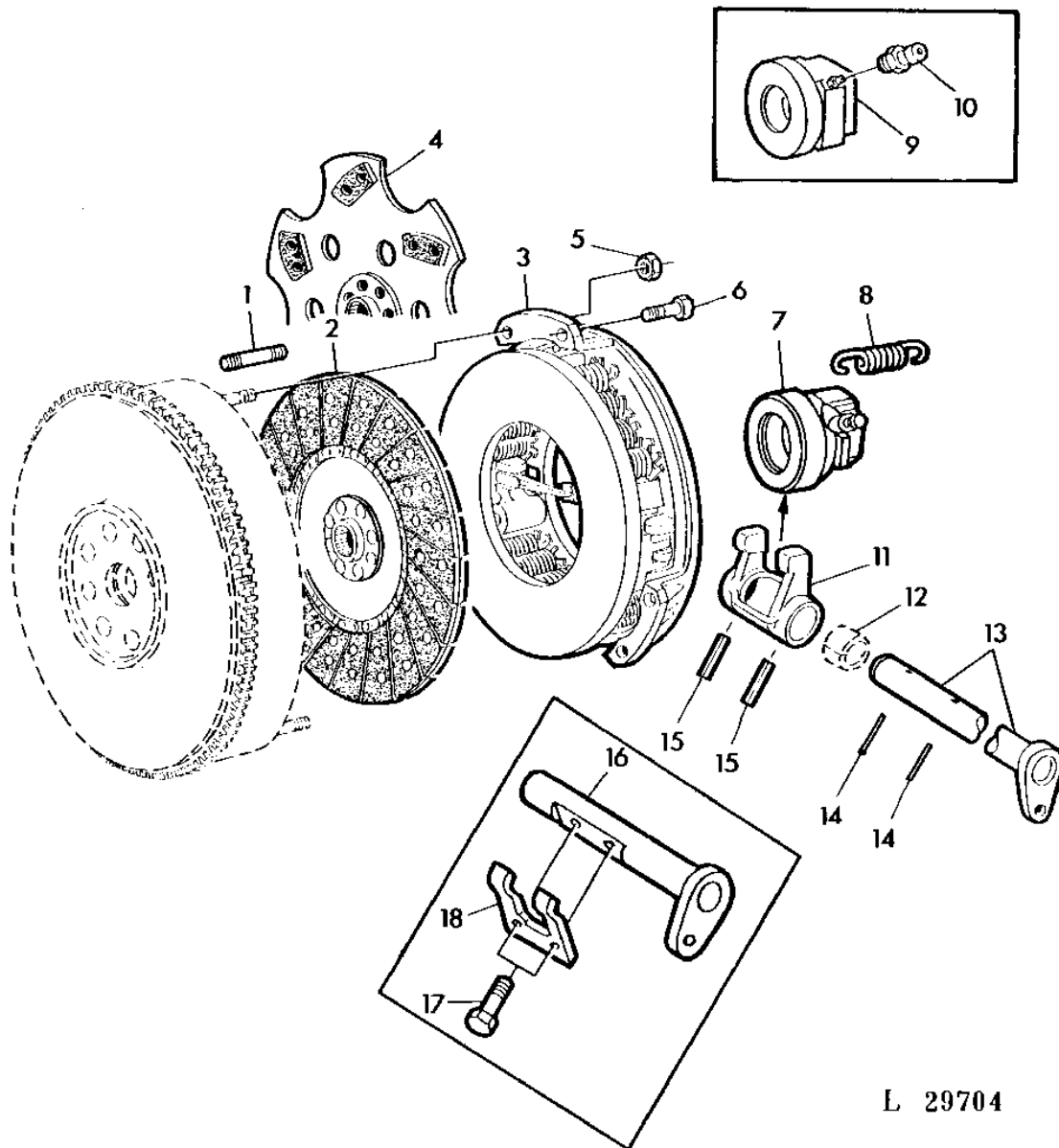
POWER TRAIN

KEY	PART NO.	PART NAME	QTY	SERIAL NO.	3 0 3 0	3 1 3 0	REMARKS
1	L26763	CLEVIS	3	-207979	X	X	INCL KEYS 12-14
2	L26757	CLAMP	3		X	X	
3	L26756	NUT	3	-207979	X	X	1/2", INCL KEYS 12-14
4	L26755	NUT	3	-207979	X	X	1/2", INCL KEYS 12-14
5	AL18903	SKID PLATE	1		X	X	INCL KEYS 2-4,15,17,20,21
6	L41391	DOWEL PIN	3		X	X	(SUB FOR L26762)
7	AL18905	LEVER	3		X	X	(ORD L26766, L38063)
	L38063	LEVER	3		X	X	
8	L26766	BUSHING	6		X	X	
9	40M7042	SNAP RING	3		X	X	(SUB FOR L26767)
10	L26764	AXLE	3		X	X	
11	L26759	TORSION SPRING	3		X	X	
12	L32856	YOKE	3	207980-	X	X	
13	L32854	NUT	3	207980-	X	X	
14	L32855	NUT	3	207980-	X	X	
15	L29230	COMPRESSION SPRING	3		X	X	
16	L26760	HOUSING	1		X	X	
17	12M7013	LOCK WASHER	6		X	X	10MM
18	L26753	SCREW	6		X	X	3/8"
19	L29231	COMPRESSION SPRING	9		X	X	
20	AL33314	TORSIONAL DAMPENER	1		X	X	(SUB FOR AL18919, AL27115)
21	L26761	CLUTCH PLATE	1		X	X	
..	AL28039	SKID PLATE	1		X	X	ASSY, INCL KEYS 2,6-21 (SUB FOR AL23098)

# 2A14

POWER TRAIN

ENGINE CLUTCH  
EMBAYAGE MOTEUR  
MOTORKUPPLUNG  
FRIZIONE MOTORE  
EMBRAGUE DEL MOTOR  
MOTORKOPPLING  
L29704 -UN-27OCT95



# 2A15

POWER TRAIN

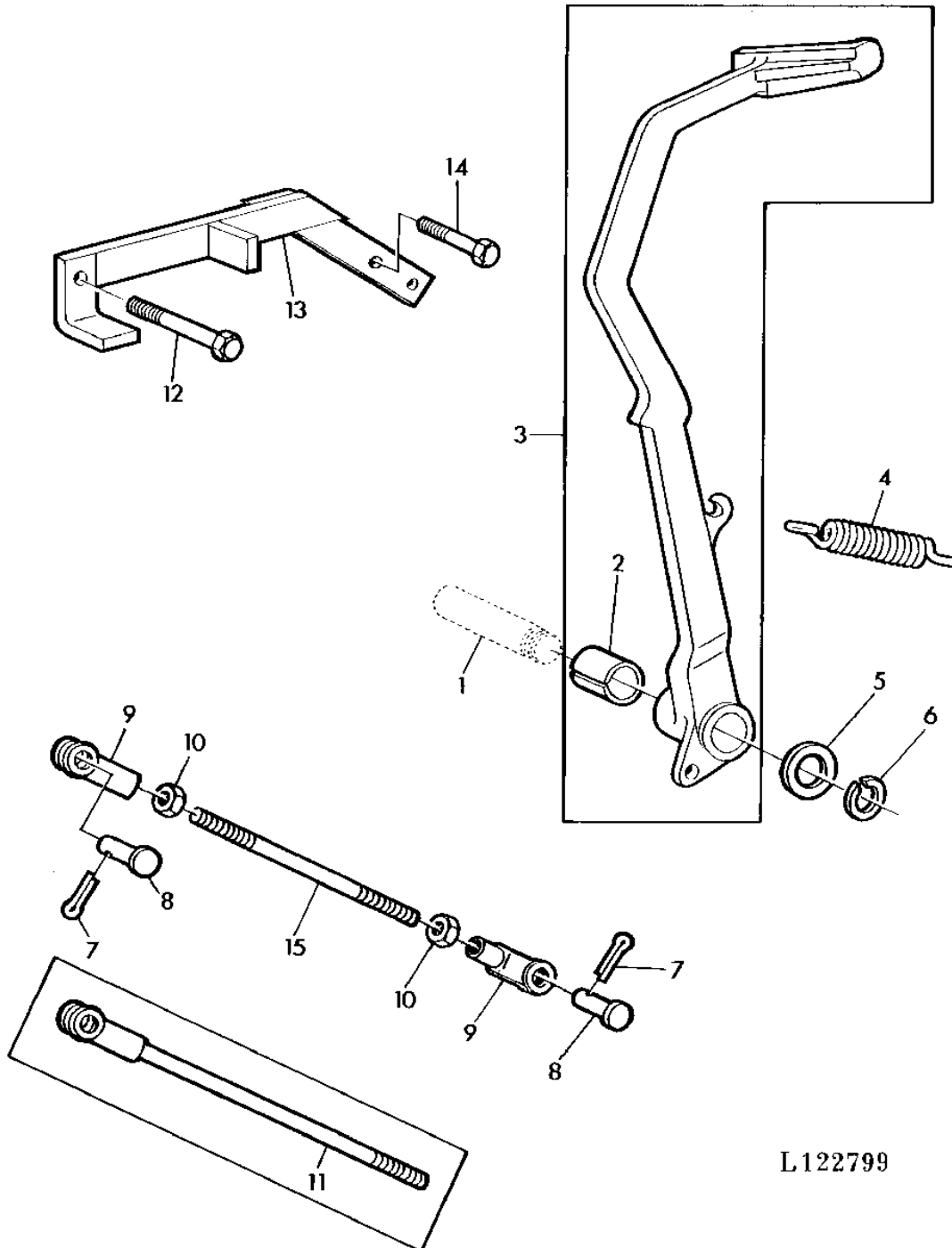
KEY	PART NO.	PART NAME	QTY	SERIAL NO.	3 0 3 0	3 1 3 0	REMARKS
1	T32508	STUD	2		X	X	3/8"
2	AL30452	CLUTCH DISK	1		X	X	(SUB FOR AL23097)
	AL33317	CLUTCH DISK	1		X	X	(A)
3	AL28039	SKID PLATE	1		X	X	ASSY (SUB FOR AL23098)
4	AL26466	CLUTCH DISK	1		X	X	
5	14H812	NUT	2		X	X	3/8"
6	19H2545	CAP SCREW	4		X	X	3/8"X1-3/8"
7	AL27231	THRUST BEARING	1	224437-315196	X	X	KEYS 7,11,13-15
	AL30777	THRUST BEARING	1	315197-	X	X	
8	T21450	EXTENSION SPRING	1		X	X	
9	AT24699	BEARING	1	-224436	X	X	(ORD AL30777)
10	T27178	LUBRICATION FITTING	1	-224436	X	X	(ORD AL30777)
11	T21999	FORK	1	-224436	X	X	
	T21999	FORK	1	315197-	X	X	
12	.....		1		X	X	
13	AT19837	SHAFT	1	-224436	X	X	
	AT19837	SHAFT	1	315197-	X	X	
14	.....		2	315197-	X	X	LGTH=150MM (MF L63453)
15	34H353	SPRING PIN	2	-224436	X	X	3/8"X1-3/4"
	34H353	SPRING PIN	2	315197-	X	X	3/8"X1-3/4"
16	AL27230	SHAFT	1	224437-315196	X	X	
17	19H2552	CAP SCREW	2	224437-315196	X	X	3/8"X1-1/8"
18	L32029	FORK	1	224437-315196	X	X	
..	L63453	WIRE	1		X	X	LGTH=1500MM

(A) TORSION DAMPENED CLUTCH DISK  
 DISQUE D'EMBAYAGE AVEC RESSORTS AMORTISSEURS  
 TORSIONSGEDAEMPFTTE MITNEHMERSCHEIBE  
 DISCO FRIZIONE CON AMMORTIZZATORI DE TORSIONE  
 DISCO DEL EMBRAGUE CON AMORTIGUADORES DE TORSION  
 KOPPLINGSSKIVA MED TORSIONSDAMPARE

# 2A16

POWER TRAIN

CLUTCH PEDAL  
PEDALE D'EMBRAYAGE  
KUPPLUNGSFUSSHEBEL  
PEDALE FRIZIONE  
PEDAL DEL EMBRAGUE  
KOPPLINGSPEDAL  
L122799 -UN-26OCT95



L122799

# 2A17

POWER TRAIN

KEY	PART NO.	PART NAME	QTY	SERIAL NO.	3 3 0 1 3 3 0 0	REMARKS
1	.....		1		X X	
2	L34200	BUSHING	1		X X	(SUB FOR T21998)
3	AL23101	PEDAL	1		X X	
4	T28801	SPRING	1		X X	
5	24H1451	WASHER	1		X X	1-1/32"X1-3/4"X.060"
6	A602R	SNAP RING	1		X X	
7	11H211	COTTER PIN	2		X X	1/8"X3/4"
8	C1067R	PIN	2		X X	
9	L324T	YOKE	2		X X	
10	14H774	NUT	2		X X	3/8"
11	AT26771	ROD	1		X X	(ORD L324T, L62679, 14H774)
12	19H1871	CAP SCREW	1		X X	(A) 3/4"X1-3/4"
13	AL25231	STOP	1		X X	(A)
14	19H1732	CAP SCREW	1		X X	(A) 3/8"X1-1/4"
15	L62679	STUD	1		X X	

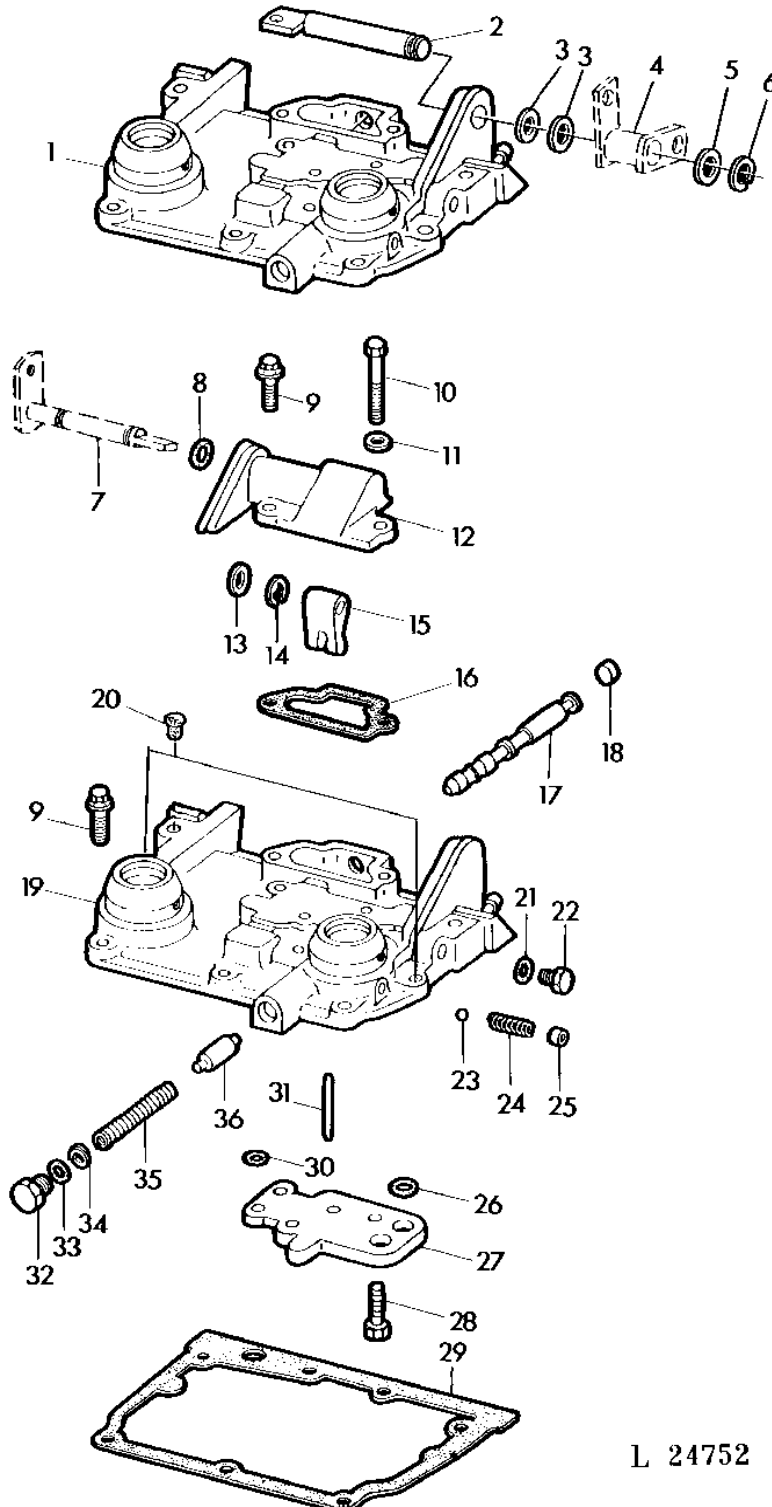
(A) WITH OPERATOR'S CAB  
 AVEC CABINE  
 BEI KABINE  
 CON CABINA  
 CON CABINA  
 VID FORARHYTT

# 2A18

POWER TRAIN

SHIFT COVER (WITH IND.PTO)  
COUVERCLE DU CARTER D'EMBAYAGE (PDF INDEP.)  
SCHALTDECKEL (BEI UNABH.ZAPFWELLE)  
COPERCHIO DISPOSITIVO INNESTO (CON PDF INDIPENDENTE)  
TAPA DE LA CAJA DE CAMBIOS (CON TDF INDEPENDIENTE)  
VAXELSPAKSLOCK (VID OBEROENDE KRAFTUTTAG)

L24752 -UN-26OCT95



L 24752

# 2A19

POWER TRAIN

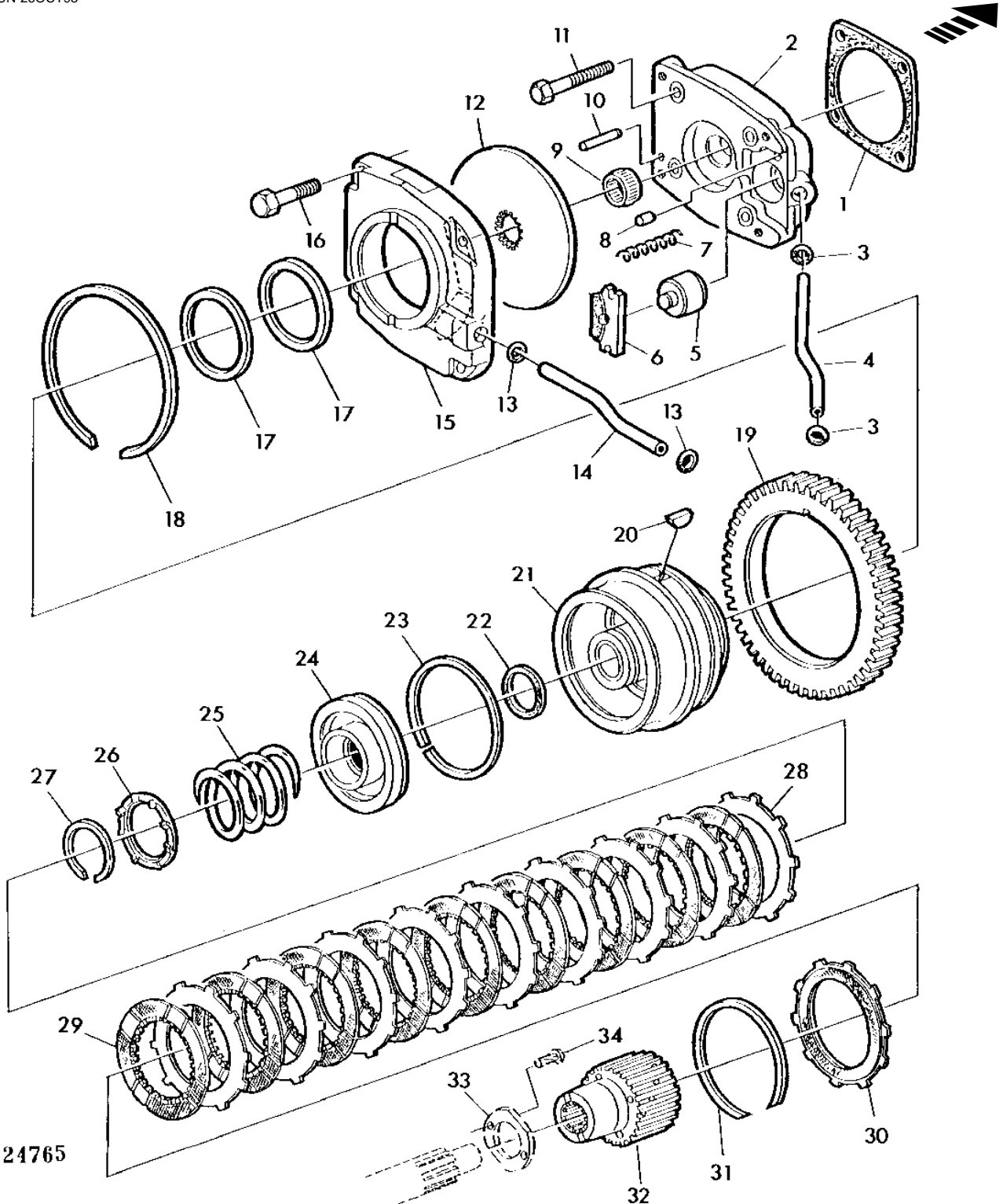
KEY	PART NO.	PART NAME	QTY	SERIAL NO.	REMARKS
					3 3
					0 1
					3 3
					0 0
1	AL24950	COVER	1		X X (A)
2	AL24951	PIN	1		X X (A)
3	24H1368	WASHER	2		X X (A) 21/32"X1-5/16"X.090"
4	.....		1		X X
5	24H1658	WASHER	1		X X (A) 21/32"X1"X.060"
6	A4883R	RING	1		X X (A)
7	.....		1		X X
	.....		1		X X
8	R28782	O-RING	1		X X
9	T22728	SCREW	5		X X
10	19H3181	CAP SCREW	1		X X 3/8"X2"
	19H1726	CAP SCREW	1		X X (A) 3/8"X2-1/4"
11	24H1303	WASHER	1		X X 13/32"X11/16"X.060"
12	T25394	COVER	1		X X
13	24H1227	WASHER	1		X X 17/32"X13/16"X.060"
14	P44982	PISTON RING	1		X X
15	T25395	LEVER	1		X X
16	T25397	GASKET	1		X X
17	T25398	CONTROL VALVE	1		X X
18	M4224T	PLUG	2		X X
19	AL23100	COVER	1		X X
20	99M5562	PLUG	2		X X
21	R26287	O-RING	1		X X
22	R31631	DRAIN PLUG	1		X X 3/8"
23	R26552	BALL	1		X X 5/16"
24	L42136	COMPRESSION SPRING	1		X X (SUB FOR T22739)
25	M1102T	CAP	1		X X
26	R375R	O-RING	2		X X
27	T25399	PLATE	1		X X
28	19H2552	CAP SCREW	3		X X 3/8"X1-1/8"
29	R54189	GASKET	1		X X
30	A3917R	O-RING	2		X X
31	R33058	NEEDLE ROLLER	1		X X
32	R27218	FITTING PLUG	1		X X 9/16"
33	R26448	O-RING	1		X X
34	B1085R	WASHER	3		X X
35	R39132	SPRING	1		X X
36	R39294	PIN	1		X X

(A) WITH OPERATOR'S CAB  
 AVEC CABINE  
 BEI KABINE  
 CON CABINA  
 CON CABINA  
 VID FORARHYTT

# 2A20

POWER TRAIN

PTO CLUTCH/FRONT BEARING SUPPORT  
EMBRAYAGE DE PDF/COUVERCLE DE ROULEMENT AVANT  
ZAPFWELLENKUPPLUNG/LAGERDECKEL VORN  
FRIZIONE PDF/SUPPORTO ANTERIORE  
EMBRAGUE DE LA TDF/TAPA DEL RODAMIENTO DELANT  
KRAFTUTTAGSKOPPLING/FRAMRE LAGERLAGE  
L24765 -UN-26OCT95



I. 24765

THIS PARTS LISTING IS CONTINUED



# 2A21

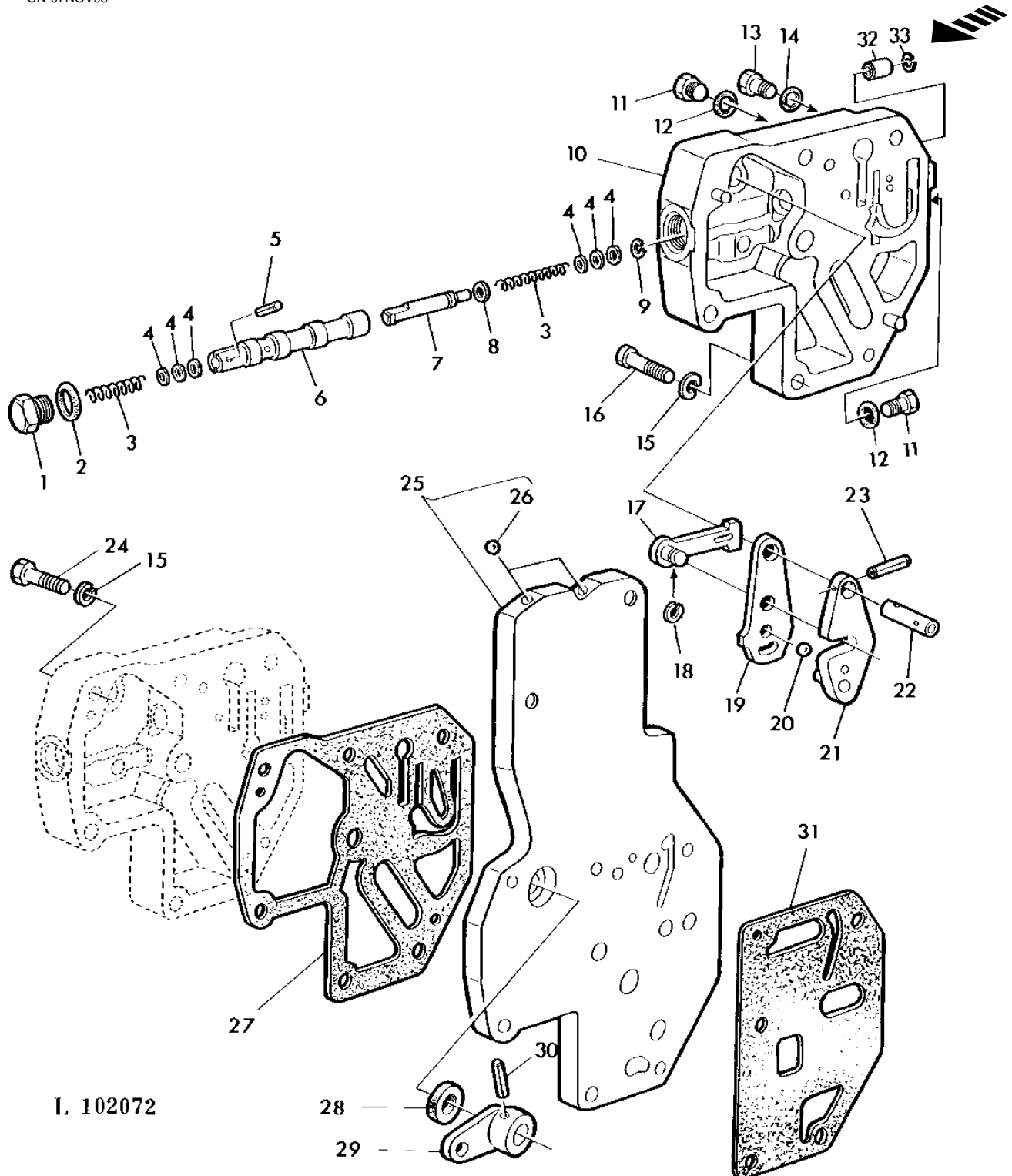
POWER TRAIN

KEY	PART NO.	PART NAME	QTY	SERIAL NO.	3 0 3 0	3 1 3 0	REMARKS
1	T21997	GASKET	1		X	X	
2	T32090	COVER	1		X	X	FRONT
3	A3917R	O-RING	2		X	X	
4	T28646	TUBE	1	-153092	X	X	
	L30756	OIL TUBE	1	153093-	X	X	
5	T28626	PISTON	1		X	X	
6	AR56162	PLATE	1		X	X	
7	T28631	SPRING	1		X	X	
8	R36882	DOWEL PIN	1		X	X	
9	JD8877	NEEDLE BEARING	1		X	X	FRONT
10	T28625	DOWEL PIN	1		X	X	
11	19H1726	CAP SCREW	4		X	X	3/8"X2-1/4"
12	R51893	DISK	1		X	X	
13	R394R	O-RING	2		X	X	
14	T28645	TUBE	1		X	X	
15	AR56163	MANIFOLD	1		X	X	
16	19H1800	CAP SCREW	4		X	X	3/8"X1-1/2"
17	R33167	RING	2		X	X	
18	L26931	SNAP RING	1		X	X	
19	T28659	STEERING GEAR	1		X	X	Z=63
20	26H77	SHAFT KEY	1		X	X	3/16"X3/4" (SUB FOR 26H14)
21	AL29816	DRUM	1		X	X	(SUB FOR AL23113)
22	R39304	WASHER	1		X	X	
23	L28656	PISTON RING	1		X	X	
24	L32738	PISTON	1		X	X	(SUB FOR L28655)
25	T32848	SPRING	1		X	X	
26	T32849	RETAINER	1		X	X	
27	R39299	SNAP RING	1		X	X	
28	T28664	DISK, OUTER SPLINE	9		X	X	
29	AL38240	DISK, INNER SPLINE	9		X	X	(SUB FOR AT26632)
30	T28665	PLATE	1	-288761	X	X	
	L33563	PLATE	1	288762-	X	X	
31	T32844	SNAP RING	1	-288761	X	X	
	L33562	SNAP RING	1	288762-	X	X	
32	L29400	GEAR	1		X	X	Z=45 (SUB FOR T28667)
33	.....		1		X	X	
34	.....		2		X	X	

# 2A22

POWER TRAIN

POWER-SHAFT CLUTCH VALVE  
SOUPAPE D'EMBRAYAGE DE PRISE DE FORCE  
ZAPFWELLENKUPPLUNGSVENTIL  
VALVOLA FRIZIONE PRESA DI FORZA  
VALVULA DE MANDO PARA EMBRAGAR LA TOMA DE FUERZA  
KRAFTUTTAGEETS KOPPLINGSVENTIL  
L102072 -UN-07NOV95



I. 102072

# 2A23

POWER TRAIN

KEY	PART NO.	PART NAME	QTY	SERIAL NO.	3 0 3 0	REMARKS
					3 3	
					0 1	
					3 3	
					0 0	
1	R27474	DRAIN PLUG	1		X X	7/8"
2	R26906	O-RING	1		X X	
3	R45582	SPRING	2		X X	
4	R31632	SHIM	6		X X	
5	34H254	SPRING PIN	1		X X	1/8"X1-1/2"
6	T28635	VALVE	1	-222608	X X	
	L32640	VALVE	1	222609-	X X	
7	T28634	PIN	1		X X	(ORD W/ R67794)
8	B1664R	SHIM	1		X X	
9	R67794	SNAP RING	1		X X	(SUB FOR R30828)
10	AL25396	HOUSING	1		X X	ASSY, INCL KEYS 3,4,7-9,32,33 (SUB FOR AT26619)
11	R31631	DRAIN PLUG	2		X X	3/8"
12	R26287	O-RING	2		X X	
13	R27218	FITTING PLUG	1		X X	9/16"
14	R26448	O-RING	1		X X	
15	12H304	LOCK WASHER	5		X X	3/8"
16	19H1944	CAP SCREW	3		X X	3/8"X2-3/4"
17	AT26622	LINK	1		X X	
18	F3396R	SNAP RING	1		X X	
19	T28638	FOLLOWER	1		X X	
20	R26552	BALL	1		X X	
21	AT26623	ARM	1		X X	
22	T28639	PIN	1		X X	
23	34H280	SPRING PIN	1		X X	3/16"X7/8"
24	19H3181	CAP SCREW	2		X X	3/8"X2"
25	AL23114	COVER	1		X X	INCL KEY 26
26	H836R	BALL	2		X X	
27	R49116	GASKET	1		X X	
28	AR39043	SEAL	1		X X	
29	T28642	LEVER	1		X X	
30	34H284	SPRING PIN	1		X X	3/16"X1-1/4"
31	L62435	GASKET	1		X X	(SUB FOR R49115)
32	T32086	SPACER	1		X X	
33	T32087	SNAP RING	1		X X	

# 2A24

POWER TRAIN

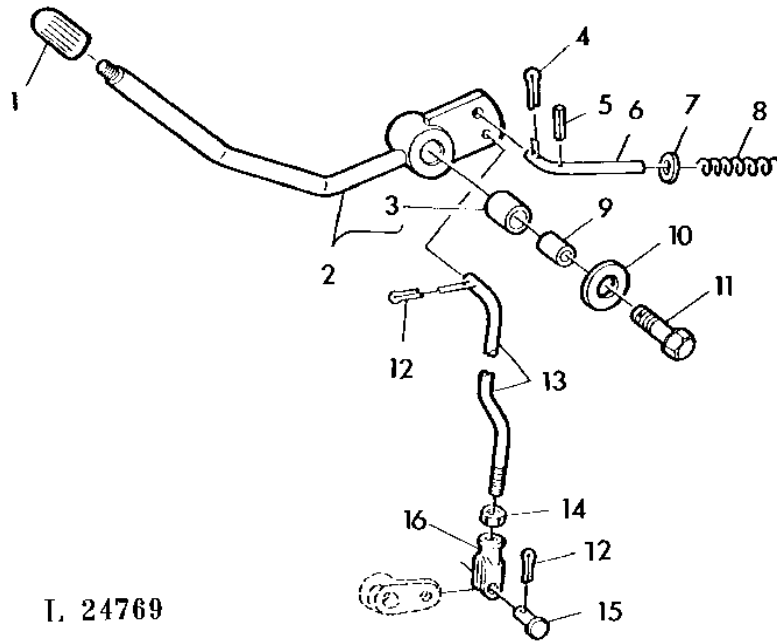
---

MEMORANDA  
MEMORANDA  
MEMORANDA  
MEMORANDA  
MEMORANDA

# 2A25

POWER TRAIN

PTO CLUTCH LEVER  
 LEVIER D'EMBRAYAGE DE PDF  
 ZAPFWELLENKUPPLUNGSEBEL  
 LEVA COMANDO PDF  
 PALANCA PARA EMBRAGAR LA TDF  
 KRAFTUTTAGETS MANOVERSPAK  
 L24769 -UN-26OCT95



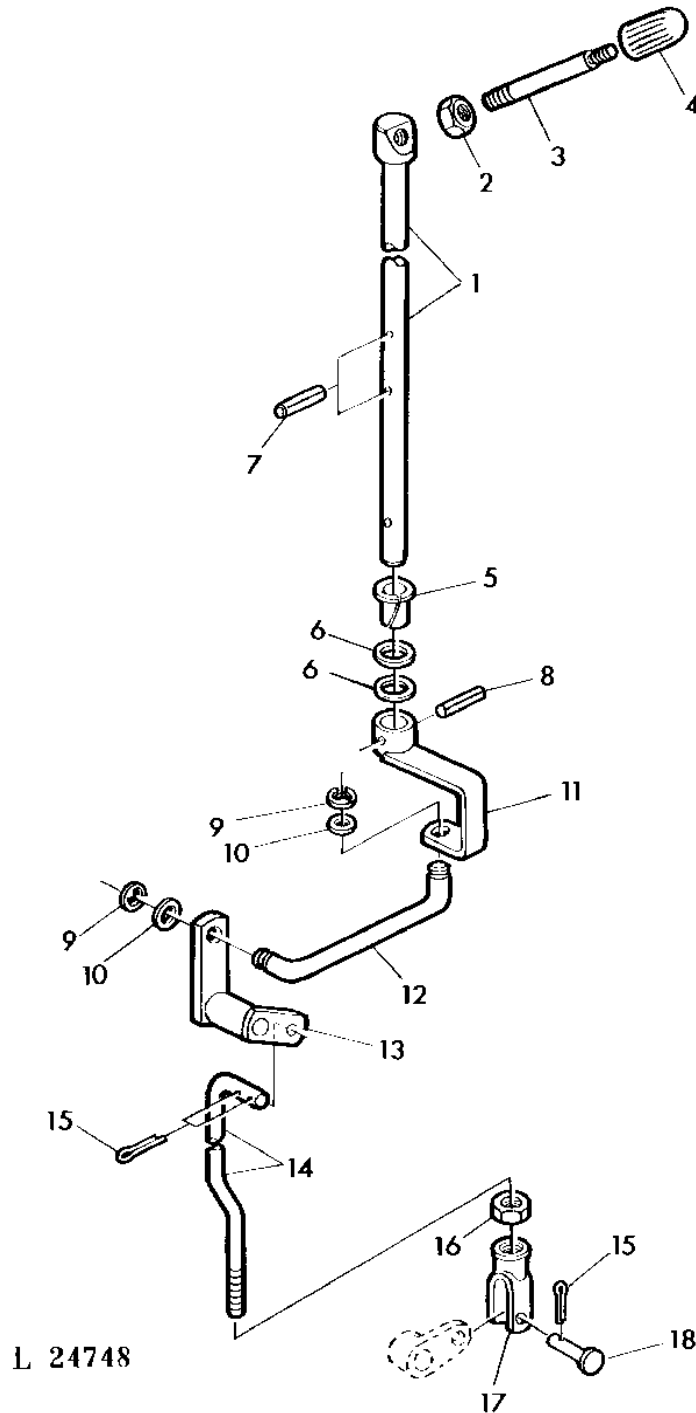
I. 24769

KEY	PART NO.	PART NAME	QTY	SERIAL NO.	REMARKS
				3 3	
				0 1	
				3 3	
				0 0	
1	L57987	GRIP	1	X X	(SUB FOR AR62028 APPL)
2	AL23368	LEVER	1	X X	INCL KEY 3
3	T28650	BUSHING	1	X X	
4	11H231	COTTER PIN	2	X X	1/16"X1"
5	34M7002	SPRING PIN	1	X X	2X18MM (OR 34H22)
6	T28653	PIN	1	X X	
7	24H1287	WASHER	1	X X	9/32"X5/8"X.060"
8	R26203	SPRING	1	X X	
9	T28651	BUSHING	1	X X	
10	24H1309	WASHER	1	X X	13/32"X1-1/16"X.120"
11	R47512	CAP SCREW	1	X X	3/8"
12	11H206	COTTER PIN	3	X X	3/32"X3/4"
13	T28652	ROD	1	X X	
14	14H732	NUT	1	X X	3/8"
15	C1067R	PIN	1	X X	
16	C284R	YOKE	1	X X	

# 2B1

POWER TRAIN

PTO CLUTCH LEVER (WITH OPERATOR' S CAB)  
LEVIER D'EMBRAYAGE DE PDF(AVEC CABINE)  
ZAPFWELLENKUPPLUNGSEBEL (BEI KABINE)  
LEVA COMANDO PDF(CON CABINA)  
PALANCA PARA EMBRAGAR LA TDF (CON CABINA)  
KRAFTUTTAGETS MANOVERSPAK (VID FORARHYTT)  
L24748 -UN-26OCT95



# 2B2

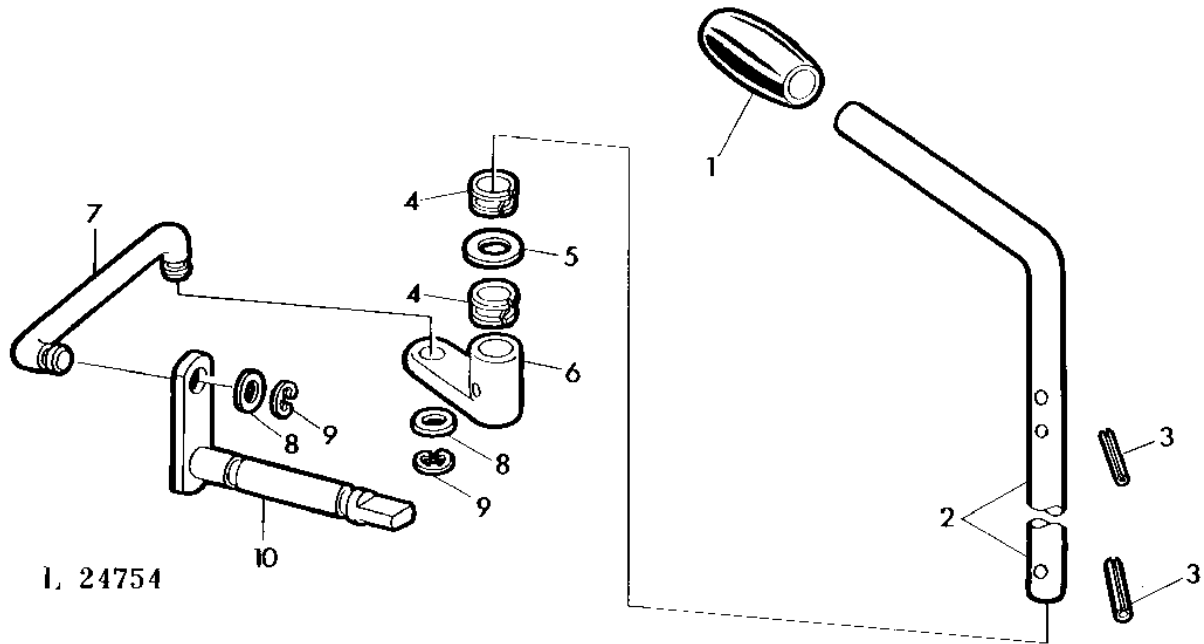
POWER TRAIN

KEY	PART NO.	PART NAME	QTY	SERIAL NO.	3 3 0 1 3 3 0 0	REMARKS
1	AL33190	ROD	1		X X	
	AL25227	ROD	1		X X	(ORD AL33190) (ORD W/ 34H247)
2	14H856	NUT	1		X X	1/2"
3	L30802	STUD	1		X X	
4	L57987	GRIP	1		X X	(SUB FOR AR62028 APPL)
5	L30470	BUSHING	1		X X	
6	24H1341	WASHER	2		X X	17/32"X15/16"X.060"
7	34H247	SPRING PIN	2		X X	1/8"X3/4"
	34H387	SPRING PIN	2		X X	3/16"X3/4"
8	34H280	SPRING PIN	1		X X	3/16"X7/8"
9	R27507	SNAP RING	2		X X	
10	24H1243	WASHER	2		X X	11/32"X5/8"X.060"
11	AL25226	ARM	1		X X	
12	L31662	LEVER	1		X X	(SUB FOR L30801)
13	AL24936	LEVER	1		X X	
14	L30420	LEVER	1		X X	
15	11H206	COTTER PIN	3		X X	3/32"X3/4"
16	14H732	NUT	1		X X	3/8"
17	C284R	YOKE	1		X X	
18	C1067R	PIN	1		X X	

# 2B3

POWER TRAIN

HI-LO SHIFT CONTROL LEVER  
 LEVIER DE COMMANDE DE HIGH-LOW  
 LASTSCHALTSTUFE-SCHALTHEBEL  
 LEVA COMANDO HI-LO  
 PALANCA PARA MECANISMO DE CAMBIO HI-LO  
 MANOVERSPAK FOR HOG-LAG VAXLING  
 L24754 -UN-26OCT95



I. 24754

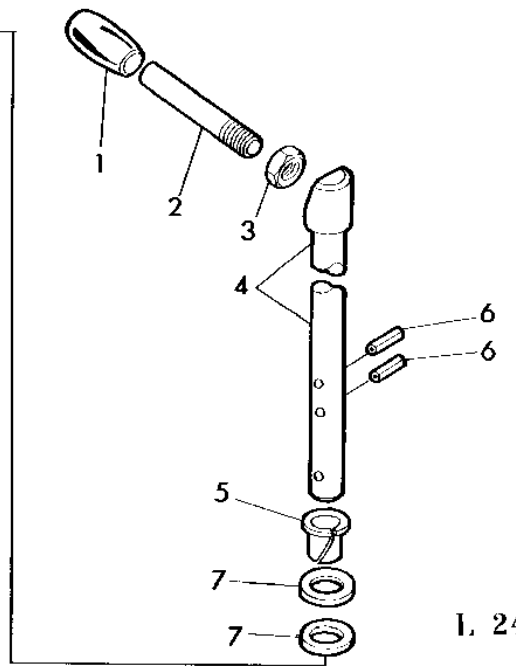
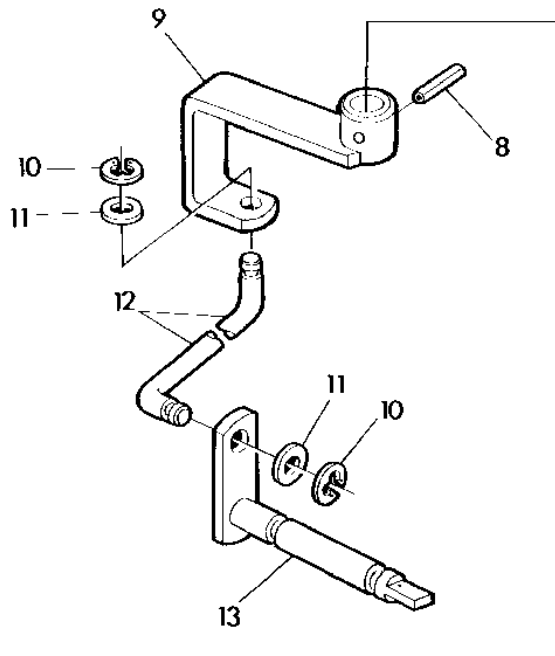
KEY	PART NO.	PART NAME	QTY	SERIAL NO.	REMARKS
				3 3	
				0 1	
				3 3	
				0 0	
1	L56923	CAP	1	X X	(SUB FOR R54272 APPL)
2	L28604	LEVER	1	X X	
3	34H280	SPRING PIN	3	X X	3/16"X7/8"
4	R34811	GROMMET	2	X X	
5	24H1340	WASHER	1	X X	33/64"X7/8"X.075"
6	L63868	ARM	1	X X	(SUB FOR T26838)
7	T29314	LINK	1	X X	
8	24H1243	WASHER	2	X X	11/32"X5/8"X.060"
9	R27507	SNAP RING	2	X X	
10	AT23220	LEVER	1	X X	



# 2B4

POWER TRAIN

HI-LO SHIFT CONTROL LEVER (WITH OPERATOR'S CAB)  
 LEVIER DE COMMANDE DE HIGH-LOW (AVEC CABINE)  
 LS-SCHALTHEBEL (BEI KABINE)  
 LEVA COMANDO HI-LO (CON CABINA)  
 PALANCA PARA MECANISMO DE CAMBIO HI-LO (CON CABINA)  
 MANOVERSPAK FOR HOG-LAG VAXLING (VID FORARHYTT)  
 L24753 -UN-26OCT95



I. 24753

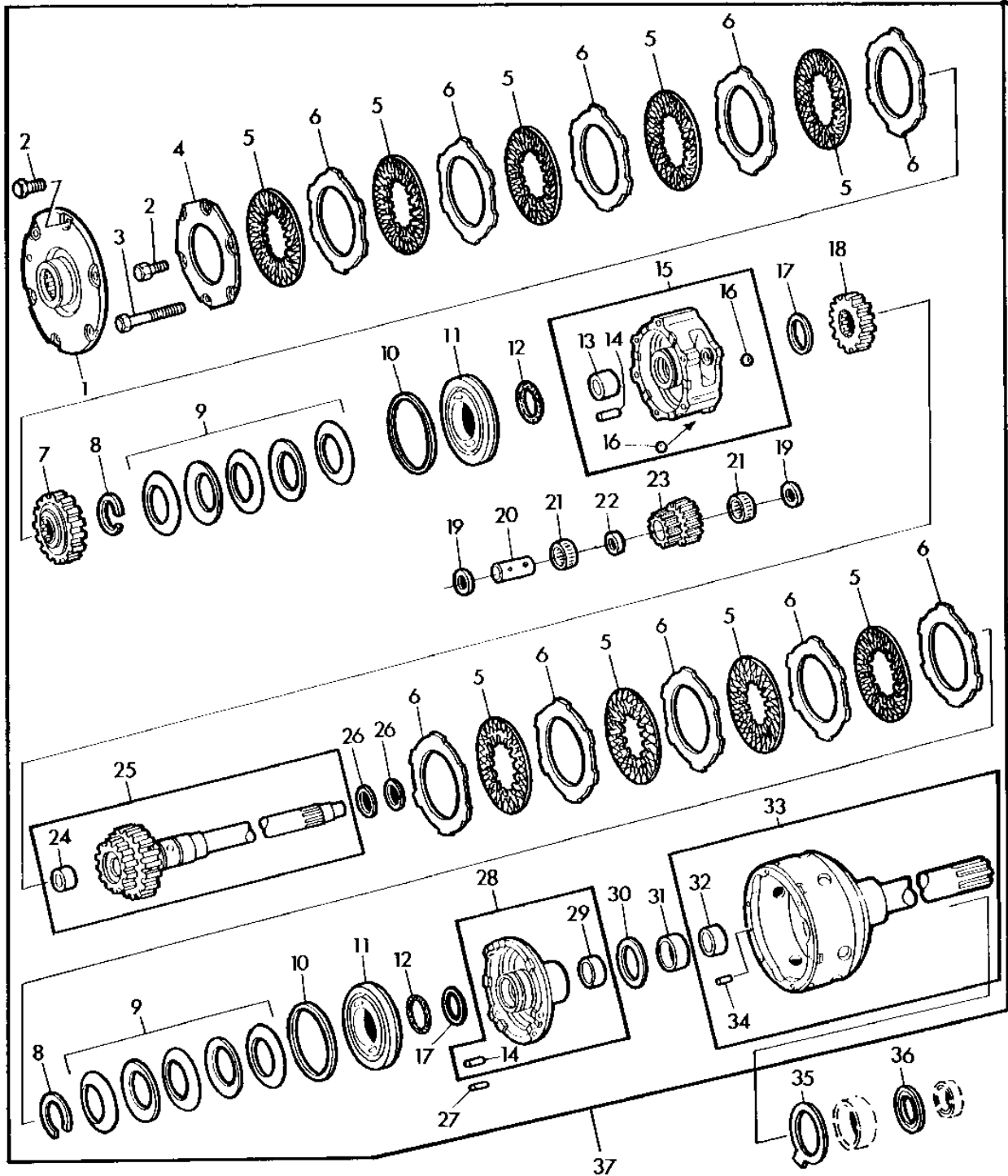
3 3  
 0 1  
 3 3  
 0 0

KEY	PART NO.	PART NAME	QTY	SERIAL NO.	REMARKS
1	L56923	CAP	1	X X	(SUB FOR R54272 APPL)
2	L30795	STUD	1	X X	
3	14H856	NUT	1	X X	1/2"
4	AL25229	LEVER	1	X X	
5	L30470	BUSHING	1	X X	
6	34H387	SPRING PIN	2	X X	3/16"X3/4"
7	24H1341	WASHER	2	X X	17/32"X15/16"X.060"
8	34H280	SPRING PIN	1	X X	3/16"X7/8"
9	AL25226	ARM	1	X X	
10	R27507	SNAP RING	2	X X	
11	24H1243	WASHER	2	X X	11/32"X5/8"X.060"
12	L30816	PIN	1	X X	
13	AL24947	LEVER	1	X X	

# 2B5

POWER TRAIN

HI-LO CLUTCH  
EMBRAYAGE DE HIGH-LOW  
LASTSCHALTSTUFE-KUPPLUNG  
FRIZIONE HI-LO  
EMBRAGUE DE MECANISMO DE CAMBIO HI-LO  
HOG-LAG KOPPLING  
L121981 -UN-27OCT95



L121981

# 2B6

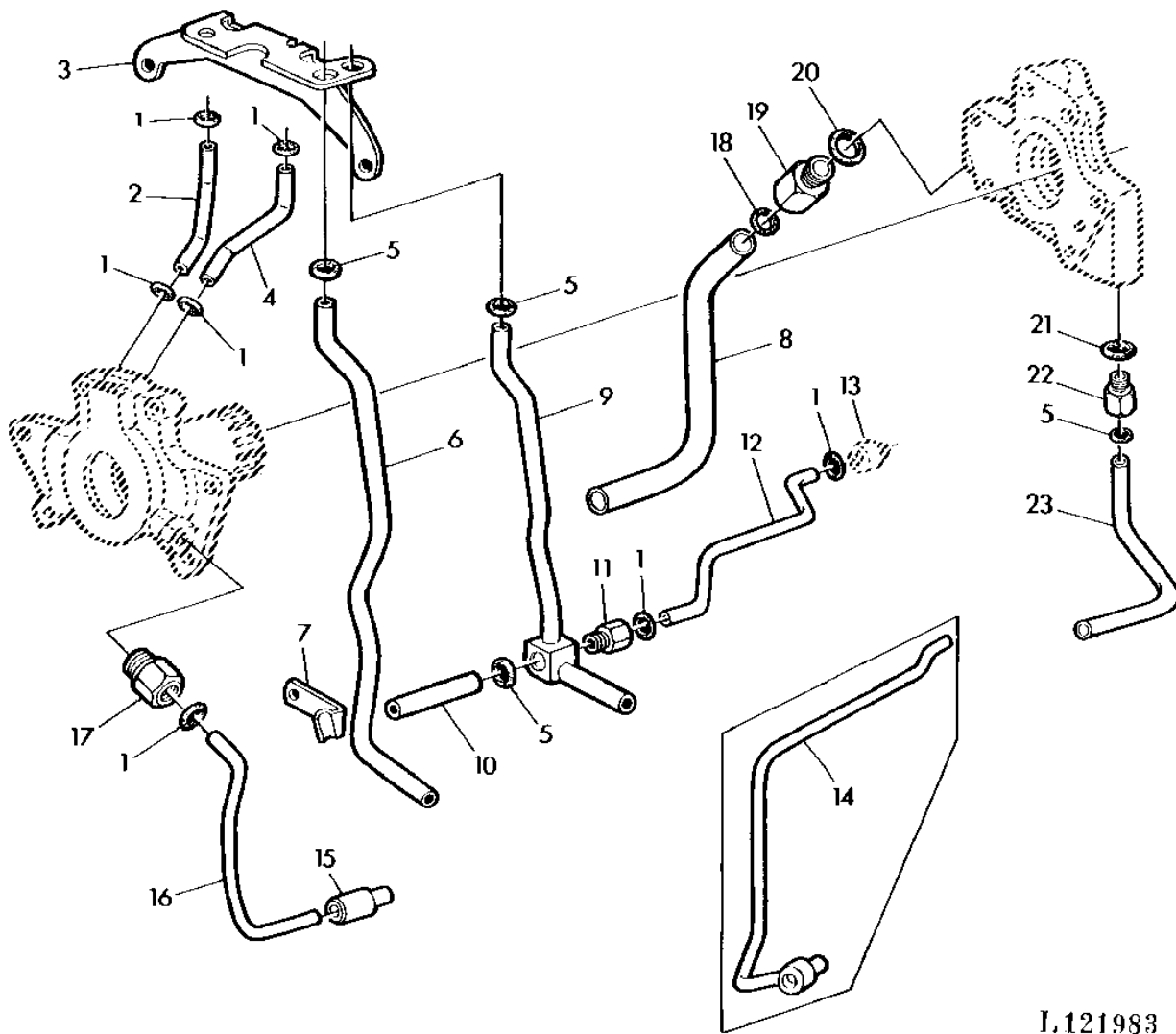
POWER TRAIN

KEY	PART NO.	PART NAME	QTY	SERIAL NO.	3 0 3 0	3 1 3 0	REMARKS
1	R44157	COVER	1		X	X	
2	19H1813	CAP SCREW	9		X	X	5/16"X5/8"
3	19H2729	CAP SCREW	3		X	X	5/16"X4-1/4"
4	R39260	PLATE	1		X	X	
5	AR39128	DISK, INNER SPLINE	9		X	X	
6	R39259	CLUTCH PLATE	10		X	X	
7	R44156	HUB	1		X	X	
8	R39299	SNAP RING	2		X	X	
9	R39282	DISK SPRING	9		X	X	
10	R39280	PISTON RING	2		X	X	
11	R39285	PISTON	2		X	X	
12	R39304	WASHER	2		X	X	
13	R44160	BUSHING	1		X	X	
14	R56457	DOWEL PIN	2		X	X	(SUB FOR R39253)
15	AR57238	PLANET PINION CARRIER	1	-157510	X	X	
	AR91280	PLANET PINION CARRIER	1	157511-	X	X	(SUB FOR AR69935, AR85745)
16	H871R	BALL	3		X	X	
17	R65390	THRUST WASHER	1		X	X	(SUB FOR R39193)
18	R52571	PLANET PINION	1	-157510	X	X	Z=36
	R58210	PLANET PINION	6	157511-	X	X	Z=36
19	R52383	THRUST WASHER	6	-157510	X	X	
	R54961	THRUST WASHER	6	157511-	X	X	
20	R52573	PIN	3	-157510	X	X	
	R58212	PIN	3	157511-	X	X	
21	AL39254	NEEDLE BEARING	6		X	X	
	JD9927	NEEDLE BEARING	6	-157510	X	X	
	JD9932	NEEDLE BEARING	6	157511-	X	X	(ORD (2) AL39254, L41032)
22	L41032	WASHER	3		X	X	(ORD W/ AL39254)
	R52574	WASHER	3	-157510	X	X	
	R58209	WASHER	3	157511-	X	X	(ORD (2) AL39254, L41032)
23	R52572	PINION	3	-157510	X	X	
	R58208	PLANET PINION	3	157511-	X	X	
24	R39276	BUSHING	1		X	X	
25	AR57195	SHAFT	1		X	X	Z=33
26	R26753	RING	2		X	X	
27	R30587	DOWEL PIN	1		X	X	
28	AR45379	DRUM	1		X	X	
29	R39252	BUSHING	1		X	X	
30	R65392	WASHER	1		X	X	(SUB FOR R39281)
31	R39265	BUSHING	1		X	X	
32	R34650	SEAL	1		X	X	
33	AR45376	SHAFT	1		X	X	
34	B2641R	DOWEL PIN	1		X	X	
35	R73701	WASHER	1		X	X	(SUB FOR R65391, T25409)
36	AT27728	SEAL	1		X	X	
37	AR99255	KIT	1		X	X	INCL AR91278, AR99259 (SUB FOR AR58364, AR69932)
	AR99256	HIGH-LOW CLUTCH	1		X	X	

# 2B7

POWER TRAIN

OIL MANIFOLD/OIL LINES  
REPARTITEUR/CONDUITES D'HUILE  
OELVERTEILER/OELLEITUNGEN  
RIPARTITORE E LINEE OLIO  
REPARTIDO DE ACEITE/TUBERIAS  
OLJEFORDELARE OCH LEDNINGAR  
L121983 -UN-27OCT95



I.121983

# 2B8

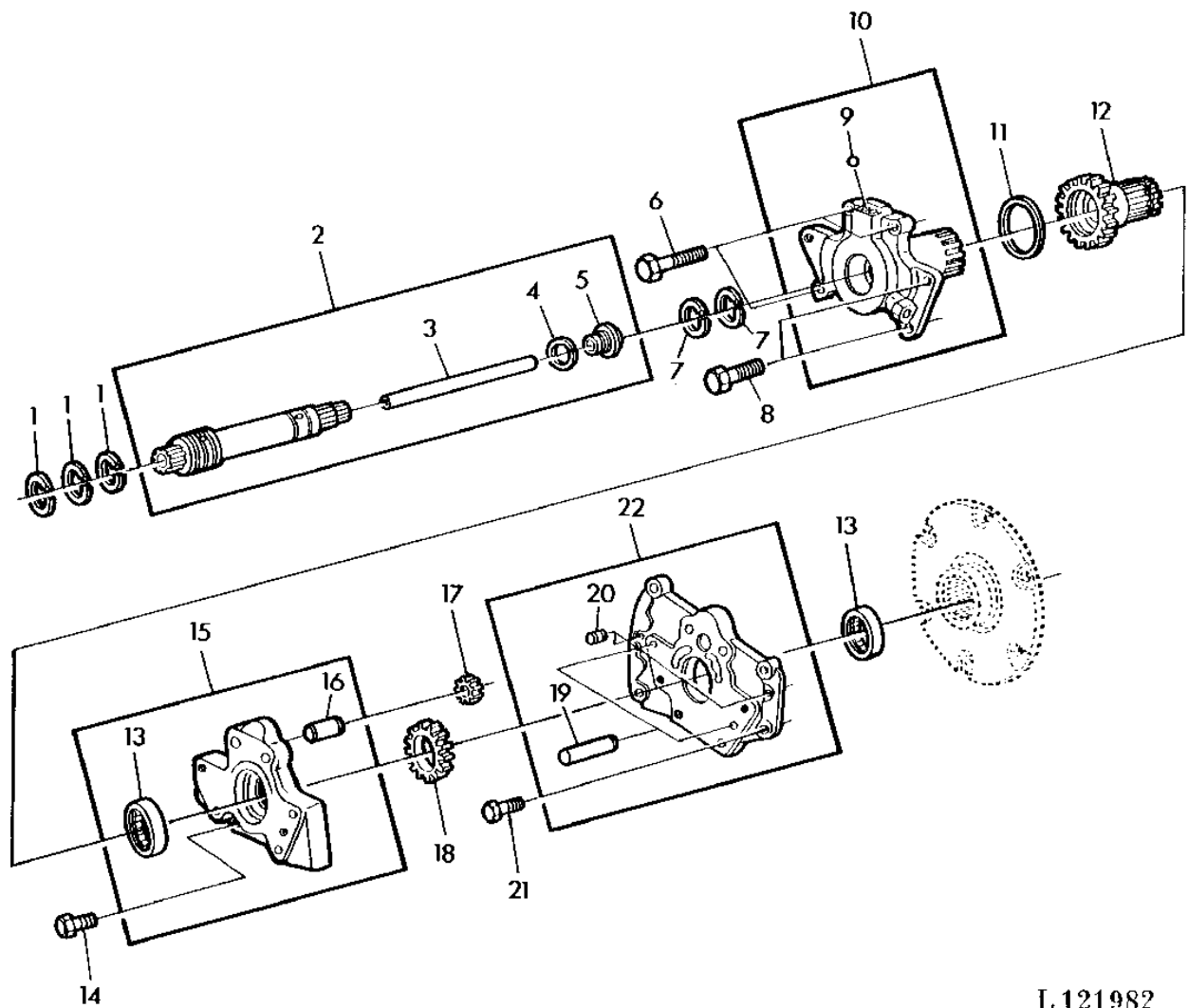
POWER TRAIN

KEY	PART NO.	PART NAME	QTY	SERIAL NO.	3 0 3 0	3 1 3 0	REMARKS
1	A3917R	O-RING	6		X	X	
2	T28722	TUBE	1		X	X	
3	T25416	RETAINER	1		X	X	
4	T28723	TUBE	1		X	X	
5	R375R	O-RING	4		X	X	
6	R50136	OIL LINE	1		X	X	
7	R50137	CLAMP	1		X	X	
8	T25418	OIL TUBE	1		X	X	
9	AR54416	LINE	1	-153092	X	X	(ORD AL25163, L30753, L30754, L30755, L30756)
	AL25163	OIL LINE	1	153093-	X	X	
10	T28729	TUBE	1		X	X	
11	L30754	FITTING	1	153093-	X	X	
12	L30753	OIL LINE	1	153093-	X	X	
13	.....		1		X	X	
14	AT26681	OIL LINE	1	-153092	X	X	(ORD AL25163, L30753, L30754, L30755, L30756)
15	L30755	ADAPTER	1	153093-	X	X	
16	T28725	TUBE	1		X	X	
17	T22852	ADAPTER	1		X	X	9/16"
18	T13119	O-RING	1		X	X	
19	T30754	ADAPTER	1		X	X	1-1/16"
20	F3171R	O-RING	1		X	X	
21	R26906	O-RING	1		X	X	
22	T22862	ADAPTER	1		X	X	7/8"
23	T25419	OIL TUBE	1		X	X	

# 2B9

POWER TRAIN

TRANSMISSION INPUT SHAFT/OIL PUMP  
ARBRE D'ENTREE DE BOITE DE VITESSES/POMPE A HUILE  
GETRIEBE-EINGANGSWELLE/OELPUMPE  
ALBERO PRIMARIO DEL CAMBIO/POMPA OLIO  
EJE DE SALIDA DEL MOTOR/BOMBA DE ACEITE  
TRANSMISSIONNS INGANDE AXEL/OLIEPUMP  
L121982 -UN-27OCT95



L121982

# 2B10

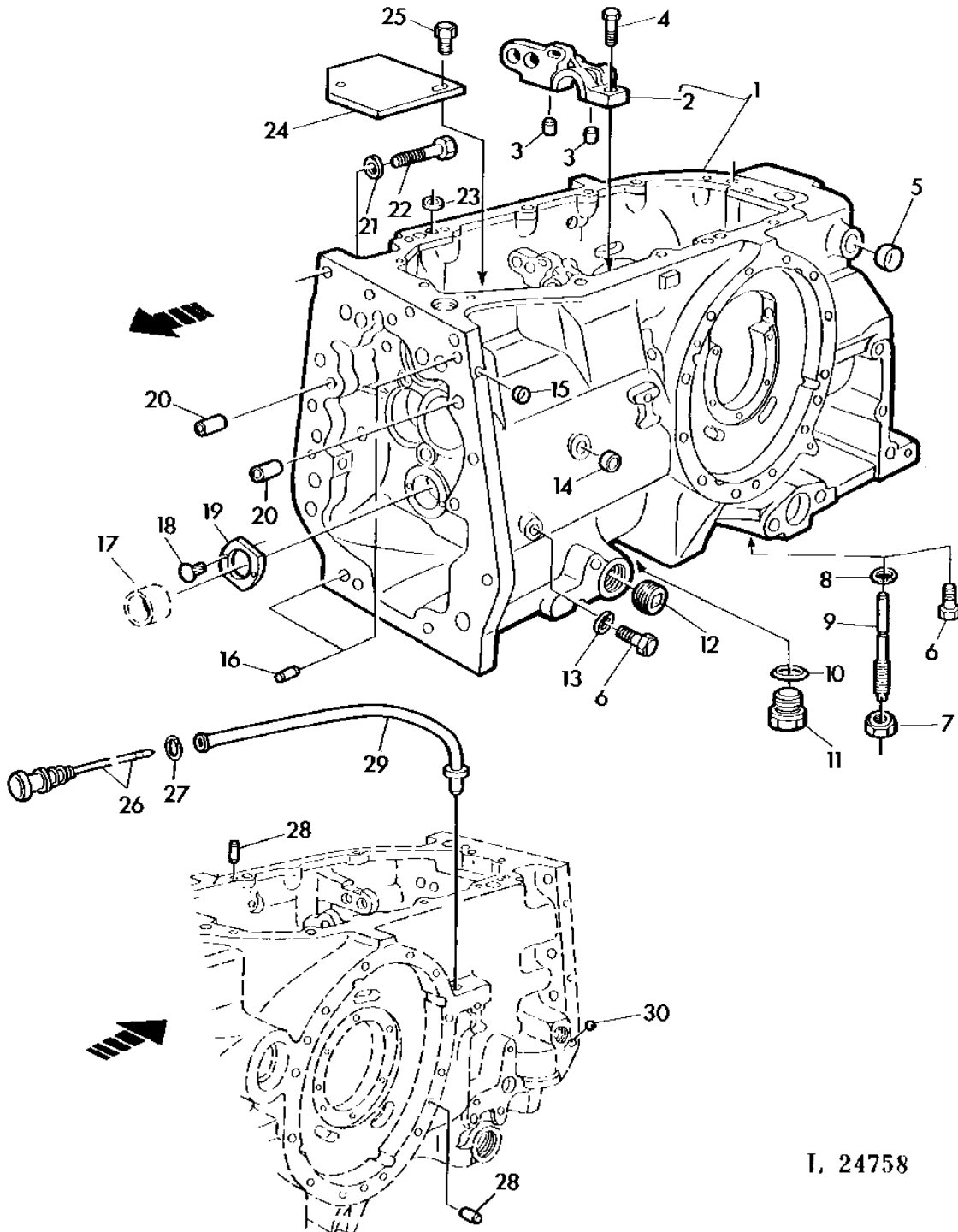
POWER TRAIN

KEY	PART NO.	PART NAME	QTY	SERIAL NO.	REMARKS
					3 3
					0 1
					3 3
					0 0
1	T28807	PISTON RING	3		X X
2	AT26779	SHAFT	1		X X (ORD AR91278, AR99259)
	AR99259	SHAFT	1		X X
3	T28806	TUBE	1		X X
4	R34140	RING	1		X X
5	R39279	RETAINER	1		X X
6	19H2023	CAP SCREW	3		X X 3/8"X3-1/4"
7	R26753	RING	2		X X
8	19H1733	CAP SCREW	2		X X 3/8"X2-1/2"
9	R42849	BALL	2		X X
10	AR91278	MANIFOLD	1		X X (SUB FOR AT26679)
11	T28711	WASHER	1		X X
12	T28721	POWER-TAKEOFF	1		X X Z=29
13	AT26765	ROLLER BEARING	2		X X
14	19H1732	CAP SCREW	1		X X 3/8"X1-1/4"
15	AT26668	HOUSING	1		X X
16	R58661	DOWEL PIN	1		X X (SUB FOR R39224)
17	AT26669	STEERING GEAR	1		X X Z=16
18	T28697	STEERING GEAR	1		X X Z=32
19	F339R	DOWEL PIN	2		X X
20	R30587	DOWEL PIN	2		X X
21	19H2552	CAP SCREW	4		X X 3/8"X1-1/8"
22	AR71395	ADAPTER	1		X X (SUB FOR AR58308)
..	AR99260	KIT	1		X X KIT,INCL (ORD AR91278, AR91280, AR99259)

# 2B11

POWER TRAIN

TRANSMISSION CASE  
CARTER DE BOITE  
GETRIEBEGEHAEUSE  
SCATOLA CAMBIO  
CAJA DE LA TRANSMISION  
TRANSMISSION  
L24758 -UN-26OCT95



I, 24758



# 2B12

POWER TRAIN

KEY	PART NO.	PART NAME	QTY	SERIAL NO.		REMARKS
					3 3	
					0 1	
					3 3	
					0 0	
1	AL23103	TRANSMISSION CASE	1	196577-301274	X X	(ORD AL29646, JD10319, L33492, L33911)
	AL25521	TRANSMISSION CASE	1	-301274	X X	(A) (ORD AL29646, JD10319, L33492, L33911)
	AL29646	TRANSMISSION CASE	1	301275-	X X	ASSY,INCL KEYS 2-4,16,17,20 28,29,30 (ORD W/ (2) 19H1936, (4) 24H1308)
	AL29648	TRANSMISSION CASE	1	301275-	X X	(A) ASSY,INCL KEYS 2-4,16,17,20 28,29,30 (ORD W/ (2) 19H1936, (4) 24H1308)
2	.....		1		X X	NSEP (ORD AL29646)
	.....		1		X X	(A) NSEP (ORD AL29648)
3	R726R	DOWEL PIN	2		X X	
4	19H1721	CAP SCREW	2		X X	1/2"X1-1/2"
5	T28474	PLUG	1		X X	(B) OD=25MM(.986")
6	R53802	CAP SCREW	2		X X	1/2"X1/2"
7	14H971	NUT	1		X X	1/2"
8	R27490	O-RING	1		X X	
9	T21776	SCREW	1		X X	1/2"
10	A4827R	WASHER	2		X X	(SUB FOR 51M7016, 51M7019)
11	R51895	FITTING	1		X X	1"
12	15H562	PIPE PLUG	2		X X	1"
13	R27003	WASHER	1		X X	
14	T32088	PLUG	1		X X	
15	M1102	PLUG	3		X X	OD=9,5MM(.376")
16	T26565	DOWEL PIN	2		X X	
17	.....		2		X X	
18	37H44	SCREW	2		X X	NO.7X3/8"
19	T28668	THRUST WASHER	1		X X	
20	T24729	BUSHING	2		X X	
21	L30695	WASHER	8		X X	(SUB FOR M2834T)
22	19H2735	CAP SCREW	8		X X	1/2"X2"
23	T17882	WASHER	1		X X	
24	L62644	COVER	1		X X	(SUB FOR L56771, T22854)
25	19H2021	CAP SCREW	2		X X	3/8"X5/8"
26	AL27109	DIPSTICK	1	196577-	X X	
27	L33662	O-RING	1		X X	
28	R48685	DOWEL PIN	6		X X	
29	AL27111	PIPE	1	196577-	X X	
	AL27112	PIPE	1	196446-	X X	(A)
30	F2772R	BALL	1		X X	

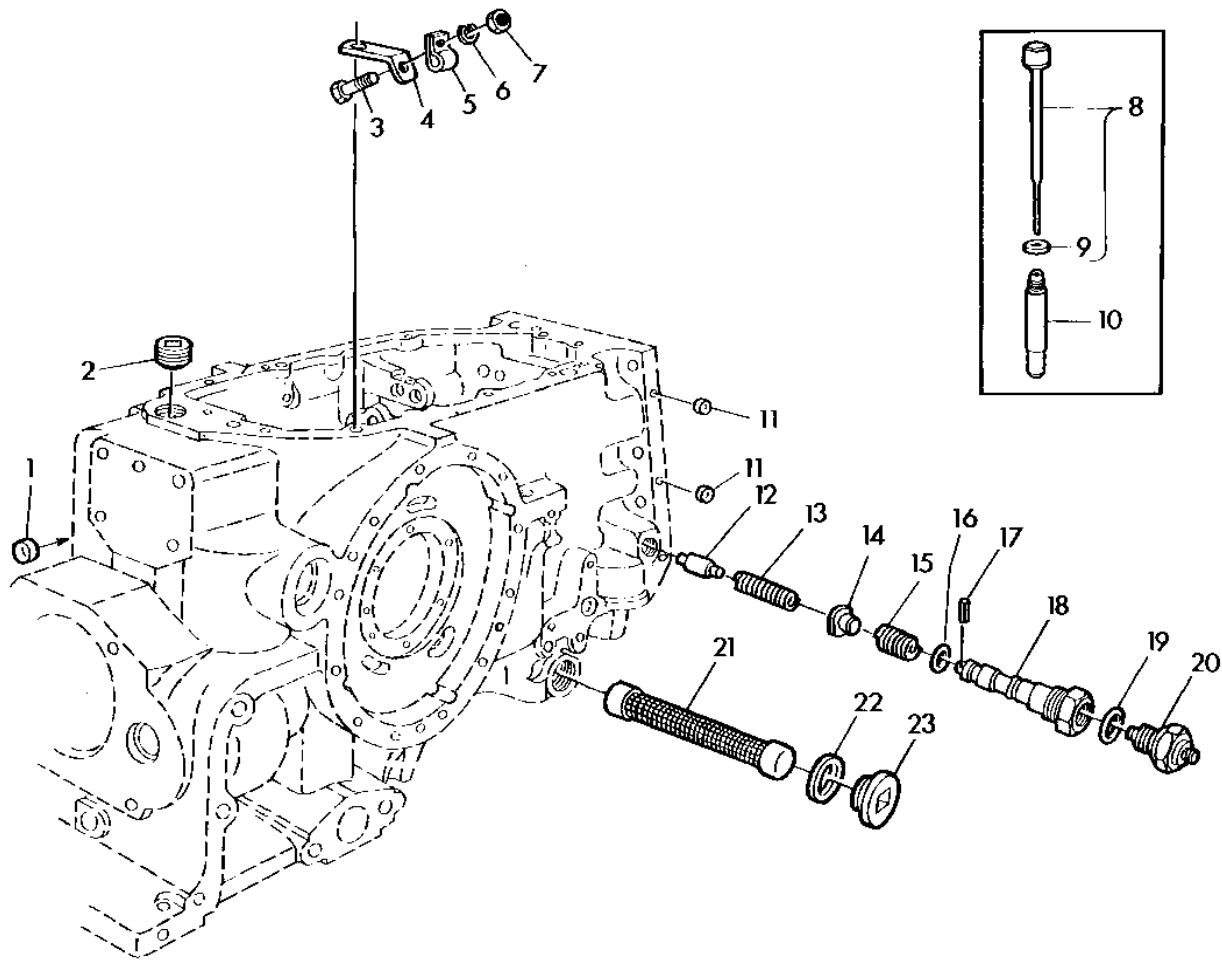
(A) WITH OPERATOR'S CAB  
 AVEC CABINE  
 BEI KABINE  
 CON CABINA  
 CON CABINA  
 VID FORARHYTT

(B) WITH PARKING LOCK  
 AVEC VERROUILLAGE DE STATIONNEMENT  
 BEI PARKSPERRE  
 CON BLOCCO DI STAZIONAMENTO  
 CON BLOQUEO DE APARCAMIENTO  
 VID PARKERINGSSPARR

# 2B13

POWER TRAIN

TRANSMISSION CASE  
CARTER DE BOITE  
GETRIEBEGEHAEUSE  
SCATOLA CAMBIO  
CAJA DE LA TRANSMISION  
TRANSMISSION  
L24759 -UN-26OCT95



1. 24759

# 2B14

POWER TRAIN

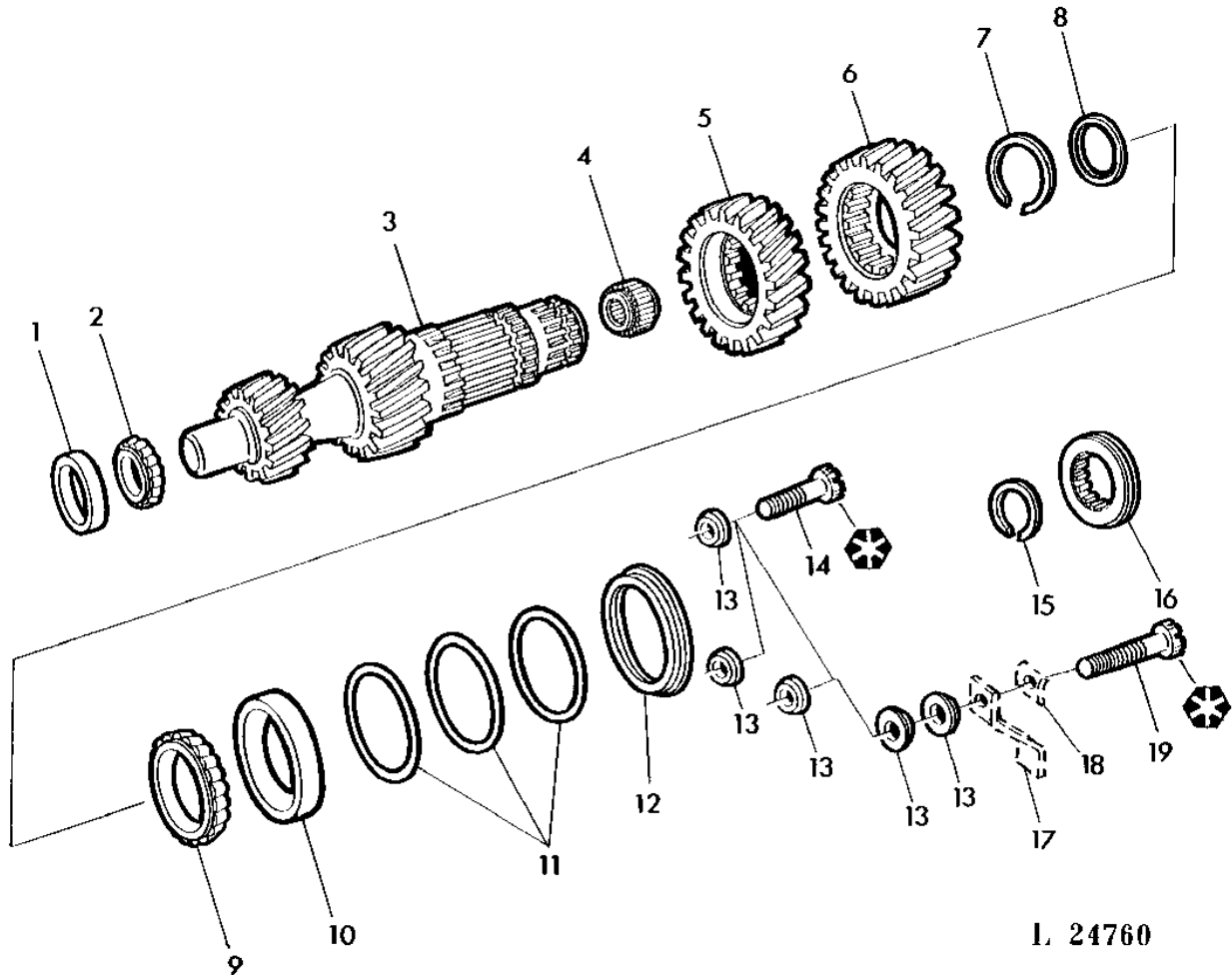
KEY	PART NO.	PART NAME	QTY	SERIAL NO.		REMARKS
					3 3	
					0 1	
					3 3	
					0 0	
1	T18891	CAP	1		X X	OD=16,1MM(.636")
2	15H562	PIPE PLUG	1		X X	1"
3	19H1813	CAP SCREW	1	196577-	X X	5/16"X3/8"
4	L31809	RETAINER	1	196446-	X X	(A)
	L31807	RETAINER	1	196577-	X X	
5	T21101	CLAMP	1	196577-	X X	
6	12H303	LOCK WASHER	1	196577-	X X	5/16"
7	14H785	NUT	1	196577-	X X	5/16"
8	AL25522	DIPSTICK	1	-196445	X X	(A)
	AR63908	CAP	1	-196576	X X	(SUB FOR AT26544)
9	R1590R	WASHER	1	-196576	X X	
10	T21562	TUBE	1	-196445	X X	(A)
	T28463	TUBE	1	-196576	X X	
11	M1102T	CAP	2		X X	OD=,5MM(.376")
12	R39294	PIN	1		X X	
13	T25628	SPRING	1		X X	
14	R65652	GUIDE	1		X X	(SUB FOR R41148)
15	T25629	SPRING	1		X X	
16	F3171R	O-RING	1		X X	
17	34H247	SPRING PIN	1		X X	1/8"X3/4"
18	T25627	SLEEVE	1		X X	
19	R26375	O-RING	1		X X	
20	AR40795	TOUCH SWITCH	1		X X	3/4"
21	R53169	SCREEN	1		X X	(SUB FOR AR26375)
22	51M7038	RING	1		X X	(SUB FOR A4808R)
23	R40147	FITTING	1		X X	1-1/2"

(A) WITH OPERATOR'S CAB  
 AVEC CABINE  
 BEI KABINE  
 CON CABINA  
 CON CABINA  
 VID FORARHYTT

# 2B15

POWER TRAIN

TRANSMISSION INPUT SHAFT  
ARBRE PRINCIPAL  
GETRIEBE-ANTRIEBSWELLE  
ALBERO DI COMANDO CAMBIO  
EJE PRIMARIO  
VAXELLADSDRIVAXEL  
L24760 -UN-26OCT95



# 2B16

POWER TRAIN

KEY	PART NO.	PART NAME	QTY	SERIAL NO.	REMARKS
					3 3
					0 1
					3 3
					0 0
1	JD9023	BEARING CUP	1		X X REAR
2	JD9022	BEARING CONE	1		X X REAR
3	T28302	SHAFT	1		X X
4	JD9837	NEEDLE BEARING	1		X X
5	T28303	STEERING GEAR	1		X X Z=22
6	T28304	STEERING GEAR	1		X X Z=23
7	T28305	SNAP RING	1		X X
8	T28306	THRUST WASHER	1		X X
9	JD8105	BEARING CONE	1		X X FRONT
10	JD7427	BEARING CUP	1		X X FRONT
11	T28308	SHIM	2		X X 0,1MM(.003")
	T28309	SHIM	3		X X 0,15MM(.005")
	T28310	SHIM	1		X X 0,25MM(.010")
12	T28307	RETAINER	1		X X
13	T28283	WASHER	3		X X (A)
	T28283	WASHER	5		X X (B)
14	T22874	BOLT	3		X X (A) 3/8",LGTH=28,5MM(1.120")
	T22874	BOLT	2		X X (B) 3/8",LGTH=28,5MM(1.120")
15	T14931	SNAP RING	1		X X
16	R52618	SHIFT COLLAR	1		X X (SUB FOR T28311)
17	.....		1		X X
18	.....		1		X X
19	T28332	BOLT	1		X X (B) 3/8",LGTH31,7MM(1.25")

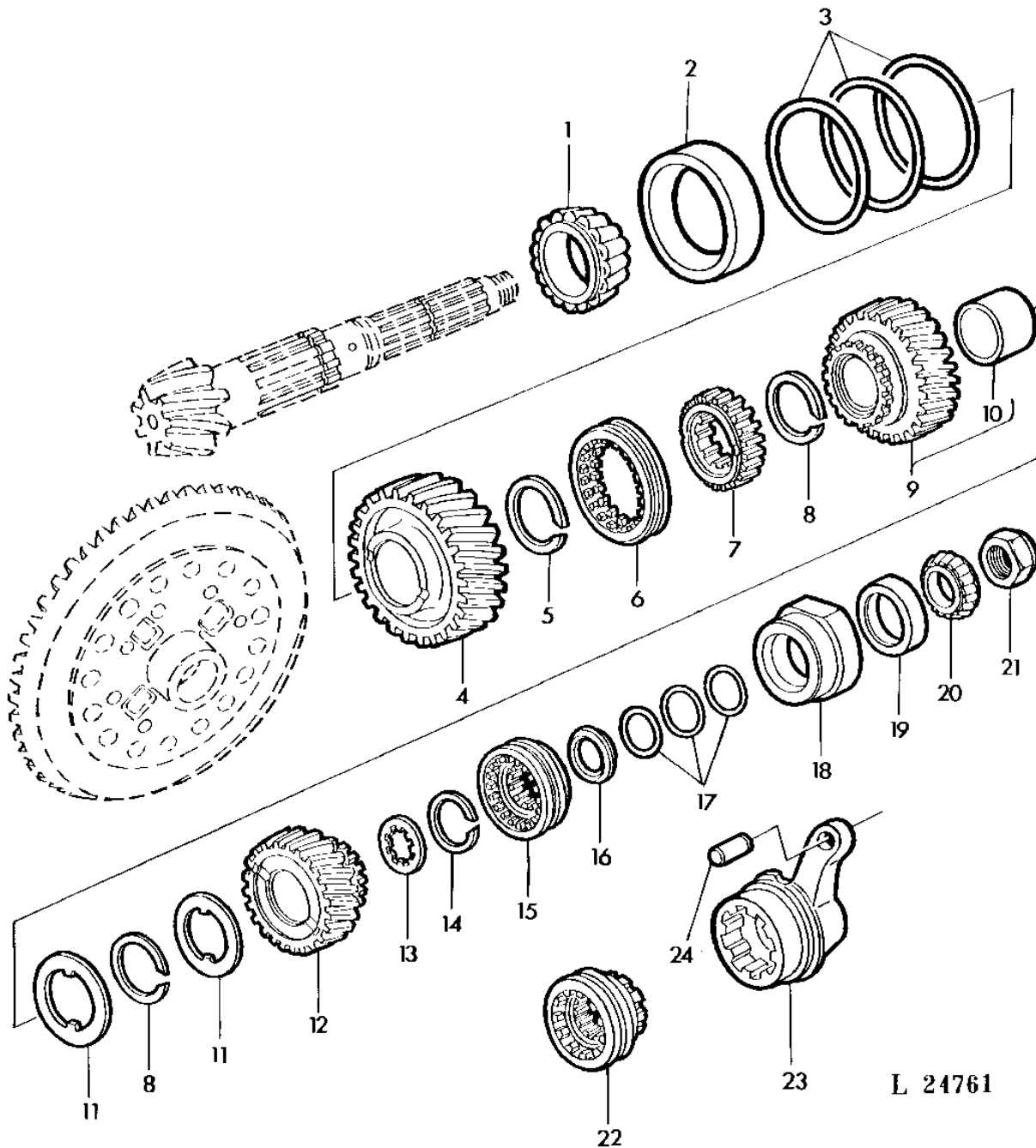
(A) WITH PARKING LOCK  
 AVEC VERROUILLAGE DE STATIONNEMENT  
 BEI PARKSPERRE  
 CON BLOCCO DI STAZIONAMENTO  
 CON BLOQUEO DE APARCAMIENTO  
 VID PARKERINGSSPARR

(B) WITH HANDBRAKE  
 AVEC FREIN A MAIN  
 BEI HANDBREMSE  
 CON FRENO A MANO  
 CON FRENO DE MANO  
 VID HANDBROMS

# 2B17

POWER TRAIN

PINION SHAFT  
ARBRE DU PIGNON D'ATTAQUE  
HAUPTWELLE  
ALBERO PRINCIPALE  
EJE DE SALIDAL DEL CAMBIO  
HUVUD AXEL  
L24761 -UN-26OCT95



L 24761

# 2B18

POWER TRAIN

KEY	PART NO.	PART NAME	QTY	SERIAL NO.	REMARKS
					3 3
					0 1
					3 3
					0 0
1	L28703	BEARING CONE	1		X X REAR
2	L28648	BEARING CUP	1		X X REAR
3	T28284	SHIM	2		X X TK=0,1MM(.003")
	T28285	SHIM	3		X X TK=0,15MM(.005")
	T28286	SHIM	1		X X TK=0,25MM(.010")
4	L28646	GEAR	1		X X Z=38
5	R712R	SNAP RING	1		X X
6	T28289	SHIFT COLLAR	1		X X
7	T28288	PINION	1		X X
8	T28290	SNAP RING	2		X X
9	AT26392	STEERING GEAR	1		X X Z=30
10	.....		1		X X NSEP (ORD AT26392)
11	T28293	THRUST WASHER	2		X X
12	T28295	STEERING GEAR	1		X X Z=24
13	T28296	THRUST WASHER	1		X X
14	T19242	SNAP RING	1		X X
15	T28329	SHIFT COLLAR	1		X X (B)
16	T28297	SPACER	1		X X
17	T28298	SHIM	2		X X TK=0,1MM(.003")
	T28299	SHIM	2		X X TK=0,15MM(.005")
	T28300	SHIM	1		X X TK=0,25MM(.010")
18	T28330	QUILL	1		X X (B)
19	JD8257	BEARING CUP	1		X X FRONT
20	JD8947	BEARING CONE	1		X X FRONT
21	L32535	NUT	1		X X 1-3/8" (SUB FOR T28301)
22	T28280	SHIFT COLLAR	1		X X (A) Z=8
23	T28281	QUILL	1		X X (A)
24	T25317	DOWEL PIN	1		X X (A)

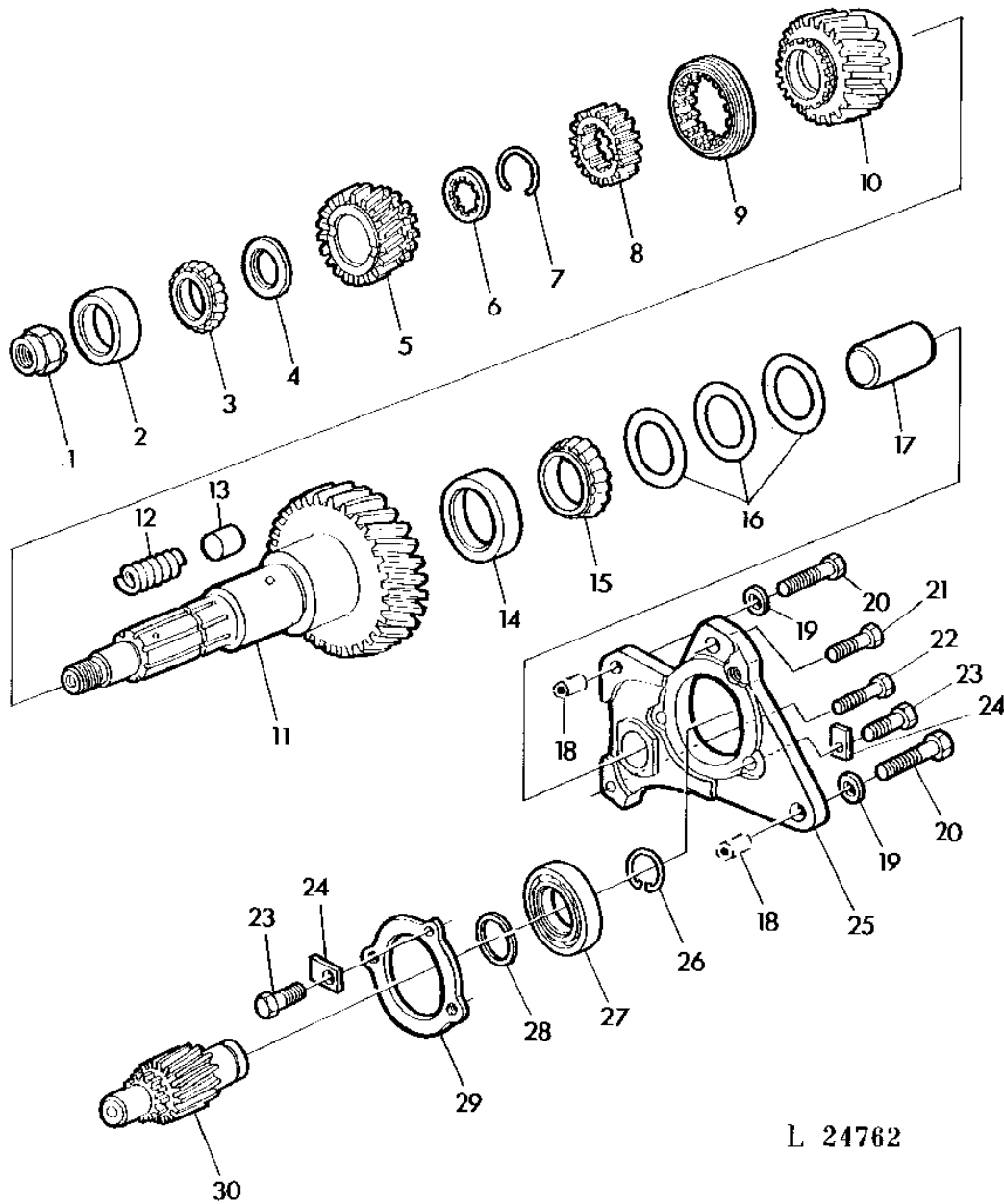
(A) WITH PARKING LOCK  
 AVEC VERROUILLAGE DE STATIONNEMENT  
 BEI PARKSPERRE  
 CON BLOCCO DI STAZIONAMENTO  
 CON BLOQUEO DE APARCAMIENTO  
 VID PARKERINGSSPARR

(B) WITH HANDBRAKE  
 AVEC FREIN A MAIN  
 BEI HANDBREMSE  
 CON FRENO A MANO  
 CON FRENO DE MANO  
 VID HANDBROMS

# 2B19

POWER TRAIN

COUNTERSHAFT/BEARING SUPPORT  
ARBRE INTERMEDIAIRE/COUVERCLE DU ROULEMENT  
NEBENWELLE/LAGERDECKEL  
ALBERO SECONDARIO CAMBIO/SUPPORTO  
EJE INTERMEDIO/TAPA DEL RODAMIENTO  
MELLANAXEL/LAGERLAGE  
L24762 -UN-26OCT95





# 2B20

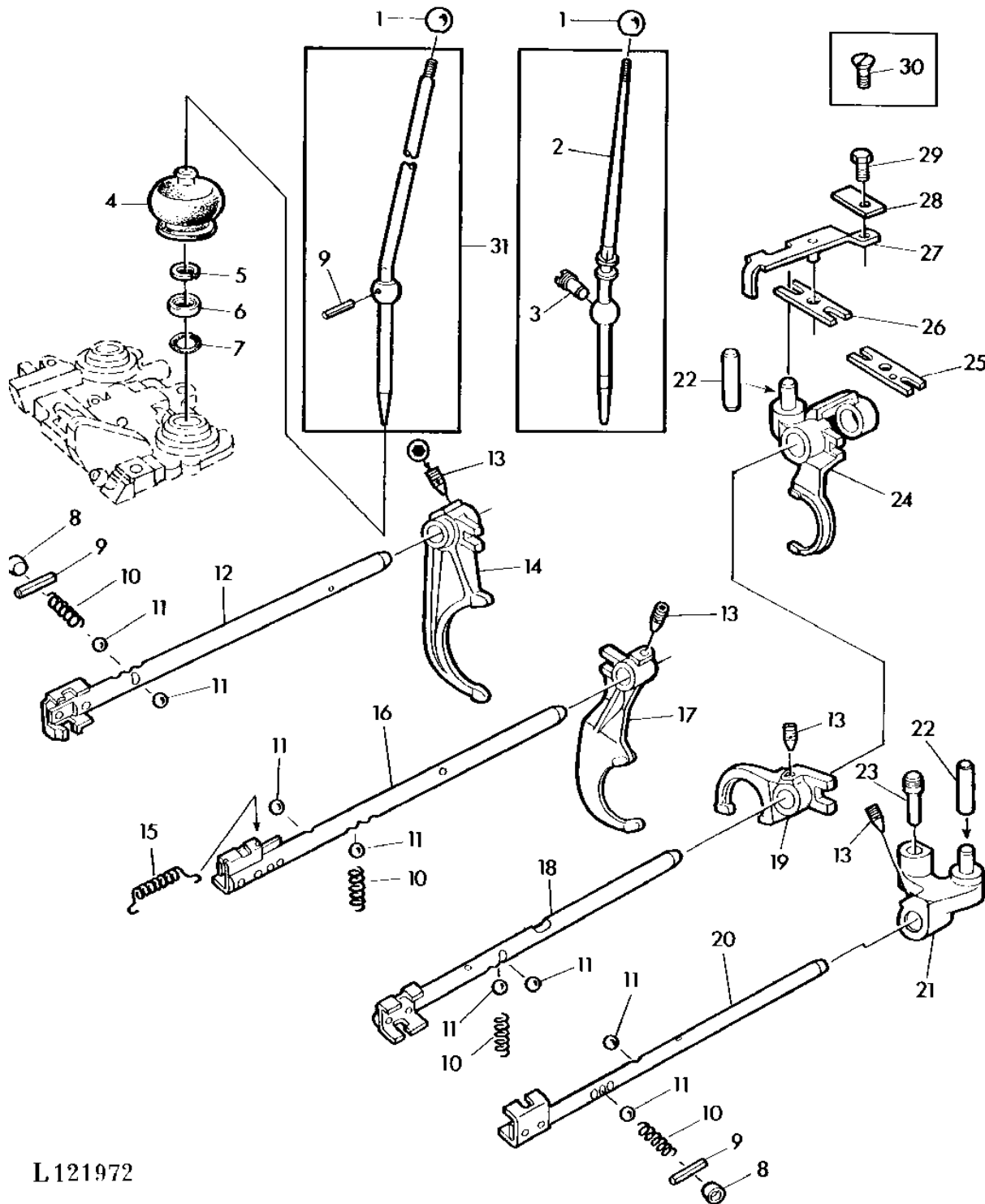
POWER TRAIN

KEY	PART NO.	PART NAME	QTY	SERIAL NO.	3 0 3 0	3 1 3 0	REMARKS
1	T28320	NUT	1		X	X	7/8"
2	JD9024	BEARING CUP	1		X	X	REAR
3	JD9025	BEARING CONE	1		X	X	REAR
4	T28318	WASHER	1		X	X	
5	T28317	PINION	1		X	X	Z=16
6	T28315	THRUST WASHER	1		X	X	
7	T28319	SNAP RING	1		X	X	
8	T28314	SLEEVE	1		X	X	
9	T28316	SHIFT COLLAR	1		X	X	
10	T28313	PINION	1		X	X	Z=18
11	L28647	COUNTERSHAFT	1		X	X	Z=45
12	R47008	SPRING	1		X	X	
13	T21969	FRICTION PLUG	1		X	X	
14	JD8257	BEARING CUP	1		X	X	FRONT
15	JD9026	BEARING CONE	1		X	X	FRONT
16	T28323	SHIM	2		X	X	TK=0,1MM(.003")
	T28324	SHIM	1		X	X	TK=0,15MM(.005")
	T28325	SHIM	1		X	X	TK=0,25MM(.010")
17	T28322	COUNTERSHAFT	1		X	X	
18	.....		2		X	X	
19	R1870R	WASHER	2		X	X	
20	19H2549	CAP SCREW	2		X	X	3/8"X1-7/8"
21	19H1732	CAP SCREW	1		X	X	3/8"X1-1/4"
22	19H2545	CAP SCREW	1		X	X	3/8"X1-3/8"
23	19H2284	CAP SCREW	3		X	X	3/8"X7/8"
24	R1888R	STRAP	3		X	X	
25	T28321	SUPPORT	1		X	X	
26	T28328	SNAP RING	1		X	X	
27	AR52706	BEARING CONE	1		X	X	
28	R49242	SNAP RING	1		X	X	
29	T28326	RETAINER	1		X	X	
30	R52620	GEAR	1		X	X	Z=16 (SUB FOR T28327)

# 2B21

POWER TRAIN

GEAR SHIFTING PARTS  
ELEMENTS DE LA SELECTION DE VITESSES  
GANGSCHALTUNGSTEILE  
PARTI DI INNESTO MARCE  
PIEZAS DEL CAMBIO DE VELOCIDADES  
VAXLINGSANORDNING  
L121972 -UN-27OCT95



L121972

# 2B22

POWER TRAIN

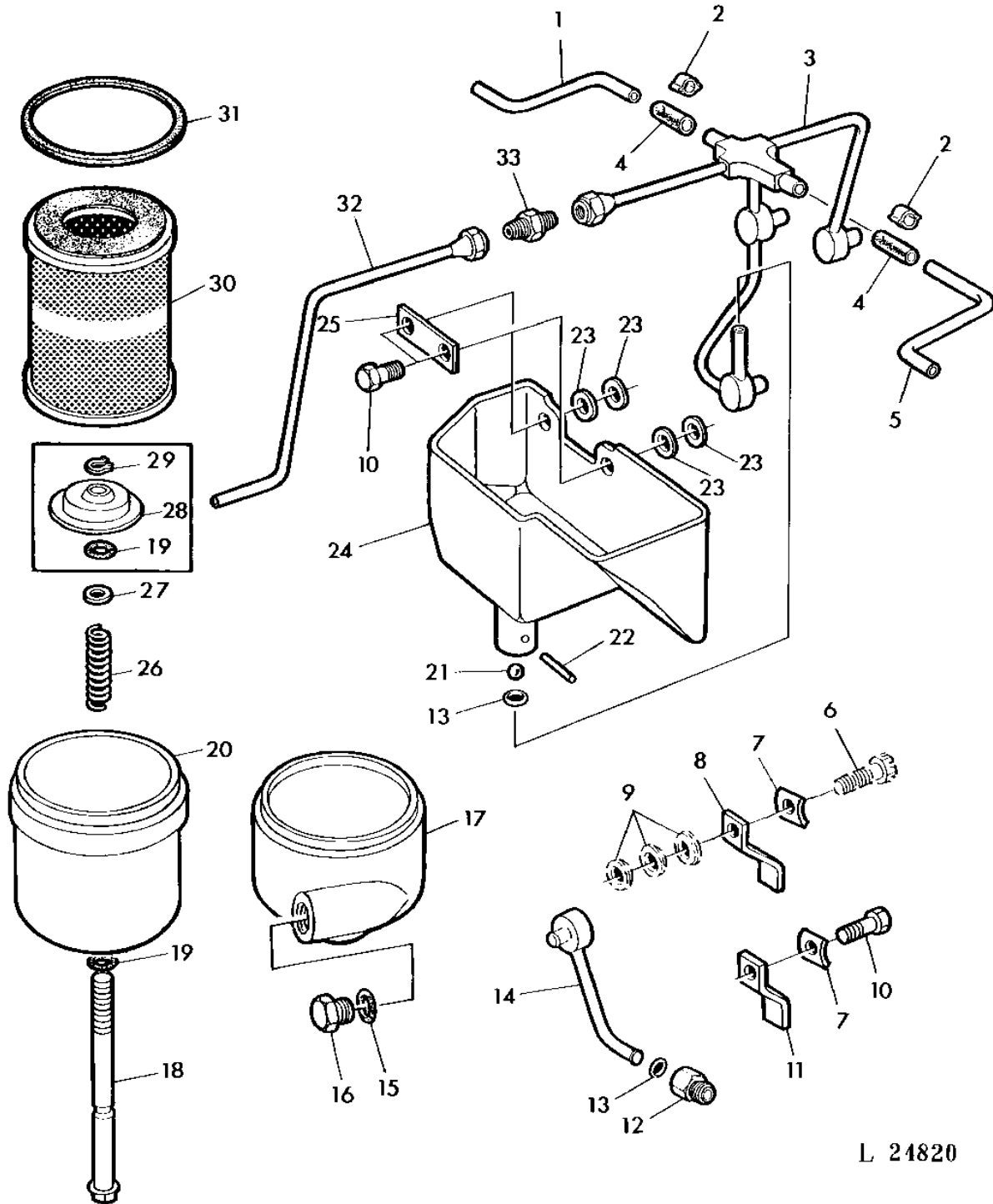
KEY	PART NO.	PART NAME	QTY	SERIAL NO.	REMARKS
					3 3
					0 1
					3 3
					0 0
1	AL58296	KNOB	2		X X (SUB FOR R50864 APPL)
2	L28653	GEARSHIFT LEVER	2		X X (ORD AL68457)
3	L28654	SET SCREW	2		X X
4	L31055	BOOT	2		X X (SUB FOR L31056, T22730)
5	L4035T	SNAP RING	2		X X
6	L4027T	BUSHING	2		X X
7	R29936	O-RING	1		X X
8	M1102T	CAP	3		X X 1/8"X1"
9	34H251	SPRING PIN	2		X X 1/8"X1"
10	T27716	SPRING	4		X X 5/16"
11	R26552	BALL	8		X X 5/16"
12	AL33244	SHIFTER ROD	1		X X (SUB FOR AR49776, AT26645)
13	T25614	SET SCREW	4		X X
14	T25515	CONTROL	1		X X
15	L36575	SPRING	1		X X (A) (SUB FOR T28680)
16	AL33253	SHIFTER ROD	1		X X (SUB FOR AT26644)
17	T28677	SHIFTER	1		X X
18	AL33255	SHIFTER ROD	1		X X (SUB FOR AT26647)
19	T28684	SHIFTER	1		X X
20	AL33254	SHIFTER ROD	1		X X (SUB FOR AT26649)
21	AT26648	ARM	1		X X
22	R26650	DOWEL PIN	2		X X
23	R98941	PIN	1		X X (SUB FOR R48312, T22435)
24	AT26646	SHIFTER	1		X X
25	R48790	LINK	1		X X 3/8"X7/8"
26	T28691	LINK	1		X X 3/8"X7/8"
27	AT26650	BRACKET	1		X X
28	R1888R	STRAP	1		X X
29	19H2284	CAP SCREW	1		X X 3/8"X7/8"
30	21H1243	SCREW	1		X X 3/8"X7/8"
31	AL68457	GEARSHIFT LEVER	2		X X (SUB FOR L28653)

(A) WITH PARKING LOCK  
 AVEC VERROUILLAGE DE STATIONNEMENT  
 BEI PARKSPERRE  
 CON BLOCCO DI STAZIONAMENTO  
 CON BLOQUEO DE APARCAMIENTO  
 VID PARKERINGSSPARR

# 2B23

POWER TRAIN

TRANSMISSION OIL FILTER/OIL LINES/OIL CUP  
 FILTRE A HUILE DE BOITE/CONDUITES/CUVE  
 GETRIEBEOELFILTER/OELLEITUNGEN/OELTOPF  
 FILTRO OLIO TRASMISSIONE/LINEE OLIO/SCATOLA  
 FILTRO DE ACEITE DEL CAMBIO/TUBERIAS/CUERPO DEL FILTRO  
 VAXELLADS OLJEFILTER/LEDNINGGAR/OLJEBEHALLARE  
 L24820 -UN-26OCT95



L 24820

# 2B24

POWER TRAIN

KEY	PART NO.	PART NAME	QTY	SERIAL NO.	3 0 3 0	3 1 3 0	REMARKS
1	T32097	TUBE	1		X	X	
2	T32099	CLAMP	4		X	X	
3	AT31224	OIL LINE	1		X	X	
4	T32100	FITTING	2		X	X	
5	T32096	TUBE	1		X	X	
6	.....		1		X	X	
7	H246R	STRAP	1		X	X	(A)
8	L29223	CLAMP	1		X	X	(B)
9	.....		1		X	X	
10	19H2038	CAP SCREW	2	-089493	X	X	3/8"X1/2"
	19H2038	CAP SCREW	1		X	X	(A) 3/8"X1/2"
	19H1936	CAP SCREW	2	089494-	X	X	3/8"X3/4"
11	L29224	CLAMP	1		X	X	(A)
12	T22852	ADAPTER	1		X	X	9/16"
13	A3917R	O-RING	2		X	X	
14	AL23901	OIL TUBE	1		X	X	
15	F3171R	O-RING	1		X	X	
16	R27175	DRAIN PLUG	1		X	X	1-1/16"
17	L55982	COVER	1		X	X	(C) (SUB FOR T31170)
18	R54752	CAP SCREW	1	-099580	X	X	(SUB FOR R39799)
	L29253	CAP SCREW	1	099581-154563	X	X	1/2"
	L31052	SCREW	1	154564-	X	X	
19	R394R	O-RING	2	-154563	X	X	
20	R39796	COVER	1	-099580	X	X	(ORD L29250, L29251, L29252, L29253)
	L29250	COVER	1	099581-	X	X	
21	R26552	BALL	1		X	X	5/16"
22	R39090	NEEDLE ROLLER	1		X	X	
23	24H1308	WASHER	4	089494-	X	X	13/32"X1"X.134"
24	T28716	OIL CUP	1		X	X	
25	T28717	PLATE	1		X	X	
26	R1769R	SPRING	1	-099580	X	X	
	L29252	COMPRESSION SPRING	1	099581-154563	X	X	
	L31051	COMPRESSION SPRING	1	154564-	X	X	
27	24H1227	WASHER	1		X	X	17/32"X13/16"X.060"
28	R28593	RETAINER	1	-099580	X	X	
	L29251	RETAINER	1	099581-154563	X	X	
29	R32507	SNAP RING	1	-154563	X	X	
30	AR28072	FILTER ELEMENT	1	-154563	X	X	(ORD AL25554, L31051, L31052)
	AL25554	FILTER ELEMENT	1	154564-	X	X	
31	R34733	WASHER	1		X	X	
32	AT31226	OIL LINE	1		X	X	
33	R27095	FITTING	1		X	X	

(A) WITH PARKING LOCK  
 AVEC VERROUILLAGE STATION  
 BEI PARKSPERRE  
 CON BLOCCO DI STAZION  
 CON BLOQUEO DE APARCAMI  
 VID PARKERINGSSPARR

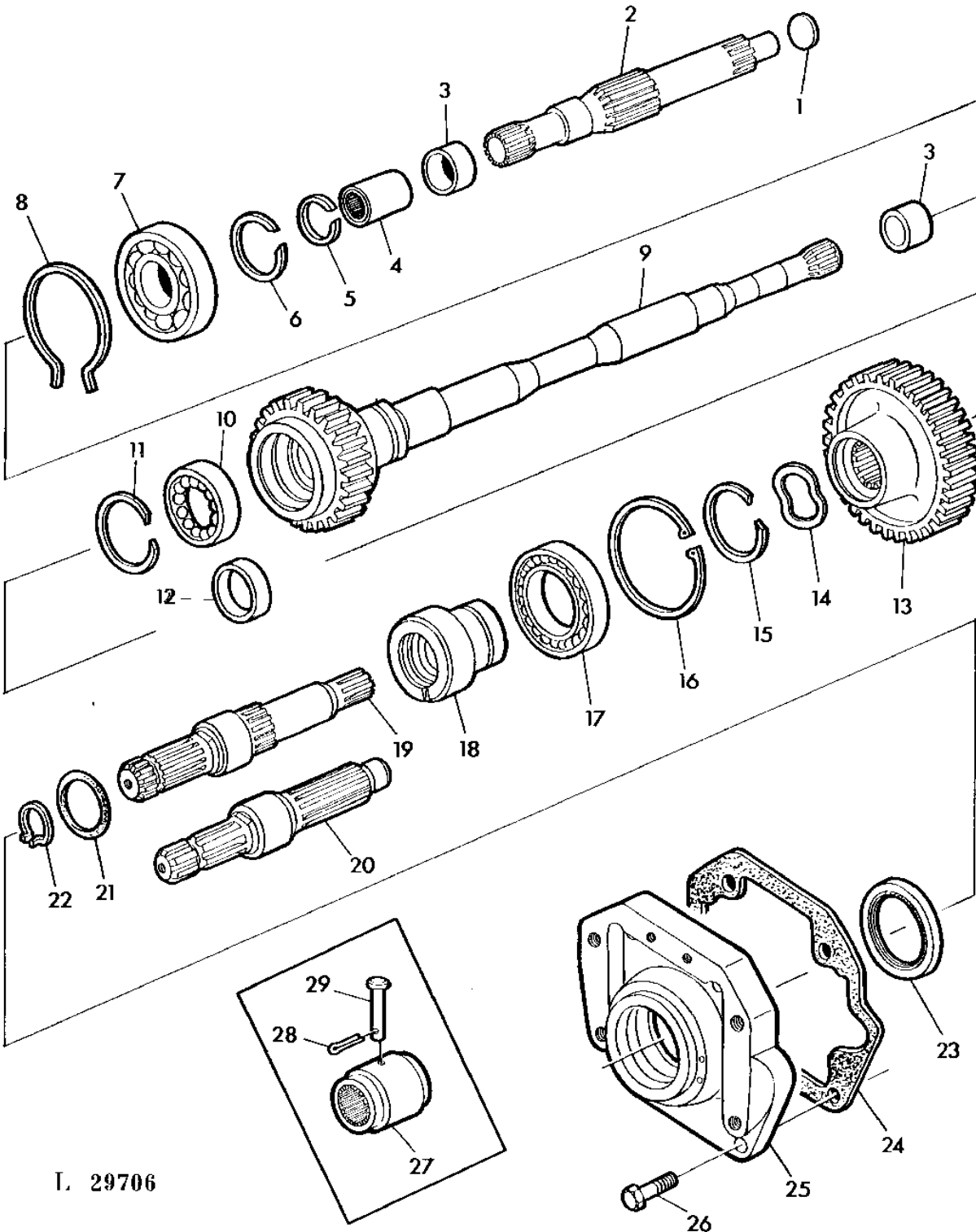
(B) WITH HANDBRAKE  
 AVEC FREIN A MAIN  
 BEI HANDBREMSE  
 CON FRENO A MANO  
 CON FRENO DE MANO  
 VID HANDBROMS

(C) FOR CONNECTING HYDR. MOT.  
 POUR BRANCHER MOT. HYDR.  
 FUER HYDRO-MOTOR ANSCHLUSS  
 PER ATTACCAREUN MOT. IDR.  
 PARA ACOPLAR EL MOT.HIDR.  
 FOR ANSLUTN. AV HYDR. MOTOR

# 2C1

POWER TRAIN

INDEPENDENT PTO 540-1000 RPM (INTERCHANGEABLE)  
PDF INDEPENDANTE 540-1000 TR/MIN (INTERCHANGEABLE)  
UNABH.ZAPFWELLE 540-1000 U/MIN (AUSWECHSELBAR)  
PDF INDIPENDENTE 540-1000 G/MIN (INTERCAMBIABILE)  
TDF INDEPENDIENTE 540-1000 R/MIN (CAMBIABLE)  
OBEROENDE KRAFTUTTAG 540-1000 RPM (UTBYTTBAR)  
L29706 -UN-27OCT95



I. 29706

# 2C2

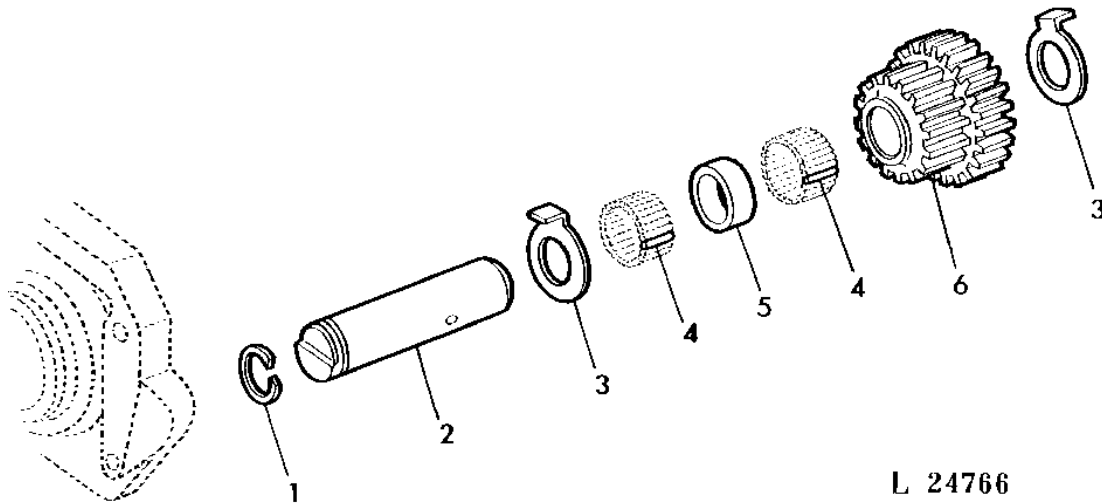
## POWER TRAIN

KEY	PART NO.	PART NAME	QTY	SERIAL NO.	REMARKS
					3 3
					0 1
					3 3
					0 0
1	R26656	WASHER	1		X X
2	T32092	SHAFT	1		X X
3	T22128	BUSHING	2		X X
4	T30767	SPLINED COUPLING	1		X X
5	T30766	SNAP RING	1		X X
6	R36295	SNAP RING	1		X X
7	JD9385	BALL BEARING	1		X X
8	R33322	SNAP RING	1		X X
9	AL23807	DRIVE SHAFT	1		X X Z=24
10	JD10282	ROLLER BEARING	1		X X (SUB FOR JD7537)
11	F2367R	SNAP RING	1		X X
12	JD10283	BEARING RACE	1		X X 540 U/MIN (540 R.P.M.) (SUB FOR JD7557)
13	R42014	GEAR	1		X X Z=31,540 U/MIN (540 R.P.M.)
14	R38219	THRUST WASHER	1		X X
15	F1334R	SNAP RING	1		X X
16	40M7178	SNAP RING	1		X X (SUB FOR L25837)
17	JD9320	BALL BEARING	1		X X
18	R45126	GUIDE	1		X X
19	T28672	SHAFT	1		X X 1000U/MIN(1000R.P.M.)
20	R41756	SHAFT	1		X X 540U/MIN(540 R.P.M.)
21	P50631	O-RING	1		X X
22	R38221	SNAP RING	2		X X
23	AT16431	SEAL	1		X X
24	L29268	GASKET	1		X X (SUB FOR T28612)
25	T28671	QUILL	1		X X REAR
26	19H1721	CAP SCREW	4		X X 1/2"X1-1/2"
27	T32091	COUPLING	1		X X (ORD T30766, T30767)
28	11H233	COTTER PIN	1		X X 3/32"X1/2"
29	T28655	PIN	1		X X (ORD T30766, T30767)

# 2C3

POWER TRAIN

PTO COUNTERSHAFT  
 RENVOI DE PDF  
 ZAPFWELLEN-VORGELEGE  
 ALBERO RINVIO PDF  
 TREN INTERMEDIO DE LA TDF  
 KRAFTUTTAGETS MELLANAXEL  
 L24766 -UN-26OCT95



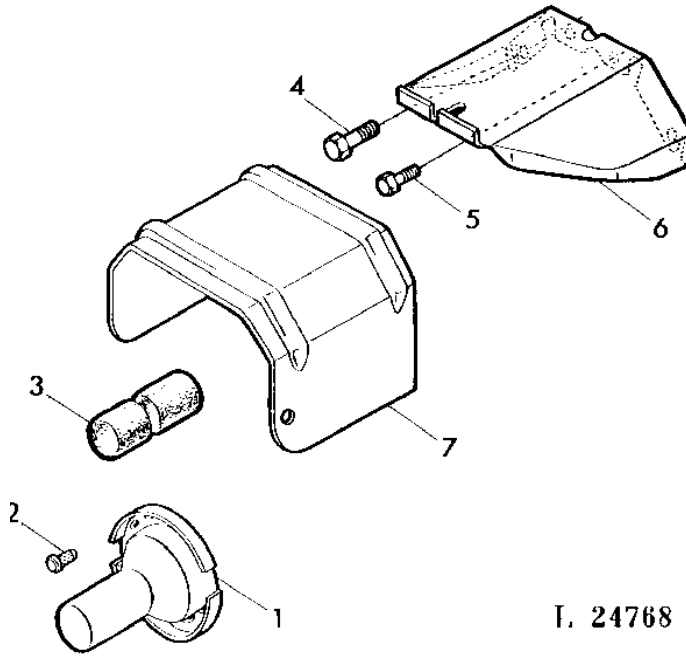
KEY	PART NO.	PART NAME	QTY	SERIAL NO.	REMARKS
				3 3	
				0 1	
				3 3	
				0 0	
1	R33320	SNAP RING	1	X X	
2	L63222	COUNTERSHAFT	1	X X	(SUB FOR R33852)
3	T28669	THRUST WASHER	2	X X	
4	R33028	NEEDLE ROLLER	48	X X	
5	R33344	SPACER	1	X X	
6	R33339	GEAR	1	X X	Z=16/23



# 2C4

POWER TRAIN

POWER TAKE-OFF GUARD  
 GARANT DE PDF  
 ZAPFWELLENSCHUTZ  
 PROTEZIONI PDF  
 PROTECCIONES DE LA TDF  
 KRAFTUTTAGSSKYDD  
 L24768 -UN-26OCT95



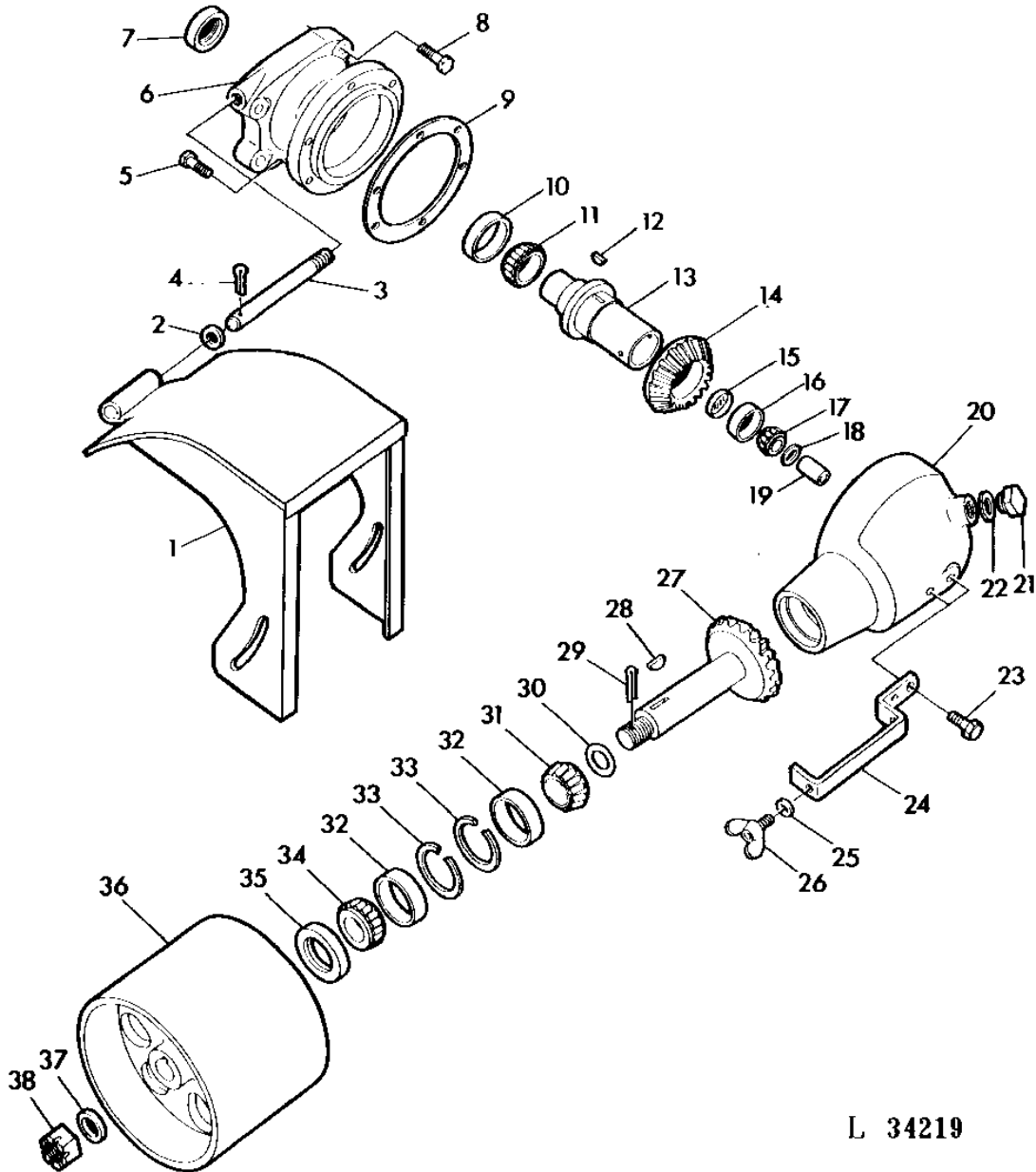
I. 24768

KEY	PART NO.	PART NAME	QTY	SERIAL NO.	REMARKS
				3 3	
				0 1	
				3 3	
				0 0	
1	AR26782	GUARD	1	X X	
2	R27329	SCREW	2	X X	
3	L12974	CAP	1	X X	
4	19H1792	CAP SCREW	2	X X	1/2"X1"
5	19H2284	CAP SCREW	2	X X	3/8"X7/8"
6	T30037	GUARD	1	X X	
7	AR53799	GUARD	1	X X	

# 2C5

POWER TRAIN

BELT PULLEY (WITH 1000 RPM PTO)  
POULIE(PDF 1000 TR/MN)  
RIEMENSCHLEIBE(BEI ZAPFWELLE 1000U/MIN)  
PULEGGIA (CON PRESA DI FORZA 1000 GIRI/L)  
POLEA DE LA TRILLA (CON TDF DE 1000 RPM)  
REMSKIVA(VID KRAFTUTTAG FOR 1000 RPM)  
L34219 -UN-03JUL95



L 34219

# 2C6

POWER TRAIN

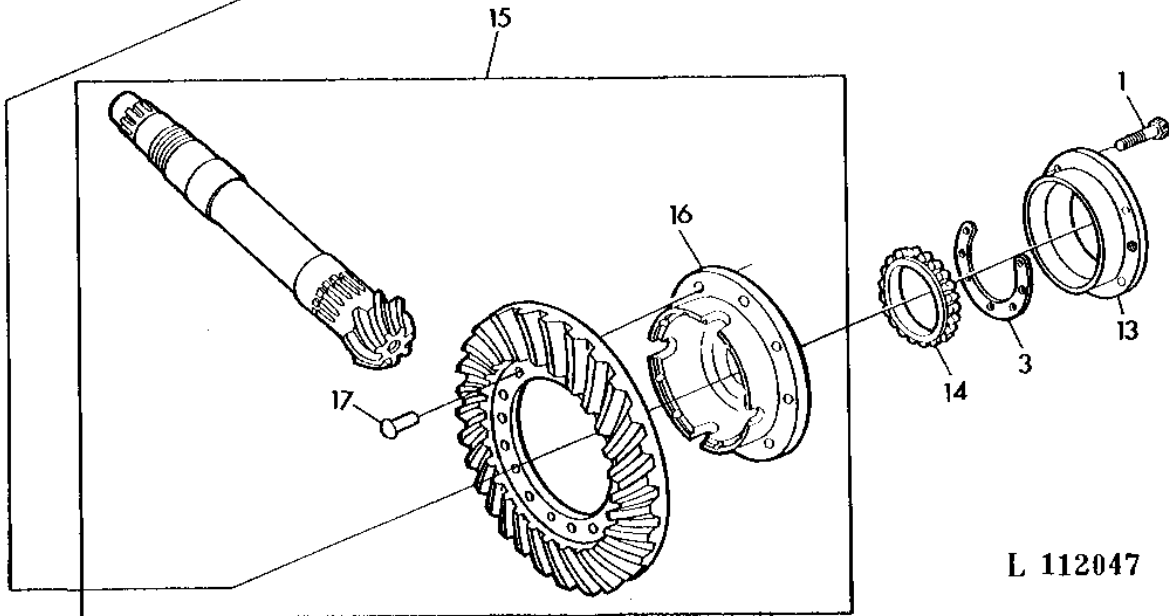
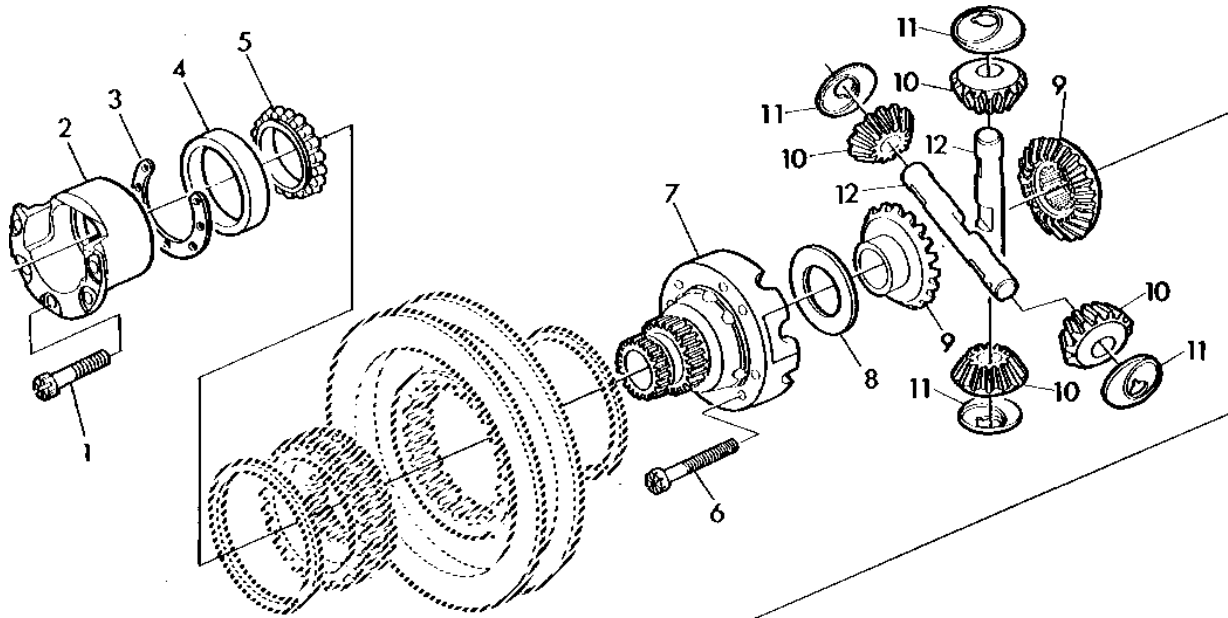
KEY	PART NO.	PART NAME	QTY	SERIAL NO.	REMARKS
					3 3
					0 1
					3 3
					0 0
1	AT27264	GUARD	1		X X
2	24H1378	WASHER	1		X X 11/16"X1-1/2"X.134"
3	T29240	STUD	1		X X 5/8"
4	11H239	COTTER PIN	1		X X 5/32"X1"
5	19H2508	CAP SCREW	6		X X 1/2"X1-3/8"
6	T29550	QUILL	1		X X
7	AT12431	SEAL	1		X X
8	19H2644	CAP SCREW	4		X X 1/2"X2-1/2"
9	R44361	SHIM	AR		X X 0,13MM (.005")
	R44372	SHIM	AR		X X (A) 0,13MM-0,15MM(.005"- .006")
	T13341	SHIM	AR		X X 0,25MM (.010")
10	JD8247	BEARING CUP	1		X X FRONT
11	JD8922	BEARING CONE	1		X X FRONT
12	26H85	SHAFT KEY	1		X X 1/4"X1"
13	T13329	HUB	1		X X
14	R63692	GEAR	1		X X Z=26
15	M2206T	CAP	1		X X
16	JD7438	BEARING CUP	1		X X REAR
17	JD8135	BEARING CONE	1		X X REAR
18	T13331	SHIM	AR		X X 0,08MM (.003")
	T13332	SHIM	AR		X X 0,15MM (.005")
	T13333	SHIM	AR		X X 0,25MM (.010")
19	T13471	PIN	1		X X
20	T29242	CASE	1		X X
21	R51895	FITTING	1		X X
22	A4827R	WASHER	1		X X
23	19H2284	CAP SCREW	2		X X 3/8"X7/8"
24	T29239	BAIL	1		X X
25	24H1136	WASHER	2		X X 11/32"X11/16"X.060"
26	T29241	WING SCREW	2		X X 5/16"
27	R63691	SHAFT	1		X X Z=27
28	26H93	SHAFT KEY	1		X X 1/4"X1-1/4"
29	11H222	COTTER PIN	1		X X 3/16"X2"
30	L11027	SHIM	2		X X 0,1MM (.004")
	R48566	SHIM	2		X X 0,15MM (.006")
	L11028	SHIM	3		X X 0,2MM (.008")
31	JD8969	BEARING CONE	1		X X
32	JD7418	BEARING CUP	2		X X
33	T13325	SNAP RING	2		X X
34	JD8982	BEARING CONE	1		X X
35	AT16887	SEAL	1		X X
36	T18718	PULLEY	1		X X
37	R30399	WASHER	1		X X (SUB FOR T18996)
38	14H920	NUT	1		X X 1"

(A) PAPER  
 PAPIER  
 PAPIER  
 CARTA  
 PAPEL  
 PAPPER

# 2C7

POWER TRAIN

DIFFERENTIAL  
DIFFERENTIEL  
DIFFERENTIAL  
DIFFERENZIALE  
DIFFERENTIAL  
L112047 -UN-01JAN94



L 112047

# 2C8

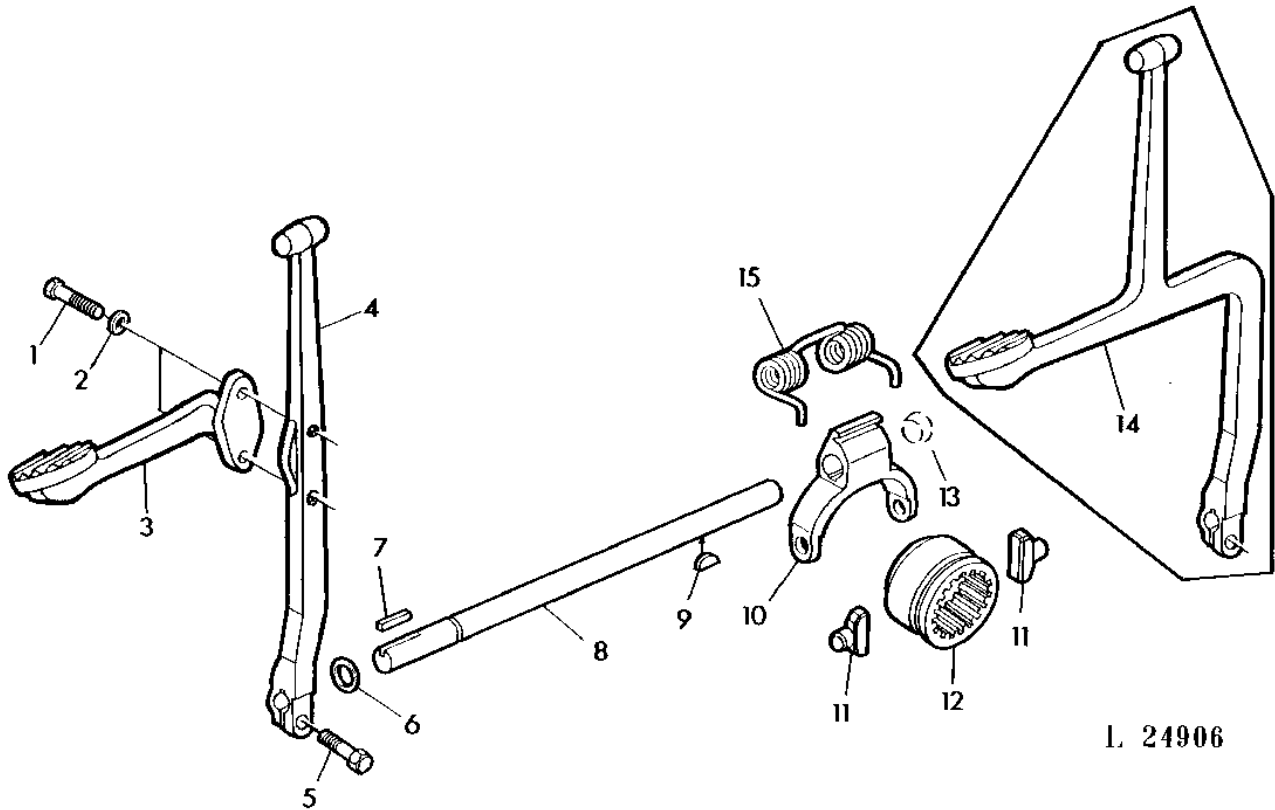
POWER TRAIN

KEY	PART NO.	PART NAME	QTY	SERIAL NO.	3 0 3 0	3 1 3 0	REMARKS
1	T22874	BOLT	10		X	X	3/8"
2	T28118	QUILL	1	-141775	X	X	LH
	L30764	QUILL	1	141776-301274	X	X	LH
	L33911	QUILL	1	301275-	X	X	LH
3	L29005	SHIM	AR		X	X	0,08MM (.003")
	L29006	SHIM	AR		X	X	0,13MM (.005")
	L29007	SHIM	AR		X	X	0,25MM (.010")
4	JD8206	BEARING CUP	1	-141775	X	X	LH
	JD9151	BEARING CUP	1	141776-	X	X	LH
5	JD8946	BEARING CONE	1	-141775	X	X	LH
	JD10318	BEARING CONE	1	141776-	X	X	LH (SUB FOR JD9096)
6	T21430	CAP SCREW	8		X	X	3/8"
7	L29416	HOUSING	1	-141775	X	X	(SUB FOR L29148)
	L30762	HOUSING	1	141776-184539	X	X	(ORD L31791, L31792, (4) L31793 L31794)
	L31791	HOUSING	1	184540-	X	X	
8	L31792	WASHER	1	184540-	X	X	
9	L28376	BEVEL GEAR	2		X	X	Z=18
10	L29227	GEAR	4		X	X	Z=11
11	L31793	THRUST WASHER	4	184540-	X	X	
12	L29226	SHAFT	2		X	X	
13	L29001	BEARING CUP	1	-301274	X	X	RH
	L33492	QUILL	1	301273-	X	X	RH
14	JD10319	BEARING CONE	1		X	X	RH (SUB FOR L29002)
15	AL23518	KIT	1	-184539	X	X	Z=29/7 (ORD AL27023, L31791, L31792, (4) L31793)
	AL23505	KIT	1	-184539	X	X	Z=43/9 (ORD AL27022, L31791, L31792, (4) L31793)
	AL27023	KIT	1	184540-	X	X	Z=29/7
	AL27022	KIT	1	184540-	X	X	Z=43/9
16	L29000	HOUSING	1	-184539	X	X	(ORD L31791, L31792, (4) L31793 L31794, (16) L40557)
	L31794	HOUSING	1	184540-	X	X	
17	L40557	RIVET	16		X	X	7/16"X1-11/16" (SUB FOR L29871, 16H1592)

# 2C9

POWER TRAIN

DIFFERENTIAL LOCK MECHANISM (W/O CAB)  
BLOCAGE DE DIFFERENTIEL (SANS CABINE)  
DIFFERENTIALSPERRE (OHNE KABINE)  
BLOCCO DEL DIFFERENZIALE (SENZA CABINA)  
BLOQUEO DEL DIFERENCIAL (SIN CABINA)  
DIFFERENTIALSPARR (UTAN FORARHYTT)  
L24906 -UN-26OCT95



# 2C10

POWER TRAIN

KEY	PART NO.	PART NAME	QTY	SERIAL NO.	3 0 3 0	REMARKS
1	19M7169	CAP SCREW	2		X X	M10X35
2	24M7028	WASHER	2		X X	10,5X21X2MM
3	L32671	PEDAL	1		X X	
4	L32670	LEVER	1		X X	(ORD L39298, 19M7169)
	L39298	LEVER	1		X X	
5	19H1732	CAP SCREW	1		X X	3/8"X1-1/4" (FOR L32670)
	19M7169	CAP SCREW	1		X X	M10X35 (FOR L39298)
6	R28776	O-RING	1	-141775	X X	
	L29406	O-RING	1	141776-278300	X X	
	R28776	O-RING	1	278301-	X X	
7	L29834	SHAFT KEY	1		X X	(SUB FOR H410R)
8	T28124	SHAFT	1	-123317	X X	(ORD L29406, L29832, 26H77)
	L29832	SHAFT	1	123318-141775	X X	(SUB FOR L29405)
	L30767	SHAFT	1	141776-265906	X X	
	L32840	SHAFT	1	265907-301274	X X	
	L33665	SHAFT	1	301275-	X X	
9	26H77	SHAFT KEY	1	-123317	X X	3/16"X3/4"
	26H77	SHAFT KEY	2	123318-278300	X X	3/16"X3/4"
	26H77	SHAFT KEY	1	278301-	X X	3/16"X3/4"
10	L39198	SHIFTER	1		X X	
	T28126	YOKE	1	-141775	X X	
	L30769	SHIFTER	1	141776-301274	X X	
	L33996	SHIFTER	1	301275-	X X	(ORD L42282, L63198, (2) T21841)
11	T21841	SHOE	2	-141775	X X	
	L30768	SHOE	2	141776-	X X	
12	L29147	SHIFT COLLAR	1	-102810	X X	(A)
	L29410	SHIFT COLLAR	1	102811-184539	X X	(A)
	L29410	SHIFT COLLAR	1	184540-141775	X X	(ORD L30763)
	L30763	SHIFT COLLAR	1	141776-301274	X X	
	L33664	SHIFT COLLAR	1	301275-	X X	
13	.....		1		X X	
14	L28701	PEDAL	1		X X	KEYS 1-4
15	L42282	TORSION SPRING	1		X X	
	L34692	SPRING	1	-301274	X X	(SUB FOR L29059, T28125)
	L34693	SPRING	1	301275-	X X	(ORD L36198, L42282, (2) T21841) (SUB FOR L33663)

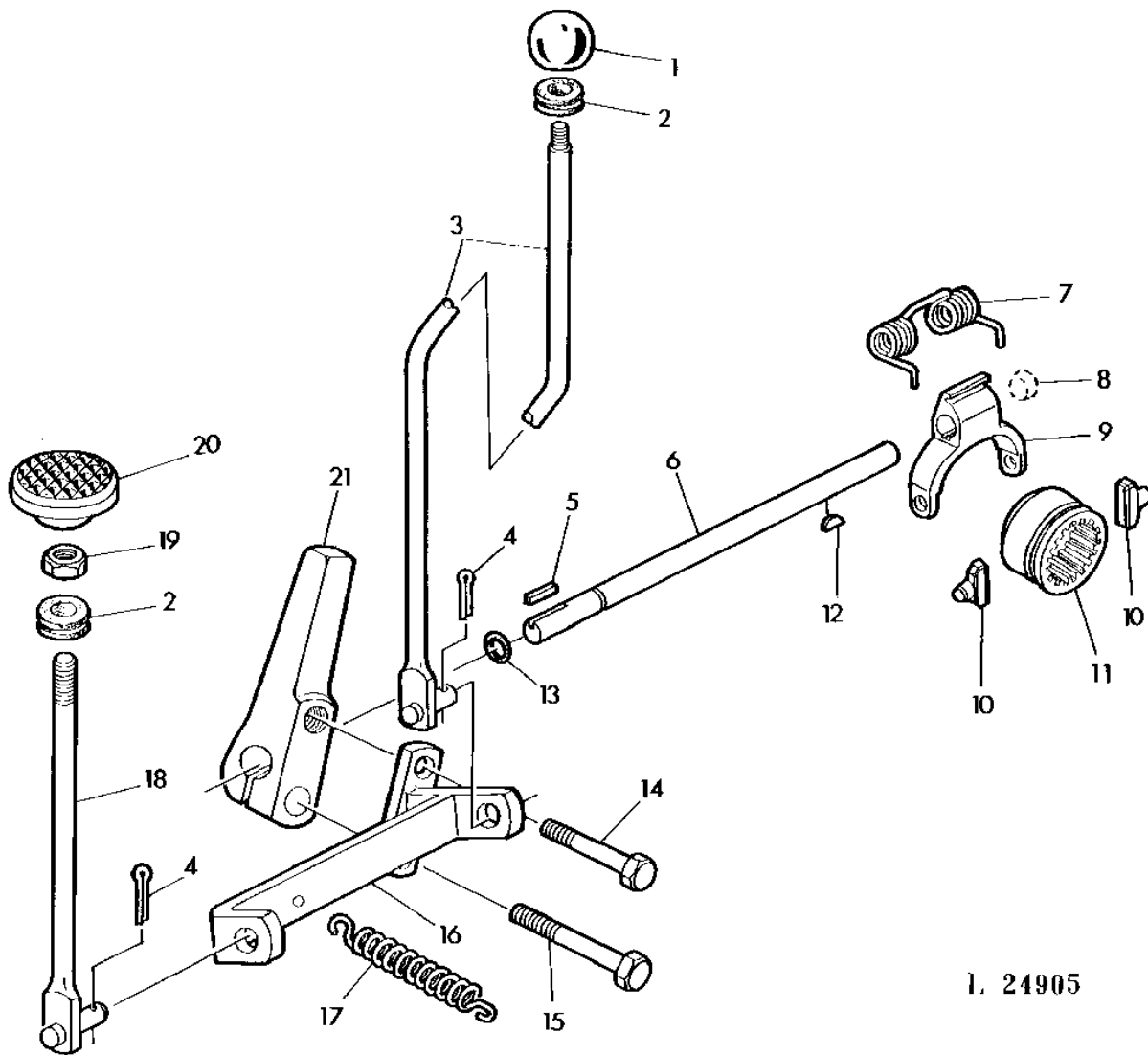
(A)ORD JD10318,JD9151,(2)L28376,(2)L29005,L29006,(2)29226,(4)L29227,L29834,L30763,L30764,L30769,  
791,L31792,(4)L31793,L31794,L32840,(18)L40557(2)L62426,R28776,T28555

.  
. .  
. .  
. .

# 2C11

POWER TRAIN

DIFFERENTIAL LOCK MECHANISM WITH OPERATOR'S CAB  
BLOCAGE DE DIFFERENTIEL AVEC CABINE  
DIFFERENTIALSPERRE BEI KABINE  
BLOCCO DEL DIFFERENZIALE CON CABINA  
BLOQUEO DEL DIFERENCIAL CON CABINA  
DIFFERENTIALSPARR VID FORARHYTT  
L24905 -UN-26OCT95



1. 24905



# 2C12

POWER TRAIN

KEY	PART NO.	PART NAME	QTY	SERIAL NO.	3 0 3 0	3 1 3 0	REMARKS
1	AL58296	KNOB	1		X	X	(SUB FOR R50864 APPL)
2	L30826	GROMMET	2		X	X	
3	AL24924	LEVER	1		X	X	
4	11H211	COTTER PIN	2		X	X	1/8"X3/4"
5	L29834	SHAFT KEY	1		X	X	(SUB FOR H410R)
6	T28124	SHAFT	1	-123317	X	X	(ORD L29406, L29832, 26H77)
	L29832	SHAFT	1	123318-141775	X	X	(SUB FOR L29405)
	L30767	SHAFT	1	141776-265906	X	X	
	L32840	SHAFT	1	265907-301274	X	X	
	L33665	SHAFT	1	301275-	X	X	
7	L34692	SPRING	1	-301274	X	X	(SUB FOR L29059, T28125)
	L34693	SPRING	1	301275-	X	X	(ORD L36198, L42282, (2) T21841) (SUB FOR L33663)
8	.....		1		X	X	
9	T28126	YOKE	1	-141775	X	X	
	L30769	SHIFTER	1	141776-301274	X	X	
	L33996	SHIFTER	1	301275-	X	X	(ORD L42282, L63198, (2) T21841)
10	T21841	SHOE	2	-141775	X	X	
	L30768	SHOE	2	141776-	X	X	
11	L29147	SHIFT COLLAR	1	-102810	X	X	(A)
	L29410	SHIFT COLLAR	1	102811-184539	X	X	(A)
	L29410	SHIFT COLLAR	1	184540-141775	X	X	(ORD L30763)
	L30763	SHIFT COLLAR	1	141776-301274	X	X	
	L33664	SHIFT COLLAR	1	301275-	X	X	
12	26H77	SHAFT KEY	1	-123317	X	X	3/16"X3/4"
	26H77	SHAFT KEY	2	123318-278300	X	X	3/16"X3/4"
	26H77	SHAFT KEY	1	278301-	X	X	3/16"X3/4"
13	R28776	O-RING	1	-141775	X	X	
	L29406	O-RING	1	141776-278300	X	X	
	R28776	O-RING	1	278301-	X	X	
14	19H1731	CAP SCREW	1		X	X	3/8"X1"
15	19H1732	CAP SCREW	1		X	X	3/8"X1-1/4"
16	AL24917	LEVER	1		X	X	
17	L32392	EXTENSION SPRING	1		X	X	(SUB FOR T25367)
18	AL24925	ROD	1		X	X	
19	14H826	NUT	1		X	X	1/2"
20	T33388	PEDAL	1		X	X	
21	L30825	LEVER	1		X	X	

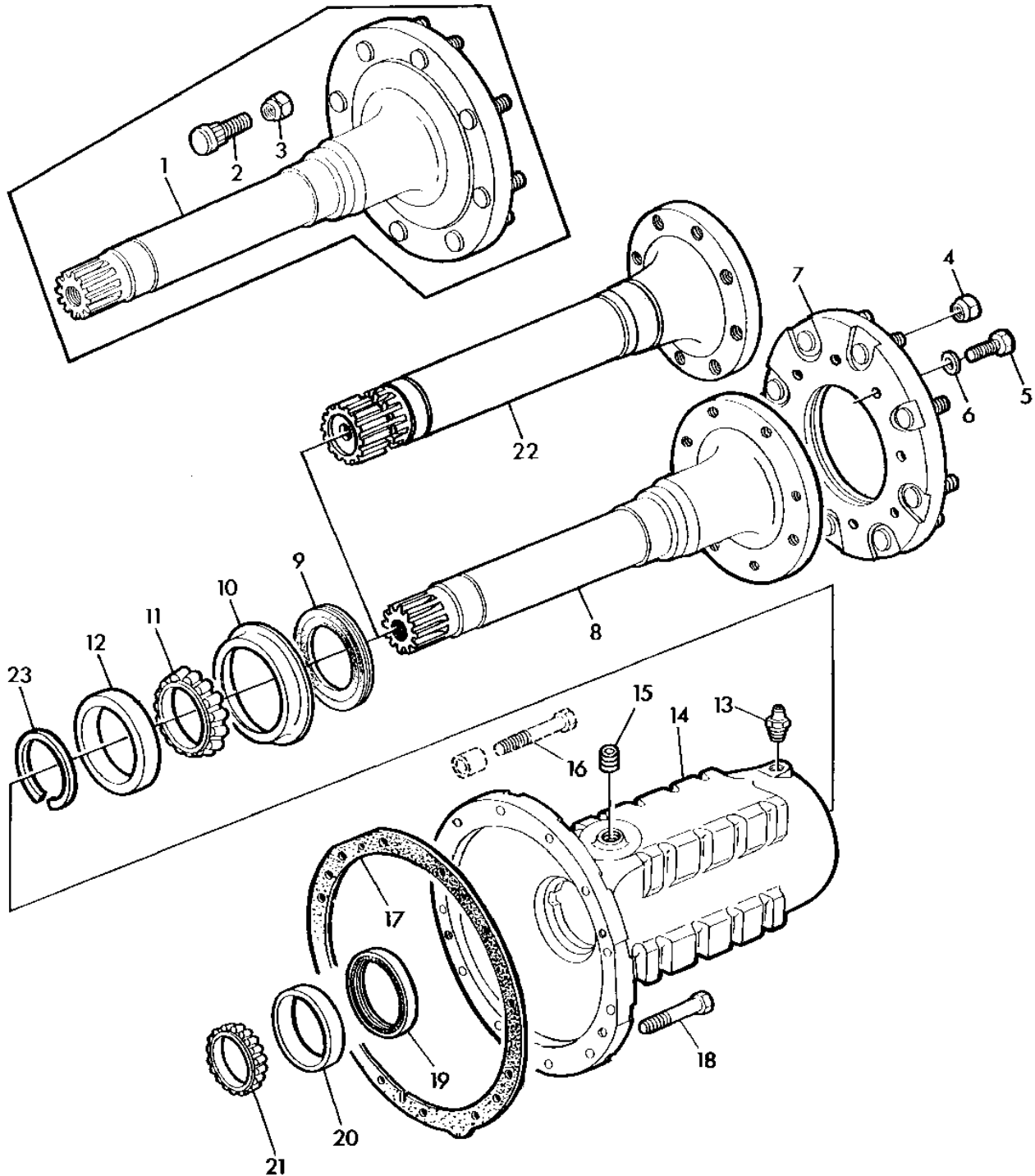
(A)ORD JD10318,JD9151,(2)L28376,(2)L29005,L29006,(2)L29226,(4)L29227,L29834,L30763,L30764,L30769,  
L30769+L31791+L31792+(4)L31793+L31794+L32840+(B)

·  
·  
·

# 2C13

POWER TRAIN

FINAL DRIVE-REAR AXLE  
COMMANDE FINALE-ARBRE DE ROUE ARRIERE  
ENDANTRIEB-HINTERACHSE  
RIDUZIONE FINALE-ASSALE POSTERIORE  
REDUCCION FINAL-PALIER  
SLUTDREV-BAKAXEL  
L103873 -UN-07NOV95



L 103873

# 2C14

POWER TRAIN

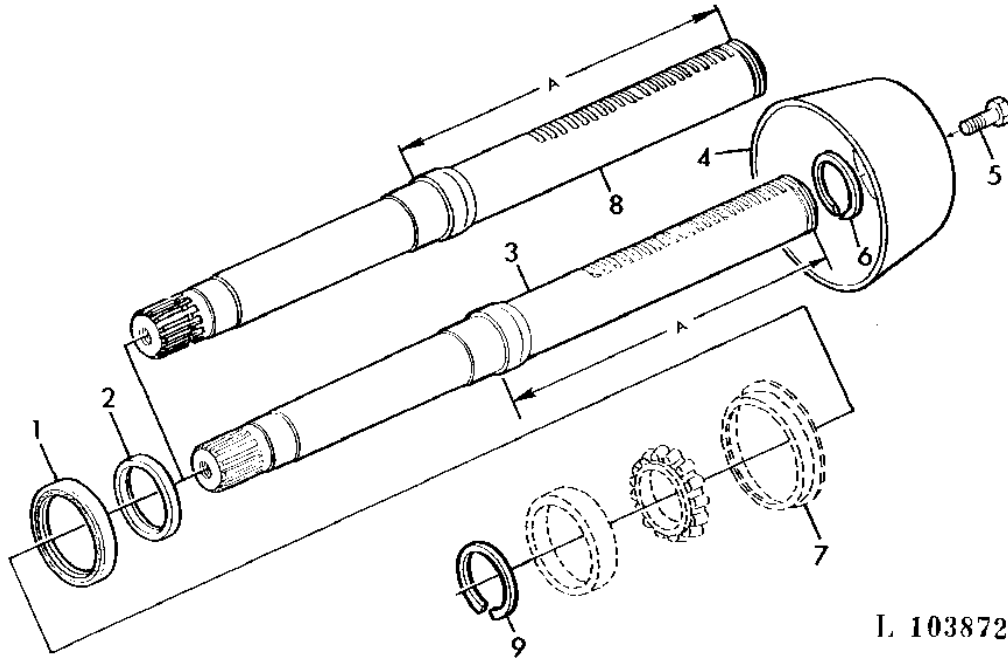
KEY	PART NO.	PART NAME	QTY	SERIAL NO.	3 0 3 0	3 1 3 0	REMARKS
1	AL19677	REAR AXLE	2		X	X	INCL KEY 11
2	T26308	BOLT	16		X	X	3/4"
3	T26309	NUT	16		X	X	3/4"
4	T26309	NUT	16		X	X	(A) 3/4"
5	L31683	SCREW	16		X	X	(A) 3/4"
6	24M7108	WASHER	16		X	X	(A)
7	AL28331	HUB	2		X	X	(A)
8	L31675	REAR AXLE	2	193144-301274	X	X	(SUB FOR L30742)
	L33325	REAR AXLE	2	301275-	X	X	(ORD L39864, L39869)
9	AT26827	SEAL	2		X	X	
10	R28128	RETAINER	2		X	X	
11	JD8963	BEARING CONE	2	-301274	X	X	
	JD8955	BEARING CONE	2	301275-	X	X	
12	JD8213	BEARING CUP	2	-301274	X	X	
	JD8290	BEARING CUP	2	301275-	X	X	
13	JD7759	LUBRICATION FITTING	2		X	X	1/8"
14	L33326	HOUSING	2		X	X	
	T28823	HOUSING	2	-301274	X	X	
	L33328	HOUSING	2	301275-	X	X	(ORD L33326, L37196)
15	L37196	PIPE PLUG	2		X	X	
16	.....		4		X	X	
	.....		4		X	X	
17	L62426	GASKET	2		X	X	(SUB FOR T28836)
18	19H3159	CAP SCREW	20	-301274	X	X	9/16"X7"
	19H3160	CAP SCREW	20	301275-	X	X	9/16"X8"
19	AL38358	SEAL	2		X	X	(SUB FOR AT26826)
20	JD8210	BEARING CUP	2		X	X	
21	JD8975	BEARING CONE	2		X	X	
22	L39869	HALF AXLE	2		X	X	
23	L39864	SNAP RING	2		X	X	(FOR L39869)

(A) FOR RUNS WITH 275MM STUD HOLE CIRCLE DIA  
 POUR JANTE A CERCLE DE PERCAGE 275MM  
 FUER FELGEN MIT 275MM LOCHKREIS  
 PER CERCHIONI CON CIRCOLO BULLONI DI 275 MM DIAMETRO  
 PARA ILANTAS CON CIRCULO DE TALADROS DE 275 MM DE DIA  
 FOR FALGAR MED BULT CIRKEL AV 275 MM DIAMETER

# 2C15

POWER TRAIN

RACK AND PINION REAR AXLE  
 ARBRE DE ROUE ARRIERE REGLABLE  
 HINTERACHSE VERSTELLBAR  
 ASSALE POST. A CREMAGLERA  
 PALIER DE CREMALLERA Y PINON  
 STALLBART BAKAXEL  
 L103872 -UN-07NOV95



L 103872

KEY	PART NO.	PART NAME	QTY	SERIAL NO.	3 0 3 0	3 1 3 0	REMARKS
1	AR27446	SEAL	2		X	X	
2	T28838	SPACER	2		X	X	
3	L31315	REAR AXLE	2	-301274	X	X	A=353MM(13.88")
	L33979	REAR AXLE	2	301275-	X	X	A=353MM(13.88")
	R54625	SHAFT	2	-301274	X	X	A=406MM(16.01") (SUB FOR T28837)
	L33327	REAR AXLE	2	301275-	X	X	A=406MM(16.01") (ORD L39864, L39870)
4	L31316	GUARD	2		X	X	
5	19H2369	CAP SCREW	2		X	X	3/4"X1"
6	R53657	SNAP RING	1	261620-	X	X	
7	.....		1		X	X	
8	L39870	HALF AXLE	2		X	X	
9	L39864	SNAP RING	2		X	X	(FOR L39870)

# 2C16

POWER TRAIN

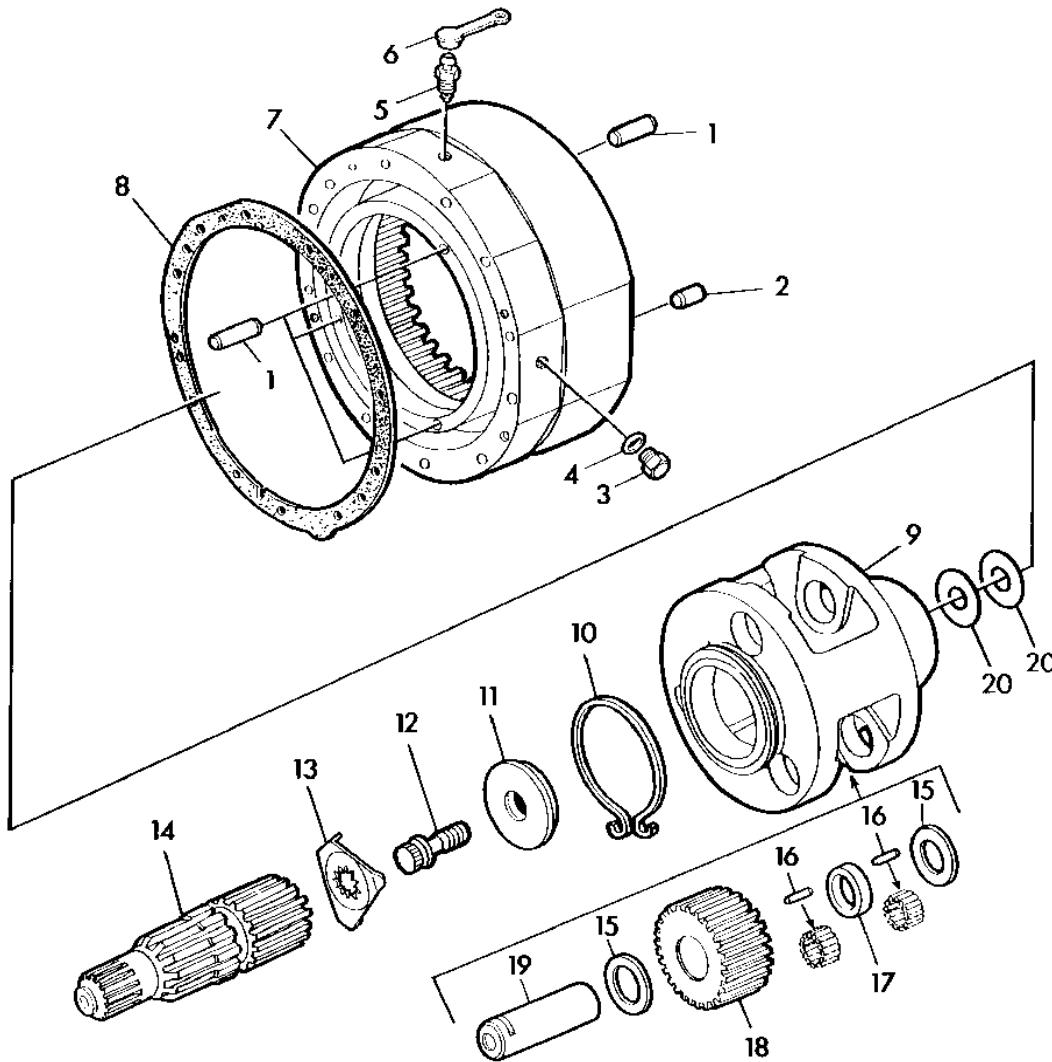
---

MEMORANDA  
MEMORANDA  
MEMORANDA  
MEMORANDA  
MEMORANDA

# 2C17

POWER TRAIN

FINAL DRIVE-PLANETARY DRIVE  
COMMANDE FINALE-REDUCTION PLANETAIRE  
ENDANTRIEB-PLANETENTRIEB  
RIDUZIONE FINALE-RIDUZIONE A PLANETARI  
REDUCCION FINAL-REDUCCION POR PLANETARIOS  
SLUTVAXLAR-PLANETDREV  
L103871 -UN-07NOV95



L 103871

# 2C18

POWER TRAIN

KEY	PART NO.	PART NAME	QTY	SERIAL NO.	3 0 3 0	3 1 3 0	REMARKS
1	R26650	DOWEL PIN	12		X	X	
2	A120R	DOWEL PIN	4		X	X	
3	R31631	DRAIN PLUG	3		X	X	3/8"
4	R26287	O-RING	3		X	X	
5	R21612	BLEED SCREW	2		X	X	3/8"
6	R47862	CAP	2		X	X	
7	AL38447	HOUSING	2	-301274	X	X	Z=69,INCL R26650 (SUB FOR AT26830)
	AL38446	HOUSING	2	301275-	X	X	Z=69,INCL R26650 (SUB FOR AL30409)
8	T28836	GASKET	2		X	X	
9	T28825	CONVEYOR	2		X	X	
10	T28832	SNAP RING	2		X	X	
11	T28826	WASHER	2	-301274	X	X	
	L38059	WASHER	2	301275-	X	X	(SUB FOR L33008)
12	19H1768	CAP SCREW	2	-301274	X	X	3/4"X2"
	L36228	SCREW	2	301275-	X	X	(SUB FOR L33040)
13	T29451	LOCK PLATE	2	-301274	X	X	
	L33004	LOCK PLATE	2	301275-	X	X	
14	T28119	DRIVE SHAFT	1	-301274	X	X	RH, Z=15
	R56278	DRIVE SHAFT	1	-301274	X	X	LH, Z=15 (SUB FOR T28122)
	L33977	DRIVE SHAFT	1	301275-	X	X	RH, Z=15
	L33976	DRIVE SHAFT	1	301275-	X	X	LH, Z=15
15	T28827	WASHER	12		X	X	
16	AL24088	NEEDLE	6		X	X	PACKG40
	L29295	PIN	240		X	X	(ORD AL24088) (SUB FOR T28830)
17	T29446	BUSHING	6		X	X	
18	T28828	PINION	6		X	X	Z=26
19	T28829	PIN	6		X	X	
20	L35795	SHIM	AR		X	X	TK=0,15MM(.005")
	L35796	SHIM	AR		X	X	TK=0,4MM(.015")
	L35797	SHIM	AR		X	X	TK=0,5MM(.020")
	L35798	WASHER	1		X	X	TK=2,0MM(.080")

# 2C19

POWER TRAIN

---

MEMORANDA  
MEMORANDA  
MEMORANDA  
MEMORANDA  
MEMORANDA



# 2C20

POWER TRAIN

---

MEMORANDA  
MEMORANDA  
MEMORANDA  
MEMORANDA  
MEMORANDA

# 2C21

POWER TRAIN

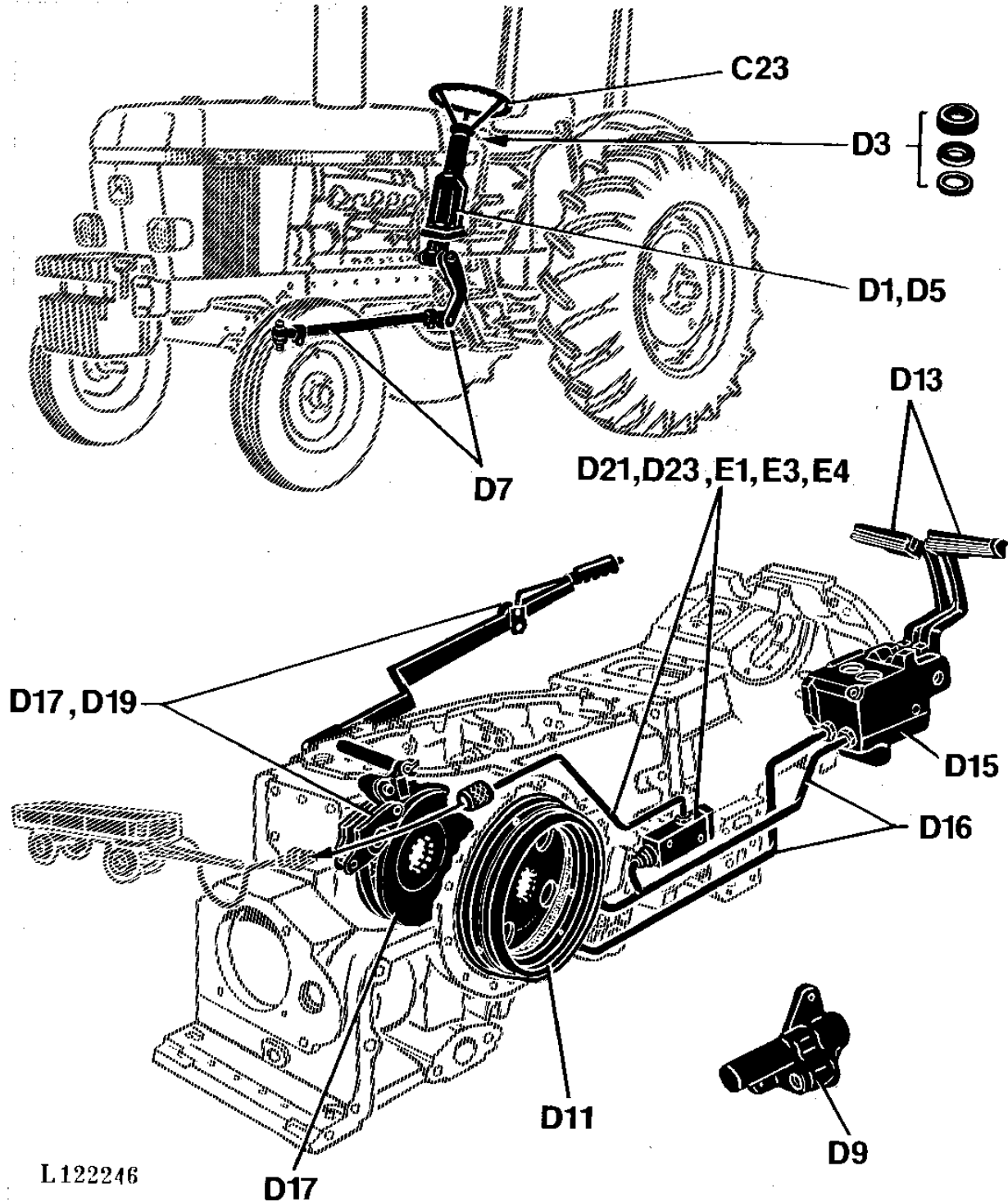
---

MEMORANDA  
MEMORANDA  
MEMORANDA  
MEMORANDA  
MEMORANDA

# 2C22

STEERING SYSTEM AND BRAKES

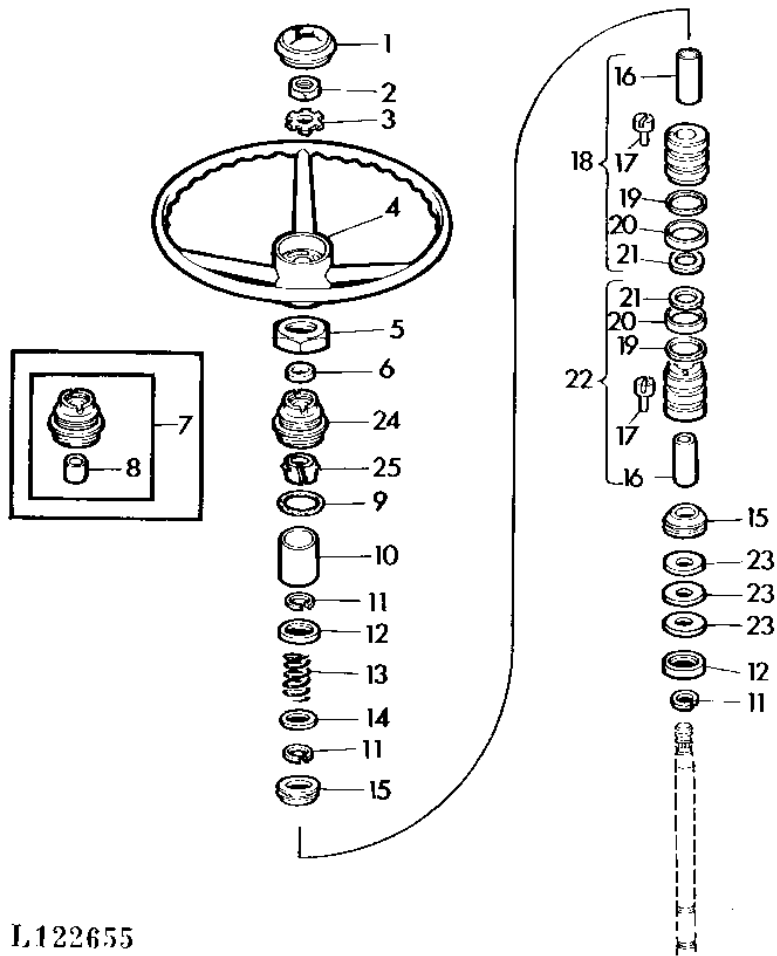
SECTIONAL INDEX  
INDEX DE SECTION  
GRUPPENINDEX  
INDICE DELLA SEZIONE  
INDICE DE SECCION  
GRUPPSFORTECKNING  
L122246 -UN-23OCT95



# 2C23

STEERING SYSTEM AND BRAKES

POWER STEERING  
 DIRECTION HYDRAULIQUE  
 HYDRAULISCHE LENKUNG  
 STERZO IDRAULICO  
 DIRECCION HIDRAULICA  
 HYDRAULSTYRNING  
 L122655 -UN-26OCT95



L122655

# 2C24

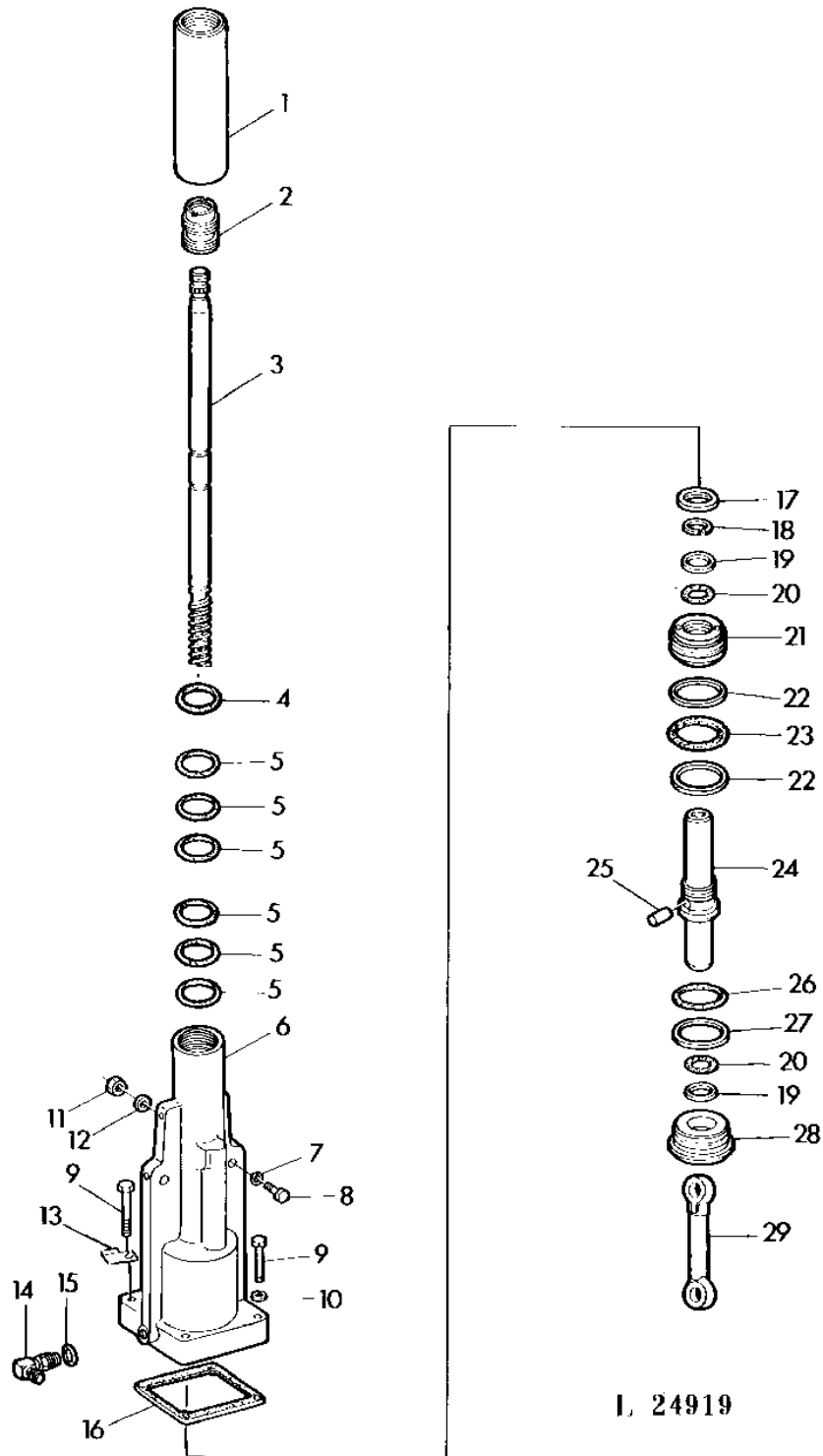
## STEERING SYSTEM AND BRAKES

KEY	PART NO.	PART NAME	QTY	SERIAL NO.	3 0 3 0	3 1 3 0	REMARKS
1	AL24052	COVER	1		X	X	OD=62,5MM (SUB FOR AL23474)
2	14H904	NUT	1		X	X	3/4"
3	T17148	LOCK WASHER	1		X	X	
4	AL28458	STEERING WHEEL	1		X	X	(SUB FOR L28988)
5	T21718	NUT	1		X	X	2"
6	T22260	SEAL	1		X	X	
7	AT19858	ADJUSTER	1		X	X	(ORD AL66303, L62641)
8	R27320	BUSHING	1		X	X	
9	B3690R	O-RING	1		X	X	
10	T22823	SLEEVE	1		X	X	
11	R35226	SNAP RING	2		X	X	
12	T22824	BUSHING	2		X	X	
13	T13555	SPRING	1		X	X	(SUB FOR L29198)
14	L29197	THRUST WASHER	1		X	X	
15	AL25855	THRUST BEARING	2		X	X	(SUB FOR JD9832, T21716, T25329)
16	R49980	SLEEVE	2		X	X	
17	R49982	SLEEVE	2		X	X	
18	AL26312	VALVE	1		X	X	UP (ORD W/ AL26311) (SUB FOR AR53987)
19	T25333	SHIM	4		X	X	TK=0,05MM(.002")
	T25334	SHIM	8		X	X	TK=0,25MM(.010")
20	T25332	WASHER	2		X	X	
21	L31434	WASHER	2		X	X	
22	AL26311	VALVE	1		X	X	LOW (ORD W/ AL26312) (SUB FOR AR53986)
23	T22825	SHIM	6		X	X	TK=0,13MM(.005")
	T25741	SHIM	2		X	X	TK=0,05MM(.002")
	T31290	SHIM	AR		X	X	TK=0,76MM(.030")
24	AL66303	ADJUSTER	1		X	X	
25	L62641	BUSHING	1		X	X	

# 2D1

STEERING SYSTEM AND BRAKES

POWER STEERING  
DIRECTION ASSISTEE  
HYDRAULISCHE LENKUNG  
STERZO IDRAULICO  
DIRECCION HIDRAULICA  
HYDRAULSTYRNING  
L24919 -UN-26OCT95



# 2D2

## STEERING SYSTEM AND BRAKES

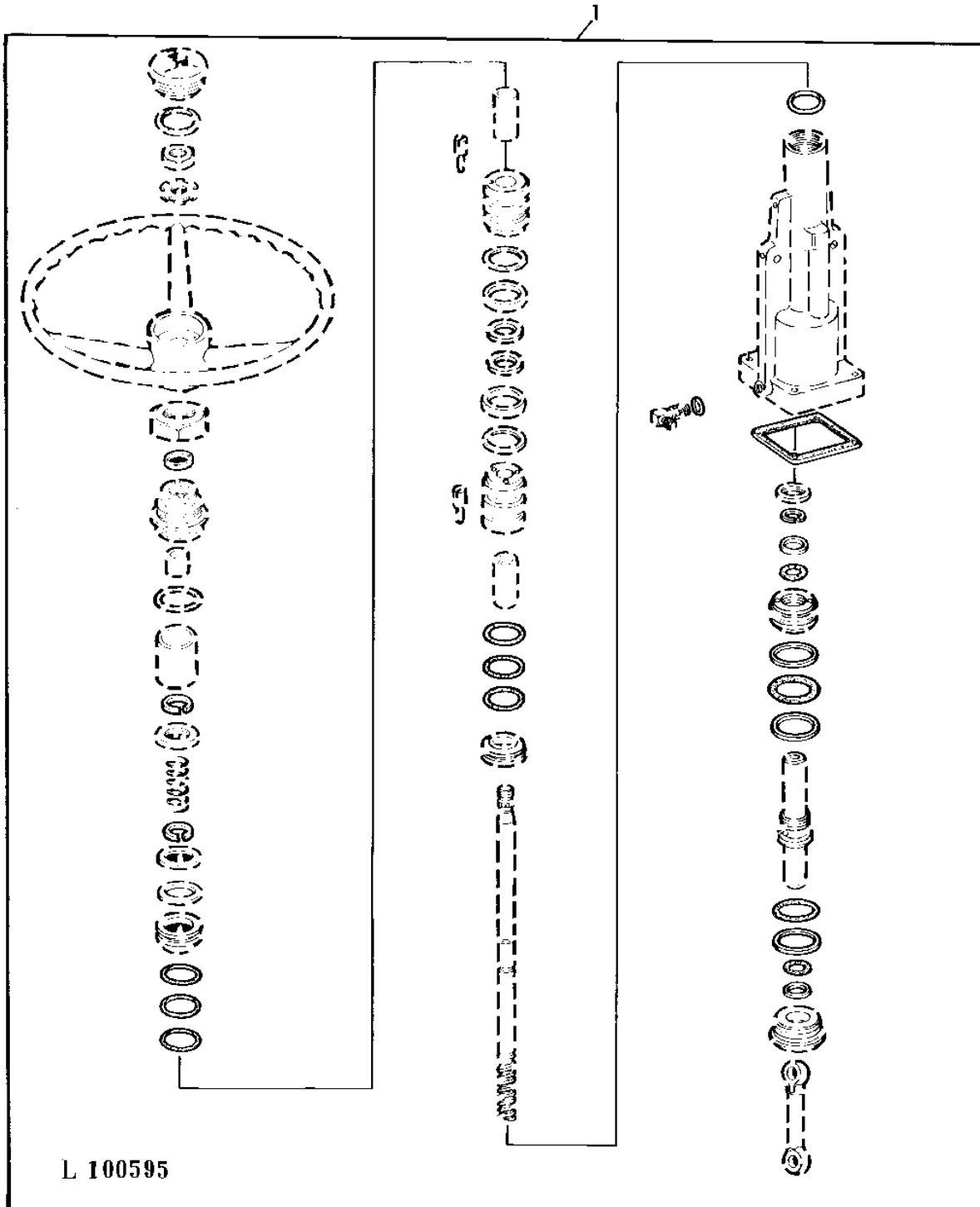
KEY	PART NO.	PART NAME	QTY	SERIAL NO.	3 3 0 1 3 3 0 0	REMARKS
1	T28270	EXTENSION	1		X X	
2	L62643	ADJUSTER	1		X X	(SUB FOR T21717)
3	L29196	STEERING WHEEL SHAFT	1		X X	
4	B3690R	O-RING	1		X X	
5	L34451	O-RING	6		X X	(SUB FOR T25335)
6	AL31515	HOUSING	1		X X	(SUB FOR AT23175)
7	12H303	LOCK WASHER	2		X X	5/16"
8	19H2117	CAP SCREW	2		X X	5/16"X1-1/8"
9	19H1801	CAP SCREW	4		X X	3/8"X2"
10	12H304	LOCK WASHER	4		X X	3/8"
11	14H785	NUT	2		X X	5/16"
12	24H1122	WASHER	2		X X	11/32"X7/8"X.060"
13	L32039	STOP	1		X X	(A)
14	AR26725	ELBOW FITTING	1		X X	
15	R26448	O-RING	1		X X	
16	L62422	GASKET	1		X X	(SUB FOR T21528)
17	T22824	BUSHING	1		X X	
18	R35226	SNAP RING	1		X X	
19	T25327	BACK-UP RING	2		X X	
20	N131838	O-RING	2		X X	(SUB FOR U10289)
21	T25325	PISTON	1		X X	
22	T25326	BACK-UP RING	2		X X	
23	F3450R	O-RING	1		X X	
24	T25323	ROD	1		X X	
25	T21655	PIN	1		X X	
26	L34452	O-RING	1		X X	(SUB FOR U12331)
27	R35684	BACK-UP RING	1		X X	
28	T25336	GUIDE	1		X X	
29	L35639	DRAG LINK	1		X X	(SUB FOR T25324)

(A) W/OPERATOR'S CAB  
 AVEC CABINE  
 BEI KABINE  
 CON CABINA  
 CON CABINA  
 VID FORARHYTT

# 2D3

STEERING SYSTEM AND BRAKES

POWER STEERING-REPAIR SET  
DIRECTION HYDRAULIQUE-JEU DE REPARATION  
HYDRAULISCHE LENKUNG-TEILESATZ  
STERZO IDRAULICO-PEZZI DI RIPARAZIONE  
DIRECCION HIDRAULICA-JUEGO DE PIEZAS DE REPARACION  
HYDRAULSTYRNING-REPARATIONSSATS  
L100595 -UN-03NOV95





# 2D4

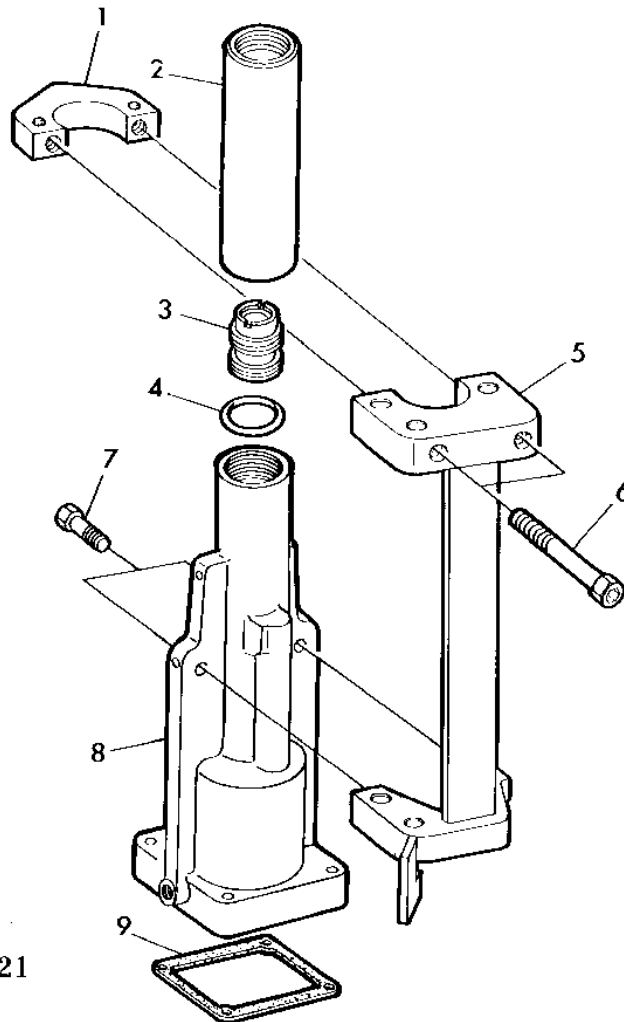
STEERING SYSTEM AND BRAKES

KEY	PART NO.	PART NAME	QTY	SERIAL NO.	3 3 0 1 3 3 0 0	REMARKS
1	AT26188	KIT	1		X X	

# 2D5

STEERING SYSTEM AND BRAKES

POWER STEERING WITH OPERATOR'S CAB  
DIRECTION ASSISTEE AVEC CABINE  
HYDRAULISCHE LENKUNG BEI KABINE  
STERZO IDRAULICO CON CABINA  
DIRECCION HIDRAULICA CON CABINA  
HYDRAULSTYRNING VID FORARHYTT  
L24921 -UN-26OCT95



L 24921

# 2D6

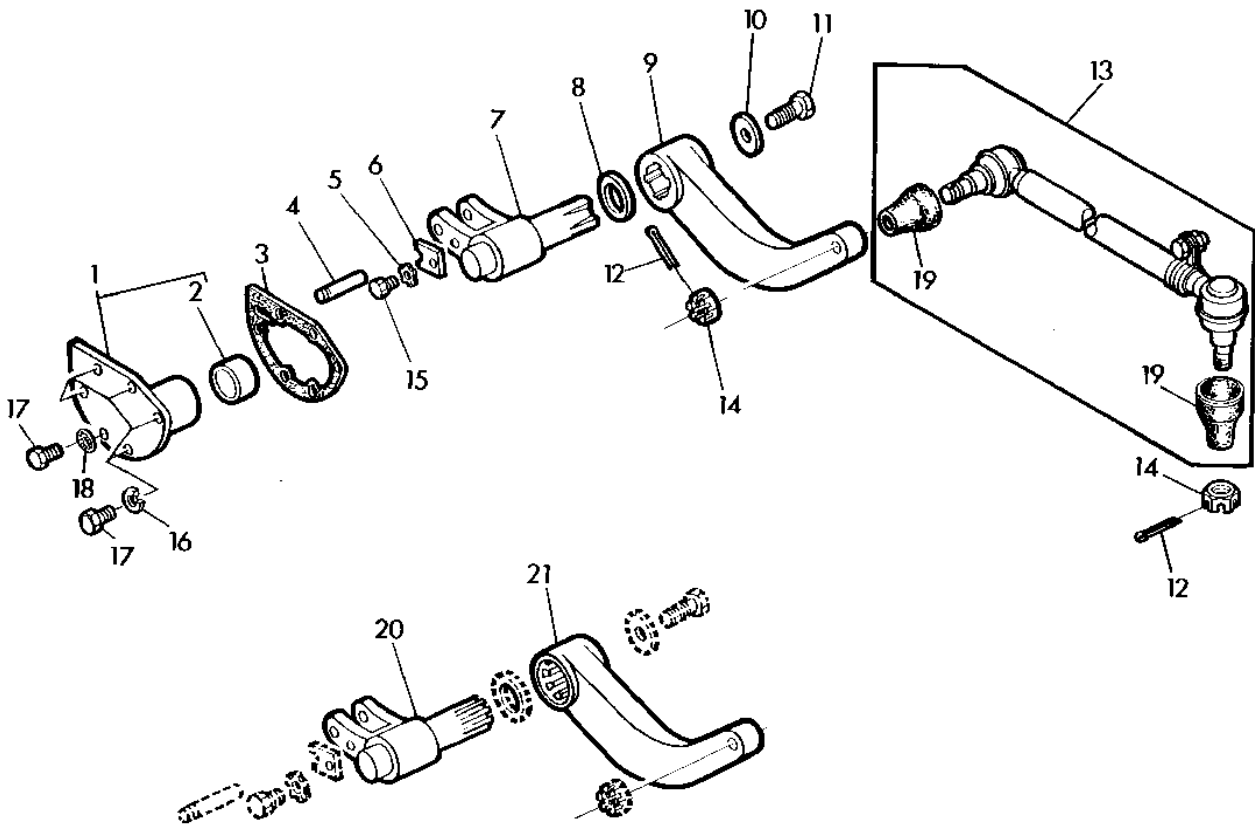
## STEERING SYSTEM AND BRAKES

KEY	PART NO.	PART NAME	QTY	SERIAL NO.	3 3 0 1 3 3 0 0	REMARKS
1	L33653	RETAINER	1		X X	(SUB FOR L31059)
2	T28270	EXTENSION	1		X X	
3	L62643	ADJUSTER	1		X X	(SUB FOR T21717)
4	B3690R	O-RING	1		X X	
5	AL25832	BRACKET	1		X X	
6	19M7604	SCREW	2		X X	8X80MM
7	19H1905	CAP SCREW	2		X X	5/16"X1"
8	AL31515	HOUSING	1		X X	(SUB FOR AT23175)
9	L62422	GASKET	1		X X	(SUB FOR T21528)

# 2D7

STEERING SYSTEM AND BRAKES

STEERING ARM AND DRAG LINK  
LEVIER ET BARRE DE DIRECTION  
LENKHEBEL UND LENKSTANGE  
BRACCIO E TIRANTE DELLO STERZO  
PALANCA Y BARRA DE DIRECCION  
STYRARM OCH STYRSTANG  
L103865 -UN-07NOV95



L 103865

# 2D8

## STEERING SYSTEM AND BRAKES

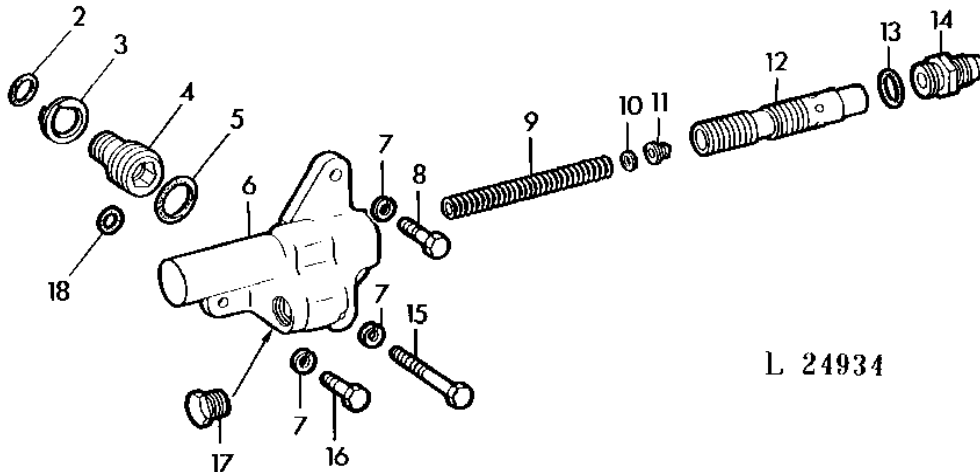
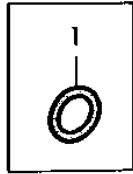
KEY	PART NO.	PART NAME	QTY	SERIAL NO.	3 0 3 0	REMARKS
1	AT54955	COVER	1		X X	INCL T21445 (SUB FOR AT20854, AT46457)
2	T21445	BUSHING	1		X X	
3	L62423	GASKET	1		X X	(SUB FOR L35654, T21527)
4	T21722	PIN	1		X X	
5	12H297	LOCK WASHER	1		X X	1/4"
6	T21659	PLATE	1		X X	
7	L42079	SHAFT	1		X X	(SUB FOR T21546)
8	AL28553	SEAL	1		X X	(SUB FOR AT11927)
9	L27094	ARM	1		X X	
10	T42971	BUSHING	1		X X	(SUB FOR R20135)
11	19H2710	CAP SCREW	1		X X	5/8"x1-3/4" (SUB FOR 19H1833)
12	11M7023	COTTER PIN	2		X X	4X35MM
13	AL19046	DRAG LINK	1		X X	(ORD AL38641, (2) 14M7305)
	AL38641	DRAG LINK	1		X X	(SUB FOR AL19046)
14	14H902	NUT	AR		X X	3/4"
	14M7305	NUT	AR		X X	M18X1,5
15	19H1227	CAP SCREW	1		X X	1/4"x1/2"
16	12H304	LOCK WASHER	5		X X	3/8"
17	19H3229	CAP SCREW	6		X X	3/8"x1-1/8" (SUB FOR 19H2552)
18	T11292	WASHER	1		X X	
19	AL38891	BOOT	2		X X	
20	L38591	STEERING WHEEL SHAFT	1		X X	(A)
21	L38593	LEVER	1		X X	(A)

(A) FOR SEVERE OPERATING CONDITIONS  
 POUR CONDITIONS DE SERVICE SEVERES  
 BEI ERSCHWERTEN EINSATZBEDINGUNGEN  
 PER LAVORI PESANTI  
 PARA CONDICIONES DE TRABAJO DURAS  
 FOR SVARA FORHALLANDE

# 2D9

STEERING SYSTEM AND BRAKES

FLOW CONTROL VALVE (WITH POWER STEERING)  
SOUPAPE REGULATRICE DE DEBIT (AVEC DIRECTION ASSISTEE)  
MENGENKONTROLLVENTIL (BEI HYDRAULISCHER LENKUNG)  
VALVOLA DI PRITORITA (CON STERZO IDRAULICO)  
VALVULA REPART.DE CAUDAL (CON DIRECCION HIDR.)  
FLODESKONTROLLVENTIL (VID HYDRAULSTYRNING)  
L24934 -UN-27OCT95



L 24934

# 2D10

## STEERING SYSTEM AND BRAKES

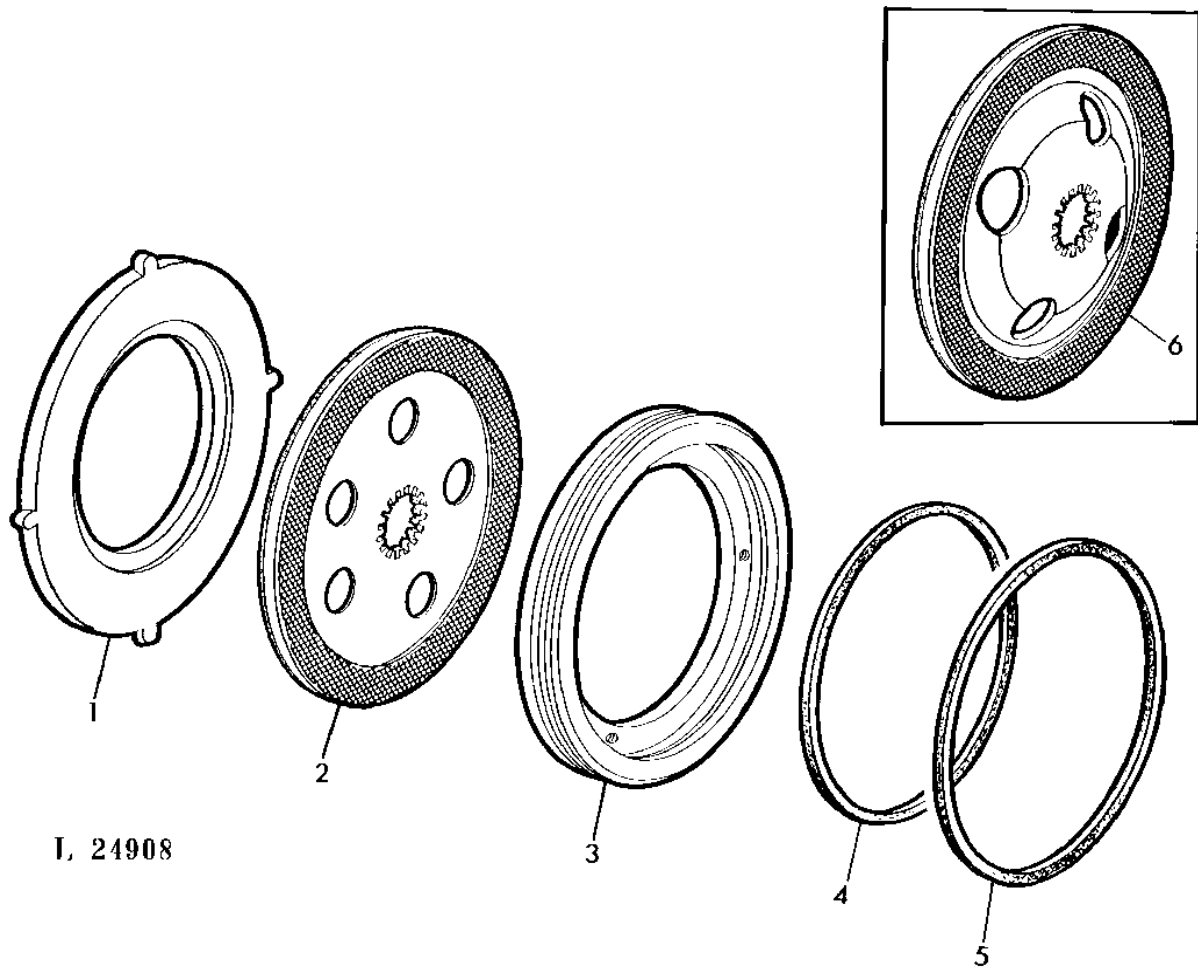
KEY	PART NO.	PART NAME	QTY	SERIAL NO.	3 3 0 1 3 3 0 0	REMARKS
1	U15415	O-RING	1		X X	
2	R26375	O-RING	3		X X	
3	L55202	BACK-UP RING	1		X X	(SUB FOR R66085)
4	R66084	FITTING	1		X X	3/4"
5	T13119	O-RING	1		X X	
6	R66083	HOUSING	1		X X	
	R39273	HOUSING	1		X X	(ORD R66083) (ORD W/ L55202, R26375, R66084, T13119)
7	12H304	LOCK WASHER	3		X X	3/8"
8	19H1800	CAP SCREW	1		X X	3/8"X1-1/2"
9	R40072	SPRING	1		X X	
10	R33521	SHIM	2		X X	TK=0,75MM(.030")
11	R40562	APERTURE	1		X X	
12	R40561	SPOOL VALVE	1		X X	
13	R26906	O-RING	1		X X	
14	R27270	FITTING	1		X X	(A)
	R31665	FITTING	1		X X	7/8"X3/4"
15	19H2128	CAP SCREW	1		X X	3/8"X3"
16	19H2552	CAP SCREW	1		X X	3/8"X1-1/8"
17	R39112	FITTING	1		X X	3/4"
18	R28776	O-RING	1		X X	

(A) WITH HYDRAULIC PUMP 39,5CCM (2.41CU.UN.)  
 AVEC POMPE HYDRAULIQUE 39,5CCM  
 BEI HYDRAULIKPUMPE 39,5CCM  
 CON POMPA IDRAULICA 39,5CM3  
 CON BOMBA HIDRAULICA DE 39,5CCM  
 VID HYDRAULPUMP 39,5CM3

# 2D11

STEERING SYSTEM AND BRAKES

BRAKE DISK  
DISQUE DE FREIN  
BREMSSCHEIBE  
DISCO FRENO  
DISCO DEL FRENO  
BROMSLAMELL  
L24908 -UN-26OCT95



I, 24908



# 2D12

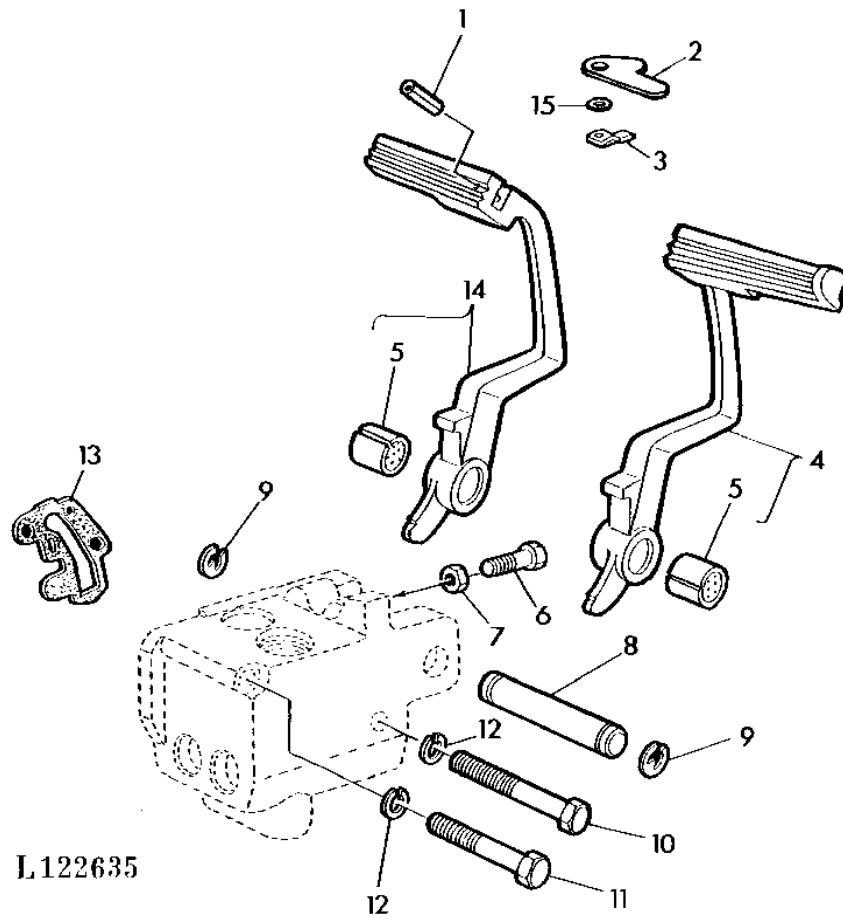
## STEERING SYSTEM AND BRAKES

KEY	PART NO.	PART NAME	QTY	SERIAL NO.	3 0 3 0	3 1 3 0	REMARKS
1	L55004	BRAKE ACTUATING DISK	2	301275-	X	X	(SUB FOR L33481)
2	AL68095	BRAKE DISK	2		X	X	SOUTH AFRICAN-REPUBLIC (SUB FOR AL24061, AL28237)
3	AL38235	DISK, INNER SPLINE	2	301275-	X	X	(SUB FOR AL30095)
	L31017	PLATE	2	-301274	X	X	(SUB FOR L28827)
	L33909	PLATE	2	301275-	X	X	
4	T30349	WASHER	2		X	X	
5	T28473	WASHER	2		X	X	
6	AL68095	BRAKE DISK	2	-301274	X	X	(SUB FOR AL23363)

# 2D13

STEERING SYSTEM AND BRAKES

**BRAKE PEDAL**  
**PEDALE DE FREIN**  
**BREMSFUSSHEBEL**  
**PEDALE FRENO**  
**PEDALES DEL FRENO**  
**BROMSPEDAL**  
L122635 -UN-26OCT95



# 2D14

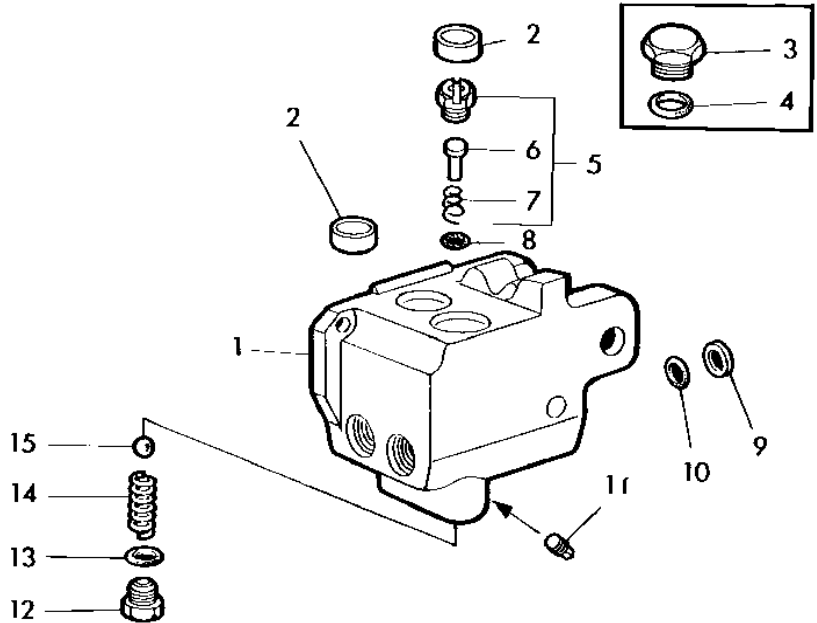
## STEERING SYSTEM AND BRAKES

KEY	PART NO.	PART NAME	QTY	SERIAL NO.	3 0 3 0	3 1 3 0	REMARKS
1	34H312	SPRING PIN	1		X	X	1/4"X1"
2	R50879	ARM	1		X	X	(SUB FOR L29418, T23225)
3	T31134	LEAF SPRING	1		X	X	
4	AT26524	PEDAL	1		X	X	RH, INCL B177R
5	B177R	BUSHING	2		X	X	
6	L32504	CAP SCREW	2		X	X	(SUB FOR 19H1731)
7	14H732	NUT	2		X	X	3/8"
8	T49189	PIN	1		X	X	(SUB FOR T21803)
9	F2863R	SNAP RING	2		X	X	
10	19H2224	CAP SCREW	1		X	X	1/2"X4-3/4"
11	19H2508	CAP SCREW	1	146320-	X	X	1/2"X1-3/8"
	19H2123	CAP SCREW	1	-146319	X	X	1/2"X4-1/4"
12	12H301	LOCK WASHER	2		X	X	1/2"
13	L63387	GASKET	1		X	X	(ORD L62368, T28468, T30687)
14	AT26525	PEDAL	1		X	X	LH, INCL B177R
15	24H1286	WASHER	1		X	X	9/32"X1/2"X.060"

# 2D15

STEERING SYSTEM AND BRAKES

**BRAKE VALVE**  
**MAITRE-CYLINDRE**  
**BREMSVENTIL**  
**VALVOLA FRENO**  
**VALVULA DE MANDO DEL FRENO**  
**HUVUDBROMSCYLINDER**  
 L24878 -UN-25OCT95



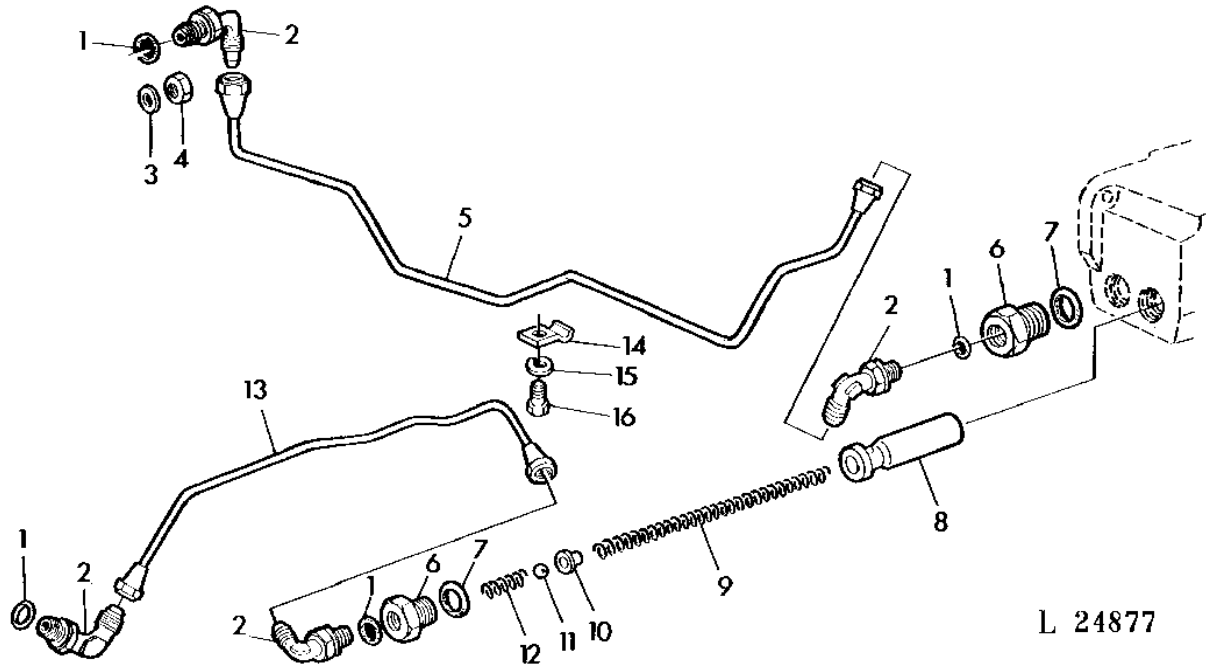
I. 24878

KEY	PART NO.	PART NAME	QTY	SERIAL NO.		REMARKS
					3 3	
					0 1	
					3 3	
					0 0	
1	AR63616	HOUSING	1		X X	INCL D2361R (ORD W/ (2) R35286, 15H638, 19H2508) (SUB FOR AT20766)
2	R35286	CAP	1	-146319	X X	
	R35286	CAP	2	146320-	X X	
3	T21806	DRAIN PLUG	1	-146319	X X	1-5/16"
4	R29936	O-RING	1	-146319	X X	
5	AL67574	VALVE	2		X X	ASSY (SUB FOR AL23836)
6	.....		2		X X	NSEP (ORD AL67574)
7	.....		2		X X	NSEP (ORD AL67574)
8	R26906	O-RING	2		X X	
9	T22101	SEAL	2		X X	
10	R495R	O-RING	2		X X	
11	15H638	PIPE PLUG	1	146320-	X X	1/8"
12	R39112	FITTING	2		X X	3/4"
13	R26375	O-RING	2		X X	
14	T21816	SPRING	2		X X	
15	D2361R	BALL	2		X X	1/2"

# 2D16

STEERING SYSTEM AND BRAKES

**BRAKE OIL LINES**  
**CONDUITES D'HUILE DE FREIN**  
**BREMSEELLEITUNGEN**  
**LINEE FRENO**  
**TUBERIAS DE ACEITE DEL FRENO**  
**BROMSOLJELEDNINGAR**  
 L24877 -UN-25OCT95



L 24877

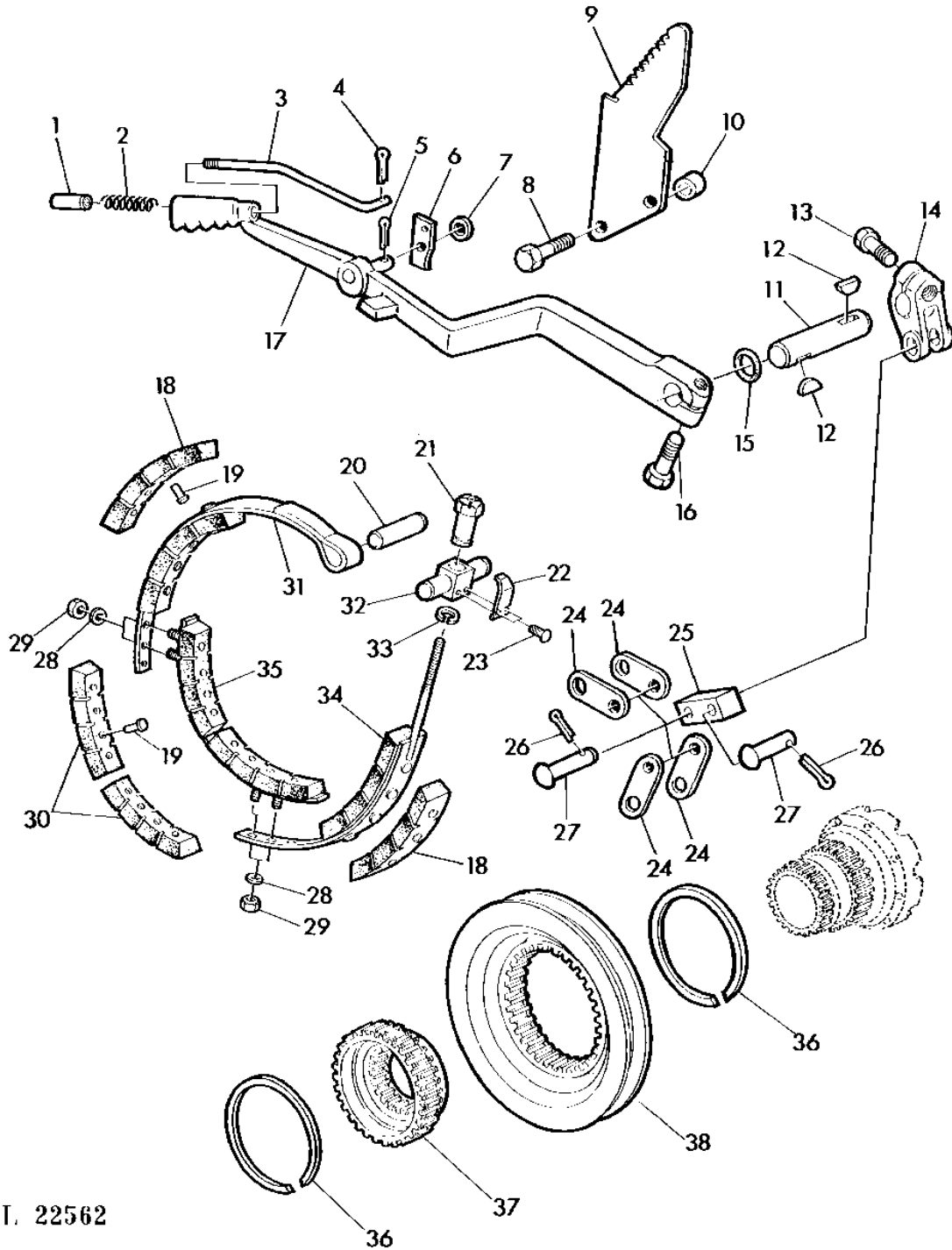
KEY	PART NO.	PART NAME	QTY	SERIAL NO.	REMARKS
					3 3
					0 1
					3 3
					0 0
1	R26287	O-RING	4		X X
2	AR26746	ELBOW FITTING	4		X X 3/8", INCL KEYS 3,4
3	R27358	WASHER	4		X X
4	R27453	NUT	4		X X 3/8"
5	AL19984	OIL LINE	1	-301274	X X LH
	AL30099	OIL LINE	1	301275-	X X LH
6	R50110	FITTING	2		X X
7	U12547	O-RING	2		X X (SUB FOR F3171R APPL)
8	L34041	PISTON	2		X X (SUB FOR L28591, L31839)
9	L62883	COMPRESSION SPRING	2		X X (SUB FOR R50112)
10	T21815	RETAINER	2		X X
11	400R	BALL	2		X X 1/4"
12	L63429	COMPRESSION SPRING	2		X X (SUB FOR T21814)
13	AL23210	OIL LINE	1	-301274	X X RH
	AL29863	OIL LINE	1	301275-	X X RH
14	R27528	CLAMP	1		X X
15	12H304	LOCK WASHER	1		X X 3/8"
16	19H1936	CAP SCREW	1		X X 3/8"X3/4"

# 2D17

STEERING SYSTEM AND BRAKES

HANDBRAKE  
FREIN A MAIN  
HANDBREMSE  
FRENO DE MANO  
HANDBROMS

L22562 -UN-27OCT95



I. 22562

# 2D18

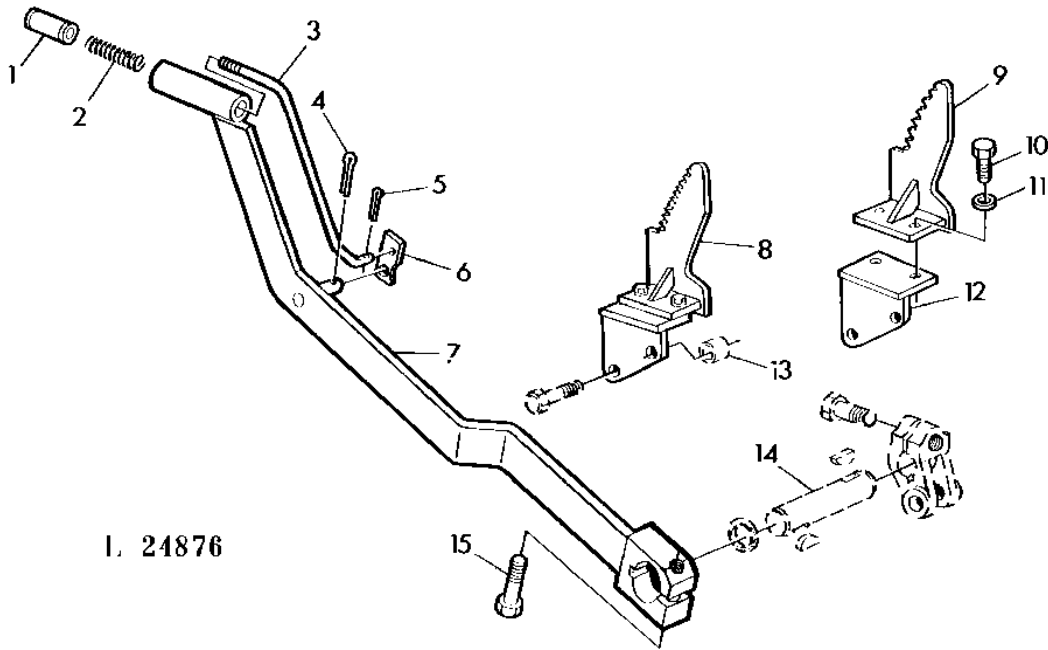
## STEERING SYSTEM AND BRAKES

KEY	PART NO.	PART NAME	QTY	SERIAL NO.	3 0 3 0	3 1 3 0	REMARKS
1	L62606	KNOB	1		X	X	(SUB FOR T21595)
2	T21576	SPRING	1		X	X	
3	T28496	ROD	1		X	X	1/4"
4	11H231	COTTER PIN	1		X	X	1/16"X1"
5	11H211	COTTER PIN	1		X	X	1/8"X3/4"
6	T21587	PAWL	1		X	X	
7	24M7028	WASHER	1		X	X	10,5X21X2MM
8	19H3160	CAP SCREW	2	-301274	X	X	9/16"X8"
	19H3429	CAP SCREW	2	301275-	X	X	9/16"X8-3/4"
9	L28558	SECTOR	1	-301274	X	X	
	L33619	SECTOR	1	301275-	X	X	
10	T28493	BUSHING	2	-301274	X	X	
	L33629	SPACER	2	301275-	X	X	
11	L28559	SHAFT	1		X	X	
12	26H77	SHAFT KEY	2		X	X	3/16"X3/4"
13	19H1732	CAP SCREW	1		X	X	3/8"X1-1/4"
14	T28486	ARM	1		X	X	
15	A4730R	O-RING	1		X	X	
16	19H1800	CAP SCREW	1		X	X	3/8"X1-1/2"
17	AL33367	HANDBRAKE LEVER	1		X	X	(SUB FOR AT26533)
18	L40421	LINING	2		X	X	(SUB FOR T28479)
19	16M7014	RIVET	16		X	X	5X25MM
20	L56491	PIN	1		X	X	(SUB FOR T28490)
21	T28484	ADJUSTER	1		X	X	3/8"
22	T28485	SPRING	1		X	X	
23	37H96	SCREW	2		X	X	NO.10X5/16"
24	T28488	LINK	4		X	X	
25	T28487	BAR	1		X	X	
26	11H216	COTTER PIN	2		X	X	3/16"X1"
27	L61678	RIVET	2		X	X	(SUB FOR T28489 APPL)
28	24H1305	WASHER	4		X	X	13/32"X13/16"X.060"
29	14H812	NUT	4		X	X	3/8"
30	L40422	LINING	2		X	X	(SUB FOR T28481)
31	AL38214	BRAKE BAND	1		X	X	ASSY,INCL KEYS 18,19 (SUB FOR AT26531)
32	T28483	PIN	1		X	X	
33	B3720R	SNAP RING	1		X	X	
34	AL38216	BRAKE BAND	1		X	X	ASSY,INCL KEYS 18,19 (SUB FOR AT26529)
35	AL38215	BRAKE BAND	1		X	X	ASSY,INCL KEYS 19,30 (SUB FOR AT26530)
36	T28476	SNAP RING	2		X	X	
37	L29004	HUB	1		X	X	
38	L29003	BRAKE DRUM	1		X	X	

# 2D19

STEERING SYSTEM AND BRAKES

HANDBRAKE(WITH OPERATOR'S CAB)  
 FREIN A MAIN(AVEC CABINE)  
 HANDBREMSE(BEI KABINE)  
 FRENO MANO(CON CABINA)  
 FRENO DE MANO(CON CABINA)  
 HANDBROMS(VID FORARHYTT)  
 L24876 -UN-25OCT95



I. 24876

KEY	PART NO.	PART NAME	QTY	SERIAL NO.	REMARKS
				3 3	
				0 1	
				3 3	
				0 0	
1	L62606	KNOB	1	X X	(SUB FOR T21595)
2	T21576	SPRING	1	X X	
3	L30399	ROD	1	X X	
4	11H231	COTTER PIN	1	X X	1/16"X1"
5	11H211	COTTER PIN	1	X X	1/8"X3/4"
6	T21587	PAWL	1	X X	
7	AL24907	HANDBRAKE LEVER	1	X X	
8	AL25888	SECTOR	1	X X	ASSY,INCL.KEYS 9-12
9	AL25889	SECTOR	1	X X	
10	19M7557	CAP SCREW	2	X X	10X16MM
11	24M7028	WASHER	2	X X	10,5X21X2MM
12	AL25890	RETAINER	1	-301274	X X
	AL29861	RETAINER	1	301275-	X X
13	.....		1	X X	
14	.....		1	X X	
15	19H1800	CAP SCREW	1	X X	3/8"X1-1/2"



# 2D20

STEERING SYSTEM AND BRAKES

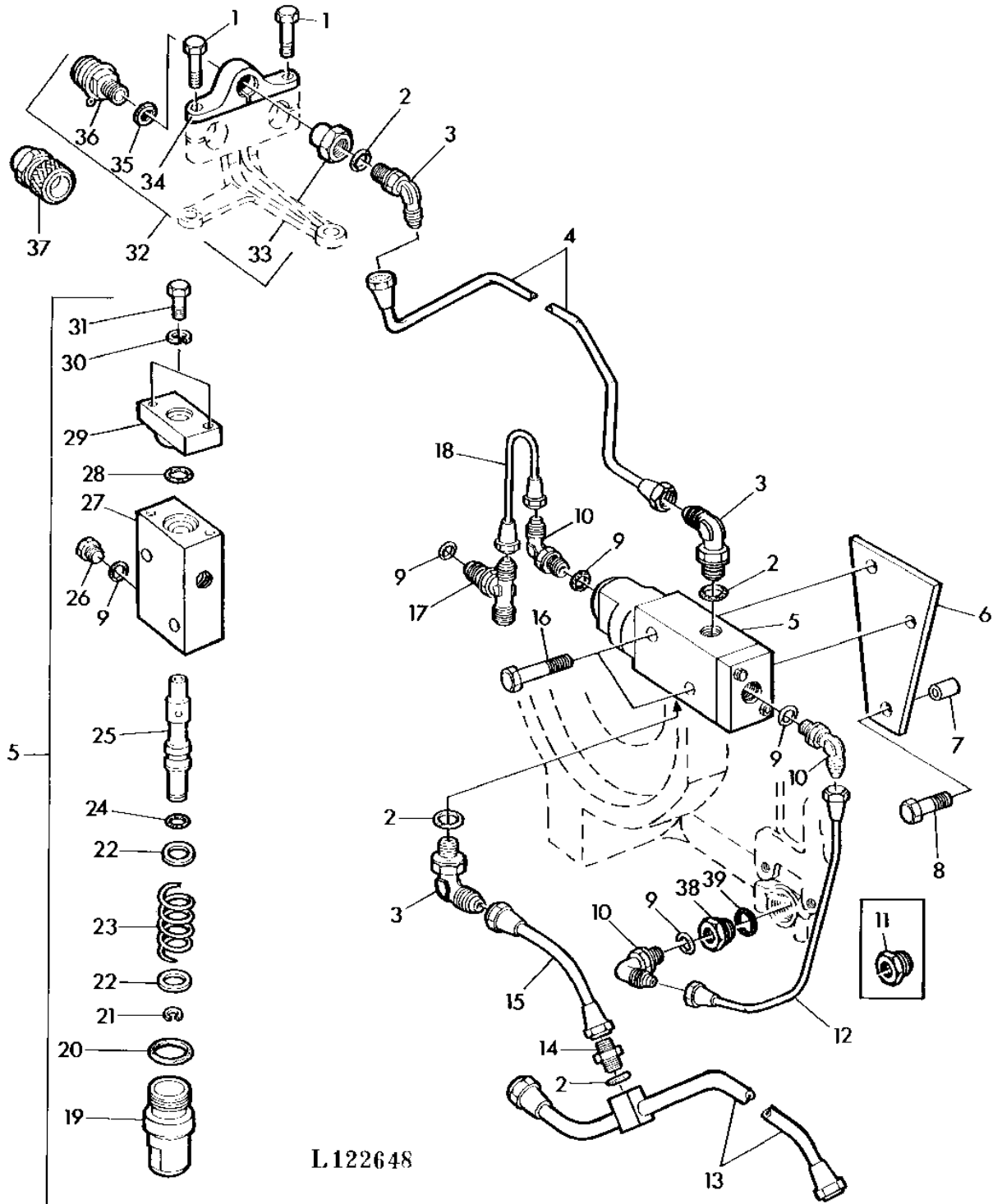
---

MEMORANDA  
MEMORANDA  
MEMORANDA  
MEMORANDA  
MEMORANDA

# 2D21

STEERING SYSTEM AND BRAKES

**BRAKE VALVE FOR HYDRAULIC TRAILER BRAKE**  
**SOUPAPE DE FREIN POUR FREIN HYDRAULIQUE DE REMORQUE**  
**BREMSVENTIL FUER HYDRAULISCHE ANHAENGERBREMSE**  
**VALVOLA PER FRENO IDRAULICO DEL RIMORCHIO**  
**BROMSVENTIL FOR HYDRAULISK VAGNSBROMS**  
 L122648 -UN-26OCT95



L122648

# 2D22

## STEERING SYSTEM AND BRAKES

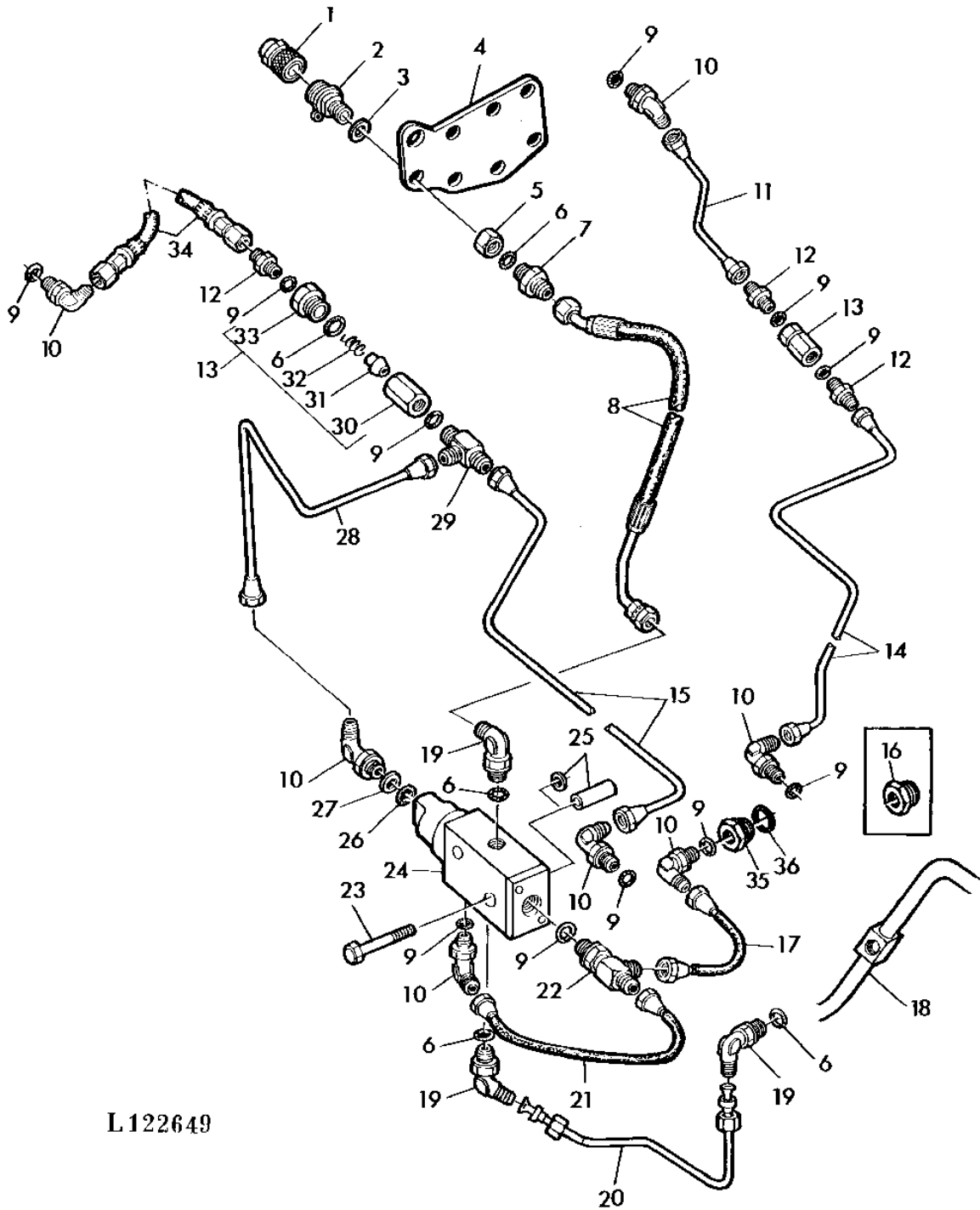
KEY	PART NO.	PART NAME	QTY	SERIAL NO.		REMARKS
					3 3	
					0 1	
					3 3	
					0 0	
1	19H1726	CAP SCREW	2	-128957	X X	3/8"X2-1/4"
2	R26448	O-RING	4	-128957	X X	
3	AR26725	ELBOW FITTING	3	-128957	X X	
4	AL23207	OIL LINE	1	-128957	X X	
5	AL24248	VALVE	1	-128957	X X	ASSY,INCL KEYS 9,19-31 (ORD AL37974) (SUB FOR AL23071)
6	L28732	RETAINER	1	-128957	X X	
7	L28935	SPACER	1	-128957	X X	(A)
8	19H1800	CAP SCREW	1	-128957	X X	(A) 3/8"X1-1/2"
9	R26287	O-RING	5	-128957	X X	
10	AR26746	ELBOW FITTING	3	-128957	X X	3/8"
11	L28639	PIPE PLUG	1	-128957	X X	(ORD L41524, L41547)
12	AL23209	OIL LINE	1	-128957	X X	
13	AL23205	OIL LINE	1	-128957	X X	
	AL23426	OIL LINE	1	-128957	X X	(A)
14	R27212	FITTING	1	-128957	X X	
15	AL23208	OIL LINE	1	-128957	X X	
16	19H2665	CAP SCREW	2	-128957	X X	3/8"X1-5/8"
17	AL19023	TEE FITTING	1	-128957	X X	
18	AL23206	OIL LINE	1	-128957	X X	
19	L41130	CAP	1	-128957	X X	(SUB FOR R48919)
20	R495R	O-RING	1	-128957	X X	
21	L18893	SNAP RING	1	-128957	X X	
22	L20095	WASHER	2	-128957	X X	
23	T31673	SPRING	1	-128957	X X	
24	L53811	O-RING	1	103120-128957	X X	
25	.....		1	-128957	X X	NSEP (ORD AL37974)
26	R31631	DRAIN PLUG	1	-128957	X X	3/8"
27	.....		1	-128957	X X	NSEP (ORD AL37974)
28	32240	O-RING	1	-128957	X X	(SUB FOR R48917, U11343)
29	L34348	COVER	1	-128957	X X	
30	12H302	LOCK WASHER	2	-128957	X X	1/4"
31	19H1948	CAP SCREW	2	-128957	X X	1/4"X3/4"
32	AR52362	INTERNAL HALF COUPLER	1	-128957	X X	ASSY,INCL KEYS 33-36
33	R48934	LINK	1	-128957	X X	
34	R48933	CLAMP	1	-128957	X X	
35	L37599	RING	1	-128957	X X	(SUB FOR 51M4236)
36	AR52372	PLUG	1	-128957	X X	
37	AR52361	HYD. QUICK-CONNECT COUPLER	1	-128957	X X	
38	L41524	ADAPTER	1	-128957	X X	
39	L41547	O-RING	1	-128957	X X	

(A) FOR HFWD  
 POUR ESSIEU AVANT MOTEUR HYDROSTATIQUE  
 FUER HYDROSTATISCHEN FRONTANTRIEB  
 PER TRAZ. ANT. IDROSTATICA  
 PARA TRACCION HIDROSTAT. DELANTERA  
 FOR HYDROSTATISKT FRAMHJULSDRIFT

# 2D23

STEERING SYSTEM AND BRAKES

BRAKE VALVE FOR HYDR.TRAILER BRAKE (OLD TYPE)  
SOUPAPE DE FREIN POUR FREIN HYDR.DE REMORQUE (ANC.VERSION)  
BREMSVENTIL FUER HYDR.ANHAENGERBREMSE(ALTE AUSFUEHRUNG)  
VALVOLA PER FRENO IDR.DEL RIMORCHIO (TIPO VECCHIO)  
VALVOLA DE FRENOS HIDR.DEL REMOLQUE (TIPO ANTIGUO)  
BROMSVENTIL FOR HYDR.VAGNSBROMS (ALDRE UTFORANDE)  
L122649 -UN-26OCT95



L122649

# 2D24

## STEERING SYSTEM AND BRAKES

KEY	PART NO.	PART NAME	QTY	SERIAL NO.	3 0 3 0	3 1 3 0	REMARKS
1	AR52361	HYD. QUICK-CONNECT COUPLER	1	128958-	X	X	
2	AR52372	PLUG	1	128958-	X	X	
3	L37599	RING	1	128958-	X	X	(SUB FOR 51M4236)
4	L30207	PLATE	1	128958-	X	X	
5	L40525	NUT	1	128958-	X	X	(SUB FOR L30206)
6	R26448	O-RING	6	128958-	X	X	
7	R27212	FITTING	1	128958-	X	X	
8	AL35656	HYDRAULIC HOSE	1	128958-	X	X	(SUB FOR AL24693)
9	R26287	O-RING	11	128958-	X	X	
10	AR26746	ELBOW FITTING	7	128958-	X	X	
11	AL36198	HYDRAULIC HOSE	1	128958-301274	X	X	LH (SUB FOR AL25102)
	AL29860	OIL LINE	1	301275-	X	X	LH
12	R27139	FITTING	3	128958-	X	X	
13	AL25103	VALVE	2	128958-	X	X	ASSY,INCL KEYS 6,31-34
14	AL25114	OIL LINE	1	128958-	X	X	LH
15	AL25113	OIL LINE	1	128958-	X	X	RH
16	L28639	PIPE PLUG	1	128958-	X	X	(ORD L41524, L41547)
17	AL36122	HOSE	1	128958-	X	X	(SUB FOR AL23076)
18	AL25025	OIL LINE	1	128958-281776	X	X	
	AL25027	OIL LINE	1	128958-	X	X	(A)
	AL28669	OIL LINE	1	281777-	X	X	
19	AR26725	ELBOW FITTING	3	128958-	X	X	
20	AL23899	OIL LINE	1	128958-	X	X	
21	AL36123	HOSE	1	128958-	X	X	(SUB FOR AL25104)
22	AL25099	TEE FITTING	AR	128958-	X	X	1,2MM
	AL25791	TEE FITTING	AR	128958-	X	X	1,4MM
23	19H2054	CAP SCREW	1	128958-	X	X	3/8"X4-3/4"
24	AL25097	VALVE	1	128958-	X	X	(ORD AL25867)
	AL25867	VALVE	1	128958-	X	X	ASSY
25	28H1878	SPACER	1	128958-	X	X	3/8"X.438"
	24H1122	WASHER	1	128958-	X	X	(A) 3/8"X7/8"X.075"
26	L53811	O-RING	1	128958-	X	X	
27	51M4234	RING	1	128958-	X	X	12X16MM
28	AL25143	OIL LINE	1	128958-	X	X	
29	AR45251	TEE FITTING	1	128958-	X	X	
30	L30719	VALVE	2	128958-	X	X	
31	L30722	POPPET	2	128958-	X	X	
32	L30720	COMPRESSION SPRING	2	128958-	X	X	
33	L30721	VALVE COVER	2	128958-	X	X	
34	AL36198	HYDRAULIC HOSE	1	128958-301274	X	X	RH (SUB FOR AL25102)
	AL36198	HYDRAULIC HOSE	1	301275-	X	X	RH (SUB FOR AL29859)
35	L41524	ADAPTER	1	128958-	X	X	
36	L41547	O-RING	1	128958-	X	X	

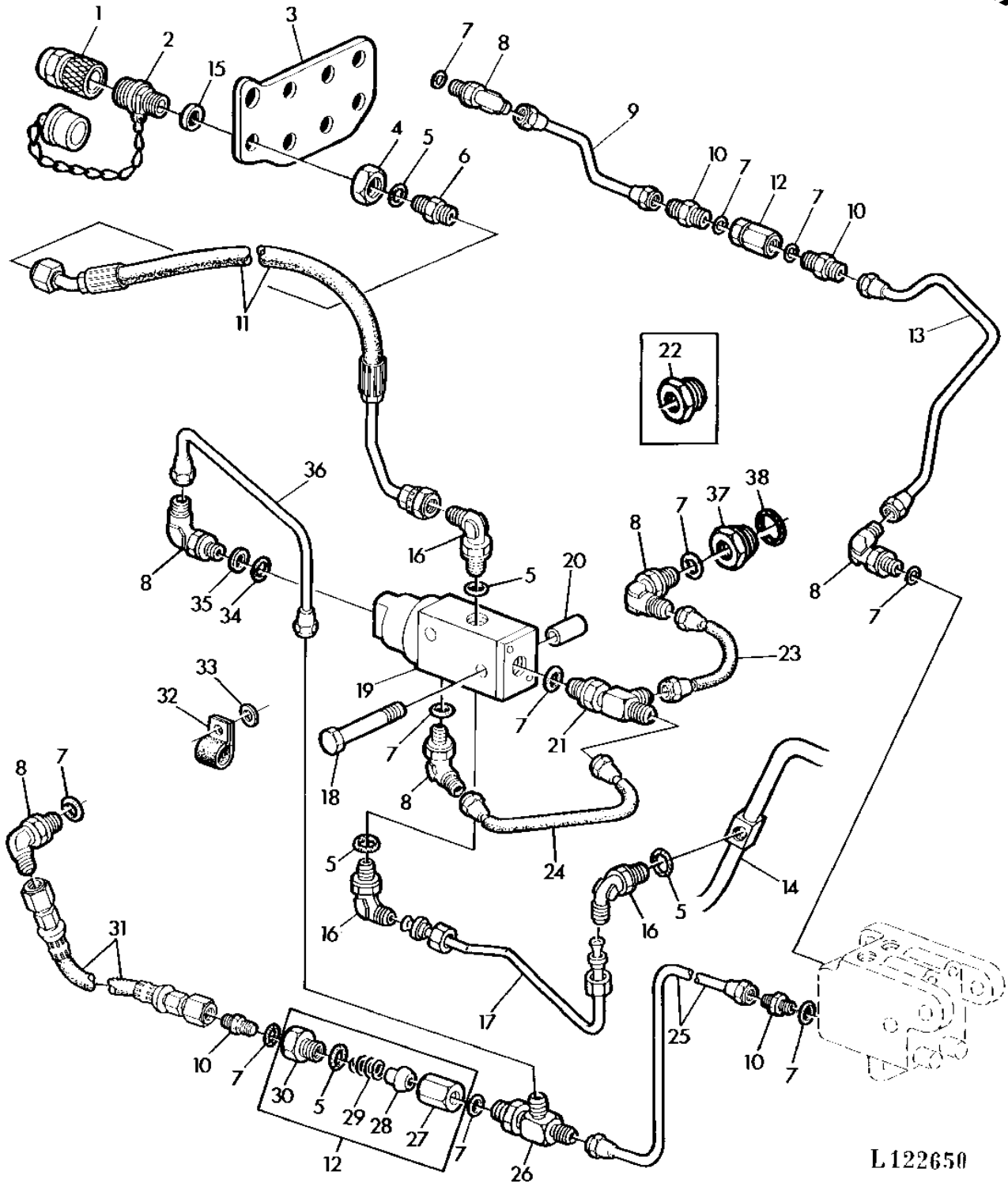
(A) FOR HFWD  
 POUR ESSIEU AVANT MOTEUR HYDROSTATIQUE  
 FUER HYDROSTATISCHEN FRONTANTRIEB  
 PER TRAZ. ANT. IDROSTATICA  
 PARA TRACCION HIDROSTAT. DELANTERA  
 FOR HYDROSTATISKT FRAMHJULSDRIFT

# 2E1

STEERING SYSTEM AND BRAKES

BRAKE VALVE FOR HYDR. TRAILER BRAKE (NEW TYPE)  
SOUPAPE DE FREIN POUR FREIN HYDR. REMORQUE (NOUV. VERSION)  
BREMSVENTIL FÜR HYDR. ANHÄNGERBREMSE (NEUE AUSFÜHRUNG)  
VALVOLA PER FRENO IDR. DEL RIMORCHIO (TIPO NUOVO)  
VALVULA DE FRENOS IDR. DEL REMOLQUE (TIPO NUEVO)  
BROMSVENTIL FÖR HYDR. VAGNSBROMS (NYARE UTFÖRANDE)

L122650 -UN-26OCT95



L122650

# 2E2

## STEERING SYSTEM AND BRAKES

KEY	PART NO.	PART NAME	QTY	SERIAL NO.	3 0 3 0	3 1 3 0	REMARKS
1	AR52361	HYD. QUICK-CONNECT COUPLER	1		X	X	
2	AR52372	PLUG	1		X	X	
3	L30207	PLATE	1		X	X	
4	L40525	NUT	1		X	X	
5	R26448	O-RING	6		X	X	
6	R27212	FITTING	1		X	X	
7	R26287	O-RING	11		X	X	
8	AR26746	ELBOW FITTING	7		X	X	
9	AL29860	OIL LINE	1		X	X	
10	R27139	FITTING	4		X	X	
11	AL35656	HYDRAULIC HOSE	1		X	X	
12	AL25103	VALVE	2		X	X	
13	AL25114	OIL LINE	1		X	X	
14	AL25027	OIL LINE	1		X	X	(A)
	AL25025	OIL LINE	1	128958-281776	X	X	
	AL28669	OIL LINE	1	281777-	X	X	
15	L37599	RING	1		X	X	
16	AR26725	ELBOW FITTING	3		X	X	
17	AL23899	OIL LINE	1		X	X	
18	19H2054	CAP SCREW	1		X	X	3/8"X4-3/4"
19	AL25867	VALVE	1		X	X	
20	28H1878	SPACER	1		X	X	3/8"X.438"
	24H1122	WASHER	1		X	X	(A) 3/8"X7/8"X.075"
21	AL25099	TEE FITTING	AR		X	X	1,2MM
	AL25791	TEE FITTING	AR		X	X	1,4MM
22	L28639	PIPE PLUG	1		X	X	(ORD L41524, L41547)
23	AL36122	HOSE	1		X	X	
24	AL36123	HOSE	1		X	X	
25	AL36189	OIL LINE	1		X	X	
26	AR45251	TEE FITTING	1		X	X	
27	L30719	VALVE	2		X	X	
28	L30722	POPPET	2		X	X	
29	L30720	COMPRESSION SPRING	2		X	X	
30	L30721	VALVE COVER	2		X	X	
31	AL36198	HYDRAULIC HOSE	1		X	X	
32	L37536	CLAMP	1		X	X	
33	24M7028	WASHER	1		X	X	10,5X21X2MM
34	L53811	O-RING	1		X	X	
35	51M4234	RING	1		X	X	12X16MM
36	AL36187	OIL LINE	1		X	X	
37	L41524	ADAPTER	1		X	X	
38	L41547	O-RING	1		X	X	

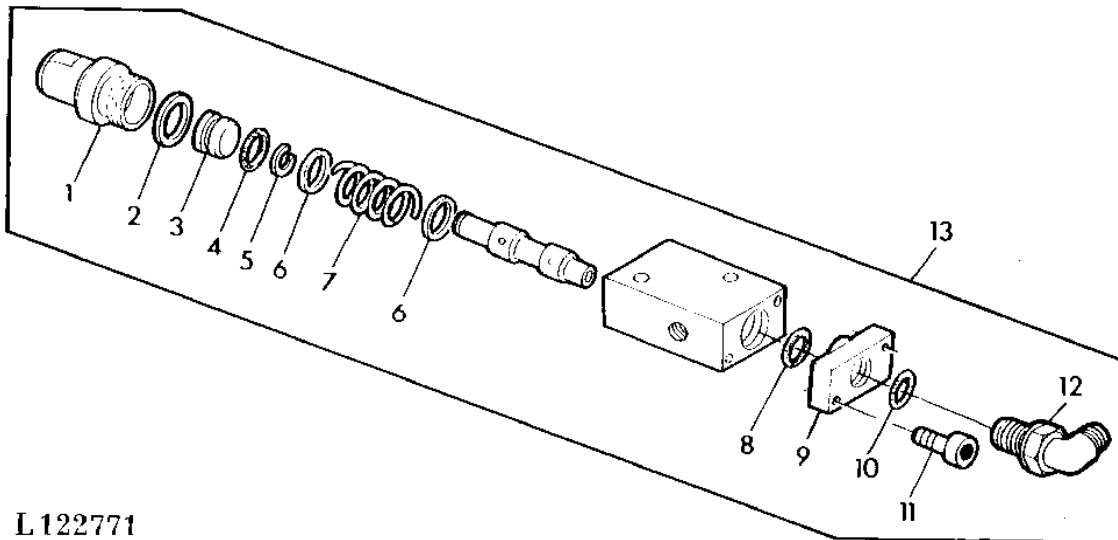
(A) FOR HFWD

POUR ESSIEU AVANT MOTEUR HYDROSTATIQUE  
 FUER HYDROSTATISCHEN FRONTANTRIEB  
 PER TRAZ.ANT. IDROSTATICA  
 PARA TRACCION HIDROSTAT. DELANTERA  
 FOR HYDROSTATISKT FRAMHJULSDRIFT

# 2E3

STEERING SYSTEM AND BRAKES

HYDRAULIC TRAILER BRAKE-BRAKE VALVE  
 FREIN HYDRAULIQUE DE REMOLQUE-MAITRE-CYLINDRE  
 HYDR.ANHAENGERBREMSE-BREMSVENTIL  
 FRENO IDRAULICO RIMORCHIO-VALVOLA FRENO  
 FRENOS HIDRAULICOS DEL ROMOLQUE-VALVULA DE MANDO DEL FRENO  
 HYDRAULISK VAGNSBROMS-BROMSVENTIL  
 L122771 -UN-26OCT95



L122771

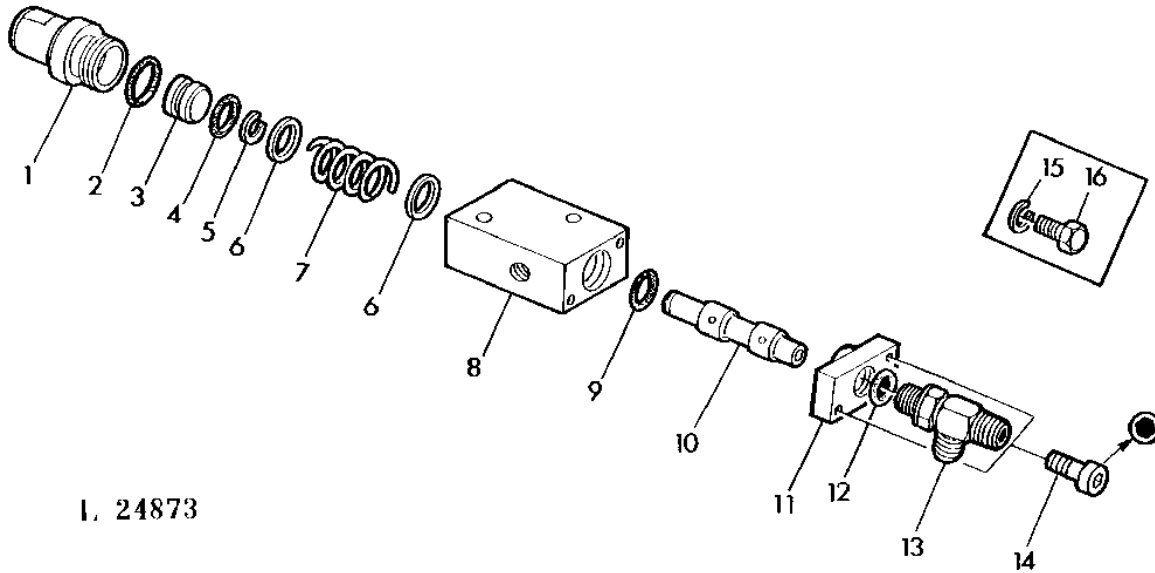
KEY	PART NO.	PART NAME	QTY	SERIAL NO.		REMARKS
					3 3	
					0 1	
					3 3	
					0 0	
1	L31763	CAP	1	-128975	X X	
2	51M4245	RING	1	-128975	X X	26X30MM
3	L30706	CYLINDER	1	-128975	X X	
4	L53826	O-RING	1	-128975	X X	
5	L18893	SNAP RING	1	-128975	X X	
6	L20095	WASHER	2	-128975	X X	
7	L30708	SPRING	1	-128975	X X	
8	32240	O-RING	1	-128975	X X	
9	L34348	COVER	1	-128975	X X	
10	R26287	O-RING	1	-128975	X X	
11	19M7603	SCREW	2	-128975	X X	M6X20
12	AL37494	ELBOW FITTING	AR	-128975	X X	1,2MM
	AL37495	ELBOW FITTING	AR	-128975	X X	1,4MM
13	AL37974	VALVE	1	-128975	X X	



# 2E4

STEERING SYSTEM AND BRAKES

**BRAKE VALVE FOR HYDR TRAILER BRAKE**  
**SOUPAPE DE FREIN FREIN HYDR DE REMORQUE**  
**BREMSVENTIL FUER HYDR ANHAENGERBREMSE**  
**VALV PER FRENO IDR DEL RIMORCHIO**  
**VALV DE FRENOS HIDR DEL REMOLQUE**  
**BROMSVENTIL FOR HYDR VAGSBROMS**  
 L24873 -UN-25OCT95



**I. 24873**

KEY	PART NO.	PART NAME	QTY	SERIAL NO.		REMARKS
					3 3	
					0 1	
					3 3	
					0 0	
1	L30707	COVER	1	128958-203999	X X	
	L31763	CAP	1	204000-	X X	
2	R495R	O-RING	1	128958-203999	X X	
	51M4245	RING	1	204000-	X X	24X30MM
3	L30706	CYLINDER	1	128958-	X X	
4	L53826	O-RING	1	128958-	X X	
5	L18893	SNAP RING	1	128958-	X X	
6	L20095	WASHER	2	128958-	X X	
7	L30708	SPRING	1	128958-	X X	
8	.....		1	128958-	X X	NSEP (ORD AL25867)
9	32240	O-RING	1	128958-	X X	(SUB FOR R48917, U11343)
10	.....		1	128958-	X X	NSEP (ORD AL25867)
11	L34348	COVER	1	128958-	X X	(SUB FOR R48918)
12	R26287	O-RING	1	128958-	X X	
13	AL25099	TEE FITTING	AR	128958-	X X	1,2MM
	AL25791	TEE FITTING	AR	128958-	X X	1,4MM
14	19M7603	SCREW	2	204000-	X X	6X20MM
15	12H302	LOCK WASHER	2	128958-203999	X X	1/4"
16	19H1948	CAP SCREW	2	128958-203999	X X	1/4"X3/4"
..	AL25867	VALVE	1	128958-	X X	ASSY,INCL KEYS 1-14

# 2E5

STEERING SYSTEM AND BRAKES

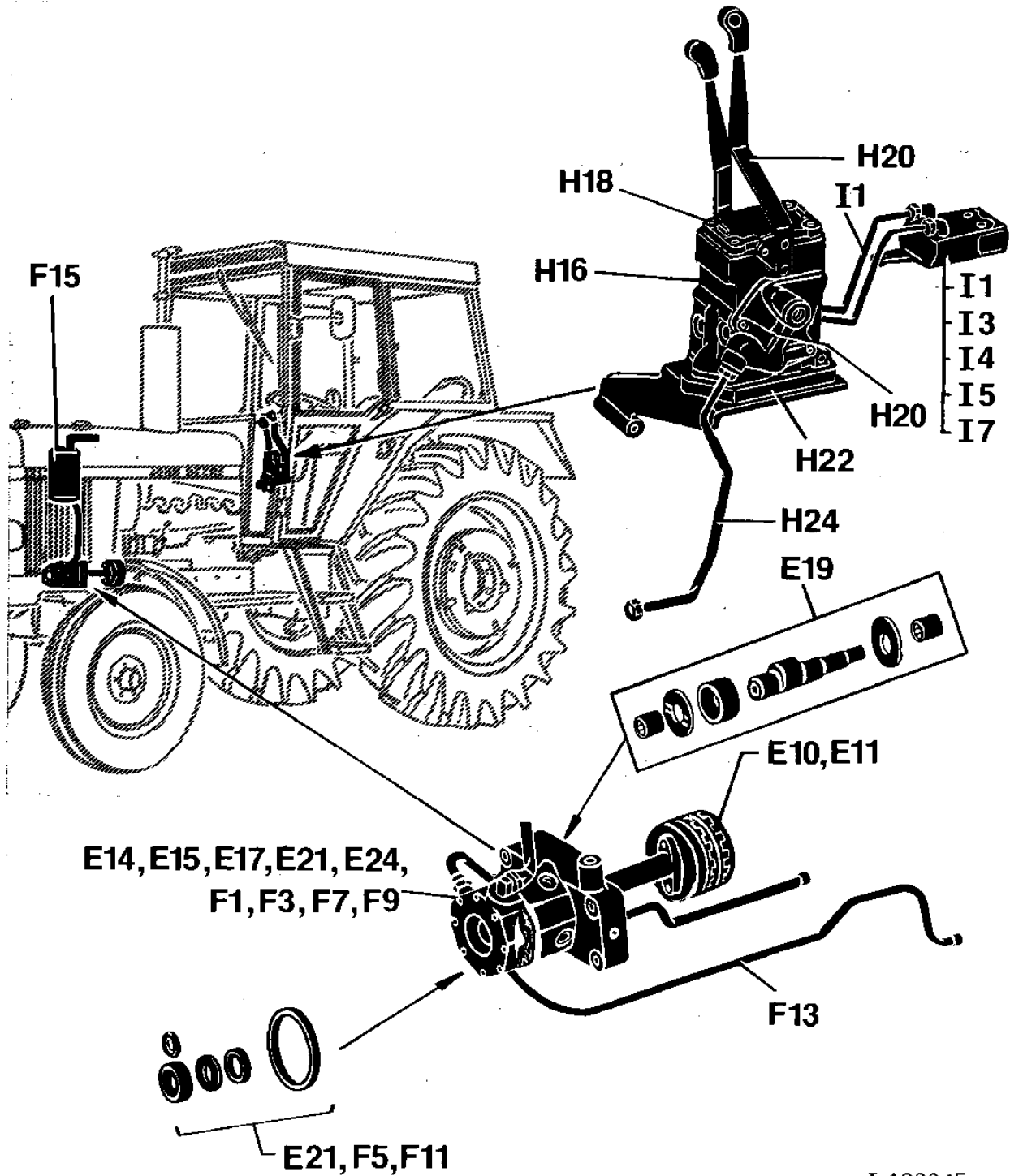
---

MEMORANDA  
MEMORANDA  
MEMORANDA  
MEMORANDA  
MEMORANDA

# 2E6

HYDRAULIC SYSTEM

SECTIONAL INDEX  
INDEX DE SECTION  
GRUPPENINDEX  
INDICE DELLA SEZIONE  
INDICE DE SECCION  
GRUPPSFORTECKNING  
L122247 -UN-23OCT95

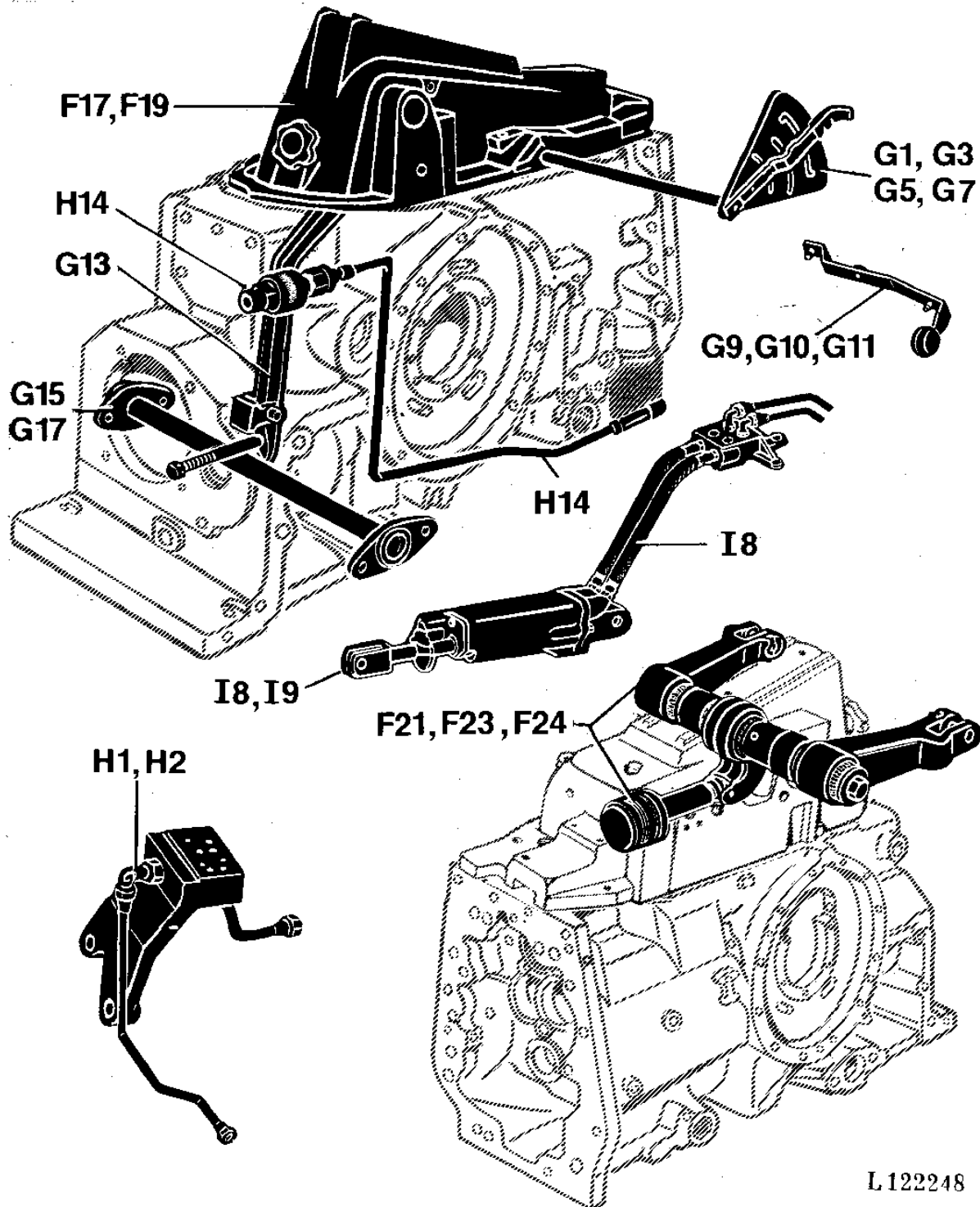


L122247

# 2E7

HYDRAULIC SYSTEM

SECTIONAL INDEX  
INDEX DE SECTION  
GRUPPENINDEX  
INDICE DELLA SEZIONE  
INDICE DE SECCION  
GRUPPSFORTECKNING  
L122248 ...UN-23OCT95

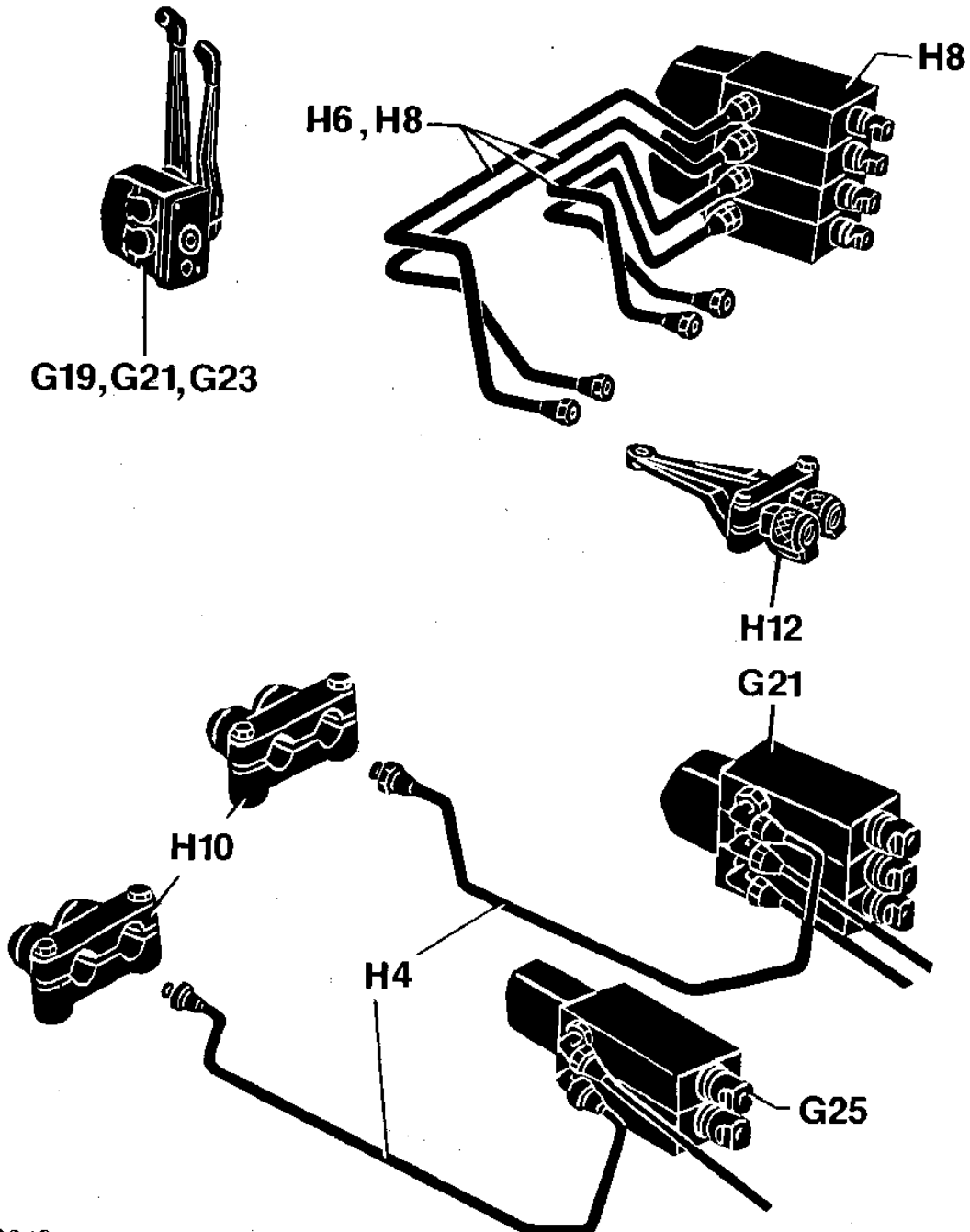


L 122248

# 2E8

HYDRAULIC SYSTEM

SECTIONAL INDEX  
INDEX DE SECTION  
GRUPPENINDEX  
INDICE DELLA SEZIONE  
INDICE DE SECCION  
GRUPPSFORTECKNING  
L122249 -UN-23OCT95

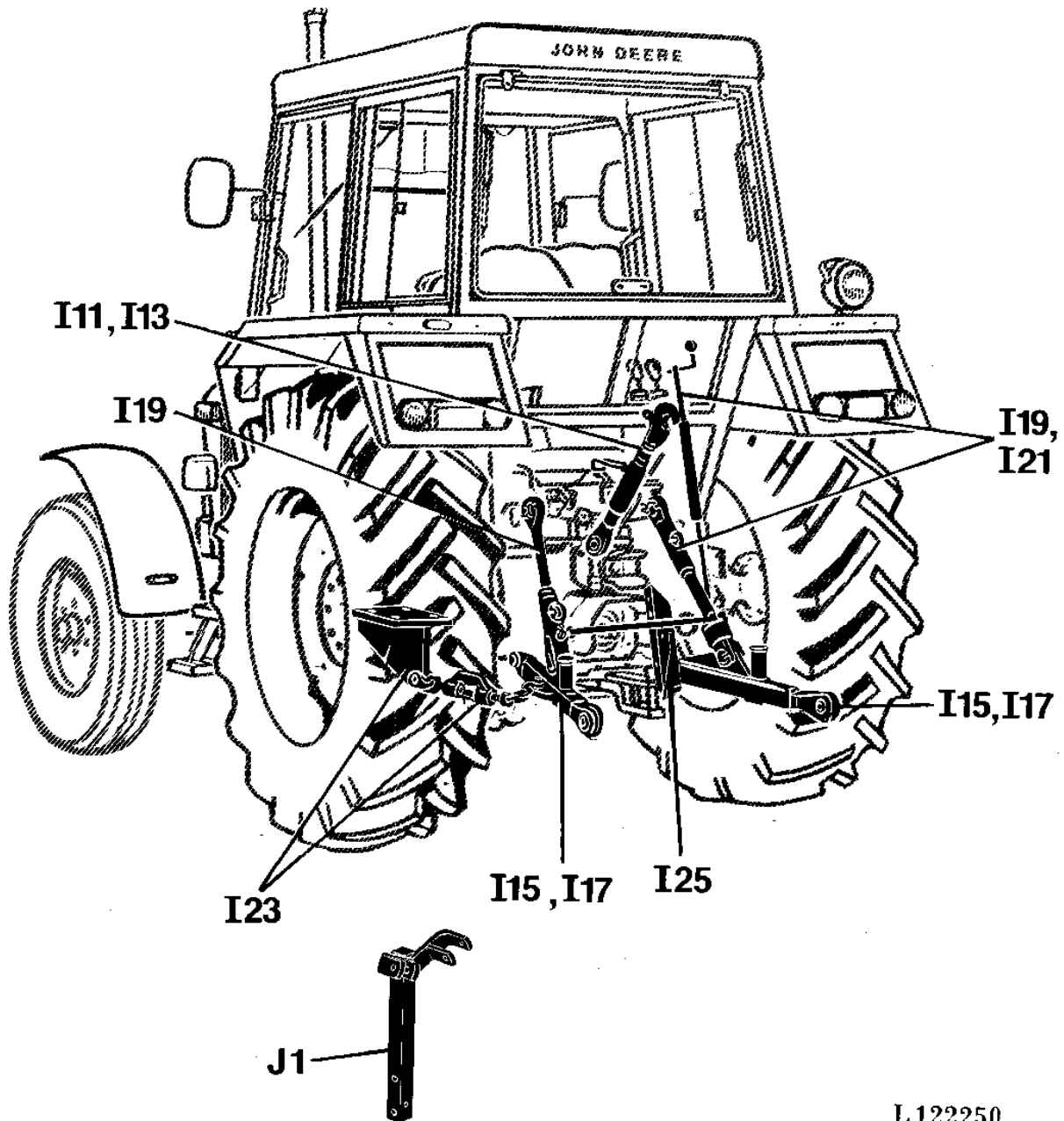


L 122249

# 2E9

HYDRAULIC SYSTEM

SECTIONAL INDEX  
INDEX DE SECTION  
GRUPPENINDEX  
INDICE DELLA SEZIONE  
INDICE DE SECCION  
GRUPPSFORTECKNING  
L122250 -UN-23OCT95

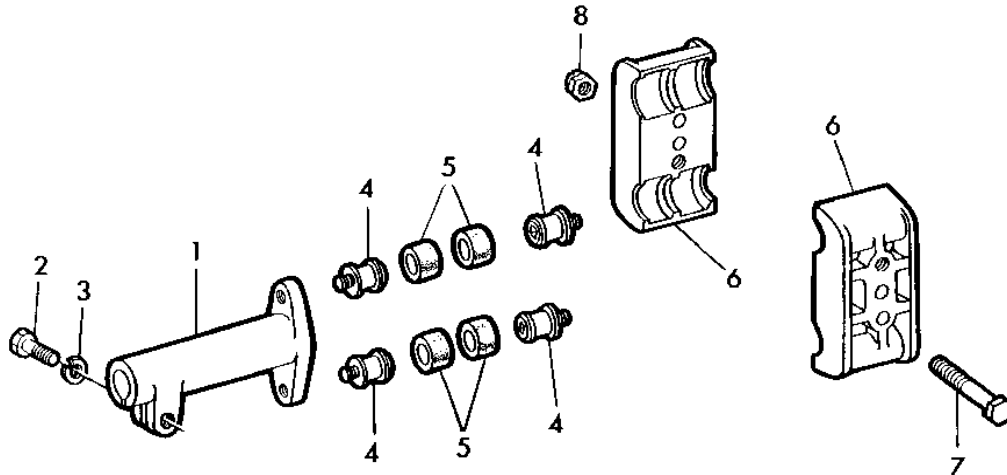


L122250

# 2E10

HYDRAULIC SYSTEM

HYDRAULIC PUMP DRIVE (23CM3)  
 ELEMENTS D'ENTRAINEMENT DE LA POMPE HYDR.(23CM3)  
 ANTRIEBSTEILE FUER HYDRAULIKPUMPE (23CM3)  
 COMANDO PER POMPA IDRAULICA (23CM3)  
 ACCIONAMIENTO BOMBA HIDRAULICA (23CM3)  
 HYDRAULPUMPENS DRIVNING (23CM3)  
 L102785 -UN-07NOV95



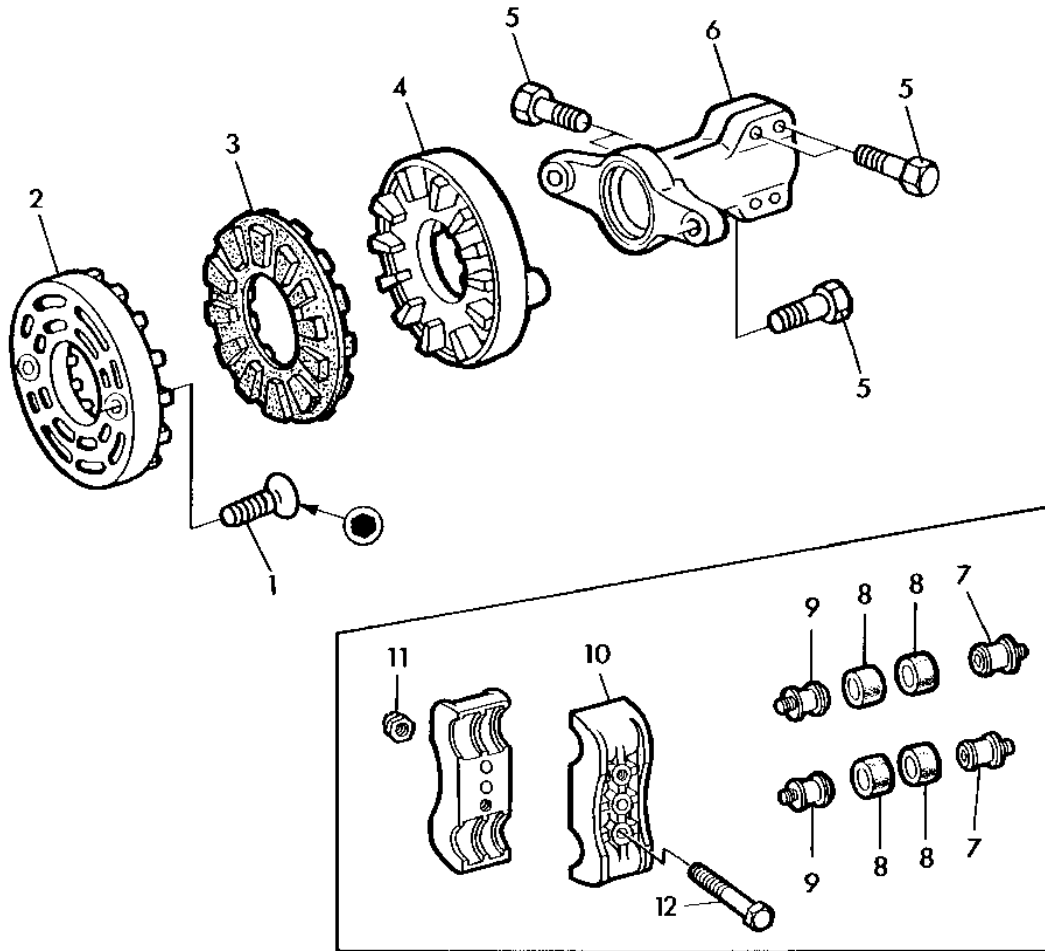
L. 102785

KEY	PART NO.	PART NAME	QTY	SERIAL NO.	3 0 3 0	REMARKS
1	T28263	SHAFT	1	-311078	X X	
	L32862	DRIVE SHAFT	1	311079-	X X	
2	19H1800	CAP SCREW	1		X X	3/8"X1-1/2"
3	12H304	LOCK WASHER	1		X X	3/8"
4	R34360	SCREW	4		X X	3/8"
5	AR49427	BUSHING	1		X X	KIT, INCL 4 (SUB FOR AR34098)
6	R38348	EXTERNAL HALF COUPLER	2		X X	
7	19H2116	CAP SCREW	2		X X	3/8" X 2-1/2"
8	T11234	LOCK NUT	2		X X	3/8"

# 2E11

HYDRAULIC SYSTEM

HYDRAULIC PUMP DRIVE (40CM3)  
ELEMENTS D'ENTRAINEMENT DE LA POMPE HYDR.(40CM3)  
ANTRIEBSTEILE FUER HYDRAULIKPUMPE (40CM3)  
COMANDO PER POMPA IDRAULICA (40CM3)  
ACCIONAMIENTO BOMBA HIDRAULICA (40CM3)  
HYDRAULPUMPENS DRIVNING (40CM3)  
L24816 -UN-26OCT95



L 24816



# 2E12

HYDRAULIC SYSTEM

KEY	PART NO.	PART NAME	QTY	SERIAL NO.	3 0 3 0	3 1 3 0	REMARKS
1	T29324	SCREW	2	311079-	X	X	(FOR T58195)
	L34575	SCREW	2		X	X	(FOR L34569)
2	T58195	COUPLING	1	311079-	X	X	(ORD L34569, (2) L34575)
	L34569	COUPLING	1		X	X	
3	T58196	ISOLATOR	1	311079-	X	X	
4	T58194	COUPLING	1	311079-	X	X	
5	19H1732	CAP SCREW	4	-311078	X	X	3/8"X1-1/4"
	19H1732	CAP SCREW	6	311079-	X	X	3/8"X1-1/4"
6	T31093	DRIVE SHAFT	1	-311078	X	X	
	L32863	DRIVE SHAFT	1	311079-	X	X	
7	R34360	SCREW	2	-311078	X	X	3/8"
8	R45822	BUSHING	4	-311078	X	X	
9	R46345	SCREW	2	-311078	X	X	
10	R34362	EXTERNAL HALF COUPLER	2	-311078	X	X	
11	T11234	LOCK NUT	2	-311078	X	X	3/8"
12	19H2116	CAP SCREW	2	-311078	X	X	3/8"X2-1/2"

# 2E13

HYDRAULIC SYSTEM

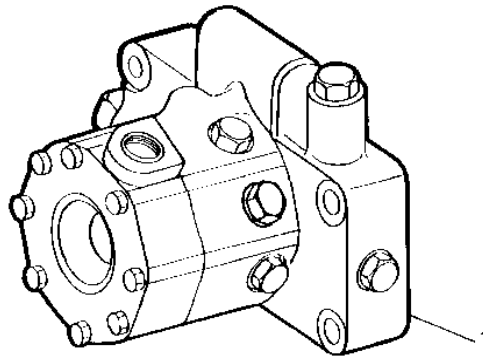
---

MEMORANDA  
MEMORANDA  
MEMORANDA  
MEMORANDA  
MEMORANDA

# 2E14

HYDRAULIC SYSTEM

HYDRAULIC PUMP (23CM3)  
POMPE HYDRAULIQUE (23CM3)  
HYDRAULIKPUMPE (23CM3)  
POMPA IDRAULICA (23CM3)  
BOMBA HIDRAULICA (23CM3)  
HYDRAULPUMP (23CM3)  
L102615 -UN-07NOV95



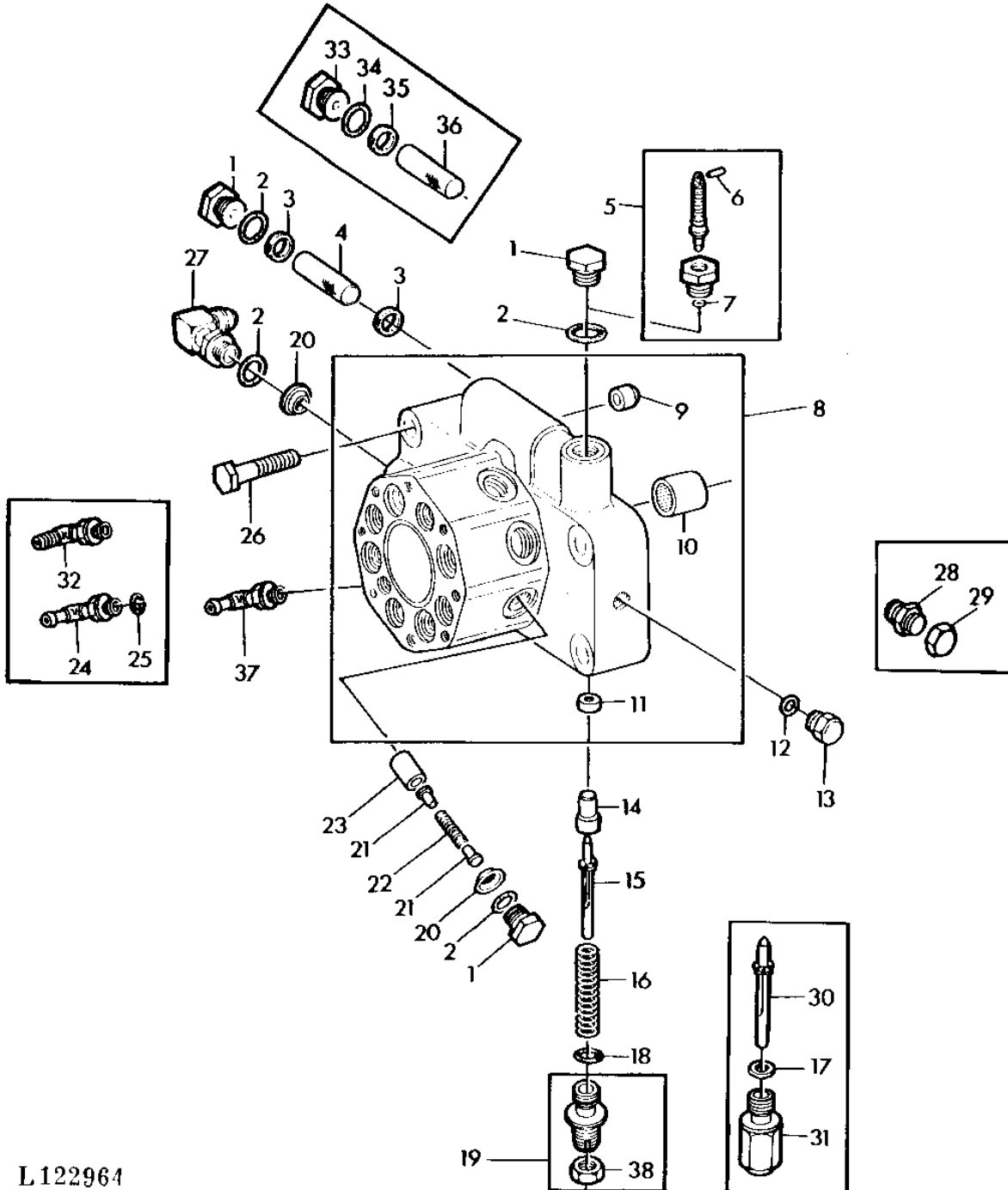
## I. 102615

KEY	PART NO.	PART NAME	QTY	SERIAL NO.	REMARKS
				3 3 0 1 3 3 0 0	
1	AR103033	HYDRAULIC PUMP	1	X X	(SUB FOR AR39168, AR89061, AR89064)

# 2E15

HYDRAULIC SYSTEM

HYDRAULIC PUMP(23CM3=1.4 CU.IN.)  
POMPE HYDRAULIQUE(23CM3)  
HYDRAULIKPUMPE(23CM3)  
POMPA IDRAULICA(23CM3)  
BOMBA HIDRAULICA(23CM3)  
HYDRAULPUMP(23CM3)  
L122964 -UN-26OCT95



L122964

# 2E16

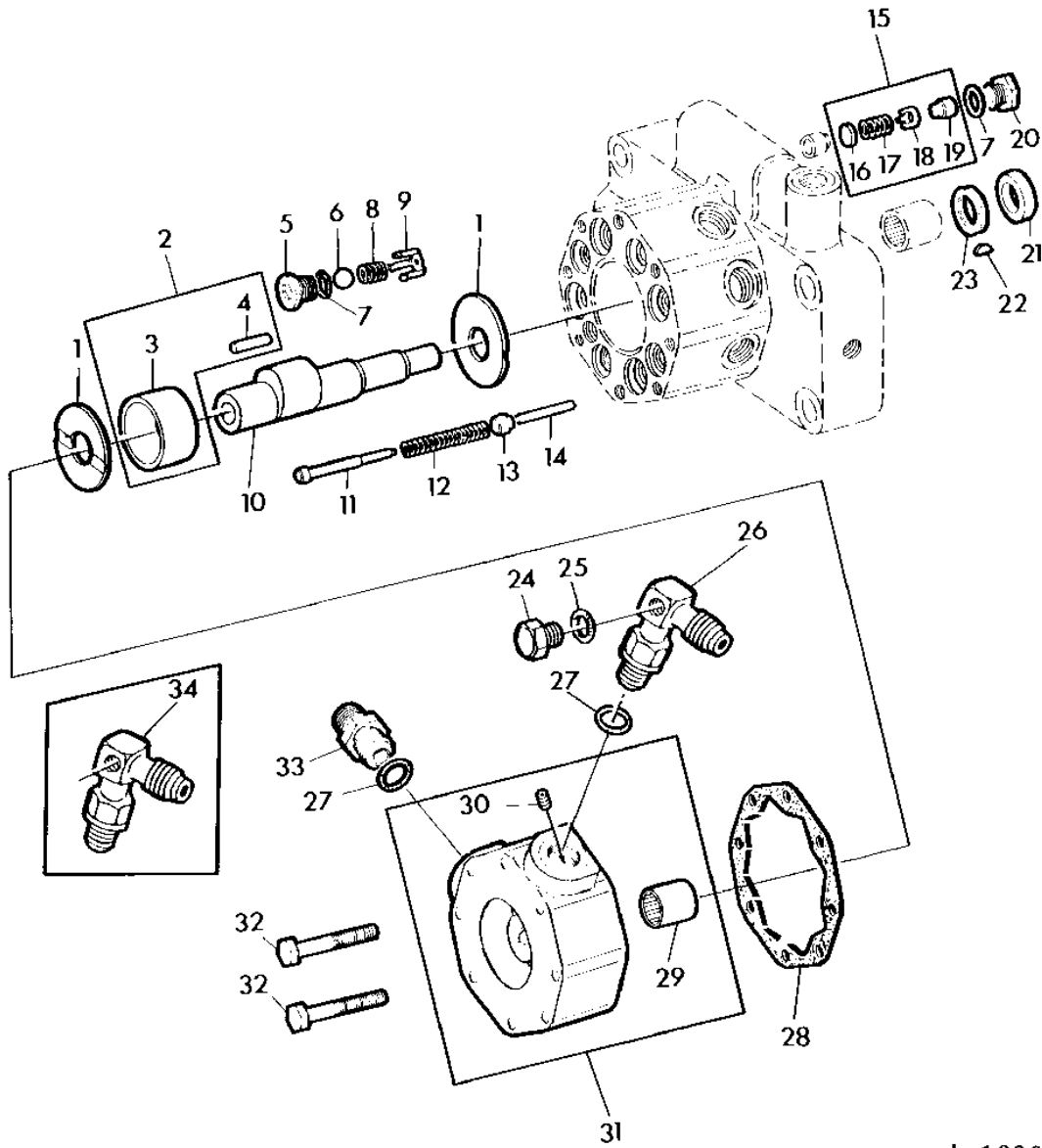
## HYDRAULIC SYSTEM

KEY	PART NO.	PART NAME	QTY	SERIAL NO.	3 0 3 0	3 1 3 0	REMARKS
1	R39112	FITTING	9		X	X	3/4"
2	R26375	O-RING	9		X	X	
3	R68382	PACKING	2		X	X	
4	R68381	FILTER	1		X	X	
5	AR38225	SCREW	1		X	X	
6	34H254	SPRING PIN	1		X	X	1/8"X1-1/2"
7	R30903	O-RING	1		X	X	
8	AR89075	HOUSING	1		X	X	
	AR39170	HOUSING	1		X	X	(ORD AR89075, R26375, R39112, R68381, (2) R68382)
9	R105583	SEAT	8		X	X	(SUB FOR R39067)
10	JD9858	NEEDLE BEARING	1		X	X	(SUB FOR JD10059)
11	R72936	VALVE SEAT INSERT	1		X	X	(SUB FOR R38041, R68502)
12	R26286	O-RING	1		X	X	
13	R27094	DRAIN PLUG	1		X	X	1/2"
14	R68384	CONTROL VALVE	1		X	X	
15	R76167	GUIDE	1		X	X	(SUB FOR R68383)
16	R39240	SPRING	1		X	X	
17	24H1303	WASHER	1		X	X	13/32"X11/16"X.060"
18	R26906	O-RING	1		X	X	
19	AR103040	SCREW	1		X	X	(SUB FOR AR89073)
20	AR101238	SHIELD	1		X	X	KIT,PACKG(9)
21	R39070	GUIDE	16		X	X	
22	AR39041	SPRING	1		X	X	KIT (8)
23	R63022	PISTON	8		X	X	
	R39068	PISTON	8		X	X	(ORD (8) R63022, R63629)
24	AL28468	ELBOW FITTING	1		X	X	(ORD L63540)
25	R26287	O-RING	1		X	X	
26	19H1974	CAP SCREW	4		X	X	1/2"X2-3/4"
27	AR27738	ELBOW FITTING	1	-288007	X	X	
	AL28658	ELBOW FITTING	1	288008-	X	X	
28	R27272	FITTING	1		X	X	(ORD R27094)
29	R36926	FITTING	1		X	X	(ORD R27094)
30	R68383	GUIDE	1		X	X	(ORD R76167) (ORD W/ AR103040)
31	AR89073	ADJUSTER	1		X	X	(ORD AR103040) (ORD W/ R76167)
32	AR26746	ELBOW FITTING	1		X	X	
33	R27175	DRAIN PLUG	1		X	X	1-1/16" (FOR AR39168)
34	U12547	O-RING	1		X	X	(FOR AR39168) (SUB FOR F3171R APPL)
35	R27174	PACKING	2		X	X	(FOR AR39168)
36	R27173	FILTER ELEMENT	1		X	X	(FOR AR39168)
37	L63540	FITTING	1		X	X	(SUB FOR AL28468)
38	R76169	LOCK NUT	1		X	X	

# 2E17

HYDRAULIC SYSTEM

HYDRAULIC PUMP(23CM3=1.4 CU.IN.)  
POMPE HYDRAULIQUE(23CM3)  
HYDRAULIKPUMPE(23CM3)  
POMPA IDRAULICA(23CM3)  
BOMBA HIDRAULICA(23CM3)  
HYDRAULPUMP(23CM3)  
L100645 -UN-03NOV95



L 100645

# 2E18

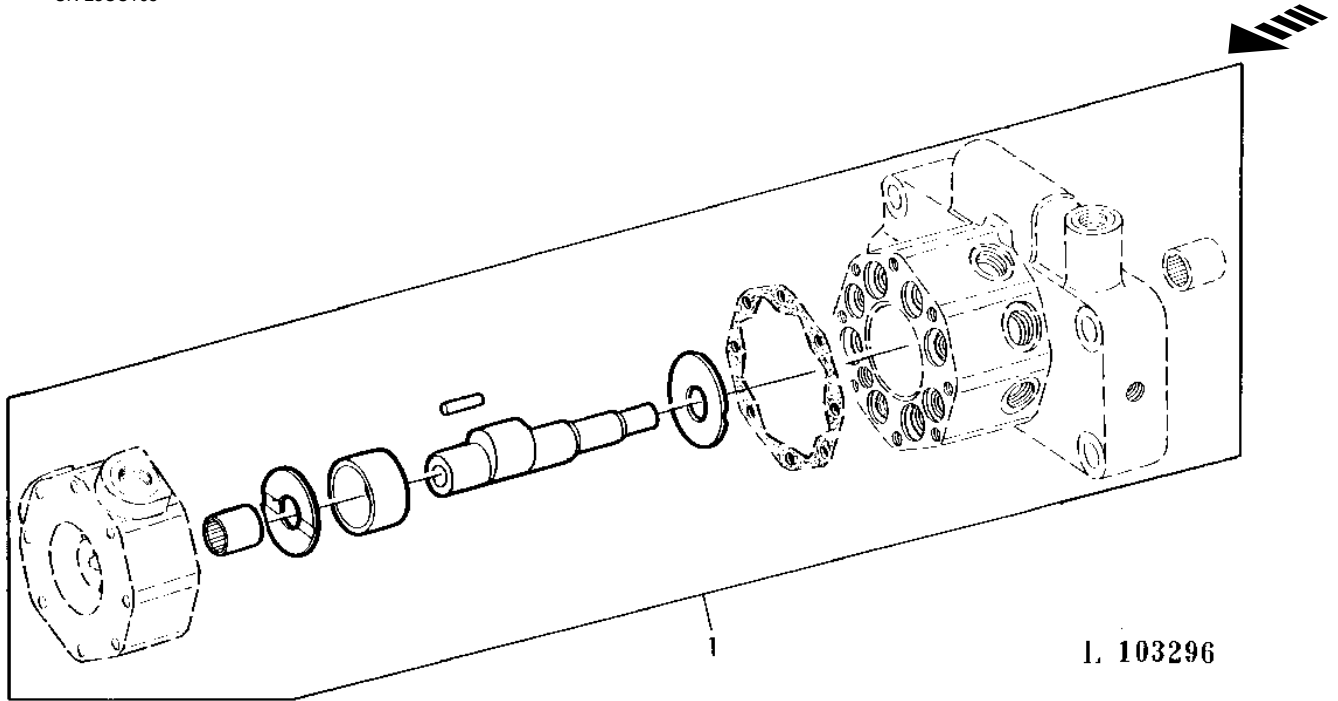
HYDRAULIC SYSTEM

KEY	PART NO.	PART NAME	QTY	SERIAL NO.	REMARKS
					3 3
					0 1
					3 3
					0 0
1	R66164	THRUST WASHER	2		X X (SUB FOR R39016)
2	AR89072	ROLLER BEARING	1		X X
3	R39017	BEARING RACE	1		X X (ORD (8) R63022, R63629)
	R63629	BEARING RACE	1		X X
4	R39073	NEEDLE ROLLER	33		X X
5	R68553	VALVE SEAT INSERT	8		X X (SUB FOR R39075)
6	D2361R	BALL	8		X X 1/2"
7	R26375	O-RING	16		X X
8	R39078	SPRING	8		X X
9	R39076	GUIDE	8		X X
10	R39319	SHAFT	1		X X
11	R39181	GUIDE	1		X X
12	R68390	SPRING	1		X X (SUB FOR R31630)
13	R39180	VALVE	1		X X
14	R39179	NEEDLE ROLLER	1		X X
15	RE23382	VALVE	8		X X (SUB FOR AR52785, AR96613)
16	R49297	DISK	8		X X
17	R39228	SPRING	8		X X
18	R48738	GUIDE	8		X X
19	R83508	STOP	8		X X (SUB FOR R49298, R72886)
20	R39112	FITTING	8		X X 3/4"
21	AR39052	SEAL	1		X X
22	26H77	SHAFT KEY	1		X X 3/16"X3/4"
23	R63605	O-RING	1		X X
24	R31631	DRAIN PLUG	1		X X
25	R26287	O-RING	1		X X
26	AR73684	TEE FITTING	1		X X
27	U12547	O-RING	2		X X (SUB FOR F3171R APPL)
28	R59234	GASKET	1		X X (SUB FOR R39178)
29	JD9858	NEEDLE BEARING	1		X X
30	R39321	ORIFICE	1		X X
31	AR90453	COVER	1		X X (SUB FOR AR39173)
32	19H1944	CAP SCREW	8		X X 3/8"X2-3/4"
33	R27267	FITTING	1		X X
34	AR26723	ELBOW FITTING	1		X X (ORD AR73684, R26287, R31631)

# 2E19

HYDRAULIC SYSTEM

HYDRAULIC PUMP REPAIR SET(12CM3=0,7 CU.IN./23CM3=1,4 CU.IN.)  
 JEU DE REPARATION POMPES HYDRAULIQUES(12CM3,23CM3)  
 HYDRAULIKPUMPEN-REPARATURSATZ(12CM3/23CM3)  
 CORREDO RIPARAZ.PER POMPE IDRAUL.(12CM3,23CM3)  
 JUEGO DE REPARAC.PARA BOMBAS HIDR.(12CM3,23CM3)  
 REPARATURSATZ FOR HYDRAULPUMP(12CM3,23CM3)  
 L103296 -UN-23OCT95



1. 103296

KEY	PART NO.	PART NAME	QTY	SERIAL NO.	REMARKS
1	AL35755	KIT	1	X X	

3 3  
 0 1  
 3 3  
 0 0



# 2E20

HYDRAULIC SYSTEM

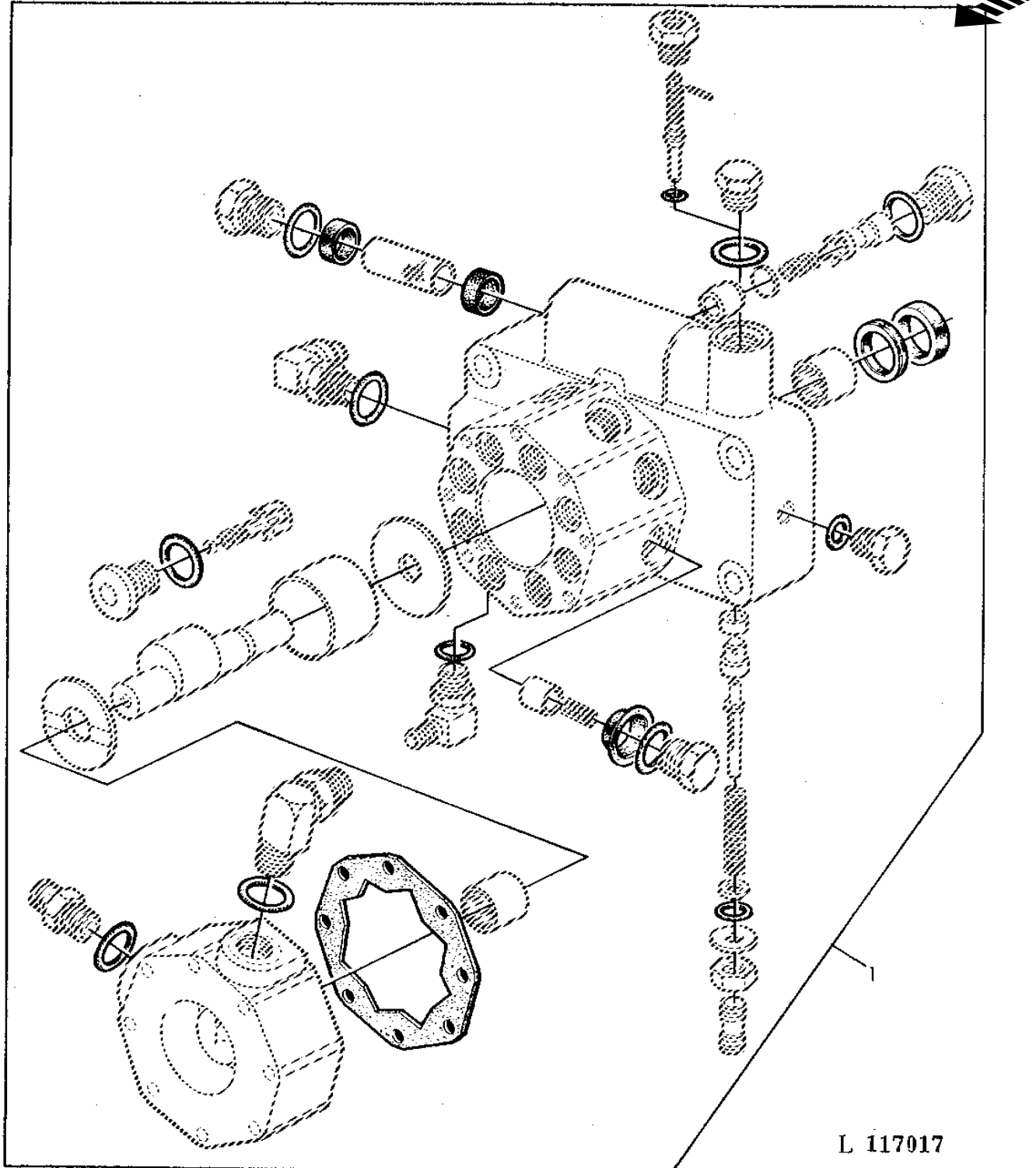
---

MEMORANDA  
MEMORANDA  
MEMORANDA  
MEMORANDA  
MEMORANDA

# 2E21

HYDRAULIC SYSTEM

HYDRAULIC PUMP SEALING SET(12CM3=0.7 CU.IN./23CM3=1.4 CU.IN.)  
POMPE HYDRAULIQUE, JEU DE JOINTS(12CM3/23CM3)  
HYDRAULIKPUMPEN-DICHTUNGSSATZ(12CM3/23CM3)  
POMPA IDRAULICA, SERIE GUARNIZIONI(12CM3/23CM3)  
BOMBA HIDRAULICA, JUEGO DE JUNTAS(12CM3/23CM3)  
HYDRAULPUMP, PACKNINGSSATS(12CM3/23CM3)  
L117017 -UN-01JAN94



# 2E22

HYDRAULIC SYSTEM

KEY	PART NO.	PART NAME	QTY	SERIAL NO.	3 3 0 1 3 3 0 0	REMARKS
1	AR98993	KIT	1		X X	

# 2E23

HYDRAULIC SYSTEM

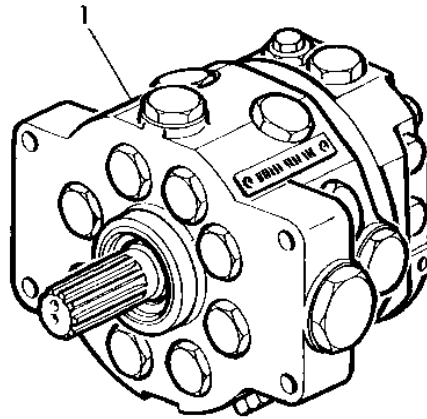
---

MEMORANDA  
MEMORANDA  
MEMORANDA  
MEMORANDA  
MEMORANDA

# 2E24

HYDRAULIC SYSTEM

HYDRAULIC PUMP (40CM3=2.4 CU.IN.)  
 POMPE HYDRAULIQUE (40CM3)  
 HYDRAULIKPUMPE (40CM3)  
 POMPE IDRAULICA (40CM3)  
 BOMBA HIDRAULICA (40CM3)  
 HYDRAULPUMP (40CM3)  
 L103676 -UN-23OCT95



L 103676

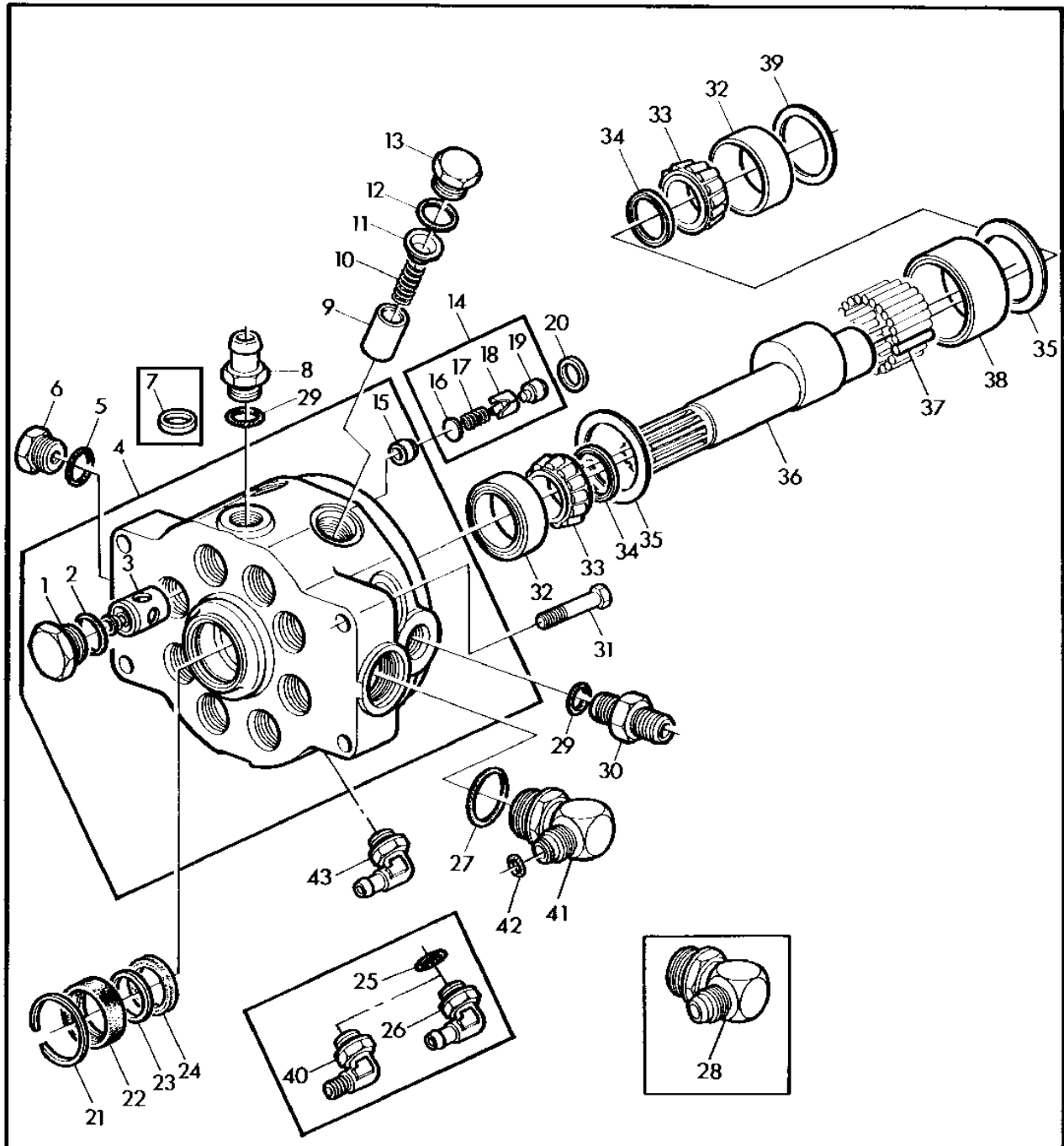
KEY	PART NO.	PART NAME	QTY	SERIAL NO.	REMARKS
1	AR90459 AR97872	HYDRAULIC PUMP HYDRAULIC PUMP	1 1	3 3 0 1 3 3 0 0	(A) 34PP1 (ORD AR97872, R36075, U12547) (A) EA1

(A) MODEL-NO  
 NUMERO DE MODELE  
 MODELLNUMMER  
 NUMERO DEL TIPO  
 NUMERO DEL TIPO  
 MODEL-NR

# 2F1

HYDRAULIC SYSTEM

HYDRAULIC PUMP(40CM3=2,4CU.IN.)MODEL NO.34PP1  
POMPE HYDRAULIQUE(40CM3)MODELE NO.34PP1  
HYDRAULIKPUMPE(40CM3)(MODELL NO.34PP1)  
POMPA IDRAULICA(40CM3)(MODELLO NO.34PP1)  
BOMBA HIDRAULICA(40CM3)(MODELO NO.34PP1)  
HYDRAULPUMP(40CM3)(MODELL 34PP1)  
L122657 -UN-20OCT95



L122657

# 2F2

## HYDRAULIC SYSTEM

KEY	PART NO.	PART NAME	QTY	SERIAL NO.	REMARKS
				3 3	
				0 1	
				3 3	
				0 0	
1	R78293	FITTING	8	X X	(SUB FOR R44823, R51912)
2	R27149	O-RING	8	X X	
3	AR53301	VALVE	8	X X	(SUB FOR AR26758)
4	AR47580	HOUSING	1	X X	(MARKED R45228) (ORD AR97872, R36075, U12547)
5	R56751	O-RING	1	X X	
6	R27175	DRAIN PLUG	1	X X	1-1/16"
7	R35827	WASHER	1	X X	(ORD R26906)
8	R39215	FITTING	1	X X	
9	R27150	PISTON	8	X X	
10	R62372	SPRING	1	X X	KIT (8) (SUB FOR AR33821, AR55186, AR76762)
11	AR101236	SHIELD	1	X X	KIT(8) (SUB FOR R56749)
12	R56463	O-RING	8	X X	
13	R45438	FITTING	8	X X	
14	RE23382	VALVE	8	X X	(SUB FOR AR52785, AR96613)
15	R105583	SEAT	8	X X	(SUB FOR R39067)
16	R49297	DISK	1	X X	
17	R39228	SPRING	1	X X	
18	R48738	GUIDE	1	X X	
19	R83508	STOP	1	X X	(SUB FOR R49298, R72886)
20	R69279	WASHER	8	X X	(SUB FOR R26149, R56754)
21	R26137	SNAP RING	1	X X	
22	RE28790	SEAL	1	X X	(SUB FOR AR52224)
23	R56753	SHIM	1	X X	
24	R39729	O-RING	1	X X	
25	R26287	O-RING	1	X X	
26	AL28468	ELBOW FITTING	1	X X	(ORD L63540)
27	U13639	O-RING	1	X X	
28	AL39129	ELBOW FITTING	1	X X	(ORD AL59809, L58310) (SUB FOR AR39071)
29	R26906	O-RING	2	X X	
30	R27270	FITTING	1	X X	
31	19H1974	CAP SCREW	4	X X	1/2"X2-3/4"
32	JD8223	BEARING CUP	2	X X	
33	JD8192	BEARING CONE	2	X X	
34	R34349	WASHER	2	X X	
35	R60732	WASHER	2	X X	(SUB FOR R42467)
36	R39843	SHAFT	1	X X	
37	R27145	NEEDLE ROLLER	36	X X	
38	R45874	BEARING RACE	1	X X	
39	R27478	SHIM	AR	X X	TK=0,15MM (.006")
	R27479	SHIM	AR	X X	TK=0,25MM (.010")
40	AR26746	ELBOW FITTING	1	X X	
	AL58475	ELBOW FITTING	1	X X	(A) (SUB FOR AT32336)
41	AL59809	ELBOW FITTING	1	X X	
42	L58310	O-RING	1	X X	
43	L63540	FITTING	1	X X	(SUB FOR AL28468)

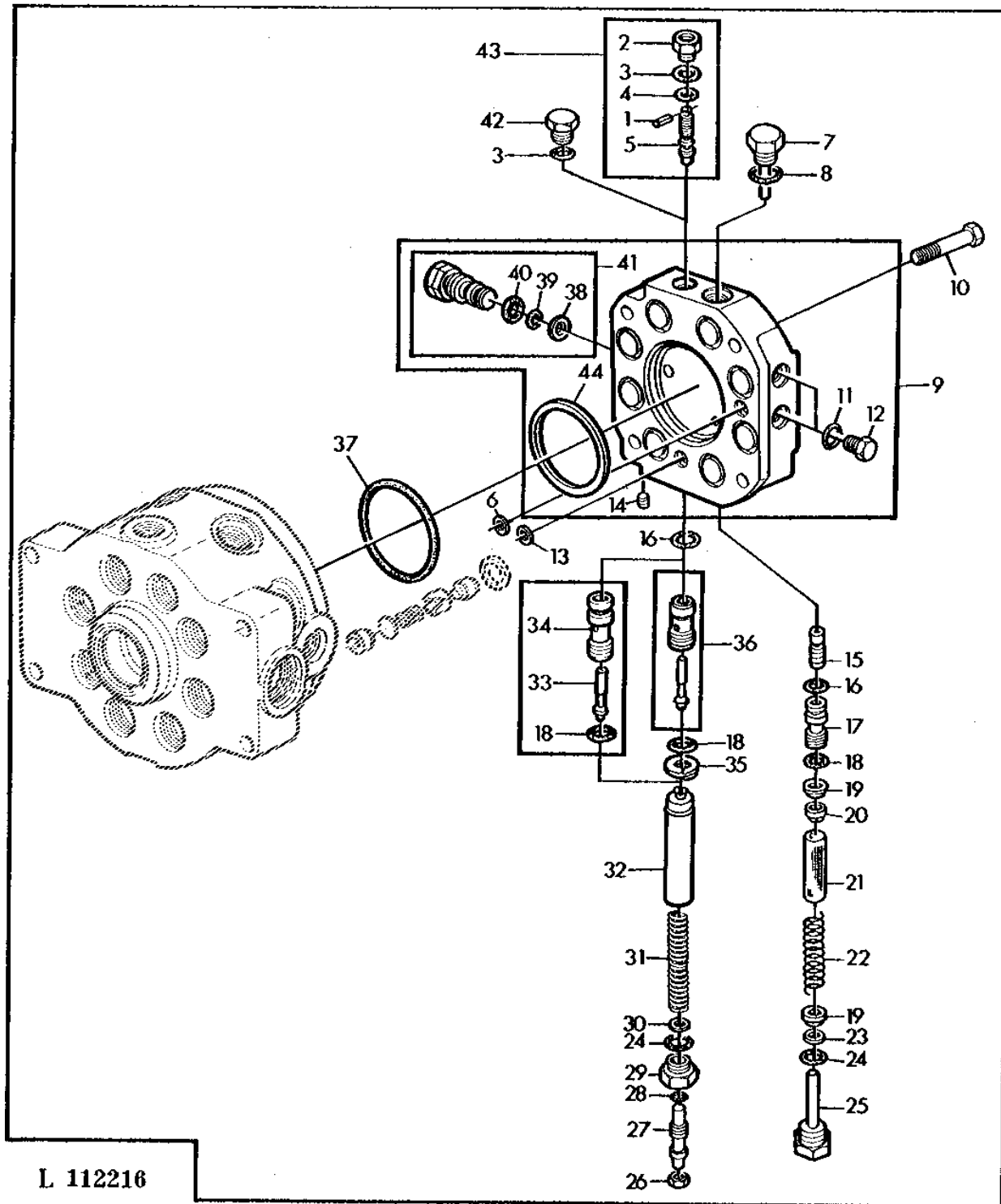
(A) FOR CANADA ONLY  
 UNIQUEMENT CANADA  
 NUR FUER KANADA  
 SOLTANTO PER CANADA  
 SOLO PARA CANADA  
 ENDAST FOR KANADA

# 2F3

HYDRAULIC SYSTEM

PUMP COVER AND VALVES(40CM3=2,4CU.IN.)(MODEL NO.34PP1)  
COUVERCLE DE POMPE ET SOUPAPES(40CM3)(MODELE NO.34PP1)  
PUMPENDECKEL UND VENTILE(40CM3 PUMPE)(MODELL NO.34PP1)  
COPERCHIO POMPA IDRAULICA E VALVOLE(40CM3)(MODELLO NO.34PP1)  
TAPA DE BOMBA Y VALVULAS(40CM3)(MODELO NO.34PP1)  
PUMPKAPA OCH VENTILER(40CM3)(MODELL 34PP1)

L112216 -UN-01JAN94



L 112216



# 2F4

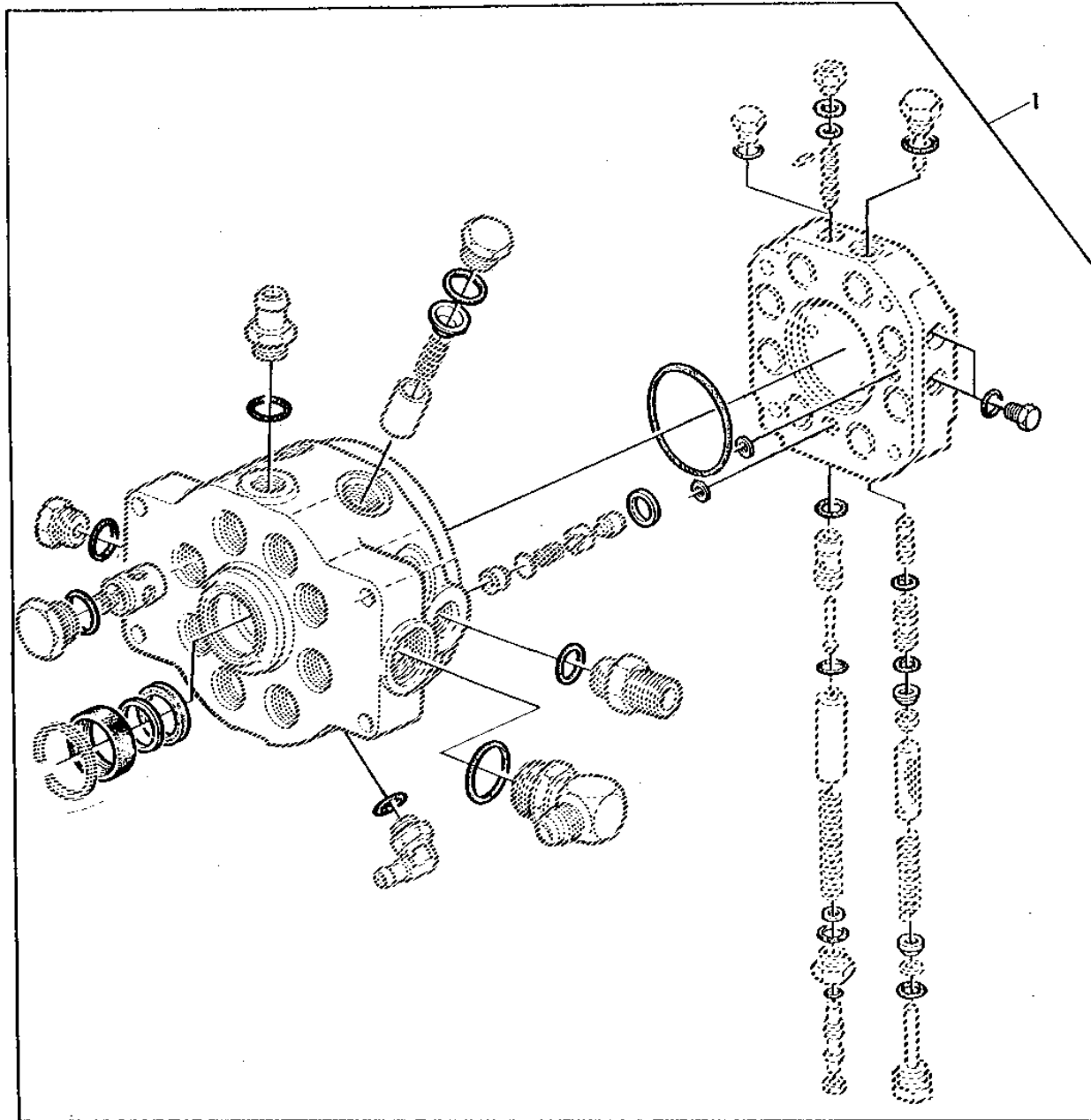
HYDRAULIC SYSTEM

KEY	PART NO.	PART NAME	QTY	SERIAL NO.	REMARKS
				3 3	
				0 1	
				3 3	
				0 0	
1	34H254	SPRING PIN	1	X X	1/8"X1-1/2"
2	R27475	FITTING	1	X X	
3	R26448	O-RING	1	X X	
4	A4365R	O-RING	1	X X	
5	R27171	SCREW	1	X X	
6	R56756	O-RING	1	X X	(SUB FOR A3917R)
7	AR51745	DRAIN PLUG	1	X X	
8	R26906	O-RING	1	X X	
9	AR38714	HOUSING	1	X X	(MARKED R42665, R44802, R49071)
10	19H3520	CAP SCREW	4	X X	1/2"X3-1/4"
11	R26287	O-RING	2	X X	
12	R31631	DRAIN PLUG	2	X X	3/8" (SUB FOR R27216 APPL)
13	R56755	WASHER	1	X X	(SUB FOR A4847R)
14	15H560	PIPE PLUG	1	X X	1/16"
15	R27172	VALVE	1	X X	
16	R27564	O-RING	2	X X	
17	R70351	SLEEVE	1	X X	(SUB FOR R27476)
18	R27166	O-RING	2	X X	
19	R27174	PACKING	2	X X	
20	R27167	GUIDE	1	X X	
21	R27173	FILTER ELEMENT	1	X X	
22	R27159	SPRING	1	X X	
23	R27170	SHIM	AR	X X	
	24H1298	WASHER	AR	X X	3/8"X5/8"X.030"
24	R56751	O-RING	2	X X	(SUB FOR F3171R APPL)
25	AR26646	DRAIN PLUG	1	X X	
26	14H1021	NUT	1	X X	7/16"
27	AR52254	SET SCREW	1	X X	
28	R28782	O-RING	1	X X	
29	R28781	FITTING	1	X X	
30	R42260	WASHER	1	X X	
31	R31781	SPRING	1	X X	
32	R71321	GUIDE	1	X X	(SUB FOR R32344 APPL)
33	R70559	CONTROL VALVE	1	X X	(ORD RE10712, R27166, R41057)
34	R69262	SLEEVE	1	X X	(ORD RE10712, R27166, R41057)
35	R41057	BACK-UP RING	1	X X	
36	RE10712	CONTROL VALVE	1	X X	
37	R56757	O-RING	1	X X	
38	T57374	BACK-UP RING	1	X X	(FOR R49071)
39	T40308	O-RING	1	X X	(FOR R49071)
40	R26375	O-RING	1	X X	(FOR R49071)
41	AR90378	PLUG	1	X X	(FOR R49071)
42	R27218	FITTING PLUG	1	X X	
43	AR33249	SCREW	1	X X	
44	R49072	WASHER	1	X X	

# 2F5

HYDRAULIC SYSTEM

HYDRAULIC PUMP KIT(40CM3=2.4CU.IN)(MODEL NO.34PP1)  
JEU DE JOINTS POMPE(40CM3)(MODELE NO.34PP1)  
HYDRAULIKPUMPENDICHTUNGSSATZ(40CM3)(MODELL NO.34PP1)  
SERIE GUARNIZIONI POMPA IDRAULICA(40CM3)(MODELLO NO.34PP1)  
JUEGO DE JUNTAS PARA BOMBA HIDR.(40CM3)(MODELO NO.34PP1)  
PACKNINGSSATS FOR HYDRAULPUMP(40CM3)(MODELL 34PP1)  
L110623 -UN-01JAN94



L 110623

# 2F6

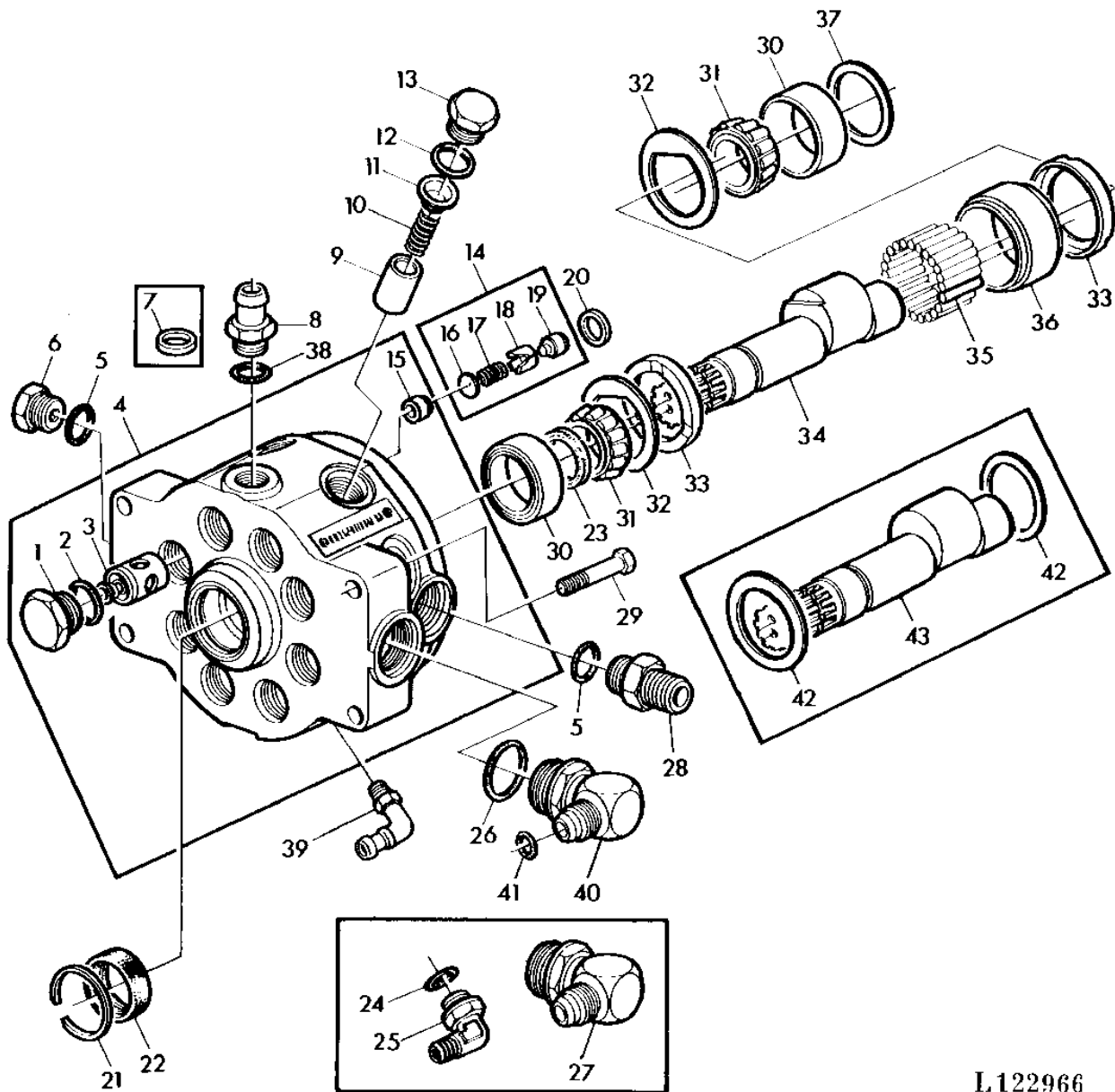
HYDRAULIC SYSTEM

KEY	PART NO.	PART NAME	QTY	SERIAL NO.	REMARKS
1	RE29103	KIT	1	3 3 0 1 3 3 0 0	X X (SUB FOR AR67718)

# 2F7

HYDRAULIC SYSTEM

HYDRAULIC PUMP(40CM3=2.4CU.IN.)MODEL NO.EA1  
POMPE HYDRAULIQUE(40CM3)MODELE NO.EA1  
HYDRAULIKPUMPE(40CM3)MODELL NO.EA1  
POMPE IDRAULICA(40CM3)MODELLO NO.EA1  
BOMBA HIDRAULICA(40CM3)MODELO NO.EA1  
HYDRAULPUMP(40CM3)MODELL NO.EA1  
L122966 -UN-26OCT95



L122966

# 2F8

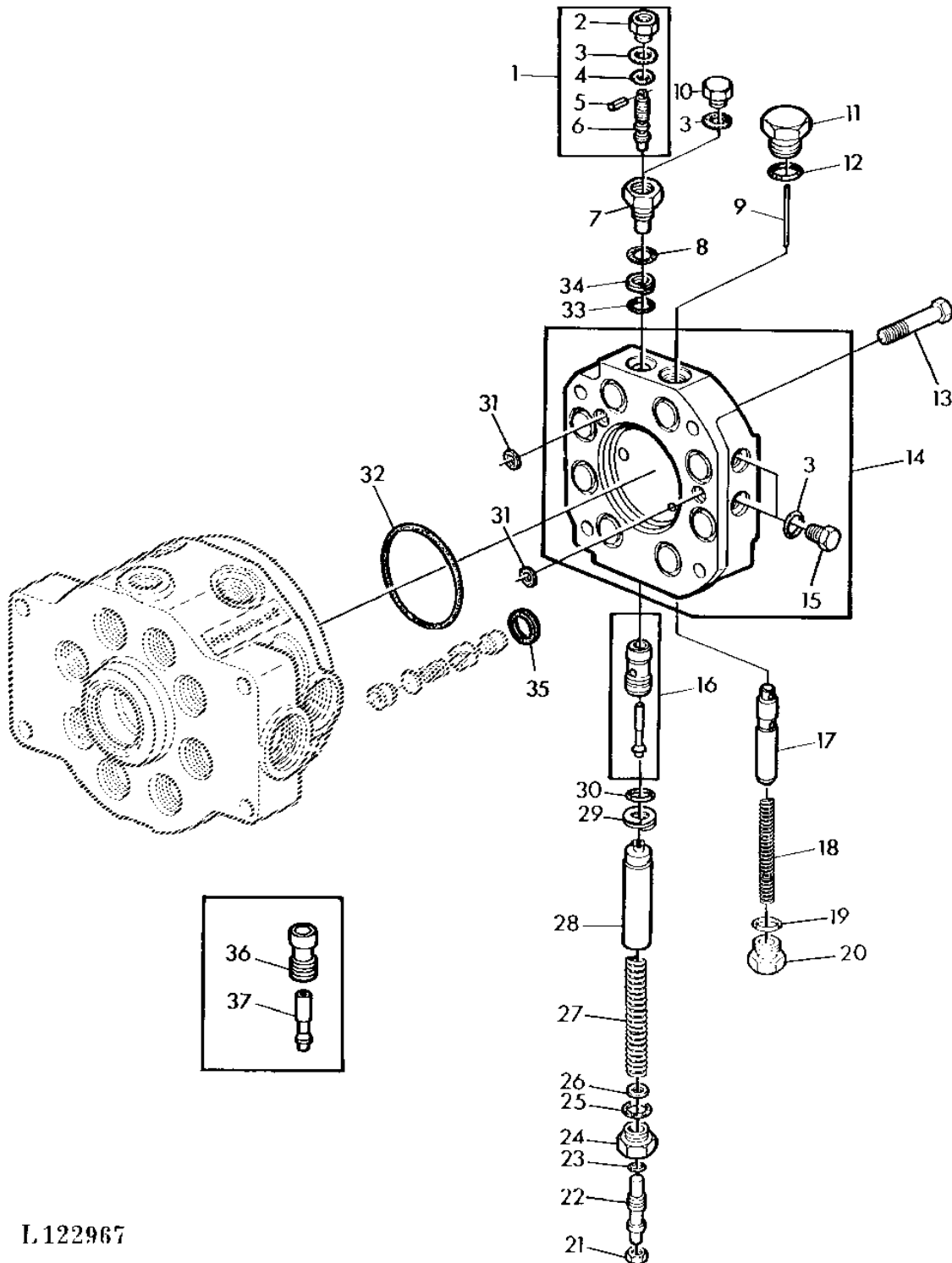
## HYDRAULIC SYSTEM

KEY	PART NO.	PART NAME	QTY	SERIAL NO.	REMARKS
				3 3	
				0 1	
				3 3	
				0 0	
1	R78293	FITTING	8	X X	
2	R27149	O-RING	8	X X	
3	AR53301	VALVE	8	X X	
4	RE11804	HOUSING	1	X X	(MARKED R73741) (SUB FOR AR101665)
5	U12547	O-RING	2	X X	(SUB FOR F3171R APPL)
6	R27175	DRAIN PLUG	1	X X	1-1/16"
7	R35827	WASHER	1	X X	
8	R39215	FITTING	1	X X	
9	R27150	PISTON	8	X X	
10	R62372	SPRING	1	X X	KIT (8) (SUB FOR AR76762)
11	AR101236	SHIELD	1	X X	KIT PACKG (8)
12	R56463	O-RING	8	X X	
13	R45438	FITTING	8	X X	
14	RE23382	VALVE	8	X X	(SUB FOR AR96613)
15	R105583	SEAT	8	X X	(SUB FOR R39067)
16	R49297	DISK	8	X X	
17	R39228	SPRING	8	X X	
18	R48738	GUIDE	8	X X	
19	R83508	STOP	8	X X	(SUB FOR R72886)
20	R69279	WASHER	8	X X	
21	R26137	SNAP RING	1	X X	
22	RE28790	SEAL	1	X X	(SUB FOR AR52224)
23	R77611	RING	1	X X	(SUB FOR RE11777)
24	R26287	O-RING	1	X X	
25	AL28468	ELBOW FITTING	1	X X	(ORD L63540)
26	U13639	O-RING	1	X X	
27	AL39129	ELBOW FITTING	1	X X	(ORD AL59809, L58310) (SUB FOR AR39071)
28	R36075	FITTING	1	X X	
29	19H1805	CAP SCREW	4	X X	1/2"X2-1/4"
30	JD8223	BEARING CUP	2	X X	
31	JD8192	BEARING CONE	2	X X	
32	R79151	LOCK WASHER	2	X X	
33	R72507	THRUST WASHER	2	X X	
34	R79152	SHAFT	1	X X	
35	R45422	NEEDLE ROLLER	25	X X	(SUB FOR R77904)
36	R80558	BEARING RACE	1	X X	(SUB FOR R72506)
37	R27478	SHIM	AR	X X	TK=0,15MM
	R27479	SHIM	AR	X X	TK=0,25MM
38	R26906	O-RING	1	X X	
39	L63540	FITTING	1	X X	(SUB FOR AL28468)
40	AL59809	ELBOW FITTING	1	X X	
41	L58310	O-RING	1	X X	
42	R77903	WASHER	2	X X	
43	R73228	SHAFT	1	X X	(ORD (2) R79151, R79152)

# 2F9

HYDRAULIC SYSTEM

HYD.PUMP COVER AND VALVES(40CM3=2.4CU.IN.)MODEL NO.EA1  
COUVERCLE DE POMPE ET SOUPAPES(40CM3)MODELE NO.EA1  
PUMPENDECKEL UND VENTILE(40CM3)(MODELL NO.EA1)  
COPERCHIO POMPA IDRAULICA E VALVOLE(40CM3)(MODELLO NO.EA1)  
TAPA DE BOMBA Y VALVULAS(40CM3)(MODELO NO.EA1)  
GAVEL OCH VENTILER FOR HYDRAULPUMP(40CM3)MODELL EA1  
L122967 -UN-26OCT95



L122967

# 2F10

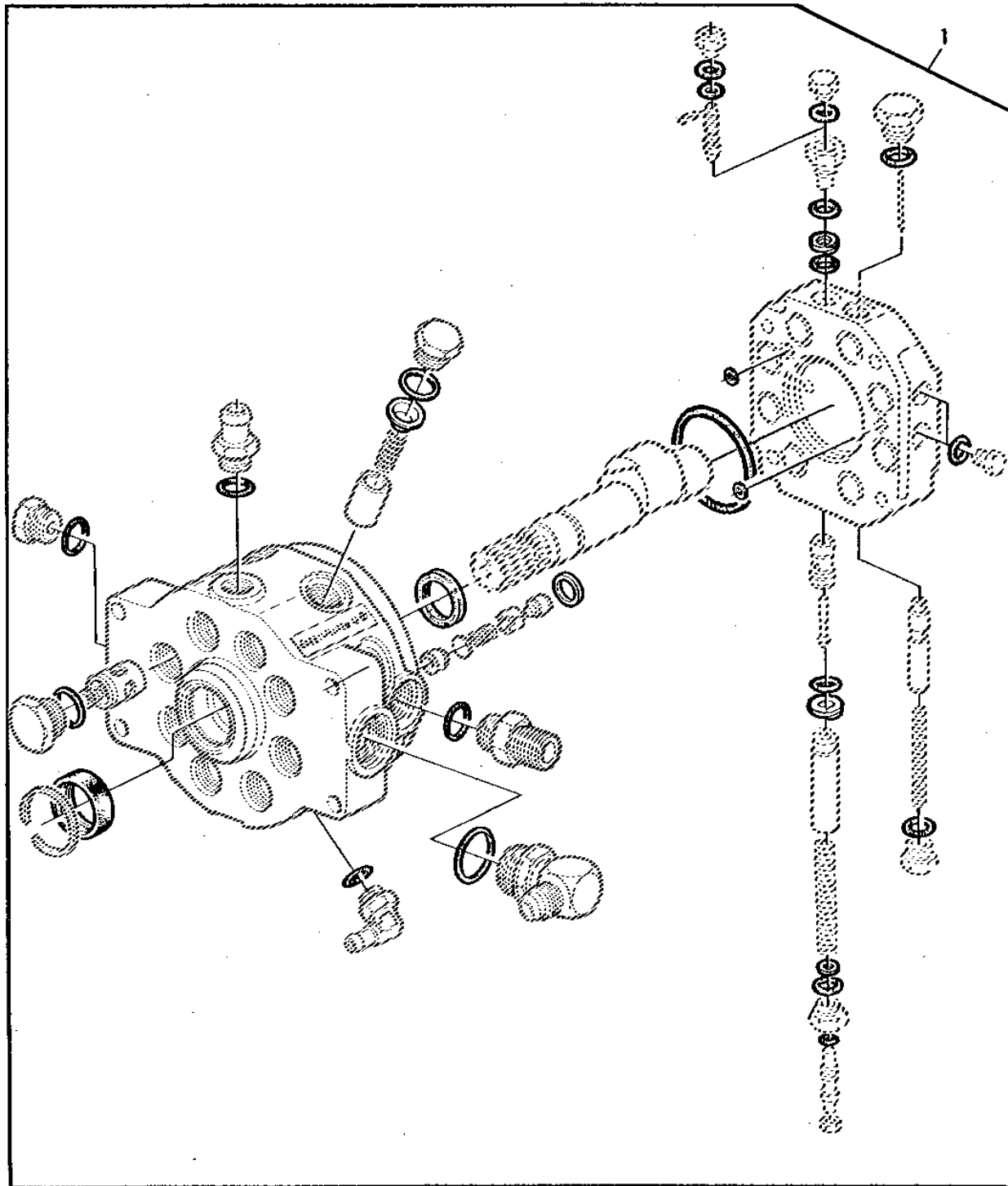
HYDRAULIC SYSTEM

KEY	PART NO.	PART NAME	QTY	SERIAL NO.	3 0 3 0	3 1 3 0	REMARKS
1	AR96625	SCREW	1		X	X	
2	R27475	FITTING	1		X	X	
3	R26448	O-RING	AR		X	X	
4	A4365R	O-RING	1		X	X	
5	34H254	SPRING PIN	1		X	X	1/8"X1-1/2"
6	R75879	SCREW	1		X	X	
7	R70617	PIPE PLUG	1		X	X	
8	R26906	O-RING	1		X	X	
9	R75564	PIN	1		X	X	
10	R27218	FITTING PLUG	1		X	X	
11	R75642	DRAIN PLUG	1		X	X	
12	R56751	O-RING	1		X	X	
13	19H3520	CAP SCREW	4		X	X	(AMRKED R77714)
14	RE12470	HOUSING	1		X	X	
15	R75376	DRAIN PLUG	2		X	X	
16	RE10712	CONTROL VALVE	1		X	X	
17	R70867	VALVE	1		X	X	
18	R70868	SPRING	1		X	X	
19	R26375	O-RING	1		X	X	
20	R73736	PLUG	1		X	X	
21	14H1021	NUT	1		X	X	7/16"
22	AR52254	SET SCREW	1		X	X	
23	R28782	O-RING	1		X	X	
24	R28781	FITTING	1		X	X	
25	F3171R	O-RING	1		X	X	
26	R42260	WASHER	1		X	X	
27	R31781	SPRING	1		X	X	
28	R71321	GUIDE	1		X	X	
29	R41057	BACK-UP RING	1		X	X	
30	R27166	O-RING	1		X	X	
31	R56755	WASHER	2		X	X	
32	R56757	O-RING	1		X	X	
33	R27564	O-RING	1		X	X	
34	R75938	WASHER	1		X	X	
35	R69279	WASHER	8		X	X	
36	R70649	SLEEVE	1		X	X	NSEP (ORD RE10712)
37	R70559	CONTROL VALVE	1		X	X	NSEP (ORD RE10712)

# 2F11

HYDRAULIC SYSTEM

HYDRAULIC PUMP KIT(40CM3=2.4CU.IN.)MODEL NO.EA1  
JEU DE JOINTS POMPE(40CM3)MODELE NO.EA1  
HYDRAULIKPUMPENDICHTUNGSSATZ(40CM3)(MODELL NO.EA1)  
SERIE GUARNIZIONI POMPA IDRAULICA(40CM3)(MODELLO NO.EA1)  
JUEGO DE JUNTAS PARA BOMBA HIDR.(40CM3)MODELO NO.EA1  
PACKNINGSSATS FOR HYDRAULPUMP(40CM3)MODELL NO.EA1  
L110630 -UN-01JAN94



L 110630



# 2F12

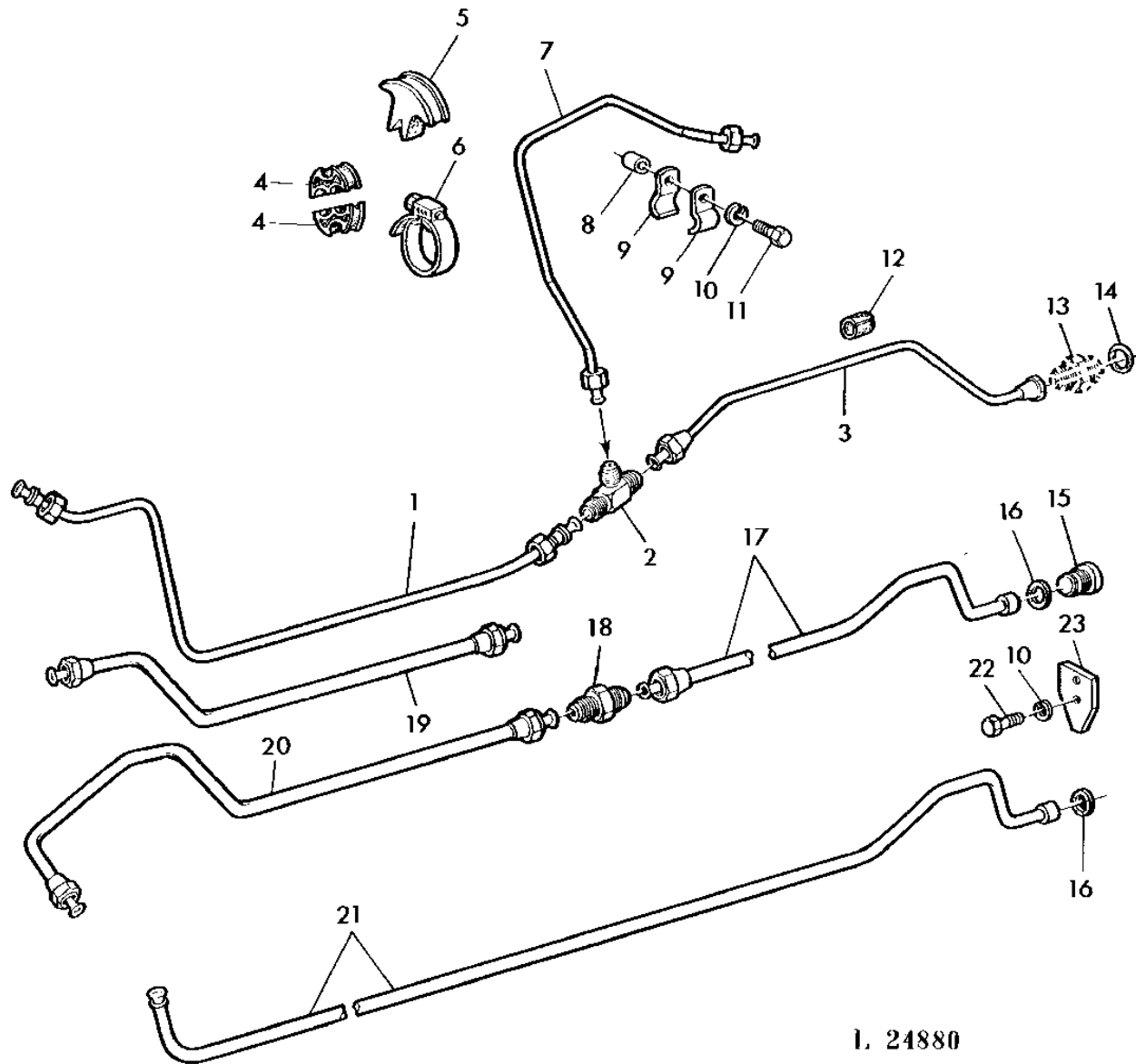
HYDRAULIC SYSTEM

KEY	PART NO.	PART NAME	QTY	SERIAL NO.	REMARKS
1	RE29107	KIT	1	3 3 0 1 3 3 0 0	X X (SUB FOR AR96321)

# 2F13

HYDRAULIC SYSTEM

HYDRAULIC RETURN OIL LINES  
CONDUITES DE RETOUR D'HUILE HYDRAULIQUE  
HYDRAULIK-RUECKOELLEITUNGEN  
TUBAZIONI DI RITORNO  
TUBERIAS DE RETORNO  
HYDRAULRETUROLJELEDNINGAR  
L24880 -UN-25OCT95



L. 24880

# 2F14

HYDRAULIC SYSTEM

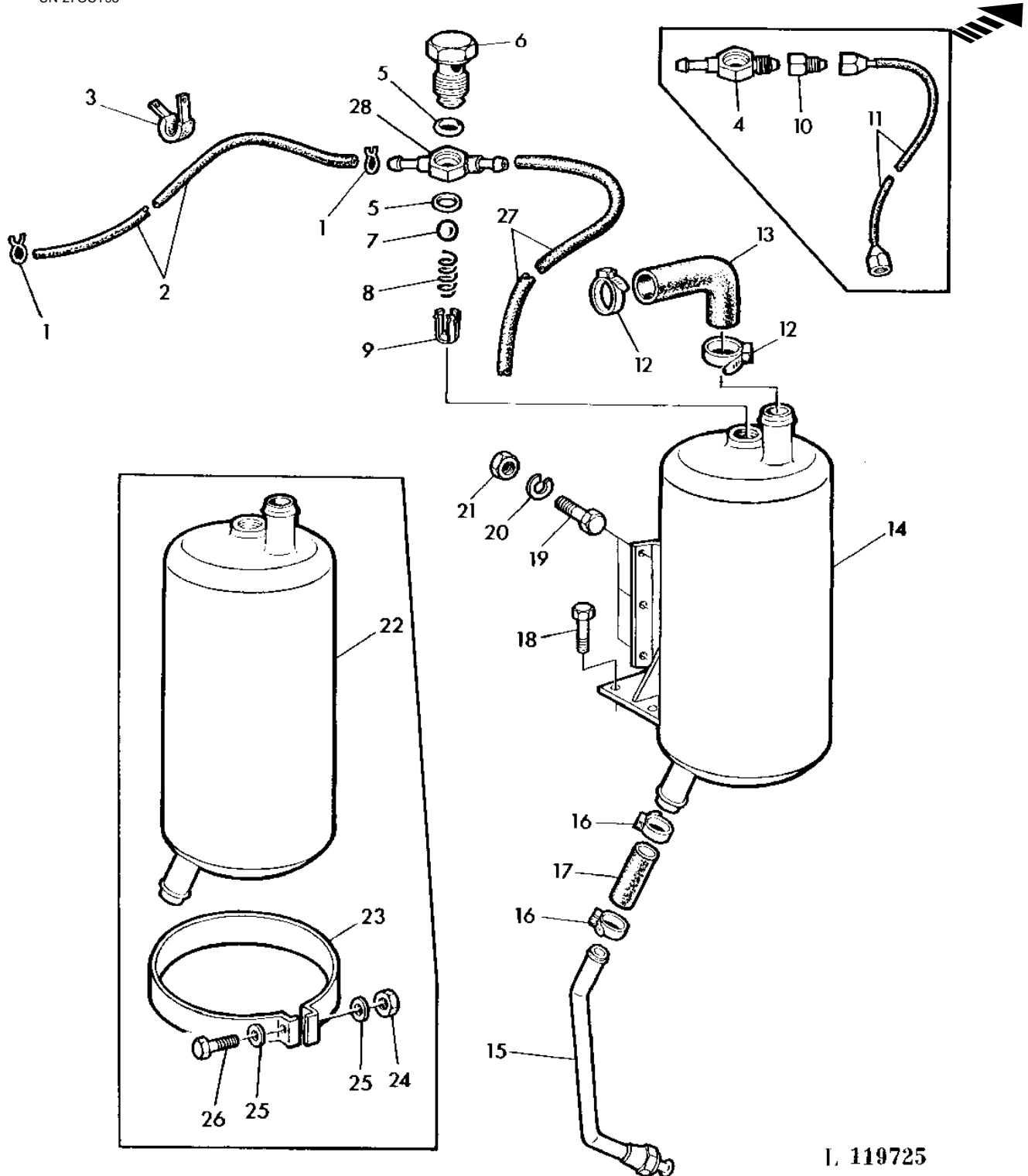
KEY	PART NO.	PART NAME	QTY	SERIAL NO.	3 0 3 0	REMARKS
1	AT26742	OIL LINE	1	-281776	X X	FRONT
	AL28653	OIL LINE	1	281777-	X X	FRONT
	AL28075	OIL LINE	1		X X	(A) FRONT
2	AT26757	TEE FITTING	1	-281776	X X	
	T28991	TEE FITTING	1	281777-	X X	
	T28991	TEE FITTING	1		X X	(A)
3	AL23163	OIL LINE	1	-281776	X X	REAR
	AL28076	OIL LINE	1	281777-	X X	REAR
	AL28076	OIL LINE	1		X X	(A) REAR
4	L32580	RETAINER	4	281777-	X X	
5	R49076	SPACER	2	-281776	X X	
6	AL37451	CLAMP	2		X X	(SUB FOR AL31992, AR21840, AR48499)
	AR21999	CLAMP	2		X X	(A)
7	AT26381	LINE	1	-281776	X X	
	AL28078	LINE	1	281777-	X X	
	AL28078	LINE	1		X X	(A)
8	28H1878	SPACER	1		X X	
9	R27539	CLAMP	2	-281776	X X	
	R35726	CLAMP	2	281777-	X X	
	R35726	CLAMP	2		X X	(A)
10	12H304	LOCK WASHER	2		X X	3/8"
11	19H1732	CAP SCREW	1		X X	3/8"X1-1/4"
12	L32581	HOSE	2		X X	
13	.....		1		X X	
	.....		1		X X	
14	R26906	O-RING	1		X X	
15	T23203	VALVE SEAT	1		X X	
16	R1662R	WASHER	2		X X	
17	AL28656	OIL LINE	1		X X	REAR (SUB FOR AT26748)
18	R27266	FITTING	1		X X	1-1/16"
19	AL25015	OIL LINE	1		X X	(A) FRONT
20	AL28657	OIL LINE	1		X X	FRONT (SUB FOR AT26747)
21	AL28655	OIL LINE	1		X X	(SUB FOR AT26745)
22	19H2552	CAP SCREW	1		X X	3/8"X1-1/8"
23	AT27313	RETAINER	1		X X	

(A) WITH HYDR.PUMP 40CM3  
 AVEC POMPE HYDRAULIQUE 40CM3  
 BEI HYDRAULIKPUMPE 40CM3  
 CON POMPA IDRAULICA 40CM3  
 CON BOMBA HIDR.DE 40CM3  
 VID HYDRAULPUMP 40CM3

# 2F15

HYDRAULIC SYSTEM

HYDRAULIC OIL RESERVOIR  
RESERVOIR A HUILE HYDRAULIQUE  
HYDRAULIKOELBEHAELTER  
SERBATOIO OLIO IDRAULICO  
DEPOSITO DE ACEITE HIDRAULICO  
HYDRAULOLJETANK  
L119725 -UN-27OCT95



I. 119725

# 2F16

HYDRAULIC SYSTEM

KEY	PART NO.	PART NAME	QTY	SERIAL NO.	3 0 3 0	REMARKS
1	T19324	CLAMP	2		X X	
2	L36158	HOSE	1		X X	(SUB FOR T26942)
3	T13814	CLAMP	1		X X	
4	AL24229	HOSE FITTING	1		X X	(SUB FOR AT20983 APPL)
5	32240	O-RING	2		X X	(SUB FOR U11343 APPL)
6	T22970	PLUG	1		X X	3/4"
7	D2361R	BALL	1		X X	1/2"
8	R39078	SPRING	1		X X	
9	R39076	GUIDE	1		X X	
10	R64170	ADAPTER	1		X X	(A)
11	AT26746	OIL LINE	1		X X	
	AL29854	OIL LINE	1		X X	(A)
12	AL37451	CLAMP	2		X X	(SUB FOR AL31992, AR21839, AR48499)
13	L35843	HOSE	1		X X	(SUB FOR T22958)
14	AL25276	HYDRAULIC RESERVOIR	1	151543-	X X	
15	AL28654	OIL TUBE	1		X X	(SUB FOR AT26744)
16	AL37451	CLAMP	2	-281776	X X	(SUB FOR AL31992, AR48499)
	AR21999	CLAMP	2	281777-	X X	
17	R66591	HOSE	1		X X	(SUB FOR R26905, R57300)
	.....		1		X X	(B) (ORD L37286) (SUB FOR L34955, T28778)
18	19H2021	CAP SCREW	4	151543-	X X	3/8"X5/8"
19	19H1731	CAP SCREW	3	151543-	X X	3/8"X1"
20	12H304	LOCK WASHER	3	151543-	X X	3/8"
21	14H732	NUT	3	151543-	X X	3/8"
22	AT32281	RESERVOIR	1	-151542	X X	
23	T28775	CLAMP	1	-151542	X X	
24	14H786	NUT	1	-151542	X X	1/4"
25	24H1287	WASHER	2	-151542	X X	9/32"X5/8"X.060"
26	19H1791	CAP SCREW	1	-151542	X X	1/4"X1-1/4"
27	L36136	HOSE	1		X X	(SUB FOR T23083)
28	L60163	HOSE FITTING	1		X X	(SUB FOR AL33288)
..	L37286	HOSE	1		X X	LGTH=2000MM

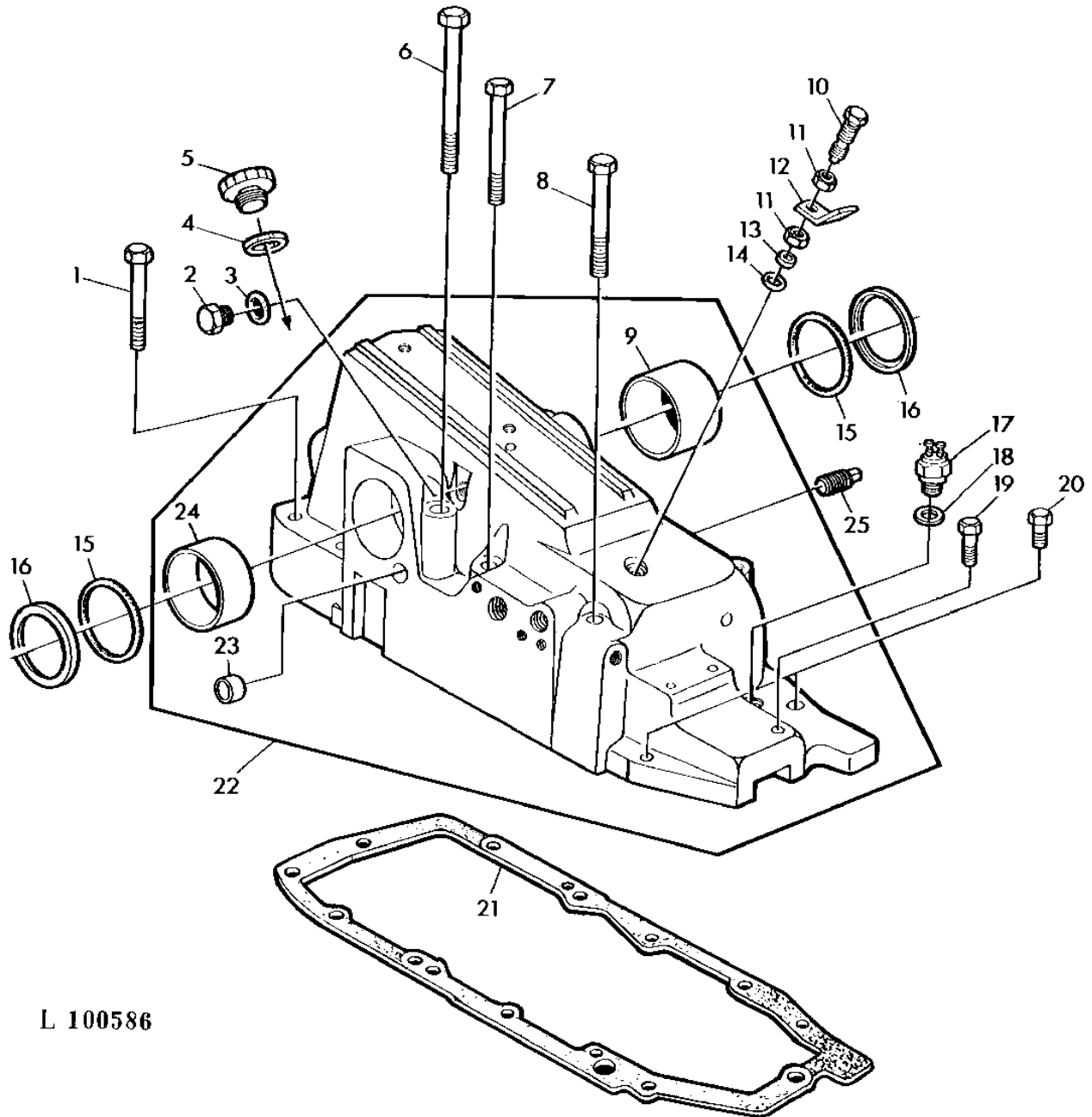
(A) FOR CANADA ONLY  
 UNIQUEMENT CANADA  
 NUR FUER KANADA  
 SOLTANTO PER CANADA  
 SOLO PARA CANADA  
 ENDAST FOR KANADA

(B) WITH HYDR.PUMP 40CM3  
 AVEC POMPE HYDRAULIQUE 40CM3  
 BEI HYDRAULIKPUMPE 40CM3  
 CON POMPA IDRAULICA 40CM3  
 CON BOMBA HIDR.DE 40CM3  
 VID HYDRAULPUMP 40CM3

# 2F17

HYDRAULIC SYSTEM

ROCKSHAFT HOUSING  
CARTER DU RELEVAGE  
HYDRAULIKGEHAEUSE  
CARTER SOLLEVATORE  
CARCASA DEL ELEVADOR HIDRAULICO  
JORDBRUKSLYFTENS HUS  
L100586 -UN-03NOV95



L 100586

# 2F18

HYDRAULIC SYSTEM

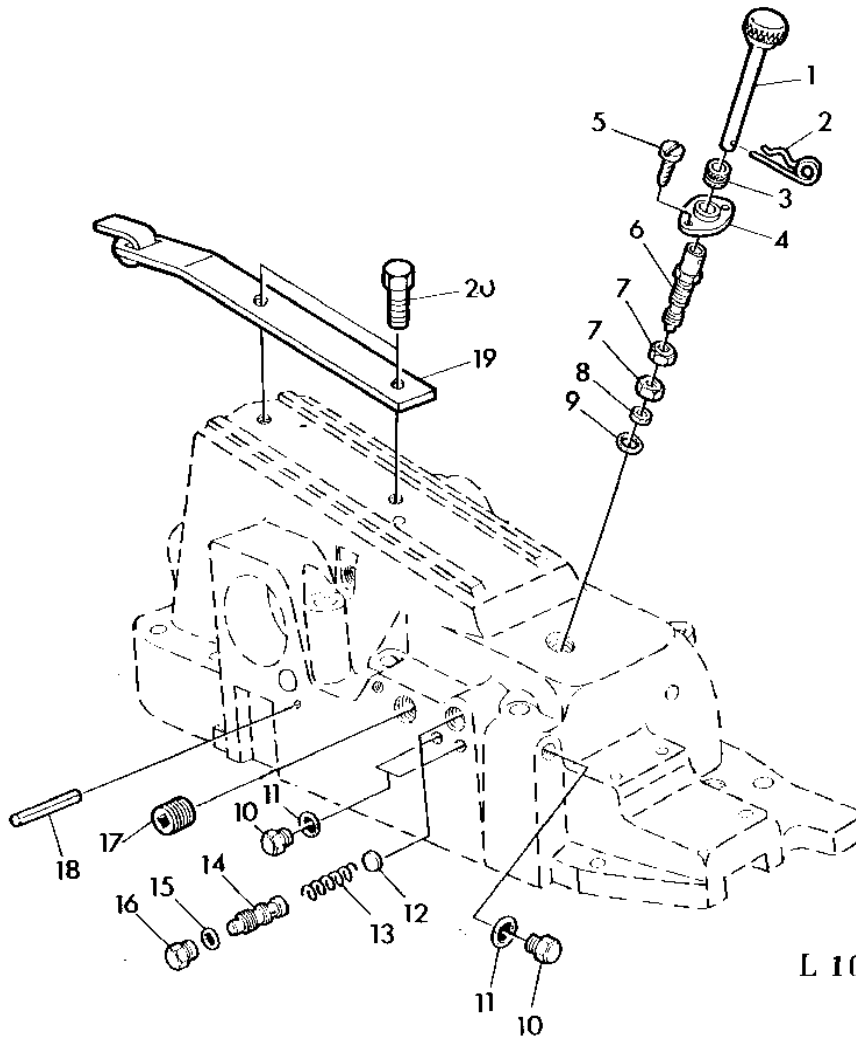
KEY	PART NO.	PART NAME	QTY	SERIAL NO.	REMARKS
					3 3
					0 1
					3 3
					0 0
1	19H1992	CAP SCREW	4	X X	1/2"X4"
2	R27474	DRAIN PLUG	1	X X	(A) 7/8"
3	R26906	O-RING	1	X X	(A)
4	T21564	WASHER	1	X X	
5	AL38083	FILLER CAP	1	X X	1-1/2" (SUB FOR AL32620, L29872, T21563)
6	19H2068	CAP SCREW	2	X X	1/2"X6"
7	19H2120	CAP SCREW	2	X X	1/2"X5"
8	19H1739	CAP SCREW	2	X X	1/2"X4-1/2"
9	L41188	BUSHING	1	X X	LH (SUB FOR T30522 APPL)
10	T27259	CAP SCREW	1	X X	
11	14H832	NUT	2	X X	9/16"
12	T27258	STRAP	1	X X	
13	T27260	WASHER	1	X X	
14	R26448	O-RING	1	X X	
15	T28535	O-RING	2	X X	
16	T28532	RETAINER	2	X X	
17	AT85153	SWITCH	1	X X	(SUB FOR AR85323, AR89691, R36265)
18	24M7228	WASHER	1	X X	15X21X1,3MM
19	19H1805	CAP SCREW	1	X X	1/2"X2-1/4"
20	19H1721	CAP SCREW	2	X X	1/2"X1-1/2"
21	L41551	GASKET	1	X X	(SUB FOR L34401)
	T28555	GASKET	1	X X	
22	AL39576	HOUSING	1	X X	(ORD W/ 15H638) (SUB FOR AL25796, AL27261, AL31574, AL31576, AL34608)
23	T21631	BUSHING	1	X X	
24	L41189	BUSHING	1	X X	RH (SUB FOR T30521 APPL)
25	15H638	PIPE PLUG	1	X X	1/8"

(A) WITHOUT SELECTIVE CONTROL VALVE  
 SANS DISTRIBUTEUR AUXILIAIRE  
 OHNE ZUSATZSTEUERGERAET  
 SENZA DISTRIBUTORE AUSILIARIO  
 SIN VALVULA DE MANDO AUXILIAR  
 UTAN MANOVERVENTIL FOR FJARRCYLINDER

# 2F19

HYDRAULIC SYSTEM

ROCKSHAFT HOUSING  
CARTER DU RELEVAGE  
HYDRAULIKGEHAEUSE  
CARTER SOLLEVATORE  
CARCASA DEL ELEVADOR HIDRAULICO  
JORDBRUKSLYFTENS HUS  
L100587 -UN-03NOV95



L 100587



# 2F20

HYDRAULIC SYSTEM

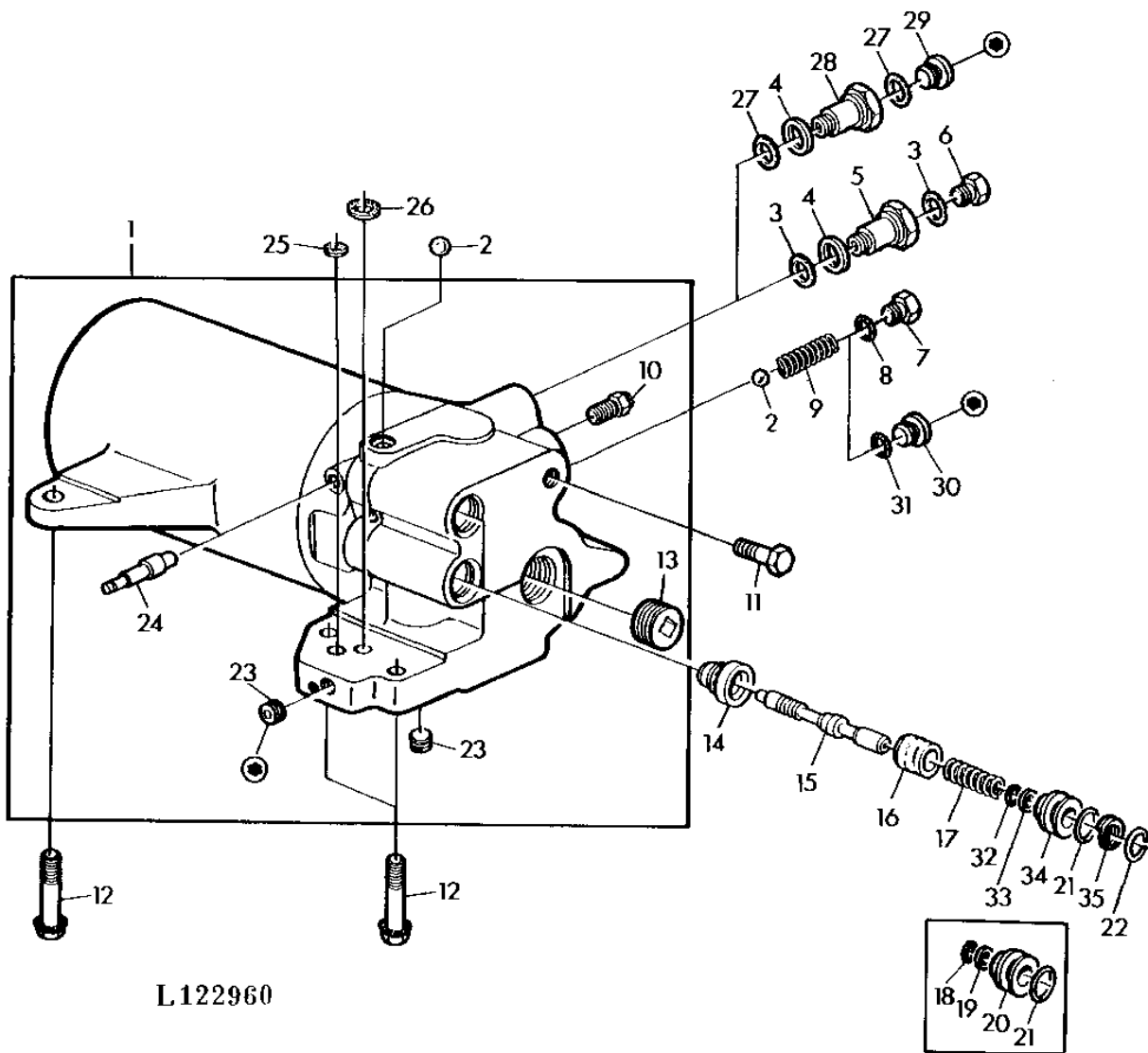
KEY	PART NO.	PART NAME	QTY	SERIAL NO.	REMARKS
					3 3
					0 1
					3 3
					0 0
1	AL25621	ROD	1		X X (A)
2	99M7029	SPRING LOCKING PIN	1		X X (A) 3,2MM
3	L13325	GROMMET	1		X X (A)
4	L32682	COVER	1		X X (A)
5	37M7009	SCREW	2		X X (A) 5,5X19MM
6	L34347	SET SCREW	1		X X (A) (SUB FOR AL25337)
7	14H832	NUT	2		X X 9/16"
8	T27260	WASHER	1		X X
9	R26448	O-RING	1		X X
10	R31631	DRAIN PLUG	3		X X 3/8"
11	R26287	O-RING	3		X X
12	R26873	SHIM	5		X X 0,5MM(.020")
13	T28245	SPRING	1		X X
14	T27989	VALVE	1		X X
15	R26375	O-RING	1		X X
16	R39112	FITTING	1		X X 3/4"
17	15H562	PIPE PLUG	1		X X 1"
18	34M7087	SPRING PIN	1		X X (A) 4X18MM
19	AL25667	BRACKET	1		X X (A)
20	19H1792	CAP SCREW	2		X X (A) 1/2"X1"

(A) WITH OPERATOR'S CAB  
 AVEC CABINE  
 BEI KABINE  
 CON CABINA  
 CON CABINA  
 MED FORARHYTT

# 2F21

HYDRAULIC SYSTEM

ROCKSHAFT CYLINDER AND VALVE HOUSING  
VERIN DE RELEVAGE ET BOITIER DE SOUPAPES  
HUBZYLINDER UND VENTILGEHAEUSE  
CILINDRO SOLLEVATORE E SCATOLA VALVOLE  
CILINDRO DEL ELEVADOR Y CAJA DE LA VALVULA DE MANDO  
LYFTCYLINDER OCH VENTILHUS  
L122960 -UN-26OCT95



# 2F22

HYDRAULIC SYSTEM

KEY	PART NO.	PART NAME	QTY	SERIAL NO.	3 0 3 0	REMARKS
1	AL40885 AT26573	HOUSING HOUSING	1 1	-111968	X X X X	(MARKED L41722) (ORD AL40885, F1791R, L41383, L41384, (2) L41536, L41726, L62507)
	AL24245	HOUSING	1	111969-	X X	(MARKED L29413) (ORD AL40885, F1791R,L41383, L41384, (2) L41536 L41726, L62507)
2	D2361R	BALL	2		X X	1/2"
3	R26448	O-RING	2		X X	(A)
4	F1791R	WASHER	1		X X	
5	T21638	ADAPTER	1		X X	(A) 9/16"
6	R27218	FITTING PLUG	1		X X	(A) 9/16"
7	T22867	DRAIN PLUG	1		X X	(A) 3/4"
8	R26375	O-RING	1		X X	(A)
9	F2962R F3322R	SPRING ASSEMBLY SPRING	1 1		X X X X	(FOR AT26573)
10	AT21781	VALVE	1		X X	
11	19H2633	CAP SCREW	1		X X	3/8"X1-1/2" (SUB FOR 19H1765, 19H1800)
12	R48593	CAP SCREW	4		X X	
13	15H562	PIPE PLUG	1		X X	1"
14	T28538	VALVE SEAT INSERT	2		X X	
15	R54969	VALVE SPOOL	2		X X	
16	T24540	SLEEVE	2		X X	
17	R49648	SPRING	2		X X	
18	R10093	O-RING	2		X X	
19	R31136	BACK-UP RING	2		X X	
20	L34381	PLUG	2		X X	(ORD L42314, L55202, L55203, L55204, L56957) (SUB FOR T24485)
21	L55204	O-RING	2		X X	(SUB FOR R65548, T13119 APPL)
22	M3265T	SNAP RING	2		X X	
23	15H559	PIPE PLUG	2		X X	1/4"
24	T22469	PIN	1		X X	
25	L34383	WASHER	1		X X	(SUB FOR A4847R)
26	L34382	WASHER	1		X X	(SUB FOR F2741R)
27	L41536	O-RING	2		X X	(B)
28	L62507	ADAPTER	1		X X	(B) M16
29	L41726	PIPE PLUG	1		X X	(B) M16
30	L41384	PIPE PLUG	1		X X	(B) M18
31	L41383	RING	1		X X	(B)
32	L55203	O-RING	2		X X	
33	L56957	BACK-UP RING	2		X X	
34	L42314	PLUG	2		X X	
35	L55202	BACK-UP RING	2		X X	

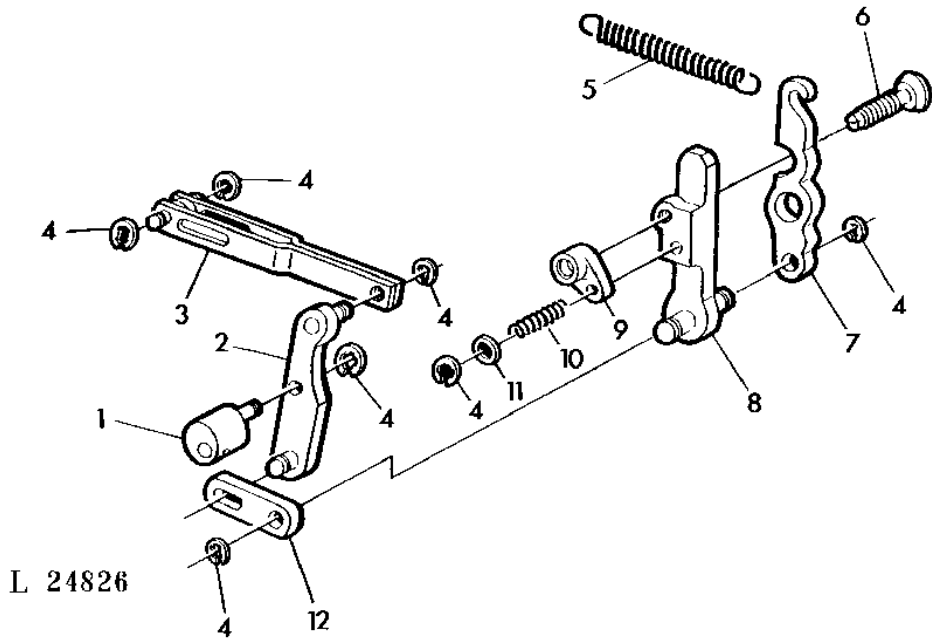
(A) WITH ROCKSHAFT CYLINDERS AT26573,AL24245  
 AVEC VERINS DE RELEVAGE AT26573,AL24245  
 BEI HUBZYLINDERN AT26573,AL24245  
 CON CILINDRI SOLLEVATORI AT26573,AL24245  
 CON CILINDROS DEL ELEVATOR AT26573,AL24245  
 VID LYFTCYLINDRAR AT26573,AL24245

(B) WITH ROCKSHAFT CYLINDER AL40885  
 AVEC VERIN DE RELEVAGE AL40885  
 BEI HUBZYLINDER AL40885  
 CON CILINDRO SOLLEVATORE AL40885  
 CON CILINDRO DEL ELEVATOR AL40885  
 VID LYFTCYLINDER AL40885

# 2F23

HYDRAULIC SYSTEM

ROCKSHAFT CYLINDER AND VALVE HOUSING-LINKAGE  
 VERIN DE RELEVAGE ET BOITIER DE SOUPAPE-TRINGLERIE  
 HUBZYLINDER UND VENTILGEHAEUSE-GESTAENGE  
 CILINDRO SOLLEVATORE-LEVERAGGI  
 PALANCA DE MANDO DEL ELEVADOR-VARILLAJE  
 LYFTCYLINDER OCH VENTILHUS-LANKAGE  
 L24826 -UN-26OCT95



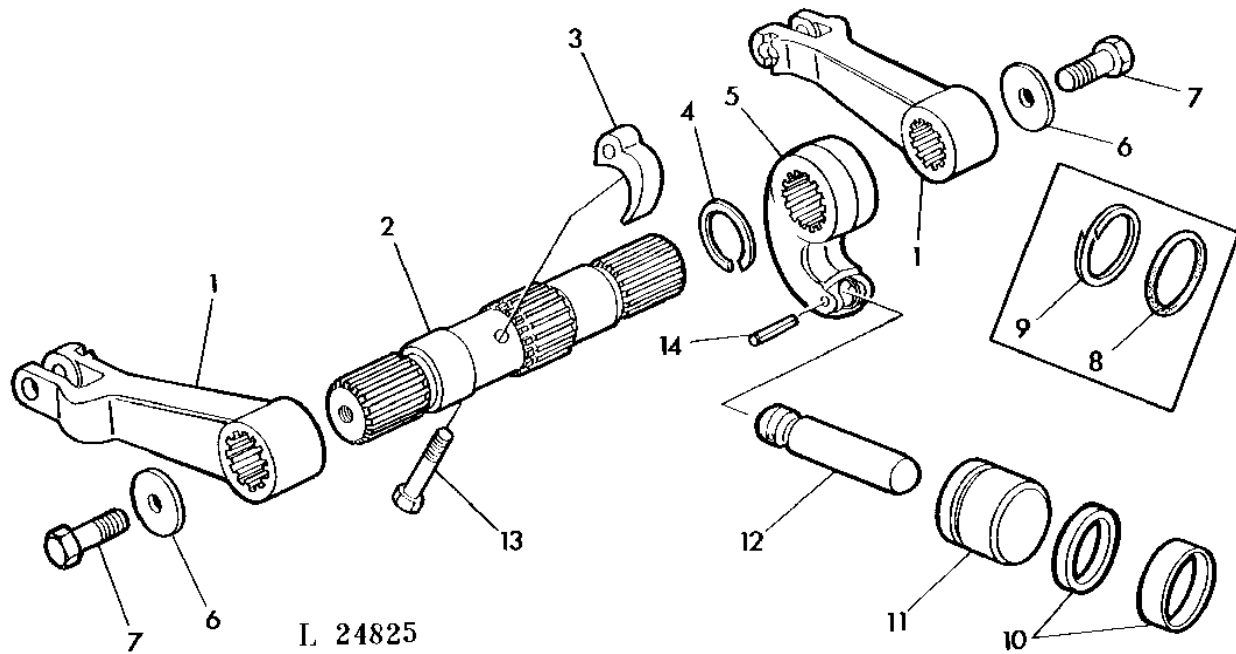
L 24826

KEY	PART NO.	PART NAME	QTY	SERIAL NO.		REMARKS
					3 3	
					0 1	
					3 3	
					0 0	
1	AT19840	FULCRUM	1		X X	
2	AT20085	LINK	1	-293219	X X	
	AL30090	LEVER	1	293220-	X X	
3	AL28228	LINK	1		X X	(SUB FOR AT20141)
4	R72653	SNAP RING	7		X X	(SUB FOR M2396T)
5	T22473	SPRING	1		X X	
6	T22228	SCREW	1		X X	3/8"
7	T22224	CAM	1		X X	
8	AR52279	LEVER	1		X X	
9	T22229	NUT	1		X X	
10	F1942R	SPRING	1		X X	
11	24H1290	WASHER	1		X X	21/64"X3/4"X.036"
12	T22232	STRAP	1		X X	

# 2F24

HYDRAULIC SYSTEM

ROCKSHAFT/PISTON/LIFT ARMS  
 ARBRE,PISTON ET BRAS DE RELEVAGE  
 HUBWELLE/HUBKOLBEN/HUBARME  
 ALBERO SOLLEVAMENTO/PISTONE/BRACCI  
 ELEVADOR HIDRAULICO/PISTON/BRAZOS DE ELEVACION  
 LYFTAXEL/KOLV/LYFTARMAR  
 L24825 -UN-26OCT95



L 24825

KEY	PART NO.	PART NAME	QTY	SERIAL NO.	REMARKS
				3 3	
				0 1	
				3 3	
				0 0	
1	T28536	LIFT ARM	2	X X	
2	L61386	ROCKSHAFT	1	X X	(SUB FOR T30524 APPL)
3	T30523	CAM	1	X X	
4	B139R	SNAP RING	1	X X	
5	R50516	LEVER	1	X X	(ORD F2570R, L40234)
	L40234	LEVER	1	X X	
6	T21956	WASHER	2	X X	
7	19H1792	CAP SCREW	2	X X	1/2"X1"
8	T31721	O-RING	1	X X	(ORD AL33106)
9	L32474	BACK-UP RING	1	X X	(ORD AL33106) (SUB FOR T31722)
10	AL33106	PACKING	1	X X	(A)
	AL36199	SEAL KIT	1	X X	(B)
11	T31720	PISTON	1	X X	
12	T31723	ROD	1	X X	(FOR R50516)
	F2570R	ROD	1	X X	(FOR L40234)
13	19H2151	CAP SCREW	1	X X	1/4"X3"
14	34H320	SPRING PIN	1	X X	1/4"X2-1/4"

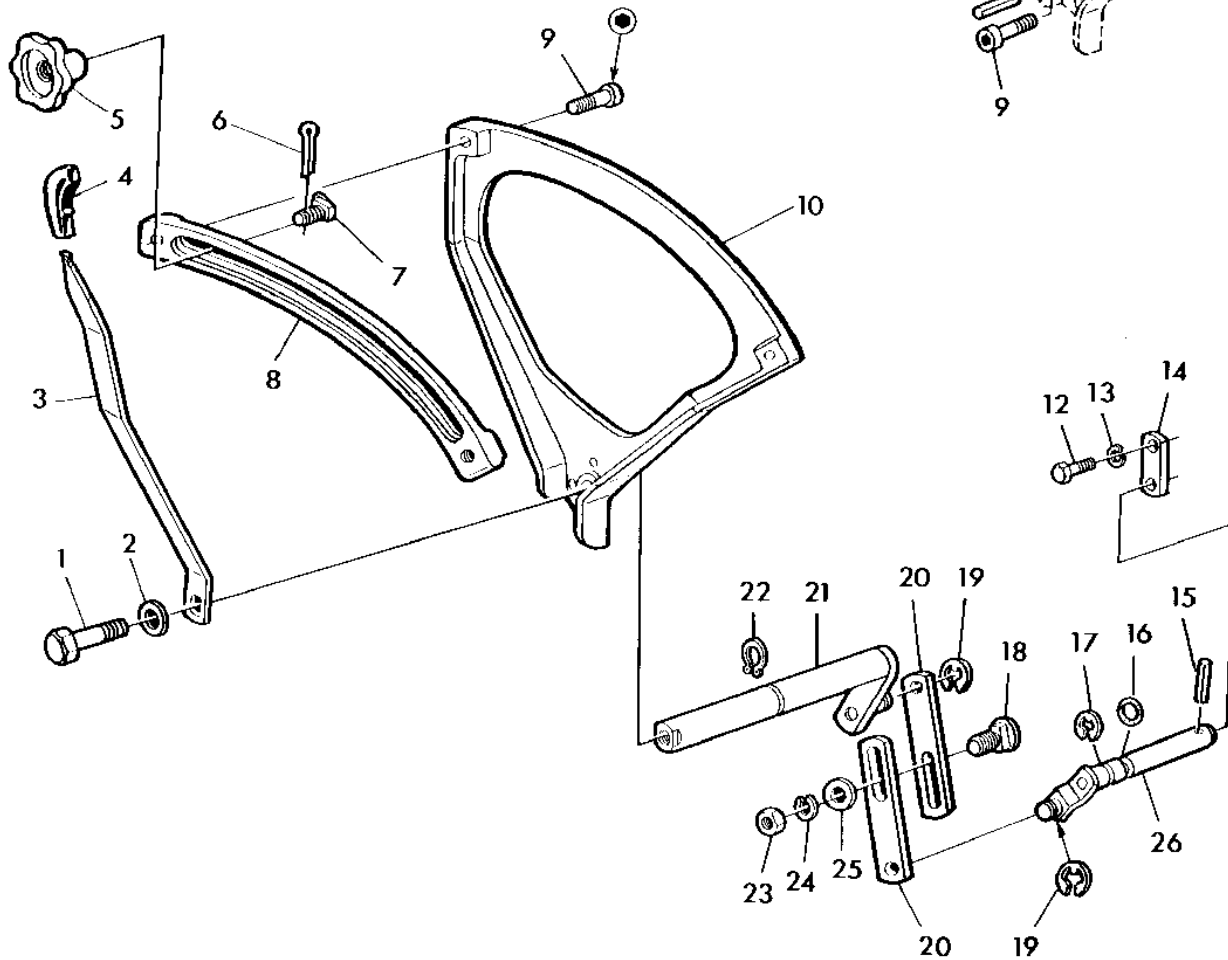
(A) FOR 8.5MM GROOVE WIDTH  
 POUR RAINURE DE 8,5MM DE LARGE  
 FUER NUTBREITE 8,5MM  
 PER SCANALATURA DI 8,5MM  
 PARA ANCHURA DE REBAJO 8,5MM  
 FOR SPARVIDD 8,5MM

(B) FOR 7.8MM GROOVE WIDTH  
 POUR RAINURE DE 7,8MM DE LARGE  
 FUER NUTBREITE 7,8MM  
 PER SCANALATURA DI 7,8MM  
 PARA ANCHURA DE REBAJO 7,8MM  
 FOR SPARVIDD 7,8MM

# 2G1

HYDRAULIC SYSTEM

ROCKSHAFT CONTROL LEVER  
LEVIER DE COMMANDE DU RELEVAGE  
KRAFTHEBER-BEDIENUNGSHEBEL  
LEVA COMANDO SOLLEVATORE  
PALANCA DE MANDO DEL ELEVADOR  
JORDBRUKSLYFTENS MANOVERREGLAGE  
L24827 -UN-26OCT95



L 24827

# 2G2

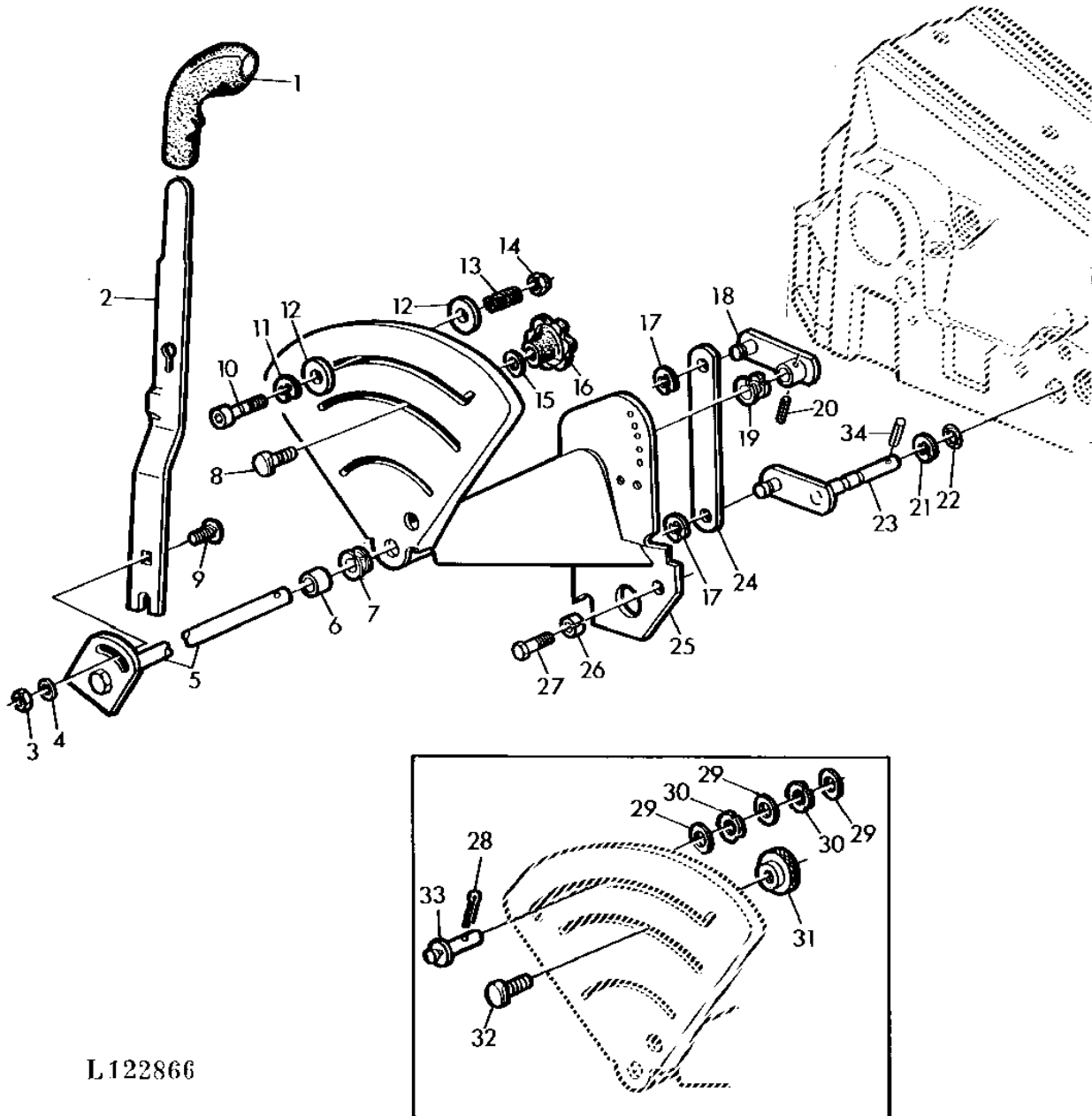
## HYDRAULIC SYSTEM

KEY	PART NO.	PART NAME	QTY	SERIAL NO.		REMARKS
					3 3	
					0 1	
					3 3	
					0 0	
1	19H1919	CAP SCREW	1	-182785	X X	1/4"X5/8"
2	24H1288	WASHER	1	-182785	X X	9/32"X1"X.060"
3	L29314	LEVER	1	-182785	X X	
4	L56924	GRIP	1	-182785	X X	(SUB FOR R54273)
5	T32115	NUT	1	-182785	X X	
6	11H206	COTTER PIN	1	-182785	X X	3/32"X3/4"
7	T32114	SCREW	1	-182785	X X	5/16"
8	T32112	PLATE	1	-182785	X X	
9	19H2927	SCREW	4	-182785	X X	5/16"X3/4"
10	T32111	SUPPORT	1	-182785	X X	
11	34M6994	SPRING PIN	1	-182785	X X	6X24MM
12	19H2284	CAP SCREW	1	-182785	X X	3/8"X7/8"
13	12H304	LOCK WASHER	1	-182785	X X	3/8"
14	T32119	PLATE	1	-182785	X X	
15	34H268	SPRING PIN	1	-182785	X X	5/32"X1-1/4"
16	R10093	O-RING	1	-182785	X X	
17	R30437	SNAP RING	1	-182785	X X	
18	T32118	SCREW	1	-182785	X X	5/16"
19	R72653	SNAP RING	2	-182785	X X	(SUB FOR M2396T)
20	T32117	STRAP	2	-182785	X X	
21	AR55251	SHAFT	1	-182785	X X	
22	40M7080	SNAP RING	1	-182785	X X	
23	14H785	NUT	1	-182785	X X	5/16"
24	12H303	LOCK WASHER	1	-182785	X X	5/16"
25	24H1136	WASHER	1	-182785	X X	11/32"X11/16"X.060"
26	AT31237	SHAFT	1	-182785	X X	

# 2G3

HYDRAULIC SYSTEM

ROCKSHAFT CONTROL LEVER  
LEVIER DE COMMANDE DU RELEVAGE  
KRAFTHEBER-BEDIENUNGSHEBEL  
LEVA COMANDO SOLLEVATORE  
PALANCA DE MANDO DEL ELEVADOR  
JORDBRUKSLYFTENS MANOVERREGLAGE  
L122866 -UN-26OCT95



L122866



# 2G4

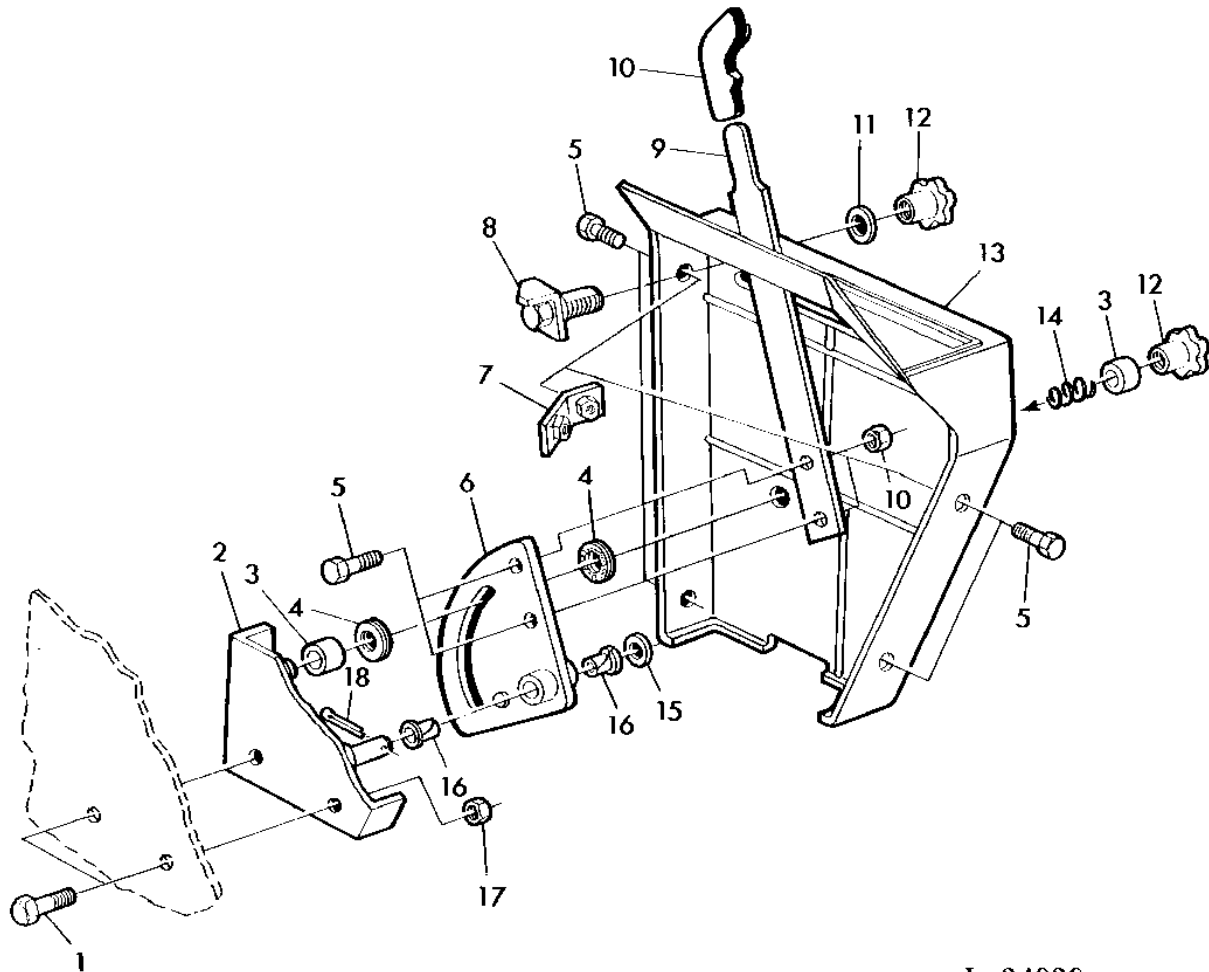
## HYDRAULIC SYSTEM

KEY	PART NO.	PART NAME	QTY	SERIAL NO.	3 0 3 0	3 1 3 0	REMARKS
1	L56924	GRIP	1	182786-	X	X	(SUB FOR R54273 APPL)
2	L31554	LEVER	1	182786-	X	X	
3	14H1076	NUT	1	182786-	X	X	3/8"
4	24H1305	WASHER	1	182786-	X	X	13/32"X13/16"X.060"
5	AL61970	LEVER	1	182786-	X	X	(SUB FOR AL24708)
6	L30784	WASHER	1	182786-	X	X	
7	L30201	WASHER	1	182786-	X	X	(SUB FOR T26626)
8	L55499	BOLT	1	182786-	X	X	
9	03H1765	BOLT	1	182786-	X	X	3/8"X3/4"
10	L59822	SCREW	1	182786-	X	X	
11	R72653	SNAP RING	1	182786-	X	X	
12	24H1224	WASHER	2	182786-	X	X	11/32"X1"X.060"
13	L60170	COMPRESSION SPRING	1	182786-	X	X	
14	14M7327	LOCK NUT	1	182786-	X	X	M8
15	24M7055	WASHER	1	182786-	X	X	8,4X17X1,6MM
16	L38166	KNOB	1	182786-	X	X	
17	R72653	SNAP RING	2	182786-	X	X	(SUB FOR M2396T)
18	AL24705	LEVER	1	182786-	X	X	
19	L30201	WASHER	1	182786-	X	X	
20	34M7130	SPRING PIN	1	182786-	X	X	4X20MM
21	R30437	SNAP RING	1	182786-	X	X	
22	R10093	O-RING	1	182786-	X	X	
23	AL24710	SHAFT	1	182786-	X	X	(SUB FOR AT31237)
24	L30203	STRAP	1	182786-	X	X	
25	AL32724	QUADRANT	1	182786-	X	X	(SUB FOR AL24704)
26	34M7090	SPRING PIN	2	182786-	X	X	12X10MM
27	19H2284	CAP SCREW	2	182786-	X	X	3/8"X7/8"
28	11H206	COTTER PIN	1	182786-	X	X	3/32"X3/4"
29	24H1224	WASHER	3	182786-	X	X	11/32"X1"X.060"
30	T22877	LOCK WASHER	2	182786-	X	X	
31	T22470	KNOB	1	182786-	X	X	(ORD L38166, L55499, 24M7055)
32	T22865	SCREW	1	182786-	X	X	(ORD L38166, L55499, 24M7055)
33	T26625	PIN	1	182786-	X	X	(ORD L59822, L60170, R72653, 14M7327, (2) 24H1224)
34	34H268	SPRING PIN	1	182786-	X	X	5/32"X1-1/4"

# 2G5

HYDRAULIC SYSTEM

ROCKSHAFT CONTROL LEVER WITH OPERATOR'S CAB  
LEVIER DE COMMANDE DU RELEVAGE AVEC CABINE  
KRAFTHEBER-BEDIENUNGSHEBEL BEI KABINE  
LEVA COMANDO SOLLEVATORE CON CABINA  
PALANCA DE MANDO DEL ELEVADOR CON CABINA  
JORDBRUKSLYFTENS MANOVERREGLAGE MED FORARHYTT  
L24828 -UN-26OCT95



I. 24828

# 2G6

HYDRAULIC SYSTEM

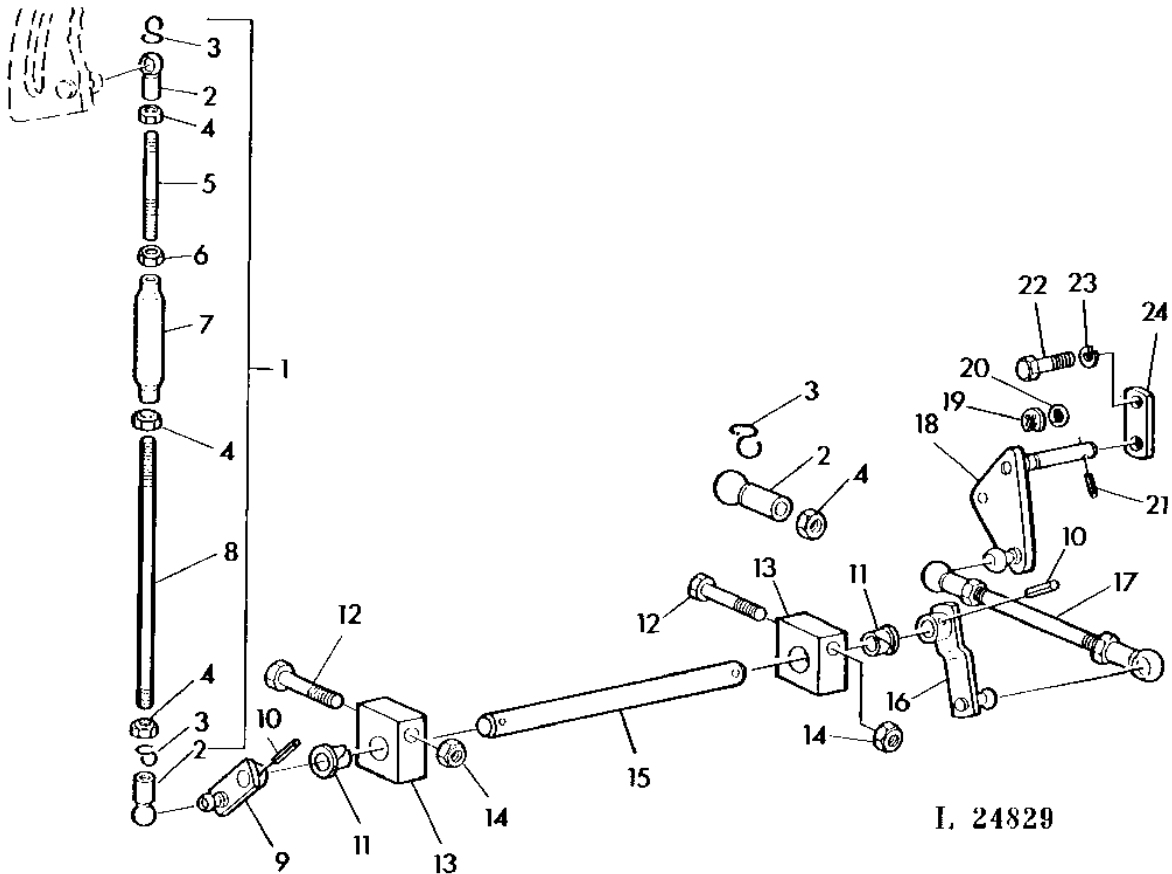
KEY	PART NO.	PART NAME	QTY	SERIAL NO.	REMARKS
				3 3	
				0 1	
				3 3	
				0 0	
1	19M7139	CAP SCREW	3	X X	8X20MM
2	AL25593	BRACKET	1	X X	
3	L31065	SPACER	2	X X	
4	AR42287	WASHER	2	X X	
5	19M7162	CAP SCREW	6	X X	8X15MM
6	AL25592	SECTOR	1	X X	
7	AL26911	HOLDER	2	X X	
8	AL26912	STOP	1	X X	
9	L31061	LEVER	1	X X	
10	L56924	GRIP	1	X X	(SUB FOR R54273)
11	24M7149	WASHER	1	X X	10,5MM (SUB FOR 24M7040)
12	99M7027	KNOB	2	X X	
13	L32057	CIRCUIT BOX	1	X X	(SUB FOR L31062)
14	R41147	SPRING	1	X X	
15	24M7047	WASHER	1	X X	13X24X2,5MM (SUB FOR 24M7030)
16	L30470	BUSHING	2	X X	
17	14M7273	NUT	5	X X	8MM
18	11M7019	COTTER PIN	1	X X	4X20MM

# 2G7

HYDRAULIC SYSTEM

ROCKSHAFT CONTROL LEVER-LINKAGE WITH OPERATOR'S CAB  
LEVIER DE COMMANDE DU RELEVAGE-TRINGLERIE AVEC CABINE  
KRAFTHEBERBEDIENUNGSHABEL-GESTAENGE BEI KABINE  
LEVA COMANDO SOLLEVATORE TIRANTERIA CON CABINA  
PALANCA DE MANDO DEL ELEVADOR-VARILLAJE CON CABINA  
JORDBRUKSLYFTENS MANOVERREGLAGE-LAENKAGE MED FORARHYTT

L24829 -UN-26OCT95



I. 24829

# 2G8

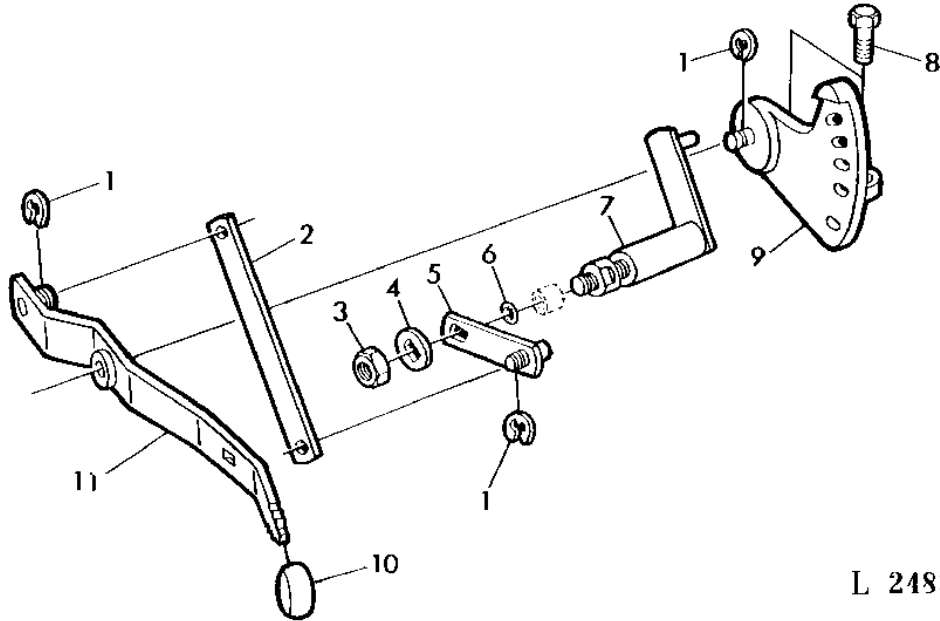
## HYDRAULIC SYSTEM

KEY	PART NO.	PART NAME	QTY	SERIAL NO.	3 0 3 0	3 1 3 0	REMARKS
1	AL25595	ROD	1		X	X	ASSY,INCL.KEYS 2-8
2	56M4437	BALL JOINT SOCKET	4		X	X	
3	56M4537	BALL JOINT RETAINER	4		X	X	
4	14M7273	NUT	5		X	X	8MM
5	.....		1		X	X	(ORD AL25595)
6	14M7145	NUT	1		X	X	9MM(L.H.)
7	99M7026	TURNBUCKLE	1		X	X	
8	.....		1		X	X	(ORD AL25595)
9	AL25304	LEVER	1		X	X	
10	34M7027	SPRING PIN	2		X	X	4X20MM
11	L30470	BUSHING	2		X	X	
12	19M7181	CAP SCREW	2		X	X	10X55MM
13	L30933	SUPPORT	2		X	X	
14	14M7140	NUT	2		X	X	10MM
15	L30932	SHAFT	1		X	X	
16	AL25303	LEVER	1		X	X	
17	AL25335	ROD	1		X	X	ASSY,INCL.KEYS 2-4
18	AL28598	LEVER	1		X	X	(SUB FOR AL25336)
19	R30437	SNAP RING	1		X	X	
20	R10093	O-RING	1		X	X	
21	34H268	SPRING PIN	1		X	X	5/32"X1-1/4"
22	19H2284	CAP SCREW	1		X	X	3/8"X7/8"
23	12H304	LOCK WASHER	1		X	X	3/8"
24	T32119	PLATE	1		X	X	

# 2G9

HYDRAULIC SYSTEM

SELECTOR LEVER  
 LEVIER DE SYSTEME  
 SYSTEMHEBEL  
 LEVA SELETRICE SOLLEVATORE  
 PALANCA SELECTORA DEL MODO DE TRABAJO  
 VALJARSPAK  
 L24830 -UN-26OCT95

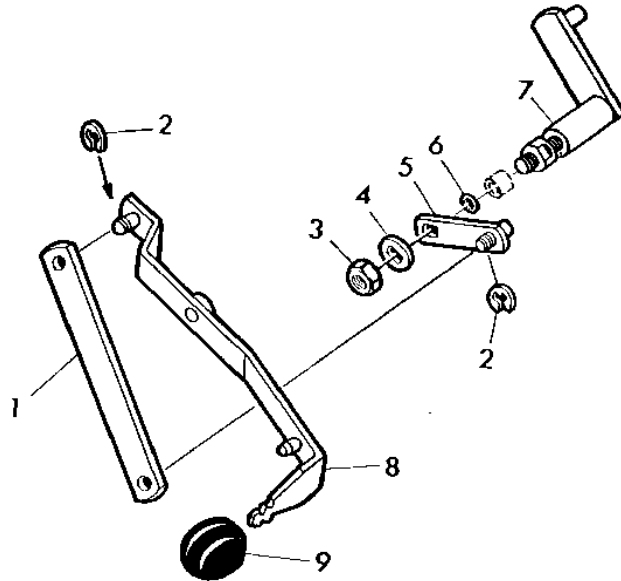


KEY	PART NO.	PART NAME	QTY	SERIAL NO.		REMARKS
					3 3	
					0 1	
					3 3	
					0 0	
1	R72653	SNAP RING	3	-182785	X X	(SUB FOR M2396T)
2	L28919	STRAP	1	-182785	X X	
3	14H732	NUT	1	-182785	X X	3/8"
4	T22876	WASHER	1	-182785	X X	
5	AT31240	LEVER	1	-182785	X X	
6	F3353R	O-RING	1	-182785	X X	
7	AL28764	LEVER	1	-293219	X X	(SUB FOR AL28227, AT19839)
	AL30091	LEVER	1	293220-	X X	
8	19H1905	CAP SCREW	2	-182785	X X	5/16"X1"
9	AT31239	QUADRANT	1	-182785	X X	
10	T22883	GRIP	1	-182785	X X	
11	AT31238	LEVER	1	-182785	X X	

# 2G10

HYDRAULIC SYSTEM

SELECTOR LEVER  
 LEVIER DE SYSTEME  
 SYSTEMHEBEL  
 LEVA SELETRICE SOLLEVATORE  
 PALANCA SELECTORA DEL MODO DE TRABAJO  
 VALJARSPAK  
 L30375 -UN-02NOV95



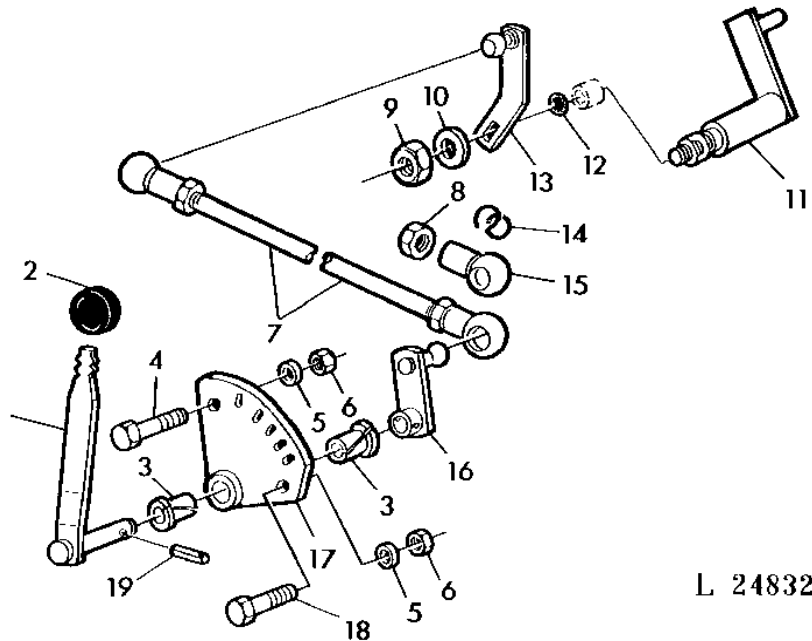
L 30375

KEY	PART NO.	PART NAME	QTY	SERIAL NO.		REMARKS
					3 3	
					0 1	
					3 3	
					0 0	
1	L30202	STRAP	1	182786-	X X	
2	R72653	SNAP RING	2	182786-	X X	(SUB FOR M2396T)
3	14H732	NUT	1	182786-	X X	3/8"
4	T22876	WASHER	1	182786-	X X	
5	AL24706	STRAP	1	182786-	X X	
6	F3353R	O-RING	1	182786-	X X	
7	AL28764	LEVER	1	-293219	X X	(SUB FOR AL28227, AT19839)
	AL30091	LEVER	1	293220-	X X	
8	AL24707	LEVER	1	182786-	X X	
9	T22883	GRIP	1	182786-	X X	

# 2G11

HYDRAULIC SYSTEM

SELECTOR LEVER WITH OPERATOR'S CAB  
 LEVIER DE SYSTEME AVEC CABINE  
 SYSTEMHEBEL BEI KABINE  
 LEVA SELETRICE SOLLEVATORE CON CABINA  
 PALANCA SELETORA DEL TIPO DE REGULACION CON CABINA  
 VALJARSPAK MED FORARHYTT  
 L24832 -UN-26OCT95



L 24832

KEY	PART NO.	PART NAME	QTY	SERIAL NO.	REMARKS
				3 3	
				0 1	
				3 3	
				0 0	
1	AL25838	LEVER	1	X X	
2	L57636	KNOB	1	X X	(SUB FOR R27829)
3	L30470	BUSHING	2	X X	
4	19M7169	CAP SCREW	1	X X	M10X35
5	L31330	WASHER	2	X X	
6	14M7140	NUT	2	X X	M10
7	AL24970	ROD	1	X X	ASSY,INCL KEYS 8,14,15 (SUB FOR AL25334)
8	14M7273	NUT	2	X X	M8
9	14H732	NUT	1	X X	3/8"
10	24M7028	WASHER	1	X X	10,5X21X2MM
11	AL28674	LEVER	1	-293219	X X (SUB FOR AL28227, AT19839)
	AL30091	LEVER	1	293220-	X X
12	F3353R	O-RING	1	X X	
13	AL25837	LEVER	1	X X	
14	56M4537	BALL JOINT RETAINER	2	X X	
15	56M4437	BALL JOINT SOCKET	2	X X	
16	AL25836	LEVER	1	X X	
17	AL24990	SECTOR	1	X X	
18	19M7167	CAP SCREW	1	X X	M10X25
19	34M7027	SPRING PIN	1	X X	4X20MM



# 2G12

HYDRAULIC SYSTEM

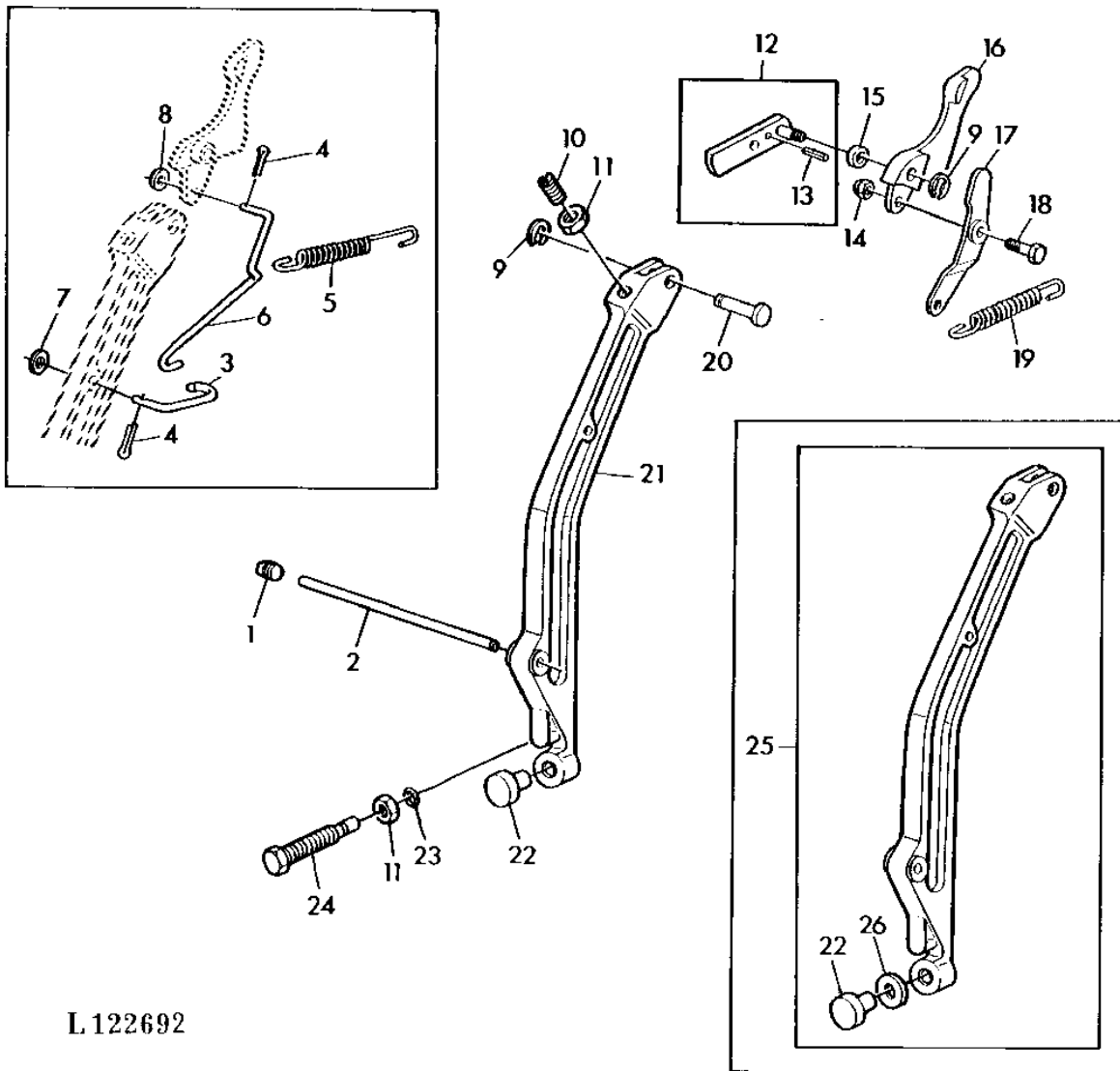
---

MEMORANDA  
MEMORANDA  
MEMORANDA  
MEMORANDA  
MEMORANDA

# 2G13

HYDRAULIC SYSTEM

CONTROL ARM  
BRAS DE CONTROLE D'EFFORT  
REGELARM  
BRACCIO CAMMA SFORZO CONTROLLATO  
BRAZO DE REGLAJE  
LASTKONTROLLARM  
L122692 -UN-26OCT95



L122692

# 2G14

HYDRAULIC SYSTEM

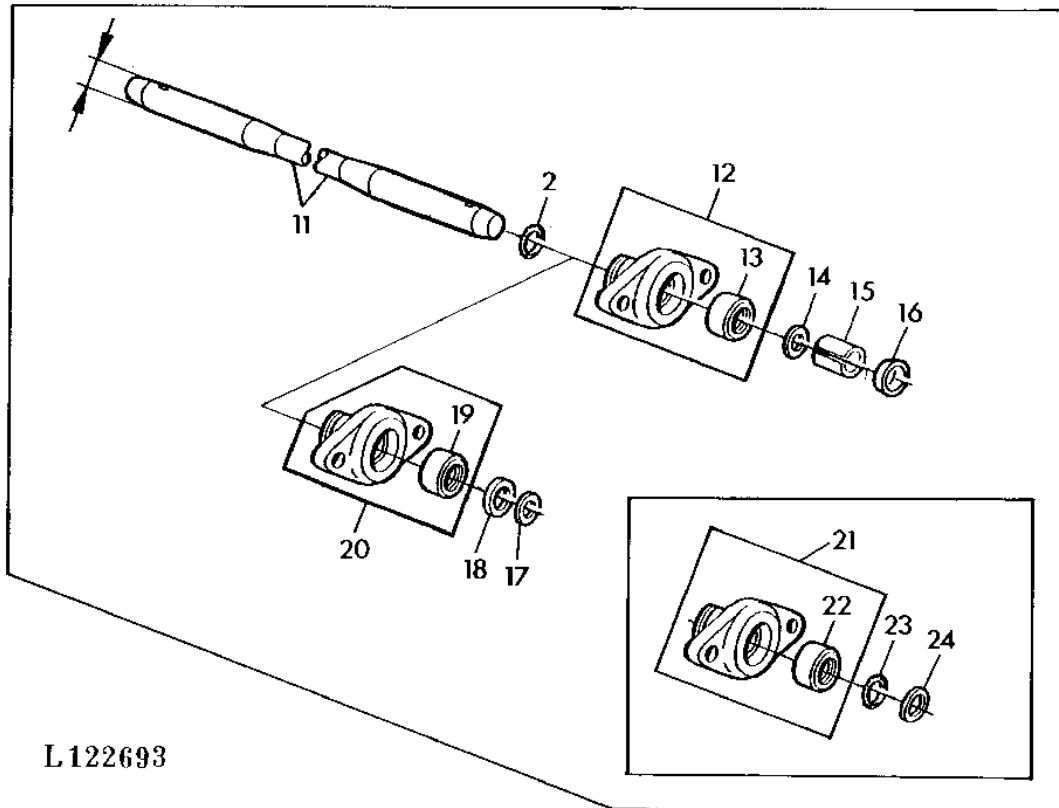
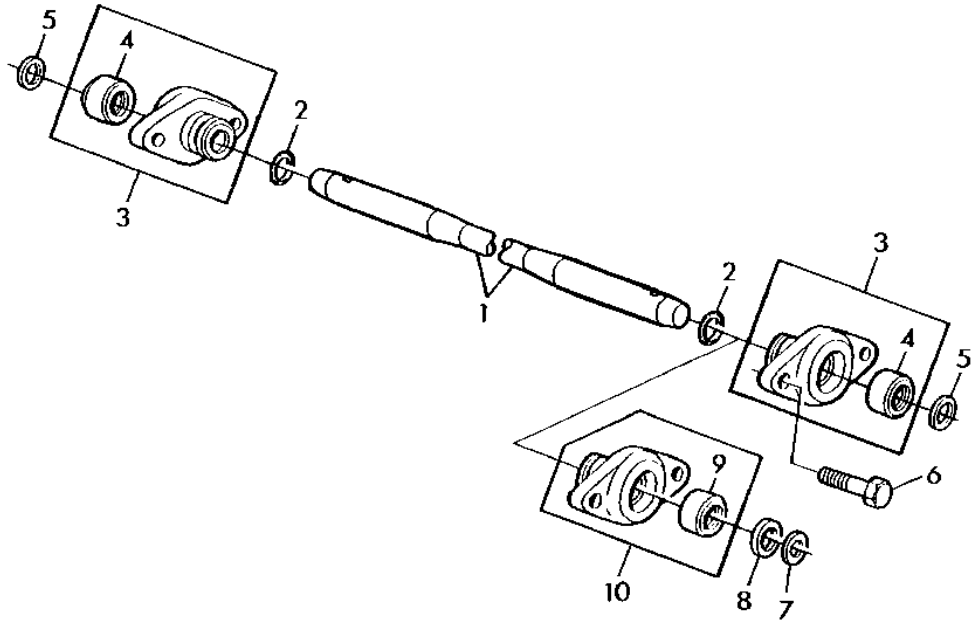
KEY	PART NO.	PART NAME	QTY	SERIAL NO.	3 0 3 0	REMARKS
1	15H604	PIPE PLUG	1		X X	1/4"
2	T21681	DOWEL PIN	1		X X	
3	T28554	LINK	1	-293219	X X	(ORD L55218, L55223, T21955, 14M7327, 19M7139)
	L33902	LINKAGE	1	293220-301056	X X	(ORD L55218, L55223, T21955, 14M7327, 19M7139)
	L34439	LINKAGE	1	301057-	X X	(ORD L55218, L55223, T21955, 14M7327, 19M7139)
4	11H231	COTTER PIN	2		X X	
5	T28552	SPRING	1		X X	
6	T32355	SUPPORT	1	-293219	X X	(ORD L55218, L55223, T21955, 14M7327, 19M7139)
	L33901	LINKAGE	1	293220-301056	X X	(ORD L55218, L55223, T21955, 14M7327, 19M7139)
	T32355	SUPPORT	1	301057-	X X	(ORD L55218, L55223, T21955, 14M7327, 19M7139)
7	24H1286	WASHER	1		X X	9/32"X1/2"X.060"
8	24H1136	WASHER	1		X X	11/32"X11/16"X.060"
9	R72653	SNAP RING	2		X X	(SUB FOR M2396T)
10	L56824	SET SCREW	1		X X	(SUB FOR T29311 APPL)
11	14H856	NUT	2		X X	1/2"
12	AL61479	EXTENSION	1	-293219	X X	(SUB FOR AT30631 APPL)
	AL62113	EXTENSION	1	293220-	X X	(SUB FOR AL30092)
13	34H394	SPRING PIN	1	-293219	X X	3/16"X15/16"
	34H282	SPRING PIN	1	293220-	X X	3/16"X1"
14	14M7327	LOCK NUT	1		X X	M8
15	T32354	WASHER	1	293220-	X X	
16	T28551	CAM FOLLOWER	1	-293219	X X	(ORD L55218, L55223, T21955, 14M7327, 19M7139) (SUB FOR T32353, T32354)
	L55223	CAM FOLLOWER	1	293220-	X X	(SUB FOR L32638 APPL)
17	L55218	RETAINER	1		X X	
18	19M7139	CAP SCREW	1		X X	M8X20
19	T21955	EXTENSION SPRING	1		X X	
20	T24690	PIN	1		X X	
21	L59810	ARM	1		X X	
22	T21680	PIN	1		X X	
23	A4365R	O-RING	1		X X	
24	T23216	CAP SCREW	1		X X	1/2"
	19H2643	CAP SCREW	1		X X	(A) 1/2"X7/8"
25	AT26575	ARM	1		X X	(ORD L59810, T21680)
26	24H1302	WASHER	1	293220-	X X	

(A) WITHOUT ROCKSHAFT  
 SANS RELEVAGE  
 OHNE KRAFTHEBER  
 SENZA SOLLEVATORE  
 SANS ELEVADOR HIDRAULICO  
 UTAN 3-PUNKTSLYFT

# 2G15

HYDRAULIC SYSTEM

LOAD CONTROL SHAFT  
BARRE DE CONTROLE DEFFORT  
FEDERSTAB  
ALBERO SFORZO CONTROLLATO  
BARRA DE CONTROL DE CARGA  
LASTKONTROLLAXEL  
L122693 -UN-26OCT95



L122693

# 2G16

HYDRAULIC SYSTEM

KEY	PART NO.	PART NAME	QTY	SERIAL NO.	3 3 0 1 3 3 0 0	REMARKS
1	L41819	SHAFT	1		X X	OD=28MM
2	T19687	O-RING	2		X X	
3	AL40773	FLANGE	2		X X	
4	L41196	BUSHING	1		X X	
5	L55844	SEALING WASHER	2		X X	(SUB FOR L41198)
6	19H1708	CAP SCREW	4		X X	5/8"X1-3/4"
7	L41804	SEALING WASHER	2		X X	(B)
8	L41803	SEALING WASHER	2		X X	(B)
9	L41802	BUSHING	1		X X	(B)
10	AL40975	SHAFT	2		X X	(B)
11	L26940	PIN	1	-293219	X X	
	L33903	SHAFT	1	293220-	X X	OD=25,4MM (ORD AL40978)
	L33903	SHAFT	1	293220-	X X	(B) OD=25,4MM (ORD AL40979)
12	AL35762	FLANGE	2		X X	
13	L35841	BUSHING	2		X X	
14	L60162	SEALING WASHER	2		X X	(SUB FOR L35840)
15	T28548	BUSHING	2		X X	
16	T22653	CAP	2		X X	(A)
17	L33863	WASHER	2		X X	(B) (ORD W/ L33864, L33865)
18	L33864	WASHER	2		X X	(B) (ORD W/ L33863, L33865)
19	L33865	BUSHING	2		X X	(B)
20	AL32714	FLANGE	2		X X	(B)
21	AT26574	SUPPORT	2		X X	(ORD AL35762, L60162)
	AT26574	SUPPORT	2		X X	(B) (ORD AL32714, L33863, L33864)
22	T28546	BUSHING	2		X X	(ORD L35841, L60162)
	T28546	BUSHING	2		X X	(B) (ORD L33863, L33864, L33865)
23	L33542	O-RING	2		X X	(ORD L35841, L60162) (SUB FOR R1225R)
	L33542	O-RING	2		X X	(B) (ORD L33863, L33864, L33865)
24	L33594	WASHER	2		X X	(ORD L35841, L60162) (SUB FOR T28547)
	L33594	WASHER	2		X X	(B) (ORD L33863, L33864, L33865)

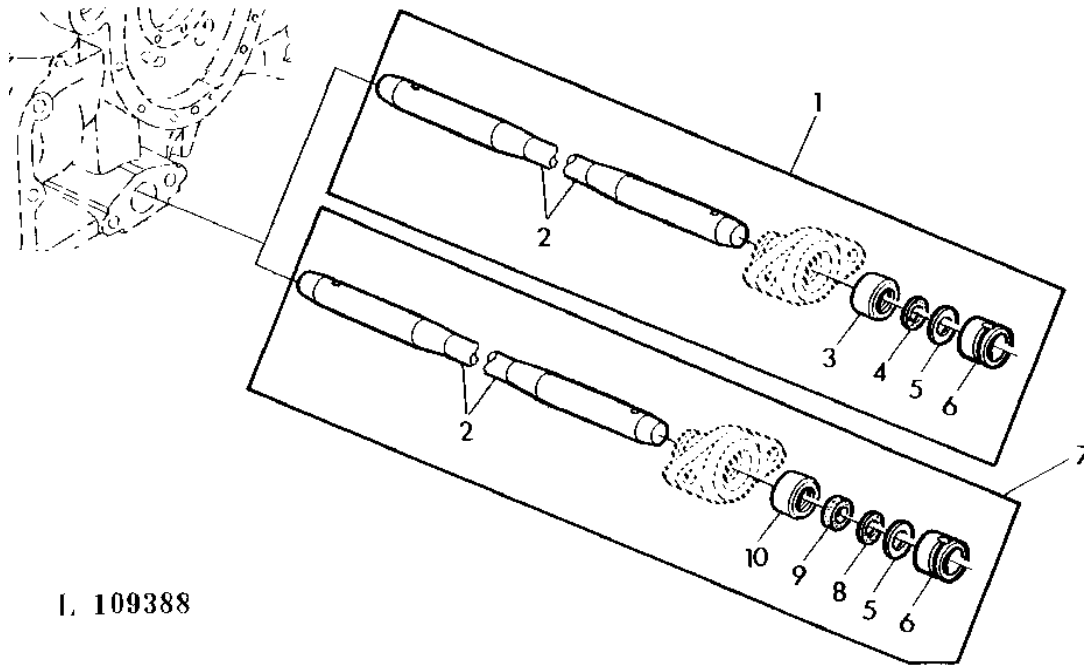
(A) WITHOUT ROCKSHAFT  
 SANS RELEVAGE  
 OHNE KRAFTHEBER  
 SENZA SOLLEVATORE  
 SANS ELEVADOR HIDRAULICO  
 UTAN 3-PUNKTSLYFT

(B) SOUTH AFRICA VERSION  
 VERSION SUD-AFRICAINE  
 SUEDAFRIKA VERSION  
 VERSIONE SUDAFRICANA  
 VERSION SUDAFRICANA  
 SYDAFRIKANSK VERSION

# 2G17

HYDRAULIC SYSTEM

LOAD CONTROL SHAFT SPARE PARTS KIT  
 BARRE DE CONTROLE DEFFORT - LOT DE PIECES  
 FEDERSTAB-TEILESATZ  
 GRUPPO PARTI PER ALBERO SFORZO CONTROLLATO  
 BARRA DE CONTROL DE CARGA - JUEGO DE PIEZAS  
 DELARSATS FOR LASTKONTROLLAXEL  
 L109388 -UN-07AUG95



I. 109388

KEY	PART NO.	PART NAME	QTY	SERIAL NO.	REMARKS
				3 3	
				0 1	
				3 3	
				0 0	
1	AL40978	KIT	1	X X	
2	L41819	SHAFT	1	X X	
3	L41196	BUSHING	2	X X	
4	L55844	SEALING WASHER	2	X X	(SUB FOR L41198)
5	L41154	WASHER	4	X X	
6	L41788	BUSHING	2	X X	
7	AL40979	KIT	1	X X (A)	
8	L41804	SEALING WASHER	2	X X (A)	
9	L41803	SEALING WASHER	2	X X (A)	
10	L41802	BUSHING	2	X X (A)	

(A) SOUTH AFRICA VERSION  
 VERSION SUD-AFRICAINE  
 SUEDAFRIKA VERSION  
 VERSIONE SUDAFRICANA  
 VERSION SUDAFRICANA  
 SYDAFRIKANSK VERSION

# 2G18

HYDRAULIC SYSTEM

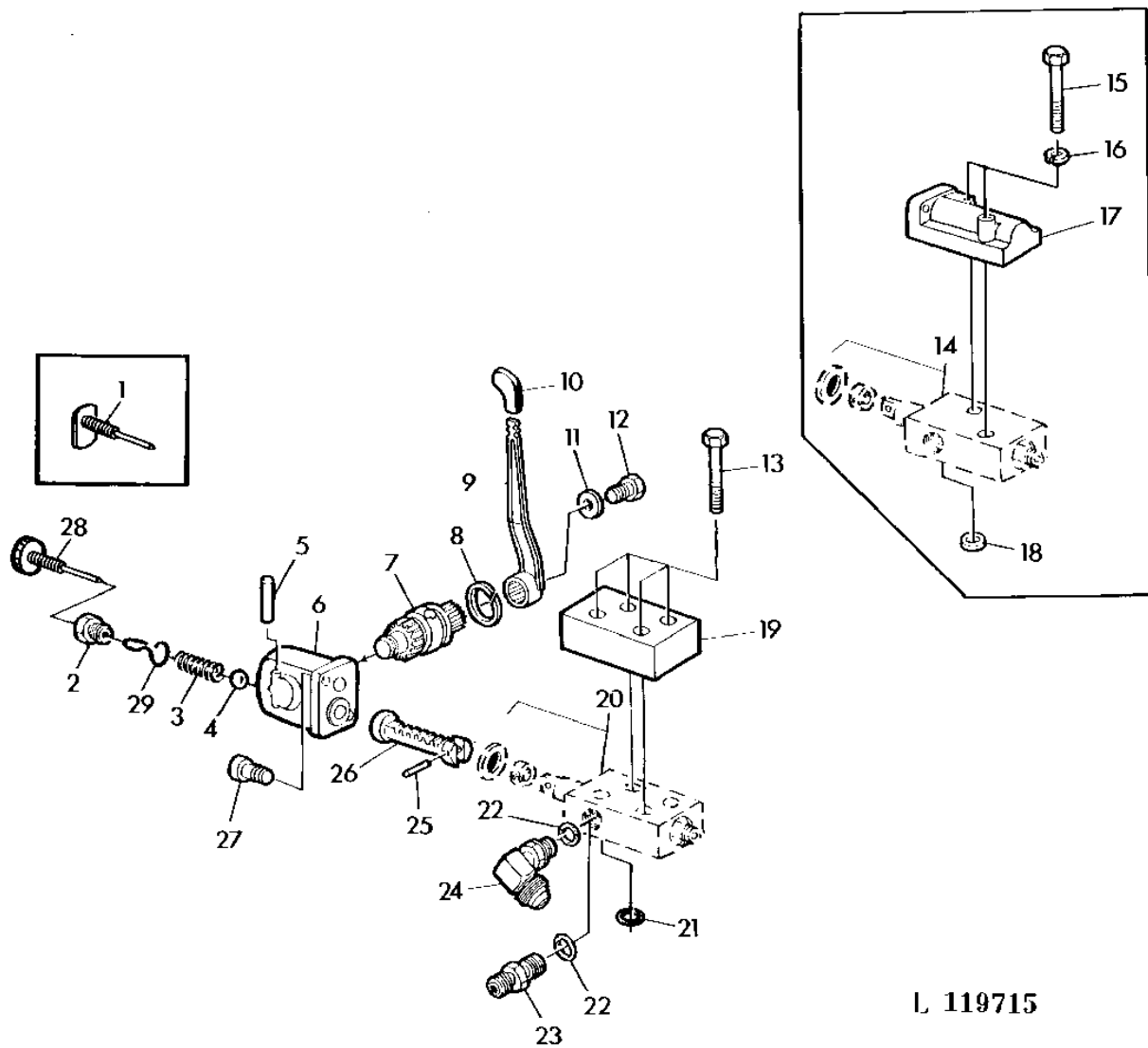
---

MEMORANDA  
MEMORANDA  
MEMORANDA  
MEMORANDA  
MEMORANDA

# 2G19

HYDRAULIC SYSTEM

SELECTIVE CONTROL VALVE  
DISTRIBUTEUR AUXILIAIRE  
ZUSATZSTEUERGERAET  
DISTRIBUTORE AUSILIARIO  
VALVULA DE MANDO AUXILIAR  
MANOVERVENTIL FOR FJAKRCYLINDER  
L119715 -UN-27OCT95



L 119715



# 2G20

## HYDRAULIC SYSTEM

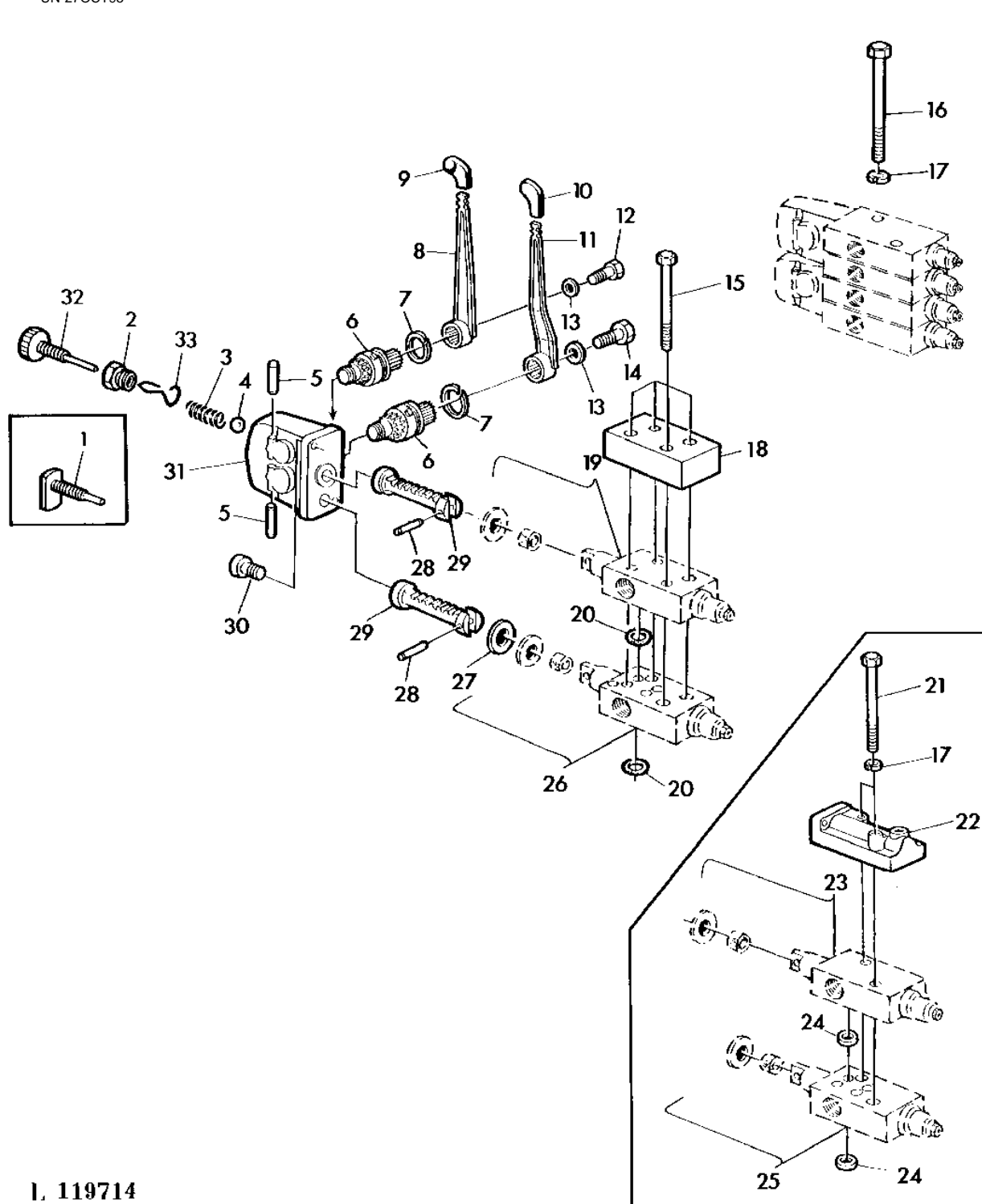
KEY	PART NO.	PART NAME	QTY	SERIAL NO.	3 0 3 0	3 1 3 0	REMARKS
1	AR61165	LEVER	1		X	X	(ORD L61890, L62225)
2	R53800	SCREW	1		X	X	3/8"
3	R53801	SPRING	1		X	X	
4	R26552	BALL	1		X	X	8MM (SUB FOR L38725)
5	34M7023	SPRING PIN	1		X	X	3X24MM (SUB FOR 44M1056)
6	L39172	COVER	1		X	X	(ORD W/ 34M7023) (SUB FOR T32133)
7	T32547	DRIVE SHAFT	1		X	X	
8	T32143	SNAP RING	1		X	X	
9	AL24081	LEVER	1		X	X	(SUB FOR AL23139)
10	L56926	GRIP	1		X	X	(SUB FOR R54275)
11	24H1288	WASHER	1		X	X	9/32"X1"X.060"
12	19H2036	CAP SCREW	1		X	X	1/4"X7/8"
13	19H1904	CAP SCREW	4		X	X	5/16"X3" (SUB FOR 19H1907)
14	.....		1		X	X	
15	19H2657	CAP SCREW	2		X	X	5/16"X3-1/8"
16	12H303	LOCK WASHER	2		X	X	5/16"
17	T32139	COVER	1	-203999	X	X	(ORD L34390)
17	L31758	COVER	1	204000-	X	X	(ORD L34390)
18	T32137	SEAL	4		X	X	
19	L34390	COVER	1		X	X	
20	.....		1		X	X	
21	L34378	O-RING	4		X	X	
22	R26375	O-RING	1		X	X	
23	R27237	FITTING	AR		X	X	(A)
24	AR26763	ELBOW FITTING	1		X	X	
25	R53218	NEEDLE ROLLER	1		X	X	2,5X12MM
26	T32132	RACK	1		X	X	
27	19M7603	SCREW	2	-203999	X	X	6X20MM
27	19H2931	SCREW	2	204000-	X	X	1/4"X5/8"
28	L62225	SET SCREW	1		X	X	
29	L61890	BALL JOINT RETAINER	1		X	X	

(A) WITH OPERATOR'S CAB  
 AVEC CABINE  
 BEI KABINE  
 CON CABINA  
 CON CABINA  
 MED FORARHYTT

# 2G21

HYDRAULIC SYSTEM

SELECTIVE CONTROL VALVE  
DISTRIBUTEUR AUXILIAIRE  
ZUSATZSTEUERGERAET  
DISTRIBUTORE AUSILIARIO  
VALVULA DE MANDO AUXILIAR  
MANOVERTENTIL FOR FJARRCYLINDER  
L119714 -UN-27OCT95



1. 119714

# 2G22

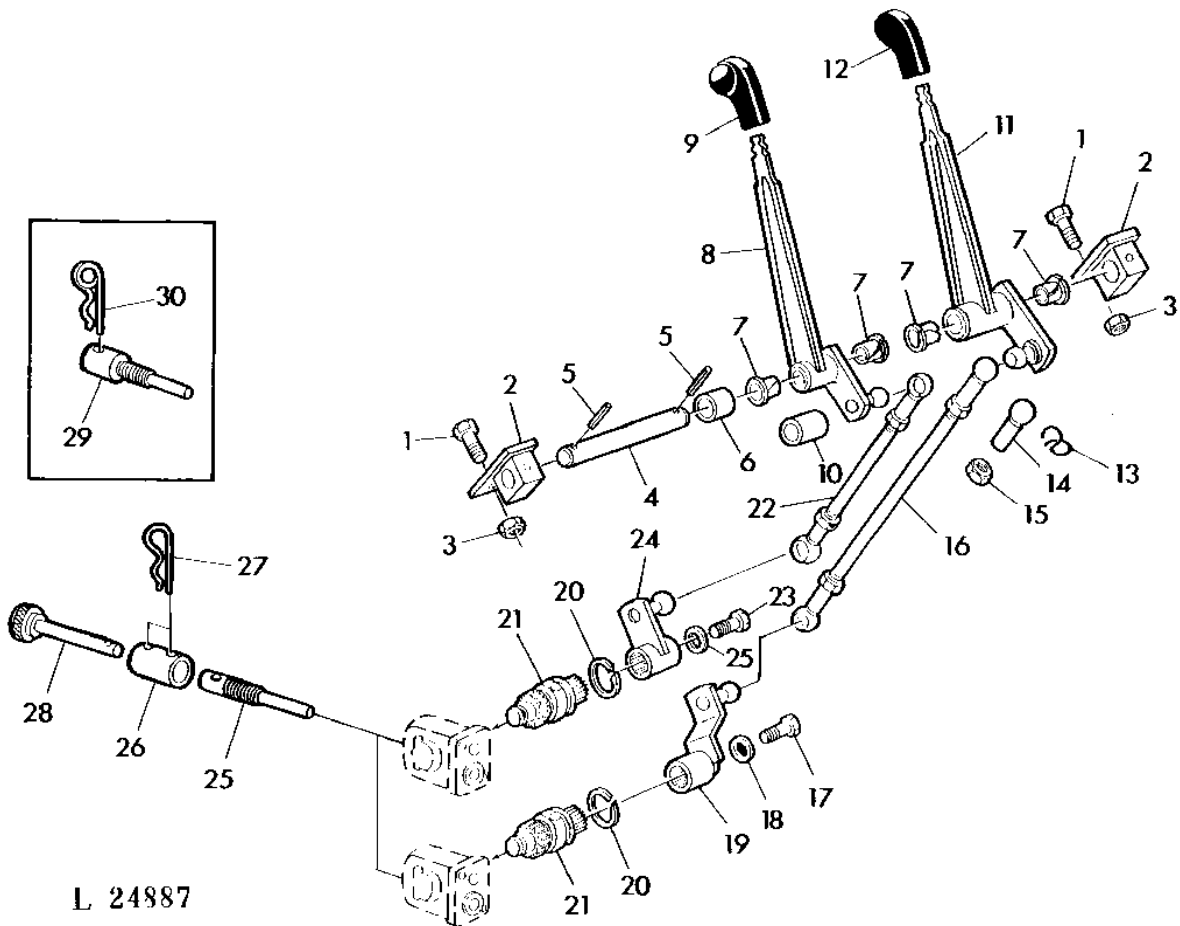
## HYDRAULIC SYSTEM

KEY	PART NO.	PART NAME	QTY	SERIAL NO.	3 0 3 0	3 1 3 0	REMARKS
1	AR61165	LEVER	2		X	X	(ORD L61890, L62225)
2	R53800	SCREW	2		X	X	3/8"
3	R53801	SPRING	2		X	X	
4	R26552	BALL	2		X	X	8MM (SUB FOR L38725)
5	34M7023	SPRING PIN	2		X	X	3X24MM (SUB FOR 44M1056)
6	T32547	DRIVE SHAFT	2		X	X	
7	T32143	SNAP RING	2		X	X	
8	AL24082	LEVER	1		X	X	(SUB FOR AL23140)
9	L56925	GRIP	1		X	X	(SUB FOR R54274)
10	L56926	GRIP	1		X	X	(SUB FOR R54275)
11	AL24081	LEVER	1		X	X	(SUB FOR AL23139)
12	19H1919	CAP SCREW	1		X	X	1/4"X5/8"
13	24H1288	WASHER	2		X	X	9/32"X1"X.060"
14	19H2036	CAP SCREW	1		X	X	1/4"X7/8"
15	19H3354	CAP SCREW	4		X	X	5/16"X4-1/4" (SUB FOR 19H2044)
16	19H2343	CAP SCREW	4		X	X	5/16"X5-1/2" (SUB FOR 19H2853, 19H3133)
17	12H303	LOCK WASHER	AR		X	X	5/16"
18	L34390	COVER	1		X	X	
19	.....		1		X	X	
20	L34378	O-RING	AR		X	X	
21	19H2342	CAP SCREW	2		X	X	5/16"X4-1/2"
22	T32139	COVER	1	-203999	X	X	(ORD L34390)
	L31758	COVER	1	204000-	X	X	(ORD L34390)
23	.....		1		X	X	
24	T32137	SEAL	AR		X	X	
25	.....		1		X	X	
26	.....		1		X	X	
27	L17658	WASHER	AR		X	X	
28	R53218	NEEDLE ROLLER	AR		X	X	
29	T32132	RACK	AR		X	X	
30	19H2931	SCREW	AR	-203999	X	X	1/4"X5/8"
	19M7603	SCREW	AR	204000-	X	X	6X20MM
31	T32140	COVER	1		X	X	(ORD W/ 34M7023)
32	L62225	SET SCREW	1		X	X	
33	L61890	BALL JOINT RETAINER	1		X	X	

# 2G23

HYDRAULIC SYSTEM

SELECTIVE VALVE LEVERS WITH OPERATOR'S CAB  
DISTRIBUTEUR AUXILIAIRE-LEVIER DE COMMANDE(CABINE)  
ZUSATZSTEUERGERAET-BEDIENUNGSHEBEL(KABINE)  
DISTRIBUTORE AUSILIARIO-LEVE DI COMANDO(CON CABINA)  
DISPOS.DE MANDO AUX.PALANCA DE MANDO(CON CABINA)  
MANOVERVENTIL FJARR-MANOVERSPAK(VID FORARHYTT)  
L24887 -UN-25OCT95



# 2G24

HYDRAULIC SYSTEM

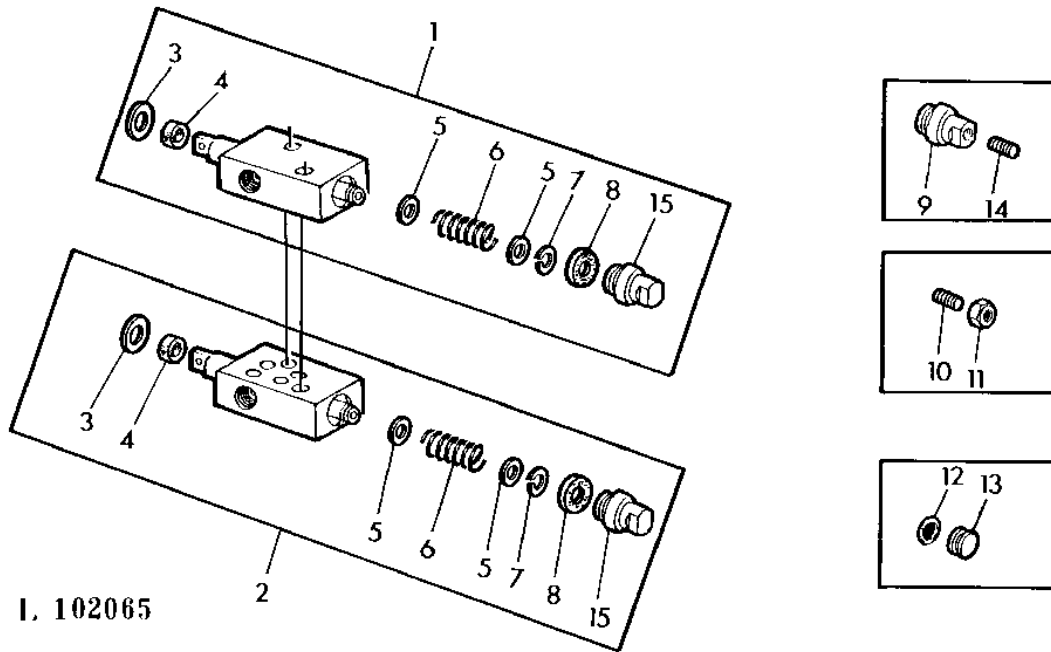
KEY	PART NO.	PART NAME	QTY	SERIAL NO.	REMARKS
					3 3
					0 1
					3 3
					0 0
1	19H2021	CAP SCREW	2		X X 3/8"X5/8"
2	AL24965	GUIDE	2		X X
3	14H812	NUT	2		X X 3/8"
4	L30840	SHAFT	1		X X
5	34M7027	SPRING PIN	2		X X 4X20MM
6	L30841	BUSHING	1		X X
7	L30470	BUSHING	4		X X
8	AL24960	LEVER	1		X X
9	L56925	GRIP	1		X X (SUB FOR R54274)
10	L31332	BUSHING	1		X X (A)
11	AL24959	LEVER	1		X X
12	L56926	GRIP	1		X X (SUB FOR R54275)
13	56M4537	BALL JOINT RETAINER	4		X X
14	56M4437	BALL JOINT SOCKET	4		X X
15	14M7273	NUT	4		X X 8MM
16	AL24961	ROD	1		X X ASSY,INCL KEYS 13-15
17	19H2036	CAP SCREW	1		X X 1/4"X7/8"
18	24H1288	WASHER	2		X X 9/32"X1"X.060"
19	AL24963	LEVER	1		X X
20	T32143	SNAP RING	2		X X
21	T32547	DRIVE SHAFT	2		X X
22	AL25013	ROD	1		X X ASSY,INCL KEYS 13-15 (SUB FOR AL24962)
23	19H1919	CAP SCREW	1		X X 1/4"X5/8"
24	AL24964	LEVER	1		X X
25	L33541	STUD	2		X X
26	L33540	SLEEVE	2		X X
27	L12622	SPRING LOCKING PIN	4		X X
28	AL25621	ROD	2		X X
29	AL25247	STUD	2		X X (ORD L33541) (ORD W/ (2) L12622, L33540)
30	99M7029	SPRING LOCKING PIN	2		X X 3,2MM

(A) WITH ONE SELECTIVE CONTROL VALVE  
 AVEC UN DISTRIBUTEUR AUXILIAIRE  
 BEI EINEM ZUSATZSTEUERGERAET  
 CON DISTRIBUTORE AUSILIARIO  
 CON VALVULA DE MANDO AUXILIAR  
 VID ETT FJARRMANOVERVENTIL

# 2G25

HYDRAULIC SYSTEM

SELECTIVE CONTROL VALVE  
 DISTRIBUTEUR AUXILIAIRE  
 ZUSATZSTEUERGERAET  
 DISTRIBUTORE AUSILIARIO  
 VALVULA DE MANDO AUXILIAR  
 MANOVERVENTIL FOR FJARRCYLINDER  
 L102065 -UN-07NOV95



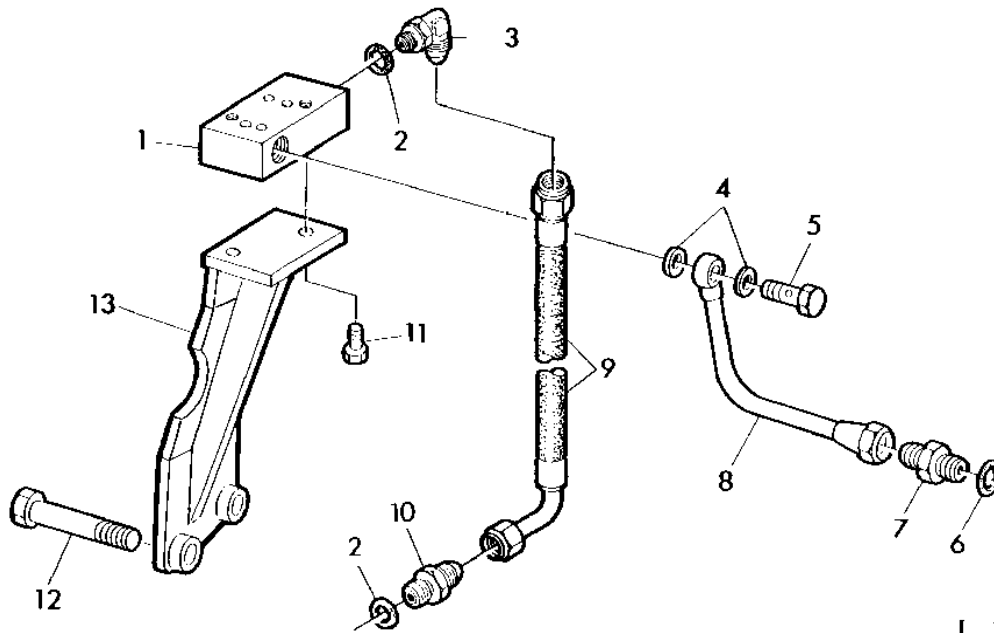
I. 102065

KEY	PART NO.	PART NAME	QTY	SERIAL NO.	REMARKS
					3 3
					0 1
					3 3
					0 0
1	AL34593	CONTROL VALVE	1		X X (SUB FOR AL26989, AL30397, AT31246)
2	AL34595	CONTROL VALVE	1		X X (SUB FOR AL26987, AL30399, AT29022)
3	L17658	WASHER	1		X X
4	L20102	SEAL	1		X X
5	L20095	WASHER	2		X X
6	L17056	SPRING	1		X X
7	L18893	SNAP RING	1		X X
8	R495R	O-RING	1	-203999	X X
	51M4245	RING	1	204000-	X X 24X30MM
9	T31672	CAP	1	-203999	X X
	L31754	DRAWER SLIDE	1	204000-	X X
10	22H1012	SET SCREW	1	-203999	X X 1/4"X3/4"
	22M1912	SET SCREW	1	204000-	X X M6X16 (ORD L39810)
11	14H850	NUT	1	-203999	X X 1/4"
	L31755	NUT	1	204000-	X X M6 (ORD L39810)
12	L53826	O-RING	1		X X 9,3X2,4MM
13	L20093	WASHER	1		X X
14	L39810	SET SCREW	1		X X
15	L38016	CAP	1		X X

# 2H1

HYDRAULIC SYSTEM

SUPPORT FOR SELECTIVE CONTROL VALVE  
 SUPPORT DE DISTRIBUTEUR AUXILIAIRE  
 LAGERBOCK FUER ZUSATZSTEUERGERAET  
 SUPPORTO DISTRIBUTORE AUSILIARIO  
 SOPORTE PARA VALVULA DE MANDO AUXILIAR  
 KONSOLL FOR FJARRMANO VERVENTIL  
 L102036 -UN-07NOV95



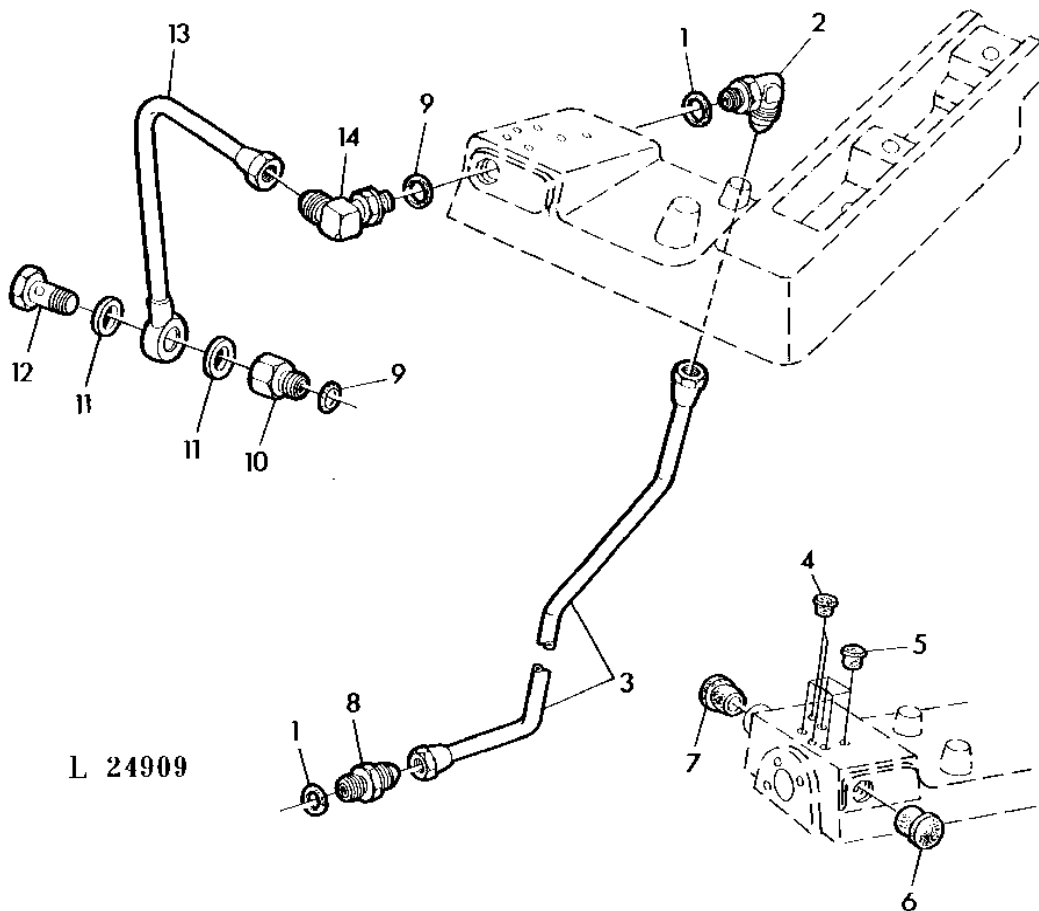
L 102036

KEY	PART NO.	PART NAME	QTY	SERIAL NO.	REMARKS
				3 3	
				0 1	
				3 3	
				0 0	
1	L34376	VALVE STACK	1	182786-	X X (SUB FOR L30454)
2	R26375	O-RING	2	182786-	X X
3	AR26763	ELBOW FITTING	1	182786-	X X 3/4"
4	51M4238	RING	2	182786-	X X 16X20MM
5	L63537	FITTING	1	182786-	X X (SUB FOR T32204)
6	R26906	O-RING	1	182786-	X X
7	R27270	FITTING	1	182786-	X X
8	AL25203	OIL LINE	1	182786-	X X
9	AL36119	HYDRAULIC HOSE	1	182786-	X X (SUB FOR AL23145, AL28659, AL31096)
10	R27237	FITTING	1	182786-	X X
11	19H1900	CAP SCREW	2	182786-	X X 5/16"X3/4"
12	19H3160	CAP SCREW	2	182786-301274	X X 9/16"X8"
	19H3430	CAP SCREW	1	301275-	X X 9/16"X9"
13	AL25204	SUPPORT	1	182786-301274	X X
	AL29862	BRACKET	1	301275-	X X

# 2H2

HYDRAULIC SYSTEM

SUPPORT FOR SELECTIVE CONTROL VALVE  
SUPPORT DE DISTRIBUTEUR AUXILIAIRE  
LAGERBOCK FUER ZUSATZSTEUERGERAET  
SUPPORTO DISTRIBUTORE AUSILIARIO  
SOPORTE PARA VALVULA DE MANDO AUXILIAR  
KONSOLL FOR FJARRMANOVERVENTIL  
L24909 -UN-26OCT95



L 24909



# 2H3

HYDRAULIC SYSTEM

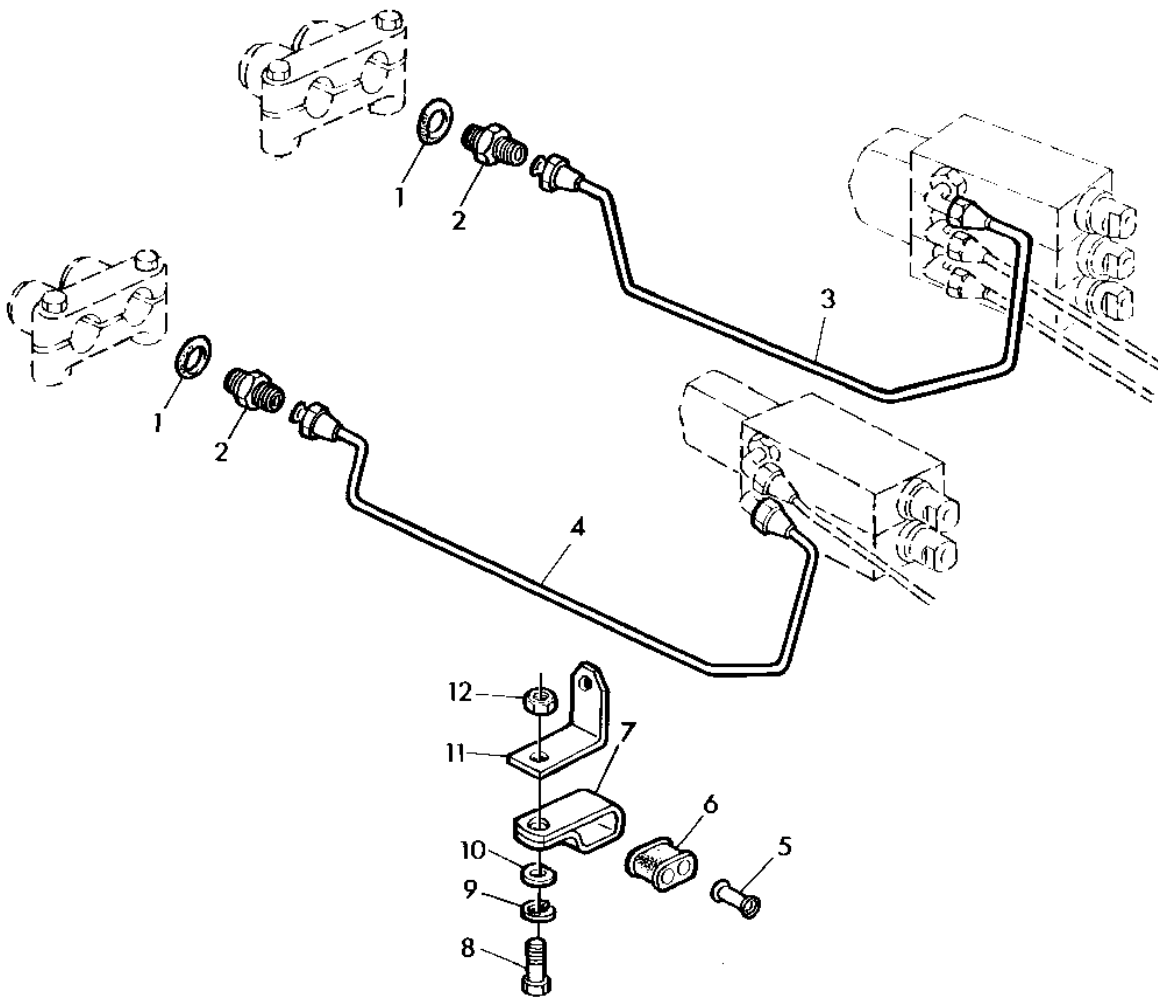
KEY	PART NO.	PART NAME	QTY	SERIAL NO.	3 0 3 0	3 1 3 0	REMARKS
1	R26375	O-RING	2	-182785	X	X	
2	AR26763	ELBOW FITTING	1	-182785	X	X	3/4"
3	AL23145	OIL LINE	1	-182785	X	X	
4	99M5764	PLUG	2	-182785	X	X	(A)
5	99M5913	PLUG	4	-182785	X	X	(A)
6	99M6204	PLUG	1	-182785	X	X	(A)
7	99M5756	PLUG	1	-182785	X	X	(A)
8	R27237	FITTING	1	-182785	X	X	
9	R26906	O-RING	2	-182785	X	X	
10	T32201	FITTING	1	-182785	X	X	7/8"X5/8"
11	51M4238	RING	2	-182785	X	X	16X20MM
12	L63537	FITTING	1	-182785	X	X	(SUB FOR T32204)
13	AL23146	OIL LINE	1	-182785	X	X	
14	AR26724	ELBOW FITTING	1	-182785	X	X	7/8"

(A) WITHOUT ONE SELECTIVE CONTROL VALVE  
 SANS UN DISTRIBUTEUR AUXILIAIRE  
 OHNE EINEM ZUSATZSTEUERGERAET  
 SENZA DISTRIBUTORE AUSILIARIO  
 SIN VALVULA DE MANDO AUXILIAR  
 UTAN ETT FJARR MANOVERVENTIL

# 2H4

HYDRAULIC SYSTEM

OIL LINES FOR SELECTIVE CONTROL VALVES/FRONT  
CONDUITES D'HUILE AVANT DES DISTRIBUTEURS AUXILIAIRES  
OELLEITUNGEN(ZUSATZSTEUERGERAETE VORN)  
LINEE OLIO PER DISTRIBITORI AUSILIARI ANTERIORI  
TUBERIAS PARA DISPOSITIVOS DE MANDO AUXILIARES/POR DELANTE  
FRAMRE HYDRAULLEDNINGAR FOR FJARRMANOVERVENTILER  
L24886 -UN-25OCT95



I. 24886

# 2H5

HYDRAULIC SYSTEM

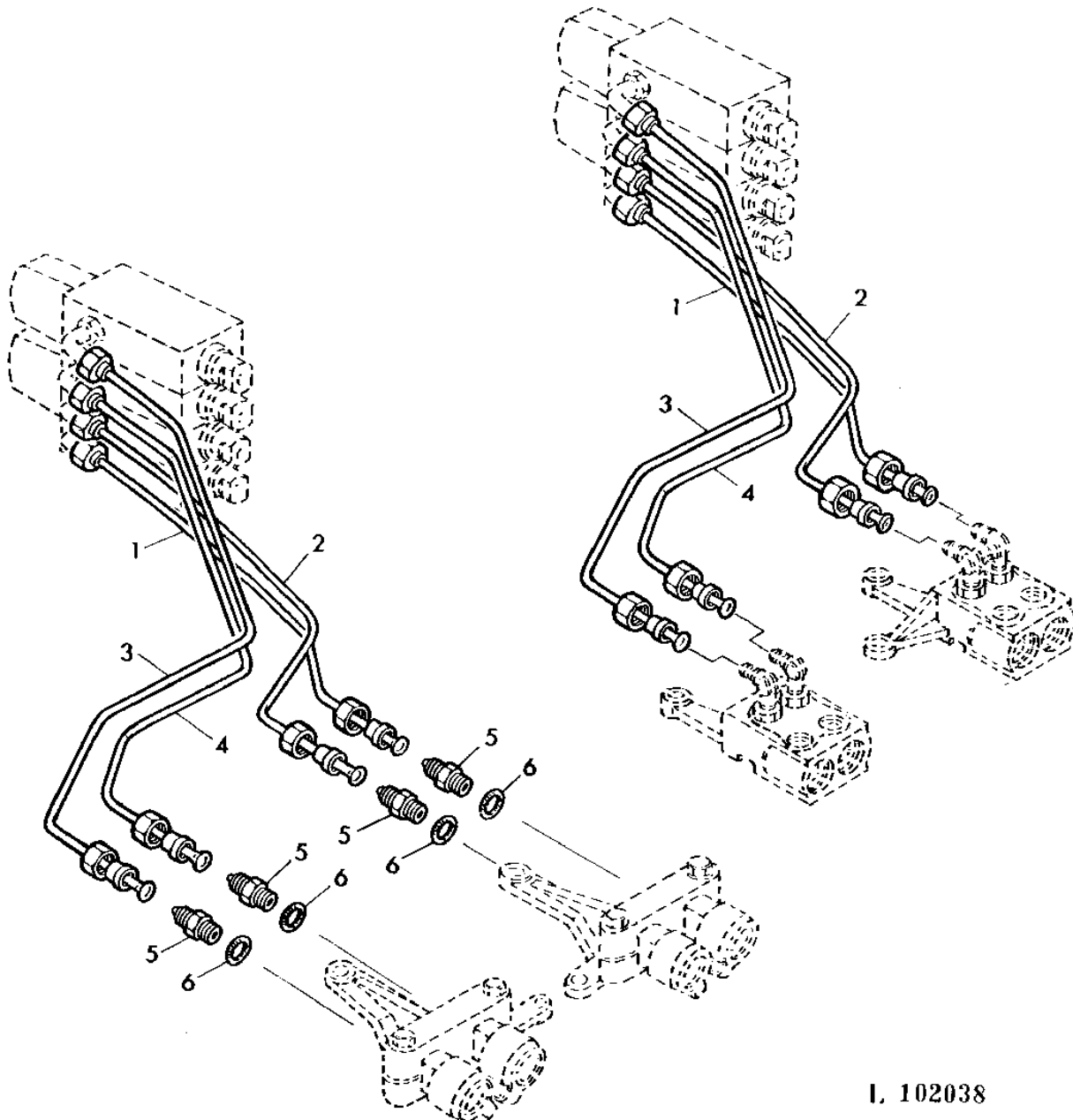
KEY	PART NO.	PART NAME	QTY	SERIAL NO.	3 3 0 1 3 3 0 0	REMARKS
1	R26375	O-RING	1		X X	
2	R27237	FITTING	1		X X	
3	AL23253	OIL LINE	1		X X	
4	AL23251	OIL LINE	1		X X	
5	T23162	SPACER	1		X X	
6	R35163	GROMMET	2		X X	
7	R28733	CLAMP	1		X X	
8	19H2284	CAP SCREW	1		X X	3/8"X7/8"
9	12H304	LOCK WASHER	1		X X	3/8"
10	A4624R	WASHER	1		X X	
11	L28751	RETAINER	1		X X	
12	14H812	NUT	1		X X	3/8"

# 2H6

HYDRAULIC SYSTEM

OIL LINES FOR SELECTIVE CONTROL VALVES/REAR  
CONDUITES D'HUILE ARRIERE DES DISTRIBUTEURS AUXILIAIRES  
OELLEITUNGEN(ZUSATZSTEUERGERAETE/HINTEN)  
LINEE OLIO POSTERIORI PER DISTRIBUTORI AUSILIAR  
TUBERIAS PARA DISPOSITIVOS DE MANDO AUXILIARES/POR DETRAS  
BAKRE HYDRAULLEDNINGAR FOR FJARRMANOVERVENTILER

L102038 -UN-07NOV95



I. 102038

# 2H7

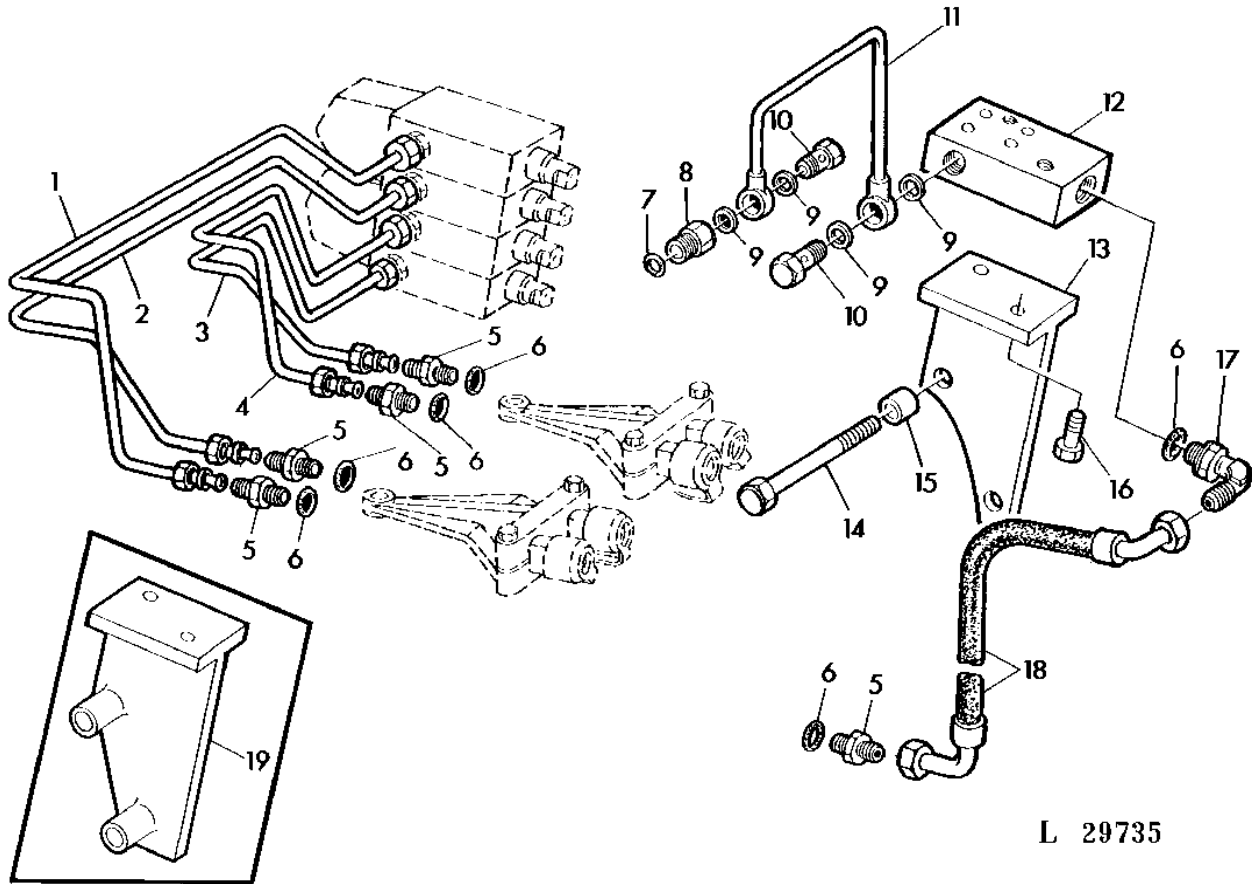
HYDRAULIC SYSTEM

KEY	PART NO.	PART NAME	QTY	SERIAL NO.	3 3 0 1 3 3 0 0	REMARKS
1	AL35796	OIL LINE	1		X X	RH (SUB FOR AL23147, AL28660)
2	AL35797	OIL LINE	1		X X	RH (SUB FOR AL23148, AL28661)
3	AL35799	OIL LINE	1		X X	LH (SUB FOR AL23150, AL28663)
4	AL35798	OIL LINE	1		X X	LH (SUB FOR AL23149, AL28662)
5	R27237	FITTING	AR		X X	
6	R26375	O-RING	AR		X X	

# 2H8

HYDRAULIC SYSTEM

HYDR OIL LINES FOR SELECTIVE CONTROL VALVES(OPERATOR'S CAB)  
TUYAUTERIES POUR DISTRIBUTEURS AUXILIAIRES(CABINE)  
OELLEITUNGEN FUER ZUSATZSTEUERGERAETE(KABINE)  
TUBAZIONI PER DISTRIBUTORI AUSILIARI(CABINA)  
TUBERIAS PARA VALVULAS DE MANDO AUXILIARES(CABINA)  
HYDRAULLEDNINGAR FOER MANOEVERTILTER(FORARHYTT)  
L29735 -UN-27OCT95



# 2H9

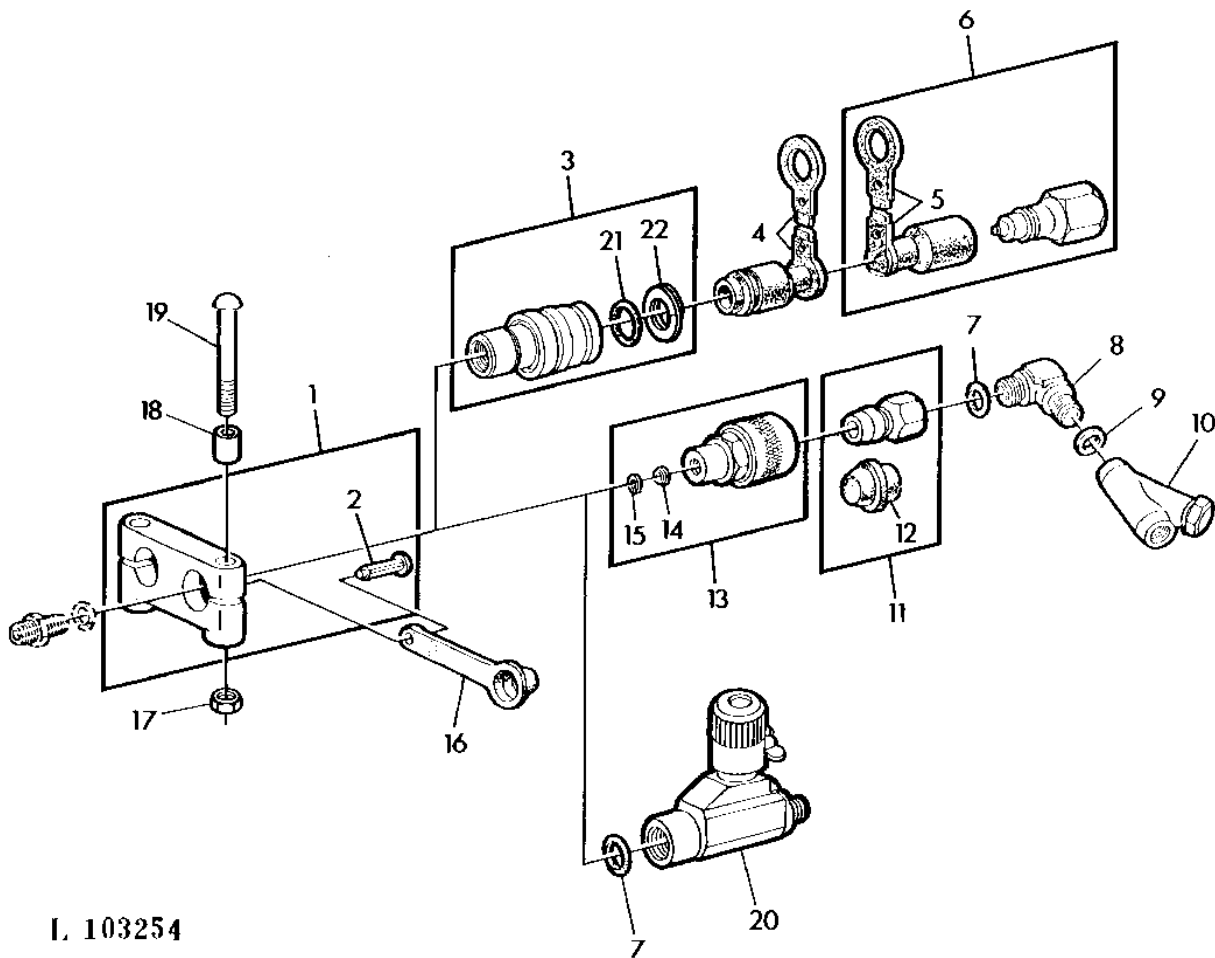
## HYDRAULIC SYSTEM

KEY	PART NO.	PART NAME	QTY	SERIAL NO.	3 0 3 0	3 1 3 0	REMARKS
1	AL28667	OIL LINE	1		X	X	REAR,LH (SUB FOR AL25243)
2	AL28666	OIL LINE	1		X	X	REAR,LH (SUB FOR AL25242)
3	AL28664	OIL LINE	1		X	X	REAR,RH (SUB FOR AL25240)
4	AL28665	OIL LINE	1		X	X	REAR,RH (SUB FOR AL25241)
5	R27237	FITTING	AR		X	X	
6	R26375	O-RING	AR		X	X	
7	R26906	O-RING	1		X	X	
8	T32201	FITTING	1		X	X	7/8"X5/8"
9	51M4238	RING	4		X	X	16X20MM
10	L63537	FITTING	2		X	X	(SUB FOR T32204)
11	AL25245	HOUSING	1		X	X	
12	L34376	VALVE STACK	1		X	X	(SUB FOR L30454)
13	AL29858	BRACKET	1	301275-	X	X	
14	19H3458	CAP SCREW	2	-301274	X	X	9/16"X8-3/4" (SUB FOR 19H3319, 19H3429)
	19H3458	CAP SCREW	2	301275-	X	X	9/16"X8-3/4" (SUB FOR 19H3319, 19H3429)
15	L33629	SPACER	2	301275-	X	X	
16	19H1900	CAP SCREW	2		X	X	5/16"X3/4"
17	AR26763	ELBOW FITTING	1		X	X	3/4"
18	AL35678	HYDRAULIC HOSE	1		X	X	(SUB FOR AL25244, AL28668, AL31095)
19	AL24966	SUPPORT	1	-301274	X	X	

# 2H10

HYDRAULIC SYSTEM

QUICK DISCONNECT COUPLERS,FRONT  
ACCOUPLMENT RAPIDE AVANT  
SCHNELLKUPPLUNG VORN  
GIUNTI RAPIDI ANTERIORI  
ACOPAMIENTO HIDRAULICO RAPIDO DELANTERO  
FRAMRE SNABBKOPPLINGAR  
L103254 -UN-23OCT95



I. 103254



# 2H11

## HYDRAULIC SYSTEM

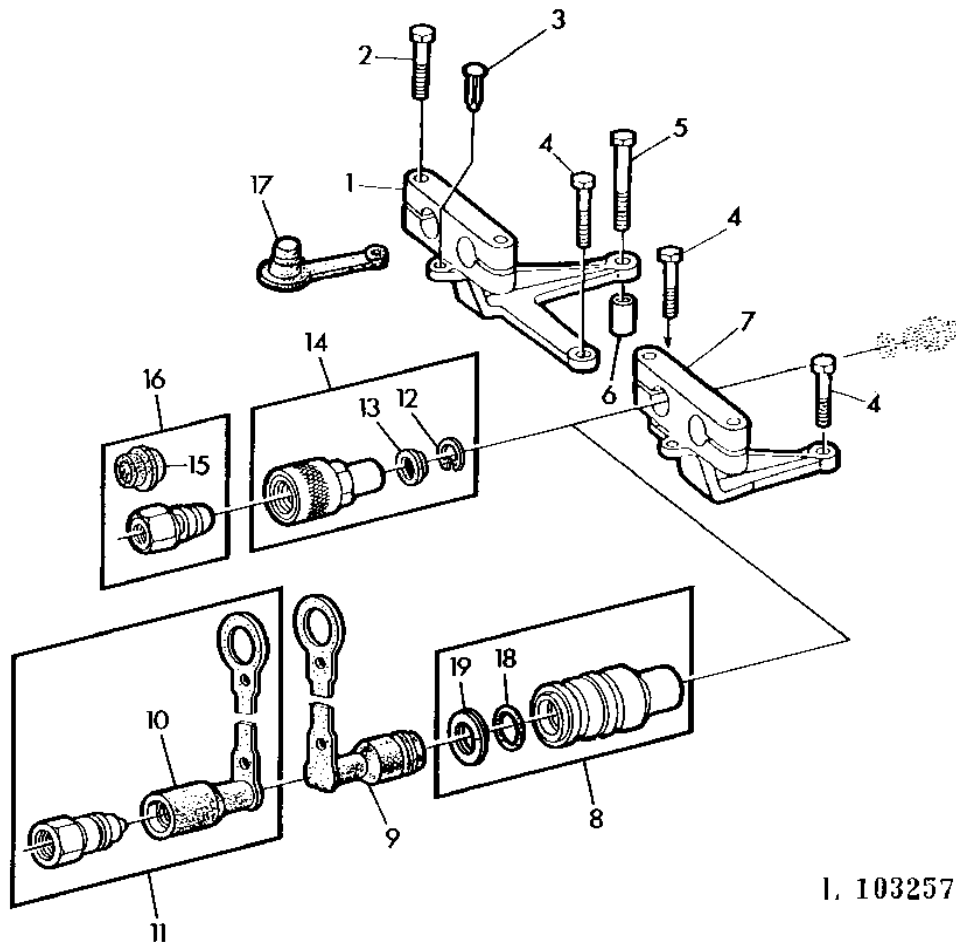
KEY	PART NO.	PART NAME	QTY	SERIAL NO.	3 3 0 1 3 3 0 0	REMARKS
1	AT27004	BRACKET	1		X X	FRONT
2	T22244	STUD	AR		X X	
3	AL26972	EXTERNAL HALF COUPLER	1		X X	"ISO"
4	L31744	DUST SHIELD	1		X X	"ISO"
5	L31745	DUST SHIELD	1		X X	"ISO"
6	AL26971	INTERNAL HALF COUPLER	1		X X	"ISO"
7	R26375	O-RING	1		X X	(A)
8	L28921	ELBOW FITTING	1		X X	(A)
9	51M4240	RING	1		X X	(A)
10	AL23416	VALVE	1		X X	(A)
11	AL27019	INTERNAL HALF COUPLER	1		X X	"JOHN DEERE" (SUB FOR AR30210)
12	R28006	CAP	1		X X	
13	AL27026	HYD. QUICK-CONNECT COUPLER	1		X X	"JOHN DEERE" (SUB FOR AR31613)
14	L32513	SEALING WASHER	1		X X	
15	R33282	SNAP RING	1		X X	
16	R80324	COVER	AR		X X	(SUB FOR R32419)
17	14H812	NUT	2		X X	3/8"
18	L28902	SPACER	2		X X	
19	03H1839	BOLT	2		X X	3/8"X5-1/2"
20	AL34259	VALVE	1		X X	
21	L40690	O-RING	1		X X	
22	L40691	BACK-UP RING	1		X X	

(A) FOR CONNECTING HYDRAULIC MOTOR  
 POUR BRANCHER LE MOTEUR HYDRAULIQUE  
 FUER HYDRO-MOTOR ANSCHLUSS  
 PER ATTACCARE UN MOTORE IDRAULICO  
 PARA ACOPLAR EL MOTOR HIDRAULICO  
 FOR ANSLUTNING AV HYDRAULMOTOR

# 2H12

HYDRAULIC SYSTEM

QUICK DISCONNECT COUPLERS, REAR  
ACCOUPLMENT RAPIDE ARRIERE  
SCHNELLKUPPLUNG HINTEN  
GIUNTI RAPIDI POSTERIORE  
ACOPAMIENTO HIDRAULICO RAPIDO TRASERO  
BAKRE SNABBKOPPLING  
L103257 -UN-23OCT95



I. 103257

# 2H13

HYDRAULIC SYSTEM

KEY	PART NO.	PART NAME	QTY	SERIAL NO.	REMARKS
					3 3
					0 1
					3 3
					0 0
1	T22245	CLAMP	1		X X REAR,LH (SUB FOR T31100)
2	19H1765	CAP SCREW	AR		X X 3/8"X1-3/4"
3	T22244	STUD	1		X X
4	19H1739	CAP SCREW	AR		X X 1/2"X4-1/2"
5	19H2120	CAP SCREW	1		X X 1/2"X5"
6	N10065	BUSHING	1		X X
7	T22243	CLAMP	1		X X REAR,RH
8	AL26972	EXTERNAL HALF COUPLER	AR		X X "ISO"
9	L31744	DUST SHIELD	AR		X X "ISO"
10	L31745	DUST SHIELD	AR		X X "ISO"
11	AL26971	INTERNAL HALF COUPLER	AR		X X "ISO"
12	R33282	SNAP RING	1		X X
13	L32513	SEALING WASHER	1		X X
14	AL27026	HYD. QUICK-CONNECT COUPLER	AR		X X "JOHN DEERE" (SUB FOR AR31613)
15	R28006	CAP	1		X X
16	AL27019	INTERNAL HALF COUPLER	AR		X X "JOHN DEERE" (SUB FOR AR30210)
17	R80324	COVER	AR		X X (SUB FOR R32419)
18	L40690	O-RING	1		X X
19	L40691	BACK-UP RING	1		X X

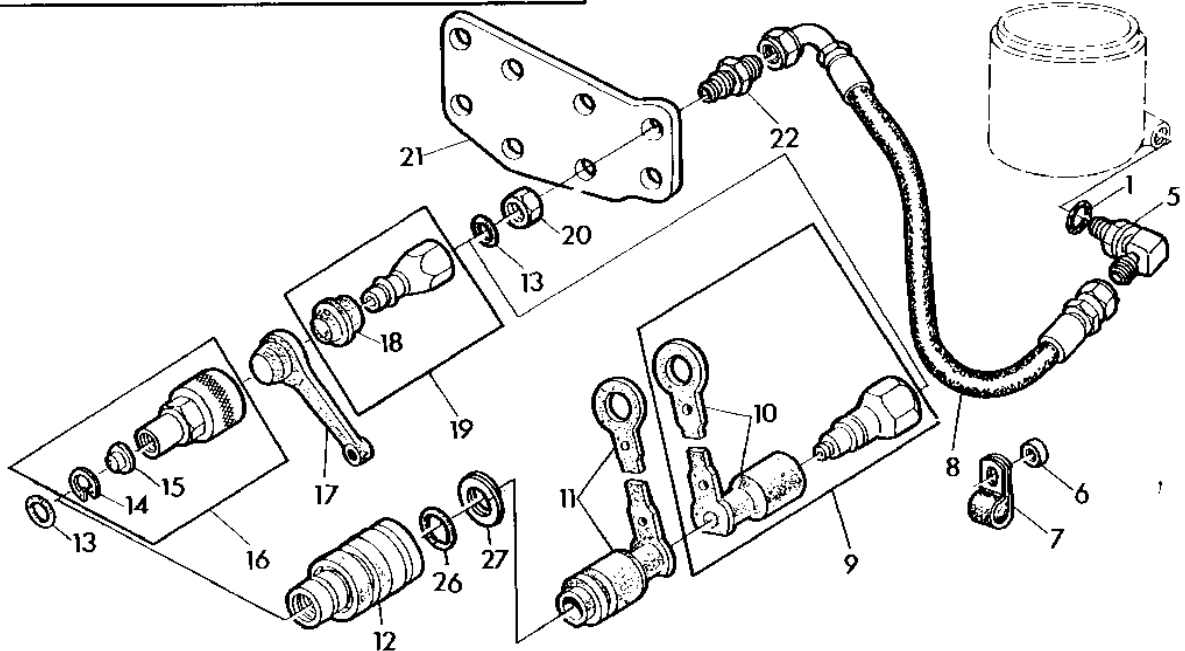
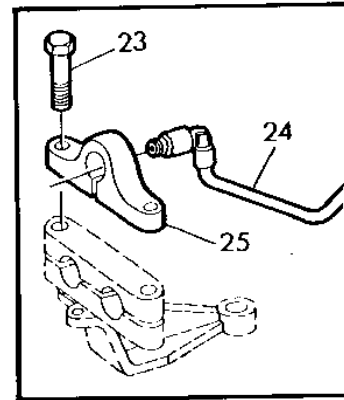
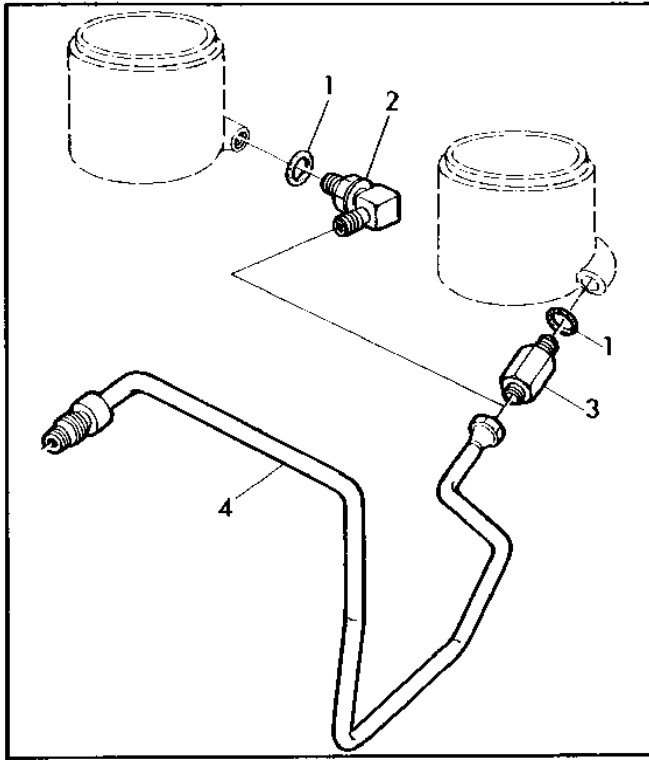
# 2H14

HYDRAULIC SYSTEM

CONNECTING PARTS FOR HYDRAULIC MOTOR(REAR)  
RACCORDS POUR MOTEUR HYDRAULIQUE(ARRIERE)  
TEILE FUER HYDRO-MOTOR-ANSCHLUSS(HINTEN)  
RACCORDI PER MOTORE IDRAULICO POSTERIORE  
RACORES PARA EL MOTOR HIDRAULICO(DETRAS)  
ANSLUTNINGAR FOR BAKRE HYDRAULMOTOR

L102071

-UN-07NOV95



L 102071

# 2H15

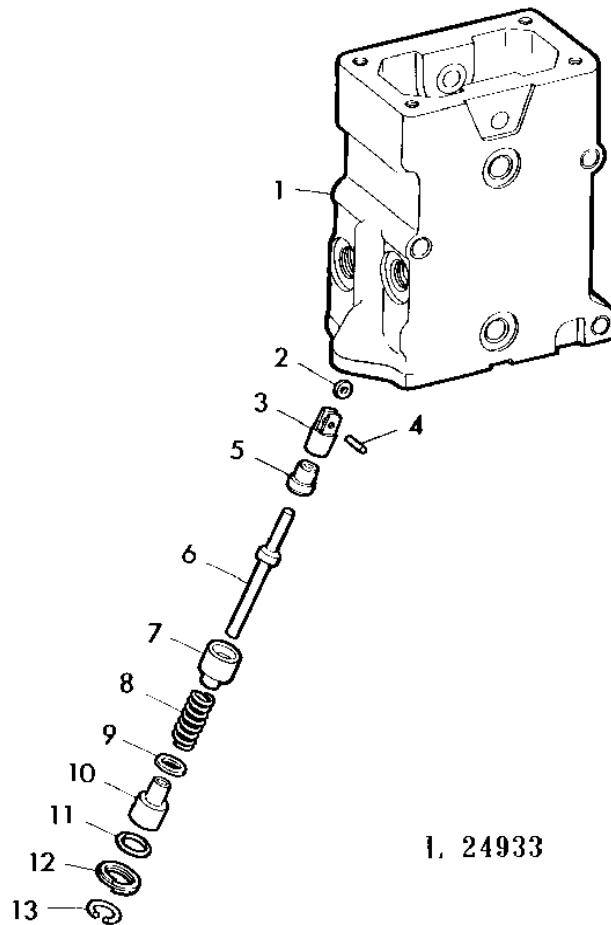
HYDRAULIC SYSTEM

KEY	PART NO.	PART NAME	QTY	SERIAL NO.	REMARKS
					3 3
					0 1
					3 3
					0 0
1	U12547	O-RING	1		(SUB FOR F3171R APPL)
2	AR26723	ELBOW FITTING	1		
3	T33164	FITTING	1		
4	AL24698	OIL LINE	1		
5	AR28251	ELBOW FITTING	1		
6	L33629	SPACER	1		
7	L37536	CLAMP	1		
8	AL35123	HYDRAULIC HOSE	1		
9	AL26971	INTERNAL HALF COUPLER	1		"ISO"
10	L31745	DUST SHIELD	1		"ISO"
11	L31744	DUST SHIELD	1		"ISO"
12	AL26972	EXTERNAL HALF COUPLER	1		"ISO",INCL KEYS 26,27
13	R26375	O-RING	2		
14	R33282	SNAP RING	1		
15	L32513	SEALING WASHER	1		
16	AL27026	HYD. QUICK-CONNECT COUPLER	1		"JOHN DEERE" (SUB FOR AR31613)
17	R80324	COVER	1		(SUB FOR R32419)
18	R28006	CAP	1		
19	AL27019	INTERNAL HALF COUPLER	1		"JOHN DEERE" (SUB FOR AL30210)
20	R26627	NUT	1		
21	L30207	PLATE	1		
22	L38047	ADAPTER	1		
23	19H1819	CAP SCREW	2		3/8"X2-1/8"
24	AR49754	OIL LINE	1		
25	T31167	CLAMP	1		
26	L40690	O-RING	1		
27	L40691	BACK-UP RING	1		

# 2H16

HYDRAULIC SYSTEM

SELECTIVE CONTROL VALVE/POPPET TYPE  
DISTRIBUTEUR AUXILIAIRE A SOUPE  
ZUSATZSTEUERGERAET/VENTIL AUSFUHRUNG  
DISTRIBUTORE AUSILIARIO(TIPO A FUNGO)  
DISPOSITIVO DE MANDO AUXILIAR/CON VALVULA  
FJARRMANOVERVENTIL(TALLRIKSTYP)  
L24933 -UN-27OCT95



# 2H17

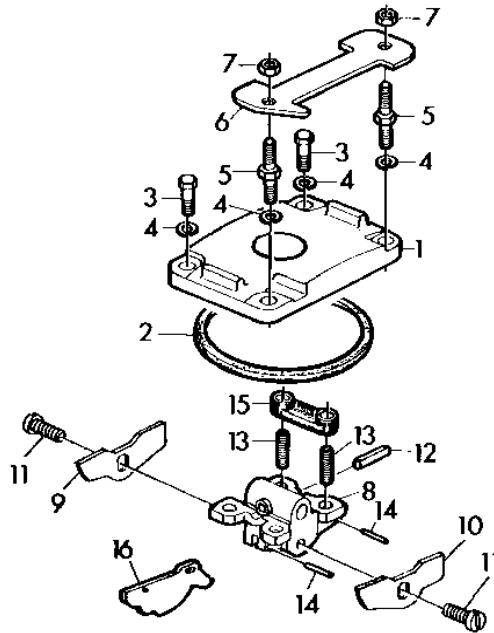
HYDRAULIC SYSTEM

KEY	PART NO.	PART NAME	QTY	SERIAL NO.	3 3 0 1 3 3 0 0	REMARKS
1	AR83549	HOUSING	1		X X	ASSY, INCL R48978 (SUB FOR AR40828)
2	R51409	SPACER	1		X X	
3	R51410	CAM FOLLOWER	1		X X	
4	R51411	PIN	1		X X	
5	R48978	GUIDE	1		X X	
6	R55398	PIN	1		X X	
7	R48980	PISTON	1		X X	
8	R41055	SPRING	1		X X	
9	T20229	WASHER	AR		X X	
10	R55397	GUIDE	1		X X	
11	B2762R	O-RING	1		X X	
12	R26546	BACK-UP RING	1		X X	
13	R46722	SNAP RING	1		X X	

# 2H18

HYDRAULIC SYSTEM

SELECTIVE CONTROL VALVE/POPPET TYPE)-CONTINUED  
 DISTRIBUTEUR AUXILIAIRE A SOUPAPE-SUITE  
 ZUSATZSTEUERGERAET(VENTILAUFSUEHRUNG)-FORTSETZUNG  
 DISTRIBUTORE AUSILIARIO(TIPO A FUNGO)-CONTINUAZIONE  
 DISPOSITIVO DE MANDO AUXILIAR(CON VALVULA)-CONTINUACION  
 FJARRMANOVERVENTIL(TALLRIKSTYP)-FORTSATNING  
 L121330 -UN-09OCT95



L121330

KEY	PART NO.	PART NAME	QTY	SERIAL NO.	REMARKS
				3 3	
				0 1	
				3 3	
				0 0	
1	R49186	COVER	1	X X	
2	R74695	WASHER	1	X X	(SUB FOR R49187)
3	19H1731	CAP SCREW	2	X X	3/8"X1"
4	12H304	LOCK WASHER	4	X X	3/8"
5	R39225	STUD	2	X X	
6	L40225	STOP	AR	X X	(SUB FOR T22996)
7	14H732	NUT	AR	X X	3/8"
8	R51412	ROCKER	1	X X	
9	R51414	CAM	1	X X	
10	R51415	CAM	1	X X	
11	R27233	SCREW	2	X X	
12	34H297	SPRING PIN	1	X X	7/32"X1"
13	22H1025	SET SCREW	4	X X	1/4"X7/8"
14	R28744	PIN	2	X X	
15	R49221	RETAINER	2	X X	
16	R51413	CAM	1	X X	



# 2H19

HYDRAULIC SYSTEM

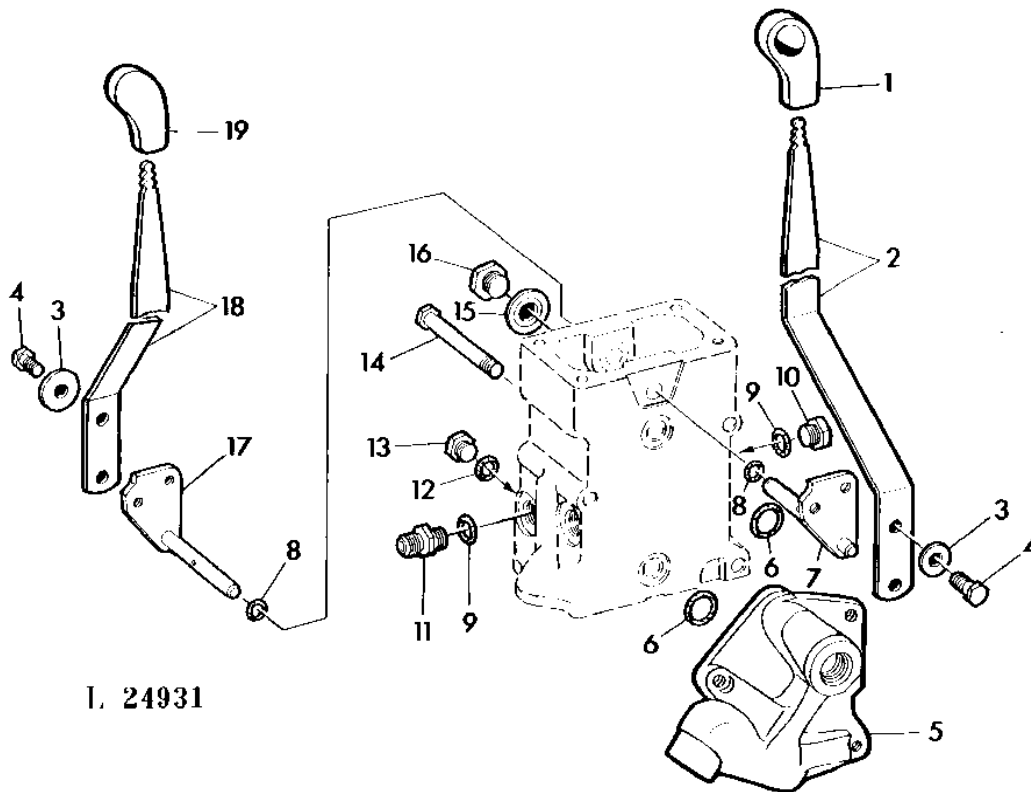
---

MEMORANDA  
MEMORANDA  
MEMORANDA  
MEMORANDA  
MEMORANDA

# 2H20

HYDRAULIC SYSTEM

SELECTIVE CONTROL VALVE(POPPET TYPE)-CONTINUED  
DISTRIBUTEUR AUXILIAIRE A SOUPAPE-SUITE  
ZUSATZSTEUERGERAET(VENTILAUFSUEHRUNG)-FORTSETZUNG  
DISTRIBUTORE AUSILIARIO(TIPO A FUNGO)-CONTINUAZIONE  
DISPOSITIVO DE MANDO AUXILIAR(CON VALVULA)-CONTINUACION  
FJARRMANOVERVENTIL(TALLRIKSTYP)-FORTSATNING  
L24931 -UN-27OCT95



I. 24931

# 2H21

HYDRAULIC SYSTEM

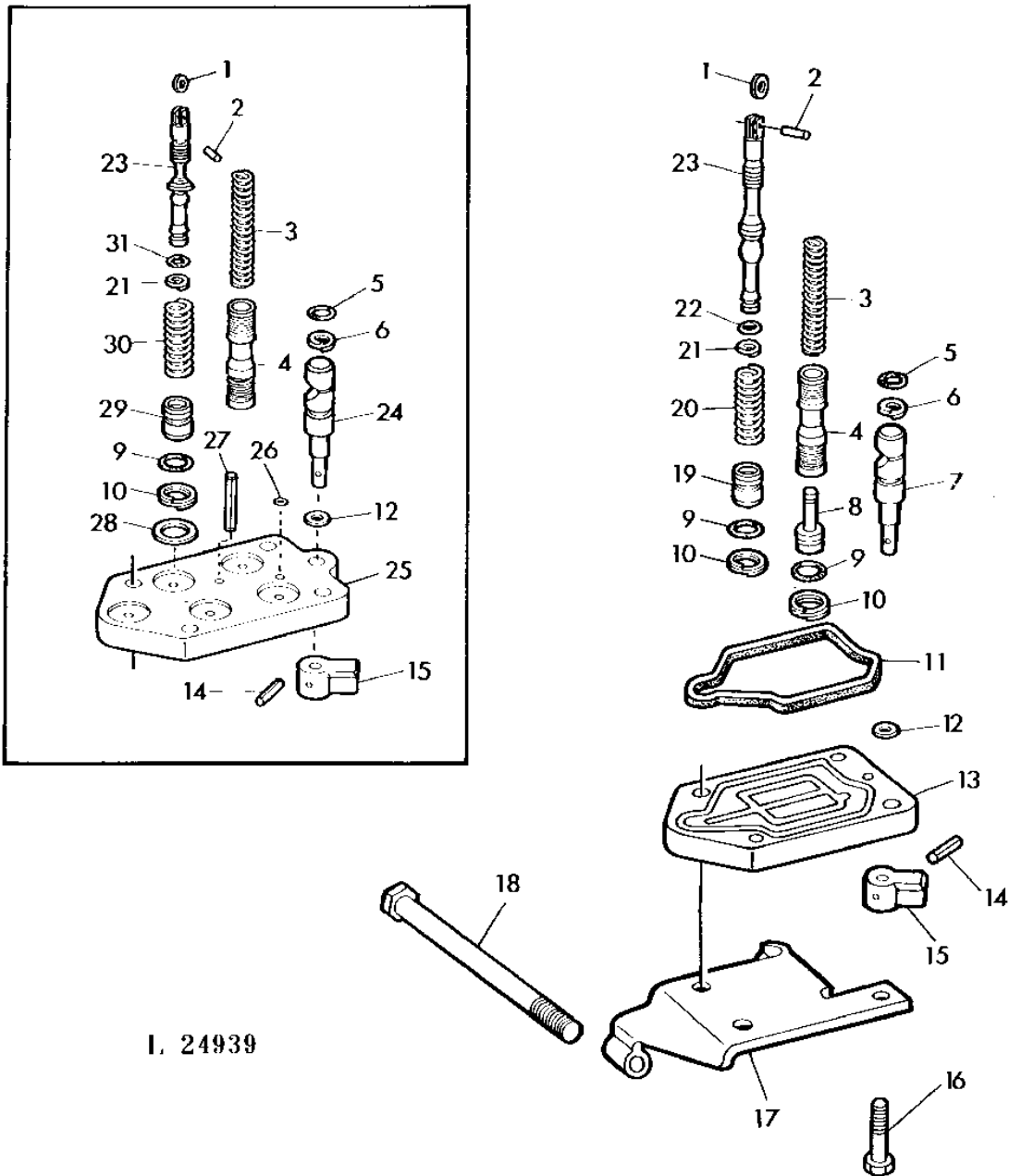
KEY	PART NO.	PART NAME	QTY	SERIAL NO.	REMARKS
					3 3
					0 1
					3 3
					0 0
1	L56925	GRIP	1		X X (SUB FOR R54274)
2	L30187	LEVER	1		X X
3	24H1625	WASHER	AR		X X 17/32"X1"X.120"
4	19H1895	CAP SCREW	AR		X X 1/2"X3/4"
5	R39289	COVER	1		X X
6	R26149	PACKING	2		X X
7	AR39157	ARM	1		X X
8	R394R	O-RING	2		X X
9	R26375	O-RING	4		X X
10	R39112	FITTING	2		X X 3/4"
11	R27237	FITTING	2		X X 3/4"
12	R26448	O-RING	1		X X
13	R27218	FITTING PLUG	1		X X 9/16"
14	19H1912	CAP SCREW	3		X X 3/8"X3-1/2"
	08H4451	CAP SCREW	3		X X (A) 3/8"X6-1/2"
15	AR26697	SEALING WASHER	1		X X
16	R41155	PLUG	1		X X 3/4"
17	AR39158	ARM	1		X X (A)
18	L30188	LEVER	1		X X (A)
19	L56926	GRIP	1		X X (A) (SUB FOR R54275)

(A) TWO SELECTIVE CONTROL VALVES  
 POUR DEUX DISTRIBUTEURS AUXILIAIRES DE COMMANDE  
 FUER 2 ZUSATZSTEUERGERAETE  
 PER 2 DISTRIBUTORI AUSILIARI  
 PARA DOS DISP.DE MANDO AUXILIARES  
 FOR TVA FJARRMANOVERVENTILER

# 2H22

HYDRAULIC SYSTEM

SELECTIVE CONTROL VALVE/POPPET TYPE  
DISTRIBUTEUR AUXILIAIRE A SOUPAPE  
ZUSATZSTEUERGERAET/VENTILAUSFUEHRUNG  
DISTRIBUTORE AUSILIARIO(TIPO A FUNGO)  
DISPOSITIVO DE MANDO AUXILIAR/CON VALVULA  
FJARRVENTIL(TALLRIKSTYP)  
L24939 -UN-27OCT95



# 2H23

HYDRAULIC SYSTEM

KEY	PART NO.	PART NAME	QTY	SERIAL NO.	3 0 3 0	3 1 3 0	REMARKS
1	R51409	SPACER	4		X	X	
2	34H241	SPRING PIN	4		X	X	1/8"X3/8"
3	R41549	SPRING	1		X	X	
4	R52549	SHUT-OFF VALVE	1		X	X	
5	P46051	O-RING	1		X	X	
6	R40937	BACK-UP RING	1		X	X	
7	R65289	VALVE	1		X	X	
8	R66916	STOP	1		X	X	
9	R27166	O-RING	5		X	X	
10	R41057	BACK-UP RING	5		X	X	
11	R74695	WASHER	1		X	X	(SUB FOR R49187)
12	R41339	SHIM	1		X	X	
13	R59629	CAP	1		X	X	
14	34H231	SPRING PIN	1		X	X	3/32"X3/4"
15	R62652	ARM	1		X	X	(SUB FOR R41338)
16	19H1800	CAP SCREW	4		X	X	3/8"X1-1/2"
	19H1732	CAP SCREW	4		X	X	(A) 3/8"X1-1/4"
17	AL24688	BRACKET	1	-301274	X	X	
	AL29866	BRACKET	1	301275-	X	X	
18	19H3319	CAP SCREW	2	-301274	X	X	9/16"X8-1/2"
	19H3429	CAP SCREW	2	301275-	X	X	9/16"X10"
19	R66416	BUSHING	4		X	X	
20	R65501	SPRING	2		X	X	(B)
	R65502	SPRING	2		X	X	(C)
21	R26484	BACK-UP RING	AR		X	X	
22	R65286	O-RING	AR		X	X	
23	AR86535	VALVE	4		X	X	ASSY,INCL KEYS 1,2 (SUB FOR AR70150)
24	R52547	VALVE	1		X	X	
25	AR40688	COVER	1		X	X	
26	R34812	O-RING	1		X	X	
27	34H284	SPRING PIN	1		X	X	
28	R26149	PACKING	5		X	X	
29	R41156	GUIDE	4		X	X	
30	R41055	SPRING	4		X	X	
31	A3917R	O-RING	6		X	X	

(A) FOR TWO SEL. CONTROL VALVES  
POUR 2 DISTRIBUTEURS AUXIL.  
FUER 2 ZUSATZSTEUERGERAETE  
PER 2 DISTRIBUTORI AUSIL.  
PARA 2 VALV.MANDO AUXILIAR.  
FOR 2 FJARRMANOVERVENTILER

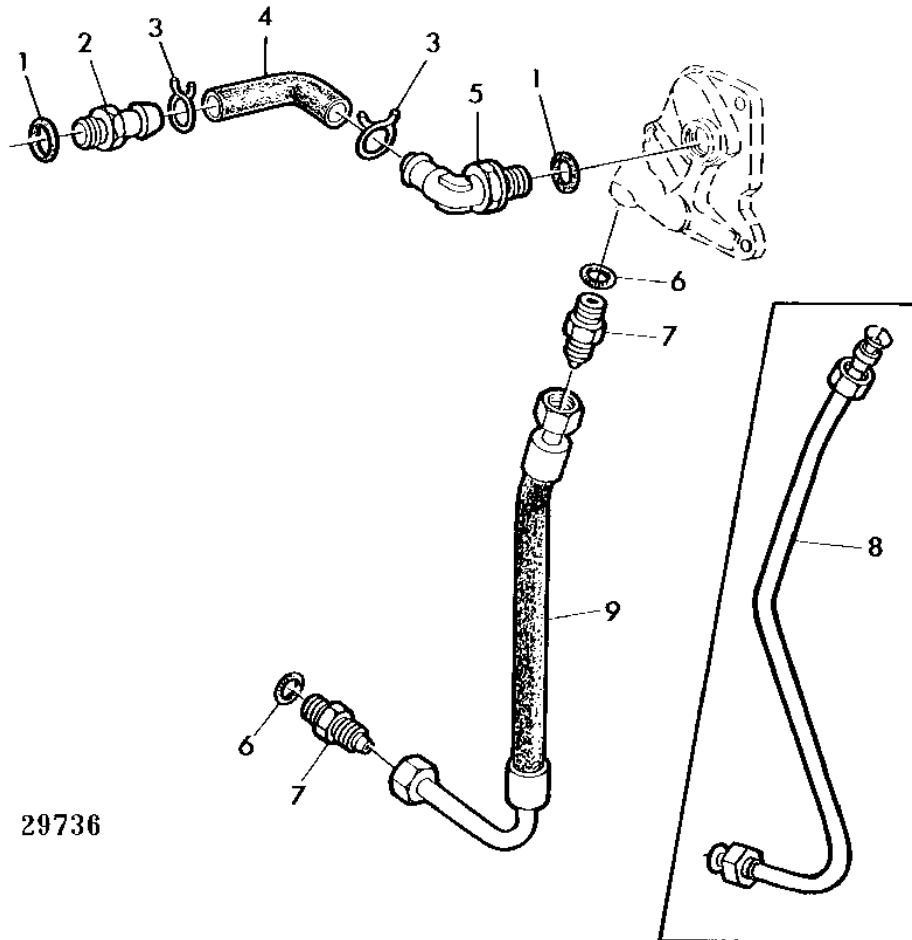
(B) FOR OUTLET VALVE  
POUR SOUPAPE D'ECHAPPEMENT  
FUER AUSLASSVENTIL  
PER VALVOLA DI SCARICO  
PARA VALVULA DE ESCAPE  
FOR UTLOPPSVENTIL

(C) FOR INLET VALVE  
POUR SOUPAPE D'ADMISSION  
FUER EINLASSVENTIL  
PER VALVOLA DI ASPIRAZIONE  
PARA VALVULA DE ADMISION  
FOR INLOPPSVENTIL

# 2H24

HYDRAULIC SYSTEM

OIL LINES FOR SELECTIVE CONTROL VALVE/POPPET TYPE  
CONDUITES D'HUILE DE DISTRIBUTEURS AUXILIAIRES A SOUPE  
OELLEITUNGEN FUER ZUSATZSTEUERGERAETE/VENTILAUSFUEHRUNG  
TUBAZIONI OLIO PER DISTRIBUTORI AUSILIARI(TIPO A FUNGO)  
TUBERIAS PARA DISPOSITIVOS DE MANDO AUXILIARES CON VALVULA  
HYDRAULLEDNINGAR FOR FJARRMANOVERVENTILER(TALLRIKSTYP)  
L29736 -UN-27OCT95



L 29736

# 2H25

HYDRAULIC SYSTEM

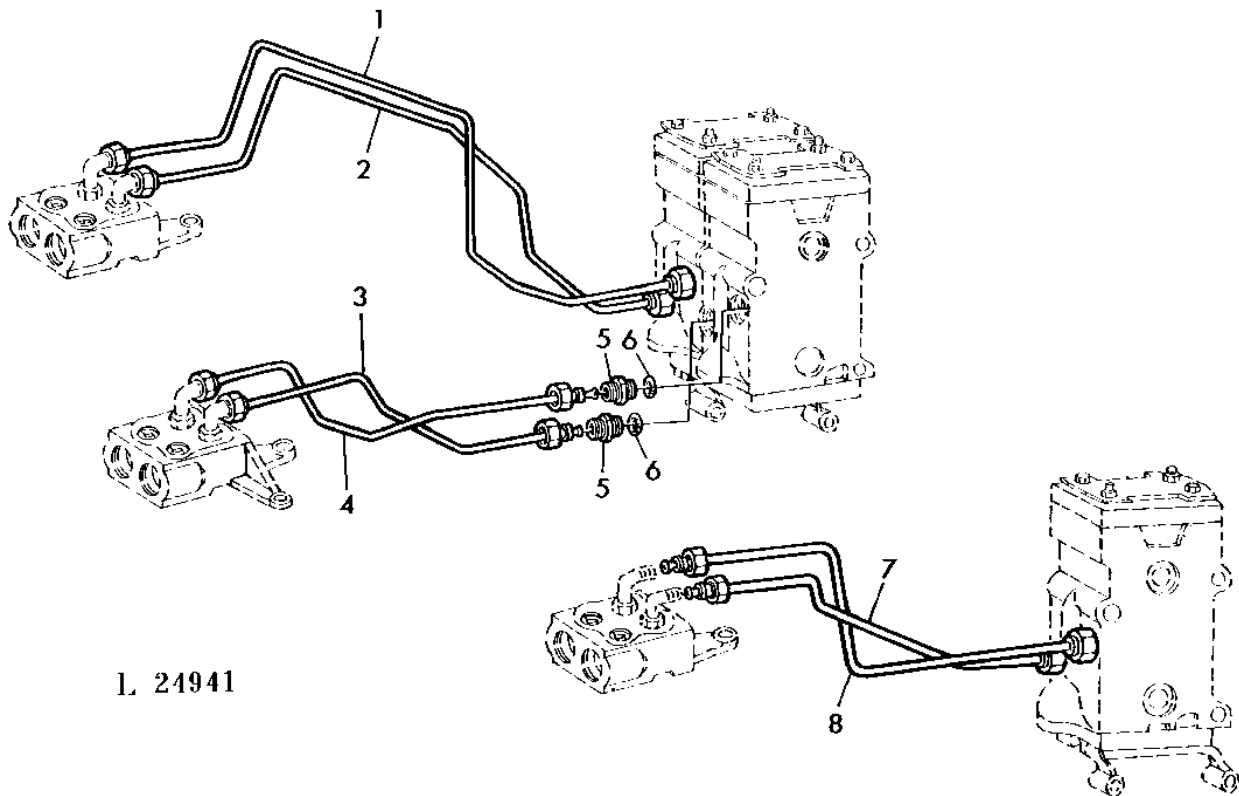
KEY	PART NO.	PART NAME	QTY	SERIAL NO.	3 0 3 0	3 1 3 0	REMARKS
1	R26906	O-RING	2		X	X	
2	R39171	HOSE FITTING	1		X	X	7/8"
3	AR21837	CLAMP	2		X	X	(SUB FOR T439T APPL)
4	L30186	HOSE	1		X	X	
5	AL24689	ADAPTER	1		X	X	
6	R26375	O-RING	2		X	X	
7	R27237	FITTING	2		X	X	
8	AL24687	OIL LINE	1	-301274	X	X	
9	AL35677	HYDRAULIC HOSE	1	301275-	X	X	(SUB FOR AL29867)

# 211

HYDRAULIC SYSTEM

OIL LINES FOR BREAKAWAY COUPLERS  
CONDUITES D'HUILE POUR COUPLEURS DE SECURITE  
OELLEITUNGEN FUER ABREISSKUPPLUNGEN  
TUBAZIONI PER GIUNTI RAPIDI  
TUBERIAS PARA ACOPLAMIENTOS GIRATORIOS DE DOBLE BOLA  
OLJEROR FOR SNABBKOPPLINGAR

L24941 -UN-27OCT95



L 24941



# 212

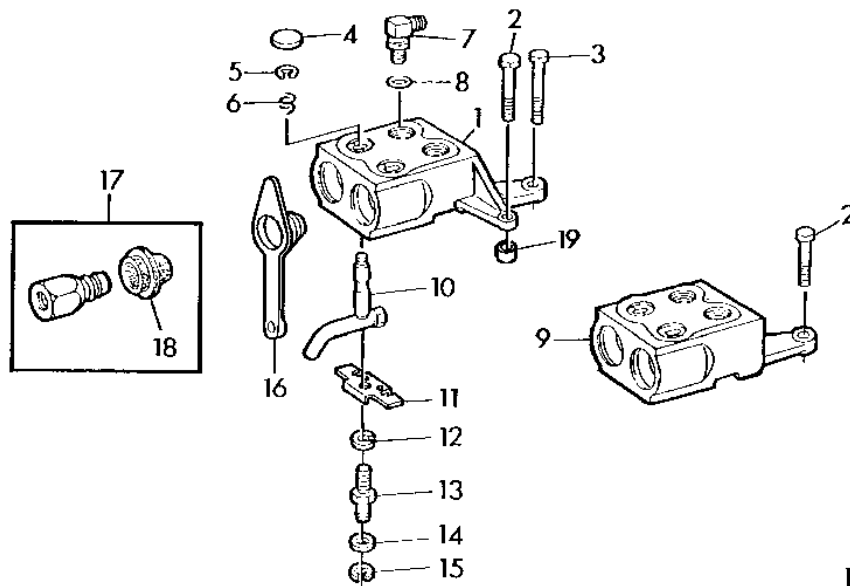
## HYDRAULIC SYSTEM

KEY	PART NO.	PART NAME	QTY	SERIAL NO.	3 0 3 0	3 1 3 0	REMARKS
1	AL24686	OIL LINE	1	-232399	X	X	UP (ORD AL28287, AL28288, AL28289)
	AL28289	OIL LINE	1	232400-301274	X	X	UP
	AL30404	OIL LINE	1	301275-	X	X	UP
2	AL24684	OIL LINE	1	-232399	X	X	LOW (ORD AL28287, AL28288, AL28289)
	AL28290	OIL LINE	1	232400-301274	X	X	LOW
	AL30403	OIL LINE	1	301275-	X	X	LOW
3	AL24685	OIL LINE	1	-232399	X	X	UP
	AL28288	OIL LINE	1	232400-301274	X	X	UP
	AL30406	OIL LINE	1	301275-	X	X	UP
4	AL24683	OIL LINE	1	-232399	X	X	LOW
	AL28287	OIL LINE	1	232400-301274	X	X	LOW
	AL30405	OIL LINE	1	301275-	X	X	LOW
5	R27237	FITTING	AR		X	X	3/4"
6	R26375	O-RING	AR		X	X	
7	AL24683	OIL LINE	1	-301274	X	X	LOW
	AL30401	OIL LINE	1	301275-	X	X	LOW
8	AL24685	OIL LINE	1	-301274	X	X	UP
	AL30402	OIL LINE	1	301275-	X	X	UP

# 213

HYDRAULIC SYSTEM

JOHN DEERE-BREAKAWAY COUPLER  
 JOHN DEERE-COUPLEUR DE SECURITE  
 JOHN DEERE-ABREISSKUPPLUNG  
 JOHN DEERE-GIUNTO RAPIDO  
 JOHN DEERE-ACOPLAMIENTO GIRATORIO DE DOBLE BOLA  
 JOHN DEERE-SNABBKOPPLINGAR  
 L109625 -UN-20OCT95



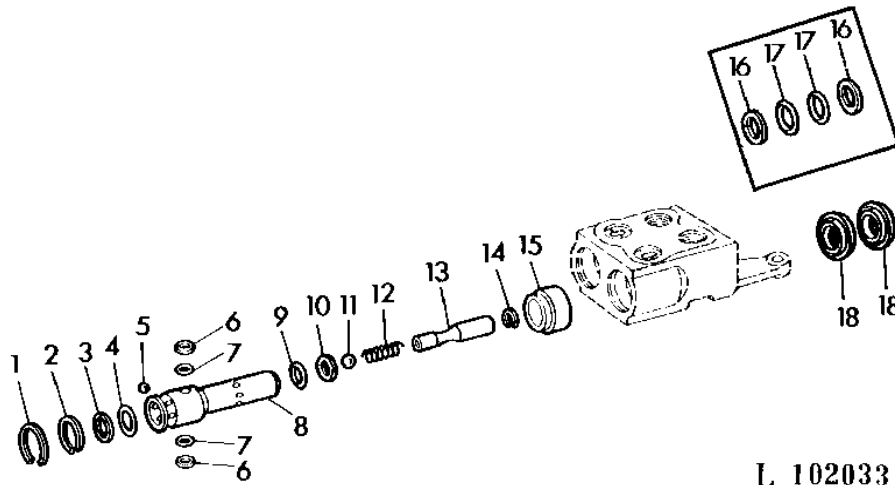
L 109625

KEY	PART NO.	PART NAME	QTY	SERIAL NO.	REMARKS
				3 3	
				0 1	
				3 3	
				0 0	
1	AR52622	COUPLING	1	X X	LH (SUB FOR AR48297)
2	19H1739	CAP SCREW	AR	X X	1/2"X4-1/2"
3	19H2120	CAP SCREW	1	X X	1/2"X5"
4	30H15	PLUG	AR	X X	1-1/8"
5	R72653	SNAP RING	AR	X X	(SUB FOR M2396T)
6	R31890	SPRING	AR	X X	
7	AR26763	ELBOW FITTING	AR	X X	
8	R26375	O-RING	AR	X X	
9	AR52621	COUPLING	1	X X	RH (SUB FOR AR48296)
10	AR99100	LEVER	AR	X X	(SUB FOR AR33877)
11	AR75958	CAM	AR	X X	(SUB FOR R51285)
12	12M303	LOCK WASHER	AR	X X	5/16"
13	R49191	SCREW	1	X X	
14	24H1286	WASHER	AR	X X	9/32"X1/2"X.060"
15	R27507	SNAP RING	AR	X X	
16	R80324	COVER	AR	X X	(SUB FOR R32419)
17	AL27019	INTERNAL HALF COUPLER	AR	X X	
18	R28006	CAP	1	X X	
19	N10065	BUSHING	1	X X	

# 214

HYDRAULIC SYSTEM

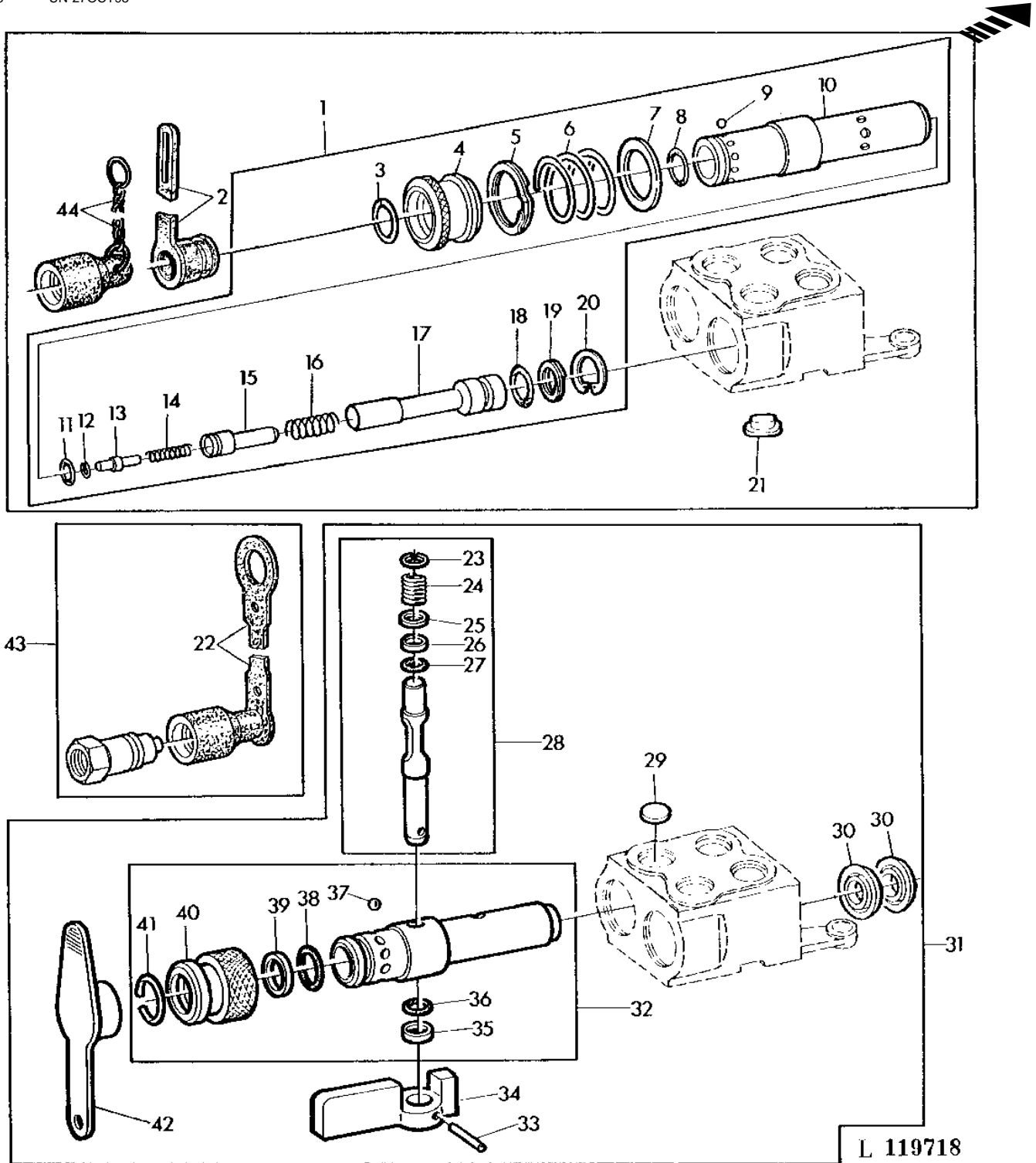
JOHN DEERE-BREAKAWAY COUPLER  
 JOHN DEERE-COUPLER DE SECURITE  
 JOHN DEERE-ABREISSKUPPLUNG  
 JOHN DEERE-GIUNTO RAPIDO  
 JOHN DEERE-ACOPLAMIENTO GIRATORIO DE DOBLE BOLA  
 JOHN DEERE-SNABBKOPPLINGAR  
 L102033 -UN-07NOV95



L 102033

KEY	PART NO.	PART NAME	QTY	SERIAL NO.	REMARKS
				3 3	
				0 1	
				3 3	
				0 0	
1	R34399	SNAP RING	AR	X X	
2	R32356	SNAP RING	AR	X X	
3	R26485	BACK-UP RING	AR	X X	
4	R495R	O-RING	AR	X X	
5	400R	BALL	AR	X X	1/4"
6	R26484	BACK-UP RING	AR	X X	
7	R65286	O-RING	AR	X X	(SUB FOR A3917R APPL)
8	R34397	SOCKET OUTLET	AR	X X	
9	R375R	O-RING	AR	X X	
10	R26482	RING	AR	X X	
11	D2361R	BALL	AR	X X	
12	R28084	SPRING	AR	X X	
13	R34400	PLUG	AR	X X	
14	R26483	SNAP RING	AR	X X	
15	R34398	SLEEVE	AR	X X	
16	R26480	BACK-UP RING	AR	X X	(ORD R74530)
17	A4730R	O-RING	AR	X X	(ORD R74530)
18	R74530	SEAL	AR	X X	

CONVERSION PARTS FROM 3D TO ISO BREAKAWAY COUPLER  
 PIECES DE CONVERSION COUPLEUR DE SECURITE JD EN ISO  
 TEILE FUER UMBAU VON JD-AUF ISO-ABREISSKUPPLUNG  
 PARTI PER CONVERTIRE GIUNTI RAPIDI JD IN GIUNTI ISO  
 PIEZAS DEL ACOPL.RAPIDO DE SEGUR.PARA CAMBIAR DE JD A ISO  
 DELAR FOR OMBYGGNAD AV JD SNABBKOPPLINGAR TILL ISO  
 L119718 -UN-27OCT95



# 216

## HYDRAULIC SYSTEM

KEY	PART NO.	PART NAME	QTY	SERIAL NO.	3 3 0 1 3 3 0 0	REMARKS
1	AR80892	BREAKAWAY COUPLER	2		X X	(A)
2	L62751	DUST SHIELD	AR		X X	(SUB FOR A15899)
3	R64617	SNAP RING	1		X X	(A)
4	R64618	SLEEVE	1		X X	(A)
5	R64615	SNAP RING	1		X X	(A)
6	R64609	SPRING	1		X X	(A)
7	R64608	WASHER	1		X X	(A)
8	R21722	O-RING	1		X X	
9	H871R	BALL	8		X X	(A) 4,8MM (3/16")
10	R64605	EXTERNAL HALF COUPLER	1		X X	(A)
11	R64613	O-RING	1		X X	(A)
12	R64614	SNAP RING	1		X X	(A)
13	R64612	PIN	1		X X	(A)
14	R64611	SPRING	1		X X	(A)
15	R64610	POPPET	1		X X	(A)
16	R64607	SPRING	1		X X	(A)
17	R64606	GUIDE	1		X X	(A)
18	R375R	O-RING	1		X X	(A)
19	R26482	RING	1		X X	(A)
20	U15969	SNAP RING	1		X X	(A)
21	R64561	PLUG	AR		X X	
22	L31745	DUST SHIELD	AR		X X	
23	R54242	SNAP RING	1		X X	
24	R78767	SPRING	1		X X	
25	R48698	WASHER	1		X X	
26	R31136	BACK-UP RING	1		X X	
27	R10093	O-RING	1		X X	
28	RE13814	SHAFT	2		X X	
29	30H15	PLUG	2		X X	
30	R79311	SEAL	4		X X	(SUB FOR R74530)
31	RE12121	RECEIVER	1		X X	
32	RE13813	RECEPTACLE	2		X X	
33	34H247	SPRING PIN	2		X X	
34	R78769	HANDLE	2		X X	
35	R78766	BACK-UP RING	1		X X	
36	P51212	O-RING	1		X X	
37	H871R	BALL	8		X X	4,8MM(3/16")
38	R74210	O-RING	1		X X	
39	R71387	WASHER	1		X X	
40	R78765	SLEEVE	1		X X	
41	40M4378	SNAP RING	1		X X	30X2MM
42	R78768	COVER	2		X X	
43	AL26971	INTERNAL HALF COUPLER	AR		X X	
44	A15898	CAP	2		X X	

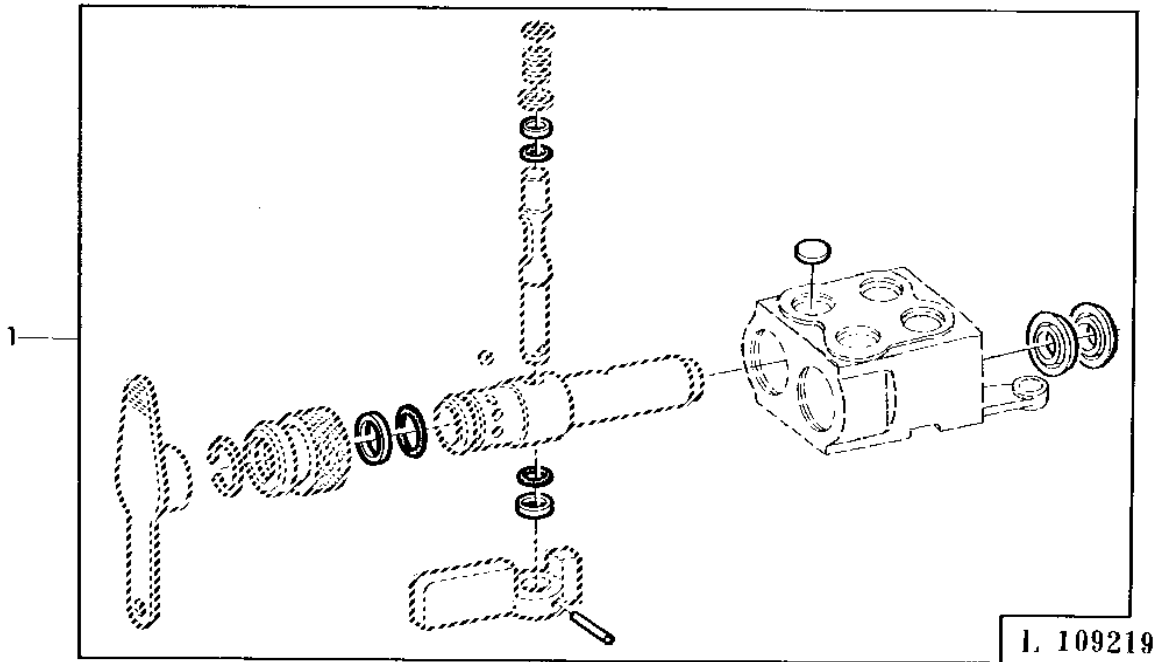
(A) ORD RE12121,R49191,AR75958,12H303,R34399

.  
.
   
.
   
.
   
.
   
.

# 217

HYDRAULIC SYSTEM

SEAL KIT FOR ISO BREAKAWAY COUPLERS  
 JEU DE JOINTS POUR RACCORDS DE SECURITE ISO  
 DICHTUNGSSATZ FUER ISO-ABREISSKUPPLUNG  
 CORREDO GUARNIZIONI PER GIUNTI DI SCOLLEGAMENTO ISO  
 JUEGO DE JUNTAS PARA ACOPL.RAPIDOS DE SEGURIDAD ISO  
 TÄTNINGSSATS FOR ISO-SNABBKOPPLINGAR  
 L109219 -UN-11JUL95

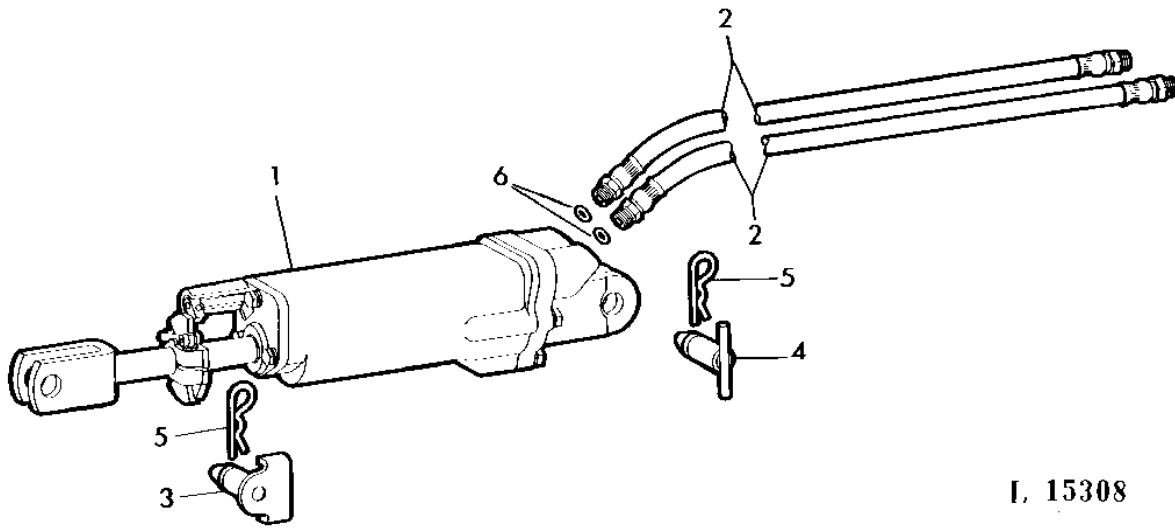


KEY	PART NO.	PART NAME	QTY	SERIAL NO.	REMARKS
1	RE13815	KIT	1	X X	

# 218

HYDRAULIC SYSTEM

REMOTE CONTROL CYLINDER  
 VERIN DE COMMANDE A DISTANCE  
 FERNSTEUERZYLINDER  
 CILINDRO COMANDO A DISTANZA  
 CILINDRO HIDRAULICO REMOTO  
 FJARRCYLINDER  
 L15308 -UN-27OCT95



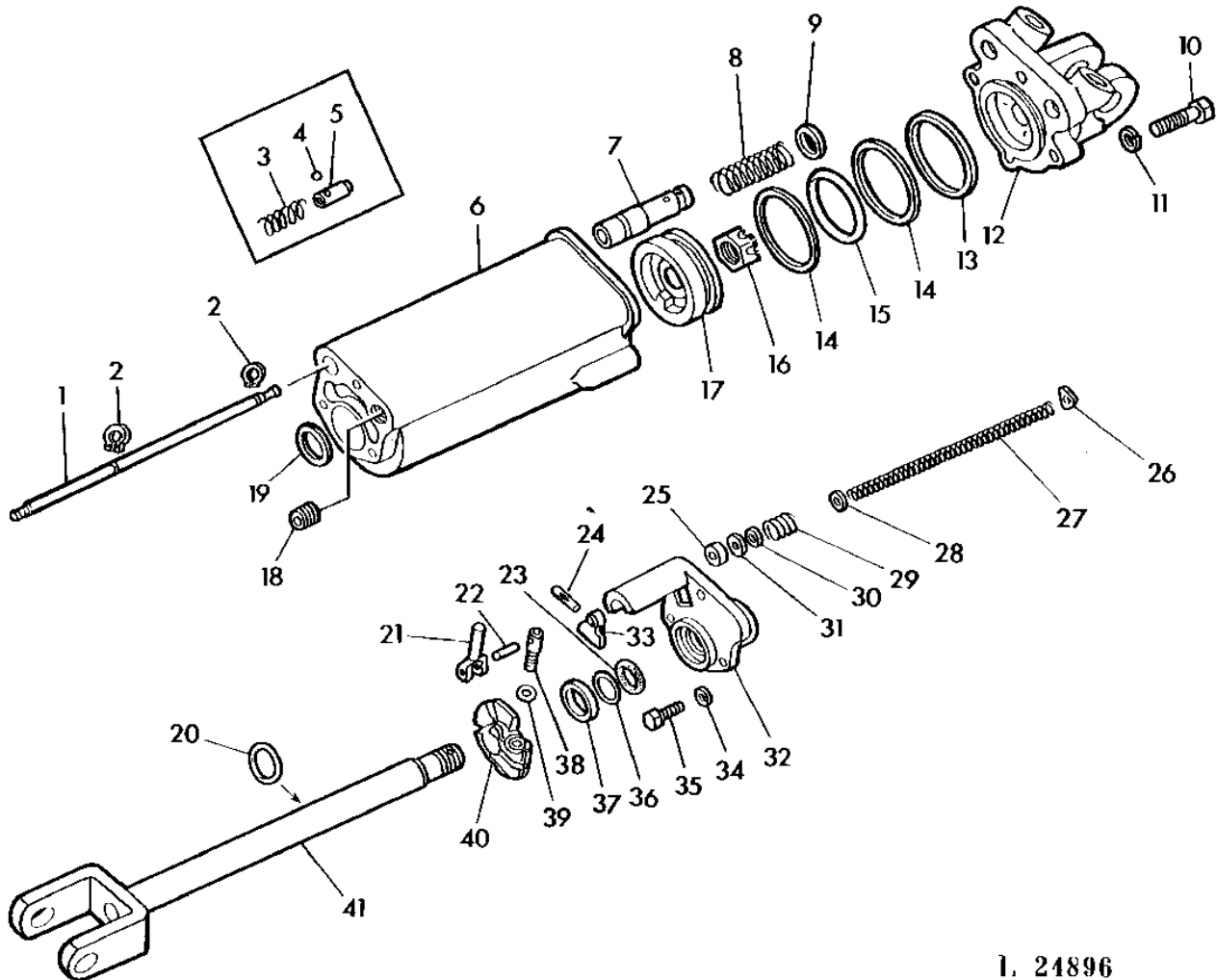
L. 15308

KEY	PART NO.	PART NAME	QTY	SERIAL NO.	REMARKS
				3 3	
				0 1	
				3 3	
				0 0	
1	AR27437	CYLINDER	1	X X	ASSY
2	AR26407	HYDRAULIC HOSE	2	X X	I.D.=3/8",LGTH=92"
3	AR71902	PIN	1	X X	(SUB FOR AA6307R)
4	AR47825	PIN	1	X X	
5	A3581R	SPRING LOCKING PIN	2	X X	
6	R26375	O-RING	4	X X	

# 219

HYDRAULIC SYSTEM

REMOTE CONTROL CYLINDER,INDIVIDUAL PARTS  
VERIN DE COMMANDE A DISTANCE-PIECES DETACHEES  
FERNSTEUERZYLINDER-EINZELTEILE  
CILINDRO COMANDO DISTANZA-PARTI SINGOLE  
CILINDRO HIDRAULICO REMOTO-DESPICIE  
FJARRCYLINDER-SPRANGSKISS  
L24896 -UN-26OCT95



I. 24896



# 2110

## HYDRAULIC SYSTEM

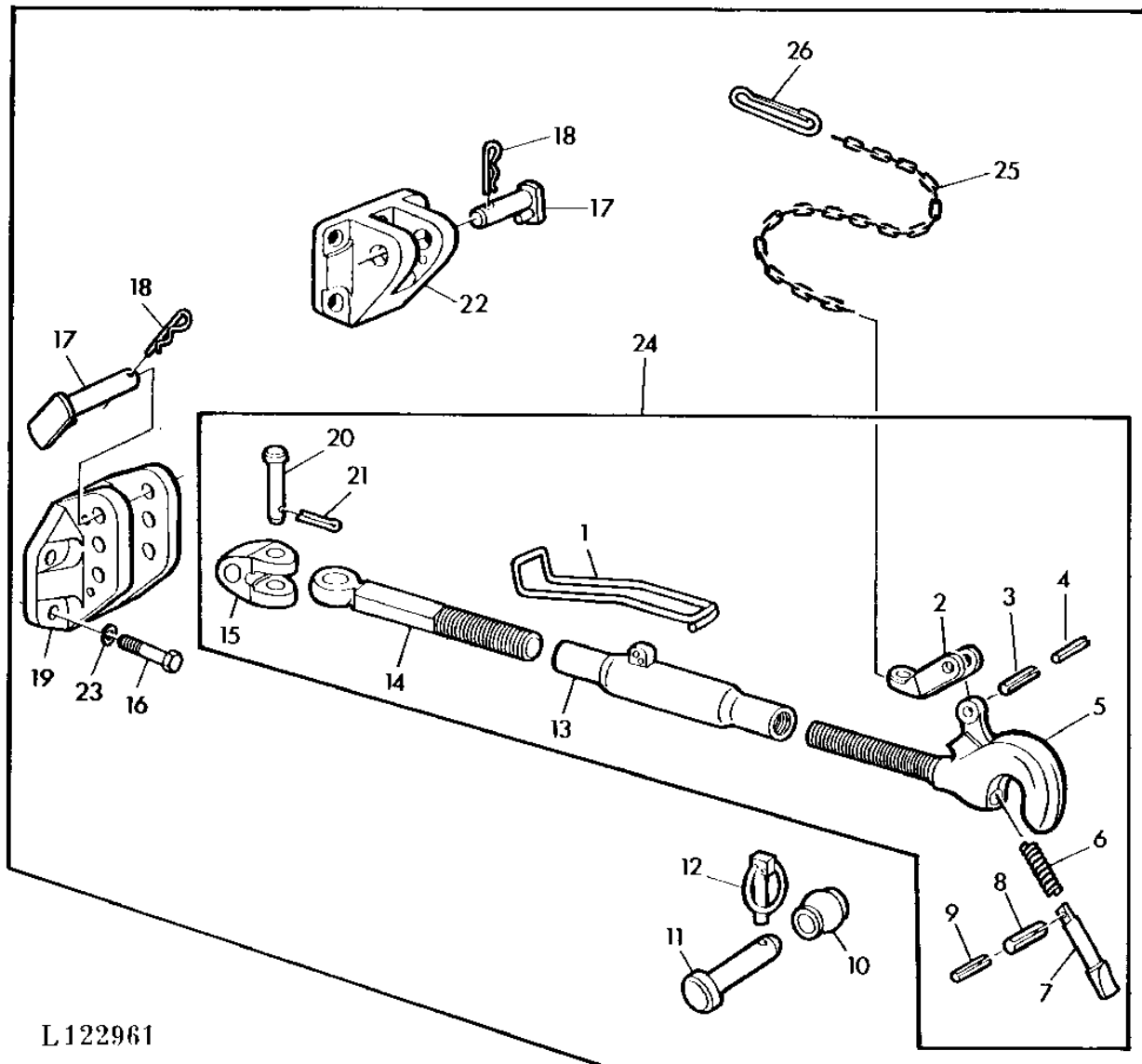
KEY	PART NO.	PART NAME	QTY	SERIAL NO.	3 0 3 0	3 1 3 0	REMARKS
1	A4736R	ROD	1		X	X	(SUB FOR A4738R)
2	A4739R	RING	2		X	X	
3	A4741R	SPRING	2		X	X	
4	A4742R	BALL	1		X	X	
5	A4740R	VALVE	1		X	X	
6	R27421	CYLINDER	1		X	X	
7	R39012	VALVE	1		X	X	(SUB FOR AA5731R)
8	R49352	SPRING	1		X	X	(SUB FOR A4744R)
9	A4723R	WASHER	2		X	X	
10	19H3014	CAP SCREW	4		X	X	1/2"X1-3/4" (SUB FOR 19H1777)
11	12H301	LOCK WASHER	4		X	X	1/2"
12	R27427	HYDRAULIC CYLINDER CAP	1		X	X	
13	A4722R	WASHER	1		X	X	
14	R27649	BACK-UP RING	2		X	X	
15	A4728R	O-RING	1		X	X	
16	R45620	LOCK NUT	1		X	X	(SUB FOR R41198)
17	R44296	PISTON	1		X	X	
18	15H624	PIPE PLUG	1		X	X	1/2" (SUB FOR A3125R)
19	F1441R	WASHER	1		X	X	
20	R27564	O-RING	1		X	X	
21	A5302R	YOKE	1		X	X	
22	34H264	SPRING PIN	1		X	X	5/32"X7/8"
23	A3606R	O-RING	1		X	X	
24	25H760	GROOVE PIN	1		X	X	7/32"X1-1/4"
25	A4746R	ADAPTER	1		X	X	
26	R57696	WASHER	1		X	X	(SUB FOR A4738R)
27	A4737R	SPRING	1		X	X	
28	24H1301	WASHER	1		X	X	13/32"X9/16"X.060"
29	A4748R	SPRING ASSEMBLY	1		X	X	
30	A4747R	WASHER	1		X	X	
31	A4745R	PACKING	3		X	X	
32	R40218	GUIDE	1		X	X	
33	R27426	ARM	1		X	X	
34	12H304	LOCK WASHER	3		X	X	3/8"
35	19H1731	CAP SCREW	3		X	X	3/8"X1"
36	R26441	BACK-UP RING	1		X	X	
37	AP19547	SEAL	1		X	X	
38	A5301R	SCREW	1		X	X	
39	R1870R	WASHER	1		X	X	(SUB FOR A147R)
40	R27423	STOP	1		X	X	
41	AR45543	ROD	1		X	X	
..	AR27437	CYLINDER	1		X	X	ASSY,INCL KEYS 1-41

# 2111

HYDRAULIC SYSTEM

THREE POINT HITCH CENTER LINK  
ATTELAGE 3 POINTS BARRE DE POUSEE  
DREIPUNKTAUFHAENGUNG-OBERER LENKER  
ATTACCO 3 PUNTI, TERZO PUNTO  
ENGANCHE EN TRES PUNTOS, TENSOR CENTRAL  
TREPUNKTSLYFT, TRYCKSTANG

L122961 -UN-26OCT95



L122961

# 2112

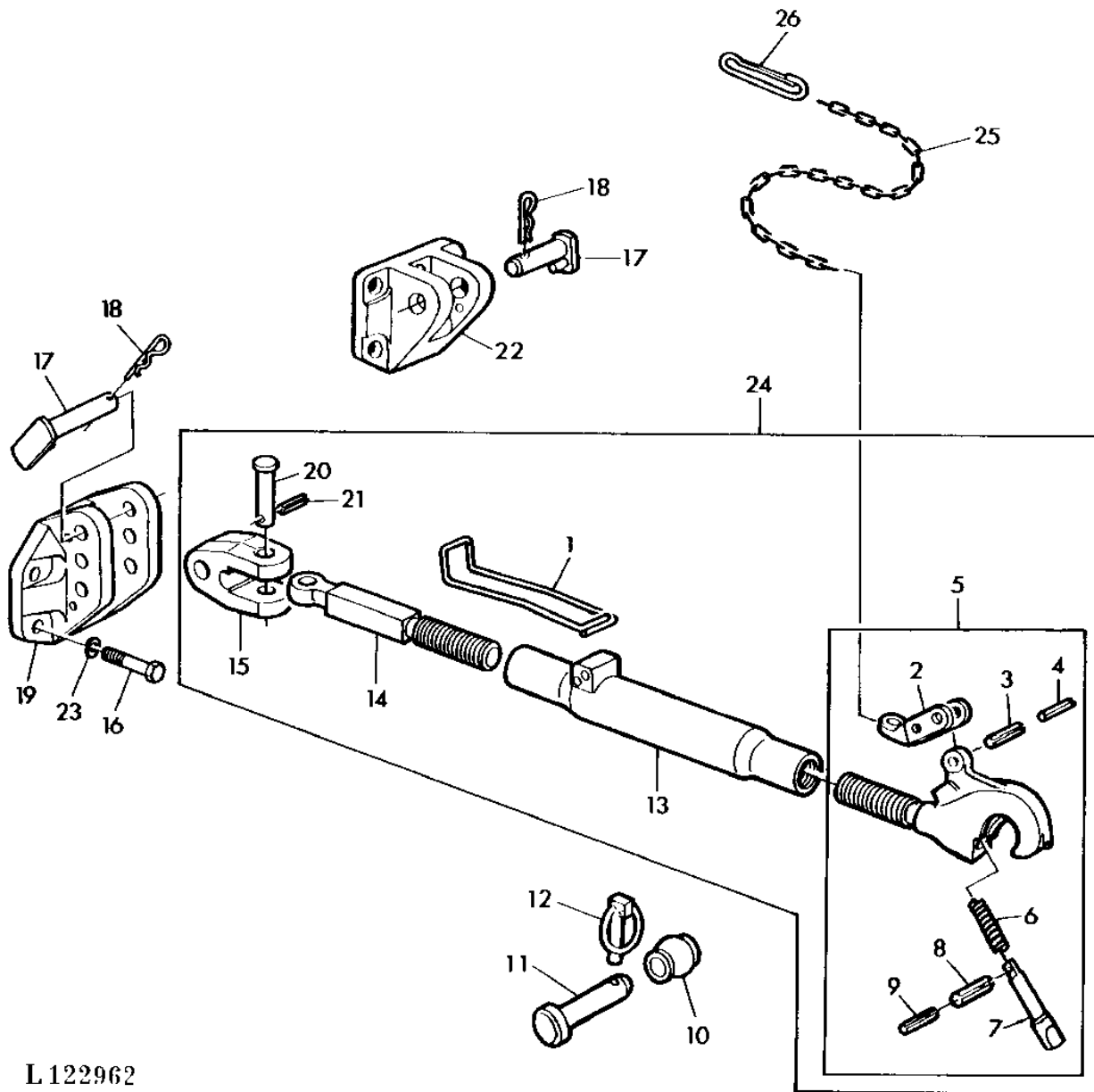
## HYDRAULIC SYSTEM

KEY	PART NO.	PART NAME	QTY	SERIAL NO.	REMARKS
					3 3
					0 1
					3 3
					0 0
1	T32077	HANDLE	1		X X
2	T32198	LEVER	1		X X
3	34H299	SPRING PIN	1		X X 7/32"X1-1/4"
4	34H252	SPRING PIN	1		X X 1/8"X1-1/4"
5	T32196	HOOK	1		X X 1-1/4" (ORD AL68207, L42050)
6	F2822R	SPRING	1		X X
7	T32197	PIN	1		X X
8	34H294	SPRING PIN	1		X X 7/32"X3/4"
9	34H247	SPRING PIN	1		X X 1/8"X3/4"
10	F2681R	BALL	1		X X REAR
11	R53296	PIN	1		X X REAR
12	B11182	QUICK LOCK PIN	1		X X REAR
13	AL33181	UNIVERSAL JOINT	1		X X (ORD AL68208, L42050) (SUB FOR AT31207 APPL)
14	T32078	CENTER LINK END	1		X X 1-1/4",LH (ORD L41866)
15	T28353	PIVOT	1		X X (ORD L41865)
16	19H1734	CAP SCREW	5		X X 5/8"X2" (SUB FOR 19H1708 APPL)
17	AL40957	PIN	1		X X (SUB FOR AT21912)
18	A3581R	SPRING LOCKING PIN	1		X X
19	L32978	BRACKET	1		X X
20	A3769R	PIN	1		X X (ORD L28281, 34M7047)
21	11H239	COTTER PIN	1		X X 5/32"X1"
22	T32542	BRACKET	1		X X
23	12H294	LOCK WASHER	5		X X 5/8"
24	AL33180	CENTER LINK END	1		X X (ORD AL68208, L42050)
25	AT31206	LINK CHAIN	1		X X
26	F2827R	CLIP	1		X X

# 2113

HYDRAULIC SYSTEM

THREE POINT HITCH CENTER LINK  
ATTELAGE 3 POINTS BARRE DE POUSEE  
DREIPUNKTAUFHAENGUNG-OBERER LENKER  
ATTACCO 3 PUNTI, TERZO PUNTO  
ENGANCHE EN TRES PUNTOS, TENSOR CENTRAL  
TREPUNKTSLYFT, TRYCKSTANG  
L122962 -UN-26OCT95



L122962

# 2114

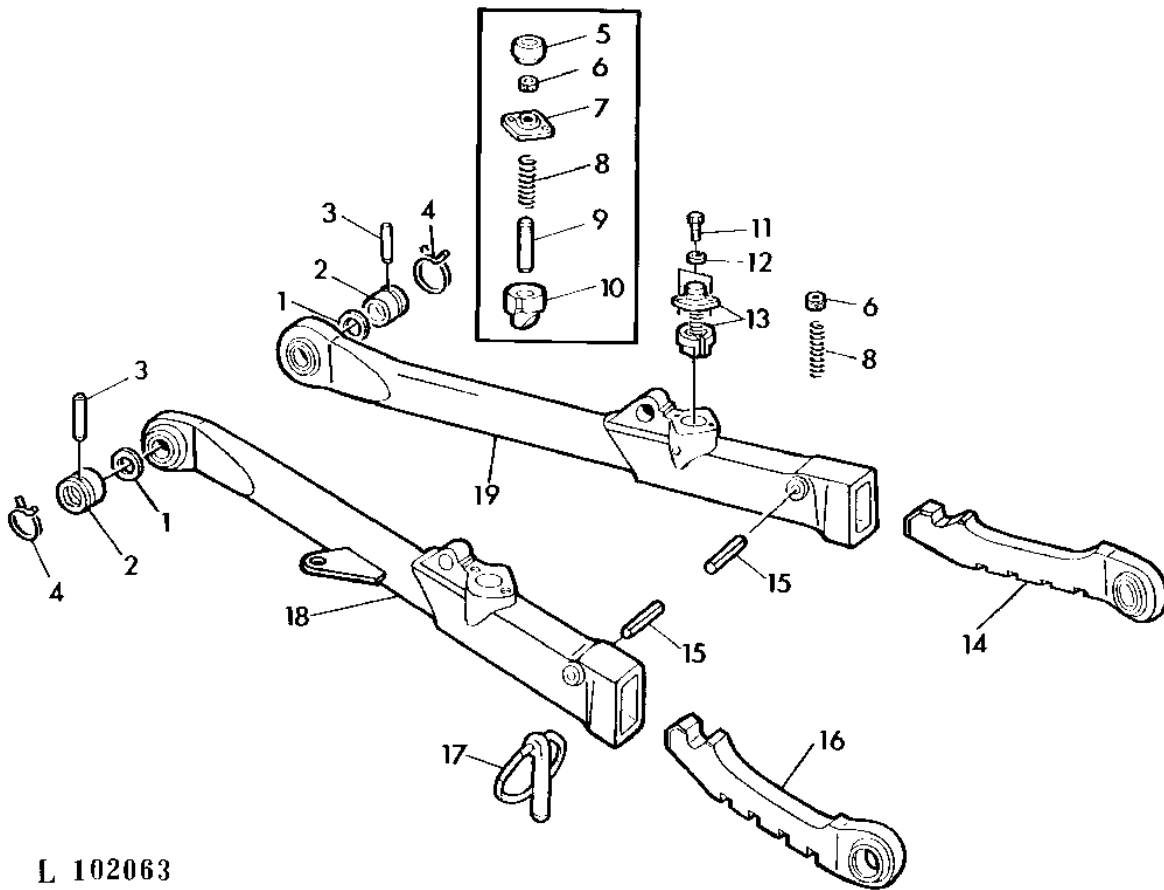
HYDRAULIC SYSTEM

KEY	PART NO.	PART NAME	QTY	SERIAL NO.	REMARKS
					3 3
					0 1
					3 3
					0 0
1	T32077	HANDLE	1		X X
2	T32198	LEVER	1		X X
3	34H299	SPRING PIN	1		X X 7/32"X1-1/4"
4	34H252	SPRING PIN	1		X X 1/8"X1-1/4"
5	AL68207	LINK	1		X X
6	F2822R	SPRING	1		X X
7	L63756	PIN	1		X X
8	34H294	SPRING PIN	1		X X 7/32"X3/4"
9	34H247	SPRING PIN	1		X X 1/8"X3/4"
10	L42050	BALL	1		X X
11	R53296	PIN	1		X X
12	B11182	QUICK LOCK PIN	1		X X
13	AL41218	LINK BODY	1		X X
14	L41866	CENTER LINK END	1		X X
15	L41865	YOKE	1		X X
16	19H1734	CAP SCREW	5		X X 5/8"X2" (SUB FOR 19H1708 APPL)
17	AT21912	PIN	1		X X
18	A3581R	SPRING LOCKING PIN	1		X X
19	L32978	BRACKET	1		X X
20	L28281	PIN	1		X X
21	34M7047	SPRING PIN	1		X X 8X40MM
22	T32542	BRACKET	1		X X
23	12H294	LOCK WASHER	5		X X 5/8"
24	AL68208	CENTER LINK	1		X X
25	AT31206	LINK CHAIN	1		X X
26	F2827R	CLIP	1		X X

# 2115

HYDRAULIC SYSTEM

THREE POINT HITCH TELESCOPING DRAFT LINKS  
ATTELAGE 3 POINTS BARRES DE TRACTION TELESCOPIQUES  
DREIPUNKTAUFHAENGUNG-UNTERE TELESKOP-LENKER  
ATTACCO 3 PUNTI BRACCI INFERIORI TELESCOPICI  
ENGANCHE EN TRES PUNTOS BARRAS DE TIRO TELESCOPIAS  
TREPUNKTSLYFT TELESKOPISKA DRAGSTANGER  
L102063 -UN-07NOV95



L 102063

# 2116

HYDRAULIC SYSTEM

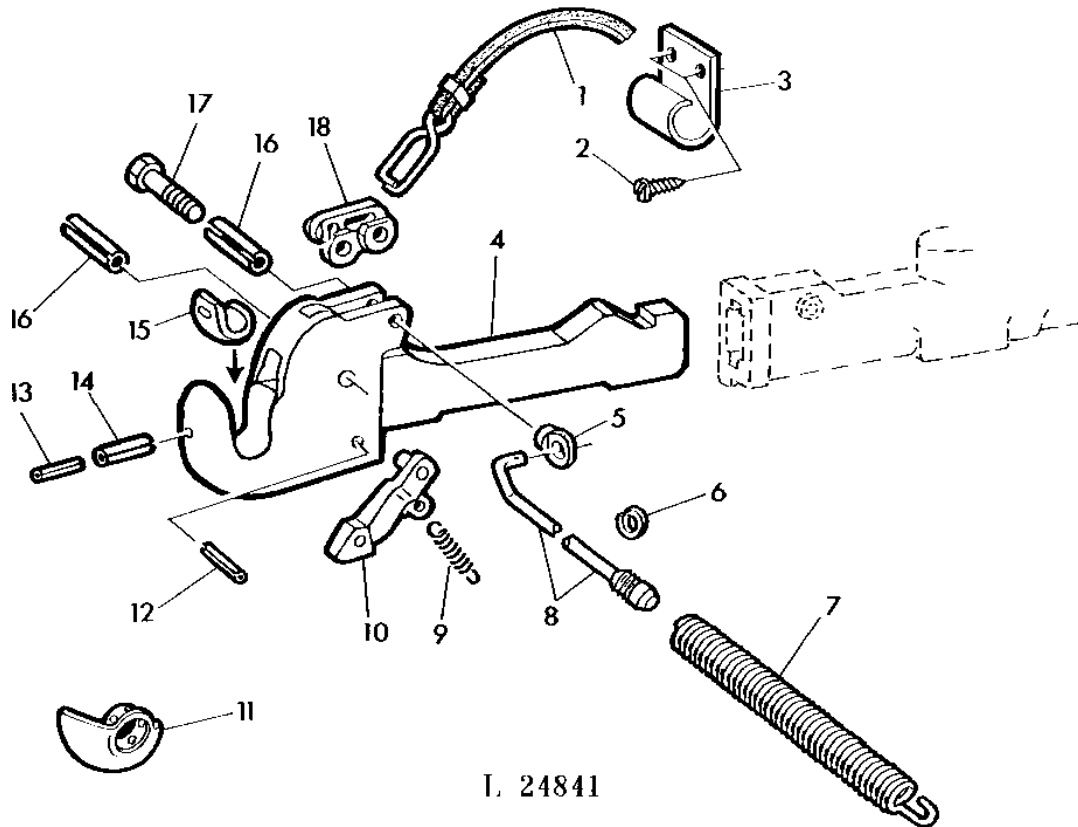
KEY	PART NO.	PART NAME	QTY	SERIAL NO.	3 0 3 0	3 1 3 0	REMARKS
1	R63937	WASHER	AR		X	X	ID=26,5MM
	L41154	WASHER	AR		X	X	ID=29,1MM
2	L26941	BUSHING	2		X	X	ID=25,5MM
	L41788	BUSHING	2		X	X	ID=28,1MM
3	L26943	PIN	2		X	X	
4	L26936	CLAMP	2		X	X	
5	R32407	BUSHING	2	-166429	X	X	(ORD AR90082)
6	R32406	WASHER	2		X	X	
7	R32405	RETAINER	2	-166429	X	X	(ORD AR90082)
8	R26908	SPRING	2		X	X	
9	F339R	DOWEL PIN	2	-166429	X	X	
10	R32404	LATCH	2	-166429	X	X	(ORD AR90082)
11	19H1227	CAP SCREW	4		X	X	1/4"X1/2"
12	12H302	LOCK WASHER	4		X	X	1/4"
13	AR90082	LOCK	2	166430-	X	X	INCL KEYS 6,8 (SUB FOR AR69317)
14	AT31076	DRAFT LINK END	1		X	X	REAR, RH
	AL28168	DRAFT LINK END	1		X	X	(A) REAR, RH
15	34H371	SPRING PIN	2		X	X	1/2"X2"
16	AT31078	LEVER	1		X	X	REAR, LH
	AL28169	DRAFT LINK END	1		X	X	(A) REAR, LH
17	AR62149	QUICK LOCK PIN	2		X	X	REAR (SUB FOR DA5883A)
18	AT31077	DRAFT LINK	1	-166429	X	X	FRONT, LH (ORD AL26680, AR90082)
	AL26680	DRAFT LINK	1	166430-	X	X	LH (SUB FOR AL25869)
19	AT31074	DRAFT LINK	1	-166429	X	X	FRONT, RH (ORD AL26681, AR90082)
	AL26681	DRAFT LINK	1	166430-	X	X	RH (SUB FOR AL25868)

(A) ONLY FOR CANADA  
 UNIQUEMENT CANADA  
 NUR FUER CANADA  
 SOLO PER IL CANADA  
 SOLAMENTE PARA CANADA  
 ENDAST FOR CANADA

# 2117

HYDRAULIC SYSTEM

HOOK FOR DRAFT LINKS  
CROCHET DE BARRE DE TRACTION  
FANGHAKEN FUER UNTERE LENKER  
SANTI D'ATTACCO PER BRACCI DI TRAINO  
GANCHO PARA BARRAS DE TIRO  
KOPPLINGSKROK FOR DRAGSTANGER  
L24841 -UN-26OCT95



I. 24841



# 2118

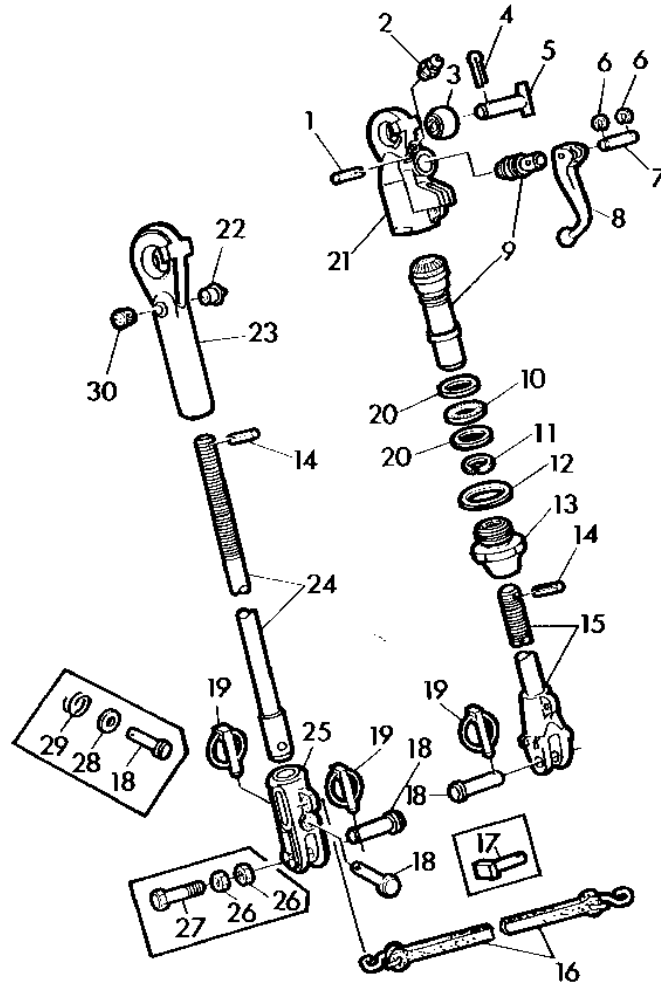
HYDRAULIC SYSTEM

KEY	PART NO.	PART NAME	QTY	SERIAL NO.	REMARKS
				3 3	
				0 1	
				3 3	
				0 0	
1	AL28692	ACTUATOR	1		
2	37M7038	SCREW	2		
3	L33405	CLAMP	1		
4	AL28685	DRAFT LINK END	1		
	AL28686	DRAFT LINK END	1		
5	14M7284	NUT	2		
6	L55222	LOCK WASHER	1		
7	L32997	SPRING	1		
8	AL28691	ROD	1		
9	L32996	SPRING	2		
10	L32994	PAWL	2		
11	AL28694	GUIDE	2		
12	34M7041	SPRING PIN	2		
13	34M7035	SPRING PIN	2		
14	34M7047	SPRING PIN	2		
15	L32995	GUIDE	2		
16	34M7101	SPRING PIN	4		
17	19M7378	CAP SCREW	2		
18	L32993	LEVER	2		

# 2119

HYDRAULIC SYSTEM

THREE POINT HITCH LIFT LINKS  
ATTELAGE 3 POINTS BIELLES DE RELEVAGE  
DREIPUNKTAUFHAENGUNG HUBSPINDELN  
ATTACCO A 3 PUNTI, TIRANTI  
ENGANCHE EN TRES PUNTOS, TENSORES LATERALES  
TREPUNKSLYFT, LYFTLANKAGE  
L22565 -UN-27OCT95



I, 22565

# 2120

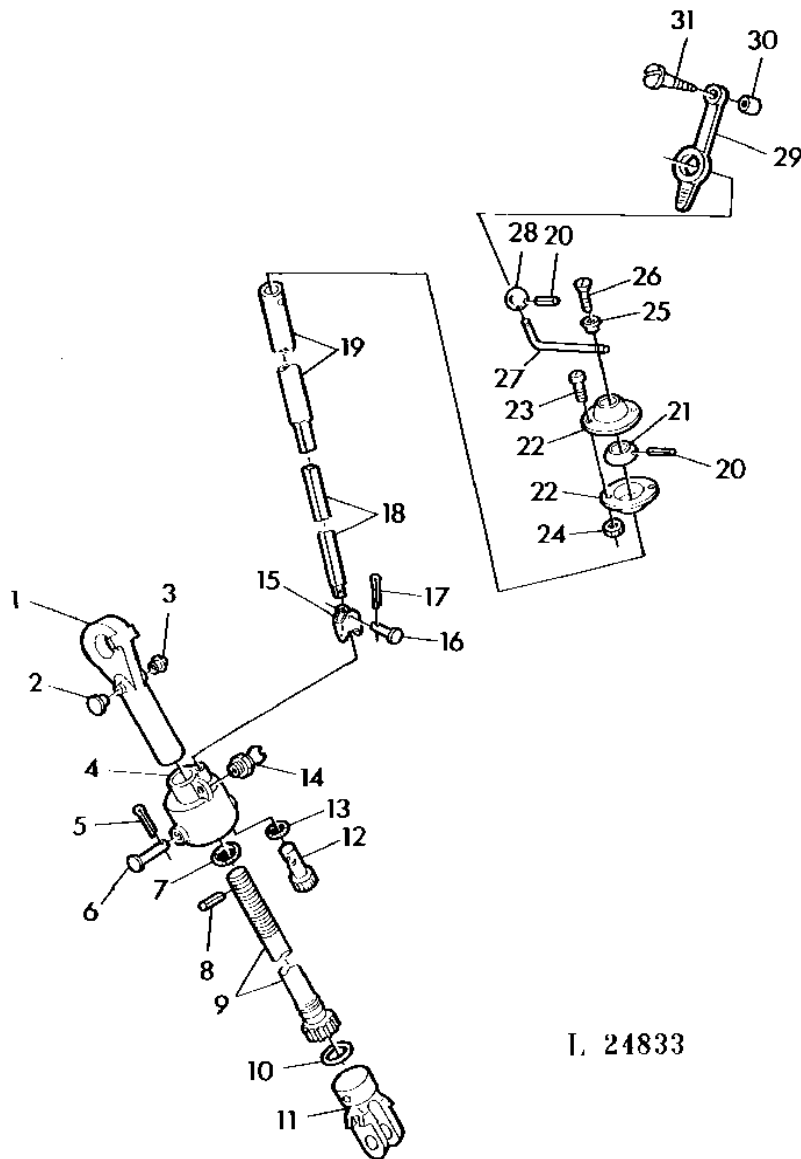
## HYDRAULIC SYSTEM

KEY	PART NO.	PART NAME	QTY	SERIAL NO.	3 0 3 0	3 1 3 0	REMARKS
1	34H316	SPRING PIN	1		X	X	1/4"X1-1/2"
2	JD7798	LUBRICATION FITTING	1		X	X	1/8"
3	T21901	BALL	2		X	X	
4	11H218	COTTER PIN	2		X	X	3/16"X1-1/2"
5	AT21754	PIN	2		X	X	
6	R26386	SNAP RING	2		X	X	
7	T26454	PIN	1		X	X	
8	T28346	HANDLE	1		X	X	
9	AL33494	KIT	1		X	X	(SUB FOR L28273, T30034)
10	JD9848	THRUST BEARING	1		X	X	
11	T14647	SNAP RING	1		X	X	
12	T28345	WASHER	1		X	X	
13	T28342	BUSHING	1		X	X	2-1/4"
14	34H282	SPRING PIN	2		X	X	3/16"X1"
15	AL19647	SPINDLE	1		X	X	RH
16	AR68071	STRAP	1		X	X	(SUB FOR AR64845, T32064)
17	AR55696	PIN	1	-107267	X	X	
18	L28281	PIN	3		X	X	
19	AL14540	QUICK LOCK PIN	3		X	X	
20	JD9854	BEARING RACE	2		X	X	
21	L33538	HOUSING	1		X	X	RH (SUB FOR T28340)
22	58M6987	LUBRICATION FITTING	1		X	X	
23	L33534	LINK BODY	1		X	X	LH (SUB FOR L28274)
24	AL23422	SPINDLE	1		X	X	LH
25	L28930	YOKE	1		X	X	
26	14H1058	NUT	2		X	X	3/4"
27	19H2725	CAP SCREW	1		X	X	3/4"X3-3/4"
28	24M7147	WASHER	1		X	X	20MM
29	L55222	LOCK WASHER	1		X	X	(SUB FOR L29306, T31779)
30	99M6986	PLUG	1		X	X	OD=11MM

# 2121

HYDRAULIC SYSTEM

THREE POINT HITCH LIFT LINKS R.H.(WITH CAB)  
ATTELAGE 3 POINTS BIELLE DE RELEVAGE DROITE(CABINE)  
DREIPUNKTAUFHAENGUNG-HUBSPINDEL RECHTS(KABINE)  
ATTACCO A 3 PUNTI,TIRANTE DESTRO(CON CABINA)  
ENGANCHE EN 3 PUNTOS,TENSOR LATERAL DERECHO(CON CABINA)  
TREPUNKTSLYFT HOGER LYFTLANKAGE-MED FORARHYTT)  
L24833 -UN-26OCT95



I. 24833

# 2122

## HYDRAULIC SYSTEM

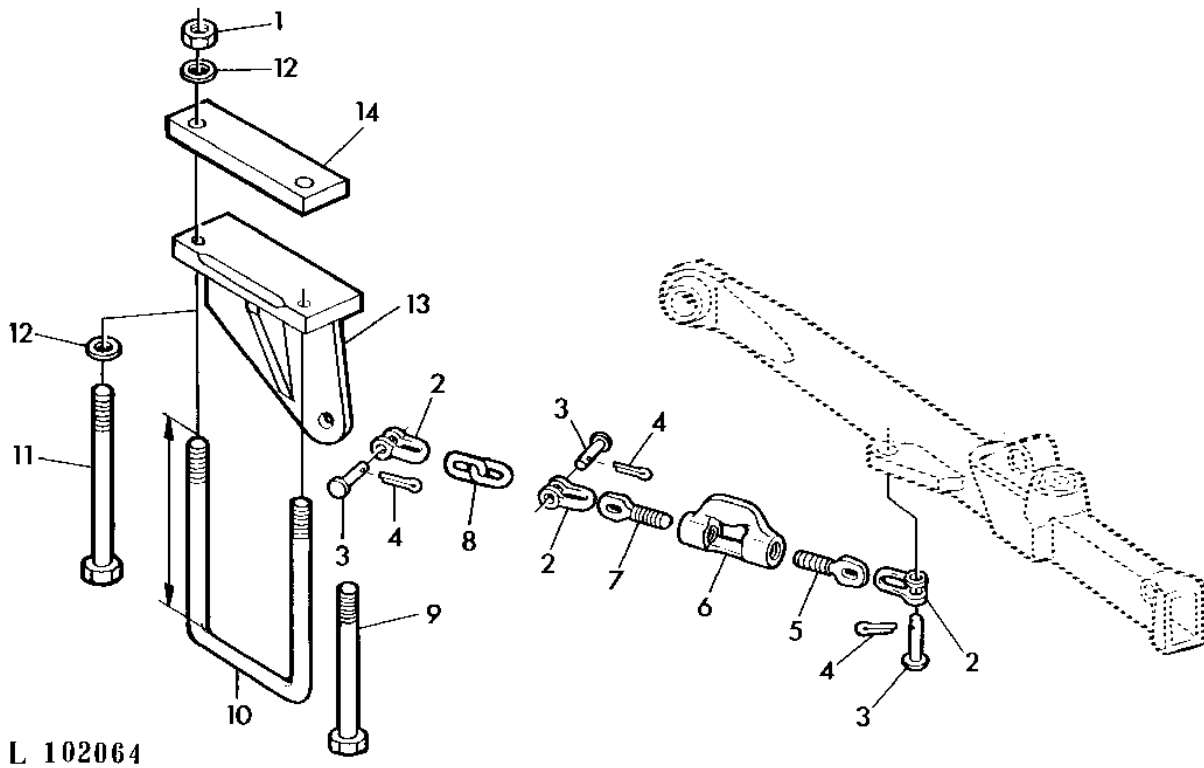
KEY	PART NO.	PART NAME	QTY	SERIAL NO.	3 3 0 1 3 3 0 0	REMARKS
1	L33534	LINK BODY	1		X X	(SUB FOR L28274)
2	99M6986	PLUG	1		X X	11MM
3	58M6987	LUBRICATION FITTING	1		X X	
4	L31642	HOUSING	1		X X	
5	11M7020	COTTER PIN	1		X X	4X22MM
6	45M7030	PIN	1		X X	11X95MM
7	L53975	O-RING	1		X X	29X3MM
8	34H282	SPRING PIN	1		X X	3/16"X1"
9	L31641	LIFT LINK	1		X X	RH, Z=27
10	L31653	WASHER	1		X X	
11	L31643	YOKE	1		X X	
12	L31648	SHAFT	1		X X	Z=8
13	L53976	O-RING	1		X X	10X1,5MM
14	JD7798	LUBRICATION FITTING	1		X X	1/8"
15	L31652	ROTATOR	1		X X	
16	45M7029	PIN	2		X X	11X22MM
17	11M7005	COTTER PIN	2		X X	1,6X10MM
18	L31647	SHAFT	1		X X	
19	L31658	PIPE	1		X X	
20	34M7091	SPRING PIN	2		X X	3,5X16MM
21	L36576	BALL	1		X X	(SUB FOR L31645)
22	L31650	FLANGE	2		X X	
23	21M7141	SCREW	2		X X	5X20MM (SUB FOR 21M7140)
24	14M7028	NUT	2		X X	5MM (SUB FOR 14M7021)
25	L31651	COVER	1		X X	
26	21M7188	SCREW	1		X X	5X16MM
27	L31644	LEVER	1		X X	
28	L31649	KNOB	1		X X	
29	L32028	RETAINER	1		X X	
30	28H1882	SPACER	1		X X	1/8"X.500"
31	37M7052	SCREW	1		X X	6,3X32MM

# 2123

HYDRAULIC SYSTEM

LATERAL STABILIZING CHAIN(WITH TELESCOPING DRAFT LINKS)  
CHAÎNE STABILISATRICE(AVEC BARRES TELESCOPIQUES)  
STABILISIERUNGSKETTE SEITLICH(BEI TELESKOP-LENKER)  
CATENA STABILIZZATRICE(CON BRACCI TELESCOPICI)  
CADENA ESTABILIZADORA(CON BARRAS DE TIRO TELESCOPICAS)  
STABILISERINGSKEDJA(VID TELESKOPISKA DRAGARMAR)

L102064 -UN-07NOV95



# 2124

## HYDRAULIC SYSTEM

KEY	PART NO.	PART NAME	QTY	SERIAL NO.	3 3 0 1 3 3 0 0	REMARKS
1	14M7276	NUT	4		X X	(B) 16MM
	14H863	NUT	4		X X	3/4"
2	L31091	SHACKLE	6		X X	
3	L31090	PIN	6		X X	
4	11M7019	COTTER PIN	6		X X	4X18MM (SUB FOR 11M7013)
5	L31088	EYEBOLT	2		X X	20X2,5MM
6	L31089	TURNBUCKLE	2		X X	
7	L31086	EYEBOLT	2		X X	20X2,5MM(LH)
8	AL26689	LINK CHAIN	2		X X	L=2
9	08H4793	CAP SCREW	4		X X	(A) 3/4"X9-1/4" (SUB FOR 08H4763)
	08H4794	CAP SCREW	4		X X	(A) 3/4"X11-1/4" (SUB FOR 08H4764)
10	L30304	U-BOLT	2	-301274	X X	200MM(7.87")
	L34075	U-BOLT	2		X X	A=218MM(10.472")
	R64678	U-BOLT	2	301275-	X X	225MM(10.47")
11	19M7356	CAP SCREW	4		X X	(B) 16X250MM (SUB FOR 19M7355)
12	T40728	WASHER	8		X X	(B)
13	AL30975	BRACKET	1		X X	RH (SUB FOR AL25614)
	AL30976	BRACKET	1		X X	LH (SUB FOR AL25615)
14	T32429	STRAP	2		X X	(B)

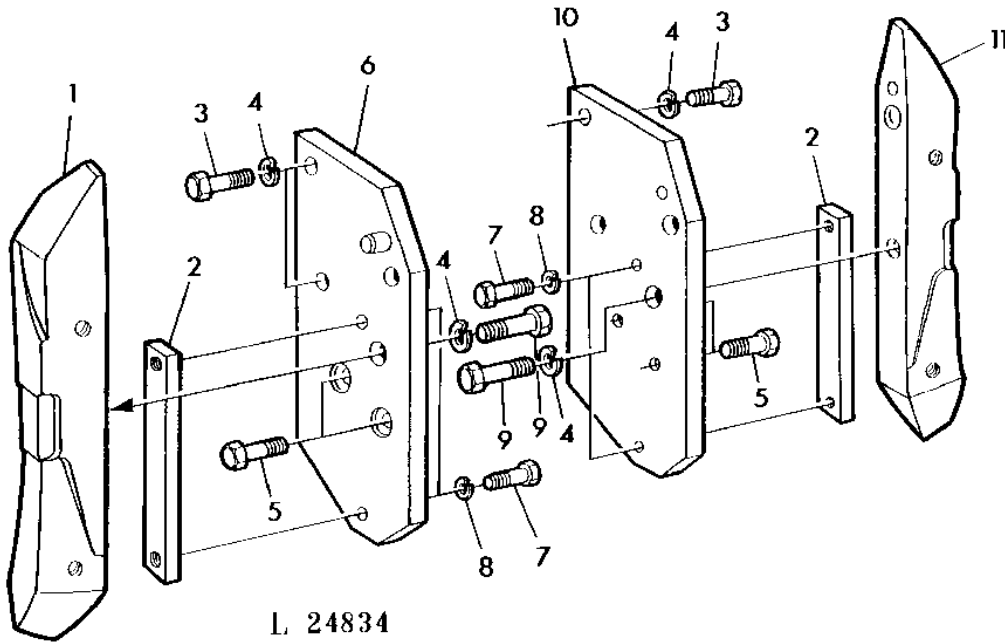
(A) W/4POST ROLL-GUARD  
 AVEC CADRE DE SECURITE  
 BEI 4-PFOSTEN UEBERSCHLAGSCHUTZ  
 CON BARRA ANTIRIBALTAMENTO A4 SUPPORTI  
 CON ARCO DE SEGURIDAD DE 4 ARBOTANTES  
 VID STORTSKYDD MED 4 STOLPAR

(B) W/LATERAL STABILIZING CHAIN/OPERATOR'S CAB  
 AVEC CHAINE STABILISATRICE/CABINE  
 BEI STABILISIERUNGSKETTE/KABINE  
 CON CATENA STABILIZZATRICE/CABINA  
 CON CADENA ESTABILIZADORA/CABINA  
 VID STABILISERINGSKEDJA/FORARHYTT

# 2125

HYDRAULIC SYSTEM

SWAY BLOCKS AND SUPPORTS  
 BUTEES STABILISATRICES  
 STABILISIERUNGSANSCHLAEGE  
 PIASTRE STABILIZZATRICI  
 BLOQUES ESTABILIZADORES  
 STODBLOCK OCH HALLARE  
 L24834 -UN-26OCT95



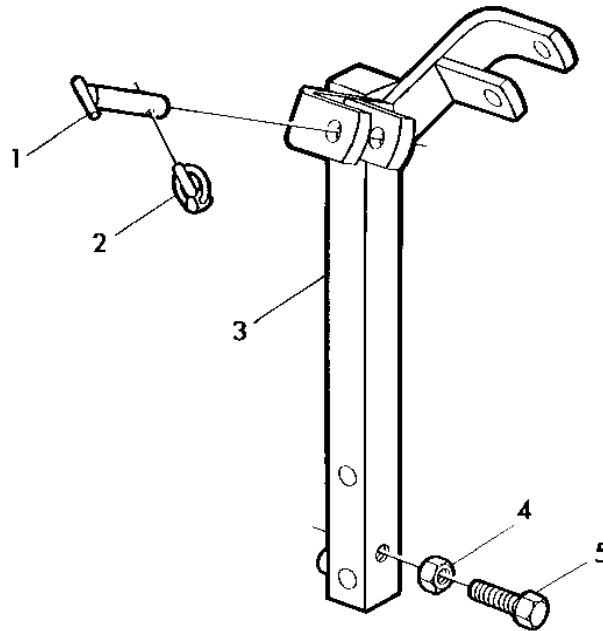
KEY	PART NO.	PART NAME	QTY	SERIAL NO.	REMARKS
				3 3	
				0 1	
				3 3	
				0 0	
1	R54473	SWAY BLOCK	1	X X	L.H.
2	T28360	SWAY BLOCK	2	X X	
3	19H1708	CAP SCREW	4	X X	5/8"X1-3/4"
4	12H294	LOCK WASHER	6	X X	5/8"
5	19H1792	CAP SCREW	4	X X	1/2"X1"
6	AT26431	SUPPORT	1	X X	L.H.
7	19H1815	CAP SCREW	4	X X	1/2"X1-1/4"
8	12H301	LOCK WASHER	4	X X	1/2"
9	19H1734	CAP SCREW	2	X X	5/8"X2"
10	AT26430	SUPPORT	1	X X	R.H.
11	R54472	SWAY BLOCK	1	X X	R.H.



# 2J1

HYDRAULIC SYSTEM

PARTS FOR RIGID POSITION OF DRAFT LINKS  
 PIECES POUR LA STABILISATION DES BARRES DE TRACTION  
 TEILE FUER STARRSTELLUNG DER UNTEREN LENKER  
 SUPPORTO PER POSIZIONE FISSA DEI BRACCI DI TRAINO  
 PIEZAS PARA INMOVILIZAR LAS BARRAS DE TIRO  
 BARFAESTE FOR FASTINSTALLNING AV DRAGARMAR  
 L24835 -UN-26OCT95



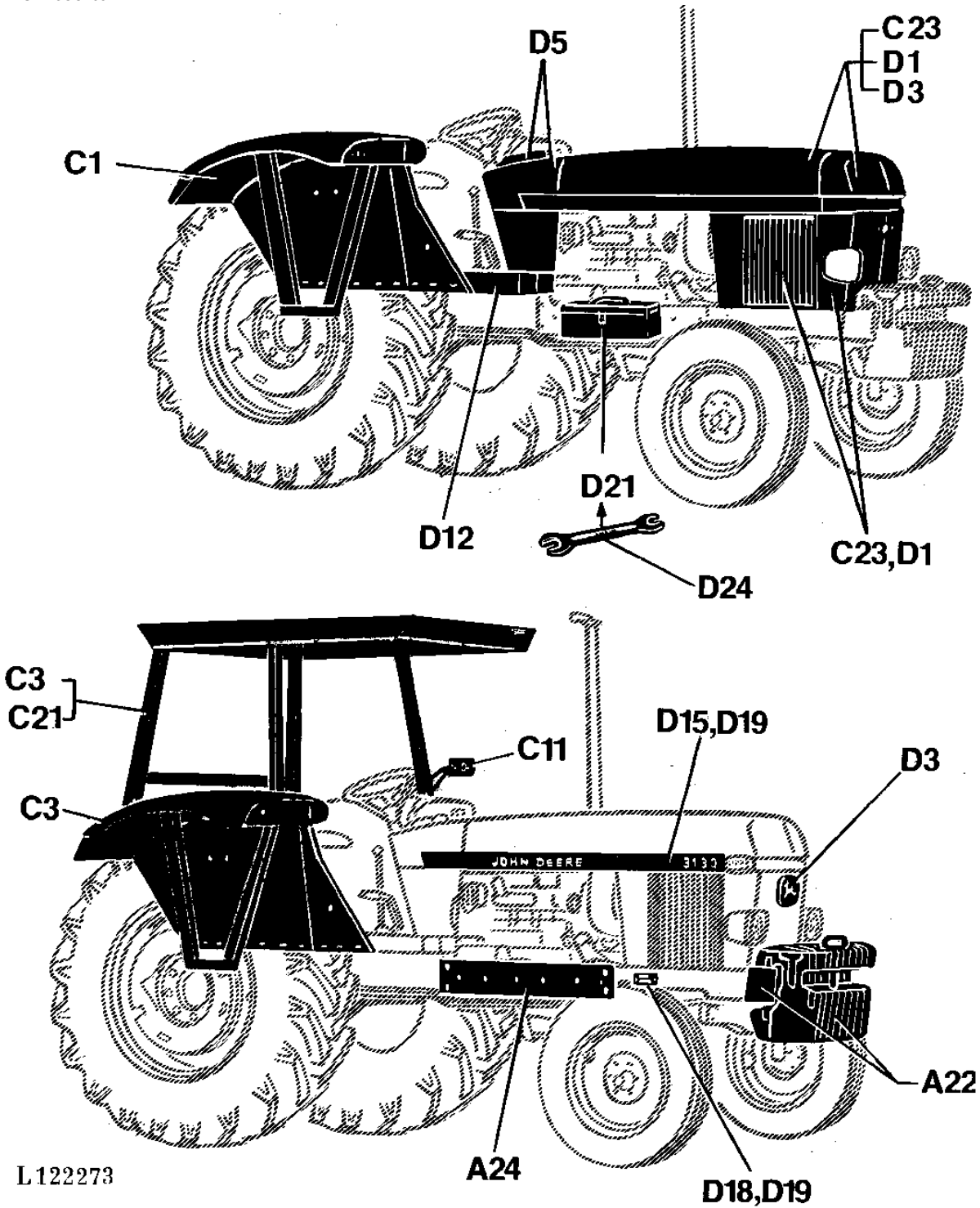
I. 24835

KEY	PART NO.	PART NAME	QTY	SERIAL NO.	REMARKS
				3 3	
				0 1	
				3 3	
				0 0	
1	AT30876	PIN	2	X X	
2	B11182	QUICK LOCK PIN	2	X X	
3	AT30873	SUPPORT	1	X X	
4	14H821	NUT	1	X X	5/8"
5	19H3119	CAP SCREW	1	X X	5/8"X1-7/8"

# 3A6

MISCELLANEOUS

SECTIONAL INDEX  
INDEX DE SECTION  
GRUPPENINDEX  
INDICE DELLA SEZIONE  
INDICE DE SECCION  
GRUPPSFORTECKNING  
L122273 -UN-23OCT95

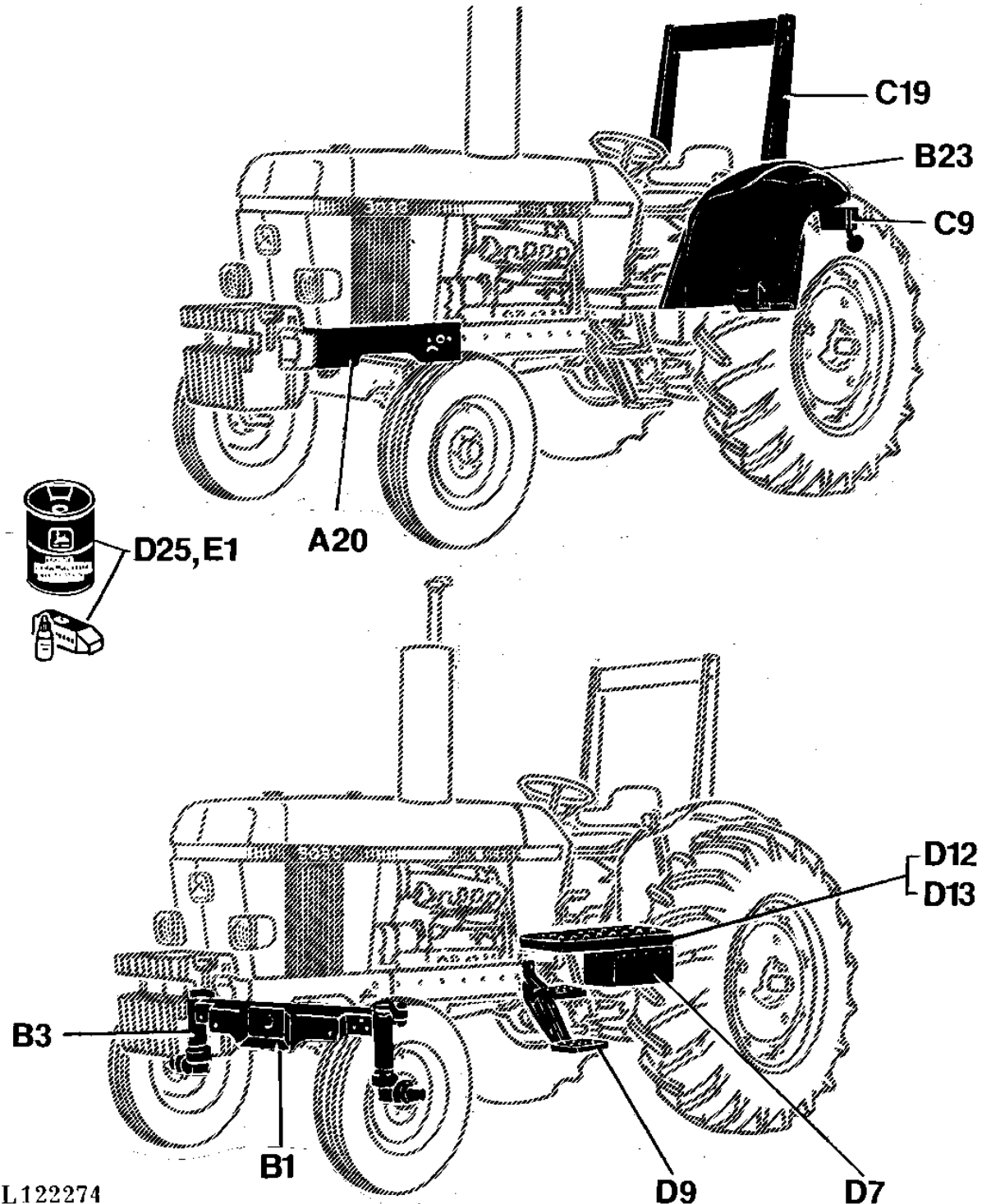


L122273

# 3A7

MISCELLANEOUS

SECTIONAL INDEX  
INDEX DE SECTION  
GRUPPENINDEX  
INDICE DELLA SEZIONE  
INDICE DE SECCION  
GRUPPSFORTECKNING  
L122274 -UN-23OCT95

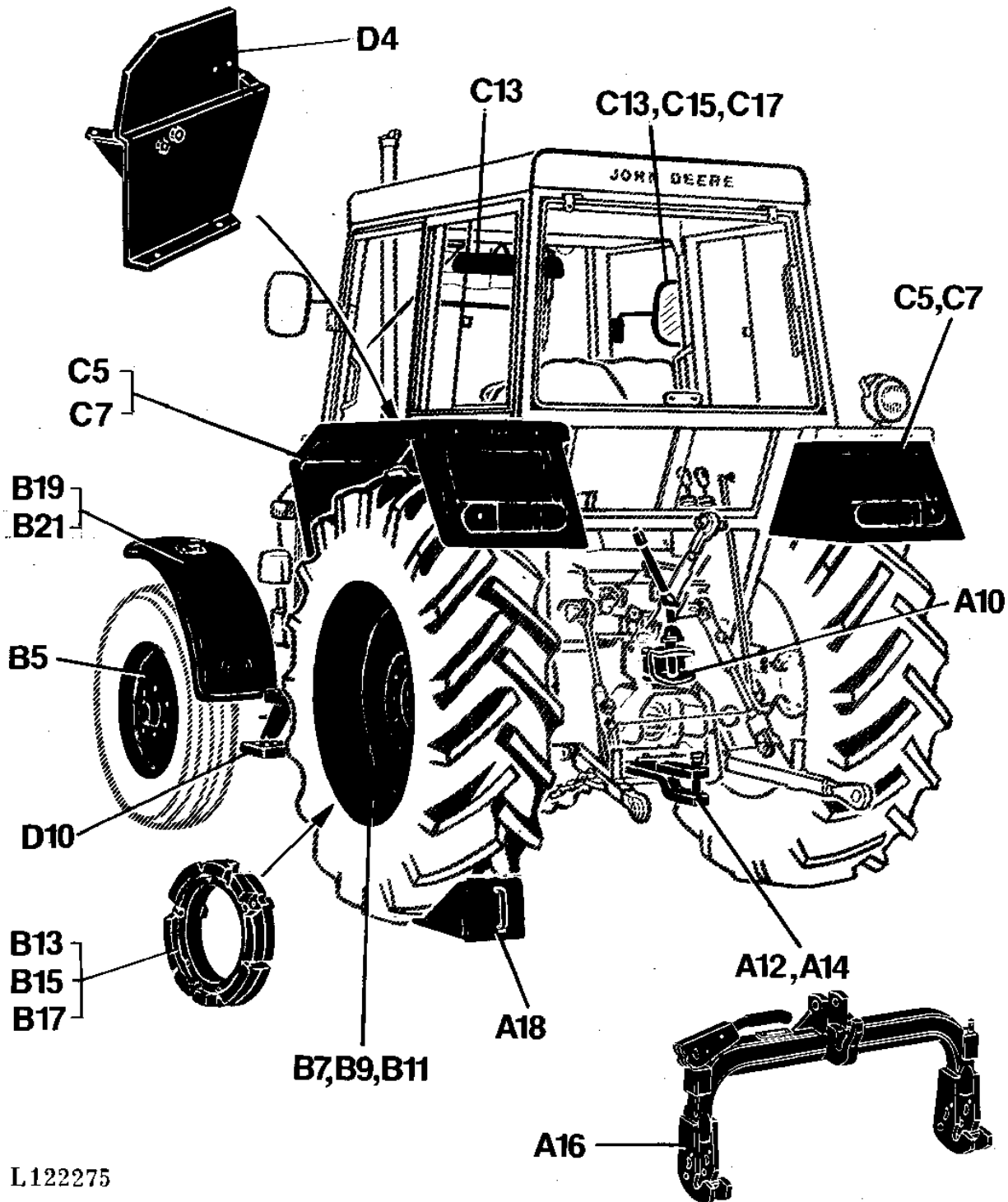


L122274

# 3A8

MISCELLANEOUS

SECTIONAL INDEX  
INDEX DE SECTION  
GRUPPENINDEX  
INDICE DELLA SEZIONE  
INDICE DE SECCION  
GRUPPSFORTECKNING  
L122275 -UN-23OCT95



L122275

# 3A9

MISCELLANEOUS

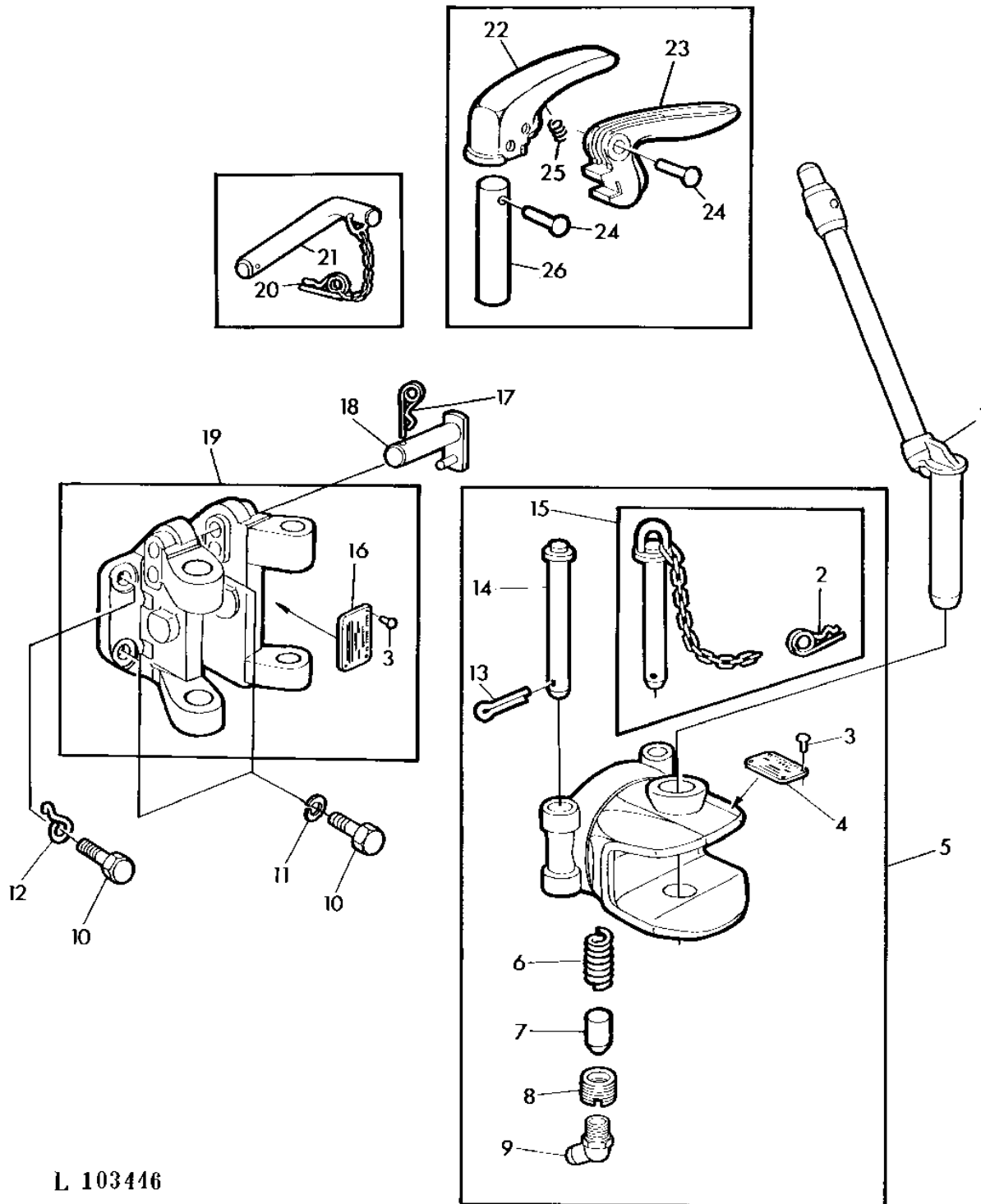
---

MEMORANDA  
MEMORANDA  
MEMORANDA  
MEMORANDA  
MEMORANDA

# 3A10

MISCELLANEOUS

HINGED TRAILER HITCH  
CHAPE D'ATTELAGE, ESCAMOTABLE  
ANHAENGEKUPPLUNG SCHWENKBAR  
GANCIO TRAINO RIVERSIBILE  
ENGANCHE DE REMOLQUE, ABATIBLE  
PICK-UP HITCH, SVANGBAR  
L103446 -UN-03NOV95



L 103446

# 3A11

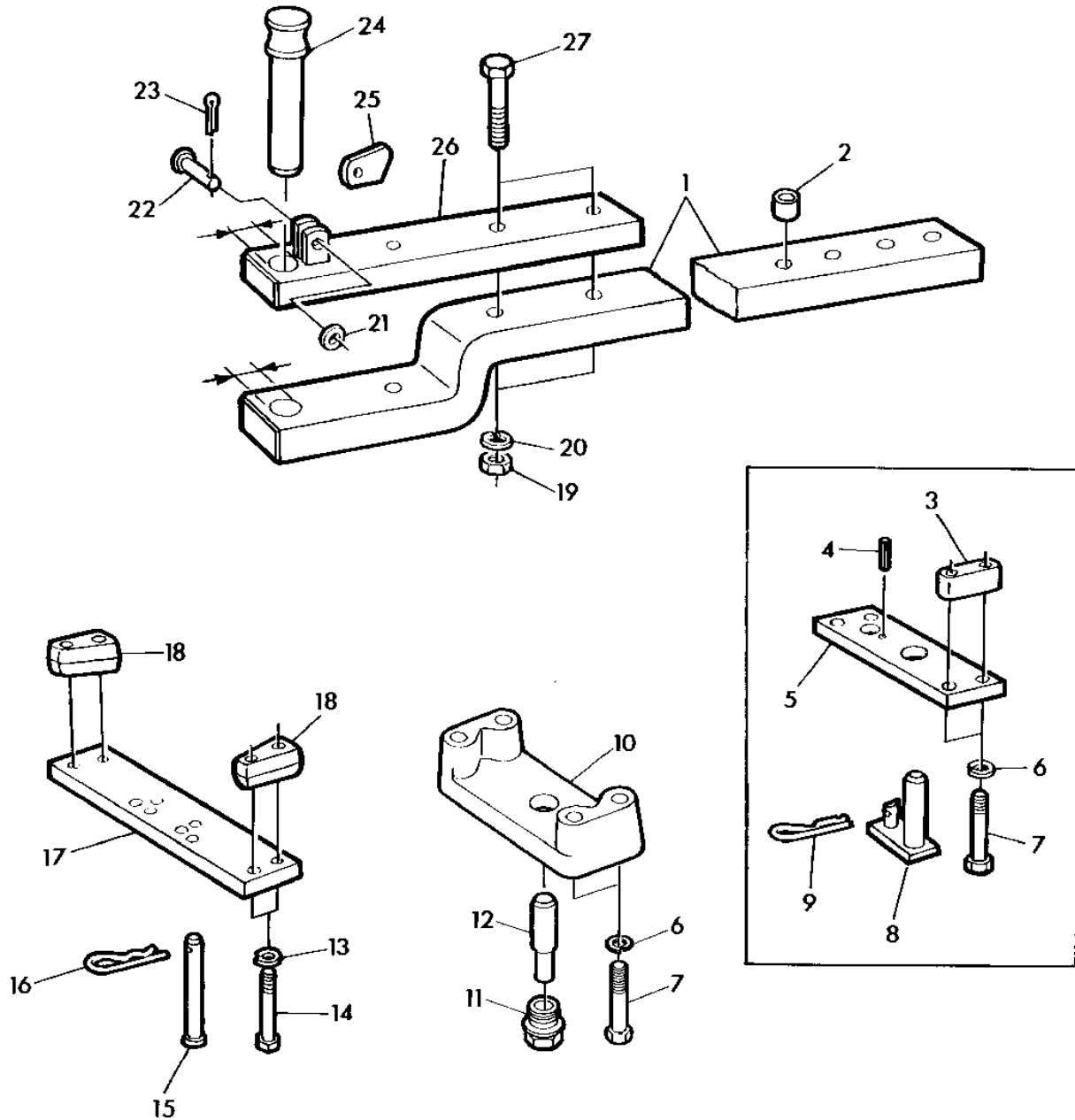
MISCELLANEOUS

KEY	PART NO.	PART NAME	QTY	SERIAL NO.	3 0 3 0	REMARKS
1	AL63985	PIN	1		X X	(SUB FOR AL10591, AL26631, AL35831, AL38086, AL38087, AL38522)
2	99M7080	SPRING LOCKING PIN	1		X X	(SUB FOR L25407)
3	25M3827	GROOVE PIN	6		X X	3X8MM
4	T30712	SERIAL NUMBER PLATE	1		X X	
5	AL38874	HITCH	1		X X	(SUB FOR AT29586)
6	AT29586	HITCH	1		X X	(ORD AL38522, AL38874)
7	L24761	SPRING	1		X X	
7	L24759	PIN	1	-146589	X X	
8	L30750	PIN	1	146590-	X X	
8	L27532	REINFORCEMENT	1	-146589	X X	
8	L30751	ADAPTER	1	146590-	X X	
9	JD7763	LUBRICATION FITTING	1		X X	
10	19H1734	CAP SCREW	5		X X	5/8"X2" (SUB FOR 19H1708)
11	12H294	LOCK WASHER	AR		X X	5/8"
12	L28056	HOOK	1		X X	
13	11M7023	COTTER PIN	1		X X	4X32MM (SUB FOR 11M1387 APPL)
14	AL38819	PIN	1		X X	(SUB FOR AT29282)
15	AT29282	PIN	1		X X	(ORD AL38819, 11M7023)
16	AL38820	PIN	1		X X	(SUB FOR AT29280)
17	T30711	SERIAL NUMBER PLATE	1		X X	
17	A3581R	SPRING LOCKING PIN	1		X X	
18	AL24522	PIN	1		X X	
19	AT32199	BRACKET	1		X X	
20	L24810	SPRING LOCKING PIN	1		X X	
21	AL17835	PIN	1		X X	(ORD AL24522, A3581R)
22	L11279	HANDLE	1		X X	
23	L11280	LATCH	1		X X	
24	16M2556	RIVET	2		X X	8X45MM
25	L11281	COMPRESSION SPRING	1		X X	
26	L11278	PIN	1		X X	

# 3A12

MISCELLANEOUS

DRAWBAR  
BARRE D'ATTELAGE OSCILLANTE  
ZUGPENDEL  
BARRA DI TRAINO ORIENTABILE  
BARRA DE TIRO OSCILANTE  
DRAGBOM  
L29744 -UN-27OCT95



I. 29744



# 3A13

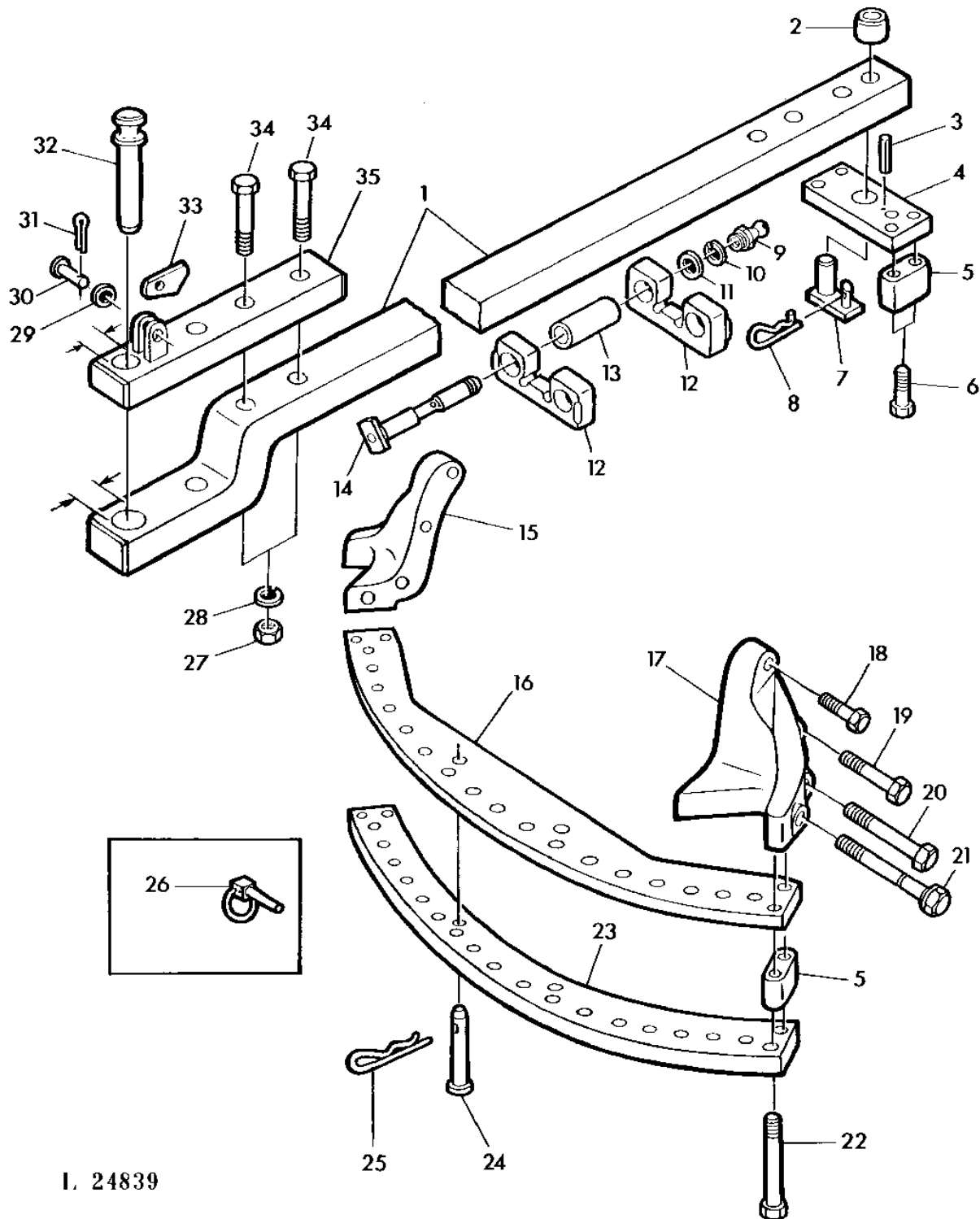
MISCELLANEOUS

KEY	PART NO.	PART NAME	QTY	SERIAL NO.	3 0 3 0	3 1 3 0	REMARKS
1	T32356	DRAWBAR	1		X	X	ID=26,5MM(1.043")
	T28014	DRAWBAR	1		X	X	ID=33MM(1.299")
2	T28008	BUSHING	1		X	X	ID
3	T28010	SPACER	2		X	X	FRONT
4	34H385	SPRING PIN	1		X	X	1/4"X1-3/4"
5	T28009	SUPPORT	1		X	X	FRONT (ORD L37224, L37225, L37226)
6	12H294	LOCK WASHER	4		X	X	5/8"
7	19H2233	CAP SCREW	4		X	X	5/8"X3-1/2"
8	AT26185	PIN	1		X	X	
9	T22848	SPRING LOCKING PIN	1		X	X	
10	L37226	SUPPORT	1		X	X	
11	L37224	DRAIN PLUG	1		X	X	
12	L37225	PIN	1		X	X	
13	12H301	LOCK WASHER	4		X	X	1/2"
14	19H1781	CAP SCREW	4		X	X	1/2"X3-1/2"
15	T28027	PIN	2		X	X	
16	A3581R	SPRING LOCKING PIN	2		X	X	
17	T28025	SUPPORT	1		X	X	REAR
18	T28026	SPACER	2		X	X	REAR
19	14H1058	NUT	2		X	X	3/4"
20	12H236	LOCK WASHER	2		X	X	3/4"
21	24M7055	WASHER	1		X	X	ID=8,4MM
22	45M6305	PIN	1		X	X	8X35MM
23	11M7008	COTTER PIN	1		X	X	2X14MM
24	T29893	PIN	1		X	X	OD=25MM(.98")
	T29645	PIN	1	-XXXX	X	X	OD=31MM (1.22") (ORD L63825, L63826)
	L63825	PIN	1	XXXX-	X	X	OD=32MM (1.26")
25	L63826	LATCH	1		X	X	(SUB FOR T29644)
26	AT31616	STRAP	1		X	X	A=26,5MM(1.043")
	AT27791	STRAP	1		X	X	A=33MM(1.299")
27	19H3027	CAP SCREW	2		X	X	3/4"X3-1/2"

# 3A14

MISCELLANEOUS

DRAWBAR, WIDE SWING  
BARRE D'ATTELAGE A LARGE ORIENTATION  
ZUGPENDEL MIT WEITEM AUSSCHLAG  
BARRA TRAINO OSCILLANTE DI GRAN RAGGIO D'AZIONE  
BARRA DE TIRO OSCILANTE DE GRAN ALCANCE  
SVANGBAR DRAGBOM  
L24839 -UN-26OCT95



I. 24839

# 3A15

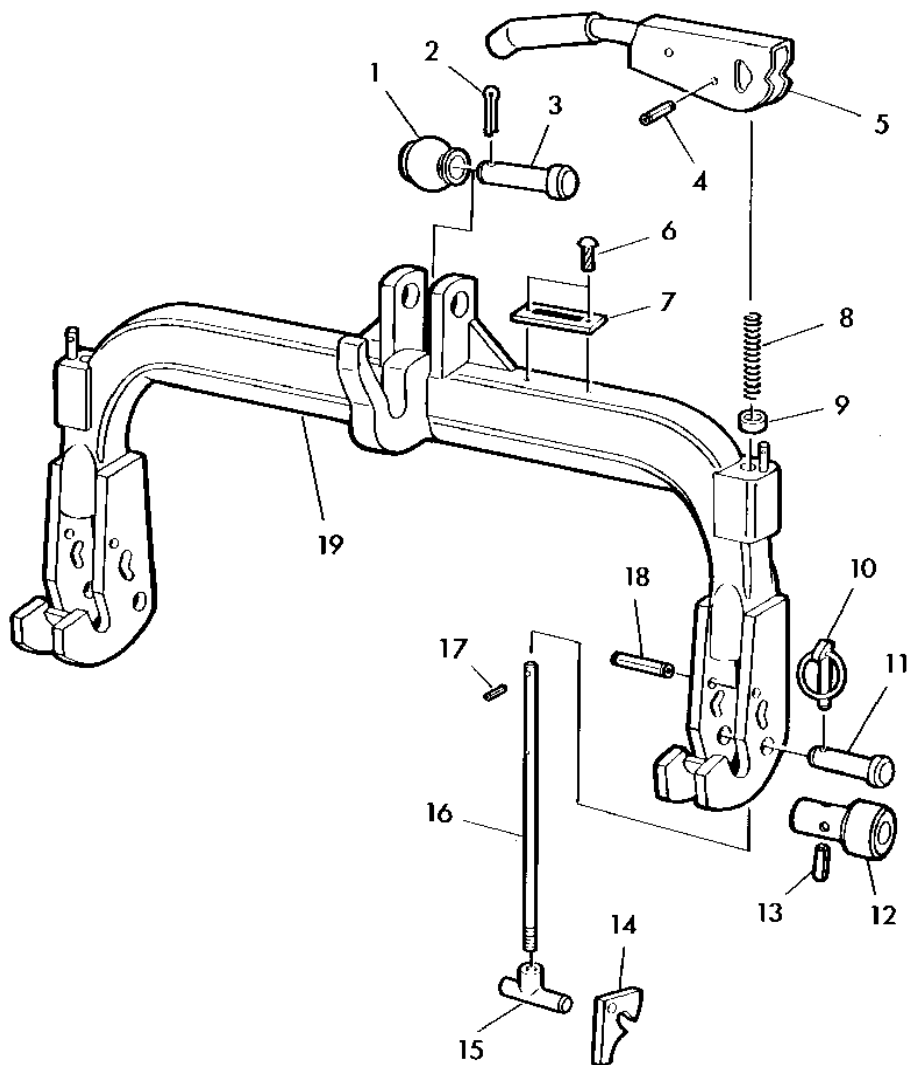
MISCELLANEOUS

KEY	PART NO.	PART NAME	QTY	SERIAL NO.	3 0 3 0	REMARKS
1	T32356	DRAWBAR	1		X X	ID=26,5MM(1.043")
2	T28008	BUSHING	1		X X	
3	34H385	SPRING PIN	1		X X	1/4"X1-3/4"
4	T28009	SUPPORT	1		X X	FRONT
5	T28010	SPACER	4		X X	
6	19H2233	CAP SCREW	4		X X	5/8"X3-1/2"
7	AT26185	PIN	1		X X	
8	T22848	SPRING LOCKING PIN	1		X X	
9	JD7759	LUBRICATION FITTING	2		X X	1/8"
10	R73380	SNAP RING	2		X X	(SUB FOR A369R)
11	24H448	WASHER	2		X X	25/32"X1-1/8"X.090"
12	T28020	HANGER	2		X X	
13	T28019	BUSHING	2		X X	
14	AT26186	PIN	2		X X	
15	T28016	SUPPORT	1		X X	LH
16	T28017	STRAP	1		X X	REAR,UP
17	T28015	SUPPORT	1		X X	RH
18	19H2727	CAP SCREW	2		X X	5/8"X2-5/8" (SUB FOR 19H2601)
19	19H1926	CAP SCREW	2		X X	5/8"X4-3/4"
20	19H2068	CAP SCREW	2		X X	1/2"X6"
21	L29253	CAP SCREW	2		X X	1/2"
22	19H2124	CAP SCREW	4		X X	5/8"X4-1/4"
23	T28018	SUPPORT	1		X X	REAR,LOW
24	T28022	PIN	2		X X	
25	A3581R	SPRING LOCKING PIN	2		X X	
26	B11182	QUICK LOCK PIN	2		X X	(ORD A3581R)
27	14H1058	NUT	2		X X	3/4"
28	12H236	LOCK WASHER	2		X X	3/4"
29	24M7055	WASHER	1		X X	ID=8,4MM
30	45M6305	PIN	1		X X	8X35MM
31	11M7008	COTTER PIN	1		X X	2X14MM
32	T29893	PIN	1		X X	OD=25MM(.98")
33	T29644	LATCH	1		X X	
34	19H3027	CAP SCREW	2		X X	3/4"X3-1/2"
35	AT31616	STRAP	1		X X	A=26,5MM(1.043")

# 3A16

MISCELLANEOUS

IMPLEMENT QUICK COUPLER  
SYSTEME D'ATTELAGE RAPIDE  
GERAETE-SCHNELLKUPPLER  
ATTACCO RAPIDO ATTREZZI  
DISPOSITIVO PARA ENGANCHE RAPIDO DE APEROS  
SNABBKOPPLING FOR REDSKAP  
L24840 -UN-26OCT95



I. 24840

# 3A17

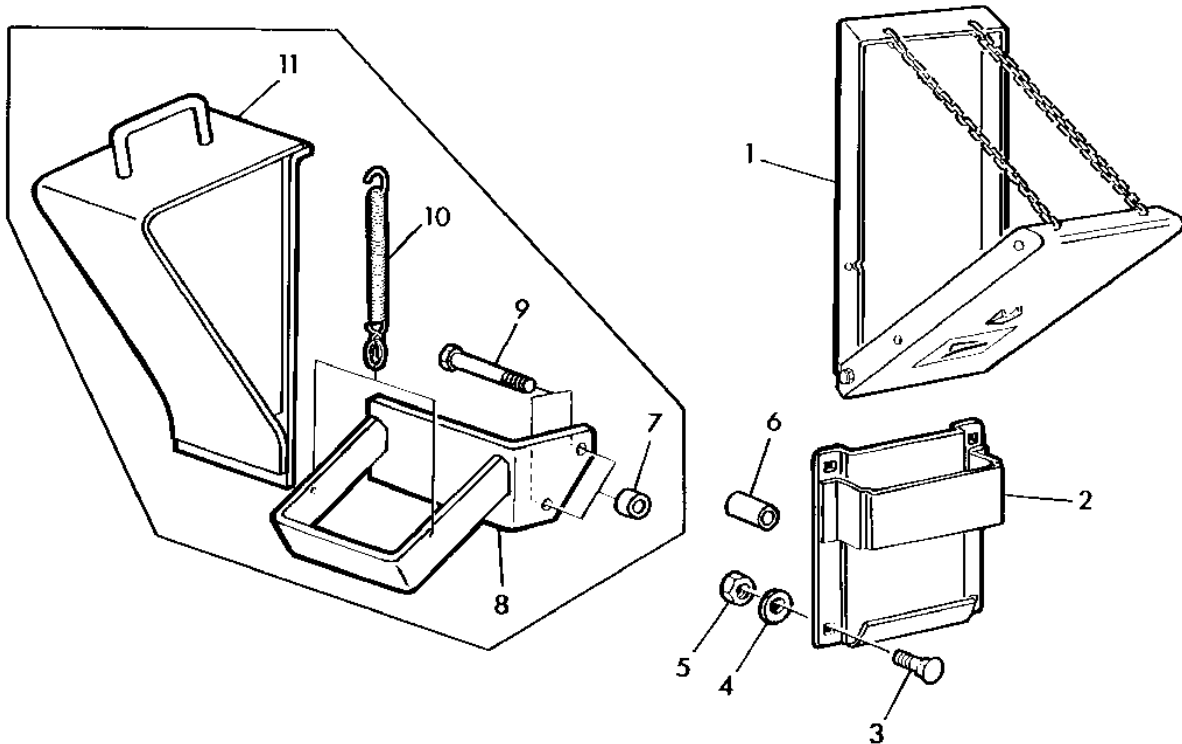
MISCELLANEOUS

KEY	PART NO.	PART NAME	QTY	SERIAL NO.	REMARKS
				3 3	
				0 1	
				3 3	
				0 0	
1	F2681R	BALL	1		
2	11H249	COTTER PIN	1		
3	R53296	PIN	1		1/4"X2"
4	34H311	SPRING PIN	2		
5	AR51180	HANDLE	2		1/4"X7/8"
6	37H30	SCREW	2		
7	R46895	INSTRUCTION PLATE	1		ENGLISH
	R52148	INSTRUCTION PLATE	1		FRANCAIS
	R47589	INSTRUCTION PLATE	1		DEUTSCH
	R47584	INSTRUCTION PLATE	1		ESPANOL
8	R43444	SPRING	2		
9	R46890	SLEEVE	2		
10	B11182	QUICK LOCK PIN	2		
11	R27997	PIN	2		
12	R27998	HALF SLEEVE	2		
13	R27999	SPRING PIN	2		7/16"X1-7/16"
14	R46893	LATCH	2		
15	AR56704	PIN	2		
16	AR46889	HOUSING	2		
17	34H277	SPRING PIN	2		3/16"X5/8"
18	34H373	SPRING PIN	2		1/2"X2-1/2"
19	AR56705	QUICK COUPLER	1		ASSY

# 3A18

MISCELLANEOUS

CHOCK BLOCK  
CALE  
UNTERLEGKEIL  
CUNEO  
CALZO DE RUEDA  
STOPPKLOSS  
L24814 -UN-26OCT95



L 24814

# 3A19

MISCELLANEOUS

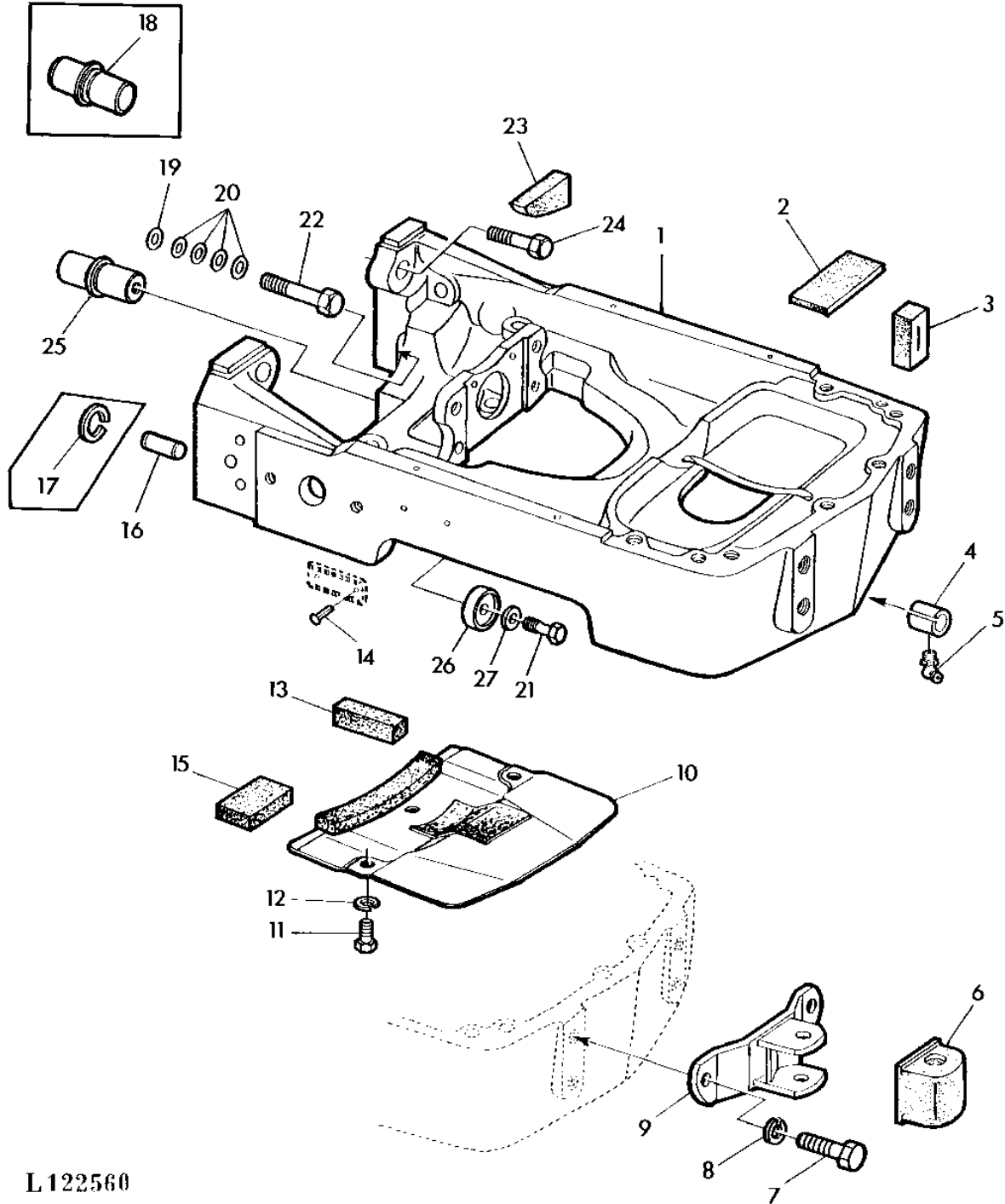
KEY	PART NO.	PART NAME	QTY	SERIAL NO.	REMARKS
					3 3
					0 1
					3 3
					0 0
1	AL26777	CHOCK BLOCK	1		X X
2	AL26778	SUPPORT	1		X X
3	03H2275	BOLT	4		X X 3/8"X5/8"
	03H2131	BOLT	4		X X (A) 3/8"X3"
4	24H1305	WASHER	4		X X 13/32"X13/16"X.060"
5	14H812	NUT	4		X X 3/8"
6	L31726	SPACER	4		X X (A) 3/8"X2-1/4"
7	T28493	BUSHING	2		X X
8	AL23153	RETAINER	1		X X
9	19H3160	CAP SCREW	2		X X 9/16"X8"
10	AL23894	SPRING	2		X X
11	AL23465	WEDGE	1		X X

(A) W/OPERATOR'S CAB  
 AVEC CABINE  
 BEI KABINE  
 CON CABINA  
 CON CABINE  
 VID FORARHYTT

# 3A20

MISCELLANEOUS

FRONT SUPPORT/FRONT HITCH  
SUPPORT AVANT/CHAPE DE POUSSEE  
TRAGBOCK VORN/DRUECKEVORRICHTUNG  
SUPPORTO ANTERIORE/GANCIO TRAINO ANTERIORE  
SOPORTE DEL PUENTE DELANTERO/ENGANCHE DELANTERO  
FRAMRE UPPHANGNING/FRAMRE DRAG  
L122560 -UN-27OCT95



L122560



# 3A21

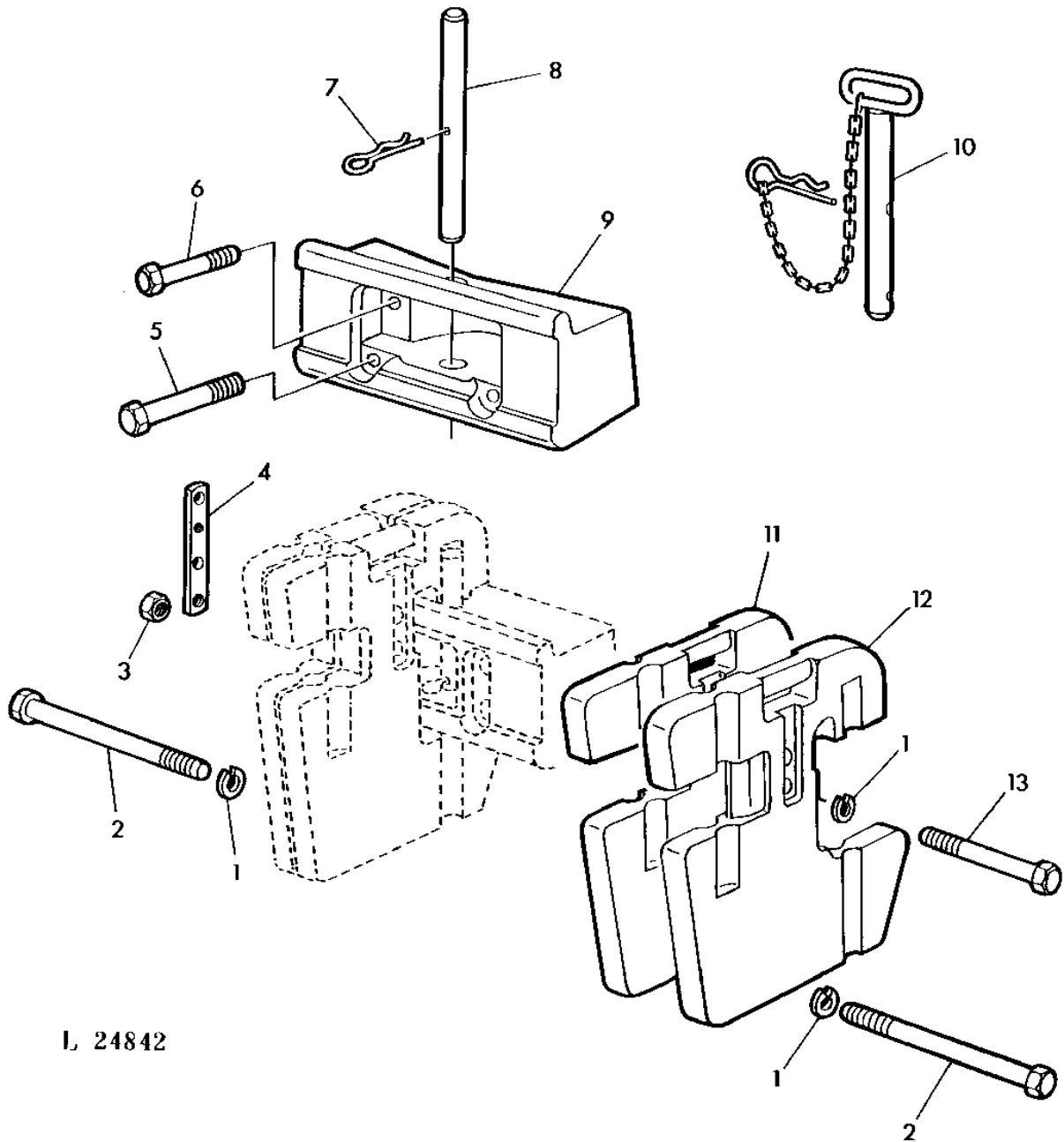
MISCELLANEOUS

KEY	PART NO.	PART NAME	QTY	SERIAL NO.	3 0 3 0	3 1 3 0	REMARKS
1	AL28246	FRONT AXLE SUPPORT	1		X	X	ASSY,INCL KEYS 2-5,17-19,24 (SUB FOR AL27225)
2	T29201	CUSHION	7		X	X	
3	T29202	SLAT	1		X	X	
4	L62837	BUSHING	1		X	X	(SUB FOR L58228, T29199)
5	JD7799	LUBRICATION FITTING	1		X	X	90X.770" LONG
6	L24233	CAP	1		X	X	
7	19H1768	CAP SCREW	2		X	X	3/4"X2"
8	12H236	LOCK WASHER	2		X	X	3/4"
9	AL19359	HITCH	1		X	X	
10	AL62952	COVER	1		X	X	(SUB FOR L36313, T29220)
11	19H2021	CAP SCREW	2		X	X	3/8"X5/8"
12	12H304	LOCK WASHER	2		X	X	3/8"
13	R38003	WEATHERSTRIP	2		X	X	
14	25M3827	GROOVE PIN	2		X	X	3X8MM
15	T28764	ISOLATOR	1		X	X	
16	T25317	DOWEL PIN	2		X	X	
17	A3809R	SNAP RING	1	-302679	X	X	
18	L34071	PIN	1		X	X	(ORD L41860, L57686, L57726, L57963, 47M7003) (SUB FOR T29200)
19	T29218	SHIM	2		X	X	3,5MM(.020")
20	T29219	SHIM	8		X	X	0,1MM(.004")
21	L57963	CAP SCREW	1		X	X	M12X40
22	19H1715	CAP SCREW	2		X	X	3/4"X3"
23	T29203	SLAT	1		X	X	
24	19H1847	CAP SCREW	4		X	X	5/8"X2-1/2"
25	L57726	PIN	1		X	X	
26	L57686	BUSHING	1		X	X	
27	47M7003	WASHER	1		X	X	

# 3A22

MISCELLANEOUS

FRAME WEIGHTS  
MASSES D'ALOURDISSEMENT  
RAHMENGEWICHTE  
ZAVORRE ANTERIORI  
CONTRAPESOS DELANTEROS  
RAMVIKTER  
L24842 -UN-26OCT95



L 24842

# 3A23

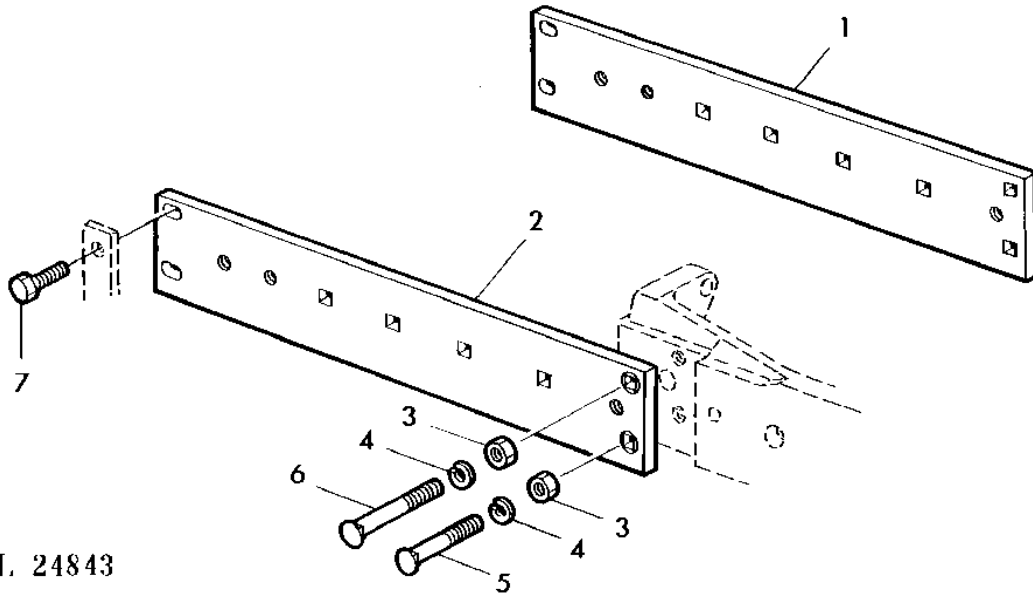
MISCELLANEOUS

KEY	PART NO.	PART NAME	QTY	SERIAL NO.	3 3 0 1 3 3 0 0	REMARKS
1	12M7044	LOCK WASHER	AR		X X	18,5MM
2	R51681	CAP SCREW	AR		X X	5/8"
3	14H821	NUT	AR		X X	5/8"
4	AR68801	RETAINER	AR		X X	(SUB FOR T32148)
5	08H4220	CAP SCREW	2		X X	3/4"X7"
6	19H1892	CAP SCREW	2		X X	3/4"X5-1/4"
7	L12491	SPRING LOCKING PIN	2		X X	
8	T32146	PIN	1		X X	
9	L28323	WEIGHT	1		X X	(SUB FOR L28445)
10	AL31229	PIN	1		X X	INCL KEY 7 (SUB FOR AT22953)
11	R51910	WEIGHT	AR		X X	
12	L31560	WEIGHT	2		X X	
13	08H4248	CAP SCREW	AR		X X	5/8"X8-1/2"

# 3A24

MISCELLANEOUS

SIDE FRAMES  
 CHASSIS LATERAUX  
 SEITENRAHMEN  
 TRAVERSE LATERALI  
 BASTIDORES LATERALES  
 SIDORAMAR  
 L24843 -UN-25OCT95



I. 24843

KEY	PART NO.	PART NAME	QTY	SERIAL NO.	REMARKS
				3 3	
				0 1	
				3 3	
				0 0	
1	T27756	FRAME	1		X X L.H.
2	T27755	FRAME	1		X X R.H.
3	14H1039	NUT	4		X X 5/8"
4	12H294	LOCK WASHER	4		X X 5/8"
5	10H1082	BOLT	2		X X 5/8"x2-3/4",LOW
6	10H1059	BOLT	2		X X 5/8"x3-1/2",UP
7	19H1756	CAP SCREW	2		X X 5/8"x1-1/2"
	19H1734	CAP SCREW	2		X X 5/8"x2"

# 3A25

MISCELLANEOUS

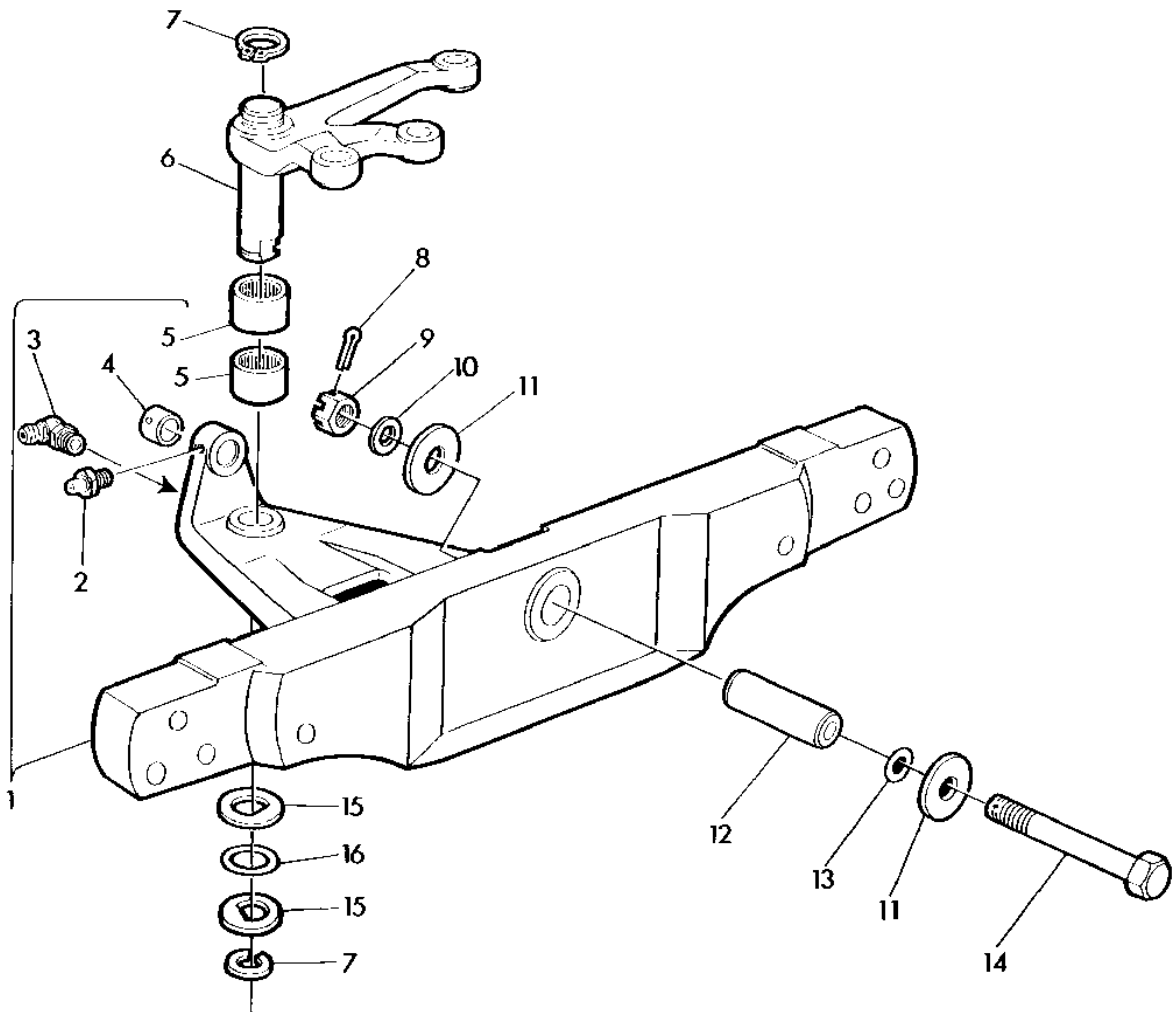
---

MEMORANDA  
MEMORANDA  
MEMORANDA  
MEMORANDA  
MEMORANDA

# 3B1

MISCELLANEOUS

FRONT AXLE  
ESSIEU AVANT  
VORDERACHSE  
ASSALE ANTERIORE  
EJE DELANTERO  
FRAMAXEL  
L24822 -UN-26OCT95



L 24822

# 3B2

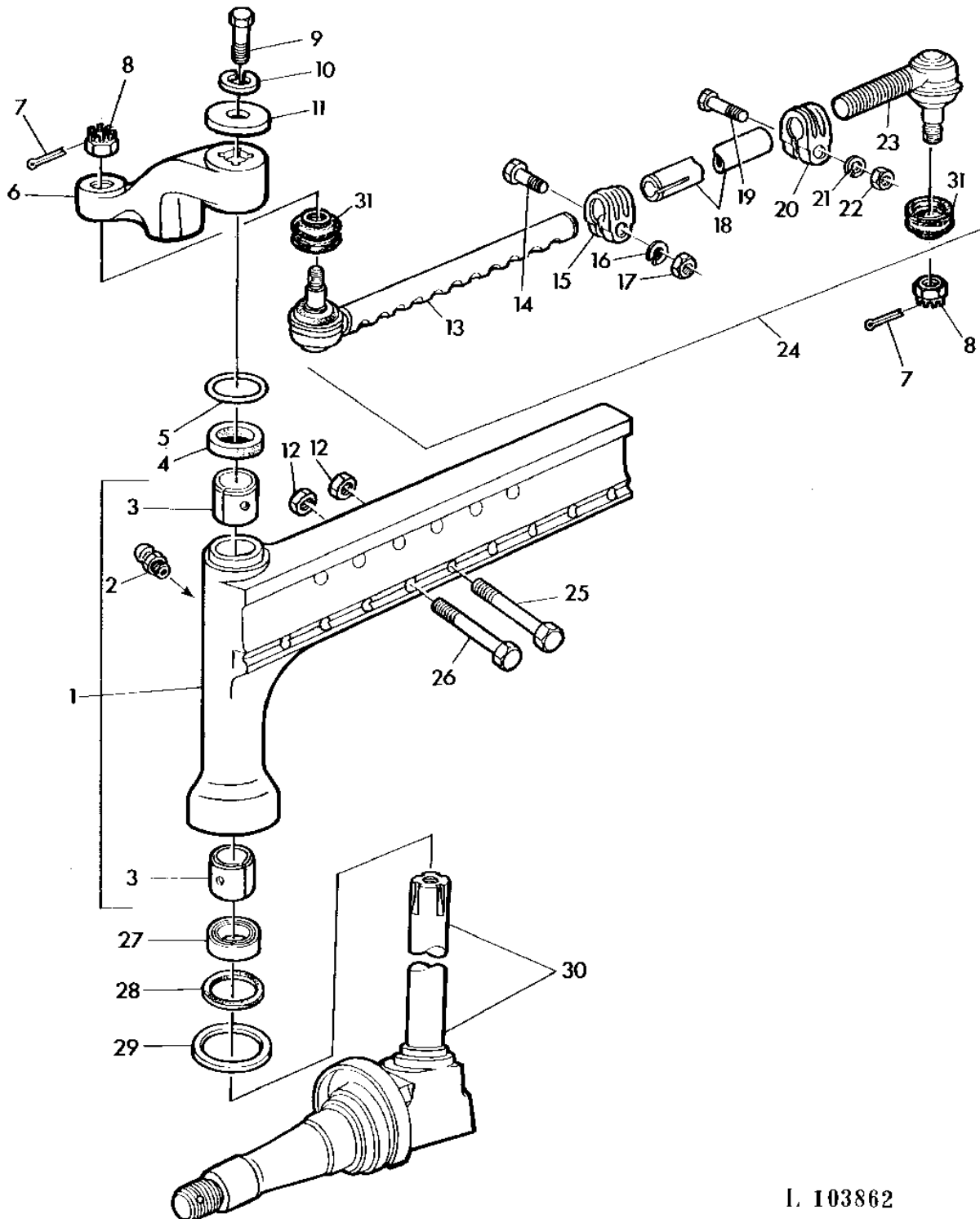
MISCELLANEOUS

KEY	PART NO.	PART NAME	QTY	SERIAL NO.	3 0 3 0	3 1 3 0	REMARKS
1	AR53388	FRONT AXLE	1		X	X	ASSY,INCL KEYS 2-5,12
2	JD7847	LUBRICATION FITTING	1		X	X	45X1" LONG
3	JD7799	LUBRICATION FITTING	1		X	X	90X.770" LONG
4	L62837	BUSHING	1		X	X	REAR (SUB FOR L58228, T29199)
5	JD8827	NEEDLE BEARING	2		X	X	(SUB FOR JD9910)
6	AL19361	LEVER	1		X	X	
7	U16068	SNAP RING	1		X	X	
8	11H218	COTTER PIN	1		X	X	3/16"X1-1/2"
9	14H902	NUT	1		X	X	3/4"
10	T10510	WASHER	1		X	X	
11	T29211	WASHER	2		X	X	
12	T29205	BUSHING	1		X	X	
13	T25921	SHIM	AR		X	X	TK=0,4MM(.016")
14	L59919	CAP SCREW	1		X	X	3/4" (SUB FOR T29210 APPL)
15	T29208	WASHER	2		X	X	
16	R49068	SHIM	AR		X	X	TK=0,1MM(.004")
	T29209	SHIM	AR		X	X	TK=0,25MM(.010")
	R49069	SHIM	AR		X	X	TK=0,5MM(.020")
	R49070	WASHER	AR		X	X	TK=1MM(.040")

# 3B3

MISCELLANEOUS

FRONT AXLE KNEE/SPINDLE KNUCKLE/TIE ROD  
 PORTE-FUSEE/FUSEE/BARRE D'ACCOUPLMENT  
 VORDERACHSARM/ACHSSCHENKEL/SPURSTANGE  
 MONTANTE ASSALE ANTER./FUSELLO/BARRA ACCOPIAMENTO  
 EXTENSION DEL EJE DELANT./MANGUETA/VARILLA TENSORA  
 FRAMAXELARM/SPINDEL TAPP/PARALLELSTAG  
 L103862 -UN-07NOV95



L 103862



# 3B4

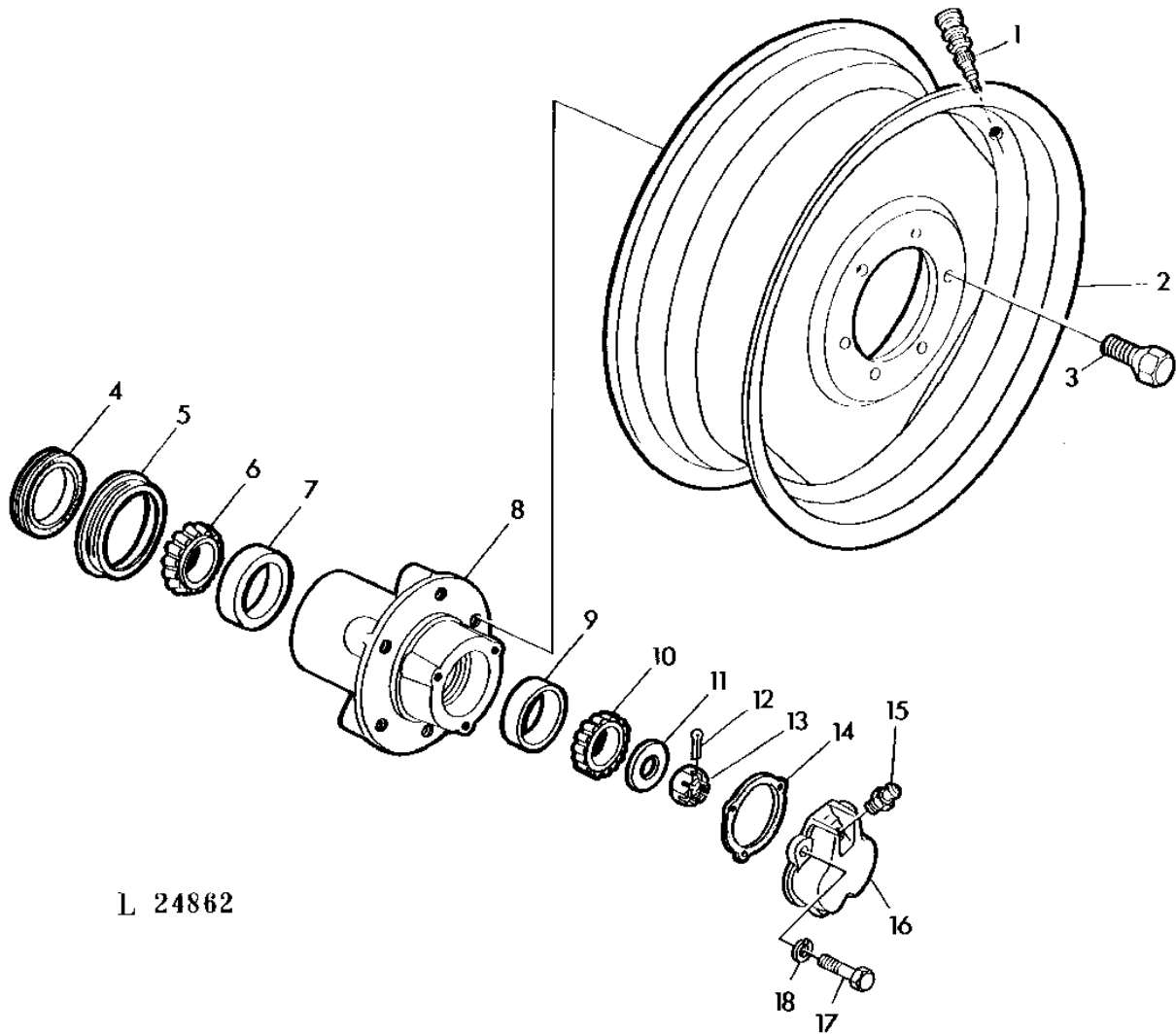
MISCELLANEOUS

KEY	PART NO.	PART NAME	QTY	SERIAL NO.		REMARKS
					3 3	
					0 1	
					3 3	
					0 0	
1	AL23280	ARM	1	-186269	X X	RH,ASSY,INCL KEYS 2,3
	AL23281	ARM	1	-186269	X X	LH,ASSY,INCL KEYS 2,3
	AR74607	AXLE	1	186270-	X X	RH,ASSY,INCL KEYS 2,3
	AR74608	AXLE	1	186270-	X X	LH,ASSY,INCL KEYS 2,3
2	JD7798	LUBRICATION FITTING	2		X X	1/8"
3	T21553	BUSHING	4	-186269	X X	
	T34546	BUSHING	4	186270-	X X	
4	T15288	WASHER	2		X X	
5	T15285	SHIM	2		X X	0,68MM(.027")
6	R51187	ARM	1		X X	RH
	R51186	ARM	1		X X	LH
7	11M7023	COTTER PIN	4		X X	4X35MM
8	14H902	NUT	AR		X X	3/4"
	14M7305	NUT	AR		X X	M18X1,5
9	19H1768	CAP SCREW	2		X X	3/4"X2"
10	12H236	LOCK WASHER	2		X X	3/4"
11	F3607R	WASHER	2		X X	
12	14H1058	NUT	8		X X	3/4"
13	AL27534	TIE ROD END	2		X X	3/4" (ORD AL38646, 14M7305)
	AL38646	BALL JOINT	1		X X	M18X1,5 (SUB FOR AL27534)
14	19H2528	CAP SCREW	2		X X	1/2"X2"
15	L32307	CLAMP	2		X X	
16	12H301	LOCK WASHER	2		X X	1/2"
17	14H865	NUT	2		X X	1/2"
18	L32311	PIPE	2		X X	
19	19H2541	CAP SCREW	2		X X	3/8"X1-3/4"
20	L31706	CLAMP	2		X X	
21	12H304	LOCK WASHER	2		X X	3/8"
22	14H846	NUT	2		X X	3/8"
23	AL26880	TIE ROD END	2		X X	3/4" (ORD AL38645, 14M7305)
	AL38645	BALL JOINT	2		X X	M18X1,5 (SUB FOR AL26880)
24	AR55286	TIE ROD	2		X X	3/4" ASSY,INCL KEYS 13-23,31 (ORD AL38644, (2) 14M7305)
	AL38644	TIE ROD	2		X X	M18X1,5 (SUB FOR AR55286)
25	19H3307	CAP SCREW	2		X X	3/4"X6" (SUB FOR 19H1988, 19H2266)
26	19H3210	CAP SCREW	6		X X	3/4"X5-1/4"
27	JD8410	THRUST BEARING	2	-186269	X X	LOW
	JD8412	THRUST BEARING	2	186270-	X X	LOW
28	T15284	WASHER	2	-186269	X X	LOW
	T31749	WASHER	2	186270-	X X	LOW
29	T34548	WASHER	2	186270-	X X	LOW
30	AL19730	KNUCKLE	2	-186269	X X	
	AR74606	KNUCKLE	2	186270-	X X	
31	AL38891	BOOT	2		X X	

# 3B5

MISCELLANEOUS

FRONT WHEEL/ASSEMBLY  
ROUES AVANT/ROULEMENTS  
VORDERRAEDER/LAGER  
RUOTE ANTERIORI/MOZZO  
RUEDAS DELANTERAS/RODAMIENTOS  
FRAMHJULSENHET  
L24862 -UN-25OCT95



L 24862

# 3B6

MISCELLANEOUS

KEY	PART NO.	PART NAME	QTY	SERIAL NO.	REMARKS
					3 3
					0 1
					3 3
					0 0
1	AM30347	TIRE VALVE STEM	2		X X (A)
2	JD3211	WHEEL	2		X X (B) 7,50-18
	AL19714	WHEEL	2		X X (B) 7,50-20
	JD3210	WHEEL	2		X X (B) 10,00-16
	AT38621	RIM	2		X X (B) 10,5-18
3	JD21	WHEEL BOLT	12		X X 9/16" (SUB FOR JD16, L28642)
4	AR26480	SEAL	2		X X
5	R26632	BUSHING	2		X X
6	JD8913	BEARING CONE	2		X X (B) 7,50-20,7,50-18
	JD8969	BEARING CONE	2		X X (B) 10,5-18,10,00-16
7	JD7445	BEARING CUP	2		X X
8	T21545	HUB	2		X X
9	JD8251	BEARING CUP	2		X X
10	JD8929	BEARING CONE	2		X X
11	A5146R	WASHER	2		X X
12	11H240	COTTER PIN	2		X X 5/32"X1-1/2" (SUB FOR 11H218)
13	14H920	NUT	2		X X 1"
14	A1556R	GASKET	2		X X
15	JD7798	LUBRICATION FITTING	2		X X 1/8" (SUB FOR L25140)
16	A1555R	CAP	2		X X
17	19H1849	CAP SCREW	6		X X 5/16"X1-1/4"
	R32703	SCREW	6		X X (B) 10,5-18,10,00-16
18	12H303	LOCK WASHER	6		X X 5/16"

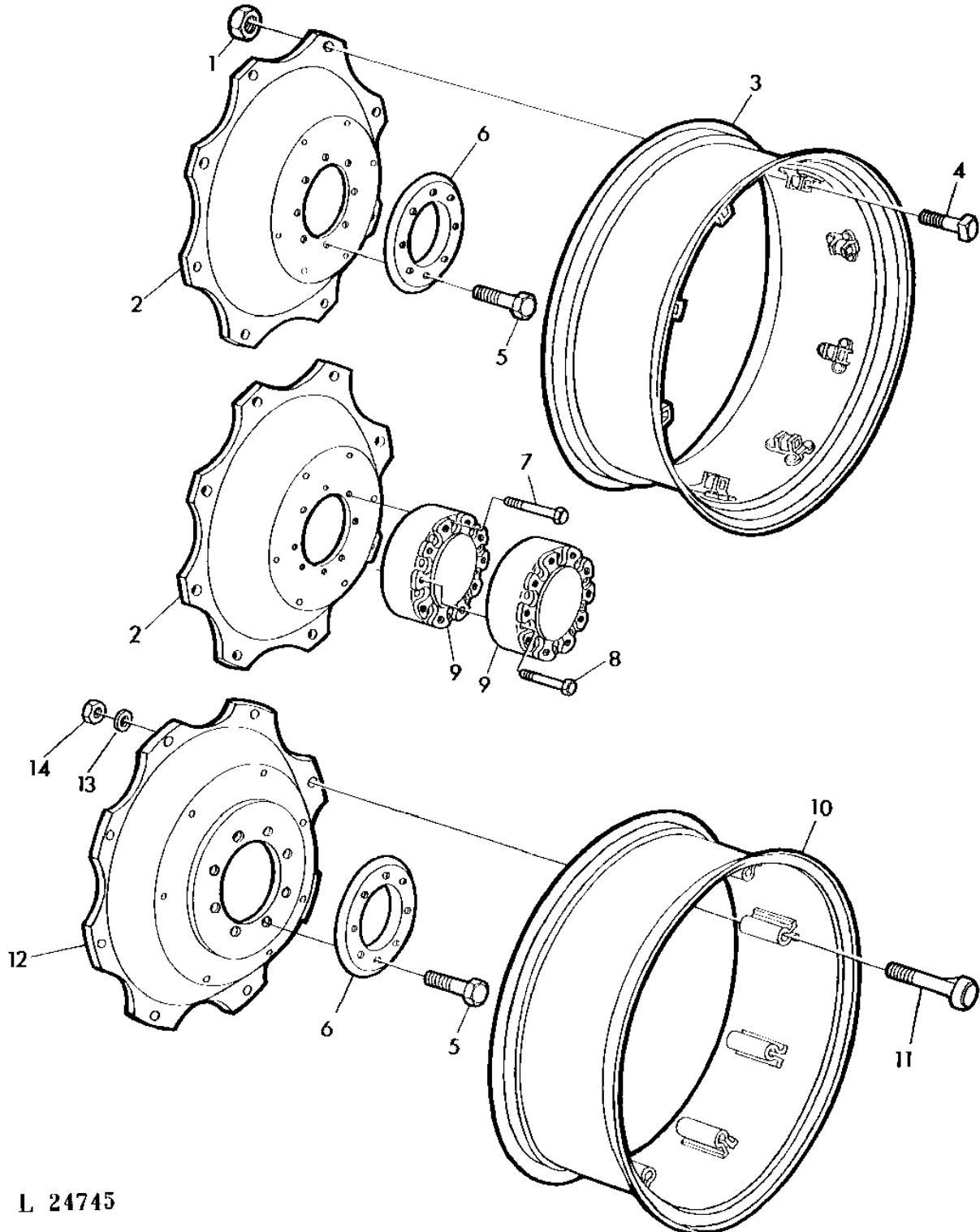
(A) W/TUBELESS TIRES  
 AVEC PNEUS SANS CHAMBRE  
 BEI SCHLAUCHLOSER BEREIFUNG  
 CON PNEUMATICI SENZA CAMERA  
 CON NEUMATICOS SIN CAMARA DE AIRE  
 VID DACKEN UTAN SLANGEN

(B) FOR TIRE SIZE  
 POUR PNEUMATIQUES  
 FUER BEREIFUNG  
 PER PNEUMATICI  
 PARA NEUMATICOS  
 FOER DACKSDIMENSION

# 3B7

MISCELLANEOUS

STEEL DISK REAR WHEELS  
ROUES ARRIERE ACIER  
STAHL-HINTERRAEDER  
RUOTE POSTERIORI ACCIAIO  
RUEDAS TRASERAS CON DISCO DE ACERO  
BAKHJUL MED STALDISK  
L24745 -UN-26OCT95



L 24745

# 3B8

MISCELLANEOUS

KEY	PART NO.	PART NAME	QTY	SERIAL NO.	3 0 3 0	3 1 3 0	REMARKS
1	14H808	NUT	16		X	X	5/8"
2	T31505	WHEEL	2	-193143	X	X	(A) 16.9/14-38
	L31668	WHEEL CENTER	2	193144-	X	X	(A) 16.9/14-38
	T31504	WHEEL	2	-193143	X	X	(A) 16.9/14-34,18.4/15-34
	L41820	WHEEL CENTER	2	193144-	X	X	(A) 16.9/14-34,18.4/15-34 DELACHEAUX, OD=781MM (SUB FOR L31665)
3	AL23367	RIM	2		X	X	(A) 16.9/14-38
	AT30621	RIM	2		X	X	(A) 16.9/14-34,18.4/15-34
4	08H4762	BOLT	16		X	X	5/8"X3/4" (SUB FOR T30340)
5	19H2691	CAP SCREW	16	193144-	X	X	3/4"X2-3/4" (SUB FOR L30824)
6	L31679	RING	2	193144-	X	X	
7	19H3367	CAP SCREW	16		X	X	(B) 3/4"X4-7/8"
8	19H3281	CAP SCREW	16		X	X	(B) 3/4"X4-1/2"
9	L32169	SPACER	4		X	X	(B)
10	AL63895	RIM	2		X	X	(A) 16.9/14-38 (SUB FOR AL27397)
11	L33894	SCREW	16		X	X	
12	L33893	WHEEL CENTER	2		X	X	(A) 16.9/14-38,DELACHEAUX OD=832,5MM
	L58881	WHEEL CENTER	2		X	X	(A) 16.9/14-38,LEMMERZ OD=846MM (SUB FOR L39735)
13	24M7320	WASHER	16		X	X	17X30X3
14	14M7289	NUT	16		X	X	M16X1,5

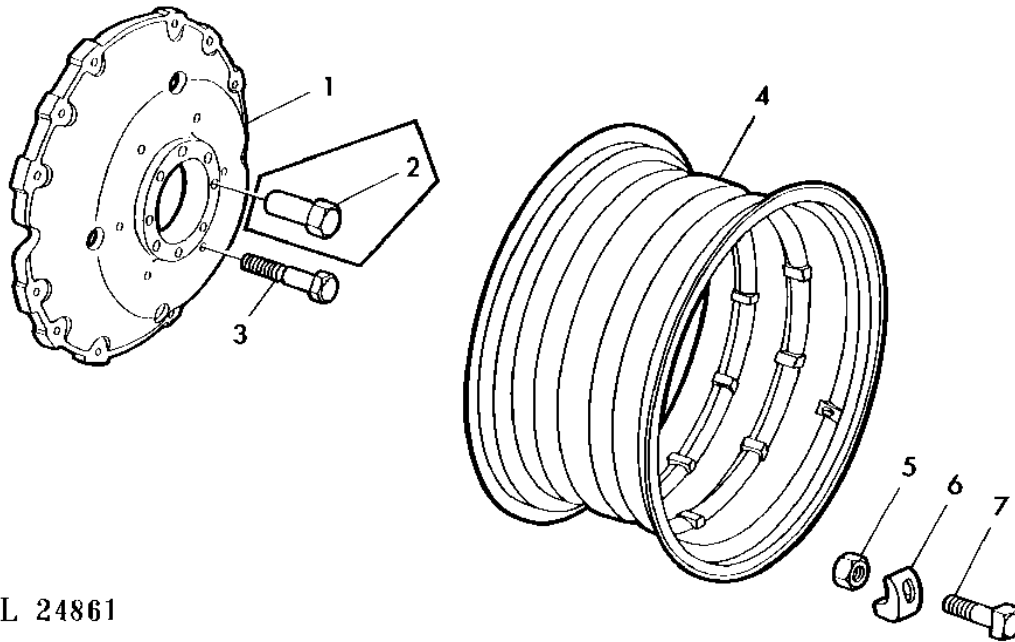
(A) FOR TIRE SIZE  
 POUR PNEUMATIQUES  
 FUER BEREIFUNG  
 PER PNEUMATICI  
 PARA NEUMATICOS  
 FOR DACKSDIMENSION

(B) W/DUAL REAR WHEELS  
 AVEC ROUES ARRIERE JUMELEES  
 BEI ZWILLINGSBEREIFUNG  
 CON RUOTE POSTERIORI GEMELLI  
 CON RUEDAS TRASERAS GEMELAS  
 MED TVILLINGSBAKHJUL

# 3B9

MISCELLANEOUS

CAST REAR WHEELS  
 ROUES ARRIERE FONTE  
 GUSS-HINTERRAEDER  
 RUOTE POSTERIORI GHISA  
 RUEDAS TRASERAS DE FUNDICION  
 GJUTNA BAKHJULER  
 L24861 -UN-25OCT95



L 24861

KEY	PART NO.	PART NAME	QTY	SERIAL NO.		REMARKS
					3 3	
					0 1	
					3 3	
					0 0	
1	L29136	WHEEL CENTER	2	-193143	X X	(A) 16,9/14-38
	T29066	WHEEL	2	-193143	X X	(A) 16,9/14-34,18,4/15-34
	L26809	WHEEL	2	-193143	X X	(A) (B) 16,9/14-34,18,4/15-34
	L31677	WHEEL CENTER	2	193144-	X X	(A) 16,9/14-34,18,4/15-348 (SUB FOR L30745)
	L40419	WHEEL CENTER	2	193144-	X X	(A) 16,9/14-38 (SUB FOR L31685)
	L31682	WHEEL	2	193144-	X X	(A) (B) 16,9/14-34,18,4/15-34 (SUB FOR FOR L30748)
2	T29541	NUT	16		X X	3/4"
3	19H2691	CAP SCREW	16		X X	3/4"X2-3/4" (SUB FOR L30744)
4	T27720	RIM	2	-193143	X X	(A) 16,9/14-38
	R31592	RIM	2	-193143	X X	(A) 16,9/14-34,18,4/15-34
	L31680	RIM	2	193144-	X X	(A) 16,9/14-34,18,4/15-34
5	14H800	NUT	AR		X X	5/8"
6	L38141	CLAMP	AR		X X	
	A4388R	CLAMP	AR		X X	(ORD L38141, 08H4370)
7	08H4757	BOLT	AR		X X	5/8"X2-1/2" (FOR A4388R)
	08H4370	BOLT	AR		X X	5/8"X3" (FOR L38141)

(A) FOR TIRE SIZE  
 POUR PNEUMATIQUES  
 FUER BEREIFUNG  
 PER PNEUMATICI  
 PARA NEUMATICOS  
 FOR DACKSDIMENSION

(B) HEAVY-DUTY TYPE  
 VERSION RENFORCEE  
 VERSTAERKTE AUSFUEHRUNG  
 TIPO RINFORZATO  
 TIPO REFORZADO  
 FORSTARKT VERSION

# 3B10

MISCELLANEOUS

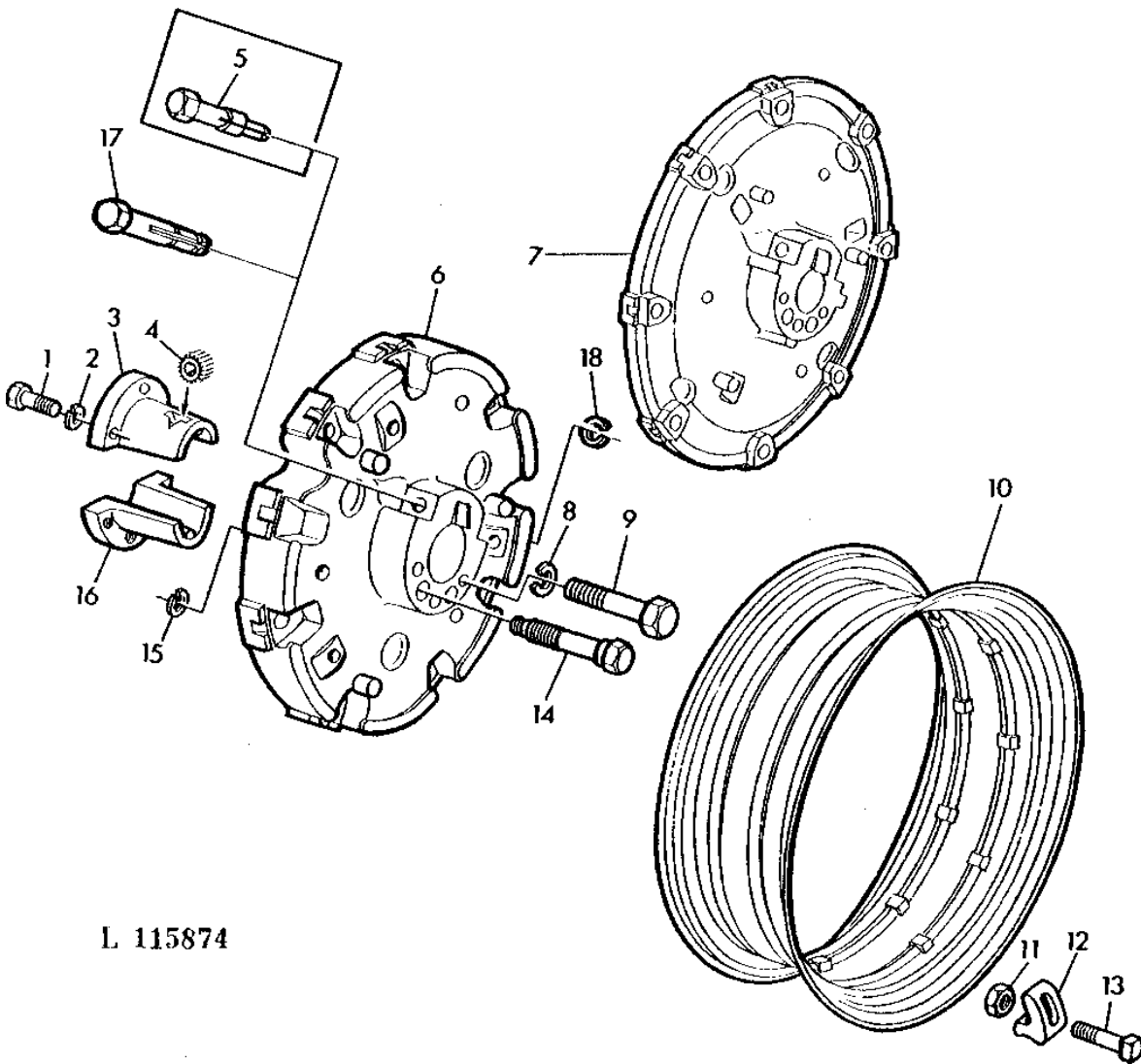
---

MEMORANDA  
MEMORANDA  
MEMORANDA  
MEMORANDA  
MEMORANDA

# 3B11

MISCELLANEOUS

CAST REAR WHEELS FOR PINION ADJUSTED AXLE  
ROUES ARRIERE FONTE POUR ESSIEU REGLABLE  
GUSS-HINTERRAEDER FUER VERSTELLACHSE  
RUOTE GHISA PER ASSALE REGOLABILE  
RUEDAS DE FUNDICION PARA PALIER DE CREMALLERA Y PINON  
GJUTNA BAKHJULER FOR JUSTERBART AXEL  
L115874 -UN-01JAN94



L 115874



# 3B12

MISCELLANEOUS

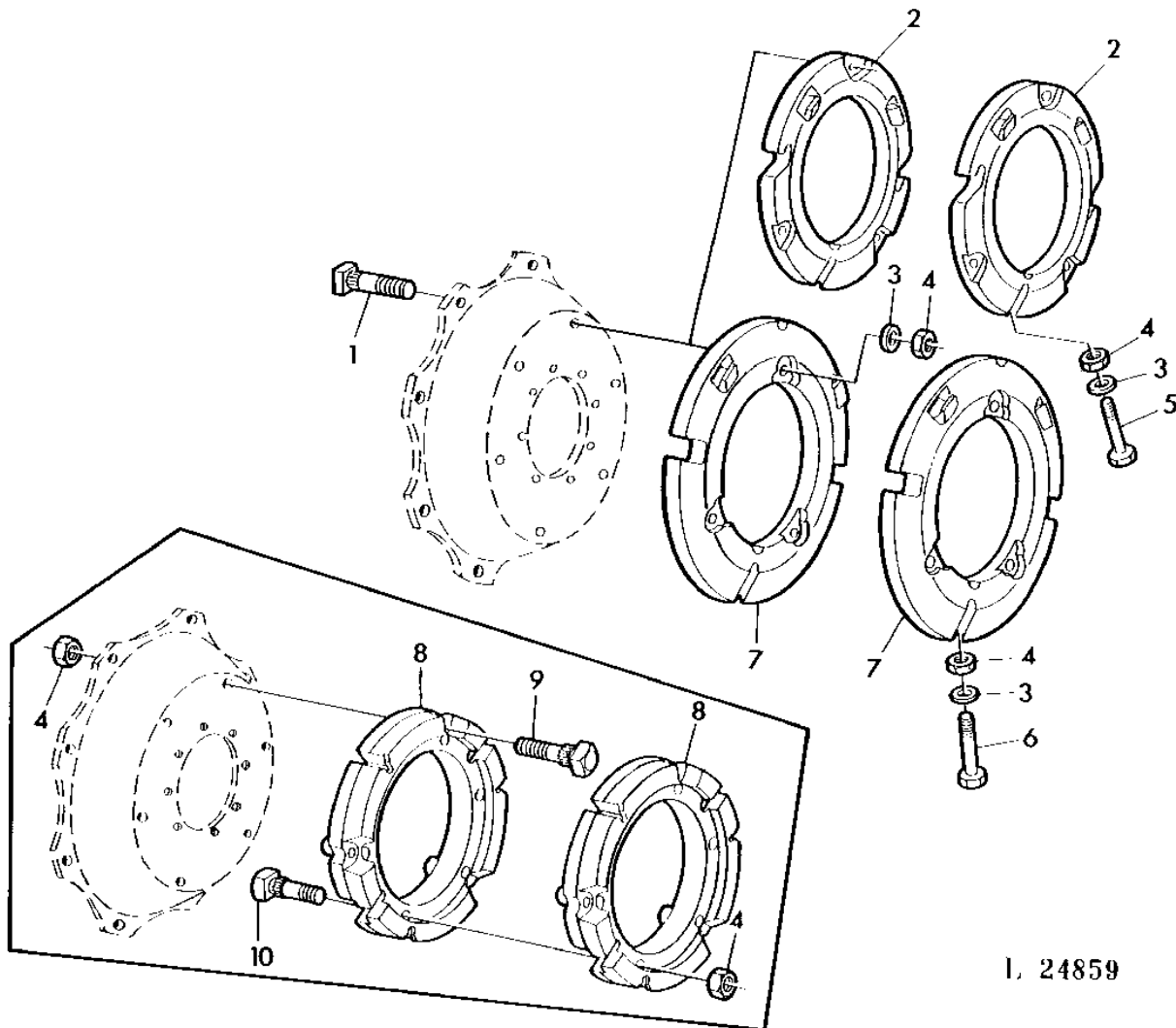
KEY	PART NO.	PART NAME	QTY	SERIAL NO.	3 0 3 0	3 1 3 0	REMARKS
1	19H2600	CAP SCREW	6		X	X	3/4"X2-5/8"
2	12H236	LOCK WASHER	6		X	X	3/4"
3	R33539	HALF SLEEVE	2		X	X	
4	B3014R	PINION	2		X	X	Z=14
5	A4380R	PINION SHAFT	2		X	X	(ORD R73380, R83588)
6	R33460	WHEEL	2		X	X	(A) 23.1/18-26
7	L29137	WHEEL CENTER	2		X	X	(A) 16.9/14-38 (ORD L32554)
	L32554	WHEEL CENTER	2		X	X	(A) 16.9/14-38
	R33440	WHEEL	2	-193143	X	X	(A) 16.9/14-34,18.4/15-34
	L31681	DISK	2	193144-	X	X	(A) 16.9/14-34,18.4/15-34
8	12H245	LOCK WASHER	6		X	X	7/8"
9	08H4419	CAP SCREW	6		X	X	7/8"X6-1/2" (SUB FOR R34829)
10	AP22529	RIM	2		X	X	(A) 23.1/18-26
	T27720	RIM	2		X	X	(A) 16.9/14-38
	R31592	RIM	2	-193143	X	X	(A) 16.9/14-34,18.4/15-34
	L31680	RIM	2	193144-	X	X	(A) 16.9/14-34,18.4/15-34
11	14H800	NUT	AR		X	X	5/8"
12	L38141	CLAMP	AR		X	X	
	A4388R	CLAMP	AR		X	X	(ORD L38141, 08H4766)
	B634R	CLAMP	18		X	X	(A) 23.1/18-26
13	08H4694	BOLT	AR		X	X	5/8"X4" (FOR A4388R)
	08H4766	BOLT	AR		X	X	5/8"X4-1/4" (FOR L38141)
	A4064R	BOLT	18		X	X	(A) 23.1/18-26,5/8 "
14	R58303	SCREW	4		X	X	7/8" (SUB FOR R33706)
15	A4883R	RING	4		X	X	
16	R33540	HALF SLEEVE	2		X	X	
17	R83588	DRIVE SHAFT	2		X	X	
18	R73380	SNAP RING	2		X	X	

(A) FOR TIRE SIZE  
 POUR PNEUMATIQUES  
 FUER BEREIFUNG  
 PER PNEUMATICI  
 PARA NEUMATICOS  
 FOR DACKSDIMENSION

# 3B13

MISCELLANEOUS

WEIGHTS FOR STEEL DISK REAR WHEELS  
MASSES D'ALOURDISSEMENT POUR ROUES ARRIERE ACIER  
ZUSATZGEWICHTE FUER STAHL-HINTERRAEDER  
ZAVORRE PER RUOTE CON DISCO ACCIAIO  
CONTRAPESOS PARA RUEDAS CON DISCO DE ACERO  
VIKTER FOR BAKHJULER MED STALDISK  
L24859 -UN-25OCT95



# 3B14

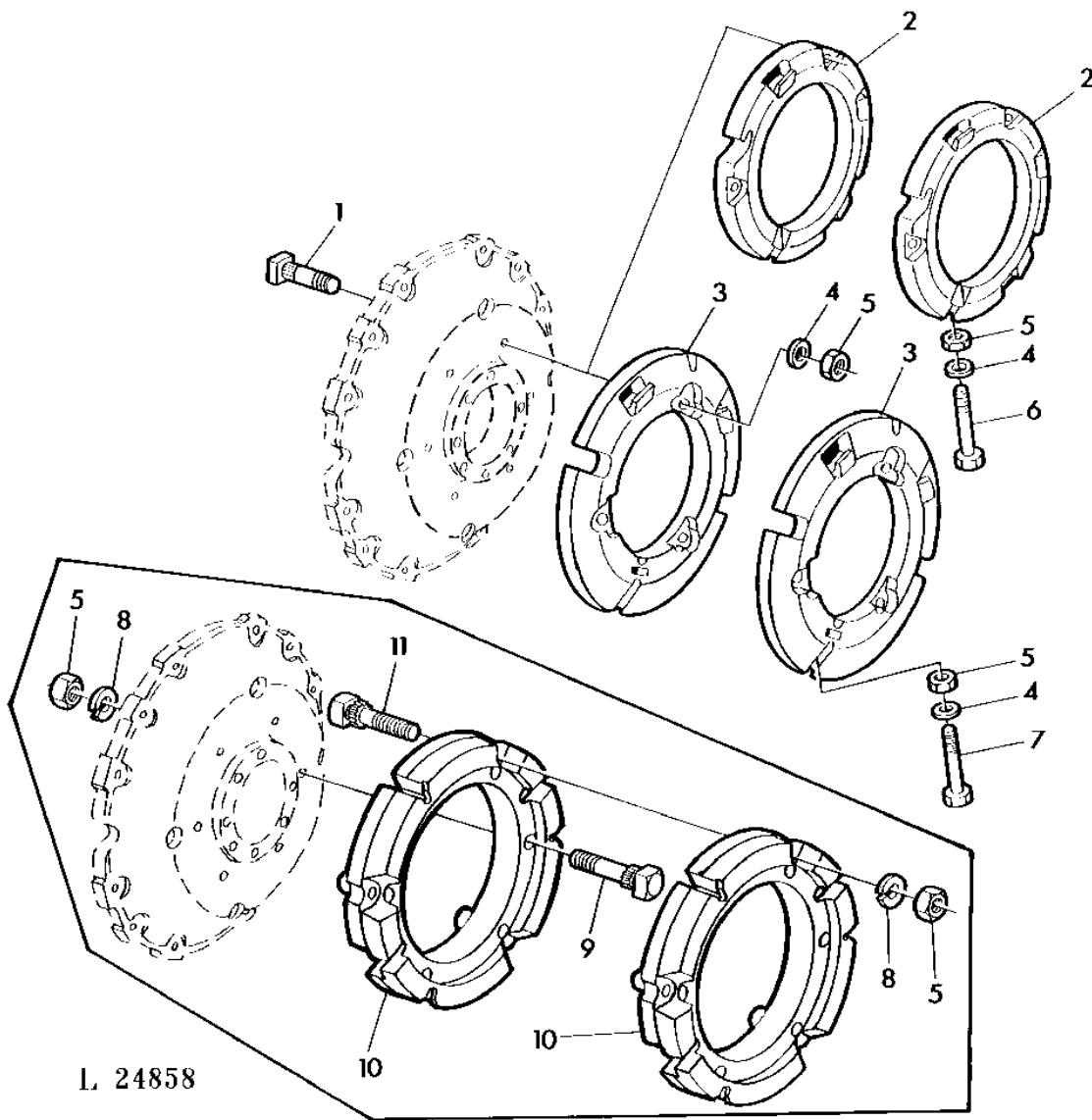
MISCELLANEOUS

KEY	PART NO.	PART NAME	QTY	SERIAL NO.	3 3 0 1 3 3 0 0	REMARKS
1	L28226	BOLT	6		X X	5/8"
2	L28230	WEIGHT	AR		X X	38,5KG(85 LBS)
3	24H1139	WASHER	AR		X X	11/16"X1-1/4"X.105"
4	14H1039	NUT	AR		X X	5/8"
5	08H4766	BOLT	2		X X	5/8"X4-1/4"
6	08H4761	BOLT	2		X X	5/8"X6"
7	L28228	WEIGHT	AR		X X	55KG(121 LBS)
8	T29063	WEIGHT	AR		X X	65KG(143 LBS)
9	R21302	WHEEL BOLT	6		X X	5/8"
10	A4064R	BOLT	AR		X X	5/8"

# 3B15

MISCELLANEOUS

WEIGHTS/FOR CAST REAR WHEELS  
MASSES D'ALOURDISSEMENT/POUR ROUES ARRIERE FONTE  
ZUSATZGEWICHT/FUR GUSS-HINTERRAEDER  
ZAVORRE PER RUOTE POSTERIORI GHISA  
CONTRAPESOS/PARA RUEDAS TRASERAS DE FUNDICION  
VIKTER FOR GJUTNA BAKHJULER  
L24858 -UN-25OCT95



# 3B16

MISCELLANEOUS

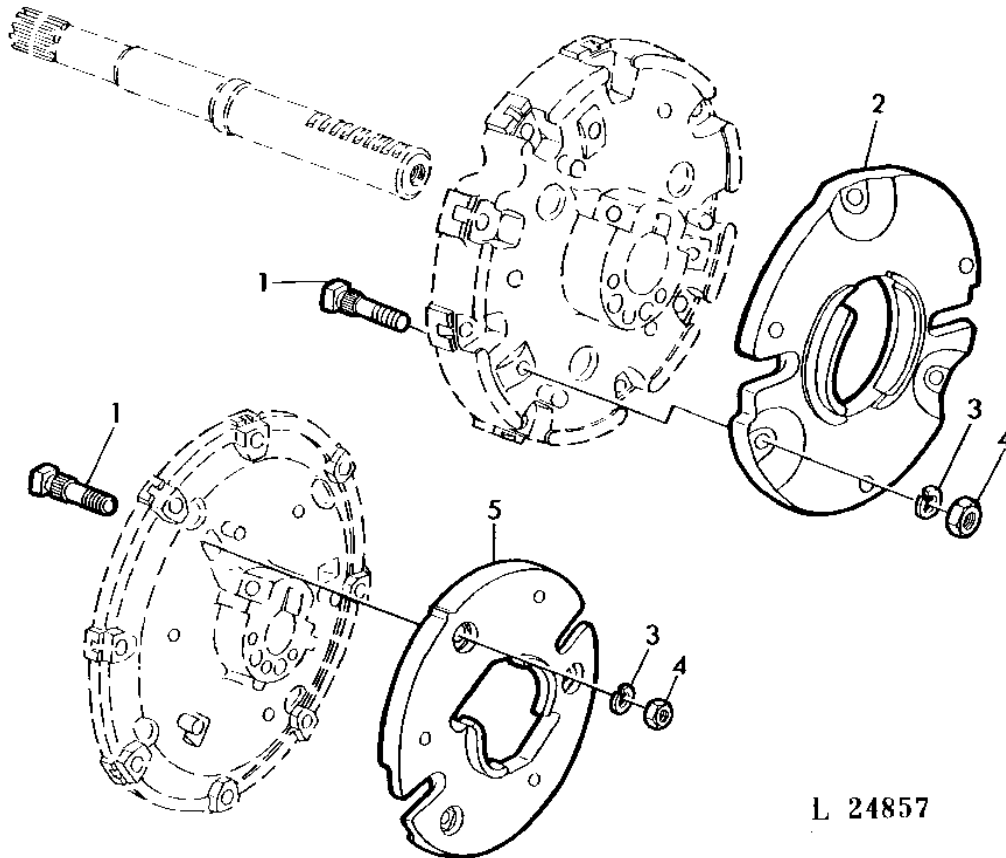
KEY	PART NO.	PART NAME	QTY	SERIAL NO.	3 3 0 1 3 3 0 0	REMARKS
1	L28226	BOLT	6		X X	5/8"
2	L28230	WEIGHT	AR		X X	38,5KG(85 LBS)
3	L28228	WEIGHT	AR		X X	55KG(121 LBS)
4	24H1139	WASHER	AR		X X	11/16"X1-1/4"X.105"
5	14H1039	NUT	AR		X X	5/8"
6	08H4766	BOLT	2		X X	5/8"X4-1/4"
7	08H4761	BOLT	2		X X	5/8"X6"
8	12H294	LOCK WASHER	AR		X X	5/8"
9	T29064	BOLT	6		X X	5/8",LGTH=108MM(4.25")
10	T29063	WEIGHT	AR		X X	65KG(143 LBS)
11	A4064R	BOLT	AR		X X	5/8"

# 3B17

MISCELLANEOUS

WEIGHTS FOR CAST REAR WHEELS(RACK AND PINION AYLE)  
MASSES ROUES ARRIERE FONTE(ESSIEU REGLABLE)  
ZUSATZGEWICHT/GUSS-HINTERRAEDER(VERSTELLACHSE)  
ZAVORRE PER RUOTE POSTERIORI GHISA(ASSALE CREMAGLIERA)  
CONTRAPESOS/PARA RUEDAS TRASERAS DE FUNDICION(EVE AJUSTABLE)  
VIKTER FOR GJUTNA BAKHJULER(STALLBAR AXEL)

L24857 -UN-25OCT95



L 24857

# 3B18

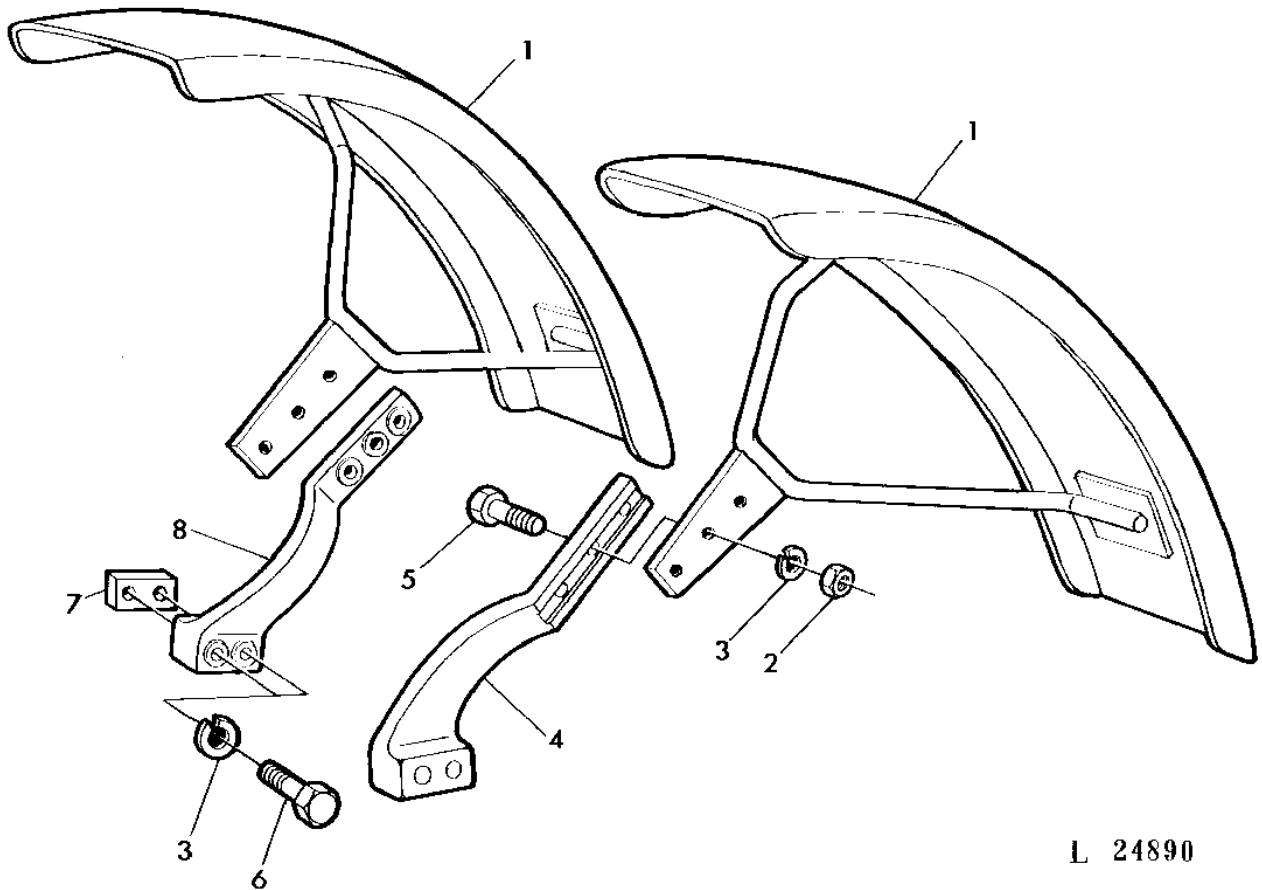
MISCELLANEOUS

KEY	PART NO.	PART NAME	QTY	SERIAL NO.	3 3 0 1 3 3 0 0	REMARKS
1	R34801	BOLT	AR		X X	5/8"
2	R34810	WEIGHT	AR		X X	55KG(121 LBS)
3	12H294	LOCK WASHER	AR		X X	5/8"
4	14H1039	NUT	AR		X X	5/8"
5	A3404R	WEIGHT	AR		X X	65KG(143 LBS)

# 3B19

MISCELLANEOUS

FRONT FENDERS-FOR TIRES 7.50-18  
AILES AVANT-MONTE EN PNEUS 7.50-18  
KOTFLUEGEL VORN-FUER BEREIFUNG 7.50-18  
PARAFANGHI ANTERIORI-PER PNEUMATICI 7.50-18  
GUARDABARROS DELANTEROS-PARA NEUMATICOS 7.50-18  
FRAMSTANKSKARMAR-FOR DACK 7.50-18  
L24890 -UN-25OCT95



L 24890



# 3B20

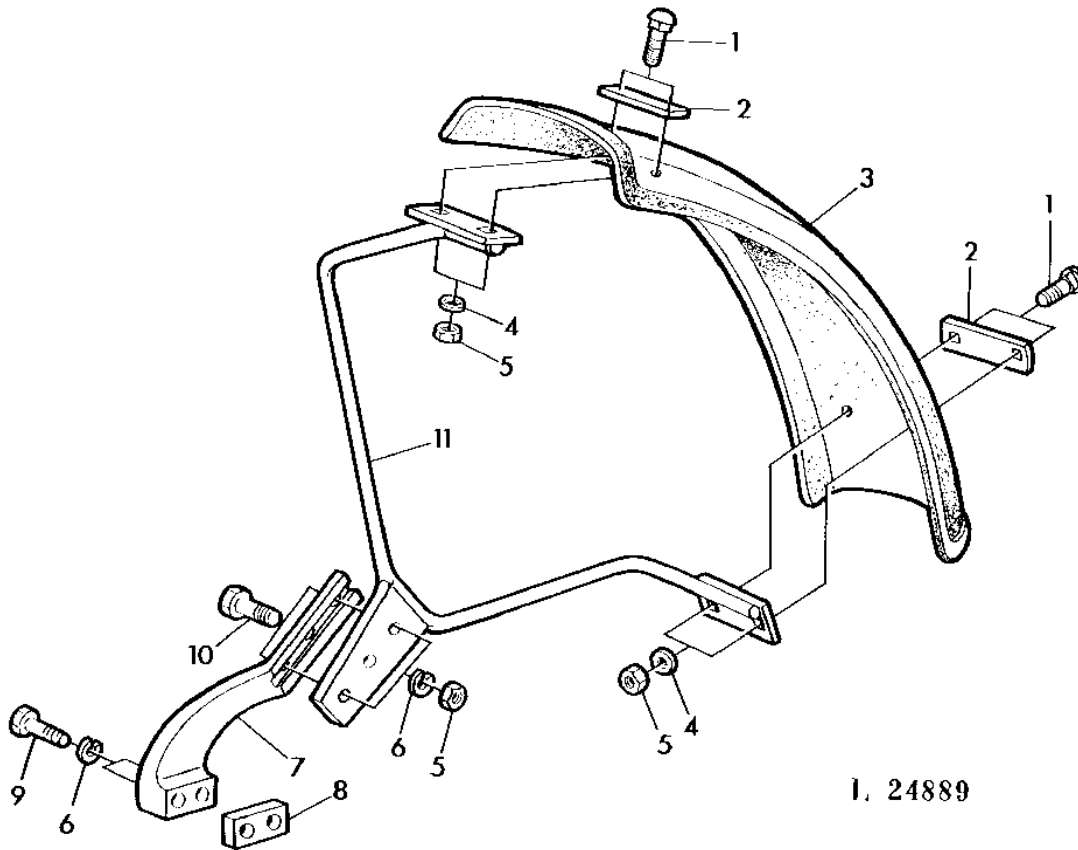
MISCELLANEOUS

KEY	PART NO.	PART NAME	QTY	SERIAL NO.	3 0 3 0	3 1 3 0	REMARKS
1	AL24019	FENDER	2		X	X	
2	14H812	NUT	4		X	X	3/8"
3	12H304	LOCK WASHER	8		X	X	3/8"
4	L32158	BRACE	1		X	X	LH (SUB FOR T29620)
5	19H2665	CAP SCREW	4		X	X	3/8"X1-5/8" (SUB FOR 19H1801)
6	19H1801	CAP SCREW	4	-186269	X	X	3/8"X2"
	19H2722	CAP SCREW	4	186270-	X	X	3/8"X2-3/8"
7	L31504	SPACER	2	186270-	X	X	
8	L32157	BRACE	1		X	X	RH (SUB FOR T29619)

# 3B21

MISCELLANEOUS

FRONT FENDERS-FOR TIRES 7.50-20,10.5-18  
AILES AVANT-MONTE EN PNEUS 7.50-20,10.5-18  
KOTFLUEGEL VORN-FUER BEREIFUNG 7.50-20,10.5-18  
PARAFANGHI ANTERIORI-PER PNEUMATICI 7.50-20,10.5-18  
GUARDABARROS DELANTEROS-PARA NEUMATICOS 7.50-20,10.5-18  
FRAMSTANKSKARMAR-FOR DACK 7.50-20,10.5-18  
L24889 -UN-25OCT95



I. 24889

# 3B22

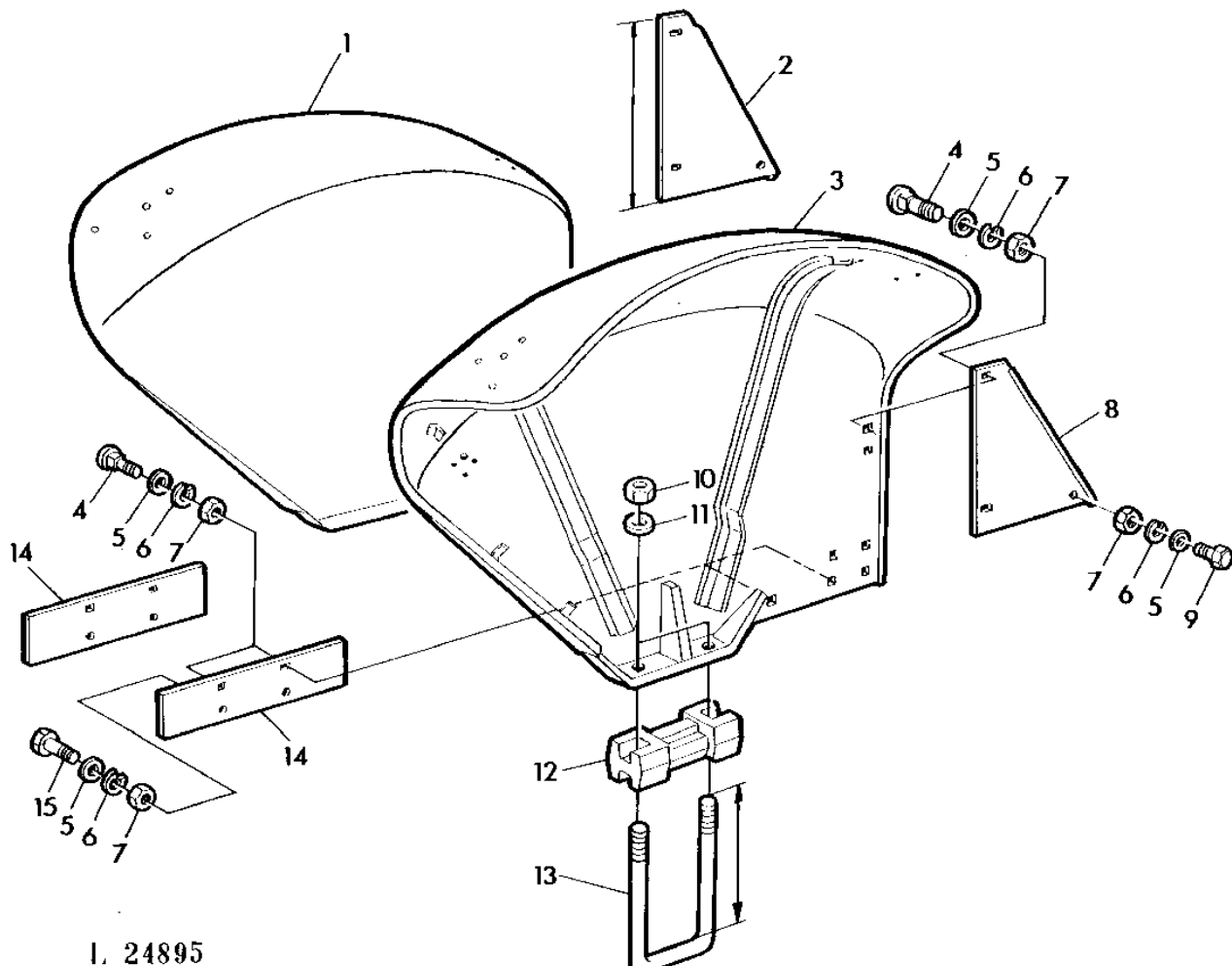
MISCELLANEOUS

KEY	PART NO.	PART NAME	QTY	SERIAL NO.	3 0 3 0	3 1 3 0	REMARKS
1	03H1519	BOLT	8		X	X	3/8"X1"
2	L27099	STRAP	4		X	X	
3	L28626	FENDER	2		X	X	
4	24H1305	WASHER	4		X	X	13/32"X13/16"X.060"
5	14H812	NUT	12		X	X	3/8"
6	12H304	LOCK WASHER	8		X	X	3/8"
7	L32157	BRACE	1		X	X	RH (SUB FOR T29619)
	L32158	BRACE	1		X	X	LH (SUB FOR T29620)
8	L31504	SPACER	2	186270-	X	X	
9	19H2665	CAP SCREW	4	-186269	X	X	3/8"X1-5/8"
	19H2722	CAP SCREW	4	186270-	X	X	3/8"X2-3/8"
10	19H2665	CAP SCREW	4		X	X	3/8"X1-5/8" (SUB FOR 19H1801)
11	AL19709	SUPPORT	2		X	X	

# 3B23

MISCELLANEOUS

REAR FENDERS (SHELL TYPE)  
AILES ARRIERE (TYPE COQUILLE)  
MUSCHELKOTFLUEGEL  
PARAFANGHI A CONCHIGLIA  
GUARDABARROS DE CONCHA  
MUSSELMFORMIGA BAKS TANKSKARMAR  
L24895 -UN-25OCT95



1. 24895

# 3B24

MISCELLANEOUS

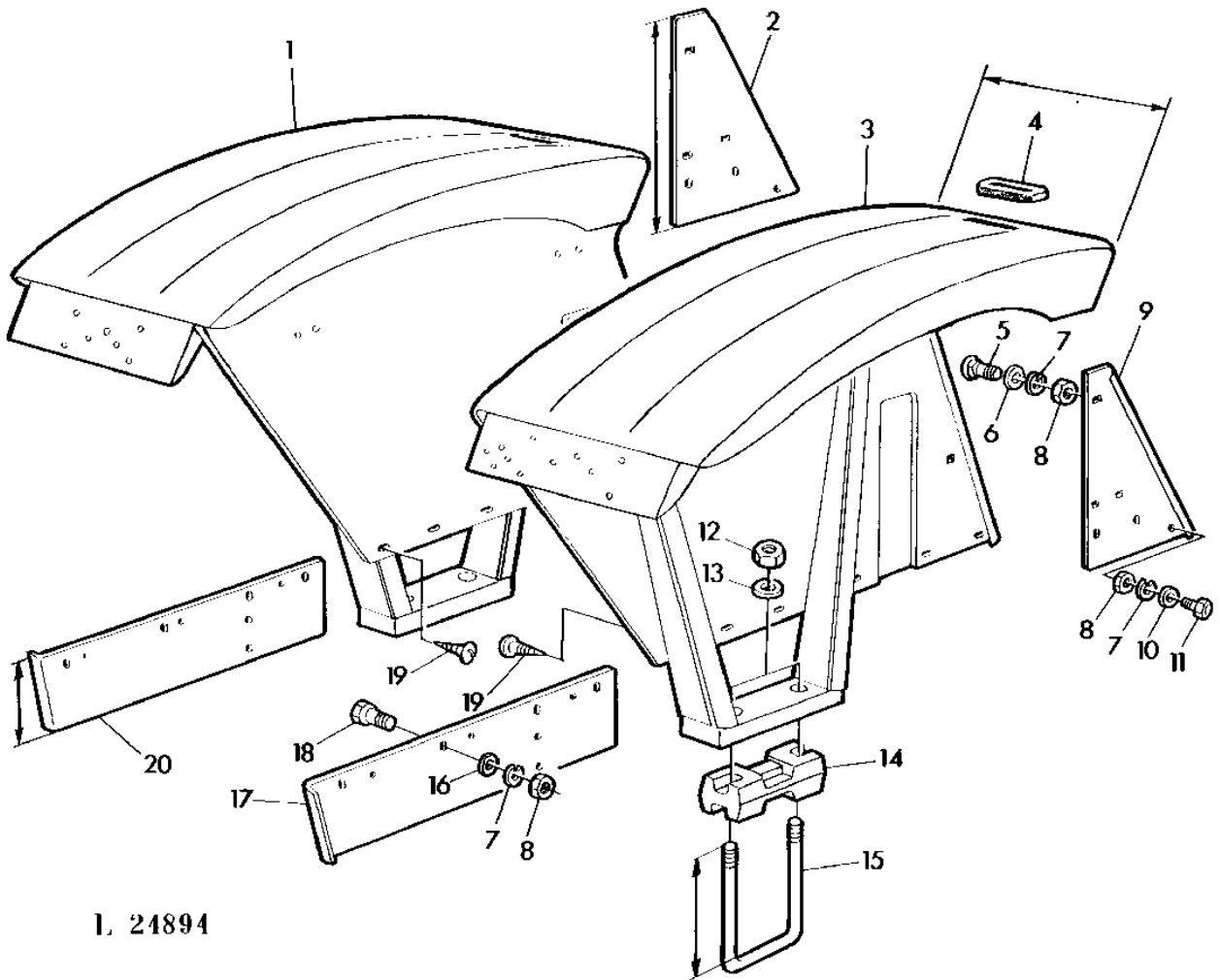
KEY	PART NO.	PART NAME	QTY	SERIAL NO.	3 0 3 0	REMARKS
1	AL19957	FENDER	1		X X	LH
	AL23193	FENDER	1		X X	(A) LH
2	L28553	SHEET	1		X X	LH,266MM(10.47")
	L28539	SHEET	1		X X	LH,354MM(13.94")
3	AL19956	FENDER	1		X X	RH
	AL23192	FENDER	1		X X	(A) RH
4	03H2275	BOLT	AR		X X	3/8"X5/8"
5	24H1307	WASHER	AR		X X	13/32"X1"X.060"
6	12H304	LOCK WASHER	AR		X X	3/8"
7	14H812	NUT	AR		X X	3/8"
8	L28554	SHEET	1		X X	RH,266MM(10.47")
	L28540	SHEET	1		X X	RH,354MM(13.94")
9	19H2021	CAP SCREW	2		X X	3/8"X5/8"
10	14H863	NUT	4		X X	3/4"
11	24H1393	WASHER	4		X X	25/32"X1-3/8"X.180"
12	L30619	SPACER	AR		X X	(SUB FOR T32162)
13	T32161	U-BOLT	2	-301274	X X	248MM(9.77")
	L34077	U-BOLT	2	301275-	X X	266MM(10.472") (SUB FOR L33627)
	T32245	U-BOLT	2	-301274	X X	298MM(11.73")
	L34076	U-BOLT	2	301275-	X X	316MM(12.441") (SUB FOR L33626)
	L28547	U-BOLT	2	-301274	X X	348MM(13.70")
	L34078	U-BOLT	2	301275-	X X	366MM(14.409") (SUB FOR L33628)
14	L28555	SHEET	2		X X	80MM(3.15")
15	19H1936	CAP SCREW	AR		X X	3/8"X3/4"

(A) ELECTRICAL WIRING SYSTEM SEALED BEAM  
 CIRCUIT ELECTRIQUE OPTIQUE SCHELLEE  
 ELEKTRISCHE ANLAGE SEALED BEAM  
 CABLAGGIO ELETTRICO SEALED BEAM  
 EQUIPO ELECTRICO SEALED BEAM  
 ELEKTRISK KABELDRAGNING SEALED BEAM

# 3C1

MISCELLANEOUS

REAR FENDERS (WIDE)  
AILES ARRIERE ENVELOPPANTES  
DACHKOTFLUEGEL  
PARAFANGHI POSTERIORI NORMALI  
GUARDABARROS TRASEROS DE TEJADILLO  
BAKRE STANKSKARMAR (BREDA)  
L24894 -UN-25OCT95



L. 24894

# 3C2

MISCELLANEOUS

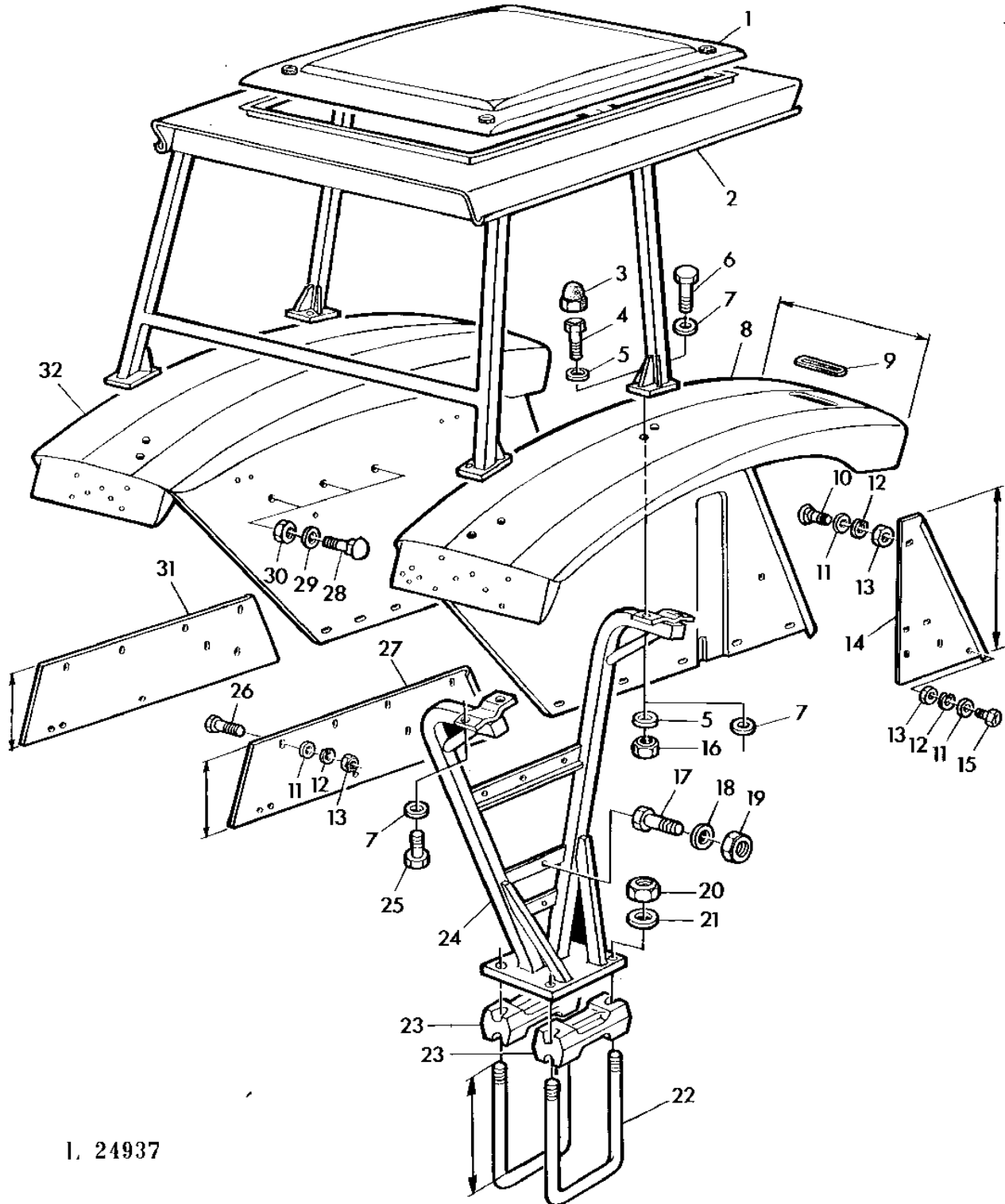
KEY	PART NO.	PART NAME	QTY	SERIAL NO.	3 0 3 0	3 1 3 0	REMARKS
1	AL19960	FENDER	1		X	X	LH,438MM(17.24")
	AL19952	FENDER	1		X	X	LH,570MM(22.44")
2	L28539	SHEET	1		X	X	LH,354MM(13.94")
	L28541	SHEET	1		X	X	LH,412MM(16.22")
	L28545	SHEET	1		X	X	LH,440MM(17.32")
3	AL19961	FENDER	1		X	X	RH,438MM(17.24")
	AL19953	FENDER	1		X	X	RH,570MM(22.44")
4	L55208	GROMMET	2		X	X	(SUB FOR L11510, R20759)
5	03H2275	BOLT	2		X	X	3/8"X5/8"
6	24H1393	WASHER	10		X	X	25/32"X1-3/8"X.180"
7	12H304	LOCK WASHER	AR		X	X	3/8"
8	14H812	NUT	AR		X	X	3/8"
9	L28540	SHEET	1		X	X	RH,354MM(13.94")
	L28542	SHEET	1		X	X	RH,412MM(16.22")
	L28546	SHEET	1		X	X	RH,440MM(17.32")
10	24H1393	WASHER	10		X	X	25/32"X1-3/8"X.180"
11	19H1936	CAP SCREW	6		X	X	3/8"X3/4"
12	14H863	NUT	4		X	X	3/4"
13	24H1396	WASHER	4		X	X	25/32"X1-1/2"X.105"
14	L30619	SPACER	AR		X	X	(SUB FOR T32162)
15	T32161	U-BOLT	2	-301274	X	X	248MM(9.77")
	L34077	U-BOLT	2	301275-	X	X	266MM(10.472") (ORD L33627)
	T32245	U-BOLT	2	-301274	X	X	298MM(11.73")
	L34076	U-BOLT	2	301275-	X	X	316MM(12.441") (ORD L33626)
	L28547	U-BOLT	2	-301274	X	X	348MM(13.70")
	L34078	U-BOLT	2	301275-	X	X	366MM(14.409) (ORD L33628)
16	24H1305	WASHER	AR		X	X	13/32"X13/16"X.060"
17	L30303	SHEET	1		X	X	RH,139MM(5.47") (SUB FOR L28538)
	L30306	SHEET	1		X	X	RH,192MM(7.56") (SUB FOR L28544)
18	19H2021	CAP SCREW	AR		X	X	3/8"X5/8"
19	37H29	SCREW	AR		X	X	5/16"X5/8"
20	L30302	SHEET	1		X	X	LH,139MM(5.47") (SUB FOR L28537)
	L28759	SHEET	2		X	X	(A) 139MM(5.47")
	L30305	SHEET	1		X	X	LH,192MM(7.56") (SUB FOR L28537, L28543)
	L28760	SHEET	2		X	X	(A) 192MM(7.56")

(A) WITH ROLL-GUARD  
 AVEC ARCEAN DE SECURITE  
 BEI UEBERSCHLAGSCHUTZ  
 CON PROTEZIONE ANTI-RIBALTAMENTO  
 CON ARCO DE SEGURIDAD  
 MED STORTBAGE

# 3C3

MISCELLANEOUS

REAR FENDERS(WIDE)4-POST ROLL GUARD  
AILES ARRIERE ENVELOPPANTES AVEC CADRE 4 MONTANTS  
DACHKOTFLUEGEL BEI 4-PFOSTEN UEBERSCHLAGSCHUTZ  
PARAFANGHI POSTERIORI CON ANTIRIBALTAMENTO A 4 MONTANTI  
GUARDABARROS TRASEROS DEFENSA CONTRA VUELCOS DE 4 MASTILES  
BAKRE STANKSKARMAR(BREDA)VID STORTSKYDD(4 STOLPAR)  
L24937 -UN-27OCT95



I. 24937



# 3C4

MISCELLANEOUS

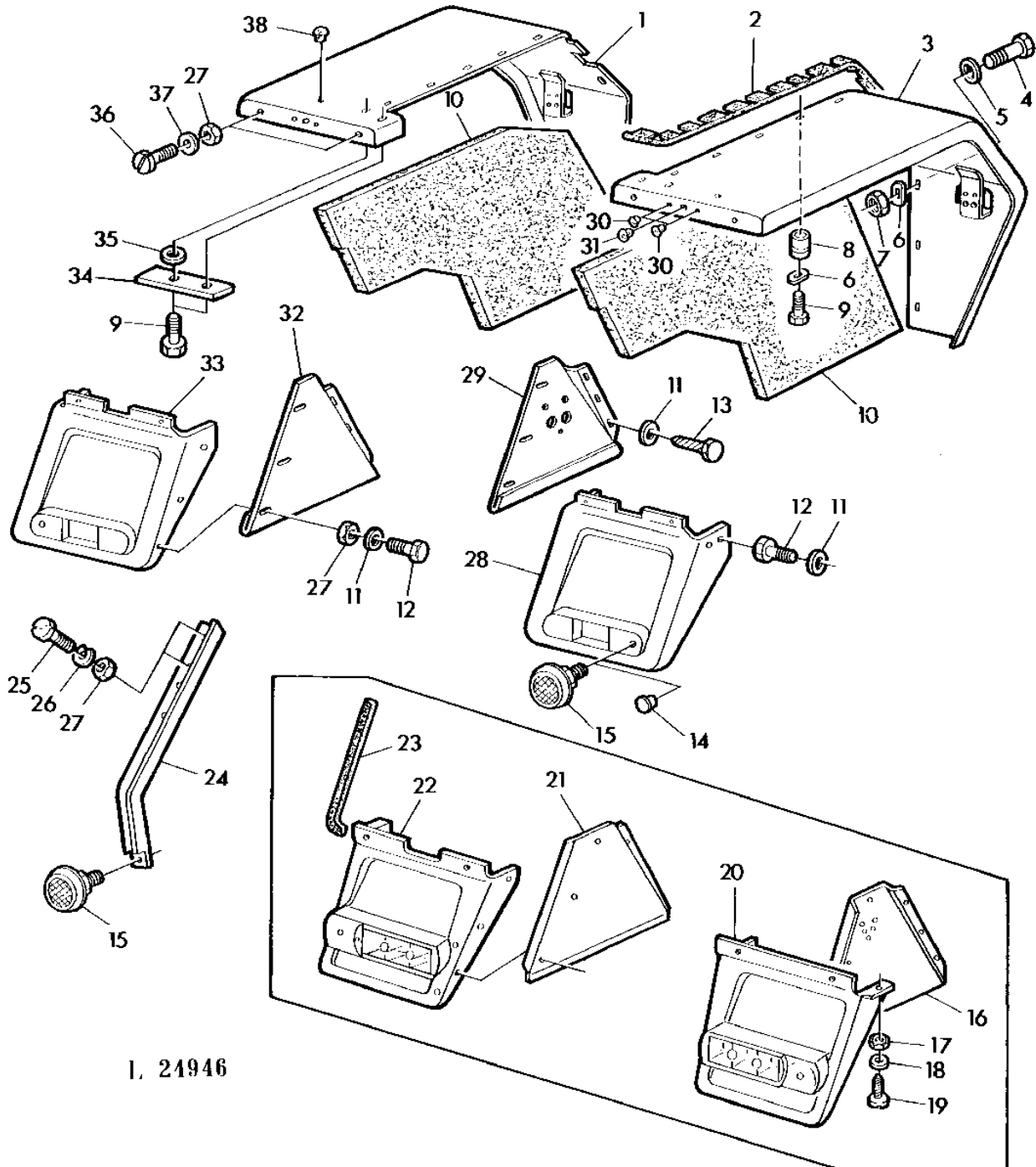
KEY	PART NO.	PART NAME	QTY	SERIAL NO.	3 0 3 0	3 1 3 0	REMARKS
1	AL25369	HOOD	1	-135689	X	X	
2	AL24847	ROOF	1	-135689	X	X	(DECO-TEST) (ORD AL25506, AL25508, AL27822)
	AL25368	ROOF	1	-135689	X	X	(LBG-TEST)GERMANY
3	L30960	NUT	8		X	X	(A)
4	19M7393	CAP SCREW	8		X	X	(A) 14X50MM
5	24M7085	WASHER	16		X	X	(A) 15MM
6	19M7593	CAP SCREW	10	204000-	X	X	14X50MM
7	24M7112	WASHER	22	204000-	X	X	15MM
8	AL24833	FENDER	1		X	X	RH,570MM(22.44")
9	L55208	GROMMET	2		X	X	(SUB FOR L11510, R20759)
10	03H2275	BOLT	2		X	X	3/8"X5/8"
11	24H1305	WASHER	16		X	X	13/32"X13/16"X.060"
12	12H304	LOCK WASHER	AR		X	X	3/8"
13	14H812	NUT	AR		X	X	3/8"
14	L28540	SHEET	1		X	X	RH,354MM(13.94")
	L28546	SHEET	1		X	X	RH,440MM(17.32")
	L28539	SHEET	1		X	X	LH,354MM(13.94")
	L28545	SHEET	1		X	X	LH,440MM(17.32")
15	19H1936	CAP SCREW	6		X	X	3/8"X3/4"
16	14M7141	NUT	10		X	X	14MM
	14M7141	NUT	8		X	X	(A) 14MM
17	19M7163	CAP SCREW	2		X	X	8X25MM
18	24M7055	WASHER	4		X	X	8MM
19	14M7273	NUT	2		X	X	8MM
20	14H863	NUT	8		X	X	3/4"
21	24H1396	WASHER	8		X	X	25/32"X1-1/2"X.105"
22	L30304	U-BOLT	4	-301274	X	X	200MM(7.87")
	L34075	U-BOLT	4		X	X	218MM(10.472")
	R64678	U-BOLT	4	301275-	X	X	225MM(8.86")
	T32161	U-BOLT	4	-301274	X	X	248MM(9.77")
	L34076	U-BOLT	2	301275-	X	X	266MM(10.47") (SUB FOR L33627)
23	L30619	SPACER	4		X	X	
24	AL24835	SUPPORT	1	-203999	X	X	RH
	AL24836	SUPPORT	1	-203999	X	X	LH
	AL27816	FENDER	1	204000-	X	X	RH
	AL27817	FENDER	1	204000-	X	X	LH
25	19M7687	CAP SCREW	2		X	X	14X28MM
26	19H2021	CAP SCREW	10		X	X	3/8"X5/8"
27	L30303	SHEET	1		X	X	RH,A=139MM(5.47")
	L30306	SHEET	1		X	X	RH,A=192MM(7.56")
28	03M7191	BOLT	6		X	X	10X25MM (SUB FOR 03M7088)
29	24M7028	WASHER	6		X	X	10,5X21X2MM
30	14M7140	NUT	6		X	X	10MM
31	L30302	SHEET	1		X	X	LH,139MM(5.47")
	L30305	SHEET	1		X	X	LH,192MM(7.56")
32	AL24834	FENDER	1		X	X	LH,570MM(22.44")

(A) WITHOUT 4-POST ROLLGUARD  
 SANS CADRE DE SECURITE  
 OHNE 4 PFOSTEN UEBERSCHLAGSCHUTZ  
 SENZA PROTEZIONE ANTI-RIBALTAME  
 SIN ARCO DE SEGURIDAD DE 4 ARBOTANTES  
 UTAN 4-STOD STORTBAGE

# 3C5

MISCELLANEOUS

FENDERS(WITH OPERATOR'S CAB)  
AILES(AVEC CABINE)  
KOTFLUEGEL(BEI KABINE)  
PARAFANGHI(CON CABINA)  
GUARDABARROS(CON CABINA)  
STANKSKARMAR(VID FORARHYTT)  
L24946 -UN-27OCT95



1. 24946

# 3C6

MISCELLANEOUS

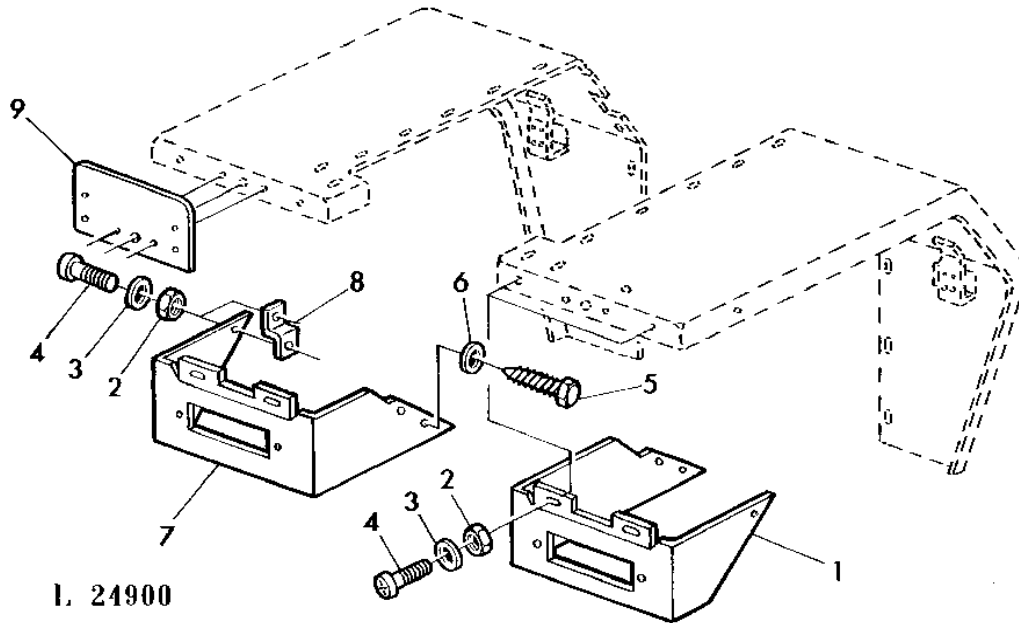
KEY	PART NO.	PART NAME	QTY	SERIAL NO.	3 0 3 0	3 1 3 0	REMARKS
1	AL25731	FENDER	1		X	X	LH
2	L31298	WEATHERSTRIP	2		X	X	
3	AL25730	FENDER	1		X	X	RH
4	19M7163	CAP SCREW	8		X	X	8X25MM
5	24M7036	WASHER	8		X	X	9X17X1,6MM
6	L31308	WASHER	22		X	X	
7	14M7273	NUT	8		X	X	8MM
8	L32176	BUSHING	AR		X	X	
9	19M7139	CAP SCREW	14		X	X	8X20MM
10	L31183	BARRIER	1		X	X	RH
	L31182	BARRIER	1		X	X	LH
11	24M7054	WASHER	16		X	X	6,4MM
12	19M7560	CAP SCREW	10		X	X	6X16MM
13	37M7038	SCREW	6		X	X	5X20MM
14	99M7043	PLUG	2		X	X	(A)
15	AL25878	REFLECTOR	2		X	X	
16	L31187	PANEL	1		X	X	RH
17	14M7139	NUT	2		X	X	4MM (SUB FOR 14M7028)
18	24M7117	WASHER	2		X	X	4,3MM (SUB FOR 24M7027)
19	21M7216	SCREW	2		X	X	4X20MM (SUB FOR 21M7207)
20	AL25812	SHIELD	1		X	X	RH
21	L31186	PANEL	1		X	X	LH
22	AL25813	SHIELD	1		X	X	LH
23	L31347	MOLDING	2		X	X	
24	T32418	RETAINER	2		X	X	(A)
25	21M7094	SCREW	4		X	X	(A) 6X15MM
26	12M7012	LOCK WASHER	4		X	X	(A) 6MM
27	14M7272	NUT	14		X	X	6MM
28	L32720	SHIELD	1		X	X	RH
29	L35640	SHIELD	1		X	X	RH (SUB FOR L32718)
30	L31349	PLUG	2		X	X	RH
31	L31350	PLUG	1		X	X	RH
32	L32719	SIDE WALL	1		X	X	LH
33	L32721	SHIELD	1		X	X	LH
34	L32722	STRAP	2		X	X	
35	24M7111	WASHER	2		X	X	13X25X3MM
36	21M7206	SCREW	4		X	X	6X20MM
37	24M7139	WASHER	4		X	X	6,4X18X1,5MM
38	L31353	PLUG	1		X	X	LH

(A) ONLY FOR SWEDEN  
 SEULEMENT POUR LA SUEDE  
 NUR FUER SCHWEDEN  
 SOLTANTO PER LA SVEZIA  
 SOLAMENTE PARA SUECIA  
 ENDAST FOR SVERIGE

# 3C7

MISCELLANEOUS

FENDERS-W/CAB(PROTECTIVE COVERS WITH SNOW CHAINS)  
 AILES-CABINE(REVETEMENT AVEC CHAINES NEIGE)  
 KOTFLUEGEL-BEI KABINE(VERKLEIDUNG BEI SCHNEEKETTE)  
 PARAFANGHI-CON CABINA(RIVESTIMENTI PER CATENE PER NEVE)  
 GUARDABARROS-CON CABINA(REVEST.PARA CADENAS ANTIDESLIZANT.)  
 STANKSKARMAR VID.HYTT(TACKPLAT VID SNOKEDJORNA)  
 L24900 -UN-26OCT95



3 3  
 0 1  
 3 3  
 0 0

KEY	PART NO.	PART NAME	QTY	SERIAL NO.	REMARKS
1	L35229	EXTENSION	1	X X	R.H.
2	14M7272	NUT	8	X X	6MM
3	24M7139	WASHER	8	X X	6,4X18X1,5MM
4	21M7206	SCREW	8	X X	6X20MM
5	37M7038	SCREW	4	X X	5X20MM
6	24M7054	WASHER	4	X X	6,4MM
7	L35230	EXTENSION	1	X X	L.H.
8	T24537	ANGLE	2	X X	
9	L35228	SHEET	1	X X	

# 3C8

MISCELLANEOUS

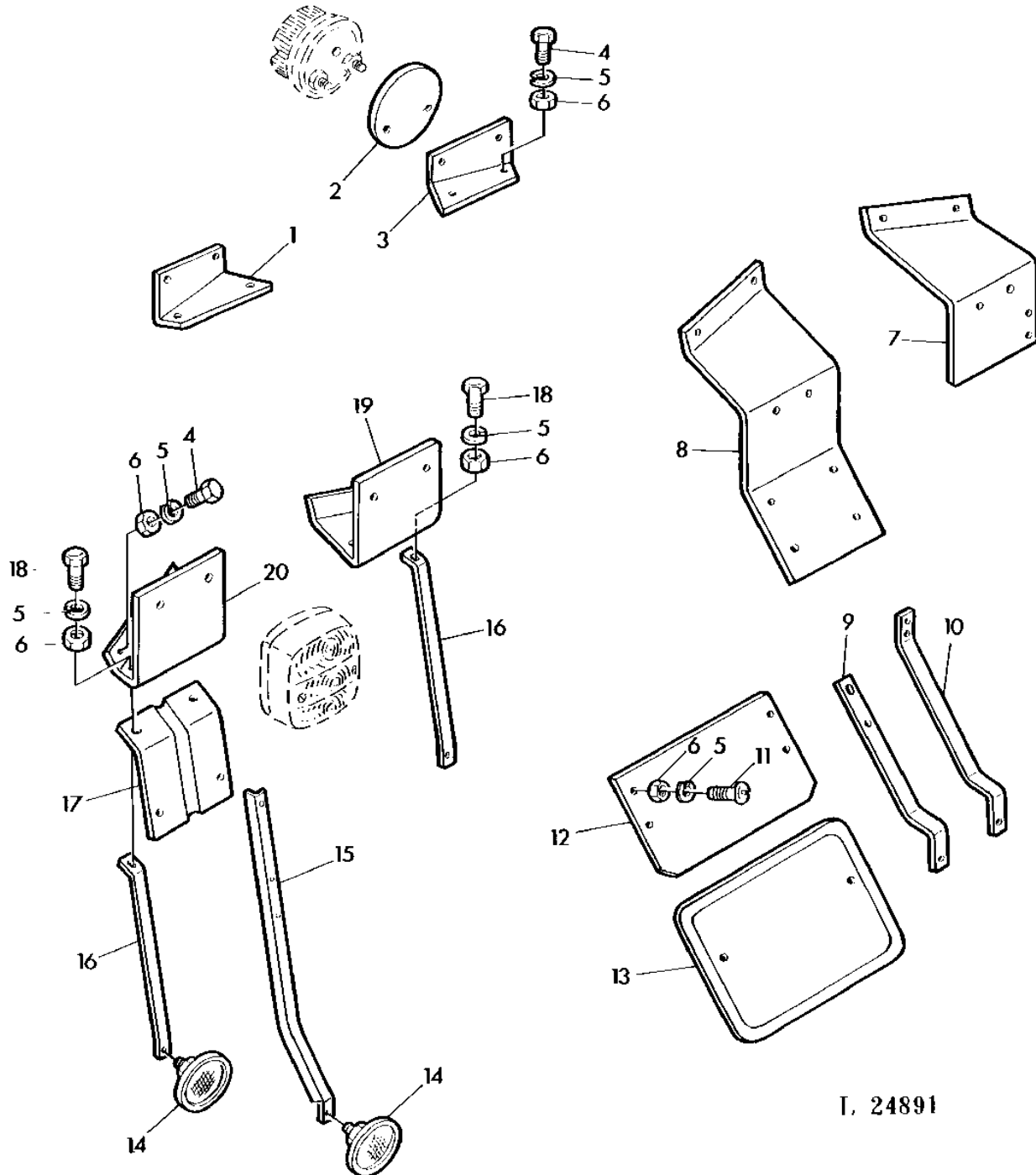
---

MEMORANDA  
MEMORANDA  
MEMORANDA  
MEMORANDA  
MEMORANDA

# 3C9

MISCELLANEOUS

REFLECTORS/BRACKETS(WITH SHELL-TYPE FENDERS)  
CATADIOPTRES/SUPPORTS(AVEC AILES COQUILLE)  
RUECKSTRAHLER/HALTER(BEI MUSCHELKOTFLUEGEL)  
CATARIFRANGENTI/SUPPORTI(CON PARAFANGHI A CONCHIGLIA)  
REFLECTORES/SOPORTES(CON GUARDABARROS DE CONCHA)  
REFLEKTORER/HALLARE(VID MUSSELMFORMIGA STANKSKARMAR)  
L24891 -UN-25OCT95



I. 24891

# 3C10

MISCELLANEOUS

KEY	PART NO.	PART NAME	QTY	SERIAL NO.	REMARKS
					3 3
					0 1
					3 3
					0 0
1	T32987	BRACKET	1		X X L.H.
2	T26361	PLATE	2		X X
3	T32986	BRACKET	1		X X R.H.
4	19H1227	CAP SCREW	8		X X 1/4"X1/2"
5	12H302	LOCK WASHER	11		X X 1/4"
6	14H786	NUT	8		X X 1/4"
7	L28615	RETAINER	1		X X (A) R.H.
8	L28616	RETAINER	1		X X (A) L.H.
9	T30431	RETAINER	1		X X (A) L.H.
10	L28696	RETAINER	1		X X (A) R.H.
11	21H597	SCREW	7		X X 1/4"X1/2"
12	L24722	PLATE	1		X X (B)
13	L24456	SHEET	1		X X (B)
14	L39871	REFLECTOR	2		X X
15	T32418	RETAINER	2		X X (B)
16	T32991	BRACKET	2		X X
17	T32990	BRACKET	1		X X
18	19H1919	CAP SCREW	3		X X 1/4"X5/8"
19	L28521	BRACKET	1		X X R.H.
20	L28522	BRACKET	1		X X L.H.

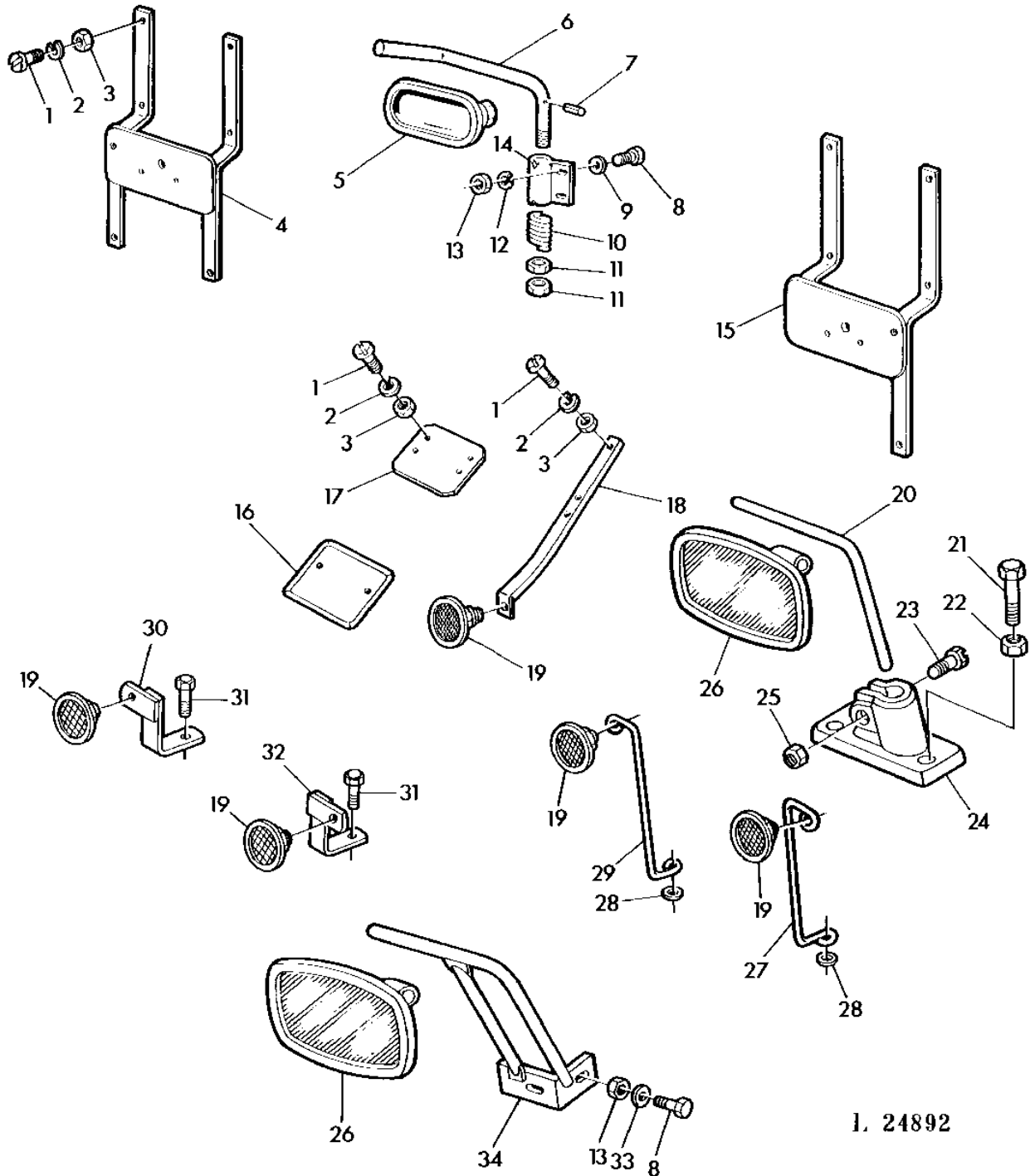
(A) WITH 3 FENDER SUPPORT SPACERS  
 AVEC 3 CALES POUR AILES  
 BEI 3 KOTFLUEGELUNTERLAGEN  
 CON 3 SUPPORTI PER PARAFANGHI  
 CON 3 SOPORTES PARA GUARDABARROS  
 MED 3 UNDERLAG FOR STANKSKARMAR

(B) FOR FRANCE ONLY  
 POUR LA FRANCE SEULEMENT  
 NUR FUER FRANKREICH  
 PARA FRANCIA SOLAMENTE  
 SOLTANTO PER FRANCIA  
 ENDAST FOR FRANKRIKE

# 3C11

MISCELLANEOUS

REAR-VIEW MIRROR/REFLECTORS/BRACKETS(REAR FENDERS(WIDE)  
RETROVISEUR/CATADIOPTRES/SUPPORTS(AILES ARRIERE ENVELOPPANTE  
RUECKSPIEGEL/RUECKSTRAHLER/HALTER(DACHKOTFLUEGEL)  
RETROVISORE/CATARIFRANGENTI/SUPPORTI(PARAFAN POST NORMALI)  
RETROVISOR/REFLECTORES/SOPORTES(GUARDABARROS TEJADILLO)  
BACKSPEGEL/REFLEKTORER/HALLARE(BAKRE STANKSKARMAR(BREDA)  
L24892 -UN-25OCT95



L. 24892



# 3C12

MISCELLANEOUS

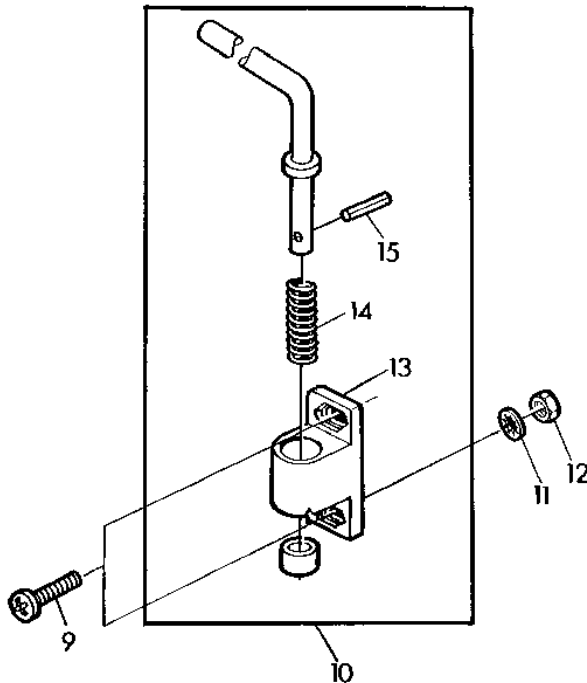
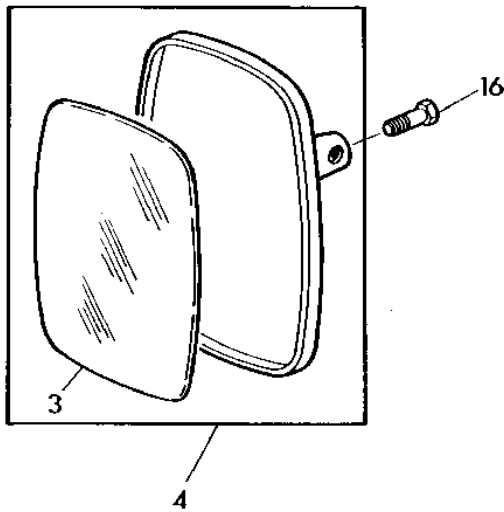
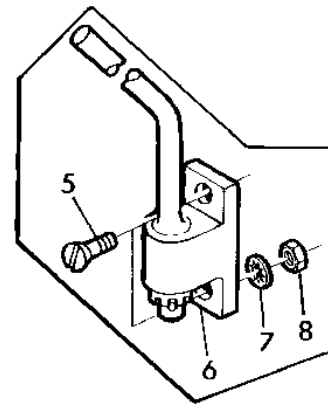
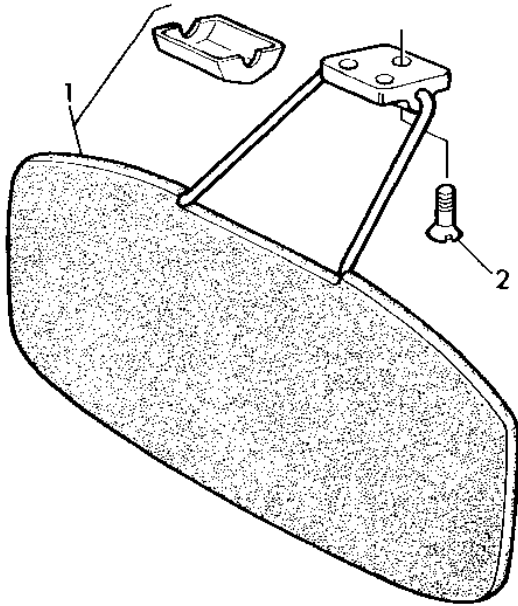
KEY	PART NO.	PART NAME	QTY	SERIAL NO.	3 0 3 0	3 1 3 0	REMARKS
1	21M7094	SCREW	15		X	X	6X15MM
2	12M7012	LOCK WASHER	11		X	X	6MM
3	14M7272	NUT	11		X	X	6MM
4	AL19819	RETAINER	1		X	X	(A) LH
5	AL18361	REAR VIEW MIRROR	1		X	X	
6	L25411	ROD	1		X	X	LH
7	34M7030	SPRING PIN	1		X	X	5X20MM
8	19M7162	CAP SCREW	2		X	X	8X15MM
9	24M7028	WASHER	2		X	X	10,5X21X2MM
10	L11766	COMPRESSION SPRING	1		X	X	
11	14M7154	NUT	2		X	X	12MM
12	12M7008	LOCK WASHER	2		X	X	8MM
13	14M7273	NUT	2		X	X	8MM
14	L19440	RETAINER	1		X	X	
15	AL19820	RETAINER	1		X	X	(A) RH
16	L58621	PLATE	1		X	X	(SUB FOR L24456)
17	L24722	PLATE	1		X	X	
18	T32418	RETAINER	2		X	X	
19	L39871	REFLECTOR	AR		X	X	
20	L30961	LINE	1	135690-	X	X	
21	19M7167	CAP SCREW	2	135690-	X	X	10X25MM
22	14M7022	NUT	2	135690-	X	X	10MM
23	21M7086	SCREW	1	135690-	X	X	6X20MM
24	L30962	BRACKET	1	135690-	X	X	
25	14M7272	NUT	1	135690-	X	X	6MM
26	AL25377	REAR VIEW MIRROR	1	135690-	X	X	
27	L31507	RETAINER	1	132852-	X	X	RH (SUB FOR AL25418)
28	24H1341	WASHER	2	132852-	X	X	17/32"X15/16"X.060"
29	L31508	RETAINER	1	132852-	X	X	LH (SUB FOR AL25417)
30	AL25419	RETAINER	1	132852-	X	X	LH
31	19H2548	CAP SCREW	2	132852-	X	X	1/2"X7/8"
32	AL25420	RETAINER	1	132852-	X	X	RH
33	24M7055	WASHER	2	135690-	X	X	8,4MM
34	AL25376	SUPPORT	1	135690-	X	X	

(A) WITH 3 FENDER SUPPORT SPACERS  
 AVEC 3 CALES POUR AILES  
 BEI 3 KOTFLUEGELUNTERLAGEN  
 CON 3 SUPPORTI PER PARAFANGHI  
 CON 3 SOPORTES PARA GUARDABARROS  
 MED 3 UNDERLAG FOR STANKSKARMAR

# 3C13

MISCELLANEOUS

SUN VISOR AND REAR VIEW MIRROR  
PARE-SOLEIL ET RETROVISEUR  
SONNENBLLENDE UND RUECKSPIEGEL  
PARASOLE E SPECHETTO RETROVISIVO  
PARASOL Y ESPEJO RETROVISOR  
SKOLSKYDD OCH BAKSPEGEL  
L102879 -UN-07NOV95



L 102879

# 3C14

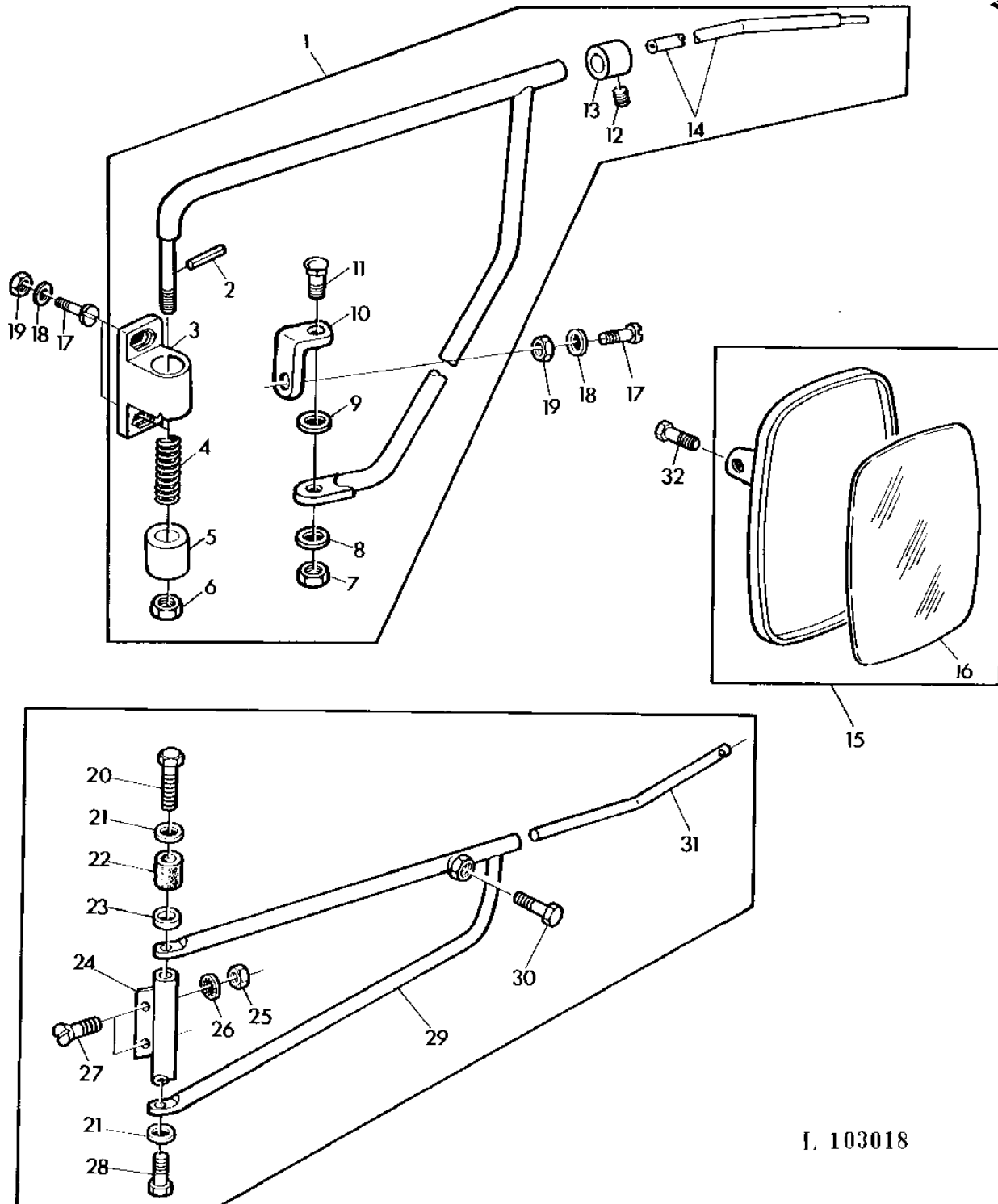
MISCELLANEOUS

KEY	PART NO.	PART NAME	QTY	SERIAL NO.	3 3 0 1 3 3 0 0	REMARKS
1	AL24801	SUN VISOR	1		X X	
2	37M7024	SCREW	3		X X	M8X16
3	L32040	REAR VIEW MIRROR	1		X X	
4	AL30781	REAR VIEW MIRROR	2		X X	(SUB FOR AL25043)
5	21M7220	SCREW	4		X X	M6X15
6	AL25876	RETAINER	2		X X	(ORD AL31078)
7	12M7081	LOCK WASHER	4		X X	6,4MM
8	14M7272	NUT	4		X X	M6
9	21M7206	SCREW	4		X X	M6X20
10	AL31078	RETAINER	2		X X	
11	12M7081	LOCK WASHER	4		X X	
12	14M7272	NUT	4		X X	M6
13	L38793	RETAINER	1		X X	
14	L38794	SPRING	1		X X	
15	44M1124	DOWEL PIN	1		X X	4X24MM
16	19M6614	CAP SCREW	1		X X	M6X12

# 3C15

MISCELLANEOUS

REAR-VIEW MIRROR(SWEDEN)  
RETROVISEUR(SUEDE)  
RUECKSPIEGEL(SCHWEDEN)  
RETROVISORE(SVEZIA)  
RETROVISOR(SUECIA)  
BACKSPEGEL(SVERIGE)  
L103018 -UN-07NOV95



I. 103018

# 3C16

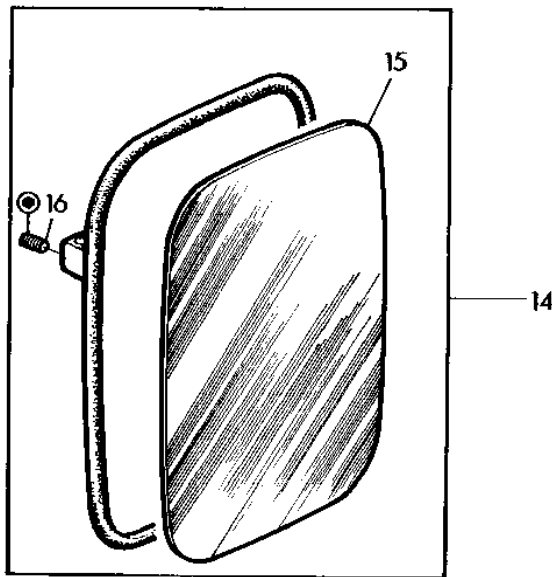
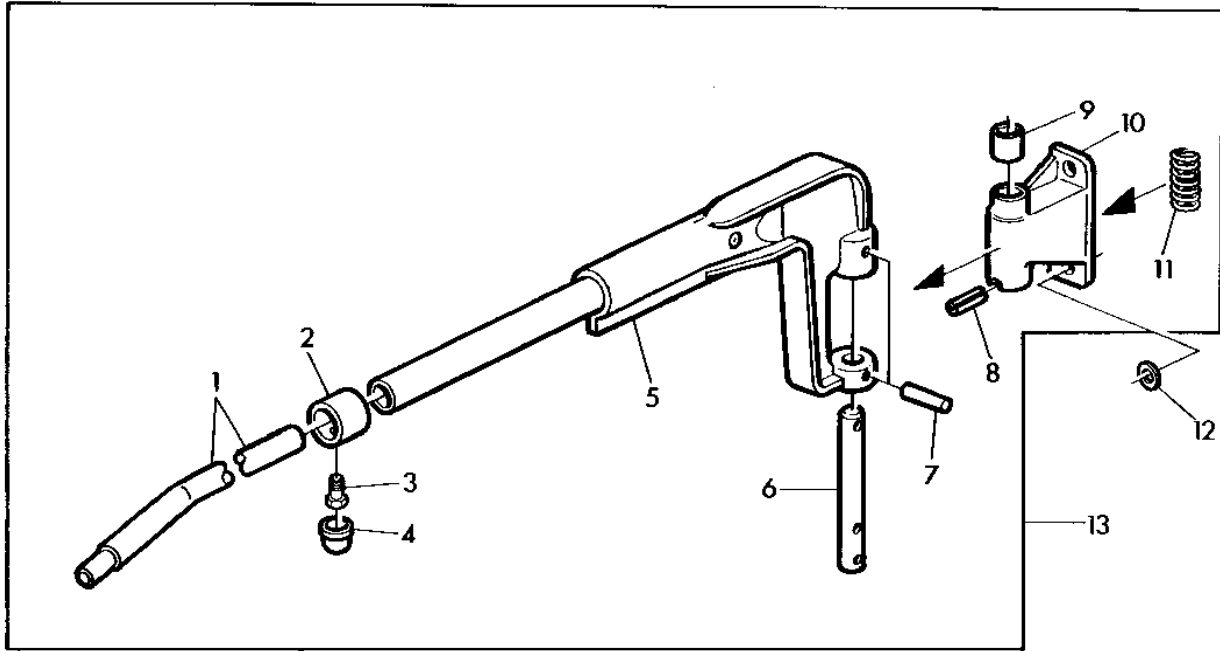
MISCELLANEOUS

KEY	PART NO.	PART NAME	QTY	SERIAL NO.	REMARKS
					3 3
					0 1
					3 3
					0 0
1	AL31079	HOLDER	2	X X	LH, (ORD AL60399, (2) 24M7139) RH, (ORD AL60400, (2) 24M7139)
2	44M1124	DOWEL PIN	2	X X	4X24MM
3	L38793	RETAINER	2	X X	
4	L38794	SPRING	2	X X	
5	L40437	BUSHING	2	X X	
6	14M7168	LOCK NUT	2	X X	M12
7	14M7165	LOCK NUT	2	X X	M6
8	24M7054	WASHER	2	X X	6,4MM
9	R27358	WASHER	2	X X	
10	L40436	ANGLE	2	X X	
11	03M7068	BOLT	2	X X	M6X20
12	22M1910	SET SCREW	2	X X	M6 X 8, M6X8
13	L38795	SLEEVE	2	X X	
14	L35891	TUBE	2	X X	
15	AL41262	REAR VIEW MIRROR	2	X X	INCL KEY 16 (SUB FOR AL25043, AL30781)
16	L32040	REAR VIEW MIRROR	2	X X	
17	21M7206	SCREW	6	X X	M6X20
18	24M7054	WASHER	6	X X	6,4X12,5X1,6MM
19	14M7272	NUT	6	X X	M6
20	19M7164	CAP SCREW	2	X X	M8X50
21	24M7055	WASHER	4	X X	8,4X17X1,6MM
22	L34218	HOSE	2	X X	
23	24M7096	WASHER	2	X X	10,5X18X1,6MM
24	AL30966	HINGE	1	X X	RH
	AL30968	HINGE	1	X X	LH
25	14M7272	NUT	2	X X	M6
26	12M7081	LOCK WASHER	2	X X	6,4MM
27	21M7220	SCREW	4	X X	M6X16
28	19M7298	CAP SCREW	2	X X	M8X35
29	AL30965	RETAINER	1	X X	RH
	AL30967	RETAINER	1	X X	LH
30	19M7162	CAP SCREW	2	X X	M8X16
31	L34219	PIN	2	X X	
32	19M6614	CAP SCREW	1	X X	M6X12

# 3C17

MISCELLANEOUS

REAR VIEW MIRROR (TELESCOPIC) CAB  
RETROVISEUR (TELESCOPIQUE) KABINE  
RUECKSPIEGEL (AUSZIEHBAR) KABINE  
RETROVISORE (TELESCOPICO) CABINA  
RETROVISOR (TELESCOPICO) CABINA  
BACKSPEGEL (TELESKOPISK) FORARHYTT  
L112905 -UN-11JUL95



L 112905

# 3C18

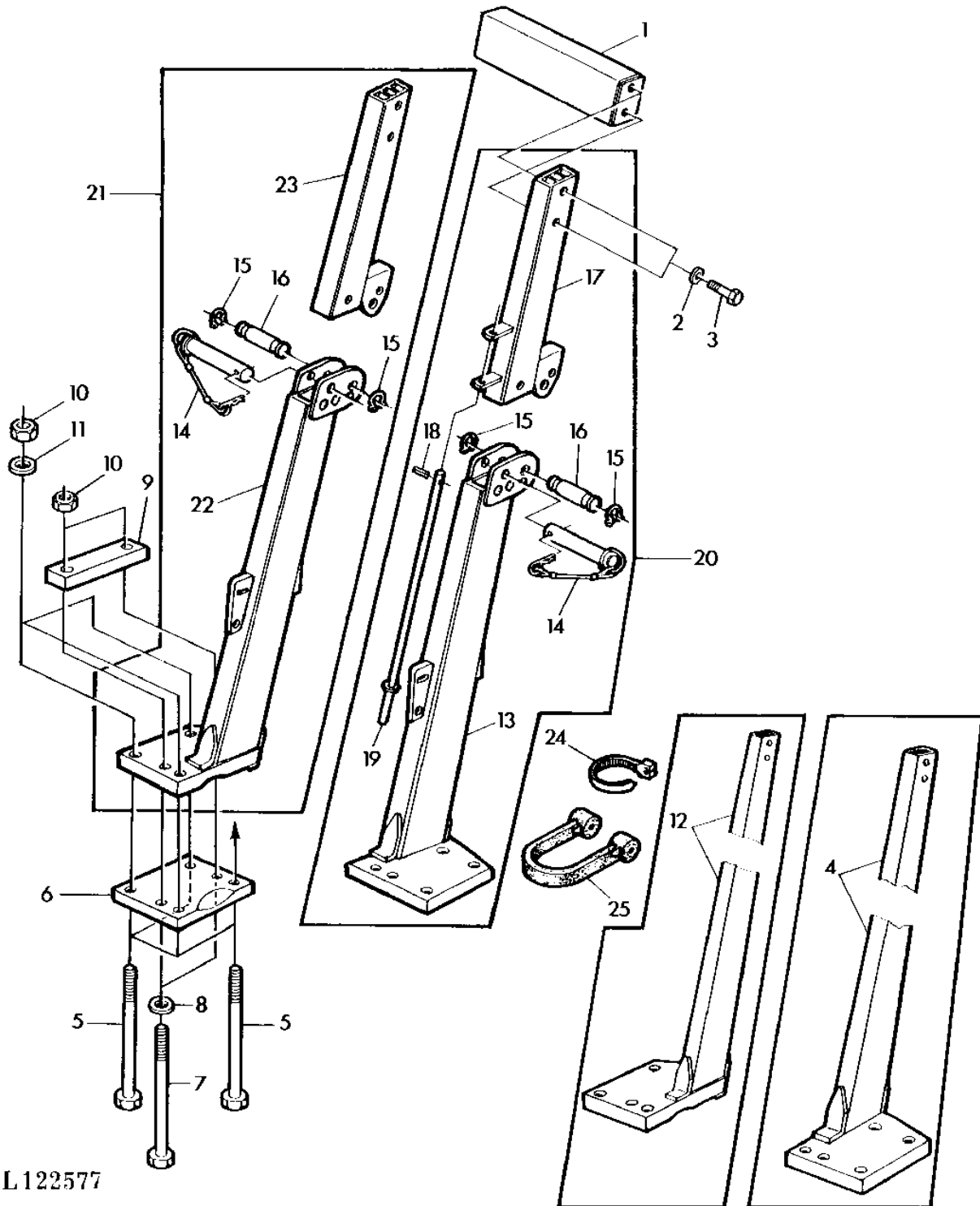
MISCELLANEOUS

KEY	PART NO.	PART NAME	QTY	SERIAL NO.	3 3 0 1 3 3 0 0	REMARKS
1	L35891	TUBE	1		X X	
2	L42118	BUSHING	1		X X	
3	19M7300	CAP SCREW	1		X X	M6 X 10
4	L38797	CAP	1		X X	
5	AL41614	RETAINER	1		X X	
6	L42119	PIN	1		X X	
7	34M7032	SPRING PIN	2		X X	5X28MM
8	44M7065	DOWEL PIN	1		X X	5X24MM
9	L42121	BUSHING	1		X X	
10	L42115	BRACKET	1		X X	L.H.
	L42116	BRACKET	1		X X	R.H.
11	L42117	COMPRESSION SPRING	1		X X	
12	24M7139	WASHER	4		X X	6,4X18X1,6MM
13	AL60399	HOLDER	1		X X	L.H.
	AL60400	HOLDER	1		X X	R.H.
14	AL41262	REAR VIEW MIRROR	2		X X	
15	L41892	REAR VIEW MIRROR GLASS	1		X X	
16	22M7083	SET SCREW	1		X X	M6X12

# 3C19

MISCELLANEOUS

2POST ROLL GUARD  
CADRE DE SECURITE 2 MONTANTS  
2-PFOSTEN UEBERSCHLAGSCHUTZ  
BARRA ANTIRIBALTAMENTO A 2 MONTANTI  
DEFENSA CONTRA VUELCOS DE 2 MASTILES  
STORTSKYDD(2STOLPAR)  
L122577 -UN-26OCT95



L122577



# 3C20

MISCELLANEOUS

KEY	PART NO.	PART NAME	QTY	SERIAL NO.	3 0 3 0	REMARKS
1	AL62696	CROSSBAR	1		X X	(SUB FOR AL28161)
	AT31793	FITTING	1	-252999	X X	
	AL28161	CROSSBAR	1	253000-	X X	(ORD AL62696)
2	24H1365	WASHER	4	-252999	X X	21/32"X1"X.09"
	24H1698	WASHER	4	253000-	X X	21/32"X1-5/8"X.250"
3	R64802	BOLT	4	253000-	X X	
	19H2641	CAP SCREW	4	-252999	X X	5/8"X3-1/4"
4	AT31734	POST	1	-252999	X X	LH
	AL28160	POST	1	253000-	X X	LH (ORD AL68117)
5	08H4525	CAP SCREW	8	-252999	X X	3/4"X9-1/2"
	R48139	CAP SCREW	8	253000-301274	X X	3/4"X9-1/2"
	R44529	CAP SCREW	8	301275-	X X	
6	T32480	PLATE	2		X X	
7	08H4528	CAP SCREW	4	-252999	X X	(B) 3/4"X10-1/2"
	R54542	CAP SCREW	4	253000-301274	X X	(B) 3/4"X10-3/4"
	L34163	CAP SCREW	4	301275-	X X	(B) 3/4"X286MM
	R53100	CAP SCREW	4	253000-	X X	(C) 3/4"X13-1/4"
	08H4645	CAP SCREW	4	-252999	X X	(C) 3/4"X12-1/2"
	L32766	CAP SCREW	4	253000-	X X	(A) 3/4"X380MM
	08H4669	CAP SCREW	4	-252999	X X	(A) 3/4"X14-1/2"
8	24H1396	WASHER	4		X X	25/32"X1-1/2"X.105"
	24H1393	WASHER	4	253000-	X X	25/32"X1-3/8"X.180"
9	T32429	STRAP	2		X X	
10	14H858	NUT	10		X X	3/4"
11	24H1396	WASHER	6		X X	25/32"X1-1/2"X.105"
12	AT31733	POST	1	-252999	X X	RH
	AL28159	POST	1	253000-	X X	RH (ORD AL68116)
13	AL68319	POST	1		X X	LH
14	AL68309	PIN	2		X X	
15	40M7064	SNAP RING	4		X X	
16	L63859	PIN	2		X X	
17	AL68317	POST	1		X X	LH
18	34M7102	SPRING PIN	1		X X	5X26MM
19	AL66854	PIN	1		X X	
20	AL68117	POST	1		X X	LH
21	AL68116	POST	1		X X	RH
22	AL68318	POST	1		X X	RH
23	AL68316	POST	1		X X	RH
24	R44302	TIE BAND	1		X X	
25	AR68071	STRAP	1		X X	

(A) WITH 3 FENDER SUPP. SPACERS  
AVEC 3 CALES POUR AILES  
BEI 3 KOTFLUEGELUNTERLAGEN  
CON 3 SUPPORTI PARAFANGHI  
CON 3 SOPORT. DE GUARDABAR.  
VID 3 UNDERLAG

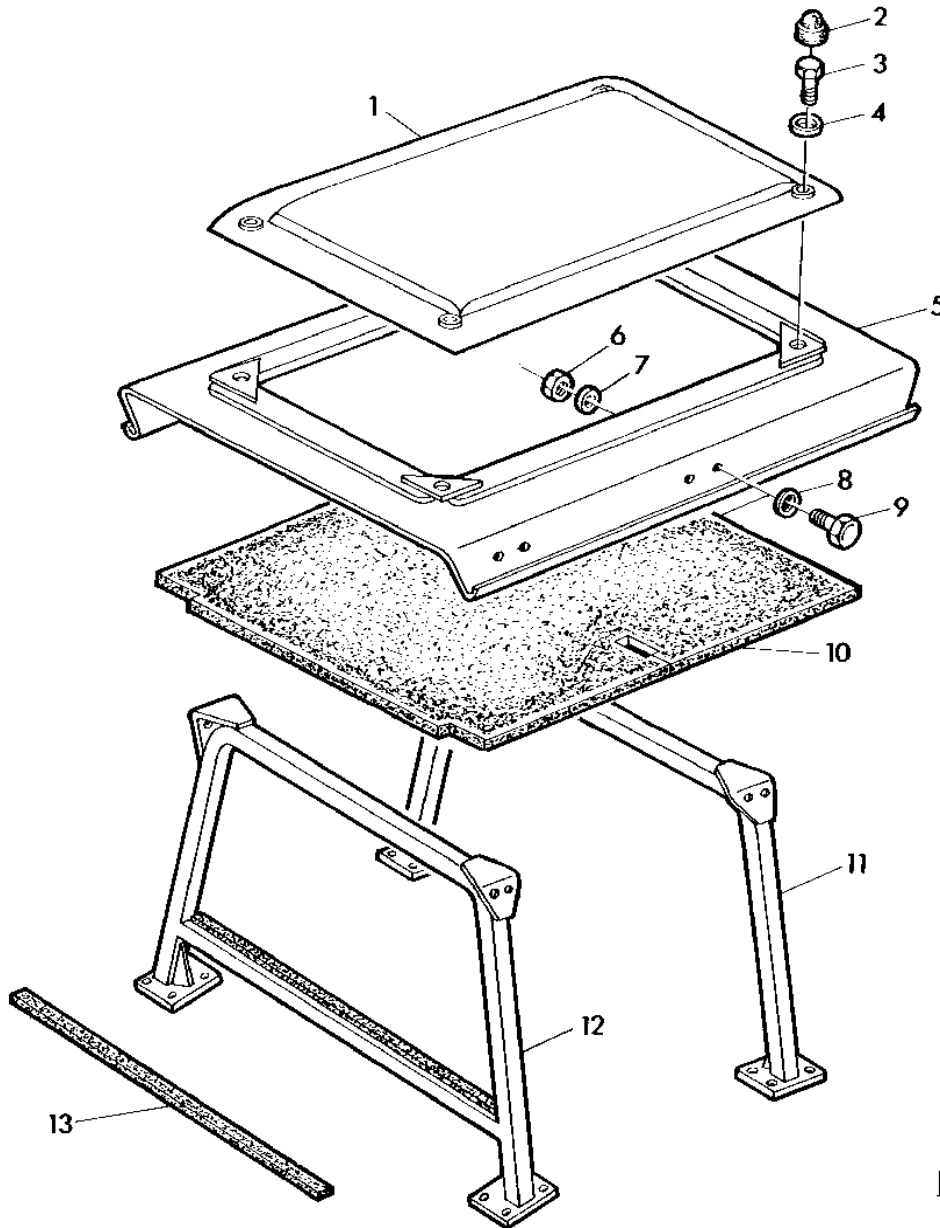
(B) WITH 1 FENDER SUPP. SPACER  
AVEC 1 CALE POUR AILES  
BEI 1 KOTFLUEGELUNTERLAGE  
CON 1 SUPPORTO PARAFANGHI  
CON 1 SOPORT. DE GUARDABAR.  
VID 1 UNDERLAG

(C) WITH 2 FENDER SUPP. SPACERS  
AVEC 2 CALES POUR AILES  
BEI 2 KOTFLUEGELUNTERLAGEN  
CON 2 SUPPORTI PARAFANGHI  
CON 2 SOPORT.GUARDABAR.  
VID 2 UNDERLAG

# 3C21

MISCELLANEOUS

4-POST ROLL GUARD  
CADRE DE SECURITE 4 MONTANTS  
4-POSTEN UEBERSCHLAGSCHUTZ  
PROT.ANTIRIBALTAMENTO A 4 MONTANTI  
DEFENSA CONTRA VUELCOS DE 4 MASTILES  
STORTSKYDD(4 STOLPAR)  
L24938 -UN-27OCT95



L 24938

# 3C22

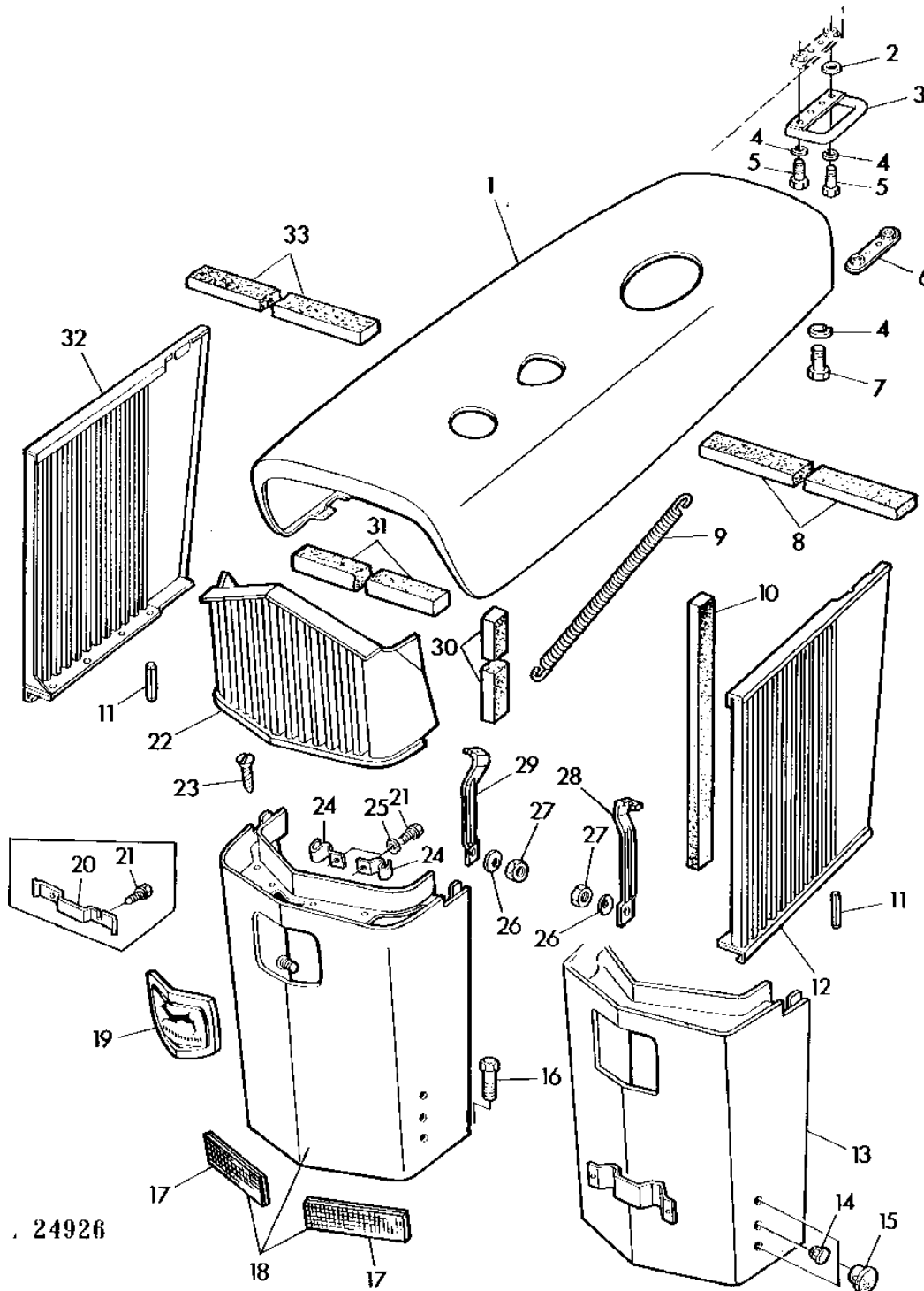
MISCELLANEOUS

KEY	PART NO.	PART NAME	QTY	SERIAL NO.	3 3 0 1 3 3 0 0	REMARKS
1	AL25369	HOOD	1	135690-	X X	
2	L32394	CAP	4	135690-	X X	
3	19M7163	CAP SCREW	4	135690-	X X	8X25MM
4	24M7207	WASHER	4	135690-	X X	8,4MM
5	AL25506	CAB ROOF FRAME	1	135690-	X X	
6	14M7015	NUT	6	135690-	X X	12MM
7	24M7047	WASHER	6	135690-	X X	13MM
8	24M7180	WASHER	8	135690-	X X	13X40X3MM
9	19M7268	CAP SCREW	8	135690-	X X	12X25MM
10	L32958	BARRIER	1	135690-	X X	
11	AL25508	FRAME	1	135690-	X X	FRONT
12	AL25507	FRAME	1	135690-203999	X X	REAR
	AL27822	FRAME	1	204000-	X X	REAR
13	L32959	BARRIER	1	135690-	X X	

# 3C23

MISCELLANEOUS

HOOD/GRILLE/Front PLATE  
CAPOT/GRILLE DE RADIATEUR/PLAQUE AVANT  
HAUBE/KUEHLERSCHUTZ/FRONTPLATTE  
COFANO/GRIGLIE/MASCHERINA  
CAPO/REJILLA DEL RADIADOR/PLACA FRONTAL  
HUV/SIDOGALLER/FRONTPLATA  
L24926 -UN-26OCT95



# 3C24

MISCELLANEOUS

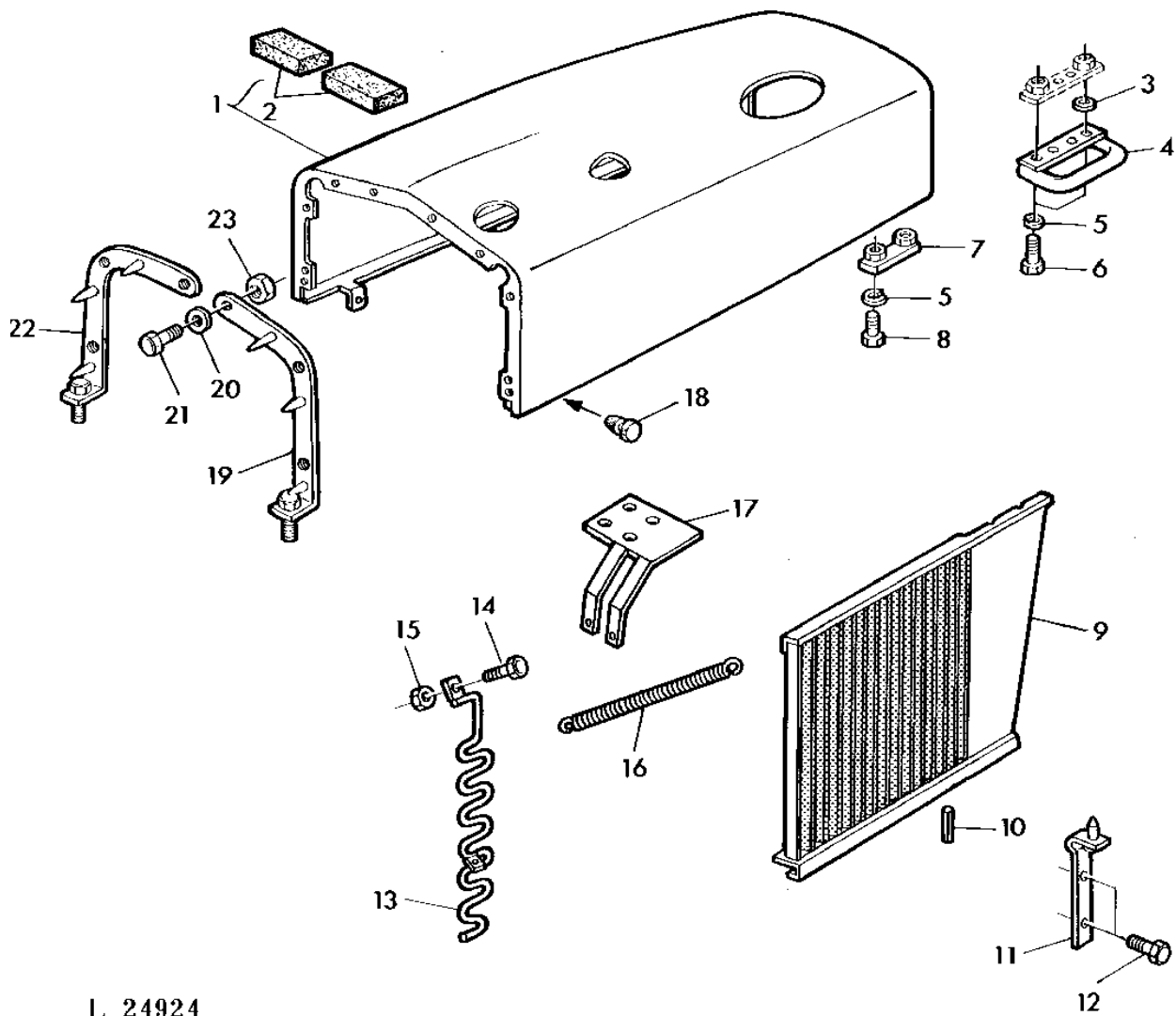
KEY	PART NO.	PART NAME	QTY	SERIAL NO.			REMARKS
					3	3	
					0	1	
					3	3	
					0	0	
1	AT27179	HOOD	1	-182149	X	X	ASSY,INCL KEYS 8,30-33
2	24H1122	WASHER	1	-182149	X	X	3/8"X7/8"X.075"
3	AR49713	HANDLE	1	-182149	X	X	(A)
4	12H304	LOCK WASHER	4	-182149	X	X	3/8"
5	19H2284	CAP SCREW	2	-182149	X	X	(A) 3/8"X7/8"
6	AT20027	STRAP	2	-182149	X	X	
7	19H2021	CAP SCREW	4	-182149	X	X	3/8"X5/8"
8	T29155	SLAT	1	-182149	X	X	
9	R26858	SPRING	2	-182149	X	X	
10	T28420	SLAT	2	-182149	X	X	
11	34H340	SPRING PIN	4	-182149	X	X	5/16"X13/16"
12	AT26472	SCREEN	1	-182149	X	X	LH
13	AL19161	SHIELD	1	-182149	X	X	(ORD AT24469, L30332, (2) 37H42)
14	T11708	PLUG	2	-182149	X	X	
15	99M5913	PLUG	4	-182149	X	X	
16	19H1792	CAP SCREW	8	-182149	X	X	1/2"X1"
17	T28394	CUSHION	2	-182149	X	X	
18	AT26469	PLATE	1	-182149	X	X	INCL T28394
19	R48294	MEDALLION	1	-182149	X	X	
20	R48295	RETAINER	1	-182149	X	X	(ORD (2) L28918, (2) 24H1292,(2) 37H55)
21	37H55	CAP SCREW	2	-182149	X	X	5/16"X1/2" (SUB FOR T24438)
22	AT26470	SCREEN	1	-182149	X	X	FRONT
23	37H79	SCREW	6	-182149	X	X	1/4"X5/8"
24	L28918	RETAINER	2	-182149	X	X	
25	24H1292	WASHER	2	-182149	X	X	11/32"X3/4"X.120"
26	12M7051	WASHER	2	-182149	X	X	
27	C744DN	LOCK NUT	2	-182149	X	X	3/8"
28	T21865	LATCH	1	-182149	X	X	LH
29	T21864	LATCH	1	-182149	X	X	RH
30	T29157	SLAT	2	-182149	X	X	
31	T29156	SLAT	1	-182149	X	X	
32	AT26471	SCREEN	1	-182149	X	X	RH
33	T29154	SLAT	1	-182149	X	X	

(A) WITH REAR FENDERS (SHELL TYPE)  
 AVEC AILES ARRIERE (TYPE COQUILLE)  
 BEI MUSCHELKOTFLUEGEL  
 CON PARAFANGHI A CONCHIGLIA  
 CON GUARDABRROS DE CONCHA  
 VID MUSSELFORMIGA

# 3D1

MISCELLANEOUS

HOOD/GRILLE  
CAPOT/GRILLE DE RADIATEUR  
HAUBE/KUEHLERSCHUTZ  
COFANO/GRIGLIE  
CAPO/REJILLA DEL RADIADOR  
HUV/SIDOGALLER  
L24924 -UN-26OCT95



L, 24924

# 3D2

MISCELLANEOUS

KEY	PART NO.	PART NAME	QTY	SERIAL NO.		REMARKS
					3 3	
					0 1	
					3 3	
					0 0	
1	AR72890	HOOD	1	182150-	X X	INCL KEY 2
	AL28318	HOOD	1	182150-	X X	(A) INCL KEY 2
2	T29154	SLAT	1	182150-	X X	RH
	T29155	SLAT	1	182150-	X X	LH
3	24H1122	WASHER	1	182150-	X X	(B) 3/8"X7/8"X.075"
4	AR49713	HANDLE	1	182150-	X X	(B)
5	12H304	LOCK WASHER	4	182150-	X X	3/8"
6	19H2284	CAP SCREW	2	182150-	X X	(B) 3/8"X7/8"
7	AT20027	STRAP	2	182150-	X X	
8	19H2021	CAP SCREW	4	182150-	X X	3/8"X5/8"
9	AL30544	GRILLE	1	182150-	X X	RH (SUB FOR AR72859)
	AL30545	GRILLE	1	182150-	X X	LH (SUB FOR AR72860)
10	34H340	SPRING PIN	4	182150-	X X	5/16"X13/16"
11	AL30546	RETAINER	1	182150-	X X	
12	19H2367	CAP SCREW	2	182150-	X X	5/8"X3/4"
13	AL30547	GRILLE	1	182150-	X X	
14	19H1733	CAP SCREW	1	182150-	X X	3/8"X2-1/2"
15	14H812	NUT	1	182150-	X X	3/8"
16	R26858	SPRING	2	182150-	X X	
17	AL33060	RETAINER	1	182150-	X X	
18	T22085	BUMPER	2	182150-	X X	
19	AR72892	STRAP	1	182150-	X X	LH
20	24H1287	WASHER	6	182150-	X X	9/32"X5/8"X.060"
21	19H1948	CAP SCREW	6	182150-	X X	1/4"X3/4"
22	AR72891	STRAP	1	182150-	X X	RH
23	14H786	NUT	6	182150-	X X	1/4"

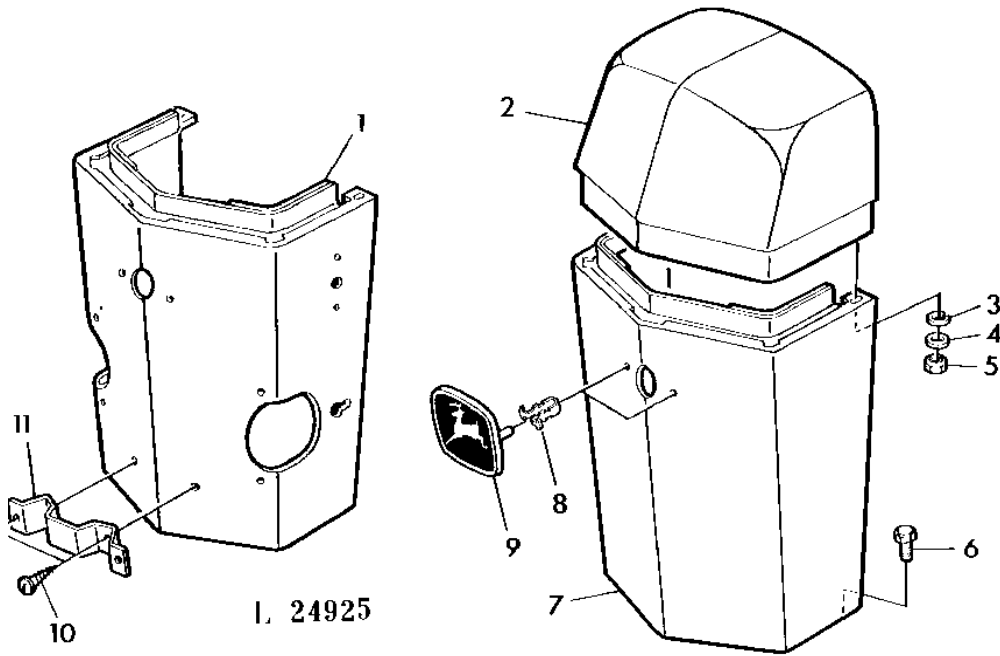
(A) WITH MUFFLER AL28305  
 AVEC SILENCIEUX AL28305  
 BEI SCHALLDAEMPFER AL28305  
 CON SILENZIATORE AL28305  
 CON SILENCIADOR AL28305  
 VID LJUDDAMPARE AL28305

(B) WITH REAR FENDERS (SHELL TYPE)  
 AVEC AILES ARRIERE (TYPE COQUILLE)  
 BEI MUSCHELKOTFLUEGEL  
 CON PARAFANGHI A CONCHIGLIA  
 CON GUARDABRROS DE CONCHA  
 VID MUSSELFORMIGA

# 3D3

MISCELLANEOUS

FRONT PLATE  
 PLAQUE AVANT  
 FRONTPLATTE  
 MASCHERINA  
 PLACA FRONTAL  
 FRONTPLATA  
 L24925 -UN-26OCT95



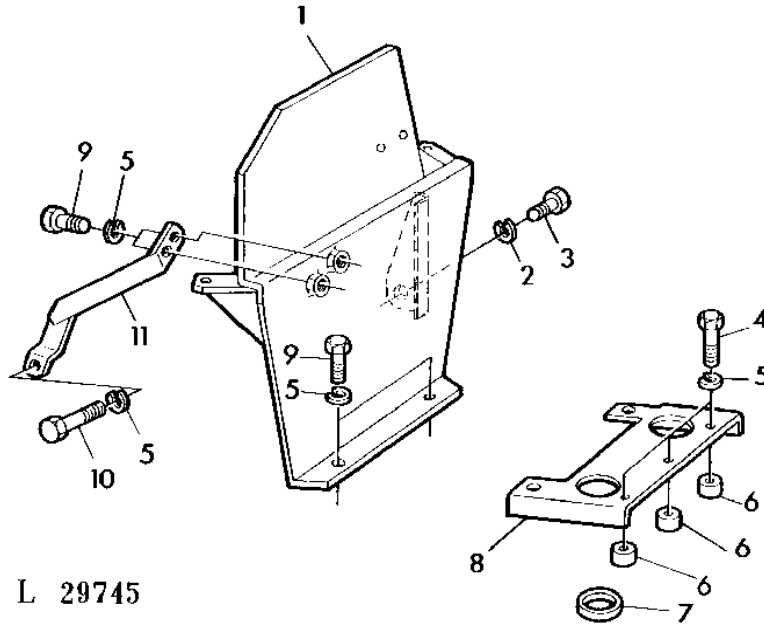
KEY	PART NO.	PART NAME	QTY	SERIAL NO.	REMARKS
					3 3
					0 1
					3 3
					0 0
1	AR72893	PLATE	1	182150-	X X
2	R60089	EXTENSION	1	182150-	X X
3	12H304	LOCK WASHER	2	182150-	X X 3/8"
4	24H1305	WASHER	2	182150-	X X 13/32"X13/16"X.060"
5	14H812	NUT	2	182150-	X X 3/8"
6	19H1792	CAP SCREW	8	182150-	X X 1/2"X1"
7	AR72895	GRILLE	1	182150-	X X
8	L31750	CLIP	2	182150-	X X
9	R67027	MEDALLION	1	182150-	X X (SUB FOR R59991)
10	37H42	SCREW	2	182150-	X X NO.10X3/8"
11	L30332	RETAINER	1	182150-	X X



# 3D4

MISCELLANEOUS

HOOD SUPPORT/COVER PLATE WITH OPERATOR'S CAB  
 SUPPORT DE CAPOT/COUVERCLE AVEC CABINE  
 HAUBENSTUETZE/ABDECKBLECH BEI KABINE  
 SUPPORTO DEL COFANO/COPERCHIO CON CABINA  
 SOPORTE DEL CAPO/CHAPA DE CUBIERTA CON CABINA  
 HUVHALLARE/TACKPLAT D FORARHYTT  
 L29745 -UN-27OCT95



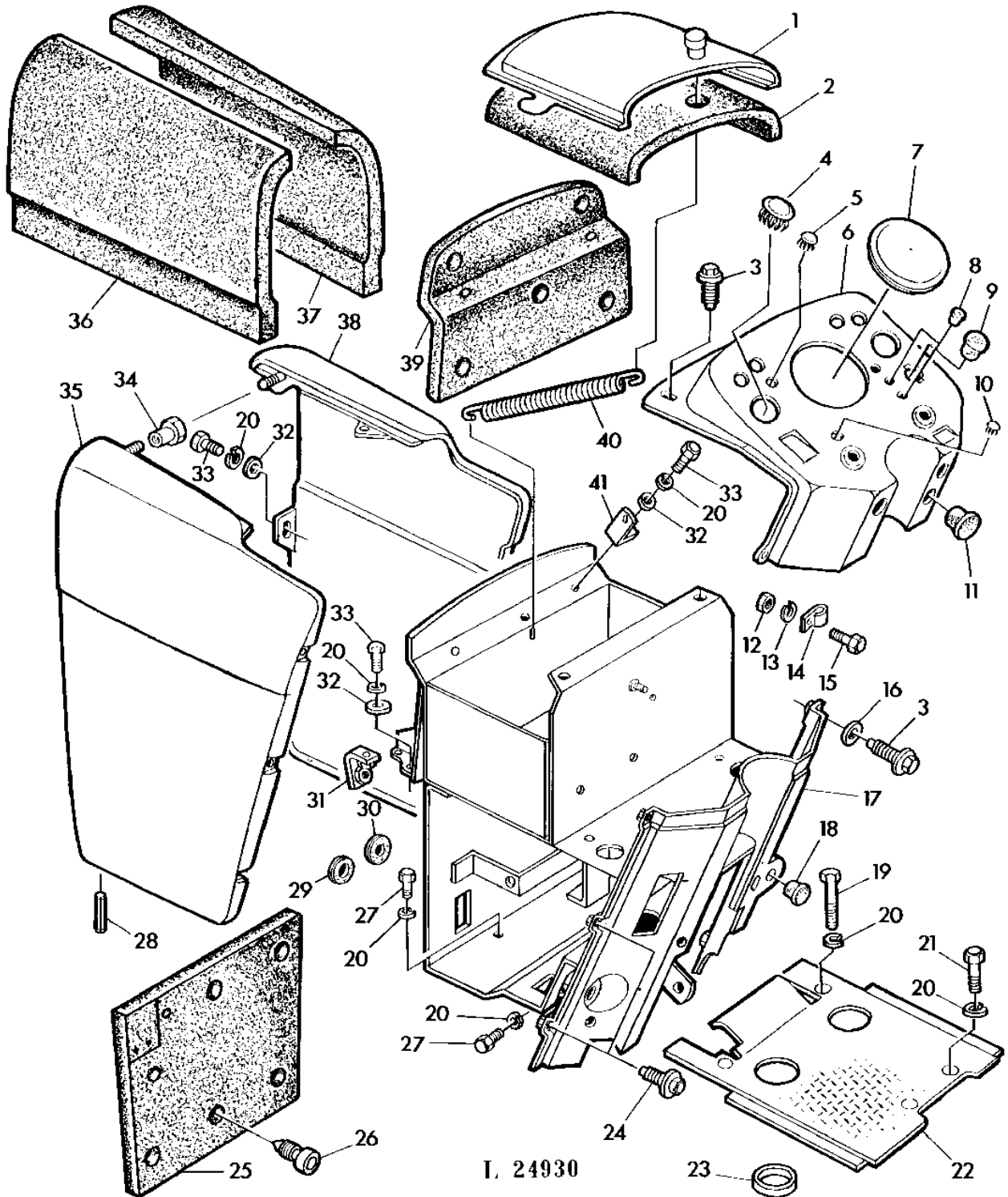
L 29745

KEY	PART NO.	PART NAME	QTY	SERIAL NO.	REMARKS
				3 3	
				0 1	
				3 3	
				0 0	
1	AL24985	SUPPORT	1	X X	
2	12H301	LOCK WASHER	1	X X	
3	19H1895	CAP SCREW	1	X X	1/2"X3/4" (SUB FOR 19H1792)
4	19H1765	CAP SCREW	5	X X	3/8"X1-3/4"
5	12H304	LOCK WASHER	10	X X	3/8"
6	L31065	SPACER	3	X X	(SUB FOR L30696)
7	L28561	SPACER	2	X X	
8	L37324	SHIELD	1	X X	(SUB FOR L30515)
9	19H2021	CAP SCREW	4	X X	3/8"X5/8"
10	19H2553	CAP SCREW	1	X X	3/8"X2-5/8"
11	AL25542	RETAINER	1	X X	L.H.

# 3D5

MISCELLANEOUS

DASH/COWL  
TABLEAU DE BORD/REVETEMENT  
ARMATURENWAND/VERKLEIDUNG  
CRUSCOTTO/RIVESTIMENTO  
TABLERO DE INSTRUMENTOS/PANELES  
INSTRUMENTPANEL OCH HUS  
L24930 -UN-27OCT95



# 3D6

MISCELLANEOUS

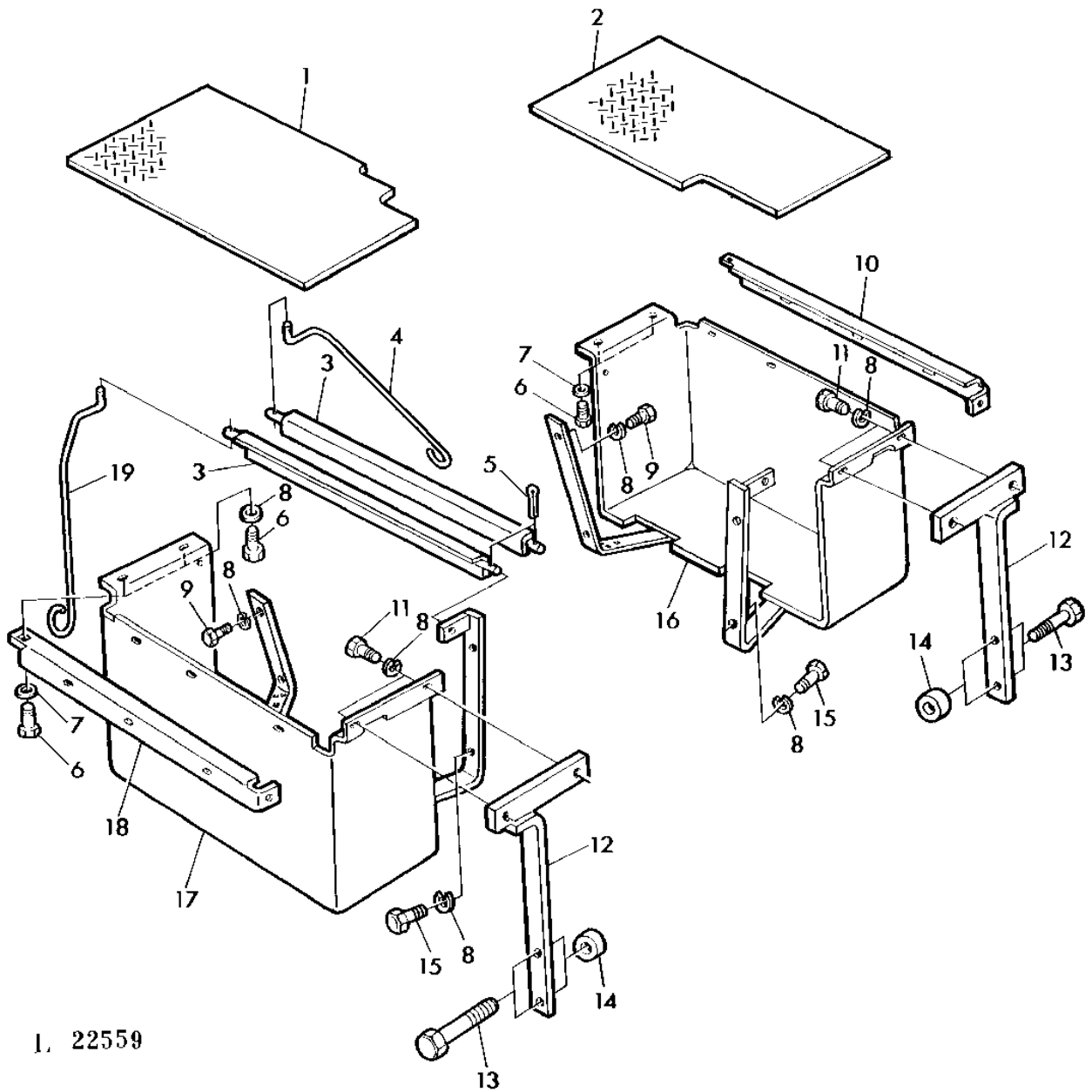
KEY	PART NO.	PART NAME	QTY	SERIAL NO.	3 0 3 0	3 1 3 0	REMARKS
1	AT27178	DOOR	1		X	X	
2	L32595	BARRIER	1		X	X	
3	AT27176	SCREW	4		X	X	1/4"X.87"
4	T14500	PLUG	1		X	X	
5	T16738	PLUG	1		X	X	
6	L28391	INSTRUMENT PANEL	1		X	X	UP
	L31002	INSTRUMENT PANEL	1	162948-	X	X	(A)
7	T29151	PLUG	1		X	X	
8	99M5562	PLUG	3		X	X	
9	99M5891	PLUG	1		X	X	
10	R31420	PLUG	1		X	X	
11	99M7011	PLUG	1		X	X	(SUB FOR M2291T)
12	14H786	NUT	3		X	X	1/4"
13	12H302	LOCK WASHER	3		X	X	1/4"
14	L84617	CLIP	3		X	X	
15	19H1227	CAP SCREW	3		X	X	1/4"X1/2"
16	24H1288	WASHER	2		X	X	9/32"X1"X.060"
17	AL19779	INSTRUMENT PANEL, W/SUPPOR	1		X	X	LOW
	AL25428	INSTRUMENT PANEL, W/SUPPOR	1	162948-	X	X	(A)
18	99M7009	PLUG	1		X	X	
19	19H1726	CAP SCREW	2		X	X	3/8"X2-1/4"
20	12H304	LOCK WASHER	14		X	X	3/8"
21	19H1731	CAP SCREW	2		X	X	3/8"X1"
22	AL19974	SHIELD	1		X	X	
23	L28561	SPACER	2		X	X	
24	T22211	SCREW, WITH WASHER	4		X	X	1/4"X.050"
25	L32592	BARRIER	1		X	X	LOW
26	L31208	PLUG	12		X	X	SCREW PLASTIC
27	19H2021	CAP SCREW	4		X	X	3/8"X5/8"
28	34H310	SPRING PIN	2		X	X	1/4"X3/4"
29	T23247	GROMMET	2		X	X	I.D.=16MM(.63")
30	R26936	GROMMET	2		X	X	I.D.=9,5MM(.38")
31	AT27177	BRACKET	2		X	X	
32	24H1305	WASHER	6		X	X	25/64"X7/8"X.075"
33	19H1936	CAP SCREW	6		X	X	3/8"X3/4"
34	T22086	NUT	2		X	X	1/4"
35	AT27175	COWL	1		X	X	L.H.
36	L32594	BARRIER	1		X	X	L.H.
37	L32593	BARRIER	1		X	X	R.H.
38	AT27174	COWL	1		X	X	R.H.
39	L32591	BARRIER	1		X	X	UP
40	T25367	EXTENSION SPRING	1		X	X	
41	T29150	BRACKET	2		X	X	

(A) ELECTRICAL WIRING SYSTEM SEALED BEAM  
 CIRCUIT ELECTRIQUE OPTIQUE SCHELLEE  
 ELEKTRISCHE ANLAGE SEALED BEAM  
 CABLAGGIO ELETTRICO SEALED BEAM  
 EQUIPO ELECTRICO SEALED BEAM  
 ELEKTRISK KABELDRAGNING SEALED BEAM

# 3D7

MISCELLANEOUS

BATTERY BOX  
COFFRE A BATTERIE  
BATTERIEKASTEN  
CONTENITORE BATTERIE  
CAJA DE BATERIA  
BATTERILADA  
L22559 -UN-27OCT95



1. 22559

# 3D8

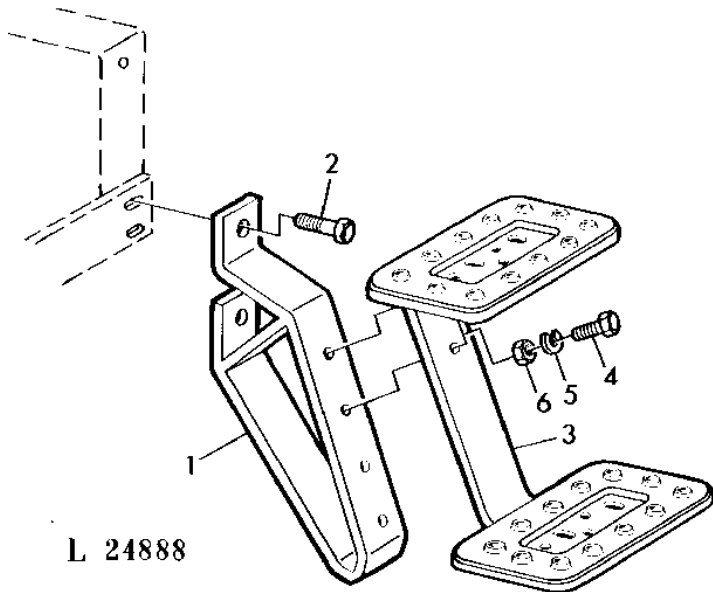
MISCELLANEOUS

KEY	PART NO.	PART NAME	QTY	SERIAL NO.	3 0 3 0	REMARKS
1	AL19973	COVER	1		X X	L.H.
2	AL32836	COVER	1		X X	R.H. (SUB FOR AL19972)
3	AT26557	LATCH	2		X X	
4	L29281	GRIP	1		X X	R.H. (SUB FOR T28515)
5	11H239	COTTER PIN	2		X X	5/32"X1"
6	19H2038	CAP SCREW	2		X X	3/8"X1/2"
7	24H1305	WASHER	AR		X X	13/32"X13/16"X.060"
8	12H304	LOCK WASHER	12		X X	3/8"
9	19H1732	CAP SCREW	2		X X	3/8"X1-1/4"
10	T28519	FRAME	1		X X	R.H.
11	19H2021	CAP SCREW	4		X X	3/8"X5/8"
12	AL19971	BRACKET	2	-301274	X X	REAR
	AL29865	RETAINER	2	301275-	X X	
13	19H3160	CAP SCREW	4	-301274	X X	9/16"X8"
	19H3458	CAP SCREW	4	301275-	X X	9/16"X8-3/4" (SUB FOR 19H3429)
14	T28493	BUSHING	4	-140999	X X	
	L30780	SPACER	4	141000-301274	X X	
	L33629	SPACER	4	301275-	X X	
15	19H1731	CAP SCREW	2		X X	3/8"X1"
16	AL19969	BOX	1		X X	R.H.
17	AL19970	BOX	1		X X	L.H.
18	T28520	FRAME	1		X X	L.H.
19	L29282	GRIP	1		X X	L.H. (SUB FOR T28516)

# 3D9

MISCELLANEOUS

STEP PLATE/BRACKET  
 MARCHEPIED/SUPPORT  
 TRITTPLATTE-HALTER  
 PREDELLINO/SUPPORTO  
 PELDANO/SOPORTE  
 FOTSTEG/HALLARE  
 L24888 -UN-25OCT95



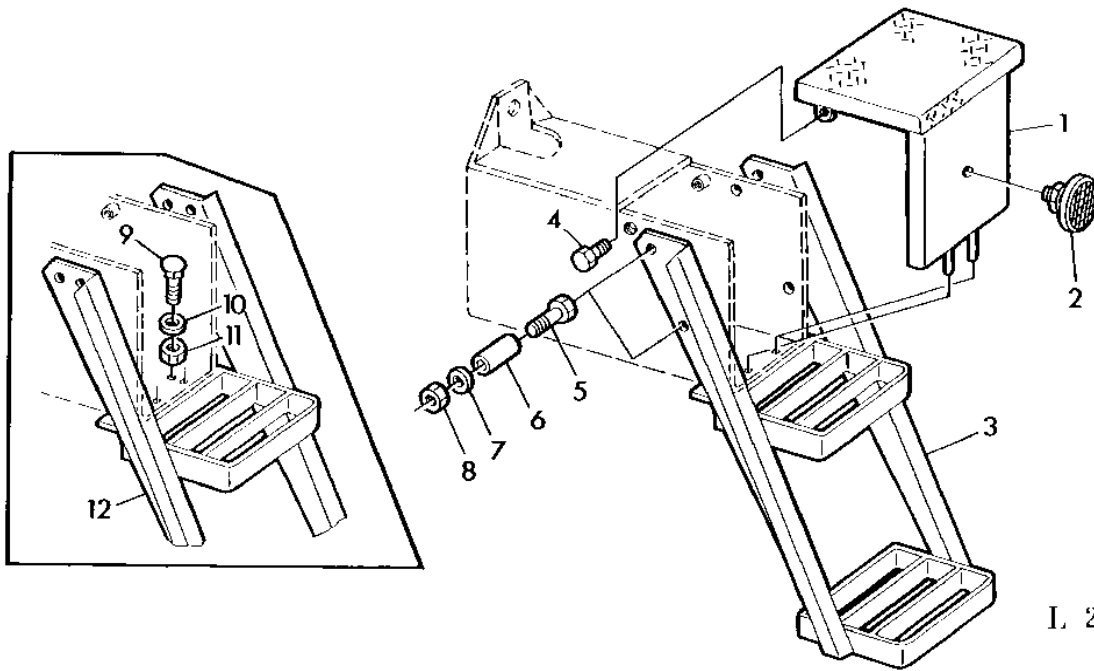
L 24888

KEY	PART NO.	PART NAME	QTY	SERIAL NO.	REMARKS
				3 3	
				0 1	
				3 3	
				0 0	
1	AL19977	SUPPORT	1	X X	
2	19H1734	CAP SCREW	2	X X	5/8"X2"
3	AL19978	STEP	1	X X	
4	19H1800	CAP SCREW	2	X X	3/8"X1-1/2"
5	12H304	LOCK WASHER	2	X X	3/8"
6	14H812	NUT	2	X X	3/8"

# 3D10

MISCELLANEOUS

FOOT STEP (WITH OPERATOR'S CAB)  
 HARCHEPIED(AVEC CABINE)  
 TRITTSTUFE(BEI KABINE)  
 PREDELLINO(CON CABINA)  
 ESTRIBO(CON CABINA)  
 FOTSTEG(VID FOERARHYTT)  
 L24870 -UN-25OCT95



I. 24870

KEY	PART NO.	PART NAME	QTY	SERIAL NO.	REMARKS
				3 3	
				0 1	
				3 3	
				0 0	
1	AL27867	STEP	2	X X	(SUB FOR AL25719)
2	AL26674	REFLECTOR	2	X X	(A)
3	AL32271	LADDER	2	X X	(SUB FOR AL27829)
4	19M7162	CAP SCREW	4	X X	8X15MM
5	19M7378	CAP SCREW	8	X X	8X45MM
6	L31137	SPACER	8	X X	
7	24M7055	WASHER	8	X X	8,4MM
8	14M7273	NUT	8	X X	8MM
9	03M7184	BOLT	4	X X	10X20MM (SUB FOR 19M7166)
10	24M7028	WASHER	4	X X	10,5X21X2MM
11	14M7274	NUT	4	X X	10MM
12	AL25822	STEP	2	X X	

(A) ONLY FOR SWEDEN  
 SEULEMENT POUR LA SUEDE  
 NUR FUER SCHWEDEN  
 SOLTANTO PER LA SVEZIA  
 SOLAMENTE PARA SUECIA  
 ENDAST FOR SVERIGE

# 3D11

MISCELLANEOUS

---

MEMORANDA  
MEMORANDA  
MEMORANDA  
MEMORANDA  
MEMORANDA

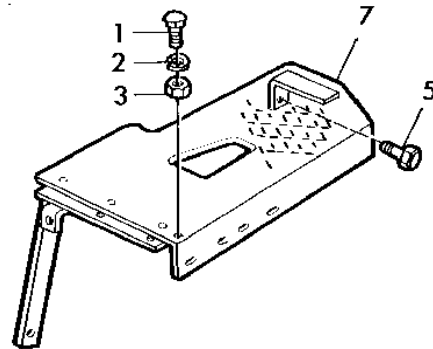
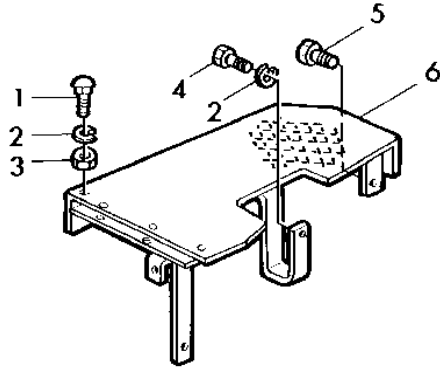


# 3D12

MISCELLANEOUS

STEP PLATES  
 MARCHE-PIED  
 TRITTBLECHE  
 PEDANE  
 REPOSAPIES  
 FOTSTEG

L24893 -UN-25OCT95



**L 24893**

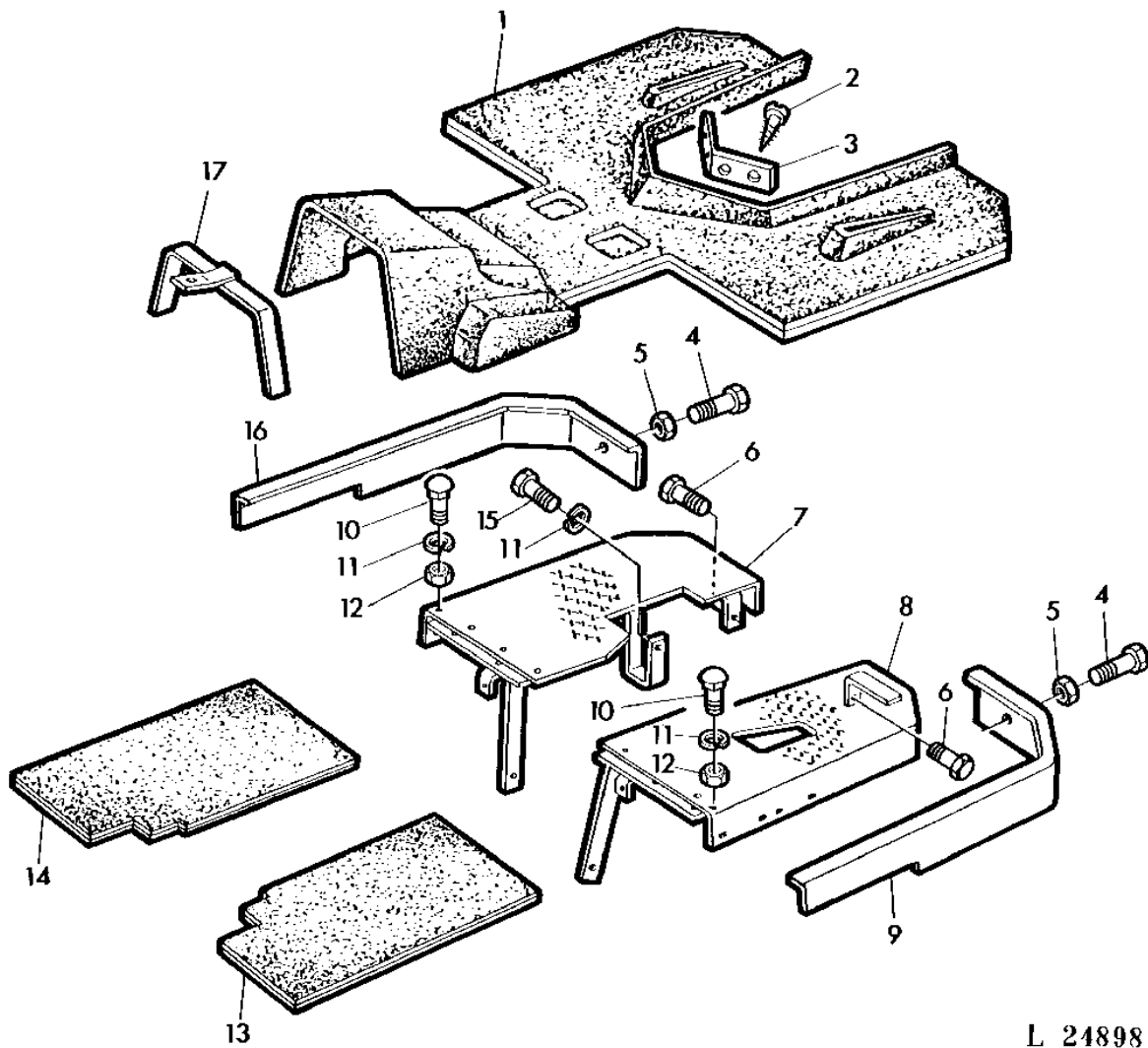
3 3  
 0 1  
 3 3  
 0 0

KEY	PART NO.	PART NAME	QTY	SERIAL NO.	REMARKS
1	03H1463	BOLT	2	X X	3/8"X3/4"
2	12H304	LOCK WASHER	AR	X X	3/8"
3	14H812	NUT	AR	X X	3/8"
4	19H1731	CAP SCREW	2	X X	3/8"X1"
5	19H1871	CAP SCREW	2	X X	3/4"X1-3/4"
6	AL19967	PLATFORM	1	X X	L.H.
7	AL19968	PLATFORM	1	X X	R.H.

# 3D13

MISCELLANEOUS

FOOT PANELS(WITH SOUND PROOFING)  
MARCHEPIED(AMORTISSEMENT DES BRUITS)  
TRITTBLECHE MIT GERAEUSCHREDUZIERUNG  
PEDANE (CON SMORZAMENTO RUMORI)  
REPOSAPIES(CON REVEST.DE INSONORIZACION)  
FOTSTEG(VID LJUDISOLERING)  
L24898 -UN-26OCT95



L 24898

# 3D14

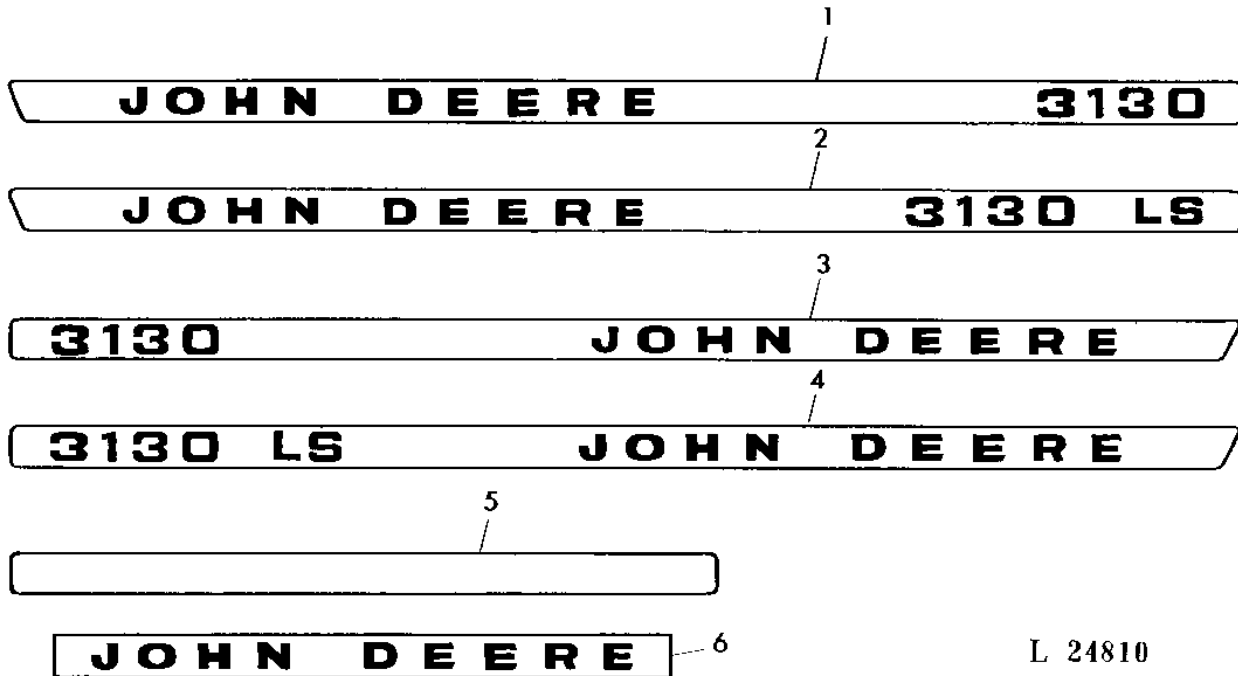
MISCELLANEOUS

KEY	PART NO.	PART NAME	QTY	SERIAL NO.	3 3 0 1 3 3 0 0	REMARKS
1	AL28163	BARRIER	1		X X	FRONT
2	37M7036	SCREW	4		X X	4,2X16MM
3	L32724	RETAINER	1		X X	
4	19M7526	CAP SCREW	2		X X	6X10MM
5	14M7194	NUT	2		X X	6MM
6	19H1871	CAP SCREW	2		X X	3/4"X1-3/4"
7	AL19967	PLATFORM	1		X X	L.H.
8	AL19968	PLATFORM	1		X X	R.H.
9	L32672	SHIELD	1		X X	L.H.
10	03H1463	BOLT	2		X X	3/8"X3/4"
11	12H304	LOCK WASHER	3		X X	3/8"
12	14H812	NUT	2		X X	3/8"
13	AL28165	MAT	1		X X	R.H.
14	AL28164	MAT	1		X X	L.H.
15	19H1731	CAP SCREW	2		X X	3/8"X1"
16	L32673	SHIELD	1		X X	R.H.
17	AL28166	RETAINER	1		X X	

# 3D15

MISCELLANEOUS

NAME PLATES/DECALS  
PLAQUES DU CONSTRUCTEUR/DECALCOMANIES  
SCHILDER/ABSCHIEBEBILDER  
TARGHETTE/DECALCOMANIE  
ROTULOS/CALCOMANIAS  
SKYLTAR/DEKALER  
L24810 -UN-26OCT95



L 24810

# 3D16

MISCELLANEOUS

KEY	PART NO.	PART NAME	QTY	SERIAL NO.	3 0 3 0	3 1 3 0	REMARKS
1	L33959	DECAL	1		X		L.H.
	R61190	LABEL	1	182150-	X		R.H.
	L29029	DECAL	1	-182149	X		L.H.
2	L30702	DECAL	1	-182149	X		(A) L.H.
	L33957	DECAL	1		X		R.H.
	L29035	DECAL	1	-182149	X		R.H.
	R61192	LABEL	1	182150-	X		R.H.
3	L30698	DECAL	1	-182149	X		(A) L.H.
	L33960	DECAL	1		X		L.H.
	L29028	DECAL	1	-182149	X		R.H.
	R61191	LABEL	1	182150-	X		L.H.
4	L30701	DECAL	1	-182149	X		(A) R.H.
	L33958	DECAL	1		X		L.H.
	L29034	DECAL	1	-182149	X		R.H.
	R61193	LABEL	1	182150-	X		L.H.
5	L30697	DECAL	1		X		(A) R.H.
	R60502	DECAL	1	182150-	X	X	FRONT
6	JD5635	LABEL	1		X	X	REAR (SUB FOR JD5505)

(A) WITH OPERATOR'S CAB  
 AVEC CABINE  
 BEI KABINE  
 CON CABINA  
 CON CABINA PARA EL CONDUCTOR  
 VID FORARHYTT

# 3D17

MISCELLANEOUS

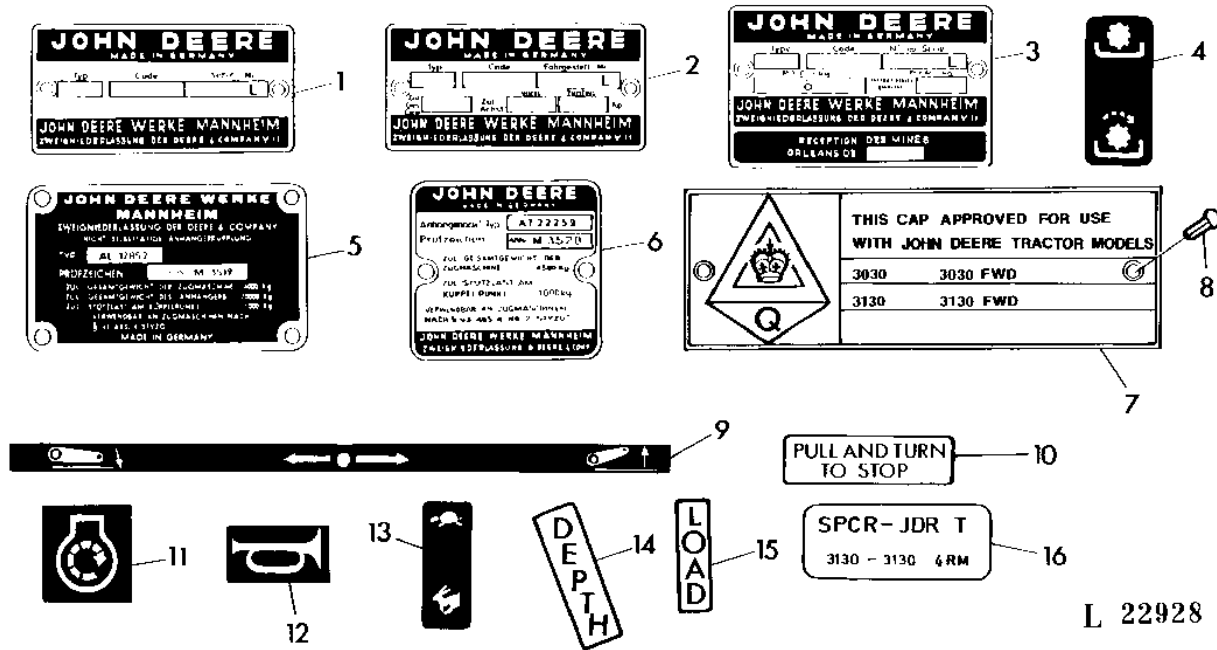
---

MEMORANDA  
MEMORANDA  
MEMORANDA  
MEMORANDA  
MEMORANDA

# 3D18

MISCELLANEOUS

NAME PLATES/DECALS  
 PLAQUES DU CONSTRUCTEUR/DECALCOMANIES  
 SCHILDER/ABSCHIEBEBILDER  
 TARGHETTE/DECALCOMANIE  
 ROTULOS/CALCOMANIAS  
 SKYLTA/DEKALER  
 L22928 -UN-27OCT95



L 22928

KEY	PART NO.	PART NAME	QTY	SERIAL NO.	REMARKS
				3 3	
				0 1	
				3 3	
				0 0	
1	T36502	SERIAL NUMBER PLATE	1	X X	(SUB FOR L29084)
2	L32845	SERIAL NUMBER PLATE	1	X X	DEUTSCH (SUB FOR L29082, T36503)
3	L29083	SERIAL NUMBER PLATE	1	X X	FRANCAIS
4	L29301	LABEL	1	X X	(SUB FOR T30772)
5	T30712	SERIAL NUMBER PLATE	1	X X	
6	T30711	SERIAL NUMBER PLATE	1	X X	
7	L34316	SERIAL NUMBER PLATE	1	X X	(A) (SUB FOR L31695)
8	25M3827	GROOVE PIN	2	X X	3X8MM
9	T26936	LABEL	1	X X	
10	T29577	LABEL	1	X X	
11	L29440	LABEL	1	X X	
12	L29439	LABEL	1	X X	
13	L29302	LABEL	1	X X	(SUB FOR T26839)
14	T29576	LABEL	1	X X	
15	T29575	LABEL	1	X X	
16	L32665	LABEL	1	X X	FRANCE,ALGERIA
	L32667	LABEL	1	X X	(A) FRANCE,ALGERIA

(A) WITH OPERATOR'S CAB  
 AVEC CABINE  
 BEI KABINE  
 CON CABINA  
 CON CABINA  
 VID FORARHYTT

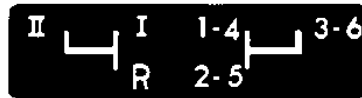
# 3D19

MISCELLANEOUS

NAME PLATES/DECALS  
 PLAQUES DU CONSTRUCTEUR/DECALCOMANIES  
 SCHILDER/ABSCHIEBEBILDER  
 TARGHETTE/DECALCOMANIE  
 ROTULOS/CALCOMANIAS  
 SKYLTAR/DECALER  
 L22927 -UN-27OCT95



1



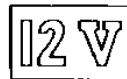
2



3



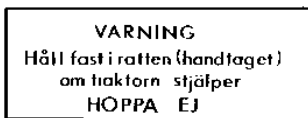
4



5



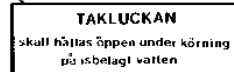
6



7



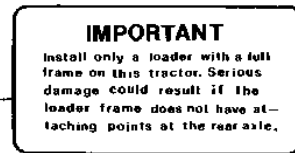
8



9



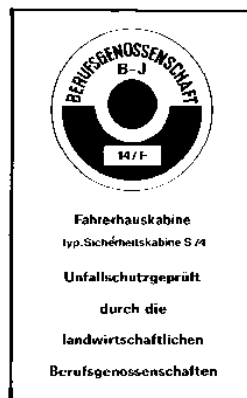
10



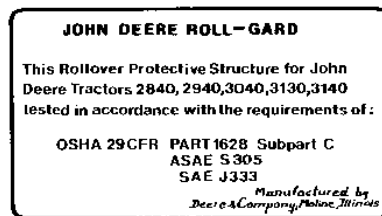
13



11



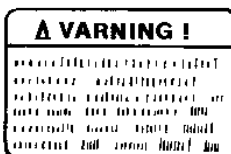
12



18



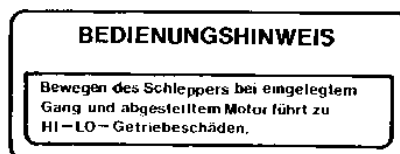
17



14



15



16

1, 22927



# 3D20

MISCELLANEOUS

KEY	PART NO.	PART NAME	QTY	SERIAL NO.	REMARKS
					3 3
					0 1
					3 3
					0 0
1	JD10477	LABEL	1	X X	(SUB FOR JD5602)
2	T29479	LABEL	1	X X	
3	R68279	LABEL	1	X X	(SUB FOR T29478)
4	R47292	LABEL	1	X X	
5	A5180R	DECAL	1	X X	
6	T31695	LABEL	1	X X	
7	L31559	LABEL	1	X X	(A) (B)
8	L31558	LABEL	1	X X	(A) (B)
9	L33561	LABEL	1	X X	(A) (B)
10	L34819	LABEL	1	X X	NORWAY
11	L29322	LABEL	1	X X	(SUB FOR L27831)
12	L32723	LABEL	1	X X	(A)
13	L32771	LABEL	1	X X	(C)
14	L35265	LABEL	1	X X	
15	L35850	LABEL	1	X X	
16	R68278	LABEL	1	X X	ENGLISH
	L34359	INSTRUCTION PLATE	1	X X	FRANCAIS
	L34358	INSTRUCTION PLATE	1	X X	DEUTSCH
	L34669	INSTRUCTION PLATE	1	X X	ITALIEN
	L34360	INSTRUCTION PLATE	1	X X	ESPANOL
	L34670	INSTRUCTION PLATE	1	X X	SWEDISH
17	T65880	WARNING LABEL	1	X X	ENGLISH (SUB FOR T25899)
	T65882	LABEL	1	X X	DEUTSCH (SUB FOR T26853)
18	R70813	LABEL	1	X X	(SUB FOR R65201)

(A) W/OPERATOR'S CAB  
 AVEC CABINE  
 BEI KABINE  
 CON CABINA  
 CON CABINA  
 VID FORARHYTT

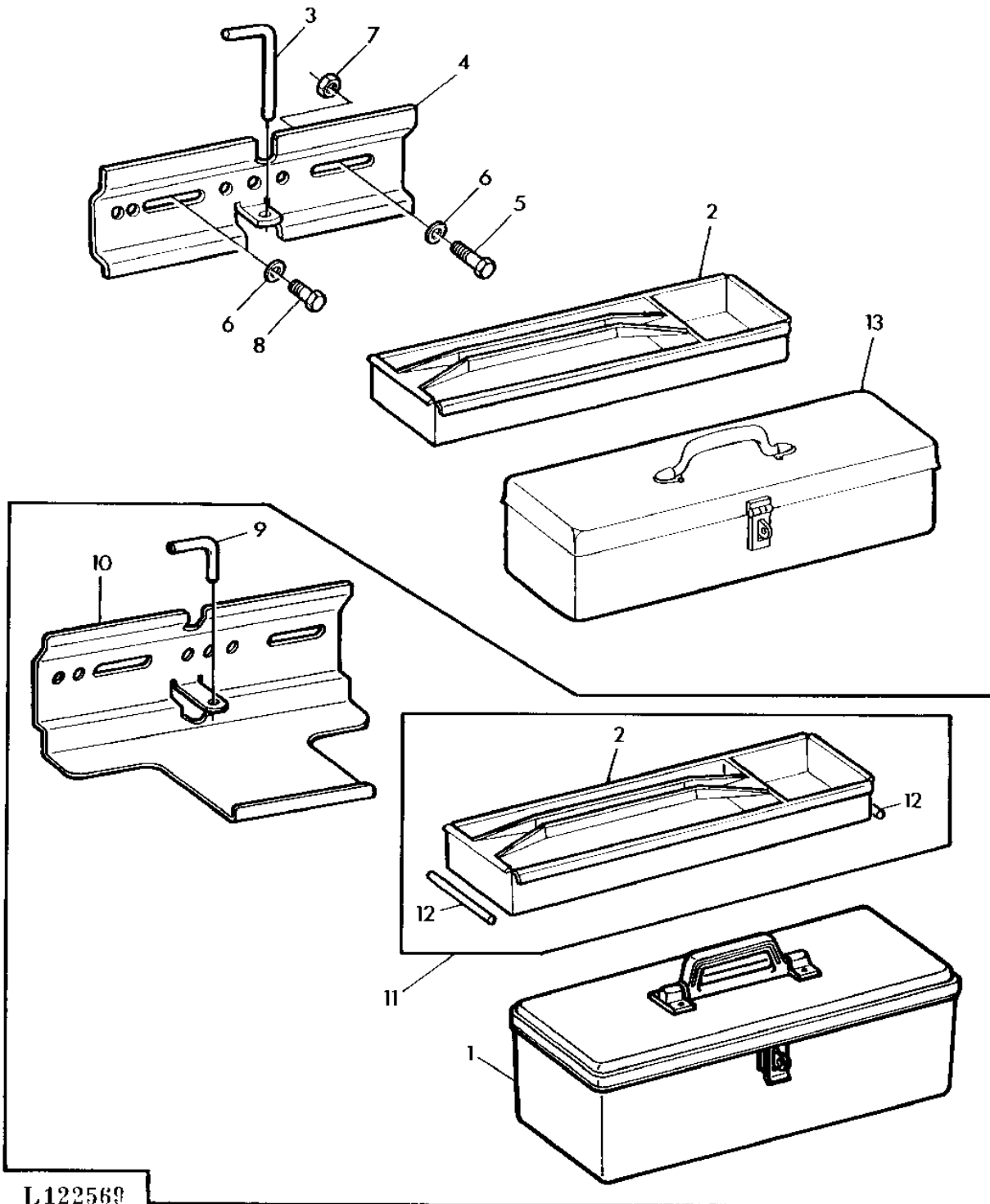
(B) ONLY FOR SWEDEN  
 UNIQUEMENT SUEDE  
 NUR FUER SCHWEDEN  
 SOLO PER LA SVEZIA  
 SOLAMENTE PARA SUECIA  
 ENDAST FOR SVERIGE

(C) ONLY FOR CANADA  
 UNIQUEMENT CANADA  
 NUR FUER CANADA  
 SOLO PER TI CANADA  
 SOLAMENTE PARA CANADA  
 ENDAST FOR CANADA

# 3D21

MISCELLANEOUS

TOOL BOX  
BOITE A OUTILS  
WERKZEUGKASTEN  
SCATOLA ATTREZZI  
CAJA DE HERRAMIENTAS  
VERKTYGSLADA  
L122569 -UN-26OCT95



# 3D22

MISCELLANEOUS

KEY	PART NO.	PART NAME	QTY	SERIAL NO.	3 0 3 0	3 1 3 0	REMARKS
1	AL38518	TOOLBOX	1		X	X	(ORD AT22071, L39119, T23027)
2	AL24044	BOX	1		X	X	
3	T23027	PIN	1		X	X	
4	L39119	BRACKET	1		X	X	(SUB FOR L36693, T23033)
5	19H1833	CAP SCREW	1		X	X	5/8"X1-1/4"
6	24H1363	WASHER	2		X	X	41/62"X1-1/16"X.105"
7	14H1039	NUT	1		X	X	5/8"
8	19H1916	CAP SCREW	1		X	X	5/8"X1"
9	L40681	PIN	1		X	X	
10	L40660	BRACKET	1		X	X	
11	AL38761	BOX	1		X	X	
12	L40644	PIN	2		X	X	
13	AT22071	TOOLBOX	1		X	X	(SUB FOR AL38518)

# 3D23

MISCELLANEOUS

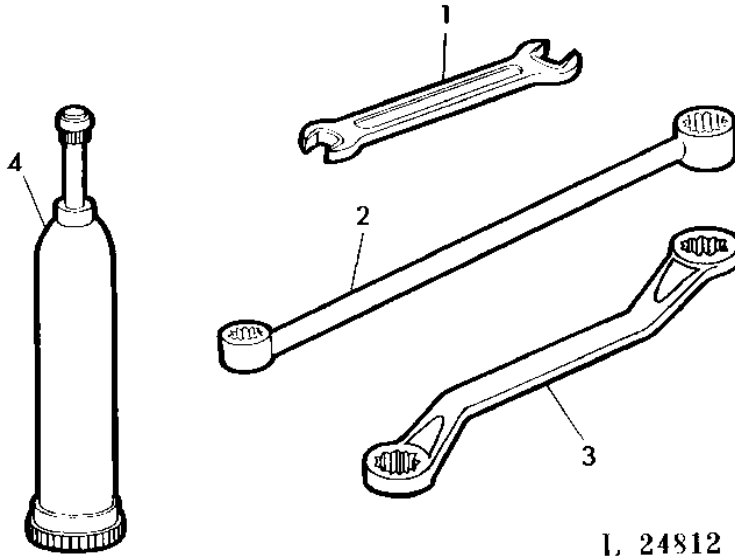
---

MEMORANDA  
MEMORANDA  
MEMORANDA  
MEMORANDA  
MEMORANDA

# 3D24

MISCELLANEOUS

TOOLS  
 OUTILS  
 WERKZEUG  
 ATTREZZI  
 HERRAMIENTAS  
 VERKTYG  
 L24812 -UN-26OCT95

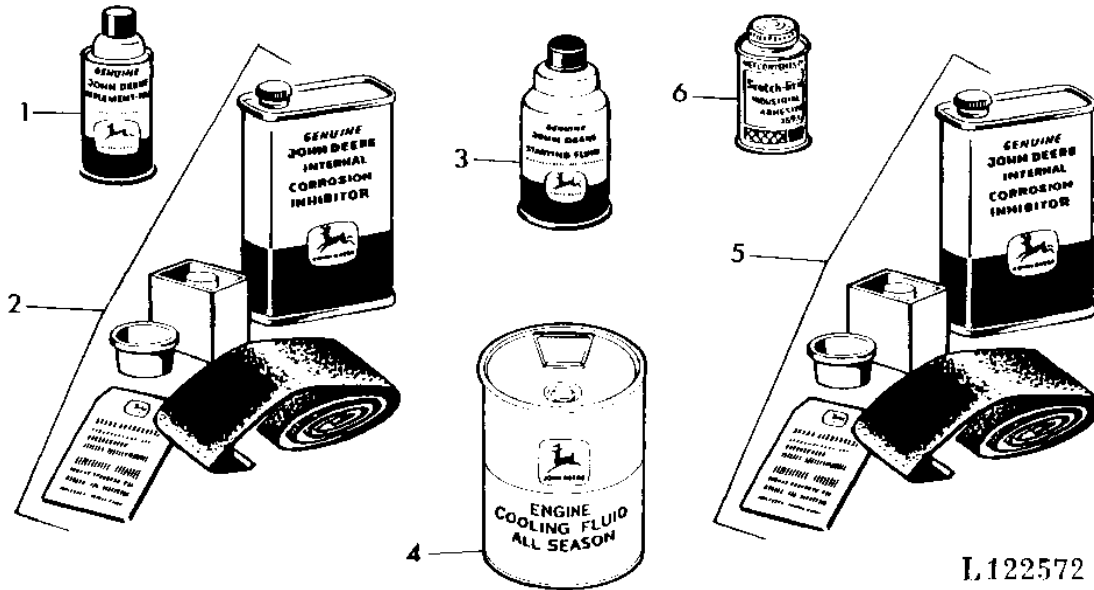


KEY	PART NO.	PART NAME	QTY	SERIAL NO.	REMARKS
				3 3	
				0 1	
				3 3	
				0 0	
1	31M6768	WRENCH	1	X X	10X13MM
	31M5965	WRENCH	1	X X	1/2"X9/16"
2	L56614	WRENCH	1	X X	(SUB FOR AR30507, R34827)
3	99M7002	WRENCH	1	X X	19X22MM
	31M7009	WRENCH	1	X X	24X27MM
	31M7010	WRENCH	1	X X	13/16"X1-1/8"
4	99M6430	GREASE GUN	1	X X	

# 3D25

MISCELLANEOUS

ACCESSORY PARTS  
 ACCESSOIRES  
 ZUBEHOERTEILE  
 ACCESSORI  
 ACCESORIOS  
 TILLBEHORSDELAR  
 L122572 -UN-26OCT95

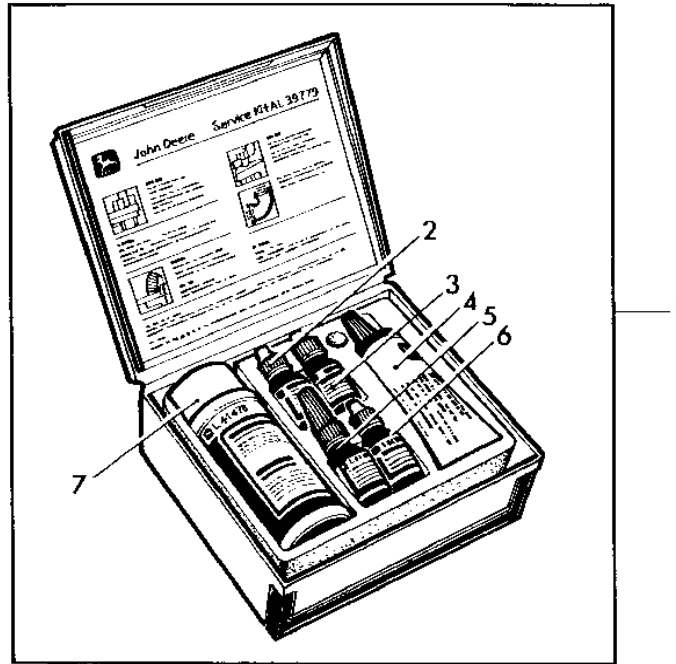


KEY	PART NO.	PART NAME	QTY	SERIAL NO.	REMARKS
				3 3	
				0 1	
				3 3	
				0 0	
1	L94772	PAINT	1	X X	GREEN,VERT,GRUEN,VERDE,GROEN
2	AR41785	KIT	1	X X	KIT
3	RE33636	STARTING FLUID	1	X X	(SUB FOR AR27814, RE30174)
4	AL66606	COOLANT	1	X X	5L.(1,3 U.S.GAL) (SUB FOR DD14134)
	AL66607	COOLANT	1	X X	20L.(5,3 U.S.GAL) (SUB FOR DD14345)
	AL67171	COOLANT	1	X X	60L.(15,9 U.S.GAL) (SUB FOR DD14136)
	AL66608	COOLANT	1	X X	200L.(53 U.S.GAL) (SUB FOR DD14346)
5	AR41785	KIT	1	X X	KIT
6	AL27132	ADHESIVE	1	X X	SOUND CONTROL MAT REPAIR SET

# 3E1

MISCELLANEOUS

WORKSHOP KIT (LOCTITE)  
 COLIS D'ATELIER (LOCTITE)  
 WERKSTATTSATZ (LOCTITE)  
 CORREDO OFFICINA (LOCTITE)  
 JUEGO DE TALLER (LOCTITE)  
 VERKSTADSSATS (LOCTITE)  
 L106290 -UN-06OCT95



L 106290

KEY	PART NO.	PART NAME	QTY	SERIAL NO.	REMARKS
				3 3	
				0 1	
				3 3	
				0 0	
1	AL39779	SEALANT	1	X X	
2	L41475	SEALANT	1	X X	LOCTITE 242 10CCM
3	L41476	SEALANT	1	X X	LOCTITE 270 10CCM
4	L41217	SEALANT	1	X X	LOCTITE 573 50CCM
5	L41860	SEALANT	1	X X	LOCTITE 648,10CCM
6	L41477	SEALANT	1	X X	LOCTITE 601 10CCM
7	L41478	DEGREASING SOLVENT	1	X X	LOCTITE 706,150CCM

# 3E2

MISCELLANEOUS

---

MEMORANDA  
MEMORANDA  
MEMORANDA  
MEMORANDA  
MEMORANDA



# 3E3

MISCELLANEOUS

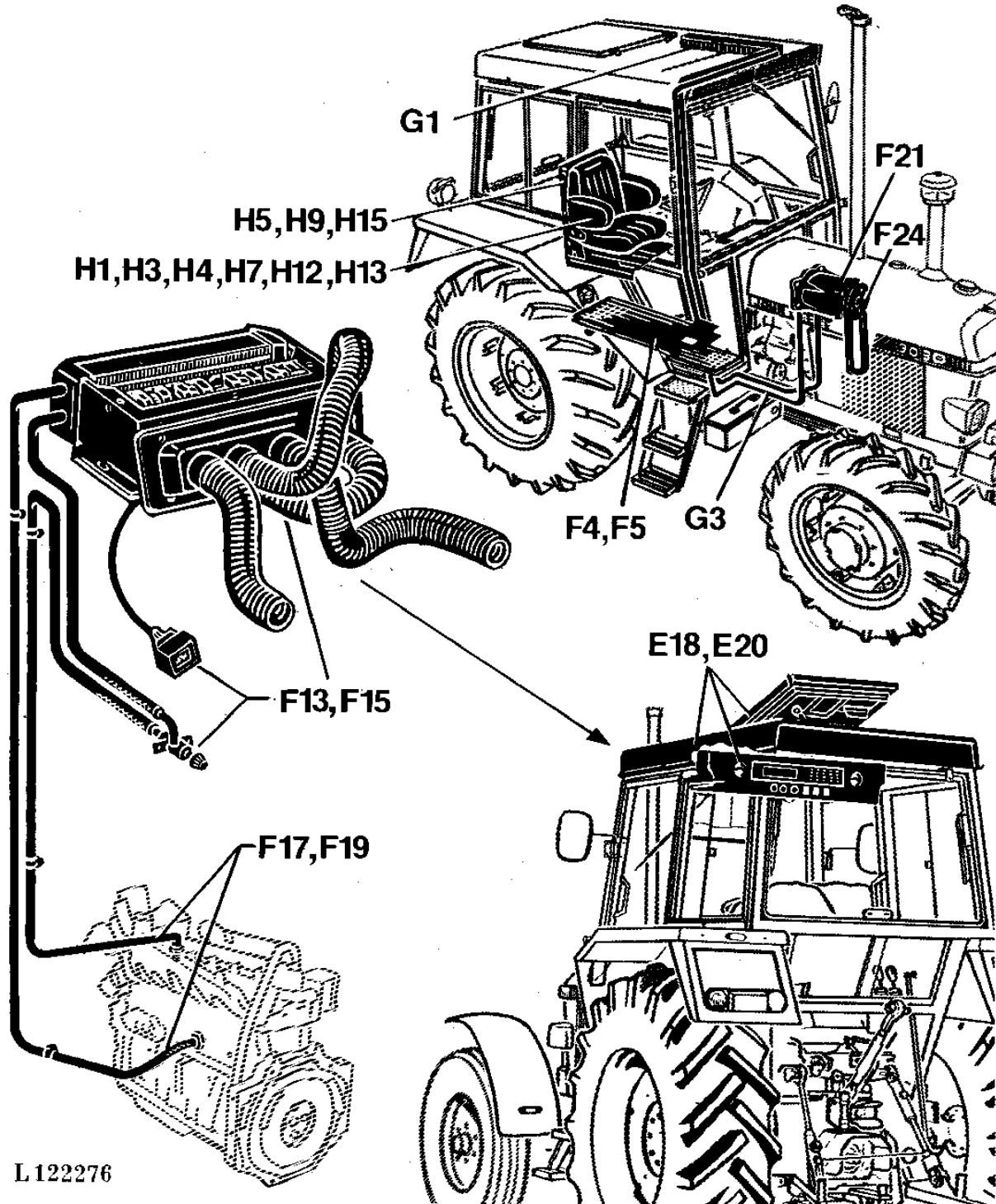
---

MEMORANDA  
MEMORANDA  
MEMORANDA  
MEMORANDA  
MEMORANDA

# 3E4

OPERATOR'S CAB

SECTIONAL INDEX  
INDEX DE SECTION  
GRUPPENINDEX  
INDICE DELLA SEZIONE  
INDICE DE SECCION  
GRUPPSFORTECKNING  
L122276 -UN-23OCT95

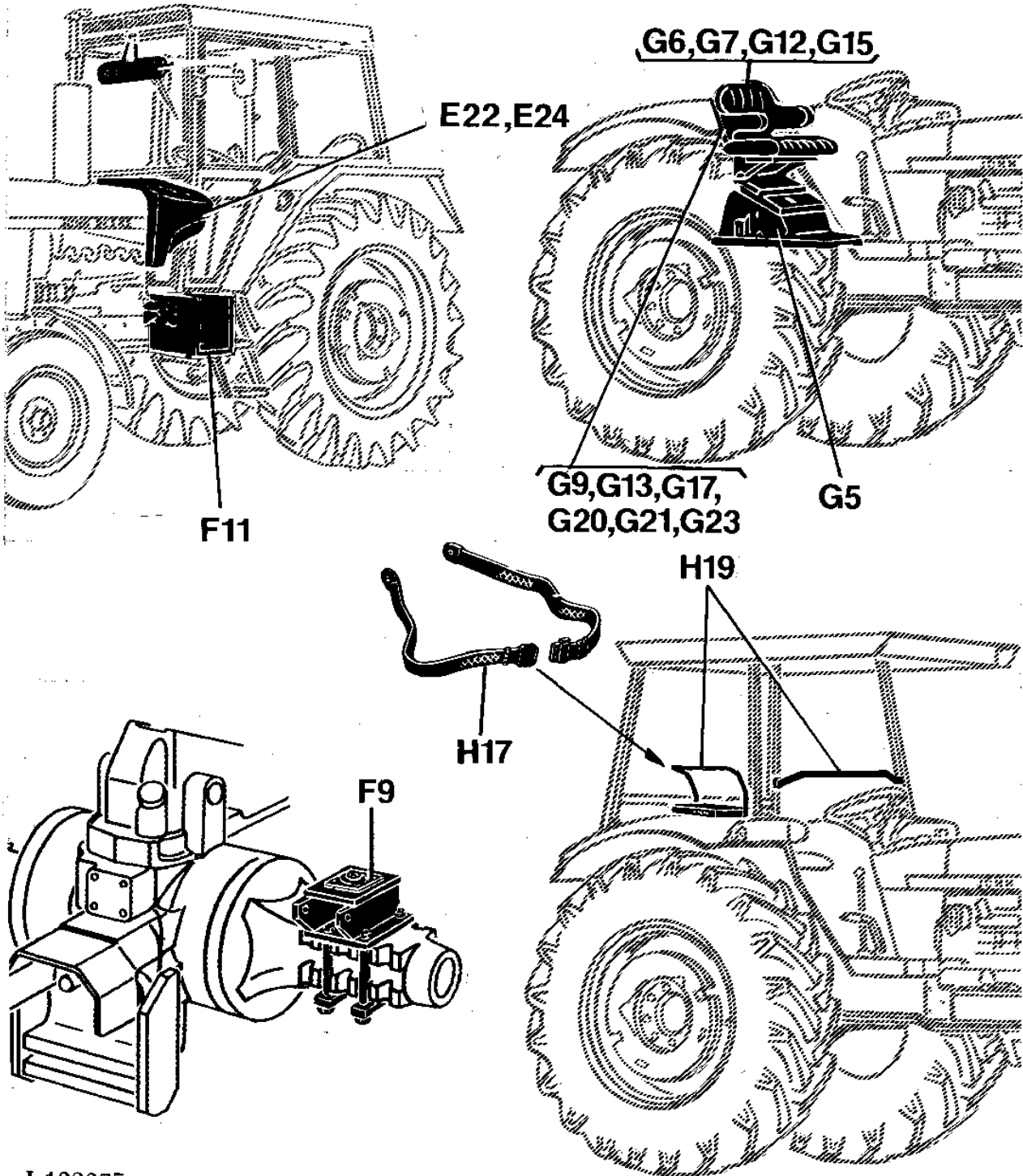


# 3E5

OPERATOR'S CAB

SECTIONAL INDEX  
INDEX DE SECTION  
GRUPPENINDEX  
INDICE DELLA SEZIONE  
INDICE DE SECCION  
GRUPPSFORTECKNING

L122277 -UN-23OCT95

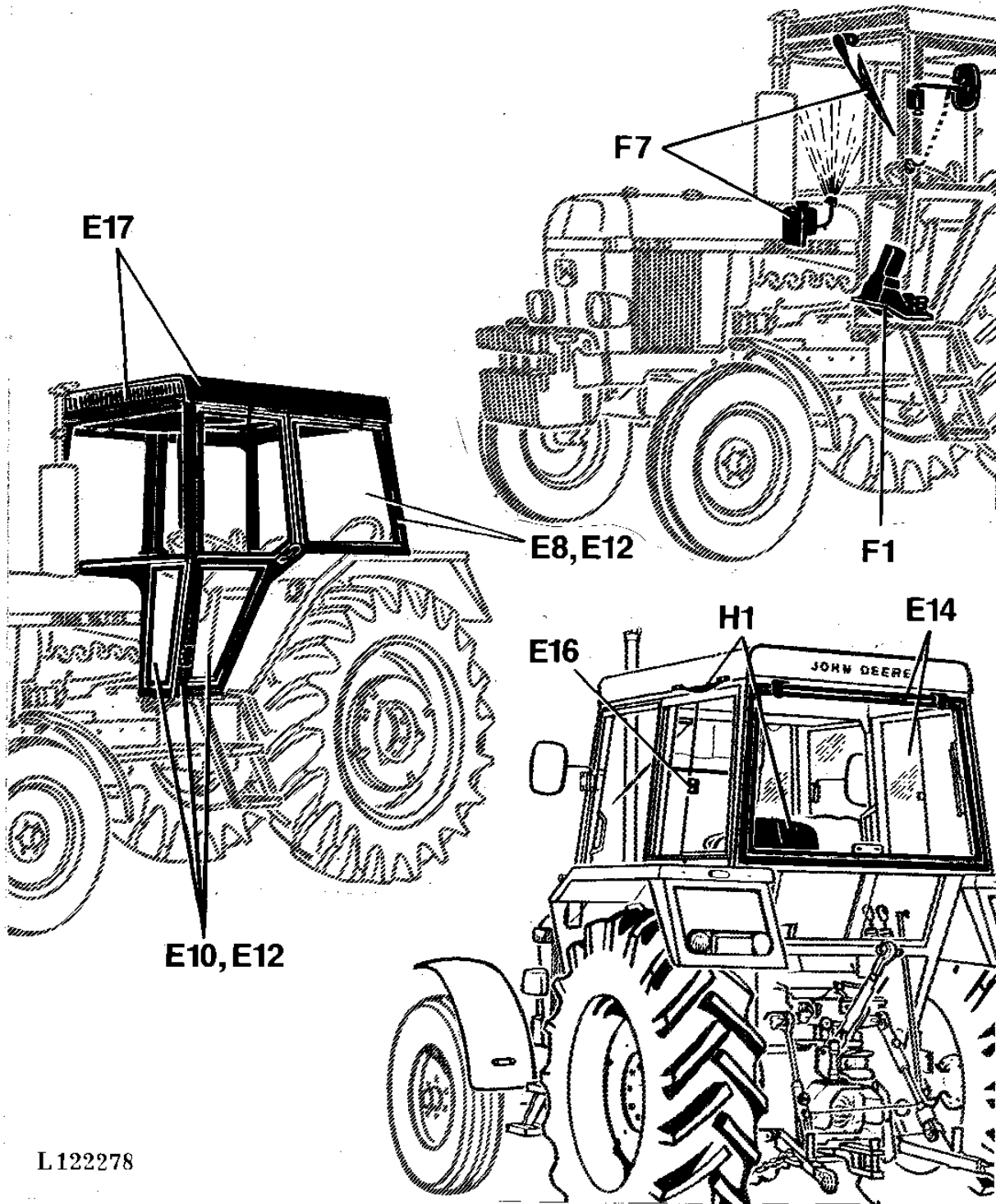


L122277

# 3E6

OPERATOR'S CAB

SECTIONAL INDEX  
INDEX DE SECTION  
GRUPPENINDEX  
INDICE DELLA SEZIONE  
INDICE DE SECCION  
GRUPPSFORTECKNING  
L122278 -UN-23OCT95



L122278

# 3E7

OPERATOR'S CAB

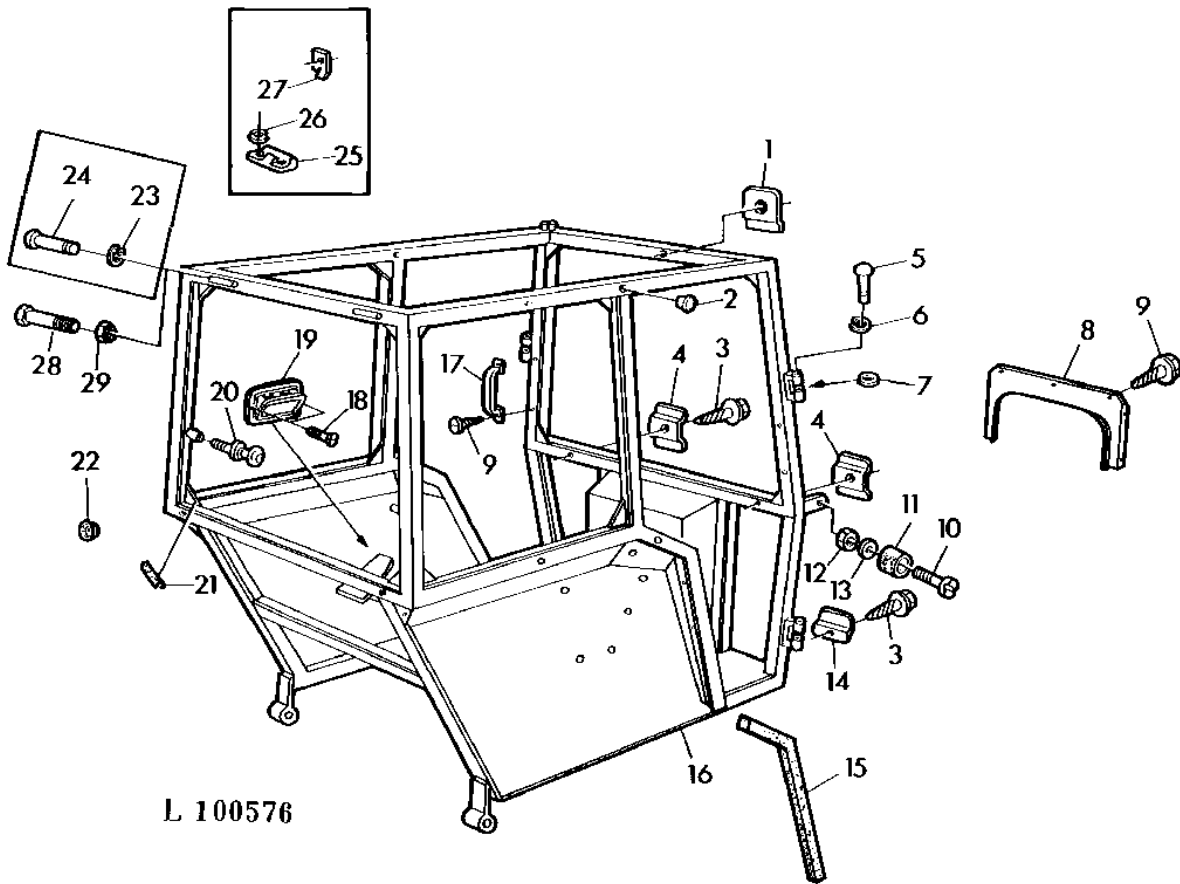
---

MEMORANDA  
MEMORANDA  
MEMORANDA  
MEMORANDA  
MEMORANDA

# 3E8

OPERATOR'S CAB

OPERATOR'S CAB-FRAME  
CADRE DE CABINE  
KABINE-RAHMEN  
TELAIO CABINA  
ARMADURA DE CABINA  
FORARHYTTENS RAM  
L100576 -UN-03NOV95



L 100576

# 3E9

OPERATOR'S CAB

KEY	PART NO.	PART NAME	QTY	SERIAL NO.	REMARKS
					3 3
					0 1
					3 3
					0 0
1	L31136	CLAMP	1		X X
2	99M7010	PLUG	4		X X (SUB FOR 90M7010)
3	37M7039	SCREW	16		X X 4,8X13MM
4	L31140	CLAMP	2		X X
5	L33590	PIN	4		X X
6	40M7059	SNAP RING	4		X X
7	L31380	WASHER	8		X X
8	L31417	SHIELD	1		X X
9	37M7036	SCREW	11		X X 4,2X16MM
10	21M7086	SCREW	2		X X M6X20
11	L31395	STOP	2		X X
12	14M7272	NUT	2		X X M6
13	24M7054	WASHER	2		X X 6,4X12,5X1,6MM
14	L32556	CLAMP	8		X X (SUB FOR L31382)
15	L32342	WEATHERSTRIP	2		X X LGTH=945MM
16	AL25729	CAB	1		X X
	AL28612	FRAME	1		X X (A)
17	AL25710	HANDLE	4		X X
18	37M7024	SCREW	4		X X 4,8X16MM
19	AL25946	ASHTRAY	1		X X
20	55M7007	BALL STUD	2		X X
21	L31710	STRIP	4		X X (B)
22	L32345	FOAM PAD	10		X X
23	40M7144	SNAP RING	2		X X 8X0,8MM
24	L34212	PIN	2		X X INCL KEYS 28,29 (SUB FOR L32963)
25	L32558	LATCH	1		X X
26	12M7081	LOCK WASHER	4		X X (SUB FOR 12M6677)
27	L32557	STOP	1		X X
28	19M7604	SCREW	2		X X M8X80
29	14M7327	LOCK NUT	2		X X M8

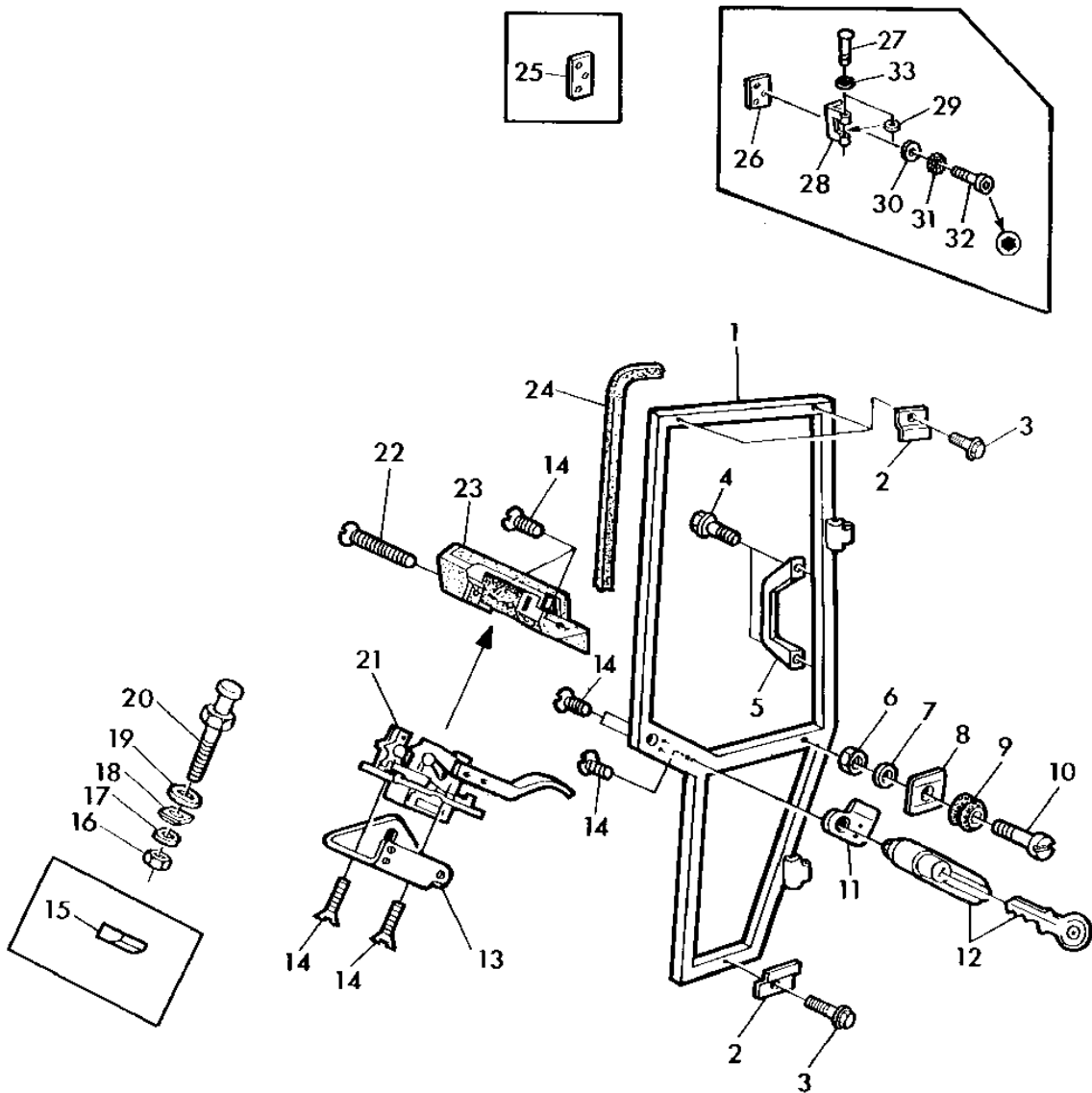
(A) WITH AIR CONDITIONING  
 AVEC CLIMATISATION  
 BEI KLIMAANLAGE  
 CON IMPIANTO D'ARIA CONDIZIONATA  
 CON SISTEMA DE AIRE ACONDICIONADA  
 MED LUFTKONDITIONERING

(B) FOR ENGLANG ONLY  
 SEULEMENT POUR LA GRANDE-BRETAGNE  
 NUR FUER ENGLAND  
 SOLTANTO PER GRAN BRETAGNA  
 TAN SOLO PARA GRAN BRETANA  
 ENDAST FOR ENGLAND

# 3E10

OPERATOR'S CAB

OPERATOR'S CAB-DOOR  
PORTE DE CABINE  
KABINE-TUER  
PORTELLO CABINA  
PUERTA DE CABINA  
FORARHYTTENS DORR  
L103031 -UN-07NOV95



I. 103031



# 3E11

OPERATOR'S CAB

KEY	PART NO.	PART NAME	QTY	SERIAL NO.	REMARKS
				3 3	
				0 1	
				3 3	
				0 0	
1	AL25734	DOOR	1	X X	(B) RH
	AL25735	DOOR	1	X X	(B) LH
	AL25734	DOOR	1	X X	(A) RH (ORD W/ L31392, L31393, L32660)
	AL25735	DOOR	1	X X	(A) LH (ORD W/ L31392, L31393, L32660)
2	L33593	CLIP	6	X X	(SUB FOR L31382, L32556)
3	37M7039	SCREW	6	X X	4,8X13MM
4	37M7061	SCREW	8	X X	M5 X 20
5	L33520	GRIP	4	X X	
6	14M7272	NUT	2	X X	6MM
7	24M7054	WASHER	2	X X	6,4MM
8	L31390	RETAINER	2	X X	
9	L31396	KNOB	2	X X	
10	21M7086	SCREW	2	X X	6X20MM
11	L31177	RETAINER	2	X X	RH
	L31192	RETAINER	1	X X	LH
12	AL25947	GRIP	2	X X	
13	L31389	RETAINER	1	X X	(ORD AL32789, L36981, 21M7212)
	L31388	RETAINER	1	X X	LH (ORD AL32790, L36981, 21M7212)
14	21M7210	SCREW	18	X X	6X16MM
15	L31135	NUT	2	X X	
16	L32659	NUT	2	X X	12MM
17	L32658	WASHER	2	X X	
18	L32341	STRAP	2	X X	
19	24H1338	WASHER	2	X X	33/64"X7/8"X.048"
20	L31394	U-BOLT	2	X X	
21	AL32790	LOCK	1	X X	RH (SUB FOR AL25949, L31191)
	AL32789	LOCK	1	X X	LH (SUB FOR AL25948, L31190)
22	21M7212	SCREW	2	X X	6X80MM
23	L31134	DOOR	1	X X	RH
	L31193	PANEL	1	X X	LH
24	L31397	WEATHERSTRIP	2	X X	LGTH=4100MM
25	L32660	SPACER	2	X X	(A)
26	L31381	SPACER	4	X X	
27	L33590	PIN	4	X X	(ORD W/ 40M7059) (SUB FOR L31379)
28	L31392	HINGE	2	X X	(A) UP(RH),LOW(LH) (ORD W/ L32660)
	L31393	HINGE	2	X X	(A) UP(LH),LOW(RH) (ORD W/ L32660)
	L31392	HINGE	2	X X	(B) UP(RH),LOW(LH)
	L31393	HINGE	2	X X	(B) UP(LH),LOW(RH)
29	L31380	WASHER	8	X X	
30	24M7055	WASHER	12	X X	8,4MM
31	12M7078	LOCK WASHER	12	X X	8,4MM
32	19M7647	SCREW	12	X X	8X16MM
33	40M7059	SNAP RING	4	X X	8X1MM

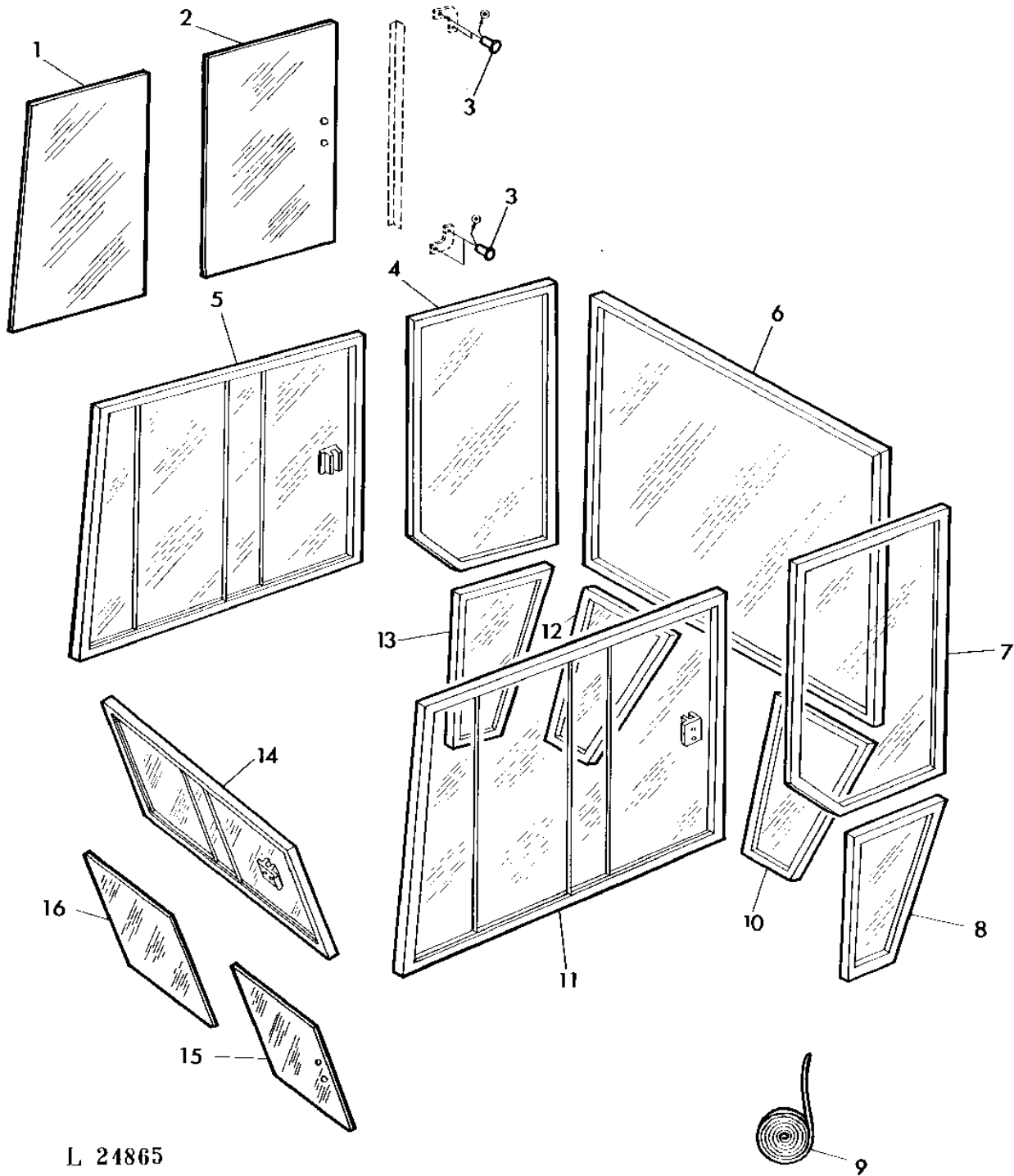
(A) UP TO CAB NO.UK 1751 OR DK 1403  
 JUSQU'A CABINE NO.UK 1751 OU DK 1403  
 BIS KABINEN-NR.UK 1751 ODER DK 1403  
 FINO AL NO. CABINA UK 1751/DK 1403  
 HASTA EL NO.DE CABINA UK 1751 O DK 1403  
 TILL HYTT-NR. UK 1751 ELLER DK 1403

(B) FROM CAB NO.UK 1752 OR DK 1404  
 A PARTIR DE CABINE NO.UK 1752 OU DK 1404  
 AB KABINEN NR.UK 1752 ODER DK 1404  
 DAL NO.CABINA UK 1752 O DK 1404  
 A PARTIR DEL NO.CABINA UK 1752 O DK 1404  
 FRAN HYTT-NR. UK 1752 ELLER DK 1404

# 3E12

OPERATOR'S CAB

OPERATOR'S CAB-WINDOWS  
FENETRES DE CABINE  
KABINE-FENSTERSCHEIBEN  
VETRATA CABINA  
VENTANAS DE CABINA  
FORARHYTTENS RUTAR  
L24865 -UN-25OCT95



L 24865

# 3E13

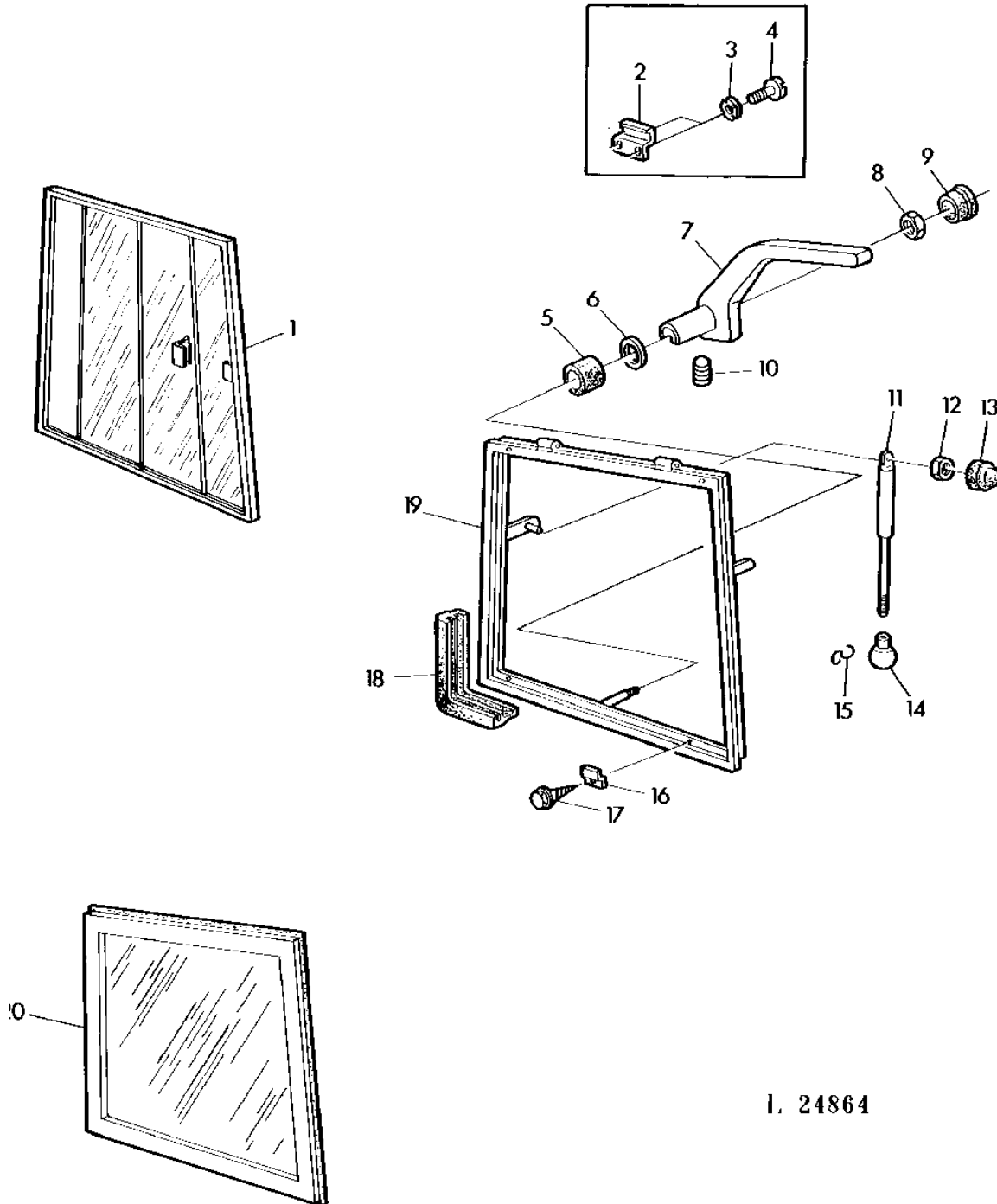
OPERATOR'S CAB

KEY	PART NO.	PART NAME	QTY	SERIAL NO.		REMARKS
					3 3	
					0 1	
					3 3	
					0 0	
1	L32954	WINDOWPANE	2	212716-	X X	LH,RH (ORD W/ (8)16M5456)
2	L32953	WINDOWPANE	2	212716-	X X	LH,RH (ORD W/ (8)16M5456)
3	16M5456	RIVET	24	264296-	X X	3X7MM
4	AL25758	WINDOW	1	-199830	X X	UP,LH
	AL27354	WINDOW	1	199831-	X X	UP,LH
5	AL25762	WINDOW	1	-199830	X X	LH
	AL27358	WINDOW	1	199831-264295	X X	LH
	AL28607	WINDOW	1	264296-	X X	LH,INCL KEYS 1-3
6	AL25755	WINDOWPANE	1	-199830	X X	FRONT,UP
	AL27351	WINDOWPANE	1	199831-	X X	FRONT,UP
7	AL25759	WINDOW	1	-199830	X X	UP,RH
	AL27355	WINDOW	1	199831-	X X	UP,RH
8	AL25761	WINDOW	1	-199830	X X	LOW,RH
	AL27357	WINDOW	1	199831-	X X	LOW,RH
9	AL39594	WEATHERSTRIP	1	-212715	X X	LGTH=5M (SUB FOR L31205)
	L31545	ISOLATOR	1	212716-	X X	LGTH=13,5M
10	AL25757	WINDOW	1	-199830	X X	FRONT,LOW,RH
	AL27353	WINDOW	1	199831-	X X	FRONT,LOW,RH
11	AL25763	WINDOW	1	-199830	X X	RH
	AL27359	WINDOW	1	199831-264295	X X	RH
	AL28608	WINDOW	1	264296-	X X	RH,INCL KEYS 1-3
12	AL25756	WINDOW	1	-199830	X X	FRONT,LOW,LH
	AL27352	WINDOW	1	199831-	X X	FRONT,LOW,LH
13	AL25760	WINDOW	1	-199830	X X	LOW,LH
	AL27356	WINDOW	1	199831-	X X	LOW,LH
14	AL25764	WINDOW	1	-199830	X X	REAR,LOW
	AL27360	WINDOW	1	199831-264295	X X	REAR,LOW
	AL28609	WINDOW	1	264296-	X X	REAR,LOW,INCL KEYS 3,15,16
15	L32955	WINDOWPANE	1	212716-	X X	REAR,LOW (ORD W/ (4) 16M5456)
16	L32956	WINDOWPANE	1	212716-	X X	REAR,LOW (ORD W/ (4) 16M5456)

# 3E14

OPERATOR'S CAB

OPERATOR'S CAB, REAR HINGED WINDOW  
GLACE ARRIERE OUVRABLE DE CABINE  
KABINE-HECKKLAPPFENSTER  
CABINA-FINESTRINO POSTERIORE RIBALTABILE  
CABINA, VENTANA ARTICULADA TRASERA  
FORARHYTT-OPNINGSBART BAKFONSTER  
L24864 -UN-25OCT95



I. 24864

# 3E15

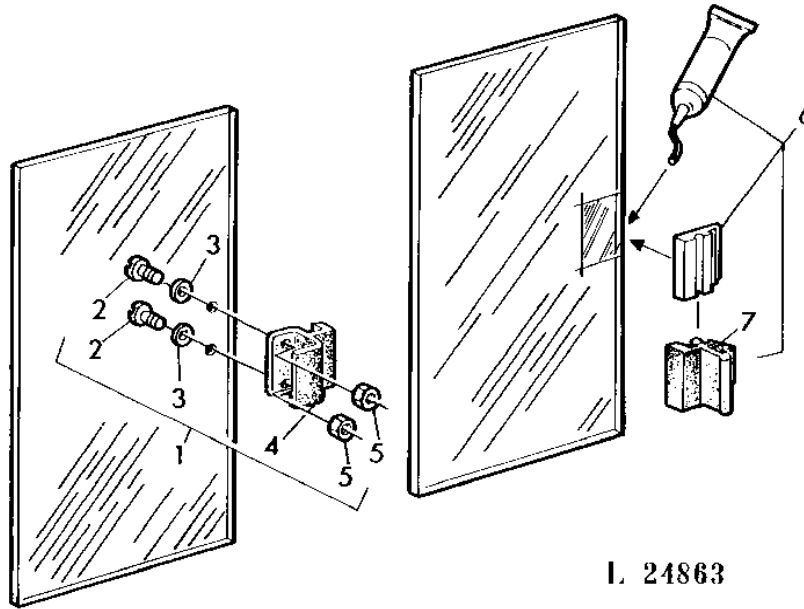
OPERATOR'S CAB

KEY	PART NO.	PART NAME	QTY	SERIAL NO.	3 0 3 0	3 1 3 0	REMARKS
1	AL25754	WINDOW	1	-199830	X	X	REAR,UP
	AL27350	WINDOW	1	199831-212715	X	X	REAR,UP
2	L32559	GRIP	1		X	X	
3	12M7081	LOCK WASHER	2		X	X	(SUB FOR 12M6677)
4	21M7036	SCREW	2		X	X	5X16MM (SUB FOR 21M7180)
5	L33942	RUBBER MOUNT	1	212716-	X	X	
6	L33943	WASHER	1	212716-	X	X	
7	L33596	HANDLE	1	212716-	X	X	
8	14M7272	NUT	1	212716-	X	X	6MM
9	L33944	CAP	1	212716-	X	X	
10	22M7094	SET SCREW	1	212716-	X	X	4X10MM
11	AL28599	ABSORBER	2	212716-	X	X	(SUB FOR AL28057)
12	14M7165	LOCK NUT	2	212716-	X	X	6MM
13	L32560	CAP	2	212716-	X	X	
14	56M7006	BALL JOINT SOCKET	2	212716-	X	X	
15	56M7007	BALL JOINT RETAINER	2	212716-	X	X	
16	L32556	CLAMP	4	212716-	X	X	(SUB FOR L31382)
17	37M7039	SCREW	4	212716-	X	X	4,8X13MM
18	L31397	WEATHERSTRIP	1	212716-	X	X	LGTH=4,1M
19	AL28055	FRAME	1	212716-	X	X	REAR,UP
20	AL28056	WINDOW	1	212716-	X	X	REAR,UP
..	AL28054	WINDOW	1	212716-	X	X	ASSY,INCL KEYS 5-20 INCL L31545, (2) 55M7007

# 3E16

OPERATOR'S CAB

GRIP FOR SLIDING WINDOWS  
 POIGNEE POUR VITRES COULISSANTES  
 HANDGRIFF FUER SCHIEBESCHEIBEN  
 ARRESTO PER SPORTELLI SCORREVOLI  
 PUNO DE LAS VENTANAS CORREDIZAS  
 HANDTAG FOR SKJUTFONSTER  
 L24863 -UN-25OCT95



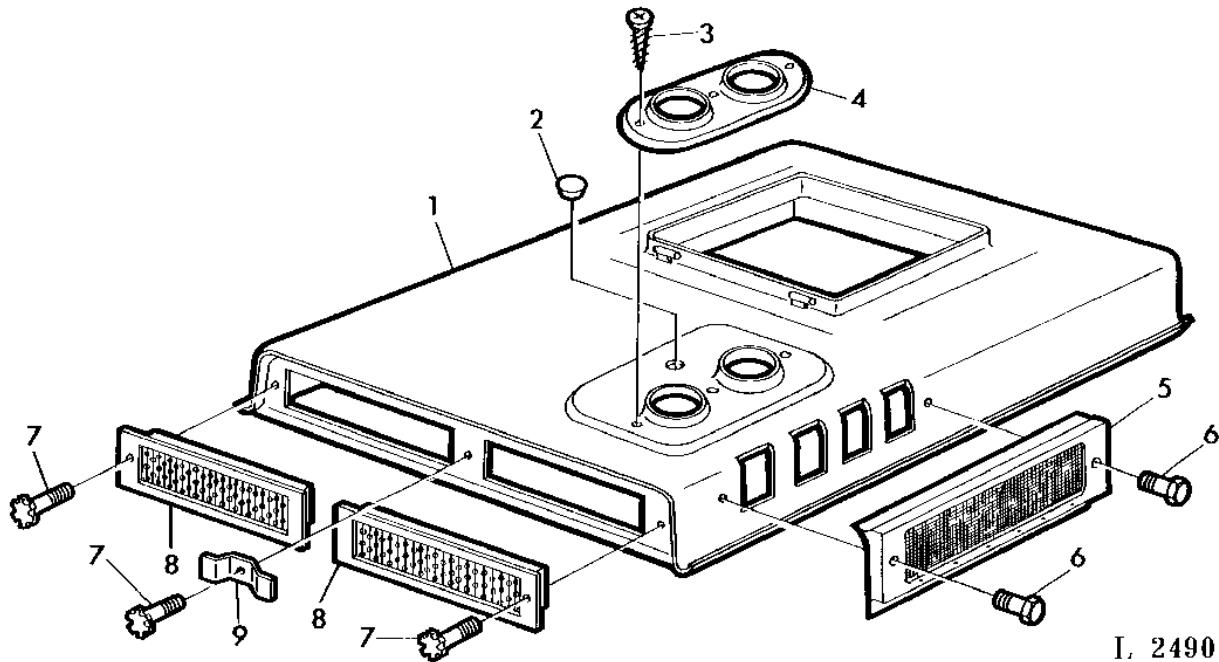
I. 24863

KEY	PART NO.	PART NAME	QTY	SERIAL NO.	REMARKS
				3 3	
				0 1	
				3 3	
				0 0	
1	AL26646	KIT	1	X X	KIT,INCL.KEYS 2-5
2	21M7036	SCREW	2	X X	5X16MM
3	L31547	WASHER	2	X X	
4	.....		1	X X	(ORD AL26646)
5	14M7360	LOCK NUT	2	X X	5MM
6	AL26647	HANDLE	1	X X	KIT,INCL.KEY 7
7	L31521	HANDLE	1	X X	

# 3E17

OPERATOR'S CAB

OPERATOR'S CAB-ROOF(WITH AIR CONDITIONING)  
 TOIT DE CABINE(AVEC CLIMATISATION)  
 KABINE-DACH(BEI KLIMAAANLAGE)  
 TETTO CABINA(CON IMPIANTO D'ARIA CONDIZIONATA)  
 TECHO DE CABINA(CON SISTEMA DE AIRE ACONDICIONADA)  
 FORARHYTTENS TAK(MED LUFTKONDITIONERING)  
 L24901 -UN-26OCT95



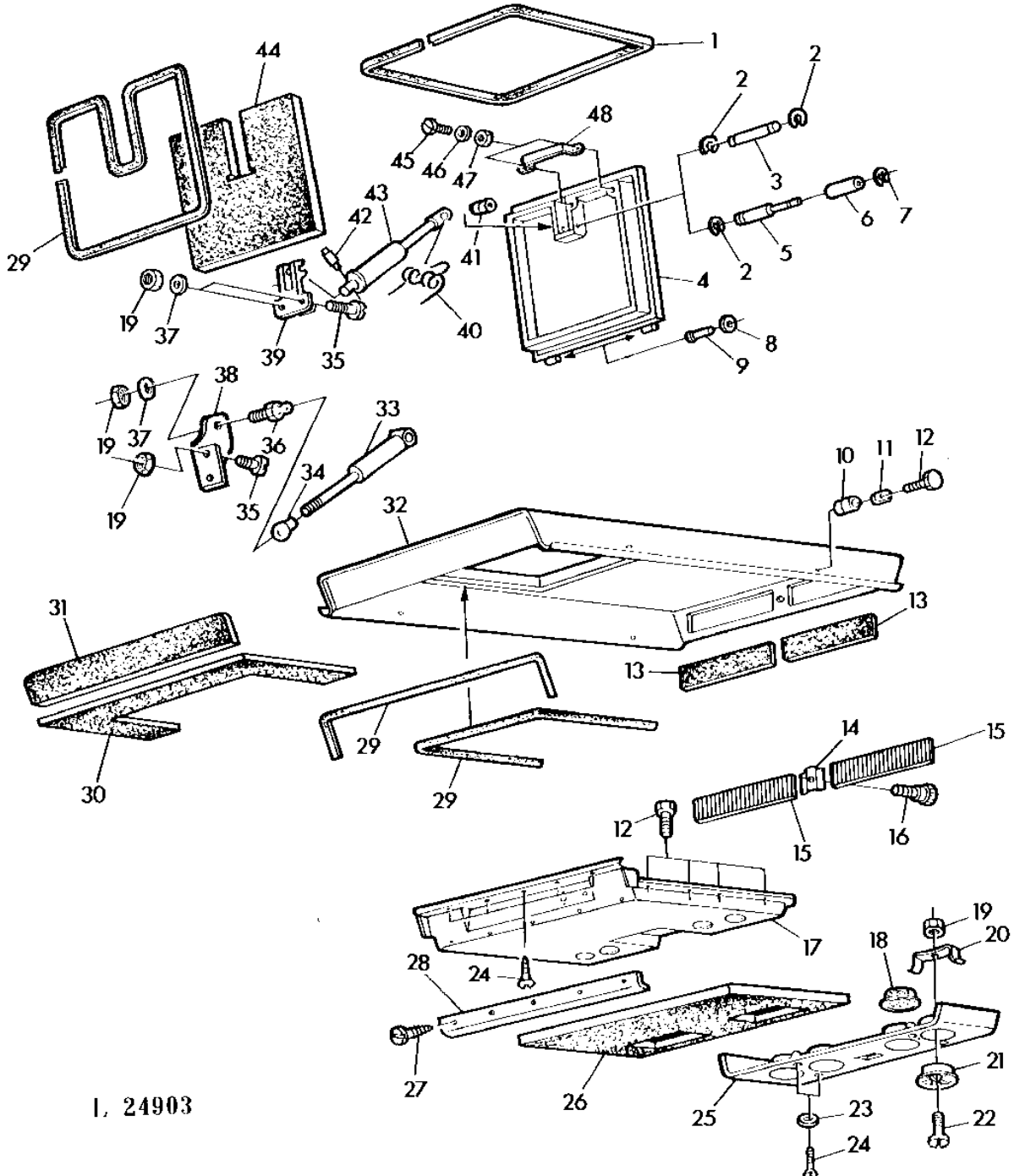
I. 24901

KEY	PART NO.	PART NAME	QTY	SERIAL NO.	REMARKS
				3 3	
				0 1	
				3 3	
				0 0	
1	AL32930	HEADLINER	1	X X	
2	L35678	PLUG	1	X X	
3	37M7068	SCREW	4	X X	4,2X16MM
4	L35655	COVER	1	X X	
5	AL32931	GRATE	1	X X	
6	19M7077	CAP SCREW	2	X X	6X20MM
7	AL25951	SCREW	3	X X	
8	AL32932	FILTER	2	X X	
9	L35656	CLIP	1	X X	

# 3E18

OPERATOR'S CAB

OPERATOR'S CAB-ROOF  
TOIT DE CABINE  
KABINE-DACH  
TETTO CABINA  
TECHO DE CABINA  
FORARHYTTENS TAK  
L24903 -UN-26OCT95



L 24903



# 3E19

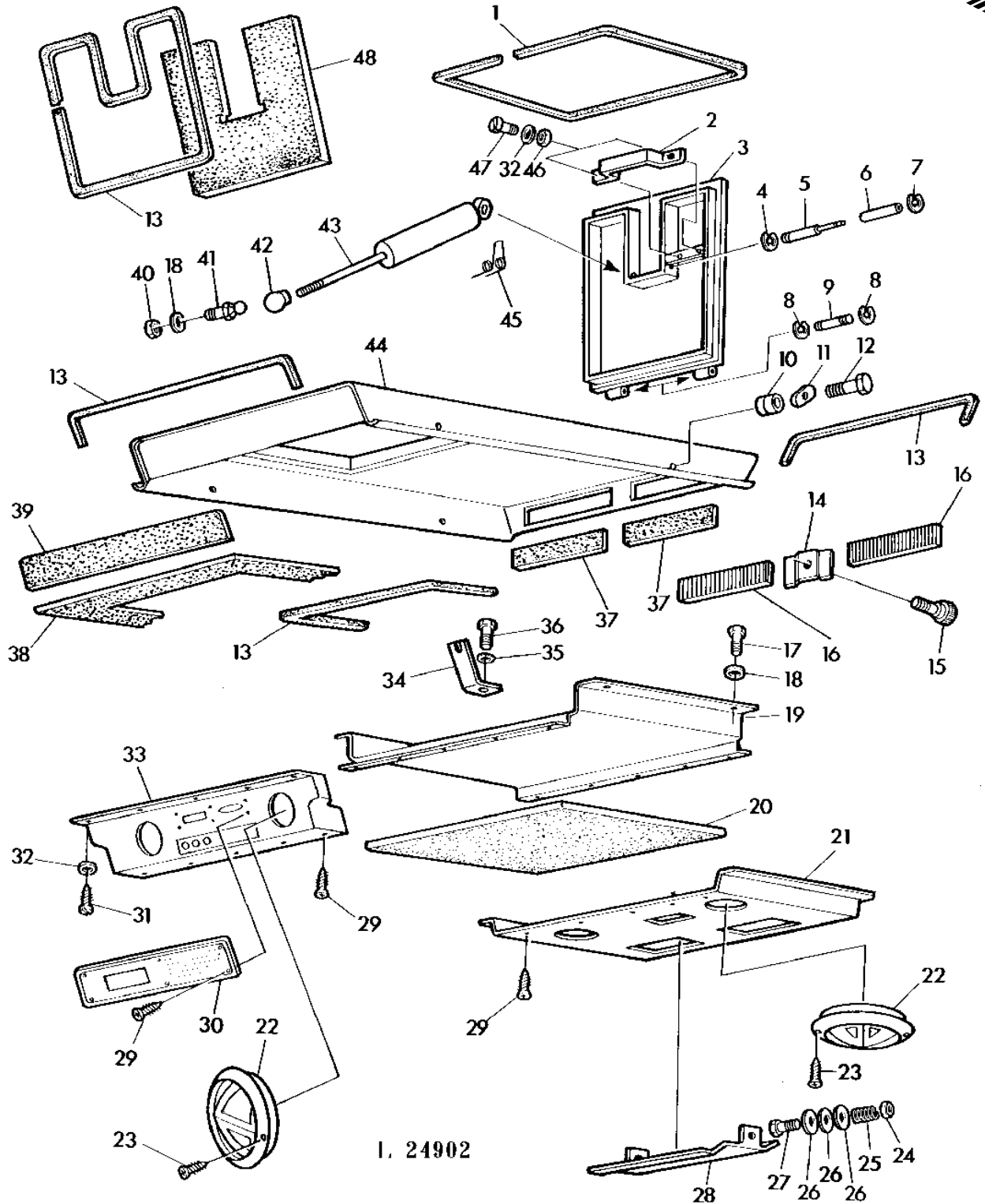
OPERATOR'S CAB

KEY	PART NO.	PART NAME	QTY	SERIAL NO.			REMARKS
					3	3	
					0	1	
					3	3	
					0	0	
1	L32930	WEATHERSTRIP	1	-264295	X	X	LGTH=2500MM (SUB FOR L31407)
2	40M7144	SNAP RING	3	-264295	X	X	8X0,8MM
3	L32344	PIN	1	-264295	X	X	
4	AL26614	DOOR	1	-264295	X	X	
5	L32928	PIN	1	-264295	X	X	
6	L32927	SPACER	1	-264295	X	X	
7	40M7032	SNAP RING	1	-264295	X	X	6X0,7MM
8	40M1816	SNAP RING	2	-264295	X	X	7X0,8MM (SUB FOR L32339)
9	L31544	PIN	2	-264295	X	X	
10	L32176	BUSHING	AR	-264295	X	X	
11	L31308	WASHER	4	-264295	X	X	
12	19M7162	CAP SCREW	10	-264295	X	X	8X16MM
13	L31410	FILTER ELEMENT	2	-264295	X	X	
14	L31383	RETAINER	1	-264295	X	X	
15	AL28600	GRATE	2	-264295	X	X	(SUB FOR L31409)
16	AL25951	SCREW	1	-264295	X	X	
17	AL25720	HEADLINER	1	-264295	X	X	
18	L31419	CAP	2	-264295	X	X	
19	14M7009	NUT	6	-264295	X	X	6MM
20	L31176	RETAINER	4	-264295	X	X	(SUB FOR L31408)
21	L31398	NOZZLE	4	-264295	X	X	
22	21M7211	SCREW	4	-264295	X	X	6X60MM
23	24M7117	WASHER	6	-264295	X	X	4,3MM
24	37M7036	SCREW	11	-264295	X	X	4,2X16MM
25	L31142	HEADLINER	1	-264295	X	X	FRONT
26	L31385	COWL	1	-264295	X	X	
27	37M7024	SCREW	5	-264295	X	X	4,8X16MM (SUB FOR 37M7040)
28	L31141	RETAINER	1	-264295	X	X	REAR
29	L32934	WEATHERSTRIP	1	-264295	X	X	LGTH=2800MM (SUB FOR L31403, L31406)
30	L31411	FOAM PAD	1	-264295	X	X	
31	L31387	FOAM PAD	1	-264295	X	X	
32	AL25721	ROOF	1	-264295	X	X	INCL KEYS 4,9
33	AL28599	ABSORBER	1	-264295	X	X	
34	56M7006	BALL JOINT SOCKET	1	-264295	X	X	
35	21M7094	SCREW	2	-264295	X	X	6X16MM
36	55M7007	BALL STUD	1	-264295	X	X	
37	24M7054	WASHER	2	-264295	X	X	6,4MM
38	L32962	RETAINER	1	-264295	X	X	
39	L31404	RETAINER	1	-264295	X	X	
40	L32112	SPRING	1	-264295	X	X	
41	L31384	SPACER	2	-264295	X	X	
42	L31405	PIN	1	-264295	X	X	
43	AL25968	CYLINDER	1	-264295	X	X	KIT (ORD AL28649)
44	L31386	COWL	1	-264295	X	X	
45	21M7036	SCREW	2	-264295	X	X	5X16MM
46	24M7027	WASHER	2	-264295	X	X	5MM
47	14M7028	NUT	2	-264295	X	X	5MM (SUB FOR 14M7021)
48	AL25710	HANDLE	1	-264295	X	X	
..	AL28649	KIT	1	-264295	X	X	KIT,INCL KEYS 2,5-7,19,33-38,40

# 3E20

OPERATOR'S CAB

OPERATOR'S CAB-ROOF  
TOIT DE CABINE  
KABINE-DACH  
TETTO CABINA  
TECHO DE CABINA  
FORARHYTTENS TAK  
L24902 -UN-26OCT95



# 3E21

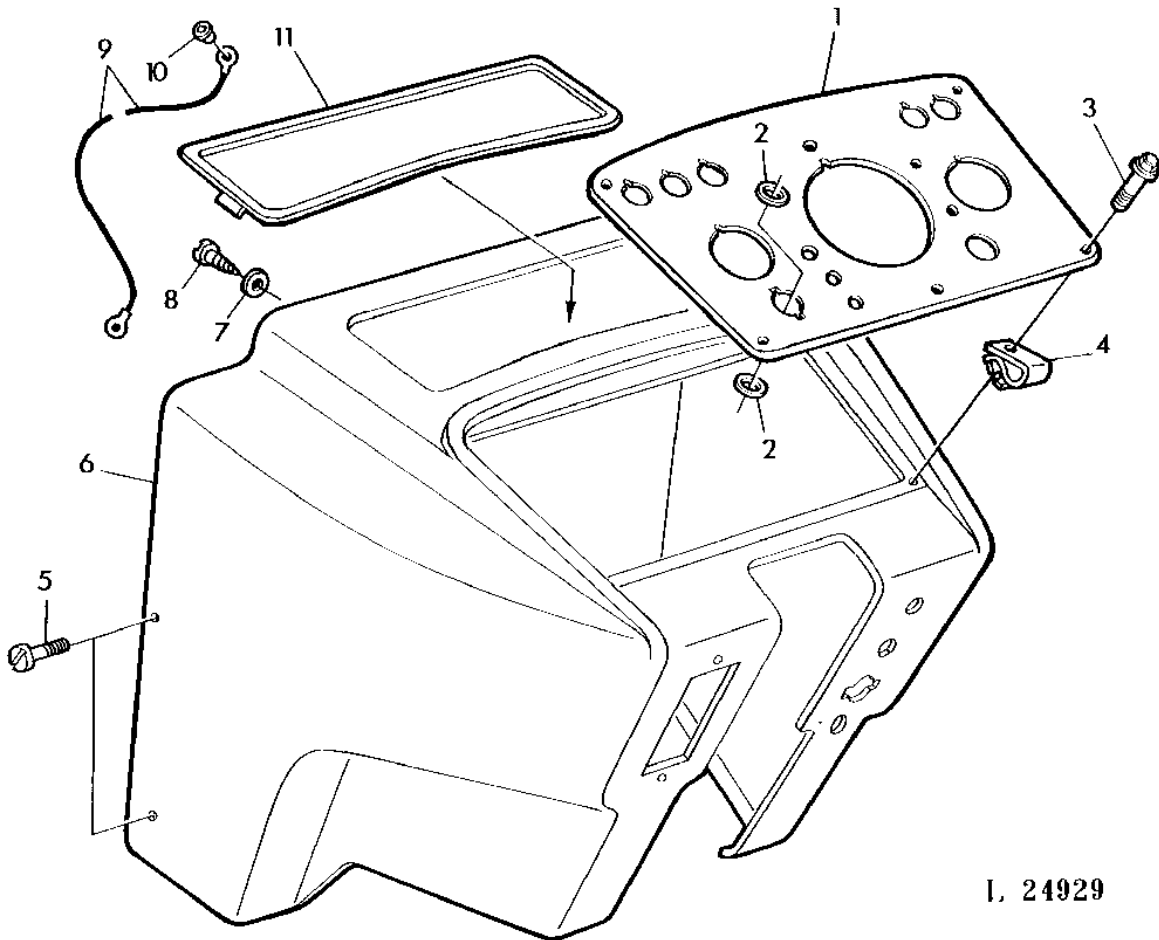
OPERATOR'S CAB

KEY	PART NO.	PART NAME	QTY	SERIAL NO.		REMARKS
					3 3	
					0 1	
					3 3	
					0 0	
1	L32930	WEATHERSTRIP	1	264296-	X X	LGTH=2500MM
2	AL25710	HANDLE	1	264296-	X X	
3	AL28601	FLAP	1	264296-	X X	
4	40M7144	SNAP RING	1	264296-	X X	8X0,8MM
5	L32928	PIN	1	264296-	X X	
6	L32927	SPACER	1	264296-	X X	
7	40M7032	SNAP RING	1	264296-	X X	6X0,7MM
8	40M1816	SNAP RING	4	264296-	X X	7X0,8MM
9	L31544	PIN	2	264296-	X X	
10	L32176	BUSHING	4	264296-	X X	
11	L31308	WASHER	4	264296-	X X	
12	19M7162	CAP SCREW	4	264296-	X X	8X16MM
13	L32934	WEATHERSTRIP	3	264296-	X X	LGTH=2800MM
14	L31383	RETAINER	1	264296-	X X	
15	AL25951	SCREW	1	264296-	X X	
16	AL28600	GRATE	2	264296-	X X	
17	37M7031	SCREW	4	264296-	X X	6X16MM
18	24M7054	WASHER	5	264296-	X X	6,4X12,5X1,6MM
19	AL28614	BRACKET	1	264296-	X X	
20	L32940	FOAM PAD	1	264296-	X X	
21	AL28618	HEADLINER	1	264296-	X X	FRONT
22	AL28617	AIR DUCT	4	264296-	X X	
23	37M7018	SCREW	8	264296-	X X	2,9X6,5MM
24	14M7165	LOCK NUT	4	264296-	X X	M6
25	L32937	SPRING	4	264296-	X X	
26	24M7054	WASHER	12	264296-	X X	6,4X12,5X1,6MM
27	19M7286	CAP SCREW	4	264296-	X X	6X25MM
28	L32936	FLAP	2	264296-	X X	
29	37M7048	SCREW	16	264296-	X X	3,5X13MM
30	L32517	COWL	1	264296-	X X	
31	37M7036	SCREW	5	264296-	X X	4,2X16MM
32	24M7027	WASHER	7	264296-	X X	5,3X10X1MM
33	L32941	HEADLINER	1	264296-	X X	REAR
34	L32943	HOLDER	1	264296-	X X	
35	12M7060	WASHER	1	264296-	X X	5,3MM
36	19M7700	CAP SCREW	1	264296-	X X	5X10MM
37	L31410	FILTER ELEMENT	2	264296-	X X	
38	L32929	FOAM PAD	1	264296-	X X	
39	L31387	FOAM PAD	1	264296-	X X	
40	14M7165	LOCK NUT	1	264296-	X X	6MM
41	55M7007	BALL STUD	1	264296-	X X	
42	56M7006	BALL JOINT SOCKET	1	264296-	X X	
43	AL28599	ABSORBER	1	264296-	X X	
44	AL28650	ROOF	1	264296-	X X	
45	L32112	SPRING	1	264296-	X X	
46	14M7028	NUT	2	264296-	X X	5MM
47	21M7036	SCREW	2	264296-	X X	5X16MM
48	L32935	FOAM PAD	1	264296-	X X	

# 3E22

OPERATOR'S CAB

COWL/DASH WITH OPERATOR'S CAB  
AUVENT/TABLEAU DE BORD AVEC CABINE  
ARMATURENWAND/ARMATURENBLECH BEI KABINE  
CRUSCOTTO/RIVESTIMENTO CON CABINA  
TABLERO DE INSTRUMENTOS/REVESTIMIENTO CON CABINA  
INSTRUMENTPANEL OCH HUS VID FORARHYTT  
L24929 -UN-26OCT95



I. 24929

# 3E23

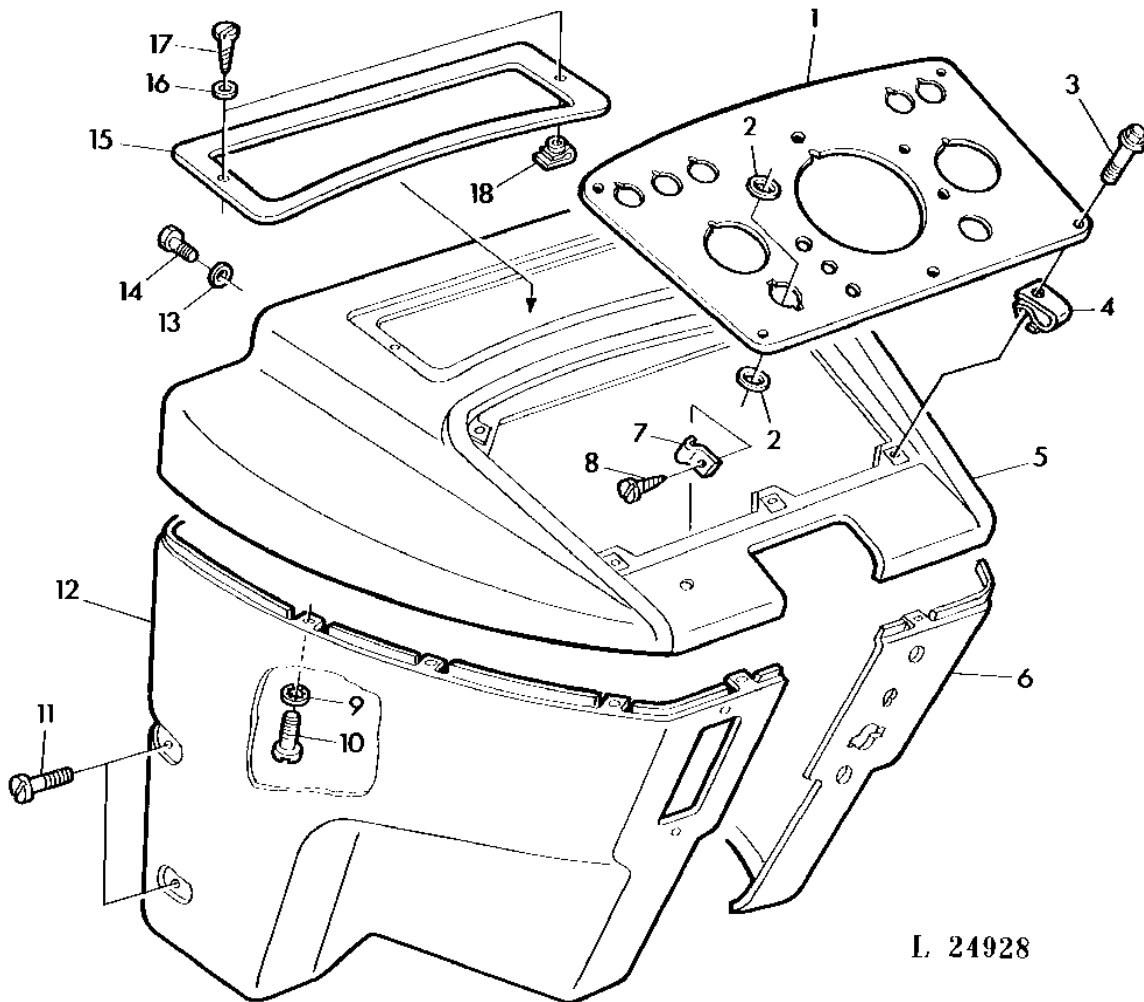
OPERATOR'S CAB

KEY	PART NO.	PART NAME	QTY	SERIAL NO.	3 0 3 0	3 1 3 0	REMARKS
1	L31034	INSTRUMENT PANEL	1	-248999	X	X	
2	L31129	WASHER	2	-248999	X	X	
3	37H24	SCREW	5	-248999	X	X	1/4"X3/4"
4	W14541	NUT	5	-248999	X	X	(SUB FOR T33634)
5	21M7095	SCREW	4	-248999	X	X	8X16MM
6	AL25726	INSTRUMENT PANEL, W/SUPPOR	1	-248999	X	X	
7	24M7138	WASHER	3	-248999	X	X	5,3MM
8	37M7047	SCREW	3	-248999	X	X	5X12MM (SUB FOR 37M7041)
9	AL27568	WIRING LEAD	1	-248999	X	X	
10	AT44188	RIVET	1	-248999	X	X	
11	AL25725	COVER	1	-248999	X	X	INCL.KEYS 10,11

# 3E24

OPERATOR'S CAB

COWL/DASH WITH OPERATOR'S CAB  
AUVENT/TABLEAU DE BORD AVEC CABINE  
ARMATURENWAND/ARMATURENBLECH BEI KABINE  
CRUSCOTTO/RIVESTIMENTO CON CABINA  
TABLERO DE INSTRUMENTOS/REVESTIMIENTO CON CABINA  
INSTRUMENTPANEL OCH HUS VID FORARHYTT  
L24928 -UN-26OCT95



L. 24928

# 3E25

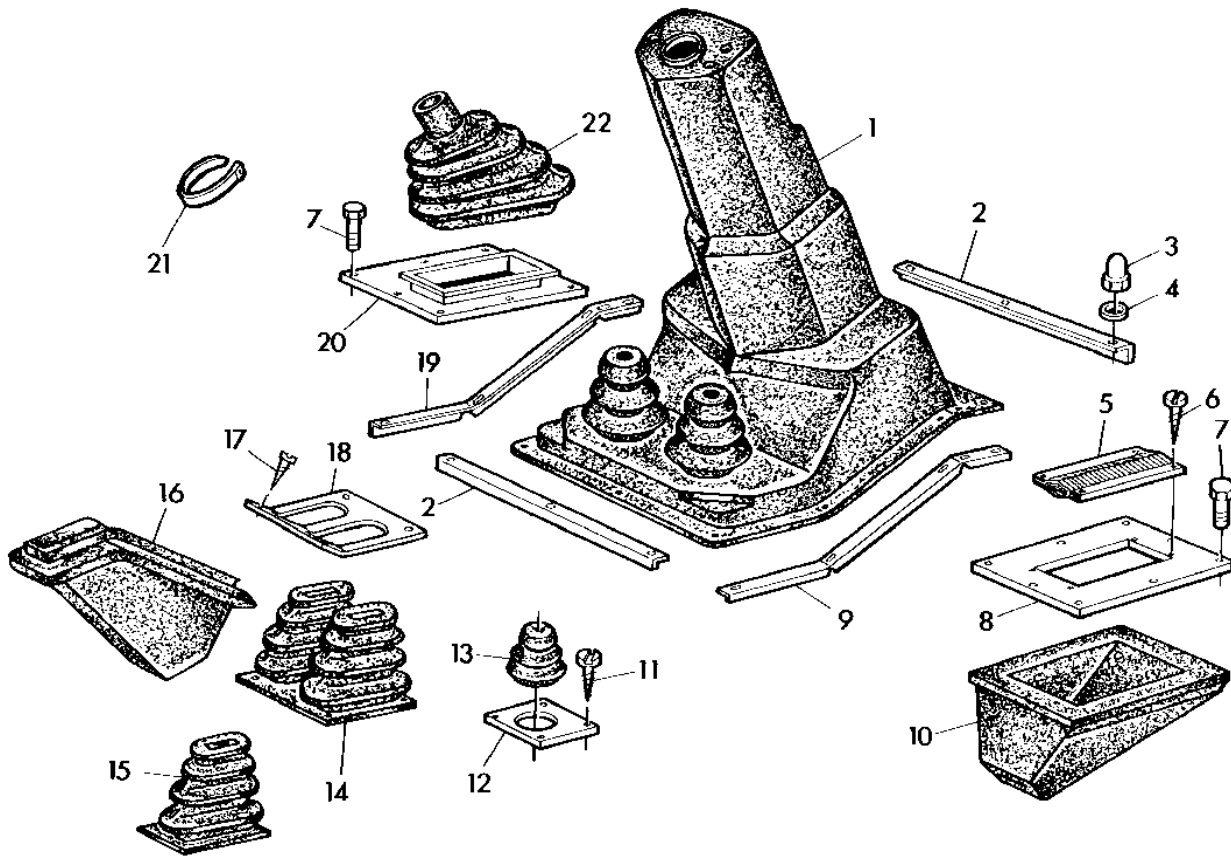
OPERATOR'S CAB

KEY	PART NO.	PART NAME	QTY	SERIAL NO.	3 3 0 1 3 3 0 0	REMARKS
1	L31034	INSTRUMENT PANEL	1	249000-	X X	
2	L31129	WASHER	2	249000-	X X	
3	37H24	SCREW	5	249000-	X X	
4	W14541	NUT	5	249000-	X X	(SUB FOR T33634)
5	L32693	COVER	1	249000-	X X	
6	L32694	SIDE WALL	1	249000-	X X	R.H.
7	L84612	CLAMP	1	249000-	X X	
8	37M7026	SCREW	1	249000-	X X	4,2X9,5MM
9	12M7015	LOCK WASHER	8	249000-	X X	5,1MM
10	21M7034	SCREW	8	249000-	X X	5X12MM
11	21M7095	SCREW	4	249000-	X X	8X16MM
12	L32695	SIDE WALL	1	249000-	X X	L.H.
13	24M7027	WASHER	3	249000-	X X	5,3MM
14	37M7051	SCREW	3	249000-	X X	4,8X45MM
15	L32691	COVER	1	249000-	X X	
16	24M7117	WASHER	2	249000-	X X	4,3MM
17	37M7004	SCREW	2	249000-	X X	3,5X16MM
18	L32692	NUT	2	249000-	X X	

# 3F1

OPERATOR'S CAB

OPERATOR'S CAB-LINING  
REVEITEMENT INTERIEUR DE CABINE  
KABINE-INNENVERKLEIDUNG  
CABINA-RIVESTIMENTO INTERIORE  
CABINA-REVESTIMIENTO INTERIOR  
FORARHYTT-BEKLADNAD  
L24943 -UN-27OCT95



1. 24943



# 3F2

OPERATOR'S CAB

KEY	PART NO.	PART NAME	QTY	SERIAL NO.	3 3 0 1 3 3 0 0	REMARKS
1	AL29894	BOOT	1		X X	(SUB FOR AL25820)
2	L31550	RETAINER	2		X X	
3	14M7253	NUT	14		X X	5MM
4	24M7138	WASHER	14		X X	5,3MM (SUB FOR 24M7027)
5	L31307	BRUSH	2		X X	
6	37M6630	SCREW	4		X X	4,2X16MM
7	19M7372	CAP SCREW	16		X X	5X16MM (SUB FOR 19M7556)
8	AL26915	COVER	1		X X	(SUB FOR AL25819)
9	L31551	RETAINER	1		X X	RH
10	L31301	BOOT	1		X X	
11	37M7016	SCREW	4		X X	4,8X22MM (SUB FOR 37M7024)
12	L31297	PLATE	1		X X	
13	L31306	BOOT	1		X X	
14	L31300	BOOT	1		X X	
15	L31334	BOOT	1		X X	
16	L31303	BOOT	1		X X	
17	37M7024	SCREW	4		X X	8X16MM
18	L31105	RETAINER	1		X X	
	L32104	RETAINER	1		X X	(A)
19	L31552	RETAINER	1		X X	LH
20	AL26914	COVER	1		X X	(SUB FOR AL25821)
21	R44302	TIE BAND	1		X X	
22	L31302	BOOT	1		X X	

(A) TWO SELECTIVE CONTROL VALVES  
 POUR DEUX DISTRIBUTEURS AUXILIAIRES DE COMMANDE  
 FUER 2 ZUSATZSTEUERGERAETE  
 PER 2 DISTRIBUTORI AUSILIARI  
 PARA DOS CONTROLES SELECTIVOS  
 FOR TVA FJARR MANOVERCYLINDRAR

# 3F3

OPERATOR'S CAB

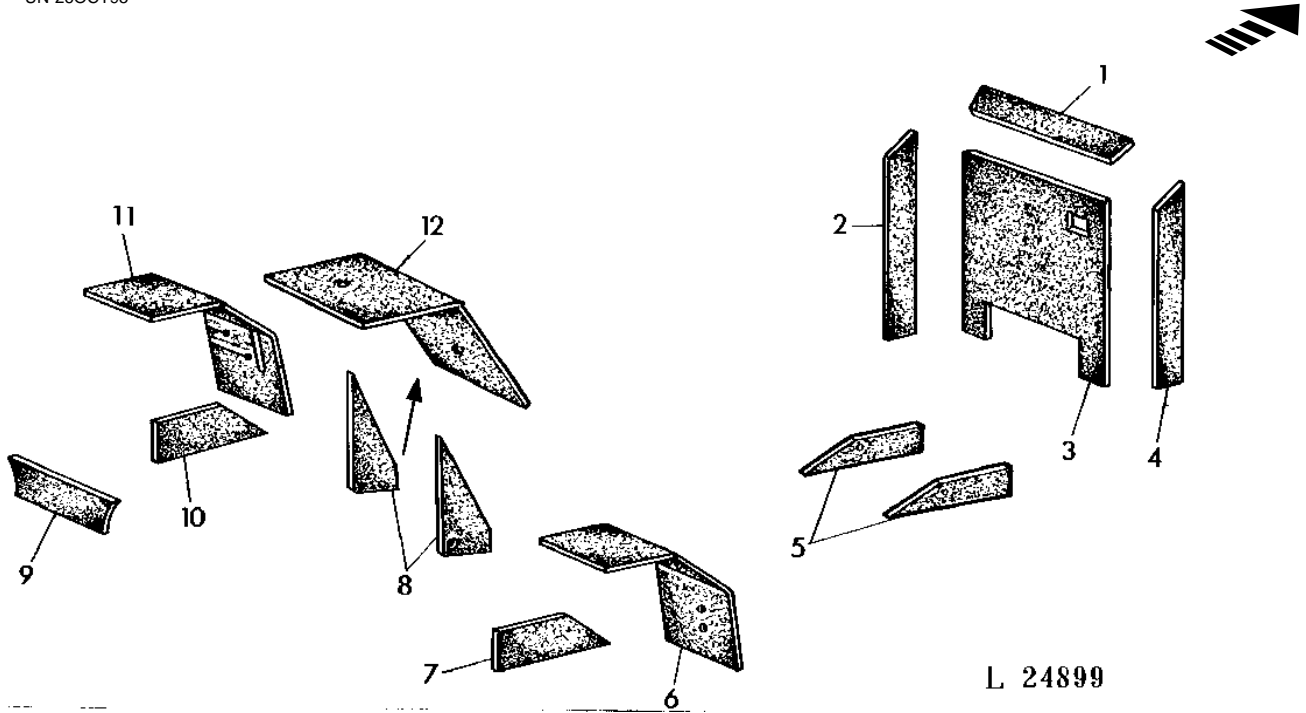
---

MEMORANDA  
MEMORANDA  
MEMORANDA  
MEMORANDA  
MEMORANDA

# 3F4

OPERATOR'S CAB

OPERATOR'S CAB-LINING(ON EARLIER MODELS)  
 REVETEMENT INTERIEUR DE CABINE(ANCIEN MODELE)  
 KABINE-INNENVERKLEIDUNG(AELTERE AUSFUEHRUNG)  
 CABINA-RIVESTIMENTO INTERIORE(VERSIONE ANTICA)  
 CABINA-REVESTIMIENTO INTERIOR(VERSION ANTIGUA)  
 FORARHYTT-BEKLADNAD(ALDRE TRAKTORSERIE)  
 L24899 -UN-26OCT95



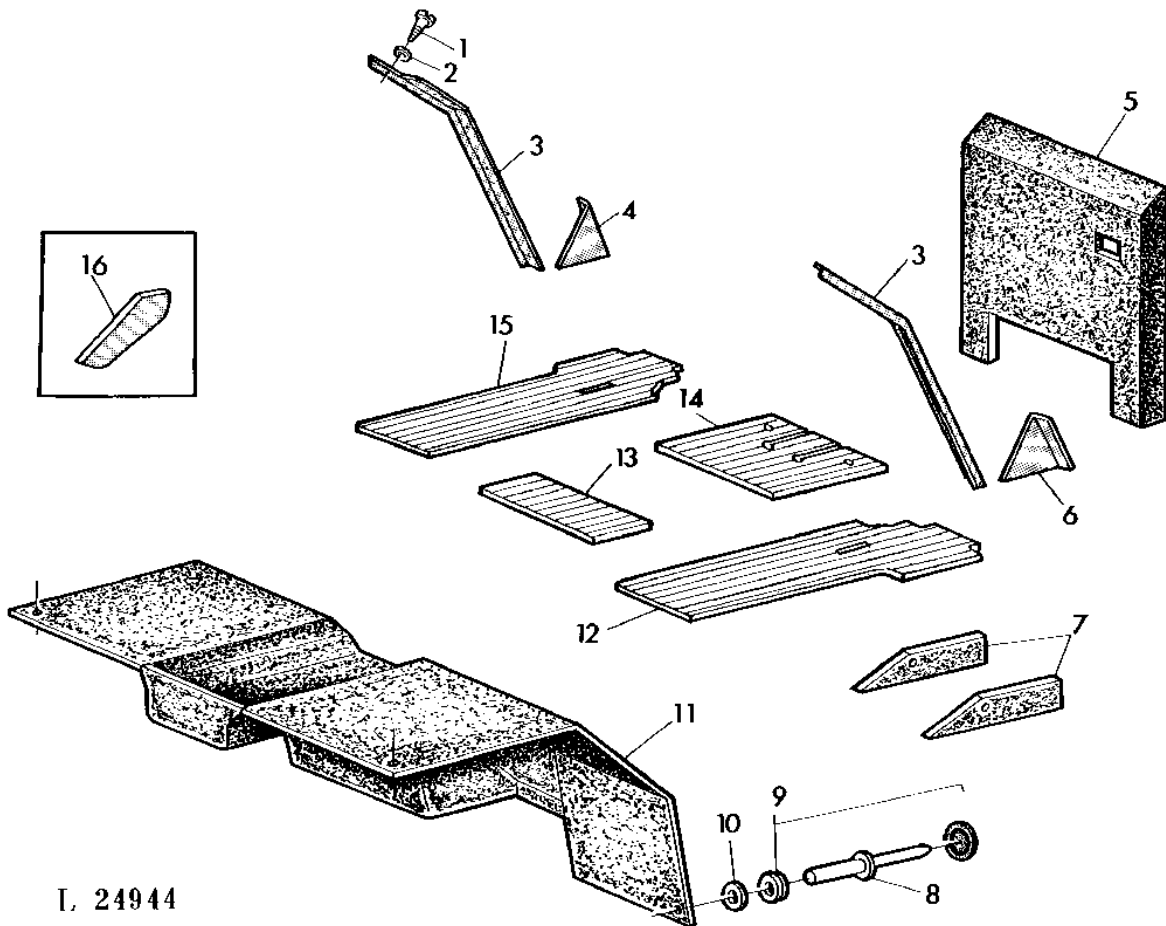
L 24899

KEY	PART NO.	PART NAME	QTY	SERIAL NO.	REMARKS
				3 3	
				0 1	
				3 3	
				0 0	
1	L31149	BARRIER	1		X X UP
2	L31181	BARRIER	1		X X L.H.
3	L31172	BARRIER	1		X X FRONT
4	L31180	BARRIER	1		X X R.H.
5	L31168	BARRIER	1		X X R.H. (ORD L34491)
	L31167	BARRIER	1		X X L.H. (ORD L34492)
6	L32343	BARRIER	1		X X R.H. (SUB FOR L31165)
7	L31179	BARRIER	1		X X R.H.
8	L31175	BARRIER	1		X X R.H.
	L31174	BARRIER	1		X X L.H.
9	L31148	BARRIER	1		X X REAR
10	L31178	BARRIER	1		X X L.H.
11	L31147	BARRIER	1		X X L.H.
12	L31166	BARRIER	1		X X

# 3F5

OPERATOR'S CAB

OPERATOR'S CAB-LINING(ON LATER MODELS)  
REVEITEMENT INTERIEUR DE CABINE(NOUVEAU MODELE)  
KABINE-INNENVERKLEIDUNG(NEUERE AUSFUEHRUNG)  
CABINA-RIVESTIMENTO INTERIORE(VERSIONE MODERNA)  
FORARHYTT-BEKLADNAD(NYARE TRAKTORSERIE)  
L24944 -UN-27OCT95



I. 24944

# 3F6

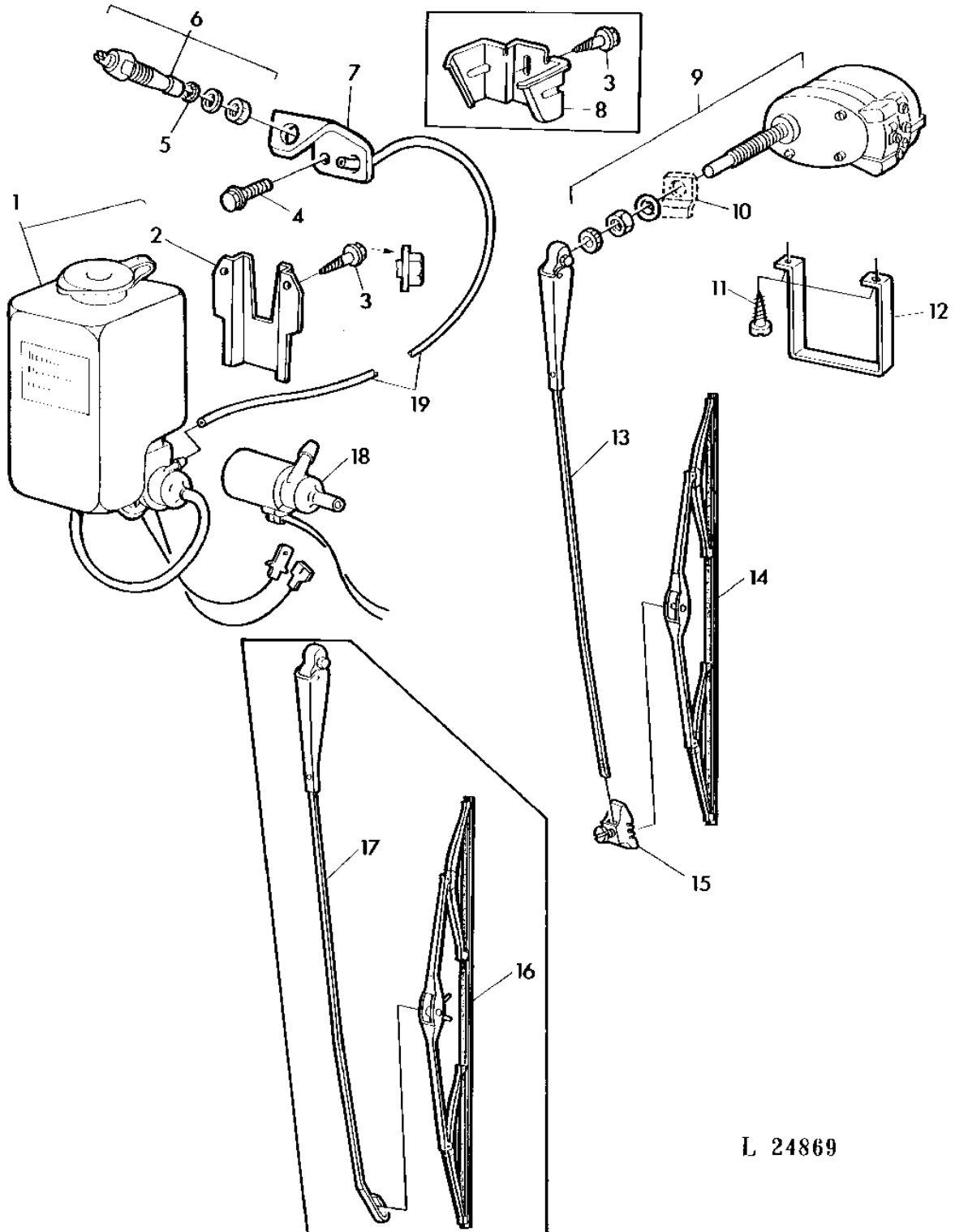
OPERATOR'S CAB

KEY	PART NO.	PART NAME	QTY	SERIAL NO.	3 3 0 1 3 3 0 0	REMARKS
1	37M7005	SCREW	2		X X	4,8X19MM
2	24M7027	WASHER	2		X X	5MM
3	AL25943	STRIP	1		X X	R.H.
	AL25944	COWL	1		X X	L.H.
4	L31378	SHIELD	1		X X	L.H.
5	L34495	BARRIER	1		X X	FRONT
6	L31377	SHIELD	1		X X	R.H.
7	L34491	BARRIER	1		X X	R.H.
	L34492	BARRIER	1		X X	L.H.
8	L34497	RIVET	AR		X X	
9	AL31568	KIT	AR		X X	
10	24M7117	WASHER	AR		X X	9MM
11	L34496	BARRIER	1		X X	
12	L31170	MAT	1		X X	R.H.
13	L31171	ISOLATOR	1		X X	REAR
14	L31412	BARRIER	1		X X	
15	L31169	MAT	1		X X	L.H.
16	L31144	SHIELD	1		X X	

# 3F7

OPERATOR'S CAB

WINDSHIELD WIPER/WINDSHIELD-WASHER  
ESSUIE-GLACE/LAVE-GLACE  
SCHEIBENWISCHER/SCHEIBEN-WASCHANLAGE  
TERGICRISTALLO/LAVAVETRO  
LIMPIAPARABRISAS/LAVAPARABRISAS  
VINDRUTETORKARE/VINDRUTESPOLARE  
L24869 -UN-25OCT95



L 24869

# 3F8

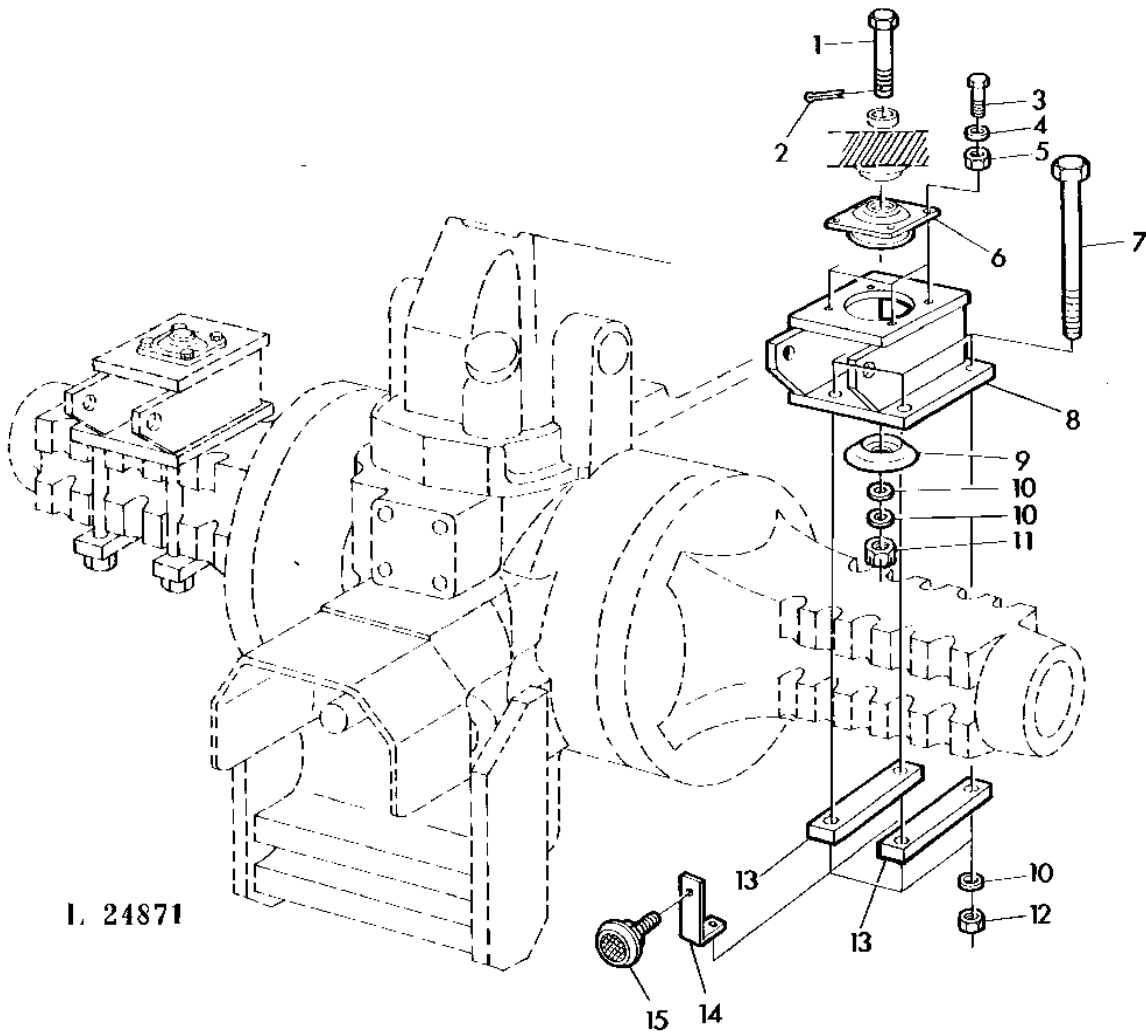
OPERATOR'S CAB

KEY	PART NO.	PART NAME	QTY	CAB		REMARKS
				SERIAL NO.		
					3 3	
					0 1	
					3 3	
					0 0	
1	AL37901	RESERVOIR	1		X X	INCL KEYS 2,18 (SUB FOR AL25928, AL27569)
2	L58889	BRACKET	1		X X	
3	37M7041	SCREW	2		X X	4,8X19MM
4	37M7059	SCREW	1		X X	5X12MM
5	L32347	SEAL	1		X X	
6	AL27570	NOZZLE	1		X X	ORD KEYS 5,7 (SUB FOR AL26459)
7	L32346	BRACKET	1		X X	(SUB FOR L31391)
8	L31402	RETAINER	1		X X	
9	AL25931	MOTOR	1		X X	
10	.....		1		X X	
11	37M6630	SCREW	2		X X	4,2X16MM
12	L31146	RETAINER	1		X X	
13	AL30436	ARM	1	209405-	X X	
14	AL58524	WIPER BLADE	1	209405-	X X	(SUB FOR AL30438)
15	AL30437	CLAMP	1	209405-	X X	
16	AL25970	WINDSHIELD WIPER	1	-209404	X X	ORD KEYS 13-15
17	AL25945	ARM	1	-209404	X X	ORD KEYS 13-15
18	AL37902	PUMP	1		X X	(SUB FOR AL25990)
19	L31401	HOSE	1		X X	

# 3F9

OPERATOR'S CAB

REAR MOUNTING BRACKET  
SUPPORT ARRIERE  
ANBAULAGER HINTEN  
SUPPORTO POSTERIORE  
PALIER DE MONTAJE TRASERO  
BAKRE MONTERINGSJARN  
L24871 -UN-25OCT95



L. 24871



# 3F10

OPERATOR'S CAB

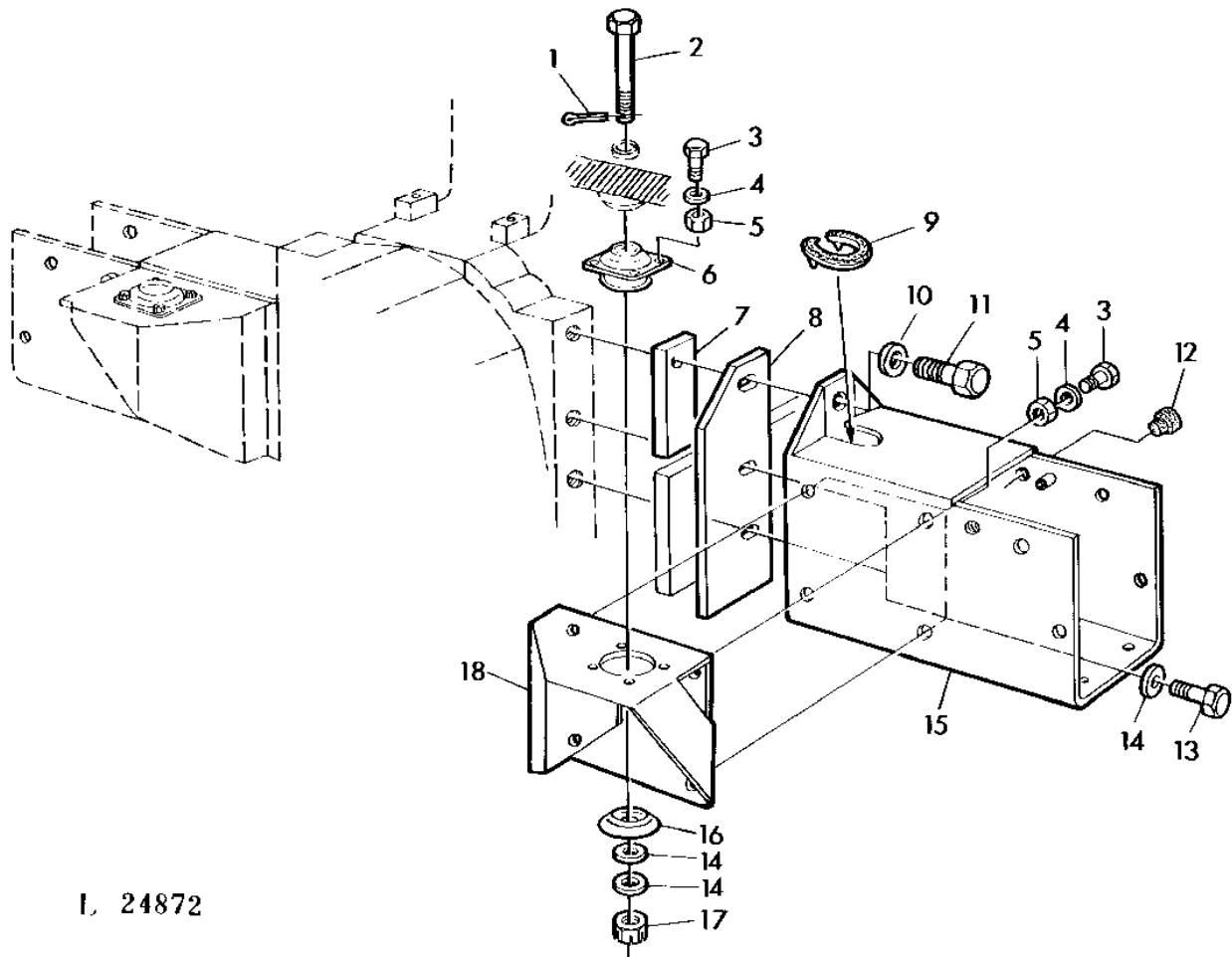
KEY	PART NO.	PART NAME	QTY	SERIAL NO.	3 0 3 0	REMARKS
1	19M7900	CAP SCREW	2		X X	M16X150 (SUB FOR 19M7546)
2	11M7020	COTTER PIN	2		X X	4X25MM
3	19M7168	CAP SCREW	8		X X	M10X30
4	24M7028	WASHER	8		X X	10,5X21X2MM
5	14M7274	NUT	8		X X	M10
6	L31299	BEARING	2		X X	
7	19M7656	CAP SCREW	8		X X	M16X220 (SUB FOR L31310)
8	AL25326	BRACKET	1		X X	R.H.
	AL25325	THROW-OUT BEARING	1		X X	L.H.
9	L30968	WASHER	2		X X	
10	24M7053	WASHER	12		X X	17MM
11	14M7185	NUT	2		X X	M16
12	14M7276	NUT	8		X X	M16
13	L31173	STRAP	4		X X	
14	L32330	ANGLE	2		X X	(A)
15	AL25878	REFLECTOR	2		X X	(A)

(A) ONLY FOR SWEDEN  
SEULEMENT POUR LA SUEDE  
NUR FUER SCHWEDEN  
SOLTANTO PER LA SVEZIA  
SOLAMENTE PARA LA SUECIA  
ENDAST FOR SVERIGE

# 3F11

OPERATOR'S CAB

FRONT MOUNTING BRACKET/BATTERY BOX  
SUPPORT AVANT/CAISSON DE BATTERIE  
ANBAULAGER VORN/BATTERIEKASTEN  
SUPPORTO ANTERIORE/CONTENITORE BATTERIA  
PALIER DE MONTAJE DELANTERO/CAJA DE BATERIA  
FRAMRE MONTERINGSJARN/BATTERILADA  
L24872 -UN-25OCT95



I, 24872

# 3F12

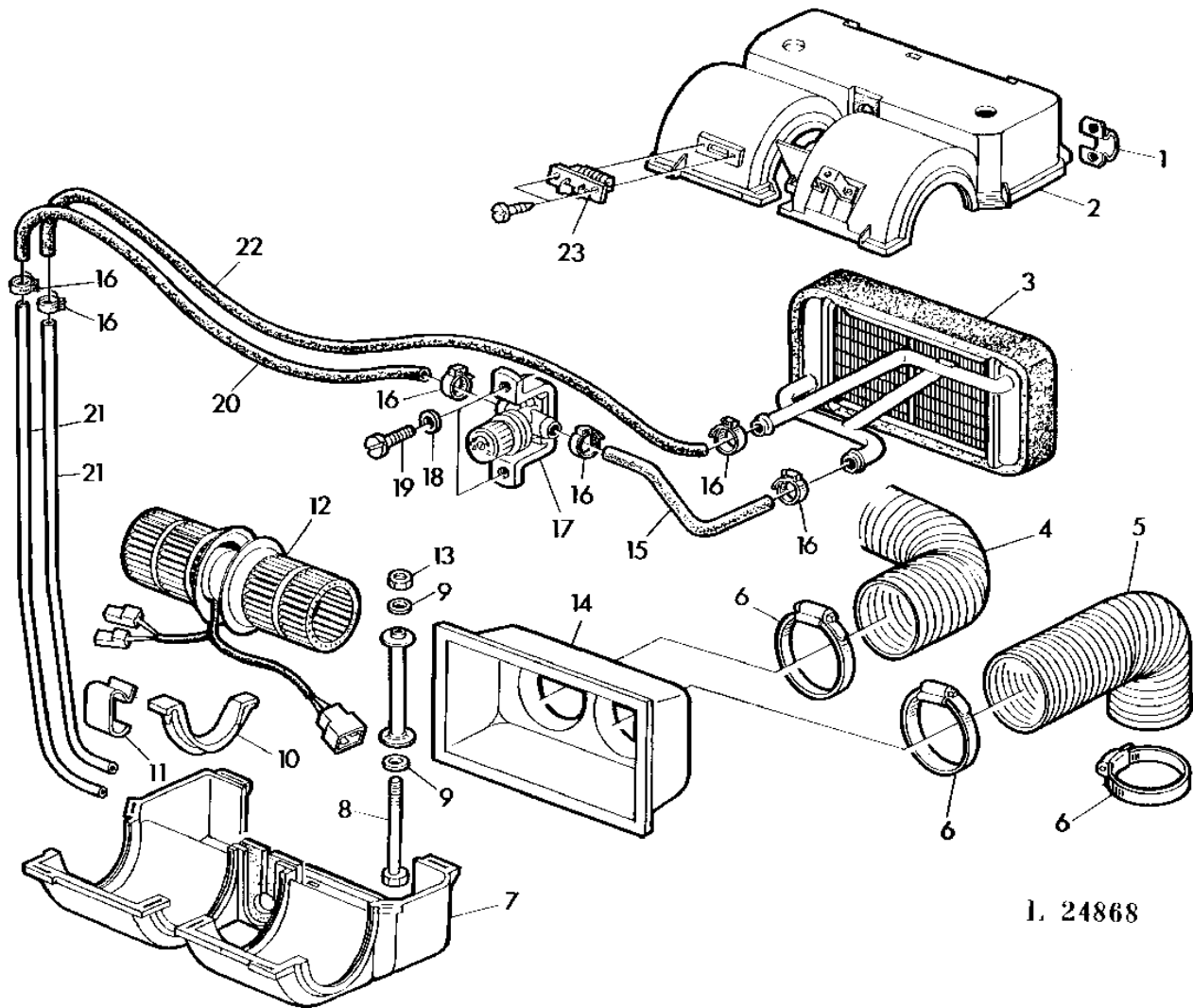
OPERATOR'S CAB

KEY	PART NO.	PART NAME	QTY	SERIAL NO.	REMARKS
					3 3
					0 1
					3 3
					0 0
1	11M7020	COTTER PIN	2		X X 4X25MM
2	19M7900	CAP SCREW	2		X X M16X150 (SUB FOR 19M7546)
3	19M7402	CAP SCREW	16		X X 10X25MM
4	24M7028	WASHER	16		X X 10,5X21X2MM
5	14M7274	NUT	16		X X M10
6	L31299	BEARING	2		X X
7	L31296	STRAP	2		X X
8	L31164	STRAP	2		X X
9	L32657	GUARD	2		X X LGTH=150MM
10	24M7051	WASHER	2		X X 21MM
11	19H2663	CAP SCREW	2		X X 3/4"X2-1/8"
12	99M7042	PLUG	8		X X 13,5MM
13	19H2592	CAP SCREW	4		X X 5/8"X2-1/8"
14	24M7053	WASHER	8		X X 17MM
15	AL27865	BOX	2		X X RH (SUB FOR AL25323, AL25324, AL26617, AL26618)
16	L30968	WASHER	8		X X
17	14M7185	NUT	2		X X M16
18	AL25733	PANEL	1		X X RH
	AL25732	PANEL	1		X X LH (SUB FOR AL26910)

# 3F13

OPERATOR'S CAB

OPERATOR'S CAB-HEATER PARTS  
ELEMENTS DU CHAUFFAGE DE LA CABINE  
KABINE-HEIZUNGSTEILE  
CABINA-PARTI DI RISCALDAMENTO  
CABINA-ELEMENTOS DE CALEFACCION  
FORARHYTT-VARMARENS DETALJER  
L24868 -UN-25OCT95



L 24868

# 3F14

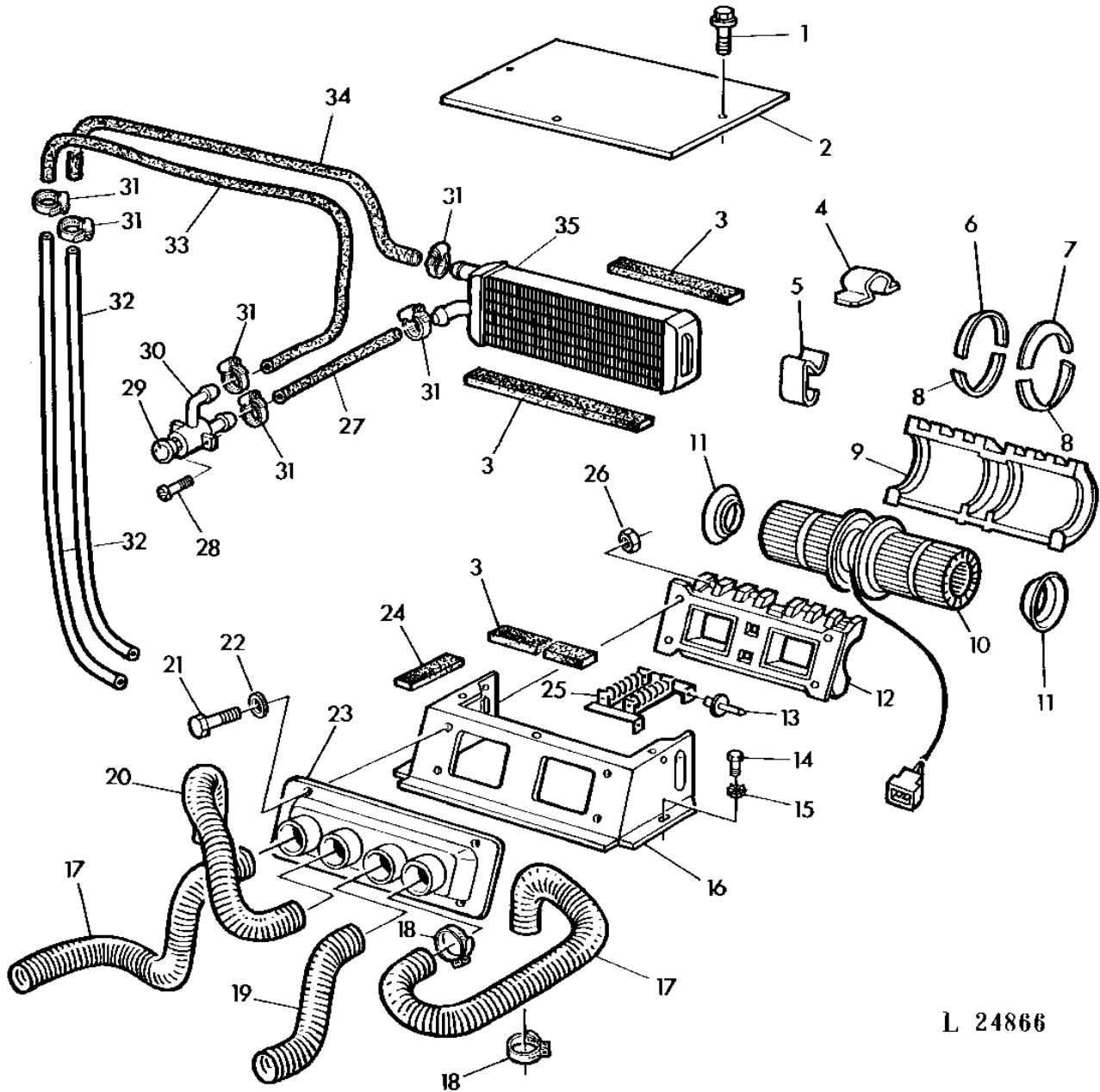
OPERATOR'S CAB

KEY	PART NO.	PART NAME	QTY	SERIAL NO.		REMARKS
					3 3	
					0 1	
					3 3	
					0 0	
1	L33887	CLAMP	8	-266999	X X	(SUB FOR L31421)
2	AL25958	HOUSING	1	-266999	X X	
3	AL25956	HEATER	1	-266999	X X	
4	L31399	HOSE	1	-266999	X X	LGTH=1000MM
5	L31542	HOSE	1	-266999	X X	LGTH=400MM
6	AL25950	CLAMP	4	-266999	X X	
7	AL25959	HOUSING	1	-266999	X X	LOW
8	L31414	CAP SCREW	2	-266999	X X	
9	24M7055	WASHER	4	-266999	X X	8,4MM
10	L31423	SUPPORT	1	-266999	X X	
11	L31422	CLAMP	1	-266999	X X	
12	AL25954	MOTOR	1	-266999	X X	
13	14M7273	NUT	2	-266999	X X	8MM
14	L31145	HOUSING	1	-266999	X X	
15	L31543	HOSE	1	-266999	X X	
16	AL64588	CLAMP	6	-266999	X X	(SUB FOR AR21837)
17	AL25952	REGULATOR	1	-266999	X X	
18	24M7027	WASHER	2	-266999	X X	5MM
19	21M7036	SCREW	2	-266999	X X	5X16MM
20	L31415	HOSE	1	-266999	X X	LGTH=1100MM
21	L33528	FUEL LINE	2	-266999	X X	(SUB FOR L31711)
22	L31416	HOSE	1	-266999	X X	LGTH=1250MM
23	AL27146	RESISTOR	1	-266999	X X	(SUB FOR AL25955)
..	AL25930	HEATER	1	-266999	X X	ASSY,INCL.KEYS 1-3,7,10-12,23

# 3F15

OPERATOR'S CAB

OPERATOR'S CAB-HEATER PARTS  
ELEMENTS DU CHAUFFAGE DE LA CABINE  
KABINE-HEIZUNGSTEILE  
CABINA-PARTI DI RISCALDAMENTO  
CABINA-ELEMENTOS DE CALEFACCION  
FORARHYTT VARMARENS DETALJER  
L24866 -UN-25OCT95



L 24866

# 3F16

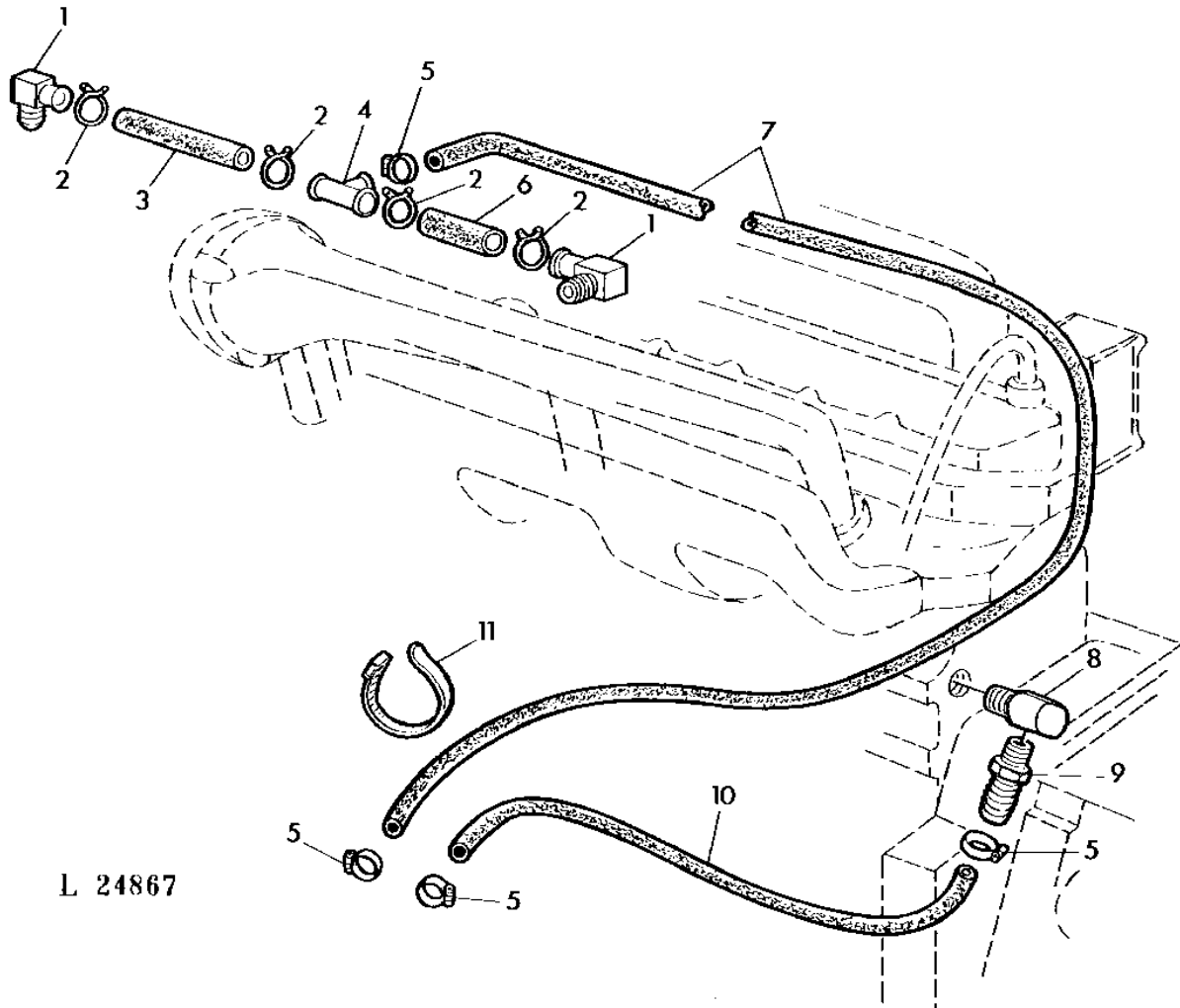
OPERATOR'S CAB

KEY	PART NO.	PART NAME	QTY	SERIAL NO.		REMARKS
					3 3	
					0 1	
					3 3	
					0 0	
1	37M7012	CAP SCREW	3	267000-	X X	3,5X9,5MM
2	L33881	COVER	1	267000-	X X	
3	L33882	FOAM PAD	1	267000-	X X	LGTH=1280MM
4	L31422	CLAMP	2	267000-	X X	(SUB FOR L33892)
5	L33887	CLAMP	8	267000-	X X	
6	L33888	WASHER	1	267000-	X X	R.H.
7	L33889	WASHER	1	267000-	X X	L.H.
8	L33891	WASHER	2	267000-	X X	LOW
9	L33886	CASE	1	267000-	X X	UP
10	AL30061	MOTOR	1	267000-	X X	
11	L33890	WASHER	2	267000-	X X	
12	L33885	CASE	1	267000-	X X	LOW
13	L33884	RIVET	2	267000-	X X	3X10MM
14	19M7700	CAP SCREW	2	267000-	X X	5X10MM
15	12M7060	WASHER	2	267000-	X X	
16	AL30066	CASE	1	267000-	X X	
17	L32950	HOSE	2	267000-	X X	
18	AL25950	CLAMP	8	267000-	X X	
19	L32949	HOSE	1	267000-	X X	
20	L32948	HOSE	1	267000-	X X	
21	19M7162	CAP SCREW	4	267000-	X X	8X16MM
22	24M7055	WASHER	4	267000-	X X	8X17X1,6MM
23	L33880	COVER	1	267000-	X X	
24	L33883	FOAM PAD	1	267000-	X X	LGTH=680MM
25	AL30068	RESISTOR	1	267000-	X X	
26	14M7327	LOCK NUT	4	267000-	X X	8MM
27	L32946	HOSE	1	267000-	X X	LGTH=400MM
28	21M7033	SCREW	2	267000-	X X	4X16MM
29	AL28621	KNOB	1	267000-	X X	
30	AL28620	REGULATOR	1	267000-	X X	
31	AL64588	CLAMP	6	267000-	X X	(SUB FOR AR21837)
32	L33528	FUEL LINE	2	267000-	X X	(SUB FOR L31711)
33	L32947	HOSE	1	267000-	X X	LGTH=1100MM
34	L32945	HOSE	1	267000-	X X	LGTH=720MM
35	AL37475	HEATER	1	267000-	X X	(SUB FOR AL30067)

# 3F17

OPERATOR'S CAB

OPERATOR'S CAB-HEATER PARTS  
ELEMENTS DU CHAUFFAGE DE LA CABINE  
KABINE-HEIZUNGSTEILE  
CABINA-PARTI DI RISCALDAMENTO  
CABINA ELEMENTOS DE CALEFACCION  
FORARHYTT-VARMARENS DETALJER  
L24867 -UN-25OCT95



L 24867



# 3F18

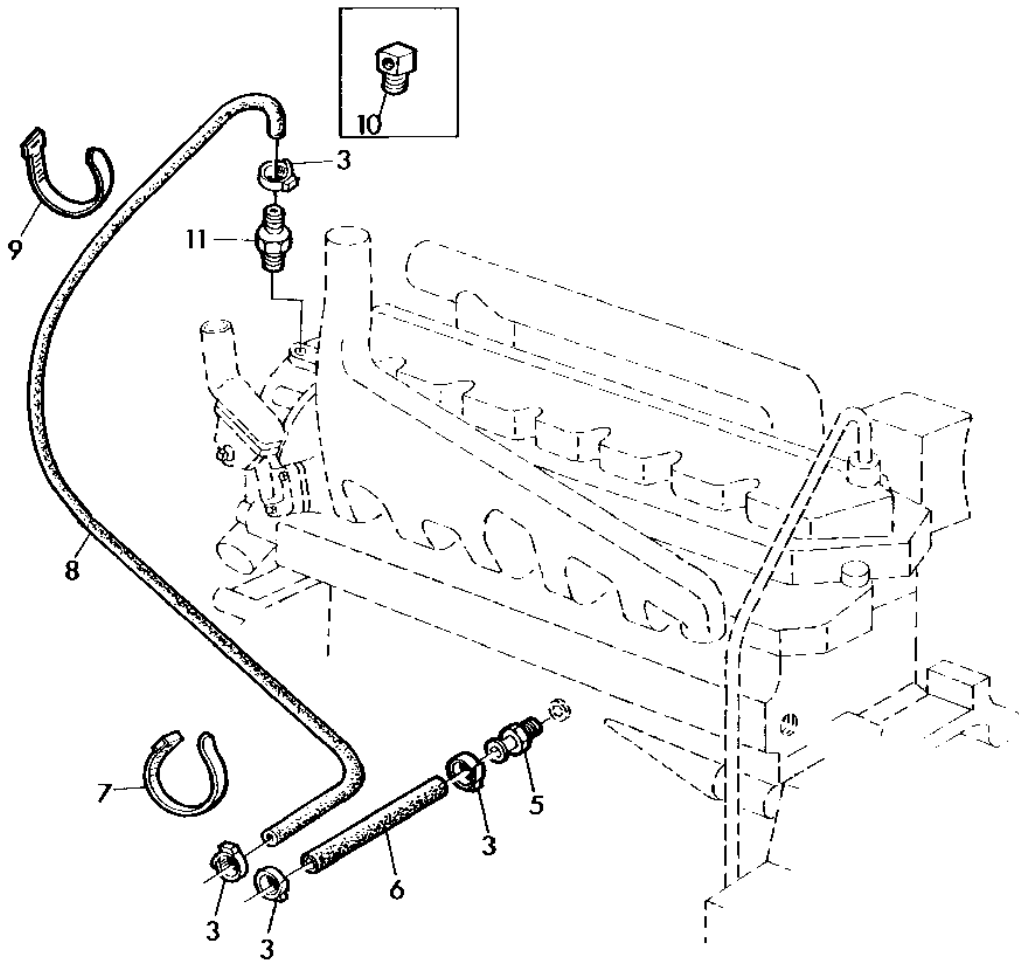
OPERATOR'S CAB

KEY	PART NO.	PART NAME	QTY	SERIAL NO.	3 3 0 1 3 3 0 0	REMARKS
1	AR50710	HOSE FITTING	2	-235169	X X	
2	T29130	CLAMP	4	-235169	X X	
3	.....		1	-235169	X X	(ORD T25479)
4	AL25628	TEE FITTING	1	-235169	X X	
5	AL64588	CLAMP	4	-235169	X X	(SUB FOR AR21837)
6	.....		1	-235169	X X	(ORD T25479)
7	.....		1	-235169	X X	(ORD L34032)
8	L31023	FITTING	1	-235169	X X	
9	R41985	FITTING	1	-235169	X X	(SUB FOR H23196)
10	.....		1	-235169	X X	(ORD L34032)
11	R44302	TIE BAND	1	-235169	X X	
..	T25479	HOSE	1	-235169	X X	LGTH=317MM
..	L34032	HOSE	1	-235169	X X	LGTH=1620MM (SUB FOR L31026)

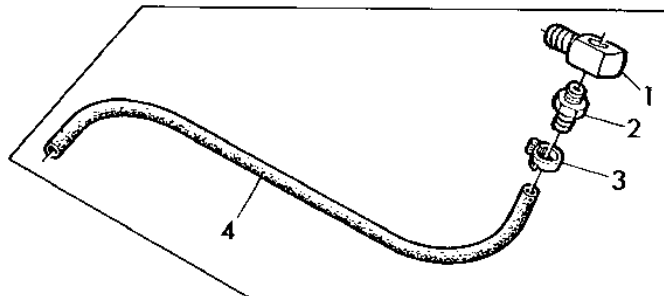
# 3F19

OPERATOR'S CAB

OPERATOR'S CAB-HEATER PARTS  
ELEMENTS DU CHAUFFAGE DE LA CABINE  
KABINE-HEIZUNGSTEILE  
CABINA-PARTI DI RISCALDAMENTO  
CABINA ELEMENTOS DE CALEFACCION  
FORARHYTT-VARMARENS DETALJER  
L22926 -UN-27OCT95



1, 22926



# 3F20

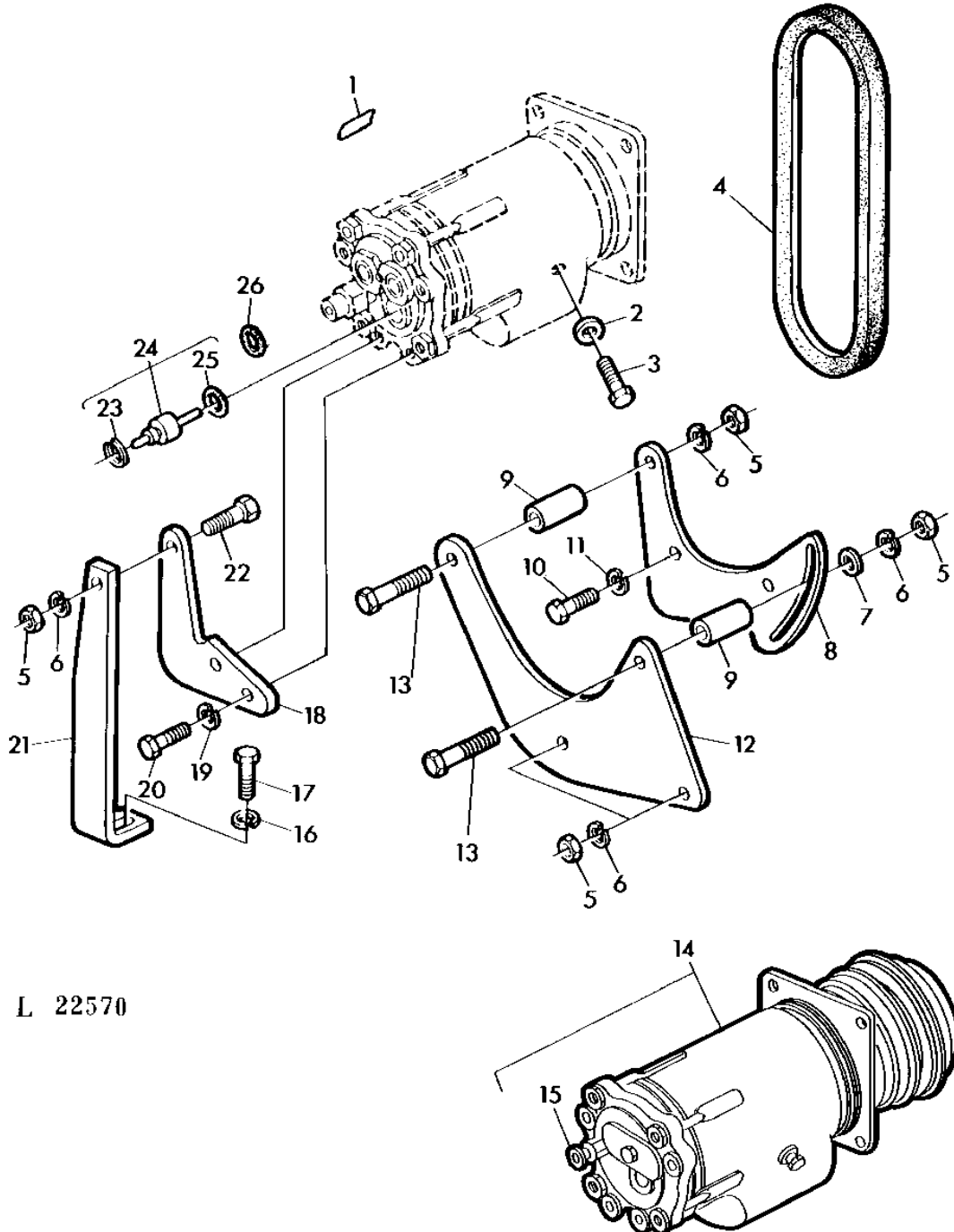
OPERATOR'S CAB

KEY	PART NO.	PART NAME	QTY	SERIAL NO.	3 3 0 1 3 3 0 0	REMARKS
1	L31023	FITTING	1	235170-	X X	
2	R41985	FITTING	1	235170-	X X	(SUB FOR H23196)
3	AL64588	CLAMP	AR	235170-	X X	(SUB FOR AR21837)
4	.....		1	235170-	X X	NSEP (ORD L35920)
5	T29388	UNION FITTING	1	235170-	X X	
6	.....		1	235170-	X X	NSEP (ORD L35920)
7	R44302	TIE BAND	3	235170-	X X	
8	.....		1	235170-	X X	NSEP (ORD L35920)
9	T44946	TIE BAND	1	235170-	X X	
10	T37041	ELBOW FITTING	1	235170-	X X	
11	R41985	FITTING	1	235170-	X X	(SUB FOR H23196)
..	L35920	HOSE	1	235170-	X X	LGTH=2330MM (SUB FOR L31797, L34031, R45847)

# 3F21

OPERATOR'S CAB

COMPRESSOR AND MOUNTING BRACKET  
COMPRESSEUR ET SUPPORT  
KOMPRESSOR UND ANBAUTEILE  
COMPRESSORE E SUPPORTO  
COMPRESOR Y SOPORTE  
KOMPRESSOR OCH HALLARE  
L22570 -UN-27OCT95



L 22570

# 3F22

OPERATOR'S CAB

KEY	PART NO.	PART NAME	QTY	SERIAL NO.	REMARKS
					3 3
					0 1
					3 3
					0 0
1	R42822	LABEL	1		X X
2	R47234	WASHER	1		X X
3	R47233	PLUG	1		X X
4	L32857	BELT	1		X X
5	14H812	NUT	5		X X 3/8"
6	12H304	LOCK WASHER	5		X X 3/8"
7	24H1122	WASHER	1		X X 3/8"X7/8"X.075"
8	L32860	BRACKET	1		X X
9	L30492	SPACER	2		X X
10	19M7163	CAP SCREW	2		X X 8X25MM (SUB FOR 19H2488)
11	12M7065	LOCK WASHER	2		X X 8MM (SUB FOR 12H303)
12	L32861	RETAINER	1		X X
13	19H1819	CAP SCREW	2		X X 3/8"X2-1/8"
14	AR77343	COMPRESSOR	1		X X ASSY (ORD AR92109)
	AR92109	COMPRESSOR	1		X X ASSY (SUB FOR AR77343)
15	AR49808	VALVE	1		X X
16	12H301	LOCK WASHER	1		X X 1/2"
17	19H1815	CAP SCREW	1		X X 1/2"X1-1/4"
18	L32858	RETAINER	1		X X
19	12M7066	LOCK WASHER	2		X X 10MM (SUB FOR 12H304)
20	19M7662	CAP SCREW	2		X X 10X30MM (SUB FOR 19H1731)
21	L32859	SUPPORT	1		X X
22	19H1732	CAP SCREW	1		X X 3/8"X1-1/4"
23	R63571	SNAP RING	1		X X
24	AR78501	KIT	1		X X INCL.KEYS 23,25
25	R32240	PIN	1		X X
26	R47235	O-RING	2		X X

# 3F23

OPERATOR'S CAB

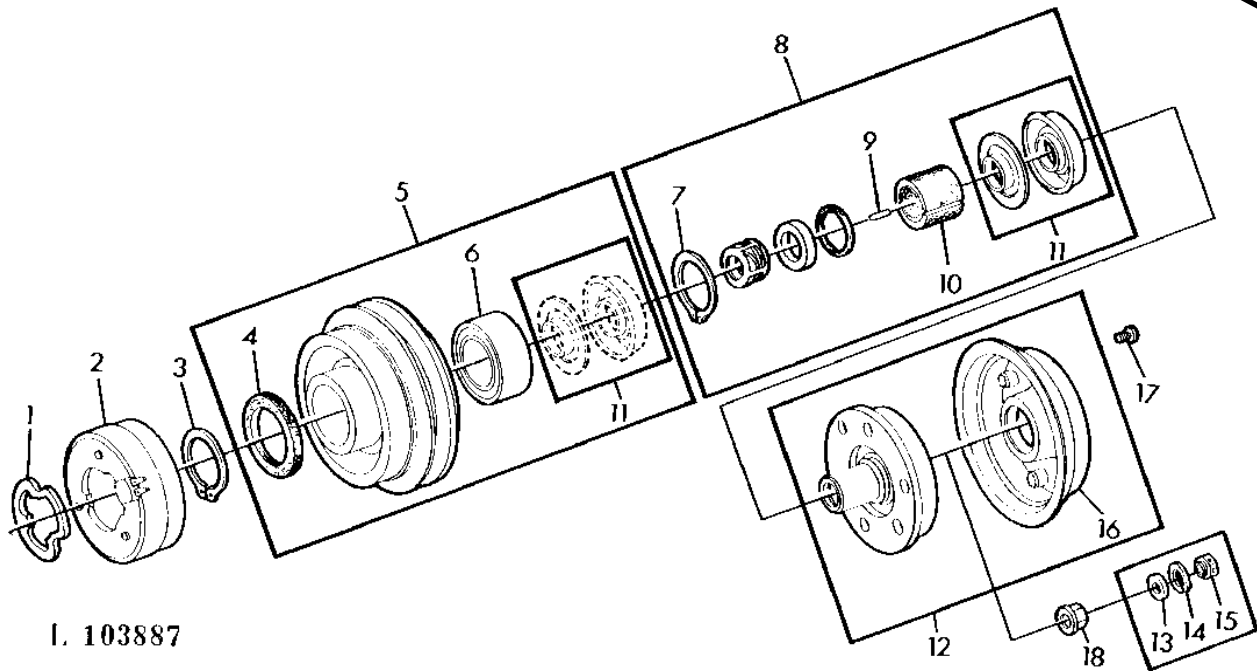
---

MEMORANDA  
MEMORANDA  
MEMORANDA  
MEMORANDA  
MEMORANDA

# 3F24

OPERATOR'S CAB

COMPRESSOR-COIL/CLUTCH/PULLEY  
 COMPRESSEUR-BOBINAGE/EMBAYAGE/POULIE  
 KOMPRESSOR-MAGNETSPULE/KUPPLUNG/RIEMENSCHIEBE  
 COMPRESSORE-BOBINAGGIO/FRIZIONE/PULEGGIA  
 COMPRESOR-BOBINA Y EMBRAGUE/POLEA  
 KOMPRESSOR-SPOLE/KOPPLING/REMSKIVA  
 L103887 -UN-07NOV95



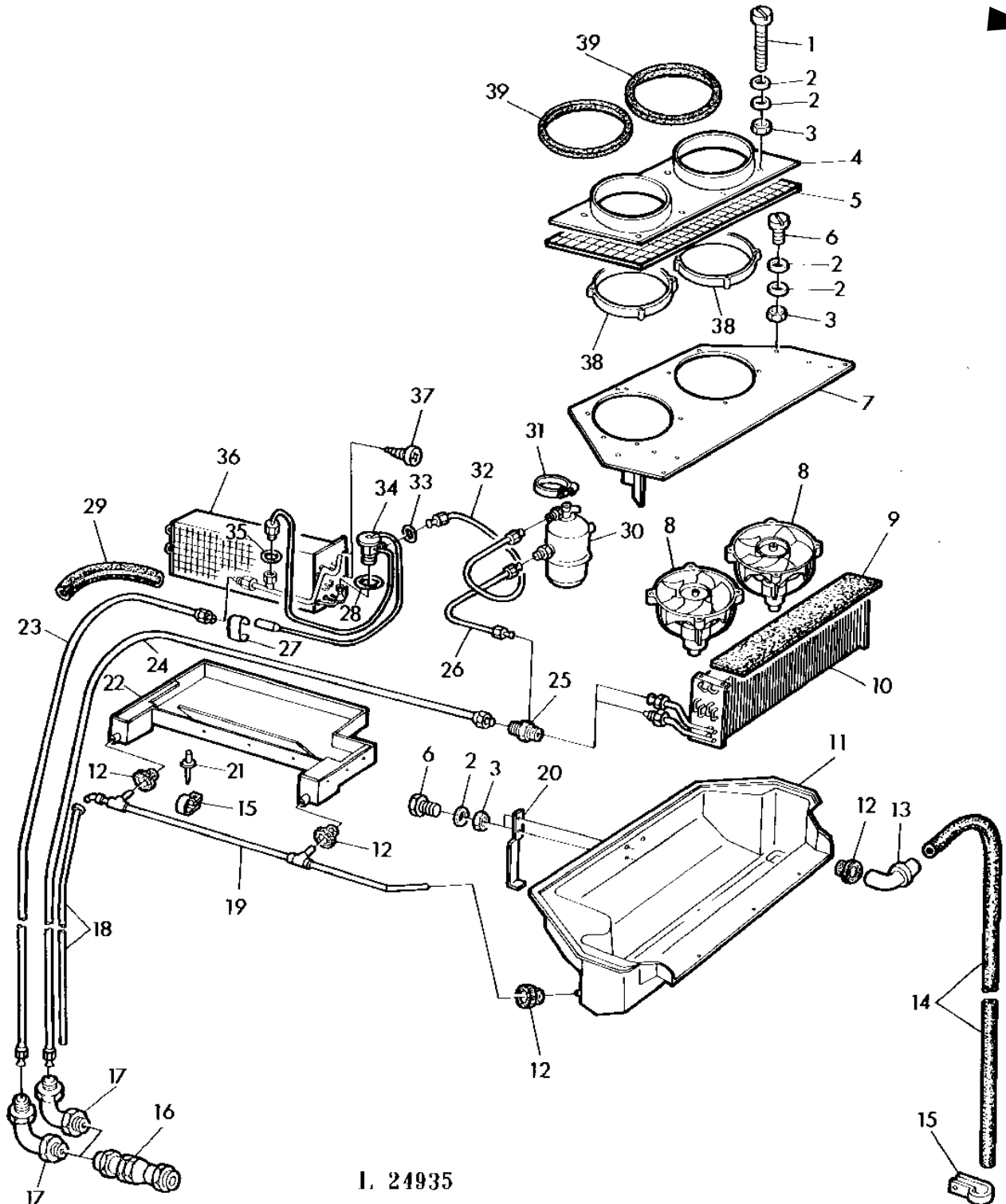
I. 103887

KEY	PART NO.	PART NAME	QTY	SERIAL NO.	REMARKS
				3 3	
				0 1	
				3 3	
				0 0	
1	R56246	GASKET	1	X X	(ORD W/ AR71289)
2	AR49803	ELECTRICAL COIL	1	X X	(ORD W/ AR71289)
3	R47224	SNAP RING	1	X X	(ORD W/ AR71289)
4	R54766	WASHER	1	X X	REAR (ORD W/ AR71289)
5	AR71287	PULLEY	1	X X	
6	AR71288	BALL BEARING	1	X X	
7	R47226	SNAP RING	1	X X	(ORD W/ AR71289)
8	AR71285	KIT	1	X X	
9	R47229	SHAFT KEY	1	X X	
10	R47227	SEAL	1	X X	(ORD W/ AR71289)
11	AR71289	SHIELD	1	X X	FRONT
12	AR71286	CLUTCH	1	X X	
13	R47230	WASHER	1	X X	(ORD R69297)
14	R47231	SNAP RING	1	X X	(ORD R69297)
15	R47232	NUT	1	X X	(ORD R69297)
16	AR71290	COVER	1	X X	
17	37H32	SCREW	3	X X	NO.10X3/8"
18	R69297	FLANGE NUT	1	X X	

# 3G1

OPERATOR'S CAB

AIR CONDITIONING  
CLIMATISATION  
KLIMAANLAGE  
IMPIANTO D'ARIA CONDIZIONATA  
SISTEMA DE AIRE ACONDICIONADA  
LUFTKONDITIONERING  
L24935 -UN-27OCT95



I. 24935



# 3G2

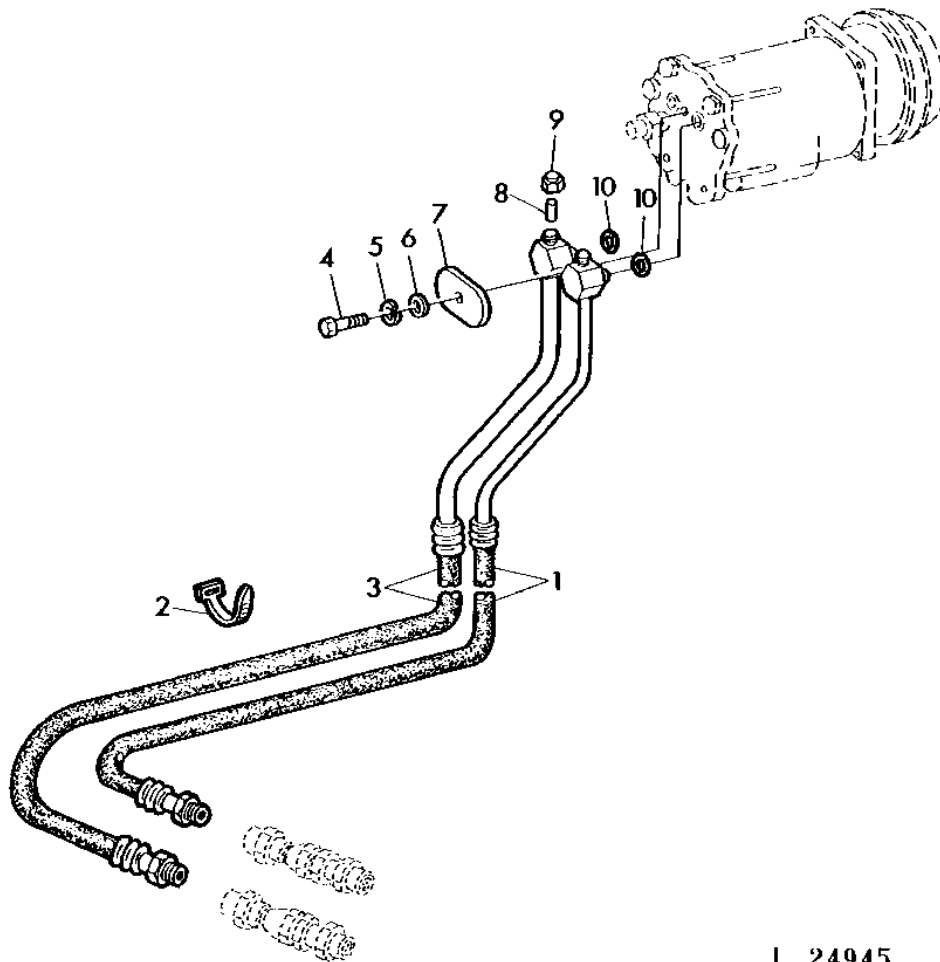
OPERATOR'S CAB

KEY	PART NO.	PART NAME	QTY	SERIAL NO.	3 0 3 0	REMARKS
1	21M7261	SCREW	8		X X	5X45MM
2	24M7087	WASHER	46		X X	5,5X10X1MM
3	14M7360	LOCK NUT	24		X X	5MM
4	L35658	PLATE	1		X X	
5	L35659	GRATE	1		X X	
6	21M7265	SCREW	16		X X	5X12MM
7	AL28631	COVER	1		X X	(SUB FOR AL32935)
8	AL32952	BLOWER	2		X X	
9	L35666	FOAM PAD	1		X X	LGTH=1170MM
10	AL32940	VAPOR CONDENSER	1		X X	
11	AL32953	HOUSING	1		X X	
12	L35661	GROMMET	4		X X	
13	L35662	CONNECTOR	1		X X	
14	L35663	HOSE	1		X X	
15	L36490	CLAMP	AR		X X	
16	AL30064	CLUTCH	1		X X	
17	AL32938	ELBOW FITTING	2		X X	
18	AL32937	TUBE	1		X X	
19	AL32936	TUBE	1		X X	
20	L33876	RETAINER	1		X X	
21	L33884	RIVET	2		X X	3X10MM
22	L35680	PAN	1		X X	
23	AL28637	TUBE	1		X X	
24	AL28636	TUBE	1		X X	
25	L35679	CONNECTOR	1		X X	5/8"
26	AL28630	TUBE	1		X X	
27	L35665	CLAMP	1		X X	
28	P51212	O-RING	1		X X	
29	L35664	HOSE	1		X X	
30	AL28629	RECEIVER-DRYER	1		X X	
31	AR21841	CLAMP	1		X X	
32	AL28635	TUBE	1		X X	
33	R10093	O-RING	1		X X	
34	AL28638	VALVE	1		X X	
35	R34812	O-RING	1		X X	
36	AL32939	EVAPORATOR	1		X X	
37	37M7012	CAP SCREW	4		X X	3,5X9,5MM
38	L35660	SPACER	2		X X	
39	L35657	SEAL	2		X X	

# 3G3

OPERATOR'S CAB

AIR CONDITIONING LINES  
TUYAUX DE CLIMATISATION  
LEITUNGEN FUER KLIMAAANLAGE  
TUABZIONI IMPIANTO D'ARIA CONDIZIONATA  
TUBERIAS DEL SISTEMA DE CLIMATIZACION  
LEDNINGAR-LUFTKONDITIONERING  
L24945 -UN-27OCT95



1. 24945

# 3G4

OPERATOR'S CAB

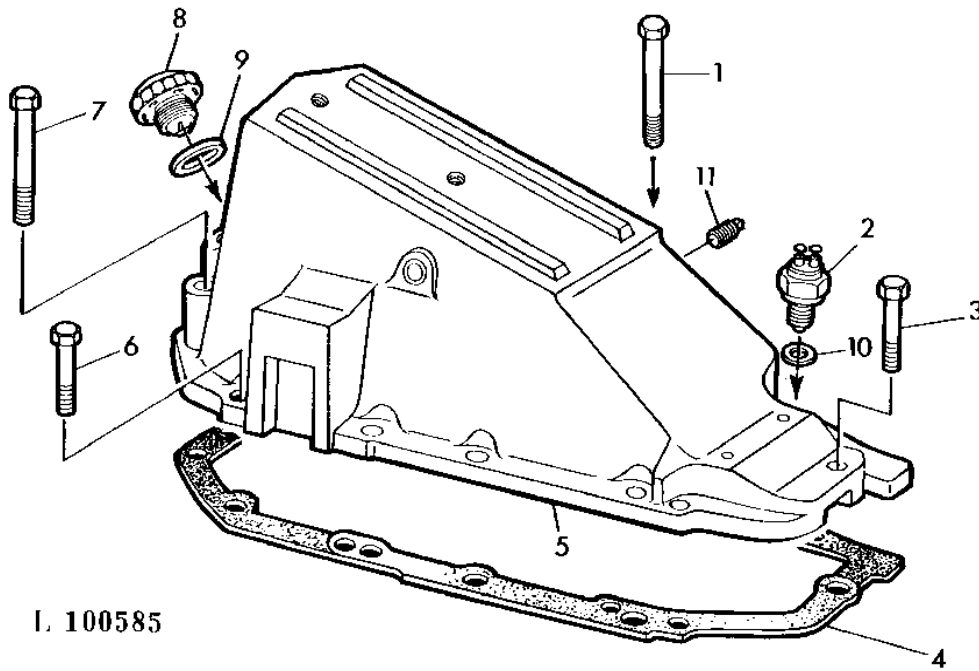
KEY	PART NO.	PART NAME	QTY	SERIAL NO.	3 3 0 1 3 3 0 0	REMARKS
1	AL28491	HOSE	1		X X	
2	R44302	TIE BAND	2		X X	
3	AL28490	HOSE	1		X X	
4	19H2522	CAP SCREW	1		X X	3/8"X2"
5	12H304	LOCK WASHER	1		X X	3/8"
6	24H1884	WASHER	1		X X	13/32"X13/16"X.120"
7	R60171	STRAP	1		X X	
8	R60170	VALVE	2		X X	
9	R60127	STRAP	2		X X	
10	R47235	O-RING	2		X X	

# 3G5

OPERATOR'S CAB

SEAT SUPPORT BASE(WITHOUT ROCKSHAFT)  
 SUPPORT DU SIEGE(POUR TRACTEURS SANS REVELAGE)  
 SITZLAGERBOCK(FUER TRAKTOREN OHNE KRAFTHEBER)  
 SUPPORTO SEDILE(PER TRATTORI SENZA SOLLEVATORE)  
 PEDESTAL DEL ASIEN(TRACTORES SIN ELEVADOR HIDRAULICO)  
 SITSFUNDAMENT(UTAN JORDBRUKSLYFT)

L100585 -UN-03NOV95



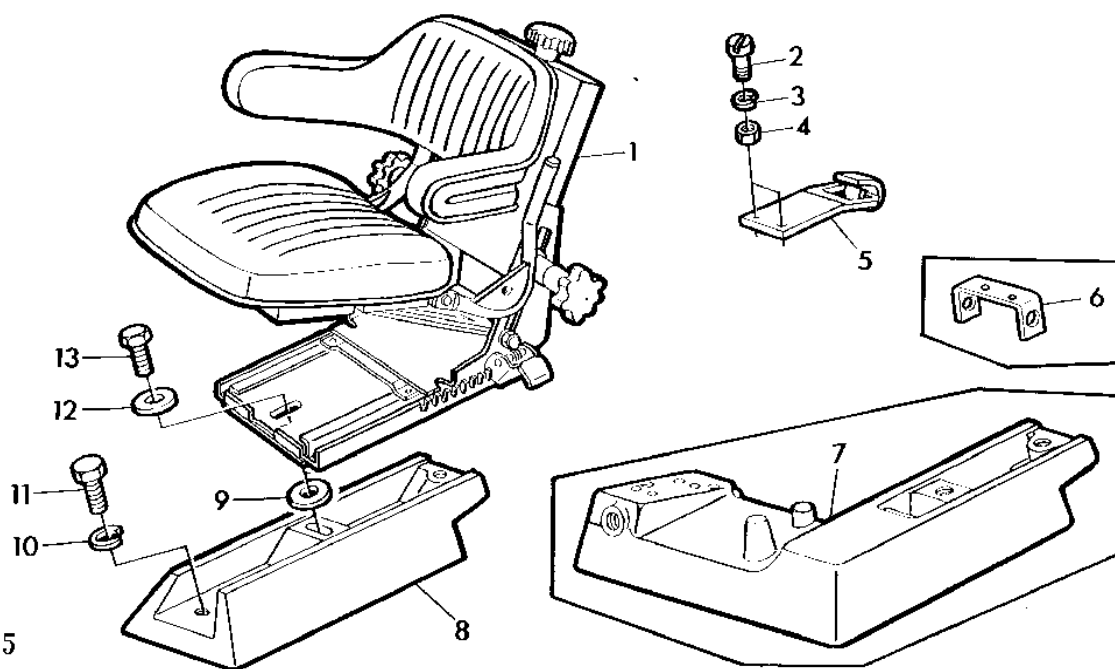
L 100585

KEY	PART NO.	PART NAME	QTY	SERIAL NO.	REMARKS
				3 3	
				0 1	
				3 3	
				0 0	
1	19H1739	CAP SCREW	2	X X	1/2"X4-1/2" (SUB FOR R34598)
2	AT85153	SWITCH	1	X X	9/16" (SUB FOR AR85323, AR89691, R36265)
3	19H1805	CAP SCREW	1	X X	1/2"X2-1/4"
4	L34401	GASKET	1	X X	(FOR L36296)
	T28555	GASKET	1	X X	(FOR T28575)
5	L36296	CASE	1	X X	(ORD W/ L34401, 15H638) (SUB FOR T28575)
6	19H1721	CAP SCREW	7	X X	1/2"X1-1/2"
7	19H1992	CAP SCREW	3	X X	1/2"X4"
8	AL38083	FILLER CAP	1	X X	1-1/2" (SUB FOR AL32620, L29872, T21563)
9	T21564	WASHER	1	X X	
10	24M7228	WASHER	1	X X	15X21X1,3MM
11	15H638	PIPE PLUG	1	X X	1/8"

# 3G6

OPERATOR'S CAB

DELUXE SEAT  
 SIEGE DE LUXE  
 LUXUS-SITZ  
 SEDILE LUSO  
 ASIENTO DE LUJO  
 DELUXE FORARSATE  
 L24855 -UN-25OCT95



L 24855

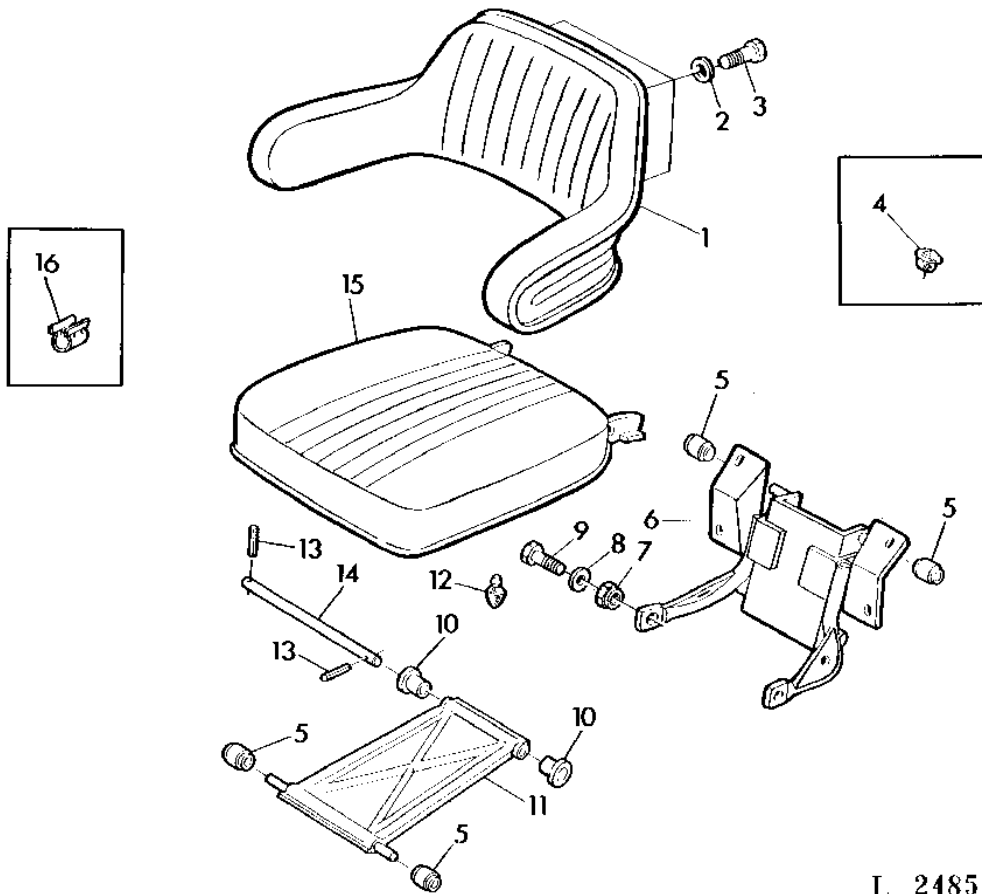
KEY	PART NO.	PART NAME	QTY	SERIAL NO.	REMARKS
					3 3
					0 1
					3 3
					0 0
1	AL36556	SEAT	1		X X ASSY (ORD AL39913, (2) 19H1815)
	AL24161	SEAT	1		X X ASSY (ORD AL39913) (SUB FOR AL19794)
	AL25781	SEAT	1		X X (A) ASSY (ORD AL39913)
2	21H1331	SCREW	2		X X 5/16"X1" (SUB FOR 19H2117)
3	12H303	LOCK WASHER	2		X X 5/16"
4	14H785	NUT	2		X X 5/16"
5	AL23433	RETAINER	1		X X (SUB FOR AL23896)
6	L29217	RETAINER	1		X X
7	L28532	SUPPORT	1	-182785	X X
8	L30200	SUPPORT	1	182786-	X X
9	24H1254	WASHER	2		X X 17/32"X1-1/8"X.105"
10	12H301	LOCK WASHER	2		X X 1/2"
11	19H1831	CAP SCREW	2		X X 1/2"X2"
12	24H1349	WASHER	2		X X 9/16"X1-1/4"X.134"
13	19H1815	CAP SCREW	2		X X 1/2"X1-1/4"

(A) FOR AUSTRIA ONLY  
 POUR L'AUTRICHE  
 NUR FUER OESTERREICH  
 SOLTANTO PER AUSTRIA  
 TAN SOLO PARA AUSTRIA  
 ENDAST FOR OSTERRIKE

# 3G7

OPERATOR'S CAB

DELUXE SEAT  
SIEGE DE LUXE  
LUXUS-SITZ  
SEDILE DI LUSO  
ASIENTO DE LUVD  
DELUXE FORARSATE  
L24853 -UN-25OCT95



# 3G8

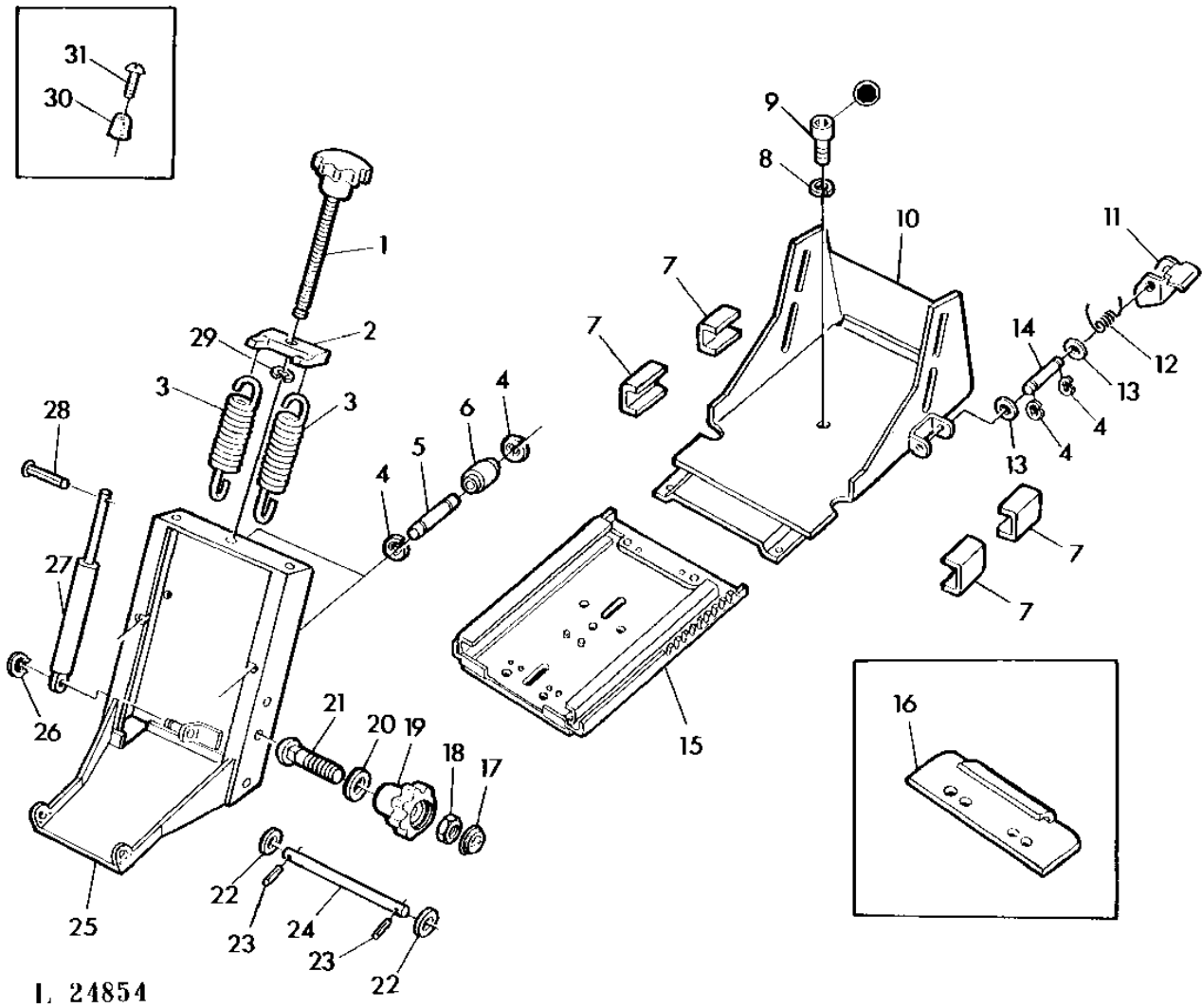
OPERATOR'S CAB

KEY	PART NO.	PART NAME	QTY	SERIAL NO.	3 0 3 0	REMARKS
1	AL24163	ARMREST	1		X X	(SUB FOR AL19071)
2	24M7055	WASHER	4		X X	8,4X17X2MM
3	19H1813	CAP SCREW	4		X X	5/16"X5/8"
4	L25689	PLUG	2	-229006	X X	
5	L25686	ROLLER	4		X X	
6	AL24169	SUPPORT	1		X X	(SUB FOR AL23884)
7	T27645	NUT	2		X X	1/2"
8	24M7047	WASHER	2		X X	13MM (SUB FOR 24M7030)
9	19H2508	CAP SCREW	2		X X	1/2"X1-3/8"
10	L27167	BUSHING	2		X X	
11	AL24164	SEAT	1		X X	(SUB FOR AL19075)
12	L25678	BUMPER	1		X X	
13	34M3851	SPRING PIN	2		X X	4X24MM
14	L29209	PIN	1		X X	
15	AL24170	CUSHION	1		X X	(SUB FOR AL23885)
16	L31728	CLIP	16	-229006	X X	
..	AL24161	SEAT	1		X X	ASSY (ORD AL39913)

# 3G9

OPERATOR'S CAB

DELUXE SEAT  
SIEGE DE LUXE  
LUXUS-SITZ  
SEDILE DI LUSO  
ASIENTO DE LUJO  
DELUXE FORARSATE  
L24854 -UN-25OCT95





# 3G10

OPERATOR'S CAB

KEY	PART NO.	PART NAME	QTY	SERIAL NO.	3 0 3 0	3 1 3 0	REMARKS
1	AL23886	BOLT	1		X	X	
2	L28077	RETAINER	1		X	X	
3	L28076	EXTENSION SPRING	2		X	X	
4	40M7041	SNAP RING	AR		X	X	5MM
5	L31731	PIN	2	229007-	X	X	
6	AL26918	ROLLER	2	229007-	X	X	
7	L29202	RAIL	8	-116799	X	X	
	L31729	RAIL	4	116800-	X	X	
8	12M7013	LOCK WASHER	1	229007-	X	X	10MM
9	19M7695	SCREW	1	229007-	X	X	10X20MM
10	AL30691	FRAME	1		X	X	(SUB FOR AL23882, AL24167)
11	L29204	PAWL	1		X	X	
12	L29206	SPRING	1		X	X	
13	24M7055	WASHER	2		X	X	8,4X17X2MM
14	L29205	PIN	1		X	X	
15	AL24166	ALIGNER	1	-229006	X	X	(SUB FOR AL23881)
	AL28248	ADJUSTER	1	229007-	X	X	
16	L29353	RETAINER	1	-229006	X	X	(SUB FOR L29203)
17	L31727	COVER	1		X	X	
18	L31730	NUT	2		X	X	
19	L29211	HANDLE	2		X	X	
20	24M7149	WASHER	2		X	X	10MM
21	03M7017	BOLT	2		X	X	10X25MM
	03M7099	BOLT	2		X	X	10X45MM
22	24M7044	WASHER	2		X	X	13MM
23	40M7030	SNAP RING	2		X	X	9MM
	34M3851	SPRING PIN	2		X	X	4X24MM
24	L29208	PIN	1		X	X	
25	AL30692	HOUSING	1		X	X	(SUB FOR AL23883, AL24168)
26	L27166	SNAP RING	1		X	X	
27	AL24165	ABSORBER	1		X	X	
28	16M7061	RIVET	1		X	X	4X0,5X25MM (SUB FOR L28081)
29	40M7042	SNAP RING	2		X	X	7MM
30	L28078	BUMPER	2	-229006	X	X	
31	37M7016	SCREW	2	-229006	X	X	4,8X22MM
..	AL24161	SEAT	1		X	X	ASSY (ORD AL39913)

# 3G11

OPERATOR'S CAB

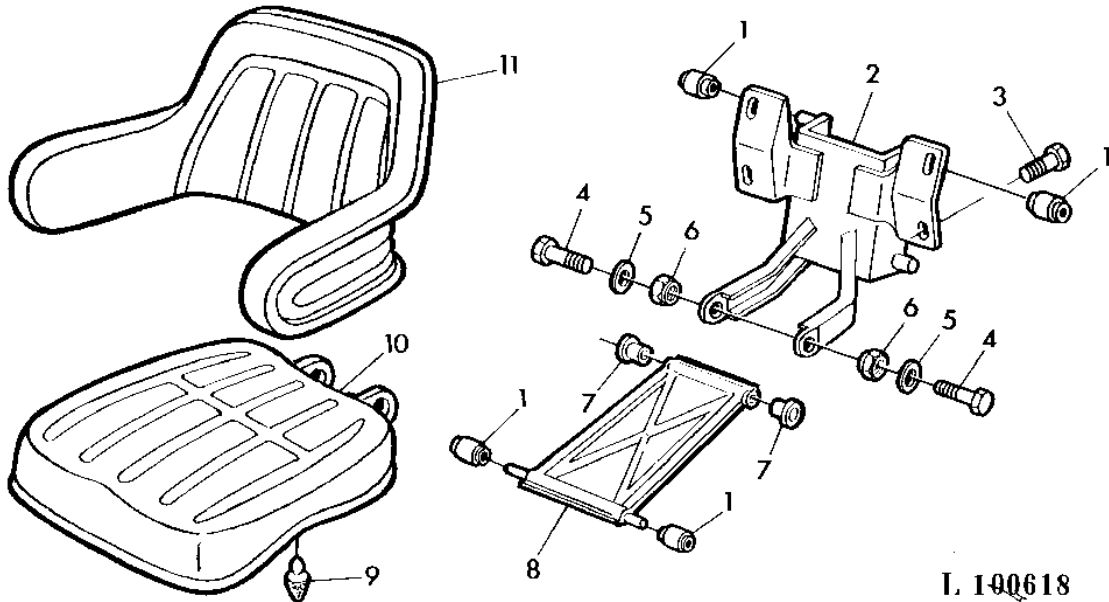
---

MEMORANDA  
MEMORANDA  
MEMORANDA  
MEMORANDA  
MEMORANDA

# 3G12

OPERATOR'S CAB

DE LUXE SEAT  
 SIEGE DE LUXE  
 LUXUS-SITZ  
 SEDILE DI LUSO  
 ASIENTO DE LUJO  
 DELUXE FORARSATE  
 L100618 -UN-03NOV95

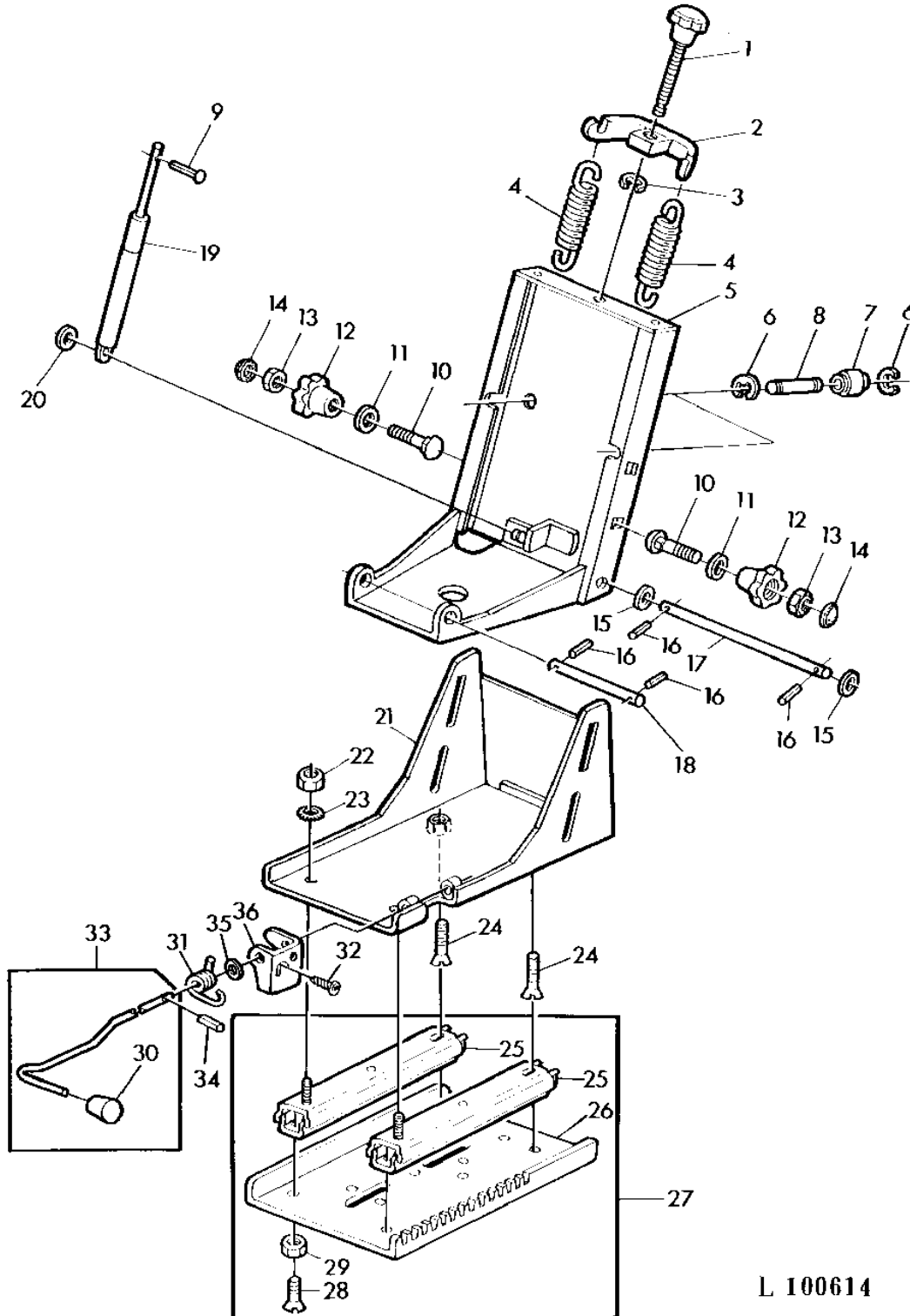


KEY	PART NO.	PART NAME	QTY	SERIAL NO.	REMARKS
				3 3	
				0 1	
				3 3	
				0 0	
1	L25686	ROLLER	4	X X	
2	AL24169	SUPPORT	1	X X	
3	19H1813	CAP SCREW	4	X X	5/16"X5/8"
4	19H2508	CAP SCREW	2	X X	1/2"X1-3/8"
5	24M7047	WASHER	2	X X	13X24X2,5MM
6	T27645	NUT	2	X X	1/2"
7	L27167	BUSHING	2	X X	
8	AL24164	SEAT	1	X X	
9	L25678	BUMPER	1	X X	
10	AL36324	SEAT	1	X X	
11	AL36555	SEAT BACK	1	X X	
..	AL36556	SEAT	1	X X	ASSY (ORD AL39913, (2) 19H1815)

# 3G13

OPERATOR'S CAB

DE LUXE SEAT  
SIEGE DE LUXE  
LUXUS-SITZ  
SEDILE DI LUSO  
ASIENTO DE LUJO  
DELUXE FORARSATE  
L100614 -UN-03NOV95



L 100614

# 3G14

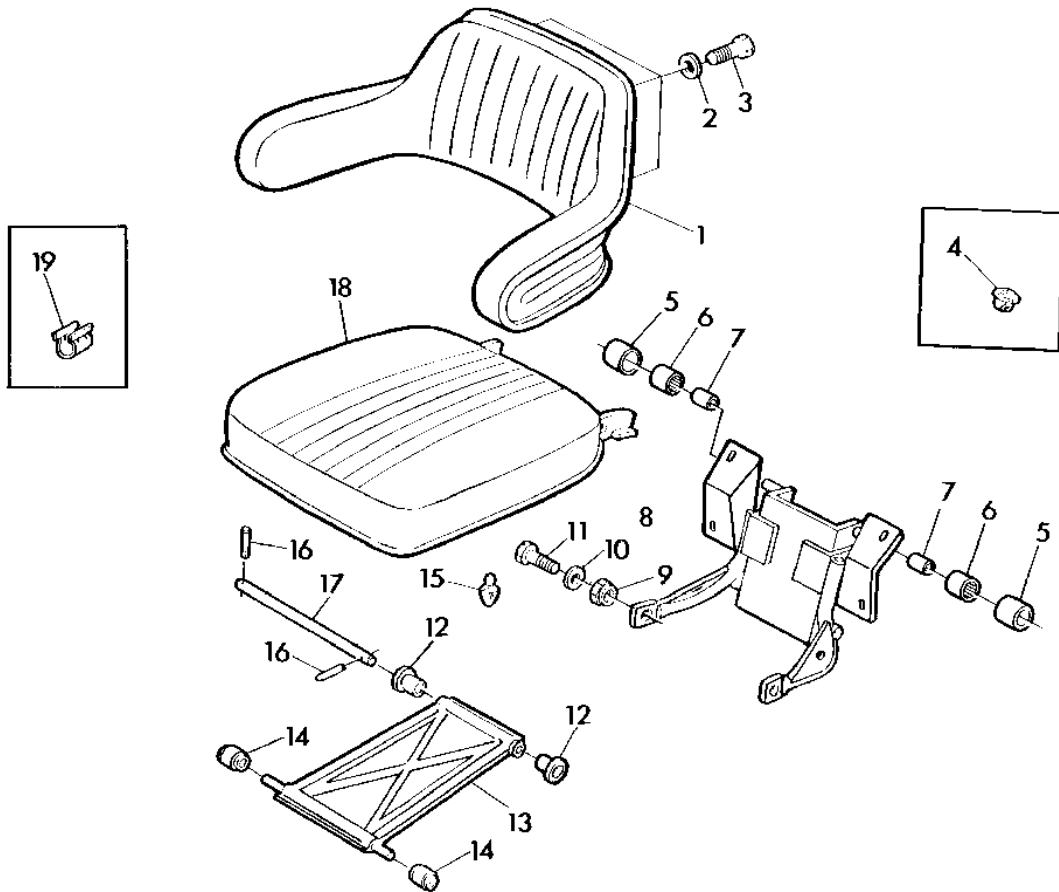
OPERATOR'S CAB

KEY	PART NO.	PART NAME	QTY	SERIAL NO.	REMARKS
					3 3
					0 1
					3 3
					0 0
1	AL33069	SPINDLE	1		X X
2	L28077	RETAINER	1		X X
3	40M7042	SNAP RING	1		X X 7MM
4	L35825	LEAF SPRING	2		X X
5	AL30692	HOUSING	1		X X
6	40M7041	SNAP RING	4		X X 5MM
7	AL26918	ROLLER	2		X X
8	L31731	PIN	2		X X
9	16M7061	RIVET	1		X X 4X0,5X25
10	03M7099	BOLT	2		X X M10X45
11	24M7149	WASHER	2		X X 10,5X30X2,5MM
12	L29211	HANDLE	2		X X
13	L31730	NUT	2		X X M10
14	L31727	COVER	2		X X
15	24M7044	WASHER	2		X X 13X20X2MM
16	34M3851	SPRING PIN	4		X X 4X24MM
17	L29208	PIN	1		X X
18	L29209	PIN	1		X X
19	AL24165	ABSORBER	1		X X
20	L27166	SNAP RING	1		X X 10MM
21	AL33010	ADJUSTER	1		X X
22	14M7273	NUT	2		X X M8
23	12M7032	LOCK WASHER	2		X X 8,4MM
24	19M7902	SCREW	2		X X M8X16
25	AL33439	RAIL	2		X X
26	L36269	PLATE	1		X X
27	AL33016	ADJUSTER	1		X X
28	19M7924	SCREW	4		X X M8X16
29	L36292	LOCK NUT	4		X X M8
30	L34156	KNOB	1		X X
31	L35769	SPRING	1		X X
32	37M7079	SCREW	1		X X 6,3X13MM
33	AL36327	LEVER	1		X X
34	34M7127	SPRING PIN	1		X X 4X24MM
35	24M7207	WASHER	1		X X 8,4MM
36	L38377	PAWL	1		X X
..	AL36556	SEAT	1		X X ASSY (ORD AL39913, (2) 19H1815)

# 3G15

OPERATOR'S CAB

DELUXE SEAT (AUSTRIA ONLY)  
SIEGE DE LUXE (AUTRICHE UNIQUEMENT)  
LUXUS-SITZ (FUER OESTERREICH)  
SEDILE DI LUSSO (PER AUSTRIA)  
ASIENTO DE LUVO (PARA AUSTRIA)  
DELUXE FORARSATE (FOR OSTERIKE)  
L24852 -UN-25OCT95



I. 24852

# 3G16

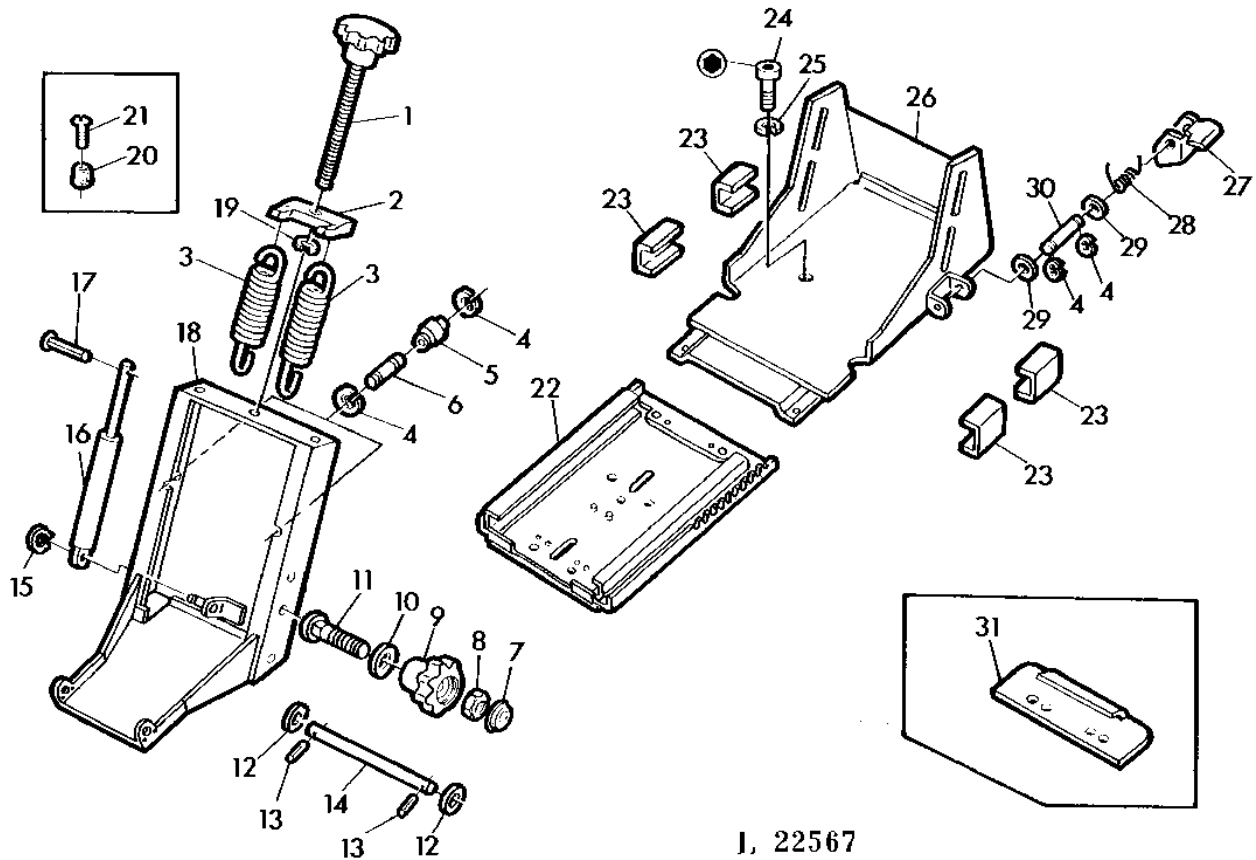
OPERATOR'S CAB

KEY	PART NO.	PART NAME	QTY	SERIAL NO.	3 0 3 0	3 1 3 0	REMARKS
1	AL24163	ARMREST	1		X	X	
2	24M7055	WASHER	4		X	X	8,4X17X2MM
3	19H1813	CAP SCREW	4		X	X	5/16"X5/8"
4	L25689	PLUG	2	-229006	X	X	
5	L31738	ROLLER	2		X	X	
6	AL26928	NEEDLE BEARING	2		X	X	
7	L31739	RING	2		X	X	
8	AL26927	PLATE	1		X	X	
9	T27645	NUT	2		X	X	1/2"
10	24M7047	WASHER	2		X	X	13MM (SUB FOR 24M7030)
11	19H2508	CAP SCREW	2		X	X	1/2"X1-3/8"
12	L27167	BUSHING	2		X	X	
13	AL24164	SEAT	1		X	X	
14	L25686	ROLLER	2		X	X	
15	L25678	BUMPER	1		X	X	
16	34M3851	SPRING PIN	2		X	X	4X24MM
17	L29209	PIN	1		X	X	
18	AL24170	CUSHION	1		X	X	
19	L31728	CLIP	16	-229006	X	X	
..	AL25781	SEAT	1		X	X	ASSY (ORD AL39913)

# 3G17

OPERATOR'S CAB

DELUXE SEAT (AUSTRIA ONLY)  
SIEGE DE LUXE (AUTRICHE UNIQUEMENT)  
LUXUS-SITZ (FUER OESTERREICH)  
SEDILE DI LUSO (PER AUSTRIA)  
COMPONENTES DEL ASIENTO DE LUJO (PARA AUSTRIA)  
DELUXE FORARSATE (FOR OSTERRIKE)  
L22567 -UN-27OCT95





# 3G18

OPERATOR'S CAB

KEY	PART NO.	PART NAME	QTY	SERIAL NO.	3 0 3 0	REMARKS
					3 3	
					0 1	
					3 3	
					0 0	
1	AL23886	BOLT	1		X X	
2	L28077	RETAINER	1		X X	
3	L35825	LEAF SPRING	2		X X	(SUB FOR L31740)
4	40M7041	SNAP RING	6		X X	5MM
5	AL26918	ROLLER	2	229007-	X X	
6	L31731	PIN	2	229007-	X X	
7	L31727	COVER	2		X X	
8	L31730	NUT	2		X X	
9	L29211	HANDLE	2		X X	
10	24M7149	WASHER	2		X X	10MM
11	03M7099	BOLT	2		X X	10X45MM
12	24M7044	WASHER	2		X X	13MM
13	34M3851	SPRING PIN	2		X X	4X24MM
14	L29208	PIN	1		X X	
15	L27166	SNAP RING	1		X X	
16	AL24165	ABSORBER	1		X X	
17	16M7061	RIVET	1		X X	4X0,5X25MM
18	AL30692	HOUSING	1		X X	(SUB FOR AL24168)
19	40M7042	SNAP RING	1		X X	7MM
20	L31737	BUMPER	2	-229006	X X	
21	37M7024	SCREW	2	-229006	X X	8X16MM
22	AL24166	ALIGNER	1	-229006	X X	
	AL28248	ADJUSTER	1	229007-	X X	
23	L31729	RAIL	4		X X	
24	19M7695	SCREW	1	229007-	X X	10X20MM
25	12M7013	LOCK WASHER	1	229007-	X X	10MM
26	AL30691	FRAME	1		X X	(SUB FOR AL24167)
27	L29204	PAWL	1		X X	
28	L29206	SPRING	1		X X	
29	24M7055	WASHER	2		X X	8,4X17X2MM
30	L29205	PIN	1		X X	
31	L29353	RETAINER	1	-229006	X X	
..	AL25781	SEAT	1		X X	ASSY (ORD AL39913)

# 3G19

OPERATOR'S CAB

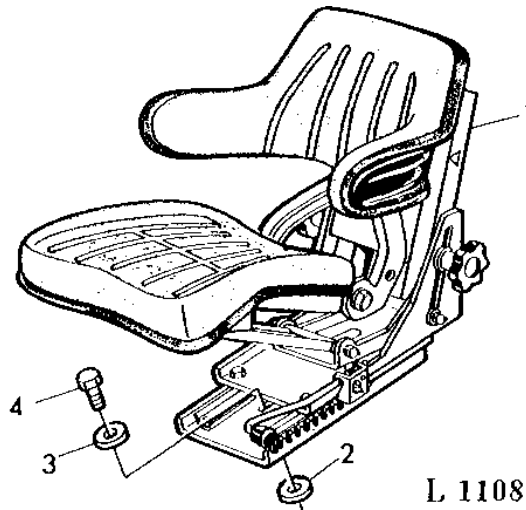
---

MEMORANDA  
MEMORANDA  
MEMORANDA  
MEMORANDA  
MEMORANDA

# 3G20

OPERATOR'S CAB

DE-LUXE SEAT WITH ANGLED SUPPORT  
 SIEGE DE LUXE SUPPORT INCLINE  
 DE-LUXE SITZ/SCHRAEGAUFBAU  
 SEDILE DI LUSO/SUPPORTO INCLIMATO  
 ASIENTO DE LUJO/SOPORTE INCLIMADO  
 DELUXE FORARSATE/SMED SITSFUNDAMENT  
 L110847 -UN-01JAN94



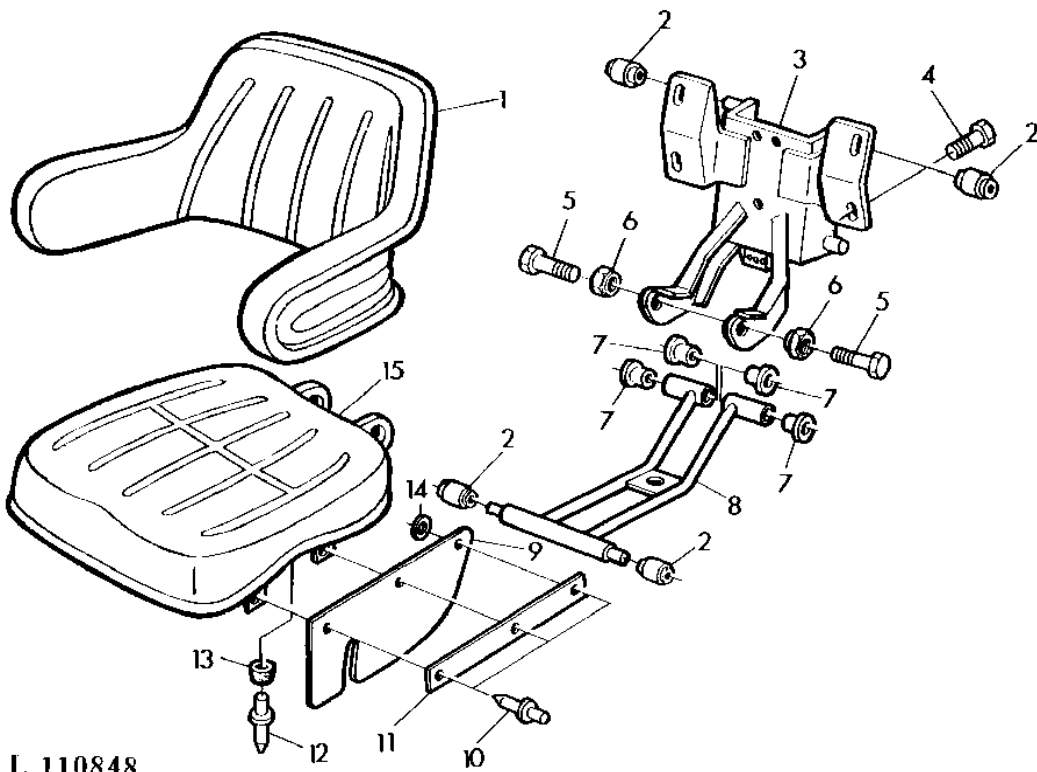
L 110847

KEY	PART NO.	PART NAME	QTY	SERIAL NO.	REMARKS
				3 3	
				0 1	
				3 3	
				0 0	
1	AL39913	SEAT	1	X X	GRAMMER DS44/2H-4
2	24H1254	WASHER	2	X X	17/32"X1-1/8"X.105"
3	24H1349	WASHER	2	X X	9/16"X1-1/4"X.134"
4	19H1815	CAP SCREW	2	X X	1/2"X1-1/4"

# 3G21

OPERATOR'S CAB

DE-LUXE SEAT WITH ANGLED SUPPORT (INDIVIDUAL PARTS)  
SIEGE DE LUXE/SUPPORT INCLINE (PIECES)  
DE-LUXE SITZ/SCHRAEGAUFBAU(EINZELTEILE)  
SEDILE DI LUSSO/INCLIMATO(PARTI SINGOLE)  
ASIENTO DE LUJO/INCLINADO(COMPONENTES)  
DELUXE FORARSATE/SNED SITSFUNDAMENT (DELAR)  
L110848 -UN-12MAY95



L 110848

# 3G22

OPERATOR'S CAB

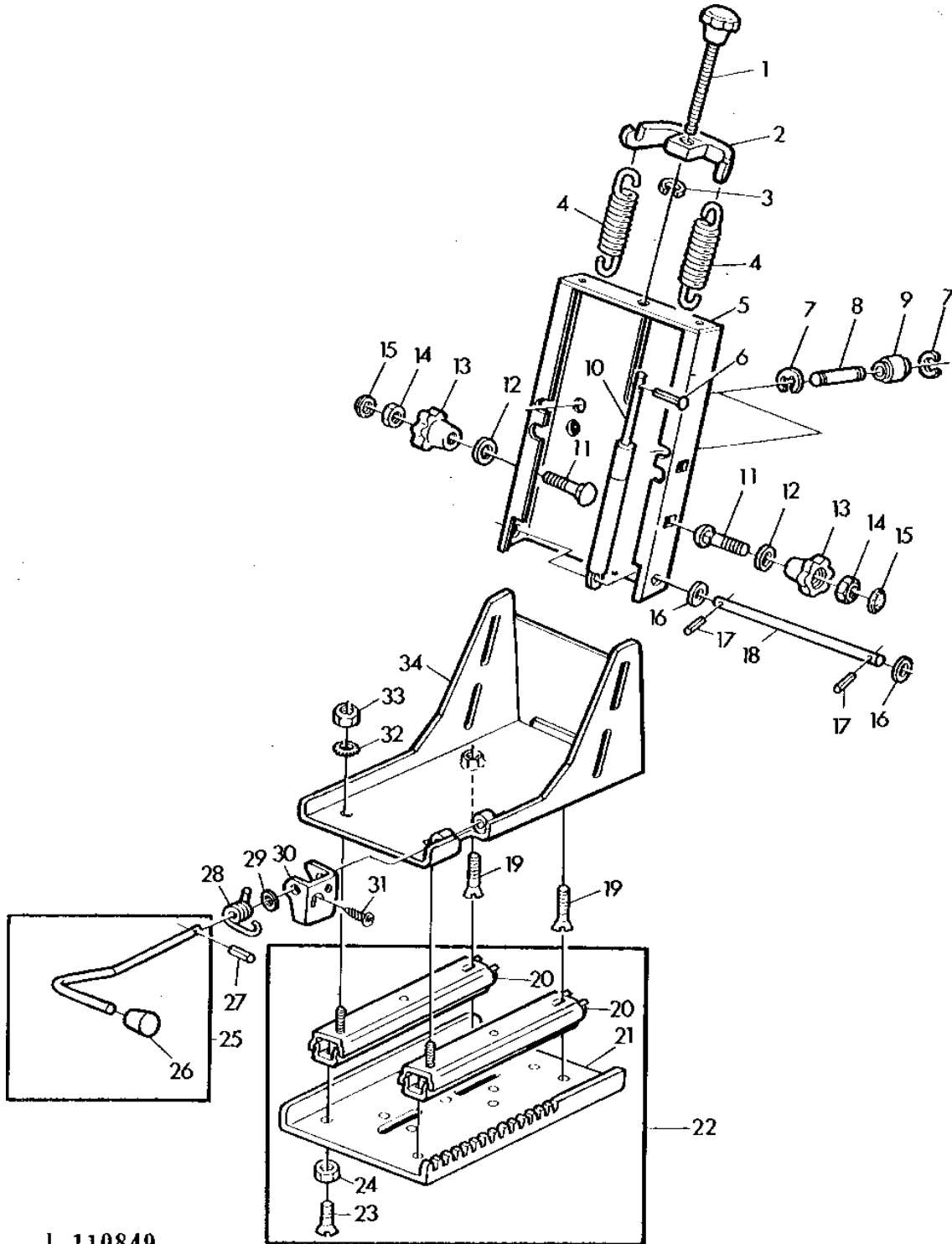
KEY	PART NO.	PART NAME	QTY	SERIAL NO.	REMARKS
					3 3
					0 1
					3 3
					0 0
1	AL39816	SEAT BACK	1		X X
2	L25686	ROLLER	4		X X
3	AL39940	SUPPORT	1		X X
4	19H1813	CAP SCREW	2		X X 5/16"X5/8"
5	19H1792	CAP SCREW	2		X X 1/2"X1"
6	T27645	NUT	2		X X 1/2"
7	L27167	BUSHING	2		X X
8	AL39941	ARM	1		X X
9	L39086	RETAINER	1		X X (A) ,R.H.
	L39093	PLATE	1		X X (A) ,L.H.
10	AT56660	RIVET	6		X X (A)
11	L39087	STRAP	2		X X (A)
12	L39010	RIVET	2		X X
	24M7117	WASHER	1		X X 4,3X9X0,8MM
13	L35768	BUMPER	2		X X
14	24M7146	WASHER	2		X X (A) ,4,3X12X1MM
15	AL39823	SEAT	1		X X

(A) GERMANY ONLY  
 UNIQUEMENT ALLEMAGNE  
 NUR FUER DEUTSCHLAND  
 SOLTANTO GERMANIA  
 SOLO PARA ALEMANIA  
 ENDAST FOR TYSKLAND

# 3G23

OPERATOR'S CAB

DE-LUXE SEAT WITH ANGLED SUPPORT (INDIVIDUAL PARTS)  
SIEGE DE LUXE/SUPPORT INCLINE (PIECES)  
DE-LUXE SITZ/SCHRAEGAUFBAU(EINZELTEILE)  
SEDILE DI LUSSO/INCLINATO(PARTI SINGOLE)  
ASIENTO DE LUJO/INCLINADO(COMPONENTES)  
DELUXE FORARSATE/SNED-SITSFUNDAMENT (DELAR)  
L110849 -UN-01JAN94



L 110849

# 3G24

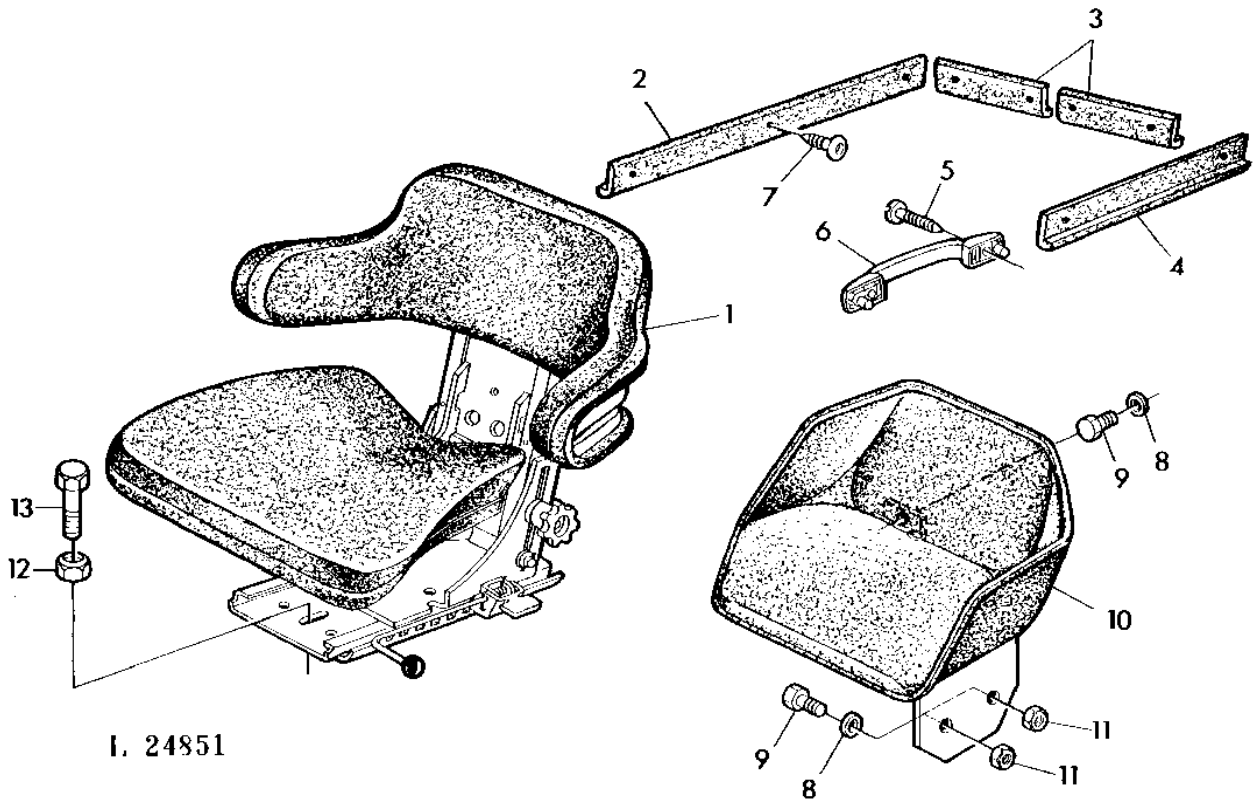
OPERATOR'S CAB

KEY	PART NO.	PART NAME	QTY	SERIAL NO.	REMARKS
					3 3
					0 1
					3 3
					0 0
1	AL39944	KNOB	1		X X
2	AL39943	RETAINER	1		X X
3	40M7042	SNAP RING	1		X X 7MM
4	L35825	LEAF SPRING	2		X X
5	L41591	SPRING ASSEMBLY	1		X X
6	16M7061	RIVET	1		X X 4X0,5X25MM
7	40M7041	SNAP RING	4		X X 5MM
8	L31731	PIN	2		X X
9	AL26918	ROLLER	2		X X
10	AL39942	ABSORBER	1		X X
11	03M7099	BOLT	2		X X M10X45
12	24M7178	WASHER	2		X X 10,5X30X2,5MM
13	L29211	HANDLE	2		X X
14	L31730	NUT	2		X X M10
15	L31727	COVER	2		X X
16	24M7047	WASHER	2		X X 13X24X2,5MM
17	34M3851	SPRING PIN	4		X X 4X24MM
18	L29208	PIN	1		X X
19	19M8366	CAP SCREW	2		X X M8X12
20	AL33439	RAIL	2		X X
21	L36269	PLATE	1		X X
22	AL33016	ADJUSTER	1		X X
23	19M7924	SCREW	4		X X M8X16
24	L36292	LOCK NUT	4		X X M8
25	AL35641	LEVER	1		X X
26	L34156	KNOB	1		X X
27	34M7127	SPRING PIN	1		X X 4X24MM
28	L35769	SPRING	1		X X
29	24M7207	WASHER	1		X X 8,4X25X2MM
30	L38377	PAWL	1		X X
31	37M7079	SCREW	1		X X 6,3X13MM
32	12M7032	LOCK WASHER	2		X X 8,4MM
33	14M7273	NUT	2		X X M8
34	AL33010	ADJUSTER	1		X X

# 3H1

OPERATOR'S CAB

DELUXE SEAT/PASSENGER SEAT(WITH OPERATOR'S CAB)  
SIEGE DE LUXE/SIEGE DU PASSAGER(AVEC CABINE)  
LUXUS-SITZ/BEIFAHRERSITZ(BEI KABINE)  
SEDILE LUSO/SEDILE AUSILIARIO(CON CABINA)  
ASIENTO DE LUJO/ASIENTO DE ACOMPAÑANTE(CON CABINA)  
DELUXE FORARSATE/PASSAGERARSATE(VID FORARHYTT)  
L24851 -UN-25OCT95





# 3H2

OPERATOR'S CAB

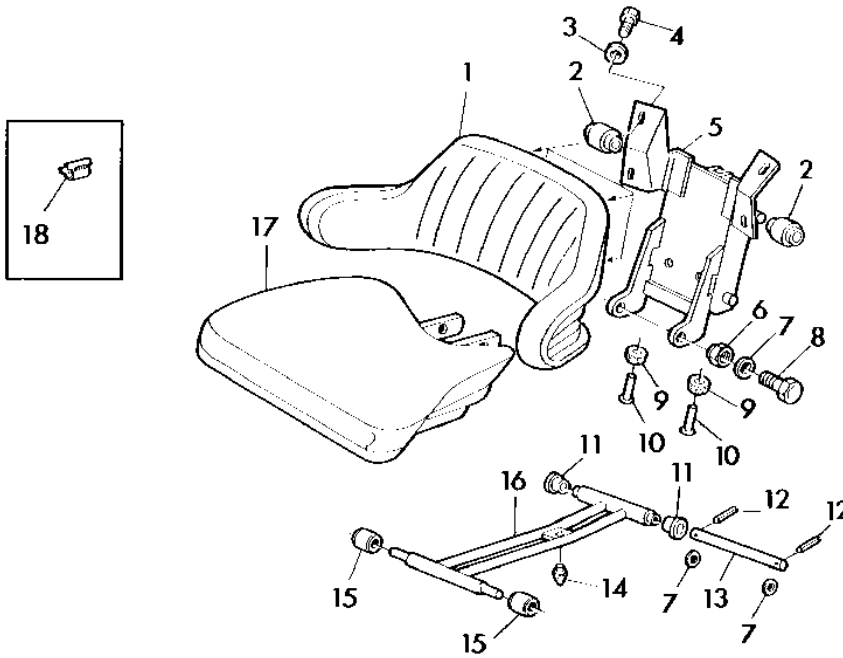
KEY	PART NO.	PART NAME	QTY	SERIAL NO.	REMARKS
					3 3
					0 1
					3 3
					0 0
1	AL36459	SEAT	1		X X ASSY (ORD AL68098)
	AL26930	SEAT	1		X X (A) ASSY (ORD AL68098)
	AL24915	SEAT	1		X X ASSY (ORD AL68098)
2	L31127	FOAM PAD	1		X X RH
3	L31126	GUARD	1		X X REAR
4	L31209	FOAM PAD	1		X X LH
5	37M6630	SCREW	4		X X 4,2X16MM
6	AL25710	HANDLE	2		X X
7	L31208	PLUG	9		X X
8	24M7036	WASHER	2		X X 9X17X1,6MM
9	19M7139	CAP SCREW	3		X X M8X20
10	AL30793	SEAT	1		X X (SUB FOR AL25711)
11	14M7273	NUT	2		X X M8 (SUB FOR 14M1975)
12	14H1040	NUT	2		X X 1/2"
13	19H1815	CAP SCREW	2		X X 1/2"X1-1/4"

(A) FOR AUSTRIA ONLY  
 SEULEMENT POUR L'AUTRICHE  
 NUR FUER OESTERREICH  
 SOLTANTO PER AUSTRIA  
 TAN SOLO PARA AUSTRIA  
 ENDAST FOR OSTERRIKE

# 3H3

OPERATOR'S CAB

DELUXE SEAT (WITH OPERATOR'S CAB)  
 SIEGE DE LUXE (AVEC CABINE)  
 LUXUS-SITZ (BEI KABINE)  
 SEDILE DI LUSSO (CON CABINA)  
 ASIENTO DE LUVO (CON CABINA)  
 DELUXE FORARSATE (VID FORARHYTT)  
 L24848 -UN-25OCT95



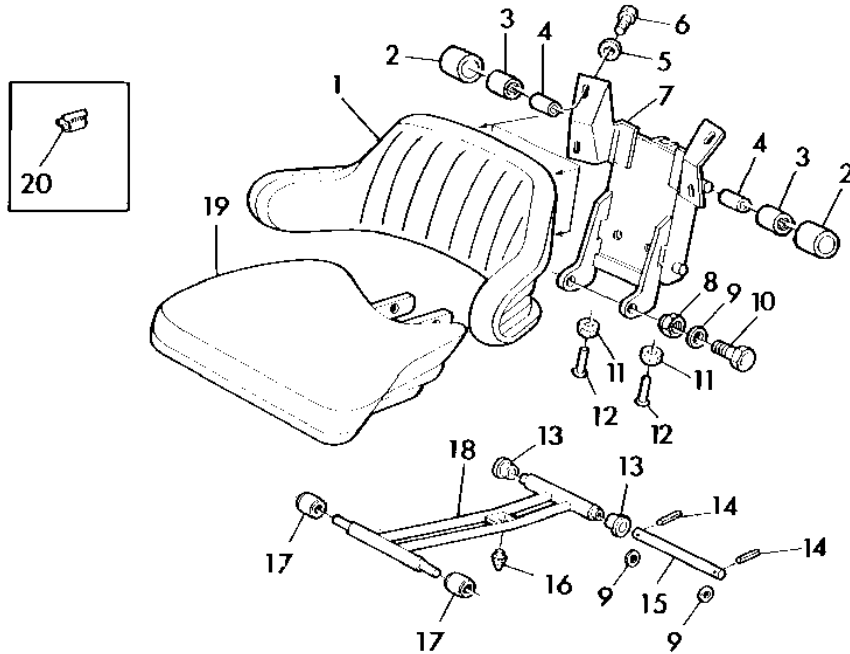
L 24848

KEY	PART NO.	PART NAME	QTY	SERIAL NO.	REMARKS
				3 3	
				0 1	
				3 3	
				0 0	
1	AL30690	SEAT BACK	1	X X	(SUB FOR AL26923)
2	L25686	ROLLER	2	X X	
3	24M7055	WASHER	4	X X	8,4MM
4	19H1813	CAP SCREW	4	X X	5/16"X5/8"
5	AL26922	PLATE	1	X X	
6	14M7168	LOCK NUT	2	X X	12MM (SUB FOR 43M7005, 43M7006)
7	24M7047	WASHER	4	X X	13X24X2,5MM (SUB FOR 24M7030)
8	19M7403	CAP SCREW	2	X X	12X35MM
9	L31736	ABSORBER	2	X X	
10	16M7075	RIVET	2	X X	4X13X12MM
11	L27167	BUSHING	2	X X	
12	34M3851	SPRING PIN	2	X X	4X24MM
13	L29208	PIN	1	X X	
14	L25678	BUMPER	1	X X	
15	L31735	ROLLER	2	X X	
16	AL26925	ARM	1	X X	
17	AL26924	SEAT	1	X X	(ORD W/ (5) L31728)
18	L31728	CLIP	16	-229006	X X
..	AL24915	SEAT	1	X X	ASSY (ORD AL68098)

# 3H4

OPERATOR'S CAB

DELUXE SEAT/WITH OPERATOR'S CAB (AUSTRIA ONLY)  
 SIEGE DE LUXE/AVEC CABINE (AUSTRICHE UNIQUEMENT)  
 LUXUS-SITZ/BEI KABINE (FUER OESTERREICH)  
 SEDILE DI LUSO/CON CABINA (PER AUSTRIA)  
 ASIENTO DE LUVO/CON CABINA (PARA AUSTRIA)  
 DELUXE FORARSATE/FID FORARHYTT (FOR OSTERIKE)  
 L24849 -UN-25OCT95



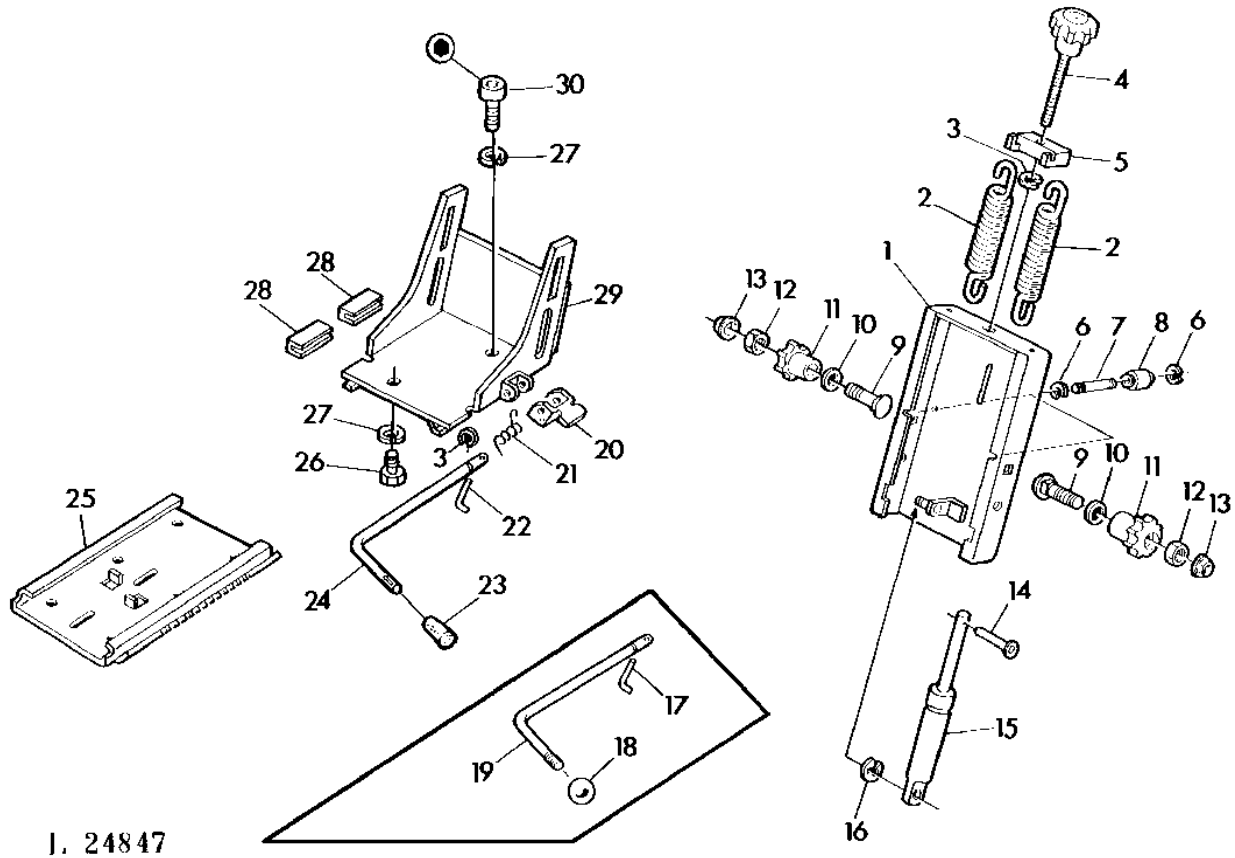
I. 24849

KEY	PART NO.	PART NAME	QTY	SERIAL NO.	REMARKS
				3 3	
				0 1	
				3 3	
				0 0	
1	AL30690	SEAT BACK	1	X X	(SUB FOR AL26923)
2	L31738	ROLLER	2	X X	
3	AL26928	NEEDLE BEARING	2	X X	
4	L31739	RING	2	X X	
5	24M7055	WASHER	4	X X	8,4MM
6	19H1813	CAP SCREW	4	X X	5/16"X5/8"
7	AL28249	FRAME	1	X X	(SUB FOR AL26922)
8	14M7168	LOCK NUT	2	X X	12MM (SUB FOR 43M7005, 43M7006)
9	24M7047	WASHER	4	X X	13X24X3MM (SUB FOR 24M7030)
10	19M7403	CAP SCREW	2	X X	12X35MM
11	L31736	ABSORBER	2	X X	
12	16M7075	RIVET	2	X X	4X13X12MM
13	L27167	BUSHING	2	X X	
14	34M3851	SPRING PIN	2	X X	4X24MM
15	L29208	PIN	1	X X	
16	L25678	BUMPER	1	X X	
17	L31735	ROLLER	2	X X	
18	AL26925	ARM	1	X X	
19	AL26924	SEAT	1	X X	(ORD W/ (5) L31728)
20	L31728	CLIP	16	-229006	X X
..	AL26930	SEAT	1	X X	ASSY (ORD AL68098)

# 3H5

OPERATOR'S CAB

DELUXE SEAT (WITH OPERATOR'S CAB)  
SIEGE DE LUXE (AVEC CABINE)  
LUXUS-SITZ (BEI KABINE)  
SEDILE DI LUSO. (CON CABINA)  
ASIENTO DE LUJO. (CON CABINA)  
DELUXE FORARSATE (VID FORARHYTT)  
L24847 -UN-25OCT95



1. 24847

# 3H6

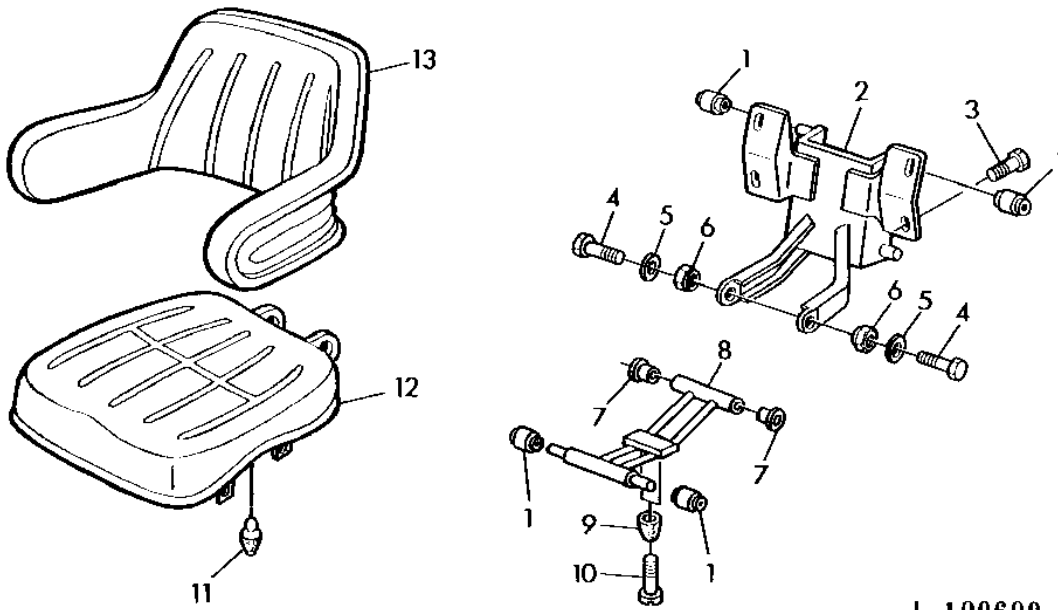
OPERATOR'S CAB

KEY	PART NO.	PART NAME	QTY	SERIAL NO.	3 3 0 1 3 3 0 0	REMARKS
1	AL26920	SPRING ASSEMBLY	1		X X	
2	L28076	EXTENSION SPRING	2		X X	
3	40M7042	SNAP RING	2		X X	0,9MM
4	AL23886	BOLT	1		X X	
5	L28077	RETAINER	1		X X	
6	40M7041	SNAP RING	4		X X	5MM
7	L31731	PIN	2		X X	
8	AL26918	ROLLER	2		X X	
9	03M7099	BOLT	2		X X	10X24MM
10	24M7149	WASHER	2		X X	10,5MM
11	L29211	HANDLE	2		X X	
12	L31730	NUT	2		X X	
13	L31727	COVER	2		X X	
14	16M7061	RIVET	1		X X	4X0,5X25MM (SUB FOR L28081)
15	AL24165	ABSORBER	1		X X	
16	L27166	SNAP RING	1		X X	
17	L31732	HOOK	1	-236799	X X	
18	L31734	KNOB	1	-236799	X X	
19	L31733	LEVER	1	-236799	X X	(ORD L34155) (ORD W/ L34156, L34157)
20	L29204	PAWL	1		X X	
21	L29206	SPRING	1		X X	
22	L34157	PIN	1	236800-	X X	
23	L34156	KNOB	1	236800-	X X	
24	L34155	LEVER	1	236800-	X X	
25	AL30694	PLATE	1		X X	(SUB FOR AL26921)
26	21M7227	SCREW	1	229007-	X X	10X12MM
27	12M7013	LOCK WASHER	2	229007-	X X	10MM
28	L31729	RAIL	4		X X	
29	AL30693	FRAME	1		X X	(SUB FOR AL26919)
30	19M7695	SCREW	1	229007-	X X	10X20MM
..	AL24915	SEAT	1		X X	ASSY (ORD AL68098)
..	AL26930	SEAT	1		X X	ASSY (ORD AL68098)

# 3H7

OPERATOR'S CAB

DE-LUXE SEAT (OPERATOR'S CAB)  
SIEGE DE LUXE (CABINE)  
DE-LUXE SITZ (KABINE)  
SEDILE DI LUSO (CABINA)  
ASIENTO DE LUJO (CABINA)  
DELUXE FORARSATE (FORARHYTT)  
L100609 -UN-03NOV95



L 100609

# 3H8

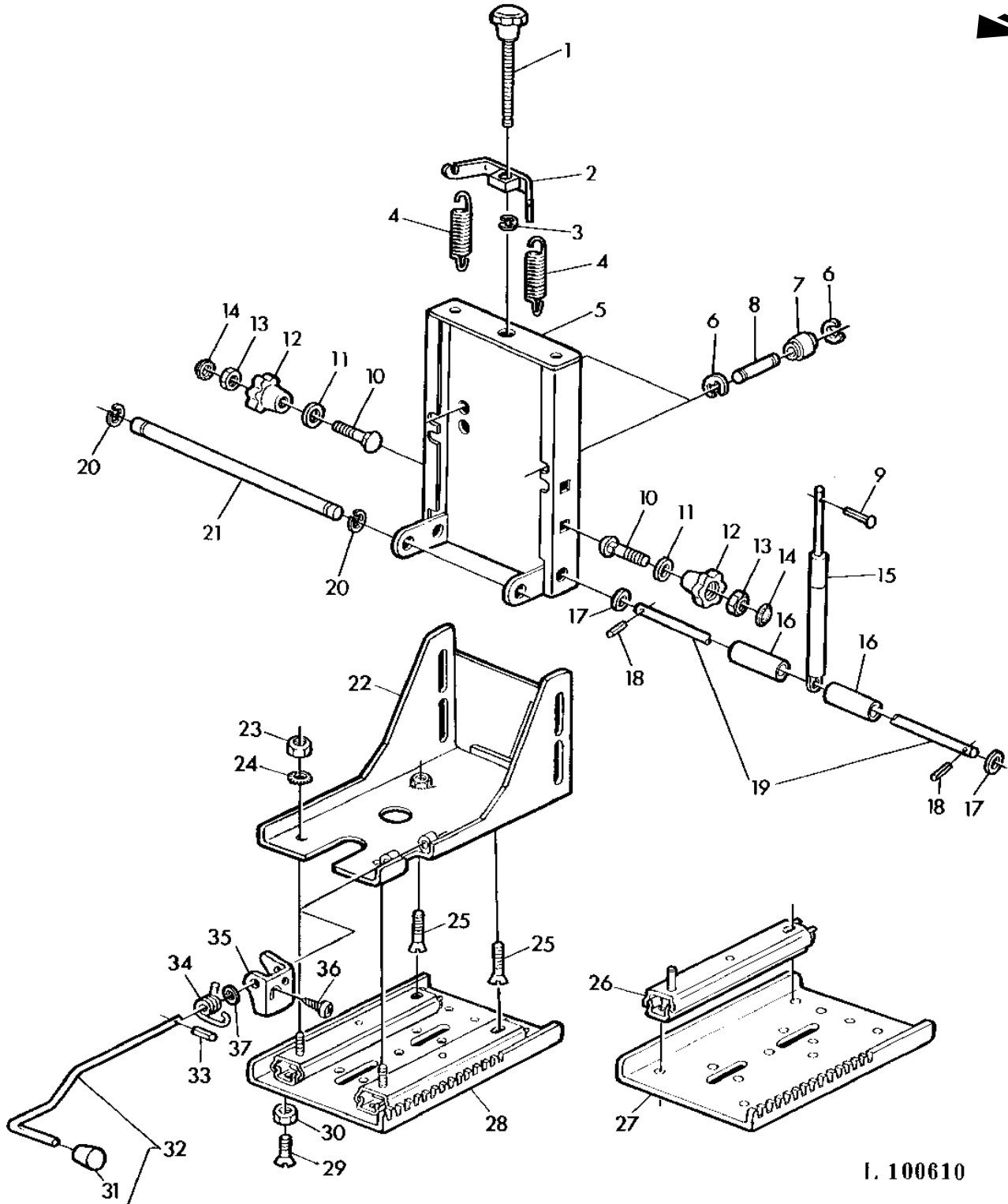
OPERATOR'S CAB

KEY	PART NO.	PART NAME	QTY	SERIAL NO.	3 3 0 1 3 3 0 0	REMARKS
1	L25686	ROLLER	4		X X	
2	AL33008	SUPPORT	1		X X	
3	19H1813	CAP SCREW	4		X X	5/16"X5/8"
4	19H2508	CAP SCREW	2		X X	1/2"X1-1/4"
5	24M7047	WASHER	2		X X	13X24X2,5MM
6	T27645	NUT	2		X X	1/2"
7	L27167	BUSHING	2		X X	
8	AL33015	ARM	1		X X	
9	L35768	BUMPER	2		X X	
10	37M7094	SCREW	2		X X	6,3X19MM
11	L25678	BUMPER	1		X X	
12	AL36460	PLATE	1		X X	
13	AL36461	CUSHION	1		X X	
..	AL36459	SEAT	1		X X	ASSY (ORD AL68098)

# 3H9

OPERATOR'S CAB

DE-LUXE SEAT (OPERATOR'S CAB)  
SIEGE DE LUXE (CABINE)  
DE-LUXE SITZ (KABINE)  
SEDILE DI LUSO (CABINA)  
ASIENTO DE LUJO (CABINA)  
DELUXE FORARSATE (FORARHYTT)  
L100610 -UN-03NOV95



I. 100610



# 3H10

OPERATOR'S CAB

KEY	PART NO.	PART NAME	QTY	SERIAL NO.	REMARKS
					3 3
					0 1
					3 3
					0 0
1	AL33069	SPINDLE	1		X X
2	L28077	RETAINER	1		X X
3	40M7042	SNAP RING	1		X X 7MM
4	L35825	LEAF SPRING	2		X X
5	AL33009	SPRING ASSEMBLY	1		X X
6	40M7041	SNAP RING	4		X X 5MM
7	AL26918	ROLLER	2		X X
8	L31731	PIN	2		X X
9	16M7061	RIVET	1		X X 4X0,5X25
10	03M7099	BOLT	2		X X 10X45MM
11	24M7149	WASHER	2		X X 10,5X30X2,5MM
12	L29211	HANDLE	2		X X
13	L31730	NUT	2		X X M10
14	L31727	COVER	2		X X
15	AL33012	ABSORBER	1		X X
16	L35770	BUSHING	2		X X
17	24M7044	WASHER	2		X X 13X20X2MM
18	34M3851	SPRING PIN	2		X X 4X24MM
19	L29208	PIN	1		X X
20	40M7030	SNAP RING	2		X X 9MM
21	L35767	PIN	1		X X
22	AL33011	ADJUSTER	1		X X
23	14M7273	NUT	2		X X M8
24	12M7032	LOCK WASHER	2		X X 8,4MM
25	19M7902	SCREW	2		X X 8X16MM
26	AL33439	RAIL	2		X X
27	L36269	PLATE	1		X X
28	AL33016	ADJUSTER	1		X X ASSY,INCL.KEYS 26,27,29,30
29	19M7924	SCREW	4		X X 8X16MM
30	L36292	LOCK NUT	4		X X M8
31	L34156	KNOB	1		X X
32	AL36327	LEVER	1		X X INCL.KEY 31
33	34M7127	SPRING PIN	1		X X 4X24MM
34	L35769	SPRING	1		X X
35	L38377	PAWL	1		X X
36	37M7079	SCREW	1		X X 6,3X13MM
37	24M7207	WASHER	1		X X 8,4X25X2MM
..	AL36459	SEAT	1		X X ASSY (ORD AL68098)

# 3H11

OPERATOR'S CAB

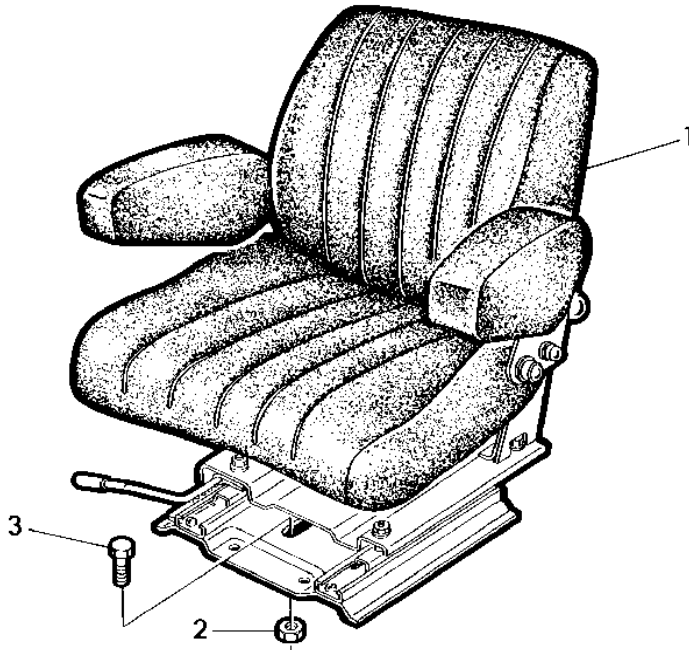
---

MEMORANDA  
MEMORANDA  
MEMORANDA  
MEMORANDA  
MEMORANDA

# 3H12

OPERATOR'S CAB

DELUXE SEAT (WITH OPERATOR'S CAB)  
 SIEGE DE LUXE (AVEC CABINE)  
 LUXUS-SITZ (BEI KABINE)  
 SEDILE LUSO (CON CABINA)  
 ASIENTO DE LUJO (CON CABINA)  
 DELUXE FORARSATE(VID FORARKYTT)  
 L24846 -UN-25OCT95



I. 24846

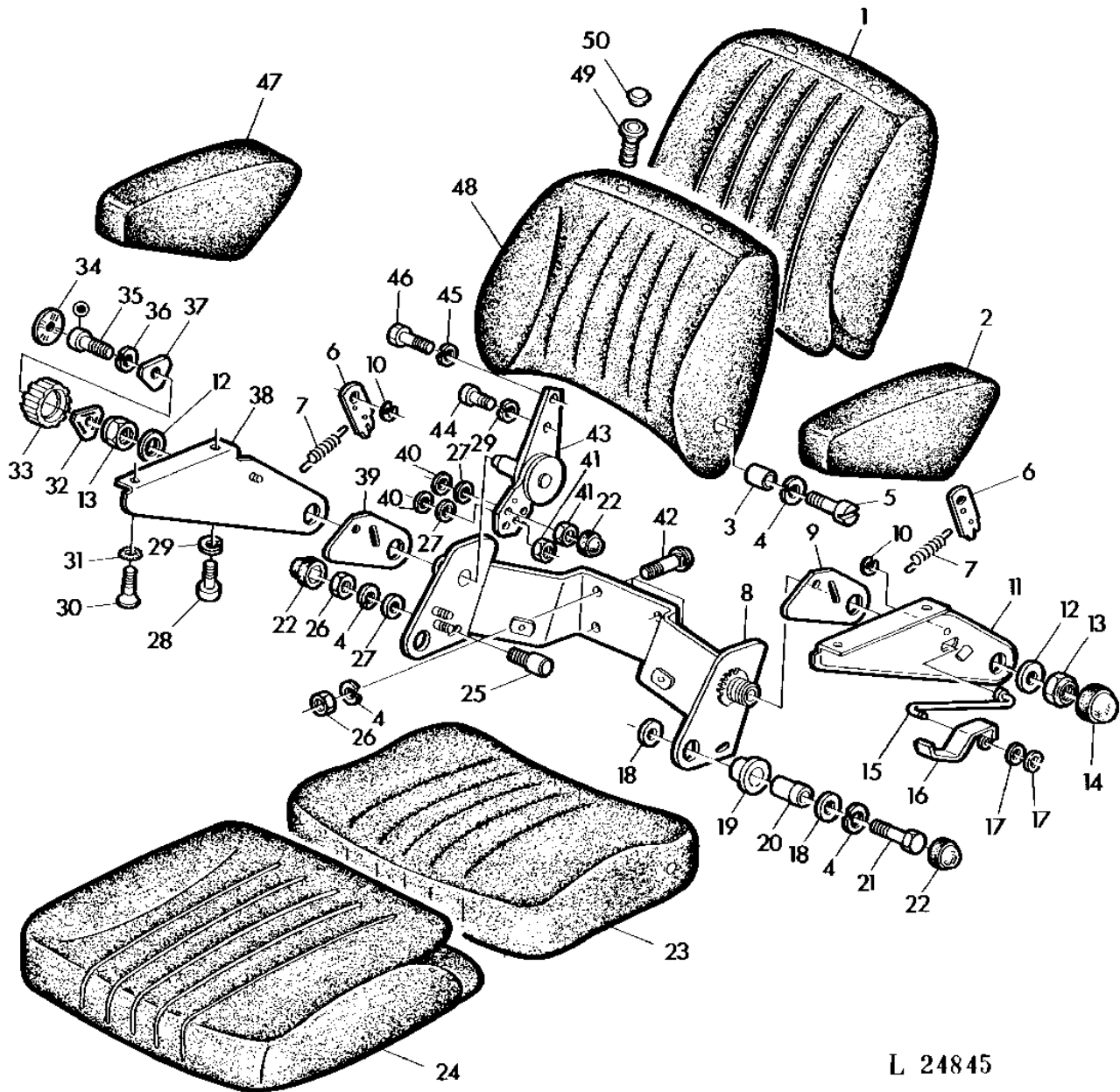
3 3  
 0 1  
 3 3  
 0 0

KEY	PART NO.	PART NAME	QTY	SERIAL NO.	REMARKS
1	AL28558	SEAT	1	X X	ASSY (ORD AL68098)
2	14H1040	NUT	2	X X	1/2"
3	19H1815	CAP SCREW	2	X X	1/2"X1-1/4"

# 3H13

OPERATOR'S CAB

DELUXE SEAT (WITH OPERATOR'S CAB)  
SIEGE DE LUXE (AVEC CABINE)  
LUXUS-SITZ (BEI KABINE)  
SEDILE DI LUSO (CON CABINA)  
ASIENTO DE LUVO (CON CABINA)  
DELUXE FORARSATE (VID FORARHYTT)  
L24845 -UN-25OCT95



L 24845

# 3H14

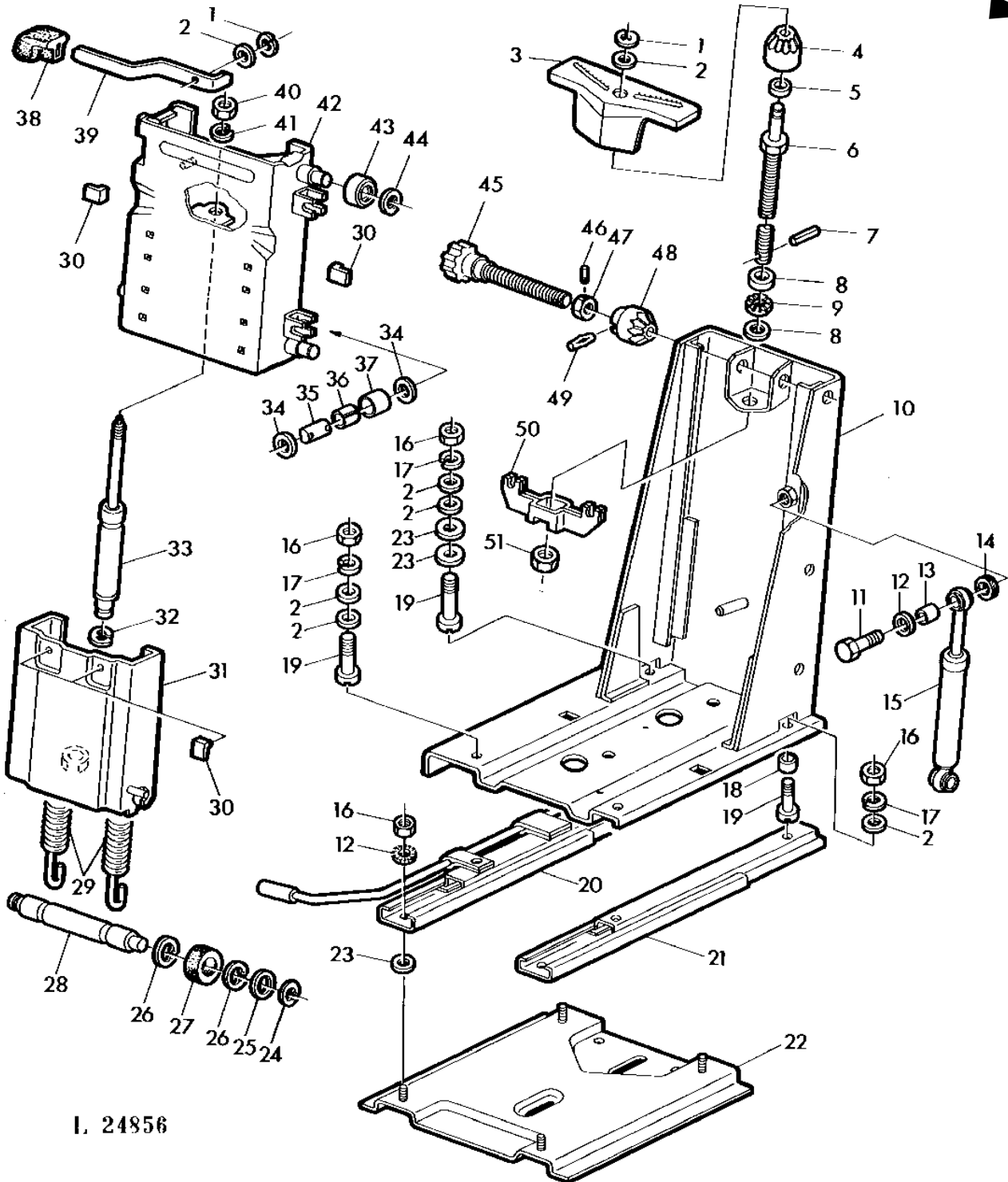
OPERATOR'S CAB

KEY	PART NO.	PART NAME	QTY	SERIAL NO.	REMARKS
				3 3	
				0 1	
				3 3	
				0 0	
1	AL28580	CUSHION COVER	1	X X	
2	AL28578	ARMREST	1	X X	L.H.
3	L32900	SLEEVE	1	X X	
4	12M7013	LOCK WASHER	9	X X	10MM
5	21M7234	SCREW	1	X X	10X40MM
6	L32909	PAWL	2	X X	
7	L32908	EXTENSION SPRING	2	X X	
8	AL28564	SUPPORT	1	X X	
9	L32911	PLATE	1	X X	L.H.
10	40M7042	SNAP RING	2	X X	7MM
11	AL28577	BRACKET	1	X X	L.H.
12	24M7052	WASHER	2	X X	25X44X4MM
13	14M7174	LOCK NUT	2	X X	24MM
14	L32904	CAP	1	X X	
15	L32910	HOOK	2	X X	
16	AL28575	LEVER	2	X X	
17	40M7000	SNAP RING	2	X X	
18	24M7149	WASHER	4	X X	10,5X30X2,5MM
19	L32884	WASHER	2	X X	
20	L32899	SLEEVE	2	X X	
21	19M7724	CAP SCREW	2	X X	10X45MM
22	L32903	CAP	5	X X	
23	AL28581	PAD	1	X X	
24	AL28583	CUSHION COVER	1	X X	
25	L32898	STUD	2	X X	
26	14M7140	NUT	6	X X	10MM
27	24M7028	WASHER	4	X X	10,5X21X2MM
28	21M7030	SCREW	2	X X	8X20MM
29	12M7008	LOCK WASHER	3	X X	
30	21M7235	SCREW	2	X X	8X10MM
31	12M7082	LOCK WASHER	2	X X	8,4MM
32	L32882	PLATE	1	X X	
33	L32883	HANDLE	1	X X	
34	L32906	COVER	1	X X	
35	19M7723	SCREW	1	X X	6X10MM
36	12M7012	LOCK WASHER	1	X X	6MM
37	L32881	WASHER	1	X X	
38	AL28574	BRACKET	1	X X	R.H.
39	L32907	PLATE	1	X X	R.H.
40	24M7213	WASHER	2	X X	10,5X25X4MM
41	14M7167	LOCK NUT	2	X X	10MM
42	L32897	SCREW	4	X X	10X22MM
43	AL28570	ARRESTOR	1	X X	
44	21M7233	SCREW	1	X X	8X30MM
45	12M7078	LOCK WASHER	1	X X	8,4MM
46	19M7288	CAP SCREW	1	X X	8X30MM
47	AL28576	ARMREST	1	X X	R.H.
48	AL28579	SEAT BACK	1	X X	
49	L32914	HOSE FITTING	2	X X	
50	L34887	PLUG	2	X X	

# 3H15

OPERATOR'S CAB

DELUXE SEAT (WITH OPERATOR'S CAB)  
SIEGE DE LUXE (AVEC CABINE)  
LUXUS-SITZ (BEI KABINE)  
SEDILE DI LUSSO (CON CABINA)  
ASIENTO DE LUJO (CON CABINA)  
DELUXE FORARSATE (VID FORARHYTT)  
L24856 -UN-25OCT95



I. 24856

# 3H16

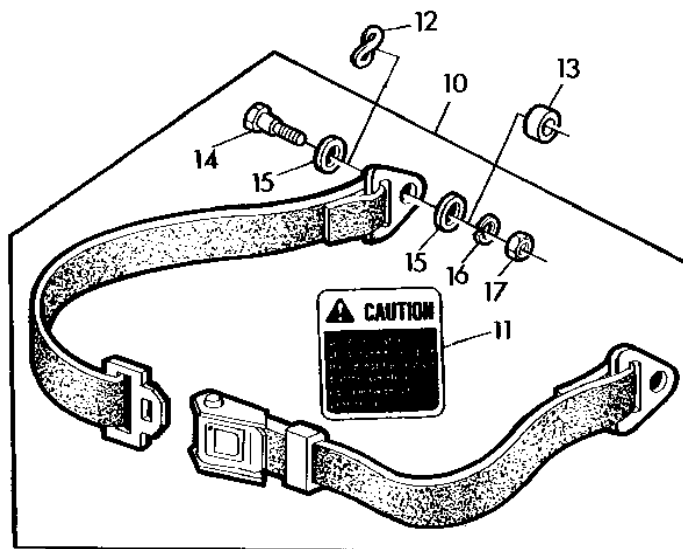
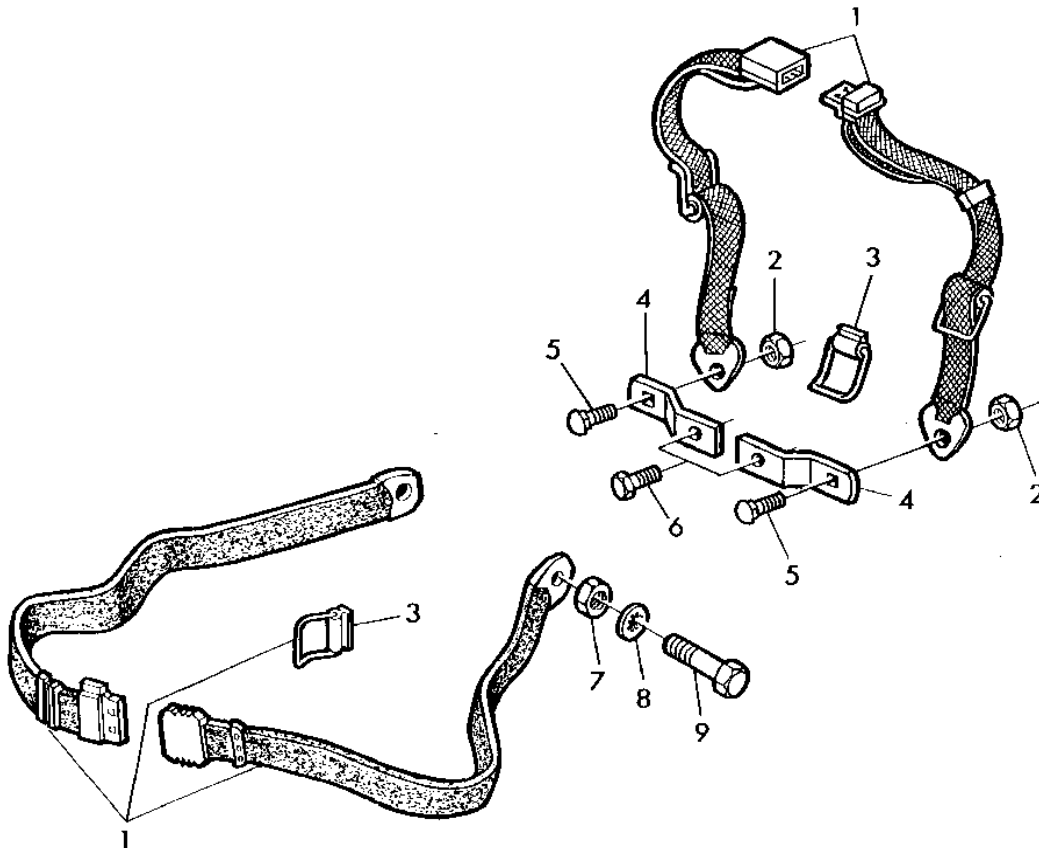
OPERATOR'S CAB

KEY	PART NO.	PART NAME	QTY	SERIAL NO.	REMARKS
				3 3	
				0 1	
				3 3	
				0 0	
1	40M7042	SNAP RING	2	X X	7MM
2	24M7055	WASHER	8	X X	8,4X17X1,6MM
3	L32889	COVER	1	X X	
4	L32887	GEAR	1	X X	
5	L32895	WASHER	1	X X	
6	AL28565	SET SCREW	1	X X	
7	34M7094	SPRING PIN	1	X X	4X16MM
8	JD39072	THRUST WASHER	2	X X	
9	JD39071	THRUST BEARING	1	X X	
10	AL28573	SPRING ASSEMBLY	1	X X	
11	19M7288	CAP SCREW	1	X X	8X30MM
12	12M7078	LOCK WASHER	5	X X	8,4MM
13	L32896	BUSHING	1	X X	
14	L32893	WASHER	1	X X	
15	AL28568	ABSORBER	1	X X	
16	14M7273	NUT	8	X X	8MM
17	12M7008	LOCK WASHER	4	X X	8MM
18	L32913	WASHER	2	X X	
19	21M7096	BOLT	4	X X	8X25MM
20	AL28560	ADJUSTER	1	X X	
21	AL28559	RAIL	1	X X	
22	AL28582	BRACKET	1	X X	
23	24M7207	WASHER	6	X X	8,4X25X2MM
24	40M7030	SNAP RING	1	X X	9MM
25	24M7047	WASHER	1	X X	13MM
26	40M7055	RING	2	X X	16X1,5MM
27	L32894	ISOLATOR	1	X X	
28	L32901	SHAFT	1	X X	
29	L32892	SPRING	2	X X	
30	L32888	RAIL	4	X X	
31	AL28563	DRIVER	1	X X	
32	40M1821	SNAP RING	1	X X	15X1MM
33	AL28566	ABSORBER	1	X X	
34	L32912	WASHER	8	X X	12,4X18X1,5MM
35	L32902	PIN	4	X X	
36	L32915	BEARING RACE	4	X X	
37	L32891	BUSHING	4	X X	
38	L32885	GRIP	1	X X	
39	L32890	LEVER	1	X X	
40	14M7361	NUT	1	X X	10MM
41	12M7013	LOCK WASHER	1	X X	10MM
42	AL28562	DRIVER	1	X X	
43	AL28567	BALL BEARING	4	X X	
44	40M7054	RING	4	X X	12X1,2MM
45	AL28561	ADJUSTER	1	X X	
46	25M7018	GROOVE PIN	1	X X	4X16MM
47	L32905	NUT	1	X X	
48	L32886	GEAR	1	X X	
49	25M7019	GROOVE PIN	1	X X	4X24MM
50	AL28569	RETAINER	1	X X	
51	14M7140	NUT	1	X X	10MM

# 3H17

OPERATOR'S CAB

SAFETY BELT  
CEINTURE DE SECURITE  
SICHERHEITSGURT  
CINTURA DI SICUREZZA  
CINTURON DE SEGURIDAD  
FORARBALTE  
L121961 -UN-27OCT95



L121961



# 3H18

OPERATOR'S CAB

KEY	PART NO.	PART NAME	QTY	SERIAL NO.	REMARKS
					3 3
					0 1
					3 3
					0 0
1	AL18581	SEAT BELT	1		X X ASSY, INCL AL18584
2	14M7167	LOCK NUT	2		X X (A) 10MM (SUB FOR 43M7001)
3	AL18584	SEAT BELT TIGHTENER	2		X X
4	L31284	RETAINER	2		X X (A)
5	03M7017	BOLT	2		X X (A) 10X25MM
6	19H1936	CAP SCREW	2		X X (A) 3/8"X3/4"
7	14H813	NUT	2		X X 7/16"
8	12H325	LOCK WASHER	2		X X 7/16"
9	19H1924	CAP SCREW	2		X X 7/16"X3/4" (SUB FOR 19H2500)
10	AT37833	SEAT BELT	1		X X (B) (SUB FOR AT24917)
11	R81424	LABEL	1		X X
12	12M7119	SPRING WASHER	2		X X
13	L30841	BUSHING	2		X X
14	R41778	BOLT	2		X X
15	24H1226	WASHER	4		X X
16	12H293	LOCK WASHER	2		X X
17	14H1047	NUT	2		X X 7/16"

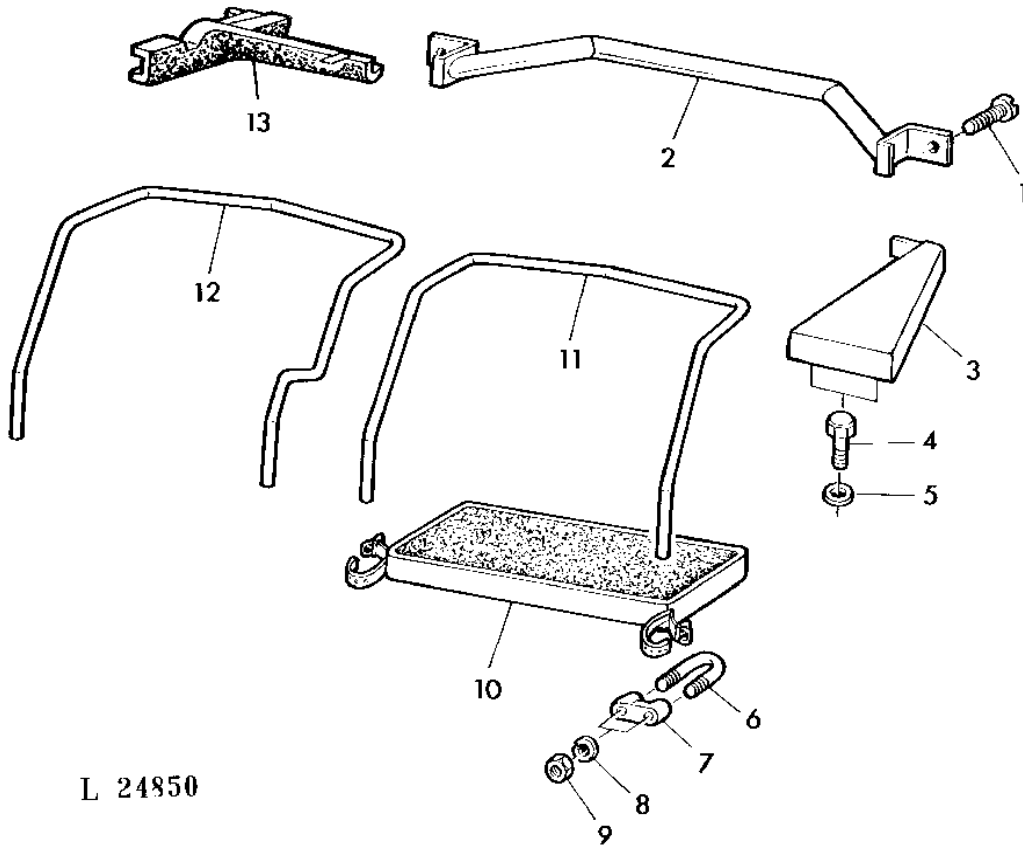
(A) WITH OPERATOR'S CAB  
 AVEC CABINE DE CONDUCTEUR  
 BEI KABINE  
 CON CABINA  
 CON CABINA PARA EL CONDUCTOR  
 MED FORARHYTT

(B) WITH 2 POST ROLL GUARD  
 AVEC ARCEAN DE SECURITE  
 BEI 2 PFOSTEN UEBERSCHLAGSCHUTZ  
 CON PROTEZ. ANTIRIBALT. A 2 SUPPORTI  
 CON ARCO DE SEGURIDAD DE 2 ARBOTANTES  
 VID STORTSKYDD MED 2 STOLPAR

# 3H19

OPERATOR'S CAB

PASSENGER SEAT  
SIEGE DU PASSAGER  
BEIFAHRERSITZ  
SEDILE AUSILIARIO  
ASIENTO PARA EL ACOMPAÑANTE  
PASSAGERARSATE  
L24850 -UN-25OCT95



L 24850

# 3H20

OPERATOR'S CAB

KEY	PART NO.	PART NAME	QTY	SERIAL NO.	3 0 3 0	3 1 3 0	REMARKS
1	37M7031	SCREW	2	135690-	X	X	6X16MM
2	AL25372	SUPPORT	1	135690-	X	X	
3	AL25373	FOOTREST	1	135690-	X	X	
4	19M7162	CAP SCREW	2	135690-	X	X	8X16MM
5	24M7055	WASHER	2	135690-	X	X	8,4MM
6	L25306	U-BOLT	4		X	X	5/16"
7	L29441	CLAMP	4		X	X	(SUB FOR L11402)
8	12H303	LOCK WASHER	8		X	X	5/16"
9	14H785	NUT	8		X	X	5/16"
10	AL11958	CUSHION	1		X	X	
11	L12991	SUPPORT	1		X	X	
12	T32430	SUPPORT	1		X	X	

# 3H21

OPERATOR'S CAB

---

MEMORANDA  
MEMORANDA  
MEMORANDA  
MEMORANDA  
MEMORANDA

# 1K11

TRACTOR 3030,3130

## NUMERICAL INDEX

PART NO.	GRID	KEY	PAGE	PART NO.	GRID	KEY	PAGE	PART NO.	GRID	KEY	PAGE
AA3495R	1G1	10	40-49	AL17765	1H6	4	40-79	AL19915	1G11	3	40-59
AA5731R	2I10	7	70-99	AL17835	3A11	21	80-3	AL19916	1C15	1	30-3
AA6307R	2I8	3	70-97	AL18154	1F6	1	40-29	AL19916	1C15	2	30-3
AD20062R	1G1	8	40-49	AL18155	1F6	11	40-29	AL19917	1C17	1	30-5
AD2062R	1G2	2	40-50	AL18229	1F22	2	40-45	AL19918	1C15	2	30-3
AF3892R	1F25	3	40-48	AL18230	1F22	2	40-45	AL19919	1C15	7	30-3
AH20849	1C15	6	30-3	AL18361	3C12	5	80-53	AL19920	1C17	4	30-5
AL10591	3A11	1	80-3	AL18581	3H18	1	90-85	AL19921	1C17	2	30-5
AL11212	1G5	9	40-53	AL18584	3H18	3	90-85	AL19931	1E19	1	40-17
AL11212	1G5	10	40-53	AL18604	1F22	3	40-45	AL19952	3C2	1	80-43
AL11212	1G5	11	40-53	AL18604	1G19	21	40-67	AL19953	3C2	3	80-43
AL11212	1G5	15	40-53	AL18604	1H10	23	40-83	AL19956	3B24	3	80-41
AL11213	1G5	9	40-53	AL18748	1H10	8	40-83	AL19957	3B24	1	80-41
AL11213	1G5	10	40-53	AL18903	2A13	5	50-5	AL19960	3C2	1	80-43
AL11213	1G5	11	40-53	AL18905	2A13	7	50-5	AL19961	3C2	3	80-43
AL11213	1G5	15	40-53	AL18919	2A13	20	50-5	AL19967	3D12	6	80-77
AL11905	1G5	10	40-53	AL18944	1F18	17	40-41	AL19967	3D14	7	80-79
AL11958	3H20	10	90-87	AL19023	2D22	17	60-25	AL19968	3D12	7	80-77
AL12064	1F16	1	40-39	AL19046	2D8	13	60-11	AL19968	3D14	8	80-79
AL12065	1F16	1	40-39	AL19071	3G8	1	90-51	AL19969	3D8	16	80-73
AL13656	1F18	1	40-41	AL19075	3G8	11	90-51	AL19970	3D8	17	80-73
AL13657	1F18	1	40-41	AL19113	1G5	24	40-53	AL19971	3D8	12	80-73
AL13659	1G5	1	40-53	AL19114	1G5	27	40-53	AL19972	3D8	2	80-73
AL14007	1F8	10	40-31	AL19115	1G5	24	40-53	AL19973	3D8	1	80-73
AL14007	1F14	12	40-37	AL19161	3C24	13	80-65	AL19974	3D6	22	80-71
AL14008	1G5	20	40-53	AL19192	1E23	3	40-21	AL19977	3D9	1	80-74
AL14044	1F16	1	40-39	AL19208	1E7	17	40-5	AL19978	3D9	3	80-74
AL14044	1F18	1	40-41	AL19208	1E11	22	40-9	AL19984	2D16	5	60-19
AL14044	1F18	7	40-41	AL19359	3A21	9	80-13	AL23015	1F6	14	40-29
AL14044	1F18	10	40-41	AL19361	3B2	6	80-19	AL23015	1F12	17	40-35
AL14044	1F18	11	40-41	AL19647	2I20	15	70-109	AL23016	1F12	19	40-35
AL14044	1F18	12	40-41	AL19677	2C14	1	50-55	AL23023	1H8	12	40-81
AL14044	1F18	13	40-41	AL19690	1F4	1	40-27	AL23024	1H8	4	40-81
AL14044	1F18	14	40-41	AL19692	1F4	1	40-27	AL23030	1G5	5	40-53
AL14044	1F18	15	40-41	AL19693	1F4	1	40-27	AL23031	1G5	31	40-53
AL14044	1F18	17	40-41	AL19694	1F4	1	40-27	AL23032	1G5	31	40-53
AL14045	1F16	1	40-39	AL19709	3B22	11	80-39	AL23053	1F6	16	40-29
AL14045	1F18	1	40-41	AL19714	3B6	2	80-23	AL23071	2D22	5	60-25
AL14045	1F18	7	40-41	AL19730	3B4	30	80-21	AL23076	2D24	17	60-27
AL14045	1F18	10	40-41	AL19744	1C17	6	30-5	AL23087	1H6	1	40-79
AL14045	1F18	11	40-41	AL19779	3D6	17	80-71	AL23089	1H8	1	40-81
AL14045	1F18	12	40-41	AL19794	3G6	1	90-49	AL23090	1H6	1	40-79
AL14045	1F18	13	40-41	AL19817	1H6	12	40-79	AL23091	1F24	13	40-47
AL14045	1F18	14	40-41	AL19818	1H6	4	40-79	AL23097	2A15	2	50-7
AL14045	1F18	15	40-41	AL19819	3C12	4	80-53	AL23098	2A13	..	50-5
AL14045	1F18	17	40-41	AL19820	3C12	15	80-53	AL23098	2A15	3	50-7
AL14203	1F16	11	40-39	AL19825	1H6	12	40-79	AL23100	2A19	19	50-11
AL14204	1F16	17	40-39	AL19826	1H6	4	40-79	AL23101	2A17	3	50-9
AL14235	1F8	8	40-31	AL19827	1H6	8	40-79	AL23103	2B12	1	50-29
AL14235	1F14	10	40-37	AL19827	1H8	8	40-81	AL23113	2A21	21	50-13
AL14540	2I20	19	70-109	AL19828	1H6	7	40-79	AL23114	2A23	25	50-15
AL14571	1G5	9	40-53	AL19829	1H6	11	40-79	AL23127	1H10	3	40-83
AL14572	1G5	9	40-53	AL19829	1H8	11	40-81	AL23130	1H10	7	40-83
AL14797	1F18	7	40-41	AL19829	1H10	12	40-83	AL23130	1H14	4	40-87
AL14896	1G3	14	40-51	AL19890	1F8	3	40-31	AL23131	1H10	9	40-83
AL15005	1F16	11	40-39	AL19890	1F14	5	40-37	AL23131	1H14	5	40-87
AL15006	1F16	17	40-39	AL19891	1H8	7	40-81	AL23132	1H10	17	40-83
AL15007	1F16	2	40-39	AL19893	1G5	35	40-53	AL23132	1H14	8	40-87
AL15007	1F18	2	40-41	AL19894	1G5	..	40-53	AL23133	1H10	16	40-83
AL16048	1F8	11	40-31	AL19896	1H6	12	40-79	AL23133	1H14	11	40-87
AL17099	1H6	5	40-79	AL19897	1H6	12	40-79	AL23134	1H10	11	40-83
AL17099	1H8	5	40-81	AL19898	1H8	12	40-81	AL23139	2G20	9	70-59
AL17355	1F8	2	40-31	AL19907	1F6	6	40-29	AL23139	2G22	11	70-61
AL17684	1F8	1	40-31	AL19907	1F12	5	40-35	AL23140	2G22	8	70-61
AL17684	1F12	15	40-35	AL19910	1C15	12	30-3	AL23145	2H1	9	70-65
AL17684	1F14	2	40-37	AL19910	1C17	13	30-5	AL23145	2H3	3	70-67
AL17696	1G3	1	40-51	AL19914	1G11	2	40-59	AL23146	2H3	13	70-67

# 1K12

TRACTOR 3030,3130

## NUMERICAL INDEX - CONTINUED

PART NO.	GRID	KEY	PAGE	PART NO.	GRID	KEY	PAGE	PART NO.	GRID	KEY	PAGE
AL23147	2H7	1	70 - 71	AL23894	3A19	10	80 - 11	AL24684	2I2	2	70 - 91
AL23148	2H7	2	70 - 71	AL23896	3G6	5	90 - 49	AL24685	2I2	3	70 - 91
AL23149	2H7	4	70 - 71	AL23899	2D24	20	60 - 27	AL24685	2I2	8	70 - 91
AL23150	2H7	3	70 - 71	AL23899	2E2	17	60 - 29	AL24686	2I2	1	70 - 91
AL23153	3A19	8	80 - 11	AL23901	2B24	14	50 - 41	AL24687	2H25	8	70 - 89
AL23155	1G5	34	40 - 53	AL24019	3B20	1	80 - 37	AL24688	2H23	17	70 - 87
AL23163	2F14	3	70 - 29	AL24041	1F24	23	40 - 47	AL24689	2H25	5	70 - 89
AL23192	3B24	3	80 - 41	AL24042	1F12	12	40 - 35	AL24693	2D24	8	60 - 27
AL23193	3B24	1	80 - 41	AL24042	1F24	24	40 - 47	AL24698	2H15	4	70 - 79
AL23205	2D22	13	60 - 25	AL24044	3D22	2	80 - 87	AL24704	2G4	25	70 - 43
AL23206	2D22	18	60 - 25	AL24052	2C24	1	60 - 3	AL24705	2G4	18	70 - 43
AL23207	2D22	4	60 - 25	AL24061	2D12	2	60 - 15	AL24706	2G10	5	70 - 49
AL23208	2D22	15	60 - 25	AL24081	2G20	9	70 - 59	AL24707	2G10	8	70 - 49
AL23209	2D22	12	60 - 25	AL24081	2G22	11	70 - 61	AL24708	2G4	5	70 - 43
AL23210	2D16	13	60 - 19	AL24082	2G22	8	70 - 61	AL24710	2G4	23	70 - 43
AL23251	2H5	4	70 - 69	AL24085	1D17	8	30 - 30	AL24775	1F4	1	40 - 27
AL23253	2H5	3	70 - 69	AL24088	2C18	16	50 - 59	AL24776	1F4	1	40 - 27
AL23270	1D2	3	30 - 15	AL24115	1B22	19	20 - 39	AL24777	1F4	1	40 - 27
AL23280	3B4	1	80 - 21	AL24161	3G6	1	90 - 49	AL24778	1F4	1	40 - 27
AL23281	3B4	1	80 - 21	AL24161	3G8	..	90 - 51	AL24786	1D18	7	30 - 31
AL23330	1D17	8	30 - 30	AL24161	3G10	..	90 - 53	AL24787	1D18	4	30 - 31
AL23331	1D17	12	30 - 30	AL24163	3G8	1	90 - 51	AL24801	3C14	1	80 - 55
AL23363	2D12	6	60 - 15	AL24163	3G16	1	90 - 59	AL24833	3C4	8	80 - 45
AL23367	3B8	3	80 - 25	AL24164	3G8	11	90 - 51	AL24834	3C4	32	80 - 45
AL23368	2A25	2	50 - 17	AL24164	3G12	8	90 - 55	AL24835	3C4	24	80 - 45
AL23416	2H11	10	70 - 75	AL24164	3G16	13	90 - 59	AL24836	3C4	24	80 - 45
AL23422	2I20	24	70 - 109	AL24165	3G10	27	90 - 53	AL24847	3C4	2	80 - 45
AL23426	2D22	13	60 - 25	AL24165	3G14	19	90 - 57	AL24907	2D19	7	60 - 22
AL23433	3G6	5	90 - 49	AL24165	3G18	16	90 - 61	AL24915	3H2	1	90 - 69
AL23434	1E7	24	40 - 5	AL24165	3H6	15	90 - 73	AL24915	3H3	..	90 - 70
AL23465	3A19	11	80 - 11	AL24166	3G10	15	90 - 53	AL24915	3H6	..	90 - 73
AL23474	2C24	1	60 - 3	AL24166	3G18	22	90 - 61	AL24917	2C12	16	50 - 53
AL23505	2C8	15	50 - 49	AL24167	3G10	10	90 - 53	AL24924	2C12	3	50 - 53
AL23512	1F6	3	40 - 29	AL24167	3G18	26	90 - 61	AL24925	2C12	18	50 - 53
AL23512	1F12	9	40 - 35	AL24168	3G10	25	90 - 53	AL24936	2B2	13	50 - 19
AL23512	1H4	3	40 - 77	AL24168	3G18	18	90 - 61	AL24947	2B4	13	50 - 21
AL23518	2C8	15	50 - 49	AL24169	3G8	6	90 - 51	AL24950	2A19	1	50 - 11
AL23537	1G19	13	40 - 67	AL24169	3G12	2	90 - 55	AL24951	2A19	2	50 - 11
AL23807	2C2	9	50 - 43	AL24170	3G8	15	90 - 51	AL24959	2G24	11	70 - 63
AL23836	2D15	5	60 - 18	AL24170	3G16	18	90 - 59	AL24960	2G24	8	70 - 63
AL23844	1E23	22	40 - 21	AL24186	1F6	1	40 - 29	AL24961	2G24	16	70 - 63
AL23845	1E23	20	40 - 21	AL24187	1F6	11	40 - 29	AL24962	2G24	22	70 - 63
AL23846	1E23	9	40 - 21	AL24194	1C15	11	30 - 3	AL24963	2G24	19	70 - 63
AL23847	1E23	6	40 - 21	AL24228	1E19	6	40 - 17	AL24964	2G24	24	70 - 63
AL23848	1E23	31	40 - 21	AL24229	2F16	4	70 - 31	AL24965	2G24	2	70 - 63
AL23848	1E25	15	40 - 23	AL24245	2F22	1	70 - 37	AL24966	2H9	19	70 - 73
AL23849	1E7	7	40 - 5	AL24248	2D22	5	60 - 25	AL24970	2G11	7	70 - 50
AL23850	1E7	21	40 - 5	AL24293	1F6	1	40 - 29	AL24985	3D4	1	80 - 69
AL23851	1E7	19	40 - 5	AL24294	1F6	11	40 - 29	AL24990	2G11	17	70 - 50
AL23851	1E11	8	40 - 9	AL24294	1F12	13	40 - 35	AL25013	2G24	22	70 - 63
AL23852	1E7	23	40 - 5	AL24484	1D2	7	30 - 15	AL25015	2F14	19	70 - 29
AL23852	1E11	12	40 - 9	AL24522	3A11	18	80 - 3	AL25025	2D24	18	60 - 27
AL23853	1E7	12	40 - 5	AL24522	3A11	21	80 - 3	AL25025	2E2	14	60 - 29
AL23854	1E7	14	40 - 5	AL24526	1F6	1	40 - 29	AL25027	2D24	18	60 - 27
AL23855	1E7	9	40 - 5	AL24526	1F6	5	40 - 29	AL25027	2E2	14	60 - 29
AL23856	1E7	1	40 - 5	AL24526	1F12	2	40 - 35	AL25029	1D2	18	30 - 15
AL23857	1E7	18	40 - 5	AL24527	1B16	1	20 - 33	AL25031	1D4	4	30 - 17
AL23857	1E11	29	40 - 9	AL24527	1F6	1	40 - 29	AL25032	1D4	16	30 - 17
AL23857	1E17	6	40 - 15	AL24527	1F12	1	40 - 35	AL25033	1D4	3	30 - 17
AL23881	3G10	15	90 - 53	AL24542	1F12	7	40 - 35	AL25034	1D4	1	30 - 17
AL23882	3G10	10	90 - 53	AL24543	1F14	7	40 - 37	AL25043	3C14	4	80 - 55
AL23883	3G10	25	90 - 53	AL24544	1G7	22	40 - 55	AL25043	3C16	15	80 - 57
AL23884	3G8	6	90 - 51	AL24545	1G7	22	40 - 55	AL25051	1F12	14	40 - 35
AL23885	3G8	15	90 - 51	AL24553	1C23	2	30 - 11	AL25064	1F8	5	40 - 31
AL23886	3G10	1	90 - 53	AL24554	2A11	14	50 - 3	AL25064	1F14	3	40 - 37
AL23886	3G18	1	90 - 61	AL24683	2I2	4	70 - 91	AL25065	1G13	3	40 - 61
AL23886	3H6	4	90 - 73	AL24683	2I2	7	70 - 91	AL25097	2D24	24	60 - 27

# 1K13

TRACTOR 3030,3130

## NUMERICAL INDEX - CONTINUED

PART NO.	GRID	KEY	PAGE	PART NO.	GRID	KEY	PAGE	PART NO.	GRID	KEY	PAGE
AL25099	2D24	22	60 - 27	AL25376	3C12	34	80 - 53	AL25757	3E13	10	90 - 7
AL25099	2E2	21	60 - 29	AL25377	3C12	26	80 - 53	AL25758	3E13	4	90 - 7
AL25099	2E4	13	60 - 31	AL25396	2A23	10	50 - 15	AL25759	3E13	7	90 - 7
AL25102	2D24	11	60 - 27	AL25417	3C12	29	80 - 53	AL25760	3E13	13	90 - 7
AL25102	2D24	34	60 - 27	AL25418	3C12	27	80 - 53	AL25761	3E13	8	90 - 7
AL25103	2D24	13	60 - 27	AL25419	3C12	30	80 - 53	AL25762	3E13	5	90 - 7
AL25103	2E2	12	60 - 29	AL25420	3C12	32	80 - 53	AL25763	3E13	11	90 - 7
AL25104	2D24	21	60 - 27	AL25428	3D6	17	80 - 71	AL25764	3E13	14	90 - 7
AL25113	2D24	15	60 - 27	AL25429	1H12	7	40 - 85	AL25781	3G6	1	90 - 49
AL25114	2D24	14	60 - 27	AL25430	1H14	6	40 - 87	AL25781	3G16	..	90 - 59
AL25114	2E2	13	60 - 29	AL25431	1G19	20	40 - 67	AL25781	3G18	..	90 - 61
AL25143	2D24	28	60 - 27	AL25431	1G21	1	40 - 69	AL25791	2D24	22	60 - 27
AL25163	2B8	9	50 - 25	AL25541	1H10	24	40 - 83	AL25791	2E2	21	60 - 29
AL25163	2B8	14	50 - 25	AL25506	3C4	2	80 - 45	AL25791	2E4	13	60 - 31
AL25203	2H1	8	70 - 65	AL25506	3C22	5	80 - 63	AL25796	2F18	22	70 - 33
AL25204	2H1	13	70 - 65	AL25507	3C22	12	80 - 63	AL25812	3C6	20	80 - 47
AL25219	1E19	6	40 - 17	AL25508	3C4	2	80 - 45	AL25813	3C6	22	80 - 47
AL25220	1D18	4	30 - 31	AL25508	3C22	11	80 - 63	AL25819	3F2	8	90 - 21
AL25222	1D18	4	30 - 31	AL25521	2B12	1	50 - 29	AL25820	3F2	1	90 - 21
AL25224	1D16	4	30 - 29	AL25522	2B14	8	50 - 31	AL25821	3F2	20	90 - 21
AL25226	2B2	11	50 - 19	AL25537	1G9	5	40 - 57	AL25822	3D10	12	80 - 75
AL25226	2B4	9	50 - 21	AL25538	1G21	7	40 - 69	AL25832	2D6	5	60 - 9
AL25227	2B2	1	50 - 19	AL25539	1G21	6	40 - 69	AL25836	2G11	16	70 - 50
AL25229	2B4	4	50 - 21	AL25542	3D4	11	80 - 69	AL25837	2G11	13	70 - 50
AL25231	2A17	13	50 - 9	AL25544	1G23	1	40 - 71	AL25838	2G11	1	70 - 50
AL25240	2H9	3	70 - 73	AL25554	2B24	30	50 - 41	AL25851	1F24	12	40 - 47
AL25241	2H9	4	70 - 73	AL25592	2G6	6	70 - 45	AL25855	2C24	15	60 - 3
AL25242	2H9	2	70 - 73	AL25593	2G6	2	70 - 45	AL25867	2D24	24	60 - 27
AL25243	2H9	1	70 - 73	AL25595	2G8	1	70 - 47	AL25867	2E2	19	60 - 29
AL25244	2H9	18	70 - 73	AL25595	2G8	5	70 - 47	AL25867	2E4	8	60 - 31
AL25245	2H9	11	70 - 73	AL25595	2G8	8	70 - 47	AL25867	2E4	10	60 - 31
AL25247	2G24	29	70 - 63	AL25614	2I24	13	70 - 113	AL25867	2E4	..	60 - 31
AL25265	1D17	3	30 - 30	AL25615	2I24	13	70 - 113	AL25868	2I16	19	70 - 105
AL25266	1E25	31	40 - 23	AL25621	2F20	1	70 - 35	AL25869	2I16	18	70 - 105
AL25267	1E25	13	40 - 23	AL25621	2G24	28	70 - 63	AL25870	1G13	4	40 - 61
AL25267	1F2	6	40 - 25	AL25628	3F18	4	90 - 37	AL25872	1D20	27	30 - 33
AL25268	1E25	2	40 - 23	AL25643	1G7	16	40 - 55	AL25872	1D22	26	30 - 35
AL25269	1E25	29	40 - 23	AL25644	1G7	25	40 - 55	AL25872	1G13	1	40 - 61
AL25270	1E23	9	40 - 21	AL25645	1G7	22	40 - 55	AL25872	1G15	2	40 - 63
AL25270	1E25	17	40 - 23	AL25646	1G7	29	40 - 55	AL25873	1G15	1	40 - 63
AL25271	1E25	18	40 - 23	AL25647	1H6	12	40 - 79	AL25875	1G7	..	40 - 55
AL25272	1E25	28	40 - 23	AL25648	1H6	7	40 - 79	AL25876	3C14	6	80 - 55
AL25273	1E25	11	40 - 23	AL25667	2F20	19	70 - 35	AL25877	1G7	1	40 - 55
AL25273	1F2	4	40 - 25	AL25692	1H6	8	40 - 79	AL25878	3C6	15	80 - 47
AL25274	1E25	25	40 - 23	AL25692	1H8	8	40 - 81	AL25878	3F10	15	90 - 29
AL25275	1E25	4	40 - 23	AL25696	1H8	7	40 - 81	AL25879	1G8	1	40 - 56
AL25276	2F16	14	70 - 31	AL25697	1H8	12	40 - 81	AL25880	1G25	8	40 - 73
AL25278	1C15	1	30 - 3	AL25710	3E9	17	90 - 3	AL25880	1H2	9	40 - 75
AL25279	1C15	2	30 - 3	AL25710	3E19	48	90 - 13	AL25888	2D19	8	60 - 22
AL25303	2G8	16	70 - 47	AL25710	3E21	2	90 - 15	AL25889	2D19	9	60 - 22
AL25304	2G8	9	70 - 47	AL25710	3H2	6	90 - 69	AL25890	2D19	12	60 - 22
AL25312	1F12	8	40 - 35	AL25711	3H2	10	90 - 69	AL25918	1G25	3	40 - 73
AL25313	1H4	1	40 - 77	AL25719	3D10	1	80 - 75	AL25919	1G25	2	40 - 73
AL25323	3F12	15	90 - 31	AL25720	3E19	17	90 - 13	AL25926	1D4	16	30 - 17
AL25324	3F12	15	90 - 31	AL25721	3E19	32	90 - 13	AL25927	1G8	9	40 - 56
AL25325	3F10	8	90 - 29	AL25725	3E23	11	90 - 17	AL25928	3F8	1	90 - 27
AL25326	3F10	8	90 - 29	AL25726	3E23	6	90 - 17	AL25929	1G25	1	40 - 73
AL25334	2G11	7	70 - 50	AL25729	3E9	16	90 - 3	AL25930	3F14	..	90 - 33
AL25335	2G8	17	70 - 47	AL25730	3C6	3	80 - 47	AL25931	3F8	9	90 - 27
AL25336	2G8	18	70 - 47	AL25731	3C6	1	80 - 47	AL25943	3F6	3	90 - 25
AL25337	2F20	6	70 - 35	AL25732	3F12	18	90 - 31	AL25944	3F6	3	90 - 25
AL25366	1F4	4	40 - 27	AL25733	3F12	18	90 - 31	AL25945	3F8	17	90 - 27
AL25368	3C4	2	80 - 45	AL25734	3E11	1	90 - 5	AL25946	3E9	19	90 - 3
AL25369	3C4	1	80 - 45	AL25735	3E11	1	90 - 5	AL25947	3E11	12	90 - 5
AL25369	3C22	1	80 - 63	AL25754	3E15	1	90 - 9	AL25948	3E11	21	90 - 5
AL25372	3H20	2	90 - 87	AL25755	3E13	6	90 - 7	AL25949	3E11	21	90 - 5
AL25373	3H20	3	90 - 87	AL25756	3E13	12	90 - 7	AL25950	3F14	6	90 - 33

# 1K14

TRACTOR 3030,3130

## NUMERICAL INDEX - CONTINUED

PART NO.	GRID	KEY	PAGE	PART NO.	GRID	KEY	PAGE	PART NO.	GRID	KEY	PAGE
AL25950	3F16	18	90 - 35	AL26925	3H4	18	90 - 71	AL27374	1E11	14	40 - 9
AL25951	3E17	7	90 - 11	AL26927	3G16	8	90 - 59	AL27397	3B8	10	80 - 25
AL25951	3E19	16	90 - 13	AL26928	3G16	6	90 - 59	AL27470	1C15	34	30 - 3
AL25951	3E21	15	90 - 15	AL26928	3H4	3	90 - 71	AL27534	3B4	13	80 - 21
AL25952	3F14	17	90 - 33	AL26930	3H2	1	90 - 69	AL27559	1G21	5	40 - 69
AL25954	3F14	12	90 - 33	AL26930	3H4	..	90 - 71	AL27561	1F14	1	40 - 37
AL25955	3F14	23	90 - 33	AL26930	3H6	..	90 - 73	AL27568	3E23	9	90 - 17
AL25956	3F14	3	90 - 33	AL26940	1E19	1	40 - 17	AL27569	3F8	1	90 - 27
AL25957	1G25	4	40 - 73	AL26946	1F22	5	40 - 45	AL27570	3F8	6	90 - 27
AL25957	1H2	6	40 - 75	AL26947	1F22	6	40 - 45	AL27589	1D17	8	30 - 30
AL25958	3F14	2	90 - 33	AL26971	2H11	6	70 - 75	AL27809	1G3	1	40 - 51
AL25959	3F14	7	90 - 33	AL26971	2H13	11	70 - 77	AL27816	3C4	24	80 - 45
AL25968	3E19	43	90 - 13	AL26971	2H15	9	70 - 79	AL27817	3C4	24	80 - 45
AL25970	3F8	16	90 - 27	AL26971	2I6	43	70 - 95	AL27822	3C4	2	80 - 45
AL25985	1G21	8	40 - 69	AL26972	2H11	3	70 - 75	AL27822	3C22	12	80 - 63
AL25986	1G25	6	40 - 73	AL26972	2H13	8	70 - 77	AL27829	3D10	3	80 - 75
AL25990	3F8	18	90 - 27	AL26972	2H15	12	70 - 79	AL27865	3F12	15	90 - 31
AL26303	1H4	4	40 - 77	AL26987	2G25	2	70 - 64	AL27867	3D10	1	80 - 75
AL26311	2C24	18	60 - 3	AL26989	2G25	1	70 - 64	AL27901	1F20	9	40 - 43
AL26311	2C24	22	60 - 3	AL27007	1G7	24	40 - 55	AL27999	1H2	13	40 - 75
AL26312	2C24	18	60 - 3	AL27008	1G7	24	40 - 55	AL28037	1B16	3	20 - 33
AL26312	2C24	22	60 - 3	AL27011	1G9	8	40 - 57	AL28039	2A13	..	50 - 5
AL26455	1D4	3	30 - 17	AL27012	1G7	4	40 - 55	AL28039	2A15	3	50 - 7
AL26456	1D4	1	30 - 17	AL27013	1G7	26	40 - 55	AL28054	3E15	..	90 - 9
AL26459	3F8	6	90 - 27	AL27014	1G7	24	40 - 55	AL28055	3E15	19	90 - 9
AL26463	1G9	12	40 - 57	AL27016	1G9	13	40 - 57	AL28056	3E15	20	90 - 9
AL26464	1G9	12	40 - 57	AL27017	1G9	13	40 - 57	AL28057	3E15	11	90 - 9
AL26466	2A15	4	50 - 7	AL27019	2H11	11	70 - 75	AL28075	2F14	1	70 - 29
AL26614	3E19	4	90 - 13	AL27019	2H13	16	70 - 77	AL28076	2F14	3	70 - 29
AL26617	3F12	15	90 - 31	AL27019	2H15	19	70 - 79	AL28078	2F14	7	70 - 29
AL26618	3F12	15	90 - 31	AL27019	2I3	17	70 - 92	AL28159	3C20	12	80 - 61
AL26631	3A11	1	80 - 3	AL27022	2C8	15	50 - 49	AL28160	3C20	4	80 - 61
AL26646	3E16	1	90 - 10	AL27023	2C8	15	50 - 49	AL28161	3C20	1	80 - 61
AL26646	3E16	4	90 - 10	AL27026	2H11	13	70 - 75	AL28163	3D14	1	80 - 79
AL26647	3E16	6	90 - 10	AL27026	2H13	14	70 - 77	AL28164	3D14	14	80 - 79
AL26674	3D10	2	80 - 75	AL27026	2H15	16	70 - 79	AL28165	3D14	13	80 - 79
AL26680	2I16	18	70 - 105	AL27085	1H8	4	40 - 81	AL28166	3D14	17	80 - 79
AL26681	2I16	19	70 - 105	AL27109	2B12	26	50 - 29	AL28168	2I16	14	70 - 105
AL26689	2I24	8	70 - 113	AL27111	2B12	29	50 - 29	AL28169	2I16	16	70 - 105
AL26777	3A19	1	80 - 11	AL27112	2B12	29	50 - 29	AL28178	1C15	1	30 - 3
AL26778	3A19	2	80 - 11	AL27115	2A13	20	50 - 5	AL28178	1C15	2	30 - 3
AL26799	1G7	5	40 - 55	AL27132	3D25	6	80 - 90	AL28227	2G9	7	70 - 48
AL26880	3B4	23	80 - 21	AL27146	3F14	23	90 - 33	AL28227	2G10	7	70 - 49
AL26905	1F22	2	40 - 45	AL27157	1C15	1	30 - 3	AL28227	2G11	11	70 - 50
AL26906	1F22	1	40 - 45	AL27158	1C15	5	30 - 3	AL28228	2F23	3	70 - 38
AL26910	3F12	18	90 - 31	AL27160	1C15	3	30 - 3	AL28235	1D17	8	30 - 30
AL26911	2G6	7	70 - 45	AL27220	1G19	6	40 - 67	AL28237	2D12	2	60 - 15
AL26912	2G6	8	70 - 45	AL27220	1G23	5	40 - 71	AL28246	3A21	1	80 - 13
AL26914	3F2	20	90 - 21	AL27225	3A21	1	80 - 13	AL28248	3G10	15	90 - 53
AL26915	3F2	8	90 - 21	AL27230	2A15	16	50 - 7	AL28248	3G18	22	90 - 61
AL26916	1G9	9	40 - 57	AL27231	2A15	7	50 - 7	AL28249	3H4	7	90 - 71
AL26918	3G10	6	90 - 53	AL27350	3E15	1	90 - 9	AL28287	2I2	1	70 - 91
AL26918	3G14	7	90 - 57	AL27351	3E13	6	90 - 7	AL28287	2I2	2	70 - 91
AL26918	3G18	5	90 - 61	AL27352	3E13	12	90 - 7	AL28287	2I2	4	70 - 91
AL26918	3G24	9	90 - 67	AL27353	3E13	10	90 - 7	AL28288	2I2	1	70 - 91
AL26918	3H6	8	90 - 73	AL27354	3E13	4	90 - 7	AL28288	2I2	2	70 - 91
AL26918	3H10	7	90 - 77	AL27355	3E13	7	90 - 7	AL28288	2I2	3	70 - 91
AL26919	3H6	29	90 - 73	AL27356	3E13	13	90 - 7	AL28289	2I2	1	70 - 91
AL26920	3H6	1	90 - 73	AL27357	3E13	8	90 - 7	AL28289	2I2	2	70 - 91
AL26921	3H6	25	90 - 73	AL27358	3E13	5	90 - 7	AL28290	2I2	2	70 - 91
AL26922	3H3	5	90 - 70	AL27359	3E13	11	90 - 7	AL28305	1C25	5	30 - 13
AL26922	3H4	7	90 - 71	AL27360	3E13	14	90 - 7	AL28307	1C25	1	30 - 13
AL26923	3H3	1	90 - 70	AL27371	1E7	7	40 - 5	AL28318	3D2	1	80 - 67
AL26923	3H4	1	90 - 71	AL27372	1E7	12	40 - 5	AL28331	2C14	7	50 - 55
AL26924	3H3	17	90 - 70	AL27373	1E7	14	40 - 5	AL28458	2C24	4	60 - 3
AL26924	3H4	19	90 - 71	AL27373	1E11	18	40 - 9	AL28468	2E16	24	70 - 7
AL26925	3H3	16	90 - 70	AL27374	1E7	9	40 - 5	AL28468	2E16	37	70 - 7



# 1K15

TRACTOR 3030,3130

## NUMERICAL INDEX - CONTINUED

PART NO.	GRID	KEY	PAGE	PART NO.	GRID	KEY	PAGE	PART NO.	GRID	KEY	PAGE
AL28468	2F2	26	70 - 17	AL28617	3E21	22	90 - 15	AL30064	3G2	16	90 - 45
AL28468	2F2	43	70 - 17	AL28618	3E21	21	90 - 15	AL30066	3F16	16	90 - 35
AL28468	2F8	25	70 - 23	AL28619	1G16	2	40 - 64	AL30067	3F16	35	90 - 35
AL28468	2F8	39	70 - 23	AL28620	3F16	30	90 - 35	AL30068	3F16	25	90 - 35
AL28473	1B23	1	20 - 40	AL28621	3F16	29	90 - 35	AL30090	2F23	2	70 - 38
AL28473	1B23	6	20 - 40	AL28622	1G16	4	40 - 64	AL30091	2G9	7	70 - 48
AL28473	1B23	15	20 - 40	AL28629	3G2	30	90 - 45	AL30091	2G10	7	70 - 49
AL28490	3G4	3	90 - 47	AL28630	3G2	26	90 - 45	AL30091	2G11	11	70 - 50
AL28491	3G4	1	90 - 47	AL28631	3G2	7	90 - 45	AL30092	2G14	12	70 - 53
AL28497	1F6	1	40 - 29	AL28635	3G2	32	90 - 45	AL30095	2D12	2	60 - 15
AL28497	1G19	17	40 - 67	AL28636	3G2	24	90 - 45	AL30099	2D16	5	60 - 19
AL28497	1H12	11	40 - 85	AL28637	3G2	23	90 - 45	AL30210	2H15	19	70 - 79
AL28498	1F6	1	40 - 29	AL28638	3G2	34	90 - 45	AL30397	2G25	1	70 - 64
AL28498	1G19	19	40 - 67	AL28649	3E19	43	90 - 13	AL30399	2G25	2	70 - 64
AL28498	1H12	12	40 - 85	AL28649	3E19	..	90 - 13	AL30401	2I2	7	70 - 91
AL28499	1F6	1	40 - 29	AL28650	3E21	44	90 - 15	AL30402	2I2	8	70 - 91
AL28499	1G19	16	40 - 67	AL28653	2F14	1	70 - 29	AL30403	2I2	2	70 - 91
AL28499	1H12	9	40 - 85	AL28654	2F16	15	70 - 31	AL30404	2I2	1	70 - 91
AL28507	1G21	7	40 - 69	AL28655	2F14	21	70 - 29	AL30405	2I2	4	70 - 91
AL28508	1H2	8	40 - 75	AL28656	2F14	17	70 - 29	AL30406	2I2	3	70 - 91
AL28516	1E13	..	40 - 11	AL28657	2F14	20	70 - 29	AL30409	2C18	7	50 - 59
AL28516	1E15	1	40 - 13	AL28658	2E16	27	70 - 7	AL30414	1E13	3	40 - 11
AL28517	1G23	16	40 - 71	AL28659	2H1	9	70 - 65	AL30414	1E15	28	40 - 13
AL28553	2D8	8	60 - 11	AL28660	2H7	1	70 - 71	AL30416	1E13	9	40 - 11
AL28558	3H12	1	90 - 79	AL28661	2H7	2	70 - 71	AL30416	1E15	7	40 - 13
AL28559	3H16	21	90 - 83	AL28662	2H7	4	70 - 71	AL30417	1E13	11	40 - 11
AL28560	3H16	20	90 - 83	AL28663	2H7	3	70 - 71	AL30417	1E15	9	40 - 13
AL28561	3H16	45	90 - 83	AL28664	2H9	3	70 - 73	AL30418	1E13	15	40 - 11
AL28562	3H16	42	90 - 83	AL28665	2H9	4	70 - 73	AL30418	1E15	21	40 - 13
AL28563	3H16	31	90 - 83	AL28666	2H9	2	70 - 73	AL30419	1E13	14	40 - 11
AL28564	3H14	8	90 - 81	AL28667	2H9	1	70 - 73	AL30419	1E15	11	40 - 13
AL28565	3H16	6	90 - 83	AL28668	2H9	18	70 - 73	AL30420	1E13	19	40 - 11
AL28566	3H16	33	90 - 83	AL28669	2D24	18	60 - 27	AL30421	1E13	18	40 - 11
AL28567	3H16	43	90 - 83	AL28669	2E2	14	60 - 29	AL30421	1E15	18	40 - 13
AL28568	3H16	15	90 - 83	AL28674	2G11	11	70 - 50	AL30421	1E17	18	40 - 15
AL28569	3H16	50	90 - 83	AL28685	2I18	4	70 - 107	AL30422	1E13	6	40 - 11
AL28570	3H14	43	90 - 81	AL28686	2I18	4	70 - 107	AL30422	1E15	27	40 - 13
AL28573	3H16	10	90 - 83	AL28691	2I18	8	70 - 107	AL30423	1E13	24	40 - 11
AL28574	3H14	38	90 - 81	AL28692	2I18	1	70 - 107	AL30423	1E15	17	40 - 13
AL28575	3H14	16	90 - 81	AL28694	2I18	11	70 - 107	AL30423	1E17	16	40 - 15
AL28576	3H14	47	90 - 81	AL28764	2G9	7	70 - 48	AL30424	1E13	22	40 - 11
AL28577	3H14	11	90 - 81	AL28764	2G10	7	70 - 49	AL30424	1E15	6	40 - 13
AL28578	3H14	2	90 - 81	AL29611	1F24	5	40 - 47	AL30425	1E13	21	40 - 11
AL28579	3H14	48	90 - 81	AL29614	1F24	2	40 - 47	AL30425	1E15	13	40 - 13
AL28580	3H14	1	90 - 81	AL29615	1F24	3	40 - 47	AL30436	3F8	13	90 - 27
AL28581	3H14	23	90 - 81	AL29646	2B12	1	50 - 29	AL30437	3F8	15	90 - 27
AL28582	3H16	22	90 - 83	AL29646	2B12	2	50 - 29	AL30438	3F8	14	90 - 27
AL28583	3H14	24	90 - 81	AL29648	2B12	1	50 - 29	AL30452	2A15	2	50 - 7
AL28598	2G8	18	70 - 47	AL29648	2B12	2	50 - 29	AL30544	3D2	9	80 - 67
AL28599	3E15	11	90 - 9	AL29657	1H2	3	40 - 75	AL30545	3D2	9	80 - 67
AL28599	3E19	33	90 - 13	AL2976T	1H10	6	40 - 83	AL30546	3D2	11	80 - 67
AL28599	3E21	43	90 - 15	AL2976T	1H14	2	40 - 87	AL30547	3D2	13	80 - 67
AL28600	3E19	15	90 - 13	AL29816	2A21	21	50 - 13	AL30611	1G23	4	40 - 71
AL28600	3E21	16	90 - 15	AL29854	2F16	11	70 - 31	AL30612	1G23	4	40 - 71
AL28601	3E21	3	90 - 15	AL29858	2H9	13	70 - 73	AL30690	3H3	1	90 - 70
AL28602	1H2	5	40 - 75	AL29859	2D24	34	60 - 27	AL30690	3H4	1	90 - 71
AL28603	1G16	3	40 - 64	AL29860	2D24	11	60 - 27	AL30691	3G10	10	90 - 53
AL28604	1G16	1	40 - 64	AL29860	2E2	9	60 - 29	AL30691	3G18	26	90 - 61
AL28606	1H2	1	40 - 75	AL29861	2D19	12	60 - 22	AL30692	3G10	25	90 - 53
AL28607	3E13	5	90 - 7	AL29862	2H1	13	70 - 65	AL30692	3G14	5	90 - 57
AL28608	3E13	11	90 - 7	AL29863	2D16	13	60 - 19	AL30692	3G18	18	90 - 61
AL28609	3E13	14	90 - 7	AL29865	3D8	12	80 - 73	AL30693	3H6	29	90 - 73
AL28610	1H2	14	40 - 75	AL29866	2H23	17	70 - 87	AL30694	3H6	25	90 - 73
AL28611	1H2	12	40 - 75	AL29867	2H25	9	70 - 89	AL30777	2A15	7	50 - 7
AL28612	3E9	16	90 - 3	AL29894	3F2	1	90 - 21	AL30777	2A15	9	50 - 7
AL28614	3E21	19	90 - 15	AL30003	1D24	5	30 - 37	AL30777	2A15	10	50 - 7
AL28615	1H2	16	40 - 75	AL30061	3F16	10	90 - 35	AL30781	3C14	4	80 - 55

# 1K16

TRACTOR 3030,3130

## NUMERICAL INDEX - CONTINUED

PART NO.	GRID	KEY	PAGE	PART NO.	GRID	KEY	PAGE	PART NO.	GRID	KEY	PAGE
AL30781	3C16	15	80 - 57	AL33015	3H8	8	90 - 75	AL36324	3G12	10	90 - 55
AL30793	3H2	10	90 - 69	AL33016	3G14	27	90 - 57	AL36327	3G14	33	90 - 57
AL30804	1F4	1	40 - 27	AL33016	3G24	22	90 - 67	AL36327	3H10	32	90 - 77
AL30805	1F4	1	40 - 27	AL33016	3H10	28	90 - 77	AL36335	1H2	3	40 - 75
AL30806	1F4	1	40 - 27	AL33060	3D2	17	80 - 67	AL36335	1H2	18	40 - 75
AL30807	1F4	1	40 - 27	AL33069	3G14	1	90 - 57	AL36365	1F8	15	40 - 31
AL30965	3C16	29	80 - 57	AL33069	3H10	1	90 - 77	AL36365	1F14	17	40 - 37
AL30966	3C16	24	80 - 57	AL33106	2F24	8	70 - 39	AL36390	1E8	7	40 - 6
AL30967	3C16	29	80 - 57	AL33106	2F24	9	70 - 39	AL36390	1G19	23	40 - 67
AL30968	3C16	24	80 - 57	AL33106	2F24	10	70 - 39	AL36390	1G23	17	40 - 71
AL30975	2I24	13	70 - 113	AL33180	2I12	24	70 - 101	AL36390	1H10	26	40 - 83
AL30976	2I24	13	70 - 113	AL33181	2I12	13	70 - 101	AL36390	1H12	13	40 - 85
AL31078	3C14	6	80 - 55	AL33190	2B2	1	50 - 19	AL36391	1E7	..	40 - 5
AL31078	3C14	10	80 - 55	AL33244	2B22	12	50 - 39	AL36391	1E8	1	40 - 6
AL31079	3C16	1	80 - 57	AL33253	2B22	16	50 - 39	AL36391	1G19	23	40 - 67
AL31095	2H9	18	70 - 73	AL33254	2B22	20	50 - 39	AL36391	1G23	17	40 - 71
AL31096	2H1	9	70 - 65	AL33255	2B22	18	50 - 39	AL36391	1H10	26	40 - 83
AL31219	1E19	6	40 - 17	AL33270	1E11	28	40 - 9	AL36391	1H12	13	40 - 85
AL31229	3A23	10	80 - 15	AL33271	1E11	27	40 - 9	AL36459	3H2	1	90 - 69
AL31515	2D2	6	60 - 5	AL33288	2F16	28	70 - 31	AL36459	3H8	..	90 - 75
AL31515	2D6	8	60 - 9	AL33314	2A13	20	50 - 5	AL36459	3H10	..	90 - 77
AL31565	1B24	1	20 - 41	AL33317	2A15	2	50 - 7	AL36460	3H8	..	90 - 75
AL31568	3F6	9	90 - 25	AL33367	2D18	17	60 - 21	AL36461	3H8	13	90 - 75
AL31699	1F22	1	40 - 45	AL33439	3G14	25	90 - 57	AL36555	3G12	11	90 - 55
AL31976	1F14	1	40 - 37	AL33439	3G24	20	90 - 67	AL36556	3G6	1	90 - 49
AL31992	1B22	6	20 - 39	AL33439	3H10	26	90 - 77	AL36556	3G12	..	90 - 55
AL31992	1B23	2	20 - 40	AL33494	2I20	9	70 - 109	AL36556	3G14	..	90 - 57
AL31992	2F14	6	70 - 29	AL33526	1B24	1	20 - 41	AL36900	1D18	4	30 - 31
AL31992	2F16	12	70 - 31	AL33530	1B24	10	20 - 41	AL36902	1D18	4	30 - 31
AL31992	2F16	16	70 - 31	AL33531	1B24	11	20 - 41	AL36920	1D18	7	30 - 31
AL32271	3D10	3	80 - 75	AL33532	1B24	13	20 - 41	AL36924	1D18	7	30 - 31
AL32620	2F18	5	70 - 33	AL33532	1C1	15	20 - 43	AL37358	1C17	6	30 - 5
AL32620	3G5	8	90 - 48	AL34259	2H11	20	70 - 75	AL37451	1B22	6	20 - 39
AL32714	2G16	20	70 - 55	AL34593	2G25	1	70 - 64	AL37451	2F14	6	70 - 29
AL32714	2G16	21	70 - 55	AL34595	2G25	2	70 - 64	AL37451	2F16	12	70 - 31
AL32724	2G4	25	70 - 43	AL35123	2H15	8	70 - 79	AL37451	2F16	16	70 - 31
AL32789	3E11	13	90 - 5	AL35521	1E19	6	40 - 17	AL37475	3F16	35	90 - 35
AL32789	3E11	21	90 - 5	AL35591	1E19	6	40 - 17	AL37494	2E3	12	60 - 30
AL32790	3E11	13	90 - 5	AL35641	3G24	25	90 - 67	AL37495	2E3	12	60 - 30
AL32790	3E11	21	90 - 5	AL35656	2D24	8	60 - 27	AL37560	1E19	1	40 - 17
AL32836	3D8	2	80 - 73	AL35656	2E2	11	60 - 29	AL37901	3F8	1	90 - 27
AL32863	1E11	1	40 - 9	AL35677	2H25	9	70 - 89	AL37902	3F8	18	90 - 27
AL32863	1E13	1	40 - 11	AL35678	2H9	18	70 - 73	AL37974	2D22	5	60 - 25
AL32863	1E15	5	40 - 13	AL35755	2E19	1	70 - 10	AL37974	2D22	25	60 - 25
AL32891	1G5	37	40 - 53	AL35762	2G16	12	70 - 55	AL37974	2D22	27	60 - 25
AL32891	1G7	31	40 - 55	AL35762	2G16	21	70 - 55	AL37974	2E3	13	60 - 30
AL32891	1H4	6	40 - 77	AL35796	2H7	1	70 - 71	AL38083	2F18	5	70 - 33
AL32930	3E17	1	90 - 11	AL35797	2H7	2	70 - 71	AL38083	3G5	8	90 - 48
AL32931	3E17	5	90 - 11	AL35798	2H7	4	70 - 71	AL38086	3A11	1	80 - 3
AL32932	3E17	8	90 - 11	AL35799	2H7	3	70 - 71	AL38087	3A11	1	80 - 3
AL32933	1H2	15	40 - 75	AL35831	3A11	1	80 - 3	AL38214	2D18	31	60 - 21
AL32934	1H2	2	40 - 75	AL35998	1E15	1	40 - 13	AL38215	2D18	35	60 - 21
AL32935	3G2	7	90 - 45	AL35999	1E15	23	40 - 13	AL38216	2D18	34	60 - 21
AL32936	3G2	19	90 - 45	AL36100	1E11	30	40 - 9	AL38235	2D12	2	60 - 15
AL32937	3G2	18	90 - 45	AL36100	1E15	1	40 - 13	AL38240	2A21	29	50 - 13
AL32938	3G2	17	90 - 45	AL36101	1E11	19	40 - 9	AL38358	2C14	19	50 - 55
AL32939	3G2	36	90 - 45	AL36119	2H1	9	70 - 65	AL38379	1C17	14	30 - 5
AL32940	3G2	10	90 - 45	AL36122	2D24	17	60 - 27	AL38446	2C18	7	50 - 59
AL32952	3G2	8	90 - 45	AL36122	2E2	23	60 - 29	AL38447	2C18	7	50 - 59
AL32953	3G2	11	90 - 45	AL36123	2D24	21	60 - 27	AL38518	3D22	1	80 - 87
AL32975	1C15	11	30 - 3	AL36123	2E2	24	60 - 29	AL38518	3D22	13	80 - 87
AL33008	3H8	2	90 - 75	AL36187	2E2	36	60 - 29	AL38522	3A11	1	80 - 3
AL33009	3H10	5	90 - 77	AL36189	2E2	25	60 - 29	AL38522	3A11	5	80 - 3
AL33010	3G14	21	90 - 57	AL36198	2D24	11	60 - 27	AL38641	2D8	13	60 - 11
AL33010	3G24	34	90 - 67	AL36198	2D24	34	60 - 27	AL38644	3B4	24	80 - 21
AL33011	3H10	22	90 - 77	AL36198	2E2	31	60 - 29	AL38645	3B4	23	80 - 21
AL33012	3H10	15	90 - 77	AL36199	2F24	10	70 - 39	AL38646	3B4	13	80 - 21

# 1K17

TRACTOR 3030,3130

## NUMERICAL INDEX - CONTINUED

PART NO.	GRID	KEY	PAGE	PART NO.	GRID	KEY	PAGE	PART NO.	GRID	KEY	PAGE
AL38761	3D22	11	80 - 87	AL59809	2F2	41	70 - 17	AL68208	2I12	13	70 - 101
AL38819	3A11	14	80 - 3	AL59809	2F8	27	70 - 23	AL68208	2I12	24	70 - 101
AL38820	3A11	15	80 - 3	AL59809	2F8	40	70 - 23	AL68208	2I14	24	70 - 103
AL38874	3A11	5	80 - 3	AL60399	3C16	1	80 - 57	AL68214	1B24	10	20 - 41
AL38891	2D8	19	60 - 11	AL60399	3C18	13	80 - 59	AL68214	1C1	12	20 - 43
AL38891	3B4	31	80 - 21	AL60400	3C16	1	80 - 57	AL68309	3C20	14	80 - 61
AL39129	2F2	28	70 - 17	AL60400	3C18	13	80 - 59	AL68316	3C20	23	80 - 61
AL39129	2F8	27	70 - 23	AL61479	2G14	12	70 - 53	AL68317	3C20	17	80 - 61
AL39254	2B6	21	50 - 23	AL61970	2G4	5	70 - 43	AL68318	3C20	22	80 - 61
AL39254	2B6	22	50 - 23	AL62113	2G14	12	70 - 53	AL68319	3C20	13	80 - 61
AL39576	2F18	22	70 - 33	AL62696	3C20	1	80 - 61	AL68457	2B22	2	50 - 39
AL39594	3E13	9	90 - 7	AL62707	1F8	5	40 - 31	AL68457	2B22	31	50 - 39
AL39700	1E25	1	40 - 23	AL62707	1F8	15	40 - 31	AL68883	1E17	2	40 - 15
AL39700	1F2	1	40 - 25	AL62707	1F14	3	40 - 37	AL68885	1E17	7	40 - 15
AL39779	3E1	1	80 - 91	AL62707	1F14	17	40 - 37	AL68887	1E17	11	40 - 15
AL39816	3G22	1	90 - 65	AL62772	1F2	1	40 - 25	AL68889	1E17	23	40 - 15
AL39823	3G22	15	90 - 65	AL62952	3A21	10	80 - 13	AL68891	1E17	5	40 - 15
AL39913	3G6	1	90 - 49	AL63095	1F2	25	40 - 25	AL68893	1E17	13	40 - 15
AL39913	3G8	..	90 - 51	AL63095	1F2	26	40 - 25	AM30347	3B6	1	80 - 23
AL39913	3G10	..	90 - 53	AL63895	3B8	10	80 - 25	AP19547	2I10	37	70 - 99
AL39913	3G12	..	90 - 55	AL63985	3A11	1	80 - 3	AP22529	3B12	10	80 - 29
AL39913	3G14	..	90 - 57	AL64588	3F14	16	90 - 33	AR100124	1A17	2	20 - 9
AL39913	3G16	..	90 - 59	AL64588	3F16	31	90 - 35	AR100124	1A17	3	20 - 9
AL39913	3G18	..	90 - 61	AL64588	3F18	5	90 - 37	AR100124	1A18	8	20 - 10
AL39913	3G20	1	90 - 63	AL64588	3F20	3	90 - 39	AR100124	1A18	9	20 - 10
AL39940	3G22	3	90 - 65	AL65077	1E17	17	40 - 15	AR100124	1C9	1	20 - 51
AL39941	3G22	8	90 - 65	AL66303	2C24	7	60 - 3	AR100124	1C9	2	20 - 51
AL39942	3G24	10	90 - 67	AL66303	2C24	24	60 - 3	AR101236	2F2	11	70 - 17
AL39943	3G24	2	90 - 67	AL66606	3D25	4	80 - 90	AR101236	2F8	11	70 - 23
AL39944	3G24	1	90 - 67	AL66607	3D25	4	80 - 90	AR101238	2E16	20	70 - 7
AL40773	2G16	3	70 - 55	AL66608	3D25	4	80 - 90	AR101665	2F8	4	70 - 23
AL40847	1B24	1	20 - 41	AL66622	1E19	1	40 - 17	AR102452	1D7	8	30 - 20
AL40847	1C1	1	20 - 43	AL66622	1E20	1	40 - 18	AR102676	1D8	3	30 - 21
AL40885	2F22	1	70 - 37	AL66854	3C20	19	80 - 61	AR103033	2E14	1	70 - 5
AL40957	2I12	17	70 - 101	AL66934	1F12	7	40 - 35	AR103040	2E16	19	70 - 7
AL40975	2G16	10	70 - 55	AL66934	1F12	8	40 - 35	AR103040	2E16	30	70 - 7
AL40978	2G16	11	70 - 55	AL66934	1H4	1	40 - 77	AR1729R	1C17	2	30 - 5
AL40978	2G17	1	70 - 56	AL66934	1H4	2	40 - 77	AR21059	1F25	3	40 - 48
AL40979	2G16	11	70 - 55	AL66935	1G5	20	40 - 53	AR21737	1G1	3	40 - 49
AL40979	2G17	7	70 - 56	AL66935	1G5	36	40 - 53	AR21739	1G1	8	40 - 49
AL41218	2I14	13	70 - 103	AL66935	1G7	29	40 - 55	AR21837	1A18	2	20 - 10
AL41262	3C16	15	80 - 57	AL66935	1G7	30	40 - 55	AR21837	2H25	3	70 - 89
AL41262	3C18	14	80 - 59	AL67171	3D25	4	80 - 90	AR21837	3F14	16	90 - 33
AL41479	1F2	18	40 - 25	AL67175	1E8	2	40 - 6	AR21837	3F16	31	90 - 35
AL41520	1F2	14	40 - 25	AL67175	1E11	30	40 - 9	AR21837	3F18	5	90 - 37
AL41521	1F2	16	40 - 25	AL67175	1E13	..	40 - 11	AR21837	3F20	3	90 - 39
AL41522	1F2	9	40 - 25	AL67175	1E15	1	40 - 13	AR21839	1B22	6	20 - 39
AL41524	1F2	27	40 - 25	AL67175	1E17	1	40 - 15	AR21839	1B23	2	20 - 40
AL41525	1F2	22	40 - 25	AL67574	2D15	5	60 - 18	AR21839	2F16	12	70 - 31
AL41614	3C18	5	80 - 59	AL67574	2D15	6	60 - 18	AR21840	2F14	6	70 - 29
AL41625	1F2	8	40 - 25	AL67574	2D15	7	60 - 18	AR21841	1C15	12	30 - 3
AL41626	1F2	26	40 - 25	AL67715	1G3	1	40 - 51	AR21841	1C17	13	30 - 5
AL41627	1F2	20	40 - 25	AL68095	2D12	2	60 - 15	AR21841	3G2	31	90 - 45
AL55046	1E25	2	40 - 23	AL68095	2D12	6	60 - 15	AR21999	1C15	12	30 - 3
AL55046	1F2	27	40 - 25	AL68098	3H2	1	90 - 69	AR21999	1C17	13	30 - 5
AL57945	1C1	13	20 - 43	AL68098	3H3	..	90 - 70	AR21999	2F14	6	70 - 29
AL58296	2B22	1	50 - 39	AL68098	3H4	..	90 - 71	AR21999	2F16	16	70 - 31
AL58296	2C12	1	50 - 53	AL68098	3H6	..	90 - 73	AR26375	2B14	21	50 - 31
AL58367	1H2	17	40 - 75	AL68098	3H8	..	90 - 75	AR26382	1C5	16	20 - 47
AL58367	1H2	18	40 - 75	AL68098	3H10	..	90 - 77	AR26382	1C7	15	20 - 49
AL58367	1H2	19	40 - 75	AL68098	3H12	1	90 - 79	AR26407	2I8	2	70 - 97
AL58475	2F2	40	70 - 17	AL68116	3C20	12	80 - 61	AR26480	3B6	4	80 - 23
AL58524	3F8	14	90 - 27	AL68116	3C20	21	80 - 61	AR26646	2F4	25	70 - 19
AL58739	1G7	25	40 - 55	AL68117	3C20	4	80 - 61	AR26697	2H21	15	70 - 85
AL58739	1G7	26	40 - 55	AL68117	3C20	20	80 - 61	AR26723	2E18	34	70 - 9
AL59350	1D4	1	30 - 17	AL68207	2I12	5	70 - 101	AR26723	2H15	2	70 - 79
AL59809	2F2	28	70 - 17	AL68207	2I14	5	70 - 103	AR26724	2H3	14	70 - 67

# 1K18

TRACTOR 3030,3130

## NUMERICAL INDEX - CONTINUED

PART NO.	GRID	KEY	PAGE	PART NO.	GRID	KEY	PAGE	PART NO.	GRID	KEY	PAGE
AR26725	2D2	14	60 - 5	AR45251	2E2	26	60 - 29	AR55759	1B12	4	20 - 29
AR26725	2D22	3	60 - 25	AR45376	2B6	33	50 - 23	AR55759	1B13	2	20 - 30
AR26725	2D24	19	60 - 27	AR45379	2B6	28	50 - 23	AR55978	1B12	9	20 - 29
AR26725	2E2	16	60 - 29	AR45530	1A17	2	20 - 9	AR55978	1B12	10	20 - 29
AR26746	2D16	2	60 - 19	AR45530	1A18	8	20 - 10	AR56144	1E5	16	40 - 3
AR26746	2D22	10	60 - 25	AR45543	2I10	41	70 - 99	AR56162	2A21	6	50 - 13
AR26746	2D24	10	60 - 27	AR46889	3A17	16	80 - 9	AR56163	2A21	15	50 - 13
AR26746	2E2	8	60 - 29	AR47297	1C21	6	30 - 9	AR56268	1B16	3	20 - 33
AR26746	2E16	32	70 - 7	AR47580	2F2	4	70 - 17	AR56704	3A17	15	80 - 9
AR26746	2F2	40	70 - 17	AR47825	2I8	4	70 - 97	AR56705	3A17	19	80 - 9
AR26758	2F2	3	70 - 17	AR48296	2I3	9	70 - 92	AR57195	2B6	25	50 - 23
AR26763	2G20	24	70 - 59	AR48297	2I3	1	70 - 92	AR57238	2B6	15	50 - 23
AR26763	2H1	3	70 - 65	AR48499	2F14	6	70 - 29	AR58126	1F9	10	40 - 32
AR26763	2H3	2	70 - 67	AR48499	2F16	12	70 - 31	AR58196	1B1	2	20 - 18
AR26763	2H9	17	70 - 73	AR48499	2F16	16	70 - 31	AR58308	2B10	22	50 - 27
AR26763	2I3	7	70 - 92	AR48675	1C3	4	20 - 45	AR58364	2B6	37	50 - 23
AR26782	2C4	1	50 - 45	AR49427	2E10	5	70 - 1	AR59621	1B20	9	20 - 37
AR27437	2I8	1	70 - 97	AR49563	1F20	7	40 - 43	AR59621	1B20	12	20 - 37
AR27437	2I10	..	70 - 99	AR49713	3C24	3	80 - 65	AR60559	1D7	8	30 - 20
AR27446	2C15	1	50 - 56	AR49713	3D2	4	80 - 67	AR61165	2G20	1	70 - 59
AR27738	2E16	27	70 - 7	AR49740	1G5	23	40 - 53	AR61165	2G22	1	70 - 61
AR27814	1D24	16	30 - 37	AR49741	1G5	23	40 - 53	AR62028	2A25	1	50 - 17
AR27814	3D25	3	80 - 90	AR49754	2H15	24	70 - 79	AR62028	2B2	4	50 - 19
AR27940	1D24	15	30 - 37	AR49776	2B22	12	50 - 39	AR62149	2I16	17	70 - 105
AR27977	1B16	2	20 - 33	AR49803	3F24	2	90 - 43	AR62194	1D12	8	30 - 25
AR28040	1C17	4	30 - 5	AR49808	3F22	15	90 - 41	AR62401	1E7	..	40 - 5
AR28072	2B24	30	50 - 41	AR50040	1D6	1	30 - 19	AR62401	1E8	1	40 - 6
AR28251	2H15	5	70 - 79	AR50041	1D6	17	30 - 19	AR62936	1C17	14	30 - 5
AR28403	1F9	3	40 - 32	AR50328	1D12	26	30 - 25	AR62978	1B20	1	20 - 37
AR30210	2H11	11	70 - 75	AR50580	1G2	1	40 - 50	AR62979	1B20	1	20 - 37
AR30210	2H13	16	70 - 77	AR50710	1C2	8	20 - 44	AR63105	1D20	26	30 - 33
AR30507	3D24	2	80 - 89	AR50710	1C5	1	20 - 47	AR63105	1D22	25	30 - 35
AR31613	2H11	13	70 - 75	AR50710	3F18	1	90 - 37	AR63106	1D20	32	30 - 33
AR31613	2H13	14	70 - 77	AR51180	3A17	5	80 - 9	AR63106	1D22	31	30 - 35
AR31613	2H15	16	70 - 79	AR51481	1F9	11	40 - 32	AR63616	2D15	1	60 - 18
AR33249	2F4	43	70 - 19	AR51745	2F4	7	70 - 19	AR63908	2B14	8	50 - 31
AR33821	2F2	10	70 - 17	AR52224	2F2	22	70 - 17	AR63953	1D6	20	30 - 19
AR33877	2I3	10	70 - 92	AR52224	2F8	22	70 - 23	AR63954	1D6	9	30 - 19
AR34098	2E10	5	70 - 1	AR52254	2F4	27	70 - 19	AR64567	1C21	10	30 - 9
AR37451	1B23	2	20 - 40	AR52254	2F10	22	70 - 25	AR64845	2I20	16	70 - 109
AR38225	2E16	5	70 - 7	AR52279	2F23	8	70 - 38	AR65294	1C18	8	30 - 6
AR38398	1C23	6	30 - 11	AR52361	2D22	37	60 - 25	AR65440	1D20	34	30 - 33
AR38714	2F4	9	70 - 19	AR52361	2D24	1	60 - 27	AR65440	1D22	19	30 - 35
AR39041	2E16	22	70 - 7	AR52361	2E2	1	60 - 29	AR66478	1F9	4	40 - 32
AR39043	2A23	28	50 - 15	AR52362	2D22	32	60 - 25	AR66799	1F9	7	40 - 32
AR39052	2E18	21	70 - 9	AR52372	2D22	36	60 - 25	AR67500	1A18	4	20 - 10
AR39071	2F2	28	70 - 17	AR52372	2D24	2	60 - 27	AR67683	1A12	1	20 - 4
AR39071	2F8	27	70 - 23	AR52372	2E2	2	60 - 29	AR67683	1A13	1	20 - 5
AR39128	2B6	5	50 - 23	AR52621	2I3	9	70 - 92	AR67718	2F6	1	70 - 21
AR39157	2H21	7	70 - 85	AR52622	2I3	1	70 - 92	AR67737	1D12	2	30 - 25
AR39158	2H21	17	70 - 85	AR52691	1D24	5	30 - 37	AR67738	1D12	3	30 - 25
AR39168	2E14	1	70 - 5	AR52706	2B20	27	50 - 37	AR67739	1D12	4	30 - 25
AR39168	2E16	33	70 - 7	AR52729	1D7	2	30 - 20	AR67740	1D12	5	30 - 25
AR39168	2E16	34	70 - 7	AR52729	1D7	3	30 - 20	AR67741	1D12	6	30 - 25
AR39168	2E16	35	70 - 7	AR52785	2E18	15	70 - 9	AR67742	1D12	7	30 - 25
AR39168	2E16	36	70 - 7	AR52785	2F2	14	70 - 17	AR67942	1B8	12	20 - 25
AR39170	2E16	8	70 - 7	AR53301	2F2	3	70 - 17	AR68071	2I20	16	70 - 109
AR39173	2E18	31	70 - 9	AR53301	2F8	3	70 - 23	AR68071	3C20	25	80 - 61
AR39799	1C15	5	30 - 3	AR53388	3B2	1	80 - 19	AR68260	1D12	26	30 - 25
AR40418	1B22	16	20 - 39	AR53799	2C4	7	50 - 45	AR68801	3A23	4	80 - 15
AR40688	2H23	25	70 - 87	AR53986	2C24	22	60 - 3	AR69317	2I16	13	70 - 105
AR40795	2B14	20	50 - 31	AR53987	2C24	18	60 - 3	AR69932	2B6	37	50 - 23
AR40828	2H17	1	70 - 81	AR54416	2B8	9	50 - 25	AR69935	2B6	15	50 - 23
AR41785	3D25	2	80 - 90	AR55186	2F2	10	70 - 17	AR70150	2H23	23	70 - 87
AR41785	3D25	5	80 - 90	AR55251	2G2	21	70 - 41	AR70436	1E23	..	40 - 21
AR42287	2G6	4	70 - 45	AR55286	3B4	24	80 - 21	AR70436	1E25	1	40 - 23
AR45251	2D24	29	60 - 27	AR55696	2I20	17	70 - 109	AR70436	1F2	1	40 - 25

# 1K19

TRACTOR 3030,3130

## NUMERICAL INDEX - CONTINUED

PART NO.	GRID	KEY	PAGE	PART NO.	GRID	KEY	PAGE	PART NO.	GRID	KEY	PAGE
AR70585	1A19	7	20 - 11	AR80962	1C7	1	20 - 49	AR94126	1D20	34	30 - 33
AR70601	1C2	5	20 - 44	AR80962	1C7	11	20 - 49	AR94126	1D22	19	30 - 35
AR71285	3F24	8	90 - 43	AR81621	1D12	26	30 - 25	AR95931	1B8	2	20 - 25
AR71286	3F24	12	90 - 43	AR81786	1B8	3	20 - 25	AR95932	1B8	2	20 - 25
AR71287	3F24	5	90 - 43	AR81787	1B8	3	20 - 25	AR96321	2F12	1	70 - 27
AR71288	3F24	6	90 - 43	AR81788	1B8	3	20 - 25	AR96613	2E18	15	70 - 9
AR71289	3F24	1	90 - 43	AR81789	1B8	3	20 - 25	AR96613	2F2	14	70 - 17
AR71289	3F24	2	90 - 43	AR81790	1B8	3	20 - 25	AR96613	2F8	14	70 - 23
AR71289	3F24	3	90 - 43	AR81791	1B8	2	20 - 25	AR96625	2F10	1	70 - 25
AR71289	3F24	4	90 - 43	AR81792	1B8	2	20 - 25	AR97274	1A12	1	20 - 4
AR71289	3F24	7	90 - 43	AR82294	1A12	9	20 - 4	AR97274	1A13	1	20 - 5
AR71289	3F24	10	90 - 43	AR82295	1A13	9	20 - 5	AR97285	1A9	1	20 - 1
AR71289	3F24	11	90 - 43	AR83549	2H17	1	70 - 81	AR97287	1A9	1	20 - 1
AR71290	3F24	16	90 - 43	AR84732	1D6	13	30 - 19	AR97707	1B2	2	20 - 19
AR71395	2B10	22	50 - 27	AR85323	2F18	17	70 - 33	AR97786	1C9	2	20 - 51
AR71618	1B12	3	20 - 29	AR85323	3G5	2	90 - 48	AR97872	2E24	1	70 - 15
AR71618	1B13	4	20 - 30	AR85710	1D12	22	30 - 25	AR97872	2F2	4	70 - 17
AR71618	1C9	2	20 - 51	AR85745	2B6	15	50 - 23	AR98993	2E22	1	70 - 13
AR71618	1C9	3	20 - 51	AR86535	2H23	23	70 - 87	AR99100	2I3	10	70 - 92
AR71902	2I8	3	70 - 97	AR86806	1C5	2	20 - 47	AR99255	2B6	37	50 - 23
AR71994	1C9	1	20 - 51	AR86806	1C5	12	20 - 47	AR99256	2B6	37	50 - 23
AR72859	3D2	9	80 - 67	AR86806	1C7	1	20 - 49	AR99259	2B10	2	50 - 27
AR72860	3D2	9	80 - 67	AR86806	1C7	11	20 - 49	AR99259	2B10	..	50 - 27
AR72873	1D12	26	30 - 25	AR87487	1B15	2	20 - 32	AR99260	2B10	..	50 - 27
AR72882	1D12	9	30 - 25	AR87951	1D12	26	30 - 25	AT10638	1D7	3	30 - 20
AR72882	1D12	26	30 - 25	AR88236	1D10	1	30 - 23	AT11927	2D8	8	60 - 11
AR72890	3D2	1	80 - 67	AR88239	1D10	1	30 - 23	AT12431	2C6	7	50 - 47
AR72891	3D2	22	80 - 67	AR89061	2E14	1	70 - 5	AT13740	1A13	13	20 - 5
AR72892	3D2	19	80 - 67	AR89064	2E14	1	70 - 5	AT13740	1B22	18	20 - 39
AR72893	3D3	1	80 - 68	AR89072	2E18	2	70 - 9	AT13740	1D2	7	30 - 15
AR72895	3D3	7	80 - 68	AR89073	2E16	19	70 - 7	AT13740	1D2	14	30 - 15
AR72957	1B23	1	20 - 40	AR89073	2E16	31	70 - 7	AT14771	1F25	4	40 - 48
AR73673	1D10	1	30 - 23	AR89075	2E16	8	70 - 7	AT16288	1G1	1	40 - 49
AR73684	2E18	26	70 - 9	AR89478	1A18	2	20 - 10	AT16431	2C2	23	50 - 43
AR73684	2E18	34	70 - 9	AR89563	1D10	1	30 - 23	AT16887	2C6	35	50 - 47
AR74367	1C9	2	20 - 51	AR89563	1D10	2	30 - 23	AT18009	1A24	4	20 - 16
AR74518	1G19	6	40 - 67	AR89563	1D10	4	30 - 23	AT18009	1A25	3	20 - 17
AR74518	1G23	5	40 - 71	AR89691	2F18	17	70 - 33	AT18190	1A22	1	20 - 14
AR74521	1G19	13	40 - 67	AR89691	3G5	2	90 - 48	AT18815	1F25	1	40 - 48
AR74522	1G23	16	40 - 71	AR90082	2I16	5	70 - 105	AT18995	1F25	4	40 - 48
AR74606	3B4	30	80 - 21	AR90082	2I16	7	70 - 105	AT19509	1B1	2	20 - 18
AR74607	3B4	1	80 - 21	AR90082	2I16	10	70 - 105	AT19837	2A15	13	50 - 7
AR74608	3B4	1	80 - 21	AR90082	2I16	13	70 - 105	AT19839	2G9	7	70 - 48
AR74811	1G10	1	40 - 58	AR90082	2I16	18	70 - 105	AT19839	2G10	7	70 - 49
AR74812	1G10	2	40 - 58	AR90082	2I16	19	70 - 105	AT19839	2G11	11	70 - 50
AR74812	1G23	4	40 - 71	AR90378	2F4	41	70 - 19	AT19840	2F23	1	70 - 38
AR75958	2I3	11	70 - 92	AR90453	2E18	31	70 - 9	AT19858	2C24	7	60 - 3
AR76102	1D12	10	30 - 25	AR90459	2E24	1	70 - 15	AT20027	3C24	6	80 - 65
AR76289	1A19	7	20 - 11	AR90550	1B12	6	20 - 29	AT20027	3D2	7	80 - 67
AR76292	1C5	2	20 - 47	AR90550	1B13	1	20 - 30	AT20085	2F23	2	70 - 38
AR76762	2F2	10	70 - 17	AR91278	2B10	2	50 - 27	AT20141	2F23	3	70 - 38
AR76762	2F8	10	70 - 23	AR91278	2B10	10	50 - 27	AT20749	1E19	13	40 - 17
AR77323	1G1	1	40 - 49	AR91278	2B10	..	50 - 27	AT20766	2D15	1	60 - 18
AR77324	1G1	3	40 - 49	AR91280	2B6	15	50 - 23	AT20854	2D8	1	60 - 11
AR77325	1G1	9	40 - 49	AR91280	2B10	..	50 - 27	AT20911	1D2	4	30 - 15
AR77326	1G1	1	40 - 49	AR91660	1A24	4	20 - 16	AT20983	2F16	4	70 - 31
AR77343	3F22	14	90 - 41	AR91660	1A25	3	20 - 17	AT21108	1B8	1	20 - 25
AR77344	1G17	2	40 - 65	AR91662	1B2	2	20 - 19	AT21110	1B8	1	20 - 25
AR77345	1G17	5	40 - 65	AR91662	1B4	1	20 - 21	AT21112	1B8	1	20 - 25
AR77411	1C2	5	20 - 44	AR91662	1B4	2	20 - 21	AT21114	1B8	1	20 - 25
AR78501	3F22	24	90 - 41	AR91662	1B4	3	20 - 21	AT21122	1B12	11	20 - 29
AR78607	1A19	7	20 - 11	AR91662	1B4	4	20 - 21	AT21124	1B12	11	20 - 29
AR78832	1C21	6	30 - 9	AR91777	1D12	26	30 - 25	AT21126	1B12	11	20 - 29
AR79624	1A22	1	20 - 14	AR92109	3F22	14	90 - 41	AT21130	1B8	3	20 - 25
AR80892	2I6	1	70 - 95	AR92508	1B15	2	20 - 32	AT21132	1B8	3	20 - 25
AR80962	1C5	2	20 - 47	AR92893	1B8	8	20 - 25	AT21134	1B8	3	20 - 25
AR80962	1C5	12	20 - 47	AR93792	1A12	1	20 - 4	AT21136	1B8	3	20 - 25

# 1K20

TRACTOR 3030,3130

## NUMERICAL INDEX - CONTINUED

PART NO.	GRID	KEY	PAGE	PART NO.	GRID	KEY	PAGE	PART NO.	GRID	KEY	PAGE
AT21138	1B12	11	20 - 29	AT26140	1D22	1	30 - 35	AT27174	3D6	38	80 - 71
AT21139	1B8	3	20 - 25	AT26140	1D22	6	30 - 35	AT27175	3D6	35	80 - 71
AT21140	1B8	1	20 - 25	AT26185	3A13	8	80 - 5	AT27176	3D6	3	80 - 71
AT21191	1A15	4	20 - 7	AT26185	3A15	7	80 - 7	AT27177	3D6	31	80 - 71
AT21191	1A15	6	20 - 7	AT26186	3A15	14	80 - 7	AT27178	3D6	1	80 - 71
AT21534	1A14	2	20 - 6	AT26188	2D4	1	60 - 7	AT27179	3C24	1	80 - 65
AT21535	1A14	2	20 - 6	AT26381	2F14	7	70 - 29	AT27264	2C6	1	50 - 47
AT21535	1A14	4	20 - 6	AT26392	2B18	9	50 - 35	AT27313	2F14	23	70 - 29
AT21631	1C9	1	20 - 51	AT26430	2B18	10	50 - 35	AT27371	1F6	7	40 - 29
AT21679	1A17	1	20 - 9	AT26430	2I25	10	70 - 114	AT27371	1F12	4	40 - 35
AT21754	2I20	5	70 - 109	AT26431	2I25	6	70 - 114	AT27372	1F4	4	40 - 27
AT21781	2F22	10	70 - 37	AT26454	1C15	30	30 - 3	AT27413	1B23	1	20 - 40
AT21912	2I12	17	70 - 101	AT26469	3C24	18	80 - 65	AT27535	1G8	18	40 - 56
AT21912	2I14	17	70 - 103	AT26470	3C24	22	80 - 65	AT27622	1D10	2	30 - 23
AT22071	3D22	1	80 - 87	AT26471	3C24	32	80 - 65	AT27622	1D10	4	30 - 23
AT22071	3D22	13	80 - 87	AT26472	3C24	12	80 - 65	AT27622	1D10	10	30 - 23
AT22089	1D2	29	30 - 15	AT26474	1B22	19	20 - 39	AT27622	1D10	12	30 - 23
AT22128	1B12	11	20 - 29	AT26482	1B15	2	20 - 32	AT27651	1F6	15	40 - 29
AT22562	1B8	7	20 - 25	AT26489	1C5	2	20 - 47	AT27652	1G19	15	40 - 67
AT22919	1A15	4	20 - 7	AT26489	1C5	12	20 - 47	AT27728	2A11	30	50 - 3
AT22919	1A15	7	20 - 7	AT26524	2D14	4	60 - 17	AT27728	2B6	36	50 - 23
AT22953	3A23	10	80 - 15	AT26525	2D14	14	60 - 17	AT27730	1G19	14	40 - 67
AT22965	1B8	8	20 - 25	AT26529	2D18	34	60 - 21	AT27730	1H10	18	40 - 83
AT23071	1C2	9	20 - 44	AT26530	2D18	35	60 - 21	AT27735	1G19	4	40 - 67
AT23175	2D2	6	60 - 5	AT26531	2D18	31	60 - 21	AT27791	3A13	26	80 - 5
AT23175	2D6	8	60 - 9	AT26533	2D18	17	60 - 21	AT27917	1D12	22	30 - 25
AT23220	2B3	10	50 - 20	AT26544	2B14	8	50 - 31	AT28174	1D12	30	30 - 25
AT23401	1E23	..	40 - 21	AT26547	1D2	7	30 - 15	AT29022	2G25	2	70 - 64
AT23451	1H10	22	40 - 83	AT26548	1D2	2	30 - 15	AT29054	1B22	20	20 - 39
AT24252	1A24	11	20 - 16	AT26549	1D2	18	30 - 15	AT29280	3A11	15	80 - 3
AT24252	1A25	10	20 - 17	AT26557	3D8	3	80 - 73	AT29282	3A11	14	80 - 3
AT24256	1B20	12	20 - 37	AT26559	1E19	6	40 - 17	AT29464	1D12	27	30 - 25
AT24437	1C15	9	30 - 3	AT26573	2F22	1	70 - 37	AT29586	3A11	5	80 - 3
AT24469	3C24	13	80 - 65	AT26573	2F22	9	70 - 37	AT29629	1D12	2	30 - 25
AT24540	1F8	9	40 - 31	AT26574	2G16	21	70 - 55	AT29630	1D12	3	30 - 25
AT24540	1F14	11	40 - 37	AT26575	2G14	25	70 - 53	AT29631	1D12	4	30 - 25
AT24549	1G5	38	40 - 53	AT26619	2A23	10	50 - 15	AT29632	1D12	5	30 - 25
AT24549	1G7	32	40 - 55	AT26622	2A23	17	50 - 15	AT29633	1D12	6	30 - 25
AT24549	1G10	3	40 - 58	AT26623	2A23	21	50 - 15	AT29634	1D12	7	30 - 25
AT24549	1G19	8	40 - 67	AT26632	2A21	29	50 - 13	AT29739	1A18	1	20 - 10
AT24549	1G23	3	40 - 71	AT26644	2B22	16	50 - 39	AT29928	1A15	4	20 - 7
AT24549	1H4	5	40 - 77	AT26645	2B22	12	50 - 39	AT30110	1G19	20	40 - 67
AT24549	1H10	2	40 - 83	AT26646	2B22	24	50 - 39	AT30110	1H10	24	40 - 83
AT24549	1H12	2	40 - 85	AT26647	2B22	18	50 - 39	AT30621	3B8	3	80 - 25
AT24651	1G23	2	40 - 71	AT26648	2B22	21	50 - 39	AT30631	2G14	12	70 - 53
AT24691	1F6	10	40 - 29	AT26649	2B22	20	50 - 39	AT30873	2J1	3	70 - 115
AT24691	1F12	11	40 - 35	AT26650	2B22	27	50 - 39	AT30876	2J1	1	70 - 115
AT24692	1F6	8	40 - 29	AT26668	2B10	15	50 - 27	AT31074	2I16	19	70 - 105
AT24692	1F12	6	40 - 35	AT26669	2B10	17	50 - 27	AT31076	2I16	14	70 - 105
AT24693	1F6	9	40 - 29	AT26679	2B10	10	50 - 27	AT31077	2I16	18	70 - 105
AT24693	1F12	10	40 - 35	AT26681	2B8	14	50 - 25	AT31078	2I16	16	70 - 105
AT24696	1F24	7	40 - 47	AT26734	1B22	1	20 - 39	AT31206	2I12	25	70 - 101
AT24696	1F24	12	40 - 47	AT26742	2F14	1	70 - 29	AT31206	2I14	25	70 - 103
AT24696	1F24	13	40 - 47	AT26744	2F16	15	70 - 31	AT31207	2I12	13	70 - 101
AT24696	1G19	22	40 - 67	AT26745	2F14	21	70 - 29	AT31224	2B24	3	50 - 41
AT24696	1H10	21	40 - 83	AT26746	2F16	11	70 - 31	AT31226	2B24	32	50 - 41
AT24699	2A15	9	50 - 7	AT26747	2F14	20	70 - 29	AT31237	2G2	26	70 - 41
AT24917	3H18	10	90 - 85	AT26748	2F14	17	70 - 29	AT31237	2G4	23	70 - 43
AT25910	1E23	30	40 - 21	AT26757	2F14	2	70 - 29	AT31238	2G9	11	70 - 48
AT25914	1E23	25	40 - 21	AT26765	2B10	13	50 - 27	AT31239	2G9	9	70 - 48
AT25957	1C23	2	30 - 11	AT26771	2A17	11	50 - 9	AT31240	2G9	5	70 - 48
AT26136	1D20	31	30 - 33	AT26778	2A11	1	50 - 3	AT31246	2G25	1	70 - 64
AT26136	1D22	30	30 - 35	AT26779	2B10	2	50 - 27	AT31250	1A21	8	20 - 13
AT26137	1D20	33	30 - 33	AT26826	2C14	19	50 - 55	AT31336	1D18	7	30 - 31
AT26137	1D22	32	30 - 35	AT26827	2C14	9	50 - 55	AT31338	1D18	4	30 - 31
AT26140	1D20	1	30 - 33	AT26830	2C18	7	50 - 59	AT31413	1E7	27	40 - 5
AT26140	1D20	6	30 - 33	AT27004	2H11	1	70 - 75	AT31610	1B12	3	20 - 29

# 1K21

TRACTOR 3030,3130

## NUMERICAL INDEX - CONTINUED

PART NO.	GRID	KEY	PAGE	PART NO.	GRID	KEY	PAGE	PART NO.	GRID	KEY	PAGE
AT31610	1B13	4	20 - 30	A3581R	3A15	25	80 - 7	B11182	2I14	12	70 - 103
AT31616	3A13	26	80 - 5	A3581R	3A15	26	80 - 7	B11182	2J1	2	70 - 115
AT31616	3A15	35	80 - 7	A3606R	2I10	23	70 - 99	B11182	3A15	26	80 - 7
AT31619	1D2	9	30 - 15	A369R	3A15	10	80 - 7	B11182	3A17	10	80 - 9
AT31733	3C20	12	80 - 61	A3769R	2I12	20	70 - 101	B139R	2F24	4	70 - 39
AT31734	3C20	4	80 - 61	A3809R	3A21	17	80 - 13	B1664R	2A23	8	50 - 15
AT31773	1G19	18	40 - 67	A3910R	1A19	6	20 - 11	B177R	2D14	5	60 - 17
AT31776	1H3	1	40 - 76	A3917R	2A19	30	50 - 11	B2641R	2B6	34	50 - 23
AT31780	1H6	4	40 - 79	A3917R	2A21	3	50 - 13	B2762R	2H17	11	70 - 81
AT31793	3C20	1	80 - 61	A3917R	2B8	1	50 - 25	B3014R	3B12	4	80 - 29
AT32064	1D2	..	30 - 15	A3917R	2B24	13	50 - 41	B3690R	2C24	9	60 - 3
AT32064	1D10	..	30 - 23	A3917R	2F4	6	70 - 19	B3690R	2D2	4	60 - 5
AT32064	1D12	..	30 - 25	A3917R	2H23	31	70 - 87	B3690R	2D6	4	60 - 9
AT32064	1D20	..	30 - 33	A3917R	2I4	7	70 - 93	B3720R	2D18	33	60 - 21
AT32064	1D22	..	30 - 35	A4064R	3B12	13	80 - 29	B634R	3B12	12	80 - 29
AT32199	3A11	19	80 - 3	A4064R	3B14	10	80 - 31	CD12884	1D20	7	30 - 33
AT32221	1C23	2	30 - 11	A4064R	3B16	11	80 - 33	CD12884	1D22	7	30 - 35
AT32233	1B22	14	20 - 39	A4365R	2F4	4	70 - 19	CD12885	1D20	9	30 - 33
AT32239	1C23	14	30 - 11	A4365R	2F10	4	70 - 25	CD12885	1D22	9	30 - 35
AT32239	1C25	3	30 - 13	A4365R	2G14	23	70 - 53	CD12886	1D20	8	30 - 33
AT32240	1C23	1	30 - 11	A4380R	3B12	5	80 - 29	CD12886	1D22	8	30 - 35
AT32246	1G5	35	40 - 53	A4388R	3B9	6	80 - 26	CD12887	1D20	2	30 - 33
AT32247	1G5	..	40 - 53	A4388R	3B9	7	80 - 26	CD12887	1D22	2	30 - 35
AT32251	1H8	4	40 - 81	A4388R	3B12	12	80 - 29	CD12888	1D20	3	30 - 33
AT32281	2F16	22	70 - 31	A4388R	3B12	13	80 - 29	CD12888	1D22	3	30 - 35
AT32336	2F2	40	70 - 17	A4624R	2H5	10	70 - 69	CD12892	1D20	28	30 - 33
AT37833	3H18	10	90 - 85	A4655R	1F9	6	40 - 32	CD12892	1D22	27	30 - 35
AT38621	3B6	2	80 - 23	A4722R	2I10	13	70 - 99	CD13157	1D20	30	30 - 33
AT43600	1G7	5	40 - 55	A4723R	2I10	9	70 - 99	CD13157	1D20	31	30 - 33
AT43601	1G7	5	40 - 55	A4728R	2I10	15	70 - 99	CD13157	1D22	29	30 - 35
AT44188	3E23	10	90 - 17	A4730R	1B20	8	20 - 37	CD13157	1D22	30	30 - 35
AT46457	2D8	1	60 - 11	A4730R	2D18	15	60 - 21	CD13182	1D4	9	30 - 17
AT54955	2D8	1	60 - 11	A4730R	2I4	17	70 - 93	CD13202	1D20	17	30 - 33
AT56660	3G22	10	90 - 65	A4736R	2I10	1	70 - 99	CD13202	1D22	16	30 - 35
AT76292	1C5	12	20 - 47	A4737R	2I10	27	70 - 99	CD13203	1D20	18	30 - 33
AT85153	2F18	17	70 - 33	A4738R	2I10	1	70 - 99	CD13203	1D22	17	30 - 35
AT85153	3G5	2	90 - 48	A4738R	2I10	26	70 - 99	CD13204	1D20	19	30 - 33
AU41465	1H14	1	40 - 87	A4739R	2I10	2	70 - 99	CD13204	1D22	18	30 - 35
AZ14504	1E23	28	40 - 21	A4740R	2I10	5	70 - 99	CD13616	1C18	3	30 - 6
AZ14506	1E23	15	40 - 21	A4741R	2I10	3	70 - 99	CD13647	1D4	1	30 - 17
AZ14507	1E23	12	40 - 21	A4742R	2I10	4	70 - 99	CD13650	1D4	14	30 - 17
AZ15003	1G13	5	40 - 61	A4744R	2I10	8	70 - 99	CD13979	1A20	7	20 - 12
AZ24175	1C17	1	30 - 5	A4745R	2I10	31	70 - 99	CD14725	1A20	5	20 - 12
AZ24178	1C17	4	30 - 5	A4746R	2I10	25	70 - 99	CD14805	1D20	7	30 - 33
AZ24485	1E11	23	40 - 9	A4747R	2I10	30	70 - 99	CD14805	1D22	7	30 - 35
AZ24487	1E11	7	40 - 9	A4748R	2I10	29	70 - 99	CD14873	1D20	25	30 - 33
AZ24488	1E11	15	40 - 9	A4808R	2B14	22	50 - 31	CD14873	1D22	22	30 - 35
AZ24489	1E11	10	40 - 9	A4827R	1B1	10	20 - 18	CD15465	1B12	2	20 - 29
A120R	1A12	2	20 - 4	A4827R	1B2	10	20 - 19	CD16045	1B10	1	20 - 27
A120R	1A13	12	20 - 5	A4827R	1B3	10	20 - 20	CD16045	1B10	2	20 - 27
A120R	1B8	4	20 - 25	A4827R	2B12	10	50 - 29	CD16284	1A19	6	20 - 11
A120R	1B9	6	20 - 26	A4827R	2C6	22	50 - 47	CE12985	1F20	11	40 - 43
A120R	2C18	2	50 - 59	A4847R	2A11	28	50 - 3	CE12986	1F20	6	40 - 43
A147R	2I10	39	70 - 99	A4847R	2F4	13	70 - 19	CE13750	1F20	9	40 - 43
A1555R	3B6	16	80 - 23	A4847R	2F22	25	70 - 37	CE14020	1F20	12	40 - 43
A1556R	3B6	14	80 - 23	A4879R	1A12	6	20 - 4	CE14070	1F20	2	40 - 43
A15898	2I6	44	70 - 95	A4881R	1D2	17	30 - 15	CE14071	1F20	6	40 - 43
A15899	2I6	2	70 - 95	A4883R	2A19	6	50 - 11	CE15294	1F20	6	40 - 43
A2899R	1G1	7	40 - 49	A5146R	3B12	15	80 - 29	CE15515	1C19	6	30 - 7
A3125R	2I10	18	70 - 99	A5180R	3B6	11	80 - 23	CE15515	1C19	11	30 - 7
A3404R	3B18	5	80 - 35	A5301R	3D20	5	80 - 85	C1067R	2A17	8	50 - 9
A3581R	2I8	5	70 - 97	A5302R	2I10	38	70 - 99	C1067R	2A25	15	50 - 17
A3581R	2I12	18	70 - 101	A602R	2I10	21	70 - 99	C1067R	2B2	18	50 - 19
A3581R	2I14	18	70 - 103	BP13682	2A17	6	50 - 9	C284R	2A25	16	50 - 17
A3581R	3A11	17	80 - 3	B1085R	1D2	22	30 - 15	C284R	2B2	17	50 - 19
A3581R	3A11	21	80 - 3	B11182	2A19	34	50 - 11	C744DN	3C24	27	80 - 65
A3581R	3A13	16	80 - 5		2I12	12	70 - 101	DA5883A	2I16	17	70 - 105

# 1K22

TRACTOR 3030,3130

## NUMERICAL INDEX - CONTINUED

PART NO.	GRID	KEY	PAGE	PART NO.	GRID	KEY	PAGE	PART NO.	GRID	KEY	PAGE
DDX4375	1D20	26	30 - 33	F2681R	3A17	1	80 - 9	JD7537	2C2	10	50 - 43
DDX4375	1D22	25	30 - 35	F2741R	2F22	26	70 - 37	JD7557	2C2	12	50 - 43
DDX4377	1D20	32	30 - 33	F2772R	2A11	25	50 - 3	JD7759	2C14	13	50 - 55
DDX4377	1D22	31	30 - 35	F2772R	2B12	30	50 - 29	JD7759	3A15	9	80 - 7
DD11218	1D4	4	30 - 17	F2822R	2I12	6	70 - 101	JD7763	3A11	9	80 - 3
DD11376	1D20	33	30 - 33	F2822R	2I14	6	70 - 103	JD7798	2I20	2	70 - 109
DD11376	1D22	19	30 - 35	F2827R	2I12	26	70 - 101	JD7798	2I22	14	70 - 111
DD11381	1D20	1	30 - 33	F2827R	2I14	26	70 - 103	JD7798	3B4	2	80 - 21
DD11381	1D22	1	30 - 35	F2863R	2D14	9	60 - 17	JD7798	3B6	15	80 - 23
DD11785	1B20	1	20 - 37	F2962R	2F22	9	70 - 37	JD7799	3A21	5	80 - 13
DD11786	1B20	1	20 - 37	F3171R	2A11	22	50 - 3	JD7799	3B2	3	80 - 19
DD11791	1D12	8	30 - 25	F3171R	2B8	20	50 - 25	JD7847	3B2	2	80 - 19
DD11839	1D4	16	30 - 17	F3171R	2B14	16	50 - 31	JD8105	2B16	9	50 - 33
DD11840	1D4	3	30 - 17	F3171R	2B24	15	50 - 41	JD8135	2C6	17	50 - 47
DD12121	1A21	2	20 - 13	F3171R	2D16	7	60 - 19	JD8192	2F2	33	70 - 17
DD13276	1B12	3	20 - 29	F3171R	2E16	34	70 - 7	JD8192	2F8	31	70 - 23
DD13276	1B13	4	20 - 30	F3171R	2E18	27	70 - 9	JD8206	2C8	4	50 - 49
DD13276	1C9	3	20 - 51	F3171R	2F4	24	70 - 19	JD8210	2C14	20	50 - 55
DD13407	1D20	7	30 - 33	F3171R	2F8	5	70 - 23	JD8213	2C14	12	50 - 55
DD13407	1D20	8	30 - 33	F3171R	2F10	25	70 - 25	JD8223	2F2	32	70 - 17
DD13407	1D20	10	30 - 33	F3171R	2H15	1	70 - 79	JD8223	2F8	30	70 - 23
DD13407	1D22	7	30 - 35	F3322R	2F22	9	70 - 37	JD8247	2C6	10	50 - 47
DD13407	1D22	8	30 - 35	F3353R	2G9	6	70 - 48	JD8251	3B6	9	80 - 23
DD13407	1D22	10	30 - 35	F3353R	2G10	6	70 - 49	JD8257	2B18	19	50 - 35
DD13483	1D7	2	30 - 20	F3353R	2G11	12	70 - 50	JD8257	2B20	14	50 - 37
DD13912	1D12	8	30 - 25	F339R	2B10	19	50 - 27	JD8290	2C14	12	50 - 55
DD14134	3D25	4	80 - 90	F339R	2I16	9	70 - 105	JD8410	3B4	27	80 - 21
DD14136	3D25	4	80 - 90	F3396R	2A23	18	50 - 15	JD8412	3B4	27	80 - 21
DD14194	1D8	8	30 - 21	F3450R	2D2	23	60 - 5	JD8827	3B2	5	80 - 19
DD14195	1D8	4	30 - 21	F3607R	3B4	11	80 - 21	JD8877	2A21	9	50 - 13
DD14345	3D25	4	80 - 90	H23196	3F18	9	90 - 37	JD8913	3B6	6	80 - 23
DD14346	3D25	4	80 - 90	H23196	3F20	2	90 - 39	JD8922	2C6	11	50 - 47
DD14760	1B20	1	20 - 37	H23196	3F20	11	90 - 39	JD8929	3B6	10	80 - 23
DD14928	1B1	3	20 - 18	H246R	2B24	7	50 - 41	JD8946	2C8	5	50 - 49
DD14928	1B1	19	20 - 18	H35244	1B8	10	20 - 25	JD8947	2B18	20	50 - 35
DD14928	1B2	3	20 - 19	H35244	1B8	11	20 - 25	JD8955	2C14	11	50 - 55
DD14928	1B2	15	20 - 19	H410R	2C10	7	50 - 51	JD8963	2C14	11	50 - 55
DD14928	1B3	3	20 - 20	H410R	2C12	5	50 - 53	JD8969	2C6	31	50 - 47
DE12298	1F20	5	40 - 43	H836R	2A23	26	50 - 15	JD8969	3B6	6	80 - 23
DE13523	1F20	1	40 - 43	H871R	2B6	16	50 - 23	JD8975	2C14	21	50 - 55
DE13524	1F20	1	40 - 43	H871R	2I6	9	70 - 95	JD8982	2C6	34	50 - 47
DE13567	1F20	1	40 - 43	H871R	2I6	37	70 - 95	JD9022	2B16	2	50 - 33
DE13568	1F20	1	40 - 43	JD10036	1E13	7	40 - 11	JD9023	2B16	1	50 - 33
DE13569	1F20	1	40 - 43	JD10036	1E15	26	40 - 13	JD9024	2B20	2	50 - 37
DE13570	1F20	1	40 - 43	JD10036	1E17	22	40 - 15	JD9025	2B20	3	50 - 37
DE13582	1F20	5	40 - 43	JD10059	2E16	10	70 - 7	JD9026	2B20	15	50 - 37
DE13583	1F20	5	40 - 43	JD10107	1B16	3	20 - 33	JD9096	2C8	5	50 - 49
DE13652	1F20	3	40 - 43	JD10282	2C2	10	50 - 43	JD9151	2C8	4	50 - 49
DE13653	1F20	3	40 - 43	JD10283	2C2	12	50 - 43	JD9320	2C2	17	50 - 43
DE13654	1F20	3	40 - 43	JD10318	2C8	5	50 - 49	JD9385	2C2	7	50 - 43
DE17426	1F20	5	40 - 43	JD10319	2B12	1	50 - 29	JD9832	2C24	15	60 - 3
D2361R	2D15	15	60 - 18	JD10319	2C8	14	50 - 49	JD9837	2B16	4	50 - 33
D2361R	2E18	6	70 - 9	JD10477	3D20	1	80 - 85	JD9848	2I20	10	70 - 109
D2361R	2F16	7	70 - 31	JD16	3B6	3	80 - 23	JD9854	2I20	20	70 - 109
D2361R	2F22	2	70 - 37	JD21	3B6	3	80 - 23	JD9858	2E16	10	70 - 7
D2361R	2I4	11	70 - 93	JD30001	1E17	8	40 - 15	JD9858	2E18	29	70 - 9
E45229	1B23	8	20 - 40	JD3210	3B6	2	80 - 23	JD9910	3B2	5	80 - 19
F1334R	2C2	15	50 - 43	JD3211	3B6	2	80 - 23	JD9927	2B6	21	50 - 23
F1441R	2I10	19	70 - 99	JD39071	3H16	9	90 - 83	JD9932	2B6	21	50 - 23
F1791R	2F22	1	70 - 37	JD39072	3H16	8	90 - 83	J18015	1B22	24	20 - 39
F1791R	2F22	4	70 - 37	JD5505	3D16	6	80 - 81	KIT	1D20	7	30 - 33
F1942R	2F23	10	70 - 38	JD5602	3D20	1	80 - 85	KIT	1D20	8	30 - 33
F2367R	2C2	11	50 - 43	JD5635	3D16	6	80 - 81	KIT	1D22	7	30 - 35
F2506R	1D2	11	30 - 15	JD7418	2C6	32	50 - 47	KIT	1D22	8	30 - 35
F2570R	2F24	5	70 - 39	JD7427	2B16	10	50 - 33	L11027	2C6	30	50 - 47
F2570R	2F24	12	70 - 39	JD7438	2C6	16	50 - 47	L11028	2C6	30	50 - 47
F2681R	2I12	10	70 - 101	JD7445	3B6	7	80 - 23	L11278	3A11	26	80 - 3



# 1K23

TRACTOR 3030,3130

## NUMERICAL INDEX - CONTINUED

PART NO.	GRID	KEY	PAGE	PART NO.	GRID	KEY	PAGE	PART NO.	GRID	KEY	PAGE
L11279	3A11	22	80 - 3	L19654	1E23	21	40 - 21	L27167	3H3	11	90 - 70
L11280	3A11	23	80 - 3	L20093	2G25	13	70 - 64	L27167	3H4	13	90 - 71
L11281	3A11	25	80 - 3	L20095	2D22	22	60 - 25	L27167	3H8	7	90 - 75
L11402	3H20	7	90 - 87	L20095	2E3	6	60 - 30	L27339	1E7	13	40 - 5
L11510	3C2	4	80 - 43	L20095	2E4	6	60 - 31	L27339	1E11	17	40 - 9
L11510	3C4	9	80 - 45	L20095	2G25	5	70 - 64	L27532	3A11	8	80 - 3
L11766	3C12	10	80 - 53	L20102	2G25	4	70 - 64	L27831	3D20	11	80 - 85
L12491	3A23	7	80 - 15	L23742	1F4	2	40 - 27	L28056	3A11	12	80 - 3
L12622	2G24	27	70 - 63	L24233	3A21	6	80 - 13	L28076	3G10	3	90 - 53
L12622	2G24	29	70 - 63	L24456	3C10	13	80 - 51	L28076	3H6	2	90 - 73
L12624	1F8	7	40 - 31	L24456	3C12	16	80 - 53	L28077	3G10	2	90 - 53
L12624	1F14	9	40 - 37	L24648	1D18	3	30 - 31	L28077	3G14	2	90 - 57
L12807	1F24	8	40 - 47	L24722	3C10	12	80 - 51	L28077	3G18	2	90 - 61
L12807	1H2	11	40 - 75	L24722	3C12	17	80 - 53	L28077	3H6	5	90 - 73
L12807	1H6	3	40 - 79	L24759	3A11	7	80 - 3	L28077	3H10	2	90 - 77
L12807	1H8	3	40 - 81	L24761	3A11	6	80 - 3	L28078	3G10	30	90 - 53
L12807	1H10	5	40 - 83	L24810	3A11	20	80 - 3	L28081	3G10	28	90 - 53
L12807	1H14	3	40 - 87	L25140	3B6	15	80 - 23	L28081	3H6	14	90 - 73
L12809	1G19	11	40 - 67	L25306	3H20	6	90 - 87	L28226	3B14	1	80 - 31
L12809	1H10	1	40 - 83	L25407	3A11	2	80 - 3	L28226	3B16	1	80 - 33
L12809	1H12	5	40 - 85	L25411	3C12	6	80 - 53	L28228	3B14	7	80 - 31
L12974	2C4	3	50 - 45	L25678	3G8	12	90 - 51	L28228	3B16	3	80 - 33
L12991	3H20	11	90 - 87	L25678	3G12	9	90 - 55	L28230	3B14	2	80 - 31
L13325	1H6	2	40 - 79	L25678	3G16	15	90 - 59	L28230	3B16	2	80 - 33
L13325	1H8	2	40 - 81	L25678	3H3	14	90 - 70	L28273	2I20	9	70 - 109
L13325	1H10	13	40 - 83	L25678	3H4	16	90 - 71	L28274	2I20	23	70 - 109
L13325	1H14	12	40 - 87	L25678	3H8	11	90 - 75	L28274	2I22	1	70 - 111
L13325	2F20	3	70 - 35	L25686	3G8	5	90 - 51	L28281	2I12	20	70 - 101
L13553	1F24	20	40 - 47	L25686	3G12	1	90 - 55	L28281	2I14	20	70 - 103
L13555	1F24	19	40 - 47	L25686	3G16	14	90 - 59	L28281	2I20	18	70 - 109
L13557	1F24	17	40 - 47	L25686	3G22	2	90 - 65	L28323	3A23	9	80 - 15
L13558	1F24	16	40 - 47	L25686	3H3	2	90 - 70	L28376	2C8	9	50 - 49
L13559	1F24	27	40 - 47	L25686	3H8	1	90 - 75	L28391	3D6	6	80 - 71
L13560	1F24	26	40 - 47	L25689	3G8	4	90 - 51	L28414	1D14	17	30 - 27
L13579	1G5	11	40 - 53	L25689	3G16	4	90 - 59	L28414	1D16	24	30 - 29
L13957	1F16	13	40 - 39	L25837	2C2	16	50 - 43	L28415	1D14	16	30 - 27
L13958	1F16	9	40 - 39	L26753	2A13	18	50 - 5	L28416	1D14	18	30 - 27
L13959	1G5	17	40 - 53	L26755	2A13	4	50 - 5	L28416	1D16	23	30 - 29
L13960	1G5	16	40 - 53	L26756	2A13	3	50 - 5	L28445	3A23	9	80 - 15
L13961	1G5	14	40 - 53	L26757	2A13	2	50 - 5	L28510	1C15	14	30 - 3
L17056	2G25	6	70 - 64	L26759	2A13	11	50 - 5	L28511	1C15	13	30 - 3
L17658	2G22	27	70 - 61	L26760	2A13	16	50 - 5	L28512	1C15	16	30 - 3
L17658	2G25	3	70 - 64	L26761	2A13	21	50 - 5	L28513	1C15	15	30 - 3
L17672	1F16	10	40 - 39	L26762	2A13	6	50 - 5	L28514	1C15	17	30 - 3
L17672	1F16	11	40 - 39	L26763	2A13	1	50 - 5	L28515	1C17	7	30 - 5
L17672	1F24	20	40 - 47	L26764	2A13	10	50 - 5	L28516	1C17	12	30 - 5
L17672	1F24	21	40 - 47	L26766	2A13	7	50 - 5	L28517	1C15	9	30 - 3
L17673	1F16	12	40 - 39	L26766	2A13	8	50 - 5	L28518	1C15	8	30 - 3
L17674	1F16	15	40 - 39	L26767	2A13	9	50 - 5	L28519	1C17	3	30 - 5
L18042	1G5	2	40 - 53	L26809	3B9	1	80 - 26	L28520	1F8	4	40 - 31
L18703	1F16	13	40 - 39	L26931	2A21	18	50 - 13	L28520	1F14	6	40 - 37
L18703	1F24	18	40 - 47	L26936	2I16	4	70 - 105	L28521	3C10	19	80 - 51
L18704	1F16	12	40 - 39	L26940	2G16	11	70 - 55	L28522	3C10	20	80 - 51
L18705	1F16	14	40 - 39	L26941	2I16	2	70 - 105	L28532	3G6	7	90 - 49
L18705	1F24	25	40 - 47	L26943	2I16	3	70 - 105	L28537	3C2	20	80 - 43
L18893	2D22	21	60 - 25	L26951	1F18	15	40 - 41	L28538	3C2	17	80 - 43
L18893	2E3	5	60 - 30	L26952	1F18	13	40 - 41	L28539	3B24	2	80 - 41
L18893	2E4	5	60 - 31	L27094	2D8	9	60 - 11	L28539	3C2	2	80 - 43
L18893	2G25	7	70 - 64	L27099	3B22	2	80 - 39	L28539	3C4	14	80 - 45
L19144	1F18	10	40 - 41	L27166	3G10	26	90 - 53	L28540	3B24	8	80 - 41
L19146	1F18	12	40 - 41	L27166	3G14	20	90 - 57	L28540	3C2	9	80 - 43
L19148	1F18	11	40 - 41	L27166	3G18	15	90 - 61	L28540	3C4	14	80 - 45
L19149	1F18	14	40 - 41	L27166	3H6	16	90 - 73	L28541	3C2	2	80 - 43
L19440	3C12	14	80 - 53	L27167	3G8	10	90 - 51	L28542	3C2	9	80 - 43
L19651	1E23	23	40 - 21	L27167	3G12	7	90 - 55	L28543	3C2	20	80 - 43
L19651	1E25	30	40 - 23	L27167	3G16	12	90 - 59	L28544	3C2	17	80 - 43
L19651	1F2	21	40 - 25	L27167	3G22	7	90 - 65	L28545	3C2	2	80 - 43

# 1K24

TRACTOR 3030,3130

## NUMERICAL INDEX - CONTINUED

PART NO.	GRID	KEY	PAGE	PART NO.	GRID	KEY	PAGE	PART NO.	GRID	KEY	PAGE
L28545	3C4	14	80 - 45	L29059	2C10	15	50 - 51	L29211	3H10	12	90 - 77
L28546	3C2	9	80 - 43	L29059	2C12	7	50 - 53	L29217	3G6	6	90 - 49
L28546	3C4	14	80 - 45	L29082	3D18	2	80 - 83	L29223	2B24	8	50 - 41
L28547	3B24	13	80 - 41	L29083	3D18	3	80 - 83	L29224	2B24	11	50 - 41
L28547	3C2	15	80 - 43	L29084	3D18	1	80 - 83	L29226	2C8	12	50 - 49
L28553	3B24	2	80 - 41	L29136	3B9	1	80 - 26	L29227	2C8	10	50 - 49
L28554	3B24	8	80 - 41	L29137	3B12	7	80 - 29	L29230	2A13	15	50 - 5
L28555	3B24	14	80 - 41	L29147	2C10	12	50 - 51	L29231	2A13	19	50 - 5
L28558	2D18	9	60 - 21	L29147	2C12	11	50 - 53	L29249	1F24	15	40 - 47
L28559	2D18	11	60 - 21	L29148	2C8	7	50 - 49	L29250	2B24	20	50 - 41
L28561	3D4	7	80 - 69	L29151	1E23	29	40 - 21	L29251	2B24	20	50 - 41
L28561	3D6	23	80 - 71	L29152	1E23	16	40 - 21	L29251	2B24	28	50 - 41
L28591	2D16	8	60 - 19	L29152	1E25	22	40 - 23	L29252	2B24	20	50 - 41
L28601	1D14	28	30 - 27	L29153	1E23	2	40 - 21	L29252	2B24	26	50 - 41
L28601	1D16	12	30 - 29	L29154	1E23	18	40 - 21	L29253	2B24	18	50 - 41
L28602	1D14	19	30 - 27	L29155	1E23	19	40 - 21	L29253	2B24	20	50 - 41
L28604	2B3	2	50 - 20	L29156	1E23	4	40 - 21	L29253	3A15	21	80 - 7
L28605	1D14	12	30 - 27	L29156	1E25	7	40 - 23	L29265	1D2	8	30 - 15
L28612	1D4	14	30 - 17	L29156	1F2	31	40 - 25	L29268	2C2	24	50 - 43
L28615	3C10	7	80 - 51	L29157	1E23	17	40 - 21	L29281	3D8	4	80 - 73
L28616	3C10	8	80 - 51	L29157	1E25	27	40 - 23	L29282	3D8	19	80 - 73
L28622	1D17	7	30 - 30	L29157	1F2	19	40 - 25	L29295	2C18	16	50 - 59
L28626	3B22	3	80 - 39	L29158	1E23	11	40 - 21	L29301	3D18	4	80 - 83
L28639	2D22	11	60 - 25	L29158	1E25	24	40 - 23	L29302	3D18	13	80 - 83
L28639	2D24	16	60 - 27	L29159	1E7	3	40 - 5	L29306	2I18	6	70 - 107
L28639	2E2	22	60 - 29	L29159	1E11	6	40 - 9	L29306	2I20	29	70 - 109
L28642	3B6	3	80 - 23	L29160	1E7	21	40 - 5	L29314	2G2	3	70 - 41
L28643	1D14	2	30 - 27	L29160	1E7	22	40 - 5	L29322	3D20	11	80 - 85
L28646	2B18	4	50 - 35	L29160	1E11	11	40 - 9	L29343	2A11	31	50 - 3
L28647	2B20	11	50 - 37	L29161	1E7	20	40 - 5	L29353	3G10	16	90 - 53
L28648	2B18	2	50 - 35	L29161	1E11	9	40 - 9	L29353	3G18	31	90 - 61
L28653	2B22	2	50 - 39	L29162	1E7	15	40 - 5	L29400	2A21	32	50 - 13
L28653	2B22	31	50 - 39	L29162	1E11	20	40 - 9	L29405	2C10	8	50 - 51
L28654	2B22	3	50 - 39	L29163	1E7	8	40 - 5	L29405	2C12	6	50 - 53
L28655	2A21	24	50 - 13	L29164	1E7	10	40 - 5	L29406	2C10	6	50 - 51
L28656	2A21	23	50 - 13	L29165	1E7	11	40 - 5	L29406	2C10	8	50 - 51
L28678	1F25	8	40 - 48	L29166	1E7	4	40 - 5	L29406	2C12	6	50 - 53
L28679	1F25	8	40 - 48	L29167	1E7	2	40 - 5	L29406	2C12	13	50 - 53
L28680	1G2	7	40 - 50	L29167	1E11	2	40 - 9	L29410	2C10	12	50 - 51
L28696	3C10	10	80 - 51	L29196	2D2	3	60 - 5	L29410	2C12	11	50 - 53
L28701	2C10	14	50 - 51	L29197	2C24	14	60 - 3	L29410	2F22	1	70 - 37
L28703	2B18	1	50 - 35	L29198	2C24	13	60 - 3	L29413	2F22	1	70 - 37
L28732	2D22	6	60 - 25	L29202	3G10	7	90 - 53	L29416	2C8	7	50 - 49
L28751	2H5	11	70 - 69	L29203	3G10	16	90 - 53	L29418	2D14	2	60 - 17
L28759	3C2	20	80 - 43	L29204	3G10	11	90 - 53	L29439	3D18	12	80 - 83
L28760	3C2	20	80 - 43	L29204	3G18	27	90 - 61	L29440	3D18	11	80 - 83
L28827	2D12	3	60 - 15	L29204	3H6	20	90 - 73	L29441	3H20	7	90 - 87
L28902	2H11	18	70 - 75	L29205	3G10	14	90 - 53	L29823	1D2	7	30 - 15
L28918	3C24	20	80 - 65	L29205	3G10	14	90 - 53	L29823	1D2	20	30 - 15
L28918	3C24	24	80 - 65	L29206	3G18	30	90 - 61	L29832	2C10	8	50 - 51
L28919	2G9	2	70 - 48	L29206	3G10	12	90 - 53	L29832	2C12	6	50 - 53
L28921	2H11	8	70 - 75	L29206	3G18	28	90 - 61	L29834	2C10	7	50 - 51
L28930	2I20	25	70 - 109	L29206	3H6	21	90 - 73	L29834	2C12	5	50 - 53
L28935	2D22	7	60 - 25	L29208	3G10	24	90 - 53	L29871	2C8	17	50 - 49
L28988	2C24	4	60 - 3	L29208	3G14	17	90 - 57	L29872	2F18	5	70 - 33
L29000	2C8	16	50 - 49	L29208	3G18	14	90 - 61	L29872	3G5	8	90 - 48
L29001	2C8	13	50 - 49	L29208	3G24	18	90 - 67	L29890	1B22	24	20 - 39
L29002	2C8	14	50 - 49	L29208	3H3	13	90 - 70	L30186	2H25	4	70 - 89
L29003	2D18	38	60 - 21	L29208	3H4	15	90 - 71	L30187	2H21	2	70 - 85
L29004	2D18	37	60 - 21	L29208	3H10	19	90 - 77	L30188	2H21	18	70 - 85
L29005	2C8	3	50 - 49	L29209	3G8	14	90 - 51	L30200	3G6	8	90 - 49
L29006	2C8	3	50 - 49	L29209	3G14	18	90 - 57	L30201	2G4	7	70 - 43
L29007	2C8	3	50 - 49	L29209	3G16	17	90 - 59	L30201	2G4	19	70 - 43
L29028	3D16	3	80 - 81	L29211	3G10	19	90 - 53	L30202	2G10	1	70 - 49
L29029	3D16	1	80 - 81	L29211	3G14	12	90 - 57	L30203	2G4	24	70 - 43
L29034	3D16	4	80 - 81	L29211	3G18	9	90 - 61	L30206	2D24	5	60 - 27
L29035	3D16	2	80 - 81	L29211	3G24	13	90 - 67	L30207	2D24	4	60 - 27
				L29211	3H6	11	90 - 73	L30207	2E2	3	60 - 29

# 1K25

TRACTOR 3030,3130

## NUMERICAL INDEX - CONTINUED

PART NO.	GRID	KEY	PAGE	PART NO.	GRID	KEY	PAGE	PART NO.	GRID	KEY	PAGE
L30207	2H15	21	70 - 79	L30754	2B8	11	50 - 25	L31052	2B24	18	50 - 41
L30288	1B23	4	20 - 40	L30754	2B8	14	50 - 25	L31052	2B24	30	50 - 41
L30289	1B23	3	20 - 40	L30755	2B8	9	50 - 25	L31055	2B22	4	50 - 39
L30302	3C2	20	80 - 43	L30755	2B8	14	50 - 25	L31056	2B22	4	50 - 39
L30302	3C4	31	80 - 45	L30755	2B8	15	50 - 25	L31059	2D6	1	60 - 9
L30303	3C2	17	80 - 43	L30756	2A21	4	50 - 13	L31061	2G6	9	70 - 45
L30303	3C4	27	80 - 45	L30756	2B8	9	50 - 25	L31062	2G6	13	70 - 45
L30304	2I24	10	70 - 113	L30756	2B8	14	50 - 25	L31065	2G6	3	70 - 45
L30304	3C4	22	80 - 45	L30762	2C8	7	50 - 49	L31065	3D4	6	80 - 69
L30305	3C2	20	80 - 43	L30763	2C10	12	50 - 51	L31086	2I24	7	70 - 113
L30305	3C4	31	80 - 45	L30763	2C12	11	50 - 53	L31088	2I24	5	70 - 113
L30306	3C2	17	80 - 43	L30764	2C8	2	50 - 49	L31089	2I24	6	70 - 113
L30306	3C4	27	80 - 45	L30767	2C10	8	50 - 51	L31090	2I24	3	70 - 113
L30332	3C24	13	80 - 65	L30767	2C12	6	50 - 53	L31091	2I24	2	70 - 113
L30332	3D3	11	80 - 68	L30768	2C10	11	50 - 51	L31097	1D20	13	30 - 33
L30399	2D19	3	60 - 22	L30768	2C12	10	50 - 53	L31097	1D22	13	30 - 35
L30409	1D16	33	30 - 29	L30769	2C10	10	50 - 51	L31098	1D2	23	30 - 15
L30418	1D16	26	30 - 29	L30769	2C12	9	50 - 53	L31105	3F2	18	90 - 21
L30420	2B2	14	50 - 19	L30780	3D8	14	80 - 73	L31106	1G3	15	40 - 51
L30454	2H1	1	70 - 65	L30784	2G4	6	70 - 43	L31107	1D16	22	30 - 29
L30454	2H9	12	70 - 73	L30795	1D16	2	30 - 29	L31124	1G2	8	40 - 50
L30470	1D16	5	30 - 29	L30795	2B4	2	50 - 21	L31126	3H2	3	90 - 69
L30470	2B2	5	50 - 19	L30801	2B2	12	50 - 19	L31127	3H2	2	90 - 69
L30470	2B4	5	50 - 21	L30802	2B2	3	50 - 19	L31129	3E23	2	90 - 17
L30470	2G6	16	70 - 45	L30816	2B4	12	50 - 21	L31129	3E25	2	90 - 19
L30470	2G8	11	70 - 47	L30824	3B8	5	80 - 25	L31134	3E11	23	90 - 5
L30470	2G11	3	70 - 50	L30825	2C12	21	50 - 53	L31135	3E11	15	90 - 5
L30470	2G24	7	70 - 63	L30826	2C12	2	50 - 53	L31136	3E9	1	90 - 3
L30492	3F22	9	90 - 41	L30840	2G24	4	70 - 63	L31137	3D10	6	80 - 75
L30515	3D4	8	80 - 69	L30841	2G24	6	70 - 63	L31138	1G8	13	40 - 56
L30607	1D4	9	30 - 17	L30841	3H18	13	90 - 85	L31140	3E9	4	90 - 3
L30619	3B24	12	80 - 41	L30849	1D17	6	30 - 30	L31141	3E19	28	90 - 13
L30619	3C2	14	80 - 43	L30853	1D17	2	30 - 30	L31142	3E19	25	90 - 13
L30619	3C4	23	80 - 45	L30860	1E25	32	40 - 23	L31143	1E19	3	40 - 17
L30655	1F8	6	40 - 31	L30860	1F2	24	40 - 25	L31144	3F6	16	90 - 25
L30655	1F14	4	40 - 37	L30861	1E25	19	40 - 23	L31145	3F14	14	90 - 33
L30661	1F14	8	40 - 37	L30862	1E25	14	40 - 23	L31146	3F8	12	90 - 27
L30695	2A11	12	50 - 3	L30862	1F2	7	40 - 25	L31147	3F4	11	90 - 23
L30695	2B12	21	50 - 29	L30863	1E25	23	40 - 23	L31148	3F4	9	90 - 23
L30696	3D4	6	80 - 69	L30864	1E25	33	40 - 23	L31149	3F4	1	90 - 23
L30697	3D16	4	80 - 81	L30865	1E25	34	40 - 23	L31164	3F12	8	90 - 31
L30698	3D16	2	80 - 81	L30866	1E25	35	40 - 23	L31165	3F4	6	90 - 23
L30701	3D16	3	80 - 81	L30867	1E25	36	40 - 23	L31166	3F4	12	90 - 23
L30702	3D16	1	80 - 81	L30868	1E25	38	40 - 23	L31167	3F4	5	90 - 23
L30706	2E3	3	60 - 30	L30869	1E25	37	40 - 23	L31168	3F4	5	90 - 23
L30706	2E4	3	60 - 31	L30932	2G8	15	70 - 47	L31169	3F6	15	90 - 25
L30707	2E4	1	60 - 31	L30933	2G8	13	70 - 47	L31170	3F6	12	90 - 25
L30708	2E3	7	60 - 30	L30960	3C4	3	80 - 45	L31171	3F6	13	90 - 25
L30708	2E4	7	60 - 31	L30961	3C12	20	80 - 53	L31172	3F4	3	90 - 23
L30719	2D24	30	60 - 27	L30962	3C12	24	80 - 53	L31173	3F10	13	90 - 29
L30719	2E2	27	60 - 29	L30968	3F10	9	90 - 29	L31174	3F4	8	90 - 23
L30720	2D24	32	60 - 27	L30968	3F12	16	90 - 31	L31175	3F4	8	90 - 23
L30720	2E2	29	60 - 29	L31002	3D6	6	80 - 71	L31176	3E19	20	90 - 13
L30721	2D24	33	60 - 27	L31017	2D12	3	60 - 15	L31177	3E11	11	90 - 5
L30721	2E2	30	60 - 29	L31023	1B23	9	20 - 40	L31178	3F4	10	90 - 23
L30722	2D24	31	60 - 27	L31023	3F18	8	90 - 37	L31179	3F4	7	90 - 23
L30722	2E2	28	60 - 29	L31023	3F20	1	90 - 39	L31180	3F4	4	90 - 23
L30742	2C14	8	50 - 55	L31026	3F18	..	90 - 37	L31181	3F4	2	90 - 23
L30744	3B9	3	80 - 26	L31028	1G21	2	40 - 69	L31182	3C6	10	80 - 47
L30745	3B9	1	80 - 26	L31031	1G9	3	40 - 57	L31183	3C6	10	80 - 47
L30748	3B9	1	80 - 26	L31032	1G9	1	40 - 57	L31186	3C6	21	80 - 47
L30750	3A11	7	80 - 3	L31033	1G21	3	40 - 69	L31187	3C6	16	80 - 47
L30751	3A11	8	80 - 3	L31034	3E23	1	90 - 17	L31190	3E11	21	90 - 5
L30753	2B8	9	50 - 25	L31034	3E25	1	90 - 19	L31191	3E11	21	90 - 5
L30753	2B8	12	50 - 25	L31047	1F14	16	40 - 37	L31192	3E11	11	90 - 5
L30753	2B8	14	50 - 25	L31051	2B24	26	50 - 41	L31193	3E11	23	90 - 5
L30754	2B8	9	50 - 25	L31051	2B24	30	50 - 41	L31205	3E13	9	90 - 7

# 1L1

TRACTOR 3030,3130

## NUMERICAL INDEX - CONTINUED

PART NO.	GRID	KEY	PAGE	PART NO.	GRID	KEY	PAGE	PART NO.	GRID	KEY	PAGE
L31208	3D6	26	80 - 71	L31405	3E19	42	90 - 13	L31726	3A19	6	80 - 11
L31208	3H2	7	90 - 69	L31406	3E19	29	90 - 13	L31727	3G10	17	90 - 53
L31209	3H2	4	90 - 69	L31407	3E19	1	90 - 13	L31727	3G14	14	90 - 57
L31284	3H18	4	90 - 85	L31408	3E19	20	90 - 13	L31727	3G18	7	90 - 61
L31296	3F12	7	90 - 31	L31409	3E19	15	90 - 13	L31727	3G24	15	90 - 67
L31297	3F2	12	90 - 21	L31410	3E19	13	90 - 13	L31727	3H6	13	90 - 73
L31298	3C6	2	80 - 47	L31410	3E21	37	90 - 15	L31727	3H10	14	90 - 77
L31299	3F10	6	90 - 29	L31411	3E19	30	90 - 13	L31728	3G8	16	90 - 51
L31299	3F12	6	90 - 31	L31412	3F6	14	90 - 25	L31728	3G16	19	90 - 59
L31300	3F2	14	90 - 21	L31414	3F14	8	90 - 33	L31728	3H3	17	90 - 70
L31301	3F2	10	90 - 21	L31415	3F14	20	90 - 33	L31728	3H3	18	90 - 70
L31302	3F2	22	90 - 21	L31416	3F14	22	90 - 33	L31728	3H4	19	90 - 71
L31303	3F2	16	90 - 21	L31417	3E9	8	90 - 3	L31728	3H4	20	90 - 71
L31306	3F2	13	90 - 21	L31419	3E19	18	90 - 13	L31729	3G10	7	90 - 53
L31307	3F2	5	90 - 21	L31421	3F14	1	90 - 33	L31729	3G18	23	90 - 61
L31308	3C6	6	80 - 47	L31422	3F14	11	90 - 33	L31729	3H6	28	90 - 73
L31308	3E19	11	90 - 13	L31422	3F16	4	90 - 35	L31730	3G10	18	90 - 53
L31308	3E21	11	90 - 15	L31423	3F14	10	90 - 33	L31730	3G14	13	90 - 57
L31310	3F10	7	90 - 29	L31434	2C24	21	60 - 3	L31730	3G18	8	90 - 61
L31315	2C15	3	50 - 56	L31504	3B20	7	80 - 37	L31730	3G24	14	90 - 67
L31316	2C15	4	50 - 56	L31504	3B22	8	80 - 39	L31730	3H6	12	90 - 73
L31330	2G11	5	70 - 50	L31507	3C12	27	80 - 53	L31730	3H10	13	90 - 77
L31332	2G24	10	70 - 63	L31508	3C12	29	80 - 53	L31731	3G10	5	90 - 53
L31334	3F2	15	90 - 21	L31521	3E16	7	90 - 10	L31731	3G14	8	90 - 57
L31339	1F24	11	40 - 47	L31542	3F14	5	90 - 33	L31731	3G18	6	90 - 61
L31347	3C6	23	80 - 47	L31543	3F14	15	90 - 33	L31731	3G24	8	90 - 67
L31348	1G8	14	40 - 56	L31544	3E19	9	90 - 13	L31731	3H6	7	90 - 73
L31349	3C6	30	80 - 47	L31544	3E21	9	90 - 15	L31731	3H10	8	90 - 77
L31350	3C6	31	80 - 47	L31545	3E13	9	90 - 7	L31732	3H6	17	90 - 73
L31351	1G8	2	40 - 56	L31547	3E16	3	90 - 10	L31733	3H6	19	90 - 73
L31352	1G8	3	40 - 56	L31550	3F2	2	90 - 21	L31734	3H6	18	90 - 73
L31353	3C6	38	80 - 47	L31551	3F2	9	90 - 21	L31735	3H3	15	90 - 70
L31377	3F6	6	90 - 25	L31552	3F2	19	90 - 21	L31735	3H4	17	90 - 71
L31378	3F6	4	90 - 25	L31554	2G4	2	70 - 43	L31736	3H3	9	90 - 70
L31379	3E11	27	90 - 5	L31558	3D20	8	80 - 85	L31736	3H4	11	90 - 71
L31380	3E9	7	90 - 3	L31559	3D20	7	80 - 85	L31737	3G18	20	90 - 61
L31380	3E11	29	90 - 5	L31560	3A23	12	80 - 15	L31738	3G16	5	90 - 59
L31381	3E11	26	90 - 5	L31641	2I22	9	70 - 111	L31738	3H4	2	90 - 71
L31382	3E9	14	90 - 3	L31642	2I22	4	70 - 111	L31739	3G16	7	90 - 59
L31382	3E11	2	90 - 5	L31643	2I22	11	70 - 111	L31739	3H4	4	90 - 71
L31382	3E15	16	90 - 9	L31644	2I22	27	70 - 111	L31740	3G18	3	90 - 61
L31383	3E19	14	90 - 13	L31645	2I22	21	70 - 111	L31742	1E19	16	40 - 17
L31383	3E21	14	90 - 15	L31647	2I22	18	70 - 111	L31743	1E19	19	40 - 17
L31384	3E19	41	90 - 13	L31648	2I22	12	70 - 111	L31744	2H11	4	70 - 75
L31385	3E19	26	90 - 13	L31649	2I22	28	70 - 111	L31744	2H13	9	70 - 77
L31386	3E19	44	90 - 13	L31650	2I22	22	70 - 111	L31744	2H15	11	70 - 79
L31387	3E19	31	90 - 13	L31651	2I22	25	70 - 111	L31745	2H11	5	70 - 75
L31387	3E21	39	90 - 15	L31652	2I22	15	70 - 111	L31745	2H13	10	70 - 77
L31388	3E11	13	90 - 5	L31653	2I22	10	70 - 111	L31745	2H15	10	70 - 79
L31389	3E11	13	90 - 5	L31658	2I22	19	70 - 111	L31745	2I6	22	70 - 95
L31390	3E11	8	90 - 5	L31662	2B2	12	50 - 19	L31750	3D3	8	80 - 68
L31391	3F8	7	90 - 27	L31665	3B8	2	80 - 25	L31752	1G9	10	40 - 57
L31392	3E11	1	90 - 5	L31668	3B8	2	80 - 25	L31754	2G25	9	70 - 64
L31392	3E11	28	90 - 5	L31675	2C14	8	50 - 55	L31755	2G25	11	70 - 64
L31393	3E11	1	90 - 5	L31677	3B9	1	80 - 26	L31758	2G20	17	70 - 59
L31393	3E11	28	90 - 5	L31679	3B8	6	80 - 25	L31758	2G22	22	70 - 61
L31394	3E11	20	90 - 5	L31680	3B9	4	80 - 26	L31763	2E3	1	60 - 30
L31395	3E9	11	90 - 3	L31681	3B12	10	80 - 29	L31763	2E4	1	60 - 31
L31396	3E11	9	90 - 5	L31682	3B12	7	80 - 29	L31774	1G7	2	40 - 55
L31397	3E11	24	90 - 5	L31683	3B9	1	80 - 26	L31775	1G7	23	40 - 55
L31397	3E15	18	90 - 9	L31683	2C14	5	50 - 55	L31776	1G7	13	40 - 55
L31398	3E19	21	90 - 13	L31685	3B9	1	80 - 26	L31777	1G7	11	40 - 55
L31399	3F14	4	90 - 33	L31695	3D18	7	80 - 83	L31778	1G7	9	40 - 55
L31401	3F8	19	90 - 27	L31706	3B4	20	80 - 21	L31779	1G9	14	40 - 57
L31402	3F8	8	90 - 27	L31710	3E9	21	90 - 3	L31781	1G7	13	40 - 55
L31403	3E19	29	90 - 13	L31711	3F14	21	90 - 33	L31791	2C8	7	50 - 49
L31404	3E19	39	90 - 13	L31711	3F16	32	90 - 35	L31791	2C8	15	50 - 49

# 1L2

TRACTOR 3030,3130

## NUMERICAL INDEX - CONTINUED

PART NO.	GRID	KEY	PAGE	PART NO.	GRID	KEY	PAGE	PART NO.	GRID	KEY	PAGE
L31791	2C8	16	50-49	L32556	3E15	16	90-9	L32884	3H14	19	90-81
L31792	2C8	7	50-49	L32557	3E9	27	90-3	L32885	3H16	38	90-83
L31792	2C8	8	50-49	L32558	3E9	25	90-3	L32886	3H16	48	90-83
L31792	2C8	15	50-49	L32559	3E15	2	90-9	L32887	3H16	4	90-83
L31792	2C8	16	50-49	L32560	3E15	13	90-9	L32888	3H16	30	90-83
L31793	2C8	7	50-49	L32580	2F14	4	70-29	L32889	3H16	3	90-83
L31793	2C8	11	50-49	L32581	2F14	12	70-29	L32890	3H16	39	90-83
L31793	2C8	15	50-49	L32591	3D6	39	80-71	L32891	3H16	37	90-83
L31793	2C8	16	50-49	L32592	3D6	25	80-71	L32892	3H16	29	90-83
L31794	2C8	7	50-49	L32593	3D6	37	80-71	L32893	3H16	14	90-83
L31794	2C8	16	50-49	L32594	3D6	36	80-71	L32894	3H16	27	90-83
L31795	1B22	27	20-39	L32595	3D6	2	80-71	L32895	3H16	5	90-83
L31796	1D2	20	30-15	L32638	2G14	16	70-53	L32896	3H16	13	90-83
L31797	3F20	..	90-39	L32640	2A23	6	50-15	L32897	3H14	42	90-81
L31807	2B14	4	50-31	L32657	3F12	9	90-31	L32898	3H14	25	90-81
L31809	2B14	4	50-31	L32658	3E11	17	90-5	L32899	3H14	20	90-81
L31839	2D16	8	60-19	L32659	3E11	16	90-5	L32900	3H14	3	90-81
L32028	2I22	29	70-111	L32660	3E11	1	90-5	L32901	3H16	28	90-83
L32029	2A15	18	50-7	L32660	3E11	25	90-5	L32902	3H16	35	90-83
L32039	2D2	13	60-5	L32660	3E11	28	90-5	L32903	3H14	22	90-81
L32040	3C14	3	80-55	L32665	3D18	16	80-83	L32904	3H14	14	90-81
L32040	3C16	16	80-57	L32667	3D18	16	80-83	L32905	3H16	47	90-83
L32057	2G6	13	70-45	L32670	2C10	4	50-51	L32906	3H14	34	90-81
L32104	3F2	18	90-21	L32670	2C10	5	50-51	L32907	3H14	39	90-81
L32106	1F24	9	40-47	L32671	2C10	3	50-51	L32908	3H14	7	90-81
L32107	1F24	10	40-47	L32672	3D14	9	80-79	L32909	3H14	6	90-81
L32108	1D4	6	30-17	L32673	3D14	16	80-79	L32910	3H14	15	90-81
L32109	1D4	8	30-17	L32674	1D17	11	30-30	L32911	3H14	9	90-81
L32110	1D4	5	30-17	L32682	2F20	4	70-35	L32912	3H16	34	90-83
L32111	1D4	7	30-17	L32691	3E25	15	90-19	L32913	3H16	18	90-83
L32112	3E19	40	90-13	L32692	3E25	18	90-19	L32914	3H14	49	90-81
L32112	3E21	45	90-15	L32693	3E25	5	90-19	L32915	3H16	36	90-83
L32147	1E7	4	40-5	L32694	3E25	6	90-19	L32919	1D2	20	30-15
L32147	1E11	3	40-9	L32695	3E25	12	90-19	L32919	1D2	27	30-15
L32157	3B20	8	80-37	L32718	3C6	29	80-47	L32919	1D20	12	30-33
L32157	3B22	7	80-39	L32719	3C6	32	80-47	L32927	3E19	6	90-13
L32158	3B20	4	80-37	L32720	3C6	28	80-47	L32927	3E21	6	90-15
L32158	3B22	7	80-39	L32721	3C6	33	80-47	L32928	3E19	5	90-13
L32169	3B8	9	80-25	L32722	3C6	34	80-47	L32928	3E21	5	90-15
L32176	3C6	8	80-47	L32723	3D20	12	80-85	L32929	3E21	38	90-15
L32176	3E19	10	90-13	L32724	3D14	3	80-79	L32930	3E19	1	90-13
L32176	3E21	10	90-15	L32738	2A21	24	50-13	L32930	3E21	1	90-15
L32307	3B4	15	80-21	L32739	1C25	10	30-13	L32934	3E19	29	90-13
L32311	3B4	18	80-21	L32740	1C25	9	30-13	L32934	3E21	13	90-15
L32330	3F10	14	90-29	L32741	1C25	2	30-13	L32935	3E21	48	90-15
L32339	3E19	8	90-13	L32766	3C20	7	80-61	L32936	3E21	28	90-15
L32341	3E11	18	90-5	L32771	3D20	13	80-85	L32937	3E21	25	90-15
L32342	3E9	15	90-3	L32818	1D20	12	30-33	L32940	3E21	20	90-15
L32343	3F4	6	90-23	L32822	1B23	4	20-40	L32941	3E21	33	90-15
L32344	3E19	3	90-13	L32824	1B23	3	20-40	L32943	3E21	34	90-15
L32345	3E9	22	90-3	L32840	2C10	8	50-51	L32945	3F16	34	90-35
L32346	3F8	7	90-27	L32840	2C12	6	50-53	L32946	3F16	27	90-35
L32347	3F8	5	90-27	L32845	3D18	2	80-83	L32947	3F16	33	90-35
L32392	2C12	17	50-53	L32853	1B22	7	20-39	L32948	3F16	20	90-35
L32394	3C22	2	80-63	L32854	2A13	13	50-5	L32949	3F16	19	90-35
L324T	2A17	9	50-9	L32855	2A13	14	50-5	L32950	3F16	17	90-35
L324T	2A17	11	50-9	L32856	2A13	12	50-5	L32953	3E13	2	90-7
L32474	2F24	9	70-39	L32857	3F22	4	90-41	L32954	3E13	1	90-7
L32504	2D14	6	60-17	L32858	3F22	18	90-41	L32955	3E13	15	90-7
L32513	2H11	14	70-75	L32859	3F22	21	90-41	L32956	3E13	16	90-7
L32513	2H13	13	70-77	L32860	3F22	8	90-41	L32958	3C22	10	80-63
L32513	2H15	15	70-79	L32861	3F22	12	90-41	L32959	3C22	13	80-63
L32517	3E21	30	90-15	L32862	2E10	1	70-1	L32962	3E19	38	90-13
L32535	2B18	21	50-35	L32863	2E12	6	70-3	L32963	3E9	24	90-3
L32554	3B12	7	80-29	L32881	3H14	37	90-81	L32978	2I12	19	70-101
L32556	3E9	14	90-3	L32882	3H14	32	90-81	L32978	2I14	19	70-103
L32556	3E11	2	90-5	L32883	3H14	33	90-81	L32993	2I18	18	70-107

# 1L3

TRACTOR 3030,3130

## NUMERICAL INDEX - CONTINUED

PART NO.	GRID	KEY	PAGE	PART NO.	GRID	KEY	PAGE	PART NO.	GRID	KEY	PAGE
L32994	2I18	10	70 - 107	L33865	2G16	17	70 - 55	L34076	3C2	15	80 - 43
L32995	2I18	15	70 - 107	L33865	2G16	18	70 - 55	L34076	3C4	22	80 - 45
L32996	2I18	9	70 - 107	L33865	2G16	19	70 - 55	L34077	3B24	13	80 - 41
L32997	2I18	7	70 - 107	L33865	2G16	22	70 - 55	L34077	3C2	15	80 - 43
L33004	2C18	13	50 - 59	L33865	2G16	23	70 - 55	L34078	3B24	13	80 - 41
L33008	2C18	11	50 - 59	L33865	2G16	24	70 - 55	L34078	3C2	15	80 - 43
L33040	2C18	12	50 - 59	L33876	3G2	20	90 - 45	L34099	1G7	27	40 - 55
L33325	2C14	8	50 - 55	L33880	3F16	23	90 - 35	L34155	3H6	24	90 - 73
L33326	2C14	14	50 - 55	L33881	3F16	2	90 - 35	L34156	3G14	30	90 - 57
L33327	2C15	3	50 - 56	L33882	3F16	3	90 - 35	L34156	3G24	26	90 - 67
L33328	2C14	14	50 - 55	L33883	3F16	24	90 - 35	L34156	3H6	19	90 - 73
L33405	2I18	3	70 - 107	L33884	3F16	13	90 - 35	L34156	3H6	23	90 - 73
L33463	1F24	1	40 - 47	L33884	3G2	21	90 - 45	L34156	3H10	31	90 - 77
L33481	2D12	1	60 - 15	L33885	3F16	12	90 - 35	L34157	3H6	19	90 - 73
L33492	2B12	1	50 - 29	L33886	3F16	9	90 - 35	L34157	3H6	22	90 - 73
L33492	2C8	13	50 - 49	L33887	3F14	1	90 - 33	L34163	3C20	7	80 - 61
L33520	3E11	5	90 - 5	L33887	3F16	5	90 - 35	L34200	2A17	2	50 - 9
L33528	3F14	21	90 - 33	L33888	3F16	6	90 - 35	L34212	3E9	24	90 - 3
L33528	3F16	32	90 - 35	L33889	3F16	7	90 - 35	L34217	1G7	17	40 - 55
L33534	2I20	23	70 - 109	L33890	3F16	11	90 - 35	L34218	3C16	22	80 - 57
L33534	2I22	1	70 - 111	L33891	3F16	8	90 - 35	L34219	3C16	31	80 - 57
L33538	2I20	21	70 - 109	L33892	3F16	4	90 - 35	L34316	3D18	7	80 - 83
L33540	2G24	26	70 - 63	L33893	3B8	12	80 - 25	L34337	1E19	10	40 - 17
L33540	2G24	29	70 - 63	L33894	3B8	11	80 - 25	L34347	2F20	6	70 - 35
L33541	2G24	25	70 - 63	L33901	2G14	6	70 - 53	L34348	2D22	29	60 - 25
L33542	2G16	23	70 - 55	L33902	2G14	3	70 - 53	L34348	2E3	9	60 - 30
L33561	3D20	9	80 - 85	L33903	2G16	11	70 - 55	L34348	2E4	11	60 - 31
L33562	2A21	31	50 - 13	L33909	2D12	3	60 - 15	L34358	3D20	16	80 - 85
L33563	2A21	30	50 - 13	L33911	2B12	1	50 - 29	L34359	3D20	16	80 - 85
L33590	3E9	5	90 - 3	L33911	2C8	2	50 - 49	L34360	3D20	16	80 - 85
L33590	3E11	27	90 - 5	L33942	3E15	5	90 - 9	L34376	2H1	1	70 - 65
L33593	3E11	2	90 - 5	L33943	3E15	6	90 - 9	L34376	2H9	12	70 - 73
L33594	2G16	24	70 - 55	L33944	3E15	9	90 - 9	L34378	2G20	21	70 - 59
L33596	3E15	7	90 - 9	L33957	3D16	2	80 - 81	L34378	2G22	20	70 - 61
L33597	1G16	5	40 - 64	L33958	3D16	4	80 - 81	L34381	2F22	20	70 - 37
L33619	2D18	9	60 - 21	L33959	3D16	1	80 - 81	L34382	2F22	26	70 - 37
L33626	3B24	13	80 - 41	L33960	3D16	3	80 - 81	L34383	2F22	25	70 - 37
L33626	3C2	15	80 - 43	L33976	2C18	14	50 - 59	L34390	2G20	17	70 - 59
L33627	3B24	13	80 - 41	L33977	2C18	14	50 - 59	L34390	2G20	19	70 - 59
L33627	3C2	15	80 - 43	L33979	2C15	3	50 - 56	L34390	2G22	18	70 - 61
L33627	3C4	22	80 - 45	L33985	1E13	8	40 - 11	L34390	2G22	22	70 - 61
L33628	3B24	13	80 - 41	L33985	1E15	25	40 - 13	L34401	2F18	21	70 - 33
L33628	3C2	15	80 - 43	L33986	1E13	9	40 - 11	L34401	3G5	4	90 - 48
L33629	2D18	10	60 - 21	L33986	1E13	10	40 - 11	L34401	3G5	5	90 - 48
L33629	2H9	15	70 - 73	L33986	1E15	8	40 - 13	L34439	2G14	3	70 - 53
L33629	2H15	6	70 - 79	L33987	1E13	12	40 - 11	L34451	2D2	5	60 - 5
L33629	3D8	14	80 - 73	L33987	1E15	10	40 - 13	L34452	2D2	26	60 - 5
L33653	2D6	1	60 - 9	L33988	1E13	17	40 - 11	L34491	3F4	5	90 - 23
L33662	2B12	27	50 - 29	L33992	1E13	16	40 - 11	L34491	3F6	7	90 - 25
L33663	2C10	15	50 - 51	L33992	1E15	22	40 - 13	L34492	3F4	5	90 - 23
L33663	2C12	7	50 - 53	L33993	1E13	2	40 - 11	L34492	3F6	7	90 - 25
L33664	2C10	12	50 - 51	L33993	1E15	4	40 - 13	L34495	3F6	5	90 - 25
L33664	2C12	11	50 - 53	L33993	1E17	4	40 - 15	L34496	3F6	11	90 - 25
L33665	2C10	8	50 - 51	L33994	1E11	26	40 - 9	L34497	3F6	8	90 - 25
L33665	2C12	6	50 - 53	L33994	1E13	23	40 - 11	L34569	2E12	1	70 - 3
L33863	2G16	17	70 - 55	L33994	1E15	14	40 - 13	L34569	2E12	2	70 - 3
L33863	2G16	18	70 - 55	L33996	2C10	10	50 - 51	L34575	2E12	1	70 - 3
L33863	2G16	21	70 - 55	L33996	2C12	9	50 - 53	L34575	2E12	2	70 - 3
L33863	2G16	22	70 - 55	L34031	3F20	..	90 - 39	L34669	3D20	16	80 - 85
L33863	2G16	23	70 - 55	L34032	3F18	7	90 - 37	L34670	3D20	16	80 - 85
L33863	2G16	24	70 - 55	L34032	3F18	10	90 - 37	L34692	2C10	15	50 - 51
L33864	2G16	17	70 - 55	L34032	3F18	..	90 - 37	L34692	2C12	7	50 - 53
L33864	2G16	18	70 - 55	L34041	2D16	8	60 - 19	L34693	2C10	15	50 - 51
L33864	2G16	21	70 - 55	L34071	3A21	18	80 - 13	L34693	2C12	7	50 - 53
L33864	2G16	22	70 - 55	L34075	2I24	10	70 - 113	L34819	3D20	10	80 - 85
L33864	2G16	23	70 - 55	L34075	3C4	22	80 - 45	L34887	3H14	50	90 - 81
L33864	2G16	24	70 - 55	L34076	3B24	13	80 - 41	L34955	2F16	17	70 - 31

# 1L4

TRACTOR 3030,3130

## NUMERICAL INDEX - CONTINUED

PART NO.	GRID	KEY	PAGE	PART NO.	GRID	KEY	PAGE	PART NO.	GRID	KEY	PAGE
L34972	1F8	5	40 - 31	L36292	3G14	29	90 - 57	L39198	2C10	10	50 - 51
L34972	1F8	16	40 - 31	L36292	3G24	24	90 - 67	L39298	2C10	4	50 - 51
L34972	1F14	3	40 - 37	L36292	3H10	30	90 - 77	L39298	2C10	5	50 - 51
L34972	1F14	18	40 - 37	L36296	3G5	4	90 - 48	L39735	3B8	12	80 - 25
L35228	3C7	9	80 - 48	L36296	3G5	5	90 - 48	L39810	2G25	10	70 - 64
L35229	3C7	1	80 - 48	L36313	3A21	10	80 - 13	L39810	2G25	11	70 - 64
L35230	3C7	7	80 - 48	L36372	1B24	3	20 - 41	L39810	2G25	14	70 - 64
L35265	3D20	14	80 - 85	L36372	1C1	3	20 - 43	L39864	2C14	8	50 - 55
L35628	1F4	5	40 - 27	L36490	3G2	15	90 - 45	L39864	2C14	23	50 - 55
L35628	2A11	20	50 - 3	L36575	2B22	15	50 - 39	L39864	2C15	3	50 - 56
L35638	1B23	4	20 - 40	L36576	2I22	21	70 - 111	L39864	2C15	9	50 - 56
L35639	2D2	29	60 - 5	L36693	3D22	4	80 - 87	L39869	2C14	8	50 - 55
L35640	3C6	29	80 - 47	L36972	1E19	12	40 - 17	L39869	2C14	22	50 - 55
L35654	2D8	3	60 - 11	L36981	3E11	13	90 - 5	L39869	2C14	23	50 - 55
L35655	3E17	4	90 - 11	L37196	2C14	14	50 - 55	L39870	2C15	3	50 - 56
L35656	3E17	9	90 - 11	L37196	2C14	15	50 - 55	L39870	2C15	8	50 - 56
L35657	3G2	39	90 - 45	L37224	3A13	5	80 - 5	L39870	2C15	9	50 - 56
L35658	3G2	4	90 - 45	L37224	3A13	11	80 - 5	L39871	3C10	14	80 - 51
L35659	3G2	5	90 - 45	L37225	3A13	5	80 - 5	L39871	3C12	19	80 - 53
L35660	3G2	38	90 - 45	L37225	3A13	12	80 - 5	L40225	2H18	6	70 - 82
L35661	3G2	12	90 - 45	L37226	3A13	5	80 - 5	L40234	2F24	5	70 - 39
L35662	3G2	13	90 - 45	L37226	3A13	10	80 - 5	L40234	2F24	12	70 - 39
L35663	3G2	14	90 - 45	L37286	2F16	17	70 - 31	L4027T	2B22	6	50 - 39
L35664	3G2	29	90 - 45	L37286	2F16	..	70 - 31	L4035T	2B22	5	50 - 39
L35665	3G2	27	90 - 45	L37324	3D4	8	80 - 69	L40419	3B9	1	80 - 26
L35666	3G2	9	90 - 45	L37507	1B24	7	20 - 41	L40421	2D18	18	60 - 21
L35678	3E17	2	90 - 11	L37507	1C1	8	20 - 43	L40422	2D18	30	60 - 21
L35679	3G2	25	90 - 45	L37536	2E2	32	60 - 29	L40436	3C16	10	80 - 57
L35680	3G2	22	90 - 45	L37536	2H15	7	70 - 79	L40437	3C16	5	80 - 57
L35767	3H10	21	90 - 77	L37599	2D22	35	60 - 25	L40525	2D24	5	60 - 27
L35768	3G22	13	90 - 65	L37599	2D24	3	60 - 27	L40525	2E2	4	60 - 29
L35768	3H8	9	90 - 75	L37599	2E2	15	60 - 29	L40557	2C8	16	50 - 49
L35769	3G14	31	90 - 57	L38016	2G25	15	70 - 64	L40557	2C8	17	50 - 49
L35769	3G24	28	90 - 67	L38047	2H15	22	70 - 79	L40644	3D22	12	80 - 87
L35769	3H10	34	90 - 77	L38059	2C18	11	50 - 59	L40660	3D22	10	80 - 87
L35770	3H10	16	90 - 77	L38063	2A13	7	50 - 5	L40681	3D22	9	80 - 87
L35795	2C18	20	50 - 59	L38141	3B9	6	80 - 26	L40690	2H11	21	70 - 75
L35796	2C18	20	50 - 59	L38141	3B9	7	80 - 26	L40690	2H13	18	70 - 77
L35797	2C18	20	50 - 59	L38141	3B12	12	80 - 29	L40690	2H15	26	70 - 79
L35798	2C18	20	50 - 59	L38141	3B12	13	80 - 29	L40691	2H11	22	70 - 75
L35825	3G14	4	90 - 57	L38166	2G4	16	70 - 43	L40691	2H13	19	70 - 77
L35825	3G18	3	90 - 61	L38166	2G4	31	70 - 43	L40691	2H15	27	70 - 79
L35825	3G24	4	90 - 67	L38166	2G4	32	70 - 43	L41032	2B6	21	50 - 23
L35825	3H10	4	90 - 77	L38377	3G14	36	90 - 57	L41032	2B6	22	50 - 23
L35840	2G16	14	70 - 55	L38377	3G24	30	90 - 67	L41081	1F2	15	40 - 25
L35841	2G16	13	70 - 55	L38377	3H10	35	90 - 77	L41083	1F2	23	40 - 25
L35841	2G16	22	70 - 55	L38387	1H2	3	40 - 75	L41084	1F2	17	40 - 25
L35841	2G16	23	70 - 55	L38387	1H2	17	40 - 75	L41130	2D22	19	60 - 25
L35841	2G16	24	70 - 55	L38591	2D8	20	60 - 11	L41154	2G17	5	70 - 56
L35843	2F16	13	70 - 31	L38593	2D8	21	60 - 11	L41154	2I16	1	70 - 105
L35846	1B22	7	20 - 39	L38725	2G20	4	70 - 59	L41188	2F18	9	70 - 33
L35850	3D20	15	80 - 85	L38725	2G22	4	70 - 61	L41189	2F18	24	70 - 33
L35891	3C16	14	80 - 57	L38793	3C14	13	80 - 55	L41196	2G16	4	70 - 55
L35920	3C18	1	80 - 59	L38793	3C16	3	80 - 57	L41196	2G17	3	70 - 56
L35920	3F20	4	90 - 39	L38794	3C14	14	80 - 55	L41198	2G16	5	70 - 55
L35920	3F20	6	90 - 39	L38794	3C16	4	80 - 57	L41198	2G17	4	70 - 56
L35920	3F20	8	90 - 39	L38795	3C16	13	80 - 57	L41217	3E1	4	80 - 91
L35920	3F20	..	90 - 39	L38797	3C18	4	80 - 59	L41296	1E15	20	40 - 13
L36022	1D2	17	30 - 15	L39010	3G22	12	90 - 65	L41383	2F22	1	70 - 37
L36136	2F16	27	70 - 31	L39086	3G22	9	90 - 65	L41383	2F22	31	70 - 37
L36158	2F16	2	70 - 31	L39087	3G22	11	90 - 65	L41384	2F22	1	70 - 37
L36198	2C10	15	50 - 51	L39089	1D18	8	30 - 31	L41384	2F22	30	70 - 37
L36198	2C12	7	50 - 53	L39090	1D18	9	30 - 31	L41391	2A13	6	50 - 5
L36228	2C18	12	50 - 59	L39093	3G22	9	90 - 65	L41465	1D14	26	30 - 27
L36269	3G14	26	90 - 57	L39119	3D22	1	80 - 87	L41465	1D16	11	30 - 29
L36269	3G24	21	90 - 67	L39119	3D22	4	80 - 87	L41475	3E1	2	80 - 91
L36269	3H10	27	90 - 77	L39172	2G20	6	70 - 59	L41476	3E1	3	80 - 91

# 1L5

TRACTOR 3030,3130

## NUMERICAL INDEX - CONTINUED

PART NO.	GRID	KEY	PAGE	PART NO.	GRID	KEY	PAGE	PART NO.	GRID	KEY	PAGE
L41477	3E1	6	80 - 91	L53811	2D22	24	60 - 25	L58228	3A21	4	80 - 13
L41478	3E1	7	80 - 91	L53811	2D24	26	60 - 27	L58228	3B2	4	80 - 19
L41524	2D22	11	60 - 25	L53811	2E2	34	60 - 29	L58310	2F2	28	70 - 17
L41524	2D22	38	60 - 25	L53826	2E3	4	60 - 30	L58310	2F2	42	70 - 17
L41524	2D24	16	60 - 27	L53826	2E4	4	60 - 31	L58310	2F8	27	70 - 23
L41524	2D24	35	60 - 27	L53826	2G25	12	70 - 64	L58310	2F8	41	70 - 23
L41524	2E2	22	60 - 29	L53836	1B24	8	20 - 41	L58621	3C12	16	80 - 53
L41524	2E2	37	60 - 29	L53836	1C1	9	20 - 43	L58881	3B8	12	80 - 25
L41536	2F22	1	70 - 37	L53975	2I22	7	70 - 111	L58889	3F8	2	90 - 27
L41536	2F22	27	70 - 37	L53976	2I22	13	70 - 111	L59810	2G14	21	70 - 53
L41547	2D22	11	60 - 25	L55004	2D12	1	60 - 15	L59810	2G14	25	70 - 53
L41547	2D22	39	60 - 25	L55202	2D10	3	60 - 13	L59822	2G4	10	70 - 43
L41547	2D24	16	60 - 27	L55202	2D10	6	60 - 13	L59822	2G4	33	70 - 43
L41547	2D24	36	60 - 27	L55202	2F22	20	70 - 37	L59919	3B2	14	80 - 19
L41547	2E2	22	60 - 29	L55202	2F22	35	70 - 37	L60162	2G16	14	70 - 55
L41547	2E2	38	60 - 29	L55203	2F22	20	70 - 37	L60162	2G16	22	70 - 55
L41551	2F18	21	70 - 33	L55203	2F22	32	70 - 37	L60162	2G16	23	70 - 55
L41575	1E15	3	40 - 13	L55204	2F22	20	70 - 37	L60162	2G16	24	70 - 55
L41575	1E17	3	40 - 15	L55204	2F22	21	70 - 37	L60163	2F16	28	70 - 31
L41579	1E25	21	40 - 23	L55208	3C2	4	80 - 43	L60167	1F20	4	40 - 43
L41579	1E25	33	40 - 23	L55208	3C4	9	80 - 45	L60167	1F20	19	40 - 43
L41579	1E25	34	40 - 23	L55218	2G14	3	70 - 53	L60170	2G4	13	70 - 43
L41579	1E25	35	40 - 23	L55218	2G14	6	70 - 53	L60170	2G4	33	70 - 43
L41579	1E25	36	40 - 23	L55218	2G14	16	70 - 53	L61386	2F24	2	70 - 39
L41582	1E25	12	40 - 23	L55218	2G14	17	70 - 53	L61678	2D18	27	60 - 21
L41582	1F2	5	40 - 25	L55222	2I18	6	70 - 107	L61844	1E17	12	40 - 15
L41591	3G24	5	90 - 67	L55222	2I20	29	70 - 109	L61890	2G20	1	70 - 59
L41722	2F22	1	70 - 37	L55223	2G14	3	70 - 53	L61890	2G20	29	70 - 59
L41726	2F22	1	70 - 37	L55223	2G14	6	70 - 53	L61890	2G22	1	70 - 61
L41726	2F22	29	70 - 37	L55223	2G14	16	70 - 53	L61890	2G22	33	70 - 61
L41788	2G17	6	70 - 56	L55499	2G4	8	70 - 43	L62225	2G20	1	70 - 59
L41788	2I16	2	70 - 105	L55499	2G4	31	70 - 43	L62225	2G20	28	70 - 59
L41802	2G16	9	70 - 55	L55499	2G4	32	70 - 43	L62225	2G22	1	70 - 61
L41802	2G17	10	70 - 56	L55844	2G16	5	70 - 55	L62225	2G22	32	70 - 61
L41803	2G16	8	70 - 55	L55844	2G17	4	70 - 56	L62245	1G1	13	40 - 49
L41803	2G17	9	70 - 56	L55980	1F20	4	40 - 43	L62368	2D14	13	60 - 17
L41804	2G16	7	70 - 55	L55980	1F20	19	40 - 43	L62422	2D2	16	60 - 5
L41804	2G17	8	70 - 56	L55982	2B24	17	50 - 41	L62422	2D6	9	60 - 9
L41819	2G16	1	70 - 55	L56491	2D18	20	60 - 21	L62423	2D8	3	60 - 11
L41819	2G17	2	70 - 56	L56614	3D24	2	80 - 89	L62426	2C14	17	50 - 55
L41820	3B8	2	80 - 25	L56771	2B12	24	50 - 29	L62429	1C23	15	30 - 11
L41860	3A21	18	80 - 13	L56824	2G14	10	70 - 53	L62429	1C25	11	30 - 13
L41860	3E1	5	80 - 91	L56922	1D14	1	30 - 27	L62435	2A23	31	50 - 15
L41865	2I12	15	70 - 101	L56922	1D16	1	30 - 29	L62437	2A11	33	50 - 3
L41865	2I14	15	70 - 103	L56923	2B3	1	50 - 20	L62507	2F22	1	70 - 37
L41866	2I12	14	70 - 101	L56923	2B4	1	50 - 21	L62507	2F22	28	70 - 37
L41866	2I14	14	70 - 103	L56924	2G2	4	70 - 41	L62606	2D18	1	60 - 21
L41892	3C18	15	80 - 59	L56924	2G4	1	70 - 43	L62606	2D19	1	60 - 22
L42043	1F2	11	40 - 25	L56924	2G6	10	70 - 45	L62641	2C24	7	60 - 3
L42050	2I12	5	70 - 101	L56925	2G22	9	70 - 61	L62641	2C24	25	60 - 3
L42050	2I12	13	70 - 101	L56925	2G24	9	70 - 63	L62643	2D2	2	60 - 5
L42050	2I12	24	70 - 101	L56925	2H21	1	70 - 85	L62643	2D6	3	60 - 9
L42050	2I14	10	70 - 103	L56926	2G20	10	70 - 59	L62644	2B12	24	50 - 29
L42079	2D8	7	60 - 11	L56926	2G22	10	70 - 61	L62675	1A13	8	20 - 5
L42115	3C18	10	80 - 59	L56926	2G24	12	70 - 63	L62675	1C1	7	20 - 43
L42116	3C18	10	80 - 59	L56926	2H21	19	70 - 85	L62679	2A17	11	50 - 9
L42117	3C18	11	80 - 59	L56957	2F22	20	70 - 37	L62679	2A17	15	50 - 9
L42118	3C18	2	80 - 59	L56957	2F22	33	70 - 37	L62751	2I6	2	70 - 95
L42119	3C18	6	80 - 59	L57636	2G11	2	70 - 50	L62837	3A21	4	80 - 13
L42121	3C18	9	80 - 59	L57686	3A21	18	80 - 13	L62837	3B2	4	80 - 19
L42136	2A19	24	50 - 11	L57686	3A21	26	80 - 13	L62874	1E20	2	40 - 18
L42282	2C10	10	50 - 51	L57726	3A21	18	80 - 13	L62875	1E20	3	40 - 18
L42282	2C10	15	50 - 51	L57726	3A21	25	80 - 13	L62877	1E19	1	40 - 17
L42282	2C12	7	50 - 53	L57963	3A21	18	80 - 13	L62877	1E20	4	40 - 18
L42282	2C12	9	50 - 53	L57963	3A21	21	80 - 13	L62883	2D16	9	60 - 19
L42314	2F22	20	70 - 37	L57987	2A25	1	50 - 17	L63198	2C10	10	50 - 51
L42314	2F22	34	70 - 37	L57987	2B2	4	50 - 19	L63198	2C12	9	50 - 53



# 1L6

TRACTOR 3030,3130

## NUMERICAL INDEX - CONTINUED

PART NO.	GRID	KEY	PAGE	PART NO.	GRID	KEY	PAGE	PART NO.	GRID	KEY	PAGE
L63222	2C3	2	50-44	RE10712	2F4	34	70-19	RE30685	1B4	1	20-21
L63387	2D14	13	60-17	RE10712	2F4	36	70-19	RE30685	1B4	2	20-21
L63429	2D16	12	60-19	RE10712	2F10	16	70-25	RE30685	1B4	3	20-21
L63453	2A15	14	50-7	RE10712	2F10	36	70-25	RE30685	1B4	4	20-21
L63453	2A15	..	50-7	RE10712	2F10	37	70-25	RE32204	1C21	10	30-9
L63537	2H1	5	70-65	RE11346	1C5	..	20-47	RE33636	1D24	16	30-37
L63537	2H3	12	70-67	RE11346	1C7	..	20-49	RE33636	3D25	3	80-90
L63537	2H9	10	70-73	RE11602	1D12	10	30-25	RE35685	1B20	1	20-37
L63540	2E16	24	70-7	RE11777	2F8	23	70-23	RE35685	1B20	12	20-37
L63540	2E16	37	70-7	RE11804	2F8	4	70-23	RE37463	1D7	8	30-20
L63540	2F2	26	70-17	RE12121	2I6	31	70-95	RE37463	1D9	6	30-22
L63540	2F2	43	70-17	RE12470	2F10	14	70-25	RE37466	1D8	8	30-21
L63540	2F8	25	70-23	RE13571	1B8	2	20-25	RE37482	1D7	2	30-20
L63540	2F8	39	70-23	RE13571	1B9	4	20-26	RE37482	1D8	4	30-21
L63756	2I14	7	70-103	RE13813	2I6	32	70-95	RE37482	1D9	3	30-22
L63825	3A13	24	80-5	RE13814	2I6	28	70-95	RE37484	1C5	6	20-47
L63826	3A13	24	80-5	RE13815	2I7	1	70-96	RE37484	1C5	8	20-47
L63826	3A13	25	80-5	RE13887	1D10	5	30-23	RE37484	1C5	9	20-47
L63859	3C20	16	80-61	RE13887	1D10	6	30-23	RE37484	1C5	10	20-47
L63868	2B3	6	50-20	RE13887	1D10	9	30-23	RE37484	1C5	11	20-47
L64323	1E17	21	40-15	RE13887	1D10	13	30-23	RE37484	1C5	..	20-47
L64324	1E17	9	40-15	RE14977	1A22	1	20-14	RE37484	1C7	5	20-49
L64325	1E17	14	40-15	RE16495	1B12	9	20-29	RE37484	1C7	7	20-49
L64371	1E17	15	40-15	RE19031	1A21	8	20-13	RE37484	1C7	8	20-49
L64371	1E17	20	40-15	RE19872	1A12	1	20-4	RE37484	1C7	9	20-49
L77837	1C1	11	20-43	RE19872	1A13	1	20-5	RE37484	1C7	10	20-49
L83676	1G3	9	40-51	RE19873	1A9	1	20-1	RE37484	1C7	..	20-49
L83677	1G3	4	40-51	RE19873	1A11	1	20-3	RE38852	1C9	1	20-51
L84076	1G13	5	40-61	RE20787	1D12	2	30-25	RE38860	1C9	2	20-51
L84612	3E25	7	90-19	RE20787	1D12	3	30-25	RE41269	1C5	16	20-47
L84617	3D6	14	80-71	RE20788	1D12	2	30-25	RE41269	1C7	15	20-49
L94772	3D25	1	80-90	RE20788	1D12	3	30-25	RE44574	1B8	8	20-25
M1102	2B12	15	50-29	RE23181	1C21	6	30-9	R100074	1A23	3	20-15
M1102T	2A19	25	50-11	RE23382	2E18	15	70-9	R100075	1A23	5	20-15
M1102T	2B14	11	50-31	RE23382	2F2	14	70-17	R100105	1A24	9	20-16
M1102T	2B22	8	50-39	RE23382	2F8	14	70-23	R100105	1A25	8	20-17
M1746T	1B17	7	20-34	RE24959	1B8	8	20-25	R10093	1A14	3	20-6
M2206T	2C6	15	50-47	RE26205	1B9	1	20-26	R10093	1A14	4	20-6
M2291T	3D6	11	80-71	RE26218	1D6	13	30-19	R10093	2F22	18	70-37
M2396T	2F23	4	70-38	RE26218	1D6	19	30-19	R10093	2G2	16	70-41
M2396T	2G2	19	70-41	RE26218	1D6	20	30-19	R10093	2G4	22	70-43
M2396T	2G4	17	70-43	RE26982	1D6	9	30-19	R10093	2G8	20	70-47
M2396T	2G9	1	70-48	RE27348	1B12	11	20-29	R10093	2I6	27	70-95
M2396T	2G10	2	70-49	RE27349	1B9	3	20-26	R10093	3G2	33	90-45
M2396T	2G14	9	70-53	RE27349	1B12	11	20-29	R101224	1A25	2	20-17
M2396T	2I3	5	70-92	RE27350	1B8	3	20-25	R101225	1A25	1	20-17
M2834T	2A11	12	50-3	RE27351	1B8	3	20-25	R102902	1C5	4	20-47
M2834T	2B12	21	50-29	RE27351	1B9	5	20-26	R102902	1C7	3	20-49
M3265T	2F22	22	70-37	RE27352	1B8	1	20-25	R105583	2E16	9	70-7
M3636T	1E21	1	40-19	RE27353	1B8	1	20-25	R105583	2F2	15	70-17
M41029	1B12	5	20-29	RE27353	1B9	2	20-26	R105583	2F8	15	70-23
M4224T	2A19	18	50-11	RE27358	1B12	11	20-29	R11100	1F25	5	40-48
M644T	1G23	9	40-71	RE27359	1B8	3	20-25	R1225R	2G16	23	70-55
M644T	1H10	25	40-83	RE27360	1B8	1	20-25	R1590R	2B14	9	50-31
M644T	1H14	13	40-87	RE27364	1B12	11	20-29	R1662R	2F14	16	70-29
N10065	2H13	6	70-77	RE27366	1B8	3	20-25	R1769R	2B24	26	50-41
N10065	2I3	19	70-92	RE27368	1B8	1	20-25	R1870R	2B20	19	50-37
N131838	2D2	20	60-5	RE28535	1D6	1	30-19	R1870R	2I10	39	70-99
N150864	1C5	19	20-47	RE28790	2F2	22	70-17	R1888R	2B20	24	50-37
N150864	1C7	18	20-49	RE28790	2F8	22	70-23	R1888R	2B22	28	50-39
P44982	2A19	14	50-11	RE29103	2F6	1	70-21	R20135	2D8	10	60-11
P46051	2H23	5	70-87	RE29107	2F12	1	70-27	R20759	3C2	4	80-43
P50631	2C2	21	50-43	RE30174	1D24	16	30-37	R20759	3C4	9	80-45
P51212	2I6	36	70-95	RE30174	3D25	3	80-90	R21302	3B14	9	80-31
P51212	3G2	28	90-45	RE30685	1B1	2	20-18	R21612	2C18	5	50-59
R	1B9	1	20-26	RE30685	1B2	2	20-19	R21722	2I6	8	70-95
RE10712	2F4	33	70-19	RE30685	1B3	2	20-20	R26125	1A20	4	20-12

# 1L7

TRACTOR 3030,3130

## NUMERICAL INDEX - CONTINUED

PART NO.	GRID	KEY	PAGE	PART NO.	GRID	KEY	PAGE	PART NO.	GRID	KEY	PAGE
R26137	2F2	21	70 - 17	R26482	2I6	19	70 - 95	R27170	2F4	23	70 - 19
R26137	2F8	21	70 - 23	R26483	2I4	14	70 - 93	R27171	2F4	5	70 - 19
R26149	1D24	13	30 - 37	R26484	2H23	21	70 - 87	R27172	2F4	15	70 - 19
R26149	2A11	27	50 - 3	R26484	2I4	6	70 - 93	R27173	2E16	36	70 - 7
R26149	2F2	20	70 - 17	R26485	2I4	3	70 - 93	R27173	2F4	21	70 - 19
R26149	2H21	6	70 - 85	R26493	1A12	8	20 - 4	R27174	2E16	35	70 - 7
R26149	2H23	28	70 - 87	R26546	2H17	12	70 - 81	R27174	2F4	19	70 - 19
R26203	2A25	8	50 - 17	R26552	2A19	23	50 - 11	R27175	2A11	21	50 - 3
R26286	2E16	12	70 - 7	R26552	2A23	20	50 - 15	R27175	2B24	16	50 - 41
R26287	1D6	11	30 - 19	R26552	2B22	11	50 - 39	R27175	2E16	33	70 - 7
R26287	1G3	3	40 - 51	R26552	2B24	21	50 - 41	R27175	2F2	6	70 - 17
R26287	2A19	21	50 - 11	R26552	2G20	4	70 - 59	R27175	2F8	6	70 - 23
R26287	2A23	12	50 - 15	R26552	2G22	4	70 - 61	R27180	1D24	6	30 - 37
R26287	2C18	4	50 - 59	R26594	1D2	1	30 - 15	R27181	1D2	10	30 - 15
R26287	2D16	1	60 - 19	R26627	2H15	20	70 - 79	R27212	2D22	14	60 - 25
R26287	2D22	9	60 - 25	R26632	3B6	5	80 - 23	R27212	2D24	7	60 - 27
R26287	2D24	9	60 - 27	R26637	1D14	24	30 - 27	R27212	2E2	6	60 - 29
R26287	2E2	7	60 - 29	R26637	1D16	9	30 - 29	R27216	2F4	12	70 - 19
R26287	2E3	10	60 - 30	R26650	2B22	22	50 - 39	R27218	2A19	32	50 - 11
R26287	2E4	12	60 - 31	R26650	2C18	1	50 - 59	R27218	2A23	13	50 - 15
R26287	2E16	25	70 - 7	R26656	2C2	1	50 - 43	R27218	2F4	42	70 - 19
R26287	2E18	25	70 - 9	R26726	1D24	4	30 - 37	R27218	2F10	10	70 - 25
R26287	2E18	34	70 - 9	R26753	2B6	26	50 - 23	R27218	2F22	6	70 - 37
R26287	2F2	25	70 - 17	R26753	2B10	7	50 - 27	R27218	2H21	13	70 - 85
R26287	2F4	11	70 - 19	R26858	3C24	9	80 - 65	R27233	2H18	11	70 - 82
R26287	2F8	24	70 - 23	R26858	3D2	16	80 - 67	R27237	2G20	23	70 - 59
R26287	2F20	11	70 - 35	R26873	2F20	12	70 - 35	R27237	2H1	10	70 - 65
R26375	2B14	19	50 - 31	R26905	2F16	17	70 - 31	R27237	2H3	8	70 - 67
R26375	2D10	2	60 - 13	R26906	2A23	2	50 - 15	R27237	2H5	2	70 - 69
R26375	2D10	6	60 - 13	R26906	2B8	21	50 - 25	R27237	2H7	5	70 - 71
R26375	2D15	13	60 - 18	R26906	2D10	13	60 - 13	R27237	2H9	5	70 - 73
R26375	2E16	2	70 - 7	R26906	2D15	8	60 - 18	R27237	2H21	11	70 - 85
R26375	2E16	8	70 - 7	R26906	2E16	18	70 - 7	R27237	2H25	7	70 - 89
R26375	2E18	7	70 - 9	R26906	2F2	7	70 - 17	R27237	2I2	5	70 - 91
R26375	2F4	40	70 - 19	R26906	2F2	29	70 - 17	R27266	2F14	18	70 - 29
R26375	2F10	19	70 - 25	R26906	2F4	8	70 - 19	R27267	2E18	33	70 - 9
R26375	2F20	15	70 - 35	R26906	2F8	38	70 - 23	R27270	2D10	14	60 - 13
R26375	2F22	8	70 - 37	R26906	2F10	8	70 - 25	R27270	2F2	30	70 - 17
R26375	2G20	22	70 - 59	R26906	2F14	14	70 - 29	R27270	2H1	7	70 - 65
R26375	2H1	2	70 - 65	R26906	2F18	3	70 - 33	R27272	2E16	28	70 - 7
R26375	2H3	1	70 - 67	R26906	2H1	6	70 - 65	R27285	1D7	5	30 - 20
R26375	2H5	1	70 - 69	R26906	2H3	9	70 - 67	R27285	1D8	2	30 - 21
R26375	2H7	6	70 - 71	R26906	2H9	7	70 - 73	R27320	2C24	8	60 - 3
R26375	2H9	6	70 - 73	R26906	2H25	1	70 - 89	R27329	2C4	2	50 - 45
R26375	2H11	7	70 - 75	R26906	2I16	8	70 - 105	R27346	1C21	5	30 - 9
R26375	2H15	13	70 - 79	R26919	2A11	20	50 - 3	R27346	1D6	14	30 - 19
R26375	2H21	9	70 - 85	R26936	3D6	30	80 - 71	R27358	2D16	3	60 - 19
R26375	2H25	6	70 - 89	R27003	2B12	13	50 - 29	R27358	3C16	9	80 - 57
R26375	2I2	6	70 - 91	R27094	2E16	13	70 - 7	R27421	2I10	6	70 - 99
R26375	2I3	8	70 - 92	R27094	2E16	28	70 - 7	R27423	2I10	40	70 - 99
R26375	2I8	6	70 - 97	R27094	2E16	29	70 - 7	R27426	2I10	33	70 - 99
R26386	2I20	6	70 - 109	R27095	2B24	33	50 - 41	R27427	2I10	12	70 - 99
R26441	2I10	36	70 - 99	R27139	2D24	12	60 - 27	R27453	2D16	4	60 - 19
R26448	2A19	33	50 - 11	R27139	2E2	10	60 - 29	R27460	1G1	17	40 - 49
R26448	2A23	14	50 - 15	R27145	2F2	37	70 - 17	R27474	2A23	1	50 - 15
R26448	2D2	15	60 - 5	R27149	2F2	2	70 - 17	R27474	2F18	2	70 - 33
R26448	2D22	2	60 - 25	R27149	2F8	2	70 - 23	R27475	2F4	2	70 - 19
R26448	2D24	6	60 - 27	R27150	2F2	9	70 - 17	R27475	2F10	2	70 - 25
R26448	2E2	5	60 - 29	R27150	2F8	9	70 - 23	R27476	2F4	17	70 - 19
R26448	2F4	3	70 - 19	R27159	2F4	22	70 - 19	R27478	2F2	39	70 - 17
R26448	2F10	3	70 - 25	R27166	1B20	4	20 - 37	R27478	2F8	37	70 - 23
R26448	2F18	14	70 - 33	R27166	2F4	18	70 - 19	R27479	2F2	39	70 - 17
R26448	2F20	9	70 - 35	R27166	2F4	33	70 - 19	R27479	2F8	37	70 - 23
R26448	2F22	3	70 - 37	R27166	2F4	34	70 - 19	R27490	2B12	8	50 - 29
R26448	2H21	12	70 - 85	R27166	2F10	30	70 - 25	R27507	2B2	9	50 - 19
R26480	2I4	16	70 - 93	R27166	2H23	9	70 - 87	R27507	2B3	9	50 - 20
R26482	2I4	10	70 - 93	R27167	2F4	20	70 - 19	R27507	2B4	10	50 - 21

# 1L8

TRACTOR 3030,3130

## NUMERICAL INDEX - CONTINUED

PART NO.	GRID	KEY	PAGE	PART NO.	GRID	KEY	PAGE	PART NO.	GRID	KEY	PAGE
R27507	2I3	15	70 - 92	R31781	2F10	27	70 - 25	R35286	2D15	2	60 - 18
R27528	2D16	14	60 - 19	R31890	2I3	6	70 - 92	R35684	2D2	27	60 - 5
R27531	1G19	3	40 - 67	R32016	1G1	4	40 - 49	R35726	2F14	9	70 - 29
R27539	2F14	9	70 - 29	R32240	3F22	25	90 - 41	R35827	2F2	7	70 - 17
R27564	2F4	16	70 - 19	R32306	1D24	14	30 - 37	R35827	2F8	7	70 - 23
R27564	2F10	33	70 - 25	R32344	2F4	32	70 - 19	R36075	2E24	1	70 - 15
R27564	2I10	20	70 - 99	R32356	2I4	2	70 - 93	R36075	2F2	4	70 - 17
R27591	1G19	1	40 - 67	R32404	2I16	10	70 - 105	R36075	2F8	28	70 - 23
R27649	2I10	14	70 - 99	R32405	2I16	7	70 - 105	R36265	2F18	17	70 - 33
R27829	2G11	2	70 - 50	R32406	2I16	6	70 - 105	R36265	3G5	2	90 - 48
R27997	3A17	11	80 - 9	R32407	2I16	5	70 - 105	R36295	2C2	6	50 - 43
R27998	3A17	12	80 - 9	R32419	2H11	16	70 - 75	R36882	2A21	8	50 - 13
R27999	3A17	13	80 - 9	R32419	2H13	17	70 - 77	R36926	2E16	29	70 - 7
R28006	2H11	12	70 - 75	R32419	2H15	17	70 - 79	R375R	2A19	26	50 - 11
R28006	2H13	15	70 - 77	R32419	2I3	16	70 - 92	R375R	2B8	5	50 - 25
R28006	2H15	18	70 - 79	R32507	2B24	29	50 - 41	R375R	2I4	9	70 - 93
R28006	2I3	18	70 - 92	R32703	3B6	17	80 - 23	R375R	2I6	18	70 - 95
R28084	2I4	12	70 - 93	R33028	2C3	4	50 - 44	R38003	3A21	13	80 - 13
R28128	2C14	10	50 - 55	R33058	2A19	31	50 - 11	R38041	2E16	11	70 - 7
R28583	1D24	1	30 - 37	R33167	2A21	17	50 - 13	R38219	2C2	14	50 - 43
R28584	1D24	2	30 - 37	R33282	2H11	15	70 - 75	R38221	2C2	22	50 - 43
R28593	2B24	28	50 - 41	R33282	2H13	12	70 - 77	R38348	2E10	6	70 - 1
R28733	2H5	7	70 - 69	R33282	2H15	14	70 - 79	R39012	2I10	7	70 - 99
R28744	2H18	14	70 - 82	R33320	2C3	1	50 - 44	R39016	2E18	1	70 - 9
R28776	2C10	6	50 - 51	R33322	2C2	8	50 - 43	R39017	2E18	3	70 - 9
R28776	2C12	13	50 - 53	R33339	2C3	6	50 - 44	R39067	2E16	9	70 - 7
R28776	2D10	18	60 - 13	R33344	2C3	5	50 - 44	R39067	2F2	15	70 - 17
R28781	2F4	29	70 - 19	R33440	3B12	7	80 - 29	R39067	2F8	15	70 - 23
R28781	2F10	24	70 - 25	R33460	3B12	6	80 - 29	R39068	2E16	23	70 - 7
R28782	2A19	8	50 - 11	R33521	2D10	10	60 - 13	R39070	2E16	21	70 - 7
R28782	2F4	28	70 - 19	R33539	3B12	3	80 - 29	R39073	2E18	4	70 - 9
R28782	2F10	23	70 - 25	R33540	3B12	16	80 - 29	R39075	2E18	5	70 - 9
R28799	1C17	5	30 - 5	R33706	3B12	14	80 - 29	R39076	2E18	9	70 - 9
R29936	2B22	7	50 - 39	R33852	2C3	2	50 - 44	R39076	2F16	9	70 - 31
R29936	2D15	4	60 - 18	R34140	2B10	4	50 - 27	R39078	2E18	8	70 - 9
R30181	1G1	10	40 - 49	R34349	2F2	34	70 - 17	R39078	2F16	8	70 - 31
R30182	1F25	2	40 - 48	R34352	1B22	9	20 - 39	R39078	2B24	22	50 - 41
R30182	1G1	2	40 - 49	R34360	2E10	4	70 - 1	R39090	2D10	17	60 - 13
R30399	2C6	37	50 - 47	R34360	2E12	7	70 - 3	R39112	2D15	12	60 - 18
R30437	2G2	17	70 - 41	R34362	2E12	10	70 - 3	R39112	2E16	1	70 - 7
R30437	2G4	21	70 - 43	R34394	1D24	10	30 - 37	R39112	2E16	8	70 - 7
R30437	2G8	19	70 - 47	R34395	1D24	9	30 - 37	R39112	2E18	20	70 - 9
R30587	2B6	27	50 - 23	R34397	2I4	8	70 - 93	R39112	2F20	16	70 - 35
R30587	2B10	20	50 - 27	R34398	2I4	15	70 - 93	R39112	2H21	10	70 - 85
R30828	2A23	9	50 - 15	R34399	2I4	1	70 - 93	R39132	2A19	35	50 - 11
R30903	2E16	7	70 - 7	R34400	2I4	13	70 - 93	R39171	2H25	2	70 - 89
R31136	2F22	19	70 - 37	R34598	3G5	1	90 - 48	R39178	2E18	28	70 - 9
R31136	2I6	26	70 - 95	R34603	1A18	3	20 - 10	R39179	2E18	14	70 - 9
R31142	1C23	15	30 - 11	R34650	2B6	32	50 - 23	R39180	2E18	13	70 - 9
R31142	1C25	11	30 - 13	R34656	1D2	13	30 - 15	R39181	2E18	11	70 - 9
R31250	1F25	2	40 - 48	R34733	2B24	31	50 - 41	R39193	2B6	17	50 - 23
R31250	1G1	2	40 - 49	R34760	1D10	8	30 - 23	R39215	2F2	8	70 - 17
R31420	3D6	10	80 - 71	R34764	1D10	5	30 - 23	R39215	2F8	8	70 - 23
R31592	3B9	4	80 - 26	R34766	1D10	14	30 - 23	R39224	2B10	16	50 - 27
R31592	3B12	10	80 - 29	R34767	1D10	6	30 - 23	R39225	2H18	5	70 - 82
R31630	2E18	12	70 - 9	R34801	3B18	1	80 - 35	R39228	2E18	17	70 - 9
R31631	2A19	22	50 - 11	R34810	3B18	2	80 - 35	R39228	2F2	17	70 - 17
R31631	2A23	11	50 - 15	R34811	1D14	3	30 - 27	R39228	2F8	17	70 - 23
R31631	2C18	3	50 - 59	R34811	2B3	4	50 - 20	R39240	2E16	16	70 - 7
R31631	2D22	26	60 - 25	R34812	2H23	26	70 - 87	R39252	2B6	29	50 - 23
R31631	2E18	24	70 - 9	R34812	3G2	35	90 - 45	R39253	2B6	14	50 - 23
R31631	2E18	34	70 - 9	R34827	3D24	2	80 - 89	R39259	2B6	6	50 - 23
R31631	2F4	12	70 - 19	R34829	3B12	9	80 - 29	R39260	2B6	4	50 - 23
R31631	2F20	10	70 - 35	R35163	2H5	6	70 - 69	R39265	2B6	31	50 - 23
R31632	2A23	4	50 - 15	R35226	2C24	11	60 - 3	R39273	2D10	6	60 - 13
R31665	2D10	14	60 - 13	R35226	2D2	18	60 - 5	R39276	2B6	24	50 - 23
R31781	2F4	31	70 - 19	R35286	2D15	1	60 - 18	R39279	2B10	5	50 - 27

# 1L9

TRACTOR 3030,3130

## NUMERICAL INDEX - CONTINUED

PART NO.	GRID	KEY	PAGE	PART NO.	GRID	KEY	PAGE	PART NO.	GRID	KEY	PAGE
R39280	2B6	10	50 - 23	R44160	2B6	13	50 - 23	R48567	1C15	3	30 - 3
R39281	2B6	30	50 - 23	R44296	2110	17	70 - 99	R48567	1C15	4	30 - 3
R39282	2B6	9	50 - 23	R44302	1B23	11	20 - 40	R48569	1D6	5	30 - 19
R39285	2B6	11	50 - 23	R44302	1D18	3	30 - 31	R48593	2F22	12	70 - 37
R39289	2H21	5	70 - 85	R44302	1G19	10	40 - 67	R48664	1G2	10	40 - 50
R39294	2A19	36	50 - 11	R44302	1G23	8	40 - 71	R48665	1G2	9	40 - 50
R39294	2B14	12	50 - 31	R44302	1H2	10	40 - 75	R48685	2B12	28	50 - 29
R39299	2A21	27	50 - 13	R44302	1H10	4	40 - 83	R48698	2E6	25	70 - 95
R39299	2B6	8	50 - 23	R44302	1H12	3	40 - 85	R48738	2E18	18	70 - 9
R39304	2A21	22	50 - 13	R44302	3C20	24	80 - 61	R48738	2F2	18	70 - 17
R39304	2B6	12	50 - 23	R44302	3F2	21	90 - 21	R48738	2F8	18	70 - 23
R39319	2E18	10	70 - 9	R44302	3F18	11	90 - 37	R48751	1D2	28	30 - 15
R39321	2E18	30	70 - 9	R44302	3F20	7	90 - 39	R48768	1B12	3	20 - 29
R394R	2A21	13	50 - 13	R44302	3G4	2	90 - 47	R48768	1B13	4	20 - 30
R394R	2B24	19	50 - 41	R44342	1F9	12	40 - 32	R48790	2B22	25	50 - 39
R394R	2H21	8	70 - 85	R44361	2C6	9	50 - 47	R48917	2D22	28	60 - 25
R39613	1D2	6	30 - 15	R44372	2C6	9	50 - 47	R48917	2E4	9	60 - 31
R39615	1D2	5	30 - 15	R44529	3C20	5	80 - 61	R48918	2E4	11	60 - 31
R39729	2F2	24	70 - 17	R44823	2F2	1	70 - 17	R48919	2D22	19	60 - 25
R39741	1A13	3	20 - 5	R45126	2C2	18	50 - 43	R48933	2D22	34	60 - 25
R39796	2B24	20	50 - 41	R45228	2F2	4	70 - 17	R48934	2D22	33	60 - 25
R39799	2B24	18	50 - 41	R45422	2F8	35	70 - 23	R48978	2H17	5	70 - 81
R39825	1C15	8	30 - 3	R45438	2F2	13	70 - 17	R48980	2H17	7	70 - 81
R39843	2F2	36	70 - 17	R45438	2F8	13	70 - 23	R49068	3B2	16	80 - 19
R40072	2D10	9	60 - 13	R45582	2A23	3	50 - 15	R49069	3B2	16	80 - 19
R40147	2B14	23	50 - 31	R45620	2110	16	70 - 99	R49070	3B2	16	80 - 19
R40218	2110	32	70 - 99	R45822	2E12	8	70 - 3	R49071	2F4	38	70 - 19
R40561	2D10	12	60 - 13	R45847	3F20	..	90 - 39	R49071	2F4	39	70 - 19
R40562	2D10	11	60 - 13	R45874	2F2	38	70 - 17	R49071	2F4	40	70 - 19
R40791	1A16	5	20 - 8	R46345	2E12	9	70 - 3	R49071	2F4	41	70 - 19
R40937	2H23	6	70 - 87	R46414	1C21	8	30 - 9	R49072	2F4	44	70 - 19
R41055	2H17	8	70 - 81	R465R	2A11	10	50 - 3	R49076	2F14	5	70 - 29
R41055	2H23	30	70 - 87	R46625	1A12	16	20 - 4	R49115	2A23	31	50 - 15
R41057	2F4	33	70 - 19	R46722	2H17	13	70 - 81	R49116	2A23	27	50 - 15
R41057	2F4	34	70 - 19	R46890	3A17	9	80 - 9	R49186	2H18	1	70 - 82
R41057	2F4	35	70 - 19	R46893	3A17	14	80 - 9	R49187	2H18	2	70 - 82
R41057	2F10	29	70 - 25	R46895	3A17	7	80 - 9	R49187	2H23	11	70 - 87
R41057	2H23	10	70 - 87	R46906	1B12	2	20 - 29	R49191	2I3	13	70 - 92
R41147	2G6	14	70 - 45	R47008	2B20	12	50 - 37	R49221	2H18	15	70 - 82
R41148	2B14	14	50 - 31	R47144	1C3	8	20 - 45	R49242	2B20	28	50 - 37
R41155	2H21	16	70 - 85	R47154	1B1	2	20 - 18	R49266	1D7	4	30 - 20
R41156	2H23	29	70 - 87	R47154	1B2	2	20 - 19	R49296	1G2	11	40 - 50
R41198	2110	16	70 - 99	R47154	1B4	1	20 - 21	R49297	2E18	16	70 - 9
R41338	2H23	15	70 - 87	R47224	3F24	3	90 - 43	R49297	2F2	16	70 - 17
R41339	2H23	12	70 - 87	R47226	3F24	7	90 - 43	R49297	2F8	16	70 - 23
R41412	1A20	3	20 - 12	R47227	3F24	10	90 - 43	R49298	2E18	19	70 - 9
R41549	2H23	3	70 - 87	R47229	3F24	9	90 - 43	R49298	2F2	19	70 - 17
R41756	2C2	20	50 - 43	R47230	3F24	13	90 - 43	R49352	2110	8	70 - 99
R41778	3H18	14	90 - 85	R47231	3F24	14	90 - 43	R495R	1A16	1	20 - 8
R41985	1B23	10	20 - 40	R47232	3F24	15	90 - 43	R495R	2D15	10	60 - 18
R41985	3F18	9	90 - 37	R47233	3F22	3	90 - 41	R495R	2D22	20	60 - 25
R41985	3F20	2	90 - 39	R47234	3F22	2	90 - 41	R495R	2E4	2	60 - 31
R41985	3F20	11	90 - 39	R47235	3F22	26	90 - 41	R495R	2G25	8	70 - 64
R42014	2C2	13	50 - 43	R47235	3G4	10	90 - 47	R495R	2I4	4	70 - 93
R42260	2F4	30	70 - 19	R47292	3D20	4	80 - 85	R49516	1B14	6	20 - 31
R42260	2F10	26	70 - 25	R47512	2A25	11	50 - 17	R49648	2F22	17	70 - 37
R42363	2A11	5	50 - 3	R47584	3A17	7	80 - 9	R49980	2C24	16	60 - 3
R42467	2F2	35	70 - 17	R47589	3A17	7	80 - 9	R49982	2C24	17	60 - 3
R42665	2F4	9	70 - 19	R47831	1G2	3	40 - 50	R50110	2D16	6	60 - 19
R42729	1A21	6	20 - 13	R47862	2C18	6	50 - 59	R50112	2D16	9	60 - 19
R42822	3F22	1	90 - 41	R48000	1D10	6	30 - 23	R50136	2B8	6	50 - 25
R42849	2B10	9	50 - 27	R48071	1D6	10	30 - 19	R50137	2B8	7	50 - 25
R43413	1C21	4	30 - 9	R48139	3C20	5	80 - 61	R50516	2F24	5	70 - 39
R43416	1A18	5	20 - 10	R48294	3C24	19	80 - 65	R50516	2F24	12	70 - 39
R43444	3A17	8	80 - 9	R48295	3C24	20	80 - 65	R50557	1E5	9	40 - 3
R44156	2B6	7	50 - 23	R48312	2B22	23	50 - 39	R50864	2B22	1	50 - 39
R44157	2B6	1	50 - 23	R48566	2C6	30	50 - 47	R50864	2C12	1	50 - 53

# 1L10

TRACTOR 3030,3130

## NUMERICAL INDEX - CONTINUED

PART NO.	GRID	KEY	PAGE	PART NO.	GRID	KEY	PAGE	PART NO.	GRID	KEY	PAGE
R50879	2D14	2	60 - 17	R54472	2I25	11	70 - 114	R59409	1B20	10	20 - 37
R51186	3B4	6	80 - 21	R54473	2I25	1	70 - 114	R59449	1A19	8	20 - 11
R51187	3B4	6	80 - 21	R54542	3C20	7	80 - 61	R59629	2H23	13	70 - 87
R51285	2I3	11	70 - 92	R54565	1A21	1	20 - 13	R59991	3D3	9	80 - 68
R51409	2H17	2	70 - 81	R54614	1B20	1	20 - 37	R60089	3D3	2	80 - 68
R51409	2H23	1	70 - 87	R54625	2C15	3	50 - 56	R60123	1B23	15	20 - 40
R51410	2H17	3	70 - 81	R54637	1C3	7	20 - 45	R60124	1B23	1	20 - 40
R51411	2H17	4	70 - 81	R54638	1C3	5	20 - 45	R60124	1B23	12	20 - 40
R51412	2H18	8	70 - 82	R54641	1A19	5	20 - 11	R60127	3G4	9	90 - 47
R51413	2H18	16	70 - 82	R54641	1C3	10	20 - 45	R60135	1F20	4	40 - 43
R51414	2H18	9	70 - 82	R54752	2B24	18	50 - 41	R60138	1F20	8	40 - 43
R51415	2H18	10	70 - 82	R54766	3F24	4	90 - 43	R60139	1F20	8	40 - 43
R51516	1B1	7	20 - 18	R54802	1A12	3	20 - 4	R60170	3G4	8	90 - 47
R51681	3A23	2	80 - 15	R54961	2B6	19	50 - 23	R60171	3G4	7	90 - 47
R51728	1B12	8	20 - 29	R54969	2F22	15	70 - 37	R60502	3D16	5	80 - 81
R51731	1B12	7	20 - 29	R54986	1A21	2	20 - 13	R60732	2F2	35	70 - 17
R51736	1C19	4	30 - 7	R55233	1A13	5	20 - 5	R60745	1D10	9	30 - 23
R51893	2A21	12	50 - 13	R55302	1A14	3	20 - 6	R60746	1D10	5	30 - 23
R51895	2B12	11	50 - 29	R55302	1A14	4	20 - 6	R60827	1E5	21	40 - 3
R51895	2C6	21	50 - 47	R55397	2H17	10	70 - 81	R60828	1E5	9	40 - 3
R51910	3A23	11	80 - 15	R55398	2H17	6	70 - 81	R61190	3D16	1	80 - 81
R51912	2F2	1	70 - 17	R55509	1C19	5	30 - 7	R61191	3D16	3	80 - 81
R52148	3A17	7	80 - 9	R55647	1B12	8	20 - 29	R61192	3D16	2	80 - 81
R52251	1A20	6	20 - 12	R55968	1C3	3	20 - 45	R61193	3D16	4	80 - 81
R52252	1A20	8	20 - 12	R56012	1E5	16	40 - 3	R61352	1A14	3	20 - 6
R52383	2B6	19	50 - 23	R56246	3F24	1	90 - 43	R61352	1A14	4	20 - 6
R52547	2H23	24	70 - 87	R56278	2C18	14	50 - 59	R61871	1B20	8	20 - 37
R52549	2H23	4	70 - 87	R56457	2B6	14	50 - 23	R61871	1B20	12	20 - 37
R52571	2B6	18	50 - 23	R56461	1C3	8	20 - 45	R62034	1D20	9	30 - 33
R52572	2B6	23	50 - 23	R56463	1A16	1	20 - 8	R62034	1D22	9	30 - 35
R52573	2B6	20	50 - 23	R56463	2F2	12	70 - 17	R62035	1D20	8	30 - 33
R52574	2B6	22	50 - 23	R56463	2F8	12	70 - 23	R62035	1D22	8	30 - 35
R52618	2B16	16	50 - 33	R56525	1E19	12	40 - 17	R62158	1C3	9	20 - 45
R52620	2B20	30	50 - 37	R56551	1C18	9	30 - 6	R62372	2F2	10	70 - 17
R53100	3C20	7	80 - 61	R56725	1A19	4	20 - 11	R62372	2F8	10	70 - 23
R53169	2B14	21	50 - 31	R56749	2F2	11	70 - 17	R62652	2H23	15	70 - 87
R53218	2G20	25	70 - 59	R56751	2F2	5	70 - 17	R63022	2E16	23	70 - 7
R53218	2G22	28	70 - 61	R56751	2F4	24	70 - 19	R63022	2E18	3	70 - 9
R53219	1A19	1	20 - 11	R56751	2F10	12	70 - 25	R63116	1C19	1	30 - 7
R53219	1C2	10	20 - 44	R56751	2F10	31	70 - 25	R63571	3F22	23	90 - 41
R53223	1A19	1	20 - 11	R56753	2F2	23	70 - 17	R63605	2E18	23	70 - 9
R53296	2I12	11	70 - 101	R56754	2F2	20	70 - 17	R63629	2E16	23	70 - 7
R53296	2I14	11	70 - 103	R56755	2F4	13	70 - 19	R63629	2E18	3	70 - 9
R53296	3A17	3	80 - 9	R56755	2F10	31	70 - 25	R63691	2C6	27	50 - 47
R53382	1B20	1	20 - 37	R56756	2F4	6	70 - 19	R63692	2C6	14	50 - 47
R53657	2C15	6	50 - 56	R56757	2F4	37	70 - 19	R63937	2I16	1	70 - 105
R53800	2G20	2	70 - 59	R56757	2F10	32	70 - 25	R64170	2F16	10	70 - 31
R53800	2G22	2	70 - 61	R56933	1B17	1	20 - 34	R64449	1E5	14	40 - 3
R53801	2G20	3	70 - 59	R57059	1B20	2	20 - 37	R64506	1D9	8	30 - 22
R53801	2G22	3	70 - 61	R57300	2F16	17	70 - 31	R64561	2I6	21	70 - 95
R53802	2B12	6	50 - 29	R57332	1A20	6	20 - 12	R64605	2I6	10	70 - 95
R54189	2A19	29	50 - 11	R57333	1A20	8	20 - 12	R64606	2I6	17	70 - 95
R54242	2I6	23	70 - 95	R57334	1A20	6	20 - 12	R64607	2I6	16	70 - 95
R54271	1D14	1	30 - 27	R57335	1A20	8	20 - 12	R64608	2I6	7	70 - 95
R54271	1D16	1	30 - 29	R57336	1A20	6	20 - 12	R64609	2I6	6	70 - 95
R54272	2B3	1	50 - 20	R57337	1A20	8	20 - 12	R64610	2I6	15	70 - 95
R54272	2B4	1	50 - 21	R57696	2I10	26	70 - 99	R64611	2I6	14	70 - 95
R54273	2G2	4	70 - 41	R58208	2B6	23	50 - 23	R64612	2I6	13	70 - 95
R54273	2G4	1	70 - 43	R58209	2B6	22	50 - 23	R64613	2I6	11	70 - 95
R54273	2G6	10	70 - 45	R58210	2B6	18	50 - 23	R64614	2I6	12	70 - 95
R54274	2G22	9	70 - 61	R58212	2B6	20	50 - 23	R64615	2I6	5	70 - 95
R54274	2G24	9	70 - 63	R58303	3B12	14	80 - 29	R64617	2I6	3	70 - 95
R54274	2H21	1	70 - 85	R58661	2B10	16	50 - 27	R64618	2I6	4	70 - 95
R54275	2G20	10	70 - 59	R59160	1G1	13	40 - 49	R64619	1C5	15	20 - 47
R54275	2G22	10	70 - 61	R59160	1G1	15	40 - 49	R64619	1C7	14	20 - 49
R54275	2G24	12	70 - 63	R59160	1G1	17	40 - 49	R64678	2I24	10	70 - 113
R54275	2H21	19	70 - 85	R59234	2E18	28	70 - 9	R64678	3C4	22	80 - 45
				R59313	1B10	5	20 - 27				

# 1L11

TRACTOR 3030,3130

## NUMERICAL INDEX - CONTINUED

PART NO.	GRID	KEY	PAGE	PART NO.	GRID	KEY	PAGE	PART NO.	GRID	KEY	PAGE
R64802	3C20	3	80 - 61	R69279	2F2	20	70 - 17	R76126	1A24	9	20 - 16
R64851	1B8	2	20 - 25	R69279	2F8	20	70 - 23	R76167	2E16	15	70 - 7
R65201	3D20	18	80 - 85	R69279	2F10	35	70 - 25	R76167	2E16	31	70 - 7
R65215	1A12	9	20 - 4	R69297	3F24	13	90 - 43	R76169	2E16	38	70 - 7
R65286	2H23	22	70 - 87	R69297	3F24	14	90 - 43	R77611	2F8	23	70 - 23
R65286	2I4	7	70 - 93	R69297	3F24	15	90 - 43	R77903	2F8	42	70 - 23
R65289	2H23	7	70 - 87	R69297	3F24	18	90 - 43	R77904	2F8	35	70 - 23
R65390	2B6	17	50 - 23	R70351	2F4	17	70 - 19	R78293	2F2	1	70 - 17
R65391	2B6	35	50 - 23	R70483	1B14	6	20 - 31	R78293	2F8	1	70 - 23
R65392	2B6	30	50 - 23	R70559	2F4	33	70 - 19	R78765	2I6	40	70 - 95
R65501	2H23	20	70 - 87	R70559	2F10	37	70 - 25	R78766	2I6	35	70 - 95
R65502	2H23	20	70 - 87	R70617	2F10	7	70 - 25	R78767	2I6	24	70 - 95
R65548	2F22	21	70 - 37	R70649	2F10	36	70 - 25	R78768	2I6	42	70 - 95
R65652	2B14	14	50 - 31	R70813	3D20	18	80 - 85	R78769	2I6	34	70 - 95
R65850	1C25	12	30 - 13	R70867	2F10	17	70 - 25	R79015	1D12	12	30 - 25
R65851	1C15	23	30 - 3	R70868	2F10	18	70 - 25	R79015	1D12	13	30 - 25
R65852	1D20	22	30 - 33	R712R	2B18	5	50 - 35	R79089	1A13	9	20 - 5
R66083	2D10	6	60 - 13	R71321	2F4	32	70 - 19	R79151	2F8	32	70 - 23
R66084	2D10	4	60 - 13	R71321	2F10	28	70 - 25	R79151	2F8	43	70 - 23
R66084	2D10	6	60 - 13	R71387	2I6	39	70 - 95	R79152	2F8	34	70 - 23
R66085	2D10	3	60 - 13	R72231	1B17	2	20 - 34	R79152	2F8	43	70 - 23
R66164	2E18	1	70 - 9	R72506	2F8	36	70 - 23	R79311	2I6	30	70 - 95
R66319	1G1	4	40 - 49	R72507	2F8	33	70 - 23	R79345	1A22	1	20 - 14
R66319	1G1	..	40 - 49	R726R	2B12	3	50 - 29	R79604	1D10	4	30 - 23
R66416	2H23	19	70 - 87	R72653	2F23	4	70 - 38	R79605	1D10	3	30 - 23
R66591	2F16	17	70 - 31	R72653	2G2	19	70 - 41	R79606	1D10	2	30 - 23
R66793	1C5	15	20 - 47	R72653	2G4	11	70 - 43	R79623	1A20	6	20 - 12
R66793	1C7	14	20 - 49	R72653	2G4	17	70 - 43	R79624	1A20	8	20 - 12
R66794	1E5	15	40 - 3	R72653	2G4	33	70 - 43	R79625	1A20	2	20 - 12
R66795	1B10	3	20 - 27	R72653	2G9	1	70 - 48	R79625	1A20	8	20 - 12
R66821	1D6	18	30 - 19	R72653	2G10	2	70 - 49	R79626	1A20	2	20 - 12
R66916	2H23	8	70 - 87	R72653	2G14	9	70 - 53	R79626	1A20	8	20 - 12
R67027	3D3	9	80 - 68	R72653	2I3	5	70 - 92	R79627	1A20	2	20 - 12
R67769	1B1	2	20 - 18	R72886	2E18	19	70 - 9	R79627	1A20	8	20 - 12
R67769	1B2	2	20 - 19	R72886	2F2	19	70 - 17	R79628	1A20	2	20 - 12
R67769	1B4	2	20 - 21	R72886	2F8	19	70 - 23	R79628	1A20	6	20 - 12
R67794	2A23	7	50 - 15	R72936	2E16	11	70 - 7	R79629	1A20	2	20 - 12
R67794	2A23	9	50 - 15	R73139	1A12	17	20 - 4	R79629	1A20	6	20 - 12
R68228	1A17	3	20 - 9	R73140	1A15	1	20 - 7	R79630	1A20	2	20 - 12
R68228	1A18	9	20 - 10	R73228	2F8	43	70 - 23	R79630	1A20	6	20 - 12
R68278	3D20	16	80 - 85	R73380	3A15	10	80 - 7	R79630	1A20	6	20 - 12
R68279	3D20	3	80 - 85	R73380	3B12	5	80 - 29	R79828	1A18	3	20 - 10
R68281	1D2	19	30 - 15	R73380	3B12	18	80 - 29	R79854	1A15	4	20 - 7
R68281	1D2	..	30 - 15	R73380	3B12	18	80 - 29	R79854	1A15	5	20 - 7
R68281	1D10	11	30 - 23	R73701	2B6	35	50 - 23	R79863	1A15	4	20 - 7
R68281	1D10	..	30 - 23	R73736	2F10	20	70 - 25	R80034	1B12	9	20 - 29
R68281	1D12	1	30 - 25	R73741	2F8	4	70 - 23	R80324	2H11	16	70 - 75
R68281	1D12	..	30 - 25	R73784	1C5	19	20 - 47	R80324	2H13	17	70 - 77
R68281	1D20	11	30 - 33	R74194	1B12	10	20 - 29	R80324	2H15	17	70 - 79
R68281	1D20	14	30 - 33	R74210	2I6	38	70 - 95	R80324	2I3	16	70 - 92
R68281	1D20	..	30 - 33	R74354	1B20	4	20 - 37	R80405	1A11	1	20 - 3
R68281	1D22	11	30 - 35	R74530	2I4	16	70 - 93	R80405	1A12	1	20 - 4
R68281	1D22	12	30 - 35	R74530	2I4	17	70 - 93	R80405	1A13	1	20 - 5
R68281	1D22	..	30 - 35	R74530	2I4	18	70 - 93	R80558	2F8	36	70 - 23
R68381	2E16	4	70 - 7	R74530	2I6	30	70 - 95	R80724	1B13	3	20 - 30
R68381	2E16	8	70 - 7	R74695	2H18	2	70 - 82	R81072	1B20	10	20 - 37
R68382	2E16	3	70 - 7	R74695	2H23	11	70 - 87	R81072	1B20	12	20 - 37
R68382	2E16	8	70 - 7	R75376	2F10	15	70 - 25	R81275	1C15	22	30 - 3
R68383	2E16	15	70 - 7	R75564	2F10	9	70 - 25	R81275	1C18	4	30 - 6
R68383	2E16	30	70 - 7	R75642	2F10	11	70 - 25	R81424	3H18	11	90 - 85
R68384	2E16	14	70 - 7	R75728	1A17	3	20 - 9	R81989	1B8	11	20 - 25
R68390	2E18	12	70 - 9	R75728	1A18	9	20 - 10	R82131	1D6	2	30 - 19
R68502	2E16	11	70 - 7	R75839	1D9	7	30 - 22	R82131	1D6	13	30 - 19
R68553	2E18	5	70 - 9	R75879	2F10	6	70 - 25	R82131	1D6	20	30 - 19
R69260	1B1	3	20 - 18	R75892	1A12	13	20 - 4	R82131	1D7	1	30 - 20
R69260	1B2	3	20 - 19	R75893	1A12	18	20 - 4	R82131	1D8	1	30 - 21
R69262	2F4	34	70 - 19	R75931	1D8	7	30 - 21	R82131	1D9	1	30 - 22
				R75938	2F10	34	70 - 25	R82873	1D2	6	30 - 15

# 1L12

TRACTOR 3030,3130

## NUMERICAL INDEX - CONTINUED

PART NO.	GRID	KEY	PAGE	PART NO.	GRID	KEY	PAGE	PART NO.	GRID	KEY	PAGE
R83063	1A18	3	20 - 10	T13814	2F16	3	70 - 31	T20315	1A21	7	20 - 13
R83063	1A18	..	20 - 10	T13914	1D6	6	30 - 19	T20316	1A21	3	20 - 13
R83169	1B1	7	20 - 18	T14040	1E5	7	40 - 3	T20328	1B5	3	20 - 22
R83169	1B2	7	20 - 19	T14500	3D6	4	80 - 71	T20336	1B5	1	20 - 22
R83169	1B3	7	20 - 20	T14647	2I20	11	70 - 109	T20362	1B1	4	20 - 18
R83508	2E18	19	70 - 9	T14931	2B16	15	50 - 33	T20362	1B2	4	20 - 19
R83508	2F2	19	70 - 17	T15284	3B4	28	80 - 21	T20362	1B3	4	20 - 20
R83508	2F8	19	70 - 23	T15285	3B4	5	80 - 21	T20364	1B1	3	20 - 18
R83554	1B14	3	20 - 31	T15288	3B4	4	80 - 21	T20465	1A21	2	20 - 13
R83554	1B14	4	20 - 31	T16623	1F25	6	40 - 48	T20468	1A22	1	20 - 14
R83588	3B12	5	80 - 29	T16738	3D6	5	80 - 71	T20472	1A19	8	20 - 11
R83588	3B12	17	80 - 29	T17148	2C24	3	60 - 3	T20693	1F25	13	40 - 48
R84982	1C18	10	30 - 6	T17882	2B12	23	50 - 29	T21101	2B14	5	50 - 31
R87627	1A20	2	20 - 12	T18718	2C6	36	50 - 47	T21430	2C8	6	50 - 49
R89824	1A24	2	20 - 16	T18891	1A12	7	20 - 4	T21445	2A11	13	50 - 3
R89825	1A24	2	20 - 16	T18891	2B14	1	50 - 31	T21445	2D8	2	60 - 11
R89879	1C19	5	30 - 7	T18996	2C6	37	50 - 47	T21446	2A11	18	50 - 3
R90262	1C18	3	30 - 6	T19044	1A14	1	20 - 6	T21448	2A11	17	50 - 3
R90648	1A15	1	20 - 7	T19158	1C21	9	30 - 9	T21450	2A15	8	50 - 7
R90658	1C19	10	30 - 7	T19178	1G1	15	40 - 49	T21527	2D8	3	60 - 11
R90658	1C23	8	30 - 11	T19179	1G1	16	40 - 49	T21528	2D2	16	60 - 5
R90788	1B5	2	20 - 22	T19242	2B18	14	50 - 35	T21528	2D6	9	60 - 9
R91692	1B1	11	20 - 18	T19324	2F16	1	70 - 31	T21545	3B6	8	80 - 23
R91692	1B2	11	20 - 19	T19687	2G16	2	70 - 55	T21546	2D8	7	60 - 11
R91692	1B3	11	20 - 20	T20006	1C19	10	30 - 7	T21553	3B4	3	80 - 21
R92426	1A19	8	20 - 11	T20006	1C23	8	30 - 11	T21562	2B14	10	50 - 31
R97344	1B17	1	20 - 34	T20009	1B12	10	20 - 29	T21563	2F18	5	70 - 33
R97348	1C21	4	30 - 9	T20034	1A24	5	20 - 16	T21563	3G5	8	90 - 48
R97349	1A18	5	20 - 10	T20034	1A25	4	20 - 17	T21564	2F18	4	70 - 33
R97350	1D7	5	30 - 20	T20046	1B8	9	20 - 25	T21564	3G5	9	90 - 48
R97350	1D8	2	30 - 21	T20050	1B20	7	20 - 37	T21576	2D18	2	60 - 21
R97350	1D9	2	30 - 22	T20055	1D12	11	30 - 25	T21576	2D19	2	60 - 22
R97351	1B14	6	20 - 31	T20055	1D12	11	30 - 25	T21576	2D19	2	60 - 22
R97351	1B14	6	20 - 31	T20067	1B1	7	20 - 18	T21587	2D18	6	60 - 21
R97352	1B5	1	20 - 22	T20071	1A22	4	20 - 14	T21587	2D19	6	60 - 22
R97354	1D12	18	30 - 25	T20072	1A22	3	20 - 14	T21595	2D18	1	60 - 21
R97454	1B1	1	20 - 18	T20073	1A21	11	20 - 13	T21595	2D19	1	60 - 22
R97454	1B2	1	20 - 19	T20074	1A16	2	20 - 8	T21595	2D19	1	60 - 22
R97454	1B3	1	20 - 20	T20077	1A20	1	20 - 12	T21631	2F18	23	70 - 33
R97778	1A20	7	20 - 12	T20088	1B15	3	20 - 32	T21638	2F22	5	70 - 37
R97779	1A20	5	20 - 12	T20094	1B8	6	20 - 25	T21655	2D2	25	60 - 5
R98941	2B22	23	50 - 39	T20094	1B8	6	20 - 25	T21659	2D8	6	60 - 11
R99948	1A12	17	20 - 4	T20094	1B9	8	20 - 26	T21680	2G14	22	70 - 53
R99948	1A13	1	20 - 5	T20129	1A21	9	20 - 13	T21680	2G14	25	70 - 53
R99948	1A13	1	20 - 5	T20139	1B15	1	20 - 32	T21681	2G14	2	70 - 53
T10510	3B2	10	80 - 19	T20139	1B15	1	20 - 32	T21681	2G14	2	70 - 53
T11234	1B22	25	20 - 39	T20155	1B1	1	20 - 18	T21716	2C24	15	60 - 3
T11234	2E10	8	70 - 1	T20155	1B2	1	20 - 19	T21717	2D2	2	60 - 5
T11234	2E12	11	70 - 3	T20159	1C15	22	30 - 3	T21717	2D6	3	60 - 9
T11292	1D24	3	30 - 37	T20159	1C18	4	30 - 6	T21718	2C24	5	60 - 3
T11292	2D8	18	60 - 11	T20166	1A15	3	20 - 7	T21718	2C24	5	60 - 3
T11708	3C24	14	80 - 65	T20166	1A15	3	20 - 7	T21722	2D8	4	60 - 11
T12083	2A11	32	50 - 3	T20168	1A12	10	20 - 4	T21776	2B12	9	50 - 29
T13119	2B8	18	50 - 25	T20168	1A13	10	20 - 5	T21803	2D14	8	60 - 17
T13119	2D10	5	60 - 13	T20168	1A19	2	20 - 11	T21806	2D15	3	60 - 18
T13119	2D10	6	60 - 13	T20168	1C2	11	20 - 44	T21814	2D16	12	60 - 19
T13119	2F22	21	70 - 37	T20176	1A20	3	20 - 12	T21815	2D16	10	60 - 19
T13213	1B17	6	20 - 34	T20183	1A19	1	20 - 11	T21816	2D15	14	60 - 18
T13325	2C6	33	50 - 47	T20202	1E5	21	40 - 3	T21827	2A11	3	50 - 3
T13329	2C6	13	50 - 47	T20204	1E5	5	40 - 3	T21841	2C10	10	50 - 51
T13331	2C6	18	50 - 47	T20217	1B10	2	20 - 27	T21841	2C10	11	50 - 51
T13332	2C6	18	50 - 47	T20229	2H17	9	70 - 81	T21841	2C10	15	50 - 51
T13333	2C6	18	50 - 47	T20243	1C5	3	20 - 47	T21841	2C12	7	50 - 53
T13341	2C6	9	50 - 47	T20243	1C7	2	20 - 49	T21841	2C12	9	50 - 53
T13471	2C6	19	50 - 47	T20272	1B1	17	20 - 18	T21841	2C12	10	50 - 53
T13555	2C24	13	60 - 3	T20273	1B1	18	20 - 18	T21864	3C24	29	80 - 65
T13744	1H10	10	40 - 83	T20294	1B5	2	20 - 22	T21865	3C24	28	80 - 65
T13744	1H14	10	40 - 87	T20298	1B20	5	20 - 37	T21901	2I20	3	70 - 109
T13814	1G19	1	40 - 67	T20304	1A22	5	20 - 14	T21955	2G14	3	70 - 53
				T20310	1A21	10	20 - 13	T21955	2G14	6	70 - 53
				T20314	1A21	4	20 - 13	T21955	2G14	16	70 - 53

# 1L13

TRACTOR 3030,3130

## NUMERICAL INDEX - CONTINUED

PART NO.	GRID	KEY	PAGE	PART NO.	GRID	KEY	PAGE	PART NO.	GRID	KEY	PAGE
T21955	2G14	19	70 - 53	T22883	2G10	9	70 - 49	T25398	2A19	17	50 - 11
T21956	2F24	6	70 - 39	T22898	2A11	2	50 - 3	T25399	2A19	27	50 - 11
T21968	2A11	33	50 - 3	T22958	2F16	13	70 - 31	T25409	2B6	35	50 - 23
T21969	2B20	13	50 - 37	T22970	2F16	6	70 - 31	T25416	2B8	3	50 - 25
T21997	2A21	1	50 - 13	T22996	2H18	6	70 - 82	T25418	2B8	8	50 - 25
T21998	2A17	2	50 - 9	T23002	1C2	12	20 - 44	T25419	2B8	23	50 - 25
T21999	2A15	11	50 - 7	T23027	3D22	1	80 - 87	T25479	1C2	7	20 - 44
T22085	3D2	18	80 - 67	T23027	3D22	3	80 - 87	T25479	3F18	3	90 - 37
T22086	3D6	34	80 - 71	T23033	3D22	4	80 - 87	T25479	3F18	6	90 - 37
T22101	2D15	9	60 - 18	T23083	2F16	27	70 - 31	T25479	3F18	..	90 - 37
T22128	2C2	3	50 - 43	T23089	1C2	10	20 - 44	T25484	1C5	4	20 - 47
T22211	3D6	24	80 - 71	T23162	2H5	5	70 - 69	T25484	1C7	3	20 - 49
T22224	2F23	7	70 - 38	T23203	2F14	15	70 - 29	T25515	2B22	14	50 - 39
T22228	2F23	6	70 - 38	T23216	2G14	24	70 - 53	T25614	2B22	13	50 - 39
T22229	2F23	9	70 - 38	T23225	2D14	2	60 - 17	T25627	2B14	18	50 - 31
T22232	2F23	12	70 - 38	T23247	1H10	19	40 - 83	T25628	2B14	13	50 - 31
T22239	1D14	20	30 - 27	T23247	1H12	10	40 - 85	T25629	2B14	15	50 - 31
T22239	1D16	16	30 - 29	T23247	3D6	29	80 - 71	T25701	1A12	5	20 - 4
T22240	1D14	9	30 - 27	T23260	1B8	7	20 - 25	T25701	1C5	7	20 - 47
T22240	1D16	30	30 - 29	T23263	1C15	10	30 - 3	T25701	1C7	6	20 - 49
T22241	1D14	15	30 - 27	T23435	1A12	15	20 - 4	T25741	2C24	23	60 - 3
T22241	1D16	27	30 - 29	T23442	1D12	19	30 - 25	T25899	3D20	17	80 - 85
T22242	1D14	11	30 - 27	T23469	1A21	1	20 - 13	T25921	3B2	13	80 - 19
T22242	1D16	32	30 - 29	T23474	1A12	11	20 - 4	T26165	1F16	6	40 - 39
T22243	2H13	7	70 - 77	T23474	1A13	11	20 - 5	T26165	1F18	6	40 - 41
T22244	2H11	2	70 - 75	T23590	1B14	7	20 - 31	T26308	2C14	2	50 - 55
T22244	2H13	3	70 - 77	T23594	1A21	6	20 - 13	T26309	2C14	3	50 - 55
T22245	2H13	1	70 - 77	T23596	1B14	6	20 - 31	T26309	2C14	4	50 - 55
T22260	2C24	6	60 - 3	T23614	1B5	4	20 - 22	T26321	1A24	10	20 - 16
T22381	1B22	8	20 - 39	T23670	1A12	9	20 - 4	T26321	1A25	9	20 - 17
T22435	2B22	23	50 - 39	T23671	1A12	9	20 - 4	T26323	1A24	2	20 - 16
T22469	2F22	24	70 - 37	T23671	1A13	9	20 - 5	T26323	1A25	5	20 - 17
T22470	2G4	31	70 - 43	T24438	3C24	21	80 - 65	T26324	1A24	1	20 - 16
T22473	2F23	5	70 - 38	T24460	1D12	18	30 - 25	T26325	1A24	8	20 - 16
T22534	1D24	11	30 - 37	T24472	1D10	7	30 - 23	T26326	1A24	6	20 - 16
T22569	2A11	14	50 - 3	T24476	1A14	4	20 - 6	T26327	1A24	7	20 - 16
T22584	2A11	16	50 - 3	T24485	2F22	20	70 - 37	T26327	1A25	6	20 - 17
T22653	2G16	16	70 - 55	T24537	3C7	8	80 - 48	T26361	3C10	2	80 - 51
T22694	1D14	22	30 - 27	T24540	2F22	16	70 - 37	T26379	1D2	7	30 - 15
T22694	1D16	8	30 - 29	T24607	1D12	12	30 - 25	T26454	2I20	7	70 - 109
T22696	1D14	26	30 - 27	T24607	1D12	13	30 - 25	T26565	1B8	4	20 - 25
T22696	1D16	11	30 - 29	T24608	1D4	10	30 - 17	T26565	1B16	4	20 - 33
T22698	1D14	25	30 - 27	T24608	1D12	13	30 - 25	T26565	2B12	16	50 - 29
T22698	1D16	10	30 - 29	T24619	1D12	13	30 - 25	T26625	2G4	33	70 - 43
T22728	2A19	9	50 - 11	T24690	2G14	20	70 - 53	T26626	2G4	7	70 - 43
T22730	2B22	4	50 - 39	T24729	2B12	20	50 - 29	T26838	2B3	6	50 - 20
T22739	2A19	24	50 - 11	T24932	1C2	4	20 - 44	T26839	3D18	13	80 - 83
T22823	2C24	10	60 - 3	T24934	1C2	3	20 - 44	T26853	3D20	17	80 - 85
T22824	2C24	12	60 - 3	T24965	1A15	1	20 - 7	T26936	3D18	9	80 - 83
T22824	2D2	17	60 - 5	T25317	2B18	24	50 - 35	T26942	2F16	2	70 - 31
T22825	2C24	23	60 - 3	T25317	3A21	16	80 - 13	T27178	2A15	10	50 - 7
T22848	3A13	9	80 - 5	T25323	2D2	24	60 - 5	T27258	2F18	12	70 - 33
T22848	3A15	8	80 - 7	T25324	2D2	29	60 - 5	T27259	2F18	10	70 - 33
T22850	2A11	23	50 - 3	T25325	2D2	21	60 - 5	T27260	2F18	13	70 - 33
T22851	2A11	29	50 - 3	T25326	2D2	22	60 - 5	T27260	2F20	8	70 - 35
T22852	2B8	17	50 - 25	T25327	2D2	19	60 - 5	T27645	3G8	7	90 - 51
T22852	2B24	12	50 - 41	T25329	2C24	15	60 - 3	T27645	3G12	6	90 - 55
T22854	2B12	24	50 - 29	T25332	2C24	20	60 - 3	T27645	3G16	9	90 - 59
T22862	2B8	22	50 - 25	T25333	2C24	19	60 - 3	T27645	3G22	6	90 - 65
T22865	2G4	32	70 - 43	T25334	2C24	19	60 - 3	T27645	3H8	6	90 - 75
T22867	2F22	7	70 - 37	T25335	2D2	5	60 - 5	T27657	1B1	11	20 - 18
T22874	2B16	14	50 - 33	T25336	2D2	28	60 - 5	T27657	1B2	11	20 - 19
T22874	2C8	1	50 - 49	T25367	2C12	17	50 - 53	T27658	1B1	8	20 - 18
T22876	2G9	4	70 - 48	T25367	3D6	40	80 - 71	T27658	1B2	8	20 - 19
T22876	2G10	4	70 - 49	T25394	2A19	12	50 - 11	T27658	1B3	8	20 - 20
T22877	2G4	30	70 - 43	T25395	2A19	15	50 - 11	T27670	1E23	14	40 - 21
T22883	2G9	10	70 - 48	T25397	2A19	16	50 - 11	T27670	1E23	19	40 - 21



# 1L14

TRACTOR 3030,3130

## NUMERICAL INDEX - CONTINUED

PART NO.	GRID	KEY	PAGE	PART NO.	GRID	KEY	PAGE	PART NO.	GRID	KEY	PAGE
T27671	1E23	26	40 - 21	T28306	2B16	8	50 - 33	T28515	3D8	4	80 - 73
T27671	1E25	12	40 - 23	T28307	2B16	12	50 - 33	T28516	3D8	19	80 - 73
T27716	2B22	10	50 - 39	T28308	2B16	11	50 - 33	T28519	3D8	10	80 - 73
T27720	3B9	4	80 - 26	T28309	2B16	11	50 - 33	T28520	3D8	18	80 - 73
T27720	3B12	10	80 - 29	T28310	2B16	11	50 - 33	T28521	1E19	20	40 - 17
T27755	3A24	2	80 - 16	T28311	2B16	16	50 - 33	T28522	1E19	19	40 - 17
T27756	3A24	1	80 - 16	T28313	2B20	10	50 - 37	T28532	2F18	16	70 - 33
T27764	1D12	29	30 - 25	T28314	2B20	8	50 - 37	T28535	2F18	15	70 - 33
T27765	1D12	28	30 - 25	T28315	2B20	6	50 - 37	T28536	2F24	1	70 - 39
T27973	1D20	5	30 - 33	T28316	2B20	9	50 - 37	T28538	2F22	14	70 - 37
T27973	1D22	5	30 - 35	T28317	2B20	5	50 - 37	T28546	2G16	22	70 - 55
T27974	1D20	4	30 - 33	T28318	2B20	4	50 - 37	T28547	2G16	24	70 - 55
T27974	1D22	4	30 - 35	T28319	2B20	7	50 - 37	T28548	2G16	15	70 - 55
T27986	1C15	21	30 - 3	T28320	2B20	1	50 - 37	T28551	2G14	16	70 - 53
T27989	2F20	14	70 - 35	T28321	2B20	25	50 - 37	T28552	2G14	5	70 - 53
T28008	3A13	2	80 - 5	T28322	2B20	17	50 - 37	T28554	2G14	3	70 - 53
T28008	3A15	2	80 - 7	T28323	2B20	16	50 - 37	T28555	2F18	21	70 - 33
T28009	3A13	5	80 - 5	T28324	1H14	9	40 - 87	T28555	3G5	4	90 - 48
T28009	3A15	4	80 - 7	T28324	2B20	16	50 - 37	T28575	3G5	4	90 - 48
T28010	3A13	3	80 - 5	T28325	2B20	16	50 - 37	T28575	3G5	5	90 - 48
T28010	3A15	5	80 - 7	T28326	2B20	29	50 - 37	T28612	2C2	24	50 - 43
T28014	3A13	1	80 - 5	T28327	2B20	30	50 - 37	T28625	2A21	10	50 - 13
T28015	3A15	17	80 - 7	T28328	2B20	26	50 - 37	T28626	2A21	5	50 - 13
T28016	3A15	15	80 - 7	T28329	2B18	15	50 - 35	T28631	1F20	11	40 - 43
T28017	3A15	16	80 - 7	T28330	2B18	18	50 - 35	T28631	2A21	7	50 - 13
T28018	3A15	23	80 - 7	T28332	2B16	19	50 - 33	T28634	2A23	7	50 - 15
T28019	3A15	13	80 - 7	T28340	2I20	21	70 - 109	T28635	2A23	6	50 - 15
T28020	3A15	12	80 - 7	T28342	2I20	13	70 - 109	T28638	2A23	19	50 - 15
T28022	3A15	24	80 - 7	T28345	2I20	12	70 - 109	T28639	2A23	22	50 - 15
T28025	3A13	17	80 - 5	T28346	2I20	8	70 - 109	T28642	2A23	29	50 - 15
T28026	3A13	18	80 - 5	T28353	2I12	15	70 - 101	T28645	2A21	14	50 - 13
T28027	3A13	15	80 - 5	T28360	2I25	2	70 - 114	T28646	2A21	4	50 - 13
T28030	1D12	23	30 - 25	T28394	3C24	17	80 - 65	T28650	2A25	3	50 - 17
T28118	2C8	2	50 - 49	T28395	1C15	26	30 - 3	T28651	2A25	9	50 - 17
T28119	2C18	14	50 - 59	T28420	3C24	10	80 - 65	T28652	2A25	13	50 - 17
T28122	2C18	14	50 - 59	T28424	1B22	11	20 - 39	T28653	2A25	6	50 - 17
T28124	2C10	8	50 - 51	T28425	1B22	27	20 - 39	T28655	2C2	29	50 - 43
T28124	2C12	6	50 - 53	T28426	1B22	17	20 - 39	T28659	2A21	19	50 - 13
T28125	2C10	15	50 - 51	T28433	1B14	1	20 - 31	T28664	2A21	28	50 - 13
T28125	2C12	7	50 - 53	T28434	1B10	6	20 - 27	T28665	2A21	30	50 - 13
T28126	2C10	10	50 - 51	T28435	1B14	3	20 - 31	T28667	2A21	32	50 - 13
T28126	2C12	9	50 - 53	T28435	1B14	4	20 - 31	T28668	2B12	19	50 - 29
T28245	2F20	13	70 - 35	T28435	1B14	5	20 - 31	T28669	2C3	3	50 - 44
T28263	2E10	1	70 - 1	T28436	1B17	2	20 - 34	T28671	2C2	25	50 - 43
T28270	2D2	1	60 - 5	T28437	1C23	13	30 - 11	T28672	2C2	19	50 - 43
T28270	2D6	2	60 - 9	T28439	1C5	15	20 - 47	T28677	2B22	17	50 - 39
T28280	2B18	22	50 - 35	T28440	1C5	5	20 - 47	T28680	2B22	15	50 - 39
T28281	2B18	23	50 - 35	T28440	1C7	4	20 - 49	T28684	2B22	19	50 - 39
T28283	2B16	13	50 - 33	T28463	2B14	10	50 - 31	T28691	2B22	26	50 - 39
T28284	2B18	3	50 - 35	T28468	2D14	13	60 - 17	T28697	2B10	18	50 - 27
T28285	2B18	3	50 - 35	T28473	2D12	5	60 - 15	T28703	2A11	24	50 - 3
T28286	2B18	3	50 - 35	T28474	2B12	5	50 - 29	T28711	2B10	11	50 - 27
T28288	2B18	7	50 - 35	T28476	2D18	36	60 - 21	T28716	2B24	24	50 - 41
T28289	2B18	6	50 - 35	T28479	2D18	18	60 - 21	T28717	2B24	25	50 - 41
T28290	2B18	8	50 - 35	T28481	2D18	30	60 - 21	T28721	2B10	12	50 - 27
T28293	2B18	11	50 - 35	T28483	2D18	32	60 - 21	T28722	2B8	2	50 - 25
T28295	2B18	12	50 - 35	T28484	2D18	21	60 - 21	T28723	2B8	4	50 - 25
T28296	2B18	13	50 - 35	T28485	2D18	22	60 - 21	T28725	2B8	16	50 - 25
T28297	2B18	16	50 - 35	T28486	2D18	14	60 - 21	T28729	2B8	10	50 - 25
T28298	2B18	17	50 - 35	T28487	2D18	25	60 - 21	T28764	1B22	5	20 - 39
T28299	2B18	17	50 - 35	T28488	2D18	24	60 - 21	T28764	3A21	15	80 - 13
T28300	2B18	17	50 - 35	T28489	2D18	27	60 - 21	T28769	1B22	7	20 - 39
T28301	2B18	21	50 - 35	T28490	2D18	20	60 - 21	T28775	2F16	23	70 - 31
T28302	2B16	3	50 - 33	T28493	2D18	10	60 - 21	T28795	2A11	4	50 - 3
T28303	2B16	5	50 - 33	T28493	3A19	7	80 - 11	T28797	2A11	26	50 - 3
T28304	2B16	6	50 - 33	T28493	3D8	14	80 - 73	T28798	2A11	7	50 - 3
T28305	2B16	7	50 - 33	T28496	2D18	3	60 - 21	T28801	2A17	4	50 - 9

# 1L15

TRACTOR 3030,3130

## NUMERICAL INDEX - CONTINUED

PART NO.	GRID	KEY	PAGE	PART NO.	GRID	KEY	PAGE	PART NO.	GRID	KEY	PAGE
T28804	2A11	31	50 - 3	T29577	3D18	10	80 - 83	T31749	3B4	28	80 - 21
T28806	2B10	3	50 - 27	T29586	1G3	2	40 - 51	T31779	2I20	29	70 - 109
T28807	2B10	1	50 - 27	T29619	3B20	8	80 - 37	T32064	2I20	16	70 - 109
T28823	2C14	14	50 - 55	T29619	3B22	7	80 - 39	T32077	2I12	1	70 - 101
T28825	2C18	9	50 - 59	T29620	3B20	4	80 - 37	T32077	2I14	1	70 - 103
T28826	2C18	11	50 - 59	T29620	3B22	7	80 - 39	T32078	2I12	14	70 - 101
T28827	2C18	15	50 - 59	T29644	3A13	25	80 - 5	T32086	2A23	32	50 - 15
T28828	2C18	18	50 - 59	T29644	3A15	33	80 - 7	T32087	2A23	33	50 - 15
T28829	2C18	19	50 - 59	T29645	3A13	24	80 - 5	T32088	2B12	14	50 - 29
T28830	2C18	16	50 - 59	T29676	1C15	25	30 - 3	T32090	2A21	2	50 - 13
T28832	2C18	10	50 - 59	T29741	1D14	7	30 - 27	T32091	2C2	27	50 - 43
T28836	2C14	17	50 - 55	T29742	1D14	13	30 - 27	T32092	2C2	2	50 - 43
T28836	2C18	8	50 - 59	T29742	1D16	34	30 - 29	T32096	2B24	5	50 - 41
T28837	2C15	3	50 - 56	T29742	1D17	1	30 - 30	T32097	2B24	1	50 - 41
T28838	2C15	2	50 - 56	T29801	1D20	29	30 - 33	T32099	2B24	2	50 - 41
T28991	2F14	2	70 - 29	T29801	1D22	28	30 - 35	T32100	2B24	4	50 - 41
T29063	3B14	8	80 - 31	T29893	3A13	24	80 - 5	T32111	2G2	10	70 - 41
T29063	3B16	10	80 - 33	T29893	3A15	32	80 - 7	T32112	2G2	8	70 - 41
T29064	3B16	9	80 - 33	T29969	1D12	31	30 - 25	T32114	2G2	7	70 - 41
T29066	3B9	1	80 - 26	T30034	2I20	9	70 - 109	T32115	2G2	5	70 - 41
T29130	1C2	6	20 - 44	T30037	2C4	6	50 - 45	T32117	2G2	20	70 - 41
T29130	3F18	2	90 - 37	T30199	1C21	3	30 - 9	T32118	2G2	18	70 - 41
T29150	3D6	41	80 - 71	T30340	3B8	4	80 - 25	T32119	2G2	14	70 - 41
T29151	3D6	7	80 - 71	T30349	2D12	4	60 - 15	T32119	2G8	24	70 - 47
T29154	3C24	33	80 - 65	T30413	1B8	11	20 - 25	T32132	2G20	26	70 - 59
T29154	3D2	2	80 - 67	T30431	3C10	9	80 - 51	T32132	2G22	29	70 - 61
T29155	3C24	8	80 - 65	T30521	2F18	24	70 - 33	T32133	2G20	6	70 - 59
T29155	3D2	2	80 - 67	T30522	2F18	9	70 - 33	T32137	2G20	18	70 - 59
T29156	3C24	31	80 - 65	T30523	2F24	3	70 - 39	T32137	2G22	24	70 - 61
T29157	3C24	30	80 - 65	T30524	2F24	2	70 - 39	T32139	2G20	17	70 - 59
T29175	1F16	16	40 - 39	T30525	1G3	15	40 - 51	T32139	2G22	22	70 - 61
T29175	1F18	16	40 - 41	T30687	2D14	13	60 - 17	T32140	2G22	31	70 - 61
T29185	1D18	5	30 - 31	T30711	3A11	16	80 - 3	T32143	2G20	8	70 - 59
T29199	3A21	4	80 - 13	T30711	3D18	6	80 - 83	T32143	2G22	7	70 - 61
T29199	3B2	4	80 - 19	T30712	3A11	4	80 - 3	T32143	2G24	20	70 - 63
T29200	3A21	18	80 - 13	T30712	3D18	5	80 - 83	T32146	3A23	8	80 - 15
T29201	3A21	2	80 - 13	T30738	1D6	2	30 - 19	T32148	3A23	4	80 - 15
T29202	3A21	3	80 - 13	T30738	1D7	1	30 - 20	T32161	3B24	13	80 - 41
T29203	3A21	23	80 - 13	T30738	1D8	1	30 - 21	T32161	3C2	15	80 - 43
T29205	3B2	12	80 - 19	T30754	2B8	19	50 - 25	T32161	3C4	22	80 - 45
T29208	3B2	15	80 - 19	T30766	2C2	5	50 - 43	T32162	3B24	12	80 - 41
T29209	3B2	16	80 - 19	T30766	2C2	27	50 - 43	T32162	3C2	14	80 - 43
T29210	3B2	14	80 - 19	T30766	2C2	29	50 - 43	T32196	2I12	5	70 - 101
T29211	3B2	11	80 - 19	T30767	2C2	4	50 - 43	T32197	2I12	7	70 - 101
T29218	3A21	19	80 - 13	T30767	2C2	27	50 - 43	T32198	2I12	2	70 - 101
T29219	3A21	20	80 - 13	T30767	2C2	29	50 - 43	T32198	2I14	2	70 - 103
T29220	3A21	10	80 - 13	T30772	3D18	4	80 - 83	T32201	2H3	10	70 - 67
T29239	2C6	24	50 - 47	T30818	1C19	6	30 - 7	T32201	2H9	8	70 - 73
T29240	2C6	3	50 - 47	T30819	1C18	5	30 - 6	T32204	2H1	5	70 - 65
T29241	2C6	26	50 - 47	T30908	1D7	4	30 - 20	T32204	2H3	12	70 - 67
T29242	2C6	20	50 - 47	T31093	2E12	6	70 - 3	T32204	2H9	10	70 - 73
T29311	2G14	10	70 - 53	T31100	2H13	1	70 - 77	T32245	3B24	13	80 - 41
T29314	2B3	7	50 - 20	T31134	2D14	3	60 - 17	T32245	3C2	15	80 - 43
T29321	1A18	3	20 - 10	T31167	2H15	25	70 - 79	T32343	1B12	1	20 - 29
T29324	2E12	1	70 - 3	T31170	2B24	17	50 - 41	T32353	2G14	16	70 - 53
T29380	1B23	12	20 - 40	T31290	2C24	23	60 - 3	T32354	2G14	15	70 - 53
T29388	1B23	7	20 - 40	T31437	1F4	5	40 - 27	T32354	2G14	16	70 - 53
T29388	3F20	5	90 - 39	T31504	3B8	2	80 - 25	T32355	2G14	6	70 - 53
T29446	2C18	17	50 - 59	T31505	3B8	2	80 - 25	T32356	3A13	1	80 - 5
T29451	2C18	13	50 - 59	T31672	2G25	9	70 - 64	T32356	3A15	1	80 - 7
T29478	3D20	3	80 - 85	T31673	2D22	23	60 - 25	T32418	3C6	24	80 - 47
T29479	3D20	2	80 - 85	T31695	3D20	6	80 - 85	T32418	3C10	15	80 - 51
T29539	1D10	3	30 - 23	T31710	1C5	19	20 - 47	T32418	3C12	18	80 - 53
T29541	3B9	2	80 - 26	T31720	2F24	11	70 - 39	T32429	2I24	14	70 - 113
T29550	2C6	6	50 - 47	T31721	2F24	8	70 - 39	T32429	3C20	9	80 - 61
T29575	3D18	15	80 - 83	T31722	2F24	9	70 - 39	T32430	3H20	12	90 - 87
T29576	3D18	14	80 - 83	T31723	2F24	12	70 - 39	T32480	3C20	6	80 - 61

# 1L16

TRACTOR 3030,3130

## NUMERICAL INDEX - CONTINUED

PART NO.	GRID	KEY	PAGE	PART NO.	GRID	KEY	PAGE	PART NO.	GRID	KEY	PAGE
T32508	2A15	1	50 - 7	Z24800	1E25	3	40 - 23	11H206	2G4	28	70 - 43
T32536	1C23	6	30 - 11	Z24800	1F2	25	40 - 25	11H211	2A17	7	50 - 9
T32537	1C23	3	30 - 11	Z24801	1E23	14	40 - 21	11H211	2C12	4	50 - 53
T32542	2112	22	70 - 101	Z24801	1E25	26	40 - 23	11H211	2D18	5	60 - 21
T32542	2114	22	70 - 103	Z24810	1E23	13	40 - 21	11H211	2D19	5	60 - 22
T32547	2G20	7	70 - 59	Z24810	1E25	21	40 - 23	11H216	2A11	19	50 - 3
T32547	2G22	6	70 - 61	Z26998	1F24	4	40 - 47	11H216	2D18	26	60 - 21
T32547	2G24	21	70 - 63	Z30401	1C15	36	30 - 3	11H218	2120	4	70 - 109
T32844	2A21	31	50 - 13	Z35542	1E11	16	40 - 9	11H218	3B2	8	80 - 19
T32848	2A21	25	50 - 13	Z42047	1E15	24	40 - 13	11H218	3B6	12	80 - 23
T32849	2A21	26	50 - 13	Z42047	1E17	10	40 - 15	11H222	2C6	29	50 - 47
T32986	3C10	3	80 - 51	Z42048	1E15	19	40 - 13	11H231	1D14	10	30 - 27
T32987	3C10	1	80 - 51	Z42048	1E17	19	40 - 15	11H231	1D16	31	30 - 29
T32990	3C10	17	80 - 51	Z42049	1E15	12	40 - 13	11H231	2A25	4	50 - 17
T32991	3C10	16	80 - 51	Z44576	1F8	4	40 - 31	11H231	2D18	4	60 - 21
T33164	2H15	3	70 - 79	Z44576	1F14	6	40 - 37	11H231	2D19	4	60 - 22
T33279	1A12	4	20 - 4	03H1463	1E19	21	40 - 17	11H231	2G14	4	70 - 53
T33388	2C12	20	50 - 53	03H1463	3D12	1	80 - 77	11H233	1D16	25	30 - 29
T33634	3E23	4	90 - 17	03H1463	3D14	10	80 - 79	11H233	2C2	28	50 - 43
T33634	3E25	4	90 - 19	03H1519	3B22	1	80 - 39	11H239	2C6	4	50 - 47
T34546	3B4	3	80 - 21	03H1765	2G4	9	70 - 43	11H239	2112	21	70 - 101
T34548	3B4	29	80 - 21	03H1839	2H11	19	70 - 75	11H239	3D8	5	80 - 73
T36502	3D18	1	80 - 83	03H2131	3A19	3	80 - 11	11H240	3B6	12	80 - 23
T36503	3D18	2	80 - 83	03H2275	3A19	3	80 - 11	11H249	3A17	2	80 - 9
T37041	3F20	10	90 - 39	03H2275	3B24	4	80 - 41	11M1387	3A11	13	80 - 3
T40308	2F4	39	70 - 19	03H2275	3C2	5	80 - 43	11M7005	2I22	17	70 - 111
T40728	2I24	12	70 - 113	03H2275	3C4	10	80 - 45	11M7008	3A13	23	80 - 5
T41072	1G19	2	40 - 67	03M7017	3G10	21	90 - 53	11M7008	3A15	31	80 - 7
T41072	1G23	9	40 - 71	03M7017	3H18	5	90 - 85	11M7013	2I24	4	70 - 113
T41072	1H10	25	40 - 83	03M7068	3C16	11	80 - 57	11M7019	2G6	18	70 - 45
T41072	1H14	13	40 - 87	03M7088	3C4	28	80 - 45	11M7019	2I24	4	70 - 113
T42971	2D8	10	60 - 11	03M7099	3G10	21	90 - 53	11M7020	2I22	5	70 - 111
T439T	2H25	3	70 - 89	03M7099	3G14	10	90 - 57	11M7020	3F10	2	90 - 29
T44946	1C15	35	30 - 3	03M7099	3G18	11	90 - 61	11M7020	3F12	1	90 - 31
T44946	3F20	9	90 - 39	03M7099	3G24	11	90 - 67	11M7023	2D8	12	60 - 11
T49189	2D14	8	60 - 17	03M7099	3H6	9	90 - 73	11M7023	3A11	13	80 - 3
T57374	2F4	38	70 - 19	03M7099	3H10	10	90 - 77	11M7023	3A11	14	80 - 3
T58194	2E12	4	70 - 3	03M7184	3D10	9	80 - 75	11M7023	3B4	7	80 - 21
T58195	2E12	1	70 - 3	03M7191	3C4	28	80 - 45	12H236	3A13	20	80 - 5
T58195	2E12	2	70 - 3	08H4220	3A23	5	80 - 15	12H236	3A15	28	80 - 7
T58196	2E12	3	70 - 3	08H4248	3A23	13	80 - 15	12H236	3A21	8	80 - 13
T65880	3D20	17	80 - 85	08H4370	3B9	6	80 - 26	12H236	3B4	10	80 - 21
T65882	3D20	17	80 - 85	08H4370	3B9	7	80 - 26	12H236	3B12	2	80 - 29
U10289	2D2	20	60 - 5	08H4419	3B12	9	80 - 29	12H245	3B12	8	80 - 29
U11343	2D22	28	60 - 25	08H4451	2H21	14	70 - 85	12H246	1F8	13	40 - 31
U11343	2E4	9	60 - 31	08H4525	3C20	5	80 - 61	12H246	1F14	14	40 - 37
U11343	2F16	5	70 - 31	08H4528	3C20	7	80 - 61	12H246	1G3	6	40 - 51
U12331	2D2	26	60 - 5	08H4645	3C20	7	80 - 61	12H246	1G5	7	40 - 53
U12547	2D16	7	60 - 19	08H4669	3C20	7	80 - 61	12H246	1G7	7	40 - 55
U12547	2E16	34	70 - 7	08H4694	3B12	13	80 - 29	12H290	1G1	6	40 - 49
U12547	2E18	27	70 - 9	08H4757	3B9	7	80 - 26	12H291	1B22	15	20 - 39
U12547	2E24	1	70 - 15	08H4761	3B14	6	80 - 31	12H291	1E5	17	40 - 3
U12547	2F2	4	70 - 17	08H4761	3B16	7	80 - 33	12H292	1F9	5	40 - 32
U12547	2F8	5	70 - 23	08H4762	3B8	4	80 - 25	12H292	1F25	12	40 - 48
U12547	2H15	1	70 - 79	08H4763	2I24	9	70 - 113	12H292	1G1	14	40 - 49
U13639	1A13	2	20 - 5	08H4764	2I24	9	70 - 113	12H292	1G1	15	40 - 49
U13639	2F2	27	70 - 17	08H4766	3B12	12	80 - 29	12H292	1G1	17	40 - 49
U13639	2F8	26	70 - 23	08H4766	3B12	13	80 - 29	12H292	1G2	4	40 - 50
U15415	2D10	1	60 - 13	08H4766	3B14	5	80 - 31	12H293	3H18	16	90 - 85
U15969	2I6	20	70 - 95	08H4766	3B16	6	80 - 33	12H294	2112	23	70 - 101
U16068	3B2	7	80 - 19	08H4793	2I24	9	70 - 113	12H294	2114	23	70 - 103
W14541	3E23	4	90 - 17	08H4794	2I24	9	70 - 113	12H294	2I25	4	70 - 114
W14541	3E25	4	90 - 19	10H1059	3A24	6	80 - 16	12H294	3A11	11	80 - 3
Z24798	1E23	20	40 - 21	10H1082	3A24	5	80 - 16	12H294	3A13	6	80 - 5
Z24799	1E23	10	40 - 21	11H206	2A25	12	50 - 17	12H294	3A24	4	80 - 16
Z24799	1E25	16	40 - 23	11H206	2B2	15	50 - 19	12H294	3B16	8	80 - 33
Z24800	1E23	29	40 - 21	11H206	2G2	6	70 - 41	12H294	3B18	3	80 - 35

# 1L17

TRACTOR 3030,3130

## NUMERICAL INDEX - CONTINUED

PART NO.	GRID	KEY	PAGE	PART NO.	GRID	KEY	PAGE	PART NO.	GRID	KEY	PAGE
12H295	1F9	2	40 - 32	12H304	2E10	3	70 - 1	12M7032	3G14	23	90 - 57
12H295	1G17	3	40 - 65	12H304	2F14	10	70 - 29	12M7032	3G24	32	90 - 67
12H297	2D8	5	60 - 11	12H304	2F16	20	70 - 31	12M7032	3H10	24	90 - 77
12H301	1A23	2	20 - 15	12H304	2G2	13	70 - 41	12M7044	3A23	1	80 - 15
12H301	1D24	8	30 - 37	12H304	2G8	23	70 - 47	12M7051	3C24	26	80 - 65
12H301	2A11	8	50 - 3	12H304	2H5	9	70 - 69	12M7060	1E8	5	40 - 6
12H301	2D14	12	60 - 17	12H304	2H18	4	70 - 82	12M7060	1E11	30	40 - 9
12H301	2I10	11	70 - 99	12H304	2I10	34	70 - 99	12M7060	1E13	..	40 - 11
12H301	2I25	8	70 - 114	12H304	3A21	12	80 - 13	12M7060	1E15	1	40 - 13
12H301	3A13	13	80 - 5	12H304	3B4	21	80 - 21	12M7060	1E17	25	40 - 15
12H301	3B4	16	80 - 21	12H304	3B20	3	80 - 37	12M7060	3E21	35	90 - 15
12H301	3D4	2	80 - 69	12H304	3B22	6	80 - 39	12M7060	3F16	15	90 - 35
12H301	3F22	16	90 - 41	12H304	3B24	6	80 - 41	12M7064	1E7	25	40 - 5
12H301	3G6	10	90 - 49	12H304	3C2	7	80 - 43	12M7064	1F8	13	40 - 31
12H302	1B1	2	20 - 18	12H304	3C4	12	80 - 45	12M7064	1F14	14	40 - 37
12H302	1B2	2	20 - 19	12H304	3C24	4	80 - 65	12M7064	1G3	6	40 - 51
12H302	1B4	3	20 - 21	12H304	3D2	5	80 - 67	12M7064	1G5	7	40 - 53
12H302	1D20	16	30 - 33	12H304	3D3	3	80 - 68	12M7064	1G7	7	40 - 55
12H302	1D22	15	30 - 35	12H304	3D4	5	80 - 69	12M7065	1C21	2	30 - 9
12H302	1G5	22	40 - 53	12H304	3D6	20	80 - 71	12M7065	3F22	11	90 - 41
12H302	2D22	30	60 - 25	12H304	3D8	8	80 - 73	12M7066	3F22	19	90 - 41
12H302	2E4	15	60 - 31	12H304	3D9	5	80 - 74	12M7075	1E11	24	40 - 9
12H302	2I16	12	70 - 105	12H304	3D12	2	80 - 77	12M7075	1E13	25	40 - 11
12H302	3C10	5	80 - 51	12H304	3D14	11	80 - 79	12M7075	1E15	16	40 - 13
12H302	3D6	13	80 - 71	12H304	3F22	6	90 - 41	12M7078	3E11	31	90 - 5
12H303	1B22	3	20 - 39	12H304	3F22	19	90 - 41	12M7078	3H14	45	90 - 81
12H303	1B22	22	20 - 39	12H304	3G4	5	90 - 47	12M7078	3H16	12	90 - 83
12H303	1C23	5	30 - 11	12H315	1F9	8	40 - 32	12M7079	1G8	15	40 - 56
12H303	1D6	4	30 - 19	12H324	1A15	2	20 - 7	12M7081	3C14	7	80 - 55
12H303	1D12	21	30 - 25	12H325	1D18	1	30 - 31	12M7081	3C14	11	80 - 55
12H303	1D20	21	30 - 33	12H325	3H18	8	90 - 85	12M7081	3C16	26	80 - 57
12H303	1D22	21	30 - 35	12H331	1F6	13	40 - 29	12M7081	3E9	26	90 - 3
12H303	1E5	3	40 - 3	12H331	1F12	18	40 - 35	12M7081	3E15	3	90 - 9
12H303	1G3	11	40 - 51	12H346	1G5	29	40 - 53	12M7082	3H14	31	90 - 81
12H303	2B14	6	50 - 31	12M1622	1E7	16	40 - 5	12M7119	3H18	12	90 - 85
12H303	2D2	7	60 - 5	12M1622	1E11	21	40 - 9	14H1021	2F4	26	70 - 19
12H303	2G2	24	70 - 41	12M1623	1G5	3	40 - 53	14H1021	2F10	21	70 - 25
12H303	2G20	16	70 - 59	12M303	2I3	12	70 - 92	14H1039	3A24	3	80 - 16
12H303	2G22	17	70 - 61	12M3998	1F20	20	40 - 43	14H1039	3B14	4	80 - 31
12H303	3B6	18	80 - 23	12M5442	1E25	10	40 - 23	14H1039	3B16	5	80 - 33
12H303	3F22	11	90 - 41	12M6677	3E9	26	90 - 3	14H1039	3B18	4	80 - 35
12H303	3G6	3	90 - 49	12M6677	3E15	3	90 - 9	14H1039	3D22	7	80 - 87
12H303	3H20	8	90 - 87	12M7008	1E23	24	40 - 21	14H1040	1D24	7	30 - 37
12H304	1A18	6	20 - 10	12M7008	1E25	10	40 - 23	14H1040	1F25	11	40 - 48
12H304	1B14	2	20 - 31	12M7008	1F2	3	40 - 25	14H1040	1G1	12	40 - 49
12H304	1B17	3	20 - 34	12M7008	3C12	12	80 - 53	14H1040	2A11	9	50 - 3
12H304	1B20	3	20 - 37	12M7008	3H14	29	90 - 81	14H1040	3H2	12	90 - 69
12H304	1B23	14	20 - 40	12M7008	3H16	17	90 - 83	14H1040	3H12	2	90 - 79
12H304	1C3	11	20 - 45	12M7011	1E7	5	40 - 5	14H1047	3H18	17	90 - 85
12H304	1C5	17	20 - 47	12M7011	1E11	4	40 - 9	14H1058	2I20	26	70 - 109
12H304	1C7	16	20 - 49	12M7011	1F20	20	40 - 43	14H1058	3A13	19	80 - 5
12H304	1C15	19	30 - 3	12M7012	1F20	16	40 - 43	14H1058	3A15	27	80 - 7
12H304	1C17	10	30 - 5	12M7012	1G7	15	40 - 55	14H1058	3B4	12	80 - 21
12H304	1C18	2	30 - 6	12M7012	3C6	26	80 - 47	14H1076	2G4	3	70 - 43
12H304	1C19	2	30 - 7	12M7012	3C12	2	80 - 53	14H608	1G5	28	40 - 53
12H304	1D2	16	30 - 15	12M7012	3H14	36	90 - 81	14H631	1E7	26	40 - 5
12H304	1D4	12	30 - 17	12M7013	1E23	7	40 - 21	14H631	1F8	14	40 - 31
12H304	1D17	10	30 - 30	12M7013	1E25	5	40 - 23	14H631	1F9	1	40 - 32
12H304	1D20	23	30 - 33	12M7013	1F2	28	40 - 25	14H631	1F14	15	40 - 37
12H304	1D22	23	30 - 35	12M7013	2A13	17	50 - 5	14H631	1G3	5	40 - 51
12H304	1E5	1	40 - 3	12M7013	3G10	8	90 - 53	14H631	1G5	19	40 - 53
12H304	1E21	2	40 - 19	12M7013	3G18	25	90 - 61	14H631	1G7	6	40 - 55
12H304	2A23	15	50 - 15	12M7013	3H6	27	90 - 73	14H631	1G17	4	40 - 65
12H304	2D2	10	60 - 5	12M7013	3H14	4	90 - 81	14H732	1C15	32	30 - 3
12H304	2D8	16	60 - 11	12M7013	3H16	41	90 - 83	14H732	1C17	11	30 - 5
12H304	2D10	7	60 - 13	12M7015	3E25	9	90 - 19	14H732	2A25	14	50 - 17
12H304	2D16	15	60 - 19	12M7031	1E13	20	40 - 11	14H732	2B2	16	50 - 19

# 1L18

TRACTOR 3030,3130

## NUMERICAL INDEX - CONTINUED

PART NO.	GRID	KEY	PAGE	PART NO.	GRID	KEY	PAGE	PART NO.	GRID	KEY	PAGE
14H732	2D14	7	60 - 17	14H830	1D14	23	30 - 27	14M7152	1E25	6	40 - 23
14H732	2F16	21	70 - 31	14H830	1D16	6	30 - 29	14M7152	1F2	29	40 - 25
14H732	2G9	3	70 - 48	14H832	2F18	11	70 - 33	14M7154	3C12	11	80 - 53
14H732	2G10	3	70 - 49	14H832	2F20	7	70 - 35	14M7165	3C16	7	80 - 57
14H732	2G11	9	70 - 50	14H846	3B4	22	80 - 21	14M7165	3E15	12	90 - 9
14H732	2H18	7	70 - 82	14H850	1D14	4	30 - 27	14M7165	3E21	24	90 - 15
14H774	2A17	10	50 - 9	14H850	1D16	15	30 - 29	14M7165	3E21	40	90 - 15
14H774	2A17	11	50 - 9	14H850	1D18	6	30 - 31	14M7167	3H14	41	90 - 81
14H778	1G3	5	40 - 51	14H850	2G25	11	70 - 64	14M7167	3H18	2	90 - 85
14H778	1G5	8	40 - 53	14H856	1D16	3	30 - 29	14M7168	3C16	6	80 - 57
14H785	1B22	2	20 - 39	14H856	2B2	2	50 - 19	14M7168	3H3	6	90 - 70
14H785	1B22	23	20 - 39	14H856	2B4	3	50 - 21	14M7168	3H4	8	90 - 71
14H785	1C23	4	30 - 11	14H856	2G14	11	70 - 53	14M7174	3H14	13	90 - 81
14H785	1D6	3	30 - 19	14H858	3C20	10	80 - 61	14M7185	3F10	11	90 - 29
14H785	1D12	25	30 - 25	14H863	2I24	1	70 - 113	14M7185	3F12	17	90 - 31
14H785	1E5	6	40 - 3	14H863	3B24	10	80 - 41	14M7194	3D14	5	80 - 79
14H785	1F25	10	40 - 48	14H863	3C2	12	80 - 43	14M7253	3F2	3	90 - 21
14H785	1G3	10	40 - 51	14H863	3C4	20	80 - 45	14M7272	1F2	12	40 - 25
14H785	2B14	7	50 - 31	14H865	1A24	2	20 - 16	14M7272	1F20	17	40 - 43
14H785	2D2	11	60 - 5	14H865	1A25	11	20 - 17	14M7272	1G7	14	40 - 55
14H785	2G2	23	70 - 41	14H865	1G2	6	40 - 50	14M7272	1G8	8	40 - 56
14H785	3G6	4	90 - 49	14H865	3B4	17	80 - 21	14M7272	3C6	27	80 - 47
14H785	3H20	9	90 - 87	14H902	2D8	14	60 - 11	14M7272	3C7	2	80 - 48
14H786	1C15	29	30 - 3	14H902	3B2	9	80 - 19	14M7272	3C12	3	80 - 53
14H786	1D2	25	30 - 15	14H902	3B4	8	80 - 21	14M7272	3C12	25	80 - 53
14H786	1D20	15	30 - 33	14H904	2C24	2	60 - 3	14M7272	3C14	8	80 - 55
14H786	1D22	14	30 - 35	14H920	2C6	38	50 - 47	14M7272	3C14	12	80 - 55
14H786	1G5	21	40 - 53	14H920	3B6	13	80 - 23	14M7272	3C16	19	80 - 57
14H786	2F16	24	70 - 31	14H934	1D18	2	30 - 31	14M7272	3C16	25	80 - 57
14H786	3C10	6	80 - 51	14H952	1E19	9	40 - 17	14M7272	3E9	12	90 - 3
14H786	3D2	23	80 - 67	14H971	2B12	7	50 - 29	14M7272	3E11	6	90 - 5
14H786	3D6	12	80 - 71	14M1975	3H2	11	90 - 69	14M7272	3E15	8	90 - 9
14H800	3B9	5	80 - 26	14M7009	1D16	18	30 - 29	14M7273	1C25	6	30 - 13
14H800	3B12	11	80 - 29	14M7009	3E19	19	90 - 13	14M7273	1E8	4	40 - 6
14H808	3B8	1	80 - 25	14M7015	3C22	6	80 - 63	14M7273	1E11	30	40 - 9
14H809	1G1	15	40 - 49	14M7021	2I22	24	70 - 111	14M7273	1E13	..	40 - 11
14H809	1G1	17	40 - 49	14M7021	3E19	47	90 - 13	14M7273	1E15	1	40 - 13
14H812	1B1	12	20 - 18	14M7022	3C12	22	80 - 53	14M7273	1E17	27	40 - 15
14H812	1B2	12	20 - 19	14M7028	1E8	6	40 - 6	14M7273	2G6	17	70 - 45
14H812	1C5	21	20 - 47	14M7028	1E11	30	40 - 9	14M7273	2G8	4	70 - 47
14H812	1C7	20	20 - 49	14M7028	1E13	..	40 - 11	14M7273	2G11	8	70 - 50
14H812	1D4	2	30 - 17	14M7028	1E15	1	40 - 13	14M7273	2G24	15	70 - 63
14H812	1E19	17	40 - 17	14M7028	1E17	24	40 - 15	14M7273	3C4	19	80 - 45
14H812	1E21	3	40 - 19	14M7028	1G5	4	40 - 53	14M7273	3C6	7	80 - 47
14H812	2A15	5	50 - 7	14M7028	1G7	19	40 - 55	14M7273	3C12	13	80 - 53
14H812	2D18	29	60 - 21	14M7028	2I22	24	70 - 111	14M7273	3D10	8	80 - 75
14H812	2G24	3	70 - 63	14M7028	3C6	17	80 - 47	14M7273	3F14	13	90 - 33
14H812	2H5	12	70 - 69	14M7028	3E19	47	90 - 13	14M7273	3G14	22	90 - 57
14H812	2H11	17	70 - 75	14M7028	3E21	46	90 - 15	14M7273	3G24	33	90 - 67
14H812	3A19	5	80 - 11	14M7060	1F16	4	40 - 39	14M7273	3H2	11	90 - 69
14H812	3B20	2	80 - 37	14M7060	1F18	4	40 - 41	14M7273	3H10	23	90 - 77
14H812	3B22	5	80 - 39	14M7139	1B24	6	20 - 41	14M7273	3H16	16	90 - 83
14H812	3B24	7	80 - 41	14M7139	1C1	6	20 - 43	14M7274	3D10	11	80 - 75
14H812	3C2	8	80 - 43	14M7139	1G8	16	40 - 56	14M7274	3F10	5	90 - 29
14H812	3C4	13	80 - 45	14M7139	3C6	17	80 - 47	14M7274	3F12	5	90 - 31
14H812	3D2	15	80 - 67	14M7140	1E19	5	40 - 17	14M7276	2I24	1	70 - 113
14H812	3D3	5	80 - 68	14M7140	2G8	14	70 - 47	14M7276	3F10	12	90 - 29
14H812	3D9	6	80 - 74	14M7140	2G11	6	70 - 50	14M7284	2I18	5	70 - 107
14H812	3D12	3	80 - 77	14M7140	3C4	30	80 - 45	14M7289	3B8	14	80 - 25
14H812	3D14	12	80 - 79	14M7140	3H14	26	90 - 81	14M7305	2D8	13	60 - 11
14H812	3F22	5	90 - 41	14M7140	3H16	51	90 - 83	14M7305	2D8	14	60 - 11
14H813	3H18	7	90 - 85	14M7141	3C4	16	80 - 45	14M7305	3B4	8	80 - 21
14H821	2J1	4	70 - 115	14M7145	2G8	6	70 - 47	14M7305	3B4	13	80 - 21
14H821	3A23	3	80 - 15	14M7151	1E23	27	40 - 21	14M7305	3B4	23	80 - 21
14H826	1A14	5	20 - 6	14M7151	1E25	9	40 - 23	14M7305	3B4	24	80 - 21
14H826	1B20	6	20 - 37	14M7151	1F2	2	40 - 25	14M7327	2G4	14	70 - 43
14H826	2C12	19	50 - 53	14M7152	1E23	8	40 - 21	14M7327	2G4	33	70 - 43

# 1L19

TRACTOR 3030,3130

## NUMERICAL INDEX - CONTINUED

PART NO.	GRID	KEY	PAGE	PART NO.	GRID	KEY	PAGE	PART NO.	GRID	KEY	PAGE
14M7327	2G14	3	70 - 53	19H1721	2F18	20	70 - 33	19H1781	3A13	14	80 - 5
14M7327	2G14	6	70 - 53	19H1721	3G5	6	90 - 48	19H1791	2F16	26	70 - 31
14M7327	2G14	14	70 - 53	19H1726	1B1	16	20 - 18	19H1792	1A23	1	20 - 15
14M7327	2G14	16	70 - 53	19H1726	2A19	10	50 - 11	19H1792	1B23	5	20 - 40
14M7327	3E9	29	90 - 3	19H1726	2A21	11	50 - 13	19H1792	1B24	2	20 - 41
14M7327	3F16	26	90 - 35	19H1726	2D22	1	60 - 25	19H1792	1C1	2	20 - 43
14M7360	3E16	5	90 - 10	19H1726	3D6	19	80 - 71	19H1792	1G1	11	40 - 49
14M7360	3G2	3	90 - 45	19H1731	1C15	33	30 - 3	19H1792	1G1	15	40 - 49
14M7361	3H16	40	90 - 83	19H1731	1D4	11	30 - 17	19H1792	1G1	17	40 - 49
15H255	1A12	14	20 - 4	19H1731	1D6	16	30 - 19	19H1792	2C4	4	50 - 45
15H255	1C15	20	30 - 3	19H1731	1E21	4	40 - 19	19H1792	2F20	20	70 - 35
15H275	1A13	4	20 - 5	19H1731	1F16	5	40 - 39	19H1792	2F24	7	70 - 39
15H275	1B1	15	20 - 18	19H1731	1F18	5	40 - 41	19H1792	2I25	5	70 - 114
15H558	1A13	6	20 - 5	19H1731	2C12	14	50 - 53	19H1792	3C24	16	80 - 65
15H558	1D6	1	30 - 19	19H1731	2D14	6	60 - 17	19H1792	3D3	6	80 - 68
15H558	1D6	12	30 - 19	19H1731	2F16	19	70 - 31	19H1792	3D4	3	80 - 69
15H559	2F22	23	70 - 37	19H1731	2H18	3	70 - 82	19H1792	3G22	5	90 - 65
15H560	1B20	13	20 - 37	19H1731	2I10	35	70 - 99	19H1800	1B14	2	20 - 31
15H560	2F4	14	70 - 19	19H1731	3D6	21	80 - 71	19H1800	1B17	5	20 - 34
15H562	1B17	11	20 - 34	19H1731	3D8	15	80 - 73	19H1800	1C5	14	20 - 47
15H562	2B12	12	50 - 29	19H1731	3D12	4	80 - 77	19H1800	1C7	13	20 - 49
15H562	2B14	2	50 - 31	19H1731	3D14	15	80 - 79	19H1800	1C18	7	30 - 6
15H562	2F20	17	70 - 35	19H1731	3F22	20	90 - 41	19H1800	1C21	7	30 - 9
15H562	2F22	13	70 - 37	19H1732	1C3	2	20 - 45	19H1800	2A21	16	50 - 13
15H584	1C3	6	20 - 45	19H1732	1C15	18	30 - 3	19H1800	2D10	8	60 - 13
15H584	1C5	13	20 - 47	19H1732	1C17	8	30 - 5	19H1800	2D18	16	60 - 21
15H584	1C7	12	20 - 49	19H1732	1C18	1	30 - 6	19H1800	2D19	15	60 - 22
15H604	2G14	1	70 - 53	19H1732	1C19	8	30 - 7	19H1800	2D22	8	60 - 25
15H624	2I10	18	70 - 99	19H1732	1C23	10	30 - 11	19H1800	2E10	2	70 - 1
15H638	1C15	24	30 - 3	19H1732	2A17	14	50 - 9	19H1800	2F22	11	70 - 37
15H638	2D15	1	60 - 18	19H1732	2B10	14	50 - 27	19H1800	2H23	16	70 - 87
15H638	2D15	11	60 - 18	19H1732	2B20	21	50 - 37	19H1800	3D9	4	80 - 74
15H638	2F18	22	70 - 33	19H1732	2C10	5	50 - 51	19H1801	1B1	13	20 - 18
15H638	2F18	25	70 - 33	19H1732	2C12	15	50 - 53	19H1801	1B2	13	20 - 19
15H638	3G5	5	90 - 48	19H1732	2D18	13	60 - 21	19H1801	1C2	1	20 - 44
15H638	3G5	11	90 - 48	19H1732	2E12	5	70 - 3	19H1801	1C3	1	20 - 45
15H665	1A13	7	20 - 5	19H1732	2F14	11	70 - 29	19H1801	1C5	23	20 - 47
15M7044	1C19	6	30 - 7	19H1732	2H23	16	70 - 87	19H1801	1C7	22	20 - 49
15M7044	1C19	11	30 - 7	19H1732	3D8	9	80 - 73	19H1801	2D2	9	60 - 5
16H1592	2C8	17	50 - 49	19H1732	3F22	22	90 - 41	19H1801	3B20	5	80 - 37
16M2556	3A11	24	80 - 3	19H1733	1A21	5	20 - 13	19H1801	3B20	6	80 - 37
16M5456	3E13	3	90 - 7	19H1733	1B1	14	20 - 18	19H1801	3B22	10	80 - 39
16M5456	3E13	15	90 - 7	19H1733	1B2	14	20 - 19	19H1805	2F8	29	70 - 23
16M5456	3E13	16	90 - 7	19H1733	1B3	12	20 - 20	19H1805	2F18	19	70 - 33
16M7014	2D18	19	60 - 21	19H1733	1B17	10	20 - 34	19H1805	3G5	3	90 - 48
16M7061	3G10	28	90 - 53	19H1733	1C23	11	30 - 11	19H1813	1A16	3	20 - 8
16M7061	3G14	9	90 - 57	19H1733	2B10	8	50 - 27	19H1813	1D6	8	30 - 19
16M7061	3G18	17	90 - 61	19H1733	3D2	14	80 - 67	19H1813	2B6	2	50 - 23
16M7061	3G24	6	90 - 67	19H1734	2I12	16	70 - 101	19H1813	2B14	3	50 - 31
16M7061	3H6	14	90 - 73	19H1734	2I14	16	70 - 103	19H1813	3G8	3	90 - 51
16M7061	3H10	9	90 - 77	19H1734	2I25	9	70 - 114	19H1813	3G12	3	90 - 55
16M7075	3H3	10	90 - 70	19H1734	3A11	10	80 - 3	19H1813	3G16	3	90 - 59
16M7075	3H4	12	90 - 71	19H1734	3A24	7	80 - 16	19H1813	3G22	4	90 - 65
19H1227	1G5	33	40 - 53	19H1734	3D9	2	80 - 74	19H1813	3H3	4	90 - 70
19H1227	2D8	15	60 - 11	19H1739	2F18	8	70 - 33	19H1813	3H4	6	90 - 71
19H1227	2I16	11	70 - 105	19H1739	2H13	4	70 - 77	19H1813	3H8	3	90 - 75
19H1227	3C10	4	80 - 51	19H1739	2I3	2	70 - 92	19H1815	2I25	7	70 - 114
19H1227	3D6	15	80 - 71	19H1739	3G5	1	90 - 48	19H1815	3F22	17	90 - 41
19H1708	2G16	6	70 - 55	19H1756	3A24	7	80 - 16	19H1815	3G6	1	90 - 49
19H1708	2I12	16	70 - 101	19H1765	1B23	13	20 - 40	19H1815	3G6	13	90 - 49
19H1708	2I14	16	70 - 103	19H1765	2F22	11	70 - 37	19H1815	3G12	..	90 - 55
19H1708	2I25	3	70 - 114	19H1765	2H13	2	70 - 77	19H1815	3G14	..	90 - 57
19H1708	3A11	10	80 - 3	19H1765	3D4	4	80 - 69	19H1815	3G20	4	90 - 63
19H1715	3A21	22	80 - 13	19H1768	2C18	12	50 - 59	19H1815	3H2	13	90 - 69
19H1721	1B10	1	20 - 27	19H1768	3A21	7	80 - 13	19H1815	3H12	3	90 - 79
19H1721	2B12	4	50 - 29	19H1768	3B4	9	80 - 21	19H1819	1C5	14	20 - 47
19H1721	2C2	26	50 - 43	19H1777	2I10	10	70 - 99	19H1819	1C5	22	20 - 47

# 1L20

TRACTOR 3030,3130

## NUMERICAL INDEX - CONTINUED

PART NO.	GRID	KEY	PAGE	PART NO.	GRID	KEY	PAGE	PART NO.	GRID	KEY	PAGE
19H1819	1C7	13	20 - 49	19H1948	1B4	4	20 - 21	19H2284	1E5	22	40 - 3
19H1819	2H15	23	70 - 79	19H1948	2D22	31	60 - 25	19H2284	2B20	23	50 - 37
19H1819	3F22	13	90 - 41	19H1948	2E4	16	60 - 31	19H2284	2B22	29	50 - 39
19H1831	3G6	11	90 - 49	19H1948	3D2	21	80 - 67	19H2284	2C4	5	50 - 45
19H1833	2D8	11	60 - 11	19H1974	1D4	15	30 - 17	19H2284	2C6	23	50 - 47
19H1833	3D22	5	80 - 87	19H1974	2E16	26	70 - 7	19H2284	2G2	12	70 - 41
19H1847	3A21	24	80 - 13	19H1974	2F2	31	70 - 17	19H2284	2G4	27	70 - 43
19H1849	1C23	7	30 - 11	19H1988	3B4	25	80 - 21	19H2284	2G8	22	70 - 47
19H1849	1C25	4	30 - 13	19H1990	2A11	15	50 - 3	19H2284	2H5	8	70 - 69
19H1849	1D7	6	30 - 20	19H1992	2F18	1	70 - 33	19H2284	3C24	5	80 - 65
19H1849	1D8	6	30 - 21	19H1992	3G5	7	90 - 48	19H2284	3D2	6	80 - 67
19H1849	1D9	5	30 - 22	19H2020	1D20	20	30 - 33	19H2342	2G22	21	70 - 61
19H1849	1E5	2	40 - 3	19H2020	1D22	20	30 - 35	19H2343	2G22	16	70 - 61
19H1849	3B6	17	80 - 23	19H2021	2B12	25	50 - 29	19H2351	1B14	4	20 - 31
19H1854	1B20	11	20 - 37	19H2021	2F16	18	70 - 31	19H2351	1B14	5	20 - 31
19H1854	1E5	13	40 - 3	19H2021	2G24	1	70 - 63	19H2353	1B23	5	20 - 40
19H1871	2A17	12	50 - 9	19H2021	3A21	11	80 - 13	19H2353	1B24	2	20 - 41
19H1871	3D12	5	80 - 77	19H2021	3B24	9	80 - 41	19H2353	1C1	2	20 - 43
19H1871	3D14	6	80 - 79	19H2021	3C2	18	80 - 43	19H2367	3D2	12	80 - 67
19H1892	3A23	6	80 - 15	19H2021	3C4	26	80 - 45	19H2369	2C15	5	50 - 56
19H1894	1D20	24	30 - 33	19H2021	3C24	7	80 - 65	19H2473	1B10	1	20 - 27
19H1894	1D22	24	30 - 35	19H2021	3D2	8	80 - 67	19H2473	1B10	2	20 - 27
19H1895	1A23	4	20 - 15	19H2021	3D4	9	80 - 69	19H2488	3F22	10	90 - 41
19H1895	2H21	4	70 - 85	19H2021	3D6	27	80 - 71	19H2500	3H18	9	90 - 85
19H1895	3D4	3	80 - 69	19H2021	3D8	11	80 - 73	19H2508	2C6	5	50 - 47
19H1898	1C15	28	30 - 3	19H2023	1B22	10	20 - 39	19H2508	2D14	11	60 - 17
19H1900	1B22	21	20 - 39	19H2023	2B10	6	50 - 27	19H2508	2D15	1	60 - 18
19H1900	1F25	7	40 - 48	19H2036	2G20	12	70 - 59	19H2508	3G8	9	90 - 51
19H1900	1G3	13	40 - 51	19H2036	2G22	14	70 - 61	19H2508	3G12	4	90 - 55
19H1900	2H1	11	70 - 65	19H2036	2G24	17	70 - 63	19H2508	3G16	11	90 - 59
19H1900	2H9	16	70 - 73	19H2038	1D2	15	30 - 15	19H2508	3H8	4	90 - 75
19H1901	1C21	1	30 - 9	19H2038	2B24	10	50 - 41	19H2522	3G4	4	90 - 47
19H1904	2G20	13	70 - 59	19H2038	3D8	6	80 - 73	19H2528	3B4	14	80 - 21
19H1905	2D6	7	60 - 9	19H2044	2G22	15	70 - 61	19H2541	3B4	19	80 - 21
19H1905	2G9	8	70 - 48	19H2054	2D24	23	60 - 27	19H2545	1B1	2	20 - 18
19H1907	2G20	13	70 - 59	19H2054	2E2	18	60 - 29	19H2545	1B2	2	20 - 19
19H1912	1C3	12	20 - 45	19H2068	2F18	6	70 - 33	19H2545	1B3	13	20 - 20
19H1912	1C5	20	20 - 47	19H2068	3A15	20	80 - 7	19H2545	1B14	2	20 - 31
19H1912	1C7	19	20 - 49	19H2116	2E10	7	70 - 1	19H2545	1D17	9	30 - 30
19H1912	1C19	9	30 - 7	19H2116	2E12	12	70 - 3	19H2545	2A15	6	50 - 7
19H1912	1C23	12	30 - 11	19H2117	2D2	8	60 - 5	19H2545	2B20	22	50 - 37
19H1912	2H21	14	70 - 85	19H2117	3G6	2	90 - 49	19H2548	3C12	31	80 - 53
19H1916	3D22	8	80 - 87	19H2120	2F18	7	70 - 33	19H2549	1B1	2	20 - 18
19H1919	2G2	1	70 - 41	19H2120	2H13	5	70 - 77	19H2549	1B2	2	20 - 19
19H1919	2G22	12	70 - 61	19H2120	2I3	3	70 - 92	19H2549	1B3	15	20 - 20
19H1919	2G24	23	70 - 63	19H2123	2D14	11	60 - 17	19H2549	2B20	20	50 - 37
19H1919	3C10	18	80 - 51	19H2124	3A15	22	80 - 7	19H2551	1D12	20	30 - 25
19H1921	1E5	20	40 - 3	19H2128	1B5	6	20 - 22	19H2552	1C19	3	30 - 7
19H1924	3H18	9	90 - 85	19H2128	1C5	22	20 - 47	19H2552	2A15	17	50 - 7
19H1926	2A11	6	50 - 3	19H2128	1C7	21	20 - 49	19H2552	2A19	28	50 - 11
19H1926	3A15	19	80 - 7	19H2128	1E5	19	40 - 3	19H2552	2B10	21	50 - 27
19H1936	1A19	3	20 - 11	19H2128	2D10	15	60 - 13	19H2552	2D8	17	60 - 11
19H1936	1C17	9	30 - 5	19H2151	2F24	13	70 - 39	19H2552	2D10	16	60 - 13
19H1936	1D17	5	30 - 30	19H218	1C18	6	30 - 6	19H2552	2F14	22	70 - 29
19H1936	2B12	1	50 - 29	19H2180	1D14	5	30 - 27	19H2553	3D4	10	80 - 69
19H1936	2B24	10	50 - 41	19H2180	1D16	14	30 - 29	19H2592	3F12	13	90 - 31
19H1936	2D16	16	60 - 19	19H2224	2D14	10	60 - 17	19H2600	3B12	1	80 - 29
19H1936	3B24	15	80 - 41	19H2228	1B20	10	20 - 37	19H2601	3A15	18	80 - 7
19H1936	3C2	11	80 - 43	19H2233	3A13	7	80 - 5	19H2633	1B17	8	20 - 34
19H1936	3C4	15	80 - 45	19H2233	3A15	6	80 - 7	19H2633	2F22	11	70 - 37
19H1936	3D6	33	80 - 71	19H2266	3B4	25	80 - 21	19H2641	3C20	3	80 - 61
19H1936	3H18	6	90 - 85	19H2284	1A18	7	20 - 10	19H2643	2G14	24	70 - 53
19H1944	1E5	11	40 - 3	19H2284	1B1	6	20 - 18	19H2644	2C6	8	50 - 47
19H1944	2A23	16	50 - 15	19H2284	1B2	6	20 - 19	19H2652	1E5	18	40 - 3
19H1944	2E18	32	70 - 9	19H2284	1B3	6	20 - 20	19H2657	2G20	15	70 - 59
19H1948	1B1	2	20 - 18	19H2284	1C5	18	20 - 47	19H2663	3F12	11	90 - 31
19H1948	1B2	2	20 - 19	19H2284	1C7	17	20 - 49	19H2665	1B5	7	20 - 22











# 1L25

TRACTOR 3030,3130

## NUMERICAL INDEX - CONTINUED

<i>PART NO.</i>	<i>GRID</i>	<i>KEY</i>	<i>PAGE</i>	<i>PART NO.</i>	<i>GRID</i>	<i>KEY</i>	<i>PAGE</i>	<i>PART NO.</i>	<i>GRID</i>	<i>KEY</i>	<i>PAGE</i>
99M5562	2A19	20	50 - 11								
99M5562	3D6	8	80 - 71								
99M5756	2H3	7	70 - 67								
99M5764	2H3	4	70 - 67								
99M5891	3D6	9	80 - 71								
99M5913	2H3	5	70 - 67								
99M5913	3C24	15	80 - 65								
99M6204	2H3	6	70 - 67								
99M6430	3D24	4	80 - 89								
99M6986	2I20	30	70 - 109								
99M6986	2I22	2	70 - 111								
99M7002	3D24	3	80 - 89								
99M7009	3D6	18	80 - 71								
99M7010	3E9	2	90 - 3								
99M7011	3D6	11	80 - 71								
99M7026	2G8	7	70 - 47								
99M7027	2G6	12	70 - 45								
99M7029	2F20	2	70 - 35								
99M7029	2G24	30	70 - 63								
99M7030	1G25	5	40 - 73								
99M7030	1H2	7	40 - 75								
99M7042	3F12	12	90 - 31								
99M7043	3C6	14	80 - 47								
99M7044	1E19	7	40 - 17								
99M7048	1F8	7	40 - 31								
99M7048	1F14	9	40 - 37								
99M7080	3A11	2	80 - 3								