

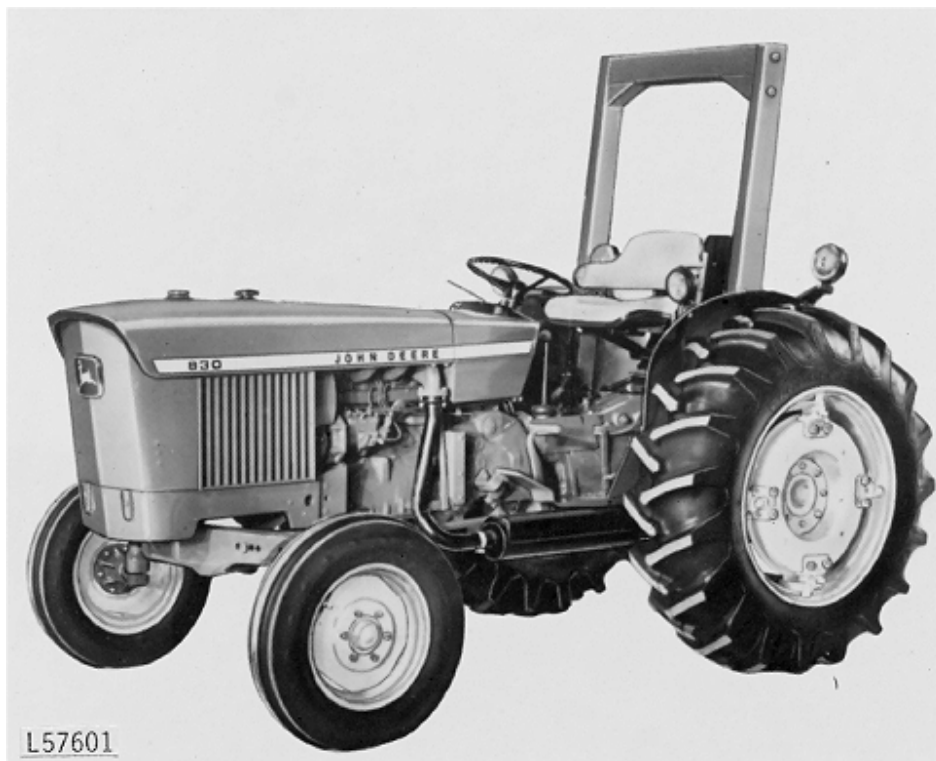
# 1A2

830 UTILITY TRACTOR

L57600 -UN-01JAN94



L57601 -UN-01JAN94



JOHN DEERE 830 TRACTOR

(SPECIFICATIONS AND DESIGN SUBJECT TO CHANGE WITHOUT NOTICE)  
COPYRIGHT (C) 1995. DEERE & COMPANY, MOLINE, ILLINOIS. ALL RIGHTS RESERVED.

# 1A3

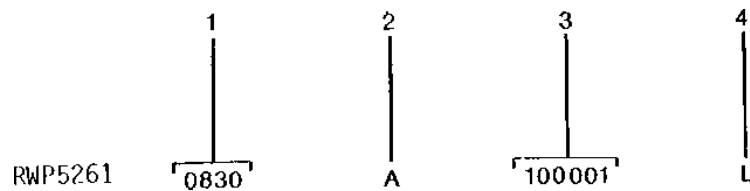
830 UTILITY TRACTOR

## SERIAL NUMBERS

EACH 830 TRACTOR HAS THE FOLLOWING SERIAL NUMBERS: BASIC TRACTOR AND ENGINE.

### TRACTOR SERIAL NUMBER

RWP5261 -UN-01JAN94



- |                                     |                               |
|-------------------------------------|-------------------------------|
| 1. DESIGNATES TRACTOR MODEL         | - 830                         |
| 2. DESIGNATES TRANSMISSION TYPE     | A - COLLAR SHIFT              |
| 3. DESIGNATES TRACTOR SERIAL NUMBER |                               |
| 4. DESIGNATES TRACTOR MANUFACTURER  | L - JOHN DEERE WERKE MANNHEIM |

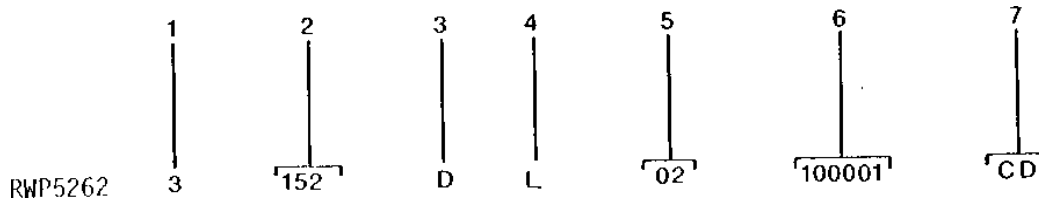
THE BASIC TRACTOR SERIAL NUMBER IS LOCATED ON THE RIGHT-HAND SIDE OF FRONT SUPPORT.

# 1A4

830 UTILITY TRACTOR

## ENGINE SERIAL NUMBER

RWP5262 -UN-01JAN94



- |                                       |                               |
|---------------------------------------|-------------------------------|
| 1. DESIGNATES NUMBER OF CYLINDERS     | - 3                           |
| 2. DESIGNATES CUBIC INCH DISPLACEMENT | - 152                         |
| 3. DESIGNATES AIR INTAKE SYSTEM TYPE  | D - NATURALLY ASPIRATED       |
| 4. DESIGNATES USER FACTORY            | L - JOHN DEERE WERKE MANNHEIM |
| 5. DESIGNATES VERSION                 | 02- SECOND                    |
| 6. DESIGNATES ENGINE SERIAL NUMBER    |                               |
| 7. DESIGNATES ENGINE MANUFACTURER     | CD- JOHN DEERE SARAN WORKS    |

THE ENGINE SERIAL NUMBER PLATE IS LOCATED BELOW AND TO THE REAR OF THE FUEL PUMP MOUNTING BOSS ON THE RIGHT-HAND SIDE OF THE CYLINDER BLOCK.

## SHORT BLOCK SERIAL NUMBER

THE REPLACEMENT SHORT BLOCK ASSEMBLY HAS A SERIAL NUMBER PLATE ATTACHED. THE ORIGINAL ENGINE SERIAL NUMBER MUST BE STAMPED ONTO THE NEW PLATE IN THE BLANK SPACE PROVIDED.



# 1A6

830 UTILITY TRACTOR

## DIRECTION ARROW

ARROWS ARE USED WITH ILLUSTRATIONS TO INDICATE THE FRONT OF THE UNIT. "RIGHT-HAND" AND "LEFT-HAND" SIDES ARE DETERMINED BY FACING IN THE DIRECTION OF MACHINE FORWARD TRAVEL.

## BOX-ENCLOSED ILLUSTRATIONS

A KEY NUMBER, SHOWN IN THE PARTS LIST, IS ASSIGNED TO A BOX ENCLOSING ALL PARTS SOLD AS A SERVICE ASSEMBLY.

## BOLT AND CAP SCREW STRENGTH IDENTIFICATION

BOLTS AND CAP SCREWS REQUIRED TO HAVE HIGH-STRENGTH QUALITIES EQUIVALENT TO SAE GRADE 8 ARE IDENTIFIED THROUGHOUT THIS CATALOG BY THE DESCRIPTION HS SAE 8. ALL STANDARD BOLTS AND CAP SCREWS ARE SAE GRADE 5 OR LOWER.

## SI UNITS OF MEASURE

METRIC DIMENSIONS ARE GIVEN, WHERE APPLICABLE, THROUGHOUT THIS PARTS CATALOG.

## JDM REMANUFACTURED COMPONENTS

THE SERVICE PARTS LISTED IN THIS CATALOG ARE INTENDED FOR THE REPAIR OF ORIGINAL EQUIPMENT COMPONENTS. ALTHOUGH MOST SERVICE PARTS MAY BE USED TO REPAIR REMANUFACTURED COMPONENTS, THE REMANUFACTURING PROCESS MAY CHANGE PARTS SUFFICIENTLY SO THAT SERVICE PARTS ARE INADEQUATE OR NOT USABLE.

## TRADEMARKS

THROUGHOUT THIS PARTS CATALOG, YOU WILL FIND THE FOLLOWING DEERE AND COMPANY TRADEMARKS:

HYDRACUSHIONED™  
INVESTIGATOR™ II  
PERSONAL-POSTURE™  
QUAD-RANGE™  
PERFORMANCE TRAK™ II

ROLL-GARD®  
SOUND-GARD®  
TORQ-GARD SUPREME®  
HY-GARD®  
QUIK-TATCH®

## CHANGE INDICATOR LINE (MICROFICHE CATALOGS ONLY)

CHANGES AFFECTING THE ORDERING OF PARTS ARE IDENTIFIED BY VERTICAL LINES MARKED IN THE LEFT-HAND MARGIN OF REVISED PARTS LISTING IMAGES. A LINE IS ALSO AT THE LEFT-HAND EDGE OF THE SAME PART NUMBER IN THE NUMERICAL INDEX TO SHOW THE LOCATION OF REVISED INFORMATION.

# 1A7

830 UTILITY TRACTOR

---

## SECTION INDEX

GENERAL INFORMATION .....	10
ENGINE .....	20
FUEL AND AIR .....	30
ELECTRICAL .....	40
POWER TRAIN .....	50
STEERING AND BRAKES .....	60
HYDRAULICS .....	70
WHEELS, FRONT AXLES, SHEET METAL .....	80
OPERATOR'S STATION .....	90
NUMERICAL INDEX .....	95

# 1A8

830 UTILITY TRACTOR

## ALPHABETICAL INDEX

GRID		PAGE	GRID		PAGE
<b>A</b>					
1D10	ACCELERATOR PEDAL .....	30-27	2C3	CANOPY, PROTECTIVE .....	90-8
2C17	ADHESIVE .....	90-22	1C19	CAP, FUEL .....	30-10
1C18	AID, COLD WEATHER STARTING .....	30-9	1C1	CAP, RADIATOR .....	20-38
1C11	AIR CLEANER .....	30-2	1H9	CAP, TRANSMISSION OIL .....	50-26
1C14	AIR CLEANER ELEMENT CLEANING GUN .....	30-5	1G18	CASE, TRANSMISSION .....	50-8
1F10	AIR CLEANER RESTRICTION INDICATOR .....	40-38	1J12	CENTER LINK, 3-POINT HITCH .....	70-31
1F12	AIR CLEANER RESTRICTION INDICATOR .....	40-40	1J14	CHAIN, IMPLEMENT SAFETY .....	70-33
1C11	AIR INTAKE .....	30-2	1F10	CIRCUIT BREAKER .....	40-38
1C13	AIR INTAKE .....	30-4	1G12	CLUTCH .....	50-4
1C10	AIR STACK .....	30-1	1G8	CLUTCH HOUSING .....	50-2
1D19	ALTERNATOR .....	40-6	1G16	CLUTCH PEDAL .....	50-6
1D20	ALTERNATOR (28 AMP) .....	40-7	1G15	CLUTCH REPAIR KIT, DUAL-STAGE .....	50-5B
1D21	ALTERNATOR (55 AMP) .....	40-8	1G17	CLUTCH SHAFT .....	50-7
1D23	ALTERNATOR (55A) .....	40-9A	1G12	CLUTCH, ENGINE .....	50-4
1J8	ARM, LOAD CONTROL .....	70-27	1E7	COIL, FIELD .....	40-14
1H20	ARM, POWER STEERING SHAFT .....	60-6	1C18	COLD WEATHER STARTING AID .....	30-9
1A23	ARM, ROCKER .....	20-8	1G21	COLLAR, HIGH RANGE SHIFTER .....	50-11
1J6	ARM, ROCKSHAFT LIFT .....	70-25	1H16	COLUMN, STEERING .....	60-2
1H16	ARM, STEERING SHAFT .....	60-2	1A20	CONDITIONER, LIQUID COOLANT .....	20-5
1E5	ARMATURE, STARTING MOTOR .....	40-12	1B14	CONNECTING ROD .....	20-24
1C24	AUTOMATIC ADVANCE, INJECTION PUMP .....	30-16	1F22	CONNECTORS,ELECTRICAL .....	40-50
2A24	AXLE EXTENSION .....	80-9	1F24	CONNECTORS,ELECTRICAL .....	40-52
2A20	AXLE KNEE, SPINDLE AND KNUCKLE .....	80-4	1G1	CONNECTORS,ELECTRICAL .....	40-54
2A16	AXLE, SWEEP BACK ADJUSTABLE FRONT .....	80-2	1F22	CONTAINER,ELECTRICAL PARTS .....	40-50
2A17	AXLE, SWEEP BACK ADJUSTABLE FRONT .....	80-3	1F9	CONTROLS, TURN SIGNAL .....	40-37
2A18	AXLE, SWEEP BACK ADJUSTABLE FRONT .....	80-3A	1A20	COOLANT CONDITIONER, LIQUID .....	20-5
<b>B</b>					
1I4	BAND, HAND BRAKE .....	60-16	1B23	COOLANT HEATER, ENGINE .....	20-36
1D17	BATTERIES .....	40-4	1B24	COOLANT HEATER, ENGINE .....	20-37
1D17	BATTERY CABLES .....	40-4	1G20	COUNTERSHAFT TRANSMISSION .....	50-10
1B14	BEARING, CONNECTING ROD .....	20-24	1K1	COUPLER OIL LINES (SCV) .....	70-44
1B5	BEARING, MAIN .....	20-14	1K3	COUPLER, FLEXIBLE OIL LINE .....	70-47
2A18	BELL CRANK, STEERING .....	80-3A	1K1	COUPLER, QUICK (SCV) .....	70-44
2A16	BELLCRANK, STEERING .....	80-2	1K11	COUPLING, REUSEABLE .....	70-56
2A17	BELLCRANK, STEERING .....	80-3	1D1	COVER, INJECTION PUMP .....	30-18
1H11	BELT PULLEY .....	50-28	1H1	COVER, MID POWER SHAFT OPENING .....	50-17
1B20	BELT, FAN .....	20-32	1A21	COVER, ROCKER ARM .....	20-6
2C5	BELT, SEAT .....	90-10	1E15	COVER, STARTING MOTOR SOLENOID .....	40-22
1E16	BENDEX DRIVE, STARTING MOTOR .....	40-22B	1E16	COVER, STARTING MOTOR SOLENOID .....	40-22B
1B7	BLOCK, CYLINDER .....	20-16	1C4	COVER, THERMOSTAT HOUSING .....	20-41
1B9	BLOCK, SHORT (EARLY DESIGN) .....	20-19	1B3	COVER, TIMING GEAR .....	20-12
1B10	BLOCK, SHORT (LATE DESIGN) .....	20-20	1G23	COVER, TRANSMISSION TOP .....	50-14
1J18	BLOCK, SWAY .....	70-37	2C7	COWL .....	90-12
2B14	BRACE, FENDER .....	80-24	1B5	CRANKSHAFT .....	20-14
2C16	BRACKET, FIRE EXTINGUISHER .....	90-21	1B7	CYLINDER BLOCK .....	20-16
1D19	BRACKETS, ALTERNATOR MOUNTING .....	40-6	1A21	CYLINDER HEAD .....	20-6
1H24	BRAKE DISK .....	60-10	1B1	CYLINDER HEAD .....	20-10
1I4	BRAKE HAND .....	60-16	1C7	CYLINDER HEAD REPLACEMENT GASKET KIT .....	20-44
1H25	BRAKE PEDALS .....	60-11	1K5	CYLINDER HOSE IDENTIFICATION KIT .....	70-49
1I1	BRAKE VALVE .....	60-12	1B16	CYLINDER LINER KIT .....	20-27
1I3	BRAKE VALVE OVERHAUL KIT .....	60-14	1A19	CYLINDER LINER PACKING LUBRICANT .....	20-4
1F10	BREAKER, CIRCUIT .....	40-38	1K4	CYLINDER, REMOTE .....	70-48
1E7	BRUSH, STARTING MOTOR .....	40-14	1K6	CYLINDER, REMOTE .....	70-50
1K11	BULK FLEXIBLE OIL LINES .....	70-56	1J1	CYLINDER, ROCKSHAFT .....	70-20
<b>C</b>					
1D15	CABLE CLAMPS .....	40-2	<b>D</b>		
1F14	CABLE, TACHOMETER .....	40-42	2C7	DASHBOARD .....	90-12
1D17	CABLES, BATTERY .....	40-4	2B16	DECALS .....	80-26
1A23	CAMSHAFT .....	20-8	2B21	DELUXE SEAT .....	90-1
<b>D</b>					
2B22	DELUXE SEAT .....	90-2	2C1	DELUXE SEAT .....	90-6
2C1	DELUXE SEAT .....	90-6	2B24	DELUXE SEAT ASSEMBLY .....	90-4
2B24	DELUXE SEAT ASSEMBLY .....	90-4	1H3	DIFFERENTIAL .....	50-19
1H3	DIFFERENTIAL .....	50-19	1H4	DIFFERENTIAL LOCK LEVER .....	50-20
1H4	DIFFERENTIAL LOCK LEVER .....	50-20	1H4	DIFFERENTIAL LOCK MECHANISM .....	50-20
1H4	DIFFERENTIAL LOCK MECHANISM .....	50-20	1G22	DIFFERENTIAL SHAFT ASSEMBLY .....	50-13
1G22	DIFFERENTIAL SHAFT ASSEMBLY .....	50-13			

# 1A9

830 UTILITY TRACTOR

## ALPHABETICAL INDEX - CONTINUED

GRID	PAGE	GRID	PAGE
1B7	DIPSTICK .....	20-16	
1G18	DIPSTICK, OIL .....	50-8	
1H24	DISK, BRAKE .....	60-10	
1G12	DISK, CLUTCH .....	50-4	
1J11	DRAFT LINKS, 3-POINT HITCH .....	70-30	
1H20	DRAG LINK, POWER STEERING .....	60-6	
1H16	DRAG LINK, STEERING .....	60-2	
1J17	DRAWBAR HAMMER STRAP .....	70-36	
1J15	DRAWBAR, SWINGING .....	70-34	
1J13	DRAWBAR, THREE-POINT HITCH .....	70-32	
1H3	DRIVE SHAFT, DIFFERENTIAL .....	50-19	
1G21	DRIVE SHAFT, TRANSMISSION .....	50-11	
1I9	DRIVE, HYDRAULIC PUMP .....	70-2	
1I4	DRUM, HAND BRAKE .....	60-16	
1C11	DRY-TYPE AIR CLEANER .....	30-2	
1G14	DUAL-STAGE CLUTCH REPAIR KIT .....	50-5A	
1I22	DUMP VALVE .....	70-17	
<b>E</b>			
1G5	ELECTRICAL CONNECTOR AND TERMINAL KIT .....	40-58	
1F22	ELECTRICAL CONNECTORS .....	40-50	
1F24	ELECTRICAL CONNECTORS .....	40-52	
1G1	ELECTRICAL CONNECTORS .....	40-54	
1F22	ELECTRICAL CRIMPING TOOL .....	40-50	
1D15	ELECTRICAL INSTRUMENTS .....	40-2	
1F10	ELECTRICAL INSTRUMENTS .....	40-38	
1D15	ELECTRICAL OUTLET SOCKET .....	40-2	
1F20	ELECTRICAL OUTLET SOCKET, 7-TERMINAL .....	40-48	
1F22	ELECTRICAL PARTS CONTAINER .....	40-50	
1F22	ELECTRICAL TERMINALS .....	40-50	
1F24	ELECTRICAL TERMINALS .....	40-52	
1G1	ELECTRICAL TERMINALS .....	40-54	
1G5	ELECTRICAL TOOLS .....	40-58	
1F22	ELECTRICAL WIRING .....	40-50	
1F24	ELECTRICAL WIRING .....	40-52	
1G1	ELECTRICAL WIRING .....	40-54	
1D15	ELECTRICAL WIRING SYSTEM .....	40-2	
1C14	ELEMENT CLEANING GUN, AIR CLEANER .....	30-5	
1C11	ELEMENT, AIR CLEANER .....	30-2	
1C20	ELEMENT, FUEL FILTER .....	30-11	
1H9	ELEMENT, TRANSMISSION OIL FILTER .....	50-26	
2C14	EMBLEM, SLOW MOVING VEHICLE .....	90-19	
1G12	ENGINE CLUTCH .....	50-4	
1A20	ENGINE COOLANT CONDITIONER .....	20-5	
1B23	ENGINE COOLANT HEATER .....	20-36	
1B24	ENGINE COOLANT HEATER .....	20-37	
1A16	ENGINE OIL .....	20-1	
1B7	ENGINE OIL FILTER .....	20-16	
1B13	ENGINE OIL PRESSURE SWITCH .....	20-23	
1B19	ENGINE OIL PUMP KIT .....	20-31	
1C5	ENGINE OVERHAUL GASKET KIT .....	20-42	
1D11	ENGINE STOP CABLE .....	30-28	
1A17	ENGINE VALVE STEM LUBRICANT .....	20-2	
1B9	ENGINE, SHORT BLOCK (EARLY DESIGN) .....	20-19	
1C15	EXHAUST MANIFOLD .....	30-6	
1C17	EXHAUST MUFFLER, REAR .....	30-8	
1A23	EXHAUST VALVE .....	20-8	
2A24	EXTENSION, AXLE .....	80-9	
1F5	EXTENSION, LAMP .....	40-33	
2C16	EXTINGUISHER, FIRE .....	90-21	
<b>F</b>			
1B20	FAN .....	20-32	
1B20	FAN BELT .....	20-32	
1C1	FAN SHROUD .....	20-38	
2B14	FENDER BRACE .....	80-24	
2B12	FENDER, SHELL TYPE .....	80-22	
1B3	FILLER, INLET OIL, ENGINE .....	20-12	
1B7	FILTER, ENGINE OIL .....	20-16	
1C20	FILTER, FUEL .....	30-11	
1H9	FILTER, TRANSMISSION OIL .....	50-26	
1D12	FILTERS .....	30-29	
1H13	FINAL DRIVE .....	50-30	
2C16	FIRE EXTINGUISHER .....	90-21	
1I24	FITTINGS, ROCKSHAFT HOUSING .....	70-19	
1F6	FLASHER LIGHT .....	40-34	
1D15	FLASHER UNIT .....	40-2	
1D15	FLASHER, WARNING LAMP .....	40-2	
1I22	FLOW CONTROL VALVE .....	70-17	
1C18	FLUID, STARTING .....	30-9	
1B13	FLYWHEEL .....	20-23	
1B13	FLYWHEEL HOUSING .....	20-23	
1D10	FOOT THROTTLE .....	30-27	
2B8	FRAME, SIDE .....	80-18	
2A18	FRONT AXLE, SWEEP BACK .....	80-3A	
2A16	FRONT AXLE, SWEEP BACK ADJUSTABLE .....	80-2	
2A17	FRONT AXLE, SWEEP BACK ADJUSTABLE .....	80-3	
1F3	FRONT LAMP .....	40-31	
2B10	FRONT PLATE .....	80-20	
2B7	FRONT SUPPORT .....	80-17	
2B9	FRONT WEIGHTS, QUIK-TATCH .....	80-19	
2A23	FRONT WHEEL ASSEMBLY .....	80-8	
2C13	FUEL CAP SHIELD .....	90-18	
1C20	FUEL FILTER .....	30-11	
1F10	FUEL GAUGE .....	40-38	
1C19	FUEL GAUGE SENDER .....	30-10	
1D15	FUEL GAUGE SENDER .....	40-2	
1D6	FUEL INJECTION NOZZLE .....	30-23	
1D7	FUEL INJECTION NOZZLE ASSEMBLY .....	30-24	
1C22	FUEL INJECTION PUMP .....	30-14	
1D3	FUEL INJECTION PUMP GASKET KIT .....	30-20	
1C19	FUEL LINES .....	30-10	
1C20	FUEL LINES .....	30-11	
1C22	FUEL LINES .....	30-14	
1C19	FUEL SHUT-OFF VALVE .....	30-10	
1C19	FUEL TANK .....	30-10	
1C21	FUEL TRANSFER PUMP .....	30-12	
<b>G</b>			
1G10	GASKET KIT (CLUTCH HOUSING TO CASE) .....	50-3A	
1C7	GASKET KIT, CYLINDER HEAD REPLACEMENT .....	20-44	
1C5	GASKET KIT, ENGINE OVERHAUL .....	20-42	
1D3	GASKET KIT, FUEL INJECTION PUMPS .....	30-20	
1A21	GASKET, CYLINDER HEAD .....	20-6	
1B12	GASKET, OIL PAN .....	20-22	
1A21	GASKET, ROCKER ARM COVER .....	20-6	
1F10	GAUGE, FUEL .....	40-38	
1F13	GAUGE, OIL TEMPERATURE, TRANSMISSION .....	40-41	
1F10	GAUGE, TEMPERATURE .....	40-38	
1G23	GEAR SHIFTERS .....	50-14	
1H1	GEARS AND SHAFTS, PTO .....	50-17	
1B5	GEARS, CRANKSHAFT .....	20-14	
2B10	GRILLE .....	80-20	
2C11	GRILLE GUARD .....	90-16	
2C11	GUARD, GRILLE .....	90-16	
2C12	GUARD, LIGHT .....	90-17	
1H6	GUARD, PTO .....	50-22	
1H7	GUARD, PTO .....	50-23	
<b>F</b>			



# 1A10

830 UTILITY TRACTOR

## ALPHABETICAL INDEX - CONTINUED

GRID		PAGE	GRID		PAGE
1C14	GUN, AIR CLEANER ELEMENT CLEANING .....	30-5	1K5	KIT, CYLINDER HOSE IDENTIFICATION.....	70-49
<b>H</b>					
1J17	HAMMER STRAP, DRAWBAR .....	70-36	1G14	KIT, DUAL-STAGE CLUTCH REPAIR.....	50-5A
1I4	HAND BRAKE.....	60-16	1G15	KIT, DUAL-STAGE CLUTCH REPAIR.....	50-5B
1D15	HARNESS, ELECTRICAL WIRING .....	40-2	1B19	KIT, ENGINE OIL PUMP .....	20-31
1C25	HEAD AND ROTOR, INJECTION PUMP .....	30-17	1D3	KIT, FUEL INJECTION PUMP GASKET .....	30-20
1A21	HEAD CYLINDER.....	20-6	1G10	KIT, GASKET (CLUTCH HOUSING TO CASE) .....	50-3A
1B23	HEATER, ENGINE COOLANT.....	20-36	1F7	KIT, IMPLEMENT WARNING LAMP .....	40-35
1B24	HEATER, ENGINE COOLANT.....	20-37	2B18	KIT, LABEL REFINISHING.....	80-28
1J12	HITCH BRACKET.....	70-31	1F1	KIT, NEUTRAL START SWITCH.....	40-30
1J12	HITCH, 3-POINT.....	70-31	1K9	KIT, O-RING .....	70-53
1J9	HITCH, 3-POINT, LIFT LINKS .....	70-28	1I3	KIT, OVERHAUL, BRAKE VALVE .....	60-14
2B10	HOOD .....	80-20	1H22	KIT, OVERHAUL, POWER STEERING.....	60-8
1C17	HORIZONTAL MUFFLER.....	30-8	1G25	KIT, PARK LOCK ASSURANCE .....	50-16
1F15	HORN .....	40-43	1C3	KIT, RADIATOR OVERFLOW .....	20-40
1K5	HOSE IDENTIFICATION KIT, REMOTE CYLINDER .....	70-49	1K8	KIT, REMOTE CYLINDER OVERHAUL .....	70-52
1K4	HOSES, REMOTE CYLINDER .....	70-48	1J3	KIT, ROCKSHAFT REBUILD SEAL.....	70-22
1G8	HOUSING, CLUTCH.....	50-2	1E2	KIT, SOLENOID COVER (ROBERT BOSCH).....	40-10B
1B13	HOUSING, FLYWHEEL .....	20-23	1E1	KIT, STARTER SOLENOID KIT.....	40-10A
1C24	HOUSING, INJECTION PUMP .....	30-16	1E16	KIT, STARTING MOTOR BRUSH .....	40-22B
1H20	HOUSING, POWER STEERING VALVE.....	60-6	1E25	KIT, STARTING MOTOR SEAL.....	40-29
1H13	HOUSING, REAR AXLE.....	50-30	1F21	KIT, SUPPLEMENTARY WIRING .....	40-49
1I23	HOUSING, ROCKSHAFT .....	70-18	1H2	KIT, THRUST CAPACITY.....	50-18
1J1	HOUSING, ROCKSHAFT CYLINDER AND VALVE .....	70-20	1B22	KIT, WATER PUMP OVERHAUL .....	20-35
1C4	HOUSING, THERMOSTAT.....	20-41	1G5	KIT,ELECTRICAL CONNECTOR AND TERMINAL.....	40-58
2A23	HUB, FRONT WHEELS .....	80-8	1F2	KIT,STARTING CIRCUIT RELAY(12-VOLT) .....	40-30A
1C25	HUB, INJECTION PUMP DRIVE .....	30-17	1D11	KNOB, SHUT-OFF .....	30-28
1I8	HYDRAULIC AND TRANSMISSION OIL.....	70-1	<b>L</b>		
1I15	HYDRAULIC OIL LINES.....	70-8	2B18	LABEL REFINISHING KIT .....	80-28
1I17	HYDRAULIC OIL LINES.....	70-11	1E16	LABEL, BYPASS START .....	40-22B
1I18	HYDRAULIC OIL LINES.....	70-12	1E15	LABEL, BYPASSSTART.....	40-22
1K10	HYDRAULIC OIL LINES, IMPLEMENT .....	70-55	2B16	LABELS.....	80-26
1I10	HYDRAULIC PUMP .....	70-3	1F5	LAMP EXTENSION, REAR .....	40-33
1I11	HYDRAULIC PUMP .....	70-4	1F6	LAMP WARNING .....	40-34
1I13	HYDRAULIC PUMP .....	70-6	1F3	LAMP, FRONT .....	40-31
1I9	HYDRAULIC PUMP DRIVE .....	70-2	1F4	LAMP, REAR .....	40-32
1I9	HYDRAULIC PUMP MOUNTING PARTS .....	70-2	1F6	LAMP, SUPPORT, WARNING .....	40-34
<b>I</b>					
1K10	IMPLEMENT HYDRAULIC OIL LINES .....	70-55	1D15	LAMPS, FRONT AND REAR.....	40-2
1F4	IMPLEMENT LIGHT .....	40-32	1H4	LEVER, DIFFERENTIAL LOCK .....	50-20
1J14	IMPLEMENT SAFETY CHAIN .....	70-33	1H5	LEVER, REAR POWER SHAFT SHIFTER .....	50-21
1F7	IMPLEMENT WARNING LAMP KIT .....	40-35	1J7	LEVER, ROCKSHAFT CONTROL .....	70-26
1F10	INDICATOR, AIR CLEANER RESTRICTION .....	40-38	1J21	LEVER, SELECTIVE CONTROL .....	70-40
1C24	INJECTION PUMP AUTOMATIC ADVANCE .....	30-16	1J23	LEVER, SELECTIVE CONTROL VALVE (DOUBLE ACTING).....	70-42
1C25	INJECTION PUMP DRIVE HUB .....	30-17	1D9	LEVER, SPEED CONTROL.....	30-26
1D3	INJECTION PUMP GASKET KIT.....	30-20	1G23	LEVER, TRANSMISSION SHIFT .....	50-14
1C24	INJECTION PUMP HOUSING .....	30-16	1J9	LIFT LINKS, 3-POINT HITCH .....	70-28
1D1	INJECTION PUMP LINKAGE AND COVER .....	30-18	2C12	LIGHT GUARD .....	90-17
1C25	INJECTION PUMP TRANSFER PUMP .....	30-17	1D15	LIGHT SWITCH .....	40-2
1D5	INJECTION PUMP TRANSFER PUMP .....	30-22	1D15	LIGHT WIRING SYSTEM.....	40-2
1C11	INLET AIR.....	30-2	1F4	LIGHT, REAR .....	40-32
1C13	INLET, AIR .....	30-4	1F6	LIGHT, WARNING .....	40-34
1B3	INLET, OIL FILLER .....	20-12	1F8	LIGHTS, TURN SIGNAL .....	40-36
1A23	INTAKE VALVE .....	20-8	1C19	LINE, LEAK-OFF .....	30-10
1C11	INTAKE, AIR .....	30-2	1B16	LINER KIT, CYLINDER .....	20-27
1C13	INTAKE, AIR .....	30-4	1I15	LINES, OIL, HYDRAULIC.....	70-8
<b>K</b>					
1D15	KEY SWITCH .....	40-2	1K10	LINES, OIL, IMPLEMENT HYDRAULIC .....	70-55
			1J12	LINK, CENTER, 3-POINT HITCH .....	70-31
			1J11	LINK, DRAFT, 3-POINT HITCH .....	70-30
			1H16	LINK, DRAG .....	60-2
			1D1	LINKAGE, INJECTION PUMP .....	30-18
			1J5	LINKAGE, ROCKSHAFT CYLINDER.....	70-24
			1D9	LINKAGE, THROTTLE .....	30-26
			1A20	LIQUID COOLANT CONDITIONER .....	20-5
			1J8	LOAD CONTROL .....	70-27

# 1A11

830 UTILITY TRACTOR

## ALPHABETICAL INDEX - CONTINUED

GRID	PAGE	GRID	PAGE
1J8	LOAD SELECTOR LEVER.....	70-27	
1A19	LUBRICANT, CYLINDER LINER PACKING .....	20-4	
1A17	LUBRICANT, ENGINE VALVE STEM .....	20-2	
<b>M</b>			
1B5	MAIN BEARING .....	20-14	
1C15	MANIFOLD, EXHAUST.....	30-6	
1H16	MANUAL STEERING .....	60-2	
1F18	MINI-MONITOR, PERFORMANCE TRAK II .....	40-46	
1F18	MONITOR, MINI (PERFORMANCE TRAK II) .....	40-46	
1D25	MOTOR, STARTING.....	40-10	
1E3	MOTOR, STARTING.....	40-10D	
1E11	MOTOR, STARTING.....	40-18	
1E19	MOTOR, STARTING.....	40-24	
1E21	MOTOR, STARTING.....	40-26	
1E23	MOTOR, STARTING.....	40-27A	
1C16	MUFFLER EXTENSION .....	30-7	
1C17	MUFFLER, HORIZONTAL .....	30-8	
1C17	MUFFLER, REAR EXHAUST.....	30-8	
1C16	MUFFLER, VERTICAL .....	30-7	
<b>N</b>			
1I23	NEUTRAL START SWITCH.....	70-18	
1F1	NEUTRAL START SWITCH KIT .....	40-30	
1D6	NOZZLE, FUEL INJECTION .....	30-23	
1D7	NOZZLE, FUEL INJECTION .....	30-24	
<b>O</b>			
1K9	O-RING PACKING KIT.....	70-53	
1A18	OFF-SEASON STORAGE KIT.....	20-3	
1B3	OIL FILLER INLET .....	20-12	
1B7	OIL FILTER, ENGINE.....	20-16	
1H9	OIL FILTER, TRANSMISSION.....	50-26	
1K3	OIL LINE COUPLER, FLEXIBLE .....	70-47	
1K11	OIL LINE, BULK FLEXIBLE .....	70-56	
1I17	OIL LINE, POWER STEERING .....	70-11	
1I1	OIL LINES, BRAKE .....	60-12	
1K1	OIL LINES, COUPLER (SCV) .....	70-44	
1I15	OIL LINES, HYDRAULIC .....	70-8	
1I17	OIL LINES, HYDRAULIC .....	70-11	
1I18	OIL LINES, HYDRAULIC .....	70-12	
1K10	OIL LINES, HYDRAULIC, IMPLEMENT .....	70-55	
1I18	OIL LINES, POWER STEERING .....	70-12	
1H8	OIL LINES, TRANSMISSION.....	50-25	
1B12	OIL PAN .....	20-22	
1B12	OIL PAN GASKET .....	20-22	
1B17	OIL PUMP.....	20-28	
1B17	OIL PUMP INTAKE KIT .....	20-28	
1B19	OIL PUMP KIT, ENGINE .....	20-31	
1H8	OIL PUMP, TRANSMISSION.....	50-25	
1G18	OIL SCREEN .....	50-8	
1F13	OIL TEMPERATURE GAUGE, TRANSMISSION .....	40-41	
1A16	OIL, ENGINE .....	20-1	
1I8	OIL, TRANSMISSION AND HYDRAULIC .....	70-1	
1C3	OVERFLOW KIT, RADIATOR .....	20-40	
1I3	OVERHAUL KIT, BRAKE VALVE .....	60-14	
1K8	OVERHAUL KIT, REMOTE CYLINDER .....	70-52	
<b>P</b>			
1A19	PACKING LUBRICANT, CYLINDER LINER .....	20-4	
1B12	PAN, OIL.....	20-22	
1G25	PARK LOCK ASSURANCE KIT.....	50-16	
1D10	PEDAL, ACCELERATOR .....	30-27	
1G16	PEDAL, CLUTCH .....	50-6	
1H25	PEDALS, BRAKE .....	60-11	
1G17	PILOT BEARING CLUTCH .....	50-7	
1B16	PISTON LINER KIT .....	20-27	
1B14	PISTONS.....	20-24	
1H13	PLANETARY AND REAR AXLE .....	50-30	
2B10	PLATE, ENGINE FRONT.....	80-20	
2B1	POWER ADJUSTED REAR WHEEL.....	80-11	
1H18	POWER STEERING .....	60-4	
1I17	POWER STEERING OIL LINES .....	70-11	
1I18	POWER STEERING OIL LINES .....	70-12	
1H22	POWER STEERING OVERHAUL KIT.....	60-8	
1I11	POWER STEERING PUMP .....	70-4	
1H20	POWER STEERING VALVE HOUSING .....	60-6	
1H6	POWERSHAFT SHIELD AND GUARD .....	50-22	
1H5	POWERSHAFT SHIFTER .....	50-21	
1C10	PRE-CLEANER.....	30-1	
1C10	PRESCREENER .....	30-1	
1I20	PRESSURE CONTROL VALVE.....	70-14	
1I21	PRESSURE CONTROL VALVE.....	70-15	
1G12	PRESSURE PLATE, CLUTCH.....	50-4	
1I20	PRESSURE RELIEF VALVE .....	70-14	
1I21	PRESSURE RELIEF VALVE .....	70-15	
1H7	PTO GUARD.....	50-23	
1H1	PTO SHAFT .....	50-17	
1H11	PULLEY, BELT .....	50-28	
1B5	PULLEY, CRANKSHAFT .....	20-14	
1B20	PULLEY, FAN.....	20-32	
1B5	PULLEY, V-BELT .....	20-14	
1B20	PULLEY, V-BELT .....	20-32	
1I9	PUMP DRIVE, HYDRAULIC.....	70-2	
1C22	PUMP, FUEL INJECTION .....	30-14	
1C21	PUMP, FUEL TRANSFER .....	30-12	
1I10	PUMP, HYDRAULIC.....	70-3	
1I11	PUMP, HYDRAULIC.....	70-4	
1I13	PUMP, HYDRAULIC.....	70-6	
1B17	PUMP, OIL .....	20-28	
1I10	PUMP, POWER STEERING .....	70-3	
1I11	PUMP, POWER STEERING .....	70-4	
1H8	PUMP, TRANSMISSION OIL.....	50-25	
1B20	PUMP, WATER.....	20-32	
1A23	PUSH ROD.....	20-8	
<b>Q</b>			
1J7	QUADRANT, ROCKSHAFT .....	70-26	
1K1	QUICK COUPLERS (SCV).....	70-44	
<b>R</b>			
1F16	RADAR SENSOR .....	40-44	
1C1	RADIATOR .....	20-38	
2C13	RADIATOR CAP SHIELD.....	90-18	
1C3	RADIATOR OVERFLOW KIT.....	20-40	
1H13	REAR AXLE .....	50-30	
1F5	REAR COMBINATION LAMP EXTENSION .....	40-33	
2B12	REAR FENDER .....	80-22	
1F4	REAR LIGHT .....	40-32	
2B4	REAR WHEEL WEIGHT (24" STEEL DISK).....	80-14	

# 1A12

830 UTILITY TRACTOR

## ALPHABETICAL INDEX - CONTINUED

<i>GRID</i>		<i>PAGE</i>	<i>GRID</i>		<i>PAGE</i>
2B6	REAR WHEEL WEIGHT (26" OR 28" POWER)	80-16	1G23	SHIFTER LEVER, TRANSMISSION	50-14
2B5	REAR WHEEL WEIGHT (28" STEEL DISK)	80-15	1G23	SHIFTER, GEAR	50-14
2B1	REAR WHEEL, POWER ADJUSTED	80-11	1G23	SHIFTER, HIGH RANGE	50-14
2A25	REAR WHEEL, STEEL DISK	80-10	1B10	SHORT BLOCK (LATE DESIGN)	20-20
2B3	REAR WHEEL, STEEL DISK	80-13	1B9	SHORT BLOCK, ENGINE (EARLY DESIGN)	20-19
2B2	REAR WHEEL, STEEL DISK (WELDED BRACKET)	80-12	1C1	SHROUD, FAN	20-38
1D15	REGULATOR	40-2	1D11	SHUT-OFF KNOB	30-28
1D19	REGULATOR	40-6	2B8	SIDE FRAME	80-18
1F2	RELAY, STARTING CIRCUIT KIT(12-VOLT)	40-30A	2C14	SLOW MOVING VEHICLE EMBLEM	90-19
1K4	REMOTE CYLINDER	70-48	1D15	SOCKET, ELECTRICAL OUTLET	40-2
1K6	REMOTE CYLINDER	70-50	1F20	SOCKET, 7-TERMINAL ELECTRICAL OUTLET	40-48
1K5	REMOTE CYLINDER HOSE IDENTIFICATION KIT	70-49	1E2	SOLENOID COVER KIT (ROBERT BOSCH)	40-10B
1K8	REMOTE CYLINDER OVERHAUL KIT	70-52	1E3	SOLENOID SWITCH	40-10D
1F12	RESTRICTION INDICATOR, AIR CLEANER	40-40	1E9	SOLENOID SWITCH	40-16
1K11	REUSEABLE COUPLINGS	70-56	1E11	SOLENOID SWITCH	40-18
1H3	RING GEAR	50-19	1E18	SOLENOID SWITCH	40-23
1A23	ROCKER ARM	20-8	1E16	SOLENOID SWITCH, STARTING MOTOR	40-22B
1A21	ROCKER ARM COVER	20-6	1E5	SOLENOID, STARTING MOTOR	40-12
1A23	ROCKER ARM SHAFT	20-8	1D9	SPEED CONTROL LEVER	30-26
1J6	ROCKSHAFT	70-25	2A20	SPINDLE AND KNUCKLE ASSEMBLY	80-4
1J6	ROCKSHAFT CONTROL ARM	70-25	1C10	STACK, AIR	30-1
1J1	ROCKSHAFT CYLINDER AND VALVE	70-20	1E1	STARTER SOLENOID COVER KIT	40-10A
1J5	ROCKSHAFT CYLINDER LINKAGE	70-24	1C18	STARTING AID, COLD WEATHER	30-9
1I23	ROCKSHAFT HOUSING	70-18	1F2	STARTING CIRCUIT RELAY KIT(12-VOLT)	40-30A
1I24	ROCKSHAFT HOUSING FITTINGS	70-19	1C18	STARTING FLUID	30-9
1J6	ROCKSHAFT PISTON AND LIFT ARMS	70-25	1D25	STARTING MOTOR	40-10
1J7	ROCKSHAFT QUADRANT	70-26	1E3	STARTING MOTOR	40-10D
1J3	ROCKSHAFT REBUILD SEAL KIT	70-22	1E11	STARTING MOTOR	40-18
1J5	ROCKSHAFT VALVE HOUSING LINKAGE	70-24	1E15	STARTING MOTOR	40-22
1B14	ROD, CONNECTING	20-24	1E16	STARTING MOTOR	40-22B
2A20	ROD, TIE	80-4	1E19	STARTING MOTOR	40-24
2A22	ROD, TIE, ASSEMBLY	80-6	1E21	STARTING MOTOR	40-26
2C3	ROLL-GARD	90-8	1E23	STARTING MOTOR	40-27A
2C5	ROLL-GARD	90-10	1D25	STARTING MOTOR ATTACHING PARTS	40-10
1C22	ROTO DIESEL INJECTION PUMP	30-14	1E16	STARTING MOTOR BRUSH KIT	40-22B
			1E13	STARTING MOTOR BRUSHES	40-20
			1E13	STARTING MOTOR COIL ASSEMBLY	40-20
			1E5	STARTING MOTOR DRIVE	40-12
			1E7	STARTING MOTOR HOUSING	40-14
			1E13	STARTING MOTOR HOUSING	40-20
			1E25	STARTING MOTOR SEAL KIT	40-29
			1E15	STARTING MOTOR SOLENOID COVER	40-22
			1E16	STARTING MOTOR SOLENOID COVER	40-22B
			2B3	STEEL DISK REAR WHEEL	80-13
			2B2	STEEL DISK REAR WHEEL (WELDED BRACKET)	80-12
			2A25	STEEL DISK REAR WHEELS	80-10
			2A16	STEERING BELLCRANK	80-2
			2A17	STEERING BELLCRANK	80-3
			1H16	STEERING SHAFT ARM	60-2
			1H16	STEERING WHEEL	60-2
			1H18	STEERING WHEEL	60-4
			1H18	STEERING, POWER	60-4
			2B15	STEP	80-25
			2B15	STEP SUPPORT	80-25
			1A18	STORAGE KIT, OFF-SEASON	20-3
			1G3	SUPPLEMENTARY TERMINALS AND CONNECTORS	40-56
			1F21	SUPPLEMENTARY WIRING KIT	40-49
			2B7	SUPPORT, FRONT	80-17
			2B15	SUPPORT, STEP	80-25
			2C9	SUPPORT, TOOLBOX	90-14
			1J18	SWAY BLOCK	70-37
			1J18	SWAY BLOCK SUPPORT	70-37
			2A18	SWEEP BACK ADJUSTABLE FRONT AXLE	80-3A
			1J15	SWINGING DRAWBAR	70-34
			1B13	SWITCH, ENGINE OIL PRESSURE	20-23
			1F10	SWITCH, FLASHER	40-38
			1D15	SWITCH, KEY	40-2

### S

1J14	SAFETY CHAIN, IMPLEMENT	70-33
1G18	SCREEN, TRANSMISSION OIL	50-8
1E25	SEAL KIT, STARTING MOTOR	40-29
2C17	SEALANT	90-22
2B24	SEAT ASSEMBLY, DELUXE	90-4
2C5	SEAT BELT	90-10
2B21	SEAT, DELUXE	90-1
2B22	SEAT, DELUXE	90-2
2C1	SEAT, DELUXE	90-6
1J21	SELECTIVE CONTROL LEVER	70-40
1J19	SELECTIVE CONTROL VALVE	70-38
1J20	SELECTIVE CONTROL VALVE	70-39
1J23	SELECTIVE CONTROL VALVES (DOUBLE ACTING)	70-42
1C19	SENDER, FUEL GAUGE	30-10
1D15	SENDER, FUEL GAUGE	40-2
1F16	SENSOR, RADAR	40-44
1G17	SHAFT, CLUTCH	50-7
1G22	SHAFT, DIFFERENTIAL	50-13
1H13	SHAFT, FINAL DRIVE	50-30
1J8	SHAFT, LOAD CONTROL	70-27
1H5	SHAFT, REAR POWER SHAFT SHIFTER	50-21
1A23	SHAFT, ROCKER ARM	20-8
1G21	SHAFT, TRANSMISSION DRIVE	50-11
2C13	SHIELD, FUEL CAP	90-18
1H6	SHIELD, PTO	50-22
1H7	SHIELD, PTO	50-23
2C13	SHIELD, RADIATOR CAP	90-18
2C7	SHIELD, TRANSMISSION CASE	90-12

# 1A13

830 UTILITY TRACTOR

## ALPHABETICAL INDEX - CONTINUED

GRID	PAGE	GRID	PAGE
1D15	SWITCH, LIGHT .....	40-2	
1I23	SWITCH, NEUTRAL START .....	70-18	
1E9	SWITCH, SOLENOID .....	40-16	
1E11	SWITCH, SOLENOID .....	40-18	
1E18	SWITCH, SOLENOID .....	40-23	
1E3	SWITCH, STARTER SOLENOID .....	40-10D	
<b>T</b>			
1F14	TACHOMETER .....	40-42	
1C19	TANK, FUEL .....	30-10	
1A23	TAPPET .....	20-8	
1F10	TEMPERATURE GAUGE .....	40-38	
1G3	TERMINALS AND CONNECTORS,SUPPLEMENTARY .....	40-56	
1F22	TERMINALS,ELECTRICAL.....	40-50	
1F24	TERMINALS,ELECTRICAL.....	40-52	
1G1	TERMINALS,ELECTRICAL.....	40-54	
1C4	THERMOSTAT .....	20-41	
1C4	THERMOSTAT HOUSING .....	20-41	
1J13	THREE-POINT HITCH DRAWBAR .....	70-32	
1D9	THROTTLE LINKAGE .....	30-26	
1D10	THROTTLE LINKAGE .....	30-27	
1H2	THRUST CAPACITY KIT .....	50-18	
2A20	TIE ROD .....	80-4	
2A22	TIE ROD ASSEMBLY.....	80-6	
1B3	TIMING GEAR COVER .....	20-12	
2C9	TOOLBOX .....	90-14	
2C15	TOOLS .....	90-20	
1D5	TRANSFER PUMP, INJECTION PUMP .....	30-22	
1I8	TRANSMISSION AND HYDRAULIC OIL.....	70-1	
1G18	TRANSMISSION CASE .....	50-8	
2C7	TRANSMISSION CASE SHIELD .....	90-12	
1G21	TRANSMISSION DRIVE SHAFT .....	50-11	
1G23	TRANSMISSION GEAR SHIFTERS .....	50-14	
1H9	TRANSMISSION OIL FILTER .....	50-26	
1G18	TRANSMISSION OIL LEVEL ROD .....	50-8	
1H9	TRANSMISSION OIL LINES .....	50-26	
1H8	TRANSMISSION OIL PUMP .....	50-25	
1F13	TRANSMISSION OIL TEMPERATURE GAUGE.....	40-41	
1G18	TRANSMISSION RELIEF VALVE .....	50-8	
1G23	TRANSMISSION TOP COVER .....	50-14	
1G20	TRANSMISSION, COUNTERSHAFT .....	50-10	
1A21	TUBE, VENTILATOR OUTLET .....	20-6	
1F9	TURN SIGNAL CONTROLS.....	40-37	
1F8	TURN SIGNAL LIGHTS .....	40-36	
<b>V</b>			
1B5	V-BELT PULLEYS .....	20-14	
1B20	V-BELT PULLEYS .....	20-32	
1J5	VALVE LINKAGE, ROCKSHAFT .....	70-24	
1A17	VALVE STEM LUBRICANT, ENGINE .....	20-2	
1I1	VALVE, BRAKE .....	60-12	
1I3	VALVE, BRAKE, OVERHAUL KIT .....	60-14	
1B1	VALVE, CYLINDER HEAD.....	20-10	
1I22	VALVE, DUMP .....	70-17	
1A23	VALVE, EXHAUST .....	20-8	
1C19	VALVE, FUEL SHUT-OFF .....	30-10	
1A23	VALVE, INTAKE .....	20-8	
1I21	VALVE, PRESSURE CONTROL .....	70-15	
1I20	VALVE, PRESSURE RELIEF.....	70-14	
1I21	VALVE, PRESSURE RELIEF.....	70-15	
1G18	VALVE, RELIEF PRESSURE.....	50-8	
1J19	VALVE, SELECTIVE CONTROL .....	70-38	
1J20	VALVE, SELECTIVE CONTROL .....	70-39	
1J23	VALVE, SELECTIVE CONTROL (DOUBLE ACTING) .....	70-42	
1C1	VALVE, WATER DRAIN.....	20-38	
1A21	VENTILATOR OUTLET TUBE .....	20-6	
1C16	VERTICAL MUFFLER .....	30-7	
<b>W</b>			
1D15	WARNING LAMP FLASHER .....	40-2	
1F7	WARNING LAMP KIT, IMPLEMENT .....	40-35	
1F6	WARNING LAMP SUPPORT .....	40-34	
1F6	WARNING LIGHT .....	40-34	
1F10	WARNING LIGHT FLASHER.....	40-38	
1C1	WATER DRAIN VALVE .....	20-38	
1B20	WATER PUMP .....	20-32	
1B22	WATER PUMP OVERHAUL KIT .....	20-35	
1C16	WEATHER CAP .....	30-7	
2B4	WEIGHT, REAR WHEEL (24" STEEL DISK) .....	80-14	
2B6	WEIGHT, REAR WHEEL (26" OR 28" POWER) .....	80-16	
2B5	WEIGHT, REAR WHEEL (28" STEEL DISK) .....	80-15	
2B9	WEIGHTS, QUIK-TATCH FRONT .....	80-19	
2B4	WHEEL WEIGHT, REAR (24" STEEL DISK) .....	80-14	
2B6	WHEEL WEIGHT, REAR (26" OR 28" POWER) .....	80-16	
2B5	WHEEL WEIGHT, REAR (28" STEEL DISK) .....	80-15	
2A23	WHEEL, FRONT.....	80-8	
2B3	WHEEL, STEEL DISK REAR.....	80-13	
2B2	WHEEL, STEEL DISK REAR (WELDED BRACKET).....	80-12	
1H16	WHEEL, STEERING.....	60-2	
1H18	WHEEL, STEERING.....	60-4	
2B1	WHEELS, REAR (POWER ADJUSTED).....	80-11	
2A25	WHEELS, REAR, STEEL DISK .....	80-10	
1F18	WIRING HARNESS, MINI-MONITOR (PERFORMANCE TRAK II).....	40-46	
1F21	WIRING KIT, SUPPLEMENTARY .....	40-49	
1D15	WIRING SYSTEM.....	40-2	
2C15	WRENCH .....	90-20	

# 1A16

ENGINE

RGP1239 -UN-01JAN94

TORQ-GARD SUPREME ENGINE OIL



RGP1239

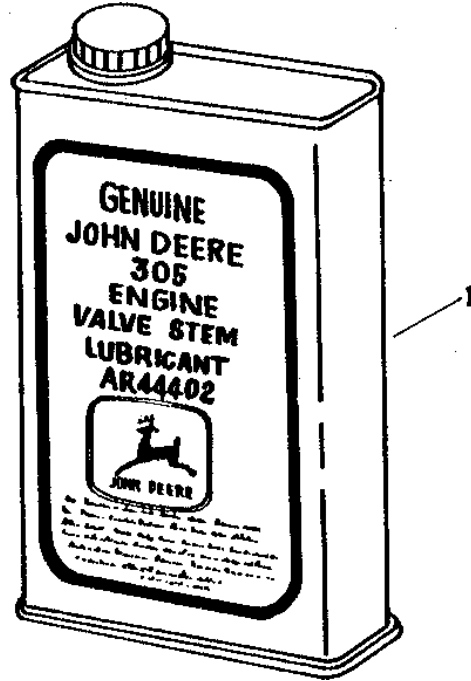
KEY	PART NO.	PART NAME	QTY	ENGINE SERIAL NO.	REMARKS
..	TY6359	OIL	1		(SAE 5W/30), 0.9L (1 QUART) CAN
..	TY6360	OIL	1		(SAE 5W/30), 19L (5 GALLON) CAN
..	TY6361	OIL	1		(SAE 5W/30), 208L (55 GALLON) DRUM
..	TY6297	OIL	1		(SAE 15W/40), 0.9L (1 QUART) CAN
..	TY6298	OIL	1		(SAE 15W/40), 1.9L (5 GALLON) CAN
..	TY6300	OIL	1		(SAE 15W/40), 114L (30 GALLON) DRUM
..	TY6301	OIL	1		(SAE 15W/40), 208L (55 GALLON) DRUM
..	TY6311	OIL	1		(SAE 10W), 0.9L (1 QUART) CAN
..	TY6312	OIL	1		(SAE 10W), 19L (5 GALLON) CAN
..	TY6313	OIL	1		(SAE 10W), 208L (55 GALLON) DRUM
..	AR63979	OIL	1		(SAE 30), 0.2L (1 HALF PINT) CAN
..	AR63218	OIL	1		(SAE 30), 0.9L (1 QUART) CAN
..	AR63219	OIL	1		(SAE 30), 19L (5 GALLON) CAN
..	TY6280	OIL	1		(SAE 30), 114L (30 GALLON) DRUM
..	AR63222	OIL	1		(SAE 30), 208L (55 GALLON) DRUM

# 1A17

ENGINE

T71654 -UN-01JAN94

## ENGINE VALVE STEM LUBRICANT



T71654

KEY	PART NO.	PART NAME	QTY	ENGINE SERIAL NO.	REMARKS
1	AR44402	OIL	1		0.9L (1 QT.) CAN

# 1A18

ENGINE

---

## OFF-SEASON STORAGE KIT

KEY	PART NO.	PART NAME	QTY	ENGINE SERIAL NO.	REMARKS
..	AR41785	KIT	1		CONTAINS 0.9 L (1 QT.) CAN OF INTERNAL CORROSION INHIBITOR, (1) ROLL OF TAPE, AND (6) PLASTIC BAGS
..	AR41870	RUST INHIBITOR	1		0.9 L (1 QT.) CAN, (SUB AR41785)

# 1A19

ENGINE

---

CYLINDER LINER PACKING LUBRICANT

KEY	PART NO.	PART NAME	QTY	ENGINE SERIAL NO.	REMARKS
..	AR54749	LUBRICANT	1		0.9L (1 QT.) CAN



# 1A20

ENGINE

RWP4201 -UN-01JAN94

## ENGINE COOLANT CONDITIONER



RWP4201

KEY	PART NO.	PART NAME	QTY	ENGINE SERIAL NO.	REMARKS
..	RE12842	COOLANT	1		0.95L (1 QT.) (SUB FOR T19566) (SUB RE23182)

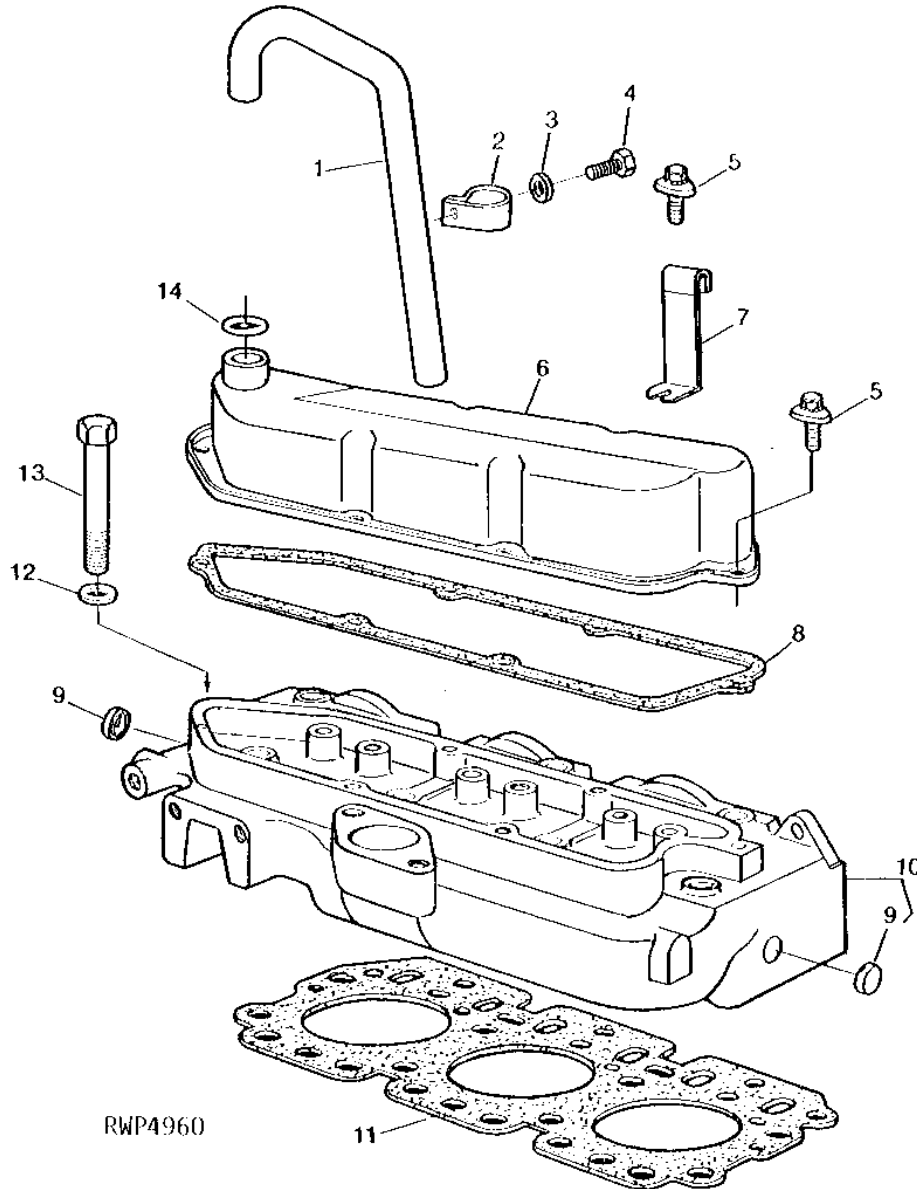
# 1A21

ENGINE

RWP4960

-UN-01JAN94

## CYLINDER HEAD AND ROCKER ARM COVER



# 1A22

ENGINE

## CYLINDER HEAD AND ROCKER ARM COVER - CONTINUED

KEY	PART NO.	PART NAME	QTY	ENGINE SERIAL NO.	REMARKS
1	T20074	TUBE	1		
2	R40791	CLAMP	1		
3	24H1685	WASHER	1		11/32" X 47/64" X 0.083"
4	19H1813	CAP SCREW	1		5/16" X 5/8"
5	AR45530	SCREW, WITH WASHER	6		(SUB AR103811)
6	AT18016	VALVE COVER	1		
7	T24151	CLAMP	1		
8	R75729	GASKET	1		(SUB FOR T20111 OR AR102261)
9	N102039	CAP	2		(SUB FOR A3910R)
10	AR70582	CYLINDER HEAD	1		(MARKED R58685 OR R58686) (SUB FOR AT21799) (SUB AR70583)
11	AR70583	CYLINDER HEAD	1		(SUB FOR R52789) (SUB RE56309 OR R97356)
12	T20168	WASHER	14		
13	R53223	CAP SCREW	14		
14	R495R	O-RING	1		

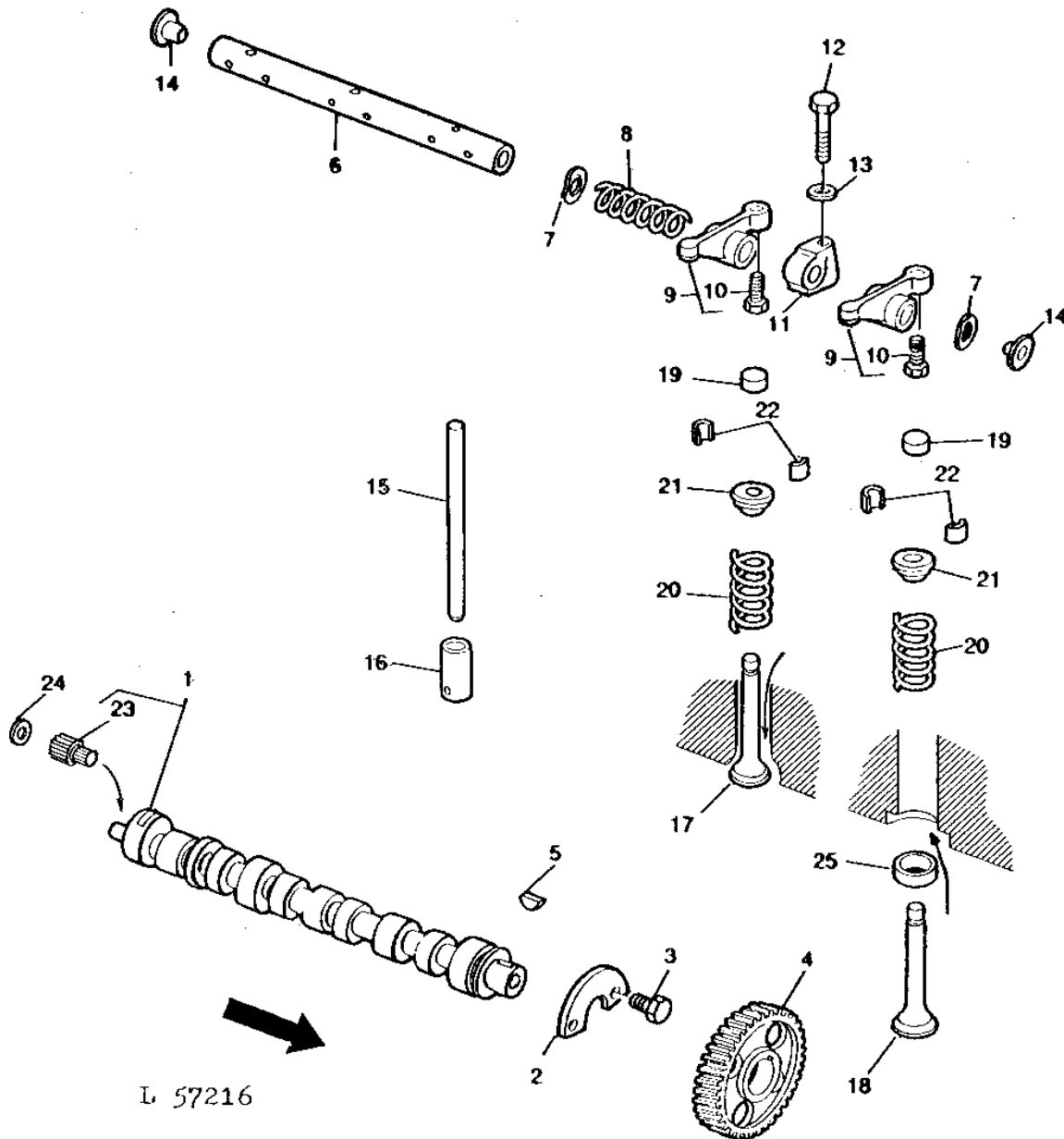
# 1A23

ENGINE

L57216

-UN-01JAN94

## CAMSHAFT, VALVES AND ROCKER ARM SHAFT



# 1A24

ENGINE

## CAMSHAFT, VALVES AND ROCKER ARM SHAFT - CONTINUED

KEY	PART NO.	PART NAME	QTY	ENGINE SERIAL NO.	REMARKS
1	AT18053	CAMSHAFT	1		(MARKED T20016 OR T20015) (SUB FOR AT18055 OR R81516) (SUB R82819 AND R81513)
2	T20072	PLATE	1		
3	19H1731	CAP SCREW	2		3/8" X 1"
4	T20070	GEAR	1		(48 TEETH)
5	T28041	SHAFT KEY	1		
6	T23468	ROCKER ARM SHAFT	1		(SUB DD12119 AND (2) R54565)
7	T20316	WASHER	2		
8	T20314	SPRING	2		
9	RE19031	ROCKER ARM	6		(SUB FOR AR103769 OR AT31250)
10	.....	SCREW	6		(ORDER RE19031) (SUB FOR T23521 OR T32213)
11	T20315	SUPPORT	3		
12	19H1733	CAP SCREW	3		3/8" X 2-1/2"
13	24M7106	WASHER	3		10 X 18 X 2.500 MM
14	T23469	PLUG	2		(USE WITH T23468)
	R54565	PLUG	2		(USE WITH DD12119)
15	T20310	PIN	6		(SUB R82896)
16	T20073	TAPPET	6		
17	R52251	INTAKE VALVE	3		(SUB R79623)
	R57332	INTAKE VALVE	3		0.076MM (.003") OVERSIZE STEM, (SUB R79628)
	R57334	INTAKE VALVE	3		0.381MM (.015") OVERSIZE STEM, (SUB R79629)
	R57336	INTAKE VALVE	3		0.762MM (.030") OVERSIZE STEM, (SUB R79630)
18	R52252	EXHAUST VALVE	3		(SUB R79624)
	R57333	EXHAUST VALVE	3		0.076MM (.003") OVERSIZE STEM, (SUB R79625)
	R57335	EXHAUST VALVE	3		0.381MM (.015") OVERSIZE STEM, (SUB R79626)
	R57337	EXHAUST VALVE	3		0.762MM (.030") OVERSIZE STEM, (SUB R79627)
19	T20129	CAP	6		
20	R26125	SPRING	6		
21	T20176	RETAINER	6		(SUB R41412)
22	T20077	RETAINER	12		
23	T20071	DRIVE SHAFT	1		SPEED HOUR METER, (USE WITH T20016 OR T20015) (NOT AS ILLUSTRATED)
	R81513	DRIVE SHAFT	1		(USE WITH R81516 OR R82819)
24	T20304	WASHER	1		
25	CD13979	VALVE SEAT INSERT	3		

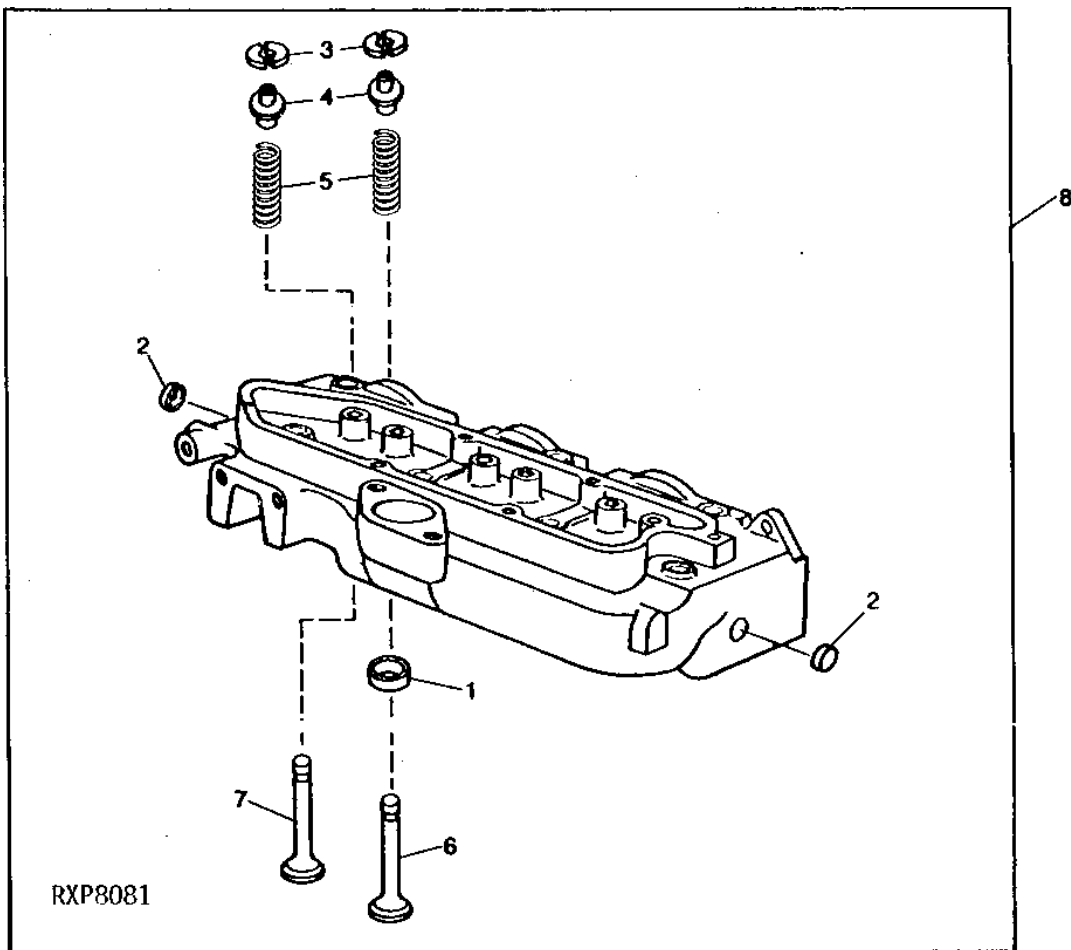
# 1B1

ENGINE

RXP8081

-UN-01JAN94

CYLINDER HEAD AND VALVES



# 1B2

ENGINE

---

## CYLINDER HEAD AND VALVES - CONTINUED

KEY	PART NO.	PART NAME	QTY	ENGINE SERIAL NO.	REMARKS
1	R51734	VALVE SEAT INSERT	3		
2	CD16284	CAP	2		
3	T20077	RETAINER	12		
4	R41412	CAP	6		(SUB FOR T20176)
5	R26125	SPRING	6		
6	R79624	EXHAUST VALVE	3		
7	R79623	INTAKE VALVE	3		
8	R56309	SHIM	1		(MARKED R58686) (SUB FOR AR70583)

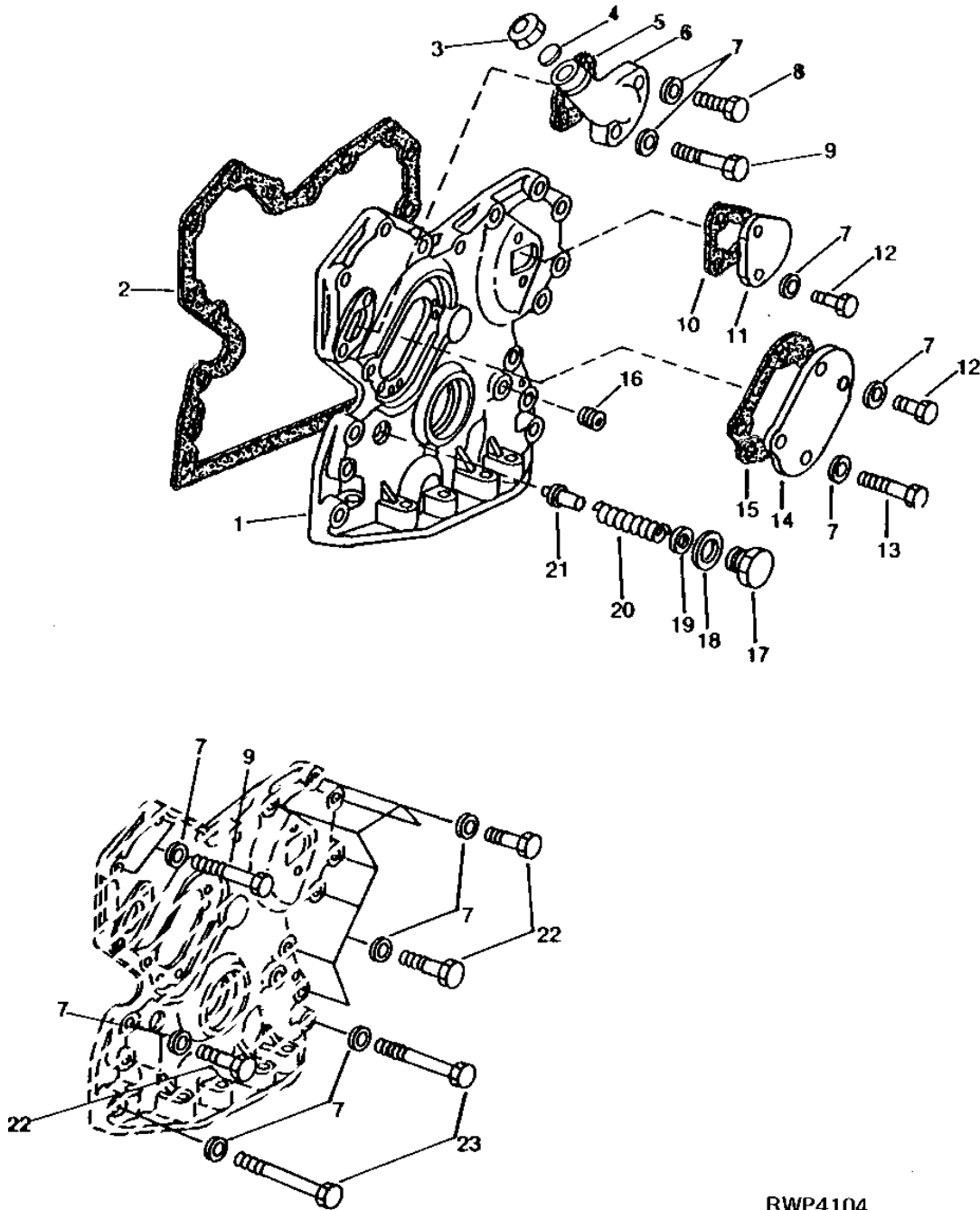
# 1B3

ENGINE

RWP4104

-UN-01JAN94

## TIMING GEAR COVER AND OIL FILLER INLET



RWP4104



# 1B4

ENGINE

## TIMING GEAR COVER AND OIL FILLER INLET - CONTINUED

KEY	PART NO.	PART NAME	QTY	ENGINE SERIAL NO.	REMARKS
1	AR58196	COVER	1		
2	T20155	GASKET	1		
3	T20294	CAP	1		
4	T20328	GASKET	1		
5	T20336	GASKET	1		
6	T23614	FILLER NECK	1		
7	24M7106	WASHER	21		10 X 18 X 2.500 MM
8	19H2665	CAP SCREW	1		3/8" X 1-5/8"
9	19H2128	CAP SCREW	3		3/8" X 3"
10	R69260	GASKET	1		(SUB FOR T20364)
11	T20362	COVER	1		
12	19H2284	CAP SCREW	5		3/8" X 7/8"
13	19H1726	CAP SCREW	1		3/8" X 2-1/4"
14	T20272	COVER	1		
15	T20273	GASKET	1		
16	15H275	PIPE PLUG	1		1/4"
17	T27657	FITTING PLUG	1		
18	A4827R	WASHER	1		
19	24H1290	WASHER	AR		21/64" X 3/4" X 0.035"
20	T27658	SPRING	1		
21	R51516	VALVE	1		(SUB R83169)
22	19H1801	CAP SCREW	9		3/8" X 2"
23	19H1733	CAP SCREW	2		3/8" X 2-1/2"

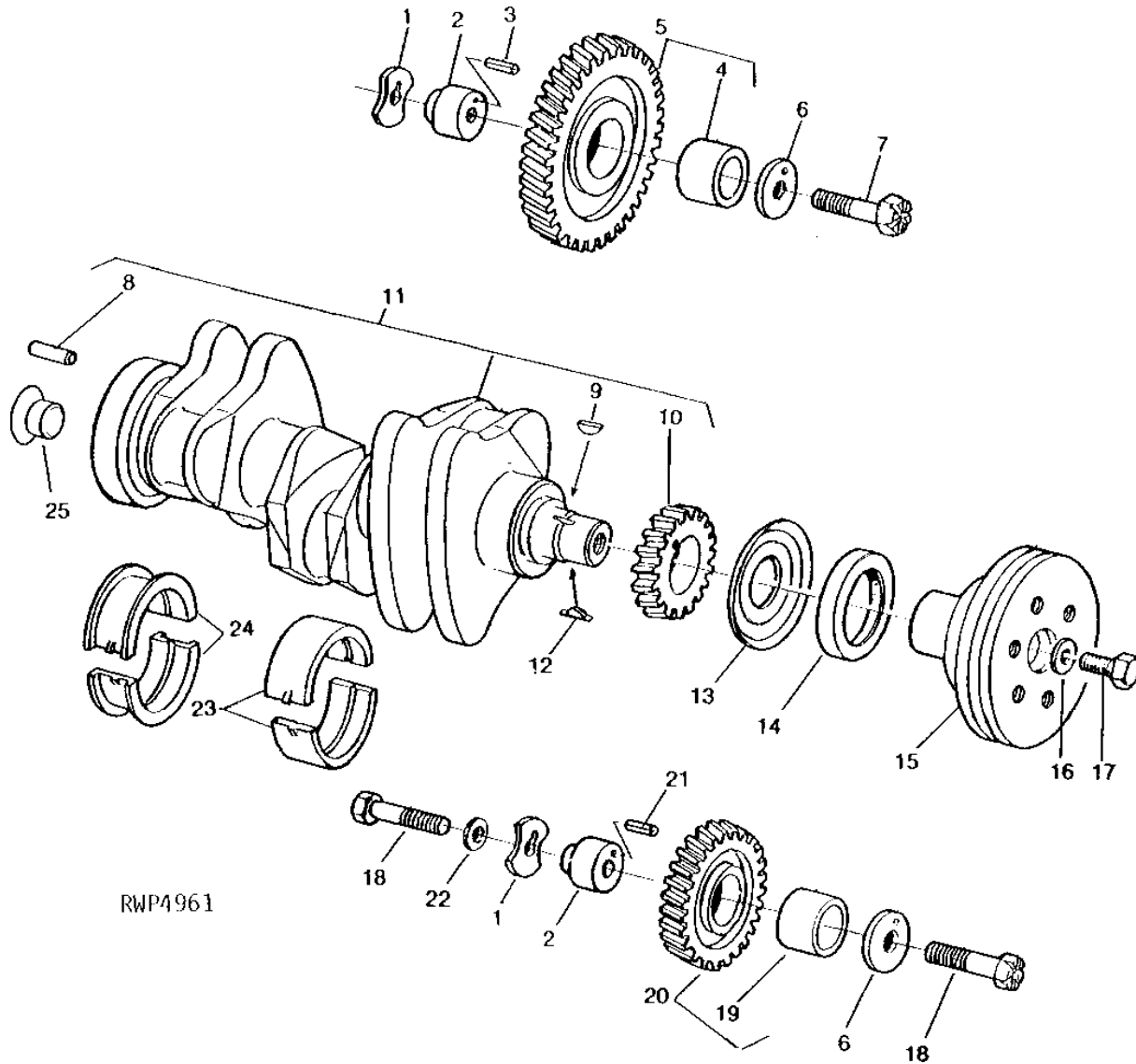
# 1B5

ENGINE

RWP4961

-UN-01JAN94

## CRANKSHAFT, TIMING GEARS AND MAIN BEARINGS



# 1B6

ENGINE

## CRANKSHAFT, TIMING GEARS AND MAIN BEARINGS - CONTINUED

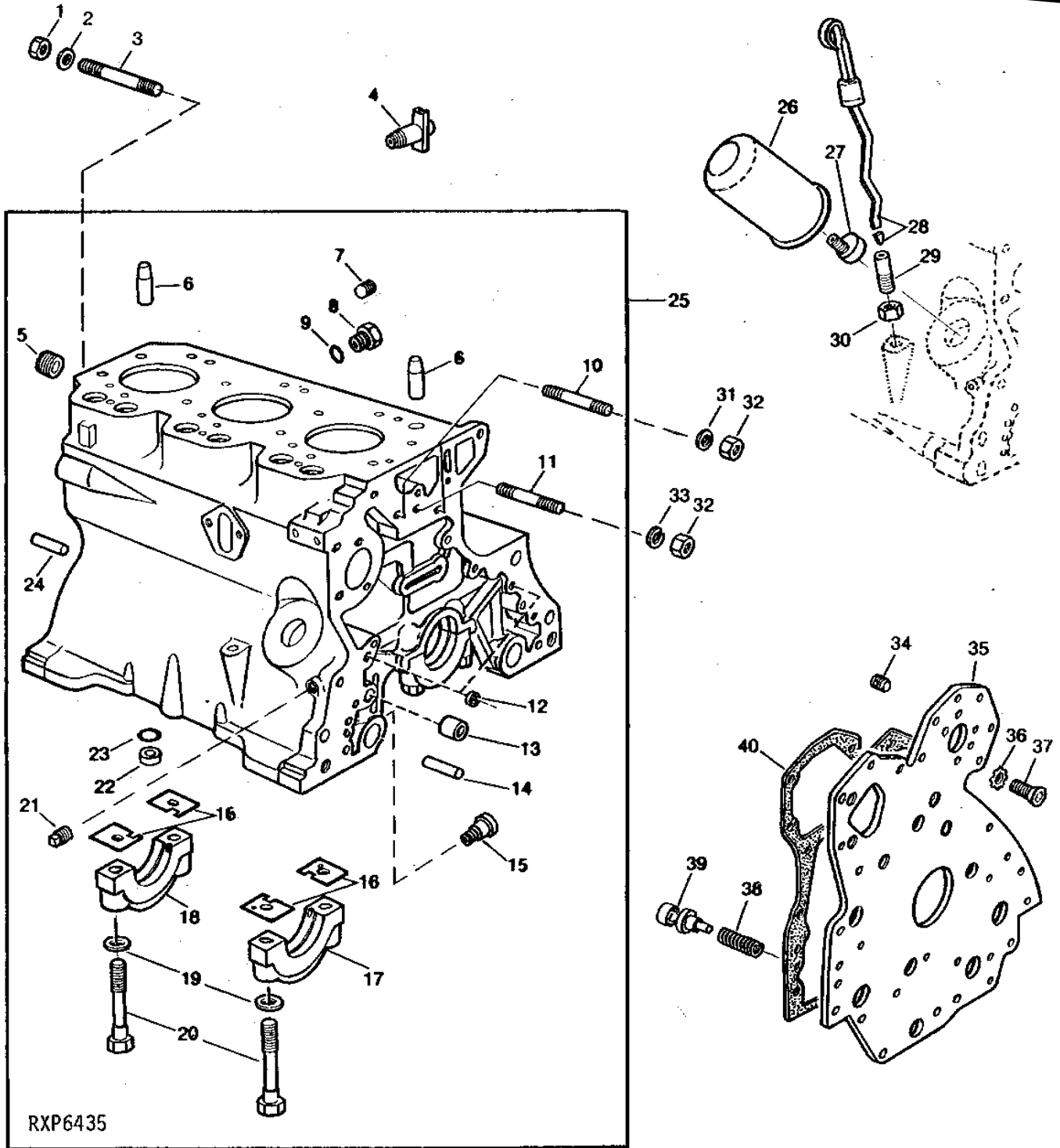
KEY	PART NO.	PART NAME	QTY	ENGINE SERIAL NO.	REMARKS
1	T26324	THRUST WASHER	2		INNER
2	T26323	SHAFT	2		(SUB R109863, P42337 AND 19H3011)
3	34H283	SPRING PIN	1		3/16" X 1-1/8"
4	T20034	BUSHING	1		
5	AR91660	GEAR	1		UPPER, (SUB FOR AT18009)
6	T26326	THRUST WASHER	2		OUTER
7	T26327	SCREW	1		
8	T26565	DOWEL PIN	1		
9	26H72	SHAFT KEY	1		1/8" X 5/8"
10	T20094	GEAR	1		
11	AT18031	CRANKSHAFT	1		
12	T23604	SHAFT KEY	1		
13	T20046	OIL SLINGER	1		
14	AT21608	SEAL	1		(SUB AR67942)
15	T25366	PULLEY	1		(SUB R59915)
16	T20217	WASHER	1		
17	19H1721	CAP SCREW	1		1/2" X 1-1/2"
18	T26325	SCREW	2		
19	T26321	BUSHING	1		
20	AT24252	GEAR	1		LOWER
21	34H286	SPRING PIN	1		3/16" X 1-1/2"
22	24H1890	WASHER	1		19/32" X 1" X 1/4"
23	AT21140	BEARING	3		PLAIN (2 HALVES)
	AT21108	BEARING	3		0.05MM (.002") UNDERSIZE, PLAIN (2 HALVES)
	AT21110	BEARING	3		0.25MM (.010") UNDERSIZE, PLAIN (2 HALVES)
	AT21112	BEARING	3		0.51MM (.020") UNDERSIZE, PLAIN (2 HALVES)
	AT21114	BEARING	3		0.76MM (.030") UNDERSIZE, PLAIN (2 HALVES)
24	AT21139	BEARING	1		(2 HALVES)
	AT21130	BEARING	1		0.05MM (.002") UNDERSIZE, (2 HALVES)
	AT21132	BEARING	1		0.25MM (.010") UNDERSIZE, (2 HALVES)
	AT21134	BEARING	1		0.51MM (.020") UNDERSIZE, (2 HALVES)
	AT21136	BEARING	1		0.76MM (.030") UNDERSIZE, (2 HALVES)
25	T20445	PLUG	1		

# 1B7

ENGINE

RXP6435 -UN-01JAN94

## CYLINDER BLOCK



# 1B8

ENGINE

## CYLINDER BLOCK - CONTINUED

KEY	PART NO.	PART NAME	QTY	ENGINE SERIAL NO.	REMARKS
1	14H1039	NUT	1		5/8"
2	R70268	WASHER	1		(SUB FOR R42363)
3	R53790	STUD	1		(SUB L29854)
4	AT13740	DRAIN VALVE	1		
	15H562	PIPE PLUG	1		1"
5	15H690	PIPE PLUG	1		3/4"
6	R48685	DOWEL PIN	2		
7	15H275	PIPE PLUG	1		1/4"
8	R39741	DRAIN PLUG	1		
9	U13639	O-RING	1		
10	T33279	STUD	2		
11	T25701	STUD	1		
12	T18891	CAP	2	-XXXXXX	
	T18891	CAP	1	XXXXXX-	
13	R26493	BUSHING	1		
14	R26650	DOWEL PIN	2		
15	R54802	ORIFICE	3		
16	T23670	SHIM	AR		0.076MM (.003") (NO LONGER AVAILABLE)
	T23671	SHIM	AR		0.05MM (.002") (NO LONGER AVAILABLE)
17	R65215	BEARING CAP	3		(SUB FOR AT21226 OR AR82294)
18	R79089	CAP	1		(SUB FOR AT21227 OR AR82295)
19	T20168	WASHER	8		
20	T23474	CAP SCREW	8		
21	15H666	PIPE PLUG	1		
22	R75893	FITTING	1		
23	R75892	O-RING	1		
24	R48685	DOWEL PIN	2		
25	AR64721	CYLINDER BLOCK	1	-XXXXXX	(MARKED R55100) (SUB AR97025, R46625, R73139 AND R90648)
	AR97025	CYLINDER BLOCK	1	XXXXXX-	(MARKED R72967)
26	T19044	OIL FILTER	1		
27	T23435	THREADED NIPPLE	1		
28	AT21534	DIPSTICK	1		
29	R55299	THREADED NIPPLE	1		
	R10093	O-RING	1		
30	14H826	NUT	1		1/2"
31	24M7096	WASHER	2		10.500 X 18 X 1.600 MM
32	14H1076	NUT	4		3/8"
33	12H304	LOCK WASHER	3		3/8"
34	AT21191	SET SCREW	5		
	AT22919	SET SCREW	2		
35	R56736	PLATE	1		(ALSO ORDER (5) AT21191 AND (2) AT22919) (SUB FOR T20295)
36	12H324	WASHER	5		3/8"
37	T20166	SCREW	5		
38	R46625	SPRING	1	XXXXXX-	
39	R73139	VALVE	1	XXXXXX-	
40	R90648	GASKET	1		(SUB FOR T24965 OR R73140)

---

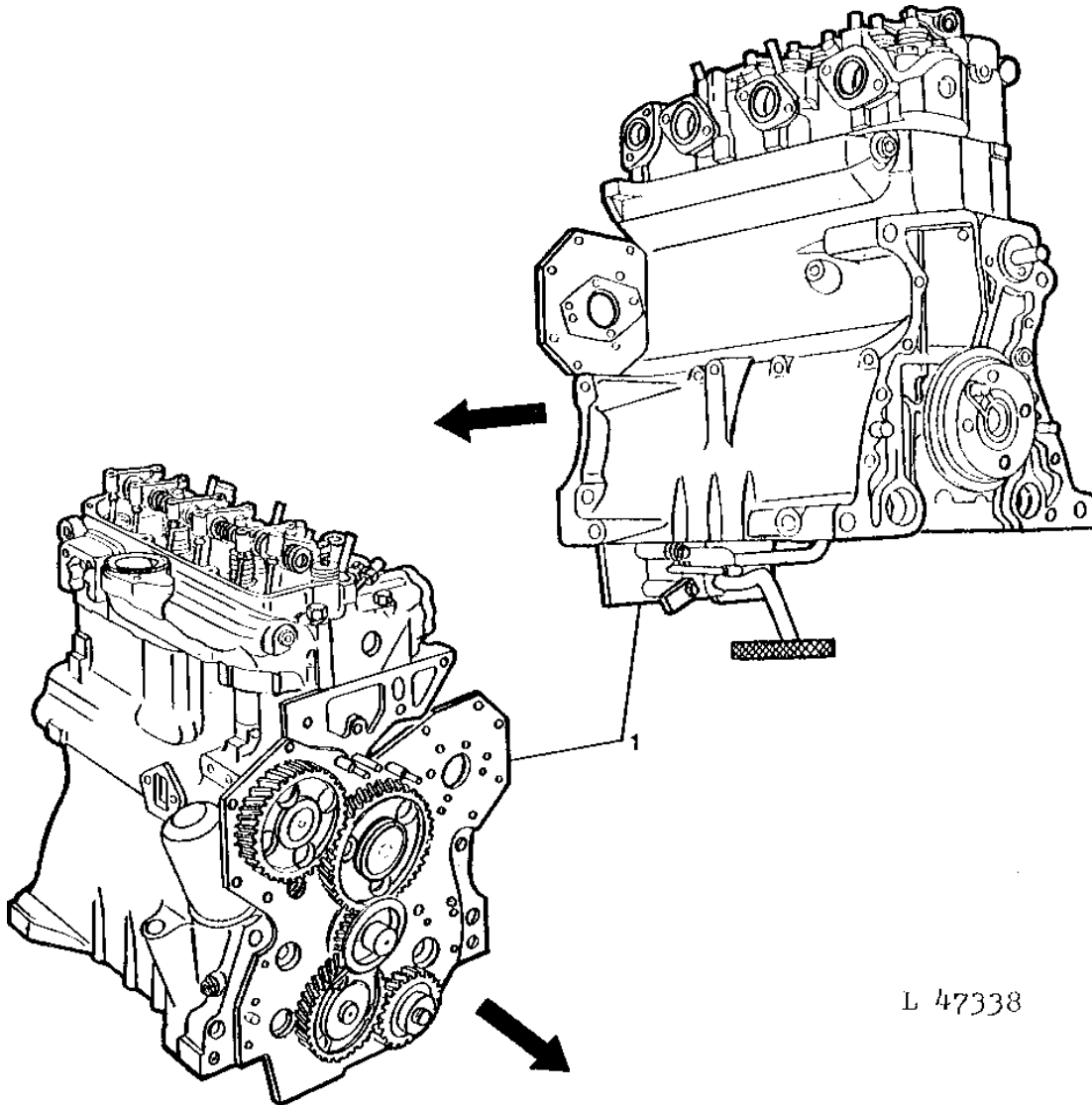
MEMORANDA

# 1B9

ENGINE

L47338 -UN-01JAN94

## ENGINE SHORT BLOCK



L 47338

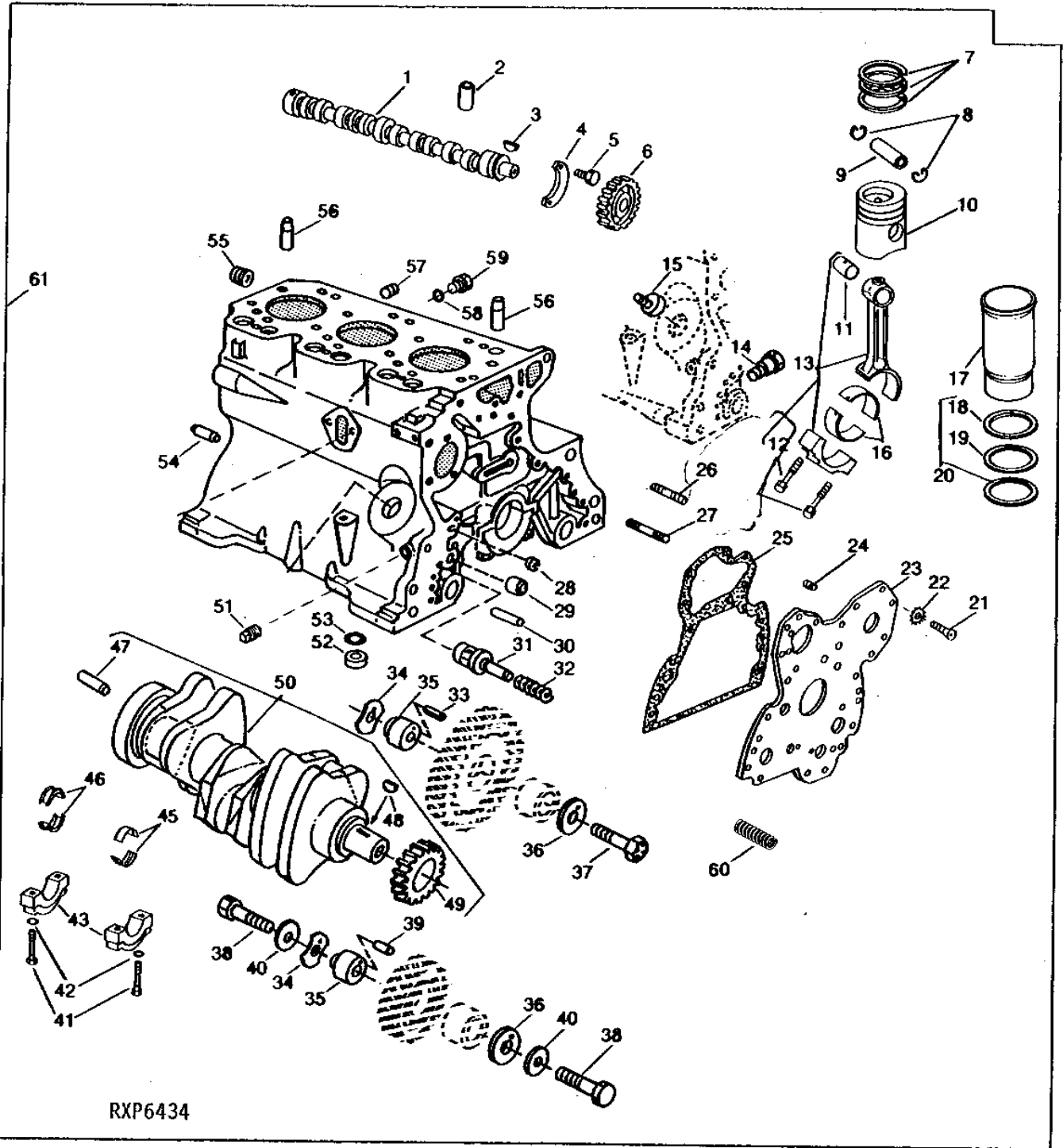
KEY	PART NO.	PART NAME	QTY	ENGINE SERIAL NO.	REMARKS
1	AR97032	SHORT BLOCK ASSEMBLY	1		(SUB FOR AR64728) (SUB RE19842 AND R81513)

# 1B10

ENGINE

SHORT BLOCK  
(3164)

RXP6434 -UN-01JAN94





# 1B11

ENGINE

## SHORT BLOCK - CONTINUED (3164)

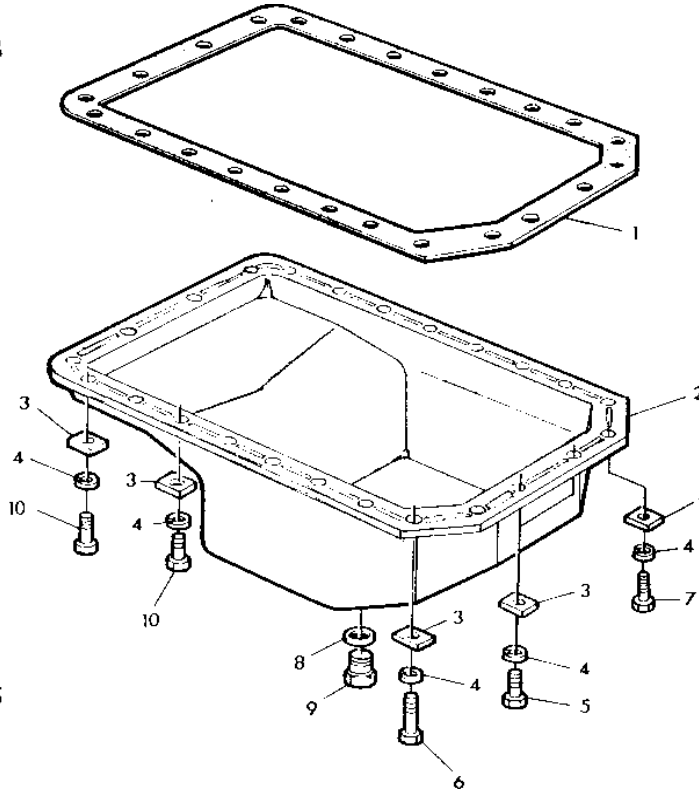
KEY	PART NO.	PART NAME	QTY	ENGINE SERIAL NO.	REMARKS
1	R82819	CAMSHAFT	1		
2	T20073	TAPPET	6		
3	T28041	SHAFT KEY	1		
4	T20072	PLATE	1		
5	19H218	CAP SCREW	2		
6	T20070	GEAR	1		
7	AR55760	PISTON RING KIT	3		
8	M41029	SNAP RING	6		
9	R125754	PISTON PIN	3		(SUB FOR R51731)
10	AR77762	PISTON	3		
11	R55647	BUSHING	3		
12	R80033	SCREW	6		
13	RE21076	CONNECTING ROD	3		
14	R54802	ORIFICE	3		
15	T23435	THREADED NIPPLE	1		
16	AT21138	BEARING	3		
17	T32343	CYLINDER LINER	3		
18	R48768	WASHER	3		
19	T32344	O-RING	3		
20	AR71618	KIT	3		
21	T20166	SCREW	5		
22	12H324	WASHER	5	3/8"	
23	RE16149	PLATE	1		
24	AT21191	SET SCREW	8		
	AT22919	SET SCREW	2		
25	R90648	GASKET	1		
26	T25701	STUD	1		
27	T33279	STUD	2		
28	T18891	CAP	1		
29	R26493	BUSHING	1		
30	R26650	DOWEL PIN	1		
31	R73139	VALVE	1		
32	R46625	SPRING	1		
33	34H283	SPRING PIN	1	3/16" X 1-1/8"	
34	T26324	THRUST WASHER	2		
35	T26323	SHAFT	2		
36	T26326	THRUST WASHER	2		
37	T26327	SCREW	1	1/2" X 2-1/4"	
38	T26325	SCREW	2	9/16" X 3/4"	
39	34H286	SPRING PIN	1	3/16" X 1-1/2"	
40	R76126	WASHER	2		
41	T23474	CAP SCREW	8		
42	T20168	WASHER	8		
43	R79089	CAP	1		
44	R65215	BEARING CAP	3		
45	AT21140	BEARING	3		
46	AT21139	BEARING	1		
47	T26565	DOWEL PIN	1		
48	26H72	SHAFT KEY	1	1/8" X 5/8"	
49	T20094	GEAR	1		
50	AT18031	CRANKSHAFT	1		(MARKED T23516)
51	15H666	PIPE PLUG	1	3/8"	
52	R75893	FITTING	1		
53	R75892	O-RING	1		
54	R48685	DOWEL PIN	1		
55	15H562	PIPE PLUG	1	1"	
56	R48685	DOWEL PIN	2		
57	15H275	PIPE PLUG	1	1/4"	
58	U13639	O-RING	1		
59	R39741	DRAIN PLUG	1		
60	T27658	SPRING	1		
61	RE19842	SHORT BLOCK ASSEMBLY	1		(MARKED R80408) (ALSO ORDER R81513)

# 1B12

ENGINE

L59705 -UN-01JAN94

## OIL PAN



L 59705

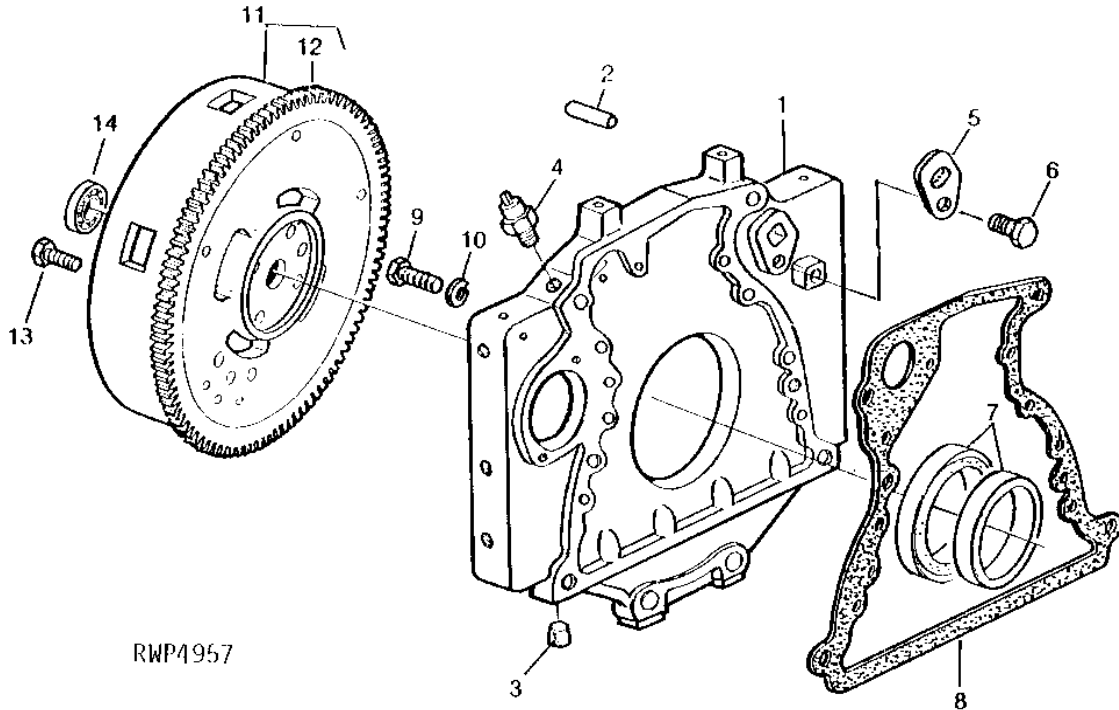
KEY	PART NO.	PART NAME	QTY	ENGINE SERIAL NO.	REMARKS
1	T24534	GASKET	1		
2	AT18180	OIL PAN	1		
	15H624	PIPE PLUG	1	1/2"	
3	T30726	STRAP	24		
4	12H304	LOCK WASHER	24	3/8"	
5	19H1732	CAP SCREW	3	3/8" X 1-1/4"	
6	19H1801	CAP SCREW	1	3/8" X 2"	
7	19H1732	CAP SCREW	2	3/8" X 1-1/4"	
8	T13213	WASHER	1		
9	T20098	DRAIN PLUG	1		
10	19H1936	CAP SCREW	18	3/8" X 3/4"	

# 1B13

ENGINE

RWP4957 -UN-01JAN94

## FLYWHEEL AND FLYWHEEL HOUSING



RWP4957

KEY	PART NO.	PART NAME	QTY	ENGINE SERIAL NO.	REMARKS
1	R63434	HOUSING	1		(ALSO ORDER T20089) (SUB FOR T28433)
2	T26565	DOWEL PIN	2		
3	T23590	PLUG	1		
4	AR27977	TOUCH SWITCH	1		ENGINE OIL PRESSURE
5	T20089	COVER	1		(USE WITH R63434)
	T28435	COVER	1		(USE WITH T28433)
6	19H2351	CAP SCREW	1		1/2" X 1/2"
7	RE24959	SEAL	1		(SUB FOR AT22965, AR92893 OR RE17831) (SUB RE24959)
8	R70483	GASKET	1		(SUB FOR T23596)
9	19H1800	CAP SCREW	8		3/8" X 1-1/2"
10	12H304	LOCK WASHER	8		3/8"
11	AT21382	FLYWHEEL	1		
12	T20088	GEAR	1		
13	R46162	SCREW	4		
14	JD10107	BALL BEARING	1		(SUB FOR AR56268, AL24903 OR AL28037)

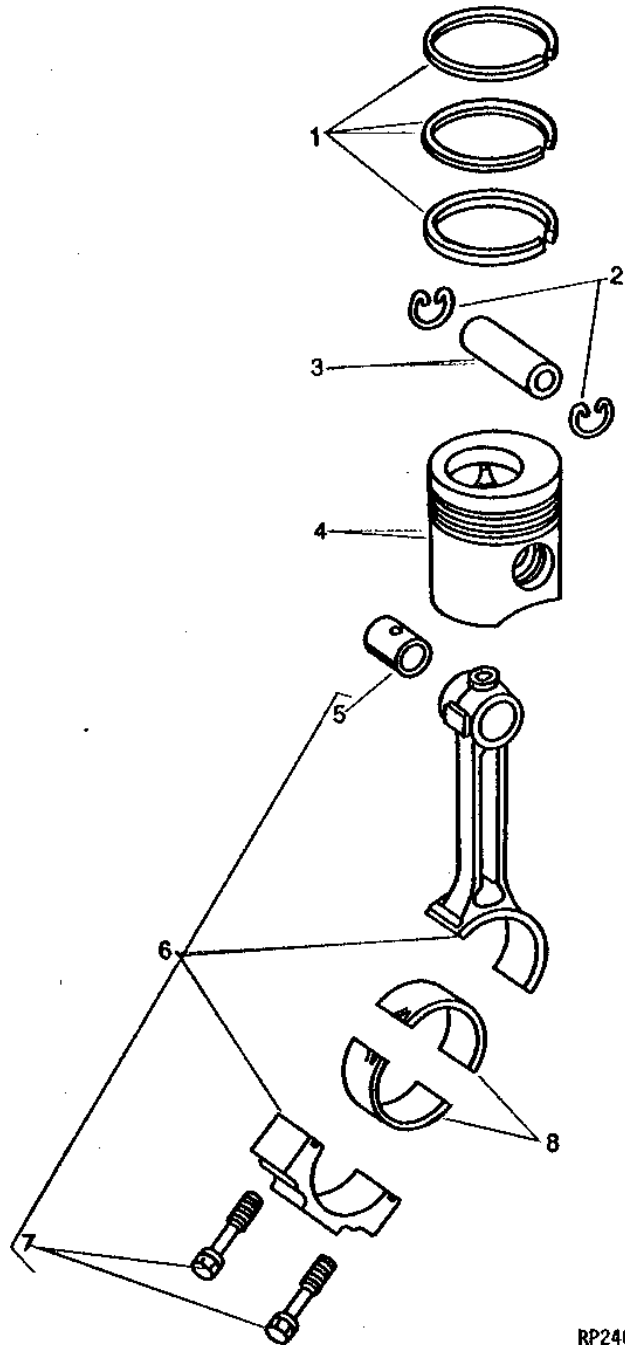
# 1B14

ENGINE

RP240

-UN-01JAN94

PISTONS AND CONNECTING RODS



# 1B15

ENGINE

## PISTONS AND CONNECTING RODS - CONTINUED

KEY	PART NO.	PART NAME	QTY	ENGINE SERIAL NO.	REMARKS
1	AR70633	PISTON RING KIT	3		(SUB FOR AT18012 OR AR55758)
2	R51112	SNAP RING	6		
3	T23482	PISTON PIN	3		
4	T23481	PISTON	3		
5	T23471	BUSHING	3		
6	AT18005	CONNECTING ROD	3		(SUB RE19733)
7	T20009	CAP SCREW	6		(SUB R74194)
	R80033	SCREW	6		(USE WITH RE19733)
8	AT21138	BEARING	3		(2 HALVES)
	AT21122	BEARING	3		0.051MM (.002") UNDERSIZE (2 HALVES)
	AT21124	BEARING	3		0.254MM (.010") UNDERSIZE (2 HALVES)
	AT21126	BEARING	3		0.508MM (.020") UNDERSIZE (2 HALVES)
	AT21128	BEARING	3		0.762MM (.030") UNDERSIZE (2 HALVES)

---

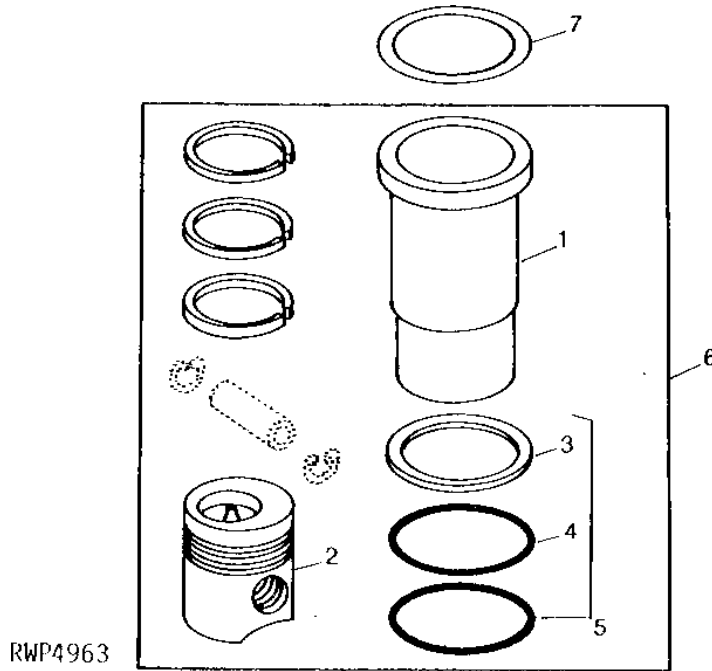
MEMORANDA

# 1B16

ENGINE

RWP4963 -UN-01JAN94

## PISTON LINER KIT



KEY	PART NO.	PART NAME	QTY	ENGINE SERIAL NO.	REMARKS
1	T32340	CYLINDER LINER	1		
2	T23481	PISTON	1		
3	R48767	PACKING	1		
4	.....	RING	1	(SUB AR71617)	
5	AR71617	KIT	3	(SUB FOR AR65070)	
6	AR71591	PISTON-LINER KIT	1	(MARKED T32340)	
7	R46905	SHIM	AR	0.10MM (.004")	
	CD15464	SHIM	AR	0.05MM (.002")	

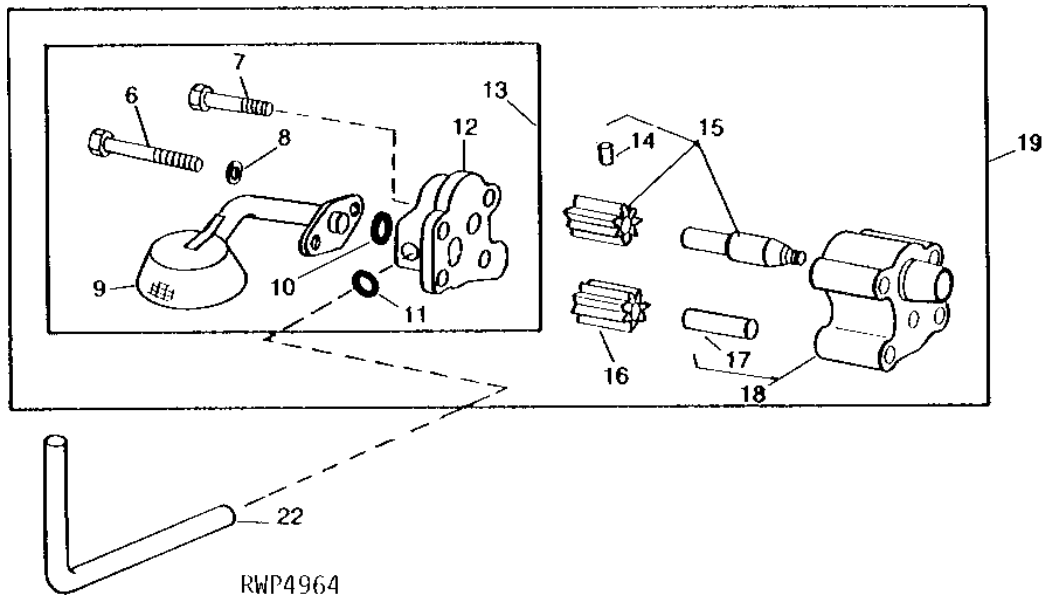
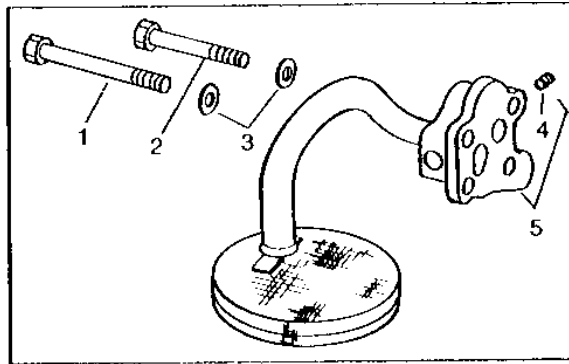
# 1B17

ENGINE

RWP4964

-UN-01JAN94

## LUBRICATING OIL PUMP





# 1B18

ENGINE

## LUBRICATING OIL PUMP - CONTINUED

KEY	PART NO.	PART NAME	QTY	ENGINE SERIAL NO.	REMARKS
1	19H1854	CAP SCREW	1	-XXXXXX	3/8" X 3-3/4"
2	R57059	CAP SCREW	3	-XXXXXX	
3	12H304	LOCK WASHER	4	-XXXXXX	3/8"
4	15H560	PIPE PLUG	1	-XXXXXX	1/16"
5	AT24254	COVER	1	-XXXXXX	(SUB AR67670)
6	R74552	CAP SCREW	2	XXXXXX-	(USE WITH AR6701)
7	R57059	CAP SCREW	2	XXXXXX-	(USE WITH AR6701)
8	R74553	WASHER	2	XXXXXX-	
9	AR6701	FILLER NECK	1	XXXXXX-	(USE WITH R53382)
10	R61871	O-RING	1	XXXXXX-	(USE WITH AR6701)
11	R74354	O-RING	1	XXXXXX-	
12	R53382	COVER	1	XXXXXX-	(USE WITH AR6701) (SUB FOR AT24254)
13	AR67670	KIT	1	XXXXXX-	
14	M3853T	GROOVE PIN	1		
15	AR62978	PINION	1		
16	R54614	GEAR	2		(7 TEETH)
17	T20091	DOWEL PIN	1		
18	AR62979	HOUSING	1		
19	AR67074	OIL PUMP	1		
20	14H826	NUT	1		1/2"
21	T20298	GEAR	1		(33 TEETH)
22	T20050	OIL TUBE	1		

---

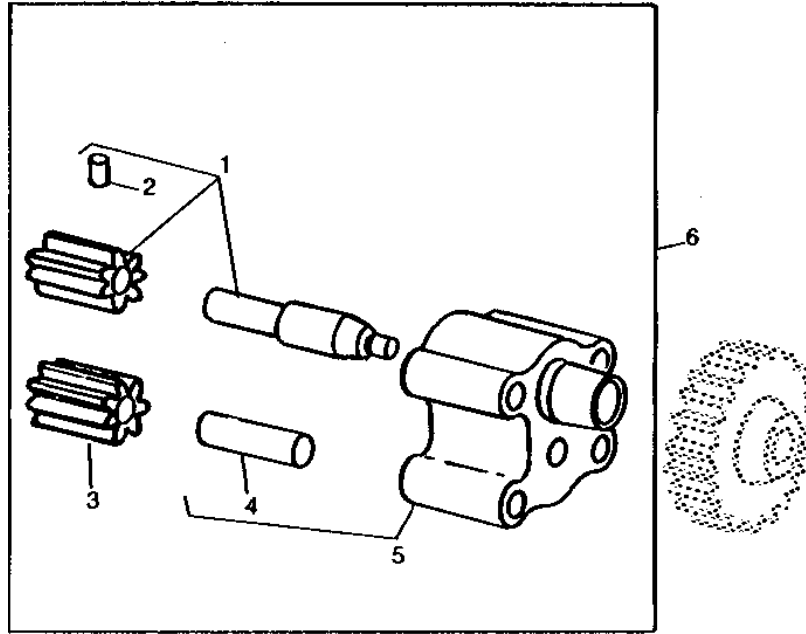
MEMORANDA

# 1B19

ENGINE

RWP3500 -UN-01JAN94

## ENGINE OIL PUMP KIT



RWP3500

KEY	PART NO.	PART NAME	QTY	ENGINE SERIAL NO.	REMARKS
1	AR62978	PINION	1		
2	M3853T	GROOVE PIN	1		
3	R54614	GEAR	2		
4	T20091	DOWEL PIN	1		
5	AR62979	HOUSING	1	(MARKED R54615)	
6	RE15381	OIL PUMP	1	(INCLUDES R74354)	

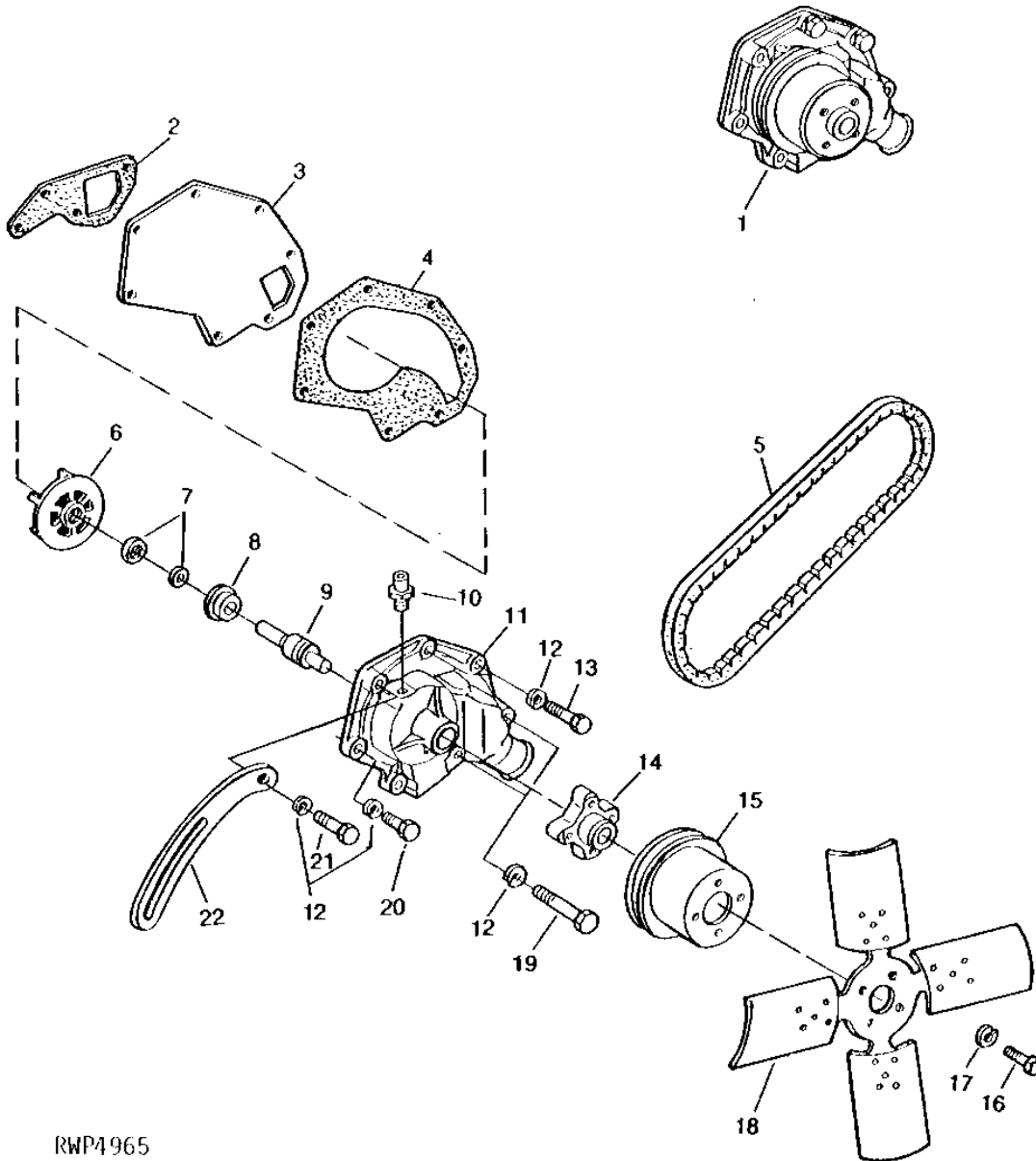
# 1B20

ENGINE

RWP4965

-UN-01JAN94

## WATER PUMP ASSEMBLY



RWP4965

# 1B21

ENGINE

## WATER PUMP ASSEMBLY - CONTINUED

KEY	PART NO.	PART NAME	QTY	ENGINE SERIAL NO.	REMARKS
1	AR55094	WATER PUMP	1		(SUB RE19944, T20270, T23628, T30720, T30721, (4) 19H2127 AND (2) 19H3219)
2	T20243	GASKET	1		
3	T20270	COVER	1		
4	T20271	GASKET	1		
5	T20334	BELT	1		
6	T30897	IMPELLER	1		
7	AR41691	INSERT	1	(SUB AR101549)	
8	T27261	SEAL	1	(SUB AR101549)	
9	JD9257	BALL BEARING	1		
10	T19651	HOSE FITTING	1		
11	R48997	HOUSING	1		
12	12H304	LOCK WASHER	6	3/8"	
13	19H1800	CAP SCREW	2	3/8" X 1-1/2"	
14	T30720	HUB	1		
15	T23628	PULLEY	1	(SUB FOR T30721)	
16	19H1849	CAP SCREW	4	5/16" X 1-1/4"	
17	12H303	LOCK WASHER	4	5/16"	
18	AT23180	FAN	1		
19	19H1912	CAP SCREW	2	3/8" X 3-1/2"	
20	19H1801	CAP SCREW	2	3/8" X 2"	
21	19H1819	CAP SCREW	1	3/8" X 2-1/8"	
22	T20204	STRAP	1		

---

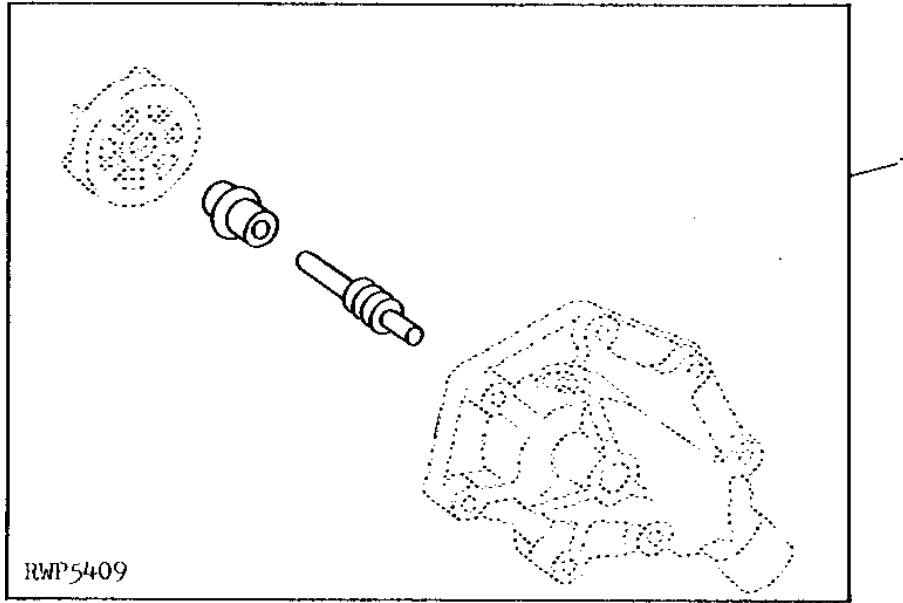
MEMORANDA

# 1B22

ENGINE

RWP5409 -UN-01JAN94

## WATER PUMP OVERHAUL KIT



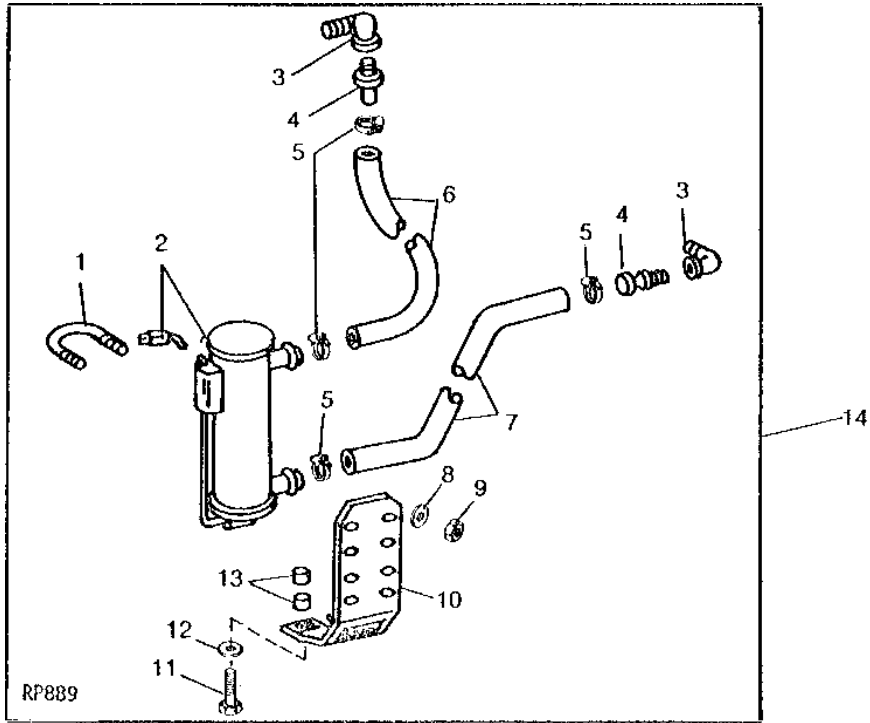
KEY	PART NO.	PART NAME	QTY	ENGINE SERIAL NO.	REMARKS
1	RE19505	KIT	1	(SUB FOR AT32489) (SUB AR101549 AND JD9257)	

# 1B23

ENGINE

RP889 -UN-01JAN94

## ENGINE COOLANT HEATER



KEY	PART NO.	PART NAME	QTY	ENGINE SERIAL NO.	REMARKS
1	T29380 R60124	U-BOLT U-BOLT	2 2	-XXXXXX XXXXXX-	
2	AT27413 AR72957	COOLANT HEATER COOLANT HEATER	1 1	-XXXXXX XXXXXX-	(SUB AR72957, R60123 AND (2) R60124)
3	15H613	ELBOW FITTING	2		90°
4	T29388	UNION FITTING	2		
5	TY22465	CLAMP	4		(SUB FOR AR21837)
6	T29384	HOSE	1		16 X 406MM (5/8" X 16")
7	T29385	HOSE	1		16 X 356MM (5/8" X 14")
8	24H1287	WASHER	4		9/32" X 5/8" X 0.065"
9	14H786	NUT	4		1/4"
10	R60123	BRACKET	1		(SUB FOR T29377)
11	19H1732	CAP SCREW	2		3/8" X 1-1/4"
12	12H304	LOCK WASHER	2		3/8"
13	R28040	WASHER	4		
14	AT27406	COOLANT HEATER	1		(SUB AT72330)

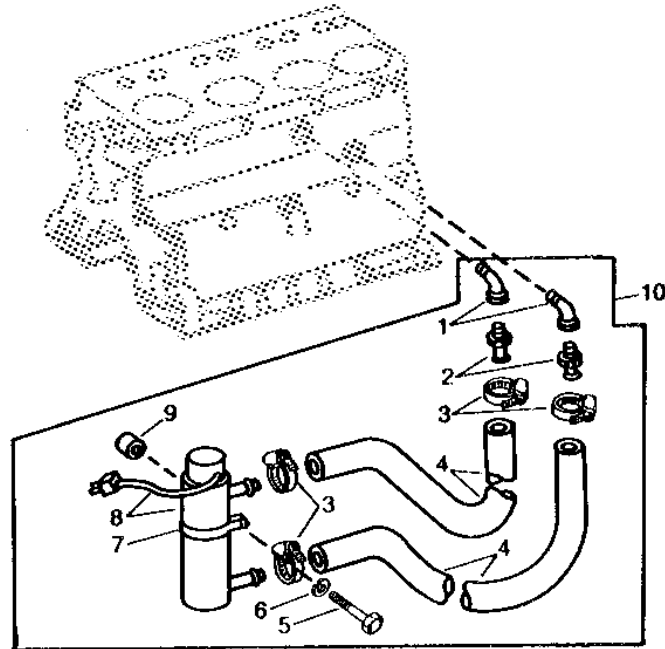


# 1B24

ENGINE

TP5956 -UN-01JAN94

## ENGINE COOLANT HEATER



TP5956

KEY	PART NO.	PART NAME	QTY	SERIAL NO.	REMARKS
1	15H613	ELBOW FITTING	2	1/4"	
2	T29388	UNION FITTING	2		
3	TY22465	CLAMP	4		(SUB FOR AR21837)
4	T29384	HOSE	2		16 X 406MM (5/8" X 16") (SUB FOR T29379, THIS APPLICATION)
5	19H2356	CAP SCREW	1	9/16" X 1-3/4"	
6	12H317	LOCK WASHER	1	9/16"	
7	T74703	CLAMP	1		
8	AR72957	COOLANT HEATER	1		
9	28H1577	BUSHING	1	1/2" X 1"	
10	AT72330	COOLANT HEATER	1		

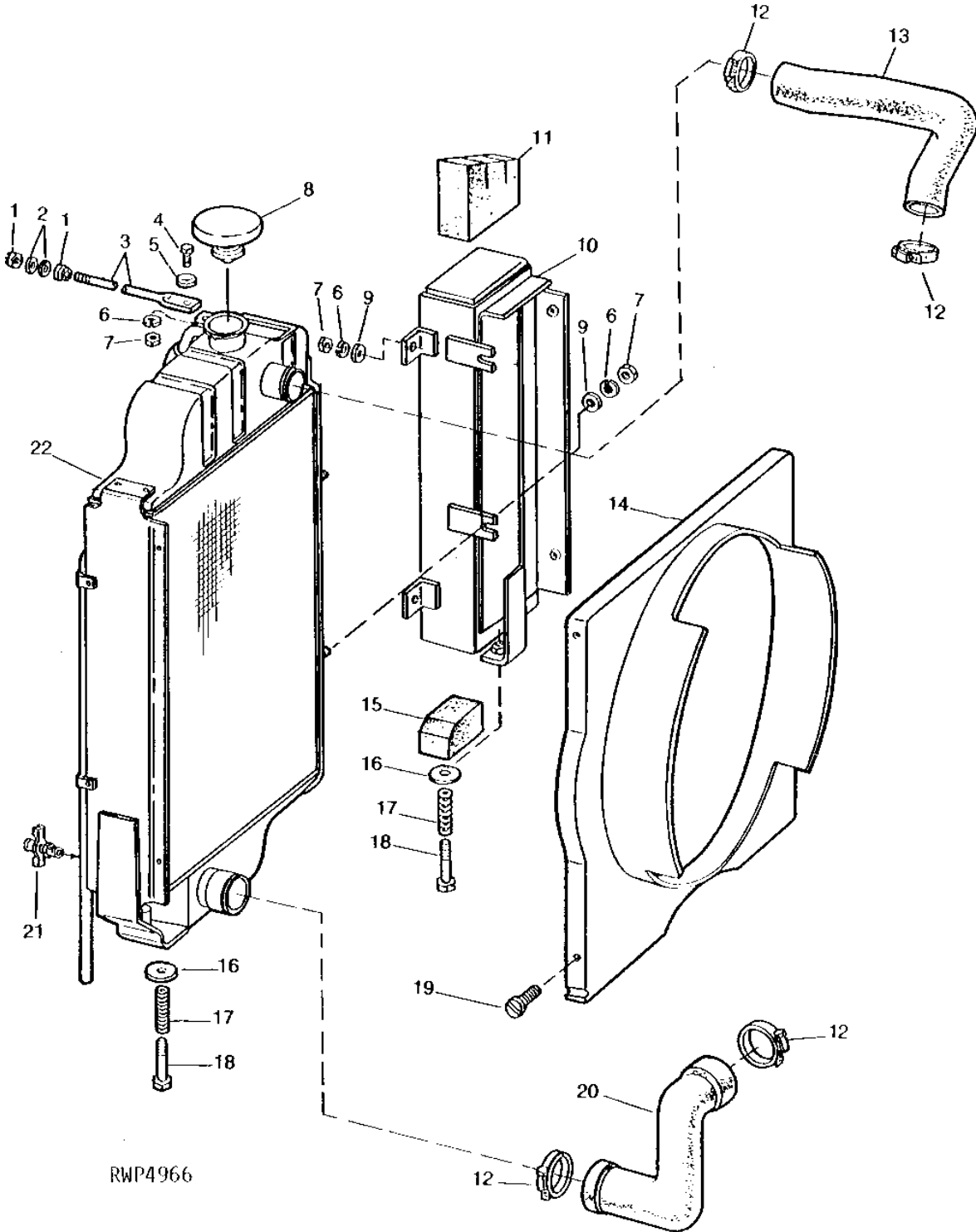
# 1C1

ENGINE

RWP4966

-UN-01JAN94

## RADIATOR ASSEMBLY



RWP4966

# 1C2

ENGINE

## RADIATOR ASSEMBLY - CONTINUED

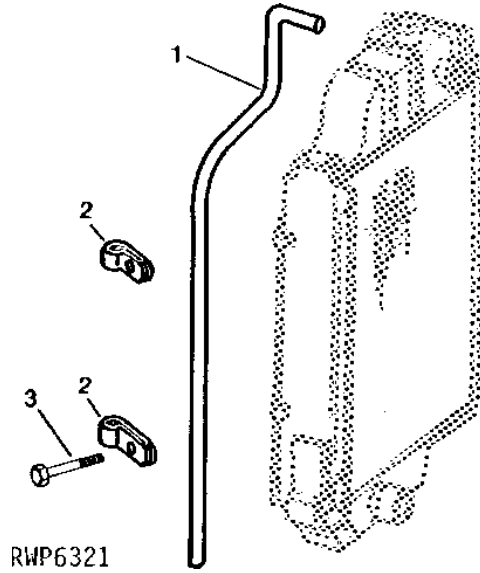
KEY	PART NO.	PART NAME	QTY	TRACTOR SERIAL NO.	REMARKS
1	T11234	LOCK NUT	2		3/8"
2	24H1305	WASHER	2		13/32" X 13/16" X 0.065"
3	R61460	ROD	1		(SUB FOR T22495)
4	19H1900	CAP SCREW	1		5/16" X 3/4"
5	24H1122	WASHER	1		3/8" X 7/8" X 0.083"
6	12H303	LOCK WASHER	5		5/16"
7	14H785	NUT	5		5/16"
8	AT29054	FILLER CAP	1		
9	24H1685	WASHER	4		11/32" X 47/64" X 0.083"
10	AR55384	PARTITION	1		
11	T22376	FOAM PAD	1		
12	TY22470	CLAMP	4		(SUB FOR AR21840)
13	T23534	HOSE	1		
14	T21687	SHROUD	1		
15	T26043	FOAM PAD	1		
16	T22381	WASHER	2		
17	R62372	SPRING	2		(SUB FOR R51117)
18	19H2128	CAP SCREW	2		3/8" X 3"
19	37H24	SCREW	4		1/4" X 3/4"
20	T22500	HOSE	1		
21	AT13740	DRAIN VALVE	1		
22	AT20849	RADIATOR	1		

# 1C3

ENGINE

RWP6321 -UN-01JAN94

## RADIATOR OVERFLOW KIT



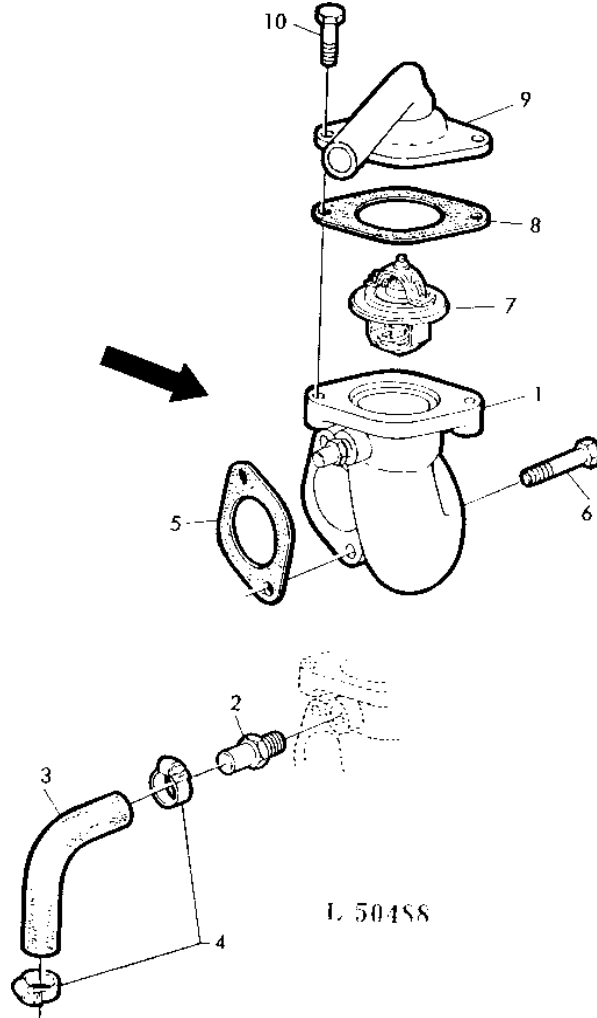
KEY	PART NO.	PART NAME	QTY	TRACTOR SERIAL NO.	REMARKS
1	R67035	HOSE	1		
2	T12250	CLIP	2		
3	19H1900	CAP SCREW	1	5/16" X 3/4"	

# 1C4

ENGINE

L50488 -UN-01JAN94

## THERMOSTAT HOUSING ASSEMBLY



KEY	PART NO.	PART NAME	QTY	ENGINE SERIAL NO.	REMARKS
1	AT18074	HOUSING	1		(INCLUDES T19651)
2	T19651	HOSE FITTING	1		
3	T20277	HOSE	1		
4	TY22465	CLAMP	2		(SUB FOR AR21837)
5	T20219	GASKET	1		
6	19H1726	CAP SCREW	2	3/8" X 2-1/4"	
	12H304	LOCK WASHER	4	3/8"	
7	AT22961	THERMOSTAT	1	82°C (180°F)	
	AT22963	THERMOSTAT	1	90°C (194°F)	
8	T20215	GASKET	1		
9	T23620	COVER	1		
10	19H1732	CAP SCREW	2	3/8" X 1-1/4"	

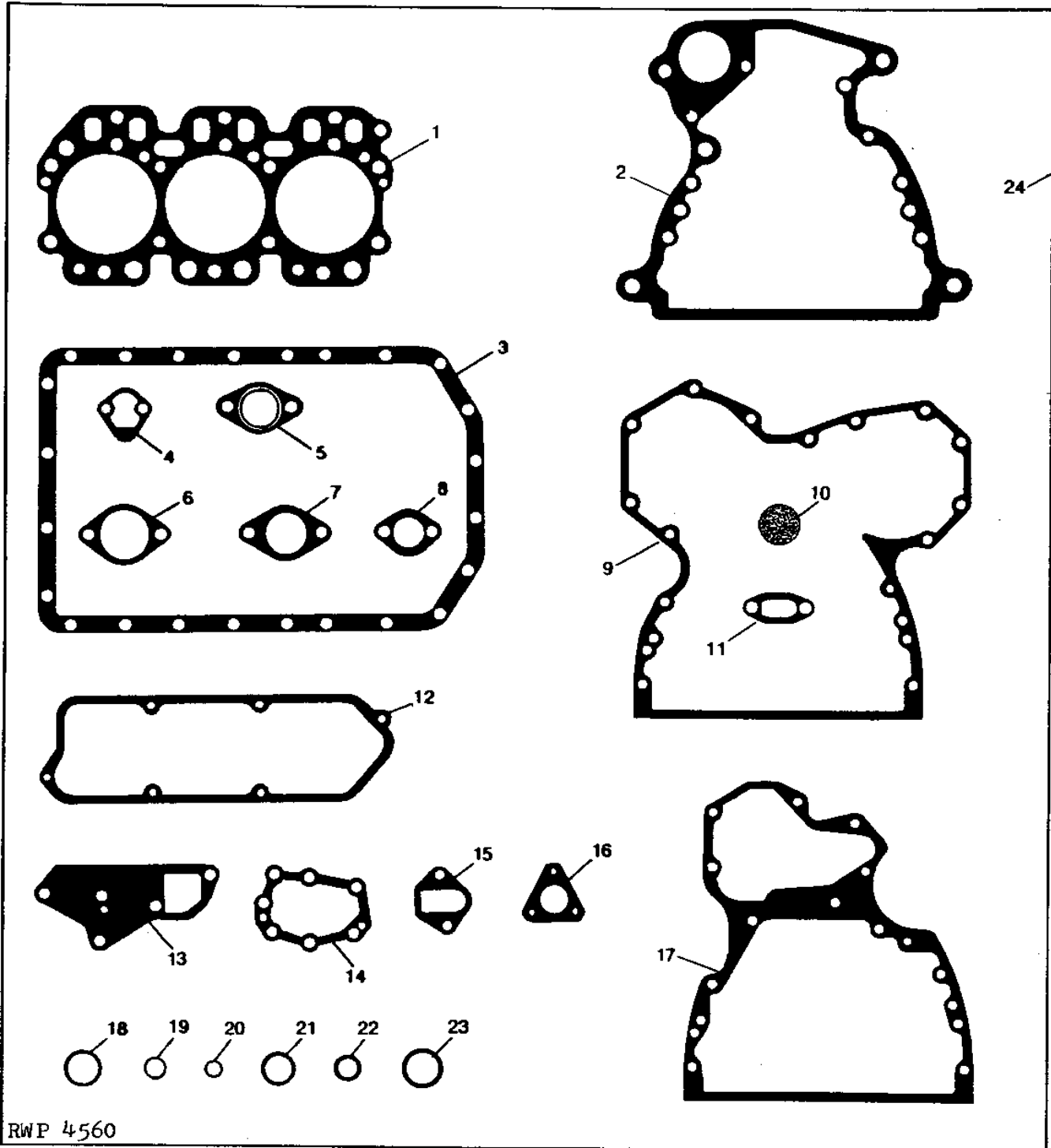
# 1C5

ENGINE

RWP4560

-UN-01JAN94

## ENGINE OVERHAUL GASKET KIT



# 1C6

ENGINE

**ENGINE OVERHAUL GASKET KIT - CONTINUED**

KEY	PART NO.	PART NAME	QTY	ENGINE SERIAL NO.	REMARKS
1	R52789	GASKET	1		CYLINDER HEAD (3152 ENGINE MODEL)
2	R70483	GASKET	1		FLYWHEEL HOUSING, (SUB FOR T23596)
3	T24534	GASKET	1		OIL PAN
	R49514	GASKET	1		CAST OIL PAN, (SUB FOR T22769)
4	R27285	GASKET	1		FUEL PUMP
5	R90658	GASKET	3		EXHAUST MANIFOLD, (SUB FOR T20006)
6	R81275	GASKET	1		AIR INLET, (SUB FOR T20159)
7	T20215	GASKET	1		THERMOSTAT COVER
8	T20219	GASKET	1		THERMOSTAT HOUSING
9	T20155	GASKET	1		TIMING GEAR COVER
10	T20328	GASKET	1		OIL FILLER CAP
11	T20336	GASKET	1		OIL FILLER INLET
12	R75729	GASKET	1		ROCKER ARM COVER, (SUB FOR AR102261) (ALSO ORDER (6) AR100124)
13	T20243	GASKET	1		WATER PUMP COVER
14	T20273	GASKET	1		TIMING GEAR COVER OPENING COVER
15	R78366	GASKET	1		INJECTION PUMP GEAR COVER, (SUB FOR T20364 OR R69260)
16	R77126	GASKET	1		INJECTION PUMP TO CYLINDER BLOCK PLATE
17	R90648	GASKET	1		CYLINDER BLOCK PLATE, (SUB FOR T24965 OR R73140)
18	R56463	O-RING	1		VENT TUBE OUTLET
	R87627	O-RING	12		VALVE STEM
19	R74354	O-RING	1		OIL PUMP OUTLET TUBE
20	R34764	WASHER	3		UPPER INJECTION NOZZLE
21	R48000	WASHER	3		LOWER INJECTION NOZZLE
22	T20304	WASHER	1		SPEED HOUR METER DRIVE SHAFT
23	T13213	WASHER	1		OIL DRAIN PLUG
24	AR102291	GASKET KIT	1		(ALSO ORDER (6) AR100124 AND (3) AR71617) (SUB FOR AT23201 OR AR97196) (SUB RE38570) (ALSO ORDER R97356 ON MODEL 3164 ENGINE)

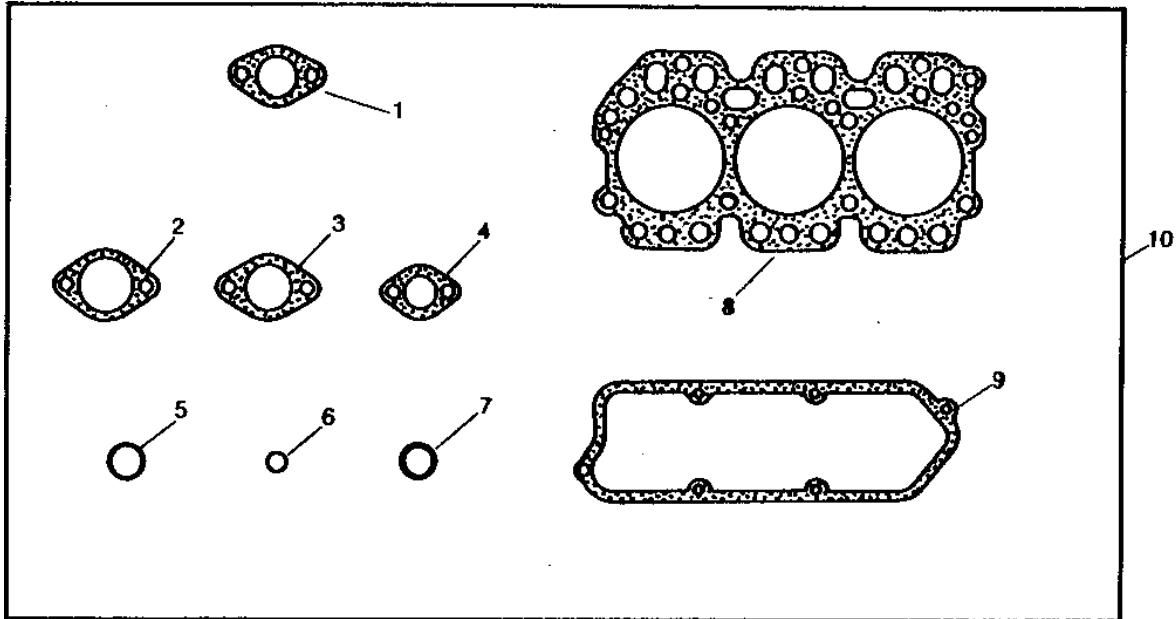
# 1C7

ENGINE

RWP4691

-UN-01JAN94

## CYLINDER HEAD REPLACEMENT GASKET KIT



RWP4691

KEY	PART NO.	PART NAME	QTY	ENGINE SERIAL NO.	REMARKS
1	R90658	GASKET	3		EXHAUST MANIFOLD, (SUB FOR T20006)
2	T20159	GASKET	1		AIR INLET, (SUB R81275)
3	T20215	GASKET	1		THERMOSTAT COVER
4	T20219	GASKET	1		THERMOSTAT HOUSING
5	R56463	O-RING	1		VENT TUBE
	R87627	O-RING	6		VALVE STEM
6	R34764	WASHER	3		INJECTION NOZZLE, UPPER
7	R48000	WASHER	3		INJECTION NOZZLE, LOWER
8	R52789	GASKET	1		CYLINDER HEAD
9	R75729	GASKET	1		ROCKER ARM COVER, (SUB FOR AR102261) (ALSO ORDER (6) AR100124)
10	AR102295	GASKET KIT	1		(ALSO ORDER (6) AR100124) (SUB FOR AT21626 OR AR79920)

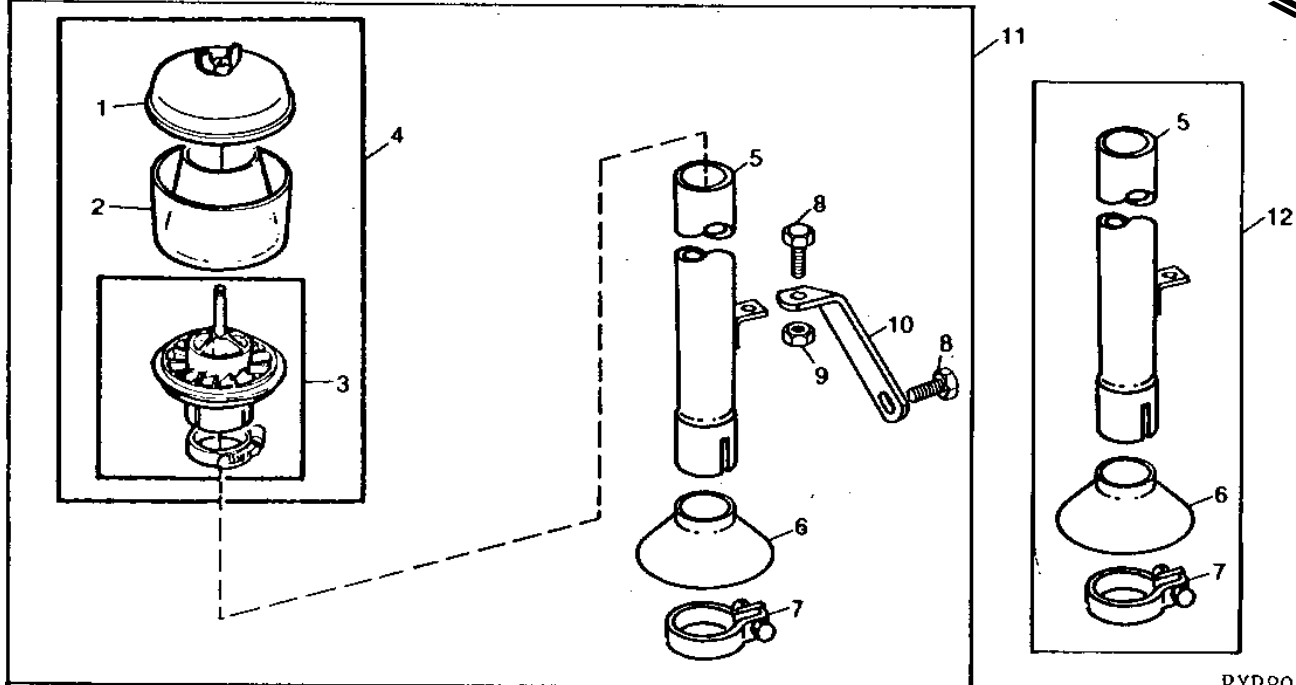


# 1C10

FUEL AND AIR

RXP8014 -UN-01JAN94

## PRE-CLEANER WITH AIR STACK



RXP8014

KEY	PART NO.	PART NAME	QTY	TRACTOR SERIAL NO.	REMARKS
1	AL37364	COVER	1		(SUB FOR AF3583R) (SUB AL63309)
2	L60631	BOWL	1		(SUB FOR R28794)
3	AL63298	BASE	1		(SUB FOR AL37365 OR L41855)
4	AL39934	PRESCREENER	1		(SUB FOR AF3580R OR AL37357)
5	AR78485	AIR INTAKE STACK	1		
6	R57119	SEAL	1		
7	AR26930	CLAMP	1		
8	19H1936	CAP SCREW	2	3/8" X 3/4"	
9	14H1076	NUT	1	3/8"	
10	R70150	BRACE	1		
11	AR91594	AIR DUCT	1		
12	AR40386	AIR DUCT	1		(SUB AR78485, AR26930 AND R57119)

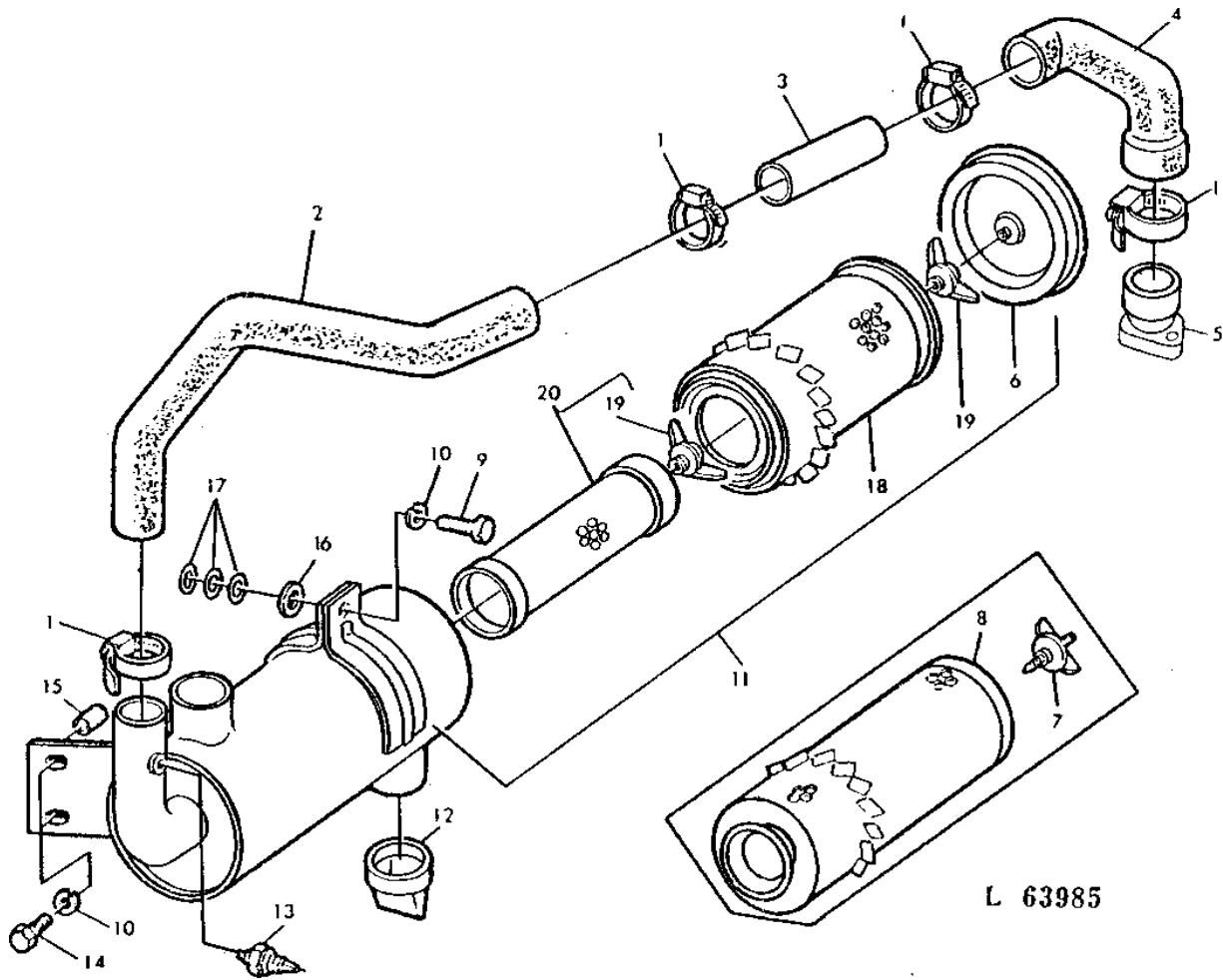
# 1C11

FUEL AND AIR

L63985

-UN-01JAN94

DRY AIR CLEANER



L 63985

# 1C12

FUEL AND AIR

## DRY AIR CLEANER - CONTINUED

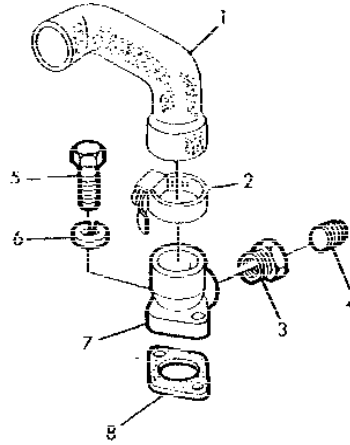
KEY	PART NO.	PART NAME	QTY	TRACTOR SERIAL NO.	REMARKS
1	AR21999	CLAMP	1		
2	L29374	HOSE	1		
3	L29372	TUBE	1		
4	L29373	HOSE	1		
5	R56455	FILLER NECK	1		
6	AT81398	COVER	1		(SUB FOR AT24438)
7	AT24437	WING SCREW	1	-190319	
8	AT20728	FILTER ELEMENT	1	-190319	
9	19H2284	CAP SCREW	1		3/8" X 7/8"
10	12H304	LOCK WASHER	1		3/8"
11	AT20727	AIR CLEANER	1	-190319	
	AL28179	AIR CLEANER	1	190320-	(SUB FOR AL27156)
12	T23262	VALVE	1		
13	RE17515	SENSOR	1		VACUUM, (SUB FOR AL24194 OR AL32975)
14	19H2021	CAP SCREW	1		3/8" X 5/8"
15	M1335T	WASHER	1		
16	24H1308	WASHER	1		13/32" X 1" X 0.134"
17	24H1307	WASHER	1		13/32" X 1" X 1/16"
18	AR84228	FILTER ELEMENT	1	190320-	PRIMARY
19	AH20849	WING NUT	1	190320-	
	R48567	NUT	1	190320-	
20	AE31724	FILTER ELEMENT	1		(SUB FOR AL27159)

# 1C13

FUEL AND AIR

L64484 -UN-01JAN94

AIR INTAKE



L 64484

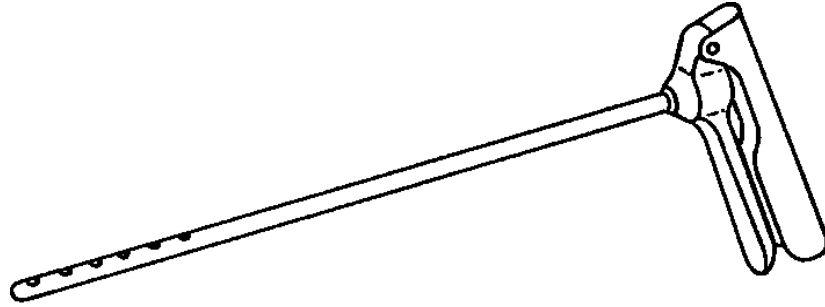
KEY	PART NO.	PART NAME	QTY	TRACTOR SERIAL NO.	REMARKS
1	L29373	HOSE	1		
2	AR21999	CLAMP	1		
3	T27986	FITTING	1		
4	15H255	PIPE PLUG	1	3/8", (STARTING AID HOLE)	
5	19H1732	CAP SCREW	2	3/8" X 1-1/4"	
6	12H304	LOCK WASHER	2	3/8"	
7	R56455	FILLER NECK	1		
8	R81275	GASKET	1	(SUB FOR T20159)	

# 1C14

FUEL AND AIR

RP474 -UN-01JAN94

DRY AIR CLEANER ELEMENT CLEANING GUN



RP474

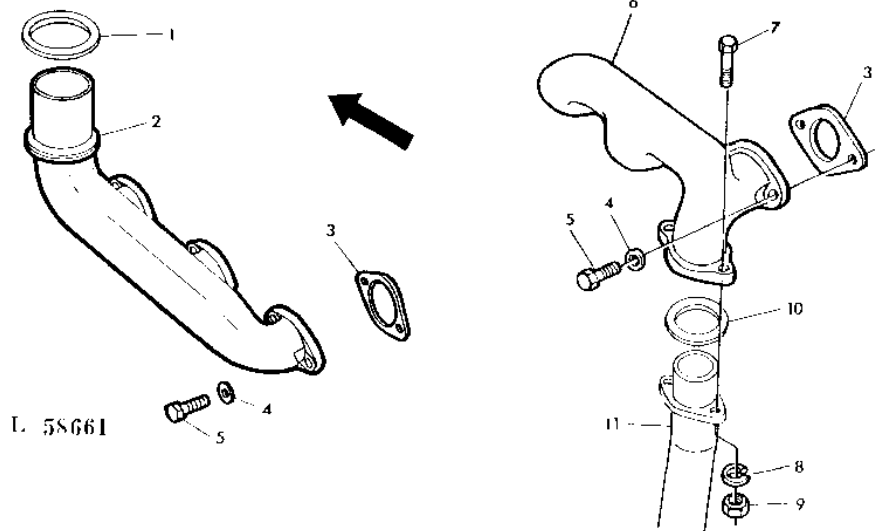
KEY	PART NO.	PART NAME	QTY	TRACTOR SERIAL NO.	REMARKS
..	AR62322	GREASE GUN	1		(MARKED R42726) (SUB FOR AR62377) (NLA)
..	R36757	AIR CLEANER	1		(NLA)

# 1C15

FUEL AND AIR

L58661 -UN-01JAN94

## EXHAUST MANIFOLD



L 58661

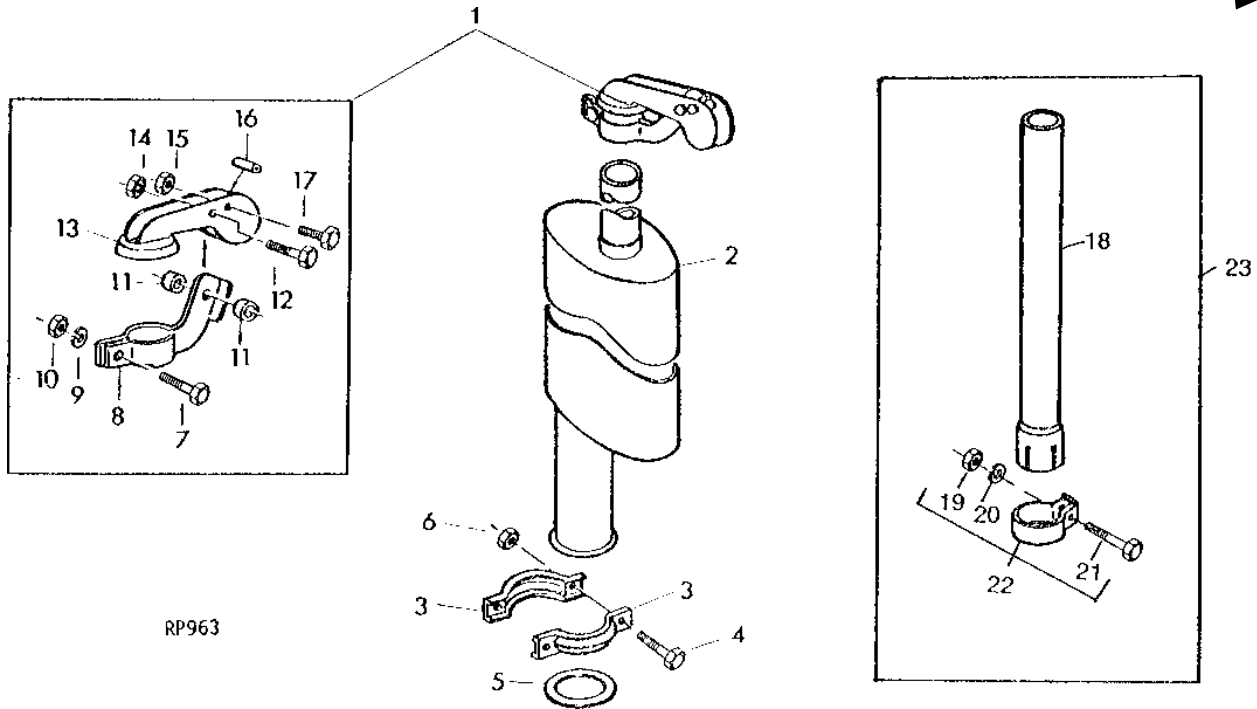
KEY	PART NO.	PART NAME	QTY	ENGINE SERIAL NO.	REMARKS
1	T20141	SEAL	1		
2	T20252	EXHAUST MANIFOLD	1		(VERTICAL MUFFLER)
3	T20006	GASKET	3		(PKG OF 4)
4	24M7106	WASHER	6		10 X 18 X 2.500 MM
5	19H1732	CAP SCREW	6		3/8" X 1-1/4"
6	T20257	EXHAUST MANIFOLD	1		(HORIZONTAL MUFFLER)
7	19H1819	CAP SCREW	2		3/8" X 2-1/8"
8	12H304	LOCK WASHER	2		3/8"
9	14H1076	NUT	2		3/8"
10	51M4282	RING	1		38 X 44 X 2.5MM, (SUB 51M4249)
11	AT20154	EXHAUST PIPE	1		

# 1C16

FUEL AND AIR

RP963 -UN-01JAN94

## VERTICAL MUFFLER



RP963

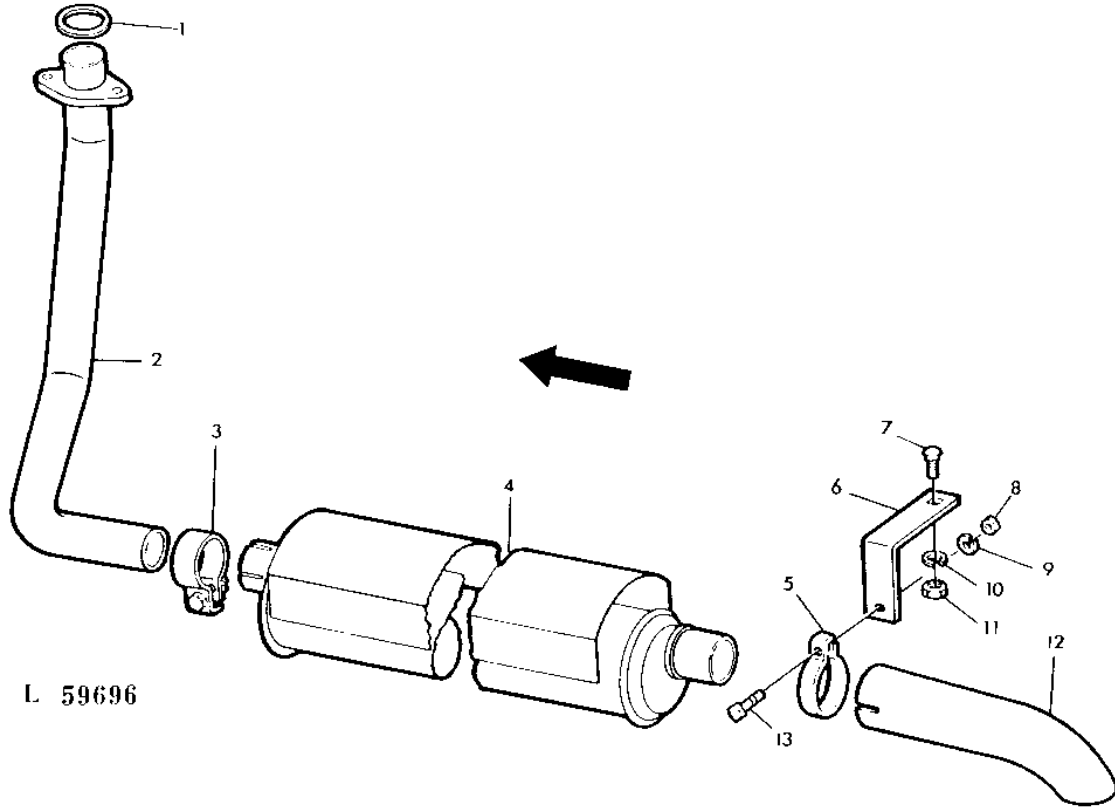
KEY	PART NO.	PART NAME	QTY	TRACTOR SERIAL NO.	REMARKS
1	AT10611	EXHAUST CAP	1	-XXXXXX	(SUB AR56782)
	AR56782	EXHAUST CAP	1	XXXXXX-	
2	AT21689	MUFFLER	1		
	AT29432	MUFFLER	1		(SWEDEN)
3	AT63813	HALF CLAMP	2		(SUB FOR T19978)
4	19H1906	CAP SCREW	2		5/16" X 1-1/2"
5	T20141	SEAL	1		
6	14H785	NUT	2		5/16"
	12H303	LOCK WASHER	2		5/16"
7	19M7407	CAP SCREW	1	-XXXXXX	M8 X 25
8	AL18236	RETAINER	1	-XXXXXX	(SUB AR56782)
9	12M7016	LOCK WASHER	1	-XXXXXX	M8
10	14M6825	NUT	1	-XXXXXX	M8
11	L24921	SPACER	2	-XXXXXX	
12	19M7177	CAP SCREW	1	-XXXXXX	M6 X 35
13	AL18047	EXHAUST CAP	1	-XXXXXX	
14	L48705	LOCK NUT	1	-XXXXXX	
15	14M7297	NUT	1	-XXXXXX	M5, (SUB FOR L48704)
16	L24922	BUSHING	1	-XXXXXX	
17	19M7176	CAP SCREW	1	-XXXXXX	M5 X 35
18	R38358	EXHAUST PIPE	1		
19	14H785	NUT	1		5/16"
20	12H303	LOCK WASHER	1		5/16"
21	19H1849	CAP SCREW	1		5/16" X 1-1/4"
22	AR38398	CLAMP	1		
23	AR38397	MUFFLER EXTENSION	1		(WITH CANOPY)

# 1C17

FUEL AND AIR

## HORIZONTAL MUFFLER

L59696 -UN-01JAN94



L 59696

KEY	PART NO.	PART NAME	QTY	TRACTOR SERIAL NO.	REMARKS
1	51M4282	RING	1		38 X 44 X 2.5MM, (SUB 51M4249)
2	AT20154	EXHAUST PIPE	1		
3	AR26928	CLAMP	1		
4	AT21795	MUFFLER	1		
5	M3119T	CLAMP	1		
6	T24844	ANGLE	1		
7	03H1765	BOLT	1		3/8" X 3/4"
8	14H785	NUT	1		5/16"
9	12H303	LOCK WASHER	1		5/16"
10	12H304	LOCK WASHER	1		3/8"
11	14H1076	NUT	1		3/8"
12	R48634	EXHAUST PIPE	1		
13	19H1849	CAP SCREW	1		5/16" X 1-1/4"

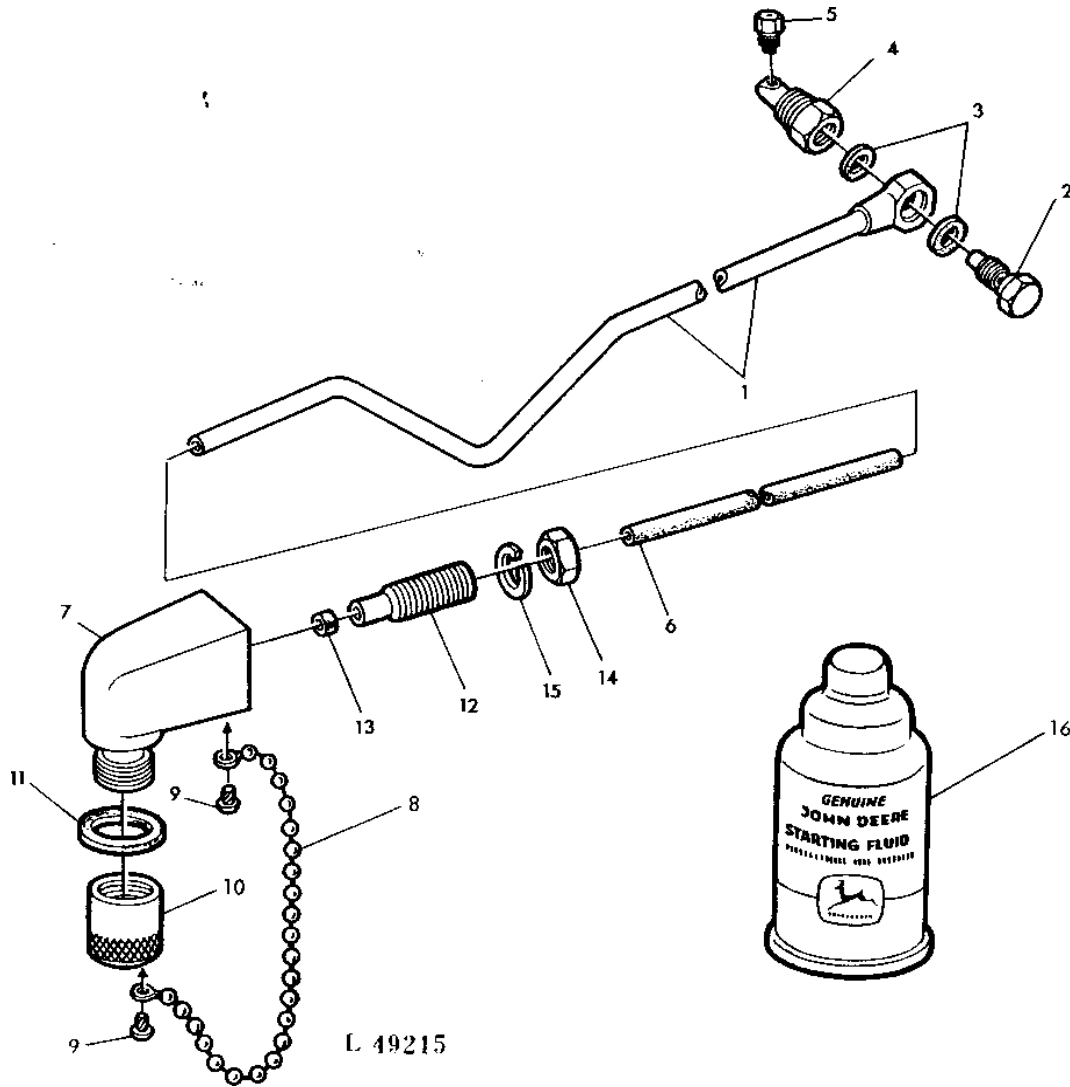


# 1C18

FUEL AND AIR

## COLD WEATHER STARTING AID

L49215 -UN-01JAN94



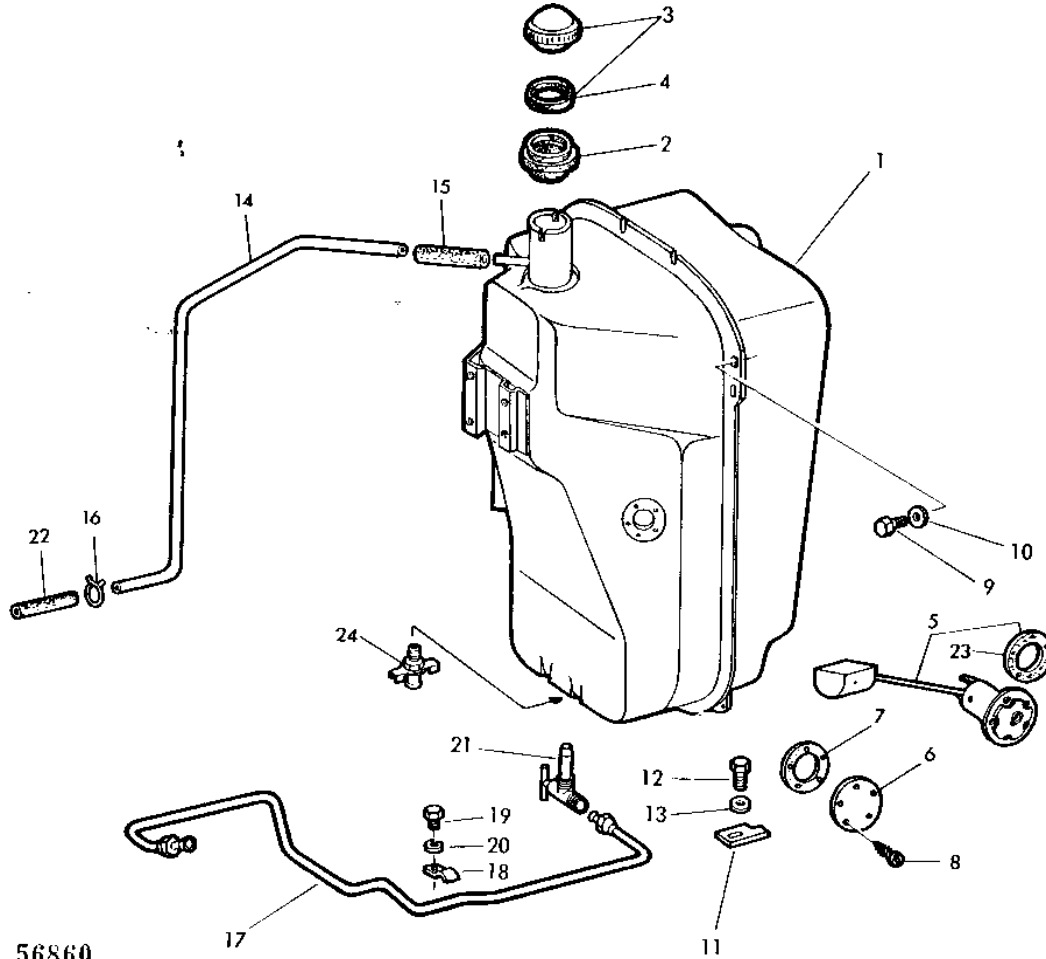
KEY	PART NO.	PART NAME	QTY	TRACTOR SERIAL NO.	REMARKS
1	AT20748	LINE	1		(SUB AT25265, (6) R44302, T27256 AND T78593)
2	R26726	FITTING	1		
3	T11292	WASHER	2		
4	R28584	FITTING	1		
5	R28583	NOZZLE	1		
6	.....	HOSE	1		10 X 635MM (13/32" X 25") (MAKE FROM T79479) (SUB FOR T23245, T32029 OR T64421)
7	T22534	ADAPTER	1		
8	AR27940	LINK CHAIN	1		
9	37H44	SCREW	2		0.151" X 3/8"
10	R32306	CAP	1		
11	R26149	PACKING	1		
12	R34395	ADAPTER	1		
13	R34394	WASHER	1		
14	14H1040	NUT	1		1/2"
15	12H301	LOCK WASHER	1		1/2"
16	RE33636	STARTING FLUID	1		(SUB FOR AR27814, RE24561 OR RE30174)

# 1C19

FUEL AND AIR

L56860 -UN-01JAN94

## FUEL TANK



L 56860

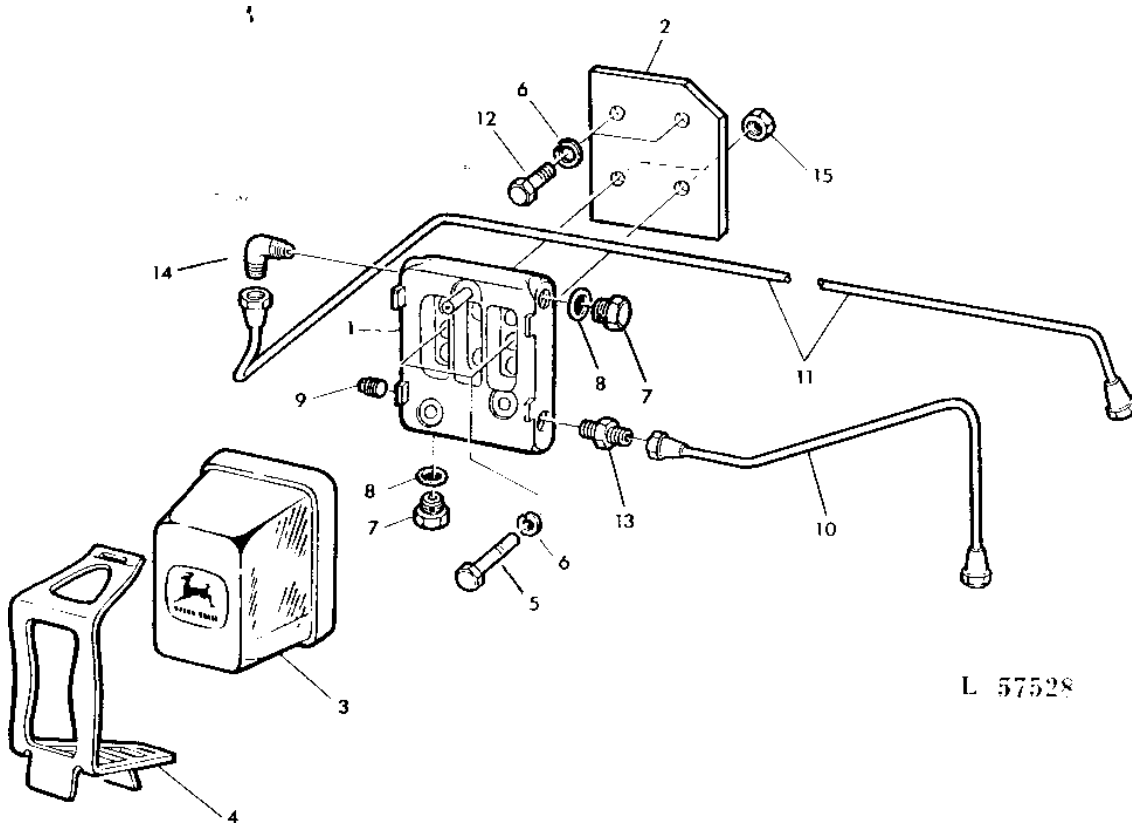
KEY	PART NO.	PART NAME	QTY	ENGINE SERIAL NO.	REMARKS
1	AR72910	FUEL TANK	1		(SUB FOR AL24219)
2	R39613	GROMMET	1		(SUB R82873)
3	AT20911	FILLER CAP	1		
4	R39615	WASHER	1		
5	AT31619	FLOAT	1		
6	F2506R	COVER	1		
7	R27181	GASKET	1		
8	37H95	SCREW	5		NO. 8 X 1/2"
9	19H1936	CAP SCREW	4		3/8" X 3/4"
10	24H1305	WASHER	4		13/32" X 13/16" X 0.065"
11	T33232	STOP	2		
12	19H1815	CAP SCREW	2		1/2" X 1-1/4"
13	24H1341	WASHER	2		17/32" X 15/16" X 0.060"
14	L29396	FUEL LINE	1		
15	.....	HOSE	1		6 X 44MM (1/4" X 1-3/4") (MAKE FROM R68281) (SUB FOR T26379)
16	R34766	CLAMP	1		
17	AT19983	FUEL LINE	1		(SUB AT48214)
18	A4881R	CLIP	1		
19	19H2038	CAP SCREW	1		3/8" X 1/2"
20	12H304	LOCK WASHER	1		3/8"
21	R34656	SHUT-OFF VALVE	1		
22	.....	HOSE	1		6 X 44MM (1/4" X 1-3/4") (MAKE FROM R68281)
23	L29265	GASKET	1		
24	AT13740	DRAIN VALVE	1		

# 1C20

FUEL AND AIR

L57528 -UN-01JAN94

## FUEL FILTER AND FUEL LINES



L 57528

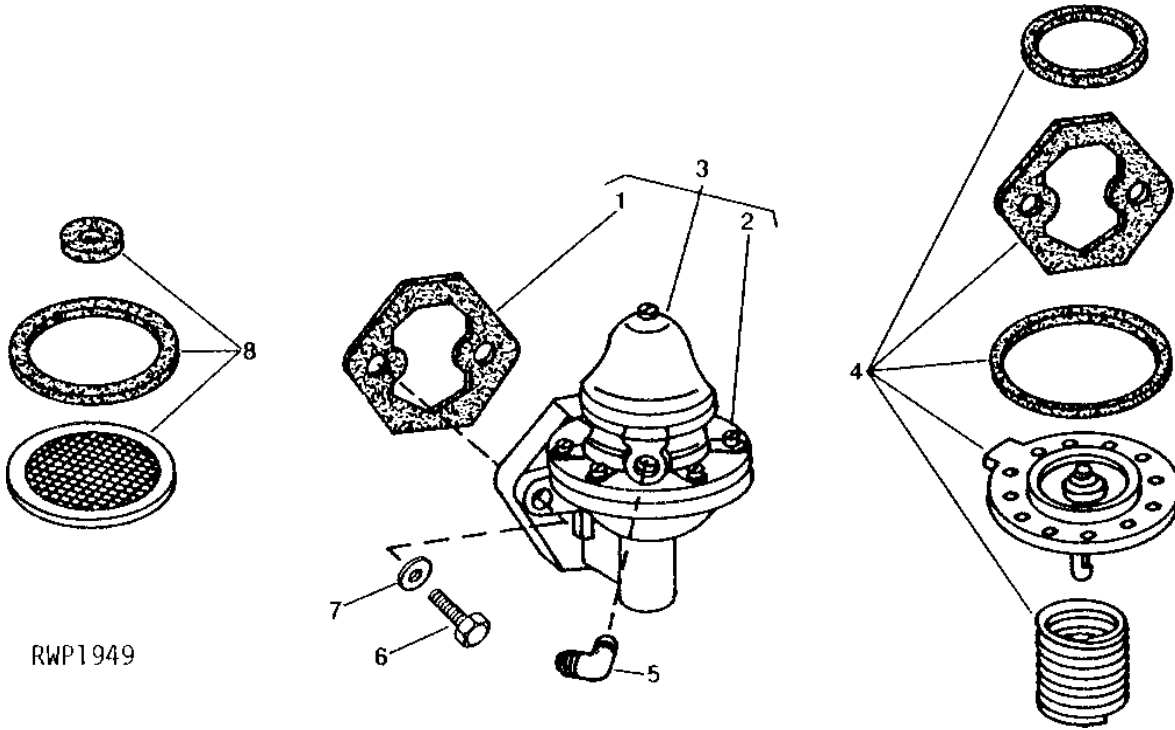
KEY	PART NO.	PART NAME	QTY	ENGINE SERIAL NO.	REMARKS
1	AR50040	HOUSING	1		
2	R54998	BRACKET	1		
3	AR50041	FUEL FILTER	1		
4	R66821	CLAMP	1		(SUB FOR R47358 OR R57258)
5	19H1731	CAP SCREW	2		3/8" X 1"
6	12H304	LOCK WASHER	4		3/8"
7	R48071	DRAIN PLUG	2		
8	R26287	O-RING	2		
9	15H558	PIPE PLUG	1		1/8"
10	AR63653	FUEL LINE	1		(TO FUEL PUMP)
11	AR67091	FUEL LINE	1		(TO INJECTION PUMP)
12	19H2284	CAP SCREW	2		3/8" X 7/8"
13	R27346	FITTING	1		
14	T30738	ELBOW FITTING	1		
15	14H1076	NUT	2		3/8"

# 1C21

FUEL AND AIR

RWP1949 -UN-01JAN94

## FUEL TRANSFER PUMP



RWP1949

KEY	PART NO.	PART NAME	QTY	TRACTOR SERIAL NO.	REMARKS
1	R27285	GASKET	1		
2	R49266	BOLT	8		
3	AR55730	FUEL PUMP	1		
4	AR60559	KIT	1		OVERHAUL, (SUB RE13517)
5	T30738	ELBOW FITTING	2		90°
6	19H1849	CAP SCREW	2		5/16" X 1-1/4"
7	24H1136	WASHER	2		11/32" X 11/16" X 0.065"
8	AR102452	GASKET KIT	1		(SUB RE13517)

---

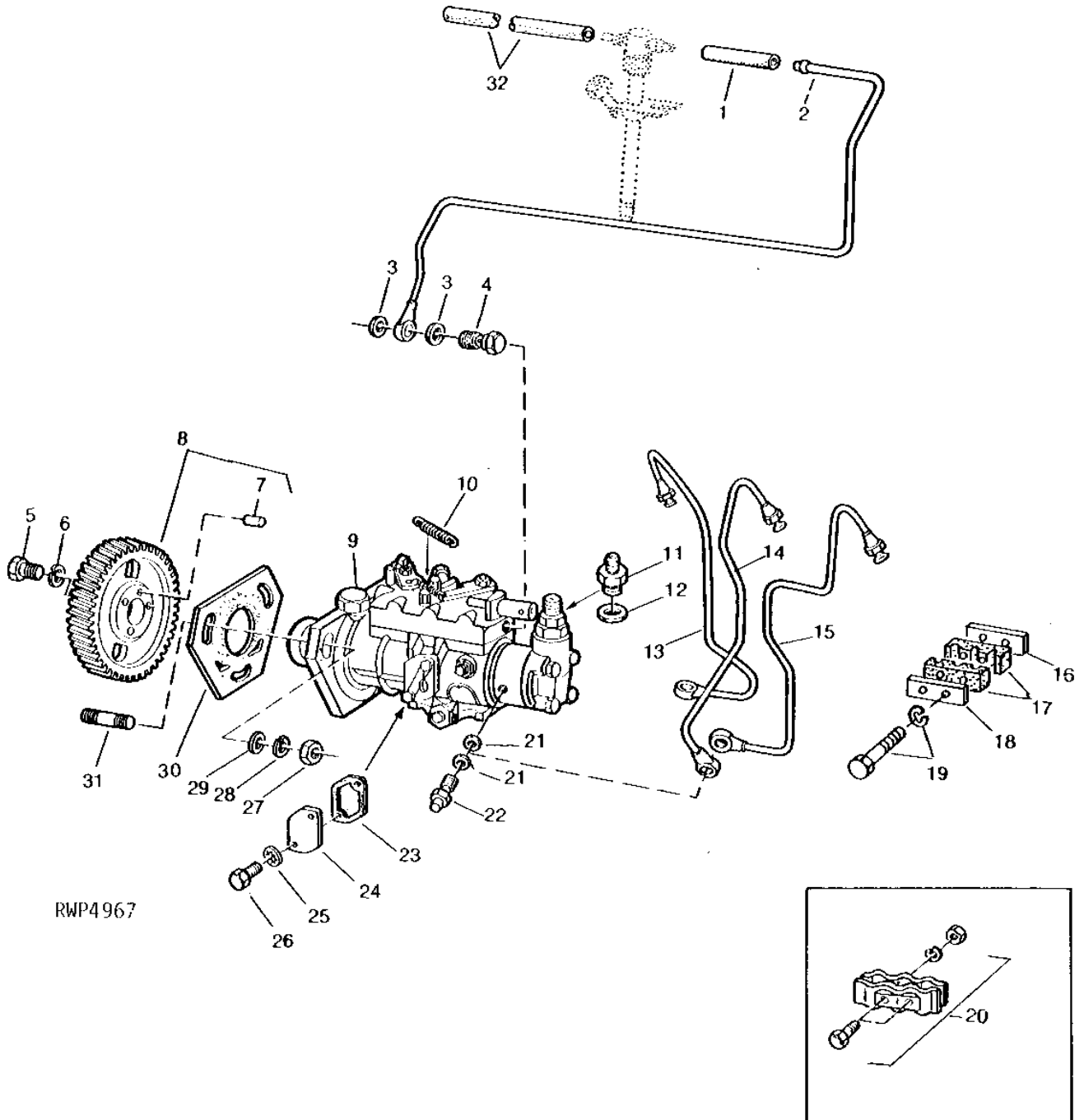
MEMORANDA

# 1C22

FUEL AND AIR

## FUEL INJECTION PUMP AND FUEL LINES (ROTO-DIESEL)

RWP4967 -UN-01JAN94



# 1C23

FUEL AND AIR

## FUEL INJECTION PUMP AND FUEL LINES - CONTINUED (ROTO-DIESEL)

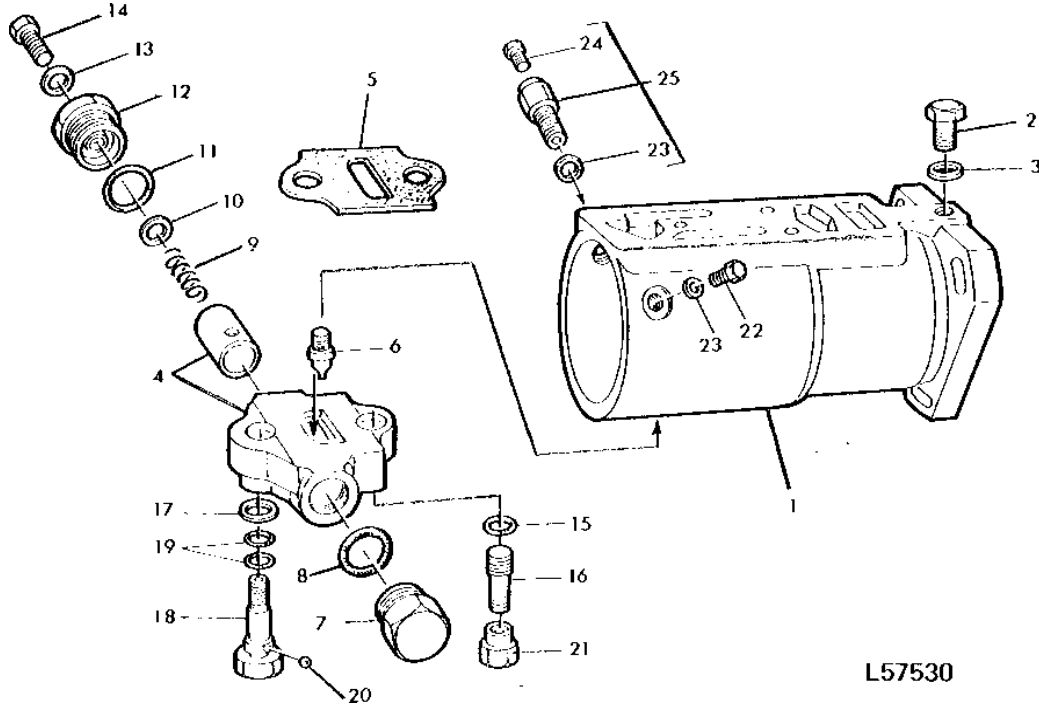
KEY	PART NO.	PART NAME	QTY	ENGINE SERIAL NO.	REMARKS
1	.....	HOSE	1		6 X 45MM (1/4" X 1-3/4") (MAKE FROM R68281)
2	AT27614	FUEL LINE	1		
3	T27765	WASHER	2		
4	T27764	HOLLOW SCREW	1		
5	19H2551	CAP SCREW	3		5/16" X 3/4"
6	12H303	LOCK WASHER	3		5/16"
7	T28030	DOWEL PIN	1		
8	AR85710	GEAR	1		(SUB FOR AT27917)
9	AR52058	FUEL INJECTION PUMP	1		(SUB AR91770 AND AR72881)
10	T26058	SPRING	1		
11	T24607	ADAPTER	1		(SUB R79015)
12	T24608	WASHER	1		
13	AR80332	FUEL LINE	1		NO. 1, (SUB FOR AR67002)
14	AR67003	FUEL LINE	1		NO. 2
15	AR67004	FUEL LINE	1		NO. 3, (SUB RE13431)
16	R61145	STRAP	1	XXXXXX-	(ALSO ORDER (2) AR76704)
17	R59297	HALF CLAMP	2	XXXXXX-	
18	R59298	STRAP	1	XXXXXX-	
19	AR76704	SCREW	2	XXXXXX-	(ALSO ORDER R61145)
20	AR62194	CLAMP	1	-XXXXXX	(SUB (2) R59297, R59298, R61145 AND (2) AR76704)
21	T20055	WASHER	6		
22	AT29464	VALVE	3		
23	T24543	GASKET	1		
24	T24542	COVER	1		
25	12M7060	WASHER	2		0.209"
26	T24544	SCREW	2		
27	14H785	NUT	3		5/16"
28	12H303	LOCK WASHER	3		5/16"
29	24H1243	WASHER	3		11/32" X 5/8" X 1/16"
30	T24460	GASKET	1		(SUB R77126)
31	T23442	STUD	3		
32	.....	HOSE	1		112MM (4-7/16") (MAKE FROM R68281)

# 1C24

FUEL AND AIR

L57530 -UN-01JAN94

## FUEL INJECTION PUMP HOUSING AND AUTOMATIC ADVANCE



L57530

KEY	PART NO.	PART NAME	QTY	ENGINE SERIAL NO.	REMARKS
1	T24541	HOUSING	NA		
2	T24638	PLUG	NA		
3	T20055	WASHER	1		(SUB FOR T24545)
4	AR56088	HOUSING	NA		(AUTO-ADVANCE)
5	T24637	GASKET	NA		
6	T24623	SCREW	NA		
7	T24625	PLUG	NA		
8	T24650	O-RING	1		
9	R51833	SPRING	NA		
10	T24628	SHIM	NA	0.2MM (.008")	
	T24629	SHIM	NA	0.5MM (.020")	
	T24630	WASHER	NA	1.0MM (.040")	
	T24631	WASHER	NA	2.0MM (.080")	
11	T24650	O-RING	1		
12	T24626	CAP	NA		
13	T24627	WASHER	1		
14	T24649	SCREW	1		
15	T24634	WASHER	NA		
16	T24632	STUD	NA		
17	T24635	WASHER	NA		
18	T24636	FITTING	NA		
19	T24651	O-RING	NA		
20	T24652	BALL	NA	5MM (.20")	
21	T24633	FITTING	NA		
22	T24550	SCREW	NA		
23	T24553	WASHER	2		
24	T24552	KNURLED THUMB SCREW	NA		
25	AT29458	SCREW	NA		

SEE YOUR AUTHORIZED PUMP REPAIR STATION FOR PARTS NOT AVAILABLE. (NA)

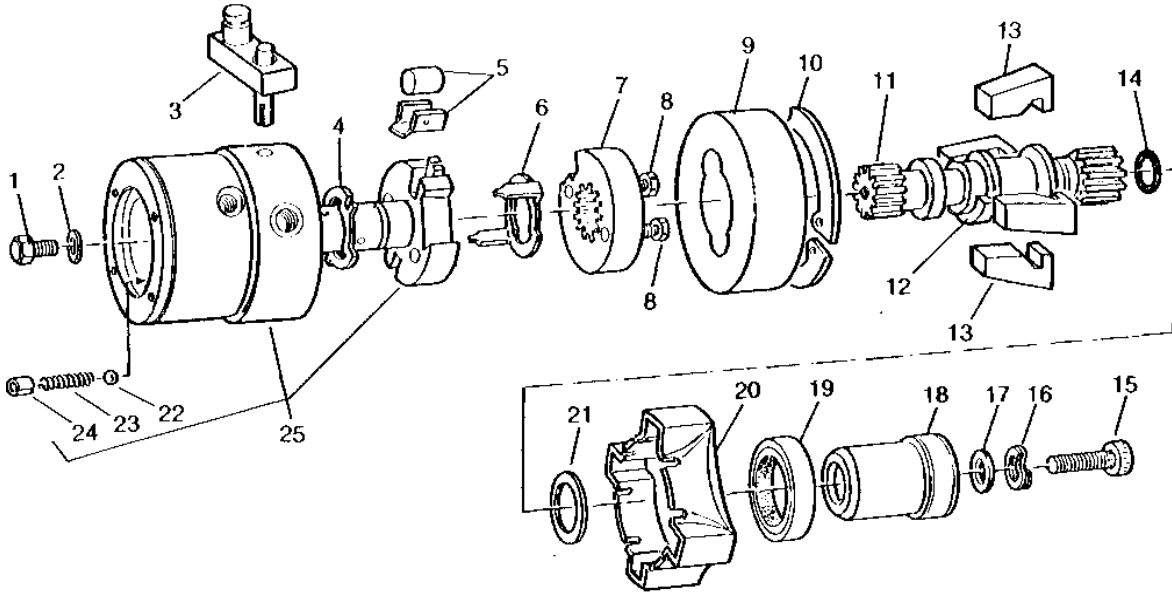


# 1C25

FUEL AND AIR

RWP4968 -UN-01JAN94

## FUEL INJECTION PUMP HEAD, ROTOR AND DRIVE HUB



RWP4968

KEY	PART NO.	PART NAME	QTY	TRACTOR SERIAL NO.	REMARKS
1	T24546	SCREW	NA		
2	T27761	WASHER	NA		
3	AR76100	VALVE	NA		(SUB FOR AT28092)
	AR76103	VALVE	NA		OVERSIZED, (SUB FOR AR69853)
4	T24656	PLATE	NA		BOTTOM, (SUB AR93638)
5	AR96773	KIT	NA		(SUB FOR T24556 OR T27759)
6	T24557	PLATE	NA		TOP, (SUB AR93638)
7	T24558	PLATE	NA		
8	T24559	BOLT	NA		
9	T30674	RING	NA		
10	R51799	SNAP RING	NA		
11	T30652	SHAFT	NA		(SUB R60368, T24564, R60370 AND R60371)
12	T30651	SLEEVE	NA		(SUB R60368, T24564, R60370 AND R60371)
13	T30649	WEIGHT	NA		(SUB T24562)
14	T30653	O-RING	NA		
15	T24569	SCREW	NA		
16	T24568	WASHER	NA		
17	T30654	WASHER	NA		
18	R48716	HUB	NA		
19	AT21738	GASKET	NA		
20	T30650	RETAINER	NA		
21	T24564	WASHER	NA		
22	T24652	BALL	NA		
23	T30668	SPRING	NA		
24	T30669	PLUG	NA		
25	RE13088	ROTOR	NA		(SUB FOR AT29456) (SUB AR76098)

SEE YOUR AUTHORIZED PUMP REPAIR STATION FOR PARTS NOT AVAILABLE. (NA)

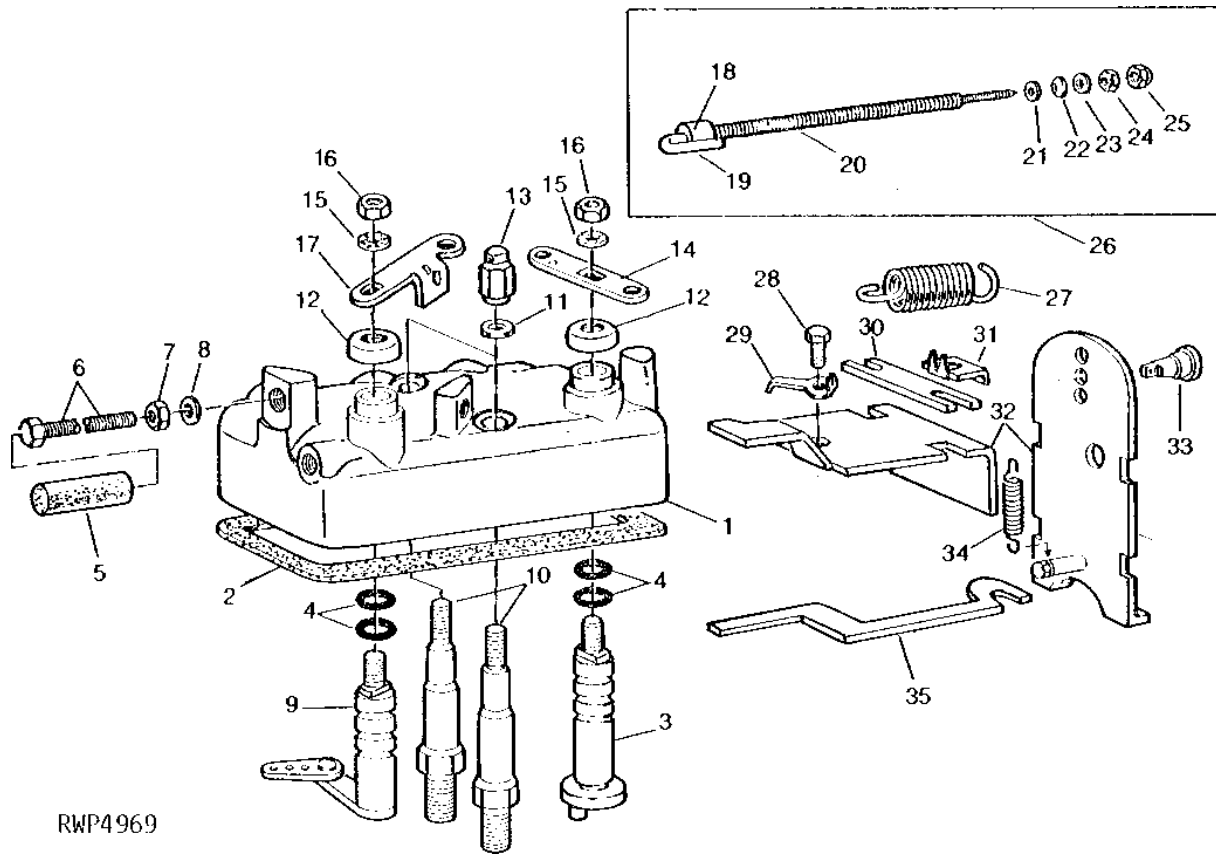
# 1D1

FUEL AND AIR

RWP4969

-UN-01JAN94

## FUEL INJECTION PUMP LINKAGE AND COVER



# 1D2

FUEL AND AIR

## FUEL INJECTION PUMP LINKAGE AND COVER - CONTINUED

KEY	PART NO.	PART NAME	QTY	ENGINE SERIAL NO.	REMARKS
1	T27762	COVER	NA		
2	T24600	GASKET	1		
3	T24602	SHAFT	NA		
4	T24647	O-RING	4		
5	T24606	COVER	NA		
6	T24605	CAP SCREW	2		
7	T24589	NUT	2		
8	T24604	WASHER	2		
9	AT21742	SHAFT	NA		
10	T24597	STUD	NA		
11	T24599	WASHER	2		
12	T24590	CAP	2		
13	T24598	NUT	1		
14	T30664	LEVER	1		
15	12M7060	WASHER	2	0.209"	
16	T24589	NUT	2		
17	T24588	LEVER	1		
18	.....	RETAINER	NA	(SUB AT29461)	
19	.....	HOOK	NA	(SUB AT29461)	
20	.....	SPRING	NA	(SUB AT29461)	
21	.....	WASHER	NA	(SUB AT29461)	
22	.....	WASHER	NA	(SUB AT29461)	
23	.....	WASHER	NA	(SUB AT29461)	
24	.....	NUT	NA	(SUB AT29461)	
25	.....	LOCK NUT	NA	(SUB AT29461)	
26	AT29461	LINKAGE	NA		
27	R51832	SPRING	NA		
28	T24574	CAP SCREW	NA		
29	T24575	WASHER	NA		
30	T24595	PLATE	NA		
31	T24596	WASHER	NA		
32	AR91907	KIT	NA	(SUB FOR AT21741 OR AT29460)	
33	T24586	GUIDE	NA		
34	T24576	SPRING	NA		
35	T24594	BAR	NA		

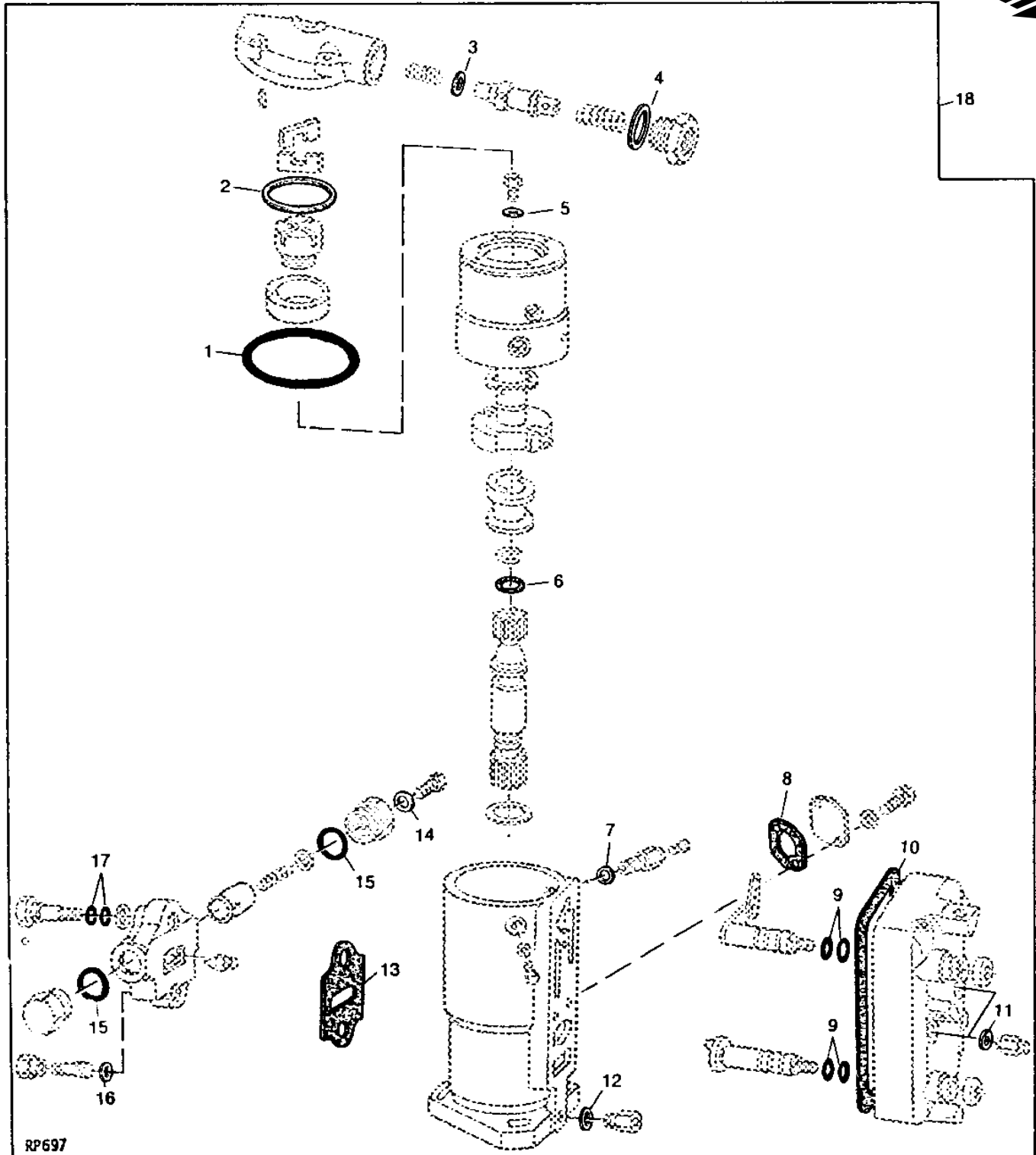
SEE YOUR AUTHORIZED PUMP REPAIR STATION FOR PARTS NOT AVAILABLE. (NA)

# 1D3

FUEL AND AIR

## FUEL INJECTION PUMP GASKET KIT (ROTO-DIESEL)

RP697 -UN-01JAN94



# 1D4

FUEL AND AIR

## FUEL INJECTION PUMP GASKET KIT - CONTINUED (ROTO-DIESEL)

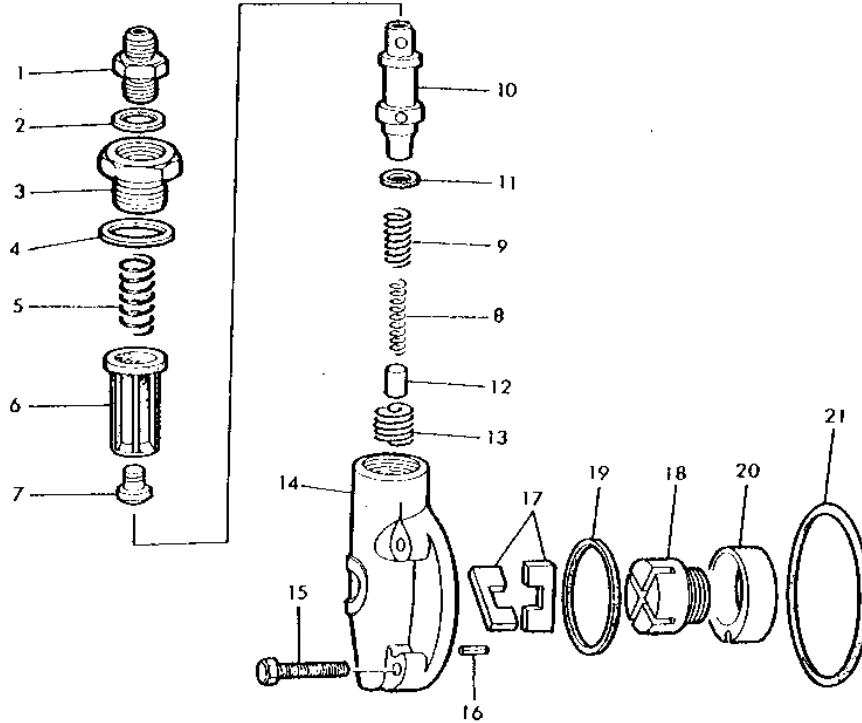
KEY	PART NO.	PART NAME	QTY	ENGINE SERIAL NO.	REMARKS
1	T24548	O-RING	NA		
2	T24549	WASHER	1		
3	T24622	SHIM	NA		
4	T24619	WASHER	1		
5	T27761	WASHER	NA		
6	T30653	O-RING	NA		
7	T24553	WASHER	2		
8	T24543	GASKET	1		
9	T24647	O-RING	4		
10	R79541	GASKET	1	(SUB T24600)	
11	T24599	WASHER	2		
12	T20055	WASHER	6		
13	T24637	GASKET	NA		
14	T24627	WASHER	1		
15	T24650	O-RING	1		
16	T24634	WASHER	NA		
17	T24651	O-RING	NA		
18	AR69852	GASKET KIT	NA		

# 1D5

FUEL AND AIR

L57529 -UN-01JAN94

## FUEL INJECTION PUMP TRANSFER



L 57529

KEY	PART NO.	PART NAME	QTY	ENGINE SERIAL NO.	REMARKS
1	T24607	ADAPTER	1		(SUB R79015)
2	T24608	WASHER	1	-XXXXXX	
3	T24620	FITTING	1		(SUB R79015)
4	T24619	WASHER	1		
5	T24617	SPRING	NA		
6	T24618	FUEL FILTER	1		
7	T30666	PLUG	NA		
8	T24657	SPRING	NA		INNER
9	T24662	SPRING	NA		
10	T24663	SLEEVE	NA		
11	T24622	SHIM	NA		(SUB AR96775)
12	AR93637	SLEEVE	NA		(SUB FOR T24614, THIS APPLICATION)
13	T24658	SPRING	NA		
14	AR78632	PLATE	NA		(SUB FOR T30665)
15	T24621	SCREW	4		
16	34H240	SPRING PIN	1		1/8" X 1/4"
17	T24611	BLADE	NA		
18	T24610	ROTOR	NA		
19	T24549	WASHER	1		
20	T24609	CONTAINER	NA		
21	T24548	O-RING	NA		

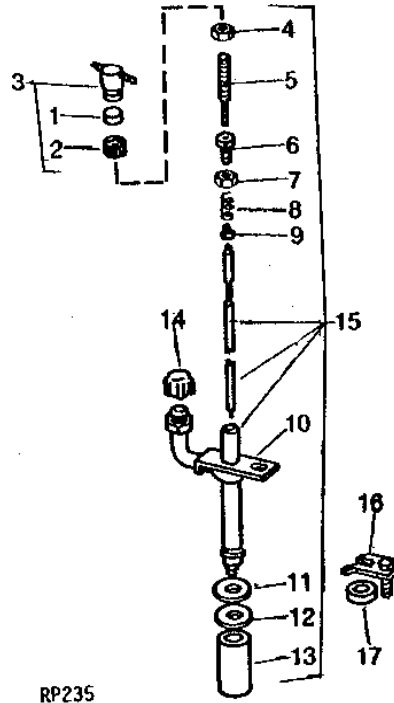
SEE YOUR AUTHORIZED PUMP REPAIR STATION FOR PARTS NOT AVAILABLE. (NA)

# 1D6

FUEL AND AIR

RP235 -UN-01JAN94

## FUEL INJECTION NOZZLE ASSEMBLY (ROOSA-MASTER)



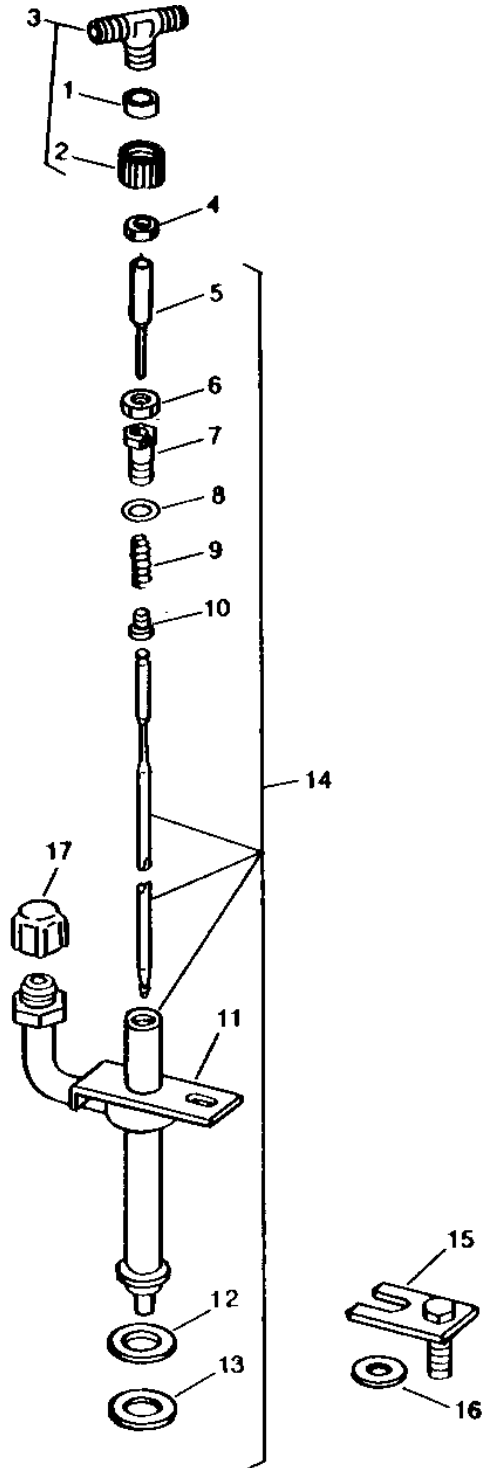
KEY	PART NO.	PART NAME	QTY	ENGINE SERIAL NO.	REMARKS
1	R79605	WASHER	1		(SUB FOR T29539)
2	R79604	TUBE NUT	1		(SUB FOR T29540)
3	AT27622	CAP	1		
4	R47733	LOCK NUT	1		
5	R47732	SCREW	1		
6	R47734	SCREW	1		
7	R46675	NUT	1		
8	R47731	SPRING	1		
9	R39886	GUIDE	1		
10	R67779	CLAMP	1		(SUB FOR T26870)
11	R34764	WASHER	3		(USE WITH AR56290 OR AR89564)
	R60746	WASHER	3		(USE WITH AR73673 OR AR88239)
12	R48000	WASHER	3		
13	T24472	PLUG	1		
14	T31174	PLUG	1		(USE FOR SERVICING FUEL INJECTION NOZZLE)
15	AR88239	INJECTION NOZZLE	1		(NLA) (SUB FOR AR56290 OR AR73673) (SUB AR89564)
16	R34760	CLAMP	1		
17	R34761	SPACER	1		(USE WITH AR56290 OR AR89564)
	R60745	SPACER	1		(USE WITH AR73673 OR AR88239)

# 1D7

FUEL AND AIR

RWP5287 -UN-01JAN94

## FUEL INJECTION NOZZLE ASSEMBLY



RWP5287



# 1D8

FUEL AND AIR

## FUEL INJECTION NOZZLE ASSEMBLY - CONTINUED

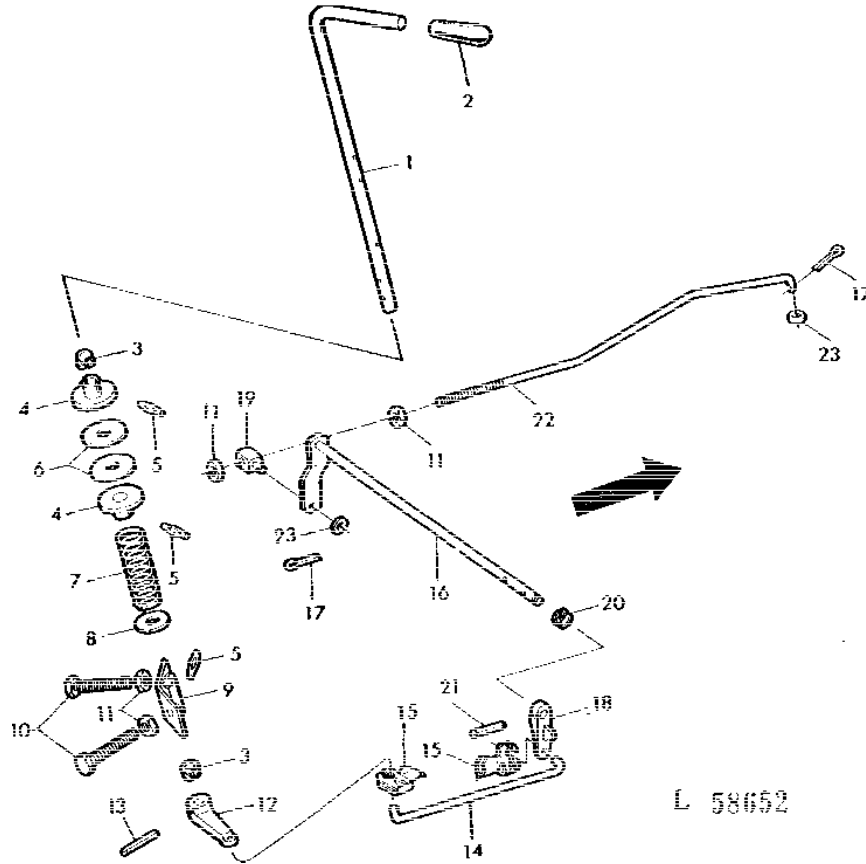
KEY	PART NO.	PART NAME	QTY	ENGINE SERIAL NO.	REMARKS
1	R79605	WASHER	1		
2	R79604	TUBE NUT	1		
3	AT27622	CAP	1		
4	R47733	LOCK NUT	1		
5	R69443	SCREW	1		
6	R46675	NUT	1		
7	R62984	SCREW	1		
8	R62981	WASHER	1		
9	R69442	SPRING	1		
10	R62982	GUIDE	1		
11	R67779	CLAMP	1		
12	R34764	WASHER	1		
13	R48000	WASHER	1		
14	AR89564	INJECTION NOZZLE	1		
15	R34760	CLAMP	1		
16	R60745	SPACER	1		
17	T31174	PLUG	1	(NLA)	

# 1D9

FUEL AND AIR

L58652 -UN-01JAN94

## THROTTLE LINKAGE



L 58652

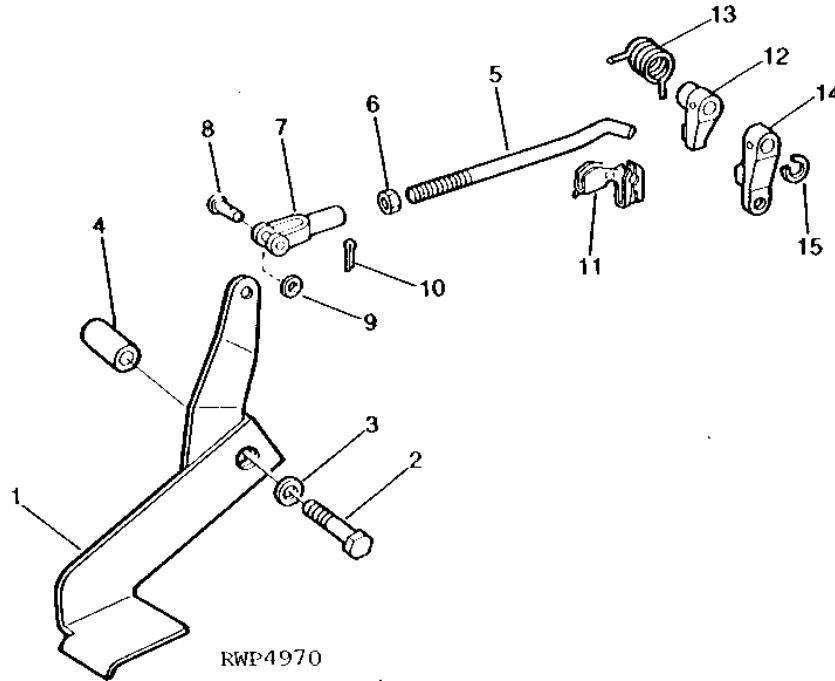
KEY	PART NO.	PART NAME	QTY	TRACTOR SERIAL NO.	REMARKS
1	T35675	PIN	1		
2	R54271	KNOB	1		
3	R34811	GROMMET	2		
4	T22698	DISK	2		
5	25H747	GROOVE PIN	3	3/16" X 3/4"	
6	R39985	WASHER	2	(SUB FOR R40983)	
7	R26637	SPRING	1		
8	24H1211	WASHER	1	9/16" X 1-3/8" X 0.105"	
9	AT24885	STOP	1		
10	19H1738	CAP SCREW	2	1/4" X 2"	
11	14H850	NUT	4	1/4"	
12	T22239	LEVER	1		
13	34H284	SPRING PIN	1	3/16" X 1-1/4"	
14	T22134	ROD	1		
15	R26524	CLIP	2	(SUB FOR T29741)	
16	AT20930	ROD	1		
17	11M7077	COTTER PIN	2	0.063" X 0.984"	
18	T22240	ARM	1		
19	T48835	SWIVEL	1		
20	T22241	GROMMET	2		
21	34H264	SPRING PIN	1	5/32" X 7/8"	
22	T27349	ROD	1		
23	24H1286	WASHER	2	9/32" X 1/2" X 1/16"	

# 1D10

FUEL AND AIR

RWP4970 -UN-01JAN94

## FOOT THROTTLE



RWP4970

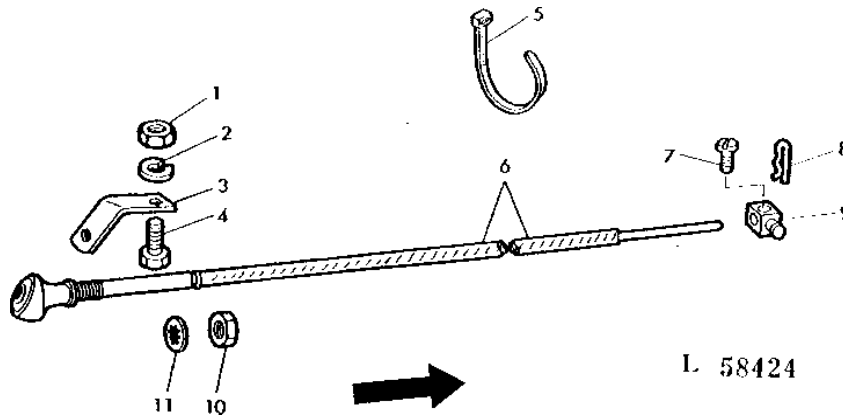
KEY	PART NO.	PART NAME	QTY	TRACTOR SERIAL NO.	REMARKS
1	AR94952	PEDAL	1		(SUB FOR AT20044)
2	19H1765	CAP SCREW	1		3/8" X 1-3/4"
3	24H1305	WASHER	1		13/32" X 13/16" X 0.065"
4	M1339T	SPACER	1		
5	T22149	ROD	1		
6	14H649	NUT	1	1/4"	
7	M3742T	YOKE	1		
8	R72660	PIN	1		(SUB FOR L4667T OR R662R)
9	24H1286	WASHER	2		9/32" X 1/2" X 1/16"
10	11M7077	COTTER PIN	1		0.063" X 0.984"
11	R26501	CLIP	1		
12	T22150	ARM	1		
13	T77165	SPRING	1		(SUB FOR T22151 OR T50467)
14	T22240	ARM	1		
15	F3396R	SNAP RING	1		

# 1D11

FUEL AND AIR

L58424 -UN-01JAN94

## SHUT-OFF KNOB



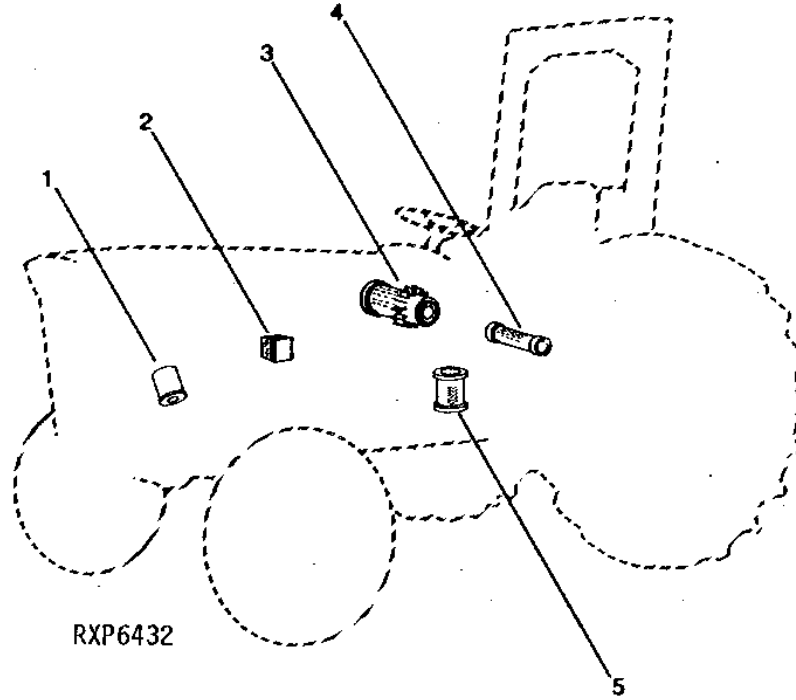
KEY	PART NO.	PART NAME	QTY	TRACTOR SERIAL NO.	REMARKS
1	14H1076	NUT	1	3/8"	
2	12H304	LOCK WASHER	1	3/8"	
3	T30525	BRACKET	1		
4	19H1936	CAP SCREW	1	3/8" X 3/4"	
5	R44302	TIE BAND	1		
6	RE10596	CABLE	1		(SUB FOR AL24155) (INCLUDES R59082)
	R59082	SPRING	1		
7	21H1293	SCREW	1	0.164" X 5/16"	
8	R10185	SPRING PIN	1		
9	R10184	SWIVEL	1		
10	14H934	NUT	1	7/16"	
11	12H325	LOCK WASHER	1	7/16"	

# 1D12

FUEL AND AIR

RXP6432 -UN-01JAN94

## FILTERS



KEY	PART NO.	PART NAME	QTY	TRACTOR SERIAL NO.	REMARKS
1	T19044	OIL FILTER	1		ENGINE
2	AR50041	FUEL FILTER	1		
3	AT20728	FILTER ELEMENT	1	-190319	AIR CLEANER
	AR84228	FILTER ELEMENT	1	190320-	AIR CLEANER
4	AE31724	FILTER ELEMENT	1		AIR CLEANER
5	AR75603	FILTER ELEMENT	1		TRANSMISSION

---

MEMORANDA

---

MEMORANDA

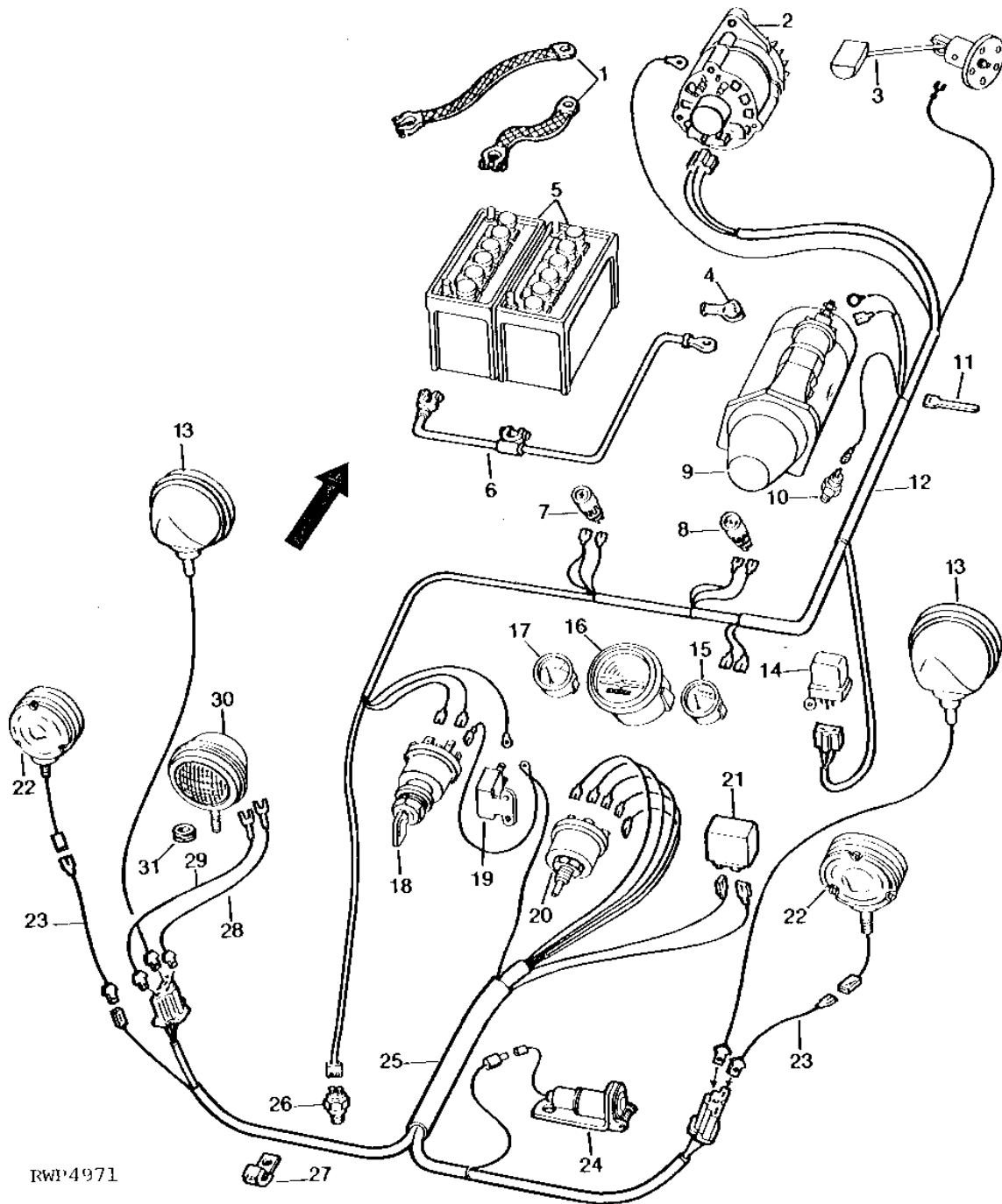
# 1D15

ELECTRICAL

RWP4971

-UN-01JAN94

## ELECTRICAL WIRING SYSTEM



RWP4971



# 1D16

ELECTRICAL

## ELECTRICAL WIRING SYSTEM - CONTINUED

KEY	PART NO.	PART NAME	QTY	ENGINE SERIAL NO.	REMARKS
1	AL11176	GROUND CABLE	1		(FOR ONE BATTERY)
	AT18702	GROUND CABLE	1		(FOR TWO BATTERIES) (SUB FOR AT20749)
2	AR62401	ALTERNATOR	1		(28 AMP) (SUB AL36391)
	TY6651	ALTERNATOR	1		(33 AMP) (REMANUFACTURED) (SUB FOR TY6605)
	AL36391	ALTERNATOR	1		(55 AMP) (SUB FOR AR62401)
	AL81436	ALTERNATOR	1		(55 AMP) (SUB FOR AL35998 OR AL67175)
	TY6652	ALTERNATOR	1		(55 AMP) (REMANUFACTURED)
3	AT31619	FLOAT	1		FUEL GAUGE SENDER
4	L12809	TERMINAL NIPPLE	1		
5	TY21730	BATTERY	1		(12-VOLT) (SUB FOR AR67338)
	TY6092	BATTERY	1		(12-VOLT) (CANADA ONLY)
6	AR53999	CABLE	1		(FOR TWO BATTERIES)
	AR103525	CABLE	1		(FOR ONE BATTERY) (SUB FOR T21887)
7	AT24692	INDICATOR LIGHT	1		ALTERNATOR
8	AT24693	HEADLIGHT	1		ENGINE OIL PRESSURE
9	RE62916	STARTER	1	-152929	(SUB FOR AT23401, AT25619, RE19187, RE42730 OR RE50095)
	TY6702	STARTER	1	-152929	(REMANUFACTURED) (SUB FOR TY6620)
	AR70436	STARTER	1	152930-	(SUB TY6720)
	RE62690	STARTER	1	152930-	(SUB TY6727)
	TY6720	STARTER	1	152930-	((REMANUFACTURED) (SUB FOR TY6615)
	TY6727	STARTER	1	152930-	(REMANUFACTURED)
10	AR27977	TOUCH SWITCH	1		ENGINE OIL PRESSURE
11	R44302	TIE BAND	AR		
12	AL24189	WIRING HARNESS	1		(ENGINE)
13	AT20106	LAMP	2		
14	AT31413	VOLTAGE REGULATOR	1		
15	AL24187	GAUGE	1		FUEL
16	AR65445	TACHOMETER	1		
17	AT67693	TEMPERATURE GAUGE	1		WATER TEMPERATURE, (SUB FOR AR65443)
18	AR58126	KEY SWITCH	1		STARTER
19	AR28403	CIRCUIT BREAKER	1		
20	AR66478	SWITCH	1		LIGHT
21	AU41465	FLASHER	1		
22	AR50580	LAMP	2		WARNING
23	AR51403	WIRING LEAD	2		
24	AT27009	SOCKET	1		(SUB AT20709, 12H301, 14H1040 AND 19H131)
25	AL24215	WIRING HARNESS	1		
26	RE38390	SWITCH	1		NEUTRAL START, (SUB FOR R36265, AR85323, AR89691 OR AT85153)
27	T13744	CLAMP	3		
28	AR51405	WIRING LEAD	1		
29	AR51404	WIRING LEAD	1		
30	AR77326	FLOODLAMP	1		(SUB FOR AT16288)
31	R26409	GROMMET	1		

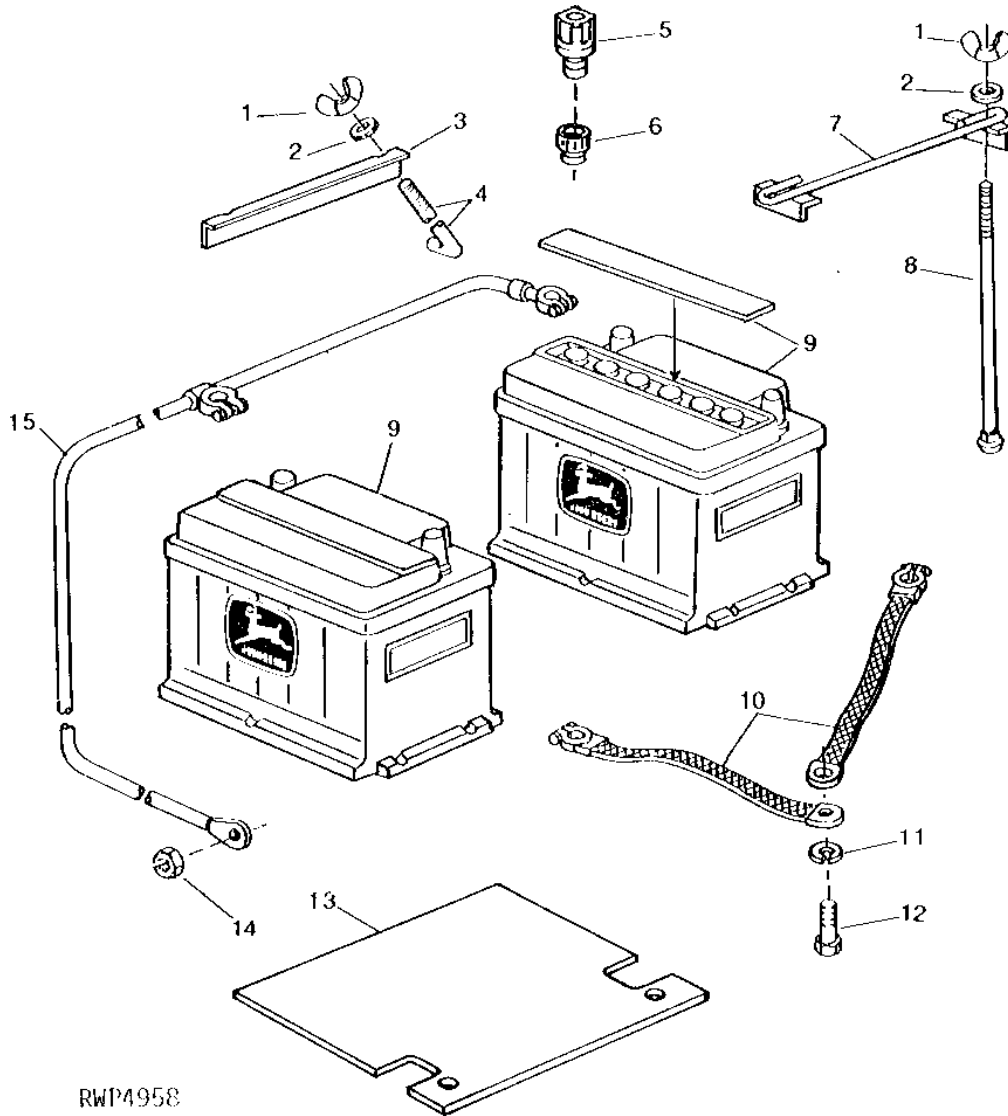
# 1D17

ELECTRICAL

RWP4958

-UN-01JAN94

BATTERY, CABLES AND CLAMPS



RWP4958

# 1D18

ELECTRICAL

## BATTERY, CABLES AND CLAMPS - CONTINUED

KEY	PART NO.	PART NAME	QTY	TRACTOR SERIAL NO.	REMARKS
1	14H952	WING NUT	2		1/4"
2	24H1821	WASHER	2		9/32" X 47/64" X 1/16"
3	T22570	CLAMP	1		(A)
4	R56525	BOLT	2		(A)
5	AR61868	CAP	6		(PER BATTERY)
6	R60035	ADAPTER	6		(SUB FOR AR72847) (ORIGINAL BATTERY WITH ROLL-GARD)
7	AT20452	CLAMP	1		(B) (SUB AR101727)
8	R56526	BOLT	2		
9	TY21730	BATTERY	AR		(12-VOLT) 420 COLD CRANKING AMPS AT -18°C (0°F) 70 MINUTE RESERVE CAPACITY AT 25 AMPS. (SUB FOR AR67338)
	TY6092	BATTERY	1		(12-VOLT) (CANADA ONLY)
10	AL11176	GROUND CABLE	1		(A) 270MM (10.63")
	AT18702	GROUND CABLE	1		(B) 152MM (6") (SUB FOR AT20749)
11	12H304	LOCK WASHER	1		3/8"
12	19H2021	CAP SCREW	1		3/8" X 5/8"
13	.....	INSULATOR	1		(NO LONGER AVAILABLE)
14	14H732	NUT	1		3/8"
15	AR53999	CABLE	1		(B) (BATTERY TO STARTING MOTOR)
	AR103525	CABLE	1		(A) (BATTERY TO STARTING MOTOR) (SUB FOR T21887)

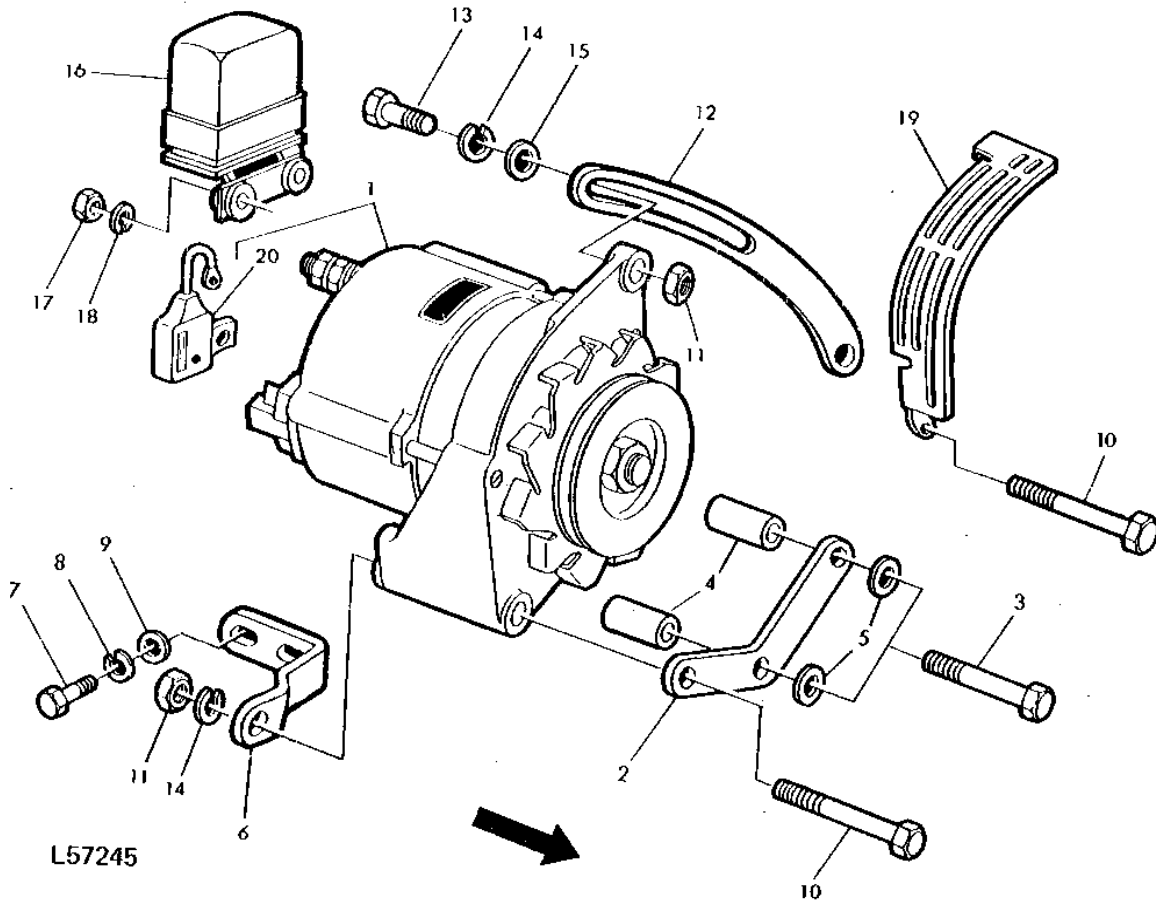
(A) SINGLE BATTERY  
(B) DUAL BATTERY

# 1D19

ELECTRICAL

## ALTERNATOR AND VOLTAGE REGULATOR (12-VOLT) (28 AMP) (ROBERT BOSCH)

L57245 -UN-01JAN94



L57245

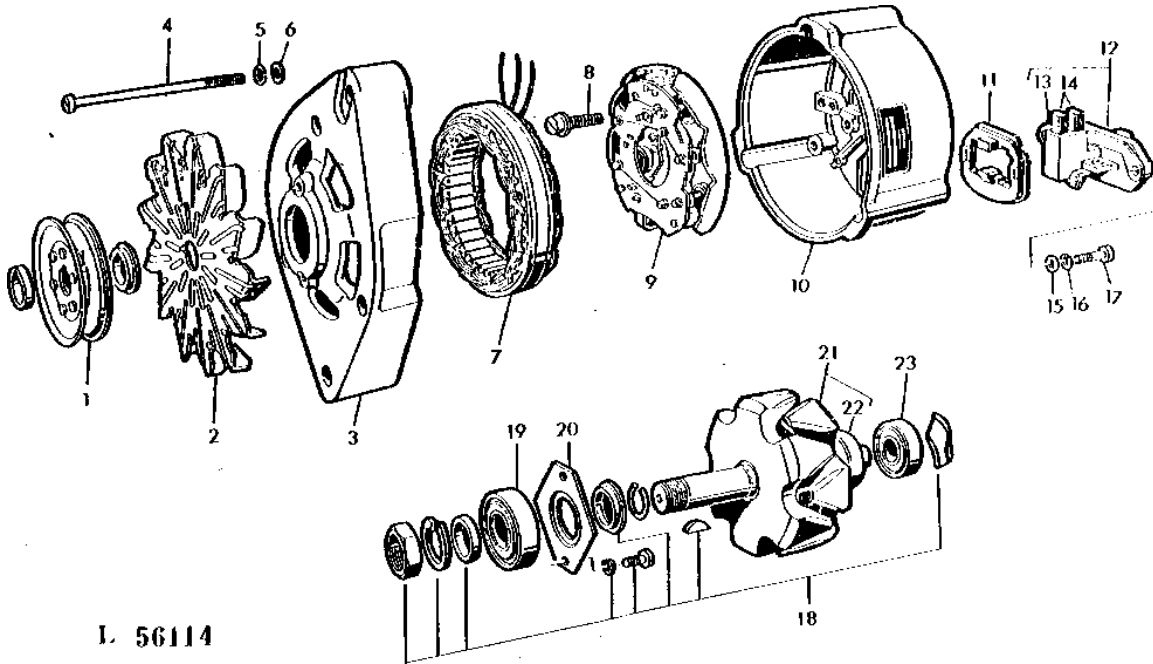
KEY	PART NO.	PART NAME	QTY	ENGINE SERIAL NO.	REMARKS
1	AR62401	ALTERNATOR	1		(28 AMP)(ROBERT BOSCH NO.0120300535) (SUB AL36391)
	TY6651	ALTERNATOR	1		(33 AMP) (REMANUFACTURED) (SUB FOR TY6605)
2	T20202	BRACKET	1		
3	19H2128	CAP SCREW	2	3/8" X 3"	
4	28H2547	SPACER	2	3/8" X 1"	
5	24M7106	WASHER	2	10 X 18 X 2.500 MM	
6	R38372	BRACKET	1		REAR, (SUB FOR R50557)
7	19H2284	CAP SCREW	2	3/8" X 7/8"	
8	12H304	LOCK WASHER	3	3/8"	
9	24H1305	WASHER	2	13/32" X 13/16" X 0.065"	
10	19H1921	CAP SCREW	1	5/16" X 3-1/4"	
11	14H785	NUT	2	5/16"	
12	T20204	STRAP	1		
13	19H2661	CAP SCREW	1	5/16" X 1-3/8"	
14	12H303	LOCK WASHER	2	5/16"	
15	24H1136	WASHER	1	11/32" X 11/16" X 0.065"	
16	AT31413	VOLTAGE REGULATOR	1		
17	14H631	NUT	2	0.190"	
18	12H246	LOCK WASHER	2	0.190"	
19	R56012	SHIELD	1		
20	AL23434	CAPACITOR	1		

# 1D20

ELECTRICAL

ALTERNATOR  
(12-VOLT) (28 AMP)  
(ROBERT BOSCH)  
(AR62401)

L56114 -UN-01JAN94



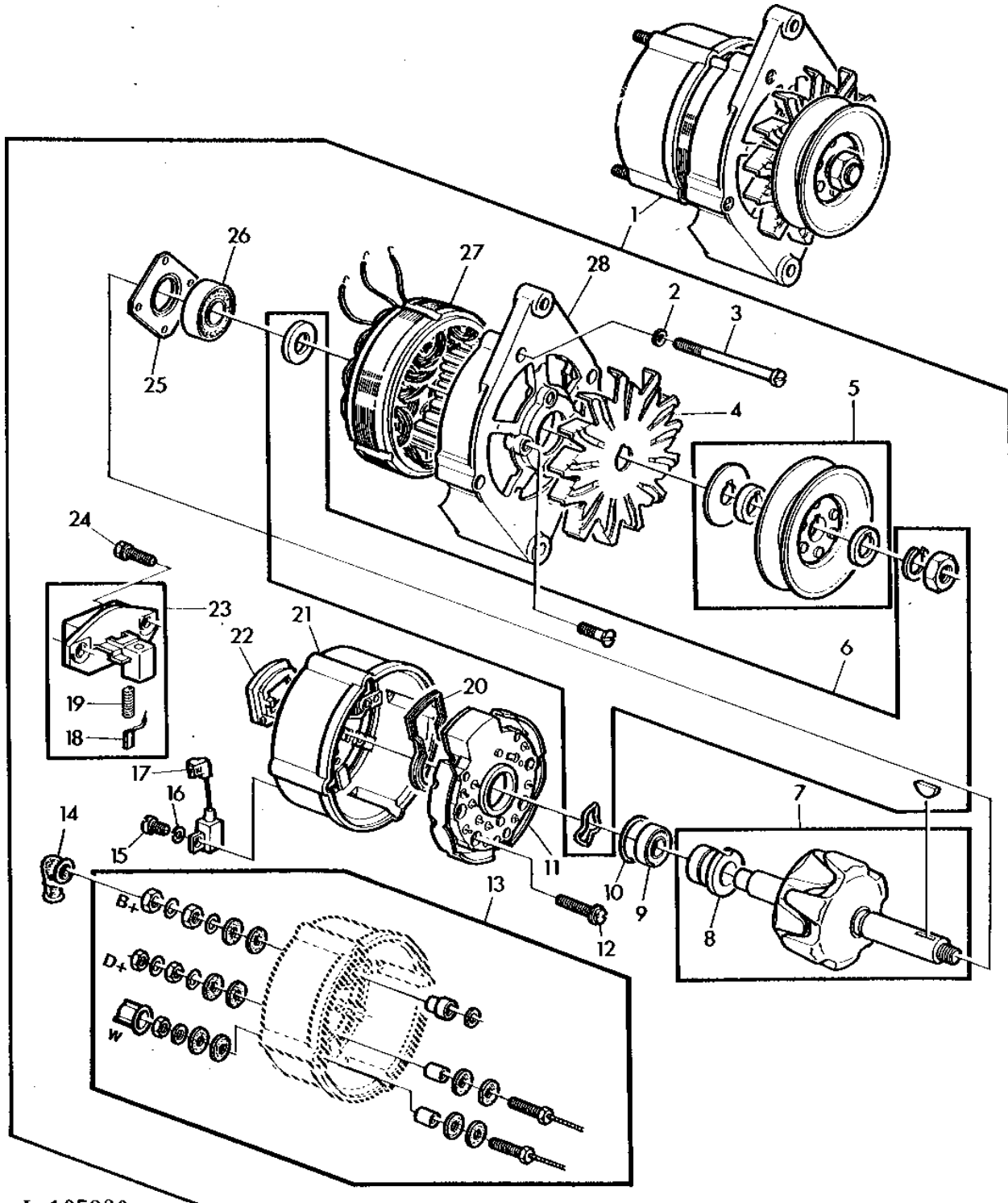
KEY	PART NO.	PART NAME	QTY	ENGINE SERIAL NO.	REMARKS
1	AL32863	PULLEY	1		(SUB FOR AL23856)
2	L29167	FAN	1		
3	L29159	CASE	1		
4	L32147	SCREW	3		
5	12M7064	LOCK WASHER	3	M5	
6	24M7027	WASHER	3	5.300 X 10 X 1 MM	
7	AL27371	STATOR	1		(SUB FOR AL23849)
8	L29163	SCREW	3		
9	AL27374	RECTIFIER	1		(SUB FOR AL23855)
10	L29164	HOUSING	1		
11	L29165	GASKET	1		
12	AL27372	CARBON BRUSH HOLDER	1		(SUB FOR AL23853)
13	L27339	SPRING	2		
14	AL27373	CARBON BRUSH CONDUCTOR	1		BRUSH, (SUB FOR AL23854)
15	L29162	WASHER	2		
16	12M7031	LOCK WASHER	2		
17	AL19208	SCREW	2		
18	AL23857	KIT	1		ROTOR
19	AL23852	BEARING	1		
20	L29161	PLATE	1		
21	AL23850	ROTOR	1		
22	L29160	RING	1		
23	AL23851	BEARING	1		
..	AR62401	ALTERNATOR	1		(SUB AL36391) (28 AMP)
..	TY6651	ALTERNATOR	1		(33 AMP) (REMANUFACTURED) (SUB FOR TY6605)

# 1D21

ELECTRICAL

ALTERNATOR  
(12-VOLT) (55 AMP)  
(ROBERT BOSCH)

L105220 -UN-01JAN94



L 105220

# 1D22

ELECTRICAL

**ALTERNATOR - CONTINUED**  
**(12-VOLT) (55 AMP)**  
**(ROBERT BOSCH)**

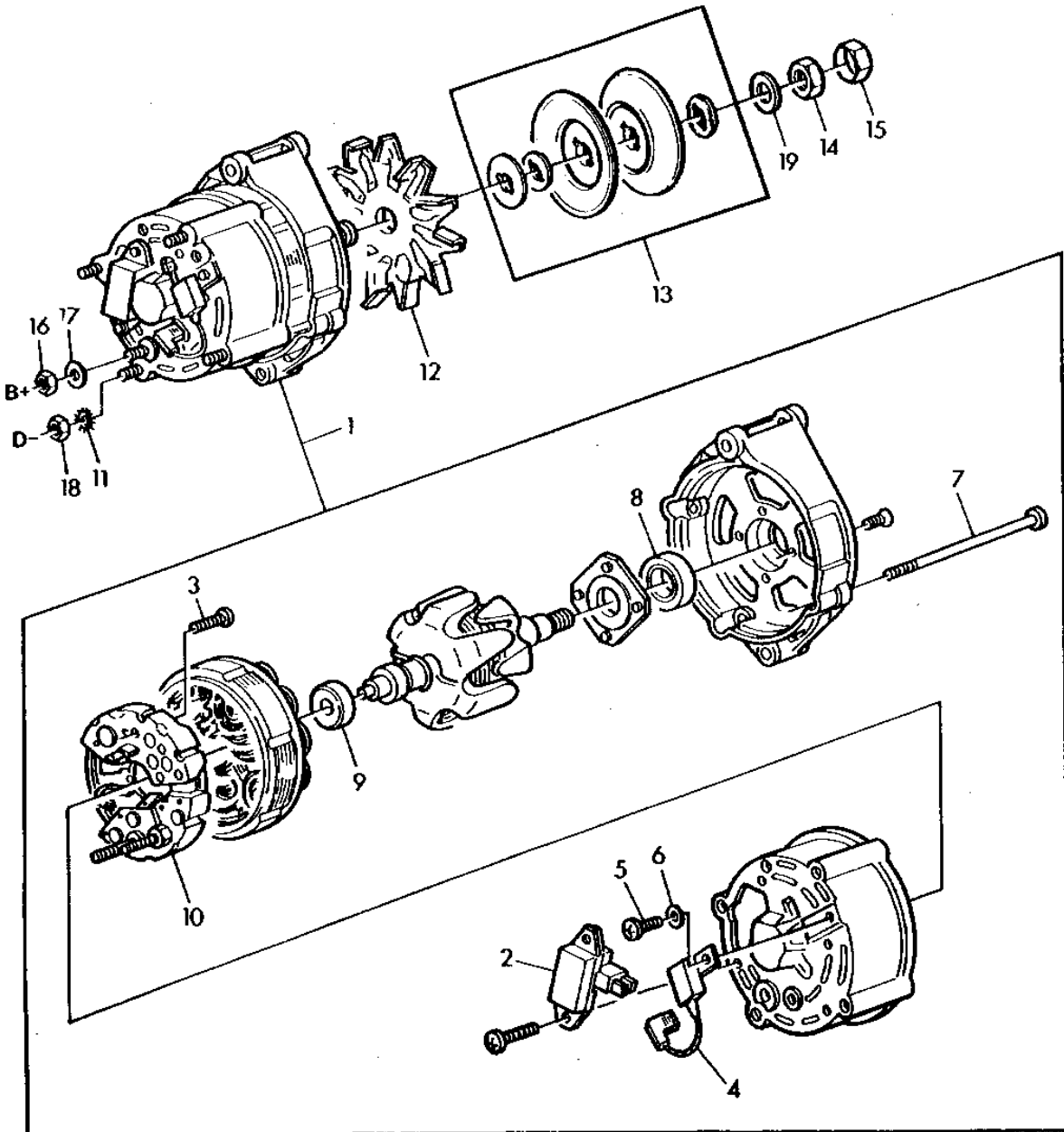
KEY	PART NO.	PART NAME	QTY	ENGINE SERIAL NO.	REMARKS
1	AL36391	ALTERNATOR	1		(INCLUDES AL36390 AND AL35998) (SUB FOR AR62401)
	AL35998	ALTERNATOR	1		(SUB AL81436)
	AL36390	WIRING LEAD	1		
	TY6791	ALTERNATOR	1		(REMANUFACTURED)
2	24M7027	WASHER	4		5.300 X 10 X 1 MM
3	L41575	SCREW	4		
4	L33993	FAN	1		
5	AL32863	PULLEY	1		
6	AL23857	KIT	1		(SUB FOR AL30424)
7	AL30416	ROTOR	1		
8	L33986	RING	1		
9	AL30417	BEARING	1		
10	L33987	O-RING	1		
11	AL30419	DIODE HOLDER	1		(ALSO ORDER AL30425)
12	Z42049	SCREW	3		
13	AL30425	KIT	1		
14	L33994	TERMINAL NIPPLE	2		
15	21M7198	SCREW	1		M5 X 8
16	12M7075	WASHER	1		5.300 X 11 X 0.500 MM
17	AL30423	CAPACITOR	1		
18	AL65077	CARBON BRUSH CONDUCTOR	1		KIT, (SUB FOR AL30421)
19	Z42048	SPRING	2		
20	L41296	GASKET	1		
21	AL30418	HOUSING	1		
22	L33992	INSULATOR	1		(NLA)
23	AL65077	REGULATOR	1		(SUB FOR AL35999)
24	Z42047	SCREW	2		
25	L33985	FLANGE	1		
26	JD10036	BALL BEARING	1		
27	AL30422	STATOR	1		
28	AL30414	CASE	1		

# 1D23

ELECTRICAL

LX003705 -UN-01JAN94

ALTERNATOR (55 AMP)



LX003705



# 1D24

ELECTRICAL

## ALTERNATOR (55 AMP)

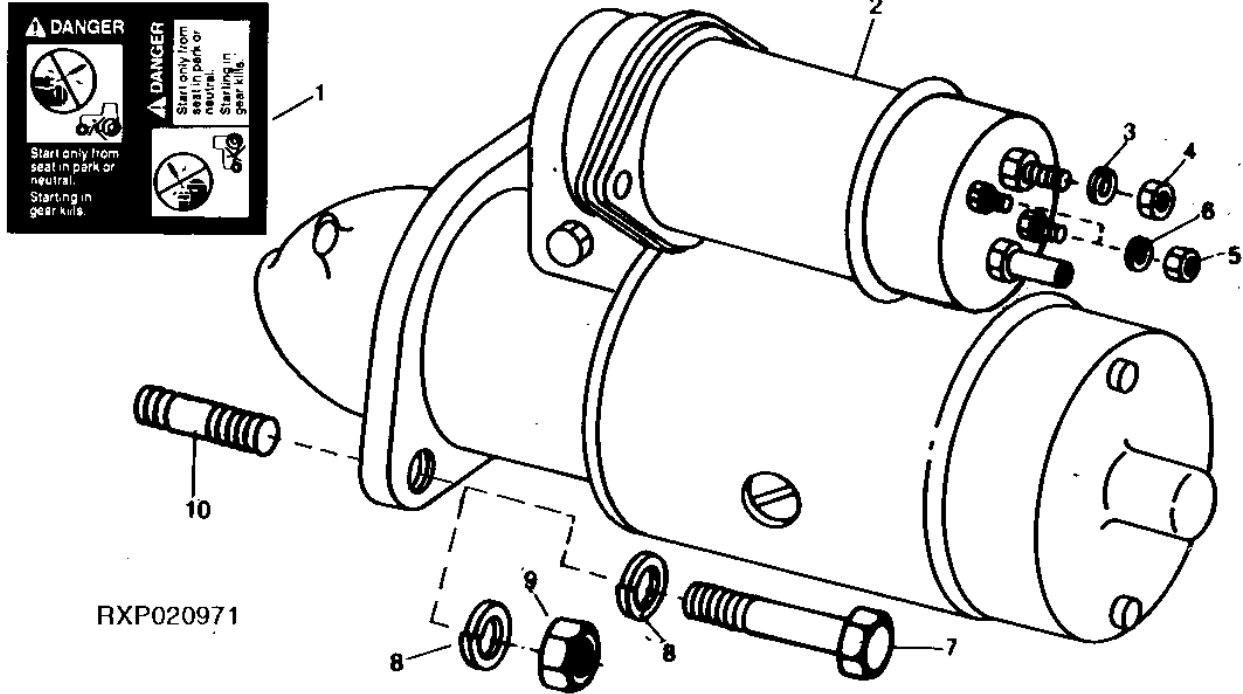
KEY	PART NO.	PART NAME	QTY	SERIAL NO.	REMARKS
1	AL81436	ALTERNATOR	1		(R. BOSCH 14V, 55A, 0120488267) (SUB FOR AL35998, AL67175 OR AL78689)
2	AL65077	REGULATOR	1		
3	Z42047	SCREW	2		
4	AL30423	CAPACITOR	1		
5	21M7198	SCREW	1	M5 X 8	
6	12M7075	WASHER	1		
7	L41575	SCREW	4		
8	JD30001	BALL BEARING	1		
9	JD10036	BALL BEARING	1		
10	AL81450	RECTIFIER	1	(SUB FOR AL68887)	
11	12M7060	WASHER	1		
12	L77042	FAN	1		
13	AL68891	PULLEY	1		
14	L65174	NUT	1	M16	
15	L30960	NUT	1	(SUB FOR L65058)	
16	14M7273	NUT	1	M8	
17	24M7036	WASHER	1		
18	14M7028	NUT	1	M5	
19	12M7131	WASHER	1		

# 1D25

ELECTRICAL

RXP020971 -UN-14NOV94

## STARTING MOTOR AND ATTACHING PARTS



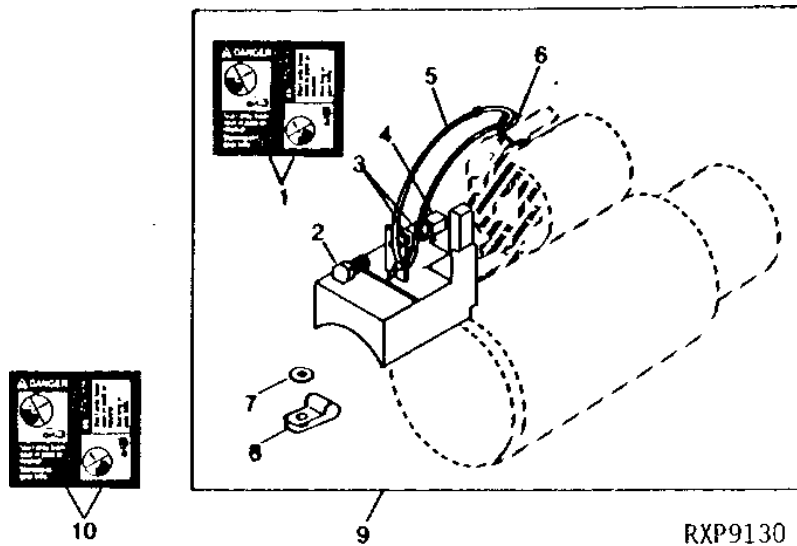
KEY	PART NO.	PART NAME	QTY	ENGINE SERIAL NO.	REMARKS
1	T146102	WARNING LABEL	1		(SUB FOR R77402, T84409 OR T134459)
	T146104	WARNING LABEL	1		(FRANCAIS) (SUB FOR T84411 OR T134453)
	T146106	WARNING LABEL	1		(ESPAÑOL) (SUB FOR T84410 OR T134452)
	T146515	WARNING LABEL	1		(DEUTSCH) (SUB FOR T84412 OR T134454)
	T146516	WARNING LABEL	1		(ITALIANO) (SUB FOR T84413 OR T134455)
	T146517	WARNING LABEL	1		(ENGLISH/FRANCAIS) (SUB FOR T84578 OR T134456)
2	AT23401	STARTER	1	-152929	(R. BOSCH NO. 001359016) (SUB RE62916 OR TY6702)
	AT25619	STARTER	1	-152929	(DELCO-REMY NO. 1107871) (SUB RE62916 OR TY6720)
	RE19187	STARTER	1	-152929	(DELCO-REMY NO. 1998367) (SUB RE62916 OR TY6702)
	RE42730	STARTER	1	-152929	(DELCO-REMY NO. 1998367) (SUB RE62916 OR TY6702)
	RE62916	STARTER	1	-152929	(DELCO-REMY NO. 10479628) (SUB FOR AT23401, AT25619, RE19187, RE42730 OR RE50095)
	TY6702	STARTER	1	-152929	(REMANUFACTURED) (SUB FOR TY6620)
	AR70436	STARTER	1	152930-	(R. BOSCH NO. 001359090) (SUB TY6720)
	AL41247	STARTER	1	152930-	(R. BOSCH 0001362312) (SUB FOR AR70436, THIS APPLICATION) (SUB TY6727)
	AL62690	STARTER	1	152930-	(R. BOSCH NO. 0000369005) (SUB TY6727, THIS APPLICATION)
	TY6720	STARTER	1	152930-	(REMANUFACTURED) (SUB FOR TY6615)
	TY6727	STARTER	1	152930-	(REMANUFACTURED)
3	12M7013	LOCK WASHER	1		M10, (USE WITH RE19187)
4	14M7274	NUT	1		M10, (USE WITH RE19187)
5	14M7297	NUT	2		M5, (USE WITH RE19187)
6	12M7064	LOCK WASHER	2		M5, (USE WITH RE19187)
7	19H1731	CAP SCREW	1		3/8" X 1"
8	12H304	LOCK WASHER	2		3/8"
9	14H1076	NUT	1		3/8"
10	R56481	STUD	1		

# 1E1

ELECTRICAL

## STARTER SOLENOID COVER KIT (DELCO-REMY)

RXP9130 -UN-01JAN94



RXP9130

KEY	PART NO.	PART NAME	QTY	TRACTOR SERIAL NO.	REMARKS
1	T146102	WARNING LABEL	1	(ENGLISH)	
2	19H2038	CAP SCREW	1	3/8" X 1/2"	
3	24H1305	WASHER	2	13/32" X 13/16" X 0.065"	
4	R100380	NUT	1		
5	R76477	TIE BAND	1		
6	R44302	TIE BAND	1		
7	24H1288	WASHER	1	9/32" X 1" X 1/16"	
8	R46414	CLAMP	1		
9	RE39061	SHIELD	1	(A)	
10	T146106	WARNING LABEL	1	(ESPAÑOL)	
	T146104	WARNING LABEL	1	(FRANCAIS)	
	T146515	WARNING LABEL	1	(DEUTSCH)	
	T146516	WARNING LABEL	1	(ITALIANO)	
	T146517	WARNING LABEL	1	(ENGLISH/FRANCAIS)	

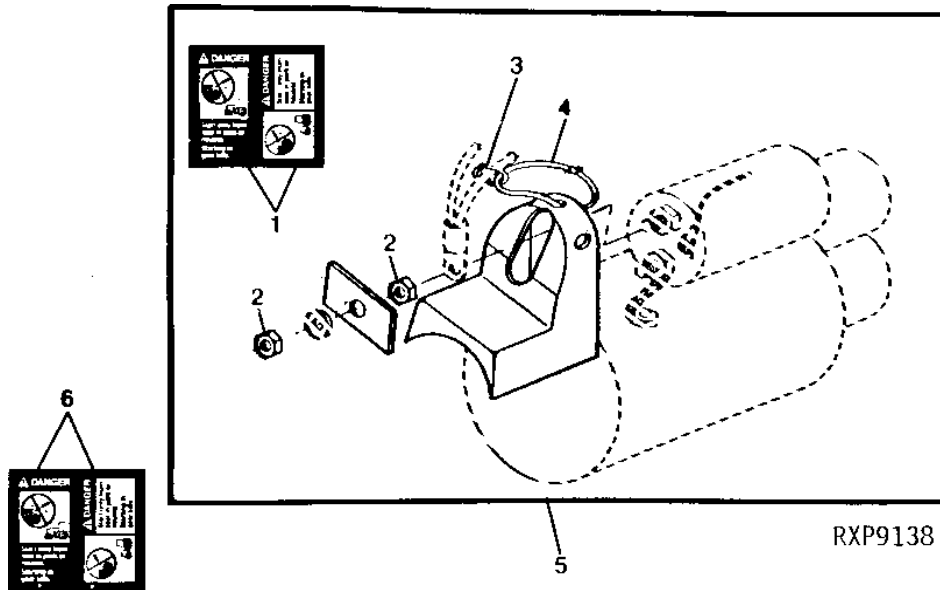
(A) USE ON AT25619, RE19187, RE42730, TY6620 OR TY6702

# 1E2

ELECTRICAL

## SOLENOID COVER KIT (ROBERT BOSCH)

RXP9138 -UN-18AUG95



RXP9138

KEY	PART NO.	PART NAME	QTY	TRACTOR SERIAL NO.	REMARKS
1	T146102	WARNING LABEL	1	(ENGLISH)	
2	14M7152	NUT	2	M10	
3	R44302	TIE BAND	1		
4	R76477	TIE BAND	1		
5	RE39065	SHIELD	1	(A)	
6	T146106	WARNING LABEL	1	(ESPAÑOL)	
	T146104	WARNING LABEL	1	(FRANCAIS)	
	T146515	WARNING LABEL	1	(DEUTSCH)	
	T146516	WARNING LABEL	1	(ITALIANO)	
	T146517	WARNING LABEL	1	(ENGLISH/FRANCAIS)	

(A) USE ON AL41247, AR70436, TY6720 AND TY6727

---

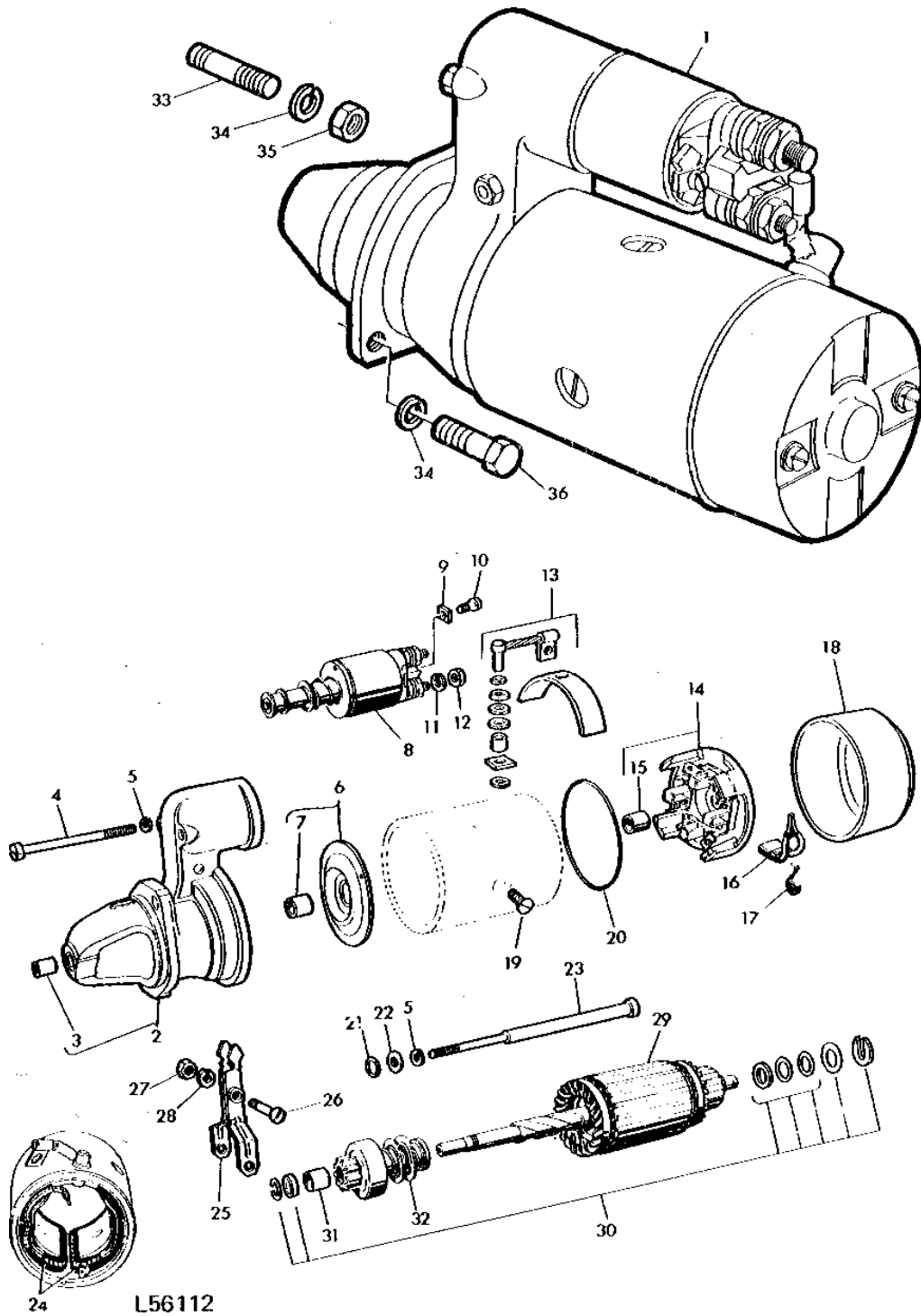
MEMORANDA

# 1E3

ELECTRICAL

STARTING MOTOR  
(ROBERT BOSCH)  
(12-VOLT)  
(ENGINE SERIAL NO. -152929)  
(AT23401)

L56112 -UN-01JAN94



L56112

# 1E4

ELECTRICAL

**STARTING MOTOR - CONTINUED**  
**(ROBERT BOSCH)**  
**(12-VOLT)**  
**(ENGINE SERIAL NO. -152929)**  
**(AT23401)**

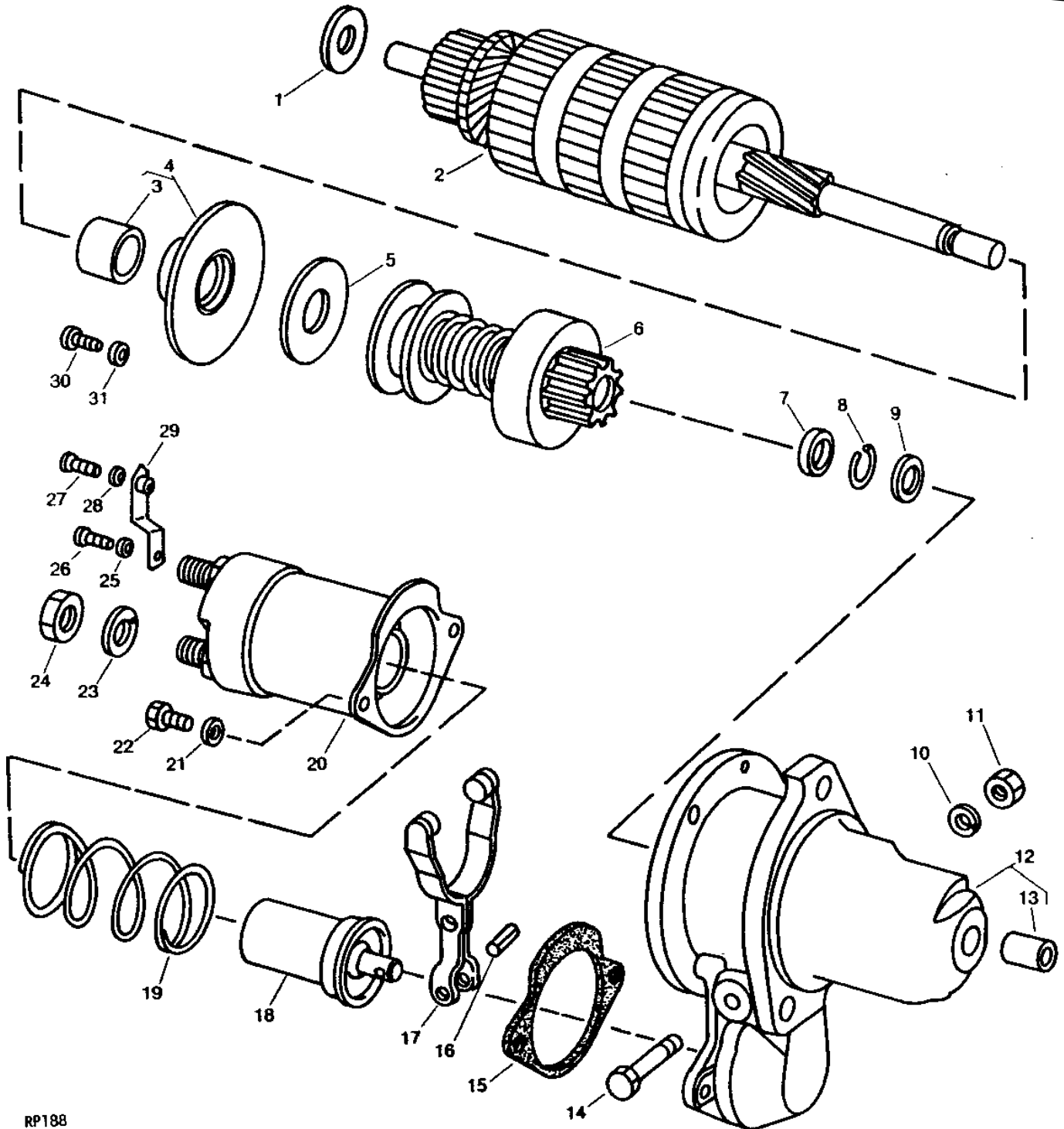
KEY	PART NO.	PART NAME	QTY	ENGINE SERIAL NO.	REMARKS
1	AT23401	STARTER	1		(R. BOSCH NO. 001359016) (SUB RE62916 OR TY6727)
2	AL23844	CASE	1		
3	AL70854	KIT	1		(SUB FOR L19651)
4	21M6041	SCREW	2		M6 X 50, (NLA)
5	L29153	LOCK WASHER	4		
6	Z24798	BEARING	1		
7	L19654	BUSHING	1		
8	AL19192	SOLENOID	1		
9	L29156	CLAMP	1		
10	21M1211	SCREW	1		M4 X 6
11	R53858	LOCK WASHER	2		M10
12	14M7152	NUT	4		M10
13	AL23847	TERMINAL	1		
14	AL23846	COMMUTATOR HOUSING	1		
15	Z24799	BUSHING	1		
16	AL25271	CARBON BRUSH CONDUCTOR	1		(SUB FOR AZ14507)
17	L41579	COMPRESSION SPRING	4		(SUB FOR Z24810)
18	L29158	COVER	1		
19	L29157	SCREW	1		
20	T27670	RING	1		(SUB FOR Z24801)
21	L29155	O-RING	1		
22	L29154	WASHER	1		
23	L29152	SCREW	1		
24	AZ14504	FIELD WINDING COIL	1		
25	AT25914	LEVER	1		
26	T27671	SCREW	1		
27	14M7151	NUT	1		M8
28	12H304	LOCK WASHER	1		3/8"
29	AZ14506	ARMATURE	1		(SUB AL25274 AND AL25275)
30	AL23848	ARMATURE	1		KIT
31	Z24800	BUSHING	1		
32	AT25910	DRIVE	1		
33	R56481	STUD	1		
34	12H304	LOCK WASHER	2		3/8"
35	14H1076	NUT	1		3/8"
36	19H1731	CAP SCREW	1		3/8" X 1"

# 1E5

ELECTRICAL

## STARTING MOTOR DRIVE MOTOR AND ARMATURE ASSEMBLY (ENGINE SERIAL NO. -152929) (AT25619)

RP188 -UN-01JAN94



RP188



# 1E6

ELECTRICAL

STARTING MOTOR DRIVE MOTOR AND ARMATURE ASSEMBLY - CONTINUED  
 (ENGINE SERIAL NO. -152929)  
 (AT25619)

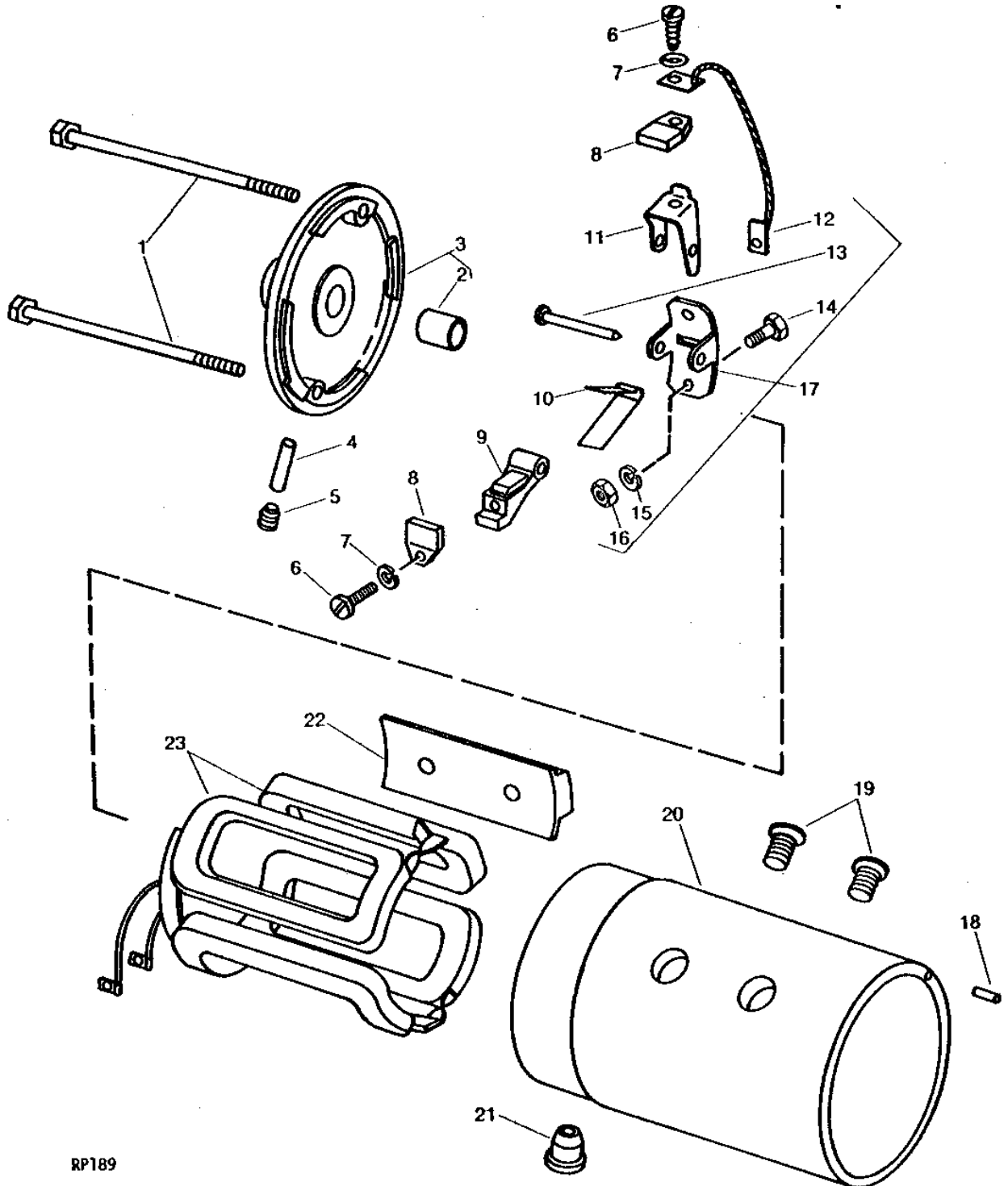
KEY	PART NO.	PART NAME	QTY	ENGINE SERIAL NO.	REMARKS
1	R11096	WASHER	1		
2	AT16291	ARMATURE	1		
3	820148	BUSHING	1		
4	820149	BEARING	1		
5	R11095	WASHER	1		
6	AR54923	BENDIX DRIVE	1		
7	R11116	SPACER	1		
8	R11117	SNAP RING	1		
9	T24539	WASHER	1		
10	12H303	LOCK WASHER	1	5/16"	
11	14H611	NUT	1	5/16"	
12	RE19193	HOUSING	1	(SUB FOR AR70082)	
13	T17987	BUSHING	1		
14	T11672	CAP SCREW	1		
15	T17058	GASKET	1		
16	34H279	SPRING PIN	1	3/16" X 13/16"	
17	T18113	SHIFTER	1		
18	AT15147	PLUNGER	1		
19	T11675	SPRING	1		
20	AR68304	SOLENOID	1	SOLENOID	
	TY6690	SOLENOID	1	(REMANUFACTURED)	
21	12H302	LOCK WASHER	2	1/4"	
22	21H1142	SCREW	2	1/4" X 1/2"	
23	12H304	LOCK WASHER	1	3/8"	
24	14H732	NUT	1	3/8"	
25	12M7060	WASHER	1	0.209"	
26	T15564	SCREW	1		
27	21H1127	SCREW	1	0.190" X 7/16"	
28	12H246	LOCK WASHER	1	0.190"	
29	R11235	FITTING	1		
30	T19589	SCREW	2		
31	T19569	LOCK WASHER	2		
..	AT25619	STARTER	1	(DELCO-REMY NO. 1107871) (SUB FOR AT23401) (SUB RE62916 OR TY6702)	

# 1E7

ELECTRICAL

## STARTING MOTOR HOUSING AND COIL ASSEMBLY (ENGINE SERIAL NO. -152929) (AT25619)

RP189 -UN-01JAN94



RP189

# 1E8

ELECTRICAL

STARTING MOTOR HOUSING AND COIL ASSEMBLY - CONTINUED  
(ENGINE SERIAL NO. -152929)  
(AT25619)

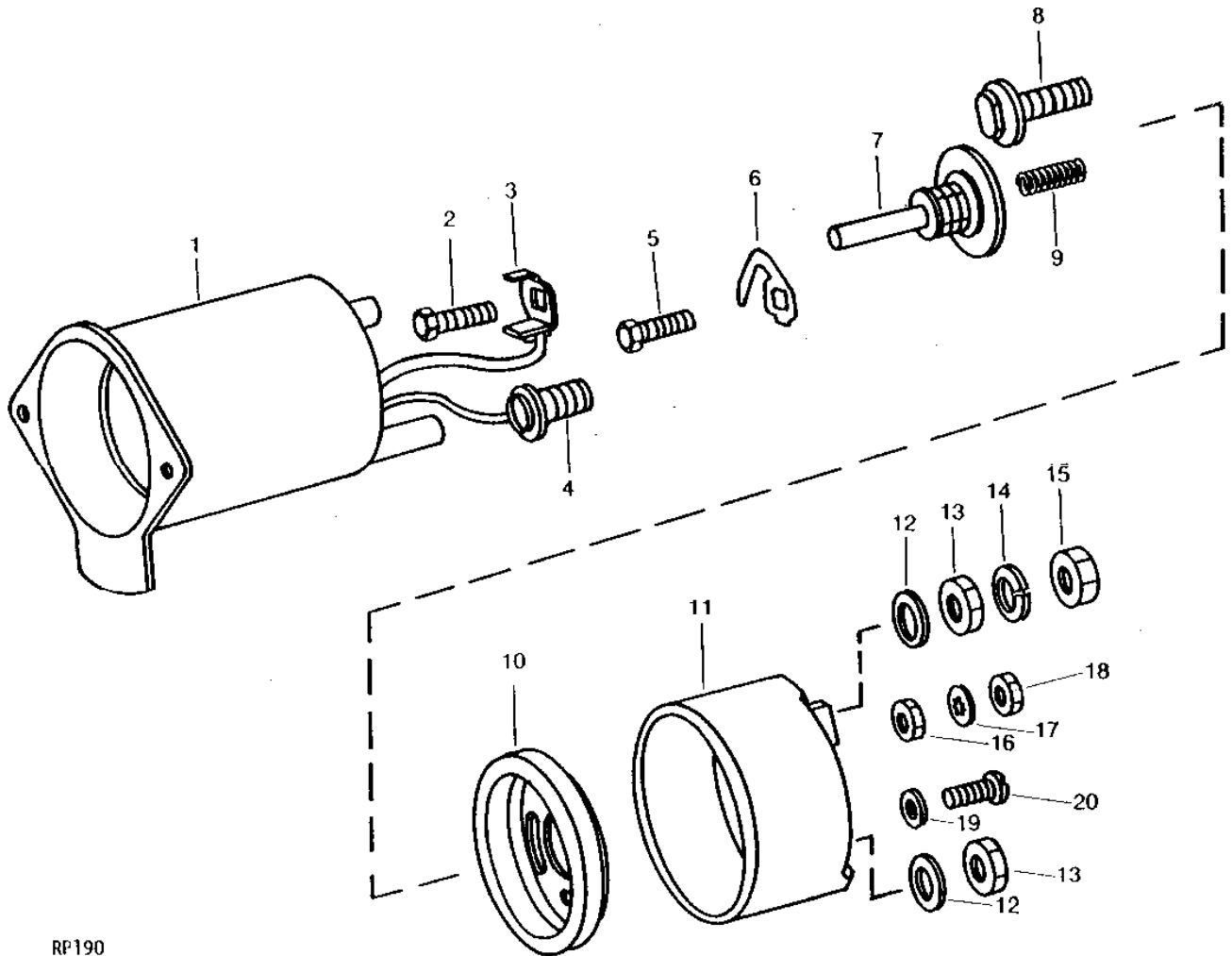
KEY	PART NO.	PART NAME	QTY	ENGINE SERIAL NO.	REMARKS
1	R11243	CAP SCREW	2		
2	R61932	BUSHING	1		
3	R11238	END PLATE	1		
4	H23193	FELT	1		
5	15H558	PIPE PLUG	1	1/8"	
6	37H78	SCREW	4	0.164" X 3/4"	
7	12M7084	LOCK WASHER	4	0.169"	
8	R11239	BRUSH	4		
9	T739T	HOLDER	2		
10	T740T	SPRING	4		
11	T738T	HOLDER	2		
12	AT514T	WIRING LEAD	2		
13	T736T	PIN	2		
14	21H1301	SCREW	4	0.190" X 1/2"	
15	12H246	LOCK WASHER	4	0.190"	
16	14H778	NUT	4	0.190"	
17	AT516T	KIT	2		
18	R11087	DOWEL PIN	1		
19	21H1280	SCREW	8	3/8" X 3/4"	
20	.....	FRAME	1	(ORDER RE62916 OR TY6702)	
21	R11236	GROMMET	1		
22	T11680	SHOE	4		
23	AT16290	FIELD WINDING COIL	1		
..	AT25619	STARTER	1	(DELCO-REMY NO. 1107871) (SUB FOR AT23401) (SUB RE62916 OR TY6702)	

# 1E9

ELECTRICAL

RP190 -UN-01JAN94

SOLENOID SWITCH



RP190

# 1E10

ELECTRICAL

## SOLENOID SWITCH - CONTINUED

KEY	PART NO.	PART NAME	QTY	ENGINE SERIAL NO.	REMARKS
1	.....	HOUSING	1		(ORDER AR68304 OR TY6690)
2	T19606	STUD	1		
3	R11198	CLIP	1		
4	T18354	SCREW	1		
5	T19606	STUD	1		
6	T19604	CONTACT	1		
7	AT15146	CONTACT	1		
8	T18105	STUD	1		
9	R11066	SPRING	1		
10	R61133	GASKET	1		
11	.....	COVER	1		(ORDER AR68304 OR TY6690)
12	R11194	WASHER	2		
13	14H732	NUT	2	3/8"	
14	12H304	LOCK WASHER	1	3/8"	
15	14H1076	NUT	1	3/8"	
16	AR11131	NUT	2		
17	12M7084	LOCK WASHER	2	0.169"	
18	14H605	NUT	2	0.164"	
19	R11039	WASHER	2		
20	21H1298	SCREW	2	0.190" X 3/8"	
..	AR68304	SOLENOID	1		(A) (DELCO-REMY NO. 1114458)
..	TY6690	SOLENOID	1		(A) (REMANUFACTURED)

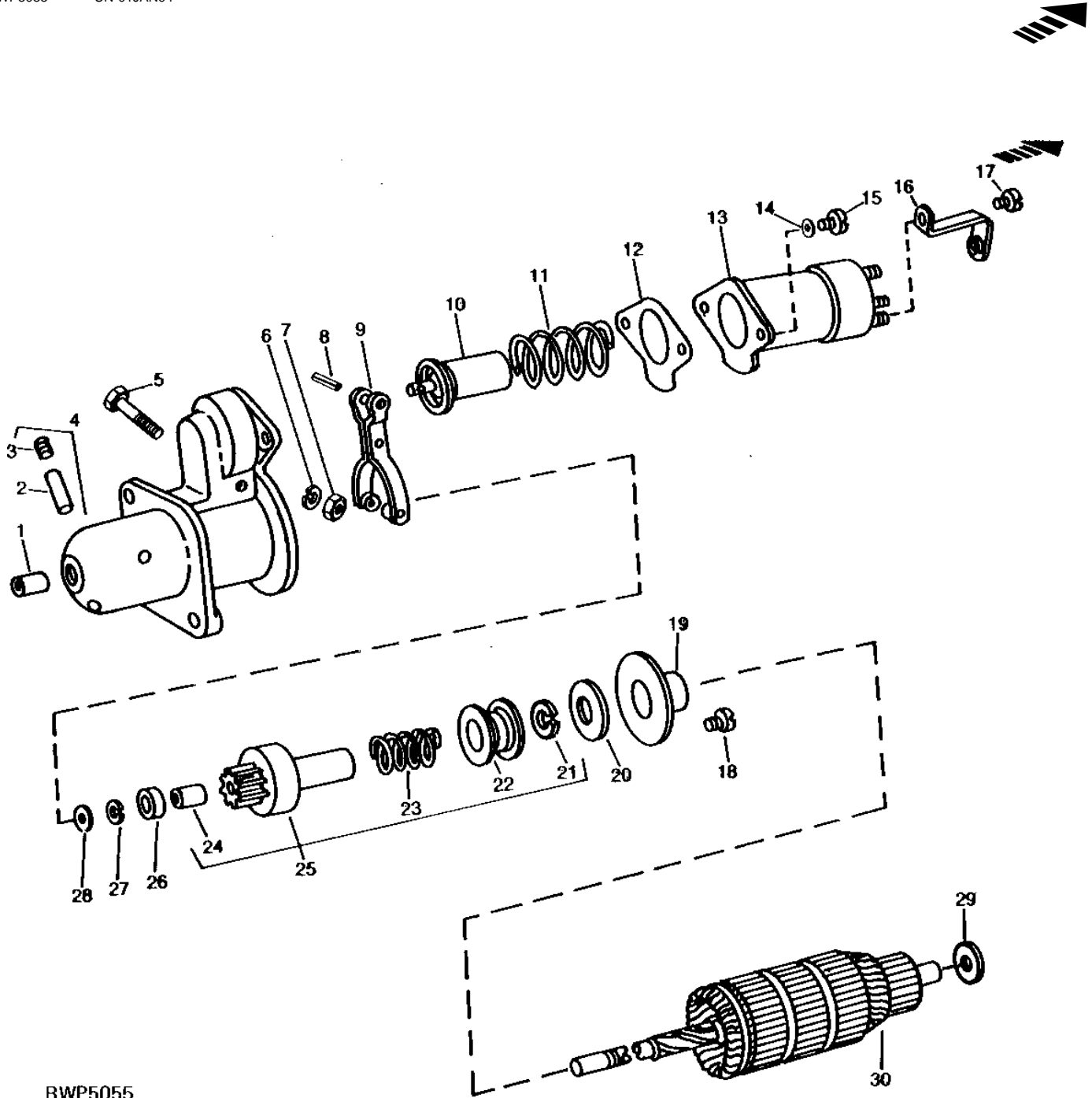
(A) USE WITH AT25619

# 1E11

ELECTRICAL

## STARTING MOTOR DRIVE MOTOR AND SWITCH ASSEMBLY (ENGINE SERIAL NO. -152929) (RE19187 AND RE42730)

RWP5055 -UN-01JAN94



RWP5055

# 1E12

ELECTRICAL

**STARTING MOTOR DRIVE MOTOR AND SWITCH ASSEMBLY - CONTINUED**  
**(ENGINE SERIAL NO. -152929)**  
**(RE19187 AND RE42730)**

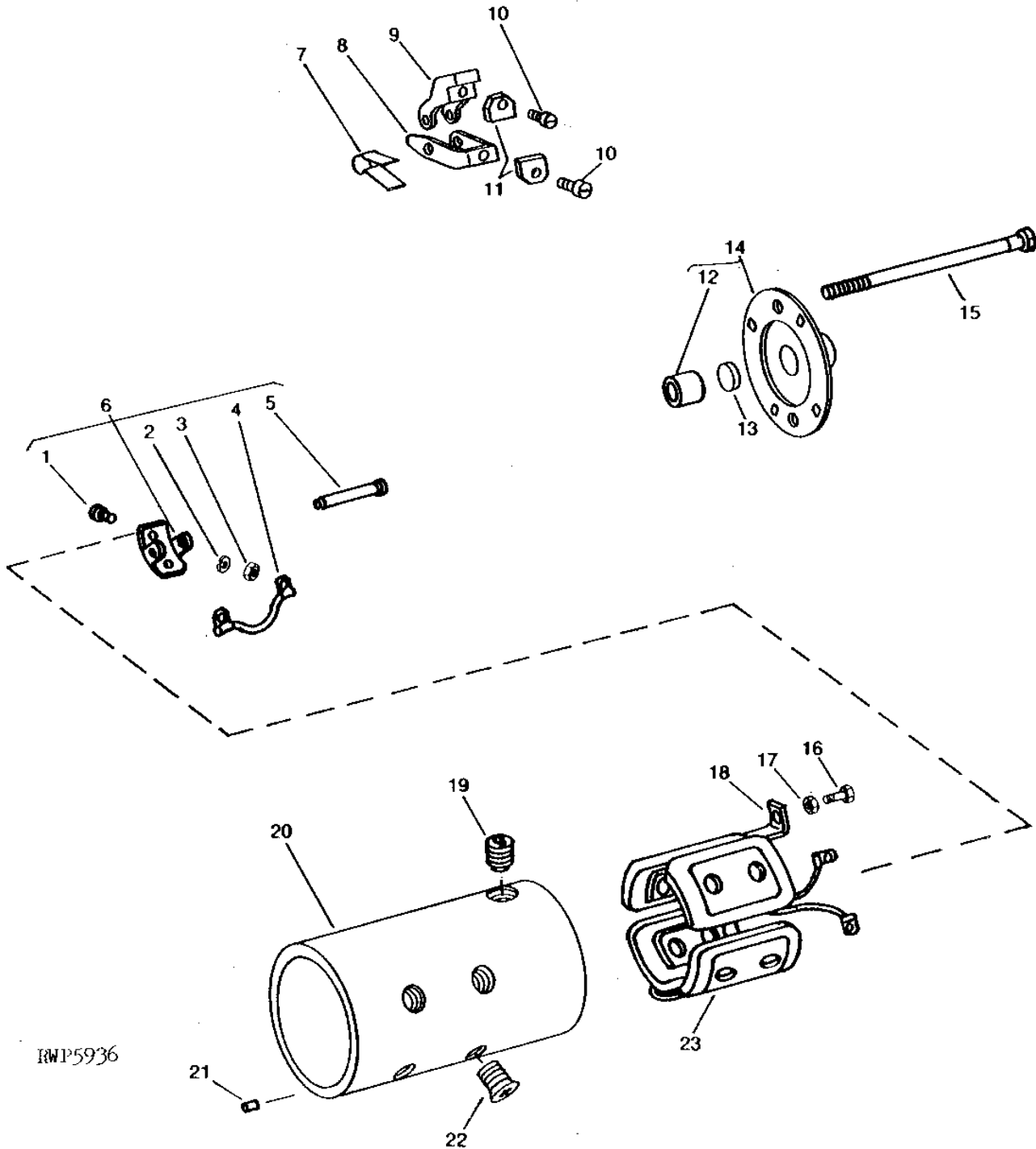
KEY	PART NO.	PART NAME	QTY	ENGINE SERIAL NO.	REMARKS
1	R57029	BUSHING	1		
2	R81175	WICK	1		
3	R81174	PLUG	1		
4	RE19193	HOUSING	1		
5	T11672	CAP SCREW	1		
6	12H303	LOCK WASHER	1	5/16"	
7	14H611	NUT	1	5/16"	
8	34H279	SPRING PIN	1	3/16" X 13/16"	
9	T18113	SHIFTER	1		
10	AM39970	PLUNGER	1		
11	R81176	COMPRESSION SPRING	1		
12	T17058	GASKET	1		
13	AM39968	SOLENOID	1		(DELCO-REMY NO. 1114524)
14	12H302	LOCK WASHER	2	1/4"	
15	21H1142	SCREW	2	1/4" X 1/2"	
16	R57025	FITTING	1		
17	T15564	SCREW	1		
18	RE19191	SCREW, WITH WASHER	2		
19	RE19192	PLATE	1		
20	R81172	WASHER	1		
21	R11118	WIRE	1		
22	.....	SHIFT COLLAR	1		(ORDER AR54923)
23	T26601	SPRING	1		
24	1873796	BUSHING	2		
25	AR54923	BENDIX DRIVE	1		
26	R11116	SPACER	1		
27	R11117	SNAP RING	1		
28	T24539	WASHER	1		
29	R81198	THRUST WASHER	1		
30	RE50095	KIT	1		(SUB FOR AR68299)
..	RE19187	STARTER	1		(DELCO-REMY NO. 1998367) (SUB RE62916 OR TY6702)
..	RE42730	STARTER	1		(DELCO-REMY NO. 1998367) (SUB RE62916 OR TY6702)

# 1E13

ELECTRICAL

STARTING MOTOR COIL ASSEMBLY, HOUSING AND BRUSHES  
(ENGINE SERIAL NO. -152929)  
(RE19187 AND RE42730)

RWP5936 -UN-01JAN94



RWP5936



# 1E14

ELECTRICAL

**STARTING MOTOR COIL ASSEMBLY, HOUSING AND BRUSHES - CONTINUED**  
(ENGINE SERIAL NO. -152929)  
(RE19187 AND RE42730)

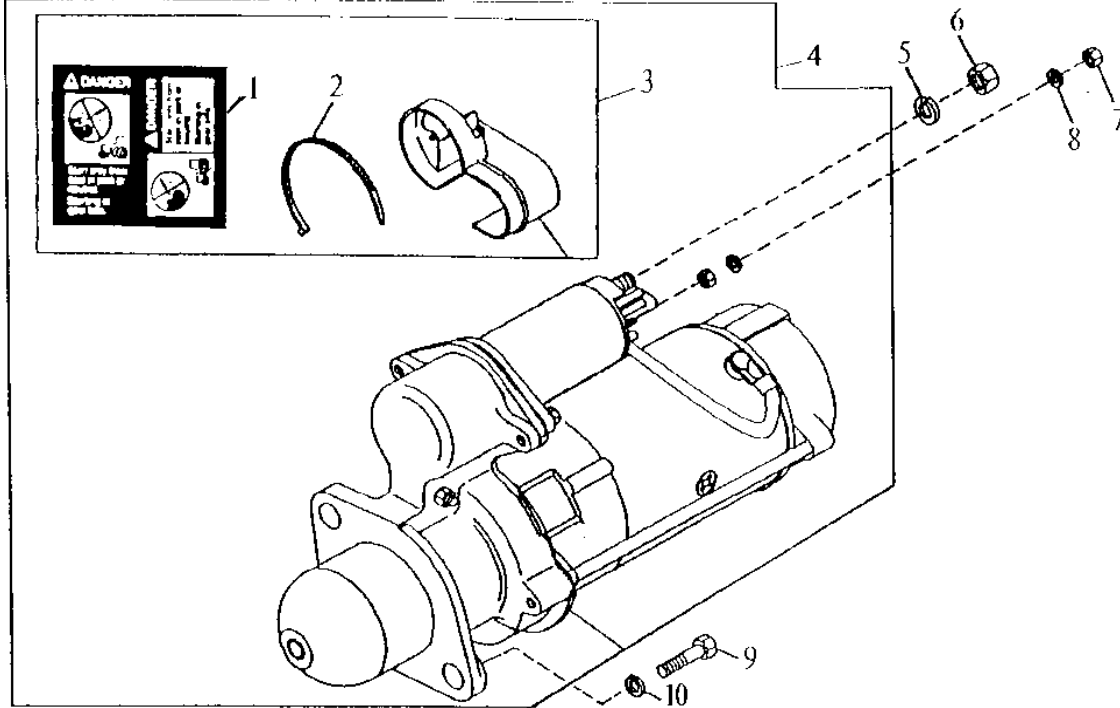
KEY	PART NO.	PART NAME	QTY	ENGINE SERIAL NO.	REMARKS
1	21H1301	SCREW	4		0.190" X 1/2"
2	12H246	LOCK WASHER	4		0.190"
3	14H778	NUT	4		0.190"
4	R57028	WIRING LEAD	2		
5	T736T	PIN	2		
6	AR68302	KIT	2		
7	R81170	SPRING	2		
8	R57027	HOLDER	2		
9	R81169	CARBON BRUSH HOLDER	2		
10	RE19189	SCREW	4		
11	R81168	BRUSH	4		
12	R61932	BUSHING	1		
13	R61934	WICK	1		
14	R81167	END PLATE	1		
15	R81171	BOLT	2		
16	37H91	SCREW	1		0.190" X 1/2"
17	12H246	LOCK WASHER	1		0.190"
18	RE19188	FIELD WINDING COIL	1		
19	R11236	GROMMET	1		
20	.....	HOUSING	1		(ORDER RE62916 OR TY6702)
21	R81173	DOWEL PIN	1		
22	21H1280	SCREW	8		3/8" X 3/4"
23	T11680	SHOE	4		
..	RE19187	STARTER	1		(DELCO-REMY NO. 1998367) (SUB RE62916 OR TY6702)
..	RE42730	STARTER	1		(DELCO-REMY NO. 1998367) (SUB RE62916 OR TY6702)

# 1E15

ELECTRICAL

## STARTING MOTOR WITH ATTACHING HARDWARE (RE62916)

RXP021236 -UN-23AUG95



RXP021236

KEY	PART NO.	PART NAME	QTY	ENGINE SERIAL NO.	REMARKS
1	T146102	WARNING LABEL	1	(ENGLISH)	
	T146106	WARNING LABEL	1	(ESPAÑOL)	
	T146104	WARNING LABEL	1	(FRANCAIS)	
T146515	T146515	WARNING LABEL	1	(DEUTSCH)	
	T146516	WARNING LABEL	1	(ITALIANO)	
	T146517	WARNING LABEL	1	(ENGLISH/FRANCAIS)	
2	H113196	TIE BAND	1		
	R44302	TIE BAND	2		
3	RE50096	KIT	1		
4	RE62916	STARTER	1	(SUB FOR AT23401, AT25619, RE19187, RE42730 OR RE50095)	
5	12M7013	LOCK WASHER	1	10.200 MM	
6	14M7274	NUT	1	M10	
7	14M7297	NUT	1	M5	
8	12M7064	LOCK WASHER	1	5.100 MM	
9	19H3239	CAP SCREW	2	3/8" X 1-1/4"	
10	12H304	LOCK WASHER	2	3/8"	

---

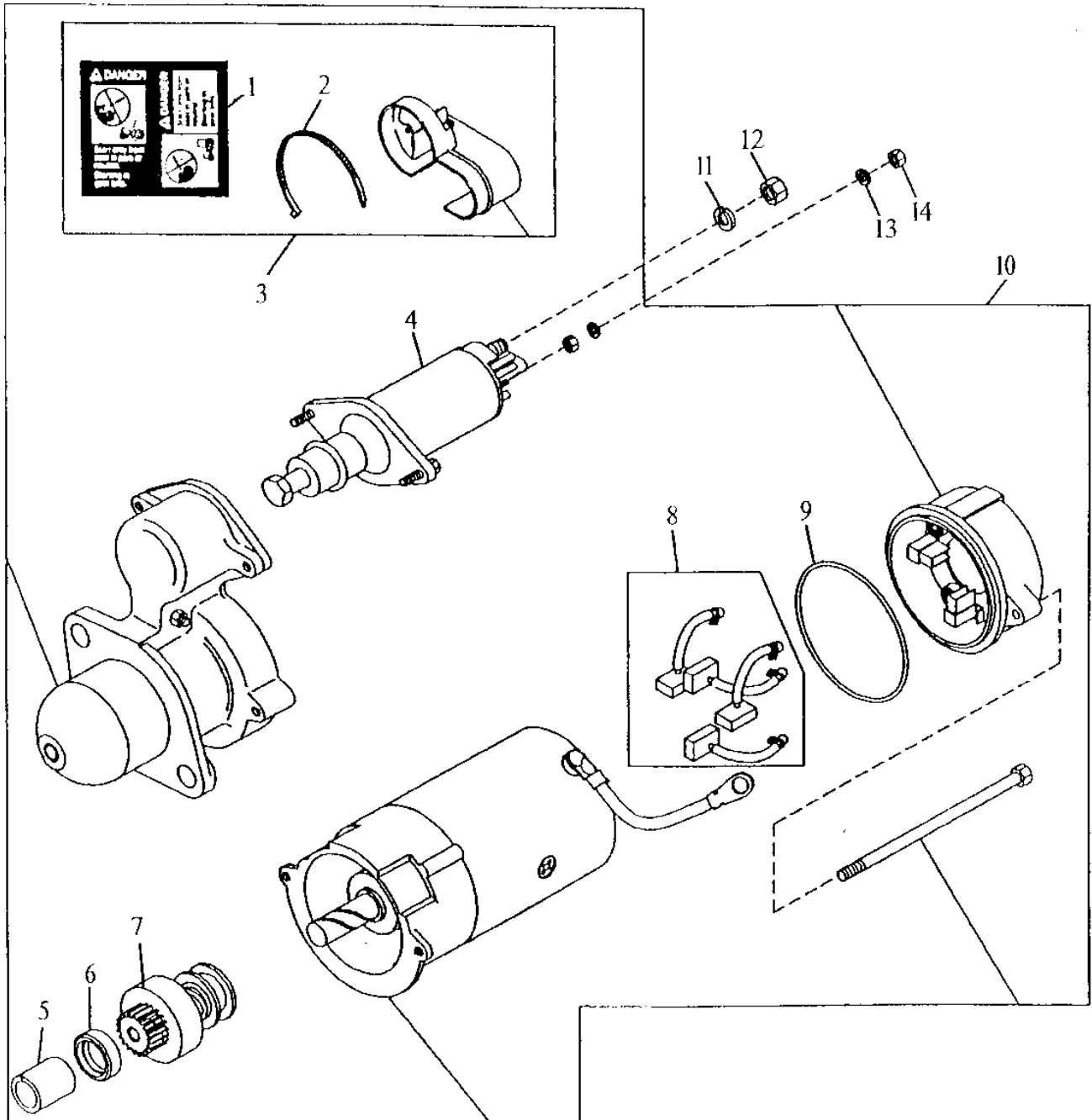
MEMORANDA

# 1E16

ELECTRICAL

## STARTING MOTOR (RE62916)

RXP021237 -UN-18AUG95



RXP021237

# 1E17

ELECTRICAL

STARTING MOTOR - CONTINUED  
(RE62916)

KEY	PART NO.	PART NAME	QTY	ENGINE SERIAL NO.	REMARKS
1	T146102	WARNING LABEL	1	(ENGLISH)	
	T146106	WARNING LABEL	1	(ESPANOL)	
	T146104	WARNING LABEL	1	(FRANCAIS)	
	T146515	WARNING LABEL	1	(DEUTSCH)	
	T146516	WARNING LABEL	1	(ITALIANO)	
	T146517	WARNING LABEL	1	(ENGLISH/FRANCAIS)	
2	H113196	TIE BAND	1		
	R44302	TIE BAND	2		
3	RE50096	KIT	1		
4	RE49984	SWITCH	1		
5	R112923	BUSHING	1		
6	R112922	STOP	1		
7	RE49985	BENDIX DRIVE	1		
8	RE49986	KIT	1		
9	R112926	O-RING	1		
10	RE62916	STARTER	1		(SUB FOR AT25619, RE19187, RE42730 OR RE50095)
11	12M7013	LOCK WASHER	1		10.200 MM
12	14M7274	NUT	1		M10
13	12M7064	LOCK WASHER	1		5.100 MM
14	14M7297	NUT	1		M5

---

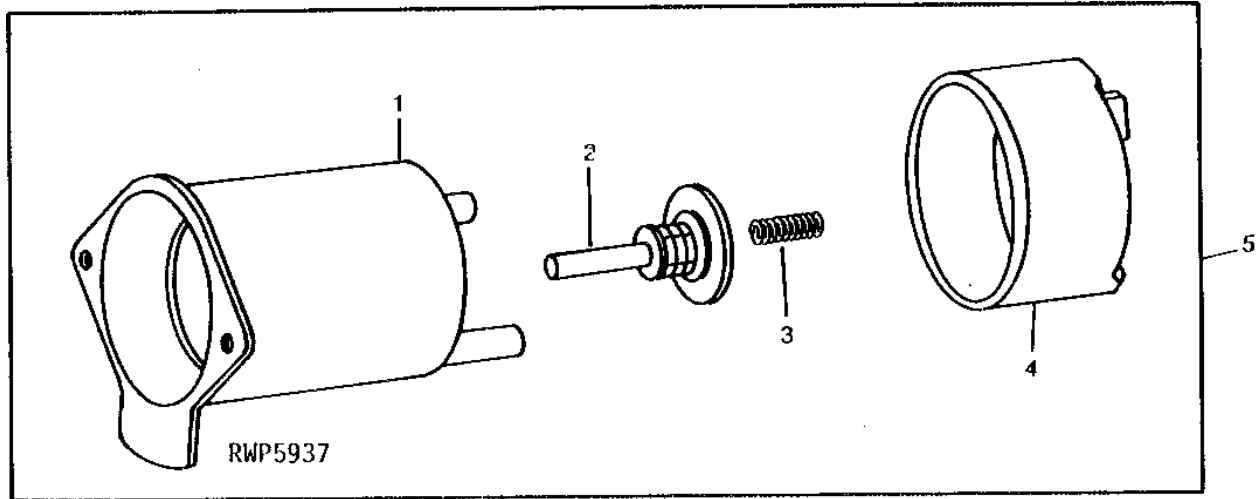
MEMORANDA

# 1E18

ELECTRICAL

RWP5937 -UN-01JAN94

## SOLENOID SWITCH



KEY	PART NO.	PART NAME	QTY	ENGINE SERIAL NO.	REMARKS
1	.....	SOLENOID	1		(ORDER AM39968)
2	AM39969	CONTACT	1		
3	R11066	SPRING	1		
4	RE24175	COVER	1		
5	AM39968	SOLENOID	1		(A) (12-VOLT) (DELCO-REMY NO. 1114524)

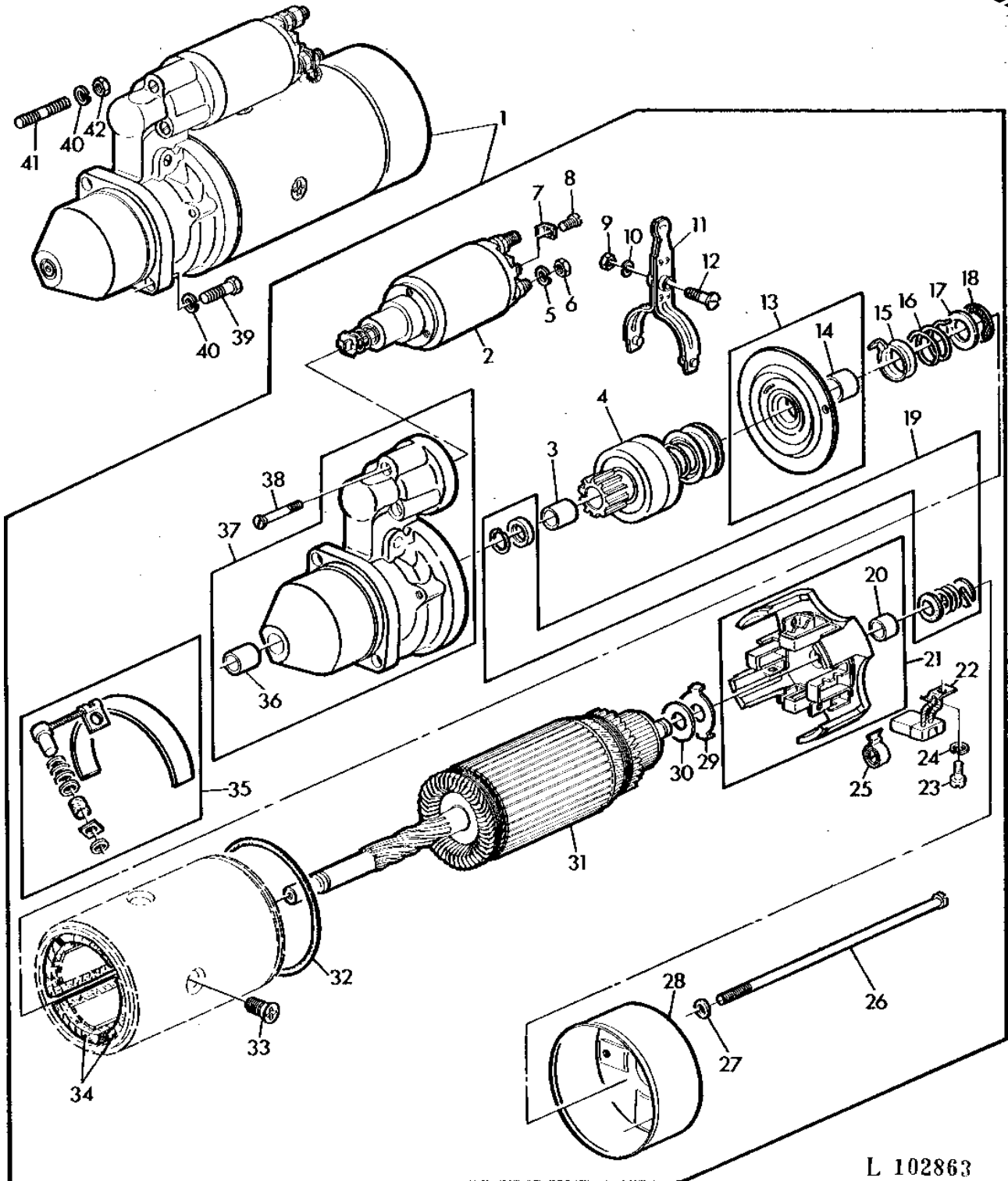
(A) USE WITH RE19187 OR RE42730

# 1E19

ELECTRICAL

STARTING MOTOR  
(ROBERT BOSCH)  
(ENGINE SERIAL NO. 152930- )  
(AR70436)

L102863 -UN-01JAN94



L 102863



# 1E20

ELECTRICAL

STARTING MOTOR - CONTINUED  
(ROBERT BOSCH)  
(ENGINE SERIAL NO. 152930- )  
(AR70436)

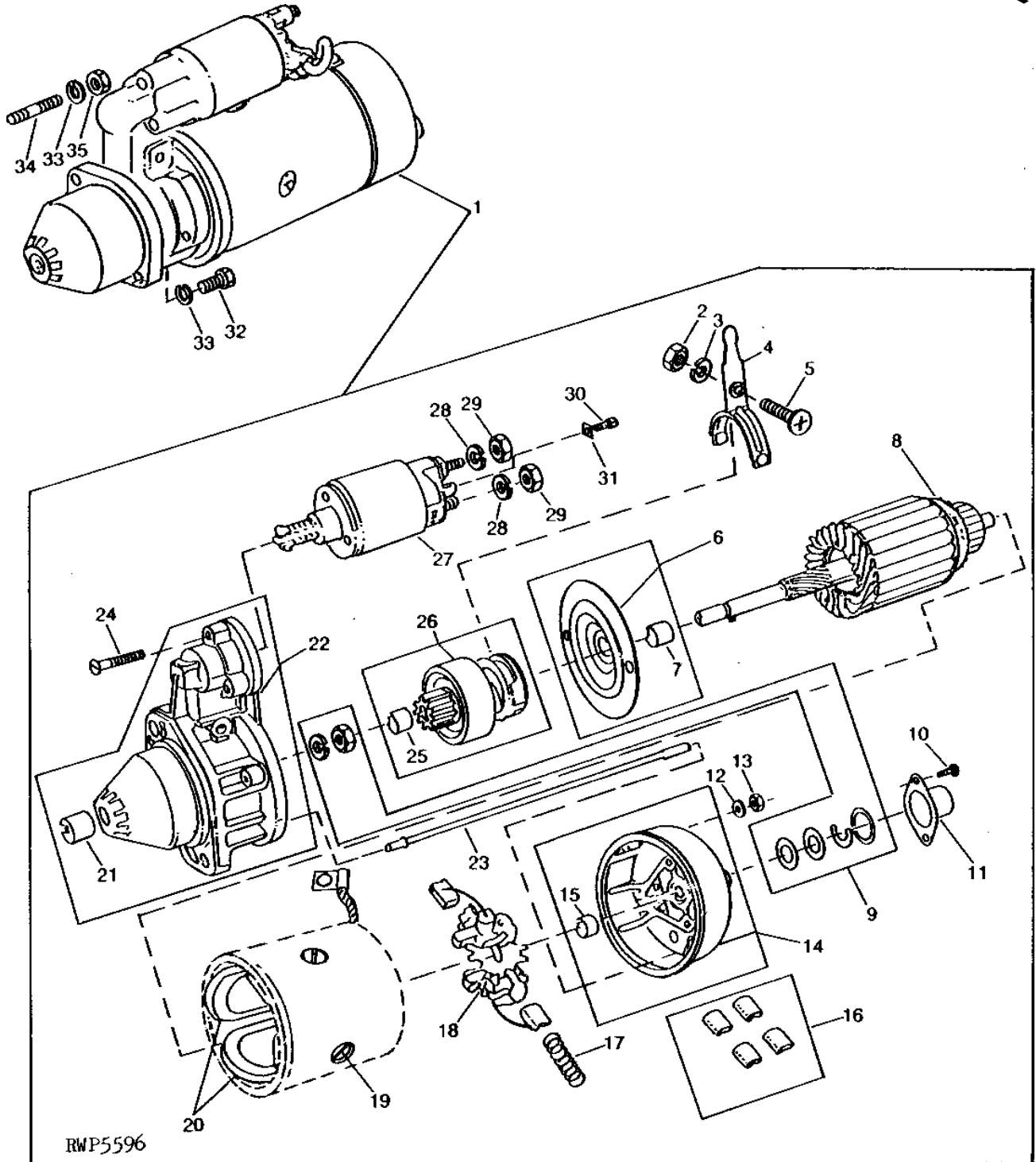
KEY	PART NO.	PART NAME	QTY	ENGINE SERIAL NO.	REMARKS
1	AR70436	STARTER	1		(R. BOSCH 001359090) (SUB TY6720)
	TY6720	STARTER	1		(REMANUFACTURED) (SUB FOR TY6615)
2	AL25268	SOLENOID	1		
3	Z24800	BUSHING	1		
4	AL25275	DRIVE	1		
5	R53858	LOCK WASHER	2		
6	14M7152	NUT	4	M10	
7	L29156	CLAMP	1		
8	21M1211	SCREW	1	M4 X 6	
9	14M7151	NUT	1	M8	
10	12M7065	LOCK WASHER	1	M8	
11	AL25273	LEVER	1		
12	T27671	SCREW	1		
13	AL25267	QUILL	1		
14	L30862	BUSHING	1		
15	L30864	GUIDE	1		
16	L30865	SPRING	1		
17	L30866	GUIDE	1		
18	L30867	BRAKE DISK	1		
19	AL23848	ARMATURE	1		
20	Z24799	BUSHING	1		
21	AL25270	COMMUTATOR HOUSING	1		
22	AL25271	CARBON BRUSH CONDUCTOR	1		
23	21M7198	SCREW	4	M5 X 8, (SUB FOR T24225)	
24	12M7064	LOCK WASHER	4	M5, (SUB FOR T24226)	
25	Z24810	COMPRESSION SPRING	4	(SUB L41579)	
26	L29152	SCREW	1		
27	24M7088	WASHER	1	6.600 X 12 X 1.600 MM, (SUB FOR L30863)	
28	L29158	COVER	1		
29	L30868	THRUST WASHER	1		
30	L30869	DISK	1		
31	AL25274	ARMATURE	1		
32	Z24801	O-RING	1		
33	L29157	SCREW	1		
34	AL25272	FIELD WINDING COIL	1		
35	AL25269	KIT	1		
36	AL70854	KIT	1	(SUB FOR L19651)	
37	AL25266	HOUSING	1		
38	L30860	SCREW	3		
39	19H1731	CAP SCREW	1	3/8" X 1"	
40	12H304	LOCK WASHER	2	3/8"	
41	R56481	STUD	1		
42	14H1076	NUT	1	3/8"	

# 1E21

ELECTRICAL

STARTING MOTOR  
(ENGINE SERIAL NO. 152930- )  
(AL41247)

RWP5596 -UN-01JAN94



RWP5596

# 1E22

ELECTRICAL

STARTING MOTOR - CONTINUED  
(ENGINE SERIAL NO. 152930- )  
(AL41247)

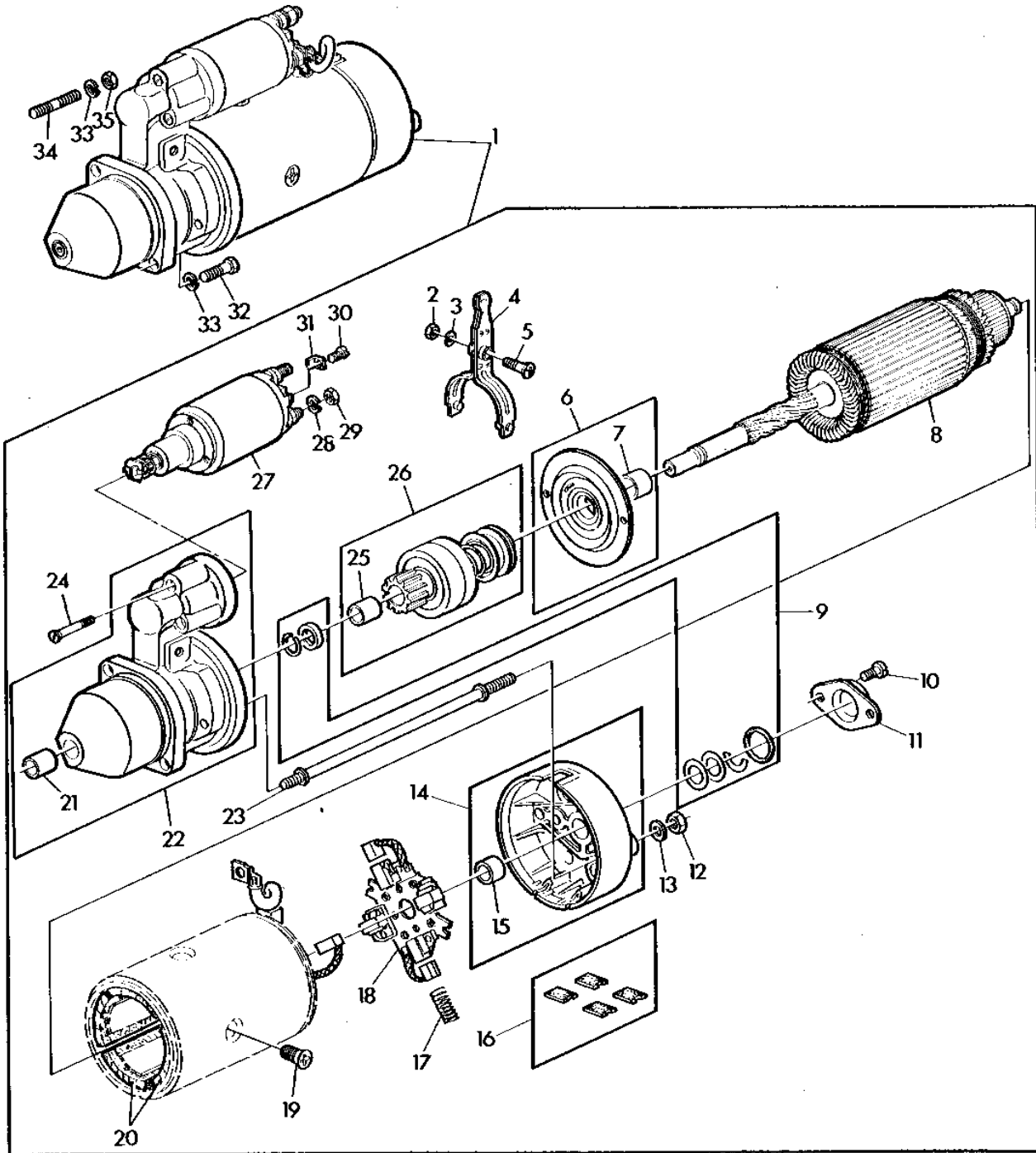
KEY	PART NO.	PART NAME	QTY	ENGINE SERIAL NO.	REMARKS
1	AL41247	STARTER	1		(R.BOSCH 0001362312) (SUB FOR AR70436) (SUB TY6727)
	TY6727	STARTER	1		(REMANUFACTURED)
2	14M7151	NUT	1		M8
3	12M7065	LOCK WASHER	1		M8
4	AL25273	LEVER	1		
5	AL70855	KIT	1		(SUB FOR L41582)
6	AL25267	QUILL	1		
7	L30862	BUSHING	1		
8	AL55042	ARMATURE	1		
9	AL41522	KIT	1		
10	21M7271	SCREW	2		M5 X 16
11	L42043	CAP	1		
12	14M7272	NUT	2		M6
13	24M7088	WASHER	2		
14	AL41520	COMMUTATOR HOUSING	1		
15	AL70854	KIT	1		(SUB FOR L41081)
16	AL55047	CARBON BRUSH CONDUCTOR	1		
17	L55066	COMPRESSION SPRING	4		
18	AL55044	CARBON BRUSH HOLDER	1		
19	L29157	SCREW	4		
20	AL78760	STARTER	1		(SUB FOR AL55043) (SUB RE41748)
21	AL70854	KIT	1		(SUB FOR L19651)
22	RE41748	BEARING	1		(SUB FOR AL41525)
23	L55064	STUD	2		
24	L30860	SCREW	3		
25	Z24800	BUSHING	2		
26	AL63095	BENDIX DRIVE	1		(SUB FOR AL41626)
27	AL55046	SOLENOID	1		
28	12M7013	LOCK WASHER	2		M10
29	14M7152	NUT	2		M10
30	21M1211	SCREW	1		M4 X 6
31	L29156	CLAMP	1		
32	19H1731	CAP SCREW	1		3/8" X 1"
33	12H304	LOCK WASHER	2		3/8"
34	R56481	STUD	1		3/8" X 1-1/2"
35	14H1076	NUT	1		3/8"

# 1E23

ELECTRICAL

STARTING MOTOR  
(ENGINE SERIAL NO. 152930- )  
(AL62690)

L106516 -UN-01JAN94



L 106516

# 1E24

ELECTRICAL

STARTING MOTOR - CONTINUED  
(ENGINE SERIAL NO. 152930- )  
(AL62690)

KEY	PART NO.	PART NAME	QTY	ENGINE SERIAL NO.	REMARKS
1	AL62690	STARTER	1		(R. BOSCH 0000362316) (SUB FOR AL41247) (SUB TY6727, THIS APPLICATION)
	TY6727	STARTER	1		(REMANUFACTURED)
2	14M7151	NUT	1	M8	
3	12M7008	LOCK WASHER	1	M8	
4	AL25273	LEVER	1		
5	AL70855	KIT	1		(SUB FOR L41582)
6	AL25267	QUILL	1		
7	L30862	BUSHING	1		
8	AL55042	ARMATURE	1		
9	AL41522	KIT	1		
10	21M7271	SCREW	2	M5 X 16	
11	L42043	CAP	1		
12	14M7272	NUT	2	M6	
13	24M7054	WASHER	2		
14	AL41520	COMMUTATOR HOUSING	1		
15	AL70854	BUSHING	1		(SUB FOR L41081)
16	AL55047	KIT	1		
17	L55066	COMPRESSION SPRING	4		
18	AL55044	CARBON BRUSH HOLDER	1		
19	L29157	SCREW	4		
20	AL78760	FIELD WINDING COIL	1		(SUB FOR AL55043) (SUB RE41748)
21	AL70854	KIT	1		(SUB FOR L19651)
22	RE41748	BEARING	1		(SUB FOR AL41525)
23	L55064	STUD	2		
24	L30860	SCREW	3		
25	.....	BUSHING	2		(ORDER AL63095)
26	AL63095	BENDIX DRIVE	1		(SUB FOR AL41626)
27	AL55046	SOLENOID	1		
28	12M7013	LOCK WASHER	2	M10	
29	14M7152	NUT	2	M10	
30	21M1211	SCREW	1	M4 X 6	
31	L29156	CLAMP	1		
32	19H1731	CAP SCREW	1	3/8" X 1"	
33	12H304	LOCK WASHER	2	3/8"	
34	M3636T	STUD	1	3/8" X 1-1/2"	
35	14H1076	NUT	1	3/8"	

---

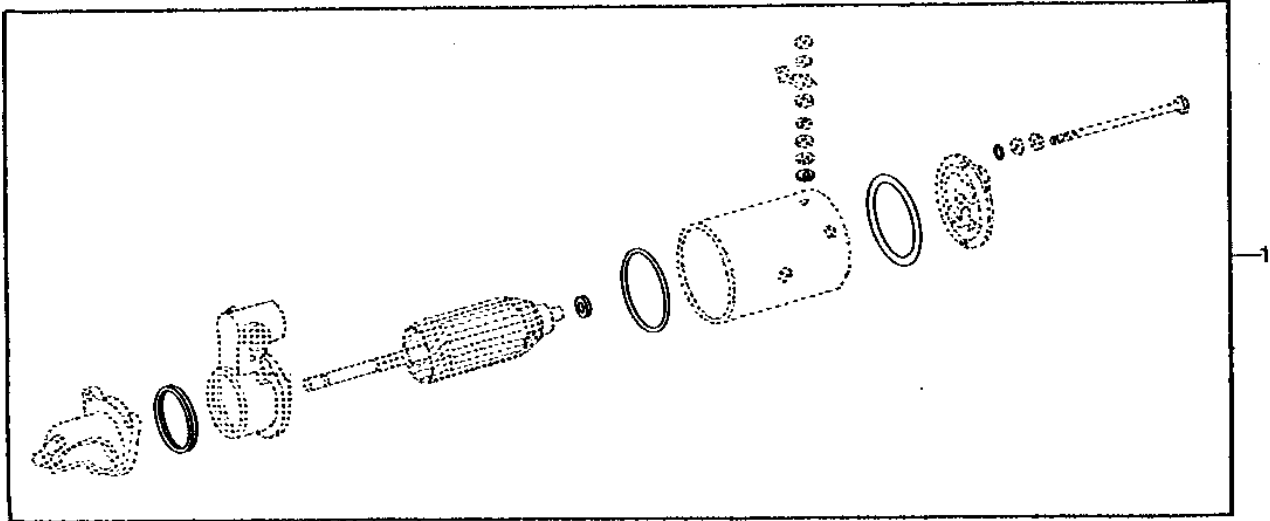
MEMORANDA

# 1E25

ELECTRICAL

RP1234 -UN-01JAN94

## STARTING MOTOR SEALING KIT



RP1234

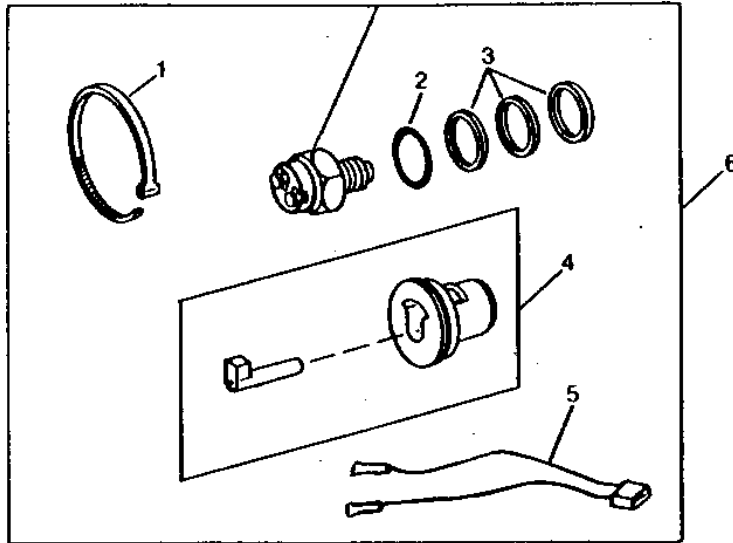
KEY	PART NO.	PART NAME	QTY	ENGINE SERIAL NO.	REMARKS
1	AR100161	SEAL KIT	1	(SUB FOR AR40174 OR AR85407)	

# 1F1

ELECTRICAL

RXP8097 -UN-01JAN94

## NEUTRAL START SWITCH KIT



RXP8097

KEY	PART NO.	PART NAME	QTY	TRACTOR SERIAL NO.	REMARKS
1	R44302	TIE BAND	2		
2	R26448	O-RING	1		
3	T16911	SHIM	3		
4	RE37996	GAUGE	1		(NEUTRAL START SWITCH ADJ.)
5	RE14069	WIRING HARNESS	1		
6	RE38390	SWITCH	1		(SUB FOR R36265, AR85323, AR89691 OR AT85153)

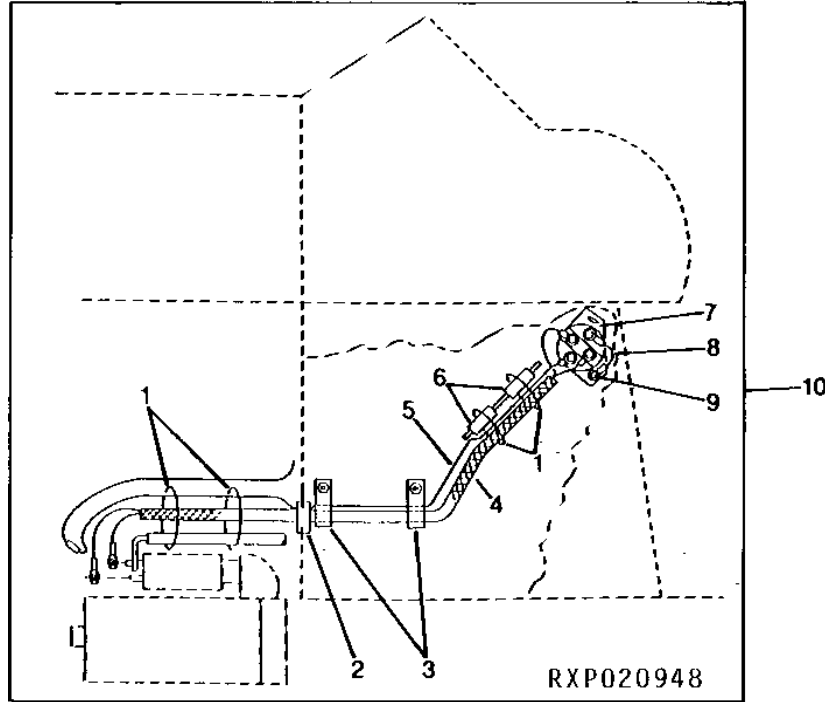


# 1F2

ELECTRICAL

RXP020948 -UN-12OCT94

## STARTING CIRCUIT RELAY KIT



KEY	PART NO.	PART NAME	QTY	TRACTOR SERIAL NO.	REMARKS
1	R44302	TIE BAND	AR		
	R76477	TIE BAND	AR		
2	R41439	GROMMET	1		
3	R72853	CLAMP	2		
	19H1919	CAP SCREW	2	1/4" X 5/8"	
	24H1286	WASHER	2	9/32" X 1/2" X 1/16"	
	12H297	LOCK WASHER	2	1/4"	
	14H786	NUT	2	1/4"	
4	AR69980	WIRING HARNESS	1		
5	.....	WIRING LEAD	1		(MAKE FROM R65593, R65599 AND R32027)
6	R45847	HOSE	2		
7	RE38391	RELAY	1		(CONTAINS (2) 12H297, (2) 14H786 AND (2) 24H1286) (ALSO ORDER RE41287) (12-VOLT)
8	.....	WIRING LEAD	1		(MAKE FROM R65593, R65599 AND R32018) RELAY GROUND
9	19H1919	CAP SCREW	2	1/4" X 5/8"	
	24H1286	WASHER	2	9/32" X 1/2" X 1/16"	
	12H297	LOCK WASHER	2	1/4"	
	14H786	NUT	2	1/4"	
10	RE42993	KIT	1		(FI)(12-VOLT)

---

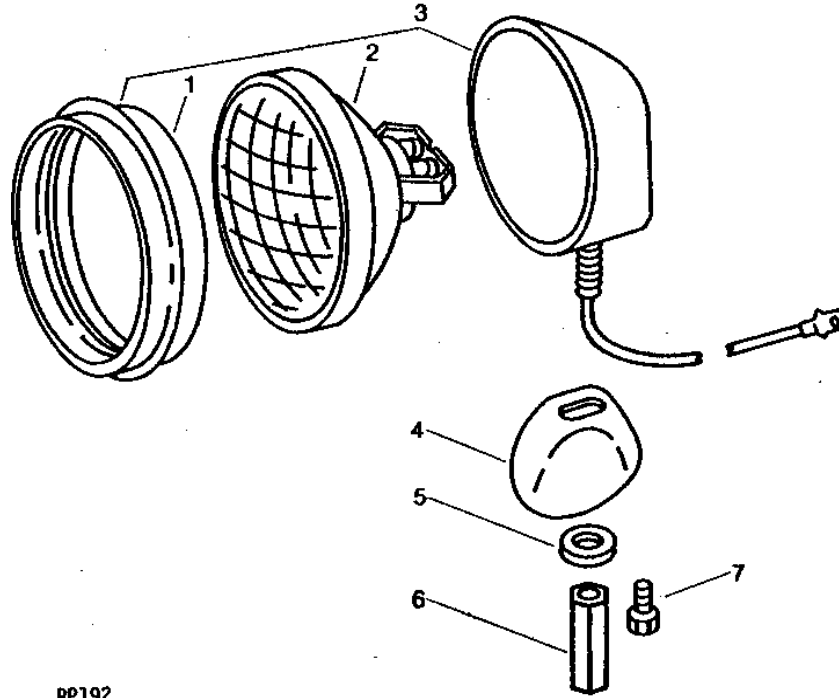
MEMORANDA

# 1F3

ELECTRICAL

RP192 -UN-01JAN94

## FRONT LAMP



RP192

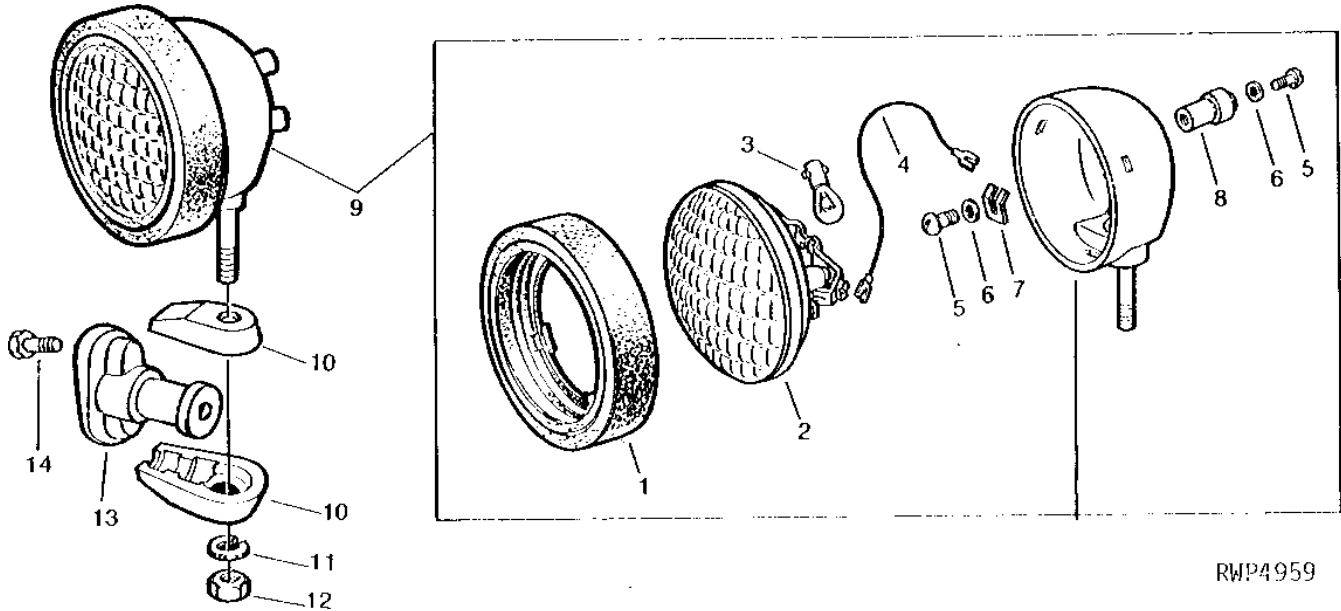
KEY	PART NO.	PART NAME	QTY	TRACTOR SERIAL NO.	REMARKS
1	R31250	BEZEL	1		(GUIDE)
	R30182	BEZEL	1		(HOBBS)
2	AF3892R	HEADLIGHT	1		
3	AT20106	LAMP	1		
4	T21761	SUPPORT	1		
5	24H1355	WASHER	1		(SUB FOR R31892)
6	T22522	NUT	1		
7	T19179	CAP SCREW	2		

# 1F4

ELECTRICAL

RWP4959 -UN-01JAN94

## REAR LIGHT AND BRACKET



RWP4959

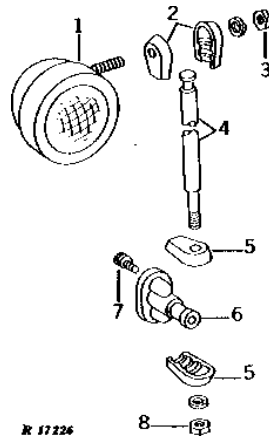
KEY	PART NO.	PART NAME	QTY	TRACTOR SERIAL NO.	REMARKS
1	R30182	BEZEL	1	(HOBBS)	
	R31250	BEZEL	1	(GUIDE)	
2	AR21737	LAMP	1	(SUB AR77324, AD2062R AND AR77325 WHEN ORDERED FOR AT16288)	
	AR77324	LAMP	1	(USE WITH AR77326)	
	AR55888	SOCKET	1	(USE WITH AT16288)	
	AR77325	SOCKET	1	(USE WITH AR77326)	
3	AR86969	BULB	1	(12-VOLT) (USE WITH AT16288) (SUB FOR AR21739)	
	AD2062R	BULB	1	(12-VOLT) (USE WITH AR77326)	
4	.....	WIRING LEAD	1	165MM (6-1/2") (SEALED UNIT TO TERMINAL PLATE) (MAKE FROM R66319 AND (2) R32016)	
5	21H1293	SCREW	4	0.164" X 5/16"	
6	12H290	WASHER	4	0.164"	
7	A2899R	ASSEMBLY LINE PARTS	2		
8	AA3495R	SUPPORT	2	(GUIDE)	
	R30181	PLATE	2	(HOBBS)	
9	AR77326	FLOODLAMP	1	(SUB FOR AR34990 OR AT16288)	
10	R27460	CLAMP	2		
11	12H301	LOCK WASHER	1	1/2"	
12	14H1040	NUT	1	1/2"	
13	T19178	BRACKET	1		
14	T19179	CAP SCREW	2		

# 1F5

ELECTRICAL

R17226 -UN-01JAN94

## REAR COMBINATION LAMP EXTENSION



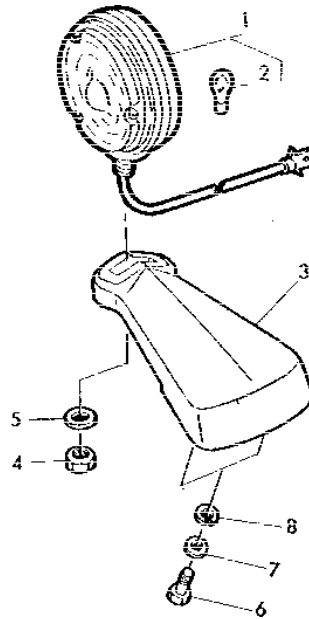
KEY	PART NO.	PART NAME	QTY	TRACTOR SERIAL NO.	REMARKS
1	AR77326	FLOODLAMP	1		FLOOD AND TAIL, (SUB FOR AT16288)
2	R27460	CLAMP	2		
3	14H1040	NUT	1	1/2"	
	12H301	LOCK WASHER	1	1/2"	
4	R48473	EXTENSION	1		
5	R27460	CLAMP	2		
6	T19178	BRACKET	1		
7	37H106	SCREW	1	3/8" X 5/8"	
8	14H1040	NUT	1	1/2"	
	12H301	LOCK WASHER	1	1/2"	

# 1F6

ELECTRICAL

L50617 -UN-01JAN94

## WARNING LIGHT



L 50617

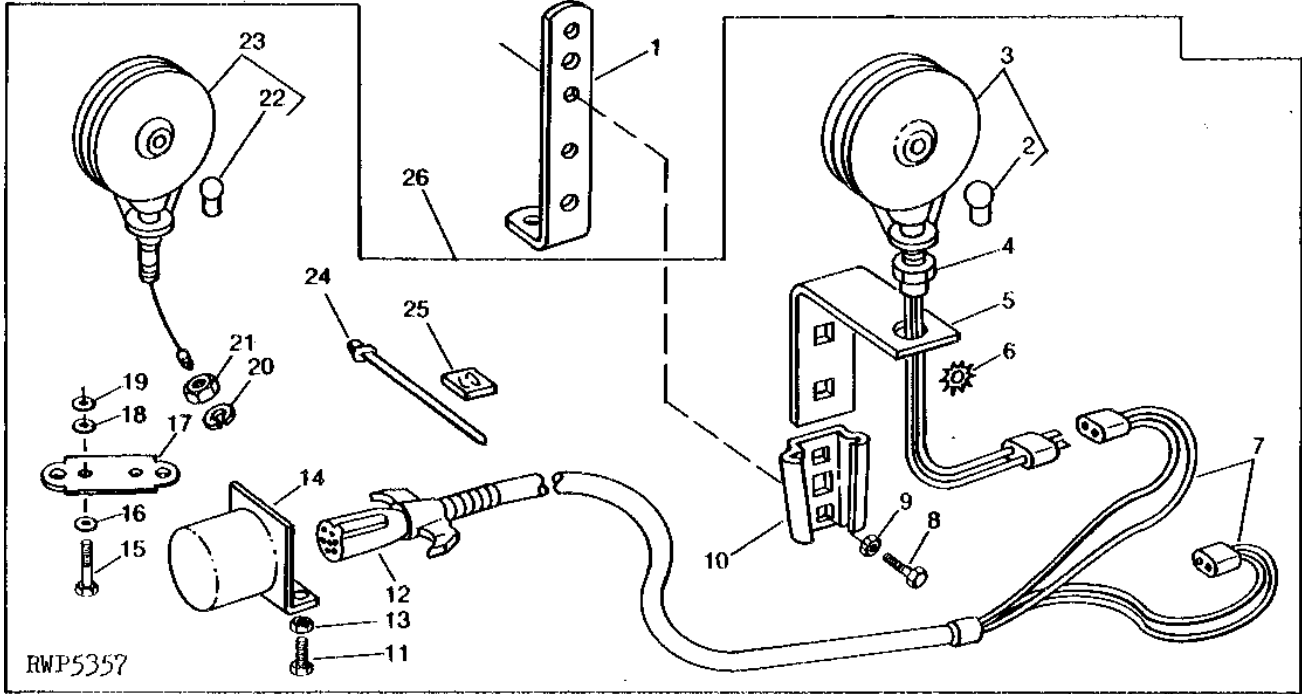
KEY	PART NO.	PART NAME	QTY	TRACTOR SERIAL NO.	REMARKS
1	AR50580	LAMP	2		
	R48664	LENS	1		(AMBER, WITH RED REFLECTOR)
	R48665	LENS	1		(AMBER)
	R49296	SCREW	3		
2	AD2062R	BULB	2		(12-VOLT)
3	R48352	SUPPORT	2		
4	14H865	NUT	2		1/2"
5	R47831	WASHER	2		
6	T19179	CAP SCREW	4		
7	24H1307	WASHER	4		13/32" X 1" X 1/16"
8	12H304	LOCK WASHER	4		3/8"

# 1F7

ELECTRICAL

RWP5357 -UN-01JAN94

## IMPLEMENT WARNING LAMP KIT



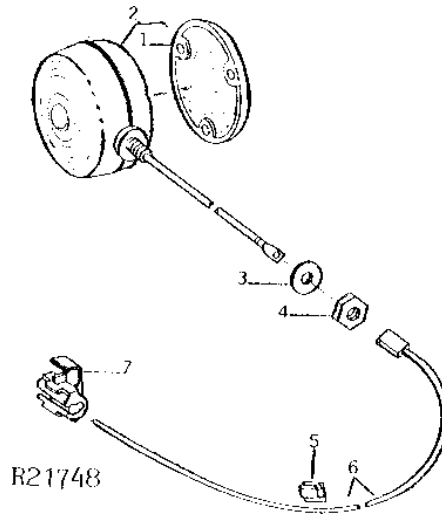
KEY	PART NO.	PART NAME	QTY	TRACTOR SERIAL NO.	REMARKS
1	A39716	BRACKET	2		
2	AD2062R	BULB	2		
3	AA34967	LAMP	2		
	A48331	LENS	2		
4	12H301	LOCK WASHER	2	1/2"	
	14H856	NUT	2	1/2"	
5	PT18180	BRACKET	2		(SUB FOR PT1624 OR PT9319)
6	PT9390	WASHER	1		
7	PT9318	WIRING HARNESS	1		(SUB FOR PT1294)
8	37H57	SCREW	5	5/16" X 3/4"	
9	14H785	NUT	5	5/16"	
10	JD126	SOCKET	2		
11	37H3	SCREW	2	1/4" X 5/8"	
12	AH93625	PLUG	1		
13	14H786	NUT	2	1/4"	
14	PT1296	BRACKET	1		
15	37H57	SCREW	5	5/16" X 3/4"	
16	24H1822	WASHER	1	11/32" X 7/8" X 1/16"	
17	PT9320	BRACKET	1		
18	24H1822	WASHER	1	11/32" X 7/8" X 1/16"	
19	14H788	NUT	5	3/8"	
20	12H301	LOCK WASHER	1	1/2"	
21	14H856	NUT	1	1/2"	
22	AR48041	BULB	1		
23	AA34968	TAIL LAMP	1		
	A48332	LENS	1		
24	R44302	TIE BAND	AR		
25	AT55441	BASE	AR		(SUB FOR PT9321)
26	TY16055	KIT	1		(SUB FOR TY9305 OR TY15263) (FI)
..	AA32178	WIRING LEAD	1		ACCESSORY

# 1F8

ELECTRICAL

R21748 -UN-01JAN94

## TURN SIGNAL LIGHTS (WITH WEATHER ENCLOSURE)



KEY	PART NO.	PART NAME	QTY	TRACTOR SERIAL NO.	REMARKS
1	R42666	LENS	2		
2	AR54975	LAMP	2		
3	R38371	WASHER	2		
4	14H865	NUT	2	1/2"	
5	R47474	CLIP	10		
6	AR68119	WIRING LEAD	2		
7	AR67855	CONNECTOR	2		

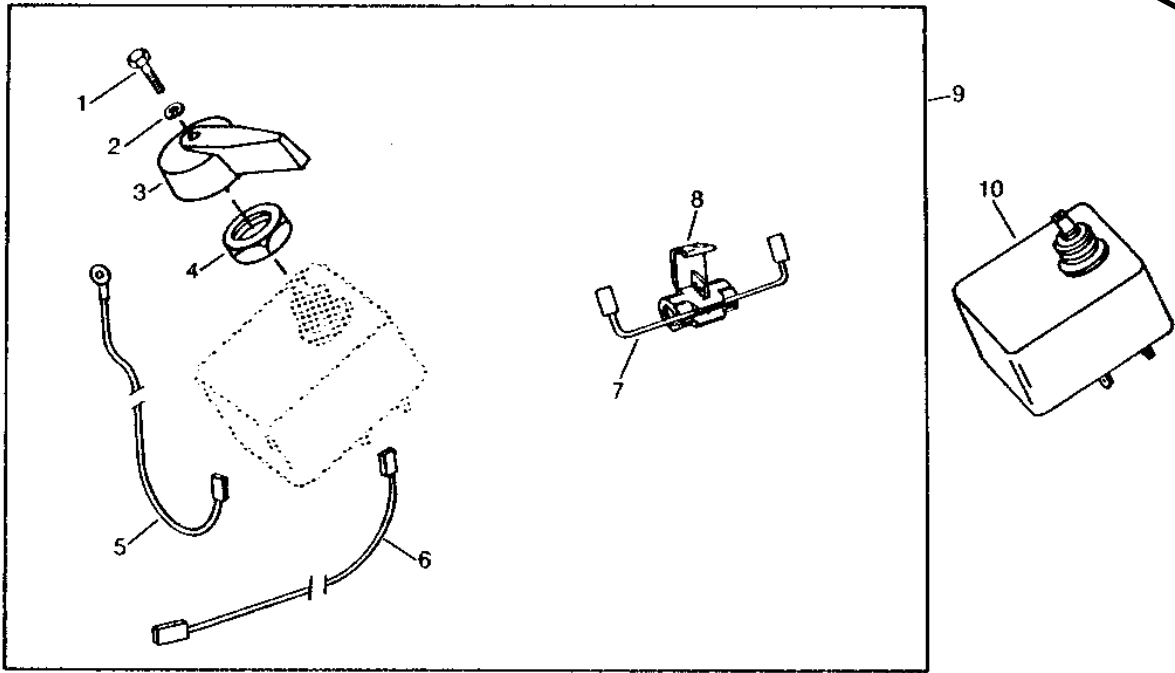


# 1F9

ELECTRICAL

RP1529 -UN-01JAN94

## TURN SIGNAL CONTROLS



RP1529

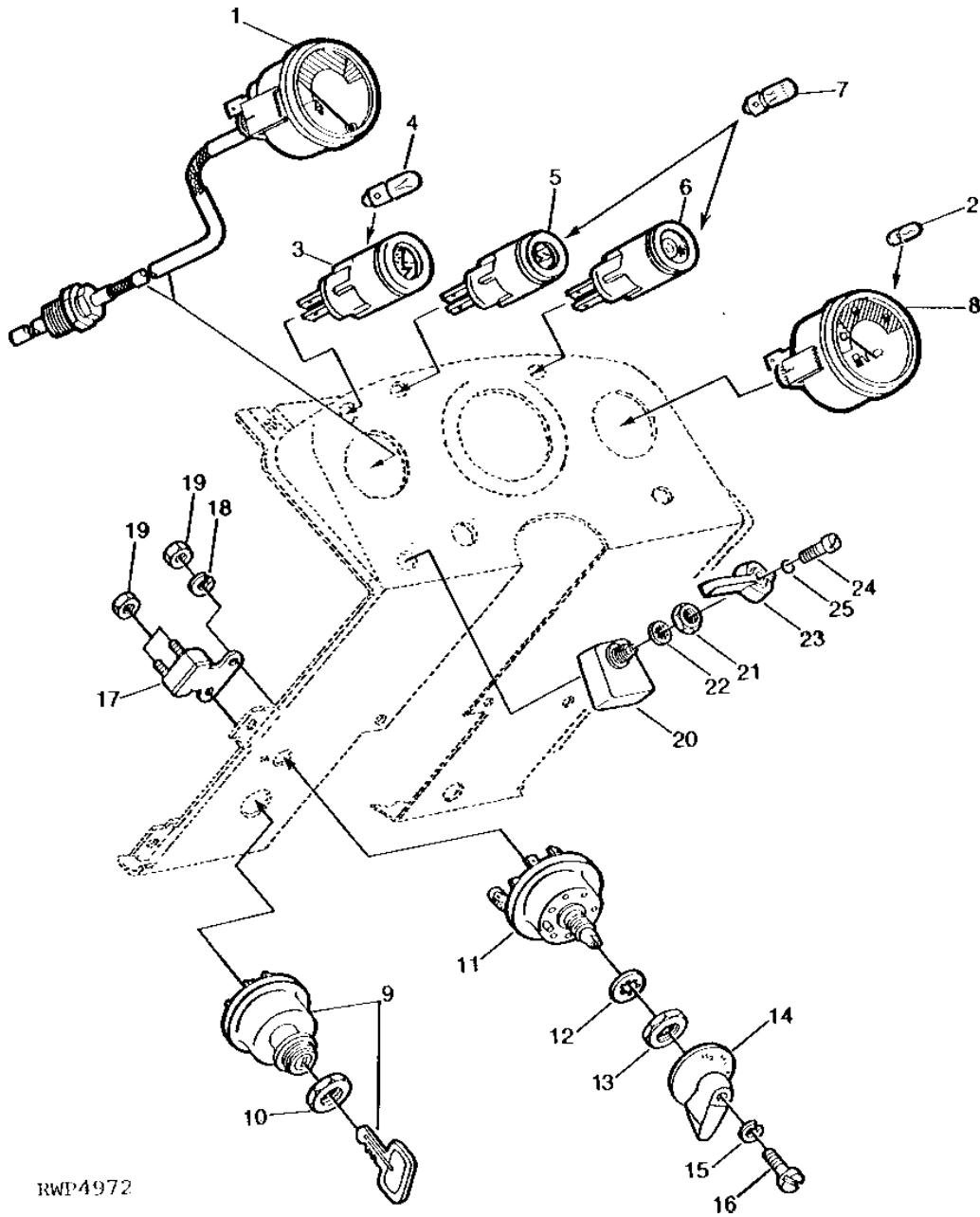
KEY	PART NO.	PART NAME	QTY	TRACTOR SERIAL NO.	REMARKS
1	21H1372	SCREW	1	1/8" X 3/8"	
2	12H233	LOCK WASHER	1	1/8"	
3	R56026	KNOB	1		
4	R56410	NUT	1		
5	.....	WIRING LEAD	1	310MM (12-1/4") (MAKE FROM R66319, R32018, R32027 AND R32024)	
6	AR72233	WIRING LEAD	1	(TURN SIGNAL CONTROLLER TO WARNING LAMP LEAD)	
7	AR40507	WIRING LEAD	1	(NOT USED THIS APPLICATION)	
8	AR67855	CONNECTOR	1	(NOT USED THIS APPLICATION)	
9	AR98023	KIT	1	(SUB FOR AR68450)	
10	AR64422	TURN SIGNAL CONTROLLER	1	(SUB FOR AR67398)	

# 1F10

ELECTRICAL

RWP4972 -UN-01JAN94

ELECTRICAL INSTRUMENTS



RWP4972

# 1F11

ELECTRICAL

## ELECTRICAL INSTRUMENTS - CONTINUED

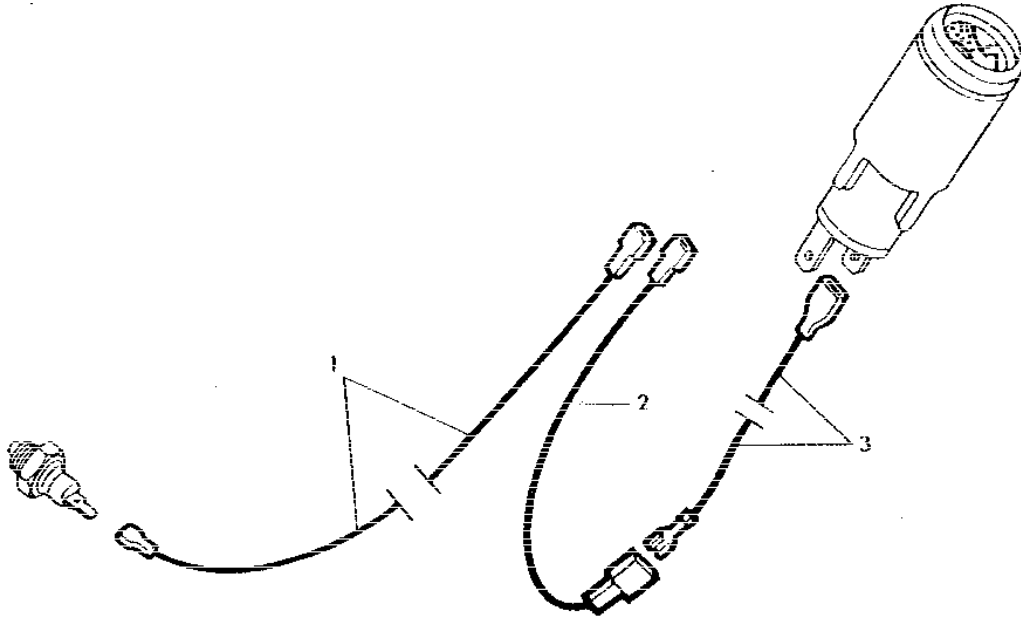
KEY	PART NO.	PART NAME	QTY	TRACTOR SERIAL NO.	REMARKS
1	AT67693	TEMPERATURE GAUGE	1		WATER TEMPERATURE, (SUB FOR AR65443) (ALSO ORDER T366T)
2	57M6343	BULB	1		(12-VOLT, 2 WATT)
3	AL19907	INDICATOR LIGHT	1		AIR CLEANER RESTRICTION
4	57M6394	BULB	1		(12-VOLT, 4 WATT)
5	AT24692	INDICATOR LIGHT	1		ALTERNATOR
6	AT24693	HEADLIGHT	1		ENGINE OIL PRESSURE
7	57M6277	BULB	2		(12-VOLT, 2 WATT)
8	AL24187	GAUGE	1		FUEL
9	AR58126	KEY SWITCH	1		STARTER
	AR51481	KEY	1		
10	R44342	NUT	1		
11	AR66478	SWITCH	1		LIGHT
12	12H292	LOCK WASHER	1		1/2"
13	A4655R	NUT	1		
14	AR66799	KNOB	1		
15	12H315	LOCK WASHER	1		0.164"
16	21H973	SCREW	1		0.164" X 3/8"
17	AR28403	CIRCUIT BREAKER	1		
18	12M7060	WASHER	2		0.209"
19	14H631	NUT	4		0.190"
20	AR64422	TURN SIGNAL CONTROLLER	1		TURN SIGNAL, (SUB FOR AR67398)
21	R56410	NUT	1		
22	12H327	LOCK WASHER	1		3/4"
23	R56026	KNOB	1		
24	21H1372	SCREW	1		1/8" X 3/8"
25	12H233	LOCK WASHER	1		1/8"

# 1F12

ELECTRICAL

L57213 -UN-01JAN94

## AIR CLEANER RESTRICTION INDICATOR



L 57213

KEY	PART NO.	PART NAME	QTY	TRACTOR SERIAL NO.	REMARKS
1	AL19905	WIRING LEAD	1		
2	AL18604	WIRING LEAD	1		
3	AL19906	WIRING LEAD	1		

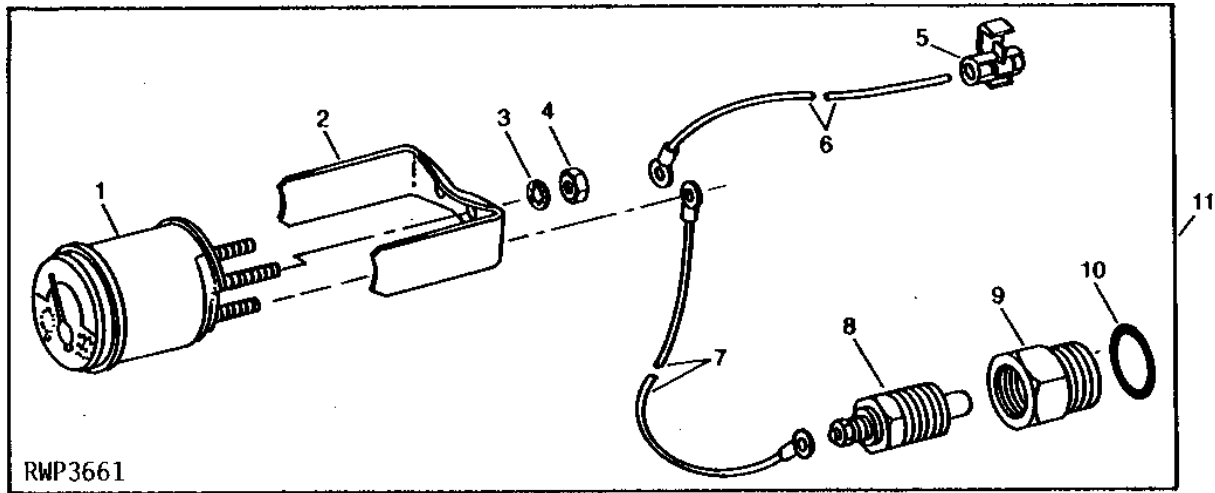
# 1F13

ELECTRICAL

RWP3661

-UN-01JAN94

## TRANSMISSION OIL TEMPERATURE GAUGE



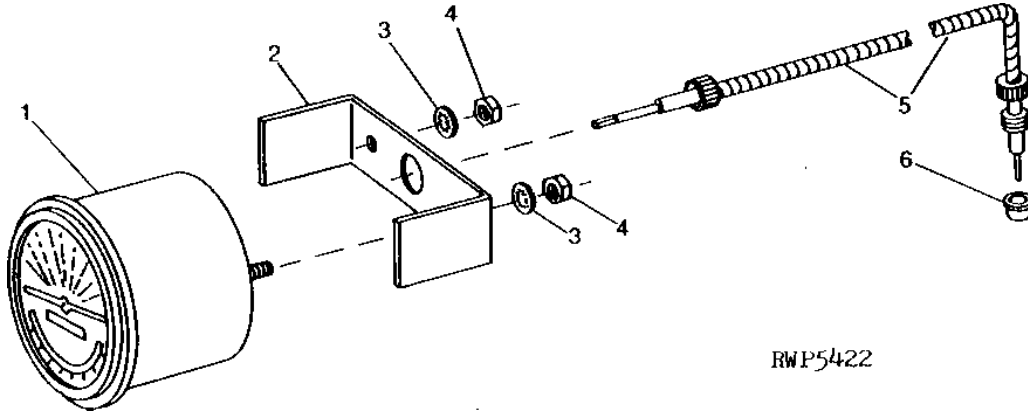
KEY	PART NO.	PART NAME	QTY	TRACTOR SERIAL NO.	REMARKS
1	AT14883	TEMPERATURE GAUGE	1		(SUB FOR AT38821)
2	T39395	BRACKET	1		
3	12M7060	WASHER	2	0.209"	
4	14H631	NUT	2	0.190"	
5	AR67855	CONNECTOR	1		
6	AR73622	WIRING LEAD	1		(TO MAIN HARNESS)
7	AR73621	WIRING LEAD	1		
8	AT37368	SENDER	1		
9	R60722	ADAPTER	1		
10	F3171R	O-RING	1		
11	AR73620	GAUGE	1		KIT (NLA)

# 1F14

ELECTRICAL

RWP5422 -UN-01JAN94

## TACHOMETER



RWP5422

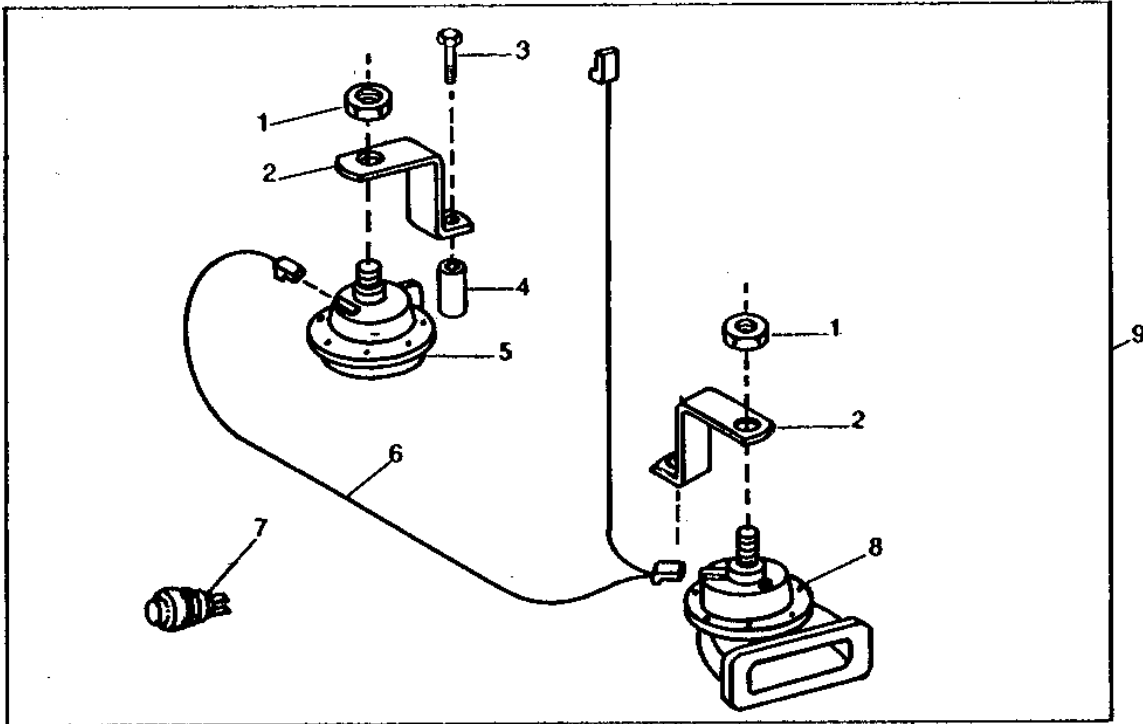
KEY	PART NO.	PART NAME	QTY	TRACTOR SERIAL NO.	REMARKS
1	AR65445	TACHOMETER	1		(SUB FOR AL24233, THIS APPLICATION)
2	T21828	CHANNEL	1		
3	12M7060	WASHER	2	0.209"	
4	14H631	NUT	2	0.190"	
5	AT19905	CABLE	1		
6	T31437	BUSHING	1		

# 1F15

ELECTRICAL

RWP4155 -UN-01JAN94

## HORN



RWP4155

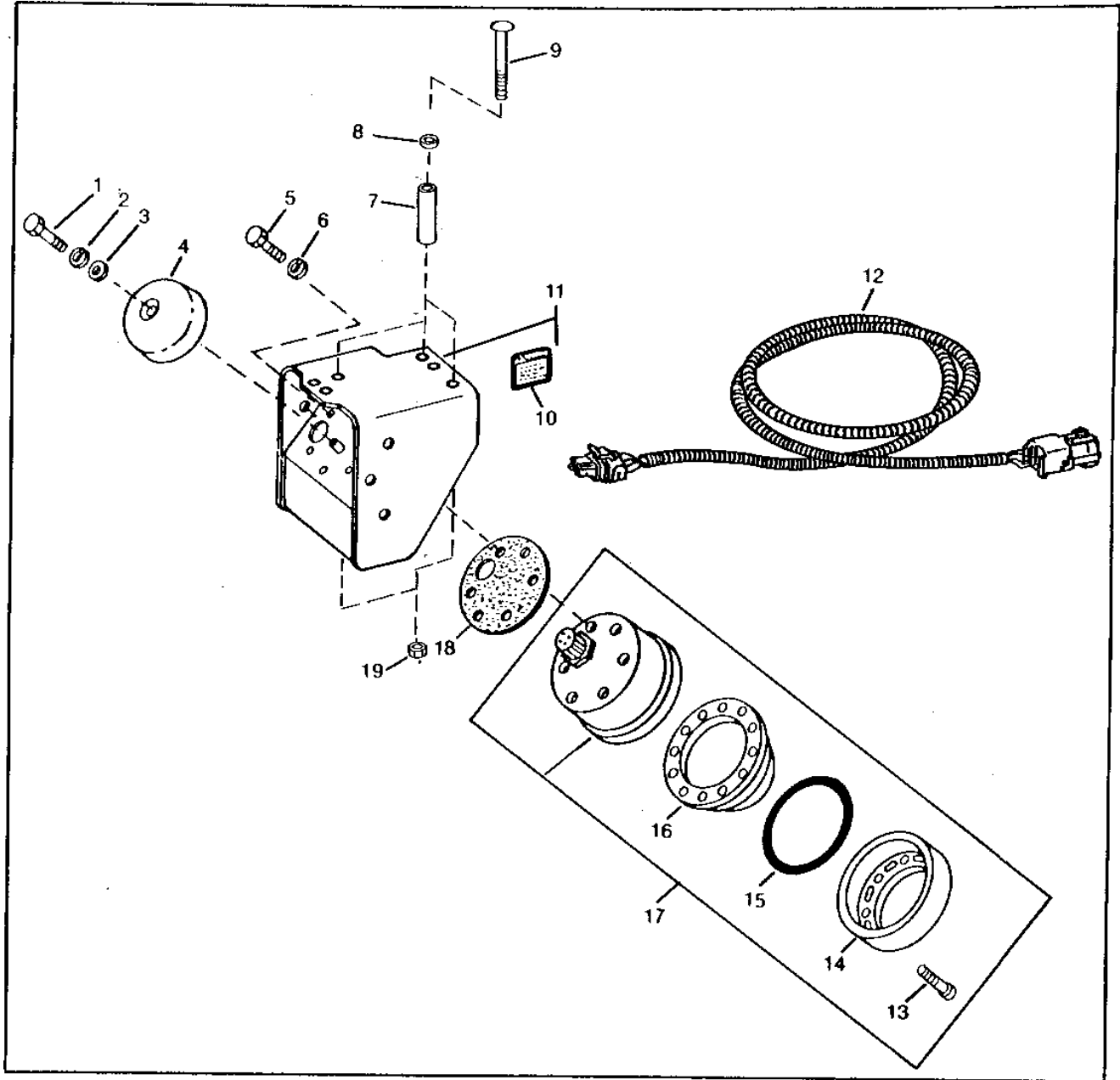
KEY	PART NO.	PART NAME	QTY	TRACTOR SERIAL NO.	REMARKS
1	R11278	NUT	2		
2	R66069	BRACKET	2		
3	19H1726	CAP SCREW	2	3/8" X 2-1/4"	
4	28H3381	SPACER	1		
5	AT39043	HIGH NOTE HORN	1		
6	AR85578	WIRING HARNESS	1		
7	AL17684	PUSH BUTTON	1		
8	R64700	LOW NOTE HORN	1		
9	RE12715	HORN	1	(FI)	

# 1F16

ELECTRICAL

RXP9306 -UN-01JAN94

RADAR SENSOR



RXP9306

20



# 1F17

ELECTRICAL

## RADAR SENSOR - CONTINUED

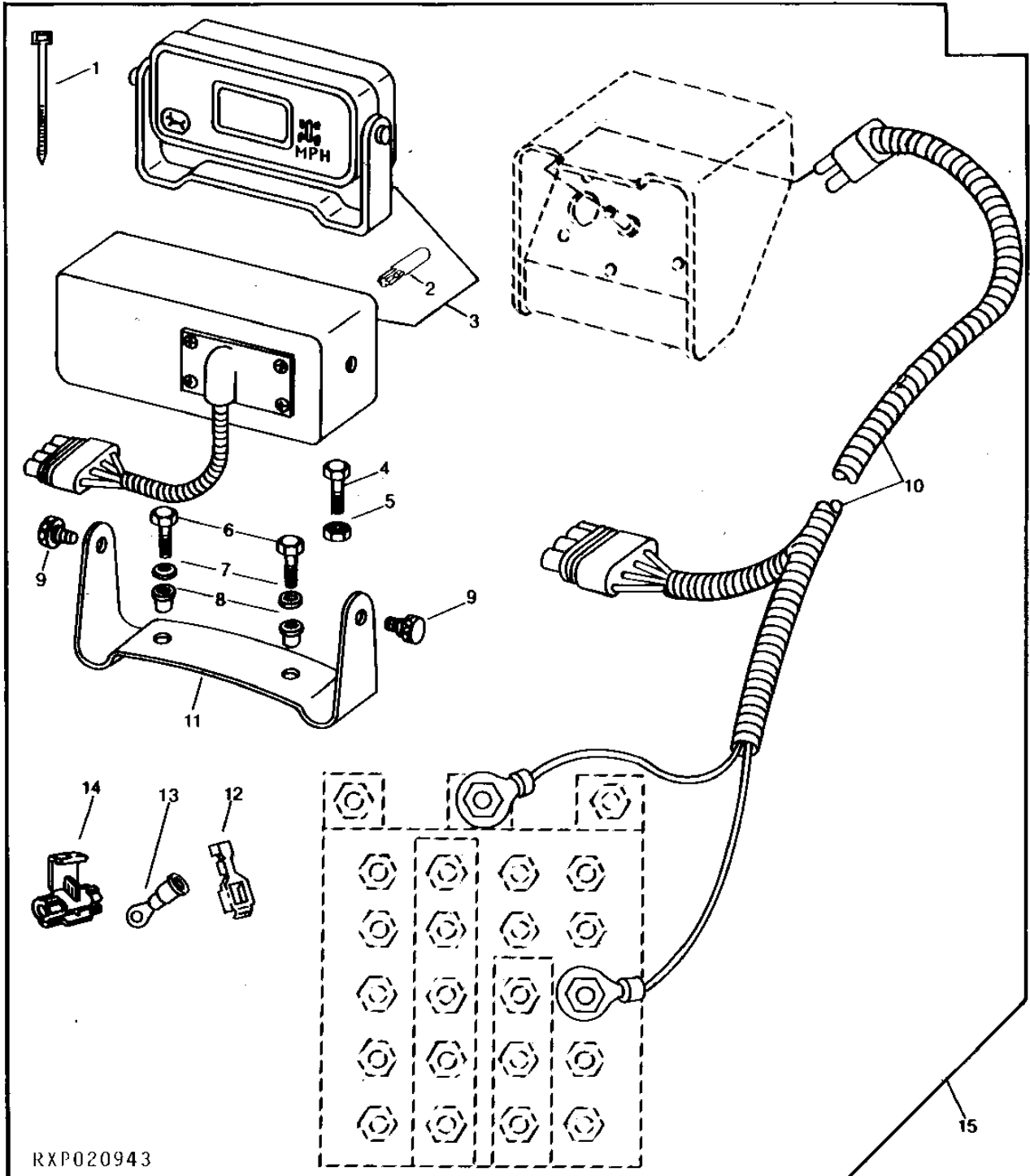
KEY	PART NO.	PART NAME	QTY	TRACTOR SERIAL NO.	REMARKS
1	19H1813	CAP SCREW	1		5/16" X 5/8"
2	12H303	LOCK WASHER	1		5/16"
3	24H1136	WASHER	1		11/32" X 11/16" X 0.065"
4	R82355	SHIELD	1		
5	19H1813	CAP SCREW	6		5/16" X 5/8"
6	12H303	LOCK WASHER	6		5/16"
7	28H3343	BUSHING	3		0.546" X 0.840" X 5-3/8"
8	24H1625	WASHER	2		17/32" X 1" X 0.120"
9	03H2052	BOLT	3		1/2" X 6-1/2"
10	R120107	LABEL	1		(ENGLISH)
	R120106	LABEL	1		(FRANCAIS)
	R105942	LABEL	1		(DEUTSCH)
	R120108	LABEL	1		(ESPANOL)
	L65000	LABEL	1		
11	RE46317	BRACKET	1		(SUB FOR RE21096 OR RE38707)
12	RE46414	WIRING HARNESS	1		
13	R82239	SCREW	12		
14	R82237	SNAP RING	1		
15	R82238	O-RING	1		
16	R82236	COVER	1		
17	RE43025	RADAR SENSOR	1		(SUB FOR RE21073)
18	R82243	GASKET	1		
19	14H1040	NUT	3		1/2"
20	AR111058	SENSOR	1		(SUB FOR RE21510 OR RW26466) (FI)

# 1F18

ELECTRICAL

## PERFORMANCE TRAK II MINI-MONITOR (ANALOG TACHOMETER)

RXP020943 -UN-12OCT94



# 1F19

ELECTRICAL

PERFORMANCE TRAK II MINI-MONITOR - CONTINUED  
(ANALOG TACHOMETER)

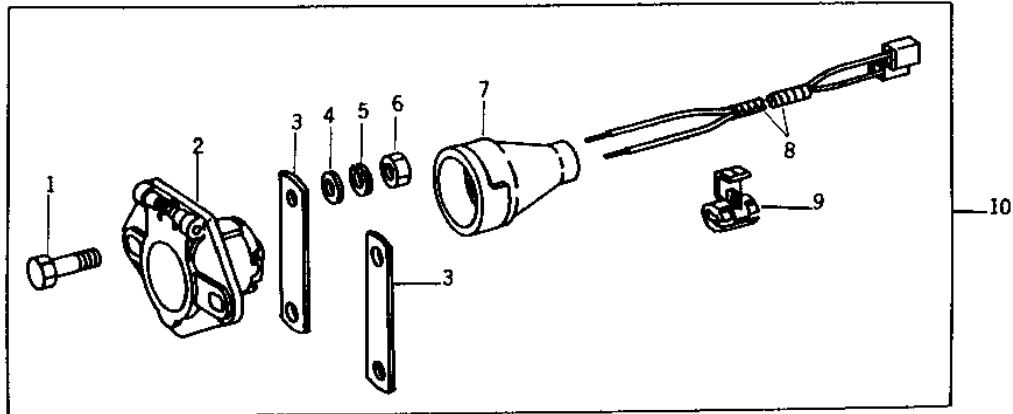
KEY	PART NO.	PART NAME	QTY	TRACTOR SERIAL NO.	REMARKS
1	R44302	TIE BAND	AR		
2	RE22589	LAMP	1		
3	RE21112	MONITOR CONSOLE	1		
4	19H1978	CAP SCREW	3	7/16" X 1-1/2"	
	12H293	LOCK WASHER	3	7/16"	
5	14H1047	NUT	3	7/16"	
	14H786	NUT	2	1/4"	
6	19H1914	CAP SCREW	2	1/4" X 1"	
7	24H1287	WASHER	4	9/32" X 5/8" X 0.065"	
8	R82423	NUT	2	RUBBER	
9	R83055	WING SCREW	2		
10	RE21113	WIRING HARNESS	1	3500MM (138")	
11	R83109	BRACKET	1		
12	U46662	TERMINAL	1		
13	R77489	TERMINAL	1		
	R84158	TERMINAL	1		
14	AR67855	CONNECTOR	3		
15	RE21738	MONITOR CONSOLE	1	(FI)	

# 1F20

ELECTRICAL

R32128 -UN-01JAN94

## 7-TERMINAL ELECTRICAL OUTLET SOCKET



R32128

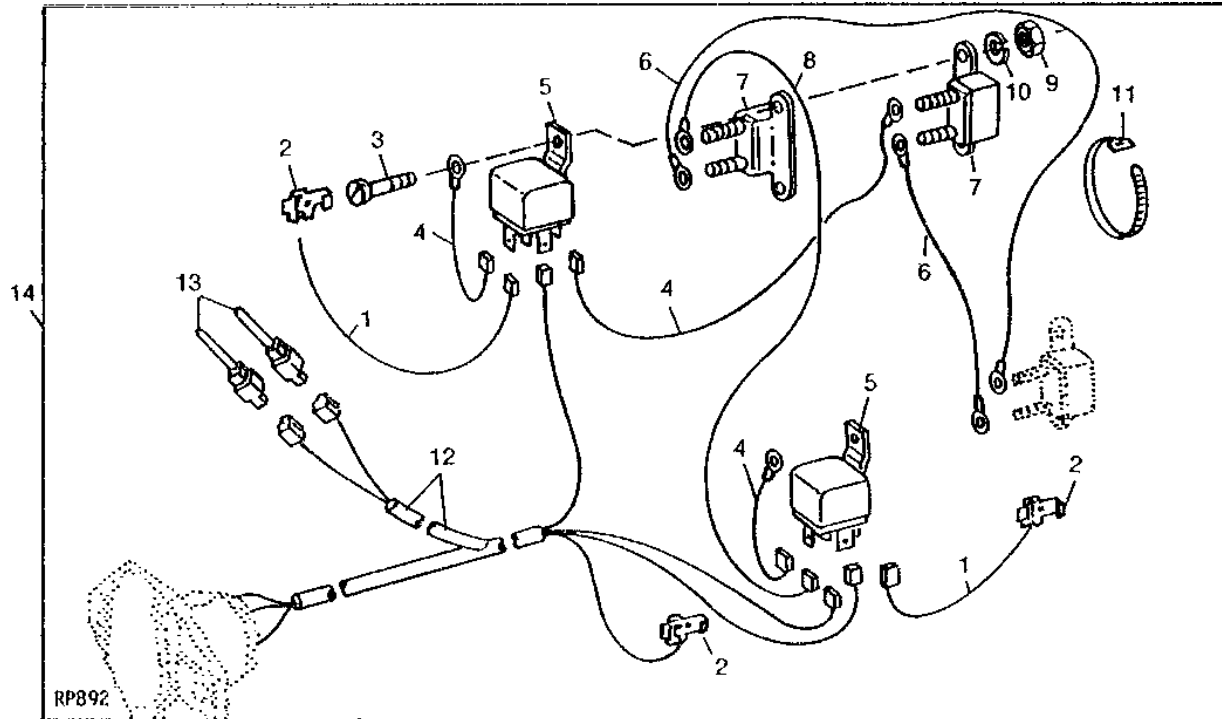
KEY	PART NO.	PART NAME	QTY	TRACTOR SERIAL NO.	REMARKS
1	19H1905	CAP SCREW	4	5/16" X 1"	
2	AR75695	SOCKET OUTLET	1		
3	R61776	STRAP	2		
4	24H1136	WASHER	4	11/32" X 11/16" X 0.065"	
5	12H303	LOCK WASHER	4	5/16"	
6	14H785	NUT	2	5/16"	
7	R61775	BOOT	1		
8	AR75696	WIRING HARNESS	1	GROUND	
	.....	WIRING LEAD	1	3963MM (156") TAIL LAMP, (MAKE FROM R77500)	
9	AR67855	CONNECTOR	3		
10	RE17282	KIT	1	(SUB FOR AR75694) (FI)	

# 1F21

ELECTRICAL

## SUPPLEMENTARY WIRING KIT (7-TERMINAL ELECTRICAL OUTLET SOCKET)

RP892 -UN-01JAN94



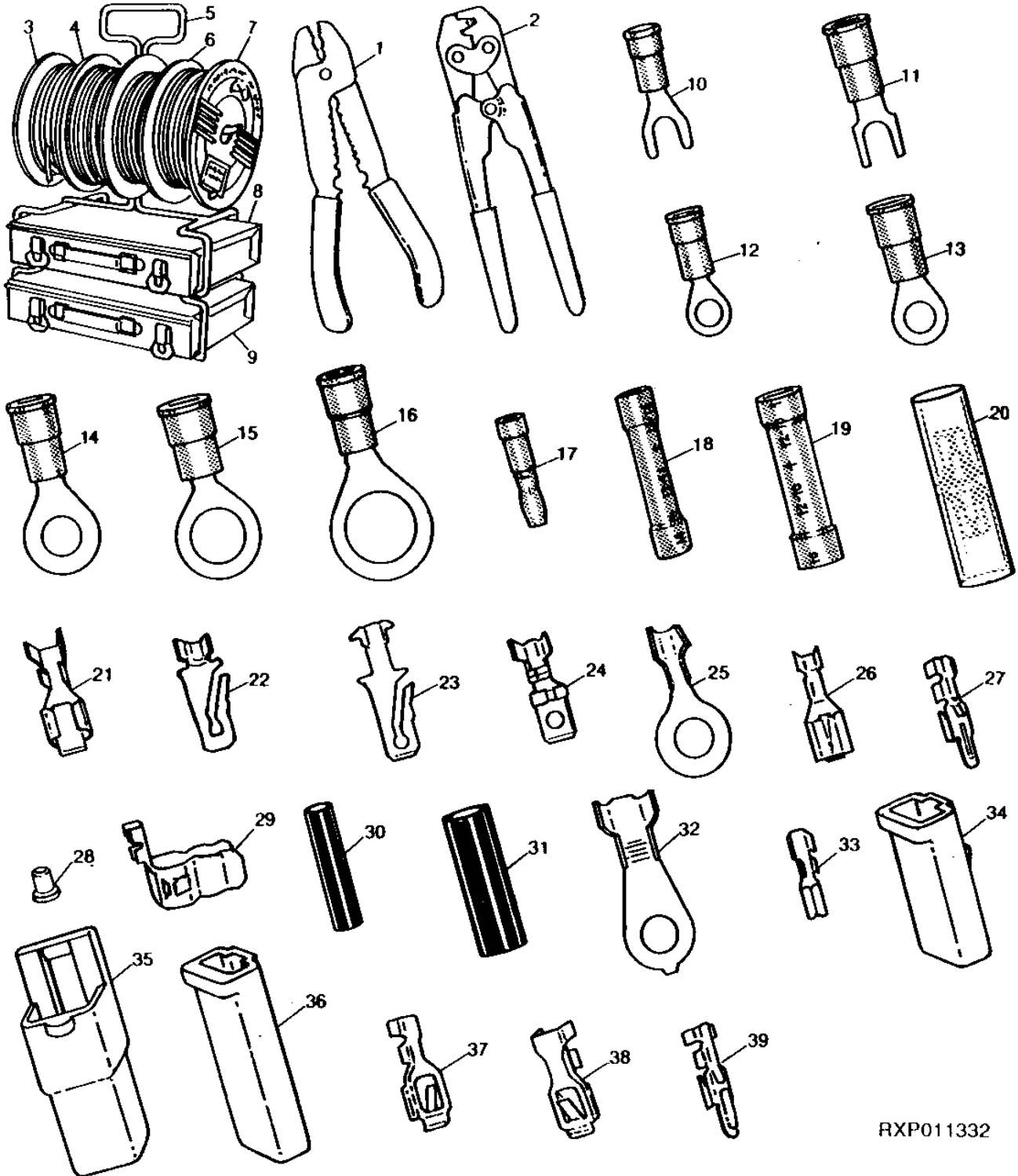
KEY	PART NO.	PART NAME	QTY	TRACTOR SERIAL NO.	REMARKS
1	.....	WIRING LEAD	2	300MM (11-7/8")	(MAKE FROM R32007 AND R65600)
2	AR67855	CONNECTOR	3		
3	21H1282	SCREW	2	0.190" X 7/8"	
4	.....	WIRING LEAD	3	152MM (6")	(MAKE FROM R32007, R32021, R32027 AND RE32025)
5	AR74411	RELAY	2		
6	.....	WIRING LEAD	2	152MM (6")	(MAKE FROM R32007 AND (2) R32018)
7	AR28403	CIRCUIT BREAKER	2		
8	.....	WIRING LEAD	1	310MM (12-1/4")	(MAKE FROM R32007, R32018, R32027 AND RE32024)
9	14H631	NUT	6	0.190"	
10	12M7060	WASHER	6	0.209"	
11	R44302	TIE BAND	10		
12	AR82908	WIRING HARNESS	1		
13	AR82911	WIRING LEAD	2		
14	AR82906	KIT	1	(SUB FOR AR78052, THIS APPLICATION) (USE WITH RE17282) (FI)	

# 1F22

ELECTRICAL

RXP011332 -UN-27SEP94

## ELECTRICAL TERMINALS,CONNECTORS AND WIRING



RXP011332

# 1F23

ELECTRICAL

## ELECTRICAL TERMINALS,CONNECTORS AND WIRING - CONTINUED

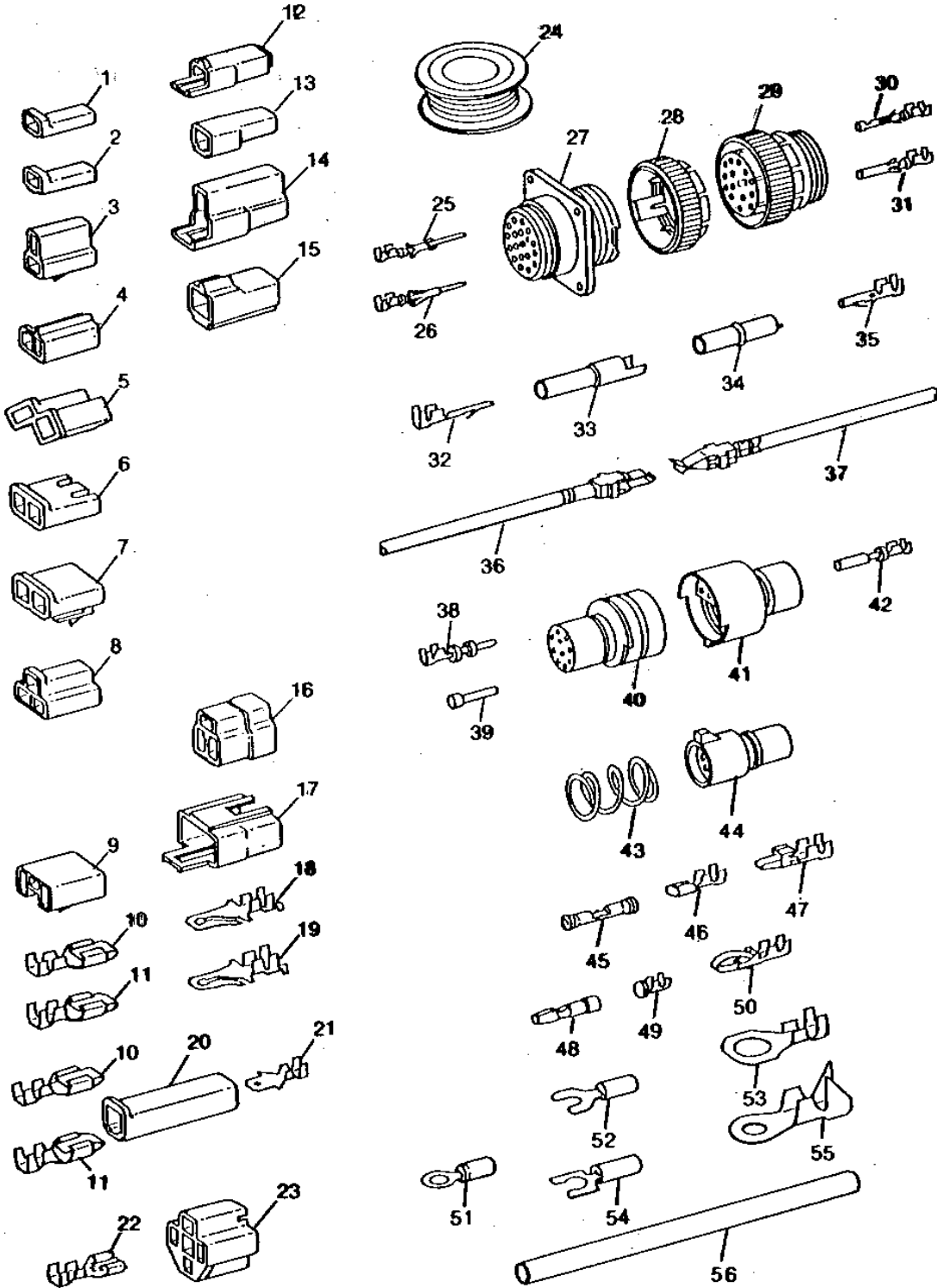
KEY	PART NO.	PART NAME	QTY	TRACTOR SERIAL NO.	REMARKS
1	R32011	TOOL	1	(NLA)	
2	R65594	TOOL	1		
3	R66319	WIRING LEAD	1	14 GA., 30.5 M (100 FT.) (1 SPOOL)	
4	R65593	WIRING LEAD	1	16 GA., 30.5 M (100 FT.) (1 SPOOL)	
5	R65608	RACK	1		
6	R66321	WIRING LEAD	1	10 GA., 15 M (50 FT.) (1 SPOOL)	
7	R66320	WIRING LEAD	1	12 GA., 30.5 M (100 FT.) (1 SPOOL)	
8	R65609	CONTAINER	1	(NLA)	
9	R65610	CONTAINER	1		
10	R32016	TERMINAL	1	14-16 GA., NO. 10 SPADE	
11	R32017	TERMINAL	1	10-12 GA., NO. 10 SPADE	
12	R32018	TERMINAL	1	14-16 GA., NO. 10 EYELET	
13	R32019	TERMINAL	1	10-12 GA., NO. 10 EYELET	
14	R32021	TERMINAL	1	10-12 GA., 1/4" EYELET	
15	R32022	TERMINAL	1	10-12 GA., 3/8" EYELET	
16	R32023	TERMINAL	1	10-12 GA., 1/2" EYELET	
17	R32026	TERMINAL	1	MALE BULLETT	
18	R32027	CONNECTOR	1	SPLICE, 14-16 GA.	
19	R32028	TERMINAL	1	SPLICE, 10-12 GA.	
20	AL2976T	CONNECTOR	1	(SUB FOR R32029) 2-WIRE BULLETT CONNECTOR	
21	R65595	TERMINAL	1	FEMALE, 10 GA.	
22	R65596	TERMINAL	1	MALE, 10 GA. OR TWO 14 GA. CABLES	
23	R65597	TERMINAL	1	MALE, 14-16 GA.	
24	R65598	TERMINAL	1	MALE, SHORT, 14-16 GA.	
25	R65599	TERMINAL	1	14-16 GA., 1/4" EYELET	
26	R65600	TERMINAL	1	FEMALE, 14-16 GA.	
27	R65601	TERMINAL	1	TWIN-LOCK, TWO 16 GA. CABLES	
28	R65602	SOCKET CONTACT	1	BULB SOCKET, 16-18 GA.	
29	R65603	TERMINAL NIPPLE	1	FUSE	
30	R65604	INSULATING SLEEVE	1	14-18 GA.	
31	R65605	INSULATING SLEEVE	1	8-12 GA.	
32	R65606	TERMINAL	1	6-8 GA., 1/4" EYELET	
33	R65607	TERMINAL	1	18-20 GA.	
34	T28583	RECEPTACLE	1	ONE CONTACT LOCK-TYPE, MALE	
35	T28585	TERMINAL	1	ONE CONTACT LOCK-TYPE, FEMALE	
36	U46370	CONNECTOR	1	CONNECTOR, ONE CONTACT SINGLE BODY, MALE	
37	U46662	TERMINAL	1	FEMALE	
38	U46663	TERMINAL	1	FEMALE	
39	U46664	TERMINAL	1	FEMALE	

# 1F24

ELECTRICAL

RXP010581 -UN-01JAN94

ELECTRICAL CONNECTORS,TERMINALS AND WIRING



RXP010581



# 1F25

ELECTRICAL

## ELECTRICAL CONNECTORS, TERMINALS AND WIRING - CONTINUED

KEY	PART NO.	PART NAME	QTY	TRACTOR SERIAL NO.	REMARKS
1	T28583	RECEPTACLE	1	(B)	
2	M43835	FLAT CONNECTOR	1	(B)	
3	R77476	CONNECTOR	1	(A)	
4	R77477	CONNECTOR	1	(A)	
5	R77479	CONNECTOR	1	(A)	
6	R77480	CONNECTOR	1	(A)	
7	R77481	CONNECTOR	1	(A)	
8	R77482	CONNECTOR	1		
9	H104855	CONNECTOR	1		
10	U46662	TERMINAL	1	(E) (F)	
11	N115096	TERMINAL	1	(G) (SUB R65595) (PKG. OF 15)	
12	T28585	TERMINAL	1	(B)	
13	R77475	CONNECTOR	1	(B)	
14	T28586	CONNECTOR	1	(A)	
15	R77478	CONNECTOR	1	(A)	
16	R77483	CONNECTOR	1		
17	R48887	RECEPTACLE	1		
18	T34067	TERMINAL	1	(E) (F)	
19	R77484	TERMINAL	1	(G) (PKG. OF 15)	
20	U46370	CONNECTOR	1	(B)	
21	R77485	TAB	1	(C) (F)	
22	R77486	TERMINAL	1	(E) (F)	
23	R77487	CONNECTOR	1	(B)	
24	R66321	WIRING LEAD	1	15M (50 FT.) 10 GA.	
	R66320	WIRING LEAD	1	30.5M (100 FT.) 12 GA.	
	R77501	WIRE	1	30.5M (100 FT.) 14 GA.	
	R77500	WIRE	1	30.5M (100 FT.) 16 GA.	
	R77499	WIRE	1	30.5M (100 FT.) 18 GA.	
	R77498	WIRE	1	30.5M (100 FT.) 20 GA.	
25	R77462	PIN CONTACT	1	(PKG. OF 40) (20-22 OR 24 GA. WIRE)	
26	R77464	PIN CONTACT	1	(H) (PKG. OF 50)	
27	R77456	RECEPTACLE	1	(37 WAY)	
28	R77458	CONNECTOR	1	(A) (SIZE 23)	
	R77459	CONNECTOR	1	(A) (SIZE 17)	
	R77460	CONNECTOR	1	(A) (SIZE 13)	
	R77461	CONNECTOR	1	(A) (SIZE 11)	
29	R77457	ELECTRICAL PLUG	1	(37 WAY)	
30	R77463	SOCKET CONTACT	1	(PKG. OF 40) (20-22 OR 24 GA. WIRE)	
31	R77465	SOCKET CONTACT	1	(H) (PKG. OF 50)	
32	R77468	TERMINAL	1	(PKG. OF 5)	
33	R77466	CONNECTOR	1	(A)	
34	R77467	CONNECTOR	1	(A)	

(A) PKG. OF 2

(B) PKG. OF 3

(C) PKG. OF 10

(D) PKG. OF 20

(E) PKG. OF 25

(F) 14 OR 16 GA. WIRE

(G) 10 OR 12 GA. WIRE

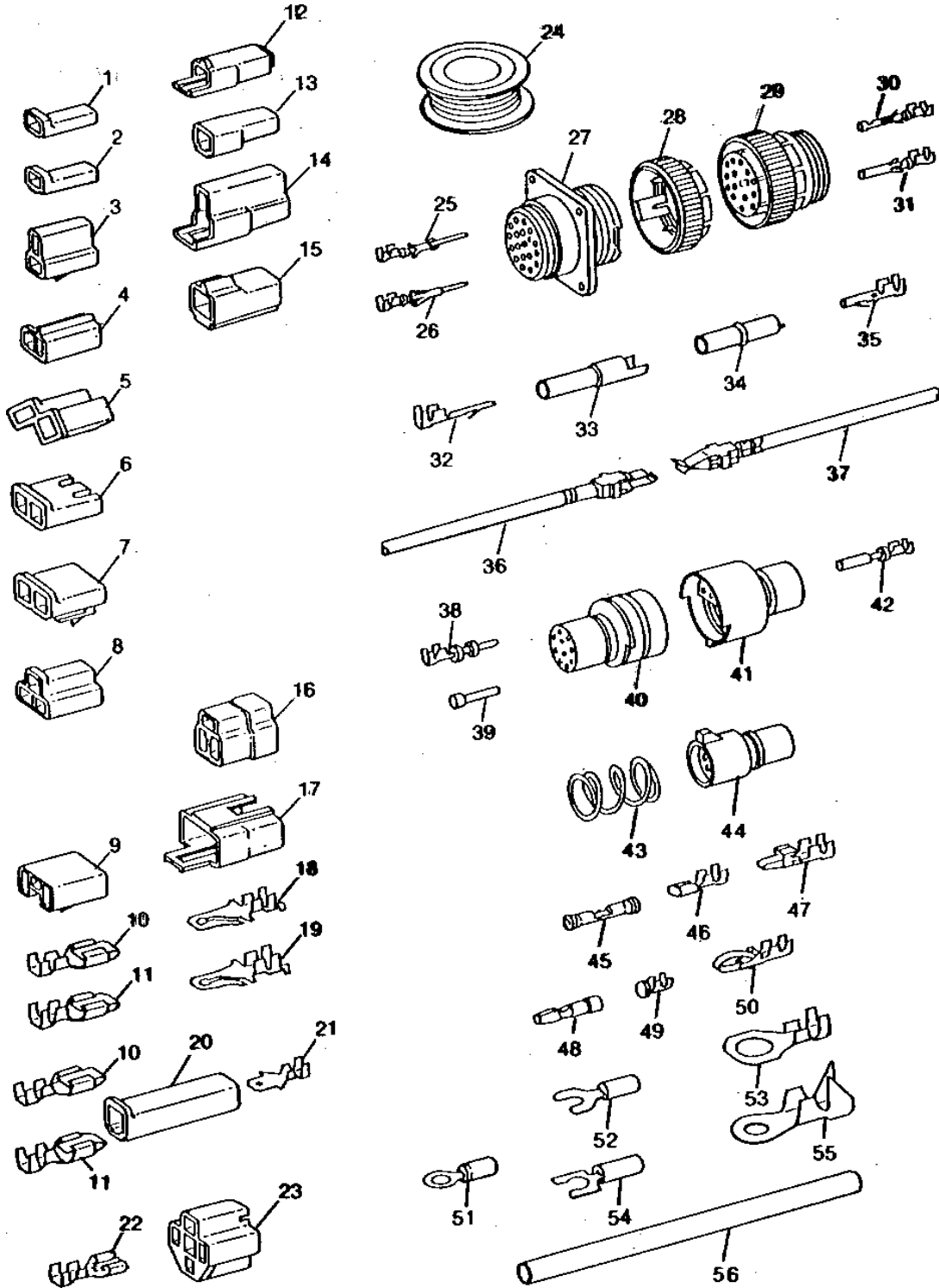
(H) 14-16 OR 18 GA. WIRE

# 1G1

ELECTRICAL

## ELECTRICAL CONNECTORS, TERMINALS AND WIRING - CONTINUED

RXP010581 -UN-01JAN94



RXP010581

# 1G2

ELECTRICAL

## ELECTRICAL CONNECTOR SERVICE KIT - CONTINUED

KEY	PART NO.	PART NAME	QTY	TRACTOR SERIAL NO.	REMARKS
35	R77469	TERMINAL	1		(PKG. OF 5)
36	RE11156	TERMINAL	1		(B) (MALE)
37	RE11157	TERMINAL	1		(B) (FEMALE)
38	R70222	PIN CONTACT	1		(D) (H)
39	R70221	ELECTRICAL PLUG	1		(E)
40	R70219	PLUG	1		(A) (10 WAY)
	R70217	PLUG	1		(A) (7 WAY)
	R70215	PLUG	1		(A) (4 WAY)
	R70213	PLUG	1		(A) (3 WAY)
41	R70211	CONNECTOR	1		(A) (2 WAY)
	R70218	RECEPTACLE	1		(A) (10 WAY)
	R70216	RECEPTACLE	1		(A) (7 WAY)
	R70214	RECEPTACLE	1		(A) (4 WAY)
	R70212	RECEPTACLE	1		(A) (3 WAY)
	R70210	RECEPTACLE	1		(A) (2 WAY)
42	AR91793	SOCKET CONTACT	1		(D)
43	R30378	SPRING	1		(C)
44	R77474	CONNECTOR	1		(A) (6 WAY)
45	R77470	TERMINAL	1		SPLICE (PKG. OF 15) (16-18-20 OR 22 GA. WIRE)
	R77471	TERMINAL	1		(C) (G) SPLICE
	R77472	TERMINAL	1		(A) SPLICE (8 GA. WIRE)
	R77473	TERMINAL	1		(A) SPLICE (6 GA. WIRE)
46	R65607	TERMINAL	1		(C) (18 OR 20 GA. WIRE)
47	U46664	TERMINAL	1		(C) (F)
48	R32026	TERMINAL	1		(D) (F)
49	R65602	SOCKET CONTACT	1		(C) (16 OR 18 GA. WIRE)
50	R70220	TERMINAL	1		(C) (18 OR 20 GA. WIRE)
51	R77489	TERMINAL	1		(D) (14-16-18 OR 20 GA. WIRE) (NO. 10 EYELET)
	R77493	TERMINAL	1		(D) (G) (NO. 10 EYELET)
	R77488	TERMINAL	1		(D) (14-16-18 OR 20 GA. WIRE) (3/8" EYELET)
	R77490	TERMINAL	1		(D) (G) (1/2" EYELET)
52	R77496	TERMINAL	1		(D) (F) (NO. 8 SPADE)
	R77495	TERMINAL	1		(D) (18 GA. WIRE) (NO. 10 SPADE)
53	R77497	TERMINAL	1		(D) (F) (NO. 6 SPADE)
54	R77491	TERMINAL	1		(D) (G) (3/8" EYELET)
	R77492	TERMINAL	1		(D) (G) (1/4" EYELET)
55	R77494	TERMINAL	1		(D) (6 OR 8 GA. WIRE) (1/4" EYELET)
56	R77502	TUBE	1		(PKG. OF 8) 3/8" (HEAT SHRINK)
	R77503	TUBE	1		(PKG. OF 8) 3/16" (HEAT SHRINK)

- (A) PKG. OF 2
- (B) PKG. OF 3
- (C) PKG. OF 10
- (D) PKG. OF 20
- (E) PKG. OF 25
- (F) 14 OR 16 GA. WIRE
- (G) 10 OR 12 GA. WIRE
- (H) 14-16 OR 18 GA. WIRE

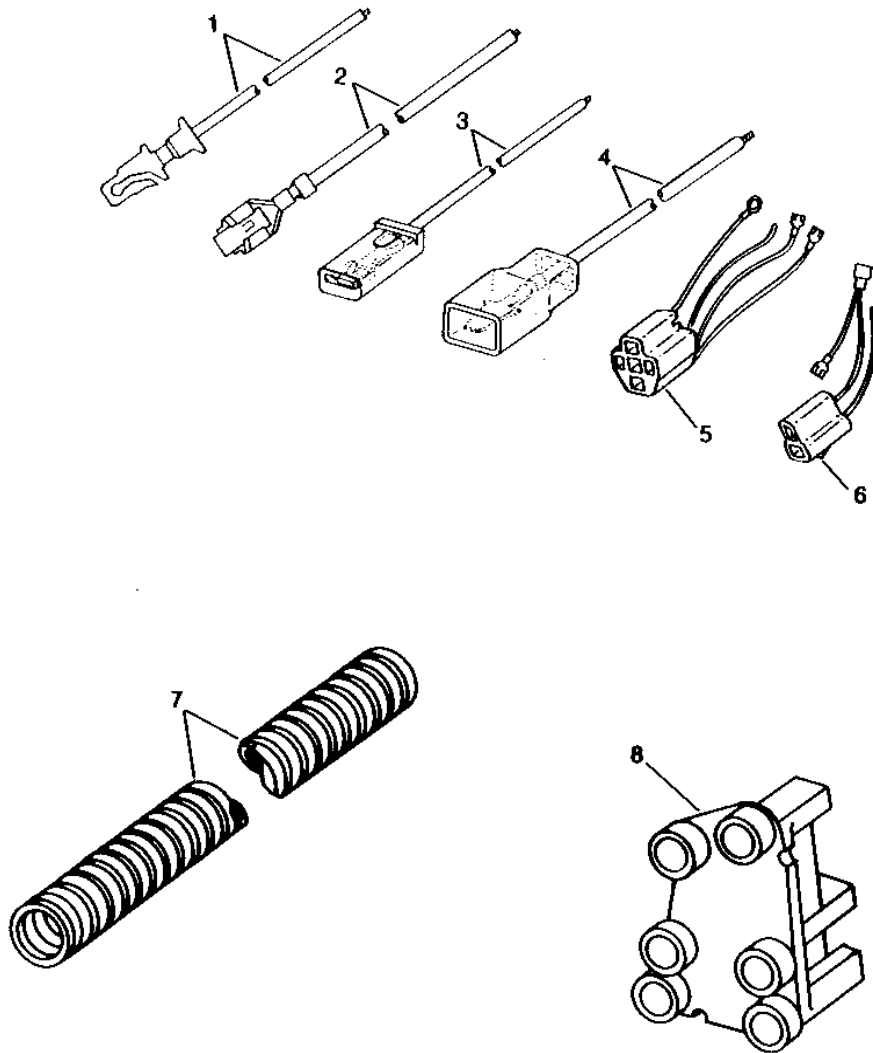
# 1G3

ELECTRICAL

RXP8619

-UN-28NOV94

## SUPPLEMENTARY TERMINALS AND CONNECTORS



# 1G4

ELECTRICAL

## SUPPLEMENTARY TERMINALS, CONNECTORS AND REPAIR CONDUIT - CONTINUED

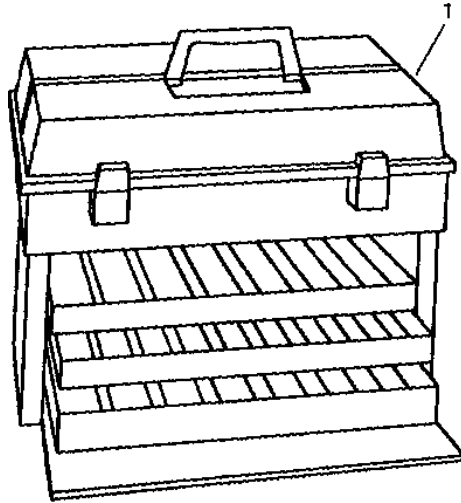
KEY	PART NO.	PART NAME	QTY	TRACTOR SERIAL NO.	REMARKS
1	AR65005	TERMINAL	1		
2	AR65006	TERMINAL	1		
3	R32024	WIRING LEAD	1		
4	R32025	WIRING LEAD	1		
5	RE21730	TERMINAL	1		
	RE21731	TERMINAL	1		
6	RE21732	TERMINAL	1		
7	R93219	CONDUIT	1		6.3 X 3048MM (1/4" X 120")
	R93220	CONDUIT	1		10.4 X 3048MM (13/32" X 120")
	R93221	CONDUIT	1		15.9 X 3048MM (5/8" X 120")
	R93222	CONDUIT	1		25.4 X 3048MM (1" X 120")
8	AR83425	RECEPTACLE CONNECTOR BODY	1		(LIGHT SWITCH)

# 1G5

ELECTRICAL

RXP010001 -UN-01JAN94

## ELECTRICAL CONNECTOR AND TERMINAL KIT



RXP010001

KEY	PART NO.	PART NAME	QTY	TRACTOR SERIAL NO.	REMARKS
1	PM797NA	KIT	1	(A)	
(A) KIT INCLUDES CONNECTORS,TERMINALS AND TOOLS					

---

MEMORANDA

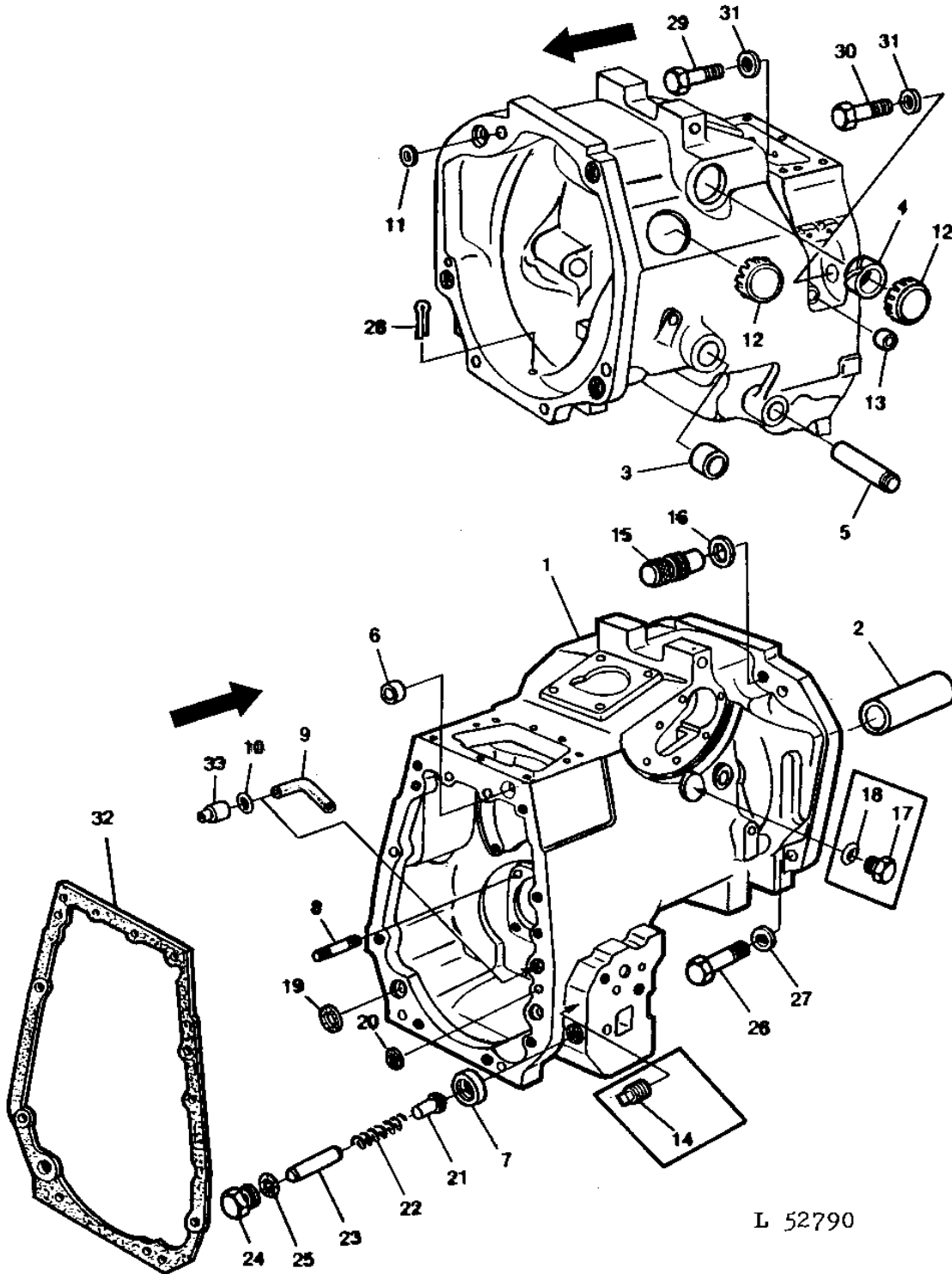
# 1G8

POWER TRAIN

L52790

-UN-01JAN94

## CLUTCH HOUSING



L 52790



# 1G9

POWER TRAIN

## CLUTCH HOUSING - CONTINUED

KEY	PART NO.	PART NAME	QTY	TRACTOR SERIAL NO.	REMARKS
1	AT29679	HOUSING	1	-XXXXXX	(MARKED T30747) (SUB AR94535, R26375, R39112, L29854 AND 19H2133)
	AT41649	HOUSING	1	XXXXXX-XXXXXX	(MARKED R63438) (SUB AR94535, R26375, R39112, L29854 AND 19H2133)
	AR94535	HOUSING	1	XXXXXX-	(MARKED R71696)
2	T21447	SLEEVE	1		
3	T21446	BUSHING	1		
4	T21445	BUSHING	1		
5	T21448	PIN	1		
6	T12083	CAP	1		
7	T22858	VALVE SEAT INSERT	1		
8	R55396	STUD	4		(SUB FOR C2175R)
9	R64806	OIL TUBE	1		(SUB FOR R48290)
10	R375R	O-RING	1		
11	R26919	WASHER	1		
12	R1680R	PLUG	2		(SUB FOR T22569)
13	M4224T	PLUG	1		(LESS FRONT PTO SHAFT)
14	15H638	PIPE PLUG	1		1/8"
15	T22898	PLUG	1		
16	T21827	WASHER	1		
17	R39112	FITTING	1	XXXXXX-	
18	R26375	O-RING	1	XXXXXX-	
19	T22851	WASHER	1		
20	A4847R	WASHER	1		
21	T26430	VALVE	1		
22	T30141	SPRING	1		(SUB FOR F3322R)
23	T26431	GUIDE	1		
24	R27175	DRAIN PLUG	1		
25	F3171R	O-RING	1		
26	19H3170	CAP SCREW	3		5/8" X 4-1/2" HS, SAE 8
27	R70268	WASHER	3		(SUB FOR R42363)
28	11M7084	COTTER PIN	1		5 X 25 MM
29	19H2550	CAP SCREW	2		1/2" X 1-5/8"
30	19H1831	CAP SCREW	1		1/2" X 2"
31	T20168	WASHER	3		
32	T36236	GASKET	1		
33	T25408	SLEEVE	1		

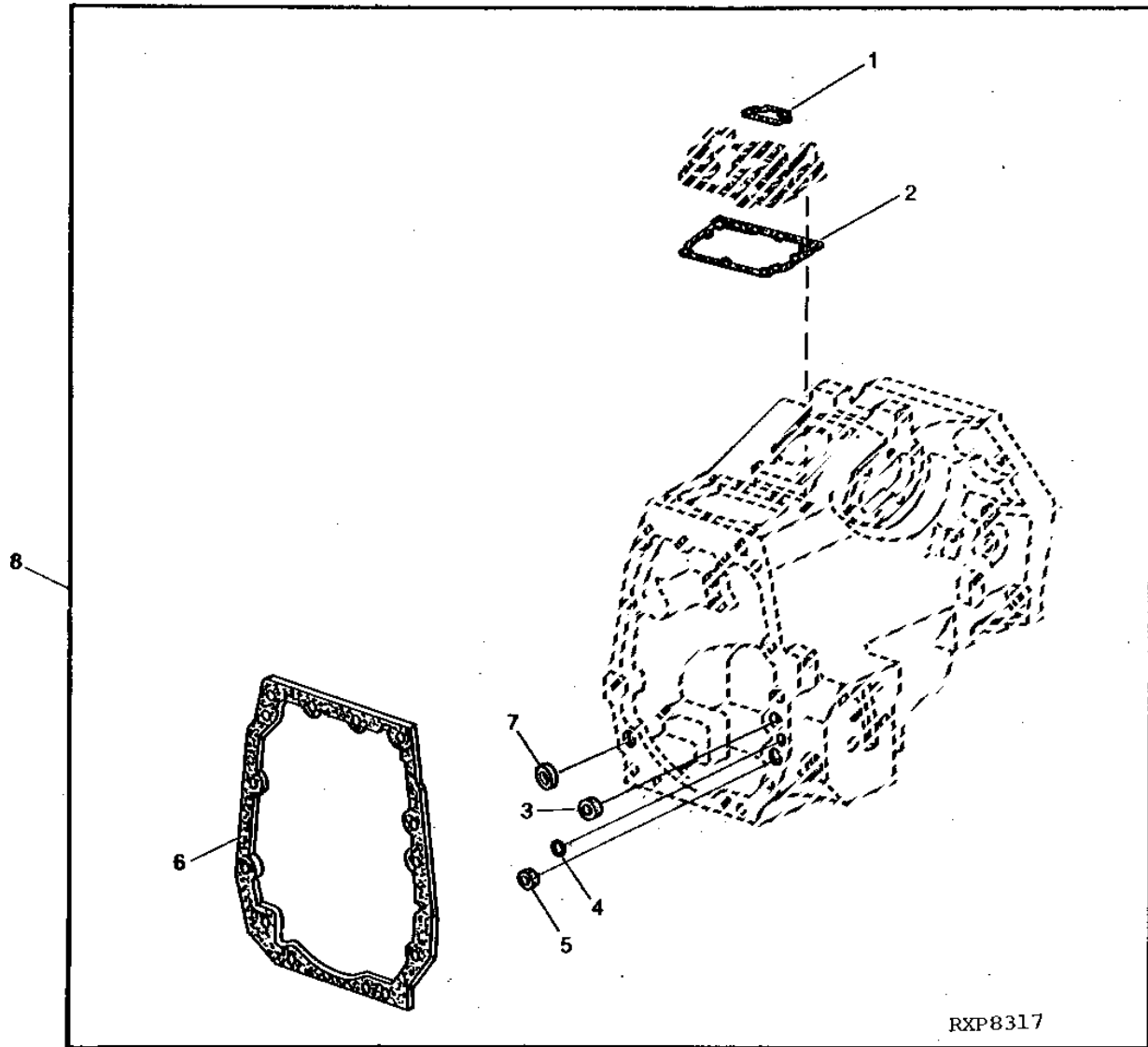
# 1G10

POWER TRAIN

RXP8317

-UN-01JAN94

## CLUTCH HOUSING TO TRANSMISSION CASE GASKET KIT



# 1G11

POWER TRAIN

---

CLUTCH HOUSING TO TRANSMISSION CASE GASKET KIT - CONTINUED

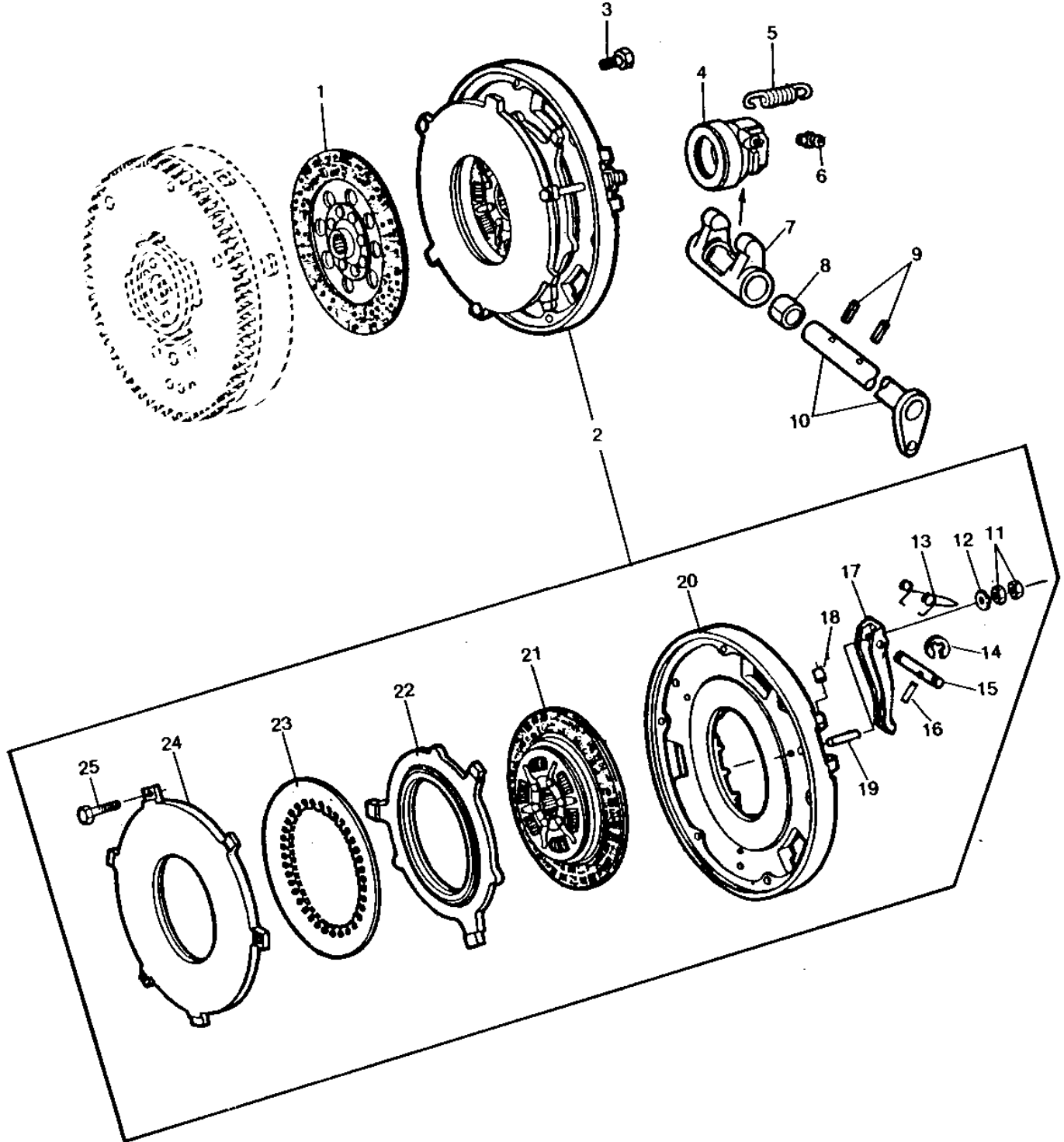
KEY	PART NO.	PART NAME	QTY	TRACTOR SERIAL NO.	REMARKS
1	T25397	GASKET	1		
2	R54189	GASKET	1		
3	A4847R	WASHER	1		
4	T22851	WASHER	2		
5	L33139	GASKET	1		
6	R26149	PACKING	2		
7	AR94702	GASKET KIT	1		(INCLUDES ADDITIONAL O-RINGS AND GASKETS)

# 1G12

POWER TRAIN

RWP6169 -UN-01JAN94

## DUAL ENGINE CLUTCH



RWP6169

# 1G13

POWER TRAIN

## DUAL ENGINE CLUTCH - CONTINUED

KEY	PART NO.	PART NAME	QTY	TRACTOR SERIAL NO.	REMARKS
1	AR66924	CLUTCH DISK	1		(TRANSMISSION DRIVE) (SUB FOR AT32208)
2	AL18714	CLUTCH	1	-XXXXXX	(3 BOLT) (SUB AL55140)
	AL40882	CLUTCH	1	-XXXXXX	(SUB AL55140)
	AL55140	CLUTCH	1	XXXXXX-	(SUB FOR AL18714 OR AL40882)
3	19H3219	CAP SCREW	6		3/8" X 1-3/8"
4	AL30777	THRUST BEARING	1		(SUB FOR AT24699)
5	T21450	EXTENSION SPRING	1		
6	T27178	LUBRICATION FITTING	1		
7	T21999	FORK	1		
8	T21446	BUSHING	1		
9	34H353	SPRING PIN	2		3/8" X 1-3/4"
10	AR101631	SHAFT	1		(SUB FOR AT19837)
11	T29649	NUT	6		
12	T29650	WASHER	3		
13	T28230	SPRING	3		
	L55214	TORSION SPRING	3		(C)
14	L38513	SNAP RING	6		(SUB FOR T28231)
15	T28222	PIN	3		
	L55215	PIN	3		(C)
16	T28226	SPRING PIN	3		(A)
	34M7010	SPRING PIN	3		(B) (C) 3 X 20 MM
17	T28221	LEVER	3	-XXXXXX	(A) (SUB AL60271)
	L41389	LEVER	3	-XXXXXX	(B) (SUB FOR AL39936) (SUB AL60271)
	L55213	LEVER	3	XXXXXX-	(C) (SUB FOR AL39936)
18	T28225	BUSHING	6		
19	T28224	PIN	3		(A)
	L41390	PIN	3		(B)
	L55216	PIN	3		(C)
20	T29353	PLATE	1		
21	AL19092	CLUTCH	1		(PTO DRIVE)
22	T29646	CLUTCH PLATE	1		(PTO)
23	L39302	DIAPHRAGM	1		(SUB FOR L25750 OR L29246)
24	T29647	CLUTCH PLATE	1		
25	T29648	CAP SCREW	3		(A)
	L41388	CAP SCREW	3		(B) (C)
	L41588	COMPRESSION SPRING	3		(B)
	L41589	WASHER	3		(B)

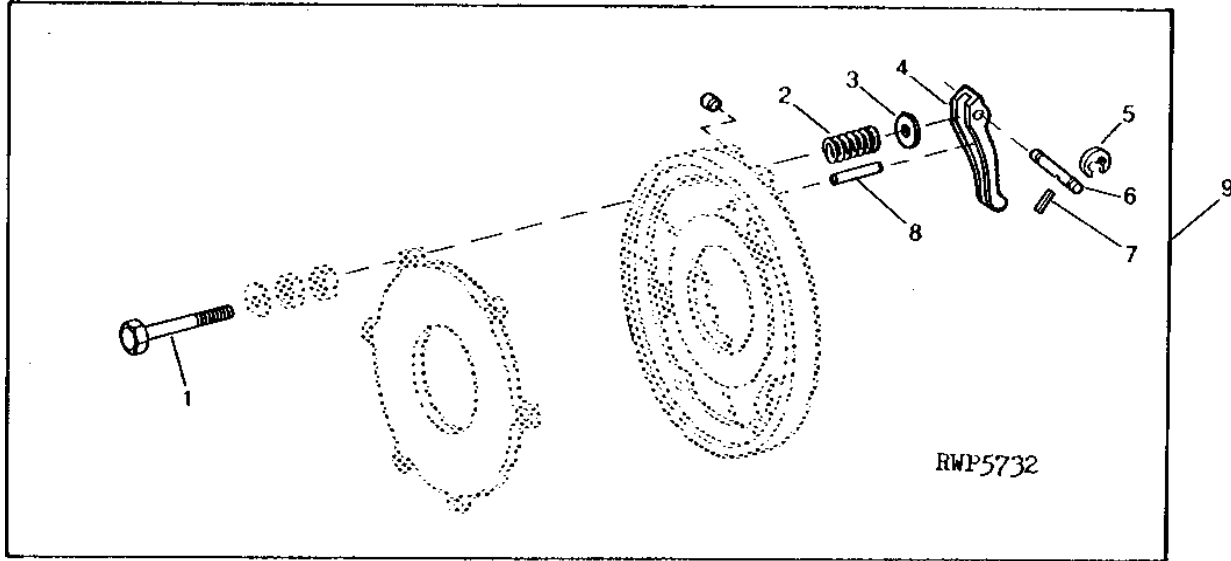
- (A) USE WITH AL18714
- (B) USE WITH AL40882
- (C) USE WITH AL55140

# 1G14

POWER TRAIN

RWP5732 -UN-01JAN94

## DUAL-STAGE CLUTCH REPAIR KIT



KEY	PART NO.	PART NAME	QTY	TRACTOR SERIAL NO.	REMARKS
1	L41388	CAP SCREW	3		
2	L41588	COMPRESSION SPRING	3		
	L41587	COMPRESSION SPRING	3		
3	L41589	WASHER	3		
4	L41389	LEVER	3		
5	L38513	SNAP RING	7		
6	L41387	PIN	3		
7	34M7010	SPRING PIN	3	3 X 20 MM	
8	L41390	PIN	3		
9	AL39936	KIT	1	(SUB AL60271)	

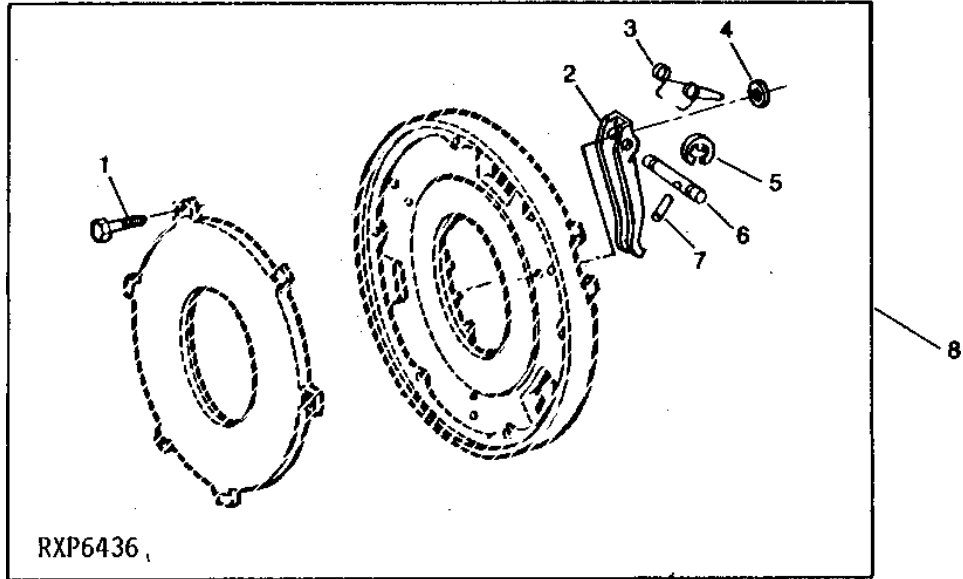
# 1G15

POWER TRAIN

RXP6436

-UN-01JAN94

## DUAL-STAGE CLUTCH REPAIR KIT



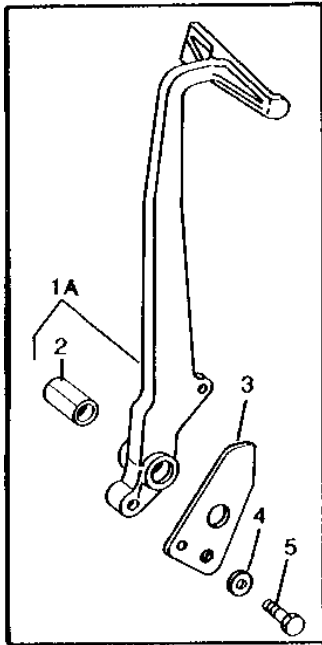
KEY	PART NO.	PART NAME	QTY	TRACTOR SERIAL NO.	REMARKS
1	L41388	CAP SCREW	3		
2	L56375	LEVER	3		
3	L55214	TORSION SPRING	3		
4	L56083	WASHER	3		
5	L38513	SNAP RING	7		
6	L55215	PIN	3		
7	34M7010	SPRING PIN	3	3 X 20 MM	
8	AL56385	KIT	1	(SUB AL60272)	

# 1G16

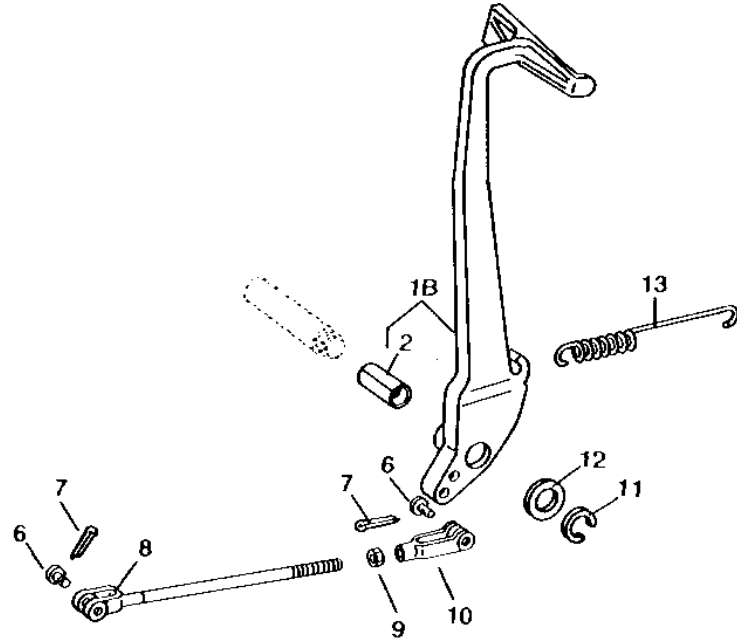
POWER TRAIN

RWP5244 -UN-01JAN94

## CLUTCH PEDAL AND LINKAGE



RWP5244



KEY	PART NO.	PART NAME	QTY	TRACTOR SERIAL NO.	REMARKS
1A	AT22096	PEDAL	1	-XXXXXX	(MARKED T22000) (SUB AL38242)
1B	AL27229	PEDAL	1	XXXXXX-	(MARKED L32030) (SUB AL38242)
	AL38242	PEDAL	1		(MARKED L40438)
2	T21998	BUSHING	1		(USE WITH T22000 OR L32030)
	L40446	BUSHING	2		(USE WITH L40438)
3	T22529	ARM	1	-XXXXXX	(SUB AL38242)
4	T26198	WASHER	1	-XXXXXX	
5	19H3579	CAP SCREW	1	-XXXXXX	1/2" X 1-3/8"
6	R65563	PIN	2		(SUB FOR C1067R)
7	11M7059	COTTER PIN	2		3.200 X 20 MM
8	AT22926	ROD	1		
9	14H774	NUT	1		3/8"
10	M80373	YOKE	1		(SUB FOR L324T)
11	A602R	SNAP RING	1		
12	24H1451	WASHER	1		1-1/32" X 1-3/4" X 0.060"
13	T21452	EXTENSION SPRING	1		

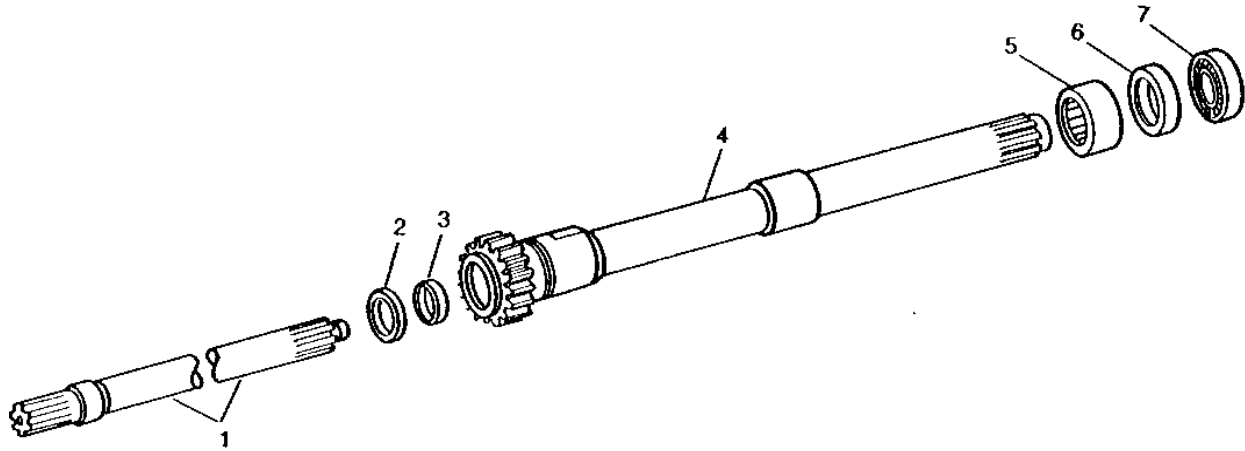


# 1G17

POWER TRAIN

RWP5245 -UN-01JAN94

## CLUTCH SHAFT AND PILOT



RWP5245

KEY	PART NO.	PART NAME	QTY	TRACTOR SERIAL NO.	REMARKS
1	R56514	SHAFT	1		(SUB FOR T30791)
2	AT21780	SEAL	1		
3	T23062	CAP	1		
4	T42381	SHAFT	1		(SUB FOR T22219) (19 TEETH)
5	JD8823	NEEDLE BEARING	1		(SUB FOR JD9813)
6	T22198	SEAL	1		
7	JD10107	BALL BEARING	1		(SUB FOR AR56268, AL24903 OR AL28037)

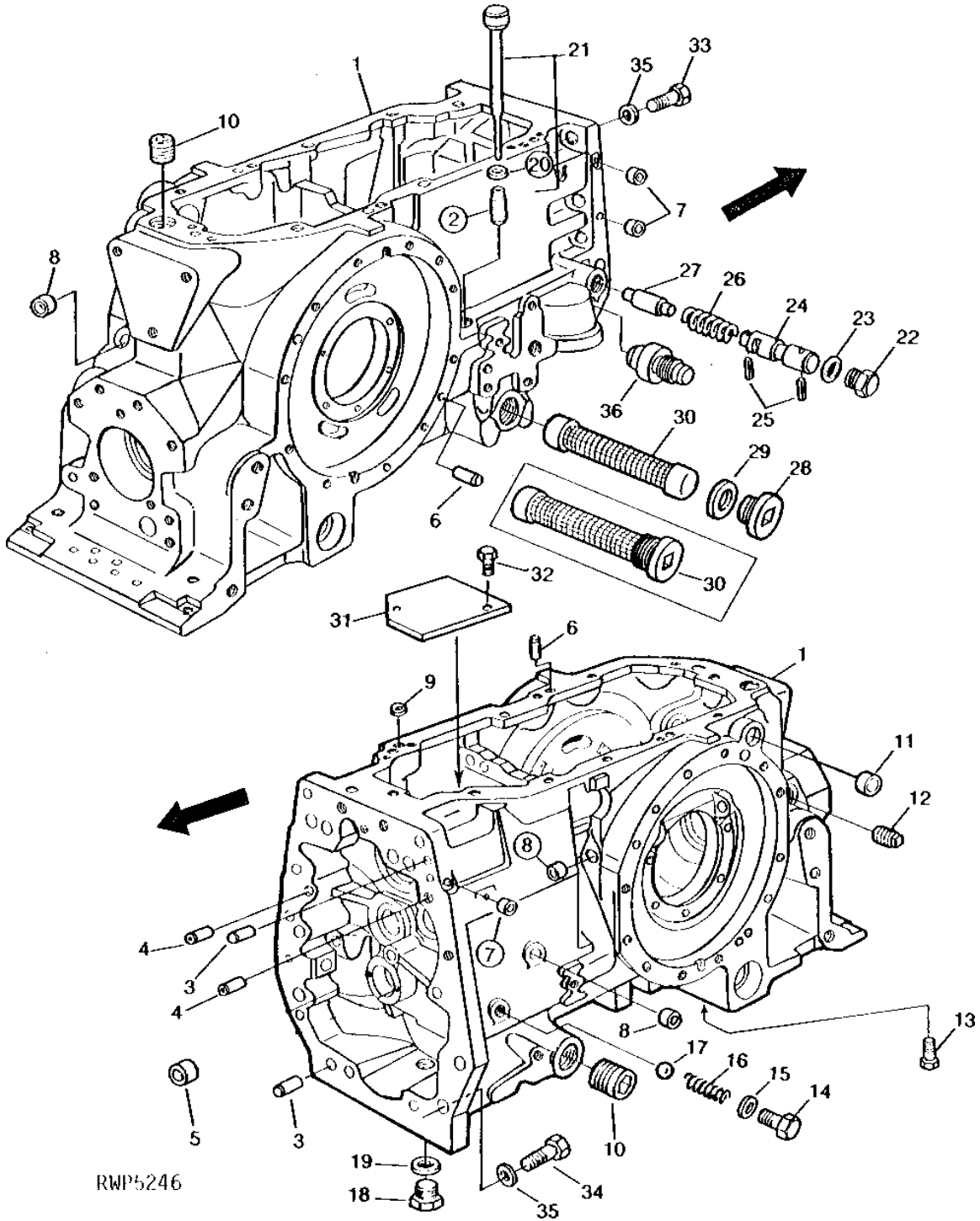
# 1G18

POWER TRAIN

RWP5246

-UN-01JAN94

## TRANSMISSION CASE



# 1G19

POWER TRAIN

## TRANSMISSION CASE - CONTINUED

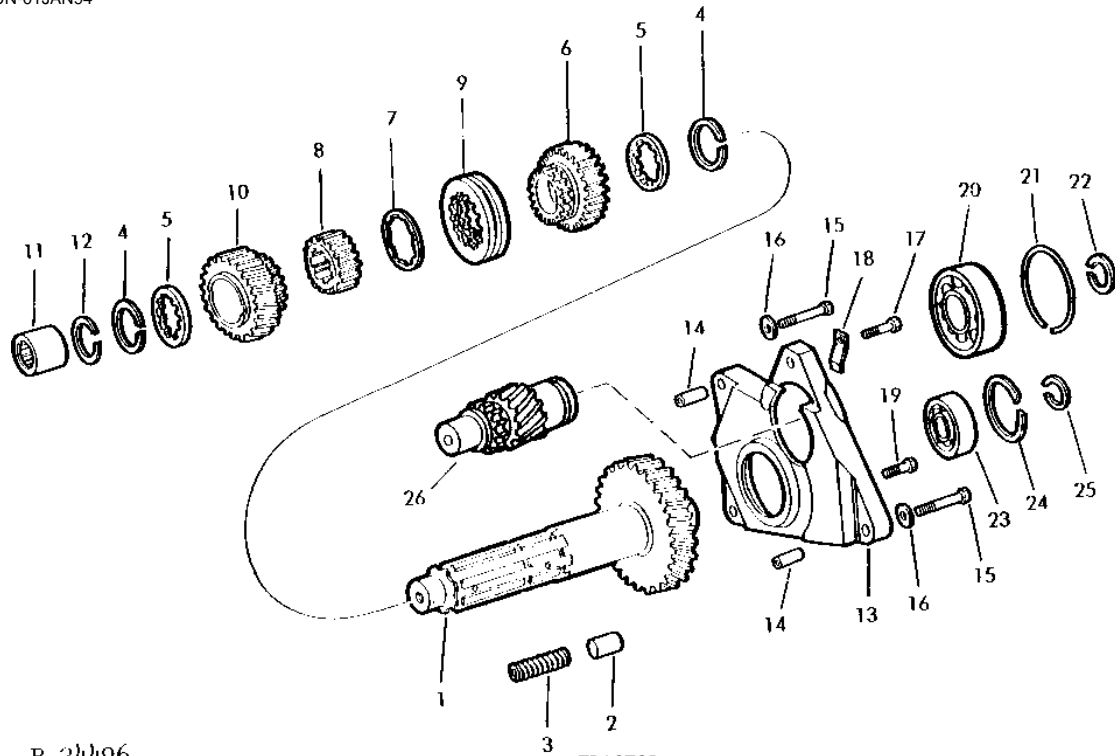
KEY	PART NO.	PART NAME	QTY	TRACTOR SERIAL NO.	REMARKS
1	AR101832	TRANSMISSION CASE	1		(MARKED R75561, R70136 OR T25400) (ALSO ORDER R56615, L29048 AND JD9878) (SUB FOR AT28922, AT43407 OR AR91514)
2	T21562	TUBE	1		
3	T26565	DOWEL PIN	2		
4	T24729	BUSHING	2		
5	T22128	BUSHING	1		(REAR PTO)
6	R48685	DOWEL PIN	6		
7	M1102T	CAP	3		
8	T18891	CAP	3		
9	T17882	WASHER	1		
10	15H562	PIPE PLUG	2		1"
11	T21937	CAP	1		
12	15H584	PIPE PLUG	1		1/2"
13	19H2351	CAP SCREW	1		1/2" X 1/2"
14	R53802	CAP SCREW	1		
15	R27003	WASHER	1		
16	T27716	SPRING	1		
17	R26552	BALL	1		
18	R51895	FITTING	2		
19	A4827R	WASHER	2		
20	R1590R	WASHER	1		
21	AT19830	DIPSTICK	1		
22	R27175	DRAIN PLUG	1		
23	F3171R	O-RING	1		
24	T22853	SLEEVE	1		
25	34H247	SPRING PIN	2		1/8" X 3/4"
26	R31698	SPRING	1		(SUB FOR T24999)
27	R39294	PIN	1		
28	R40147	FITTING	1		(SUB FOR A4806R)
29	A4808R	WASHER	1		
30	AR26375	SCREEN	1		(STEEL)
	R53169	SCREEN	1		(NYLON)
31	T22854	COVER	1		
32	19H2021	CAP SCREW	2		3/8" X 5/8"
33	19H1831	CAP SCREW	3		1/2" X 2"
34	19H2550	CAP SCREW	6		1/2" X 1-5/8"
35	T20168	WASHER	9		
36	T26435	FITTING	1		

# 1G20

POWER TRAIN

R24496 -UN-01JAN94

## COUNTERSHAFT AND BEARING SUPPORT



R 24496

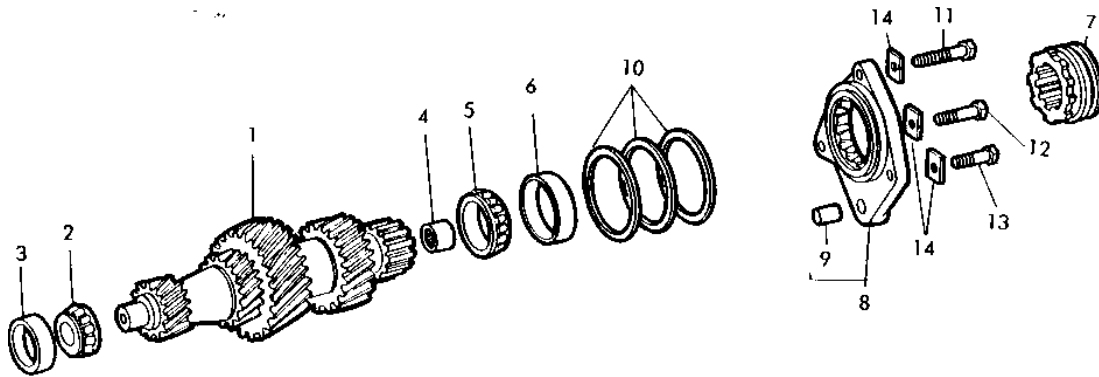
KEY	PART NO.	PART NAME	QTY	TRACTOR SERIAL NO.	REMARKS
1	T24726	COUNTERSHAFT	1		(37 TEETH)
2	T21969	FRICTION PLUG	2		
3	T24732	SPRING	2		
4	T19242	SNAP RING	2		
5	T19245	THRUST WASHER	2		
6	T21981	GEAR	1		(21 TEETH) REVERSE RANGE
7	R55721	THRUST WASHER	1		(SUB FOR T24730)
8	T21964	SLEEVE	1		
9	T21970	SHIFT COLLAR	1		
10	T30065	GEAR	1		(22 TEETH) LOW RANGE
11	JD9822	NEEDLE BEARING	1		
12	R34399	SNAP RING	1		
13	T24691	SUPPORT	1		(SUB L36557)
14	T24729	BUSHING	2		
15	19H1801	CAP SCREW	2		3/8" X 2"
16	R1870R	WASHER	1		(SUB R57696)
17	19H1732	CAP SCREW	1		3/8" X 1-1/4"
18	T24736	CLAMP	1		
19	19H1731	CAP SCREW	1		3/8" X 1"
20	JD7674	BALL BEARING	1		
21	T24737	SNAP RING	1		
22	A364R	SNAP RING	1		
23	JD9258	BALL BEARING	1		
24	B190R	SNAP RING	1		
25	F215R	RING	1		
26	R67341	GEAR	1		(12 TEETH) (SUB FOR T24728 OR R65576)

# 1G21

POWER TRAIN

L55508 -UN-01JAN94

## TRANSMISSION DRIVE SHAFT ASSEMBLY



L 55508

KEY	PART NO.	PART NAME	QTY	TRACTOR SERIAL NO.	REMARKS
1	T21980	DRIVE SHAFT	1		
2	JD7375	BEARING CONE	1		
3	JD7449	BEARING CUP	1		
4	JD9839	NEEDLE BEARING	1		
5	JD8171	BEARING CONE	1		
6	JD8276	BEARING CUP	1		
7	R67336	SHIFT COLLAR	1		HIGH RANGE SHIFTER, (SUB FOR T22934 OR R65579)
8	AT22315	QUILL	1		
9	R54380	DOWEL PIN	1		(SUB T25317)
10	T21442	SHIM	AR		0.07MM (.008")
	T21443	SHIM	AR		0.13MM (.005")
	T21444	SHIM	AR		0.25MM (.010")
	T29561	SHIM	AR		0.51MM (.020")
	T29562	WASHER	AR		1.02MM (.040")
11	T22984	CAP SCREW	1		
12	19H1800	CAP SCREW	1		3/8" X 1-1/2"
13	19H1732	CAP SCREW	1		3/8" X 1-1/4"
14	H246R	STRAP	3		

---

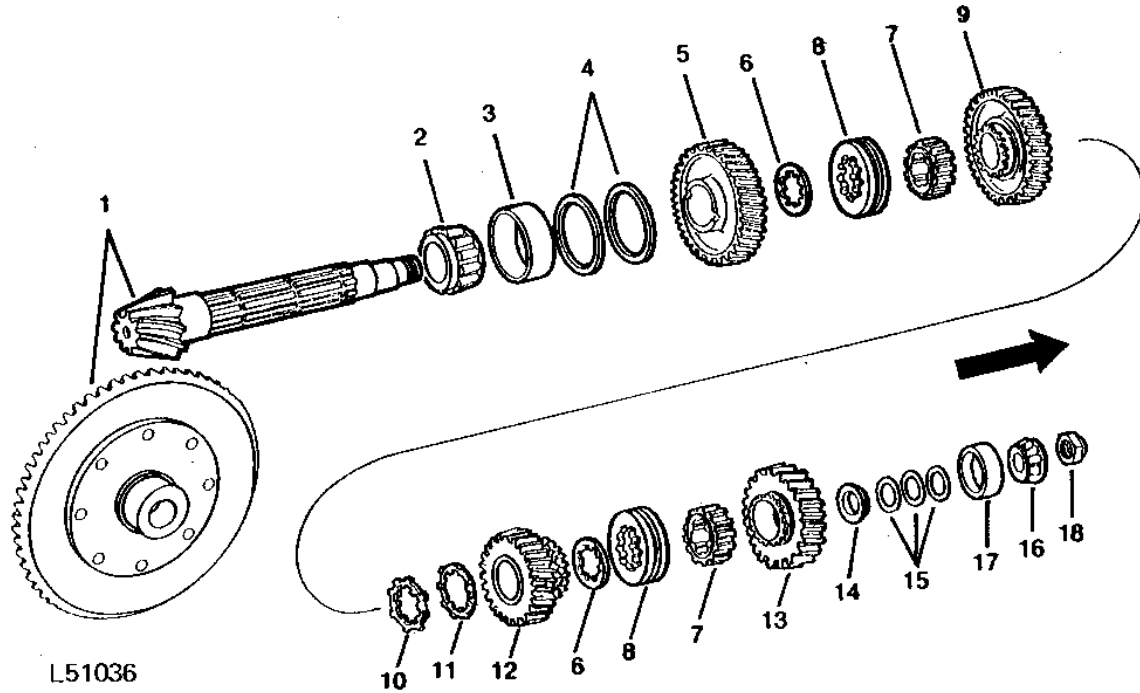
MEMORANDA

# 1G22

POWER TRAIN

L51036 -UN-01JAN94

## DIFFERENTIAL DRIVE SHAFT ASSEMBLY



KEY	PART NO.	PART NAME	QTY	TRACTOR SERIAL NO.	REMARKS
1	AT21620	DIFFERENTIAL	1		(35 TEETH) (BEVEL PINION 8 TEETH)
2	JD8997	BEARING CONE	1		
3	JD8255	BEARING CUP	1		
4	T31794	SHIM	AR		0.254MM (.010")
5	T21975	GEAR	1		(40 TEETH) (FIRST AND FIFTH SPEED)
6	R55721	THRUST WASHER	2		(SUB FOR T24730)
7	T21964	SLEEVE	2		
8	T21970	SHIFT COLLAR	2		
9	T21976	GEAR	1		(36 TEETH) (SECOND AND SIXTH SPEED)
10	R55722	THRUST WASHER	1		(SUB FOR T24731)
11	R56473	THRUST WASHER	1		(SUB FOR T24734)
12	T21977	GEAR	1		(27 TEETH) (FOURTH AND EIGHTH SPEED)
13	AT19966	GEAR	1		(31 TEETH) (THIRD AND SEVENTH SPEED)
14	T21965	WASHER	1		
15	M2056T	SHIM	AR		0.051MM (.002") (SUB FOR L29269)
	M2057T	SHIM	AR		0.127MM (.005") (SUB FOR L29270)
	M2058T	SHIM	AR		0.254MM (.010") (SUB FOR L29271)
16	JD8979	BEARING	1		
17	JD8267	BEARING CUP	1		
18	T24917	NUT	1		

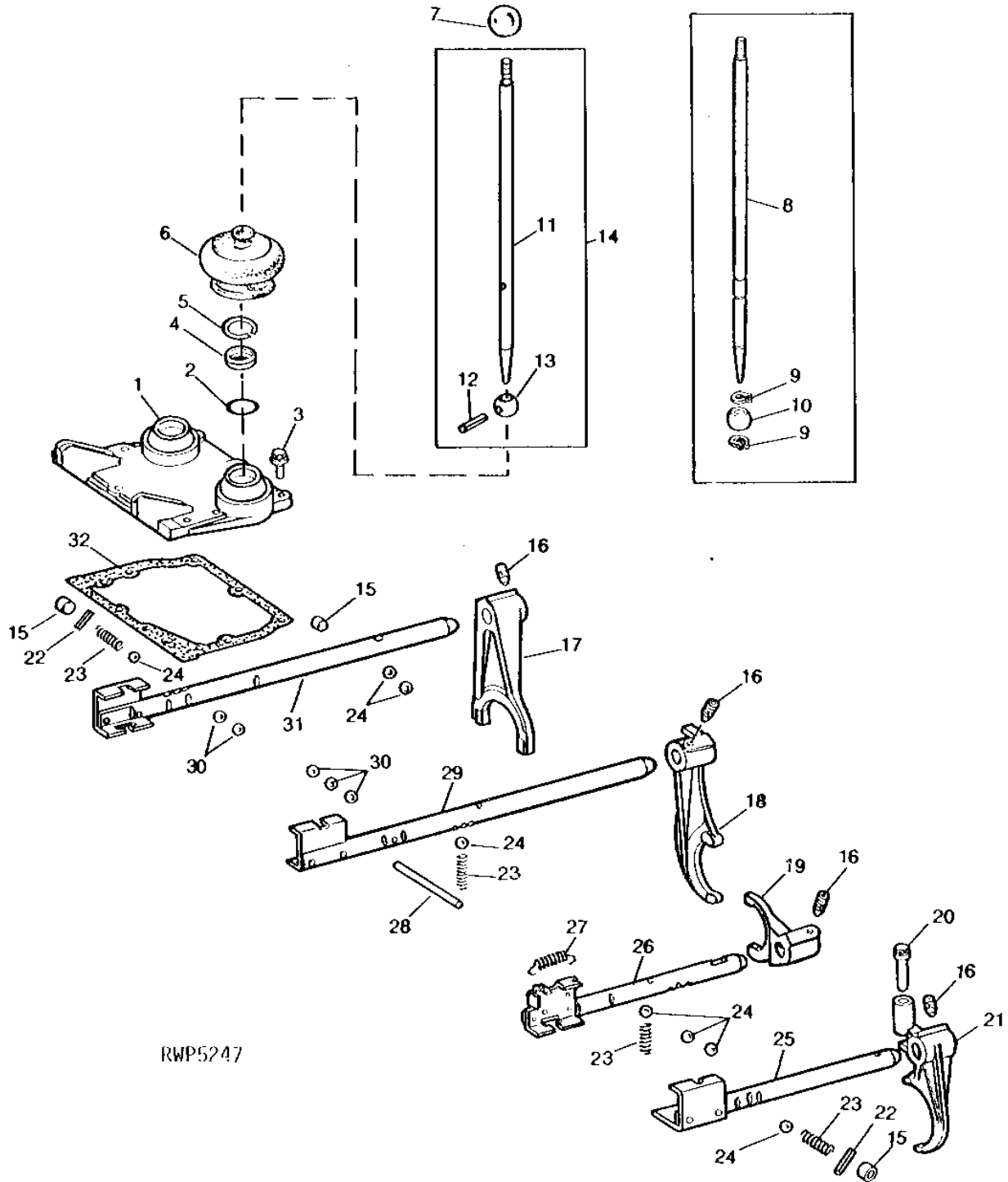
# 1G23

POWER TRAIN

RWP5247

-UN-01JAN94

## GEAR SHIFTING PARTS



RWP5247



# 1G24

POWER TRAIN

## GEAR SHIFTING PARTS - CONTINUED

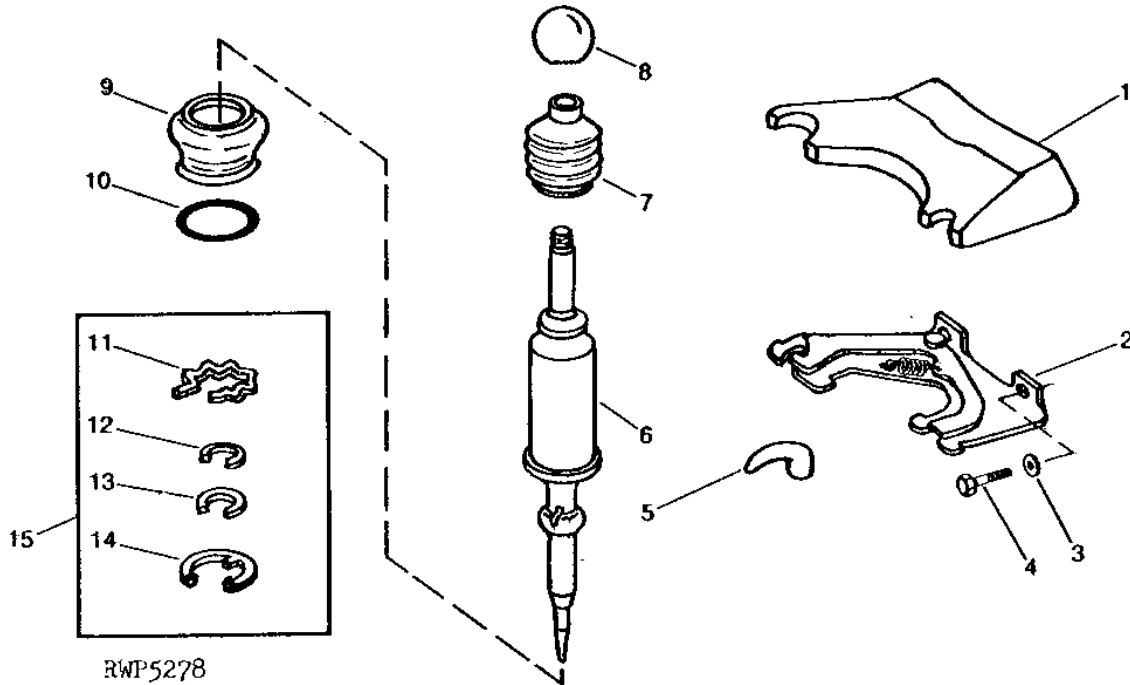
KEY	PART NO.	PART NAME	QTY	TRACTOR SERIAL NO.	REMARKS
1	AT23579	COVER	1		(MARKED T23050 OR T44963)
2	R29936	O-RING	1	XXXXXX-	
3	T22728	SCREW	7		
4	L4027T	BUSHING	1		
5	L4035T	SNAP RING	1		
6	L31055	BOOT	1		(SUB FOR R53818)
7	R50864	KNOB	1		
8	R53817	GEARSHIFT LEVER	1	-XXXXXX	(SUB AL32791 AND R29936)
9	R32507	SNAP RING	2	-XXXXXX	
10	R53815	BALL STUD	1	-XXXXXX	
11	L34349	GEARSHIFT LEVER	1	XXXXXX-	
12	34H251	SPRING PIN	1	XXXXXX-	1/8" X 1"
13	CE14048	BALL	1	XXXXXX-	
14	AL32791	GEARSHIFT LEVER	1	XXXXXX-	
15	M1102T	CAP	3		
16	T25614	SET SCREW	4		
17	L28401	SHIFTER	1		(1ST AND 5TH, 2ND AND 6TH) (SUB FOR T21603)
18	T32142	SHIFTER	1		(3RD AND 7TH, 4TH AND 8TH) (SUB R59032)
19	T26197	SHIFTER	1		(HIGH RANGE) (SUB R59176)
20	R48312	PIN	1		(SUB T22435)
21	R60556	SHIFTER	1		(LOW AND REVERSE RANGE) (SUB FOR T21602)
22	34H251	SPRING PIN	2		1/8" X 1"
23	T27716	SPRING	4		
24	R26552	BALL	8		8MM (5/16")
25	AL33250	SHIFTER ROD	1		(LOW AND REVERSE RANGE) (SUB FOR AT29387)
26	RE18646	SHAFT	1		(HIGH RANGE) (SUB FOR AT29386)
27	T28680	SPRING	1		
28	T22736	PIN	1		
29	AT20784	SHIFTER ROD	1		(3RD AND 7TH, 4TH AND 8TH) (SUB AR95991)
30	400R	BALL	5		6MM (1/4")
31	AT20786	SHIFTER ROD	1		(1ST AND 5TH, 2ND AND 6TH) (SUB AR95992)
32	R54189	GASKET	1		

# 1G25

POWER TRAIN

RWP5278 -UN-01JAN94

## PARK LOCK ASSURANCE KIT (LEFT-HAND LEVER)



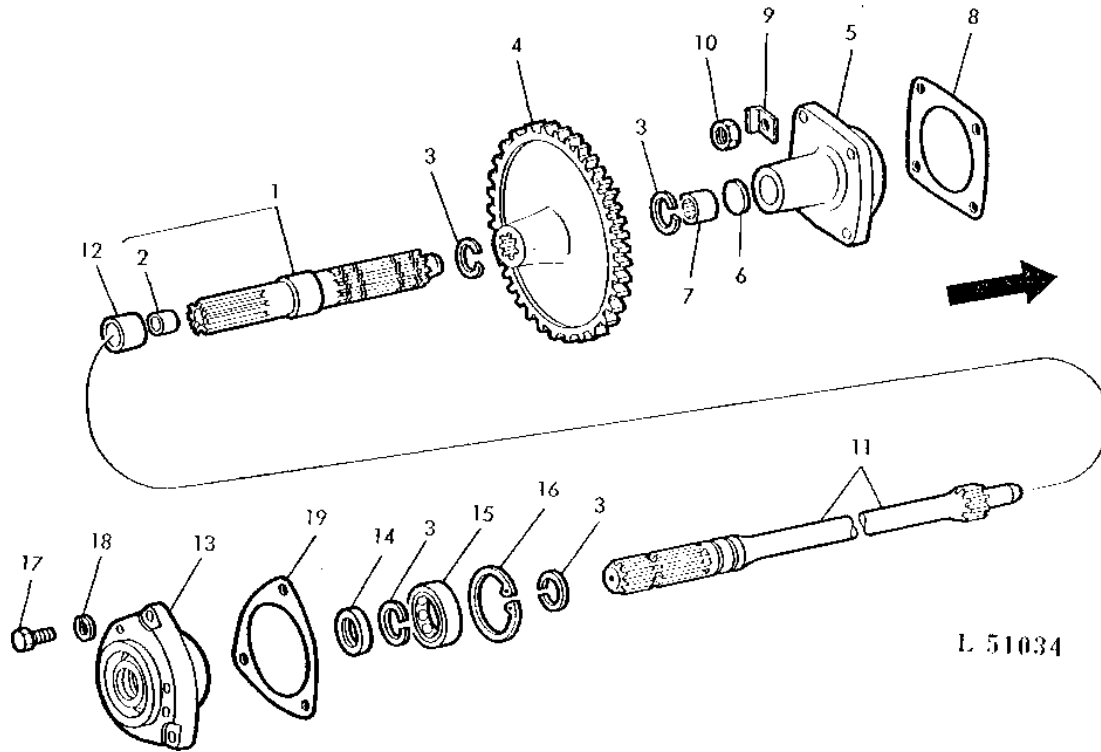
KEY	PART NO.	PART NAME	QTY	TRACTOR SERIAL NO.	REMARKS
1	R75442	COVER	1		
2	AR101754	BRACKET	1		
3	24H1822	WASHER	18		
4	19H1901	CAP SCREW	2		11/32" X 7/8" X 1/16"
5	R75440	HANDLE	1		5/16" X 2"
6	AR101755	LEVER	1		
7	R75451	BOOT	1		
8	R50864	KNOB	1		
9	R78249	BOOT	1		
10	L31311	O-RING	1		
11	R80839	SNAP RING	1		(SUB FOR R75450)
12	R80840	SHIM	3		
13	R80841	SHIM	3		
14	R75449	BEARING	1		
15	RE18116	KIT	1		

# 1H1

POWER TRAIN

## GEARS AND SHAFTS (540 RPM PTO, REAR)

L51034 -UN-01JAN94



L 51034

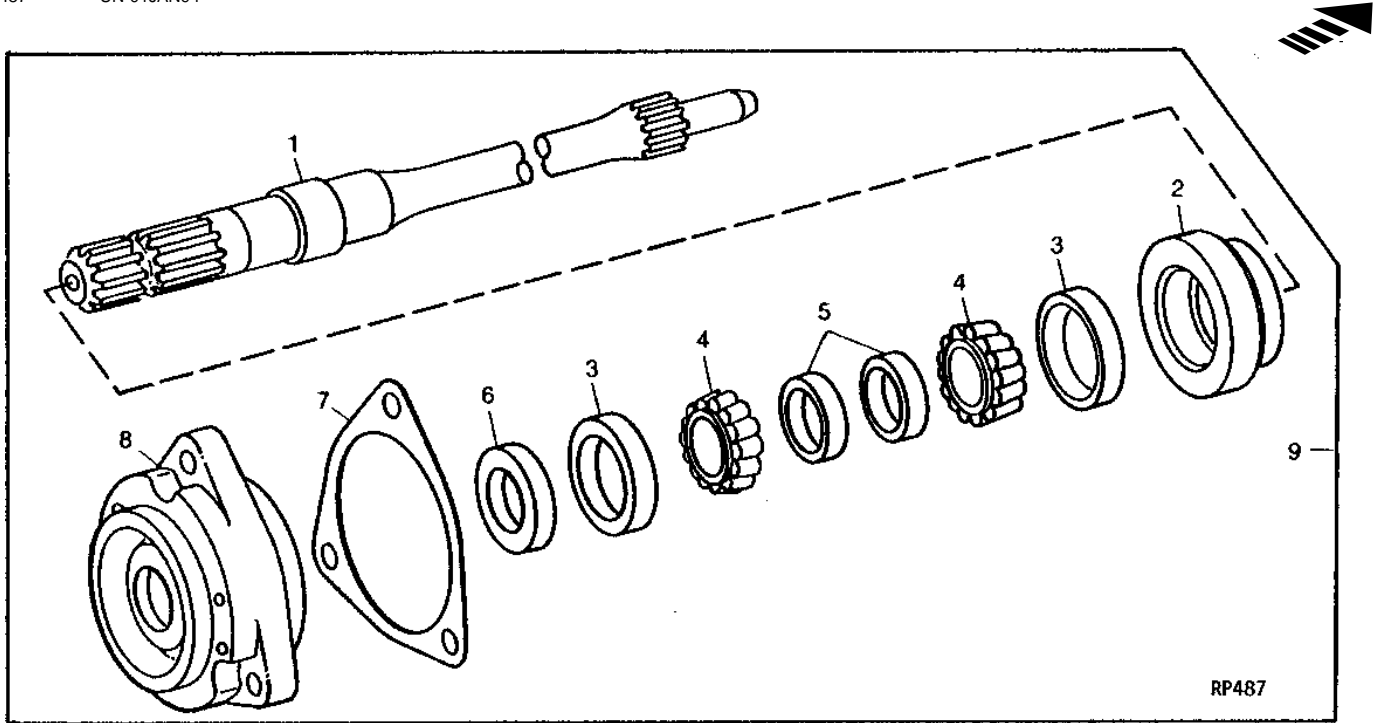
KEY	PART NO.	PART NAME	QTY	TRACTOR SERIAL NO.	REMARKS
1	AT23224	SHAFT	1		
2	T22127	BUSHING	1		
3	M2353T	SNAP RING	4		
4	T22214	GEAR	1		(73 TEETH)
5	T22234	QUILL	1		
6	R26656	WASHER	1		
7	JD8877	NEEDLE BEARING	1		
8	T21997	GASKET	1		
9	R30958	LOCK PLATE	4		
10	14H1076	NUT	4		3/8"
11	R47249	SHAFT	1		
12	T22128	BUSHING	1		
13	R47514	QUILL	1		
14	T22069	SEAL	1		
15	JD9344	BALL BEARING	1		
16	40M7044	SNAP RING	1		(SUB FOR R47513)
17	19H1721	CAP SCREW	3		1/2" X 1-1/2"
18	12H301	LOCK WASHER	3		1/2"
19	T22080	GASKET	1		

# 1H2

POWER TRAIN

## THRUST CAPACITY IMPROVEMENT KIT (540 RPM PTO)

RP487 -UN-01JAN94



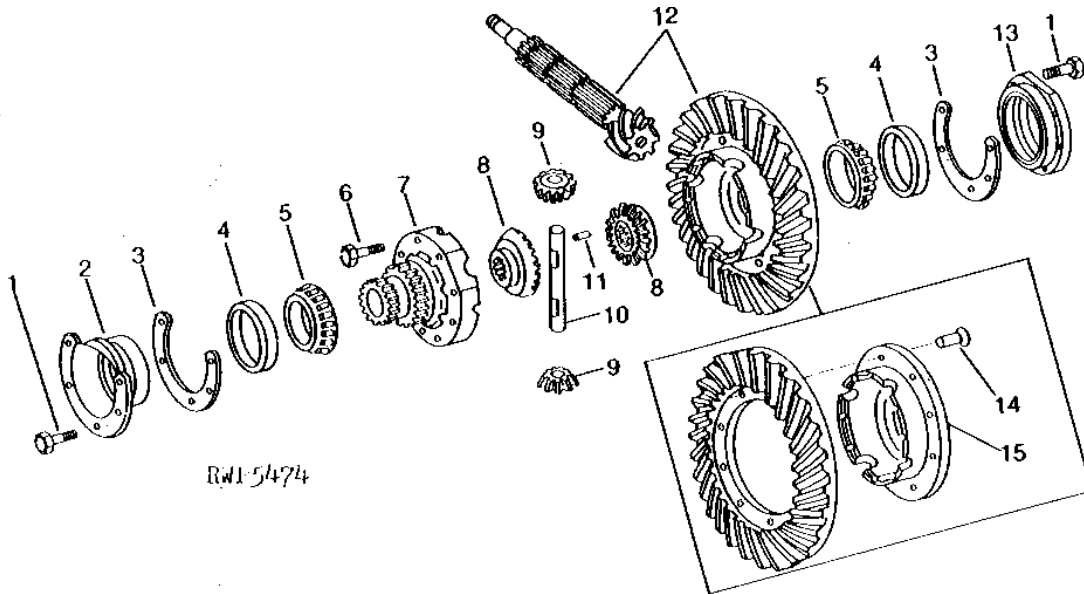
KEY	PART NO.	PART NAME	QTY	TRACTOR SERIAL NO.	REMARKS
1	R69509	SHAFT	1		
2	R69511	BUSHING	1		
3	JD9125	BEARING CUP	1		
4	JD9065	BEARING CONE	1		
5	R69510	SPACER	2		
6	T22069	SEAL	1		
7	R69513	SHIM	AR	0.13MM (.005") (SUB AT146240)	
	R69515	SHIM	AR	0.25MM (.010") (SUB AT146240)	
	R69516	SHIM	AR	0.50MM (.020") (SUB AT146240)	
	R69514	SHIM	AR	0.13MM (.005") PAPER, (SUB AT146240)	
8	R69512	QUILL	1		
9	AR93928	KIT	1		

# 1H3

POWER TRAIN

RWP5474 -UN-01JAN94

## DIFFERENTIAL ASSEMBLY



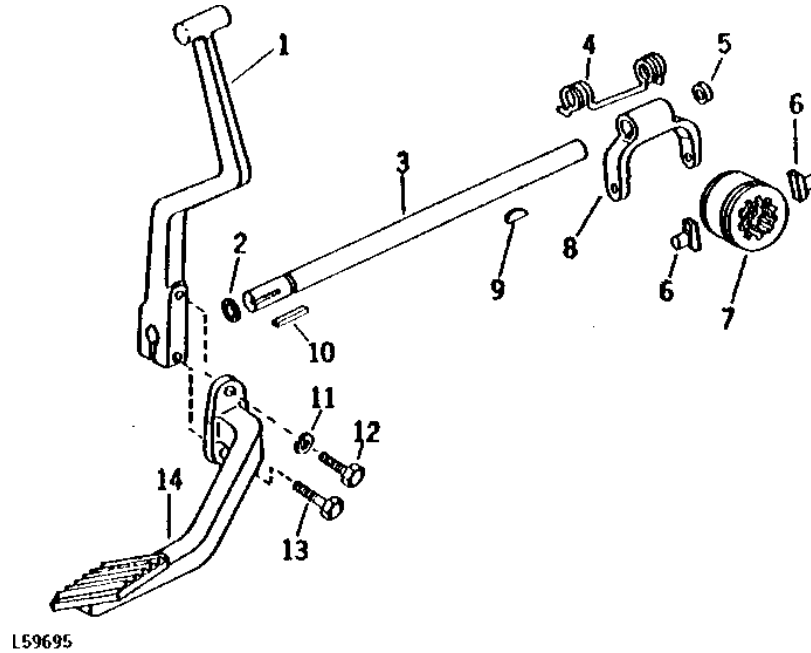
KEY	PART NO.	PART NAME	QTY	TRACTOR SERIAL NO.	REMARKS
1	T22874	BOLT	10		
2	T21433	QUILL	1		
3	T21434	SHIM	AR	0.076MM (.003")	
	T21435	SHIM	AR	0.127MM (.005")	
	T21436	SHIM	AR	0.254MM (.010")	
4	JD7425	BEARING CUP	2		
5	JD8147	BEARING CONE	2		
6	T21430	CAP SCREW	8		
7	R51500	HOUSING	1		
8	T29394	BEVEL GEAR	2	(18 TEETH) (SUB (2) T118949 AND (2) T118950)	
9	T21876	BEVEL GEAR	2	(11 TEETH) (SUB (2) T118949 AND (2) T118950)	
10	T21831	PINION SHAFT	1		
11	R30587	DOWEL PIN	1		
12	AT21620	DIFFERENTIAL	1	(35 TEETH) (BEVEL PINION 8 TEETH) (INCLUDES T24382 AND 16H1592)	
13	T21458	QUILL	1		
14	16H1592	RIVET	8	7/16" X 1-3/4"	
15	T24382	HOUSING	1		

# 1H4

POWER TRAIN

L59695 -UN-01JAN94

## DIFFERENTIAL LOCK MECHANISM



L59695

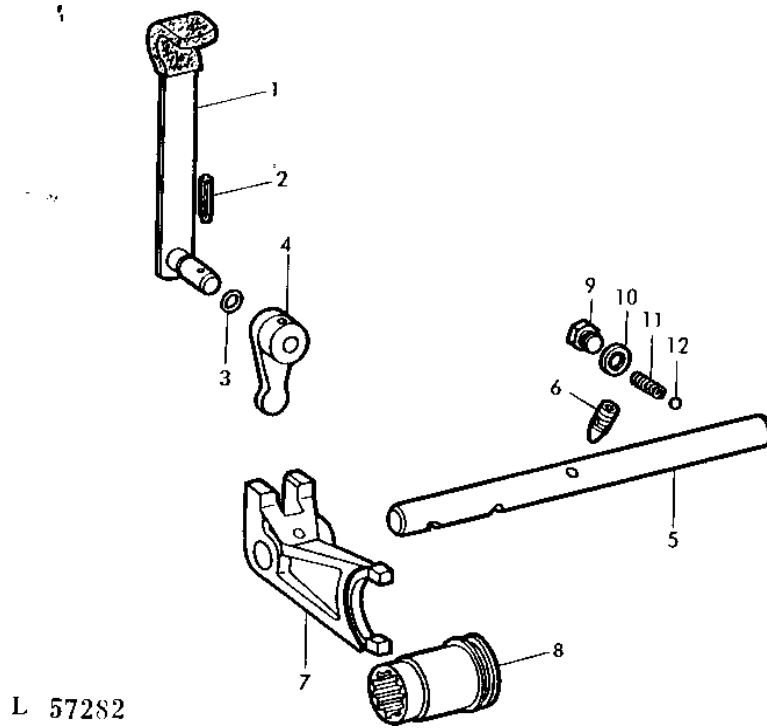
KEY	PART NO.	PART NAME	QTY	TRACTOR SERIAL NO.	REMARKS
1	T27429	LEVER	1		
2	L29406	O-RING	1	-XXXXXX	(SHAFT WITH TWO WOODRUFF KEYWAYS)
	R28776	O-RING	1	XXXXXX-	(SHAFT WITH SINGLE WOODRUFF KEYWAY)
3	L29833	SHAFT	1	-XXXXXX	(SUB FOR L29404) (SUB L32839 AND R28776)
	L32839	SHAFT	1	XXXXXX-	
4	T24522	SPRING	1		(SUB R63850)
5	T18891	CAP	1		
6	T21841	SHOE	2		
7	R51501	SHIFT COLLAR	1		
8	T21840	YOKE	1		
9	26H77	SHAFT KEY	2	-XXXXXX	3/16" X 3/4"
	26H77	SHAFT KEY	1	XXXXXX-	3/16" X 3/4"
10	H410R	SHAFT KEY	1		
11	12H304	LOCK WASHER	1		3/8"
12	19H1731	CAP SCREW	1		3/8" X 1"
13	19H2665	CAP SCREW	1		3/8" X 1-5/8"
14	T27430	PEDAL	1		

# 1H5

POWER TRAIN

L57282 -UN-01JAN94

## REAR POWER SHAFT SHIFTER LINKAGE



L 57282

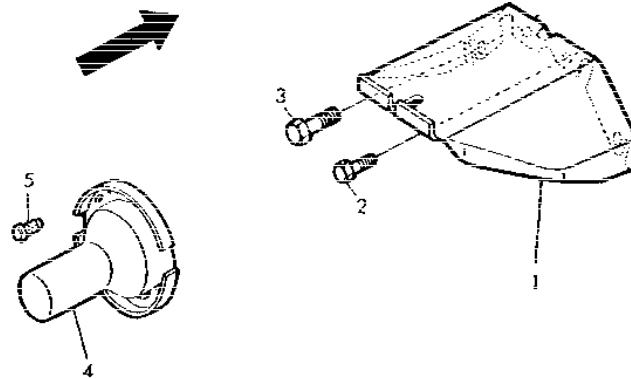
KEY	PART NO.	PART NAME	QTY	TRACTOR SERIAL NO.	REMARKS
1	AT29827	LEVER	1		(SUB AL34733)
2	T27544	GROOVE PIN	1		
3	R28776	O-RING	1		
4	AT20025	ARM	1		
5	R48289	SHAFT	1		
6	T25614	SET SCREW	1		
7	T21992	SHIFTER	1		
8	T26337	SHIFT COLLAR	1		
9	R53802	CAP SCREW	1		
10	R27003	WASHER	1		
11	T27716	SPRING	1		
12	R26552	BALL	1		8MM (5/16")

# 1H6

POWER TRAIN

L57280 -UN-01JAN94

## POWER SHAFT SHIELD AND GUARD



L 57280

KEY	PART NO.	PART NAME	QTY	TRACTOR SERIAL NO.	REMARKS
1	AT20761	SHIELD	1		(SUB RE13912)
2	19H2284	CAP SCREW	2		3/8" X 7/8"
3	19H1792	CAP SCREW	2		1/2" X 1"
4	AR26782	GUARD	1		
5	R27329	SCREW	2		

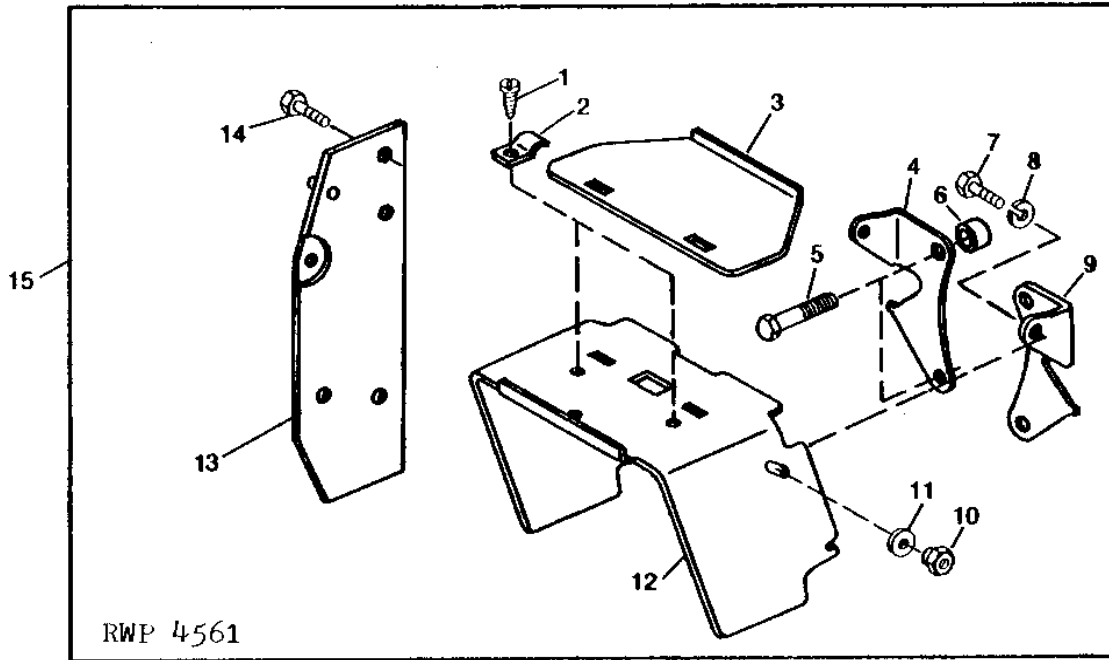


# 1H7

POWER TRAIN

RWP4561 -UN-01JAN94

## PTO MASTER SHIELD KIT



KEY	PART NO.	PART NAME	QTY	TRACTOR SERIAL NO.	REMARKS
1	37H52	SCREW	2		1/4" X 3/8"
2	R69657	CLAMP	2		
3	L38694	COVER	1		
4	R69655	SUPPORT	1		L.H.
5	19H1831	CAP SCREW	4		1/2" X 2"
6	28H1785	BUSHING	4		0.546" X 0.840" X 1-1/16"
7	19H1731	CAP SCREW	2		3/8" X 1"
8	12H304	LOCK WASHER	2		3/8"
9	R69654	SUPPORT	1		R.H.
10	R63607	WELD NUT	2		3/8"
11	R73290	WASHER	2		(SUB FOR T497T) (SUB 24M7338)
12	R69628	SHIELD	1		
13	AR90971	SUPPORT	1		
14	19H1792	CAP SCREW	1		1/2" X 1"
15	RE13912	KIT	1		

---

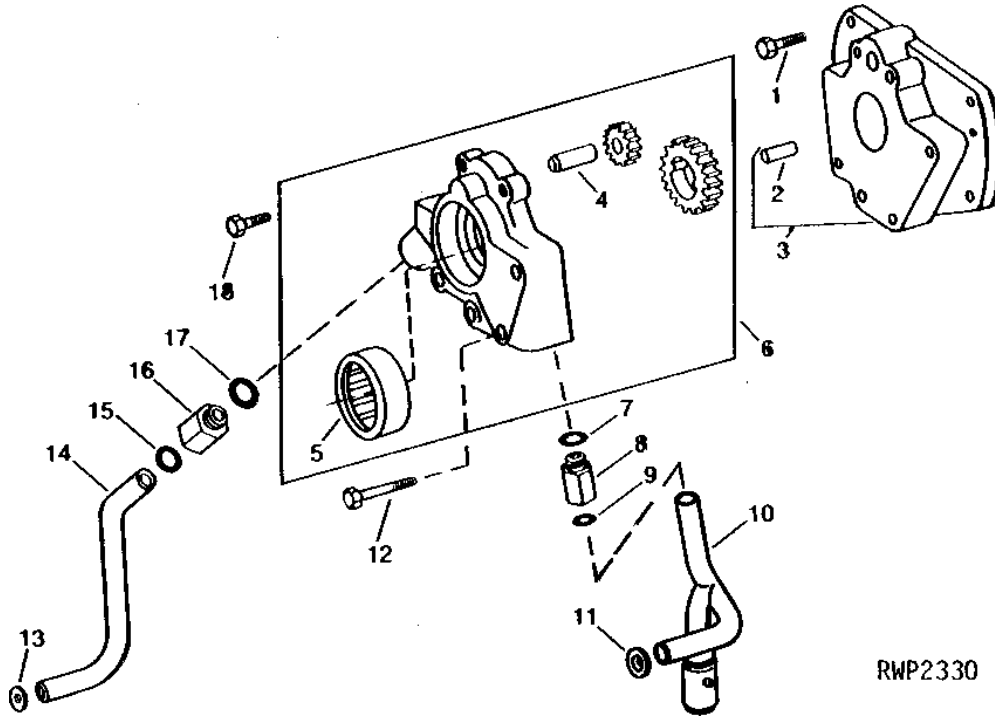
MEMORANDA

# 1H8

POWER TRAIN

RWP2330 -UN-01JAN94

## TRANSMISSION OIL PUMP AND OIL LINES



RWP2330

KEY	PART NO.	PART NAME	QTY	TRACTOR SERIAL NO.	REMARKS
1	19H2552	CAP SCREW	4	3/8" X 1-1/8"	
2	R30587	DOWEL PIN	3		
3	AR69659	ADAPTER	1	(SUB FOR AR39093)	
4	R58661	DOWEL PIN	1	(SUB FOR R39224)	
5	JD8720	ROLLER BEARING	1		
6	AR96662	OIL PUMP	1	(MARKED R39244 OR R57959)	
7	R26906	O-RING	1		
8	T22862	ADAPTER	1		
9	R375R	O-RING	1		
10	AT24392	OIL LINE	1		
11	T22851	WASHER	1		
12	R40235	CAP SCREW	5		
13	R26149	PACKING	1		
14	T25418	OIL TUBE	1		
15	T13119	O-RING	1		
16	T30754	ADAPTER	1		
17	F3171R	O-RING	1		
18	R41041	CAP SCREW	1		

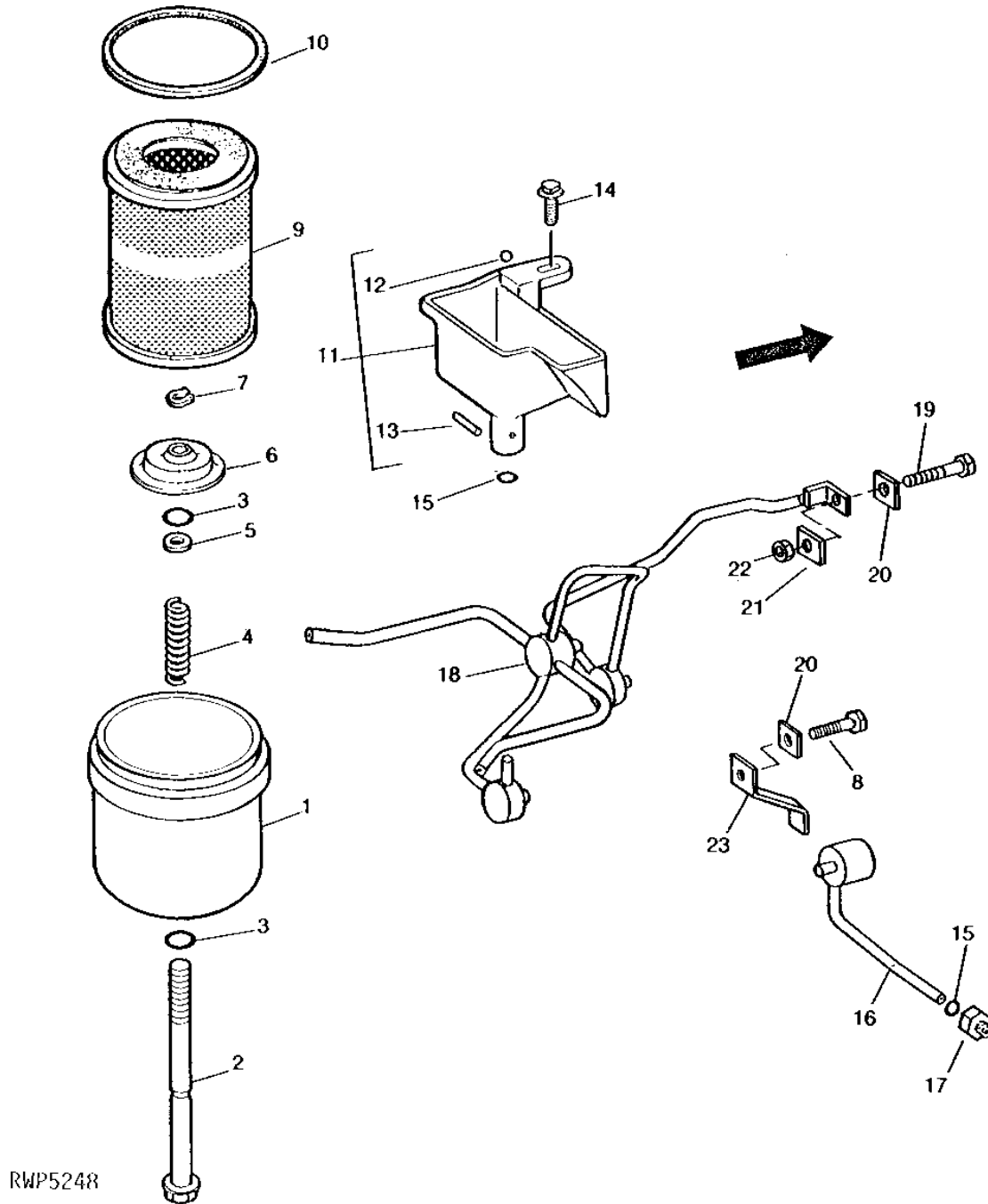
# 1H9

POWER TRAIN

RWP5248

-UN-01JAN94

## TRANSMISSION OIL FILTER AND LUBRICATING OIL LINES



RWP5248

# 1H10

POWER TRAIN

## TRANSMISSION OIL FILTER AND LUBRICATING OIL LINES - CONTINUED

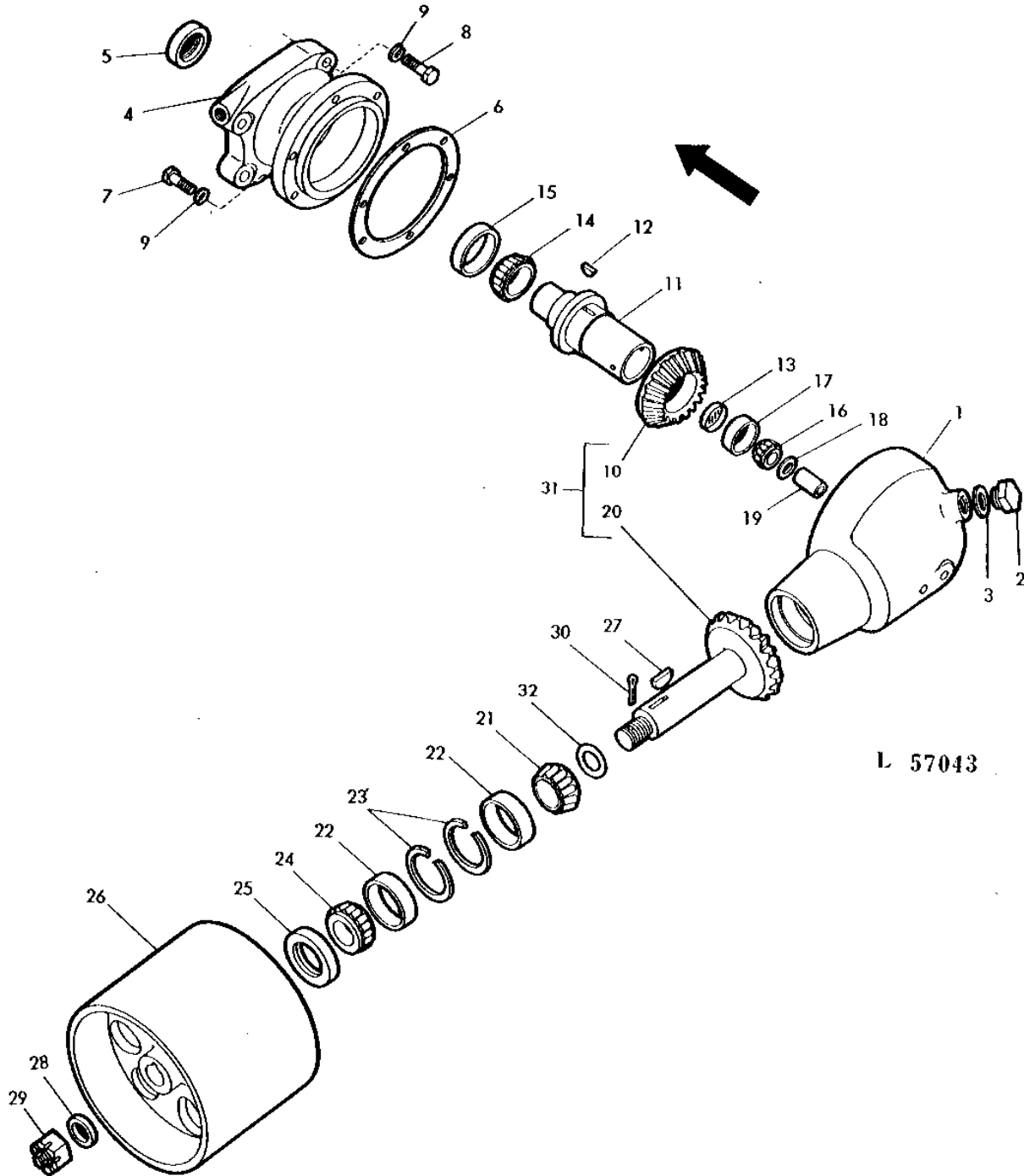
KEY	PART NO.	PART NAME	QTY	TRACTOR SERIAL NO.	REMARKS
1	R39796	COVER	1		(SUB FOR L29250)
2	L29253	CAP SCREW	1		
3	R394R	O-RING	2		
4	L29252	COMPRESSION SPRING	1		
5	24H1227	WASHER	1		17/32" X 13/16" X 0.060"
6	L29251	RETAINER	1		
7	R32507	SNAP RING	1		
8	19H1800	CAP SCREW	1		3/8" X 1-1/2"
9	AR75603	FILTER ELEMENT	1		(SUB FOR AR28271 OR AR75601)
10	R34733	WASHER	1		
11	AR66588	OIL CUP	1		(SUB AR87416 AND 21H1322)
12	R26552	BALL	1		
13	R39090	NEEDLE ROLLER	1		
14	T22728	SCREW	1		
15	A3917R	O-RING	2		
16	AT29752	OIL LINE	1		
17	T22852	ADAPTER	1		
18	AT22001	OIL LINE	1		
19	T22984	CAP SCREW	1		
20	H246R	STRAP	2		
21	R1888R	STRAP	1		
22	14H732	NUT	1		3/8"
23	T22974	CLAMP	1		

# 1H11

POWER TRAIN

BELT PULLEY  
(540 RPM PTO)

L57043 -UN-01JAN94



# 1H12

POWER TRAIN

**BELT PULLEY - CONTINUED  
(540 RPM PTO)**

KEY	PART NO.	PART NAME	QTY	TRACTOR SERIAL NO.	REMARKS
1	T29242	CASE	1		
2	R26727	DRAIN PLUG	1		
3	A4827R	WASHER	1		(ALUMINUM)
4	T29243	QUILL	1		
5	AT12431	SEAL	1		
6	R44361	SHIM	AR		0.08MM (.003")
	R44372	SHIM	AR		0.13MM (.005") PAPER
	T13341	SHIM	AR		0.25MM (.010")
7	19H3579	CAP SCREW	6		1/2" X 1-3/8"
8	19H2644	CAP SCREW	4		1/2" X 2-1/2"
9	12H301	LOCK WASHER	10		1/2"
10	T23000	GEAR	1		(ORDER AT28049)
11	T22999	HUB	1		
12	26H85	SHAFT KEY	1		1/4" X 1"
13	M2206T	CAP	1		
14	JD8922	BEARING CONE	1		
15	JD8247	BEARING CUP	1		
16	JD8135	BEARING CONE	1		
17	JD7438	BEARING CUP	1		
18	T13331	SHIM	AR		0.08MM (.003")
	T13332	SHIM	AR		0.13MM (.005")
	T13333	SHIM	AR		0.25MM (.010")
19	T13471	PIN	1		
20	T22998	SHAFT	1		(ORDER AT28049)
21	JD8969	BEARING CONE	1		
22	JD7418	BEARING CUP	2		
23	T13325	SNAP RING	2		
24	JD8982	BEARING CONE	1		
25	AT16887	SEAL	1		
26	T18718	PULLEY	1		
27	26H93	SHAFT KEY	1		1/4" X 1-1/4"
28	R30399	WASHER	1		(SUB FOR T18996)
29	14H920	NUT	1		1"
30	11M7032	COTTER PIN	1		0.197" X 1.969"
31	AT28049	SHAFT	1		
32	L11027	SHIM	AR		0.10MM (.004")
	L11028	SHIM	AR		0.20MM (.008")

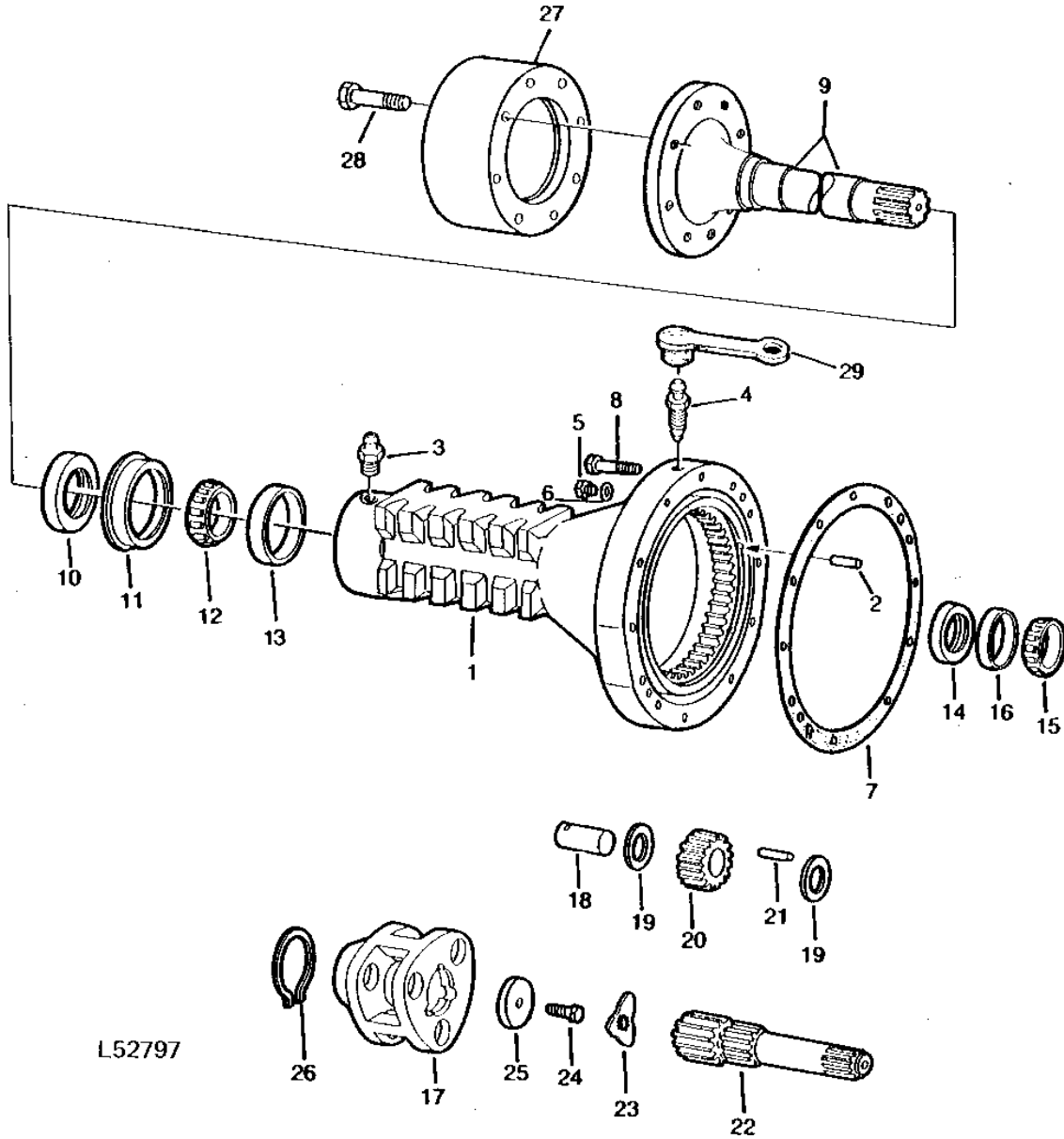
# 1H13

POWER TRAIN

L52797

-UN-01JAN94

## REAR AXLE AND FINAL DRIVE





# 1H14

POWER TRAIN

## REAR AXLE AND FINAL DRIVE - CONTINUED

KEY	PART NO.	PART NAME	QTY	TRACTOR SERIAL NO.	REMARKS
1	AT19628	HOUSING	2		(MARKED T21413) (ALSO ORDER (3) T21428)
2	T21428	DOWEL PIN	6		
3	JD7759	LUBRICATION FITTING	2		1/8"
4	R21612	BLEED SCREW	2		
5	R27216	DRAIN PLUG	2		REAR, (SUB FOR R31631)
6	R26287	O-RING	2		
7	R98915	GASKET	2		(SUB FOR T21419)
8	19H1990	CAP SCREW	22		1/2" X 2-1/4"
9	T21620	SPINDLE	2		(SUB FOR AT29218)
10	AT20703	SEAL	2		
11	T21429	BEARING CUP	2		
12	JD8147	BEARING CONE	2		
13	JD7425	BEARING CUP	2		
14	AT20701	SEAL	2		(SUB AN102006)
15	JD8171	BEARING CONE	2		
16	JD8217	BEARING CUP	2		
17	T21415	PLANET PINION CARRIER	2		
18	T21886	PINION SHAFT	6		
19	T21424	THRUST WASHER	12		
20	T21885	GEAR	6		
21	R26006	NEEDLE ROLLER	138		
22	T28907	DRIVE SHAFT	1		R.H. (SUB T71925)
	T28908	DRIVE SHAFT	1		L.H. (SUB T71926)
23	T21427	LOCK PLATE	2		
24	L37325	CAP SCREW	2		1/2" X 1.496"
25	L38057	WASHER	2		(SUB FOR T21423)
26	T21409	SNAP RING	2		
27	T22690	EXTENSION	2		
28	19H2647	CAP SCREW	16		9/16" X 4-1/2"
29	R47862	CAP	2		

---

MEMORANDA

---

MEMORANDA

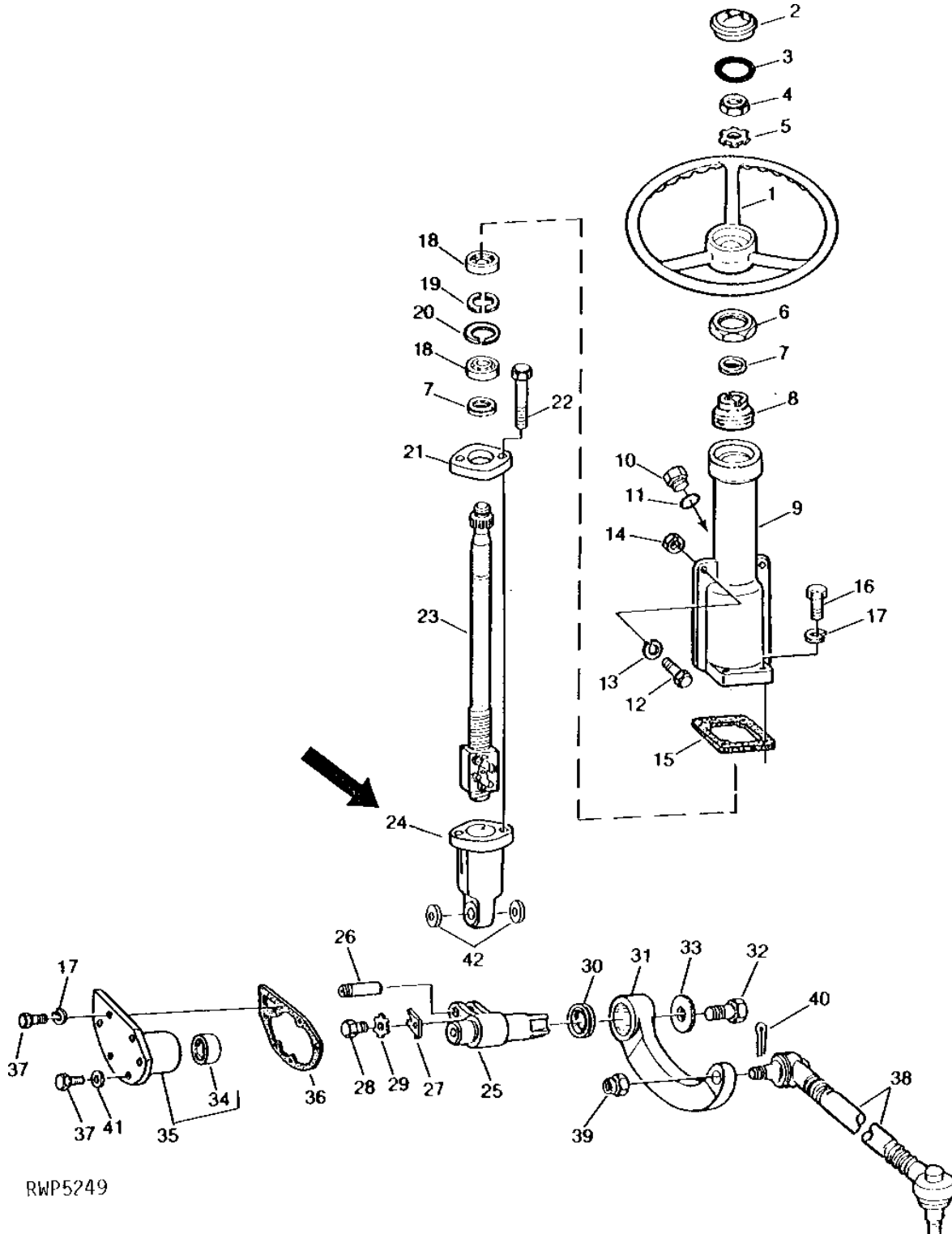
# 1H16

STEERING AND BRAKES

RWP5249

-UN-01JAN94

## MANUAL STEERING GEAR AND DRAG LINK



RWP5249

# 1H17

STEERING AND BRAKES

## MANUAL STEERING GEAR AND DRAG LINK - CONTINUED

KEY	PART NO.	PART NAME	QTY	TRACTOR SERIAL NO.	REMARKS
1	T22875	STEERING WHEEL	1		
2	R47998	CAP	1		
3	B3690R	O-RING	1		
4	14H904	NUT	1	3/4"	
5	T17148	LOCK WASHER	1		
6	T22481	NUT	1		
7	T22260	SEAL	2	(ALSO ORDER AT19858)	
8	T22480	BUSHING	1		
9	R52989	HOUSING	1		
10	R39112	FITTING	1		
11	R26375	O-RING	1		
12	19H1849	CAP SCREW	2	5/16" X 1-1/4"	
13	12H303	LOCK WASHER	2	5/16"	
14	14H785	NUT	2	5/16"	
15	T21528	GASKET	1	(SUB FOR T25337)	
16	19H1765	CAP SCREW	4	3/8" X 1-3/4"	
17	12H304	LOCK WASHER	10	3/8"	
18	JD8728	BEARING	2		
19	T22482	WASHER	2		
20	F215R	RING	1		
21	T22527	RETAINER	1		
22	19H3586	CAP SCREW	2	1/2" X 4-1/4" HS, SAE 8	
23	AT20372	SHAFT	1		
24	T22526	YOKE	1		
25	T21866	SHAFT	1		
26	T21722	PIN	1		
27	T21659	PLATE	1		
28	19H1227	CAP SCREW	1	1/4" X 1/2"	
29	12H297	LOCK WASHER	1	1/4"	
30	AT11927	SEAL	1		
31	T28272	LEVER	1		
32	19H1833	CAP SCREW	1	5/8" X 1-1/4"	
33	R20135	WASHER	1		
34	T21445	BUSHING	1		
35	AT20854	COVER	1	(SUB AT54955)	
36	T21527	GASKET	1		
37	19H2552	CAP SCREW	6	3/8" X 1-1/8"	
38	AR68818	DRAG LINK	1	(SUB FOR AT19808)	
39	14H918	NUT	2	5/8"	
40	11M7023	COTTER PIN	2	4 X 32 MM	
41	T11292	WASHER	1		
42	L31697	SHIM	AR	0.08MM (.003")	
	L31696	SHIM	AR	0.13MM (.005")	
	L31698	WASHER	AR	0.25MM (.010")	

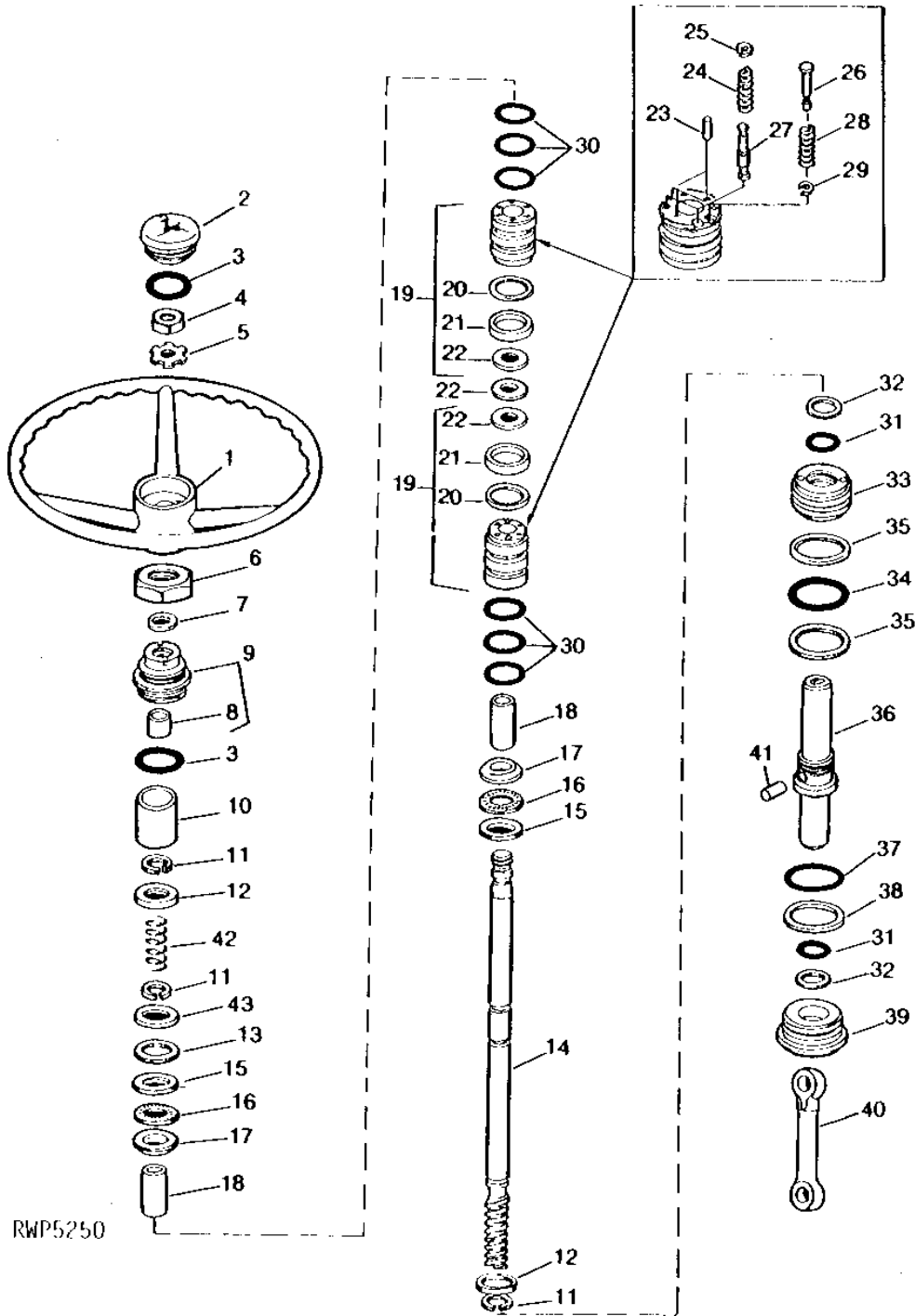
# 1H18

STEERING AND BRAKES

RWP5250

-UN-01JAN94

## POWER STEERING



# 1H19

STEERING AND BRAKES

POWER STEERING - CONTINUED

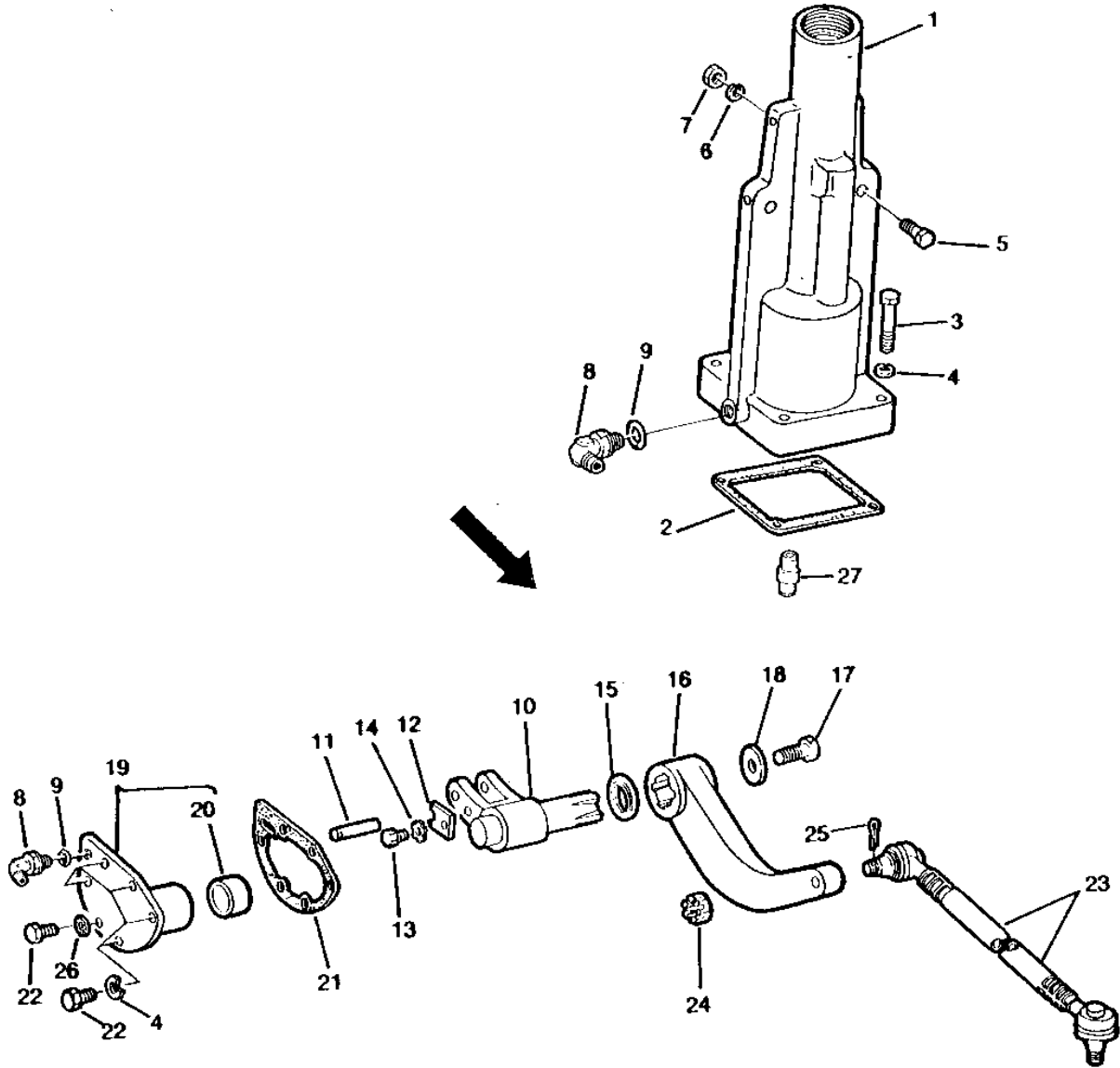
KEY	PART NO.	PART NAME	QTY	TRACTOR SERIAL NO.	REMARKS
1	T22875	STEERING WHEEL	1		
2	R47998	CAP	1		
3	B3690R	O-RING	2		
4	14H904	NUT	1	3/4"	
5	T17148	LOCK WASHER	1		
6	T21718	NUT	1		
7	T22260	SEAL	1		(ALSO ORDER AT19858) (IF NOT PREVIOUSLY INSTALLED)
8	R27320	BUSHING	1		
9	AT19858	ADJUSTER	1		(ALSO ORDER T22260) (IF NOT PREVIOUSLY INSTALLED)
10	T22823	SLEEVE	1		
11	R35226	SNAP RING	3		
12	T22824	BUSHING	2		
13	T22825	SHIM	AR	0.13MM (.005")	
	T25741	SHIM	AR	0.05MM (.002")	
	T31290	SHIM	AR	0.76MM (.030")	
14	L29199	STEERING WHEEL SHAFT	1		
15	T21716	WASHER	2		
16	JD9832	THRUST BEARING	2		
17	T25329	WASHER	2		
18	R49980	SLEEVE	2		
19	AR55358	HOUSING	2		
20	T25333	SHIM	AR	0.05MM (.002")	
	T25334	SHIM	AR	0.25MM (.010")	
21	T25332	WASHER	2		
22	T27409	WASHER	3		
23	R51260	DOWEL PIN	4		
24	R52651	SPRING	4		
25	40M7000	SNAP RING	4		
26	R54576	PIN	4		
27	R51262	SPOOL	4		
28	R54575	SPRING	4		
29	R52650	WASHER	4		
30	T25335	O-RING	6		
31	U10289	O-RING	2		
32	T25327	BACK-UP RING	2		
33	T25325	PISTON	1		(SUB FOR R57292, THIS APPLICATION)
34	F3450R	O-RING	1		
	R57293	SEAL	1	-XXXXXX	
35	T25326	BACK-UP RING	2		
36	AL70300	ROD	1		(SUB FOR T25323)
37	U12331	O-RING	1		
38	R35684	BACK-UP RING	1		
39	T25336	GUIDE	1		
40	T25324	ROD	1		
41	T21655	PIN	1		
42	T13555	SPRING	1		
43	L29197	THRUST WASHER	1		

# 1H20

STEERING AND BRAKES

L52168 -UN-01JAN94

POWER STEERING



L52168



# 1H21

STEERING AND BRAKES

## POWER STEERING - CONTINUED

KEY	PART NO.	PART NAME	QTY	TRACTOR SERIAL NO.	REMARKS
1	AT23175	HOUSING	1		(SUB RE10800)
2	T21528	GASKET	1		(SUB FOR T25337)
3	19H1801	CAP SCREW	4		3/8" X 2"
4	12H304	LOCK WASHER	9		3/8"
5	19H1849	CAP SCREW	2		5/16" X 1-1/4"
6	12H303	LOCK WASHER	2		5/16"
7	14H785	NUT	2		5/16"
8	AT35121	ELBOW FITTING	2		90°, (SUB FOR AR26725)
9	R26448	O-RING	2		
10	T36482	SHAFT	1		
11	T21722	PIN	1		
12	T21659	PLATE	1		
13	19H1227	CAP SCREW	1		1/4" X 1/2"
14	12H297	LOCK WASHER	1		1/4"
15	AT11927	SEAL	1		
16	T28272	LEVER	1		
17	19H1833	CAP SCREW	1		5/8" X 1-1/4"
18	R20135	WASHER	1		
19	AR55356	COVER	1		(NLA)
20	T21445	BUSHING	1		
21	T21527	GASKET	1		
22	19H1732	CAP SCREW	6		3/8" X 1-1/4"
23	AR68818	DRAG LINK	1		(SUB FOR AT19808)
24	14H918	NUT	2		5/8"
25	11M7023	COTTER PIN	2		4 X 32 MM
26	T11292	WASHER	1		COPPER
27	R51258	SLEEVE	1		

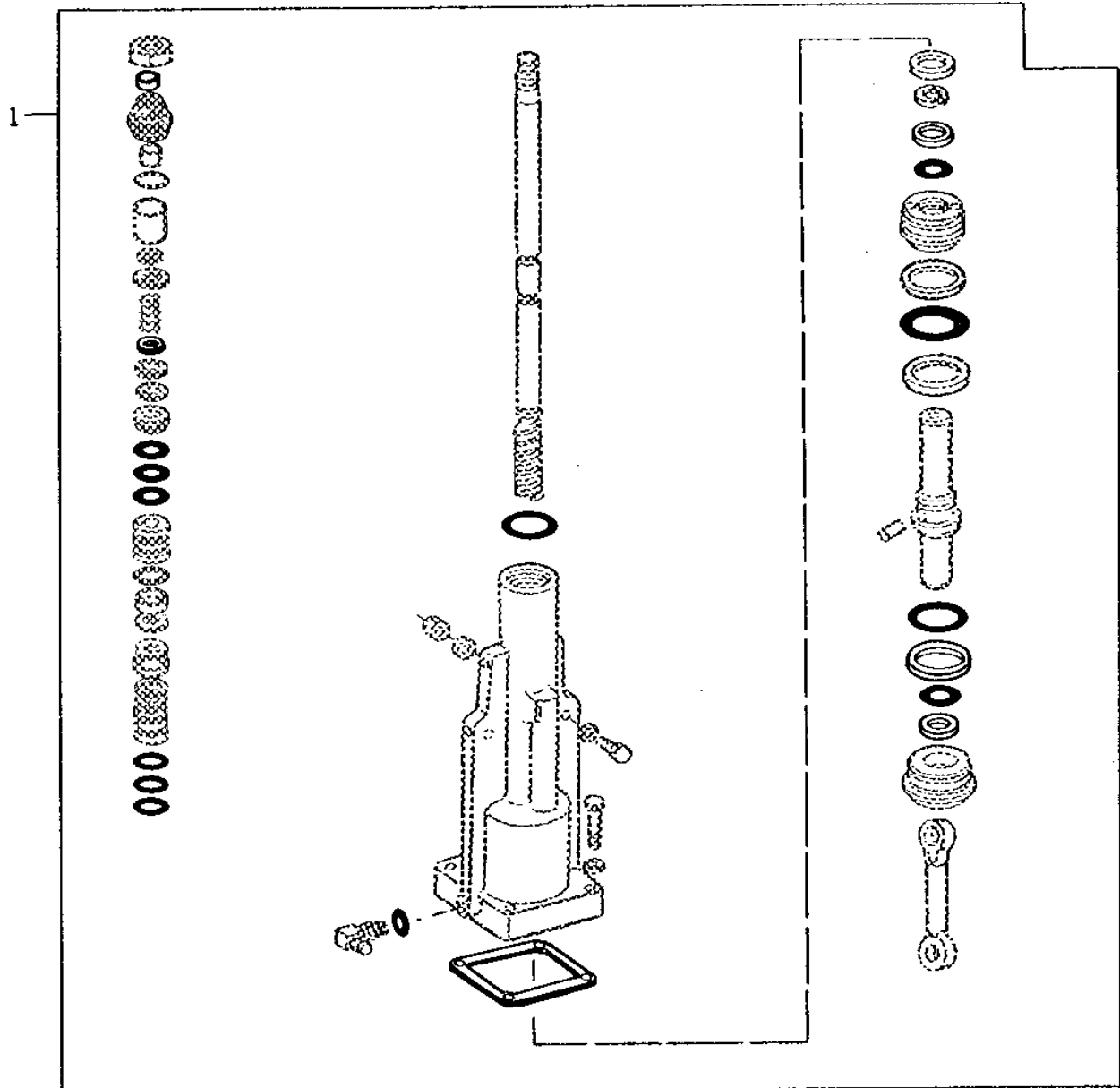
# 1H22

STEERING AND BRAKES

R33551

-UN-01JAN94

## POWER STEERING OVERHAUL KIT



R33551

# 1H23

STEERING AND BRAKES

---

POWER STEERING OVERHAUL KIT - CONTINUED

KEY	PART NO.	PART NAME	QTY	TRACTOR SERIAL NO.	REMARKS
1	AT26188	KIT	1		

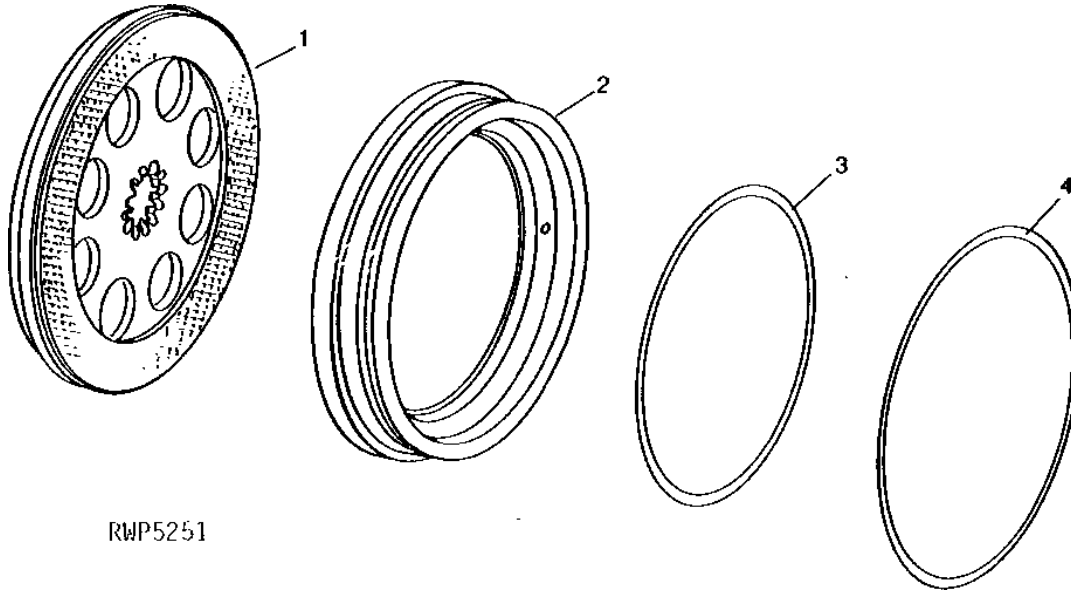
---

# 1H24

STEERING AND BRAKES

## BRAKE DISK ASSEMBLY

RWP5251 -UN-01JAN94



RWP5251

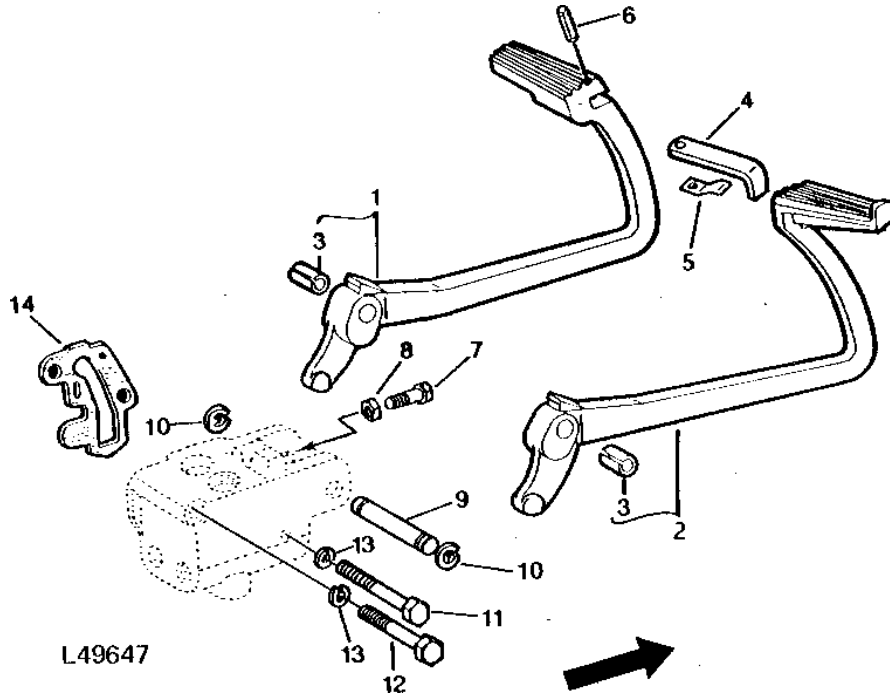
KEY	PART NO.	PART NAME	QTY	TRACTOR SERIAL NO.	REMARKS
1	AT22034	BRAKE DISK	2		
2	L31016	PLATE	2		(SUB FOR T38063 OR T46728)
3	R50703	WASHER	2		INSIDE, (SUB FOR T22102)
4	R50704	SEALING WASHER	2		OUTSIDE

# 1H25

STEERING AND BRAKES

## BRAKE PEDALS

L49647 -UN-01JAN94

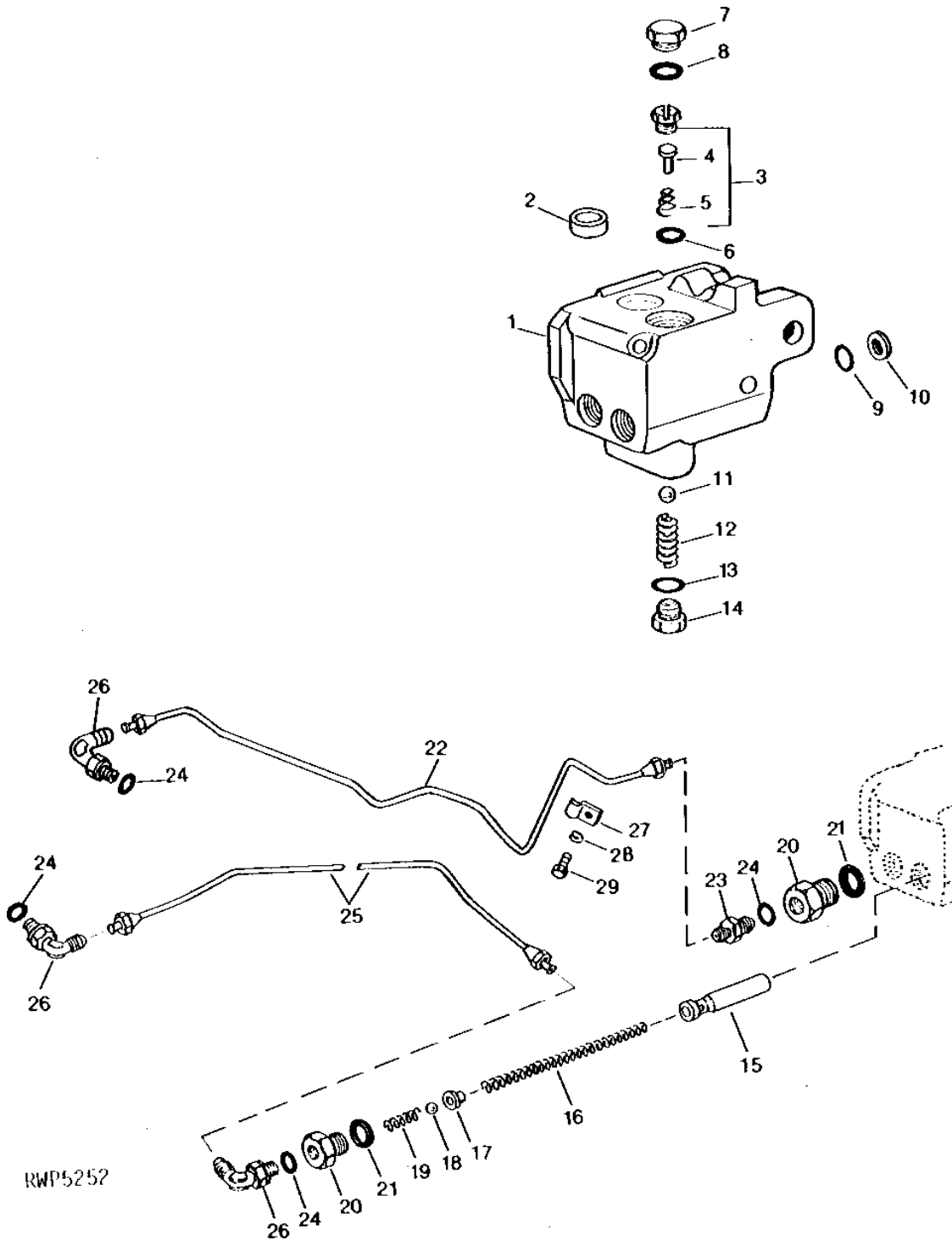


L49647

KEY	PART NO.	PART NAME	QTY	TRACTOR SERIAL NO.	REMARKS
1	AT20756	PEDAL	1		(ALSO ORDER AT20755)
2	AT20755	PEDAL	1		(ALSO ORDER AT20756)
3	B177R	BUSHING	2		
4	R50879	ARM	1		(SUB FOR T23225)
5	R50034	LEAF SPRING	1		(SUB FOR T31134)
6	34H312	SPRING PIN	1		1/4" X 1"
7	19H1732	CAP SCREW	2		3/8" X 1-1/4"
8	14H732	NUT	2		3/8"
9	T49189	PIN	1		(SUB FOR T21803)
10	F2863R	SNAP RING	2		
11	19H3597	CAP SCREW	1		1/2" X 4-3/4" HS, SAE 8
12	19H3586	CAP SCREW	1		1/2" X 4-1/4" HS, SAE 8
13	12H301	LOCK WASHER	2		1/2"
14	T30687	GASKET	1		

RWP5252 -UN-01JAN94

### BRAKE VALVE AND OIL LINES



# 112

STEERING AND BRAKES

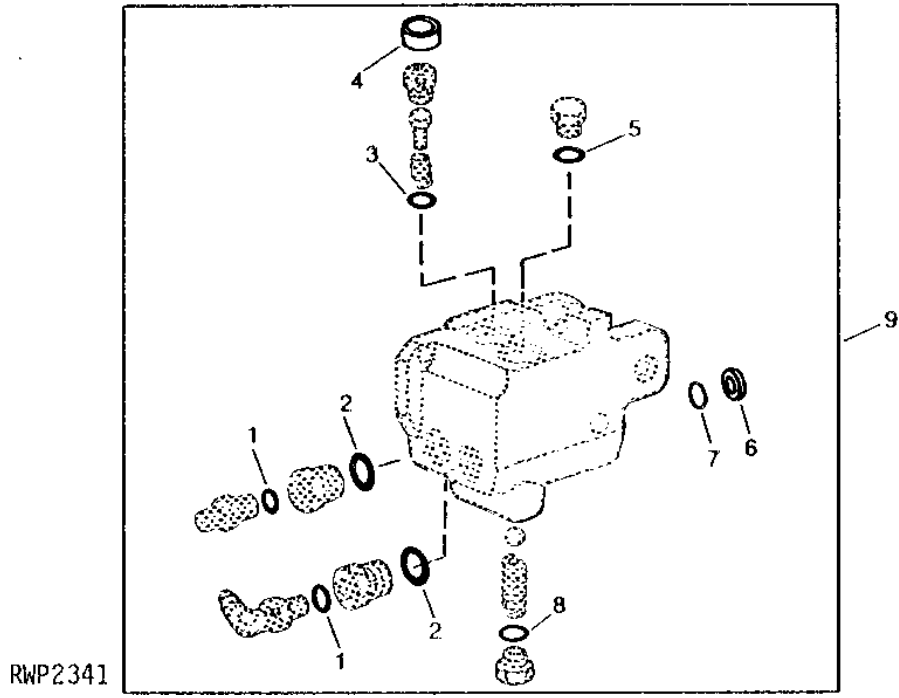
## BRAKE VALVE AND OIL LINES - CONTINUED

KEY	PART NO.	PART NAME	QTY	TRACTOR SERIAL NO.	REMARKS
1	AR53494	HOUSING	1		(MARKED R49665)
2	R35286	CAP	1		
3	AL23836	CHECK VALVE	2		(SUB FOR T21810 OR T21812, THIS APPLICATION)
4	.....	VALVE	2		(ORDER AL23836)
5	.....	SPRING	2		(ORDER AL23836)
6	R26906	O-RING	2		
7	T21806	DRAIN PLUG	1	-XXXXXX	
	R35286	CAP	1	XXXXXX-	
8	R29936	O-RING	1	-XXXXXX	
9	R495R	O-RING	2		
10	T22101	SEAL	2		
11	D2361R	BALL	2		
12	T21816	SPRING	2		
13	R26375	O-RING	2		
14	R39112	FITTING	2		
15	R73933	PISTON	2		(SUB FOR T22100)
16	T21817	SPRING	2		
17	T21815	RETAINER	2		
18	400R	BALL	2		
19	T21814	SPRING	2		
20	R50110	FITTING	2		
21	F3171R	O-RING	2		
22	AR65686	LINE	1		(SUB FOR AT19899)
23	R27527	ADAPTER	1		
24	R26287	O-RING	4		
25	AR65688	LINE	1		(SUB FOR AT23544)
26	AT32335	ELBOW FITTING	3		90°
27	R27528	CLAMP	2		
28	12H304	LOCK WASHER	2		3/8"
29	19H1936	CAP SCREW	2		3/8" X 3/4"
..	AR21969	KIT	1		CAP PLUG

# 113

RWP2341 -UN-01JAN94

## BRAKE VALVE OVERHAUL KIT



KEY	PART NO.	PART NAME	QTY	TRACTOR SERIAL NO.	REMARKS
1	R26287	O-RING	2		
2	F3171R	O-RING	2		
3	R26906	O-RING	2		
4	R35286	CAP	1		
5	R29936	O-RING	1		
6	T22101	SEAL	2		
7	R495R	O-RING	2		
8	R26375	O-RING	2		
9	AR54929	KIT	1		



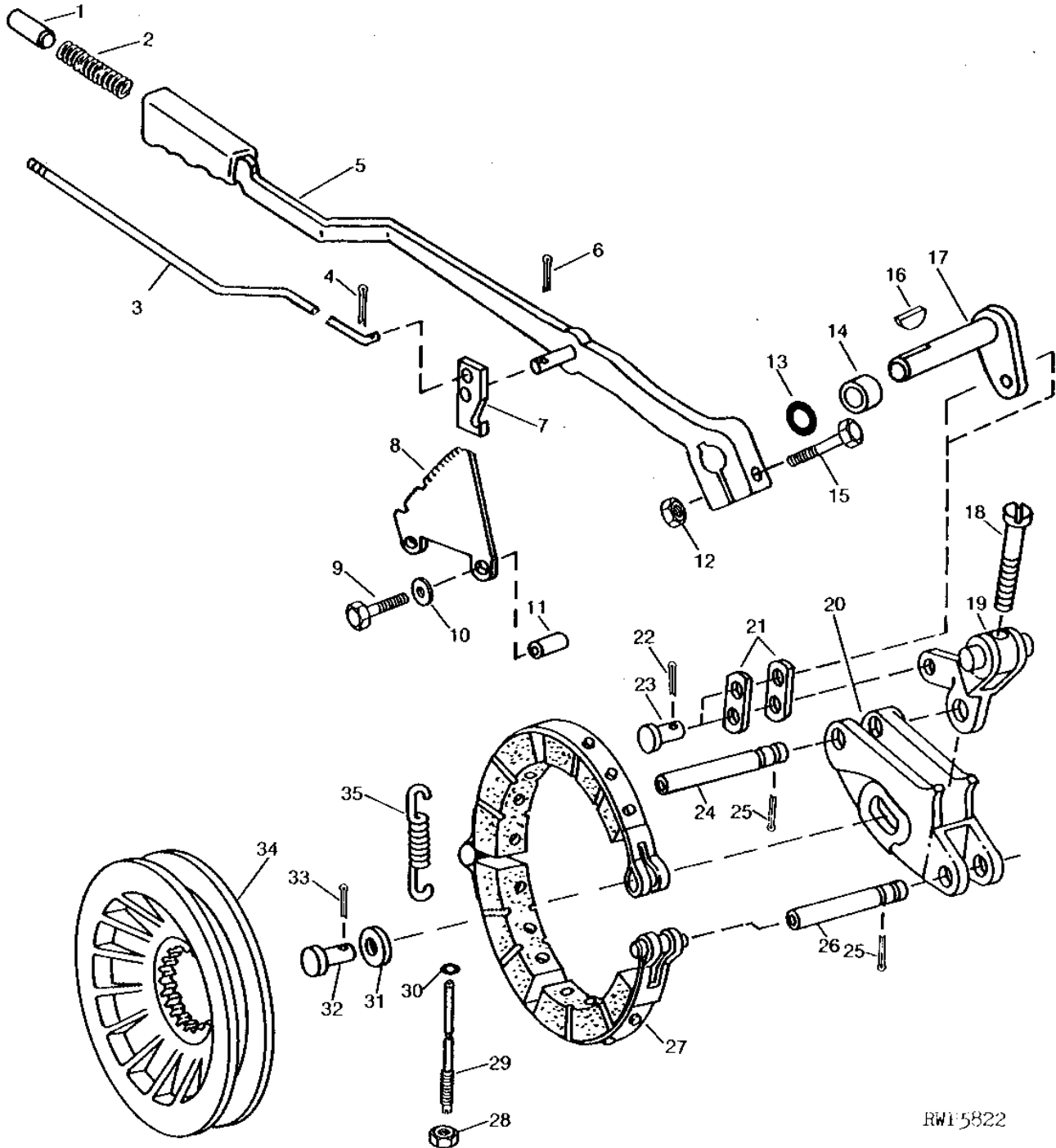
---

MEMORANDA

# 114

## HAND BRAKE

RWP5822 -UN-01JAN94



RW15822

# 115

STEERING AND BRAKES

## HAND BRAKE - CONTINUED

KEY	PART NO.	PART NAME	QTY	TRACTOR SERIAL NO.	REMARKS
1	T21595	PIN	1		(SUB L62606)
2	T21576	SPRING	1		
3	T21594	ROD	1		
4	11M7077	COTTER PIN	1		0.063" X 0.984"
5	AT19834	HANDBRAKE LEVER	1		
6	11M7059	COTTER PIN	1		3.200 X 20 MM
7	T21587	PAWL	1		
8	T21588	PLATE	1		
9	19H1974	CAP SCREW	2		1/2" X 2-3/4"
10	T20168	WASHER	2		
11	28H1597	WASHER	2		0.546" X 0.840" X 3/8"
12	14H1076	NUT	1		3/8"
13	R495R	O-RING	1		
14	L29882	SPACER	1		
15	19H2549	CAP SCREW	1		3/8" X 1-7/8"
16	26H77	SHAFT KEY	1		3/16" X 3/4"
17	AL24550	SHAFT	1		
18	T21579	SET SCREW	1		
19	L29884	LEVER	1		
20	T21772	ANCHOR	1		
21	L29883	STRAP	2		
22	11M7059	COTTER PIN	2		3.200 X 20 MM
23	F2653R	PIN	2		
24	T21775	PIN	2		
25	11M7087	COTTER PIN	2		0.157" X 1.575"
26	T21775	PIN	1		
27	AT19833	BRAKE BAND	1		
28	14H971	NUT	1		1/2"
29	T21776	SCREW	1		
30	T17951	O-RING	1		(SUB FOR R27490)
31	24H1658	WASHER	1		21/32" X 1" X 0.060"
32	T25285	PIN	1		
33	11M7015	COTTER PIN	1		3.200 X 25 MM
34	T21596	BRAKE DRUM	1		
35	T21577	SPRING	1		

---

MEMORANDA

# 118

HYDRAULICS

R32261 -UN-01JAN94

## TRANSMISSION AND HYDRAULIC OIL



R32261F

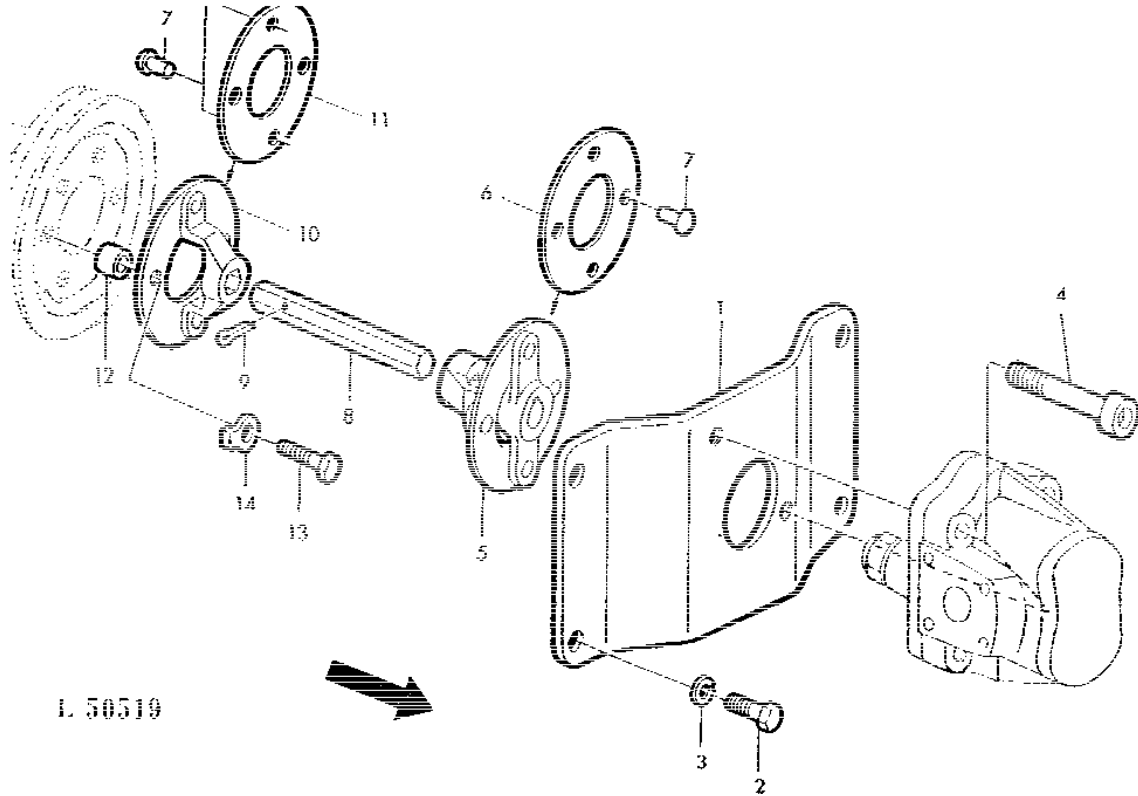
KEY	PART NO.	PART NAME	QTY	TRACTOR SERIAL NO.	REMARKS
1	AR69444	HY-GARD	1		19L (5 GAL)
	AR69445	HY-GARD	1		208L (55 GAL) (EMPTY DRUMS NOT RETURNABLE)

# 119

HYDRAULICS

L50519 -UN-01JAN94

## HYDRAULIC PUMP DRIVE AND MOUNTING PARTS



L 50519

KEY	PART NO.	PART NAME	QTY	TRACTOR SERIAL NO.	REMARKS
1	T25774	PLATE	1		
2	19H3579	CAP SCREW	4	1/2" X 1-3/8"	
3	12H301	LOCK WASHER	4	1/2"	
4	19H3103	SCREW	2	7/16" X 1.620"	
	19H3237	SCREW	2	(A) 7/16" X 5-3/4"	
	19H3241	CAP SCREW	2	(A) (USE WITH AL37750)	
5	AL16163	COUPLING	1		
6	L22772	WASHER	3		
7	16M4707	RIVET	6	8 X 12 MM	
8	T25775	SHAFT	1		
9	11M7015	COTTER PIN	1	3.200 X 25 MM	
10	AL16162	COUPLING	1		
11	L22773	WASHER	3		
12	M89028	SPACER	2	(SUB FOR T12839 OR M48997)	
13	19H1732	CAP SCREW	2	3/8" X 1-1/4"	
14	L24199	PLATE	2		

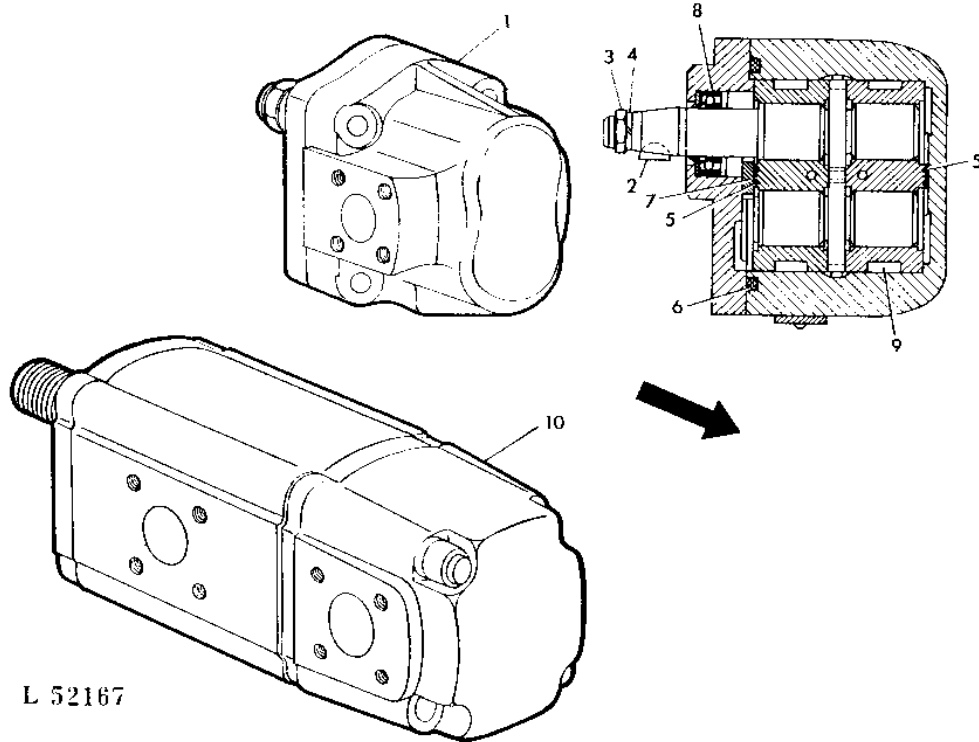
(A) POWER STEERING

# 1110

HYDRAULICS

## HYDRAULIC PUMP 11 CM3 (.67 IN.3)

L52167 -UN-01JAN94



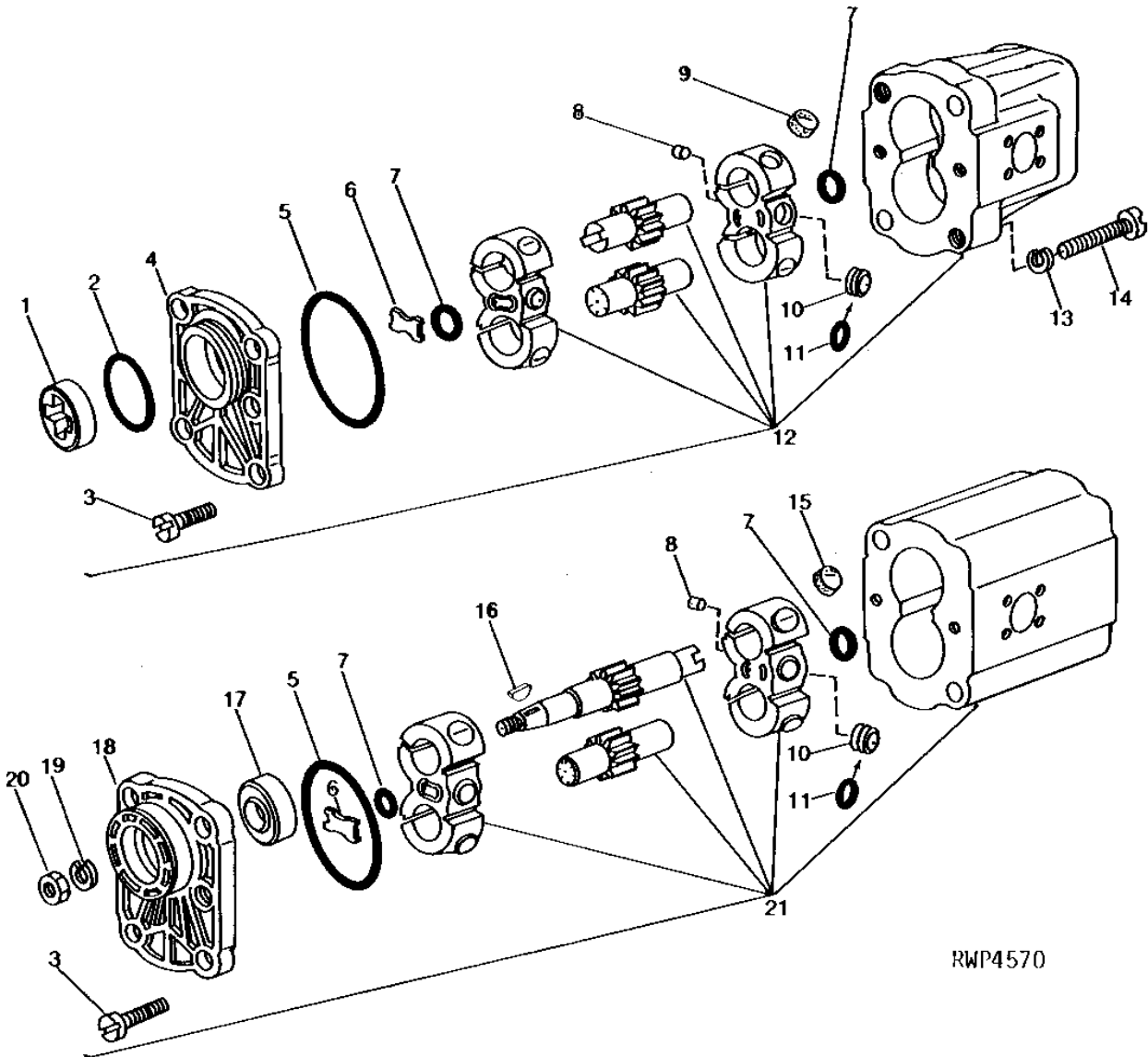
KEY	PART NO.	PART NAME	QTY	TRACTOR SERIAL NO.	REMARKS
1	AT28460	HYDRAULIC PUMP	1		(SUB AL37751, AL36652, AL36654, (2) 12H293 AND (2) 19H1828)
2	26M4222	SHAFT KEY	1		3 X 16 MM
3	14M7155	NUT	1		M12
4	12H301	LOCK WASHER	1		1/2" 12MM
5	L25366	RING	2		(SUB AL25629)
6	L24688	RING	1		
7	L25367	SPACER	1		(SUB AL25629)
8	L25365	RING	1		(SUB AL25629)
9	L25368	PLUG	1		(SUB AL25629)
10	AR55346	HYDRAULIC PUMP	1		(WITH POWER STEERING PUMP) (SUB AL37750, AL36651, AL36652, AL36653, R27218, R26287, (2) 19H3241 AND (2) 12H293)

# 1111

HYDRAULICS

## HYDRAULIC PUMP (POWER STEERING PUMP) 11 CM3 (.67 IN.3)

RWP4570 -UN-01JAN94



RWP4570



# 1112

HYDRAULICS

**HYDRAULIC PUMP - CONTINUED**  
**(POWER STEERING PUMP)**  
**11 CM3 (.67 IN.3)**

KEY	PART NO.	PART NAME	QTY	TRACTOR SERIAL NO.	REMARKS
1	L29364	DRIVER	1		
2	L29371	O-RING	1		
3	L29366	SCREW	4		
4	L29359	COVER	1		(SUB AL37750, AL36651, AL36652, AL36653, (2) 19H3241 AND (2) 12H293)
5	L24688	RING	2		
6	L25367	SPACER	2		(SUB AL37750, AL36651, AL36652, AL36653, (2) 19H3241 AND (2) 12H293)
7	L25366	RING	4		(SUB AL25629)
8	L29362	PLUG	4		(SUB AL25629)
9	L29363	PLUG	4		(SUB AL25630)
10	L29360	PLUG	4		(SUB AL25629)
11	L29361	PACKING	4		(SUB AL25629)
12	AL24191	KIT	1		(PART 2) (SUB AL37750, AL36651, AL36652, AL36653, (2) 19H3241 AND (2) 12H293)
13	L29368	LOCK WASHER	2		
14	L29367	SCREW	2		
15	L25368	PLUG	4		(SUB AL25629)
16	26M4222	SHAFT KEY	1		3 X 16 MM
17	L25365	RING	1		
18	L29365	COVER	1		(SUB AL37750, AL36651, AL36652, AL36653, (2) 19H3241 AND (2) 12H293)
19	12H301	LOCK WASHER	1		1/2"
20	14M7155	NUT	1		M12
21	AL24190	KIT	1		(PART 1) (SUB AL37750, AL36651, AL36652, AL36653, 19H3241 AND (2) 12H293)
..	AR55346	HYDRAULIC PUMP	1		(WITH POWER STEERING PUMP) (SUB AL37750, AL36651, AL36652, AL36653, (2) 19H3241 AND (2) 12H293)
..	AL25629	KIT	1		PACKING (PART 1)
..	AL25630	KIT	1		PACKING (PART 2)

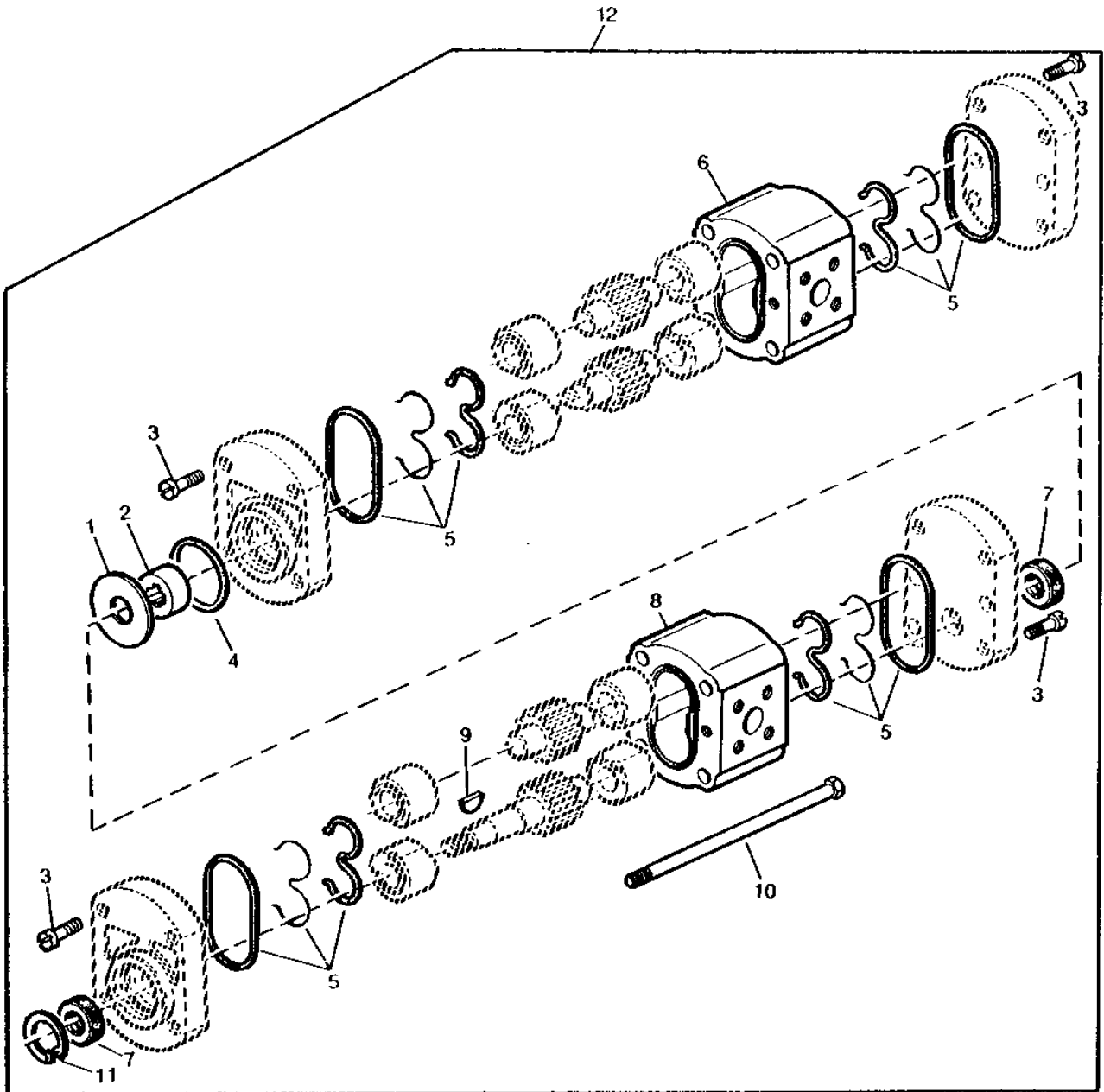
# 1113

HYDRAULICS

RWP4573

-UN-01JAN94

HYDRAULIC PUMP



RWP4573

# 1114

HYDRAULICS

## HYDRAULIC PUMP - CONTINUED

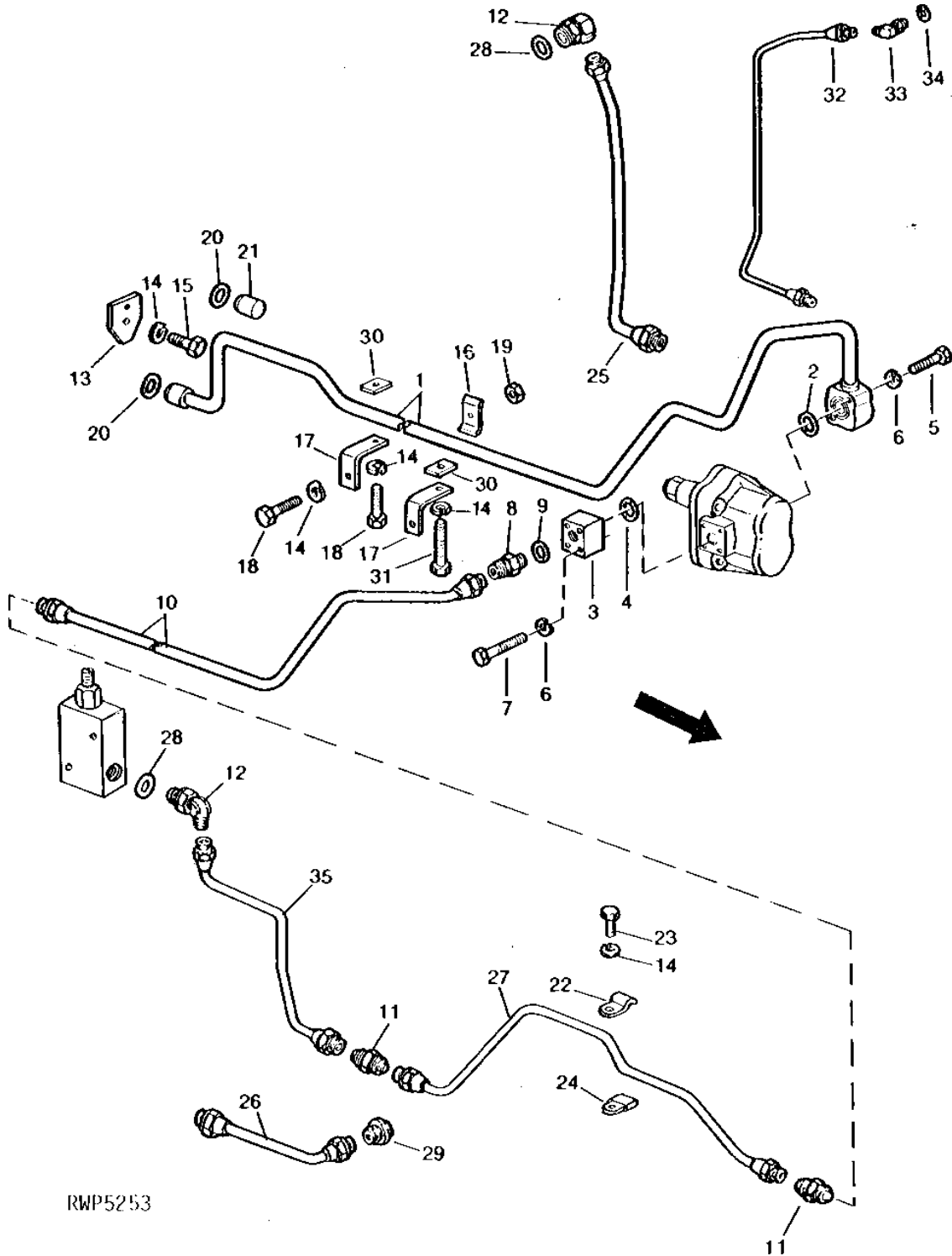
KEY	PART NO.	PART NAME	QTY	TRACTOR SERIAL NO.	REMARKS
1	L40914	WASHER	1		
2	L29364	DRIVER	1		
3	21M7095	SCREW	8		M8 X 16
4	L29371	O-RING	1		
5	AZ30292	SEAL KIT	1		
6	AL39150	HYDRAULIC PUMP	1		(NLA)
7	AZ25987	SEAL	2		
8	AL39149	HYDRAULIC PUMP	1		
9	26M4221	SHAFT KEY	1		3 X 13 MM
10	19M8198	CAP SCREW	2		M10 X 175
11	40M1855	SNAP RING	1		30 X 1.2MM
12	AL37750	HYDRAULIC PUMP	1		

# 1115

HYDRAULICS

## HYDRAULIC OIL LINES (NOT FOR 830 CP TRACTOR)

RWP5253 -UN-01JAN94



RWP5253

# 1116

HYDRAULICS

HYDRAULIC OIL LINES - CONTINUED  
(NOT FOR 830 CP TRACTOR)

KEY	PART NO.	PART NAME	QTY	TRACTOR SERIAL NO.	REMARKS
1	AT23682	LINE	1		
2	L53840	O-RING	1		
3	T25780	ADAPTER	1		
4	L53839	O-RING	1		
5	19M7374	CAP SCREW	2	M6 X 40	
6	12H302	LOCK WASHER	6	1/4"	
7	19M2841	CAP SCREW	4	M6 X 50	
8	R39249	ADAPTER	1		
9	R26448	O-RING	1		
10	AL28469	OIL LINE	1		(SUB FOR AT23683)
11	R34063	FITTING	2		
12	AT32332	ELBOW FITTING	2		90°, (SUB FOR AR26763)
13	T23059	RETAINER	1		
14	12H304	LOCK WASHER	6	3/8"	
15	19H2552	CAP SCREW	1		3/8" X 1-1/8"
16	T25781	CLAMP	2		
17	T25782	SUPPORT	2		
18	19H1732	CAP SCREW	3		3/8" X 1-1/4"
19	14H1076	NUT	2		3/8"
20	R1662R	WASHER	2		
21	T25783	PLUG	1		
22	R28538	CLAMP	1		(SUB (2) R27539, 28H1518, 19H1732 AND 12H304)
23	19H2284	CAP SCREW	1		3/8" X 7/8"
24	R28539	CLAMP	1		(SUB (2) R27539, 19H1732 AND 12H304)
25	AT23688	LINE	1		
26	AT23689	LINE	1		
27	AR52342	OIL LINE	1		
28	R26375	O-RING	1		
29	T26435	FITTING	1		
30	24M7106	WASHER	4		10 X 18 X 2.500 MM, (SUB FOR T23200)
31	19H1801	CAP SCREW	1		3/8" X 2"
32	AT23690	OIL LINE	1		
33	AT32335	ELBOW FITTING	1		90°, (SUB FOR AR26746)
34	R26287	O-RING	1		
35	AR52341	OIL LINE	1		

---

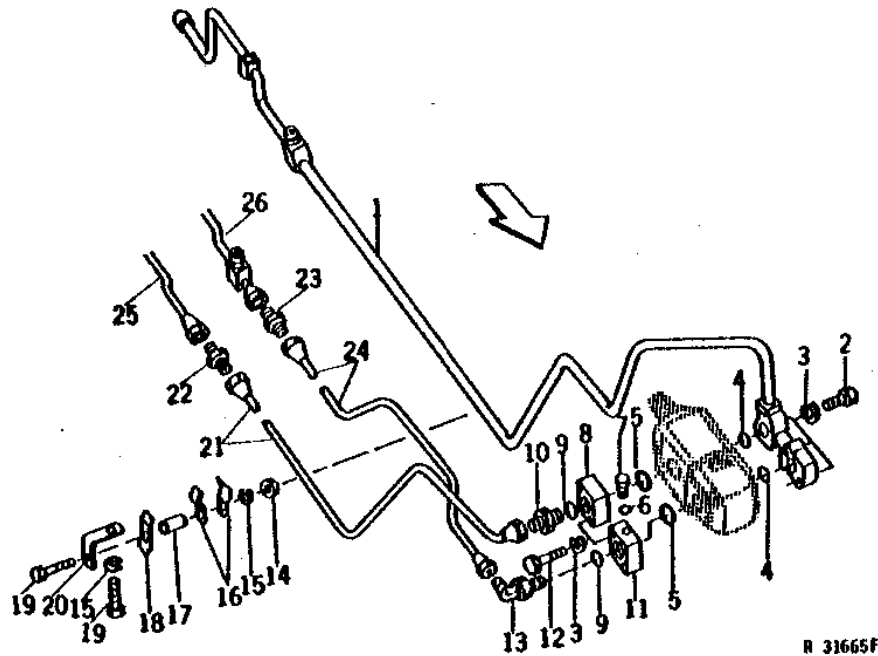
MEMORANDA

# 1117

HYDRAULICS

## HYDRAULIC OIL LINES (POWER STEERING)

R31665 -UN-01JAN94



R 31665F

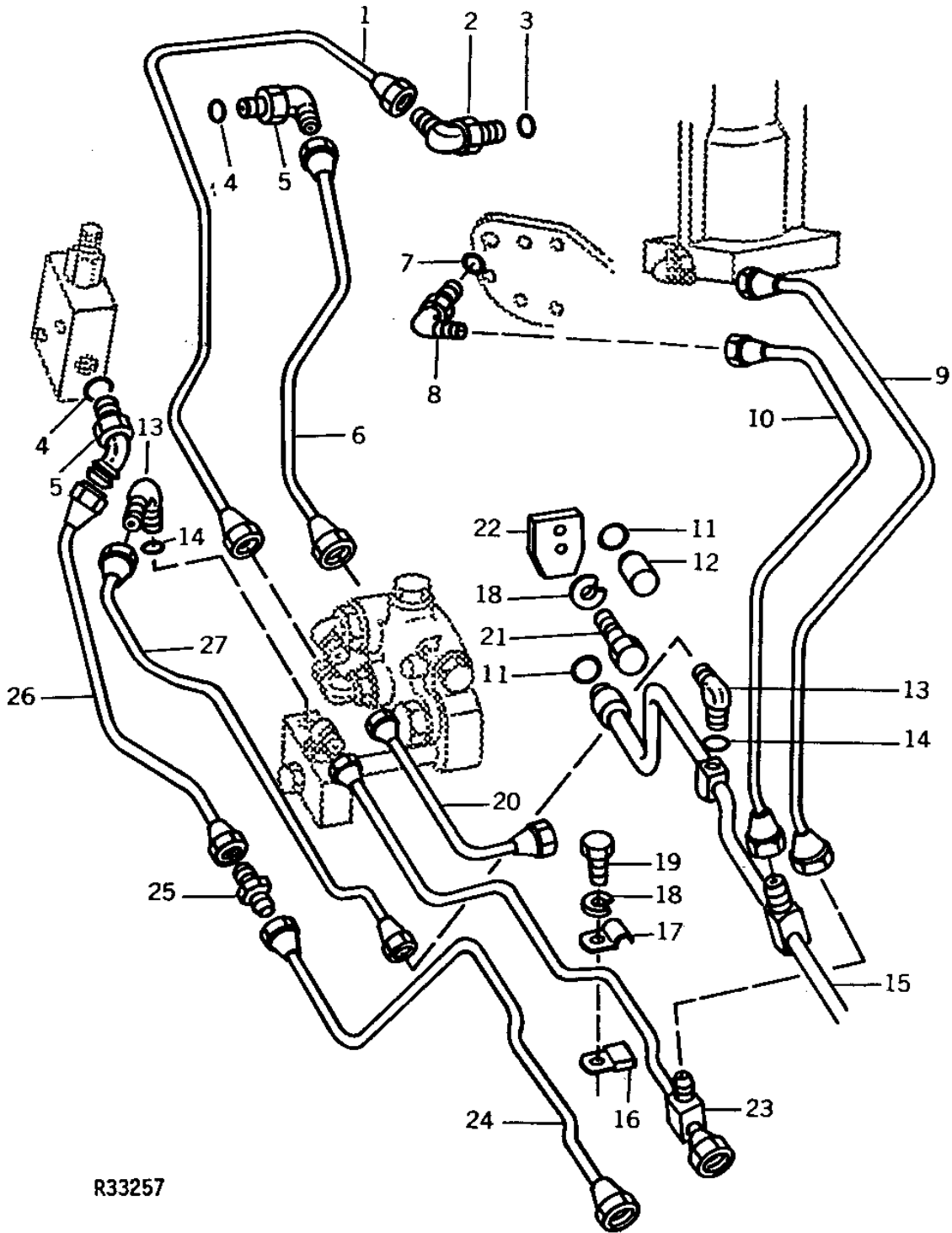
KEY	PART NO.	PART NAME	QTY	TRACTOR SERIAL NO.	REMARKS
1	AR55352	OIL LINE	1	-121578	
	AL24495	LINE	1	121579-	
	AL36653	OIL LINE	1		(USED W/REPLACEMENT PUMP AL37750) (PRIOR TO SERIAL NO. 121579, ALSO ORDER R26287 AND R27218)
2	19M7374	CAP SCREW	4		M6 X 40
3	12H302	LOCK WASHER	12		1/4"
4	L53840	O-RING	2		
5	L53839	O-RING	2		
6	R26287	O-RING	2		
7	R27216	DRAIN PLUG	1		
8	T25780	ADAPTER	1		
9	R26448	O-RING	2		
10	R39249	ADAPTER	1		
11	R52653	ADAPTER	1		
12	19M2841	CAP SCREW	8		M6 X 50
13	AT35121	ELBOW FITTING	1		90°
14	14H1076	NUT	2		3/8"
15	12H304	LOCK WASHER	2		3/8"
16	R31654	CLAMP	4		
17	28H1884	SPACER	2		3/8" X 1/2"
18	T25781	CLAMP	2		
19	19H1801	CAP SCREW	4		3/8" X 2"
20	T25782	SUPPORT	2		
21	AL28469	OIL LINE	1		(SUB FOR AT23683)
22	R34063	FITTING	1		
23	R27095	FITTING	1		
24	AR55348	LINE	1		
25	AL28483	OIL LINE	1		
26	AR55349	LINE	1		

# 1118

HYDRAULICS

R33257 -UN-01JAN94

## HYDRAULIC OIL LINES (POWER STEERING)



R33257



# 1119

HYDRAULICS

HYDRAULIC OIL LINES - CONTINUED  
(POWER STEERING)

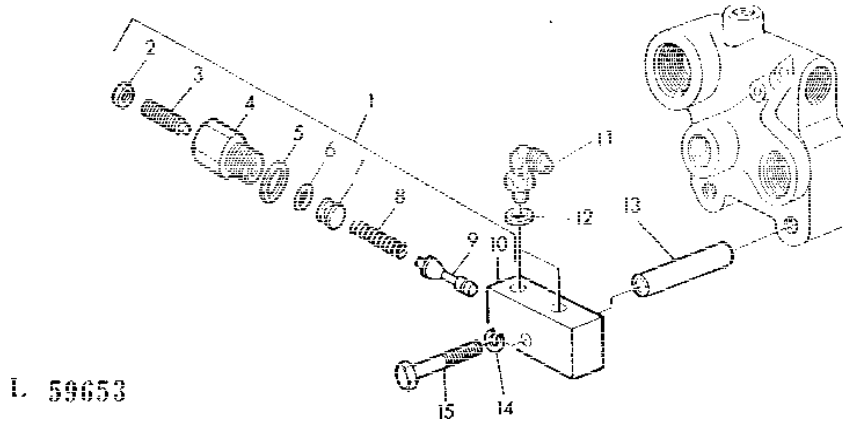
KEY	PART NO.	PART NAME	QTY	TRACTOR SERIAL NO.	REMARKS
1	AT23690	OIL LINE	1		
2	AT32335	ELBOW FITTING	1	90°	
3	R26287	O-RING	1		
4	R26375	O-RING	2		
5	AT32332	ELBOW FITTING	1	90°	
6	AT23688	LINE	1		(ROCKSHAFT OR HYDRAULIC OIL RETURN)
7	R26448	O-RING	1		
8	AT35121	ELBOW FITTING	1	90°	
9	AR55353	LINE	1		
10	AR55354	LINE	1		(STEERING HOUSING COVER)
11	R1662R	WASHER	2		
12	T25783	PLUG	1		
13	AT35121	ELBOW FITTING	2	90°	
14	R26448	O-RING	2		
15	AR55352	OIL LINE	1	-121578	
	AL24495	LINE	1	121579-	
	AL36653	OIL LINE	1		(USED W/REPLACEMENT PUMP AL37750) (PRIOR TO SERIAL NO. 121579, ALSO ORDER R26287 AND R27218)
16	R28539	CLAMP	1		(SUB (2) R27539, 28H1518, 19H1732 AND 12H304)
17	R28538	CLAMP	1		(SUB (2) R27539, 28H1518, 19H1732 AND 12H304)
18	12H304	LOCK WASHER	2		3/8"
19	19H2284	CAP SCREW	1		3/8" X 7/8"
20	AR55347	OIL LINE	1	-XXXXXX	
	AT23689	LINE	1	XXXXXX-	TRANSMISSION LUBRICATING
21	19H2552	CAP SCREW	1		3/8" X 1-1/8"
22	T23059	RETAINER	1		
23	AR55349	LINE	1		
24	AL28483	OIL LINE	1		HYDRAULIC PUMP PRESSURE
25	R34063	FITTING	1		
26	AL28482	OIL LINE	1		HYDRAULIC PUMP PRESSURE, (SUB FOR AR52341)
27	AR55351	LINE	1	-XXXXXX	
	AL24494	LINE	1	XXXXXX-	

# 1120

HYDRAULICS

L59653 -UN-01JAN94

## PRESSURE RELIEF VALVE (POWER STEERING)



L 59653

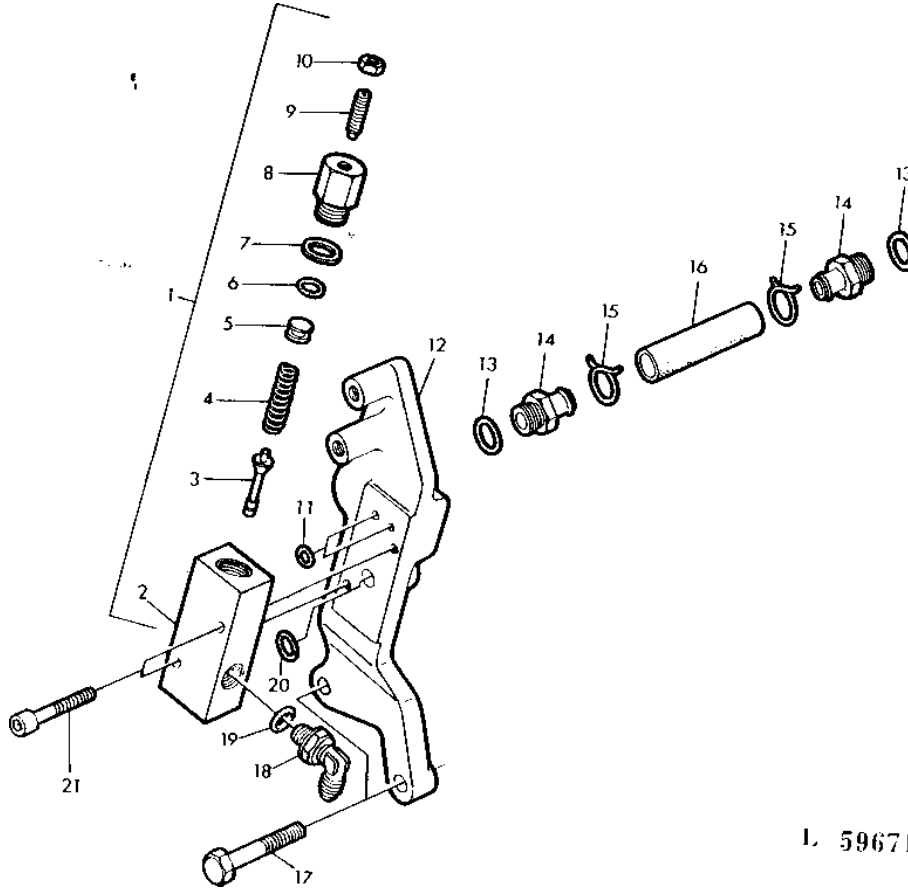
KEY	PART NO.	PART NAME	QTY	TRACTOR SERIAL NO.	REMARKS
1	AR55350	VALVE	1		
2	14M1975	LOCK NUT	1	8MM	
3	22M6535	SET SCREW	1	M8 X 30	
4	L17650	CAP	1		
5	51M4242	RING	1		
6	L53826	O-RING	1		
7	L20093	WASHER	1		
8	T28676	SPRING	1		
9	T26437	VALVE	1		
10	R51251	HOUSING	1		
11	AT35121	ELBOW FITTING	2	90°, (SUB FOR AR26725)	
12	R26448	O-RING	2		
13	28H1685	SPACER	1	3/8" X 1-11/16"	
14	12H304	LOCK WASHER	1	3/8"	
15	19H1854	CAP SCREW	1	3/8" X 3-3/4"	

# 1121

HYDRAULICS

L59671 -UN-01JAN94

## PRESSURE RELIEF VALVE AND BRACKET



L 59671

KEY	PART NO.	PART NAME	QTY	TRACTOR SERIAL NO.	REMARKS
1	AR52340	VALVE	1		
2	R48922	HOUSING	1		
3	T26437	VALVE	1		
4	T28676	SPRING	1		
5	L20093	WASHER	1		
6	L53826	O-RING	1		
7	51M4242	RING	1		
8	L17650	CAP	1		
9	22M6535	SET SCREW	1	M8 X 30	
10	14M1975	LOCK NUT	1	M8	
11	L53830	O-RING	2		
12	T25789	BRACKET	1		
13	R26906	O-RING	2		
14	R39171	HOSE FITTING	2		
15	AR21837	CLAMP	2		
16	T23753	HOSE	1	16MM X 111MM (5/8" X 4-11/32")	
17	19H3520	CAP SCREW	2	1/2" X 3-1/4" HS, SAE 8	
18	AT32332	ELBOW FITTING	1	90°	
19	R26375	O-RING	1		
20	L53836	O-RING	1		
21	19H3152	SCREW	2	5/16" X 2-3/4", (SINGLE SELECTIVE CONTROL)	
	19H3246	SCREW	2	5/16" X 4", (DUAL SELECTIVE CONTROL)	
	19H3191	SCREW	2	5/16" X 1.620", (LESS SELECTIVE CONTROL VALVE)	

---

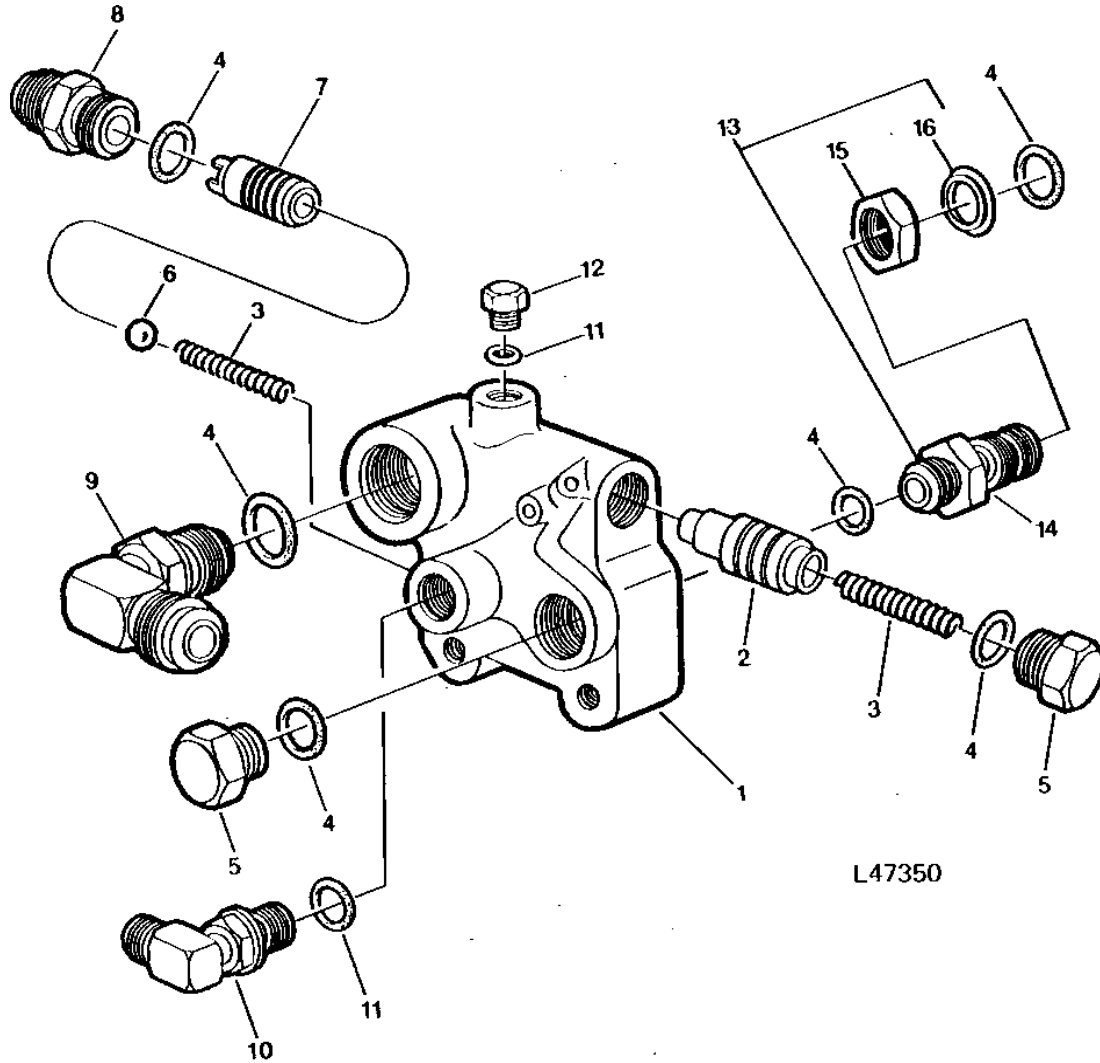
MEMORANDA

# 1122

HYDRAULICS

## DUMP VALVE

L47350 -UN-01JAN94



L47350

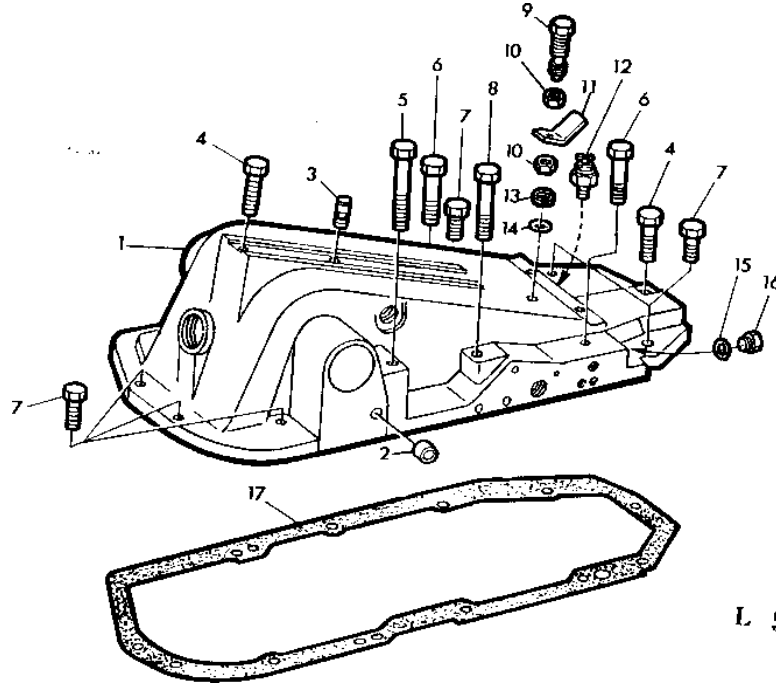
KEY	PART NO.	PART NAME	QTY	TRACTOR SERIAL NO.	REMARKS
1	AT23708	HOUSING	1		
2	T24173	VALVE	1		
3	R31278	SPRING	2		
4	R26375	O-RING	5		
5	R39112	FITTING	2		
6	T23426	BALL	1		10MM (13/32") (SUB FOR T25793)
7	T25792	VALVE	1		
8	R27237	FITTING	1		
9	AT32332	ELBOW FITTING	1		90°, (SUB FOR AR26763)
10	AT32335	ELBOW FITTING	1		90°
11	R26287	O-RING	2		
12	R27216	DRAIN PLUG	1		(SUB FOR R31631)
13	AT23709	FITTING	1		
14	T25791	THREADED NIPPLE	1		
15	R27448	NUT	1		
16	R27449	WASHER	1		

# 1123

HYDRAULICS

L58714 -UN-01JAN94

## ROCKSHAFT HOUSING



L 58714

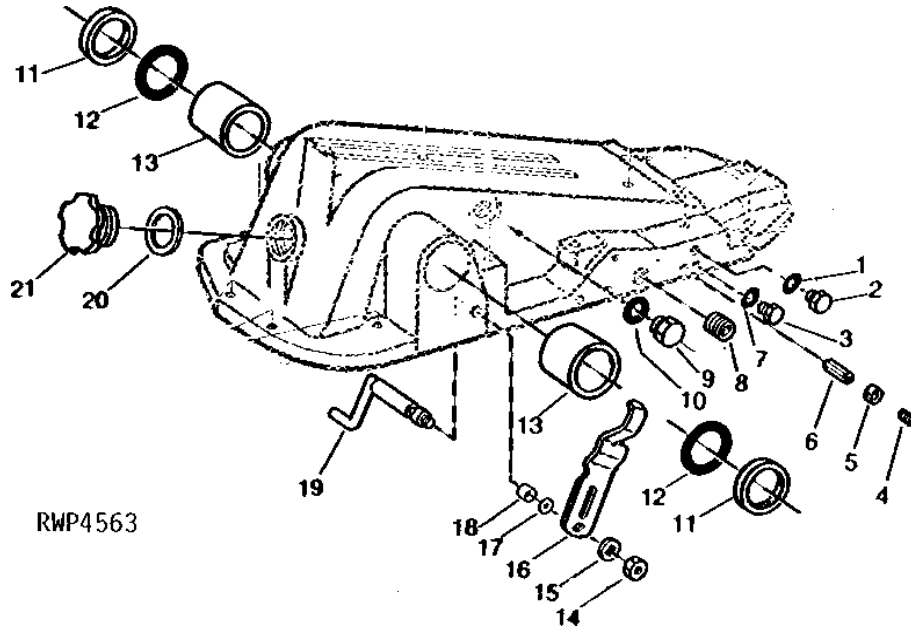
KEY	PART NO.	PART NAME	QTY	TRACTOR SERIAL NO.	REMARKS
1	AR104660	HOUSING	1		(INCLUDES T21630 AND T21631) (ALSO ORDER R26448 AND R27218) (SUB FOR AT20881, AR83400 OR AR77179)
2	T21631	BUSHING	1		
3	T21630	PIN	1		
4	19H1831	CAP SCREW	2	1/2" X 2"	
5	19H3550	CAP SCREW	1	1/2" X 4"	
6	19H1974	CAP SCREW	3	1/2" X 2-3/4"	
7	19H1721	CAP SCREW	6	1/2" X 1-1/2"	
8	19H3520	CAP SCREW	1	1/2" X 3-1/4"	
9	T22471	SCREW	1		
10	14H832	NUT	2	9/16"	
11	T27258	STRAP	1		
12	RE38390	SWITCH	1		NEUTRAL-START, (SUB FOR R36265, AR85323, AR89691 OR AT85153)
	T16911	SHIM	1		
13	T27260	WASHER	1		
14	R26448	O-RING	1		
15	R26287	O-RING	1		
16	R27216	DRAIN PLUG	1		(SUB FOR R31631)
17	T21641	GASKET	1		

# 1124

HYDRAULICS

RWP4563 -UN-01JAN94

## ROCKSHAFT HOUSING FITTINGS AND PLUGS



KEY	PART NO.	PART NAME	QTY	TRACTOR SERIAL NO.	REMARKS
1	R26375	O-RING	1		
2	R39112	FITTING	1		
3	R27216	DRAIN PLUG	1		(SUB FOR R31631)
4	R721R	SPRING	1		
5	T26939	WASHER	1		
6	T26938	VALVE	1		
7	R26287	O-RING	1		
8	15H562	PIPE PLUG	1	1"	
9	R27474	DRAIN PLUG	1		
10	R26906	O-RING	1		
11	T21615	CAP	2		
12	T26904	O-RING	2		
13	T22474	BUSHING	2		
14	14H732	NUT	1	3/8"	
15	T22876	WASHER	1		
16	T22465	LEVER	1		
17	F3353R	O-RING	1		
18	T21631	BUSHING	1		
19	AL28674	LEVER	1		(SUB FOR AT19839 OR AL28227)
20	T21564	WASHER	1		
21	AL38083	FILLER CAP	1		

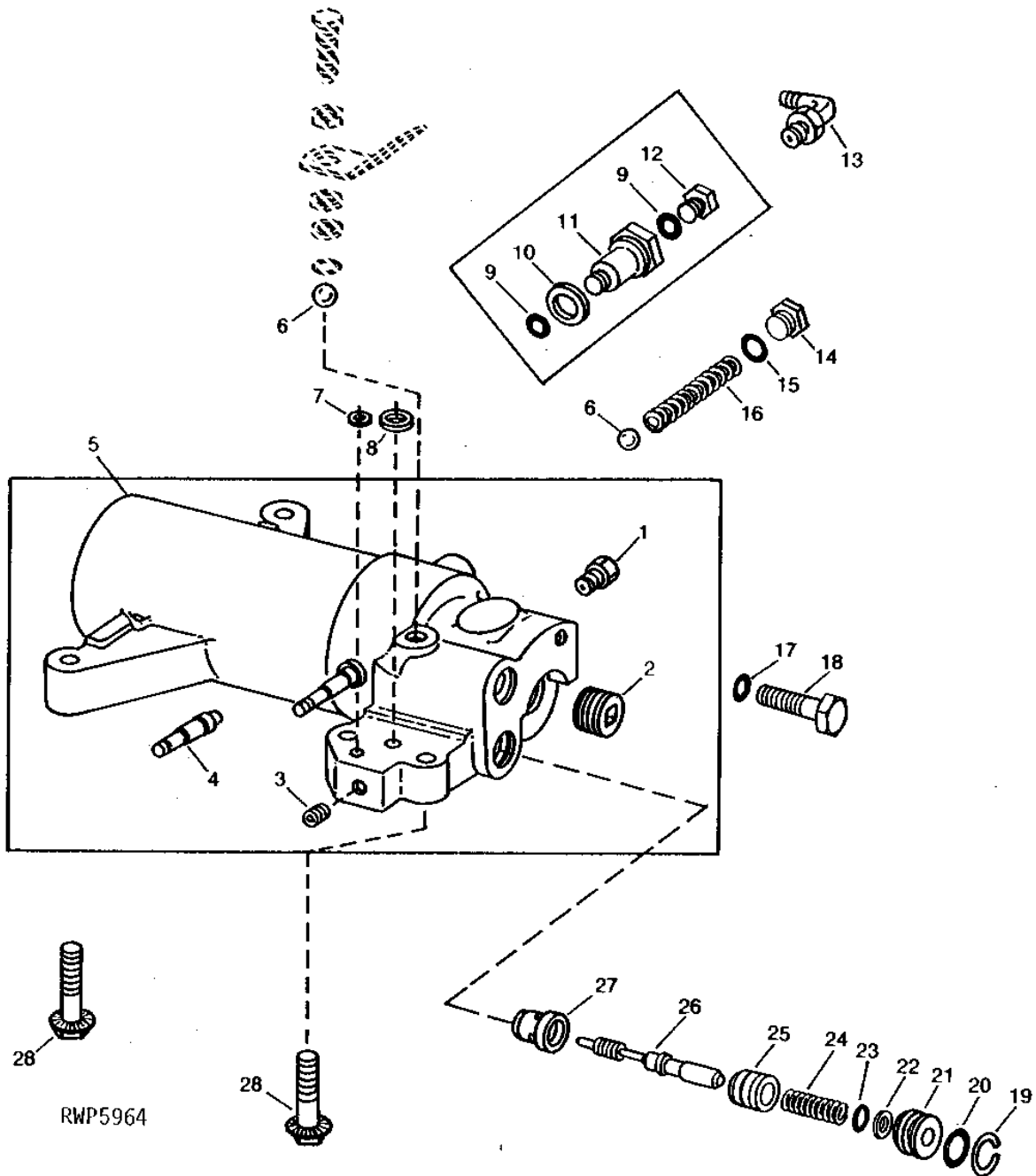
# 1J1

HYDRAULICS

RWP5964

-UN-01JAN94

## ROCKSHAFT CYLINDER AND VALVE HOUSING



28  
RWP5964



# 1J2

HYDRAULICS

ROCKSHAFT CYLINDER AND VALVE HOUSING - CONTINUED

KEY	PART NO.	PART NAME	QTY	TRACTOR SERIAL NO.	REMARKS
1	AT21781	VALVE	1		
2	15H562	PIPE PLUG	1	1"	
3	15H559	PIPE PLUG	1	1/4"	
4	T22469	PIN	1		
5	AR67095	HOUSING	1	-XXXXXX	(MARKED R56501) (SUB AL40887, F1791R, L41383, L41384, (2) L41536, L41538 AND L41726)
	AL40887	HOUSING	1	XXXXXX-	(MARKED L41724)
6	D2361R	BALL	1		
7	A4847R	WASHER	1		
8	F2741R	PACKING	1		
9	R26448	O-RING	2	-XXXXXX	13MM (1/2") (USE WITH AR67095)
	L41536	O-RING	2	XXXXXX-	(USE WITH AL40887)
10	F1791R	WASHER	1		
11	T21638	ADAPTER	1	-XXXXXX	(USE WITH AR67095)
	L41538	FITTING	1	XXXXXX-	(USE WITH AL40887)
12	R27218	FITTING PLUG	1	-XXXXXX	9/16", (USE WITH AR67095)
	L41726	PIPE PLUG	1	XXXXXX-	M16, (USE WITH AL40887)
13	.....	ELBOW FITTING	1		(NOT USED THIS APPLICATION)
14	T22867	DRAIN PLUG	1	-XXXXXX	(USE WITH AR67095)
	L41384	PIPE PLUG	1	XXXXXX-	M18, (USE WITH AL40887)
15	R26375	O-RING	1	-XXXXXX	(USE WITH AR67095)
	L41383	RING	1	XXXXXX-	(USE WITH AL40887)
16	F3322R	SPRING	1		
17	R26286	O-RING	1		
18	19H1765	CAP SCREW	1	3/8" X 1-3/4"	
19	M3265T	SNAP RING	1		
20	L55204	O-RING	2		(SUB FOR R65548)
21	T24485	PLUG	2		
22	R31136	BACK-UP RING	2		
23	R10093	O-RING	2		
24	R49648	SPRING	2		
25	T24540	SLEEVE	2		
26	T28537	VALVE	2		(SUB R54969)
27	T28538	VALVE SEAT INSERT	2		
28	R48593	CAP SCREW	4		

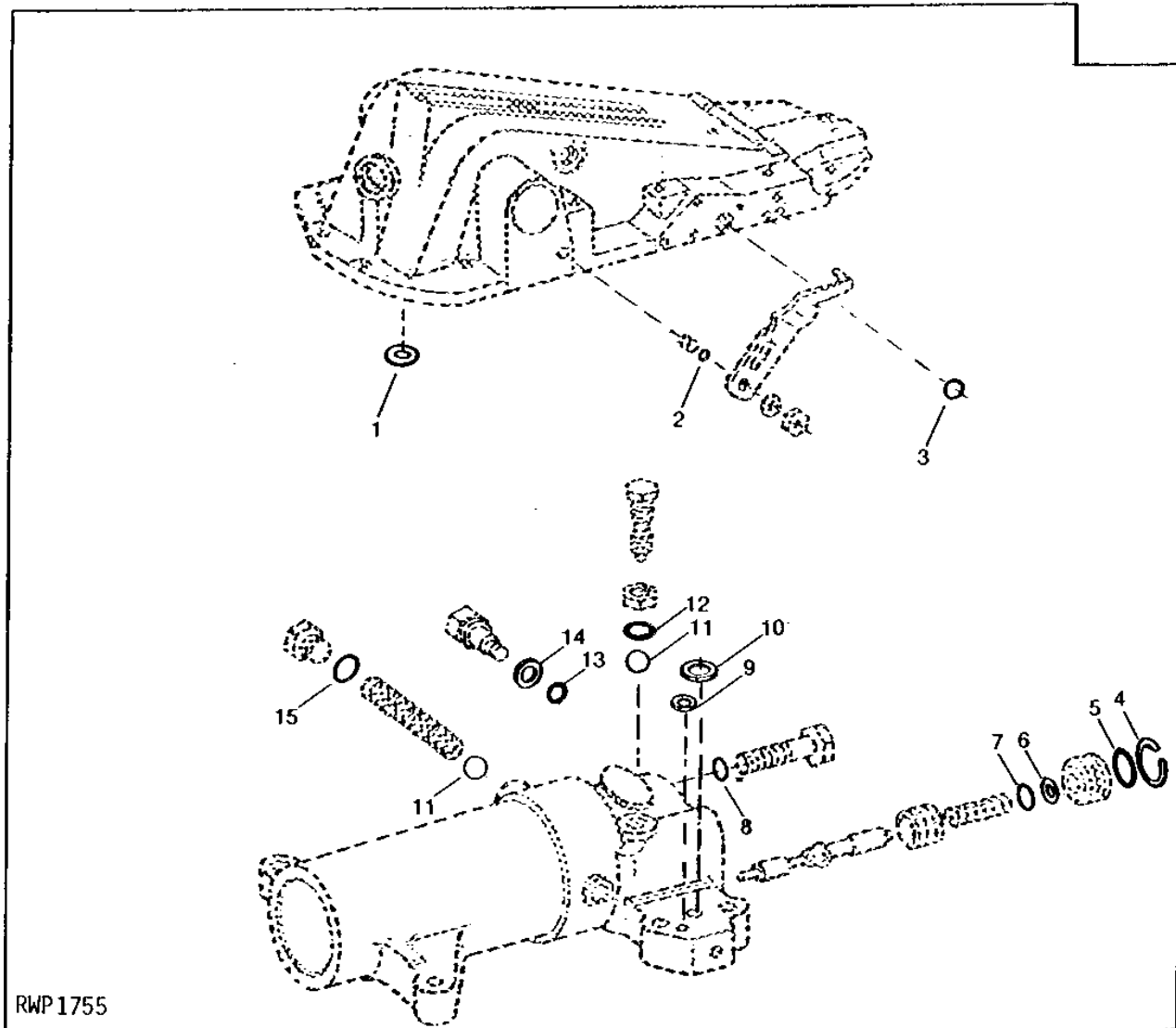
# 1J3

HYDRAULICS

RWP1755

-UN-01JAN94

## ROCKSHAFT REBUILD SEAL KIT



# 1J4

HYDRAULICS

## ROCKSHAFT REBUILD SEAL KIT - CONTINUED

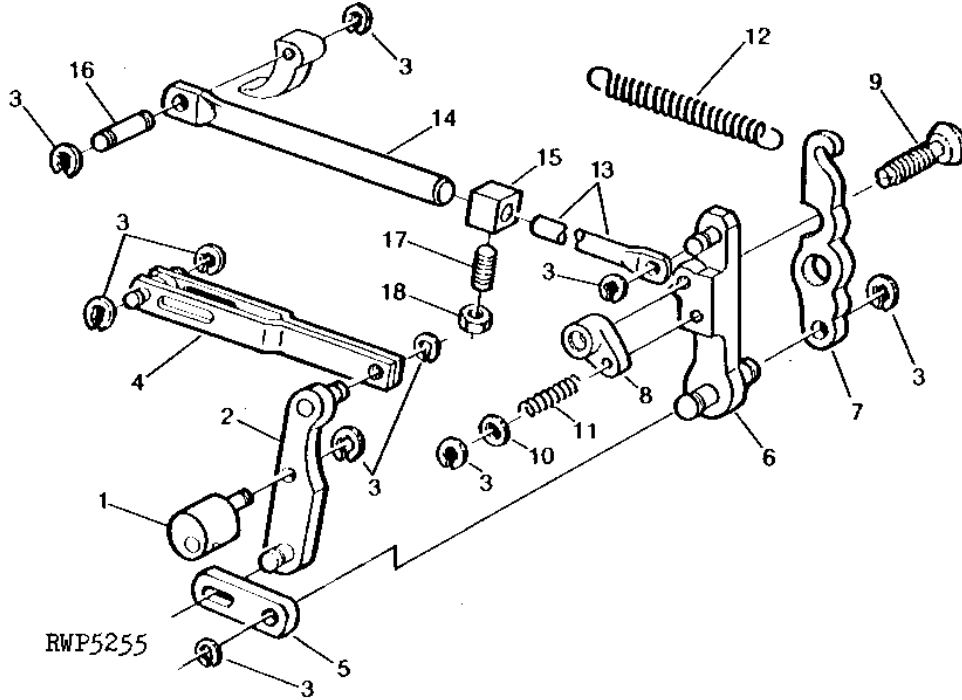
KEY	PART NO.	PART NAME	QTY	TRACTOR SERIAL NO.	REMARKS
1	T17882	WASHER	1		
2	F3353R	O-RING	1		
3	R10093	O-RING	1		
4	M3265T	SNAP RING	2		
5	L55204	O-RING	2		(SUB FOR T13119 OR R65548)
6	R31136	BACK-UP RING	2		
7	R10093	O-RING	2		
8	R26286	O-RING	1		
9	A4847R	WASHER	1		
10	F2741R	PACKING	1		
11	D2361R	BALL	2		
12	R26448	O-RING	1		
	T27260	WASHER	1		
13	R26448	O-RING	1		
14	F1791R	WASHER	1		
15	R26375	O-RING	1		
16	AR92385	KIT	1		

# 1J5

HYDRAULICS

RWP5255 -UN-01JAN94

## ROCKSHAFT CYLINDER AND VALVE HOUSING LINKAGE



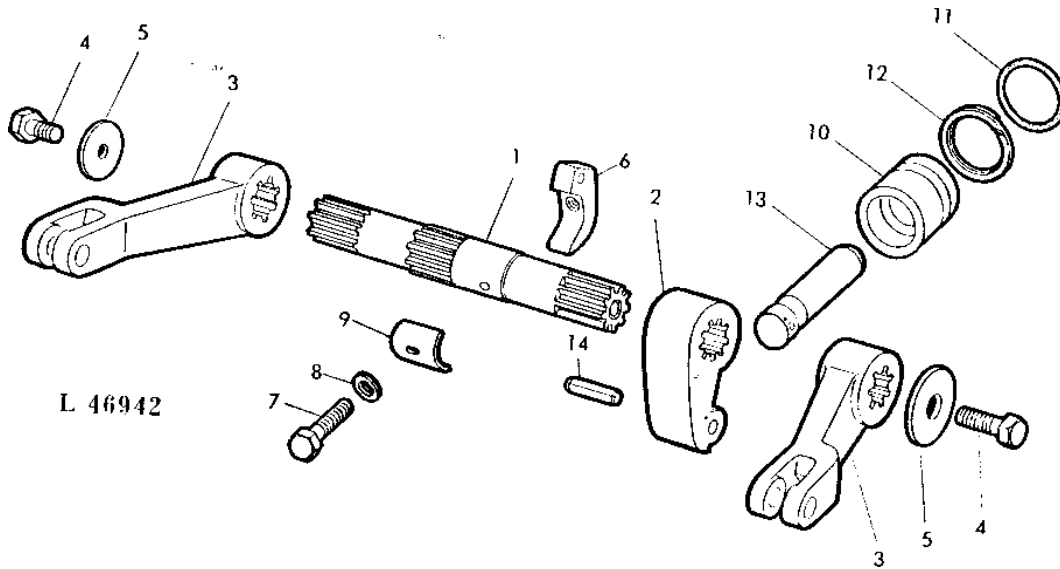
KEY	PART NO.	PART NAME	QTY	TRACTOR SERIAL NO.	REMARKS
1	AT19840	FULCRUM	1		
2	AT20085	LINK	1		
3	R72653	SNAP RING	10		(SUB FOR M2396T)
4	AT20141	LEVER	1		
5	T22232	STRAP	1		
6	AR52278	LEVER	1		
7	T22224	CAM	1		
8	T22229	NUT	1		
9	T22228	SCREW	1		
10	24H1290	WASHER	1		21/64" X 3/4" X 0.035"
11	F1942R	SPRING	1		
12	T22473	SPRING	1		
13	T24171	PIN	1		
14	R73443	TUBE	1		(SUB FOR T24169)
15	L29873	BUSHING	1		(SUB FOR T24170)
16	T24181	PIN	1		
17	22H812	SET SCREW	1		5/16" X 3/4"
18	14H785	NUT	1		5/16"

# 1J6

HYDRAULICS

L46942 -UN-01JAN94

## ROCKSHAFT, PISTON AND LIFT ARMS



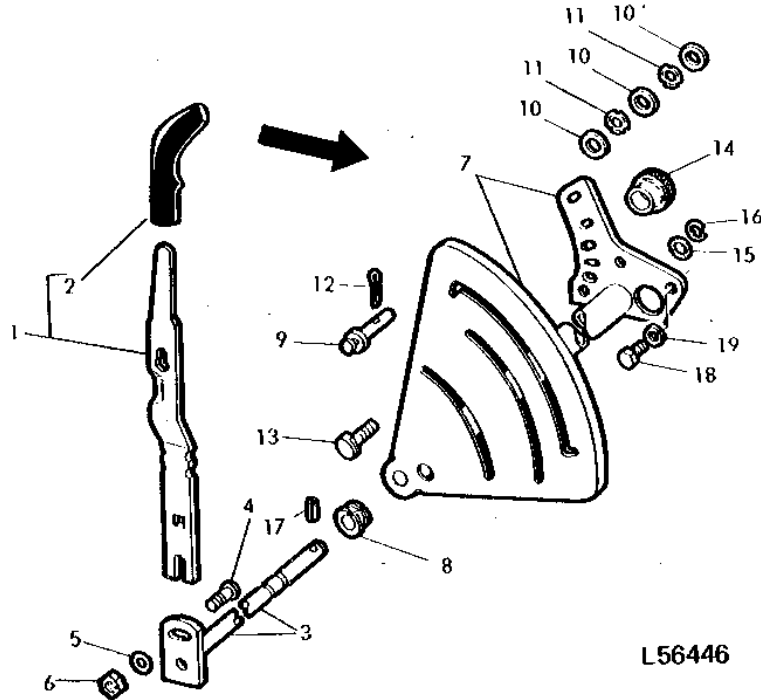
KEY	PART NO.	PART NAME	QTY	TRACTOR SERIAL NO.	REMARKS
1	T22318	ROCKSHAFT	1		(ALSO ORDER (2) R26863) (SUB L41932 AND T26904)
	T26904	O-RING	1		
2	T21474	LEVER	1		
3	T29931	LIFT ARM	2		
4	19H1792	CAP SCREW	2		1/2" X 1"
5	T21956	WASHER	2		
6	T22319	CAM	1		
7	19H2151	CAP SCREW	1		1/4" X 3"
8	24H1287	WASHER	1		9/32" X 5/8" X 0.065"
9	T28362	SPACER	1		
10	R47345	PISTON	1		
11	A4728R	O-RING	1		
12	R27649	BACK-UP RING	1		
13	F2570R	ROD	1		
14	34H320	SPRING PIN	1		1/4" X 2-1/4"

# 1J7

HYDRAULICS

L56446 -UN-01JAN94

## ROCKSHAFT CONTROL LEVER AND QUADRANT



L56446

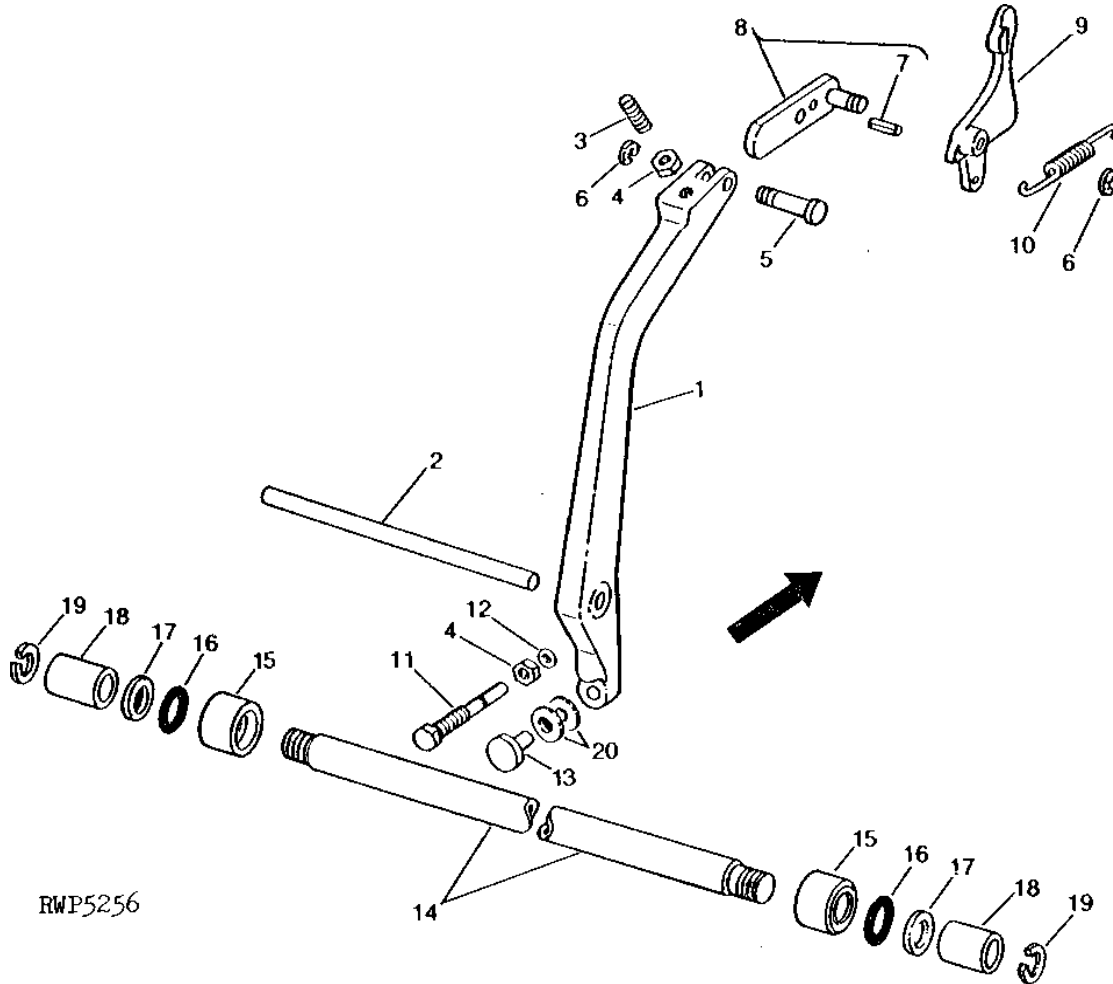
KEY	PART NO.	PART NAME	QTY	TRACTOR SERIAL NO.	REMARKS
1	AL24015	LEVER	1		(SUB FOR AT24724)
2	R54273	GRIP	1		
3	AT19838	SHAFT	1		
4	03H1765	BOLT	1	3/8" X 3/4"	
5	24H1305	WASHER	1	13/32" X 13/16" X 0.065"	
6	14H1076	NUT	1	3/8"	
7	AL33044	QUADRANT	1		(SUB FOR AT24725)
8	T26626	GROMMET	1		
9	T26625	PIN	1		
10	24M7207	WASHER	3	8.400 X 24 X 2 MM	
11	T22877	LOCK WASHER	2		
12	11M7081	COTTER PIN	1	0.098" X 0.787"	
13	T22865	SCREW	1		
14	T22470	KNOB	1		
15	R10093	O-RING	1		
16	R30437	SNAP RING	1		
17	34H268	SPRING PIN	1	5/32" X 1-1/4"	
18	19H2284	CAP SCREW	3	3/8" X 7/8"	
19	12H304	LOCK WASHER	3	3/8"	

# 1J8

HYDRAULICS

RWP5256 -UN-01JAN94

## LOAD CONTROL



KEY	PART NO.	PART NAME	QTY	TRACTOR SERIAL NO.	REMARKS
1	L39881	LEVER	1		(SUB FOR T21487)
2	T21681	DOWEL PIN	1		
3	T29311	SET SCREW	1		
4	14H856	NUT	2	1/2"	
5	T24690	PIN	1		
6	R72653	SNAP RING	2		(SUB FOR M2396T)
7	34H279	SPRING PIN	1	3/16" X 13/16"	
8	AT30631	EXTENSION	1		
9	L55223	CAM FOLLOWER	1		(SUB FOR T28551 OR L32638)
10	T21955	EXTENSION SPRING	1		
11	T23216	CAP SCREW	1		
12	A4365R	O-RING	1		
13	T21680	PIN	1		
14	T23759	SHAFT	1		
15	T23758	BUSHING	2		
16	R27149	O-RING	2		
17	T25795	WASHER	2		
18	T25794	BUSHING	2		
19	R66197	THRUST WASHER	2		(SUB FOR R43216)
20	F3366R	SNAP RING	2		
	24H1302	WASHER	2	13/32" X 11/16" X 0.035"	

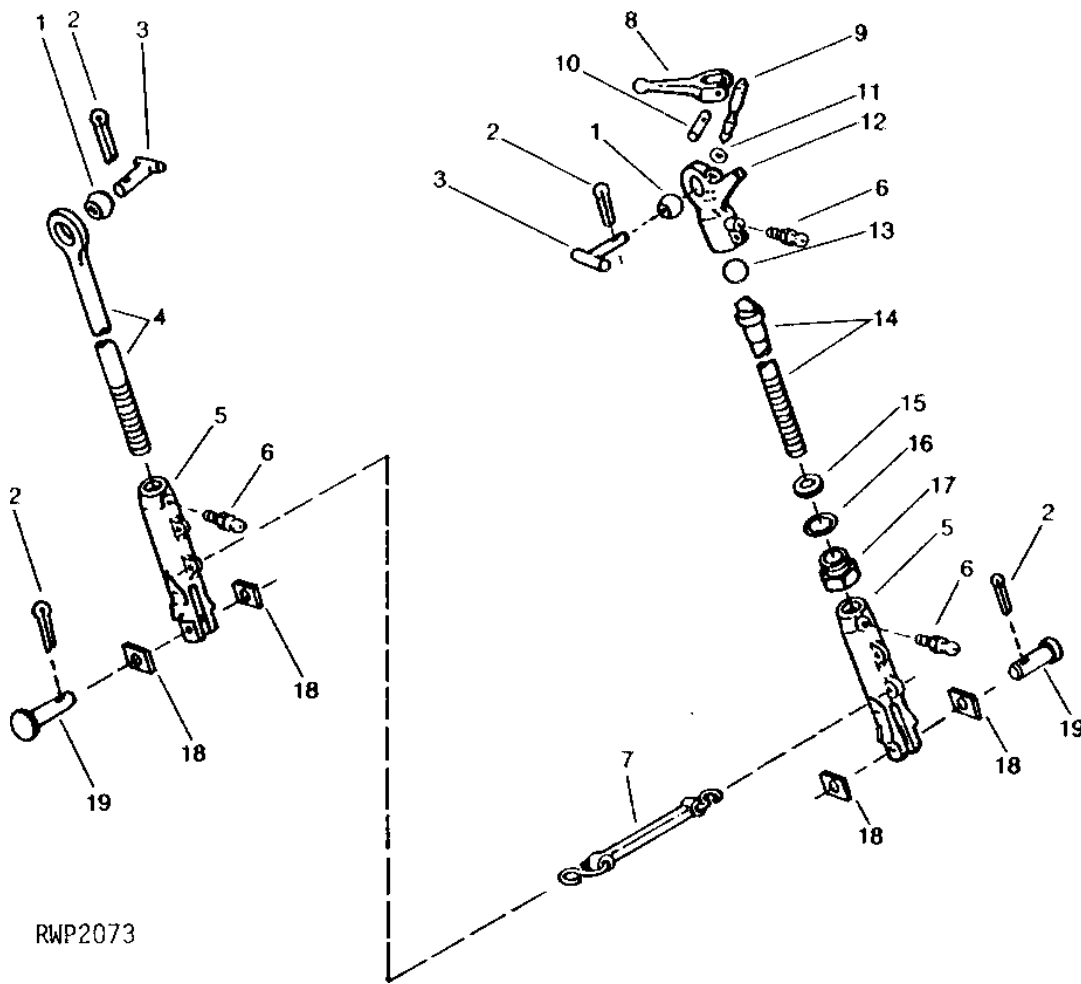
# 1J9

HYDRAULICS

RWP2073

-UN-01JAN94

3-POINT HITCH  
(RIGHT AND LEFT LIFT LINKS)



RWP2073



# 1J10

HYDRAULICS

**3-POINT HITCH - CONTINUED  
(RIGHT AND LEFT LIFT LINKS)**

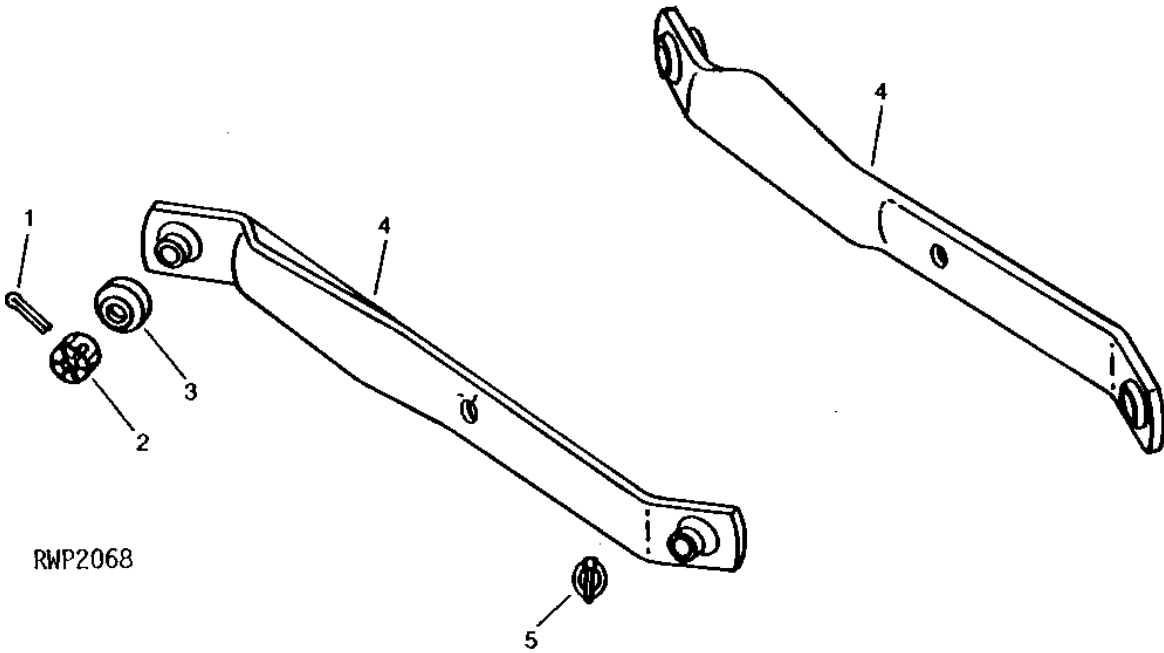
KEY	PART NO.	PART NAME	QTY	TRACTOR SERIAL NO.	REMARKS
1	T21901	BALL	2		
2	11M7030	COTTER PIN	4	0.197" X 1.575"	
3	AT21754	PIN	2		
4	T25836	END	1	510MM (20")	
	L28372	END	1	468MM (18-17/16")	(SUB FOR T25822)
5	R48595	LINK BODY	2		(SUB FOR T21497)
6	JD7798	LUBRICATION FITTING	3		
7	AR68071	STRAP	1		(SUB FOR AR64845)
8	T21559	HANDLE	1		
9	T21558	SHAFT	1		
10	34H314	SPRING PIN	1	1/4" X 1-1/4"	
11	P46051	O-RING	1		
12	L28374	HOUSING	1		(SUB FOR T21462)
13	T22399	BALL	1		
14	T25835	SHAFT	1	445MM (17-1/2")	
	T25823	SHAFT	1	403MM (15-7/8")	
15	T32488	WASHER	1		
16	T21903	WASHER	1		
17	T21758	ADAPTER	1		
18	T21759	STRAP	4		
19	T22714	PIN	2		(ALSO ORDER (2) T21759)

# 1J11

HYDRAULICS

RWP2068 -UN-01JAN94

## 3-POINT HITCH AND DRAFT LINKS



RWP2068

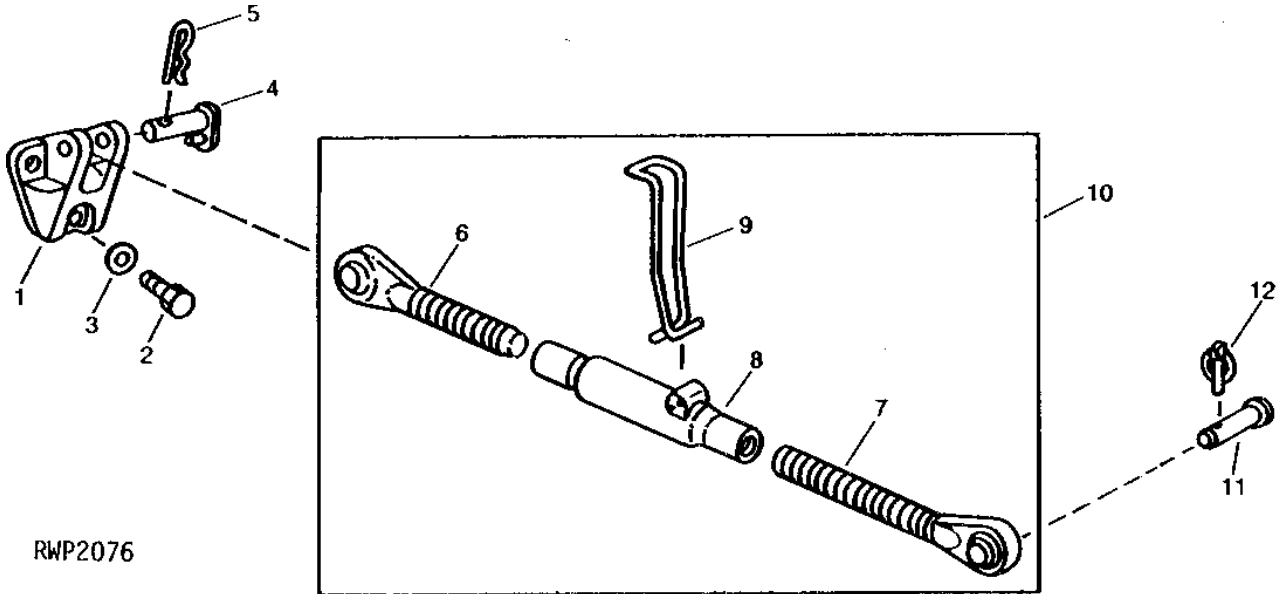
KEY	PART NO.	PART NAME	QTY	TRACTOR SERIAL NO.	REMARKS
1	11M7030	COTTER PIN	2		
2	14H918	NUT	2		0.197" X 1.575"
3	T25828	BUSHING	2		5/8"
	R66197	THRUST WASHER	2		
4	AT56648	DRAFT LINK	2		(SUB FOR AT28057)
5	AR62149	QUICK LOCK PIN	2		REAR

# 1J12

HYDRAULICS

RWP2076 -UN-01JAN94

## 3-POINT HITCH (CENTER LINK)



RWP2076

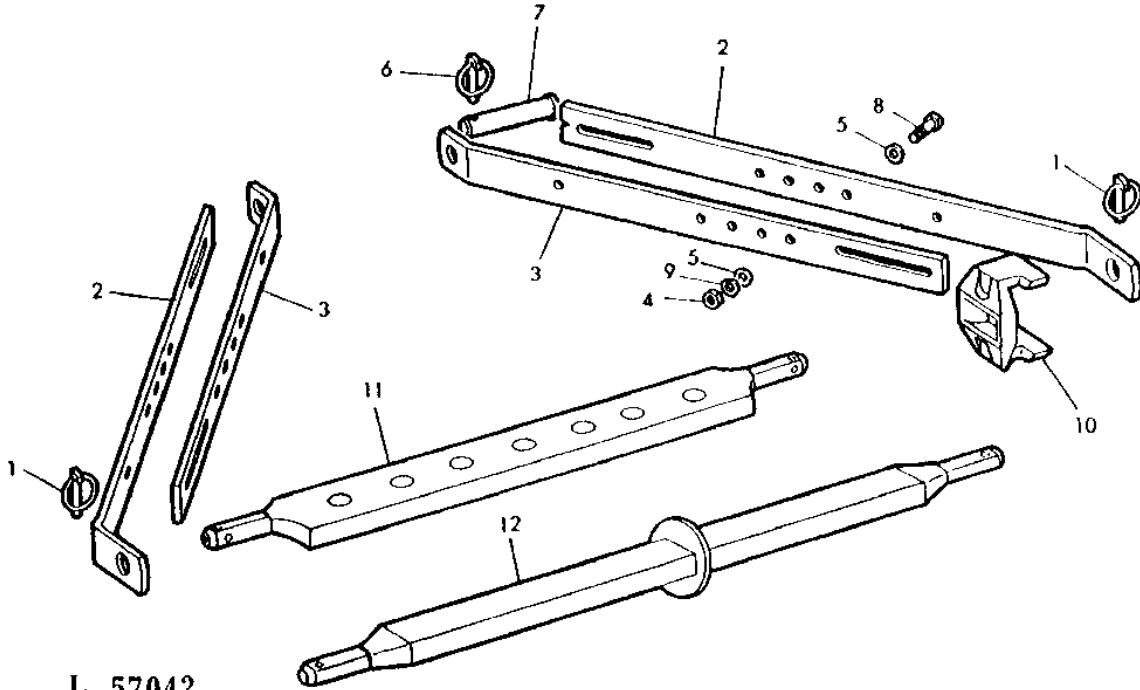
KEY	PART NO.	PART NAME	QTY	TRACTOR SERIAL NO.	REMARKS
1	T21685	BRACKET	1		
2	19H1708	CAP SCREW	3	5/8" X 1-3/4"	
3	12H294	LOCK WASHER	3	5/8"	
4	AT21912	PIN	1		
5	A3581R	SPRING LOCKING PIN	1		
6	AL39172	CENTER LINK END	1	1-1/8" L.H. THREAD, (SUB FOR AT23759)	
7	AL24058	ADJUSTER	1	1-1/8"	
8	AL18135	LINK BODY	1		
9	T27136	HANDLE	1		
10	AL24057	LINK	1	(SUB AL18135, AL24058, AL39172 AND T27136)	
11	R58262	PIN	1	(SUB FOR R44917)	
12	M115827	QUICK LOCK PIN	1	(SUB FOR AR62151)	

# 1J13

HYDRAULICS

L57042 -UN-01JAN94

## 3-POINT HITCH DRAWBAR



**L 57042**

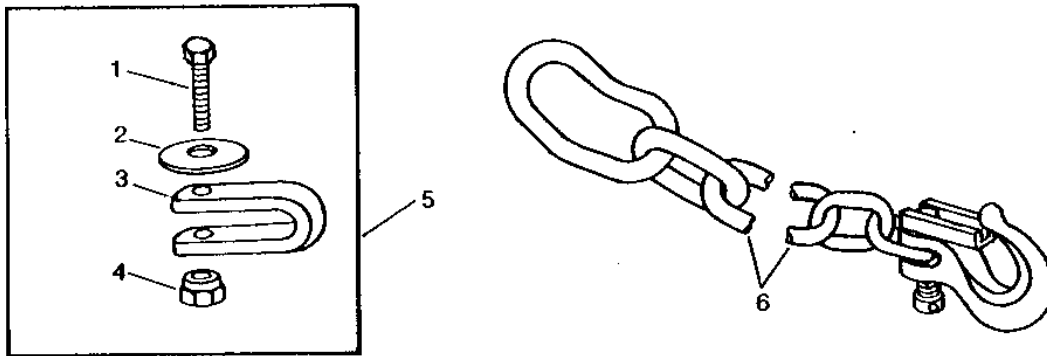
KEY	PART NO.	PART NAME	QTY	TRACTOR SERIAL NO.	REMARKS
1	AR62149	QUICK LOCK PIN	2		
2	T22124	STRAP	2		REAR
3	T22119	STRAP	2		FRONT
4	14H1040	NUT	6		1/2"
5	24H1341	WASHER	12		17/32" X 15/16" X 0.060"
6	M115827	QUICK LOCK PIN	1		(SUB FOR AR62151)
7	T22120	PIN	1		
8	19H2473	CAP SCREW	6		1/2" X 1-3/4"
9	12H301	LOCK WASHER	6		1/2"
10	T30930	STABILIZER	1		
11	T21679	DRAWBAR	1		
12	AM3719T	DRAWBAR	1		(NO LONGER AVAILABLE)

# 1J14

HYDRAULICS

RWP5796 -UN-01JAN94

## IMPLEMENT SAFETY CHAIN



RWP5796

KEY	PART NO.	PART NAME	QTY	TRACTOR SERIAL NO.	REMARKS
1	19H1768	CAP SCREW	1	(A) (B)	
	19H2084	CAP SCREW	1	(A)	
	19H2174	CAP SCREW	1	(B)	
2	R36402	WASHER	1	(A) (B)	
3	R69408	CLEVIS	1	(A)	
	R69409	CLEVIS	1	(B)	
4	T25879	NUT	2	(A) (B)	
5	AR90577	SAFETY CHAIN ADAPTER KIT	1	CATEGORY IV DRAWBARS	
	AR90578	CHAIN KIT	1	CATEGORY II AND III DRAWBARS	
6	RE26739	LINK CHAIN	1	61 LINKS 6.4MM (1/4") DIA CHAIN (6,000 LB)	
	AR90581	LINK CHAIN	1	61 LINKS 6.4MM (1/4") DIA CHAIN (10,000 LB)	
	AR90579	LINK CHAIN	1	42 LINKS 9.5MM (3/8") DIA CHAIN	
	AR90583	LINK CHAIN	1	43 LINKS 11.1MM (7/16") DIA CHAIN	
	RE26740	LINK CHAIN	1	42 LINKS 12.7MM (1/2") DIA CHAIN	

(A) INCLUDED IN AR90577

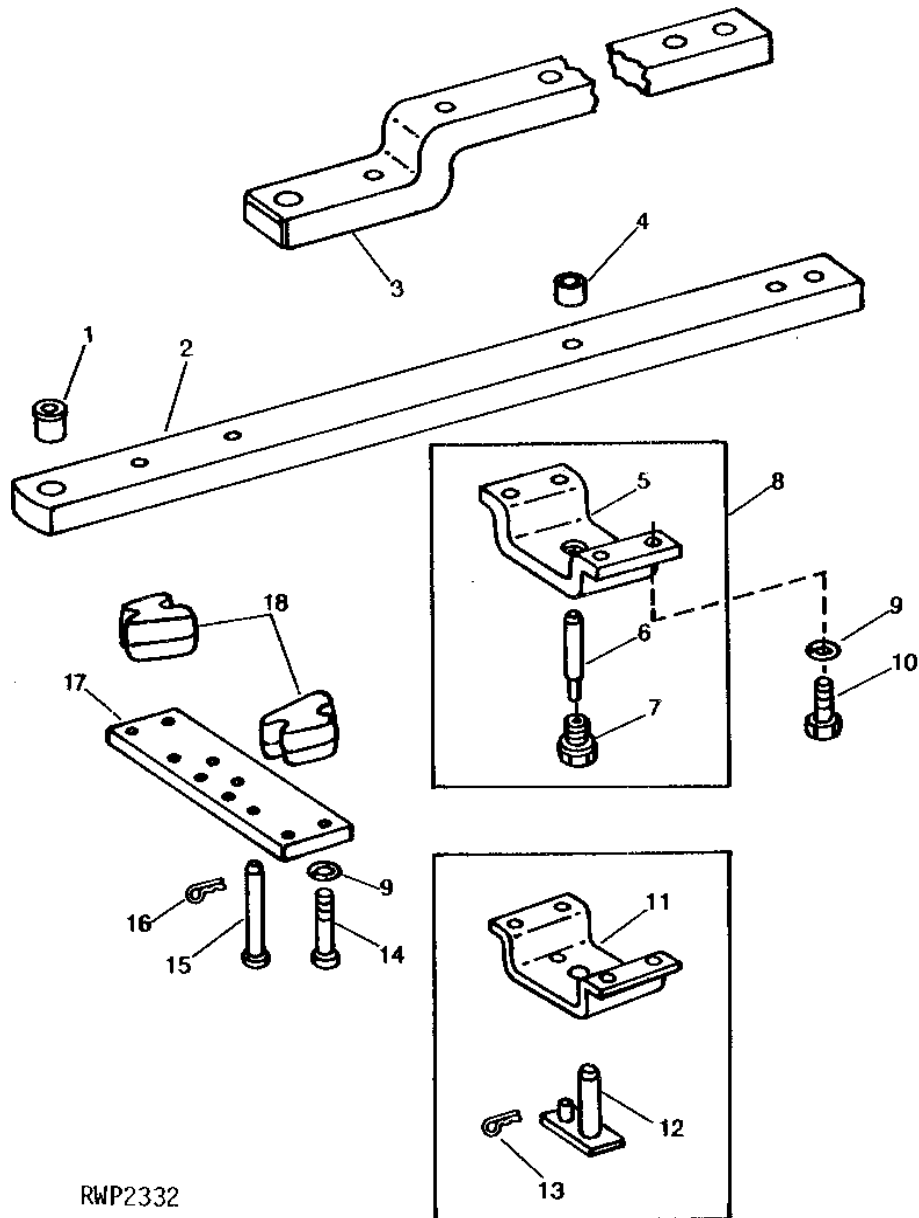
(B) INCLUDED IN AR90578

# 1J15

HYDRAULICS

RWP2332 -UN-01JAN94

SWINGING DRAWBAR



# 1J16

HYDRAULICS

## SWINGING DRAWBAR - CONTINUED

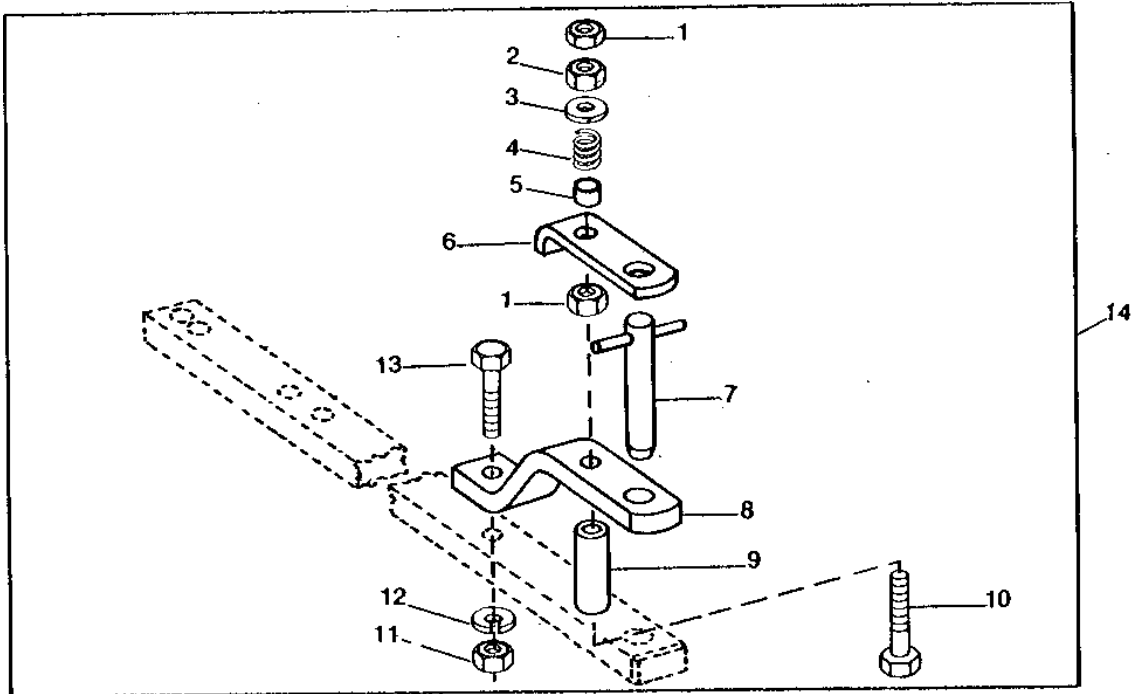
KEY	PART NO.	PART NAME	QTY	TRACTOR SERIAL NO.	REMARKS
1	R70080	SPACER	1	-XXXXXX	(TO CONVERT 33MM TO 19.8MM)
2	T21667	DRAWBAR	1	-XXXXXX	STRAIGHT, (SUB R61126 AND (2) L29023)
	R61126	DRAWBAR	1	XXXXXX-	STRAIGHT
3	T27969	DRAWBAR	1	-XXXXXX	OFFSET, (SUB L29020 AND (2) L29023)
	L29020	DRAWBAR	1	XXXXXX-	OFFSET
4	T21671	BUSHING	1		
5	AL27203	SUPPORT	1	XXXXXX-	
6	L32016	PIN	1	XXXXXX-	
7	L31849	ADAPTER	1	XXXXXX-	
8	AR101210	KIT	1	XXXXXX-	DRAWBAR FRONT SUPPORT, (SUB AL27203, L23016 AND L31849)
9	12H301	LOCK WASHER	8		1/2"
10	19H1815	CAP SCREW	4		1/2" X 1-1/4"
11	T21672	SUPPORT	1	-XXXXXX	FRONT, (SUB AL27203, L23016 AND L31849)
12	AT19850	PIN	1	-XXXXXX	(SUB AL27203, L23016 AND L31849)
13	T22848	SPRING LOCKING PIN	1	-XXXXXX	
14	19H1820	CAP SCREW	4		1/2" X 3"
15	L29022	PIN	2		(SUB FOR T32016)
16	A3581R	SPRING LOCKING PIN	2		
17	T21677	SUPPORT	1		
18	T21913	SPACER	2	-XXXXXX	(USE WITH 2" WIDE DRAWBAR)
	L29023	SPACER	1	XXXXXX-	(USE WITH 2-1/2" WIDE DRAWBAR)

# 1J17

HYDRAULICS

RWP3979 -UN-01JAN94

## DRAWBAR HAMMER STRAP



RWP3979

KEY	PART NO.	PART NAME	QTY	TRACTOR SERIAL NO.	REMARKS
1	14H821	NUT	2	5/8"	
2	14H1039	NUT	1	5/8"	
3	24H1372	WASHER	1	21/32" X 1-1/2" X 0.060"	
4	F3541R	SPRING	1		
5	F3542R	BUSHING	1		
6	F3539R	RETAINER	1		
7	AR69988	PIN	1		
8	T29899	STRAP	1		STRAIGHT DRAWBAR
	T29897	STRAP	1		OFFSET DRAWBAR
9	L57595	SPACER	1	(A) (C) (SUB FOR T29892)	
	N186901	SPACER	1	(A) (D)	
	24H1372	WASHER	7	(B) (D) 21/32" X 1-1/2" X 0.060"	
10	19H2432	CAP SCREW	1	(A) (C) 5/8" X 7-1/2"	
	08H4770	CAP SCREW	2	(B) (D) 5/8" X 8-1/4"	
11	14H1039	NUT	1	5/8"	
12	12H294	LOCK WASHER	1	5/8"	
13	19H1863	CAP SCREW	1	5/8" X 3"	
14	RE13089	KIT	1		STRAIGHT DRAWBAR, (SUB RE39829)
	RE13090	KIT	1		OFFSET DRAWBAR, (SUB RE39830)

(A) USE WITH RE13089 OR RE13090

(B) USE WITH RE39829 OR RE39830

(C) LESS SAFETY CHAIN CLEVIS

(D) SAFETY CHAIN CLEVIS

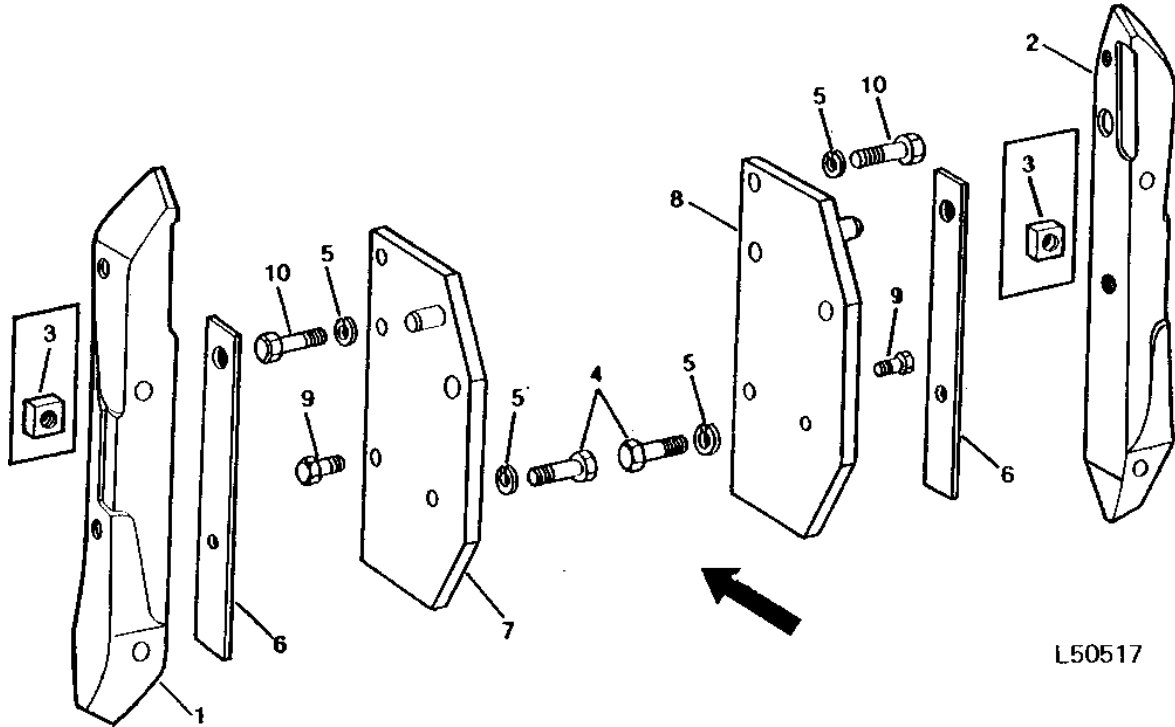


# 1J18

HYDRAULICS

L50517 -UN-01JAN94

## SWAY BLOCKS AND SUPPORTS



L50517

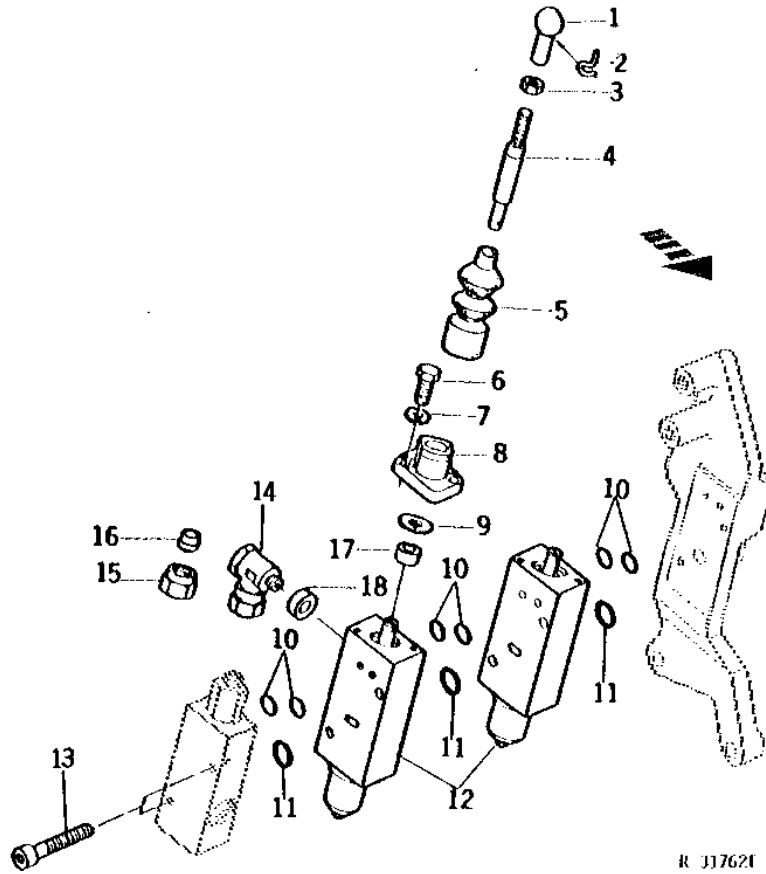
KEY	PART NO.	PART NAME	QTY	TRACTOR SERIAL NO.	REMARKS
1	T30277	SWAY BLOCK	1		
2	T30276	SWAY BLOCK	1		
3	14H823	NUT	2	1/2", (NOT USED THIS APPLICATION)	
4	19H1721	CAP SCREW	2	1/2" X 1-1/2"	
5	12H301	LOCK WASHER	8	1/2"	
6	AT29301	SHIM	2		
7	AR90971	SUPPORT	1	(SUB FOR AT20168)	
8	AT20167	SUPPORT	1		
9	19H1936	CAP SCREW	2	3/8" X 3/4"	
10	19H1815	CAP SCREW	4	1/2" X 1-1/4"	

# 1J19

HYDRAULICS

R31762 -UN-01JAN94

## SELECTIVE CONTROL VALVE



KEY	PART NO.	PART NAME	QTY	TRACTOR SERIAL NO.	REMARKS
1	56M4437	BALL JOINT SOCKET	AR	(A) M13	
2	56M7004	BALL JOINT SOCKET	1	M13	
3	14M7273	NUT	AR	(A) M8	
4	AT23719	ROD	AR	(A)	
5	L17657	BOOT	AR	(A)	
6	19M7375	CAP SCREW	AR	M6 X 18, (2 USED SINGLE) (4 USED DUAL)	
7	12H302	LOCK WASHER	AR	1/4" M6, (2 USED SINGLE) (4 USED DUAL)	
8	L17659	COVER	AR	(A)	
9	L17658	WASHER	AR	(A)	
10	L53830	O-RING	AR	(4 USED SINGLE) (6 USED DUAL)	
11	L53836	O-RING	AR		
12	AL26986	CONTROL VALVE	AR	(A) (SUB FOR AL14160)	
13	19H3152	SCREW	2	5/16" X 2-3/4", (SINGLE)	
	19H3246	SCREW	2	5/16" X 4", (DUAL)	
14	AL14157	UNION FITTING	AR	(A) (INCLUDES 15M6139 AND 15M6130)	
15	15M6139	FITTING	AR	(A) M12	
16	15M6130	SLEEVE FITTING	AR	(A) M12	
17	L20102	SEAL	AR	(A)	
18	51M4238	RING	AR	(A)	

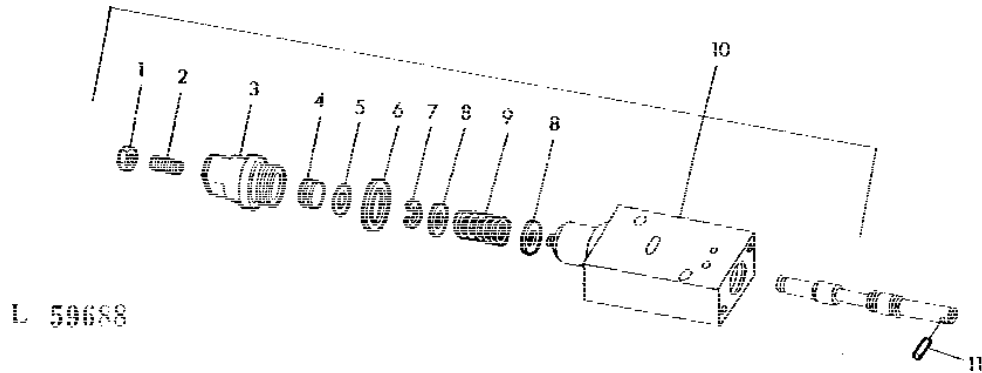
(A) 1 USED SINGLE; 2 USED DUAL

# 1J20

HYDRAULICS

L59688 -UN-01JAN94

## SELECTIVE CONTROL VALVE



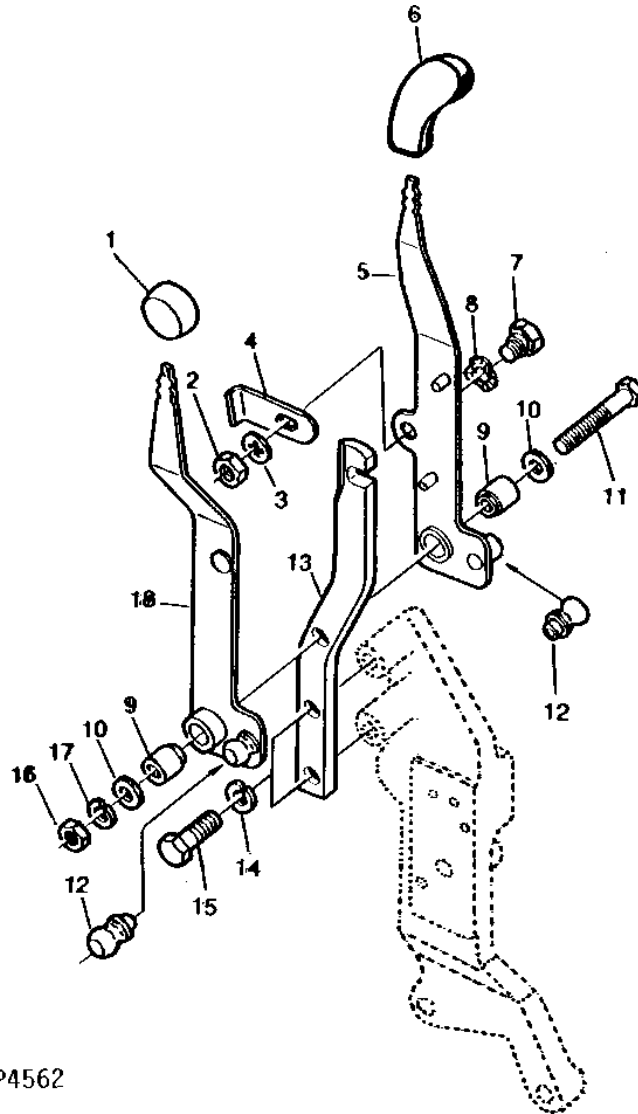
KEY	PART NO.	PART NAME	QTY	TRACTOR SERIAL NO.	REMARKS
1	14M1775	NUT	1	M6	
2	L39810	SET SCREW	1		
3	L20094	COVER	1		
4	L20093	WASHER	1		
5	L53826	O-RING	1		
6	51M4245	RING	1		
7	L18893	SNAP RING	1		
8	L20095	WASHER	2		
9	L17056	SPRING	1		
10	AL14160	CONTROL	AR		(1 USED SINGLE) (2 USED DUAL) (SUB AL26986)
	AL26986	CONTROL VALVE	1		(INCLUDES L17056, L18893, (2) L20095, L31754, L39810 AND 51M4245)
11	R53218	NEEDLE ROLLER	1		

# 1J21

HYDRAULICS

RWP4562 -UN-01JAN94

## SELECTIVE CONTROL LEVER (SINGLE OR DUAL SELECTIVE CONTROL VALVES)



RWP4562

# 1J22

HYDRAULICS

**SELECTIVE CONTROL LEVER - CONTINUED  
(SINGLE OR DUAL SELECTIVE CONTROL VALVES)**

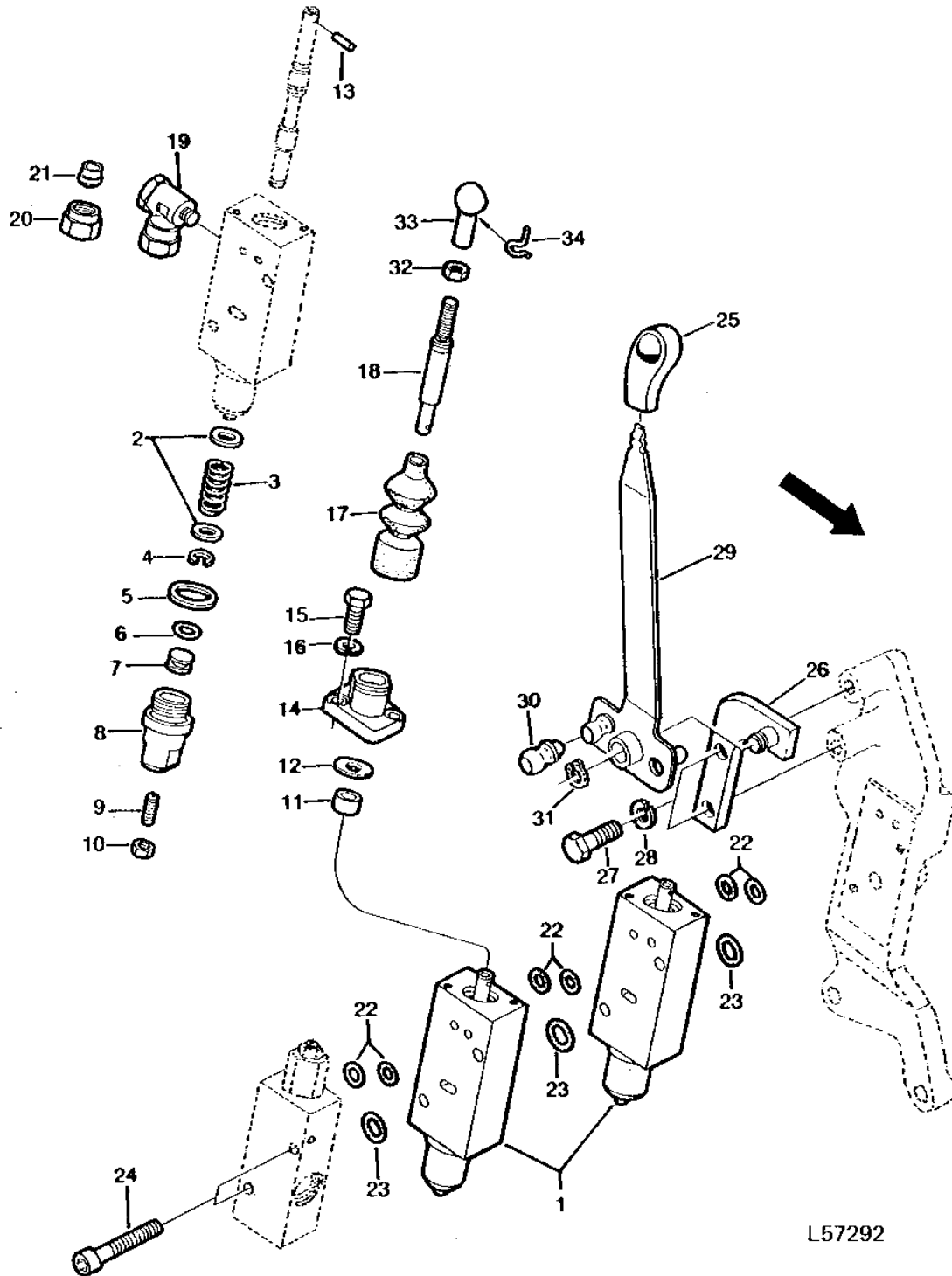
KEY	PART NO.	PART NAME	QTY	TRACTOR SERIAL NO.	REMARKS
1	R54275	GRIP	1		(SUB R62148)
2	14H611	NUT	1		5/16"
3	12M7032	LOCK WASHER	1		0.331"
4	T25802	LEVER	1		
5	AR66937	LEVER	1		5/16", (INCLUDES 55M6194) (SUB FOR AT23720)
6	R54274	GRIP	1		(SUB R62147)
7	T25803	CAP SCREW	1		
8	T25804	LOCK WASHER	1		
9	L17652	BUSHING	2		
10	24M7055	WASHER	2		8.400 X 16 X 1.600 MM
11	19M7184	CAP SCREW	1		M8 X 55
12	55M6194	BALL STUD	2		M13 X 5
13	T23755	SUPPORT	1		
14	12H304	LOCK WASHER	2		3/8"
15	19H1731	CAP SCREW	2		3/8" X 1"
16	14M7273	NUT	AR		M8, (2 USED SINGLE) (3 USED DUAL)
17	12H304	LOCK WASHER	1		3/8"
18	AR66938	LEVER	1		(INCLUDES 55M6194) (SUB FOR AT23721)

# 1J23

HYDRAULICS

## SELECTIVE CONTROL VALVES AND CONTROL LEVER (DOUBLE ACTING)

L57292 -UN-01JAN94



L57292

# 1J24

HYDRAULICS

**SELECTIVE CONTROL VALVES AND CONTROL LEVER - CONTINUED  
(DOUBLE ACTING)**

KEY	PART NO.	PART NAME	QTY	TRACTOR SERIAL NO.	REMARKS
1	AL14160 AL26986	CONTROL CONTROL VALVE	2 1		(INCLUDES KEYS 2 THRU 10) (SUB AL26986) (INCLUDES L17056, L18893, (2) L20095, L31754, L39810 AND 51M4245)
2	L20095	WASHER	4		
3	L17056	SPRING	2		
4	L18893	SNAP RING	2		
5	51M4245	RING	2		
6	L53826	O-RING	2		
7	L20093	WASHER	2		
8	L20094	COVER	2		
9	L39810	SET SCREW	2	M6 X 16	
10	14M1775 AL26986	NUT CONTROL VALVE	2 1	M6	(INCLUDES L17056, L18893, (2) L20095, L31754, L39810 AND 51M4245)
11	L20102	SEAL	2		
12	L17658	WASHER	2		
13	R53218	NEEDLE ROLLER	2		
14	L17659	COVER	2		
15	19M7375	CAP SCREW	4	M6 X 18	
16	12H302	LOCK WASHER	4	1/4"	
17	L17657	BOOT	2		
18	AT23719	ROD	2		
19	AL14157 51M4238	UNION FITTING RING	2 2		(INCLUDES 15M6139 AND 15M6130)
20	15M6139	FITTING	2	M12	
21	15M6130	SLEEVE FITTING	2	M12	
22	L53830	O-RING	6		
23	L53836	O-RING	AR		
24	19H3246	SCREW	2	5/16" X 4"	
25	R54275	GRIP	1		
26	AR51872	BRACKET	1		
27	19H2021	CAP SCREW	2	3/8" X 5/8"	
28	12H304	LOCK WASHER	2	3/8"	
29	AR66939	LEVER	1		(SUB FOR AR51873) (INCLUDES 55M6194)
30	55M6194	BALL STUD	2		
31	40M1821	SNAP RING	1	M15 X 1	
32	14M7273	NUT	2	M8	
33	56M4437	BALL JOINT SOCKET	2		
34	56M7004	BALL JOINT SOCKET	1		

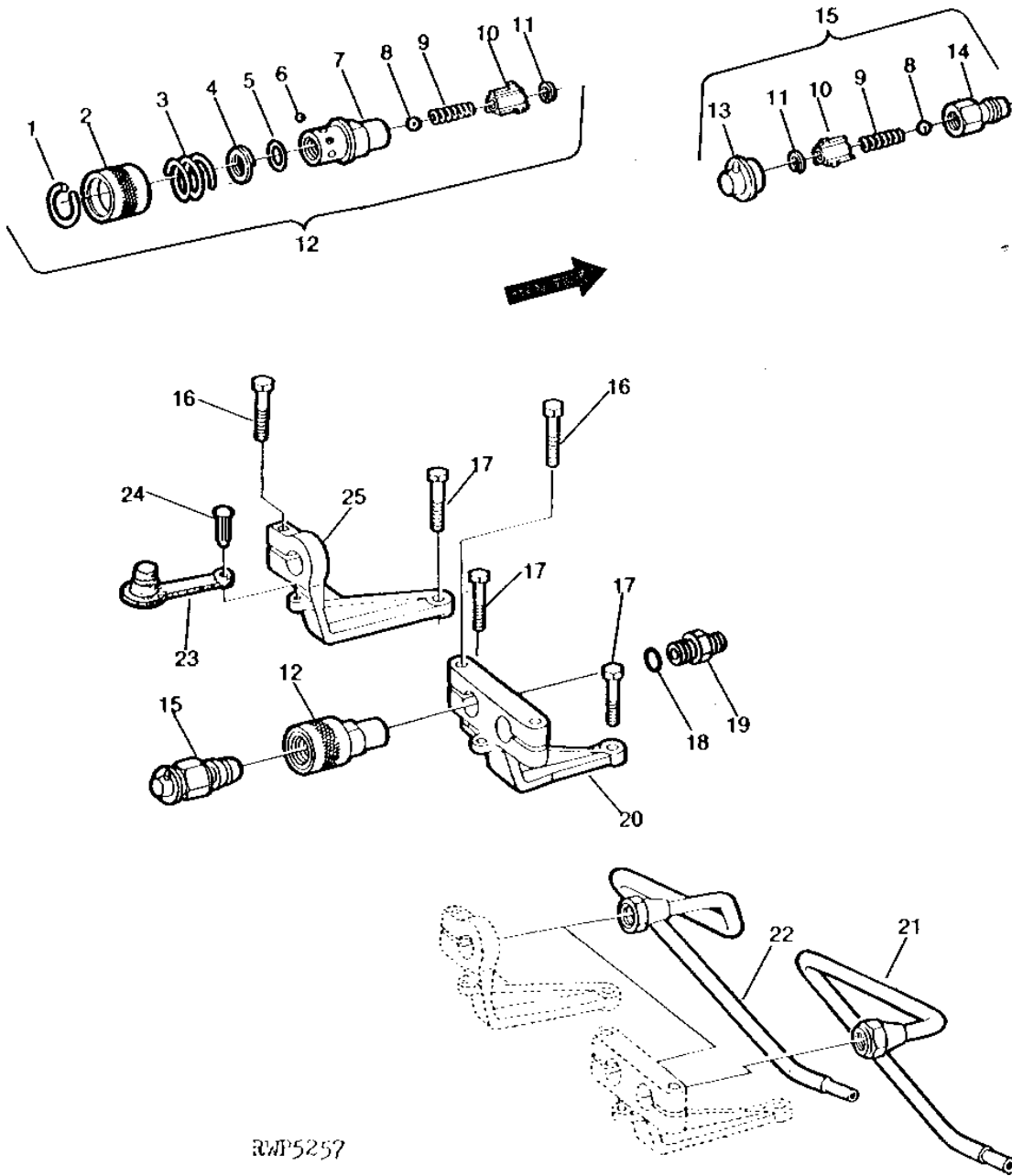
# 1K1

HYDRAULICS

RWP5257

-UN-01JAN94

## QUICK-CONNECT COUPLERS AND BRACKETS



RWP5257



# 1K2

HYDRAULICS

## QUICK-CONNECT COUPLERS AND BRACKETS - CONTINUED

KEY	PART NO.	PART NAME	QTY	TRACTOR SERIAL NO.	REMARKS
1	R32356	SNAP RING	1		
2	R32355	SLEEVE	1	(SUB RE15361)	
3	R32354	SPRING	1	(SUB RE15361)	
4	R26485	BACK-UP RING	1		
5	R495R	O-RING	1		
6	400R	BALL	6	6MM (1/4")	
7	R32353	SOCKET OUTLET	1		
8	D2361R	BALL	1	13MM (1/2")	
9	R28084	SPRING	1		
10	R28085	GUIDE	1	(SUB RE15361 OR AR93819)	
11	R59633	WEAR RING	1	(SUB FOR R28204)	
12	AR47331	SOCKET OUTLET	AR	(A) (SUB FOR AR31613) (SUB RE15361)	
13	R28006	CAP	1		
14	R27430	HYD. QUICK-CONNECT COUPLER	1	(SUB AR93819)	
15	AR30210	INTERNAL HALF COUPLER	AR	(A) (SUB AR93819)	
16	19H1765	CAP SCREW	AR	(A) 3/8" X 1-3/4"	
17	19H1831	CAP SCREW	2	1/2" X 2"	
18	R26375	O-RING	AR	(A)	
19	R27237	FITTING	AR	(A)	
20	T22243	CLAMP	1		
21	AL28485	OIL LINE	1	OUTER, (SUB FOR AT23738)	
22	AL28484	OIL LINE	1	INNER, (SUB FOR AT23734)	
23	R32419	COVER	AR	(A) (SUB R80324)	
24	T22244	STUD	AR	(A)	
25	T26440	BRACKET	1		

(A) 1 USED SINGLE; 2 USED DUAL

---

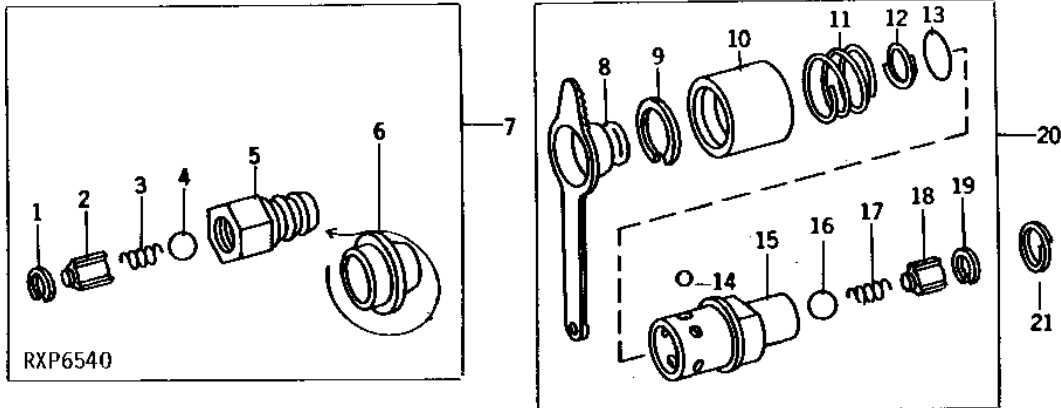
MEMORANDA

# 1K3

HYDRAULICS

RXP6540 -UN-06OCT94

## FLEXIBLE OIL LINE COUPLER



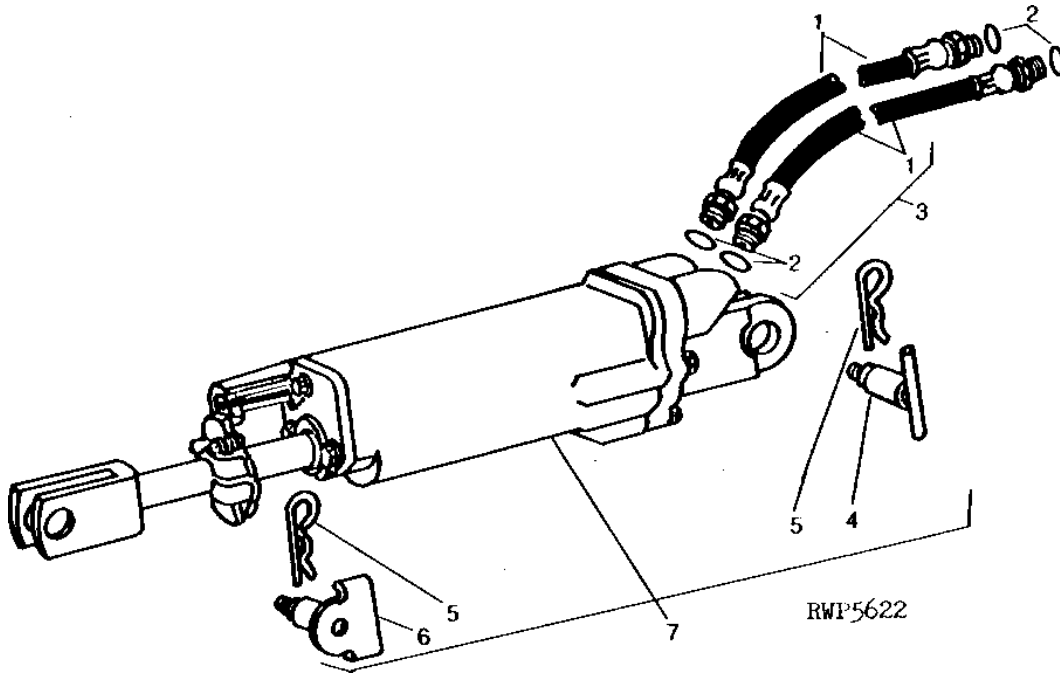
KEY	PART NO.	PART NAME	QTY	TRACTOR SERIAL NO.	REMARKS
1	R59633	WEAR RING	1		
2	R28085	GUIDE	1		(SUB AR93819 OR AR93820)
3	R28084	SPRING	1		
4	D2361R	BALL	1		13MM (1/2")
5	R27430	HYD. QUICK-CONNECT COUPLER	1		(PRESSURE) (SUB AR93819)
	R45630	HYD. QUICK-CONNECT COUPLER	1		(RETURN) (SUB AR93820)
6	R28006	CAP	1		
7	AR30210	INTERNAL HALF COUPLER	1		(PRESSURE) (SUB AR93819)
	AR47643	BREAKAWAY COUPLER	1		(RETURN) (SUB AR93820)
8	R32419	COVER	1		(SUB R80324)
9	R32356	SNAP RING	1		
10	R32355	SLEEVE	1		(SUB RE15361)
11	R32354	SPRING	1		(SUB RE15361)
12	R26485	BACK-UP RING	1		
13	R495R	O-RING	1		
14	400R	BALL	6		6MM (1/4")
15	R32353	SOCKET OUTLET	1		
16	D2361R	BALL	1		13MM (1/2")
17	R28084	SPRING	1		
18	R28085	GUIDE	1		(SUB RE15361)
19	R59633	WEAR RING	1		
20	AR47331	SOCKET OUTLET	1		(SUB RE15361)
21	R36946	SPRING	1		

# 1K4

HYDRAULICS

RWP5622 -UN-01JAN94

## REMOTE CYLINDER AND HOSES



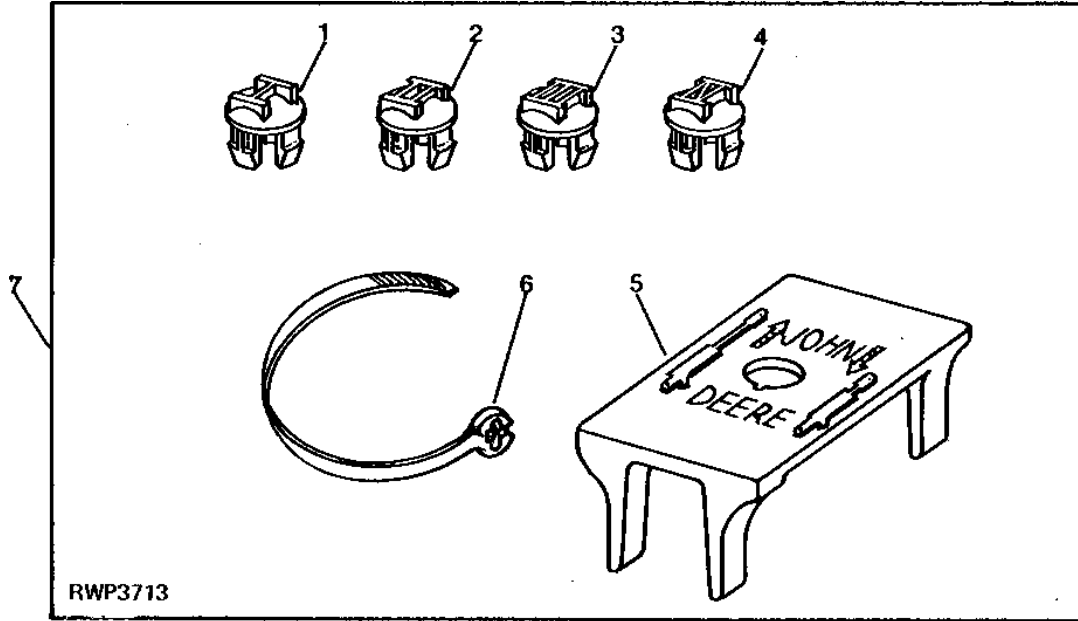
KEY	PART NO.	PART NAME	QTY	TRACTOR SERIAL NO.	REMARKS
1	AR26407	HYDRAULIC HOSE	2		9.5 X 2337MM (3/8" X 92")
2	R26375	O-RING	4		
3	AR27440	HYDRAULIC HOSE	1		
4	AR47825	PIN	1		
5	A3581R	SPRING LOCKING PIN	2		
6	AR71902	PIN	1		(SUB FOR AA6307R)
7	AR38426	HYDRAULIC CYLINDER	1		

# 1K5

HYDRAULICS

RWP3713 -UN-01JAN94

## REMOTE CYLINDER HOSE IDENTIFICATION KIT



KEY	PART NO.	PART NAME	QTY	TRACTOR SERIAL NO.	REMARKS
1	R74242	PLUG	1		
2	R74243	PLUG	1		
3	R74244	PLUG	1		
4	R74246	PLUG	1		
5	R76459	TAG	1		
6	R76477	TIE BAND	2		
7	AR103808	KIT	1		

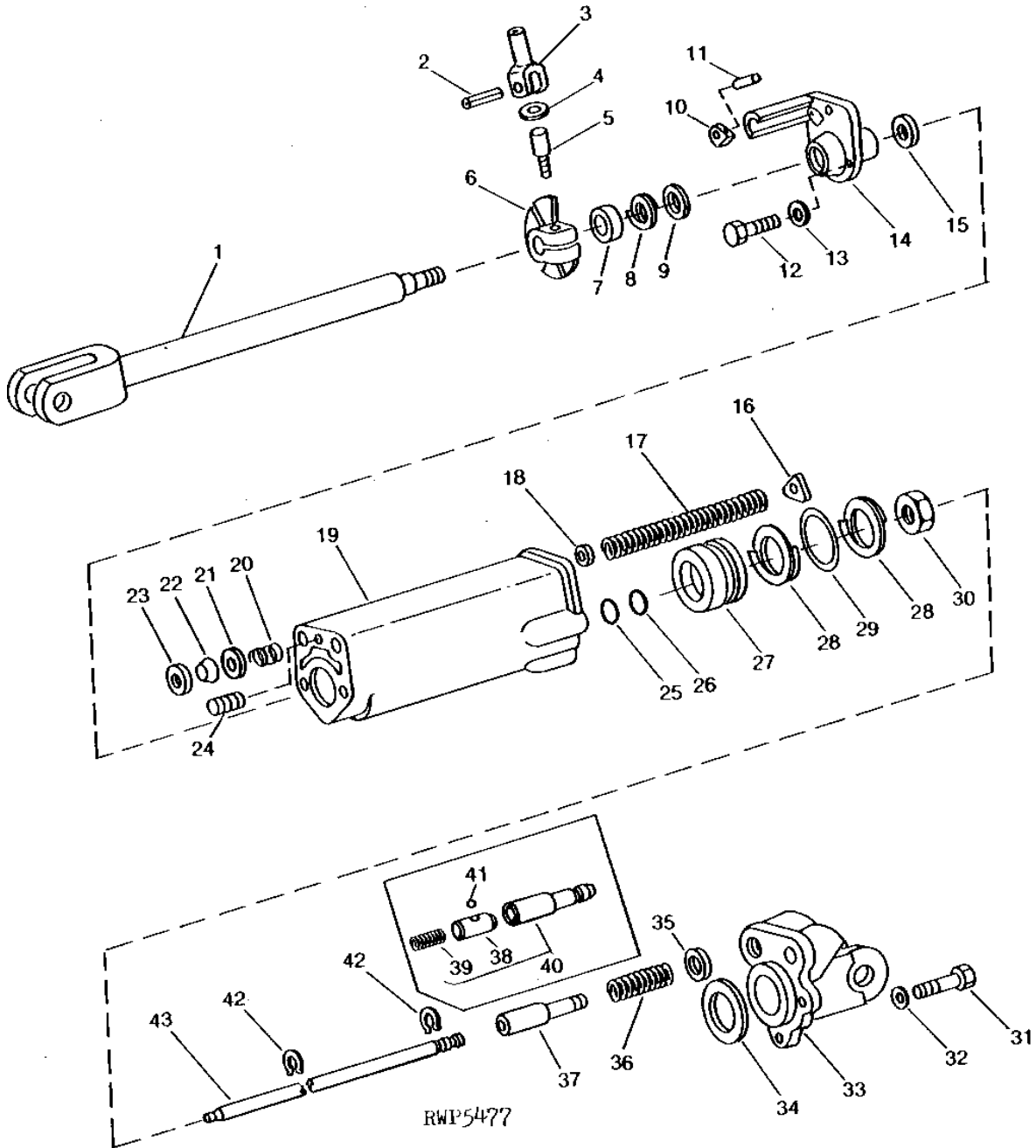
# 1K6

HYDRAULICS

RWP5477

-UN-01JAN94

## REMOTE CYLINDER



# 1K7

HYDRAULICS

## REMOTE CYLINDER - CONTINUED

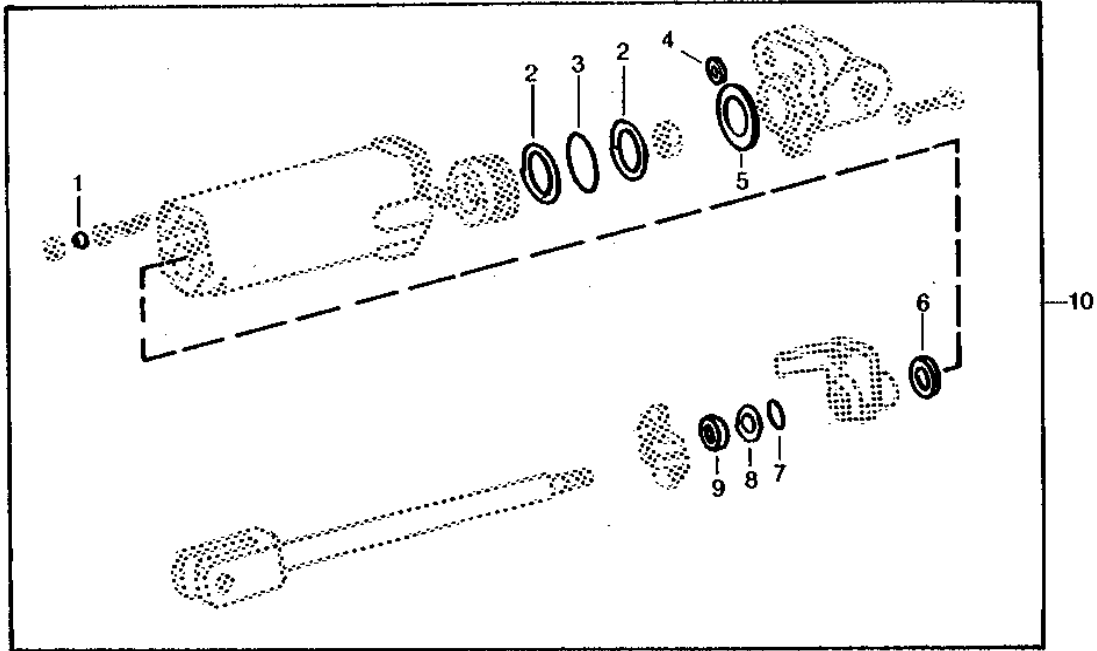
KEY	PART NO.	PART NAME	QTY	MODEL NO.	REMARKS
1	AR38849	ROD	1		
2	34H264	SPRING PIN	1		
3	A5302R	YOKE	1		5/32" X 7/8"
4	A147R	LOCK WASHER	1		
5	A5301R	SCREW	1		
6	R39064	STOP	1		
7	AA5607R	SEAL	1		
8	A4731R	WASHER	1		
9	A4730R	O-RING	1		
10	R27426	ARM	1		
11	25H760	GROOVE PIN	1		7/32" X 1-1/4"
12	19H2552	CAP SCREW	3		3/8" X 1-1/8"
13	12H304	LOCK WASHER	3		3/8"
14	A4732R	GUIDE	1		
15	A4733R	WASHER	1		
16	R57696	WASHER	1		(SUB FOR A4738R)
17	A4737R	SPRING	1		
18	24H1301	WASHER	1		13/32" X 9/16" X 0.065"
19	R39006	CYLINDER	1		
20	A4748R	SPRING ASSEMBLY	1		
21	A4747R	WASHER	1		MALE
22	A4745R	PACKING	3		
23	A4746R	ADAPTER	1		FEMALE
24	15H624	PIPE PLUG	1		1/2"
25	A4730R	O-RING	1	5RC2-	
26	R26480	BACK-UP RING	1	5RC2-	
27	R39008	PISTON	1	-5RC1	
	R38537	PISTON	1	5RC2-	
28	R39009	BACK-UP RING	2		
29	L2104N	O-RING	1		
30	H34753	LOCK NUT	1		
31	19H2473	CAP SCREW	4		1/2" X 1-3/4"
32	12H301	LOCK WASHER	4		1/2"
33	R39013	COVER	1		
34	R39029	WASHER	1		
35	A4723R	WASHER	2		
36	R49352	SPRING	1		
37	R39012	VALVE	1	5RC3-	
38	A4740R	VALVE	1	-5RC2	(SUB AA5731R)
39	A4741R	SPRING	1	-5RC2	
40	AA5731R	VALVE	1	-5RC2	
41	A4742R	BALL	1	-5RC2	4MM (5/32")
42	A4739R	RING	2		
43	A4736R	ROD	1		

# 1K8

HYDRAULICS

RP576 -UN-01JAN94

## REMOTE CYLINDER OVERHAUL KIT



RP576

KEY	PART NO.	PART NAME	QTY	MODEL NO.	REMARKS
1	A4745R	PACKING	3	"V"	
2	R39009	BACK-UP RING	2		
3	L2104N	O-RING	1		
4	A4723R	WASHER	2		
5	R39029	WASHER	1		
6	A4733R	WASHER	1		
7	A4730R	O-RING	1		
8	A4731R	WASHER	1		
9	AA5607R	SEAL	1		
10	AR38713	KIT	1		

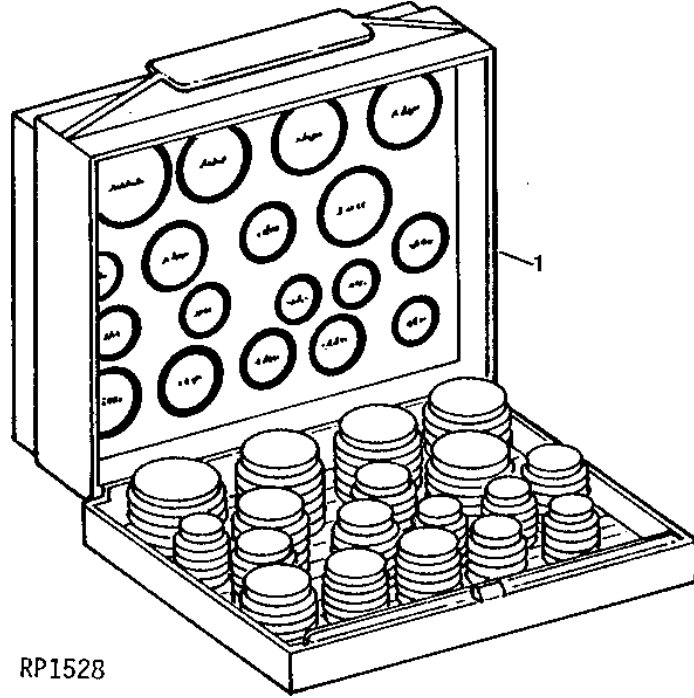


# 1K9

HYDRAULICS

RP1528 -UN-01JAN94

O-RING KIT



RP1528

KEY	PART NO.	PART NAME	QTY	TRACTOR SERIAL NO.	REMARKS
1	AR73500	KIT	1		

---

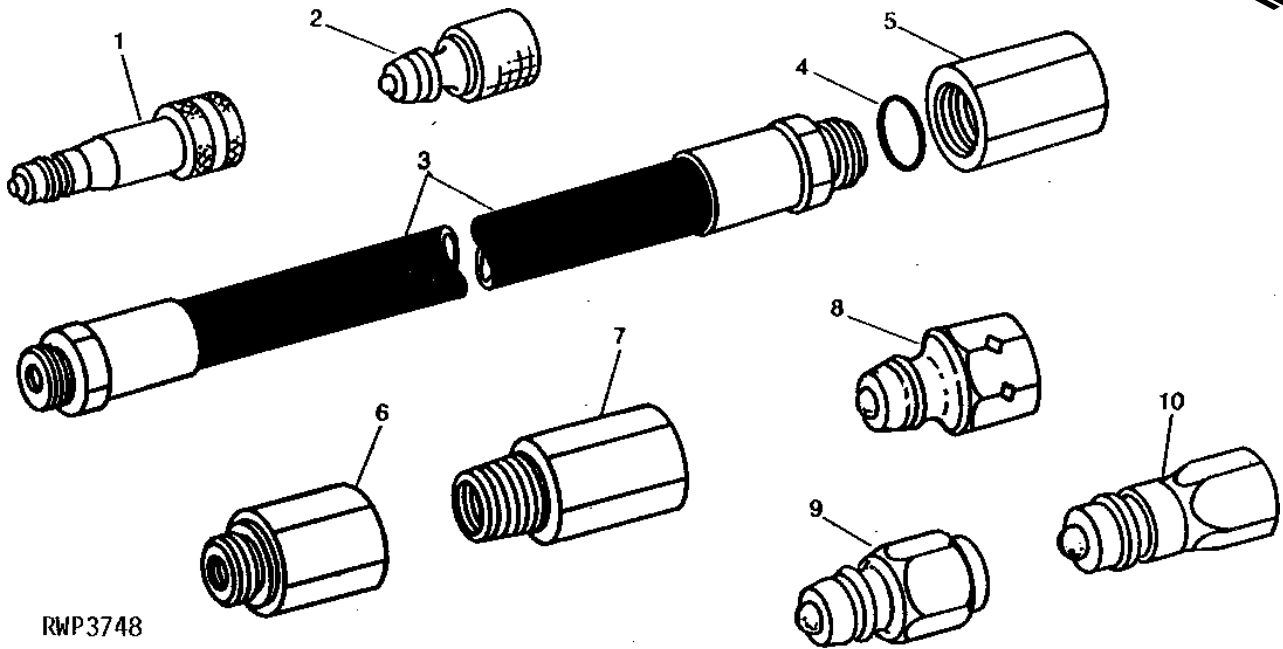
MEMORANDA

# 1K10

HYDRAULICS

RWP3748 -UN-01JAN94

## IMPLEMENT HYDRAULIC OIL LINES AND FITTINGS



RWP3748

KEY	PART NO.	PART NAME	QTY	TRACTOR SERIAL NO.	REMARKS
1	AR98202	HYD. QUICK-CONNECT COUPLER	1	JOHN DEERE TO ISO	
	R21722	O-RING	1	(INCLUDED IN AR98202)	
	RE11457	ADAPTER	1	IHC TO ISO	
	U11647	O-RING	1	(INCLUDED IN RE11457)	
2	AR98201	HYD. QUICK-CONNECT COUPLER	1	ISO TO JOHN DEERE (FI)	
	R21722	O-RING	1	(INCLUDED IN AR98201, RE11458 AND RE11463)	
	R71387	WASHER	1	(INCLUDED IN AR98201) (FI)	
	RE11456	ADAPTER	1	IHC TO JOHN DEERE	
	RE11458	ADAPTER	1	JOHN DEERE TO IHC	
	RE11463	ADAPTER	1	ISO TO IHC	
3	AR28754	HYDRAULIC HOSE	1	10 X 610MM (3/8" X 24") (SUB TY3018)	
	AR28755	HYDRAULIC HOSE	1	10 X 914MM (3/8" X 36")	
	R36658	HYDRAULIC HOSE	1	13 X 610MM (1/2" X 24")	
	R36659	HYDRAULIC HOSE	1	13 X 914MM (1/2" X 36")	
4	R26375	O-RING	1		
5	R30815	FITTING	1	3/4" THREAD	
6	R30817	ADAPTER	1	3/4"-16UNF MALE X 1/2"-14NPT FEMALE	
7	R30816	ADAPTER	1	1/2"-14NPT MALE X 3/4"-16UNF FEMALE	
8	AR93820	FITTING	1	JOHN DEERE, 3/4"-16 UNF	
9	RE11447	FITTING	1	JOHN DEERE, 1/2"-14NPT	
10	AR94522	INTERNAL HALF COUPLER	1	ISO, 3/4"-16UNF	

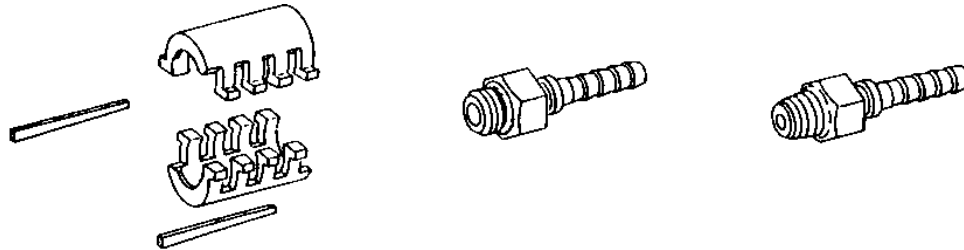
# 1K11

HYDRAULICS

RXP7733

-UN-23SEP94

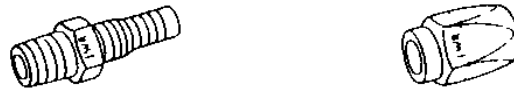
## BULK FLEXIBLE OIL LINE AND REUSABLE LOK-PIN COUPLINGS



Oil Line (Length) Approx. 50 ft.)		Set of Ferrules with Pins*	Stem-Straight Thread with O-ring	Stem-Pipe Thread
R 34790	3/8" I.D. — 1 Wire	.....	AR 39635* *	R 39687
R 34791	1/2" I.D. — 1 Wire	.....	AR 39636* *	R 39688
R 34792	3/4" I.D. — 1 Wire	.....	AR 39637#	R 39689
R 34793	3/8" I.D. — 2 Wire	AR 39632	AR 39635* *	R 39687
R 34794	1/2" I.D. — 2 Wire	.....	AR 39636* *	R 39688
R 34795	3/4" I.D. — 2 Wire	.....	AR 39637#	R 39689

\* Each set of ferrules includes two R39681 pins - extra pins may be ordered, packed 20 in a package.  
 \*\*Includes R26375 O-ring.  
 # Includes F3171R O-ring.

## REUSABLE COUPLINGS (Use With Braid Flexible Oil Line)



1 WR Single Wire		2 WR Double Wire		I.D.	Thread
Coupling No.		Coupling No.			
AF 3585	R	AR 21629		3/8"	3/8" — 18 NPTF
AF 3586	R	AR 21630		1/2"	1/2" — 14 NPTF
AF 3587	R	.....		5/8"	3/4" — 14 NPTF
AF 3588	R	AR 21632		3/4"	3/4" — 14 NPTF
R 34644		AR 21634		1"	1" — 11-1/2" NPTF
R 34646		.....		3/8"	3/4" — 16 O-ring type thread
		R 34647		1/2"	3/4" — 16 O-ring type thread

## BULK SINGLE WIRE BRAID FLEXIBLE OIL LINE (Use With Reusable Coupling for Single Wire Braid Flexible Oil Line)

Part No.	I.D.	O.D.	Length
A 5776 R	1/2"	29/32"	Approx. 50 ft.
A 5777 R	5/8"	1-1/32"	Approx. 50 ft.

## BULK DOUBLE WIRE BRAID FLEXIBLE OIL LINE (Use with Reusable Coupling for Double Wire Braid Flexible Oil Line)

Part No.	I.D.	O.D.	Length
R 21531	3/8"	29/32"	Approx. 50 ft.
R 21532 RXP7733	1/2"	31/32"	Approx. 50 ft.

---

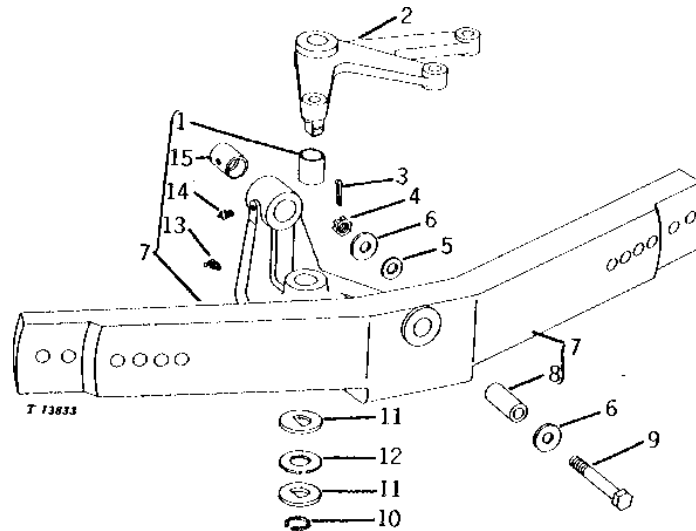
MEMORANDA

# 2A16

WHEELS, FRONT AXLES, SHEET METAL

## SWEPT BACK ADJUSTABLE FRONT AXLE 409MM (16.1") REAR TIRES

T13833 -UN-01JAN94



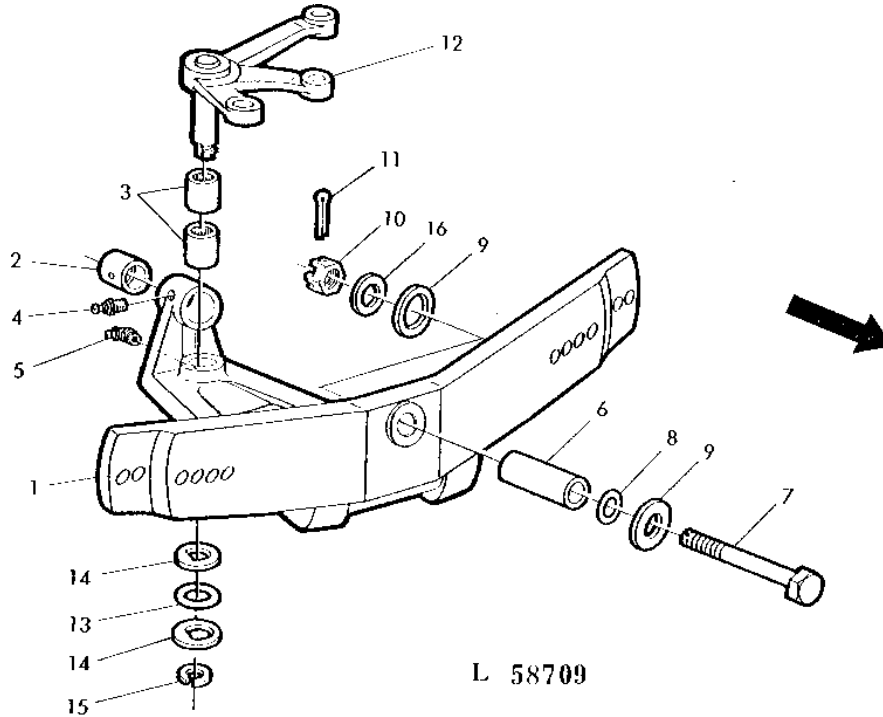
KEY	PART NO.	PART NAME	QTY	TRACTOR SERIAL NO.	REMARKS
1	JD9911	NEEDLE BEARING	2		(USE WITH R49855)
	T23118	BUSHING	2		(USE WITH T21941)
2	AT19794	LEVER	1		
3	11M7030	COTTER PIN	1		0.197" X 1.575"
4	14H902	NUT	1		3/4"
5	T25921	SHIM	AR		0.38MM (.015")
	T30991	WASHER	AR		1.07MM (.042")
6	T25922	WASHER	2		
7	AT22278	AXLE	1		(MARKED R49855 OR T21941) (SUB FOR AR53863)
8	T21669	BUSHING	1		
9	T25840	CAP SCREW	1		
10	F534R	SNAP RING	1		
11	T23229	WASHER	2		
12	R49065	SHIM	AR		0.10MM (.004")
	R49066	SHIM	AR		0.51MM (.020")
	R49067	WASHER	AR		1.02MM (.040")
	T23228	SHIM	AR		0.25MM (.010")
13	JD7799	LUBRICATION FITTING	1		
14	JD7798	LUBRICATION FITTING	1		
15	T23170	BUSHING	1		

# 2A17

WHEELS, FRONT AXLES, SHEET METAL

## SWEPT BACK ADJUSTABLE FRONT AXLE 610MM AND 711MM (24" AND 28") REAR TIRES

L58709 -UN-01JAN94



L 58709

KEY	PART NO.	PART NAME	QTY	TRACTOR SERIAL NO.	REMARKS
1	AT34970	AXLE	1		(MARKED T36118) (SUB AR91808 AND AR92944, THIS APPLICATION) (INCLUDES KEYS 2 THRU 6)
2	T23170	BUSHING	1		
3	T23118	BUSHING	2		(USE WITH T36118)
	JD8827	NEEDLE BEARING	2		(USE WITH R70227)
4	JD7798	LUBRICATION FITTING	1		
5	JD7799	LUBRICATION FITTING	1		
6	T21669	BUSHING	1		
7	T25840	CAP SCREW	1		
8	T25922	WASHER	2		
9	T25921	SHIM	AR	0.38MM (.015")	
	T30991	WASHER	AR	1.07MM (.042")	
10	14H902	NUT	1	3/4"	
11	11M7030	COTTER PIN	1	0.197" X 1.575"	
12	AT19794	LEVER	1		(USE WITH T36118)
	AR92944	LEVER	1		(USE WITH R70227)
13	T23229	WASHER	2		
14	R49065	SHIM	AR	0.10MM (.004")	
	R49066	SHIM	AR	0.51MM (.020")	
	R49067	WASHER	AR	1.02MM (.040")	
	T23228	SHIM	AR	0.25MM (.010")	
15	F534R	SNAP RING	1		
16	T10510	WASHER	1		

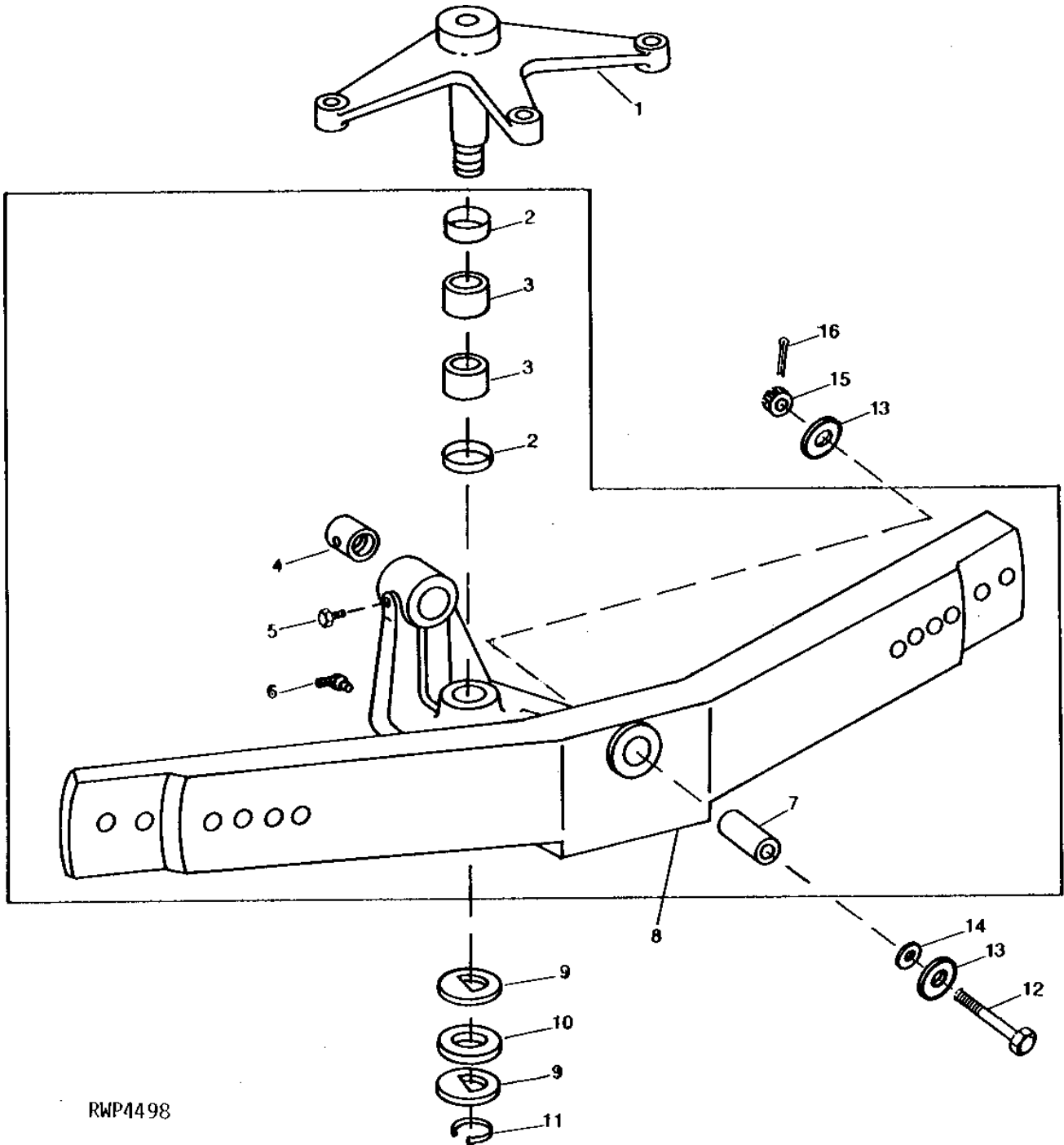
# 2A18

WHEELS, FRONT AXLES, SHEET METAL

RWP4498

-UN-01JAN94

## SWEPT BACK ADJUSTABLE FRONT AXLE



RWP4498



# 2A19

WHEELS, FRONT AXLES, SHEET METAL

## SWEPT BACK ADJUSTABLE FRONT AXLE - CONTINUED

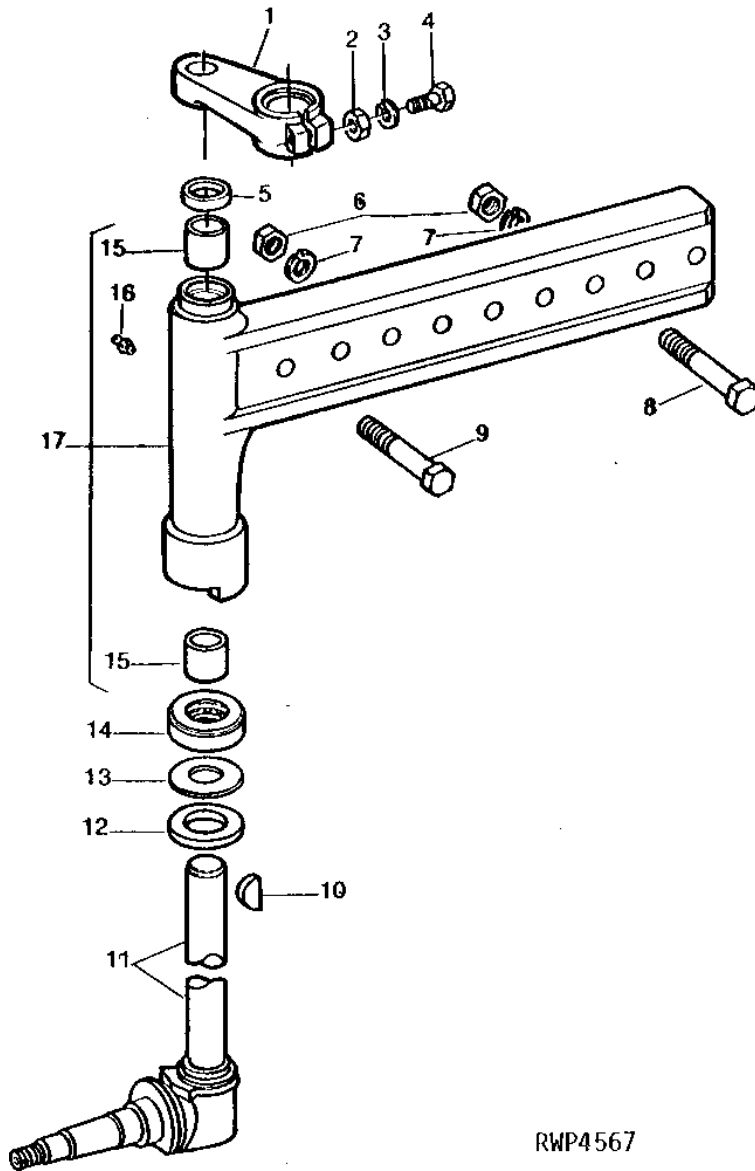
KEY	PART NO.	PART NAME	QTY	TRACTOR SERIAL NO.	REMARKS
1	AR92944	LEVER	1		
2	U10296	SEAL	2		
3	JD8827	NEEDLE BEARING	2		
4	T23170	BUSHING	1		
5	JD7798	LUBRICATION FITTING	1		
6	JD7799	LUBRICATION FITTING	1		
7	T21669	BUSHING	1		
8	AR91808	FRONT AXLE	1		(MARKED R70227)
9	R63247	SHIM	AR		0.13MM (.005")
	R70233	WASHER	2		
10	T23228	SHIM	3		0.25MM (.010")
11	F534R	SNAP RING	1		
12	T25840	CAP SCREW	1		
13	T25922	WASHER	2		
14	T25921	SHIM	AR		0.38MM (.015")
15	14H902	NUT	1		3/4"
16	11M7030	COTTER PIN	1		0.197" X 1.575"

# 2A20

WHEELS, FRONT AXLES, SHEET METAL

FRONT AXLE KNEE, SPINDLE AND KNUCKLE  
(SWEEP BACK FRONT AXLE FOR 16.1", 24" AND 28" REAR TIRES)

RWP4567 -UN-01JAN94



RWP4567

# 2A21

WHEELS, FRONT AXLES, SHEET METAL

**FRONT AXLE KNEE, SPINDLE AND KNUCKLE - CONTINUED  
(SWEPT BACK FRONT AXLE FOR 16.1", 24" AND 28" REAR TIRES)**

KEY	PART NO.	PART NAME	QTY	TRACTOR SERIAL NO.	REMARKS
1	T21518	LEVER	1	L.H.	
	T21517	LEVER	1	R.H.	
2	14H1040	NUT	2	1/2"	
3	12H301	LOCK WASHER	2	1/2"	
4	19H2644	CAP SCREW	2	1/2" X 2-1/2"	
5	M1518T	WASHER	2		
6	14H794	NUT	4	3/4"	
7	12H236	LOCK WASHER	4	3/4"	
8	19H3196	CAP SCREW	2	(A) 3/4" X 4" HS, SAE 8	
	19H2827	CAP SCREW	2	(B) 3/4" X 4-3/4" HS, SAE 8	
9	19H2826	CAP SCREW	2	3/4" X 4-1/2" HS, SAE 8	
10	26H93	SHAFT KEY	2	1/4" X 1-1/4"	
11	AR103472	KNUCKLE	2	(A) (VERTICAL LENGTH 300MM (11.81")) (SUB FOR AR52861)	
	AR103473	KNUCKLE	2	(B) (VERTICAL LENGTH 249MM (9.80")) (SUB FOR AR52862)	
12	M2282T	WASHER	2		
13	M2283T	WASHER	2		
14	JD8407	THRUST BEARING	2		
15	T21539	BUSHING	4		
16	JD7798	LUBRICATION FITTING	2		
17	AT22221	AXLE KNEE	1	(A) R.H.	
	AT22222	AXLE KNEE	1	(A) L.H.	
	AT22279	AXLE KNEE	1	(B) R.H.	
	AT22280	AXLE KNEE	1	(B) L.H.	

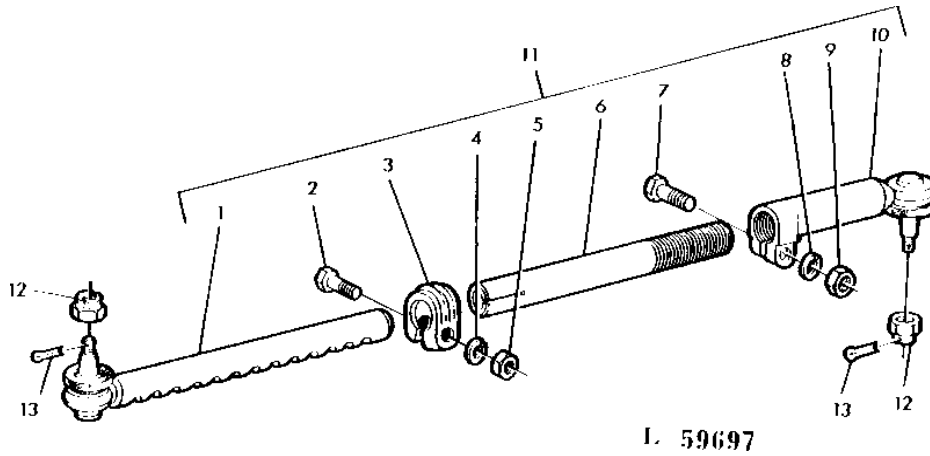
(A) 24" AND 28" REAR TIRES  
(B) 16.1" REAR TIRES

# 2A22

WHEELS, FRONT AXLES, SHEET METAL

## TIE ROD ASSEMBLY (SWEEP BACK FRONT AXLE FOR 16.1", 24" AND 28" REAR TIRES)

L59697 -UN-01JAN94



KEY	PART NO.	PART NAME	QTY	TRACTOR SERIAL NO.	REMARKS
1	AT23885	ROD	2	(A)	
	AT27131	TIE ROD END	2	(B)	
2	19H3183	CAP SCREW	2	1/2" X 2-1/8"	
3	R50507	CLAMP	2		
4	12H301	LOCK WASHER	2	1/2"	
5	14H865	NUT	2	1/2"	
6	T25901	PIPE	2	(A)	
	T29106	PIPE	2	(B)	
7	19H2544	CAP SCREW	2	3/8" X 1-1/2"	
8	12H304	LOCK WASHER	2	3/8"	
9	14H1080	NUT	2	3/8"	
10	AT27130	TIE ROD END	2		
11	AR54634	ROD	2	(A)	
	AR54635	ROD	2	(B)	
12	14H918	NUT	4	5/8"	
13	11M7023	COTTER PIN	4	4 X 32 MM	

(A) 24" AND 28" REAR TIRES  
(B) 16.1" REAR TIRES

---

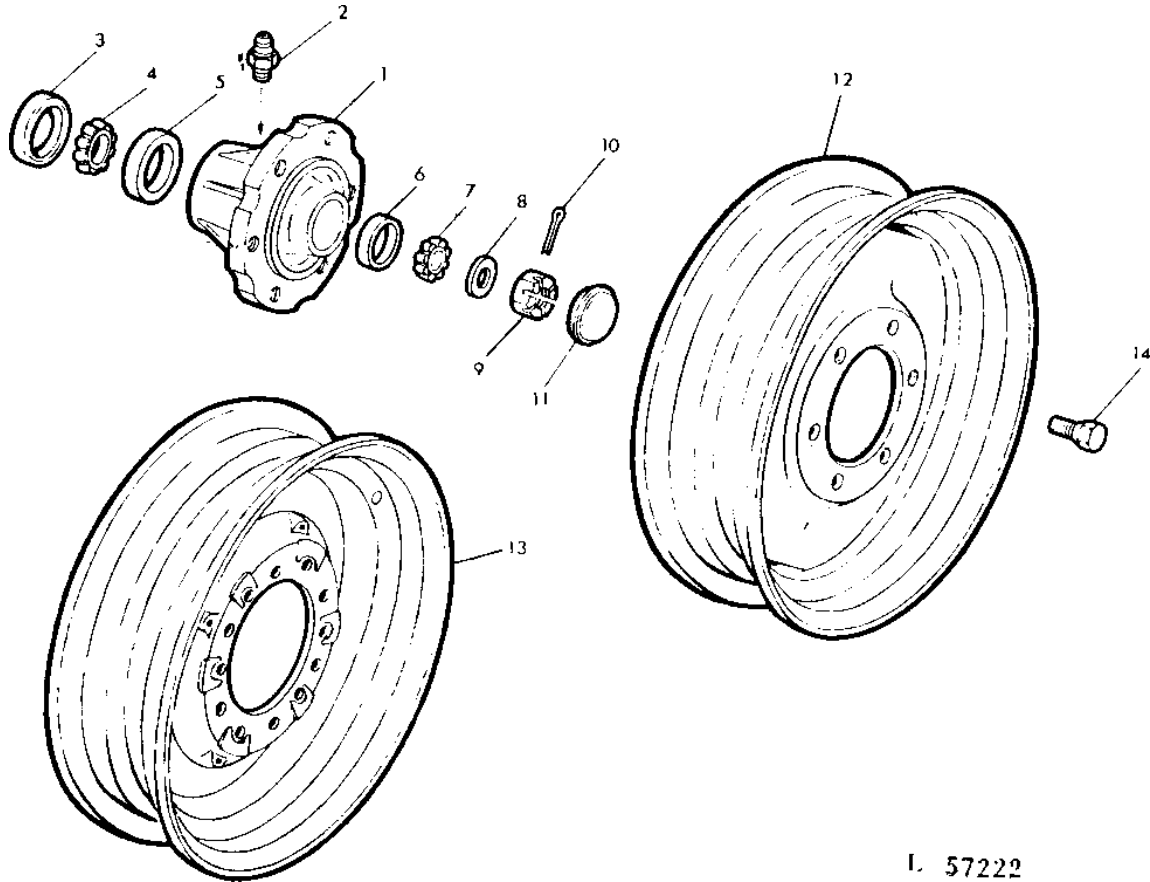
MEMORANDA

# 2A23

WHEELS, FRONT AXLES, SHEET METAL

L57222 -UN-01JAN94

## FRONT WHEEL ASSEMBLY



I. 57222

KEY	PART NO.	PART NAME	QTY	TRACTOR SERIAL NO.	REMARKS
1	T25809	HUB	1		(ALSO ORDER AT10344)
2	JD7798	LUBRICATION FITTING	1		
3	AR49592	SEAL	1		(USE WITH R47076)
	AT10344	SEAL	1		(USE WITH T25809)
4	JD8194	BEARING CONE	1		
5	JD8230	BEARING CUP	1		
6	JD8239	BEARING CUP	1		
7	JD8905	BEARING CONE	1		
8	T10510	WASHER	1		
9	14H902	NUT	1	3/4"	
10	11M7023	COTTER PIN	1	4 X 32 MM	
11	N52048	CAP	1	(SUB FOR T12688)	
12	JD3002	RIM	1	(A) 6.00-16, 6.50-16	
13	JD691	WHEEL	1	(A) 23/10.5-12 (830 CP TRACTOR)	
	JD3047	WHEEL	1	(A) 27/9.5-15 (830 CP TRACTORS)	
14	JD21	WHEEL BOLT	6	9/16"	
..	AM30347	TIRE VALVE STEM	1	(SUB FOR AR55282)	

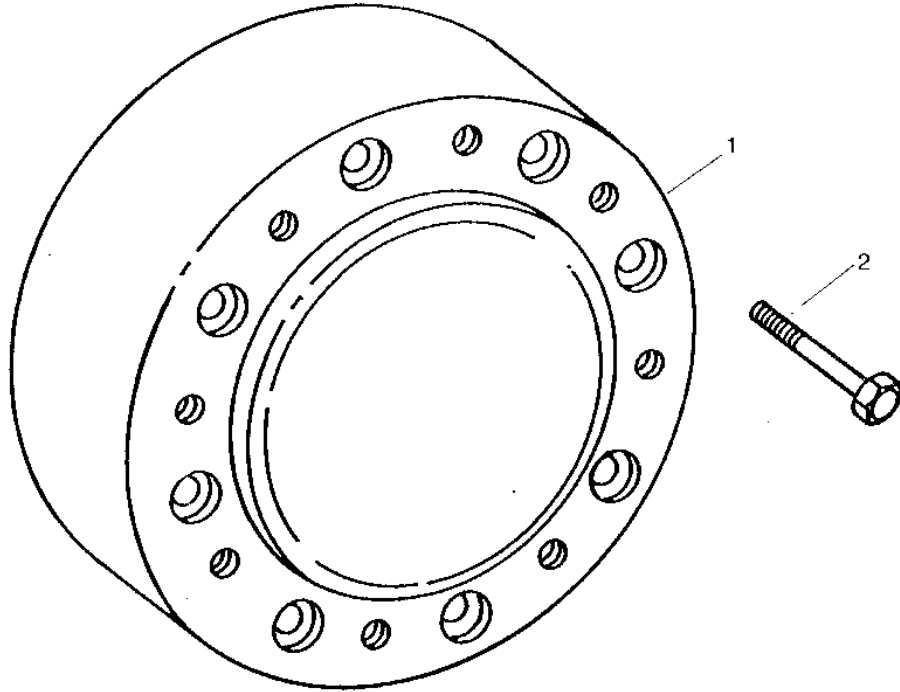
(A) TIRE SIZE

# 2A24

WHEELS, FRONT AXLES, SHEET METAL

RP249 -UN-01JAN94

## FLANGED AXLE EXTENSION



RP249

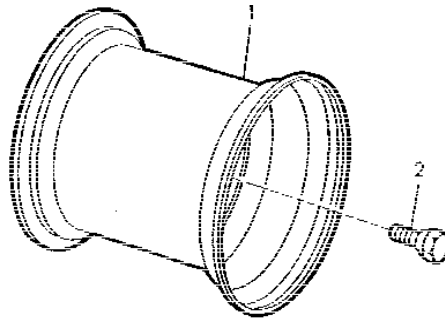
KEY	PART NO.	PART NAME	QTY	TRACTOR SERIAL NO.	REMARKS
1	T22690	EXTENSION	2		
2	19H2647	CAP SCREW	16	9/16" X 4-1/2"	

# 2A25

WHEELS, FRONT AXLES, SHEET METAL

L57249 -UN-01JAN94

STEEL DISK REAR WHEEL  
(830 CP TRACTOR)



L 57249

KEY	PART NO.	PART NAME	QTY	TRACTOR SERIAL NO.	REMARKS
1	AL24094	WHEEL	1		(16.5-16.1 TIRE)
	JD3038	WHEEL	1		(18.4-16.1, 21.5-16.1 TIRE)
2	JD21	WHEEL BOLT	8		9/16"

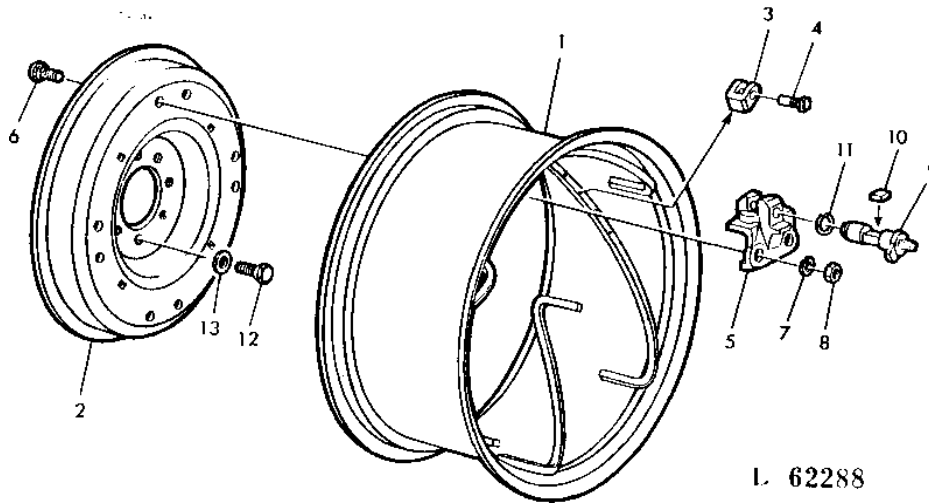


# 2B1

WHEELS, FRONT AXLES, SHEET METAL

L62288 -UN-01JAN94

## POWER ADJUSTED REAR WHEEL



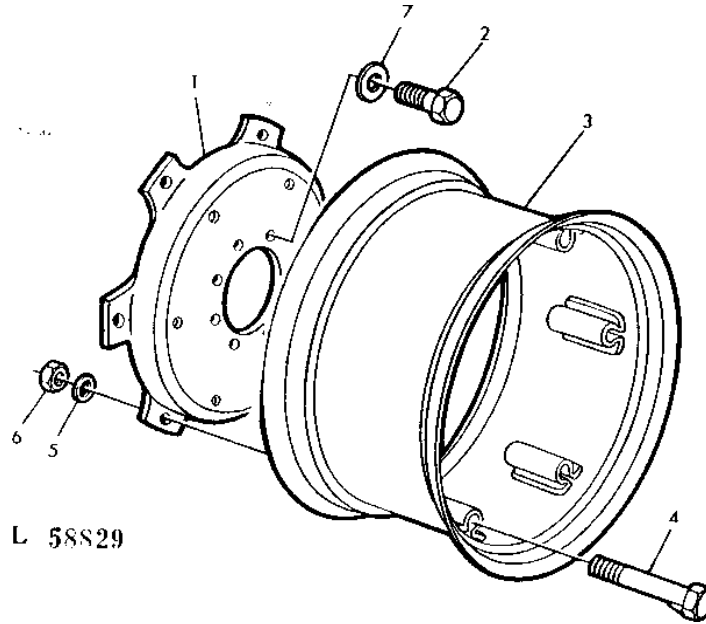
KEY	PART NO.	PART NAME	QTY	TRACTOR SERIAL NO.	REMARKS
1	AL24151	RIM	1		(13.6-28 OR 14.9-28 TIRE)
2	L29350	WHEEL	1		
3	L29351	STOP	2		
4	L29352	PIN	2		
5	L29346	BRACKET	4		(SUB L41715)
6	03H1399	BOLT	8		5/8" X 1-3/4"
7	12H294	LOCK WASHER	8		5/8"
8	14H1039	NUT	8		5/8"
9	L29347	PIN	4		(SUB L37426)
10	L29348	DETENT	4		
11	L29349	SNAP RING	4		
12	JD21	WHEEL BOLT	8		9/16"
13	24M7112	WASHER	8		15 X 28 X 3 MM, (NOT USED THIS APPLICATION)
..	AT25226	STEM	1		VALVE

# 2B2

WHEELS, FRONT AXLES, SHEET METAL

L58829 -UN-01JAN94

## STEEL DISK REAR WHEEL (WELDED BRACKET)



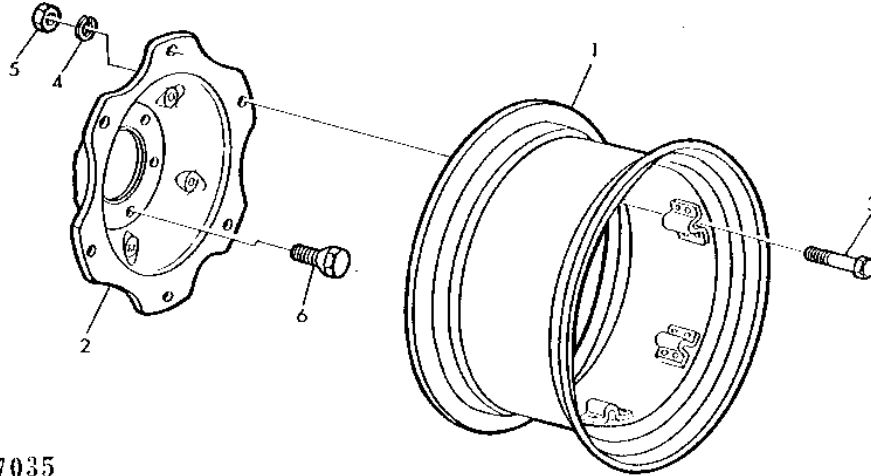
KEY	PART NO.	PART NAME	QTY	TRACTOR SERIAL NO.	REMARKS
1	L31667	WHEEL CENTER	1		(13.6-28 TIRE) (ALSO ORDER (8) L31689 AND (8) 24M7112) (SUB FOR L25819)
2	JD21	WHEEL BOLT	8		(USE WITH L25819)
	L31689	CAP SCREW	8		(USE WITH L31667)
3	AL15369	RIM	1		(13.6-28 TIRE)
4	T27511	CAP SCREW	6		
5	24M7145	WASHER	6		15 X 24 X 2.500 MM, (SUB FOR T31506)
6	14H888	NUT	6		9/16"
7	24M7112	WASHER	8		15 X 28 X 3 MM, (USE WITH L31667)
..	AT25226	STEM	1		VALVE

# 2B3

WHEELS, FRONT AXLES, SHEET METAL

## STEEL DISK REAR WHEEL (RIVETED BRACKET) (830 CP TRACTOR)

L57035 -UN-01JAN94



L 57035

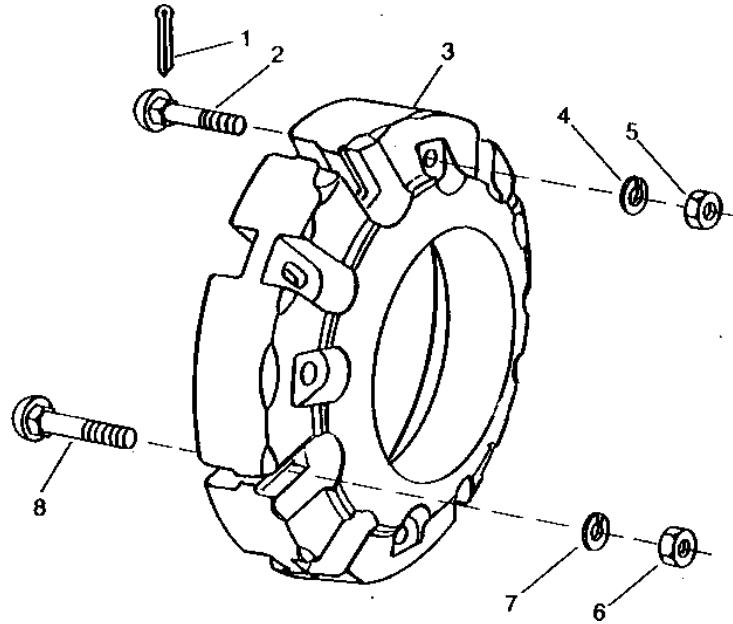
KEY	PART NO.	PART NAME	QTY	TRACTOR SERIAL NO.	REMARKS
1	AT20521	RIM	1		(16.9-24 TIRE)
2	T19638	WHEEL CENTER	1		(16.9-24 TIRE)
3	19H1863	CAP SCREW	6		5/8" X 3"
4	12H294	LOCK WASHER	6		5/8"
5	14H760	NUT	6		5/8"
6	JD21	WHEEL BOLT	8		

# 2B4

WHEELS, FRONT AXLES, SHEET METAL

## REAR WHEEL WEIGHT (24" STEEL DISK WHEEL) (FLANGED AXLE)

RWP5455 -UN-01JAN94



RWP5455

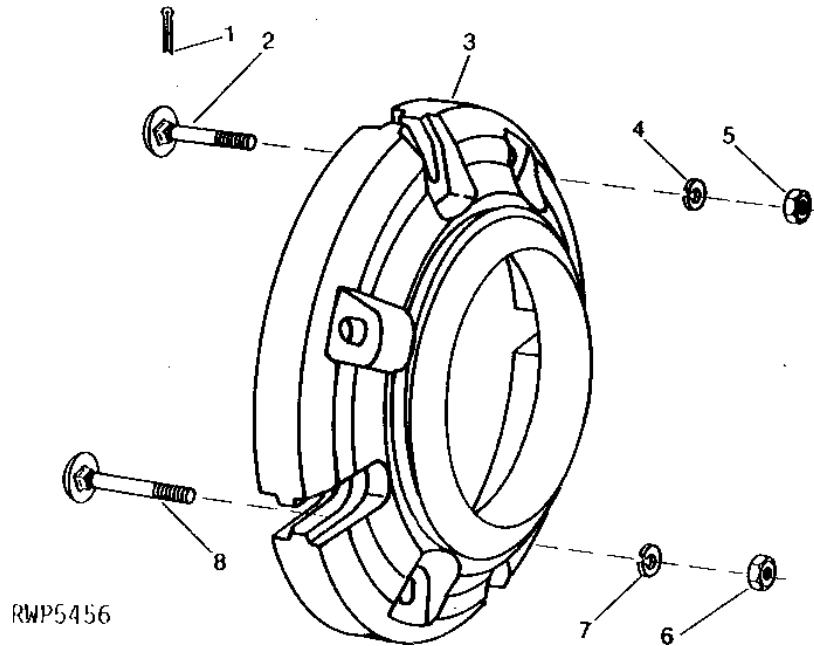
KEY	PART NO.	PART NAME	QTY	TRACTOR SERIAL NO.	REMARKS
1	11M7015	COTTER PIN	4	3.200 X 25 MM	
2	R28493	BOLT	4	5/8" X 3-1/4", (1ST WEIGHT TO WHEEL)	
3	<b>AR112784</b>	<b>WEIGHT</b>	1	<b>50 KG (110 LB) (SUB FOR T19293) (CA)</b>	
4	12H294	LOCK WASHER	4	5/8"	
5	14H1039	NUT	4	5/8"	
6	14H1039	NUT	4	5/8"	
7	12H294	LOCK WASHER	4	5/8"	
8	03H1786	BOLT	4	5/8" X 4-1/2", (ADDITIONAL WEIGHTS TO WHEEL)	

# 2B5

WHEELS, FRONT AXLES, SHEET METAL

## REAR WHEEL WEIGHT (28" STEEL DISK WHEEL) (FLANGED AXLE)

RWP5456 -UN-01JAN94



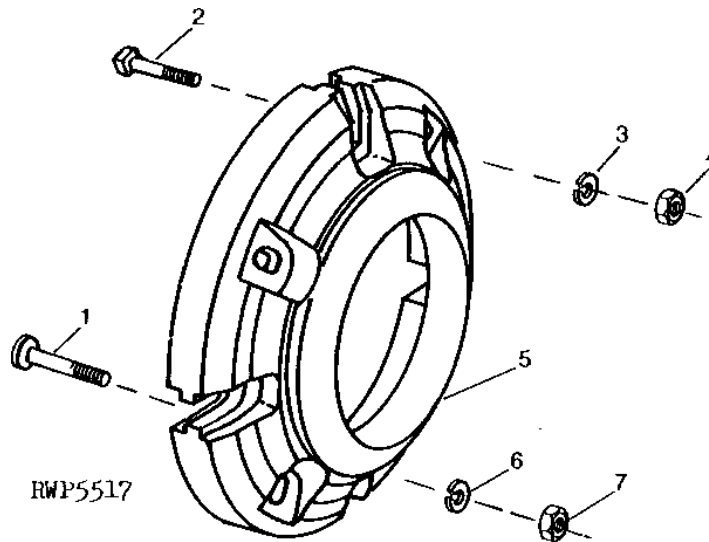
KEY	PART NO.	PART NAME	QTY	TRACTOR SERIAL NO.	REMARKS
1	11M7015	COTTER PIN	4		3.200 X 25 MM
2	R55602	GANG BOLT	4		5/8" X 2-3/4" (1ST WEIGHT TO WHEEL)
	R56921	BOLT	4		5/8" X 3-1/2" (1ST WEIGHT TO WHEEL) WEIGHT TO L29350 DISK) (SUB R88316)
3	R56920	WEIGHT	1		50KG (110 LB) (SUB FOR T21688 OR T25341)
4	12H294	LOCK WASHER	4		5/8"
5	14H1039	NUT	4		5/8"
6	14H1039	NUT	4		5/8"
7	12H294	LOCK WASHER	4		5/8"
8	03H1516	BOLT	4		5/8" X 3-3/4", (ADDITIONAL WEIGHTS TO WHEEL)

# 2B6

WHEELS, FRONT AXLES, SHEET METAL

## REAR WHEEL WEIGHT (26" OR 28" POWER ADJUSTED WHEEL) (FLANGED AXLE)

RWP5517 -UN-01JAN94



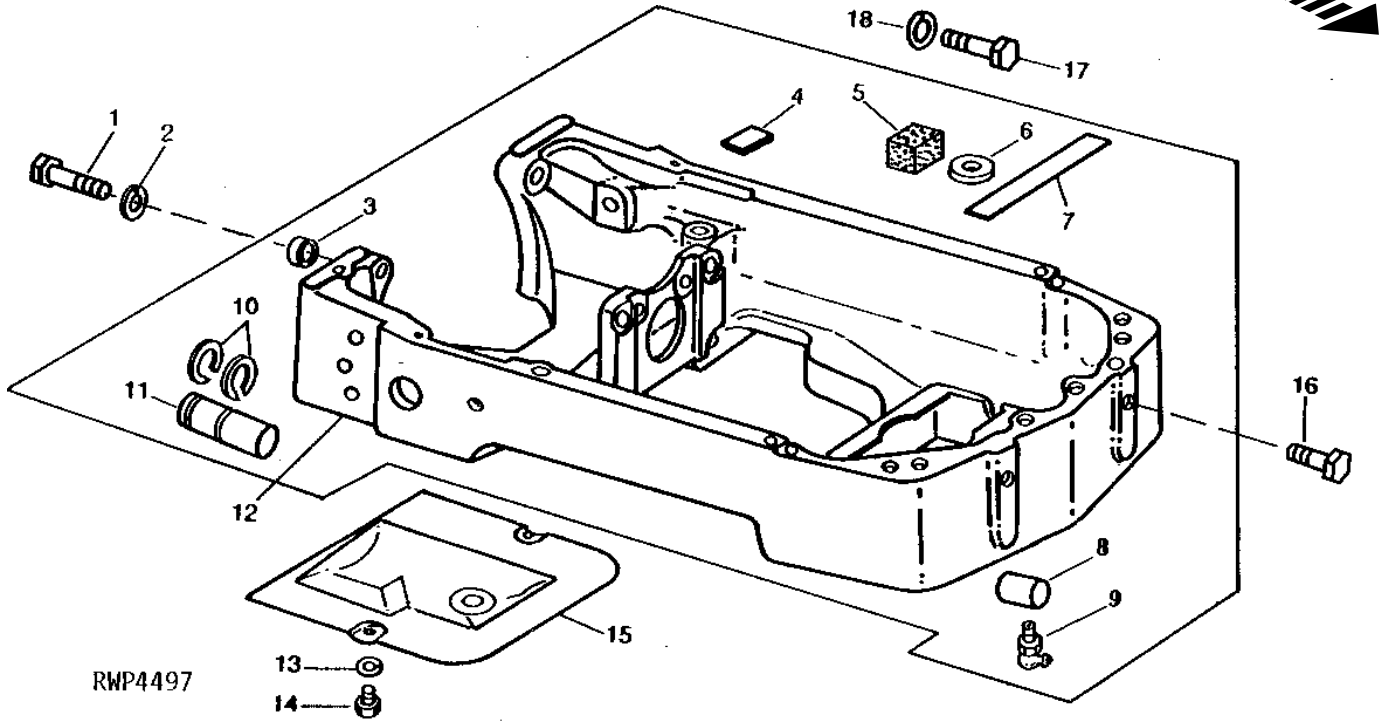
KEY	PART NO.	PART NAME	QTY	TRACTOR SERIAL NO.	REMARKS
1	03H1516	BOLT	4		5/8" X 3-3/4", (ADDITIONAL WEIGHTS TO WHEEL)
2	R21302	WHEEL BOLT	4		5/8" X 3-1/2", (1ST WEIGHT TO WHEEL)
3	12H294	LOCK WASHER	4		5/8"
4	14H1039	NUT	4		5/8"
5	R56920	WEIGHT	1		50KG (110 LB)
6	12H294	LOCK WASHER	4		5/8"
7	14H1039	NUT	4		5/8"

# 2B7

WHEELS, FRONT AXLES, SHEET METAL

RWP4497 -UN-01JAN94

## FRONT SUPPORT



RWP4497

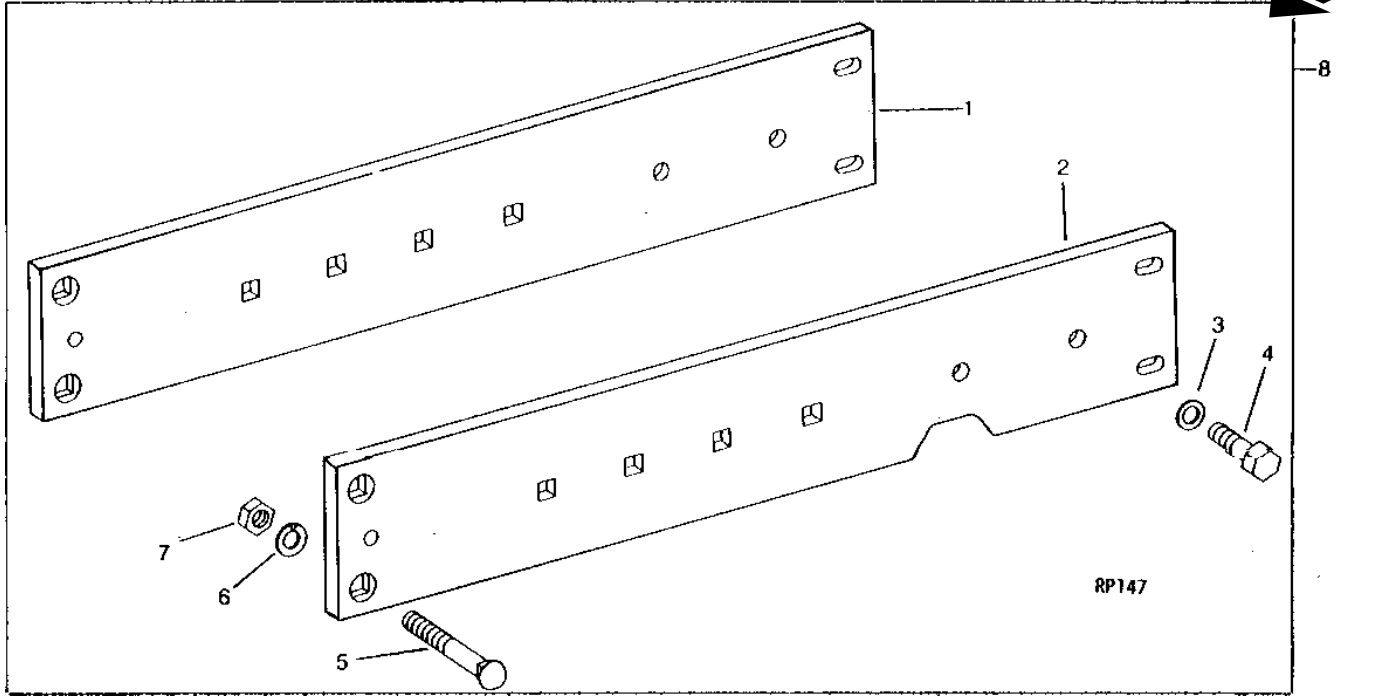
KEY	PART NO.	PART NAME	QTY	TRACTOR SERIAL NO.	REMARKS
1	19H2358	CAP SCREW	2	9/16" X 2-1/4"	
2	12H317	LOCK WASHER	2	9/16"	
3	T26929	BUSHING	2		
4	T22375	FOAM PAD	1		
5	.....	FOAM PAD	1	25 X 38 X 102MM (1" X 1-1/2" X 4") (MAKE FROM R91749) (SUB FOR R35416)	
6	T22381	WASHER	2		
7	T21540	PAD	2		
8	T23118	BUSHING	1		
9	JD7799	LUBRICATION FITTING	1		
10	T24160	SNAP RING	2		
11	R54195	SPRING PIN	1		
12	AR72474	SUPPORT	1	(MARKED R59985 OR R51615) (SUB FOR AR55890)	
13	12H304	LOCK WASHER	2	3/8"	
14	19H2021	CAP SCREW	2	3/8" X 5/8"	
15	T22864	COVER	1		
16	19H2009	CAP SCREW	2	3/4" X 1-5/8"	
17	19H2072	CAP SCREW	4	5/8" X 3-1/4", (USE WITH R59985)	
	19H1890	CAP SCREW	4	5/8" X 2-3/4", (USE WITH R51615)	
18	12H294	LOCK WASHER	4	5/8"	

# 2B8

WHEELS, FRONT AXLES, SHEET METAL

## SIDE FRAMES

RP147 -UN-01JAN94



RP147

KEY	PART NO.	PART NAME	QTY	TRACTOR SERIAL NO.	REMARKS
1	T21653	FRAME	1		R.H.
2	T21654	FRAME	1		L.H.
3	24H1375	WASHER	4		11/16" X 1-1/8" X 0.060"
4	19H1756	CAP SCREW	4		5/8" X 1-1/2"
5	10H1157	BOLT	4		5/8" X 3-1/4"
6	12H294	LOCK WASHER	4		5/8"
7	14H1039	NUT	4		5/8"
8	AT37356	FRAME	1		

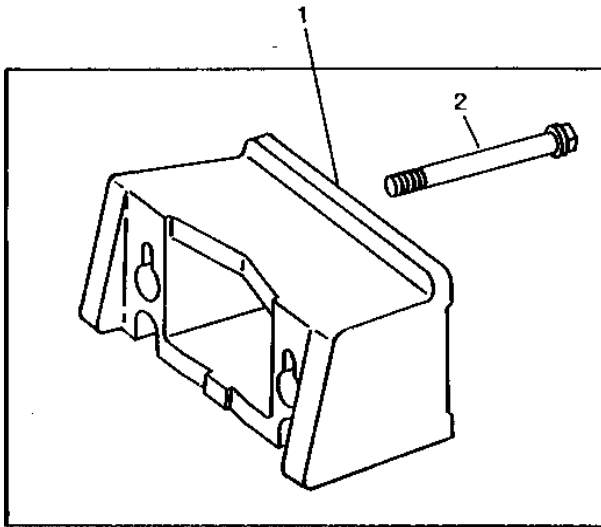


# 2B9

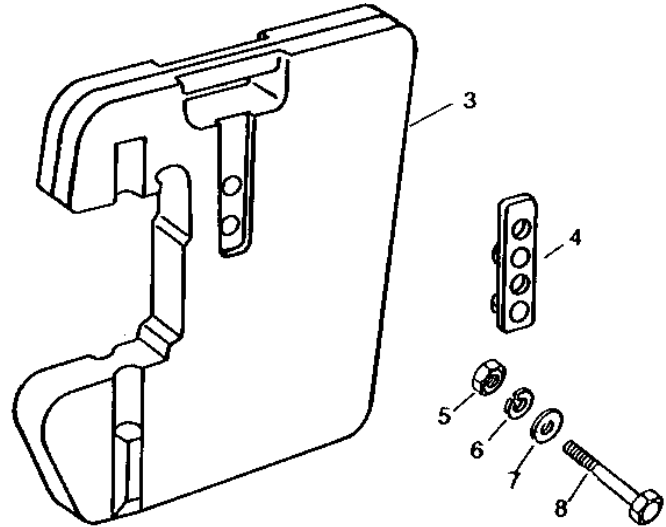
WHEELS, FRONT AXLES, SHEET METAL

RWP5458 -UN-01JAN94

## TWO, FOUR, SIX OR EIGHT QUIK-TATCH FRONT WEIGHTS



RWP5458



KEY	PART NO.	PART NAME	QTY	TRACTOR SERIAL NO.	REMARKS
1	AR92425	SUPPORT	1		
2	R52924	SELF-LOCKING SCREW	2		
3	<b>AR112780</b>	<b>WEIGHT</b>	<b>1</b>		<b>(SUB FOR R51680) (FI)</b>
4	AR68801	RETAINER	2		(EIGHT WEIGHTS)
5	14H1039	NUT	1		5/8"
6	12H294	LOCK WASHER	1		5/8"
7	24H1367	WASHER	1		21/32" X 1-1/4" X 1/4"
8	19H1926	CAP SCREW	1		5/8" X 4-3/4", (TWO QUIK-TATCH WEIGHTS)
	08H4260	CAP SCREW	1		5/8" X 9", (FOUR QUIK-TATCH WEIGHTS)
	R51681	CAP SCREW	1		(SIX OR EIGHT QUIK-TATCH WEIGHTS)

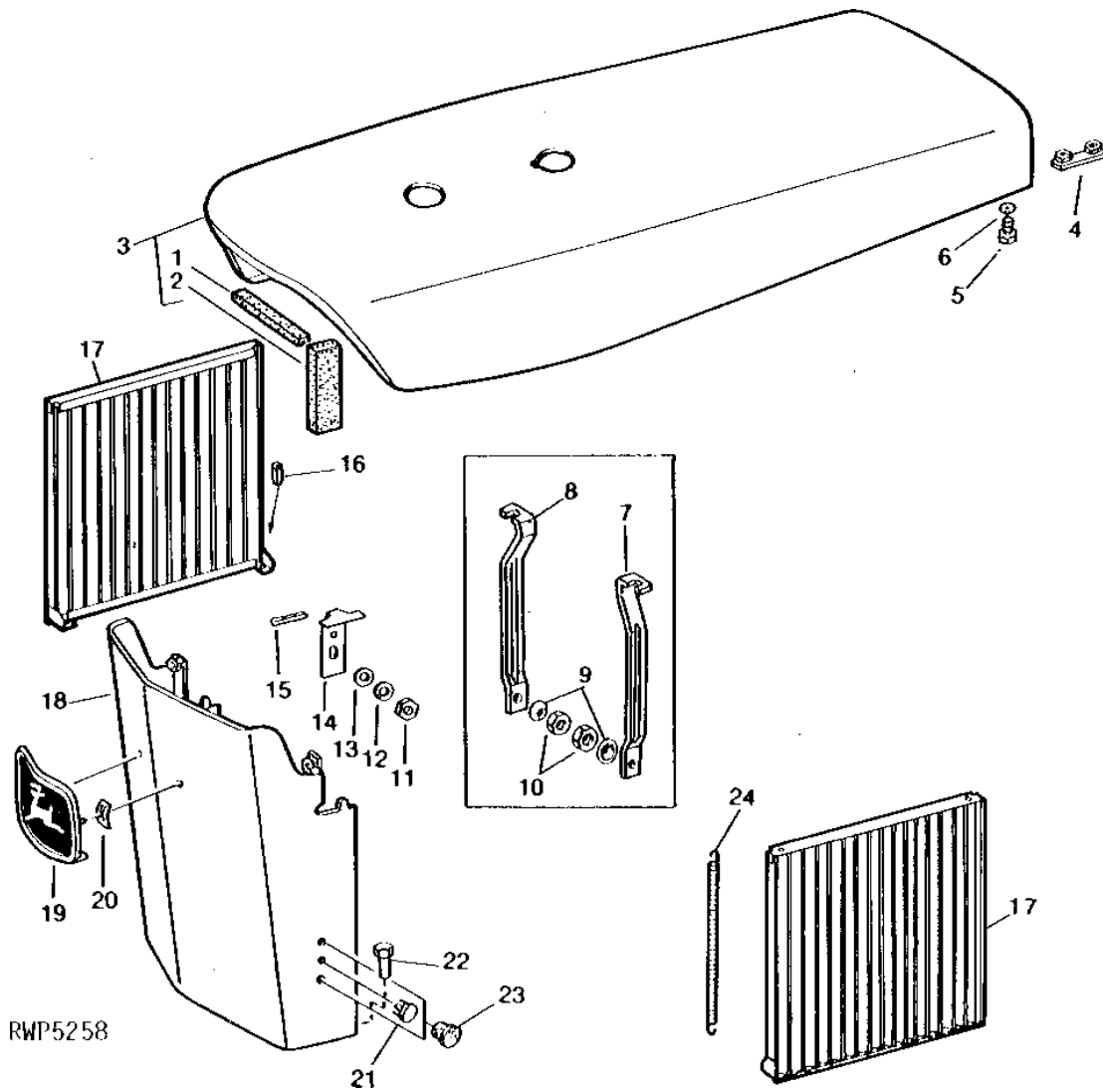
# 2B10

WHEELS, FRONT AXLES, SHEET METAL

RWP5258

-UN-01JAN94

## FRONT PLATE, HOOD AND GRILLE ASSEMBLY



# 2B11

WHEELS, FRONT AXLES, SHEET METAL

## FRONT PLATE, HOOD AND GRILLE ASSEMBLY - CONTINUED

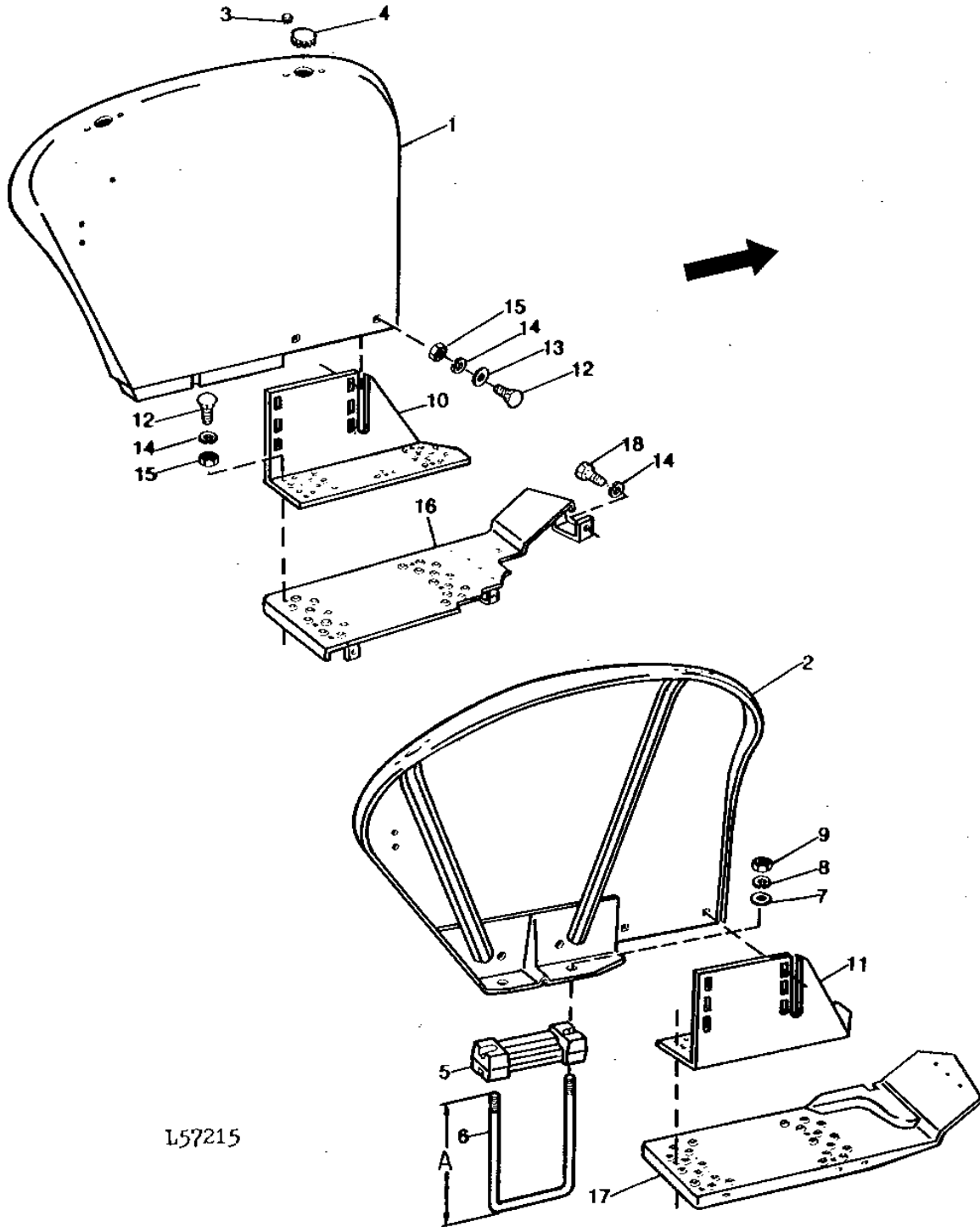
KEY	PART NO.	PART NAME	QTY	TRACTOR SERIAL NO.	REMARKS
1	T21491	ISOLATOR	2		
2	T21490	FOAM PAD	2		
3	AT19786	HOOD	1		(HORIZONTAL MUFFLER)
	AT19788	HOOD	1		(VERTICAL MUFFLER)
4	T25291	REINFORCEMENT	2		
5	19H1936	CAP SCREW	4		3/8" X 3/4"
6	12H310	LOCK WASHER	4		3/8"
7	T21865	LATCH	1		L.H.
8	T21864	LATCH	1		R.H.
9	T21863	WASHER	2		
10	M63440	LOCK NUT	2		3/8"
11	14H1076	NUT	2		3/8"
12	12H304	LOCK WASHER	2		3/8"
13	24H1302	WASHER	2		13/32" X 11/16" X 0.035"
14	R59519	LATCH	2		(SUB FOR R49524)
15	11M7012	COTTER PIN	2		0.126" X 0.630"
16	34H340	SPRING PIN	4		5/16" X 13/16"
17	AR72949	GRILLE	2		(SUB FOR AT19881)
18	AL24182	PLATE	1		
19	R59991	MEDALLION	1		(SUB FOR R55213) (SUB R67027)
20	L31750	CLIP	2		(SUB FOR R27888)
21	H84660	PLUG	2		(SUB FOR P48093)
22	19H2548	CAP SCREW	8		1/2" X 7/8"
23	99M5913	PLUG	4		
24	R26858	SPRING	2		

# 2B12

WHEELS, FRONT AXLES, SHEET METAL

L57215 -UN-01JAN94

## REAR FENDERS



L57215

# 2B13

WHEELS, FRONT AXLES, SHEET METAL

## REAR FENDERS - CONTINUED

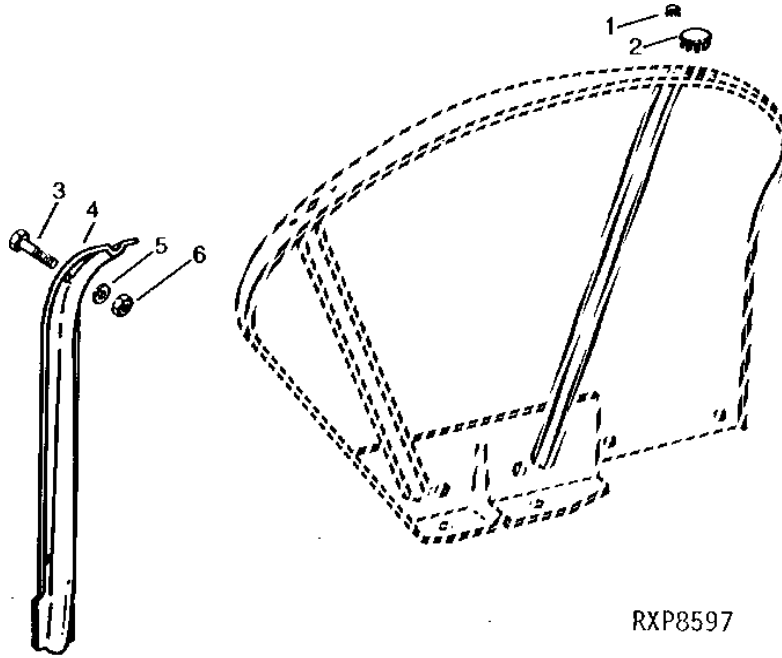
KEY	PART NO.	PART NAME	QTY	TRACTOR SERIAL NO.	REMARKS
1	AR51407	FENDER	1		(SUB FOR AR51408)
	AL65458	FENDER	1		(830 CP TRACTOR WITH DUAL STEEL DISK REAR WHEELS) (SUB FOR AL24124)
2	AT20777	FENDER	1		(SUB FOR AT27146)
	AL24123	FENDER	1		(830 CP TRACTOR WITH DUAL STEEL DISK REAR WHEELS)
3	R42451	PLUG	4		
4	H23746	PLUG	2		(SUB FOR T22520)
5	T21571	SPACER	2		
6	T22706	U-BOLT	2		A=9.06"
	T22705	U-BOLT	2		A=6.89"
7	24H1698	WASHER	4		21/32" X 1-5/8" X 1/4"
8	12H294	LOCK WASHER	4		5/8"
9	14H1039	NUT	4		5/8"
10	T32414	SPACER	1		(SUB FOR L25281)
11	T32413	SPACER	1		(SUB FOR L25280)
12	03H1765	BOLT	8		3/8" X 3/4"
13	24H1307	WASHER	4		13/32" X 1" X 1/16"
14	12H304	LOCK WASHER	13		3/8"
15	14H1076	NUT	8		3/8"
16	AT19847	FOOTREST	1		
17	AR73848	FOOTREST	1		(SUB FOR AR65463)
18	19H1731	CAP SCREW	5		3/8" X 1"

# 2B14

WHEELS, FRONT AXLES, SHEET METAL

RXP8597 -UN-01JAN94

## FENDER BRACE AND HARDWARE



RXP8597

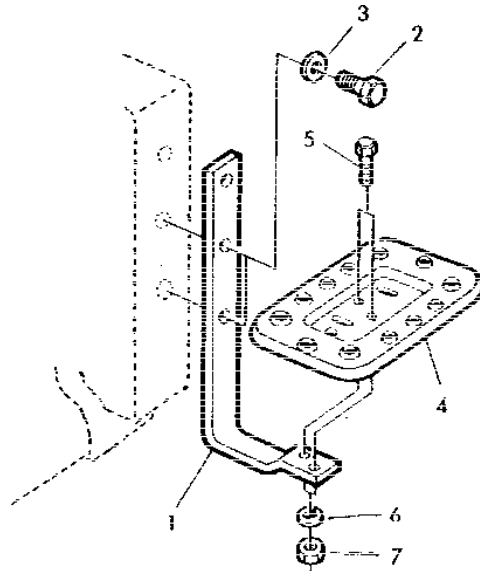
KEY	PART NO.	PART NAME	QTY	TRACTOR SERIAL NO.	REMARKS
1	R42451	PLUG	4		
2	H23746	PLUG	2		
3	21H1303	SCREW	8	1/4" X 3/4"	
4	R56822	BRACE	2		
5	12H302	LOCK WASHER	8	1/4"	
6	14H786	NUT	8	1/4"	

# 2B15

WHEELS, FRONT AXLES, SHEET METAL

L47334 -UN-01JAN94

## STEP AND SUPPORT



L 47334

KEY	PART NO.	PART NAME	QTY	TRACTOR SERIAL NO.	REMARKS
1	T25703	SUPPORT	1		(HORIZONTAL MUFFLER)
2	19H1756	CAP SCREW	2		5/8" X 1-1/2"
3	24H1375	WASHER	2		11/16" X 1-1/8" X 0.060"
4	F3195R	STEP	1		
5	19H2552	CAP SCREW	2		3/8" X 1-1/8"
6	12H304	LOCK WASHER	2		3/8"
7	14H1076	NUT	2		3/8"

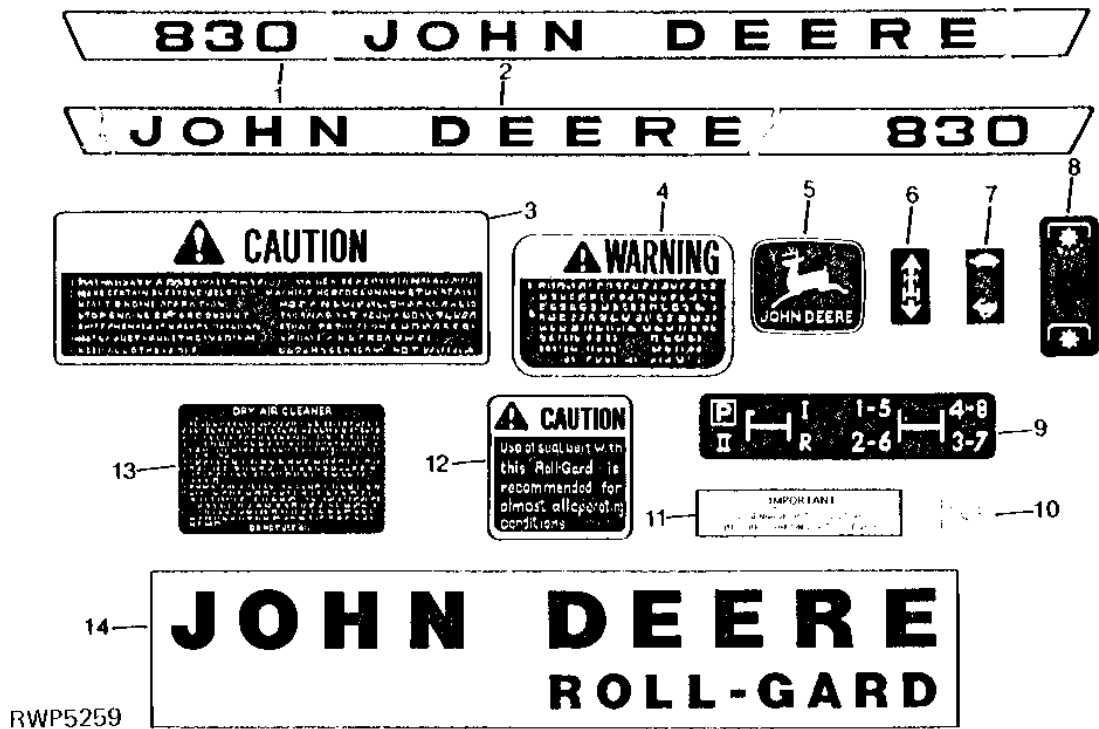
# 2B16

WHEELS, FRONT AXLES, SHEET METAL

RWP5259

-UN-01JAN94

## LABELS, NAME PLATES AND DECALS





# 2B17

WHEELS, FRONT AXLES, SHEET METAL

## LABELS, NAME PLATES AND DECALS - CONTINUED

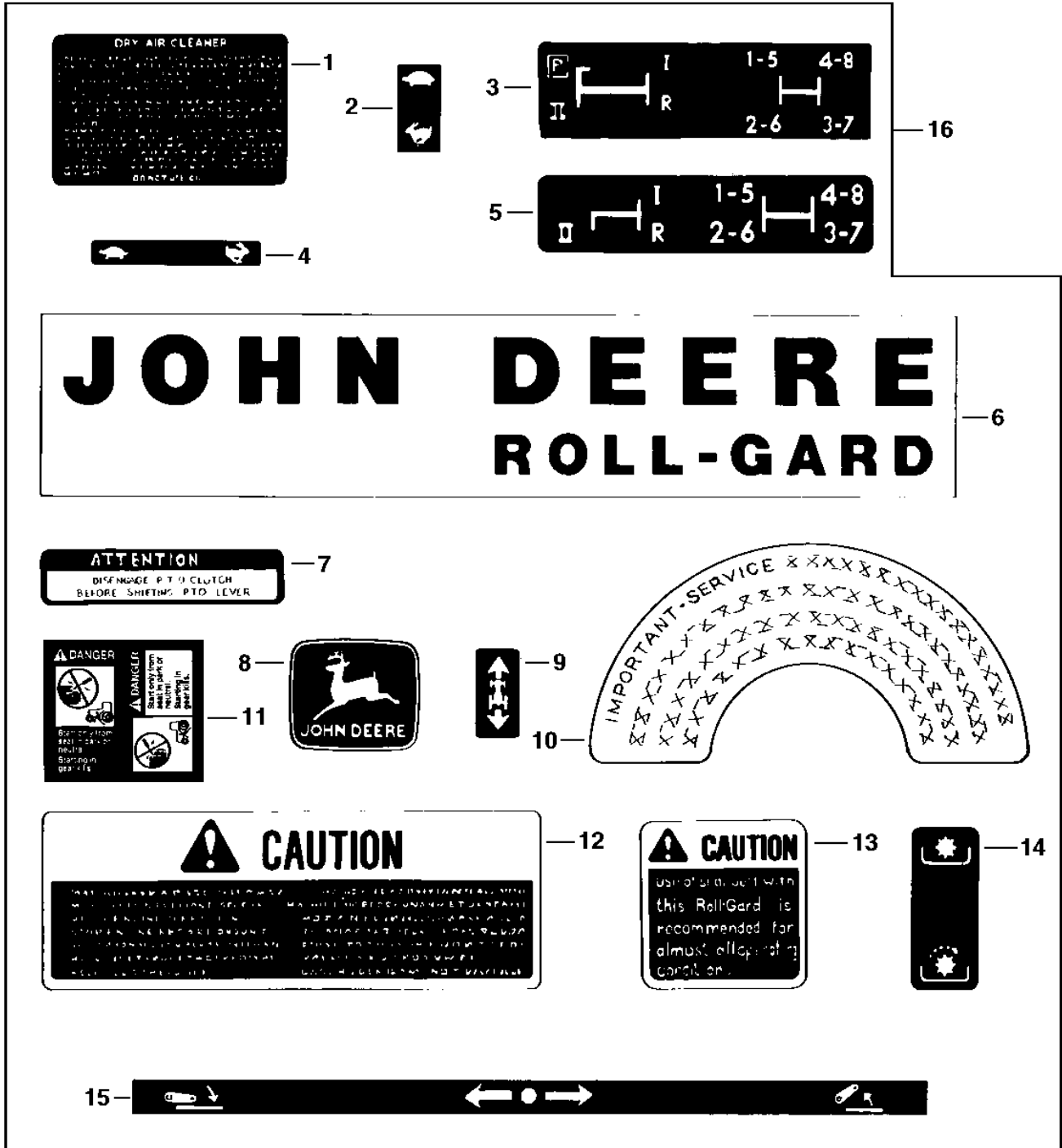
KEY	PART NO.	PART NAME	QTY	TRACTOR SERIAL NO.	REMARKS
1	L29389	DECAL	1		L.H.
2	L29388	DECAL	1		R.H.
3	R87529	LABEL	1		SAFETY, (SUB FOR R51821, R69270, R76341 OR R82425)
4	R83103	LABEL	1		PTO SAFETY, (SUB FOR R64391) (SUB R120111)
5	JD5272	LABEL	1		
6	R56468	LABEL	1		TRANSMISSION REVERSER
7	R56467	LABEL	1		TRANSMISSION CONTROL LEVER (HI-LO RANGE)
8	T30772	LABEL	1		PTO CLUTCH LEVER (INDEPENDENT PTO)
9	R68277	LABEL	1		SHIFT LEVER, (SUB FOR T32214)
10	A5180R	DECAL	1		(ELECTRICAL OUTLET) (NO LONGER AVAILABLE)
11	T25899	INSTRUCTION PLATE	1		
12	R87527	LABEL	1		ROLL-GARD CAUTION, (SUB FOR R41781)
13	R56902	LABEL	1		DRY AIR CLEANER
14	R47292	LABEL	1	-XXXXXX	ROLL-GARD

# 2B18

WHEELS, FRONT AXLES, SHEET METAL

RXP021341 -UN-11OCT95

## LABEL REFINISHING KIT



RXP021341

# 2B19

WHEELS, FRONT AXLES, SHEET METAL

## LABEL REFINISHING KIT - CONTINUED

KEY	PART NO.	PART NAME	QTY	TRACTOR SERIAL NO.	REMARKS
1	R56902	LABEL	1		DRY AIR CLEANER (FUEL TANK)
2	R56467	LABEL	1		TRANSMISSION HI-LO CONTROL LEVER
3	R68277	LABEL	1		SHIFT LEVER
4	R77420	LABEL	2		SCV FLOW
5	L35521	LABEL	1		SHIFT LEVER (COLLAR SHIFT)
6	R47292	LABEL	1		ROLL-GARD (CROSS MEMBER)
7	T65880	WARNING LABEL	1		CONTINUOUS PTO
8	JD5272	LABEL	1		TOOL BOX
9	R56468	LABEL	1		REVERSER TRANSMISSION CONTROL LEVER
10	R72816	LABEL	1		DRY AIR CLEANER (COVER)
11	T146102	WARNING LABEL	1		BY PASS START (ENGLISH)
12	R87529	LABEL	1		SAFETY (FENDER) (SUB FOR R76341 OR R82425)
13	R87527	LABEL	1		CAUTION, ROLL-GARD (STRUT) (SUB FOR R41781)
14	T30772	LABEL	1		PTO CLUTCH LEVER
15	L36319	DECAL	1		ROCKSHAFT QUADRANT, (SUB AL70963)
16	AR105634	KIT	1		(SUB FOR AR73918)

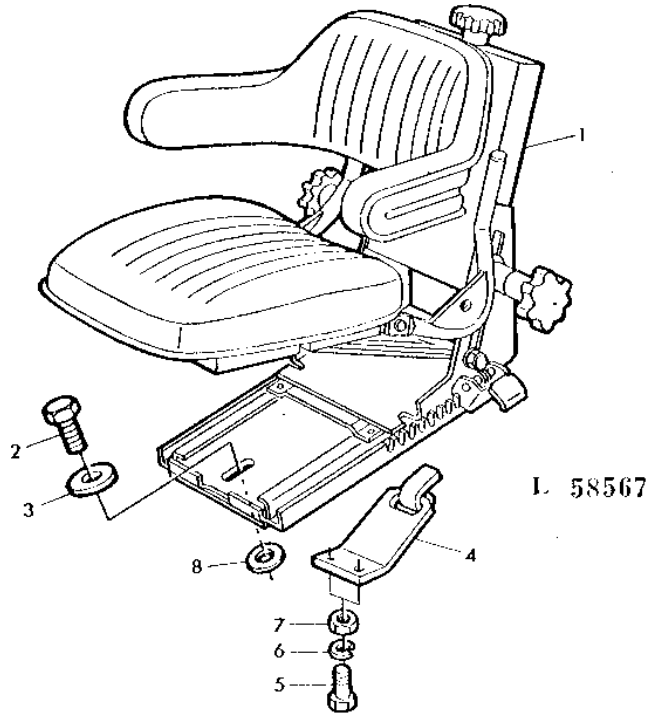
MEMORANDA

# 2B21

OPERATOR'S STATION

L58567 -UN-01JAN94

## DELUXE SEAT ASSEMBLY



KEY	PART NO.	PART NAME	QTY	TRACTOR SERIAL NO.	REMARKS
1	AL24161	SEAT	1		(SUB AL39913 AND (2) 19H1815)
	AL36556	SEAT	1		(SUB FOR AL24161) (SUB AL39913 AND (2) 19H1815)
2	19H1815	CAP SCREW	2		1/2" X 1-1/4"
3	24H1349	WASHER	2		9/16" X 1-1/4" X 0.134"
4	AL23433	RETAINER	1		
5	19H1849	CAP SCREW	2		5/16" X 1-1/4"
6	12H303	LOCK WASHER	2		5/16"
7	14H785	NUT	2		5/16"
8	24H1254	WASHER	2		17/32" X 1-1/8" X 0.105"

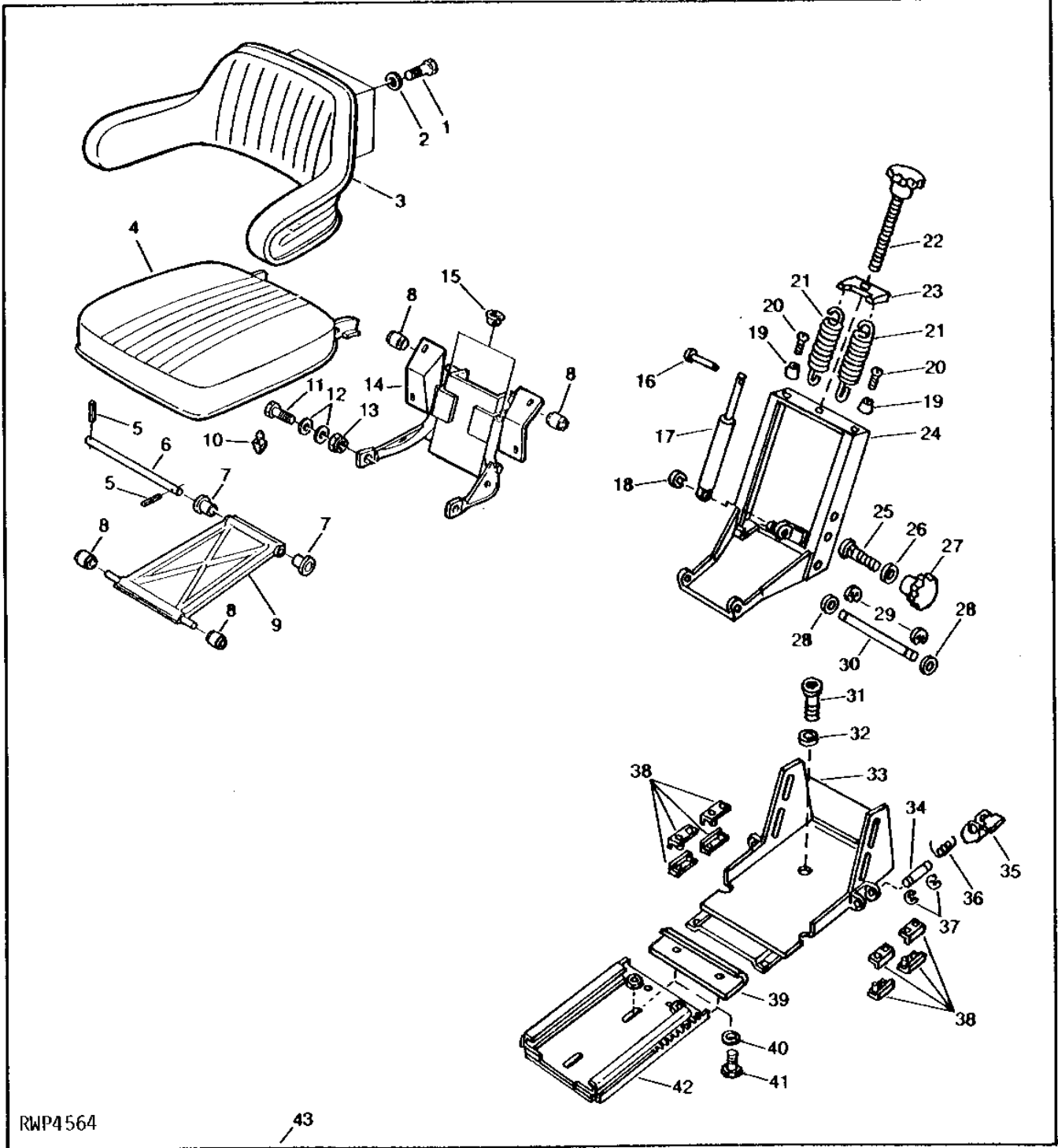
# 2B22

OPERATOR'S STATION

RWP4564

-UN-01JAN94

## DELUXE SEAT ASSEMBLY



# 2B23

OPERATOR'S STATION

## DELUXE SEAT ASSEMBLY - CONTINUED

KEY	PART NO.	PART NAME	QTY	TRACTOR SERIAL NO.	REMARKS
1	19H1813	CAP SCREW	4		5/16" X 5/8"
2	24M7055	WASHER	4		8.400 X 16 X 1.600 MM
3	AL24163	ARMREST	1		(YELLOW)
4	AL70202	SEAT	1		(YELLOW) (SUB FOR AL24170)
5	34M3851	SPRING PIN	2		4 X 24 MM
6	L29209	PIN	1		
7	L27167	BUSHING	2		
8	L64688	ROLLER	4		(SUB FOR L25686)
9	AL24164	SEAT	1		
10	L25678	BUMPER	1		
11	19H3579	CAP SCREW	2		1/2" X 1-3/8"
12	24M7047	WASHER	4		13 X 24 X 2.500 MM
13	K40014	LOCK NUT	2		(SUB FOR T27645)
14	AL24169	SUPPORT	1		
15	L25689	PLUG	2		
16	16M7061	RIVET	1		4 X 25 MM, (SUB FOR L28081)
17	AL24165	ABSORBER	1		
18	L27166	SNAP RING	1		
19	L28078	BUMPER	2		
20	37M7016	SCREW	2		4.8 X 22MM
21	L28076	EXTENSION SPRING	2		
22	AL23886	BOLT	1		
23	L28077	RETAINER	1		
24	AL30692	HOUSING	1		(SUB FOR AL24168)
25	03M7191	BOLT	1		M10 X 25
26	24M7149	WASHER	2		10.500 X 30 X 2.500 MM
27	L29211	HANDLE	2		
28	24M7044	WASHER	2		13 X 20 X 2 MM
29	40M7030	SNAP RING	2		
30	L29208	PIN	1		
31	19M7695	SCREW	1		M10 X 20
32	12H304	LOCK WASHER	1		3/8"
33	AL30691	FRAME	1		(SUB FOR AL24167)
34	L29205	PIN	1		
35	L29204	PAWL	1		
36	L29206	SPRING	1		
37	40M7041	SNAP RING	2		
38	L29202	RAIL	8		
39	L29353	RETAINER	1		
40	12H303	LOCK WASHER	2		5/16"
41	19H1813	CAP SCREW	2		5/16" X 5/8"
42	AL24166	ALIGNER	1		
43	AL24161	SEAT	1		(SUB AL39913 AND (2) 19H1815)

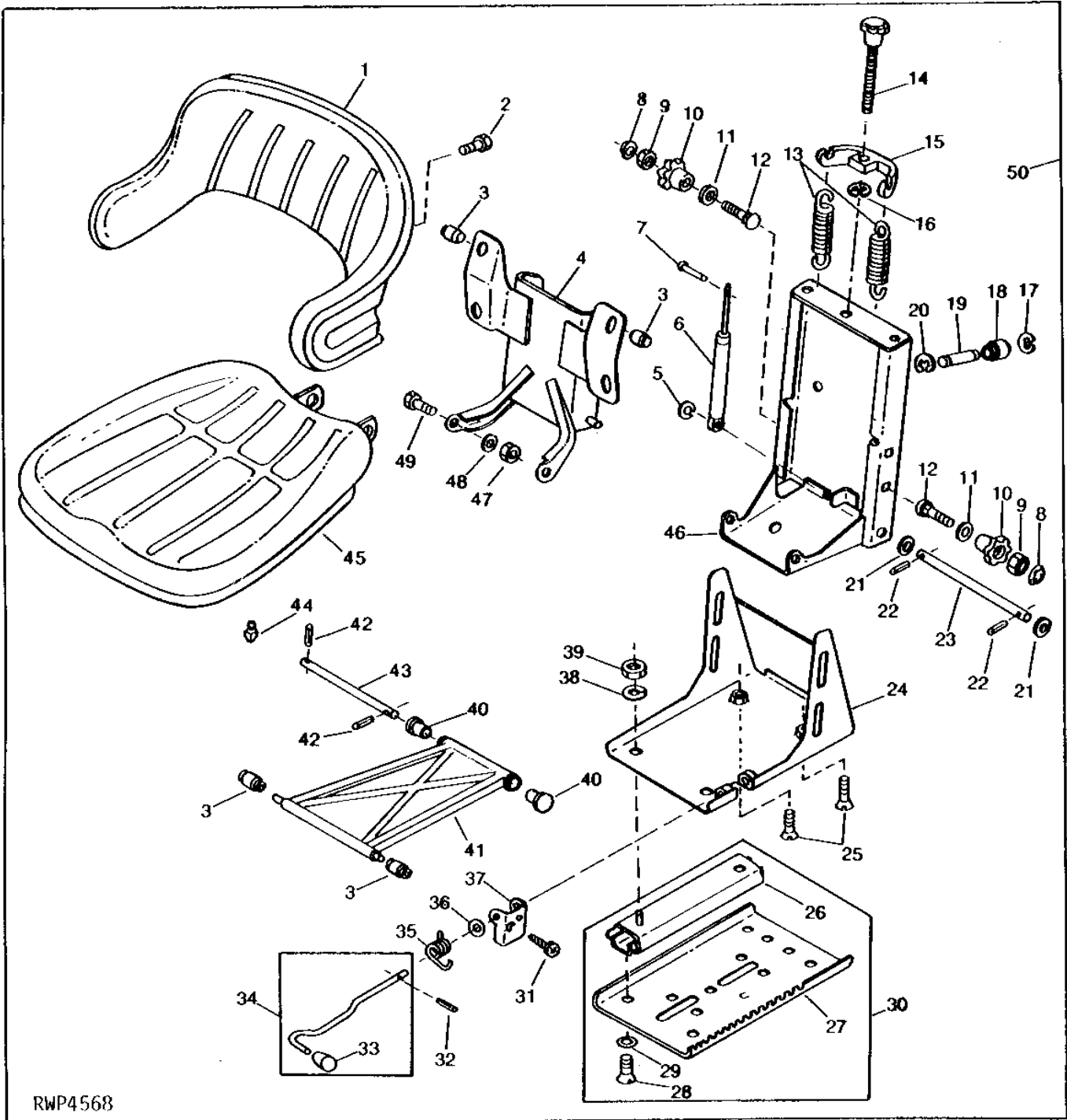
# 2B24

OPERATOR'S STATION

RWP4568

-UN-01JAN94

## DELUXE SEAT ASSEMBLY





# 2B25

OPERATOR'S STATION

## DELUXE SEAT ASSEMBLY - CONTINUED

KEY	PART NO.	PART NAME	QTY	TRACTOR SERIAL NO.	REMARKS
1	AL36555	SEAT BACK	1		(SUB AL39816)
2	19H1813	CAP SCREW	4		5/16" X 5/8"
3	L64688	ROLLER	4		GUIDE, 480 I.D. (SUB FOR L25686)
4	AL24169	SUPPORT	1		
5	L27166	SNAP RING	1		
6	AL24165	ABSORBER	1		
7	16M7061	RIVET	1		4 X 25 MM
8	L31727	COVER	2		
9	L31730	NUT	2		
10	L29211	HANDLE	2		
11	24M7149	WASHER	2		10.500 X 30 X 2.500 MM
12	03M7099	BOLT	2		M10 X 45
13	L35825	LEAF SPRING	2		
14	AL33069	SPINDLE	1		
15	L28077	RETAINER	1		
16	40M7042	SNAP RING	2		
17	40M7041	SNAP RING	2		
18	AL26918	ROLLER	2		
19	L31731	PIN	2		
20	40M7041	SNAP RING	2		
21	24M7044	WASHER	2		13 X 20 X 2 MM
22	34M3851	SPRING PIN	2		4 X 24 MM
23	L29208	PIN	1		
24	AL33010	ADJUSTER	1		
25	19M7902	SCREW	2		M8 X 16
26	AL33439	RAIL	2		
27	L36269	PLATE	1		
28	19M7924	SCREW	4		M8 X 16
29	L36292	LOCK NUT	4		
30	AL33016	ADJUSTER	1		
31	37M7079	SCREW	1		
32	34M7121	SPRING PIN	1		4 X 28 MM
33	L34156	KNOB	1		
34	AL36327	LEVER	1		
35	L35769	SPRING	1		
36	24M7207	WASHER	1		8.400 X 24 X 2 MM
37	L38377	PAWL	1		
38	12M7032	LOCK WASHER	1		M8
39	14M7273	NUT	2		M8
40	L27167	BUSHING	2		
41	AL24164	SEAT	1		
42	34M3851	SPRING PIN	2		4 X 24 MM
43	L29209	PIN	1		
44	L25678	BUMPER	1		
45	AL36324	SEAT	1		(SUB AL39823)
46	AL30692	HOUSING	1		
47	K40014	LOCK NUT	2		(SUB T27645)
48	24M7047	WASHER	1		13 X 24 X 2.500 MM
49	19H3579	CAP SCREW	2		1/2" X 1-3/8"
50	AL36556	SEAT	1		(SUB FOR AL24161) (SUB AL39913 AND (2) 19H1815)

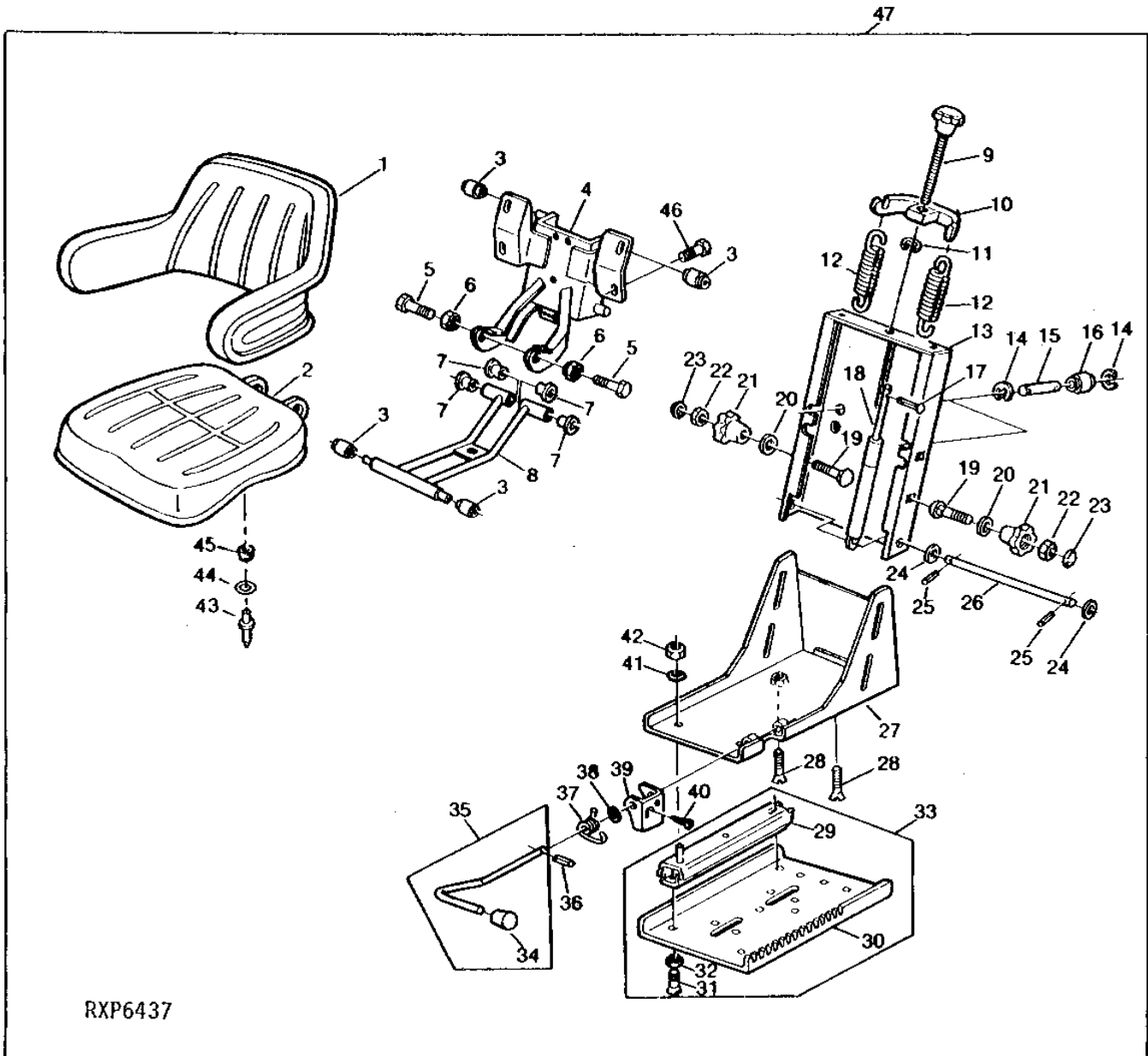
# 2C1

OPERATOR'S STATION

RXP6437

-UN-01JAN94

## DELUXE SEAT ASSEMBLY



# 2C2

OPERATOR'S STATION

## DELUXE SEAT ASSEMBLY - CONTINUED

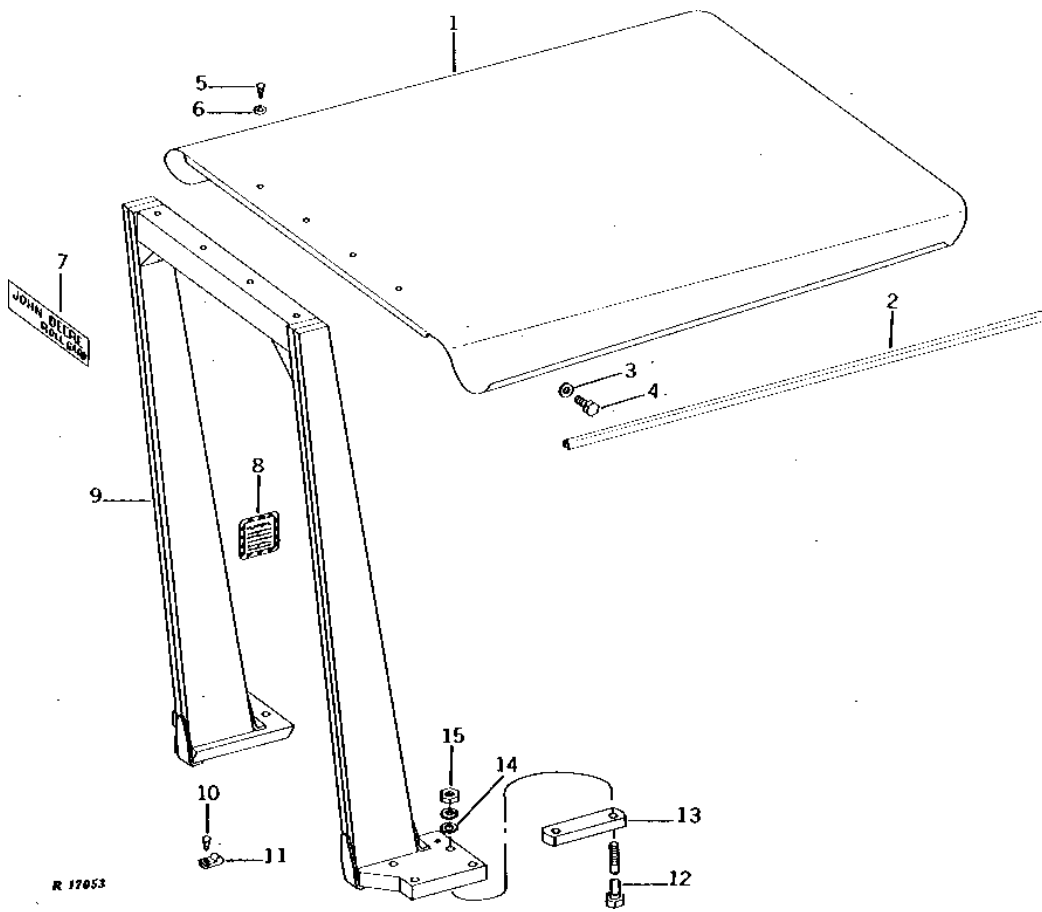
KEY	PART NO.	PART NAME	QTY	TRACTOR SERIAL NO.	REMARKS
1	AL39816	SEAT BACK	1		
2	AL39823	SEAT	1		
3	L64688	ROLLER	4		(SUB FOR L25686)
4	AL70339	DRIVER	1		(SUB FOR AL39940)
5	19H1792	CAP SCREW	2		1/2" X 1"
6	T27645	NUT	2		1/2"
7	L27167	BUSHING	AR		
8	AL39941	ARM	1		
9	AL39944	KNOB	1		
10	AL39943	RETAINER	1		
11	40M7042	SNAP RING	1		7MM
12	L35825	LEAF SPRING	2		(SUB FOR L61554)
13	L41591	SPRING ASSEMBLY	1		
14	40M7041	SNAP RING	4		5MM
15	L31731	PIN	2		
16	AL26918	ROLLER	2		
17	16M7061	RIVET	1		4 X 25 MM
18	AL39942	ABSORBER	1		
19	03M7099	BOLT	2		M10 X 45
20	24M7178	WASHER	2		10.500 X 30 X 2.500 MM
21	L29211	HANDLE	2		
22	L31730	NUT	2		10MM
23	L31727	COVER	2		
24	24M7047	WASHER	2		13 X 24 X 2.500 MM
25	34M3851	SPRING PIN	2		4 X 24 MM
26	L29208	PIN	1		
27	AL33010	ADJUSTER	1		
28	19M7964	CAP SCREW	2		M8 X 12
29	AL33439	RAIL	2		
30	L36269	PLATE	1		
31	19M7924	SCREW	4		M8 X 16
32	L36292	LOCK NUT	4		M8
33	AL33016	ADJUSTER	1		
34	L34156	KNOB	1		
35	AL35641	LEVER	1		
36	34M7127	SPRING PIN	1		4 X 24 MM
37	L35769	SPRING	1		
38	24M7207	WASHER	1		8.400 X 24 X 2 MM
39	L38377	PAWL	1		
40	37M7079	SCREW	1		6.3X13MM
41	12M7032	LOCK WASHER	2		M8
42	14M7273	NUT	2		M8
43	L39010	RIVET	2		
44	24M7117	WASHER	2		4.300 X 9 X 0.800 MM
45	L35768	BUMPER	2		
46	19H1813	CAP SCREW	4		5/16" X 5/8"
47	AL39913	SEAT	1		(ALSO ORDER (2) 19H1815)

# 2C3

OPERATOR'S STATION

R17053 -UN-01JAN94

ROLL-GARD AND CANOPY



# 2C4

OPERATOR'S STATION

## ROLL-GARD AND CANOPY - CONTINUED

KEY	PART NO.	PART NAME	QTY	TRACTOR SERIAL NO.	REMARKS
1	AR56695	CANOPY	1		(SUB AT53098, R52260 AND (2) R52261)
2	T25667	RUBBER MOUNT	2		
3	24H1625	WASHER	4		17/32" X 1" X 0.120"
4	19H1820	CAP SCREW	4		1/2" X 3"
5	37H3	SCREW	4		1/4" X 5/8"
6	24H1288	WASHER	4		9/32" X 1" X 1/16"
7	R47292	LABEL	1	-XXXXXX	
8	R41781	DECAL	1		CAUTION, (SUB R87527)
9	.....	ROLL-GARD	1		(ORDER APPROPRIATE ROLL-GARD ASSEMBLY)
10	37H3	SCREW	2		1/4" X 5/8"
11	T22645	CLIP	2		
12	R48139	CAP SCREW	8		
13	U40656	STRAP	4		
14	24H1400	WASHER	8		25/32" X 1-5/8" X 1/4"
15	14H794	NUT	8		3/4"
	12H236	LOCK WASHER	2		3/4", (NOT REQUIRED)

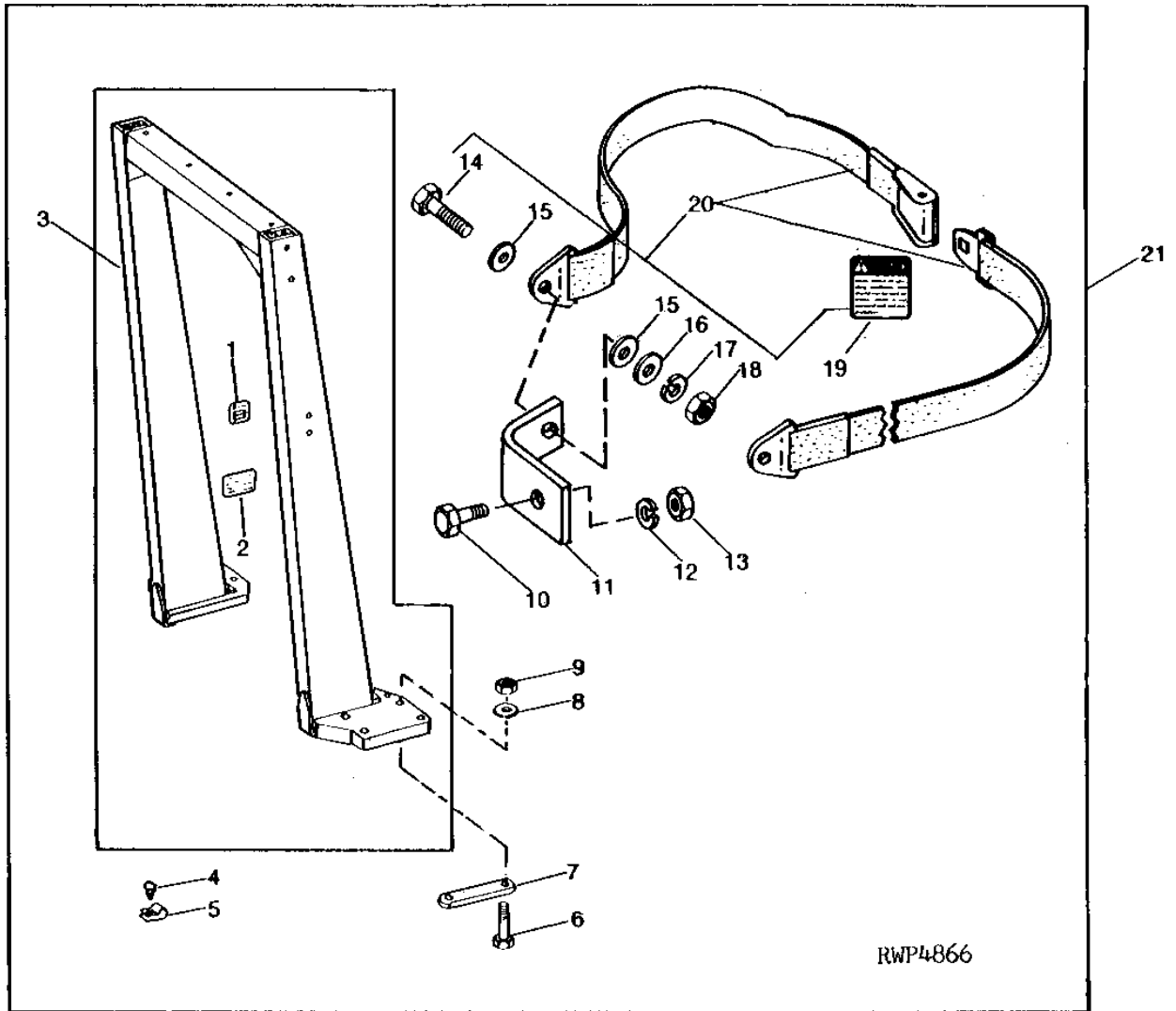
# 2C5

OPERATOR'S STATION

RWP4866

-UN-01JAN94

ROLL-GARD



RWP4866

# 2C6

OPERATOR'S STATION

## ROLL-GARD - CONTINUED

KEY	PART NO.	PART NAME	QTY	TRACTOR SERIAL NO.	REMARKS
1	R41781	DECAL	1		CAUTION, (SUB R87527)
2	.....	LABEL	1		(NOT FURNISHED)
3	.....	ROLL-GARD	1		(ORDER AR51143)
4	37H3	SCREW	2		1/4" X 5/8"
5	T22645	CLIP	2		
6	R48139	CAP SCREW	8		
7	U40656	STRAP	4		
8	24H1400	WASHER	8		25/32" X 1-5/8" X 1/4"
9	14H794	NUT	8		3/4"
10	19H3579	CAP SCREW	2		1/2" X 1-3/8"
11	T26153	ANGLE	2		
12	12H301	LOCK WASHER	2		1/2"
13	14H1040	NUT	2		1/2"
14	R41778	BOLT	2		
15	24H1226	WASHER	4		1/2" X 1-1/4" X 0.083"
16	24H1363	WASHER	2		41/64" X 1-1/16" X 0.105"
17	12H293	LOCK WASHER	2		7/16"
18	14H813	NUT	2		7/16"
19	R81424	LABEL	1		CAUTION
20	AT37833	SEAT BELT	1		51MM (2") WIDE
	AT38518	SEAT BELT	1		76MM (3") WIDE
21	AR51143	ROLL-GARD	1		

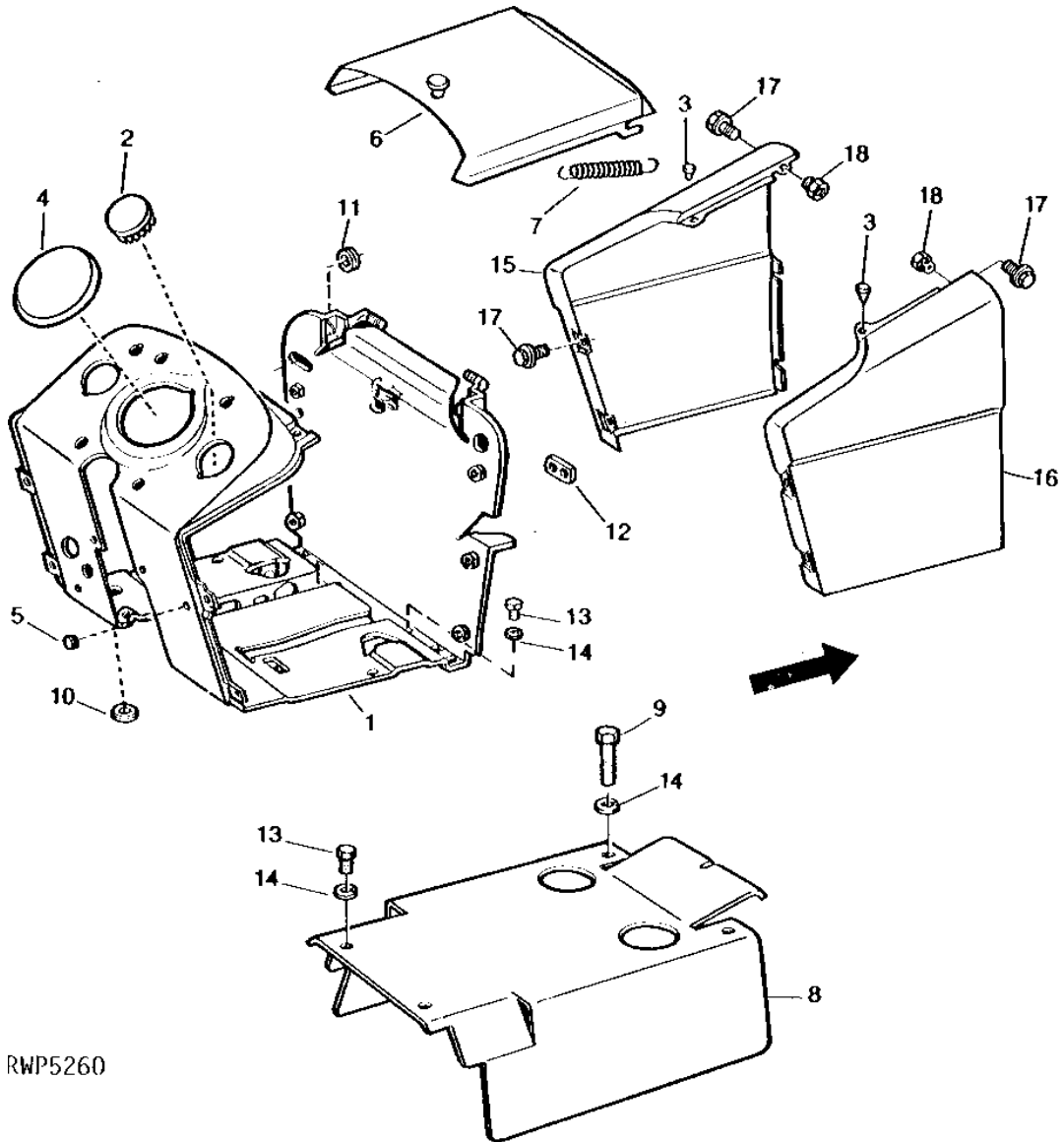
# 2C7

OPERATOR'S STATION

RWP5260

-UN-01JAN94

## DASH AND COWL



RWP5260



# 2C8

OPERATOR'S STATION

## DASH AND COWL - CONTINUED

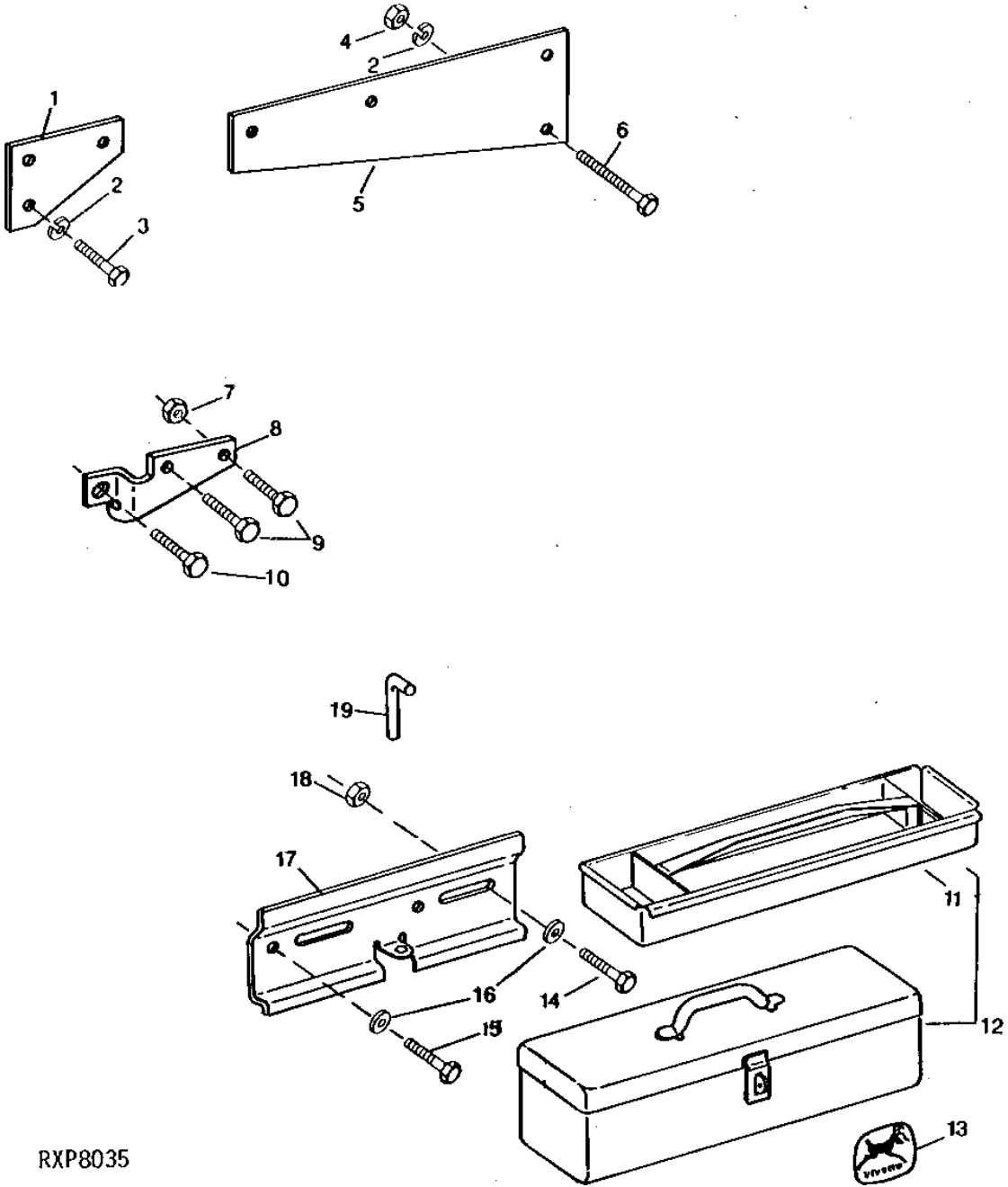
KEY	PART NO.	PART NAME	QTY	TRACTOR SERIAL NO.	REMARKS
1	AL24181	COWL	1		
2	T14500	PLUG	1		
3	T22085	BUMPER	2		
4	T27540	PLUG	1		
5	H84660	PLUG	1		(REPLACEMENT DASH ONLY) (SUB FOR P48093)
6	AT20026	COVER	1		
7	T25367	EXTENSION SPRING	1		
8	R48684	SHIELD	1		(SUB FOR T22394)
9	19H1765	CAP SCREW	4		3/8" X 1-3/4"
10	T23247	GROMMET	1		
11	R26936	GROMMET	1		
12	R26418	GROMMET	1		
13	19H2021	CAP SCREW	6		3/8" X 5/8"
14	12H304	LOCK WASHER	10		3/8"
15	T22088	COWL	1		
16	T22087	COWL	1		
17	T22211	SCREW, WITH WASHER	10		
18	T22086	NUT	2		

# 2C9

OPERATOR'S STATION

RXP8035 -UN-01JAN94

TOOLBOX AND SUPPORTS



RXP8035

# 2C10

OPERATOR'S STATION

## TOOLBOX AND SUPPORTS - CONTINUED

KEY	PART NO.	PART NAME	QTY	TRACTOR SERIAL NO.	REMARKS
1	T23035	PLATE	1	(A)	
2	12H294	LOCK WASHER	4	(A) 5/8"	
3	19H1833	CAP SCREW	2	(A) 5/8" X 1-1/4"	
4	14H1039	NUT	2	(A) 5/8"	
5	R77511	SUPPORT	1	(A)	
6	19H1863	CAP SCREW	2	(A) 5/8" X 3"	
7	RE16564	SUPPORT	1	(NLA)	
7A	AR68339	SUPPORT	1	(SUB RE16564) (NLA)	
8	14H1039	NUT	2	5/8"	
9	L34351	BRACKET	1		
10	19H1833	CAP SCREW	2	5/8" X 1-1/4"	
11	19H1871	CAP SCREW	1	3/4" X 1-1/4"	
12	AT22073	HOLDER	1		
13	AT22070	TOOLBOX	1		(INCLUDES T23027)
14	JD5602	LABEL	1	-XXXXXX	
15	19H1833	CAP SCREW	1	5/8" X 1-1/4"	
16	19H1916	CAP SCREW	1	5/8" X 1"	
17	24H1363	WASHER	2	41/64" X 1-1/16" X 0.105"	
18	T23033	BRACKET	1		
19	14H1039	NUT	1	5/8"	
20	T23027	PIN	1		

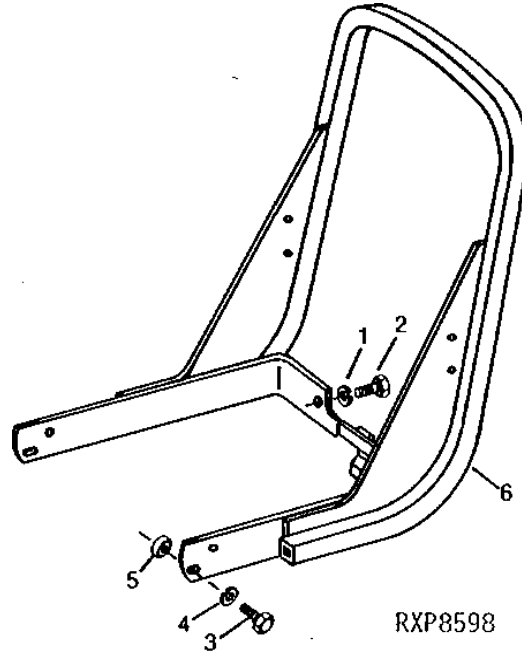
(A) LESS SIDE FRAME

# 2C11

OPERATOR'S STATION

RXP8598 -UN-01JAN94

## GRILLE GUARD



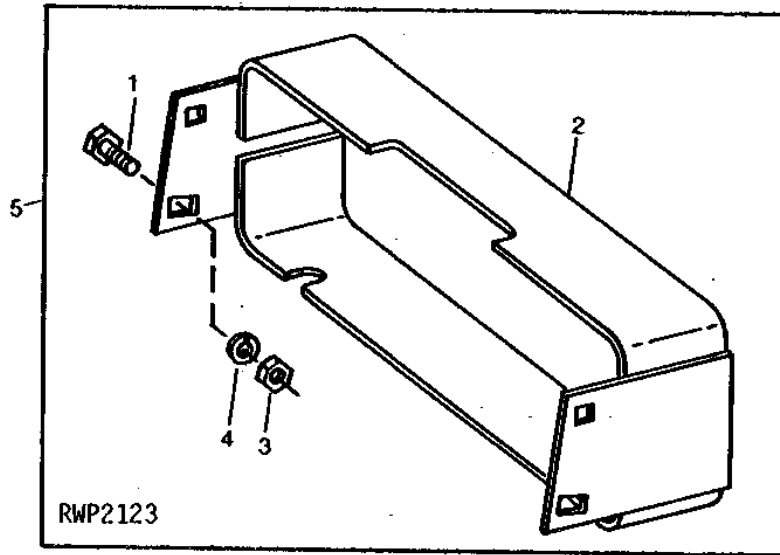
KEY	PART NO.	PART NAME	QTY	TRACTOR SERIAL NO.	REMARKS
1	19H1798	CAP SCREW	2	3/4" X 1-3/4"	
2	12H236	LOCK WASHER	2	3/4"	
3	19H1847	CAP SCREW	2	5/8" X 2-1/2"	
4	12H294	LOCK WASHER	2	5/8"	
5	T18145	BUSHING	2		
6	AR91612	GUARD	1		(SUB FOR AR66440, AR66940, AR73477, AR73513 OR AR91610)
..	AR72233	WIRING LEAD	1		(SUB FOR AR68121) (USE FOR R.H. LAMP TO SWITCH WHEN GUARD IS INSTALLED)
..	AR67855	CONNECTOR	1		(USE FOR R.H. LAMP LEAD TO L.H. LAMP LEAD WHEN GUARD IS INSTALLED)
..	R44302	TIE BAND	AR		

# 2C12

OPERATOR'S STATION

RWP2123 -UN-01JAN94

## LIGHT GUARD



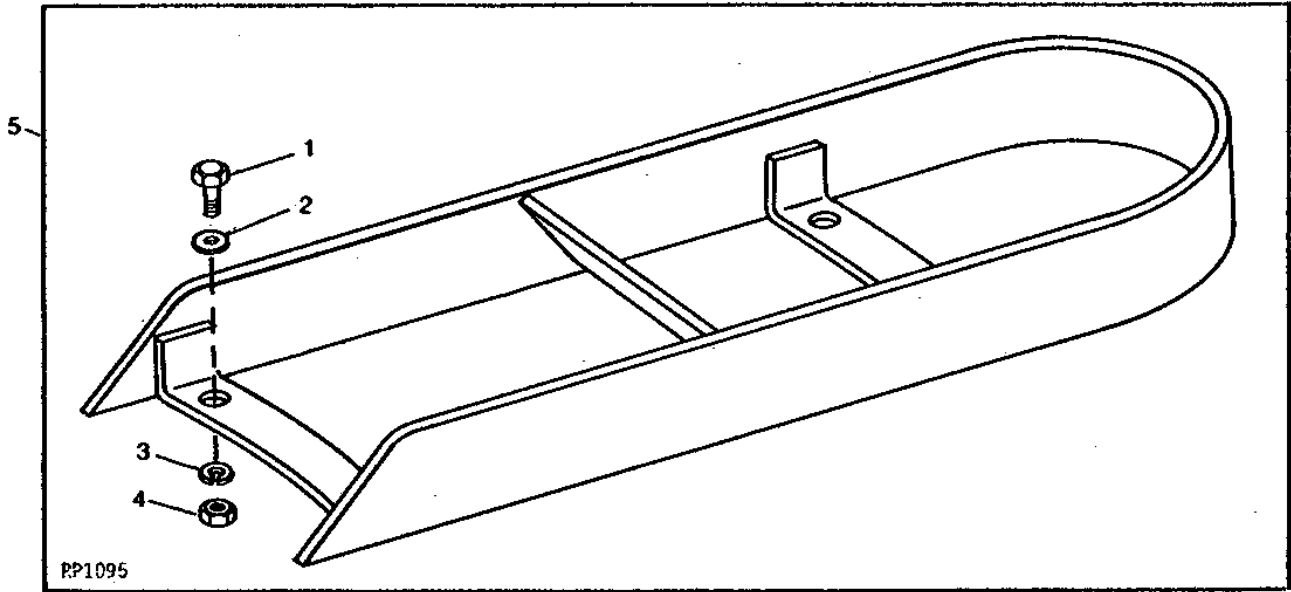
KEY	PART NO.	PART NAME	QTY	TRACTOR SERIAL NO.	REMARKS
1	19H1815	CAP SCREW	4	1/2" X 1-1/4"	
2	.....	GUARD	1	(ORDER AR66724)	
3	14H1040	NUT	4	1/2"	
4	12H301	LOCK WASHER	4	1/2"	
5	AR66724	GUARD	1		
..	AR72233	WIRING LEAD	1		(SUB FOR AR68121) (USE FOR R.H. LAMP TO SWITCH WHEN GUARD IS INSTALLED)
..	AR67855	CONNECTOR	1		(USE FOR R.H. LAMP LEAD TO L.H. LAMP LEAD WHEN GUARD IS INSTALLED)
..	R44302	TIE BAND	AR		

# 2C13

OPERATOR'S STATION

RP1095 -UN-01JAN94

## FUEL AND RADIATOR CAP SHIELD



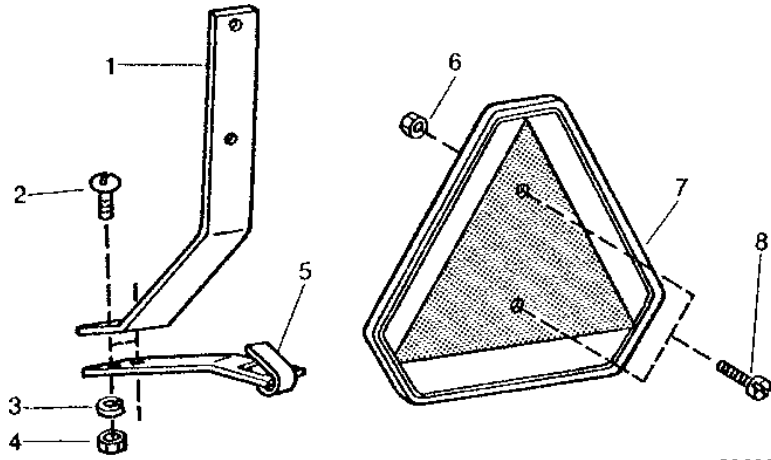
KEY	PART NO.	PART NAME	QTY	TRACTOR SERIAL NO.	REMARKS
1	19H1936	CAP SCREW	4	3/8" X 3/4"	
2	24H1306	WASHER	4	13/32" X 1" X 0.035"	
3	12H304	LOCK WASHER	4	3/8"	
4	14H1076	NUT	4	3/8"	
5	AR91614	SHIELD	1	(SUB FOR AR66039)	

# 2C14

OPERATOR'S STATION

RP388 -UN-01JAN94

## EMBLEM FOR SLOW MOVING VEHICLES



RP388

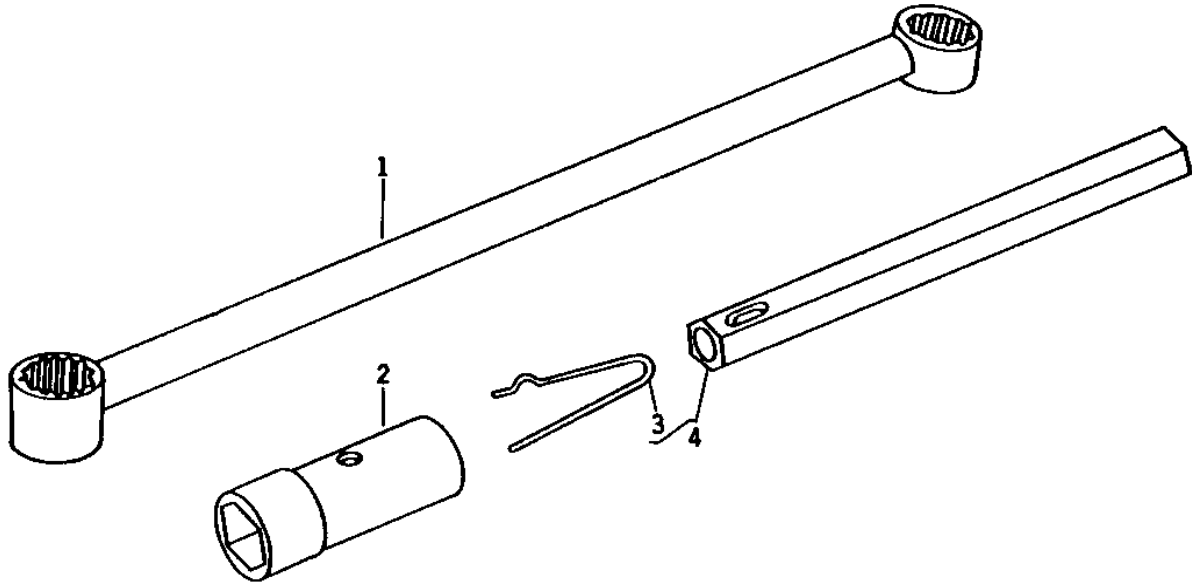
KEY	PART NO.	PART NAME	QTY	TRACTOR SERIAL NO.	REMARKS
1	AR63597	BRACKET	1	-XXXXXX	(SUB AL23433 AND R54972)
	R54972	BRACKET	1	XXXXXX-	
2	19H1900	CAP SCREW	2		5/16" X 3/4"
3	12H303	LOCK WASHER	2		5/16"
4	14H785	NUT	2		5/16"
5	AL23433	RETAINER	1	XXXXXX-	
6	14H786	NUT	2		1/4"
7	TY2615	SMV EMBLEM	1		(SUB FOR AR61194)
	JD5400	SIGN	1		(INCLUDED IN TY2615)
8	21H1303	SCREW	2		1/4" X 3/4"

# 2C15

OPERATOR'S STATION

R32260 -UN-12OCT94

## TOOLS



R32260F

KEY	PART NO.	PART NAME	QTY	TRACTOR SERIAL NO.	REMARKS
1	R34827	WRENCH	1		
2	AR39683	WRENCH	1		
3	R39739	SPRING LOCKING PIN	1		
4	AR39682	EXTENSION	1		

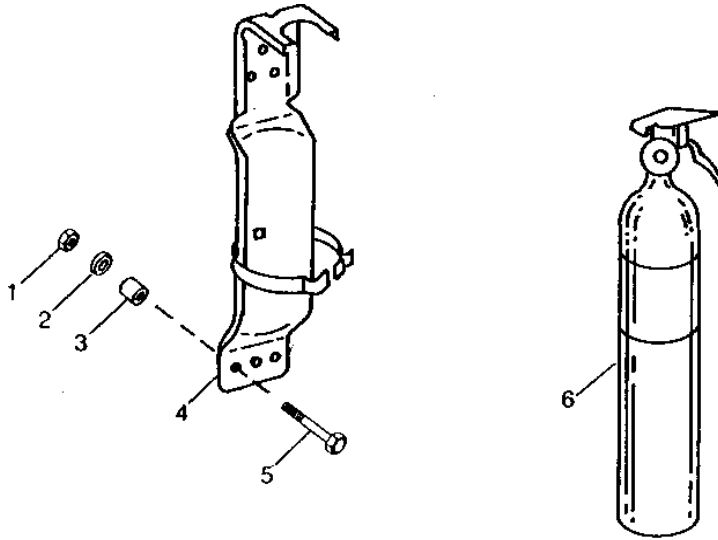


# 2C16

OPERATOR'S STATION

RWP2787 -UN-01JAN94

## FIRE EXTINGUISHER



### RWP2787

KEY	PART NO.	PART NAME	QTY	SG BODY SERIAL NO.	REMARKS
1	14H786	NUT	2	1/4"	
2	24H1287	WASHER	2	9/32" X 5/8" X 0.065"	
3	28H1914	BUSHING	2		
4	AT62019	BRACKET	1		
5	21H1035	SCREW	2	1/4" X 1-1/2"	
6	AT81764	FIRE EXTINGUISHER	1	(SUB FOR AT62018) (SUB AT141924)	

# 2C17

OPERATOR'S STATION

R32259 -UN-01JAN94

## SEALANT



R32259f

KEY	PART NO.	PART NAME	QTY	TRACTOR SERIAL NO.	REMARKS
1	T43514	GASKET	1	NO.277 (50 ML)	
	TY6304	SEALANT	1	NO.515 (50 ML)	
	TY9370	ADHESIVE	1	NO.242(6 ML)	
	T43512	SEALANT	1	NO.242(50 ML)	
	TY9371	ADHESIVE	1	NO.271(6 ML)	
	T43513	ADHESIVE	1	NO.271(50 ML)	
	TY9374	SEALANT	1	NO.592	
	TY9375	SEALANT	1	NO.592	
	TY8311	ADHESIVE	1	NO.660	
	TY15969	ADHESIVE	1	(SUB FOR T43515) NO.635	
	TY21517	ADHESIVE	1	NO.454	
	TY15435	ADHESIVE	1	NO.445	
	TY6305	PRIMER	1	NO.764	
	TY15941	ADHESIVE	1		

# 1L7

830 UTILITY TRACTOR

## NUMERICAL INDEX

PART NO.	GRID	KEY	PAGE	PART NO.	GRID	KEY	PAGE	PART NO.	GRID	KEY	PAGE
AA32178	1F7	..	40 - 35	AL24015	1J7	1	70 - 26	AL25630	1112	9	70 - 5
AA3495R	1F4	8	40 - 32	AL24057	1J12	10	70 - 31	AL25630	1112	..	70 - 5
AA34967	1F7	3	40 - 35	AL24058	1J12	7	70 - 31	AL26918	2B25	18	90 - 5
AA34968	1F7	23	40 - 35	AL24058	1J12	10	70 - 31	AL26918	2C2	16	90 - 7
AA5607R	1K7	7	70 - 51	AL24094	2A25	1	80 - 10	AL26986	1J19	12	70 - 38
AA5607R	1K8	9	70 - 52	AL24123	2B13	2	80 - 23	AL26986	1J20	10	70 - 39
AA5731R	1K7	38	70 - 51	AL24124	2B13	1	80 - 23	AL26986	1J24	1	70 - 43
AA5731R	1K7	40	70 - 51	AL24151	2B1	1	80 - 11	AL26986	1J24	10	70 - 43
AA6307R	1K4	6	70 - 48	AL24155	1D11	6	30 - 28	AL27156	1C12	11	30 - 3
AD2062R	1F4	2	40 - 32	AL24161	2B21	1	90 - 1	AL27159	1C12	20	30 - 3
AD2062R	1F4	3	40 - 32	AL24161	2B23	43	90 - 3	AL27203	1J16	5	70 - 35
AD2062R	1F6	2	40 - 34	AL24161	2B25	50	90 - 5	AL27203	1J16	8	70 - 35
AD2062R	1F7	2	40 - 35	AL24163	2B23	3	90 - 3	AL27203	1J16	11	70 - 35
AE31724	1C12	20	30 - 3	AL24164	2B23	9	90 - 3	AL27203	1J16	12	70 - 35
AE31724	1D12	4	30 - 29	AL24164	2B25	41	90 - 5	AL27229	1G16	1B	50 - 6
AF3580R	1C10	4	30 - 1	AL24165	2B23	17	90 - 3	AL27371	1D20	7	40 - 7
AF3583R	1C10	1	30 - 1	AL24165	2B25	6	90 - 5	AL27372	1D20	12	40 - 7
AF3892R	1F3	2	40 - 31	AL24166	2B23	42	90 - 3	AL27373	1D20	14	40 - 7
AH20849	1C12	19	30 - 3	AL24167	2B23	33	90 - 3	AL27374	1D20	9	40 - 7
AH93625	1F7	12	40 - 35	AL24168	2B23	24	90 - 3	AL28037	1B13	14	20 - 23
AL11176	1D16	1	40 - 3	AL24169	2B23	14	90 - 3	AL28037	1G17	7	50 - 7
AL11176	1D18	10	40 - 5	AL24169	2B25	4	90 - 5	AL28179	1C12	11	30 - 3
AL14157	1J19	14	70 - 38	AL24170	2B23	4	90 - 3	AL28227	1I24	19	70 - 19
AL14157	1J24	19	70 - 43	AL24181	2C8	1	90 - 13	AL28469	1I16	10	70 - 9
AL14160	1J19	12	70 - 38	AL24182	2B11	18	80 - 21	AL28469	1I17	21	70 - 11
AL14160	1J20	10	70 - 39	AL24187	1D16	15	40 - 3	AL28482	1I19	26	70 - 13
AL14160	1J24	1	70 - 43	AL24187	1F11	8	40 - 39	AL28483	1I17	25	70 - 11
AL15369	2B2	3	80 - 12	AL24189	1D16	12	40 - 3	AL28483	1I19	24	70 - 13
AL16162	1I9	10	70 - 2	AL24190	1I12	21	70 - 5	AL28484	1K2	22	70 - 45
AL16163	1I9	5	70 - 2	AL24191	1I12	12	70 - 5	AL28485	1K2	21	70 - 45
AL17684	1F15	7	40 - 43	AL24194	1C12	13	30 - 3	AL28674	1I24	19	70 - 19
AL18047	1C16	13	30 - 7	AL24215	1D16	25	40 - 3	AL2976T	1F23	20	40 - 51
AL18135	1J12	8	70 - 31	AL24219	1C19	1	30 - 10	AL30414	1D22	28	40 - 9
AL18135	1J12	10	70 - 31	AL24233	1F14	1	40 - 42	AL30416	1D22	7	40 - 9
AL18236	1C16	8	30 - 7	AL24494	1I19	27	70 - 13	AL30417	1D22	9	40 - 9
AL18604	1F12	2	40 - 40	AL24495	1I17	1	70 - 11	AL30418	1D22	21	40 - 9
AL18714	1G13	2	50 - 5	AL24495	1I19	15	70 - 13	AL30419	1D22	11	40 - 9
AL18714	1G13	..	50 - 5	AL24550	1I5	17	60 - 17	AL30421	1D22	18	40 - 9
AL19092	1G13	21	50 - 5	AL24903	1B13	14	20 - 23	AL30422	1D22	27	40 - 9
AL19192	1E4	8	40 - 11	AL24903	1G17	7	50 - 7	AL30423	1D22	17	40 - 9
AL19208	1D20	17	40 - 7	AL25266	1E20	37	40 - 25	AL30423	1D24	4	40 - 9B
AL19905	1F12	1	40 - 40	AL25267	1E20	13	40 - 25	AL30424	1D22	6	40 - 9
AL19906	1F12	3	40 - 40	AL25267	1E22	6	40 - 27	AL30425	1D22	11	40 - 9
AL19907	1F11	3	40 - 39	AL25267	1E24	6	40 - 27B	AL30425	1D22	13	40 - 9
AL23433	2B21	4	90 - 1	AL25268	1E20	2	40 - 25	AL30691	2B23	33	90 - 3
AL23433	2C14	1	90 - 19	AL25269	1E20	35	40 - 25	AL30692	2B23	24	90 - 3
AL23433	2C14	5	90 - 19	AL25270	1E20	21	40 - 25	AL30692	2B25	46	90 - 5
AL23434	1D19	20	40 - 6	AL25271	1E4	16	40 - 11	AL30777	1G13	4	50 - 5
AL23836	1I2	3	60 - 13	AL25271	1E20	22	40 - 25	AL32791	1G24	8	50 - 15
AL23836	1I2	4	60 - 13	AL25272	1E20	34	40 - 25	AL32791	1G24	14	50 - 15
AL23836	1I2	5	60 - 13	AL25273	1E20	11	40 - 25	AL32863	1D20	1	40 - 7
AL23844	1E4	2	40 - 11	AL25273	1E22	4	40 - 27	AL32863	1D22	5	40 - 9
AL23846	1E4	14	40 - 11	AL25273	1E24	4	40 - 27B	AL32975	1C12	13	30 - 3
AL23847	1E4	13	40 - 11	AL25274	1E4	29	40 - 11	AL33010	2B25	24	90 - 5
AL23848	1E4	30	40 - 11	AL25274	1E20	31	40 - 25	AL33010	2C2	27	90 - 7
AL23848	1E20	19	40 - 25	AL25275	1E4	29	40 - 11	AL33016	2B25	30	90 - 5
AL23849	1D20	7	40 - 7	AL25275	1E20	4	40 - 25	AL33016	2C2	33	90 - 7
AL23850	1D20	21	40 - 7	AL25629	1I10	5	70 - 3	AL33044	1J7	7	70 - 26
AL23851	1D20	23	40 - 7	AL25629	1I10	7	70 - 3	AL33069	2B25	14	90 - 5
AL23852	1D20	19	40 - 7	AL25629	1I10	8	70 - 3	AL33250	1G24	25	50 - 15
AL23853	1D20	12	40 - 7	AL25629	1I10	9	70 - 3	AL33439	2B25	26	90 - 5
AL23854	1D20	14	40 - 7	AL25629	1I12	7	70 - 5	AL33439	2C2	29	90 - 7
AL23855	1D20	9	40 - 7	AL25629	1I12	8	70 - 5	AL34733	1H5	1	50 - 21
AL23856	1D20	1	40 - 7	AL25629	1I12	10	70 - 5	AL35641	2C2	35	90 - 7
AL23857	1D20	18	40 - 7	AL25629	1I12	11	70 - 5	AL35998	1D16	2	40 - 3
AL23857	1D22	6	40 - 9	AL25629	1I12	15	70 - 5	AL35998	1D22	1	40 - 9
AL23886	2B23	22	90 - 3	AL25629	1I12	..	70 - 5	AL35998	1D24	1	40 - 9B













# 1L13

830 UTILITY TRACTOR

## NUMERICAL INDEX - CONTINUED

PART NO.	GRID	KEY	PAGE	PART NO.	GRID	KEY	PAGE	PART NO.	GRID	KEY	PAGE
JD7438	1H12	17	50-29	L17658	1J19	9	70-38	L28078	2B23	19	90-3
JD7449	1G21	3	50-11	L17658	1J24	12	70-43	L28081	2B23	16	90-3
JD7674	1G20	20	50-10	L17659	1J19	8	70-38	L28372	1J10	4	70-29
JD7759	1H14	3	50-31	L17659	1J24	14	70-43	L28374	1J10	12	70-29
JD7798	1J10	6	70-29	L18893	1J20	7	70-39	L28401	1G24	17	50-15
JD7798	2A16	14	80-2	L18893	1J20	10	70-39	L29020	1J16	3	70-35
JD7798	2A17	4	80-3	L18893	1J24	1	70-43	L29022	1J16	15	70-35
JD7798	2A19	5	80-3B	L18893	1J24	4	70-43	L29023	1J16	2	70-35
JD7798	2A21	16	80-5	L18893	1J24	10	70-43	L29023	1J16	3	70-35
JD7798	2A23	2	80-8	L19651	1E4	3	40-11	L29023	1J16	18	70-35
JD7799	2A16	13	80-2	L19651	1E20	36	40-25	L29048	1G19	1	50-9
JD7799	2A17	5	80-3	L19651	1E22	21	40-27	L29152	1E4	23	40-11
JD7799	2A19	6	80-3B	L19651	1E24	21	40-27B	L29152	1E20	26	40-25
JD7799	2B7	9	80-17	L19654	1E4	7	40-11	L29153	1E4	5	40-11
JD8135	1H12	16	50-29	L20093	1I20	7	70-14	L29154	1E4	22	40-11
JD8147	1H3	5	50-19	L20093	1I21	5	70-15	L29155	1E4	21	40-11
JD8147	1H14	12	50-31	L20093	1J20	4	70-39	L29156	1E4	9	40-11
JD8171	1G21	5	50-11	L20093	1J24	7	70-43	L29156	1E20	7	40-25
JD8171	1H14	15	50-31	L20094	1J20	3	70-39	L29156	1E22	31	40-27
JD8194	2A23	4	80-8	L20094	1J24	8	70-43	L29156	1E24	31	40-27B
JD8217	1H14	16	50-31	L20095	1J20	8	70-39	L29157	1E4	19	40-11
JD8230	2A23	5	80-8	L20095	1J20	10	70-39	L29157	1E20	33	40-25
JD8239	2A23	6	80-8	L20095	1J24	1	70-43	L29157	1E22	19	40-27
JD8247	1H12	15	50-29	L20095	1J24	2	70-43	L29157	1E24	19	40-27B
JD8255	1G22	3	50-13	L20095	1J24	10	70-43	L29158	1E4	18	40-11
JD8267	1G22	17	50-13	L20102	1J19	17	70-38	L29158	1E20	28	40-25
JD8276	1G21	6	50-11	L20102	1J24	11	70-43	L29159	1D20	3	40-7
JD8407	2A21	14	80-5	L2104N	1K7	29	70-51	L29160	1D20	22	40-7
JD8720	1H8	5	50-25	L2104N	1K8	3	70-52	L29161	1D20	20	40-7
JD8728	1H17	18	60-3	L22772	1I9	6	70-2	L29162	1D20	15	40-7
JD8823	1G17	5	50-7	L22773	1I9	11	70-2	L29163	1D20	8	40-7
JD8827	2A17	3	80-3	L23016	1J16	8	70-35	L29164	1D20	10	40-7
JD8827	2A19	3	80-3B	L23016	1J16	11	70-35	L29165	1D20	11	40-7
JD8877	1H1	7	50-17	L23016	1J16	12	70-35	L29167	1D20	2	40-7
JD8905	2A23	7	80-8	L24199	1I9	14	70-2	L29197	1H19	43	60-5
JD8922	1H12	14	50-29	L24688	1I10	6	70-3	L29199	1H19	14	60-5
JD8969	1H12	21	50-29	L24688	1I12	5	70-5	L29202	2B23	38	90-3
JD8979	1G22	16	50-13	L24921	1C16	11	30-7	L29204	2B23	35	90-3
JD8982	1H12	24	50-29	L24922	1C16	16	30-7	L29205	2B23	34	90-3
JD8997	1G22	2	50-13	L25280	2B13	11	80-23	L29206	2B23	36	90-3
JD9065	1H2	4	50-18	L25281	2B13	10	80-23	L29208	2B23	30	90-3
JD9125	1H2	3	50-18	L25365	1I10	8	70-3	L29208	2B25	23	90-5
JD9257	1B21	9	20-33	L25365	1I12	17	70-5	L29208	2C2	26	90-7
JD9257	1B22	1	20-35	L25366	1I10	5	70-3	L29209	2B23	6	90-3
JD9258	1G20	23	50-10	L25366	1I12	7	70-5	L29209	2B25	43	90-5
JD9344	1H1	15	50-17	L25367	1I10	7	70-3	L29211	2B23	27	90-3
JD9813	1G17	5	50-7	L25367	1I12	6	70-5	L29211	2B25	10	90-5
JD9822	1G20	11	50-10	L25368	1I10	9	70-3	L29211	2C2	21	90-7
JD9832	1H19	16	60-5	L25368	1I12	15	70-5	L29246	1G13	23	50-5
JD9839	1G21	4	50-11	L25678	2B23	10	90-3	L29250	1H10	1	50-27
JD9878	1G19	1	50-9	L25678	2B25	44	90-5	L29251	1H10	6	50-27
JD9911	2A16	1	80-2	L25686	2B23	8	90-3	L29252	1H10	4	50-27
K40014	2B23	13	90-3	L25686	2B25	3	90-5	L29253	1H10	2	50-27
K40014	2B25	47	90-5	L25686	2C2	3	90-7	L29265	1C19	23	30-10
L11027	1H12	32	50-29	L25689	2B23	15	90-3	L29269	1G22	15	50-13
L11028	1H12	32	50-29	L25750	1G13	23	50-5	L29270	1G22	15	50-13
L12809	1D16	4	40-3	L25819	2B2	1	80-12	L29271	1G22	15	50-13
L17056	1J20	9	70-39	L25819	2B2	2	80-12	L29346	2B1	5	80-11
L17056	1J20	10	70-39	L27166	2B23	18	90-3	L29347	2B1	9	80-11
L17056	1J24	1	70-43	L27166	2B25	5	90-5	L29348	2B1	10	80-11
L17056	1J24	3	70-43	L27167	2B23	7	90-3	L29349	2B1	11	80-11
L17056	1J24	10	70-43	L27167	2B25	40	90-5	L29350	2B1	2	80-11
L17650	1I20	4	70-14	L27167	2C2	7	90-7	L29350	2B5	2	80-15
L17650	1I21	8	70-15	L27339	1D20	13	40-7	L29351	2B1	3	80-11
L17652	1J22	9	70-41	L28076	2B23	21	90-3	L29352	2B1	4	80-11
L17657	1J19	5	70-38	L28077	2B23	23	90-3	L29353	2B23	39	90-3
L17657	1J24	17	70-43	L28077	2B25	15	90-5	L29359	1I12	4	70-5

# 1L14

830 UTILITY TRACTOR

## NUMERICAL INDEX - CONTINUED

PART NO.	GRID	KEY	PAGE	PART NO.	GRID	KEY	PAGE	PART NO.	GRID	KEY	PAGE
L29360	1112	10	70 - 5	L32016	1J16	6	70 - 35	L41390	1G14	8	50 - 5A
L29361	1112	11	70 - 5	L32030	1G16	1B	50 - 6	L41536	1J2	5	70 - 21
L29362	1112	8	70 - 5	L32030	1G16	2	50 - 6	L41536	1J2	9	70 - 21
L29363	1112	9	70 - 5	L32147	1D20	4	40 - 7	L41538	1J2	5	70 - 21
L29364	1112	1	70 - 5	L324T	1G16	10	50 - 6	L41538	1J2	11	70 - 21
L29364	1114	2	70 - 7	L32638	1J8	9	70 - 27	L41575	1D22	3	40 - 9
L29365	1112	18	70 - 5	L32839	1H4	3	50 - 20	L41575	1D24	7	40 - 9B
L29366	1112	3	70 - 5	L33139	1G11	5	50 - 3B	L41579	1E4	17	40 - 11
L29367	1112	14	70 - 5	L33985	1D22	25	40 - 9	L41579	1E20	25	40 - 25
L29368	1112	13	70 - 5	L33986	1D22	8	40 - 9	L41582	1E22	5	40 - 27
L29371	1112	2	70 - 5	L33987	1D22	10	40 - 9	L41582	1E24	5	40 - 27B
L29371	1114	4	70 - 7	L33992	1D22	22	40 - 9	L41587	1G14	2	50 - 5A
L29372	1C12	3	30 - 3	L33993	1D22	4	40 - 9	L41588	1G13	25	50 - 5
L29373	1C12	4	30 - 3	L33994	1D22	14	40 - 9	L41588	1G14	2	50 - 5A
L29373	1C13	1	30 - 4	L34156	2B25	33	90 - 5	L41589	1G13	25	50 - 5
L29374	1C12	2	30 - 3	L34156	2C2	34	90 - 7	L41589	1G14	3	50 - 5A
L29388	2B17	2	80 - 27	L34349	1G24	11	50 - 15	L41591	2C2	13	90 - 7
L29389	2B17	1	80 - 27	L34351	2C10	9	90 - 15	L41715	2B1	5	80 - 11
L29396	1C19	14	30 - 10	L35521	2B19	5	80 - 29	L41724	1J2	5	70 - 21
L29404	1H4	3	50 - 20	L35768	2C2	45	90 - 7	L41726	1J2	5	70 - 21
L29406	1H4	2	50 - 20	L35769	2B25	35	90 - 5	L41726	1J2	12	70 - 21
L29833	1H4	3	50 - 20	L35769	2C2	37	90 - 7	L41855	1C10	3	30 - 1
L29854	1B8	3	20 - 17	L35825	2B25	13	90 - 5	L41932	1J6	1	70 - 25
L29854	1G9	1	50 - 3	L35825	2C2	12	90 - 7	L42043	1E22	11	40 - 27
L29873	1J5	15	70 - 24	L36269	2B25	27	90 - 5	L42043	1E24	11	40 - 27B
L29882	1I5	14	60 - 17	L36269	2C2	30	90 - 7	L4667T	1D10	8	30 - 27
L29883	1I5	21	60 - 17	L36292	2B25	29	90 - 5	L48704	1C16	15	30 - 7
L29884	1I5	19	60 - 17	L36292	2C2	32	90 - 7	L48705	1C16	14	30 - 7
L30860	1E20	38	40 - 25	L36319	2B19	15	80 - 29	L53826	1I20	6	70 - 14
L30860	1E22	24	40 - 27	L36557	1G20	13	50 - 10	L53826	1I21	6	70 - 15
L30860	1E24	24	40 - 27B	L37325	1H14	24	50 - 31	L53826	1J20	5	70 - 39
L30862	1E20	14	40 - 25	L37426	2B1	9	80 - 11	L53826	1J24	6	70 - 43
L30862	1E22	7	40 - 27	L38057	1H14	25	50 - 31	L53830	1I21	11	70 - 15
L30862	1E24	7	40 - 27B	L38377	2B25	37	90 - 5	L53830	1J19	10	70 - 38
L30863	1E20	27	40 - 25	L38377	2C2	39	90 - 7	L53830	1J24	22	70 - 43
L30864	1E20	15	40 - 25	L38513	1G13	14	50 - 5	L53836	1I21	20	70 - 15
L30865	1E20	16	40 - 25	L38513	1G14	5	50 - 5A	L53836	1J19	11	70 - 38
L30866	1E20	17	40 - 25	L38513	1G15	5	50 - 5B	L53836	1J24	23	70 - 43
L30867	1E20	18	40 - 25	L38694	1H7	3	50 - 23	L53839	1I16	4	70 - 9
L30868	1E20	29	40 - 25	L39010	2C2	43	90 - 7	L53839	1I17	5	70 - 11
L30869	1E20	30	40 - 25	L39302	1G13	23	50 - 5	L53840	1I16	2	70 - 9
L30960	1D24	15	40 - 9B	L39810	1J20	2	70 - 39	L53840	1I17	4	70 - 11
L31016	1H24	2	60 - 10	L39810	1J20	10	70 - 39	L55064	1E22	23	40 - 27
L31055	1G24	6	50 - 15	L39810	1J24	1	70 - 43	L55064	1E24	23	40 - 27B
L31311	1G25	10	50 - 16	L39810	1J24	9	70 - 43	L55066	1E22	17	40 - 27
L31667	2B2	1	80 - 12	L39810	1J24	10	70 - 43	L55066	1E24	17	40 - 27B
L31667	2B2	2	80 - 12	L39881	1J8	1	70 - 27	L55204	1J2	20	70 - 21
L31667	2B2	7	80 - 12	L4027T	1G24	4	50 - 15	L55204	1J4	5	70 - 23
L31689	2B2	1	80 - 12	L4035T	1G24	5	50 - 15	L55213	1G13	17	50 - 5
L31689	2B2	2	80 - 12	L40438	1G16	1B	50 - 6	L55214	1G13	13	50 - 5
L31696	1H17	42	60 - 3	L40438	1G16	2	50 - 6	L55214	1G15	3	50 - 5B
L31697	1H17	42	60 - 3	L40446	1G16	2	50 - 6	L55215	1G13	15	50 - 5
L31698	1H17	42	60 - 3	L40914	1I14	1	70 - 7	L55215	1G15	6	50 - 5B
L31727	2B25	8	90 - 5	L41081	1E22	15	40 - 27	L55216	1G13	19	50 - 5
L31727	2C2	23	90 - 7	L41081	1E24	15	40 - 27B	L55223	1J8	9	70 - 27
L31730	2B25	9	90 - 5	L41296	1D22	20	40 - 9	L56083	1G15	4	50 - 5B
L31730	2C2	22	90 - 7	L41383	1J2	5	70 - 21	L56375	1G15	2	50 - 5B
L31731	2B25	19	90 - 5	L41383	1J2	15	70 - 21	L57595	1J17	9	70 - 36
L31731	2C2	15	90 - 7	L41384	1J2	5	70 - 21	L60631	1C10	2	30 - 1
L31750	2B11	20	80 - 21	L41384	1J2	14	70 - 21	L61554	2C2	12	90 - 7
L31754	1J20	10	70 - 39	L41387	1G14	6	50 - 5A	L62606	1I5	1	60 - 17
L31754	1J24	1	70 - 43	L41388	1G13	25	50 - 5	L64688	2B23	8	90 - 3
L31754	1J24	10	70 - 43	L41388	1G14	1	50 - 5A	L64688	2B25	3	90 - 5
L31849	1J16	7	70 - 35	L41388	1G15	1	50 - 5B	L64688	2C2	3	90 - 7
L31849	1J16	8	70 - 35	L41389	1G13	17	50 - 5	L65000	1F17	10	40 - 45
L31849	1J16	11	70 - 35	L41389	1G14	4	50 - 5A	L65058	1D24	15	40 - 9B
L31849	1J16	12	70 - 35	L41390	1G13	19	50 - 5	L65174	1D24	14	40 - 9B

# 1L15

830 UTILITY TRACTOR

## NUMERICAL INDEX - CONTINUED

PART NO.	GRID	KEY	PAGE	PART NO.	GRID	KEY	PAGE	PART NO.	GRID	KEY	PAGE
L77042	1D24	12	40-9B	RE13912	1H7	15	50-23	RE37996	1F1	4	40-30
M1102T	1G19	7	50-9	RE14069	1F1	5	40-30	RE38390	1D16	26	40-3
M1102T	1G24	15	50-15	RE15361	1K2	2	70-45	RE38390	1F1	6	40-30
M115827	1J12	12	70-31	RE15361	1K2	3	70-45	RE38390	1I23	12	70-18
M115827	1J13	6	70-32	RE15361	1K2	10	70-45	RE38391	1F2	7	40-30A
M1335T	1C12	15	30-3	RE15361	1K2	12	70-45	RE38570	1C6	24	20-43
M1339T	1D10	4	30-27	RE15361	1K3	10	70-47	RE38707	1F17	11	40-45
M1518T	2A21	5	80-5	RE15361	1K3	11	70-47	RE39061	1E1	9	40-10A
M2056T	1G22	15	50-13	RE15361	1K3	18	70-47	RE39065	1E2	5	40-10B
M2057T	1G22	15	50-13	RE15361	1K3	20	70-47	RE39829	1J17	14	70-36
M2058T	1G22	15	50-13	RE15381	1B19	6	20-31	RE39830	1J17	14	70-36
M2206T	1H12	13	50-29	RE16149	1B11	23	20-21	RE41287	1F2	7	40-30A
M2282T	2A21	12	80-5	RE16564	2C10	7	90-15	RE41748	1E22	20	40-27
M2283T	2A21	13	80-5	RE16564	2C10	7A	90-15	RE41748	1E22	22	40-27
M2353T	1H1	3	50-17	RE17282	1F20	10	40-48	RE41748	1E24	20	40-27B
M2396T	1J5	3	70-24	RE17282	1F21	14	40-49	RE41748	1E24	22	40-27B
M2396T	1J8	6	70-27	RE17515	1C12	13	30-3	RE42730	1D16	9	40-3
M3119T	1C17	5	30-8	RE17831	1B13	7	20-23	RE42730	1D25	2	40-10
M3265T	1J2	19	70-21	RE18116	1G25	15	50-16	RE42730	1E1	..	40-10A
M3265T	1J4	4	70-23	RE18646	1G24	26	50-15	RE42730	1E12	..	40-19
M3636T	1E24	34	40-27B	RE19031	1A24	9	20-9	RE42730	1E14	..	40-21
M3742T	1D10	7	30-27	RE19031	1A24	10	20-9	RE42730	1E15	4	40-22
M3853T	1B18	14	20-29	RE19187	1D16	9	40-3	RE42730	1E17	10	40-22C
M3853T	1B19	2	20-31	RE19187	1D25	2	40-10	RE42730	1E18	..	40-23
M41029	1B11	8	20-21	RE19187	1D25	3	40-10	RE42993	1F2	10	40-30A
M4224T	1G9	13	50-3	RE19187	1D25	4	40-10	RE43025	1F17	17	40-45
M43835	1F25	2	40-53	RE19187	1D25	5	40-10	RE46317	1F17	11	40-45
M48997	1I9	12	70-2	RE19187	1D25	6	40-10	RE46414	1F17	12	40-45
M63440	2B11	10	80-21	RE19187	1E1	..	40-10A	RE49984	1E17	4	40-22C
M80373	1G16	10	50-6	RE19187	1E12	..	40-19	RE49985	1E17	7	40-22C
M89028	1I9	12	70-2	RE19187	1E14	..	40-21	RE49986	1E17	8	40-22C
N102039	1A22	9	20-7	RE19187	1E15	4	40-22	RE50095	1D16	9	40-3
N115096	1F25	11	40-53	RE19187	1E17	10	40-22C	RE50095	1D25	2	40-10
N186901	1J17	9	70-36	RE19187	1E18	..	40-23	RE50095	1E12	30	40-19
N52048	2A23	11	80-8	RE19188	1E14	18	40-21	RE50095	1E15	4	40-22
PM797NA	1G5	1	40-58	RE19189	1E14	10	40-21	RE50095	1E17	10	40-22C
PT1294	1F7	7	40-35	RE19191	1E12	18	40-19	RE50096	1E15	3	40-22
PT1296	1F7	14	40-35	RE19192	1E12	19	40-19	RE50096	1E17	3	40-22C
PT1624	1F7	5	40-35	RE19193	1E6	12	40-13	RE56309	1A22	11	20-7
PT18180	1F7	5	40-35	RE19193	1E12	4	40-19	RE62690	1D16	9	40-3
PT9318	1F7	7	40-35	RE19505	1B22	1	20-35	RE62916	1D16	9	40-3
PT9319	1F7	5	40-35	RE19733	1B15	6	20-25	RE62916	1D25	2	40-10
PT9320	1F7	17	40-35	RE19733	1B15	7	20-25	RE62916	1E4	1	40-11
PT9321	1F7	25	40-35	RE19842	1B9	1	20-19	RE62916	1E6	..	40-13
PT9390	1F7	6	40-35	RE19842	1B11	61	20-21	RE62916	1E8	20	40-15
P42337	1B6	2	20-15	RE19944	1B21	1	20-33	RE62916	1E8	..	40-15
P46051	1J10	11	70-29	RE21073	1F17	17	40-45	RE62916	1E12	..	40-19
P48093	2B11	21	80-21	RE21076	1B11	13	20-21	RE62916	1E14	20	40-21
P48093	2C8	5	90-13	RE21096	1F17	11	40-45	RE62916	1E14	..	40-21
RE10596	1D11	6	30-28	RE21112	1F19	3	40-47	RE62916	1E15	4	40-22
RE10800	1H21	1	60-7	RE21113	1F19	10	40-47	RE62916	1E17	10	40-22C
RE11156	1G2	36	40-55	RE21510	1F17	20	40-45	RW26466	1F17	20	40-45
RE11157	1G2	37	40-55	RE21730	1G4	5	40-57	R100380	1E1	4	40-10A
RE11447	1K10	9	70-55	RE21731	1G4	5	40-57	R10093	1B8	29	20-17
RE11456	1K10	2	70-55	RE21732	1G4	6	40-57	R10093	1J2	23	70-21
RE11457	1K10	1	70-55	RE21738	1F19	15	40-47	R10093	1J4	3	70-23
RE11458	1K10	2	70-55	RE22589	1F19	2	40-47	R10093	1J4	7	70-23
RE11463	1K10	2	70-55	RE23182	1A20	..	20-5	R10093	1J7	15	70-26
RE12715	1F15	9	40-43	RE24175	1E18	4	40-23	R10184	1D11	9	30-28
RE12842	1A20	..	20-5	RE24561	1C18	16	30-9	R10185	1D11	8	30-28
RE13088	1C25	25	30-17	RE24959	1B13	7	20-23	R105942	1F17	10	40-45
RE13089	1J17	14	70-36	RE26739	1J14	6	70-33	R109863	1B6	2	20-15
RE13090	1J17	14	70-36	RE26740	1J14	6	70-33	R11039	1E10	19	40-17
RE13431	1C23	15	30-15	RE30174	1C18	16	30-9	R11066	1E10	9	40-17
RE13517	1C21	4	30-12	RE32024	1F21	8	40-49	R11066	1E18	3	40-23
RE13517	1C21	8	30-12	RE32025	1F21	4	40-49	R11087	1E8	18	40-15
RE13912	1H6	1	50-22	RE33636	1C18	16	30-9	R11095	1E6	5	40-13

# 1L16

830 UTILITY TRACTOR

## NUMERICAL INDEX - CONTINUED

PART NO.	GRID	KEY	PAGE	PART NO.	GRID	KEY	PAGE	PART NO.	GRID	KEY	PAGE
R11096	1E6	1	40 - 13	R26375	1J4	15	70 - 23	R27346	1C20	13	30 - 11
R11116	1E6	7	40 - 13	R26375	1K2	18	70 - 45	R27426	1K7	10	70 - 51
R11116	1E12	26	40 - 19	R26375	1K4	2	70 - 48	R27430	1K2	14	70 - 45
R11117	1E6	8	40 - 13	R26375	1K10	4	70 - 55	R27430	1K3	5	70 - 47
R11117	1E12	27	40 - 19	R26409	1D16	31	40 - 3	R27448	1I22	15	70 - 17
R11118	1E12	21	40 - 19	R26418	2C8	12	90 - 13	R27449	1I22	16	70 - 17
R11194	1E10	12	40 - 17	R26448	1F1	2	40 - 30	R27460	1F4	10	40 - 32
R11198	1E10	3	40 - 17	R26448	1H21	9	60 - 7	R27460	1F5	2	40 - 33
R11235	1E6	29	40 - 13	R26448	1I16	9	70 - 9	R27460	1F5	5	40 - 33
R11236	1E8	21	40 - 15	R26448	1I17	9	70 - 11	R27474	1I24	9	70 - 19
R11236	1E14	19	40 - 21	R26448	1I19	7	70 - 13	R27490	1I5	30	60 - 17
R11238	1E8	3	40 - 15	R26448	1I19	14	70 - 13	R27527	1I2	23	60 - 13
R11239	1E8	8	40 - 15	R26448	1I20	12	70 - 14	R27528	1I2	27	60 - 13
R11243	1E8	1	40 - 15	R26448	1I23	1	70 - 18	R27539	1I16	22	70 - 9
R11278	1F15	1	40 - 43	R26448	1I23	14	70 - 18	R27539	1I16	24	70 - 9
R112922	1E17	6	40 - 22C	R26448	1J2	9	70 - 21	R27539	1I19	16	70 - 13
R112923	1E17	5	40 - 22C	R26448	1J4	12	70 - 23	R27539	1I19	17	70 - 13
R112926	1E17	9	40 - 22C	R26448	1J4	13	70 - 23	R27649	1J6	12	70 - 25
R120106	1F17	10	40 - 45	R26480	1K7	26	70 - 51	R27888	2B11	20	80 - 21
R120107	1F17	10	40 - 45	R26485	1K2	4	70 - 45	R28006	1K2	13	70 - 45
R120108	1F17	10	40 - 45	R26485	1K3	12	70 - 47	R28006	1K3	6	70 - 47
R120111	2B17	4	80 - 27	R26493	1B8	13	20 - 17	R28040	1B23	13	20 - 36
R125754	1B11	9	20 - 21	R26493	1B11	29	20 - 21	R28084	1K2	9	70 - 45
R1590R	1G19	20	50 - 9	R26501	1D10	11	30 - 27	R28084	1K3	3	70 - 47
R1662R	1I16	20	70 - 9	R26524	1D9	15	30 - 26	R28084	1K3	17	70 - 47
R1662R	1I19	11	70 - 13	R26552	1G19	17	50 - 9	R28085	1K2	10	70 - 45
R1680R	1G9	12	50 - 3	R26552	1G24	24	50 - 15	R28085	1K3	2	70 - 47
R1870R	1G20	16	50 - 10	R26552	1H5	12	50 - 21	R28085	1K3	18	70 - 47
R1888R	1H10	21	50 - 27	R26552	1H10	12	50 - 27	R28204	1K2	11	70 - 45
R20135	1H17	33	60 - 3	R26637	1D9	7	30 - 26	R28493	2B4	2	80 - 14
R20135	1H21	18	60 - 7	R26650	1B8	14	20 - 17	R28538	1I16	22	70 - 9
R21302	2B6	2	80 - 16	R26650	1B11	30	20 - 21	R28538	1I19	17	70 - 13
R21612	1H14	4	50 - 31	R26656	1H1	6	50 - 17	R28539	1I16	24	70 - 9
R21722	1K10	1	70 - 55	R26726	1C18	2	30 - 9	R28539	1I19	16	70 - 13
R21722	1K10	2	70 - 55	R26727	1H12	2	50 - 29	R28583	1C18	5	30 - 9
R26006	1H14	21	50 - 31	R26858	2B11	24	80 - 21	R28584	1C18	4	30 - 9
R26125	1A24	20	20 - 9	R26863	1J6	1	70 - 25	R28776	1H4	2	50 - 20
R26125	1B2	5	20 - 11	R26906	1H8	7	50 - 25	R28776	1H4	3	50 - 20
R26149	1C18	11	30 - 9	R26906	1I2	6	60 - 13	R28776	1H5	3	50 - 21
R26149	1G11	6	50 - 3B	R26906	1I3	3	60 - 14	R28794	1C10	2	30 - 1
R26149	1H8	13	50 - 25	R26906	1I21	13	70 - 15	R29936	1G24	2	50 - 15
R26286	1J2	17	70 - 21	R26906	1I24	10	70 - 19	R29936	1G24	8	50 - 15
R26286	1J4	8	70 - 23	R26919	1G9	11	50 - 3	R29936	1I2	8	60 - 13
R26287	1C20	8	30 - 11	R26936	2C8	11	90 - 13	R29936	1I3	5	60 - 14
R26287	1H14	6	50 - 31	R27003	1G19	15	50 - 9	R30181	1F4	8	40 - 32
R26287	1I2	24	60 - 13	R27003	1H5	10	50 - 21	R30182	1F3	1	40 - 31
R26287	1I3	1	60 - 14	R27095	1I17	23	70 - 11	R30182	1F4	1	40 - 32
R26287	1I10	10	70 - 3	R27149	1J8	16	70 - 27	R30378	1G2	43	40 - 55
R26287	1I16	34	70 - 9	R27175	1G9	24	50 - 3	R30399	1H12	28	50 - 29
R26287	1I17	1	70 - 11	R27175	1G19	22	50 - 9	R30437	1J7	16	70 - 26
R26287	1I17	6	70 - 11	R27181	1C19	7	30 - 10	R30587	1H3	11	50 - 19
R26287	1I19	3	70 - 13	R27216	1H14	5	50 - 31	R30587	1H8	2	50 - 25
R26287	1I19	15	70 - 13	R27216	1I17	7	70 - 11	R30815	1K10	5	70 - 55
R26287	1I22	11	70 - 17	R27216	1I22	12	70 - 17	R30816	1K10	7	70 - 55
R26287	1I23	15	70 - 18	R27216	1I23	16	70 - 18	R30817	1K10	6	70 - 55
R26287	1I24	7	70 - 19	R27216	1I24	3	70 - 19	R30958	1H1	9	50 - 17
R26375	1G9	1	50 - 3	R27218	1I10	10	70 - 3	R31136	1J2	22	70 - 21
R26375	1G9	18	50 - 3	R27218	1I17	1	70 - 11	R31136	1J4	6	70 - 23
R26375	1H17	11	60 - 3	R27218	1I19	15	70 - 13	R31250	1F3	1	40 - 31
R26375	1I2	13	60 - 13	R27218	1I23	1	70 - 18	R31250	1F4	1	40 - 32
R26375	1I3	8	60 - 14	R27218	1J2	12	70 - 21	R31278	1I22	3	70 - 17
R26375	1I16	28	70 - 9	R27237	1I22	8	70 - 17	R31631	1H14	5	50 - 31
R26375	1I19	4	70 - 13	R27237	1K2	19	70 - 45	R31631	1I22	12	70 - 17
R26375	1I21	19	70 - 15	R27285	1C6	4	20 - 43	R31631	1I23	16	70 - 18
R26375	1I22	4	70 - 17	R27285	1C21	1	30 - 12	R31631	1I24	3	70 - 19
R26375	1I24	1	70 - 19	R27320	1H19	8	60 - 5	R31654	1I17	16	70 - 11
R26375	1J2	15	70 - 21	R27329	1H6	5	50 - 22	R31698	1G19	26	50 - 9

# 1L17

830 UTILITY TRACTOR

## NUMERICAL INDEX - CONTINUED

PART NO.	GRID	KEY	PAGE	PART NO.	GRID	KEY	PAGE	PART NO.	GRID	KEY	PAGE
R31892	1F3	5	40 - 31	R35684	1H19	38	60 - 5	R44302	1D11	5	30 - 28
R32007	1F21	1	40 - 49	R36265	1D16	26	40 - 3	R44302	1D16	11	40 - 3
R32007	1F21	4	40 - 49	R36265	1F1	6	40 - 30	R44302	1E1	6	40 - 10A
R32007	1F21	6	40 - 49	R36265	1I23	12	70 - 18	R44302	1E2	3	40 - 10B
R32007	1F21	8	40 - 49	R36402	1J14	2	70 - 33	R44302	1E15	2	40 - 22
R32011	1F23	1	40 - 51	R36658	1K10	3	70 - 55	R44302	1E17	2	40 - 22C
R32016	1F4	4	40 - 32	R36659	1K10	3	70 - 55	R44302	1F1	1	40 - 30
R32016	1F23	10	40 - 51	R36757	1C14	..	30 - 5	R44302	1F2	1	40 - 30A
R32017	1F23	11	40 - 51	R36946	1K3	21	70 - 47	R44302	1F7	24	40 - 35
R32018	1F2	8	40 - 30A	R375R	1G9	10	50 - 3	R44302	1F19	1	40 - 47
R32018	1F9	5	40 - 37	R375R	1H8	9	50 - 25	R44302	1F21	11	40 - 49
R32018	1F21	6	40 - 49	R38358	1C16	18	30 - 7	R44302	2C11	..	90 - 16
R32018	1F21	8	40 - 49	R38371	1F8	3	40 - 36	R44302	2C12	..	90 - 17
R32018	1F23	12	40 - 51	R38372	1D19	6	40 - 6	R44342	1F11	10	40 - 39
R32019	1F23	13	40 - 51	R38537	1K7	27	70 - 51	R44361	1H12	6	50 - 29
R32021	1F21	4	40 - 49	R39006	1K7	19	70 - 51	R44372	1H12	6	50 - 29
R32021	1F23	14	40 - 51	R39008	1K7	27	70 - 51	R44917	1J12	11	70 - 31
R32022	1F23	15	40 - 51	R39009	1K7	28	70 - 51	R45630	1K3	5	70 - 47
R32023	1F23	16	40 - 51	R39009	1K8	2	70 - 52	R45847	1F2	6	40 - 30A
R32024	1F9	5	40 - 37	R39012	1K7	37	70 - 51	R46162	1B13	13	20 - 23
R32024	1G4	3	40 - 57	R39013	1K7	33	70 - 51	R46414	1E1	8	40 - 10A
R32025	1G4	4	40 - 57	R39029	1K7	34	70 - 51	R46625	1B8	25	20 - 17
R32026	1F23	17	40 - 51	R39029	1K8	5	70 - 52	R46625	1B8	38	20 - 17
R32026	1G2	48	40 - 55	R39064	1K7	6	70 - 51	R46625	1B11	32	20 - 21
R32027	1F2	5	40 - 30A	R39090	1H10	13	50 - 27	R46675	1D6	7	30 - 23
R32027	1F9	5	40 - 37	R39112	1G9	1	50 - 3	R46675	1D8	6	30 - 25
R32027	1F21	4	40 - 49	R39112	1G9	17	50 - 3	R46905	1B16	7	20 - 27
R32027	1F21	8	40 - 49	R39112	1H17	10	60 - 3	R47076	2A23	3	80 - 8
R32027	1F23	18	40 - 51	R39112	1I2	14	60 - 13	R47249	1H1	11	50 - 17
R32028	1F23	19	40 - 51	R39112	1I22	5	70 - 17	R47292	2B17	14	80 - 27
R32029	1F23	20	40 - 51	R39112	1I24	2	70 - 19	R47292	2B19	6	80 - 29
R32306	1C18	10	30 - 9	R39171	1I21	14	70 - 15	R47292	2C4	7	90 - 9
R32353	1K2	7	70 - 45	R39224	1H8	4	50 - 25	R47345	1J6	10	70 - 25
R32353	1K3	15	70 - 47	R39244	1H8	6	50 - 25	R47358	1C20	4	30 - 11
R32354	1K2	3	70 - 45	R39249	1I16	8	70 - 9	R47474	1F8	5	40 - 36
R32354	1K3	11	70 - 47	R39249	1I17	10	70 - 11	R47513	1H1	16	50 - 17
R32355	1K2	2	70 - 45	R39294	1G19	27	50 - 9	R47514	1H1	13	50 - 17
R32355	1K3	10	70 - 47	R394R	1H10	3	50 - 27	R47731	1D6	8	30 - 23
R32356	1K2	1	70 - 45	R39613	1C19	2	30 - 10	R47732	1D6	5	30 - 23
R32356	1K3	9	70 - 47	R39615	1C19	4	30 - 10	R47733	1D6	4	30 - 23
R32419	1K2	23	70 - 45	R39739	2C15	3	90 - 20	R47733	1D8	4	30 - 25
R32419	1K3	8	70 - 47	R39741	1B8	8	20 - 17	R47734	1D6	6	30 - 23
R32507	1G24	9	50 - 15	R39741	1B11	59	20 - 21	R47831	1F6	5	40 - 34
R32507	1H10	7	50 - 27	R39796	1H10	1	50 - 27	R47862	1H14	29	50 - 31
R34063	1I16	11	70 - 9	R39886	1D6	9	30 - 23	R47998	1H17	2	60 - 3
R34063	1I17	22	70 - 11	R39985	1D9	6	30 - 26	R47998	1H19	2	60 - 5
R34063	1I19	25	70 - 13	R40147	1G19	28	50 - 9	R48000	1C6	21	20 - 43
R34394	1C18	13	30 - 9	R40235	1H8	12	50 - 25	R48000	1C7	7	20 - 44
R34395	1C18	12	30 - 9	R40791	1A22	2	20 - 7	R48000	1D6	12	30 - 23
R34399	1G20	12	50 - 10	R40983	1D9	6	30 - 26	R48000	1D8	13	30 - 25
R34656	1C19	21	30 - 10	R41041	1H8	18	50 - 25	R48071	1C20	7	30 - 11
R34733	1H10	10	50 - 27	R41412	1A24	21	20 - 9	R48139	2C4	12	90 - 9
R34760	1D6	16	30 - 23	R41412	1B2	4	20 - 11	R48139	2C6	6	90 - 11
R34760	1D8	15	30 - 25	R41439	1F2	2	40 - 30A	R48289	1H5	5	50 - 21
R34761	1D6	17	30 - 23	R41778	2C6	14	90 - 11	R48290	1G9	9	50 - 3
R34764	1C6	20	20 - 43	R41781	2B17	12	80 - 27	R48312	1G24	20	50 - 15
R34764	1C7	6	20 - 44	R41781	2B19	13	80 - 29	R48352	1F6	3	40 - 34
R34764	1D6	11	30 - 23	R41781	2C4	8	90 - 9	R48473	1F5	4	40 - 33
R34764	1D8	12	30 - 25	R41781	2C6	1	90 - 11	R48567	1C12	19	30 - 3
R34766	1C19	16	30 - 10	R42363	1B8	2	20 - 17	R48593	1J2	28	70 - 21
R34811	1D9	3	30 - 26	R42363	1G9	27	50 - 3	R48595	1J10	5	70 - 29
R34827	2C15	1	90 - 20	R42451	2B13	3	80 - 23	R48634	1C17	12	30 - 8
R35226	1H19	11	60 - 5	R42451	2B14	1	80 - 24	R48664	1F6	1	40 - 34
R35286	1I2	2	60 - 13	R42666	1F8	1	40 - 36	R48665	1F6	1	40 - 34
R35286	1I2	7	60 - 13	R42726	1C14	..	30 - 5	R48684	2C8	8	90 - 13
R35286	1I3	4	60 - 14	R43216	1J8	18	70 - 27	R48685	1B8	6	20 - 17
R35416	2B7	5	80 - 17	R44302	1C18	1	30 - 9	R48685	1B8	24	20 - 17

# 1L18

830 UTILITY TRACTOR

## NUMERICAL INDEX - CONTINUED

PART NO.	GRID	KEY	PAGE	PART NO.	GRID	KEY	PAGE	PART NO.	GRID	KEY	PAGE
R48685	1B11	54	20 - 21	R52789	1A22	11	20 - 7	R56481	1E22	34	40 - 27
R48685	1B11	56	20 - 21	R52789	1C6	1	20 - 43	R56501	1J2	5	70 - 21
R48685	1G19	6	50 - 9	R52789	1C7	8	20 - 44	R56514	1G17	1	50 - 7
R48716	1C25	18	30 - 17	R52924	2B9	2	80 - 19	R56525	1D18	4	40 - 5
R48767	1B16	3	20 - 27	R52989	1H17	9	60 - 3	R56526	1D18	8	40 - 5
R48768	1B11	18	20 - 21	R53169	1G19	30	50 - 9	R56615	1G19	1	50 - 9
R48887	1F25	17	40 - 53	R53218	1J20	11	70 - 39	R56736	1B8	35	20 - 17
R48922	1I21	2	70 - 15	R53218	1J24	13	70 - 43	R56822	2B14	4	80 - 24
R48997	1B21	11	20 - 33	R53223	1A22	13	20 - 7	R56902	2B17	13	80 - 27
R49065	2A16	12	80 - 2	R53382	1B18	9	20 - 29	R56902	2B19	1	80 - 29
R49065	2A17	14	80 - 3	R53382	1B18	12	20 - 29	R56920	2B5	3	80 - 15
R49066	2A16	12	80 - 2	R53790	1B8	3	20 - 17	R56920	2B6	5	80 - 16
R49066	2A17	14	80 - 3	R53802	1G19	14	50 - 9	R56921	2B5	2	80 - 15
R49067	2A16	12	80 - 2	R53802	1H5	9	50 - 21	R57025	1E12	16	40 - 19
R49067	2A17	14	80 - 3	R53815	1G24	10	50 - 15	R57027	1E14	8	40 - 21
R49266	1C21	2	30 - 12	R53817	1G24	8	50 - 15	R57028	1E14	4	40 - 21
R49296	1F6	1	40 - 34	R53818	1G24	6	50 - 15	R57029	1E12	1	40 - 19
R49352	1K7	36	70 - 51	R53858	1E4	11	40 - 11	R57059	1B18	2	20 - 29
R495R	1A22	14	20 - 7	R53858	1E20	5	40 - 25	R57059	1B18	7	20 - 29
R495R	1I2	9	60 - 13	R54189	1G11	2	50 - 3B	R57119	1C10	6	30 - 1
R495R	1I3	7	60 - 14	R54189	1G24	32	50 - 15	R57119	1C10	12	30 - 1
R495R	1I5	13	60 - 17	R54195	2B7	11	80 - 17	R57258	1C20	4	30 - 11
R495R	1K2	5	70 - 45	R54271	1D9	2	30 - 26	R57292	1H19	33	60 - 5
R495R	1K3	13	70 - 47	R54273	1J7	2	70 - 26	R57293	1H19	34	60 - 5
R49514	1C6	3	20 - 43	R54274	1J22	6	70 - 41	R57332	1A24	17	20 - 9
R49524	2B11	14	80 - 21	R54275	1J22	1	70 - 41	R57333	1A24	18	20 - 9
R49648	1J2	24	70 - 21	R54275	1J24	25	70 - 43	R57334	1A24	17	20 - 9
R49665	1I2	1	60 - 13	R54380	1G21	9	50 - 11	R57335	1A24	18	20 - 9
R49855	2A16	1	80 - 2	R54565	1A24	6	20 - 9	R57336	1A24	17	20 - 9
R49855	2A16	7	80 - 2	R54565	1A24	14	20 - 9	R57337	1A24	18	20 - 9
R49980	1H19	18	60 - 5	R54575	1H19	28	60 - 5	R57696	1G20	16	50 - 10
R50034	1H25	5	60 - 11	R54576	1H19	26	60 - 5	R57696	1K7	16	70 - 51
R50110	1I2	20	60 - 13	R54614	1B18	16	20 - 29	R57959	1H8	6	50 - 25
R50507	2A22	3	80 - 6	R54614	1B19	3	20 - 31	R58262	1J12	11	70 - 31
R50557	1D19	6	40 - 6	R54615	1B19	5	20 - 31	R58661	1H8	4	50 - 25
R50703	1H24	3	60 - 10	R54802	1B8	15	20 - 17	R58685	1A22	10	20 - 7
R50704	1H24	4	60 - 10	R54802	1B11	14	20 - 21	R58686	1A22	10	20 - 7
R50864	1G24	7	50 - 15	R54969	1J2	26	70 - 21	R58686	1B2	8	20 - 11
R50864	1G25	8	50 - 16	R54972	2C14	1	90 - 19	R59032	1G24	18	50 - 15
R50879	1H25	4	60 - 11	R54998	1C20	2	30 - 11	R59082	1D11	6	30 - 28
R51112	1B15	2	20 - 25	R55100	1B8	25	20 - 17	R59176	1G24	19	50 - 15
R51117	1C2	17	20 - 39	R55213	2B11	19	80 - 21	R59297	1C23	17	30 - 15
R51251	1I20	10	70 - 14	R55299	1B8	29	20 - 17	R59297	1C23	20	30 - 15
R51258	1H21	27	60 - 7	R55396	1G9	8	50 - 3	R59298	1C23	18	30 - 15
R51260	1H19	23	60 - 5	R55602	2B5	2	80 - 15	R59298	1C23	20	30 - 15
R51262	1H19	27	60 - 5	R55647	1B11	11	20 - 21	R59519	2B11	14	80 - 21
R51500	1H3	7	50 - 19	R55721	1G20	7	50 - 10	R59633	1K2	11	70 - 45
R51501	1H4	7	50 - 20	R55721	1G22	6	50 - 13	R59633	1K3	1	70 - 47
R51516	1B4	21	20 - 13	R55722	1G22	10	50 - 13	R59633	1K3	19	70 - 47
R51615	2B7	12	80 - 17	R56012	1D19	19	40 - 6	R59915	1B6	15	20 - 15
R51615	2B7	17	80 - 17	R56026	1F9	3	40 - 37	R59985	2B7	12	80 - 17
R51680	2B9	3	80 - 19	R56026	1F11	23	40 - 39	R59985	2B7	17	80 - 17
R51681	2B9	8	80 - 19	R56309	1B2	8	20 - 11	R59991	2B11	19	80 - 21
R51731	1B11	9	20 - 21	R56410	1F9	4	40 - 37	R60035	1D18	6	40 - 5
R51734	1B2	1	20 - 11	R56410	1F11	21	40 - 39	R60123	1B23	2	20 - 36
R51799	1C25	10	30 - 17	R56455	1C12	5	30 - 3	R60123	1B23	10	20 - 36
R51821	2B17	3	80 - 27	R56455	1C13	7	30 - 4	R60124	1B23	1	20 - 36
R51832	1D2	27	30 - 19	R56463	1C6	18	20 - 43	R60124	1B23	2	20 - 36
R51833	1C24	9	30 - 16	R56463	1C7	5	20 - 44	R60368	1C25	11	30 - 17
R51895	1G19	18	50 - 9	R56467	2B17	7	80 - 27	R60368	1C25	12	30 - 17
R52251	1A24	17	20 - 9	R56467	2B19	2	80 - 29	R60370	1C25	11	30 - 17
R52252	1A24	18	20 - 9	R56468	2B17	6	80 - 27	R60370	1C25	12	30 - 17
R52260	2C4	1	90 - 9	R56468	2B19	9	80 - 29	R60371	1C25	11	30 - 17
R52261	2C4	1	90 - 9	R56473	1G22	11	50 - 13	R60371	1C25	12	30 - 17
R52650	1H19	29	60 - 5	R56481	1D25	10	40 - 10	R60556	1G24	21	50 - 15
R52651	1H19	24	60 - 5	R56481	1E4	33	40 - 11	R60722	1F13	9	40 - 41
R52653	1I17	11	70 - 11	R56481	1E20	41	40 - 25	R60745	1D6	17	30 - 23

# 1L19

830 UTILITY TRACTOR

## NUMERICAL INDEX - CONTINUED

PART NO.	GRID	KEY	PAGE	PART NO.	GRID	KEY	PAGE	PART NO.	GRID	KEY	PAGE
R60745	1D8	16	30 - 25	R66319	1F9	5	40 - 37	R72660	1D10	8	30 - 27
R60746	1D6	11	30 - 23	R66319	1F23	3	40 - 51	R72816	2B19	10	80 - 29
R61126	1J16	2	70 - 35	R66320	1F23	7	40 - 51	R72853	1F2	3	40 - 30A
R61133	1E10	10	40 - 17	R66320	1F25	24	40 - 53	R72967	1B8	25	20 - 17
R61145	1C23	16	30 - 15	R66321	1F23	6	40 - 51	R73139	1B8	25	20 - 17
R61145	1C23	19	30 - 15	R66321	1F25	24	40 - 53	R73139	1B8	39	20 - 17
R61145	1C23	20	30 - 15	R66821	1C20	4	30 - 11	R73139	1B11	31	20 - 21
R61460	1C2	3	20 - 39	R67027	2B11	19	80 - 21	R73140	1B8	40	20 - 17
R61775	1F20	7	40 - 48	R67035	1C3	1	20 - 40	R73140	1C6	17	20 - 43
R61776	1F20	3	40 - 48	R67336	1G21	7	50 - 11	R73290	1H7	11	50 - 23
R61871	1B18	10	20 - 29	R67341	1G20	26	50 - 10	R73443	1J5	14	70 - 24
R61932	1E8	2	40 - 15	R67779	1D6	10	30 - 23	R73933	1I2	15	60 - 13
R61932	1E14	12	40 - 21	R67779	1D8	11	30 - 25	R74194	1B15	7	20 - 25
R61934	1E14	13	40 - 21	R68277	2B17	9	80 - 27	R74242	1K5	1	70 - 49
R62147	1J22	6	70 - 41	R68277	2B19	3	80 - 29	R74243	1K5	2	70 - 49
R62148	1J22	1	70 - 41	R68281	1C19	15	30 - 10	R74244	1K5	3	70 - 49
R62372	1C2	17	20 - 39	R68281	1C19	22	30 - 10	R74246	1K5	4	70 - 49
R62981	1D8	8	30 - 25	R68281	1C23	1	30 - 15	R74354	1B18	11	20 - 29
R62982	1D8	10	30 - 25	R68281	1C23	32	30 - 15	R74354	1B19	6	20 - 31
R62984	1D8	7	30 - 25	R69260	1B4	10	20 - 13	R74354	1C6	19	20 - 43
R63247	2A19	9	80 - 3B	R69260	1C6	15	20 - 43	R74552	1B18	6	20 - 29
R63434	1B13	1	20 - 23	R69270	2B17	3	80 - 27	R74553	1B18	8	20 - 29
R63434	1B13	5	20 - 23	R69408	1J14	3	70 - 33	R75440	1G25	5	50 - 16
R63438	1G9	1	50 - 3	R69409	1J14	3	70 - 33	R75442	1G25	1	50 - 16
R63607	1H7	10	50 - 23	R69442	1D8	9	30 - 25	R75449	1G25	14	50 - 16
R63850	1H4	4	50 - 20	R69443	1D8	5	30 - 25	R75450	1G25	11	50 - 16
R64391	2B17	4	80 - 27	R69509	1H2	1	50 - 18	R75451	1G25	7	50 - 16
R64700	1F15	8	40 - 43	R69510	1H2	5	50 - 18	R75561	1G19	1	50 - 9
R64806	1G9	9	50 - 3	R69511	1H2	2	50 - 18	R75729	1A22	8	20 - 7
R65215	1B8	17	20 - 17	R69512	1H2	8	50 - 18	R75729	1C6	12	20 - 43
R65215	1B11	44	20 - 21	R69513	1H2	7	50 - 18	R75729	1C7	9	20 - 44
R65548	1J2	20	70 - 21	R69514	1H2	7	50 - 18	R75892	1B8	23	20 - 17
R65548	1J4	5	70 - 23	R69515	1H2	7	50 - 18	R75892	1B11	53	20 - 21
R65563	1G16	6	50 - 6	R69516	1H2	7	50 - 18	R75893	1B8	22	20 - 17
R65576	1G20	26	50 - 10	R69628	1H7	12	50 - 23	R75893	1B11	52	20 - 21
R65579	1G21	7	50 - 11	R69654	1H7	9	50 - 23	R76126	1B11	40	20 - 21
R65593	1F2	5	40 - 30A	R69655	1H7	4	50 - 23	R76341	2B17	3	80 - 27
R65593	1F2	8	40 - 30A	R69657	1H7	2	50 - 23	R76341	2B19	12	80 - 29
R65593	1F23	4	40 - 51	R70080	1J16	1	70 - 35	R76459	1K5	5	70 - 49
R65594	1F23	2	40 - 51	R70136	1G19	1	50 - 9	R76477	1E1	5	40 - 10A
R65595	1F23	21	40 - 51	R70150	1C10	10	30 - 1	R76477	1E2	4	40 - 10B
R65595	1F25	11	40 - 53	R70210	1G2	41	40 - 55	R76477	1F2	1	40 - 30A
R65596	1F23	22	40 - 51	R70211	1G2	40	40 - 55	R76477	1K5	6	70 - 49
R65597	1F23	23	40 - 51	R70212	1G2	41	40 - 55	R77126	1C6	16	20 - 43
R65598	1F23	24	40 - 51	R70213	1G2	40	40 - 55	R77126	1C23	30	30 - 15
R65599	1F2	5	40 - 30A	R70214	1G2	41	40 - 55	R77402	1D25	1	40 - 10
R65599	1F2	8	40 - 30A	R70215	1G2	40	40 - 55	R77420	2B19	4	80 - 29
R65599	1F23	25	40 - 51	R70216	1G2	41	40 - 55	R77456	1F25	27	40 - 53
R65600	1F21	1	40 - 49	R70217	1G2	40	40 - 55	R77457	1F25	29	40 - 53
R65600	1F23	26	40 - 51	R70218	1G2	41	40 - 55	R77458	1F25	28	40 - 53
R65601	1F23	27	40 - 51	R70219	1G2	40	40 - 55	R77459	1F25	28	40 - 53
R65602	1F23	28	40 - 51	R70220	1G2	50	40 - 55	R77460	1F25	28	40 - 53
R65602	1G2	49	40 - 55	R70221	1G2	39	40 - 55	R77461	1F25	28	40 - 53
R65603	1F23	29	40 - 51	R70222	1G2	38	40 - 55	R77462	1F25	25	40 - 53
R65604	1F23	30	40 - 51	R70227	2A17	3	80 - 3	R77463	1F25	30	40 - 53
R65605	1F23	31	40 - 51	R70227	2A17	12	80 - 3	R77464	1F25	26	40 - 53
R65606	1F23	32	40 - 51	R70227	2A19	8	80 - 3B	R77465	1F25	31	40 - 53
R65607	1F23	33	40 - 51	R70233	2A19	9	80 - 3B	R77466	1F25	33	40 - 53
R65607	1G2	46	40 - 55	R70268	1B8	2	20 - 17	R77467	1F25	34	40 - 53
R65608	1F23	5	40 - 51	R70268	1G9	27	50 - 3	R77468	1F25	32	40 - 53
R65609	1F23	8	40 - 51	R70483	1B13	8	20 - 23	R77469	1G2	35	40 - 55
R65610	1F23	9	40 - 51	R70483	1C6	2	20 - 43	R77470	1G2	45	40 - 55
R66069	1F15	2	40 - 43	R71387	1K10	2	70 - 55	R77471	1G2	45	40 - 55
R66197	1J8	18	70 - 27	R71696	1G9	1	50 - 3	R77472	1G2	45	40 - 55
R66197	1J11	3	70 - 30	R721R	1I24	4	70 - 19	R77473	1G2	45	40 - 55
R662R	1D10	8	30 - 27	R72653	1J5	3	70 - 24	R77474	1G2	44	40 - 55
R66319	1F4	4	40 - 32	R72653	1J8	6	70 - 27	R77475	1F25	13	40 - 53

# 1L20

830 UTILITY TRACTOR

## NUMERICAL INDEX - CONTINUED

PART NO.	GRID	KEY	PAGE	PART NO.	GRID	KEY	PAGE	PART NO.	GRID	KEY	PAGE
R77476	1F25	3	40-53	R81173	1E14	21	40-21	TY22465	1C4	4	20-41
R77477	1F25	4	40-53	R81174	1E12	3	40-19	TY22470	1C2	12	20-39
R77478	1F25	15	40-53	R81175	1E12	2	40-19	TY2615	2C14	7	90-19
R77479	1F25	5	40-53	R81176	1E12	11	40-19	TY3018	1K10	3	70-55
R77480	1F25	6	40-53	R81198	1E12	29	40-19	TY6092	1D16	5	40-3
R77481	1F25	7	40-53	R81275	1C6	6	20-43	TY6092	1D18	9	40-5
R77482	1F25	8	40-53	R81275	1C7	2	20-44	TY6280	1A16	..	20-1
R77483	1F25	16	40-53	R81275	1C13	8	30-4	TY6297	1A16	..	20-1
R77484	1F25	19	40-53	R81424	2C6	19	90-11	TY6298	1A16	..	20-1
R77485	1F25	21	40-53	R81513	1A24	1	20-9	TY6300	1A16	..	20-1
R77486	1F25	22	40-53	R81513	1A24	23	20-9	TY6301	1A16	..	20-1
R77487	1F25	23	40-53	R81513	1B9	1	20-19	TY6304	2C17	1	90-22
R77488	1G2	51	40-55	R81513	1B11	61	20-21	TY6305	2C17	1	90-22
R77489	1F19	13	40-47	R81516	1A24	1	20-9	TY6311	1A16	..	20-1
R77489	1G2	51	40-55	R81516	1A24	23	20-9	TY6312	1A16	..	20-1
R77490	1G2	51	40-55	R82236	1F17	16	40-45	TY6313	1A16	..	20-1
R77491	1G2	54	40-55	R82237	1F17	14	40-45	TY6359	1A16	..	20-1
R77492	1G2	54	40-55	R82238	1F17	15	40-45	TY6360	1A16	..	20-1
R77493	1G2	51	40-55	R82239	1F17	13	40-45	TY6361	1A16	..	20-1
R77494	1G2	55	40-55	R82243	1F17	18	40-45	TY6605	1D16	2	40-3
R77495	1G2	52	40-55	R82355	1F17	4	40-45	TY6605	1D19	1	40-6
R77496	1G2	52	40-55	R82423	1F19	8	40-47	TY6605	1D20	..	40-7
R77497	1G2	53	40-55	R82425	2B17	3	80-27	TY6615	1D16	9	40-3
R77498	1F25	24	40-53	R82425	2B19	12	80-29	TY6615	1D25	2	40-10
R77499	1F25	24	40-53	R82819	1A24	1	20-9	TY6615	1E20	1	40-25
R77500	1F20	8	40-48	R82819	1A24	23	20-9	TY6620	1D16	9	40-3
R77500	1F25	24	40-53	R82819	1B11	1	20-21	TY6620	1D25	2	40-10
R77501	1F25	24	40-53	R82873	1A29	2	30-10	TY6620	1E1	..	40-10A
R77502	1G2	56	40-55	R82896	1A24	15	20-9	TY6651	1D16	2	40-3
R77503	1G2	56	40-55	R83055	1F19	9	40-47	TY6651	1D19	1	40-6
R77511	2C10	5	90-15	R83103	2B17	4	80-27	TY6651	1D20	..	40-7
R78249	1G25	9	50-16	R83109	1F19	11	40-47	TY6652	1D16	2	40-3
R78366	1C6	15	20-43	R83169	1B4	21	20-13	TY6690	1E6	20	40-13
R79015	1C23	11	30-15	R84158	1F19	13	40-47	TY6690	1E10	1	40-17
R79015	1D5	1	30-22	R87527	2B17	12	80-27	TY6690	1E10	11	40-17
R79015	1D5	3	30-22	R87527	2B19	13	80-29	TY6690	1E10	..	40-17
R79089	1B8	18	20-17	R87527	2C4	8	90-9	TY6702	1D16	9	40-3
R79089	1B11	43	20-21	R87527	2C6	1	90-11	TY6702	1D25	2	40-10
R79541	1D4	10	30-21	R87529	2B17	3	80-27	TY6702	1E1	..	40-10A
R79604	1D6	2	30-23	R87529	2B19	12	80-29	TY6702	1E6	..	40-13
R79604	1D8	2	30-25	R87627	1C6	18	20-43	TY6702	1E8	20	40-15
R79605	1D6	1	30-23	R87627	1C7	5	20-44	TY6702	1E8	..	40-15
R79605	1D8	1	30-25	R88316	2B5	2	80-15	TY6702	1E12	..	40-19
R79623	1A24	17	20-9	R90648	1B8	25	20-17	TY6702	1E14	20	40-21
R79623	1B2	7	20-11	R90648	1B8	40	20-17	TY6702	1E14	..	40-21
R79624	1A24	18	20-9	R90648	1B11	25	20-21	TY6720	1D16	9	40-3
R79624	1B2	6	20-11	R90648	1C6	17	20-43	TY6720	1D25	2	40-10
R79625	1A24	18	20-9	R90658	1C6	5	20-43	TY6720	1E2	..	40-10B
R79626	1A24	18	20-9	R90658	1C7	1	20-44	TY6720	1E20	1	40-25
R79627	1A24	18	20-9	R91749	2B7	5	80-17	TY6727	1D16	9	40-3
R79628	1A24	17	20-9	R93219	1G4	7	40-57	TY6727	1D25	2	40-10
R79629	1A24	17	20-9	R93220	1G4	7	40-57	TY6727	1E2	..	40-10B
R79630	1A24	17	20-9	R93221	1G4	7	40-57	TY6727	1E4	1	40-11
R80033	1B11	12	20-21	R93222	1G4	7	40-57	TY6727	1E22	1	40-27
R80033	1B15	7	20-25	R97356	1A22	11	20-7	TY6727	1E24	1	40-27B
R80324	1K2	23	70-45	R97356	1C6	24	20-43	TY6791	1D22	1	40-9
R80324	1K3	8	70-47	R98915	1H14	7	50-31	TY8311	2C17	1	90-22
R80408	1B11	61	20-21	TY15263	1F7	26	40-35	TY9305	1F7	26	40-35
R80839	1G25	11	50-16	TY15435	2C17	1	90-22	TY9370	2C17	1	90-22
R80840	1G25	12	50-16	TY15941	2C17	1	90-22	TY9371	2C17	1	90-22
R80841	1G25	13	50-16	TY15969	2C17	1	90-22	TY9374	2C17	1	90-22
R81167	1E14	14	40-21	TY16055	1F7	26	40-35	TY9375	2C17	1	90-22
R81168	1E14	11	40-21	TY21517	2C17	1	90-22	T10510	2A17	16	80-3
R81169	1E14	9	40-21	TY21730	1D16	5	40-3	T10510	2A23	8	80-8
R81170	1E14	7	40-21	TY21730	1D18	9	40-5	T11234	1C2	1	20-39
R81171	1E14	15	40-21	TY22465	1B23	5	20-36	T11292	1C18	3	30-9
R81172	1E12	20	40-19	TY22465	1B24	3	20-37	T11292	1H17	41	60-3



# 1L21

830 UTILITY TRACTOR

## NUMERICAL INDEX - CONTINUED

PART NO.	GRID	KEY	PAGE	PART NO.	GRID	KEY	PAGE	PART NO.	GRID	KEY	PAGE
T11292	1H21	26	60 - 7	T16911	1I23	12	70 - 18	T20089	1B13	5	20 - 23
T11672	1E6	14	40 - 13	T17058	1E6	15	40 - 13	T20091	1B18	17	20 - 29
T11672	1E12	5	40 - 19	T17058	1E12	12	40 - 19	T20091	1B19	4	20 - 31
T11675	1E6	19	40 - 13	T17148	1H17	5	60 - 3	T20094	1B6	10	20 - 15
T11680	1E8	22	40 - 15	T17148	1H19	5	60 - 5	T20094	1B11	49	20 - 21
T11680	1E14	23	40 - 21	T17882	1G19	9	50 - 9	T20098	1B12	9	20 - 22
T118949	1H3	8	50 - 19	T17882	1J4	1	70 - 23	T20111	1A22	8	20 - 7
T118949	1H3	9	50 - 19	T17951	1I5	30	60 - 17	T20129	1A24	19	20 - 9
T118950	1H3	8	50 - 19	T17987	1E6	13	40 - 13	T20141	1C15	1	30 - 6
T118950	1H3	9	50 - 19	T18105	1E10	8	40 - 17	T20141	1C16	5	30 - 7
T12083	1G9	6	50 - 3	T18113	1E6	17	40 - 13	T20155	1B4	2	20 - 13
T12250	1C3	2	20 - 40	T18113	1E12	9	40 - 19	T20155	1C6	9	20 - 43
T12688	2A23	11	80 - 8	T18145	2C11	5	90 - 16	T20159	1C6	6	20 - 43
T12839	1I9	12	70 - 2	T18354	1E10	4	40 - 17	T20159	1C7	2	20 - 44
T13119	1H8	15	50 - 25	T18718	1H12	26	50 - 29	T20159	1C13	8	30 - 4
T13119	1J4	5	70 - 23	T18891	1B8	12	20 - 17	T20166	1B8	37	20 - 17
T13213	1B12	8	20 - 22	T18891	1B11	28	20 - 21	T20166	1B11	21	20 - 21
T13213	1C6	23	20 - 43	T18891	1G19	8	50 - 9	T20168	1A22	12	20 - 7
T13325	1H12	23	50 - 29	T18891	1H4	5	50 - 20	T20168	1B8	19	20 - 17
T13331	1H12	18	50 - 29	T18996	1H12	28	50 - 29	T20168	1B11	42	20 - 21
T13332	1H12	18	50 - 29	T19044	1B8	26	20 - 17	T20168	1G9	31	50 - 3
T13333	1H12	18	50 - 29	T19044	1D12	1	30 - 29	T20168	1G19	35	50 - 9
T13341	1H12	6	50 - 29	T19178	1F4	13	40 - 32	T20168	1I5	10	60 - 17
T134452	1D25	1	40 - 10	T19178	1F5	6	40 - 33	T20176	1A24	21	20 - 9
T134453	1D25	1	40 - 10	T19179	1F3	7	40 - 31	T20176	1B2	4	20 - 11
T134454	1D25	1	40 - 10	T19179	1F4	14	40 - 32	T20202	1D19	2	40 - 6
T134455	1D25	1	40 - 10	T19179	1F6	6	40 - 34	T20204	1B21	22	20 - 33
T134456	1D25	1	40 - 10	T19242	1G20	4	50 - 10	T20204	1D19	12	40 - 6
T134459	1D25	1	40 - 10	T19245	1G20	5	50 - 10	T20215	1C4	8	20 - 41
T13471	1H12	19	50 - 29	T19293	2B4	3	80 - 14	T20215	1C6	7	20 - 43
T13555	1H19	42	60 - 5	T19566	1A20	..	20 - 5	T20215	1C7	3	20 - 44
T13744	1D16	27	40 - 3	T19569	1E6	31	40 - 13	T20217	1B6	16	20 - 15
T14500	2C8	2	90 - 13	T19589	1E6	30	40 - 13	T20219	1C4	5	20 - 41
T146102	1D25	1	40 - 10	T19604	1E10	6	40 - 17	T20219	1C6	8	20 - 43
T146102	1E1	1	40 - 10A	T19606	1E10	2	40 - 17	T20219	1C7	4	20 - 44
T146102	1E2	1	40 - 10B	T19606	1E10	5	40 - 17	T20243	1B21	2	20 - 33
T146102	1E15	1	40 - 22	T19638	2B3	2	80 - 13	T20243	1C6	13	20 - 43
T146102	1E17	1	40 - 22C	T19651	1B21	10	20 - 33	T20252	1C15	2	30 - 6
T146102	2B19	11	80 - 29	T19651	1C4	1	20 - 41	T20257	1C15	6	30 - 6
T146104	1D25	1	40 - 10	T19651	1C4	2	20 - 41	T20270	1B21	1	20 - 33
T146104	1E1	10	40 - 10A	T19978	1C16	3	30 - 7	T20270	1B21	3	20 - 33
T146104	1E2	6	40 - 10B	T20006	1C6	5	20 - 43	T20271	1B21	4	20 - 33
T146104	1E15	1	40 - 22	T20006	1C7	1	20 - 44	T20272	1B4	14	20 - 13
T146104	1E17	1	40 - 22C	T20006	1C15	3	30 - 6	T20273	1B4	15	20 - 13
T146106	1D25	1	40 - 10	T20009	1B15	7	20 - 25	T20273	1C6	14	20 - 43
T146106	1E1	10	40 - 10A	T20015	1A24	1	20 - 9	T20277	1C4	3	20 - 41
T146106	1E2	6	40 - 10B	T20015	1A24	23	20 - 9	T20294	1B4	3	20 - 13
T146106	1E15	1	40 - 22	T20016	1A24	1	20 - 9	T20295	1B8	35	20 - 17
T146106	1E17	1	40 - 22C	T20016	1A24	23	20 - 9	T20298	1B18	21	20 - 29
T146515	1D25	1	40 - 10	T20034	1B6	4	20 - 15	T20304	1A24	24	20 - 9
T146515	1E1	10	40 - 10A	T20046	1B6	13	20 - 15	T20304	1C6	22	20 - 43
T146515	1E2	6	40 - 10B	T20050	1B18	22	20 - 29	T20310	1A24	15	20 - 9
T146515	1E15	1	40 - 22	T20055	1C23	21	30 - 15	T20314	1A24	8	20 - 9
T146515	1E17	1	40 - 22C	T20055	1C24	3	30 - 16	T20315	1A24	11	20 - 9
T146516	1D25	1	40 - 10	T20055	1D4	12	30 - 21	T20316	1A24	7	20 - 9
T146516	1E1	10	40 - 10A	T20070	1A24	4	20 - 9	T20328	1B4	4	20 - 13
T146516	1E2	6	40 - 10B	T20070	1B11	6	20 - 21	T20328	1C6	10	20 - 43
T146516	1E15	1	40 - 22	T20071	1A24	23	20 - 9	T20334	1B21	5	20 - 33
T146516	1E17	1	40 - 22C	T20072	1A24	2	20 - 9	T20336	1B4	5	20 - 13
T146517	1D25	1	40 - 10	T20072	1B11	4	20 - 21	T20336	1C6	11	20 - 43
T146517	1E1	10	40 - 10A	T20073	1A24	16	20 - 9	T20362	1B4	11	20 - 13
T146517	1E2	6	40 - 10B	T20073	1B11	2	20 - 21	T20364	1B4	10	20 - 13
T146517	1E15	1	40 - 22	T20074	1A22	1	20 - 7	T20364	1C6	15	20 - 43
T146517	1E17	1	40 - 22C	T20077	1A24	22	20 - 9	T20445	1B6	25	20 - 15
T15564	1E6	26	40 - 13	T20077	1B2	3	20 - 11	T21409	1H14	26	50 - 31
T15564	1E12	17	40 - 19	T20088	1B13	12	20 - 23	T21413	1H14	1	50 - 31
T16911	1F1	3	40 - 30	T20089	1B13	1	20 - 23	T21415	1H14	17	50 - 31

# 1L22

830 UTILITY TRACTOR

## NUMERICAL INDEX - CONTINUED

PART NO.	GRID	KEY	PAGE	PART NO.	GRID	KEY	PAGE	PART NO.	GRID	KEY	PAGE
T21419	1H14	7	50 - 31	T21659	1H21	12	60 - 7	T21992	1H5	7	50 - 21
T21423	1H14	25	50 - 31	T21667	1J16	2	70 - 35	T21997	1H1	8	50 - 17
T21424	1H14	19	50 - 31	T21669	2A16	8	80 - 2	T21998	1G16	2	50 - 6
T21427	1H14	23	50 - 31	T21669	2A17	6	80 - 3	T21999	1G13	7	50 - 5
T21428	1H14	1	50 - 31	T21669	2A19	7	80 - 3B	T22000	1G16	1A	50 - 6
T21428	1H14	2	50 - 31	T21671	1J16	4	70 - 35	T22000	1G16	2	50 - 6
T21429	1H14	11	50 - 31	T21672	1J16	11	70 - 35	T22069	1H1	14	50 - 17
T21430	1H3	6	50 - 19	T21677	1J16	17	70 - 35	T22069	1H2	6	50 - 18
T21433	1H3	2	50 - 19	T21679	1J13	11	70 - 32	T22080	1H1	19	50 - 17
T21434	1H3	3	50 - 19	T21680	1J8	13	70 - 27	T22085	2C8	3	90 - 13
T21435	1H3	3	50 - 19	T21681	1J8	2	70 - 27	T22086	2C8	18	90 - 13
T21436	1H3	3	50 - 19	T21685	1J12	1	70 - 31	T22087	2C8	16	90 - 13
T21442	1G21	10	50 - 11	T21687	1C2	14	20 - 39	T22088	2C8	15	90 - 13
T21443	1G21	10	50 - 11	T21688	2B5	3	80 - 15	T22100	1I2	15	60 - 13
T21444	1G21	10	50 - 11	T21716	1H19	15	60 - 5	T22101	1I2	10	60 - 13
T21445	1G9	4	50 - 3	T21718	1H19	6	60 - 5	T22101	1I3	6	60 - 14
T21445	1H17	34	60 - 3	T21722	1H17	26	60 - 3	T22102	1H24	3	60 - 10
T21445	1H21	20	60 - 7	T21722	1H21	11	60 - 7	T22119	1J13	3	70 - 32
T21446	1G9	3	50 - 3	T21758	1J10	17	70 - 29	T22120	1J13	7	70 - 32
T21446	1G13	8	50 - 5	T21759	1J10	18	70 - 29	T22124	1J13	2	70 - 32
T21447	1G9	2	50 - 3	T21759	1J10	19	70 - 29	T22127	1H1	2	50 - 17
T21448	1G9	5	50 - 3	T21761	1F3	4	40 - 31	T22128	1G19	5	50 - 9
T21450	1G13	5	50 - 5	T21772	1I5	20	60 - 17	T22128	1H1	12	50 - 17
T21452	1G16	13	50 - 6	T21775	1I5	24	60 - 17	T22134	1D9	14	30 - 26
T21458	1H3	13	50 - 19	T21775	1I5	26	60 - 17	T22149	1D10	5	30 - 27
T21462	1J10	12	70 - 29	T21776	1I5	29	60 - 17	T22150	1D10	12	30 - 27
T21474	1J6	2	70 - 25	T21803	1H25	9	60 - 11	T22151	1D10	13	30 - 27
T21487	1J8	1	70 - 27	T21806	1I2	7	60 - 13	T22198	1G17	6	50 - 7
T21490	2B11	2	80 - 21	T21810	1I2	3	60 - 13	T22211	2C8	17	90 - 13
T21491	2B11	1	80 - 21	T21812	1I2	3	60 - 13	T22214	1H1	4	50 - 17
T21497	1J10	5	70 - 29	T21814	1I2	19	60 - 13	T22219	1G17	4	50 - 7
T21517	2A21	1	80 - 5	T21815	1I2	17	60 - 13	T22224	1J5	7	70 - 24
T21518	2A21	1	80 - 5	T21816	1I2	12	60 - 13	T22228	1J5	9	70 - 24
T21527	1H17	36	60 - 3	T21817	1I2	16	60 - 13	T22229	1J5	8	70 - 24
T21527	1H21	21	60 - 7	T21827	1G9	16	50 - 3	T22232	1J5	5	70 - 24
T21528	1H17	15	60 - 3	T21828	1F14	2	40 - 42	T22234	1H1	5	50 - 17
T21528	1H21	2	60 - 7	T21831	1H3	10	50 - 19	T22239	1D9	12	30 - 26
T21539	2A21	15	80 - 5	T21840	1H4	8	50 - 20	T22240	1D9	18	30 - 26
T21540	2B7	7	80 - 17	T21841	1H4	6	50 - 20	T22240	1D10	14	30 - 27
T21558	1J10	9	70 - 29	T21863	2B11	9	80 - 21	T22241	1D9	20	30 - 26
T21559	1J10	8	70 - 29	T21864	2B11	8	80 - 21	T22243	1K2	20	70 - 45
T21562	1G19	2	50 - 9	T21865	2B11	7	80 - 21	T22244	1K2	24	70 - 45
T21564	1I24	20	70 - 19	T21866	1H17	25	60 - 3	T22260	1H17	7	60 - 3
T21571	2B13	5	80 - 23	T21876	1H3	9	50 - 19	T22260	1H19	7	60 - 5
T21576	1I5	2	60 - 17	T21885	1H14	20	50 - 31	T22260	1H19	9	60 - 5
T21577	1I5	35	60 - 17	T21886	1H14	18	50 - 31	T22318	1J6	1	70 - 25
T21579	1I5	18	60 - 17	T21887	1D16	6	40 - 3	T22319	1J6	6	70 - 25
T21587	1I5	7	60 - 17	T21887	1D18	15	40 - 5	T22375	2B7	4	80 - 17
T21588	1I5	8	60 - 17	T21901	1J10	1	70 - 29	T22376	1C2	11	20 - 39
T21594	1I5	3	60 - 17	T21903	1J10	16	70 - 29	T22381	1C2	16	20 - 39
T21595	1I5	1	60 - 17	T21913	1J16	18	70 - 35	T22381	2B7	6	80 - 17
T21596	1I5	34	60 - 17	T21937	1G19	11	50 - 9	T22394	2C8	8	90 - 13
T21602	1G24	21	50 - 15	T21941	2A16	1	80 - 2	T22399	1J10	13	70 - 29
T21603	1G24	17	50 - 15	T21941	2A16	7	80 - 2	T22435	1G24	20	50 - 15
T21615	1I24	11	70 - 19	T21955	1J8	10	70 - 27	T22465	1I24	16	70 - 19
T21620	1H14	9	50 - 31	T21956	1J6	5	70 - 25	T22469	1J2	4	70 - 21
T21630	1I23	1	70 - 18	T21964	1G20	8	50 - 10	T22470	1J7	14	70 - 26
T21630	1I23	3	70 - 18	T21964	1G22	7	50 - 13	T22471	1I23	9	70 - 18
T21631	1I23	1	70 - 18	T21965	1G22	14	50 - 13	T22473	1J5	12	70 - 24
T21631	1I23	2	70 - 18	T21969	1G20	2	50 - 10	T22474	1I24	13	70 - 19
T21631	1I24	18	70 - 19	T21970	1G20	9	50 - 10	T22480	1H17	8	60 - 3
T21638	1J2	11	70 - 21	T21970	1G22	8	50 - 13	T22481	1H17	6	60 - 3
T21641	1I23	17	70 - 18	T21975	1G22	5	50 - 13	T22482	1H17	19	60 - 3
T21653	2B8	1	80 - 18	T21976	1G22	9	50 - 13	T22495	1C2	3	20 - 39
T21654	2B8	2	80 - 18	T21977	1G22	12	50 - 13	T22500	1C2	20	20 - 39
T21655	1H19	41	60 - 5	T21980	1G21	1	50 - 11	T22520	2B13	4	80 - 23
T21659	1H17	27	60 - 3	T21981	1G20	6	50 - 10	T22522	1F3	6	40 - 31

# 1L23

830 UTILITY TRACTOR

## NUMERICAL INDEX - CONTINUED

PART NO.	GRID	KEY	PAGE	PART NO.	GRID	KEY	PAGE	PART NO.	GRID	KEY	PAGE
T22526	1H17	24	60-3	T23229	2A17	13	80-3	T24553	1C24	23	30-16
T22527	1H17	21	60-3	T23245	1C18	6	30-9	T24553	1D4	7	30-21
T22529	1G16	3	50-6	T23247	2C8	10	90-13	T24556	1C25	5	30-17
T22534	1C18	7	30-9	T23262	1C12	12	30-3	T24557	1C25	6	30-17
T22569	1G9	12	50-3	T23426	1I22	6	70-17	T24558	1C25	7	30-17
T22570	1D18	3	40-5	T23435	1B8	27	20-17	T24559	1C25	8	30-17
T22645	2C4	11	90-9	T23435	1B11	15	20-21	T24562	1C25	13	30-17
T22645	2C6	5	90-11	T23442	1C23	31	30-15	T24564	1C25	11	30-17
T22690	1H14	27	50-31	T23468	1A24	6	20-9	T24564	1C25	12	30-17
T22690	2A24	1	80-9	T23468	1A24	14	20-9	T24564	1C25	21	30-17
T22698	1D9	4	30-26	T23469	1A24	14	20-9	T24568	1C25	16	30-17
T22705	2B13	6	80-23	T23471	1B15	5	20-25	T24569	1C25	15	30-17
T22706	2B13	6	80-23	T23474	1B8	20	20-17	T24574	1D2	28	30-19
T22714	1J10	19	70-29	T23474	1B11	41	20-21	T24575	1D2	29	30-19
T22728	1G24	3	50-15	T23481	1B15	4	20-25	T24576	1D2	34	30-19
T22728	1H10	14	50-27	T23481	1B16	2	20-27	T24586	1D2	33	30-19
T22736	1G24	28	50-15	T23482	1B15	3	20-25	T24588	1D2	17	30-19
T22769	1C6	3	20-43	T23516	1B11	50	20-21	T24589	1D2	7	30-19
T22823	1H19	10	60-5	T23521	1A24	10	20-9	T24589	1D2	16	30-19
T22824	1H19	12	60-5	T23534	1C2	13	20-39	T24590	1D2	12	30-19
T22825	1H19	13	60-5	T23590	1B13	3	20-23	T24594	1D2	35	30-19
T22848	1J16	13	70-35	T23596	1B13	8	20-23	T24595	1D2	30	30-19
T22851	1G9	19	50-3	T23596	1C6	2	20-43	T24596	1D2	31	30-19
T22851	1G11	4	50-3B	T23604	1B6	12	20-15	T24597	1D2	10	30-19
T22851	1H8	11	50-25	T23614	1B4	6	20-13	T24598	1D2	13	30-19
T22852	1H10	17	50-27	T23620	1C4	9	20-41	T24599	1D2	11	30-19
T22853	1G19	24	50-9	T23628	1B21	1	20-33	T24599	1D4	11	30-21
T22854	1G19	31	50-9	T23628	1B21	15	20-33	T24600	1D2	2	30-19
T22858	1G9	7	50-3	T23670	1B8	16	20-17	T24600	1D4	10	30-21
T22862	1H8	8	50-25	T23671	1B8	16	20-17	T24602	1D2	3	30-19
T22864	2B7	15	80-17	T23753	1I21	16	70-15	T24604	1D2	8	30-19
T22865	1J7	13	70-26	T23755	1J22	13	70-41	T24605	1D2	6	30-19
T22867	1J2	14	70-21	T23758	1J8	15	70-27	T24606	1D2	5	30-19
T22874	1H3	1	50-19	T23759	1J8	14	70-27	T24607	1C23	11	30-15
T22875	1H17	1	60-3	T24151	1A22	7	20-7	T24607	1D5	1	30-22
T22875	1H19	1	60-5	T24160	2B7	10	80-17	T24608	1C23	12	30-15
T22876	1I24	15	70-19	T24169	1J5	14	70-24	T24608	1D5	2	30-22
T22877	1J7	11	70-26	T24170	1J5	15	70-24	T24609	1D5	20	30-22
T22898	1G9	15	50-3	T24171	1J5	13	70-24	T24610	1D5	18	30-22
T22934	1G21	7	50-11	T24173	1I22	2	70-17	T24611	1D5	17	30-22
T22974	1H10	23	50-27	T24181	1J5	16	70-24	T24614	1D5	12	30-22
T22984	1G21	11	50-11	T24225	1E20	23	40-25	T24617	1D5	5	30-22
T22984	1H10	19	50-27	T24226	1E20	24	40-25	T24618	1D5	6	30-22
T22998	1H12	20	50-29	T24382	1H3	12	50-19	T24619	1D4	4	30-21
T22999	1H12	11	50-29	T24382	1H3	15	50-19	T24619	1D5	4	30-22
T23000	1H12	10	50-29	T24460	1C23	30	30-15	T24620	1D5	3	30-22
T23027	2C10	13	90-15	T24472	1D6	13	30-23	T24621	1D5	15	30-22
T23027	2C10	20	90-15	T24485	1J2	21	70-21	T24622	1D4	3	30-21
T23033	2C10	18	90-15	T24522	1H4	4	50-20	T24622	1D5	11	30-22
T23035	2C10	1	90-15	T24534	1B12	1	20-22	T24623	1C24	6	30-16
T23050	1G24	1	50-15	T24534	1C6	3	20-43	T24625	1C24	7	30-16
T23059	1I16	13	70-9	T24539	1E6	9	40-13	T24626	1C24	12	30-16
T23059	1I19	22	70-13	T24539	1E12	28	40-19	T24627	1C24	13	30-16
T23062	1G17	3	50-7	T24540	1J2	25	70-21	T24627	1D4	14	30-21
T23118	2A16	1	80-2	T24541	1C24	1	30-16	T24628	1C24	10	30-16
T23118	2A17	3	80-3	T24542	1C23	24	30-15	T24629	1C24	10	30-16
T23118	2B7	8	80-17	T24543	1C23	23	30-15	T24630	1C24	10	30-16
T23170	2A16	15	80-2	T24543	1D4	8	30-21	T24631	1C24	10	30-16
T23170	2A17	2	80-3	T24544	1C23	26	30-15	T24632	1C24	16	30-16
T23170	2A19	4	80-3B	T24545	1C24	3	30-16	T24633	1C24	21	30-16
T23200	1I16	30	70-9	T24546	1C25	1	30-17	T24634	1C24	15	30-16
T23216	1J8	11	70-27	T24548	1D4	1	30-21	T24634	1D4	16	30-21
T23225	1H25	4	60-11	T24548	1D5	21	30-22	T24635	1C24	17	30-16
T23228	2A16	12	80-2	T24549	1D4	2	30-21	T24636	1C24	18	30-16
T23228	2A17	14	80-3	T24549	1D5	19	30-22	T24637	1C24	5	30-16
T23228	2A19	10	80-3B	T24550	1C24	22	30-16	T24637	1D4	13	30-21
T23229	2A16	11	80-2	T24552	1C24	24	30-16	T24638	1C24	2	30-16

# 1L24

830 UTILITY TRACTOR

## NUMERICAL INDEX - CONTINUED

PART NO.	GRID	KEY	PAGE	PART NO.	GRID	KEY	PAGE	PART NO.	GRID	KEY	PAGE
T24647	1D2	4	30 - 19	T25781	1116	16	70 - 9	T26904	1124	12	70 - 19
T24647	1D4	9	30 - 21	T25781	1117	18	70 - 11	T26904	1J6	1	70 - 25
T24649	1C24	14	30 - 16	T25782	1116	17	70 - 9	T26929	2B7	3	80 - 17
T24650	1C24	8	30 - 16	T25782	1117	20	70 - 11	T26938	1124	6	70 - 19
T24650	1C24	11	30 - 16	T25783	1116	21	70 - 9	T26939	1124	5	70 - 19
T24650	1D4	15	30 - 21	T25783	1119	12	70 - 13	T27136	1J12	9	70 - 31
T24651	1C24	19	30 - 16	T25789	1121	12	70 - 15	T27136	1J12	10	70 - 31
T24651	1D4	17	30 - 21	T25791	1122	14	70 - 17	T27178	1G13	6	50 - 5
T24652	1C24	20	30 - 16	T25792	1122	7	70 - 17	T27256	1C18	1	30 - 9
T24652	1C25	22	30 - 17	T25793	1122	6	70 - 17	T27258	1123	11	70 - 18
T24656	1C25	4	30 - 17	T25794	1J8	18	70 - 27	T27260	1123	13	70 - 18
T24657	1D5	8	30 - 22	T25795	1J8	17	70 - 27	T27260	1J4	12	70 - 23
T24658	1D5	13	30 - 22	T25802	1J22	4	70 - 41	T27261	1B21	8	20 - 33
T24662	1D5	9	30 - 22	T25803	1J22	7	70 - 41	T27349	1D9	22	30 - 26
T24663	1D5	10	30 - 22	T25804	1J22	8	70 - 41	T27409	1H19	22	60 - 5
T24690	1J8	5	70 - 27	T25809	2A23	1	80 - 8	T27429	1H4	1	50 - 20
T24691	1G20	13	50 - 10	T25809	2A23	3	80 - 8	T27430	1H4	14	50 - 20
T24726	1G20	1	50 - 10	T25822	1J10	4	70 - 29	T27511	2B2	4	80 - 12
T24728	1G20	26	50 - 10	T25823	1J10	14	70 - 29	T27540	2C8	4	90 - 13
T24729	1G19	4	50 - 9	T25828	1J11	3	70 - 30	T27544	1H5	2	50 - 21
T24729	1G20	14	50 - 10	T25835	1J10	14	70 - 29	T27645	2B23	13	90 - 3
T24730	1G20	7	50 - 10	T25836	1J10	4	70 - 29	T27645	2B25	47	90 - 5
T24730	1G22	6	50 - 13	T25840	2A16	9	80 - 2	T27645	2C2	6	90 - 7
T24731	1G22	10	50 - 13	T25840	2A17	7	80 - 3	T27657	1B4	17	20 - 13
T24732	1G20	3	50 - 10	T25840	2A19	12	80 - 3B	T27658	1B4	20	20 - 13
T24734	1G22	11	50 - 13	T25879	1J14	4	70 - 33	T27658	1B11	60	20 - 21
T24736	1G20	18	50 - 10	T25899	2B17	11	80 - 27	T27670	1E4	20	40 - 11
T24737	1G20	21	50 - 10	T25901	2A22	6	80 - 6	T27671	1E4	26	40 - 11
T24844	1C17	6	30 - 8	T25921	2A16	5	80 - 2	T27671	1E20	12	40 - 25
T24917	1G22	18	50 - 13	T25921	2A17	9	80 - 3	T27716	1G19	16	50 - 9
T24965	1B8	40	20 - 17	T25921	2A19	14	80 - 3B	T27716	1G24	23	50 - 15
T24965	1C6	17	20 - 43	T25922	2A16	6	80 - 2	T27716	1H5	11	50 - 21
T24999	1G19	26	50 - 9	T25922	2A17	8	80 - 3	T27759	1C25	5	30 - 17
T25285	115	32	60 - 17	T25922	2A19	13	80 - 3B	T27761	1C25	2	30 - 17
T25291	2B11	4	80 - 21	T26043	1C2	15	20 - 39	T27761	1D4	5	30 - 21
T25317	1G21	9	50 - 11	T26058	1C23	10	30 - 15	T27762	1D2	1	30 - 19
T25323	1H19	36	60 - 5	T26153	2C6	11	90 - 11	T27764	1C23	4	30 - 15
T25324	1H19	40	60 - 5	T26197	1G24	19	50 - 15	T27765	1C23	3	30 - 15
T25325	1H19	33	60 - 5	T26198	1G16	4	50 - 6	T27969	1J16	3	70 - 35
T25326	1H19	35	60 - 5	T26321	1B6	19	20 - 15	T27986	1C13	3	30 - 4
T25327	1H19	32	60 - 5	T26323	1B6	2	20 - 15	T28030	1C23	7	30 - 15
T25329	1H19	17	60 - 5	T26323	1B11	35	20 - 21	T28041	1A24	5	20 - 9
T25332	1H19	21	60 - 5	T26324	1B6	1	20 - 15	T28041	1B11	3	20 - 21
T25333	1H19	20	60 - 5	T26324	1B11	34	20 - 21	T28221	1G13	17	50 - 5
T25334	1H19	20	60 - 5	T26325	1B6	18	20 - 15	T28222	1G13	15	50 - 5
T25335	1H19	30	60 - 5	T26325	1B11	38	20 - 21	T28224	1G13	19	50 - 5
T25336	1H19	39	60 - 5	T26326	1B6	6	20 - 15	T28225	1G13	18	50 - 5
T25337	1H17	15	60 - 3	T26326	1B11	36	20 - 21	T28226	1G13	16	50 - 5
T25337	1H21	2	60 - 7	T26327	1B6	7	20 - 15	T28230	1G13	13	50 - 5
T25341	2B5	3	80 - 15	T26327	1B11	37	20 - 21	T28231	1G13	14	50 - 5
T25366	1B6	15	20 - 15	T26337	1H5	8	50 - 21	T28272	1H17	31	60 - 3
T25367	2C8	7	90 - 13	T26379	1C19	15	30 - 10	T28272	1H21	16	60 - 7
T25397	1G11	1	50 - 3B	T26430	1G9	21	50 - 3	T28362	1J6	9	70 - 25
T25400	1G19	1	50 - 9	T26431	1G9	23	50 - 3	T28433	1B13	1	20 - 23
T25408	1G9	33	50 - 3	T26435	1G19	36	50 - 9	T28433	1B13	5	20 - 23
T25418	1H8	14	50 - 25	T26435	1116	29	70 - 9	T28435	1B13	5	20 - 23
T25614	1G24	16	50 - 15	T26437	1120	9	70 - 14	T28537	1J2	26	70 - 21
T25614	1H5	6	50 - 21	T26437	1121	3	70 - 15	T28538	1J2	27	70 - 21
T25667	2C4	2	90 - 9	T26440	1K2	25	70 - 45	T28551	1J8	9	70 - 27
T25701	1B8	11	20 - 17	T26565	1B6	8	20 - 15	T28583	1F23	34	40 - 51
T25701	1B11	26	20 - 21	T26565	1B11	47	20 - 21	T28583	1F25	1	40 - 53
T25703	2B15	1	80 - 25	T26565	1B13	2	20 - 23	T28585	1F23	35	40 - 51
T25741	1H19	13	60 - 5	T26565	1G19	3	50 - 9	T28585	1F25	12	40 - 53
T25774	119	1	70 - 2	T26601	1E12	23	40 - 19	T28586	1F25	14	40 - 53
T25775	119	8	70 - 2	T26625	1J7	9	70 - 26	T28676	1120	8	70 - 14
T25780	1116	3	70 - 9	T26626	1J7	8	70 - 26	T28676	1121	4	70 - 15
T25780	1117	8	70 - 11	T26870	1D6	10	30 - 23	T28680	1G24	27	50 - 15

# 1L25

830 UTILITY TRACTOR

## NUMERICAL INDEX - CONTINUED

PART NO.	GRID	KEY	PAGE	PART NO.	GRID	KEY	PAGE	PART NO.	GRID	KEY	PAGE
T28907	1H14	22	50 - 31	T31174	1D8	17	30 - 25	U40656	2C6	7	90 - 11
T28908	1H14	22	50 - 31	T31290	1H19	13	60 - 5	U46370	1F23	36	40 - 51
T29106	2A22	6	80 - 6	T31437	1F14	6	40 - 42	U46370	1F25	20	40 - 53
T29242	1H12	1	50 - 29	T31506	2B2	5	80 - 12	U46662	1F19	12	40 - 47
T29243	1H12	4	50 - 29	T31794	1G22	4	50 - 13	U46662	1F23	37	40 - 51
T29311	1J8	3	70 - 27	T32016	1J16	15	70 - 35	U46662	1F25	10	40 - 53
T29353	1G13	20	50 - 5	T32029	1C18	6	30 - 9	U46663	1F23	38	40 - 51
T29377	1B23	10	20 - 36	T32142	1G24	18	50 - 15	U46664	1F23	39	40 - 51
T29379	1B24	4	20 - 37	T32213	1A24	10	20 - 9	U46664	1G2	47	40 - 55
T29380	1B23	1	20 - 36	T32214	2B17	9	80 - 27	Z24798	1E4	6	40 - 11
T29384	1B23	6	20 - 36	T32340	1B16	1	20 - 27	Z24799	1E4	15	40 - 11
T29384	1B24	4	20 - 37	T32340	1B16	6	20 - 27	Z24799	1E20	20	40 - 25
T29385	1B23	7	20 - 36	T32343	1B11	17	20 - 21	Z24800	1E4	31	40 - 11
T29388	1B23	4	20 - 36	T32344	1B11	19	20 - 21	Z24800	1E20	3	40 - 25
T29388	1B24	2	20 - 37	T32413	2B13	11	80 - 23	Z24800	1E22	25	40 - 27
T29394	1H3	8	50 - 19	T32414	2B13	10	80 - 23	Z24801	1E4	20	40 - 11
T29539	1D6	1	30 - 23	T32488	1J10	15	70 - 29	Z24801	1E20	32	40 - 25
T29540	1D6	2	30 - 23	T33232	1C19	11	30 - 10	Z24810	1E4	17	40 - 11
T29561	1G21	10	50 - 11	T33279	1B8	10	20 - 17	Z24810	1E20	25	40 - 25
T29562	1G21	10	50 - 11	T33279	1B11	27	20 - 21	Z42047	1D22	24	40 - 9
T29646	1G13	22	50 - 5	T34067	1F25	18	40 - 53	Z42047	1D24	3	40 - 9B
T29647	1G13	24	50 - 5	T35675	1D9	1	30 - 26	Z42048	1D22	19	40 - 9
T29648	1G13	25	50 - 5	T36118	2A17	1	80 - 3	Z42049	1D22	12	40 - 9
T29649	1G13	11	50 - 5	T36118	2A17	3	80 - 3	1873796	1E12	24	40 - 19
T29650	1G13	12	50 - 5	T36118	2A17	12	80 - 3	400R	1G24	30	50 - 15
T29741	1D9	15	30 - 26	T36236	1G9	32	50 - 3	400R	1I2	18	60 - 13
T29892	1J17	9	70 - 36	T36482	1H21	10	60 - 7	400R	1K2	6	70 - 45
T29897	1J17	8	70 - 36	T366T	1F11	1	40 - 39	400R	1K3	14	70 - 47
T29899	1J17	8	70 - 36	T38063	1H24	2	60 - 10	820148	1E6	3	40 - 13
T29931	1J6	3	70 - 25	T39395	1F13	2	40 - 41	820149	1E6	4	40 - 13
T30065	1G20	10	50 - 10	T42381	1G17	4	50 - 7				
T30141	1G9	22	50 - 3	T43512	2C17	1	90 - 22				
T30276	1J18	2	70 - 37	T43513	2C17	1	90 - 22				
T30277	1J18	1	70 - 37	T43514	2C17	1	90 - 22				
T30525	1D11	3	30 - 28	T43515	2C17	1	90 - 22				
T30649	1C25	13	30 - 17	T44963	1G24	1	50 - 15				
T30650	1C25	20	30 - 17	T46728	1H24	2	60 - 10				
T30651	1C25	12	30 - 17	T48835	1D9	19	30 - 26				
T30652	1C25	11	30 - 17	T49189	1H25	9	60 - 11				
T30653	1C25	14	30 - 17	T497T	1H7	11	50 - 23				
T30653	1D4	6	30 - 21	T50467	1D10	13	30 - 27				
T30654	1C25	17	30 - 17	T64421	1C18	6	30 - 9				
T30664	1D2	14	30 - 19	T65880	2B19	7	80 - 29				
T30665	1D5	14	30 - 22	T71925	1H14	22	50 - 31				
T30666	1D5	7	30 - 22	T71926	1H14	22	50 - 31				
T30668	1C25	23	30 - 17	T736T	1E8	13	40 - 15				
T30669	1C25	24	30 - 17	T736T	1E14	5	40 - 21				
T30674	1C25	9	30 - 17	T738T	1E8	11	40 - 15				
T30687	1H25	14	60 - 11	T739T	1E8	9	40 - 15				
T30720	1B21	1	20 - 33	T740T	1E8	10	40 - 15				
T30720	1B21	14	20 - 33	T74703	1B24	7	20 - 37				
T30721	1B21	1	20 - 33	T77165	1D10	13	30 - 27				
T30721	1B21	15	20 - 33	T78593	1C18	1	30 - 9				
T30726	1B12	3	20 - 22	T79479	1C18	6	30 - 9				
T30738	1C20	14	30 - 11	T84409	1D25	1	40 - 10				
T30738	1C21	5	30 - 12	T84410	1D25	1	40 - 10				
T30747	1G9	1	50 - 3	T84411	1D25	1	40 - 10				
T30754	1H8	16	50 - 25	T84412	1D25	1	40 - 10				
T30772	2B17	8	80 - 27	T84413	1D25	1	40 - 10				
T30772	2B19	14	80 - 29	T84578	1D25	1	40 - 10				
T30791	1G17	1	50 - 7	U10289	1H19	31	60 - 5				
T30897	1B21	6	20 - 33	U10296	2A19	2	80 - 3B				
T30930	1J13	10	70 - 32	U11647	1K10	1	70 - 55				
T30991	2A16	5	80 - 2	U12331	1H19	37	60 - 5				
T30991	2A17	9	80 - 3	U13639	1B8	9	20 - 17				
T31134	1H25	5	60 - 11	U13639	1B11	58	20 - 21				
T31174	1D6	14	30 - 23	U40656	2C4	13	90 - 9				