

1A2

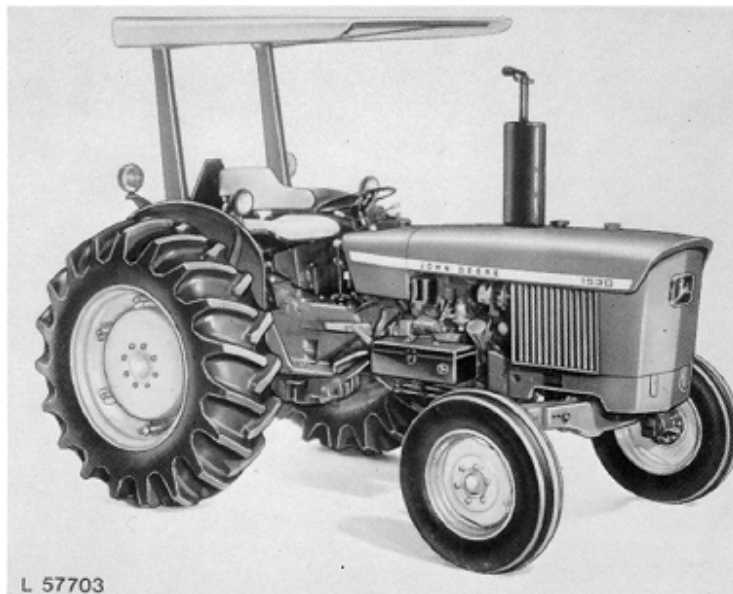
1530 TRACTOR

L57704 -UN-01JAN94



L 57704
JOHN DEERE 1530 TRACTOR EQUIPPED WITH ROLL-GARD

L57703 -UN-01JAN94



L 57703
*JOHN DEERE 1530 TRACTOR EQUIPPED WITH ROLL-GARD AND CANOPY
(SPECIFICATIONS AND DESIGN SUBJECT TO CHANGE WITHOUT NOTICE)*

COPYRIGHT (C) 1995. DEERE & COMPANY, MOLINE, ILLINOIS. ALL RIGHTS RESERVED.

1A3

1530 TRACTOR

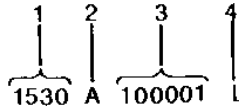
SERIAL NUMBERS

EACH 1530 TRACTOR HAS THE FOLLOWING SERIAL NUMBER PLATES: BASIC TRACTOR AND ENGINE.

TRACTOR SERIAL NUMBER

RWP5570 -UN-01JAN94

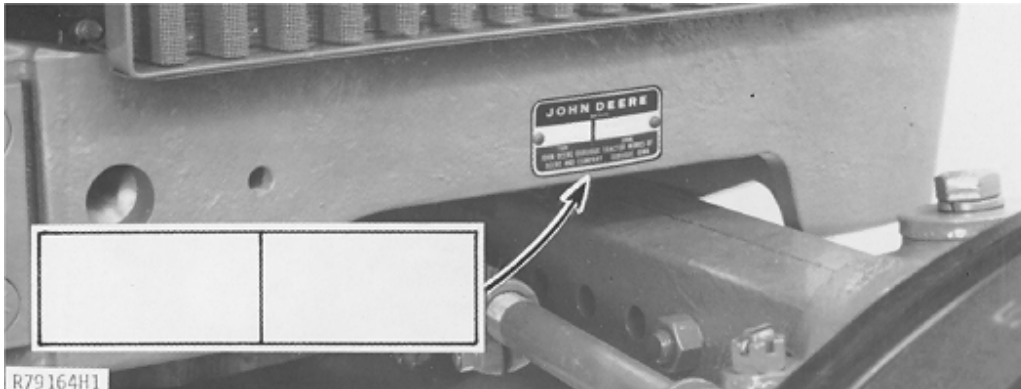
RWP5570



1. DESIGNATES TRACTOR MODEL
2. DESIGNATES TRANSMISSION TYPE
3. DESIGNATES TRACTOR SERIAL NUMBER
4. DESIGNATES TRACTOR MANUFACTURER

- 1530
A - COLLAR SHIFT
B - COLLAR SHIFT WITH HI-LO
L - JOHN DEERE WERKE MANNHEIM

R79164H1 -UN-01JAN94



THE BASIC TRACTOR SERIAL NUMBER PLATE IS LOCATED ON THE RIGHT SIDE OF THE FRONT SUPPORT ABOVE THE FRONT AXLE.

SHORT BLOCK SERIAL NUMBER

THE REPLACEMENT SHORT BLOCK ASSEMBLY HAS A SERIAL NUMBER PLATE ATTACHED. THE ORIGINAL ENGINE SERIAL NUMBER MUST BE STAMPED ONTO THE NEW PLATE IN THE BLANK SPACE PROVIDED. ATTACH THE PLATE WITH (2) 37H44 DRIVE SCREWS.

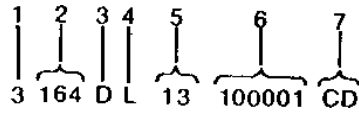
1A4

1530 TRACTOR

ENGINE SERIAL NUMBER

RWP5571 -UN-01JAN94

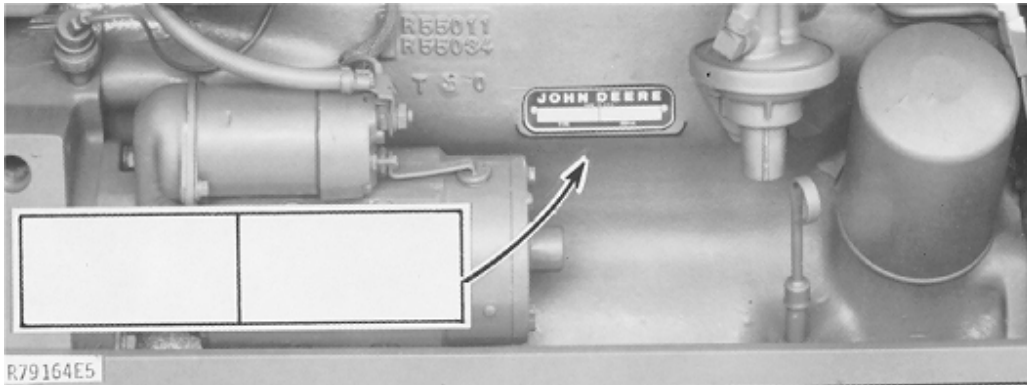
RWP5571



1. DESIGNATES NUMBER OF CYLINDERS
2. DESIGNATES CUBIC INCH DISPLACEMENT
3. DESIGNATES FUEL TYPE
4. DESIGNATES FACTORY USER
5. DESIGNATES VERSION
6. DESIGNATES ENGINE SERIAL NUMBER
7. DESIGNATES PRODUCING FACTORY

- 3
164
D - NATURALLY ASPIRATED
L - JOHN DEERE WERKE MANNHEIM
13 - THIRTEENTH
CD - JOHN DEERE SARAN

R79164E5 -UN-01JAN94



THE ENGINE SERIAL NUMBER PLATE IS LOCATED BELOW AND TO THE REAR OF THE FUEL PUMP MOUNTING BOSS ON THE LOWER RIGHT SIDE OF THE CYLINDER BLOCK.

1A6

1530 TRACTOR

DIRECTION ARROW

ARROWS ARE USED WITH ILLUSTRATIONS TO INDICATE THE FRONT OF THE UNIT. "RIGHT-HAND" AND "LEFT-HAND" SIDES ARE DETERMINED BY FACING IN THE DIRECTION OF MACHINE FORWARD TRAVEL.

BOX-ENCLOSED ILLUSTRATIONS

A KEY NUMBER, SHOWN IN THE PARTS LIST, IS ASSIGNED TO A BOX ENCLOSING ALL PARTS SOLD AS A SERVICE ASSEMBLY.

BOLT AND CAP SCREW STRENGTH IDENTIFICATION

U.S. CUSTOMARY DIMENSIONED PRODUCT: BOLTS AND CAP SCREWS REQUIRED TO HAVE HIGH-STRENGTH QUALITIES EQUIVALENT TO SAE GRADE 8 ARE IDENTIFIED THROUGHOUT THIS CATALOG BY THE DESCRIPTION HS SAE 8. ALL STANDARD BOLTS AND CAP SCREWS ARE SAE GRADE 5 OR LOWER.

METRIC DIMENSIONED PRODUCT: BOLTS AND CAP SCREWS REQUIRED TO HAVE HIGH-STRENGTH QUALITIES EQUIVALENT TO PROPERTY CLASS 10.9 ARE IDENTIFIED THROUGHOUT THIS CATALOG BY THE DESCRIPTION HS 10.9. ALL STANDARD BOLTS AND CAP SCREWS ARE PROPERTY CLASS 8.8 OR LOWER.

JDM REMANUFACTURED COMPONENTS

THE SERVICE PARTS LISTED IN THIS CATALOG ARE INTENDED FOR THE REPAIR OF ORIGINAL EQUIPMENT COMPONENTS. ALTHOUGH MOST SERVICE PARTS MAY BE USED TO REPAIR REMANUFACTURED COMPONENTS, THE REMANUFACTURING PROCESS MAY CHANGE PARTS SUFFICIENTLY SO THAT SERVICE PARTS ARE INADEQUATE OR NOT USABLE.

TRADEMARKS

THROUGHOUT THIS PARTS CATALOG, YOU WILL FIND THE FOLLOWING TRADEMARKS:

HYDRACUSHIONED™
PERSONAL-POSTURE™
QUAD-RANGE™
PERFORMANCE TRAK™ II

ROLL-GARD®
SOUND-GARD®
TORQ-GARD PLUS 50®
HY-GARD®
QUIK-TATCH®
LOCTITE®

CHANGE INDICATOR LINE (MICROFICHE CATALOGS ONLY)

CHANGES AFFECTING THE ORDERING OF PARTS ARE IDENTIFIED BY VERTICAL LINES MARKED IN THE LEFT-HAND MARGIN OF REVISED PARTS LISTING IMAGES. A LINE IS ALSO AT THE LEFT-HAND EDGE OF THE SAME PART NUMBER IN THE NUMERICAL INDEX TO SHOW THE LOCATION OF REVISED INFORMATION.

1A7

1530 TRACTOR

SECTION INDEX

GENERAL INFORMATION	10
ENGINE	20
FUEL AND AIR	30
ELECTRICAL	40
POWER TRAIN	50
STEERING AND BRAKES	60
HYDRAULICS	70
WHEELS, FRONT AXLES, SHEET METAL	80
OPERATOR'S STATION	90
NUMERICAL INDEX	95

1A8

1530 TRACTOR

ALPHABETICAL INDEX

GRID		PAGE	GRID		PAGE
A					
1E7	ACCELERATOR PEDAL	30-46	1E21	BRACKET, ALTERNATOR.....	40-7
2G5	ACCESSORY PARTS	90-22	2B25	BRACKET, CENTER LINK.....	70-30
2G6	ADHESIVE	90-23	2G4	BRACKET, FIRE EXTINGUISHER.....	90-21
1D8	ADVANCE PISTON, INJECTION PUMP.....	30-20	1G11	BRACKET, REAR LAMP	40-29
1C25	AID, COLD WEATHER STARTING.....	30-12	2G3	BRACKET, SLOW MOVING VEHICLE EMBLEM.....	90-20
1C17	AIR CLEANER	30-2	1G22	BRACKET,RADAR SENSOR	40-40
1E11	AIR CLEANER	30-50	1G10	BRACKETS, MOUNTING	40-28
1C16	AIR CLEANER CLEANING GUN.....	30-1	1I13	BRAKE BAND, POWER SHAFT	50-18
1E11	AIR CLEANER ELEMENT	30-50	1K18	BRAKE DISK	60-15
1G19	AIR CLEANER RESTRICTION INDICATOR.....	40-37	1I13	BRAKE OPERATING LEVER	50-18
1C17	AIR CLEANER VACUUM SWITCH	30-2	1K14	BRAKE PEDAL.....	60-10
1C17	AIR INTAKE	30-2	1K15	BRAKE VALVE.....	60-12
1C19	AIR INTAKE	30-4	1K17	BRAKE VALVE OVERHAUL KIT.....	60-14
1E21	ALTERNATOR	40-7	1I13	BRAKE, PTO	50-18
1E22	ALTERNATOR	40-8	2C24	BREAKAWAY COUPLER.....	70-52
1F1	ALTERNATOR	40-12	2D2	BREAKAWAY COUPLER KIT.....	70-55
1F2	ALTERNATOR	40-13	2C24	BREAKAWAY COUPLER LEVER	70-52
1F3	ALTERNATOR (55 AMP)	40-13A	2D3	BREAKAWAY COUPLER OVERHAUL KIT.....	70-56
1F5	ALTERNATOR (55A)	40-13C	2D1	BREAKAWAY COUPLER VALVE	70-54
1E24	ALTERNATOR PARTS.....	40-10	1G8	BREAKER, CIRCUIT	40-26
1E24	ALTERNATOR PULLEY.....	40-10	2D19	BULK FLEXIBLE OIL LINES	70-72
1G24	ANALOG TACHOMETER.....	40-42	C		
1I19	ARM, CLUTCH CONTROL VALVE	50-25	1E7	CABLE, ENGINE STOP	30-46
2B20	ARM, LOAD CONTROL	70-24	1G21	CABLE, TACHOMETER	40-39
1B3	ARM, ROCKER.....	20-8	1E15	CABLES, BATTERY	40-2
2B11	ARM, ROCKSHAFT CONTROL.....	70-16	1E17	CABLES, BATTERY	40-4
1K6	ARM, STEERING	60-2	1B3	CAMSHAFT.....	20-8
1K12	ARM, STEERING SHAFT (POWER).....	60-8	2F11	CANOPY	90-1
1F12	ARMATURE ASSEMBLY, STARTING MOTOR (DELCO-REMY)	40-18	2F14	CANOPY, ROLL-GARD	90-4
2A23	ASSEMBLY, HYDRAULIC PUMP, REPLACEMENT.....	70-5	1D1	CAP, FUEL	30-14
1H8	AUXILIARY ELECTRICAL OUTLET, 7-TERMINAL.....	40-51	1B5	CAP, MAIN BEARING	20-10
2E10	AXLE EXTENSION.....	80-15	1B18	CAP, OIL FILLER INLET	20-24
2E5	AXLE KNEE, SPINDLE AND KNUCKLE.....	80-11	2B10	CAP, OIL FILLER TRANSMISSION	70-15
2E4	AXLE KNEE, SPINDLE AND KNUCKLE (STRAIGHT FRONT AXLE).....	80-10	1C5	CAP, RADIATOR	20-36
1K3	AXLE, REAR.....	50-60	1C7	CAP, RADIATOR	20-38
2D22	AXLE, STRAIGHT ADJUSTABLE FRONT	80-2	1J21	CAPACITY, THRUST, IMPROVEMENT KIT	50-54
2D23	AXLE, STRAIGHT ADJUSTABLE FRONT	80-3	1J5	CASE, TRANSMISSION.....	50-36
2D24	AXLE, STRAIGHT ADJUSTABLE FRONT	80-4	2E18	CAST WHEEL WEIGHTS, REAR (PINION ADJUSTED AXLE 38").....	80-23
2E6	AXLE, STRAIGHT, TIE ROD ASSEMBLY (38" REAR TIRE)	80-12	2B25	CENTER LINK BRACKET	70-30
2E1	AXLE, SWEEP BACK ADJUSTABLE FRONT	80-7	2B22	CENTER LINK HOOK	70-26
2E2	AXLE, SWEEP BACK ADJUSTABLE FRONT	80-8	2B25	CENTER LINK, 3-POINT HITCH	70-30
2E7	AXLE, SWEEP BACK, TIE ROD ASSEMBLY.....	80-13	2C2	CENTER LINK, 3-POINT HITCH (TELESCOPING DRAFT LINKS).....	70-32
B					
1E17	BATTERY	40-4	2C13	CHAIN, IMPLEMENT SAFETY	70-41
1E15	BATTERY CABLES AND CLAMPS.....	40-2	2C17	CHECK VALVE, SELECTIVE CONTROL VALVE.....	70-45
1E17	BATTERY CABLES AND CLAMPS.....	40-4	1G8	CIRCUIT BREAKER	40-26
1B10	BEARING, MAIN.....	20-16	1I21	CLUTCH CONTROL VALVE	50-27
2D24	BELL CRANK, STEERING.....	80-4	1I20	CLUTCH CONTROL VALVE (HI-LO SHIFT).....	50-26
2E2	BELL CRANK, STEERING.....	80-8	1I22	CLUTCH CONTROL VALVE (INDEPENDENT PTO)	50-28
1K1	BELT PULLEY	50-58	1I19	CLUTCH CONTROL VALVE COVER AND ARM	50-25
1C1	BELT, FAN	20-32	1I17	CLUTCH DISK ASSEMBLY	50-22
2F12	BELT, SEAT	90-2	1I7	CLUTCH DISKS (INDEPENDENT PTO)	50-12
2F23	BELT, SEAT	90-15	1I12	CLUTCH DRUM AND DISKS (INDEPENDENT PTO)	50-17
1F21	BENDEX DRIVE, STARTING MOTOR	40-21G	1H21	CLUTCH HOUSING	50-2
1B5	BLOCK, CYLINDER	20-10	1I25	CLUTCH OIL LINES.....	50-31
1B7	BLOCK, SHORT	20-12	1I14	CLUTCH OIL MANIFOLD.....	50-19
2C10	BLOCK, SWAY	70-38	1J1	CLUTCH OIL MANIFOLD (INDEPENDENT PTO)	50-32
2D1	BODY, BREAKAWAY COUPLER	70-54	1I24	CLUTCH OIL MANIFOLD (LESS INDEPENDENT PTO).....	50-30
2F1	BRACE, FENDER.....	80-32	1H25	CLUTCH PEDAL.....	50-5
			1I1	CLUTCH PLATE	50-6
			1I10	CLUTCH REPAIR KIT, SINGLE-STAGE	50-15
			1I11	CLUTCH SHAFT.....	50-16

1A9

1530 TRACTOR

ALPHABETICAL INDEX - CONTINUED

GRID	PAGE	GRID	PAGE
1I1	CLUTCH, ENGINE		50-6
1I3	CLUTCH, ENGINE (DUAL)		50-8
1I7	CLUTCH, ENGINE (INDEPENDENT PTO)		50-12
1F14	COIL, STARTING MOTOR (DELCO-REMY)		40-20
1C25	COLD WEATHER STARTING AID		30-12
1A22	CONDITIONER, LIQUID COOLANT		20-5
1B14	CONNECTING ROD		20-20
2A22	CONNECTORS, HYDRAULIC PUMP		70-4
1H9	CONNECTORS,ELECTRICAL		40-52
1H11	CONNECTORS,ELECTRICAL		40-54
1H13	CONNECTORS,ELECTRICAL		40-56
1H9	CONTAINER,ELECTRICAL PARTS		40-52
1I18	CONTROL LEVER LINKAGE		50-23
2B18	CONTROL LEVER, ROCKSHAFT		70-22
2B8	CONTROL VALVE, PRESSURE		70-13
1H1	CONTROL, ELECTRICAL REMOTE		40-44
1G17	CONTROLLER, TURN SIGNAL		40-35
2D5	CONVERSION KIT, JOHN DEERE TO ISO		70-58
1A22	COOLANT CONDITIONER, LIQUID		20-5
1B22	COOLANT HEATER, ENGINE		20-28
1B23	COOLANT HEATER, ENGINE		20-29
1B24	COOLANT HEATER, ENGINE		20-31
1C5	COOLER, OIL, TRANSMISSION		20-36
1J14	COUNTERSHAFT BEARING SUPPORT		50-46
1J14	COUNTERSHAFT, TRANSMISSION		50-46
2D5	COUPLER CONVERSION KIT (ISO)		70-58
2D9	COUPLER OIL LINES		70-62
2D7	COUPLER OVERHAUL KIT (ISO)		70-60
2C24	COUPLER, BREAKAWAY		70-52
2D1	COUPLER, BREAKAWAY		70-54
2D2	COUPLER, BREAKAWAY		70-55
2D15	COUPLER, FLEXIBLE OIL LINE		70-68
2C4	COUPLER, IMPLEMENT QUICK		70-34
2C6	COUPLER, QUICK, THREE-POINT HITCH		70-35A
2D4	COUPLER, ROCKSHAFT CYLINDER OUTLET		70-57
2D19	COUPLING, REUSEABLE		70-72
1I19	COVER, CLUTCH CONTROL VALVE		50-25
2D15	COVER, DUST, BREAKAWAY COUPLER		70-68
1D12	COVER, INJECTION PUMP		30-24
1A23	COVER, ROCKER ARM		20-6
2C15	COVER, SELECTIVE CONTROL VALVE		70-43
1F20	COVER, STARTING MOTOR SOLENOID		40-21E
1F21	COVER, STARTING MOTOR SOLENOID		40-21G
1C10	COVER, THERMOSTAT HOUSING		20-41
1B19	COVER, TIMING GEAR		20-25
1B12	COVER, TIMING HOLE		20-18
1J7	COVER, TRANSMISSION SUMP		50-39
1J10	COVER, TRANSMISSION TOP		50-42
2F24	COWL		90-16
1B10	CRANKSHAFT		20-16
1B11	CRANKSHAFT GEARS		20-17
1B10	CRANKSHAFT PULLEY		20-16
1B5	CYLINDER BLOCK		20-10
1B1	CYLINDER HEAD		20-7A
1A23	CYLINDER HEAD AND ROCKER ARM COVER		20-6
1C13	CYLINDER HEAD GASKET KIT		20-44
2D14	CYLINDER HOSE IDENTIFICATION KIT		70-67
2B14	CYLINDER HOUSING, ROCKSHAFT		70-19A
1B5	CYLINDER LINER		20-10
1B16	CYLINDER LINER		20-22
1B17	CYLINDER LINER		20-23
1A21	CYLINDER LINER PACKING LUBRICANT		20-4
1B16	CYLINDER LINER SEAL KIT		20-22
1B17	CYLINDER LINER SEAL KIT		20-23
2D10	CYLINDER, REMOTE		70-63
2D11	CYLINDER, REMOTE		70-64
		D	
2F24	DASH		90-16
2F6	DECALS		80-38
2F16	DELUXE SEAT		90-7
2F17	DELUXE SEAT		90-8
2F21	DELUXE SEAT		90-12
2F19	DELUXE SEAT ASSEMBLY		90-10
1J17	DIFFERENTIAL ASSEMBLY		50-50
1J16	DIFFERENTIAL DRIVE SHAFT		50-49
1J17	DIFFERENTIAL LOCK MECHANISM		50-50
1B5	DIPSTICK, OIL		20-10
1J5	DIPSTICK, OIL		50-36
1K18	DISK, BRAKE		60-15
1I1	DISK, CLUTCH		50-6
1I15	DISK, CLUTCH		50-20
1I3	DISK, CLUTCH (DUAL)		50-8
1I7	DISK, CLUTCH (INDEPENDENT PTO)		50-12
1I12	DISK, CLUTCH (INDEPENDENT PTO)		50-17
1I17	DISK, CLUTCH, ASSEMBLY		50-22
2F24	DOOR, COWL		90-16
2C1	DRAFT LINKS, 3-POINT HITCH		70-31
2C2	DRAFT LINKS, 3-POINT HITCH (TELESCOPING DRAFT LINKS)		70-32
1K12	DRAG LINK (POWER)		60-8
1K6	DRAG LINK, STEERING		60-2
1K8	DRAG LINK, STEERING (POWER)		60-4
1C7	DRAIN COCK, WATER		20-38
2C12	DRAWBAR HAMMER STRAP		70-40
2C8	DRAWBAR, SWINGING		70-36
2C11	DRAWBAR, 3-POINT HITCH		70-39
1J16	DRIVE SHAFT, DIFFERENTIAL		50-49
1D12	DRIVE SHAFT, INJECTION PUMP		30-24
1J13	DRIVE SHAFT, TRANSMISSION		50-45
1I13	DRUM, BRAKE		50-18
1I12	DRUM, PTO CLUTCH (INDEPENDENT PTO)		50-17
1C17	DRY-TYPE AIR CLEANER		30-2
2C22	DUAL RETURN OIL CONVERSION KIT (SINGLE SELECTIVE CONTROL VALVE)		70-50
1I5	DUAL-STAGE CLUTCH REPAIR KIT		50-10
1I6	DUAL-STAGE CLUTCH REPAIR KIT		50-11
2D15	DUST COVER, BREAKAWAY COUPLER		70-68
2C20	DUST PLUG, SELECTIVE CONTROL VALVE		70-48
		E	
1H5	ELECTRIC REMOTE CONTROL WIRING		40-48
1H17	ELECTRICAL CONNECTOR AND TERMINAL KIT		40-60
1H9	ELECTRICAL CONNECTORS		40-52
1H11	ELECTRICAL CONNECTORS		40-54
1H13	ELECTRICAL CONNECTORS		40-56
1H9	ELECTRICAL CRIMPING TOOL		40-52
1G8	ELECTRICAL INSTRUMENTS		40-26
1H7	ELECTRICAL OUTLET PLUG		40-50
1H7	ELECTRICAL OUTLET SOCKET		40-50
1H8	ELECTRICAL OUTLET SOCKET, 7-TERMINAL		40-51
1H9	ELECTRICAL PARTS CONTAINER		40-52
1H1	ELECTRICAL REMOTE CONTROL		40-44
1H2	ELECTRICAL REMOTE CONTROL KIT		40-45
1H3	ELECTRICAL REMOTE CONTROL WIRING KIT		40-46
1H9	ELECTRICAL TERMINALS		40-52
1H11	ELECTRICAL TERMINALS		40-54
1H13	ELECTRICAL TERMINALS		40-56
1H17	ELECTRICAL TOOLS		40-60
1H9	ELECTRICAL WIRING		40-52
1H11	ELECTRICAL WIRING		40-54

1A10

1530 TRACTOR

ALPHABETICAL INDEX - CONTINUED

GRID		PAGE	GRID		PAGE
1H13	ELECTRICAL WIRING	40-56	2E1	FRONT AXLE ASSEMBLY.....	80-7
1E15	ELECTRICAL WIRING SYSTEM	40-2	2E6	FRONT AXLE TIE ROD ASSEMBLY (38" REAR TIRE - STRAIGHT AXLE)	80-12
1C17	ELEMENT, AIR CLEANER.....	30-2	2E7	FRONT AXLE TIE ROD ASSEMBLY (SWEEP BACK).....	80-13
1E11	ELEMENT, AIR CLEANER.....	30-50	1G10	FRONT LAMP.....	40-28
1C16	ELEMENT, CLEANING GUN	30-1	1G10	FRONT LIGHT	40-28
1B5	ELEMENT, ENGINE OIL FILTER	20-10	2E22	FRONT PLATE	80-28
1E11	ELEMENT, ENGINE OIL FILTER	30-50	2E20	FRONT SUPPORT	80-25
1D2	ELEMENT, FUEL FILTER	30-15	2E19	FRONT WEIGHTS	80-24
1E11	ELEMENT, FUEL FILTER	30-50	2E9	FRONT WHEEL	80-14
1E11	ELEMENT, TRANSMISSION OIL FILTER.....	30-50	2F3	FUEL CAP SHIELD	80-34
1J8	ELEMENT, TRANSMISSION OIL FILTER.....	50-40	1D2	FUEL FILTER	30-15
2G3	EMBLEM, SLOW MOVING VEHICLE	90-20	1E11	FUEL FILTER	30-50
1D14	END PLATE, INJECTION PUMP (ROOSA-MASTER)	30-26	1G8	FUEL GAUGE	40-26
1I3	ENGINE CLUTCH (DUAL)	50-8	1D1	FUEL GAUGE SENDER	30-14
1I7	ENGINE CLUTCH (INDEPENDENT PTO)	50-12	1E1	FUEL INJECTION LINES (ROTO-DIESEL).....	30-40
1I1	ENGINE CLUTCH AND FLYWHEEL (CONTINUOUS PTO)	50-6	1D18	FUEL INJECTION NOZZLE	30-32
1B22	ENGINE COOLANT HEATER	20-28	1D17	FUEL INJECTION NOZZLE (ROOSA-MASTER)	30-31
1B23	ENGINE COOLANT HEATER	20-29	1D6	FUEL INJECTION PUMP	30-18
1B24	ENGINE COOLANT HEATER	20-31	1D20	FUEL INJECTION PUMP	30-34
1A18	ENGINE OIL	20-1	1D22	FUEL INJECTION PUMP (ROTO-DIESEL).....	30-36
1B5	ENGINE OIL FILTER	20-10	1E1	FUEL INJECTION PUMP (ROTO-DIESEL).....	30-40
1E11	ENGINE OIL FILTER	30-50	1E3	FUEL INJECTION PUMP (ROTO-DIESEL).....	30-42
1B12	ENGINE OIL PRESSURE SWITCH.....	20-18	1D15	FUEL INJECTION PUMP GASKET KIT	30-28
1B20	ENGINE OIL PUMP	20-26	1E5	FUEL INJECTION PUMP GASKET KIT (ROTO-DIESEL)	30-44
1B21	ENGINE OIL PUMP KIT.....	20-27	1D24	FUEL INJECTION PUMP TRANSFER GROUP (ROTO-DIESEL)	30-39
1C11	ENGINE OVERHAUL GASKET KIT	20-42	1D2	FUEL LINES	30-15
1B7	ENGINE SHORT BLOCK	20-12	1D5	FUEL PUMP	30-17B
1A19	ENGINE VALVE STEM LUBRICANT.....	20-2	1D4	FUEL PUMP (DIESEL).....	30-17
1B3	EXHAUST VALVE	20-8	1D5	FUEL PUMP GASKET KIT	30-17B
2E10	EXTENSION, AXLE	80-15	1D1	FUEL TANK	30-14
1C22	EXTENSION, MUFFLER	30-8	1D3	FUEL TRANSFER PUMP.....	30-16
1C23	EXTENSION, MUFFLER	30-10	1D5	FUEL TRANSFER PUMP.....	30-17B
2G4	EXTINGUISHER, FIRE	90-21			
2G7	EXTINGUISHER, FIRE.....	90-24			
F			G		
1C1	FAN	20-32	1H23	GASKET KIT, CLUTCH HOUSING TO CASE	50-3A
1C1	FAN BELT	20-32	1C13	GASKET KIT, CYLINDER HEAD.....	20-44
1C5	FAN SHROUD	20-36	1C11	GASKET KIT, ENGINE OVERHAUL	20-42
1C7	FAN SHROUD	20-38	1D15	GASKET KIT, FUEL INJECTION PUMP	30-28
2F1	FENDER BRACE	80-32	1E5	GASKET KIT, FUEL INJECTION PUMP (ROTO-DIESEL)	30-44
2E24	FENDERS (REAR)	80-30	1D5	GASKET KIT, FUEL PUMP	30-17B
2C21	FILTER RETURN, SCV OIL, KIT.....	70-49	1A23	GASKET, CYLINDER HEAD	20-6
1B5	FILTER, ENGINE OIL.....	20-10	1G8	GAUGE, FUEL	40-26
1E11	FILTER, ENGINE OIL.....	30-50	1G8	GAUGE, TEMPERATURE	40-26
1D2	FILTER, FUEL	30-15	1G20	GAUGE, TRANSMISSION OIL TEMPERATURE	40-38
1E11	FILTER, FUEL	30-50	1J10	GEAR SHIFTERS	50-42
1E11	FILTER, TRANSMISSION OIL	30-50	1B11	GEAR, LOWER IDLER.....	20-17
1J8	FILTER, TRANSMISSION OIL	50-40	1I12	GEAR, PTO CLUTCH (INDEPENDENT PTO)	50-17
1K3	FINAL DRIVE	50-60	1J19	GEARS AND SHAFT, PTO	50-52
2G4	FIRE EXTINGUISHER	90-21	1J20	GEARS AND SHAFTS, PTO	50-53
2G7	FIRE EXTINGUISHER	90-24	1B11	GEARS, CRANKSHAFT	20-17
2A22	FITTINGS, HYDRAULIC PUMP	70-4	2E22	GRILLE	80-28
2D15	FLEXIBLE OIL LINE COUPLER	70-68	2F4	GRILLE GUARD	80-35
1C25	FLUID, DIESEL STARTING	30-12	2F4	GUARD, GRILLE	80-35
2G5	FLUID, DIESEL STARTING	90-22	2F2	GUARD, LIGHT.....	80-33
1I7	FLYWHEEL (INDEPENDENT PTO).....	50-12	1J23	GUARD, PTO	50-56
1B12	FLYWHEEL HOUSING.....	20-18	1J24	GUARD, PTO	50-57
1I1	FLYWHEEL, ENGINE CLUTCH (CONTINUOUS PTO)	50-6	1C16	GUN, ELEMENT CLEANING	30-1
1E7	FOOT THROTTLE LINKAGE	30-46			
2E24	FOOTRESTS.....	80-30			
2E21	FRAME, SIDE	80-27			
2D22	FRONT AXLE ASSEMBLY.....	80-2			
2D23	FRONT AXLE ASSEMBLY.....	80-3			

1A11

1530 TRACTOR

ALPHABETICAL INDEX - CONTINUED

GRID		PAGE	GRID		PAGE
H					
2C12	HAMMER STRAP, DRAWBAR	70-40	1D14	INJECTION PUMP END PLATE (ROOSA-MASTER).....	30-26
1K19	HAND BRAKE.....	60-16	1E5	INJECTION PUMP GASKET KIT (ROTO-DIESEL).....	30-44
1K19	HAND BRAKE SWITCH	60-16	1D10	INJECTION PUMP HEAD AND ROTOR (ROOSA-MASTER)	30-22
1E9	HAND THROTTLE LINKAGE.....	30-48	1D22	INJECTION PUMP LEVER (ROTO-DIESEL)	30-36
1E15	HARNES, ELECTRICAL WIRING	40-2	1D9	INJECTION PUMP THROTTLE (ROOSA-MASTER)	30-21
2F14	HARNES, WIRING, ROLL-GARD	90-4	1E3	INJECTION PUMP, FUEL (ROTO-DIESEL)	30-42
1D10	HEAD AND ROTOR, INJECTION PUMP (ROOSA-MASTER)	30-22	1D6	INJECTION SYSTEM, FUEL	30-18
1A23	HEAD, CYLINDER	20-6	1C19	INLET, AIR	30-4
2F14	HEADLINER	90-4	1B18	INLET, OIL FILLER	20-24
1B22	HEATER, ENGINE COOLANT.....	20-28	1B3	INTAKE VALVE	20-8
1B23	HEATER, ENGINE COOLANT.....	20-29	1C17	INTAKE, AIR	30-2
1B24	HEATER, ENGINE COOLANT.....	20-31	2D5	ISO COUPLER CONVERSION KIT.....	70-58
1I15	HI-LO CLUTCH.....	50-20	2D7	ISO COUPLER OVERHAUL KIT	70-60
2B23	HITCH LIFT LINKS, 3-POINT	70-28	K		
2C1	HITCH, DRAFT LINK (3-POINT)	70-31	1E15	KEY SWITCH	40-2
2C2	HITCH, 3-POINT (TELESCOPING DRAFT LINKS)	70-32	1H8	KIT, AUXILIARY ELECTRICAL OUTLET SOCKET	40-51
2C11	HITCH, 3-POINT, DRAWBAR	70-39	2D2	KIT, BREAKAWAY COUPLER.....	70-55
2E22	HOOD	80-28	2D5	KIT, CONVERSION TO ISO COUPLER	70-58
2B22	HOOK, CENTER LINK	70-26	1C13	KIT, CYLINDER HEAD GASKET.....	20-44
1G18	HORN	40-36	2D14	KIT, CYLINDER HOSE IDENTIFICATION.....	70-67
2D14	HOSE IDENTIFICATION KIT, REMOTE CYLINDER	70-67	1B16	KIT, CYLINDER LINER SEAL	20-22
1C9	HOSE, RADIATOR OVERFLOW	20-40	1B17	KIT, CYLINDER LINER SEAL	20-23
2D10	HOSES, REMOTE CYLINDER	70-63	1I5	KIT, DUAL-STAGE CLUTCH REPAIR.....	50-10
1H21	HOUSING, CLUTCH.....	50-2	1I6	KIT, DUAL-STAGE CLUTCH REPAIR.....	50-11
1B12	HOUSING, FLYWHEEL	20-18	1H5	KIT, ELECTRIC REMOTE CONTROL WIRING	40-48
1K12	HOUSING, POWER STEERING VALVE.....	60-8	1H2	KIT, ELECTRICAL REMOTE CONTROL	40-45
1K3	HOUSING, REAR AXLE.....	50-60	1H3	KIT, ELECTRICAL REMOTE CONTROL WIRING	40-46
2B9	HOUSING, ROCKSHAFT	70-14	1B21	KIT, ENGINE OIL PUMP	20-27
2B12	HOUSING, ROCKSHAFT CYLINDER	70-18	1C11	KIT, ENGINE OVERHAUL GASKET	20-42
2B14	HOUSING, ROCKSHAFT CYLINDER	70-19A	1H23	KIT, GASKET (CLUTCH HOUSING TO CASE)	50-3A
2C14	HOUSING, SELECTIVE CONTROL VALVE	70-42	1E5	KIT, GASKET, FUEL INJECTION PUMP (ROTO-DIESEL).....	30-44
1F14	HOUSING, STARTING MOTOR (DELCO-REMY).....	40-20	1D5	KIT, GASKET, FUEL PUMP.....	30-17B
1K6	HOUSING, STEERING VALVE (MANUAL).....	60-2	2B1	KIT, HYDRAULIC PUMP OVERHAUL.....	70-8
1C10	HOUSING, THERMOSTAT.....	20-41	2B3	KIT, HYDRAULIC PUMP SHAFT OVERHAUL	70-9A
2E9	HUB, FRONT WHEEL	80-14	1G15	KIT, IMPLEMENT WARNING LAMP	40-33
2B5	HYDRAULIC OIL LINES.....	70-10	2D7	KIT, ISO OVERHAUL	70-60
2B7	HYDRAULIC OIL LINES.....	70-12	2F8	KIT, LABEL REFINISHING.....	80-40
2D16	HYDRAULIC OIL LINES, IMPLEMENT	70-69	1G13	KIT, LAMP EXTENSION	40-31
2B7	HYDRAULIC OIL RESERVOIR	70-12	1E19	KIT, NEUTRAL START SWITCH.....	40-6
2A20	HYDRAULIC PUMP	70-2	2D17	KIT, O-RING	70-70
2A23	HYDRAULIC PUMP ASSEMBLY, REPLACEMENT	70-5	1K10	KIT, OVERHAUL, POWER STEERING	60-6
2A22	HYDRAULIC PUMP CONNECTORS	70-4	1J12	KIT, PARK LOCK ASSURANCE	50-44
2A19	HYDRAULIC PUMP DRIVE	70-1	1B16	KIT, PISTON LINER	20-22
2A22	HYDRAULIC PUMP FITTINGS	70-4	1B17	KIT, PISTON LINER	20-23
2B6	HYDRAULIC PUMP OIL INLET LINES	70-11	1B14	KIT, PISTON RINGS	20-20
2B1	HYDRAULIC PUMP OVERHAUL KIT	70-8	2D13	KIT, REMOTE CYLINDER OVERHAUL	70-66
2A24	HYDRAULIC PUMP, REPLACEMENT	70-6	2B16	KIT, ROCKSHAFT SEAL	70-20
I					
1B11	IDLER GEAR, LOWER.....	20-17	2C22	KIT, SCV DUAL RETURN OIL CONVERSION.....	70-50
1G8	IGNITION SWITCH.....	40-26	2C15	KIT, SCV LEVER ADJUSTABLE STOP	70-43
2D16	IMPLEMENT HYDRAULIC OIL LINES	70-69	2C21	KIT, SCV OIL FILTER RETURN	70-49
2C4	IMPLEMENT QUICK COUPLER	70-34	1F9	KIT, SOLENOID COVER (ROBERT BOSCH).....	40-15A
2C13	IMPLEMENT SAFETY CHAIN	70-41	1F8	KIT, STARTER SOLENOID COVER	40-15
1G15	IMPLEMENT WARNING LAMP KIT	40-33	1F21	KIT, STARTING MOTOR BRUSH	40-21G
1G19	INDICATOR, AIR CLEANER RESTRICTION	40-37	1G7	KIT, STARTING MOTOR SEAL	40-25E
1D18	INJECTION NOZZLE	30-32	2G5	KIT, STORAGE.....	90-22
1D17	INJECTION NOZZLE, FUEL (ROOSA-MASTER)	30-31	1H6	KIT, SUPPLEMENTARY WIRING (7-TERMINAL).....	40-49
1D20	INJECTION PUMP	30-34	1J21	KIT, THRUST CAPACITY IMPROVEMENT	50-54
1D8	INJECTION PUMP ADVANCE PISTON	30-20	1C4	KIT, WATER PUMP	20-35
1D12	INJECTION PUMP COVER	30-24	1H17	KIT,ELECTRICAL CONNECTOR AND TERMINAL.....	40-60
1D12	INJECTION PUMP DRIVE SHAFT	30-24	1I9	KIT,SINGLE-STAGE CLUTCH REPAIR.....	50-14
			1E20	KIT,STARTING CIRCUIT RELAY(12-VOLT)	40-6A

1A12

1530 TRACTOR

ALPHABETICAL INDEX - CONTINUED

GRID		PAGE	GRID		PAGE
	L				
2F8	LABEL REFINISHING KIT	80-40	1F16	MOTOR, STARTING.....	40-21A
1F21	LABEL, BYPASS START	40-21G	1G3	MOTOR, STARTING.....	40-25A
1F20	LABEL, BYPASSSTART.....	40-21E	1G5	MOTOR, STARTING.....	40-25C
2F6	LABELS.....	80-38	1F24	MOTOR, STARTING (ROBERT BOSCH)	40-22
1G11	LAMP, REAR	40-29	1G1	MOTOR, STARTING (ROBERT BOSCH)	40-24
2F14	LAMP, WARNING.....	90-4	1G10	MOUNTING BRACKET.....	40-28
1G14	LAMP, WARNING (FLASHING).....	40-32	1C20	MUFFLER EXTENSION	30-6
1I18	LEVER LINKAGE, CONTROL	50-23	1C22	MUFFLER EXTENSION	30-8
1I13	LEVER, BRAKE OPERATING	50-18	1C23	MUFFLER, REAR EXHAUST.....	30-10
2C24	LEVER, BREAKAWAY COUPLER.....	70-52	1C20	MUFFLER, VERTICAL	30-6
1K19	LEVER, HAND BRAKE.....	60-16		N	
1J22	LEVER, REAR POWER SHAFT SHIFTER	50-55	2F6	NAME PLATES.....	80-38
2B18	LEVER, ROCKSHAFT CONTROL.....	70-22	1E19	NEURTAL START SWITCH KIT	40-6
2C18	LEVER, SELECTIVE CONTROL VALVE	70-46	2B9	NEUTRAL START SWITCH.....	70-14
1J10	LEVER, TRANSMISSION SHIFT	50-42	1D18	NOZZLE, FUEL INJECTION	30-32
2B11	LIFT ARMS, ROCKSHAFT.....	70-16	1D17	NOZZLE, FUEL INJECTION (ROOSA-MASTER)	30-31
2B23	LIFT LINKS, 3-POINT HITCH	70-28		O	
2F2	LIGHT GUARD	80-33	2D17	O-RING PACKING KIT.....	70-70
1E15	LIGHT WIRING SYSTEM.....	40-2	1A20	OFF-SEASON STORAGE KIT	20-3
1G10	LIGHT, FRONT.....	40-28	1C5	OIL COOLER, TRANSMISSION	20-36
1G8	LIGHT, INDICATOR	40-26	1B5	OIL DIPSTICK.....	20-10
1G12	LIGHT, WARNING	40-30	2B10	OIL FILLER CAP, TRANSMISSION	70-15
1G16	LIGHTS, TURN SIGNAL	40-34	1B18	OIL FILLER INLET	20-24
1B5	LINER, CYLINDER	20-10	1B5	OIL FILTER, ENGINE.....	20-10
1B16	LINER, CYLINDER	20-22	1J8	OIL FILTER, TRANSMISSION.....	50-40
1B17	LINER, CYLINDER	20-23	1K15	OIL LINE, BRAKE VALVE	60-12
1I25	LINES, CLUTCH OIL	50-31	2D19	OIL LINE, BULK FLEXIBLE	70-72
1E1	LINES, FUEL INJECTION (ROTO-DIESEL)	30-40	1I25	OIL LINES, CLUTCH	50-31
1J1	LINES, OIL, CLUTCH OIL MANIFOLD (INDEPENDENT PTO).....	50-32	1J1	OIL LINES, CLUTCH OIL MANIFOLD (INDEPENDENT PTO).....	50-32
1I24	LINES, OIL, CLUTCH OIL MANIFOLD (LESS INDEPENDENT PTO).....	50-30	1I24	OIL LINES, CLUTCH OIL MANIFOLD (LESS INDEPENDENT PTO)	50-30
2D16	LINES, OIL, IMPLEMENT HYDRAULIC	70-69	2D9	OIL LINES, COUPLER	70-62
2C17	LINES, OIL, SELECTIVE CONTROL VALVE	70-45	2B5	OIL LINES, HYDRAULIC	70-10
2C2	LINK, CENTER, 3-POINT HITCH (TELESCOPING DRAFT LINKS).....	70-32	2B7	OIL LINES, HYDRAULIC	70-12
2C1	LINK, DRAFT (3-POINT HITCH)	70-31	2B6	OIL LINES, HYDRAULIC PUMP INLET	70-11
1I18	LINKAGE, CONTROL LEVER	50-23	2D16	OIL LINES, HYDRAULIC, IMPLEMENT	70-69
1J22	LINKAGE, REAR POWER SHAFT SHIFTER	50-55	2C17	OIL LINES, SLECTIVE CONTROL VALVE	70-45
2B19	LINKAGE, ROCKSHAFT CYLINDER.....	70-23	1J3	OIL LINES, TRANSMISSION	50-34
2C2	LINKS, DRAFT, 3-POINT HITCH (TELESCOPING DRAFT LINKS).....	70-32	1J8	OIL LINES, TRANSMISSION.....	50-40
1A22	LIQUID COOLANT CONDITIONER	20-5	1J4	OIL LINES, TRANSMISSION (HI-LO SHIFT)	50-35
2B20	LOAD CONTROL	70-24	1B20	OIL LUBRICATING PUMP.....	20-26
2C16	LOCK, SCV LEVER	70-44	1B9	OIL PAN	20-14
2G5	LOCTITE SEALANT	90-22	1B19	OIL PRESSURE RELIEF VALVE	20-25
1B11	LOWER IDLER GEAR	20-17	1B21	OIL PUMP KIT, ENGINE	20-27
1A21	LUBRICANT, CYLINDER LINER PACKING	20-4	1I14	OIL PUMP, TRANSMISSION	50-19
1A19	LUBRICANT, ENGINE VALVE STEM	20-2	1J3	OIL PUMP, TRANSMISSION	50-34
1B20	LUBRICATING OIL PUMP.....	20-26	1J4	OIL PUMP, TRANSMISSION (HI-LO SHIFT)	50-35
	M		1J5	OIL SCREEN	50-36
1B10	MAIN BEARING	20-16	1A18	OIL, ENGINE	20-1
1B5	MAIN BEARING CAP.....	20-10	2D18	OIL, TRANSMISSION.....	70-71
1I14	MANIFOLD, CLUTCH OIL	50-19	1C9	OVERFLOW HOSE, RADIATOR.....	20-40
1J1	MANIFOLD, CLUTCH OIL (INDEPENDENT PTO).....	50-32	2D3	OVERHAUL KIT, BREAKAWAY COUPLER	70-56
1I24	MANIFOLD, CLUTCH OIL (LESS INDEPENDENT PTO).....	50-30	2B1	OVERHAUL KIT, HYDRAULIC PUMP.....	70-8
1C23	MANIFOLD, REAR EXHAUST.....	30-10	2B3	OVERHAUL KIT, HYDRAULIC PUMP SHAFT	70-9A
1C20	MANIFOLD, VERTICAL MUFFLER	30-6	2D7	OVERHAUL KIT, ISO COUPLER	70-60
1K6	MANUAL STEERING GEAR	60-2	1K10	OVERHAUL KIT, POWER STEERING	60-6
2E22	MEDALLION	80-28			
1F7	MOTOR, STARTING.....	40-14			

1A14

1530 TRACTOR

ALPHABETICAL INDEX - CONTINUED

GRID		PAGE	GRID		PAGE
2F11	ROLL-GARD	90-1	1E9	SPEED CONTROL LINKAGE	30-48
2F12	ROLL-GARD	90-2	2E4	SPINDLE AND KNUCKLE ASSEMBLY (STRAIGHT FRONT AXLE).....	80-10
2F14	ROLL-GARD CANOPY.....	90-4	2E5	SPINDLE AND KNUCKLE ASSEMBLY, FRONT AXLE	80-11
2F14	ROOF, ROLL-GARD.....	90-4	1F8	STARTER SOLENOID COVER KIT	40-15
S					
2C13	SAFETY CHAIN, IMPLEMENT	70-41	1C25	STARTING AID, COLD WEATHER	30-12
1J5	SCREEN, TRANSMISSION OIL	50-36	1E20	STARTING CIRCUIT RELAY KIT(12-VOLT).....	40-6A
2C22	SCV DUAL RETURN OIL CONVERSION KIT	70-50	1C25	STARTING FLUID.....	30-12
2C16	SCV LEVER LOCK.....	70-44	2G5	STARTING FLUID.....	90-22
1G7	SEAL KIT, STARTING MOTOR.....	40-25E	1F7	STARTING MOTOR	40-14
2G6	SEALANT	90-23	1F16	STARTING MOTOR	40-21A
2F19	SEAT ASSEMBLY, DELUXE	90-10	1F20	STARTING MOTOR	40-21E
2F12	SEAT BELT.....	90-2	1F21	STARTING MOTOR	40-21G
2F23	SEAT BELT.....	90-15	1G3	STARTING MOTOR	40-25A
2F16	SEAT, DELUXE	90-7	1G5	STARTING MOTOR	40-25C
2F17	SEAT, DELUXE	90-8	1F24	STARTING MOTOR (ROBERT BOSCH)	40-22
2F21	SEAT, DELUXE	90-12	1G1	STARTING MOTOR (ROBERT BOSCH)	40-24
2C14	SELECTIVE CONTROL VALVE.....	70-42	1F7	STARTING MOTOR ATTACHING PARTS	40-14
2C15	SELECTIVE CONTROL VALVE.....	70-43	1F21	STARTING MOTOR BRUSH KIT	40-21G
2C18	SELECTIVE CONTROL VALVE.....	70-46	1F18	STARTING MOTOR BRUSHES.....	40-21C
2C19	SELECTIVE CONTROL VALVE CAP	70-47	1F14	STARTING MOTOR COIL (DELCO-REMY)	40-20
2C20	SELECTIVE CONTROL VALVE DUST PLUG	70-48	1F18	STARTING MOTOR COIL ASSEMBLY.....	40-21C
2C18	SELECTIVE CONTROL VALVE LEVER	70-46	1F12	STARTING MOTOR DRIVE MOTOR AND ARMATURE ASSEMBLY (DELCO-REMY).....	40-18
2C17	SELECTIVE CONTROL VALVE OIL LINES	70-45	1F18	STARTING MOTOR HOUSING	40-21C
1D1	SENDER, FUEL GAUGE	30-14	1F14	STARTING MOTOR HOUSING (DELCO-REMY)	40-20
1G22	SENSOR, RADAR	40-40	1G7	STARTING MOTOR SEAL KIT	40-25E
2B3	SHAFT OVERHAUL KIT, HYDRAULIC PUMP	70-9A	1F20	STARTING MOTOR SOLENOID COVER	40-21E
1I13	SHAFT, BRAKE BAND, POWER.....	50-18	1F21	STARTING MOTOR SOLENOID COVER	40-21G
1I11	SHAFT, CLUTCH	50-16	1K6	STEERING ARM.....	60-2
1J16	SHAFT, DRIVE, DIFFERENTIAL	50-49	1K6	STEERING GEAR, MANUAL.....	60-2
1J13	SHAFT, DRIVE, TRANSMISSION	50-45	1K8	STEERING GEAR, POWER.....	60-4
1K3	SHAFT, FINAL DRIVE	50-60	1K6	STEERING VALVE HOUSING (MANUAL)	60-2
2A19	SHAFT, HYDRAULIC PUMP DRIVE	70-1	1K8	STEERING VALVE, POWER	60-4
1I15	SHAFT, POWER SHAFT CLUTCH	50-20	1K8	STEERING WHEEL (POWER)	60-4
1K3	SHAFT, RACK AND PINION REAR AXLE	50-60	2F5	STEP AND SUPPORT	80-37
1B3	SHAFT, ROCKER ARM	20-8	2C15	STOP KIT, SCV LEVER ADJUSTABLE	70-43
1K6	SHAFT, STEERING (MANUAL).....	60-2	1A20	STORAGE KIT, OFF-SEASON	20-3
1K8	SHAFT, STEERING (POWER)	60-4	2D22	STRAIGHT ADJUSTABLE FRONT AXLE	80-2
2F3	SHIELD, FUEL CAP.....	80-34	2D23	STRAIGHT ADJUSTABLE FRONT AXLE	80-3
1J23	SHIELD, POWERSHAFT	50-56	2D24	STRAIGHT ADJUSTABLE FRONT AXLE	80-4
1J24	SHIELD, PTO	50-57	1J7	SUMP COVER, TRANSMISSION	50-39
2F3	SHIELD, RADIATOR CAP	80-34	1H8	SUPPLEMENTARY OUTLET, 7-TERMINAL	40-51
2F24	SHIELD, TRANSMISSION	90-16	1H15	SUPPLEMENTARY TERMINALS AND CONNECTORS.....	40-58
1J10	SHIFTER LEVER, TRANSMISSION	50-42	1H6	SUPPLEMENTARY WIRING KIT, 7-TERMINAL	40-49
1J10	SHIFTER, GEAR	50-42	1E21	SUPPORT, ALTERNATOR	40-7
1J10	SHIFTER, HIGH RANGE	50-42	2E20	SUPPORT, FRONT	80-25
1B7	SHORT BLOCK	20-12	2G1	SUPPORT, TOOLBOX	90-18
1C5	SHROUD, FAN	20-36	2C10	SWAY BLOCKS	70-38
1C7	SHROUD, FAN	20-38	2E1	SWEPT BACK ADJUSTABLE FRONT AXLE	80-7
2E21	SIDE FRAME	80-27	2E2	SWEPT BACK ADJUSTABLE FRONT AXLE	80-8
1I9	SINGLE-STAGE CLUTCH REPAIR KIT	50-14	2C8	SWINGING DRAWBAR	70-36
1I10	SINGLE-STAGE CLUTCH REPAIR KIT	50-15	1K19	SWITCH, HAND BRAKE	60-16
2G3	SLOW MOVING VEHICLE EMBLEM.....	90-20	1G8	SWITCH, IGNITION	40-26
1E15	SOCKET, ELECTRICAL OUTLET	40-2	1E15	SWITCH, KEY.....	40-2
1H7	SOCKET, ELECTRICAL OUTLET	40-50	1G8	SWITCH, LIGHT	40-26
1H8	SOCKET, ELECTRICAL OUTLET, 7-TERMINAL	40-51	2B9	SWITCH, NEUTRAL START	70-14
1F9	SOLENOID COVER KIT (ROBERT BOSCH)	40-15A	1F16	SWITCH, SOLENOID	40-21A
1F16	SOLENOID SWITCH	40-21A	1F10	SWITCH, SOLENOID (DELCO-REMY)	40-16
1F10	SOLENOID SWITCH (DELCO-REMY)	40-16	1F23	SWITCH, SOLENOID (DIESEL).....	40-211
1F23	SOLENOID SWITCH (DIESEL)	40-211	1F24	SWITCH, SOLENOID (ROBERT BOSCH)	40-22
1F24	SOLENOID SWITCH (ROBERT BOSCH)	40-22	1G1	SWITCH, SOLENOID (ROBERT BOSCH)	40-24
1G1	SOLENOID SWITCH (ROBERT BOSCH)	40-24	T		
1F21	SOLENOID SWITCH, STARTING MOTOR.....	40-21G	1E15	TACHOMETER	40-2
1F12	SOLENOID, STARTING MOTOR (DELCO-REMY).....	40-18			

1A15

1530 TRACTOR

ALPHABETICAL INDEX - CONTINUED

GRID		PAGE	GRID		PAGE
1G21	TACHOMETER	40-39	2C14	VALVE, SELECTIVE CONTROL	70-42
1D1	TANK, FUEL	30-14	2C15	VALVE, SELECTIVE CONTROL	70-43
1B3	TAPPET	20-8	2C18	VALVE, SELECTIVE CONTROL	70-46
1G8	TEMPERATURE GAUGE	40-26	2C19	VALVE, SELECTIVE CONTROL	70-47
1H15	TERMINALS AND CONNECTORS,SUPPLEMENTARY	40-58	1A23	VENTILATOR OUTLET TUBE	20-6
1H9	TERMINALS,ELECTRICAL.....	40-52	1C20	VERTICAL MUFFLER	30-6
1H11	TERMINALS,ELECTRICAL.....	40-54	1F1	VOLTAGE REGULATOR	40-12
1H13	TERMINALS,ELECTRICAL.....	40-56			
1C10	THERMOSTAT	20-41			
2C6	THREE-POINT HITCH QUICK COUPLER	70-35A			
1E9	THROTTLE LINKAGE	30-48			
1E7	THROTTLE, FOOT.....	30-46			
1E9	THROTTLE, HAND.....	30-48			
1D9	THROTTLE, INJECTION PUMP (ROOSA-MASTER)	30-21			
1J21	THRUST CAPACITY IMPROVEMENT KIT	50-54			
2E8	TIE ROD ASSEMBLY.....	80-13B			
2E6	TIE ROD ASSEMBLY (38" REAR TIRE - STRAIGHT AXLE)	80-12			
2E7	TIE ROD ASSEMBLY (SWEPT BACK).....	80-13			
1B19	TIMING GEAR COVER	20-25			
2G1	TOOLBOX.....	90-18			
1D24	TRANSFER PUMP, FUEL INJECTION PUMP (ROTO-DIESEL).....	30-39			
1J5	TRANSMISSION CASE	50-36			
1J13	TRANSMISSION DRIVE SHAFT	50-45			
1J10	TRANSMISSION GEAR SHIFTERS	50-42			
2D18	TRANSMISSION OIL	70-71			
1C5	TRANSMISSION OIL COOLER	20-36			
2B10	TRANSMISSION OIL FILLER CAP	70-15			
1E11	TRANSMISSION OIL FILTER	30-50			
1J8	TRANSMISSION OIL FILTER	50-40			
1J5	TRANSMISSION OIL LEVEL ROD	50-36			
1J7	TRANSMISSION OIL LEVEL ROD	50-39			
1J3	TRANSMISSION OIL LINES	50-34			
1J8	TRANSMISSION OIL LINES	50-40			
1J4	TRANSMISSION OIL LINES (HI-LO SHIFT).....	50-35			
1I14	TRANSMISSION OIL PUMP	50-19			
1J3	TRANSMISSION OIL PUMP	50-34			
1J4	TRANSMISSION OIL PUMP (HI-LO SHIFT).....	50-35			
1G20	TRANSMISSION OIL TEMPERATURE GAUGE	40-38			
1J5	TRANSMISSION RELIEF VALVE	50-36			
2F24	TRANSMISSION SHIELD.....	90-16			
1J7	TRANSMISSION SUMP COVER	50-39			
1J10	TRANSMISSION TOP COVER	50-42			
1A23	TUBE, VENTILATOR OUTLET	20-6			
1G17	TURN SIGNAL CONTROL.....	40-35			
1G16	TURN SIGNAL LIGHTS	40-34			

W

2F14	WARNING LAMP	90-4
1G14	WARNING LAMP (FLASHING)	40-32
1G15	WARNING LAMP KIT, IMPLEMENT	40-33
1G12	WARNING LIGHT	40-30
1C3	WATER PUMP (COMPLETE)	20-34
1C1	WATER PUMP ASSEMBLY.....	20-32
1C4	WATER PUMP KIT.....	20-35
1C20	WEATHER CAP	30-6
2E19	WEIGHTS, FRONT.....	80-24
2E16	WEIGHTS, REAR WHEEL (FLANGED AXLE - 24", 28" WHEELS).....	80-21
2E17	WEIGHTS, REAR WHEEL (FLANGED AXLE, 28", POWER ADJUSTED).....	80-22
2E18	WEIGHTS, REAR WHEEL (PINION ADJUSTED AXLE 38").....	80-23
2E9	WHEEL, FRONT.....	80-14
2E14	WHEEL, REAR (PINION ADJUSTED AXLE)	80-19
2E13	WHEEL, REAR, DUAL STEEL DISK.....	80-18
2E15	WHEEL, REAR, POWER ADJUSTED.....	80-20
2E11	WHEEL, REAR, STEEL DISK (RIVETED BRACKET)	80-16
2E12	WHEEL, REAR, STEEL DISK (WELDED BRACKET)	80-17
1K6	WHEEL, STEERING.....	60-2
1K8	WHEEL, STEERING (POWER)	60-4
2F14	WIRING HARNESS, ROLL-GARD.....	90-4
1G22	WIRING HARNESS,RADAR SENSOR	40-40
1H3	WIRING KIT, ELECTRICAL REMOTE CONTROL	40-46
1H6	WIRING KIT, 7-TERMINAL SUPPLEMENTARY	40-49
1E15	WIRING SYSTEM, LIGHT	40-2
1H8	WIRING, ELECTRICAL OUTLET, 7-TERMINAL	40-51

V

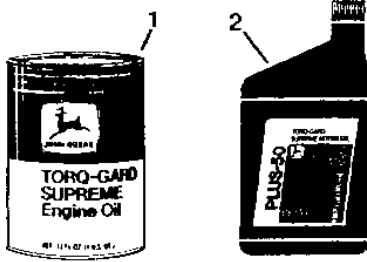
1B10	V-BELT PULLEYS	20-16
2B12	VALVE HOUSING, ROCKSHAFT	70-18
1A19	VALVE STEM LUBRICANT, ENGINE	20-2
1K15	VALVE, BRAKE	60-12
1K17	VALVE, BRAKE, OVERHAUL KIT	60-14
2D1	VALVE, BREAKAWAY COUPLER.....	70-54
1I22	VALVE, CLUTCH CONTROL (INDEPENDENT PTO).....	50-28
1I21	VALVE, CONTROL, CLUTCH	50-27
1I20	VALVE, CONTROL, CLUTCH (HI-LO SHIFT).....	50-26
1B1	VALVE, CYLINDER HEAD.....	20-7A
1B3	VALVE, EXHAUST	20-8
1B3	VALVE, INTAKE	20-8
1B19	VALVE, OIL PRESSURE RELIEF	20-25
1K12	VALVE, POWER STEERING	60-8
2B8	VALVE, PRESSURE CONTROL	70-13
1J5	VALVE, RELIEF PRESSURE.....	50-36

1A18

ENGINE

RGP3291 -UN-01JAN94

TORQ-GARD SUPREME AND PLUS-50 ENGINE OIL



RGF 3291

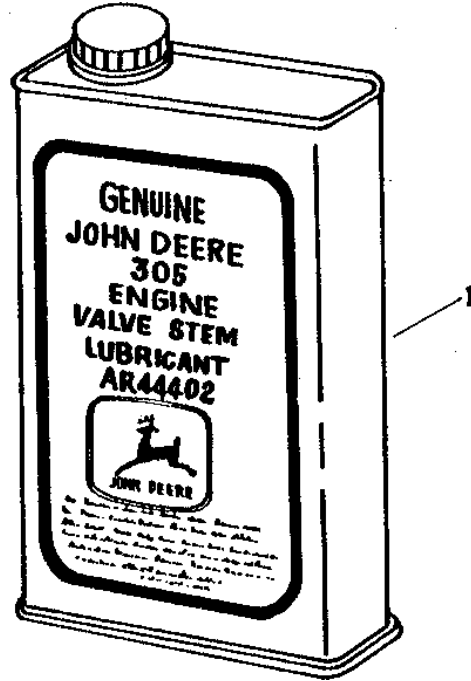
KEY	PART NO.	PART NAME	QTY	ENGINE SERIAL NO.	REMARKS
1	TY6359	OIL	1	(SAE 5W/30), 0.9L (1 QUART) CAN	
	TY6360	OIL	1	(SAE 5W/30), 19L (5 GALLON) CAN	
	TY6361	OIL	1	(SAE 5W/30), 208L (55 GALLON) DRUM	
	TY6297	OIL	1	(SAE 15W/40), 0.9L (1 QUART) CAN	
	TY6298	OIL	1	(SAE 15W/40), 19L (5 GALLON) CAN	
	TY6300	OIL	1	(SAE 15W/40), 114L (30 GALLON) DRUM	
	TY6301	OIL	1	(SAE 15W/40), 208L (55 GALLON) DRUM	
	TY6311	OIL	1	(SAE 10W), 0.9L (1 QUART) CAN	
	TY22009	OIL	1	(SAE 10), 3.8L (1 GALLON)	
	TY6312	OIL	1	(SAE 10W), 19L (5 GALLON) CAN	
	TY6313	OIL	1	(SAE 10W), 208L (55 GALLON) DRUM	
	AR63979	OIL	1	(SAE 30), 0.2L (1 HALF PINT) CAN	
	AR63218	OIL	1	(SAE 30), 0.9L (1 QUART) CAN	
	AR63219	OIL	1	(SAE 30), 19L (5 GALLON) CAN	
TY6280	OIL	1	(SAE 30), 114L (30 GALLON) DRUM		
AR63222	OIL	1	(SAE 30), 208L (55 GALLON) DRUM		
2	TY6389	OIL	1	(SAE 15W/40), 0.9L (1 QUART)	
	TY22008	OIL	1	(SAE 15W/40), 3.8L (1 GALLON)	
	TY6390	OIL	1	(SAE 15W/40), 19L (5 GALLON)	
	TY22010	OIL	1	(SAE 15W/40), 113.6L (30 GALLON)	
	TY6391	OIL	1	(SAE 15W/40), 208L (55 GALLON)	
	TY6392	OIL	1	(SAE 30), 0.9L (1 QUART)	
	TY22007	OIL	1	(SAE 30), 3.8L (1 GALLON)	
	TY6393	OIL	1	(SAE 30), 19L (5 GALLON)	
	TY22011	OIL	1	(SAE 30), 113.6L (30 GALLON)	
	TY6394	OIL	1	(SAE 30), 208L (55 GALLON)	

1A19

ENGINE

T71654 -UN-01JAN94

ENGINE VALVE STEM LUBRICANT



T71654

KEY	PART NO.	PART NAME	QTY	ENGINE SERIAL NO.	REMARKS
1	AR44402	OIL	1	0.9 L (1 QT.) CAN	

1A20

ENGINE

KIT FOR OFF-SEASON STORAGE

KEY	PART NO.	PART NAME	QTY	ENGINE SERIAL NO.	REMARKS
..	AR41785	KIT	1		CONTAINS 0.9 L (1 QT.) CAN OF INTERNAL CORROSION INHIBITOR, 1 ROLL OF TAPE, AND 6 PLASTIC BAGS
..	AR41870	RUST INHIBITOR	1		0.9 L (1 QT.) CAN, (SUB AR41785)

1A21

ENGINE

CYLINDER LINER PACKING LUBRICANT

KEY	PART NO.	PART NAME	QTY	ENGINE SERIAL NO.	REMARKS
..	AR54749	LUBRICANT	1		0.9 L (1 QT.) CAN

1A22

ENGINE

RWP4201 -UN-01JAN94

LIQUID COOLANT CONDITIONER



RWP4201

KEY	PART NO.	PART NAME	QTY	ENGINE SERIAL NO.	REMARKS
..	RE12842	COOLANT	1		0.95 L (1 QT.) (SUB FOR T19566) (SUB RE23182)

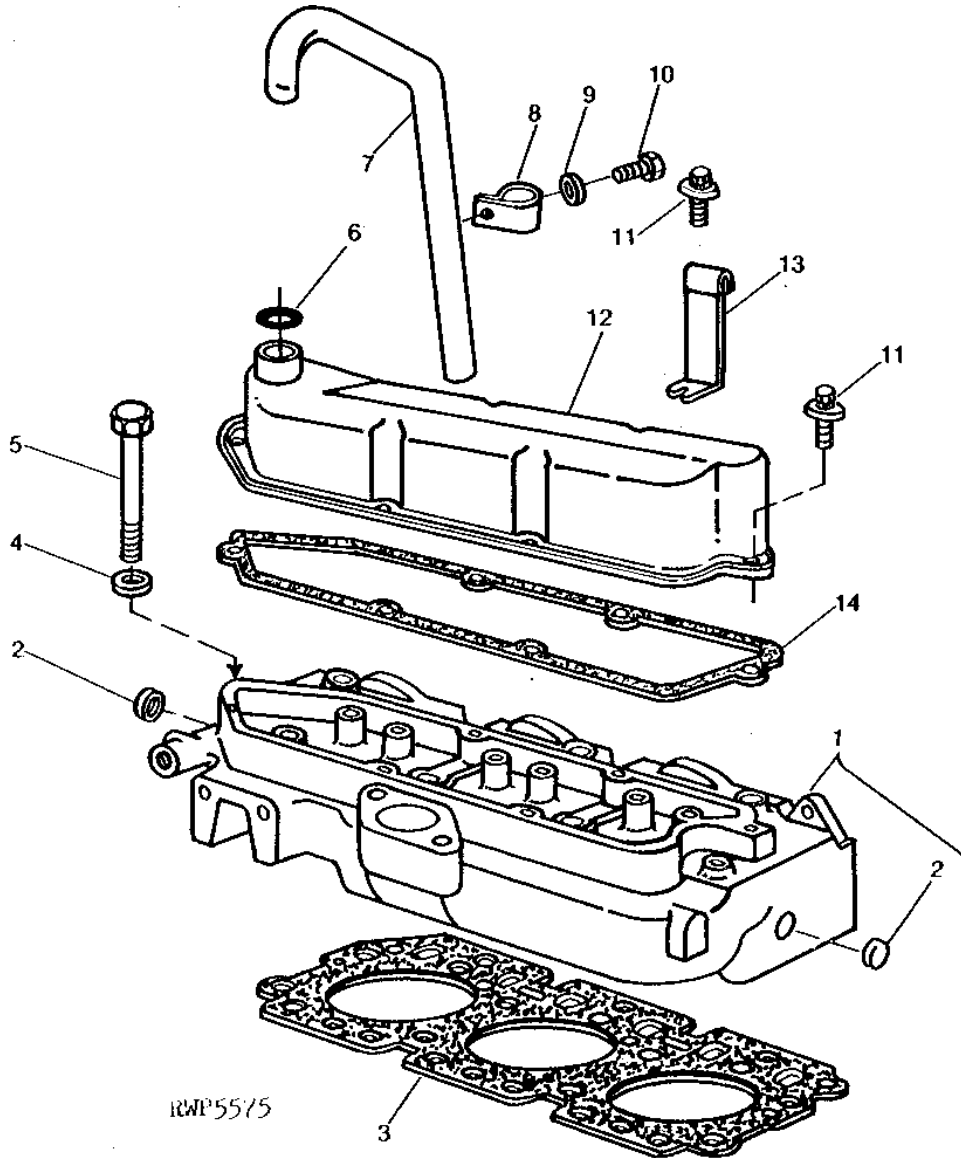
1A23

ENGINE

RWP5575

-UN-01JAN94

CYLINDER HEAD AND ROCKER ARM COVER



1A24

ENGINE

CYLINDER HEAD AND ROCKER ARM COVER - CONTINUED

KEY	PART NO.	PART NAME	QTY	ENGINE SERIAL NO.	REMARKS
1	AR70582	CYLINDER HEAD	1		(MARKED R58685) (SUB FOR AT21799) (SUB RE56309)
2	A3910R	CAP	2		
3	R80241	GASKET	1		(STANDARD) (SUB FOR R59447 OR R64151) (SUB FOR R52789, THIS APPLICATION) (SUB R97356)
4	T20168	WASHER	14		
5	R53223	CAP SCREW	14		
6	R495R	O-RING	1		
7	T20074	TUBE	1		(VENTILATOR OUTLET)
8	R40791	CLAMP	1		
9	24H1685	WASHER	1		11/32" X 47/64" X 0.083"
10	19H1813	CAP SCREW	1		5/16" X 5/8"
11	AR45530	SCREW, WITH WASHER	6		(SUB AR103811)
12	AT18016	VALVE COVER	1		
13	T24151	CLAMP	1		
14	R75729	GASKET	1		(SUB FOR T20111 OR AR102261) (ALSO ORDER (6) AR100124)

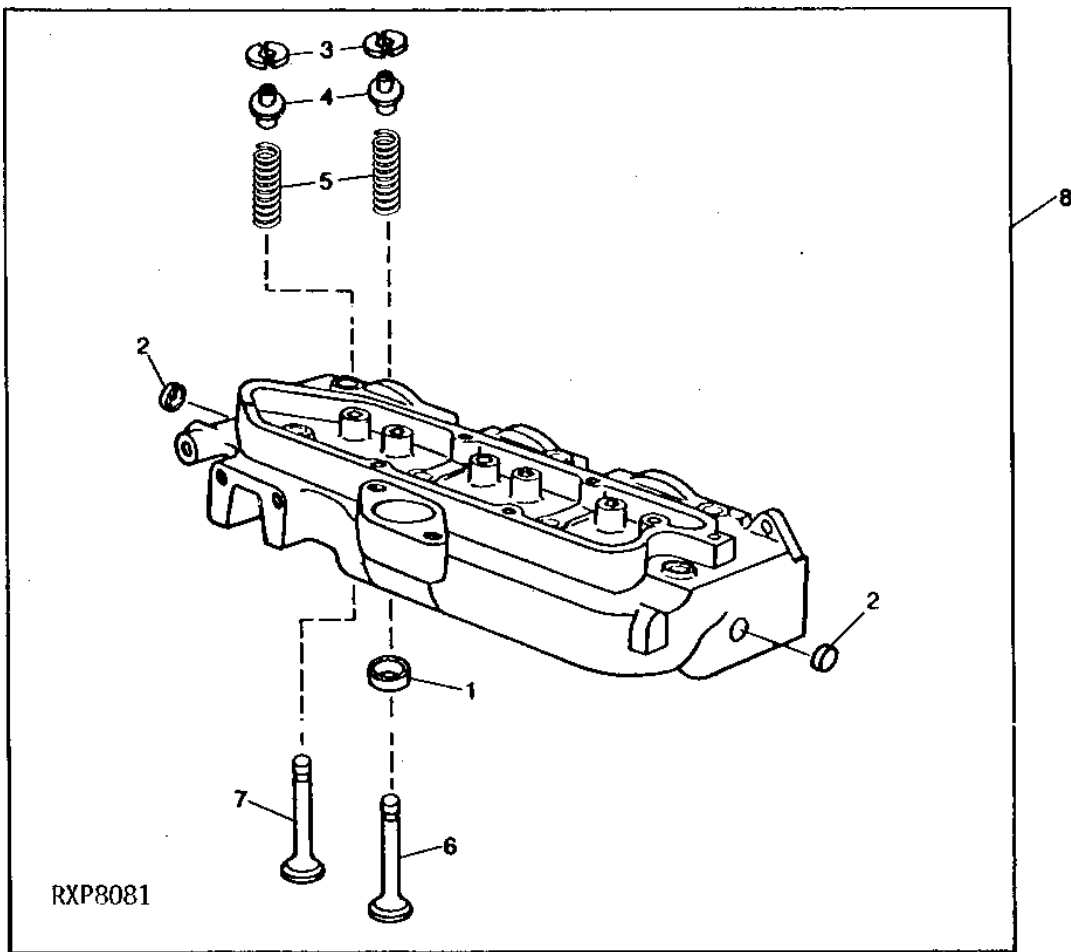
1B1

ENGINE

RXP8081

-UN-01JAN94

CYLINDER HEAD AND VALVES



1B2

ENGINE

CYLINDER HEAD AND VALVES - CONTINUED

KEY	PART NO.	PART NAME	QTY	ENGINE SERIAL NO.	REMARKS
1	R51734	VALVE SEAT INSERT	3		
2	CD16284	CAP	2		
3	T20077	RETAINER	12		
4	R41412	CAP	6		
5	R26125	SPRING	6		
6	R79624	EXHAUST VALVE	3		
7	R79623	INTAKE VALVE	3		
8	AR70583	CYLINDER HEAD	1		(MARKED R58686) (SUB RE56309)

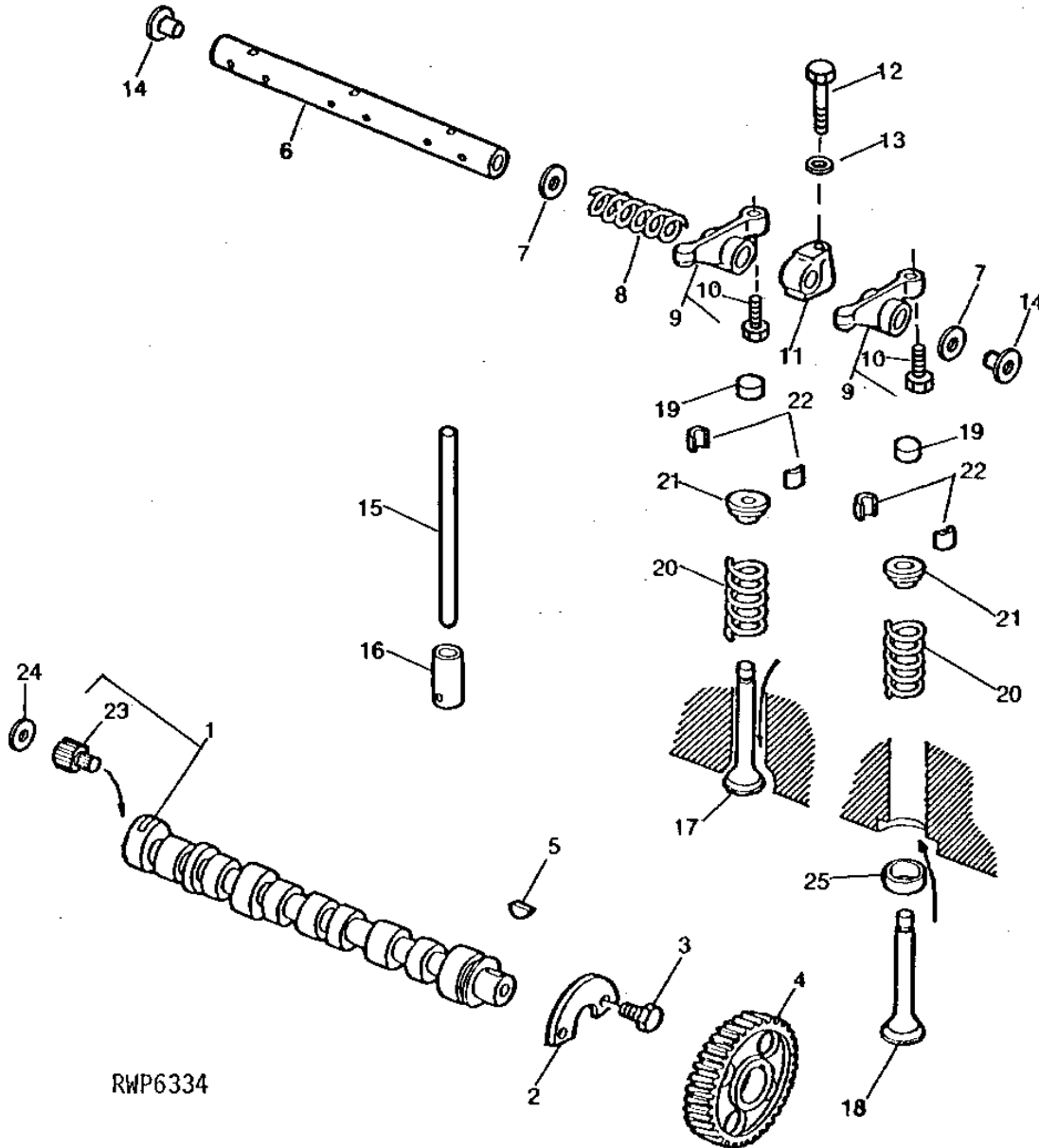
1B3

ENGINE

RWP6334

-UN-01JAN94

CAMSHAFT, VALVES AND ROCKER ARM SHAFT



1B4

ENGINE

CAMSHAFT, VALVES AND ROCKER ARM SHAFT - CONTINUED

KEY	PART NO.	PART NAME	QTY	ENGINE SERIAL NO.	REMARKS
1	AT18053	CAMSHAFT	1		(MARKED T20016 OR T20015) (SUB FOR AT18055 OR R81516) (SUB R82819 AND R81513)
2	T20072	PLATE	1		
3	19H1731	CAP SCREW	2		3/8" X 1"
4	T20070	GEAR	1		
5	T28041	SHAFT KEY	1		
6	DD12119	ROCKER ARM SHAFT	1		(ALSO ORDER (2) R54565) (SUB FOR R54985)
7	T20316	WASHER	2		
8	T20314	SPRING	2		
9	RE19031	ROCKER ARM	6		(SUB FOR AR103769 OR AT32150) (SUB RE31973)
10	SCREW	1		(ORDER RE31973)
11	T20315	SUPPORT	3		
12	19H1733	CAP SCREW	3		3/8" X 2-1/2"
13	24M7106	WASHER	3		10 X 18 X 2.500 MM
14	T23469	PLUG	2		(USE WITH T23468)
	R54565	PLUG	2		(USE WITH DD12119)
15	T20310	PIN	6		(SUB R82896)
16	T20073	TAPPET	6		
17	R52251	INTAKE VALVE	3		STANDARD STEM, (SUB R79623)
	R57332	INTAKE VALVE	3		(A) 0.08 MM (.003") (SUB FOR T23546) (SUB R79628)
	R57334	INTAKE VALVE	3		(A) 0.38 MM (.015") (SUB FOR T23547) (SUB R79629)
	R57336	INTAKE VALVE	3		(A) 0.76 MM (.030") (SUB FOR T23548) (SUB R79630)
18	R52252	EXHAUST VALVE	3		STANDARD STEM, (SUB R79624)
	R57333	EXHAUST VALVE	3		(A) 0.08 MM (.003") (SUB FOR T23549) (SUB R79625)
	R57335	EXHAUST VALVE	3		(A) 0.38 MM (.015") (SUB FOR T23550) (SUB R79626)
	R57337	EXHAUST VALVE	3		(A) 0.76 MM (.030") (SUB FOR T23551) (SUB R79627)
19	T20129	CAP	6		
20	R26125	SPRING	6		
21	T20176	RETAINER	6		(SUB R41412)
22	T20077	RETAINER	12		
23	T20071	DRIVE SHAFT	1		(USE WITH T20016 OR T20015)
	R81513	DRIVE SHAFT	1		(USE WITH R81516 OR R82819)
24	T20304	WASHER	1		
25	CD13979	VALVE SEAT INSERT	3		(WHEN REQUIRED) (EXHAUST) (SUB R97778)

(A) OVERSIZE STEM

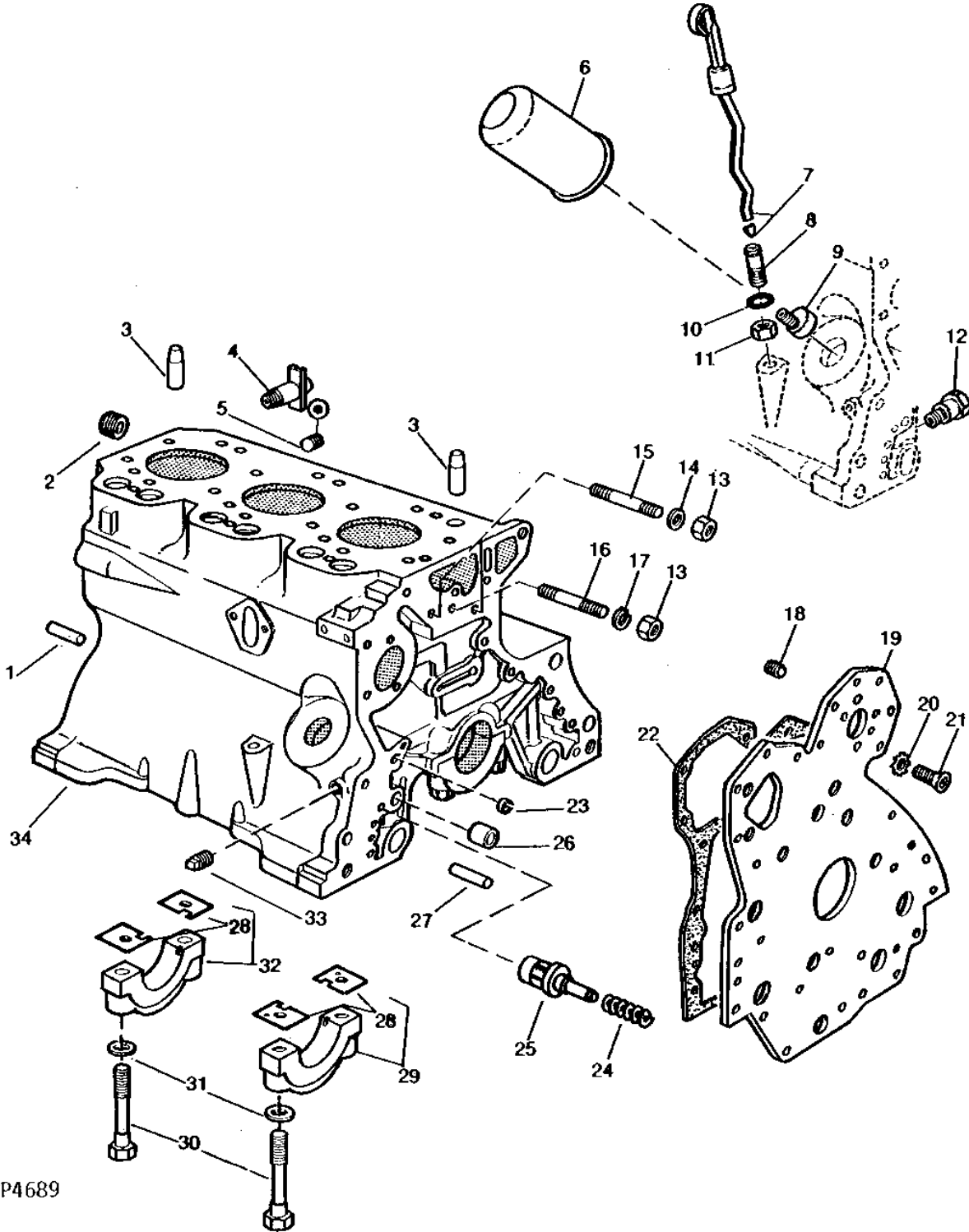
1B5

ENGINE

RWP4689

-UN-01JAN94

CYLINDER BLOCK



RWP4689

1B6

ENGINE

CYLINDER BLOCK - CONTINUED

KEY	PART NO.	PART NAME	QTY	ENGINE SERIAL NO.	REMARKS
1	R48685	DOWEL PIN	2		(SUB FOR A120R)
2	15H690	PIPE PLUG	1		3/4"
3	R26241	DOWEL PIN	2		
4	AT13740	DRAIN VALVE	1		LESS COOLANT HEATER, (SUB FOR AT27653)
	15H613	ELBOW FITTING	1		COOLANT HEATERS, (ALSO ORDER T29388) (SUB FOR T29381)
5	15H275	PIPE PLUG	1		1/4"
6	T19044	OIL FILTER	1		
7	AT21534	DIPSTICK	1		
8	R55299	THREADED NIPPLE	1		(ALSO ORDER R10093) (SUB FOR T24409)
9	T23435	THREADED NIPPLE	1		
10	R10093	O-RING	1		
11	14H826	NUT	1		1/2"
12	R54802	ORIFICE	3		
13	14H1076	NUT	4		3/8"
14	24M7096	WASHER	2		10.500 X 18 X 1.600 MM
15	T33279	STUD	2		3/8" X 2-9/16", (SUB FOR T20173)
16	T25701	STUD	1		3/8" X 2-3/16"
17	12H304	LOCK WASHER	3		3/8"
18	AT21191	SET SCREW	5		5/16", (DIESEL)
	AT22919	SET SCREW	2		3/8", (DIESEL)
19	R56736	PLATE	1		(SUB FOR T20295) (SUB RE16149, (8) AT21191 AND (2) AT22919)
20	12H324	WASHER	5		3/8"
21	T20166	SCREW	5		3/8" X 7/8"
22	R90648	GASKET	1		(SUB FOR T24965 OR R73140)
23	T18891	CAP	2		-XXXXXX
	T18891	CAP	1	XXXXXX-	
24	R46625	SPRING	1	XXXXXX-	
25	R73139	VALVE	1	XXXXXX-	
26	R26493	BUSHING	1		
27	R26650	DOWEL PIN	2		
28	T23670	SHIM	AR		0.08 MM (.003") (NO LONGER AVAILABLE)
	T23671	SHIM	AR		0.05 MM (.002") (NO LONGER AVAILABLE)
29	AR82294	BEARING CAP	3		(SUB FOR AT21226) (SUB R65215)
30	T23474	CAP SCREW	8		
31	T20168	WASHER	8		
32	AR82295	BEARING CAP	1		THRUST, (SUB FOR AT21227) (SUB R79089)
33	15H255	PIPE PLUG	2		3/8"
34	AR64724	CYLINDER BLOCK	1	-XXXXXX	(MARKED T32339, R53240 OR R55120) (ALSO ORDER (14) R53223) (SUB FOR AT25293, AT31584 OR AR59056) (SUB RE19841, R46625, R73139, R97356, R90648, (3) T32343)
	RE19841	CYLINDER BLOCK	1	XXXXXX-	(MARKED R72965) (ALSO ORDER R97356 AND (3) T32343) (SUB FOR AR97026)

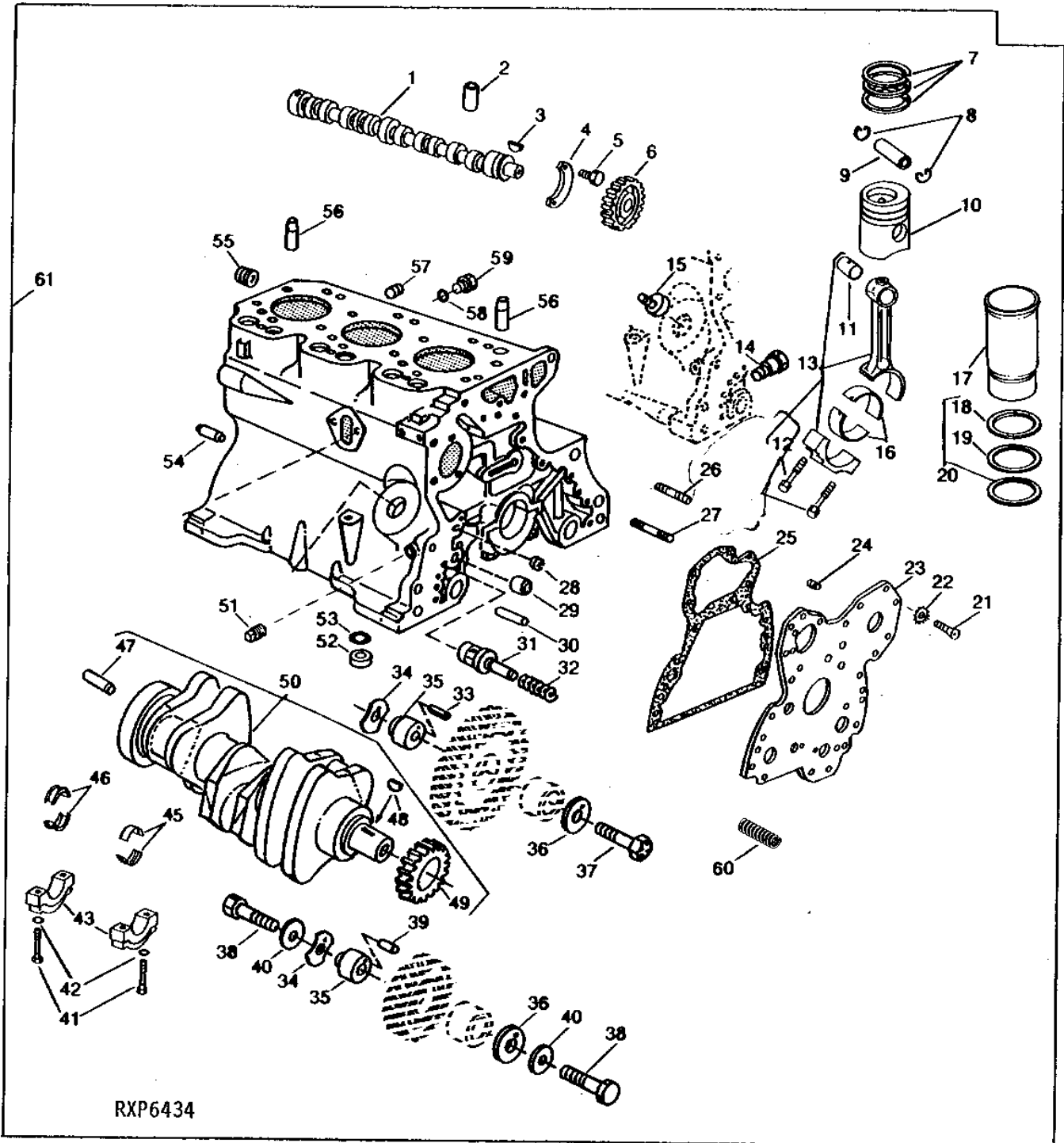
1B7

ENGINE

RXP6434

-UN-01JAN94

SHORT BLOCK



1B8

ENGINE

SHORT BLOCK - CONTINUED

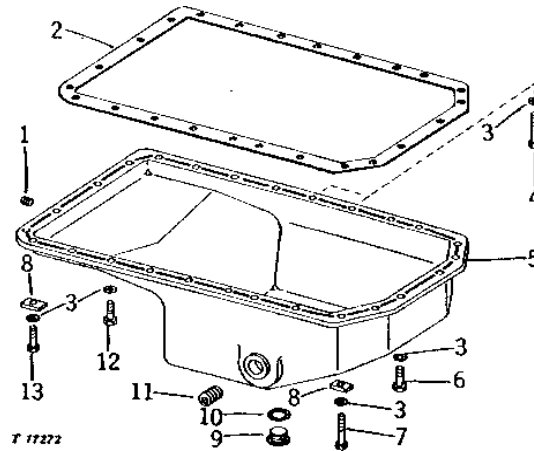
KEY	PART NO.	PART NAME	QTY	ENGINE SERIAL NO.	REMARKS
1	R82819	CAMSHAFT	1		
2	T20073	TAPPET	6		
3	T28041	SHAFT KEY	1		
4	T20072	PLATE	1		
5	19H218	CAP SCREW	2		
6	T20070	GEAR	1		
7	AR55760	PISTON RING KIT	3		
8	M41029	SNAP RING	6		
9	R125754	PISTON PIN	3		(SUB FOR R51731)
10	AR77762	PISTON	3		
11	R55647	BUSHING	3		
12	R80033	SCREW	6		
13	RE21076	CONNECTING ROD	3		
14	R54802	ORIFICE	3		
15	T23435	THREADED NIPPLE	1		
16	AT21138	BEARING	3		
17	T32343	CYLINDER LINER	3		
18	R48768	WASHER	3		
19	T32344	O-RING	3		
20	AR71618	KIT	3		
21	T20166	SCREW	5		
22	12H324	WASHER	5	3/8"	
23	RE16149	PLATE	1		
24	AT21191	SET SCREW	8		
	AT22919	SET SCREW	2		
25	R90648	GASKET	1		
26	T25701	STUD	1		
27	T33279	STUD	2		
28	T18891	CAP	1		
29	R26493	BUSHING	1		
30	R26650	DOWEL PIN	1		
31	R73139	VALVE	1		
32	R46625	SPRING	1		
33	34H283	SPRING PIN	1	3/16" X 1-1/8"	
34	T26324	THRUST WASHER	2		
35	T26323	SHAFT	2		
36	T26326	THRUST WASHER	2		
37	T26327	SCREW	1	1/2" X 2-1/4"	
38	T26325	SCREW	2	9/16" X 3/4"	
39	34H286	SPRING PIN	1	3/16" X 1-1/2"	
40	R76126	WASHER	2		
41	T23474	CAP SCREW	8		
42	T20168	WASHER	8		
43	R79089	CAP	1		
44	R65215	BEARING CAP	3		
45	AT21140	BEARING	3		
46	AT21139	BEARING	1		
47	T26565	DOWEL PIN	1		
48	26H72	SHAFT KEY	1	1/8" X 5/8"	
49	T20094	GEAR	1		
50	AT18031	CRANKSHAFT	1		(MARKED T23516)
51	15H666	PIPE PLUG	1	3/8"	
52	R75893	FITTING	1		
53	R75892	O-RING	1		
54	R48685	DOWEL PIN	1		
55	15H562	PIPE PLUG	1	1"	
56	R48685	DOWEL PIN	2		
57	15H275	PIPE PLUG	1	1/4"	
58	U13639	O-RING	1		
59	R39741	DRAIN PLUG	1		
60	T27658	SPRING	1		
61	RE19842	SHORT BLOCK ASSEMBLY	1		(MARKED R80408) (SUB FOR AR64730 OR AR97035) (ALSO ORDER R81513)

1B9

ENGINE

T17272 -UN-01JAN94

OIL PAN



KEY	PART NO.	PART NAME	QTY	ENGINE SERIAL NO.	REMARKS
1	15H624	PIPE PLUG	1	1/2"	
2	T24534	GASKET	1		
3	12H304	LOCK WASHER	23	3/8"	
4	19H1732	CAP SCREW	2	(A) 3/8" X 1-1/4"	
5	AT18180	OIL PAN	1		
6	19H1732	CAP SCREW	5	3/8" X 1-1/4"	
7	19H1801	CAP SCREW	1	3/8" X 2", RIGHT FRONT SIDE HOLE	
8	T30726	STRAP	24		
9	T20098	DRAIN PLUG	1		
10	T13213	WASHER	1		
11	15H690	PIPE PLUG	1	3/4"	
12	19H1936	CAP SCREW	17	(B) 3/8" X 3/4"	
	19H1936	CAP SCREW	15	(A) 3/8" X 3/4"	
13	19H1732	CAP SCREW	1	3/8" X 1-1/4", RIGHT REAR SIDE HOLE	

(A) ENGINE COOLANT HEATER
 (B) LESS ENGINE COOLANT HEATER

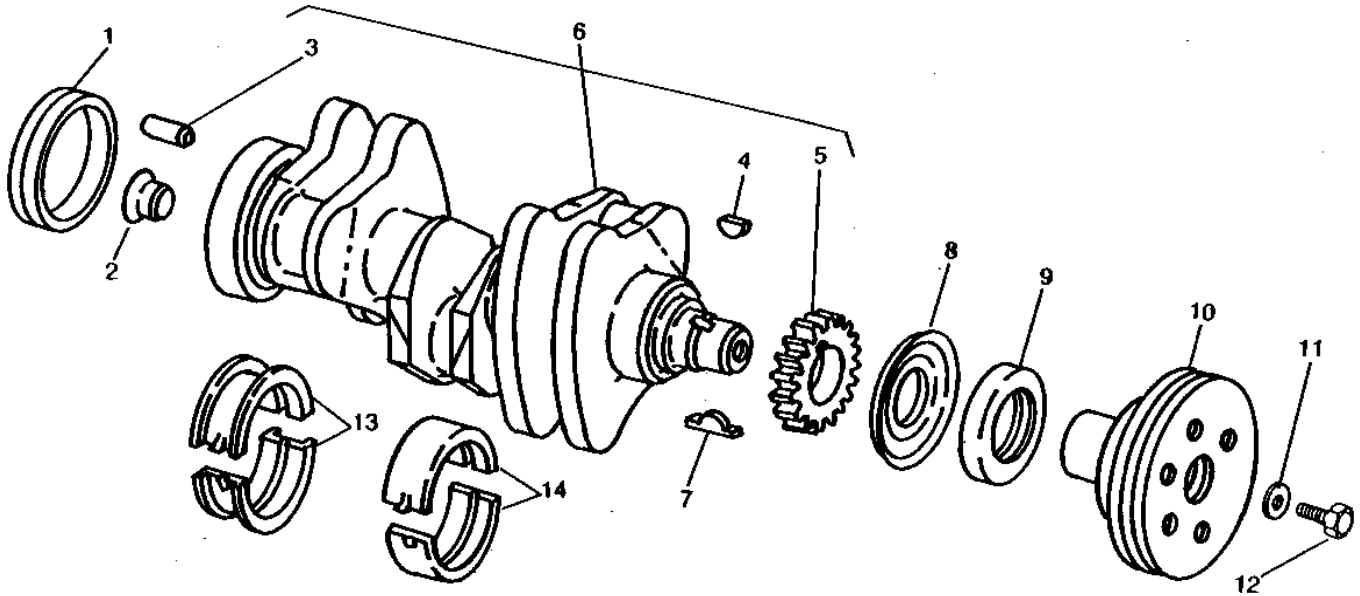
MEMORANDA

1B10

ENGINE

RWP4688 -UN-01JAN94

CRANKSHAFT AND MAIN BEARINGS



RWP4688

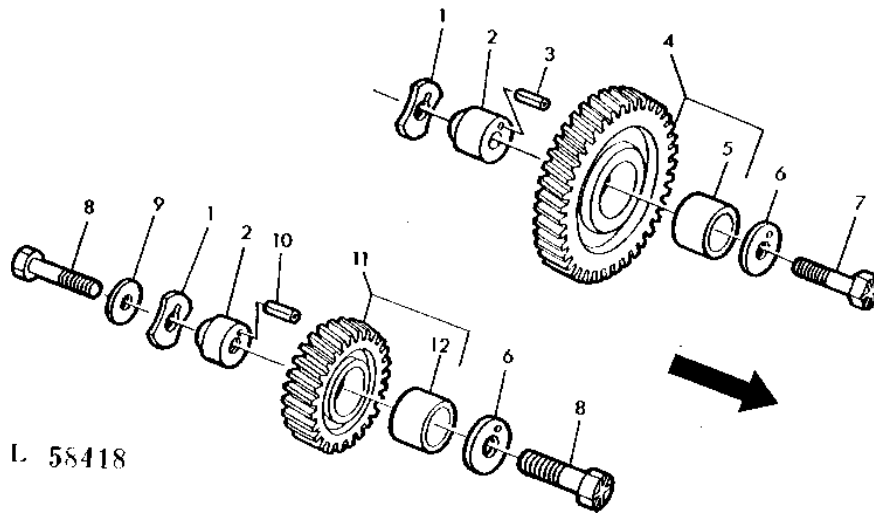
KEY	PART NO.	PART NAME	QTY	ENGINE SERIAL NO.	REMARKS
1	RE24959	SEAL	1		(SUB FOR AT22965 OR AR92893) (SUB RE44574)
2	T20445	PLUG	1		
3	T26565	DOWEL PIN	1		
4	26H72	SHAFT KEY	1	1/8" X 5/8"	
5	T20094	GEAR	1		
6	AT18031	CRANKSHAFT	1		(MARKED T23516)
7	T23604	SHAFT KEY	1		
8	T20046	OIL SLINGER	1		
9	AR67942	SEAL	1		(SUB FOR AT21608)
10	R59915	PULLEY	1		(SUB FOR T25366)
11	T20217	WASHER	1		
12	19H1721	CAP SCREW	1	1/2" X 1-1/2"	
13	AT21139	BEARING	1		STANDARD, THRUST (2 HALVES)
	AT21130	BEARING	1		0.05 MM (.002") UNDERSIZE, THRUST (2 HALVES)
	AT21132	BEARING	1		0.25 MM (.010") UNDERSIZE, THRUST (2 HALVES)
	AT21134	BEARING	1		0.50 MM (.020") UNDERSIZE, THRUST (2 HALVES)
	AT21136	BEARING	1		0.76 MM (.030") UNDERSIZE, THRUST (2 HALVES)
14	AT21140	BEARING	3		STANDARD (2 HALVES)
	AT21108	BEARING	3		0.05 MM (.002") UNDERSIZE (2 HALVES)
	AT21110	BEARING	3		0.25 MM (.010") UNDERSIZE (2 HALVES)
	AT21112	BEARING	3		0.50 MM (.020") UNDERSIZE (2 HALVES)
	AT21114	BEARING	3		0.76 MM (.030") UNDERSIZE (2 HALVES)

1B11

ENGINE

L58418 -UN-01JAN94

TIMING GEARS



L 58418

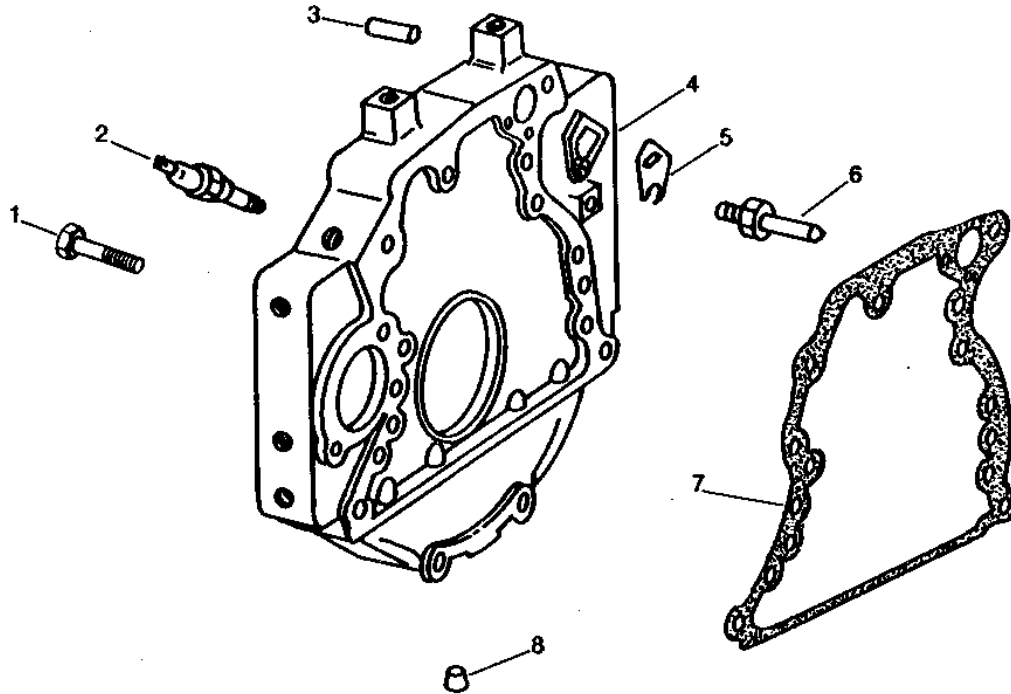
KEY	PART NO.	PART NAME	QTY	ENGINE SERIAL NO.	REMARKS
1	T26324	THRUST WASHER	2		
2	T26323	SHAFT	2	(SUB R89825)	
3	34H283	SPRING PIN	1	3/16" X 1-1/8"	
4	AR91660	GEAR	1	(SUB FOR AT18009)	
5	T20034	BUSHING	1		
6	T26326	THRUST WASHER	2	(OUTER)	
7	T26327	SCREW	1		
8	T26325	SCREW	2		
9	24H1890	WASHER	1	19/32" X 1" X 1/4"	
10	34H286	SPRING PIN	1	3/16" X 1-1/2"	
11	AT24252	GEAR	1	LOWER IDLER	
12	T26321	BUSHING	1		

1B12

ENGINE

RWP1694 -UN-01JAN94

FLYWHEEL HOUSING



RWP1694

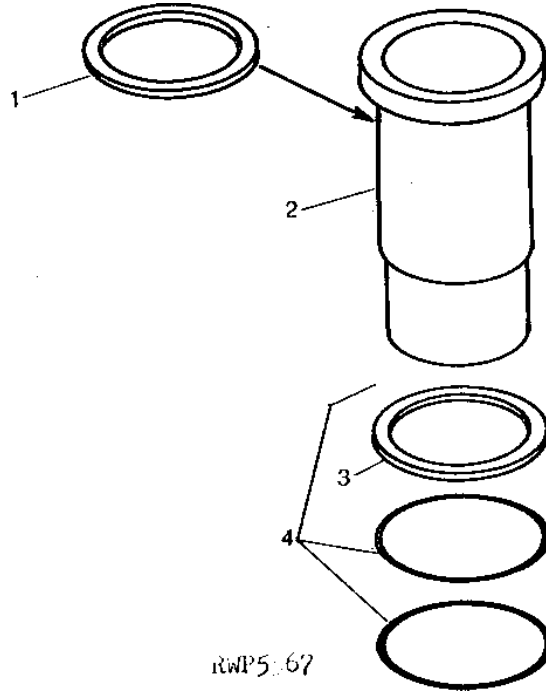
KEY	PART NO.	PART NAME	QTY	ENGINE SERIAL NO.	REMARKS
1	19H1800	CAP SCREW	8	3/8" X 1-1/2"	
	12H304	LOCK WASHER	8	3/8"	
2	AR27977	TOUCH SWITCH	1	ENGINE OIL PRESSURE	
3	T26565	DOWEL PIN	2		
4	R63434	HOUSING	1	(SUB FOR T28433) (ALSO ORDER T20089)	
5	T20089	COVER	1		
	R83554	PLUG	1	(USE WITH T28433) (SUB FOR T28435)	
6	19H2351	CAP SCREW	1	1/2" X 1/2"	
7	R70483	GASKET	1	(SUB FOR T23596 OR R49516) (SUB R97351)	
8	T23590	PLUG	1		

1B13

ENGINE

RWP5567 -UN-01JAN94

CYLINDER LINERS



KEY	PART NO.	PART NAME	QTY	ENGINE SERIAL NO.	REMARKS
1	R46906	SHIM	AR		
2	T32343	CYLINDER LINER	3		0.10 MM (.004") (SUB FOR R57582)
3	R48768	WASHER	3		
4	AR71618	KIT	3		

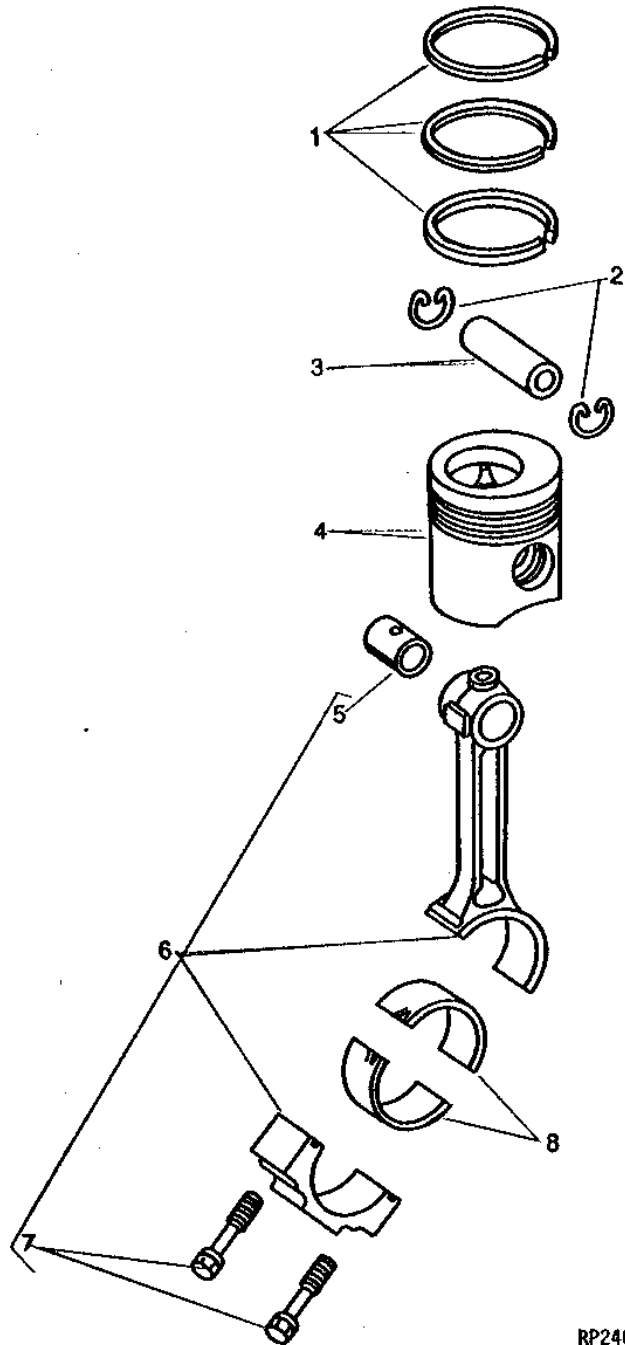
1B14

ENGINE

RP240

-UN-01JAN94

PISTONS, RINGS AND CONNECTING ROD



1B15

ENGINE

PISTONS, RINGS AND CONNECTING ROD - CONTINUED

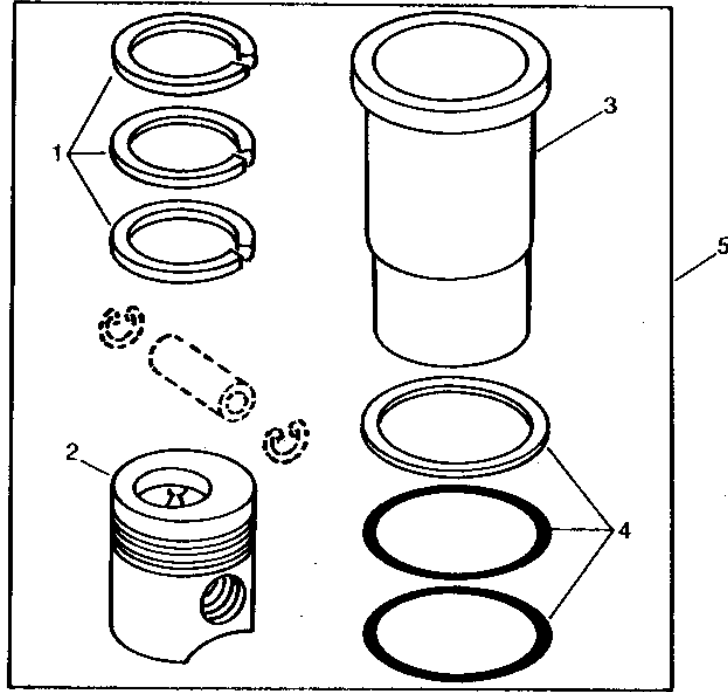
KEY	PART NO.	PART NAME	QTY	TRACTOR SERIAL NO.	REMARKS
1	AR55759	PISTON RING KIT	3		(SUB FOR AT29213) (SET OF 3 RINGS)
2	R51112	SNAP RING	6	-179600	
	U16538	SNAP RING	6	179601-	(SUB FOR M41029)
3	T26149	PISTON PIN	3	-179600	
	R125754	PISTON PIN	3	179601-	(SUB FOR R51731)
4	R51451	PISTON	3	-179600	(SUB AR78310)
	AR78310	PISTON	3	178601-179600	
	AR55984	PISTON	1	179601-	(SUB AR77762)
	AR77762	PISTON	1	XXXXXX-	(HIGH ALTITUDE)
5	T23471	BUSHING	3	-179600	
	R55647	BUSHING	3	179601-	
6	AT18005	CONNECTING ROD	3	-179600	(SUB RE19733)
	RE21076	CONNECTING ROD	3	179601-	(SUB FOR AR55978 OR RE16495)
7	R74194	SCREW	6	-179600	(SUB FOR T20009)
	R80033	SCREW	6	179601-	(USE WITH RE21076)
8	AT21138	BEARING	3		STANDARD, (2 HALVES)
	AT21122	BEARING	3		0.05 MM (.002") UNDERSIZE (2 HALVES)
	AT21124	BEARING	3		0.25 MM (.010") UNDERSIZE (2 HALVES)
	AT21126	BEARING	3		0.51 MM (.020") UNDERSIZE (2 HALVES)
	AT21128	BEARING	3		0.76 MM (.030") UNDERSIZE (2 HALVES)

1B17

ENGINE

RWP2613 -UN-01JAN94

PISTON LINER KIT



RWP2613

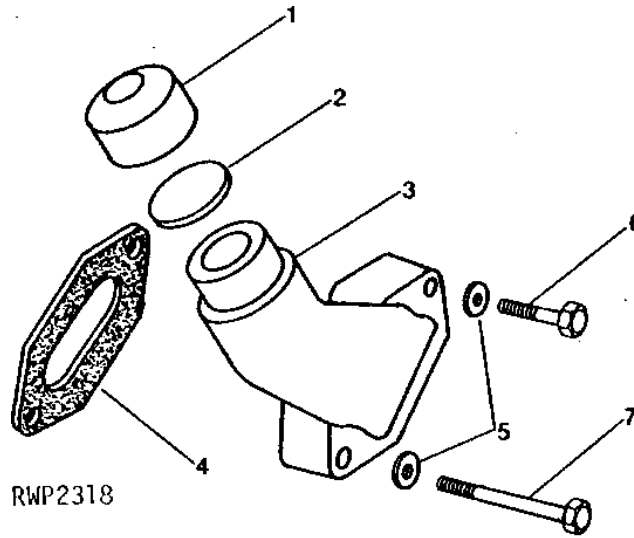
KEY	PART NO.	PART NAME	QTY	TRACTOR SERIAL NO.	REMARKS
1	AR55759	PISTON RING KIT	1		
2	AR55984	PISTON	1	179601-XXXXXX	(WITH INSERT) (SUB AR77762)
	AR77762	PISTON	1	XXXXXX-	(WITH INSERT) (MARKED B)
3	T32343	CYLINDER LINER	1		
4	AR71618	KIT	1		
5	AR71592	PISTON-LINER KIT	3	179601-XXXXXX	(INCLUDES AR55984) (SUB AR78041)
	AR78041	PISTON-LINER KIT	3	XXXXXX-	(INCLUDES AR77762)

1B18

ENGINE

RWP2318 -UN-01JAN94

OIL FILLER INLET



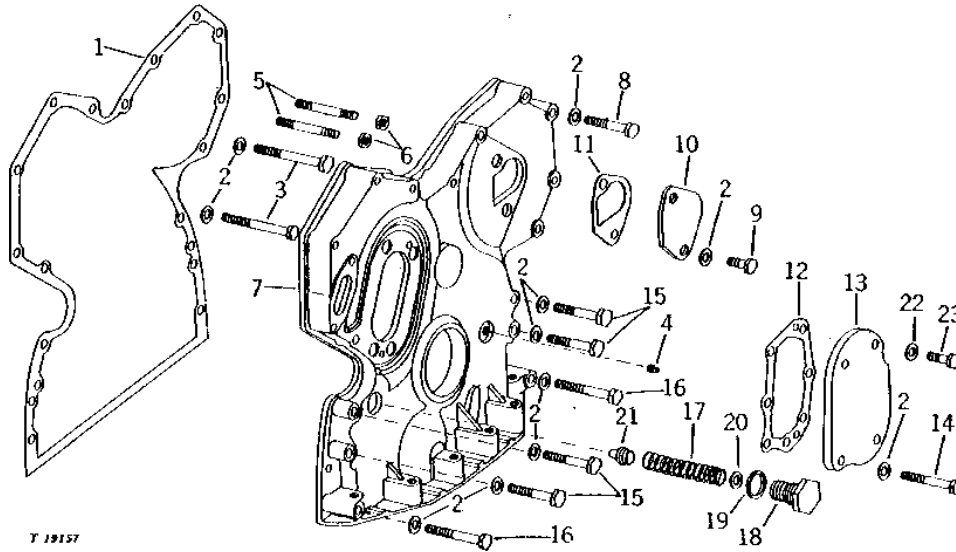
KEY	PART NO.	PART NAME	QTY	ENGINE SERIAL NO.	REMARKS
1	T20294	CAP	1		
2	T20328	GASKET	1		
3	T23614	FILLER NECK	2		
4	T20336	GASKET	1		
5	24M7106	WASHER	2		(SUB R97352) 10 X 18 X 2.500 MM
6	19H2665	CAP SCREW	1		3/8" X 1-5/8"
7	19H2128	CAP SCREW	1		3/8" X 3"

1B19

ENGINE

T19157 -UN-01JAN94

TIMING GEAR COVER



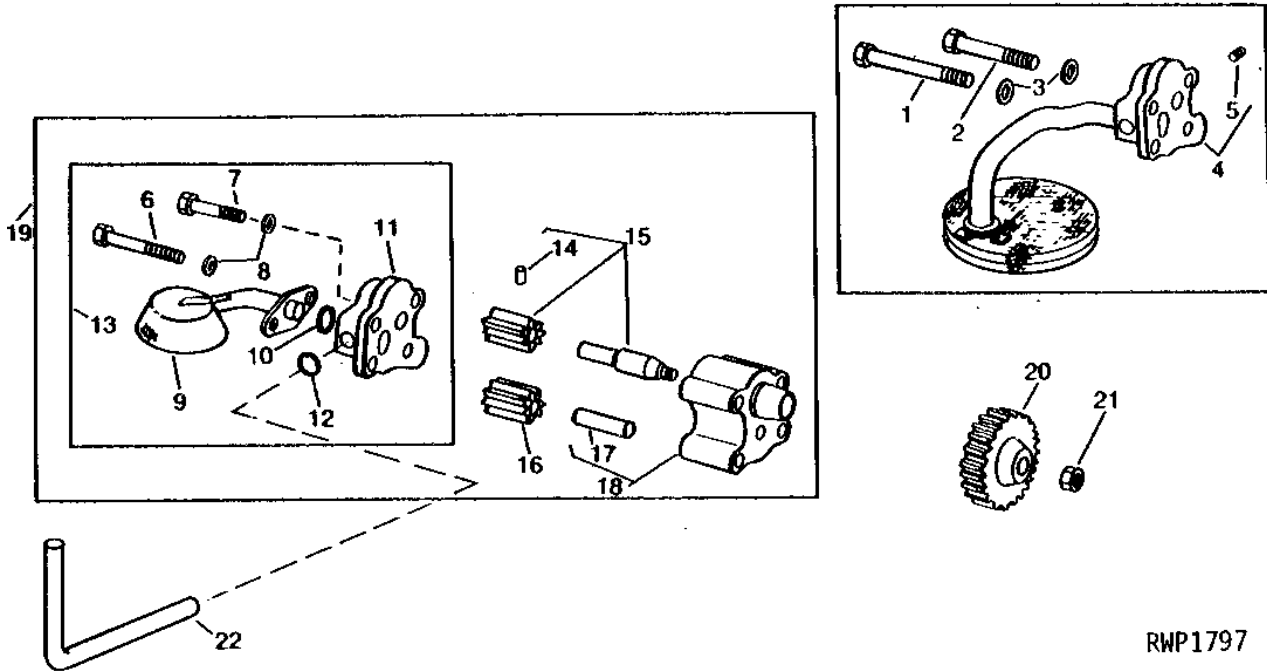
KEY	PART NO.	PART NAME	QTY	ENGINE SERIAL NO.	REMARKS
1	R119269	GASKET	1		(SUB FOR T20155 OR R97454)
2	24M7106	WASHER	16		10 X 18 X 2.500 MM
3	19H2128	CAP SCREW	2		3/8" X 3"
4	15H275	PIPE PLUG	1	-083276	1/4"
5	T33279	STUD	2		(SUB FOR T20173)
6	14H1076	NUT	2		3/8"
7	AR58196	COVER	1		
8	19H1801	CAP SCREW	5		3/8" X 2"
9	19H2284	CAP SCREW	2		3/8" X 7/8"
10	T20362	COVER	1		
11	R97773	GASKET	1		(SUB FOR T20364, R69260 OR R78366) (SUB R125066)
12	T20273	GASKET	1		
13	T20272	COVER	1		
14	19H1726	CAP SCREW	1		3/8" X 2-1/4"
15	19H1801	CAP SCREW	4		3/8" X 2"
16	19H1733	CAP SCREW	2		3/8" X 2-1/2"
17	T27658	SPRING	1		
18	T27657	FITTING PLUG	1		
19	A4827R	WASHER	1		
20	24H1290	WASHER	AR		21/64" X 3/4" X 0.035"
21	R83169	VALVE	1		(SUB FOR T20067 OR R51516)
22	24M7106	WASHER	3		10 X 18 X 2.500 MM
23	19H2284	CAP SCREW	3		3/8" X 7/8"

1B20

ENGINE

RWP1797 -UN-01JAN94

LUBRICATING OIL PUMP



RWP1797

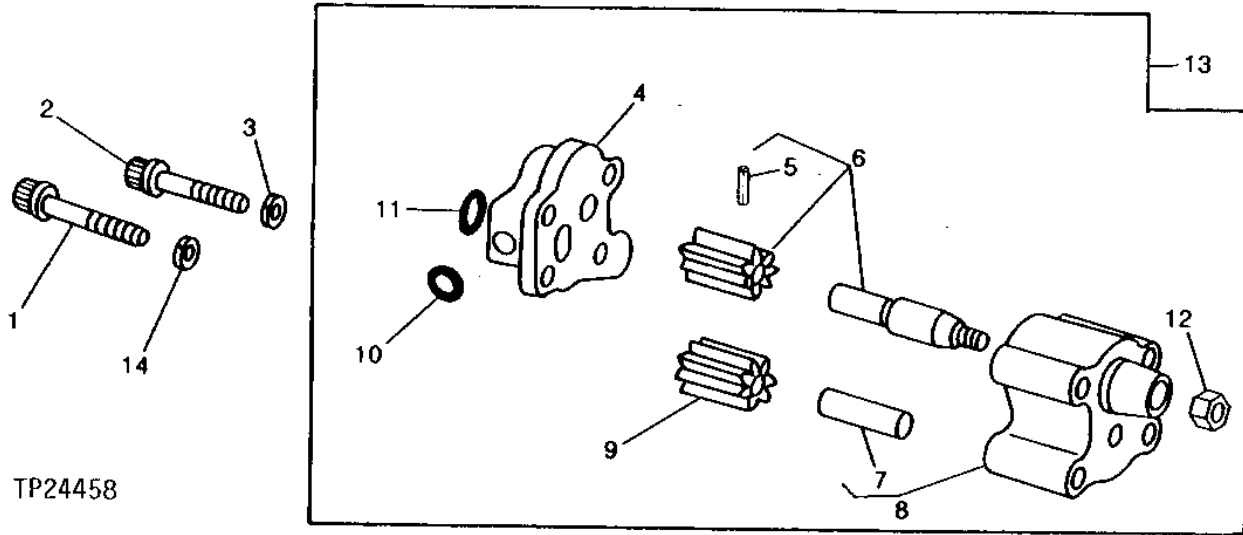
KEY	PART NO.	PART NAME	QTY	ENGINE SERIAL NO.	REMARKS
1	19H2228	CAP SCREW	1	3/8" X 4"	
2	R57059	CAP SCREW	3	3/8" X 2-3/4"	
3	12H304	LOCK WASHER	4	3/8"	
4	AT24254	COVER	1	(SUB AR67670)	
5	15H560	PIPE PLUG	1	1/16"	
6	R74552	CAP SCREW	2	(SUB FOR R59409) (ALSO ORDER R74553)	
7	R57059	CAP SCREW	2		
8	R74553	WASHER	2		
9	RE36425	OIL PUMP INTAKE	1	(SUB FOR AR60701)	
10	R61871	O-RING	1		
11	R53382	COVER	1	(SUB RE55343, R113752 AND RE52020)	
12	R74354	O-RING	1	(SUB FOR R27166)	
13	AR67670	KIT	1	INTAKE	
14	M3853T	GROOVE PIN	1		
15	AR62978	PINION	1		
16	R54614	GEAR	1	(7 TEETH) (1.6" LONG)	
17	T20091	DOWEL PIN	1		
18	AR62979	HOUSING	1	(SUB RE55343, R113752 AND RE52020)	
19	AR67074	OIL PUMP	1	(SUB RE55343, R113752, RE52020)	
20	T20298	GEAR	1	(33 TEETH)	
21	14H826	NUT	1	1/2"	
22	T20050	OIL TUBE	1		

1B21

ENGINE

TP24458 -UN-01JAN94

ENGINE OIL PUMP KIT



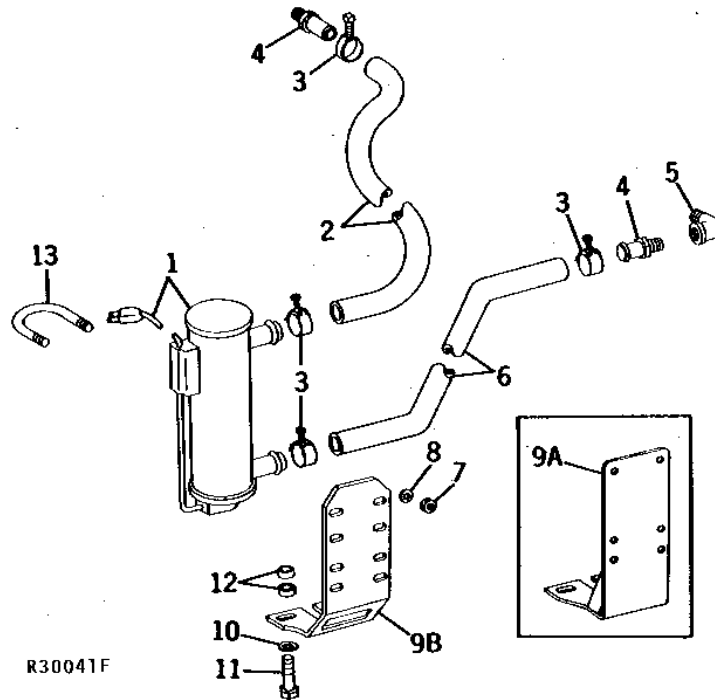
KEY	PART NO.	PART NAME	QTY	ENGINE SERIAL NO.	REMARKS
1	R74552	CAP SCREW	2		
2	R57059	CAP SCREW	2		
3	12H304	LOCK WASHER	2	3/8"	
4	R53382	COVER	1	(SUB RE55343, R113752 AND RE52020)	
5	M3853T	GROOVE PIN	1		
6	AR62978	PINION	1		
7	T20091	DOWEL PIN	1		
8	AR62979	HOUSING	1	(MARKED R54615) (SUB RE55343, R113752 AND RE52020)	
9	R54614	GEAR	1		
10	R74354	O-RING	1		
11	R61871	O-RING	1		
12	14H826	NUT	1	1/2"	
13	RE35685	OIL PUMP	1	(SUB FOR RE15381) (SUB RE55343, R113752 AND RE52020)	
14	12H304	LOCK WASHER	2	3/8"	
	R74553	WASHER	2		

1B22

ENGINE

ENGINE COOLANT HEATER (VERTICAL EXHAUST SYSTEM)

R30041 -UN-01JAN94



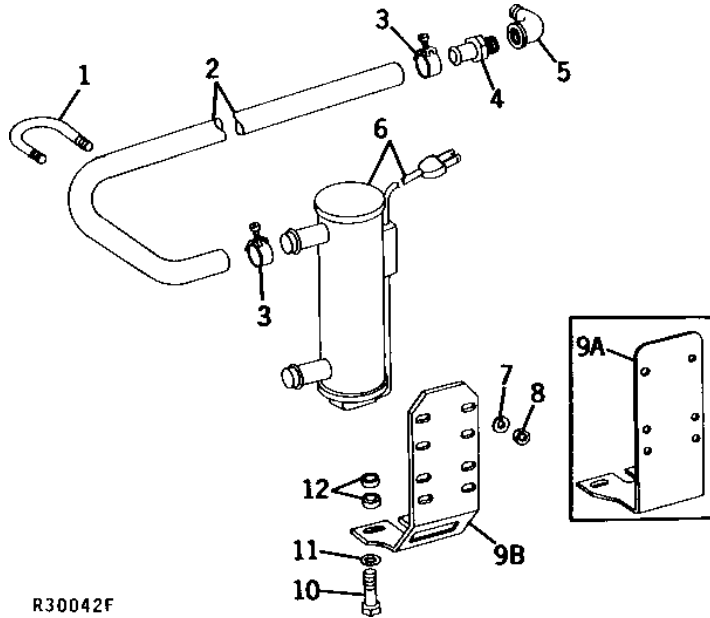
KEY	PART NO.	PART NAME	QTY	TRACTOR SERIAL NO.	REMARKS
1	AT27413	COOLANT HEATER	1	-XXXXXX	(SUB AR72957, R60123 AND (2) R60124)
	AR72957	COOLANT HEATER	1	XXXXXX-	
2	T29384	HOSE	1		INLET
3	TY22465	CLAMP	4		(SUB FOR AR21837)
4	T29388	UNION FITTING	2		
5	15H613	ELBOW FITTING	1		90°
6	T29385	HOSE	1		OUTLET
7	14H786	NUT	4		1/4"
8	24H1287	WASHER	4		9/32" X 5/8" X 0.065"
9A	T29377	BRACKET	1	-XXXXXX	(SUB R60123)
9B	R60123	BRACKET	1	XXXXXX-	
10	12H304	LOCK WASHER	2		3/8"
11	19H1732	CAP SCREW	2		3/8" X 1-1/4"
12	24M7106	WASHER	4		10 X 18 X 2.500 MM
13	T29380	U-BOLT	2	-XXXXXX	
	R60124	U-BOLT	2	XXXXXX-	
..	R44302	TIE BAND	AR		

1B23

ENGINE

**ENGINE COOLANT HEATER
(REAR EXHAUST SYSTEM)
(TRACTOR SERIAL NO. 178601-179600)**

R30042 -UN-25SEP95



R30042F

KEY	PART NO.	PART NAME	QTY	TRACTOR SERIAL NO.	REMARKS
1	T29380	U-BOLT	2	-XXXXXX	
	R60124	U-BOLT	2	XXXXXX-	
2	T31177	HOSE	2		
3	TY22465	CLAMP	4		(SUB FOR AR21837)
4	T29388	UNION FITTING	2		
5	15H613	ELBOW FITTING	2		90°
6	AT27413	COOLANT HEATER	1	-XXXXXX	(SUB AR72957, R60123 AND (2) R60124)
	AR72957	COOLANT HEATER	1	XXXXXX-	
7	24H1287	WASHER	4		9/32" X 5/8" X 0.065"
8	14H786	NUT	4		1/4"
9A	T29377	BRACKET	1	-XXXXXX	(SUB R60123)
9B	R60123	BRACKET	1	XXXXXX-	
10	19H1732	CAP SCREW	2		3/8" X 1-1/4"
11	12H304	LOCK WASHER	2		3/8"
12	24M7106	WASHER	4		10 X 18 X 2.500 MM

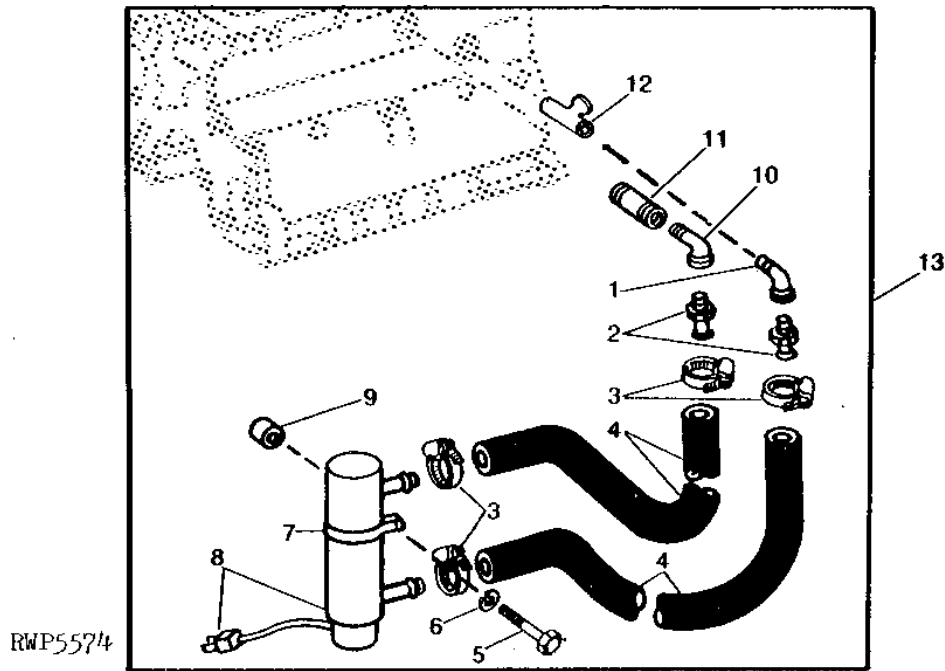
MEMORANDA

1B24

ENGINE

RWP5574 -UN-01JAN94

ENGINE COOLANT HEATER REPLACEMENT



KEY	PART NO.	PART NAME	QTY	TRACTOR SERIAL NO.	REMARKS
1	15H613	ELBOW FITTING	2	1/4"	
2	T29388	UNION FITTING	2		
3	TY22465	CLAMP	4	(SUB FOR AR21837)	
4	T29384	HOSE	2	16 X 406 MM (5/8" X 16")	(SUB FOR T29379, THIS APPLICATION)
5	19H2356	CAP SCREW	1	9/16" X 1-3/4"	
	19H2473	CAP SCREW	1	1/2" X 1-3/4"	
	19H1831	CAP SCREW	1	1/2" X 2"	
6	12H317	LOCK WASHER	1	9/16"	
7	T74703	CLAMP	1		
8	AR72957	COOLANT HEATER	1		
9	28H1577	BUSHING	1	1/2" X 1"	
10	29H89	THREADED NIPPLE	1	1/4"X2"	
11	15H107	ELBOW FITTING	1	1/4"X1/4"	
	29H89	THREADED NIPPLE	1	1/4"	
12	T17568	TEE FITTING	1		
13	AT72330	COOLANT HEATER	1	(SUB FOR AT27406 OR AT30676)	

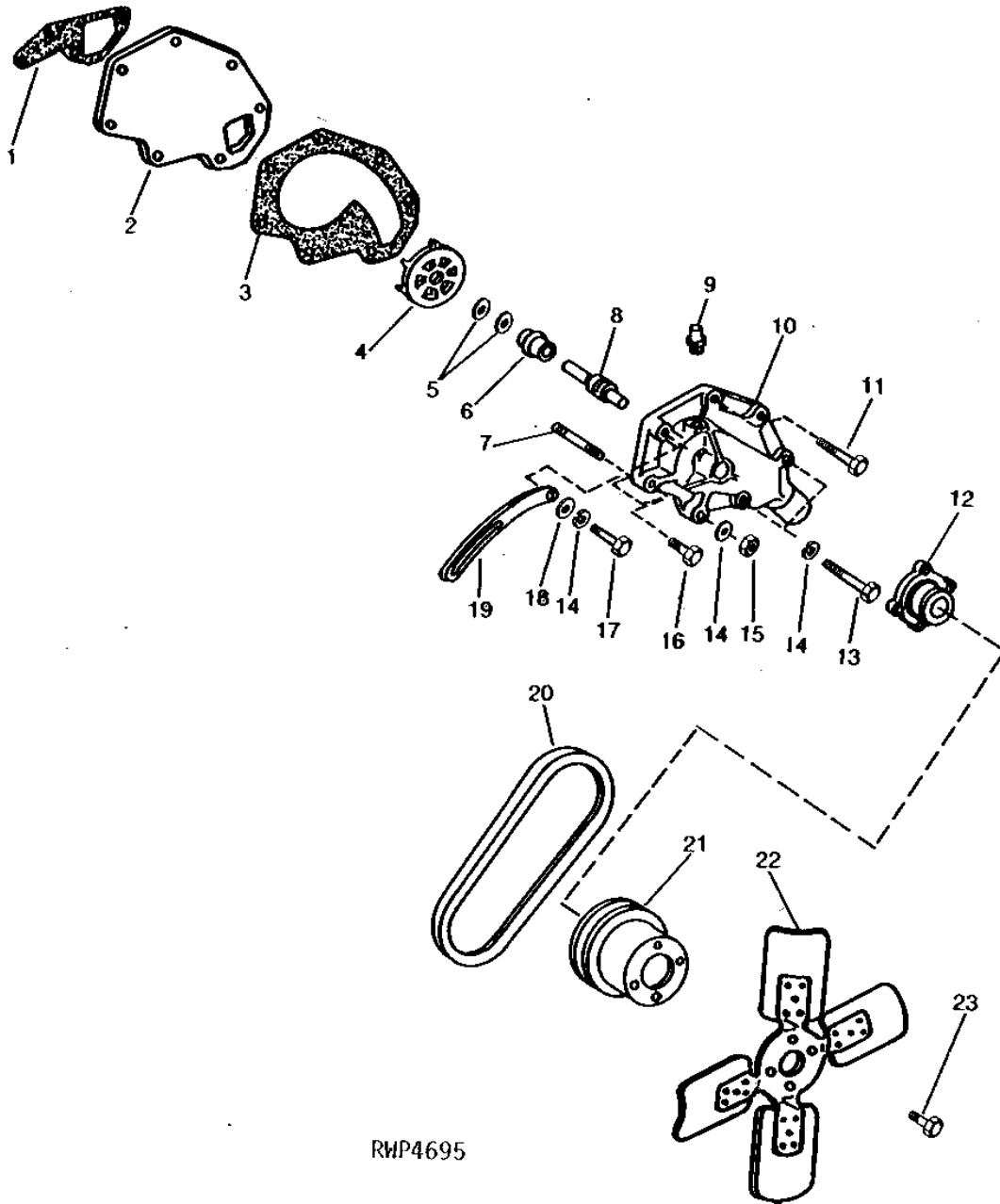
1C1

ENGINE

RWP4695

-UN-01JAN94

WATER PUMP ASSEMBLY



RWP4695

1C2

ENGINE

WATER PUMP ASSEMBLY - CONTINUED

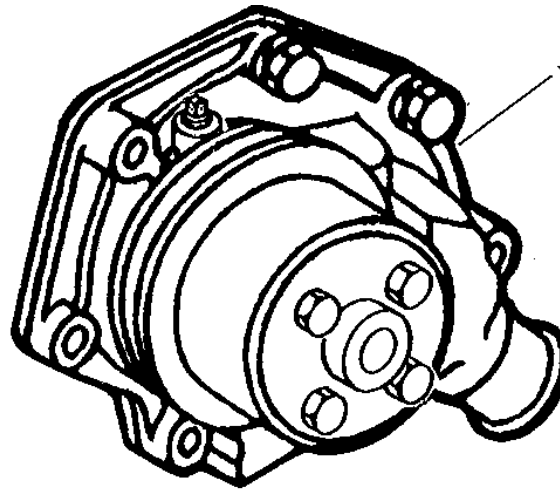
KEY	PART NO.	PART NAME	QTY	ENGINE SERIAL NO.	REMARKS
1	T20243	GASKET	1		
2	T20270	COVER	1		
3	R97455	GASKET	1		(SUB FOR T20271)
4	T30897	IMPELLER	1		(SUB R94419)
5	AR41691	INSERT	1		
6	T27261	SEAL	1		
7	T25701	STUD	1		(NOT USED THIS APPLICATION)
8	JD9257	BALL BEARING	1		
9	T19651	HOSE FITTING	1		
10	R48997	HOUSING	1		(SUB AT27018)
11	19H3219	CAP SCREW	2		3/8" X 1-3/8", (USE WITH RE19944)
	19H1800	CAP SCREW	2		3/8" X 1-1/2", (USE WITH AR55094)
	12H304	LOCK WASHER	1		3/8", (USE WITH AR55094)
12	T30720	HUB	1		
13	19H1912	CAP SCREW	2		3/8" X 3-1/2"
14	12H304	LOCK WASHER	5		3/8"
15	14H1076	NUT	1		3/8"
16	19H3219	CAP SCREW	2		3/8" X 1-3/8", (USE WITH RE19944)
	19H1801	CAP SCREW	2		3/8" X 2", (USE WITH AR55094)
17	19H1726	CAP SCREW	1		3/8" X 2-1/4", (USE WITH RE19944)
	19H1819	CAP SCREW	1		3/8" X 2-1/8", (USE WITH AR55094)
18	24M7106	WASHER	1		10 X 18 X 2.500 MM
19	T20204	STRAP	1		
20	R97758	BELT	1		(USE WITH MOTOROLA ALTERNATOR) (SUB FOR T20334)
	T23505	BELT	1		(USE WITH ROBERT BOSCH ALTERNATOR)
21	T23628	PULLEY	1		(SUB FOR T30721)
22	AT23180	FAN	1		
23	19H1849	CAP SCREW	4		5/16" X 1-1/4"
	12H303	LOCK WASHER	4		5/16"

1C3

ENGINE

RWP1578 -UN-01JAN94

WATER PUMP COMPLETE



RWP 1578

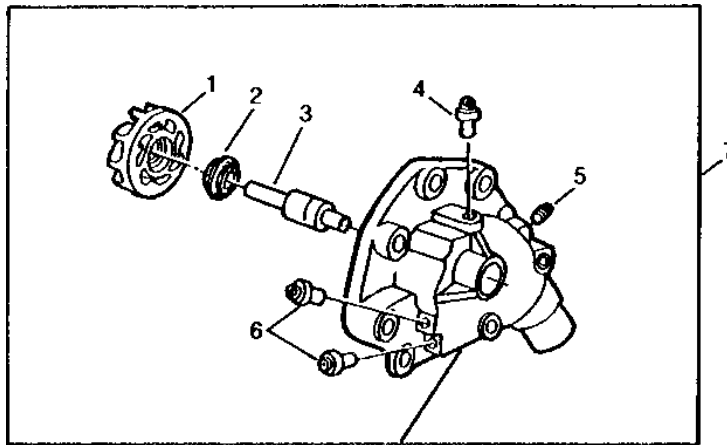
KEY	PART NO.	PART NAME	QTY	ENGINE SERIAL NO.	REMARKS
1	AR55094	WATER PUMP	1		(DIESEL) (SUB FOR AT27018 OR AT29619) (SUB RE19944, T20270, R97455, T30720, T23628, 19H2127 AND 19H3219)

1C4

ENGINE

RWP6240 -UN-01JAN94

WATER PUMP KIT



RWP6240

KEY	PART NO.	PART NAME	QTY	ENGINE SERIAL NO.	REMARKS
1	R94419	IMPELLER	1		(SUB FOR T30897)
2	AR101549	SEAL KIT	1		
3	JD9257	BALL BEARING	1		
4	T19651	HOSE FITTING	1		
5	15H584	PIPE PLUG	1	1/2"	(OIL COOLER)
6	R48993	TUBE	2		(LESS OIL COOLER)
	M1098T	CAP	2		(LESS OIL COOLER)
7	RE19944	KIT	1		(MARKED R55758)

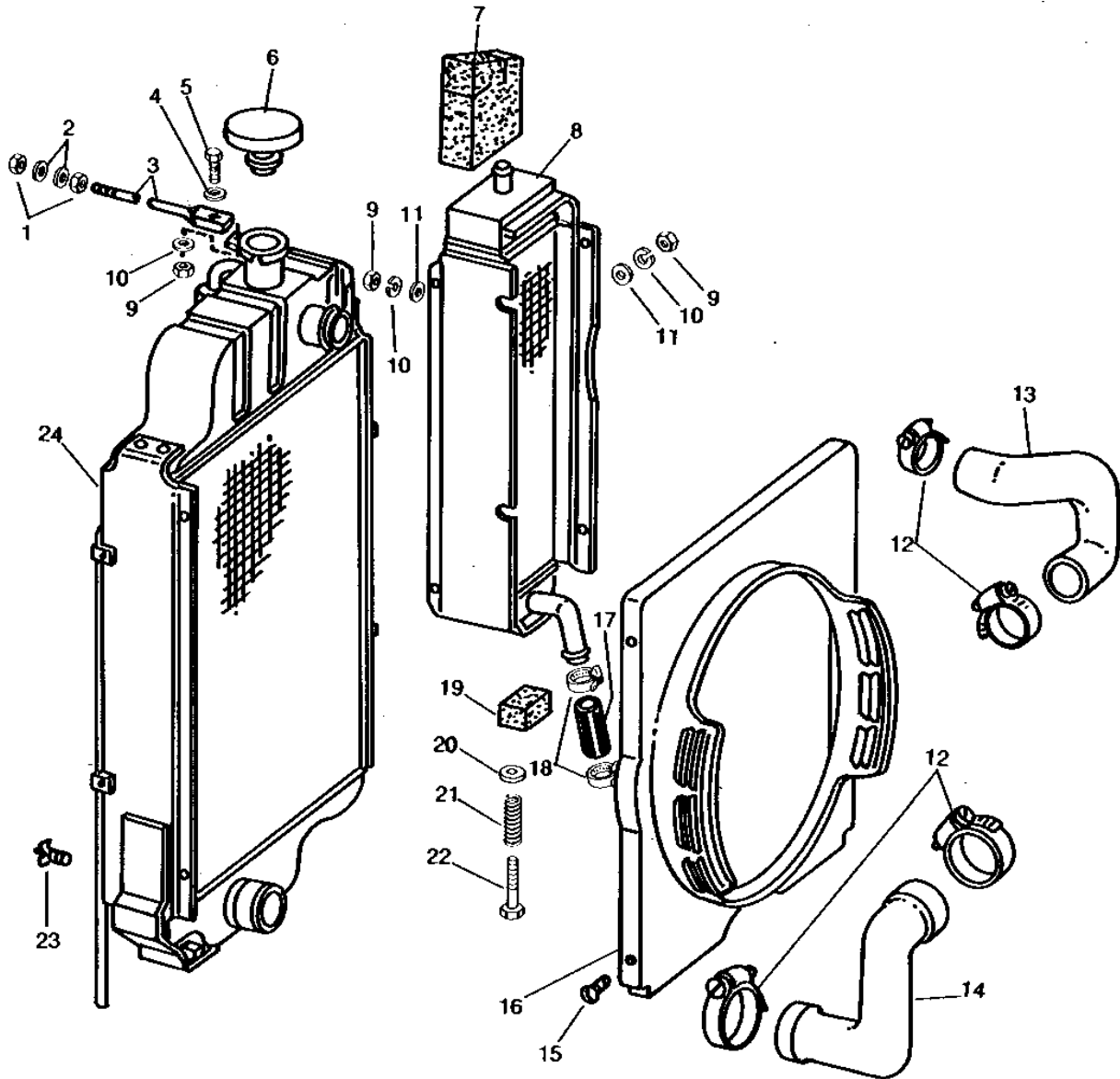
1C5

ENGINE

RWP4693

-UN-01JAN94

RADIATOR AND TRANSMISSION OIL COOLER



RWP4693

1C6

ENGINE

RADIATOR AND TRANSMISSION OIL COOLER - CONTINUED

KEY	PART NO.	PART NAME	QTY	TRACTOR SERIAL NO.	REMARKS
1	T11234	LOCK NUT	2		
2	24H1305	WASHER	2		13/32" X 13/16" X 0.065"
3	R61460	ROD	1		(SUB FOR T22495)
4	24H1122	WASHER	1		3/8" X 7/8" X 0.083"
5	19H1900	CAP SCREW	1		5/16" X 3/4"
6	AT27585	CAP	1		
7	T22376	FOAM PAD	1		
8	AR69398	OIL COOLER	1		(SUB FOR AT20848) (SUB AT165535)
9	14H785	NUT	5		5/16"
10	12H303	LOCK WASHER	5		5/16"
11	24H1685	WASHER	4		11/32" X 47/64" X 0.083"
12	TY22470	CLAMP	4		(SUB FOR AR21840)
13	T23534	HOSE	1		
14	T22500	HOSE	1		
15	37H24	SCREW	4		
16	T21687	SHROUD	1		
17	L35845	HOSE	1		(SUB FOR T24760)
18	TY22467	CLAMP	2		(SUB FOR AR21839)
19	T22375	FOAM PAD	2		
20	T22381	WASHER	2		RUBBER
21	R62372	SPRING	2		(SUB FOR R34352 OR R51117)
22	19H2128	CAP SCREW	2		3/8" X 3"
23	AT13740	DRAIN VALVE	1		
24	AT20849	RADIATOR	1		

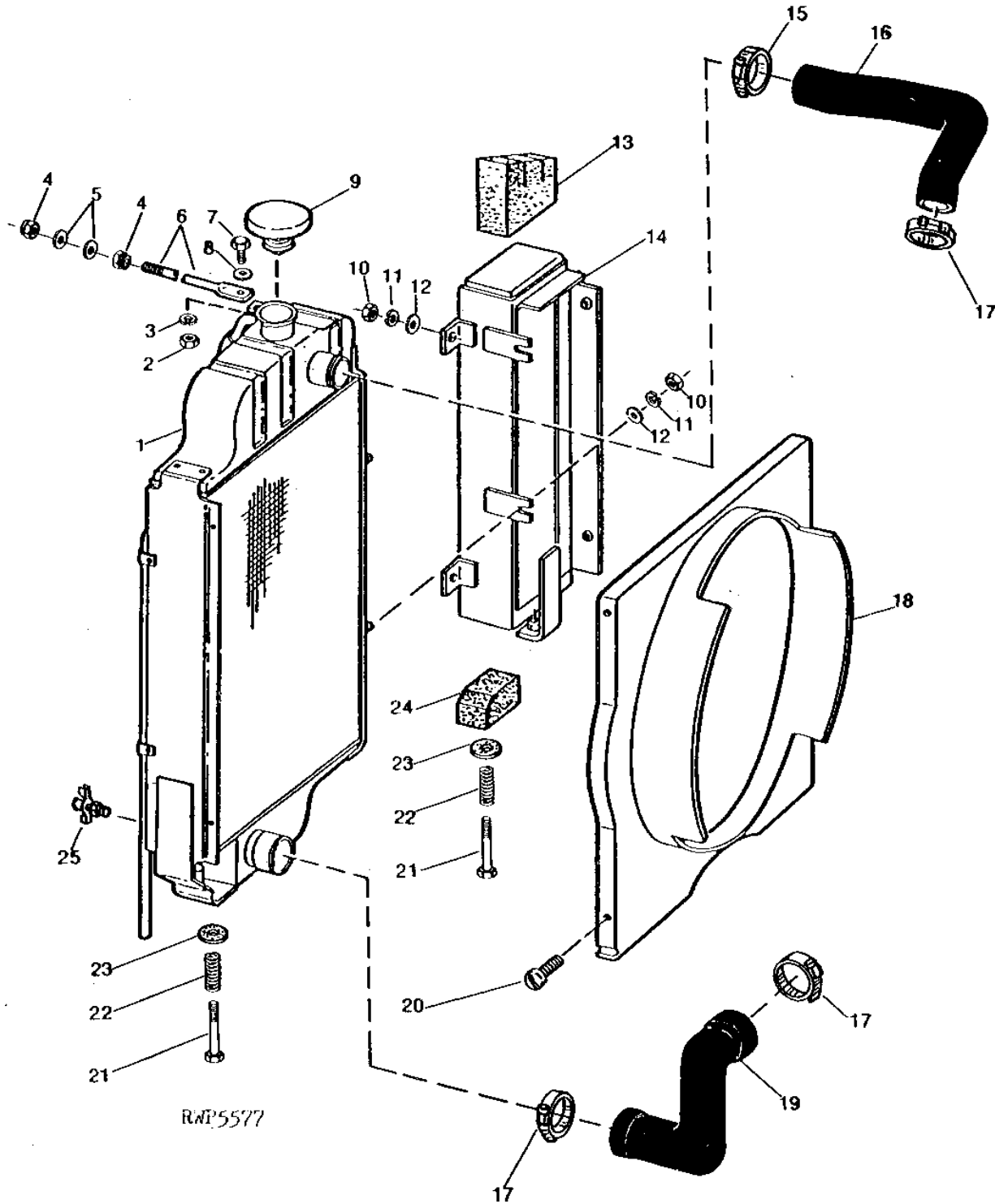
1C7

ENGINE

RWP5577

-UN-01JAN94

RADIATOR ASSEMBLY



RWP5577

1C8

ENGINE

RADIATOR ASSEMBLY - CONTINUED

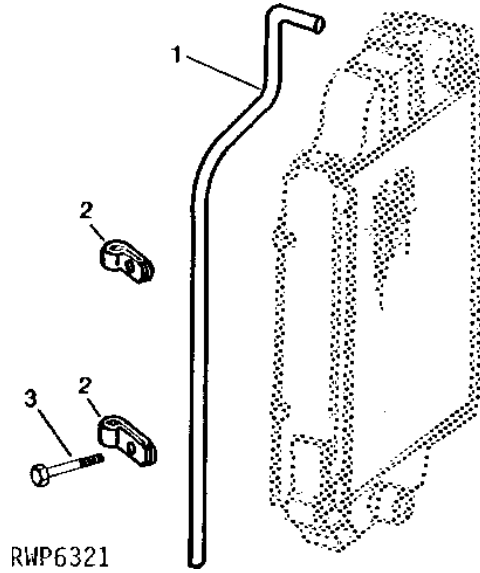
KEY	PART NO.	PART NAME	QTY	TRACTOR SERIAL NO.	REMARKS
1	AT20849	RADIATOR	1		
2	14H785	NUT	1	5/16"	
3	12H303	LOCK WASHER	1	5/16"	
4	T11234	LOCK NUT	2	3/8"	
5	24H1305	WASHER	2	13/32" X 13/16" X 0.065"	
6	R61460	ROD	1	(SUB FOR T22495)	
7	19H1900	CAP SCREW	1	5/16" X 3/4"	
8	24H1122	WASHER	1	3/8" X 7/8" X 0.083"	
9	AT27585	CAP	1		
10	14H785	NUT	4	5/16"	
11	12H303	LOCK WASHER	4	5/16"	
12	24H1685	WASHER	4	11/32" X 47/64" X 0.083"	
13	T22376	FOAM PAD	1		
14	AR55384	PARTITION	1		
15	TY22470	CLAMP	1	(SUB FOR AR21840)	
16	T23534	HOSE	1	UPPER	
17	TY22470	CLAMP	3	(SUB FOR AR21840)	
18	T21687	SHROUD	1		
19	T22500	HOSE	1	LOWER	
20	37H24	SCREW	4	1/4" X 3/4"	
21	19H2128	CAP SCREW	2	3/8" X 3"	
22	R62372	SPRING	2	(SUB FOR R51117)	
23	T22381	WASHER	2	RUBBER	
24	T26043	FOAM PAD	1		
25	AT13740	DRAIN VALVE	1		

1C9

ENGINE

RWP6321 -UN-01JAN94

RADIATOR OVERFLOW HOSE



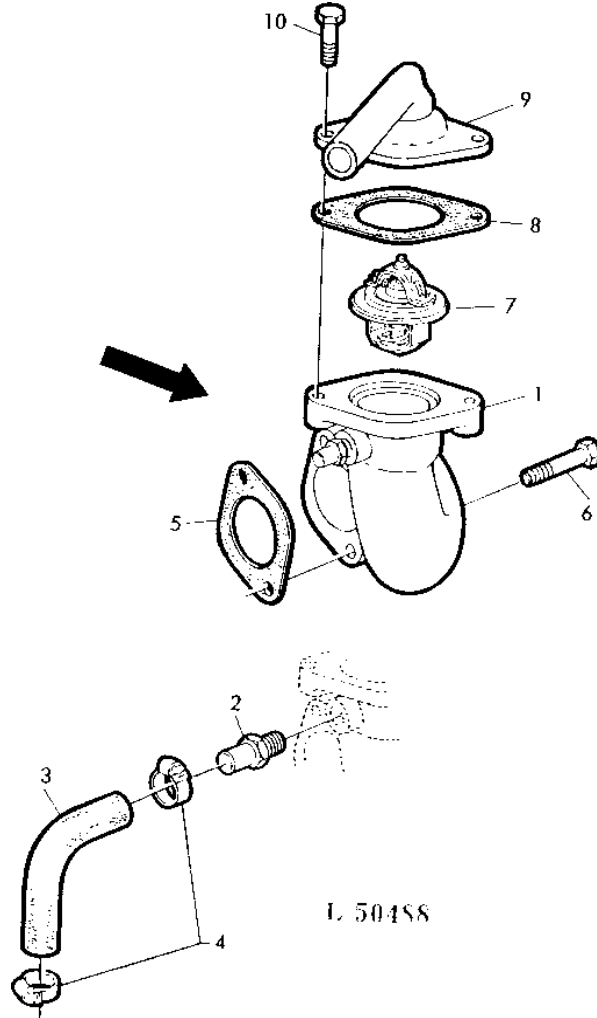
KEY	PART NO.	PART NAME	QTY	TRACTOR SERIAL NO.	REMARKS
1	R67035	HOSE	1		
2	T12250	CLIP	2		
3	19H1900	CAP SCREW	2	5/16" X 3/4"	

1C10

ENGINE

L50488 -UN-01JAN94

THERMOSTAT HOUSING ASSEMBLY



KEY	PART NO.	PART NAME	QTY	ENGINE SERIAL NO.	REMARKS
1	AT18074	HOUSING	1	(SUB AR73097)	
2	T19651	HOSE FITTING	1		
3	T20277	HOSE	1		
4	TY22465	CLAMP	2	(SUB FOR AR21837)	
5	T20219	GASKET	1		
6	19H1726	CAP SCREW	2	3/8" X 2-1/4"	
7	AT22961	THERMOSTAT	1	82°C (180°F) (SUB RE33705)	
	AT22963	THERMOSTAT	1	90°C (194°F)	
8	T20215	GASKET	1		
9	T23620	COVER	1		
10	19H1732	CAP SCREW	2	3/8" X 1-1/4"	

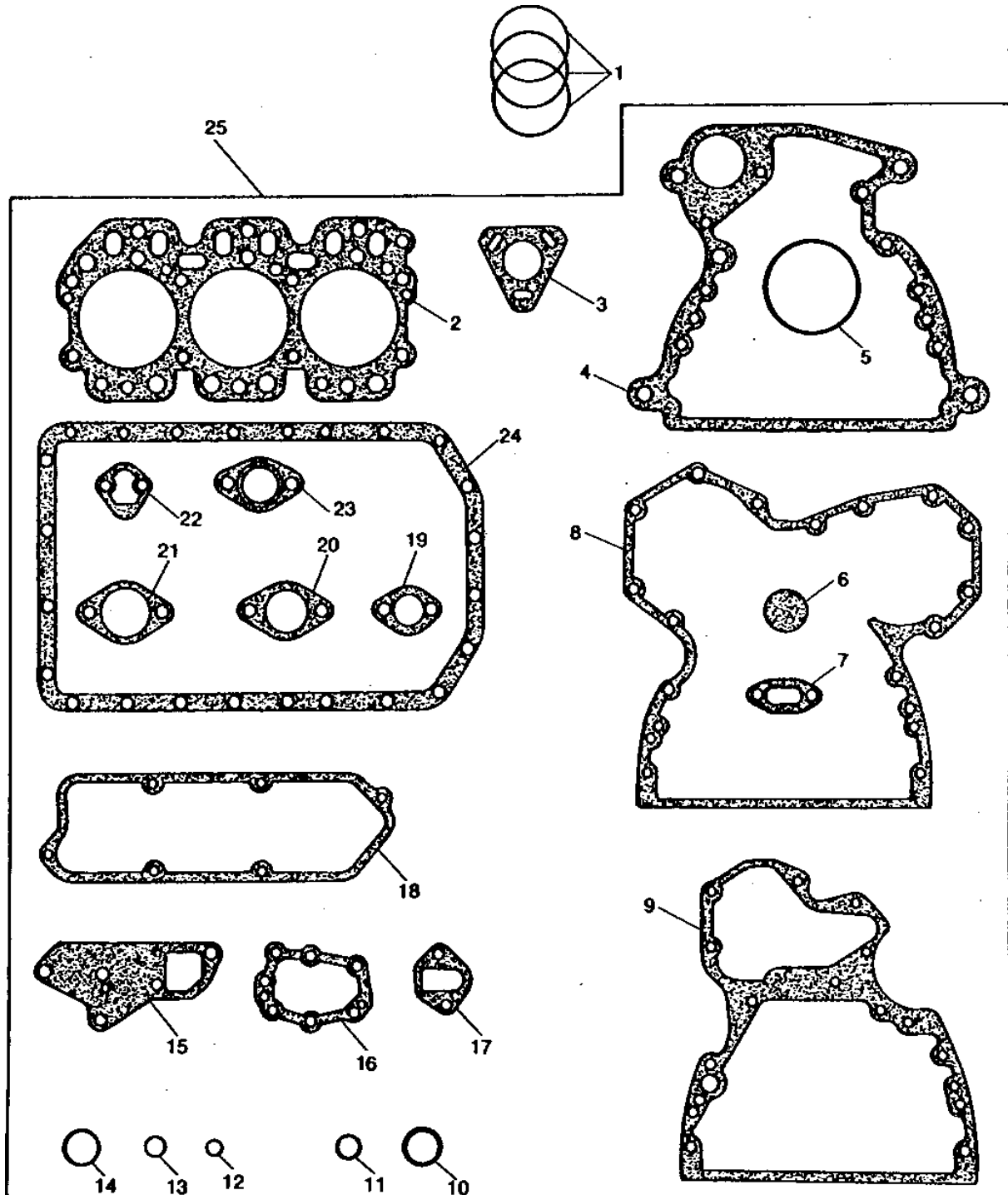
1C11

ENGINE

RXP8082

-UN-01JAN94

ENGINE OVERHAUL GASKET KIT



RXP8082

1C12

ENGINE

ENGINE OVERHAUL GASKET KIT - CONTINUED

KEY	PART NO.	PART NAME	QTY	ENGINE SERIAL NO.	REMARKS
1	AR71618	KIT	3		
2	R97356	GASKET	1		(SUB FOR R64151, R59447 OR R80241)
3	R97354	GASKET	1		(SUB FOR T24460 OR R77126)
4	R97351	GASKET	1		(SUB FOR T23596)
5	R70956	WASHER	1		(SUB FOR R55434 OR R70483)
6	T20328	GASKET	1		
7	R97352	GASKET	1		(SUB FOR R20336)
8	R119269	GASKET	1		(SUB FOR T20155 OR R97454)
9	R90648	GASKET	1		(SUB FOR T24965 OR R73140)
10	T13213	WASHER	1		
11	T20304	WASHER	1		TACH DRIVE SHAFT
12	R87627	O-RING	6		VALVE STEM SEAL, (SUB FOR R34764)
13	R74354	O-RING	1		OIL PUMP OUTLET TUBE
14	R56463	O-RING	1		
15	T20243	GASKET	1		
16	T20273	GASKET	1		
17	R97773	GASKET	1		(SUB FOR T20364, R69260 OR R78366) (SUB R125066)
18	R75729	GASKET	1		(ALSO ORDER (6) AR100124) (SUB FOR T20111)
19	T20219	GASKET	1		
20	T20215	GASKET	1		
21	R81275	GASKET	1		(SUB FOR T20159)
22	R97350	GASKET	1		(SUB FOR R27285)
23	R90658	GASKET	3		(SUB FOR T20006)
24	T24534	GASKET	1		
25	RE38853	GASKET KIT	1		(ALSO ORDER (3) AR71618 AND (8) AR100124) (SUB FOR AR102298, RE16912 OR RE37492)

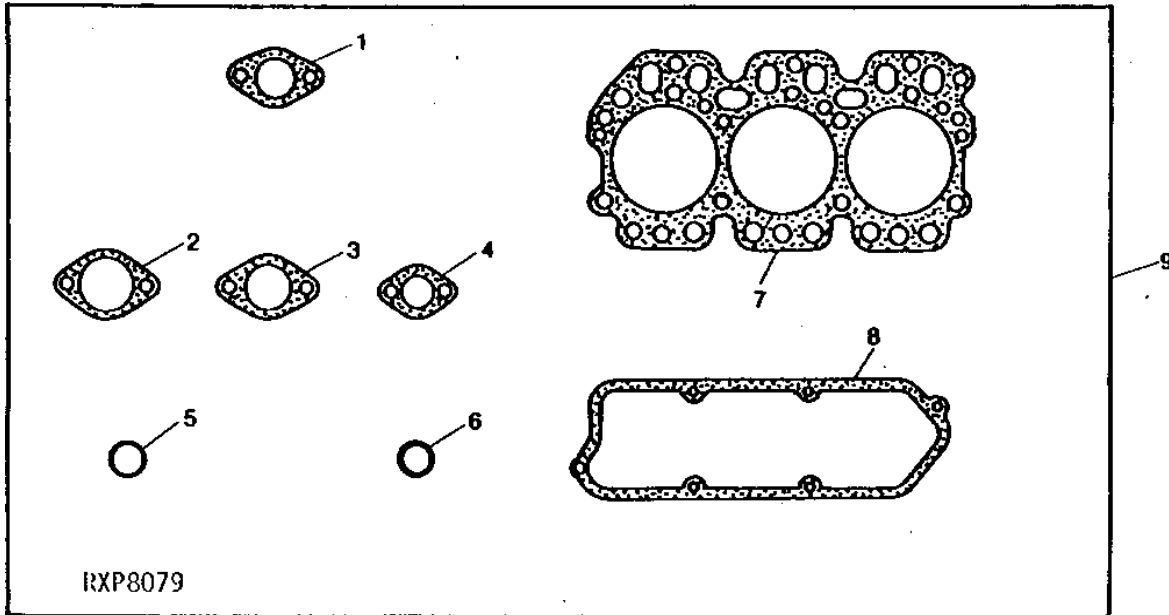
1C13

ENGINE

RXP8079

-UN-01JAN94

CYLINDER HEAD GASKET KIT



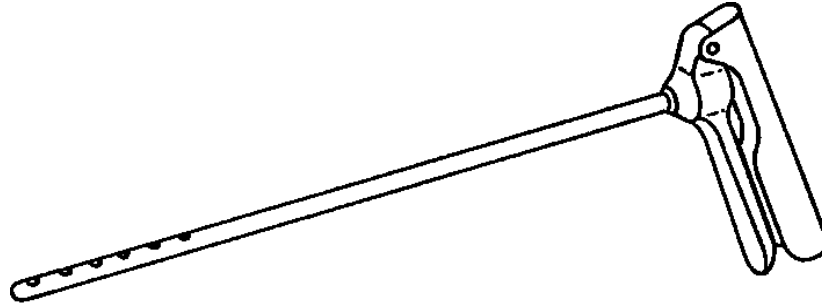
KEY	PART NO.	PART NAME	QTY	ENGINE SERIAL NO.	REMARKS
1	R90658	GASKET	3		EXHAUST MANIFOLD
2	R81275	GASKET	1		AIR INLET
3	T20215	GASKET	1		THERMOSTAT COVER
4	T20219	GASKET	1		THERMOSTAT HOUSING
5	R56463	O-RING	1		VENT TUBE
6	R87627	O-RING	6		
7	R97356	GASKET	1		CYLINDER HEAD
8	R75729	GASKET	1		ROCKER ARM COVER, (ALSO ORDER (6) AR100124)
9	RE38850	GASKET KIT	1		(ALSO ORDER (6) AR100124) (SUB FOR AR71990, AR79920, AR102297, RE16911 OR RE37489)

1C16

FUEL AND AIR

RP474 -UN-01JAN94

DRY AIR CLEANER ELEMENT CLEANING GUN



RP474

KEY	PART NO.	PART NAME	QTY	TRACTOR SERIAL NO.	REMARKS
..	AR62322	GREASE GUN	1		(MARKED R42726) (SUB FOR AR62377) (NO LONGER AVAILABLE)
..	R36757	AIR CLEANER	1		(NLA)

1C18

FUEL AND AIR

DRY AIR CLEANER - CONTINUED

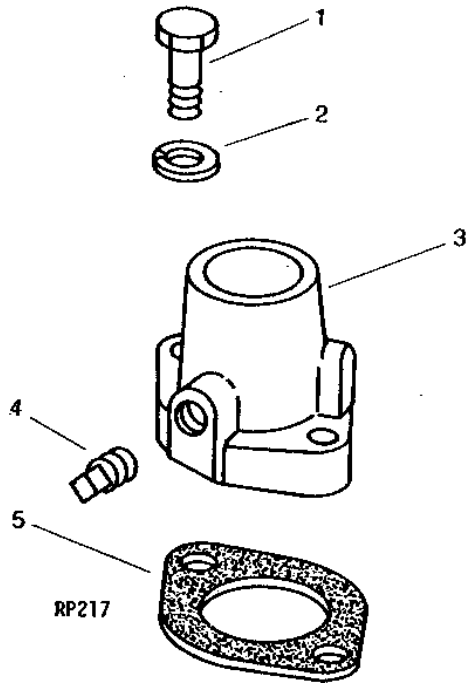
KEY	PART NO.	PART NAME	QTY	TRACTOR SERIAL NO.	REMARKS
1	AR21999	CLAMP	1		(SUB RE41991)
2	L29819	HOSE	1		AIR INTAKE, FRONT
	T31144	HOSE	1	178601-179600	64 MM (2-1/2") AIR INTAKE, FRONT
3	L29372	TUBE	1		AIR INTAKE
	AR67043	PIPE	1	178601-179600	64 MM (2-1/2") AIR INTAKE (CUSHION) (NO LONGER AVAILABLE)
4	L29373	HOSE	1		AIR INTAKE, REAR
	R56485	HOSE	1	178601-179600	64 MM (2 1/2") AIR INTAKE, REAR
5	R56455	FILLER NECK	1		
	T31386	AIR INTAKE	1	178601-179600	INLET AIR
	T20159	GASKET	1		(SUB R81275)
6	AT24438	COVER	1		(SUB AT81398)
7	AT24437	WING SCREW	1	-190319	
8	AT20728	FILTER ELEMENT	1	-190319	
	T23258	LABEL	3		AIR CLEANER
9	19H2284	CAP SCREW	1		3/8" X 7/8"
10	12H304	LOCK WASHER	3		3/8"
11	AT20727	AIR CLEANER	1	-190319	
	AL27156	AIR CLEANER	1	190320-	
12	T23262	VALVE	1		
13	RE17515	SENSOR	1		VACUUM, (SUB FOR AL24194 OR AL32975)
14	19H2021	CAP SCREW	2		3/8" X 5/8"
15	M1335T	WASHER	1		
16	24H1308	WASHER	1		13/32" X 1" X 0.134"
17	24H1307	WASHER	3		13/32" X 1" X 1/16"
18	AR84228	FILTER ELEMENT	1	190320-	PRIMARY, (SUB FOR AE31723)
19	AH20849	WING NUT	2	190320-	
20	AE31724	FILTER ELEMENT	1		(SUB FOR AL27159)

1C19

FUEL AND AIR

RP217 -UN-01JAN94

AIR INTAKE



KEY	PART NO.	PART NAME	QTY	TRACTOR SERIAL NO.	REMARKS
1	19H1732	CAP SCREW	2		3/8" X 1-1/4"
2	12H304	LOCK WASHER	2		3/8"
3	T31386	AIR INTAKE	1		(SUB T31948 AND 15H558)
	R56455	FILLER NECK	1	178601-179600	
4	15H255	PIPE PLUG	1		3/8"
5	R81275	GASKET	1		

MEMORANDA

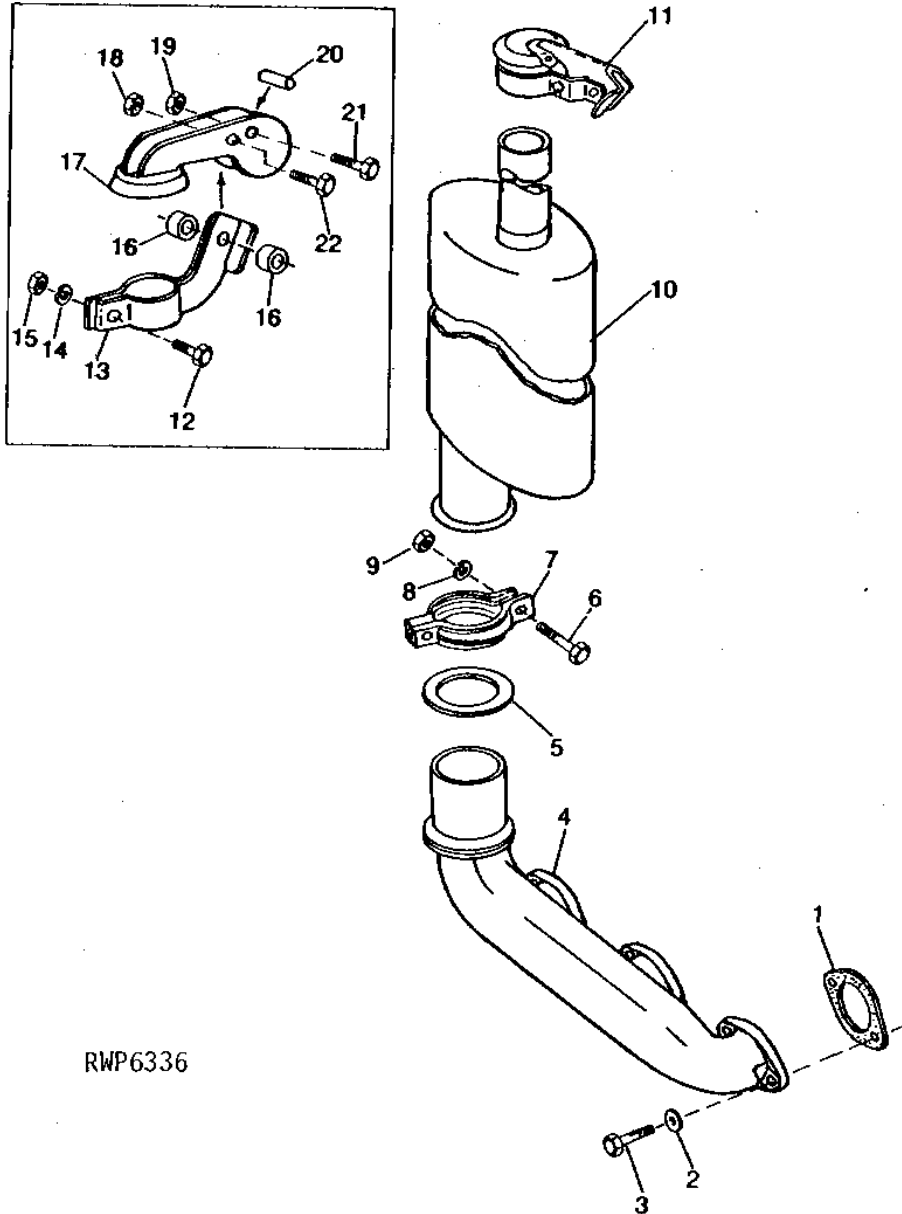
1C20

FUEL AND AIR

RWP6336

-UN-01JAN94

VERTICAL MUFLER AND MANIFOLD



RWP6336

1C21

FUEL AND AIR

VERTICAL MUFFLER AND MANIFOLD - CONTINUED

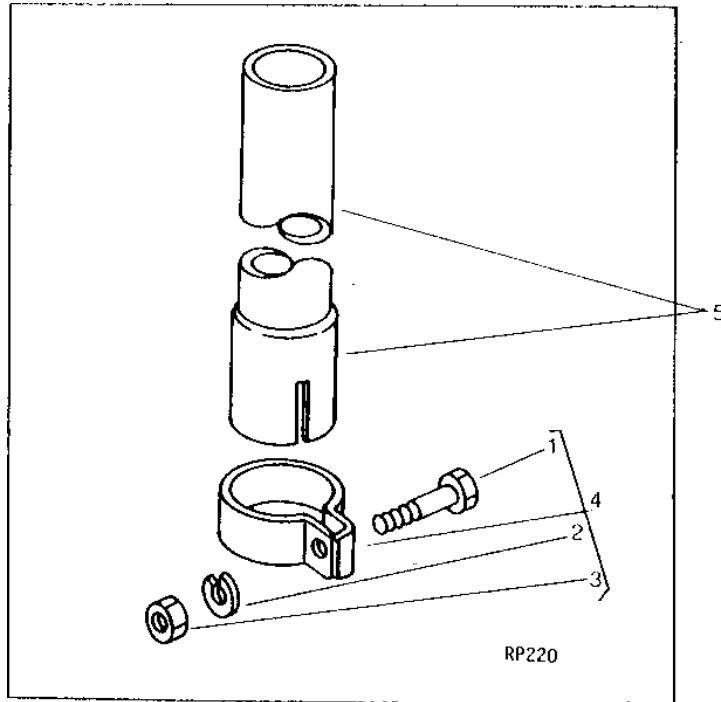
KEY	PART NO.	PART NAME	QTY	ENGINE SERIAL NO.	REMARKS
1	R90658	GASKET	3		(SUB FOR T20006)
2	24M7106	WASHER	6		10 X 18 X 2.500 MM
3	19H1732	CAP SCREW	6		3/8" X 1-1/4"
4	T20252	EXHAUST MANIFOLD	1		
5	T20141	SEAL	1		(SUB R98844)
6	19H1906	CAP SCREW	2		5/16" X 1-1/2"
7	AT63813	HALF CLAMP	2		(SUB FOR T19978)
8	12H303	LOCK WASHER	2		5/16"
9	14H785	NUT	2		5/16"
10	AT21689	MUFFLER	1		
11	AR56782	EXHAUST CAP	1		
12	19M7376	CAP SCREW	1	-XXXXXX	M8 X 22
13	CLIP	1	-XXXXXX	(ORDER AR56782)
14	12H303	LOCK WASHER	1	-XXXXXX	5/16"
15	14M7273	NUT	1	-XXXXXX	M8
16	SPACER	2	-XXXXXX	(ORDER AR56782)
17	COVER	1	-XXXXXX	(ORDER AR56782)
18	14M7272	NUT	1	-XXXXXX	M6, (SUB FOR L48705)
19	14M7297	NUT	1	-XXXXXX	M5, (SUB FOR L48704)
20	SPACER	1	-XXXXXX	(ORDER AR56782)
21	19M7176	CAP SCREW	1	-XXXXXX	M5 X 35
22	19M7177	CAP SCREW	1	-XXXXXX	M6 X 35

1C22

FUEL AND AIR

RP220 -UN-01JAN94

MUFFLER EXTENSION (WITH CANOPY)



KEY	PART NO.	PART NAME	QTY	ENGINE SERIAL NO.	REMARKS
1	19H1849	CAP SCREW	1	5/16" X 1-1/4"	
2	12H303	LOCK WASHER	1	5/16"	
3	14H785	NUT	1	5/16"	
4	AR38398	CLAMP	1		
5	AR38397	MUFFLER EXTENSION	1		

MEMORANDA

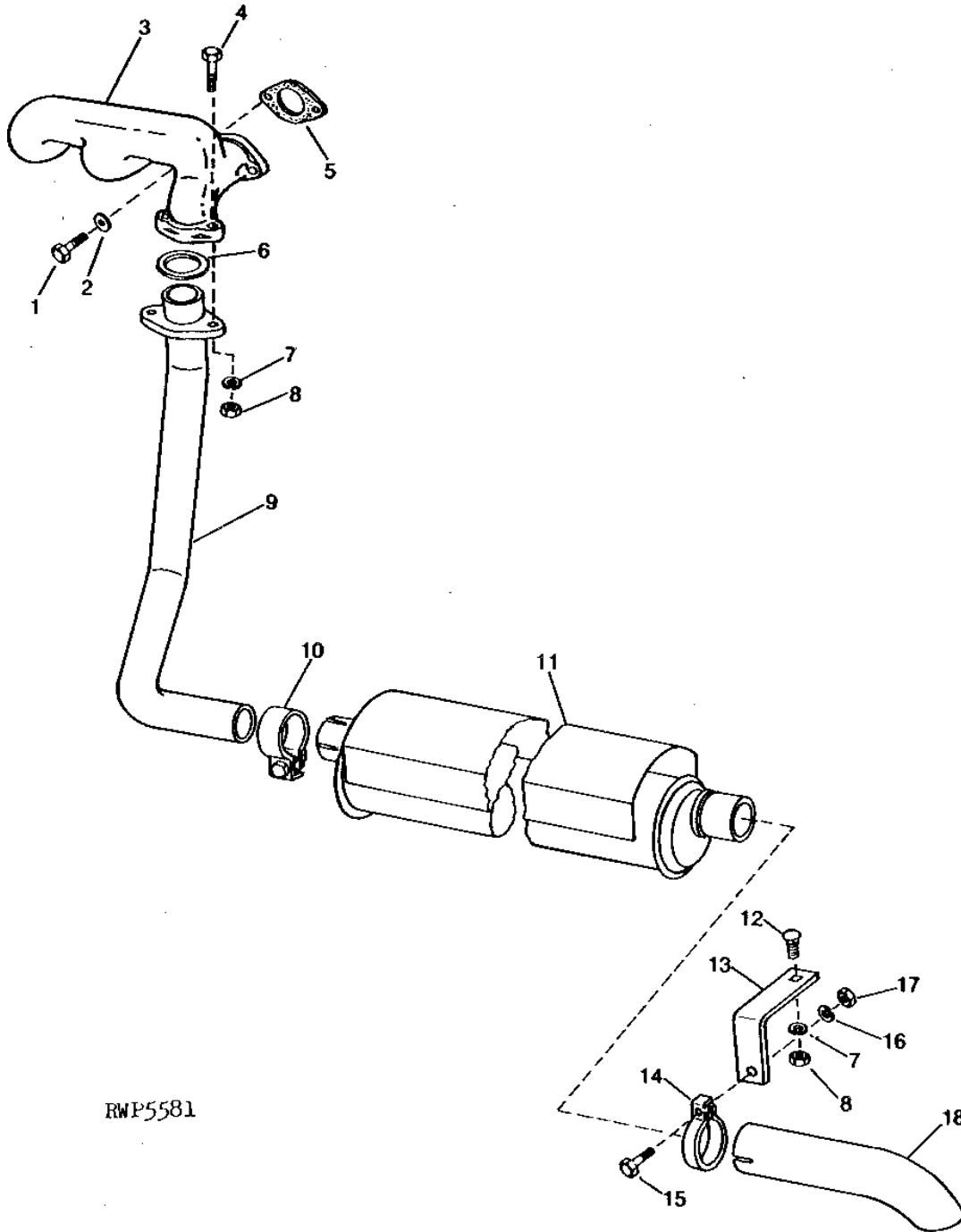
1C23

FUEL AND AIR

RWP5581

-UN-01JAN94

REAR EXHAUST SYSTEM AND MANIFOLD



RWP5581

1C24

FUEL AND AIR

REAR EXHAUST SYSTEM AND MANIFOLD - CONTINUED

KEY	PART NO.	PART NAME	QTY	ENGINE SERIAL NO.	REMARKS
1	19H1732	CAP SCREW	6		3/8" X 1-1/4"
2	24M7106	WASHER	6		10 X 18 X 2.500 MM
3	T20257	EXHAUST MANIFOLD	1		
4	19H1819	CAP SCREW	2		3/8" X 2-1/8"
5	R90658	GASKET	3		(SUB FOR T20006)
6	51M4249	RING	1		38 X 44 X 25MM
7	12H304	LOCK WASHER	3		3/8"
8	14H1076	NUT	3		3/8"
9	AT20154	EXHAUST PIPE	1		EXHAUST
10	AR26928	CLAMP	1		
11	AT21795	MUFFLER	1		
12	03H1765	BOLT	1		3/8" X 3/4"
13	T24844	ANGLE	1		
14	M3119T	CLAMP	1		
15	19H1849	CAP SCREW	1		5/16" X 1-1/4"
16	12H303	LOCK WASHER	1		5/16"
17	14H785	NUT	1		5/16"
18	R48634	EXHAUST PIPE	1		

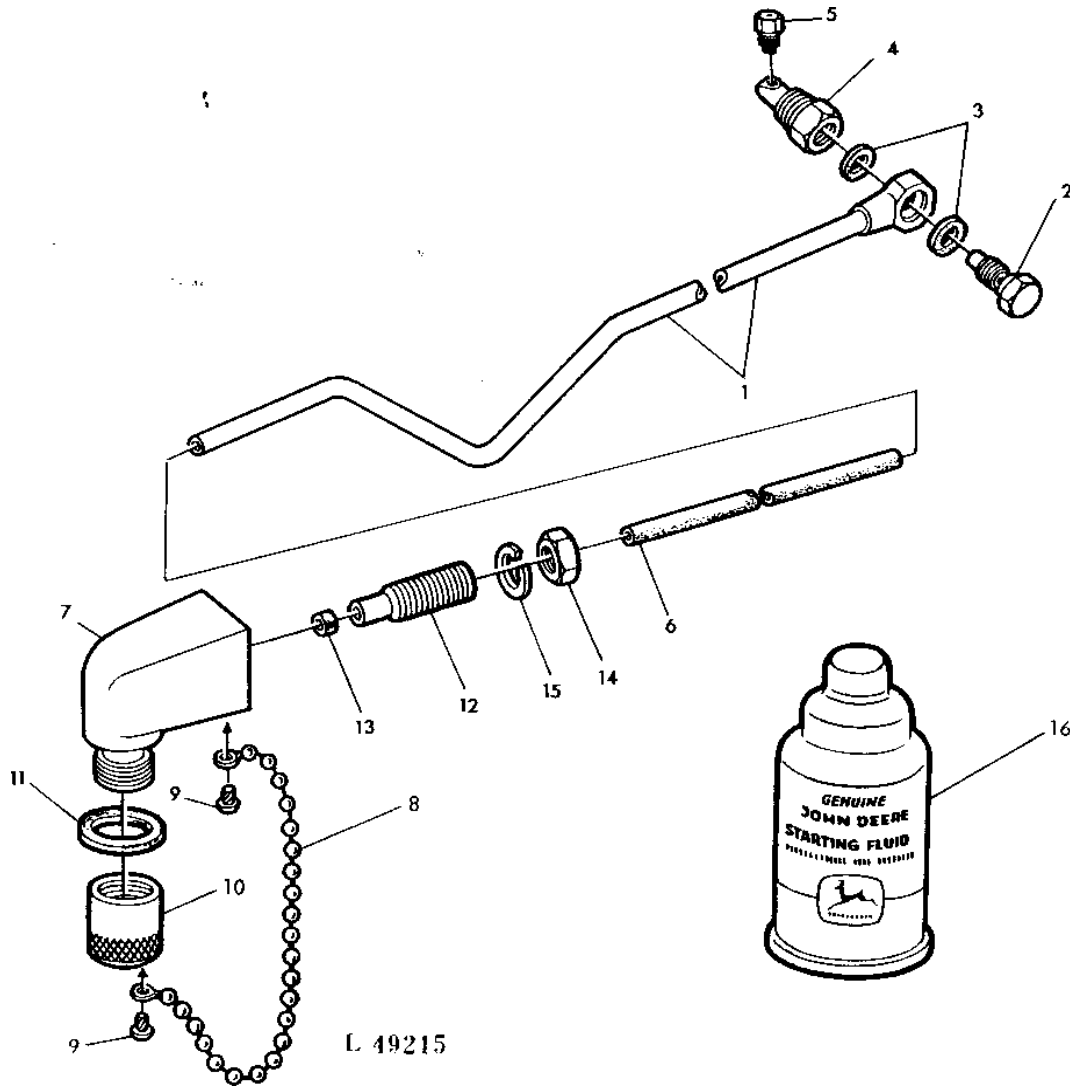
NOTE: TRACTORS THAT NEED AN EXHAUST PIPE WITH 14" LENGTH BETWEEN MUFFLER AND 1ST BEND
ORDER AT27960.

1C25

FUEL AND AIR

L49215 -UN-01JAN94

COLD WEATHER STARTING AID



KEY	PART NO.	PART NAME	QTY	ENGINE SERIAL NO.	REMARKS
1	AT20748	LINE	1		(SUB AT25265, (6) R44302, T27256 AND T78593)
2	R26726	FITTING	1		
3	T11292	WASHER	2		
4	R28584	FITTING	1		
5	R28583	NOZZLE	1		
6	HOSE	1		457 MM (18") (SUB FOR T23245 OR T32029) (MAKE FROM T79479)
	HOSE	1		635 MM (25") (SUB FOR T64421) (MAKE FROM T79479)
7	T22534	ADAPTER	1		
8	AR27940	LINK CHAIN	1		
9	37H44	SCREW	2		0.151" X 3/8"
10	R32306	CAP	1		
11	R26149	PACKING	1		
12	R34395	ADAPTER	1		
13	R34394	WASHER	1		
14	14H1040	NUT	1		1/2"
15	12H301	LOCK WASHER	1		1/2"
16	RE33636	STARTING FLUID	1		(SUB FOR AR27814, RE24561 OR RE30174)

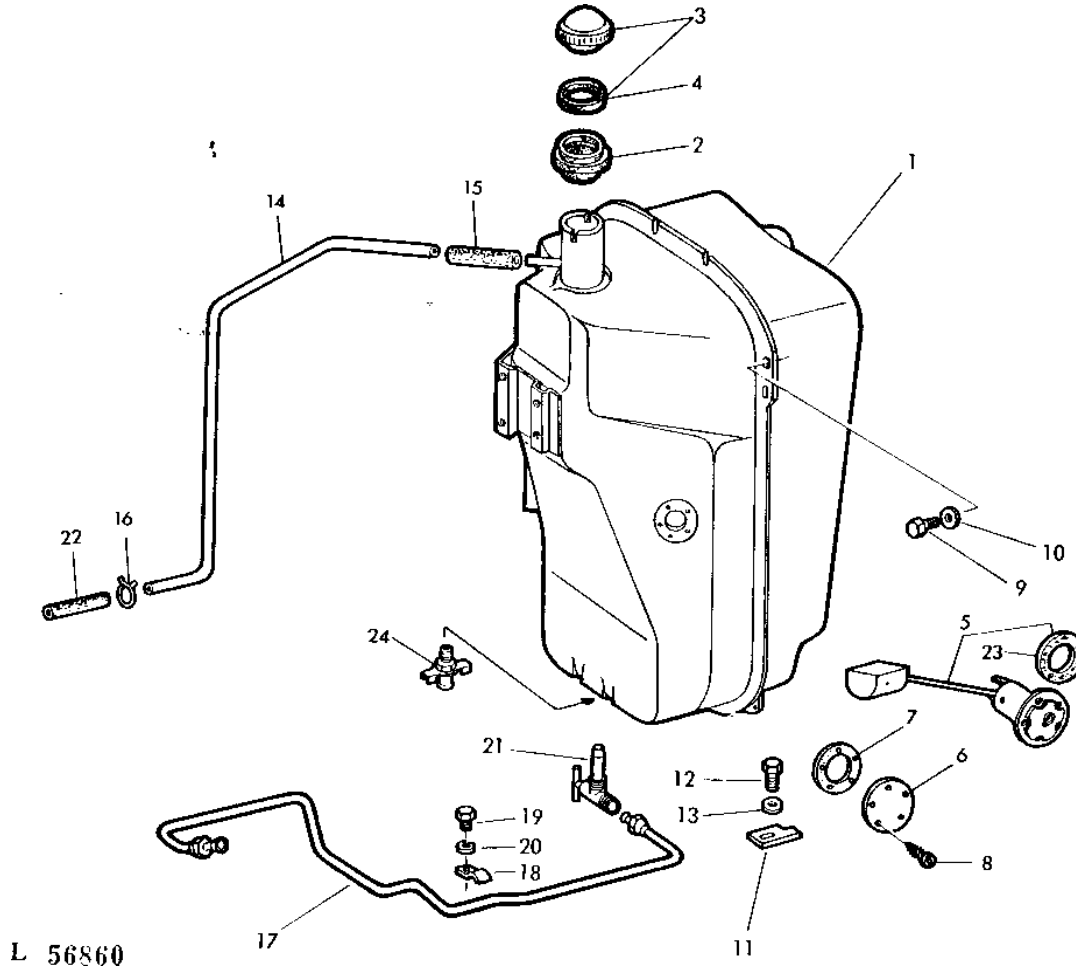
MEMORANDA

1D1

FUEL AND AIR

L56860 -UN-01JAN94

FUEL TANK



L 56860

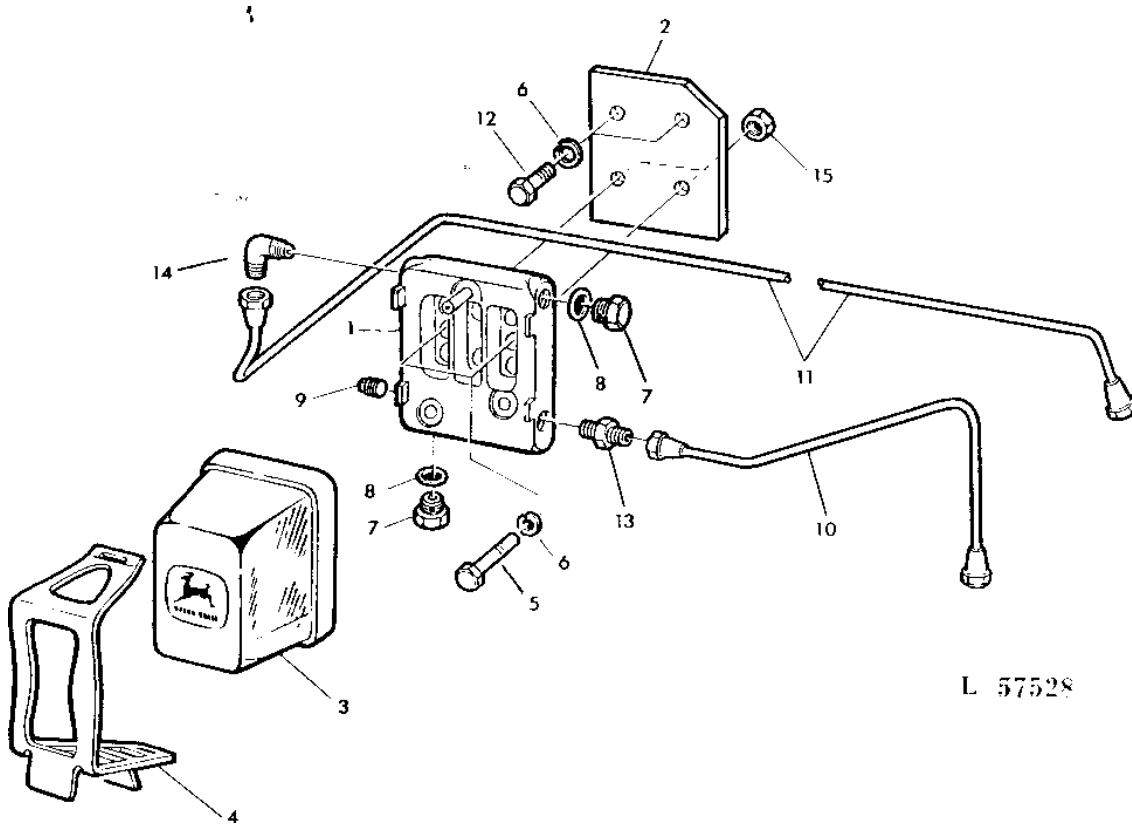
KEY	PART NO.	PART NAME	QTY	TRACTOR SERIAL NO.	REMARKS
1	AL24219	FUEL TANK	1		
2	R39613	GROMMET	1		
3	AT20911	FILLER CAP	1		
4	R39615	WASHER	1		
5	AT31619	FLOAT	1		SENDER FUEL GAUGE WITH GASKET
6	F2506R	COVER	1		FUEL GAUGE SENDER HOLE
7	R27181	GASKET	1		
8	37H95	SCREW	5		NO. 8 X 1/2"
9	19H1936	CAP SCREW	4		3/8" X 3/4"
10	24H1305	WASHER	4		13/32" X 13/16" X 0.065"
11	T33232	STOP	2		
12	19H1815	CAP SCREW	2		1/2" X 1-1/4"
13	24H1341	WASHER	2		17/32" X 15/16" X 0.060"
14	L29396	FUEL LINE	1		INJECTION LEAKOFF, (SUB L34848)
	R56116	TUBE	1	178601-179600	INJECTION LEAKOFF, (NO LONGER AVAILABLE)
15	HOSE	1		44 MM (1-3/4") (MAKE FROM AT32064)
16	R34766	CLAMP	1		
17	AT48214	FUEL LINE	1		(SUB FOR AT19983)
18	A4881R	CLIP	1		
19	19H2038	CAP SCREW	1		3/8" X 1/2"
20	12H304	LOCK WASHER	1		3/8"
21	R34656	SHUT-OFF VALVE	1		
22	HOSE	1		44 MM (1-3/4") (MAKE FROM AT32064)
23	L29265	GASKET	1		
24	AT13740	DRAIN VALVE	1		

1D2

FUEL AND AIR

L57528 -UN-01JAN94

FUEL FILTER AND FUEL LINES



L 57528

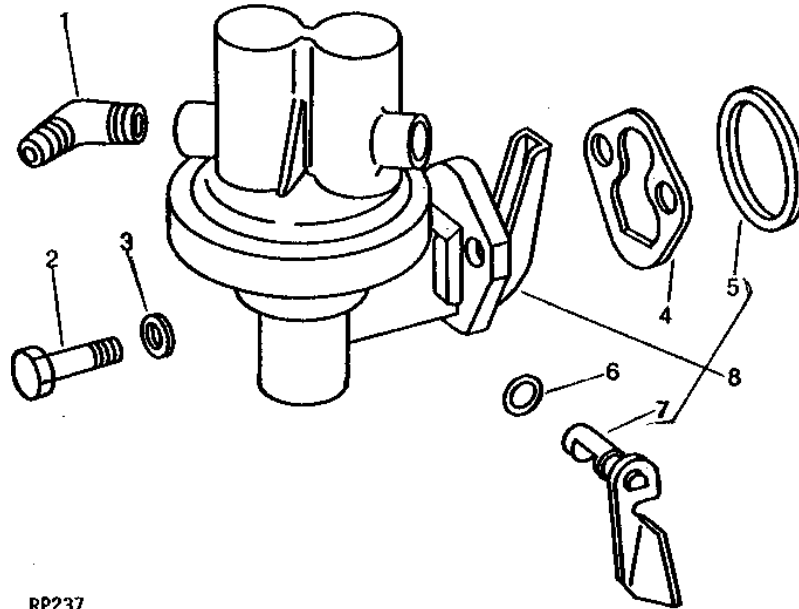
KEY	PART NO.	PART NAME	QTY	TRACTOR SERIAL NO.	REMARKS
1	AR50040	HOUSING	1		
2	R54998	BRACKET	1		
3	AR50041	FUEL FILTER	1		
4	R66821	CLAMP	1		(SUB FOR R47358 OR R57258)
5	19H1731	CAP SCREW	2		3/8" X 1"
6	12H304	LOCK WASHER	4		3/8"
7	R48071	DRAIN PLUG	2		
8	R26287	O-RING	2		(SUB FOR R34447)
9	15H558	PIPE PLUG	1		1/8", HEX
10	AR63653	FUEL LINE	1		FUEL PUMP TO FUEL FILTER
11	AR67091	FUEL LINE	1		FILTER TO INJECTION PUMP (USE WITH ROTO-DIESEL INJECTION PUMP)
	AR50894	FUEL LINE	1	178601-179600	FILTER TO INJECTION PUMP (USE WITH ROOSA-MASTER INJECTION PUMP)
12	19H2284	CAP SCREW	2		3/8" X 7/8"
13	R27346	FITTING	1		
14	T30738	ELBOW FITTING	1		
15	14H1076	NUT	2		3/8"

1D3

FUEL AND AIR

RP237 -UN-01JAN94

FUEL TRANSFER PUMP



RP237

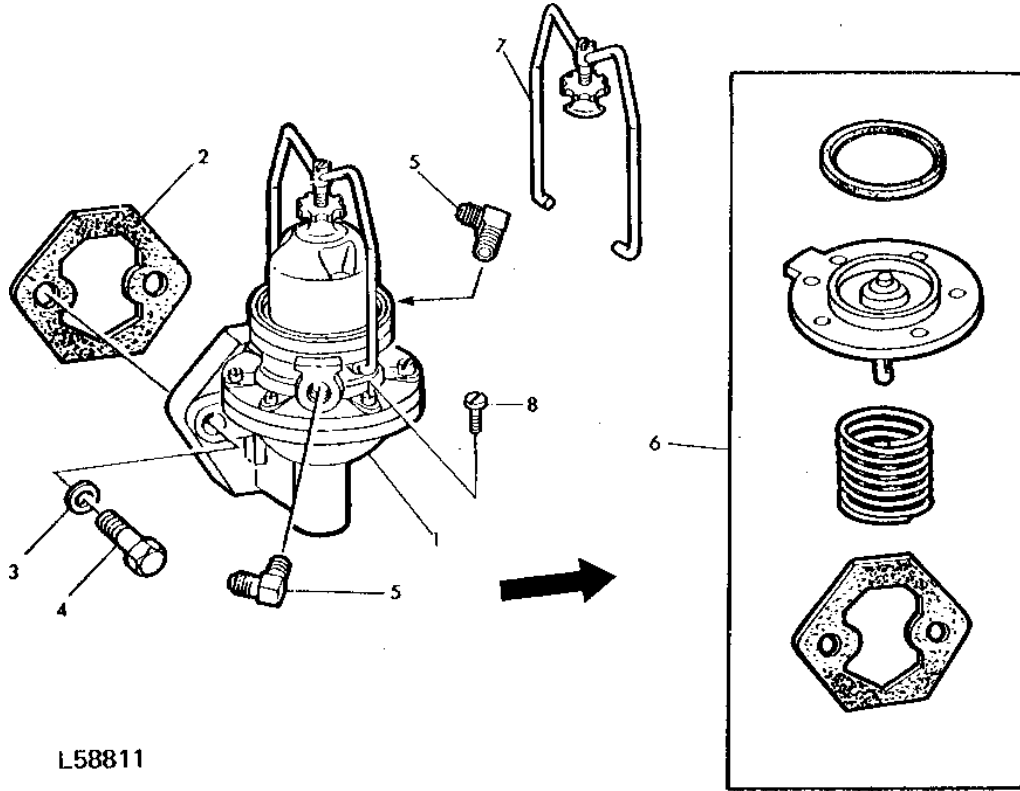
KEY	PART NO.	PART NAME	QTY	ENGINE SERIAL NO.	REMARKS
1	T30738	ELBOW FITTING	1	90°	
2	19H1849	CAP SCREW	2	5/16" X 1-1/4"	
3	R20498	WASHER	2		
4	R97350	GASKET	1	(SUB FOR R27285)	
5	R48399	WASHER	1		
6	A4365R	O-RING	1		
7	AR52556	LEVER	1		
8	AR52159	FUEL PUMP	1	(SUB RE42211 AND R97350)	

1D4

FUEL AND AIR

L58811 -UN-01JAN94

FUEL PUMP (DIESEL)



L58811

KEY	PART NO.	PART NAME	QTY	ENGINE SERIAL NO.	REMARKS
1	AR55730	FUEL PUMP	1	(SUB RE42211 AND R97350)	
2	R97350	GASKET	1	(SUB FOR R27285)	
3	R20498	WASHER	2		
4	19H1849	CAP SCREW	4	5/16" X 1-1/4"	
5	T30738	ELBOW FITTING	2		
6	RE37463	KIT	1	OVERHAUL, (SUB FOR AR60559 OR RE13517)	
7	AT10638	BAIL	1		
8	T30908	SCREW	6	(NO LONGER AVAILABLE)	

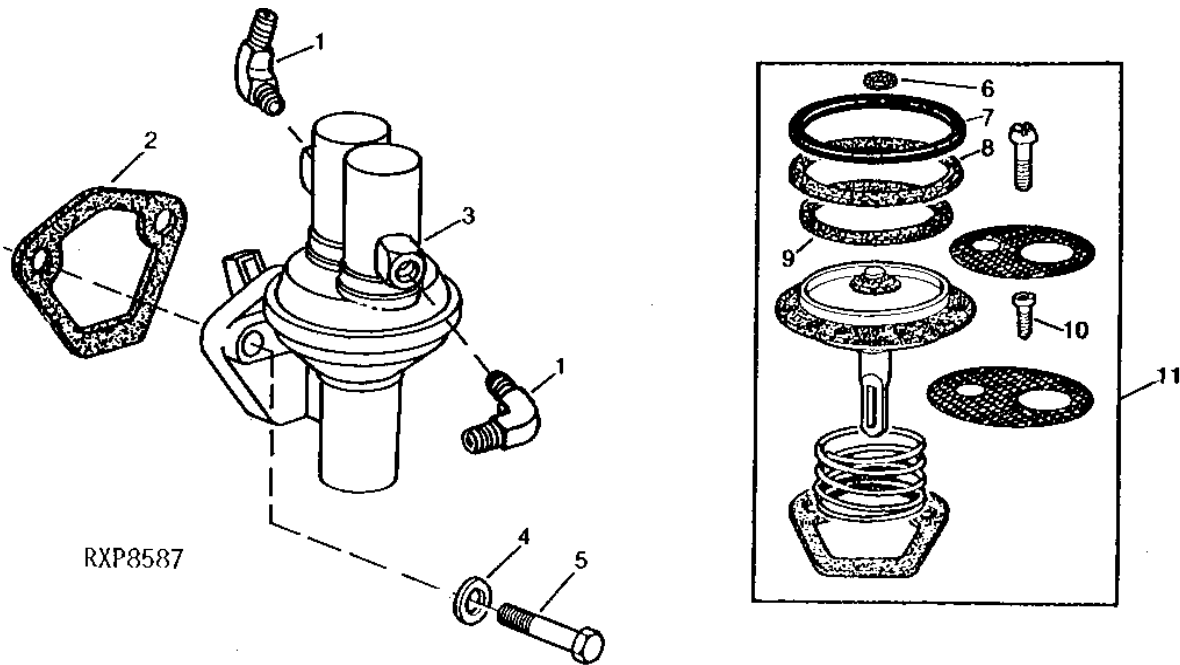
MEMORANDA

1D5

FUEL AND AIR

RXP8587 -UN-01JAN94

FUEL TRANSFER PUMP



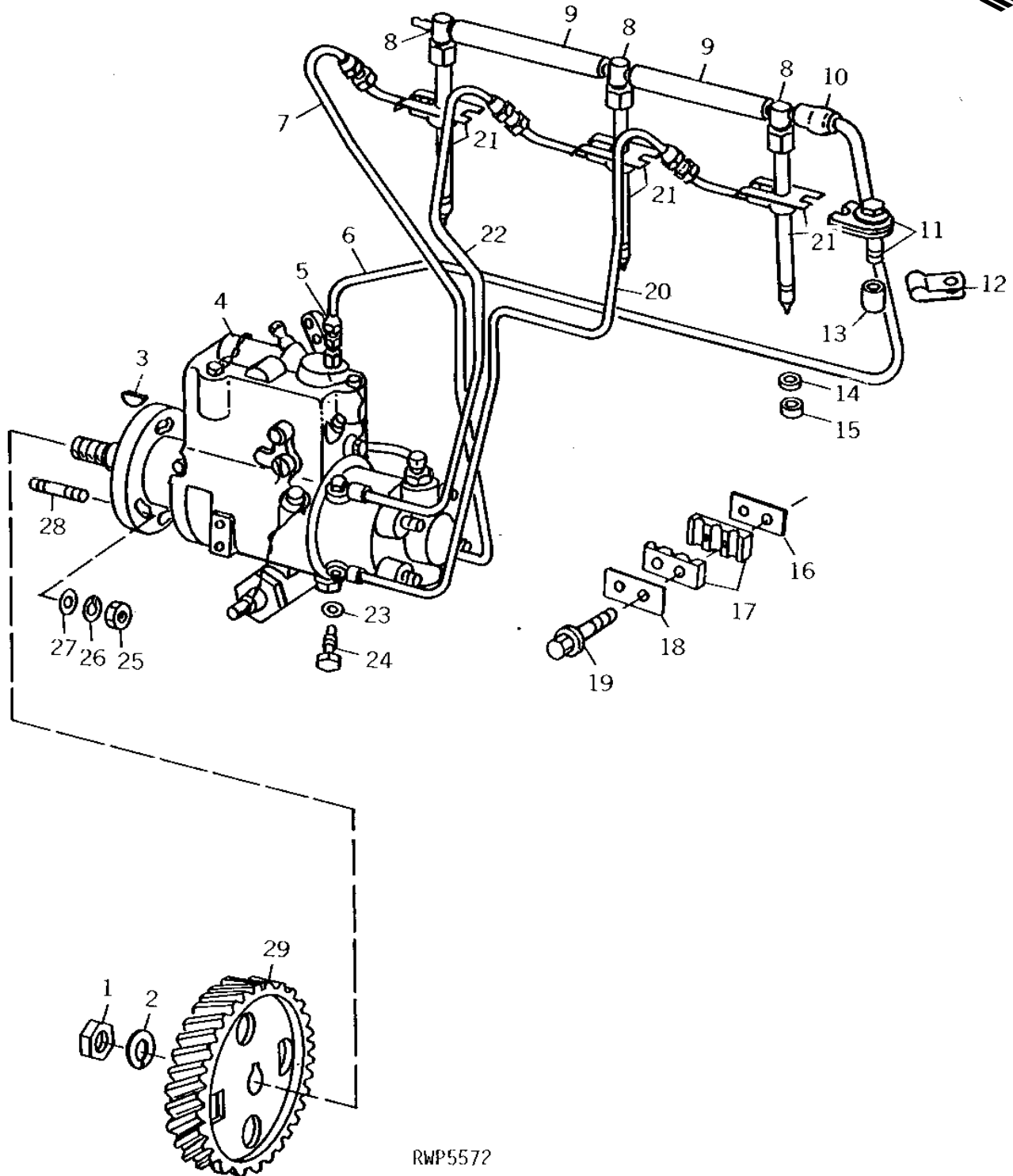
KEY	PART NO.	PART NAME	QTY	TRACTOR SERIAL NO.	REMARKS
1	T30738	ELBOW FITTING	2		
2	R97350	GASKET	1		90° (SUB FOR R27285)
3	RE42211	FUEL PUMP	1		
4	R20498	WASHER	2		
5	19H1849	CAP SCREW	2		5/16" X 1-1/4"
6	R75832	GASKET	1		
7	R30409	GASKET	1		
8	R64506	WASHER	1		
9	R40565	WASHER	1		
10	R49266	BOLT	8		
11	RE37463	KIT	1		OVERHAUL, (SUB FOR RE13517)

1D6

FUEL AND AIR

RWP5572 -UN-01JAN94

FUEL INJECTION SYSTEM (ROOSA-MASTER)



RWP5572

1D7

FUEL AND AIR

FUEL INJECTION SYSTEM - CONTINUED (ROOSA-MASTER)

KEY	PART NO.	PART NAME	QTY	ENGINE SERIAL NO.	REMARKS
1	14H832	NUT	1	9/16"	
2	12H317	LOCK WASHER	1	9/16"	
3	26H10	SHAFT KEY	1	5/32" X 5/8"	
4	AR66244	FUEL PUMP	NA		(A) (ROOSA-MASTER NO. JDB331AJ2681 OR JDB331MB2798)
5	R35352	FITTING	1		
6	AT27615	FUEL LINE	1		LEAK-OFF
7	AT18065	FUEL LINE	1		NO. 1
8	AT27622	CAP	3		
9	HOSE	2		113 MM (4.43") (MAKE FROM AT32064)
10	HOSE	1		11 X 45 MM (7/16" X 1-3/4") (MAKE FROM R68281)
11	R34760	CLAMP	3		
12	T29969	CLAMP	1		
13	R34761	SPACER	3		
14	R34764	WASHER	3		(UPPER)
15	R48000	WASHER	3		(LOWER)
16	R61145	STRAP	1		
17	R59297	HALF CLAMP	2		
18	R59298	STRAP	1		
19	AR76704	SCREW	2		
20	AT18111	FUEL LINE	1		NO. 3
21	AR88239	INJECTION NOZZLE	3		(SUB FOR AR49877, AR56290 OR AR73673) (SUB AR89564)
22	AT18099	FUEL LINE	1		NO. 2
23	T20055	WASHER	6		
24	R26726	FITTING	3		
25	14H1076	NUT	2	3/8"	
26	12H304	LOCK WASHER	2	3/8"	
27	24M7096	WASHER	2	10.500 X 18 X 1.600 MM	
28	T20052	STUD	2		
29	T20165	GEAR	1		(48 TEETH)

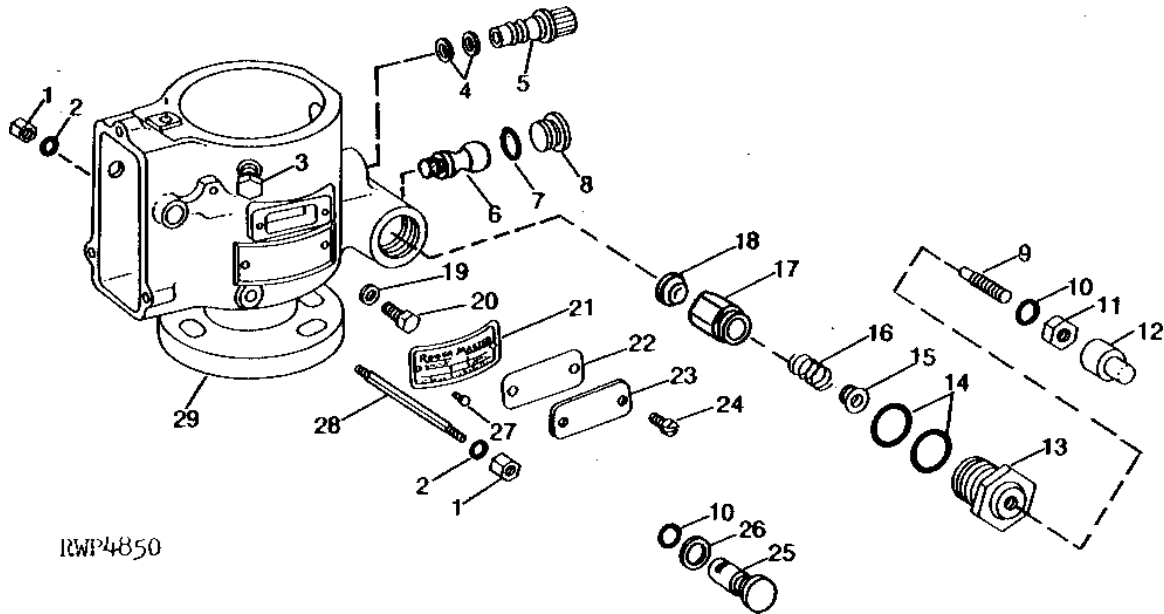
(A) SEE YOUR AUTHORIZED DIESEL SERVICE CENTER FOR PARTS NOT AVAILABLE (NA)

1D8

FUEL AND AIR

FUEL INJECTION PUMP ADVANCE PISTON ASSEMBLY (ROOSA-MASTER)

RWP4850 -UN-01JAN94



RWP4850

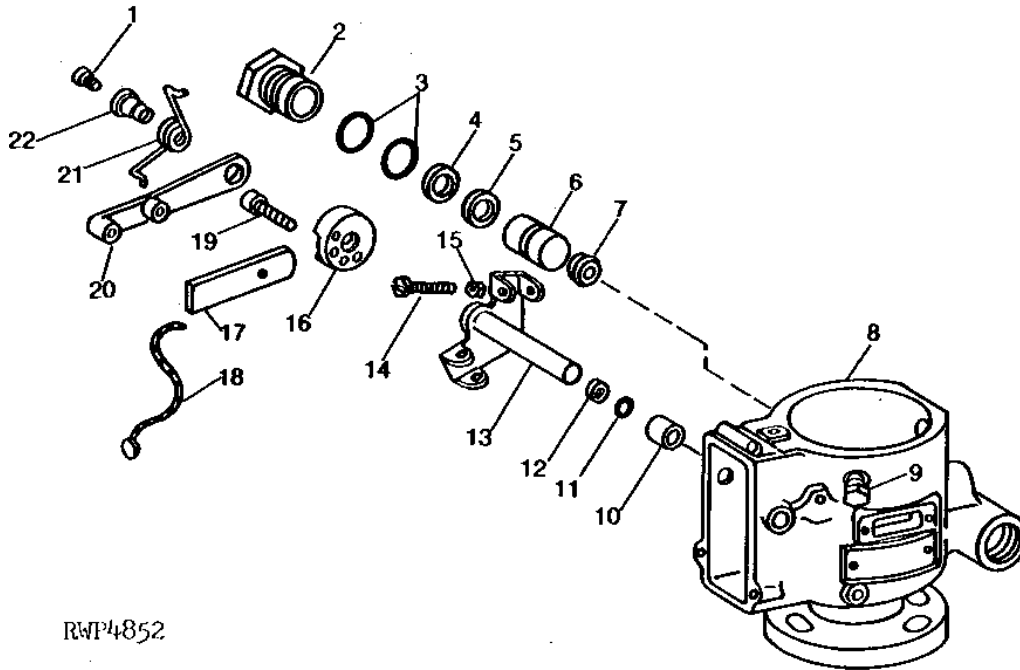
KEY	PART NO.	PART NAME	QTY	ENGINE SERIAL NO.	REMARKS
1	T11932	NUT	NA		
2	R34812	O-RING	2		(SUB FOR T11906)
3	R30714	BOLT	NA		
4	T11899	O-RING	2		
5	AR51712	SCREW	NA		
6	R36646	SCREW	NA		
7	T15712	O-RING	1		
8	T15711	PLUG	NA		
9	T17123	SET SCREW	NA		
10	R76578	O-RING	2		(SUB FOR T11915)
11	T17122	NUT	NA		
12	T17117	CAP	NA		
13	T17126	PLUG	NA		
14	T15710	O-RING	2		
	R56396	O-RING	2		
15	T17125	GUIDE	NA		
16	R49238	SPRING	NA		OUTER ADJUSTMENT
	T24415	SPRING	NA		INNER ADJUSTMENT
17	T18529	PISTON	NA		
18	T15705	WASHER	NA		
19	T11878	WASHER	2		COPPER
20	T11930	SCREW	NA		
21	T11875	IDENTIFICATION PLATE	NA		
22	T11883	GASKET	2		
23	T11882	COVER	2		
24	T11884	SCREW	4		
25	T17946	SHAFT	NA		
26	T15720	WASHER	NA		FELT
27	T11876	SCREW	NA		
28	T11925	SHAFT	NA		
29	AT21009	HOUSING	NA		
..	AR66244	FUEL PUMP	NA		COMPLETE

1D9

FUEL AND AIR

FUEL INJECTION PUMP POWER PISTON AND THROTTLE ASSEMBLY (ROOSA-MASTER)

RWP4852 -UN-01JAN94



RWP4852

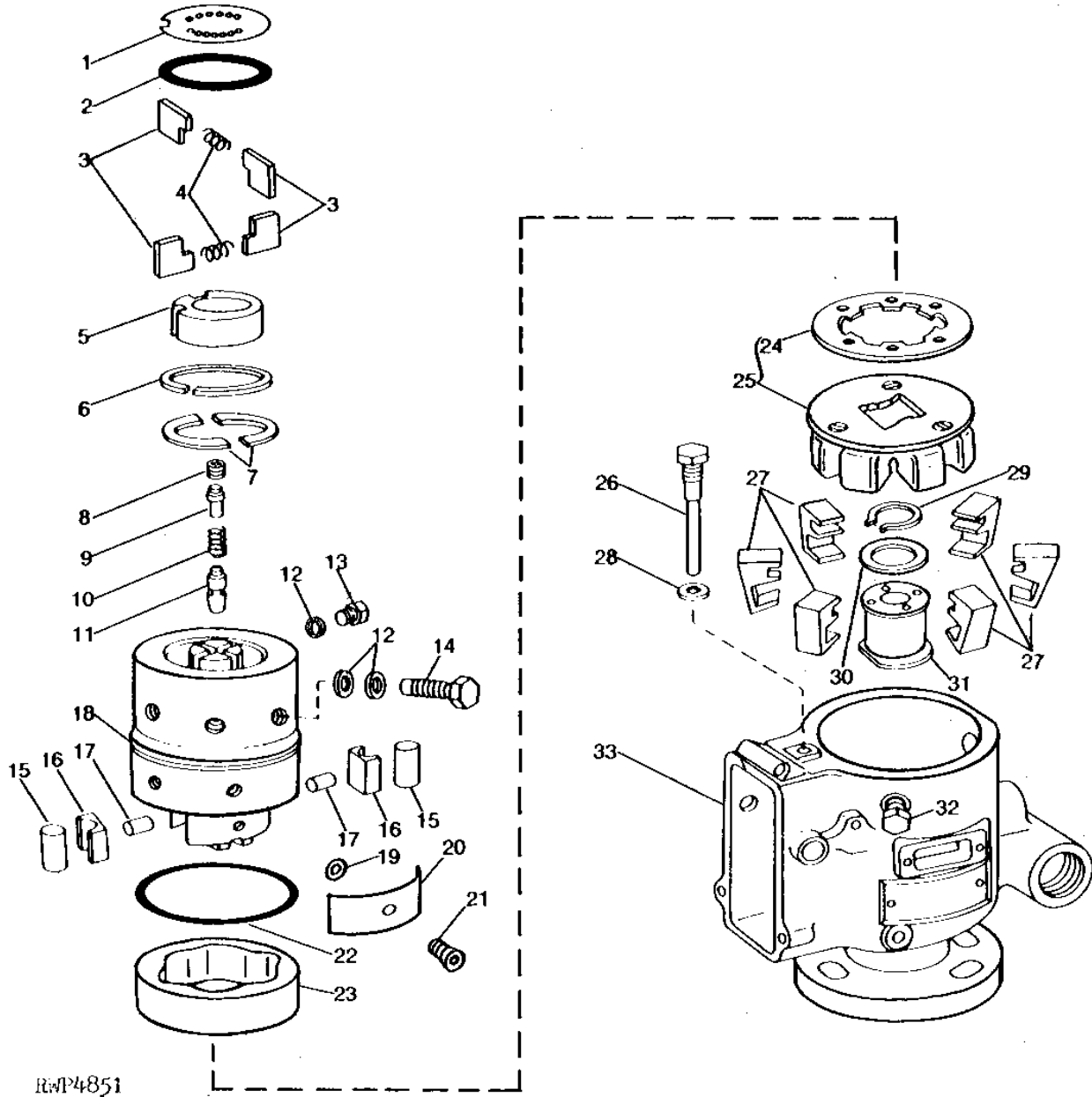
KEY	PART NO.	PART NAME	QTY	ENGINE SERIAL NO.	REMARKS
1	T11917	SCREW	1		
2	R74310	PLUG	NA		(SUB FOR T15707 OR R49212)
3	T15710	O-RING	2		
4	R49211	WASHER	NA		(SUB FOR R36651)
5	R34635	WASHER	NA		
6	T19863	PISTON	NA		
7	T15705	WASHER	NA		
8	AT21009	HOUSING	NA		
9	R30714	BOLT	NA		
10	R48493	BUSHING	NA		
11	R76578	O-RING	1		(SUB FOR T11915)
12	T15720	WASHER	NA		FELT
13	R36542	SHAFT	NA		
14	R48514	SCREW	NA		(SUB FOR T11920)
15	T19862	NUT	NA		
16	T19861	SPACER	1		
17	T19860	STRAP	1		
18	T11877	WIRE	NA		
19	R70513	SCREW	1		(SUB FOR T19859)
20	T19858	LEVER	1		
21	T17949	SPRING	1		
22	T17950	RETAINER	1		
..	AR66244	FUEL PUMP	NA		COMPLETE

1D10

FUEL AND AIR

FUEL INJECTION PUMP HEAD AND ROTOR ASSEMBLY (ROOSA-MASTER)

RWP4851 -UN-01JAN94



1D11

FUEL AND AIR

FUEL INJECTION PUMP HEAD AND ROTOR ASSEMBLY - CONTINUED (ROOSA-MASTER)

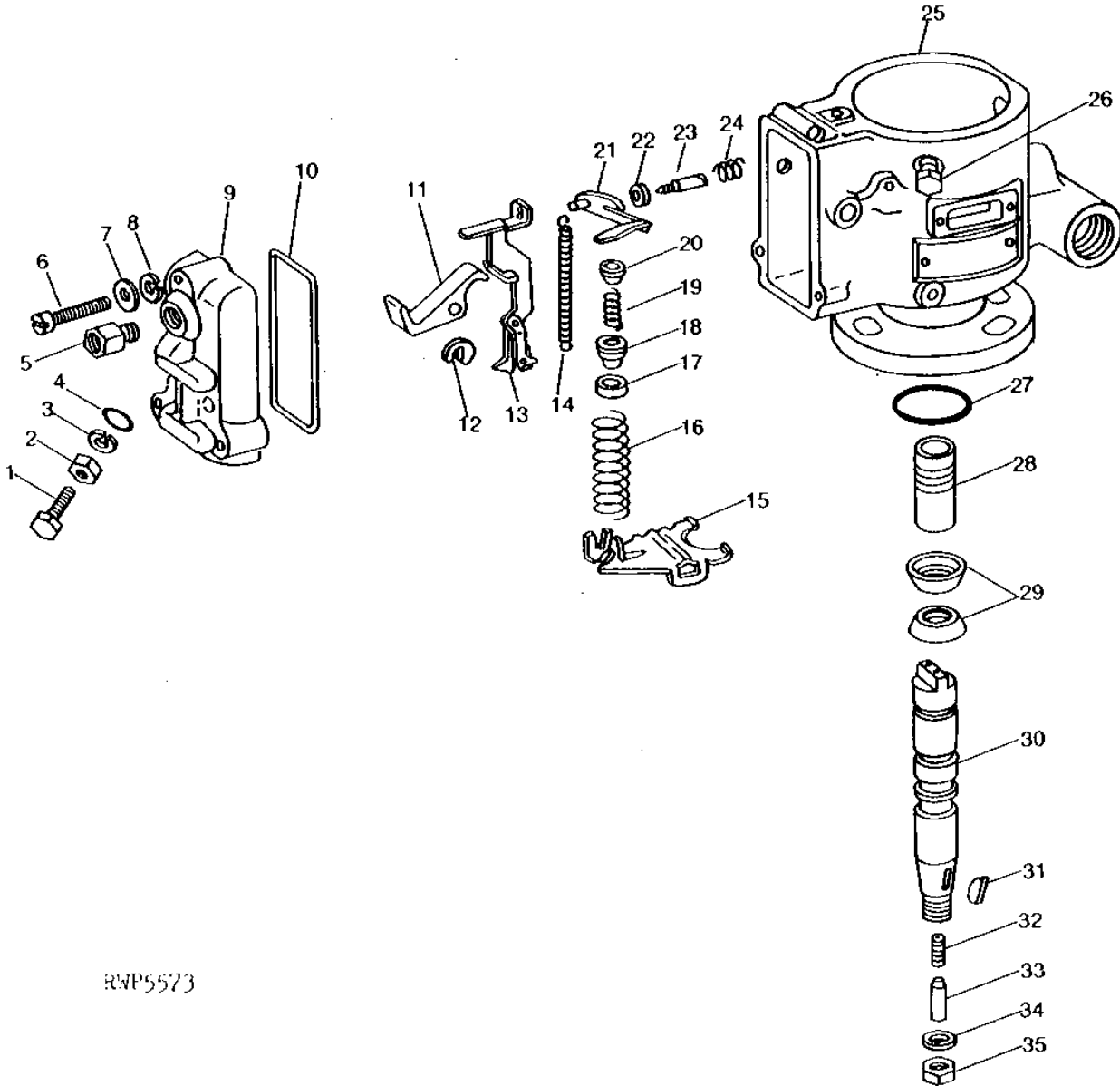
KEY	PART NO.	PART NAME	QTY	ENGINE SERIAL NO.	REMARKS
1	R34631	PLATE	NA		
2	T11894	O-RING	NA		
3	BLADE	NA		(ORDER AR73828 STANDARD SIZE OR AR73829 OVERSIZE)
4	R34630	SPRING	NA		
5	T26238	SLEEVE	NA		
6	T11889	SNAP RING	NA		
7	T11890	RETAINER	NA		
8	R30737	SCREW	NA		
9	T26223	STOP	NA		
10	R30735	SPRING	NA		
11	T19856	VALVE	NA		
	T19857	VALVE	NA		(OVERSIZE)
12	T20055	WASHER	9		
13	T24435	SCREW	NA		
14	R26726	FITTING	3		
15	T11886	NEEDLE ROLLER	NA		
16	R56483	SHOE	NA		(SUB FOR T11885)
17	R30728	PLUNGER	NA		ROTOR (A)
	R30729	PLUNGER	NA		ROTOR (B)
	R30730	PLUNGER	NA		ROTOR (C)
	R30731	PLUNGER	NA		ROTOR (D)
18	AR64078	HYDRAULIC HEAD, AND ROTOR	NA		(SUB FOR AR51816)
	R30725	SCREW	NA		
	T11926	SET SCREW	NA		
	R49346	DOWEL PIN	NA		
	R30727	RETAINER	NA		
19	T31124	SHIM	NA		0.13MM (.005")
	T31125	SHIM	NA		0.15MM (.006")
	T31126	SHIM	NA		0.18MM (.007")
	T31127	SHIM	NA		0.20MM (.008")
	T31128	SHIM	NA		0.23MM (.009")
20	R34639	LEAF SPRING	NA		
21	T11887	SCREW	NA		
22	T11891	O-RING	NA		
23	R48494	RING	NA		
24	R42483	RING	NA		
25	AT21012	RETAINER	NA		
26	T11923	STUD	NA		
27	T11910	WEIGHT	NA		
28	T11943	WASHER	NA		
29	T11931	RING	NA		
30	T11909	WASHER	NA		
31	R74472	SLEEVE	NA		(SUB FOR T16601)
32	R30714	BOLT	NA		
33	AT21009	HOUSING	NA		
..	AR66244	FUEL PUMP	NA		

1D12

FUEL AND AIR

FUEL INJECTION PUMP COVER AND DRIVE SHAFT (ROOSA-MASTER)

RWP5573 -UN-01JAN94



RWP5573

1D13

FUEL AND AIR

FUEL INJECTION PUMP COVER AND DRIVE SHAFT - CONTINUED (ROOSA-MASTER)

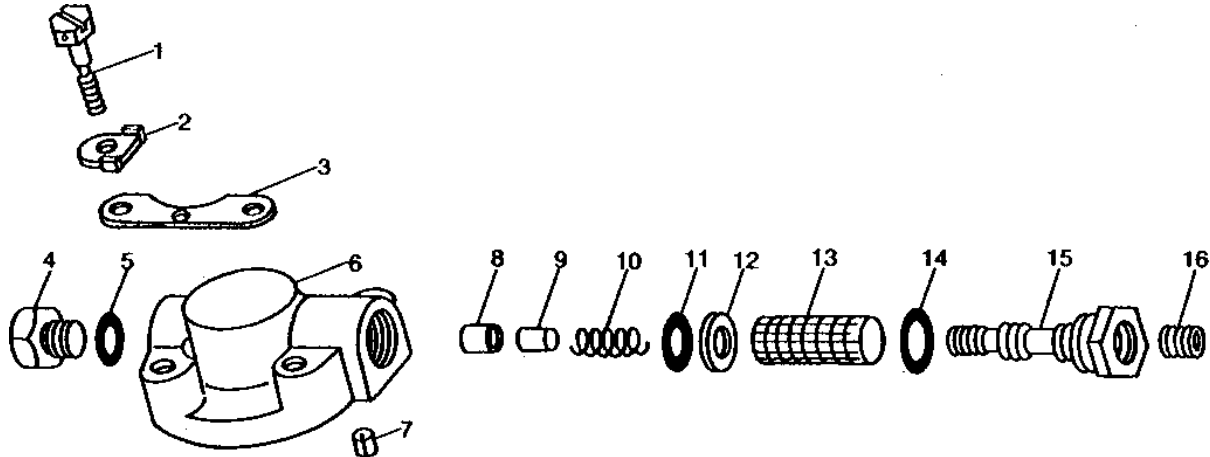
KEY	PART NO.	PART NAME	QTY	ENGINE SERIAL NO.	REMARKS
1	T17953	CAP SCREW	1		
2	T11921	NUT	1		
3	T17947	WASHER	1		
4	R34812	O-RING	1		(SUB FOR T17951)
5	R36535	CHECK VALVE	1		
6	T15721	SCREW	2		
7	T15715	WASHER	3		
8	12M7060	WASHER	3	0.209"	
9	R37139	COVER	NA		
10	T11918	GASKET	1		
11	T11927	LEVER	NA		
12	T11929	CLIP	NA		
13	AT11520	HOOK	NA		
	T15699	HOOK	NA		
	AR28602	LINK	NA		
	R30718	SCREW	NA		
	R30719	LOCK WASHER	NA		
14	T11911	SPRING	NA		
15	T16602	ARM	NA		
16	T15700	SPRING	NA		
17	T17952	WASHER	NA		
18	T11924	RETAINER	NA		
19	T11913	SPRING	NA		
20	T11914	GUIDE	NA		
21	AR30736	ARM	NA		
22	R30732	SHIM	NA		
23	R48500	VALVE	NA		(SUB AR91548)
24	R58422	SPRING	NA		(SUB FOR T11907)
25	AR67675	HOUSING	NA		(SUB FOR AT21009)
26	R30714	BOLT	NA		
27	T19854	O-RING	1		
28	T19865	BUSHING	NA		
29	T11290	SEAL	2		
30	R36538	DRIVE SHAFT	NA		
31	26H10	SHAFT KEY	1	5/32" X 5/8"	
32	R36540	SPRING	1		
33	T19855	PIN	1		
34	R48600	LOCK WASHER	1		
35	R48599	NUT	1		
..	AR66244	FUEL PUMP	NA		

1D14

FUEL AND AIR

FUEL INJECTION PUMP END PLATE (ROOSA-MASTER)

RWP4849 -UN-01JAN94



RWP4849

KEY	PART NO.	PART NAME	QTY	ENGINE SERIAL NO.	REMARKS
1	R48498	BOLT	NA		
2	R48496	CLIP	NA		
3	R48497	STRAP	NA		
4	T30607	DRAIN PLUG	NA		
5	A3917R	O-RING	1		(SUB FOR T26256)
6	R34624	PLATE	NA		
7	34H240	SPRING PIN	1		1/8" X 1/4", (SUB FOR R34638)
8	R82439	BUSHING	NA		(SUB FOR T25142)
9	T11900	DOWEL PIN	NA		
10	R49209	SPRING	NA		(SUB FOR R34627)
11	T11899	O-RING	1		
12	R34632	WASHER	NA		
13	R34625	STRAINER	NA		
14	R33259	O-RING	1		(SUB FOR T11934)
15	RE21439	SLEEVE	NA		(SUB FOR R34622)
16	R34623	PLUG	NA		
..	AR66244	FUEL PUMP	NA		

MEMORANDA

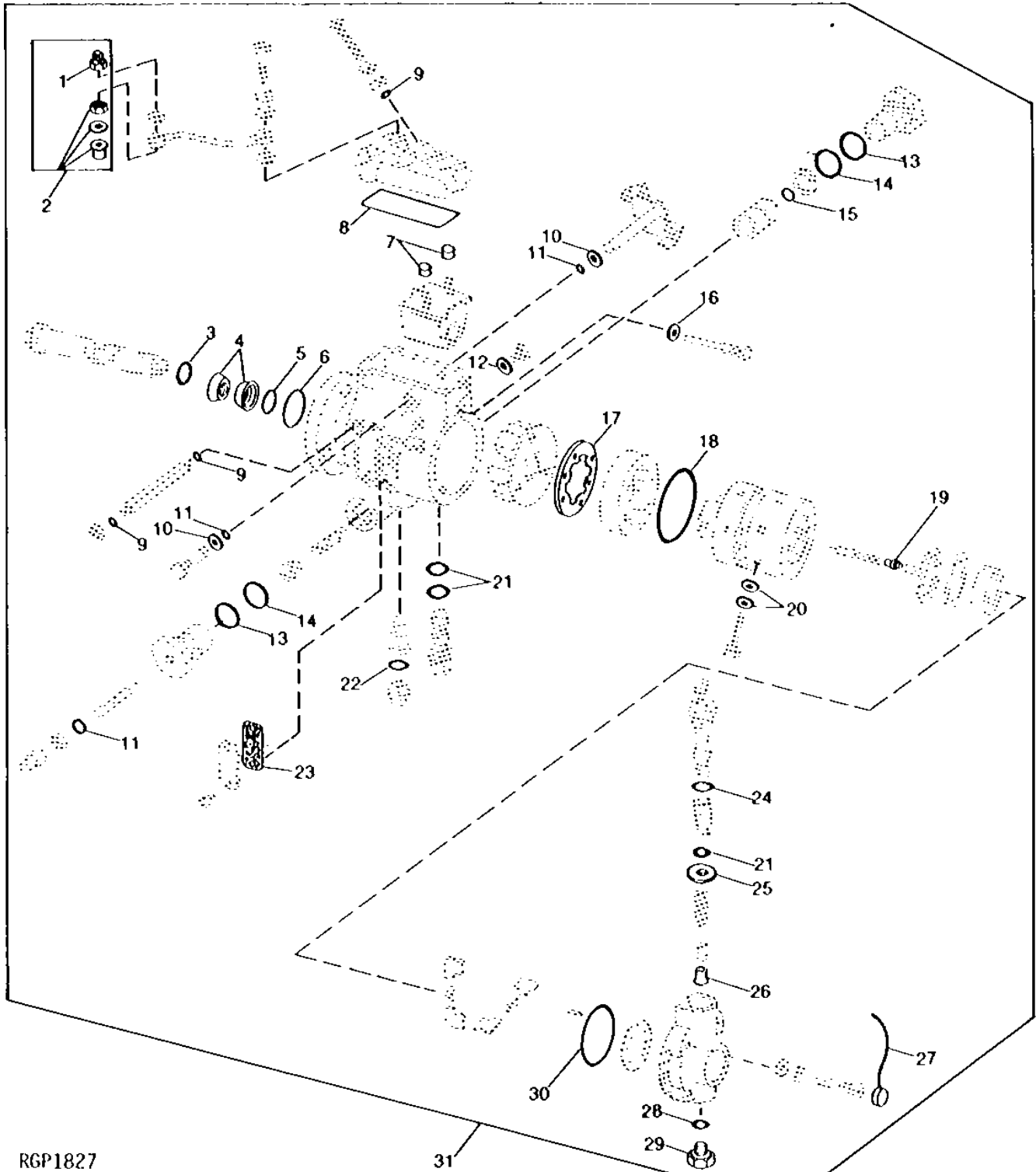
1D15

FUEL AND AIR

RGP1827

-UN-01JAN94

FUEL INJECTION PUMP GASKET KIT



RGP1827

31

1D16

FUEL AND AIR

FUEL INJECTION PUMP GASKET KIT - CONTINUED

KEY	PART NO.	PART NAME	QTY	ENGINE SERIAL NO.	REMARKS
1	M63431	LOCK NUT	1		(SUB FOR T19977)
2	RE37091	KIT	1		(SUB FOR AR90601)
3	R33259	O-RING	1		(SUB FOR T11934)
4	T11290	SEAL	2		
5	O-RING	1		(A)
6	R460R	O-RING	1		
7	T11937	INSULATOR	2		
8	T11918	GASKET	1		
9	R34612	BUSHING	3		(SUB FOR T11906)
10	T15720	WASHER	NA		
11	R76578	O-RING	3		(SUB FOR T11915)
12	WASHER	1		(A)
13	R56396	O-RING	2		
14	T15710	O-RING	2		
15	R34635	WASHER	NA		
16	T11943	WASHER	NA		
17	R42483	RING	NA		
18	T11891	O-RING	NA		
19	T26223	STOP	NA		
20	T20055	WASHER	12		
21	T11899	O-RING	3		
22	T15712	O-RING	2		
23	T11883	GASKET	1		
24	R33259	O-RING	1		(SUB FOR T11934)
25	R34632	WASHER	NA		
26	T25142	SEAL	NA		
27	T11877	WIRE	NA		
28	A3917R	O-RING	1		(SUB FOR T26256)
29	T30607	DRAIN PLUG	NA		
30	T11894	O-RING	NA		
31	AR34612	GASKET KIT	NA		(USE WITH ROOSA-MASTER NO. JDB331AL2734 OR JDB331AL2406)

(A) NOT USED THIS APPLICATION

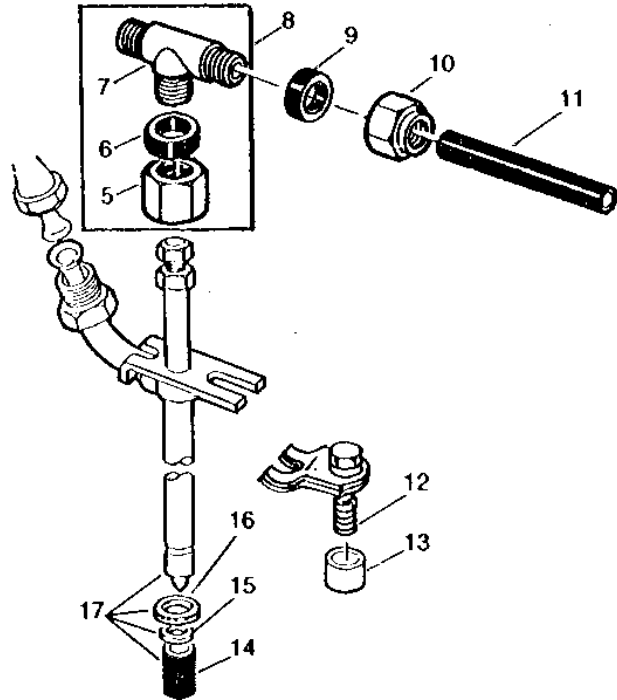
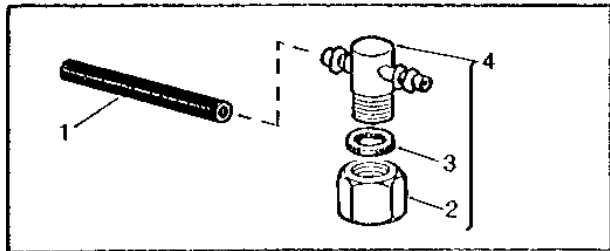
MEMORANDA

1D17

FUEL AND AIR

RWP5923 -UN-01JAN94

FUEL INJECTION NOZZLE (ROOSA-MASTER)



RWP5923

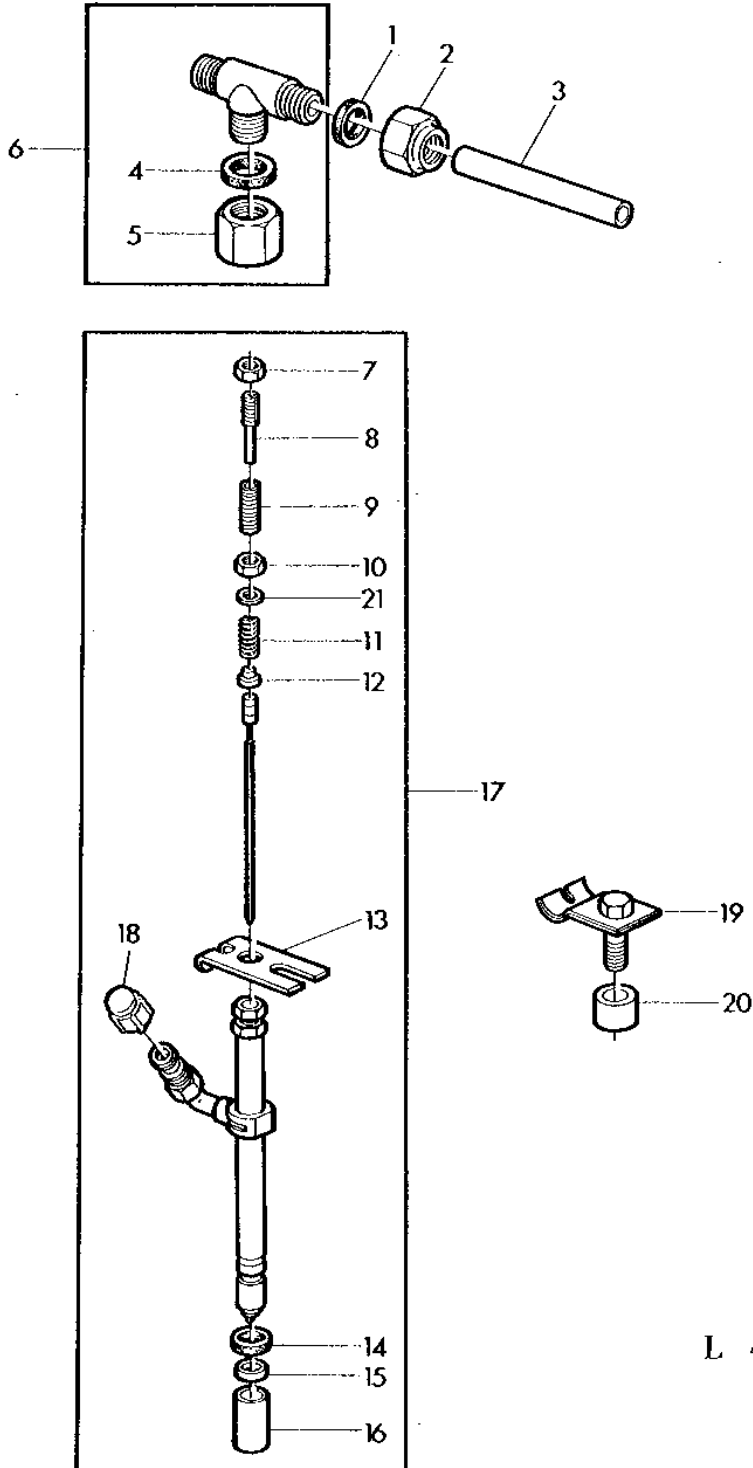
KEY	PART NO.	PART NAME	QTY	ENGINE SERIAL NO.	REMARKS
1	HOSE	1		36 MM (1.40") (MAKE FROM R68281)
2	T29540	FITTING	1	-XXXXXX	(SUB R79604)
3	T29539	WASHER	1	-XXXXXX	(SUB R79605)
4	AT27622	CAP	1	-XXXXXX	
5	R79604	TUBE NUT	1	XXXXXX-	
6	R79605	WASHER	1	XXXXXX-	
7	R79606	TEE FITTING	1	XXXXXX-	
8	AR85618	CAP	1	XXXXXX-	(USE WITH AR89564) (SUB R79604, R79605 AND R79606)
9	R51936	PACKING	1	XXXXXX-	
10	R51937	TUBE NUT	1	XXXXXX-	
11	R66090	TUBE	1	XXXXXX-	
12	R34760	CLAMP	1		
13	R34761	SPACER	1		
14	T24472	PLUG	1		
15	R48000	WASHER	1		
16	R34764	WASHER	1		
17	R60746	WASHER	1	XXXXXX-	(USE WITH AR73673 OR AR88239)
17	AR88239	INJECTION NOZZLE	1		(SUB FOR AR56290 OR AR73673) (SUB AR89564)
18	R67779	CLAMP	1		(SUB FOR T26870)
19	T31174	PLUG	1		(USE FOR SERVICING FUEL INJECTION NOZZLE) (NLA)

1D18

FUEL AND AIR

L40721 -UN-01JAN94

FUEL INJECTION NOZZLE (REPLACEMENT)



L 40721

1D19

FUEL AND AIR

FUEL INJECTION NOZZLE - CONTINUED (REPLACEMENT)

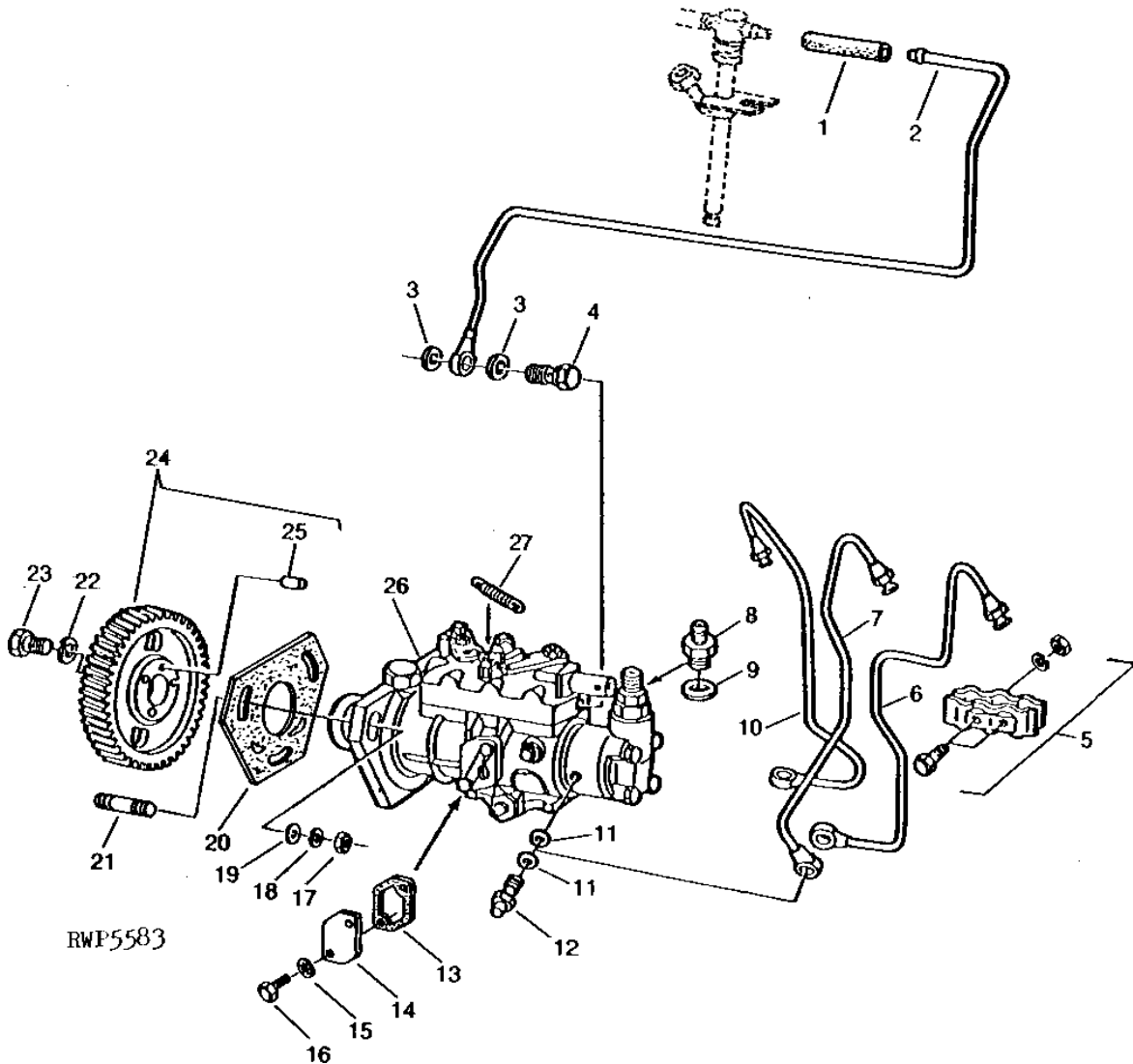
KEY	PART NO.	PART NAME	QTY	ENGINE SERIAL NO.	REMARKS
1	R51936	PACKING	1		
2	R51937	TUBE NUT	1		
3	R66090	TUBE	1		
	HOSE	1		(MAKE FROM R68261)
4	T29539	WASHER	1		(SUB R79605)
5	T29540	FITTING	1		(SUB R79604)
6	AR85618	CAP	1		(SUB R79604, R79605 AND R79606)
7	R47733	LOCK NUT	1		
8	R69443	SCREW	1		
9	R62984	SCREW	1		
10	R46675	NUT	1		
11	R69442	SPRING	1		
12	R62982	GUIDE	1		
13	R67779	CLAMP	1		
14	R34764	WASHER	1		
15	R48000	WASHER	1		
16	T24472	PLUG	1		
17	AR89564	INJECTION NOZZLE	1		
18	T31174	PLUG	1		(NLA)
19	R34760	CLAMP	1		
20	R60745	SPACER	1		
21	R62981	WASHER	1		

1D20

FUEL AND AIR

FUEL INJECTION PUMP AND FUEL PIPES (ROTO-DIESEL) (ENGINE SERIAL NO. -207159)

RWP5583 -UN-01JAN94



RWP5583

1D21

FUEL AND AIR

FUEL INJECTION PUMP AND FUEL PIPES - CONTINUED
(ROTO-DIESEL)
(ENGINE SERIAL NO. -207159)

KEY	PART NO.	PART NAME	QTY	ENGINE SERIAL NO.	REMARKS
1	HOSE	1		44 MM (1-3/4") (MAKE FROM R68281)
2	AT27614	FUEL LINE	1		
3	T27765	WASHER	2		
4	T27764	HOLLOW SCREW	1		
5	AR62194	CLAMP	1		(SUB (2) R59297, R59298, R61145 AND (2) AR76704)
	DD13912	FLANGE	1		(USE WITH AR72875)
6	AR67004	FUEL LINE	1		NO. 3
7	AR67003	FUEL LINE	1		NO. 2
8	T24607	ADAPTER	1		1/2"-20, (SUB R79015)
9	T24608	WASHER	1		
10	AR80332	FUEL LINE	1		NO. 1, (SUB FOR AR67002)
11	T20055	WASHER	6		
12	AT29464	VALVE	3		
13	T24543	GASKET	1		(SUB R105529 AND R105530)
14	T24542	COVER	1		(SUB R105529 AND R105530)
15	12M7060	WASHER	2		0.209"
16	T24544	SCREW	2		
17	14H785	NUT	3		5/16"
18	12H303	LOCK WASHER	3		5/16"
19	24H1243	WASHER	3		11/32" X 5/8" X 1/16"
20	R97354	GASKET	1		(SUB FOR T24460 OR R77126)
21	T23442	STUD	3		5/16" X 1-1/2"
22	12H303	LOCK WASHER	3		5/16"
23	19H2551	CAP SCREW	3		5/16" X 3/4"
24	AR85710	GEAR	1		(SUB FOR AT27917)
25	T28030	DOWEL PIN	1		
26	AR72875	FUEL INJECTION PUMP	1		(A) (SUB FOR AR67092 OR AR91772) (SUB AR91768, THIS APPLICATION) (ALSO ORDER AR72881)
27	T26058	SPRING	1		

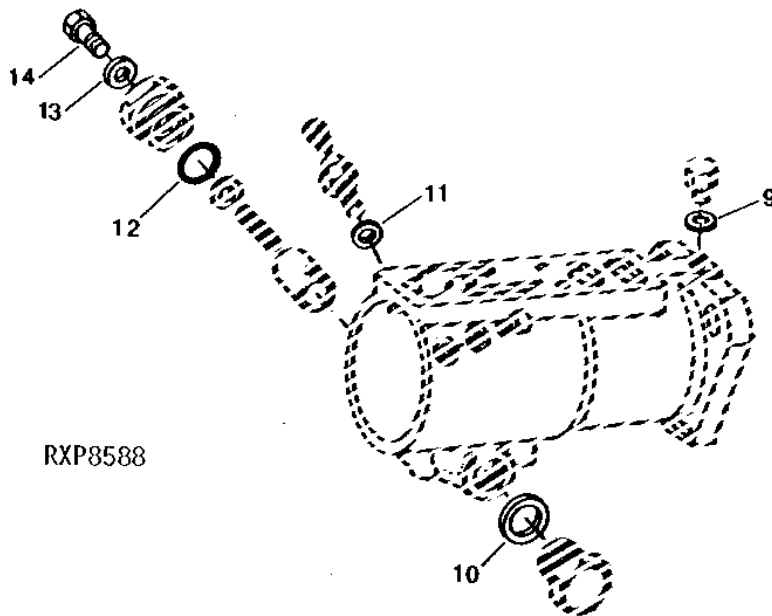
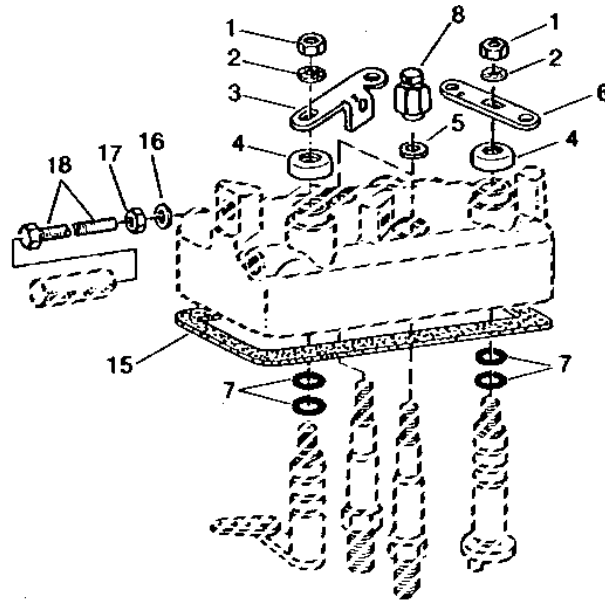
(A) SEE YOUR AUTHORIZED DIESEL SERVICE CENTER FOR PARTS NOT AVAILABLE (NA)

1D22

FUEL AND AIR

FUEL INJECTION PUMP PARTS (ROTO-DIESEL) (ENGINE SERIAL NO. -207159)

RXP8588 -UN-01JAN94



RXP8588

1D23

FUEL AND AIR

FUEL INJECTION PUMP PARTS - CONTINUED
(ROTO-DIESEL)
(ENGINE SERIAL NUMBER -207159)

KEY	PART NO.	PART NAME	QTY	TRACTOR SERIAL NO.	REMARKS
1	T24589	NUT	2		
2	12M7060	WASHER	2		0.209"
3	T24588	LEVER	1		
4	T24590	CAP	2		
5	T24599	WASHER	2		
6	T30664	LEVER	1		
7	T24647	O-RING	4		
8	T24598	NUT	1		
9	T20055	WASHER	1		
10	T24650	O-RING	1		
11	T24553	WASHER	2		
12	T24650	O-RING	1		
13	T24627	WASHER	1		
14	T24649	SCREW	1		
15	T24600	GASKET	1		
16	T24604	WASHER	2		
17	T24589	NUT	2		
18	T24605	CAP SCREW	2		

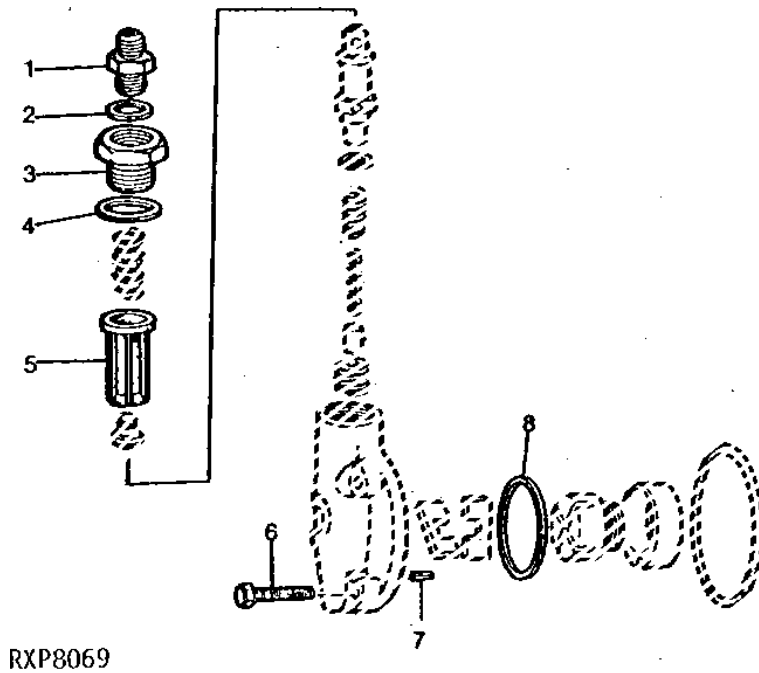
MEMORANDA

1D24

FUEL AND AIR

FUEL INJECTION PUMP TRANSFER GROUP (ROTO-DIESEL) (ENGINE SERIAL NO. -207159)

RXP8069 -UN-01JAN94



RXP8069

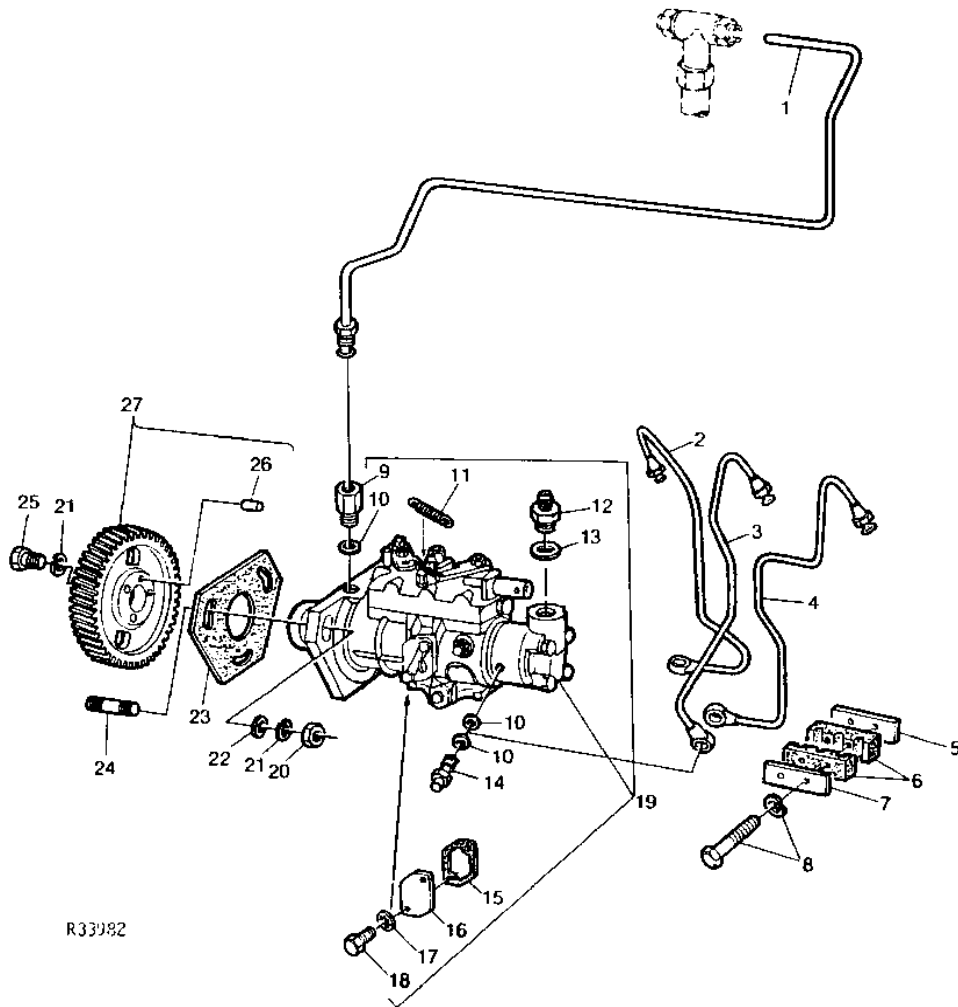
KEY	PART NO.	PART NAME	QTY	ENGINE SERIAL NO.	REMARKS
1	T24607	ADAPTER	1		(SUB R79015)
2	T24608	WASHER	1	-XXXXXX	
3	T24620	FITTING	1		(SUB R79015)
4	T24619	WASHER	1		
5	T24618	FUEL FILTER	1		
6	T24621	SCREW	4		
7	34H240	SPRING PIN	1	-XXXXXX	1/8" X 1/4"
8	T24549	WASHER	1		

1E1

FUEL AND AIR

FUEL INJECTION PUMP AND FUEL LINES (ROTO-DIESEL) (ENGINE SERIAL NO. 207160-)

R33982 -UN-01JAN94



1E2

FUEL AND AIR

FUEL INJECTION PUMP AND FUEL LINES - CONTINUED
(ROTO-DIESEL)
(ENGINE SERIAL NO. 207160-)

KEY	PART NO.	PART NAME	QTY	ENGINE SERIAL NO.	REMARKS
1	AR72881	FUEL LINE	1		
	AR89841	LINE	1		(USE WITH AR91768)
2	AR80332	FUEL LINE	1		NO. 1, (SUB FOR AR67002)
3	AR67003	FUEL LINE	1		NO. 2
4	AR67004	FUEL LINE	1		NO. 3
5	AR62194	CLAMP	1		(SUB (2) R59297, R59298, R61145 AND (2) AR6704)
	R61145	STRAP	1		(ALSO ORDER (2) AR6704)
6	R59297	HALF CLAMP	2		
7	R59298	STRAP	1		
8	AR76704	SCREW	1		(ALSO ORDER R61145)
9	AR76102	CHECK VALVE	1		(SUB RE11602)
10	T20055	WASHER	6		
11	T26058	SPRING	1		
12	T24607	ADAPTER	1		(SUB R79015)
13	T24608	WASHER	1		
14	AT29464	VALVE	3		
15	T24543	GASKET	1		(SUB R105529 AND R105530)
16	T24542	COVER	1		(SUB R105529 AND R105530)
17	12M7060	WASHER	2		0.209"
18	T24544	SCREW	2		
19	AR72875	FUEL INJECTION PUMP	1	-XXXXXX	(SUB FOR AR67092) (SUB AR91768, THIS APPLICATION) (ALSO ORDER AR72881)
	AR91768	FUEL INJECTION PUMP	1		(A) (ALSO ORDER AR72881) (SUB FOR AR91772, THIS APPLICATION)
20	14H785	NUT	3		5/16"
21	12H303	LOCK WASHER	6		5/16"
22	24H1243	WASHER	3		11/32" X 5/8" X 1/16"
23	R97354	GASKET	1		(SUB FOR T24460 OR R77126)
24	T23442	STUD	3		
25	19H2551	CAP SCREW	3		5/16" X 3/4"
26	T28030	DOWEL PIN	1		
27	AR85710	GEAR	1		(SUB FOR AT27917)

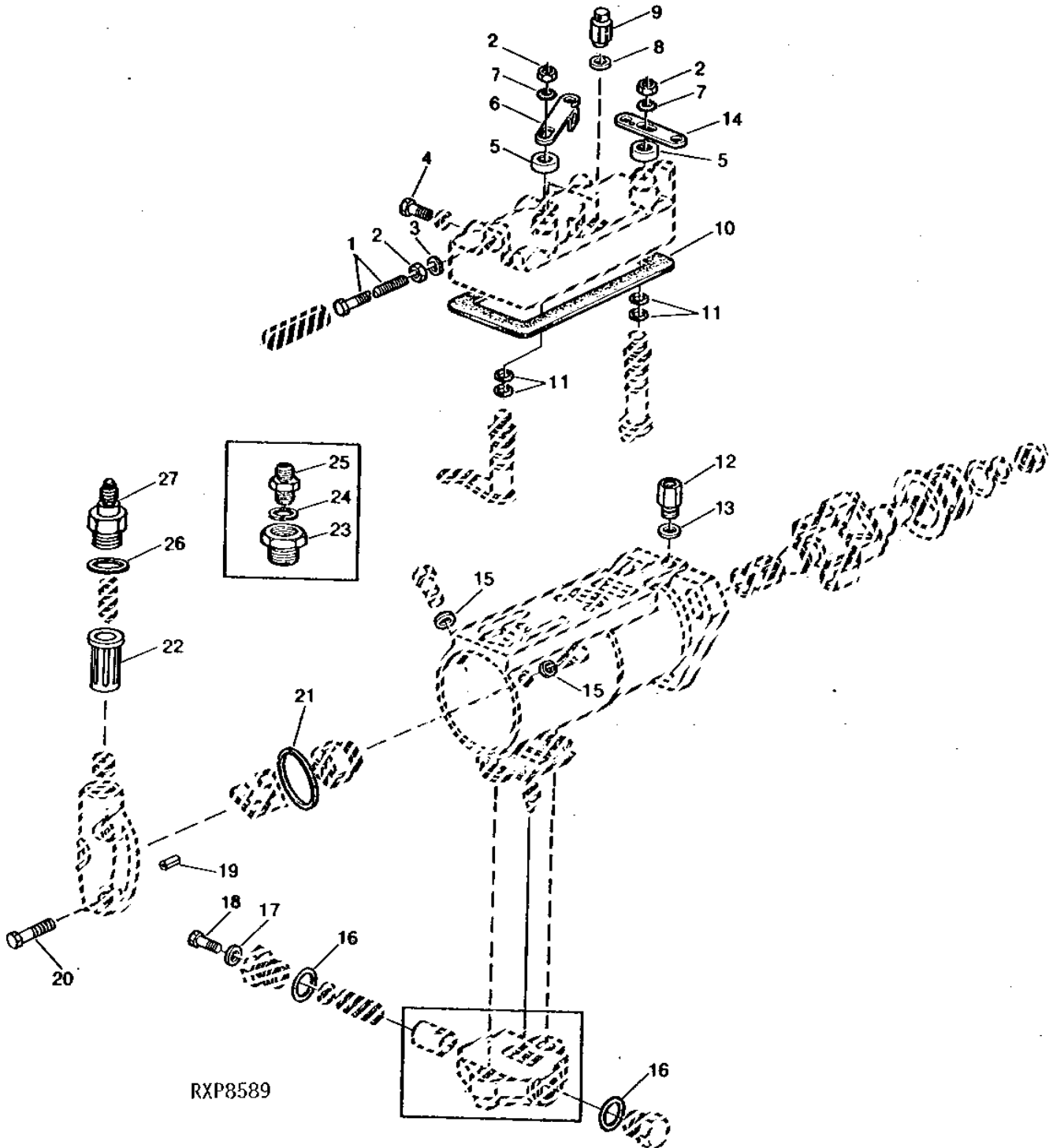
(A) SEE YOUR AUTHORIZED DIESEL SERVICE CENTER FOR PARTS NOT AVAILABLE (NA)

1E3

FUEL AND AIR

FUEL INJECTION PUMP (ROTO-DIESEL) (ENGINE SERIAL NO. 207160-)

RXP8589 -UN-01JAN94



1E4

FUEL AND AIR

FUEL INJECTION PUMP - CONTINUED
(ROTO-DIESEL)
(ENGINE SERIAL NO. 207160-)

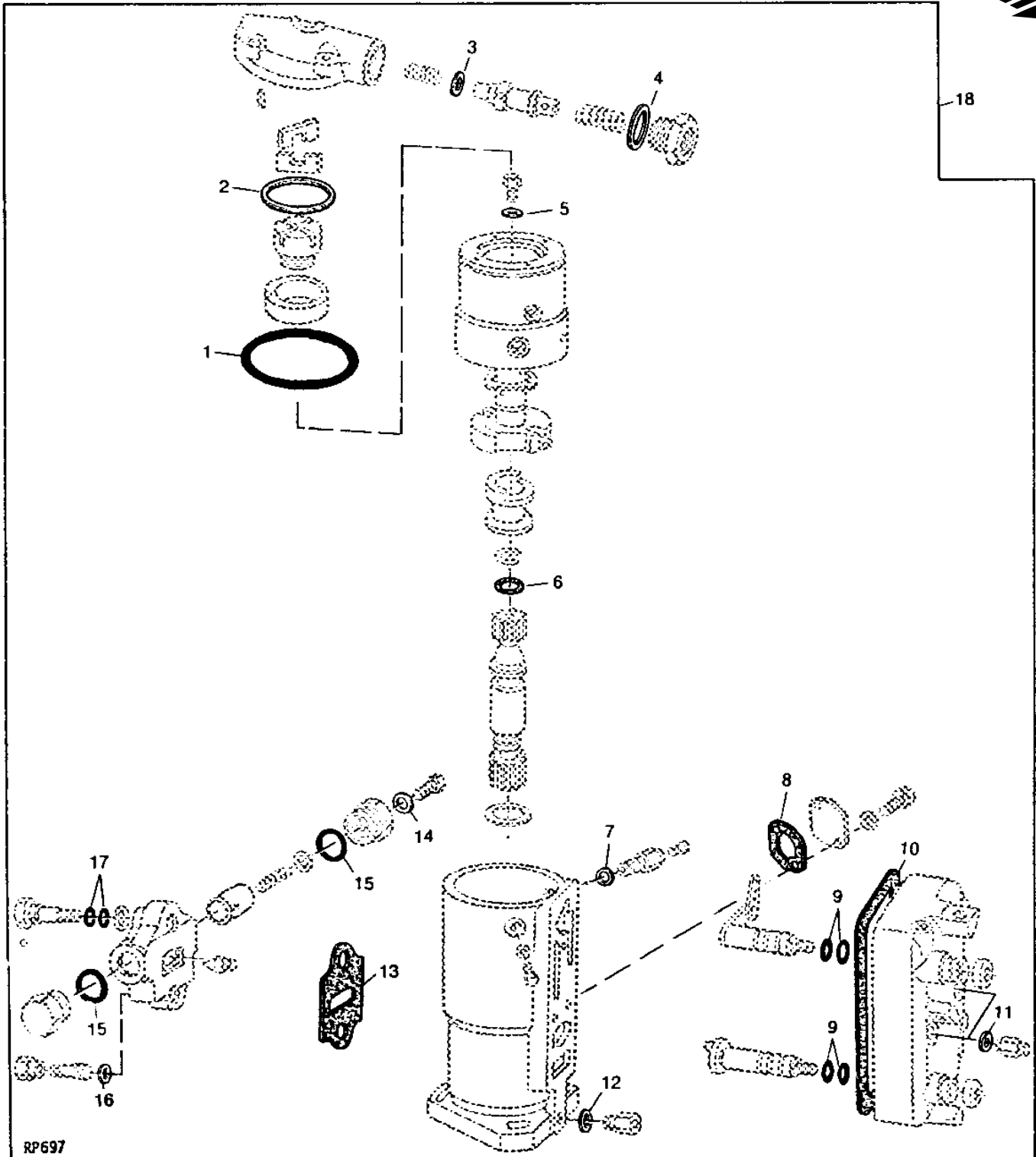
KEY	PART NO.	PART NAME	QTY	ENGINE SERIAL NO.	REMARKS
1	T24605	CAP SCREW	2		
2	T24589	NUT	4		
3	T24604	WASHER	2		
4	AR76101	SCREW	1		
5	T24590	CAP	2		
6	T24588	LEVER	1		
	T26058	SPRING	1		
7	12M7060	WASHER	2		0.209"
8	T24599	WASHER	2		
9	T24598	NUT	2		
10	T24600	GASKET	1		
11	T24647	O-RING	4		
12	RE11602	BALL CHECK	1		(SUB FOR AR76102)
13	T20055	WASHER	1		
14	T30664	LEVER	1		
15	T24553	WASHER	2		
16	T24650	O-RING	2		
17	T24627	WASHER	1		
18	T24649	SCREW	1		
19	34H240	SPRING PIN	1		-XXXXXX 1/8" X 1/4"
20	T24621	SCREW	4		
21	T24549	WASHER	1		
22	T24618	FUEL FILTER	1		
23	T24607	ADAPTER	1		-XXXXXX (SUB R79015)
24	T24608	WASHER	1		-XXXXXX
25	T24620	FITTING	1		-XXXXXX (SUB R79015)
26	T24619	WASHER	1		
27	R79015	FITTING	1		XXXXXX-

1E5

FUEL AND AIR

FUEL INJECTION PUMP GASKET KIT (ROTO-DIESEL)

RP697 -UN-01JAN94



1E6

FUEL AND AIR

FUEL INJECTION PUMP GASKET KIT - CONTINUED (ROTO-DIESEL)

KEY	PART NO.	PART NAME	QTY	ENGINE SERIAL NO.	REMARKS
1	T24548	O-RING	NA		
2	T24549	WASHER	1		
3	T24622	SHIM	NA		
4	T24619	WASHER	1		
5	T27761	WASHER	NA		
6	T30653	O-RING	NA		
7	T24553	WASHER	2		
8	T24543	GASKET	1		(SUB R105529 AND R105530)
9	T24647	O-RING	4		
10	T24600	GASKET	1		(SUB FOR R79541)
11	T24599	WASHER	2		
12	T20055	WASHER	6		
13	T24637	GASKET	NA		
14	T24627	WASHER	1		
15	T24650	O-RING	1		
16	T24634	WASHER	NA		
17	T24651	O-RING	NA		
18	AR69852	GASKET KIT	NA		

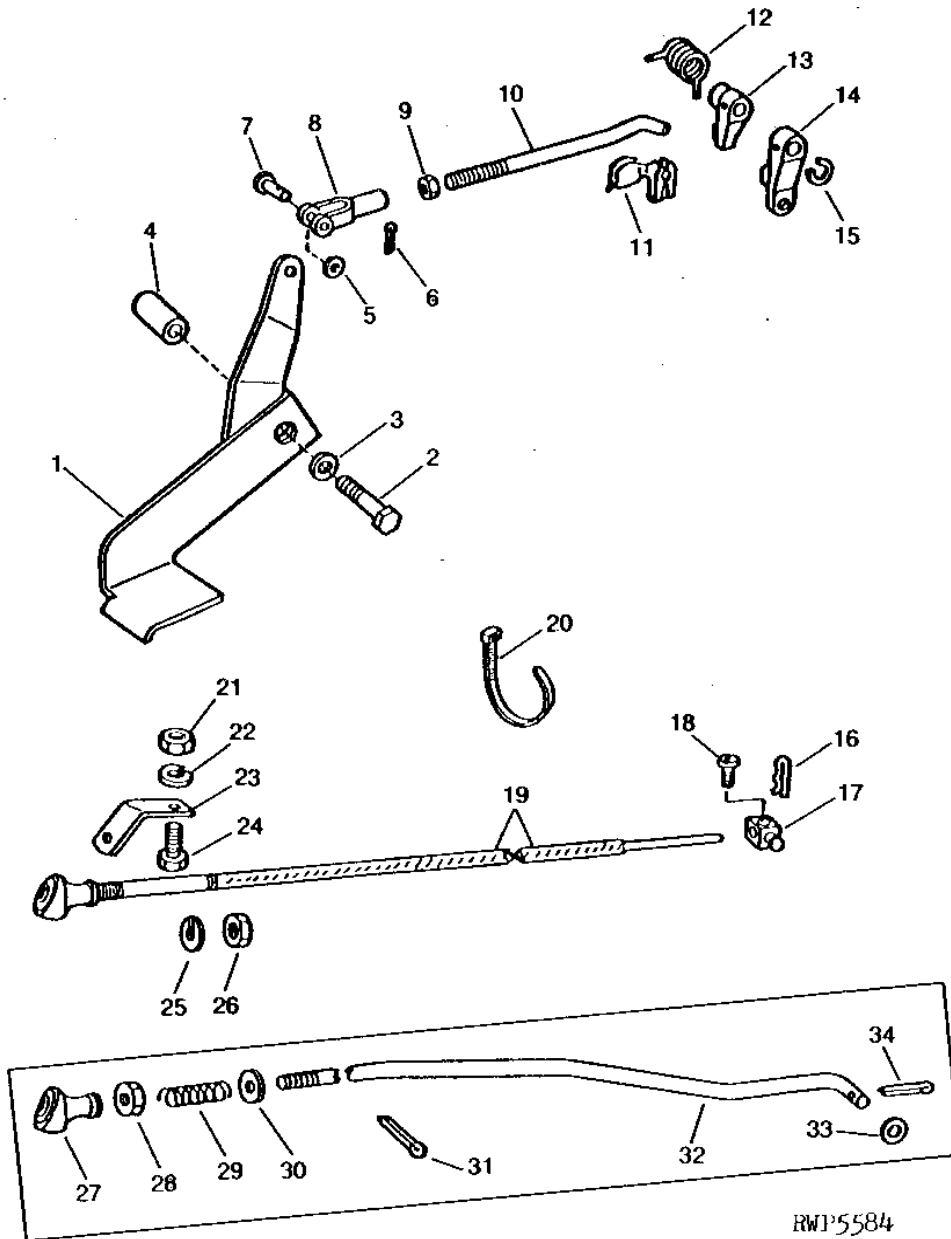
1E7

FUEL AND AIR

RWP5584

-UN-01JAN94

FOOT THROTTLE LINKAGE



RWP5584

1E8

FUEL AND AIR

FOOT THROTTLE LINKAGE - CONTINUED

KEY	PART NO.	PART NAME	QTY	TRACTOR SERIAL NO.	REMARKS
1	AT20044	PEDAL	1		(SUB AR94952)
2	19H1765	CAP SCREW	1		3/8" X 1-3/4"
3	24H1305	WASHER	1		13/32" X 13/16" X 0.065"
4	M1339T	SPACER	1		
5	24H1286	WASHER	2		9/32" X 1/2" X 1/16"
6	11M7077	COTTER PIN	1		1.600 X 25 MM
7	L4667T	PIN	1		(SUB R72660 AND 11M7081)
8	M3742T	YOKE	1		
9	14H649	NUT	1		1/4"
10	T22149	ROD	1		
11	R26501	CLIP	1		
12	T22151	SPRING	1		
13	T22150	ARM	1		
14	T22240	ARM	1		OUTER
15	F3396R	SNAP RING	1		
16	R10185	SPRING PIN	1		
17	R10184	SWIVEL	1		
18	21H1293	SCREW	1		0.164" X 5/16"
19	RE10596	CABLE	1		(SUB FOR AL24155) (INCLUDES R59082)
	R59082	SPRING	1		
20	R44302	TIE BAND	1		
21	14H1076	NUT	1		3/8"
22	12H304	LOCK WASHER	1		3/8"
23	T30525	BRACKET	1		
24	19H1936	CAP SCREW	1		3/8" X 3/4"
25	12H325	LOCK WASHER	1		7/16"
26	14H934	NUT	1		7/16"
27	R55202	KNOB	1	178601-179600	
28	14H860	NUT	1	178601-179600	1/4"
29	T12703	SPRING	1	178601-179600	
30	24H1287	WASHER	1	178601-179600	9/32" X 5/8" X 0.065"
31	11M7083	COTTER PIN	1	178601-179600	3.200 X 50 MM
32	R56110	ROD	1	178601-179600	ENGINE SHUT-OFF (NO LONGER AVAILABLE)
33	24H1286	WASHER	1	178601-179600	9/32" X 1/2" X 1/16"
34	11M7077	COTTER PIN	1	178601-179600	1.600 X 25 MM

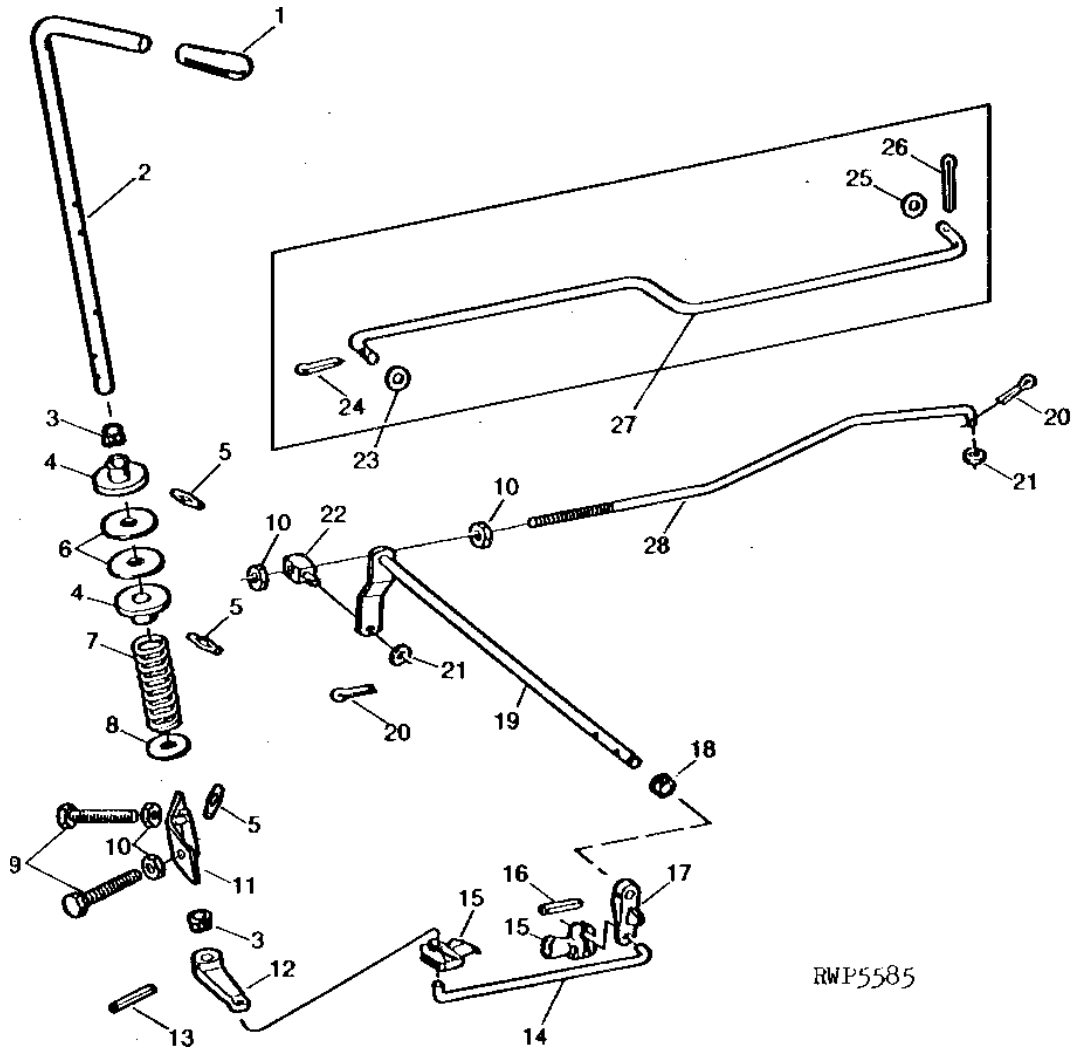
1E9

FUEL AND AIR

RWP5585

-UN-01JAN94

HAND THROTTLE LINKAGE



RWP5585

1E10

FUEL AND AIR

HAND THROTTLE LINKAGE - CONTINUED

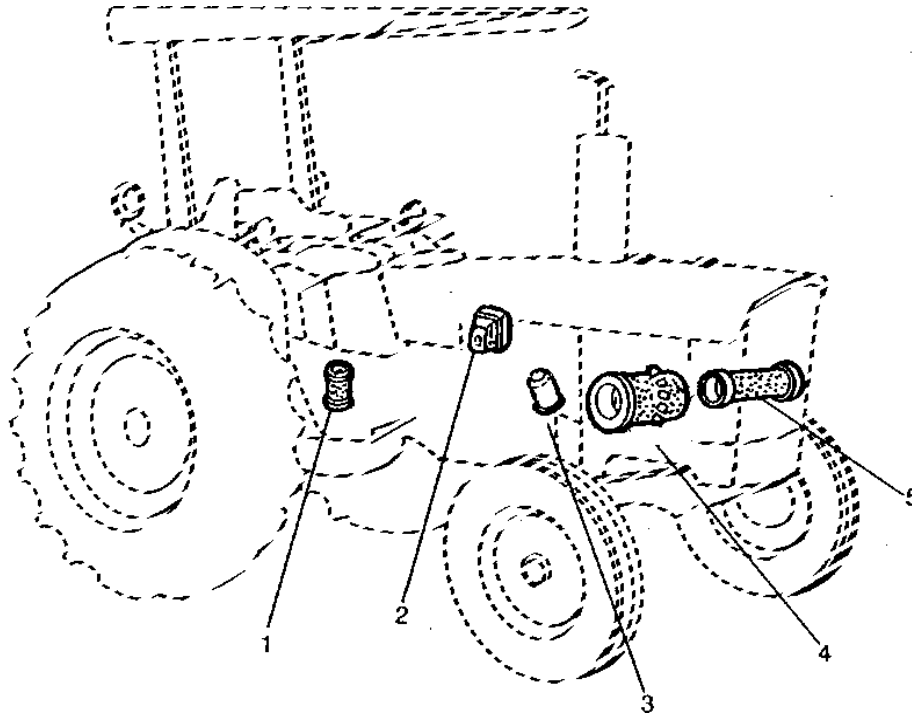
KEY	PART NO.	PART NAME	QTY	TRACTOR SERIAL NO.	REMARKS
1	R54271	KNOB	1		
2	T35675	PIN	1		
3	R34811	GROMMET	2		
4	T22698	DISK	2		
5	25H747	GROOVE PIN	3		3/16" X 3/4"
6	R39985	WASHER	2		(SUB FOR R40983)
7	R26637	SPRING	1		
8	24H1211	WASHER	1		9/16" X 1-3/8" X 0.105"
9	19H1738	CAP SCREW	2		1/4" X 2"
10	14H850	NUT	4		1/4"
11	AT24885	STOP	1		
12	T22239	LEVER	1		
13	34H284	SPRING PIN	1		3/16" X 1-1/4"
14	T22134	ROD	1		
15	R26524	CLIP	2		
16	34H264	SPRING PIN	1		5/32" X 7/8"
17	T22240	ARM	1		
18	T22241	GROMMET	2		
19	AT20930	ROD	1		
20	11M7077	COTTER PIN	2		1.600 X 25 MM
21	24H1286	WASHER	1		9/32" X 1/2" X 1/16"
22	T48835	SWIVEL	1		(SUB FOR T22242)
23	24H1286	WASHER	2		9/32" X 1/2" X 1/16"
24	11M7077	COTTER PIN	1		1.600 X 25 MM
25	24H1286	WASHER	1		9/32" X 1/2" X 1/16"
26	11M7077	COTTER PIN	1		1.600 X 25 MM
27	R56111	ROD	1	178601-179600	(NO LONGER AVAILABLE)
28	T27349	ROD	1		

1E11

FUEL AND AIR

RWP6346 -UN-01JAN94

FILTERS



RWP6346

KEY	PART NO.	PART NAME	QTY	TRACTOR SERIAL NO.	REMARKS
1	AR75603	FILTER ELEMENT	1		(TRANSMISSION)
2	AR50041	FUEL FILTER	1		(FUEL)
3	T19044	OIL FILTER	1		(ENGINE)
4	AT20728	FILTER ELEMENT	1	-190319	(AIR CLEANER)
	AR84228	FILTER ELEMENT	1	190320-	(AIR CLEANER)
5	AE31724	FILTER ELEMENT	1		(AIR CLEANER)

MEMORANDA

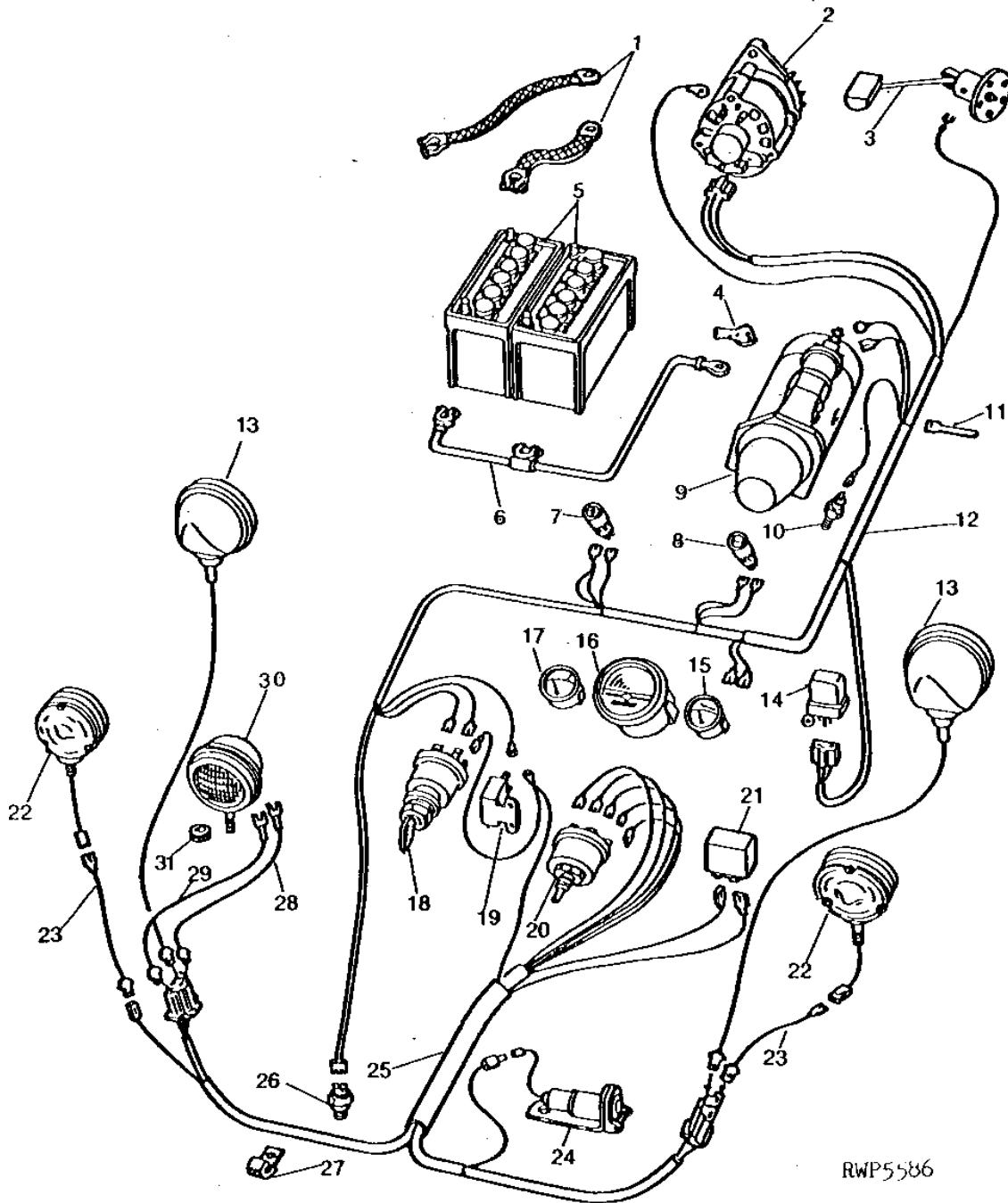
1E15

ELECTRICAL

RWP5586

-UN-01JAN94

ELECTRICAL WIRING SYSTEM



1E16

ELECTRICAL

ELECTRICAL WIRING SYSTEM - CONTINUED

KEY	PART NO.	PART NAME	QTY	TRACTOR SERIAL NO.	REMARKS
1	AL11176	GROUND CABLE	1		(SINGLE BATTERY)
	AT18702	GROUND CABLE	2		(DUAL BATTERIES) (SUB FOR AT20749)
2	AR62401	ALTERNATOR	1		(28 AMP) (SUB AL36391)
	TY6651	ALTERNATOR	1		(28 AMP) (REMANUFACTURED) (SUB FOR TY6605)
	AL36391	ALTERNATOR	1		(55 AMP) (SUB FOR AR62401)
	AL81436	ALTERNATOR	1		(55 AMP) (SUB FOR AL35998 OR AL67175)
	TY6652	ALTERNATOR	1		(55 AMP) (REMANUFACTURED) (SUB TY6791)
3	AT31619	FLOAT	1		
4	L12809	TERMINAL NIPPLE	1		
5	TY21730	BATTERY	1		(12-VOLT) (SUB FOR AR67338)
6	AR53999	CABLE	1		(DUAL BATTERIES)
	AR103525	CABLE	1		(SINGLE BATTERY) (SUB FOR T21887)
7	AT24692	INDICATOR LIGHT	1		ALTERNATOR
	AR65446	LAMP	1	178601-179600	(SUB AR55694, AT44165, AT18673 AND R30378)
8	AT24693	HEADLIGHT	1		(ENGINE OIL PRESSURE)
	AR65447	INDICATOR LIGHT	1	178601-179600	(ENGINE OIL PRESSURE) (SUB AT48674, AT44165, AR55694 AND R30378)
9	RE62916	STARTER	1	-152929	(A) (SUB FOR AT25619, AT23401, RE19187, RE42730 OR RE50095)
	TY6702	STARTER	1	-152929	(A) (REMANUFACTURED) (SUB FOR TY6620)
	AR70436	STARTER	1	152930-	(A) (SUB TY6720)
	AL41247	STARTER	1	152930-	(A) (SUB TY6727)
	RE62690	STARTER	1	152930-	(A) (SUB TY6727)
	TY6720	STARTER	1	152930-	(A) (REMANUFACTURED) (SUB FOR TY6615)
	TY6727	STARTER	1	152930-	(A) (REMANUFACTURED)
10	AR27977	TOUCH SWITCH	1		PRESSURE ENGINE OIL
11	R44302	TIE BAND	AR		NYLON
12	AL24189	WIRING HARNESS	1		(ENGINE)
	AR51338	WIRING HARNESS	1	178601-179600	(ENGINE)
13	AT20106	LAMP	2		FRONT
14	AT31413	VOLTAGE REGULATOR	1		
15	AL24187	GAUGE	1		FUEL
	AR65444	GAUGE	1	178601-179600	FUEL
16	AR65445	TACHOMETER	1		
17	AT67693	TEMPERATURE GAUGE	1		WATER TEMPERATURE, (SUB FOR AR65448)
18	AR58126	KEY SWITCH	1		START
19	AR28403	CIRCUIT BREAKER	1		
20	AR66478	SWITCH	1		LIGHT
21	AU41465	FLASHER	1		WARNING LAMP
22	AR50580	LAMP	2		WARNING
23	AR51403	WIRING LEAD	2		
24	AT27009	SOCKET	1		(SUB AT20709, 12H301, 14H1040 AND 19H1131)
25	AL24215	WIRING HARNESS	1		DASH TO L.H. AND R.H. FENDER
26	RE38390	SWITCH	1		NEUTRAL START, (SUB FOR R36365, AR85323, AR89691 OR AT85153)
27	T13744	CLAMP	3		
28	AR51405	WIRING LEAD	1		
29	AR51404	WIRING LEAD	1		
30	AR77326	FLOODLAMP	1		(SUB FOR AT16288)
31	R26409	GROMMET	1		

(A) ENGINE SERIAL NO.

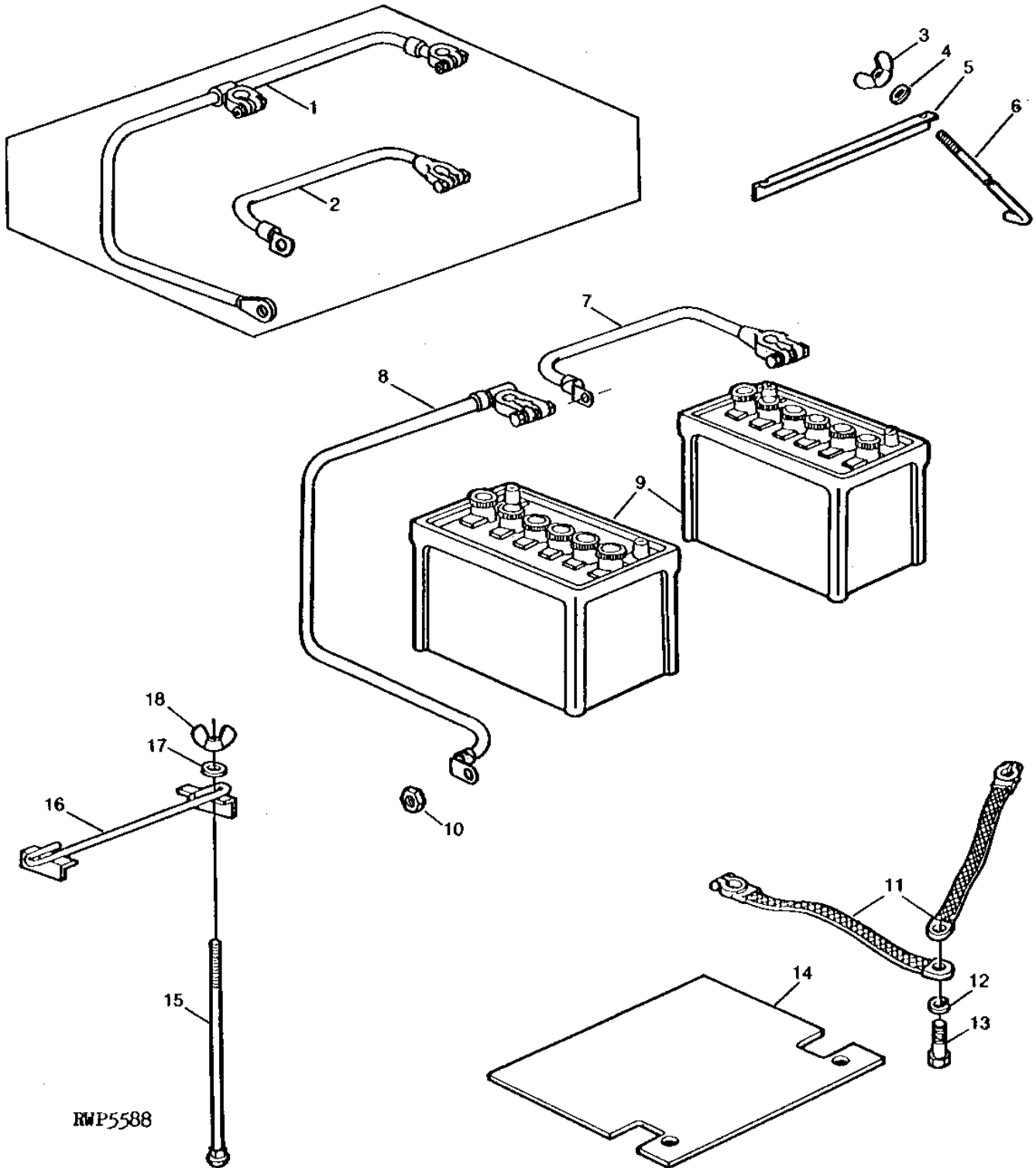
1E17

ELECTRICAL

RWP5588

-UN-01JAN94

BATTERY, CABLES AND CLAMPS



RWP5588

1E18

ELECTRICAL

BATTERY, CABLES AND CLAMPS - CONTINUED

KEY	PART NO.	PART NAME	QTY	TRACTOR SERIAL NO.	REMARKS
1	AR53999	CABLE	1	(A)	
2	T21887	CABLE	1	(B)	(SUB AR103525)
3	14H952	WING NUT	1	1/4"	
4	24H1821	WASHER	1	9/32" X 47/64" X 1/16"	
5	T22570	CLAMP	1	(B)	
6	T22571	BOLT	2	(B)	
7	T21889	CABLE	1		
8	AR103525	CABLE	1		
9	TY21730	BATTERY	AR		(12-VOLT) 420 COLD CRANKING AMPS TO (0°F), 70 MINUTE RESERVE CAPACITY AT 25 AMPS MINUTE RESERVE CAPACITY AT 25 AMPS, (SUB FOR AR67338)
10	14H732	NUT	1	3/8"	
11	AL11176	GROUND CABLE	1	(B)	
	AT18702	GROUND CABLE	2	(A)	(SUB FOR AT20749)
12	12H304	LOCK WASHER	1	3/8"	
13	19H2021	CAP SCREW	1	3/8" X 5/8"	
14	PAD	1		(NO LONGER AVAILABLE)
15	03H2137	BOLT	2	1/4" X 10-1/4"	
16	AR101727	CLAMP	1	(A)	(SUB FOR AT20452)
17	24H1821	WASHER	1	9/32" X 47/64" X 1/16"	
18	14H952	WING NUT	1	1/4"	
..	AR61868	CAP	AR		(6 USED PER BATTERY) MINUTE RESERVE CAPACITY AT 25 AMPS
..	R60035	ADAPTER	1		(ROLL-GARD) (SUB FOR AR72847)

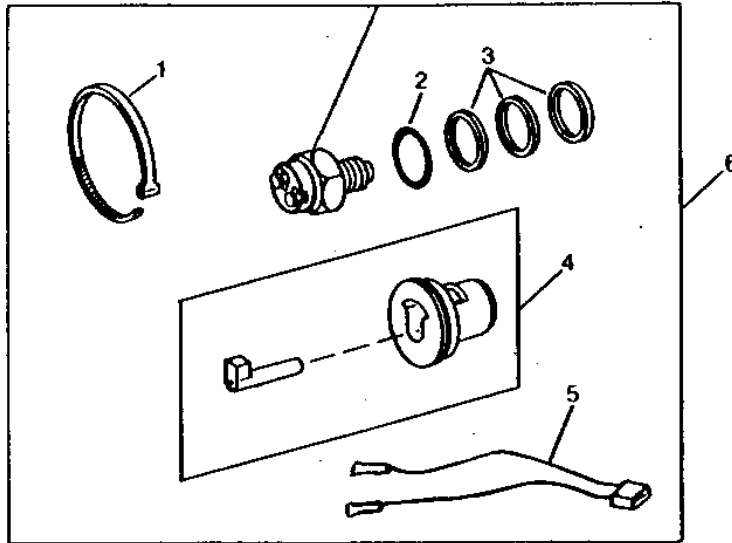
(A) DUAL BATTERIES
(B) SINGLE BATTERY

1E19

ELECTRICAL

RXP8097 -UN-01JAN94

NEUTRAL START SWITCH KIT



RXP8097

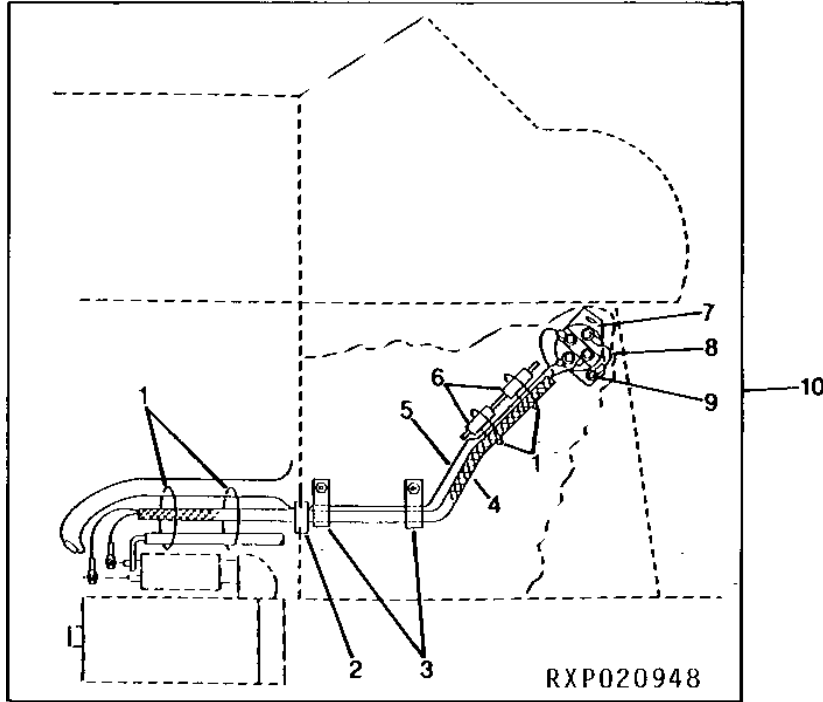
KEY	PART NO.	PART NAME	QTY	TRACTOR SERIAL NO.	REMARKS
1	R44302	TIE BAND	2		
2	R26448	O-RING	1		
3	T16911	SHIM	3		
4	RE37996	GAUGE	1		(NEUTRAL START SWITCH ADJ.)
5	RE14069	WIRING HARNESS	1		
6	RE38390	SWITCH	1		(SUB FOR R36265, AR85323, AR89691 OR AT85153)

1E20

ELECTRICAL

RXP020948 -UN-12OCT94

STARTING CIRCUIT RELAY KIT



KEY	PART NO.	PART NAME	QTY	TRACTOR SERIAL NO.	REMARKS
1	R44302	TIE BAND	AR		
	R76477	TIE BAND	AR		
2	R41439	GROMMET	1		
3	R72853	CLAMP	2		
	19H1919	CAP SCREW	2	1/4" X 5/8"	
	24H1286	WASHER	2	9/32" X 1/2" X 1/16"	
	12H297	LOCK WASHER	2	1/4"	
	14H786	NUT	2	1/4"	
4	AR69980	WIRING HARNESS	1		
5	WIRING LEAD	1		(MAKE FROM R65593, R65599 AND R32027)
6	R45847	HOSE	2		
7	RE38391	RELAY	1		(CONTAINS (2) 12H297, (2) 14H786 AND (2) 24H1286) (ALSO ORDER RE41287) (12-VOLT)
8	WIRING LEAD	1		(MAKE FROM R65593, R65599 AND R32018) RELAY GROUND
9	19H1919	CAP SCREW	2	1/4" X 5/8"	
	24H1286	WASHER	2	9/32" X 1/2" X 1/16"	
	12H297	LOCK WASHER	2	1/4"	
	14H786	NUT	2	1/4"	
10	RE42993	KIT	1		(FI)(12-VOLT)

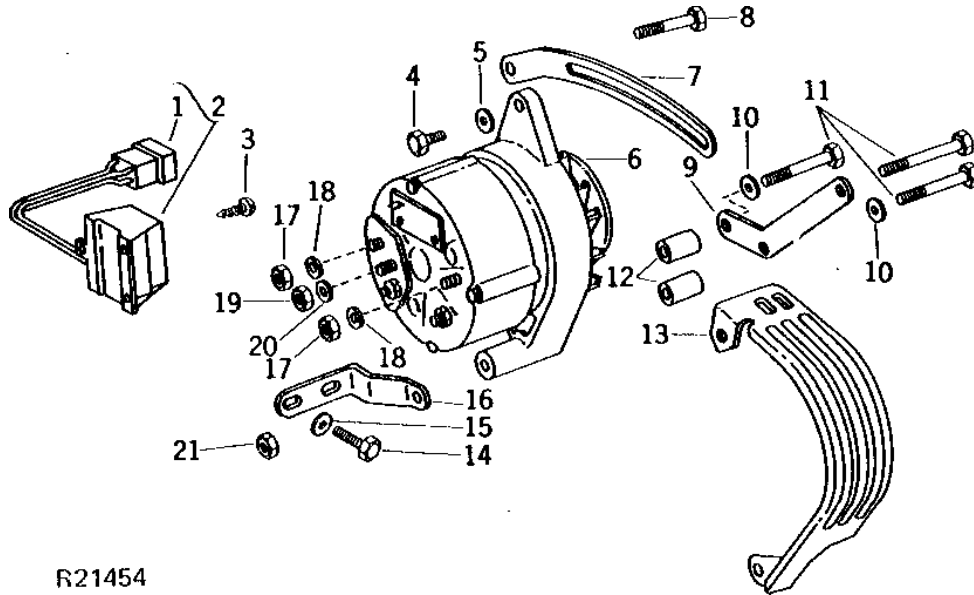
MEMORANDA

1E21

ELECTRICAL

**ALTERNATOR AND REGULATOR
(12-VOLT) (MOTOROLA) (35 AMP)
(TRACTOR SERIAL NO. 178601-179600)**

R21454 -UN-01JAN94



R21454

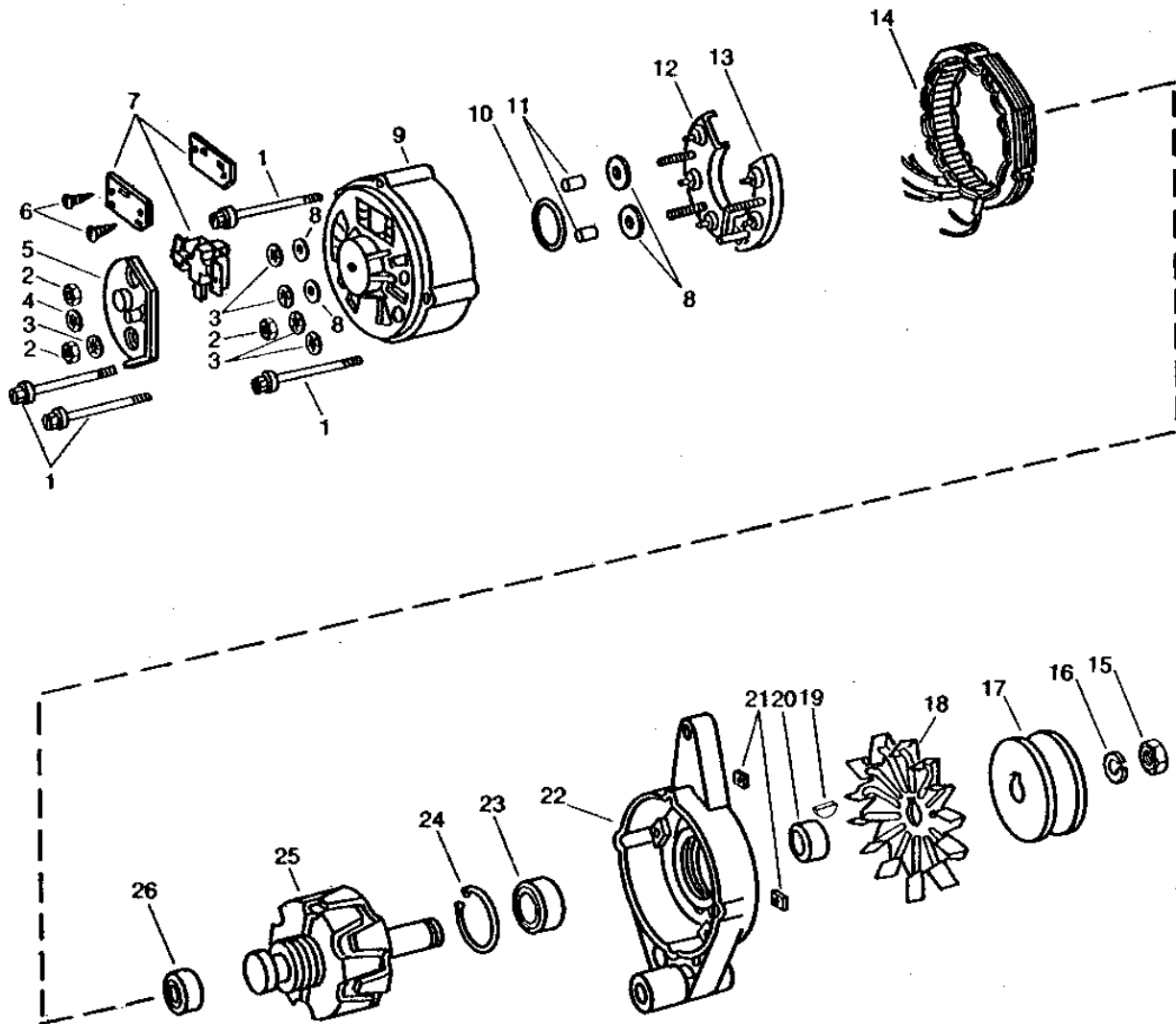
KEY	PART NO.	PART NAME	QTY	ENGINE SERIAL NO.	REMARKS
1	T24166	CONNECTOR	1		
2	AR77485	VOLTAGE REGULATOR	1		(MOTOROLA NO. 70C44806E02) (SUB FOR AT21815)
3	37H94	SCREW	3		0.216" X 1/2"
4	19H1900	CAP SCREW	1		5/16" X 3/4"
5	24H1136	WASHER	1		11/32" X 11/16" X 0.065"
6	AT21619	ALTERNATOR	1		(MOTOROLA NO. A12NJD454) (SUB TY1428)
	TY1428	ALTERNATOR	1		(REMANUFACTURED)
7	T20204	STRAP	1		
8	19H1726	CAP SCREW	1		3/8" X 2-1/4"
9	T20202	BRACKET	1		
10	24M7106	WASHER	2		10 X 18 X 2.500 MM
11	19H2128	CAP SCREW	3		3/8" X 3"
12	28H2547	SPACER	2		3/8" X 1"
13	R56012	SHIELD	1		
14	19H1731	CAP SCREW	2		3/8" X 1"
15	24M7106	WASHER	2		10 X 18 X 2.500 MM
16	R38372	BRACKET	1		
17	14H778	NUT	2		0.190"
18	12M7060	WASHER	2		0.209"
19	14H786	NUT	1		1/4"
20	12H297	LOCK WASHER	1		1/4"
21	14H1076	NUT	1		3/8"

1E22

ELECTRICAL

ALTERNATOR
(MOTOROLA NO. A12NJD454) (35 AMP)
(TRACTOR SERIAL NO. 178601-179600)

RP185 -UN-01JAN94



RP185

1E23

ELECTRICAL

ALTERNATOR - CONTINUED
(MOTOROLA NO. A12NJD454) (35 AMP)
(TRACTOR SERIAL NO. 178601-179600)

KEY	PART NO.	PART NAME	QTY	ENGINE SERIAL NO.	REMARKS
1	T23598	SCREW	4		
2	14H778	NUT	8	0.190"	
3	12M7060	WASHER	8	0.209"	
4	14H786	NUT	1	1/4"	
5	R15025	DIODE	1		
6	37H10	SCREW	3	0.164" X 3/8"	
7	AT27128	HOLDER	1	(SUB FOR R15026)	
8	R15036	WASHER	5		
9	R38374	HOUSING	1		
10	R15030	O-RING	1		
11	R15035	SLEEVE	2		
12	R15023	DIODE	1		
13	R15024	DIODE	1		
14	AT21161	STATOR	1		
15	14H866	NUT	1	5/8"	
16	12H294	LOCK WASHER	1	5/8"	
17	T24474	PULLEY	1		
18	R15027	FAN	1		
19	26H72	SHAFT KEY	1	1/8" X 5/8"	
20	T25343	BUSHING	1		
21	T23610	NUT	4		
22	R15033	HOUSING	1		
23	AT23188	BEARING	1		
24	R15029	RETAINER	1		
25	AT21160	ROTOR	1		
26	AT23189	BALL BEARING	1		
..	AT21619	ALTERNATOR	1	(12-VOLT) (SUB TY1428)	
..	TY1428	ALTERNATOR	1	(REMANUFACTURED)	

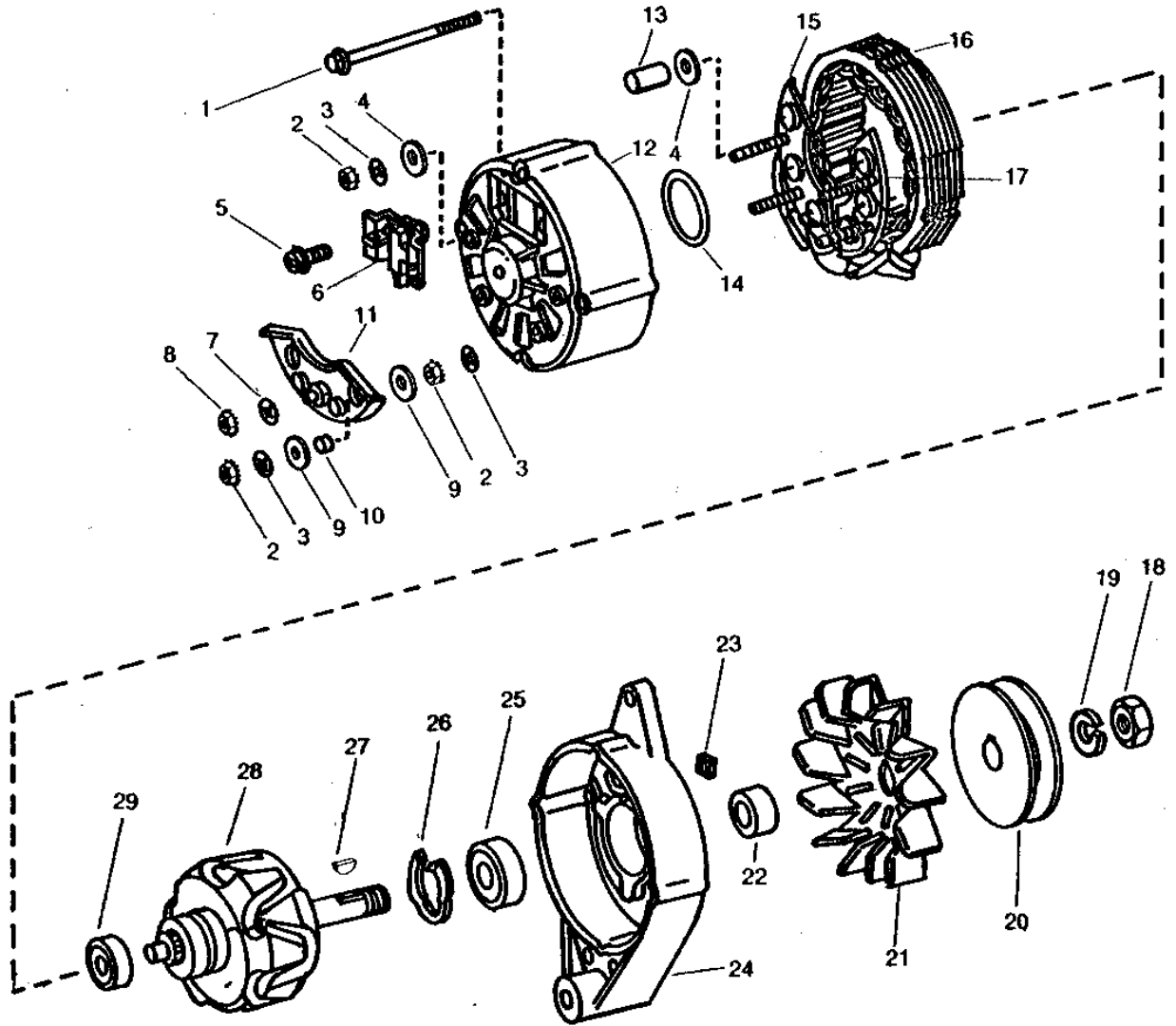
1E24

ELECTRICAL

RP186

-UN-01JAN94

ALTERNATOR PARTS
(MOTOROLA NO. RA12NJD 453-S) (35 AMP)



RP186

1E25

ELECTRICAL

ALTERNATOR PARTS - CONTINUED
(MOTOROLA NO. RA12NJD 453-S) (35 AMP)

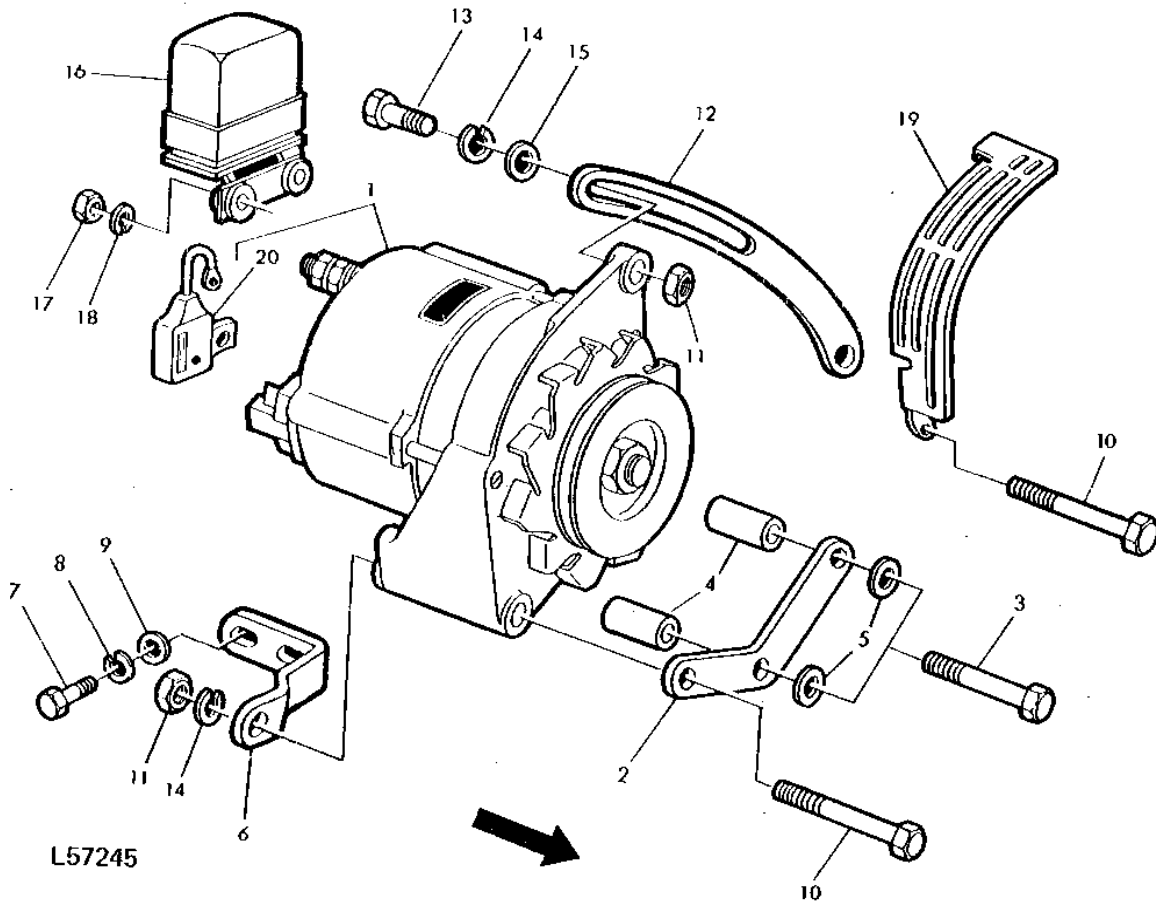
KEY	PART NO.	PART NAME	QTY	ENGINE SERIAL NO.	REMARKS
1	T23598	SCREW	4		
2	14H778	NUT	6	0.190"	
3	12M7060	WASHER	6	0.209"	
4	R15036	WASHER	4		
5	37H95	SCREW	2	NO. 8 X 1/2"	
6	AT27128	HOLDER	1	(SUB FOR R15026)	
7	12H297	LOCK WASHER	1	1/4"	
8	14H786	NUT	1	1/4"	
9	R15036	WASHER	2		
10	R39803	WASHER	1		
11	R39800	DIODE	1	(SUB FOR AR38461)	
12	R38374	HOUSING	1		
13	R15035	SLEEVE	2		
14	R15030	O-RING	1		
15	R15023	DIODE	1		
16	AT21161	STATOR	1		
17	R15024	DIODE	1		
18	14H866	NUT	1	5/8"	
19	12H294	LOCK WASHER	1	5/8"	
20	T24474	PULLEY	1		
21	R15027	FAN	1		
22	T25343	BUSHING	1		
23	T23610	NUT	4		
24	R15033	HOUSING	1		
25	JD9449	BALL BEARING	1	(SUB FOR AT23188)	
26	R15029	RETAINER	1		
27	26H72	SHAFT KEY	1	1/8" X 5/8"	
28	AT21160	ROTOR	1		
29	AT23189	BALL BEARING	1		
..	AR38458	ALTERNATOR	1	(12-VOLT) (SUB TY1427)	
..	TY1427	ALTERNATOR	1	(REMANUFACTURED)	

1F1

ELECTRICAL

ALTERNATOR AND VOLTAGE REGULATOR (12-VOLT) (28 AMP) (ROBERT BOSCH)

L57245 -UN-01JAN94



L57245

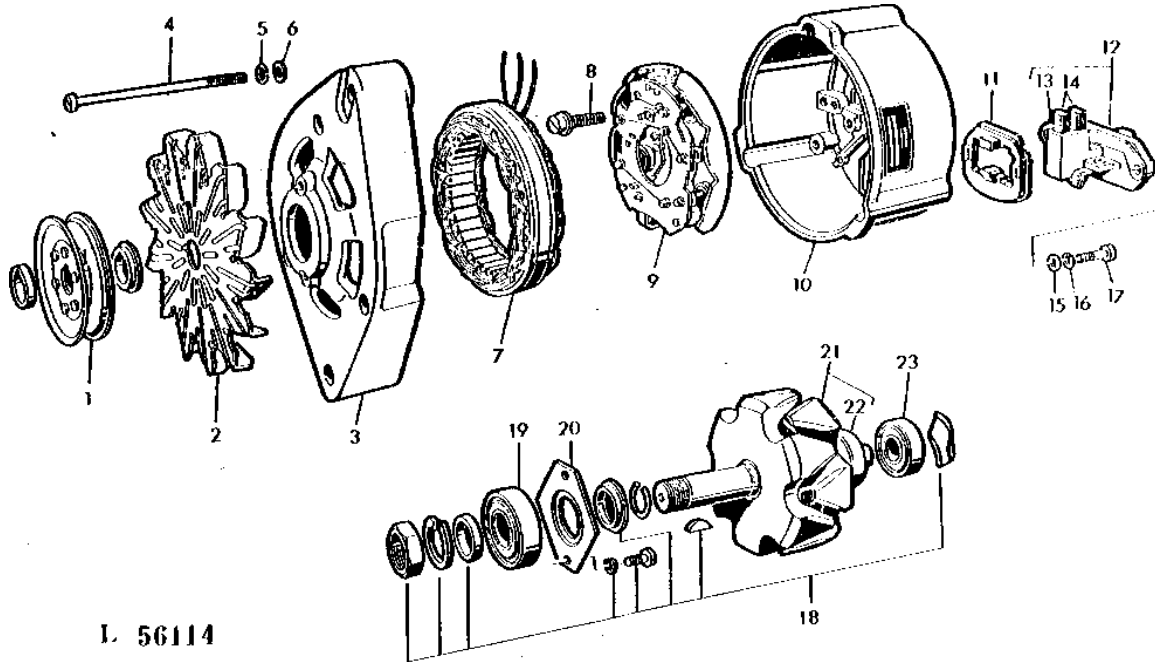
KEY	PART NO.	PART NAME	QTY	ENGINE SERIAL NO.	REMARKS
1	AR62401	ALTERNATOR	1	(R. BOSCH NO. 0120300535)	(SUB AL36391)
	TY6651	ALTERNATOR	1	(REMANUFACTURED)	(SUB FOR TY6605)
	T20202	BRACKET	1		
3	19H2128	CAP SCREW	2	3/8" X 3"	
4	28H2547	SPACER	2	3/8" X 1"	
5	24M7106	WASHER	12	10 X 18 X 2.500 MM	
6	R38372	BRACKET	1	REAR, (SUB FOR R50557)	
7	19H2284	CAP SCREW	2	3/8" X 7/8"	
8	12H304	LOCK WASHER	1	3/8"	
9	24H1305	WASHER	2	13/32" X 13/16" X 0.065"	
10	19H1921	CAP SCREW	1	5/16" X 3-1/4"	
11	14H785	NUT	2	5/16"	
12	T20204	STRAP	1		
13	19H2661	CAP SCREW	1	5/16" X 1-3/8"	
14	12H303	LOCK WASHER	2	5/16"	
15	24H1136	WASHER	1	11/32" X 11/16" X 0.065"	
16	AT31413	VOLTAGE REGULATOR	1		
17	14H631	NUT	2	0.190"	
18	12H246	LOCK WASHER	2	0.190"	
19	R56012	SHIELD	1		
20	AL23434	CAPACITOR	1		

1F2

ELECTRICAL

ALTERNATOR (12-VOLT) (28 AMP) (ROBERT BOSCH)

L56114 -UN-01JAN94



L 56114

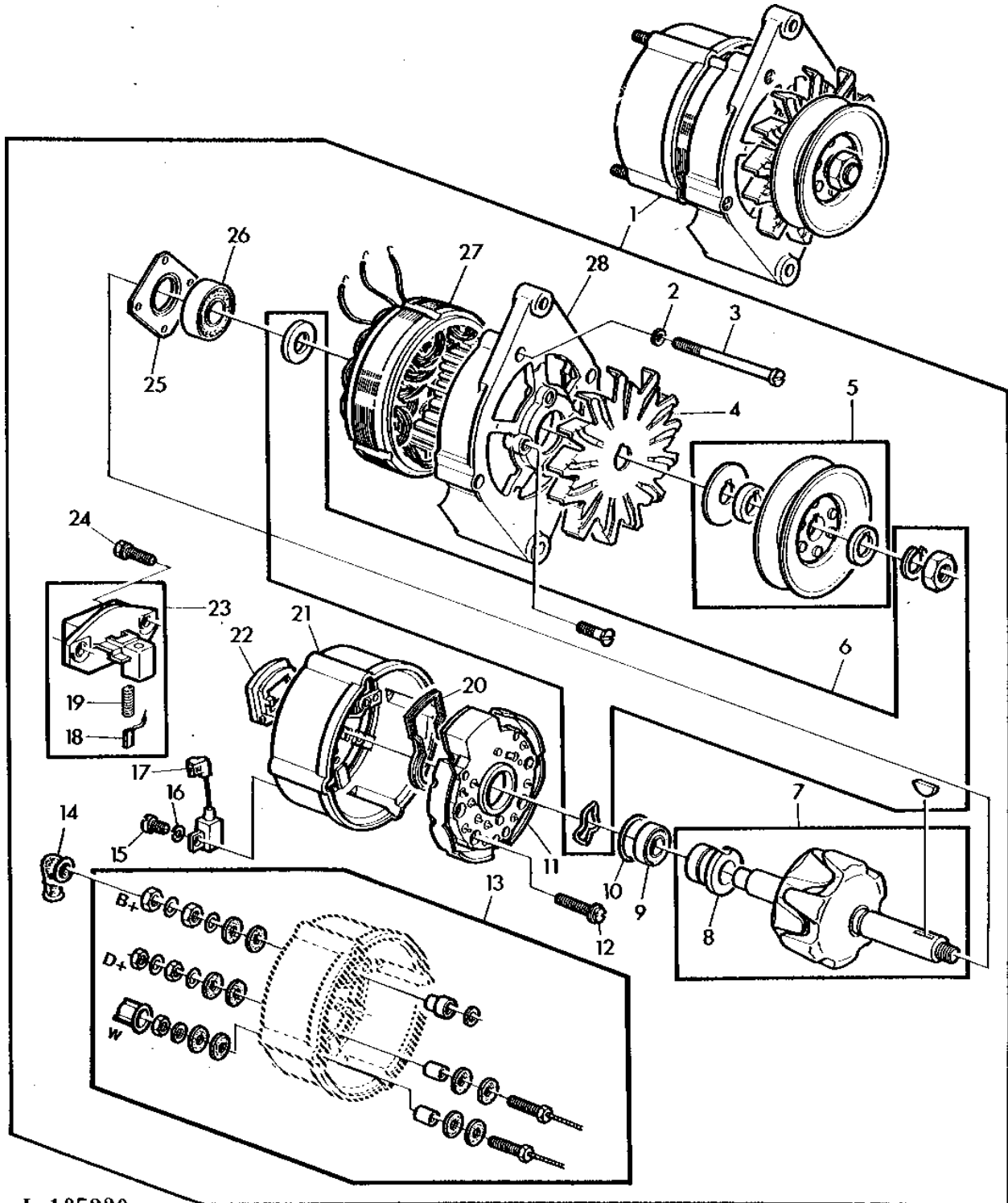
KEY	PART NO.	PART NAME	QTY	ENGINE SERIAL NO.	REMARKS
1	AL32863	PULLEY	1		(SUB FOR AL23856)
2	L29167	FAN	1		
3	L29159	CASE	1		
4	L29166	SCREW	3		
5	12M7064	LOCK WASHER	3	M5	
6	24M7027	WASHER	3	5.300 X 10 X 1 MM	
7	AL27371	STATOR	1		(SUB FOR AL23849)
8	Z42049	SCREW	3		(SUB FOR L29163)
9	AL27374	RECTIFIER	1		(SUB FOR AL23855)
10	L29164	HOUSING	1		
11	L29165	GASKET	1		
12	AL27372	CARBON BRUSH HOLDER	1		(SUB AL23853)
13	L27339	SPRING	2		
14	AL27373	CARBON BRUSH CONDUCTOR	1		BRUSH, (SUB FOR AL23854)
15	L29162	WASHER	2		
16	12M7031	LOCK WASHER	2	4.100 MM	
17	AL19208	SCREW	2		
18	AL23857	KIT	1		ROTOR BEARING AND HARDWARE
19	AL23852	BEARING	1		
20	L29161	PLATE	1		
21	AL23850	ROTOR	1		
22	L29160	RING	1		
23	AL23851	BEARING	1		
..	AR62401	ALTERNATOR	1		(SUB AL36391)
..	TY6651	ALTERNATOR	1		(REMANUFACTURED) (SUB FOR TY6605)

1F3

ELECTRICAL

ALTERNATOR
(12-VOLT) (55 AMP)
(ROBERT BOSCH)

L105220 -UN-01JAN94



L 105220

1F4

ELECTRICAL

**ALTERNATOR - CONTINUED
(12-VOLT) (55 AMP)
(ROBERT BOSCH)**

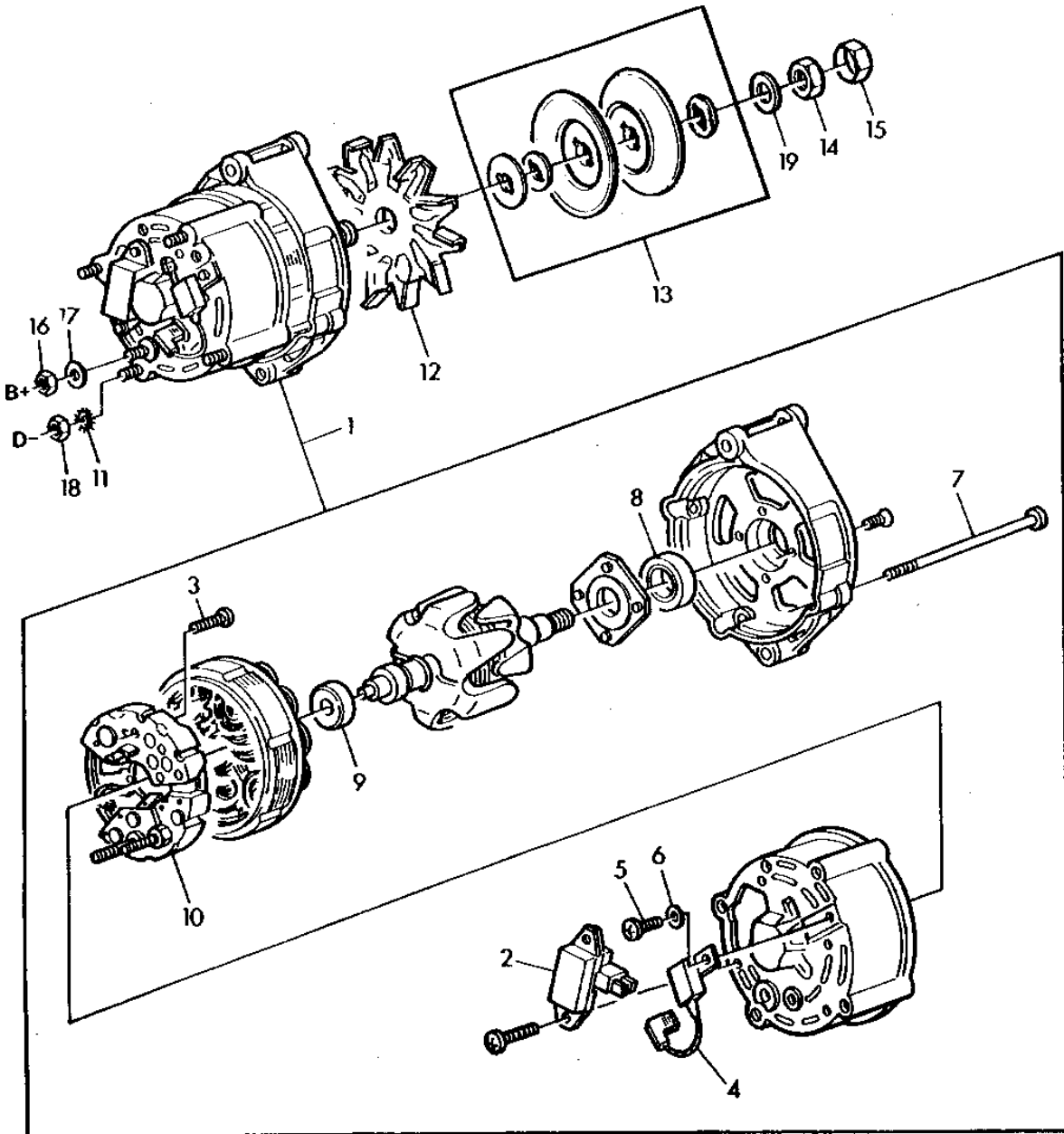
KEY	PART NO.	PART NAME	QTY	SERIAL NO.	REMARKS
1	AL36391	ALTERNATOR	1		(INCLUDES AL36390 AND AL35998)
	AL35998	ALTERNATOR	1		
	AL36390	WIRING LEAD	1		
	TY6652	ALTERNATOR	1		(REMANUFACTURED)
2	24M7027	WASHER	4		5.300 X 10 X 1 MM
3	L41575	SCREW	4		
4	L33993	FAN	1		
5	AL32863	PULLEY	1		
6	AL30424	KIT	1		
7	AL30416	ROTOR	1		
8	L33986	RING	1		
9	AL30417	BEARING	1		
10	L33987	O-RING	1		
11	AL30419	DIODE HOLDER	1		
12	Z42049	SCREW	3		
13	AL30425	KIT	1		
14	L33994	TERMINAL NIPPLE	2		
15	21M7198	SCREW	1		M5 X 8
16	12M7075	WASHER	1		5.300 X 11 X 0.500 MM
17	AL30423	CAPACITOR	1		
18	AL30421	CARBON BRUSH CONDUCTOR	1		KIT
19	Z42048	SPRING	2		
20	L41296	GASKET	1		
21	AL30418	HOUSING	1		
22	L33992	INSULATOR	1		
23	AL35999	REGULATOR	1		
24	Z42047	SCREW	2		
25	L33985	FLANGE	1		
26	JD10036	BALL BEARING	1		
27	AL30422	STATOR	1		
28	AL30414	CASE	1		

1F5

ELECTRICAL

LX003705 -UN-01JAN94

ALTERNATOR (55 AMP)



LX003705

1F6

ELECTRICAL

ALTERNATOR (55 AMP)

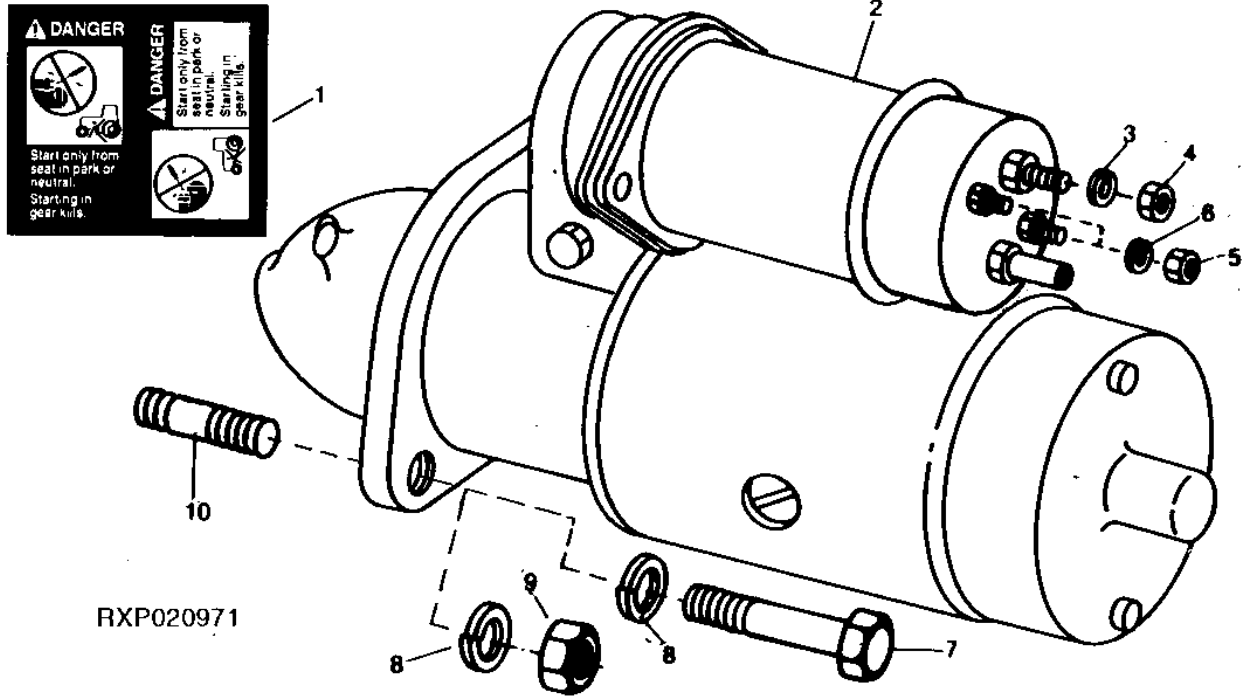
KEY	PART NO.	PART NAME	QTY	SERIAL NO.	REMARKS
1	AL81436	ALTERNATOR	1		(R. BOSCH 14V, 55A, 0120488267) (SUB FOR AL35998, AL67175 OR AL78689)
2	AL65077	REGULATOR	1		
3	Z42047	SCREW	2		
4	AL30423	CAPACITOR	1		
5	21M7198	SCREW	1	M5 X 8	
6	12M7075	WASHER	1		
7	L41575	SCREW	4		
8	JD30001	BALL BEARING	1		
9	JD10036	BALL BEARING	1		
10	AL81450	RECTIFIER	1	(SUB FOR AL68887)	
11	12M7060	WASHER	1		
12	L77042	FAN	1		
13	AL68891	PULLEY	1		
14	L65174	NUT	1	M16	
15	L30960	NUT	1	(SUB FOR L65058)	
16	14M7273	NUT	1	M8	
17	24M7036	WASHER	1		
18	14M7028	NUT	1	M5	
19	12M7131	WASHER	1		

1F7

ELECTRICAL

RXP020971 -UN-14NOV94

STARTING MOTOR AND ATTACHING PARTS



RXP020971

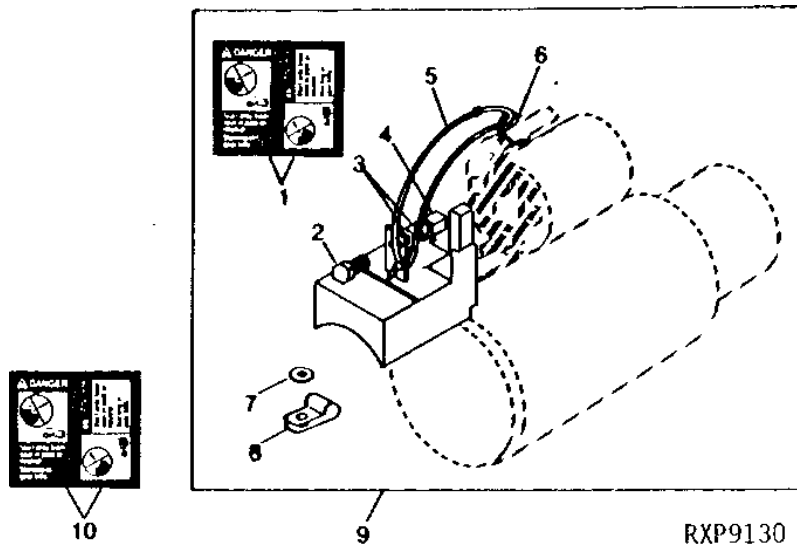
KEY	PART NO.	PART NAME	QTY	ENGINE SERIAL NO.	REMARKS
1	T146102	WARNING LABEL	1		(SUB FOR R77402, T84409 OR T134459)
	T146104	WARNING LABEL	1		(FRANCAIS) (SUB FOR T84411 OR T134453)
	T146106	WARNING LABEL	1		(ESPAÑOL) (SUB FOR T84410 OR T134452)
	T146515	WARNING LABEL	1		(DEUTSCH) (SUB FOR T84412 OR T134454)
	T146516	WARNING LABEL	1		(ITALIANO) (SUB FOR T84413 OR T134455)
	T146517	WARNING LABEL	1		(ENGLISH/FRANCAIS) (SUB FOR T84578 OR T134456)
2	AT23401	STARTER	1	-152929	(R. BOSCH NO. 001359016) (SUB RE62916 OR TY6702)
	AT25619	STARTER	1	-152929	(DELCO-REMY NO. 1107871) (SUB RE62916 OR TY6720)
	RE19187	STARTER	1	-152929	(DELCO-REMY NO. 1998367) (SUB RE62916 OR TY6702)
	RE42730	STARTER	1	-152929	(DELCO-REMY NO. 1998367) (SUB RE62916 OR TY6702)
	RE62916	STARTER	1	-152929	(DELCO-REMY NO. 10479628) (SUB FOR AT23401, AT25619, RE19187, RE42730 OR RE50095)
	TY6702	STARTER	1	-152929	(REMANUFACTURED) (SUB FOR TY6620)
	AR70436	STARTER	1	152930-	(R. BOSCH NO. 001359090) (SUB TY6720)
	AL41247	STARTER	1	152930-	(R. BOSCH 0001362312) (SUB FOR AR70436, THIS APPLICATION) (SUB TY6727)
	AL62690	STARTER	1	152930-	(R. BOSCH NO. 0000369005) (SUB TY6727, THIS APPLICATION)
	TY6720	STARTER	1	152930-	(REMANUFACTURED) (SUB FOR TY6615)
	TY6727	STARTER	1	152930-	(REMANUFACTURED)
3	12M7013	LOCK WASHER	1		M10, (USE WITH RE19187)
4	14M7274	NUT	1		M10, (USE WITH RE19187)
5	14M7297	NUT	2		M5, (USE WITH RE19187)
6	12M7064	LOCK WASHER	2		M5, (USE WITH RE19187)
7	19H1731	CAP SCREW	1		3/8" X 1"
8	12H304	LOCK WASHER	2		3/8"
9	14H1076	NUT	1		3/8"
10	R56481	STUD	1		

1F8

ELECTRICAL

RXP9130 -UN-01JAN94

STARTER SOLENOID COVER KIT (DELCO-REMY)



KEY	PART NO.	PART NAME	QTY	ENGINE SERIAL NO.	REMARKS
1	T146102	WARNING LABEL	1		(ENGLISH) (SUB FOR T84409 OR T134459)
2	19H2038	CAP SCREW	1		3/8" X 1/2"
3	24H1305	WASHER	2		13/32" X 13/16" X 0.065"
4	R100380	NUT	1		
5	H113196	TIE BAND	1		(SUB FOR R45440 OR R76477)
6	R44302	TIE BAND	1		
7	24H1289	WASHER	1		21/64" X 5/8" X 0.049"
8	R46414	CLAMP	1		
9	RE39061	SHIELD	1		(A)
10	T146106	WARNING LABEL	1		(ESPANOL) (SUB FOR T84410 OR T134452)
	T146104	WARNING LABEL	1		(FRANCAIS) (SUB FOR T84411 OR T134453)
	T146515	WARNING LABEL	1		(DEUTSCH) (SUB FOR T84412 OR T134454)
	T146516	WARNING LABEL	1		(ITALIANO) (SUB FOR T84413 OR T134455)
	T146517	WARNING LABEL	1		(ENGLISH/FRANCAIS) (SUB FOR T84578 OR T134456)

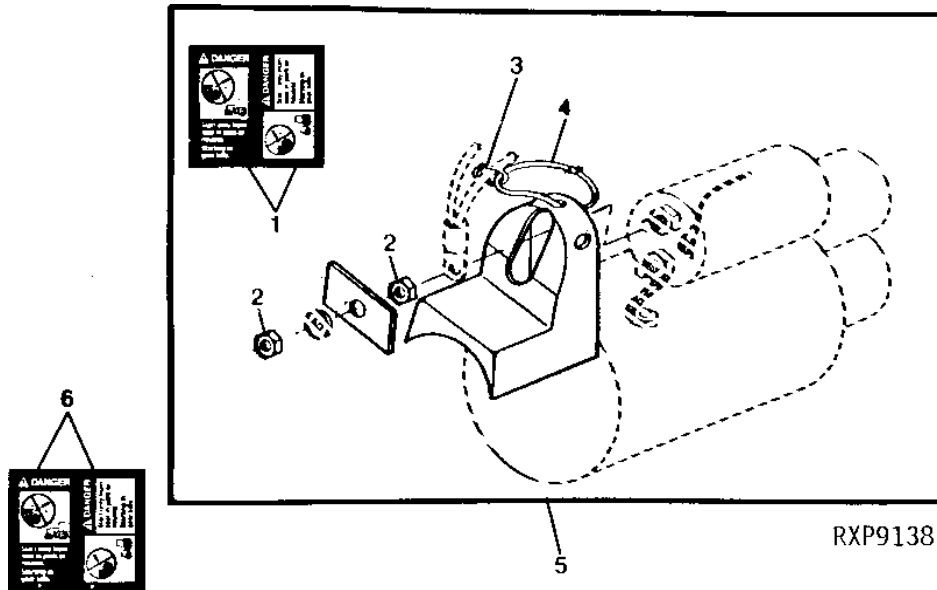
(A) USE ON AT25619, RE19187, RE42730, TY6620 OR TY6702

1F9

ELECTRICAL

SOLENOID COVER KIT (ROBERT BOSCH)

RXP9138 -UN-18AUG95



RXP9138

KEY	PART NO.	PART NAME	QTY	TRACTOR SERIAL NO.	REMARKS
1	T146102	WARNING LABEL	1	(ENGLISH) (SUB FOR T84409 OR T134459)	
2	14M7152	NUT	2	M10	
3	R44302	TIE BAND	1		
4	R76477	TIE BAND	1		
5	RE39065	SHIELD	1	(A)	
6	T146106	WARNING LABEL	1	(ESPAÑOL) (SUB FOR T84410 OR T134452)	
	T146102	WARNING LABEL	1	(FRANCAIS) (SUB FOR T84411 OR T134453)	
	T146515	WARNING LABEL	1	(DEUTSCH) (SUB FOR T84412 OR T134454)	
	T146516	WARNING LABEL	1	(ITALIANO) (SUB FOR T84413 OR T134455)	
	T146517	WARNING LABEL	1	(ENGLISH/FRANCAIS) (SUB FOR T84578)	

(A) USE ON AR41247, AR70436, TY6615, TY6720, TY6702 OR TY6727

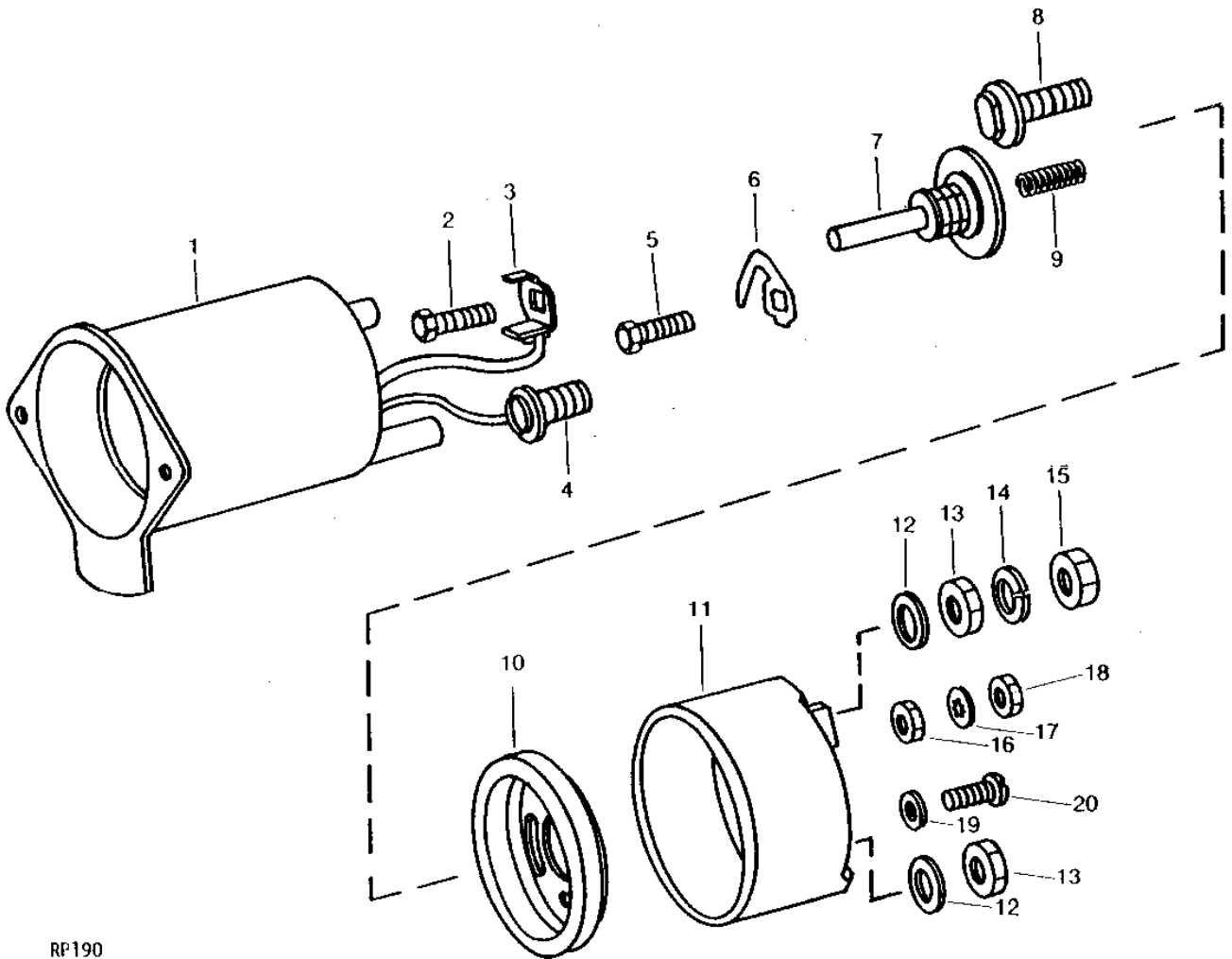
MEMORANDA

1F10

ELECTRICAL

RP190 -UN-01JAN94

SOLENOID SWITCH
(DELCO-REMY NO. 1114458)



RP190

1F11

ELECTRICAL

SOLENOID SWITCH - CONTINUED
(DELCO-REMY NO. 1114458)

KEY	PART NO.	PART NAME	QTY	ENGINE SERIAL NO.	REMARKS
1	HOUSING	1		(ORDER AR68304 OR TY6690)
2	T19606	STUD	1		
3	R11198	CLIP	1		
4	T18354	SCREW	1		
5	T19606	STUD	1		
6	T19604	CONTACT	1		
7	AT15146	CONTACT	1		
8	T18105	STUD	1		
9	R11066	SPRING	1		
10	R61133	GASKET	1		(SUB FOR R49394 OR T18109)
11	COVER	1		(ORDER AR68304 OR TY6690)
12	R11194	WASHER	2		
13	14H732	NUT	2	3/8"	
14	12H304	LOCK WASHER	1	3/8"	
15	14H1076	NUT	1	3/8"	
16	AR11131	NUT	2		
17	12M7084	LOCK WASHER	2	0.169"	
18	14H605	NUT	2	0.164"	
19	R11039	WASHER	2		
20	21H1298	SCREW	2	0.190" X 3/8"	
..	AR68304	SOLENOID	1		(A) (12-VOLT) (SUB FOR R11240)
..	TY6690	SOLENOID	1		(A) (REMANUFACTURED)

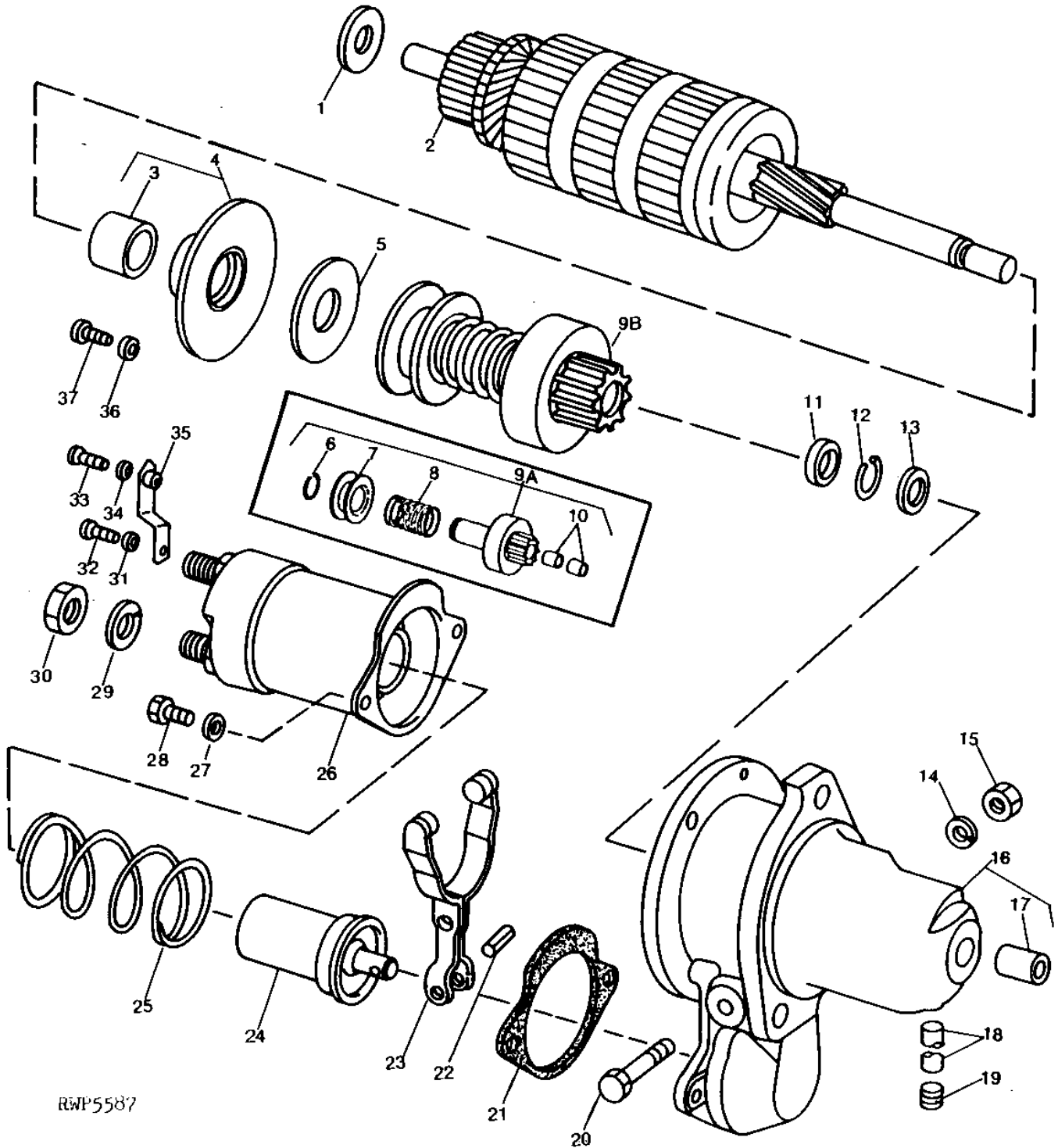
(A) USE WITH AT25619

1F12

ELECTRICAL

STARTING MOTOR DRIVE MOTOR AND ARMATURE ASSEMBLY
(DELCO-REMY NO. 1107871)
(ENGINE SERIAL NO. -152929)
(AR25619)

RWP5587 -UN-01JAN94



RWP5587

1F13

ELECTRICAL

STARTING MOTOR DRIVE MOTOR AND ARMATURE ASSEMBLY - CONTINUED
 (DELCO-REMY NO. 1107871)
 (ENGINE SERIAL NO. -152929)

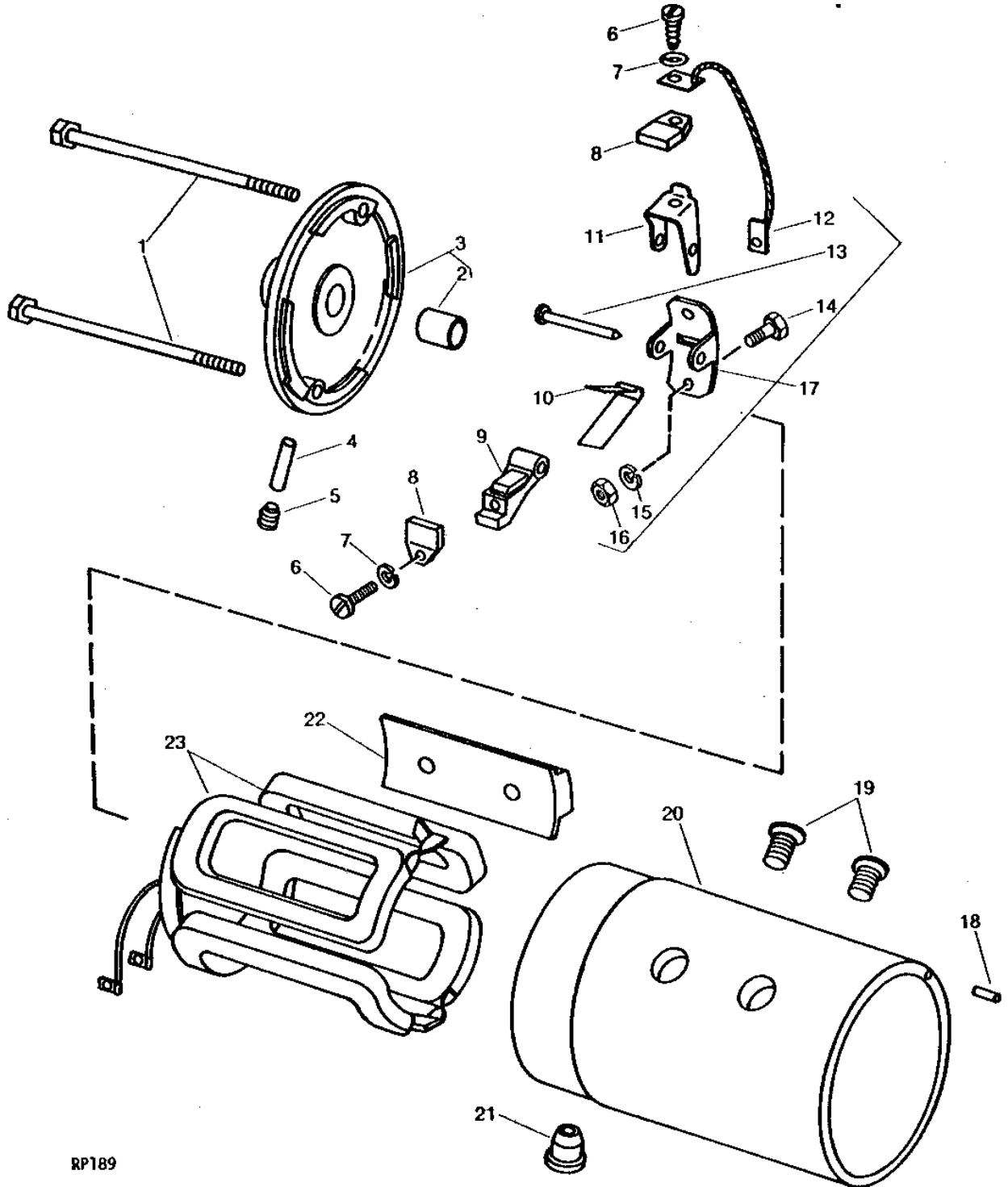
KEY	PART NO.	PART NAME	QTY	ENGINE SERIAL NO.	REMARKS
1	R11096	WASHER	1		
2	AT16291	ARMATURE	1		
3	T11684	BUSHING	1		
4	820149	BEARING	1		
5	R11095	WASHER	1		
6	R11118	WIRE	1	-223174	(SUB FOR T26602)
7	SHIFT COLLAR	1	-223174	(ORDER AR54923)
8	T26601	SPRING	1	-223174	
9A	AT25651	DRIVE	1	-223174	(SUB AR54923)
9B	AR54923	BENDIX DRIVE	1		
10	1873796	BUSHING	1	-223174	
11	R11116	SPACER	1		
12	R11117	SNAP RING	1		
13	T24539	WASHER	1		
14	12H303	LOCK WASHER	1		5/16"
15	14H611	NUT	1		5/16"
16	RE19193	HOUSING	1		(SUB FOR AR70082)
17	T17987	BUSHING	1		(USE WITH AR70082)
	R57029	BUSHING	1		(USE WITH RE19193)
18	R40337	WICK	1		
19	15H558	PIPE PLUG	1		1/8"
20	T11672	CAP SCREW	1		
21	T17058	GASKET	1		
22	34H279	SPRING PIN	1		3/16" X 13/16"
23	T18113	SHIFTER	1		
24	AT15147	PLUNGER	1		
25	T11675	SPRING	1		
26	AR68304	SOLENOID	1		
	TY6690	SOLENOID	1		(REMANUFACTURED)
27	12H302	LOCK WASHER	2		1/4"
28	21H1142	SCREW	2		1/4" X 1/2"
29	12H304	LOCK WASHER	1		3/8"
30	14H732	NUT	1		3/8"
31	12M7060	WASHER	1		0.209"
32	T15564	SCREW	1		
33	21H1127	SCREW	1		0.190" X 7/16"
34	12H246	LOCK WASHER	1		0.190"
35	R11235	FITTING	1		
36	T19569	LOCK WASHER	2		
37	T19589	SCREW	2		
..	AT25619	STARTER	1		(SUB RE62916 OR TY6702)
..	TY6702	STARTER	1		(REMANUFACTURED)

1F14

ELECTRICAL

STARTING MOTOR HOUSING AND COIL ASSEMBLY
(DELCO-REMY NO. 1107871)
(ENGINE SERIAL NO. -152929)
(AT25619)

RP189 -UN-01JAN94



RP189

1F15

ELECTRICAL

STARTING MOTOR HOUSING AND COIL ASSEMBLY - CONTINUED
(DELCO-REMY NO. 1107871)
(ENGINE SERIAL NO. -152929)
(AT25619)

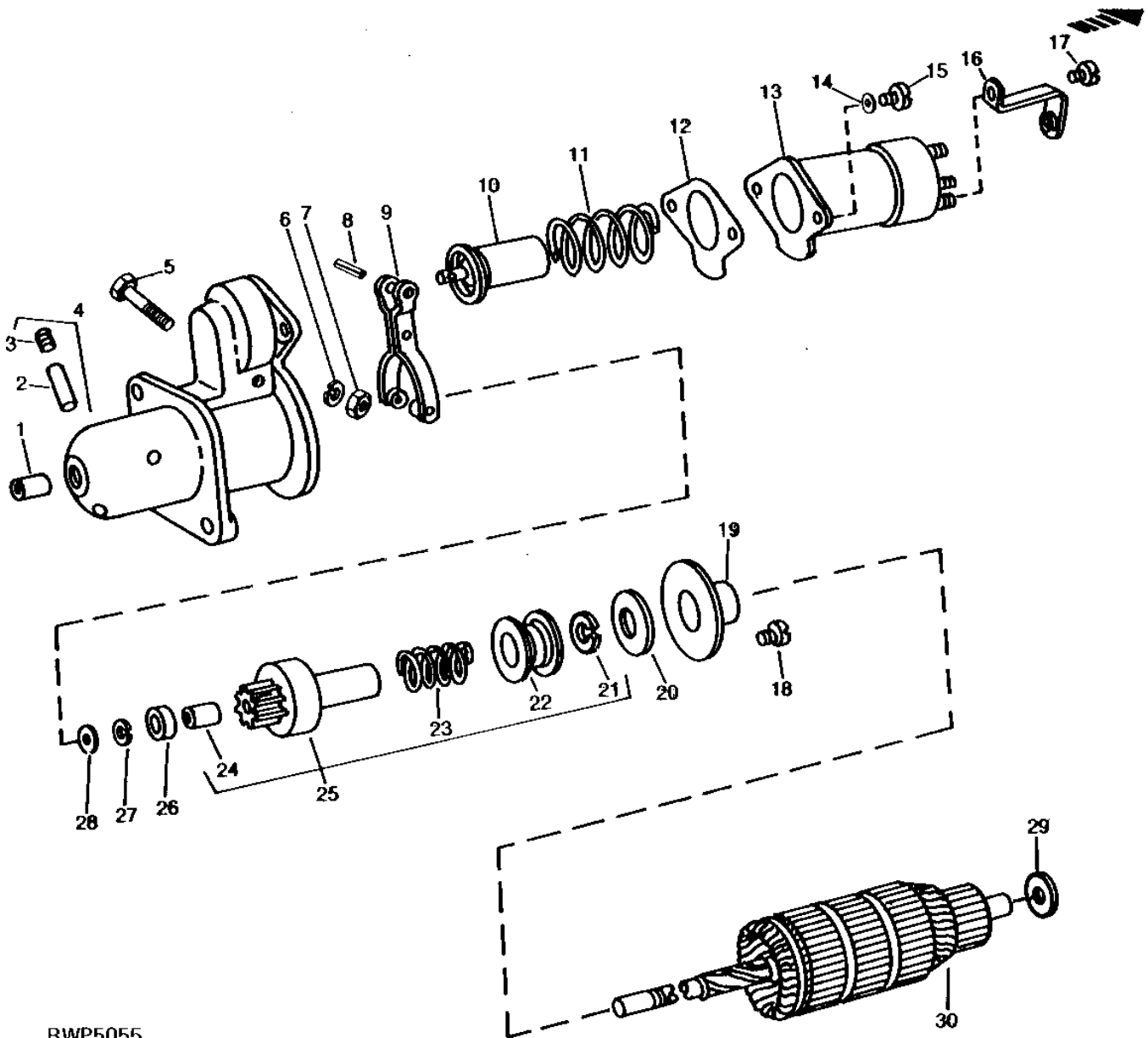
KEY	PART NO.	PART NAME	QTY	ENGINE SERIAL NO.	REMARKS
1	R11243	CAP SCREW	2		
2	R61932	BUSHING	1		(SUB FOR T11739)
3	R11238	END PLATE	1		
	30H9	PLUG	1	3/4"	
4	H23193	FELT	1		
5	15H558	PIPE PLUG	1	1/8"	
6	37H78	SCREW	4	0.164" X 3/4"	
7	12M7084	LOCK WASHER	4	0.169"	
8	R11239	BRUSH	4		
9	T739T	HOLDER	2		
10	T740T	SPRING	4		
11	T738T	HOLDER	2		
12	AT514T	WIRING LEAD	2		
13	T736T	PIN	2		
14	21H1301	SCREW	4	0.190" X 1/2"	
15	12H246	LOCK WASHER	4	0.190"	
16	14H778	NUT	4	0.190"	
17	AT516T	KIT	2		
18	R11087	DOWEL PIN	1		
19	21H1280	SCREW	8	3/8" X 3/4"	
20	FRAME	1	(ORDER RE62916 OR TY6702)	
21	R11236	GROMMET	1		
22	T11680	SHOE	4		
23	AT16290	FIELD WINDING COIL	1		
..	AT25619	STARTER	1	(SUB RE62916 OR TY6702)	

1F16

ELECTRICAL

STARTING MOTOR DRIVE MOTOR AND SWITCH ASSEMBLY
(DELCO-REMY NO. 1998367)
(ENGINE SERIAL NO. -152929)
(RE19187 AND RE42730)

RWP5055 -UN-01JAN94



RWP5055

1F17

ELECTRICAL

STARTING MOTOR DRIVE MOTOR AND SWITCH ASSEMBLY - CONTINUED
(DELCO-REMY NO. 1998367)
(ENGINE SERIAL NO. -152929)
(RE19187 AND RE42730)

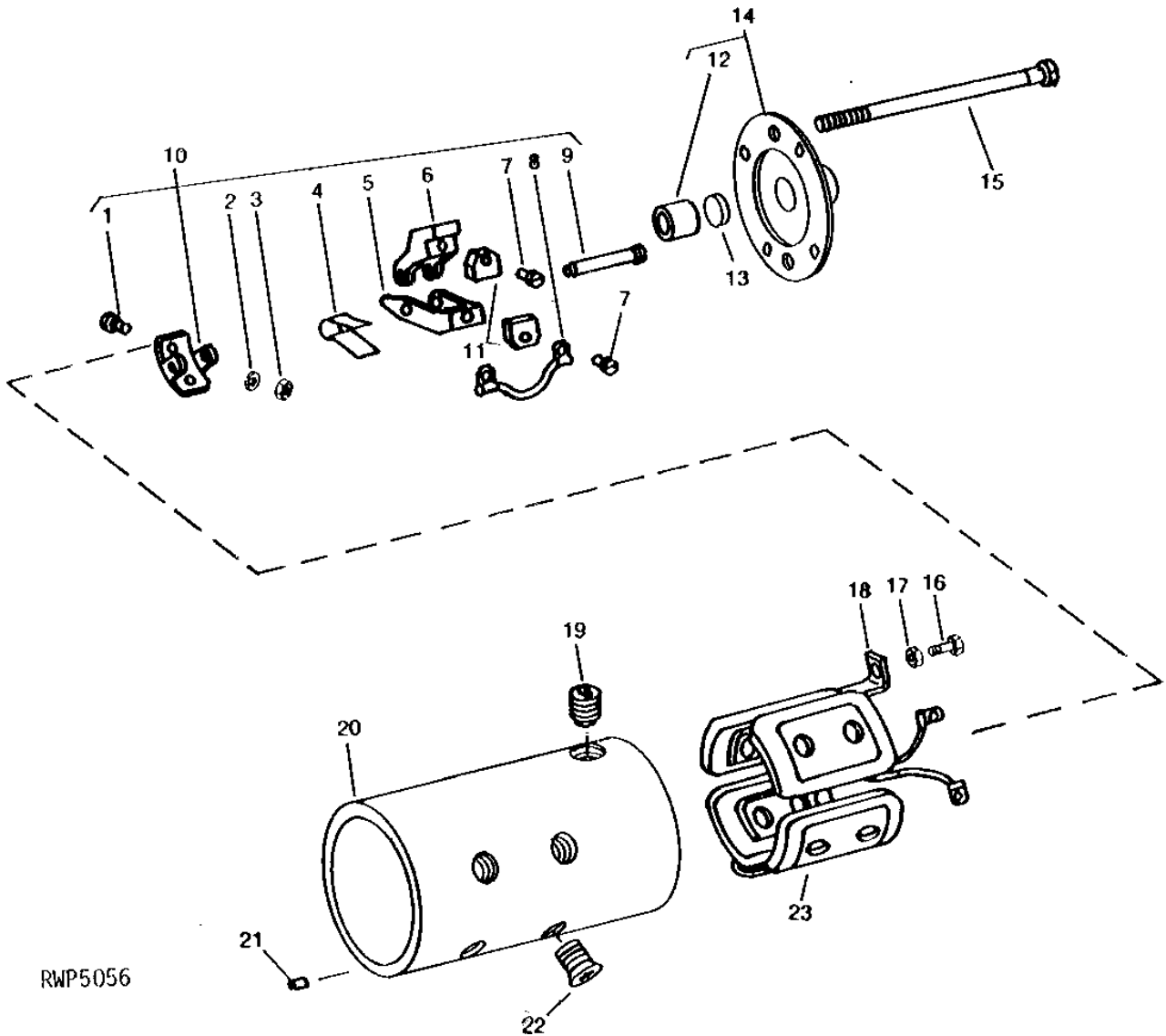
KEY	PART NO.	PART NAME	QTY	ENGINE SERIAL NO.	REMARKS
1	R57029	BUSHING	1		
2	R81175	WICK	1		
3	R81174	PLUG	1		
4	RE19193	HOUSING	1		
5	T11672	CAP SCREW	1		
6	12H303	LOCK WASHER	1	5/16"	
7	14H611	NUT	1	5/16"	
8	34H279	SPRING PIN	1	3/16" X 13/16"	
9	T18113	SHIFTER	1		
10	RE19197	PLUNGER	1		(SUB FOR AM39970)
11	R81176	COMPRESSION SPRING	1		
12	T17058	GASKET	1		
13	AM39968	SOLENOID	1		(DELCO-REMY NO. 1114524)
14	12H302	LOCK WASHER	2	1/4"	
15	21H1142	SCREW	2	1/4" X 1/2"	
16	R57025	FITTING	1		
17	T15564	SCREW	1		
18	RE19191	SCREW, WITH WASHER	2		
19	RE19192	PLATE	1		
20	R81172	WASHER	1		
21	R11118	WIRE	1		
22	SHIFT COLLAR	1		(SUB AR54923)
23	T26601	SPRING	1		
24	1873796	BUSHING	2		
25	AR54923	BENDIX DRIVE	1		
26	R11116	SPACER	1		
27	R11117	SNAP RING	1		
28	T24539	WASHER	1		
29	R81198	THRUST WASHER	1		
30	AR68299	ARMATURE	1		(SUB RE62916 OR TY6702)
..	RE19187	STARTER	1		(SUB RE62916 OR TY6702)
..	RE42730	STARTER	1		(SUB RE62916 OR TY6702)

1F18

ELECTRICAL

STARTING MOTOR COIL ASSEMBLY, HOUSING AND BRUSHES
(DELCO-REMY NO. 1998367)
(ENGINE SERIAL NO. -152929)
(RE19187 AND RE42730)

RWP5056 -UN-01JAN94



RWP5056

1F19

ELECTRICAL

STARTING MOTOR COIL ASSEMBLY, HOUSING AND BRUSHES - CONTINUED
 (DELCO-REMY NO. 1998367)
 (ENGINE SERIAL NO. -152929)
 (RE19187 AND RE42730)

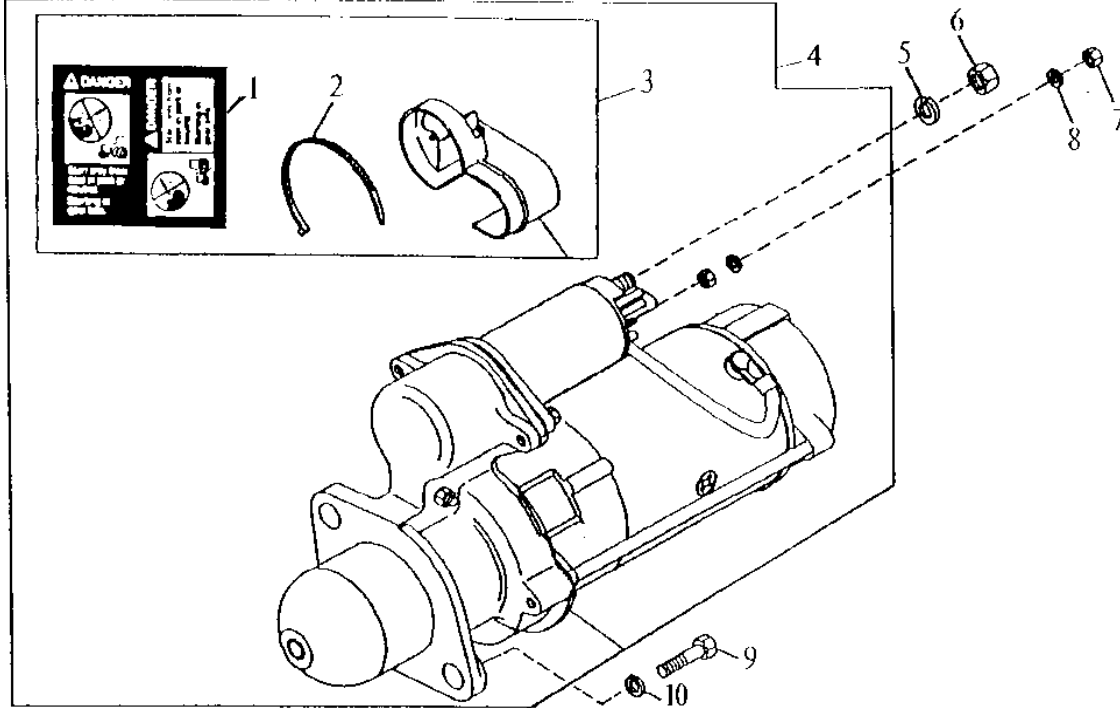
KEY	PART NO.	PART NAME	QTY	ENGINE SERIAL NO.	REMARKS
1	21H1301	SCREW	4	0.190" X 1/2"	
2	12H246	LOCK WASHER	4	0.190"	
3	14H778	NUT	4	0.190"	
4	R81170	SPRING	2		
5	R57027	HOLDER	2		
6	R81169	CARBON BRUSH HOLDER	2		
7	37H78	SCREW	4	0.164" X 3/4"	
8	R57028	WIRING LEAD	2		
9	T736T	PIN	2		
10	AR68302	KIT	2		
11	R81168	BRUSH	4		
12	R61932	BUSHING	1		
13	R61934	WICK	1		
14	R81167	END PLATE	1		
15	R81171	BOLT	2		
16	37H91	SCREW	1	0.190" X 1/2"	
17	12H246	LOCK WASHER	1	0.190"	
18	RE19188	FIELD WINDING COIL	1		
19	R11236	GROMMET	1		
20	HOUSING	1	(ORDER RE62916 OR TY6702)	
21	R81173	DOWEL PIN	1		
22	21H1280	SCREW	8	3/8" X 3/4"	
23	T11680	SHOE	4		
..	RE19187	STARTER	1	(SUB RE62916 OR TY6702)	
..	RE42730	STARTER	1	(SUB RE62916 OR TY6702)	

1F20

ELECTRICAL

STARTING MOTOR WITH ATTACHING HARDWARE (RE62916)

RXP021236 -UN-23AUG95



RXP021236

KEY	PART NO.	PART NAME	QTY	ENGINE SERIAL NO.	REMARKS
1	T146102	WARNING LABEL	1	(ENGLISH)	
	T146106	WARNING LABEL	1	(ESPAÑOL)	
	T146104	WARNING LABEL	1	(FRANCAIS)	
	T146515	WARNING LABEL	1	(DEUTSCH)	
	T146516	WARNING LABEL	1	(ITALIANO)	
	T146517	WARNING LABEL	1	(ENGLISH/FRANCAIS)	
2	H113196	TIE BAND	1		
	R44302	TIE BAND	2		
3	RE50096	KIT	1		
4	RE62916	STARTER	1		(SUB FOR AT23401, AT25619, RE19187, RE42730 OR RE50095)
5	12M7013	LOCK WASHER	1	10.200 MM	
6	14M7274	NUT	1	M10	
7	14M7297	NUT	1	M5	
8	12M7064	LOCK WASHER	1	5.100 MM	
9	19H3239	CAP SCREW	2	3/8" X 1-1/4"	
10	12H304	LOCK WASHER	2	3/8"	

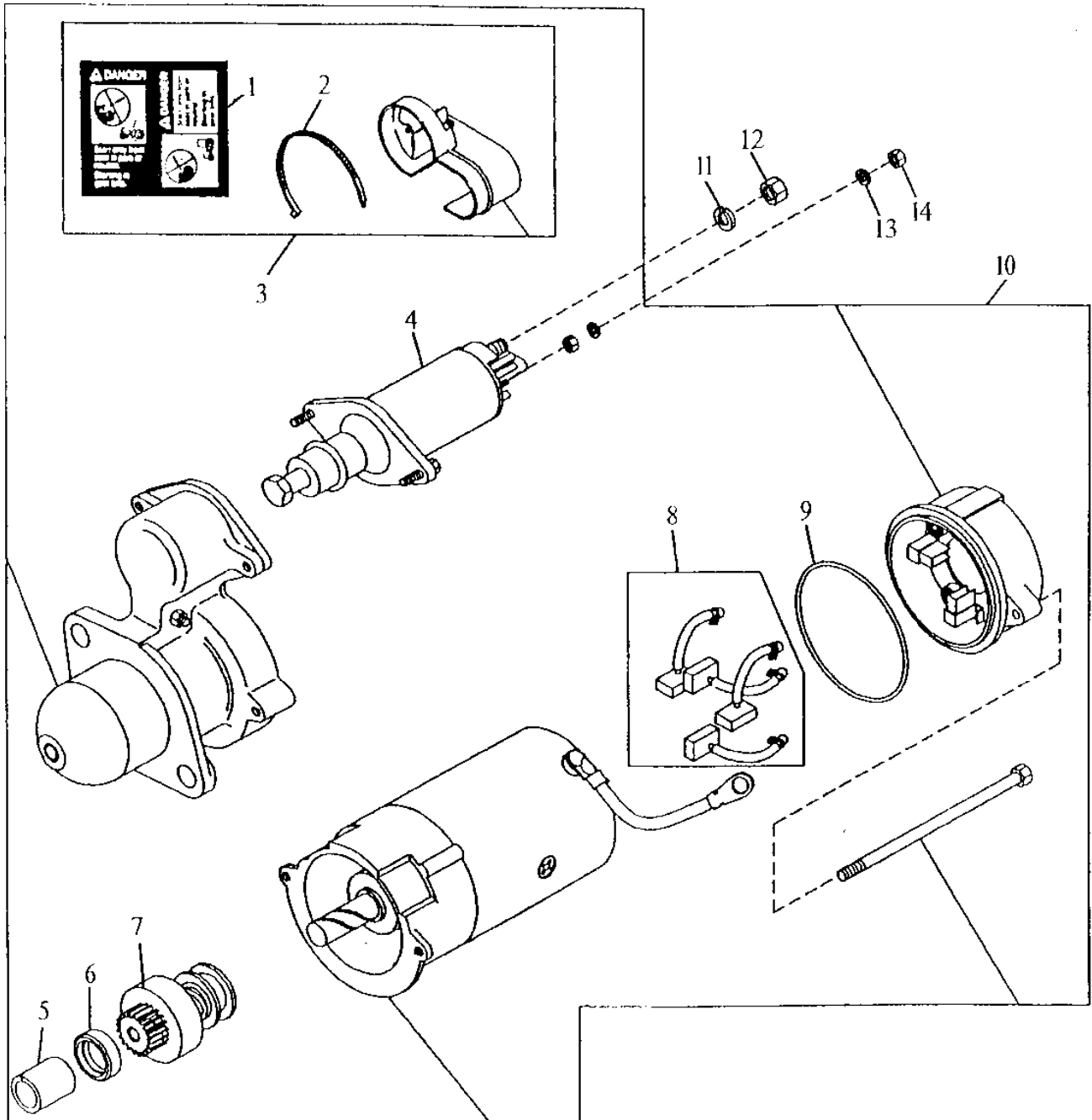
MEMORANDA

1F21

ELECTRICAL

STARTING MOTOR (RE62916)

RXP021237 -UN-18AUG95



RXP021237

1F22

ELECTRICAL

STARTING MOTOR - CONTINUED (RE62916)

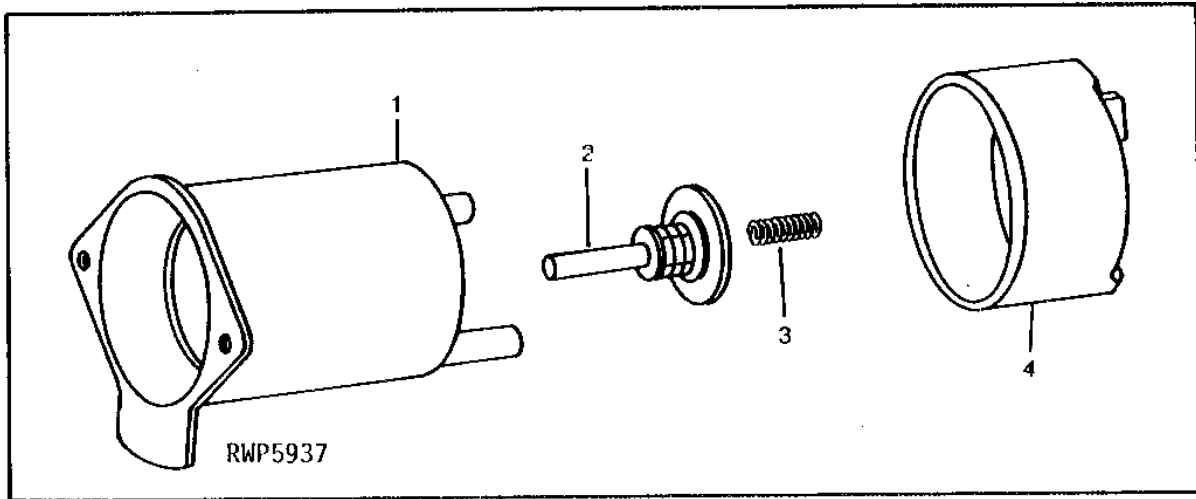
KEY	PART NO.	PART NAME	QTY	ENGINE SERIAL NO.	REMARKS
1	T146102	WARNING LABEL	1	(ENGLISH)	
	T146106	WARNING LABEL	1	(ESPANOL)	
	T146104	WARNING LABEL	1	(FRANCAIS)	
	T146515	WARNING LABEL	1	(DEUTSCH)	
	T146516	WARNING LABEL	1	(ITALIANO)	
	T146517	WARNING LABEL	1	(ENGLISH/FRANCAIS)	
2	H113196	TIE BAND	1		
	R44302	TIE BAND	2		
3	RE50096	KIT	1		
4	RE49984	SWITCH	1		
5	R112923	BUSHING	1		
6	R112922	STOP	1		
7	RE49985	BENDIX DRIVE	1		
8	RE49986	KIT	1		
9	R112926	O-RING	1		
10	RE62916	STARTER	1		(SUB FOR AT23401, AT25619, RE19187, RE42730 OR RE50095)
11	12M7013	LOCK WASHER	1		10.200 MM
12	14M7274	NUT	1		M10
13	12M7064	LOCK WASHER	1		5.100 MM
14	14M7297	NUT	1		M5

1F23

ELECTRICAL

RWP5937 -UN-01JAN94

SOLENOID SWITCH
(DELCO-REMY NO. 1114524)



KEY	PART NO.	PART NAME	QTY	ENGINE SERIAL NO.	REMARKS
1	SOLENOID	1	(SUB AM39968)	
2	AM39969	CONTACT	1		
3	R11066	SPRING	1		
4	RE24175	COVER	1		
5	AM39968	SOLENOID	1	(A) (12-VOLT)	

(A) USE ON RE19187 OR RE42730

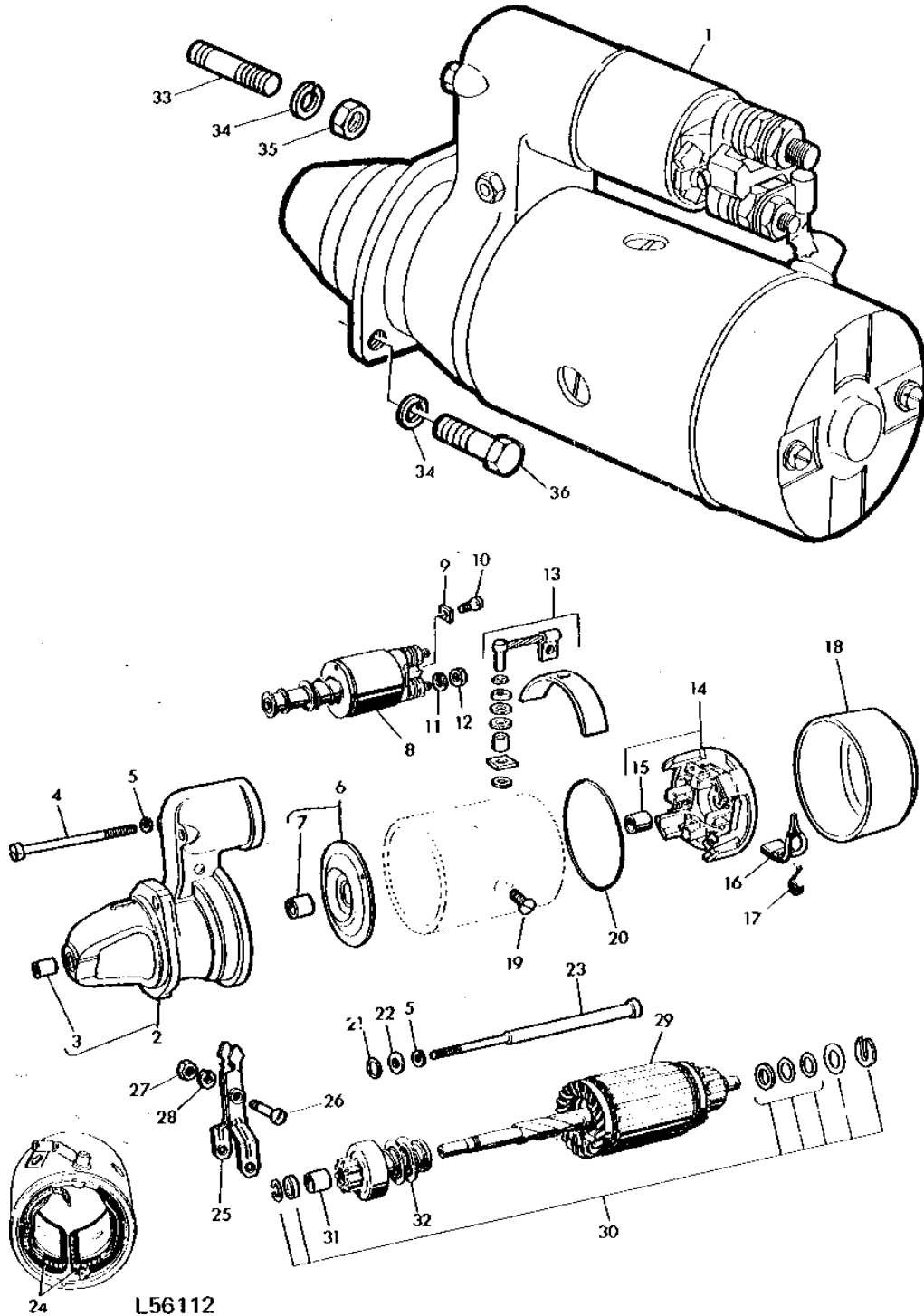
MEMORANDA

1F24

ELECTRICAL

STARTING MOTOR
(ROBERT BOSCH) (12-VOLT)
(ENGINE SERIAL NO. -152929)
(AR23401)

L56112 -UN-01JAN94



L56112

1F25

ELECTRICAL

STARTING MOTOR - CONTINUED
(ROBERT BOSCH) (12-VOLT)
(ENGINE SERIAL NO. -152929)
(AT23401)

KEY	PART NO.	PART NAME	QTY	ENGINE SERIAL NO.	REMARKS
1	AT23401	STARTER	1		(R. BOSCH NO. 001359016) (SUB RE62916 OR TY6727)
	TY6702	STARTER	1		(REMANUFACTURED) (SUB FOR TY1458 OR TY6620)
2	AL23844	CASE	1		(2 BOLT SOLENOID MOUNT)
3	AL70854	KIT	1		(SUB FOR L19651)
4	21M6041	SCREW	2		M6 X 50, (NLA)
5	L29153	LOCK WASHER	4		
6	Z24798	BEARING	1		(SUB AL25267)
7	L19654	BUSHING	1		
	L30862	BUSHING	1		(USE WITH AL25267)
8	AL19192	SOLENOID	1		
9	L29156	CLAMP	1		
10	21M1211	SCREW	1		M4 X 6
11	12M7013	LOCK WASHER	2		10.200 MM
12	14M7152	NUT	4		M10
13	AL23847	TERMINAL	1		
14	AL23846	COMMUTATOR HOUSING	1		
15	Z24799	BUSHING	1		
16	AL25271	CARBON BRUSH CONDUCTOR	1		(SUB FOR AZ14507)
17	L41579	COMPRESSION SPRING	4		(SUB FOR Z24810)
18	L29158	COVER	1		
19	L29157	SCREW	1		
20	T27670	RING	1		(SUB FOR Z24801)
21	L29155	O-RING	1		
22	L29154	WASHER	1		
23	L29152	SCREW	1		
24	AZ14504	FIELD WINDING COIL	1		
25	AT25914	LEVER	1		
26	T27671	SCREW	1		
27	14M7151	NUT	1		M8
28	12M7065	LOCK WASHER	1		8.100 MM
29	AZ14506	ARMATURE	1		(SUB AL25274 AND AL25275)
30	AL23848	ARMATURE	1		KIT, HARDWARE
31	Z24800	BUSHING	1		
32	AT25910	DRIVE	1		
33	M3636T	STUD	1		
34	12H304	LOCK WASHER	2		3/8"
35	14H1076	NUT	1		3/8"
36	19H1731	CAP SCREW	1		3/8" X 1"

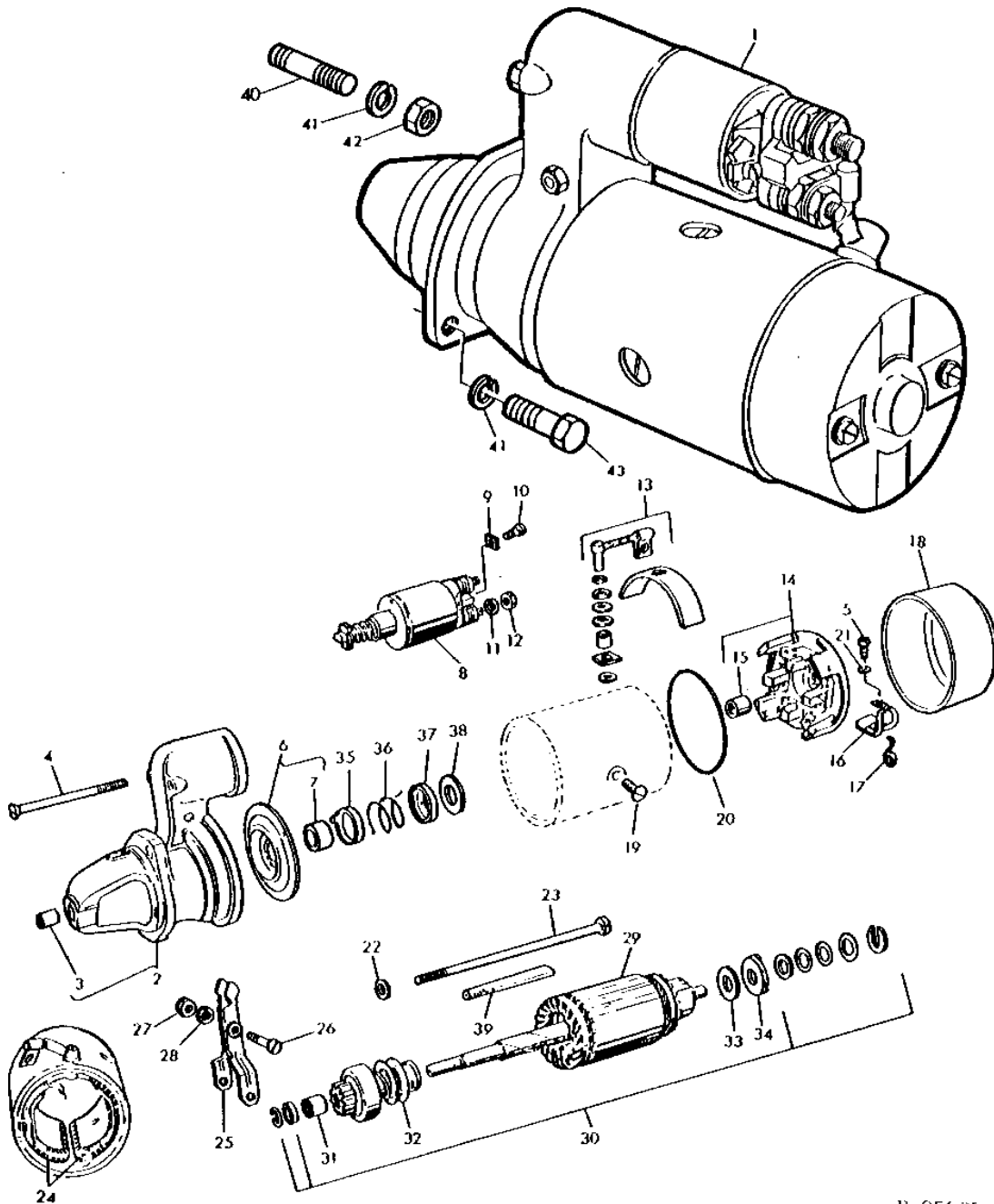
1G1

ELECTRICAL

STARTING MOTOR
(ROBERT BOSCH)
(AR70436)

R25535

-UN-01JAN94



R 25535

1G2

ELECTRICAL

STARTING MOTOR - CONTINUED (ROBERT BOSCH) (AR70436)

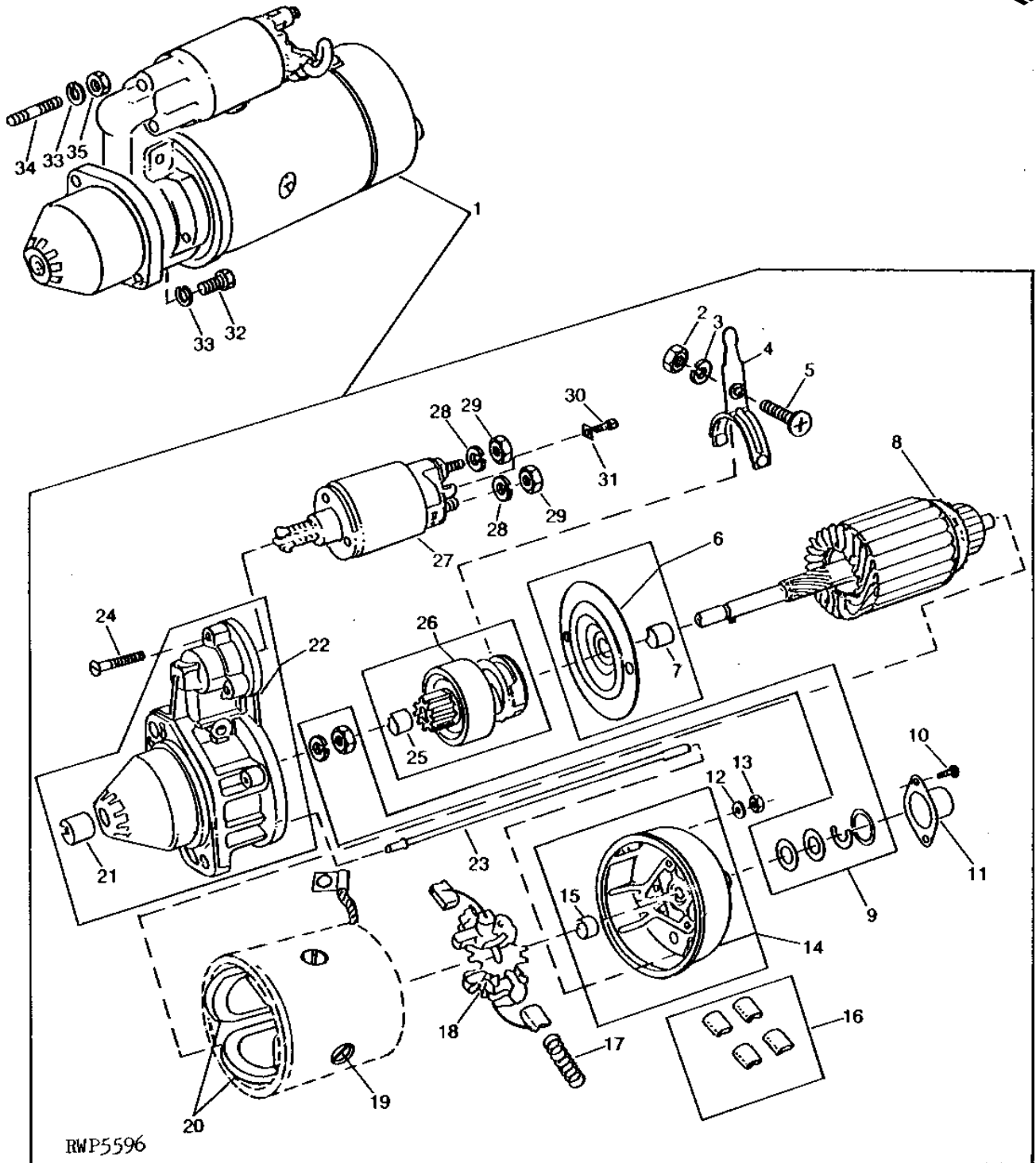
KEY	PART NO.	PART NAME	QTY	ENGINE SERIAL NO.	REMARKS
1	AR70436	STARTER	1		(R. BOSCH NO. 001359090) (SUB TY6720)
	TY6720	STARTER	1		(REMANUFACTURED) (SUB FOR TY6615)
2	AL25266	HOUSING	1		
3	AL70854	KIT	1		(SUB FOR L19651)
4	L30860	SCREW	3		
5	21M7198	SCREW	1		M5 X 8, (SUB FOR T24225)
6	AL25267	QUILL	1		
7	L30862	BUSHING	1		
8	AL55046	SOLENOID	1		(SUB FOR AL25268)
9	L29156	CLAMP	1		
10	21M1211	SCREW	1		M4 X 6
11	12M7013	LOCK WASHER	2		10.200 MM
12	14M7152	NUT	4		M10
13	AL25269	KIT	1		(SUB FOR AL23847)
14	AL25270	COMMUTATOR HOUSING	1		
15	Z24799	BUSHING	1		
16	AL25271	CARBON BRUSH CONDUCTOR	1		
17	Z24810	COMPRESSION SPRING	4		(SUB L41579)
18	L29158	COVER	1		
19	L29157	SCREW	1		
20	Z24801	O-RING	1		
21	12M7064	LOCK WASHER	1		M5
22	24M7088	WASHER	1		6.600 X 12 X 1.600 MM, (SUB FOR L30863)
23	L29152	SCREW	1		
24	AL25272	FIELD WINDING COIL	1		
25	AL25273	LEVER	1		
26	T27671	SCREW	1		
27	14M7151	NUT	1		M8
28	12M7065	LOCK WASHER	1		M8
29	AL25274	ARMATURE	1		
30	AL23848	ARMATURE	1		HARDWARE KIT
31	Z24800	BUSHING	1		(USE WITH AR70436)
32	AL25275	DRIVE	1		
33	L30869	DISK	1		(NO LONGER AVAILABLE)
34	L30868	THRUST WASHER	1		
35	L30864	GUIDE	1		
36	L30865	SPRING	1		(SUB L41579)
37	L30866	GUIDE	1		(SUB L41579)
38	L30867	BRAKE DISK	1		(SUB L41579)
39	L30861	PIPE	2		INSULATION (NO LONGER AVAILABLE)
40	M3636T	STUD	1		3/8" X 1-1/2"
41	12H304	LOCK WASHER	2		3/8"
42	14H1076	NUT	1		3/8"
43	19H1731	CAP SCREW	1		3/8" X 1"

1G3

ELECTRICAL

STARTING MOTOR
(ENGINE SERIAL NO. 152930-)
(AL41247)

RWP5596 -UN-01JAN94



1G4

ELECTRICAL

STARTING MOTOR - CONTINUED
(ENGINE SERIAL NO. 152930-)
(AL41247)

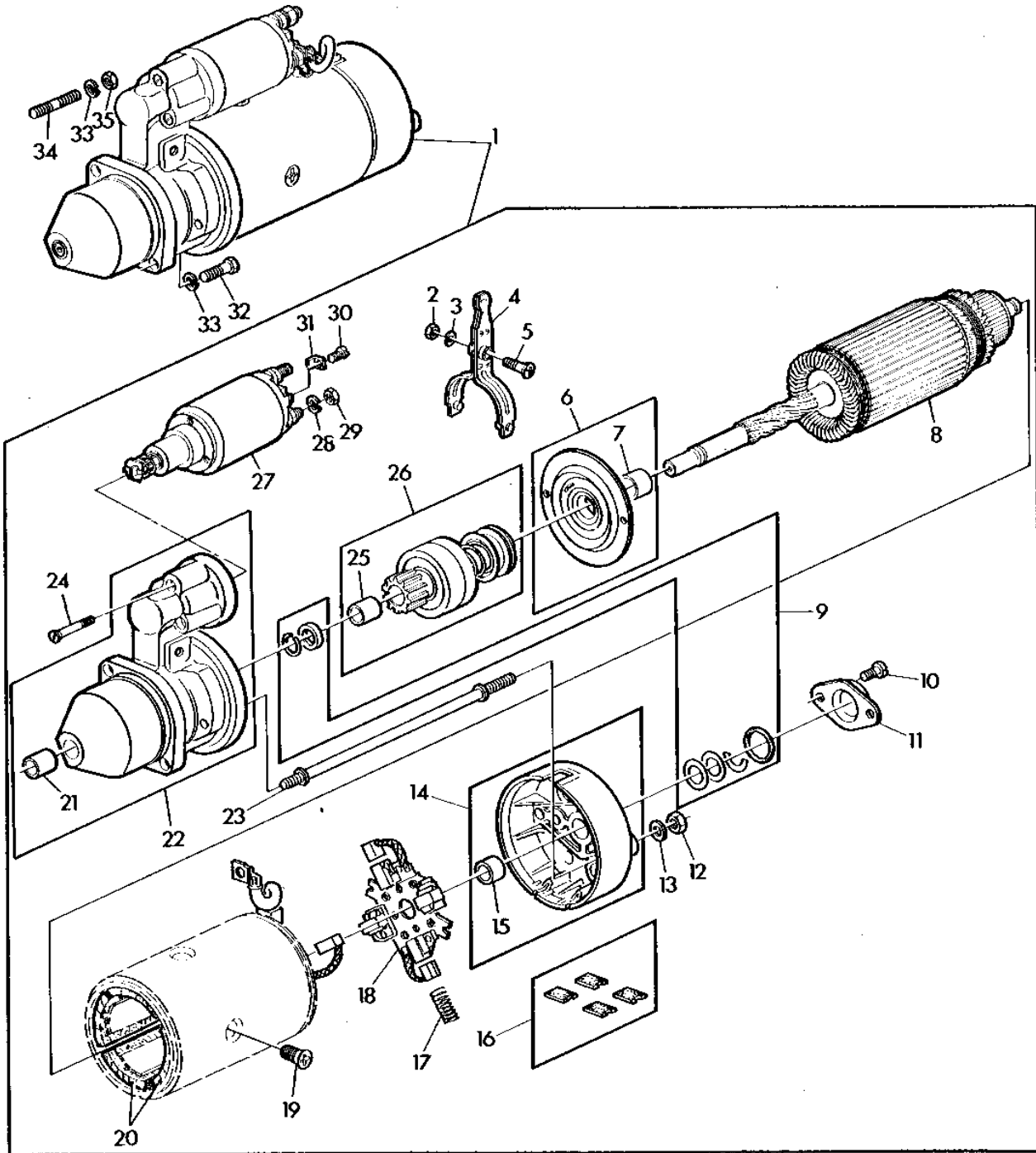
KEY	PART NO.	PART NAME	QTY	ENGINE SERIAL NO.	REMARKS
1	AL41247	STARTER	1		(R.BOSCH 0001362312) (SUB FOR AR70436)
	TY6727	STARTER	1		(REMANUFACTURED)
2	14M7151	NUT	1	M8	
3	12M7008	LOCK WASHER	1	M8	
4	AL25273	LEVER	1		
5	AL70855	KIT	1		(SUB FOR L41582)
6	AL25267	QUILL	1		
7	L30862	BUSHING	1		
8	AL55042	ARMATURE	1		
9	AL41522	KIT	1		
10	21M7271	SCREW	2	M5 X 16	
11	L42043	CAP	1		
12	14M7272	NUT	2	M6	
13	24M7054	WASHER	2		
14	AL41520	COMMUTATOR HOUSING	1		
15	AL70854	KIT	1		(SUB FOR L41081)
16	AL55047	CARBON BRUSH CONDUCTOR	1		
17	L55066	COMPRESSION SPRING	4		
18	AL55044	CARBON BRUSH HOLDER	1		
19	L29157	SCREW	4		
20	AL78760	STARTER	1		(SUB FOR AL55043) (SUB RE41748)
21	AL70854	KIT	1		(SUB FOR L19651)
22	RE41748	BEARING	1		(SUB FOR AL41525)
23	L55064	STUD	2		
24	L30860	SCREW	3		
25	Z24800	BUSHING	2		
26	AL63095	BENDIX DRIVE	1		(SUB FOR AL41626)
27	AL55046	SOLENOID	1		
28	12M7013	LOCK WASHER	2	M10	
29	14M7152	NUT	2	M10	
30	21M1211	SCREW	1	M4 X 6	
31	L29156	CLAMP	1		
32	19H1731	CAP SCREW	1	3/8" X 1"	
33	12H304	LOCK WASHER	2	3/8"	
34	R56481	STUD	1	3/8" X 1-1/2"	
35	14H1076	NUT	1	3/8"	

1G5

ELECTRICAL

STARTING MOTOR
(ENGINE SERIAL NO. 152930-)
(AL62690)

L106516 -UN-01JAN94



L 106516

1G6

ELECTRICAL

STARTING MOTOR - CONTINUED
(ENGINE SERIAL NO. 152930-)
(AL62690)

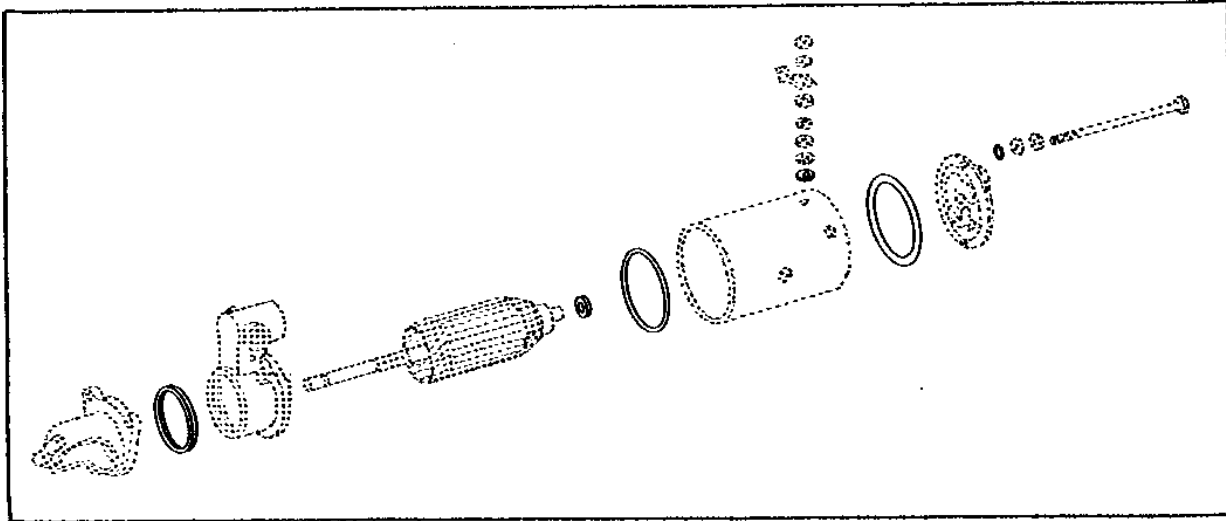
KEY	PART NO.	PART NAME	QTY	ENGINE SERIAL NO.	REMARKS
1	AL62690	STARTER	1		(R. BOSCH 0000362316) (SUB FOR AL41247) (SUB TY6727, THIS APPLICATION)
	TY6727	STARTER	1		(REMANUFACTURED)
2	14M7151	NUT	1	M8	
3	12M7008	LOCK WASHER	1	M8	
4	AL25273	LEVER	1		
5	AL70855	KIT	1		(SUB FOR L41582)
6	AL25267	QUILL	1		
7	L30862	BUSHING	1		
8	AL55042	ARMATURE	1		
9	AL41522	KIT	1		
10	21M7271	SCREW	2	M5 X 16	
11	L42043	CAP	1		
12	14M7272	NUT	2	M6	
13	24M7054	WASHER	2		
14	AL41520	COMMUTATOR HOUSING	1		
15	AL70854	BUSHING	1		(SUB FOR L41081)
16	AL55047	KIT	1		
17	L55066	COMPRESSION SPRING	4		
18	AL55044	CARBON BRUSH HOLDER	1		
19	L29157	SCREW	4		
20	AL78760	FIELD WINDING COIL	1		(SUB FOR AL55043) (SUB RE41748)
21	AL70854	KIT	1		(SUB FOR L19651)
22	RE41748	BEARING	1		(SUB FOR AL41525)
23	L55064	STUD	2		
24	L30860	SCREW	3		
25	BUSHING	2		(ORDER AL63095)
26	AL63095	BENDIX DRIVE	1		(SUB FOR AL41626)
27	AL55046	SOLENOID	1		
28	12M7013	LOCK WASHER	2	M10	
29	14M7152	NUT	2	M10	
30	21M1211	SCREW	1	M4 X 6	
31	L29156	CLAMP	1		
32	19H1731	CAP SCREW	1	3/8" X 1"	
33	12H304	LOCK WASHER	2	3/8"	
34	M3636T	STUD	1	3/8" X 1-1/2"	
35	14H1076	NUT	1	3/8"	

1G7

ELECTRICAL

RP1234 -UN-01JAN94

STARTING MOTOR SEALING KIT



RP1234

KEY	PART NO.	PART NAME	QTY	TRACTOR SERIAL NO.	REMARKS
1	AR100161	SEAL KIT	1	(SUB FOR AR40174 OR AR85407)	

MEMORANDA

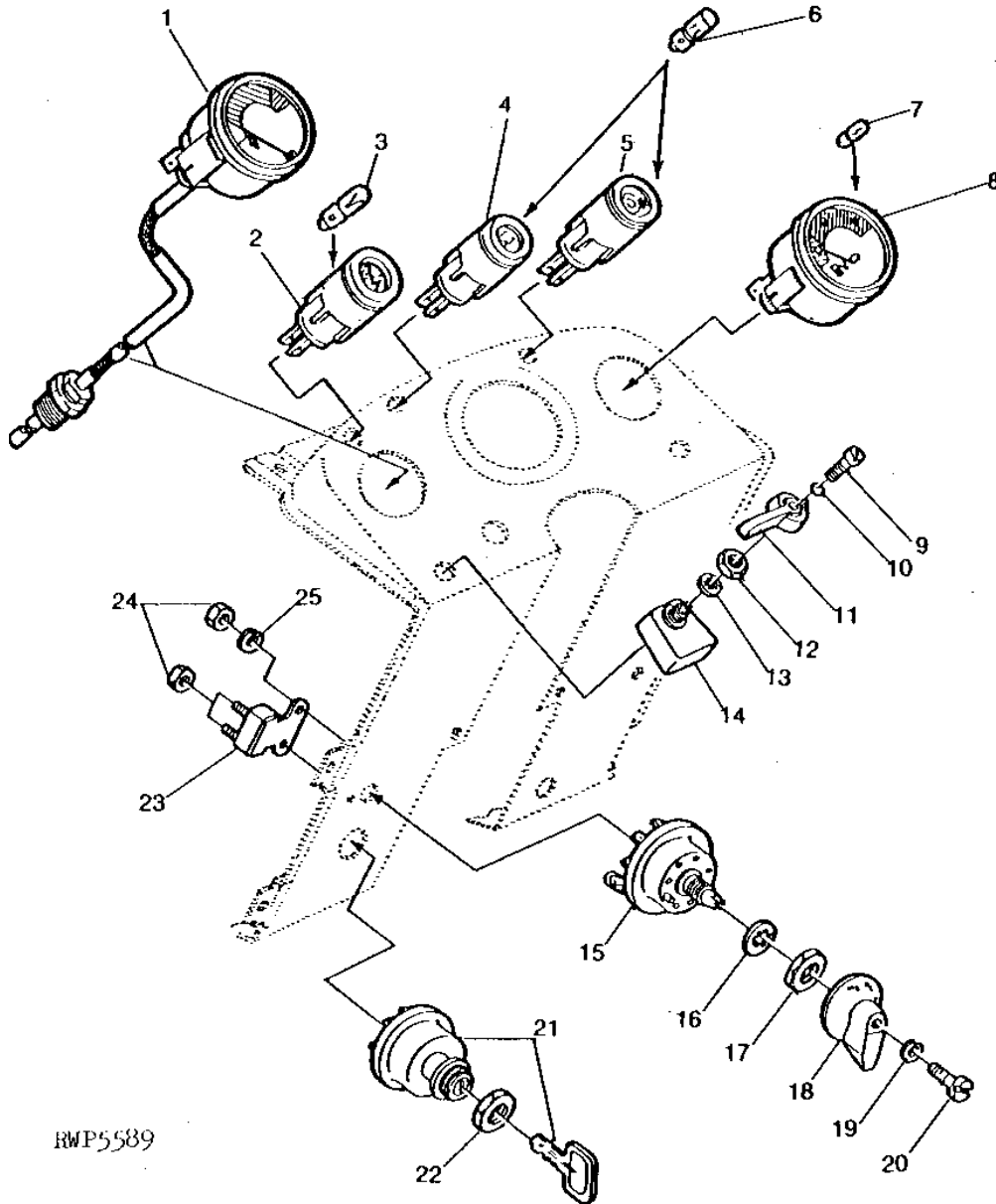
1G8

ELECTRICAL

RWP5589

-UN-01JAN94

CONTROL CONSOLE ELECTRICAL INSTRUMENTS



RWP5589

1G9

ELECTRICAL

CONTROL CONSOLE ELECTRICAL INSTRUMENTS - CONTINUED

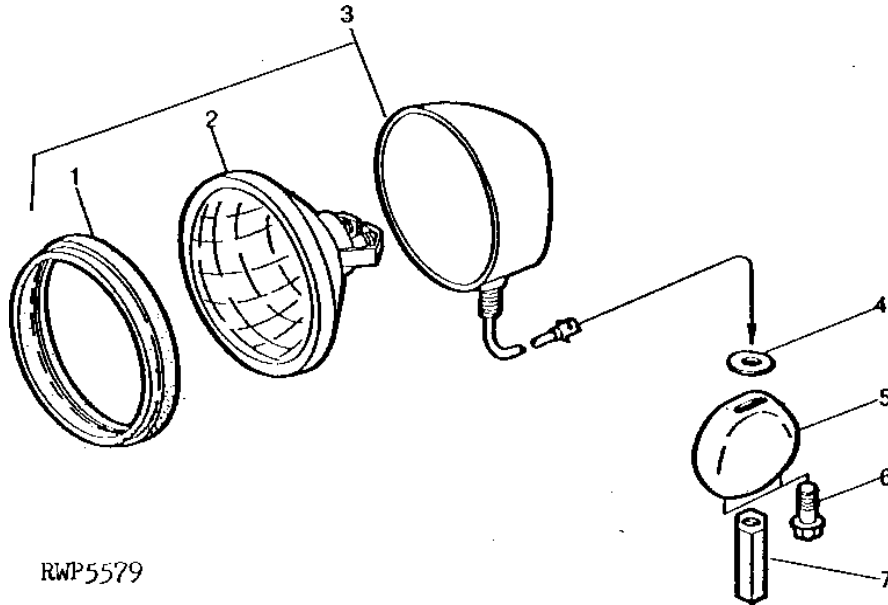
KEY	PART NO.	PART NAME	QTY	TRACTOR SERIAL NO.	REMARKS
1	AT67693	TEMPERATURE GAUGE	1		WATER TEMPERATURE, (SUB FOR AR65443) (ALSO ORDER T366T)
2	AL19907	INDICATOR LIGHT	1		AIR CLEANER RESTRICTION
3	57M6394	BULB	1		(12 VOLT), 4 WATT
4	AT24692	INDICATOR LIGHT	1		ALTERNATOR
	AR65446	LAMP	1	178601-179600	ALTERNATOR, (SUB AR55694, AT44165, AT48673 AND R30378)
5	AT24693	HEADLIGHT	1		ENGINE OIL PRESSURE
	AR65447	INDICATOR LIGHT	1	178601-179600	(SUB AT48674, AT44165, AR55694 AND R30378)
6	57M6277	BULB	2		(12-VOLT), 2 WATT
7	BULB	1		(12-VOLT), 2 WATT, (NOT REQUIRED)
8	AL24187	GAUGE	1		FUEL
	AR65444	GAUGE	1	178601-179600	FUEL
9	21H1372	SCREW	1		1/8" X 3/8"
10	12H233	LOCK WASHER	1		1/8"
11	R56026	KNOB	1		TURN SIGNAL
12	R56410	NUT	1		
13	12H327	LOCK WASHER	1		3/4"
14	AR64422	TURN SIGNAL CONTROLLER	1		FLASHING WARNING LAMP, (SUB FOR AR67398)
15	AR66478	SWITCH	1		LIGHT
16	12H292	LOCK WASHER	1		1/2"
17	A4655R	NUT	1		
18	AR66799	KNOB	1		
19	12H315	LOCK WASHER	1		0.164"
20	21H973	SCREW	1		0.164" X 3/8"
21	AR58126	KEY SWITCH	1		STARTER (INCLUDES KEY)
	AR51481	KEY	1		
22	R44342	NUT	1		
23	AR28403	CIRCUIT BREAKER	1		
24	14H631	NUT	4		0.190"
25	12M7060	WASHER	2		0.209"

1G10

ELECTRICAL

RWP5579 -UN-01JAN94

FRONT LAMPS AND MOUNTING BRACKETS



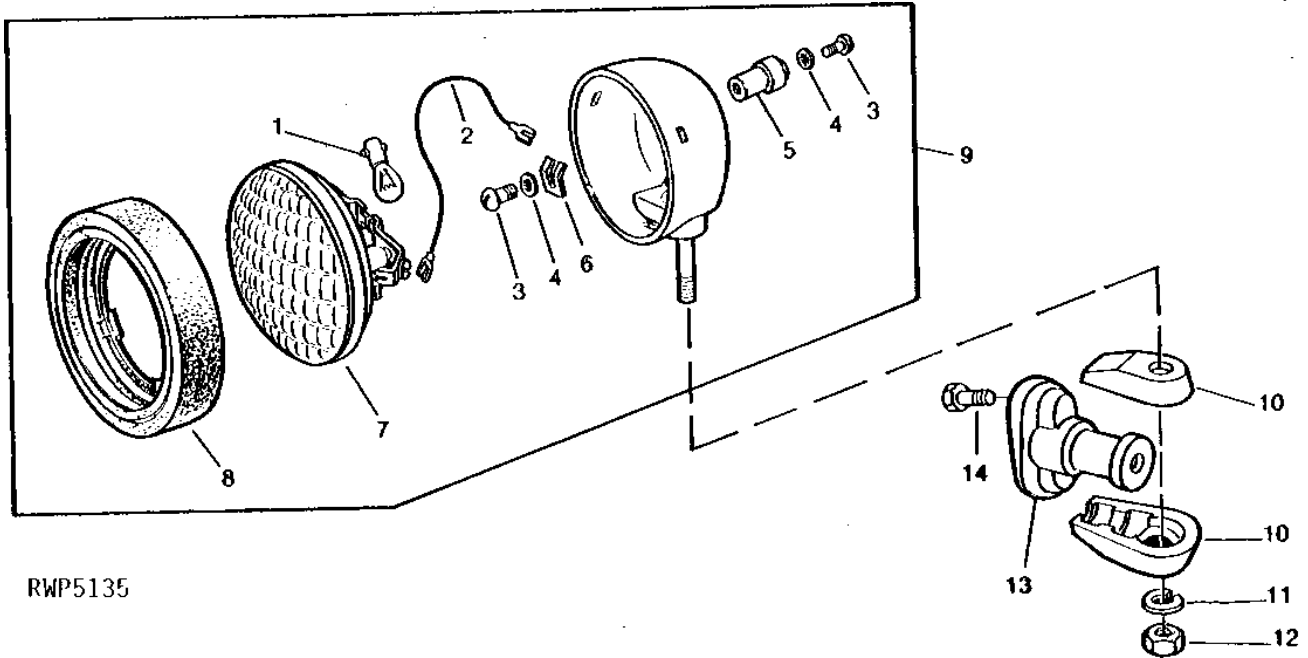
KEY	PART NO.	PART NAME	QTY	TRACTOR SERIAL NO.	REMARKS
1	R30182	BEZEL	2	(HOBBS)	
	R31250	BEZEL	2	(GUIDE)	
2	AF3892R	HEADLIGHT	2		
3	AT20106	LAMP	2		
4	24H1355	WASHER	2	(SUB FOR R31892)	
5	T21761	SUPPORT	2		
6	T19179	CAP SCREW	4		
7	T22522	NUT	2		

1G11

ELECTRICAL

RWP5135 -UN-01JAN94

REAR LAMP AND BRACKET



RWP5135

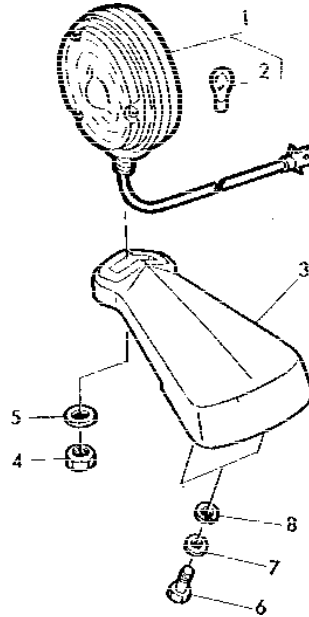
KEY	PART NO.	PART NAME	QTY	TRACTOR SERIAL NO.	REMARKS
1	AR86969	BULB	1		(USE WITH AT16288) (SUB FOR AR21739)
	AD2062R	BULB	1		(USE WITH AR77326)
2	WIRING LEAD	1		165 MM (6-1/2") (MAKE FROM R66319 AND (2) R32016)
3	21H972	SCREW	4		0.164" X 5/16"
4	12M7084	LOCK WASHER	4		0.169"
5	AA3495R	SUPPORT	2		(GUIDE)
	R30181	PLATE	2		(HOBBS)
6	A2899R	ASSEMBLY LINE PARTS	2		
7	AR21737	LAMP	1	-XXXXXX	(SUB AR77324, AD2062R AND AR77325)
	AR77324	LAMP	1		(USE WITH AR77326)
	AR55888	SOCKET	1		
	AR77325	SOCKET	1		(USE WITH AR77326)
8	R30182	BEZEL	1		(HOBBS)
	R31250	BEZEL	1		(GUIDE)
9	AR77326	FLOODLAMP	1		(SUB FOR AT16288)
10	R27460	CLAMP	2		
11	12H292	LOCK WASHER	1		1/2"
12	14H1040	NUT	1		1/2"
13	T19178	BRACKET	1		
14	T19179	CAP SCREW	2		

1G12

ELECTRICAL

L50617 -UN-01JAN94

WARNING LIGHT



L 50617

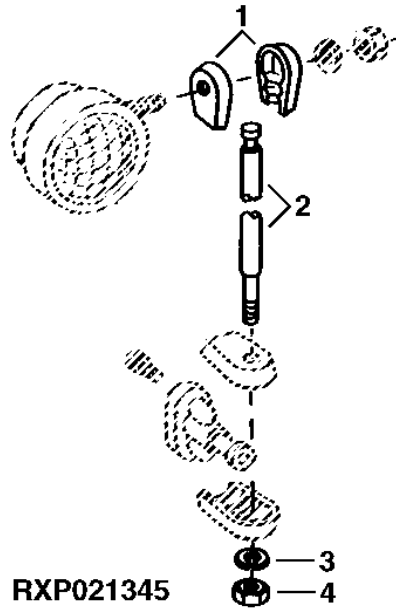
KEY	PART NO.	PART NAME	QTY	TRACTOR SERIAL NO.	REMARKS
1	AR50580	LAMP	2		WARNING
	R48664	LENS	1		AMBER WITH RED REFLECTOR
	R48665	LENS	1		AMBER
	R56726	LENS	1		BLACK
	R49296	SCREW	3		
2	AD2062R	BULB	2		(12-VOLT)
3	R48352	SUPPORT	2		
4	14H856	NUT	2		1/2"
5	R47831	WASHER	2		RUBBER
6	T19179	CAP SCREW	4		
7	24H1307	WASHER	4		13/32" X 1" X 1/16"
8	12H304	LOCK WASHER	4		3/8"

1G13

ELECTRICAL

RXP021345 -UN-11OCT95

REAR COMBINATION LAMP EXTENSION



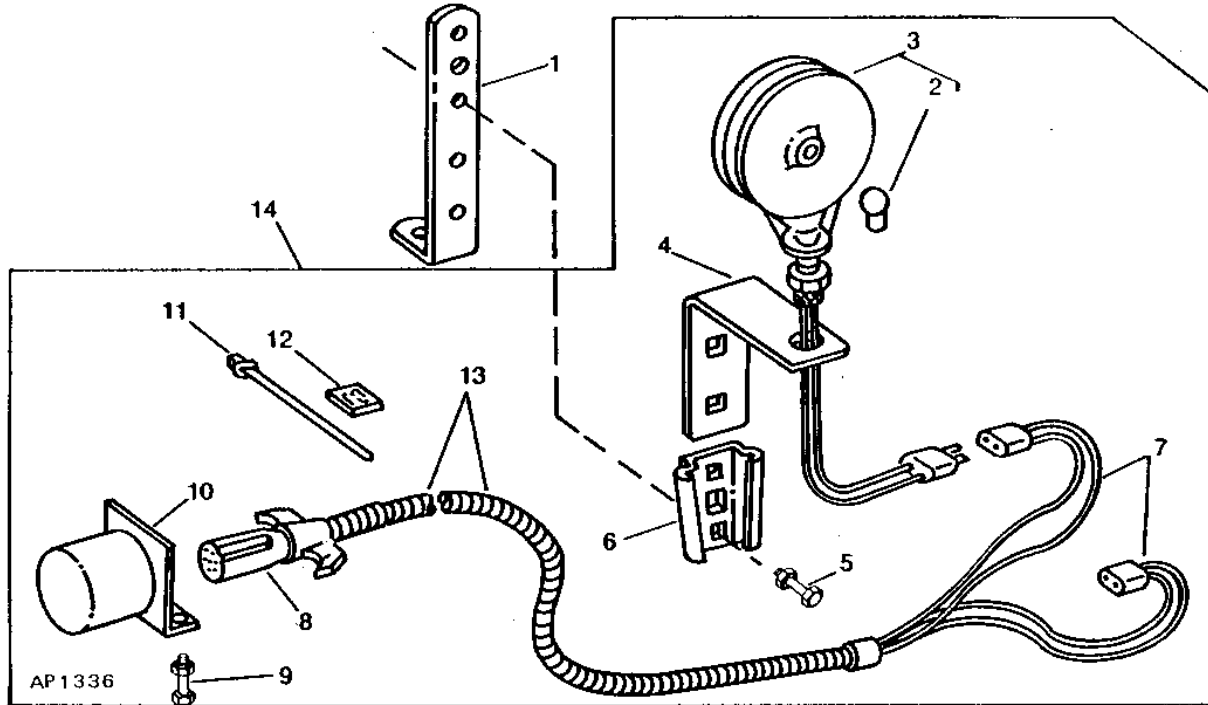
KEY	PART NO.	PART NAME	QTY	TRACTOR SERIAL NO.	REMARKS
1	R27460	CLAMP	2		
2	R48473	EXTENSION	1		
3	12H301	LOCK WASHER	1	1/2"	
4	14H1040	NUT	1	1/2"	

1G14

ELECTRICAL

AP1336 -UN-01JAN94

WARNING LAMP (FLASHING)



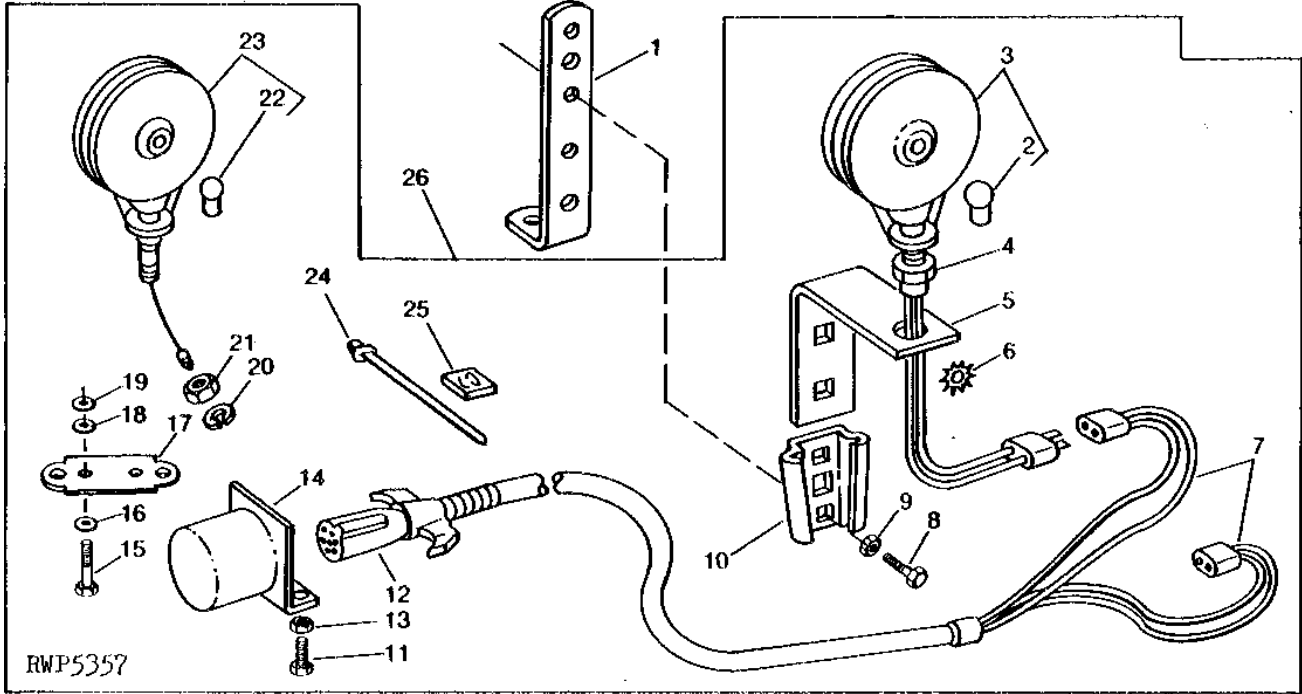
KEY	PART NO.	PART NAME	QTY	TRACTOR SERIAL NO.	REMARKS
1	A39716	BRACKET	2		
2	AD2062R	BULB	2		
3	AA34967	LAMP	2		(SUB FOR PT1293)
4	PT9319	BRACKET	2		(SUB FOR PT1624) (SUB PT18180)
5	37H57	SCREW	4		5/16" X 3/4"
	14H785	NUT	4		5/16"
6	JD126	SOCKET	2		
7	PT1294	CABLE	2		(2-CONDUCTOR) (SUB PT9318)
8	AH93625	PLUG	1		(7-PIN)
9	37H24	SCREW	4		1/4" X 3/4"
	14H786	NUT	4		1/4"
10	PT1296	BRACKET	1		(STORING, 7-PIN PLUG)
11	R44302	TIE BAND	AR		
12	PT9321	SUPPORT	AR		(ADHESIVE) (SUB FOR PT1297)
13	PT1295	CONDUIT	1		(PROTECTIVE WIRING) (NO LONGER AVAILABLE)
14	TY15263	WARNING LIGHT KIT	1		(WITH DIRECTION) (SUB FOR TY9305) (SUB TY6055) (FI)

1G15

ELECTRICAL

RWP5357 -UN-01JAN94

IMPLEMENT WARNING LAMP KIT



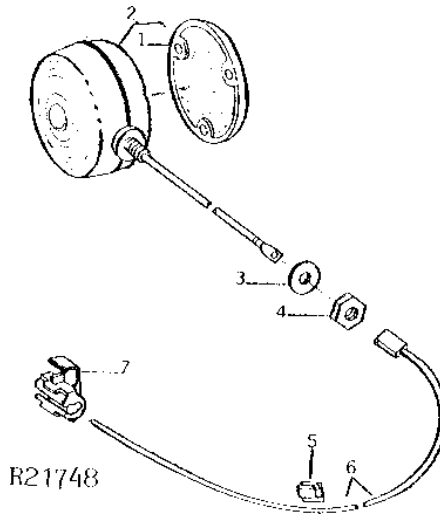
KEY	PART NO.	PART NAME	QTY	TRACTOR SERIAL NO.	REMARKS
1	A39716	BRACKET	2		
2	AD2062R	BULB	2		
3	AA34967	LAMP	2		
	A48331	LENS	2		
4	12H301	LOCK WASHER	2	1/2"	
	14H856	NUT	2	1/2"	
5	PT18180	BRACKET	2		(SUB FOR PT9319)
6	PT9390	WASHER	1		
7	PT9318	WIRING HARNESS	1		
8	37H57	SCREW	5	5/16" X 3/4"	
9	14H785	NUT	5	5/16"	
10	JD126	SOCKET	2		
11	37H3	SCREW	2	1/4" X 5/8"	
12	AH93625	PLUG	1		
13	14H786	NUT	2	1/4"	
14	PT1296	BRACKET	1		
15	37H57	SCREW	5	5/16" X 3/4"	
16	24H1822	WASHER	1	11/32" X 7/8" X 1/16"	
17	PT9320	BRACKET	1		
18	24H1822	WASHER	1	11/32" X 7/8" X 1/16"	
19	14H788	NUT	5	3/8"	
20	12H301	LOCK WASHER	1	1/2"	
21	14H856	NUT	1	1/2"	
22	AR48041	BULB	1		
23	AA34968	TAIL LAMP	1		
	A48332	LENS	1		
24	R44302	TIE BAND	AR		
25	AT55441	BASE	AR		(SUB FOR PT9321)
26	TY16055	KIT	1		(SUB FOR TY15263) (FI)
..	AA32178	WIRING LEAD	1		ACCESSORY

1G16

ELECTRICAL

TURN SIGNAL LIGHTS (WHEN EQUIPPED WITH WEATHER ENCLOSURE)

R21748 -UN-01JAN94



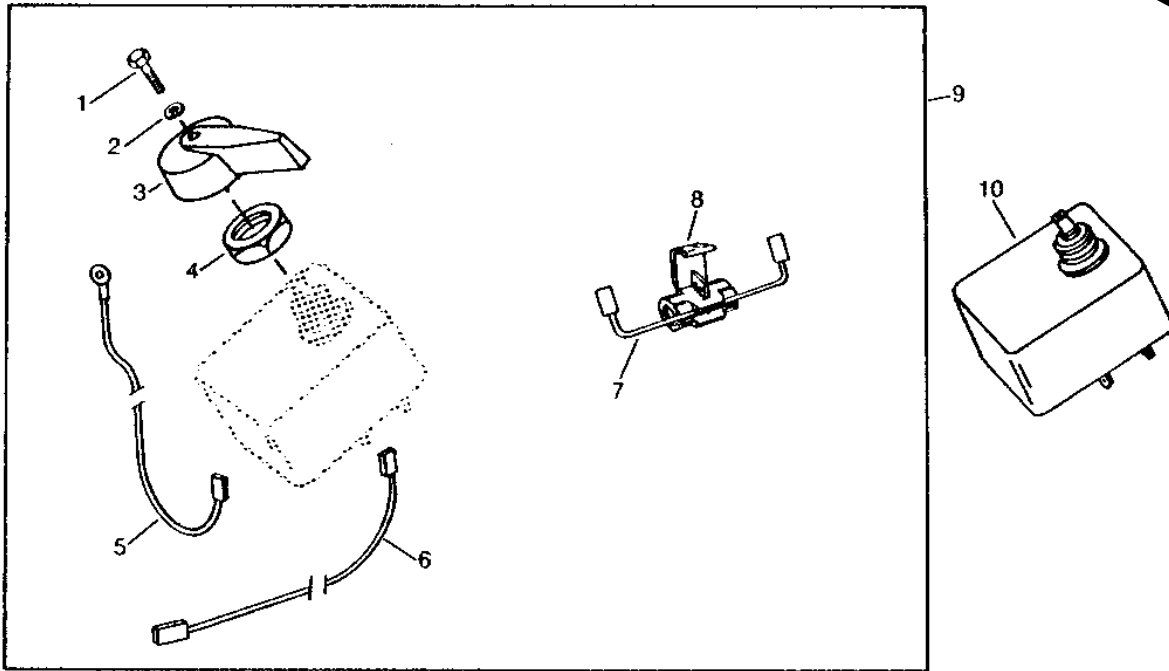
KEY	PART NO.	PART NAME	QTY	TRACTOR SERIAL NO.	REMARKS
1	R42666	LENS	2		
2	AR54975	LAMP	2		WARNING
3	R38371	WASHER	2		RUBBER
4	14H865	NUT	2		1/2"
5	R47474	CLIP	10		
6	AR68119	WIRING LEAD	2		(NO LONGER AVAILABLE)
7	AR67855	CONNECTOR	2		

1G17

ELECTRICAL

RP1529 -UN-01JAN94

TURN SIGNAL CONTROL



RP1529

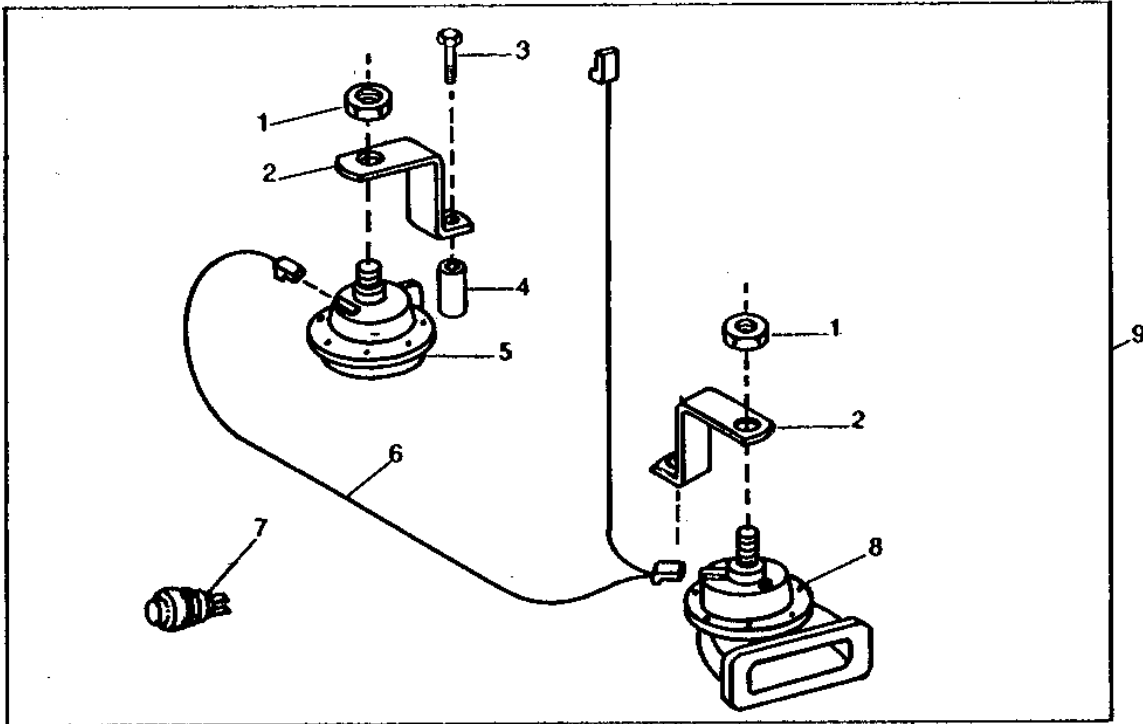
KEY	PART NO.	PART NAME	QTY	TRACTOR SERIAL NO.	REMARKS
1	21H1372	SCREW	1	1/8" X 3/8"	
2	12H233	LOCK WASHER	1	1/8"	
3	R56026	KNOB	1		
4	R56410	NUT	1		
5	WIRING LEAD	1	310 MM (12-1/4") (MAKE FROM R66319, R32018, R32027 AND R32024)	
6	AR72233	WIRING LEAD	1		
7	AR40507	WIRING LEAD	1		
8	AR67855	CONNECTOR	1		
9	AR98023	KIT	1	KIT	
10	AR64422	TURN SIGNAL CONTROLLER	1	(SUB FOR AR67398)	

1G18

ELECTRICAL

RWP4155 -UN-01JAN94

HORN



RWP4155

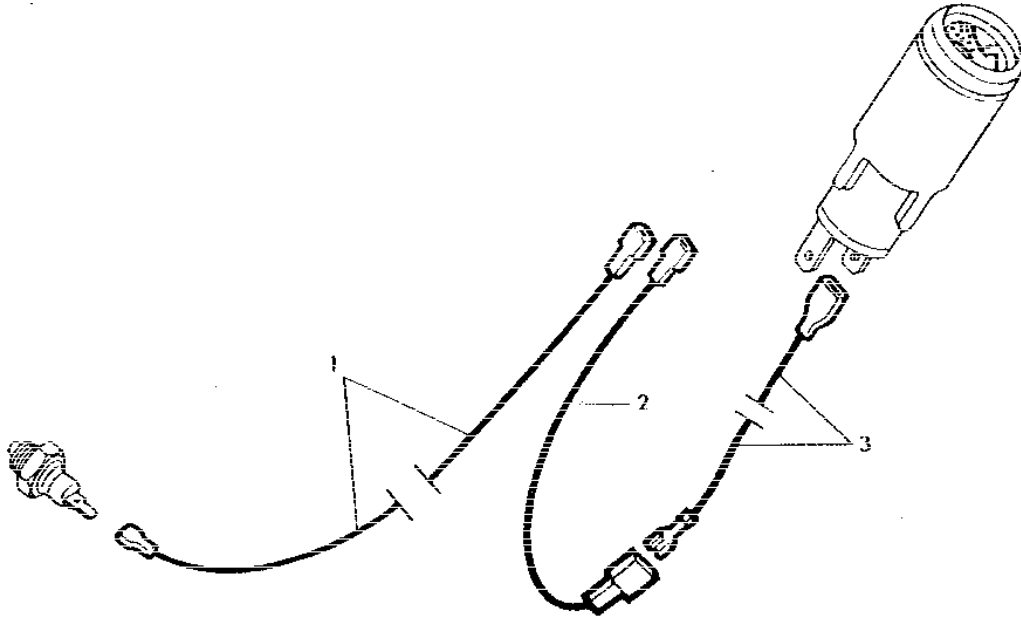
KEY	PART NO.	PART NAME	QTY	TRACTOR SERIAL NO.	REMARKS
1	R11278	NUT	2		
2	R75833	BRACKET	2		(SUB FOR R66069)
3	19H1726	CAP SCREW	2		3/8" X 2-1/4"
4	28H3381	SPACER	1		0.493" X 0.675" X 5/8"
5	AT39043	HIGH NOTE HORN	1		
6	AR85578	WIRING HARNESS	1		
7	AL17684	PUSH BUTTON	1		
8	R64700	LOW NOTE HORN	1		
9	RE12715	HORN	1		(FI)

1G19

ELECTRICAL

L57213 -UN-01JAN94

AIR CLEANER RESTRICTION INDICATOR PARTS



L 57213

KEY	PART NO.	PART NAME	QTY	TRACTOR SERIAL NO.	REMARKS
1	AL19905	WIRING LEAD	1		VACUUM INDICATOR
2	AL18604	WIRING LEAD	1		
3	AL19906	WIRING LEAD	1		MAIN

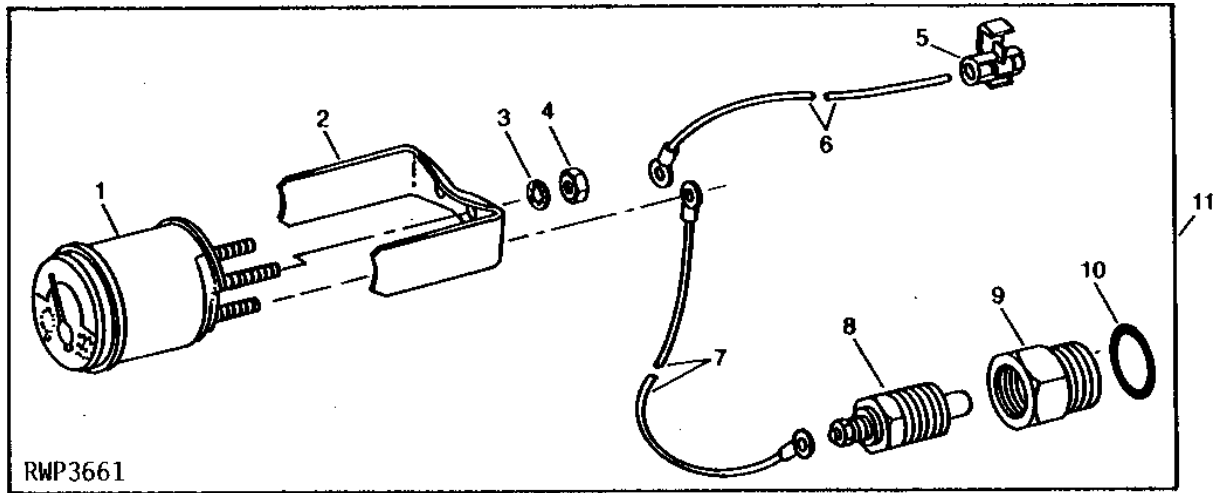
1G20

ELECTRICAL

RWP3661

-UN-01JAN94

TRANSMISSION OIL TEMPERATURE GAUGE



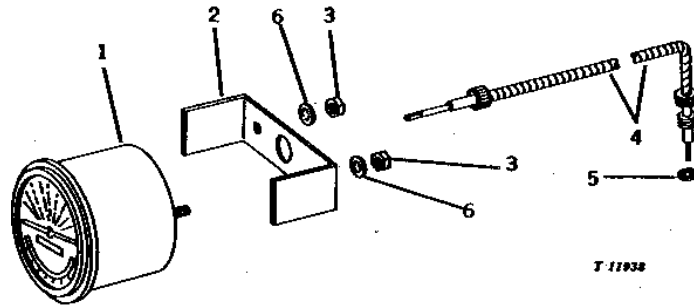
KEY	PART NO.	PART NAME	QTY	TRACTOR SERIAL NO.	REMARKS
1	AT14883	TEMPERATURE GAUGE	1		(SUB FOR AT38821)
2	T39395	BRACKET	1		
3	12M7060	WASHER	2	0.209"	
4	14H631	NUT	2	0.190"	
5	AR67855	CONNECTOR	1		
6	AR73622	WIRING LEAD	1		(TO MAIN HARNESS)
7	AR73621	WIRING LEAD	1		(TO SENDER)
8	AT37368	SENDER	1		
9	R60722	ADAPTER	1		
10	F3171R	O-RING	1		
11	AR73620	GAUGE	1		(NLA)

1G21

ELECTRICAL

T11938 -UN-01JAN94

TACHOMETER



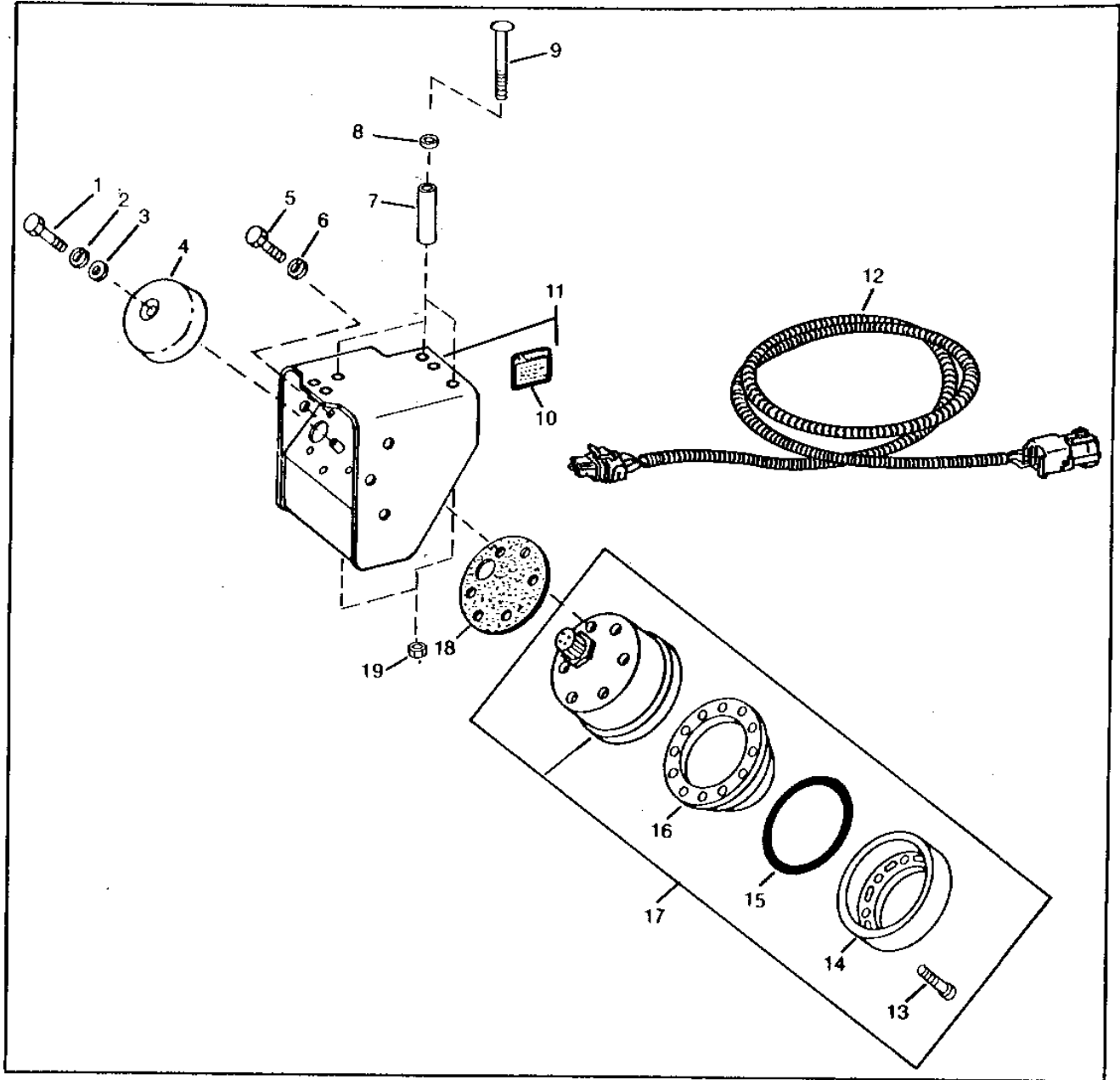
KEY	PART NO.	PART NAME	QTY	TRACTOR SERIAL NO.	REMARKS
1	AL24233	TACHOMETER	1		(ALSO ORDER T21828, (2) 12M7060 AND (2) 14H631) (CHECK LOCAL AVAILABILITY)
	AR65445	TACHOMETER	1		(ALSO ORDER T21828, (2) 12M7060 AND (2) 14H631) (CHECK LOCAL AVAILABILITY)
2	T21828	CHANNEL	1		
3	14H631	NUT	2	0.190"	
4	AT19905	CABLE	1		
5	T31437	BUSHING	1		
6	12M7060	WASHER	2	0.209"	

1G22

ELECTRICAL

RXP9306 -UN-01JAN94

RADAR SENSOR



RXP9306

20

1G23

ELECTRICAL

RADAR SENSOR - CONTINUED

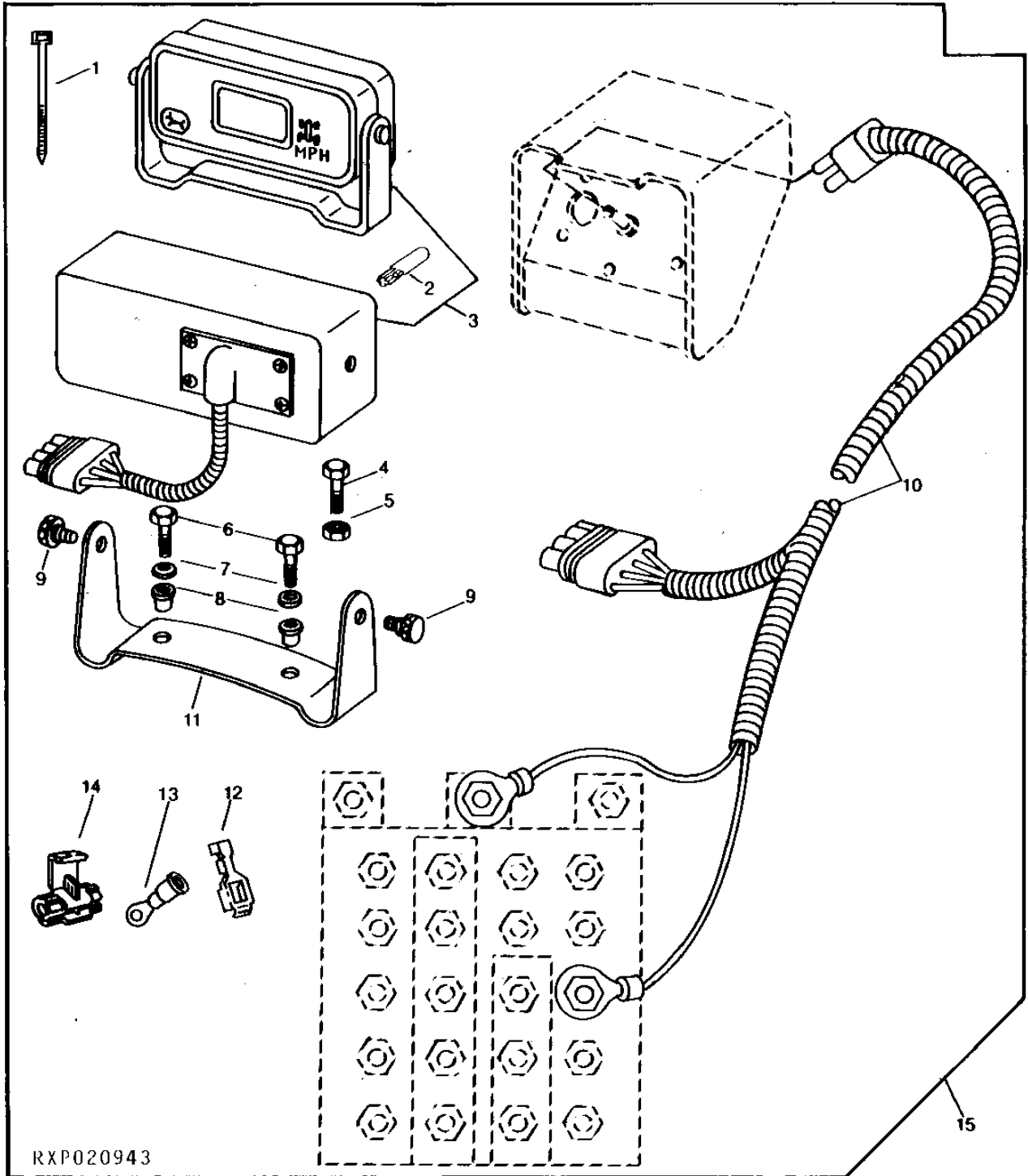
KEY	PART NO.	PART NAME	QTY	TRACTOR SERIAL NO.	REMARKS
1	19H1813	CAP SCREW	1	5/16" X 5/8"	
2	12H303	LOCK WASHER	1	5/16"	
3	24H1136	WASHER	1	11/32" X 11/16" X 0.065"	
4	R82355	SHIELD	1		
5	19H1813	CAP SCREW	6	5/16" X 5/8"	
6	12H303	LOCK WASHER	6	5/16"	
7	28H3343	BUSHING	3	0.546" X 0.840" X 5-3/8"	
8	24H1625	WASHER	2	17/32" X 1" X 0.120"	
9	03H2052	BOLT	3	1/2" X 6-1/2"	
10	R120107	LABEL	1	(ENGLISH)	
	R120106	LABEL	1	(FRENCH)	
	R105942	LABEL	1	(GERMAN)	
	R120108	LABEL	1	(SPANISH)	
	L65000	LABEL	1		
11	RE46317	BRACKET	1	(SUB FOR RE21096 OR RE38707)	
12	RE46414	WIRING HARNESS	1		
13	R82239	SCREW	12		
14	R82237	SNAP RING	1		
15	R82238	O-RING	1		
16	R82236	COVER	1		
17	RE43025	RADAR SENSOR	1	(SUB FOR RE21073)	
18	R82243	GASKET	1		
19	14H1040	NUT	3	1/2"	
20	AR111058	SENSOR	1	(SUB FOR RE21510 OR RW26466) (FI)	

1G24

ELECTRICAL

PERFORMANCE TRAK II MINI-MONITOR (ANALOG TACHOMETER)

RXP020943 -UN-12OCT94



1G25

ELECTRICAL

PERFORMANCE TRAK II MINI-MONITOR - CONTINUED
(ANALOG TACHOMETER)

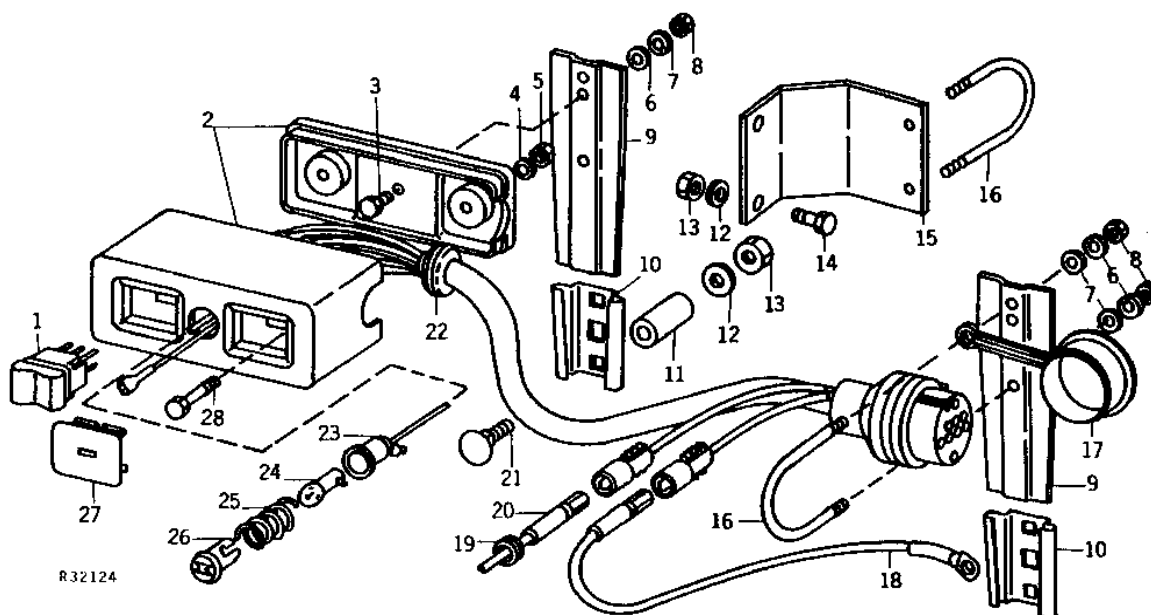
KEY	PART NO.	PART NAME	QTY	TRACTOR SERIAL NO.	REMARKS
1	R44302	TIE BAND	AR		
2	RE22589	LAMP	1		
3	RE21112	MONITOR CONSOLE	1		
4	19H1978	CAP SCREW	3	7/16" X 1-1/2"	
	12H293	LOCK WASHER	3	7/16"	
5	14H1047	NUT	3	7/16"	
	14H786	NUT	2	1/4"	
6	19H1914	CAP SCREW	2	1/4" X 1"	
7	24H1287	WASHER	4	9/32" X 5/8" X 0.065"	
8	R82423	NUT	2	RUBBER	
9	R83055	WING SCREW	2		
10	RE21113	WIRING HARNESS	1	3500MM (138")	
11	R83109	BRACKET	1		
12	U46662	TERMINAL	1		
13	R77489	TERMINAL	1		
	R84158	TERMINAL	1		
14	AR67855	CONNECTOR	3		
15	RE21738	MONITOR CONSOLE	1	(FI)	

1H1

ELECTRICAL

R32124 -UN-01JAN94

ELECTRICAL REMOTE CONTROL



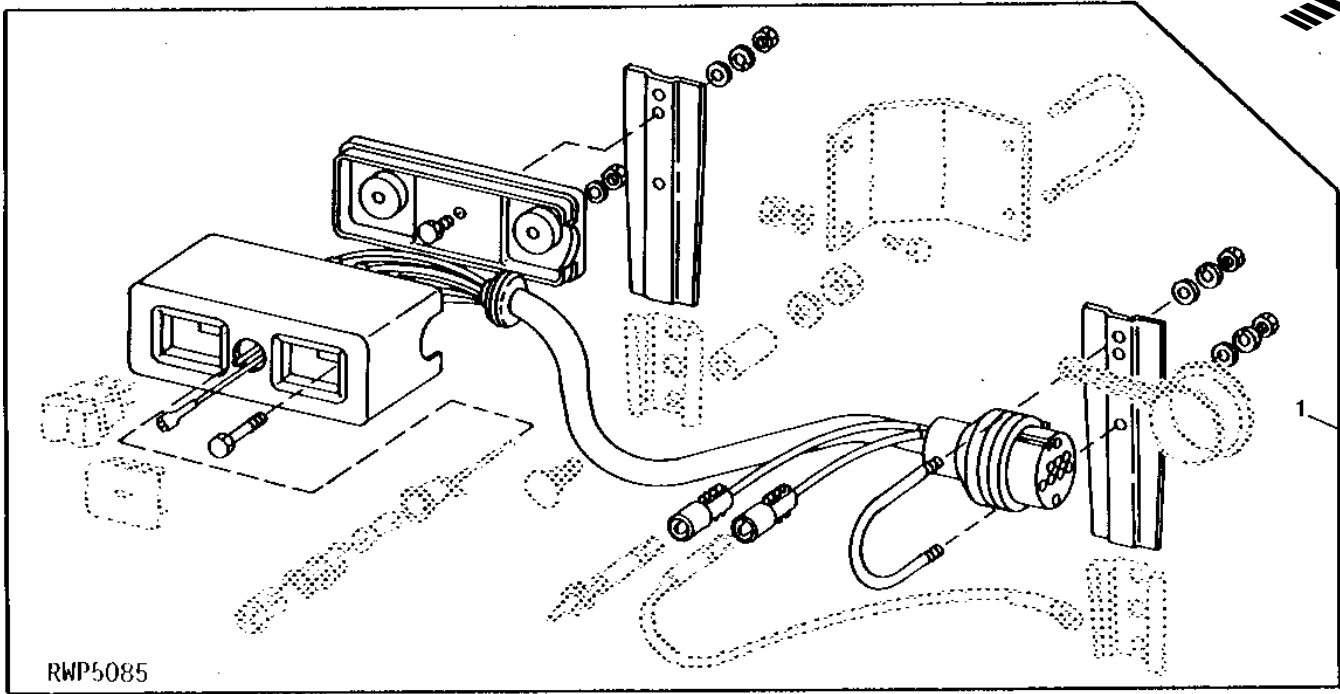
KEY	PART NO.	PART NAME	QTY	TRACTOR SERIAL NO.	REMARKS
1	AR49797	TOGGLE SWITCH	1		MOMENTARY ROCKER (FI)
	AR49798	ROCKER SWITCH	1		DETENT ROCKER (FI)
2	AR50779	WIRING HARNESS	1		(TWO SWITCH) (ILLUSTRATED)
	AR50780	WIRING HARNESS	1		(FOUR SWITCH)
3	19H1914	CAP SCREW	1		1/4" X 1"
4	12H315	LOCK WASHER	2		0.164"
5	14H605	NUT	2		0.164"
6	24H1821	WASHER	3		9/32" X 47/64" X 1/16"
7	12H302	LOCK WASHER	3		1/4"
8	14H786	NUT	3		1/4"
9	R47861	BRACKET	AR		(2 USED TWO SWITCH) (1 USED, FOUR SWITCH)
	R47860	BRACKET	1		(FOUR SWITCH)
10	JD126	SOCKET	2		
11	28H1495	SPACER	4		0.493" X 0.675" X 1", (SOUND-GARD)
12	24M7207	WASHER	4		8.400 X 24 X 2 MM
13	14H785	NUT	4		5/16"
14	21H1304	SCREW	2		5/16" X 3/4"
15	R54467	BRACKET	1		
16	E16050	U-BOLT	1		
17	R48048	CAP	1		
18	AR50928	WIRING LEAD	1		
19	H987R	GROMMET	4		
20	AR50927	WIRING LEAD	1		
21	03H1515	BOLT	4		5/16" X 2"
22	R36235	GROMMET	1		
23	AT44165	WIRING LEAD	1	XXXXXX-	
24	AR55694	BULB	1		
25	R30378	SPRING	1		
26	AT48673	LENS	1	XXXXXX-	
27	R48049	PLUG	1		
28	R48028	SCREW	2		
..	R48026	DECAL	1		
..	R48027	GROMMET	1		(CAB OPENING)
..	R32276	PLUG	1		(CAB OPENING)

1H2

ELECTRICAL

RWP5085 -UN-01JAN94

ELECTRICAL REMOTE CONTROL KIT



KEY	PART NO.	PART NAME	QTY	TRACTOR SERIAL NO.	REMARKS
1	AR62360	KIT	1		(TWO SWITCHES) (FI)

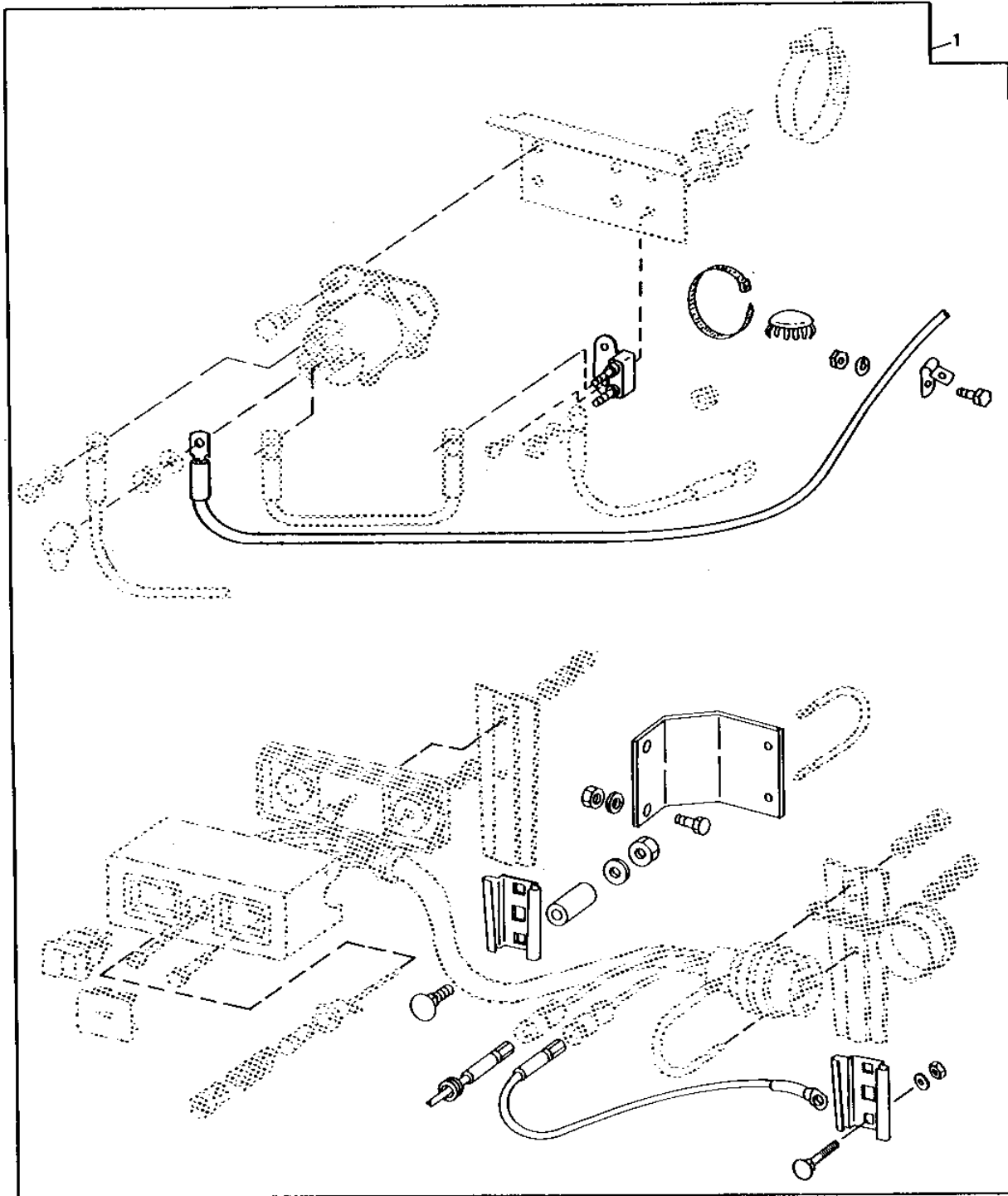
1H3

ELECTRICAL

RWP5666

-UN-01JAN94

ELECTRICAL REMOTE CONTROL WIRING KIT



RWP5666

1H4

ELECTRICAL

ELECTRICAL REMOTE CONTROL WIRING KIT - CONTINUED

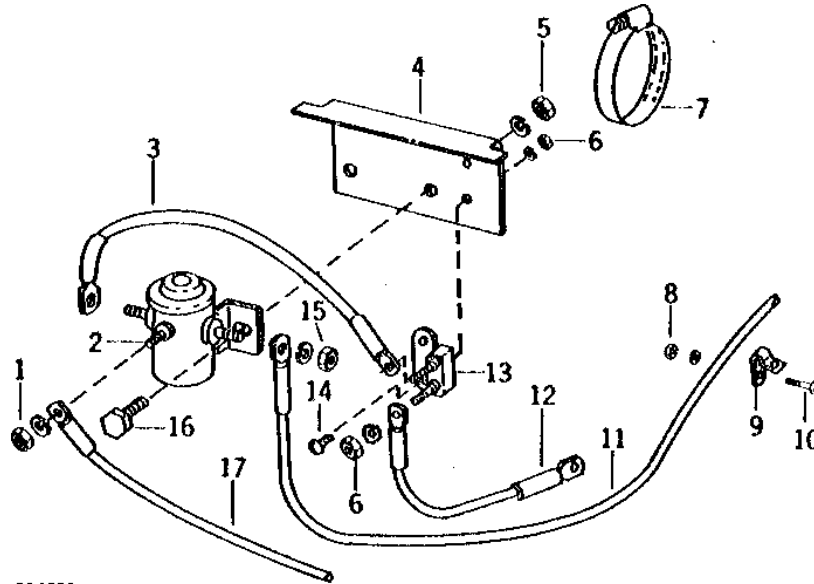
KEY	PART NO.	PART NAME	QTY	TRACTOR SERIAL NO.	REMARKS
1	RE25621	KIT	1	(SUB FOR AR62359) (FI)	

1H5

ELECTRICAL

R16555 -UN-01JAN94

ELECTRICAL REMOTE CONTROL WIRING KIT



R16555

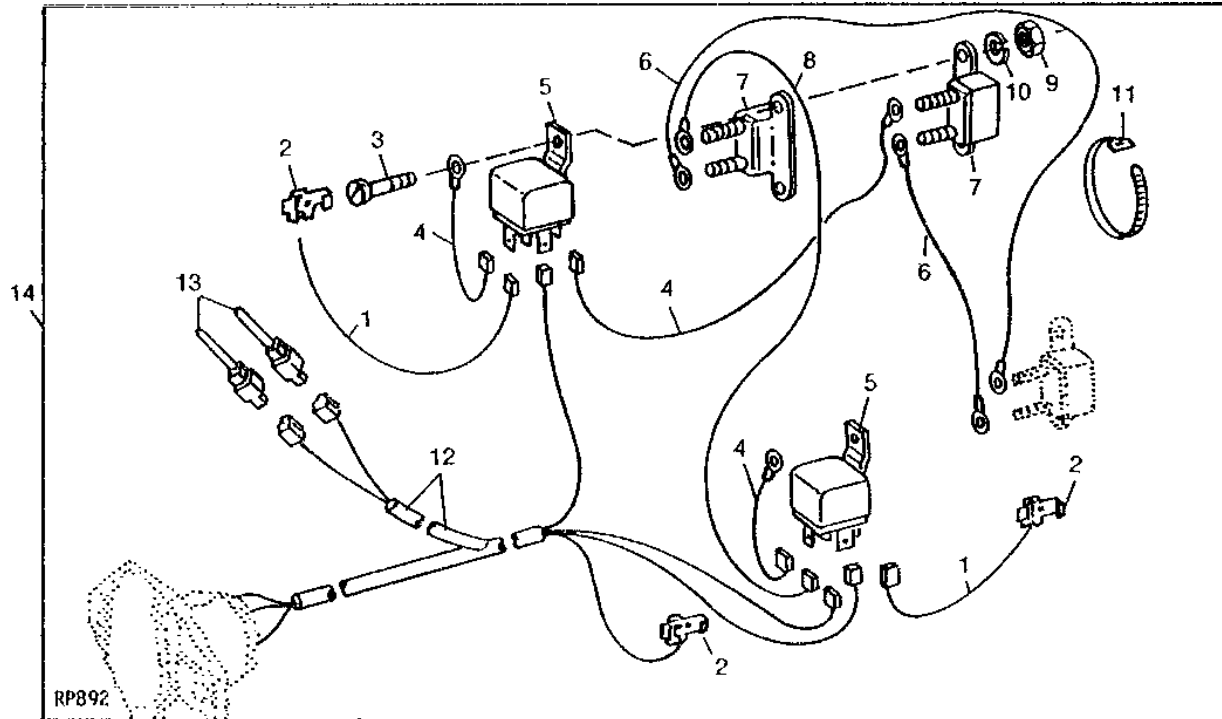
KEY	PART NO.	PART NAME	QTY	TRACTOR SERIAL NO.	REMARKS
1	14H631	NUT	1	0.190"	
	12H246	LOCK WASHER	1	0.190"	
2	AR54484	RELAY	1		
3	AR50929	WIRING LEAD	1		
4	R47859	BRACKET	1		
5	14H786	NUT	2	1/4"	
	12H297	LOCK WASHER	2	1/4"	
6	14H631	NUT	4	0.190"	
	12M7060	WASHER	4	0.209"	
7	AR52392	CLAMP	2		
8	14H813	NUT	2	7/16"	
	12H293	LOCK WASHER	2	7/16"	
9	T14264	CLAMP	2		
10	19H1924	CAP SCREW	2	7/16" X 3/4"	
11	AR50927	WIRING LEAD	1		
12	AR50930	WIRING LEAD	1		
13	AR50926	CIRCUIT BREAKER	1		
14	21H1295	SCREW	2	0.190" X 5/8"	
15	14H650	NUT	2	5/16"	
	12H303	LOCK WASHER	2	5/16"	
16	19H1919	CAP SCREW	2	1/4" X 5/8"	
17	AR50931	WIRING LEAD	1		
	R41439	GROMMET	1		
..	R44302	TIE BAND	AR		
..	R32276	PLUG	1	(CAB OPENING)	

1H6

ELECTRICAL

7-TERMINAL ELECTRICAL OUTLET SOCKET SUPPLEMENTARY WIRING KIT

RP892 -UN-01JAN94



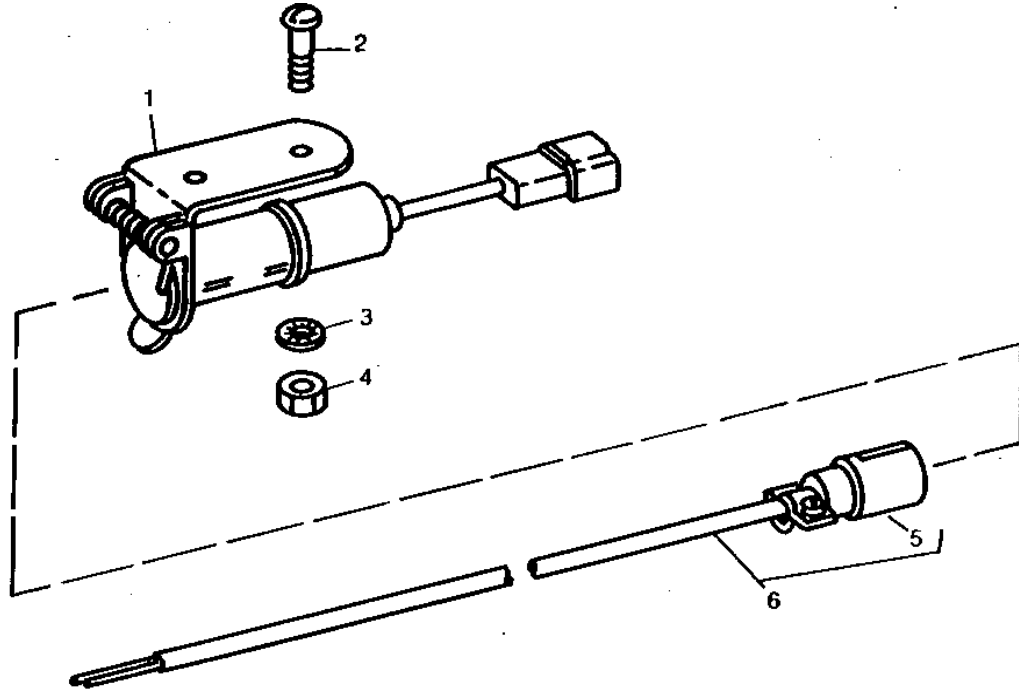
KEY	PART NO.	PART NAME	QTY	TRACTOR SERIAL NO.	REMARKS
1	WIRING LEAD	2		300 MM (11-7/8") (MAKE FROM R32007 AND R65600)
2	AR67855	CONNECTOR	3		
3	21H1282	SCREW	2		0.190" X 7/8"
4	WIRING LEAD	3		152 MM (6") (MAKE FROM R32007, R32025, R32021 AND R32027)
5	AR74411	RELAY	2		
6	WIRING LEAD	2		152 MM (6") (MAKE FROM R32007 AND (2) R32018)
7	AR28403	CIRCUIT BREAKER	2		
8	WIRING LEAD	1		310 MM (12-1/4") (MAKE FROM R32007, R32024, R32018 AND R32027)
9	14H631	NUT	6		0.190"
10	12M7060	WASHER	6		0.209"
11	R44302	TIE BAND	10		
12	AR82908	WIRING HARNESS	1		
13	AR82911	WIRING LEAD	2		
14	AR82906	KIT	1		(SUB FOR AR78052, THIS APPLICATION) (USE WITH RE17282) (FI)

1H7

ELECTRICAL

RXP8343 -UN-01JAN94

ELECTRICAL OUTLET SOCKET



RXP8343

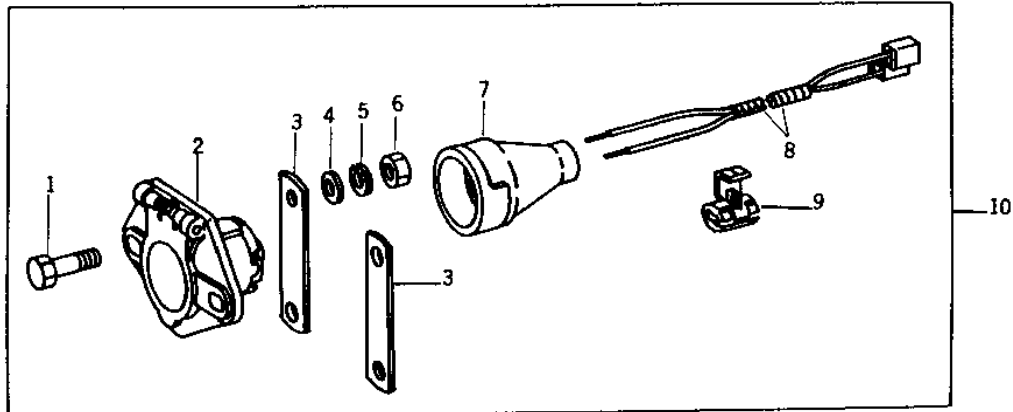
KEY	PART NO.	PART NAME	QTY	TRACTOR SERIAL NO.	REMARKS
1	AT20709	SOCKET OUTLET	1		
2	19H1815	CAP SCREW	2	1/2" X 1-1/4"	
3	12H301	LOCK WASHER	6	1/2"	
4	14H1040	NUT	2	1/2"	
5	AA5692R	ELECTRICAL PLUG	1		
6	AR40710	PLUG	1		

1H8

ELECTRICAL

R32128 -UN-01JAN94

7-TERMINAL ELECTRICAL OUTLET SOCKET



R32128

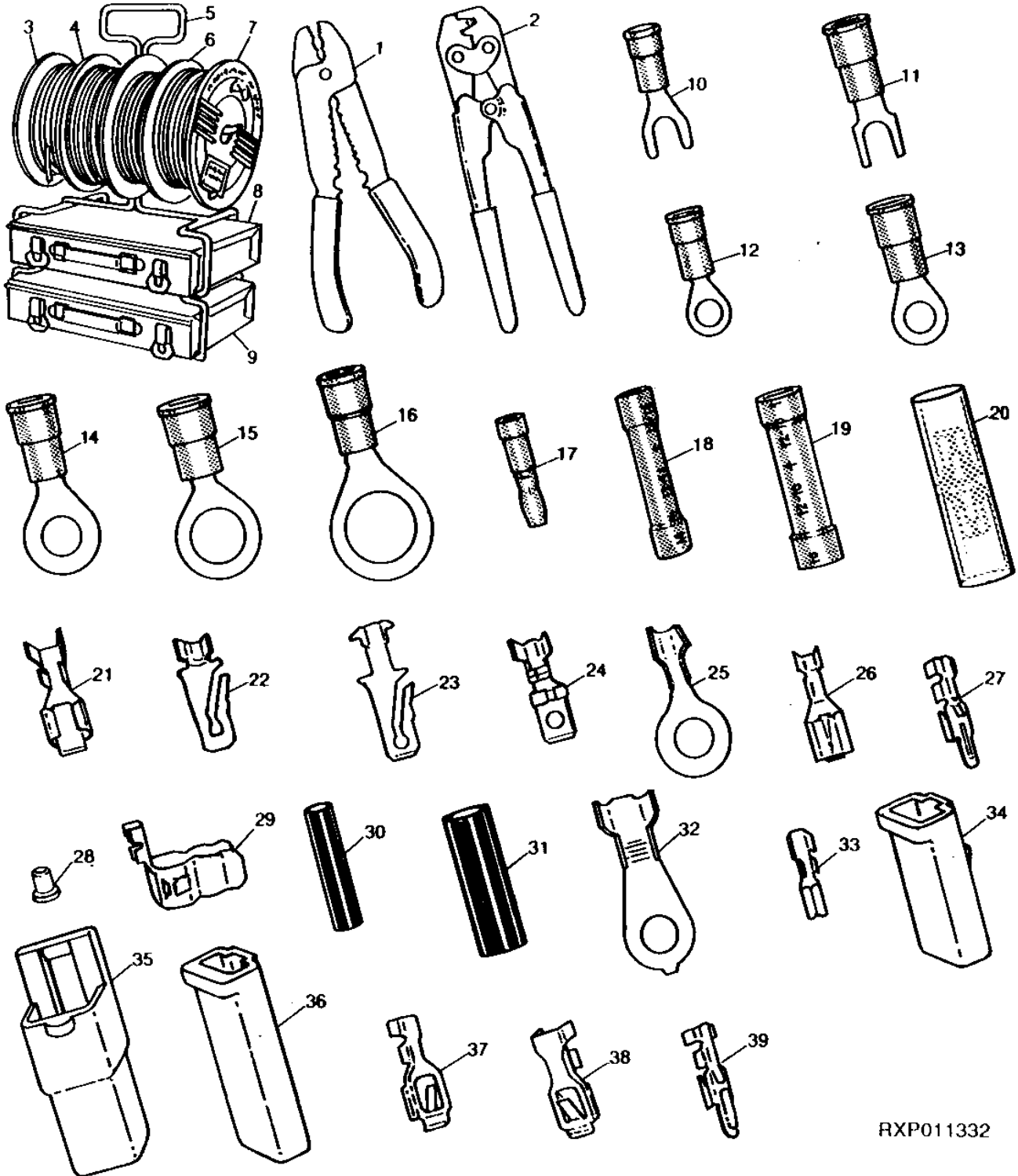
KEY	PART NO.	PART NAME	QTY	TRACTOR SERIAL NO.	REMARKS
1	19H1905	CAP SCREW	4	5/16" X 1"	
2	AR75695	SOCKET OUTLET	1		
3	R61776	STRAP	2		
4	24H1136	WASHER	4	11/32" X 11/16" X 0.065"	
5	12H303	LOCK WASHER	4	5/16"	
6	14H785	NUT	4	5/16"	
7	R61775	BOOT	1		
8	AR75696	WIRING HARNESS	1	EXTENSION	
.....		WIRING LEAD	1	3963 MM (156") TAIL LAMP LEAD, (MAKE FROM R77500)	
.....		WIRING LEAD	1	400 MM (16") GROUND, (MAKE FROM R77500 AND R77488)	
9	AR67855	CONNECTOR	3		
10	RE17282	KIT	1	(SUB FOR AR75694) (FI)	

1H9

ELECTRICAL

RXP011332 -UN-27SEP94

ELECTRICAL TERMINALS,CONNECTORS AND WIRING



RXP011332

1H10

ELECTRICAL

ELECTRICAL TERMINALS,CONNECTORS AND WIRING - CONTINUED

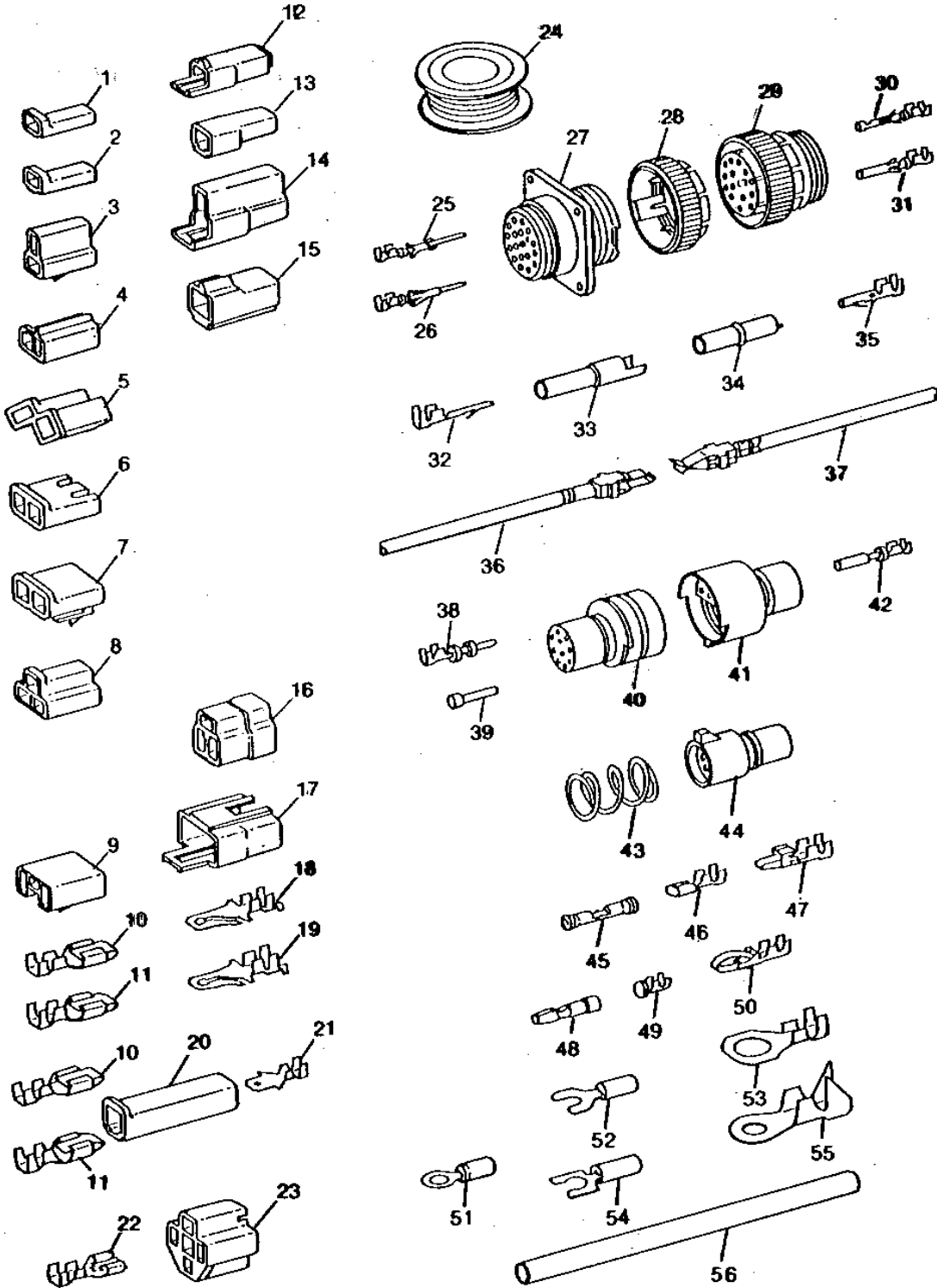
KEY	PART NO.	PART NAME	QTY	TRACTOR SERIAL NO.	REMARKS
1	R32011	TOOL	1	(NLA)	
2	R65594	TOOL	1		
3	R66319	WIRING LEAD	1	14 GA., 30.5 M (100 FT.) (1 SPOOL)	
4	R65593	WIRING LEAD	1	16 GA., 30.5 M (100 FT.) (1 SPOOL)	
5	R65608	RACK	1		
6	R66321	WIRING LEAD	1	10 GA., 15 M (50 FT.) (1 SPOOL)	
7	R66320	WIRING LEAD	1	12 GA., 30.5 M (100 FT.) (1 SPOOL)	
8	R65609	CONTAINER	1	(NLA)	
9	R65610	CONTAINER	1		
10	R32016	TERMINAL	1	14-16 GA., NO. 10 SPADE	
11	R32017	TERMINAL	1	10-12 GA., NO. 10 SPADE	
12	R32018	TERMINAL	1	14-16 GA., NO. 10 EYELET	
13	R32019	TERMINAL	1	10-12 GA., NO. 10 EYELET	
14	R32021	TERMINAL	1	10-12 GA., 1/4" EYELET	
15	R32022	TERMINAL	1	10-12 GA., 3/8" EYELET	
16	R32023	TERMINAL	1	10-12 GA., 1/2" EYELET	
17	R32026	TERMINAL	1	MALE BULLETT	
18	R32027	CONNECTOR	1	SPLICE, 14-16 GA.	
19	R32028	TERMINAL	1	SPLICE, 10-12 GA.	
20	AL2976T	CONNECTOR	1	(SUB FOR R32029) 2-WIRE BULLETT CONNECTOR	
21	R65595	TERMINAL	1	FEMALE, 10 GA.	
22	R65596	TERMINAL	1	MALE, 10 GA. OR TWO 14 GA. CABLES	
23	R65597	TERMINAL	1	MALE, 14-16 GA.	
24	R65598	TERMINAL	1	MALE, SHORT, 14-16 GA.	
25	R65599	TERMINAL	1	14-16 GA., 1/4" EYELET	
26	R65600	TERMINAL	1	FEMALE, 14-16 GA.	
27	R65601	TERMINAL	1	TWIN-LOCK, TWO 16 GA. CABLES	
28	R65602	SOCKET CONTACT	1	BULB SOCKET, 16-18 GA.	
29	R65603	TERMINAL NIPPLE	1	FUSE	
30	R65604	INSULATING SLEEVE	1	14-18 GA.	
31	R65605	INSULATING SLEEVE	1	8-12 GA.	
32	R65606	TERMINAL	1	6-8 GA., 1/4" EYELET	
33	R65607	TERMINAL	1	18-20 GA.	
34	T28583	RECEPTACLE	1	ONE CONTACT LOCK-TYPE, MALE	
35	T28585	TERMINAL	1	ONE CONTACT LOCK-TYPE, FEMALE	
36	U46370	CONNECTOR	1	CONNECTOR, ONE CONTACT SINGLE BODY, MALE	
37	U46662	TERMINAL	1	FEMALE	
38	U46663	TERMINAL	1	FEMALE	
39	U46664	TERMINAL	1	FEMALE	

1H11

ELECTRICAL

RXP010581 -UN-01JAN94

ELECTRICAL CONNECTORS, TERMINALS AND WIRING



RXP010581

1H12

ELECTRICAL

ELECTRICAL CONNECTORS, TERMINALS AND WIRING - CONTINUED

KEY	PART NO.	PART NAME	QTY	TRACTOR SERIAL NO.	REMARKS
1	T28583	RECEPTACLE	1	(B)	
2	M43835	FLAT CONNECTOR	1	(B)	
3	R77476	CONNECTOR	1	(A)	
4	R77477	CONNECTOR	1	(A)	
5	R77479	CONNECTOR	1	(A)	
6	R77480	CONNECTOR	1	(A)	
7	R77481	CONNECTOR	1	(A)	
8	R77482	CONNECTOR	1		
9	H104855	CONNECTOR	1		
10	U46662	TERMINAL	1	(E) (F)	
11	N115096	TERMINAL	1	(G) (SUB R65595) (PKG. OF 15)	
12	T28585	TERMINAL	1	(B)	
13	R77475	CONNECTOR	1	(B)	
14	T28586	CONNECTOR	1	(A)	
15	R77478	CONNECTOR	1	(A)	
16	R77483	CONNECTOR	1		
17	R48887	RECEPTACLE	1		
18	T34067	TERMINAL	1	(E) (F)	
19	R77484	TERMINAL	1	(G) (PKG. OF 15)	
20	U46370	CONNECTOR	1	(B)	
21	R77485	TAB	1	(C) (F)	
22	R77486	TERMINAL	1	(E) (F)	
23	R77487	CONNECTOR	1	(B)	
24	R66321	WIRING LEAD	1	15M (50 FT.) 10 GA.	
	R66320	WIRING LEAD	1	30.5M (100 FT.) 12 GA.	
	R77501	WIRE	1	30.5M (100 FT.) 14 GA.	
	R77500	WIRE	1	30.5M (100 FT.) 16 GA.	
	R77499	WIRE	1	30.5M (100 FT.) 18 GA.	
	R77498	WIRE	1	30.5M (100 FT.) 20 GA.	
25	R77462	PIN CONTACT	1	(PKG. OF 40) (20-22 OR 24 GA. WIRE)	
26	R77464	PIN CONTACT	1	(H) (PKG. OF 50)	
27	R77456	RECEPTACLE	1	(37 WAY)	
28	R77458	CONNECTOR	1	(A) (SIZE 23)	
	R77459	CONNECTOR	1	(A) (SIZE 17)	
	R77460	CONNECTOR	1	(A) (SIZE 13)	
	R77461	CONNECTOR	1	(A) (SIZE 11)	
29	R77457	ELECTRICAL PLUG	1	(37 WAY)	
30	R77463	SOCKET CONTACT	1	(PKG. OF 40) (20-22 OR 24 GA. WIRE)	
31	R77465	SOCKET CONTACT	1	(H) (PKG. OF 50)	
32	R77468	TERMINAL	1	(PKG. OF 5)	
33	R77466	CONNECTOR	1	(A)	
34	R77467	CONNECTOR	1	(A)	

(A) PKG. OF 2

(B) PKG. OF 3

(C) PKG. OF 10

(D) PKG. OF 20

(E) PKG. OF 25

(F) 14 OR 16 GA. WIRE

(G) 10 OR 12 GA. WIRE

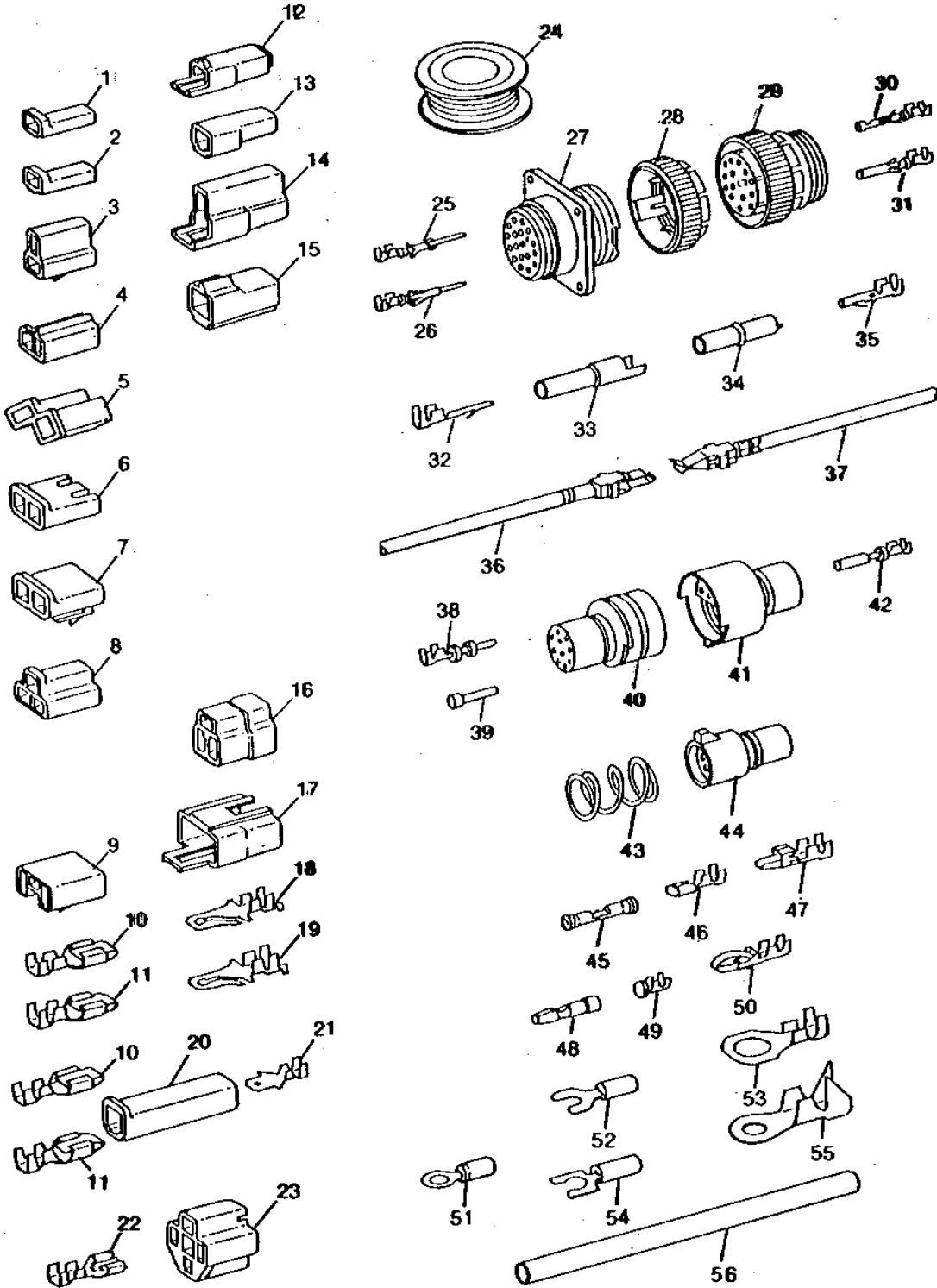
(H) 14-16 OR 18 GA. WIRE

1H13

ELECTRICAL

ELECTRICAL CONNECTORS, TERMINALS AND WIRING - CONTINUED

RXP010581 -UN-01JAN94



RXP010581

1H14

ELECTRICAL

ELECTRICAL CONNECTORS, TERMINALS AND WIRING - CONTINUED

KEY	PART NO.	PART NAME	QTY	TRACTOR SERIAL NO.	REMARKS
35	R77469	TERMINAL	1		(PKG. OF 5)
36	RE11156	TERMINAL	1		(B) (MALE)
37	RE11157	TERMINAL	1		(B) (FEMALE)
38	R70222	PIN CONTACT	1		(D) (H)
39	R70221	ELECTRICAL PLUG	1		(E)
40	R70219	PLUG	1		(A) (10 WAY)
	R70217	PLUG	1		(A) (7 WAY)
	R70215	PLUG	1		(A) (4 WAY)
	R70213	PLUG	1		(A) (3 WAY)
41	R70211	CONNECTOR	1		(A) (2 WAY)
	R70218	RECEPTACLE	1		(A) (10 WAY)
	R70216	RECEPTACLE	1		(A) (7 WAY)
	R70214	RECEPTACLE	1		(A) (4 WAY)
	R70212	RECEPTACLE	1		(A) (3 WAY)
	R70210	RECEPTACLE	1		(A) (2 WAY)
42	AR91793	SOCKET CONTACT	1		(D)
43	R30378	SPRING	1		(C)
44	R77474	CONNECTOR	1		(A) (6 WAY)
45	R77470	TERMINAL	1		SPLICE (PKG. OF 15) (16-18-20 OR 22 GA. WIRE)
	R77471	TERMINAL	1		(C) (G) SPLICE
	R77472	TERMINAL	1		(A) SPLICE (8 GA. WIRE)
	R77473	TERMINAL	1		(A) SPLICE (6 GA. WIRE)
46	R65607	TERMINAL	1		(C) (18 OR 20 GA. WIRE)
47	U46664	TERMINAL	1		(C) (F)
48	R32026	TERMINAL	1		(D) (F)
49	R65602	SOCKET CONTACT	1		(C) (16 OR 18 GA. WIRE)
50	R70220	TERMINAL	1		(C) (18 OR 20 GA. WIRE)
51	R77489	TERMINAL	1		(D) (14-16-18 OR 20 GA. WIRE) (NO. 10 EYELET)
	R77493	TERMINAL	1		(D) (G) (NO. 10 EYELET)
	R77488	TERMINAL	1		(D) (14-16-18 OR 20 GA. WIRE) (3/8" EYELET)
	R77490	TERMINAL	1		(D) (G) (1/2" EYELET)
52	R77496	TERMINAL	1		(D) (F) (NO. 8 SPADE)
	R77495	TERMINAL	1		(D) (18 GA. WIRE) (NO. 10 SPADE)
53	R77497	TERMINAL	1		(D) (F) (NO. 6 SPADE)
54	R77491	TERMINAL	1		(D) (G) (3/8" EYELET)
	R77492	TERMINAL	1		(D) (G) (1/4" EYELET)
55	R77494	TERMINAL	1		(D) (6 OR 8 GA. WIRE) (1/4" EYELET)
56	R77502	TUBE	1		(PKG. OF 8) 3/8" (HEAT SHRINK)
	R77503	TUBE	1		(PKG. OF 8) 3/16" (HEAT SHRINK)

(A) PKG. OF 2

(B) PKG. OF 3

(C) PKG. OF 10

(D) PKG. OF 20

(E) PKG. OF 25

(F) 14 OR 16 GA. WIRE

(G) 10 OR 12 GA. WIRE

(H) 14-16 OR 18 GA. WIRE

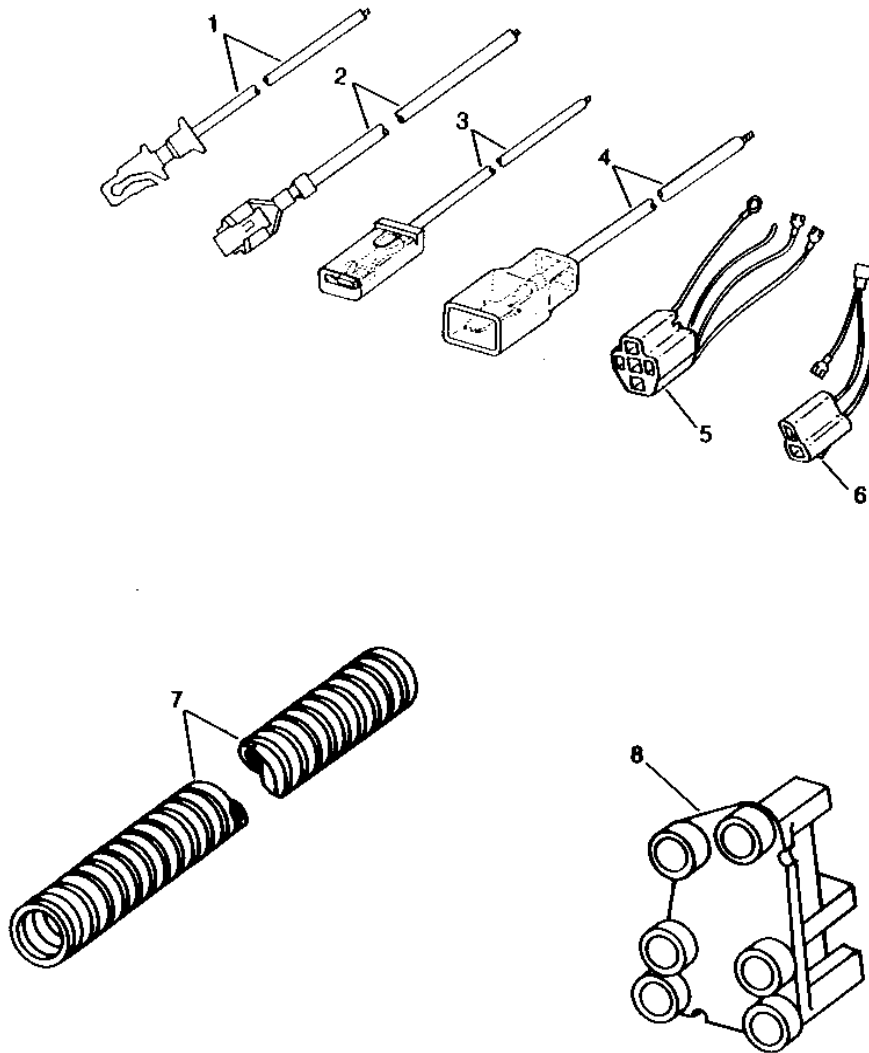
1H15

ELECTRICAL

RXP8619

-UN-28NOV94

SUPPLEMENTARY TERMINALS AND CONNECTORS



1H16

ELECTRICAL

SUPPLEMENTARY TERMINALS, CONNECTORS AND REPAIR CONDUIT - CONTINUED

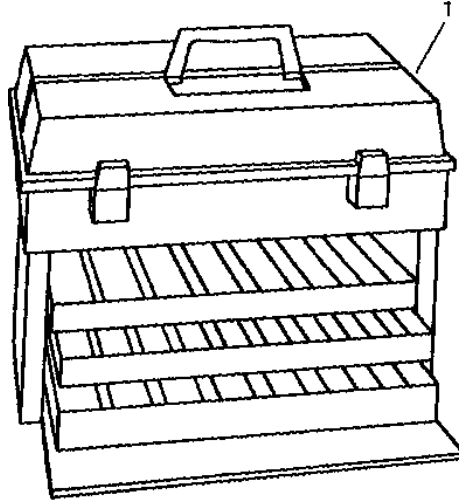
KEY	PART NO.	PART NAME	QTY	TRACTOR SERIAL NO.	REMARKS
1	AR65005	TERMINAL	1		
2	AR65006	TERMINAL	1		
3	R32024	WIRING LEAD	1		
4	R32025	WIRING LEAD	1		
5	RE21730	TERMINAL	1		
	RE21731	TERMINAL	1		
6	RE21732	TERMINAL	1		
7	R93219	CONDUIT	1		6.3 X 3048MM (1/4" X 120")
	R93220	CONDUIT	1		10.4 X 3048MM (13/32" X 120")
	R93221	CONDUIT	1		15.9 X 3048MM (5/8" X 120")
	R93222	CONDUIT	1		25.4 X 3048MM (1" X 120")
8	AR83425	RECEPTACLE CONNECTOR BODY	1		(LIGHT SWITCH)

1H17

ELECTRICAL

RXP010001 -UN-01JAN94

ELECTRICAL CONNECTOR AND TERMINAL KIT



RXP010001

KEY	PART NO.	PART NAME	QTY	TRACTOR SERIAL NO.	REMARKS
1	PM797NA	KIT	1	(A)	

(A) KIT INCLUDES CONNECTORS,TERMINALS AND TOOLS

MEMORANDA

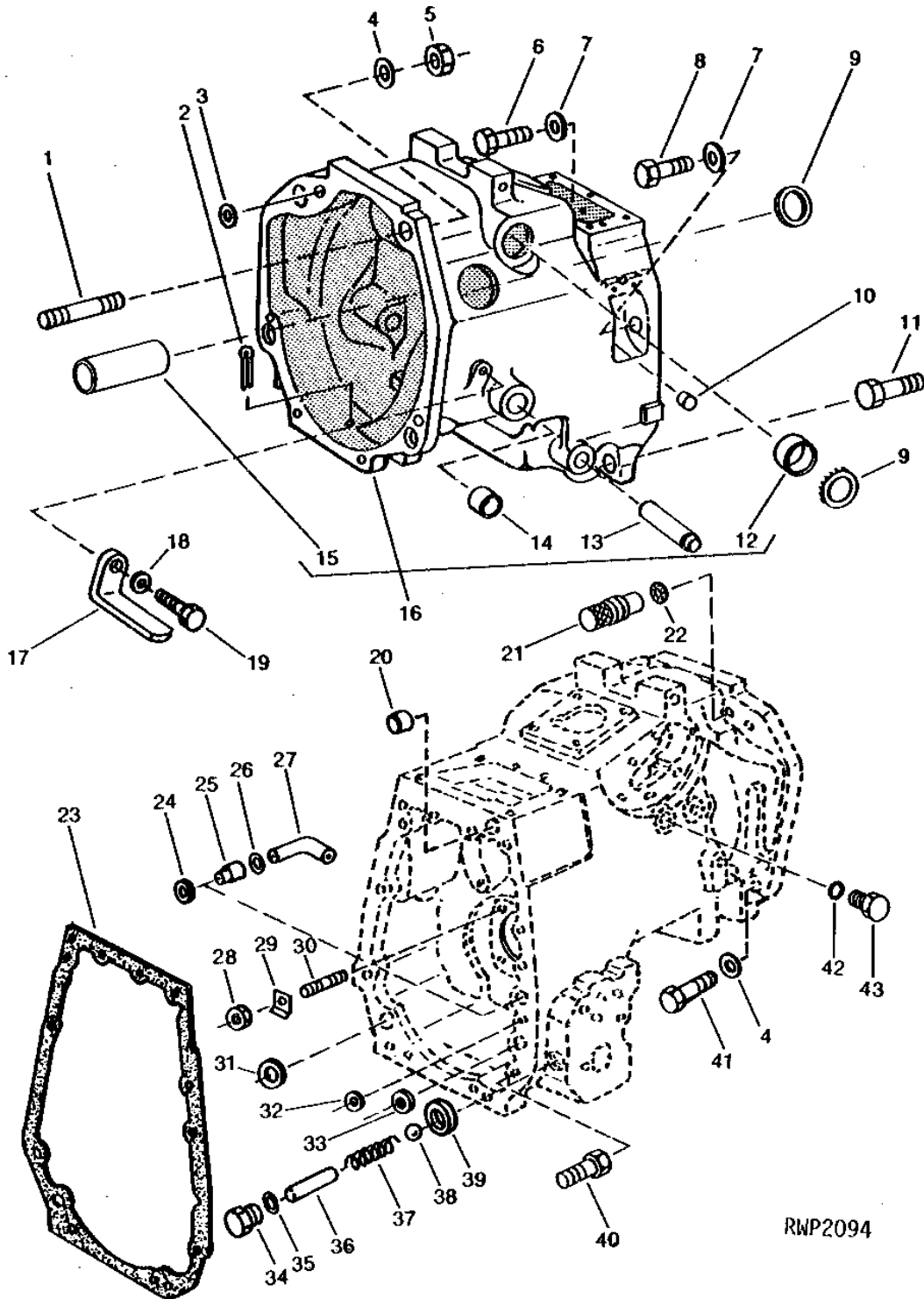
1H21

POWER TRAIN

RWP2094

-UN-01JAN94

CLUTCH HOUSING



1H22

POWER TRAIN

CLUTCH HOUSING - CONTINUED

KEY	PART NO.	PART NAME	QTY	TRACTOR SERIAL NO.	REMARKS
1	L29854	STUD	1		
2	11M7084	COTTER PIN	1	5 X 25 MM	
3	R26919	WASHER	1		
4	R70268	WASHER	4	(SUB FOR R42363)	
5	14H1039	NUT	1	5/8"	
6	19H2510	CAP SCREW	2	1/2" X 1-5/8"	
7	T20168	WASHER	3		
8	19H2735	CAP SCREW	1	1/2" X 2"	
9	R1680R	PLUG	2	(SUB FOR T22589)	
10	M4224T	PLUG	1	(LESS FRONT PTO SHAFT)	
11	19H1721	CAP SCREW	6	(A) 1/2" X 1-1/2"	
12	T21445	BUSHING	1	STEERING GEAR SHAFT	
13	T21448	PIN	1	CLUTCH PEDAL PIVOT	
14	T21446	BUSHING	1	CLUTCH FORK SHAFT	
15	T21447	SLEEVE	1	CLUTCH RELEASE BEARING CARRIER	
16	AT41649	HOUSING	1	-XXXXXX	(B) (C) (MARKED T30747 OR R63438) (SUB AR94535, R39112, R26375, 19H2133 AND L29854)
	AR94535	HOUSING	1	XXXXXX-	(B) (C) (MARKED R71696)
	AT29710	HOUSING	1	-XXXXXX	(D) (MARKED T30806) (ALSO ORDER 19H2351) (SUB L29854, (2) T68412 AND (2) 14H1039)
	AL24091	HOUSING	1	XXXXXX-	(D) (NLA)
	AL24089	CASE	1		(B) (C)
17	T22531	BRACKET	1		(A) (ORCHARD FENDERS)
18	12H304	LOCK WASHER	1		(ORCHARD FENDERS)
19	19H2284	CAP SCREW	1		(ORCHARD FENDERS)
20	T12083	CAP	1		
21	T22898	PLUG	1		
22	T21827	WASHER	1		
23	T36236	GASKET	1	(SUB FOR T21968)	
24	T22851	WASHER	1		
	T68412	WASHER	1		
25	T25408	SLEEVE	1	(C)	
26	R375R	O-RING	1	(C)	
27	R64806	OIL TUBE	1	(C) (SUB FOR R48290)	
28	14H1076	NUT	4	3/8"	
29	R30958	LOCK PLATE	4		
30	R55396	STUD	4	(SUB FOR C2175R)	
31	R26149	PACKING	1		
32	A4847R	WASHER	1		
33	T22851	WASHER	1		
	T68412	WASHER	1		
34	R27175	DRAIN PLUG	1		
35	F3171R	O-RING	1		
36	T28850	ELBOW FITTING	1		
37	T14059	SPRING	1		
38	F2772R	BALL	1		
39	T22858	VALVE SEAT INSERT	1		
40	19H2351	CAP SCREW	1	(B) 1/2" X 1/2"	
	T30774	CAP SCREW	1	(A)	
41	19H3170	CAP SCREW	4	5/8" X 4-1/2", (3 USED WITH R71696)	
42	R26375	O-RING	1		
43	R39112	FITTING	1	STEERING SHAFT OIL DRAIN	

- (A) INDEPENDENT PTO
- (B) LESS INDEPENDENT PTO
- (C) LESS HI-LO
- (D) HI-LO

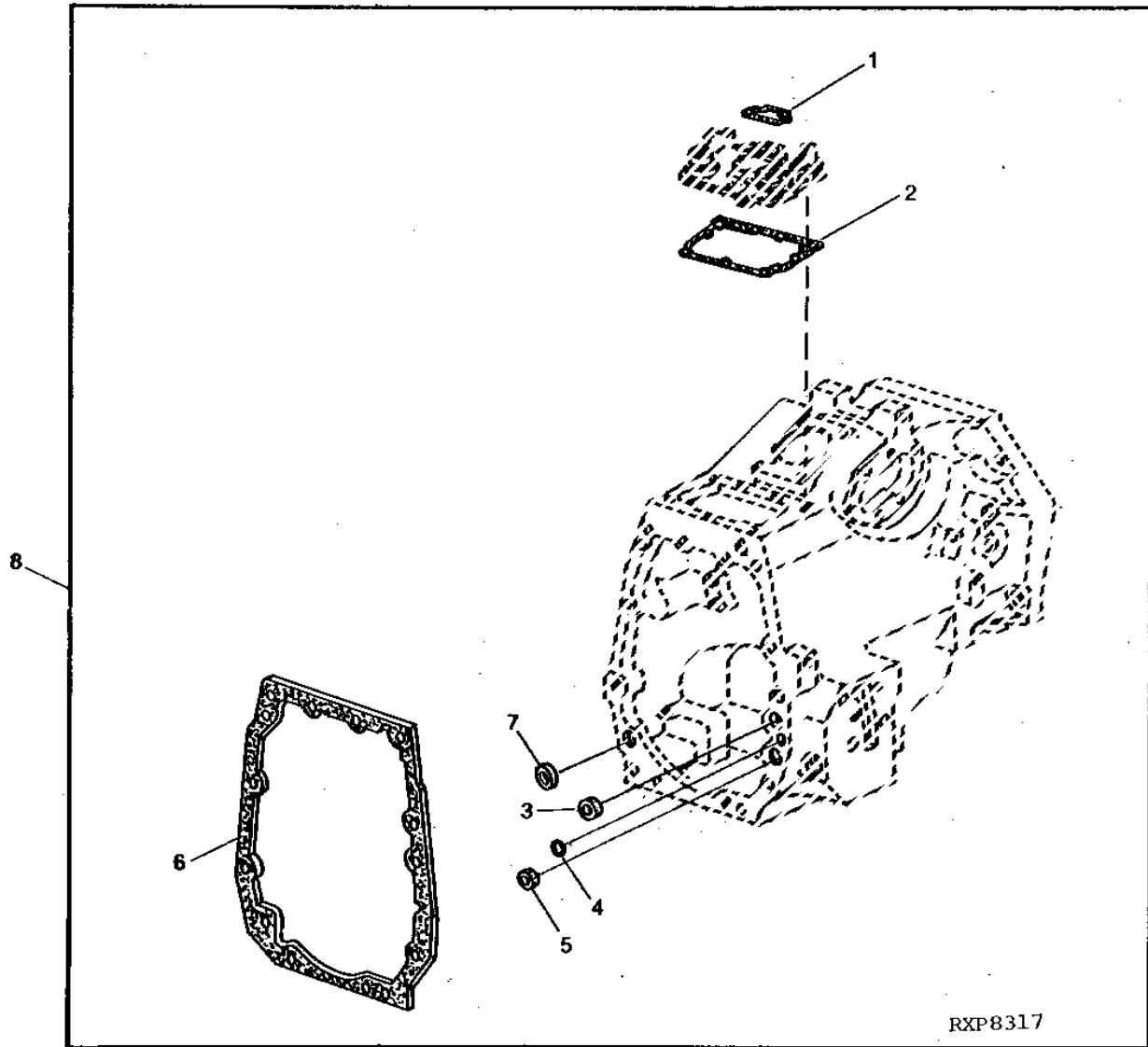
1H23

POWER TRAIN

RXP8317

-UN-01JAN94

CLUTCH HOUSING TO TRANSMISSION CASE GASKET KIT



1H24

POWER TRAIN

CLUTCH HOUSING TO TRANSMISSION CASE GASKET KIT - CONTINUED

KEY	PART NO.	PART NAME	QTY	TRACTOR SERIAL NO.	REMARKS
1	T25397	GASKET	1		
2	T36042	GASKET	1		
3	T22851	WASHER	1		
4	A4847R	WASHER	1		
5	T22851	WASHER	1		
6	L61918	GASKET	1		(SUB FOR L33139)
7	R26149	PACKING	1		
8	RE50137	GASKET KIT	1		(SUB FOR AR94702) (INCLUDES ADDITIONAL O-RINGS AND GASKETS)

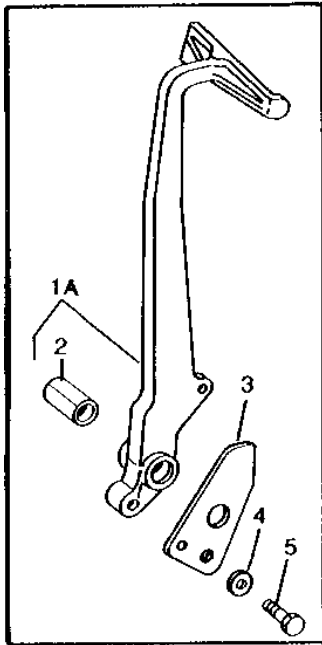
MEMORANDA

1H25

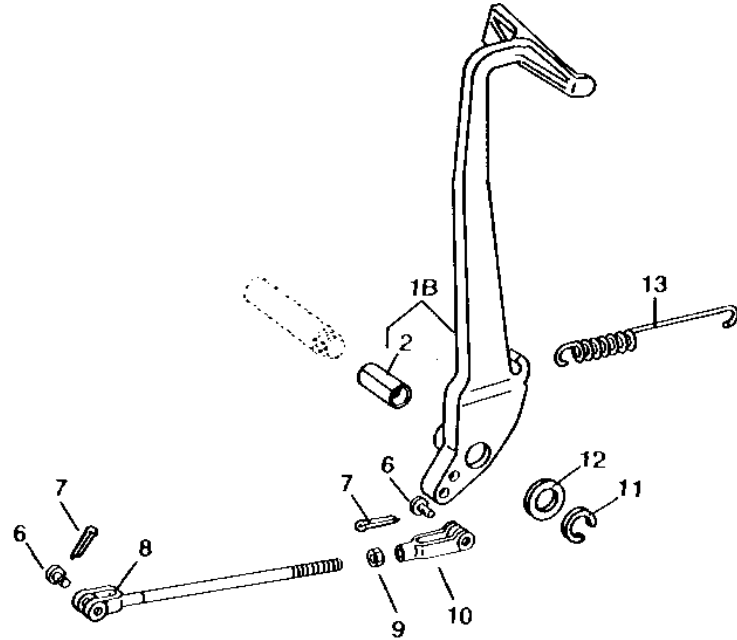
POWER TRAIN

RWP5244 -UN-01JAN94

CLUTCH PEDAL AND LINKAGE



RWP5244



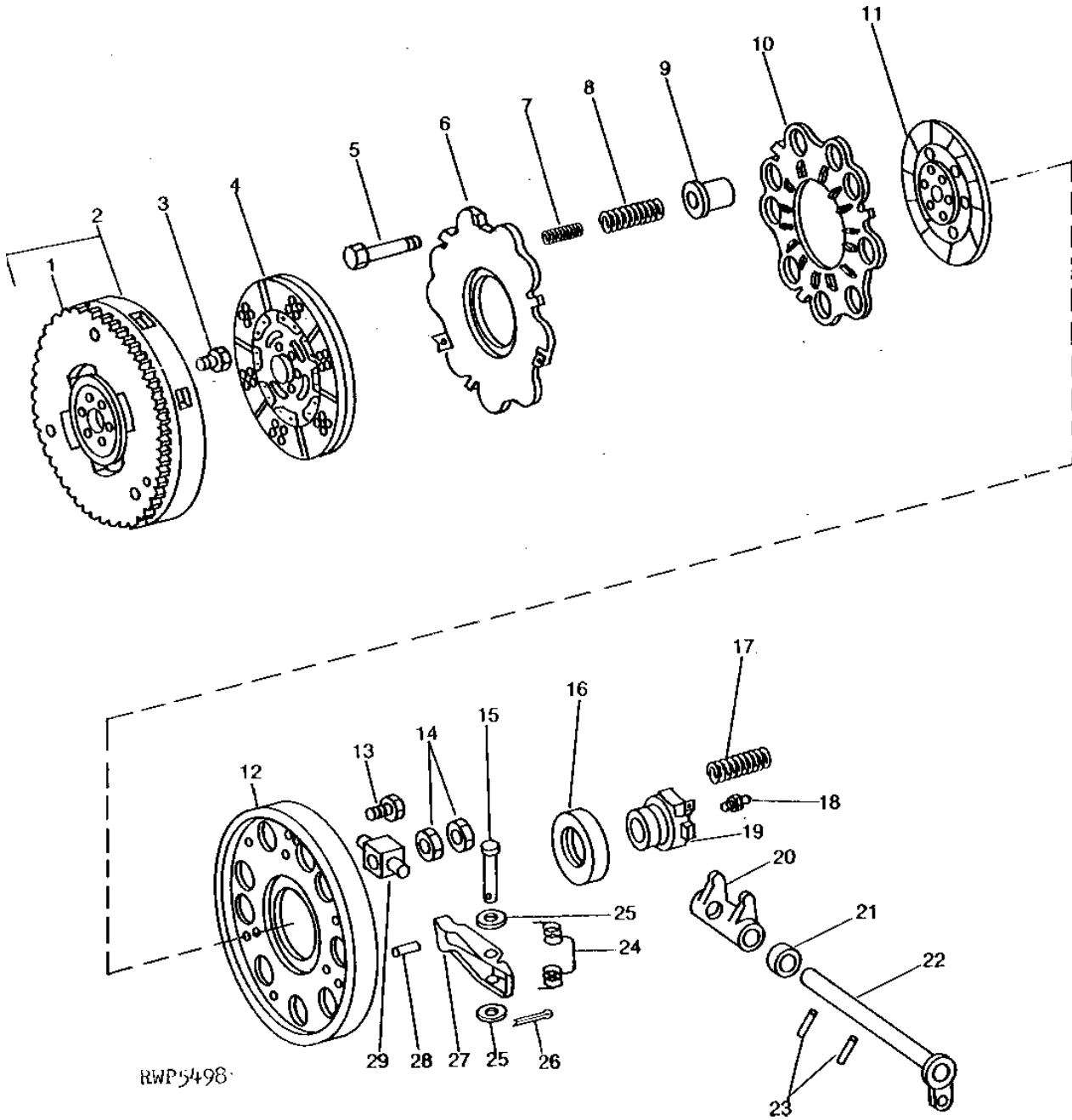
KEY	PART NO.	PART NAME	QTY	TRACTOR SERIAL NO.	REMARKS
1A	AT22096	PEDAL	1	-XXXXXX	(MARKED T22000) (SUB AL38242)
1B	AL27229	PEDAL	1	XXXXXX-	(MARKED L32030) (SUB AL38242)
2	T21998	BUSHING	1		
3	T22529	ARM	1	-XXXXXX	(SUB AL38242)
4	T26198	WASHER	1	-XXXXXX	
	24H1625	WASHER	1		17/32" X 1" X 0.120", (INDEPENDENT PTO)
5	19H3579	CAP SCREW	1	-XXXXXX	1/2" X 1-3/8"
6	R65563	PIN	2		(SUB FOR C1067R)
7	11M7059	COTTER PIN	2		3.200 X 20 MM
8	AT22926	ROD	1		(SUB L62679, M80373 AND 14H774)
9	14H774	NUT	1		3/8"
10	M80373	YOKE	1		(SUB FOR L324T)
11	A602R	SNAP RING	1		
12	24H1451	WASHER	1		1-1/32" X 1-3/4" X 0.060"
13	T21452	EXTENSION SPRING	1		

111

POWER TRAIN

ENGINE CLUTCH AND FLYWHEEL (CONTINUOUS DRIVEN PTO) (TRACTOR SERIAL NO. 178601-179600)

RWP5498 -UN-01JAN94



RWP5498

112

POWER TRAIN

**ENGINE CLUTCH AND FLYWHEEL - CONTINUED
(CONTINUOUS DRIVEN PTO)
(TRACTOR SERIAL NO. 178601-179600)**

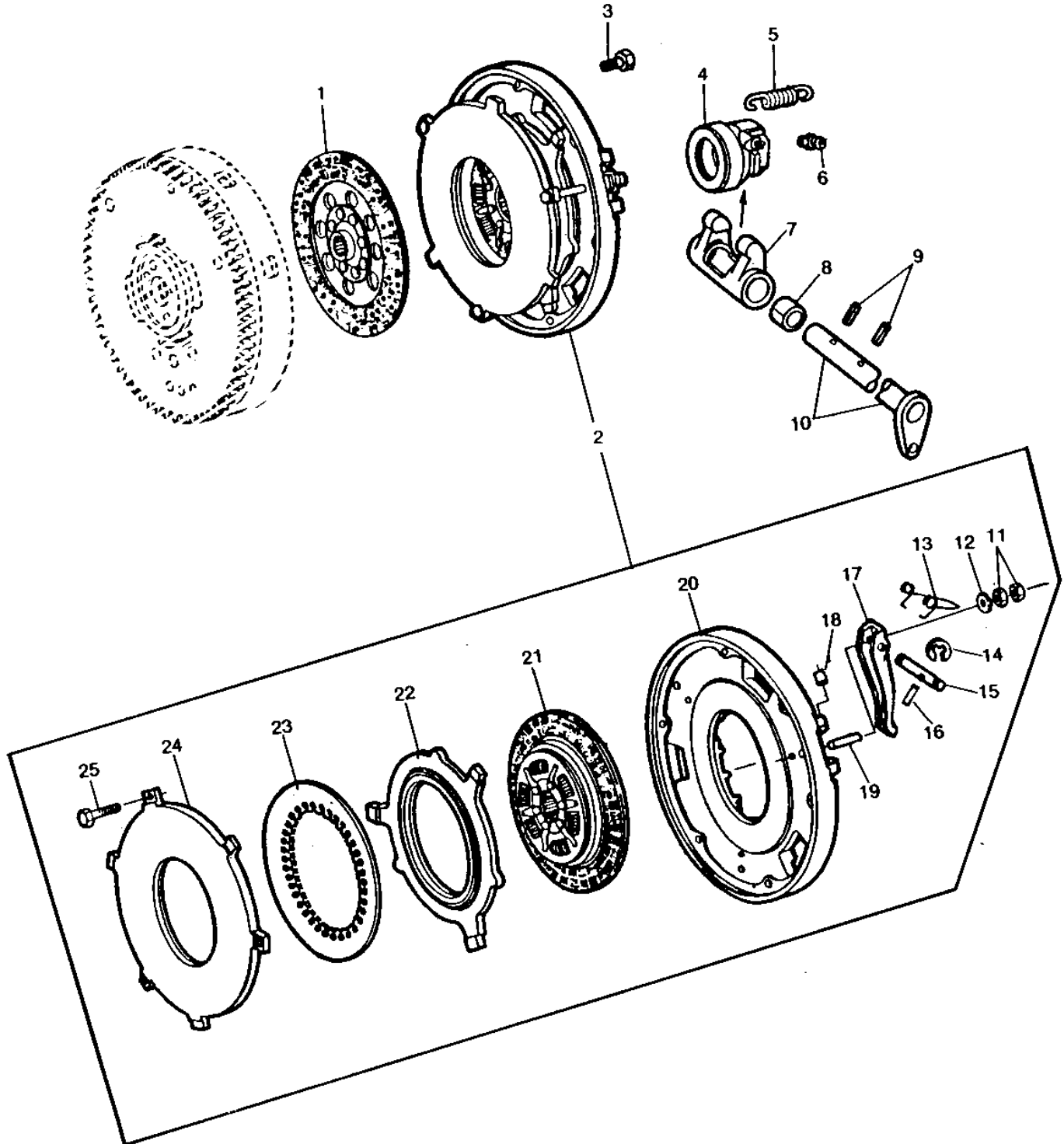
KEY	PART NO.	PART NAME	QTY	ENGINE SERIAL NO.	REMARKS
1	T20088	GEAR	1		(142 TEETH)
2	AT21382	FLYWHEEL	1		
3	T20306	CAP SCREW	4		
4	AR66923	CLUTCH DISK	1		(SUB FOR AT24855 OR AT32207) (SUB RE29881)
5	T23008	BOLT	3		
6	T22194	CLUTCH PLATE	1		
7	R38185	SPRING	9		
8	T22927	SPRING	9		
9	R27033	BUSHING	9		
10	T22195	CLUTCH PLATE	1		
11	AT21675	CLUTCH DISK	1		(SUB AL19092)
12	T27706	COVER	1		
13	19H3219	CAP SCREW	6		3/8" X 1-3/8"
14	14H774	NUT	6		3/8"
15	T27708	PIN	3		
16	AR43065	THRUST BEARING	1		
17	T21450	EXTENSION SPRING	1		
18	LUBRICATION FITTING	1		(NOT REQUIRED)
19	R51469	PLANET PINION CARRIER	1		
20	T21999	FORK	1		
21	T21446	BUSHING	1		
22	AT19837	SHAFT	1		(SUB FOR AR101631)
23	34H353	SPRING PIN	2		3/8" X 1-3/4"
24	T27707	SPRING	3		
25	24H1325	WASHER	1		15/32" X 59/64" X 0.065"
26	11M7059	COTTER PIN	3		3.200 X 20 MM
27	R96514	LEVER	3		(SUB FOR T22197)
28	T24381	DOWEL PIN	3		
29	T21932	BAR	3		

113

POWER TRAIN

RWP6169 -UN-01JAN94

DUAL ENGINE CLUTCH



RWP6169

114

POWER TRAIN

DUAL ENGINE CLUTCH - CONTINUED

KEY	PART NO.	PART NAME	QTY	TRACTOR SERIAL NO.	REMARKS
1	AR66923	CLUTCH DISK	1		(TRANSMISSION DRIVE) (SUB RE29881)
2	AL18714	CLUTCH	1		(3 BOLT) (SUB AL55140)
	AL40882	CLUTCH	1		(SUB AL55140)
	AL55140	CLUTCH	1		
3	19H3219	CAP SCREW	6		3/8" X 1-3/8"
4	R51469	PLANET PINION CARRIER	1		(ALSO ORDER AR43065)
5	T21450	EXTENSION SPRING	1		
6	T27178	LUBRICATION FITTING	1		(NOT REQUIRED)
7	T21999	FORK	1		
8	T21446	BUSHING	1		
9	34H353	SPRING PIN	2		3/8" X 1-3/4"
10	AR101631	SHAFT	1		(SUB AT19837)
11	T29649	NUT	6		
12	T29650	WASHER	3		
13	T28230	SPRING	3		
	L55214	TORSION SPRING	3		(C)
14	L38513	SNAP RING	6		(SUB FOR T28231)
15	T28222	PIN	3		(SUB L41387 AND 34M7010)
	L55215	PIN	3		(C)
16	T28226	SPRING PIN	3		(A)
	34M7010	SPRING PIN	3		(B) (C) 3 X 20 MM
17	T28221	LEVER	3		(A) (SUB AL60271)
	L41389	LEVER	3		(B) (SUB AL60271)
	L55213	LEVER	1		(C)
18	T28225	BUSHING	6		
19	T28224	PIN	3		(A)
	L41390	PIN	3		(B)
	L55216	PIN	3		(C)
20	T29353	PLATE	1		
21	AL19092	CLUTCH	1		(PTO DRIVE) (SUB FOR AT21675)
22	T29646	CLUTCH PLATE	1		(PTO)
23	L39302	DIAPHRAGM	1		(SUB FOR L29246)
24	T29647	CLUTCH PLATE	1		
25	T29648	CAP SCREW	3		(A) (SUB L41388)
	L41388	CAP SCREW	3		(B) (C)
	L41588	COMPRESSION SPRING	3		(B)
	L41589	WASHER	3		(B)

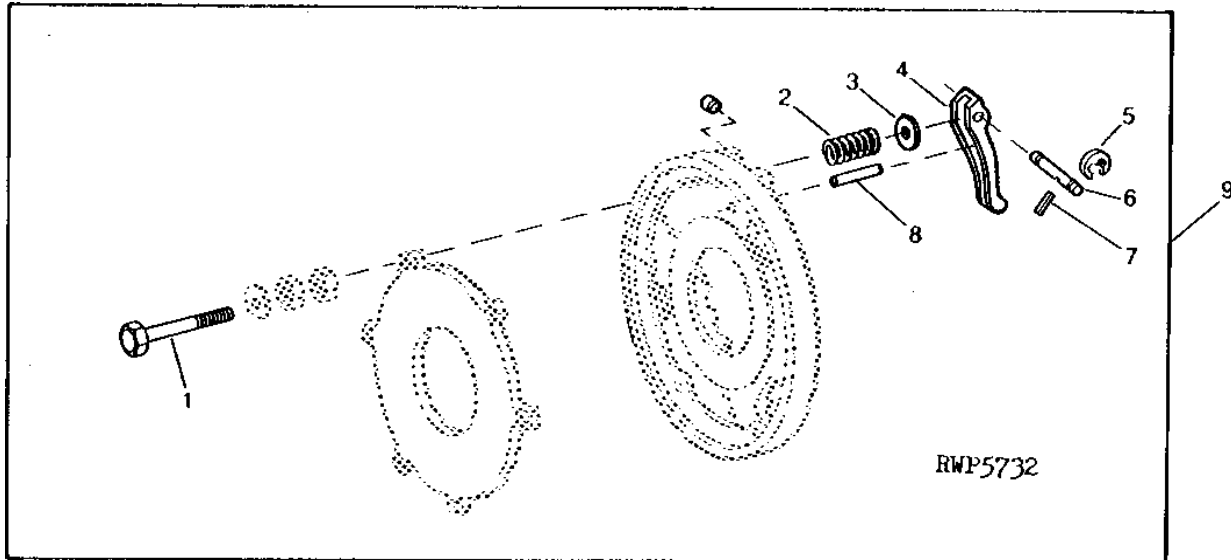
- (A) USE WITH AL18714
- (B) USE WITH AL40882
- (C) USE WITH AL55140

115

POWER TRAIN

RWP5732 -UN-01JAN94

DUAL-STAGE CLUTCH REPAIR KIT



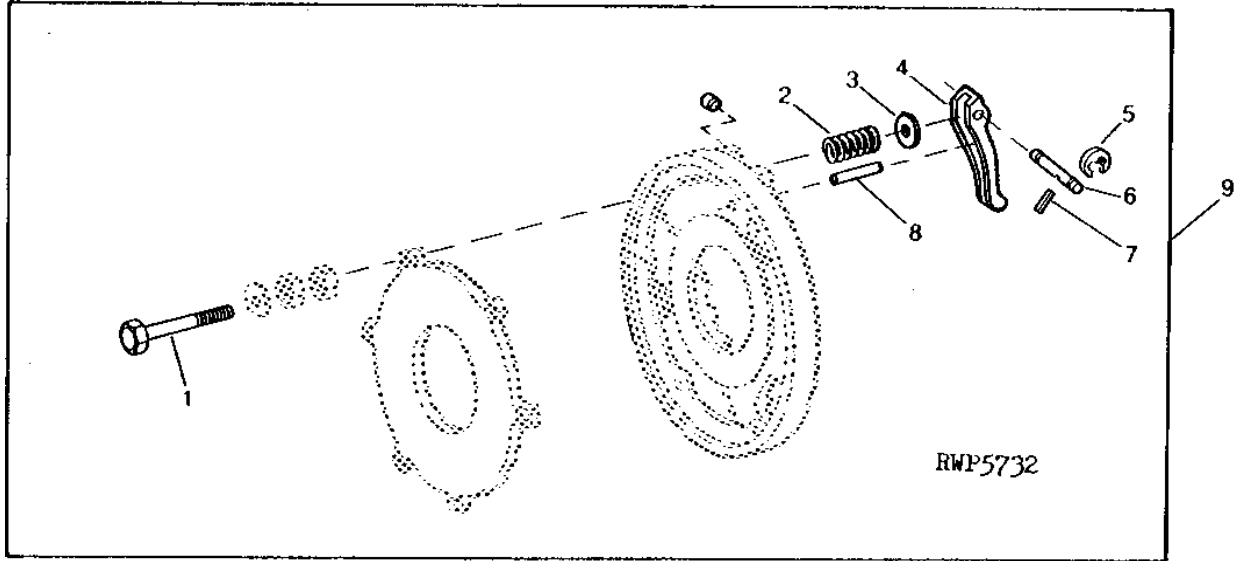
KEY	PART NO.	PART NAME	QTY	TRACTOR SERIAL NO.	REMARKS
1	L41388	CAP SCREW	3		
2	L41588	COMPRESSION SPRING	3		
	L41587	COMPRESSION SPRING	3		
3	L41589	WASHER	3		
4	L41389	LEVER	3		
5	L38513	SNAP RING	7		
6	L41387	PIN	3		
7	34M7010	SPRING PIN	3	3 X 20 MM	
8	L41390	PIN	3		
9	AL39936	KIT	1	(SUB AL60271)	

116

POWER TRAIN

RWP5732 -UN-01JAN94

DUAL-STAGE CLUTCH REPAIR KIT



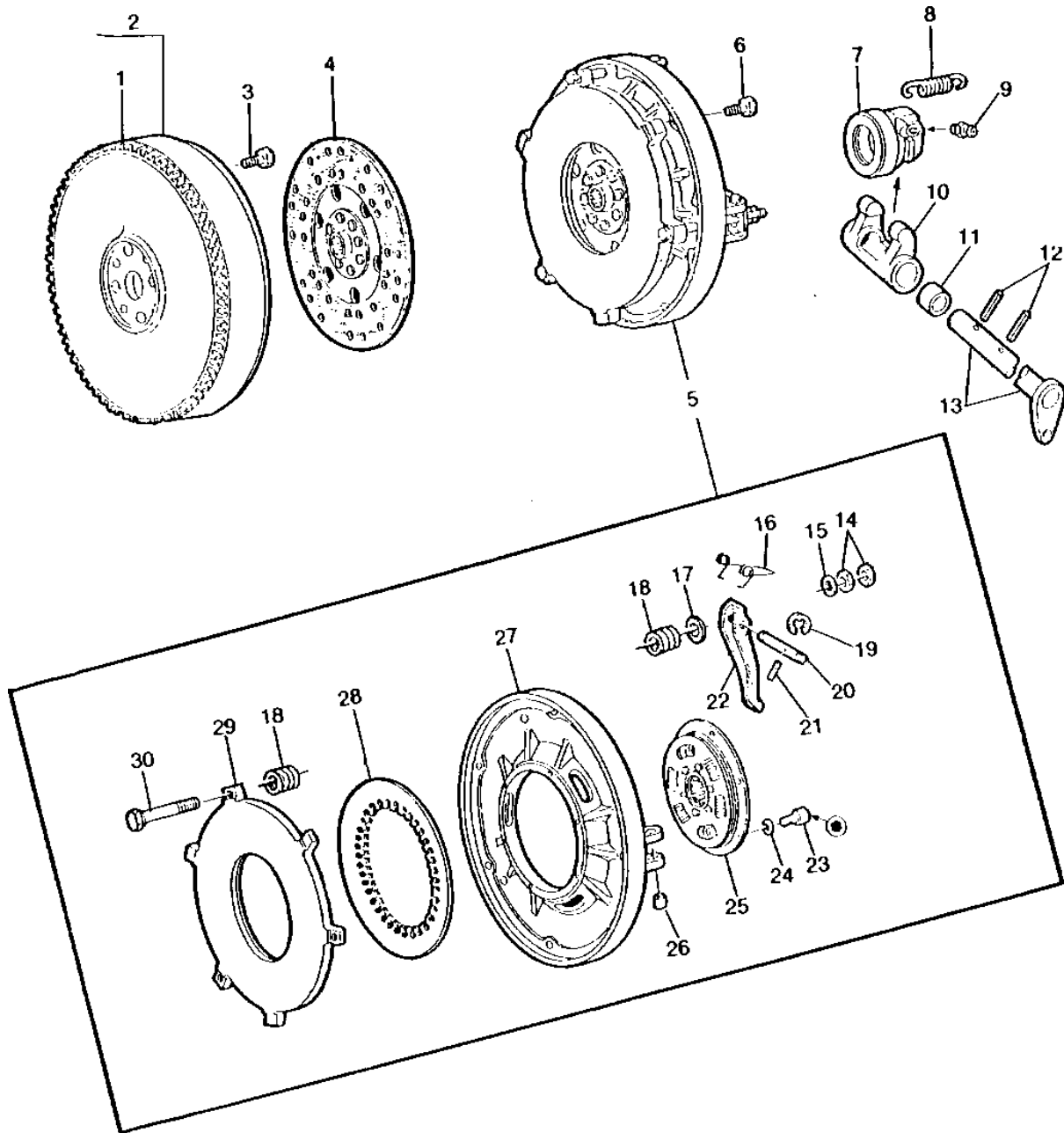
KEY	PART NO.	PART NAME	QTY	TRACTOR SERIAL NO.	REMARKS
1	L41388	CAP SCREW	3		
2	L55214	TORSION SPRING	3		
3	L56083	WASHER	3		
4	L55213	LEVER	3		
5	L38513	SNAP RING	7		
6	L55215	PIN	3		
7	34M7010	SPRING PIN	3		
8	L55216	PIN	3		
9	AL60271	SHIPPING BUNDLE	1		

117

POWER TRAIN

RWP6170 -UN-01JAN94

ENGINE CLUTCH (INDEPENDENT PTO)



RWP6170

118

POWER TRAIN

**ENGINE CLUTCH - CONTINUED
(INDEPENDENT PTO)**

KEY	PART NO.	PART NAME	QTY	TRACTOR SERIAL NO.	REMARKS
1	T20088	GEAR	1		
2	AT21382	FLYWHEEL	1		
3	R46162	SCREW	4		
4	AR66923	CLUTCH DISK	1		(SUB RE29881)
5	AL39618	CLUTCH PLATE	1		(SUB FOR AL19084 OR AL32965) (SUB AL56167)
6	19H3219	CAP SCREW	6		3/8" X 1-3/8"
7	AT24699	BEARING	1		(SUB R51469 AND AR43065)
8	T21450	EXTENSION SPRING	1		
9	T27178	LUBRICATION FITTING	1		
10	T21999	FORK	1		
11	T21446	BUSHING	1		
12	34H353	SPRING PIN	2		3/8" X 1-3/4"
13	AT19837	SHAFT	1		(SUB FOR AR101631)
14	T29649	NUT	6		
15	T29650	WASHER	3		
	L56083	WASHER	3		(B)
16	T28230	SPRING	3		
	L55214	TORSION SPRING	3		(B)
17	L41589	WASHER	3		(A)
18	L41588	COMPRESSION SPRING	3		(A)
19	L38513	SNAP RING	6		(SUB FOR T28231)
20	T28222	PIN	3		(SUB L41387 AND 34M7010)
	L41387	PIN	3		(A)
	L55215	PIN	3		(B)
21	T28226	SPRING PIN	3		
	34M7010	SPRING PIN	3		(A) (B) 3 X 20 MM
22	T28221	LEVER	3		(SUB AL60272)
	L41386	LEVER	3		(A)
	L56084	LEVER	3		(B)
23	L27184	SCREW	6		
24	12M7135	LOCK WASHER	6		10.200 MM
25	AL32964	TORSIONAL DAMPENER	1		(SUB FOR AL19085)
26	T28225	BUSHING	6		(SUB FOR L27183)
27	L27185	PLATE	1		
	L38511	PLATE	1		(A) (B)
28	L39302	DIAPHRAGM	1		(SUB FOR L29246)
	L56085	DISK SPRING	1		(B)
29	L39950	CLUTCH PLATE	1		(SUB FOR L27182)
30	T29648	CAP SCREW	3		(SUB L41388)
	L41388	CAP SCREW	3		(A) (B)

(A) USE WITH AL39618

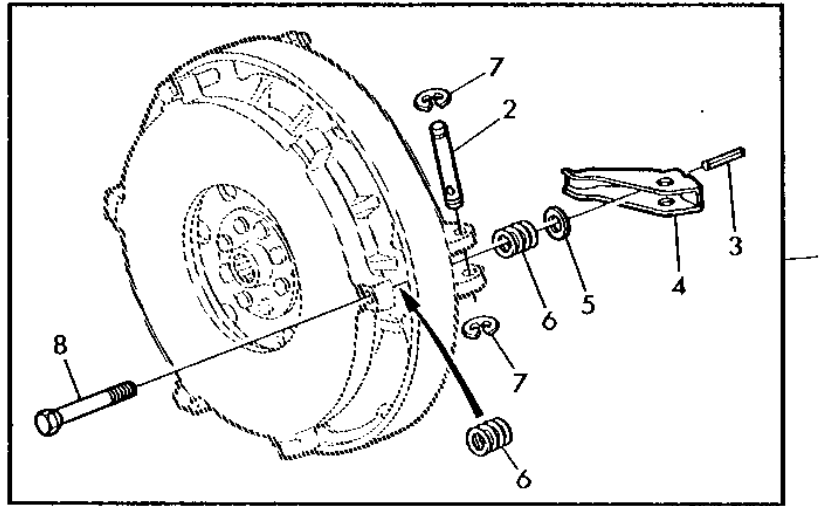
(B) USE WITH AL56167

119

POWER TRAIN

L104810 -UN-01JAN94

SINGLE-STAGE CLUTCH REPAIR KIT



L 104810

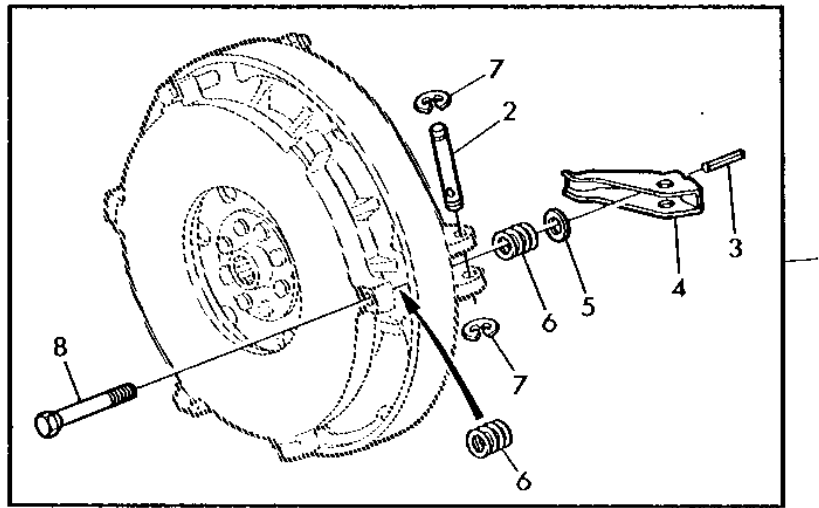
KEY	PART NO.	PART NAME	QTY	TRACTOR SERIAL NO.	REMARKS
1	AL39935	KIT	1		(SUB AL60270)
	AL39937	KIT	1		(SUB AL60272)
2	L41387	PIN	3		
3	34M7010	SPRING PIN	3		3 X 20 MM
4	L41386	LEVER	3		PIVOT LENGTH 103 MM (4") (USE WITH AL39935)
	L41389	LEVER	3		PIVOT LENGTH 108 MM (4-1/4") (USE WITH AL39937)
5	L41589	WASHER	3		
6	L41588	COMPRESSION SPRING	6		
7	L38513	SNAP RING	6		
8	L41388	CAP SCREW	3		

1110

POWER TRAIN

L104810 -UN-01JAN94

SINGLE-STAGE CLUTCH REPAIR KIT



L 104810

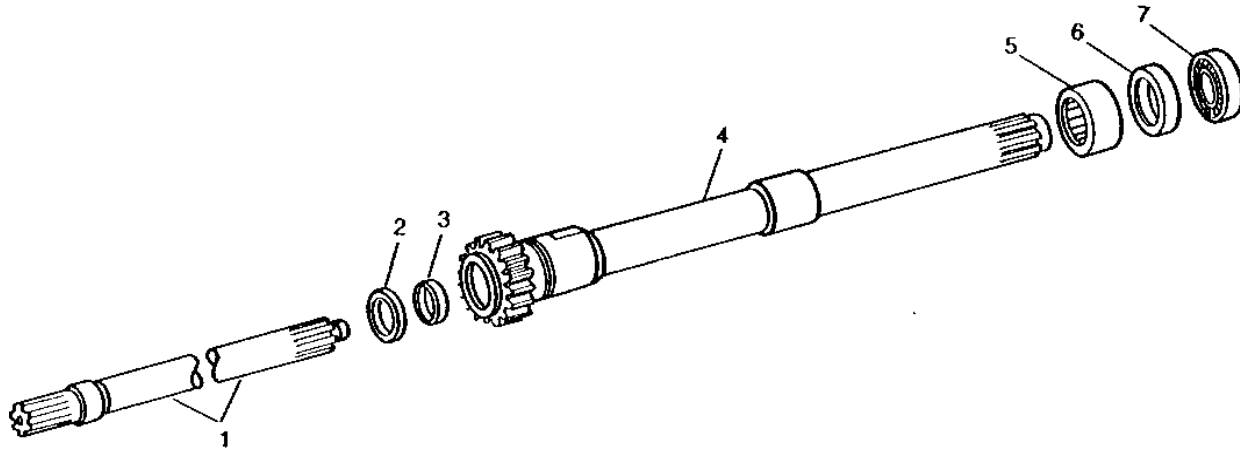
KEY	PART NO.	PART NAME	QTY	TRACTOR SERIAL NO.	REMARKS
1	AL60270	SHIPPING BUNDLE	1		
	AL60272	SHIPPING BUNDLE	1		
2	L55215	PIN	3		
3	34M7010	SPRING PIN	3		3 X 20 MM
4	L56084	LEVER	3		(USE WITH AL60270)
	L56375	LEVER	3		(USE WITH AL60272)
5	L56083	WASHER	3		
6	L55214	TORSION SPRING	3		
7	L38513	SNAP RING	7		
8	L41388	CAP SCREW	3		

1111

POWER TRAIN

RWP5245 -UN-01JAN94

CLUTCH SHAFT AND PILOT



RWP5245

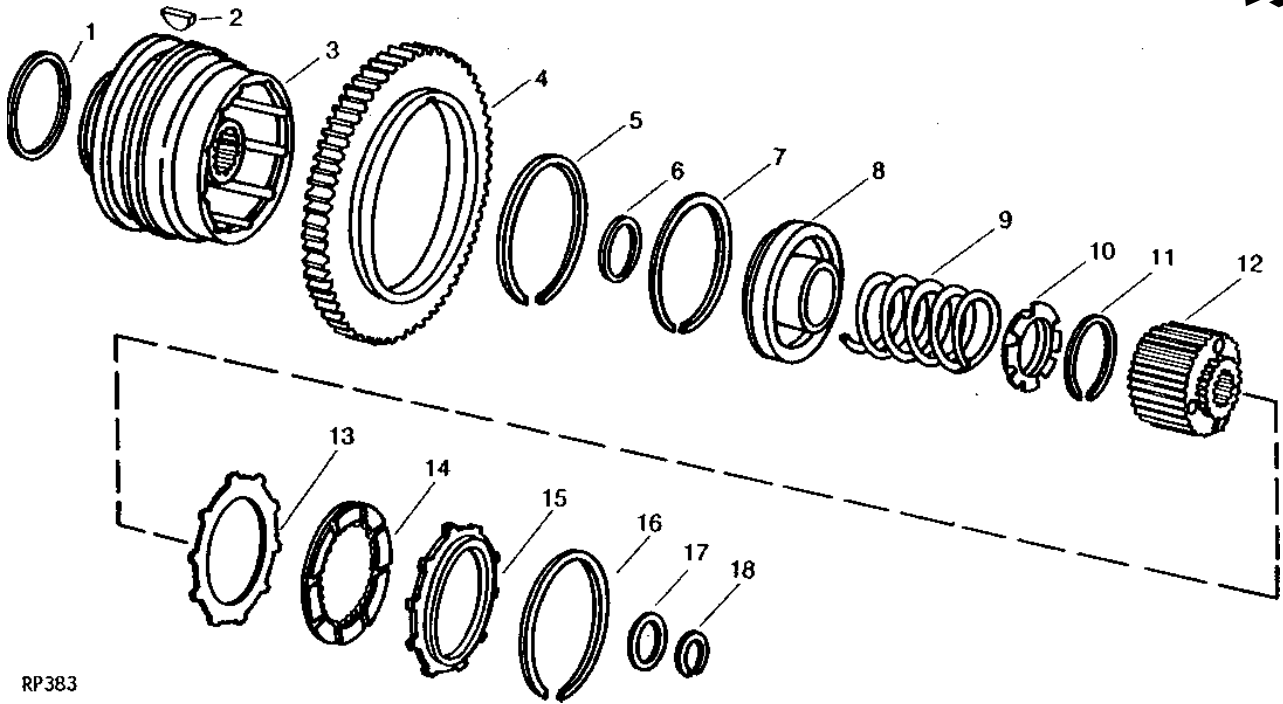
KEY	PART NO.	PART NAME	QTY	TRACTOR SERIAL NO.	REMARKS
1	R56514	SHAFT	1	178601-179600	(SUB FOR T30791) (USE WITH AL24903)
	T30791	SHAFT	1		(SUB R56514) (USE WITH AL24903)
2	AT21780	SEAL	1		
3	T23062	CAP	1		
4	T42381	SHAFT	1		(19 TEETH) (SUB FOR T22219)
	R26933	SNAP RING	1	-XXXXXX	
5	JD8823	NEEDLE BEARING	1		(SUB FOR JD9813)
6	T22198	SEAL	1		
7	JD10107	BALL BEARING	1		(SUB FOR AL24903, JD8511 OR AR56268) (USE WITH T30791)
	AL24903	BEARING	1	178601-179600	(USE WITH R56514) (SUB FOR JD9461) (SUB JD10107)

1112

POWER TRAIN

POWERSHAFT CLUTCH DRUM AND DISKS (INDEPENDENT PTO) (540 RPM)

RP383 -UN-01JAN94



RP383

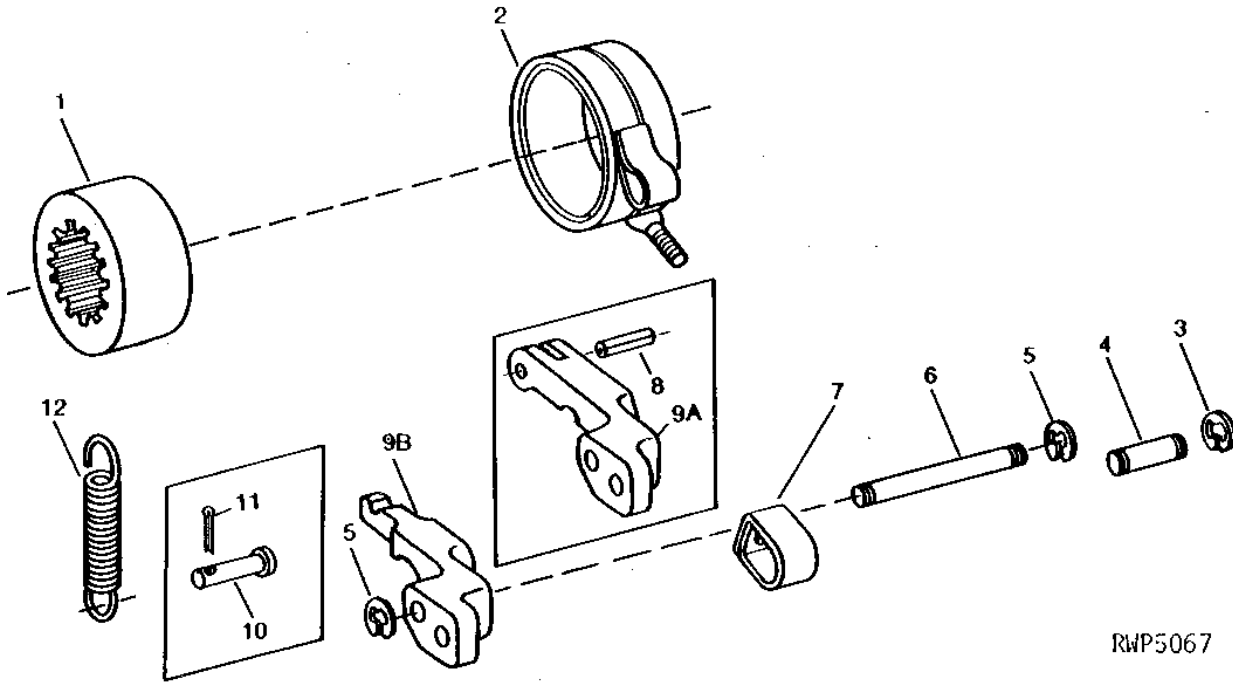
KEY	PART NO.	PART NAME	QTY	TRACTOR SERIAL NO.	REMARKS
1	R33167	RING	2		
2	26H77	SHAFT KEY	1	3/16" X 3/4"	
3	AT32058	DRUM	1		(SUB AL29818, L33563 AND L38023)
4	T30755	GEAR	1		
5	T28660	SNAP RING	1		
6	R39304	WASHER	1		
7	R39280	PISTON RING	1		
8	T30835	PISTON	1		(SUB L32737)
9	T28662	SPRING	1		
10	T32474	GUIDE	1		
11	R39299	SNAP RING	1		
12	L29401	HUB	1		(SUB FOR L29399)
13	T28664	DISK, OUTER SPLINE	8		
14	AT26632	DISK, INNER SPLINE	8		(SUB RE37011)
15	T28665	PLATE	1		
16	T32844	SNAP RING	1		
17	T30763	THRUST WASHER	1		
18	T30764	SNAP RING	1		

1113

POWER TRAIN

RWP5067 -UN-01JAN94

POWER SHAFT BRAKE BAND (INDEPENDENT PTO)



RWP5067

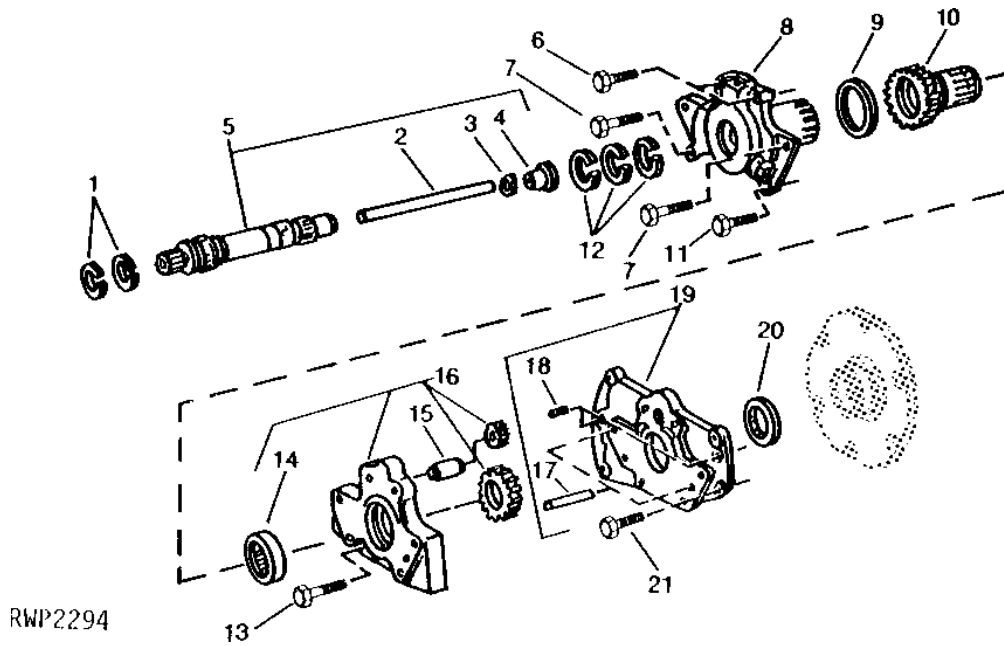
KEY	PART NO.	PART NAME	QTY	TRACTOR SERIAL NO.	REMARKS
1	R53067	BRAKE DRUM	1		
2	AR58605	BRAKE BAND	1		
3	R72653	SNAP RING	1		(SUB FOR M2396T)
4	R53071	PIN	1		
5	40M1818	SNAP RING	2		
6	R53072	PIN	1		
7	R62644	RETAINER	1		(SUB FOR R53830)
8	34H276	SPRING PIN	1	-XXXXXX	3/16" X 9/16"
9A	R53070	LEVER	1	-XXXXXX	(SUB L31515, L31514 AND AR78202)
9B	L31515	LEVER	1	XXXXXX-	
10	U11004	PIN	1	-XXXXXX	
11	11M7059	COTTER PIN	1	-XXXXXX	3.200 X 20 MM
	WASHER	1	-XXXXXX	(NOT REQUIRED)
12	R280R	SPRING	1	-XXXXXX	
	L31514	SPRING	1	XXXXXX-	

1114

POWER TRAIN

CLUTCH OIL MANIFOLD AND TRANSMISSION OIL PUMP (HI-LO SHIFT)

RWP2294 -UN-01JAN94



KEY	PART NO.	PART NAME	QTY	TRACTOR SERIAL NO.	REMARKS
1	R26753	RING	2		
2	R39278	ROTARY VALVE SLEEVE	1		
3	R34140	RING	1		
4	R39279	RETAINER	1		
5	AR39127	SHAFT	1		
6	R39306	HOLLOW SCREW	2		
7	19H2722	CAP SCREW	2	3/8" X 2-3/8"	
8	AR39118	MANIFOLD	1		
9	R39284	THRUST WASHER	1		
10	R39254	SHAFT	1		
11	R39305	CAP SCREW	1		
12	R39283	RING	3		
13	R41041	CAP SCREW	1		
14	JD8720	ROLLER BEARING	1		
15	R58661	DOWEL PIN	1	(SUB FOR R39224)	
16	AR96662	OIL PUMP	1	(MARKED R39244 OR R57959)	(SUB FOR AR39107)
17	F339R	DOWEL PIN	2		
18	R30587	DOWEL PIN	2		
19	AR71396	ADAPTER	1	(SUB FOR AR39108)	
20	JD8729	ROLLER BEARING	1		
21	19H2552	CAP SCREW	4	3/8" X 1-1/8"	

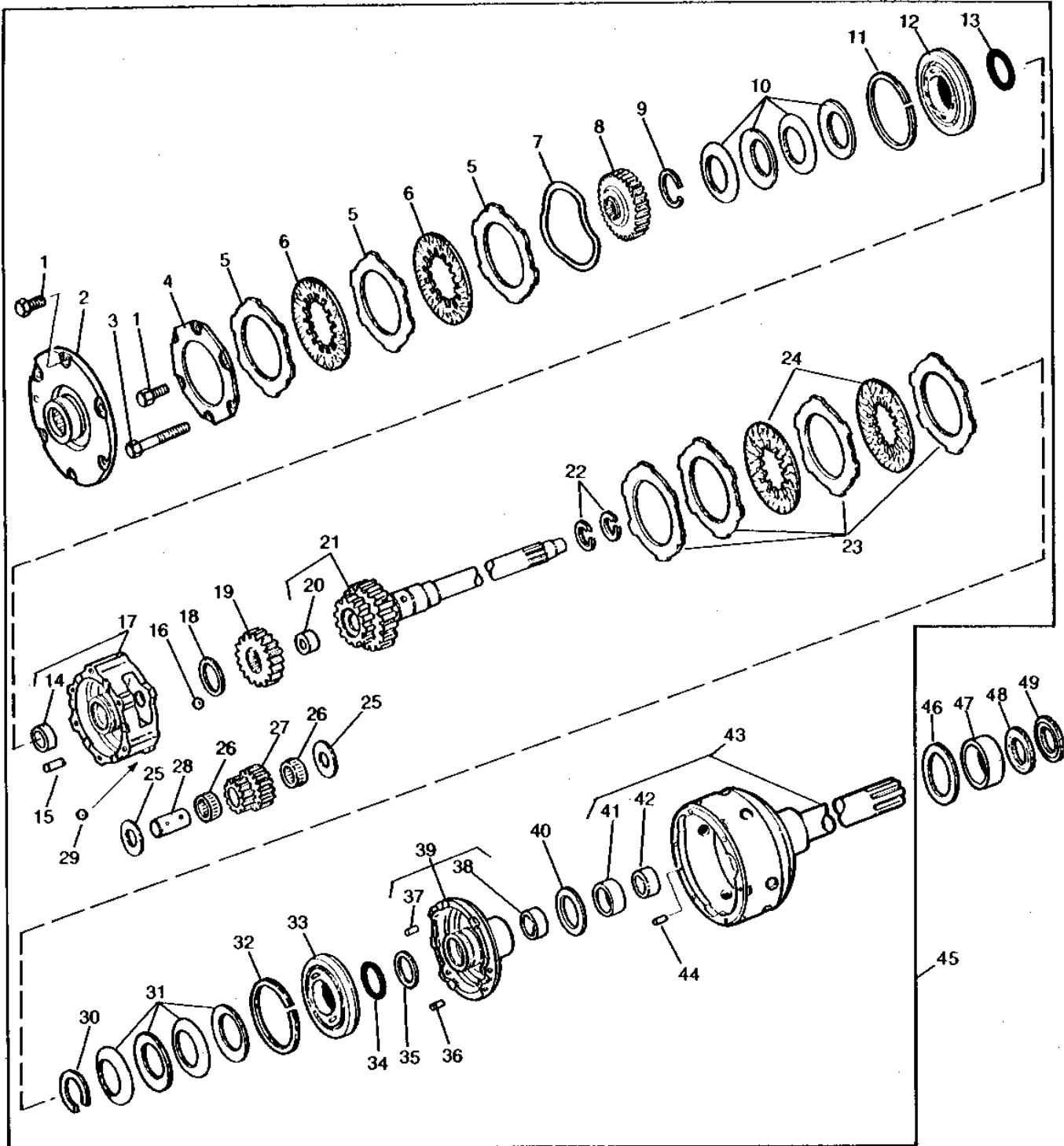
1115

POWER TRAIN

RWP4860

-UN-01JAN94

HI-LO CLUTCH ASSEMBLY



RWP4860

1116

POWER TRAIN

HI-LO CLUTCH ASSEMBLY - CONTINUED

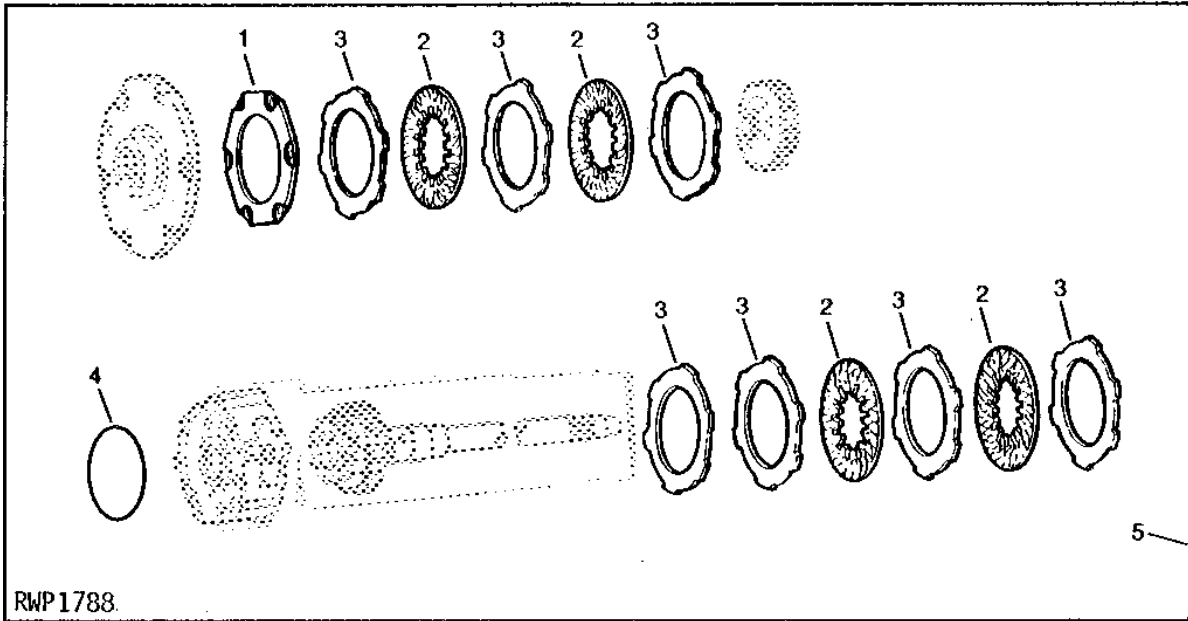
KEY	PART NO.	PART NAME	QTY	TRACTOR SERIAL NO.	REMARKS
1	19H1813	CAP SCREW	9		5/16" X 5/8"
2	R39238	COVER	1		
3	19H1897	CAP SCREW	3		5/16" X 3-3/4"
4	R39260	PLATE	1		(SUB AR86461, THIS APPLICATION)
5	R39259	CLUTCH PLATE	3	-XXXXXX	(SUB AR86461, THIS APPLICATION)
	R64197	CLUTCH PLATE	3	XXXXXX-	(SUB AR86461, THIS APPLICATION)
6	AR39128	DISK, INNER SPLINE	2	-XXXXXX	(SUB AR86461, THIS APPLICATION)
	AR78361	DISK, INNER SPLINE	2	XXXXXX-	(SUB AR86461, THIS APPLICATION)
	R63452	SPRING	1	XXXXXX-	
8	R52378	HUB	1		
9	R39299	SNAP RING	1		
10	R39282	DISK SPRING	4		
11	R39280	PISTON RING	1		
12	R52384	PISTON	1		
13	R39304	WASHER	1		
14	R39247	BUSHING	1		
15	R56457	DOWEL PIN	1		
16	H871R	BALL	3		
17	AR85744	PLANET PINION CARRIER	1		(SUB FOR AR56957)
18	R65390	THRUST WASHER	1		THRUST, (SUB FOR R39193)
19	R52380	SUN GEAR	1		
20	R39276	BUSHING	1		
21	AR61403	DRIVE SHAFT	1		
22	R26753	RING	2		
23	R64197	CLUTCH PLATE	4	XXXXXX-	(SUB AR86461, THIS APPLICATION)
24	AR78361	DISK, INNER SPLINE	2	XXXXXX-	(SUB AR86461, THIS APPLICATION)
25	R52383	THRUST WASHER	6		
26	JD9927	NEEDLE BEARING	6		
27	R52381	PLANET PINION	3		
28	R52382	PIN	3		
29	H871R	BALL	3		
30	R39299	SNAP RING	1		
31	R39282	DISK SPRING	4		
32	R39280	PISTON RING	1		
33	R39285	PISTON	1		
34	R39304	WASHER	1		
35	R65390	THRUST WASHER	1		THRUST, (SUB FOR R39193)
36	R56457	DOWEL PIN	2		
37	R56457	DOWEL PIN	1		
38	R39252	BUSHING	1		
39	AR56772	DRUM	1		
40	R65392	WASHER	1		THRUST, (SUB FOR R39281)
41	R39265	BUSHING	1		
42	AR39117	SEAL	1		
43	AR39115	SHAFT	1		
44	B2641R	DOWEL PIN	1		
45	AR61399	HIGH-LOW CLUTCH	1	-XXXXXX	(SUB AR82016)
	AR82016	HIGH-LOW CLUTCH	1	XXXXXX-	(ILLUSTRATED)
46	R73701	WASHER	1		(SUB FOR T25409 OR R65391)
47	L29343	BUSHING	1		(SUB FOR T25404 OR T28804)
48	T22198	SEAL	1		
49	JD10107	BALL BEARING	1		(SUB FOR JD8511, JD9464, AL24903 OR AL28037)

1117

POWER TRAIN

RWP1788 -UN-01JAN94

CLUTCH DISK ASSEMBLY



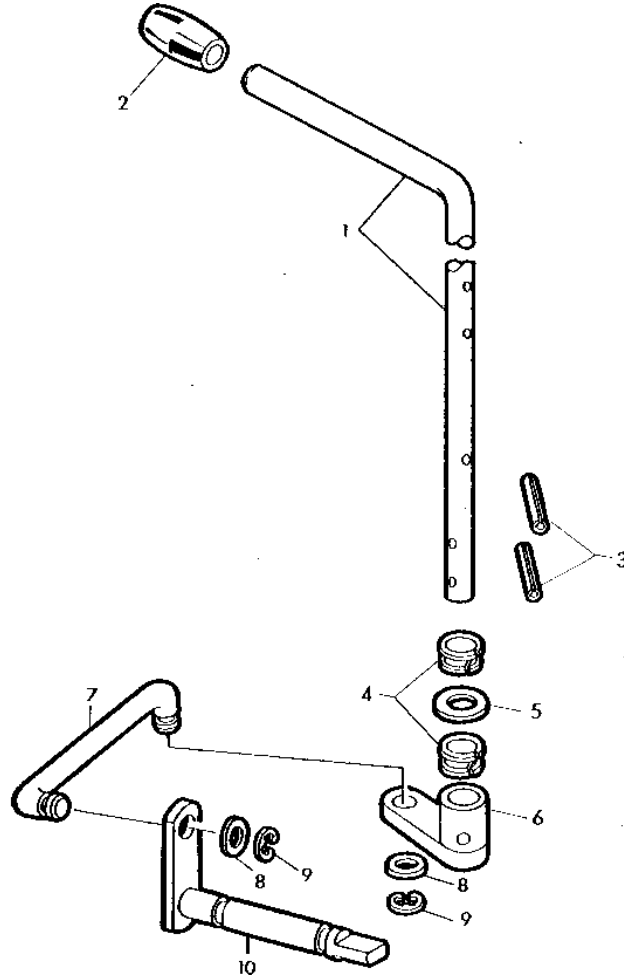
KEY	PART NO.	PART NAME	QTY	TRACTOR SERIAL NO.	REMARKS
1	R39260	PLATE	1		
2	AR78361	DISK, INNER SPLINE	4		
3	R64197	CLUTCH PLATE	7		
4	R63452	SPRING	1		
5	AR86461	CLUTCH DISK	1		(USE WITH AR82016)

1118

POWER TRAIN

L52895 -UN-01JAN94

HI-LO SHIFT CONTROL LEVER AND LINKAGE



L 52895

KEY	PART NO.	PART NAME	QTY	TRACTOR SERIAL NO.	REMARKS
1	T35675	PIN	1		
2	R54272	KNOB	1		
3	34H280	SPRING PIN	2	3/16" X 7/8"	
4	R34811	GROMMET	2		
5	24H1340	WASHER	1	33/64" X 7/8" X 0.075"	
6	T26842	LEVER	1		
7	T29314	LINK	1		
8	24H1243	WASHER	2	11/32" X 5/8" X 1/16"	
9	R72654	SNAP RING	2	(SUB FOR R27507)	
10	AT23220	LEVER	1		
	AT29712	LEVER	1		

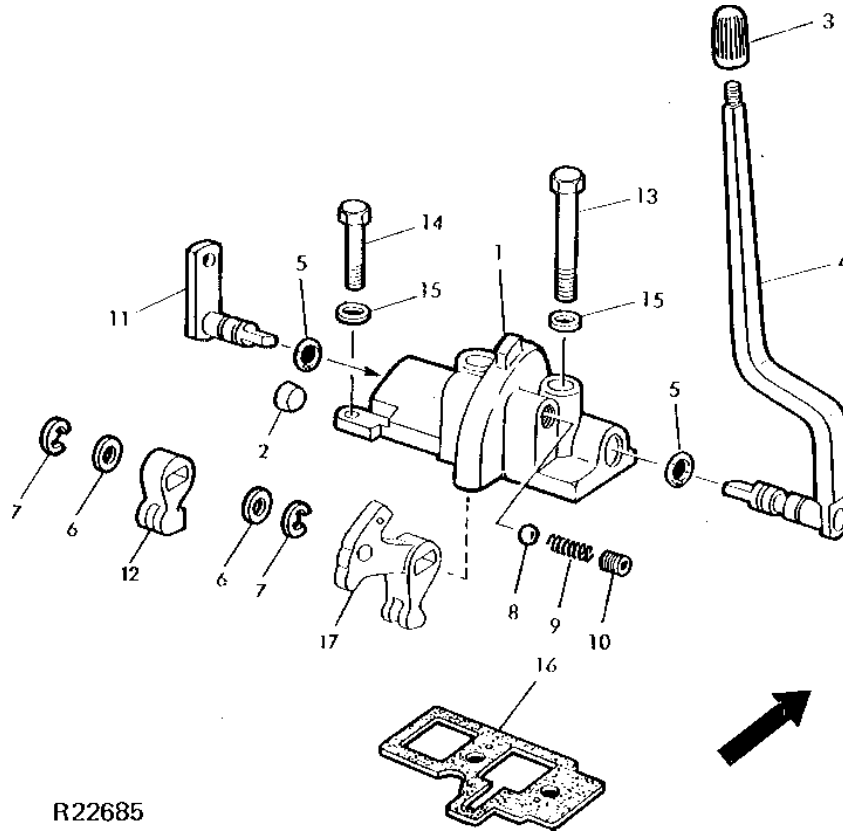
MEMORANDA

1119

POWER TRAIN

CLUTCH CONTROL VALVE COVER AND ARM (INDEPENDENT PTO)

R22685 -UN-01JAN94



R22685

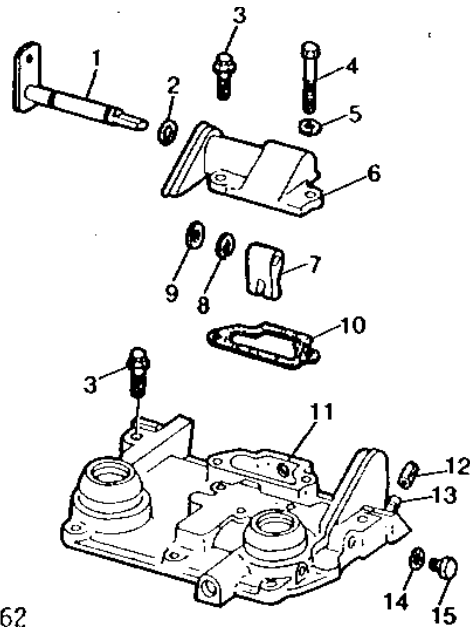
KEY	PART NO.	PART NAME	QTY	TRACTOR SERIAL NO.	REMARKS
1	T30750	COVER	1		
2	M4224T	PLUG	1		(LESS HI-LO SHIFT)
3	AR62028	KNOB	1		(SUB FOR M526T)
4	AT29688	LEVER	1		
5	R28782	O-RING	2		(1 USED HI-LO SHIFT)
6	24H1227	WASHER	2		17/32" X 13/16" X 0.060"
7	R26871	SNAP RING	2		(SUB FOR P44982)
8	R26552	BALL	2		8 MM (5/16")
9	R31680	SPRING	2		
10	22H1053	SET SCREW	2		7/16" X 7/16"
11	AT29712	LEVER	1		
12	T25395	LEVER	1		(HI-LO SHIFT)
13	19H3175	CAP SCREW	2		3/8" X 3-5/8", HS, SAE 8
14	19H1819	CAP SCREW	1		3/8" X 2-1/8"
15	24M7096	WASHER	3		10.500 X 18 X 1.600 MM
16	T30751	GASKET	1		
17	T30770	LEVER	1		

1120

POWER TRAIN

CLUTCH CONTROL VALVE (HI-LO SHIFT)

RXP8062 -UN-01JAN94



RXP8062

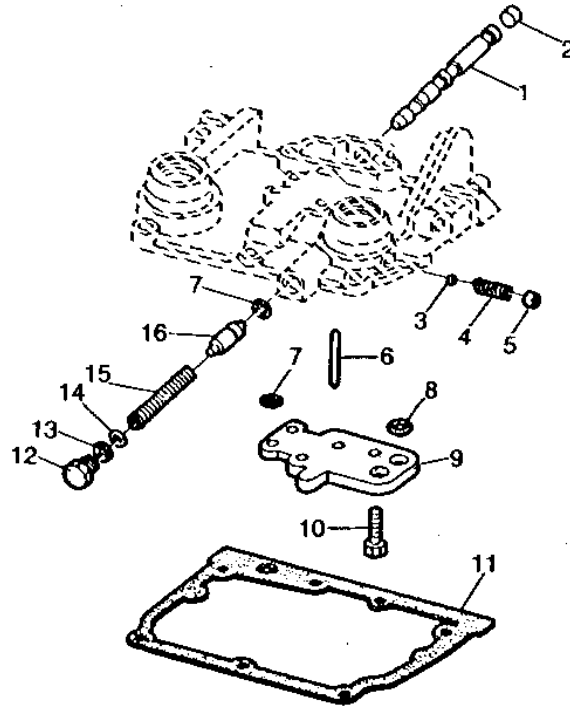
KEY	PART NO.	PART NAME	QTY	TRACTOR SERIAL NO.	REMARKS
1	AT23220	LEVER	1		
2	R28782	O-RING	1		
3	T22728	SCREW	6		
4	19H3181	CAP SCREW	1	3/8" X 2"	
5	24M7096	WASHER	1	10.500 X 18 X 1.600 MM	
6	T25394	COVER	1		
7	T25395	LEVER	1		
8	R26871	SNAP RING	1		
9	24H1227	WASHER	1	17/32" X 13/16" X 0.060"	
10	T25397	GASKET	1		
11	AR70718	COVER	1	(MARKED T25393 OR R58768) (SUB FOR AT23907) (SUB R58768 AND T24395)	
12	R28962	PLUG	1		
13	T24395	TUBE	1		
14	R26287	O-RING	1		
15	R27216	DRAIN PLUG	1	(SUB FOR R31631)	

1121

POWER TRAIN

CLUTCH CONTROL VALVE (HI-LO SHIFT)

RWP6168 -UN-01JAN94



RWP6168

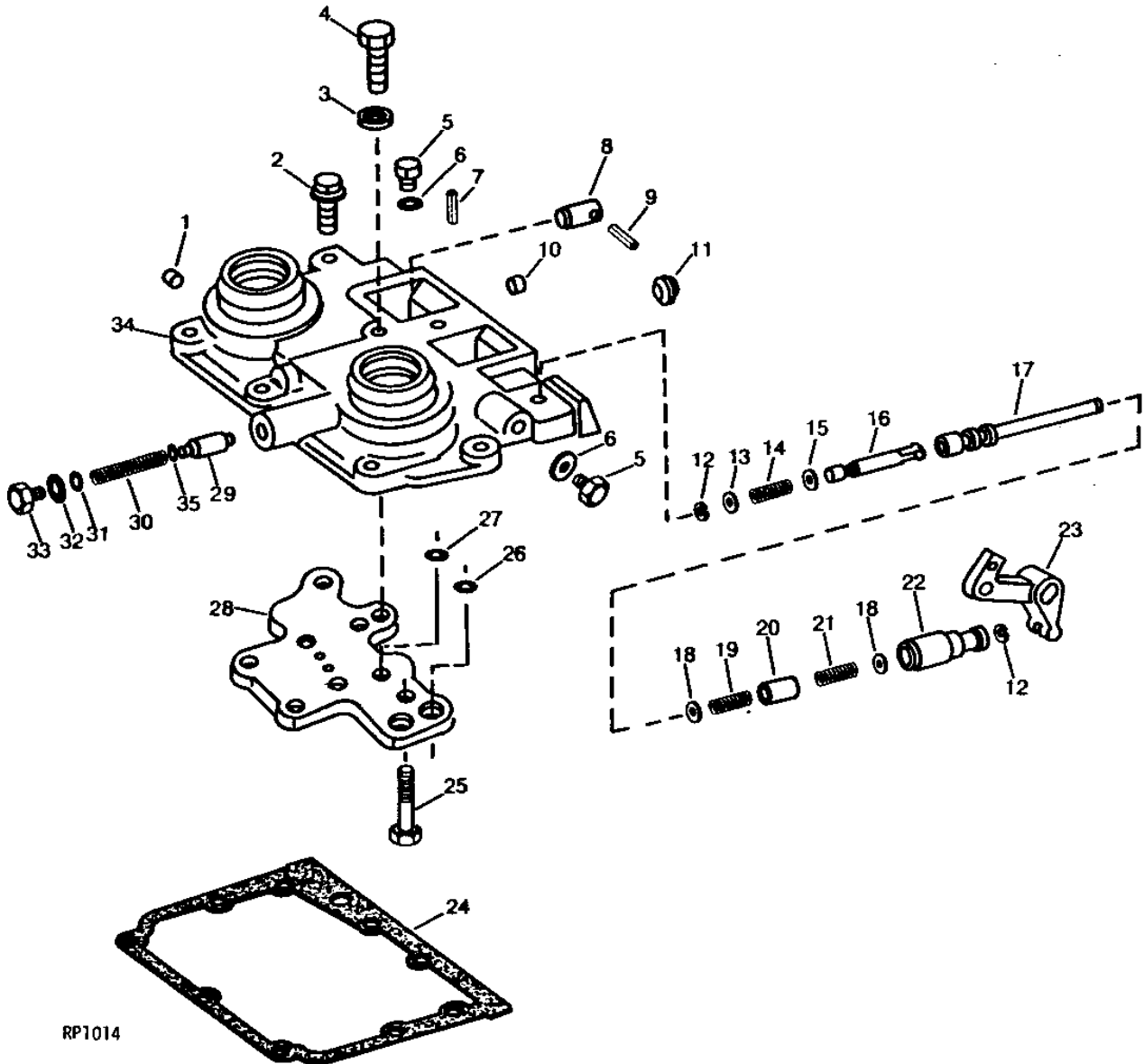
KEY	PART NO.	PART NAME	QTY	TRACTOR SERIAL NO.	REMARKS
1	T25398	CONTROL VALVE	1		
2	M4224T	PLUG	1		
3	R26552	BALL	1		8 MM (5/16")
4	T27716	SPRING	1		
5	M1102T	CAP	1		
6	R33058	NEEDLE ROLLER	1		
7	A3917R	O-RING	3		
8	R375R	O-RING	2		
9	T25399	PLATE	1		
10	19H2552	CAP SCREW	3		3/8" X 1-1/8"
11	R54189	GASKET	1		
12	R27218	FITTING PLUG	1		
13	R26448	O-RING	1		
14	B1085R	WASHER	AR		1.20 MM (.047")
	T33473	SHIM	AR		0.40 MM (.016")
15	R39132	SPRING	1		
16	R39294	PIN	1		

1122

POWER TRAIN

CLUTCH CONTROL VALVE AND COVER (INDEPENDENT PTO)

RP1014 -UN-01JAN94



1123

POWER TRAIN

CLUTCH CONTROL VALVE AND COVER - CONTINUED
(INDEPENDENT PTO)

KEY	PART NO.	PART NAME	QTY	TRACTOR SERIAL NO.	REMARKS
1	M1102T	CAP	1	(A)	
	R26552	BALL	1		
	T27716	SPRING	1		
2	T22728	SCREW	5		
3	24M7096	WASHER	1	10.500 X 18 X 1.600 MM	
4	19H1800	CAP SCREW	1	3/8" X 1-1/2"	
5	R27216	DRAIN PLUG	3	(SUB FOR R31631)	
6	R26287	O-RING	3		
7	R28634	PIN	2		
8	T30788	PIN	1	(A)	
9	34H231	SPRING PIN	1	(A) 3/32" X 3/4"	
10	M4224T	PLUG	1		
11	T30789	PLUG	1		
12	R30828	SNAP RING	2		
13	R31632	SHIM	6		
14	R45582	SPRING	1		
15	B1664R	SHIM	1		
16	T28634	PIN	1		
17	R62531	VALVE	1	(SUB FOR T30786)	
18	R31632	SHIM	AR		
19	T17589	SPRING	1		
20	R53168	SLEEVE	1		
21	R34863	SPRING	1		
22	R53167	ACTUATOR	1		
23	T30770	LEVER	1	(SUB FOR R49548)	
24	R54189	GASKET	1		
25	19H2552	CAP SCREW	4	3/8" X 1-1/8"	
26	R375R	O-RING	2		
27	A3917R	O-RING	2		
28	T30752	PLATE	1		
29	R39294	PIN	1	PRESSURE REGULATING	
30	T31636	SPRING	1		
31	B1085R	WASHER	AR	1.19 MM (.047")	
	T33473	SHIM	AR	0.41 MM (.016")	
32	R26448	O-RING	1		
33	R27218	FITTING PLUG	1		
34	AR61916	COVER	1	(MARKED R54186 OR T30753) (SUB FOR AT29681)	
35	A3917R	O-RING	1		

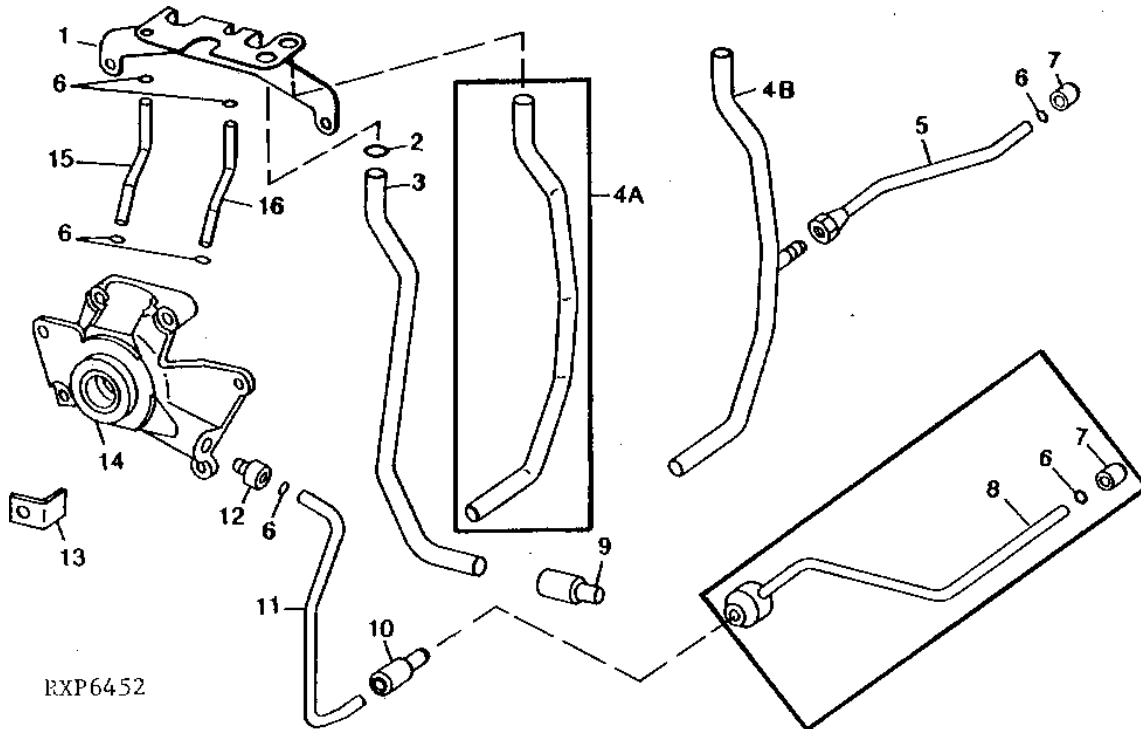
(A) LESS HI-LO SHIFT

1124

POWER TRAIN

CLUTCH OIL MANIFOLD AND OIL LINES (LESS INDEPENDENT PTO) (HI-LO SHIFT)

RXP6452 -UN-01JAN94



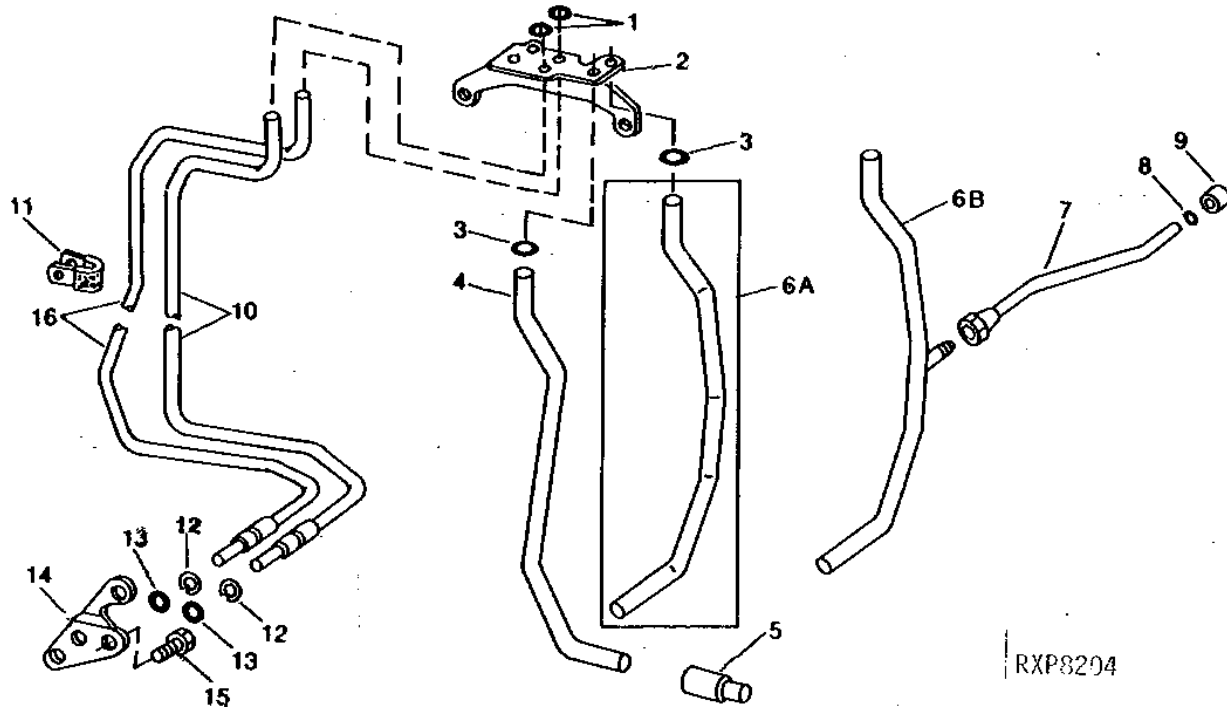
KEY	PART NO.	PART NAME	QTY	TRACTOR SERIAL NO.	REMARKS
1	T25416	RETAINER	1		
2	R375R	O-RING	1		
3	T25413	OIL TUBE	1		OUTLET
4A	T25412	OIL TUBE	1	-XXXXXX	PRESSURE
4B	AL25164	OIL TUBE	1	XXXXXX-	PRESSURE
5	AL25165	OIL TUBE	1	XXXXXX-	
6	A3917R	O-RING	6		
7	T22584	BUSHING	1		
8	AT23232	OIL TUBE	1	-XXXXXX	HIGH CLUTCH LUBE, (SUB AL25165, AL25164 AND L30755)
9	T25408	SLEEVE	1		
10	L30755	ADAPTER	1	XXXXXX-	
11	T25411	OIL TUBE	1		LOW CLUTCH LUBE
12	T22852	ADAPTER	1		
13	T25417	ANGLE	1		
14	AR39118	MANIFOLD	1		
15	T25414	OIL TUBE	1		HIGH CLUTCH PRESSURE
16	T25415	OIL TUBE	1		LOW CLUTCH PRESSURE

1125

POWER TRAIN

CLUTCH OIL LINES AND RETAINER (INDEPENDENT PTO) (LESS HI-LO SHIFT)

RXP8204 -UN-01JAN94



RXP8204

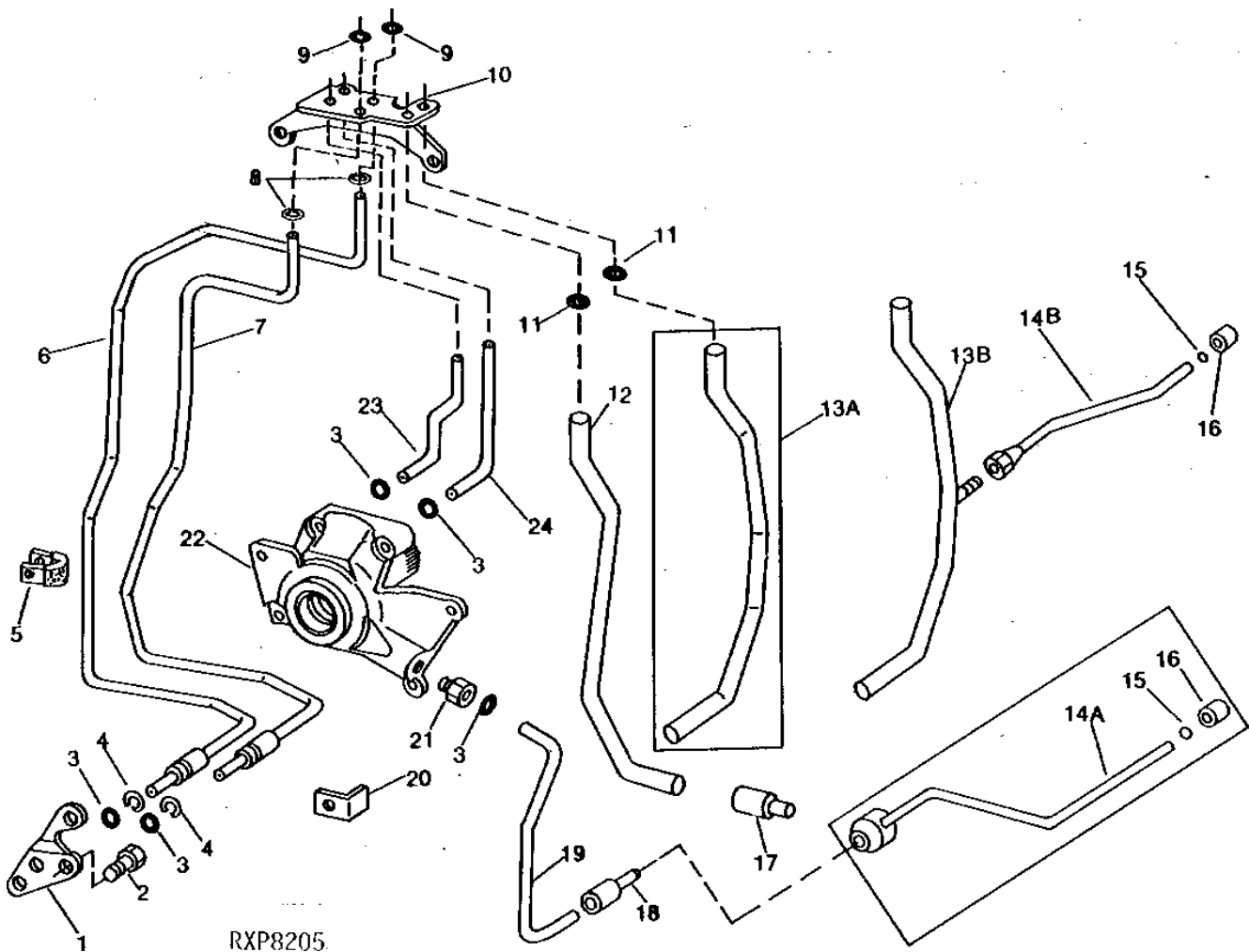
KEY	PART NO.	PART NAME	QTY	TRACTOR SERIAL NO.	REMARKS
1	A3917R	O-RING	2		
2	R51286	RETAINER	1		
3	R375R	O-RING	2		
4	T25413	OIL TUBE	1		CLUTCH CONTROL VALVE OUTLET
5	T25408	SLEEVE	1		
6A	T25412	OIL TUBE	1	-XXXXXX	CLUTCH CONTROL VALVE PRESSURE
6B	AL25164	OIL TUBE	1	XXXXXX-	
7	AL25165	OIL TUBE	1	XXXXXX-	
8	A3917R	O-RING	2		
9	T22584	BUSHING	1		
10	AR55382	OIL TUBE	1		PTO CLUTCH PRESSURE, (SUB (2) F2208R, RE14758, RE14759 AND R66287)
11	T30785	CLAMP	1		
12	F2208R	SNAP RING	2		
13	A3917R	O-RING	2		
14	T30773	BRACKET	1		
15	T30774	CAP SCREW	1		
16	AR55396	OIL TUBE	1		PTO BRAKE PRESSURE, (SUB (2) F2208R, RE14758, RE14759 AND R66287)

1J1

POWER TRAIN

CLUTCH OIL MANIFOLD AND OIL LINES (INDEPENDENT PTO) (HI-LO SHIFT)

RXP8205 -UN-01JAN94



1J2

POWER TRAIN

CLUTCH OIL MANIFOLD AND OIL LINES - CONTINUED
(INDEPENDENT PTO)
(HI-LO SHIFT)

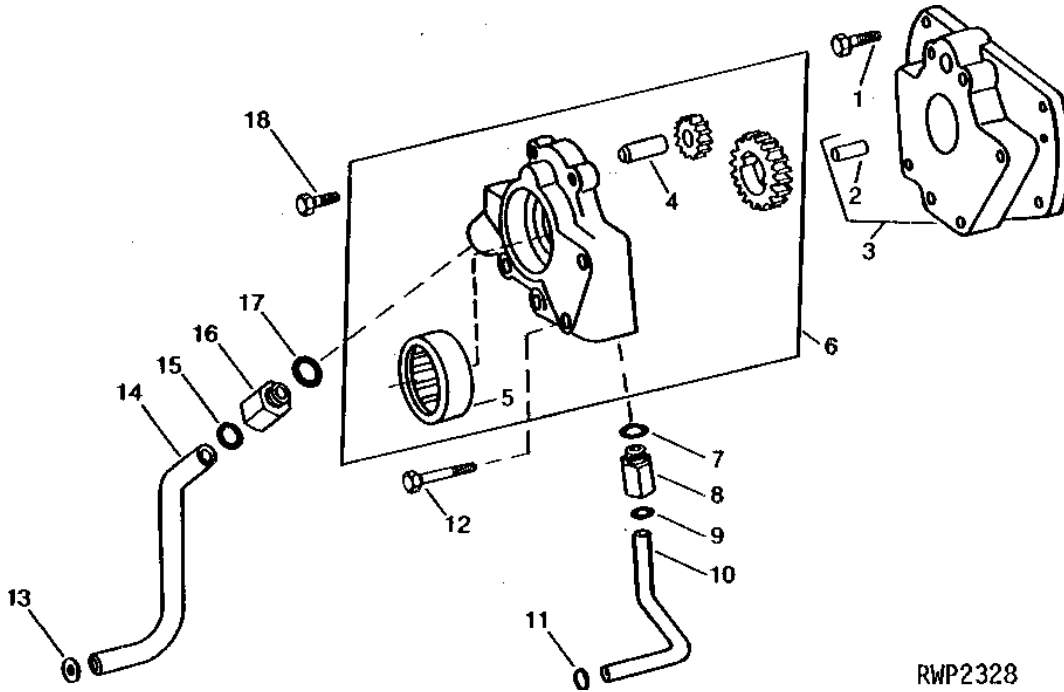
KEY	PART NO.	PART NAME	QTY	TRACTOR SERIAL NO.	REMARKS
1	T30773	BRACKET	1		
2	T30774	CAP SCREW	1		
3	A3917R	O-RING	6		1/2"
4	F2208R	SNAP RING	2		
5	T30785	CLAMP	1		
6	AR55396	OIL TUBE	1		PTO BRAKE PRESSURE, (SUB RE14758, RE14759, (2) F2208R AND R66287)
7	AR55382	OIL TUBE	1		PTO CLUTCH PRESSURE, (SUB RE14758, RE14759, (2) F2208R AND R66287)
8	F3396R	SNAP RING	4		
9	A3917R	O-RING	2		
10	R51286	RETAINER	1		
11	R375R	O-RING	2		
12	T25413	OIL TUBE	1		CLUTCH CONTROL VALVE OUTLET
13A	T25412	OIL TUBE	1	-XXXXXX	CLUTCH CONTROL VALVE PRESSURE
13B	AL25164	OIL TUBE	1	XXXXXX-	
14A	AL25165	OIL TUBE	1	XXXXXX-	
14B	AT23232	OIL TUBE	1		(SUB AL25164, AL25165 AND L30755)
15	A3917R	O-RING	1		
16	T22584	BUSHING	1		
17	T25408	SLEEVE	1		
18	L30755	ADAPTER	1		
19	T25411	OIL TUBE	1		
20	T25417	ANGLE	1		
21	T22852	ADAPTER	1		
22	AR39118	MANIFOLD	1		
23	R51289	OIL TUBE	1		HI-CLUTCH PRESSURE
24	R51290	OIL TUBE	1		LO-CLUTCH PRESSURE

1J3

POWER TRAIN

TRANSMISSION OIL PUMP AND OIL LINES (LESS HI-LO SHIFT)

RWP2328 -UN-01JAN94



RWP2328

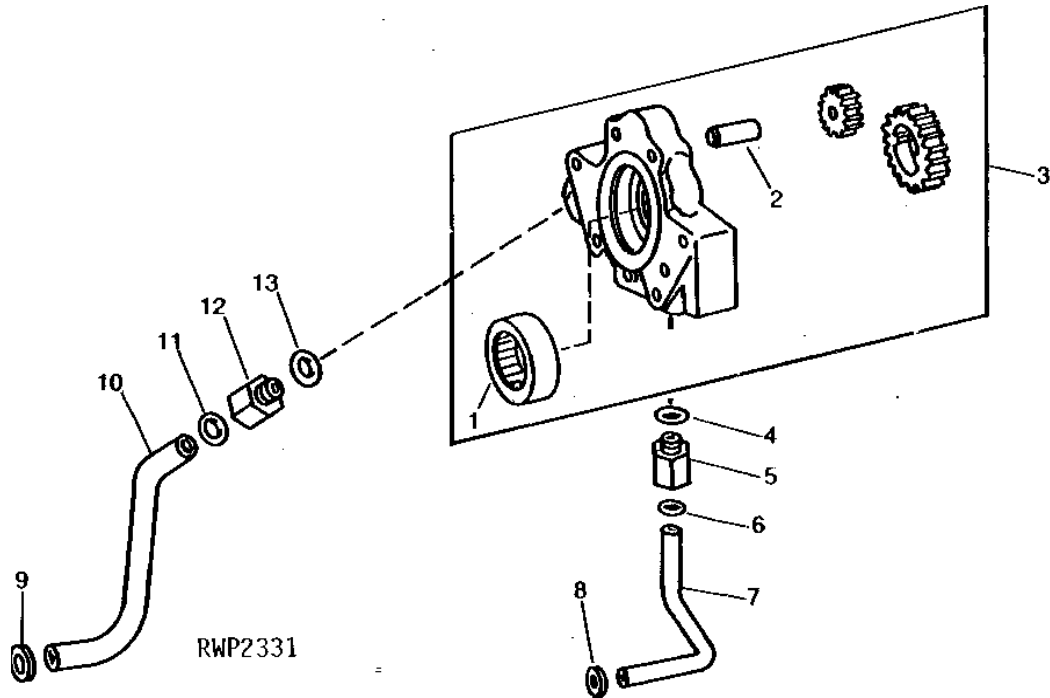
KEY	PART NO.	PART NAME	QTY	TRACTOR SERIAL NO.	REMARKS
1	19H2552	CAP SCREW	4	3/8" X 1-1/8"	
2	R30587	DOWEL PIN	3		
3	AR69659	ADAPTER	1		(SUB FOR AR39093)
4	R58661	DOWEL PIN	1		(SUB FOR R39224)
5	JD8720	ROLLER BEARING	1		
6	AR96662	OIL PUMP	1		(MARKED R39244 OR R57959) (SUB FOR AR39107)
7	R26906	O-RING	1		
8	T22862	ADAPTER	1		
9	R375R	O-RING	1		
10	T25419	OIL TUBE	1		OUTLET
11	T22851	WASHER	1		
12	R40235	CAP SCREW	5	3/8" X 2"	
13	R26149	PACKING	1		
14	T25418	OIL TUBE	1		INLET
15	T13119	O-RING	1		
16	T30754	ADAPTER	1		
17	F3171R	O-RING	1		
18	R41041	CAP SCREW	1	3/8" X 1-1/4"	

1J4

POWER TRAIN

TRANSMISSION OIL PUMP AND OIL LINES (HI-LO SHIFT)

RWP2331 -UN-01JAN94



KEY	PART NO.	PART NAME	QTY	TRACTOR SERIAL NO.	REMARKS
1	JD8720	ROLLER BEARING	1		
2	R58661	DOWEL PIN	1		(SUB FOR R39224)
3	AR96662	OIL PUMP	1		(MARKED R39244 OR R57959) (SUB FOR AR39107)
4	R26906	O-RING	1		
5	T22862	ADAPTER	1		
6	R375R	O-RING	1		
7	T25419	OIL TUBE	1		DISCHARGE
8	T22851	WASHER	1		
9	R26149	PACKING	1		
10	T25418	OIL TUBE	1		INLET
11	T13119	O-RING	1		
12	T30754	ADAPTER	1		
13	F3171R	O-RING	1		

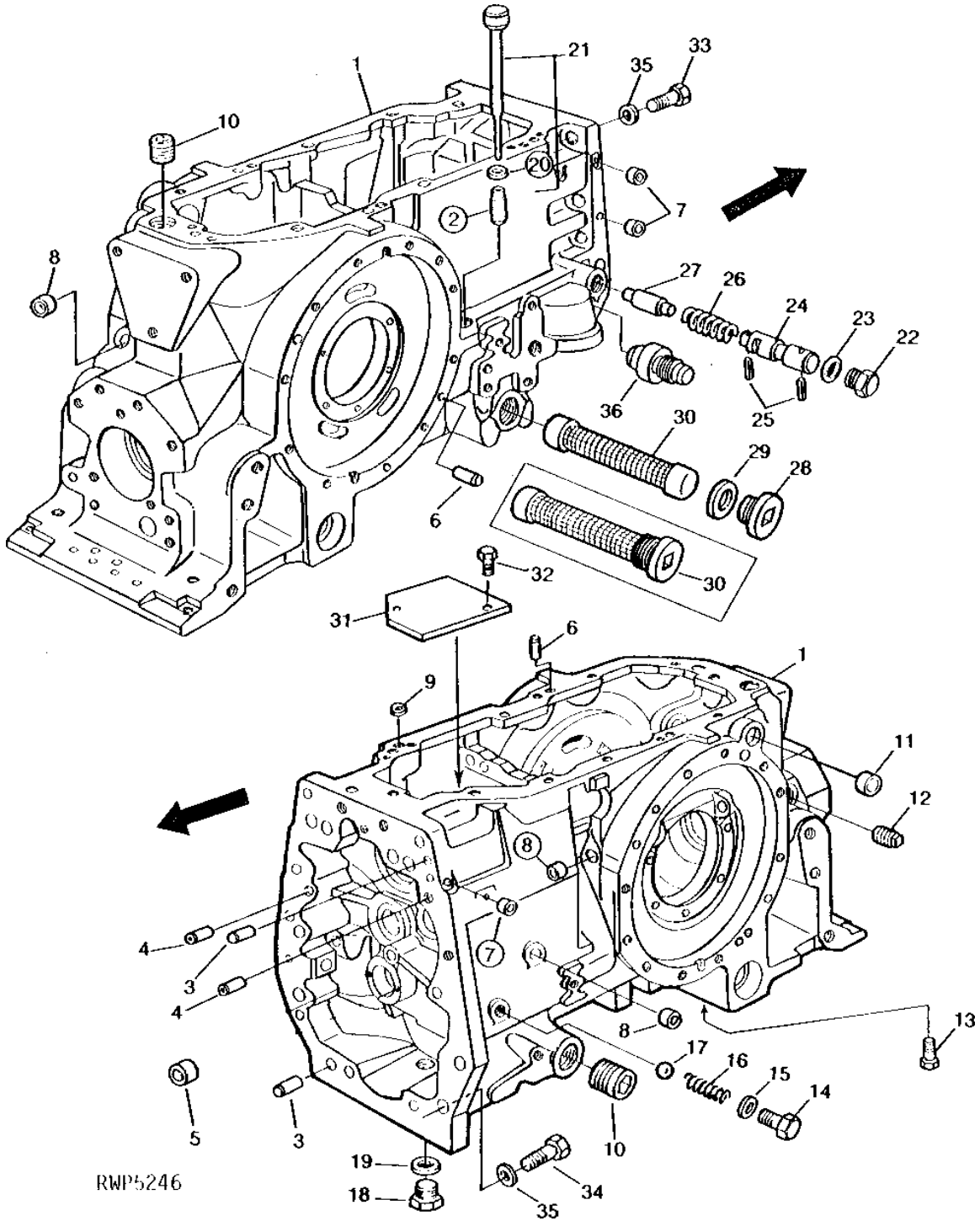
1J5

POWER TRAIN

RWP5246

-UN-01JAN94

TRANSMISSION CASE



1J6

POWER TRAIN

TRANSMISSION CASE - CONTINUED

KEY	PART NO.	PART NAME	QTY	TRACTOR SERIAL NO.	REMARKS
1	AR101832	TRANSMISSION CASE	1		(MARKED R75561, R70136 OR T25400) (ALSO ORDER R56615, L29048, JD9878 AND R26552) (SUB FOR AT40655, AT23308, AT43407 OR AR91514)
2	T21562	TUBE	1		
3	T26565	DOWEL PIN	2		
4	T24729	BUSHING	2		
5	T22128	BUSHING	1		(REAR PTO)
6	R48685	DOWEL PIN	6		
7	M1102T	CAP	3		
8	T18891	CAP	3		
9	T17882	WASHER	1		
10	15H562	PIPE PLUG	2		1"
11	T21937	CAP	1		
12	15H584	PIPE PLUG	1		1/2"
13	19H2351	CAP SCREW	1		1/2" X 1/2"
14	R53802	CAP SCREW	1		
15	R27003	WASHER	1		
16	T27716	SPRING	1		
17	R26552	BALL	1		
18	R51895	FITTING	2		
19	A4827R	WASHER	2		
20	R1590R	WASHER	1		
21	AT19830	DIPSTICK	1		
22	R27175	DRAIN PLUG	1		
23	F3171R	O-RING	1		
24	T22853	SLEEVE	1		
25	34H247	SPRING PIN	2		1/8" X 3/4"
26	R31698	SPRING	1		
27	R39294	PIN	1		
28	R40147	FITTING	1		
29	A4808R	WASHER	1		
30	AR26375	SCREEN	1		(STEEL)
	R53169	SCREEN	1		(NYLON)
31	T22854	COVER	1		
32	19H2021	CAP SCREW	2		3/8" X 5/8"
33	19H1831	CAP SCREW	3		1/2" X 2"
34	19H2550	CAP SCREW	6		1/2" X 1-5/8"
35	T20168	WASHER	9		
36	T26435	FITTING	1		

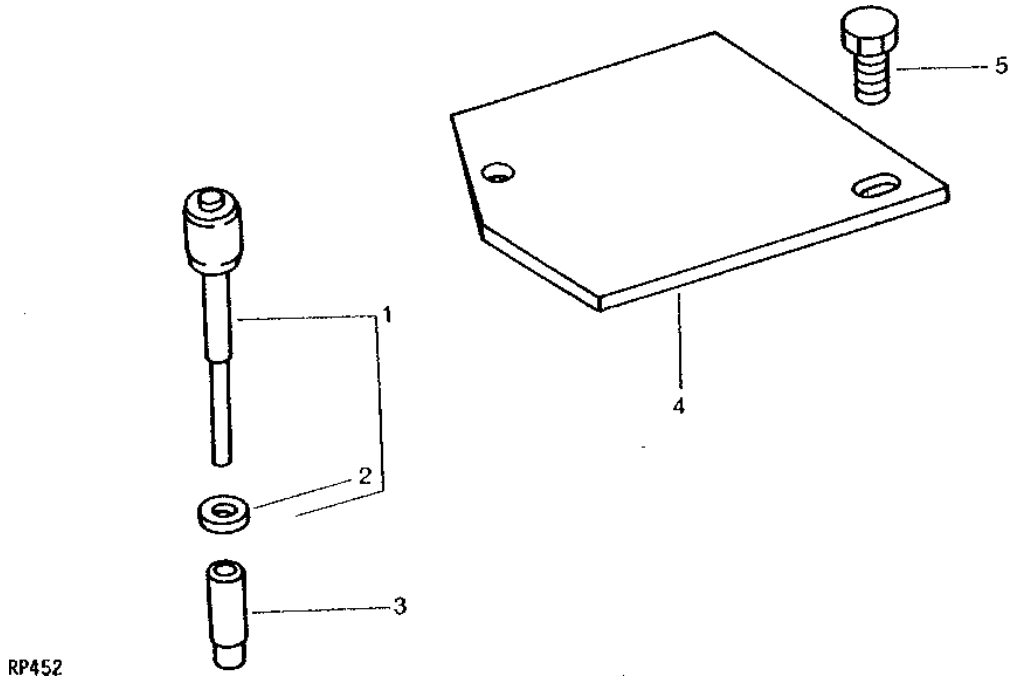
MEMORANDA

1J7

POWER TRAIN

RP452 -UN-01JAN94

TRANSMISSION SUMP COVER AND OIL LEVEL ROD



RP452

KEY	PART NO.	PART NAME	QTY	TRACTOR SERIAL NO.	REMARKS
1	AT19830	DIPSTICK	1		
2	R1590R	WASHER	1		
3	T21562	TUBE	1		
4	T22854	COVER	1		
5	19H2021	CAP SCREW	2	3/8" X 5/8"	

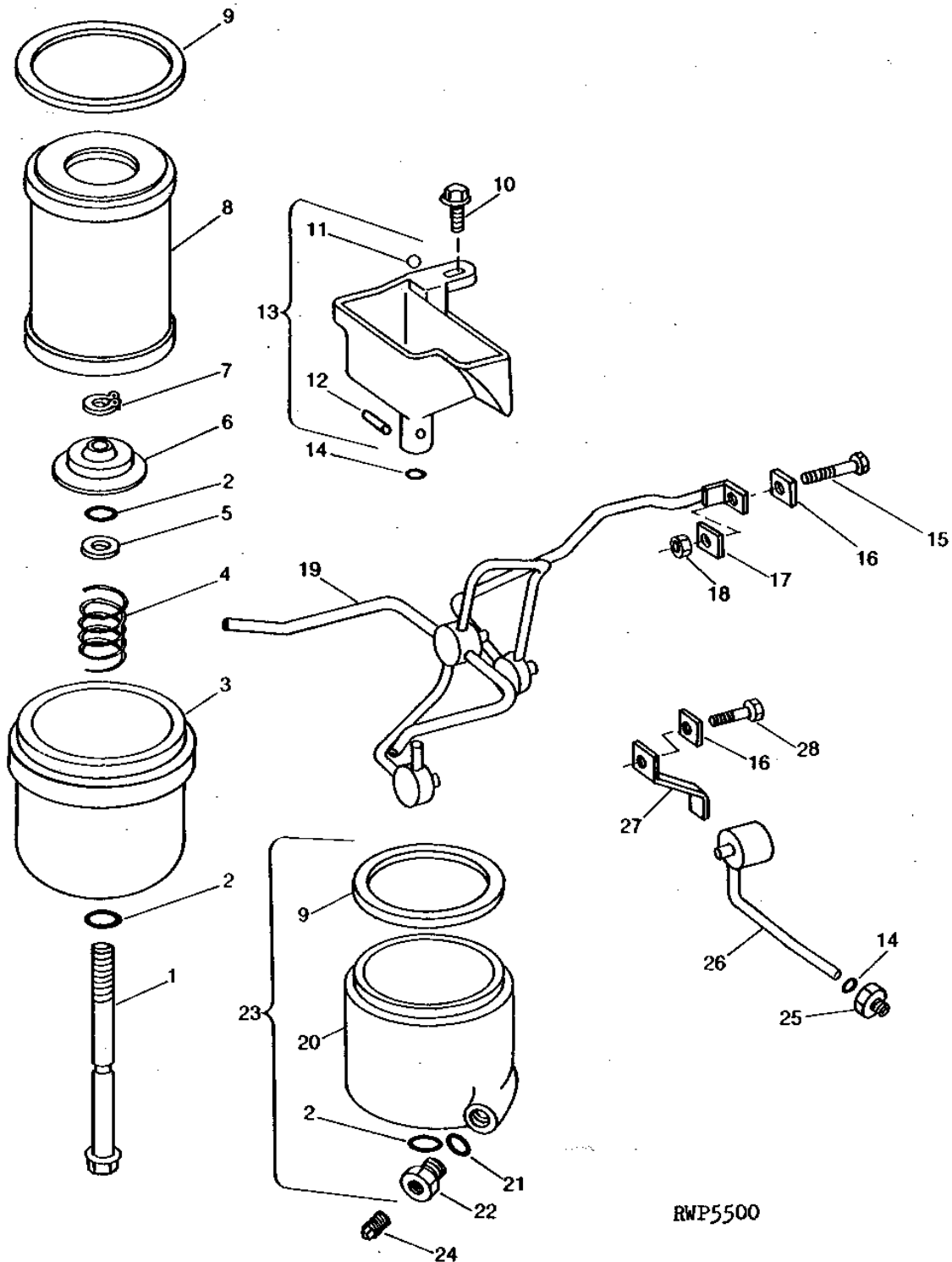
1J8

POWER TRAIN

RWP5500

-UN-01JAN94

TRANSMISSION OIL FILTER AND LUBRICATING OIL LINES



RWP5500

1J9

POWER TRAIN

TRANSMISSION OIL FILTER AND LUBRICATING OIL LINES - CONTINUED

KEY	PART NO.	PART NAME	QTY	TRACTOR SERIAL NO.	REMARKS
1	L29253	CAP SCREW	1		
2	R394R	O-RING	2		
3	L29250	COVER	1	(SUB R39796)	
4	L29252	COMPRESSION SPRING	1		
5	24H1227	WASHER	1	17/32" X 13/16" X 0.060"	
6	L29251	RETAINER	1		
7	R32507	SNAP RING	1		
8	AR75603	FILTER ELEMENT	1	(SUB FOR AR28271 OR AR75601)	
9	R34733	WASHER	1		
10	T22728	SCREW	1		
11	R26552	BALL	1	8 MM (5/16")	
12	R39090	NEEDLE ROLLER	1		
13	AR66588	OIL CUP	1	(SUB AR87416 AND 21H1322)	
14	A3917R	O-RING	2		
15	T22984	CAP SCREW	1		
16	H246R	STRAP	2		
17	R1888R	STRAP	1		
18	14H732	NUT	1	3/8"	
19	AT22001	OIL LINE	1	TRANSMISSION REAR	
20	T31170	COVER	1		
	AL25554	FILTER ELEMENT	1	(USE WITH T31170)	
21	F3171R	O-RING	1		
22	Y1912C	ADAPTER	1		
23	AT30197	COVER	1		
24	15H624	PIPE PLUG	1	1/2"	
25	T22852	ADAPTER	1		
26	AT29752	OIL LINE	1	TRANSMISSION FRONT	
27	T22974	CLAMP	1		
28	19H1800	CAP SCREW	1	3/8" X 1-1/2"	

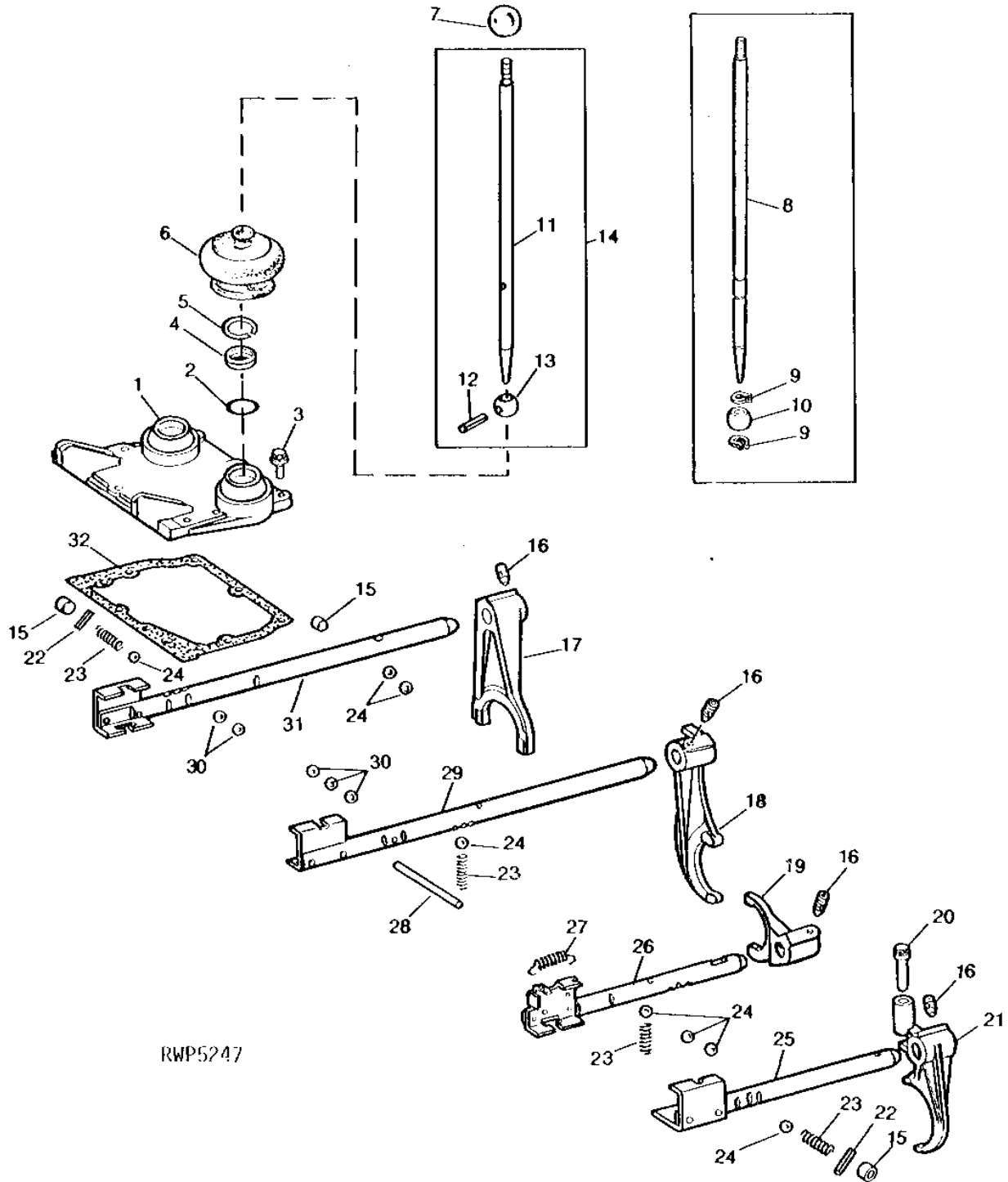
1J10

POWER TRAIN

RWP5247

-UN-01JAN94

GEAR SHIFTING PARTS



RWP5247

1J11

POWER TRAIN

GEAR SHIFTING PARTS - CONTINUED

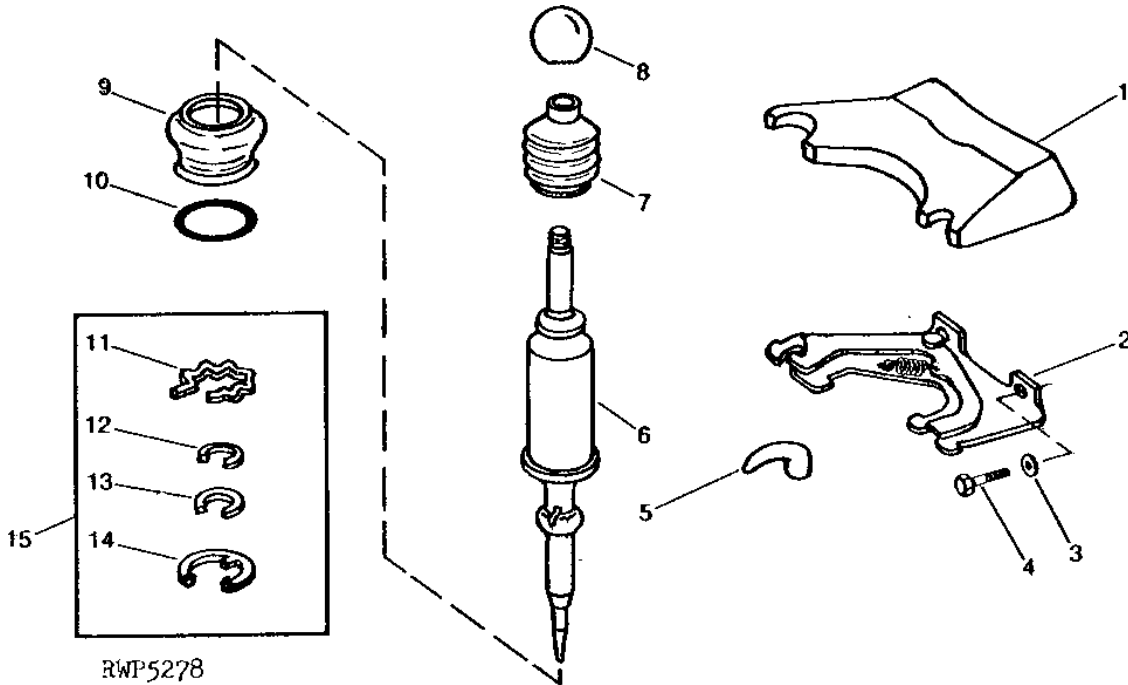
KEY	PART NO.	PART NAME	QTY	TRACTOR SERIAL NO.	REMARKS
1	AT23579	COVER	1		(LESS INDEPENDENT PTO)
	AT23907	COVER	1	-XXXXXX	(MARKED T25393 OR R58768) (SUB R58768 AND T24395)
	AR70718	COVER	1	XXXXXX-	(SUB R58768 AND T24395)
	AT29681	COVER	1		(MARKED T30753 OR R54186) (SUB AR61916)
2	R29936	O-RING	1	XXXXXX-	
3	T22728	SCREW	7		
4	L4027T	BUSHING	1		
5	L4035T	SNAP RING	1		
6	L31055	BOOT	1		(SUB FOR R53818)
7	R50864	KNOB	1		
8	R53817	GEARSHIFT LEVER	1	-XXXXXX	(SUB AL32791 AND R29936)
9	R32507	SNAP RING	2	-XXXXXX	
10	R53815	BALL STUD	1	-XXXXXX	
11	L34349	GEARSHIFT LEVER	1	XXXXXX-	
12	34H251	SPRING PIN	1	XXXXXX-	1/8" X 1"
13	CE14048	BALL	1	XXXXXX-	
14	AL32791	GEARSHIFT LEVER	2	XXXXXX-	
15	M1102T	CAP	3		
16	T25614	SET SCREW	4		
17	L28401	SHIFTER	1		(1ST AND 5TH, 2ND AND 6TH) (SUB FOR T21603)
18	T32142	SHIFTER	1		(3RD AND 7TH, 4TH AND 8TH)
19	T26197	SHIFTER	1		(HIGH RANGE)
20	T22435	PIN	1		(SUB R98941)
21	R60556	SHIFTER	1		(LOW AND REVERSE RANGE) (SUB FOR T21602)
22	34H251	SPRING PIN	2		1/8" X 1"
23	T27716	SPRING	1		
24	R26552	BALL	8		8 MM (5/16")
25	AL33250	SHIFTER ROD	1		(LOW AND REVERSE RANGE) (SUB FOR AT29387)
26	RE18646	SHAFT	1		(HIGH RANGE) (SUB FOR AT29386)
27	T28680	SPRING	1		
28	T22736	PIN	1		
29	AT20784	SHIFTER ROD	1	-180299	(3RD AND 7TH, 4TH AND 8TH)
	AL25883	SHIFTER ROD	1	186300-	(3RD AND 7TH, 4TH AND 8TH) (SUB AL33279)
30	400R	BALL	5		6 MM (1/4")
31	AT20786	SHIFTER ROD	1		(1ST AND 5TH, 2ND AND 6TH)
32	R54189	GASKET	1		

1J12

POWER TRAIN

RWP5278 -UN-01JAN94

PARK LOCK ASSURANCE KIT (LEFT-HAND LEVER)



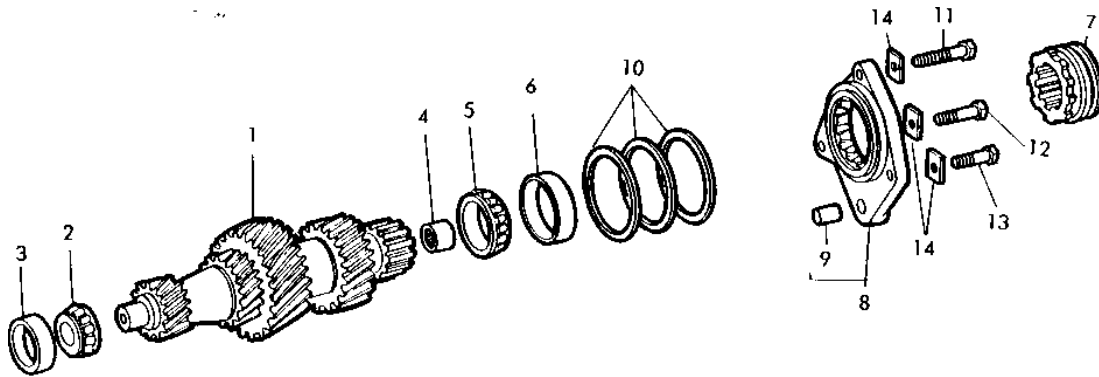
KEY	PART NO.	PART NAME	QTY	TRACTOR SERIAL NO.	REMARKS
1	R75442	COVER	1		
2	AR101754	BRACKET	1		
3	24H1822	WASHER	18		
4	19H1901	CAP SCREW	2		11/32" X 7/8" X 1/16"
5	R75440	HANDLE	1		5/16" X 2"
6	AR101755	LEVER	1		
7	R75451	BOOT	1		
8	R50864	KNOB	1		
9	R78249	BOOT	1		
10	L31311	O-RING	1		
11	R80839	SNAP RING	1		(SUB FOR R75450)
12	R80840	SHIM	3		
13	R80841	SHIM	3		
14	R75449	BEARING	1		
15	RE18116	KIT	1		

1J13

POWER TRAIN

L55508 -UN-01JAN94

TRANSMISSION DRIVE SHAFT ASSEMBLY



L 55508

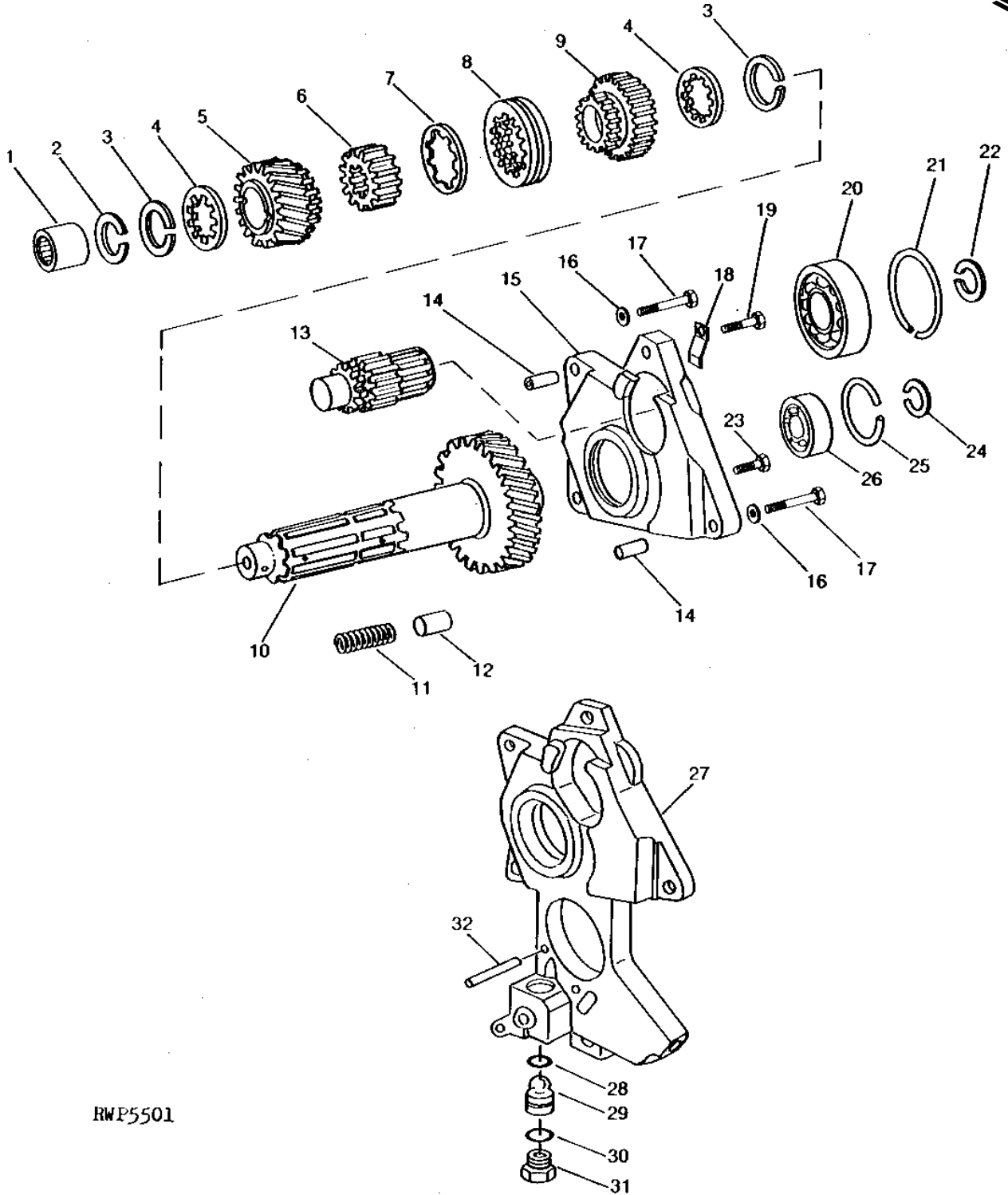
KEY	PART NO.	PART NAME	QTY	TRACTOR SERIAL NO.	REMARKS
1	T21980	DRIVE SHAFT	1		
2	JD7375	BEARING CONE	1		
3	JD7449	BEARING CUP	1		
4	JD9839	NEEDLE BEARING	1		
5	JD8171	BEARING CONE	1		
6	JD8276	BEARING CUP	1		
7	T22934	SHIFT COLLAR	1		
8	AT22315	QUILL	1		HIGH-RANGE (SUB T22955 AND R54380)
9	R54380	DOWEL PIN	1		(SUB FOR T25317)
10	T21442	SHIM	AR		0.08 MM (.003")
	T21443	SHIM	AR		0.13 MM (.005")
	T21444	SHIM	AR		0.25 MM (.010")
	T29561	SHIM	AR		0.51 MM (.020")
	T29562	WASHER	AR		1.02 MM (.040")
11	T22984	CAP SCREW	1		
12	19H1800	CAP SCREW	1		3/8" X 1-1/2"
13	19H1732	CAP SCREW	1		3/8" X 1-1/4"
14	H246R	STRAP	3		

1J14

POWER TRAIN

RWP5501 -UN-01JAN94

COUNTERSHAFT AND BEARING SUPPORT



RWP5501

1J15

POWER TRAIN

COUNTERSHAFT AND BEARING SUPPORT - CONTINUED

KEY	PART NO.	PART NAME	QTY	TRACTOR SERIAL NO.	REMARKS
1	JD9822	NEEDLE BEARING	1		1.750" O.D. (USE WITH T25400)
	AL25598	NEEDLE BEARING	1		1.875" O.D. (USE WITH T25400)
	JD9878	NEEDLE BEARING	1	178601-179600	(USE WITH R55840)
2	R34399	SNAP RING	1		(USE WITH T25400)
	L29048	SNAP RING	1	178601-179600	(USE WITH R55840)
3	T19242	SNAP RING	1		
4	T19245	THRUST WASHER	2		
5	T30065	GEAR	1		(22 TEETH) LOW RANGE
6	T21964	SLEEVE	1		
7	R55721	THRUST WASHER	1		
8	T21970	SHIFT COLLAR	1		
9	T21981	GEAR	1		(21 TEETH) REVERSE RANGE
10	T24726	COUNTERSHAFT	1		(USE WITH T25400)
	R56615	COUNTERSHAFT	1	178601-179600	(USE WITH R55840)
11	T24732	SPRING	2		
12	T21969	FRICTION PLUG	2		
13	T24728	GEAR	1		(12 TEETH) (SUB R67341)
	T25620	GEAR	1		(A) (SUB R67338)
14	T24729	BUSHING	2		
15	T24691	SUPPORT	1		(SUB L36557)
16	R1870R	WASHER	1		(SUB R57696)
17	19H1801	CAP SCREW	2		3/8" X 2"
18	T24736	CLAMP	1		
19	19H1732	CAP SCREW	1		3/8" X 1-1/4"
20	JD9361	BALL BEARING	1		(A)
	JD7674	BALL BEARING	1		
21	T24737	SNAP RING	1		
22	A364R	SNAP RING	1		
	T25621	SNAP RING	1		(A)
23	19H1731	CAP SCREW	1		3/8" X 1"
24	F215R	RING	1		
25	B190R	SNAP RING	1		
26	JD9258	BALL BEARING	1		
27	AR78202	SUPPORT	1		(B) (INCLUDES PIN AND BALL) (MARKED L31516) (ALSO ORDER R42849, L31514 AND L31515) (SUB FOR R53064)
28	R27928	O-RING	1		(B)
29	R53065	PISTON	1		(B)
30	U17409	O-RING	1		(B)
31	R53066	FITTING PLUG	1		(B)
32	T28830	NEEDLE ROLLER	1		(B) (SUB AL24088)

(A) HI-LO SHIFT

(B) INDEPENDENT PTO

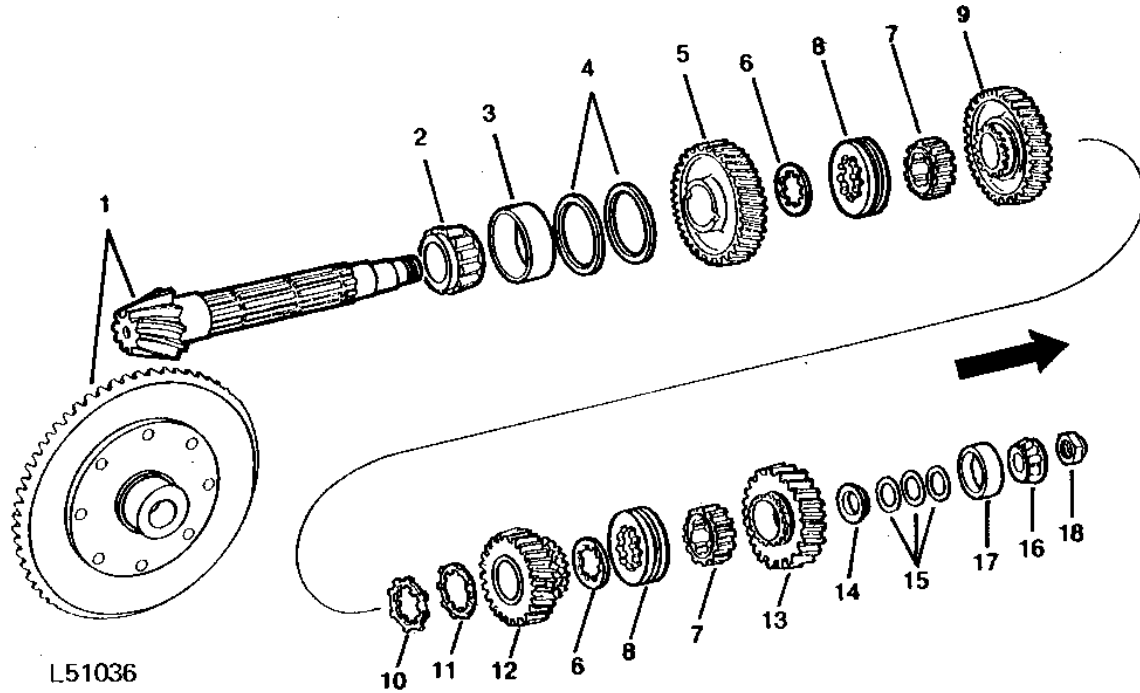
MEMORANDA

1J16

POWER TRAIN

L51036 -UN-01JAN94

DIFFERENTIAL DRIVE SHAFT ASSEMBLY



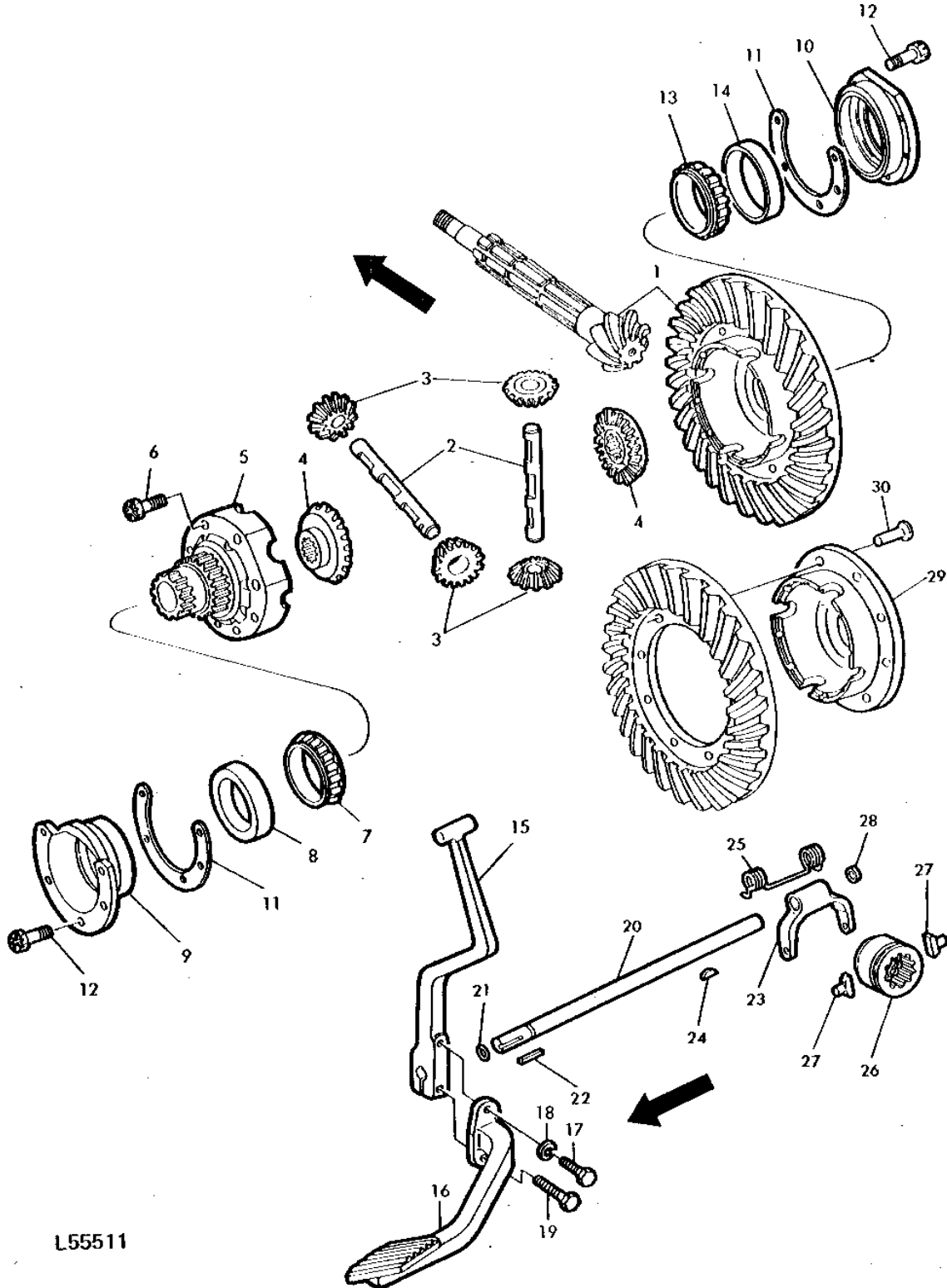
KEY	PART NO.	PART NAME	QTY	TRACTOR SERIAL NO.	REMARKS
1	AT21620	DIFFERENTIAL	1		R.H. (35 TEETH)
	AT21623	DIFFERENTIAL	1		R.H. (43 TEETH)
2	JD8997	BEARING CONE	1		
3	JD8255	BEARING CUP	1		
4	T31794	SHIM	AR		0.25 MM (.010")
5	T21975	GEAR	1		(1ST AND 5TH SPEED)
6	R55721	THRUST WASHER	2		
7	T21964	SLEEVE	2		
8	T21970	SHIFT COLLAR	2		
9	T21976	GEAR	1		(2ND AND 6TH SPEED)
10	R55722	THRUST WASHER	1		
11	T24734	LOCK PLATE	1		
12	T21977	GEAR	1		(4TH AND 8TH SPEED)
13	AT19966	GEAR	1		WITH BUSHING (3RD AND 7TH SPEED)
14	T21965	WASHER	1		
15	L29269	SHIM	AR		0.05 MM (.002")
	L29270	SHIM	AR		0.13 MM (.005")
	L29271	SHIM	AR		0.25 MM (.010")
16	JD8979	BEARING	1		
17	JD8267	BEARING CUP	1		
18	T24917	NUT	1		

1J17

POWER TRAIN

L55511 -UN-01JAN94

DIFFERENTIAL ASSEMBLY AND LOCK MECHANISM



L55511

1J18

POWER TRAIN

DIFFERENTIAL ASSEMBLY AND LOCK MECHANISM - CONTINUED

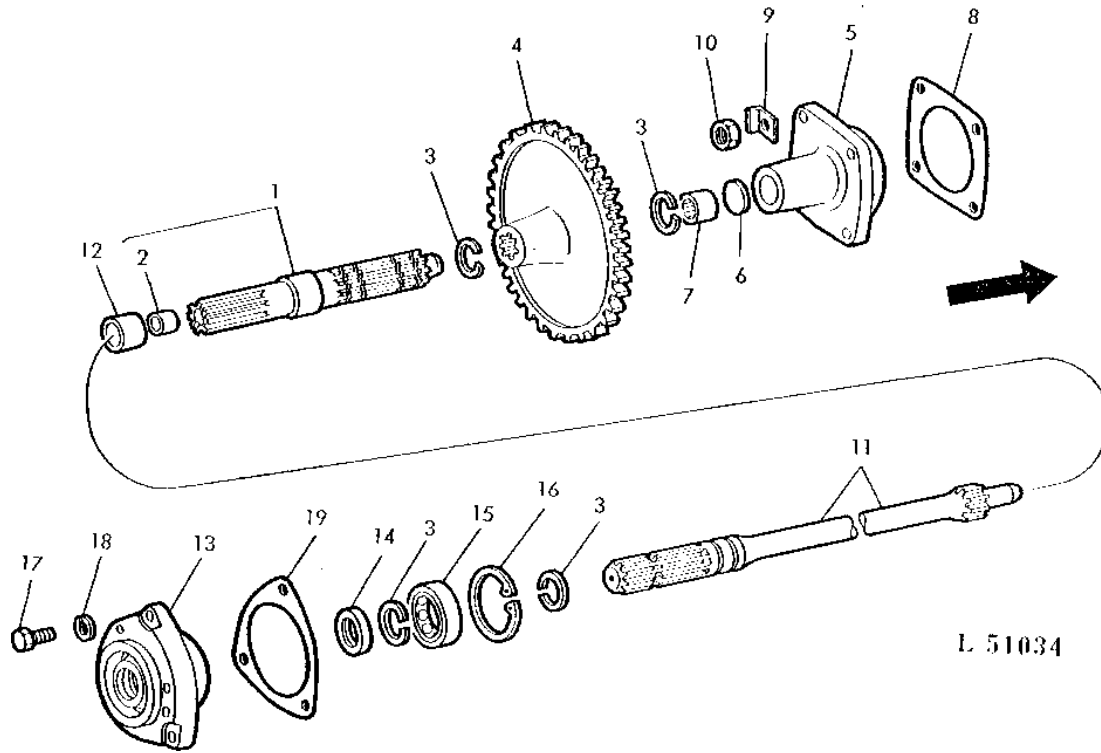
KEY	PART NO.	PART NAME	QTY	TRACTOR SERIAL NO.	REMARKS
1	AT21620	DIFFERENTIAL	1		R.H. (35 TEETH) (INCLUDES T24382 AND 16H1592)
	AT21623	DIFFERENTIAL	1		R.H. (43 TEETH) (INCLUDES T30253 AND T30254)
2	L29226	SHAFT	2		
3	L29227	GEAR	4		
4	T29394	BEVEL GEAR	2		(SUB (4) T118950 AND (2) T118949)
5	R51500	HOUSING	1		L.H.
6	T21430	CAP SCREW	8		
7	JD8147	BEARING CONE	1		L.H.
8	JD7425	BEARING CUP	1		L.H.
9	T21433	QUILL	1		L.H.
10	T21432	QUILL	1		R.H. (USE WITH AT21623)
	T21458	QUILL	1		R.H. (USE WITH AT21620)
11	T21434	SHIM	AR		0.08 MM (.003")
	T21435	SHIM	AR		0.13 MM (.005")
	T21436	SHIM	AR		0.25 MM (.010")
12	T22874	BOLT	10		
13	JD8946	BEARING CONE	1		R.H. (USE WITH AT21623)
	JD8147	BEARING CONE	1		R.H. (USE WITH AT21620)
14	JD8206	BEARING CUP	1		R.H. (USE WITH AT21623)
	JD7425	BEARING CUP	1		R.H. (USE WITH AT21620)
15	T27429	LEVER	1		
16	T27430	PEDAL	1		
17	19H1731	CAP SCREW	1		3/8" X 1"
18	12H304	LOCK WASHER	1		3/8"
19	19H2665	CAP SCREW	1		3/8" X 1-5/8", (USE WITH AT21620)
20	T21839	SHAFT	1		(ALSO ORDER R28776) (SUB FOR L29404)
21	L29406	O-RING	1	-XXXXXX	(USE WITH SHAFT WITH (2) WOODRUFF KEYWAYS)
	R28776	O-RING	1	XXXXXX-	(USE WITH SHAFT WITH (1) WOODRUFF KEYWAY)
22	H410R	SHAFT KEY	1		
23	T21840	YOKE	1		
24	26H77	SHAFT KEY	2	-XXXXXX	3/16" X 3/4"
25	T24522	SPRING	1		
	26H77	SHAFT KEY	1	XXXXXX-	3/16" X 3/4"
26	R51501	SHIFT COLLAR	1		
27	T21841	SHOE	2		
28	T18891	CAP	1		
29	T24382	HOUSING	1		R.H. (USE WITH AT21620)
	T30253	HOUSING	1		R.H. (USE WITH AT21623)
30	T30254	RIVET	8		(USE WITH T30253)
	16H1592	RIVET	8		7/16" X 1-3/4", (USE WITH T24382)

1J19

POWER TRAIN

REAR PTO SHAFTS AND GEARS (540 RPM)

L51034 -UN-01JAN94



L 51034

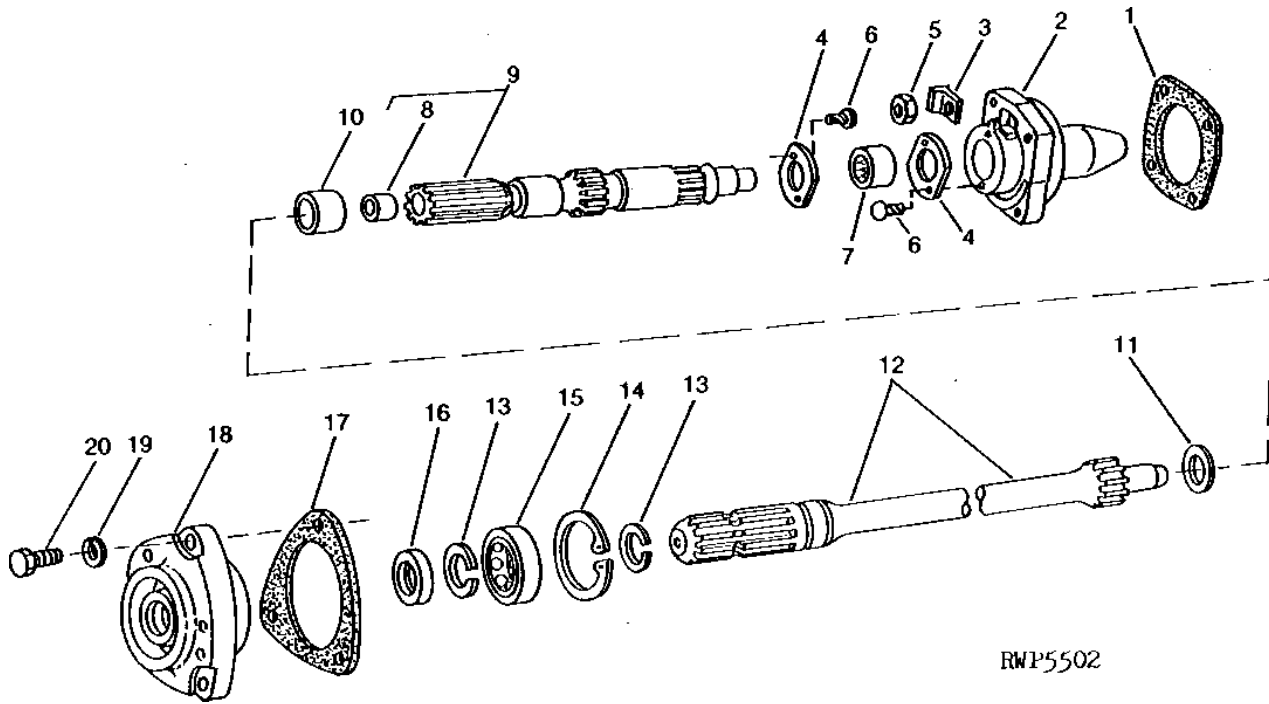
KEY	PART NO.	PART NAME	QTY	TRACTOR SERIAL NO.	REMARKS
1	AT23224	SHAFT	1		DRIVE WITH BUSHING
2	T22127	BUSHING	1		
3	M2353T	SNAP RING	4		
4	T22214	GEAR	1		
5	T22234	QUILL	1		
6	R26656	WASHER	1		
7	JD8877	NEEDLE BEARING	1		
8	T21997	GASKET	1		
9	R30958	LOCK PLATE	4		
10	14H1076	NUT	4	3/8"	
11	R47249	SHAFT	1		
12	T22128	BUSHING	1		
13	R47514	QUILL	1		REAR
14	T22069	SEAL	1		(SUB AL56820)
15	JD9344	BALL BEARING	1		
16	40M7044	SNAP RING	1		(SUB FOR R47513)
17	19H1721	CAP SCREW	3		1/2" X 1-1/2"
18	12H301	LOCK WASHER	3		1/2"
19	T22080	GASKET	1		

1J20

POWER TRAIN

REAR SHAFTS AND GEARS (INDEPENDENT PTO) (540 RPM)

RWP5502 -UN-01JAN94



RWP5502

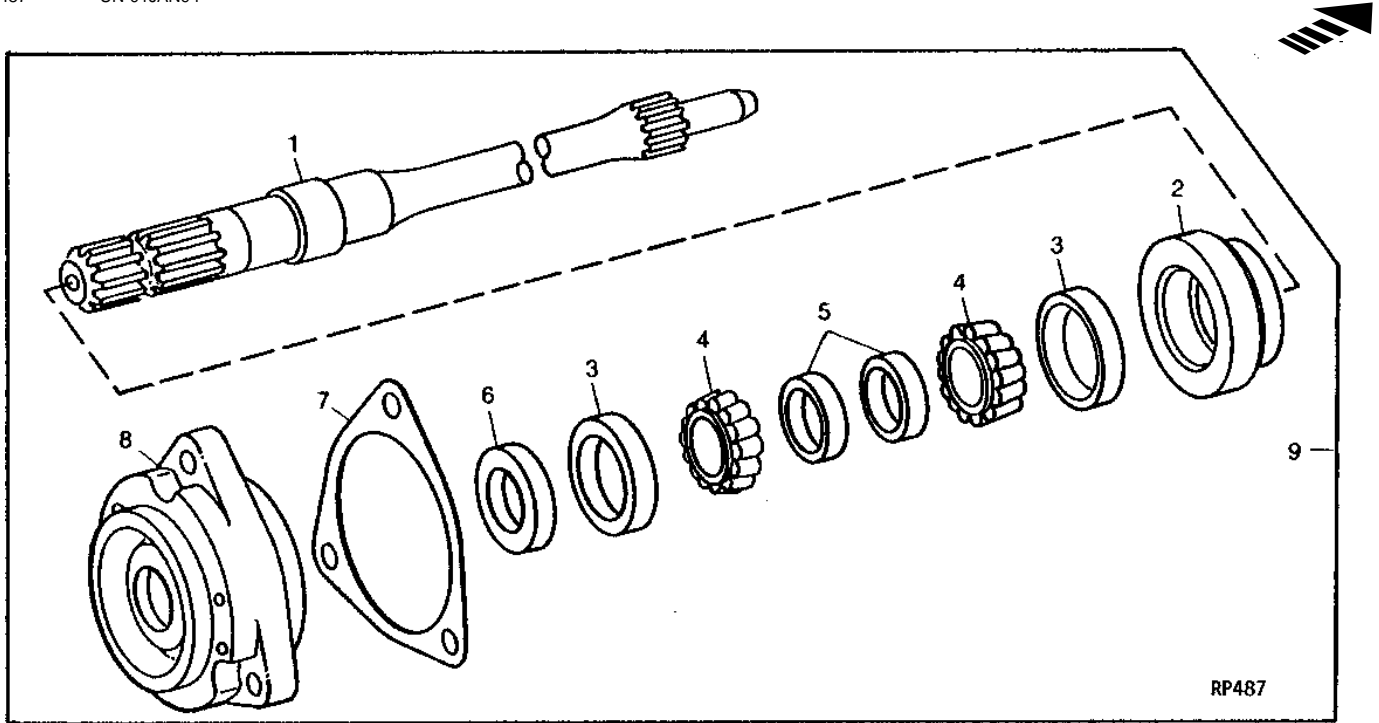
KEY	PART NO.	PART NAME	QTY	TRACTOR SERIAL NO.	REMARKS
1	T21997	GASKET	1		
2	T21996	QUILL	1		MID-PTO
3	R30958	LOCK PLATE	4		
4	T28668	THRUST WASHER	2		
5	14H1076	NUT	4		3/8"
6	37H44	SCREW	4		0.151" X 3/8"
7	JD8877	NEEDLE BEARING	1		
8	T22127	BUSHING	1		
9	AT29687	SHAFT	1		
10	T22128	BUSHING	1		
11	T22546	WASHER	1		
12	R47249	SHAFT	1		REAR
13	M2353T	SNAP RING	2		
14	40M7044	SNAP RING	1		(SUB FOR R47513)
15	JD9344	BALL BEARING	1		
16	T22069	SEAL	1		REAR, (SUB AL56820)
17	T22080	GASKET	1		
18	R47514	QUILL	1		
19	12H301	LOCK WASHER	3		1/2"
20	19H1721	CAP SCREW	3		1/2" X 1-1/2"

1J21

POWER TRAIN

THRUST CAPACITY IMPROVEMENT KIT (SINGLE 540 RPM PTO)

RP487 -UN-01JAN94



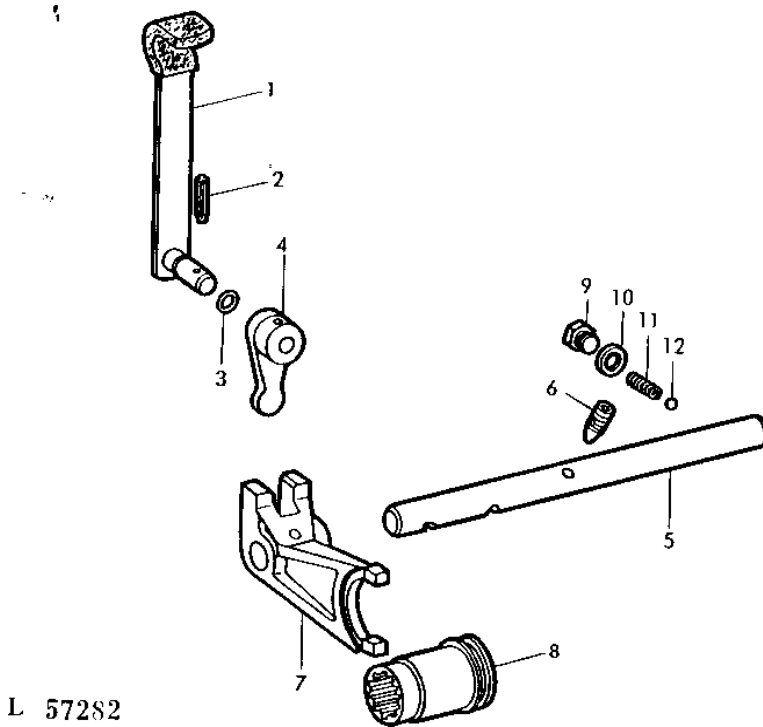
KEY	PART NO.	PART NAME	QTY	TRACTOR SERIAL NO.	REMARKS
1	R69509	SHAFT	1		
2	R69511	BUSHING	1		
3	JD9125	BEARING CUP	1		
4	JD9065	BEARING CONE	1		
5	R69510	SPACER	2		
6	AL56820	SEAL	1		(SUB FOR T22069)
7	R69513	SHIM	AR		0.13 MM (.005") (SUB AT146240)
	R69515	SHIM	AR		0.25 MM (.010") (SUB AT146240)
	R69516	SHIM	AR		0.50 MM (.020") (SUB AT146240)
	R69514	SHIM	AR		0.13 MM (.005") PAPER, (SUB AT146240)
8	R69512	QUILL	1		
9	AR93928	KIT	1		

1J22

POWER TRAIN

L57282 -UN-01JAN94

REAR POWER SHAFT SHIFTER LINKAGE



L 57282

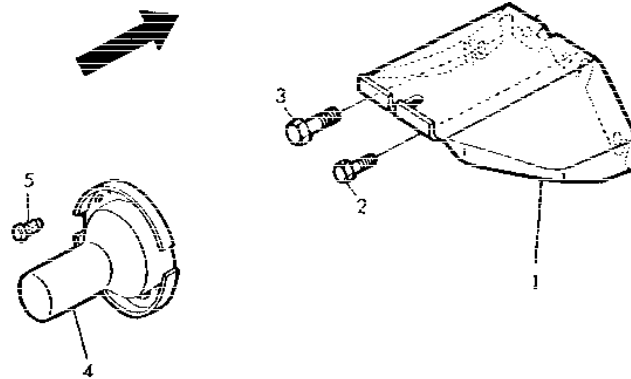
KEY	PART NO.	PART NAME	QTY	TRACTOR SERIAL NO.	REMARKS
1	AT29827	LEVER	1		
2	T27544	GROOVE PIN	1		
3	R28776	O-RING	1		
4	AT20025	ARM	1		
5	R48289	SHAFT	1		
6	T25614	SET SCREW	1		
7	T21992	SHIFTER	1		
8	T26337	SHIFT COLLAR	1		
9	R53802	CAP SCREW	1		
10	R27003	WASHER	1		
11	T27716	SPRING	1		
12	R26552	BALL	1	8 MM (5/16")	

1J23

POWER TRAIN

L57280 -UN-01JAN94

POWER SHAFT SHIELD AND GUARD



L 57280

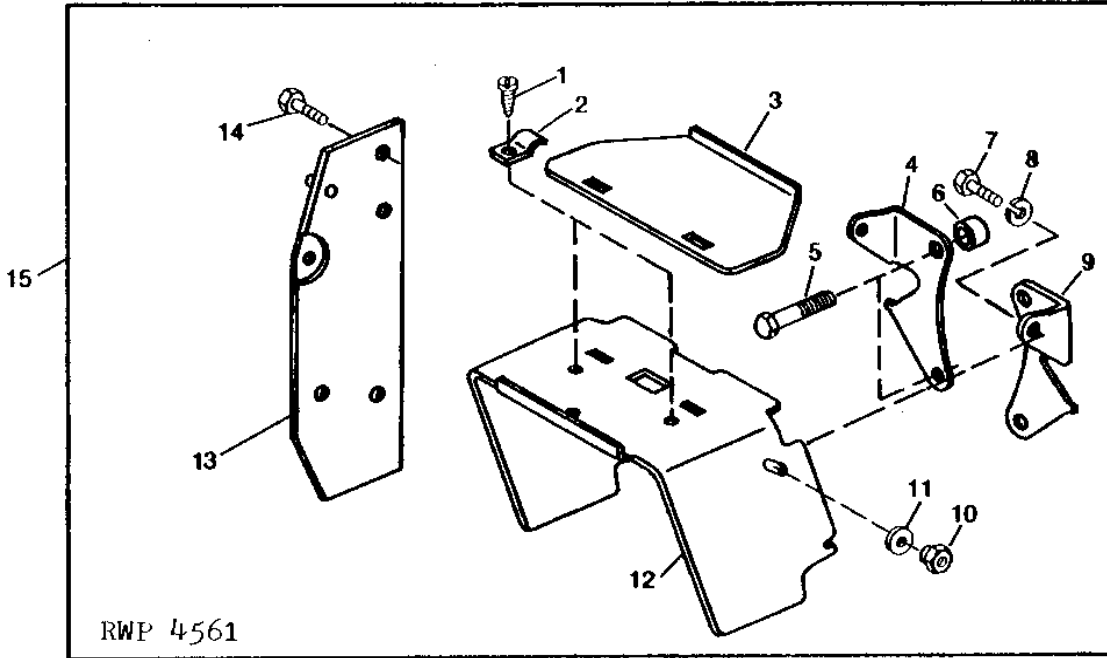
KEY	PART NO.	PART NAME	QTY	TRACTOR SERIAL NO.	REMARKS
1	AT20761	SHIELD	1	(SUB RE13912)	
2	19H2284	CAP SCREW	2	3/8" X 7/8"	
3	19H1792	CAP SCREW	2	1/2" X 1"	
4	AR26782	GUARD	1		
5	R27329	SCREW	2		

1J24

POWER TRAIN

RWP4561 -UN-01JAN94

PTO MASTER SHIELD KIT



KEY	PART NO.	PART NAME	QTY	TRACTOR SERIAL NO.	REMARKS
1	37H52	SCREW	2		1/4" X 3/8"
2	R69657	CLAMP	2		
3	L38694	COVER	1		
4	R69655	SUPPORT	1		L.H.
5	19H1831	CAP SCREW	4		1/2" X 2"
6	28H1785	BUSHING	4		0.546" X 0.840" X 1-1/16"
7	19H1731	CAP SCREW	2		3/8" X 1"
8	12H304	LOCK WASHER	2		3/8"
9	R69654	SUPPORT	1		R.H.
10	R63607	WELD NUT	2		3/8"
11	R73290	WASHER	2		(SUB FOR T497T) (SUB 24M7338)
12	R69628	SHIELD	1		
13	AR90971	SUPPORT	1		
14	19H1792	CAP SCREW	1		1/2" X 1"
15	RE13912	KIT	1		

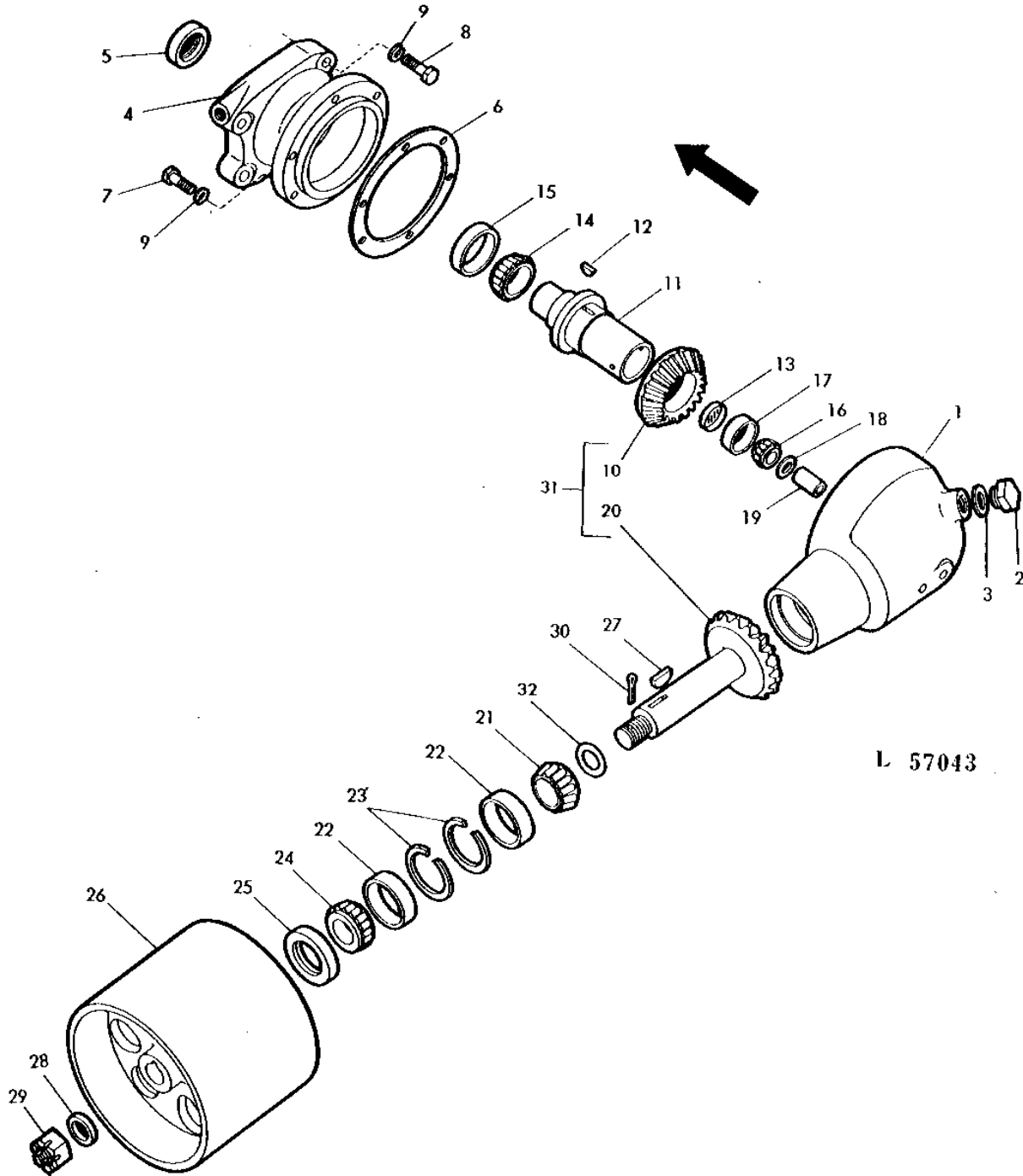
1K1

POWER TRAIN

L57043

-UN-01JAN94

BELT PULLEY
(540 RPM PTO)



L 57043

1K2

POWER TRAIN

BELT PULLEY - CONTINUED (540 RPM PTO)

KEY	PART NO.	PART NAME	QTY	TRACTOR SERIAL NO.	REMARKS
1	T29242	CASE	1		
2	R26727	DRAIN PLUG	1		
3	A4827R	WASHER	1		
4	T29243	QUILL	1		(LESS INDEPENDENT PTO)
	T29550	QUILL	1		(INDEPENDENT PTO)
5	AT12431	SEAL	1		
6	R44361	SHIM	AR		0.13 MM (.005")
	R44372	SHIM	AR		0.13 MM (.005")
	T13341	SHIM	AR		0.25 MM (.010")
7	19H3579	CAP SCREW	6		1/2" X 1-3/8"
8	19H2644	CAP SCREW	4		1/2" X 2-1/2"
9	12H301	LOCK WASHER	10		1/2"
10	T23000	GEAR	1		(ORDER AT28049)
11	T22999	HUB	1		
12	26H85	SHAFT KEY	1		1/4" X 1"
13	M2206T	CAP	1		
14	JD8922	BEARING CONE	1		
15	JD8247	BEARING CUP	1		
16	JD8135	BEARING CONE	1		
17	JD7438	BEARING CUP	1		
18	T13331	SHIM	AR		0.08 MM (.003")
	T13332	SHIM	AR		0.13 MM (.005")
	T13333	SHIM	AR		0.25 MM (.010")
19	T13471	PIN	1		
20	T22998	SHAFT	1		(ORDER AT28049)
21	JD8969	BEARING CONE	1		
22	JD7418	BEARING CUP	2		
23	T13325	SNAP RING	2		
24	JD8982	BEARING CONE	1		
25	AT16887	SEAL	1		(SUB AT124396)
26	T18718	PULLEY	1		
27	26H93	SHAFT KEY	1		1/4" X 1-1/4"
28	R30399	WASHER	1		(SUB FOR T18996)
29	14H920	NUT	1		1"
30	11M7032	COTTER PIN	1		5 X 50 MM
31	AT28049	SHAFT	1		
32	L11027	SHIM	AR		0.10 MM (.004")
	L11028	SHIM	AR		0.20 MM (.008")
	R48566	SHIM	AR		0.15 MM (.006") (NO LONGER AVAILABLE)

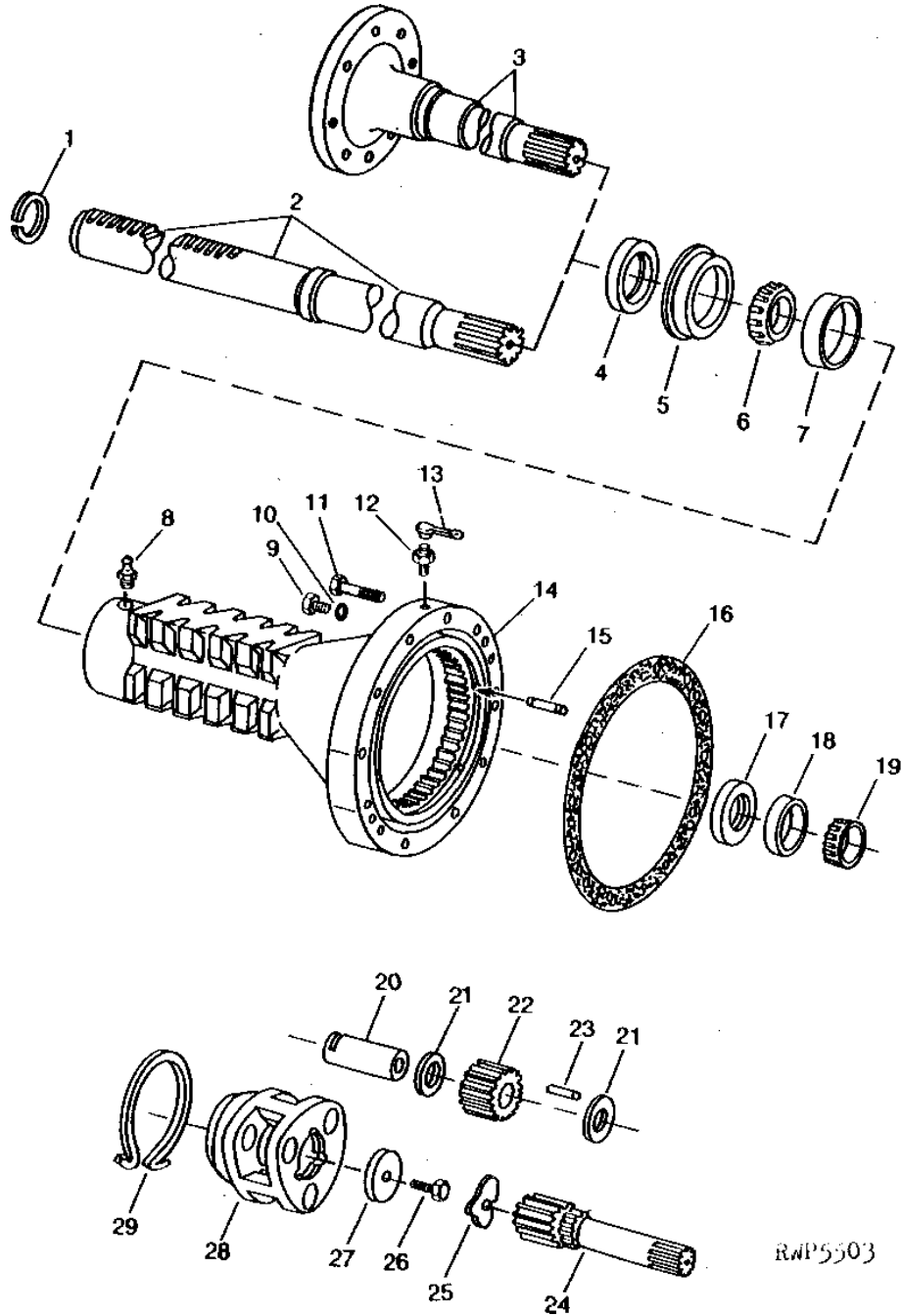
1K3

POWER TRAIN

RWP5503

-UN-01JAN94

REAR AXLE AND FINAL DRIVE



RWP5503

1K4

POWER TRAIN

REAR AXLE AND FINAL DRIVE - CONTINUED

KEY	PART NO.	PART NAME	QTY	TRACTOR SERIAL NO.	REMARKS
1	R53656	SNAP RING	1		
2	L29243	HALF AXLE	1	-098541	(35 TEETH) (SUB L39863 AND L39868)
	L35790	HALF AXLE	1	098542-	(35 TEETH) (SUB L39863 AND L39868)
	R54622	HALF AXLE	1	-098541	(17 TEETH)
3	L29241	SPINDLE	1	-098541	(35 TEETH)
	T21570	SPINDLE	1	098542-	(17 TEETH)
4	AT20703	SEAL	1		(A)
5	T21429	BEARING CUP	1		(A)
6	JD8946	BEARING CONE	1		(A)
7	JD8206	BEARING CUP	1		(A)
8	JD7759	LUBRICATION FITTING	1		1/8"
9	R27216	DRAIN PLUG	1		3/8", (SUB FOR R31631)
10	R26287	O-RING	1		
11	19H1990	CAP SCREW	11		1/2" X 2-1/4"
12	R21612	BLEED SCREW	1		
13	R47862	CAP	1		
14	AT25156	HOUSING	1		(ALSO ORDER (3) T21428) (SUB FOR AT25157) (SUB AL35994)
15	T21428	DOWEL PIN	3		
16	R98915	GASKET	1		(SUB FOR T21419)
17	AT20702	SEAL	1		(B)
18	JD7425	BEARING CUP	1		(B)
19	JD8147	BEARING CONE	1		(B)
20	T21548	PINION SHAFT	3	-098541	(USE WITH T21414)
	T149083	SHAFT	3		(SUB FOR T38049)
21	T21424	THRUST WASHER	6		
22	T21547	GEAR	3		
23	T21418	PIN	69		
24	T28907	DRIVE SHAFT	1		R.H.
	T28908	DRIVE SHAFT	1		L.H.
25	T21427	LOCK PLATE	1		
26	L37325	CAP SCREW	1		
27	T21423	BUSHING	1		(SUB L38057)
28	L29213	PLANET PINION CARRIER	1		(35 TEETH)
	T21414	PLANET PINION CARRIER	1	-098541	(17 TEETH)
29	T21409	SNAP RING	1	-098541	(USE WITH T21414)
	T35791	SNAP RING	1		

(A) OUTER
(B) INNER

MEMORANDA

MEMORANDA

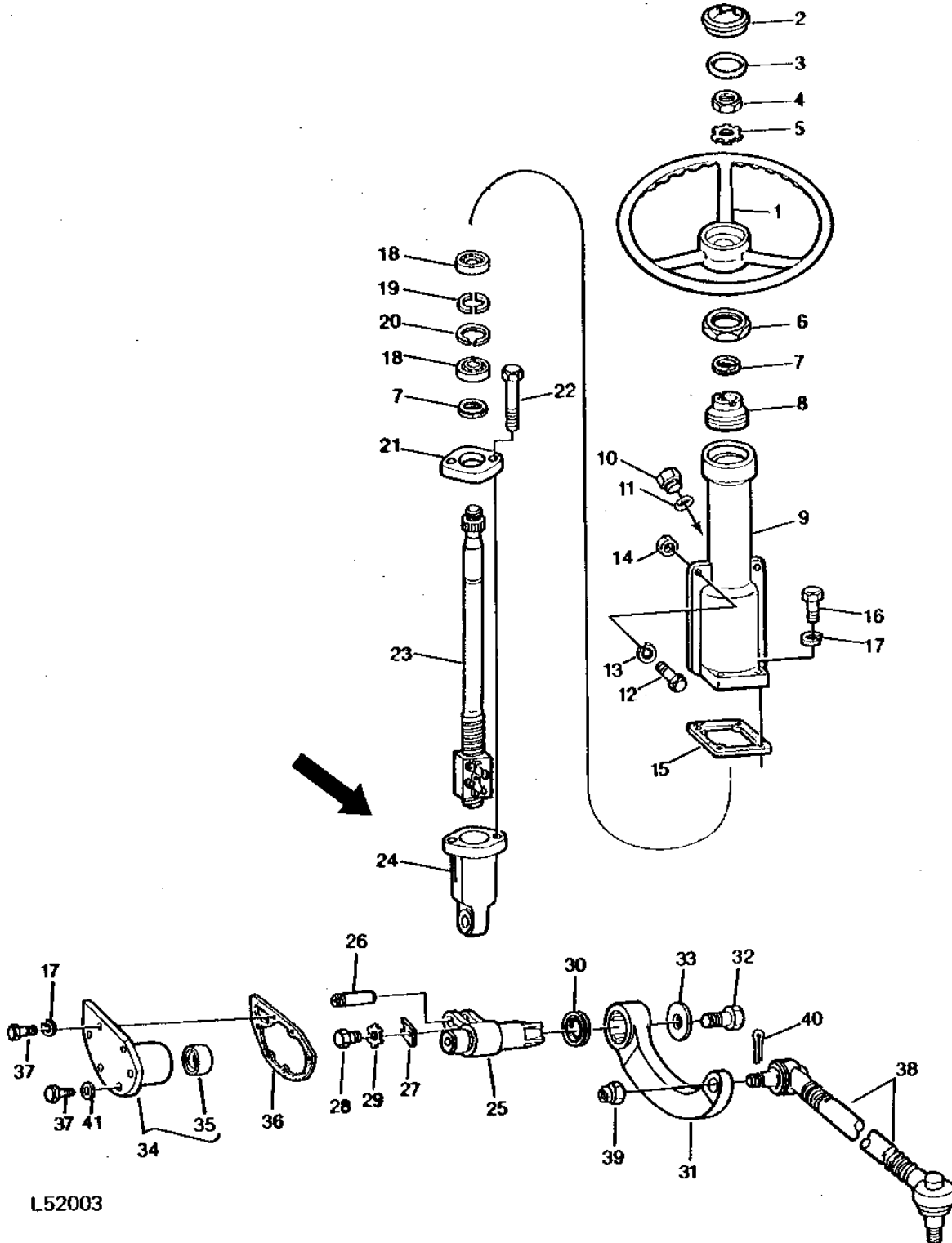
1K6

STEERING AND BRAKES

L52003

-UN-01JAN94

MANUAL STEERING GEAR AND DRAG LINK



L52003

1K7

STEERING AND BRAKES

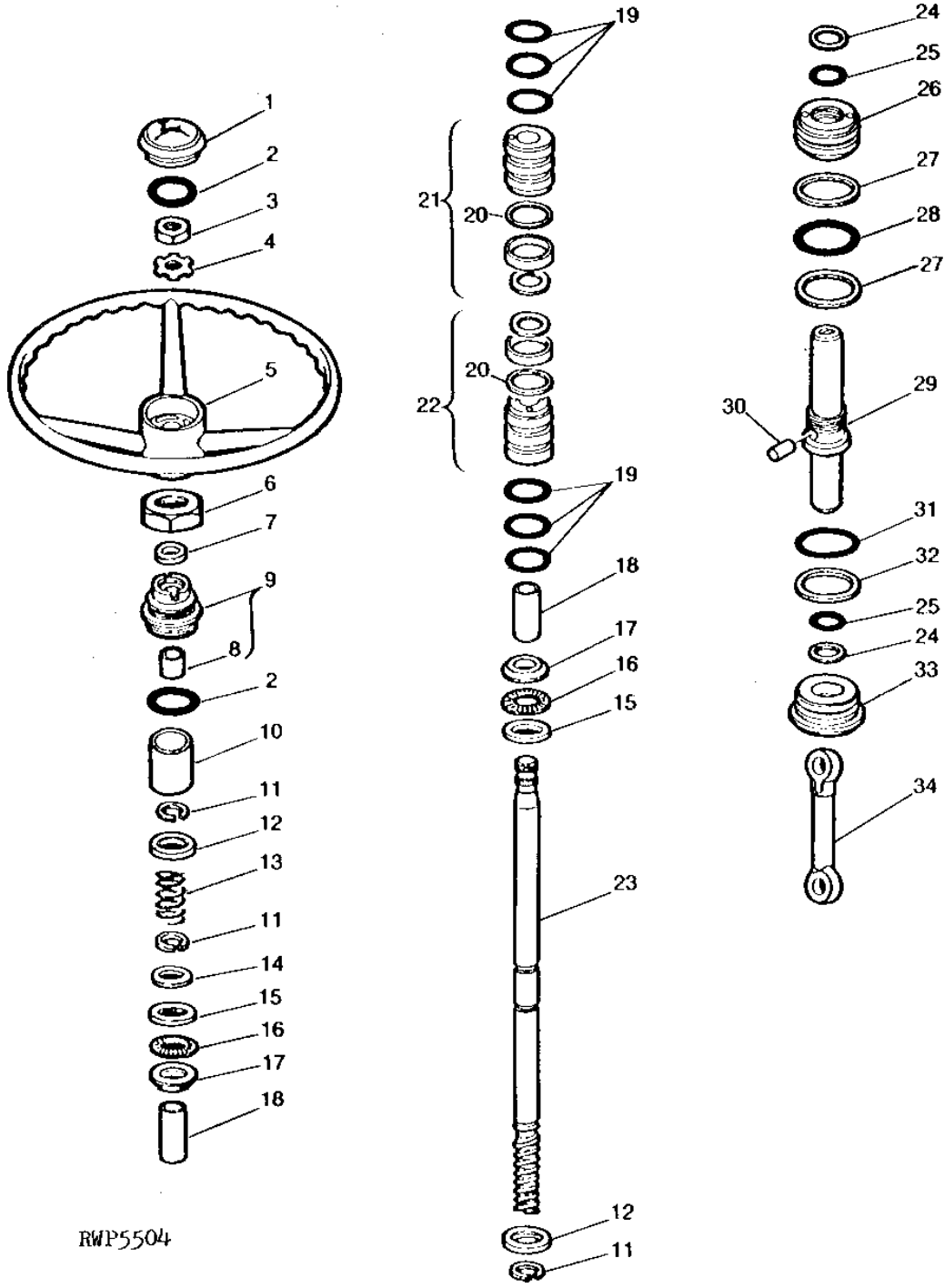
MANUAL STEERING GEAR AND DRAG LINK - CONTINUED

KEY	PART NO.	PART NAME	QTY	TRACTOR SERIAL NO.	REMARKS
1	AR78405	STEERING WHEEL	1		(SUB FOR T22875, THIS APPLICATION)
2	R47998	CAP	1		
3	B3690R	O-RING	1		
4	14H904	NUT	1	3/4"	
5	T17148	LOCK WASHER	1		
6	T22481	NUT	1		
7	T22260	SEAL	2		
8	T22480	BUSHING	1		
9	R52989	HOUSING	1		
10	R39112	FITTING	1		
11	R26375	O-RING	1		
12	19H1849	CAP SCREW	2	5/16" X 1-1/4"	
13	12H303	LOCK WASHER	2	5/16"	
14	14H1076	NUT	2	3/8"	
15	R98910	GASKET	1	(SUB FOR T25337)	
16	19H1765	CAP SCREW	4	3/8" X 1-3/4"	
17	12H304	LOCK WASHER	10	3/8"	
18	JD8728	BEARING	2		
19	T22482	WASHER	2		
20	F215R	RING	1		
21	T22527	RETAINER	1		
22	19H3586	CAP SCREW	2	1/2" X 4-1/4"	
23	AT20372	SHAFT	1		
24	T22526	YOKE	1		
25	T21866	SHAFT	1		
26	T21722	PIN	1		
27	T21659	PLATE	1		
28	19H1227	CAP SCREW	1	1/4" X 1/2"	
29	12H297	LOCK WASHER	1	1/4"	
30	AT11927	SEAL	1		
31	T28272	LEVER	1		
32	19H1833	CAP SCREW	1	5/8" X 1-1/4"	
33	R20135	WASHER	1		
34	AT20854	COVER	1	(SUB AT54955)	
35	T21445	BUSHING	1		
36	T21527	GASKET	1		
37	19H2552	CAP SCREW	6	3/8" X 1-1/8"	
38	AR68818	DRAG LINK	1	(SUB FOR AT19808)	
39	14H918	NUT	2	5/8"	
40	11M7083	COTTER PIN	2	3.200 X 50 MM	
41	T11292	WASHER	1		

1K8

RWP5504 -UN-01JAN94

POWER STEERING



RWP5504

1K9

STEERING AND BRAKES

POWER STEERING - CONTINUED

KEY	PART NO.	PART NAME	QTY	TRACTOR SERIAL NO.	REMARKS
1	R47998	CAP	1		
2	B3690R	O-RING	2		
3	14H904	NUT	1	3/4"	
4	T17148	LOCK WASHER	1		
5	AL28457	STEERING WHEEL	1	(SUB FOR T22875)	
6	T21718	NUT	1		
7	T22260	SEAL	1	(ALSO ORDER AT19858)	
8	R27320	BUSHING	1		
9	AT19858	ADJUSTER	1	(ALSO ORDER T22260)	
10	T22823	SLEEVE	1		
11	R35226	SNAP RING	2		
12	T22824	BUSHING	2		
	T21716	WASHER	1	178601-179600	(USE WITH R55484)
13	T13555	SPRING	1		
14	L29197	THRUST WASHER	1		
15	T21716	WASHER	2	THRUST	
16	JD9832	THRUST BEARING	2		
17	T25329	WASHER	2		
18	T25330	BUSHING	2		
19	L34451	O-RING	6	(SUB FOR T25335)	
20	T25333	SHIM	AR	0.05 MM (.002")	
	T25334	SHIM	AR	0.25 MM (.010")	
21	AR81610	HOUSING	1	UPPER, (SUB FOR AT25490)	
22	AR81610	HOUSING	1	LOWER, (SUB FOR AT25490)	
23	L29199	STEERING WHEEL SHAFT	1		
	R57446	STEERING WHEEL SHAFT	1	178601-179600	(SUB FOR R55484)
24	T25327	BACK-UP RING	2		
25	U10289	O-RING	2		
26	T25325	PISTON	1		
27	T25326	BACK-UP RING	2		
28	F3450R	O-RING	1		
	R57293	SEAL	1	-XXXXXX	
29	AL70300	ROD	1	(SUB FOR T25323)	
	T34331	ROD	1	178601-179600	(SUB R60945, R60946 AND R57293)
30	T21655	PIN	1		
31	U12331	O-RING	1		
32	R35684	BACK-UP RING	1		
33	T25336	GUIDE	1		
34	T25324	ROD	1		

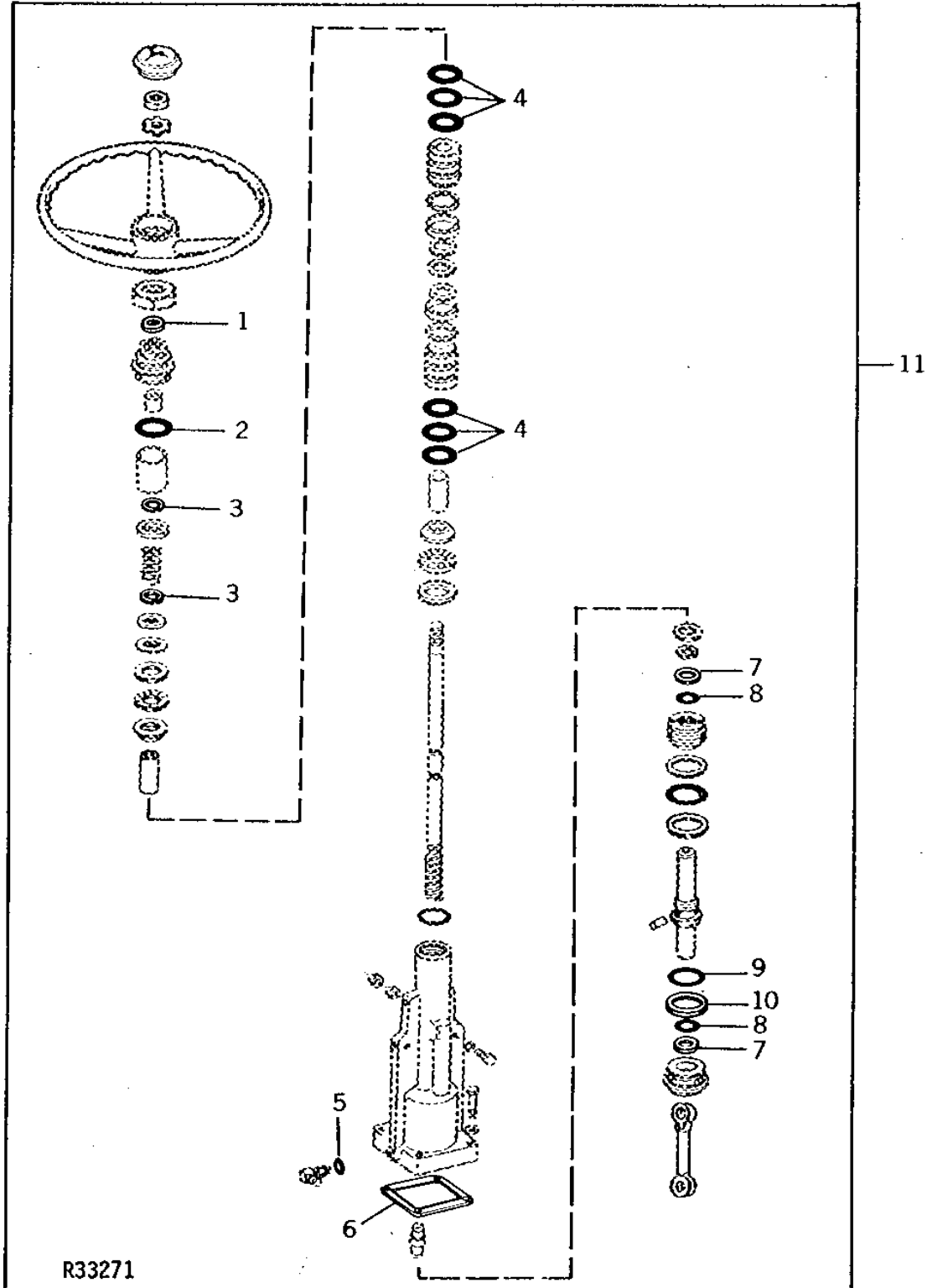
1K10

STEERING AND BRAKES

R33271

-UN-01JAN94

POWER STEERING OVERHAUL KIT



1K11

STEERING AND BRAKES

POWER STEERING OVERHAUL KIT - CONTINUED

KEY	PART NO.	PART NAME	QTY	TRACTOR SERIAL NO.	REMARKS
1	T22260	SEAL	1		(ALSO ORDER AT19858)
2	B3690R	O-RING	1		
3	R35226	SNAP RING	3		
4	L34451	O-RING	6		(SUB FOR T25335)
5	R26448	O-RING	1		
6	R98910	GASKET	1		(SUB FOR T25337)
7	T25327	BACK-UP RING	2		
8	U10289	O-RING	2		
9	U12331	O-RING	1		
10	R35684	BACK-UP RING	1		
11	AT26188	KIT	1		

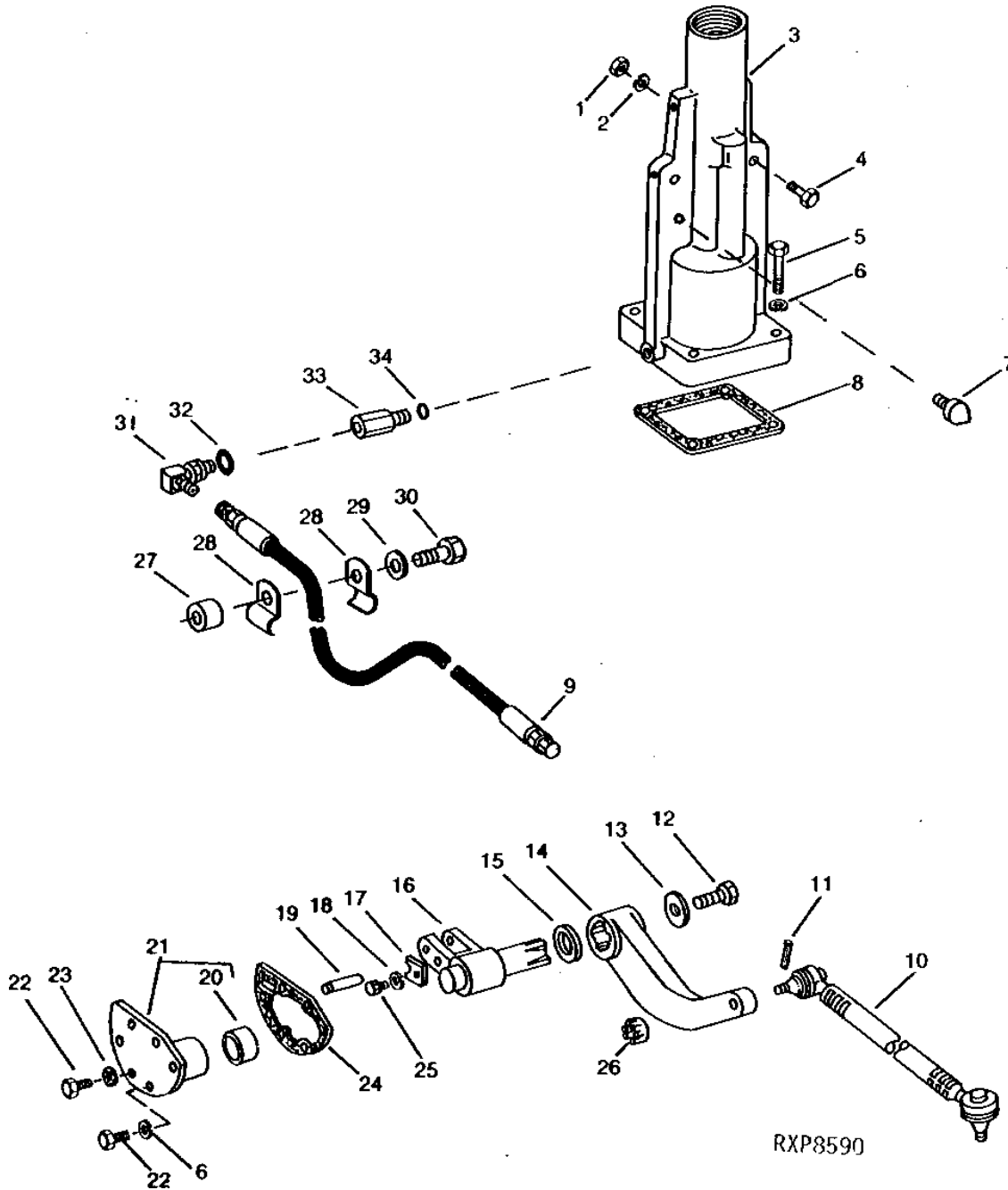
1K12

STEERING AND BRAKES

RXP8590

-UN-01JAN94

POWER STEERING HOUSING



RXP8590

1K13

STEERING AND BRAKES

POWER STEERING HOUSING - CONTINUED

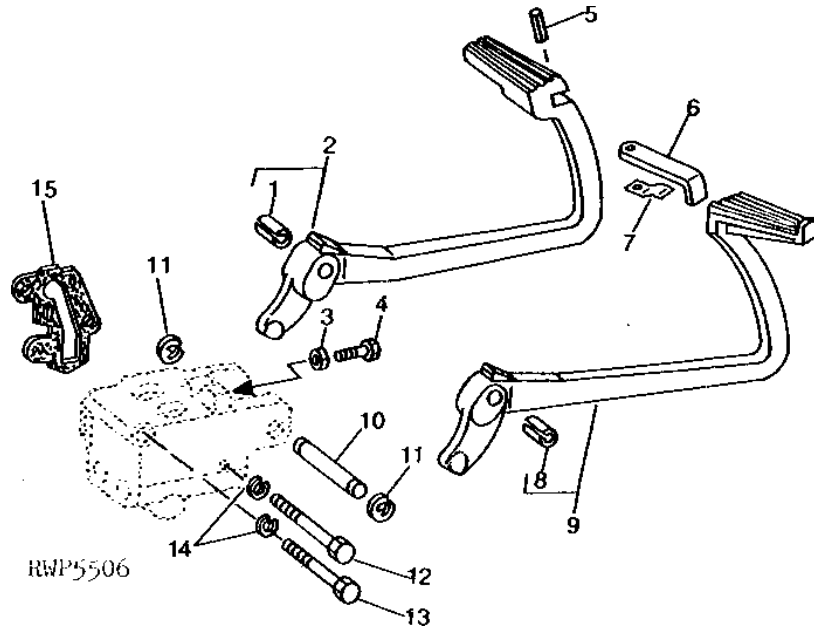
KEY	PART NO.	PART NAME	QTY	TRACTOR SERIAL NO.	REMARKS
1	14H785	NUT	2	5/16"	
2	12H303	LOCK WASHER	2	5/16"	
3	AT23175	HOUSING	1		(MARKED T25295, R58041 OR R77312) (SUB RE10800)
4	19H1849	CAP SCREW	2	5/16" X 1-1/4"	
5	19H1801	CAP SCREW	4	3/8" X 2"	
6	12H304	LOCK WASHER	9	3/8"	
7	AT21781	VALVE	1		
8	T21528	GASKET	1		(SUB FOR T25337)
9	AH83485	HYDRAULIC HOSE	1		
10	AR68818	DRAG LINK	1		(SUB FOR AT19808)
11	11M7023	COTTER PIN	2	4 X 32 MM	
12	19H1833	CAP SCREW	1	5/8" X 1-1/4"	
13	R20135	WASHER	1		
14	T28272	LEVER	1		
15	AT11927	SEAL	1		
16	T36482	SHAFT	1		
17	T21659	PLATE	1		
18	12H297	LOCK WASHER	1	1/4"	
19	T21722	PIN	1		
20	T21445	BUSHING	1		
21	AT20854	COVER	1		
22	19H1732	CAP SCREW	6	3/8" X 1-1/4"	
23	T11292	WASHER	1	COPPER	
24	T21527	GASKET	1		
25	19H1227	CAP SCREW	1	1/4" X 1/2"	
26	14H918	NUT	2	5/8"	
27	28H1878	SPACER	1		
28	R35726	CLAMP	2		
29	12H304	LOCK WASHER	1	3/8"	
30	19H1801	CAP SCREW	1	3/8" X 2"	
31	AT35121	ELBOW FITTING	1	90°	
32	R26448	O-RING	1		
33	AT54132	CHECK VALVE	1		
34	R26448	O-RING	1		

1K14

STEERING AND BRAKES

RWP5506 -UN-01JAN94

BRAKE PEDALS



KEY	PART NO.	PART NAME	QTY	TRACTOR SERIAL NO.	REMARKS
1	B177R	BUSHING	2		
2	AT20756	PEDAL	1		L.H. (ALSO ORDER AT20755)
3	14H732	NUT	2		3/8"
4	19H1732	CAP SCREW	2		3/8" X 1-1/4"
5	34H312	SPRING PIN	1		1/4" X 1"
6	T23225	STRAP	1		
7	T31134	LEAF SPRING	1		
8	B177R	BUSHING	1		
9	AT20755	PEDAL	1		R.H. (ALSO ORDER AT20756)
10	T49189	PIN	1		
11	F2863R	SNAP RING	2		
12	19H3597	CAP SCREW	1		1/2" X 4-3/4"
13	19H3586	CAP SCREW	1		1/2" X 4-1/4", HS, SAE 8
	19H3579	CAP SCREW	1		1/2" X 1-3/8"
14	12H301	LOCK WASHER	2		1/2"
15	T30687	GASKET	1		

MEMORANDA

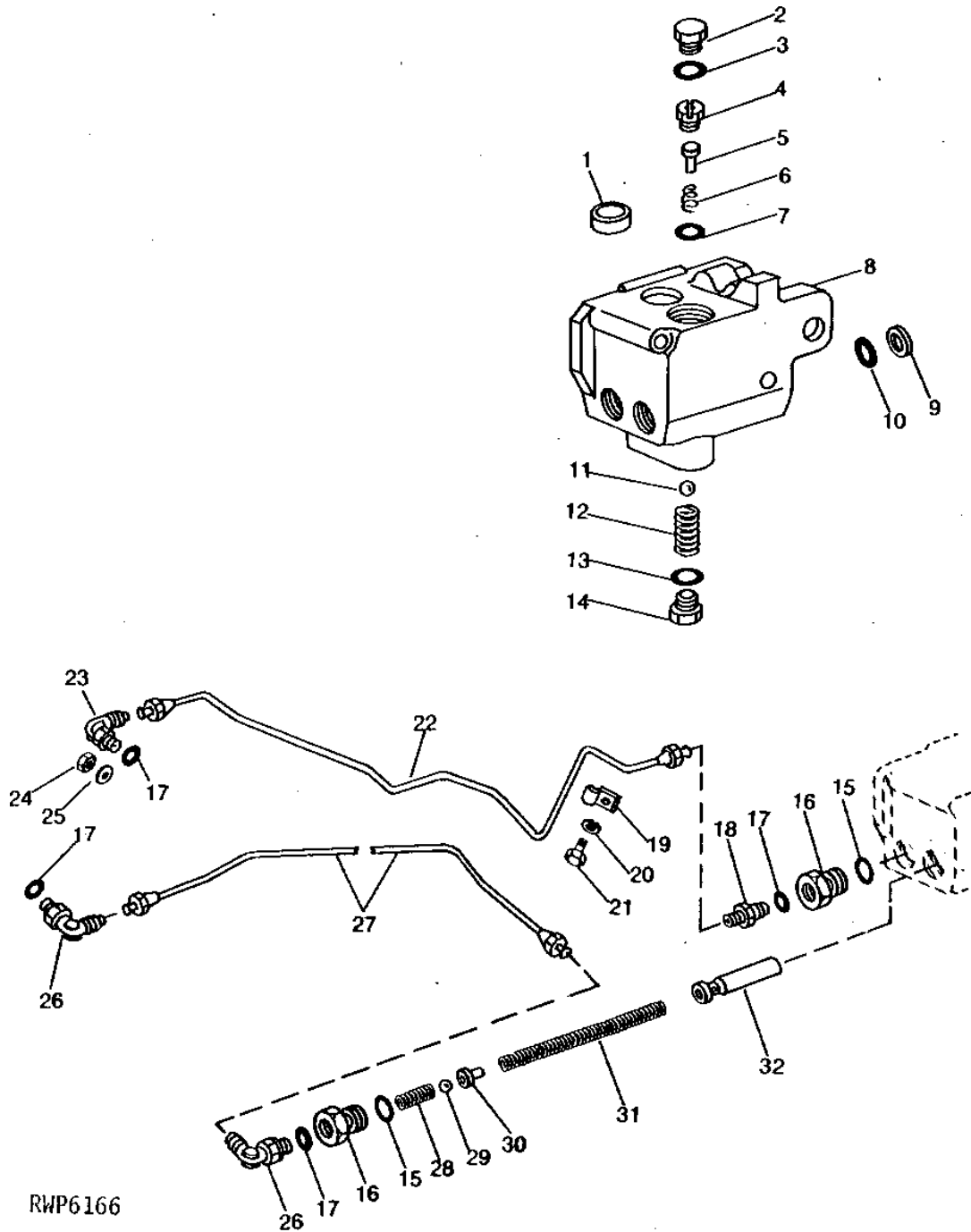
1K15

STEERING AND BRAKES

RWP6166

-UN-01JAN94

BRAKE VALVE AND OIL LINES



RWP6166

1K16

STEERING AND BRAKES

BRAKE VALVE AND OIL LINES - CONTINUED

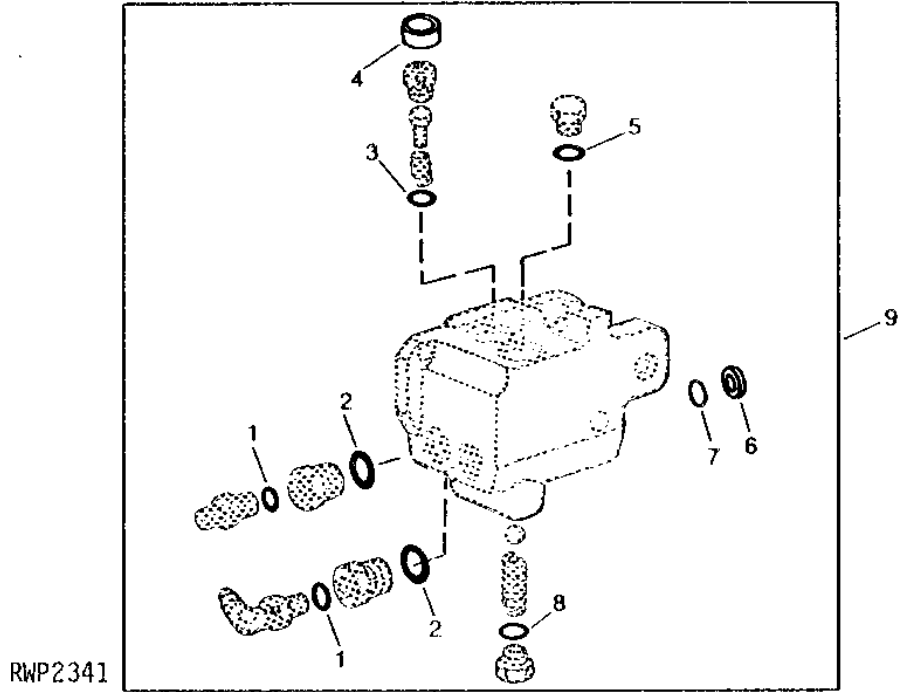
KEY	PART NO.	PART NAME	QTY	TRACTOR SERIAL NO.	REMARKS
1	R35286	CAP	1		
2	T21806	DRAIN PLUG	1	-XXXXXX	
	R35286	CAP	1		
3	R29936	O-RING	1	-XXXXXX	
4	T21810	VALVE	2		(SUB AL70242)
5	T21811	CHECK VALVE	2		(SUB AL70242)
6	T21812	SPRING	2		(SUB AL70242)
7	R26906	O-RING	2		
8	AR53494	HOUSING	1		(ALSO ORDER T21806 AND R29936)
9	T22101	SEAL	2		
10	R495R	O-RING	2	-XXXXXX	
11	D2361R	BALL	2		13 MM (1/2")
12	T21816	SPRING	2		
13	R26375	O-RING	2		
14	R39112	FITTING	2		
15	F3171R	O-RING	2		
16	T21813	SEAT	2		
17	R26287	O-RING	4		
18	R27527	ADAPTER	1		
19	R27528	CLAMP	2		
20	12H304	LOCK WASHER	2		3/8"
21	19H1936	CAP SCREW	2		3/8" X 3/4"
22	AR65686	LINE	1		L.H. (SUB FOR AT19899)
23	AT32335	ELBOW FITTING	1		90°
24	R27453	NUT	2		3/8"
25	R27358	WASHER	2		
26	AT32335	ELBOW FITTING	2		90°
27	AR65688	LINE	1		R.H. (SUB FOR AT23544)
28	T21814	SPRING	2		
29	400R	BALL	2		6 MM (1/4")
30	T21815	RETAINER	2		
31	T21817	SPRING	2		
32	T22100	PISTON	2		
..	AR21969	KIT	1		PLUG CAP ASSORTMENT

1K17

STEERING AND BRAKES

RWP2341 -UN-01JAN94

BRAKE VALVE OVERHAUL KIT



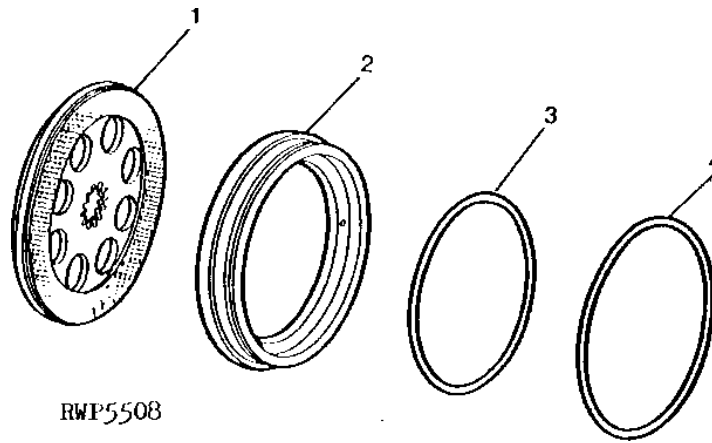
KEY	PART NO.	PART NAME	QTY	TRACTOR SERIAL NO.	REMARKS
1	R26287	O-RING	2		
2	F3171R	O-RING	2		
3	R26906	O-RING	2		
4	R35286	CAP	1		
5	R29936	O-RING	1		
6	T22101	SEAL	2		
7	R495R	O-RING	2		
8	R26375	O-RING	2		
9	AR54929	KIT	1		

1K18

STEERING AND BRAKES

RWP5508 -UN-01JAN94

BRAKE DISK ASSEMBLY



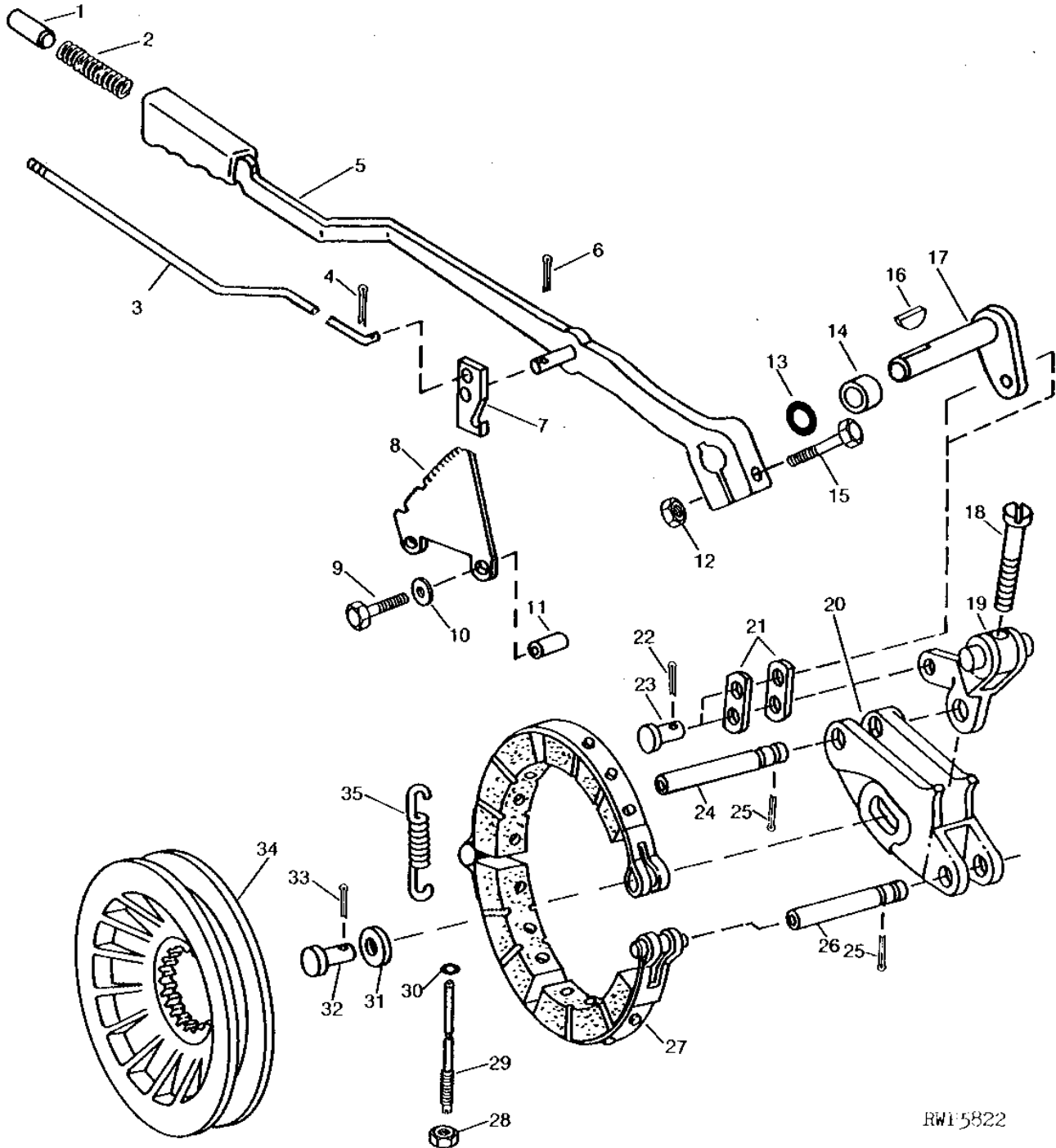
KEY	PART NO.	PART NAME	QTY	TRACTOR SERIAL NO.	REMARKS
1	AT22034	BRAKE DISK	2	(SUB AT63106)	
2	L31016	PLATE	2	(SUB FOR T38063)	
3	T22102	PACKING	2	INSIDE, (SUB R50703)	
4	R50704	SEALING WASHER	2	OUTSIDE	

1K19

STEERING AND BRAKES

RWP5822 -UN-01JAN94

HAND BRAKE



RW15822

1K20

STEERING AND BRAKES

HAND BRAKE - CONTINUED

KEY	PART NO.	PART NAME	QTY	TRACTOR SERIAL NO.	REMARKS
1	T21595	PIN	1		(SUB L62606)
2	T21576	SPRING	1		
3	T21594	ROD	1		
4	11M7077	COTTER PIN	1		1.600 X 25 MM
5	AT19834	HANDBRAKE LEVER	1		
6	11M7059	COTTER PIN	1		3.200 X 20 MM
7	T21587	PAWL	1		
8	T21588	PLATE	1		
9	19H1974	CAP SCREW	2		1/2" X 2-3/4"
10	T20168	WASHER	2		
11	28H1597	WASHER	2		0.546" X 0.840" X 3/8"
12	M63440	LOCK NUT	1		3/8"
13	R495R	O-RING	1		
14	L60667	SPACER	1		(SUB FOR L29882)
15	19H2549	CAP SCREW	1		3/8" X 1-7/8"
16	26H77	SHAFT KEY	1		3/16" X 3/4"
17	AL24550	SHAFT	1		
18	T21579	SET SCREW	1		
19	L29884	LEVER	1		
20	T21772	ANCHOR	1		(SUB T122082)
21	L29883	STRAP	2		
22	11M7059	COTTER PIN	2		3.200 X 20 MM
23	F2653R	PIN	2		
24	T21775	PIN	2		
25	11M7087	COTTER PIN	2		4 X 40 MM
26	T21775	PIN	1		
27	AT19833	BRAKE BAND	1		
28	14H971	NUT	1		1/2"
29	T21776	SCREW	1		
30	T17951	O-RING	1		(SUB R27490)
31	24H1658	WASHER	1		21/32" X 1" X 0.060"
32	T25285	PIN	1		
33	11M7015	COTTER PIN	1		3.200 X 25 MM
34	T21596	BRAKE DRUM	1		
35	T21577	SPRING	1		

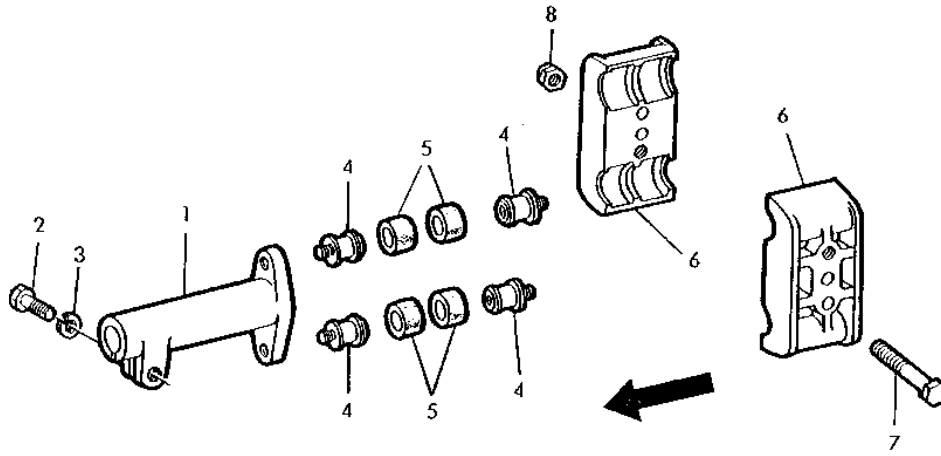
MEMORANDA

2A19

HYDRAULICS

L49578 -UN-01JAN94

HYDRAULIC PUMP DRIVE



L 49578

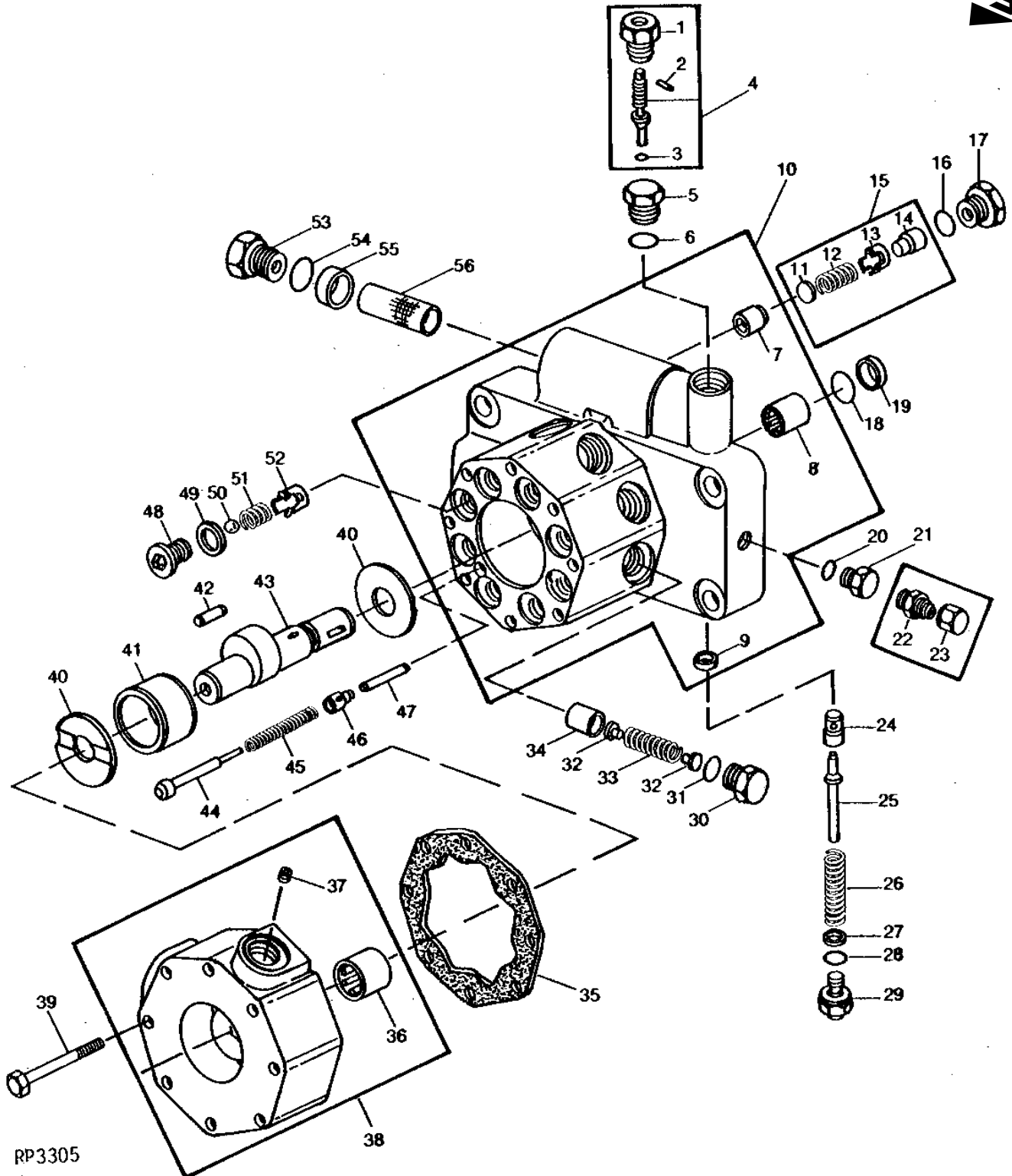
KEY	PART NO.	PART NAME	QTY	TRACTOR SERIAL NO.	REMARKS
1	T22914	DRIVE SHAFT	1		
2	19H1800	CAP SCREW	1	3/8" X 1-1/2"	
3	12H304	LOCK WASHER	1	3/8"	
4	R34360	SCREW	4		
5	AR49427	BUSHING	1	(PKG OF 4)	
6	R38348	EXTERNAL HALF COUPLER	2		
7	19H2116	CAP SCREW	2	3/8" X 2-1/2"	
8	T11234	LOCK NUT	2	3/8"	

2A20

HYDRAULICS

RP3305 -UN-01JAN94

HYDRAULIC PUMP
23 CM3 (1.38 IN.3)



RP3305

2A21

HYDRAULICS

HYDRAULIC PUMP - CONTINUED
23 CM3 (1.38 IN.3)

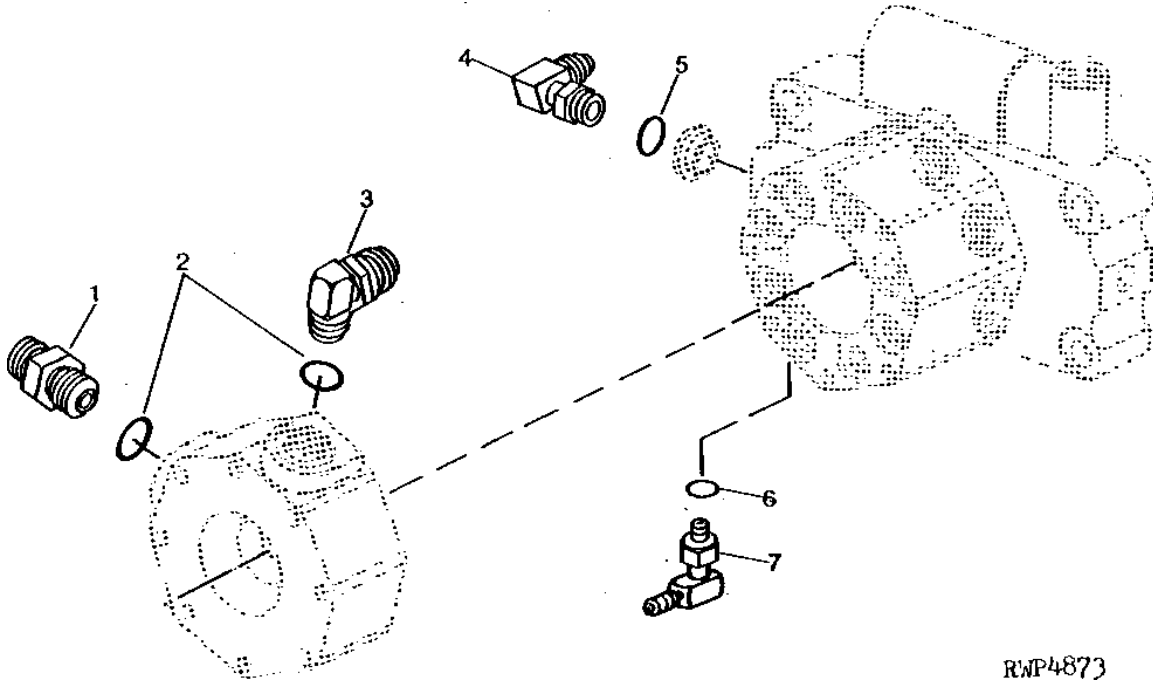
KEY	PART NO.	PART NAME	QTY	MODEL NO.	REMARKS
1	R38053	DRAIN PLUG	1		
2	34H254	SPRING PIN	1		1/8" X 1-1/2"
3	R30903	O-RING	1		
4	AR38225	SCREW	1		(MANUAL DESTROKE) (OPTIONAL)
5	R39112	FITTING	1		(LESS MANUAL DESTROKE)
6	R26375	O-RING	1		
7	R105583	SEAT	8		(SUB FOR R39067)
8	JD9858	NEEDLE BEARING	1		
9	R69302	VALVE SEAT	1		(SUB R68384 AND R72936) (SUB FOR R38041 OR R68502)
	R72936	VALVE SEAT INSERT	1		(SUB FOR R38041, R68502 OR R69302)
10	AR39170	HOUSING	1	-7PP2	(MARKED R39317 OR R60969) (SUB AR89075) (ALSO ORDER (2) R68382, R68381, R39112 AND R26375)
	AR89075	HOUSING	1	7PP3-	(MARKED R68385)
11	R49297	DISK	8		
12	R39228	SPRING	8		
13	R48738	GUIDE	8		
14	R83508	STOP	8		(SUB FOR R49298 OR R72886)
15	AR96613	VALVE	8		(OUTLET) (SUB FOR AR52785) (SUB RE23382)
16	R26375	O-RING	8		
17	R39112	FITTING	8		
18	R39182	RING	1		
19	AR39052	SEAL	1		
20	R26286	O-RING	1		
21	R27094	DRAIN PLUG	1		
22	R27272	FITTING	1		
23	R36926	FITTING	1		
24	R40756	POPPET	1		(SUB R68384 AND R72936)
25	R68383	GUIDE	1		(SUB R76167 AND AR103040) (SUB FOR R39242)
26	R39240	SPRING	1		
27	24M7096	WASHER	1		10.500 X 18 X 1.600 MM
28	R26906	O-RING	1		
29	AR39106	SCREW	1		(SUB AR103040 AND R76167)
30	R39112	FITTING	8		
31	R26375	O-RING	8		
32	R39070	GUIDE	16		
33	AR39041	SPRING	1		(SET OF 8)
34	R63022	PISTON	8		(SUB FOR R39068) (ALSO ORDER R63629)
35	R59234	GASKET	1		(SUB FOR R39178)
36	JD9858	NEEDLE BEARING	1		
37	R39321	ORIFICE	1		
38	AR90453	COVER	1		(MARKED R39318) (SUB FOR AR39173)
39	19H1944	CAP SCREW	8		3/8" X 2-3/4"
40	R66164	THRUST WASHER	2		(SUB FOR R39016)
41	R63629	BEARING RACE	1		(SUB FOR R39017) (ALSO ORDER (8) R63022)
42	R39073	NEEDLE ROLLER	33		
43	R39319	SHAFT	1		
44	R39181	GUIDE	1		
45	R68390	SPRING	1		(SUB FOR R31630)
46	R39180	VALVE	1		
47	R39179	NEEDLE ROLLER	1		
48	R68553	VALVE SEAT INSERT	8		(SUB FOR R39075)
49	R26375	O-RING	8		
50	D2361R	BALL	8		
51	R39078	SPRING	8		
52	R39076	GUIDE	8		
53	R27175	DRAIN PLUG	1		
54	F3171R	O-RING	1		
55	R27174	PACKING	2		
56	R27173	FILTER ELEMENT	1		
..	AR39168	HYDRAULIC PUMP	1		(SUB AR103033)

2A22

HYDRAULICS

RWP4873 -UN-01JAN94

HYDRAULIC PUMP FITTINGS AND CONNECTORS



RWP4873

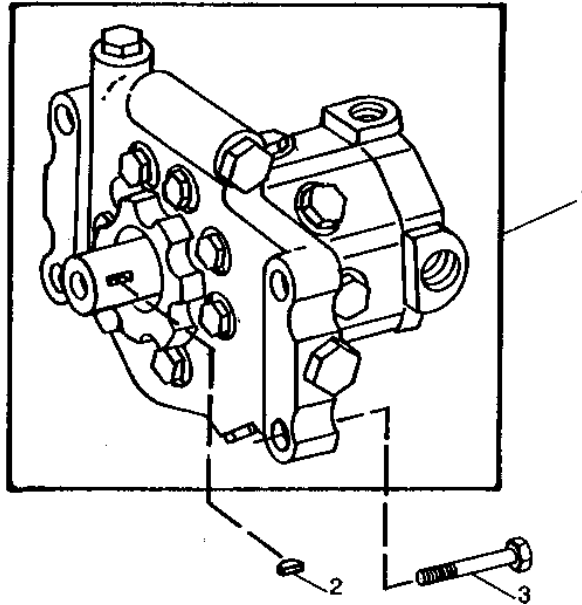
KEY	PART NO.	PART NAME	QTY	TRACTOR SERIAL NO.	REMARKS
1	R27267	FITTING	1		
2	F3171R	O-RING	2		
3	AT32331	ELBOW FITTING	1	90°	
4	AR27738	ELBOW FITTING	1	90°	PRESSURE LINE TO PUMP
5	R26375	O-RING	1		
6	R26287	O-RING	1		
7	AT32335	ELBOW FITTING	1	90°	PUMP SEAL DRAIN, (SUB FOR AR26746)

2A23

HYDRAULICS

RP3304 -UN-01JAN94

REPLACEMENT HYDRAULIC PUMP ASSEMBLY



RP3304

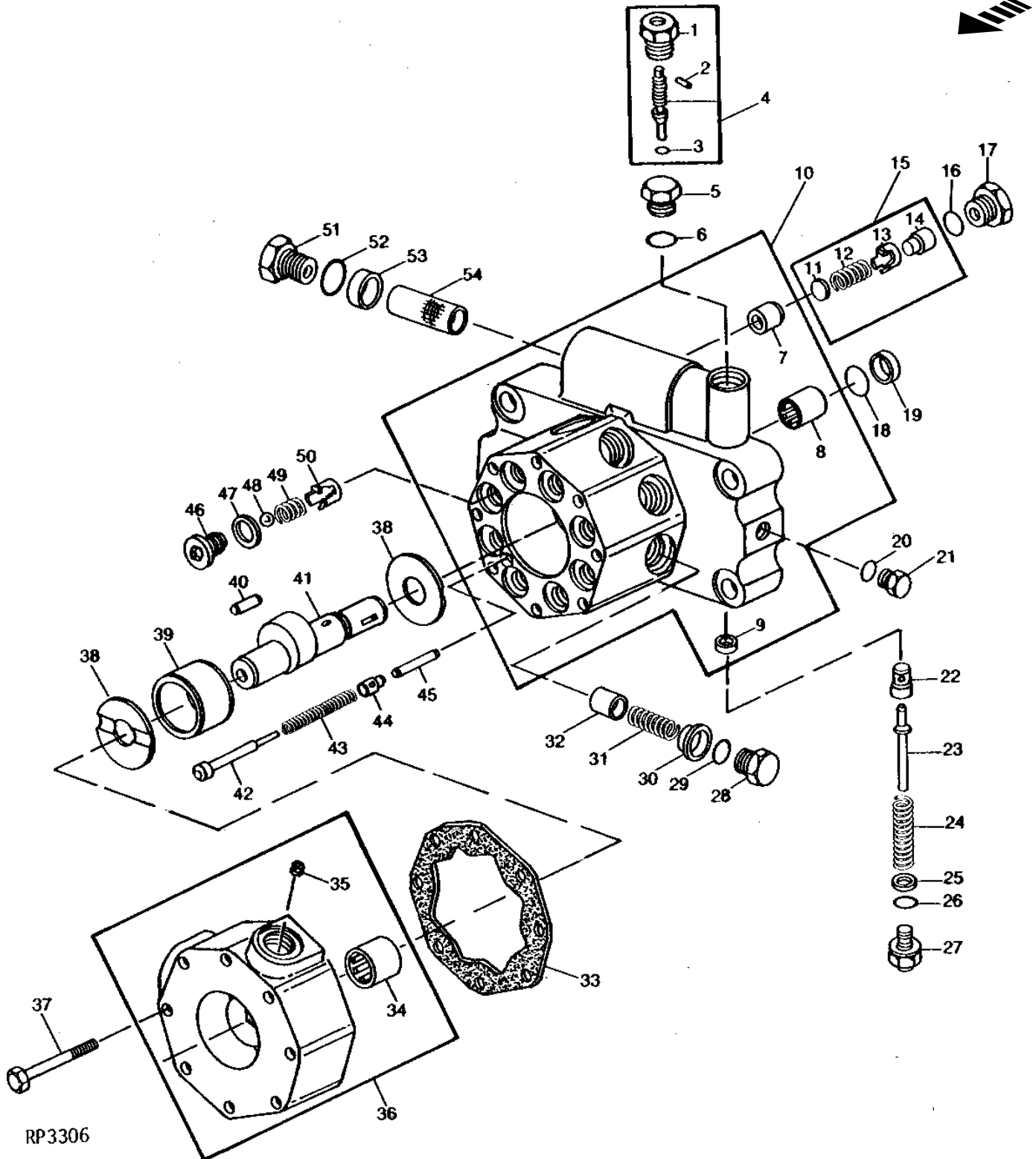
KEY	PART NO.	PART NAME	QTY	TRACTOR SERIAL NO.	REMARKS
1	AR103033	HYDRAULIC PUMP	1	23 CM3 (1.38 IN.3)	(SUB FOR AR39168 OR AR89064) (MARKED R68385)
2	26H77	SHAFT KEY	1	3/16" X 3/4"	
3	19H1974	CAP SCREW	4	1/2" X 2-3/4"	

2A24

HYDRAULICS

HYDRAULIC PUMP
23 CM3 (1.38 IN.3)
(REPLACEMENT PUMP)

RP3306 -UN-01JAN94



2A25

HYDRAULICS

HYDRAULIC PUMP - CONTINUED
23 CM3 (1.38 IN.3)
(REPLACEMENT PUMP)

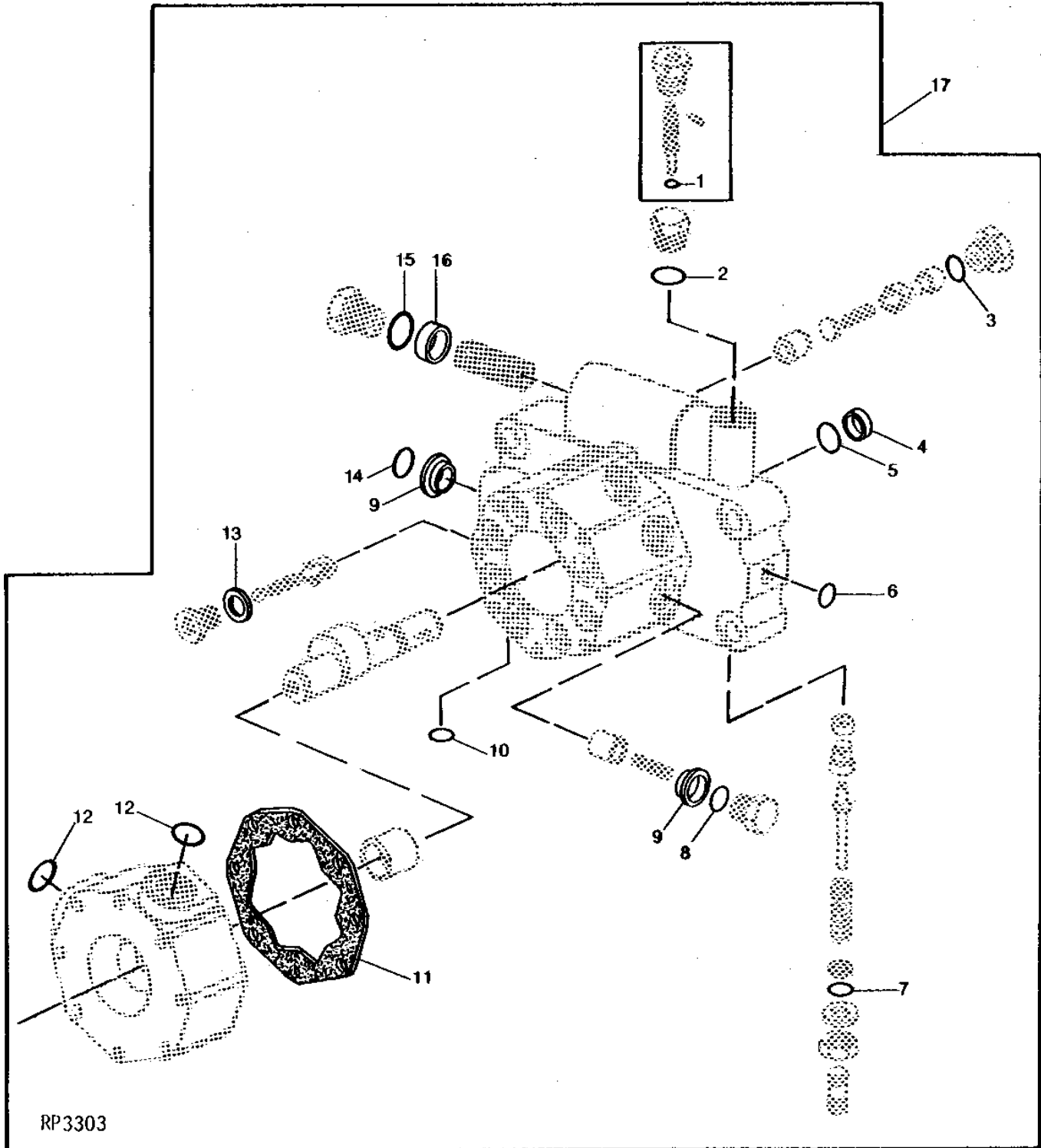
KEY	PART NO.	PART NAME	QTY	MODEL NO.	REMARKS
1	R38053	DRAIN PLUG	1		
2	34H254	SPRING PIN	1		1/8" X 1-1/2"
3	R30903	O-RING	1		
4	AR38225	SCREW	1		(MANUAL DESTROKE)(OPTIONAL)
5	R39112	FITTING	1		(LESS MANUAL DESTROKE)
6	R26375	O-RING	1		
7	R105583	SEAT	8		(SUB FOR R39067)
8	JD9858	NEEDLE BEARING	1		
9	R72936	VALVE SEAT INSERT	1		
10	AR89075	HOUSING	1		(MARKED R68385) (SUB FOR AR39170)
11	R49297	DISK	8		
12	R39228	SPRING	8		
13	R48738	GUIDE	8		
14	R83508	STOP	8		(SUB FOR R49298 OR R72886)
15	AR96613	VALVE	8		(OUTLET) (SUB FOR AR52785) (SUB RE23382)
16	R26375	O-RING	8		
17	R39112	FITTING	8		
18	R63605	O-RING	1		
19	AR39052	SEAL	1		
20	R26286	O-RING	1		
21	R27094	DRAIN PLUG	1		
22	R68384	CONTROL VALVE	1		
23	R68383	GUIDE	1	-7PP4	(SUB R76167 AND AR103040)
	R76167	GUIDE	1	7PP5-	
24	R39240	SPRING	1		
25	24M7096	WASHER	1	-7PP4	10.500 X 18 X 1.600 MM
26	R26906	O-RING	1		
27	AR89073	ADJUSTER	1	-7PP4	
	AR103040	SCREW	1	7PP5-	
28	R39112	FITTING	8		
29	R26375	O-RING	8		
30	AR101238	SHIELD	1		(SET OF 9)
31	AR39041	SPRING	1		(SET OF 8)
32	R63022	PISTON	8		(ALSO ORDER R63629)
33	R59234	GASKET	1		
34	JD9858	NEEDLE BEARING	1		
35	R39321	ORIFICE	1		
36	AR90453	COVER	1		(MARKED R39318, R68380 OR R81065)
37	19H1944	CAP SCREW	8		3/8" X 2-3/4"
38	R66164	THRUST WASHER	2		
39	R63629	BEARING RACE	1		(ALSO ORDER (8) R63022)
40	R39073	NEEDLE ROLLER	33		
41	R39319	SHAFT	1		
42	R39181	GUIDE	1		
43	R68390	SPRING	1		
44	R39180	VALVE	1		
45	R39179	NEEDLE ROLLER	1		
46	R68553	VALVE SEAT INSERT	8		
47	R26375	O-RING	8		
48	D2361R	BALL	8		
49	R39078	SPRING	8		
50	R39076	GUIDE	8		
51	R39112	FITTING	1		
52	R26375	O-RING	1		
53	R68382	PACKING	2		
54	R68381	FILTER	1		
..	AR89064	HYDRAULIC PUMP	1	-7PP4	(SUB FOR AR39168) (SUB AR103033)
..	AR103033	HYDRAULIC PUMP	1	7PP5-	

2B1

HYDRAULICS

HYDRAULIC PUMP OVERHAUL KIT 23 CM3 (1.38 IN.3)

RP3303 -UN-01JAN94



2B2

HYDRAULICS

HYDRAULIC PUMP OVERHAUL KIT - CONTINUED
23 CM3 (1.38 IN.3)

KEY	PART NO.	PART NAME	QTY	MODEL NO.	REMARKS
1	R30903	O-RING	1		
2	R26375	O-RING	1		
3	R26375	O-RING	8		
4	AR39052	SEAL	1		
5	R63605	O-RING	1		
6	R26286	O-RING	1		
7	R26906	O-RING	1		
8	R26375	O-RING	8		
9	AR101238	SHIELD	1		(SET OF 8)
10	R26287	O-RING	1		
11	R59234	GASKET	1		
12	F3171R	O-RING	2		
13	R26375	O-RING	8		
14	R26375	O-RING	1		
15	F3171R	O-RING	1		(A)
	R26375	O-RING	1		(A)
16	R27174	PACKING	2		(A)
	R68382	PACKING	2		(A)
17	AR98993	KIT	1		(A) (SUB FOR AR39156)

(A) UNIVERSAL KIT - APPLICATIONS WILL VARY.

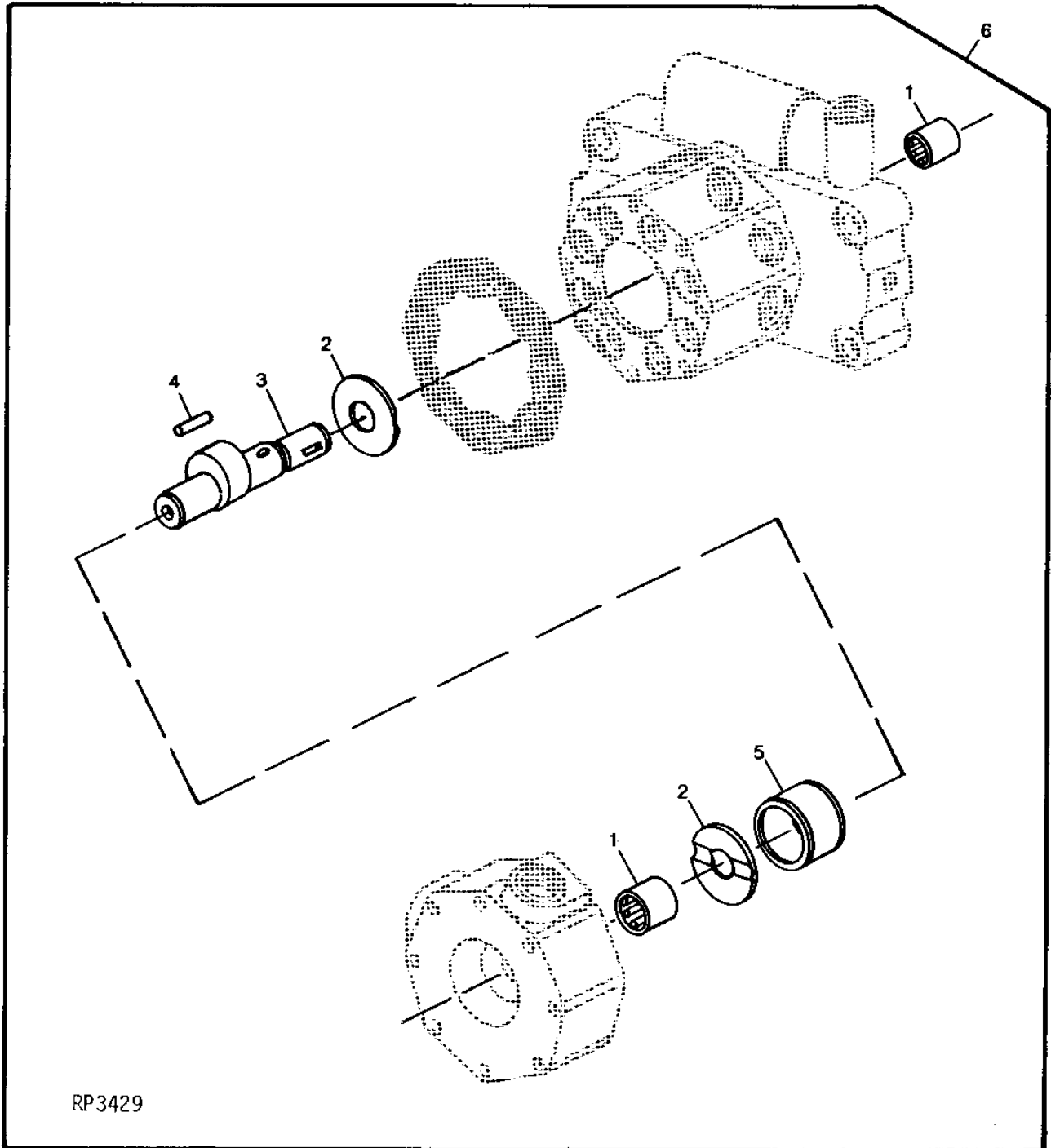
2B3

HYDRAULICS

HYDRAULIC PUMP SHAFT OVERHAUL KIT 23 CM3 (1.38 IN.3)

RP3429

-UN-01JAN94



2B4

HYDRAULICS

HYDRAULIC PUMP SHAFT OVERHAUL KIT - CONTINUED
23 CM3 (1.38 IN.3)

KEY	PART NO.	PART NAME	QTY	PUMP SERIAL NO.	REMARKS
1	JD9858	NEEDLE BEARING	2		
2	R66164	THRUST WASHER	2		
3	R39319	SHAFT	1		
4	R39073	NEEDLE ROLLER	33		
5	R63629	BEARING RACE	1		
6	AL35755	KIT	1	(A)	

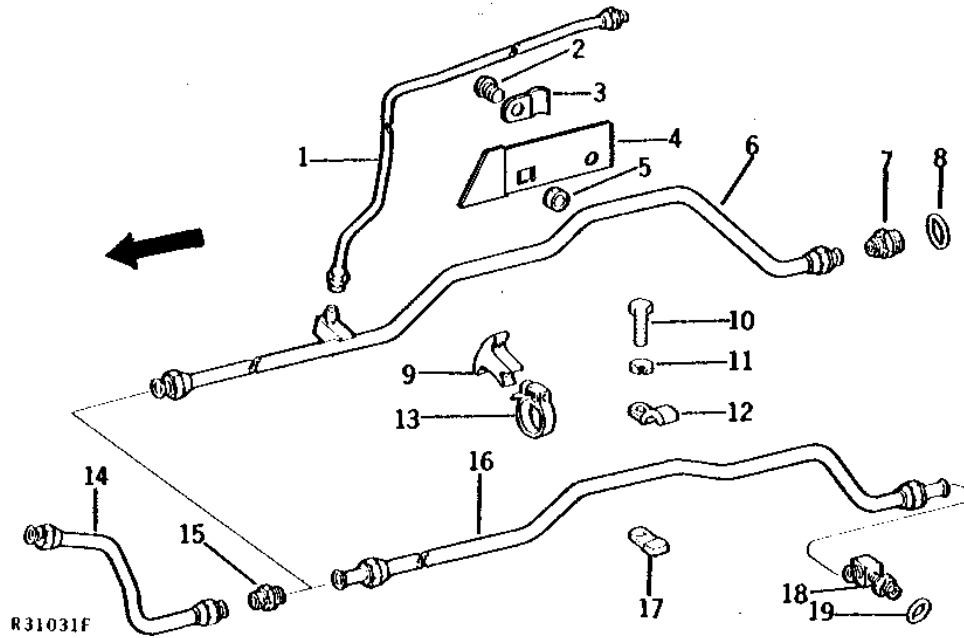
(A) USE WITH R39316, R39317, R60969, R68385 OR R68386

2B5

HYDRAULICS

R31031 -UN-01JAN94

HYDRAULIC OIL LINES



KEY	PART NO.	PART NAME	QTY	TRACTOR SERIAL NO.	REMARKS
1	AT23552	OIL LINE	1		(B) (SUB AR103470, THIS APPLICATION)
2	03H1681	BOLT	1	XXXXXX-	3/8" X 5/8"
3	R27590	CLAMP	1	XXXXXX-	
4	R65246	BRACKET	1	XXXXXX-	
5	14H1076	NUT	1	XXXXXX-	3/8"
6	AT23550	OIL LINE	1		(B) (HYDRAULIC PUMP REAR PRESSURE)
7	R31665	FITTING	1		(B)
8	R26906	O-RING	1		(B)
9	R49076	SPACER	2		(SUB TY22470, (2) T23054, (2) 19H1732, (2) 12H304, THIS APPLICATION)
10	19H2284	CAP SCREW	1		3/8" X 7/8"
11	12H304	LOCK WASHER	1		3/8"
12	R28538	CLAMP	1		(SUB (2) R27539, 28H1518, 19H1732 AND 12H304, THIS APPLICATION)
13	AR65293	CLAMP	2		(SUB FOR AR21839)
14	AT22079	OIL LINE	1		(HYDRAULIC PUMP FRONT PRESSURE)
15	R34063	FITTING	1		
16	AT22083	OIL LINE	1		(A) (HYDRAULIC PUMP REAR PRESSURE)
17	R28539	CLAMP	1		(SUB (2) R27539, 28H1518, 19H1732 AND 12H304, THIS APPLICATION)
18	AR27699	ELBOW FITTING	1		(A) ADJUSTABLE
19	R26375	O-RING	1		(A)
..	AR21969	KIT	1		PLUG CAP, ASSORTMENT

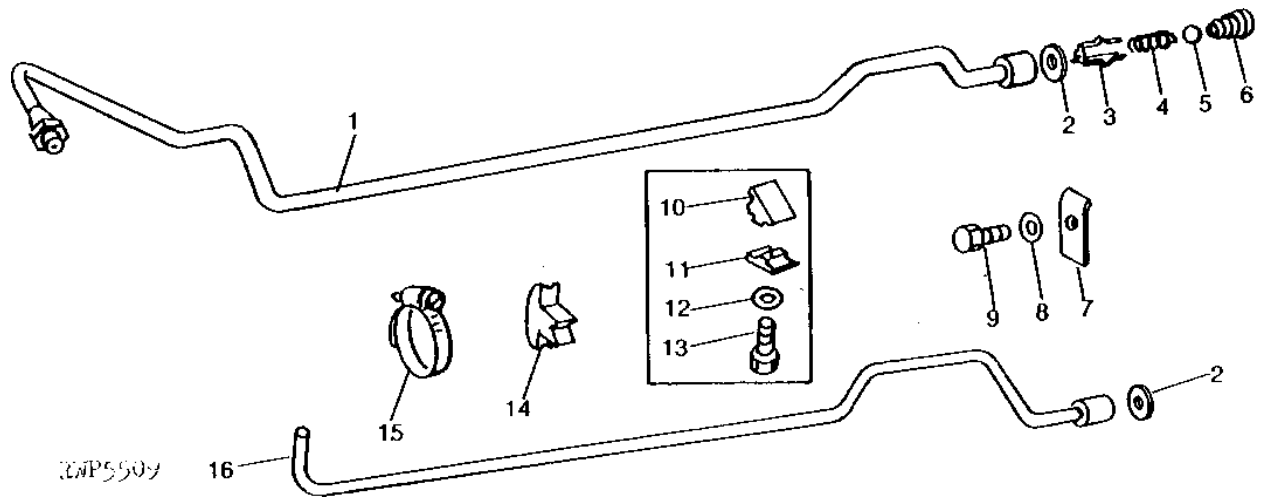
(A) MANUAL STEERING
(B) POWER STEERING

2B6

HYDRAULICS

RWP5509 -UN-01JAN94

HYDRAULIC PUMP OIL INLET LINES



KEY	PART NO.	PART NAME	QTY	TRACTOR SERIAL NO.	REMARKS
1	AT22201	OIL LINE	1		INLET
2	R1662R	WASHER	2		
3	R39076	GUIDE	1	(A) (B)	
4	R39078	SPRING	1	(A) (B)	
5	D2361R	BALL	1	(A) (B)	13 MM (1/2") INLET LINE CHECK VALVE
6	T23203	VALVE SEAT	1	(A) (B)	
7	T23059	RETAINER	1		OIL LINES TO CLUTCH HOUSING, (SUB FOR AT27313)
8	12H304	LOCK WASHER	1		3/8"
9	19H2552	CAP SCREW	1		3/8" X 1-1/8"
10	T23053	SPACER	2	-XXXXXX	(SUB R49076 AND TY22470)
	12H304	LOCK WASHER	1	XXXXXX-	3/8"
11	T23054	CLAMP	2	-XXXXXX	(SUB TY22470 AND R49076)
12	12H304	LOCK WASHER	2	-XXXXXX	3/8"
13	19H1732	CAP SCREW	2	-XXXXXX	3/8" X 1-1/4"
14	R49076	SPACER	2	XXXXXX-	
15	AR65293	CLAMP	2	-XXXXXX	(SUB FOR AR48499)
	TY22470	CLAMP	2	XXXXXX-	(SUB FOR AR21840)
16	AT22145	OIL LINE	1		

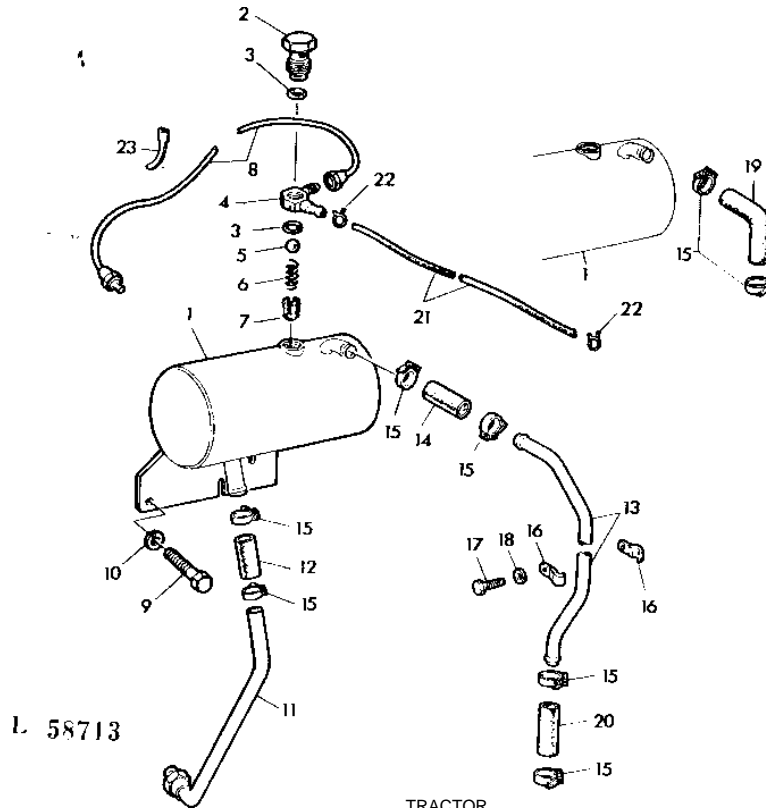
(A) LESS HI-LO SHIFT
(B) LESS INDEPENDENT PTO

2B7

HYDRAULICS

L58713 -UN-01JAN94

HYDRAULIC OIL RESERVOIR AND ASSOCIATED PARTS



L 58713

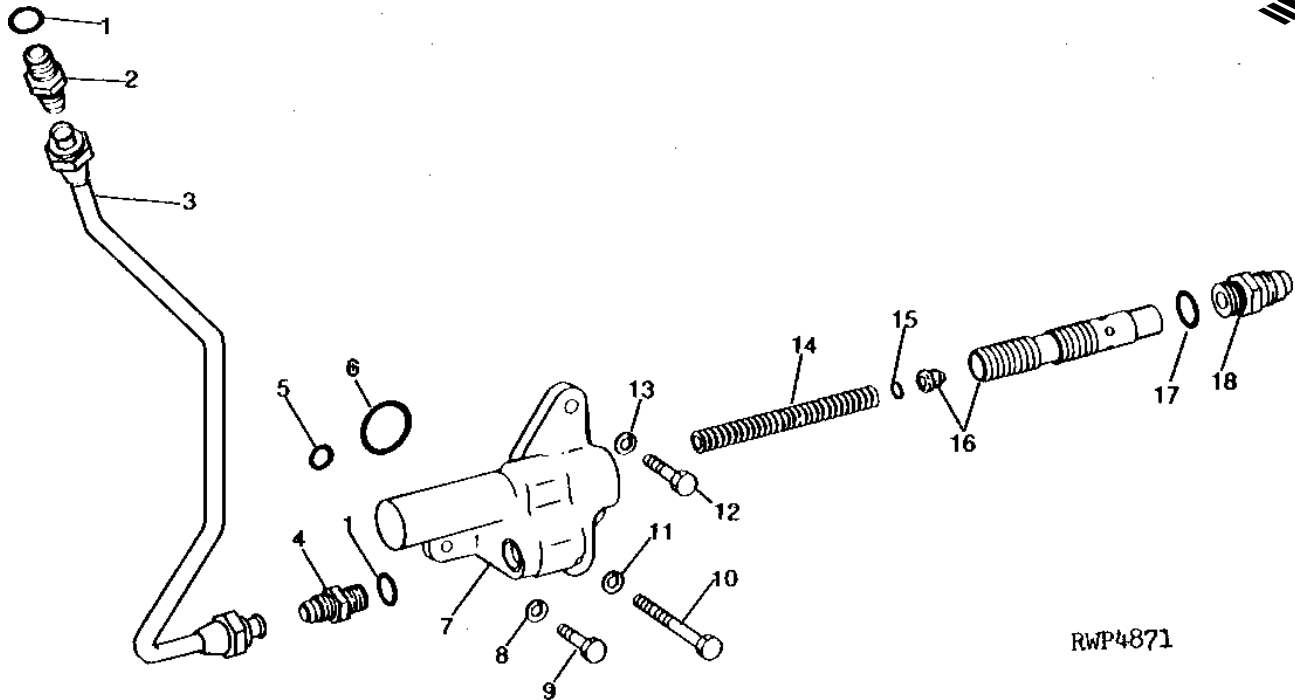
KEY	PART NO.	PART NAME	QTY	TRACTOR SERIAL NO.	REMARKS
1	AR62440	RESERVOIR	1		OIL
2	T22970	PLUG	1		
3	32240	O-RING	2		
4	AT20983	FITTING	1		
5	D2361R	BALL	1		13 MM (1/2") CHECK VALVE
6	R39078	SPRING	1		CHECK VALVE
7	R39076	GUIDE	1		CHECK VALVE
8	AT20960	OIL LINE	1		
9	19H1936	CAP SCREW	2		3/8" X 3/4"
10	12H304	LOCK WASHER	2		3/8"
11	AT20961	OIL LINE	1		(3/4" X 2-1/2") RESERVOIR TO HYDRAULIC PUMP
12	HOSE	1		19 X 64 MM (3/4" X 2-1/2")
13	T23104	OIL LINE	1		RESERVOIR TO CLUTCH HOUSING
14	HOSE	1		19 X 129 MM (3/4" X 5-3/32") (MAKE FROM TY22329) (SUB FOR R34603 OR R32087)
15	TY22470	CLAMP	6		(SUB FOR AR21839)
16	R27531	CLAMP	2		
17	37H84	SCREW	2		1/4" X 3/4"
18	24H1289	WASHER	2		21/64" X 5/8" X 0.049"
19	T40168	HOSE	1		(HI-LO SHIFT) (SUB T22960)
	T22900	DEFLECTOR	1	-XXXXXX	
	L35844	HOSE	1	XXXXXX-	(SUB L35843)
20	R57300	HOSE	1		(SUB FOR T29321) (SUB TY22329)
21	T23073	TUBE	1		RESERVOIR TO CLUTCH HOUSING
22	T19324	CLAMP	2		
23	R44302	TIE BAND	1		

2B8

HYDRAULICS

PRESSURE CONTROL VALVE (POWER STEERING)

RWP4871 -UN-01JAN94



RWP4871

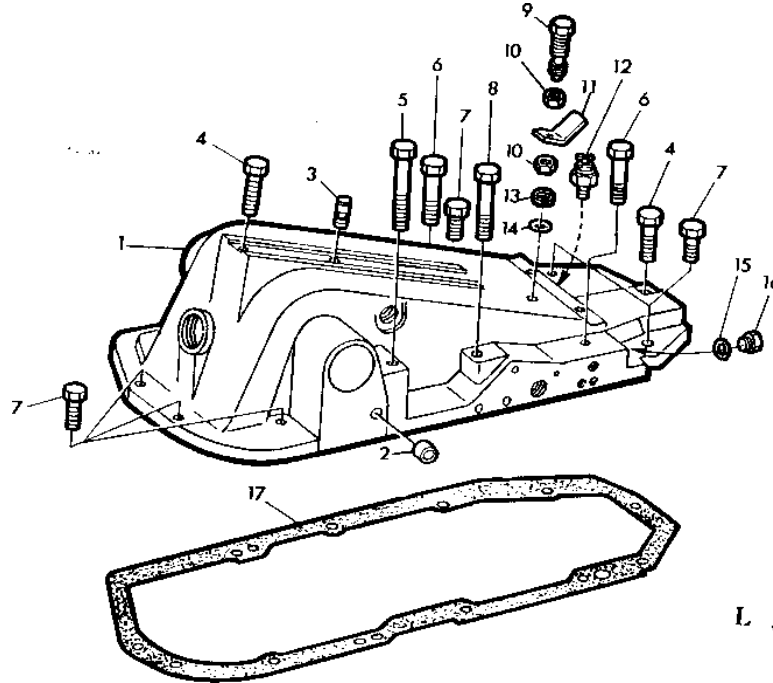
KEY	PART NO.	PART NAME	QTY	TRACTOR SERIAL NO.	REMARKS
1	R26375	O-RING	2		
2	R27237	FITTING	1		
3	AT28578	LINE	1		SCV PRESSURE
4	R27237	FITTING	1		(SELECTIVE CONTROL VALVE)
	R39112	FITTING	1		(LESS SELECTIVE CONTROL VALVE)
5	R28776	O-RING	1		
6	R60332	O-RING	1		
7	R39273	HOUSING	1		(SUB R66083, R66084, R66085, R26375 AND T13119)
8	12H304	LOCK WASHER	1		3/8"
9	19H2552	CAP SCREW	1		3/8" X 1-1/8"
10	19H2128	CAP SCREW	1		3/8" X 3"
11	12H304	LOCK WASHER	1		3/8"
12	19H1800	CAP SCREW	1		3/8" X 1-1/2"
13	12H304	LOCK WASHER	1		3/8"
14	R40072	SPRING	1		
15	R33521	SHIM	2		0.76 MM (.030")
16	AR65881	VALVE	1		
	R40562	APERTURE	1		(SUB FOR R48528)
17	R26906	O-RING	1		
18	R31665	FITTING	1		

2B9

HYDRAULICS

L58714 -UN-01JAN94

ROCKSHAFT HOUSING



L 58714

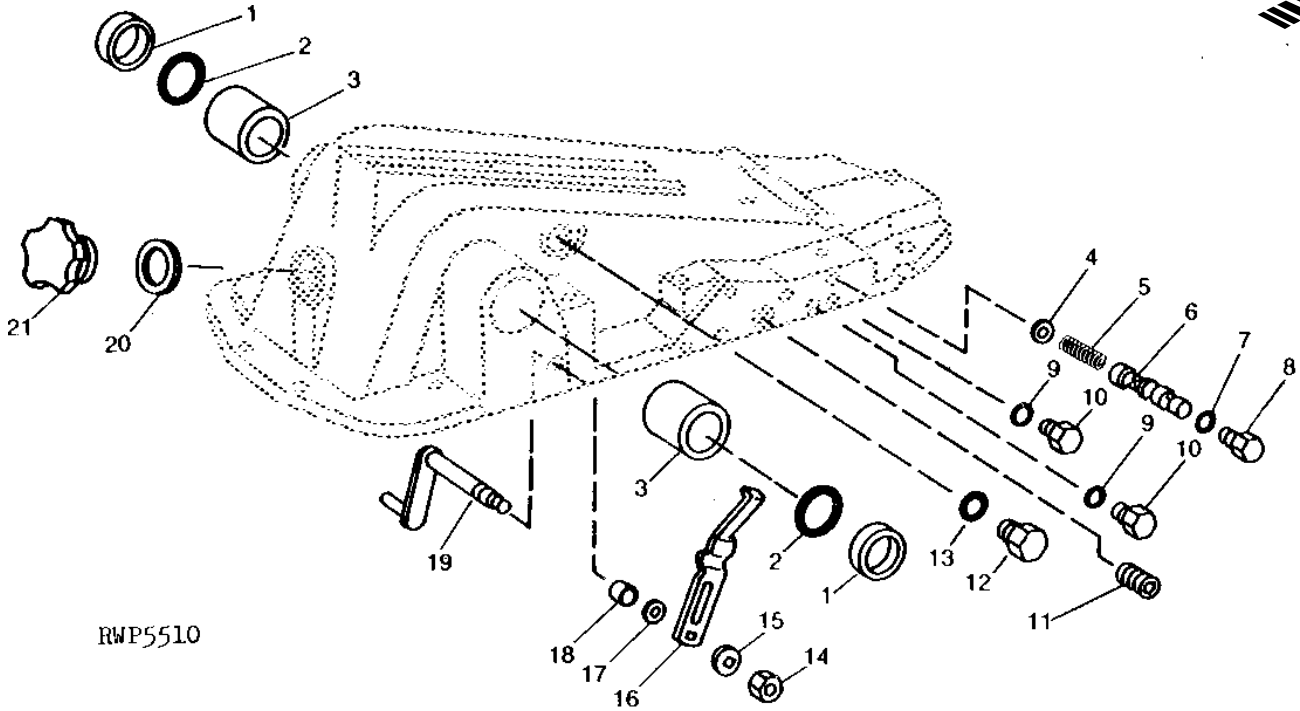
KEY	PART NO.	PART NAME	QTY	TRACTOR SERIAL NO.	REMARKS
1	AR104660	HOUSING	1		(INCLUDES T21630 AND T21631) (ALSO ORDER R26448 AND R27218) (SUB FOR AT20881, AR83400 OR AR77179)
2	T21631	BUSHING	1		
3	T21630	PIN	1		
4	19H1831	CAP SCREW	2	1/2" X 2"	
5	19H3550	CAP SCREW	1	1/2" X 4"	
6	19H1974	CAP SCREW	3	1/2" X 2-3/4"	
7	19H1721	CAP SCREW	6	1/2" X 1-1/2"	
8	19H3520	CAP SCREW	1	1/2" X 3-1/4"	
9	T22471	SCREW	1		
10	14H832	NUT	2	9/16"	
11	T27258	STRAP	1		
12	RE38390	SWITCH	1		NEUTRAL-START, (SUB FOR R36265, AR85323, AR89691 OR AT85153)
	T16911	SHIM	1		
13	T27260	WASHER	1		
14	R26448	O-RING	1		
15	R26287	O-RING	1		
16	R27216	DRAIN PLUG	1		
17	T21641	GASKET	1		

2B10

HYDRAULICS

RWP5510 -UN-01JAN94

ROCKSHAFT HOUSING PARTS



RWP5510

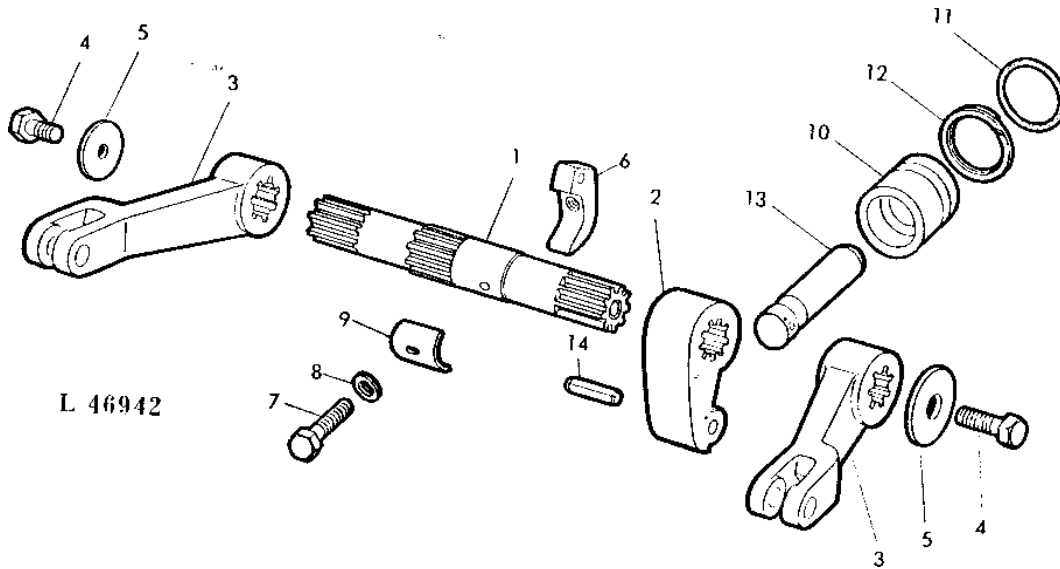
KEY	PART NO.	PART NAME	QTY	TRACTOR SERIAL NO.	REMARKS
1	T21615	CAP	2		
2	R26863	O-RING	2		
3	T22474	BUSHING	2		
4	24H1283	WASHER	1	7/32" X 1/2" X 0.049"	
5	T22968	SPRING	1		
6	R26460	CONTROL VALVE	1		
7	R26375	O-RING	1		
8	R39112	FITTING	1		
9	R26287	O-RING	2		
10	R27216	DRAIN PLUG	2		
11	15H562	PIPE PLUG	1	1"	
12	R27474	DRAIN PLUG	1		
13	R26906	O-RING	1		
14	14H732	NUT	1	3/8"	
15	T22876	WASHER	1		
16	T22465	LEVER	1		
17	F3353R	O-RING	1		
18	T21631	BUSHING	1		
19	AL28227	LEVER	1	(SUB FOR AT19839) (SUB AL28674)	
20	T21564	WASHER	1		
21	L29872	PLUG	1	(SUB FOR T21563)	

2B11

HYDRAULICS

L46942 -UN-01JAN94

ROCKSHAFT, PISTON AND LIFT ARMS



KEY	PART NO.	PART NAME	QTY	TRACTOR SERIAL NO.	REMARKS
1	T22318	ROCKSHAFT	1		(ALSO ORDER (2) R26863)
2	T21474	LEVER	1		
3	T29931	LIFT ARM	2		
4	19H1815	CAP SCREW	2	1/2" X 1-1/4"	
5	T21956	WASHER	2		
6	T22319	CAM	1		
7	19H2151	CAP SCREW	1	1/4" X 3"	
8	24H1287	WASHER	1	9/32" X 5/8" X 0.065"	
9	T28362	SPACER	1		
10	R65619	PISTON	1		(SUB FOR R47344)
11	A4444R	O-RING	1		(SUB R65620 AND R65621, THIS APPLICATION)
12	T21617	BACK-UP RING	1		(SUB R65620 AND R65621)
13	F2570R	ROD	1		
14	34H268	SPRING PIN	1	5/32" X 1-1/4"	

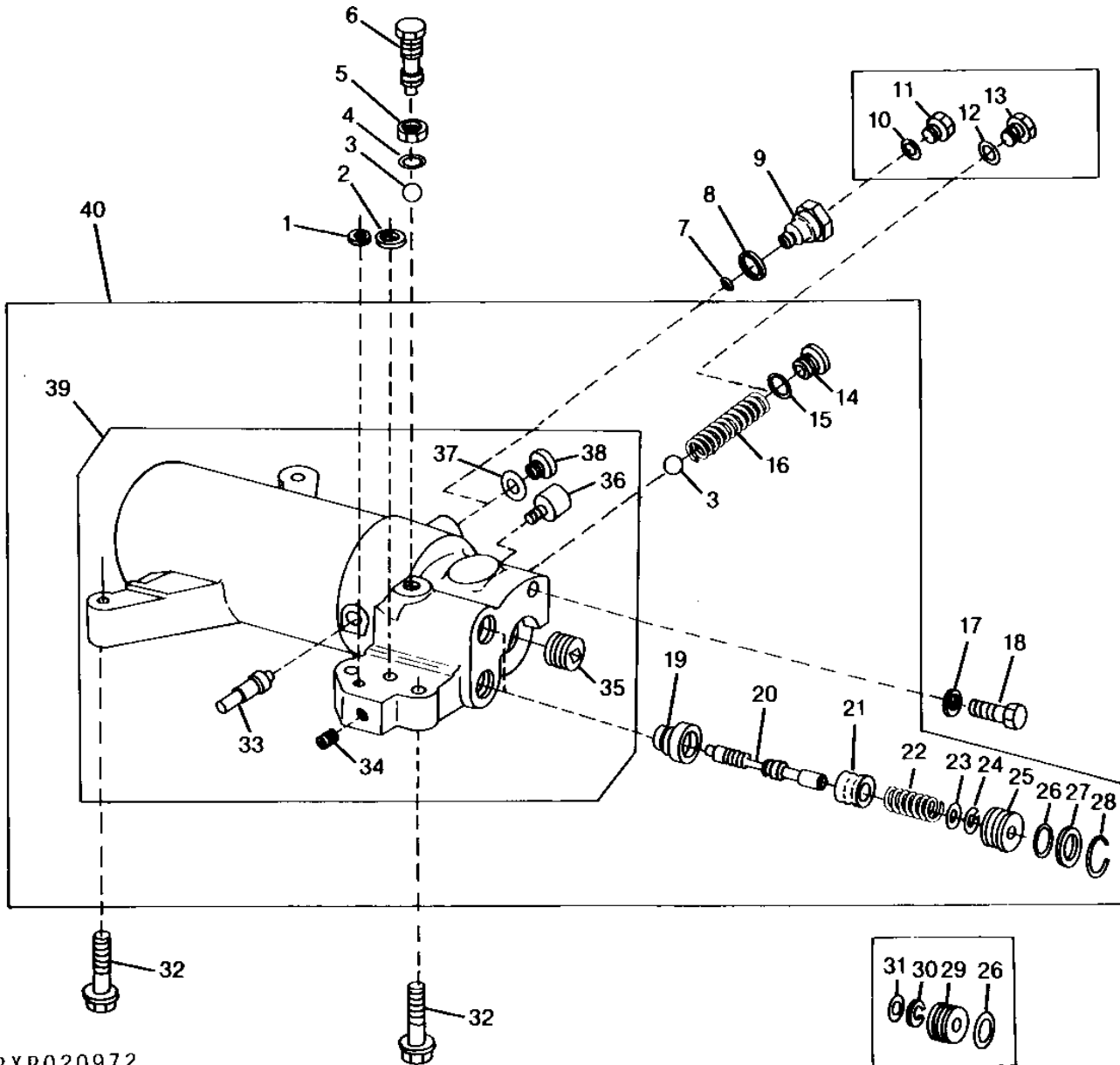
MEMORANDA

2B12

HYDRAULICS

RXP020972 -UN-08DEC94

ROCKSHAFT CYLINDER AND VALVE HOUSING



RXP020972

2B13

HYDRAULICS

ROCKSHAFT CYLINDER AND VALVE HOUSING - CONTINUED

KEY	PART NO.	PART NAME	QTY	TRACTOR SERIAL NO.	REMARKS
1	L34383	WASHER	1		(SUB FOR A4847R)
2	L34382	WASHER	1		
3	D2361R	BALL	2		
4	R26448	O-RING	1		
5	14H888	NUT	1		9/16"
6	T22471	SCREW	1		
7	R26448	O-RING	1		
8	F1791R	WASHER	1		
9	T21638	ADAPTER	1		-XXXXXX (USE WITH R55137)
	L62507	ADAPTER	1	XXXXXX-	(USE WITH L41725)
10	R26448	O-RING	1		-XXXXXX (USE WITH AR63911)
11	R27218	FITTING PLUG	1		-XXXXXX (USE WITH AR63911)
12	R26375	O-RING	1		-XXXXXX (USE WITH AR63911)
13	T22867	DRAIN PLUG	1		-XXXXXX (USE WITH AR63911)
14	T22867	DRAIN PLUG	1		-XXXXXX (USE WITH R55137)
	L41384	PIPE PLUG	1	XXXXXX-	(USE WITH L41725)
15	R26375	O-RING	1		-XXXXXX (USE WITH R55137)
	L41383	RING	1	XXXXXX-	(USE WITH L41725)
16	F3322R	SPRING	1		
17	R26286	O-RING	1		
18	19H3217	CAP SCREW	1		3/8" X 1-3/4"
19	T28538	VALVE SEAT INSERT	2		(ALSO ORDER R54969) (SUB FOR T22483)
20	R54969	VALVE SPOOL	2		(ALSO ORDER T28538) (SUB FOR T24484 OR T28537)
21	T24540	SLEEVE	2		
22	R49648	SPRING	2		(SUB FOR A354R OR T19526)
23	L55203	O-RING	2	XXXXXX-	
24	L56957	BACK-UP RING	2	XXXXXX-	
25	L42314	PLUG	2	XXXXXX-	
26	L55204	O-RING	2		(SUB FOR R65548)
27	L55202	BACK-UP RING	2	XXXXXX-	
28	M3265T	SNAP RING	2		
29	L34381	PLUG	2		-XXXXXX (ORDER L42314, L55202, L55204, L56957, L55203) (SUB FOR T24485)
30	R31136	BACK-UP RING	2		-XXXXXX
31	R10093	O-RING	2		-XXXXXX
32	R48593	CAP SCREW	4		
33	L64852	PIN	1		(SUB FOR T22469)
34	15H559	PIPE PLUG	1		1/4"
35	15H562	PIPE PLUG	1		1"
36	AT21781	VALVE	1		
37	R26448	O-RING	1		-XXXXXX (USE WITH R55137)
	L41536	O-RING	1	XXXXXX-	(USE WITH L41725)
38	R27218	FITTING PLUG	1		-XXXXXX (USE WITH R55137)
	L41726	PIPE PLUG	1	XXXXXX-	(USE WITH L41725)
39	AR63911	HOUSING	1		-XXXXXX (MARKED R55137) (SUB FOR AT20197) (ALSO ORDER R27218, R26448 AND F3322R) (SUB AL64830, F1791R, L41383, L41384, (2) L41536 AND L41538)
	AL40888	HOUSING	1	XXXXXX-	(MARKED L41725) (SUB AL64830)
40	AL64830	SHIPPING BUNDLE	1	XXXXXX-	(MARKED L41725)

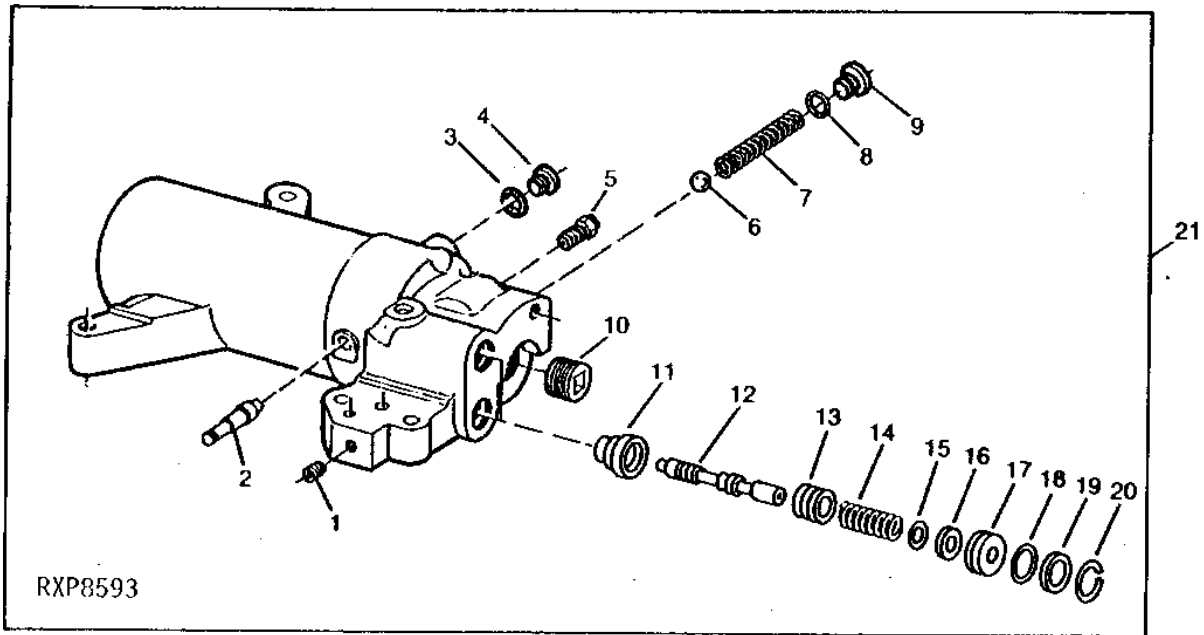
2B14

HYDRAULICS

RXP8593

-UN-01JAN94

ROCKSHAFT CYLINDER AND VALVE HOUSING



2B15

HYDRAULICS

ROCKSHAFT CYLINDER AND VALVE HOUSING - CONTINUED

KEY	PART NO.	PART NAME	QTY	TRACTOR SERIAL NO.	REMARKS
1	15H559	PIPE PLUG	1		
2	T22469	PIN	1		1/4"
3	L41536	O-RING	1		
4	L41726	PIPE PLUG	1		M16
5	AT21781	VALVE	1		
6	D2361R	BALL	1		1/2"
7	F3322R	SPRING	1		
8	L41383	RING	1		
9	L41384	PIPE PLUG	1		M18
10	15H562	PIPE PLUG	1		1"
11	T28538	VALVE SEAT INSERT	2		
12	R54969	VALVE SPOOL	2		
13	T24540	SLEEVE	2		
14	R49648	SPRING	2		
15	L55203	O-RING	2		
16	L56957	BACK-UP RING	2		
17	L42314	PLUG	2		
18	L55204	O-RING	2		
19	L55202	BACK-UP RING	2		
20	M3265T	SNAP RING	2		
21	AL64830	SHIPPING BUNDLE	1		(MARKED L41725)

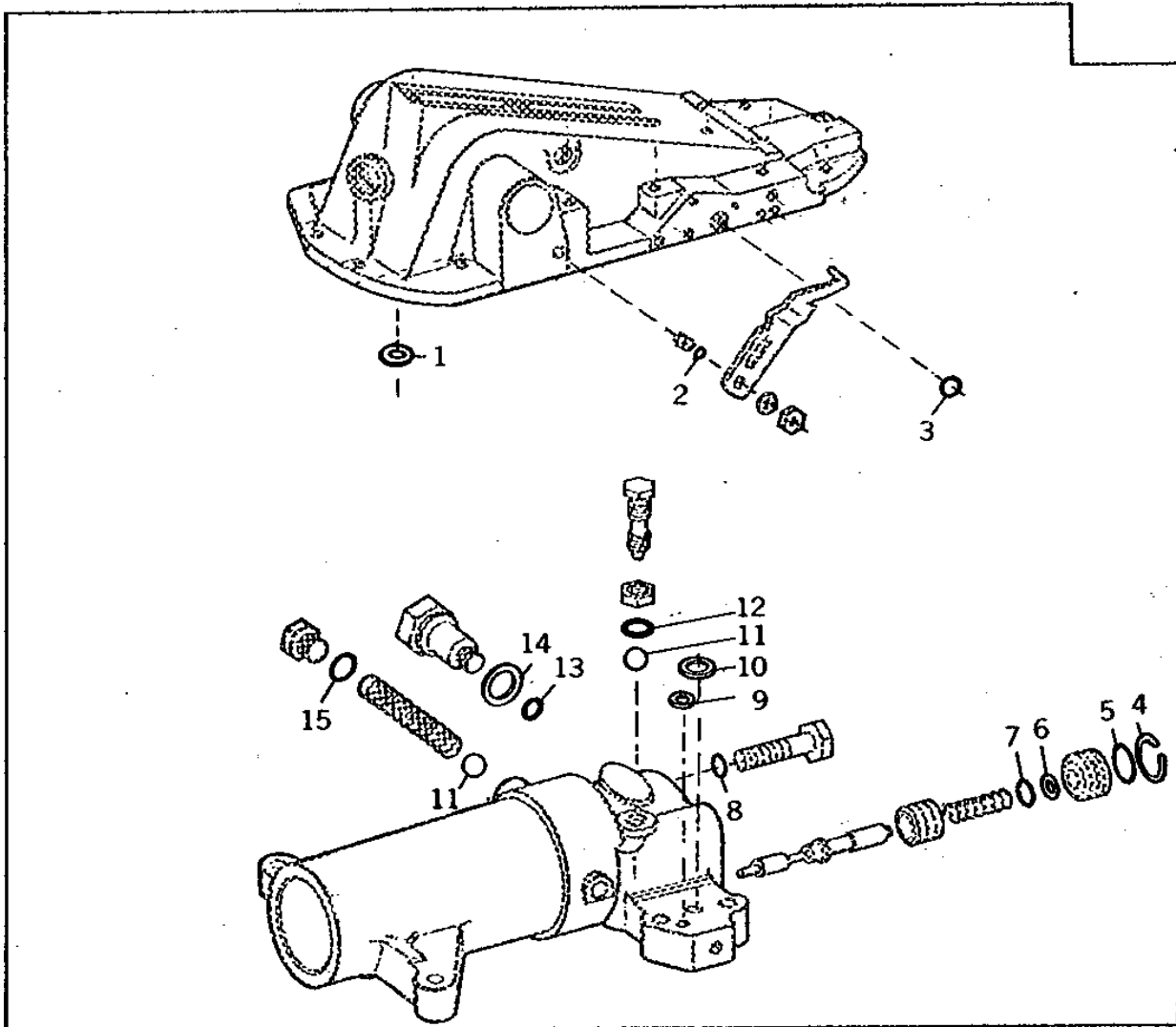
2B16

HYDRAULICS

R32430

-UN-01JAN94

ROCKSHAFT REBUILD SEAL KIT



R32430F

2B17

HYDRAULICS

ROCKSHAFT REBUILD SEAL KIT - CONTINUED

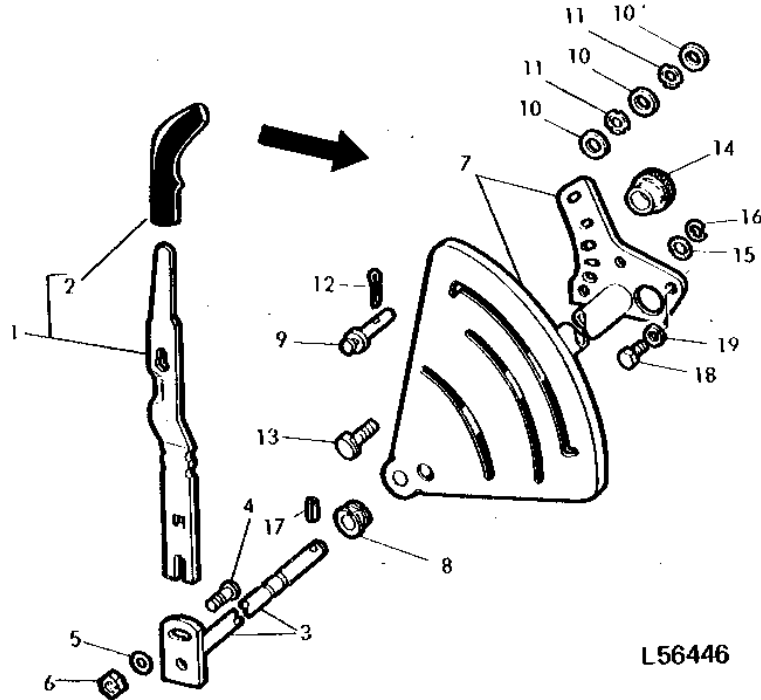
KEY	PART NO.	PART NAME	QTY	TRACTOR SERIAL NO.	REMARKS
1	T17882	WASHER	1		
2	F3353R	O-RING	1		
3	R10093	O-RING	1		
4	M3265T	SNAP RING	2		
5	L55204	O-RING	2		(SUB FOR R65548)
6	R31136	BACK-UP RING	2		
7	R10093	O-RING	2		
8	R26286	O-RING	1		
9	A4847R	WASHER	1		
10	F2741R	PACKING	1		
11	D2361R	BALL	2		
12	R26448	O-RING	1		
	T27260	WASHER	1		
13	R26448	O-RING	1		
14	F1791R	WASHER	1		
15	R26375	O-RING	1		
16	AR92385	KIT	1		

2B18

HYDRAULICS

L56446 -UN-01JAN94

ROCKSHAFT CONTROL LEVER AND QUADRANT



L56446

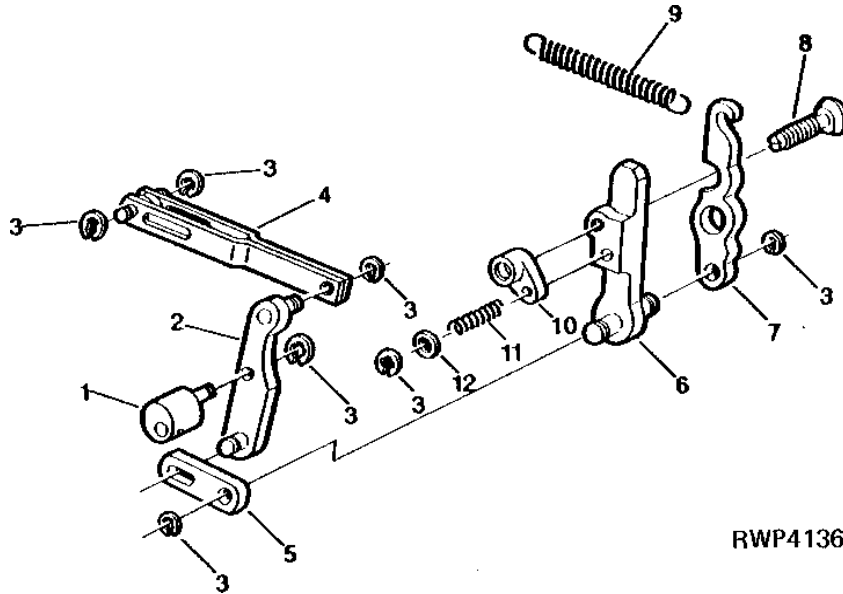
KEY	PART NO.	PART NAME	QTY	TRACTOR SERIAL NO.	REMARKS
1	AT24724	LEVER	1		(SUB AL24015)
2	R54273	GRIP	1		(USE WITH AT24724)
	L56924	GRIP	1		(USE WITH AL24015)
3	AT19838	SHAFT	1		
4	03H1765	BOLT	1		3/8" X 3/4"
5	24H1305	WASHER	1		13/32" X 13/16" X 0.065"
6	14H1076	NUT	1		3/8"
7	AL33044	QUADRANT	1		(SUB FOR AT24725)
8	T26626	GROMMET	1		
9	T26625	PIN	1		
10	24M7207	WASHER	3		8.400 X 24 X 2 MM
11	T22877	LOCK WASHER	2		
12	11M7081	COTTER PIN	1		2.500 X 20 MM
13	T22865	SCREW	1		5/16"
14	T22470	KNOB	1		
15	R10093	O-RING	1		
16	R30437	SNAP RING	1		
17	34H268	SPRING PIN	1		5/32" X 1-1/4"
18	19H2284	CAP SCREW	3		3/8" X 7/8"
19	12H304	LOCK WASHER	3		3/8"

2B19

HYDRAULICS

RWP4136 -UN-01JAN94

ROCKSHAFT CYLINDER AND VALVE HOUSING LINKAGE



RWP4136

KEY	PART NO.	PART NAME	QTY	TRACTOR SERIAL NO.	REMARKS
1	AT19840	FULCRUM	1		
2	AT20085	LINK	1		
3	R72653	SNAP RING	7		(SUB FOR M2396T)
4	AT20141	LEVER	1		
5	T22232	STRAP	1		
6	AT20084	LINK	1		
7	T22224	CAM	1		
8	T22228	SCREW	1		
9	T22473	SPRING	1		
10	T22229	NUT	1		
11	F1942R	SPRING	1		
12	24H1290	WASHER	1		21/64" X 3/4" X 0.035"

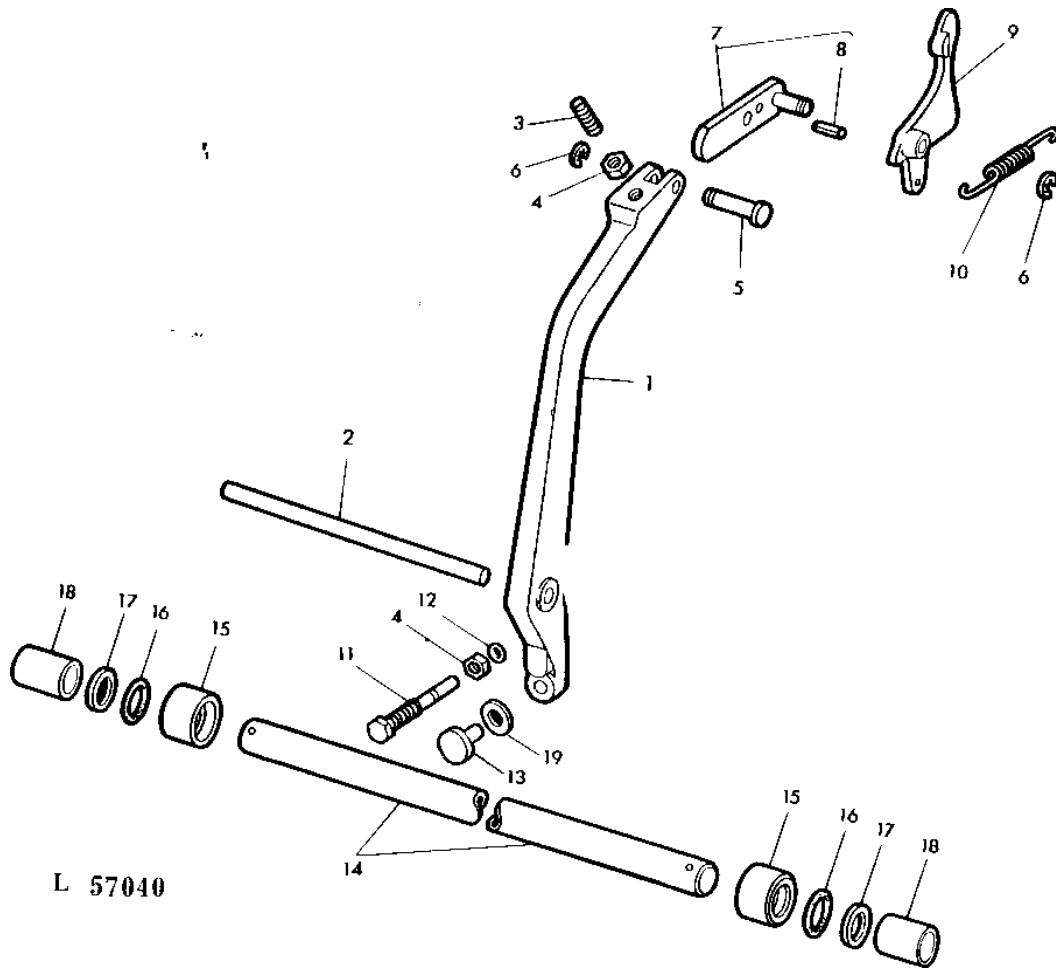
2B20

HYDRAULICS

L57040

-UN-01JAN94

PARTS FOR LOAD CONTROL



2B21

HYDRAULICS

PARTS FOR LOAD CONTROL - CONTINUED

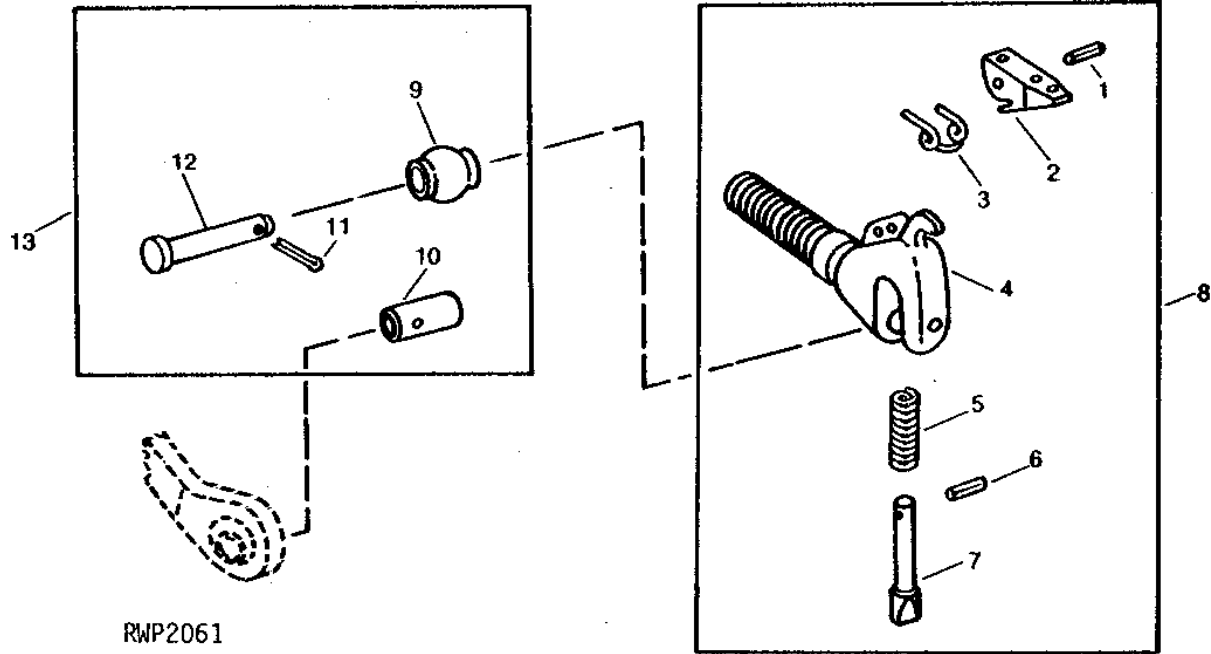
KEY	PART NO.	PART NAME	QTY	TRACTOR SERIAL NO.	REMARKS
1	L39881	LEVER	1		(SUB FOR T21487)
2	T21681	DOWEL PIN	1		
3	T29311	SET SCREW	1		1/2" X 1-1/2" 1/2" X 1-1/2"
4	14H856	NUT	2		1/2"
5	T24690	PIN	1		
6	R72653	SNAP RING	2		(SUB FOR M2396T)
7	AT30631	EXTENSION	1		(SUB AL61479)
8	34H279	SPRING PIN	1		3/16" X 13/16", (USE WITH AT30631)
	34H282	SPRING PIN	1		3/16" X 1", (USE WITH AL61479)
9	T28551	CAM FOLLOWER	1		
10	T21955	EXTENSION SPRING	1		
11	T23216	CAP SCREW	1		1/2"
12	A4365R	O-RING	1		
13	T21680	PIN	1		
14	L26932	PIN	1		
	L26937	PIN	1	178601-179600	
15	T22097	BUSHING	2		
	T22094	BUSHING	2	178601-179600	
16	A4730R	O-RING	2		
17	T22098	WASHER	2		
	T22095	WASHER	2	178601-179600	
18	T22099	BUSHING	2		
	R43216	THRUST WASHER	2		
	T22096	BUSHING	2	178601-179600	
	R42929	THRUST WASHER	2	178601-179600	
19	24H1302	WASHER	1		13/32" X 11/16" X 0.035"

2B22

HYDRAULICS

RWP2061 -UN-01JAN94

CENTER LINK HOOK



RWP2061

KEY	PART NO.	PART NAME	QTY	TRACTOR SERIAL NO.	REMARKS
1	34H284	SPRING PIN	2	3/16" X 1-1/4"	
2	F2824R	HANDLE	1		
3	F2823R	SPRING	1		
4	T28036	HOOK	1		
5	F2822R	SPRING	1		
6	34H299	SPRING PIN	1	7/32" X 1-1/4"	
7	R53196	LATCH	1	(SUB FOR F2821R)	
8	AT26196	HOOK	1	(NO LONGER AVAILABLE)	
9	F2680R	BALL STUD	1	(A)	
	F2681R	BALL	1	(B)	
10	R66432	BUSHING	2	(A) 56 MM (2-3/16") SHORT, (SUB FOR F2684R)	
	R66433	BUSHING	2	(B) 65 MM (2-9/16") LONG, (SUB FOR F2685R)	
11	11M7038	COTTER PIN	1	(A) 6.300 X 40 MM	
	11M7040	COTTER PIN	1	(B) 0.248" X 1.969"	
12	R58262	PIN	1	(A) (SUB FOR R28061 OR R44917)	
	R53296	PIN	1	(B) (SUB FOR F2683R OR R44918)	
13	AF2710R	BALL	1	(A) (SUB F2680R, R58262, (2) R66432, (2) R66433 AND 11M7038)	
	AF2711R	BALL	1	(B)	

(A) CATEGORY I
(B) CATEGORY II

MEMORANDA

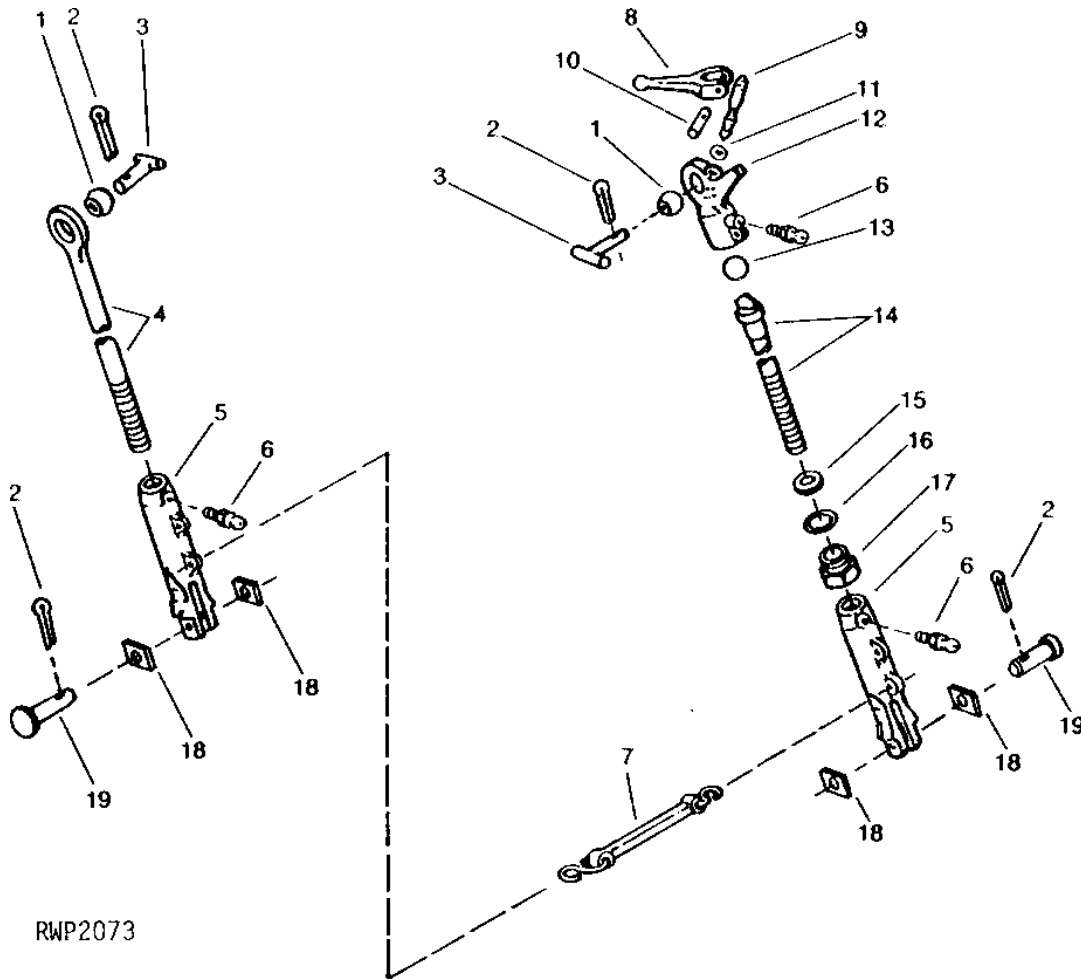
2B23

HYDRAULICS

RWP2073

-UN-01JAN94

3-POINT HITCH LIFT LINKS



RWP2073

2B24

HYDRAULICS

3-POINT HITCH LIFT LINKS - CONTINUED

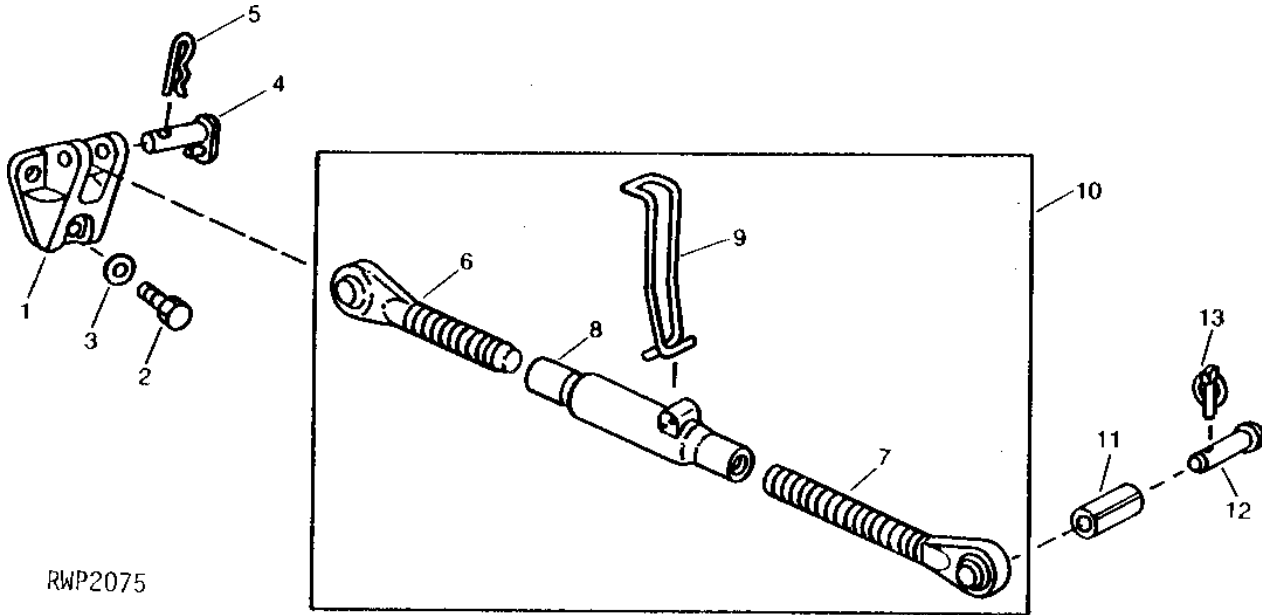
KEY	PART NO.	PART NAME	QTY	TRACTOR SERIAL NO.	REMARKS
1	T21901	BALL	2		
2	11M7030	COTTER PIN	4	5 X 40 MM	
3	AT21754	PIN	2		
4	T25836	END	1	L.H. (LENGTH 547 MM (21-1/2"))	
	L28372	END	1	L.H. (LENGTH 505 MM (19.89")) (SUB FOR T25822)	
	T30275	END	1	L.H. (LENGTH 443 MM (17-3/8"))	
5	R48595	LINK BODY	2	(SUB FOR T21497)	
6	JD7798	LUBRICATION FITTING	3		
7	AR68071	STRAP	1	RUBBER, (SUB FOR AR64845)	
8	T21559	HANDLE	1	R.H.	
9	T21558	SHAFT	1	R.H.	
10	34H314	SPRING PIN	1	1/4" X 1-1/4"	
11	P46051	O-RING	1		
12	L28374	HOUSING	1	R.H. (SUB FOR T21462)	
13	T22399	BALL	1	R.H.	
14	T25835	SHAFT	1	R.H. (LENGTH 445 MM (17-1/2"))	
	T25823	SHAFT	1	R.H. (LENGTH 403 MM (15-7/8"))	
	T30274	LIFT LINK	1	R.H. (LENGTH 341 MM (13-3/8"))	
15	T32488	WASHER	1	R.H.	
16	T21903	WASHER	1	R.H.	
17	T21758	ADAPTER	1	R.H.	
18	T21759	STRAP	4		
19	T22714	PIN	2	(ALSO ORDER (2) T21759) (SUB FOR AR55695)	

2B25

HYDRAULICS

RWP2075 -UN-01JAN94

3-POINT HITCH CENTER LINK



RWP2075

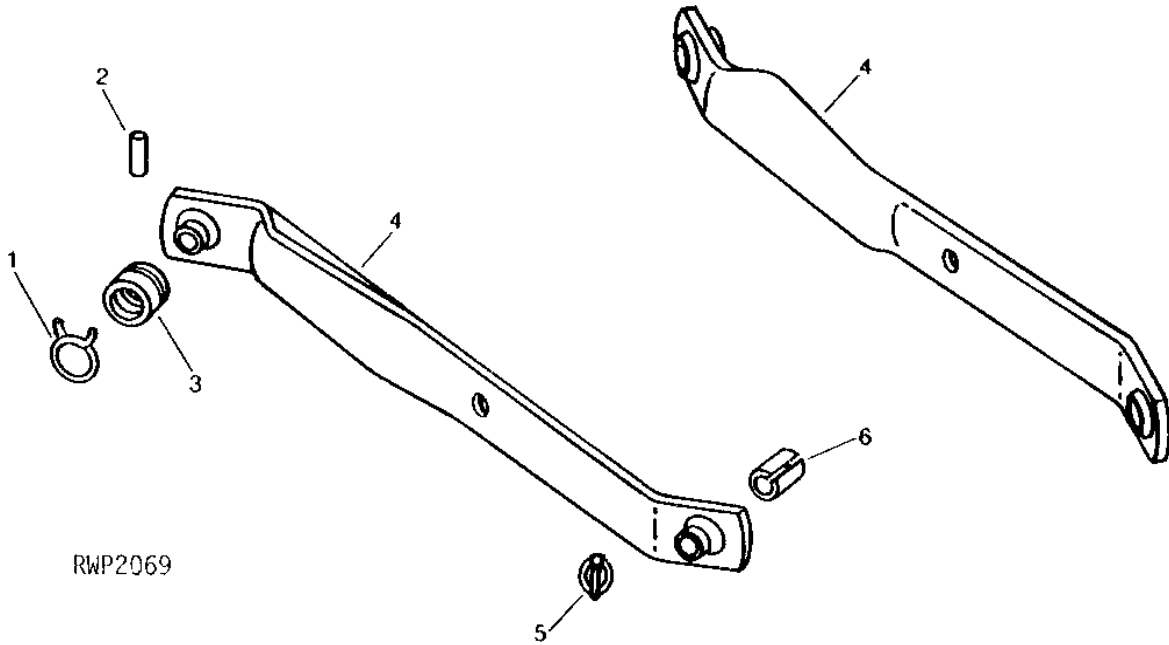
KEY	PART NO.	PART NAME	QTY	TRACTOR SERIAL NO.	REMARKS
1	T21685	BRACKET	1		
2	19H1708	CAP SCREW	3	5/8" X 1-3/4"	
3	12H294	LOCK WASHER	3	5/8"	
4	AT21912	PIN	1		
5	A3581R	SPRING LOCKING PIN	1		
6	AT23759	END	1	-XXXXXX	(SUB AL67293)
	AL39172	CENTER LINK END	1	XXXXXX-	(SUB AL67293)
7	AL18136	END	1	-XXXXXX	(SUB AL67292)
	AL39171	CENTER LINK END	1	XXXXXX-	(SUB AL67292)
8	AL18135	LINK BODY	1		
9	T27136	HANDLE	1		(USE WITH AT23758 OR AL39170)
	L63659	HANDLE	1		(USE WITH AL67290)
10	AT23758	LINK	1	-XXXXXX	(SUB AL67290)
	AL39170	CENTER LINK	1	XXXXXX-	(SUB AL67290)
11	L11292	BUSHING	1		
12	R58262	PIN	1		(CATEGORY I) (SUB FOR R44917)
	R53296	PIN	1		(CATEGORY II)
13	M115827	QUICK LOCK PIN	1		(SUB FOR AR62151)

2C1

HYDRAULICS

RWP2069 -UN-01JAN94

3-POINT HITCH DRAFT LINKS



KEY	PART NO.	PART NAME	QTY	TRACTOR SERIAL NO.	REMARKS
1	L26936	CLAMP	1		(ALSO ORDER L26933) (SUB FOR L29342)
	11M7015	COTTER PIN	2	178601-179600	3.200 X 25 MM
2	L26935	PIN	2		
	R57619	PIN	2	178601-179600	
3	R50985	SLEEVE	2	-XXXXXX	(ALSO ORDER R57619 AND 11M7082)
	L26933	BUSHING	2	XXXXXX-	(USE WITH L26936)
	R47061	BUSHING	1	178601-179600	
4	AT19849	DRAFT LINK	2		(SUB AR77530)
5	AR62149	QUICK LOCK PIN	2		REAR
6	T25767	BUSHING	2		REAR

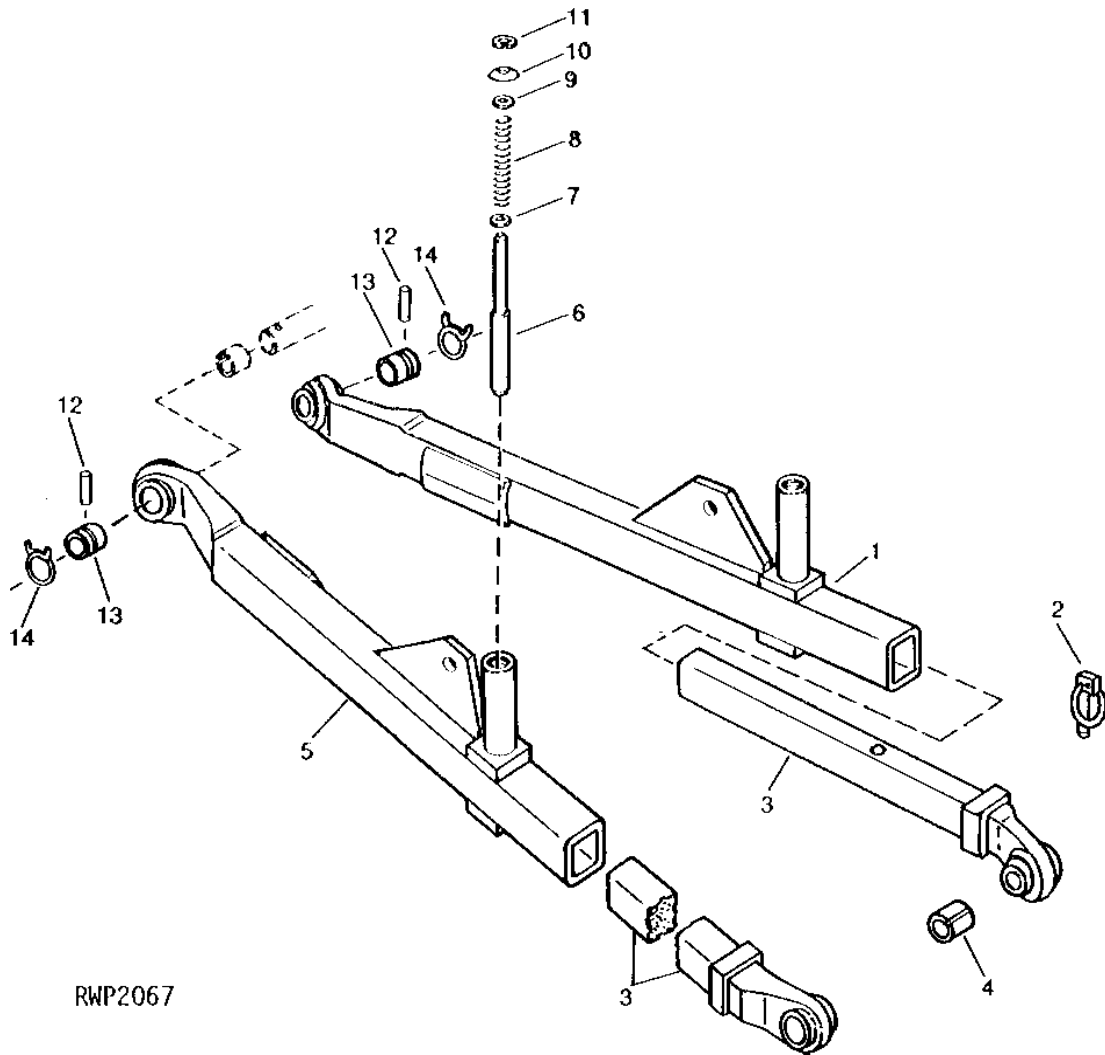
2C2

HYDRAULICS

RWP2067

-UN-01JAN94

3-POINT HITCH CENTER LINK AND TELESCOPING DRAFT LINKS



2C3

HYDRAULICS

3-POINT HITCH CENTER LINK AND TELESCOPING DRAFT LINKS-CONTINUED

KEY	PART NO.	PART NAME	QTY	TRACTOR SERIAL NO.	REMARKS
1	AT28464	DRAFT LINK	1		FRONT R.H. (TIRES 13.6-38)
	AT30150	DRAFT LINK	1		FRONT, R.H. (SUB FOR AT22632) (TIRES 13.6-28, 14.9-28, 16.9-24 AND 16.9-28)
2	AR62149	QUICK LOCK PIN	2		REAR
3	AR28570	BAR	2		REAR
4	T25767	BUSHING	2		REAR
5	AT28466	DRAFT LINK	1		FRONT, L.H. (TIRES 13.6-38)
	AT30151	DRAFT LINK	1		FRONT, L.H. (SUB FOR AT22633) (TIRES 13.6-28, 14.9-28, 16.9-24 AND 16.9-28)
6	F2693R	PIN	2		
7	24H1111	WASHER	2		
8	F2695R	SPRING	2		
9	T18716	WASHER	2		
10	B2477R	WASHER	2		
11	F2208R	SNAP RING	2		
12	L26935	PIN	2		
	R57619	PIN	2	178601-179600	
13	R50985	SLEEVE	2	-XXXXXX	(ALSO ORDER R47063 AND 11M7082)
	L26933	BUSHING	2	XXXXXX-	
	R47061	BUSHING	2	178601-179600	
14	L26936	CLAMP	2		(ALSO ORDER L26933)
	11M7015	COTTER PIN	2	178601-179600	3.200 X 25 MM
..	AF3147R	BAR	1		(NOT ILLUSTRATED)

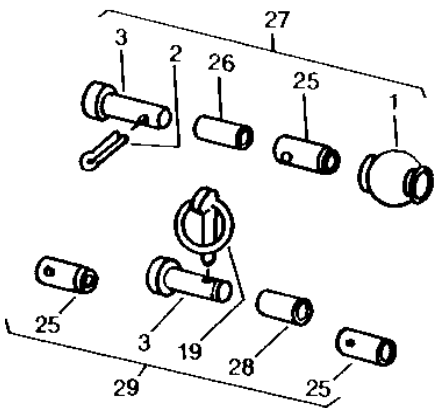
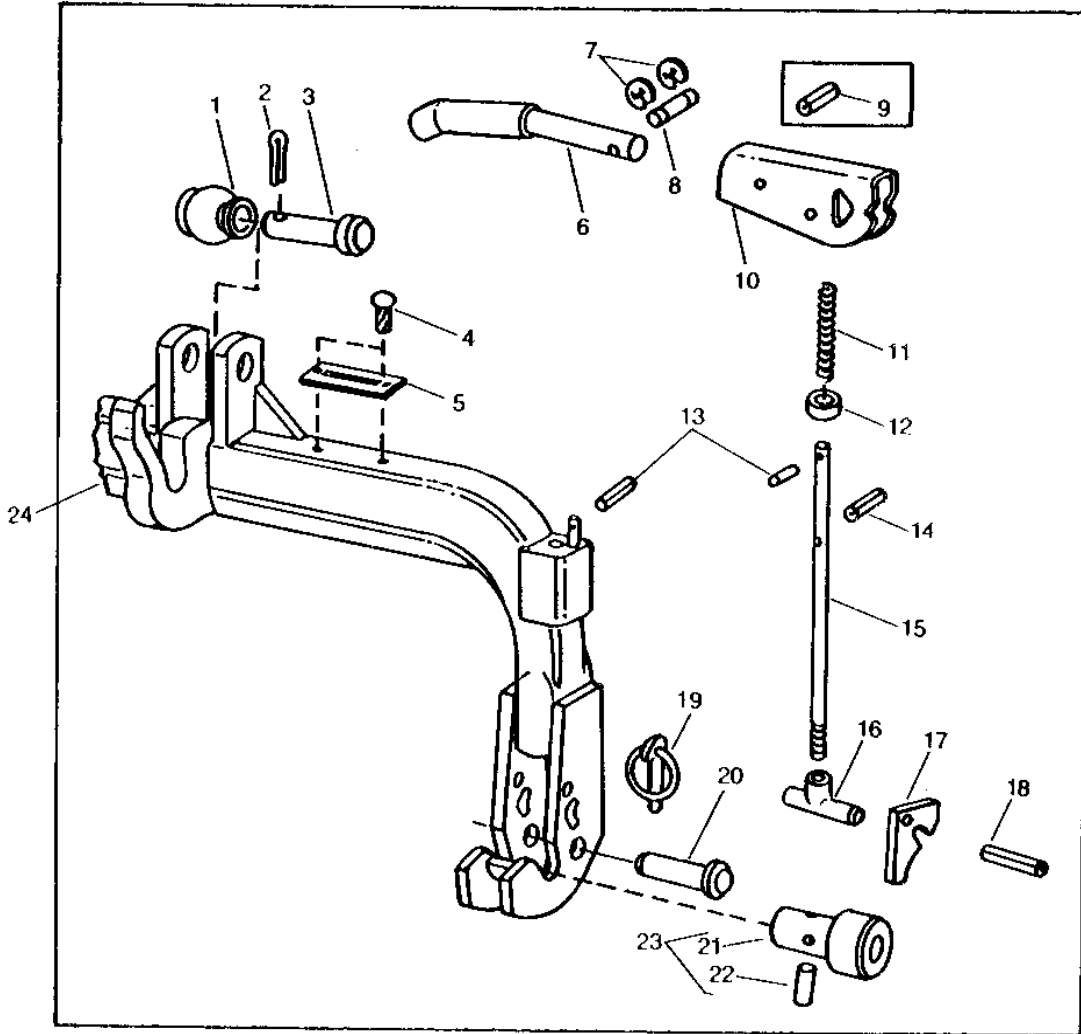
2C4

HYDRAULICS

RWP2120

-UN-01JAN94

IMPLEMENT QUICK COUPLER



RWP2120

2C5

HYDRAULICS

IMPLEMENT QUICK COUPLER - CONTINUED

KEY	PART NO.	PART NAME	QTY	TRACTOR SERIAL NO.	REMARKS
1	F2680R	BALL STUD	1	(A)	
	F2681R	BALL	1	(B)	
2	11M7038	COTTER PIN	1	(A) 6.300 X 40 MM	
	11M7040	COTTER PIN	1	(B) 0.248" X 1.969"	
3	R44917	PIN	1	(A) (SUB R58262)	
	R53296	PIN	1	(B)	
4	37H44	SCREW	2	0.151" X 3/8"	
5	R83531	LABEL	1	(SUB FOR R56038) (SUB R120103)	
6	R48163	HANDLE	2		
7	R72654	SNAP RING	4	XXXXXX-	(SUB FOR R27507)
8	R66901	SPRING PIN	2	XXXXXX-	
9	34H311	SPRING PIN	2	-XXXXXX	1/4" X 7/8"
10	R48164	LEVER	2		
11	R43444	SPRING	2		
12	R46890	SLEEVE	2		
13	34H311	SPRING PIN	4		1/4" X 7/8"
14	34H277	SPRING PIN	2		3/16" X 5/8"
15	R46889	STUD	2		
16	AR49206	PIN	2		
17	R46893	LATCH	2		
18	34H373	SPRING PIN	2		1/2" X 2-1/2"
19	M115827	QUICK LOCK PIN	2		(SUB FOR AR62151)
20	R58268	PIN	2		(SUB FOR R27997)
21	R27998	HALF SLEEVE	2		
22	R27999	SPRING PIN	2		
23	AR27093	ADAPTER	2		
24	TY15269	HITCH	1		(SUB FOR AR49202)
25	R66432	BUSHING	2		(A) (SUB FOR F2684R)
	R66433	BUSHING	2		(B) (SUB FOR F2685R)
26	28H1753	BUSHING	1		3/4" X 2"
27	AF2710R	BALL	1		(CATEGORY II TO I) (SUB F2680R, R58262, (2) R66432, (2) R66433 AND 11M7038)
	AF2711R	BALL	1		
28	T12553	BUSHING	1		(A)
29	AT12350	BUSHING	1		(CATEGORY II TO I) (SUB M115827, R58262, (2) R66432 AND T12553)

(A) CATEGORY I
(B) CATEGORY II

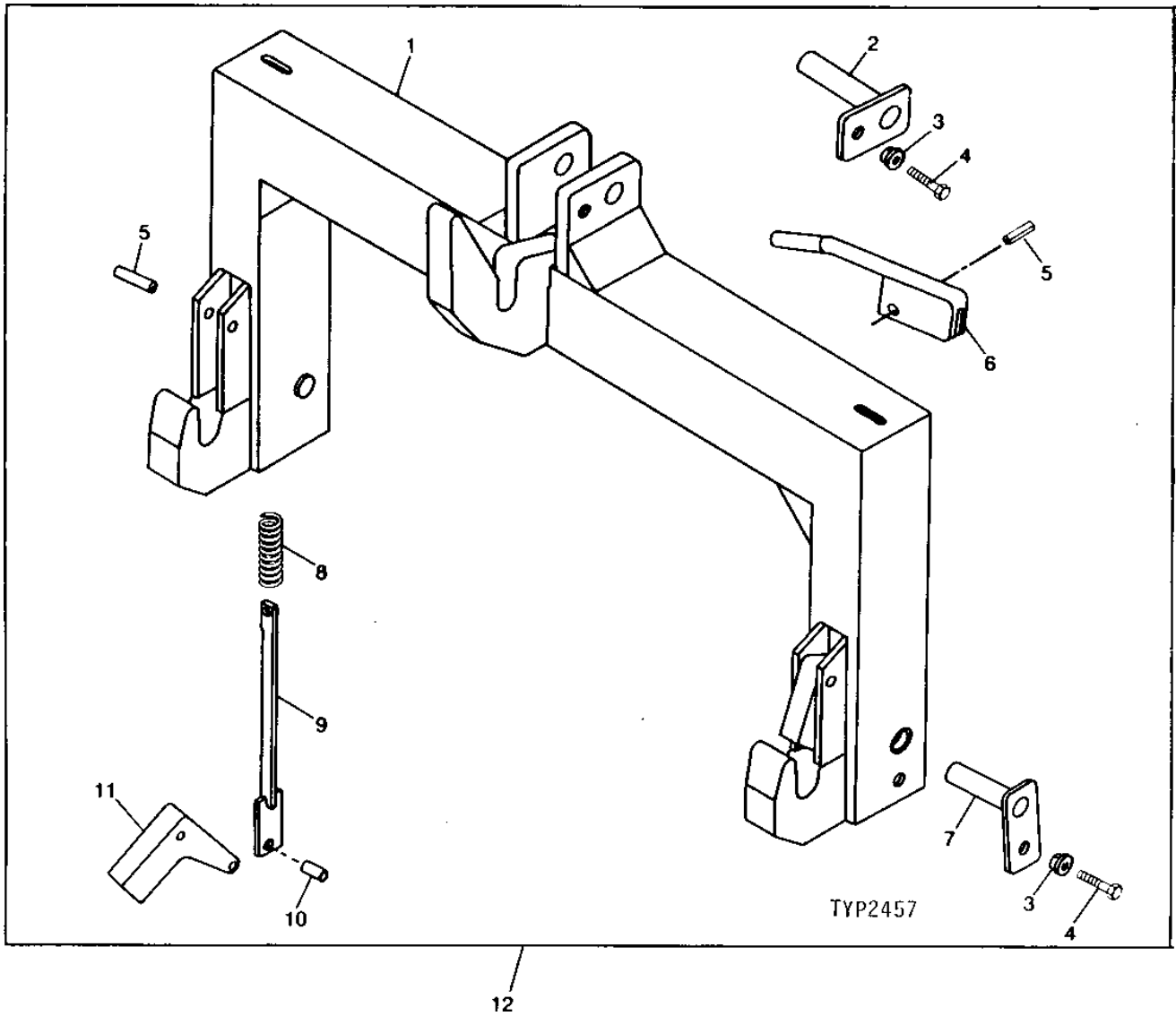
2C6

HYDRAULICS

TYP2457

-UN-01JAN94

3-POINT HITCH QUICK COUPLER



2C7

HYDRAULICS

3-POINT HITCH QUICK COUPLER - CONTINUED

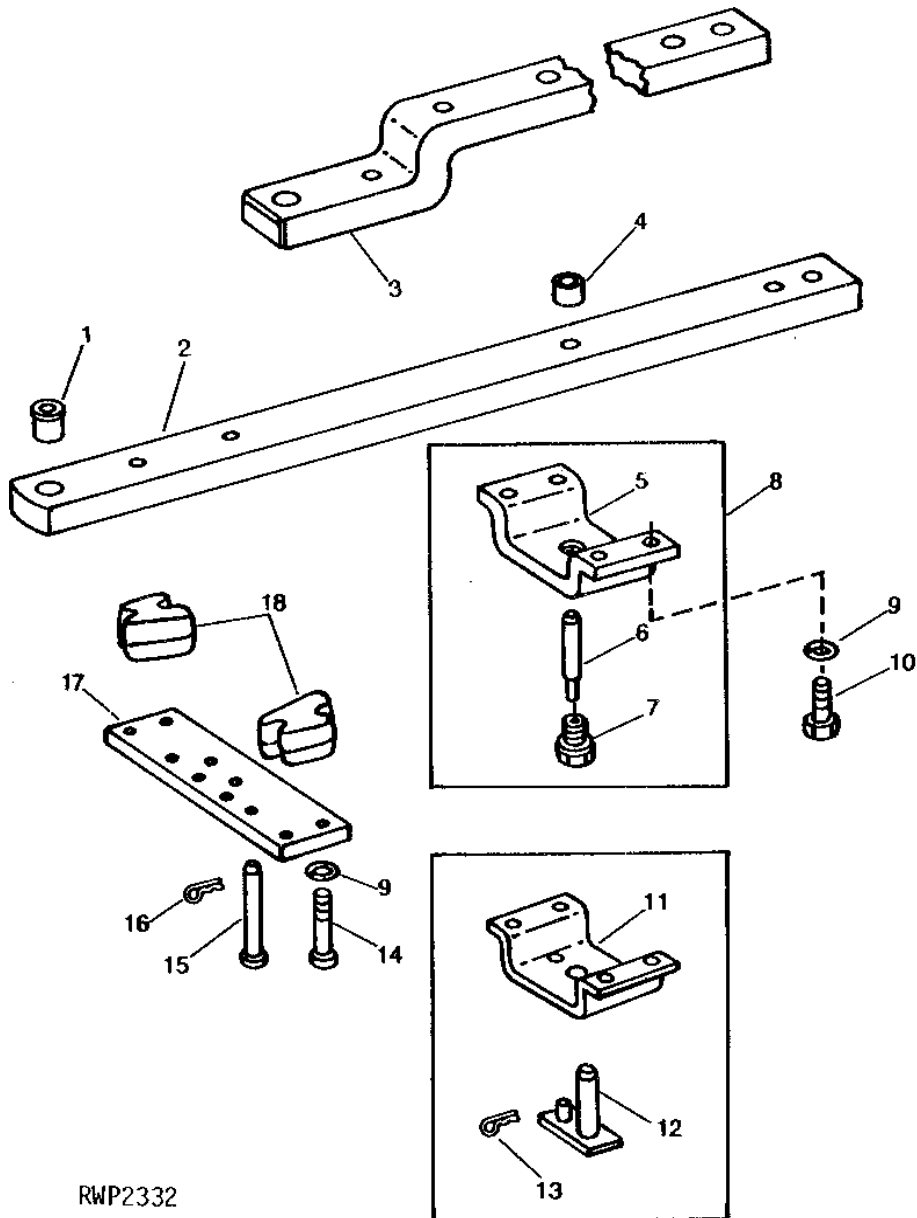
KEY	PART NO.	PART NAME	QTY	SERIAL NO. OR YEAR	REMARKS
1	FRAME	1		(ORDER TY16042) (FI)
2	PT9287	PIN	1		
3	PT9290	BUSHING	3		
4	19H2632	CAP SCREW	3	1/2" X 1-1/8"	
5	34H371	SPRING PIN	4	1/2" X 2"	
6	PT9281	HANDLE	2		
7	PT9286	PIN	2		
8	PT9284	SPRING	2		
9	PT9283	BAR	2		
10	34H116	SPRING PIN	2	5/16" X 1"	
11	PT9282	LUG	2		
12	TY16042	HITCH	1		(CATEGORY II) (SUB FOR TY15269) (FI)
..	PT9292	DECAL KIT	1		

2C8

HYDRAULICS

RWP2332 -UN-01JAN94

SWINGING DRAWBAR



RWP2332

2C9

HYDRAULICS

SWINGING DRAWBAR - CONTINUED

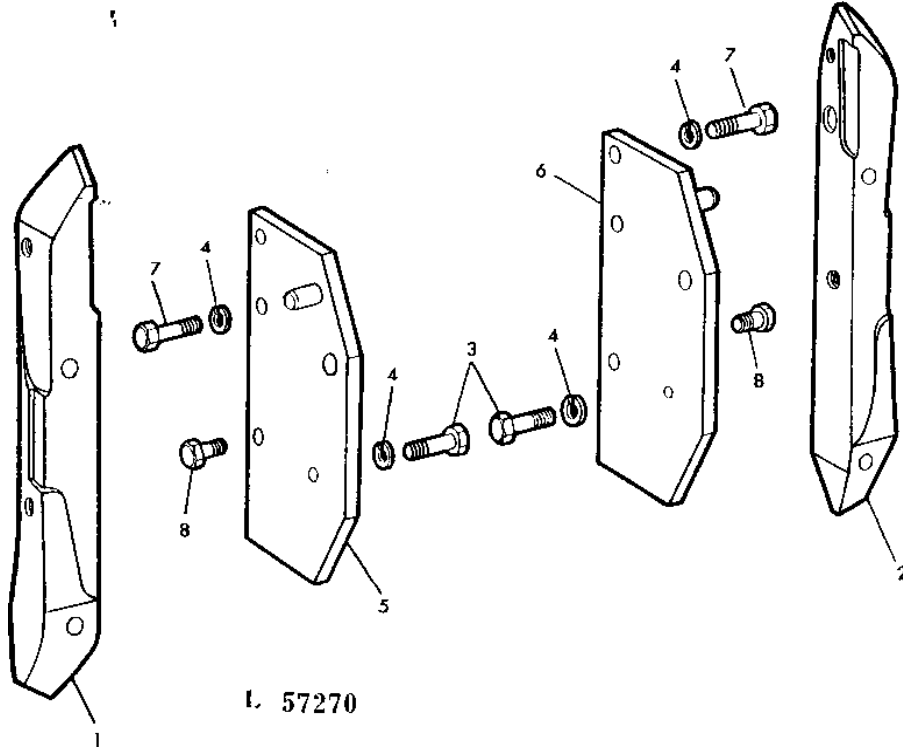
KEY	PART NO.	PART NAME	QTY	TRACTOR SERIAL NO.	REMARKS
1	R70080	SPACER	1		FRONT
2	T21667	DRAWBAR	1	-XXXXXX	STRAIGHT, (SUB R61126 AND (2) L29023)
	R61126	DRAWBAR	1	XXXXXX-	STRAIGHT, (ALSO ORDER (2) L29023)
3	T27969	DRAWBAR	1	-XXXXXX	OFFSET, (SUB L29020 AND (2) L29023)
	L29020	DRAWBAR	1	XXXXXX-	OFFSET, (ALSO ORDER (2) L29023)
4	T21671	BUSHING	1		
5	AL27203	SUPPORT	1	XXXXXX-	FRONT
6	L32016	PIN	1	XXXXXX-	
7	L31849	ADAPTER	1	XXXXXX-	
8	AR101210	KIT	1	XXXXXX-	DRAWBAR FRONT SUPPORT, (SUB AL27203, L31849 AND L32016)
9	12H301	LOCK WASHER	8		1/2"
10	19H1815	CAP SCREW	4		1/2" X 1-1/4"
11	T21672	SUPPORT	1	-XXXXXX	(SUB AL27203, L31849 AND L32016)
12	AT19850	PIN	1	-XXXXXX	(SUB AL27203, L31849 AND L32016)
13	T22848	SPRING LOCKING PIN	1	-XXXXXX	
14	19H1820	CAP SCREW	4		1/2" X 3"
15	L29022	PIN	2		(SUB FOR T32016)
16	A3581R	SPRING LOCKING PIN	2		
17	T21677	SUPPORT	1		REAR
18	T21913	SPACER	2	-XXXXXX	(2" WIDE DRAWBAR)
	L29023	SPACER	1	XXXXXX-	(2-1/2" WIDE DRAWBAR)

2C10

HYDRAULICS

L57270 -UN-01JAN94

SWAY BLOCKS AND SUPPORTS



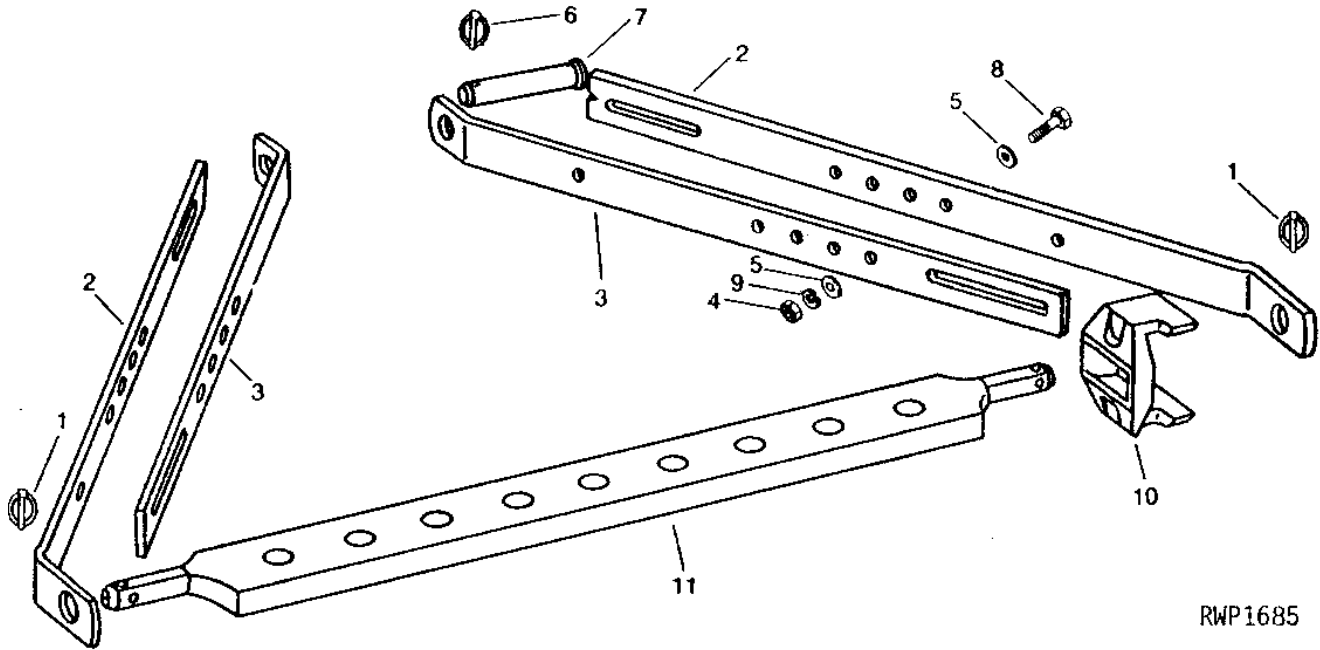
KEY	PART NO.	PART NAME	QTY	TRACTOR SERIAL NO.	REMARKS
1	T30277	SWAY BLOCK	1	L.H.	
2	T30276	SWAY BLOCK	1	R.H.	
3	19H1721	CAP SCREW	2	1/2" X 1-1/2"	
4	12H301	LOCK WASHER	6	1/2"	
5	AR90971	SUPPORT	1	L.H. (SUB FOR AT20168)	
	T29002	PLATE	1	R.H.	
	T29003	PLATE	1	L.H.	
6	AT20167	SUPPORT	1	R.H.	
7	19H1815	CAP SCREW	4	1/2" X 1-1/4"	
8	19H1936	CAP SCREW	2	3/8" X 3/4"	
..	AT29301	SHIM	1	(SUB (2) T23230)	

2C11

HYDRAULICS

RWP1685 -UN-01JAN94

3-POINT HITCH DRAWBAR



RWP1685

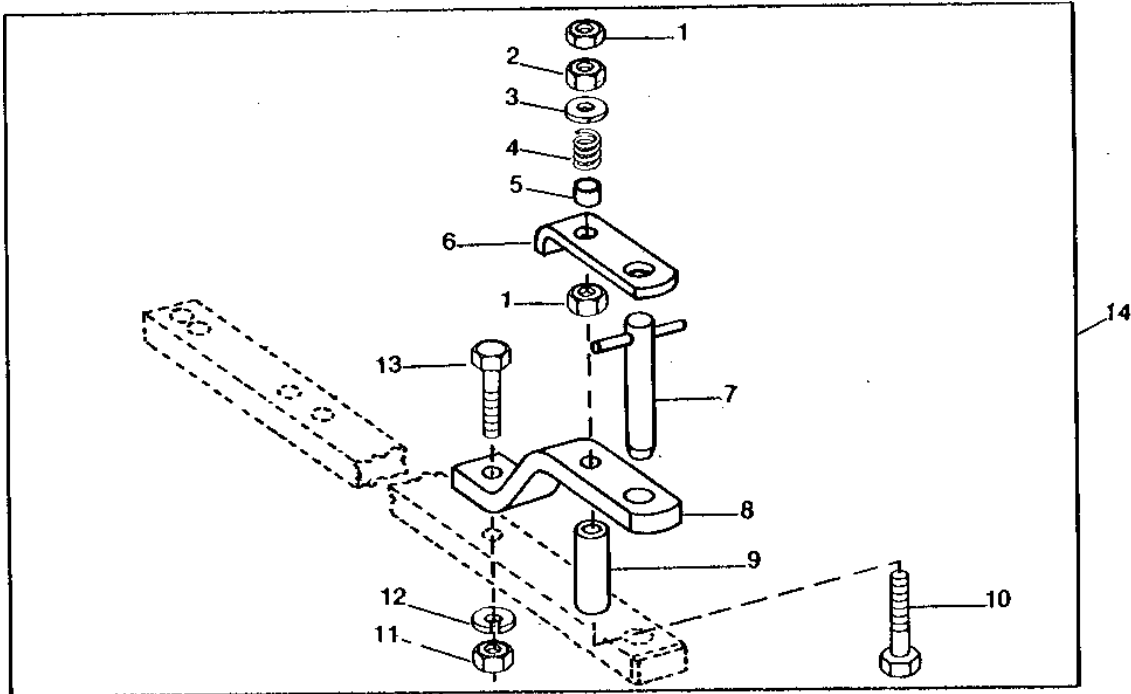
KEY	PART NO.	PART NAME	QTY	TRACTOR SERIAL NO.	REMARKS
1	AR62150	QUICK LOCK PIN	2		(SUB FOR R36471)
2	T22118	STRAP	2		REAR (CATEGORY II HITCH)
3	T22119	STRAP	2		FRONT
4	14H1040	NUT	6		1/2"
5	24H1341	WASHER	12		17/32" X 15/16" X 0.060"
6	AR62151	QUICK LOCK PIN	2		(SUB FOR B11182)
7	T22120	PIN	2		
8	19H2473	CAP SCREW	6		1/2" X 1-3/4"
9	12H301	LOCK WASHER	6		1/2"
10	T29307	STABILIZER	2		(CATEGORY II HITCH)
11	T21678	DRAWBAR	1		(CATEGORY II HITCH)

2C12

HYDRAULICS

RWP3979 -UN-01JAN94

DRAWBAR HAMMER STRAP



RWP3979

KEY	PART NO.	PART NAME	QTY	TRACTOR SERIAL NO.	REMARKS
1	14H821	NUT	2	5/8"	
2	14H1039	NUT	1	5/8"	
3	24H1372	WASHER	7	21/32" X 1-1/2" X 0.060"	
4	F3541R	SPRING	1		
5	F3542R	BUSHING	1		
6	F3539R	RETAINER	1		
7	AR69988	PIN	1		
8	T29899	STRAP	1	(A)	
	T29897	STRAP	1	(B)	
9	N186901	SPACER	1		
10	08H4770	CAP SCREW	2	5/8" X 8-1/4"	
11	14H1039	NUT	1	5/8"	
12	12H294	LOCK WASHER	1	5/8"	
13	19H1863	CAP SCREW	1	5/8" X 3"	
14	RE39829	KIT	1	(A) (SUB FOR RE13089)	
	RE39830	KIT	1	(B) (SUB FOR RE13090)	

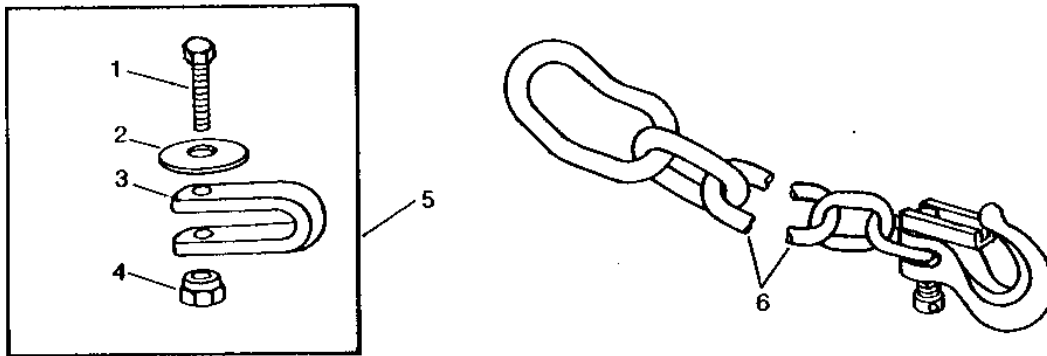
(A) STRAIGHT BAR
(B) OFFSET DRAWBAR

2C13

HYDRAULICS

RWP5796 -UN-01JAN94

IMPLEMENT SAFETY CHAIN



RWP5796

KEY	PART NO.	PART NAME	QTY	TRACTOR SERIAL NO.	REMARKS
1	19H1768	CAP SCREW	1	(A) (B)	
	19H2084	CAP SCREW	1	(A)	
	19H2174	CAP SCREW	1	(B)	
2	R36402	WASHER	1		
3	R69408	CLEVIS	1	(A)	
	R69409	CLEVIS	1	(B)	
4	T25879	NUT	2		
5	AR90577	SAFETY CHAIN ADAPTER KIT	1		CATEGORY IV DRAWBARS
	AR90578	CHAIN KIT	1		CATEGORY II AND III DRAWBARS
6	RE26739	LINK CHAIN	1		61 LINKS 6.4 MM (1/4") DIA CHAIN (6,000 LB)
	AR90581	LINK CHAIN	1		61 LINKS 6.4 MM (1/4") DIA CHAIN (10,000 LB)
	AR90579	LINK CHAIN	1		42 LINKS 9.5 MM (3/8") DIA CHAIN
	AR90583	LINK CHAIN	1		43 LINKS 11.1 MM (7/16") DIA CHAIN
	AN212996	LINK CHAIN	1		42 LINKS 12.7 MM (1/2") DIA CHAIN, (SUB FOR RE26740)

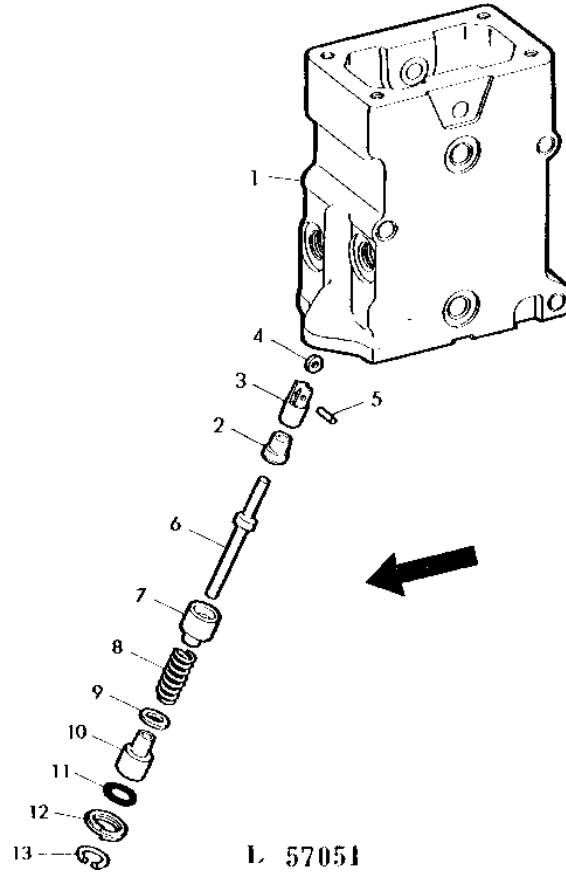
(A) INCLUDED IN AR90577
 (B) INCLUDED IN AR90578

2C14

HYDRAULICS

L57051 -UN-01JAN94

SELECTIVE CONTROL VALVE HOUSING AND DETENT PISTON ASSEMBLY



L 57051

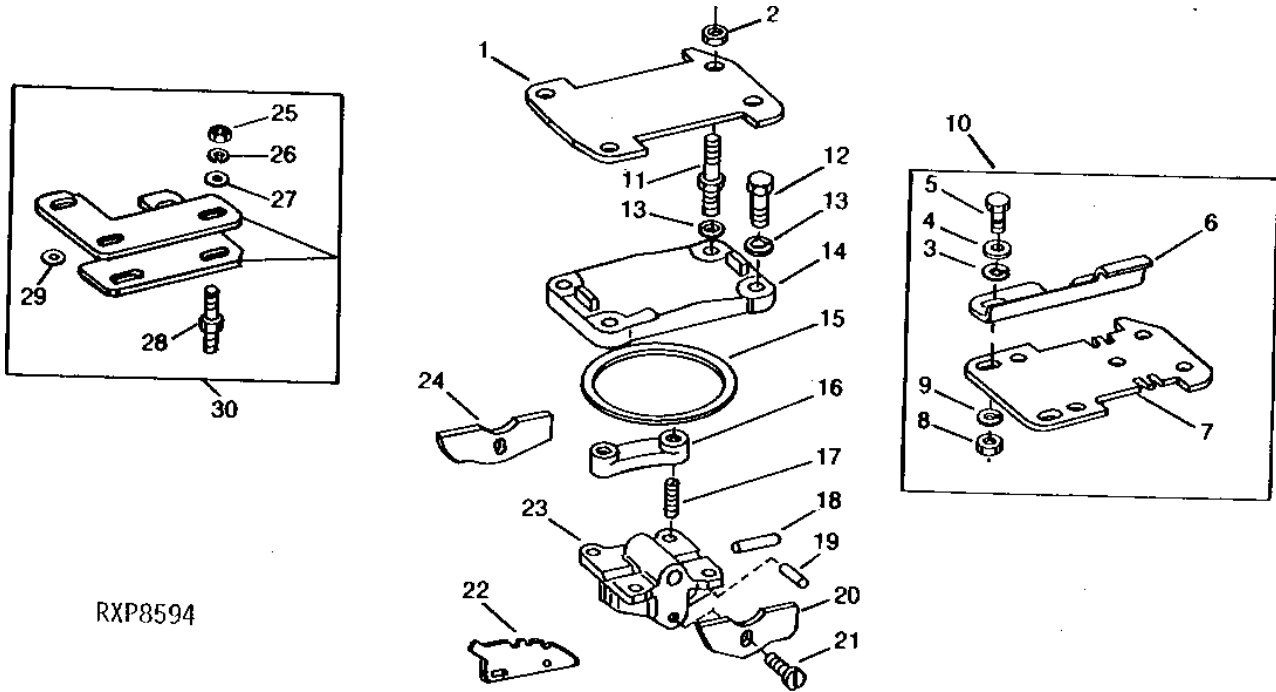
KEY	PART NO.	PART NAME	QTY	TRACTOR SERIAL NO.	REMARKS
1	AR40828	HOUSING	1	-XXXXXX	(MARKED R40599 OR R48978) (SUB AR83549, R27166, R41057, R59629, R65501, R65502, R66916, R74695 AND R65289)
	AR83549	HOUSING	1	XXXXXX-	(MARKED R65504)
2	R48978	GUIDE	1		INNER
3	R51410	CAM FOLLOWER	1		
4	R51409	SPACER	1		
5	R51411	PIN	1		
6	R55398	PIN	1		
7	R48980	PISTON	1		
8	R41055	SPRING	1		
9	T20229	WASHER	1		
10	R55397	GUIDE	1		OUTER
11	B2762R	O-RING	1		
12	R26546	BACK-UP RING	1		
13	R46722	SNAP RING	1		

2C15

HYDRAULICS

RXP8594 -UN-01JAN94

SELECTIVE CONTROL VALVE COVER AND ROCKER ASSEMBLY



RXP8594

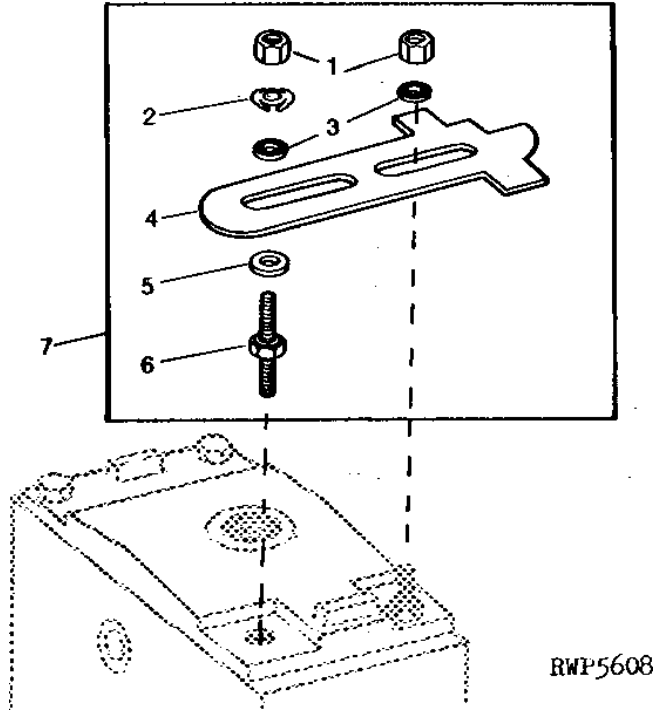
KEY	PART NO.	PART NAME	QTY	TRACTOR SERIAL NO.	REMARKS
1	T22996	ADJUSTING STRAP	1		
2	14H732	NUT	2	3/8"	
3	T25804	LOCK WASHER	1		
4	24H1320	WASHER	1	29/64" X 3/4" X 0.035"	
5	T25803	CAP SCREW	1		
6	T29519	LOCK PLATE	1		
7	T29518	PLATE	1	(ORDER RE19419)	
8	14H611	NUT	1	5/16"	
9	12H303	LOCK WASHER	1	5/16"	
10	AT29222	LOCK	1	(WITH DOUBLE-ACTING POPPET VALVE) (SUB RE19419)	
11	R39225	STUD	2		
12	19H1731	CAP SCREW	2	3/8" X 1"	
13	12H304	LOCK WASHER	4	3/8"	
14	R49186	COVER	1		
15	R49187	WASHER	1		
16	R49221	RETAINER	2		
17	22H1025	SET SCREW	4	1/4" X 7/8"	
18	34H297	SPRING PIN	1	7/32" X 1"	
19	R28744	PIN	2		
20	R51415	CAM	1	LOWER	
21	R27233	SCREW	2		
22	R51413	CAM	1		
23	R51412	ROCKER	1		
24	R51414	CAM	1	UPPER	
25	14H732	NUT	2	3/8"	
26	12H304	LOCK WASHER	2	3/8"	
27	24H1305	WASHER	4	13/32" X 13/16" X 0.065"	
28	R39225	STUD	2		
29	24H1682	WASHER	1	13/32" X 7/8" X 0.120"	
30	RE13523	STOP	1	SCV LEVER ADJUSTABLE STOP, (SUB FOR AR93948)	

2C16

HYDRAULICS

RWP5608 -UN-01JAN94

SELECTIVE CONTROL VALVE LEVER LOCK



RWP5608

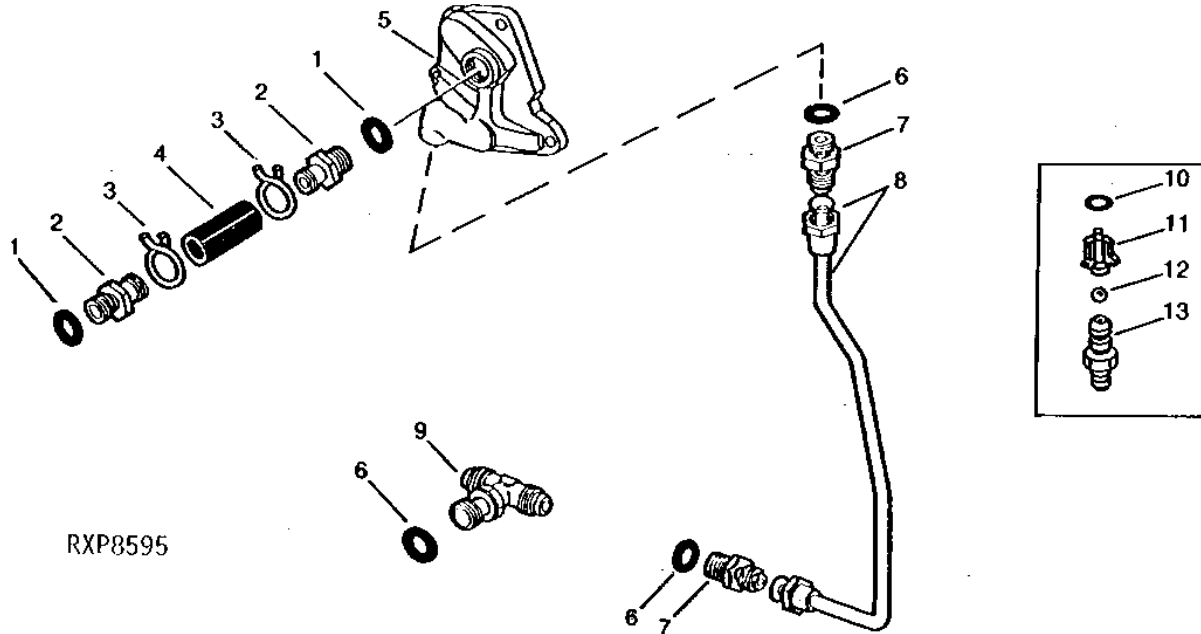
KEY	PART NO.	PART NAME	QTY	TRACTOR SERIAL NO.	REMARKS
1	K40003	LOCK NUT	2		(SUB FOR R41564, THIS APPLICATION)
2	T25804	LOCK WASHER	1		
3	R52921	WASHER	2		
4	R81293	LOCK PLATE	1		(ORDER RE19419)
5	24H1305	WASHER	1		13/32" X 13/16" X 0.065"
6	R39225	STUD	1		
7	RE19419	LOCK	1		

2C17

HYDRAULICS

RXP8595 -UN-01JAN94

SELECTIVE CONTROL VALVE OIL LINES



KEY	PART NO.	PART NAME	QTY	TRACTOR SERIAL NO.	REMARKS
1	R26906	O-RING	2		
2	R39171	HOSE FITTING	2		
3	TY22465	CLAMP	2		(SUB FOR AR21837)
4	R20922	HOSE	1		(SUB FOR T22881)
5	R39289	COVER	1		
6	R26375	O-RING	2		
7	R27237	FITTING	2		
8	AT28577	LINE	1		(MANUAL STEERING)
	AT28578	LINE	1		(POWER STEERING)
9	AT20894	FITTING	1		(MANUAL STEERING)
10	R26375	O-RING	1		(A)
11	R39076	GUIDE	1		(A)
12	D2361R	BALL	1		(A)
13	R56023	FITTING	1		(A) (NO LONGER AVAILABLE)

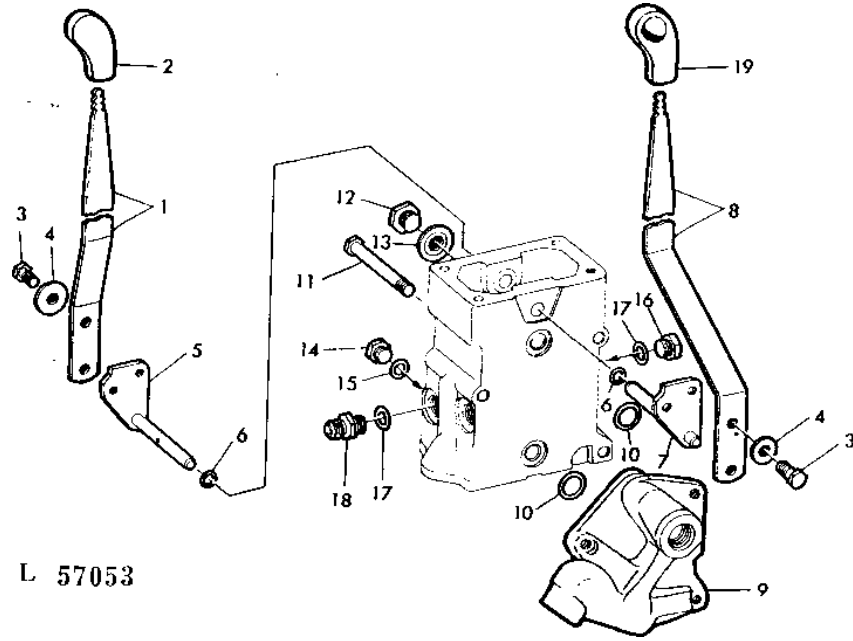
(A) CHECK VALVE KIT

2C18

HYDRAULICS

L57053 -UN-01JAN94

SELECTIVE CONTROL VALVE LEVERS AND ARMS



L 57053

KEY	PART NO.	PART NAME	QTY	MODEL NO.	REMARKS
1	T23071	LEVER	1	(A) OUTER	
2	R62148	GRIP	2	(SUB FOR R54275)	
3	19H1895	CAP SCREW	2	1/2" X 3/4"	
4	24H1625	WASHER	2	17/32" X 1" X 0.120"	
5	AR39158	ARM	1	(A) OUTER	
6	R394R	O-RING	2	(A)	
7	AR39157	ARM	1	(C)	
8	T23069	LEVER	1	(C)	
9	R39289	COVER	1		
10	R26149	PACKING	2		
11	19H3328	CAP SCREW	3	(A) 3/8" X 6-1/2"	
	19H1912	CAP SCREW	3	(B) 3/8" X 3-1/2"	
12	R41155	PLUG	1		
13	AR26697	SEALING WASHER	1	(B)	
14	R27218	FITTING PLUG	1		
15	R26448	O-RING	1		
16	R39112	FITTING	2		
17	R26375	O-RING	4		
18	R27237	FITTING	2		
19	R62147	GRIP	1	(C) (SUB FOR R54274)	

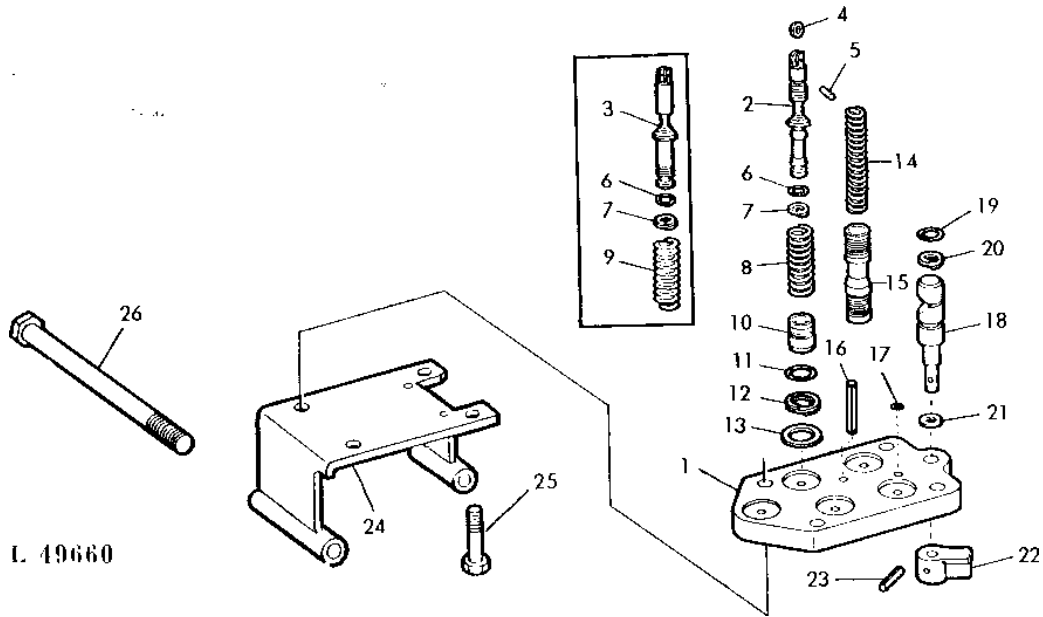
(A) DUAL
(B) SINGLE
(C) INNER

2C19

HYDRAULICS

L49660 -UN-01JAN94

SELECTIVE CONTROL VALVE POPPET, METERING AND FLOW CONTROL VALVES



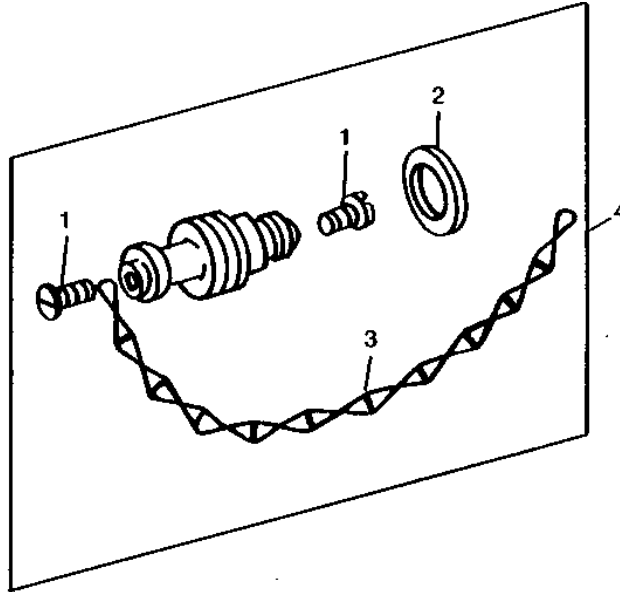
KEY	PART NO.	PART NAME	QTY	TRACTOR SERIAL NO.	REMARKS
1	AR40688	COVER	1		
2	AR86535	VALVE	4		(SUB FOR AR56120 OR AR78396)
3	VALVE	1		(ORDER AR86535) (SUB FOR AR78396)
4	R51409	SPACER	4		
5	34H241	SPRING PIN	4		1/8" X 3/8"
6	A3917R	O-RING	6		
7	R26484	BACK-UP RING	6		
8	R41055	SPRING	2		RETURN PRESSURE
9	R44310	SPRING	2		
10	R41156	GUIDE	4		
11	R27166	O-RING	4		
12	R41057	BACK-UP RING	4		
13	R26149	PACKING	6		
14	R41549	SPRING	1		
15	R52549	SHUT-OFF VALVE	1		FLOW CONTROL
16	34H284	SPRING PIN	1		3/16" X 1-1/4"
17	R34812	O-RING	1		
18	R52547	VALVE	1		METERING
19	P46051	O-RING	1		
20	R40937	BACK-UP RING	1		
21	R41339	SHIM	1		
22	R41338	ARM	1		(SUB R62652)
23	34H231	SPRING PIN	1		3/32" X 3/4"
24	AR39162	BRACKET	1		
25	19H1732	CAP SCREW	4		3/8" X 1-1/4", (DUAL)
	19H1800	CAP SCREW	4		3/8" X 1-1/2"
26	19H3597	CAP SCREW	2		1/2" X 4-3/4"

2C20

HYDRAULICS

RWP4875 -UN-01JAN94

SELECTIVE CONTROL VALVE DUST PLUG



RWP4875

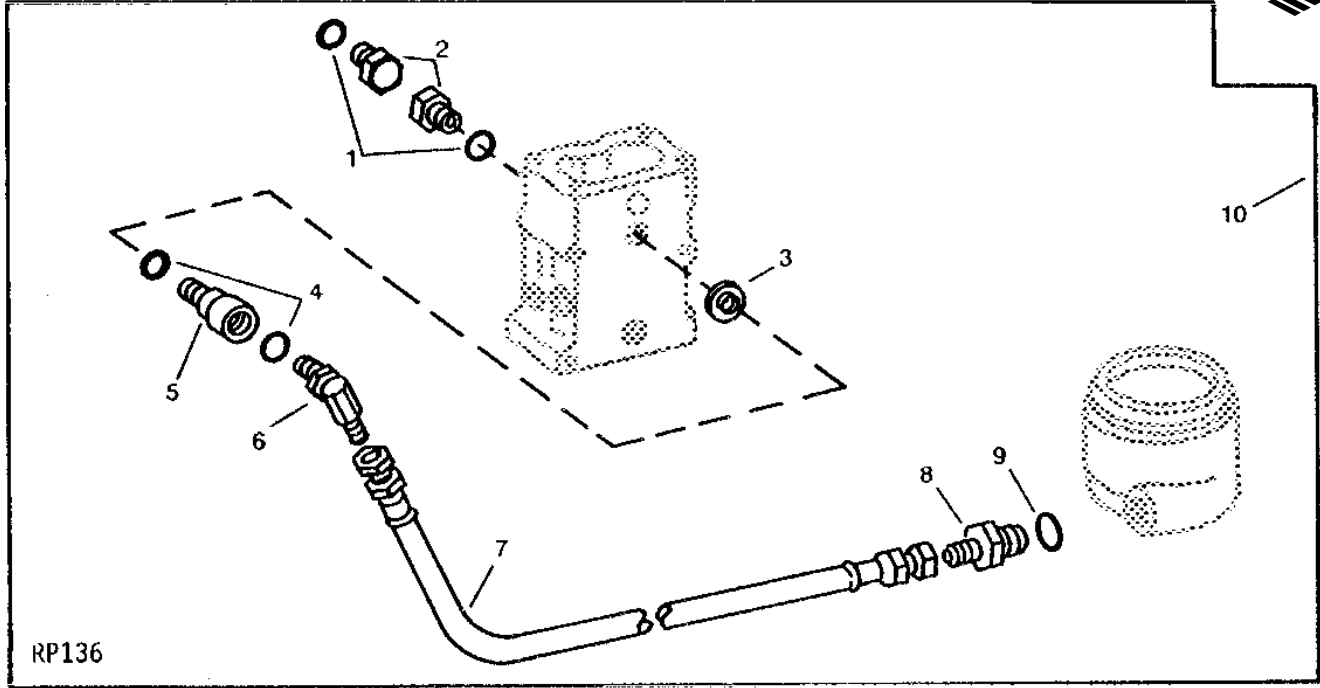
KEY	PART NO.	PART NAME	QTY	TRACTOR SERIAL NO.	REMARKS
1	37H97	SCREW	4	0.242" X 3/4"	
2	R34589	WASHER	2		
3	R49193	LINK CHAIN	2	(SUB FOR A3184R OR R45619)	(SUB AN163885)
4	AR52623	PLUG	2	(SUB FOR AR34059)	

2C21

HYDRAULICS

RP136 -UN-01JAN94

SELECTIVE CONTROL VALVE OIL FILTER RETURN KIT



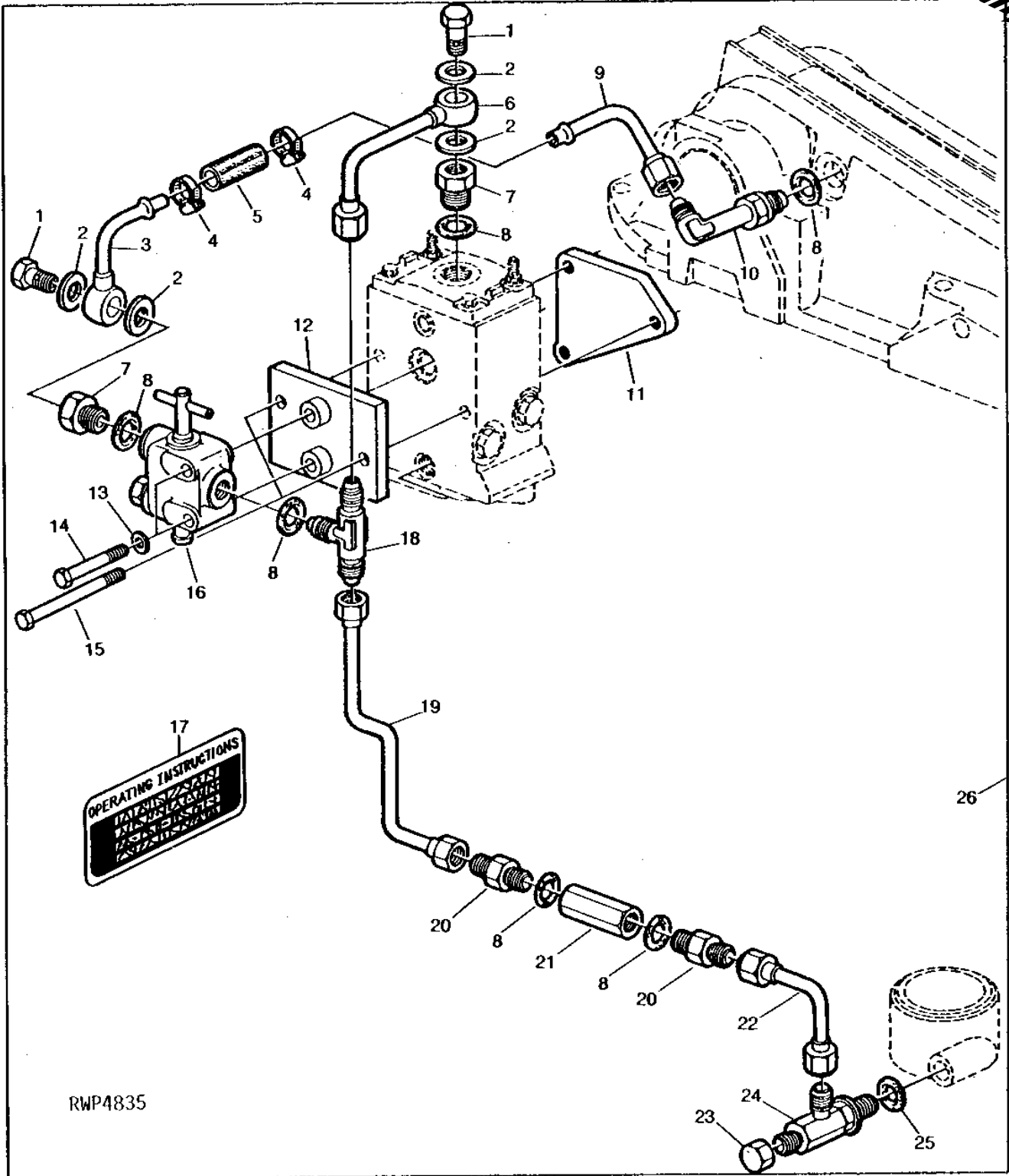
KEY	PART NO.	PART NAME	QTY	TRACTOR SERIAL NO.	REMARKS
1	R26906	O-RING	2		
2	R27474	DRAIN PLUG	2		
3	AR26697	SEALING WASHER	1		
4	R26375	O-RING	2		
5	T34079	COUPLING	1		(SUB N110523, THIS APPLICATION)
6	AR30110	ELBOW FITTING	1		90°
7	AU30241	HYDRAULIC HOSE	1		
8	R36075	FITTING	1		
9	F3171R	O-RING	1		
10	AR71945	KIT	1		

2C22

HYDRAULICS

DUAL RETURN OIL CONVERSION KIT (SINGLE SELECTIVE CONTROL VALVE)

RWP4835 -UN-01JAN94



RWP4835

2C23

HYDRAULICS

DUAL RETURN OIL CONVERSION KIT - CONTINUED (SINGLE SELECTIVE CONTROL VALVE)

KEY	PART NO.	PART NAME	QTY	TRACTOR SERIAL NO.	REMARKS
1	T32204	HOLLOW SCREW	2		
2	51M4238	RING	4		
3	AL37931	OIL LINE	1		
4	TY22465	CLAMP	2		(SUB FOR AR21837)
5	L61849	HOSE	1		(SUB FOR L36134)
6	AL38205	HOSE	1		
7	L39693	ADAPTER	2		
8	R26906	O-RING	6		
	R74695	WASHER	1		SCV COVER
9	AL37936	OIL LINE	1		
10	AL31989	ELBOW FITTING	1		
11	R37479	COVER	1		
12	AL38122	BRACKET	1		
13	24M7055	WASHER	2		8.400 X 16 X 1.600 MM
14	19M7164	CAP SCREW	2		M8 X 50
15	19M2228	CAP SCREW	2		
16	AA23586	VALVE	1		
17	R79585	DECAL	1		OPERATING INSTRUCTIONS
18	AL38125	TEE FITTING	1		
19	AL38123	OIL LINE	1		
20	R27270	FITTING	2		
21	AT34811	VALVE	1		
22	AL38124	OIL LINE	1		
23	R36927	FITTING	1		
24	AL38025	TEE FITTING	1		
25	F3171R	O-RING	1		
26	RE13714	KIT	1		

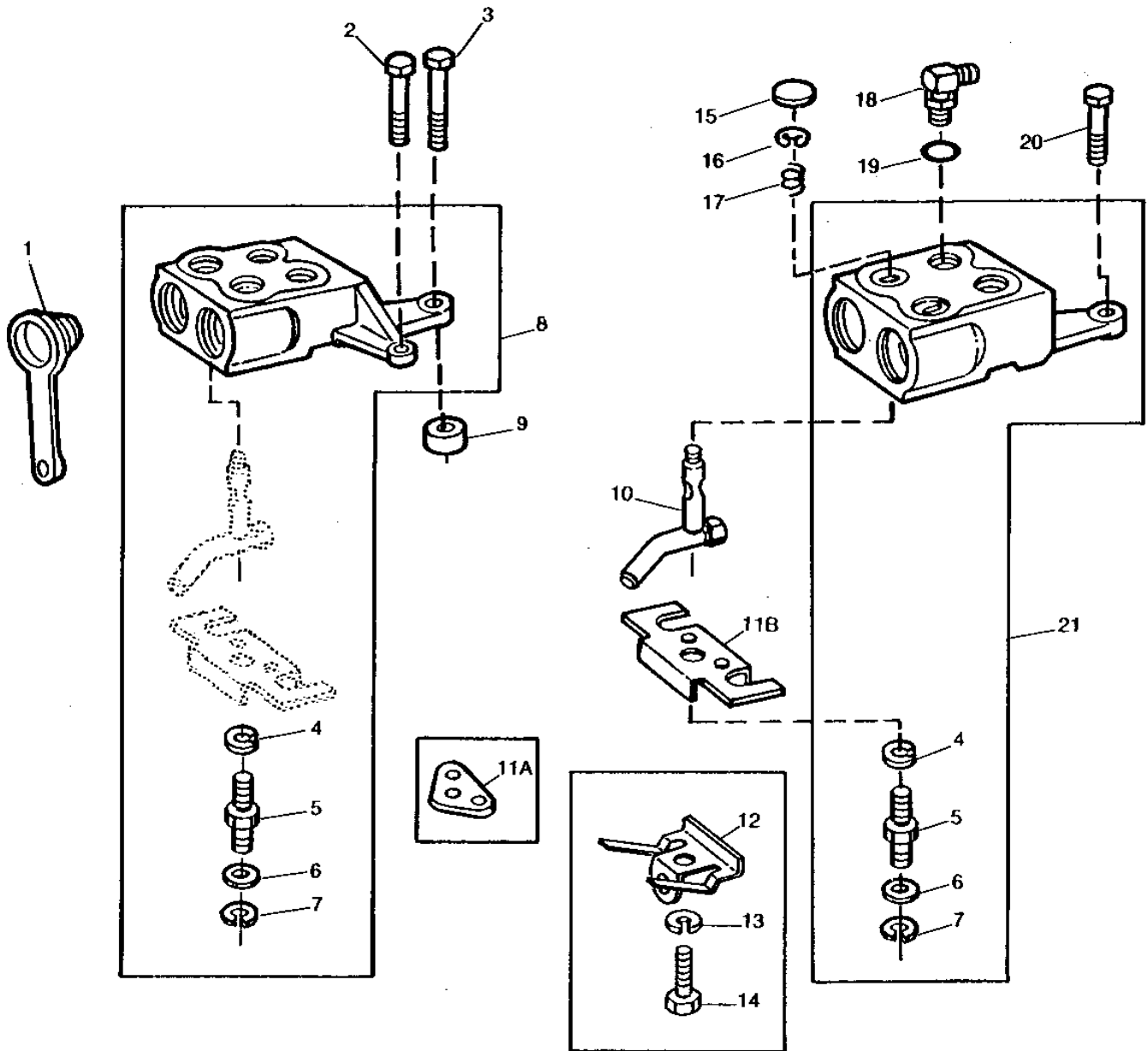
2C24

HYDRAULICS

RWP4876

-UN-01JAN94

BREAKAWAY COUPLER AND OPERATING LEVER



RWP4876

2C25

HYDRAULICS

BREAKAWAY COUPLER AND OPERATING LEVER - CONTINUED

KEY	PART NO.	PART NAME	QTY	TRACTOR SERIAL NO.	REMARKS
1	R32419	COVER	2		
2	19H1831	CAP SCREW	1		(A) 1/2" X 2"
3	19H1974	CAP SCREW	1		(A) 1/2" X 2-3/4"
4	12H303	LOCK WASHER	1	XXXXXX-	5/16"
5	R49191	SCREW	1	XXXXXX-	
6	24H1286	WASHER	1	XXXXXX-	9/32" X 1/2" X 1/16"
7	R72654	SNAP RING	1	XXXXXX-	(SUB FOR R27507)
8	AR52622	COUPLING	1		(A) (MARKED R39110) (SUB FOR AR48297) (SUB R39110, R49191, R72654, 12H303 AND 24H1286)
9	N10065	BUSHING	1		
10	AR99100	LEVER	2		(SUB FOR AR33877 OR AR82576)
11A	R51285	PLATE	1		(SUB R61957)
11B	AR75958	CAM	1		(SUB R61957)
12	R45618	CLIP	1	-XXXXXX	(SUB R49191, 24H1286, 12H303 AND R72654)
13	12H303	LOCK WASHER	1	-XXXXXX	5/16"
14	19H1900	CAP SCREW	1	-XXXXXX	5/16" X 3/4"
15	30H15	PLUG	2		1-1/8"
16	R72653	SNAP RING	2		(SUB FOR M2396T)
17	R31890	SPRING	2		
18	AT32332	ELBOW FITTING	2		90°, (SUB FOR AR26763)
19	R26375	O-RING	2		
20	19H1831	CAP SCREW	2		(B) 1/2" X 2"
21	AR52621	COUPLING	1		(B) (MARKED R39109) (SUB FOR AR48296)

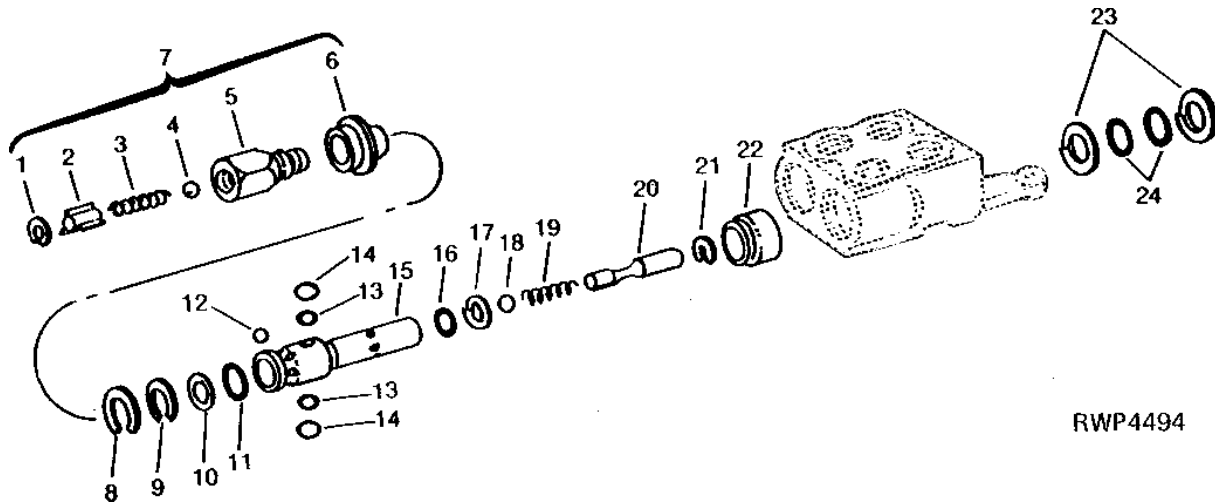
(A) DUAL SELECTIVE CONTROL
(B) SINGLE SELECTIVE CONTROL

2D1

HYDRAULICS

RWP4494 -UN-01JAN94

BREAKAWAY COUPLER RECEPTACLE



RWP4494

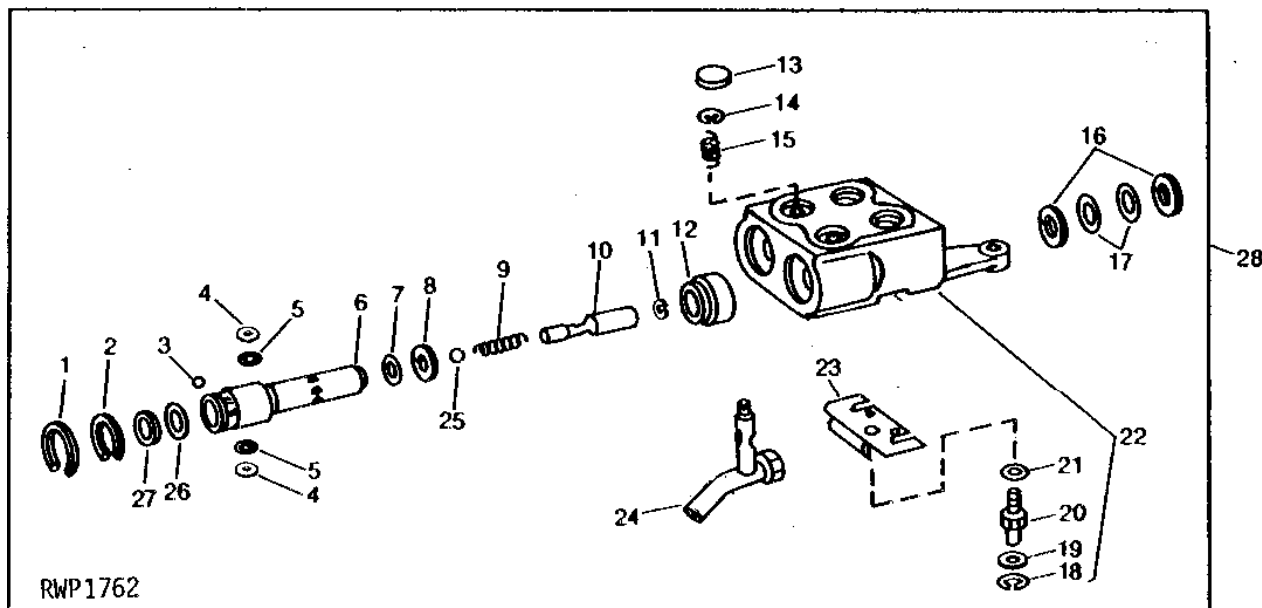
KEY	PART NO.	PART NAME	QTY	TRACTOR SERIAL NO.	REMARKS
1	R59633	WEAR RING	2		(SUB FOR R28204)
2	R28085	GUIDE	2		(SUB AR93819 OR AR93820, THIS APPLICATION)
3	R28084	SPRING	2		
4	D2361R	BALL	2		13 MM (1/2")
5	R27430	HYD. QUICK-CONNECT COUPLER	1		(PRESSURE) (SUB AR93819)
	R45630	HYD. QUICK-CONNECT COUPLER	1		(RETURN) (SUB AR93820)
6	R28006	CAP	2		
7	AR30210	INTERNAL HALF COUPLER	1		(PRESSURE) (SUB AR93819)
	AR47643	BREAKAWAY COUPLER	1		(RETURN) (SUB AR93820)
8	R34399	SNAP RING	2		
9	R32356	SNAP RING	2		
10	R26485	BACK-UP RING	2		
11	R495R	O-RING	2		(SUB R59343, THIS APPLICATION)
12	400R	BALL	12		6 MM (1/4")
13	R65286	O-RING	4		(SUB FOR A3917R, THIS APPLICATION)
14	R26484	BACK-UP RING	4		
15	R34397	SOCKET OUTLET	2		
16	R375R	O-RING	2		
17	R26482	RING	2		
18	D2361R	BALL	2		13 MM (1/2")
19	R28084	SPRING	2		
20	R34400	PLUG	2		
21	R26483	SNAP RING	2		
22	R34398	SLEEVE	2		
23	R26480	BACK-UP RING	4	-XXXXXX	(SUB R79311, THIS APPLICATION)
24	A4730R	O-RING	4	-XXXXXX	(SUB R79311, THIS APPLICATION)
	R74530	SEAL	4	XXXXXX-	(SUB FOR R65285) (SUB R79311)

2D2

HYDRAULICS

RWP1762 -UN-01JAN94

BREAKAWAY COUPLER KIT



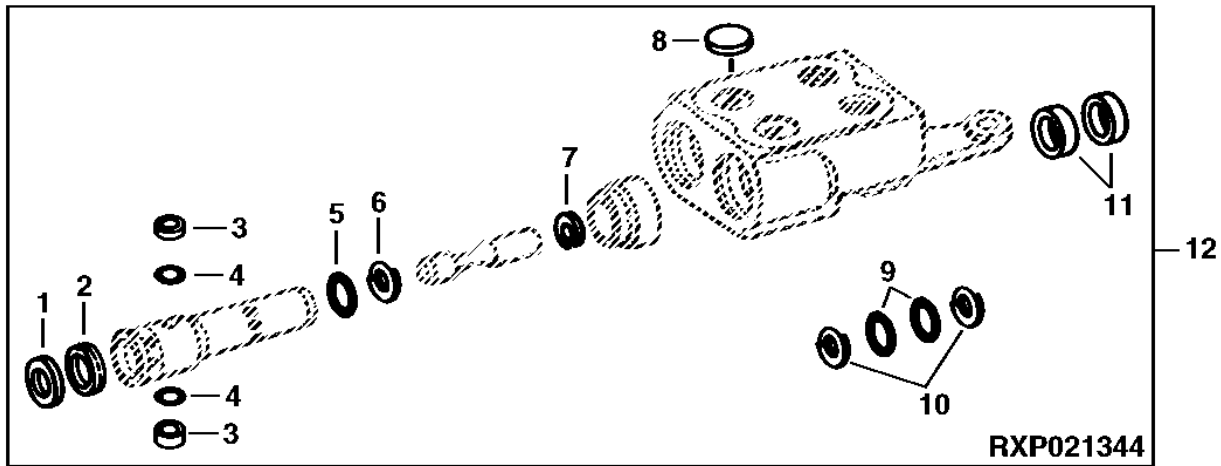
KEY	PART NO.	PART NAME	QTY	TRACTOR SERIAL NO.	REMARKS
1	R34399	SNAP RING	2		
2	R32356	SNAP RING	2		
3	400R	BALL	12		6 MM (1/4")
4	R26484	BACK-UP RING	4		
5	A3917R	O-RING	4		(SUB FOR R65286)
6	R34397	SOCKET OUTLET	2		
7	R375R	O-RING	2		
8	R26482	RING	2		
9	R28084	SPRING	2		
10	R34400	PLUG	2		
11	R26483	SNAP RING	2		
12	R34398	SLEEVE	2		
13	30H15	PLUG	2		1-1/8"
14	R72653	SNAP RING	2		(SUB FOR M2396T)
15	R31890	SPRING	2		
16	R26480	BACK-UP RING	4	-XXXXXX	(SUB R79311, THIS APPLICATION)
17	A4730R	O-RING	4	-XXXXXX	(SUB R79311, THIS APPLICATION)
	R74530	SEAL	1	XXXXXX-	(SUB FOR R65285) (SUB R79311)
18	R72654	SNAP RING	1		(SUB FOR R27507)
19	24H1286	WASHER	1		9/32" X 1/2" X 1/16"
20	R49191	SCREW	1		
21	12H303	LOCK WASHER	1		5/16"
22	AR52621	COUPLING	1		R.H. (SINGLE) (MARKED R39109)
	AR52622	COUPLING	1		L.H. (DUAL) (SUB R39110, R49191, R72654, 12H303 AND 24H1286)
23	R61957	LATCH	1		(SUB FOR R51285 OR AR75958)
24	AR99100	LEVER	2		(SUB FOR AR33877 OR AR82576)
25	D2361R	BALL	2		13 MM (1/2")
26	R495R	O-RING	2		(SUB R59343, THIS APPLICATION)
27	R26485	BACK-UP RING	2		
28	AR39036	BREAKAWAY COUPLER	1		R.H. (SINGLE)
	AR39037	BREAKAWAY COUPLER	1		L.H. (DUAL)

2D3

HYDRAULICS

RXP021344 -UN-11OCT95

BREAKAWAY COUPLER OVERHAUL KIT



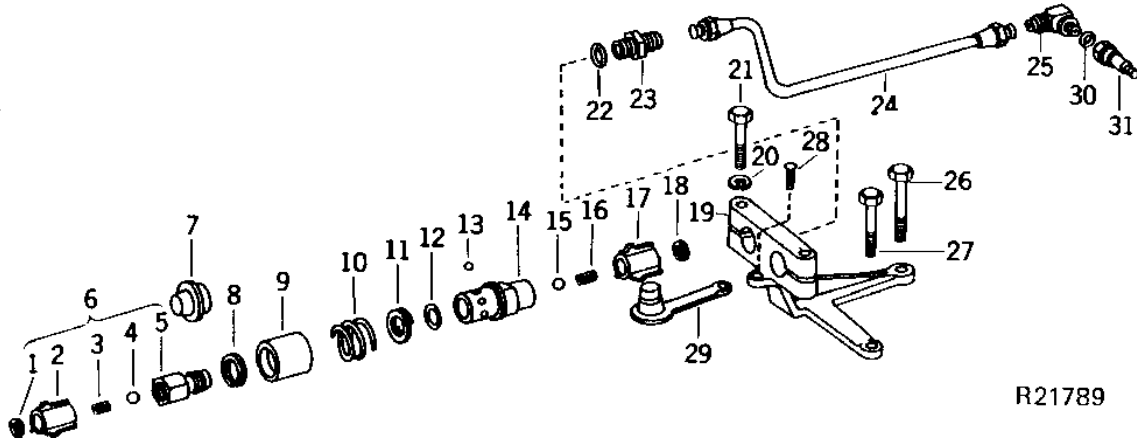
KEY	PART NO.	PART NAME	QTY	TRACTOR SERIAL NO.	REMARKS
1	R26485	BACK-UP RING	2		
2	R59343	RING	2		
3	R26484	BACK-UP RING	4		
4	A3917R	O-RING	4		(SUB FOR R65286)
5	R375R	O-RING	2		
6	R26482	RING	2		
7	R26483	SNAP RING	2		
8	30H15	PLUG	2	1-1/8"	
9	A4730R	O-RING	4		(EARLY DESIGN) (SUB FOR R65285 OR R74530)
10	R26480	BACK-UP RING	4		(EARLY DESIGN)
11	R79311	SEAL	4		(LATE DESIGN) (SUB FOR R65285 OR R74530)
12	AR82570	KIT	1		(SUB FOR AR30685)

2D4

HYDRAULICS

SELECTIVE CONTROL VALVE DISCONNECT COUPLERS (ROCKSHAFT CYLINDER OUTLET COUPLER)

R21789 -UN-25SEP95



R21789

KEY	PART NO.	PART NAME	QTY	TRACTOR SERIAL NO.	REMARKS
1	R59633	WEAR RING	1	(SUB FOR R28204)	
2	R28085	GUIDE	1	(SUB AR93819)	
3	R28084	SPRING	1		
4	D2361R	BALL	1	13 MM (1/2")	
5	R27430	HYD. QUICK-CONNECT COUPLER	1	(SUB AR93819)	
6	AR30210	INTERNAL HALF COUPLER	1	(SUB AR93819)	
7	R28006	CAP	1		
8	R32356	SNAP RING	1		
9	R32355	SLEEVE	1	(SUB RE15361)	
10	R32354	SPRING	1	(SUB RE15361)	
11	R26485	BACK-UP RING	1		
12	R59343	RING	1		
13	400R	BALL	6	6 MM (1/4")	
14	R32353	SOCKET OUTLET	1	(SUB RE15361)	
15	D2361R	BALL	1	13 MM (1/2")	
16	R28084	SPRING	1		
17	R28085	GUIDE	1	(SUB RE15361)	
18	R59633	WEAR RING	1	(SUB FOR R28204)	
19	T22245	CLAMP	1	L.H.	
20	12H304	LOCK WASHER	1	3/8"	
21	19H1765	CAP SCREW	2	3/8" X 1-3/4"	
22	R26375	O-RING	1		
23	R27237	FITTING	1		
24	AT22918	LINE	1		
25	AT35120	ELBOW FITTING	1	(SUB FOR AR37017 OR AT32337)	
26	19H1974	CAP SCREW	1	1/2" X 2-3/4"	
27	19H1831	CAP SCREW	1	1/2" X 2"	
28	T22244	STUD	1		
29	R32419	COVER	1	(SUB R80324)	
30	R26448	O-RING	1		
31	T21638	ADAPTER	1		

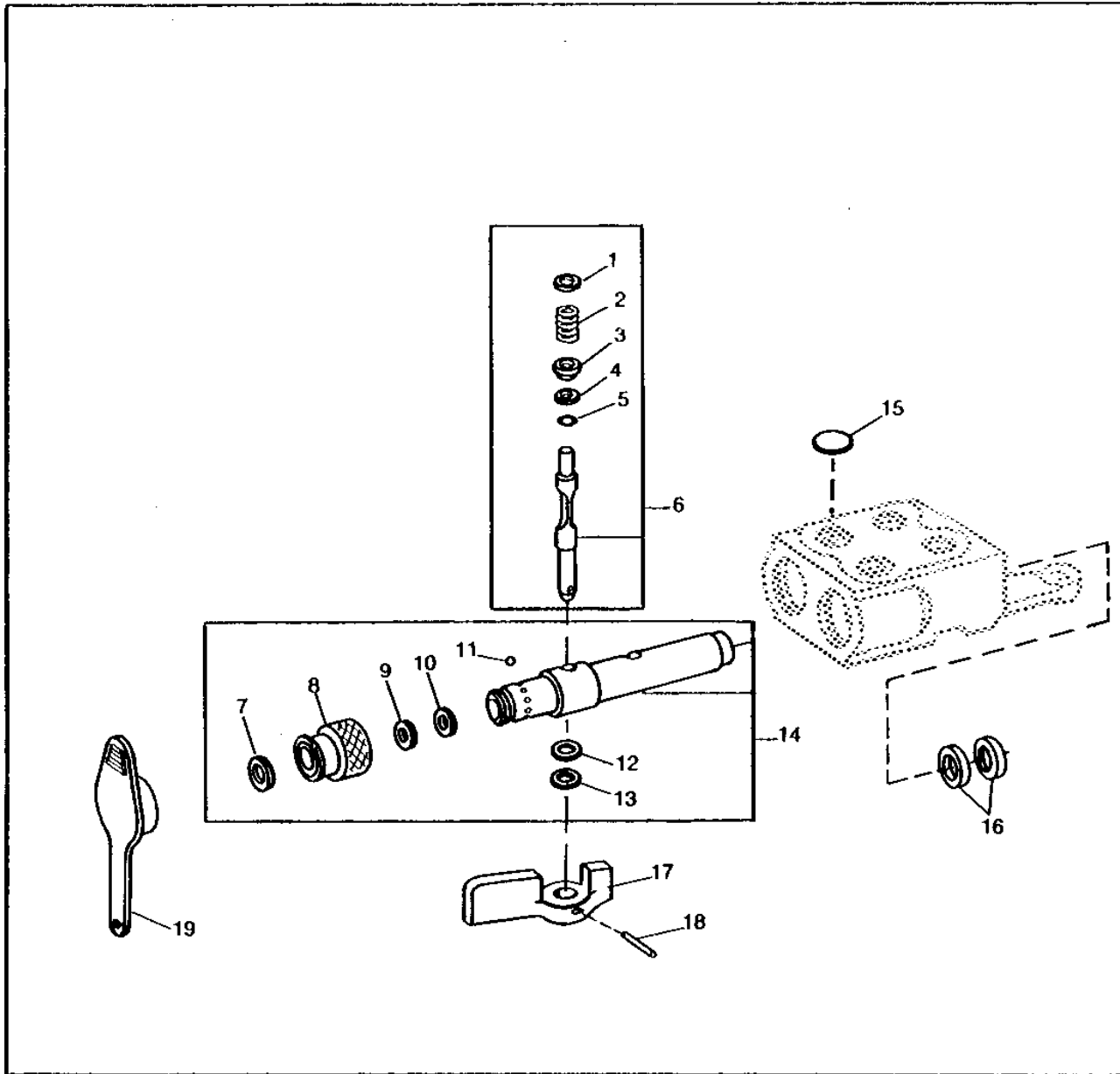
2D5

HYDRAULICS

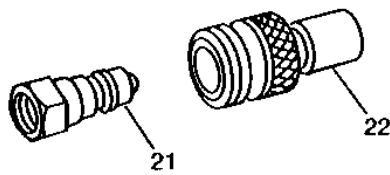
RWP3518

-UN-01JAN94

JOHN DEERE TO ISO COUPLER CONVERSION KIT



RWP3518



2D6

HYDRAULICS

JOHN DEERE TO ISO COUPLER CONVERSION KIT - CONTINUED

KEY	PART NO.	PART NAME	QTY	TRACTOR SERIAL NO.	REMARKS
1	R54242	SNAP RING	2		
2	R78767	SPRING	2		
3	R48698	WASHER	2		
4	R31136	BACK-UP RING	2		
5	R10093	O-RING	2		
6	RE13814	SHAFT	2		
7	40M4378	SNAP RING	2		
8	R78765	SLEEVE	2		
9	R71387	WASHER	2		
10	R74210	O-RING	2		
11	H871	BALL	16		
12	P51212	O-RING	2		
13	R78766	BACK-UP RING	2		
14	RE13813	RECEPTACLE	2		
15	30H15	PLUG	2		1-1/8"
16	R79311	SEAL	2		
17	R78769	HANDLE	2		
18	34H247	SPRING PIN	2		
19	R78768	COVER	2		
20	RE12121	RECEIVER	1		
21	AR94522	INTERNAL HALF COUPLER	AR		(SUB FOR AL26973)
22	AL26972	EXTERNAL HALF COUPLER	AR		

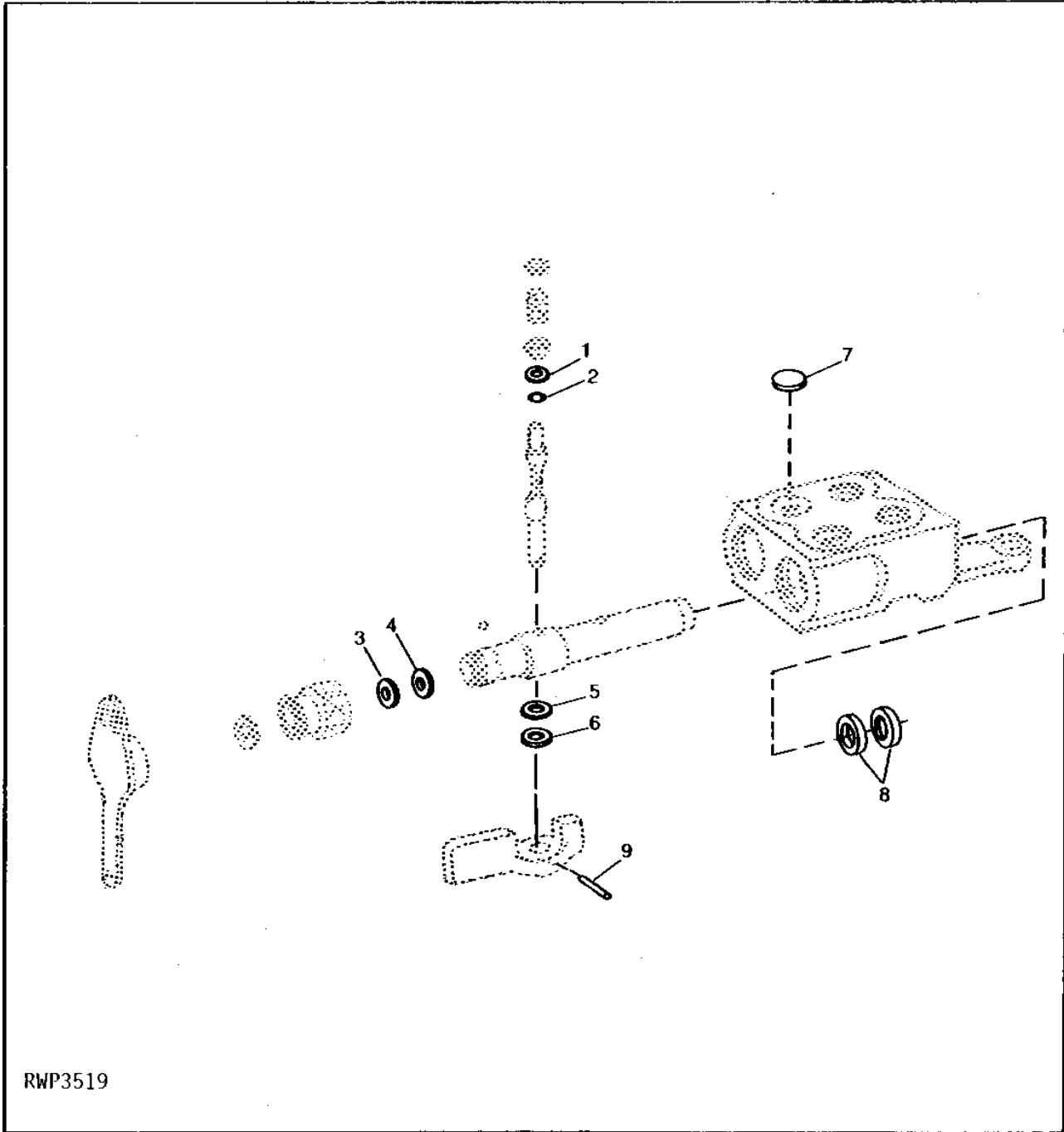
2D7

HYDRAULICS

RWP3519

-UN-01JAN94

ISO COUPLER OVERHAUL KIT



2D8

HYDRAULICS

ISO COUPLER OVERHAUL KIT - CONTINUED

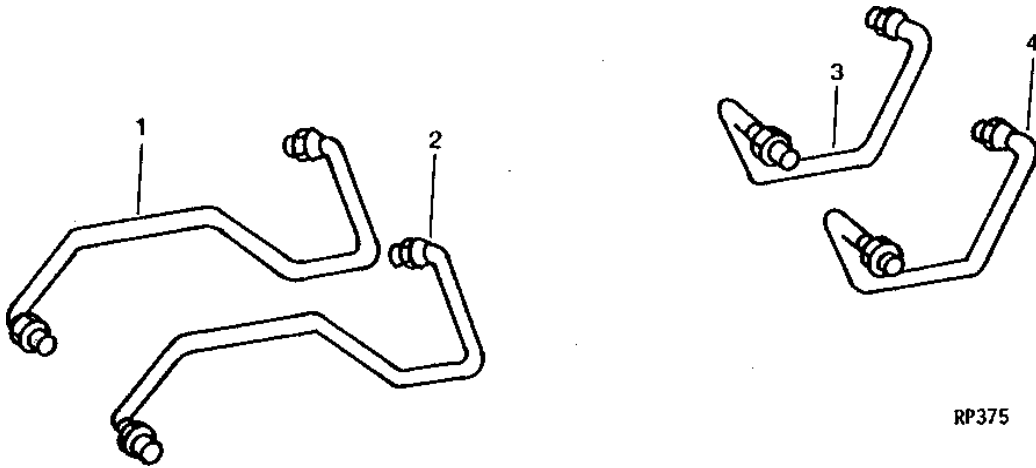
KEY	PART NO.	PART NAME	QTY	TRACTOR SERIAL NO.	REMARKS
1	R31136	BACK-UP RING	2		
2	R10093	O-RING	2		
3	R71387	WASHER	2		
4	R74210	O-RING	2		
5	P51212	O-RING	2		
6	R78766	BACK-UP RING	2		
7	30H15	PLUG	2	1-1/8"	
8	R79311	SEAL	4		
9	34H247	SPRING PIN	2		
10	RE13815	KIT	1		

2D9

HYDRAULICS

RP375 -UN-01JAN94

COUPLER OIL LINES



KEY	PART NO.	PART NAME	QTY	TRACTOR SERIAL NO.	REMARKS
1	AT20039	OIL LINE	1	(A) UPPER L.H.	
2	AT20040	OIL LINE	1	(A) LOWER L.H.	
3	AT22169	OIL LINE	1	(B) UPPER R.H.	
	AT20037	OIL LINE	1	(A) UPPER R.H.	
4	AT22170	OIL LINE	1	(B) LOWER R.H.	
	AT20038	OIL LINE	1	(A) LOWER R.H.	

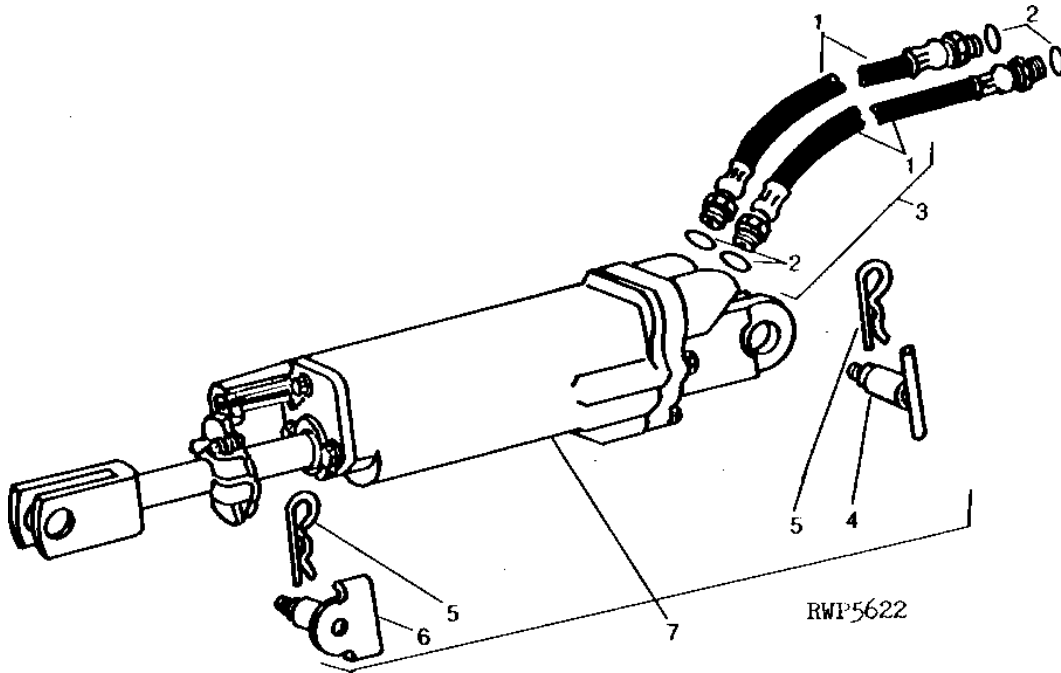
(A) DUAL SELECTIVE CONTROL VALVE
 (B) SINGLE SELECTIVE CONTROL VALVE

2D10

HYDRAULICS

RWP5622 -UN-01JAN94

REMOTE CYLINDER AND HOSES



KEY	PART NO.	PART NAME	QTY	TRACTOR SERIAL NO.	REMARKS
1	AR26407	HYDRAULIC HOSE	2		
2	R26375	O-RING	4		
3	AR27440	HYDRAULIC HOSE	1		(SUB (2) AR26407 AND (4) R26375)
4	AR47825	PIN	1		
5	A3581R	SPRING LOCKING PIN	2		
6	AR71902	PIN	1		(SUB FOR AA6307R)
7	AR38426	HYDRAULIC CYLINDER	1		(SUB AR38239, AR47825, AR71902, AR93819, AR93820 AND (2) A3581R)

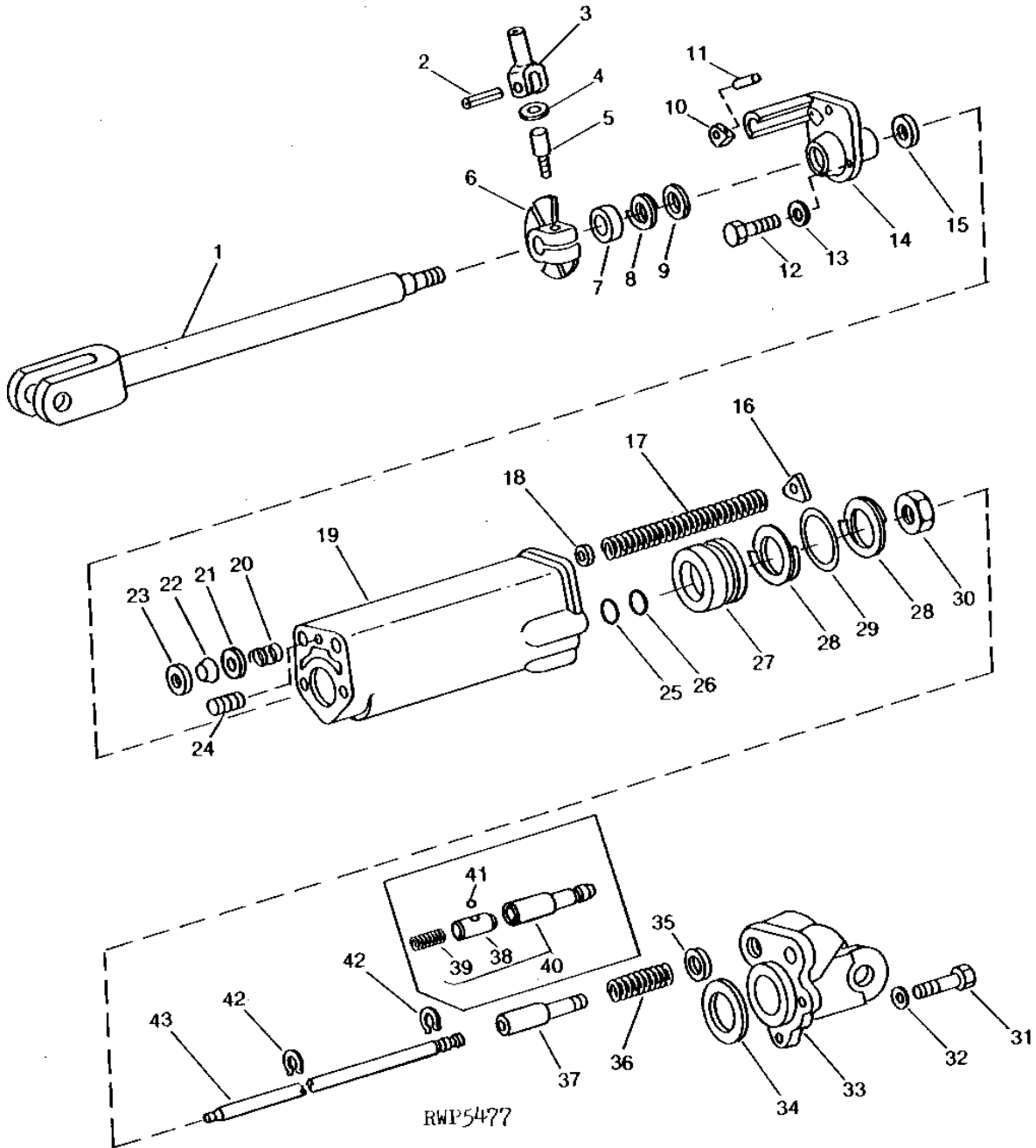
2D11

HYDRAULICS

RWP5477

-UN-01JAN94

REMOTE CYLINDER PARTS



2D12

HYDRAULICS

REMOTE CYLINDER - CONTINUED

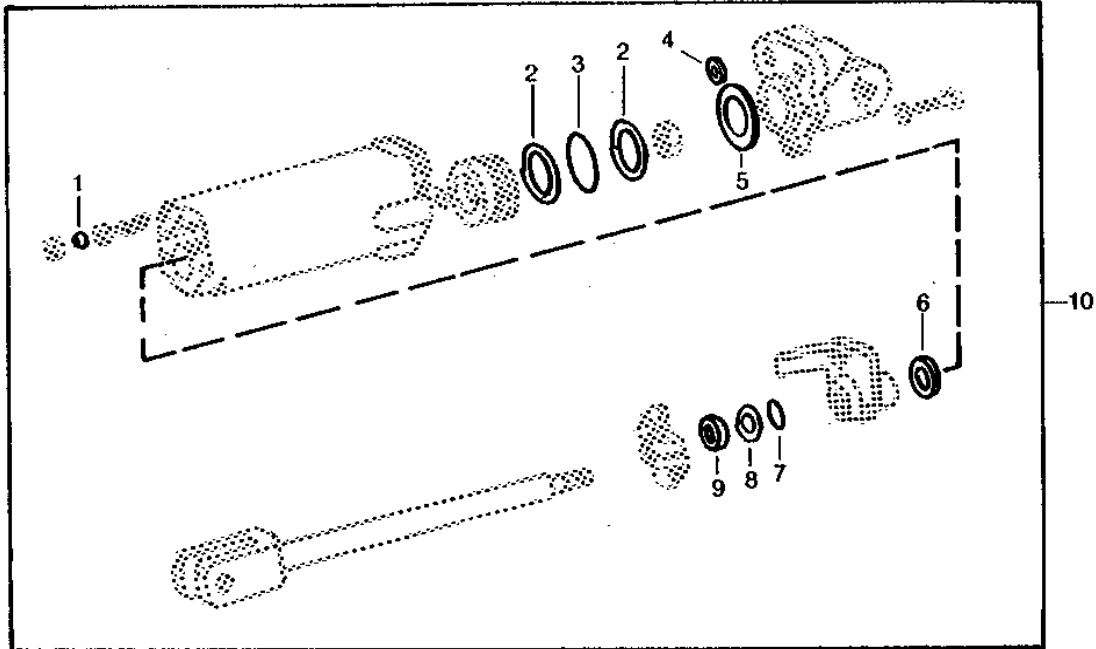
KEY	PART NO.	PART NAME	QTY	MODEL NO.	REMARKS
1	AR38849	ROD	1		(SUB FOR AR39034)
2	34H264	SPRING PIN	1		5/32" X 7/8"
3	A5302R	YOKE	1		
4	A147R	LOCK WASHER	1		
5	A5301R	SCREW	1		
6	R39064	STOP	1		
7	AA5607R	SEAL	1		
8	A4731R	WASHER	1		
9	A4730R	O-RING	1		
10	R27426	ARM	1		
11	25H760	GROOVE PIN	1		7/32" X 1-1/4"
12	19H2552	CAP SCREW	3		3/8" X 1-1/8"
13	12H304	LOCK WASHER	3		3/8"
14	A4732R	GUIDE	1		
15	A4733R	WASHER	1		
16	R57696	WASHER	1		(SUB FOR A4738R)
17	A4737R	SPRING	1		
18	24H1301	WASHER	1		13/32" X 9/16" X 0.065"
19	R39006	CYLINDER	1		
20	A4748R	SPRING ASSEMBLY	1		
21	A4747R	WASHER	1		MALE
22	A4745R	PACKING	3		
23	A4746R	ADAPTER	1		FEMALE
24	15H624	PIPE PLUG	1		1/2"
25	A4730R	O-RING	1	5RC3-	
26	R26480	BACK-UP RING	1	5RC3-	
27	R39008	PISTON	1		
28	R39009	BACK-UP RING	2		
29	L2104N	O-RING	1		
30	H34753	LOCK NUT	1		(SUB FOR A5401R)
31	19H2473	CAP SCREW	4		1/2" X 1-3/4"
32	12H301	LOCK WASHER	4		1/2"
33	R39013	COVER	1		
34	R39029	WASHER	1		
35	A4723R	WASHER	2		
36	A4744R	SPRING	1		
37	R39012	VALVE	1	5RC3-	
38	A4740R	VALVE	1	-5RC2	(SUB AA5731R)
39	A4741R	SPRING	1	-5RC2	
40	AA5731R	VALVE	1	-5RC2	
41	A4742R	BALL	1	-5RC2	
42	A4739R	RING	2		
43	A4736R	ROD	1		
..	AR38239	HYDRAULIC CYLINDER	1		

2D13

HYDRAULICS

RP576 -UN-01JAN94

REMOTE CYLINDER OVERHAUL KIT



RP576

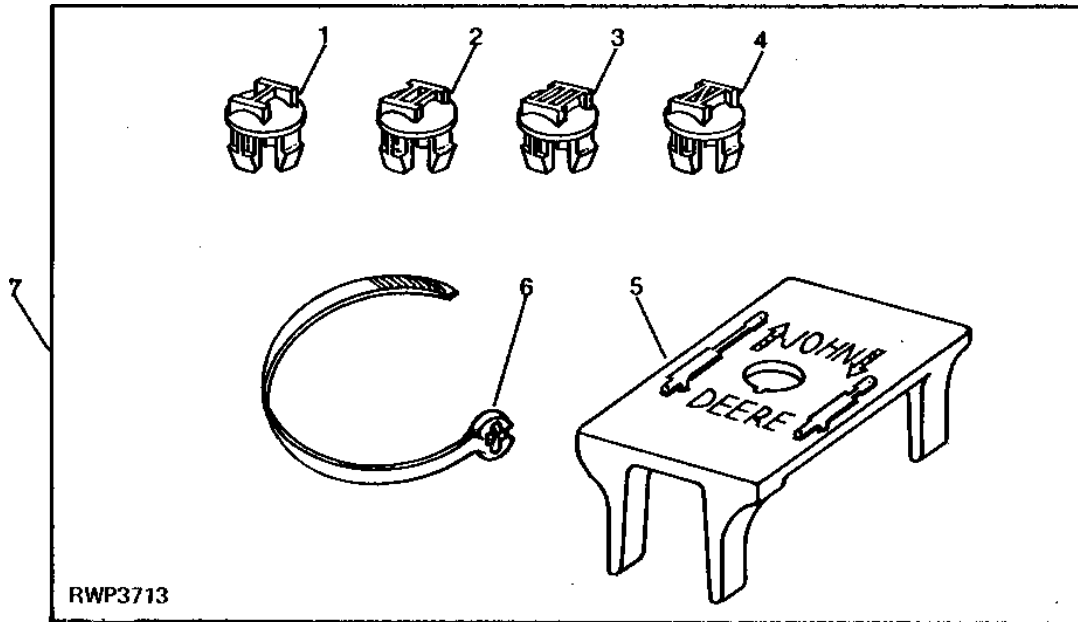
KEY	PART NO.	PART NAME	QTY	TRACTOR SERIAL NO.	REMARKS
1	A4745R	PACKING	3		
2	R39009	BACK-UP RING	2		
3	L2104N	O-RING	1		
4	A4723R	WASHER	2		
5	R39029	WASHER	1		
6	A4733R	WASHER	1		
7	A4730R	O-RING	1		
8	A4731R	WASHER	1		
9	AA5607R	SEAL	1		
10	AR38713	KIT	1		

2D14

HYDRAULICS

RWP3713 -UN-01JAN94

REMOTE CYLINDER HOSE IDENTIFICATION KIT



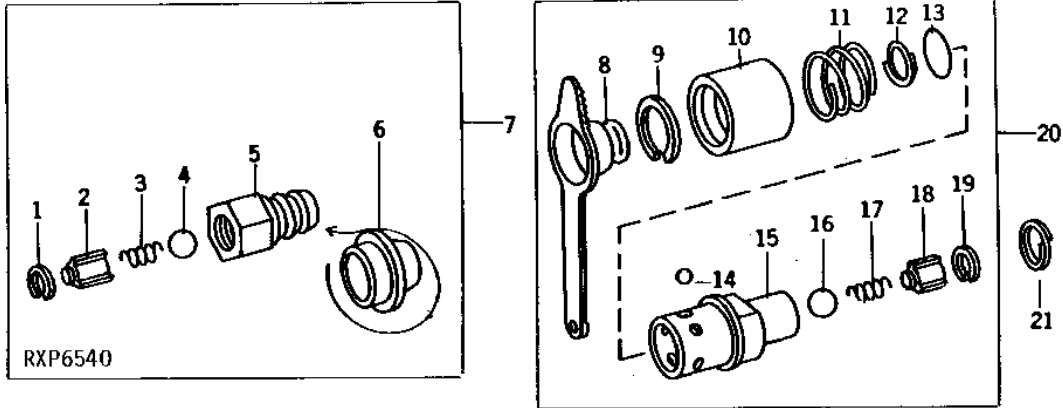
KEY	PART NO.	PART NAME	QTY	TRACTOR SERIAL NO.	REMARKS
1	R74242	PLUG	1		
2	R74243	PLUG	1		
3	R74244	PLUG	1		
4	R74246	PLUG	1		
5	R76459	TAG	1		
6	H113196	TIE BAND	2	(SUB FOR R76477)	
7	AR103808	KIT	1		

2D15

HYDRAULICS

RXP6540 -UN-06OCT94

FLEXIBLE OIL LINE COUPLER



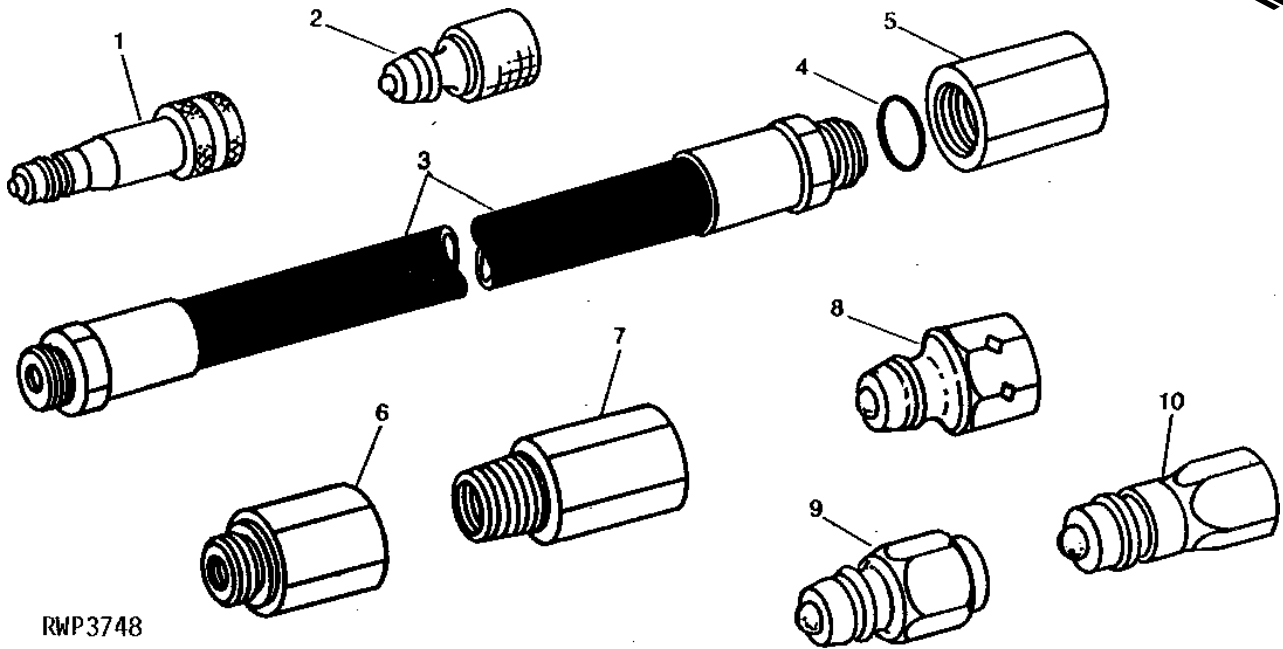
KEY	PART NO.	PART NAME	QTY	TRACTOR SERIAL NO.	REMARKS
1	R59633	WEAR RING	1		
2	R28085	GUIDE	1		(SUB AR93819 OR AR93820, THIS APPLICATION)
3	R28084	SPRING	1		
4	D2361R	BALL	1		13 MM (1/2")
5	R27430	HYD. QUICK-CONNECT COUPLER	1		(PRESSURE) (SUB AR93819)
	R45630	HYD. QUICK-CONNECT COUPLER	1		(RETURN) (SUB AR93820)
6	R28006	CAP	1		
7	AR30210	INTERNAL HALF COUPLER	1		(PRESSURE) (SUB AR93819)
	AR47643	BREAKAWAY COUPLER	1		(RETURN) (SUB AR93820)
8	R32419	COVER	1		(SUB R80324)
9	R32356	SNAP RING	1		
10	R32355	SLEEVE	1		(SUB RE15361)
11	R32354	SPRING	1		(SUB RE15361)
12	R26485	BACK-UP RING	1		
13	R495R	O-RING	1		
14	400R	BALL	6		6 MM (1/4")
15	R32353	SOCKET OUTLET	1		(SUB RE15361)
16	D2361R	BALL	1		13 MM (1/2")
17	R28084	SPRING	1		
18	R28085	GUIDE	1		(SUB RE15361)
19	R59633	WEAR RING	1		
20	AR47331	SOCKET OUTLET	1		(SUB RE15361)
21	R36946	SPRING	1		

2D16

HYDRAULICS

RWP3748 -UN-01JAN94

IMPLEMENT HYDRAULIC OIL LINES AND FITTINGS



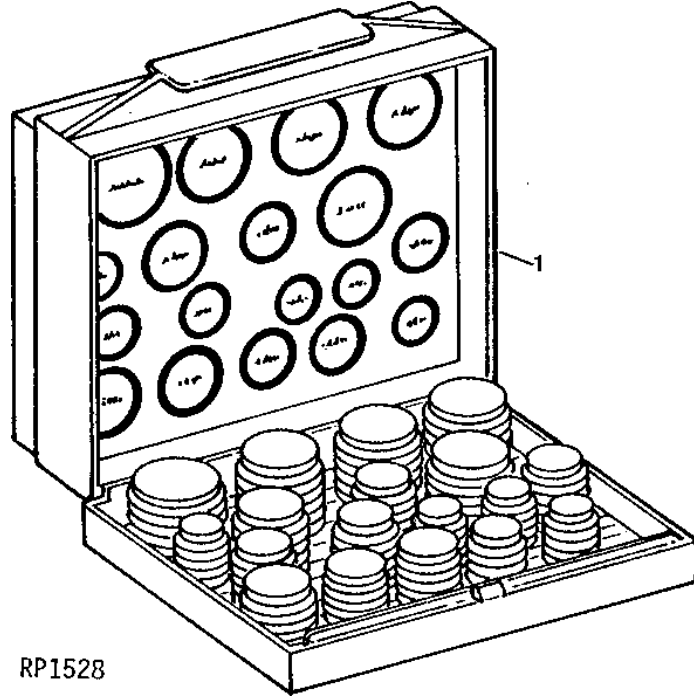
KEY	PART NO.	PART NAME	QTY	TRACTOR SERIAL NO.	REMARKS
1	AR98202	HYD. QUICK-CONNECT COUPLER	1	JOHN DEERE TO ISO	
	R21722	O-RING	1	(INCLUDED IN AR98202)	
	RE11457	ADAPTER	1	IHC TO ISO	
	U11647	O-RING	1	(INCLUDED IN RE11457)	
2	AR98201	HYD. QUICK-CONNECT COUPLER	1	ISO TO JOHN DEERE (FI)	
	R21722	O-RING	1	(INCLUDED IN AR98201, RE11458 AND RE11463)	
	R71387	WASHER	1	(INCLUDED IN AR98201) (FI)	
	RE11456	ADAPTER	1	IHC TO JOHN DEERE	
	RE11458	ADAPTER	1	JOHN DEERE TO IHC	
	RE11463	ADAPTER	1	ISO TO IHC	
3	AR28754	HYDRAULIC HOSE	1	10 X 610MM (3/8" X 24") (SUB TY3018)	
	AR28755	HYDRAULIC HOSE	1	10 X 914MM (3/8" X 36")	
	R36658	HYDRAULIC HOSE	1	13 X 610MM (1/2" X 24")	
	R36659	HYDRAULIC HOSE	1	13 X 914MM (1/2" X 36")	
4	R26375	O-RING	1		
5	R30815	FITTING	1	3/4" THREAD	
6	R30817	ADAPTER	1	3/4"-16UNF MALE X 1/2"-14NPT FEMALE	
7	R30816	ADAPTER	1	1/2"-14NPT MALE X 3/4"-16UNF FEMALE	
8	AR93820	FITTING	1	JOHN DEERE, 3/4"-16 UNF	
9	RE11447	FITTING	1	JOHN DEERE, 1/2"-14NPT	
10	AR94522	INTERNAL HALF COUPLER	1	ISO, 3/4"-16UNF	

2D17

HYDRAULICS

RP1528 -UN-01JAN94

O-RING KIT



RP1528

KEY	PART NO.	PART NAME	QTY	TRACTOR SERIAL NO.	REMARKS
1	AR73500	KIT	1		

2D18

HYDRAULICS

R32261 -UN-01JAN94

TRANSMISSION AND HYDRAULIC OIL



R32261F

KEY	PART NO.	PART NAME	QTY	TRACTOR SERIAL NO.	REMARKS
..	AR69444	HY-GARD	1		19L (5 GAL)
..	AR69445	HY-GARD	1		208L (55 GAL) (EMPTY DRUMS NOT RETURNABLE)

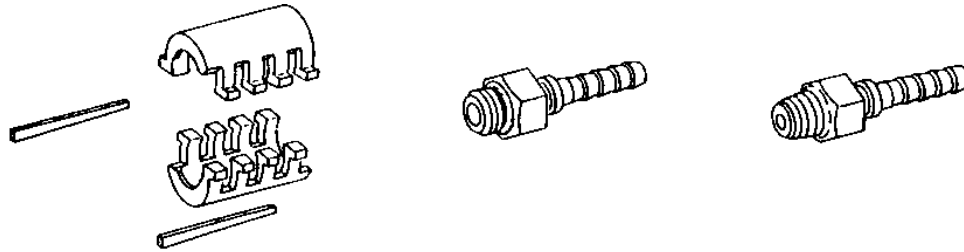
2D19

HYDRAULICS

RXP7733

-UN-23SEP94

BULK FLEXIBLE OIL LINE AND REUSABLE LOK-PIN COUPLINGS



Oil Line (Length) Approx. 50 ft.)		Set of Ferrules with Pins*	Stem-Straight Thread with O-ring	Stem-Pipe Thread
R 34790	3/8" I.D. — 1 Wire	AR 39635* *	R 39687
R 34791	1/2" I.D. — 1 Wire	AR 39636* *	R 39688
R 34792	3/4" I.D. — 1 Wire	AR 39637#	R 39689
R 34793	3/8" I.D. — 2 Wire	AR 39632	AR 39635* *	R 39687
R 34794	1/2" I.D. — 2 Wire	AR 39636* *	R 39688
R 34795	3/4" I.D. — 2 Wire	AR 39637#	R 39689

* Each set of ferrules includes two R39681 pins - extra pins may be ordered, packed 20 in a package.
 **Includes R26375 O-ring.
 # Includes F3171R O-ring.

REUSABLE COUPLINGS (Use With Braid Flexible Oil Line)



1 WR Single Wire		2 WR Double Wire		I.D.	Thread
Coupling No.		Coupling No.			
AF 3585	R	AR 21629		3/8"	3/8" — 18 NPTF
AF 3586	R	AR 21630		1/2"	1/2" — 14 NPTF
AF 3587	R		5/8"	3/4" — 14 NPTF
AF 3588	R	AR 21632		3/4"	3/4" — 14 NPTF
		AR 21634		1"	1" — 11-1/2" NPTF
R 34644			3/8"	3/4" — 16 O-ring type thread
R 34646		R 34647		1/2"	3/4" — 16 O-ring type thread

BULK SINGLE WIRE BRAID FLEXIBLE OIL LINE (Use With Reusable Coupling for Single Wire Braid Flexible Oil Line)

Part No.	I.D.	O.D.	Length
A 5776 R	1/2"	29/32"	Approx. 50 ft.
A 5777 R	5/8"	1-1/32"	Approx. 50 ft.

BULK DOUBLE WIRE BRAID FLEXIBLE OIL LINE (Use with Reusable Coupling for Double Wire Braid Flexible Oil Line)

Part No.	I.D.	O.D.	Length
R 21531	3/8"	29/32"	Approx. 50 ft.
R 21532 RXP7733	1/2"	31/32"	Approx. 50 ft.

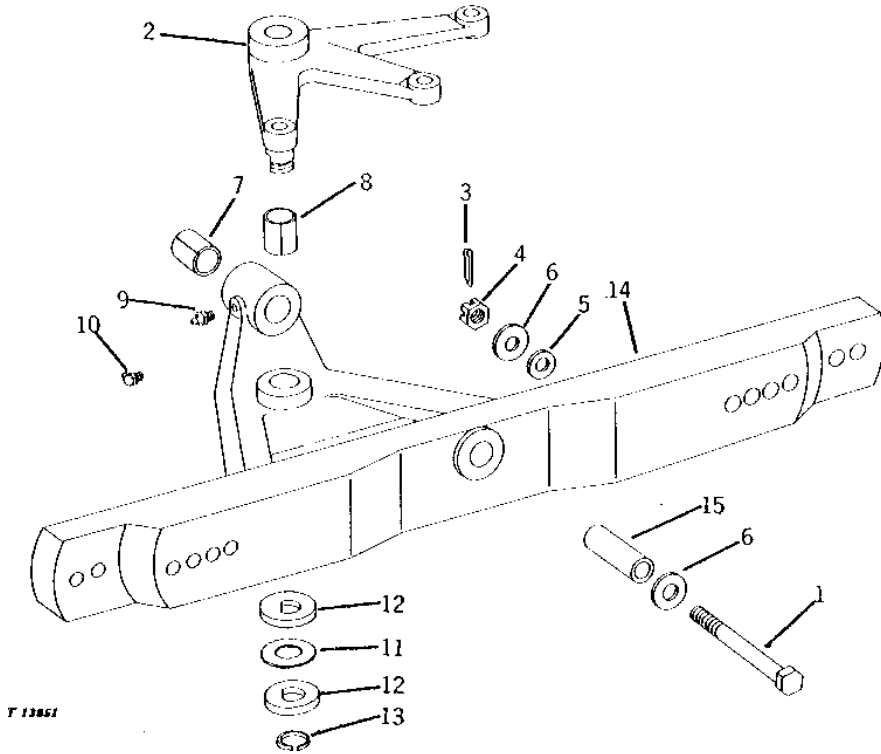
MEMORANDA

2D22

WHEELS, FRONT AXLES, SHEET METAL

STRAIGHT ADJUSTABLE FRONT AXLE (38" REAR TIRES)

T13851 -UN-01JAN94



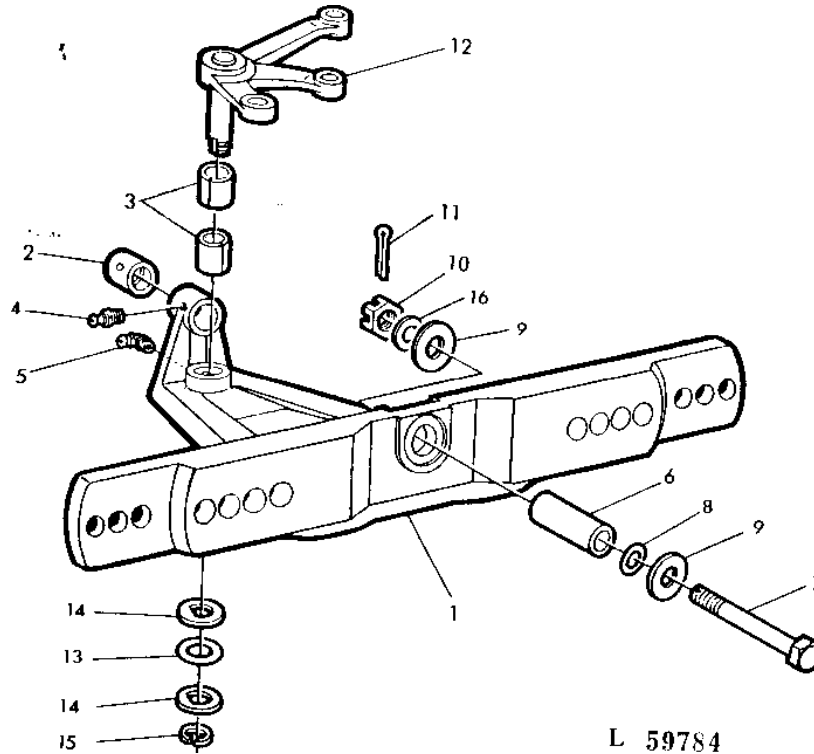
KEY	PART NO.	PART NAME	QTY	TRACTOR SERIAL NO.	REMARKS
1	T25840	CAP SCREW	1		
2	AT19793	BELLCRANK	1		
3	11M7030	COTTER PIN	1		
4	14H902	NUT	1	5 X 40 MM	
5	T25921	SHIM	AR	0.41 MM (.016")	
	T30991	WASHER	AR	1.02 MM (.040")	
6	T25922	WASHER	2		
7	T23170	BUSHING	1		
8	JD9911	NEEDLE BEARING	2		
	T23118	BUSHING	2	(USE WITH R55198)	
9	JD7798	LUBRICATION FITTING	1	1/8"	
10	JD7799	LUBRICATION FITTING	1	1/8", 90°	
11	R49065	SHIM	AR	0.10 MM (.004")	
	R49066	SHIM	AR	0.51 MM (.020")	
	R49067	WASHER	AR	1.02 MM (.040")	
	T23228	SHIM	AR	0.25 MM (.010")	
12	T23229	WASHER	2		
13	F534R	SNAP RING	1		
14	AR64915	FRONT AXLE	1		(MARKED R55198) (INCLUDES T23170, T23118, JD7798, JD7799 AND T21669) (SUB AR91810 AND AR92945)
15	T21669	BUSHING	1		

2D23

WHEELS, FRONT AXLES, SHEET METAL

STRAIGHT ADJUSTABLE FRONT AXLE (38" REAR TIRES) (EXTRA WIDE FRONT AXLE)

L59784 -UN-01JAN94



L 59784

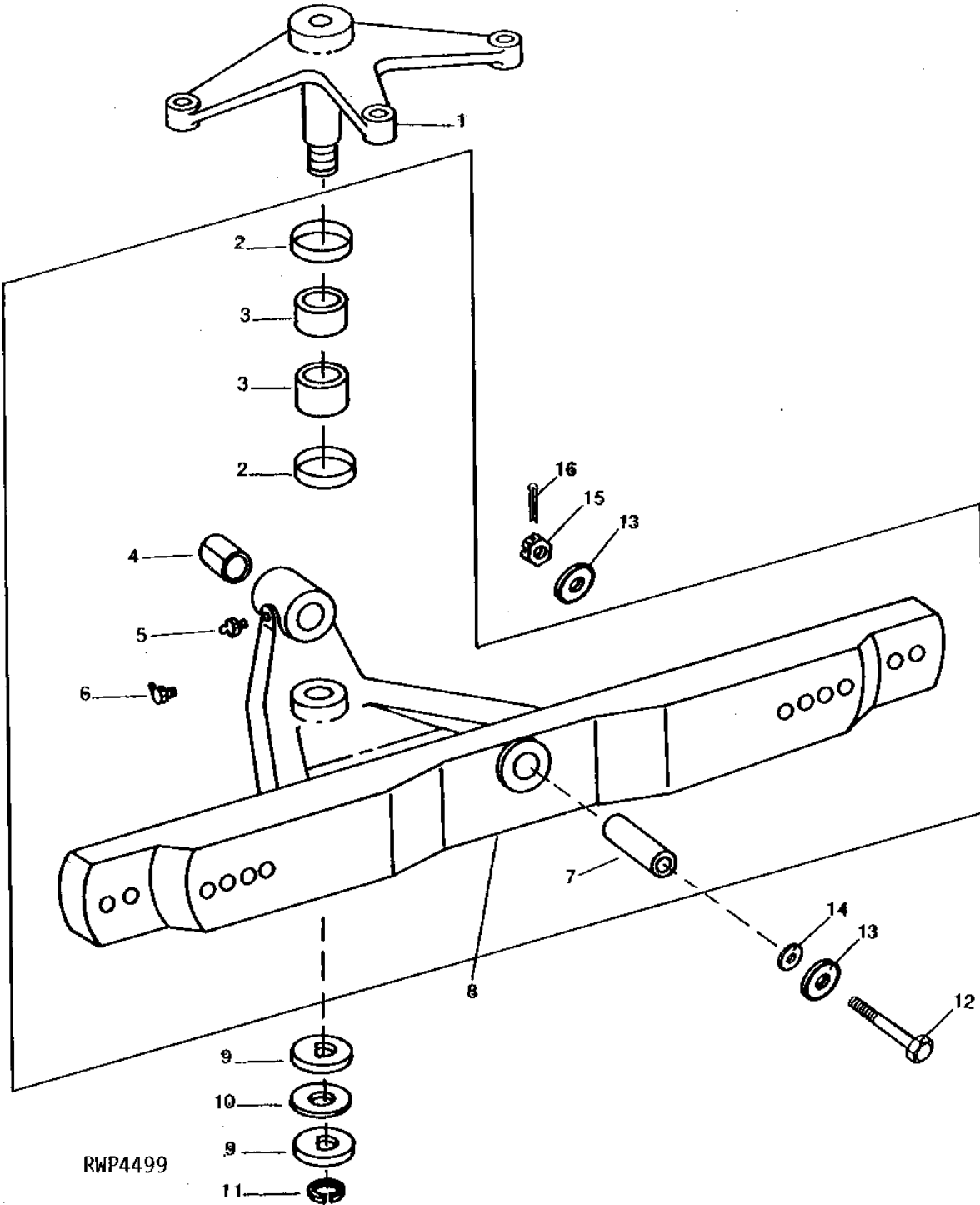
KEY	PART NO.	PART NAME	QTY	TRACTOR SERIAL NO.	REMARKS
1	AR64709	FRONT AXLE	1		(MARKED R55199) (INCLUDES T23170, T23118, JD7798, JD7799 AND T21669) (SUB AR91809 AND AR92945)
2	T23170	BUSHING	1		
3	T23118	BUSHING	2		(USE WITH R55199)
	JD8827	NEEDLE BEARING	2		
4	JD7798	LUBRICATION FITTING	1		
5	JD7799	LUBRICATION FITTING	1		90°
6	T21669	BUSHING	1		
7	T25840	CAP SCREW	1		
8	T25921	SHIM	AR		0.40 MM (.016")
	T30991	WASHER	AR		1.00 MM (.040")
9	T25922	WASHER	2		
10	14H902	NUT	1		3/4"
11	11M7030	COTTER PIN	1		5 X 40 MM
12	AT19793	BELLCRANK	1		(USE WITH R55199)
	AR92945	LEVER	1		
13	R49065	SHIM	AR		0.10 MM (.004")
	R49066	SHIM	AR		0.50 MM (.020")
	R49067	WASHER	AR		1.00 MM (.040")
	T23228	SHIM	AR		0.25 MM (.010")
14	T23229	WASHER	2		
15	F534R	SNAP RING	1		
16	T10510	WASHER	1		(NOT REQUIRED THIS APPLICATION)

2D24

WHEELS, FRONT AXLES, SHEET METAL

STRAIGHT ADJUSTABLE FRONT AXLE (38" REAR TIRE)

RWP4499 -UN-01JAN94



RWP4499

2D25

WHEELS, FRONT AXLES, SHEET METAL

STRAIGHT ADJUSTABLE FRONT AXLE - CONTINUED (38" REAR TIRE)

KEY	PART NO.	PART NAME	QTY	TRACTOR SERIAL NO.	REMARKS
1	AR92944	LEVER	1		
2	U10296	SEAL	2		
3	JD8827	NEEDLE BEARING	2		
4	T23170	BUSHING	1		
5	JD7798	LUBRICATION FITTING	1		
6	JD7799	LUBRICATION FITTING	1		
7	T21669	BUSHING	1		
8	AR91809	FRONT AXLE	1		
	AR91810	FRONT AXLE	1		
9	T23229	WASHER	2		
10	R63247	SHIM	AR		0.13 MM (.005")
	T23228	SHIM	AR		0.25 MM (.010")
11	F534R	SNAP RING	1		
12	T25840	CAP SCREW	1		
13	T25922	WASHER	2		
14	T25921	SHIM	AR		0.38 MM (.015")
	T30991	WASHER	AR		1.07 MM (.042")
15	14H902	NUT	1		3/4"
16	11M7030	COTTER PIN	1		5 X 40 MM

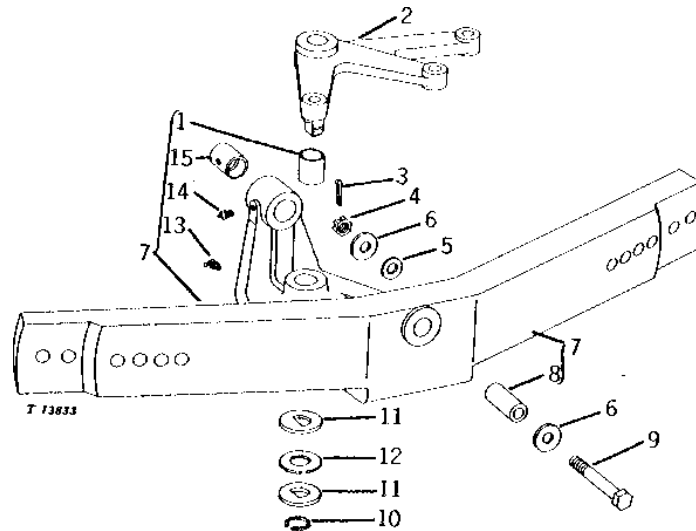
MEMORANDA

2E1

WHEELS, FRONT AXLES, SHEET METAL

SWEPT BACK ADJUSTABLE FRONT AXLE (16", 24" AND 28" REAR TIRE)

T13833 -UN-01JAN94



KEY	PART NO.	PART NAME	QTY	TRACTOR SERIAL NO.	REMARKS
1	JD9911	NEEDLE BEARING	2		
	T23118	BUSHING	2		(USE WITH T36118 OR T21941)
2	AT19794	LEVER	1		STEERING
3	11M7030	COTTER PIN	1		5 X 40 MM
4	14H902	NUT	1		3/4"
5	T25921	SHIM	AR		0.41 MM (.016")
	T30991	WASHER	AR		1.02 MM (.040")
6	T25922	WASHER	2		
7	AT22278	AXLE	1		FRONT (16" REAR TIRE)
	AT34970	AXLE	1		FRONT, (SUB AR91808 AND AR92944) (24" AND 28" REAR TIRE)
8	T21669	BUSHING	1		
9	T25840	CAP SCREW	1		
10	F534R	SNAP RING	1		
11	T23229	WASHER	2		
12	R49065	SHIM	AR		0.10 MM (.004")
	R49066	SHIM	AR		0.51 MM (.020")
	R49067	WASHER	AR		1.02 MM (.040")
	T23228	SHIM	AR		0.25 MM (.010")
13	JD7799	LUBRICATION FITTING	1		1/8", 90°
14	JD7798	LUBRICATION FITTING	1		1/8", STRAIGHT
15	T23170	BUSHING	1		

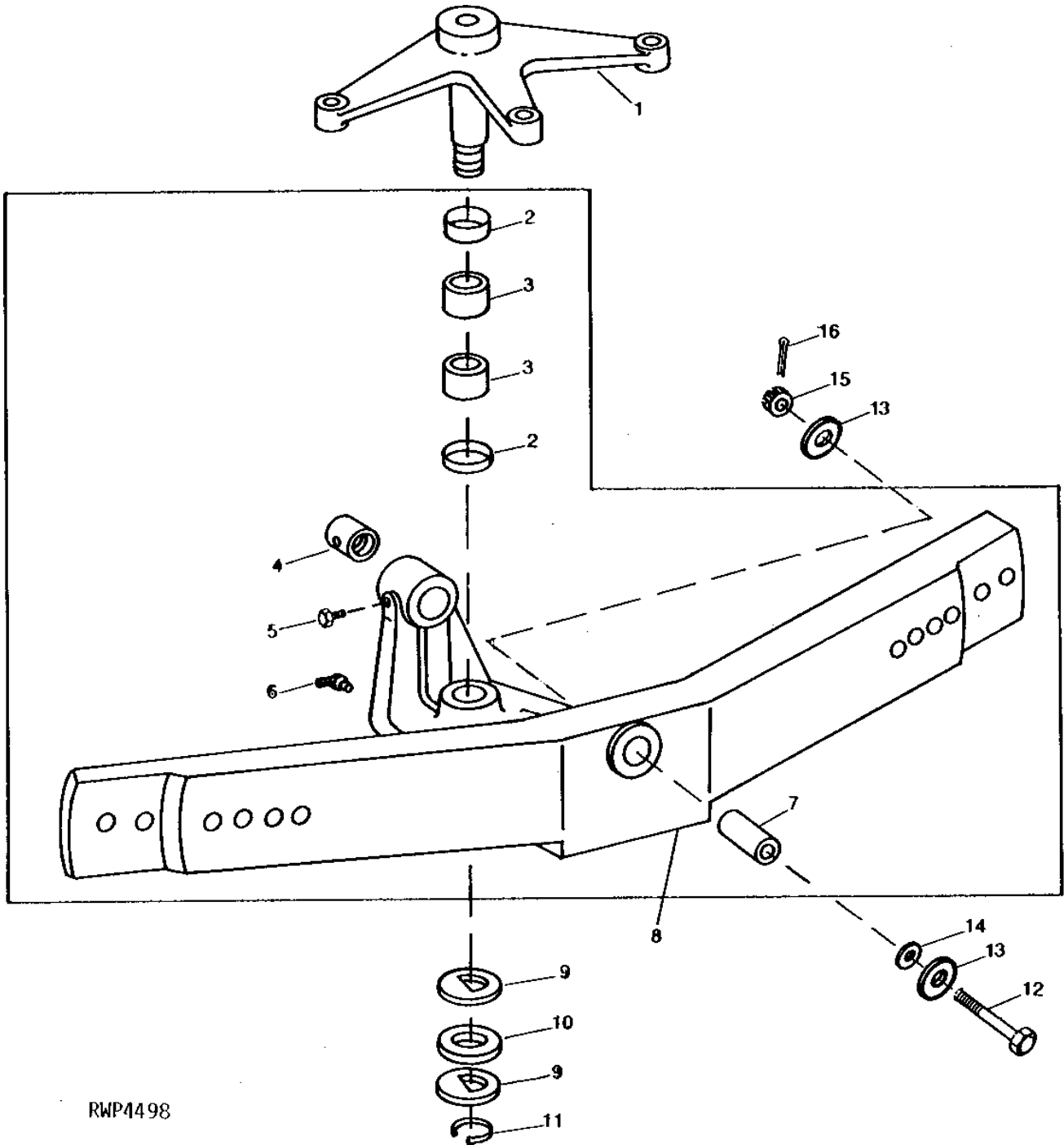
2E2

WHEELS, FRONT AXLES, SHEET METAL

RWP4498

-UN-01JAN94

SWEPT BACK ADJUSTABLE FRONT AXLE



RWP4498

2E3

WHEELS, FRONT AXLES, SHEET METAL

SWEPT BACK ADJUSTABLE FRONT AXLE - CONTINUED

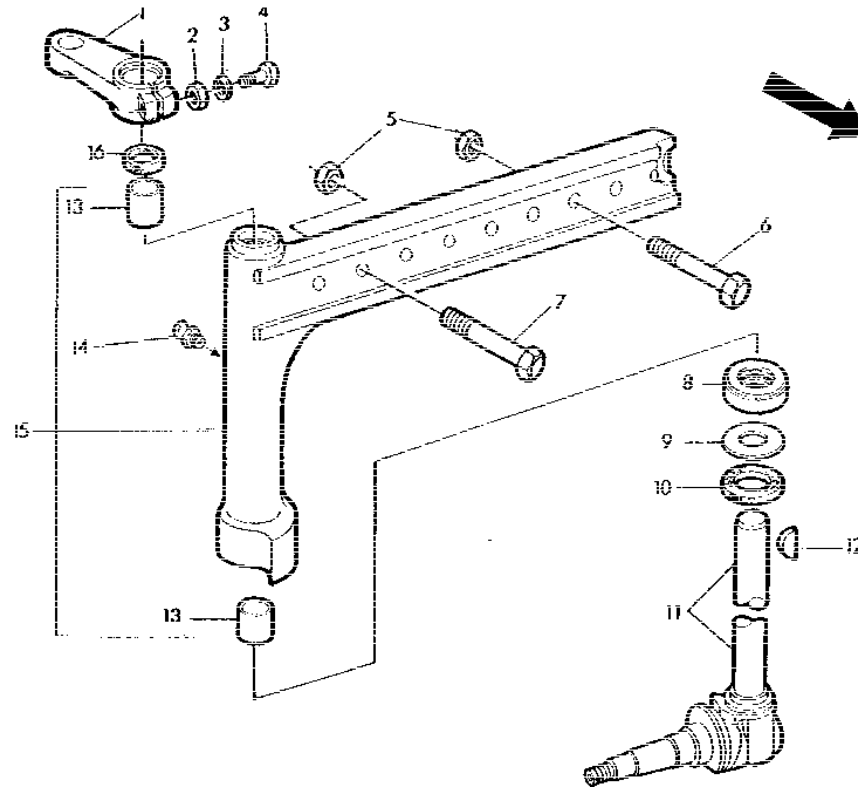
KEY	PART NO.	PART NAME	QTY	TRACTOR SERIAL NO.	REMARKS
1	AR92944	LEVER	1		
2	U10296	SEAL	2		
3	JD8827	NEEDLE BEARING	2		
4	T23170	BUSHING	1		
5	JD7798	LUBRICATION FITTING	1		
6	JD7799	LUBRICATION FITTING	1		
7	T21669	BUSHING	1		
8	AR91808	FRONT AXLE	1		
9	T23229	WASHER	2		0.13 MM (.005")
10	T23228	SHIM	3		0.25 MM (.010")
11	F534R	SNAP RING	1		
12	T25840	CAP SCREW	1		
13	T25922	WASHER	2		
14	T25921	SHIM	AR		0.38 MM (.015")
15	14H902	NUT	1		3/4"
16	11M7030	COTTER PIN	1		5 X 40 MM

2E4

WHEELS, FRONT AXLES, SHEET METAL

FRONT AXLE KNEE, SPINDLE AND KNUCKLE (STRAIGHT FRONT AXLE FOR 38" REAR TIRES)

L59544 -UN-01JAN94



L 59544

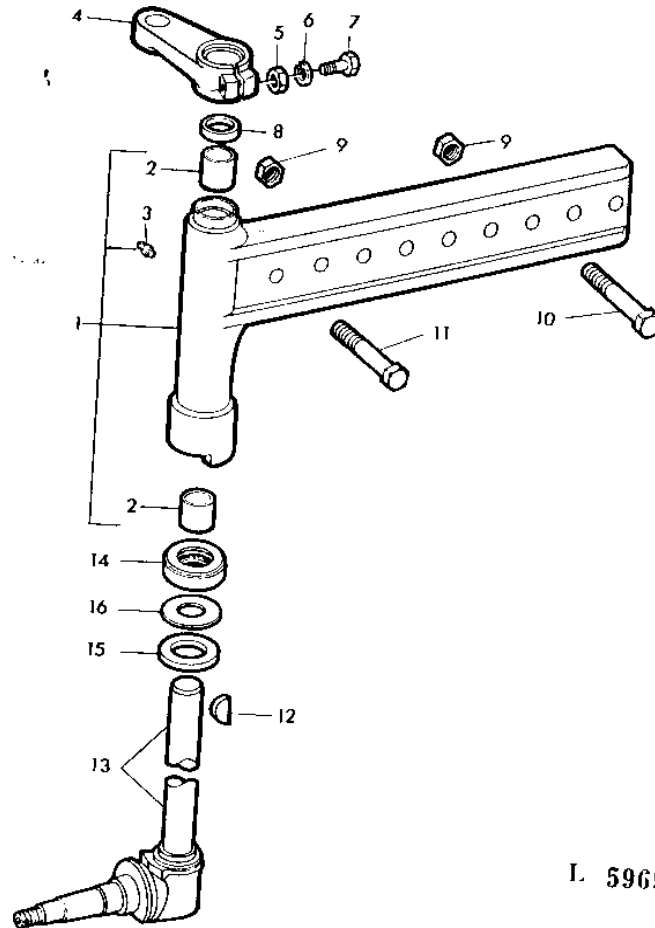
KEY	PART NO.	PART NAME	QTY	TRACTOR SERIAL NO.	REMARKS
1	T21618	LEVER	1	R.H.	
	T21619	LEVER	1	L.H.	
2	14H1040	NUT	2	1/2"	
3	12H301	LOCK WASHER	2	1/2"	
4	19H2644	CAP SCREW	2	1/2" X 2-1/2", HS, SAE 8	
5	14H794	NUT	4	3/4"	
6	19H2826	CAP SCREW	2	3/4" X 4-1/2", HS, SAE 8	
7	19H3196	CAP SCREW	2	3/4" X 4", HS, SAE 8	
8	JD8407	THRUST BEARING	2		
9	M2283T	WASHER	2		
10	M2282T	WASHER	2		
11	AR103471	KNUCKLE	2	(SUB FOR AR52860)	
12	26H93	SHAFT KEY	2	1/4" X 1-1/4"	
13	T21539	BUSHING	4		
14	JD7798	LUBRICATION FITTING	2	(1/8")	
15	AT22246	AXLE KNEE	1	R.H. (INCLUDES 14H1040 AND 12H301)	
	AT22247	AXLE KNEE	1	L.H. (INCLUDES 14H1040 AND 12H301)	
	AT22331	AXLE KNEE	1	R.H. (EXTRA WIDE) (INCLUDES 14H1040 AND 12H301)	
	AT22332	AXLE KNEE	1	L.H. (EXTRA WIDE) (INCLUDES 14H1040 AND 12H301)	
16	M1518T	WASHER	2		

2E5

WHEELS, FRONT AXLES, SHEET METAL

FRONT AXLE KNEE, SPINDLE AND KNUCKLE (SWEEPED BACK FRONT AXLE FOR 16.1", 24" AND 28" REAR TIRES)

L59698 -UN-01JAN94



I. 59698

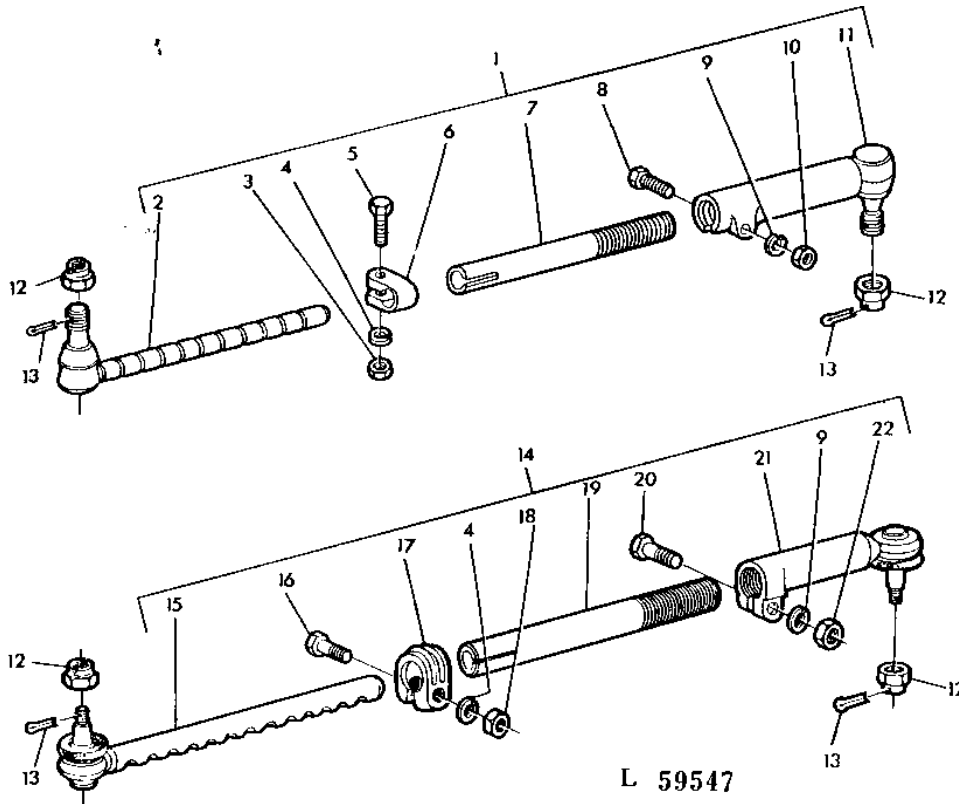
KEY	PART NO.	PART NAME	QTY	TRACTOR SERIAL NO.	REMARKS
1	AT22221	AXLE KNEE	1		R.H. (24" AND 28" REAR TIRES)
	AT22222	AXLE KNEE	1		L.H. (24" AND 28" REAR TIRES)
	AT22279	AXLE KNEE	1		R.H. (16.1" REAR TIRES) (SUB T21942, JD7798 AND (2) T21539)
	AT22280	AXLE KNEE	1		L.H. (16.1" REAR TIRES)
2	T21539	BUSHING	4		
3	JD7798	LUBRICATION FITTING	2		(1/8")
4	T21517	LEVER	1		R.H.
	T21518	LEVER	1		L.H.
5	14H1040	NUT	2		1/2"
6	12H301	LOCK WASHER	2		1/2"
7	19H2644	CAP SCREW	2		1/2" X 2-1/2", HS, SAE 8
8	M1518T	WASHER	2		
9	14H794	NUT	4		3/4"
10	19H2000	CAP SCREW	2		3/4" X 5" (24" AND 28" REAR TIRE)
	19H2827	CAP SCREW	2		3/4" X 4-3/4", HS, SAE 8 (16.1" REAR TIRE)
11	19H2826	CAP SCREW	2		3/4" X 4-1/2", HS, SAE 8
12	26H93	SHAFT KEY	2		1/4" X 1-1/4"
13	AR103472	KNUCKLE	2		(SUB FOR AR52861) (24" AND 28" REAR TIRES)
	AR103473	KNUCKLE	2		(SUB FOR AR52862) (16.1" REAR TIRES)
14	JD8407	THRUST BEARING	2		
15	M2282T	WASHER	2		
16	M2283T	WASHER	2		

2E6

WHEELS, FRONT AXLES, SHEET METAL

TIE ROD ASSEMBLY (STRAIGHT FRONT AXLE FOR 38" REAR TIRES)

L59547 -UN-01JAN94



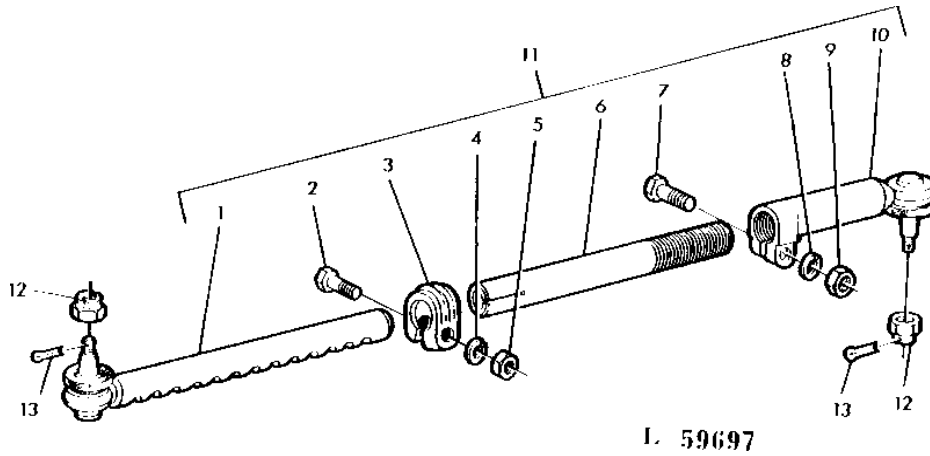
KEY	PART NO.	PART NAME	QTY	TRACTOR SERIAL NO.	REMARKS
1	AT20939	ROD	2		(EXTRA WIDE) (NO LONGER AVAILABLE)
2	AT23583	TIE ROD END	2		
3	14H1040	NUT	2		1/2" (OUTER)
4	12H301	LOCK WASHER	2		1/2"
5	19H1831	CAP SCREW	2		1/2" X 2"
6	T22946	CLAMP	2		(SUB AT148533)
7	T22952	TUBE	2		
8	19H1765	CAP SCREW	2		3/8" X 1-3/4"
9	12H304	LOCK WASHER	2		3/8"
10	14H1076	NUT	2		3/8"
11	AT23886	TIE ROD END	2		INNER
12	14H918	NUT	4		5/8"
13	11M7083	COTTER PIN	1		
14	AR54637	ROD	2		
15	AT27134	ROD	2		OUTER
16	19H3183	CAP SCREW	2		1/2" X 2-1/8"
17	R50507	CLAMP	2		
18	14H865	NUT	2		1/2"
19	T29109	PIPE	2		
20	19H2544	CAP SCREW	2		3/8" X 1-1/2"
21	AT27130	TIE ROD END	2		INNER
22	14H1080	NUT	2		3/8"

2E7

WHEELS, FRONT AXLES, SHEET METAL

TIE ROD ASSEMBLY (SWEEP BACK FRONT AXLE FOR 16.1", 24" AND 28" REAR TIRES)

L59697 -UN-01JAN94



L 59697

KEY	PART NO.	PART NAME	QTY	TRACTOR SERIAL NO.	REMARKS
1	AT23885	ROD	2		(24" AND 28" REAR TIRES)
	AT27131	TIE ROD END	2		(16.1" REAR TIRES)
2	19H3183	CAP SCREW	2		1/2" X 2-1/8"
3	R50507	CLAMP	2		
4	12H301	LOCK WASHER	2		1/2"
5	14H865	NUT	2		1/2"
6	T25901	PIPE	2		(24" AND 28" REAR TIRES)
	T29106	PIPE	2		(16.1" REAR TIRES)
7	19H2544	CAP SCREW	2		3/8" X 1-1/2"
8	12H304	LOCK WASHER	2		3/8"
9	14H1080	NUT	2		3/8"
10	AT27130	TIE ROD END	2		
11	AR54634	ROD	2		(24" AND 28" REAR TIRES)
	AR54635	ROD	2		(16.1" REAR TIRES) (SUB AL39018 AND (2) 14M7395)
12	14H918	NUT	4		5/8"
13	11M7083	COTTER PIN	4		3.200 X 50 MM

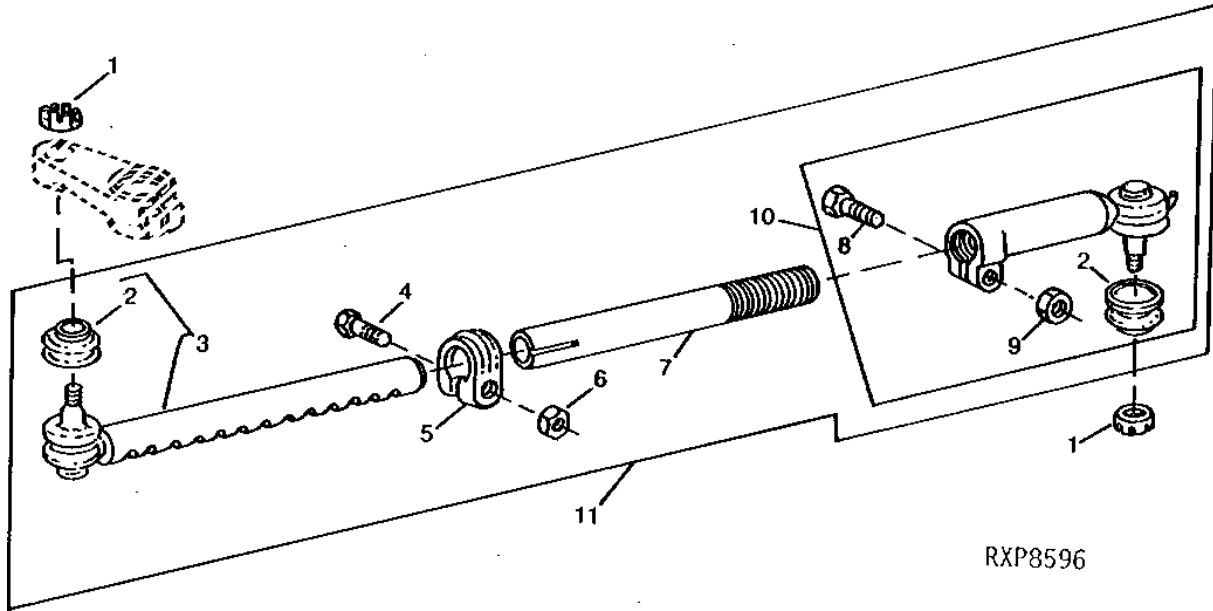
MEMORANDA

2E8

WHEELS, FRONT AXLES, SHEET METAL

RXP8596 -UN-01JAN94

TIE ROD ASSEMBLY



RXP8596

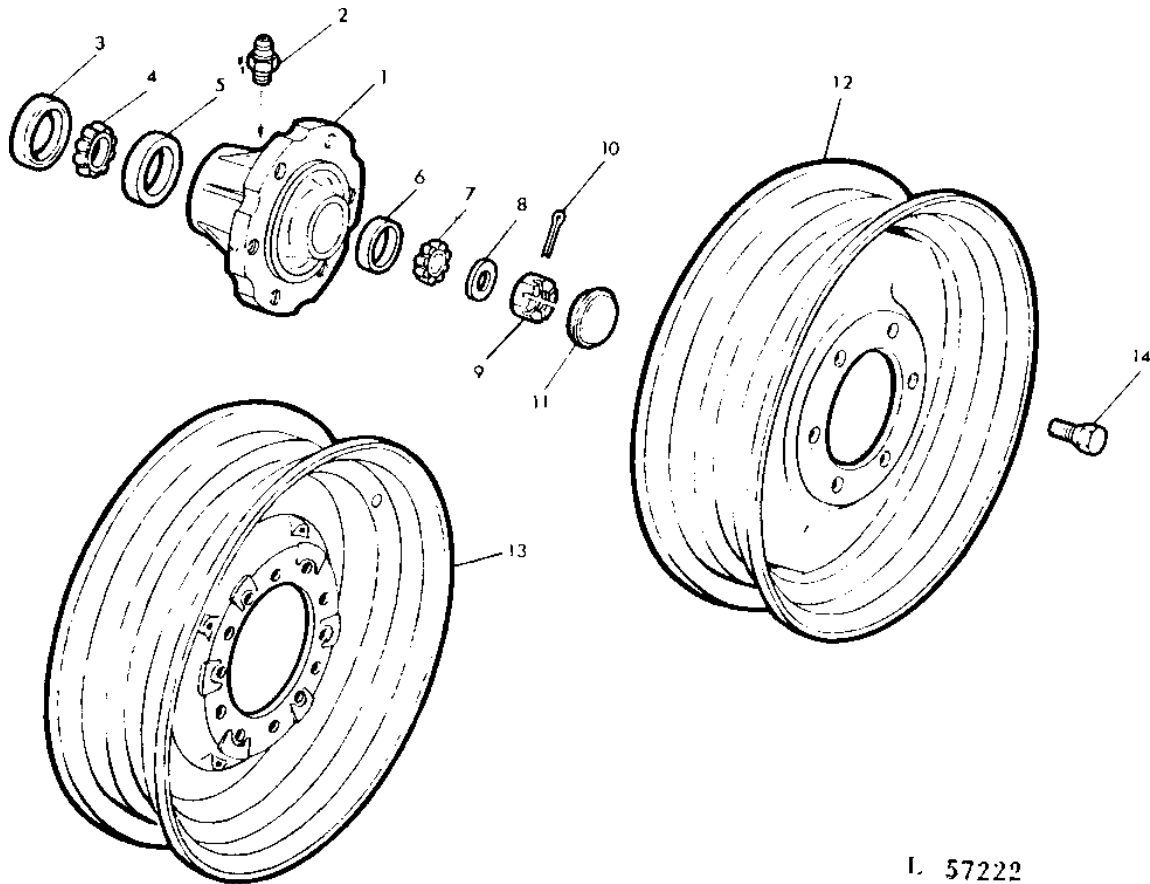
KEY	PART NO.	PART NAME	QTY	TRACTOR SERIAL NO.	REMARKS
1	14M7395	NUT	2	M14	
2	AL63798	BOOT	2		
3	AL39019	BALL JOINT	1		
4	19M8154	CAP SCREW	1	M12 X 55	
5	R50507	CLAMP	1		
6	14M7325	LOCK NUT	1	M12	
7	T29106	PIPE	1		
8	19M8176	CAP SCREW	1	M10 X 40	
9	14M7324	LOCK NUT	1	M10	
10	AL39020	BALL JOINT	1		
11	AL39018	TIE ROD	2		

2E9

WHEELS, FRONT AXLES, SHEET METAL

L57222 -UN-01JAN94

FRONT WHEEL ASSEMBLY



L 57222

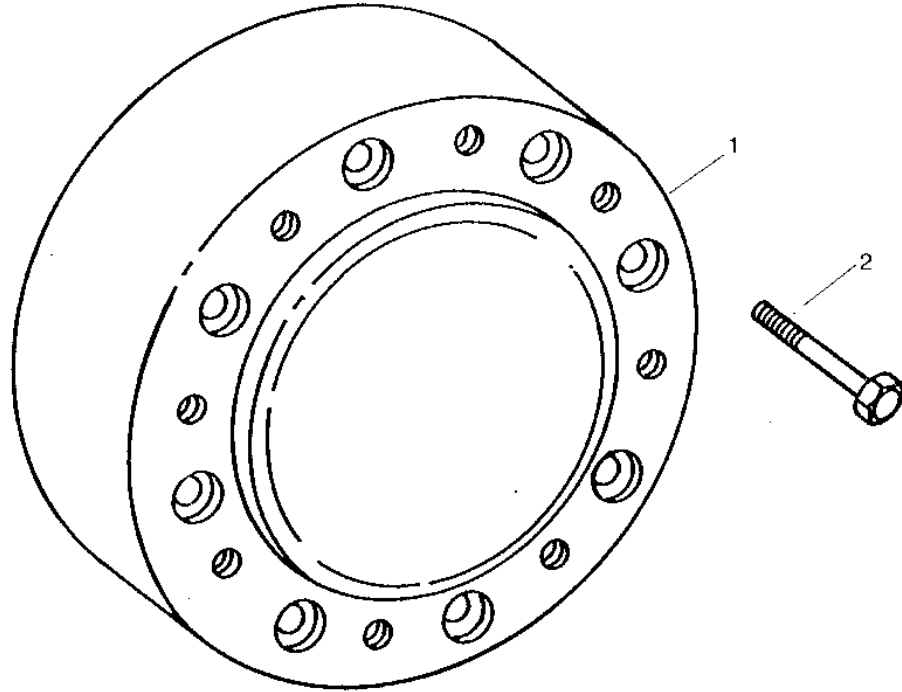
KEY	PART NO.	PART NAME	QTY	TRACTOR SERIAL NO.	REMARKS
1	T25809	HUB	1		(ALSO ORDER AT10344)
2	JD7798	LUBRICATION FITTING	1		1/8"
3	AR49592	SEAL	1		(MARKED R47076)
	AT10344	SEAL	1		(MARKED T25809)
4	JD8194	BEARING CONE	1		INNER
5	JD8230	BEARING CUP	1		INNER
6	JD8239	BEARING CUP	1		OUTER
7	JD8905	BEARING CONE	1		OUTER
8	T10510	WASHER	1		
9	14H902	NUT	1		3/4"
10	11M7023	COTTER PIN	1		
11	N52048	CAP	1		(SUB FOR T12688)
12	JD3002	RIM	1		(6.00-16, 6.50-16 TIRE)
13	JD3039	WHEEL	1		(7.50-16 TIRE)
	JD3047	WHEEL	1		(27/9.5-15 TIRE)
14	JD16	WHEEL BOLT	6		
..	AM30347	TIRE VALVE STEM	1		(SUB FOR AR55282)

2E10

WHEELS, FRONT AXLES, SHEET METAL

RP249 -UN-01JAN94

FLANGED AXLE EXTENSION



RP249

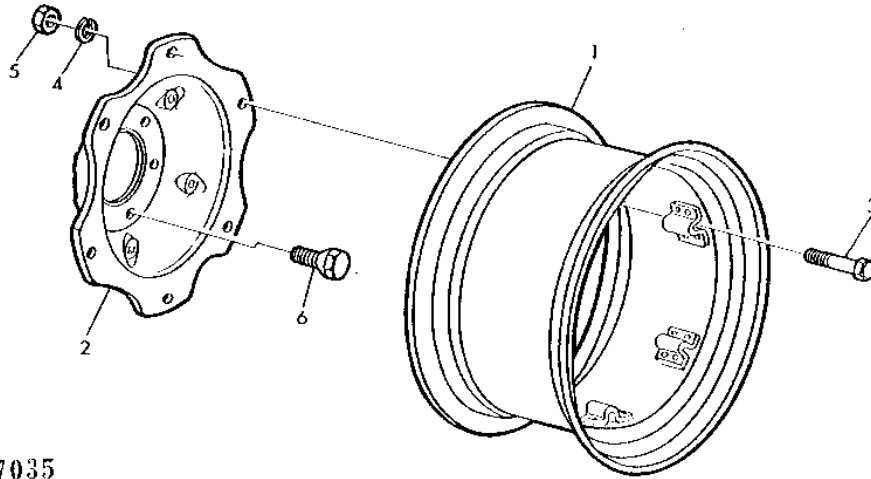
KEY	PART NO.	PART NAME	QTY	TRACTOR SERIAL NO.	REMARKS
1	T22690	EXTENSION	2		
2	19H2647	CAP SCREW	16	9/16" X 4-1/2"	

2E11

WHEELS, FRONT AXLES, SHEET METAL

STEEL DISK REAR WHEELS (RIVETED BRACKET)

L57035 -UN-01JAN94



L 57035

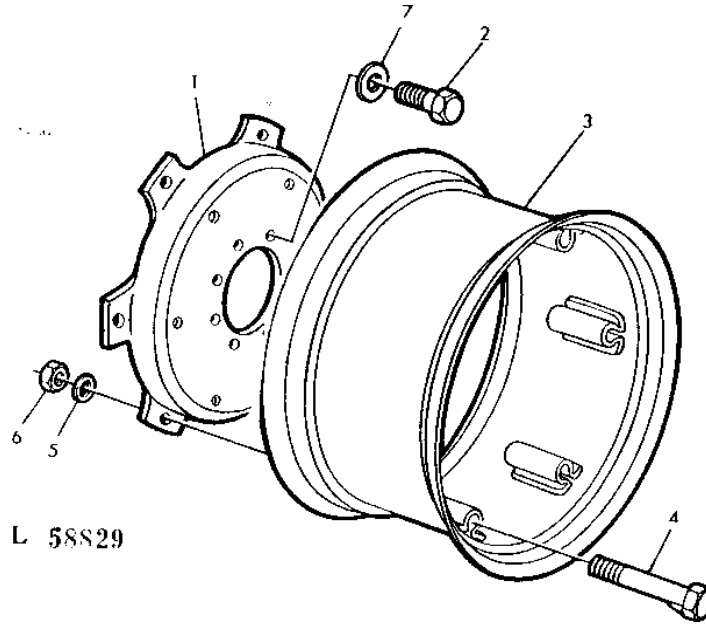
KEY	PART NO.	PART NAME	QTY	TRACTOR SERIAL NO.	REMARKS
1	AT20521	RIM	1		(16.9-24 TIRE)
2	T19638	WHEEL CENTER	1		(16.9-24 TIRE)
3	19H1863	CAP SCREW	6		5/8" X 3"
4	12H294	LOCK WASHER	6		5/8"
5	14H1039	NUT	6		5/8"
6	JD21	WHEEL BOLT	8		9/16"

2E12

WHEELS, FRONT AXLES, SHEET METAL

STEEL DISK REAR WHEELS (WELDED BRACKET)

L58829 -UN-01JAN94



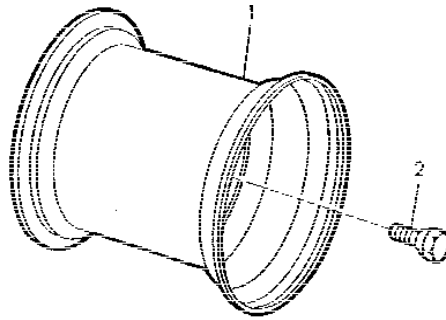
KEY	PART NO.	PART NAME	QTY	TRACTOR SERIAL NO.	REMARKS
1	L25819	WHEEL CENTER	1		(13.6-28, 14.9-28, 16.9-28 TIRE) (SUB L31667, (8) L31689 AND (8) 24M7112)
2	JD21	WHEEL BOLT	8		(USE WITH L25819)
	L31689	CAP SCREW	8		(USE WITH L31667)
3	AL15369	RIM	1		(13.6-28, 14.9-28 TIRE)
	AL24251	RIM	1		(16.9-28 TIRE)
4	T27511	CAP SCREW	6		9/16"
5	24M7145	WASHER	6		15 X 24 X 2.500 MM, (SUB FOR T31506)
6	14H888	NUT	6		9/16"
7	24M7112	WASHER	8		15 X 28 X 3 MM, (USE WITH L31667)

2E13

WHEELS, FRONT AXLES, SHEET METAL

L57249 -UN-01JAN94

DUAL STEEL DISK REAR WHEELS



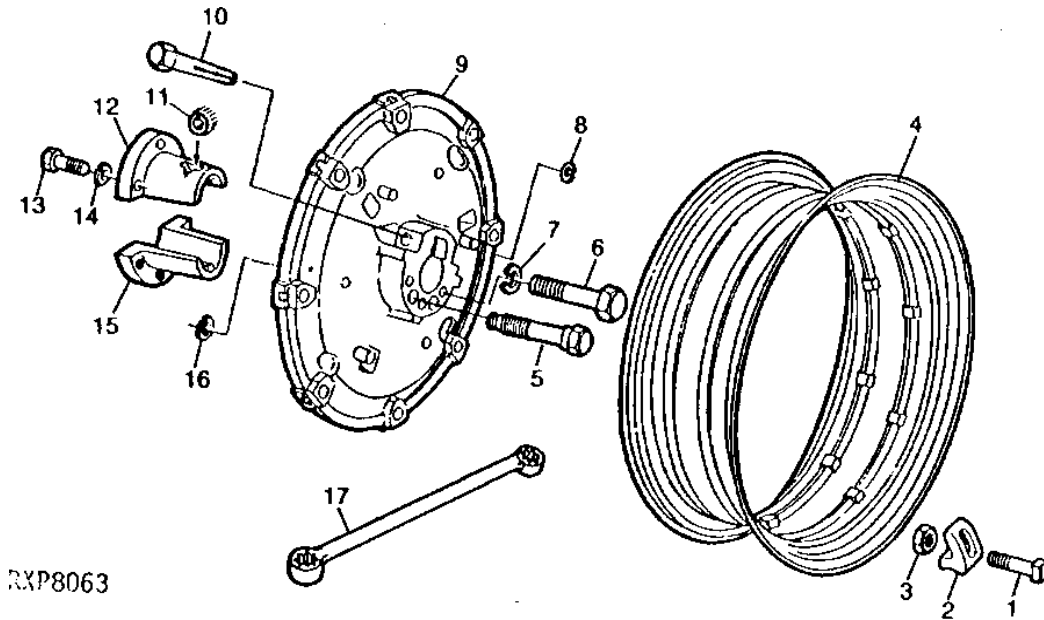
KEY	PART NO.	PART NAME	QTY	TRACTOR SERIAL NO.	REMARKS
1	JD3038	WHEEL	1		(18.4-16.1, 21.5-16.1 TIRE)
2	JD21	WHEEL BOLT	8		9/16"

2E14

WHEELS, FRONT AXLES, SHEET METAL

CAST REAR WHEEL (PINION ADJUSTED AXLE)

RXP8063 -UN-01JAN94



RXP8063

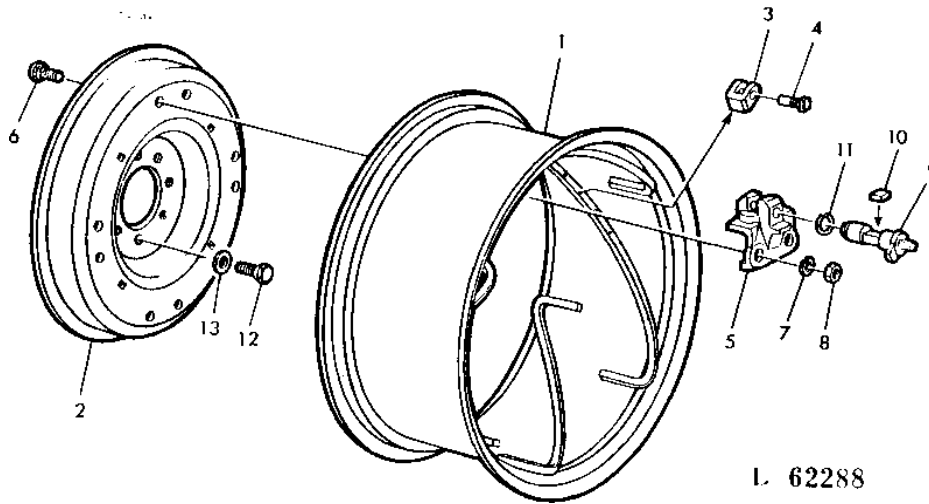
KEY	PART NO.	PART NAME	QTY	TRACTOR SERIAL NO.	REMARKS
1	08H4766	BOLT	8	5/8" X 4-1/4"	
2	L38141	CLAMP	8		
3	14H800	NUT	8	5/8"	
4	T27642	RIM	1	(13.6-38 TIRE)	
5	R39758	SCREW	2		
6	19H2310	CAP SCREW	3	7/8" X 6", (SUB FOR R34828)	
7	12H245	LOCK WASHER	3	7/8"	
8	R73380	SNAP RING	2	(SUB FOR A369R)	
9	T22818	WHEEL	1		
10	R83588	DRIVE SHAFT	1	(SUB FOR A4380R) (ALSO FURNISH R73380)	
11	B3014R	PINION	1		
12	B3016R	HALF SLEEVE	1		
13	19H2600	CAP SCREW	3	3/4" X 2-5/8"	
14	12H236	LOCK WASHER	3	3/4"	
15	B3018R	SLEEVE	1		
16	A4883R	RING	2		
17	R34827	WRENCH	1		

2E15

WHEELS, FRONT AXLES, SHEET METAL

L62288 -UN-01JAN94

POWER ADJUSTED REAR WHEELS



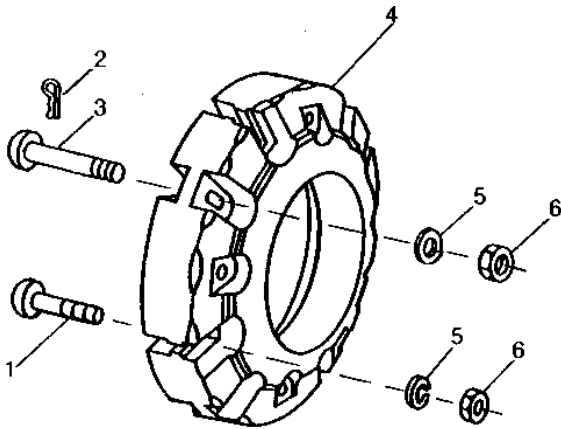
KEY	PART NO.	PART NAME	QTY	TRACTOR SERIAL NO.	REMARKS
1	AL24151	RIM	1		(13.6-28 OR 14.9-28 TIRE)
2	L31664	WHEEL	1		(SUB FOR L29350) (SUB AL59587)
3	L29351	STOP	2		
4	L29352	PIN	2		(SUB L37427)
5	L29346	BRACKET	4		(SUB L41715)
6	03H1399	BOLT	8		5/8" X 1-3/4"
7	12H294	LOCK WASHER	8		5/8"
8	14H1039	NUT	8		5/8"
9	L37426	PIN	4		(SUB FOR L29347)
10	L29348	DETENT	4		
11	L29349	SNAP RING	4		
12	JD21	WHEEL BOLT	8		9/16"
13	WASHER	1		(NOT USED THIS APPLICATION)

2E16

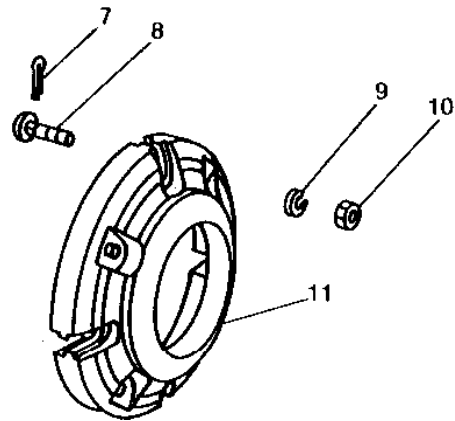
WHEELS, FRONT AXLES, SHEET METAL

REAR WHEEL WEIGHTS (FOR 24" AND 28" STEEL DISK WHEELS) (FLANGED AXLE)

RWP5516 -UN-01JAN94



RWP5516



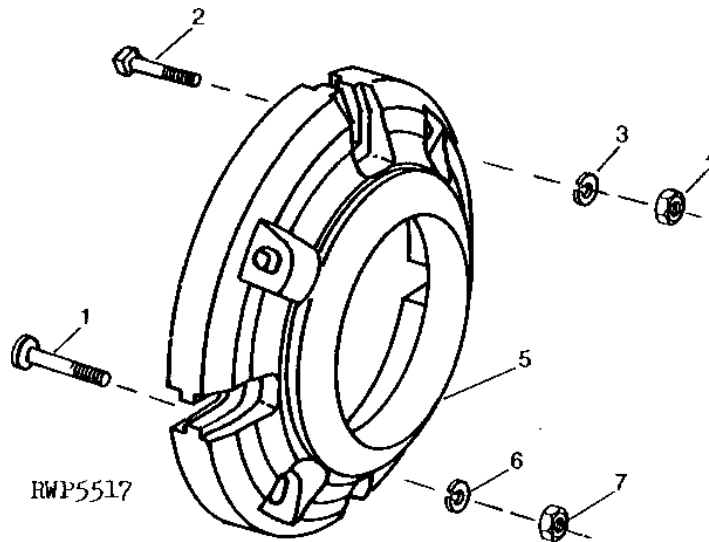
KEY	PART NO.	PART NAME	QTY	TRACTOR SERIAL NO.	REMARKS
1	03H1786	BOLT	4	5/8" X 4-1/2"	
2	11M7015	COTTER PIN	2	3.200 X 25 MM	
3	R28493	BOLT	4	3.200 X 25 MM	(1ST WEIGHT TO WHEEL)
4	T19293	WEIGHT	1	49.9 KG (110 LBS.) (24" WHEELS) (1ST AND ADDITIONAL WEIGHTS TO WHEEL) (ORDER AR112784) (FI)	
5	12H294	LOCK WASHER	4	5/8"	
6	14H1039	NUT	4	5/8"	
7	11M7015	COTTER PIN	2	3.200 X 25 MM	
8	R55602	GANG BOLT	4	3.200 X 25 MM	(1ST WEIGHT TO WHEEL) (SUB FOR T21824)
9	12H294	LOCK WASHER	4	5/8"	
10	14H1039	NUT	4	5/8"	
11	R56920	WEIGHT	1	49.9 KG (110 LBS.) (28" WHEELS ON FLANGED AXLES AND POWER ADJUSTED WHEELS) (1ST WEIGHT TO WHEEL)	

2E17

WHEELS, FRONT AXLES, SHEET METAL

REAR WHEEL WEIGHTS (FOR 28" POWER ADJUSTED WHEEL) (FLANGED AXLE)

RWP5517 -UN-01JAN94



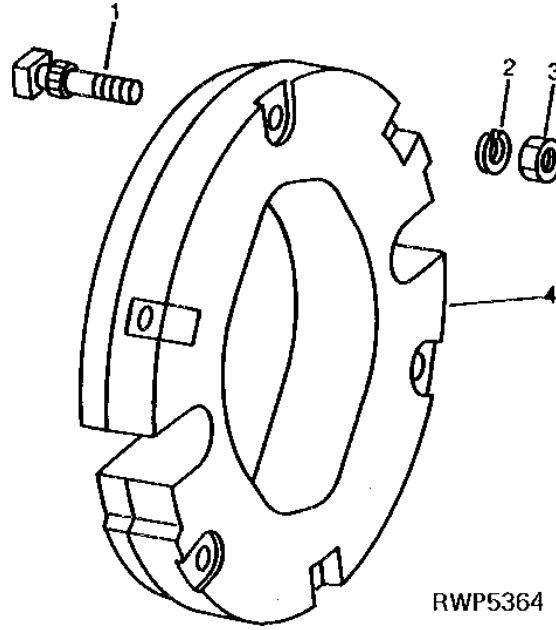
KEY	PART NO.	PART NAME	QTY	TRACTOR SERIAL NO.	REMARKS
1	03H1516	BOLT	4		5/8" X 3-3/4" (ADDITIONAL WEIGHTS TO WHEEL)
2	R21302	WHEEL BOLT	4		(1ST WEIGHT TO WHEEL)
3	12H294	LOCK WASHER	2		5/8"
4	14H1039	NUT	2		5/8"
5	R56920	WEIGHT	1		54 KG (120 LBS.) (1ST AND ADDITIONAL WEIGHTS)
6	12H294	LOCK WASHER	2		5/8"
7	14H1039	NUT	2		5/8"

2E18

WHEELS, FRONT AXLES, SHEET METAL

REAR WHEEL WEIGHTS
(FOR 38" CSE WHEELS)
(PINION ADJUSTED AXLE)

RWP5364 -UN-01JAN94



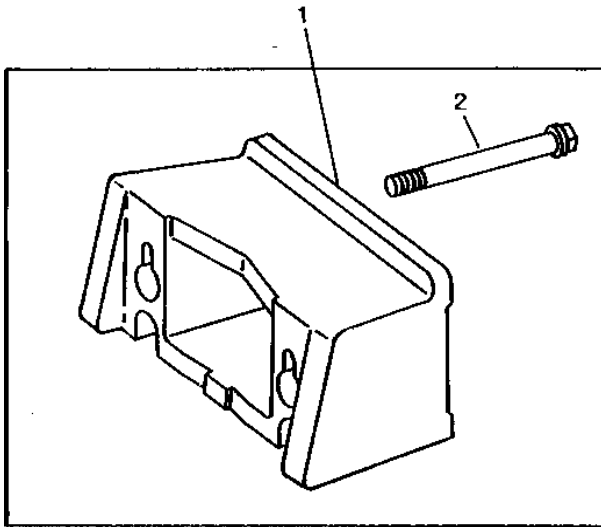
KEY	PART NO.	PART NAME	QTY	TRACTOR SERIAL NO.	REMARKS
1	R34801	BOLT	3		
2	12H294	LOCK WASHER	3	5/8"	
3	14H1039	NUT	3	5/8"	
4	R61524	WEIGHT	1	63.5 KG (140 LBS.) (ORDER AR112539) (FI)	

2E19

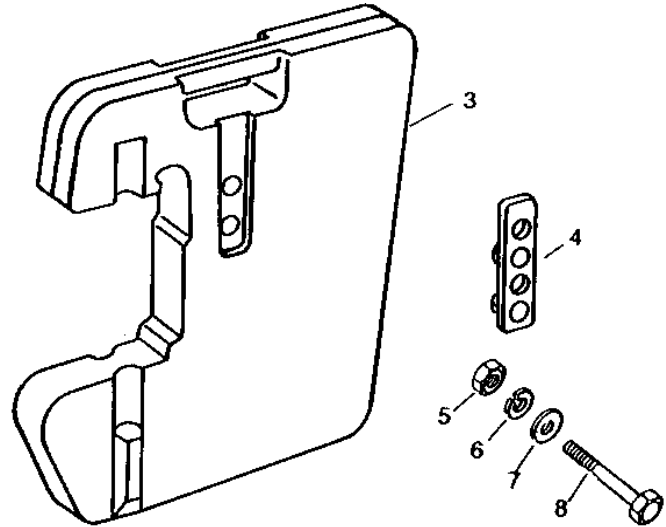
WHEELS, FRONT AXLES, SHEET METAL

RWP5458 -UN-01JAN94

TWO, FOUR OR SIX QUIK-TATCH FRONT WEIGHTS



RWP5458



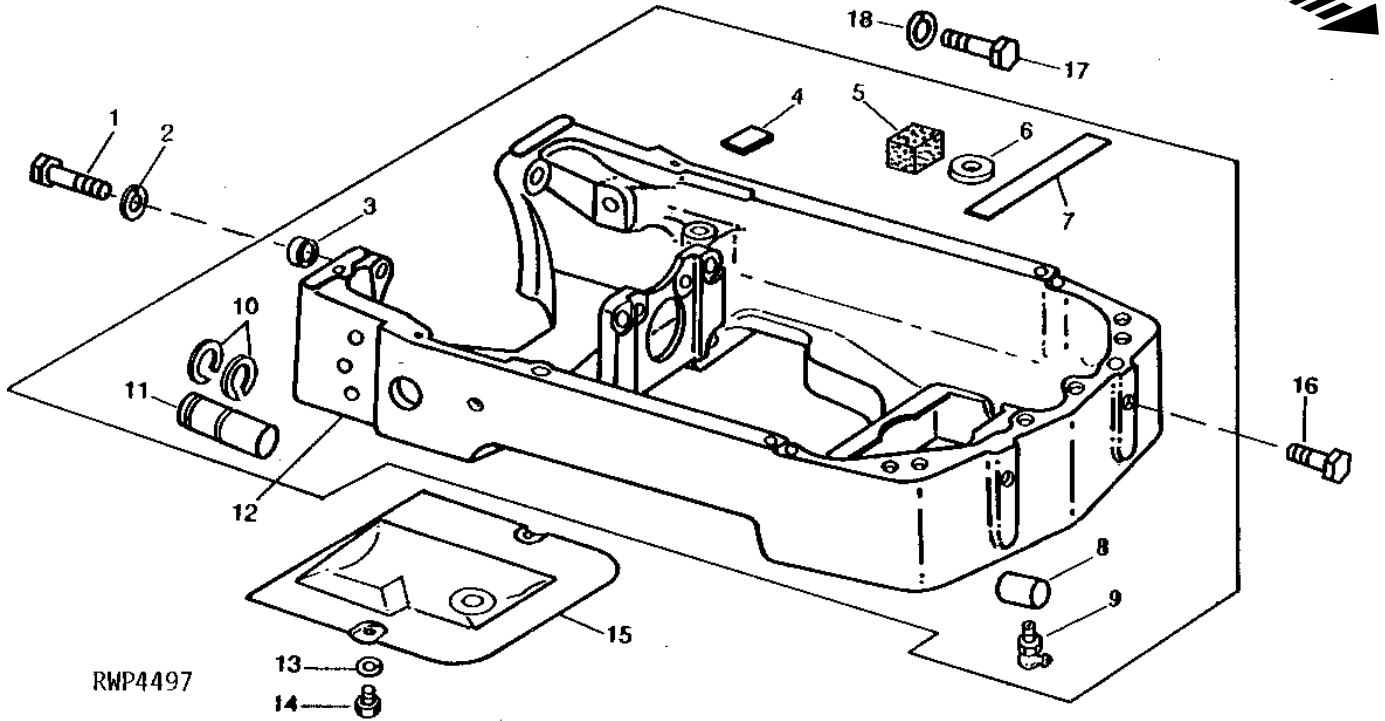
KEY	PART NO.	PART NAME	QTY	TRACTOR SERIAL NO.	REMARKS
1	AR92425	SUPPORT	1		
2	R52924	SELF-LOCKING SCREW	2		
3	R51680	WEIGHT	1		(ORDER AR112780) (FI)
4	AR68801	RETAINER	2		(WITH EIGHT WEIGHTS ONLY)
5	14H1039	NUT	1		5/8"
6	12H294	LOCK WASHER	1		5/8"
7	24H1367	WASHER	1		21/32" X 1-1/4" X 1/4"
8	19H1926	CAP SCREW	1		5/8" X 4-3/4", (TWO QUIK-TATCH WEIGHTS)
	08H4260	CAP SCREW	1		5/8" X 9", (FOUR QUIK-TATCH WEIGHTS)
	R51681	CAP SCREW	1		(SIX QUIK-TATCH WEIGHTS)

2E20

WHEELS, FRONT AXLES, SHEET METAL

RWP4497 -UN-01JAN94

FRONT SUPPORT



RWP4497

KEY	PART NO.	PART NAME	QTY	TRACTOR SERIAL NO.	REMARKS
1	19H2358	CAP SCREW	2	9/16" X 2-1/4"	
2	12H317	LOCK WASHER	2	9/16"	
3	T26929	BUSHING	2		
4	T22375	FOAM PAD	1		
5	FOAM PAD	1	25 X 38 X 102 MM (1" X 1-1/2" X 4") (MAKE FROM R35416)	
6	T22381	WASHER	2		
7	T21540	PAD	2		
8	T23118	BUSHING	1		
9	JD7799	LUBRICATION FITTING	1		
10	T24160	SNAP RING	2		
11	R54195	SPRING PIN	1		
12	AR72474	SUPPORT	1	(SUB FOR AR55890)	
13	12H304	LOCK WASHER	2	3/8"	
14	19H2021	CAP SCREW	2	3/8" X 5/8"	
15	T22864	COVER	1		
16	19H2009	CAP SCREW	2	3/4" X 1-5/8"	
17	19H1890	CAP SCREW	4	5/8" X 2-3/4"	
18	12H294	LOCK WASHER	4	5/8"	

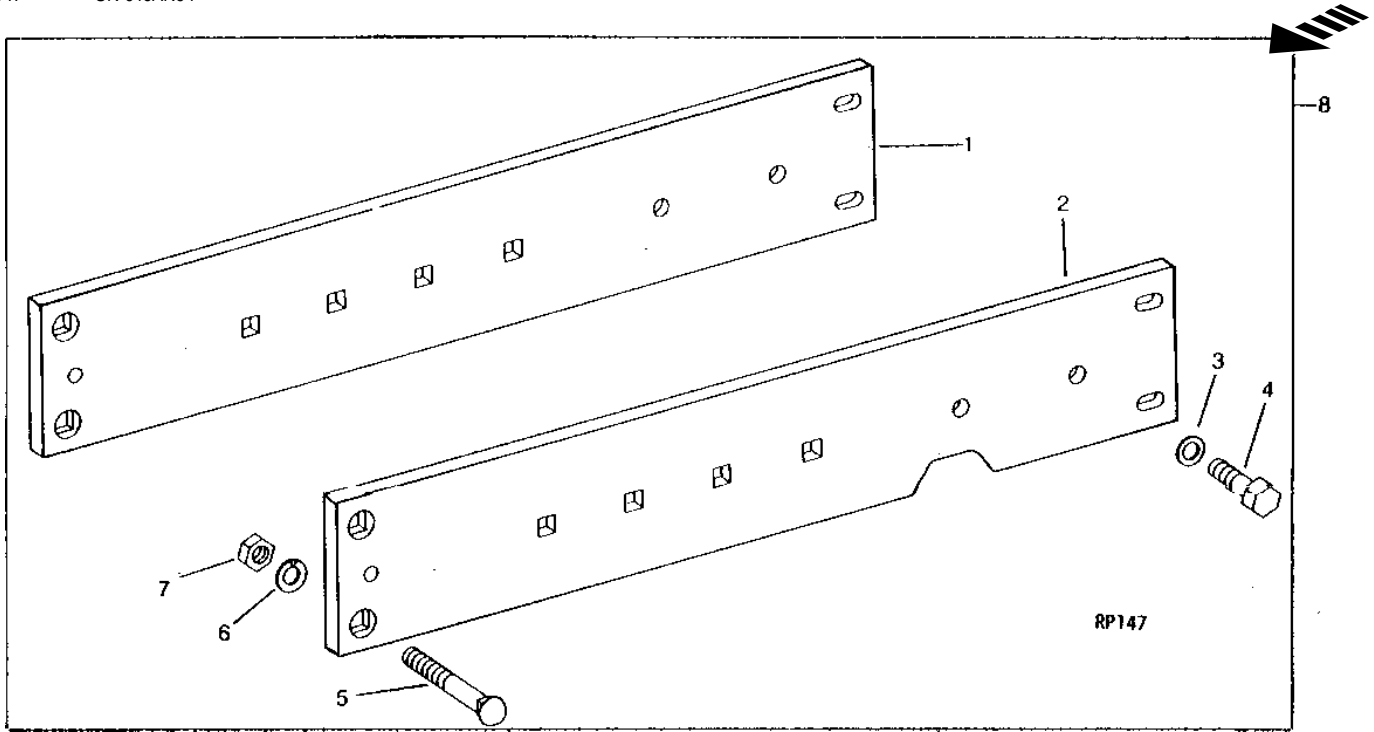
MEMORANDA

2E21

WHEELS, FRONT AXLES, SHEET METAL

SIDE FRAMES

RP147 -UN-01JAN94



KEY	PART NO.	PART NAME	QTY	TRACTOR SERIAL NO.	REMARKS
1	T21653	FRAME	1		R.H.
2	T21654	FRAME	1		L.H.
3	24H1375	WASHER	4		11/16" X 1-1/8" X 0.060"
4	19H1756	CAP SCREW	4		5/8" X 1-1/2"
5	10H1157	BOLT	4		5/8" X 3-1/4"
6	12H294	LOCK WASHER	4		5/8"
7	14H1039	NUT	4		5/8"
8	AT37356	FRAME	1		

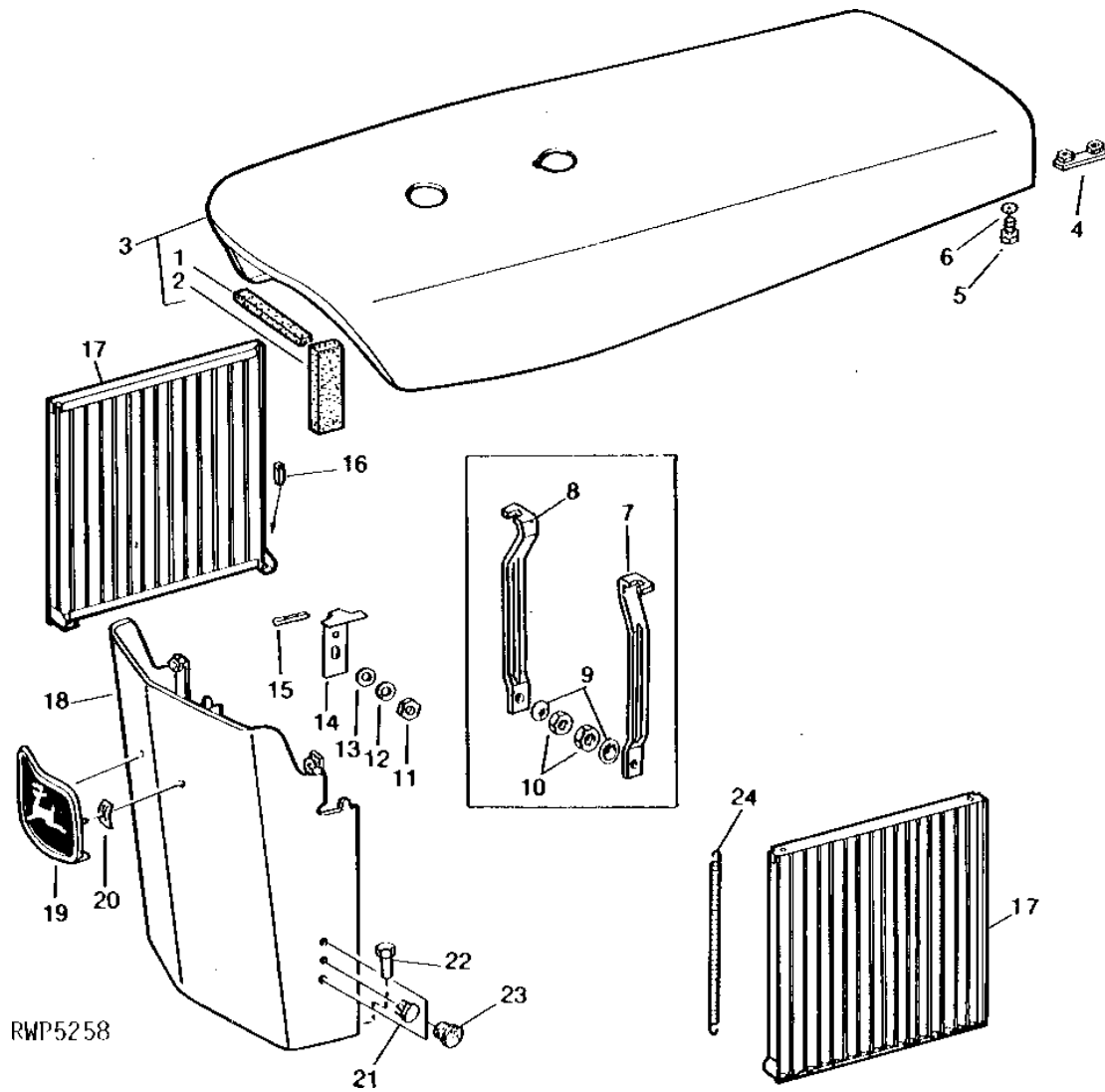
2E22

WHEELS, FRONT AXLES, SHEET METAL

RWP5258

-UN-01JAN94

FRONT PLATE, HOOD AND GRILLE ASSEMBLY



2E23

WHEELS, FRONT AXLES, SHEET METAL

FRONT PLATE, HOOD AND GRILLE ASSEMBLY - CONTINUED

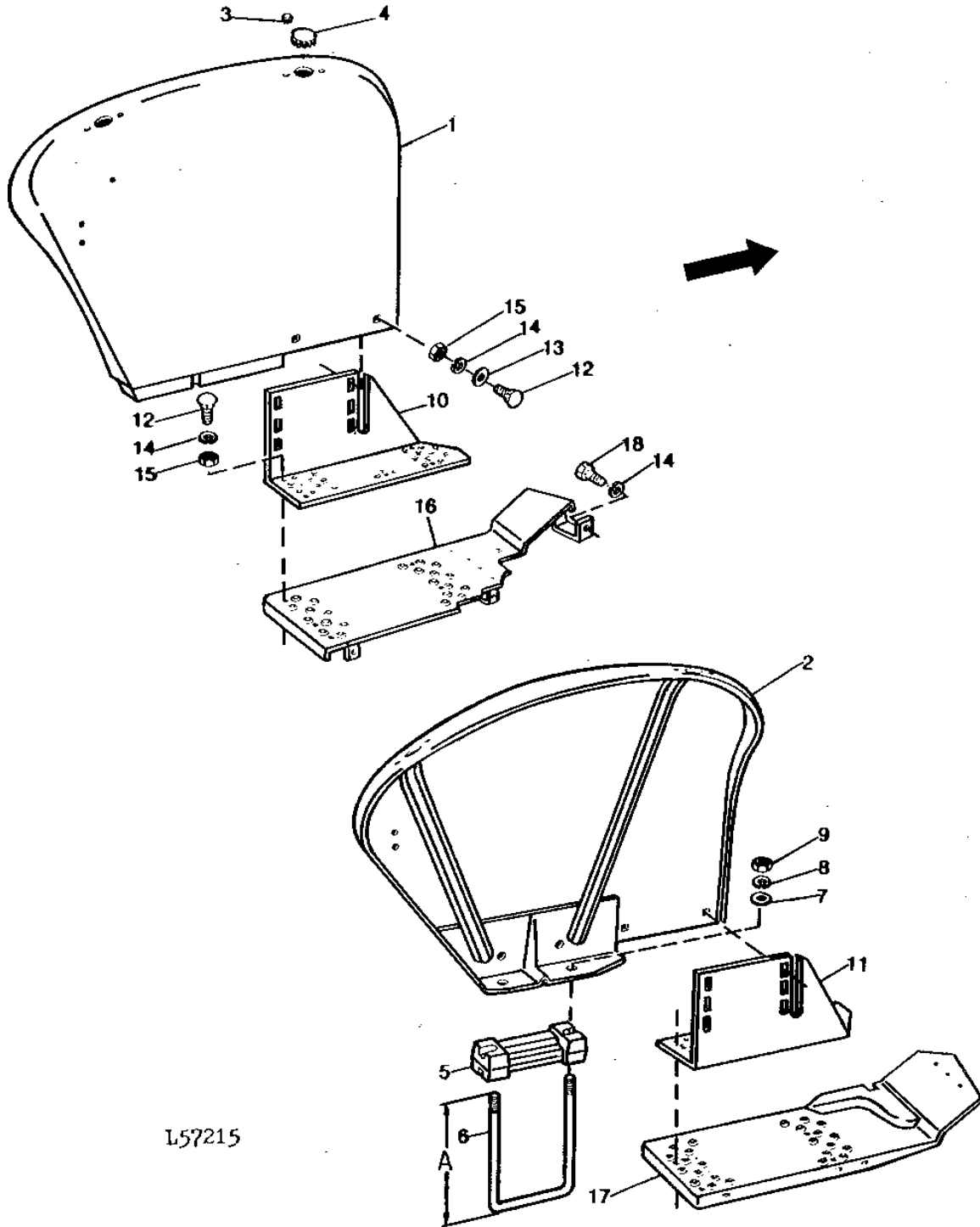
KEY	PART NO.	PART NAME	QTY	TRACTOR SERIAL NO.	REMARKS
1	T21491	ISOLATOR	2		TOP
2	T21490	FOAM PAD	2		SIDE
3	AT19786	HOOD	1		(HORIZONTAL MUFFLER)
	AT19788	HOOD	1		(VERTICAL MUFFLER)
4	T25291	REINFORCEMENT	2		
5	19H1936	CAP SCREW	4		3/8" X 3/4"
6	12H310	LOCK WASHER	4		3/8"
7	T21865	LATCH	1		L.H.
8	T21864	LATCH	1		R.H.
9	T21863	WASHER	2		
10	M63440	LOCK NUT	2		
11	14H1076	NUT	2		3/8"
12	12H304	LOCK WASHER	2		3/8"
13	24H1302	WASHER	2		13/32" X 11/16" X 0.035"
14	R59519	LATCH	2		(SUB FOR R49524)
15	11M7012	COTTER PIN	2		0.126" X 0.630"
16	34H340	SPRING PIN	4		5/16" X 13/16"
17	AR72949	GRILLE	2		(SUB FOR AT19881)
18	AL24182	PLATE	1		FRONT, (SUB AR66186, (2) R49524, (2) 14H1076, 12H304 AND (2) 11M7012)
	AR66186	PLATE	1	178601-179600	FRONT
19	R59991	MEDALLION	1		(SUB FOR R55213) (SUB R67027)
20	L31750	CLIP	2		(SUB FOR R27888)
21	H84660	PLUG	2		(SUB FOR P48093)
22	19H3530	CAP SCREW	8		1/2" X 7/8", HS, SAE 8
23	99M5913	PLUG	4		M9
24	R26858	SPRING	2		

2E24

WHEELS, FRONT AXLES, SHEET METAL

REAR FENDERS AND FOOTRESTS

L57215 -UN-01JAN94



2E25

WHEELS, FRONT AXLES, SHEET METAL

REAR FENDERS AND FOOTRESTS - CONTINUED

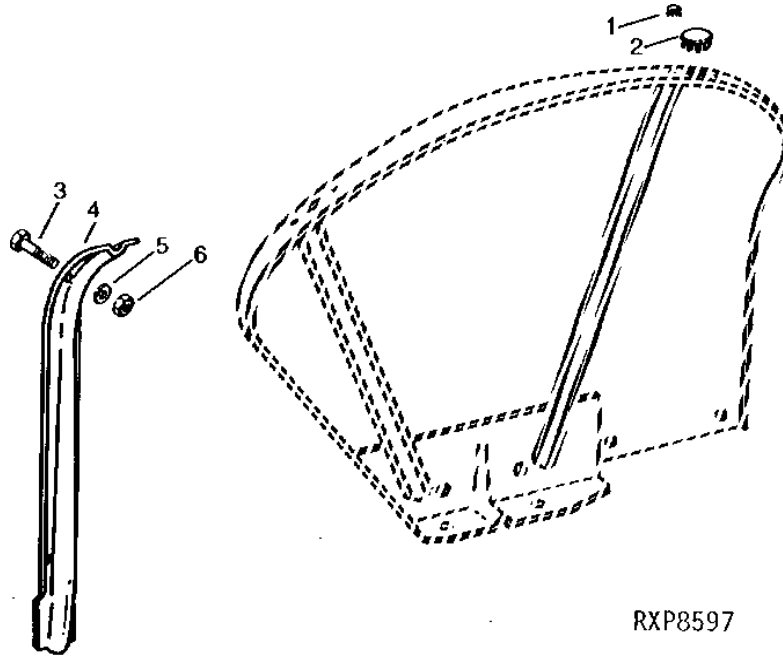
KEY	PART NO.	PART NAME	QTY	TRACTOR SERIAL NO.	REMARKS
1	AL65458	FENDER	1		L.H. (DUAL STEEL DISK REAR WHEELS) (SUB FOR AL24124)
	AR51407	FENDER	1		L.H.
2	AL24123	FENDER	1		R.H. (DUAL STEEL DISK REAR WHEELS)
	AT20777	FENDER	1		R.H.
3	R42451	PLUG	4		(SUB AT103319, H91792, T15005, T82087 AND T82089)
4	H23746	PLUG	2		(SUB FOR T22520)
5	T21571	SPACER	AR		
6	L29329	U-BOLT	2		332 MM (13.06")
	T22706	U-BOLT	2		225 MM (8.86") (SUB L60517)
	T22705	U-BOLT	1		175 MM (6.89")
7	24H1698	WASHER	1		21/32" X 1-5/8" X 1/4"
8	12H294	LOCK WASHER	4		5/8"
9	14H1039	NUT	4		5/8"
10	T32414	SPACER	1		L.H. (SUB FOR L25281)
	AL25437	BRACKET	1		L.H. (SUB FOR T29793)
11	T32413	SPACER	1		R.H. (SUB FOR L25280)
	T29792	FENDER	1		R.H.
12	03H1765	BOLT	8		3/8" X 3/4"
13	24H1307	WASHER	4		13/32" X 1" X 1/16"
14	12H304	LOCK WASHER	13		3/8"
15	14H1076	NUT	8		3/8"
16	AT19847	FOOTREST	1		L.H.
17	AR65463	FOOTREST	1		R.H. (SUB AR73848)
18	19H1731	CAP SCREW	5		3/8" X 1"

2F1

WHEELS, FRONT AXLES, SHEET METAL

RXP8597 -UN-01JAN94

FENDER BRACE AND HARDWARE



RXP8597

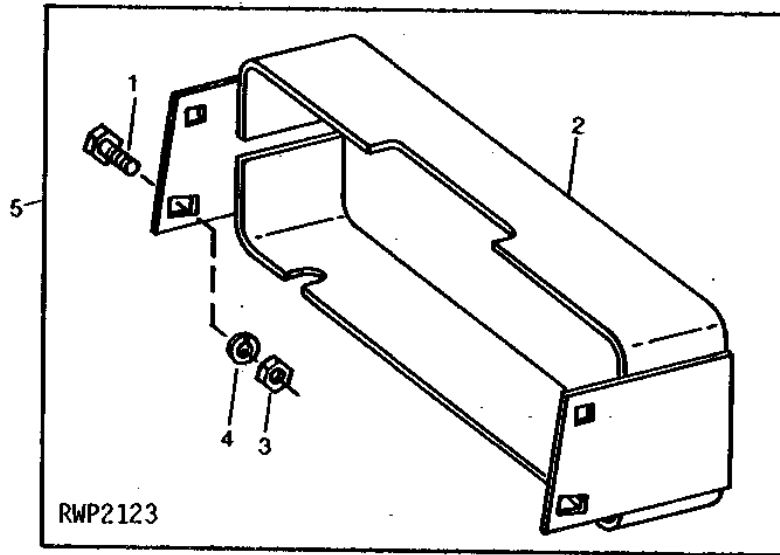
KEY	PART NO.	PART NAME	QTY	TRACTOR SERIAL NO.	REMARKS
1	H113924	PLUG	4		(SUB FOR R42451) (SUB AT103319, H91792, T15005, T82087 AND T82089)
2	H23746	PLUG	2		
3	21H1303	SCREW	8	1/4" X 3/4"	
4	R56822	BRACE	2		
5	12H302	LOCK WASHER	8	1/4"	
6	14H786	NUT	8	1/4"	

2F2

WHEELS, FRONT AXLES, SHEET METAL

RWP2123 -UN-01JAN94

LIGHT GUARD



KEY	PART NO.	PART NAME	QTY	TRACTOR SERIAL NO.	REMARKS
1	19H1815	CAP SCREW	4	1/2" X 1-1/4"	
2	AR66441	GUARD	1	(SUB AR66724)	
3	14H1040	NUT	4	1/2"	
4	12H301	LOCK WASHER	4	1/2"	
5	AR66724	GUARD	1		
..	AR72233	WIRING LEAD	1		(SUB FOR AR68121) (USE FOR R.H. LAMP TO SWITCH WHEN GUARD IS INSTALLED)
..	AR67855	CONNECTOR	1		(USE FOR R.H. LAMP LEAD TO L.H. LAMP LEAD WHEN GUARD IS INSTALLED)
..	R44302	TIE BAND	AR		

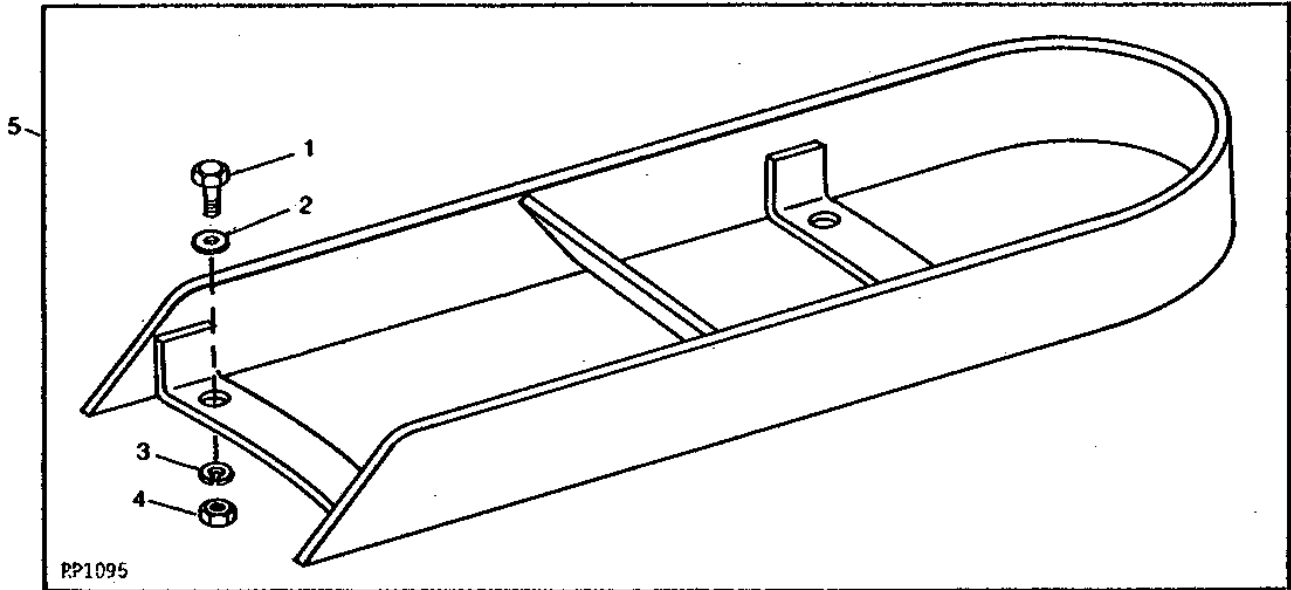
2F3

WHEELS, FRONT AXLES, SHEET METAL

RP1095

-UN-01JAN94

FUEL AND RADIATOR CAP SHIELD



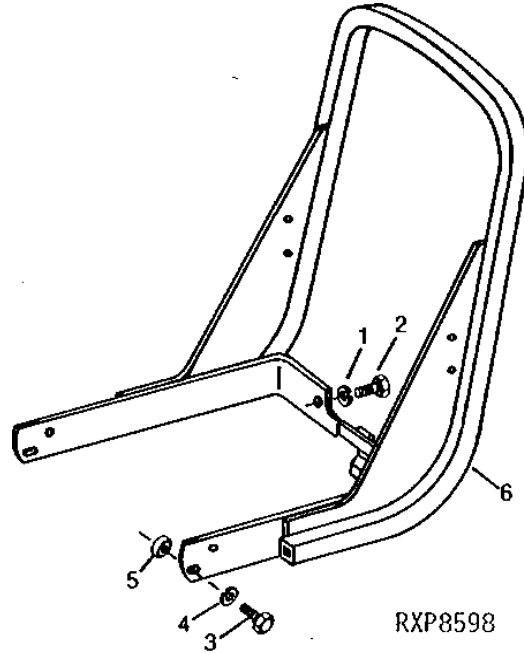
KEY	PART NO.	PART NAME	QTY	TRACTOR SERIAL NO.	REMARKS
1	19H1936	CAP SCREW	4		3/8" X 3/4"
2	24H1306	WASHER	4		13/32" X 1" X 0.035"
3	12H304	LOCK WASHER	4		3/8"
4	14H1076	NUT	4		3/8"
5	AR91614	SHIELD	1		(SUB FOR AR66039)

2F4

WHEELS, FRONT AXLES, SHEET METAL

RXP8598 -UN-01JAN94

GRILLE GUARD



KEY	PART NO.	PART NAME	QTY	TRACTOR SERIAL NO.	REMARKS
1	19H1798	CAP SCREW	2	3/4" X 1-3/4"	
2	12H236	LOCK WASHER	2	3/4"	
3	19H1847	CAP SCREW	2	5/8" X 2-1/2"	
4	12H294	LOCK WASHER	2	5/8"	
5	T18145	BUSHING	2		
6	AR91612	GUARD	1		(SUB FOR AR91610)
..	AR72233	WIRING LEAD	1		(SUB FOR AR68121) (USE FOR R.H. LAMP TO SWITCH WHEN GUARD IS INSTALLED)
..	AR67855	CONNECTOR	1		(USE FOR R.H. LAMP LEAD TO L.H. LAMP LEAD WHEN GUARD IS INSTALLED)
..	R44302	TIE BAND	AR		

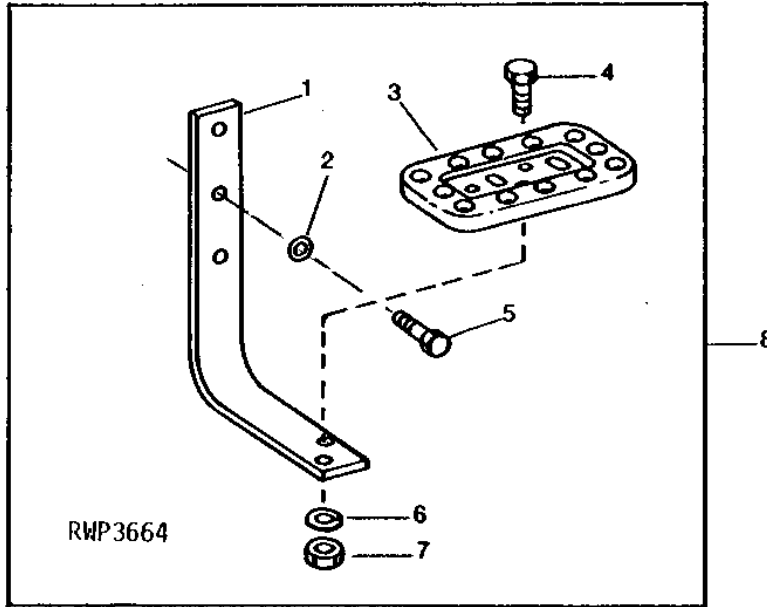
MEMORANDA

2F5

WHEELS, FRONT AXLES, SHEET METAL

RWP3664 -UN-01JAN94

STEP AND SUPPORT



KEY	PART NO.	PART NAME	QTY	TRACTOR SERIAL NO.	REMARKS
1	T25703	SUPPORT	1		
2	24H1375	WASHER	2		
3	F3195R	STEP	1		11/16" X 1-1/8" X 0.060"
4	19H2552	CAP SCREW	2		3/8" X 1-1/8"
5	19H1756	CAP SCREW	2		5/8" X 1-1/2", (LESS SIDE FRAMES)
	19H2706	CAP SCREW	2		5/8" X 2" HS, SAE 8, (SIDE FRAMES)
6	12H304	LOCK WASHER	2		3/8"
7	14H1076	NUT	2		3/8"
8	AT23541	STEP	1		

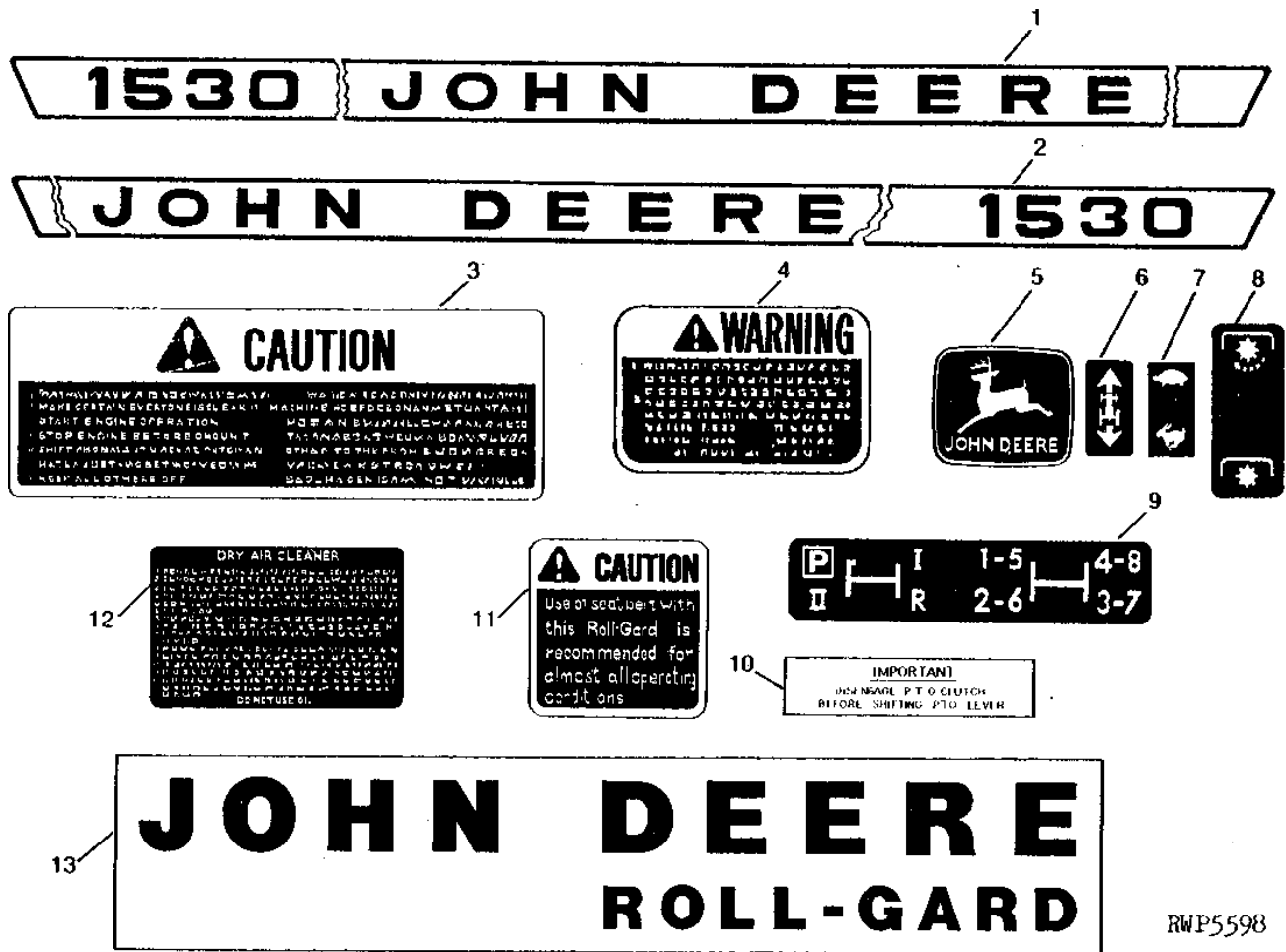
2F6

WHEELS, FRONT AXLES, SHEET METAL

RWP5598

-UN-01JAN94

LABELS, NAME PLATES AND DECALS



RWP5598

2F7

WHEELS, FRONT AXLES, SHEET METAL

LABELS, NAME PLATES AND DECALS - CONTINUED

KEY	PART NO.	PART NAME	QTY	TRACTOR SERIAL NO.	REMARKS
1	L29385	DECAL	1		L.H.
2	L29384	DECAL	1		R.H.
3	R51821	DECAL	1		SAFETY, (SUB R87529)
4	R64391	LABEL	1		PTO SAFETY, (SUB R83103)
5	JD5272	LABEL	1		TOOL BOX
6	R56468	LABEL	1		TRANSMISSION REVERSER
7	R56467	LABEL	1		HI-LO TRANSMISSION CONTROL LEVER
8	T30772	LABEL	1		INDEPENDENT PTO CLUTCH LEVER
9	R68277	LABEL	1		SHIFT LEVER, (SUB FOR T32214)
10	T25899	INSTRUCTION PLATE	1		POWER SHAFT
11	R41781	DECAL	1		(SUB R87527)
12	R56902	LABEL	1		
13	R47292	LABEL	1	-XXXXXX	

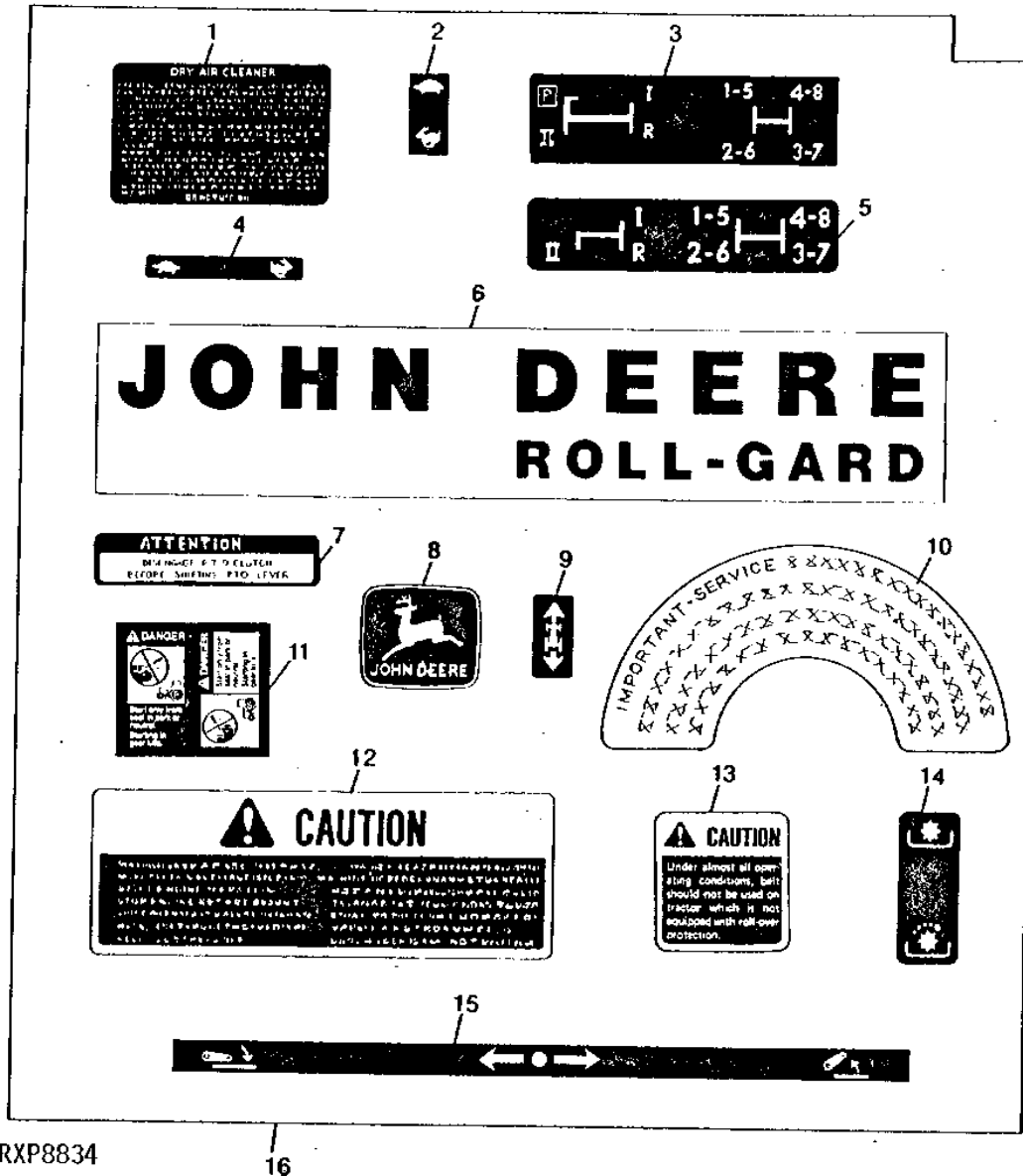
2F8

WHEELS, FRONT AXLES, SHEET METAL

RXP8834

-UN-01JAN94

LABEL REFINISHING KIT



RXP8834

16

2F9

WHEELS, FRONT AXLES, SHEET METAL

LABEL REFINISHING KIT - CONTINUED

KEY	PART NO.	PART NAME	QTY	TRACTOR SERIAL NO.	REMARKS
1	R56902	LABEL	1		DRY AIR CLEANER (FUEL TANK)
2	R56467	LABEL	1		TRANSMISSION HI-LO CONTROL LEVER
3	R68277	LABEL	1		SHIFT LEVER
4	R77420	LABEL	2		SCV FLOW
5	L35521	LABEL	1		SHIFT LEVER (COLLAR SHIFT)
6	R47292	LABEL	1		ROLL-GARD (CROSS MEMBER)
7	T65880	WARNING LABEL	1		CONTINUOUS PTO
8	JD5272	LABEL	1		(TOOL BOX)
9	R56468	LABEL	1		REVERSER TRANSMISSION CONTROL LEVER
10	R72816	LABEL	1		DRY AIR CLEANER (COVER)
11	T146102	WARNING LABEL	1		BYPASS START (ENGLISH) (SUB FOR T84409 OR T134459)
12	R87529	LABEL	1		SAFETY (FENDER) (SUB FOR R76341) (SUB R87529)
13	R87527	LABEL	1		CAUTION, ROLL-GARD (STRUT) (SUB FOR R41781)
14	T30772	LABEL	1		PTO CLUTCH LEVER
15	AL70963	DECAL	1		ROCKSHAFT QUADRANT
16	AR105634	KIT	1		(SUB FOR AR73918 OR AR94358)
17	T146106	WARNING LABEL	1		BYPASS START (ESPANOL) (SUB FOR T84410 OR T134452)
	T146104	WARNING LABEL	1		BYPASS START (FRANCAIS) (SUB FOR T84411 OR T134453)
	T146515	WARNING LABEL	1		BYPASS START (DEUTSCH) (SUB FOR T84412 OR T134454)
	T146516	WARNING LABEL	1		BYPASS START (ITALIANO) (SUB FOR T84413 OR T134455)
	T146517	WARNING LABEL	1		BYPASS START (FRANCAIS/ENGLISH) (SUB FOR T84578 OR T134456)

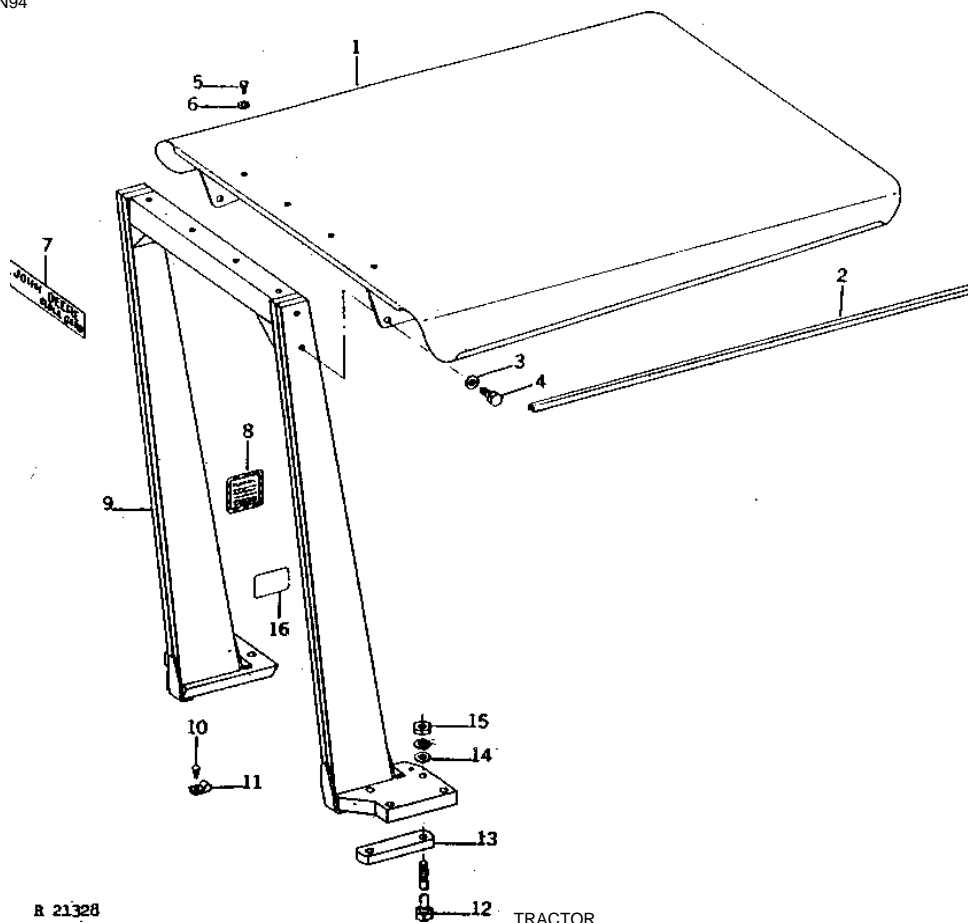
MEMORANDA

2F11

OPERATOR'S STATION

R21328 -UN-01JAN94

ROLL-GARD AND CANOPY



KEY	PART NO.	PART NAME	QTY	TRACTOR SERIAL NO.	REMARKS
1	AR56695	CANOPY	1		(NO LONGER AVAILABLE)
	R52260	ISOLATOR	1		CENTER
	R52261	ISOLATOR	2		SIDE
2	T25667	RUBBER MOUNT	2		
3	24H1625	WASHER	4		17/32" X 1" X 0.120"
4	19H1815	CAP SCREW	4		1/2" X 1-1/4"
5	37H3	SCREW	4		1/4" X 5/8"
6	24H1288	WASHER	4		9/32" X 1" X 1/16"
7	R47292	LABEL	1	-XXXXXX	
8	R87527	LABEL	1		CAUTION, (SUB FOR R41781)
9	ROLL-GARD	1		(ORDER AR51143) (REAR WHEELS 28" AND UNDER DIAMETER)
.....	ROLL-GARD	1		(REAR WHEELS 30" AND OVER DIAMETER) (ORDER AL70191)
10	37H3	SCREW	2		1/4" X 5/8"
11	T22645	CLIP	2		
12	R42581	BOLT	4		3/4" X 13-3/4", (REAR WHEELS OVER 28" DIAMETER)
	R48139	CAP SCREW	4		3/4" X 9-1/2", (REAR WHEELS OVER 28" DIAMETER)
	R48139	CAP SCREW	8		3/4" X 9-1/2"
13	R48138	SPACER	4		(REAR WHEELS OVER 28" DIAMETER) (NO LONGER AVAILABLE)
	U40656	STRAP	4		
14	24H1400	WASHER	8		25/32" X 1-5/8" X 1/4"
15	14H794	NUT	8		3/4"
	12H236	LOCK WASHER	2		3/4"
16	LABEL	1		(NOT FURNISHED)

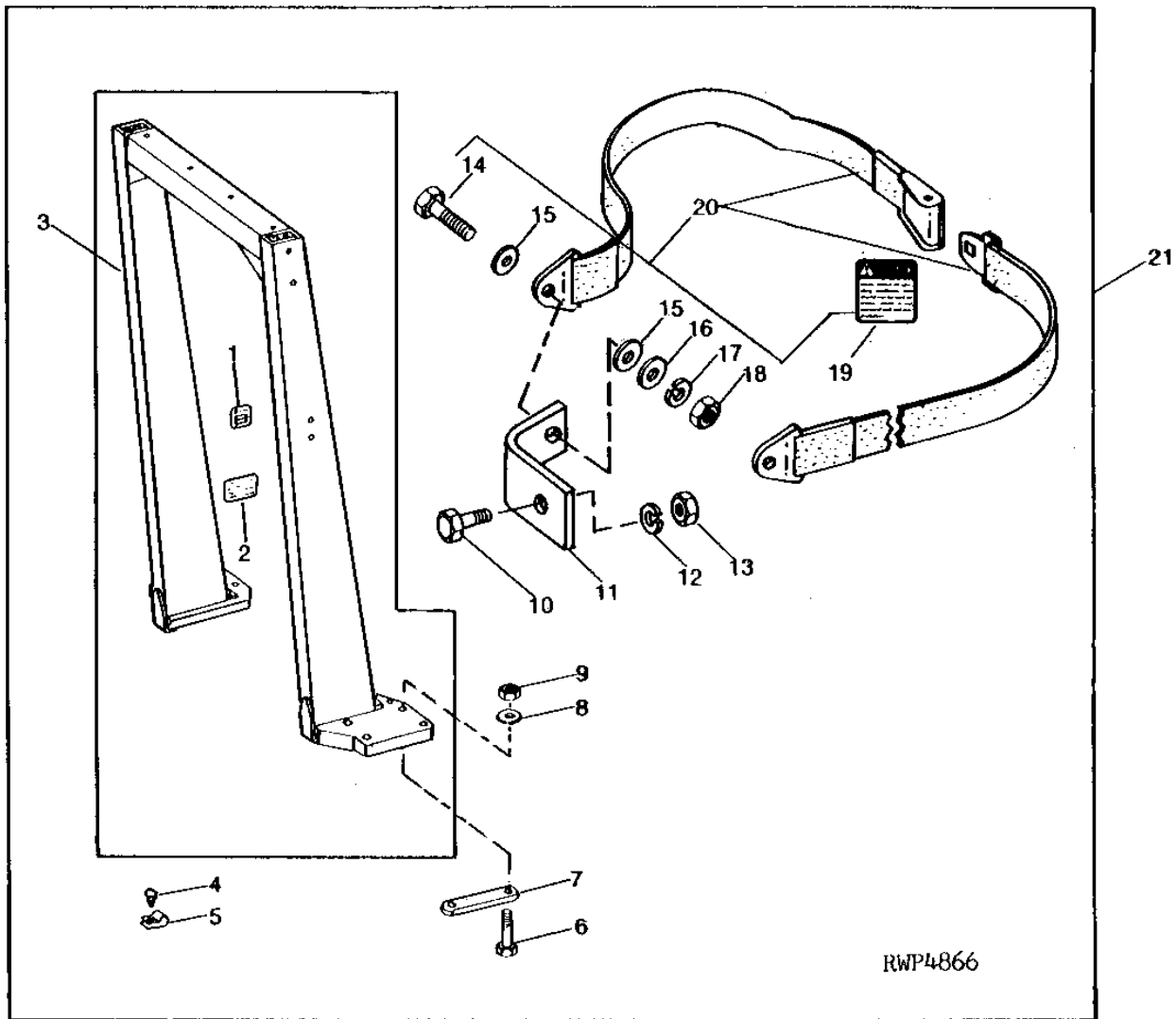
2F12

OPERATOR'S STATION

RWP4866

-UN-01JAN94

ROLL-GARD



2F13

OPERATOR'S STATION

ROLL-GARD - CONTINUED

KEY	PART NO.	PART NAME	QTY	TRACTOR SERIAL NO.	REMARKS
1	R87527	LABEL	1		CAUTION, (SUB FOR R41781)
2	LABEL	1		(NOT FURNISHED)
3	ROLL-GARD	1		(ORDER AR51143 OR AL70191)
4	37H3	SCREW	2		1/4" X 5/8"
5	T22645	CLIP	2		
6	R48139	CAP SCREW	8		(USE WITH AR51143)
	R48139	CAP SCREW	4		(USE WITH AL70191)
	R42581	BOLT	4		(USE WITH AL70191)
7	U40656	STRAP	4		
8	24H1400	WASHER	8		25/32" X 1-5/8" X 1/4"
9	14H794	NUT	8		3/4"
10	19H3579	CAP SCREW	2		1/2" X 1-3/8"
11	T26153	ANGLE	2		
12	12H301	LOCK WASHER	2		1/2"
13	14H1040	NUT	2		1/2"
14	R41778	BOLT	2		
15	24H1226	WASHER	4		1/2" X 1-1/4" X 0.083"
16	24H1363	WASHER	2		41/64" X 1-1/16" X 0.105"
17	12H293	LOCK WASHER	2		7/16"
18	14H1047	NUT	2		7/16"
19	R81424	LABEL	1		CAUTION
20	AT37833	SEAT BELT	1		51 MM (2") WIDTH
	AT38518	SEAT BELT	1		(3" WIDE)
21	AR51143	ROLL-GARD	1		(REGULAR FENDERS) (FOR 28" AND UNDER DIAMETER REAR WHEELS)
	AL70191	ROLL-GARD	1		(REGULAR FENDERS) (FOR 30" AND OVER DIAMETER REAR WHEELS) (SUB FOR AR51146)

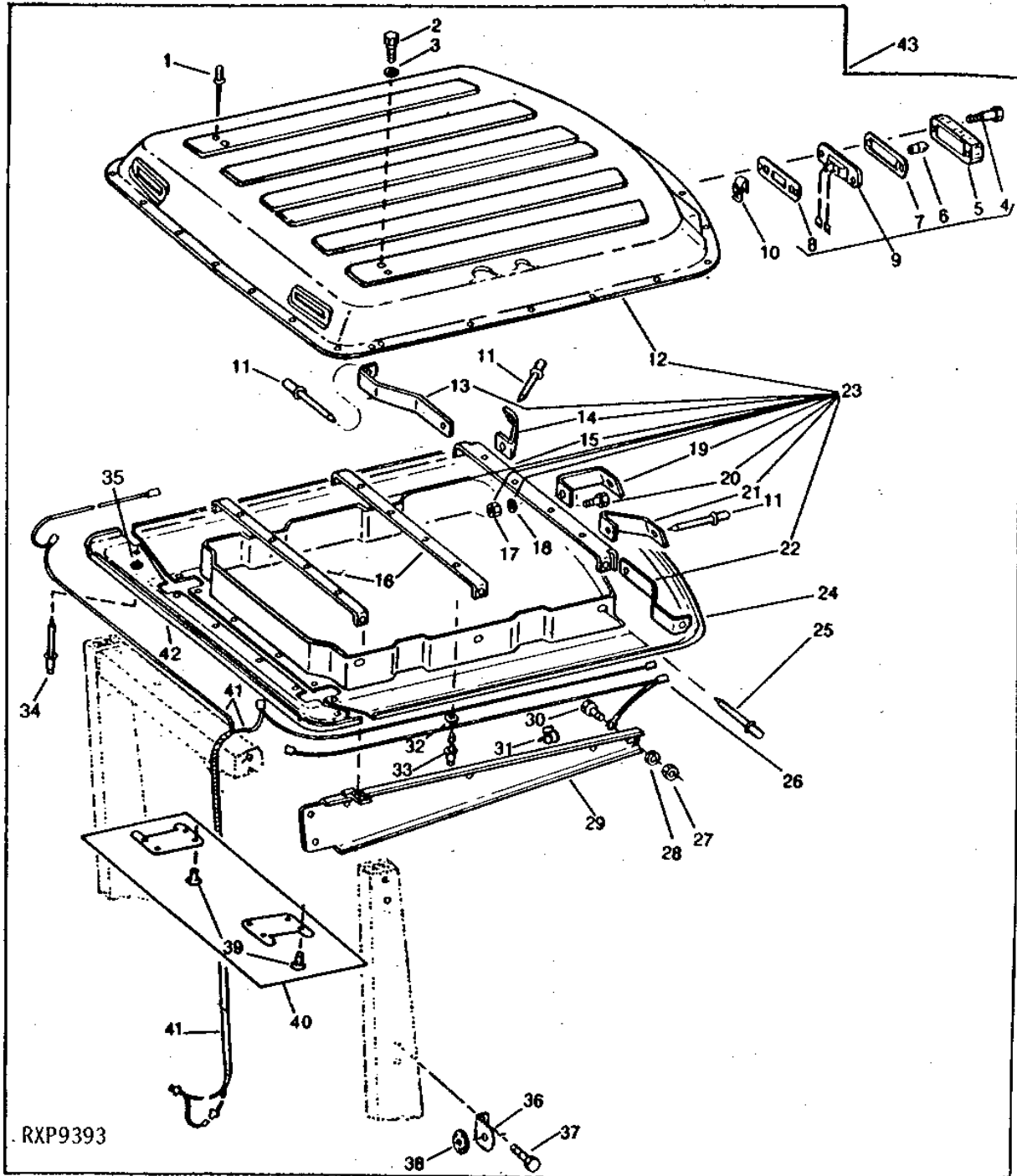
2F14

OPERATOR'S STATION

RXP9393

-UN-01JAN94

ROLL-GARD CANOPY



2F15

OPERATOR'S STATION

ROLL-GARD CANOPY - CONTINUED

KEY	PART NO.	PART NAME	QTY	TRACTOR SERIAL NO.	REMARKS
1	R55326	RIVET	2		
2	19H1792	CAP SCREW	2	1/2" X 1"	
3	24H1227	WASHER	2	17/32" X 13/16" X 0.060"	
4	R54781	SCREW	8		
5	R54779	LENS	4		
6	AD2062R	BULB	4	(12-VOLT)	
7	R54782	GASKET	4		
8	R61179	GASKET	4		
9	AR60250	LAMP	4		
10	R99350	NUT	8	(SUB FOR R53528, THIS APPLICATION)	
11	R55326	RIVET	17		
12	AR78261	ROOF	1	(GREEN) (SUB R60100)	
13	R62926	BRACE	1		
14	R62924	BRACKET	1	-XXXXXX (SUB R81223)	
	R81223	BRACKET	1	XXXXXX-	
15	AR77698	SUPPORT	1		
16	R62922	SUPPORT	2		
17	14H1076	NUT	7	3/8"	
18	24H1682	WASHER	7	13/32" X 7/8" X 0.120"	
19	R62929	BRACKET	1	-XXXXXX (SUB R81221)	
	R81221	BRACKET	1	XXXXXX-	
20	19H1731	CAP SCREW	7	3/8" X 1"	
21	R62923	BRACKET	1	-XXXXXX (SUB R81222)	
	R81222	BRACKET	1	XXXXXX-	
22	R62925	BRACE	1		
23	AR73338	ROOF	1	(WITH SUPPORT AND INSULATION)	
	R60101	ISOLATOR	1	(INSULATION)	
24	R60103	PANEL	1		
25	R55326	RIVET	6		
26	AR56211	WIRING HARNESS	2	(GROUND)	
27	14H1076	NUT	6	3/8"	
28	24H1682	WASHER	2	13/32" X 7/8" X 0.120"	
29	AR72902	SUPPORT	1	R.H.	
	AR72903	SUPPORT	1	L.H.	
30	19H1731	CAP SCREW	6	3/8" X 1"	
31	R21551	CLIP	4		
32	R52119	WASHER	32		
33	R63679	RIVET	32		
34	R63679	RIVET	6		
35	R52119	WASHER	6		
36	R60459	BRACKET	2		
37	37H3	SCREW	4	1/4" X 5/8"	
38	T33745	REFLECTOR	2		
39	R63679	RIVET	8	XXXXXX-	
40	AR76583	COVER	2	XXXXXX-	
41	AR72987	WIRING HARNESS	1		
	H97644	CONDUIT	1	(SUB FOR R50452)	
42	R60104	PANEL	1		
43	AR73336	CANOPY	1	-XXXXXX (ALSO ORDER AR87385) (SUB RE19445)	
	RE19445	CANOPY	1	XXXXXX- (NLA)	

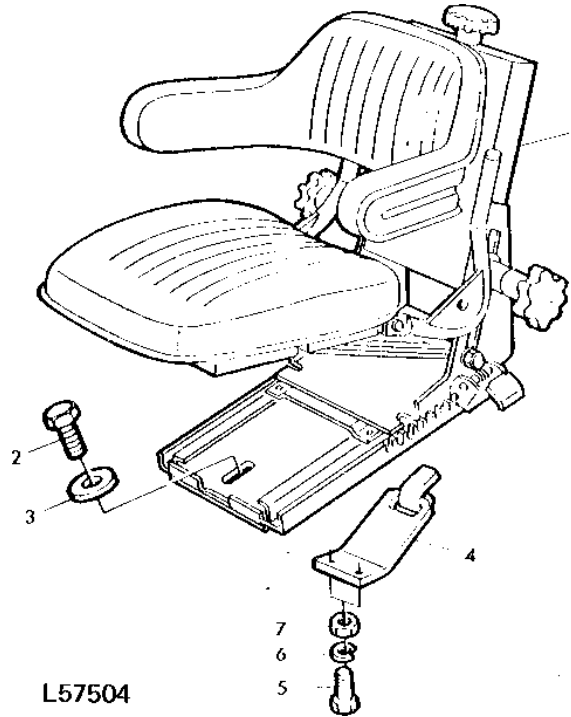
MEMORANDA

2F16

OPERATOR'S STATION

L57504 -UN-01JAN94

DELUXE ASSEMBLY SEAT



L57504

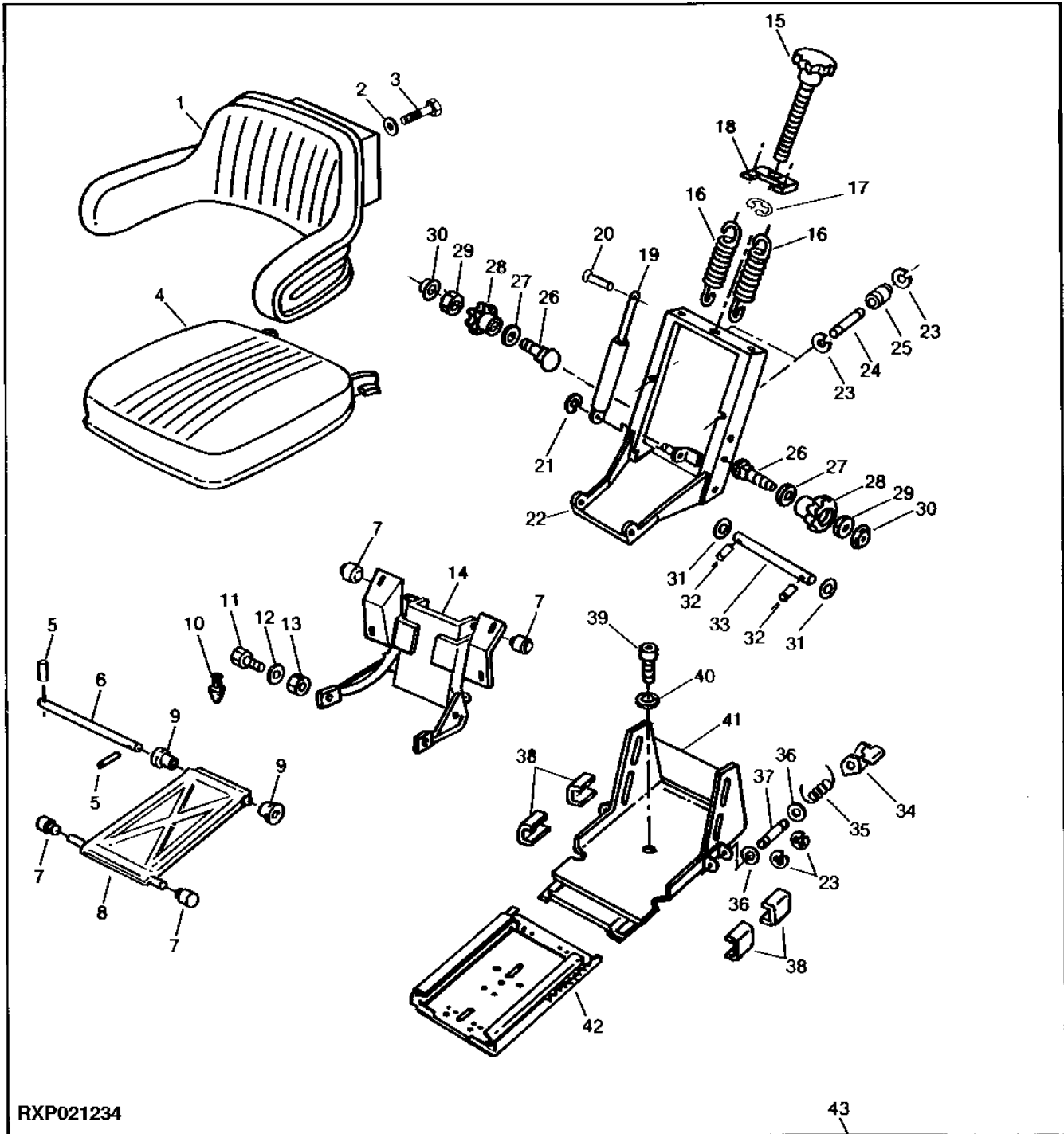
KEY	PART NO.	PART NAME	QTY	TRACTOR SERIAL NO.	REMARKS
1	AL36556	SEAT	1		(SUB FOR AL24161) (SUB AL39913 AND (2) 19H1815)
2	19H1815	CAP SCREW	2		1/2" X 1-1/4"
3	M557T	WASHER	2		
4	AL23433	RETAINER	1		
5	19H1849	CAP SCREW	2		5/16" X 1-1/4", (SUB AL63296)
6	12H303	LOCK WASHER	2		5/16"
7	14H785	NUT	2		5/16"

2F17

OPERATOR'S STATION

RXP021234 -UN-28AUG95

DELUXE SEAT ASSEMBLY



RXP021234

2F18

OPERATOR'S STATION

DELUXE SEAT ASSEMBLY - CONTINUED

KEY	PART NO.	PART NAME	QTY	TRACTOR SERIAL NO.	REMARKS
1	AL24163	ARMREST	1		
2	24H1292	WASHER	4	11/32" X 3/4" X 0.120"	
3	19H1813	CAP SCREW	4	5/16" X 5/8"	
4	AL70202	SEAT	1	(SUB FOR AL24170)	
5	34M3851	SPRING PIN	2	4 X 24 MM	
6	L29209	PIN	1		
7	L64688	ROLLER	4	(SUB FOR L25686)	
8	AL24164	SEAT	1		
9	L27167	BUSHING	2		
10	L25678	BUMPER	1		
11	19H3579	CAP SCREW	2	1/2" X 1-3/8"	
12	24M7047	WASHER	2	13 X 24 X 2.500 MM	
13	K40014	LOCK NUT	2	1/2", (SUB FOR T27645)	
14	AL24169	SUPPORT	1		
15	AL23886	BOLT	1		
16	L41593	EXTENSION SPRING	2	(SUB FOR L28076)	
17	40M7042	SNAP RING	1		
18	L28077	RETAINER	1		
19	AL24165	ABSORBER	1		
20	16M7061	RIVET	1	4 X 25 MM	
21	L27166	SNAP RING	1		
22	AL30692	HOUSING	1	(SUB FOR AL24168)	
23	40M7041	SNAP RING	6		
24	L31731	PIN	2		
25	AL26918	ROLLER	2		
26	03M7099	BOLT	2	M10 X 45	
27	24M7178	WASHER	2	10.500 X 30 X 2.500 MM	
28	L29211	HANDLE	2		
29	L31730	NUT	2		
30	L31727	COVER	1		
31	24M7044	WASHER	2	13 X 20 X 2 MM	
32	34M3851	SPRING PIN	2	4 X 24 MM	
33	L29208	PIN	1		
34	L29204	PAWL	1	(SEAT ADJUSTMENT)	
35	L29206	SPRING	1		
36	24H1292	WASHER	2	11/32" X 3/4" X 0.120"	
37	L29205	PIN	1		
38	L31729	RAIL	4		
39	19M7695	SCREW	1	M10 X 20	
40	12M7013	LOCK WASHER	1	M10	
41	AL30691	FRAME	1	(HEIGHT ADJUSTMENT) (SUB FOR AL24167)	
42	AL28248	ADJUSTER	1	(LENGTH ADJUSTMENT)	
43	AL24161	SEAT	1	(SUB AL56097 AND (2) 19H1815)	

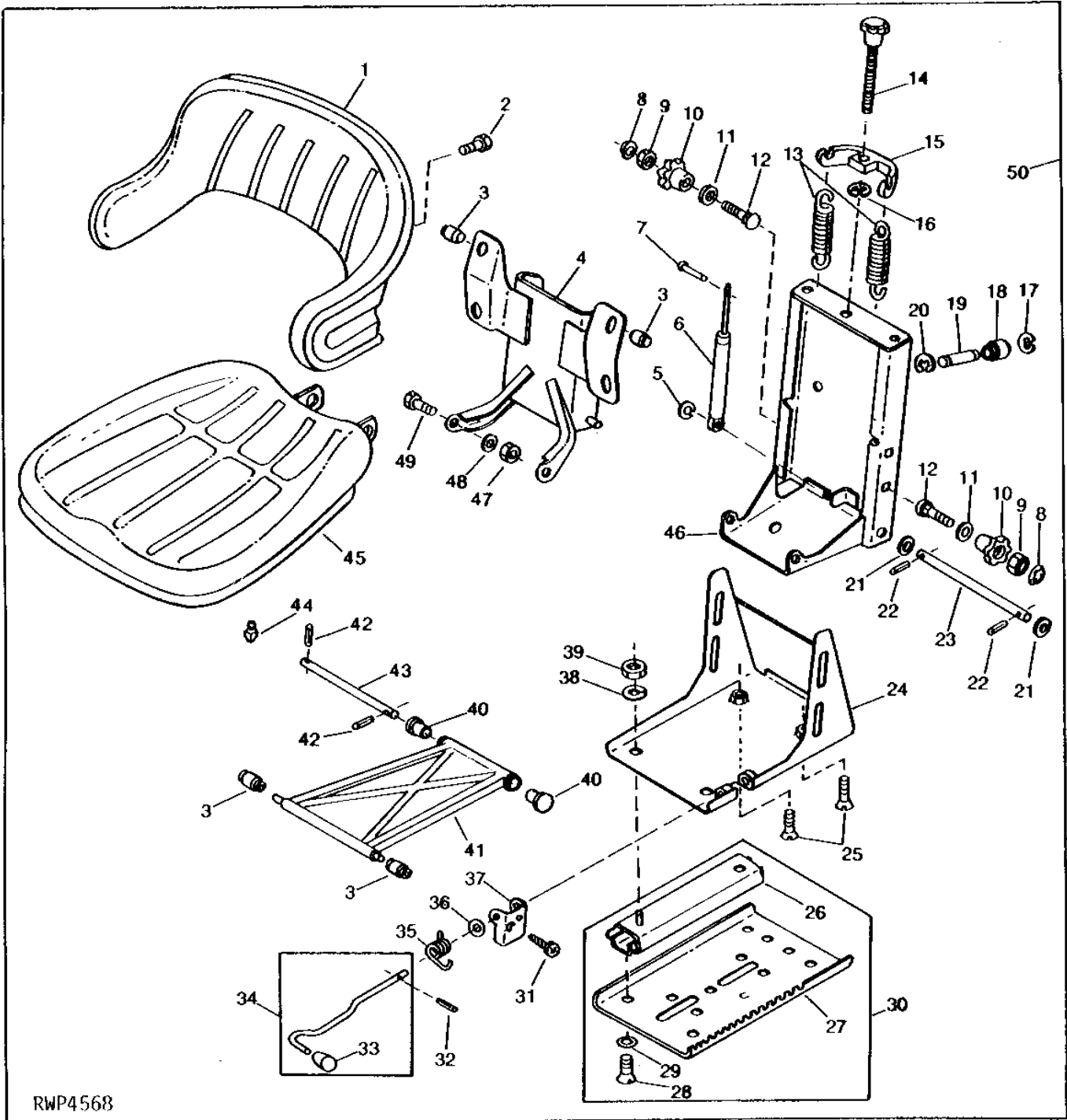
2F19

OPERATOR'S STATION

RWP4568

-UN-01JAN94

DELUXE SEAT ASSEMBLY



RWP4568

2F20

OPERATOR'S STATION

DELUXE SEAT ASSEMBLY - CONTINUED

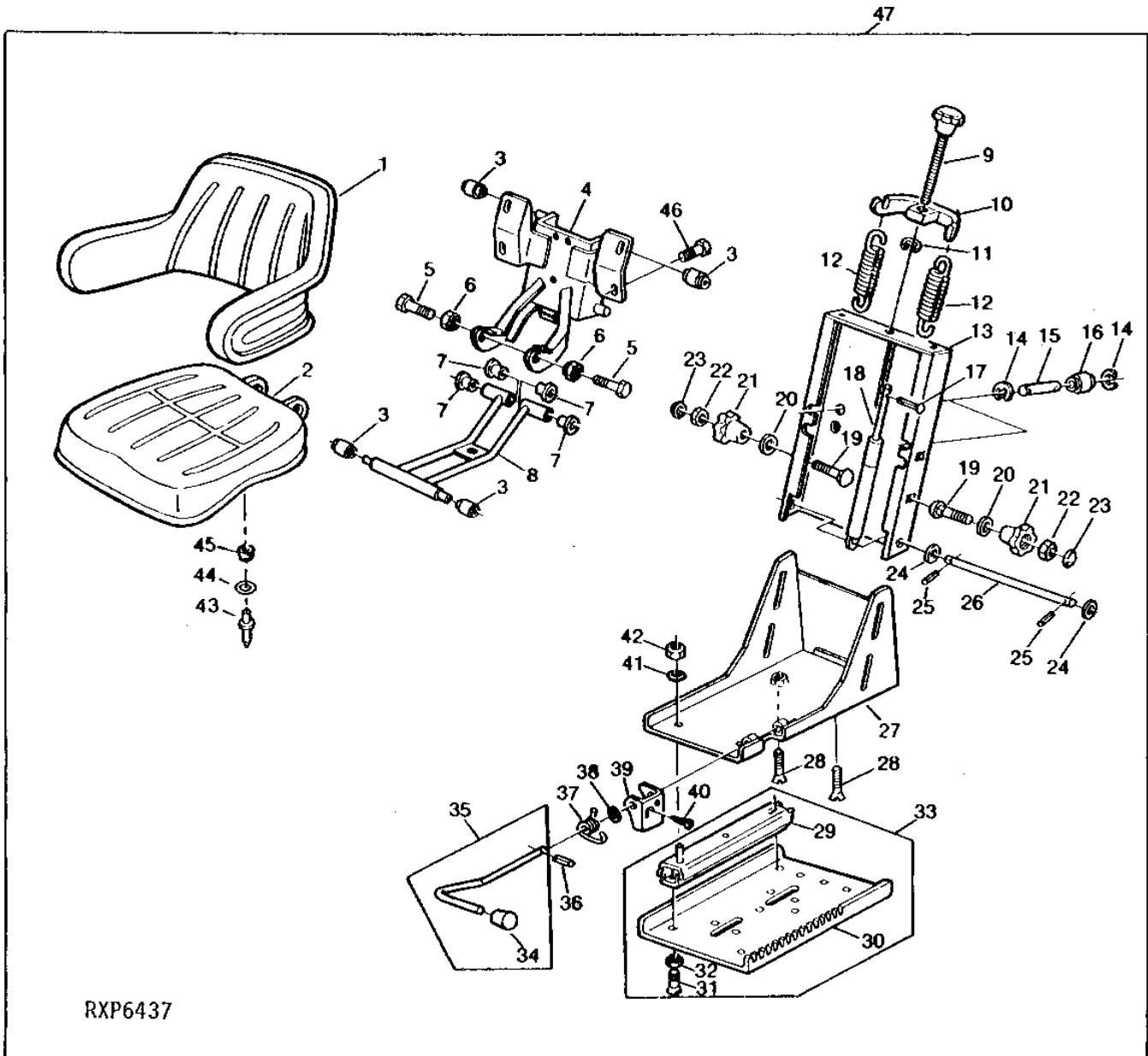
KEY	PART NO.	PART NAME	QTY	TRACTOR SERIAL NO.	REMARKS
1	AL36555	SEAT BACK	1		
2	19H1813	CAP SCREW	4		5/16" X 5/8"
3	L64688	ROLLER	4		GUIDE, 480 I.D. (SUB FOR L25686)
4	AL24169	SUPPORT	1		
5	L27166	SNAP RING	1		
6	AL24165	ABSORBER	1		
7	16M7061	RIVET	1		4 X 25 MM
8	L31727	COVER	2		
9	L31730	NUT	2		
10	L29211	HANDLE	2		
11	24M7178	WASHER	2		10.500 X 30 X 2.500 MM
12	03M7099	BOLT	2		M10 X 45
13	L35825	LEAF SPRING	2		
14	AL33069	SPINDLE	1		
15	L28077	RETAINER	1		
16	40M7042	SNAP RING	1		
17	40M7041	SNAP RING	2		
18	AL26918	ROLLER	2		
19	L31731	PIN	2		
20	40M7041	SNAP RING	2		
21	24M7044	WASHER	2		13 X 20 X 2 MM
22	34M3851	SPRING PIN	2		4 X 24 MM
23	L29208	PIN	1		
24	AL33010	ADJUSTER	1		
25	19M7902	SCREW	2		M8 X 16
26	AL33439	RAIL	2		
27	L36269	PLATE	1		
28	19M7924	SCREW	4		M8 X 16
29	L36292	LOCK NUT	4		
30	AL33016	ADJUSTER	1		
31	37M7079	SCREW	1		
32	34M7121	SPRING PIN	1		4 X 28 MM
33	L34156	KNOB	1		
34	AL36327	LEVER	1		
35	L35769	SPRING	1		
36	24M7207	WASHER	1		8.400 X 24 X 2 MM
37	L38377	PAWL	1		
38	12M7032	LOCK WASHER	1		M8
39	14M7273	NUT	2		M8
40	L27167	BUSHING	2		
41	AL24164	SEAT	1		
42	34M3851	SPRING PIN	2		4 X 24 MM
43	L29209	PIN	1		
44	L25678	BUMPER	1		
45	AL36324	SEAT	1		
46	AL30692	HOUSING	1		
47	T27645	NUT	2		(SUB K40014)
48	24M7047	WASHER	1		13 X 24 X 2.500 MM
49	19H3579	CAP SCREW	2		1/2" X 1-3/8"
50	AL36556	SEAT	1		(SUB FOR AL24161) (SUB AL56097 AND (2) 19H1815)

2F21

OPERATOR'S STATION

RXP6437 -UN-01JAN94

DELUXE SEAT ASSEMBLY



RXP6437

2F22

OPERATOR'S STATION

DELUXE SEAT ASSEMBLY - CONTINUED

KEY	PART NO.	PART NAME	QTY	TRACTOR SERIAL NO.	REMARKS
1	AL39816	SEAT BACK	1		
2	AL39823	SEAT	1		
3	L64688	ROLLER	4		(SUB FOR L25686)
4	AL70339	DRIVER	1		(SUB FOR AL39940)
5	19H1792	CAP SCREW	2		1/2" X 1"
6	T27645	NUT	2		1/2"
7	L27167	BUSHING	AR		
8	AL39941	ARM	1		
9	AL39944	KNOB	1		
10	AL39943	RETAINER	1		
11	40M7042	SNAP RING	1		7MM
12	L35825	LEAF SPRING	2		(SUB FOR L61554)
13	L41591	SPRING ASSEMBLY	1		
14	40M7041	SNAP RING	4		5MM
15	L31731	PIN	2		
16	AL26918	ROLLER	2		
17	16M7061	RIVET	1		4 X 25 MM
18	AL39942	ABSORBER	1		
19	03M7099	BOLT	2		M10 X 45
20	24M7178	WASHER	2		10.500 X 30 X 2.500 MM
21	L29211	HANDLE	2		
22	L31730	NUT	2		10 MM
23	L31727	COVER	2		
24	24M7047	WASHER	2		13 X 24 X 2.500 MM
25	34M3851	SPRING PIN	2		4 X 24 MM
26	L29208	PIN	1		
27	AL33010	ADJUSTER	1		
28	19M7964	CAP SCREW	2		M8 X 12
29	AL33439	RAIL	2		
30	L36269	PLATE	1		
31	19M7924	SCREW	4		M8 X 16
32	L36292	LOCK NUT	4		M8
33	AL33016	ADJUSTER	1		
34	L34156	KNOB	1		
35	AL35641	LEVER	1		
36	34M7127	SPRING PIN	1		4 X 24 MM
37	L35769	SPRING	1		
38	24M7207	WASHER	1		8.400 X 24 X 2 MM
39	L38377	PAWL	1		
40	37M7079	SCREW	1		6.3X13MM
41	12M7032	LOCK WASHER	2		M8
42	14M7273	NUT	2		M8
43	L39010	RIVET	2		
44	24M7117	WASHER	2		4.300 X 9 X 0.800 MM
45	L35768	BUMPER	2		
46	19H1813	CAP SCREW	4		5/16" X 5/8"
47	AL39913	SEAT	1		(ALSO ORDER (2) 19H1815) (SUB AL56097)

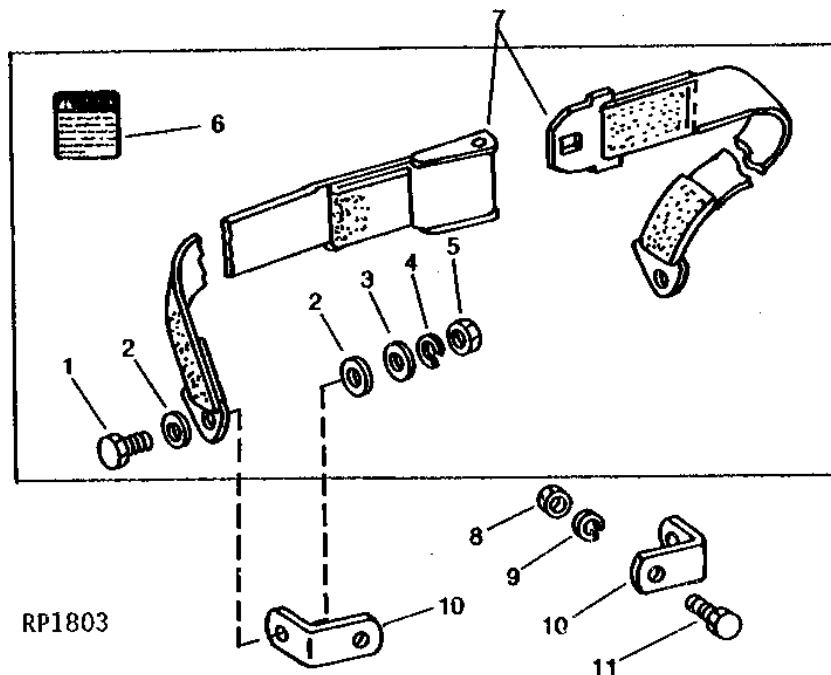
MEMORANDA

2F23

OPERATOR'S STATION

RP1803 -UN-01JAN94

SEAT BELT



RP1803

KEY	PART NO.	PART NAME	QTY	TRACTOR SERIAL NO.	REMARKS
1	R41778	BOLT	2		
2	24H1226	WASHER	4		1/2" X 1-1/4" X 0.083"
	T105740	WASHER	4		(USE WITH AT145968)
3	24H1363	WASHER	2		41/64" X 1-1/16" X 0.105"
4	12H293	LOCK WASHER	2		7/16"
5	14H1047	NUT	2		7/16"
	H80440	LOCK NUT	2		(USE WITH AT145968)
6	R81424	LABEL	1		(SUB FOR R42732)
7	AT37833	SEAT BELT	1		76 MM (3") (WIDTH) (SUB FOR AT24149)
	AT38518	SEAT BELT	1		51 MM (2") (WIDTH) (SUB AT145968)
8	14H1040	NUT	2		1/2"
9	12H301	LOCK WASHER	2		1/2"
10	T26153	ANGLE	2		
11	19H3579	CAP SCREW	2		1/2" X 1-3/8"

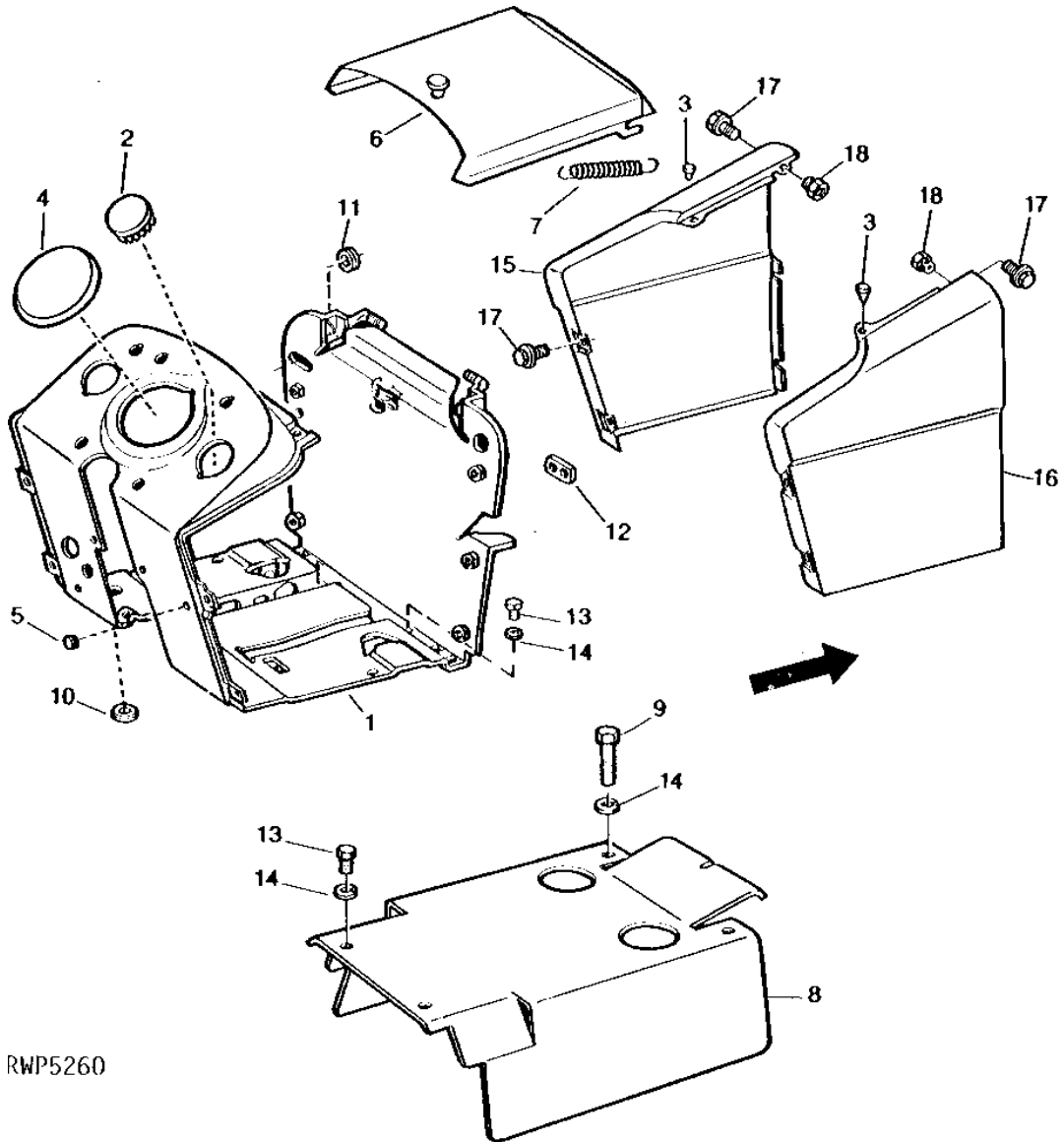
2F24

OPERATOR'S STATION

RWP5260

-UN-01JAN94

DASH AND COWL



RWP5260

2F25

OPERATOR'S STATION

DASH AND COWL - CONTINUED

KEY	PART NO.	PART NAME	QTY	TRACTOR SERIAL NO.	REMARKS
1	AL24181 AR66187	COWL INSTRUMENT PANEL	1 1	178601-179600	(ALSO ORDER M42229, T22213, T16738 AND (2) R44720)
2	T14500	PLUG	1		FUEL GAUGE BUTTON HOLE
3	T22085	BUMPER	2		
4	T27540	PLUG	1		TACHOMETER HOLE
5	H84660	PLUG	1		(REPLACEMENT DASH) (SUB FOR H84660)
6	AT20026	COVER	1		
7	T25367	EXTENSION SPRING	1		
8	R48684	SHIELD	1		(SUB FOR T22394)
9	19H1765	CAP SCREW	4		3/8" X 1-3/4"
10	T23247	GROMMET	1		
11	R26936	GROMMET	1		RUBBER
12	R26418	GROMMET	1		
13	19H2021	CAP SCREW	6		3/8" X 5/8"
14	12H304	LOCK WASHER	10		3/8"
15	T22088	COWL	1		L.H.
16	T22087	COWL	1		R.H.
17	T22211 T30748	SCREW, WITH WASHER SHIELD	10 1		(INDEPENDENT PTO)
18	T22086 19H1819	NUT CAP SCREW	2 1		3/8" X 2-1/8"

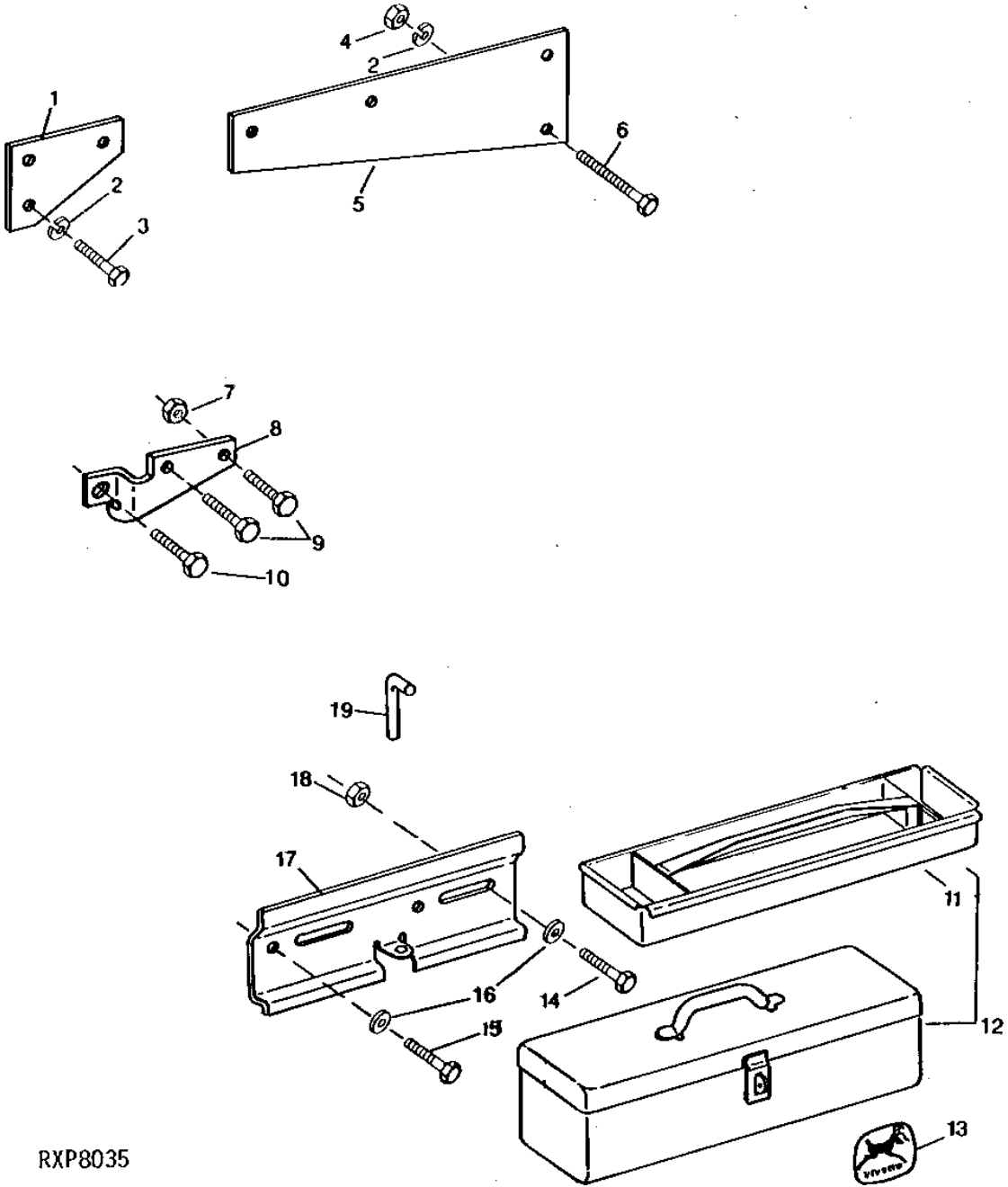
2G1

OPERATOR'S STATION

RXP8035

-UN-01JAN94

TOOLBOX AND SUPPORTS



RXP8035

2G2

OPERATOR'S STATION

TOOLBOX AND SUPPORTS - CONTINUED

KEY	PART NO.	PART NAME	QTY	TRACTOR SERIAL NO.	REMARKS
1	T23035	PLATE	1	(A)	
2	12H294	LOCK WASHER	4	(A) 5/8"	
3	19H1833	CAP SCREW	2	(A) 5/8" X 1-1/4"	
4	14H1039	NUT	2	(A) 5/8"	
5	R77511	SUPPORT	1	(A)	
6	19H1863	CAP SCREW	2	(A) 5/8" X 3"	
7	14H1039	NUT	2	5/8"	
8	L34351	BRACKET	1		
9	19H1833	CAP SCREW	2	5/8" X 1-1/4"	
10	19H1871	CAP SCREW	1	3/4" X 1-1/4"	
11	AT22073	HOLDER	1		
12	AT22070	TOOLBOX	1		
13	JD5602	LABEL	1	-XXXXXX	
14	19H1833	CAP SCREW	1	5/8" X 1-1/4"	
15	19H1916	CAP SCREW	1	5/8" X 1"	
16	24H1363	WASHER	2	41/64" X 1-1/16" X 0.105"	
17	T23033	BRACKET	1		
18	14H1039	NUT	1	5/8"	
19	T23027	PIN	1		

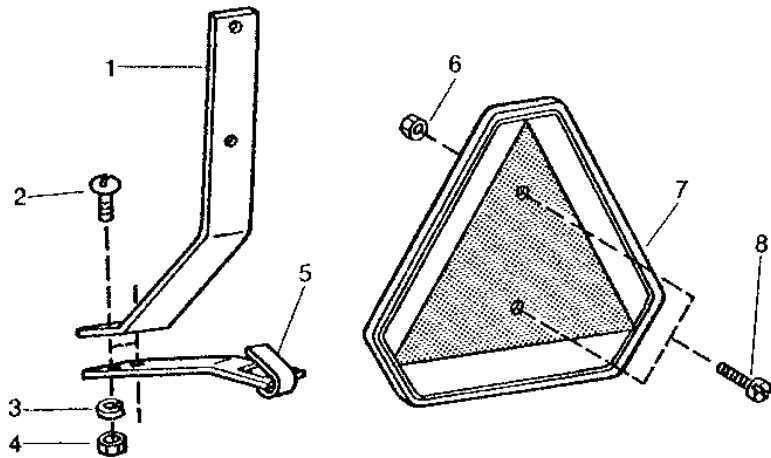
(A) LESS SIDE FRAME

2G3

OPERATOR'S STATION

RP388 -UN-01JAN94

EMBLEM FOR SLOW MOVING VEHICLES



RP388

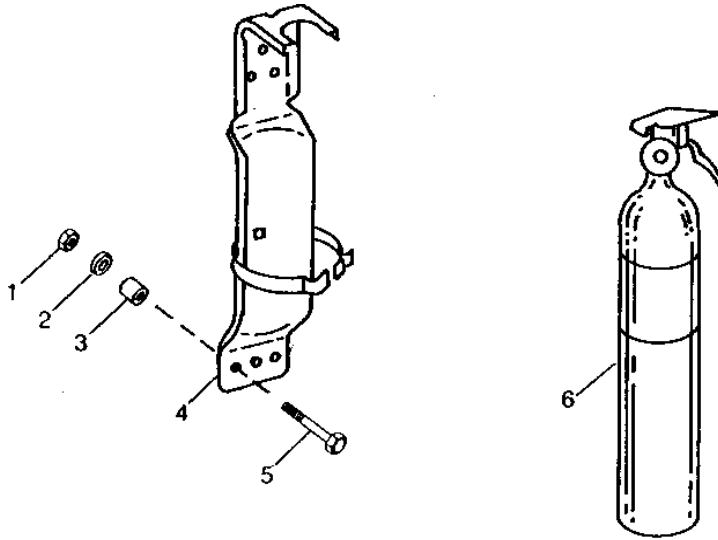
KEY	PART NO.	PART NAME	QTY	TRACTOR SERIAL NO.	REMARKS
1	R54972	BRACKET	1		
2	21H1331	SCREW	2	5/16" X 1"	
3	12H303	LOCK WASHER	2	5/16"	
4	14H785	NUT	2	5/16"	
5	AL23433	RETAINER	1	(SUB AL63296)	
6	14H786	NUT	2	1/4"	
7	TY2615	SMV EMBLEM	1	(SUB FOR AR61194)	
	JD5400	SIGN	1	(INCLUDED IN TY2615)	
8	21H1303	SCREW	2	1/4" X 3/4"	

2G4

OPERATOR'S STATION

RWP2787 -UN-01JAN94

FIRE EXTINGUISHER



RWP2787

KEY	PART NO.	PART NAME	QTY	SG BODY SERIAL NO.	REMARKS
1	14H786	NUT	2	1/4"	
2	24H1287	WASHER	2	9/32" X 5/8" X 0.065"	
3	28H1914	BUSHING	2		
4	AT75387	BRACKET	1	(SUB FOR AT62019)	
5	21H1035	SCREW	2	1/4" X 1-1/2"	
6	AT81764	FIRE EXTINGUISHER	1	(SUB FOR AT62018)	

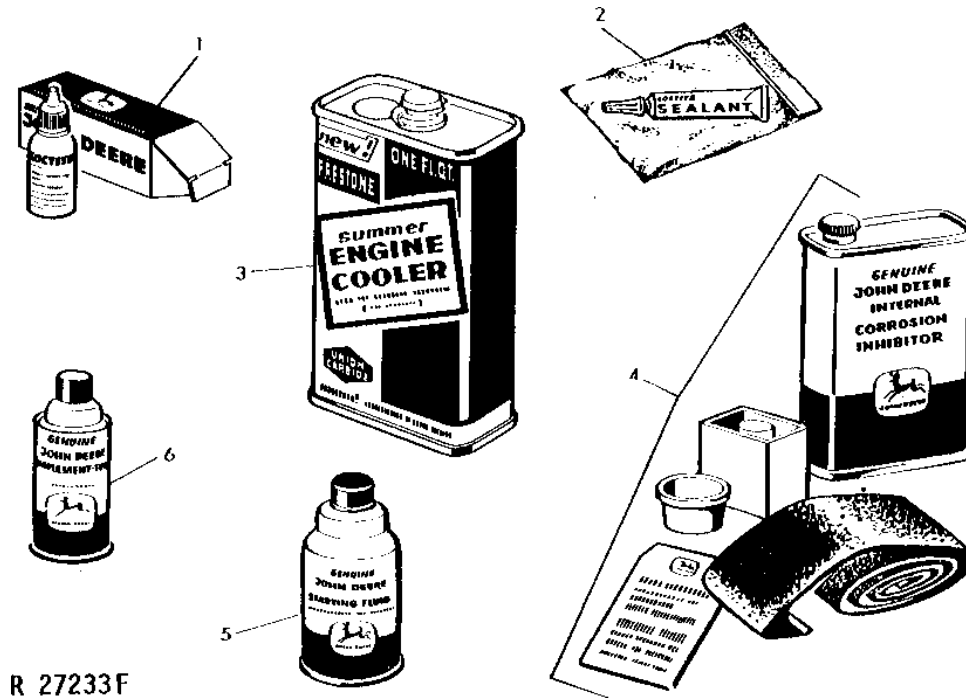
2G5

OPERATOR'S STATION

R27233

-UN-01JAN94

ACCESSORY PARTS



R 27233F

KEY	PART NO.	PART NAME	QTY	TRACTOR SERIAL NO.	REMARKS
1	TY9371	ADHESIVE	1		(BOTTLE OF 10 CC) (SUB FOR AT24538)
	AT26340	SEALANT	1		(BOTTLE OF 2 FL. OZ.) (SUB T43514)
2	TY9371	ADHESIVE	1		(TUBE OF 6 CC) (SUB FOR AT14927)
3	T19566	COOLANT	1		0.9L (1 QT.) CAN, (SUB RE23182)
4	AR41785	KIT	1		CONTAINS 0.9L (1 QT.) CAN OF INTERNAL CORROSION INHIBITOR, (1) ROLL OF TAPE, AND (6) PLASTIC BAGS
5	RE33636	STARTING FLUID	1		(SUB FOR AR27814, RE24561 OR RE30174)
6	L94772	PAINT	1		SPRAY CAN OF JOHN DEERE GREEN, (SUB TY6466)

2G6

OPERATOR'S STATION

R32259 -UN-01JAN94

SEALANT



R32259f

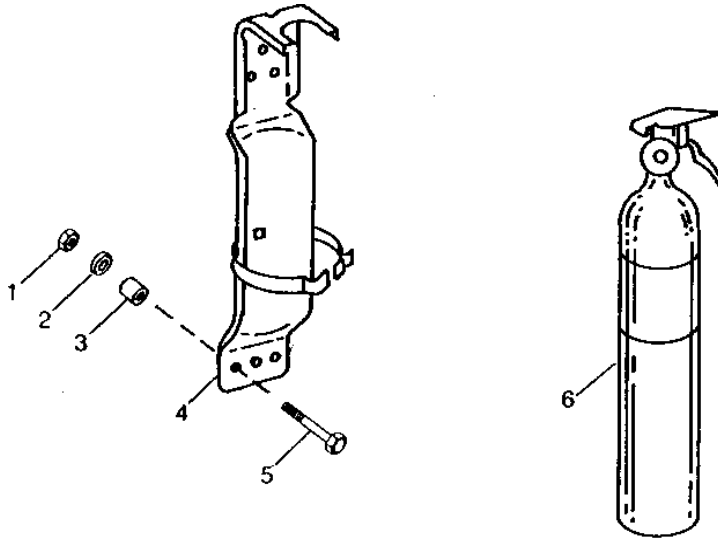
KEY	PART NO.	PART NAME	QTY	TRACTOR SERIAL NO.	REMARKS
1	T43514	GASKET	1	NO.277 (50 ML)	
	TY6304	SEALANT	1	NO.515 (50 ML)	
	TY9370	ADHESIVE	1	NO.242(6 ML)	
	T43512	SEALANT	1	NO.242(50 ML)	
	TY9371	ADHESIVE	1	NO.271(6 ML)	
	T43513	ADHESIVE	1	NO.271(50 ML)	
	TY9374	SEALANT	1	NO.592	
	TY9375	SEALANT	1	NO.592	
	TY8311	ADHESIVE	1	NO.660	
	TY15969	ADHESIVE	1	(SUB FOR T43515) NO.635	
	TY21517	ADHESIVE	1	NO.454	
	TY15435	ADHESIVE	1	NO.445	
	TY6305	PRIMER	1	NO.764	
	TY15941	ADHESIVE	1		

2G7

OPERATOR'S STATION

RWP2787 -UN-01JAN94

FIRE EXTINGUISHER



RWP2787

KEY	PART NO.	PART NAME	QTY	TRACTOR SERIAL NO.	REMARKS
1	14H786	NUT	2	1/4"	
2	24H1287	WASHER	2	9/32" X 5/8" X 0.065"	
3	28H1914	BUSHING	2	0.364" X 0.540" X 7/8"	
4	AT75387	BRACKET	1	(SUB FOR AT62019)	
5	21H1035	SCREW	2	1/4" X 1-1/2"	
6	AT141924	FIRE EXTINGUISHER	1	(SUB FOR AT81764)	

1K23

1530 TRACTOR

NUMERICAL INDEX

PART NO.	GRID	KEY	PAGE	PART NO.	GRID	KEY	PAGE	PART NO.	GRID	KEY	PAGE
AA23586	2C23	16	70 - 51	AL23886	2F18	15	90 - 9	AL25554	1J9	20	50 - 41
AA32178	1G15	..	40 - 33	AL24015	2B18	1	70 - 22	AL25598	1J15	1	50 - 47
AA3495R	1G11	5	40 - 29	AL24015	2B18	2	70 - 22	AL25883	1J11	29	50 - 43
AA34967	1G14	3	40 - 32	AL24088	1J15	32	50 - 47	AL26918	2F18	25	90 - 9
AA34967	1G15	3	40 - 33	AL24089	1H22	16	50 - 3	AL26918	2F20	18	90 - 11
AA34968	1G15	23	40 - 33	AL24091	1H22	16	50 - 3	AL26918	2F22	16	90 - 13
AA5607R	2D12	7	70 - 65	AL24123	2E25	2	80 - 31	AL26972	2D6	22	70 - 59
AA5607R	2D13	9	70 - 66	AL24124	2E25	1	80 - 31	AL26973	2D6	21	70 - 59
AA5692R	1H7	5	40 - 50	AL24151	2E15	1	80 - 20	AL27156	1C18	11	30 - 3
AA5731R	2D12	38	70 - 65	AL24155	1E8	19	30 - 47	AL27159	1C18	20	30 - 3
AA5731R	2D12	40	70 - 65	AL24161	2F16	1	90 - 7	AL27203	2C9	5	70 - 37
AA6307R	2D10	6	70 - 63	AL24161	2F18	43	90 - 9	AL27203	2C9	8	70 - 37
AD2062R	1G11	1	40 - 29	AL24161	2F20	50	90 - 11	AL27203	2C9	11	70 - 37
AD2062R	1G11	7	40 - 29	AL24163	2F18	1	90 - 9	AL27203	2C9	12	70 - 37
AD2062R	1G12	2	40 - 30	AL24164	2F18	8	90 - 9	AL27229	1H25	1B	50 - 5
AD2062R	1G14	2	40 - 32	AL24164	2F20	41	90 - 11	AL27371	1F2	7	40 - 13
AD2062R	1G15	2	40 - 33	AL24165	2F18	19	90 - 9	AL27372	1F2	12	40 - 13
AD2062R	2F15	6	90 - 5	AL24165	2F20	6	90 - 11	AL27373	1F2	14	40 - 13
AE31723	1C18	18	30 - 3	AL24167	2F18	41	90 - 9	AL27374	1F2	9	40 - 13
AE31724	1C18	20	30 - 3	AL24168	2F18	22	90 - 9	AL28037	1I16	49	50 - 21
AE31724	1E11	5	30 - 50	AL24169	2F18	14	90 - 9	AL28227	2B10	19	70 - 15
AF2710R	2B22	13	70 - 26	AL24169	2F20	4	90 - 11	AL28248	2F18	42	90 - 9
AF2710R	2C5	27	70 - 35	AL24170	2F18	4	90 - 9	AL28457	1K9	5	60 - 5
AF2711R	2B22	13	70 - 26	AL24181	2F25	1	90 - 17	AL28674	2B10	19	70 - 15
AF2711R	2C5	27	70 - 35	AL24182	2E23	18	80 - 29	AL2976T	1H10	20	40 - 53
AF3147R	2C3	..	70 - 33	AL24187	1E16	15	40 - 3	AL29818	1I12	3	50 - 17
AF3892R	1G10	2	40 - 28	AL24187	1G9	8	40 - 27	AL30414	1F4	28	40 - 13B
AH20849	1C18	19	30 - 3	AL24189	1E16	12	40 - 3	AL30416	1F4	7	40 - 13B
AH83485	1K13	9	60 - 9	AL24194	1C18	13	30 - 3	AL30417	1F4	9	40 - 13B
AH93625	1G14	8	40 - 32	AL24215	1E16	25	40 - 3	AL30418	1F4	21	40 - 13B
AH93625	1G15	12	40 - 33	AL24219	1D1	1	30 - 14	AL30419	1F4	11	40 - 13B
AL11176	1E16	1	40 - 3	AL24233	1G21	1	40 - 39	AL30421	1F4	18	40 - 13B
AL11176	1E18	11	40 - 5	AL24251	2E12	3	80 - 17	AL30422	1F4	27	40 - 13B
AL15369	2E12	3	80 - 17	AL24550	1K20	17	60 - 17	AL30423	1F4	17	40 - 13B
AL17684	1G18	7	40 - 36	AL24903	1I11	1	50 - 16	AL30423	1F6	4	40 - 13D
AL18135	2B25	8	70 - 30	AL24903	1I11	7	50 - 16	AL30424	1F4	6	40 - 13B
AL18136	2B25	7	70 - 30	AL24903	1I16	49	50 - 21	AL30425	1F4	13	40 - 13B
AL18604	1G19	2	40 - 37	AL25164	1I24	4B	50 - 30	AL30691	2F18	41	90 - 9
AL18714	1I4	2	50 - 9	AL25164	1I24	8	50 - 30	AL30692	2F18	22	90 - 9
AL18714	1I4	..	50 - 9	AL25164	1I25	6B	50 - 31	AL30692	2F20	46	90 - 11
AL19084	1I8	5	50 - 13	AL25164	1J2	13B	50 - 33	AL31989	2C23	10	70 - 51
AL19085	1I8	25	50 - 13	AL25164	1J2	14B	50 - 33	AL32791	1J11	8	50 - 43
AL19092	1I2	11	50 - 7	AL25165	1I24	5	50 - 30	AL32791	1J11	14	50 - 43
AL19092	1I4	21	50 - 9	AL25165	1I24	8	50 - 30	AL32863	1F2	1	40 - 13
AL19192	1F25	8	40 - 23	AL25165	1I25	7	50 - 31	AL32863	1F4	5	40 - 13B
AL19208	1F2	17	40 - 13	AL25165	1J2	14A	50 - 33	AL32964	1I8	25	50 - 13
AL19905	1G19	1	40 - 37	AL25165	1J2	14B	50 - 33	AL32965	1I8	5	50 - 13
AL19906	1G19	3	40 - 37	AL25266	1G2	2	40 - 25	AL32975	1C18	13	30 - 3
AL19907	1G9	2	40 - 27	AL25267	1F25	6	40 - 23	AL33010	2F20	24	90 - 11
AL23433	2F16	4	90 - 7	AL25267	1F25	7	40 - 23	AL33010	2F22	27	90 - 13
AL23433	2G3	5	90 - 20	AL25267	1G2	6	40 - 25	AL33016	2F20	30	90 - 11
AL23434	1F1	20	40 - 12	AL25267	1G4	6	40 - 25B	AL33016	2F22	33	90 - 13
AL23844	1F25	2	40 - 23	AL25267	1G6	6	40 - 25D	AL33044	2B18	7	70 - 22
AL23846	1F25	14	40 - 23	AL25268	1G2	8	40 - 25	AL33069	2F20	14	90 - 11
AL23847	1F25	13	40 - 23	AL25269	1G2	13	40 - 25	AL33250	1J11	25	50 - 43
AL23847	1G2	13	40 - 25	AL25270	1G2	14	40 - 25	AL33279	1J11	29	50 - 43
AL23848	1F25	30	40 - 23	AL25271	1F25	16	40 - 23	AL33439	2F20	26	90 - 11
AL23848	1G2	30	40 - 25	AL25271	1G2	16	40 - 25	AL33439	2F22	29	90 - 13
AL23849	1F2	7	40 - 13	AL25272	1G2	24	40 - 25	AL35641	2F22	35	90 - 13
AL23850	1F2	21	40 - 13	AL25273	1G2	25	40 - 25	AL35755	2B4	6	70 - 9B
AL23851	1F2	23	40 - 13	AL25273	1G4	4	40 - 25B	AL35994	1K4	14	50 - 61
AL23852	1F2	19	40 - 13	AL25273	1G6	4	40 - 25D	AL35998	1E16	2	40 - 3
AL23853	1F2	12	40 - 13	AL25274	1F25	29	40 - 23	AL35998	1F4	1	40 - 13B
AL23854	1F2	14	40 - 13	AL25274	1G2	29	40 - 25	AL35998	1F6	1	40 - 13D
AL23855	1F2	9	40 - 13	AL25275	1F25	29	40 - 23	AL35999	1F4	23	40 - 13B
AL23856	1F2	1	40 - 13	AL25275	1G2	32	40 - 25	AL36324	2F20	45	90 - 11
AL23857	1F2	18	40 - 13	AL25437	2E25	10	80 - 31	AL36327	2F20	34	90 - 11

1K24

1530 TRACTOR

NUMERICAL INDEX - CONTINUED

PART NO.	GRID	KEY	PAGE	PART NO.	GRID	KEY	PAGE	PART NO.	GRID	KEY	PAGE
AL36390	1F4	1	40 - 13B	AL55047	1G4	16	40 - 25B	AL78760	1G6	20	40 - 25D
AL36391	1E16	2	40 - 3	AL55047	1G6	16	40 - 25D	AL81436	1E16	2	40 - 3
AL36391	1F1	1	40 - 12	AL55140	1I4	2	50 - 9	AL81436	1F6	1	40 - 13D
AL36391	1F2	..	40 - 13	AL55140	1I4	..	50 - 9	AL81450	1F6	10	40 - 13D
AL36391	1F4	1	40 - 13B	AL56097	2F18	43	90 - 9	AM30347	2E9	..	80 - 14
AL36555	2F20	1	90 - 11	AL56097	2F20	50	90 - 11	AM39968	1F17	13	40 - 21B
AL36556	2F16	1	90 - 7	AL56097	2F22	47	90 - 13	AM39968	1F23	1	40 - 21I
AL36556	2F20	50	90 - 11	AL56167	1I8	5	50 - 13	AM39968	1F23	5	40 - 21I
AL37931	2C23	3	70 - 51	AL56167	1I8	..	50 - 13	AM39969	1F23	2	40 - 21I
AL37936	2C23	9	70 - 51	AL56820	1J19	14	50 - 52	AM39970	1F17	10	40 - 21B
AL38025	2C23	24	70 - 51	AL56820	1J20	16	50 - 53	AN163885	2C20	3	70 - 48
AL38122	2C23	12	70 - 51	AL56820	1J21	6	50 - 54	AN212996	2C13	6	70 - 41
AL38123	2C23	19	70 - 51	AL59587	2E15	2	80 - 20	AR100124	1A24	14	20 - 7
AL38124	2C23	22	70 - 51	AL60270	1I9	1	50 - 14	AR100124	1C12	18	20 - 43
AL38125	2C23	18	70 - 51	AL60270	1I10	1	50 - 15	AR100124	1C12	25	20 - 43
AL38205	2C23	6	70 - 51	AL60270	1I10	4	50 - 15	AR100124	1C13	8	20 - 44
AL38242	1H25	1A	50 - 5	AL60271	1I4	17	50 - 9	AR100124	1C13	9	20 - 44
AL38242	1H25	1B	50 - 5	AL60271	1I5	9	50 - 10	AR100161	1G7	1	40 - 25E
AL38242	1H25	3	50 - 5	AL60271	1I6	9	50 - 11	AR101210	2C9	8	70 - 37
AL39018	2E7	11	80 - 13	AL60272	1I8	22	50 - 13	AR101238	2A25	30	70 - 7
AL39018	2E8	11	80 - 13B	AL60272	1I9	1	50 - 14	AR101238	2B2	9	70 - 9
AL39019	2E8	3	80 - 13B	AL60272	1I10	1	50 - 15	AR101549	1C4	2	20 - 35
AL39020	2E8	10	80 - 13B	AL60272	1I10	4	50 - 15	AR101631	1I2	22	50 - 7
AL39170	2B25	9	70 - 30	AL61479	2B21	7	70 - 25	AR101631	1I4	10	50 - 9
AL39170	2B25	10	70 - 30	AL61479	2B21	8	70 - 25	AR101631	1I8	13	50 - 13
AL39171	2B25	7	70 - 30	AL62690	1F7	2	40 - 14	AR101727	1E18	16	40 - 5
AL39172	2B25	6	70 - 30	AL62690	1G6	1	40 - 25D	AR101754	1J12	2	50 - 44
AL39618	1I8	5	50 - 13	AL63095	1G4	26	40 - 25B	AR101755	1J12	6	50 - 44
AL39618	1I8	..	50 - 13	AL63095	1G6	25	40 - 25D	AR101832	1J6	1	50 - 37
AL39816	2F22	1	90 - 13	AL63095	1G6	26	40 - 25D	AR102261	1A24	14	20 - 7
AL39823	2F22	2	90 - 13	AL63296	2F16	5	90 - 7	AR102297	1C13	9	20 - 44
AL39913	2F16	1	90 - 7	AL63296	2G3	5	90 - 20	AR102298	1C12	25	20 - 43
AL39913	2F22	47	90 - 13	AL63798	2E8	2	80 - 13B	AR103033	2A21	..	70 - 3
AL39935	1I9	1	50 - 14	AL64830	2B13	39	70 - 19	AR103033	2A23	1	70 - 5
AL39935	1I9	4	50 - 14	AL64830	2B13	40	70 - 19	AR103033	2A25	..	70 - 7
AL39936	1I5	9	50 - 10	AL64830	2B15	21	70 - 19B	AR103040	2A21	25	70 - 3
AL39937	1I9	1	50 - 14	AL65077	1F6	2	40 - 13D	AR103040	2A21	29	70 - 3
AL39937	1I9	4	50 - 14	AL65458	2E25	1	80 - 31	AR103040	2A25	23	70 - 7
AL39940	2F22	4	90 - 13	AL67175	1E16	2	40 - 3	AR103040	2A25	27	70 - 7
AL39941	2F22	8	90 - 13	AL67175	1F6	1	40 - 13D	AR103470	2B5	1	70 - 10
AL39942	2F22	18	90 - 13	AL67290	2B25	9	70 - 30	AR103471	2E4	11	80 - 10
AL39943	2F22	10	90 - 13	AL67290	2B25	10	70 - 30	AR103472	2E5	13	80 - 11
AL39944	2F22	9	90 - 13	AL67292	2B25	7	70 - 30	AR103473	2E5	13	80 - 11
AL40882	1I4	2	50 - 9	AL67293	2B25	6	70 - 30	AR103525	1E16	6	40 - 3
AL40882	1I4	..	50 - 9	AL68887	1F6	10	40 - 13D	AR103525	1E18	2	40 - 5
AL40888	2B13	39	70 - 19	AL68891	1F6	13	40 - 13D	AR103525	1E18	8	40 - 5
AL41247	1E16	9	40 - 3	AL70191	2F11	9	90 - 1	AR103769	1B4	9	20 - 9
AL41247	1F7	2	40 - 14	AL70191	2F13	3	90 - 3	AR103808	2D14	7	70 - 67
AL41247	1G4	1	40 - 25B	AL70191	2F13	6	90 - 3	AR103811	1A24	11	20 - 7
AL41247	1G6	1	40 - 25D	AL70191	2F13	21	90 - 3	AR104660	2B9	1	70 - 14
AL41520	1G4	14	40 - 25B	AL70202	2F18	4	90 - 9	AR105634	2F9	16	80 - 41
AL41520	1G6	14	40 - 25D	AL70242	1K16	4	60 - 13	AR111058	1G23	20	40 - 41
AL41522	1G4	9	40 - 25B	AL70242	1K16	5	60 - 13	AR11131	1F11	16	40 - 17
AL41522	1G6	9	40 - 25D	AL70242	1K16	6	60 - 13	AR112539	2E18	4	80 - 23
AL41525	1G4	22	40 - 25B	AL70300	1K9	29	60 - 5	AR112780	2E19	3	80 - 24
AL41525	1G6	22	40 - 25D	AL70339	2F22	4	90 - 13	AR112784	2E16	4	80 - 21
AL41626	1G4	26	40 - 25B	AL70854	1F25	3	40 - 23	AR21737	1G11	7	40 - 29
AL41626	1G6	26	40 - 25D	AL70854	1G2	3	40 - 25	AR21739	1G11	1	40 - 29
AL55042	1G4	8	40 - 25B	AL70854	1G4	15	40 - 25B	AR21837	1B22	3	20 - 28
AL55042	1G6	8	40 - 25D	AL70854	1G4	21	40 - 25B	AR21837	1B23	3	20 - 29
AL55043	1G4	20	40 - 25B	AL70854	1G6	15	40 - 25D	AR21837	1B24	3	20 - 31
AL55043	1G6	20	40 - 25D	AL70854	1G6	21	40 - 25D	AR21837	1C10	4	20 - 41
AL55044	1G4	18	40 - 25B	AL70855	1G4	5	40 - 25B	AR21837	2C17	3	70 - 45
AL55044	1G6	18	40 - 25D	AL70855	1G6	5	40 - 25D	AR21837	2C23	4	70 - 51
AL55046	1G2	8	40 - 25	AL70963	2F9	15	80 - 41	AR21839	1C6	18	20 - 37
AL55046	1G4	27	40 - 25B	AL78689	1F6	1	40 - 13D	AR21839	2B5	13	70 - 10
AL55046	1G6	27	40 - 25D	AL78760	1G4	20	40 - 25B	AR21839	2B7	15	70 - 12

1K25

1530 TRACTOR

NUMERICAL INDEX - CONTINUED

PART NO.	GRID	KEY	PAGE	PART NO.	GRID	KEY	PAGE	PART NO.	GRID	KEY	PAGE
AR21840	1C6	12	20 - 37	AR39107	1J4	3	50 - 35	AR51143	2F13	6	90 - 3
AR21840	1C8	15	20 - 39	AR39108	1114	19	50 - 19	AR51143	2F13	21	90 - 3
AR21840	1C8	17	20 - 39	AR39115	1116	43	50 - 21	AR51146	2F13	21	90 - 3
AR21840	2B6	15	70 - 11	AR39117	1116	42	50 - 21	AR51338	1E16	12	40 - 3
AR21969	1K16	..	60 - 13	AR39118	1114	8	50 - 19	AR51403	1E16	23	40 - 3
AR21969	2B5	..	70 - 10	AR39118	1124	14	50 - 30	AR51404	1E16	29	40 - 3
AR21999	1C18	1	30 - 3	AR39118	1J2	22	50 - 33	AR51405	1E16	28	40 - 3
AR26375	1J6	30	50 - 37	AR39127	1114	5	50 - 19	AR51407	2E25	1	80 - 31
AR26407	2D10	1	70 - 63	AR39128	1116	6	50 - 21	AR51481	1G9	21	40 - 27
AR26407	2D10	3	70 - 63	AR39156	2B2	17	70 - 9	AR51712	1D8	5	30 - 20
AR26697	2C18	13	70 - 46	AR39157	2C18	7	70 - 46	AR51816	1D11	18	30 - 23
AR26697	2C21	3	70 - 49	AR39158	2C18	5	70 - 46	AR52159	1D3	8	30 - 16
AR26746	2A22	7	70 - 4	AR39162	2C19	24	70 - 47	AR52392	1H5	7	40 - 48
AR26763	2C25	18	70 - 53	AR39168	2A21	..	70 - 3	AR52556	1D3	7	30 - 16
AR26782	1J23	4	50 - 56	AR39168	2A23	1	70 - 5	AR52621	2C25	21	70 - 53
AR26928	1C24	10	30 - 11	AR39168	2A25	..	70 - 7	AR52621	2D2	22	70 - 55
AR27093	2C5	23	70 - 35	AR39170	2A21	10	70 - 3	AR52622	2C25	8	70 - 53
AR27440	2D10	3	70 - 63	AR39170	2A25	10	70 - 7	AR52622	2D2	22	70 - 55
AR27699	2B5	18	70 - 10	AR39173	2A21	38	70 - 3	AR52623	2C20	4	70 - 48
AR27738	2A22	4	70 - 4	AR40174	1G7	1	40 - 25E	AR52785	2A21	15	70 - 3
AR27814	1C25	16	30 - 12	AR40507	1G17	7	40 - 35	AR52785	2A25	15	70 - 7
AR27814	2G5	5	90 - 22	AR40688	2C19	1	70 - 47	AR52860	2E4	11	80 - 10
AR27940	1C25	8	30 - 12	AR40710	1H7	6	40 - 50	AR52861	2E5	13	80 - 11
AR27977	1B12	2	20 - 18	AR40828	2C14	1	70 - 42	AR52862	2E5	13	80 - 11
AR27977	1E16	10	40 - 3	AR41247	1F9	..	40 - 15A	AR53494	1K16	8	60 - 13
AR28271	1J9	8	50 - 41	AR41691	1C2	5	20 - 33	AR53999	1E16	6	40 - 3
AR28403	1E16	19	40 - 3	AR41785	1A20	..	20 - 3	AR53999	1E18	1	40 - 5
AR28403	1G9	23	40 - 27	AR41785	2G5	4	90 - 22	AR54484	1H5	2	40 - 48
AR28403	1H6	7	40 - 49	AR41870	1A20	..	20 - 3	AR54634	2E7	11	80 - 13
AR28570	2C3	3	70 - 33	AR43065	112	16	50 - 7	AR54635	2E7	11	80 - 13
AR28602	1D13	13	30 - 25	AR43065	114	4	50 - 9	AR54637	2E6	14	80 - 12
AR28754	2D16	3	70 - 69	AR43065	118	7	50 - 13	AR54749	1A21	..	20 - 4
AR28755	2D16	3	70 - 69	AR44402	1A19	1	20 - 2	AR54923	1F13	7	40 - 19
AR30110	2C21	6	70 - 49	AR45530	1A24	11	20 - 7	AR54923	1F13	9A	40 - 19
AR30210	2D1	7	70 - 54	AR47331	2D15	20	70 - 68	AR54923	1F13	9B	40 - 19
AR30210	2D4	6	70 - 57	AR47643	2D1	7	70 - 54	AR54923	1F17	22	40 - 21B
AR30210	2D15	7	70 - 68	AR47643	2D15	7	70 - 68	AR54923	1F17	25	40 - 21B
AR30685	2D3	12	70 - 56	AR47825	2D10	4	70 - 63	AR54929	1K17	9	60 - 14
AR30736	1D13	21	30 - 25	AR47825	2D10	7	70 - 63	AR54975	1G16	2	40 - 34
AR33877	2C25	10	70 - 53	AR48041	1G15	22	40 - 33	AR55094	1C2	11	20 - 33
AR33877	2D2	24	70 - 55	AR48296	2C25	21	70 - 53	AR55094	1C2	16	20 - 33
AR34059	2C20	4	70 - 48	AR48297	2C25	8	70 - 53	AR55094	1C2	17	20 - 33
AR34612	1D16	31	30 - 29	AR48499	2B6	15	70 - 11	AR55094	1C3	1	20 - 34
AR37017	2D4	25	70 - 57	AR49202	2C5	24	70 - 35	AR55282	2E9	..	80 - 14
AR38225	2A21	4	70 - 3	AR49206	2C5	16	70 - 35	AR55382	1I25	10	50 - 31
AR38225	2A25	4	70 - 7	AR49427	2A19	5	70 - 1	AR55382	1J2	7	50 - 33
AR38239	2D10	7	70 - 63	AR49592	2E9	3	80 - 14	AR55384	1C8	14	20 - 39
AR38239	2D12	..	70 - 65	AR49797	1H1	1	40 - 44	AR55396	1I25	16	50 - 31
AR38397	1C22	5	30 - 8	AR49798	1H1	1	40 - 44	AR55396	1J2	6	50 - 33
AR38398	1C22	4	30 - 8	AR49877	1D7	21	30 - 19	AR55694	1E16	7	40 - 3
AR38426	2D10	7	70 - 63	AR50040	1D2	1	30 - 15	AR55694	1E16	8	40 - 3
AR38458	1E25	..	40 - 11	AR50041	1D2	3	30 - 15	AR55694	1G9	4	40 - 27
AR38461	1E25	11	40 - 11	AR50041	1E11	2	30 - 50	AR55694	1G9	5	40 - 27
AR38713	2D13	10	70 - 66	AR50580	1E16	22	40 - 3	AR55694	1H1	24	40 - 44
AR38849	2D12	1	70 - 65	AR50580	1G12	1	40 - 30	AR55695	2B24	19	70 - 29
AR39034	2D12	1	70 - 65	AR50779	1H1	2	40 - 44	AR55730	1D4	1	30 - 17
AR39036	2D2	28	70 - 55	AR50780	1H1	2	40 - 44	AR55759	1B15	1	20 - 21
AR39037	2D2	28	70 - 55	AR50894	1D2	11	30 - 15	AR55759	1B16	1	20 - 22
AR39041	2A21	33	70 - 3	AR50926	1H5	13	40 - 48	AR55759	1B17	1	20 - 23
AR39041	2A25	31	70 - 7	AR50927	1H1	20	40 - 44	AR55760	1B8	7	20 - 13
AR39052	2A21	19	70 - 3	AR50927	1H5	11	40 - 48	AR55888	1G11	7	40 - 29
AR39052	2A25	19	70 - 7	AR50927	1H1	18	40 - 44	AR55890	2E20	12	80 - 25
AR39052	2B2	4	70 - 9	AR50929	1H5	3	40 - 48	AR55978	1B15	6	20 - 21
AR39093	1J3	3	50 - 34	AR50930	1H5	12	40 - 48	AR55984	1B15	4	20 - 21
AR39106	2A21	29	70 - 3	AR50931	1H5	17	40 - 48	AR55984	1B17	2	20 - 23
AR39107	1114	16	50 - 19	AR51143	2F11	9	90 - 1	AR55984	1B17	5	20 - 23
AR39107	1J3	6	50 - 34	AR51143	2F13	3	90 - 3	AR56120	2C19	2	70 - 47

1L1

1530 TRACTOR

NUMERICAL INDEX - CONTINUED

PART NO.	GRID	KEY	PAGE	PART NO.	GRID	KEY	PAGE	PART NO.	GRID	KEY	PAGE
AR56211	2F15	26	90 - 5	AR65293	2B5	13	70 - 10	AR68302	1F19	10	40 - 21D
AR56268	1111	7	50 - 16	AR65293	2B6	15	70 - 11	AR68304	1F11	1	40 - 17
AR56290	1D7	21	30 - 19	AR65443	1G9	1	40 - 27	AR68304	1F11	11	40 - 17
AR56290	1D17	17	30 - 31	AR65444	1E16	15	40 - 3	AR68304	1F11	..	40 - 17
AR56695	2F11	1	90 - 1	AR65444	1G9	8	40 - 27	AR68304	1F13	26	40 - 19
AR56772	1116	39	50 - 21	AR65445	1E16	16	40 - 3	AR68801	2E19	4	80 - 24
AR56782	1C21	11	30 - 7	AR65445	1G21	1	40 - 39	AR68818	1K7	38	60 - 3
AR56782	1C21	13	30 - 7	AR65446	1E16	7	40 - 3	AR68818	1K13	10	60 - 9
AR56782	1C21	16	30 - 7	AR65446	1G9	4	40 - 27	AR69398	1C6	8	20 - 37
AR56782	1C21	17	30 - 7	AR65447	1E16	8	40 - 3	AR69444	2D18	..	70 - 71
AR56782	1C21	20	30 - 7	AR65447	1G9	5	40 - 27	AR69445	2D18	..	70 - 71
AR56957	1116	17	50 - 21	AR65448	1E16	17	40 - 3	AR69659	1J3	3	50 - 34
AR58126	1E16	18	40 - 3	AR65463	2E25	17	80 - 31	AR69852	1E6	18	30 - 45
AR58126	1G9	21	40 - 27	AR65686	1K16	22	60 - 13	AR69980	1E20	4	40 - 6A
AR58196	1B19	7	20 - 25	AR65688	1K16	27	60 - 13	AR69988	2C12	7	70 - 40
AR58605	1113	2	50 - 18	AR65881	2B8	16	70 - 13	AR70082	1F13	16	40 - 19
AR59056	1B6	34	20 - 11	AR66039	2F3	5	80 - 34	AR70082	1F13	17	40 - 19
AR60250	2F15	9	90 - 5	AR66186	2E23	18	80 - 29	AR70436	1E16	9	40 - 3
AR60559	1D4	6	30 - 17	AR66187	2F25	1	90 - 17	AR70436	1F7	2	40 - 14
AR60701	1B20	9	20 - 26	AR66244	1D7	4	30 - 19	AR70436	1F9	..	40 - 15A
AR61194	2G3	7	90 - 20	AR66244	1D8	..	30 - 20	AR70436	1G2	1	40 - 25
AR61399	1116	45	50 - 21	AR66244	1D9	..	30 - 21	AR70436	1G2	31	40 - 25
AR61403	1116	21	50 - 21	AR66244	1D11	..	30 - 23	AR70436	1G4	1	40 - 25B
AR61868	1E18	..	40 - 5	AR66244	1D13	..	30 - 25	AR70582	1A24	1	20 - 7
AR61916	1I23	34	50 - 29	AR66244	1D14	..	30 - 26	AR70583	1B2	8	20 - 7B
AR61916	1J11	1	50 - 43	AR66441	2F2	2	80 - 33	AR70718	1I20	11	50 - 26
AR62028	1119	3	50 - 25	AR66478	1E16	20	40 - 3	AR70718	1J11	1	50 - 43
AR62149	2C1	5	70 - 31	AR66478	1G9	15	40 - 27	AR71396	1I14	19	50 - 19
AR62149	2C3	2	70 - 33	AR66588	1J9	13	50 - 41	AR71592	1B17	5	20 - 23
AR62150	2C11	1	70 - 39	AR66724	2F2	2	80 - 33	AR71593	1B16	5	20 - 22
AR62151	2B25	13	70 - 30	AR66724	2F2	5	80 - 33	AR71618	1B8	20	20 - 13
AR62151	2C5	19	70 - 35	AR66799	1G9	18	40 - 27	AR71618	1B3	4	20 - 19
AR62151	2C11	6	70 - 39	AR66923	1I2	4	50 - 7	AR71618	1B16	4	20 - 22
AR62194	1D21	5	30 - 35	AR66923	1I4	1	50 - 9	AR71618	1B17	4	20 - 23
AR62194	1E2	5	30 - 41	AR66923	1I8	4	50 - 13	AR71618	1C12	1	20 - 43
AR62322	1C16	..	30 - 1	AR67002	1D21	10	30 - 35	AR71618	1C12	25	20 - 43
AR62359	1H4	1	40 - 47	AR67002	1E2	2	30 - 41	AR71902	2D10	6	70 - 63
AR62360	1H2	1	40 - 45	AR67003	1D21	7	30 - 35	AR71902	2D10	7	70 - 63
AR62377	1C16	..	30 - 1	AR67003	1E2	3	30 - 41	AR71945	2C21	10	70 - 49
AR62401	1E16	2	40 - 3	AR67004	1D21	6	30 - 35	AR71990	1C13	9	20 - 44
AR62401	1F1	1	40 - 12	AR67004	1E2	4	30 - 41	AR72233	1G17	6	40 - 35
AR62401	1F2	..	40 - 13	AR67043	1C18	3	30 - 3	AR72233	2F2	..	80 - 33
AR62440	2B7	1	70 - 12	AR67074	1B20	19	20 - 26	AR72233	2F4	..	80 - 35
AR62978	1B20	15	20 - 26	AR67091	1D2	11	30 - 15	AR72474	2E20	12	80 - 25
AR62978	1B21	6	20 - 27	AR67092	1D21	26	30 - 35	AR72847	1E18	..	40 - 5
AR62979	1B20	18	20 - 26	AR67092	1E2	19	30 - 41	AR72875	1D21	5	30 - 35
AR62979	1B21	8	20 - 27	AR67338	1E16	5	40 - 3	AR72875	1D21	26	30 - 35
AR63218	1A18	1	20 - 1	AR67338	1E18	9	40 - 5	AR72875	1E2	19	30 - 41
AR63219	1A18	1	20 - 1	AR67398	1G9	14	40 - 27	AR72881	1D21	26	30 - 35
AR63222	1A18	1	20 - 1	AR67398	1G17	10	40 - 35	AR72881	1E2	1	30 - 41
AR63653	1D2	10	30 - 15	AR67670	1B20	4	20 - 26	AR72881	1E2	19	30 - 41
AR63911	2B13	10	70 - 19	AR67670	1B20	13	20 - 26	AR72902	2F15	29	90 - 5
AR63911	2B13	11	70 - 19	AR67675	1D13	25	30 - 25	AR72903	2F15	29	90 - 5
AR63911	2B13	12	70 - 19	AR67855	1G16	7	40 - 34	AR72949	2E23	17	80 - 29
AR63911	2B13	13	70 - 19	AR67855	1G17	8	40 - 35	AR72957	1B22	1	20 - 28
AR63911	2B13	39	70 - 19	AR67855	1G20	5	40 - 38	AR72957	1B23	6	20 - 29
AR63979	1A18	1	20 - 1	AR67855	1G25	14	40 - 43	AR72957	1B24	8	20 - 31
AR64078	1D11	18	30 - 23	AR67855	1H6	2	40 - 49	AR72987	2F15	41	90 - 5
AR64422	1G9	14	40 - 27	AR67855	1H8	9	40 - 51	AR73097	1C10	1	20 - 41
AR64422	1G17	10	40 - 35	AR67855	2F2	..	80 - 33	AR73336	2F15	43	90 - 5
AR64709	2D23	1	80 - 3	AR67855	2F4	..	80 - 35	AR73338	2F15	23	90 - 5
AR64724	1B6	34	20 - 11	AR67942	1B10	9	20 - 16	AR73500	2D17	1	70 - 70
AR64730	1B8	61	20 - 13	AR68071	2B24	7	70 - 29	AR73620	1G20	11	40 - 38
AR64845	2B24	7	70 - 29	AR68119	1G16	6	40 - 34	AR73621	1G20	7	40 - 38
AR64915	2D22	14	80 - 2	AR68121	2F2	..	80 - 33	AR73622	1G20	6	40 - 38
AR65005	1H16	1	40 - 59	AR68121	2F4	..	80 - 35	AR73673	1D7	21	30 - 19
AR65006	1H16	2	40 - 59	AR68299	1F17	30	40 - 21B	AR73673	1D17	16	30 - 31

1L2

1530 TRACTOR

NUMERICAL INDEX - CONTINUED

PART NO.	GRID	KEY	PAGE	PART NO.	GRID	KEY	PAGE	PART NO.	GRID	KEY	PAGE
AR73673	1D17	17	30-31	AR84228	1C18	18	30-3	AR91810	2D22	14	80-2
AR73828	1D11	3	30-23	AR84228	1E11	4	30-50	AR91810	2D25	8	80-5
AR73829	1D11	3	30-23	AR85323	1E16	26	40-3	AR92385	2B17	16	70-21
AR73848	2E25	17	80-31	AR85323	1E19	6	40-6	AR92425	2E19	1	80-24
AR73918	2F9	16	80-41	AR85323	2B9	12	70-14	AR92893	1B10	1	20-16
AR74411	1H6	5	40-49	AR85407	1G7	1	40-25E	AR92944	2D25	1	80-5
AR75601	1J9	8	50-41	AR85578	1G18	6	40-36	AR92944	2E1	7	80-7
AR75603	1E11	1	30-50	AR85618	1D17	8	30-31	AR92944	2E3	1	80-9
AR75603	1J9	8	50-41	AR85618	1D19	6	30-33	AR92945	2D22	14	80-2
AR75694	1H8	10	40-51	AR85710	1D21	24	30-35	AR92945	2D23	1	80-3
AR75695	1H8	2	40-51	AR85710	1E2	27	30-41	AR92945	2D23	12	80-3
AR75696	1H8	8	40-51	AR85744	1116	17	50-21	AR93819	2D1	2	70-54
AR75958	2C25	11B	70-53	AR86461	1116	4	50-21	AR93819	2D1	5	70-54
AR75958	2D2	23	70-55	AR86461	1116	5	50-21	AR93819	2D1	7	70-54
AR76101	1E4	4	30-43	AR86461	1116	6	50-21	AR93819	2D4	2	70-57
AR76102	1E2	9	30-41	AR86461	1116	23	50-21	AR93819	2D4	5	70-57
AR76102	1E4	12	30-43	AR86461	1116	24	50-21	AR93819	2D4	6	70-57
AR76583	2F15	40	90-5	AR86461	1117	5	50-22	AR93819	2D10	7	70-63
AR76704	1D7	19	30-19	AR86535	2C19	2	70-47	AR93819	2D15	2	70-68
AR76704	1D21	5	30-35	AR86535	2C19	3	70-47	AR93819	2D15	5	70-68
AR76704	1E2	5	30-41	AR86969	1G11	1	40-29	AR93819	2D15	7	70-68
AR76704	1E2	8	30-41	AR87385	2F15	43	90-5	AR93820	2D1	2	70-54
AR77179	2B9	1	70-14	AR87416	1J9	13	50-41	AR93820	2D1	5	70-54
AR77324	1G11	7	40-29	AR88239	1D7	21	30-19	AR93820	2D1	7	70-54
AR77325	1G11	7	40-29	AR88239	1D17	16	30-31	AR93820	2D10	7	70-63
AR77326	1E16	30	40-3	AR88239	1D17	17	30-31	AR93820	2D15	2	70-68
AR77326	1G11	1	40-29	AR89064	2A23	1	70-5	AR93820	2D15	5	70-68
AR77326	1G11	7	40-29	AR89064	2A25	..	70-7	AR93820	2D15	7	70-68
AR77326	1G11	9	40-29	AR89073	2A25	27	70-7	AR93820	2D16	8	70-69
AR77485	1E21	2	40-7	AR89075	2A21	10	70-3	AR93928	1J21	9	50-54
AR77530	2C1	4	70-31	AR89075	2A25	10	70-7	AR93948	2C15	30	70-43
AR77698	2F15	15	90-5	AR89564	1D7	21	30-19	AR94358	2F9	16	80-41
AR77762	1B8	10	20-13	AR89564	1D17	8	30-31	AR94522	2D6	21	70-59
AR77762	1B15	4	20-21	AR89564	1D17	17	30-31	AR94522	2D16	10	70-69
AR77762	1B17	2	20-23	AR89564	1D19	17	30-33	AR94535	1H22	16	50-3
AR77762	1B17	5	20-23	AR89691	1E16	26	40-3	AR94702	1H24	8	50-3B
AR78041	1B17	5	20-23	AR89691	1E19	6	40-6	AR94952	1E8	1	30-47
AR78052	1H6	14	40-49	AR89691	2B9	12	70-14	AR96613	2A21	15	70-7
AR78202	1113	9A	50-18	AR89841	1E2	1	30-41	AR96613	2A25	15	70-7
AR78202	1J15	27	50-47	AR90453	2A21	38	70-3	AR96662	1114	16	50-19
AR78261	2F15	12	90-5	AR90453	2A25	36	70-7	AR96662	1J3	6	50-34
AR78310	1B15	4	20-21	AR90577	2C13	5	70-41	AR96662	1J4	3	50-35
AR78310	1B16	2	20-22	AR90577	2C13	..	70-41	AR97026	1B6	34	20-11
AR78361	1116	6	50-21	AR90578	2C13	5	70-41	AR97035	1B8	61	20-13
AR78361	1116	24	50-21	AR90578	2C13	..	70-41	AR98023	1G17	9	40-35
AR78361	1117	2	50-22	AR90579	2C13	6	70-41	AR98201	2D16	2	70-69
AR78396	2C19	2	70-47	AR90581	2C13	6	70-41	AR98202	2D16	1	70-69
AR78396	2C19	3	70-47	AR90583	2C13	6	70-41	AR98993	2B2	17	70-9
AR78405	1K7	1	60-3	AR90601	1D16	2	30-29	AR99100	2C25	10	70-53
AR79920	1C13	9	20-44	AR90971	1J24	13	50-57	AR99100	2D2	24	70-55
AR80332	1D21	10	30-35	AR90971	2C10	5	70-38	AT103319	2E25	3	80-31
AR80332	1E2	2	30-41	AR91514	1J6	1	50-37	AT103319	2F1	1	80-32
AR81610	1K9	21	60-5	AR91548	1D13	23	30-25	AT10344	2E9	1	80-14
AR81610	1K9	22	60-5	AR91610	2F4	6	80-35	AT10344	2E9	3	80-14
AR82016	1116	45	50-21	AR91612	2F4	6	80-35	AT10638	1D4	7	30-17
AR82016	1117	5	50-22	AR91614	2F3	5	80-34	AT11520	1D13	13	30-25
AR82294	1B6	29	20-11	AR91660	1B11	4	20-17	AT11927	1K7	30	60-3
AR82295	1B6	32	20-11	AR91768	1D21	26	30-35	AT11927	1K13	15	60-9
AR82570	2D3	12	70-56	AR91768	1E2	1	30-41	AT12350	2C5	29	70-35
AR82576	2C25	10	70-53	AR91768	1E2	19	30-41	AT12431	1K2	5	50-59
AR82576	2D2	24	70-55	AR91772	1D21	26	30-35	AT124396	1K2	25	50-59
AR82906	1H6	14	40-49	AR91772	1E2	19	30-41	AT13740	1B6	4	20-11
AR82908	1H6	12	40-49	AR91793	1H14	42	40-57	AT13740	1C6	23	20-37
AR82911	1H6	13	40-49	AR91808	2E1	7	80-7	AT13740	1C8	25	20-39
AR83400	2B9	1	70-14	AR91808	2E3	8	80-9	AT13740	1D1	24	30-14
AR83425	1H16	8	40-59	AR91809	2D23	1	80-3	AT141924	2G7	6	90-24
AR83549	2C14	1	70-42	AR91809	2D25	8	80-5	AT145968	2F23	2	90-15

1L3

1530 TRACTOR

NUMERICAL INDEX - CONTINUED

PART NO.	GRID	KEY	PAGE	PART NO.	GRID	KEY	PAGE	PART NO.	GRID	KEY	PAGE
AT145968	2F23	5	90 - 15	AT20106	1E16	13	40 - 3	AT21161	1E25	16	40 - 11
AT145968	2F23	7	90 - 15	AT20106	1G10	3	40 - 28	AT21191	1B6	18	20 - 11
AT146240	1J21	7	50 - 54	AT20141	2B19	4	70 - 23	AT21191	1B6	19	20 - 11
AT148533	2E6	6	80 - 12	AT20154	1C24	9	30 - 11	AT21191	1B8	24	20 - 13
AT14883	1G20	1	40 - 38	AT20167	2C10	6	70 - 38	AT21226	1B6	29	20 - 11
AT14927	2G5	2	90 - 22	AT20168	2C10	5	70 - 38	AT21227	1B6	32	20 - 11
AT15146	1F11	7	40 - 17	AT20197	2B13	39	70 - 19	AT21382	1I2	2	50 - 7
AT15147	1F13	24	40 - 19	AT20372	1K7	23	60 - 3	AT21382	1I8	2	50 - 13
AT16288	1E16	30	40 - 3	AT20452	1E18	16	40 - 5	AT21534	1B6	7	20 - 11
AT16288	1G11	1	40 - 29	AT20521	2E11	1	80 - 16	AT21608	1B10	9	20 - 16
AT16288	1G11	9	40 - 29	AT20702	1K4	17	50 - 61	AT21619	1E21	6	40 - 7
AT16290	1F15	23	40 - 21	AT20703	1K4	4	50 - 61	AT21619	1E23	..	40 - 9
AT16291	1F13	2	40 - 19	AT20709	1E16	24	40 - 3	AT21620	1J16	1	50 - 49
AT165535	1C6	8	20 - 37	AT20709	1H7	1	40 - 50	AT21620	1J18	1	50 - 51
AT16887	1K2	25	50 - 59	AT20727	1C18	11	30 - 3	AT21620	1J18	10	50 - 51
AT18005	1B15	6	20 - 21	AT20728	1C18	8	30 - 3	AT21620	1J18	13	50 - 51
AT18009	1B11	4	20 - 17	AT20728	1E11	4	30 - 50	AT21620	1J18	14	50 - 51
AT18016	1A24	12	20 - 7	AT20748	1C25	1	30 - 12	AT21620	1J18	19	50 - 51
AT18031	1B8	50	20 - 13	AT20749	1E16	1	40 - 3	AT21620	1J18	29	50 - 51
AT18031	1B10	6	20 - 16	AT20749	1E18	11	40 - 5	AT21623	1J16	1	50 - 49
AT18053	1B4	1	20 - 9	AT20755	1K14	2	60 - 10	AT21623	1J18	1	50 - 51
AT18055	1B4	1	20 - 9	AT20755	1K14	9	60 - 10	AT21623	1J18	10	50 - 51
AT18065	1D7	7	30 - 19	AT20756	1K14	2	60 - 10	AT21623	1J18	13	50 - 51
AT18074	1C10	1	20 - 41	AT20756	1K14	9	60 - 10	AT21623	1J18	14	50 - 51
AT18099	1D7	22	30 - 19	AT20761	1J23	1	50 - 56	AT21623	1J18	29	50 - 51
AT18111	1D7	20	30 - 19	AT20777	2E25	2	80 - 31	AT21675	1I2	11	50 - 7
AT18180	1B9	5	20 - 14	AT20784	1J11	29	50 - 43	AT21675	1I4	21	50 - 9
AT18673	1E16	7	40 - 3	AT20786	1J11	31	50 - 43	AT21689	1C21	10	30 - 7
AT18702	1E16	1	40 - 3	AT20848	1C6	8	20 - 37	AT21754	2B24	3	70 - 29
AT18702	1E18	11	40 - 5	AT20849	1C6	24	20 - 37	AT21780	1I11	2	50 - 16
AT19786	2E23	3	80 - 29	AT20849	1C8	1	20 - 39	AT21781	1K13	7	60 - 9
AT19788	2E23	3	80 - 29	AT20854	1K7	34	60 - 3	AT21781	2B13	36	70 - 19
AT19793	2D22	2	80 - 2	AT20854	1K13	21	60 - 9	AT21781	2B15	5	70 - 19B
AT19793	2D23	12	80 - 3	AT20881	2B9	1	70 - 14	AT21795	1C24	11	30 - 11
AT19794	2E1	2	80 - 7	AT20894	2C17	9	70 - 45	AT21799	1A24	1	20 - 7
AT19808	1K7	38	60 - 3	AT20911	1D1	3	30 - 14	AT21815	1E21	2	40 - 7
AT19808	1K13	10	60 - 9	AT20930	1E10	19	30 - 49	AT21912	2B25	4	70 - 30
AT19830	1J6	21	50 - 37	AT20939	2E6	1	80 - 12	AT22001	1J9	19	50 - 41
AT19830	1J7	1	50 - 39	AT20960	2B7	8	70 - 12	AT22034	1K18	1	60 - 15
AT19833	1K20	27	60 - 17	AT20961	2B7	11	70 - 12	AT22070	2G2	12	90 - 19
AT19834	1K20	5	60 - 17	AT20983	2B7	4	70 - 12	AT22073	2G2	11	90 - 19
AT19837	1I2	22	50 - 7	AT21009	1D8	29	30 - 20	AT22079	2B5	14	70 - 10
AT19837	1I4	10	50 - 9	AT21009	1D9	8	30 - 21	AT22083	2B5	16	70 - 10
AT19837	1I8	13	50 - 13	AT21009	1D11	33	30 - 23	AT22096	1H25	1A	50 - 5
AT19838	2B18	3	70 - 22	AT21009	1D13	25	30 - 25	AT22145	2B6	16	70 - 11
AT19839	2B10	19	70 - 15	AT21012	1D11	25	30 - 23	AT22169	2D9	3	70 - 62
AT19840	2B19	1	70 - 23	AT21108	1B10	14	20 - 16	AT22170	2D9	4	70 - 62
AT19847	2E25	16	80 - 31	AT21110	1B10	14	20 - 16	AT22201	2B6	1	70 - 11
AT19849	2C1	4	70 - 31	AT21112	1B10	14	20 - 16	AT22221	2E5	1	80 - 11
AT19850	2C9	12	70 - 37	AT21114	1B10	14	20 - 16	AT22222	2E5	1	80 - 11
AT19858	1K9	7	60 - 5	AT21122	1B15	8	20 - 21	AT22246	2E4	15	80 - 10
AT19858	1K9	9	60 - 5	AT21124	1B15	8	20 - 21	AT22247	2E4	15	80 - 10
AT19858	1K11	1	60 - 7	AT21126	1B15	8	20 - 21	AT22278	2E1	7	80 - 7
AT19881	2E23	17	80 - 29	AT21128	1B15	8	20 - 21	AT22279	2E5	1	80 - 11
AT19899	1K16	22	60 - 13	AT21130	1B10	13	20 - 16	AT22280	2E5	1	80 - 11
AT19905	1G21	4	40 - 39	AT21132	1B10	13	20 - 16	AT22315	1J13	8	50 - 45
AT19966	1J16	13	50 - 49	AT21134	1B10	13	20 - 16	AT22331	2E4	15	80 - 10
AT19983	1D1	17	30 - 14	AT21136	1B10	13	20 - 16	AT22332	2E4	15	80 - 10
AT20025	1J22	4	50 - 55	AT21138	1B8	16	20 - 13	AT22632	2C3	1	70 - 33
AT20026	2F25	6	90 - 17	AT21138	1B15	8	20 - 21	AT22633	2C3	5	70 - 33
AT20037	2D9	3	70 - 62	AT21139	1B8	46	20 - 13	AT22918	2D4	24	70 - 57
AT20038	2D9	4	70 - 62	AT21139	1B10	13	20 - 16	AT22919	1B6	18	20 - 11
AT20039	2D9	1	70 - 62	AT21140	1B8	45	20 - 13	AT22919	1B6	19	20 - 11
AT20040	2D9	2	70 - 62	AT21140	1B10	14	20 - 16	AT22919	1B8	24	20 - 13
AT20044	1E8	1	30 - 47	AT21160	1E23	25	40 - 9	AT22926	1H25	8	50 - 5
AT20084	2B19	6	70 - 23	AT21160	1E25	28	40 - 11	AT22961	1C10	7	20 - 41
AT20085	2B19	2	70 - 23	AT21161	1E23	14	40 - 9	AT22963	1C10	7	20 - 41

1L4

1530 TRACTOR

NUMERICAL INDEX - CONTINUED

PART NO.	GRID	KEY	PAGE	PART NO.	GRID	KEY	PAGE	PART NO.	GRID	KEY	PAGE
AT22965	1B10	1	20 - 16	AT27009	1E16	24	40 - 3	AT32335	1K16	23	60 - 13
AT23175	1K13	3	60 - 9	AT27018	1C2	10	20 - 33	AT32335	1K16	26	60 - 13
AT23180	1C2	22	20 - 33	AT27018	1C3	1	20 - 34	AT32335	2A22	7	70 - 4
AT23188	1E23	23	40 - 9	AT27128	1E23	7	40 - 9	AT32337	2D4	25	70 - 57
AT23188	1E25	25	40 - 11	AT27128	1E25	6	40 - 11	AT34811	2C23	21	70 - 51
AT23189	1E23	26	40 - 9	AT27130	2E6	21	80 - 12	AT34970	2E1	7	80 - 7
AT23189	1E25	29	40 - 11	AT27130	2E7	10	80 - 13	AT35120	2D4	25	70 - 57
AT23220	1118	10	50 - 23	AT27131	2E7	1	80 - 13	AT35121	1K13	31	60 - 9
AT23220	1120	1	50 - 26	AT27134	2E6	15	80 - 12	AT37356	2E21	8	80 - 27
AT23224	1J19	1	50 - 52	AT27313	2B6	7	70 - 11	AT37368	1G20	8	40 - 38
AT23232	1124	8	50 - 30	AT27406	1B24	13	20 - 31	AT37833	2F13	20	90 - 3
AT23232	1J2	14B	50 - 33	AT27413	1B22	1	20 - 28	AT37833	2F23	7	90 - 15
AT23308	1J6	1	50 - 37	AT27413	1B23	6	20 - 29	AT38518	2F13	20	90 - 3
AT23401	1E16	9	40 - 3	AT27585	1C6	6	20 - 37	AT38518	2F23	7	90 - 15
AT23401	1F7	2	40 - 14	AT27585	1C8	9	20 - 39	AT38821	1G20	1	40 - 38
AT23401	1F20	4	40 - 21E	AT27614	1D21	2	30 - 35	AT39043	1G18	5	40 - 36
AT23401	1F22	10	40 - 21H	AT27615	1D7	6	30 - 19	AT40655	1J6	1	50 - 37
AT23401	1F25	1	40 - 23	AT27622	1D7	8	30 - 19	AT41649	1H22	16	50 - 3
AT23541	2F5	8	80 - 37	AT27622	1D17	4	30 - 31	AT43407	1J6	1	50 - 37
AT23544	1K16	27	60 - 13	AT27653	1B6	4	20 - 11	AT44165	1E16	7	40 - 3
AT23550	2B5	6	70 - 10	AT27917	1D21	24	30 - 35	AT44165	1E16	8	40 - 3
AT23552	2B5	1	70 - 10	AT27917	1E2	27	30 - 41	AT44165	1G9	4	40 - 27
AT23579	1J11	1	50 - 43	AT27960	1C24	..	30 - 11	AT44165	1G9	5	40 - 27
AT23583	2E6	2	80 - 12	AT28049	1K2	10	50 - 59	AT44165	1H1	23	40 - 44
AT23758	2B25	9	70 - 30	AT28049	1K2	20	50 - 59	AT48214	1D1	17	30 - 14
AT23758	2B25	10	70 - 30	AT28049	1K2	31	50 - 59	AT48673	1G9	4	40 - 27
AT23759	2B25	6	70 - 30	AT28464	2C3	1	70 - 33	AT48673	1H1	26	40 - 44
AT23885	2E7	1	80 - 13	AT28466	2C3	5	70 - 33	AT48674	1E16	8	40 - 3
AT23886	2E6	11	80 - 12	AT28577	2C17	8	70 - 45	AT48674	1G9	5	40 - 27
AT23907	1120	11	50 - 26	AT28578	2B8	3	70 - 13	AT514T	1F15	12	40 - 21
AT23907	1J11	1	50 - 43	AT28578	2C17	8	70 - 45	AT516T	1F15	17	40 - 21
AT24149	2F23	7	90 - 15	AT29213	1B15	1	20 - 21	AT54132	1K13	33	60 - 9
AT24252	1B11	11	20 - 17	AT29222	2C15	10	70 - 43	AT54955	1K7	34	60 - 3
AT24254	1B20	4	20 - 26	AT29301	2C10	..	70 - 38	AT55441	1G15	25	40 - 33
AT24437	1C18	7	30 - 3	AT29386	1J11	26	50 - 43	AT62018	2G4	6	90 - 21
AT24438	1C18	6	30 - 3	AT29387	1J11	25	50 - 43	AT62019	2G4	4	90 - 21
AT24538	2G5	1	90 - 22	AT29464	1D21	12	30 - 35	AT62019	2G7	4	90 - 24
AT24692	1E16	7	40 - 3	AT29464	1E2	14	30 - 41	AT63106	1K18	1	60 - 15
AT24692	1G9	4	40 - 27	AT29619	1C3	1	20 - 34	AT63813	1C21	7	30 - 7
AT24693	1E16	8	40 - 3	AT29681	1123	34	50 - 29	AT67693	1E16	17	40 - 3
AT24693	1G9	5	40 - 27	AT29681	1J11	1	50 - 43	AT67693	1G9	1	40 - 27
AT24699	118	7	50 - 13	AT29687	1J20	9	50 - 53	AT72330	1B24	13	20 - 31
AT24724	2B18	1	70 - 22	AT29688	1119	4	50 - 25	AT75387	2G4	4	90 - 21
AT24724	2B18	2	70 - 22	AT29710	1H22	16	50 - 3	AT75387	2G7	4	90 - 24
AT24725	2B18	7	70 - 22	AT29712	1118	10	50 - 23	AT81398	1C18	6	30 - 3
AT24855	112	4	50 - 7	AT29712	1119	11	50 - 25	AT81764	2G4	6	90 - 21
AT24885	1E10	11	30 - 49	AT29752	1J9	26	50 - 41	AT81764	2G7	6	90 - 24
AT25156	1K4	14	50 - 61	AT29827	1J22	1	50 - 55	AT85153	1E16	26	40 - 3
AT25157	1K4	14	50 - 61	AT30150	2C3	1	70 - 33	AT85153	1E19	6	40 - 6
AT25265	1C25	1	30 - 12	AT30151	2C3	5	70 - 33	AT85153	2B9	12	70 - 14
AT25293	1B6	34	20 - 11	AT30197	1J9	23	50 - 41	AU30241	2C21	7	70 - 49
AT25490	1K9	21	60 - 5	AT30631	2B21	7	70 - 25	AU41465	1E16	21	40 - 3
AT25490	1K9	22	60 - 5	AT30631	2B21	8	70 - 25	AZ14504	1F25	24	40 - 23
AT25619	1E16	9	40 - 3	AT30676	1B24	13	20 - 31	AZ14506	1F25	29	40 - 23
AT25619	1F7	2	40 - 14	AT31413	1E16	14	40 - 3	AZ14507	1F25	16	40 - 23
AT25619	1F8	..	40 - 15	AT31413	1F1	16	40 - 12	A120R	1B6	1	20 - 11
AT25619	1F13	..	40 - 19	AT31584	1B6	34	20 - 11	A147R	2D12	4	70 - 65
AT25619	1F15	..	40 - 21	AT31619	1D1	5	30 - 14	A2899R	1G11	6	40 - 29
AT25619	1F20	4	40 - 21E	AT31619	1E16	3	40 - 3	A3184R	2C20	3	70 - 48
AT25619	1F22	10	40 - 21H	AT32058	1112	3	50 - 17	A354R	2B13	22	70 - 19
AT25651	1F13	9A	40 - 19	AT32064	1D1	15	30 - 14	A3581R	2B25	5	70 - 30
AT25910	1F25	32	40 - 23	AT32064	1D1	22	30 - 14	A3581R	2C9	16	70 - 37
AT25914	1F25	25	40 - 23	AT32064	1D7	9	30 - 19	A3581R	2D10	5	70 - 63
AT26188	1K11	11	60 - 7	AT32150	1B4	9	20 - 9	A3581R	2D10	7	70 - 63
AT26196	2B22	8	70 - 26	AT32207	112	4	50 - 7	A364R	1J15	22	50 - 47
AT26340	2G5	1	90 - 22	AT32331	2A22	3	70 - 4	A369R	2E14	8	80 - 19
AT26632	1112	14	50 - 17	AT32332	2C25	18	70 - 53	A3910R	1A24	2	20 - 7

1L5

1530 TRACTOR

NUMERICAL INDEX - CONTINUED

PART NO.	GRID	KEY	PAGE	PART NO.	GRID	KEY	PAGE	PART NO.	GRID	KEY	PAGE
A3917R	1D14	5	30 - 26	B1085R	1I21	14	50 - 27	F2685R	2C5	25	70 - 35
A3917R	1D16	28	30 - 29	B1085R	1I23	31	50 - 29	F2693R	2C3	6	70 - 33
A3917R	1I21	7	50 - 27	B11182	2C11	6	70 - 39	F2695R	2C3	8	70 - 33
A3917R	1I23	27	50 - 29	B1664R	1I23	15	50 - 29	F2741R	2B17	10	70 - 21
A3917R	1I23	35	50 - 29	B177R	1K14	1	60 - 10	F2772R	1H22	38	50 - 3
A3917R	1I24	6	50 - 30	B177R	1K14	8	60 - 10	F2821R	2B22	7	70 - 26
A3917R	1I25	1	50 - 31	B190R	1J15	25	50 - 47	F2822R	2B22	5	70 - 26
A3917R	1I25	8	50 - 31	B2477R	2C3	10	70 - 33	F2823R	2B22	3	70 - 26
A3917R	1I25	13	50 - 31	B2641R	1I16	44	50 - 21	F2824R	2B22	2	70 - 26
A3917R	1J2	3	50 - 33	B2762R	2C14	11	70 - 42	F2863R	1K14	11	60 - 10
A3917R	1J2	9	50 - 33	B3014R	2E14	11	80 - 19	F3171R	1G20	10	40 - 38
A3917R	1J2	15	50 - 33	B3016R	2E14	12	80 - 19	F3171R	1H22	35	50 - 3
A3917R	1J9	14	50 - 41	B3018R	2E14	15	80 - 19	F3171R	1J3	17	50 - 34
A3917R	2C19	6	70 - 47	B3690R	1K7	3	60 - 3	F3171R	1J4	13	50 - 35
A3917R	2D1	13	70 - 54	B3690R	1K9	2	60 - 5	F3171R	1J6	23	50 - 37
A3917R	2D2	5	70 - 55	B3690R	1K11	2	60 - 7	F3171R	1J9	21	50 - 41
A3917R	2D3	4	70 - 56	CD13979	1B4	25	20 - 9	F3171R	1K16	15	60 - 13
A39716	1G14	1	40 - 32	CD16284	1B2	2	20 - 7B	F3171R	1K17	2	60 - 14
A39716	1G15	1	40 - 33	CE14048	1J11	13	50 - 43	F3171R	2A21	54	70 - 3
A4365R	1D3	6	30 - 16	C1067R	1H25	6	50 - 5	F3171R	2A22	2	70 - 4
A4365R	2B21	12	70 - 25	C2175R	1H22	30	50 - 3	F3171R	2B2	12	70 - 9
A4380R	2E14	10	80 - 19	DD12119	1B4	6	20 - 9	F3171R	2B2	15	70 - 9
A4444R	2B11	11	70 - 16	DD12119	1B4	14	20 - 9	F3171R	2C21	9	70 - 49
A4655R	1G9	17	40 - 27	DD13912	1D21	5	30 - 35	F3171R	2C23	25	70 - 51
A4723R	2D12	35	70 - 65	D2361R	1K16	11	60 - 13	F3195R	2F5	3	80 - 37
A4723R	2D13	4	70 - 66	D2361R	2A21	50	70 - 3	F3322R	2B13	16	70 - 19
A4730R	2B21	16	70 - 25	D2361R	2A25	48	70 - 7	F3322R	2B13	39	70 - 19
A4730R	2D1	24	70 - 54	D2361R	2B6	5	70 - 11	F3322R	2B15	7	70 - 19B
A4730R	2D2	17	70 - 55	D2361R	2B7	5	70 - 12	F3353R	2B10	17	70 - 15
A4730R	2D3	9	70 - 56	D2361R	2B13	3	70 - 19	F3353R	2B17	2	70 - 21
A4730R	2D12	9	70 - 65	D2361R	2B15	6	70 - 19B	F339R	1I14	17	50 - 19
A4730R	2D12	25	70 - 65	D2361R	2B17	11	70 - 21	F3396R	1E8	15	30 - 47
A4730R	2D13	7	70 - 66	D2361R	2C17	12	70 - 45	F3396R	1J2	8	50 - 33
A4731R	2D12	8	70 - 65	D2361R	2D1	4	70 - 54	F3450R	1K9	28	60 - 5
A4731R	2D13	8	70 - 66	D2361R	2D1	18	70 - 54	F3539R	2C12	6	70 - 40
A4732R	2D12	14	70 - 65	D2361R	2D2	25	70 - 55	F3541R	2C12	4	70 - 40
A4733R	2D12	15	70 - 65	D2361R	2D4	4	70 - 57	F3542R	2C12	5	70 - 40
A4733R	2D13	6	70 - 66	D2361R	2D4	15	70 - 57	F534R	2D22	13	80 - 2
A4736R	2D12	43	70 - 65	D2361R	2D15	4	70 - 68	F534R	2D23	15	80 - 3
A4737R	2D12	17	70 - 65	D2361R	2D15	16	70 - 68	F534R	2D25	11	80 - 5
A4738R	2D12	16	70 - 65	E16050	1H1	16	40 - 44	F534R	2E1	10	80 - 7
A4739R	2D12	42	70 - 65	F1791R	2B13	8	70 - 19	F534R	2E3	11	80 - 9
A4740R	2D12	38	70 - 65	F1791R	2B13	39	70 - 19	H104855	1H12	9	40 - 55
A4741R	2D12	39	70 - 65	F1791R	2B17	14	70 - 21	H113196	1F8	5	40 - 15
A4742R	2D12	41	70 - 65	F1942R	2B19	11	70 - 23	H113196	1F20	2	40 - 21E
A4744R	2D12	36	70 - 65	F215R	1J15	24	50 - 47	H113196	1F22	2	40 - 21H
A4745R	2D12	22	70 - 65	F215R	1K7	20	60 - 3	H113196	2D14	6	70 - 67
A4745R	2D13	1	70 - 66	F2208R	1I25	10	50 - 31	H113924	2F1	1	80 - 32
A4746R	2D12	23	70 - 65	F2208R	1I25	12	50 - 31	H23193	1F15	4	40 - 21
A4747R	2D12	21	70 - 65	F2208R	1I25	16	50 - 31	H23746	2E25	4	80 - 31
A4748R	2D12	20	70 - 65	F2208R	1J2	4	50 - 33	H23746	2F1	2	80 - 32
A4808R	1J6	29	50 - 37	F2208R	1J2	6	50 - 33	H246R	1J9	16	50 - 41
A4827R	1B19	19	20 - 25	F2208R	1J2	7	50 - 33	H246R	1J13	14	50 - 45
A4827R	1J6	19	50 - 37	F2208R	2C3	11	70 - 33	H34753	2D12	30	70 - 65
A4827R	1K2	3	50 - 59	F2506R	1D1	6	30 - 14	H410R	1J18	22	50 - 51
A48331	1G15	3	40 - 33	F2570R	2B11	13	70 - 16	H80440	2F23	5	90 - 15
A48332	1G15	23	40 - 33	F2653R	1K20	23	60 - 17	H84660	2E23	21	80 - 29
A4847R	1H22	32	50 - 3	F2680R	2B22	9	70 - 26	H84660	2F25	5	90 - 17
A4847R	1H24	4	50 - 3B	F2680R	2B22	13	70 - 26	H871	2D6	11	70 - 59
A4847R	2B13	1	70 - 19	F2680R	2C5	1	70 - 35	H871R	1I16	16	50 - 21
A4847R	2B17	9	70 - 21	F2680R	2C5	27	70 - 35	H871R	1I16	29	50 - 21
A4881R	1D1	18	30 - 14	F2681R	2B22	9	70 - 26	H91792	2E25	3	80 - 31
A4883R	2E14	16	80 - 19	F2681R	2C5	1	70 - 35	H91792	2F1	1	80 - 32
A5301R	2D12	5	70 - 65	F2683R	2B22	12	70 - 26	H97644	2F15	41	90 - 5
A5302R	2D12	3	70 - 65	F2684R	2B22	10	70 - 26	H987R	1H1	19	40 - 44
A5401R	2D12	30	70 - 65	F2684R	2C5	25	70 - 35	JD10036	1F4	26	40 - 13B
A602R	1H25	11	50 - 5	F2685R	2B22	10	70 - 26	JD10036	1F6	9	40 - 13D

1L6

1530 TRACTOR

NUMERICAL INDEX - CONTINUED

PART NO.	GRID	KEY	PAGE	PART NO.	GRID	KEY	PAGE	PART NO.	GRID	KEY	PAGE
JD10107	1111	7	50 - 16	JD8720	1J3	5	50 - 34	L26933	2C1	1	70 - 31
JD10107	1116	49	50 - 21	JD8720	1J4	1	50 - 35	L26933	2C1	3	70 - 31
JD126	1G14	6	40 - 32	JD8728	1K7	18	60 - 3	L26933	2C3	13	70 - 33
JD126	1G15	10	40 - 33	JD8729	1114	20	50 - 19	L26933	2C3	14	70 - 33
JD126	1H1	10	40 - 44	JD8823	1111	5	50 - 16	L26935	2C1	2	70 - 31
JD16	2E9	14	80 - 14	JD8827	2D23	3	80 - 3	L26935	2C3	12	70 - 33
JD21	2E11	6	80 - 16	JD8827	2D25	3	80 - 5	L26936	2C1	1	70 - 31
JD21	2E12	2	80 - 17	JD8827	2E3	3	80 - 9	L26936	2C1	3	70 - 31
JD21	2E13	2	80 - 18	JD8877	1J19	7	50 - 52	L26936	2C3	14	70 - 33
JD21	2E15	12	80 - 20	JD8877	1J20	7	50 - 53	L26937	2B21	14	70 - 25
JD30001	1F6	8	40 - 13D	JD8905	2E9	7	80 - 14	L27166	2F18	21	90 - 9
JD3002	2E9	12	80 - 14	JD8922	1K2	14	50 - 59	L27166	2F20	5	90 - 11
JD3038	2E13	1	80 - 18	JD8946	1J18	13	50 - 51	L27167	2F18	9	90 - 9
JD3039	2E9	13	80 - 14	JD8946	1K4	6	50 - 61	L27167	2F20	40	90 - 11
JD3047	2E9	13	80 - 14	JD8969	1K2	21	50 - 59	L27167	2F22	7	90 - 13
JD5272	2F7	5	80 - 39	JD8979	1J16	16	50 - 49	L27182	118	29	50 - 13
JD5272	2F9	8	80 - 41	JD8982	1K2	24	50 - 59	L27183	118	26	50 - 13
JD5400	2G3	7	90 - 20	JD8997	1J16	2	50 - 49	L27184	118	23	50 - 13
JD5602	2G2	13	90 - 19	JD9065	1J21	4	50 - 54	L27185	118	27	50 - 13
JD7375	1J13	2	50 - 45	JD9125	1J21	3	50 - 54	L27339	1F2	13	40 - 13
JD7418	1K2	22	50 - 59	JD9257	1C2	8	20 - 33	L28076	2F18	16	90 - 9
JD7425	1J18	8	50 - 51	JD9257	1C4	3	20 - 35	L28077	2F18	18	90 - 9
JD7425	1J18	14	50 - 51	JD9258	1J15	26	50 - 47	L28077	2F20	15	90 - 11
JD7425	1K4	18	50 - 61	JD9344	1J19	15	50 - 52	L28372	2B24	4	70 - 29
JD7438	1K2	17	50 - 59	JD9344	1J20	15	50 - 53	L28374	2B24	12	70 - 29
JD7449	1J13	3	50 - 45	JD9361	1J15	20	50 - 47	L28401	1J11	17	50 - 43
JD7674	1J15	20	50 - 47	JD9449	1E25	25	40 - 11	L29020	2C9	3	70 - 37
JD7759	1K4	8	50 - 61	JD9461	1111	7	50 - 16	L29022	2C9	15	70 - 37
JD7798	2B24	6	70 - 29	JD9464	1116	49	50 - 21	L29023	2C9	2	70 - 37
JD7798	2D22	9	80 - 2	JD9813	1111	5	50 - 16	L29023	2C9	3	70 - 37
JD7798	2D22	14	80 - 2	JD9822	1J15	1	50 - 47	L29023	2C9	18	70 - 37
JD7798	2D23	1	80 - 3	JD9832	1K9	16	60 - 5	L29048	1J6	1	50 - 37
JD7798	2D23	4	80 - 3	JD9839	1J13	4	50 - 45	L29048	1J15	2	50 - 47
JD7798	2D25	5	80 - 5	JD9858	2A21	8	70 - 3	L29152	1F25	23	40 - 23
JD7798	2E1	14	80 - 7	JD9858	2A21	36	70 - 3	L29152	1G2	23	40 - 25
JD7798	2E3	5	80 - 9	JD9858	2A25	8	70 - 7	L29153	1F25	5	40 - 23
JD7798	2E4	14	80 - 10	JD9858	2A25	34	70 - 7	L29154	1F25	22	40 - 23
JD7798	2E5	1	80 - 11	JD9858	2B4	1	70 - 9B	L29155	1F25	21	40 - 23
JD7798	2E5	3	80 - 11	JD9878	1J6	1	50 - 37	L29156	1F25	9	40 - 23
JD7798	2E9	2	80 - 14	JD9878	1J15	1	50 - 47	L29156	1G2	9	40 - 25
JD7799	2D22	10	80 - 2	JD9911	2D22	8	80 - 2	L29156	1G4	31	40 - 25B
JD7799	2D22	14	80 - 2	JD9911	2E1	1	80 - 7	L29156	1G6	31	40 - 25D
JD7799	2D23	1	80 - 3	JD9927	1116	26	50 - 21	L29157	1F25	19	40 - 23
JD7799	2D23	5	80 - 3	K40003	2C16	1	70 - 44	L29157	1G2	19	40 - 25
JD7799	2D25	6	80 - 5	K40014	2F18	13	90 - 9	L29157	1G4	19	40 - 25B
JD7799	2E1	13	80 - 7	L11027	2F20	47	90 - 11	L29157	1G6	19	40 - 25D
JD7799	2E3	6	80 - 9	L11028	1K2	32	50 - 59	L29158	1F25	18	40 - 23
JD7799	2E20	9	80 - 25	L11292	1K2	32	50 - 59	L29158	1G2	18	40 - 25
JD8135	1K2	16	50 - 59	L12809	2B25	11	70 - 30	L29159	1F2	3	40 - 13
JD8147	1J18	7	50 - 51	L19651	1E16	4	40 - 3	L29160	1F2	22	40 - 13
JD8147	1J18	13	50 - 51	L19651	1F25	3	40 - 23	L29161	1F2	20	40 - 13
JD8147	1K4	19	50 - 61	L19651	1G2	3	40 - 25	L29162	1F2	15	40 - 13
JD8171	1J13	5	50 - 45	L19651	1G4	21	40 - 25B	L29163	1F2	8	40 - 13
JD8194	2E9	4	80 - 14	L19651	1G6	21	40 - 25D	L29164	1F2	10	40 - 13
JD8206	1J18	14	50 - 51	L19654	1F25	7	40 - 23	L29165	1F2	11	40 - 13
JD8206	1K4	7	50 - 61	L2104N	2D12	29	70 - 65	L29166	1F2	4	40 - 13
JD8230	2E9	5	80 - 14	L2104N	2D13	3	70 - 66	L29167	1F2	2	40 - 13
JD8239	2E9	6	80 - 14	L25280	2E25	11	80 - 31	L29197	1K9	14	60 - 5
JD8247	1K2	15	50 - 59	L25281	2E25	10	80 - 31	L29199	1K9	23	60 - 5
JD8255	1J16	3	50 - 49	L25678	2F18	10	90 - 9	L29204	2F18	34	90 - 9
JD8267	1J16	17	50 - 49	L25678	2F20	44	90 - 11	L29205	2F18	37	90 - 9
JD8276	1J13	6	50 - 45	L25686	2F18	7	90 - 9	L29206	2F18	35	90 - 9
JD8407	2E4	8	80 - 10	L25686	2F20	3	90 - 11	L29208	2F18	33	90 - 9
JD8407	2E5	14	80 - 11	L25686	2F22	3	90 - 13	L29208	2F20	23	90 - 11
JD8511	1111	7	50 - 16	L25819	2E12	1	80 - 17	L29208	2F22	26	90 - 13
JD8511	1116	49	50 - 21	L25819	2E12	2	80 - 17	L29209	2F18	6	90 - 9
JD8720	1114	14	50 - 19	L26932	2B21	14	70 - 25	L29209	2F20	43	90 - 11

1L7

1530 TRACTOR

NUMERICAL INDEX - CONTINUED

PART NO.	GRID	KEY	PAGE	PART NO.	GRID	KEY	PAGE	PART NO.	GRID	KEY	PAGE
L29211	2F18	28	90 - 9	L31514	1113	9A	50 - 18	L36292	2F22	32	90 - 13
L29211	2F20	10	90 - 11	L31514	1113	12	50 - 18	L36557	1J15	15	50 - 47
L29211	2F22	21	90 - 13	L31514	1J15	27	50 - 47	L37325	1K4	26	50 - 61
L29213	1K4	28	50 - 61	L31515	1113	9A	50 - 18	L37426	2E15	9	80 - 20
L29226	1J18	2	50 - 51	L31515	1113	9B	50 - 18	L37427	2E15	4	80 - 20
L29227	1J18	3	50 - 51	L31515	1J15	27	50 - 47	L38023	1112	3	50 - 17
L29241	1K4	3	50 - 61	L31516	1J15	27	50 - 47	L38057	1K4	27	50 - 61
L29243	1K4	2	50 - 61	L31664	2E15	2	80 - 20	L38141	2E14	2	80 - 19
L29246	114	23	50 - 9	L31667	2E12	1	80 - 17	L38377	2F20	37	90 - 11
L29246	118	28	50 - 13	L31667	2E12	2	80 - 17	L38377	2F22	39	90 - 13
L29250	1J9	3	50 - 41	L31667	2E12	7	80 - 17	L38511	118	27	50 - 13
L29251	1J9	6	50 - 41	L31689	2E12	1	80 - 17	L38513	114	14	50 - 9
L29252	1J9	4	50 - 41	L31689	2E12	2	80 - 17	L38513	115	5	50 - 10
L29253	1J9	1	50 - 41	L31727	2F18	30	90 - 9	L38513	116	5	50 - 11
L29265	1D1	23	30 - 14	L31727	2F20	8	90 - 11	L38513	118	19	50 - 13
L29269	1J16	15	50 - 49	L31727	2F22	23	90 - 13	L38513	119	7	50 - 14
L29270	1J16	15	50 - 49	L31729	2F18	38	90 - 9	L38513	1110	7	50 - 15
L29271	1J16	15	50 - 49	L31730	2F18	29	90 - 9	L38694	1J24	3	50 - 57
L29329	2E25	6	80 - 31	L31730	2F20	9	90 - 11	L39010	2F22	43	90 - 13
L29342	2C1	1	70 - 31	L31730	2F22	22	90 - 13	L39302	114	23	50 - 9
L29343	1116	47	50 - 21	L31731	2F18	24	90 - 9	L39302	118	28	50 - 13
L29346	2E15	5	80 - 20	L31731	2F20	19	90 - 11	L39693	2C23	7	70 - 51
L29347	2E15	9	80 - 20	L31731	2F22	15	90 - 13	L39863	1K4	2	50 - 61
L29348	2E15	10	80 - 20	L31750	2E23	20	80 - 29	L39868	1K4	2	50 - 61
L29349	2E15	11	80 - 20	L31849	2C9	7	70 - 37	L39881	2B21	1	70 - 25
L29350	2E15	2	80 - 20	L31849	2C9	8	70 - 37	L39950	118	29	50 - 13
L29351	2E15	3	80 - 20	L31849	2C9	11	70 - 37	L4027T	1J11	4	50 - 43
L29352	2E15	4	80 - 20	L31849	2C9	12	70 - 37	L4035T	1J11	5	50 - 43
L29372	1C18	3	30 - 3	L32016	2C9	6	70 - 37	L41081	1G4	15	40 - 25B
L29373	1C18	4	30 - 3	L32016	2C9	8	70 - 37	L41081	1G6	15	40 - 25D
L29384	2F7	2	80 - 39	L32016	2C9	11	70 - 37	L41296	1F4	20	40 - 13B
L29385	2F7	1	80 - 39	L32016	2C9	12	70 - 37	L41383	2B13	15	70 - 19
L29396	1D1	14	30 - 14	L32030	1H25	1B	50 - 5	L41383	2B13	39	70 - 19
L29399	1112	12	50 - 17	L324T	1H25	10	50 - 5	L41383	2B15	8	70 - 19B
L29401	1112	12	50 - 17	L32737	1112	8	50 - 17	L41384	2B13	14	70 - 19
L29404	1J18	20	50 - 51	L33139	1H24	6	50 - 3B	L41384	2B13	39	70 - 19
L29406	1J18	21	50 - 51	L33563	1112	3	50 - 17	L41384	2B15	9	70 - 19B
L29819	1C18	2	30 - 3	L33985	1F4	25	40 - 13B	L41386	118	22	50 - 13
L29854	1H22	1	50 - 3	L33986	1F4	8	40 - 13B	L41386	119	4	50 - 14
L29854	1H22	16	50 - 3	L33987	1F4	10	40 - 13B	L41387	114	15	50 - 9
L29872	2B10	21	70 - 15	L33992	1F4	22	40 - 13B	L41387	115	6	50 - 10
L29882	1K20	14	60 - 17	L33993	1F4	4	40 - 13B	L41387	118	20	50 - 13
L29883	1K20	21	60 - 17	L33994	1F4	14	40 - 13B	L41387	119	2	50 - 14
L29884	1K20	19	60 - 17	L34156	2F20	33	90 - 11	L41387	119	2	50 - 14
L30755	1124	8	50 - 30	L34156	2F22	34	90 - 13	L41388	114	25	50 - 9
L30755	1124	10	50 - 30	L34349	1J11	11	50 - 43	L41388	115	1	50 - 10
L30755	1J2	14B	50 - 33	L34351	2G2	8	90 - 19	L41388	116	1	50 - 11
L30755	1J2	18	50 - 33	L34381	2B13	29	70 - 19	L41388	118	30	50 - 13
L30860	1G2	4	40 - 25	L34382	2B13	2	70 - 19	L41388	119	8	50 - 14
L30860	1G4	24	40 - 25B	L34383	2B13	1	70 - 19	L41388	1110	8	50 - 15
L30860	1G6	24	40 - 25D	L34451	1K9	19	60 - 5	L41389	114	17	50 - 9
L30861	1G2	39	40 - 25	L34451	1K11	4	60 - 7	L41389	115	4	50 - 10
L30862	1F25	7	40 - 23	L34848	1D1	14	30 - 14	L41389	119	4	50 - 14
L30862	1G2	7	40 - 25	L35521	2F9	5	80 - 41	L41390	114	19	50 - 9
L30862	1G4	7	40 - 25B	L35768	2F22	45	90 - 13	L41390	115	8	50 - 10
L30862	1G6	7	40 - 25D	L35769	2F22	35	90 - 11	L41536	2B13	37	70 - 19
L30863	1G2	22	40 - 25	L35769	2F22	37	90 - 13	L41536	2B13	39	70 - 19
L30864	1G2	35	40 - 25	L35790	2F22	37	90 - 13	L41536	2B15	3	70 - 19B
L30865	1G2	36	40 - 25	L35825	1K4	2	50 - 61	L41538	2B13	39	70 - 19
L30866	1G2	37	40 - 25	L35825	2F20	13	90 - 11	L41575	1F4	3	40 - 13B
L30867	1G2	38	40 - 25	L35843	2F22	12	90 - 13	L41575	1F6	7	40 - 13D
L30868	1G2	34	40 - 25	L35844	2B7	19	70 - 12	L41579	1F25	17	40 - 23
L30869	1G2	33	40 - 25	L35845	2B7	19	70 - 12	L41579	1G2	17	40 - 25
L30960	1F6	15	40 - 13D	L36134	1C6	17	20 - 37	L41579	1G2	36	40 - 25
L31016	1K18	2	60 - 15	L36269	2C23	5	70 - 51	L41579	1G2	37	40 - 25
L31055	1J11	6	50 - 43	L36269	2F20	27	90 - 11	L41579	1G2	38	40 - 25
L31311	1J12	10	50 - 44	L36269	2F22	30	90 - 13	L41582	1G4	5	40 - 25B
				L36292	2F20	29	90 - 11	L41582	1G6	5	40 - 25D

1L8

1530 TRACTOR

NUMERICAL INDEX - CONTINUED

PART NO.	GRID	KEY	PAGE	PART NO.	GRID	KEY	PAGE	PART NO.	GRID	KEY	PAGE
L41587	115	2	50 - 10	L60517	2E25	6	80 - 31	N10065	2C25	9	70 - 53
L41588	114	25	50 - 9	L60667	1K20	14	60 - 17	N110523	2C21	5	70 - 49
L41588	115	2	50 - 10	L61554	2F22	12	90 - 13	N115096	1H12	11	40 - 55
L41588	118	18	50 - 13	L61849	2C23	5	70 - 51	N186901	2C12	9	70 - 40
L41588	119	6	50 - 14	L61918	1H24	6	50 - 3B	N52048	2E9	11	80 - 14
L41589	114	25	50 - 9	L62507	2B13	9	70 - 19	PM797NA	1H17	1	40 - 60
L41589	115	3	50 - 10	L62606	1K20	1	60 - 17	PT1293	1G14	3	40 - 32
L41589	118	17	50 - 13	L62679	1H25	8	50 - 5	PT1294	1G14	7	40 - 32
L41589	119	5	50 - 14	L63659	2B25	9	70 - 30	PT1295	1G14	13	40 - 32
L41591	2F22	13	90 - 13	L64688	2F18	7	90 - 9	PT1296	1G14	10	40 - 32
L41593	2F18	16	90 - 9	L64688	2F20	3	90 - 11	PT1296	1G15	14	40 - 33
L41715	2E15	5	80 - 20	L64688	2F22	3	90 - 13	PT1297	1G14	12	40 - 32
L41725	2B13	9	70 - 19	L64852	2B13	33	70 - 19	PT1624	1G14	4	40 - 32
L41725	2B13	14	70 - 19	L65000	1G23	10	40 - 41	PT18180	1G14	4	40 - 32
L41725	2B13	15	70 - 19	L65058	1F6	15	40 - 13D	PT18180	1G15	5	40 - 33
L41725	2B13	37	70 - 19	L65174	1F6	14	40 - 13D	PT9281	2C7	6	70 - 35B
L41725	2B13	38	70 - 19	L77042	1F6	12	40 - 13D	PT9282	2C7	11	70 - 35B
L41725	2B13	39	70 - 19	L94772	2G5	6	90 - 22	PT9283	2C7	9	70 - 35B
L41725	2B13	40	70 - 19	M1098T	1C4	6	20 - 35	PT9284	2C7	8	70 - 35B
L41725	2B15	21	70 - 19B	M1102T	1I21	5	50 - 27	PT9286	2C7	7	70 - 35B
L41726	2B13	38	70 - 19	M1102T	1I23	1	50 - 29	PT9287	2C7	2	70 - 35B
L41726	2B15	4	70 - 19B	M1102T	1J6	7	50 - 37	PT9290	2C7	3	70 - 35B
L42043	1G4	11	40 - 25B	M1102T	1J11	15	50 - 43	PT9292	2C7	..	70 - 35B
L42043	1G6	11	40 - 25D	M115827	2B25	13	70 - 30	PT9318	1G14	7	40 - 32
L42314	2B13	25	70 - 19	M115827	2C5	19	70 - 35	PT9318	1G15	7	40 - 33
L42314	2B13	29	70 - 19	M115827	2C5	29	70 - 35	PT9319	1G14	4	40 - 32
L42314	2B15	17	70 - 19B	M1335T	1C18	15	30 - 3	PT9319	1G15	5	40 - 33
L4667T	1E8	7	30 - 47	M1339T	1E8	4	30 - 47	PT9320	1G15	17	40 - 33
L48704	1C21	19	30 - 7	M1518T	2E4	16	80 - 10	PT9321	1G14	12	40 - 32
L48705	1C21	18	30 - 7	M1518T	2E5	8	80 - 11	PT9321	1G15	25	40 - 33
L55064	1G4	23	40 - 25B	M2206T	1K2	13	50 - 59	PT9390	1G15	6	40 - 33
L55064	1G6	23	40 - 25D	M2282T	2E4	10	80 - 10	P44982	1119	7	50 - 25
L55066	1G4	17	40 - 25B	M2282T	2E5	15	80 - 11	P46051	2B24	11	70 - 29
L55066	1G6	17	40 - 25D	M2283T	2E4	9	80 - 10	P46051	2C19	19	70 - 47
L55202	2B13	27	70 - 19	M2283T	2E5	16	80 - 11	P48093	2E23	21	80 - 29
L55202	2B13	29	70 - 19	M2353T	1J19	3	50 - 52	P51212	2D6	12	70 - 59
L55202	2B15	19	70 - 19B	M2353T	1J20	13	50 - 53	P51212	2D8	5	70 - 61
L55203	2B13	23	70 - 19	M2396T	1I13	3	50 - 18	RE10596	1E8	19	30 - 47
L55203	2B13	29	70 - 19	M2396T	2B19	3	70 - 23	RE10800	1K13	3	60 - 9
L55203	2B15	15	70 - 19B	M2396T	2B21	6	70 - 25	RE11156	1H14	36	40 - 57
L55204	2B13	26	70 - 19	M2396T	2C25	16	70 - 53	RE11157	1H14	37	40 - 57
L55204	2B13	29	70 - 19	M2396T	2D2	14	70 - 55	RE11447	2D16	9	70 - 69
L55204	2B15	18	70 - 19B	M3119T	1C24	14	30 - 11	RE11456	2D16	2	70 - 69
L55204	2B17	5	70 - 21	M3265T	2B13	28	70 - 19	RE11457	2D16	1	70 - 69
L55213	114	17	50 - 9	M3265T	2B15	20	70 - 19B	RE11458	2D16	2	70 - 69
L55213	116	4	50 - 11	M3265T	2B17	4	70 - 21	RE11463	2D16	2	70 - 69
L55214	114	13	50 - 9	M3636T	1F25	33	40 - 23	RE11602	1E2	9	30 - 41
L55214	116	2	50 - 11	M3636T	1G2	40	40 - 25	RE11602	1E4	12	30 - 43
L55214	118	16	50 - 13	M3636T	1G6	34	40 - 25D	RE12121	2D6	20	70 - 59
L55214	1110	6	50 - 15	M3742T	1E8	8	30 - 47	RE12715	1G18	9	40 - 36
L55215	114	15	50 - 9	M3853T	1B20	14	20 - 26	RE12842	1A22	..	20 - 5
L55215	116	6	50 - 11	M3853T	1B21	5	20 - 27	RE13089	2C12	14	70 - 40
L55215	118	20	50 - 13	M41029	1B8	8	20 - 13	RE13090	2C12	14	70 - 40
L55215	1110	2	50 - 15	M41029	1B15	2	20 - 21	RE13517	1D4	6	30 - 17
L55216	114	19	50 - 9	M42229	2F25	1	90 - 17	RE13517	1D5	11	30 - 17B
L55216	116	8	50 - 11	M4224T	1H22	10	50 - 3	RE13523	2C15	30	70 - 43
L56083	116	3	50 - 11	M4224T	1119	2	50 - 25	RE13714	2C23	26	70 - 51
L56083	118	15	50 - 13	M4224T	1I21	2	50 - 27	RE13813	2D6	14	70 - 59
L56083	1110	5	50 - 15	M4224T	1I23	10	50 - 29	RE13814	2D6	6	70 - 59
L56084	118	22	50 - 13	M43835	1H12	2	40 - 55	RE13815	2D8	10	70 - 61
L56084	1110	4	50 - 15	M526T	1119	3	50 - 25	RE13912	1J23	1	50 - 56
L56085	118	28	50 - 13	M557T	2F16	3	90 - 7	RE13912	1J24	15	50 - 57
L56375	1110	4	50 - 15	M63431	1D16	1	30 - 29	RE14069	1E19	5	40 - 6
L56924	2B18	2	70 - 22	M63440	1K20	12	60 - 17	RE14758	1I25	10	50 - 31
L56957	2B13	24	70 - 19	M63440	2E23	10	80 - 29	RE14758	1I25	16	50 - 31
L56957	2B13	29	70 - 19	M80373	1H25	8	50 - 5	RE14758	1J2	6	50 - 33
L56957	2B15	16	70 - 19B	M80373	1H25	10	50 - 5	RE14758	1J2	7	50 - 33

1L9

1530 TRACTOR

NUMERICAL INDEX - CONTINUED

PART NO.	GRID	KEY	PAGE	PART NO.	GRID	KEY	PAGE	PART NO.	GRID	KEY	PAGE
RE14759	1I25	10	50 - 31	RE21730	1H16	5	40 - 59	RE46414	1G23	12	40 - 41
RE14759	1I25	16	50 - 31	RE21731	1H16	5	40 - 59	RE49984	1F22	4	40 - 21H
RE14759	1J2	6	50 - 33	RE21732	1H16	6	40 - 59	RE49985	1F22	7	40 - 21H
RE14759	1J2	7	50 - 33	RE21738	1G25	15	40 - 43	RE49986	1F22	8	40 - 21H
RE15361	2D4	9	70 - 57	RE22589	1G25	2	40 - 43	RE50095	1E16	9	40 - 3
RE15361	2D4	10	70 - 57	RE23182	1A22	..	20 - 5	RE50095	1F7	2	40 - 14
RE15361	2D4	14	70 - 57	RE23182	2G5	3	90 - 22	RE50095	1F20	4	40 - 21E
RE15361	2D4	17	70 - 57	RE23382	2A21	15	70 - 3	RE50095	1F22	10	40 - 21H
RE15361	2D15	10	70 - 68	RE23382	2A25	15	70 - 7	RE50096	1F20	3	40 - 21E
RE15361	2D15	11	70 - 68	RE24175	1F23	4	40 - 21I	RE50096	1F22	3	40 - 21H
RE15361	2D15	15	70 - 68	RE24561	1C25	16	30 - 12	RE50137	1H24	8	50 - 3B
RE15361	2D15	18	70 - 68	RE24561	2G5	5	90 - 22	RE52020	1B20	11	20 - 26
RE15361	2D15	20	70 - 68	RE24959	1B10	1	20 - 16	RE52020	1B20	18	20 - 26
RE15381	1B21	13	20 - 27	RE25621	1H4	1	40 - 47	RE52020	1B20	19	20 - 26
RE16149	1B6	19	20 - 11	RE26739	2C13	6	70 - 41	RE52020	1B21	4	20 - 27
RE16149	1B8	23	20 - 13	RE26740	2C13	6	70 - 41	RE52020	1B21	8	20 - 27
RE16495	1B15	6	20 - 21	RE29881	1I2	4	50 - 7	RE52020	1B21	13	20 - 27
RE16911	1C13	9	20 - 44	RE29881	1I4	1	50 - 9	RE55343	1B20	11	20 - 26
RE16912	1C12	25	20 - 43	RE29881	1I8	4	50 - 13	RE55343	1B20	18	20 - 26
RE17282	1H6	14	40 - 49	RE30174	1C25	16	30 - 12	RE55343	1B20	19	20 - 26
RE17282	1H8	10	40 - 51	RE30174	2G5	5	90 - 22	RE55343	1B21	4	20 - 27
RE17515	1C18	13	30 - 3	RE31973	1B4	9	20 - 9	RE55343	1B21	8	20 - 27
RE18116	1J12	15	50 - 44	RE31973	1B4	10	20 - 9	RE55343	1B21	13	20 - 27
RE18646	1J11	26	50 - 43	RE33636	1C25	16	30 - 12	RE56309	1A24	1	20 - 7
RE19031	1B4	9	20 - 9	RE33636	2G5	5	90 - 22	RE56309	1B2	8	20 - 7B
RE19187	1E16	9	40 - 3	RE33705	1C10	7	20 - 41	RE62690	1E16	9	40 - 3
RE19187	1F7	2	40 - 14	RE35685	1B21	13	20 - 27	RE62916	1E16	9	40 - 3
RE19187	1F7	3	40 - 14	RE36425	1B20	9	20 - 26	RE62916	1F7	2	40 - 14
RE19187	1F7	4	40 - 14	RE37011	1I12	14	50 - 17	RE62916	1F13	..	40 - 19
RE19187	1F7	5	40 - 14	RE37091	1D16	2	30 - 29	RE62916	1F15	20	40 - 21
RE19187	1F7	6	40 - 14	RE37463	1D4	6	30 - 17	RE62916	1F15	..	40 - 21
RE19187	1F8	..	40 - 15	RE37463	1D5	11	30 - 17B	RE62916	1F17	30	40 - 21B
RE19187	1F17	..	40 - 21B	RE37489	1C13	9	20 - 44	RE62916	1F17	..	40 - 21B
RE19187	1F19	..	40 - 21D	RE37492	1C12	25	20 - 43	RE62916	1F19	20	40 - 21D
RE19187	1F20	4	40 - 21E	RE37996	1E19	4	40 - 6	RE62916	1F19	..	40 - 21D
RE19187	1F22	10	40 - 21H	RE38390	1E16	26	40 - 3	RE62916	1F20	4	40 - 21E
RE19187	1F23	..	40 - 21I	RE38390	1E19	6	40 - 6	RE62916	1F22	10	40 - 21H
RE19188	1F19	18	40 - 21D	RE38390	2B9	12	70 - 14	RE62916	1F25	1	40 - 23
RE19191	1F17	18	40 - 21B	RE38391	1E20	7	40 - 6A	RW26466	1G23	20	40 - 41
RE19192	1F17	19	40 - 21B	RE38707	1G23	11	40 - 41	R100380	1F8	4	40 - 15
RE19193	1F13	16	40 - 19	RE38850	1C13	9	20 - 44	R10093	1B6	8	20 - 11
RE19193	1F13	17	40 - 19	RE38853	1C12	25	20 - 43	R10093	1B6	10	20 - 11
RE19193	1F17	4	40 - 21B	RE39061	1F8	9	40 - 15	R10093	2B13	31	70 - 19
RE19197	1F17	10	40 - 21B	RE39065	1F9	5	40 - 15A	R10093	2B17	3	70 - 21
RE19419	2C15	7	70 - 43	RE39829	2C12	14	70 - 40	R10093	2B17	7	70 - 21
RE19419	2C15	10	70 - 43	RE39830	2C12	14	70 - 40	R10093	2B18	15	70 - 22
RE19419	2C16	4	70 - 44	RE41287	1E20	7	40 - 6A	R10093	2D6	5	70 - 59
RE19419	2C16	7	70 - 44	RE41748	1G4	20	40 - 25B	R10093	2D8	2	70 - 61
RE19445	2F15	43	90 - 5	RE41748	1G4	22	40 - 25B	R10184	1E8	17	30 - 47
RE19733	1B15	6	20 - 21	RE41748	1G6	20	40 - 25D	R10185	1E8	16	30 - 47
RE19841	1B6	34	20 - 11	RE41748	1G6	22	40 - 25D	R105529	1D21	13	30 - 35
RE19842	1B8	61	20 - 13	RE41991	1C18	1	30 - 3	R105529	1D21	14	30 - 35
RE19896	1B16	5	20 - 22	RE42211	1D3	8	30 - 16	R105529	1E2	15	30 - 41
RE19944	1C2	11	20 - 33	RE42211	1D4	1	30 - 17	R105529	1E2	16	30 - 41
RE19944	1C2	16	20 - 33	RE42211	1D5	3	30 - 17B	R105529	1E6	8	30 - 45
RE19944	1C2	17	20 - 33	RE42730	1E16	9	40 - 3	R105530	1D21	13	30 - 35
RE19944	1C3	1	20 - 34	RE42730	1F7	2	40 - 14	R105530	1D21	14	30 - 35
RE19944	1C4	7	20 - 35	RE42730	1F8	..	40 - 15	R105530	1E2	15	30 - 41
RE21073	1G23	17	40 - 41	RE42730	1F17	..	40 - 21B	R105530	1E2	16	30 - 41
RE21076	1B8	13	20 - 13	RE42730	1F19	..	40 - 21D	R105530	1E6	8	30 - 45
RE21076	1B15	6	20 - 21	RE42730	1F20	4	40 - 21E	R105583	2A21	7	70 - 3
RE21076	1B15	7	20 - 21	RE42730	1F22	10	40 - 21H	R105583	2A25	7	70 - 7
RE21096	1G23	11	40 - 41	RE42730	1F23	..	40 - 21I	R105942	1G23	10	40 - 41
RE21112	1G25	3	40 - 43	RE42993	1E20	10	40 - 6A	R11039	1F11	19	40 - 17
RE21113	1G25	10	40 - 43	RE43025	1G23	17	40 - 41	R11066	1F11	9	40 - 17
RE21439	1D14	15	30 - 26	RE44574	1B10	1	20 - 16	R11066	1F23	3	40 - 21I
RE21510	1G23	20	40 - 41	RE46317	1G23	11	40 - 41	R11087	1F15	18	40 - 21

1L10

1530 TRACTOR

NUMERICAL INDEX - CONTINUED

PART NO.	GRID	KEY	PAGE	PART NO.	GRID	KEY	PAGE	PART NO.	GRID	KEY	PAGE
R11095	1F13	5	40 - 19	R20498	1D4	3	30 - 17	R26375	2D4	22	70 - 57
R11096	1F13	1	40 - 19	R20498	1D5	4	30 - 17B	R26375	2D10	2	70 - 63
R11116	1F13	11	40 - 19	R20922	2C17	4	70 - 45	R26375	2D10	3	70 - 63
R11116	1F17	26	40 - 21B	R21302	2E17	2	80 - 22	R26375	2D16	4	70 - 69
R11117	1F13	12	40 - 19	R21551	2F15	31	90 - 5	R26409	1E16	31	40 - 3
R11117	1F17	27	40 - 21B	R21612	1K4	12	50 - 61	R26418	2F25	12	90 - 17
R11118	1F13	6	40 - 19	R21722	2D16	1	70 - 69	R26448	1E19	2	40 - 6
R11118	1F17	21	40 - 21B	R21722	2D16	2	70 - 69	R26448	1I21	13	50 - 27
R11194	1F11	12	40 - 17	R26125	1B2	5	20 - 7B	R26448	1I23	32	50 - 29
R11198	1F11	3	40 - 17	R26125	1B4	20	20 - 9	R26448	1K11	5	60 - 7
R11235	1F13	35	40 - 19	R26149	1C25	11	30 - 12	R26448	1K13	32	60 - 9
R11236	1F15	21	40 - 21	R26149	1H22	31	50 - 3	R26448	1K13	34	60 - 9
R11236	1F19	19	40 - 21D	R26149	1H24	7	50 - 3B	R26448	2B9	1	70 - 14
R11238	1F15	3	40 - 21	R26149	1J3	13	50 - 34	R26448	2B9	14	70 - 14
R11239	1F15	8	40 - 21	R26149	1J4	9	50 - 35	R26448	2B13	4	70 - 19
R11240	1F11	..	40 - 17	R26149	2C18	10	70 - 46	R26448	2B13	7	70 - 19
R11243	1F15	1	40 - 21	R26149	2C19	13	70 - 47	R26448	2B13	10	70 - 19
R11278	1G18	1	40 - 36	R26241	1B6	3	20 - 11	R26448	2B13	37	70 - 19
R112922	1F22	6	40 - 21H	R26286	2A21	20	70 - 3	R26448	2B13	39	70 - 19
R112923	1F22	5	40 - 21H	R26286	2A25	20	70 - 7	R26448	2B17	12	70 - 21
R112926	1F22	9	40 - 21H	R26286	2B2	6	70 - 9	R26448	2B17	13	70 - 21
R113752	1B20	11	20 - 26	R26286	2B13	17	70 - 19	R26448	2C18	15	70 - 46
R113752	1B20	18	20 - 26	R26286	2B17	8	70 - 21	R26448	2D4	30	70 - 57
R113752	1B20	19	20 - 26	R26287	1D2	8	30 - 15	R26460	2B10	6	70 - 15
R113752	1B21	4	20 - 27	R26287	1I20	14	50 - 26	R26480	2D1	23	70 - 54
R113752	1B21	8	20 - 27	R26287	1I23	6	50 - 29	R26480	2D2	16	70 - 55
R113752	1B21	13	20 - 27	R26287	1K4	10	50 - 61	R26480	2D3	10	70 - 56
R119269	1B19	1	20 - 25	R26287	1K16	17	60 - 13	R26480	2D12	26	70 - 65
R119269	1C12	8	20 - 43	R26287	1K17	1	60 - 14	R26482	2D1	17	70 - 54
R120103	2C5	5	70 - 35	R26287	2A22	6	70 - 4	R26482	2D2	8	70 - 55
R120106	1G23	10	40 - 41	R26287	2B2	10	70 - 9	R26482	2D3	6	70 - 56
R120107	1G23	10	40 - 41	R26287	2B9	15	70 - 14	R26483	2D1	21	70 - 54
R120108	1G23	10	40 - 41	R26287	2B10	9	70 - 15	R26483	2D2	11	70 - 55
R125066	1B19	11	20 - 25	R26375	1H22	16	50 - 3	R26483	2D3	7	70 - 56
R125066	1C12	17	20 - 43	R26375	1H22	42	50 - 3	R26484	2C19	7	70 - 47
R125754	1B8	9	20 - 13	R26375	1K7	11	60 - 3	R26484	2D1	14	70 - 54
R125754	1B15	3	20 - 21	R26375	1K16	13	60 - 13	R26484	2D2	4	70 - 55
R15023	1E23	12	40 - 9	R26375	1K17	8	60 - 14	R26484	2D3	3	70 - 56
R15023	1E25	15	40 - 11	R26375	2A21	6	70 - 3	R26485	2D1	10	70 - 54
R15024	1E23	13	40 - 9	R26375	2A21	10	70 - 3	R26485	2D2	27	70 - 55
R15024	1E25	17	40 - 11	R26375	2A21	16	70 - 3	R26485	2D3	1	70 - 56
R15025	1E23	5	40 - 9	R26375	2A21	31	70 - 3	R26485	2D4	11	70 - 57
R15026	1E23	7	40 - 9	R26375	2A21	49	70 - 3	R26485	2D15	12	70 - 68
R15026	1E25	6	40 - 11	R26375	2A22	5	70 - 4	R26493	1B6	26	20 - 11
R15027	1E23	18	40 - 9	R26375	2A25	6	70 - 7	R26493	1B8	29	20 - 13
R15027	1E25	21	40 - 11	R26375	2A25	16	70 - 7	R26501	1E8	11	30 - 47
R15029	1E23	24	40 - 9	R26375	2A25	29	70 - 7	R26524	1E10	15	30 - 49
R15029	1E25	26	40 - 11	R26375	2A25	47	70 - 7	R26546	2C14	12	70 - 42
R15030	1E23	10	40 - 9	R26375	2A25	52	70 - 7	R26552	1I19	8	50 - 25
R15030	1E25	14	40 - 11	R26375	2B2	2	70 - 9	R26552	1I21	3	50 - 27
R15033	1E23	22	40 - 9	R26375	2B2	3	70 - 9	R26552	1I23	1	50 - 29
R15033	1E25	24	40 - 11	R26375	2B2	8	70 - 9	R26552	1J6	1	50 - 37
R15035	1E23	11	40 - 9	R26375	2B2	13	70 - 9	R26552	1J6	17	50 - 37
R15035	1E25	13	40 - 11	R26375	2B2	14	70 - 9	R26552	1J9	11	50 - 41
R15036	1E23	8	40 - 9	R26375	2B2	15	70 - 9	R26552	1J11	24	50 - 43
R15036	1E25	4	40 - 11	R26375	2B5	19	70 - 10	R26552	1J22	12	50 - 55
R15036	1E25	9	40 - 11	R26375	2B8	1	70 - 13	R26637	1E10	7	30 - 49
R1590R	1J6	20	50 - 37	R26375	2B8	7	70 - 13	R26650	1B6	27	20 - 11
R1590R	1J7	2	50 - 39	R26375	2B10	7	70 - 15	R26650	1B8	30	20 - 13
R1662R	2B6	2	70 - 11	R26375	2B13	12	70 - 19	R26656	1J19	6	50 - 52
R1680R	1H22	9	50 - 3	R26375	2B13	15	70 - 19	R26726	1C25	2	30 - 12
R1870R	1J15	16	50 - 47	R26375	2B17	15	70 - 21	R26726	1D7	24	30 - 19
R1888R	1J9	17	50 - 41	R26375	2C17	6	70 - 45	R26726	1D11	14	30 - 23
R20135	1K7	33	60 - 3	R26375	2C17	10	70 - 45	R26727	1K2	2	50 - 59
R20135	1K13	13	60 - 9	R26375	2C18	17	70 - 46	R26753	1I14	1	50 - 19
R20336	1C12	7	20 - 43	R26375	2C21	4	70 - 49	R26753	1I16	22	50 - 21
R20498	1D3	3	30 - 16	R26375	2C25	19	70 - 53	R26858	2E23	24	80 - 29

1L11

1530 TRACTOR

NUMERICAL INDEX - CONTINUED

PART NO.	GRID	KEY	PAGE	PART NO.	GRID	KEY	PAGE	PART NO.	GRID	KEY	PAGE
R26863	2B10	2	70 - 15	R27430	2D15	5	70 - 68	R30378	1G9	5	40 - 27
R26863	2B11	1	70 - 16	R27453	1K16	24	60 - 13	R30378	1H1	25	40 - 44
R26871	1119	7	50 - 25	R27460	1G11	10	40 - 29	R30378	1H14	43	40 - 57
R26871	1120	8	50 - 26	R27460	1G13	1	40 - 31	R30399	1K2	28	50 - 59
R26906	1J3	7	50 - 34	R27474	2B10	12	70 - 15	R30409	1D5	7	30 - 17B
R26906	1J4	4	50 - 35	R27474	2C21	2	70 - 49	R30437	2B18	16	70 - 22
R26906	1K16	7	60 - 13	R27490	1K20	30	60 - 17	R30587	1114	18	50 - 19
R26906	1K17	3	60 - 14	R27507	1118	9	50 - 23	R30587	1J3	2	50 - 34
R26906	2A21	28	70 - 3	R27507	2C5	7	70 - 35	R30714	1D8	3	30 - 20
R26906	2A25	26	70 - 7	R27507	2C25	7	70 - 53	R30714	1D9	9	30 - 21
R26906	2B2	7	70 - 9	R27507	2D2	18	70 - 55	R30714	1D11	32	30 - 23
R26906	2B5	8	70 - 10	R27527	1K16	18	60 - 13	R30714	1D13	26	30 - 25
R26906	2B8	17	70 - 13	R27528	1K16	19	60 - 13	R30718	1D13	13	30 - 25
R26906	2B10	13	70 - 15	R27531	2B7	16	70 - 12	R30719	1D13	13	30 - 25
R26906	2C17	1	70 - 45	R27539	2B5	12	70 - 10	R30725	1D11	18	30 - 23
R26906	2C21	1	70 - 49	R27539	2B5	17	70 - 10	R30727	1D11	18	30 - 23
R26906	2C23	8	70 - 51	R27590	2B5	3	70 - 10	R30728	1D11	17	30 - 23
R26919	1H22	3	50 - 3	R27888	2E23	20	80 - 29	R30729	1D11	17	30 - 23
R26933	1111	4	50 - 16	R27928	1J15	28	50 - 47	R30730	1D11	17	30 - 23
R26936	2F25	11	90 - 17	R27997	2C5	20	70 - 35	R30731	1D11	17	30 - 23
R27003	1J6	15	50 - 37	R27998	2C5	21	70 - 35	R30732	1D13	22	30 - 25
R27003	1J22	10	50 - 55	R27999	2C5	22	70 - 35	R30735	1D11	10	30 - 23
R27033	112	9	50 - 7	R280R	1113	12	50 - 18	R30737	1D11	8	30 - 23
R27094	2A21	21	70 - 3	R28006	2D1	6	70 - 54	R30815	2D16	5	70 - 69
R27094	2A25	21	70 - 7	R28006	2D4	7	70 - 57	R30816	2D16	7	70 - 69
R27166	1B20	12	20 - 26	R28006	2D15	6	70 - 68	R30817	2D16	6	70 - 69
R27166	2C14	1	70 - 42	R28061	2B22	12	70 - 26	R30828	1123	12	50 - 29
R27166	2C19	11	70 - 47	R28084	2D1	3	70 - 54	R30903	2A21	3	70 - 3
R27173	2A21	56	70 - 3	R28084	2D1	19	70 - 54	R30903	2A25	3	70 - 7
R27174	2A21	55	70 - 3	R28084	2D2	9	70 - 55	R30903	2B2	1	70 - 9
R27174	2B2	16	70 - 9	R28084	2D4	3	70 - 57	R30958	1H22	29	50 - 3
R27175	1H22	34	50 - 3	R28084	2D4	16	70 - 57	R30958	1J19	9	50 - 52
R27175	1J6	22	50 - 37	R28084	2D15	3	70 - 68	R30958	1J20	3	50 - 53
R27175	2A21	53	70 - 3	R28084	2D15	17	70 - 68	R31136	2B13	30	70 - 19
R27181	1D1	7	30 - 14	R28085	2D1	2	70 - 54	R31136	2B17	6	70 - 21
R27216	1120	15	50 - 26	R28085	2D4	2	70 - 57	R31136	2D6	4	70 - 59
R27216	1123	5	50 - 29	R28085	2D4	17	70 - 57	R31136	2D8	1	70 - 61
R27216	1K4	9	50 - 61	R28085	2D15	2	70 - 68	R31250	1G10	1	40 - 28
R27216	2B9	16	70 - 14	R28085	2D15	18	70 - 68	R31250	1G11	8	40 - 29
R27216	2B10	10	70 - 15	R28204	2D1	1	70 - 54	R31630	2A21	45	70 - 3
R27218	1121	12	50 - 27	R28204	2D4	1	70 - 57	R31631	1120	15	50 - 26
R27218	1123	33	50 - 29	R28204	2D4	18	70 - 57	R31631	1123	5	50 - 29
R27218	2B9	1	70 - 14	R28493	2E16	3	80 - 21	R31631	1K4	9	50 - 61
R27218	2B13	11	70 - 19	R28538	2B5	12	70 - 10	R31632	1123	13	50 - 29
R27218	2B13	38	70 - 19	R28539	2B5	17	70 - 10	R31632	1123	18	50 - 29
R27218	2B13	39	70 - 19	R28583	1C25	5	30 - 12	R31665	2B5	7	70 - 10
R27218	2C18	14	70 - 46	R28584	1C25	4	30 - 12	R31665	2B8	18	70 - 13
R27233	2C15	21	70 - 43	R28634	1123	7	50 - 29	R31680	1119	9	50 - 25
R27237	2B8	2	70 - 13	R28744	2C15	19	70 - 43	R31698	1J6	26	50 - 37
R27237	2B8	4	70 - 13	R28776	1J18	20	50 - 51	R31890	2C25	17	70 - 53
R27237	2C17	7	70 - 45	R28776	1J18	21	50 - 51	R31890	2D2	15	70 - 55
R27237	2C18	18	70 - 46	R28776	1J22	3	50 - 55	R31892	1G10	4	40 - 28
R27237	2D4	23	70 - 57	R28776	2B8	5	70 - 13	R32007	1H6	1	40 - 49
R27267	2A22	1	70 - 4	R28782	1119	5	50 - 25	R32007	1H6	4	40 - 49
R27270	2C23	20	70 - 51	R28782	1120	2	50 - 26	R32007	1H6	6	40 - 49
R27272	2A21	22	70 - 3	R28962	1120	12	50 - 26	R32007	1H6	8	40 - 49
R27285	1C12	22	20 - 43	R29936	1J11	2	50 - 43	R32011	1H10	1	40 - 53
R27285	1D3	4	30 - 16	R29936	1J11	8	50 - 43	R32016	1G11	2	40 - 29
R27285	1D4	2	30 - 17	R29936	1K16	3	60 - 13	R32016	1H10	10	40 - 53
R27285	1D5	2	30 - 17B	R29936	1K16	8	60 - 13	R32017	1H10	11	40 - 53
R27320	1K9	8	60 - 5	R29936	1K17	5	60 - 14	R32018	1E20	8	40 - 6A
R27329	1J23	5	50 - 56	R30181	1G11	5	40 - 29	R32018	1G17	5	40 - 35
R27346	1D2	13	30 - 15	R30182	1G10	1	40 - 28	R32018	1H6	6	40 - 49
R27358	1K16	25	60 - 13	R30182	1G11	8	40 - 29	R32018	1H6	8	40 - 49
R27426	2D12	10	70 - 65	R30378	1E16	7	40 - 3	R32018	1H10	12	40 - 53
R27430	2D1	5	70 - 54	R30378	1E16	8	40 - 3	R32019	1H10	13	40 - 53
R27430	2D4	5	70 - 57	R30378	1G9	4	40 - 27	R32021	1H6	4	40 - 49

1L12

1530 TRACTOR

NUMERICAL INDEX - CONTINUED

PART NO.	GRID	KEY	PAGE	PART NO.	GRID	KEY	PAGE	PART NO.	GRID	KEY	PAGE
R32021	1H10	14	40-53	R34631	1D11	1	30-23	R375R	2D1	16	70-54
R32022	1H10	15	40-53	R34632	1D14	12	30-26	R375R	2D2	7	70-55
R32023	1H10	16	40-53	R34632	1D16	25	30-29	R375R	2D3	5	70-56
R32024	1G17	5	40-35	R34635	1D9	5	30-21	R38041	2A21	9	70-3
R32024	1H6	8	40-49	R34635	1D16	15	30-29	R38053	2A21	1	70-3
R32024	1H16	3	40-59	R34638	1D14	7	30-26	R38053	2A25	1	70-7
R32025	1H6	4	40-49	R34639	1D11	20	30-23	R38185	1I2	7	50-7
R32025	1H16	4	40-59	R34656	1D1	21	30-14	R38348	2A19	6	70-1
R32026	1H10	17	40-53	R34733	1J9	9	50-41	R38371	1G16	3	40-34
R32026	1H14	48	40-57	R34760	1D7	11	30-19	R38372	1E21	16	40-7
R32027	1E20	5	40-6A	R34760	1D17	12	30-31	R38372	1F1	6	40-12
R32027	1G17	5	40-35	R34760	1D19	19	30-33	R38374	1E23	9	40-9
R32027	1H6	4	40-49	R34761	1D7	13	30-19	R38374	1E25	12	40-11
R32027	1H6	8	40-49	R34761	1D17	13	30-31	R39006	2D12	19	70-65
R32027	1H10	18	40-53	R34764	1C12	12	20-43	R39008	2D12	27	70-65
R32028	1H10	19	40-53	R34764	1D7	14	30-19	R39009	2D12	28	70-65
R32029	1H10	20	40-53	R34764	1D17	16	30-31	R39009	2D13	2	70-66
R32087	2B7	14	70-12	R34764	1D19	14	30-33	R39012	2D12	37	70-65
R32276	1H1	..	40-44	R34766	1D1	16	30-14	R39013	2D12	33	70-65
R32276	1H5	..	40-48	R34801	2E18	1	80-23	R39016	2A21	40	70-3
R32306	1C25	10	30-12	R34811	1E10	3	30-49	R39017	2A21	41	70-3
R32353	2D4	14	70-57	R34811	1I18	4	50-23	R39029	2D12	34	70-65
R32353	2D15	15	70-68	R34812	1D8	2	30-20	R39029	2D13	5	70-66
R32354	2D4	10	70-57	R34812	1D13	4	30-25	R39064	2D12	6	70-65
R32354	2D15	11	70-68	R34812	2C19	17	70-47	R39067	2A21	7	70-3
R32355	2D4	9	70-57	R34827	2E14	17	80-19	R39067	2A25	7	70-7
R32355	2D15	10	70-68	R34828	2E14	6	80-19	R39068	2A21	34	70-3
R32356	2D1	9	70-54	R34863	1I23	21	50-29	R39070	2A21	32	70-3
R32356	2D2	2	70-55	R35226	1K9	11	60-5	R39073	2A21	42	70-3
R32356	2D4	8	70-57	R35226	1K11	3	60-7	R39073	2A25	40	70-7
R32356	2D15	9	70-68	R35286	1K16	1	60-13	R39073	2B4	4	70-9B
R32419	2C25	1	70-53	R35286	1K16	2	60-13	R39075	2A21	48	70-3
R32419	2D4	29	70-57	R35286	1K17	4	60-14	R39076	2A21	52	70-3
R32419	2D15	8	70-68	R35352	1D7	5	30-19	R39076	2A25	50	70-7
R32507	1J9	7	50-41	R35416	2E20	5	80-25	R39076	2B6	3	70-11
R32507	1J11	9	50-43	R35684	1K9	32	60-5	R39076	2B7	7	70-12
R33058	1I21	6	50-27	R35684	1K11	10	60-7	R39076	2C17	11	70-45
R33167	1I12	1	50-17	R35726	1K13	28	60-9	R39078	2A21	51	70-3
R33259	1D14	14	30-26	R36075	2C21	8	70-49	R39078	2A25	49	70-7
R33259	1D16	3	30-29	R36235	1H1	22	40-44	R39078	2B6	4	70-11
R33259	1D16	24	30-29	R36265	1E19	6	40-6	R39078	2B7	6	70-12
R33521	2B8	15	70-13	R36265	2B9	12	70-14	R39090	1J9	12	50-41
R34063	2B5	15	70-10	R36365	1E16	26	40-3	R39109	2C25	21	70-53
R34140	1I14	3	50-19	R36402	2C13	2	70-41	R39109	2D2	22	70-55
R34352	1C6	21	20-37	R36471	2C11	1	70-39	R39110	2C25	8	70-53
R34360	2A19	4	70-1	R36535	1D13	5	30-25	R39110	2D2	22	70-55
R34394	1C25	13	30-12	R36538	1D13	30	30-25	R39112	1H22	16	50-3
R34395	1C25	12	30-12	R36540	1D13	32	30-25	R39112	1H22	43	50-3
R34397	2D1	15	70-54	R36542	1D9	13	30-21	R39112	1K7	10	60-3
R34397	2D2	6	70-55	R36646	1D8	6	30-20	R39112	1K16	14	60-13
R34398	2D1	22	70-54	R36651	1D9	4	30-21	R39112	2A21	5	70-3
R34398	2D2	12	70-55	R36658	2D16	3	70-69	R39112	2A21	10	70-3
R34399	1J15	2	50-47	R36659	2D16	3	70-69	R39112	2A21	17	70-3
R34399	2D1	8	70-54	R36757	1C16	..	30-1	R39112	2A21	30	70-3
R34399	2D2	1	70-55	R36926	2A21	23	70-3	R39112	2A25	5	70-7
R34400	2D1	20	70-54	R36927	2C23	23	70-51	R39112	2A25	17	70-7
R34400	2D2	10	70-55	R36946	2D15	21	70-68	R39112	2A25	28	70-7
R34447	1D2	8	30-15	R37139	1D13	9	30-25	R39112	2A25	51	70-7
R34589	2C20	2	70-48	R37479	2C23	11	70-51	R39112	2B8	4	70-13
R34603	2B7	14	70-12	R375R	1H22	26	50-3	R39112	2B10	8	70-15
R34612	1D16	9	30-29	R375R	1I21	8	50-27	R39112	2C18	16	70-46
R34622	1D14	15	30-26	R375R	1I23	26	50-29	R39132	1I21	15	50-27
R34623	1D14	16	30-26	R375R	1I24	2	50-30	R39171	2C17	2	70-45
R34624	1D14	6	30-26	R375R	1I25	3	50-31	R39178	2A21	35	70-3
R34625	1D14	13	30-26	R375R	1J2	11	50-33	R39179	2A21	47	70-3
R34627	1D14	10	30-26	R375R	1J3	9	50-34	R39179	2A25	45	70-7
R34630	1D11	4	30-23	R375R	1J4	6	50-35	R39180	2A21	46	70-3

1L13

1530 TRACTOR

NUMERICAL INDEX - CONTINUED

PART NO.	GRID	KEY	PAGE	PART NO.	GRID	KEY	PAGE	PART NO.	GRID	KEY	PAGE
R39180	2A25	44	70 - 7	R39615	1D1	4	30 - 14	R44302	1H5	..	40 - 48
R39181	2A21	44	70 - 3	R39741	1B8	59	20 - 13	R44302	1H6	11	40 - 49
R39181	2A25	42	70 - 7	R39758	2E14	5	80 - 19	R44302	2B7	23	70 - 12
R39182	2A21	18	70 - 3	R39796	1J9	3	50 - 41	R44302	2F2	..	80 - 33
R39193	1116	18	50 - 21	R39800	1E25	11	40 - 11	R44302	2F4	..	80 - 35
R39193	1116	35	50 - 21	R39803	1E25	10	40 - 11	R44310	2C19	9	70 - 47
R39224	1114	15	50 - 19	R39985	1E10	6	30 - 49	R44342	1G9	22	40 - 27
R39224	1J3	4	50 - 34	R40072	2B8	14	70 - 13	R44361	1K2	6	50 - 59
R39224	1J4	2	50 - 35	R40147	1J6	28	50 - 37	R44372	1K2	6	50 - 59
R39225	2C15	11	70 - 43	R40235	1J3	12	50 - 34	R44720	2F25	1	90 - 17
R39225	2C15	28	70 - 43	R40337	1F13	18	40 - 19	R44917	2B22	12	70 - 26
R39225	2C16	6	70 - 44	R40562	2B8	16	70 - 13	R44917	2B25	12	70 - 30
R39228	2A21	12	70 - 3	R40565	1D5	9	30 - 17B	R44917	2C5	3	70 - 35
R39228	2A25	12	70 - 7	R40599	2C14	1	70 - 42	R44918	2B22	12	70 - 26
R39238	1116	2	50 - 21	R40756	2A21	24	70 - 3	R45440	1F8	5	40 - 15
R39240	2A21	26	70 - 3	R40791	1A24	8	20 - 7	R45582	1I23	14	50 - 29
R39240	2A25	24	70 - 7	R40937	2C19	20	70 - 47	R45618	2C25	12	70 - 53
R39242	2A21	25	70 - 3	R40983	1E10	6	30 - 49	R45619	2C20	3	70 - 48
R39244	1114	16	50 - 19	R41041	1114	13	50 - 19	R45630	2D1	5	70 - 54
R39244	1J3	6	50 - 34	R41041	1J3	18	50 - 34	R45630	2D15	5	70 - 68
R39244	1J4	3	50 - 35	R41055	2C14	8	70 - 42	R45847	1E20	6	40 - 6A
R39247	1116	14	50 - 21	R41055	2C19	8	70 - 47	R460R	1D16	6	30 - 29
R39252	1116	38	50 - 21	R41057	2C14	1	70 - 42	R46162	1I8	3	50 - 13
R39254	1114	10	50 - 19	R41057	2C19	12	70 - 47	R46414	1F8	8	40 - 15
R39259	1116	5	50 - 21	R41155	2C18	12	70 - 46	R46625	1B6	24	20 - 11
R39260	1116	4	50 - 21	R41156	2C19	10	70 - 47	R46625	1B6	34	20 - 11
R39260	1117	1	50 - 22	R41338	2C19	22	70 - 47	R46625	1B8	32	20 - 13
R39265	1116	41	50 - 21	R41339	2C19	21	70 - 47	R46675	1D19	10	30 - 33
R39273	2B8	7	70 - 13	R41412	1B2	4	20 - 7B	R46722	2C14	13	70 - 42
R39276	1116	20	50 - 21	R41412	1B4	21	20 - 9	R46889	2C5	15	70 - 35
R39278	1114	2	50 - 19	R41439	1E20	2	40 - 6A	R46890	2C5	12	70 - 35
R39279	1114	4	50 - 19	R41439	1H5	17	40 - 48	R46893	2C5	17	70 - 35
R39280	1112	7	50 - 17	R41549	2C19	14	70 - 47	R46906	1B13	1	20 - 19
R39280	1116	11	50 - 21	R41564	2C16	1	70 - 44	R47061	2C1	3	70 - 31
R39280	1116	32	50 - 21	R41778	2F13	14	90 - 3	R47061	2C3	13	70 - 33
R39281	1116	40	50 - 21	R41778	2F23	1	90 - 15	R47063	2C3	13	70 - 33
R39282	1116	10	50 - 21	R41781	2F7	11	80 - 39	R47076	2E9	3	80 - 14
R39282	1116	31	50 - 21	R41781	2F9	13	80 - 41	R47249	1J19	11	50 - 52
R39283	1114	12	50 - 19	R41781	2F11	8	90 - 1	R47249	1J20	12	50 - 53
R39284	1114	9	50 - 19	R41781	2F13	1	90 - 3	R47292	2F7	13	80 - 39
R39285	1116	33	50 - 21	R42363	1H22	4	50 - 3	R47292	2F9	6	80 - 41
R39289	2C17	5	70 - 45	R42451	2E25	3	80 - 31	R47292	2F11	7	90 - 1
R39289	2C18	9	70 - 46	R42451	2F1	1	80 - 32	R47344	2B11	10	70 - 16
R39294	1I21	16	50 - 27	R42483	1D11	24	30 - 23	R47358	1D2	4	30 - 15
R39294	1I23	29	50 - 29	R42483	1D16	17	30 - 29	R47474	1G16	5	40 - 34
R39294	1J6	27	50 - 37	R42581	2F11	12	90 - 1	R47513	1J19	16	50 - 52
R39299	1112	11	50 - 17	R42581	2F13	6	90 - 3	R47513	1J20	14	50 - 53
R39299	1116	9	50 - 21	R42666	1G16	1	40 - 34	R47514	1J19	13	50 - 52
R39299	1116	30	50 - 21	R42726	1C16	..	30 - 1	R47514	1J20	18	50 - 53
R39304	1112	6	50 - 17	R42732	2F23	6	90 - 15	R47733	1D19	7	30 - 33
R39304	1116	13	50 - 21	R42849	1J15	27	50 - 47	R47831	1G12	5	40 - 30
R39304	1116	34	50 - 21	R42929	2B21	18	70 - 25	R47859	1H5	4	40 - 48
R39305	1114	11	50 - 19	R43216	2B21	18	70 - 25	R47860	1H1	9	40 - 44
R39306	1114	6	50 - 19	R43444	2C5	11	70 - 35	R47861	1H1	9	40 - 44
R39316	2B4	..	70 - 9B	R44302	1B22	..	20 - 28	R47862	1K4	13	50 - 61
R39317	2A21	10	70 - 3	R44302	1C25	1	30 - 12	R47998	1K7	2	60 - 3
R39317	2B4	..	70 - 9B	R44302	1E8	20	30 - 47	R47998	1K9	1	60 - 5
R39318	2A21	38	70 - 3	R44302	1E16	11	40 - 3	R48000	1D7	15	30 - 19
R39318	2A25	36	70 - 7	R44302	1E19	1	40 - 6	R48000	1D17	15	30 - 31
R39319	2A21	43	70 - 3	R44302	1E20	1	40 - 6A	R48000	1D19	15	30 - 33
R39319	2A25	41	70 - 7	R44302	1F8	6	40 - 15	R48026	1H1	..	40 - 44
R39319	2B4	3	70 - 9B	R44302	1F9	3	40 - 15A	R48027	1H1	..	40 - 44
R39321	2A21	37	70 - 3	R44302	1F20	2	40 - 21E	R48028	1H1	28	40 - 44
R39321	2A25	35	70 - 7	R44302	1F22	2	40 - 21H	R48048	1H1	17	40 - 44
R394R	1J9	2	50 - 41	R44302	1G14	11	40 - 32	R48049	1H1	27	40 - 44
R394R	2C18	6	70 - 46	R44302	1G15	24	40 - 33	R48071	1D2	7	30 - 15
R39613	1D1	2	30 - 14	R44302	1G25	1	40 - 43	R48138	2F11	13	90 - 1

1L14

1530 TRACTOR

NUMERICAL INDEX - CONTINUED

PART NO.	GRID	KEY	PAGE	PART NO.	GRID	KEY	PAGE	PART NO.	GRID	KEY	PAGE
R48139	2F11	12	90 - 1	R49266	1D5	10	30 - 17B	R52119	2F15	32	90 - 5
R48139	2F13	6	90 - 3	R49296	1G12	1	40 - 30	R52119	2F15	35	90 - 5
R48163	2C5	6	70 - 35	R49297	2A21	11	70 - 3	R52251	1B4	17	20 - 9
R48164	2C5	10	70 - 35	R49297	2A25	11	70 - 7	R52252	1B4	18	20 - 9
R48289	1J22	5	50 - 55	R49298	2A21	14	70 - 3	R52260	2F11	1	90 - 1
R48290	1H22	27	50 - 3	R49298	2A25	14	70 - 7	R52261	2F11	1	90 - 1
R48352	1G12	3	40 - 30	R49346	1D11	18	30 - 23	R52378	1116	8	50 - 21
R48399	1D3	5	30 - 16	R49394	1F11	10	40 - 17	R52380	1116	19	50 - 21
R48473	1G13	2	40 - 31	R495R	1A24	6	20 - 7	R52381	1116	27	50 - 21
R48493	1D9	10	30 - 21	R495R	1K16	10	60 - 13	R52382	1116	28	50 - 21
R48494	1D11	23	30 - 23	R495R	1K17	7	60 - 14	R52383	1116	25	50 - 21
R48496	1D14	2	30 - 26	R495R	1K20	13	60 - 17	R52384	1116	12	50 - 21
R48497	1D14	3	30 - 26	R495R	2D1	11	70 - 54	R52547	2C19	18	70 - 47
R48498	1D14	1	30 - 26	R495R	2D2	26	70 - 55	R52549	2C19	15	70 - 47
R48500	1D13	23	30 - 25	R495R	2D15	13	70 - 68	R52789	1A24	3	20 - 7
R48514	1D9	14	30 - 21	R49516	1B12	7	20 - 18	R52921	2C16	3	70 - 44
R48528	2B8	16	70 - 13	R49524	2E23	14	80 - 29	R52924	2E19	2	80 - 24
R48566	1K2	32	50 - 59	R49524	2E23	18	80 - 29	R52989	1K7	9	60 - 3
R48593	2B13	32	70 - 19	R49548	1I23	23	50 - 29	R53064	1J15	27	50 - 47
R48595	2B24	5	70 - 29	R49648	2B13	22	70 - 19	R53065	1J15	29	50 - 47
R48599	1D13	35	30 - 25	R49648	2B15	14	70 - 19B	R53066	1J15	31	50 - 47
R48600	1D13	34	30 - 25	R50452	2F15	41	90 - 5	R53067	1113	1	50 - 18
R48634	1C24	18	30 - 11	R50507	2E6	17	80 - 12	R53070	1113	9A	50 - 18
R48664	1G12	1	40 - 30	R50507	2E7	3	80 - 13	R53071	1113	4	50 - 18
R48665	1G12	1	40 - 30	R50507	2E8	5	80 - 13B	R53072	1113	6	50 - 18
R48684	2F25	8	90 - 17	R50557	1F1	6	40 - 12	R53167	1I23	22	50 - 29
R48685	1B6	1	20 - 11	R50703	1K18	3	60 - 15	R53168	1I23	20	50 - 29
R48685	1B8	54	20 - 13	R50704	1K18	4	60 - 15	R53169	1J6	30	50 - 37
R48685	1B8	56	20 - 13	R50864	1J11	7	50 - 43	R53196	2B22	7	70 - 26
R48685	1J6	6	50 - 37	R50864	1J12	8	50 - 44	R53223	1A24	5	20 - 7
R48698	2D6	3	70 - 59	R50985	2C1	3	70 - 31	R53223	1B6	34	20 - 11
R48738	2A21	13	70 - 3	R50985	2C3	13	70 - 33	R53240	1B6	34	20 - 11
R48738	2A25	13	70 - 7	R51112	1B15	2	20 - 21	R53296	2B22	12	70 - 26
R48768	1B8	18	20 - 13	R51117	1C6	21	20 - 37	R53296	2B25	12	70 - 30
R48768	1B13	3	20 - 19	R51117	1C8	22	20 - 39	R53296	2C5	3	70 - 35
R48887	1H12	17	40 - 55	R51285	2C25	11A	70 - 53	R53382	1B20	11	20 - 26
R48978	2C14	1	70 - 42	R51285	2D2	23	70 - 55	R53382	1B21	4	20 - 27
R48978	2C14	2	70 - 42	R51286	1I25	2	50 - 31	R53528	2F15	10	90 - 5
R48980	2C14	7	70 - 42	R51286	1J2	10	50 - 33	R53656	1K4	1	50 - 61
R48993	1C4	6	20 - 35	R51289	1J2	23	50 - 33	R53802	1J6	14	50 - 37
R48997	1C2	10	20 - 33	R51290	1J2	24	50 - 33	R53802	1J22	9	50 - 55
R49065	2D22	11	80 - 2	R51409	2C14	4	70 - 42	R53802	1J11	10	50 - 43
R49065	2D23	13	80 - 3	R51409	2C19	4	70 - 47	R53817	1J11	8	50 - 43
R49065	2E1	12	80 - 7	R51410	2C14	3	70 - 42	R53818	1J11	6	50 - 43
R49066	2D22	11	80 - 2	R51410	2C14	5	70 - 42	R53818	1113	7	50 - 18
R49066	2D23	13	80 - 3	R51412	2C15	23	70 - 43	R53830	1I23	34	50 - 29
R49066	2E1	12	80 - 7	R51413	2C15	22	70 - 43	R54186	1J11	1	50 - 43
R49067	2D22	11	80 - 2	R51414	2C15	24	70 - 43	R54189	1I21	11	50 - 27
R49067	2D23	13	80 - 3	R51414	2C15	20	70 - 43	R54189	1I23	24	50 - 29
R49067	2E1	12	80 - 7	R51415	2C15	20	70 - 43	R54189	1J11	32	50 - 43
R49076	2B5	9	70 - 10	R51451	1B15	4	20 - 21	R54195	2E20	11	80 - 25
R49076	2B6	10	70 - 11	R51469	1I2	19	50 - 7	R54242	2D6	1	70 - 59
R49076	2B6	11	70 - 11	R51469	1I4	4	50 - 9	R54271	1E10	1	30 - 49
R49076	2B6	14	70 - 11	R51469	1I8	7	50 - 13	R54272	1118	2	50 - 23
R49186	2C15	14	70 - 43	R51500	1J18	5	50 - 51	R54272	1118	2	50 - 23
R49187	2C15	15	70 - 43	R51501	1J18	26	50 - 51	R54273	2B18	2	70 - 22
R49191	2C25	5	70 - 53	R51516	1B19	21	20 - 25	R54274	2C18	19	70 - 46
R49191	2C25	8	70 - 53	R51680	2E19	3	80 - 24	R54275	2C18	2	70 - 46
R49191	2C25	12	70 - 53	R51681	2E19	8	80 - 24	R54380	1J13	8	50 - 45
R49191	2D2	20	70 - 55	R51731	1B8	9	20 - 13	R54380	1J13	9	50 - 45
R49191	2D2	22	70 - 55	R51731	1B15	3	20 - 21	R54467	1H1	15	40 - 44
R49193	2C20	3	70 - 48	R51734	1B2	1	20 - 7B	R54565	1B4	6	20 - 9
R49209	1D14	10	30 - 26	R51821	2F7	3	80 - 39	R54565	1B4	14	20 - 9
R49211	1D9	4	30 - 21	R51895	1J6	18	50 - 37	R54614	1B20	16	20 - 26
R49212	1D9	2	30 - 21	R51936	1D17	9	30 - 31	R54614	1B21	9	20 - 27
R49221	2C15	16	70 - 43	R51936	1D19	1	30 - 33	R54615	1B21	8	20 - 27
R49238	1D8	16	30 - 20	R51937	1D17	10	30 - 31	R54622	1K4	2	50 - 61
				R51937	1D19	2	30 - 33	R54779	2F15	5	90 - 5

1L15

1530 TRACTOR

NUMERICAL INDEX - CONTINUED

PART NO.	GRID	KEY	PAGE	PART NO.	GRID	KEY	PAGE	PART NO.	GRID	KEY	PAGE
R54781	2F15	4	90 - 5	R56468	2F9	9	80 - 41	R59297	1E2	6	30 - 41
R54782	2F15	7	90 - 5	R56481	1F7	10	40 - 14	R59298	1D7	18	30 - 19
R54802	1B6	12	20 - 11	R56481	1G4	34	40 - 25B	R59298	1D21	5	30 - 35
R54802	1B8	14	20 - 13	R56483	1D11	16	30 - 23	R59298	1E2	5	30 - 41
R54969	2B13	19	70 - 19	R56485	1C18	4	30 - 3	R59298	1E2	7	30 - 41
R54969	2B13	20	70 - 19	R56514	1111	1	50 - 16	R59343	2D1	11	70 - 54
R54969	2B15	12	70 - 19B	R56514	1111	7	50 - 16	R59343	2D2	26	70 - 55
R54972	2G3	1	90 - 20	R56615	1J6	1	50 - 37	R59343	2D3	2	70 - 56
R54985	1B4	6	20 - 9	R56615	1J15	10	50 - 47	R59343	2D4	12	70 - 57
R54998	1D2	2	30 - 15	R56726	1G12	1	40 - 30	R59409	1B20	6	20 - 26
R55120	1B6	34	20 - 11	R56736	1B6	19	20 - 11	R59447	1A24	3	20 - 7
R55137	2B13	9	70 - 19	R56822	2F1	4	80 - 32	R59447	1C12	2	20 - 43
R55137	2B13	14	70 - 19	R56902	2F7	12	80 - 39	R59519	2E23	14	80 - 29
R55137	2B13	15	70 - 19	R56902	2F9	1	80 - 41	R59629	2C14	1	70 - 42
R55137	2B13	37	70 - 19	R56920	2E16	11	80 - 21	R59633	2D1	1	70 - 54
R55137	2B13	38	70 - 19	R56920	2E17	5	80 - 22	R59633	2D4	1	70 - 57
R55137	2B13	39	70 - 19	R57025	1F17	16	40 - 21B	R59633	2D4	18	70 - 57
R55198	2D22	8	80 - 2	R57027	1F19	5	40 - 21D	R59633	2D15	1	70 - 68
R55198	2D22	14	80 - 2	R57028	1F19	8	40 - 21D	R59633	2D15	19	70 - 68
R55199	2D23	1	80 - 3	R57029	1F13	17	40 - 19	R59915	1B10	10	20 - 16
R55199	2D23	3	80 - 3	R57029	1F17	1	40 - 21B	R59991	2E23	19	80 - 29
R55199	2D23	12	80 - 3	R57059	1B20	2	20 - 26	R60035	1E18	..	40 - 5
R55202	1E8	27	30 - 47	R57059	1B20	7	20 - 26	R60100	2F15	12	90 - 5
R55213	2E23	19	80 - 29	R57059	1B21	2	20 - 27	R60101	2F15	23	90 - 5
R55299	1B6	8	20 - 11	R57258	1D2	4	30 - 15	R60103	2F15	24	90 - 5
R55326	2F15	1	90 - 5	R57293	1K9	28	60 - 5	R60104	2F15	42	90 - 5
R55326	2F15	11	90 - 5	R57293	1K9	29	60 - 5	R60123	1B22	1	20 - 28
R55326	2F15	25	90 - 5	R57300	2B7	20	70 - 12	R60123	1B22	9A	20 - 28
R55396	1H22	30	50 - 3	R57332	1B4	17	20 - 9	R60123	1B22	9B	20 - 28
R55397	2C14	10	70 - 42	R57333	1B4	18	20 - 9	R60123	1B23	6	20 - 29
R55398	2C14	6	70 - 42	R57334	1B4	17	20 - 9	R60123	1B23	9A	20 - 29
R55434	1C12	5	20 - 43	R57335	1B4	18	20 - 9	R60123	1B23	9B	20 - 29
R55484	1K9	12	60 - 5	R57336	1B4	17	20 - 9	R60124	1B22	1	20 - 28
R55484	1K9	23	60 - 5	R57337	1B4	18	20 - 9	R60124	1B22	13	20 - 28
R55602	2E16	8	80 - 21	R57446	1K9	23	60 - 5	R60124	1B23	1	20 - 29
R55647	1B8	11	20 - 13	R57582	1B13	2	20 - 19	R60124	1B23	6	20 - 29
R55647	1B15	5	20 - 21	R57619	2C1	2	70 - 31	R60332	2B8	6	70 - 13
R55721	1J15	7	50 - 47	R57619	2C1	3	70 - 31	R60459	2F15	36	90 - 5
R55721	1J16	6	50 - 49	R57619	2C3	12	70 - 33	R60556	1J11	21	50 - 43
R55722	1J16	10	50 - 49	R57696	1J15	16	50 - 47	R60722	1G20	9	40 - 38
R55758	1C4	7	20 - 35	R57696	2D12	16	70 - 65	R60745	1D19	20	30 - 33
R55840	1J15	1	50 - 47	R57959	1114	16	50 - 19	R60746	1D17	16	30 - 31
R55840	1J15	2	50 - 47	R57959	1J3	6	50 - 34	R60945	1K9	29	60 - 5
R55840	1J15	10	50 - 47	R57959	1J4	3	50 - 35	R60946	1K9	29	60 - 5
R56012	1E21	13	40 - 7	R58041	1K13	3	60 - 9	R60969	2A21	10	70 - 3
R56012	1F1	19	40 - 12	R58262	2B22	12	70 - 26	R60969	2B4	..	70 - 9B
R56023	2C17	13	70 - 45	R58262	2B22	13	70 - 26	R61126	2C9	2	70 - 37
R56026	1G9	11	40 - 27	R58262	2B25	12	70 - 30	R61133	1F11	10	40 - 17
R56026	1G17	3	40 - 35	R58262	2C5	3	70 - 35	R61145	1D7	16	30 - 19
R56038	2C5	5	70 - 35	R58262	2C5	27	70 - 35	R61145	1D21	5	30 - 35
R56110	1E8	32	30 - 47	R58262	2C5	29	70 - 35	R61145	1E2	5	30 - 41
R56111	1E10	27	30 - 49	R58268	2C5	20	70 - 35	R61145	1E2	8	30 - 41
R56116	1D1	14	30 - 14	R58422	1D13	24	30 - 25	R61179	2F15	8	90 - 5
R56396	1D8	14	30 - 20	R58661	1114	15	50 - 19	R61460	1C6	3	20 - 37
R56396	1D16	13	30 - 29	R58661	1J3	4	50 - 34	R61460	1C8	6	20 - 39
R56410	1G9	12	40 - 27	R58661	1J4	2	50 - 35	R61524	2E18	4	80 - 23
R56410	1G17	4	40 - 35	R58685	1A24	1	20 - 7	R61775	1H8	7	40 - 51
R56455	1C18	5	30 - 3	R58686	1B2	8	20 - 7B	R61776	1H8	3	40 - 51
R56455	1C19	3	30 - 4	R58768	1120	11	50 - 26	R61871	1B20	10	20 - 26
R56457	1116	15	50 - 21	R58768	1J11	1	50 - 43	R61871	1B21	11	20 - 27
R56457	1116	36	50 - 21	R59082	1E8	19	30 - 47	R61932	1F15	2	40 - 21
R56457	1116	37	50 - 21	R59234	2A21	35	70 - 3	R61932	1F19	12	40 - 21D
R56463	1C12	14	20 - 43	R59234	2A25	33	70 - 7	R61934	1F19	13	40 - 21D
R56463	1C13	5	20 - 44	R59234	2B2	11	70 - 9	R61957	2C25	11A	70 - 53
R56467	2F7	7	80 - 39	R59297	1D7	17	30 - 19	R61957	2C25	11B	70 - 53
R56467	2F9	2	80 - 41	R59297	1D21	5	30 - 35	R61957	2D2	23	70 - 55
R56468	2F7	6	80 - 39	R59297	1E2	5	30 - 41	R62147	2C18	19	70 - 46

1L16

1530 TRACTOR

NUMERICAL INDEX - CONTINUED

PART NO.	GRID	KEY	PAGE	PART NO.	GRID	KEY	PAGE	PART NO.	GRID	KEY	PAGE
R62148	2C18	2	70 - 46	R65593	1H10	4	40 - 53	R68261	1D19	3	30 - 33
R62372	1C6	21	20 - 37	R65594	1H10	2	40 - 53	R68277	2F7	9	80 - 39
R62372	1C8	22	20 - 39	R65595	1H10	21	40 - 53	R68277	2F9	3	80 - 41
R62531	1I23	17	50 - 29	R65595	1H12	11	40 - 55	R68281	1D7	10	30 - 19
R62644	1I13	7	50 - 18	R65596	1H10	22	40 - 53	R68281	1D17	1	30 - 31
R62652	2C19	22	70 - 47	R65597	1H10	23	40 - 53	R68281	1D21	1	30 - 35
R62922	2F15	16	90 - 5	R65598	1H10	24	40 - 53	R68380	2A25	36	70 - 7
R62923	2F15	21	90 - 5	R65599	1E20	5	40 - 6A	R68381	2A21	10	70 - 3
R62924	2F15	14	90 - 5	R65599	1E20	8	40 - 6A	R68381	2A25	54	70 - 7
R62925	2F15	22	90 - 5	R65599	1H10	25	40 - 53	R68382	2A21	10	70 - 3
R62926	2F15	13	90 - 5	R65600	1H6	1	40 - 49	R68382	2A25	53	70 - 7
R62929	2F15	19	90 - 5	R65600	1H10	26	40 - 53	R68382	2B2	16	70 - 9
R62981	1D19	21	30 - 33	R65601	1H10	27	40 - 53	R68383	2A21	25	70 - 3
R62982	1D19	12	30 - 33	R65602	1H10	28	40 - 53	R68383	2A25	23	70 - 7
R62984	1D19	9	30 - 33	R65602	1H14	49	40 - 57	R68384	2A21	9	70 - 3
R63022	2A21	34	70 - 3	R65603	1H10	29	40 - 53	R68384	2A21	24	70 - 3
R63022	2A21	41	70 - 3	R65604	1H10	30	40 - 53	R68384	2A25	22	70 - 7
R63022	2A25	32	70 - 7	R65605	1H10	31	40 - 53	R68385	2A21	10	70 - 3
R63022	2A25	39	70 - 7	R65606	1H10	32	40 - 53	R68385	2A23	1	70 - 5
R63247	2D25	10	80 - 5	R65607	1H10	33	40 - 53	R68385	2A25	10	70 - 7
R63434	1B12	4	20 - 18	R65607	1H14	46	40 - 57	R68385	2B4	..	70 - 9B
R63438	1H22	16	50 - 3	R65608	1H10	5	40 - 53	R68386	2B4	..	70 - 9B
R63452	1I16	7	50 - 21	R65609	1H10	8	40 - 53	R68390	2A21	45	70 - 3
R63452	1I17	4	50 - 22	R65610	1H10	9	40 - 53	R68390	2A25	43	70 - 7
R63605	2A25	18	70 - 7	R65619	2B11	10	70 - 16	R68502	2A21	9	70 - 3
R63605	2B2	5	70 - 9	R65620	2B11	11	70 - 16	R68553	2A21	48	70 - 3
R63607	1J24	10	50 - 57	R65620	2B11	12	70 - 16	R68553	2A25	46	70 - 7
R63629	2A21	34	70 - 3	R65621	2B11	11	70 - 16	R69260	1B19	11	20 - 25
R63629	2A21	41	70 - 3	R65621	2B11	12	70 - 16	R69260	1C12	17	20 - 43
R63629	2A25	32	70 - 7	R66069	1G18	2	40 - 36	R69302	2A21	9	70 - 3
R63629	2A25	39	70 - 7	R66083	2B8	7	70 - 13	R69408	2C13	3	70 - 41
R63629	2B4	5	70 - 9B	R66084	2B8	7	70 - 13	R69409	2C13	3	70 - 41
R63679	2F15	33	90 - 5	R66085	2B8	7	70 - 13	R69442	1D19	11	30 - 33
R63679	2F15	34	90 - 5	R66090	1D17	11	30 - 31	R69443	1D19	8	30 - 33
R63679	2F15	39	90 - 5	R66090	1D19	3	30 - 33	R69509	1J21	1	50 - 54
R64151	1A24	3	20 - 7	R66164	2A21	40	70 - 3	R69510	1J21	5	50 - 54
R64151	1C12	2	20 - 43	R66164	2A25	38	70 - 7	R69511	1J21	2	50 - 54
R64197	1I16	5	50 - 21	R66164	2B4	2	70 - 9B	R69512	1J21	8	50 - 54
R64197	1I16	23	50 - 21	R66287	1I25	10	50 - 31	R69513	1J21	7	50 - 54
R64197	1I17	3	50 - 22	R66287	1I25	16	50 - 31	R69514	1J21	7	50 - 54
R64391	2F7	4	80 - 39	R66287	1J2	6	50 - 33	R69515	1J21	7	50 - 54
R64506	1D5	8	30 - 17B	R66287	1J2	7	50 - 33	R69516	1J21	7	50 - 54
R64700	1G18	8	40 - 36	R66319	1G11	2	40 - 29	R69628	1J24	12	50 - 57
R64806	1H22	27	50 - 3	R66319	1G17	5	40 - 35	R69654	1J24	9	50 - 57
R65215	1B6	29	20 - 11	R66319	1H10	3	40 - 53	R69655	1J24	4	50 - 57
R65215	1B8	44	20 - 13	R66320	1H10	7	40 - 53	R69657	1J24	2	50 - 57
R65246	2B5	4	70 - 10	R66320	1H12	24	40 - 55	R70080	2C9	1	70 - 37
R65285	2D1	24	70 - 54	R66321	1H10	6	40 - 53	R70136	1J6	1	50 - 37
R65285	2D2	17	70 - 55	R66321	1H12	24	40 - 55	R70210	1H14	41	40 - 57
R65285	2D3	9	70 - 56	R66432	2B22	10	70 - 26	R70211	1H14	40	40 - 57
R65285	2D3	11	70 - 56	R66432	2B22	13	70 - 26	R70212	1H14	41	40 - 57
R65286	2D1	13	70 - 54	R66432	2C5	25	70 - 35	R70213	1H14	40	40 - 57
R65286	2D2	5	70 - 55	R66432	2C5	27	70 - 35	R70214	1H14	41	40 - 57
R65286	2D3	4	70 - 56	R66432	2C5	29	70 - 35	R70215	1H14	40	40 - 57
R65289	2C14	1	70 - 42	R66433	2B22	10	70 - 26	R70216	1H14	41	40 - 57
R65390	1I16	18	50 - 21	R66433	2B22	13	70 - 26	R70217	1H14	40	40 - 57
R65390	1I16	35	50 - 21	R66433	2C5	25	70 - 35	R70218	1H14	41	40 - 57
R65391	1I16	46	50 - 21	R66433	2C5	27	70 - 35	R70219	1H14	40	40 - 57
R65392	1I16	40	50 - 21	R66821	1D2	4	30 - 15	R70220	1H14	50	40 - 57
R65501	2C14	1	70 - 42	R66901	2C5	8	70 - 35	R70221	1H14	39	40 - 57
R65502	2C14	1	70 - 42	R66916	2C14	1	70 - 42	R70222	1H14	38	40 - 57
R65504	2C14	1	70 - 42	R67027	2E23	19	80 - 29	R70268	1H22	4	50 - 3
R65548	2B13	26	70 - 19	R67035	1C9	1	20 - 40	R70483	1B12	7	20 - 18
R65548	2B17	5	70 - 21	R67338	1J15	13	50 - 47	R70483	1C12	5	20 - 43
R65563	1H25	6	50 - 5	R67341	1J15	13	50 - 47	R70513	1D9	19	30 - 21
R65593	1E20	5	40 - 6A	R67779	1D17	18	30 - 31	R70956	1C12	5	20 - 43
R65593	1E20	8	40 - 6A	R67779	1D19	13	30 - 33	R71387	2D6	9	70 - 59

1L17

1530 TRACTOR

NUMERICAL INDEX - CONTINUED

PART NO.	GRID	KEY	PAGE	PART NO.	GRID	KEY	PAGE	PART NO.	GRID	KEY	PAGE
R71387	2D8	3	70 - 61	R75892	1B8	53	20 - 13	R77500	1H8	8	40 - 51
R71387	2D16	2	70 - 69	R75893	1B8	52	20 - 13	R77500	1H12	24	40 - 55
R71696	1H22	16	50 - 3	R76126	1B8	40	20 - 13	R77501	1H12	24	40 - 55
R72653	1113	3	50 - 18	R76167	2A21	25	70 - 3	R77502	1H14	56	40 - 57
R72653	2B19	3	70 - 23	R76167	2A21	29	70 - 3	R77503	1H14	56	40 - 57
R72653	2B21	6	70 - 25	R76167	2A25	23	70 - 7	R77511	2G2	5	90 - 19
R72653	2C25	16	70 - 53	R76341	2F9	12	80 - 41	R78249	1J12	9	50 - 44
R72653	2D2	14	70 - 55	R76459	2D14	5	70 - 67	R78366	1B19	11	20 - 25
R72654	1118	9	50 - 23	R76477	1E20	1	40 - 6A	R78366	1C12	17	20 - 43
R72654	2C5	7	70 - 35	R76477	1F8	5	40 - 15	R78765	2D6	8	70 - 59
R72654	2C25	7	70 - 53	R76477	1F9	4	40 - 15A	R78766	2D6	13	70 - 59
R72654	2C25	8	70 - 53	R76477	2D14	6	70 - 67	R78766	2D8	6	70 - 61
R72654	2C25	12	70 - 53	R76578	1D8	10	30 - 20	R78767	2D6	2	70 - 59
R72654	2D2	18	70 - 55	R76578	1D9	11	30 - 21	R78768	2D6	19	70 - 59
R72654	2D2	22	70 - 55	R76578	1D16	11	30 - 29	R78769	2D6	17	70 - 59
R72660	1E8	7	30 - 47	R77126	1C12	3	20 - 43	R79015	1D21	8	30 - 35
R72816	2F9	10	80 - 41	R77126	1D21	20	30 - 35	R79015	1D24	1	30 - 39
R72853	1E20	3	40 - 6A	R77126	1E2	23	30 - 41	R79015	1D24	3	30 - 39
R72886	2A21	14	70 - 3	R77312	1K13	3	60 - 9	R79015	1E2	12	30 - 41
R72886	2A25	14	70 - 7	R77402	1F7	1	40 - 14	R79015	1E4	23	30 - 43
R72936	2A21	9	70 - 3	R77420	2F9	4	80 - 41	R79015	1E4	25	30 - 43
R72936	2A21	24	70 - 3	R77456	1H12	27	40 - 55	R79015	1E4	27	30 - 43
R72936	2A25	9	70 - 7	R77457	1H12	29	40 - 55	R79089	1B6	32	20 - 11
R72965	1B6	34	20 - 11	R77458	1H12	28	40 - 55	R79089	1B8	43	20 - 13
R73139	1B6	25	20 - 11	R77459	1H12	28	40 - 55	R79311	2D1	23	70 - 54
R73139	1B6	34	20 - 11	R77460	1H12	28	40 - 55	R79311	2D1	24	70 - 54
R73139	1B8	31	20 - 13	R77461	1H12	28	40 - 55	R79311	2D2	16	70 - 55
R73140	1B6	22	20 - 11	R77462	1H12	25	40 - 55	R79311	2D2	17	70 - 55
R73140	1C12	9	20 - 43	R77463	1H12	30	40 - 55	R79311	2D3	11	70 - 56
R73290	1J24	11	50 - 57	R77464	1H12	26	40 - 55	R79311	2D6	16	70 - 59
R73380	2E14	8	80 - 19	R77465	1H12	31	40 - 55	R79311	2D8	8	70 - 61
R73380	2E14	10	80 - 19	R77466	1H12	33	40 - 55	R79541	1E6	10	30 - 45
R73701	1116	46	50 - 21	R77467	1H12	34	40 - 55	R79585	2C23	17	70 - 51
R74194	1B15	7	20 - 21	R77468	1H12	32	40 - 55	R79604	1D17	2	30 - 31
R74210	2D6	10	70 - 59	R77469	1H14	35	40 - 57	R79604	1D17	5	30 - 31
R74210	2D8	4	70 - 61	R77470	1H14	45	40 - 57	R79604	1D17	8	30 - 31
R74242	2D14	1	70 - 67	R77471	1H14	45	40 - 57	R79604	1D19	5	30 - 33
R74243	2D14	2	70 - 67	R77472	1H14	45	40 - 57	R79604	1D19	6	30 - 33
R74244	2D14	3	70 - 67	R77473	1H14	45	40 - 57	R79605	1D17	3	30 - 31
R74246	2D14	4	70 - 67	R77474	1H14	44	40 - 57	R79605	1D17	6	30 - 31
R74310	1D9	2	30 - 21	R77475	1H12	13	40 - 55	R79605	1D17	8	30 - 31
R74354	1B20	12	20 - 26	R77476	1H12	3	40 - 55	R79605	1D19	4	30 - 33
R74354	1B21	10	20 - 27	R77477	1H12	4	40 - 55	R79605	1D19	6	30 - 33
R74354	1C12	13	20 - 43	R77478	1H12	15	40 - 55	R79606	1D17	7	30 - 31
R74472	1D11	31	30 - 23	R77479	1H12	5	40 - 55	R79606	1D17	8	30 - 31
R74530	2D1	24	70 - 54	R77480	1H12	6	40 - 55	R79606	1D19	6	30 - 33
R74530	2D2	17	70 - 55	R77481	1H12	7	40 - 55	R79623	1B2	7	20 - 7B
R74530	2D3	9	70 - 56	R77482	1H12	8	40 - 55	R79623	1B4	17	20 - 9
R74530	2D3	11	70 - 56	R77483	1H12	16	40 - 55	R79624	1B2	6	20 - 7B
R74552	1B20	6	20 - 26	R77484	1H12	19	40 - 55	R79624	1B4	18	20 - 9
R74552	1B21	1	20 - 27	R77485	1H12	21	40 - 55	R79625	1B4	18	20 - 9
R74553	1B20	6	20 - 26	R77486	1H12	22	40 - 55	R79626	1B4	18	20 - 9
R74553	1B20	8	20 - 26	R77487	1H12	23	40 - 55	R79627	1B4	18	20 - 9
R74553	1B21	14	20 - 27	R77488	1H8	8	40 - 51	R79628	1B4	17	20 - 9
R74695	2C14	1	70 - 42	R77488	1H14	51	40 - 57	R79629	1B4	17	20 - 9
R74695	2C23	8	70 - 51	R77489	1G25	13	40 - 43	R79630	1B4	17	20 - 9
R75440	1J12	5	50 - 44	R77489	1H14	51	40 - 57	R80033	1B8	12	20 - 13
R75442	1J12	1	50 - 44	R77490	1H14	51	40 - 57	R80033	1B15	7	20 - 21
R75449	1J12	14	50 - 44	R77491	1H14	54	40 - 57	R80241	1A24	3	20 - 7
R75450	1J12	11	50 - 44	R77492	1H14	54	40 - 57	R80241	1C12	2	20 - 43
R75451	1J12	7	50 - 44	R77493	1H14	51	40 - 57	R80324	2D4	29	70 - 57
R75561	1J6	1	50 - 37	R77494	1H14	55	40 - 57	R80324	2D15	8	70 - 68
R75729	1A24	14	20 - 7	R77495	1H14	52	40 - 57	R80408	1B8	61	20 - 13
R75729	1C12	18	20 - 43	R77496	1H14	52	40 - 57	R80839	1J12	11	50 - 44
R75729	1C13	8	20 - 44	R77497	1H14	53	40 - 57	R80840	1J12	12	50 - 44
R75832	1D5	6	30 - 17B	R77498	1H12	24	40 - 55	R80841	1J12	13	50 - 44
R75833	1G18	2	40 - 36	R77499	1H12	24	40 - 55	R81065	2A25	36	70 - 7

1L18

1530 TRACTOR

NUMERICAL INDEX - CONTINUED

PART NO.	GRID	KEY	PAGE	PART NO.	GRID	KEY	PAGE	PART NO.	GRID	KEY	PAGE
R81167	1F19	14	40 - 21D	R93221	1H16	7	40 - 59	TY22470	1C6	12	20 - 37
R81168	1F19	11	40 - 21D	R93222	1H16	7	40 - 59	TY22470	1C8	15	20 - 39
R81169	1F19	6	40 - 21D	R94419	1C2	4	20 - 33	TY22470	1C8	17	20 - 39
R81170	1F19	4	40 - 21D	R94419	1C4	1	20 - 35	TY22470	2B5	9	70 - 10
R81171	1F19	15	40 - 21D	R96514	1I2	27	50 - 7	TY22470	2B6	10	70 - 11
R81172	1F17	20	40 - 21B	R97350	1C12	22	20 - 43	TY22470	2B6	11	70 - 11
R81173	1F19	21	40 - 21D	R97350	1D3	4	30 - 16	TY22470	2B6	15	70 - 11
R81174	1F17	3	40 - 21B	R97350	1D3	8	30 - 16	TY22470	2B7	15	70 - 12
R81175	1F17	2	40 - 21B	R97350	1D4	1	30 - 17	TY2615	2G3	7	90 - 20
R81176	1F17	11	40 - 21B	R97350	1D4	2	30 - 17	TY3018	2D16	3	70 - 69
R81198	1F17	29	40 - 21B	R97350	1D5	2	30 - 17B	TY6055	1G14	14	40 - 32
R81221	2F15	19	90 - 5	R97351	1B12	7	20 - 18	TY6280	1A18	1	20 - 1
R81222	2F15	21	90 - 5	R97351	1C12	4	20 - 43	TY6297	1A18	1	20 - 1
R81223	2F15	14	90 - 5	R97352	1B18	4	20 - 24	TY6298	1A18	1	20 - 1
R81275	1C12	21	20 - 43	R97352	1C12	7	20 - 43	TY6300	1A18	1	20 - 1
R81275	1C13	2	20 - 44	R97354	1C12	3	20 - 43	TY6301	1A18	1	20 - 1
R81275	1C18	5	30 - 3	R97354	1D21	20	30 - 35	TY6304	2G6	1	90 - 23
R81275	1C19	5	30 - 4	R97354	1E2	23	30 - 41	TY6305	2G6	1	90 - 23
R81293	2C16	4	70 - 44	R97356	1A24	3	20 - 7	TY6311	1A18	1	20 - 1
R81424	2F13	19	90 - 3	R97356	1B6	34	20 - 11	TY6312	1A18	1	20 - 1
R81424	2F23	6	90 - 15	R97356	1C12	2	20 - 43	TY6313	1A18	1	20 - 1
R81513	1B4	1	20 - 9	R97356	1C13	7	20 - 44	TY6359	1A18	1	20 - 1
R81513	1B4	23	20 - 9	R97454	1B19	1	20 - 25	TY6360	1A18	1	20 - 1
R81513	1B8	61	20 - 13	R97454	1C12	8	20 - 43	TY6361	1A18	1	20 - 1
R81516	1B4	1	20 - 9	R97455	1C2	3	20 - 33	TY6389	1A18	2	20 - 1
R81516	1B4	23	20 - 9	R97455	1C3	1	20 - 34	TY6390	1A18	2	20 - 1
R82236	1G23	16	40 - 41	R97758	1C2	20	20 - 33	TY6391	1A18	2	20 - 1
R82237	1G23	14	40 - 41	R97773	1B19	11	20 - 25	TY6392	1A18	2	20 - 1
R82238	1G23	15	40 - 41	R97773	1C12	17	20 - 43	TY6393	1A18	2	20 - 1
R82239	1G23	13	40 - 41	R97778	1B4	25	20 - 9	TY6394	1A18	2	20 - 1
R82243	1G23	18	40 - 41	R98844	1C21	5	30 - 7	TY6466	2G5	6	90 - 22
R82355	1G23	4	40 - 41	R98910	1K7	15	60 - 3	TY6605	1E16	2	40 - 3
R82423	1G25	8	40 - 43	R98910	1K11	6	60 - 7	TY6605	1F1	1	40 - 12
R82439	1D14	8	30 - 26	R98915	1K4	16	50 - 61	TY6605	1F2	..	40 - 13
R82819	1B4	1	20 - 9	R98941	1J11	20	50 - 43	TY6615	1E16	9	40 - 3
R82819	1B4	23	20 - 9	R99350	2F15	10	90 - 5	TY6615	1F7	2	40 - 14
R82819	1B8	1	20 - 13	TY1427	1E25	..	40 - 11	TY6615	1F9	..	40 - 15A
R82896	1B4	15	20 - 9	TY1428	1E21	6	40 - 7	TY6615	1G2	1	40 - 25
R83055	1G25	9	40 - 43	TY1428	1E23	..	40 - 9	TY6620	1E16	9	40 - 3
R83103	2F7	4	80 - 39	TY1458	1F25	1	40 - 23	TY6620	1F7	2	40 - 14
R83109	1G25	11	40 - 43	TY15263	1G14	14	40 - 32	TY6620	1F8	..	40 - 15
R83169	1B19	21	20 - 25	TY15263	1G15	26	40 - 33	TY6620	1F25	1	40 - 23
R83508	2A21	14	70 - 3	TY15269	2C5	24	70 - 35	TY6651	1E16	2	40 - 3
R83508	2A25	14	70 - 7	TY15269	2C7	12	70 - 35B	TY6651	1F1	1	40 - 12
R83531	2C5	5	70 - 35	TY15435	2G6	1	90 - 23	TY6651	1F2	..	40 - 13
R83554	1B12	5	20 - 18	TY15941	2G6	1	90 - 23	TY6652	1E16	2	40 - 3
R83588	2E14	10	80 - 19	TY15969	2G6	1	90 - 23	TY6652	1F4	1	40 - 13B
R84158	1G25	13	40 - 43	TY16042	2C7	1	70 - 35B	TY6690	1F11	1	40 - 17
R87527	2F7	11	80 - 39	TY16042	2C7	12	70 - 35B	TY6690	1F11	11	40 - 17
R87527	2F9	13	80 - 41	TY16055	1G15	26	40 - 33	TY6690	1F11	..	40 - 17
R87527	2F11	8	90 - 1	TY21517	2G6	1	90 - 23	TY6690	1F13	26	40 - 19
R87527	2F13	1	90 - 3	TY21730	1E16	5	40 - 3	TY6702	1E16	9	40 - 3
R87529	2F7	3	80 - 39	TY21730	1E18	9	40 - 5	TY6702	1F7	2	40 - 14
R87529	2F9	12	80 - 41	TY22007	1A18	2	20 - 1	TY6702	1F8	..	40 - 15
R87627	1C12	12	20 - 43	TY22008	1A18	2	20 - 1	TY6702	1F9	..	40 - 15A
R87627	1C13	6	20 - 44	TY22009	1A18	1	20 - 1	TY6702	1F13	..	40 - 19
R89825	1B11	2	20 - 17	TY22010	1A18	2	20 - 1	TY6702	1F15	20	40 - 21
R90648	1B6	22	20 - 11	TY22011	1A18	2	20 - 1	TY6702	1F15	..	40 - 21
R90648	1B6	34	20 - 11	TY22329	2B7	14	70 - 12	TY6702	1F17	30	40 - 21B
R90648	1B8	25	20 - 13	TY22329	2B7	20	70 - 12	TY6702	1F17	..	40 - 21B
R90648	1C12	9	20 - 43	TY22465	1B22	3	20 - 28	TY6702	1F19	20	40 - 21D
R90658	1C12	23	20 - 43	TY22465	1B23	3	20 - 29	TY6702	1F19	..	40 - 21D
R90658	1C13	1	20 - 44	TY22465	1B24	3	20 - 31	TY6702	1F25	1	40 - 23
R90658	1C21	1	30 - 7	TY22465	1C10	4	20 - 41	TY6720	1E16	9	40 - 3
R90658	1C24	5	30 - 11	TY22465	2C17	3	70 - 45	TY6720	1F7	2	40 - 14
R93219	1H16	7	40 - 59	TY22465	2C23	4	70 - 51	TY6720	1F9	..	40 - 15A
R93220	1H16	7	40 - 59	TY22467	1C6	18	20 - 37	TY6720	1G2	1	40 - 25

1L19

1530 TRACTOR

NUMERICAL INDEX - CONTINUED

PART NO.	GRID	KEY	PAGE	PART NO.	GRID	KEY	PAGE	PART NO.	GRID	KEY	PAGE
TY6727	1E16	9	40-3	T11915	1D16	11	30-29	T146102	1F7	1	40-14
TY6727	1F7	2	40-14	T11917	1D9	1	30-21	T146102	1F8	1	40-15
TY6727	1F9	..	40-15A	T11918	1D13	10	30-25	T146102	1F9	1	40-15A
TY6727	1F25	1	40-23	T11918	1D16	8	30-29	T146102	1F9	6	40-15A
TY6727	1G4	1	40-25B	T11920	1D9	14	30-21	T146102	1F20	1	40-21E
TY6727	1G6	1	40-25D	T11921	1D13	2	30-25	T146102	1F22	1	40-21H
TY6791	1E16	2	40-3	T11923	1D11	26	30-23	T146102	2F9	11	80-41
TY8311	2G6	1	90-23	T11924	1D13	18	30-25	T146104	1F7	1	40-14
TY9305	1G14	14	40-32	T11925	1D8	28	30-20	T146104	1F8	10	40-15
TY9370	2G6	1	90-23	T11926	1D11	18	30-23	T146104	1F20	1	40-21E
TY9371	2G5	1	90-22	T11927	1D13	11	30-25	T146104	1F22	1	40-21H
TY9371	2G5	2	90-22	T11929	1D13	12	30-25	T146104	2F9	17	80-41
TY9371	2G6	1	90-23	T11930	1D8	20	30-20	T146106	1F7	1	40-14
TY9374	2G6	1	90-23	T11931	1D11	29	30-23	T146106	1F8	10	40-15
TY9375	2G6	1	90-23	T11932	1D8	1	30-20	T146106	1F9	6	40-15A
T10510	2D23	16	80-3	T11934	1D14	14	30-26	T146106	1F20	1	40-21E
T10510	2E9	8	80-14	T11934	1D16	3	30-29	T146106	1F22	1	40-21H
T105740	2F23	2	90-15	T11934	1D16	24	30-29	T146106	2F9	17	80-41
T11234	1C6	1	20-37	T11937	1D16	7	30-29	T146515	1F7	1	40-14
T11234	1C8	4	20-39	T11943	1D11	28	30-23	T146515	1F8	10	40-15
T11234	2A19	8	70-1	T11943	1D16	16	30-29	T146515	1F9	6	40-15A
T11290	1D13	29	30-25	T12083	1H22	20	50-3	T146515	1F20	1	40-21E
T11290	1D16	4	30-29	T122082	1K20	20	60-17	T146515	1F22	1	40-21H
T11292	1C25	3	30-12	T12250	1C9	2	20-40	T146515	2F9	17	80-41
T11292	1K7	41	60-3	T12553	2C5	28	70-35	T146516	1F7	1	40-14
T11292	1K13	23	60-9	T12553	2C5	29	70-35	T146516	1F8	10	40-15
T11672	1F13	20	40-19	T12688	2E9	11	80-14	T146516	1F9	6	40-15A
T11672	1F17	5	40-21B	T12703	1E8	29	30-47	T146516	1F20	1	40-21E
T11675	1F13	25	40-19	T13119	1J3	15	50-34	T146516	1F22	1	40-21H
T11680	1F15	22	40-21	T13119	1J4	11	50-35	T146516	2F9	17	80-41
T11680	1F19	23	40-21D	T13119	2B8	7	70-13	T146517	1F7	1	40-14
T11684	1F13	3	40-19	T13213	1B9	10	20-14	T146517	1F8	10	40-15
T11739	1F15	2	40-21	T13213	1C12	10	20-43	T146517	1F9	6	40-15A
T11875	1D8	21	30-20	T13325	1K2	23	50-59	T146517	1F20	1	40-21E
T11876	1D8	27	30-20	T13331	1K2	18	50-59	T146517	1F22	1	40-21H
T11877	1D9	18	30-21	T13332	1K2	18	50-59	T146517	2F9	17	80-41
T11877	1D16	27	30-29	T13333	1K2	18	50-59	T149083	1K4	20	50-61
T11878	1D8	19	30-20	T13341	1K2	6	50-59	T15005	2E25	3	80-31
T11882	1D8	23	30-20	T134452	1F7	1	40-14	T15005	2F1	1	80-32
T11883	1D8	22	30-20	T134452	1F8	10	40-15	T15564	1F13	32	40-19
T11883	1D16	23	30-29	T134452	1F9	6	40-15A	T15564	1F17	17	40-21B
T11884	1D8	24	30-20	T134452	2F9	17	80-41	T15699	1D13	13	30-25
T11885	1D11	16	30-23	T134453	1F7	1	40-14	T15700	1D13	16	30-25
T11886	1D11	15	30-23	T134453	1F8	10	40-15	T15705	1D8	18	30-20
T11887	1D11	21	30-23	T134453	1F9	6	40-15A	T15705	1D9	7	30-21
T11889	1D11	6	30-23	T134453	2F9	17	80-41	T15707	1D9	2	30-21
T11890	1D11	7	30-23	T134454	1F7	1	40-14	T15710	1D8	14	30-20
T11891	1D11	22	30-23	T134454	1F8	10	40-15	T15710	1D9	3	30-21
T11891	1D16	18	30-29	T134454	1F9	6	40-15A	T15710	1D16	14	30-29
T11894	1D11	2	30-23	T134454	2F9	17	80-41	T15711	1D8	8	30-20
T11894	1D16	30	30-29	T134455	1F7	1	40-14	T15712	1D8	7	30-20
T118949	1J18	4	50-51	T134455	1F8	10	40-15	T15712	1D16	22	30-29
T118950	1J18	4	50-51	T134455	1F9	6	40-15A	T15715	1D13	7	30-25
T11899	1D8	4	30-20	T134455	2F9	17	80-41	T15720	1D8	26	30-20
T11899	1D14	11	30-26	T134456	1F7	1	40-14	T15720	1D9	12	30-21
T11899	1D16	21	30-29	T134456	1F8	10	40-15	T15720	1D16	10	30-29
T11900	1D14	9	30-26	T134456	2F9	17	80-41	T15721	1D13	6	30-25
T11906	1D8	2	30-20	T134459	1F7	1	40-14	T16601	1D11	31	30-23
T11906	1D16	9	30-29	T134459	1F8	1	40-15	T16602	1D13	15	30-25
T11907	1D13	24	30-25	T134459	1F9	1	40-15A	T16738	2F25	1	90-17
T11909	1D11	30	30-23	T134459	2F9	11	80-41	T16911	1E19	3	40-6
T11910	1D11	27	30-23	T13471	1K2	19	50-59	T16911	2B9	12	70-14
T11911	1D13	14	30-25	T13555	1K9	13	60-5	T17058	1F13	21	40-19
T11913	1D13	19	30-25	T13744	1E16	27	40-3	T17058	1F17	12	40-21B
T11914	1D13	20	30-25	T14059	1H22	37	50-3	T17117	1D8	12	30-20
T11915	1D8	10	30-20	T14264	1H5	9	40-48	T17122	1D8	11	30-20
T11915	1D9	11	30-21	T14500	2F25	2	90-17	T17123	1D8	9	30-20

1L20

1530 TRACTOR

NUMERICAL INDEX - CONTINUED

PART NO.	GRID	KEY	PAGE	PART NO.	GRID	KEY	PAGE	PART NO.	GRID	KEY	PAGE
T17125	1D8	15	30-20	T20006	1C21	1	30-7	T20217	1B10	11	20-16
T17126	1D8	13	30-20	T20006	1C24	5	30-11	T20219	1C10	5	20-41
T17148	1K7	5	60-3	T20009	1B15	7	20-21	T20219	1C12	19	20-43
T17148	1K9	4	60-5	T20015	1B4	1	20-9	T20219	1C13	4	20-44
T17568	1B24	12	20-31	T20015	1B4	23	20-9	T20229	2C14	9	70-42
T17589	1I23	19	50-29	T20016	1B4	1	20-9	T20243	1C2	1	20-33
T17882	1J6	9	50-37	T20016	1B4	23	20-9	T20243	1C12	15	20-43
T17882	2B17	1	70-21	T20034	1B11	5	20-17	T20252	1C21	4	30-7
T17946	1D8	25	30-20	T20046	1B10	8	20-16	T20257	1C24	3	30-11
T17947	1D13	3	30-25	T20050	1B20	22	20-26	T20270	1C2	2	20-33
T17949	1D9	21	30-21	T20052	1D7	28	30-19	T20270	1C3	1	20-34
T17950	1D9	22	30-21	T20055	1D7	23	30-19	T20271	1C2	3	20-33
T17951	1D13	4	30-25	T20055	1D11	12	30-23	T20272	1B19	13	20-25
T17951	1K20	30	60-17	T20055	1D16	20	30-29	T20273	1B19	12	20-25
T17952	1D13	17	30-25	T20055	1D21	11	30-35	T20273	1C12	16	20-43
T17953	1D13	1	30-25	T20055	1D23	9	30-37	T20277	1C10	3	20-41
T17987	1F13	17	40-19	T20055	1E2	10	30-41	T20294	1B18	1	20-24
T18105	1F11	8	40-17	T20055	1E4	13	30-43	T20295	1B6	19	20-11
T18109	1F11	10	40-17	T20055	1E6	12	30-45	T20298	1B20	20	20-26
T18113	1F13	23	40-19	T20067	1B19	21	20-25	T20304	1B4	24	20-9
T18113	1F17	9	40-21B	T20070	1B4	4	20-9	T20304	1C12	11	20-43
T18145	2F4	5	80-35	T20070	1B8	6	20-13	T20306	1I2	3	50-7
T18354	1F11	4	40-17	T20071	1B4	23	20-9	T20310	1B4	15	20-9
T18529	1D8	17	30-20	T20072	1B4	2	20-9	T20314	1B4	8	20-9
T18716	2C3	9	70-33	T20072	1B8	4	20-13	T20315	1B4	11	20-9
T18718	1K2	26	50-59	T20073	1B4	16	20-9	T20316	1B4	7	20-9
T18891	1B6	23	20-11	T20073	1B8	2	20-13	T20328	1B18	2	20-24
T18891	1B8	28	20-13	T20074	1A24	7	20-7	T20328	1C12	6	20-43
T18891	1J6	8	50-37	T20077	1B2	3	20-7B	T20334	1C2	20	20-33
T18891	1J18	28	50-51	T20077	1B4	22	20-9	T20336	1B18	4	20-24
T18996	1K2	28	50-59	T20088	1I2	1	50-7	T20362	1B19	10	20-25
T19044	1B6	6	20-11	T20088	1I8	1	50-13	T20364	1B19	11	20-25
T19044	1E11	3	30-50	T20089	1B12	4	20-18	T20364	1C12	17	20-43
T19178	1G11	13	40-29	T20089	1B12	5	20-18	T20445	1B10	2	20-16
T19179	1G10	6	40-28	T20091	1B20	17	20-26	T21409	1K4	29	50-61
T19179	1G11	14	40-29	T20091	1B21	7	20-27	T21414	1K4	20	50-61
T19179	1G12	6	40-30	T20094	1B8	49	20-13	T21414	1K4	28	50-61
T19242	1J15	3	50-47	T20094	1B10	5	20-16	T21414	1K4	29	50-61
T19245	1J15	4	50-47	T20098	1B9	9	20-14	T21418	1K4	23	50-61
T19293	2E16	4	80-21	T20111	1A24	14	20-7	T21419	1K4	16	50-61
T19324	2B7	22	70-12	T20111	1C12	18	20-43	T21423	1K4	27	50-61
T19526	2B13	22	70-19	T20129	1B4	19	20-9	T21424	1K4	21	50-61
T19566	1A22	..	20-5	T20141	1C21	5	30-7	T21427	1K4	25	50-61
T19566	2G5	3	90-22	T20155	1B19	1	20-25	T21428	1K4	14	50-61
T19569	1F13	36	40-19	T20155	1C12	8	20-43	T21428	1K4	15	50-61
T19589	1F13	37	40-19	T20159	1C12	21	20-43	T21429	1K4	5	50-61
T19604	1F11	6	40-17	T20159	1C18	5	30-3	T21430	1J18	6	50-51
T19606	1F11	2	40-17	T20165	1D7	29	30-19	T21432	1J18	10	50-51
T19606	1F11	5	40-17	T20166	1B6	21	20-11	T21433	1J18	9	50-51
T19638	2E11	2	80-16	T20166	1B8	21	20-13	T21434	1J18	11	50-51
T19651	1C2	9	20-33	T20168	1A24	4	20-7	T21435	1J18	11	50-51
T19651	1C4	4	20-35	T20168	1B6	31	20-11	T21436	1J18	11	50-51
T19651	1C10	2	20-41	T20168	1B8	42	20-13	T21442	1J13	10	50-45
T19854	1D13	27	30-25	T20168	1H22	7	50-3	T21443	1J13	10	50-45
T19855	1D13	33	30-25	T20168	1J6	35	50-37	T21444	1J13	10	50-45
T19856	1D11	11	30-23	T20168	1K20	10	60-17	T21445	1H22	12	50-3
T19857	1D11	11	30-23	T20173	1B6	15	20-11	T21445	1K7	35	60-3
T19858	1D9	20	30-21	T20173	1B19	5	20-25	T21445	1K13	20	60-9
T19859	1D9	19	30-21	T20176	1B4	21	20-9	T21446	1H22	14	50-3
T19860	1D9	17	30-21	T20202	1E21	9	40-7	T21446	1I2	21	50-7
T19861	1D9	16	30-21	T20202	1F1	2	40-12	T21446	1I4	8	50-9
T19862	1D9	15	30-21	T20204	1C2	19	20-33	T21446	1I8	11	50-13
T19863	1D9	6	30-21	T20204	1E21	7	40-7	T21447	1H22	15	50-3
T19865	1D13	28	30-25	T20204	1F1	12	40-12	T21448	1H22	13	50-3
T19977	1D16	1	30-29	T20215	1C10	8	20-41	T21450	1I2	17	50-7
T19978	1C21	7	30-7	T20215	1C12	20	20-43	T21450	1I4	5	50-9
T20006	1C12	23	20-43	T20215	1C13	3	20-44	T21450	1I8	8	50-13

1L21

1530 TRACTOR

NUMERICAL INDEX - CONTINUED

PART NO.	GRID	KEY	PAGE	PART NO.	GRID	KEY	PAGE	PART NO.	GRID	KEY	PAGE
T21452	1H25	13	50 - 5	T21681	2B21	2	70 - 25	T21999	1I2	20	50 - 7
T21458	1J18	10	50 - 51	T21685	2B25	1	70 - 30	T21999	1I4	7	50 - 9
T21462	2B24	12	70 - 29	T21687	1C6	16	20 - 37	T21999	1I8	10	50 - 13
T21474	2B11	2	70 - 16	T21687	1C8	18	20 - 39	T22000	1H25	1A	50 - 5
T21487	2B21	1	70 - 25	T21716	1K9	12	60 - 5	T22069	1J19	14	50 - 52
T21490	2E23	2	80 - 29	T21716	1K9	15	60 - 5	T22069	1J20	16	50 - 53
T21491	2E23	1	80 - 29	T21718	1K9	6	60 - 5	T22069	1J21	6	50 - 54
T21497	2B24	5	70 - 29	T21722	1K7	26	60 - 3	T22080	1J19	19	50 - 52
T21517	2E5	4	80 - 11	T21722	1K13	19	60 - 9	T22080	1J20	17	50 - 53
T21518	2E5	4	80 - 11	T21758	2B24	17	70 - 29	T22085	2F25	3	90 - 17
T21527	1K7	36	60 - 3	T21759	2B24	18	70 - 29	T22086	2F25	18	90 - 17
T21527	1K13	24	60 - 9	T21759	2B24	19	70 - 29	T22087	2F25	16	90 - 17
T21528	1K13	8	60 - 9	T21761	1G10	5	40 - 28	T22088	2F25	15	90 - 17
T21539	2E4	13	80 - 10	T21772	1K20	20	60 - 17	T22094	2B21	15	70 - 25
T21539	2E5	1	80 - 11	T21775	1K20	24	60 - 17	T22095	2B21	17	70 - 25
T21539	2E5	2	80 - 11	T21775	1K20	26	60 - 17	T22096	2B21	18	70 - 25
T21540	2E20	7	80 - 25	T21776	1K20	29	60 - 17	T22097	2B21	15	70 - 25
T21547	1K4	22	50 - 61	T21806	1K16	2	60 - 13	T22098	2B21	17	70 - 25
T21548	1K4	20	50 - 61	T21806	1K16	8	60 - 13	T22099	2B21	18	70 - 25
T21558	2B24	9	70 - 29	T21810	1K16	4	60 - 13	T22100	1K16	32	60 - 13
T21559	2B24	8	70 - 29	T21811	1K16	5	60 - 13	T22101	1K16	9	60 - 13
T21562	1J6	2	50 - 37	T21812	1K16	6	60 - 13	T22101	1K17	6	60 - 14
T21562	1J7	3	50 - 39	T21813	1K16	16	60 - 13	T22102	1K18	3	60 - 15
T21563	2B10	21	70 - 15	T21814	1K16	28	60 - 13	T22118	2C11	2	70 - 39
T21564	2B10	20	70 - 15	T21815	1K16	30	60 - 13	T22119	2C11	3	70 - 39
T21570	1K4	3	50 - 61	T21816	1K16	12	60 - 13	T22120	2C11	7	70 - 39
T21571	2E25	5	80 - 31	T21817	1K16	31	60 - 13	T22127	1J19	2	50 - 52
T21576	1K20	2	60 - 17	T21824	2E16	8	80 - 21	T22127	1J20	8	50 - 53
T21577	1K20	35	60 - 17	T21827	1H22	22	50 - 3	T22128	1J6	5	50 - 37
T21579	1K20	18	60 - 17	T21828	1G21	1	40 - 39	T22128	1J19	12	50 - 52
T21587	1K20	7	60 - 17	T21828	1G21	2	40 - 39	T22128	1J20	10	50 - 53
T21588	1K20	8	60 - 17	T21839	1J18	20	50 - 51	T22134	1E10	14	30 - 49
T21594	1K20	3	60 - 17	T21840	1J18	23	50 - 51	T22149	1E8	10	30 - 47
T21595	1K20	1	60 - 17	T21841	1J18	27	50 - 51	T22150	1E8	13	30 - 47
T21596	1K20	34	60 - 17	T21863	2E23	9	80 - 29	T22151	1E8	12	30 - 47
T21602	1J11	21	50 - 43	T21864	2E23	8	80 - 29	T22194	1I2	6	50 - 7
T21603	1J11	17	50 - 43	T21865	2E23	7	80 - 29	T22195	1I2	10	50 - 7
T21615	2B10	1	70 - 15	T21866	1K7	25	60 - 3	T22197	1I2	27	50 - 7
T21617	2B11	12	70 - 16	T21887	1E16	6	40 - 3	T22198	1I11	6	50 - 16
T21618	2E4	1	80 - 10	T21887	1E18	2	40 - 5	T22198	1I16	48	50 - 21
T21619	2E4	1	80 - 10	T21889	1E18	7	40 - 5	T22211	2F25	17	90 - 17
T21630	2B9	1	70 - 14	T21901	2B24	1	70 - 29	T22213	2F25	1	90 - 17
T21630	2B9	3	70 - 14	T21903	2B24	16	70 - 29	T22214	1J19	4	50 - 52
T21631	2B9	1	70 - 14	T21913	2C9	18	70 - 37	T22219	1I11	4	50 - 16
T21631	2B9	2	70 - 14	T21932	1I2	29	50 - 7	T22224	2B19	7	70 - 23
T21631	2B10	18	70 - 15	T21937	1J6	11	50 - 37	T22228	2B19	8	70 - 23
T21638	2B13	9	70 - 19	T21941	2E1	1	80 - 7	T22229	2B19	10	70 - 23
T21638	2D4	31	70 - 57	T21942	2E5	1	80 - 11	T22232	2B19	5	70 - 23
T21641	2B9	17	70 - 14	T21955	2B21	10	70 - 25	T22234	1J19	5	50 - 52
T21653	2E21	1	80 - 27	T21956	2B11	5	70 - 16	T22239	1E10	12	30 - 49
T21654	2E21	2	80 - 27	T21964	1J15	6	50 - 47	T22240	1E8	14	30 - 47
T21655	1K9	30	60 - 5	T21964	1J16	7	50 - 49	T22240	1E10	17	30 - 49
T21659	1K7	27	60 - 3	T21965	1J16	14	50 - 49	T22241	1E10	18	30 - 49
T21659	1K13	17	60 - 9	T21968	1H22	23	50 - 3	T22242	1E10	22	30 - 49
T21667	2C9	2	70 - 37	T21969	1J15	12	50 - 47	T22244	2D4	28	70 - 57
T21669	2D22	14	80 - 2	T21970	1J15	8	50 - 47	T22245	2D4	19	70 - 57
T21669	2D22	15	80 - 2	T21970	1J16	8	50 - 49	T22260	1K7	7	60 - 3
T21669	2D23	1	80 - 3	T21975	1J16	5	50 - 49	T22260	1K9	7	60 - 5
T21669	2D23	6	80 - 3	T21976	1J16	9	50 - 49	T22260	1K9	9	60 - 5
T21669	2D25	7	80 - 5	T21977	1J16	12	50 - 49	T22260	1K11	1	60 - 7
T21669	2E1	8	80 - 7	T21980	1J13	1	50 - 45	T22318	2B11	1	70 - 16
T21669	2E3	7	80 - 9	T21981	1J15	9	50 - 47	T22319	2B11	6	70 - 16
T21671	2C9	4	70 - 37	T21992	1J22	7	50 - 55	T22375	1C6	19	20 - 37
T21672	2C9	11	70 - 37	T21996	1J20	2	50 - 53	T22375	2E20	4	80 - 25
T21677	2C9	17	70 - 37	T21997	1J19	8	50 - 52	T22376	1C6	7	20 - 37
T21678	2C11	11	70 - 39	T21997	1J20	1	50 - 53	T22376	1C8	13	20 - 39
T21680	2B21	13	70 - 25	T21998	1H25	2	50 - 5	T22381	1C6	20	20 - 37

1L22

1530 TRACTOR

NUMERICAL INDEX - CONTINUED

PART NO.	GRID	KEY	PAGE	PART NO.	GRID	KEY	PAGE	PART NO.	GRID	KEY	PAGE
T22381	1C8	23	20 - 39	T22865	2B18	13	70 - 22	T23245	1C25	6	30 - 12
T22381	2E20	6	80 - 25	T22867	2B13	13	70 - 19	T23247	2F25	10	90 - 17
T22394	2F25	8	90 - 17	T22867	2B13	14	70 - 19	T23258	1C18	8	30 - 3
T22399	2B24	13	70 - 29	T22874	1J18	12	50 - 51	T23262	1C18	12	30 - 3
T22435	1J11	20	50 - 43	T22875	1K7	1	60 - 3	T23435	1B6	9	20 - 11
T22465	2B10	16	70 - 15	T22875	1K9	5	60 - 5	T23435	1B8	15	20 - 13
T22469	2B13	33	70 - 19	T22876	2B10	15	70 - 15	T23442	1D21	21	30 - 35
T22469	2B15	2	70 - 19B	T22877	2B18	11	70 - 22	T23442	1E2	24	30 - 41
T22470	2B18	14	70 - 22	T22881	2C17	4	70 - 45	T23468	1B4	14	20 - 9
T22471	2B9	9	70 - 14	T22898	1H22	21	50 - 3	T23469	1B4	14	20 - 9
T22471	2B13	6	70 - 19	T22900	2B7	19	70 - 12	T23471	1B15	5	20 - 21
T22473	2B19	9	70 - 23	T22914	2A19	1	70 - 1	T23474	1B6	30	20 - 11
T22474	2B10	3	70 - 15	T22927	1I2	8	50 - 7	T23474	1B8	41	20 - 13
T22480	1K7	8	60 - 3	T22934	1J13	7	50 - 45	T23505	1C2	20	20 - 33
T22481	1K7	6	60 - 3	T22946	2E6	6	80 - 12	T23516	1B8	50	20 - 13
T22482	1K7	19	60 - 3	T22952	2E6	7	80 - 12	T23516	1B10	6	20 - 16
T22483	2B13	19	70 - 19	T22955	1J13	8	50 - 45	T23534	1C6	13	20 - 37
T22495	1C6	3	20 - 37	T22960	2B7	19	70 - 12	T23534	1C8	16	20 - 39
T22495	1C8	6	20 - 39	T22968	2B10	5	70 - 15	T23546	1B4	17	20 - 9
T22500	1C6	14	20 - 37	T22970	2B7	2	70 - 12	T23547	1B4	17	20 - 9
T22500	1C8	19	20 - 39	T22974	1J9	27	50 - 41	T23548	1B4	17	20 - 9
T22520	2E25	4	80 - 31	T22984	1J9	15	50 - 41	T23549	1B4	18	20 - 9
T22522	1G10	7	40 - 28	T22984	1J13	11	50 - 45	T23550	1B4	18	20 - 9
T22526	1K7	24	60 - 3	T22996	2C15	1	70 - 43	T23551	1B4	18	20 - 9
T22527	1K7	21	60 - 3	T22998	1K2	20	50 - 59	T23590	1B12	8	20 - 18
T22529	1H25	3	50 - 5	T22999	1K2	11	50 - 59	T23596	1B12	7	20 - 18
T22531	1H22	17	50 - 3	T23000	1K2	10	50 - 59	T23596	1C12	4	20 - 43
T22534	1C25	7	30 - 12	T23008	1I2	5	50 - 7	T23598	1E23	1	40 - 9
T22546	1J20	11	50 - 53	T23027	2G2	19	90 - 19	T23598	1E25	1	40 - 11
T22570	1E18	5	40 - 5	T23033	2G2	17	90 - 19	T23604	1B10	7	20 - 16
T22571	1E18	6	40 - 5	T23035	2G2	1	90 - 19	T23610	1E23	21	40 - 9
T22584	1I24	7	50 - 30	T23053	2B6	10	70 - 11	T23610	1E25	23	40 - 11
T22584	1I25	9	50 - 31	T23054	2B5	9	70 - 10	T23614	1B18	3	20 - 24
T22584	1J2	16	50 - 33	T23054	2B6	11	70 - 11	T23620	1C10	9	20 - 41
T22589	1H22	9	50 - 3	T23059	2B6	7	70 - 11	T23628	1C2	21	20 - 33
T22645	2F11	11	90 - 1	T23062	1I11	3	50 - 16	T23628	1C3	1	20 - 34
T22645	2F13	5	90 - 3	T23069	2C18	8	70 - 46	T23670	1B6	28	20 - 11
T22690	2E10	1	80 - 15	T23071	2C18	1	70 - 46	T23671	1B6	28	20 - 11
T22698	1E10	4	30 - 49	T23073	2B7	21	70 - 12	T24151	1A24	13	20 - 7
T22705	2E25	6	80 - 31	T23104	2B7	13	70 - 12	T24160	2E20	10	80 - 25
T22706	2E25	6	80 - 31	T23118	2D22	8	80 - 2	T24166	1E21	1	40 - 7
T22714	2B24	19	70 - 29	T23118	2D22	14	80 - 2	T24225	1G2	5	40 - 25
T22728	1I20	3	50 - 26	T23118	2D23	1	80 - 3	T24381	1I2	28	50 - 7
T22728	1I23	2	50 - 29	T23118	2D23	3	80 - 3	T24382	1J18	1	50 - 51
T22728	1J9	10	50 - 41	T23118	2E1	1	80 - 7	T24382	1J18	29	50 - 51
T22728	1J11	3	50 - 43	T23118	2E20	8	80 - 25	T24382	1J18	30	50 - 51
T22736	1J11	28	50 - 43	T23170	2D22	7	80 - 2	T24395	1I20	11	50 - 26
T22818	2E14	9	80 - 19	T23170	2D22	14	80 - 2	T24395	1I20	13	50 - 26
T22823	1K9	10	60 - 5	T23170	2D23	1	80 - 3	T24395	1J11	1	50 - 43
T22824	1K9	12	60 - 5	T23170	2D23	2	80 - 3	T24409	1B6	8	20 - 11
T22848	2C9	13	70 - 37	T23170	2D25	4	80 - 5	T24415	1D8	16	30 - 20
T22851	1H22	24	50 - 3	T23170	2E1	15	80 - 7	T24435	1D11	13	30 - 23
T22851	1H22	33	50 - 3	T23170	2E3	4	80 - 9	T24460	1C12	3	20 - 43
T22851	1H24	3	50 - 3B	T23203	2B6	6	70 - 11	T24460	1D21	20	30 - 35
T22851	1H24	5	50 - 3B	T23216	2B21	11	70 - 25	T24460	1E2	23	30 - 41
T22851	1J3	11	50 - 34	T23225	1K14	6	60 - 10	T24472	1D17	14	30 - 31
T22851	1J4	8	50 - 35	T23228	2D22	11	80 - 2	T24472	1D19	16	30 - 33
T22852	1I24	12	50 - 30	T23228	2D23	13	80 - 3	T24474	1E23	17	40 - 9
T22852	1J2	21	50 - 33	T23228	2D25	10	80 - 5	T24474	1E25	20	40 - 11
T22852	1J9	25	50 - 41	T23228	2E1	12	80 - 7	T24484	2B13	20	70 - 19
T22853	1J6	24	50 - 37	T23228	2E3	10	80 - 9	T24485	2B13	29	70 - 19
T22854	1J6	31	50 - 37	T23229	2D22	12	80 - 2	T24522	1J18	25	50 - 51
T22854	1J7	4	50 - 39	T23229	2D23	14	80 - 3	T24534	1B9	2	20 - 14
T22858	1H22	39	50 - 3	T23229	2D25	9	80 - 5	T24534	1C12	24	20 - 43
T22862	1J3	8	50 - 34	T23229	2E1	11	80 - 7	T24539	1F13	13	40 - 19
T22862	1J4	5	50 - 35	T23229	2E3	9	80 - 9	T24539	1F17	28	40 - 21B
T22864	2E20	15	80 - 25	T23230	2C10	..	70 - 38	T24540	2B13	21	70 - 19

1L23

1530 TRACTOR

NUMERICAL INDEX - CONTINUED

PART NO.	GRID	KEY	PAGE	PART NO.	GRID	KEY	PAGE	PART NO.	GRID	KEY	PAGE
T24540	2B15	13	70 - 19B	T24690	2B21	5	70 - 25	T25413	1J2	12	50 - 33
T24542	1D21	14	30 - 35	T24691	1J15	15	50 - 47	T25414	1I24	15	50 - 30
T24542	1E2	16	30 - 41	T24726	1J15	10	50 - 47	T25415	1I24	16	50 - 30
T24543	1D21	13	30 - 35	T24728	1J15	13	50 - 47	T25416	1I24	1	50 - 30
T24543	1E2	15	30 - 41	T24729	1J6	4	50 - 37	T25417	1I24	13	50 - 30
T24543	1E6	8	30 - 45	T24729	1J15	14	50 - 47	T25417	1J2	20	50 - 33
T24544	1D21	16	30 - 35	T24732	1J15	11	50 - 47	T25418	1J3	14	50 - 34
T24544	1E2	18	30 - 41	T24734	1J16	11	50 - 49	T25418	1J4	10	50 - 35
T24548	1E6	1	30 - 45	T24736	1J15	18	50 - 47	T25419	1J3	10	50 - 34
T24549	1D24	8	30 - 39	T24737	1J15	21	50 - 47	T25419	1J4	7	50 - 35
T24549	1E4	21	30 - 43	T24760	1C6	17	20 - 37	T25614	1J11	16	50 - 43
T24549	1E6	2	30 - 45	T24844	1C24	13	30 - 11	T25614	1J22	6	50 - 55
T24553	1D23	11	30 - 37	T24917	1J16	18	50 - 49	T25620	1J15	13	50 - 47
T24553	1E4	15	30 - 43	T24965	1B6	22	20 - 11	T25621	1J15	22	50 - 47
T24553	1E6	7	30 - 45	T24965	1C12	9	20 - 43	T25667	2F11	2	90 - 1
T24588	1D23	3	30 - 37	T25142	1D14	8	30 - 26	T25701	1B6	16	20 - 11
T24588	1E4	6	30 - 43	T25142	1D16	26	30 - 29	T25701	1B8	26	20 - 13
T24589	1D23	1	30 - 37	T25285	1K20	32	60 - 17	T25701	1C2	7	20 - 33
T24589	1D23	17	30 - 37	T25291	2E23	4	80 - 29	T25703	2F5	1	80 - 37
T24589	1E4	2	30 - 43	T25295	1K13	3	60 - 9	T25767	2C1	6	70 - 31
T24590	1D23	4	30 - 37	T25317	1J13	9	50 - 45	T25767	2C3	4	70 - 33
T24590	1E4	5	30 - 43	T25323	1K9	29	60 - 5	T25803	2C15	5	70 - 43
T24598	1D23	8	30 - 37	T25324	1K9	34	60 - 5	T25804	2C15	3	70 - 43
T24598	1E4	9	30 - 43	T25325	1K9	26	60 - 5	T25804	2C16	2	70 - 44
T24599	1D23	5	30 - 37	T25326	1K9	27	60 - 5	T25809	2E9	1	80 - 14
T24599	1E4	8	30 - 43	T25327	1K9	24	60 - 5	T25809	2E9	3	80 - 14
T24599	1E6	11	30 - 45	T25327	1K11	7	60 - 7	T25822	2B24	4	70 - 29
T24600	1D23	15	30 - 37	T25329	1K9	17	60 - 5	T25823	2B24	14	70 - 29
T24600	1E4	10	30 - 43	T25330	1K9	18	60 - 5	T25835	2B24	14	70 - 29
T24600	1E6	10	30 - 45	T25333	1K9	20	60 - 5	T25836	2B24	4	70 - 29
T24604	1D23	16	30 - 37	T25334	1K9	20	60 - 5	T25840	2D22	1	80 - 2
T24604	1E4	3	30 - 43	T25335	1K9	19	60 - 5	T25840	2D23	7	80 - 3
T24605	1D23	18	30 - 37	T25335	1K11	4	60 - 7	T25840	2D25	12	80 - 5
T24605	1E4	1	30 - 43	T25336	1K9	33	60 - 5	T25840	2E1	9	80 - 7
T24607	1D21	8	30 - 35	T25337	1K7	15	60 - 3	T25840	2E3	12	80 - 9
T24607	1D24	1	30 - 39	T25337	1K11	6	60 - 7	T25879	2C13	4	70 - 41
T24607	1E2	12	30 - 41	T25337	1K13	8	60 - 9	T25899	2F7	10	80 - 39
T24607	1E4	23	30 - 43	T25343	1E23	20	40 - 9	T25901	2E7	6	80 - 13
T24608	1D21	9	30 - 35	T25343	1E25	22	40 - 11	T25921	2D22	5	80 - 2
T24608	1D24	2	30 - 39	T25366	1B10	10	20 - 16	T25921	2D23	8	80 - 3
T24608	1E2	13	30 - 41	T25367	2F25	7	90 - 17	T25921	2D25	14	80 - 5
T24608	1E4	24	30 - 43	T25393	1I20	11	50 - 26	T25921	2E1	5	80 - 7
T24618	1D24	5	30 - 39	T25393	1J11	1	50 - 43	T25921	2E3	14	80 - 9
T24618	1E4	22	30 - 43	T25394	1I20	6	50 - 26	T25922	2D22	6	80 - 2
T24619	1D24	4	30 - 39	T25395	1I19	12	50 - 25	T25922	2D23	9	80 - 3
T24619	1E4	26	30 - 43	T25395	1I20	7	50 - 26	T25922	2D25	13	80 - 5
T24619	1E6	4	30 - 45	T25397	1H24	1	50 - 3B	T25922	2E1	6	80 - 7
T24620	1D24	3	30 - 39	T25397	1I20	10	50 - 26	T25922	2E3	13	80 - 9
T24620	1E4	25	30 - 43	T25398	1I21	1	50 - 27	T26043	1C8	24	20 - 39
T24621	1D24	6	30 - 39	T25399	1I21	9	50 - 27	T26058	1D21	27	30 - 35
T24621	1E4	20	30 - 43	T25400	1J6	1	50 - 37	T26058	1E2	11	30 - 41
T24622	1E6	3	30 - 45	T25400	1J15	1	50 - 47	T26058	1E4	6	30 - 43
T24627	1D23	13	30 - 37	T25400	1J15	2	50 - 47	T26149	1B15	3	20 - 21
T24627	1E4	17	30 - 43	T25400	1J15	10	50 - 47	T26153	2F13	11	90 - 3
T24627	1E6	14	30 - 45	T25404	1I16	47	50 - 21	T26153	2F23	10	90 - 15
T24634	1E6	16	30 - 45	T25408	1H22	25	50 - 3	T26197	1J11	19	50 - 43
T24637	1E6	13	30 - 45	T25408	1I24	9	50 - 30	T26198	1H25	4	50 - 5
T24647	1D23	7	30 - 37	T25408	1I25	5	50 - 31	T26223	1D11	9	30 - 23
T24647	1E4	11	30 - 43	T25408	1J2	17	50 - 33	T26223	1D16	19	30 - 29
T24647	1E6	9	30 - 45	T25409	1I16	46	50 - 21	T26238	1D11	5	30 - 23
T24649	1D23	14	30 - 37	T25411	1I24	11	50 - 30	T26256	1D14	5	30 - 26
T24649	1E4	18	30 - 43	T25411	1J2	19	50 - 33	T26256	1D16	28	30 - 29
T24650	1D23	10	30 - 37	T25412	1I24	4A	50 - 30	T26321	1B11	12	20 - 17
T24650	1D23	12	30 - 37	T25412	1I25	6A	50 - 31	T26323	1B8	35	20 - 13
T24650	1E4	16	30 - 43	T25412	1J2	13A	50 - 33	T26323	1B11	2	20 - 17
T24650	1E6	15	30 - 45	T25413	1I24	3	50 - 30	T26324	1B8	34	20 - 13
T24651	1E6	17	30 - 45	T25413	1I25	4	50 - 31	T26324	1B11	1	20 - 17

1L24

1530 TRACTOR

NUMERICAL INDEX - CONTINUED

PART NO.	GRID	KEY	PAGE	PART NO.	GRID	KEY	PAGE	PART NO.	GRID	KEY	PAGE
T26325	1B8	38	20 - 13	T28225	1I8	26	50 - 13	T29550	1K2	4	50 - 59
T26325	1B11	8	20 - 17	T28226	1I4	16	50 - 9	T29561	1J13	10	50 - 45
T26326	1B8	36	20 - 13	T28226	1I8	21	50 - 13	T29562	1J13	10	50 - 45
T26326	1B11	6	20 - 17	T28230	1I4	13	50 - 9	T29646	1I4	22	50 - 9
T26327	1B8	37	20 - 13	T28230	1I8	16	50 - 13	T29647	1I4	24	50 - 9
T26327	1B11	7	20 - 17	T28231	1I4	14	50 - 9	T29648	1I4	25	50 - 9
T26337	1J22	8	50 - 55	T28231	1I8	19	50 - 13	T29648	1I8	30	50 - 13
T26435	1J6	36	50 - 37	T28272	1K7	31	60 - 3	T29649	1I4	11	50 - 9
T26565	1B8	47	20 - 13	T28272	1K13	14	60 - 9	T29649	1I8	14	50 - 13
T26565	1B10	3	20 - 16	T28362	2B11	9	70 - 16	T29650	1I4	12	50 - 9
T26565	1B12	3	20 - 18	T28433	1B12	4	20 - 18	T29650	1I8	15	50 - 13
T26565	1J6	3	50 - 37	T28433	1B12	5	20 - 18	T29792	2E25	11	80 - 31
T26601	1F13	8	40 - 19	T28435	1B12	5	20 - 18	T29793	2E25	10	80 - 31
T26601	1F17	23	40 - 21B	T28537	2B13	20	70 - 19	T29897	2C12	8	70 - 40
T26602	1F13	6	40 - 19	T28538	2B13	19	70 - 19	T29899	2C12	8	70 - 40
T26625	2B18	9	70 - 22	T28538	2B13	20	70 - 19	T29931	2B11	3	70 - 16
T26626	2B18	8	70 - 22	T28538	2B15	11	70 - 19B	T29969	1D7	12	30 - 19
T26842	1I18	6	50 - 23	T28551	2B21	9	70 - 25	T30065	1J15	5	50 - 47
T26870	1D17	18	30 - 31	T28583	1H10	34	40 - 53	T30253	1J18	1	50 - 51
T26929	2E20	3	80 - 25	T28583	1H12	1	40 - 55	T30253	1J18	29	50 - 51
T27136	2B25	9	70 - 30	T28585	1H10	35	40 - 53	T30253	1J18	30	50 - 51
T27178	1I4	6	50 - 9	T28585	1H12	12	40 - 55	T30254	1J18	1	50 - 51
T27178	1I8	9	50 - 13	T28586	1H12	14	40 - 55	T30254	1J18	30	50 - 51
T27256	1C25	1	30 - 12	T28634	1I23	16	50 - 29	T30274	2B24	14	70 - 29
T27258	2B9	11	70 - 14	T28660	1I12	5	50 - 17	T30275	2B24	4	70 - 29
T27260	2B9	13	70 - 14	T28662	1I12	9	50 - 17	T30276	2C10	2	70 - 38
T27260	2B17	12	70 - 21	T28664	1I12	13	50 - 17	T30277	2C10	1	70 - 38
T27261	1C2	6	20 - 33	T28665	1I12	15	50 - 17	T30525	1E8	23	30 - 47
T27349	1E10	28	30 - 49	T28668	1J20	4	50 - 53	T30607	1D14	4	30 - 26
T27429	1J18	15	50 - 51	T28680	1J11	27	50 - 43	T30607	1D16	29	30 - 29
T27430	1J18	16	50 - 51	T28804	1I16	47	50 - 21	T30653	1E6	6	30 - 45
T27511	2E12	4	80 - 17	T28830	1J15	32	50 - 47	T30664	1D23	6	30 - 37
T27540	2F25	4	90 - 17	T28850	1H22	36	50 - 3	T30664	1E4	14	30 - 43
T27544	1J22	2	50 - 55	T28907	1K4	24	50 - 61	T30687	1K14	15	60 - 10
T27642	2E14	4	80 - 19	T28908	1K4	24	50 - 61	T30720	1C2	12	20 - 33
T27645	2F18	13	90 - 9	T29002	2C10	5	70 - 38	T30720	1C3	1	20 - 34
T27645	2F20	47	90 - 11	T29003	2C10	5	70 - 38	T30721	1C2	21	20 - 33
T27645	2F22	6	90 - 13	T29106	2E7	6	80 - 13	T30726	1B9	8	20 - 14
T27657	1B19	18	20 - 25	T29106	2E8	7	80 - 13B	T30738	1D2	14	30 - 15
T27658	1B8	60	20 - 13	T29109	2E6	19	80 - 12	T30738	1D3	1	30 - 16
T27658	1B19	17	20 - 25	T29242	1K2	1	50 - 59	T30738	1D4	5	30 - 17
T27670	1F25	20	40 - 23	T29243	1K2	4	50 - 59	T30738	1D5	1	30 - 17B
T27671	1F25	26	40 - 23	T29307	2C11	10	70 - 39	T30747	1H22	16	50 - 3
T27671	1G2	26	40 - 25	T29311	2B21	3	70 - 25	T30748	2F25	17	90 - 17
T27706	1I2	12	50 - 7	T29314	1I18	7	50 - 23	T30750	1I19	1	50 - 25
T27707	1I2	24	50 - 7	T29321	2B7	20	70 - 12	T30751	1I19	16	50 - 25
T27708	1I2	15	50 - 7	T29353	1I4	20	50 - 9	T30752	1I23	28	50 - 29
T27716	1I21	4	50 - 27	T29377	1B22	9A	20 - 28	T30753	1I23	34	50 - 29
T27716	1I23	1	50 - 29	T29377	1B23	9A	20 - 29	T30753	1J11	1	50 - 43
T27716	1J6	16	50 - 37	T29379	1B24	4	20 - 31	T30754	1J3	16	50 - 34
T27716	1J11	23	50 - 43	T29380	1B22	13	20 - 28	T30754	1J4	12	50 - 35
T27716	1J22	11	50 - 55	T29380	1B23	1	20 - 29	T30755	1I12	4	50 - 17
T27761	1E6	5	30 - 45	T29381	1B6	4	20 - 11	T30763	1I12	17	50 - 17
T27764	1D21	4	30 - 35	T29384	1B22	2	20 - 28	T30764	1I12	18	50 - 17
T27765	1D21	3	30 - 35	T29384	1B24	4	20 - 31	T30770	1I19	17	50 - 25
T27969	2C9	3	70 - 37	T29385	1B22	6	20 - 28	T30770	1I23	23	50 - 29
T28030	1D21	25	30 - 35	T29388	1B6	4	20 - 11	T30772	2F7	8	80 - 39
T28030	1E2	26	30 - 41	T29388	1B22	4	20 - 28	T30772	2F9	14	80 - 41
T28036	2B22	4	70 - 26	T29388	1B23	4	20 - 29	T30773	1I25	14	50 - 31
T28041	1B4	5	20 - 9	T29388	1B24	2	20 - 31	T30773	1J2	1	50 - 33
T28041	1B8	3	20 - 13	T29394	1J18	4	50 - 51	T30774	1H22	40	50 - 3
T28221	1I4	17	50 - 9	T29518	2C15	7	70 - 43	T30774	1I25	15	50 - 31
T28221	1I8	22	50 - 13	T29519	2C15	6	70 - 43	T30774	1J2	2	50 - 33
T28222	1I4	15	50 - 9	T29539	1D17	3	30 - 31	T30785	1I25	11	50 - 31
T28222	1I8	20	50 - 13	T29539	1D19	4	30 - 33	T30785	1J2	5	50 - 33
T28224	1I4	19	50 - 9	T29540	1D17	2	30 - 31	T30786	1I23	17	50 - 29
T28225	1I4	18	50 - 9	T29540	1D19	5	30 - 33	T30788	1I23	8	50 - 29

1L25

1530 TRACTOR

NUMERICAL INDEX - CONTINUED

PART NO.	GRID	KEY	PAGE	PART NO.	GRID	KEY	PAGE	PART NO.	GRID	KEY	PAGE
T30789	1I23	11	50 - 29	T39395	1G20	2	40 - 38	U46662	1G25	12	40 - 43
T30791	1I11	1	50 - 16	T40168	2B7	19	70 - 12	U46662	1H10	37	40 - 53
T30791	1I11	7	50 - 16	T42381	1I11	4	50 - 16	U46662	1H12	10	40 - 55
T30806	1H22	16	50 - 3	T43512	2G6	1	90 - 23	U46663	1H10	38	40 - 53
T30835	1I12	8	50 - 17	T43513	2G6	1	90 - 23	U46664	1H10	39	40 - 53
T30897	1C2	4	20 - 33	T43514	2G5	1	90 - 22	U46664	1H14	47	40 - 57
T30897	1C4	1	20 - 35	T43514	2G6	1	90 - 23	Y1912C	1J9	22	50 - 41
T30908	1D4	8	30 - 17	T43515	2G6	1	90 - 23	Z24798	1F25	6	40 - 23
T30991	2D22	5	80 - 2	T48835	1E10	22	30 - 49	Z24799	1F25	15	40 - 23
T30991	2D23	8	80 - 3	T49189	1K14	10	60 - 10	Z24799	1G2	15	40 - 25
T30991	2D25	14	80 - 5	T497T	1J24	11	50 - 57	Z24800	1F25	31	40 - 23
T30991	2E1	5	80 - 7	T64421	1C25	6	30 - 12	Z24800	1G2	31	40 - 25
T31124	1D11	19	30 - 23	T65880	2F9	7	80 - 41	Z24800	1G4	25	40 - 25B
T31125	1D11	19	30 - 23	T68412	1H22	16	50 - 3	Z24801	1F25	20	40 - 23
T31126	1D11	19	30 - 23	T68412	1H22	24	50 - 3	Z24801	1G2	20	40 - 25
T31127	1D11	19	30 - 23	T68412	1H22	33	50 - 3	Z24810	1F25	17	40 - 23
T31128	1D11	19	30 - 23	T736T	1F15	13	40 - 21	Z24810	1G2	17	40 - 25
T31134	1K14	7	60 - 10	T736T	1F19	9	40 - 21D	Z42047	1F4	24	40 - 13B
T31144	1C18	2	30 - 3	T738T	1F15	11	40 - 21	Z42047	1F6	3	40 - 13D
T31170	1J9	20	50 - 41	T739T	1F15	9	40 - 21	Z42048	1F4	19	40 - 13B
T31174	1D17	19	30 - 31	T740T	1F15	10	40 - 21	Z42049	1F2	8	40 - 13
T31174	1D19	18	30 - 33	T74703	1B24	7	20 - 31	Z42049	1F4	12	40 - 13B
T31177	1B23	2	20 - 29	T78593	1C25	1	30 - 12	1873796	1F13	10	40 - 19
T31386	1C18	5	30 - 3	T79479	1C25	6	30 - 12	1873796	1F17	24	40 - 21B
T31386	1C19	3	30 - 4	T82087	2E25	3	80 - 31	32240	2B7	3	70 - 12
T31437	1G21	5	40 - 39	T82087	2F1	1	80 - 32	400R	1J11	30	50 - 43
T31506	2E12	5	80 - 17	T82089	2E25	3	80 - 31	400R	1K16	29	60 - 13
T31636	1I23	30	50 - 29	T82089	2F1	1	80 - 32	400R	2D1	12	70 - 54
T31794	1J16	4	50 - 49	T84409	1F7	1	40 - 14	400R	2D2	3	70 - 55
T31948	1C19	3	30 - 4	T84409	1F8	1	40 - 15	400R	2D4	13	70 - 57
T32016	2C9	15	70 - 37	T84409	1F9	1	40 - 15A	400R	2D15	14	70 - 68
T32029	1C25	6	30 - 12	T84409	2F9	11	80 - 41	820149	1F13	4	40 - 19
T32142	1J11	18	50 - 43	T84410	1F7	1	40 - 14				
T32204	2C23	1	70 - 51	T84410	1F8	10	40 - 15				
T32214	2F7	9	80 - 39	T84410	1F9	6	40 - 15A				
T32339	1B6	34	20 - 11	T84410	2F9	17	80 - 41				
T32343	1B6	34	20 - 11	T84411	1F7	1	40 - 14				
T32343	1B8	17	20 - 13	T84411	1F8	10	40 - 15				
T32343	1B13	2	20 - 19	T84411	1F9	6	40 - 15A				
T32343	1B16	3	20 - 22	T84411	2F9	17	80 - 41				
T32343	1B17	3	20 - 23	T84412	1F7	1	40 - 14				
T32344	1B8	19	20 - 13	T84412	1F8	10	40 - 15				
T32413	2E25	11	80 - 31	T84412	1F9	6	40 - 15A				
T32414	2E25	10	80 - 31	T84412	2F9	17	80 - 41				
T32474	1I12	10	50 - 17	T84413	1F7	1	40 - 14				
T32488	2B24	15	70 - 29	T84413	1F8	10	40 - 15				
T32844	1I12	16	50 - 17	T84413	1F9	6	40 - 15A				
T33232	1D1	11	30 - 14	T84413	2F9	17	80 - 41				
T33279	1B6	15	20 - 11	T84578	1F7	1	40 - 14				
T33279	1B8	27	20 - 13	T84578	1F8	10	40 - 15				
T33279	1B19	5	20 - 25	T84578	1F9	6	40 - 15A				
T33473	1I21	14	50 - 27	T84578	2F9	17	80 - 41				
T33473	1I23	31	50 - 29	U10289	1K9	25	60 - 5				
T33745	2F15	38	90 - 5	U10289	1K11	8	60 - 7				
T34067	1H12	18	40 - 55	U10296	2D25	2	80 - 5				
T34079	2C21	5	70 - 49	U10296	2E3	2	80 - 9				
T34331	1K9	29	60 - 5	U11004	1I13	10	50 - 18				
T35675	1E10	2	30 - 49	U11647	2D16	1	70 - 69				
T35675	1I18	1	50 - 23	U12331	1K9	31	60 - 5				
T35791	1K4	29	50 - 61	U12331	1K11	9	60 - 7				
T36042	1H24	2	50 - 3B	U13639	1B8	58	20 - 13				
T36118	2E1	1	80 - 7	U16538	1B15	2	20 - 21				
T36236	1H22	23	50 - 3	U17409	1J15	30	50 - 47				
T36482	1K13	16	60 - 9	U40656	2F11	13	90 - 1				
T366T	1G9	1	40 - 27	U40656	2F13	7	90 - 3				
T38049	1K4	20	50 - 61	U46370	1H10	36	40 - 53				
T38063	1K18	2	60 - 15	U46370	1H12	20	40 - 55				