

# 1A2

2040 UTILITY TRACTOR (SERIAL NO. -349999)

L61601 -UN-01JAN94



L61602 -UN-01JAN94



*SPECIFICATIONS AND DESIGN SUBJECT TO CHANGE WITHOUT NOTICE*

*COPYRIGHT (C) 1995. DEERE & COMPANY. MOLINE, ILLINOIS. ALL RIGHTS RESERVED.*

# 1A3

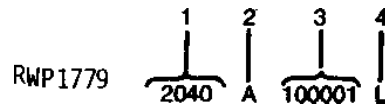
2040 UTILITY TRACTOR (SERIAL NO. -349999)

## SERIAL NUMBERS

EACH 2040 TRACTOR HAS THE FOLLOWING SERIAL NUMBER PLATES: BASIC TRACTOR AND ENGINE.

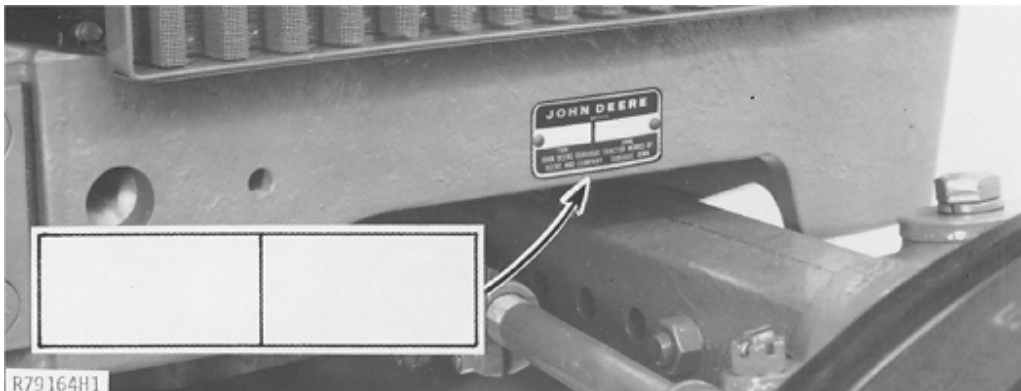
### TRACTOR SERIAL NUMBER

RWP1779 -UN-01JAN94



- |                                     |                               |
|-------------------------------------|-------------------------------|
| 1. DESIGNATES TRACTOR MODEL         | 2040                          |
| 2. DESIGNATES TRANSMISSION TYPE     | A - COLLAR SHIFT              |
| 3. DESIGNATES TRACTOR SERIAL NUMBER | 100001                        |
| 4. DESIGNATES TRACTOR MANUFACTURER  | L - JOHN DEERE WERKE MANNHEIM |

R79164H1 -UN-01JAN94



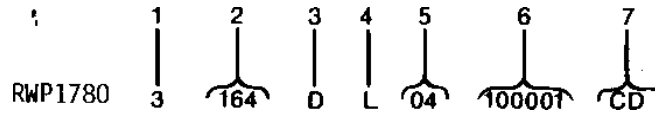
THE BASIC TRACTOR SERIAL NUMBER PLATE IS LOCATED ON THE RIGHT SIDE OF FRONT SUPPORT ABOVE FRONT AXLE.

# 1A4

2040 UTILITY TRACTOR (SERIAL NO. -349999)

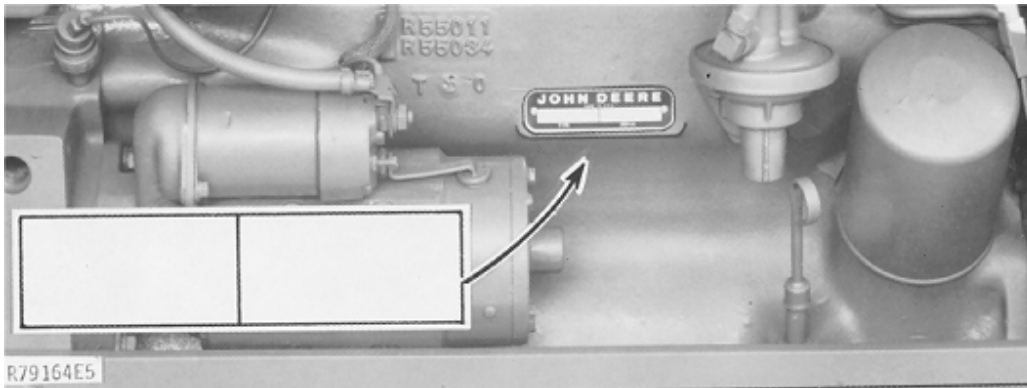
## ENGINE SERIAL NUMBER

RWP1780 -UN-01JAN94



- |                                       |                               |
|---------------------------------------|-------------------------------|
| 1. DESIGNATES NUMBER OF CYLINDERS     | 3                             |
| 2. DESIGNATES CUBIC INCH DISPLACEMENT | 164                           |
| 3. DESIGNATES AIR INTAKE SYSTEM       | D - NATURALLY ASPIRATED       |
| 4. DESIGNATES FACTORY USER            | L - JOHN DEERE WERKE MANNHEIM |
| 5. DESIGNATES GENERAL ENGINE TYPE     | 04                            |
| 6. DESIGNATES ENGINE SERIAL NUMBER    |                               |
| 7. DESIGNATES PRODUCING FACTORY       | CD - JOHN DEERE SARAN         |

R79164E5 -UN-01JAN94



THE ENGINE SERIAL NUMBER PLATE IS LOCATED BELOW AND TO THE REAR OF THE FUEL PUMP MOUNTING BOSS ON THE LOWER RIGHT SIDE OF THE CYLINDER BLOCK.

# 1A5

2040 UTILITY TRACTOR (SERIAL NO. -349999)

## SERIAL NUMBER LISTING INFORMATION

SERIAL NUMBER INFORMATION IS LISTED TO SHOW ON WHICH MACHINES EACH PART CAN BE USED; FOR EXAMPLE:

- THE PART CAN BE USED ON ALL MACHINES.
- 000000- THE PART CAN BE USED ON ALL MACHINES BEGINNING WITH THE SERIAL NUMBER LISTED.
- 000000 THE PART CAN BE USED ON ALL MACHINES UP TO AND INCLUDING THE SERIAL NUMBER LISTED.
- 000000-000000 THE PART CAN BE USED ON ALL MACHINES BETWEEN AND INCLUDING THE SERIAL NUMBERS LISTED.
- 15BV1- WHEN A MODEL NUMBER BEGINS WITH 15BV, 14HA, 15PP, 25SC, 2RC, 4RC, 15RS, 3CY, 2SP, OR 31SV, IT REFERS TO THE MODEL NUMBER OF THE BRAKE VALVE, HYDRAULIC ACCUMULATOR, HYDRAULIC PUMP, REMOTE CYLINDER SELECTIVE CONTROL VALVE FOR NO ROCKSHAFT, REMOTE CYLINDER SELECTIVE CONTROL VALVES, REMOTE CYLINDERS, REMOTE CYLINDERS WITH MECHANICAL STOPS, ROCKSHAFT CONTROL VALVE, STEERING CYLINDER, STEERING METERING PUMP, OR STEERING VALVE.

WHEN XXXXXX'S ARE LISTED IN PLACE OF A SERIAL NUMBER, A SERIAL NUMBER CHANGE WAS MADE BUT THE EXACT SERIAL NUMBER WAS NOT AVAILABLE WHEN THE CATALOG WAS PRODUCED.

## MODEL NUMBERS

THE FOLLOWING COMPONENTS HAVE MODEL NUMBERS:

BRAKE VALVE .....	15BV1
HYDRAULIC ACCUMULATOR .....	14HA2
HYDRAULIC PUMP (66CM3 (4 IN3)) .....	15PP1
REMOTE CYLINDER SELECTIVE CONTROL VALVE FOR NO ROCKSHAFT - DUAL OR TRIPLE .....	25SC1
REMOTE CYLINDER SELECTIVE CONTROL VALVE FOR ROCKSHAFT - DUAL OR TRIPLE .....	23SC2
REMOTE CYLINDER (89 X 203MM (3-1/2" X 8")) .....	2RC4
REMOTE CYLINDER WITH MECHANICAL STOP (89 X 203MM (3-1/2" X 8")) .....	4RC3
ROCKSHAFT CONTROL VALVE .....	15RS1
STEERING CYLINDER .....	3CY1
STEERING METERING PUMP .....	2SP1
STEERING VALVE .....	31SV1

EACH OF THE ABOVE COMPONENTS HAS A MODEL NUMBER. WHEN THE DESIGN OF ONE OF THESE COMPONENTS IS CHANGED, THE MODEL NUMBER FOR THE NEWLY DESIGNED COMPONENT IS CHANGED.

# 1A6

2040 UTILITY TRACTOR (SERIAL NO. -349999)

## DIRECTION ARROW

ARROWS ARE USED WITH ILLUSTRATIONS TO INDICATE THE FRONT OF THE UNIT. "RIGHT-HAND" AND "LEFT-HAND" SIDES ARE DETERMINED BY FACING IN THE DIRECTION OF MACHINE FORWARD TRAVEL.

## BOX-ENCLOSED ILLUSTRATIONS

A KEY NUMBER, SHOWN IN THE PARTS LIST, IS ASSIGNED TO A BOX ENCLOSING ALL PARTS SOLD AS A SERVICE ASSEMBLY.

## BOLT AND CAP SCREW STRENGTH IDENTIFICATION

U.S. CUSTOMARY DIMENSIONED PRODUCT: BOLTS AND CAP SCREWS REQUIRED TO HAVE HIGH-STRENGTH QUALITIES EQUIVALENT TO SAE GRADE 8 ARE IDENTIFIED THROUGHOUT THIS CATALOG BY THE DESCRIPTION HS SAE 8. ALL STANDARD BOLTS AND CAP SCREWS ARE SAE GRADE 5 OR LOWER.

METRIC DIMENSIONED PRODUCT: BOLTS AND CAP SCREWS REQUIRED TO HAVE HIGH-STRENGTH QUALITIES EQUIVALENT TO PROPERTY CLASS 10.9 ARE IDENTIFIED THROUGHOUT THIS CATALOG BY THE DESCRIPTION HS 10.9. ALL STANDARAD BOLTS AND CAP SCREWS ARE PROPERTY CLASS 8.8 OR LOWER.

## JDM REMANUFACTURED COMPONENTS

THE SERVICE PARTS LISTED IN THIS CATALOG ARE INTENDED FOR THE REPAIR OF ORIGINAL EQUIPMENT COMPONENTS. ALTHOUGH MOST SERVICE PARTS MAY BE USED TO REPAIR REMANUFACTURED COMPONENTS, THE REMANUFACTURING PROCESS MAY CHANGE PARTS SUFFICIENTLY SO THAT SERVICE PARTS ARE INADEQUATE OR NOT USABLE.

## TRADEMARKS

THROUGHOUT THIS PARTS CATALOG, YOU WILL FIND THE FOLLOWING DEERE AND COMPANY TRADEMARKS:

HYDRACUSHIONED™  
INTELLITRAK®  
PERSONAL-POSTURE™  
QUAD-RANGE™  
PERFORMANCE TRAK™ II

ROLL-GARD®  
SOUND-GARD®  
TORQ-GARD PLUS 50®  
HY-GARD®  
QUIK-TATCH®

## CHANGE INDICATOR LINE (MICROFICHE CATALOGS ONLY)

CHANGES AFFECTING THE ORDERING OF PARTS ARE IDENTIFIED BY VERTICAL LINES MARKED IN THE LEFT-HAND MARGIN OF REVISED PARTS LISTING IMAGES. A LINE IS ALSO AT THE LEFT-HAND EDGE OF THE SAME PART NUMBER IN THE NUMERICAL INDEX TO SHOW THE LOCATION OF REVISED INFORMATION.

# 1A7

2040 UTILITY TRACTOR (SERIAL NO. -349999)

---

## QUANTITY COLUMN OR REMARKS COLUMN

GENERALLY THE QUANTITY SHOWN IS FOR THE ENTIRE TRACTOR AT ANY GIVEN LOCATION. THERE ARE EXCEPTIONS AS IN WHEEL HARDWARE WHERE ONLY ENOUGH IS SHOWN FOR ONE WHEEL. YOU MAY FIND NA WHICH MEANS NOT APPLICABLE AND FI WHICH MEANS A FIELD-INSTALLED OPTION THAT MUST BE ORDERED DIRECT FROM THE PRODUCING FACTORY. ALSO CA IS IN BOLD TYPE AND MEANS COMPLETE GOODS ATTACHMENTS.

# 1A8

2040 UTILITY TRACTOR (SERIAL NO. -349999)

## SECTION INDEX

GENERAL INFORMATION .....	10
ENGINE .....	20
FUEL AND AIR .....	30
ELECTRICAL .....	40
POWER TRAIN .....	50
STEERING AND BRAKES .....	60
HYDRAULICS .....	70
WHEELS, FRONT AXLES, SHEET METAL .....	80
OPERATOR'S STATION .....	90
NUMERICAL INDEX .....	95

# 1A9

2040 UTILITY TRACTOR (SERIAL NO. -349999)

## ALPHABETICAL INDEX

GRID		PAGE	GRID		PAGE
<b>A</b>			<b>C</b>		
2G4	ADHESIVE .....	90-14	1E17	CABLE, SPEED-HOUR METER DRIVE .....	40-35
2E13	ADJ. FRONT AXLE (24" & 28" REAR TIRES) .....	80-2	1E18	CABLE, TACHOMETER .....	40-36
2E12	ADJUSTABLE FRONT AXLE (16.1" REAR TIRES) .....	80-1	1E6	CABLES, BATTERY .....	40-24
1C23	AID, COLD WEATHER STARTING .....	30-22	1A23	CAMSHAFT.....	20-7
1E19	AIR CLEANER INDICATOR.....	40-37	1A23	CAMSHAFT GEAR.....	20-7
1E15	AIR CLEANER RESTRICTION INDICATOR .....	40-33	2F21	CANOPY .....	90-4
1C4	AIR CLEANER, DRY TYPE .....	30-2	1C10	CAP, FUEL .....	30-8
1C24	AIR FILTER.....	30-23	1A24	CAP, MAIN BEARING .....	20-8
1C6	AIR INTAKE .....	30-4	1B13	CAP, RADIATOR .....	20-21
1C3	AIR STACK.....	30-1	1G9	CASE, TRANSMISSION.....	50-12
1D5	ALTERNATOR .....	40-2	2C11	CENTER LINK, 3-POINT HITCH .....	70-44
1D8	ALTERNATOR .....	40-5	1C22	CHOKE CABLE .....	30-21
1D9	ALTERNATOR (55 AMP) .....	40-6	1F3	CIGAR LIGHTER .....	40-47
1D11	ALTERNATOR (55A) .....	40-7A	1E16	CIRCUIT BREAKER .....	40-34
1D7	ALTERNATOR ASSEMBLY .....	40-4	1F10	CIRCUIT BREAKER, ELECTRICAL OUTLET .....	40-54
1E15	ALTERNATOR INDICATOR .....	40-33	1C4	CLEANER, DRY AIR .....	30-2
1F6	ANALOG TACHOMETER.....	40-50	1F23	CLUTCH HOUSING .....	50-2
1A22	ARM, ROCKER.....	20-6	1F24	CLUTCH HOUSING .....	50-3
2E12	ARM, STEERING .....	80-1	1F23	CLUTCH HOUSING GASKET KIT.....	50-2
2E13	ARM, STEERING .....	80-2	1F22	CLUTCH PEDAL.....	50-1
1H7	ARM, STEERING SHAFT.....	60-1	1G6	CLUTCH SHAFT.....	50-9
2E18	AXLE EXTENSION .....	80-6	1G1	CLUTCH, ENGINE .....	50-4
2E14	AXLE KNEE, FRONT .....	80-3	1G3	CLUTCH, ENGINE .....	50-6
2E12	AXLE, FRONT, ASSEMBLY.....	80-1	1B13	COCK, WATER DRAIN .....	20-21
2E13	AXLE, FRONT, ASSEMBLY.....	80-2	1D15	COIL, STARTING MOTOR.....	40-10
1H5	AXLE, REAR.....	50-34	1D16	COIL, STARTING MOTOR.....	40-12
<b>B</b>			1D22	COIL, STARTING MOTOR (DELCO-REMY).....	40-18
1E6	BATTERIES .....	40-24	1C23	COLD WEATHER STARTING AID .....	30-22
1E6	BATTERY CABLES .....	40-24	1H8	COLUMN, STEERING .....	60-2
1B3	BEARING, CONNECTING ROD .....	20-12	1E12	COMBINATION LAMP (REAR) .....	40-30
1B5	BEARING, MAIN.....	20-14	1A19	CONDITIONER, COOLANT .....	20-3
2E12	BELLCRANK, STEERING .....	80-1	2G4	CONDITIONER, ENGINE COOLANT .....	90-14
2E13	BELLCRANK, STEERING .....	80-2	1B3	CONNECTING ROD BEARING .....	20-12
1B16	BELT, FAN .....	20-24	1B3	CONNECTING RODS .....	20-12
1H3	BELT, PULLEY .....	50-32	1F12	CONNECTORS,ELECTRICAL .....	40-56
2F19	BELT, SEAT .....	90-2	1F14	CONNECTORS,ELECTRICAL .....	40-58
1E4	BENDEX DRIVE, STARTING MOTOR .....	40-23C	1F16	CONNECTORS,ELECTRICAL .....	40-60
1A24	BLOCK, CYLINDER .....	20-8	1F12	CONTAINER,ELECTRICAL PARTS.....	40-56
1B1	BLOCK, SHORT .....	20-10	2B23	CONTROL VALVE FLOW .....	70-32
2C17	BLOCK, SWAY .....	70-50	1E14	CONTROL, TURN SIGNAL .....	40-32
2F13	BRACE, FENDER.....	80-26	1A19	COOLANT CONDITIONER.....	20-3
1E21	BRACKET, ELECTRICAL REMOTE CONTROL .....	40-39	1B23	COOLANT HEATER, ENGINE.....	20-32
2G6	BRACKET, FIRE EXTINGUISHER.....	90-16	1B24	COOLANT HEATER, ENGINE (COMPLETE) .....	20-33
2B17	BRACKET, HYDRAULIC OIL LINE .....	70-26	1G19	COUNTERSHAFT, TRANSMISSION .....	50-22
1F4	BRACKET,RADAR SENSOR .....	40-48	2D10	COUPLER OIL LINES, SCV .....	70-68
1H20	BRAKE DISK .....	60-14	2D21	COUPLER OVERHAUL KIT (ISO).....	70-80
1H17	BRAKE OIL LINES .....	60-11	2D13	COUPLER, BREAKAWAY .....	70-71
1H16	BRAKE PEDAL .....	60-10	2D19	COUPLER, BREAKAWAY (ISO CONVERSION KIT) .....	70-78
1H18	BRAKE VALVE .....	60-12	2D14	COUPLER, BREAKAWAY (SINGLE AND DUAL).....	70-72
1H19	BRAKE VALVE OVERHAUL KIT .....	60-13	2D17	COUPLER, FLEXIBLE OIL LINE .....	70-75
2D19	BREAKAWAY COUPLER (ISO CONVERSION KIT) .....	70-78	2D19	COUPLER, ISO CONVERSION KIT .....	70-78
2D14	BREAKAWAY COUPLER (SINGLE AND DUAL) .....	70-72	2D11	COUPLER, OIL LINES.....	70-69
2D16	BREAKAWAY COUPLER OVERHAUL KIT.....	70-74	2D12	COUPLER, ROCKSHAFT CYLINDER OUTLET .....	70-70
2D13	BREAKAWAY COUPLER VALVE .....	70-71	2D15	COUPLER, ROCKSHAFT CYLINDER OUTLET .....	70-73
2D12	BREAKAWAY COUPLERS .....	70-70	2D12	COUPLERS, BREAKAWAY .....	70-70
1D4	BREAKER, CIRCUIT .....	40-1	2D11	COUPLERS, QUICK.....	70-69
1E16	BREAKER, CIRCUIT .....	40-34	2E9	COUPLINGS, REUSABLE .....	70-92
1E25	BREAKER, CIRCUIT, REMOTE CONTROL .....	40-44	2D17	COVER, DUST, BREAKAWAY COUPLER .....	70-75
1F10	BREAKER, ELECTRICAL OUTLET CIRCUIT .....	40-54	1C15	COVER, FUEL INJECTION PUMP .....	30-14
1E15	BULB.....	40-33	1A20	COVER, ROCKER ARM .....	20-4
			2D2	COVER, SELECTIVE CONTROL VALVE .....	70-60
			1E3	COVER, STARTING MOTOR SOLENOID .....	40-23A
			1E4	COVER, STARTING MOTOR SOLENOID .....	40-23C
			1B9	COVER, TIMING GEAR .....	20-18
			1G15	COVER, TRANSMISSION TOP .....	50-18



# 1A10

2040 UTILITY TRACTOR (SERIAL NO. -349999)

## ALPHABETICAL INDEX - CONTINUED

<i>GRID</i>	<i>PAGE</i>	<i>GRID</i>	<i>PAGE</i>
2F18	COWL .....	90-1	
1B5	CRANKSHAFT .....	20-14	
1B8	CRANKSHAFT GEARS .....	20-17	
1B5	CRANKSHAFT PULLEY .....	20-14	
2F23	CUSHION, SEAT .....	90-6	
1A24	CYLINDER BLOCK .....	20-8	
1A20	CYLINDER HEAD .....	20-4	
1B22	CYLINDER HEAD REPLACEMENT GASKETS .....	20-30	
2E5	CYLINDER HOSE IDENTIFICATION KIT .....	70-88	
1A24	CYLINDER LINER .....	20-8	
1B4	CYLINDER LINER .....	20-13	
1A19	CYLINDER LINER PACKING LUBRICANT .....	20-3	
1B4	CYLINDER LINER SEAL KIT .....	20-13	
2D23	CYLINDER, REMOTE .....	70-82	
2E1	CYLINDER, REMOTE .....	70-84	
2E3	CYLINDER, REMOTE CONTROL .....	70-86	
2B24	CYLINDER, ROCKSHAFT .....	70-33	
<b>D</b>			
2F18	DASHBOARD .....	90-1	
2F9	DECALS .....	80-22	
2F23	DELUXE SEAT .....	90-6	
2F25	DELUXE SEAT .....	90-8	
2F23	DELUXE SEAT SUPPORT .....	90-6	
1G21	DIFFERENTIAL .....	50-24	
1G22	DIFFERENTIAL LOCK MECHANISM .....	50-25	
1G20	DIFFERENTIAL SHAFT ASSEMBLY .....	50-23	
1A24	DIPSTICK, OIL .....	20-8	
1G11	DIPSTICK, OIL, TRANSMISSION .....	50-14	
2D15	DISCONNECT COUPLERS .....	70-73	
1G1	DISK CLUTCH .....	50-4	
1H20	DISK, BRAKE .....	60-14	
1G3	DISK, CLUTCH .....	50-6	
2C12	DRAFT LINKS, 3-POINT HITCH .....	70-45	
1H7	DRAGLINK, STEERING .....	60-1	
2C13	DRAWBAR .....	70-46	
2C18	DRAWBAR .....	70-51	
2C16	DRAWBAR HAMMER STRAP KIT .....	70-49	
2C15	DRAWBAR, STRAIGHT .....	70-48	
2C18	DRAWBAR, 3-POINT HITCH .....	70-51	
1G21	DRIVE SHAFT, DIFFERENTIAL .....	50-24	
1G18	DRIVE SHAFT, TRANSMISSION .....	50-21	
2A19	DRIVE, HYDRAULIC PUMP .....	70-1	
1C4	DRY AIR CLEANER .....	30-2	
1G1	DUAL STAGE CLUTCH .....	50-4	
1G3	DUAL STAGE CLUTCH ASSEMBLY .....	50-6	
1G5	DUAL-STAGE CLUTCH REPAIR KIT .....	50-8	
2B5	DUMP VALVE .....	70-14	
2D17	DUST COVER, BREAKAWAY COUPLER .....	70-75	
<b>E</b>			
2B25	ECCENTRIC, ROCKSHAFT CONTROL .....	70-34	
1F11	ELECTRICAL CONNECTOR AND TERMINAL KIT .....	40-55	
1F12	ELECTRICAL CONNECTORS .....	40-56	
1F14	ELECTRICAL CONNECTORS .....	40-58	
1F16	ELECTRICAL CONNECTORS .....	40-60	
1F12	ELECTRICAL CRIMPING TOOL .....	40-56	
1E15	ELECTRICAL INSTRUMENTS .....	40-33	
1F10	ELECTRICAL OUTLET CIRCUIT BREAKER .....	40-54	
1F10	ELECTRICAL OUTLET PLUG .....	40-54	
1F10	ELECTRICAL OUTLET SOCKET .....	40-54	
1F9	ELECTRICAL OUTLET SOCKET KIT .....	40-53	
1F12	ELECTRICAL PARTS CONTAINER .....	40-56	
1E21	ELECTRICAL REMOTE CONTROL .....	40-39	
1E21	ELECTRICAL REMOTE CONTROL BRACKETS .....	40-39	
1E22	ELECTRICAL REMOTE CONTROL KIT .....	40-40	
1E21	ELECTRICAL REMOTE CONTROL SWITCH .....	40-39	
1E25	ELECTRICAL REMOTE CONTROL WIRING .....	40-44	
1E23	ELECTRICAL REMOTE CONTROL WIRING KIT .....	40-42	
1E25	ELECTRICAL REMOTE CONTROL WIRING RELAY .....	40-44	
1F12	ELECTRICAL TERMINALS .....	40-56	
1F14	ELECTRICAL TERMINALS .....	40-58	
1F16	ELECTRICAL TERMINALS .....	40-60	
1F11	ELECTRICAL TOOLS .....	40-55	
1F12	ELECTRICAL WIRING .....	40-56	
1F14	ELECTRICAL WIRING .....	40-58	
1F16	ELECTRICAL WIRING .....	40-60	
1D4	ELECTRICAL WIRING SYSTEM .....	40-1	
1D5	ELECTRICAL WIRING SYSTEM .....	40-2	
1A24	ELEMENT, ENGINE OIL FILTER .....	20-8	
1C24	ELEMENT, ENGINE OIL FILTER .....	30-23	
1C11	ELEMENT, FUEL FILTER .....	30-9	
1C24	ELEMENT, FUEL FILTER .....	30-23	
1C24	ELEMENT, TRANSMISSION OIL FILTER .....	30-23	
1G13	ELEMENT, TRANSMISSION OIL FILTER .....	50-16	
2G3	EMBLEM, SLOW MOVING VEHICLE .....	90-12	
1G1	ENGINE CLUTCH .....	50-4	
1G3	ENGINE CLUTCH .....	50-6	
1B23	ENGINE COOLANT HEATER .....	20-32	
1B24	ENGINE COOLANT HEATER (COMPLETE) .....	20-33	
1C24	ENGINE FILTER .....	30-23	
1B20	ENGINE GASKET KIT .....	20-28	
1A18	ENGINE OIL .....	20-1	
1B10	ENGINE OIL FILLER INLET .....	20-19	
1A24	ENGINE OIL FILTER .....	20-8	
1B11	ENGINE OIL PUMP .....	20-20	
1B12	ENGINE OIL PUMP KIT .....	20-20A	
1B1	ENGINE SHORT BLOCK .....	20-10	
2F6	ENGINE SHROUD .....	80-19	
1C22	ENGINE STOP CABLE .....	30-21	
1A19	ENGINE VALVE STEM LUBRICANT .....	20-3	
1B25	ENGINE VALVE STEM LUBRICANT .....	20-34	
1D5	ENGINE WIRING HARNESS .....	40-2	
1C7	EXHAUST MANIFOLD .....	30-5	
1C8	EXHAUST MUFFLER, REAR .....	30-6	
1A23	EXHAUST VALVE .....	20-7	
2E18	EXTENSION, AXLE .....	80-6	
1E12	EXTENSION, REAR LAMP .....	40-30	
2G6	EXTINGUISHER, FIRE .....	90-16	
<b>F</b>			
1B16	FAN .....	20-24	
1B16	FAN BELT .....	20-24	
1B13	FAN SHROUD .....	20-21	
2F13	FENDER BRACE .....	80-26	
2F12	FENDER, SHELL-TYPE .....	80-25	
1B10	FILLER, INLET OIL, ENGINE .....	20-19	
2D18	FILTER RETURN, SCV OIL, KIT .....	70-76	
1C24	FILTER, AIR .....	30-23	
1C24	FILTER, ENGINE .....	30-23	
1A24	FILTER, ENGINE OIL .....	20-8	
1C11	FILTER, FUEL .....	30-9	
1C24	FILTER, FUEL .....	30-23	
1C24	FILTER, TRANSMISSION .....	30-23	
1G13	FILTER, TRANSMISSION OIL .....	50-16	
1H5	FINAL DRIVE .....	50-34	
2G6	FIRE EXTINGUISHER .....	90-16	
1D5	FLASHER UNIT .....	40-2	

# 1A11

2040 UTILITY TRACTOR (SERIAL NO. -349999)

## ALPHABETICAL INDEX - CONTINUED

GRID		PAGE	GRID		PAGE
1D4	FLASHER, WARNING LAMP .....	40-1	1G25	GUARD, PTO .....	50-28
2D17	FLEXIBLE OIL LINE COUPLER .....	70-75	1H1	GUARD, PTO .....	50-29
2E9	FLEXIBLE OIL LINE, BULK .....	70-92			
2B5	FLOW CONTROL VALVE .....	70-14		H	
2B23	FLOW CONTROL VALVE .....	70-32			
1C23	FLUID, DIESEL STARTING .....	30-22	2C16	HAMMER STRAP KIT .....	70-49
1B7	FLYWHEEL .....	20-16	1D4	HARNES, ELECTRICAL WIRING .....	40-1
1G1	FLYWHEEL .....	50-4	1D5	HARNES, ELECTRICAL WIRING .....	40-2
1B7	FLYWHEEL HOUSING .....	20-16	1A20	HEAD, CYLINDER .....	20-4
1B7	FLYWHEEL HOUSING GASKET .....	20-16	1E9	HEADLIGHTS .....	40-27
1C19	FOOT PEDAL .....	30-18	1B23	HEATER, ENGINE COOLANT .....	20-32
1C19	FOOT THROTTLE .....	30-18	1B24	HEATER, ENGINE COOLANT (COMPLETE) .....	20-33
1C21	FOOT THROTTLE .....	30-20	2C11	HITCH BRACKET .....	70-44
2F10	FOOTREST .....	80-23	2C9	HITCH, 3-POINT .....	70-42
2F5	FRAME WEIGHT KIT .....	80-18	2C11	HITCH, 3-POINT .....	70-44
2F3	FRAME, SIDE .....	80-16	2C12	HITCH, 3-POINT .....	70-45
2E12	FRONT AXLE ASSEMBLY .....	80-1	2F6	HOOD .....	80-19
2E13	FRONT AXLE ASSEMBLY .....	80-2	1C8	HORIZONTAL MUFFLER .....	30-6
2E14	FRONT AXLE KNEE .....	80-3	1E13	HORN .....	40-31
1E9	FRONT LIGHT .....	40-27	2E5	HOSE IDENTIFICATION KIT, REMOTE CYLINDER .....	70-88
2F6	FRONT PLATE .....	80-19	2D23	HOSE, REMOTE CYLINDER .....	70-82
2F2	FRONT SUPPORT .....	80-15	2E9	HOSE, REMOTE CYLINDER .....	70-92
2F4	FRONT WEIGHTS .....	80-17	1B13	HOSES, RADIATOR .....	20-21
2E17	FRONT WHEEL .....	80-5	1F23	HOUSING, CLUTCH .....	50-2
2E16	FRONT WHEEL BEARING KIT .....	80-4B	1F24	HOUSING, CLUTCH .....	50-3
2F15	FUEL CAP SHIELD .....	80-28	1B7	HOUSING, FLYWHEEL .....	20-16
1C11	FUEL FILTER .....	30-9	2B22	HOUSING, ROCKSHAFT .....	70-31
1C24	FUEL FILTER .....	30-23	2C1	HOUSING, ROCKSHAFT CYLINDER AND VALVE .....	70-36
1C11	FUEL FILTER ELEMENT .....	30-9	1H10	HOUSING, STEERING VALVE .....	60-4
1E15	FUEL GAUGE .....	40-33	1B15	HOUSING, THERMOSTAT .....	20-23
1C10	FUEL GAUGE SENDER .....	30-8	2E19	HUB, DUAL WHEELS .....	80-7
1C13	FUEL INJECTION LINES .....	30-12	2E17	HUB, FRONT WHEEL .....	80-5
1C18	FUEL INJECTION NOZZLE .....	30-17	2E8	HYDRAULIC OIL .....	70-91
1C13	FUEL INJECTION PUMP .....	30-12	2A25	HYDRAULIC OIL LINES .....	70-8
1C15	FUEL INJECTION PUMP .....	30-14	2B1	HYDRAULIC OIL LINES .....	70-9
1C15	FUEL INJECTION PUMP COVER .....	30-14	2B2	HYDRAULIC OIL LINES .....	70-10
1C17	FUEL INJECTION PUMP TRANSFER GROUP .....	30-16	2B3	HYDRAULIC OIL LINES .....	70-12
1C10	FUEL LINES .....	30-8	2B16	HYDRAULIC OIL LINES .....	70-25
1C11	FUEL LINES (FUEL FILTER) .....	30-9	2B17	HYDRAULIC OIL LINES .....	70-26
1C12	FUEL PUMP .....	30-11	2B19	HYDRAULIC OIL LINES .....	70-28
1C12	FUEL PUMP GASKET KIT .....	30-11	2B21	HYDRAULIC OIL LINES .....	70-30
1C10	FUEL TANK .....	30-8	2E6	HYDRAULIC OIL LINES, IMPLEMENT .....	70-89
1C12	FUEL TRANSFER PUMP .....	30-11	2B21	HYDRAULIC OIL RESERVOIR .....	70-30
	G		2A21	HYDRAULIC PUMP (0.67 IN3) .....	70-4
2F14	GARD, LIGHT .....	80-27	2A23	HYDRAULIC PUMP (0.67 IN3) .....	70-6
1F23	GASKET KIT, CLUTCH HOUSING .....	50-2	2B9	HYDRAULIC PUMP (1.38 IN3) .....	70-18
1B20	GASKET KIT, ENGINE OVERHAUL .....	20-28	2A20	HYDRAULIC PUMP ASSEMBLY, REPLACEMENT (0.67 IN3) .....	70-2
1C12	GASKET KIT, FUEL PUMP .....	30-11	2B8	HYDRAULIC PUMP ASSEMBLY, REPLACEMENT (1.38 IN3) .....	70-17
1A20	GASKET, CYLINDER HEAD .....	20-4	2A19	HYDRAULIC PUMP DRIVE .....	70-1
1B7	GASKET, FLYWHEEL HOUSING .....	20-16	2B15	HYDRAULIC PUMP DRIVE .....	70-24
1B6	GASKET, OIL PAN .....	20-15	2A19	HYDRAULIC PUMP MOUNTING PARTS .....	70-1
1B22	GASKETS, CYLINDER HEAD .....	20-30	2B13	HYDRAULIC PUMP OVERHAUL KIT (1.38 IN3) .....	70-22
1E15	GAUGE, FUEL .....	40-33	2B11	HYDRAULIC PUMP SHAFT OVERHAUL KIT (1.38 IN3) .....	70-20
1E20	GAUGE, OIL TEMPERATURE, TRANSMISSION .....	40-38			
1E15	GAUGE, TEMPERATURE .....	40-33		I	
1D5	GAUGES .....	40-2	1B8	IDLER GEAR, LOWER .....	20-17
1G16	GEAR SHIFTERS .....	50-19	2E6	IMPLEMENT HYDRAULIC OIL LINES .....	70-89
1A23	GEAR, CAMSHAFT .....	20-7	1E11	IMPLEMENT LIGHT .....	40-29
1B8	GEAR, LOWER IDLER .....	20-17	1F2	IMPLEMENT WARNING LAMP KIT .....	40-46
1G23	GEARS AND SHAFTS, PTO .....	50-26	1D5	INDICATOR LIGHTS .....	40-2
1B8	GEARS, CRANKSHAFT .....	20-17	1E15	INDICATOR, AIR CLEANER RESTRICTION .....	40-33
2F6	GRILLE .....	80-19			
2F16	GRILLE GUARD .....	80-29			
2F16	GUARD, GRILLE .....	80-29			

# 1A12

2040 UTILITY TRACTOR (SERIAL NO. -349999)

## ALPHABETICAL INDEX - CONTINUED

GRID	PAGE	GRID	PAGE
1E15	INDICATOR, ALTERNATOR .....		
1E15	INDICATOR, ENGINE OIL PRESSURE .....		
2G4	INHIBITOR, CORROSION .....		
1C15	INJECTION PUMP .....		
1C6	INLET, AIR .....		
1B10	INLET, ENGINE OIL FILLER .....		
1A23	INTAKE VALVE .....		
1C6	INTAKE, AIR .....		
2D19	ISO COUPLER CONVERSION KIT .....		
2D21	ISO COUPLER OVERHAUL KIT .....		
2D19	ISO COUPLER RECEPTACLE .....		
2D19	ISO TO JOHN DEERE COUPLER CONVERSION .....		
<b>K</b>			
1E16	KEY SWITCH .....		
2D16	KIT, BREAKAWAY COUPLER OVERHAUL .....		
2E5	KIT, CYLINDER HOSE IDENTIFICATION .....		
1B4	KIT, CYLINDER LINER SEAL .....		
2F9	KIT, DECAL-LABEL, REFINISHING .....		
2C16	KIT, DRAWBAR HAMMER STRAP .....		
1G5	KIT, DUAL-STAGE CLUTCH REPAIR .....		
1F9	KIT, ELECTRICAL OUTLET SOCKET .....		
1E22	KIT, ELECTRICAL REMOTE CONTROL .....		
1E23	KIT, ELECTRICAL REMOTE CONTROL WIRING .....		
1B12	KIT, ENGINE OIL PUMP .....		
2F5	KIT, FRAME WEIGHT .....		
2E16	KIT, FRONT WHEEL DRIVE .....		
1F23	KIT, GASKET, CLUTCH HOUSING .....		
1C12	KIT, GASKET, FUEL PUMP .....		
2C15	KIT, HAMMER STRAP .....		
2C16	KIT, HAMMER STRAP .....		
2B13	KIT, HYDRAULIC PUMP OVERHAUL (1.38 IN3) .....		
2B11	KIT, HYDRAULIC PUMP SHAFT OVERHAUL (1.38 IN3) .....		
1F2	KIT, IMPLEMENT WARNING LAMP .....		
2F7	KIT, LABEL .....		
1E8	KIT, NEUTRAL START SWITCH .....		
2E7	KIT, O-RING .....		
1H19	KIT, OVERHAUL, BRAKE VALVE .....		
1H14	KIT, OVERHAUL, POWER STEERING .....		
1G17	KIT, PARK LOCK .....		
1B4	KIT, PISTON LINER .....		
1B3	KIT, PISTON RING .....		
1B14	KIT, RADIATOR OVERFLOW .....		
2D24	KIT, REMOTE CYLINDER OVERHAUL .....		
2C7	KIT, ROCKSHAFT REBUILD SEAL .....		
2D8	KIT, SCV CONVERSION .....		
2D8	KIT, SCV DUAL RETURN OIL .....		
2D18	KIT, SCV OIL FILTER RETURN .....		
2C24	KIT, SELECTIVE CONTROL VALVE CAP .....		
2D6	KIT, SELECTIVE CONTROL VALVE OVERHAUL .....		
1D13	KIT, SOLENOID COVER (ROBERT BOSCH) .....		
1D18	KIT, STARTER SOLENOID KIT .....		
1E4	KIT, STARTING MOTOR BRUSH .....		
1F8	KIT, SUPPLEMENTARY WIRING .....		
1H2	KIT, THRUST CAPACITY .....		
1B19	KIT, WATER PUMP OVERHAUL .....		
1F11	KIT, ELECTRICAL CONNECTOR AND TERMINAL .....		
1C22	KNOB, SHUT-OFF .....		
1E14	KNOB, TURN SIGNAL .....		
2E14	KNUCKLE ASSEMBLY, FRONT AXLE .....		
<b>L</b>			
2F7	LABEL KIT .....	80-20	
1E4	LABEL, BYPASS START .....	40-23C	
1E3	LABEL, BYPASSSTART .....	40-23A	
2F9	LABELS .....	80-22	
1F1	LAMP, WARNING .....	40-45	
2D2	LEVER LOCK, SELECTIVE CONTROL .....	70-60	
2C25	LEVER, SELECTIVE CONTROL VALVE .....	70-58	
1C20	LEVER, SPEED CONTROL .....	30-19	
1C21	LEVER, SPEED CONTROL .....	30-20	
1G15	LEVER, TRANSMISSION SHIFTER .....	50-18	
2C21	LEVERS, SELECTIVE CONTROL .....	70-54	
2C22	LEVERS, SELECTIVE CONTROL .....	70-55	
2C9	LIFT LINKS, 3-POINT HITCH .....	70-42	
2F14	LIGHT GARD .....	80-27	
1E16	LIGHT SWITCH .....	40-34	
1E9	LIGHT, FRONT .....	40-27	
1E11	LIGHT, REAR .....	40-29	
1F3	LIGHTER, CIGAR .....	40-47	
1E10	LIGHTS, WARNING .....	40-28	
2B17	LINE, OIL, HYDRAULIC .....	70-26	
1A24	LINER, CYLINDER .....	20-8	
1B4	LINER, CYLINDER .....	20-13	
1C11	LINES, FUEL (FUEL FILTER) .....	30-9	
2E6	LINES, OIL, IMPLEMENT HYDRAULIC .....	70-89	
2C11	LINK, CENTER, 3-POINT HITCH .....	70-44	
2C12	LINK, DRAFT, 3-POINT HITCH .....	70-45	
1H7	LINK, DRAG .....	60-1	
1C20	LINKAGE, THROTTLE .....	30-19	
2C6	LOAD CONTROL .....	70-39	
2B23	LOAD SELECTOR LEVER .....	70-32	
2C6	LOAD SELECTOR LEVER .....	70-39	
1G22	LOCK MECHANISM, DIFFERENTIAL .....	50-25	
2D1	LOCK, SCV LEVER .....	70-59	
2G4	LOCTITE .....	90-14	
1B8	LOWER IDLER GEAR .....	20-17	
1A19	LUBRICANT, CYLINDER LINER PACKING .....	20-3	
1A19	LUBRICANT, ENGINE VALVE STEM .....	20-3	
1B25	LUBRICANT, ENGINE VALVE STEM .....	20-34	
<b>M</b>			
1B5	MAIN BEARING .....	20-14	
1A24	MAIN BEARING CAP .....	20-8	
1C7	MANIFOLD, EXHAUST .....	30-5	
1D24	MOTOR, STARTING .....	40-20	
1D19	MOTOR, STARTING (DELCO-REMY) .....	40-15	
1D21	MOTOR, STARTING (DELCO-REMY) .....	40-17	
1D14	MOTOR, STARTING (ROBERT BOSCH) .....	40-9	
1D15	MOTOR, STARTING (ROBERT BOSCH) .....	40-10	
1D16	MOTOR, STARTING (ROBERT BOSCH) .....	40-12	
2F11	MOUNTING STEP .....	80-24	
1C9	MUFFLER COVER .....	30-7	
1C9	MUFFLER EXTENSION .....	30-7	
1C8	MUFFLER, HORIZONTAL .....	30-6	
1C8	MUFFLER, REAR EXHAUST .....	30-6	
1C9	MUFFLER, VERTICAL .....	30-7	
<b>N</b>			
2F9	NAME PLATES .....	80-22	
1E8	NEUTRAL START SWITCH KIT .....	40-26	
1C18	NOZZLE, FUEL INJECTION .....	30-17	

# 1A13

2040 UTILITY TRACTOR (SERIAL NO. -349999)

## ALPHABETICAL INDEX - CONTINUED

GRID		PAGE	GRID		PAGE
<b>O</b>					
2E7	O-RING PACKING KIT.....	70-90	2D4	POPPET VALVE.....	70-62
1A24	OIL DIPSTICK.....	20-8	2E20	POWER ADJUSTED REAR WHEELS .....	80-8
1A24	OIL FILTER, ENGINE.....	20-8	1H8	POWER STEERING.....	60-2
1G13	OIL FILTER, TRANSMISSION.....	50-16	1H10	POWER STEERING.....	60-4
2D17	OIL LINE COUPLER .....	70-75	2B2	POWER STEERING OIL LINES .....	70-10
2B1	OIL LINE, HYDRAULIC .....	70-9	2B3	POWER STEERING OIL LINES .....	70-12
2B17	OIL LINE, HYDRAULIC .....	70-26	1H14	POWER STEERING OVERHAUL KIT.....	60-8
2B2	OIL LINE, POWER STEERING .....	70-10	2A21	POWER STEERING PUMP (0.67 IN3).....	70-4
1H17	OIL LINES, BRAKE .....	60-11	1G25	POWERSHAFT SHIELD AND GUARD.....	50-28
2D11	OIL LINES, COUPLER.....	70-69	1G24	POWERSHAFT SHIFTER .....	50-27
2A25	OIL LINES, HYDRAULIC .....	70-8	1C3	PRE-CLEANER.....	30-1
2B2	OIL LINES, HYDRAULIC .....	70-10	1C3	PRESCREENER.....	30-1
2B3	OIL LINES, HYDRAULIC .....	70-12	2B6	PRESSURE CONTROL VALVE.....	70-15
2B16	OIL LINES, HYDRAULIC .....	70-25	2B7	PRESSURE CONTROL VALVE.....	70-16
2B19	OIL LINES, HYDRAULIC .....	70-28	2B20	PRESSURE CONTROL VALVE.....	70-29
2B21	OIL LINES, HYDRAULIC .....	70-30	1G1	PRESSURE PLATE, CLUTCH.....	50-4
2E6	OIL LINES, HYDRAULIC, IMPLEMENT .....	70-89	2B6	PRESSURE RELIEF VALVE .....	70-15
2B3	OIL LINES, POWER STEERING .....	70-12	2B7	PRESSURE RELIEF VALVE .....	70-16
2D10	OIL LINES, SCV COUPLER .....	70-68	1G23	PTO GEARS.....	50-26
2D11	OIL LINES, SELECTIVE CONTROL VALVE.....	70-69	1G25	PTO GUARD.....	50-28
2C23	OIL LINES, SLECTIVE CONTROL VALVE.....	70-56	1H1	PTO GUARD.....	50-29
1G7	OIL LINES, TRANSMISSION .....	50-10	1G23	PTO SHAFT .....	50-26
1B6	OIL PAN .....	20-15	1H3	PULLEY, BELT .....	50-32
1B6	OIL PAN GASKET .....	20-15	1B5	PULLEY, CRANKSHAFT .....	20-14
1E15	OIL PRESSURE INDICATOR .....	40-33	1B16	PULLEY, FAN.....	20-24
1B9	OIL PRESSURE RELIEF VALVE .....	20-18	1B5	PULLEY, V-BELT .....	20-14
1B12	OIL PUMP KIT, ENGINE .....	20-20A	2A20	PUMP ASSEMBLY, HYDRAULIC, REPLACEMENT (0.67 IN3) .....	70-2
1B11	OIL PUMP, ENGINE.....	20-20	2B8	PUMP ASSEMBLY, HYDRAULIC, REPLACEMENT (1.38 IN3) .....	70-17
1G7	OIL PUMP, TRANSMISSION.....	50-10	1B16	PUMP ASSEMBLY, WATER .....	20-24
2D8	OIL RETURN KIT, SCV .....	70-66	1C15	PUMP COVER, FUEL INJECTION .....	30-14
1G11	OIL SCREEN .....	50-14	2A19	PUMP DRIVE, HYDRAULIC.....	70-1
1A18	OIL, ENGINE .....	20-1	2B15	PUMP DRIVE, HYDRAULIC.....	70-24
2E8	OIL, HYDRAULIC AND TRANSMISSION .....	70-91	1B11	PUMP, ENGINE OIL.....	20-20
1B14	OVERFLOW KIT, RADIATOR .....	20-22	1C12	PUMP, FUEL .....	30-11
2B13	OVERHAUL HYDRAULIC PUMP KIT (1.38 IN3) .....	70-22	1C13	PUMP, FUEL INJECTION .....	30-12
1H19	OVERHAUL KIT, BRAKE VALVE .....	60-13	1C15	PUMP, FUEL INJECTION .....	30-14
2D16	OVERHAUL KIT, BREAKAWAY COUPLER .....	70-74	2A21	PUMP, HYDRAULIC (0.67 IN3).....	70-4
2B11	OVERHAUL KIT, HYDRAULIC PUMP SHAFT (1.38 IN3) .....	70-20	2A23	PUMP, HYDRAULIC (0.67 IN3).....	70-6
2D21	OVERHAUL KIT, ISO COUPLER .....	70-80	2B9	PUMP, HYDRAULIC (1.38 IN3).....	70-18
1H14	OVERHAUL KIT, POWER STEERING .....	60-8	2A21	PUMP, POWER STEERING (0.67 IN3).....	70-4
2D24	OVERHAUL KIT, REMOTE CYLINDER .....	70-83	1G7	PUMP, TRANSMISSION OIL.....	50-10
2D6	OVERHAUL KIT, SELECTIVE CONTROL VALVE .....	70-64	1B18	PUMP, WATER (COMPLETE).....	20-26
1B20	OVERHAUL, ENGINE .....	20-28	1A23	PUSH ROD.....	20-7
<b>P</b>					
1A19	PACKING, LUBRICANT, CYLINDER LINER.....	20-3			
1B6	PAN, OIL.....	20-15			
1G17	PARK LOCK ASSURANCE KIT.....	50-20			
1E19	PARTS, AIR CLEANER INDICATOR.....	40-37			
1H16	PEDAL, BRAKE .....	60-10			
1F22	PEDAL, CLUTCH .....	50-1			
1C19	PEDAL, FOOT .....	30-18			
1F6	PERFORMANCE TRAK II MINI-MONITOR.....	40-50			
1G6	PILOT BEARING, CLUTCH .....	50-9			
1B3	PIN, PISTON.....	20-12			
1B4	PISTON LINER KIT .....	20-13			
1B3	PISTON PIN .....	20-12			
1B3	PISTON RING KIT .....	20-12			
1B3	PISTON RINGS .....	20-12			
1B3	PISTONS.....	20-12			
1H5	PLANETARY AND REAR AXLE .....	50-34			
2F6	PLATE, ENGINE FRONT .....	80-19			
<b>Q</b>					
2C5	QUADRANT, ROCKSHAFT .....	70-38			
2D11	QUICK COUPLERS .....	70-69			
<b>R</b>					
1F4	RADAR SENSOR .....	40-48			
1F4	RADAR SENSOR BRACKET .....	40-48			
1F4	RADAR SENSOR WIRING HARNESS .....	40-48			
1B13	RADIATOR .....	20-21			
2F15	RADIATOR CAP SHIELD.....	80-28			
1B13	RADIATOR HOSES .....	20-21			
1B14	RADIATOR OVERFLOW KIT.....	20-22			
1H5	REAR AXLE .....	50-34			
1E11	REAR LIGHT .....	40-29			
1G24	REAR POWERSHAFT SHIFTER.....	50-27			
2E21	REAR STEEL DISK WHEEL.....	80-9			
2E19	REAR WHEEL (STEEL DISK).....	80-7			

# 1A14

2040 UTILITY TRACTOR (SERIAL NO. -349999)

## ALPHABETICAL INDEX - CONTINUED

<i>GRID</i>		<i>PAGE</i>	<i>GRID</i>		<i>PAGE</i>
2E22	REAR WHEEL (WELDED BRACKET).....	80-10	2C23	SELECTIVE CONTROL VALVE OIL LINES .....	70-56
2E24	REAR WHEEL WEIGHT (24" DEMOUNTABLE).....	80-12	2D6	SELECTIVE CONTROL VALVE OVERHAUL KIT.....	70-64
2E25	REAR WHEEL WEIGHT (26", 28" DEMOUNTABLE).....	80-13	2D2	SELECTIVE CONTROL VALVE ROCKER .....	70-60
2F1	REAR WHEEL WEIGHT (28" CAST OR POWER).....	80-14	2C19	SELECTIVE CONTROL VALVES .....	70-52
2E20	REAR WHEEL, POWER ADJUSTED .....	80-8	2C20	SELECTIVE CONTROL VALVES .....	70-53
2E23	REAR WHEELS (RIVETED BRACKET) .....	80-11	2A25	SELECTIVE CONTROL VALVES OIL LINES .....	70-8
2F9	REFINISHING DECAL-LABEL KIT.....	80-22	1C10	SENDER, FUEL GAUGE .....	30-8
1D7	REGULATOR .....	40-4	2C6	SENSING SHAFT .....	70-39
1E25	RELAY, WIRING, ELECTRICAL REMOTE CONTROL.....	40-44	1F4	SENSOR, RADAR .....	40-48
1B9	RELIEF VALVE, OIL PRESSURE .....	20-18	1G6	SHAFT, CLUTCH .....	50-9
1E25	REMOTE CONTROL CIRCUIT BREAKER .....	40-44	1G20	SHAFT, DIFFERENTIAL.....	50-23
2E3	REMOTE CONTROL CYLINDER .....	70-86	1H5	SHAFT, FINAL DRIVE .....	50-34
1E22	REMOTE CONTROL KIT, ELECTRICAL .....	40-40	2B15	SHAFT, HYDRAULIC PUMP DRIVE .....	70-24
1E23	REMOTE CONTROL WIRING KIT, ELECTRICAL .....	40-42	1A22	SHAFT, ROCKER ARM .....	20-6
1E25	REMOTE CONTROL WIRING, ELECTRICAL.....	40-44	1E17	SHAFT, SPEED-HOUR METER DRIVE .....	40-35
1E21	REMOTE CONTROL, ELECTRICAL .....	40-39	1G18	SHAFT, TRANSMISSION DRIVE .....	50-21
2D23	REMOTE CYLINDER .....	70-82	1G23	SHAFTS AND GEARS, PTO .....	50-26
2E1	REMOTE CYLINDER .....	70-84	2F12	SHELL-TYPE FENDERS .....	80-25
2E5	REMOTE CYLINDER HOSE IDENTIFICATION KIT.....	70-88	2F15	SHIELD, FUEL CAP .....	80-28
2D24	REMOTE CYLINDER OVERHAUL KIT .....	70-83	1H1	SHIELD, PTO .....	50-29
2A20	REPLACEMENT HYDRAULIC PUMP ASSEMBLY (0.67 IN3) .....	70-2	2F15	SHIELD, RADIATOR CAP .....	80-28
2B8	REPLACEMENT HYDRAULIC PUMP ASSEMBLY (1.38 IN3) .....	70-17	1G15	SHIFTER LEVER, TRANSMISSION .....	50-18
2B21	RESERVOIR, HYDRAULIC OIL.....	70-30	1G16	SHIFTER, HIGH, LOW AND REVERSE RANGE .....	50-19
1G21	RING GEAR .....	50-24	1B1	SHORT BLOCK .....	20-10
1B3	RINGS, PISTON .....	20-12	2F6	SHROUD, ENGINE.....	80-19
1A22	ROCKER ARM .....	20-6	1B13	SHROUD, FAN .....	20-21
1A20	ROCKER ARM COVER .....	20-4	1C22	SHUT-OFF KNOB.....	30-21
1A22	ROCKER ARM SHAFT.....	20-6	2F3	SIDE FRAME .....	80-16
2D2	ROCKER, SELECTIVE CONTROL VALVE.....	70-60	2G3	SLOW MOVING VEHICLE EMBLEM.....	90-12
2B25	ROCKSHAFT .....	70-34	1F10	SOCKET, ELECTRICAL OUTLET .....	40-54
2B25	ROCKSHAFT CONTROL LEVER .....	70-34	1D13	SOLENOID COVER KIT (ROBERT BOSCH) .....	40-8
2B24	ROCKSHAFT CYLINDER.....	70-33	1D15	SOLENOID SWITCH .....	40-10
2C1	ROCKSHAFT CYLINDER AND VALVE HOUSING.....	70-36	1D16	SOLENOID SWITCH .....	40-12
2D15	ROCKSHAFT CYLINDER OUTLET COUPLER .....	70-73	1D23	SOLENOID SWITCH .....	40-19
2B22	ROCKSHAFT HOUSING .....	70-31	1D24	SOLENOID SWITCH .....	40-20
2B25	ROCKSHAFT PISTON AND LIFT ARMS .....	70-34	1D20	SOLENOID SWITCH (DELCO-REMY) .....	40-16
2C5	ROCKSHAFT QUADRANT.....	70-38	1E4	SOLENOID SWITCH, STARTING MOTOR.....	40-23C
2C7	ROCKSHAFT REBUILD SEAL KIT .....	70-40	1C20	SPEED CONTROL LEVER .....	30-19
2B24	ROCKSHAFT VALVE HOUSING LINKAGE .....	70-33	1C21	SPEED CONTROL LEVER .....	30-20
2E15	ROD, TIE .....	80-4	1E17	SPEED-HOUR METER.....	40-35
1B3	RODS, CONNECTING .....	20-12	2E14	SPINDLE ASSEMBLY, FRONT AXLE.....	80-3
2F19	ROLL-GARD .....	90-2	1C3	STACK, AIR .....	30-1
2F21	ROLL-GARD AND CANOPY .....	90-4	1D5	STARTER .....	40-2
			1D21	STARTER .....	40-17
			1D22	STARTER .....	40-18
			1D18	STARTER SOLENOID COVER KIT .....	40-14
			1E16	STARTER SWITCH .....	40-34
			1C23	STARTING AID, COLD WEATHER .....	30-22
			2G4	STARTING FLUID.....	90-14
			1C23	STARTING FLUID, DIESEL .....	30-22
			1D24	STARTING MOTOR .....	40-20
			1E3	STARTING MOTOR .....	40-23A
			1E4	STARTING MOTOR .....	40-23C
			1D19	STARTING MOTOR (DELCO-REMY) .....	40-15
			1D21	STARTING MOTOR (DELCO-REMY) .....	40-17
			1D22	STARTING MOTOR (DELCO-REMY) .....	40-18
			1D14	STARTING MOTOR (ROBERT BOSCH) .....	40-9
			1D15	STARTING MOTOR (ROBERT BOSCH) .....	40-10
			1D16	STARTING MOTOR (ROBERT BOSCH) .....	40-12
			1E4	STARTING MOTOR BRUSH KIT .....	40-23C
			1E1	STARTING MOTOR BRUSHES.....	40-22
			1D22	STARTING MOTOR COIL (DELCO-REMY) .....	40-18
			1D15	STARTING MOTOR COIL (ROBERT BOSCH).....	40-10
			1D16	STARTING MOTOR COIL (ROBERT BOSCH).....	40-12
			1E1	STARTING MOTOR COIL ASSEMBLY.....	40-22
			1E1	STARTING MOTOR HOUSING .....	40-22
			1E3	STARTING MOTOR SOLENOID COVER .....	40-23A

### S

1G11	SCREEN, TRANSMISSION OIL .....	50-14
2D12	SCV BREAKAWAY COUPLERS .....	70-70
2D8	SCV CONVERSION KIT .....	70-66
2D1	SCV LEVER LOCK.....	70-59
2D18	SCV OIL FILTER RETURN KIT.....	70-76
1D5	SEALANT .....	40-2
2G4	SEALANT .....	90-14
2F19	SEAT BELT.....	90-2
2F23	SEAT, DELUXE .....	90-6
2F25	SEAT, DELUXE .....	90-8
2D2	SELECTIVE CONTROL LEVER LOCK .....	70-60
2C21	SELECTIVE CONTROL LEVERS .....	70-54
2C22	SELECTIVE CONTROL LEVERS .....	70-55
2D4	SELECTIVE CONTROL VALVE.....	70-62
2C24	SELECTIVE CONTROL VALVE CAP KIT.....	70-57
2C25	SELECTIVE CONTROL VALVE LEVER .....	70-58
2B1	SELECTIVE CONTROL VALVE OIL LINES .....	70-9
2B2	SELECTIVE CONTROL VALVE OIL LINES .....	70-10

# 1A15

2040 UTILITY TRACTOR (SERIAL NO. -349999)

## ALPHABETICAL INDEX - CONTINUED

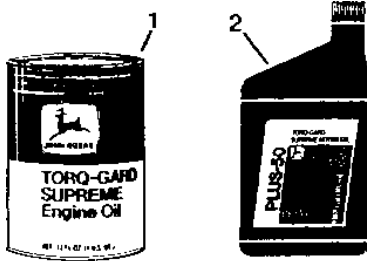
GRID	PAGE	GRID	PAGE
1E4	STARTING MOTOR SOLENOID COVER .....	40-23C	
2E23	STEEL DISK REAR WHEEL (RIVETED BRACKET) .....	80-11	
2E22	STEEL DISK REAR WHEEL (WELDED BRACKET) .....	80-10	
2E12	STEERING ARM.....	80-1	
2E13	STEERING ARM.....	80-2	
2E12	STEERING BELLCRANK.....	80-1	
2E13	STEERING BELLCRANK.....	80-2	
1H8	STEERING COLUMN.....	60-2	
1H7	STEERING SHAFT ARM.....	60-1	
1H10	STEERING VALVE HOUSING.....	60-4	
1H8	STEERING WHEEL.....	60-2	
1H12	STEERING WHEEL.....	60-6	
1H8	STEERING, POWER.....	60-2	
1H10	STEERING, POWER.....	60-4	
2F11	STEP, MOUNTING.....	80-24	
1F18	SUPPLEMENTARY TERMINALS AND CONNECTORS.....	40-62	
1F8	SUPPLEMENTARY WIRING KIT.....	40-52	
2F23	SUPPORT, DELUXE SEAT.....	90-6	
2C13	SUPPORT, DRAWBAR.....	70-46	
2F2	SUPPORT, FRONT.....	80-15	
2F11	SUPPORT, STEP.....	80-24	
2G1	SUPPORT, TOOLBOX.....	90-10	
2C17	SWAY BLOCK.....	70-50	
1E21	SWITCH, ELECTRICAL REMOTE CONTROL.....	40-39	
1E16	SWITCH, KEY.....	40-34	
1E16	SWITCH, LIGHT.....	40-34	
1D15	SWITCH, SOLENOID.....	40-10	
1D16	SWITCH, SOLENOID.....	40-12	
1D23	SWITCH, SOLENOID.....	40-19	
1D24	SWITCH, SOLENOID.....	40-20	
1D20	SWITCH, SOLENOID (DELCO-REMY).....	40-16	
1E16	SWITCH, STARTER.....	40-34	
T			
1E17	TACHOMETER.....	40-35	
1E18	TACHOMETER.....	40-36	
1C10	TANK, FUEL.....	30-8	
1A23	TAPPET.....	20-7	
1E15	TEMPERATURE GAUGE.....	40-33	
1F18	TERMINALS AND CONNECTORS,SUPPLEMENTARY.....	40-62	
1F12	TERMINALS,ELECTRICAL.....	40-56	
1F14	TERMINALS,ELECTRICAL.....	40-58	
1F16	TERMINALS,ELECTRICAL.....	40-60	
1B15	THERMOSTAT.....	20-23	
1C20	THROTTLE LINKAGE.....	30-19	
1C19	THROTTLE, FOOT.....	30-18	
1C21	THROTTLE, FOOT.....	30-20	
1H2	THRUST CAPACITY KIT.....	50-30	
2E15	TIE ROD ASSEMBLY.....	80-4	
1B9	TIMING GEAR COVER.....	20-18	
2G1	TOOLBOX.....	90-10	
1G9	TRANSMISSION CASE.....	50-12	
1G19	TRANSMISSION COUNTERSHAFT.....	50-22	
1C24	TRANSMISSION FILTER.....	30-23	
1G16	TRANSMISSION GEAR SHIFTERS.....	50-19	
2E8	TRANSMISSION OIL.....	70-91	
1G13	TRANSMISSION OIL FILTER.....	50-16	
1G11	TRANSMISSION OIL LEVEL ROD.....	50-14	
1G7	TRANSMISSION OIL LINES.....	50-10	
1G14	TRANSMISSION OIL LINES.....	50-17	
1G7	TRANSMISSION OIL PUMP.....	50-10	
1E20	TRANSMISSION OIL TEMPERATURE GAUGE.....	40-38	
1G11	TRANSMISSION RELIEF VALVE.....	50-14	
1G15	TRANSMISSION SHIFTER LEVER.....	50-18	
1G15	TRANSMISSION TOP COVER.....	50-18	
1A20	TUBE, VENTILATOR OUTLET.....	20-4	
1E14	TURN SIGNAL CONTROL.....	40-32	
1E14	TURN SIGNAL KNOB.....	40-32	
V			
1D8	V-BELT PULLEY.....	40-5	
1B5	V-BELT PULLEYS.....	20-14	
2B24	VALVE LINKAGE, ROCKSHAFT.....	70-33	
1A19	VALVE STEM LUBRICANT, ENGINE.....	20-3	
1B25	VALVE STEM LUBRICANT, ENGINE.....	20-34	
1H18	VALVE, BRAKE.....	60-12	
1H19	VALVE, BRAKE, OVERHAUL KIT.....	60-13	
2B5	VALVE, DUMP.....	70-14	
1A23	VALVE, EXHAUST.....	20-7	
2B5	VALVE, FLOW CONTROL.....	70-14	
2B23	VALVE, FLOW CONTROL.....	70-32	
1C10	VALVE, FUEL SHUT-OFF.....	30-8	
1A23	VALVE, INLET.....	20-7	
1B9	VALVE, OIL PRESSURE RELIEF.....	20-18	
2D4	VALVE, POPPET.....	70-62	
2B7	VALVE, PRESSURE CONTROL.....	70-16	
2B20	VALVE, PRESSURE CONTROL.....	70-29	
2B6	VALVE, PRESSURE RELIEF.....	70-15	
2B7	VALVE, PRESSURE RELIEF.....	70-16	
1G11	VALVE, RELIEF, PRESSURE.....	50-14	
2C19	VALVE, SELECTIVE CONTROL.....	70-52	
2C20	VALVE, SELECTIVE CONTROL.....	70-53	
2D4	VALVE, SELECTIVE CONTROL.....	70-62	
1A20	VENTILATOR OUTLET TUBE.....	20-4	
1C9	VERTICAL MUFFLER.....	30-7	
W			
1F1	WARNING LAMP.....	40-45	
1D4	WARNING LAMP FLASHER.....	40-1	
1F2	WARNING LAMP KIT, IMPLEMENT.....	40-46	
1E10	WARNING LIGHTS.....	40-28	
1B13	WATER DRAIN COCK.....	20-21	
1B18	WATER PUMP (COMPLETE).....	20-26	
1B16	WATER PUMP ASSEMBLY.....	20-24	
1B19	WATER PUMP OVERHAUL KIT.....	20-27	
2E24	WEIGHT, REAR WHEEL (24" DEMOUNTABLE).....	80-12	
2E25	WEIGHT, REAR WHEEL (26",28" DEMOUNTABLE).....	80-13	
2F1	WEIGHT, REAR WHEEL (28" CAST OR POWER).....	80-14	
2F4	WEIGHTS, FRONT.....	80-17	
2E24	WHEEL WEIGHT, REAR (24" DEMOUNTABLE).....	80-12	
2E25	WHEEL WEIGHT, REAR (26",28" DEMOUNTABLE).....	80-13	
2F1	WHEEL WEIGHT, REAR (28" CAST OR POWER).....	80-14	
2E17	WHEEL, FRONT.....	80-5	
2E23	WHEEL, REAR (RIVETED BRACKET).....	80-11	
2E21	WHEEL, REAR STEEL DISK.....	80-9	
1H8	WHEEL, STEERING.....	60-2	
1H12	WHEEL, STEERING.....	60-6	
2E20	WHEELS, REAR (POWER ADJUSTED).....	80-8	
2E19	WHEELS, REAR (STEEL DISK).....	80-7	
2E22	WHEELS, REAR (WELDED BRACKET).....	80-10	
1F4	WIRING HARNESS,RADAR SENSOR.....	40-48	
1E23	WIRING KIT, ELECTRICAL REMOTE CONTROL.....	40-42	
1D4	WIRING SYSTEM.....	40-1	
1D5	WIRING SYSTEM.....	40-2	
1E25	WIRING, ELECTRICAL REMOTE CONTROL.....	40-44	

# 1A18

ENGINE

RGP3291 -UN-01JAN94

## TORQ-GARD SUPREME AND PLUS-50 ENGINE OIL



RGP 3291

KEY	PART NO.	PART NAME	QTY	ENGINE SERIAL NO.	REMARKS
1	TY6359	OIL	1	(SAE 5W/30), 0.9L (1 QT)	
	TY6360	OIL	1	(SAE 5W/30), 19L (5 GAL)	
	TY6361	OIL	1	(SAE 5W/30), 208L (55 GAL)	
	TY6364	OIL	1	(SAE 10W/30), 0.9L (1 QT) (BREAKIN)	
	TY6297	OIL	1	(SAE 15W/40), 0.9L (1 QT)	
	TY6298	OIL	1	(SAE 15W/40), 19L (5 GAL)	
	TY6300	OIL	1	(SAE 15W/40), 113.6L (30 GAL)	
	TY6301	OIL	1	(SAE 15W/40), 208L (55 GAL)	
	TY6311	OIL	1	(SAE 10W), 0.9L (1 QT)	
	TY22009	OIL	1	(SAE 10), 3.8L (1 GAL)	
	TY6312	OIL	1	(SAE 10W), 19L (5 GAL)	
	TY6313	OIL	1	(SAE 10W), 208L (55 GAL)	
	AR63979	OIL	1	(SAE 30), 0.2L (.25 QT)	
	AR63218	OIL	1	(SAE 30), 0.9L (1 QT)	
	AR63219	OIL	1	(SAE 30), 19L (5 GAL)	
	TY6280	OIL	1	(SAE 30), 113.6L (30 GAL)	
	AR63222	OIL	1	(SAE 30), 208L (55 GAL)	
2	TY6389	OIL	1	(SAE 15W/40), 0.9L (1 QT)	
	TY22008	OIL	1	(SAE 15W/40), 3.8L (1 GAL)	
	TY6390	OIL	1	(SAE 15W/40), 19L (5 GAL)	
	TY22010	OIL	1	(SAE 15W/40), 113.6L (30 GAL)	
	TY6391	OIL	1	(SAE 15W/40), 208L (55 GAL)	
	TY6392	OIL	1	(SAE 30), 0.9L (1 QT)	
	TY22007	OIL	1	(SAE 30), 3.8L (1 GAL)	
	TY6393	OIL	1	(SAE 30), 19L (5 GAL)	
	TY22011	OIL	1	(SAE 30), 113.6L (30 GAL)	
	TY6394	OIL	1	(SAE 30), 208L (55 GAL)	
..	TY22041	OIL	1	(SAE 10W/30), 3.8L (1 GAL) (FACTORY SPEC. BREAK-IN)	
..	TY22042	OIL	1	(SAE 10W/30), 208L (55 GAL) (FACTORY SPEC. BREAK-IN)	

### KIT FOR OFF-SEASON STORAGE

KEY	PART NO.	PART NAME	QTY	ENGINE SERIAL NO.	REMARKS
..	AR41785	KIT	1		0.9L (1 QT) (NOT SHOWN)

---

MEMORANDA

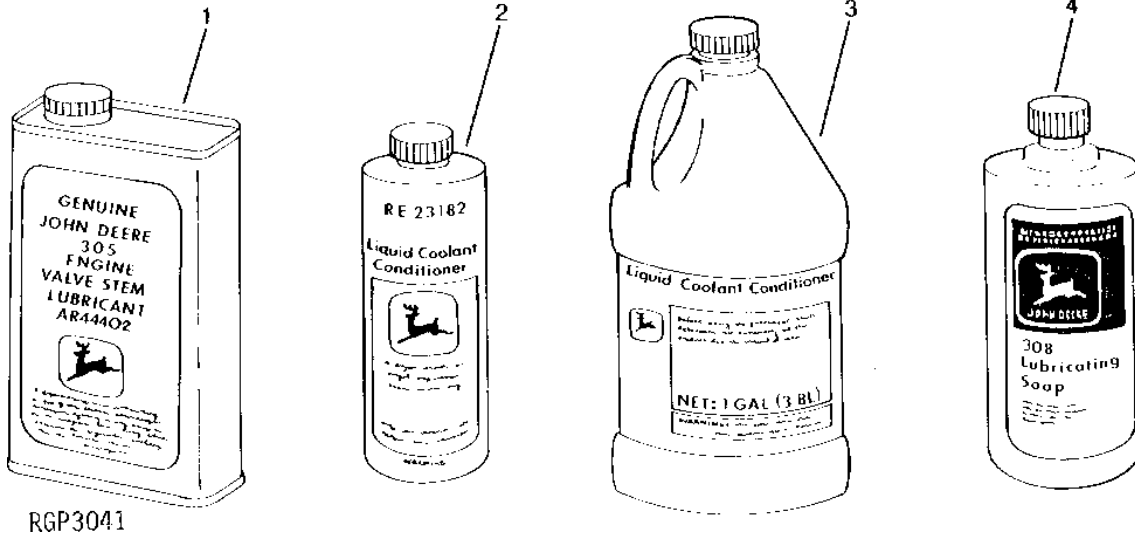


# 1A19

ENGINE

RGP3041 -UN-01JAN94

## ENGINE VALVE STEM LUBRICANT



KEY	PART NO.	PART NAME	QTY	SERIAL NO.	REMARKS
1	AR44402	OIL	1		.473ML (32 OZ.) CAN

### COOLANT CONDITIONER

KEY	PART NO.	PART NAME	QTY	SERIAL NO.	REMARKS
2	RE23182	ENGINE COOLANT CONDITIONER	1		.473L (32 OZ.) (SUB FOR T19566 OR RE12842)
3	RE35992	ENGINE COOLANT CONDITIONER	1		3.6L (1 GAL.)

### CYLINDER LINER PACKING LUBRICANT

KEY	PART NO.	PART NAME	QTY	ENGINE SERIAL NO.	REMARKS
4	AR54749	LUBRICANT	1		.9L (1 QT.) CAN

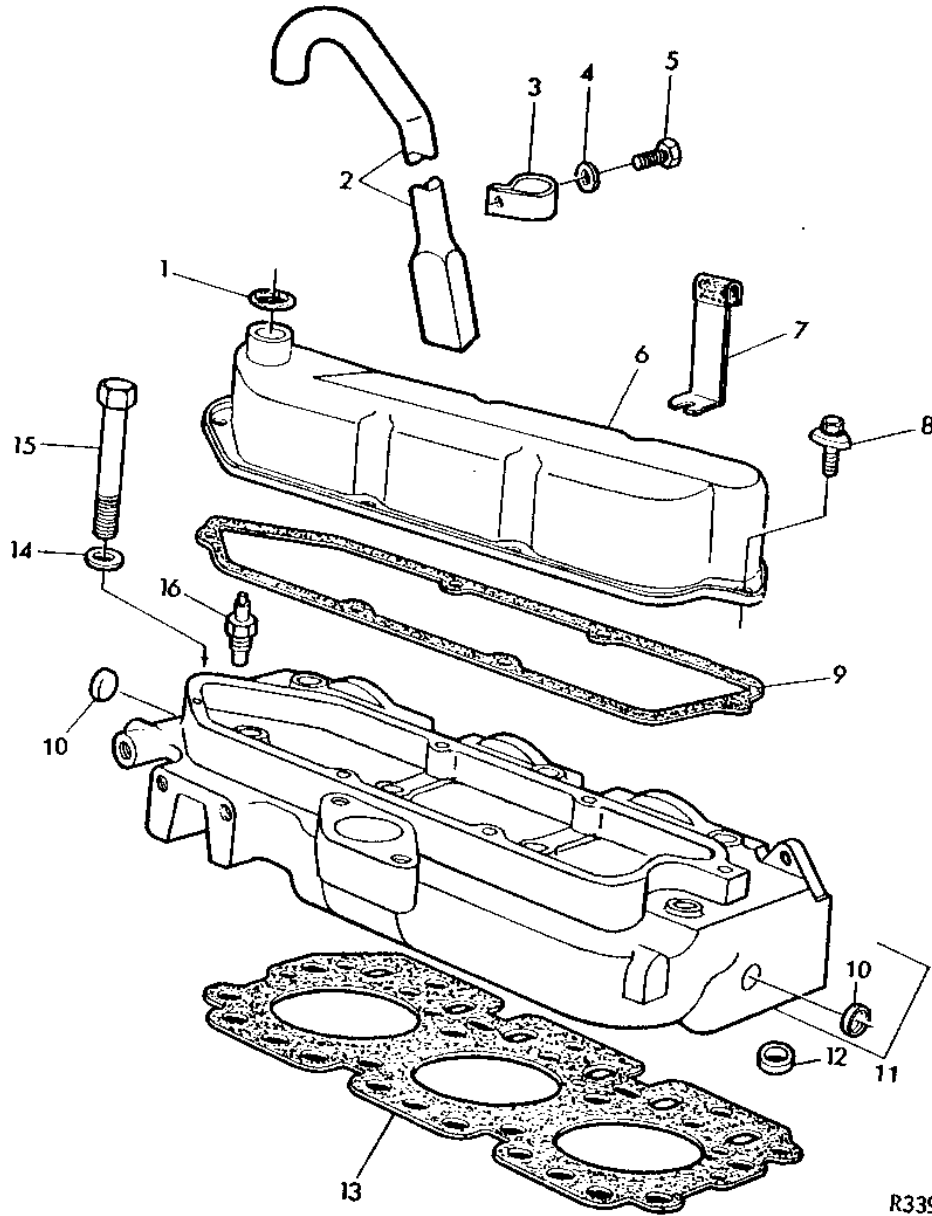
# 1A20

ENGINE

R33971

-UN-01JAN94

## CYLINDER HEAD AND ROCKER ARM COVER



# 1A21

ENGINE

## CYLINDER HEAD AND ROCKER ARM COVER - CONTINUED

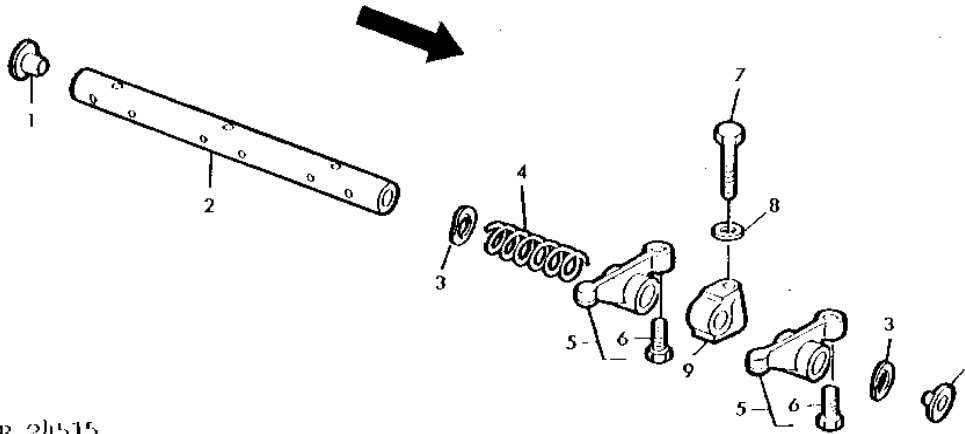
KEY	PART NO.	PART NAME	QTY	ENGINE SERIAL NO.	REMARKS
1	R495R	O-RING	1		
2	R60890	LINE	1		OUTLET
3	R40791	CLAMP	1		
4	24H1685	WASHER	1		11/32" X 47/64" X 0.083"
5	19H1813	CAP SCREW	1		5/16" X 5/8"
6	AT18016	VALVE COVER	1		(SUB RE44202 AND (6) RE32140)
7	T24151	CLAMP	1		
8	AR45530	SCREW, WITH WASHER	6		(SUB AR103811)
9	T20111	GASKET	1		(SUB R75729)
10	A3910R	CAP	2		
11	AR70583	CYLINDER HEAD	1		(SUB FOR AR70582) (SUB RE56309)
12	CD13979	VALVE SEAT INSERT	3		(SUB R97778)
13	R97356	GASKET	1		STD, (SUB FOR R64151, R59447 OR R80241)
14	T20168	WASHER	14		
15	R53223	CAP SCREW	14		1/2" X 4"
16	RE51774	SENSOR	1		WATER TEMPERATURE GAUGE, (SUB RE51774)

# 1A22

ENGINE

R24515 -UN-01JAN94

## ROCKER ARM SHAFT



R 24515

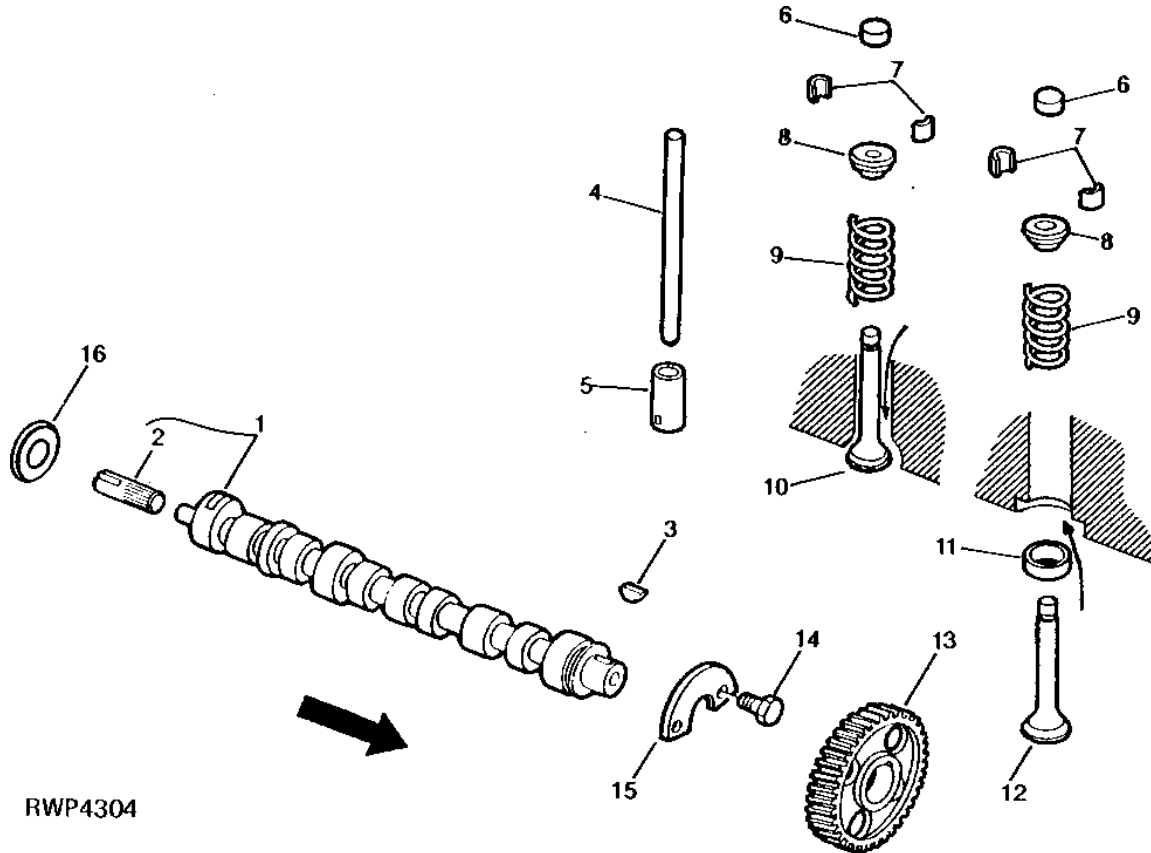
KEY	PART NO.	PART NAME	QTY	ENGINE SERIAL NO.	REMARKS
1	R54565	PLUG	2		
2	R54985	SHAFT	1		(SUB DD12119)
3	T20316	WASHER	2		
4	T20314	SPRING	2		
5	RE31973	ROCKER ARM	6		(SUB FOR AT31250 OR AR103769)
6	.....	SCREW	1		(ORDER RE31973)
7	19H1733	CAP SCREW	3		3/8" X 2-1/2"
8	24M7106	WASHER	3		10 X 18 X 2.500 MM
9	T20315	SUPPORT	3		

# 1A23

ENGINE

RWP4304 -UN-01JAN94

## CAMSHAFT AND VALVES



RWP4304

KEY	PART NO.	PART NAME	QTY	ENGINE SERIAL NO.	REMARKS
1	AT18053	CAMSHAFT	1		(SUB FOR AT18055) (SUB R119707 AND R81513)
2	T20071	DRIVE SHAFT	1		
3	T28041	SHAFT KEY	1		
4	T20310	PIN	6		(SUB R82896)
5	T20073	TAPPET	6		
6	T20129	CAP	6		
7	T20077	RETAINER	12		
8	T20176	RETAINER	6		(SUB RE11410)
9	R26125	SPRING	6		
10	R79623	INTAKE VALVE	3		STD. (SUB FOR R52251)
	R79628	INTAKE VALVE	3		0.08MM (.003") OS STEM, (SUB FOR R57332)
	R57334	INTAKE VALVE	3		0.38MM (.015"), OS STEM, (SUB R79629)
	R79630	INTAKE VALVE	3		0.76MM (.030") OS STEM, (SUB FOR R57336) NLA
11	CD13979	VALVE SEAT INSERT	3		(SUB R97778)
12	R79624	EXHAUST VALVE	3		STD. (SUB FOR R52252)
	R79625	EXHAUST VALVE	3		0.08MM (.003") OS STEM, (SUB FOR R57333)
	R57335	EXHAUST VALVE	3		0.38MM (.015"), OS STEM, (SUB R79626)
	R79627	EXHAUST VALVE	3		0.76MM (.030"), OS STEM, (SUB FOR R57337) NLA
13	T20070	GEAR	1		
14	19H1731	CAP SCREW	2		3/8" X 1"
15	T20072	PLATE	1		
16	T20304	WASHER	1		

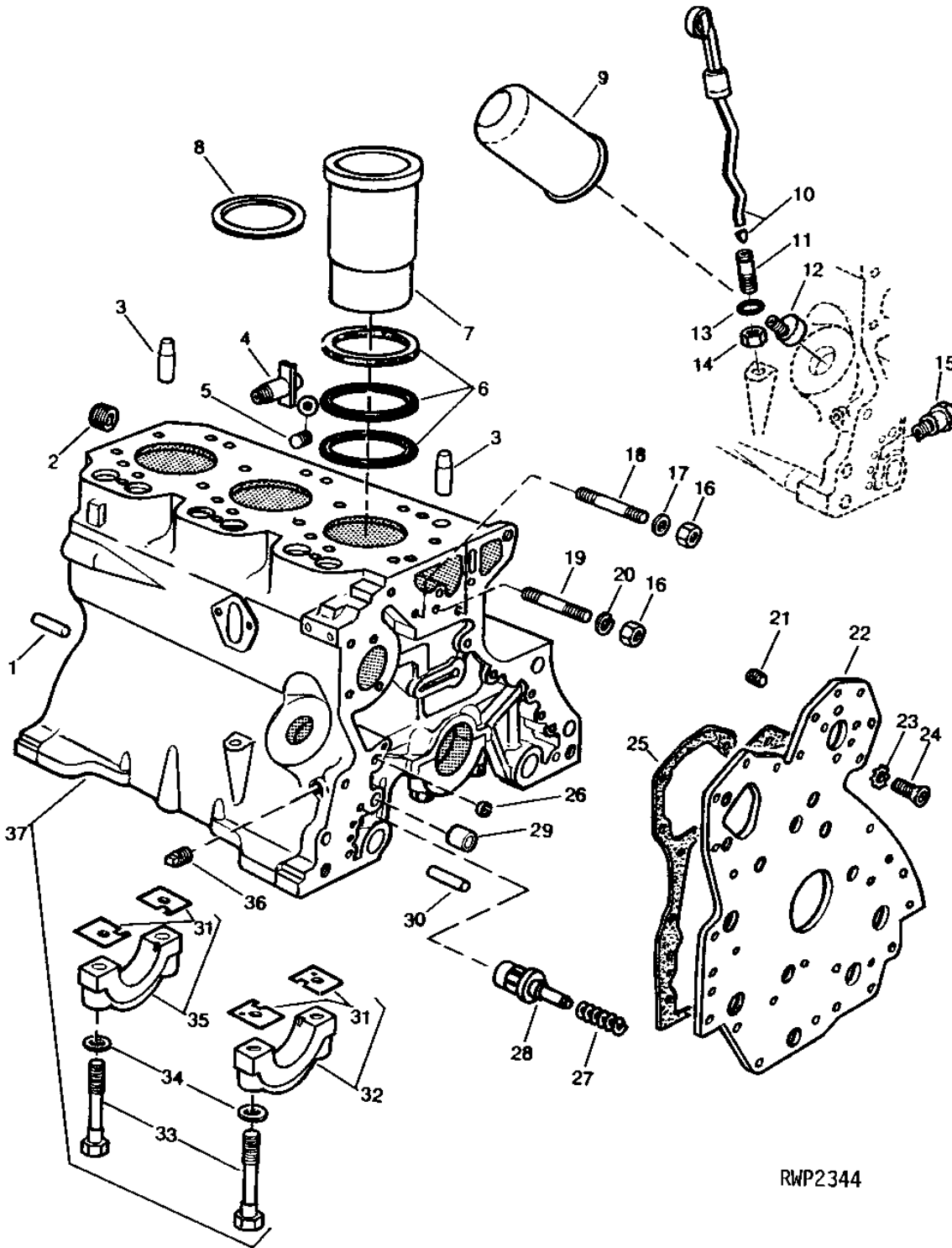
# 1A24

ENGINE

RWP2344

-UN-01JAN94

## CYLINDER BLOCK



RWP2344

# 1A25

ENGINE

## CYLINDER BLOCK - CONTINUED

KEY	PART NO.	PART NAME	QTY	ENGINE SERIAL NO.	REMARKS
1	R48685	DOWEL PIN	2		
2	15H665	PIPE PLUG	1	3/4"	
3	R26241	DOWEL PIN	2		
4	AT13740	DRAIN VALVE	1		
5	15H275	PIPE PLUG	1	1/4"	
6	AR71618	KIT	1		
7	T32343	CYLINDER LINER	3		(SUB FOR R57582)
8	CD15465	SHIM	AR		0.05MM (.002")
	R46906	SHIM	AR		0.10MM (.004")
9	T19044	OIL FILTER	1		
10	AT21534	DIPSTICK	1		
11	R65283	THREADED NIPPLE	1		(SUB R116411 AND RE53241)
12	T23435	THREADED NIPPLE	1		
13	R10093	O-RING	1		
14	14H826	NUT	1	1/2"	
15	R54802	ORIFICE	3		
	22H932	SET SCREW	AR		5/16" X 3/8"
16	14H812	NUT	4		3/8"
17	24M7096	WASHER	2		10.500 X 18 X 1.600 MM
18	T33279	STUD	2		3/8" X 2-9/16", (SUB R122226)
19	T25701	STUD	1		3/8" X 2-3/16"
20	12H304	LOCK WASHER	3		3/8"
21	AT21191	SET SCREW	8		5/16"
	AT22919	SET SCREW	2		3/8"
22	R56736	PLATE	1	-XXXXXX	(SUB RE16149, (8) AT21191 AND (2) AT22919)
	RE16149	PLATE	1	XXXXXX-	(USE WITH RE11312) (ALSO ORDER (8) AT21191 AND (2) AT22919)
23	12H324	WASHER	5		3/8"
24	T20166	SCREW	5		3/8" X 7/8"
25	R90648	GASKET	1		(SUB FOR T24965 OR R73140)
26	T18891	CAP	2		
27	R46625	SPRING	1	XXXXXX-	
28	R73139	VALVE	1	XXXXXX-	
29	R26493	BUSHING	1		
30	R26650	DOWEL PIN	2		
31	T23670	SHIM	AR		0.08MM (.003") NLA
	T23671	SHIM	AR		0.05MM (.002") NLA
32	AT21226	CAP	3	-322149	(SUB R65215)
	AR82294	BEARING CAP	3	322150-	(SUB R65215)
33	T23474	CAP SCREW	8		
34	T20168	WASHER	8		
35	AT21227	CAP	1	-322149	(SUB R79089)
	AR82295	BEARING CAP	1	322150-	(SUB R79089)
36	15H255	PIPE PLUG	2		3/8"
37	AR64724	CYLINDER BLOCK	1	-XXXXXX	*, (MARKED R55120) (SUB RE19841, R97356, R46625, R73139, R90648 AND (3) T32343) (CONSISTS OF BLOCK, CRANKSHAFT, CAMSHAFT, PISTONS, CONNECTING RODS, CYLINDER LINERS, FRONT PLATE AND OVERHAUL GASKET SET NECESSARY FOR INSTALLATION)
	AR97026	CYLINDER BLOCK	1	XXXXXX-	*, (MARKED R72965) (ALSO ORDER R46625, R73139 AND R90648) (SUB RE19841, R97356 AND (3) T32343)

\* NOTE: INSTALL D2361R BALL

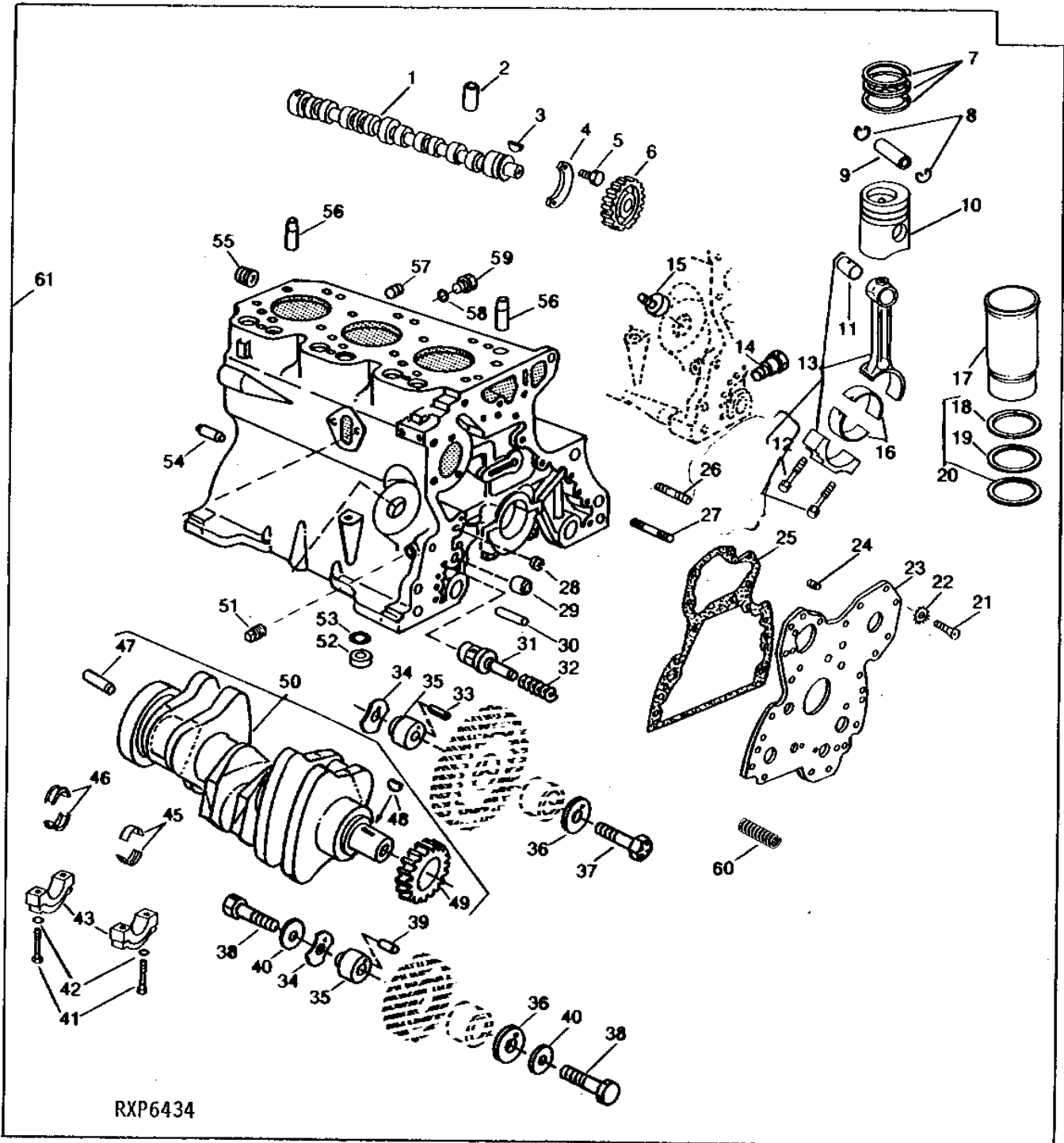
# 1B1

ENGINE

RXP6434

-UN-01JAN94

SHORT BLOCK





# 1B2

ENGINE

## SHORT BLOCK - CONTINUED

KEY	PART NO.	PART NAME	QTY	ENGINE SERIAL NO.	REMARKS
1	R119707	CAMSHAFT	1		(SUB FOR R82819)
2	T20073	TAPPET	6		
3	T28041	SHAFT KEY	1		
4	T20072	PLATE	1		
5	19H2676	CAP SCREW	2		
6	T20070	GEAR	1		
7	AR55759	PISTON RING KIT	3		
8	M41029	SNAP RING	6		
9	R125754	PISTON PIN	3		
10	AR77762	PISTON	3		
11	R55647	BUSHING	3		
12	R80033	SCREW	6		
13	RE21076	CONNECTING ROD	3		
14	R54802	ORIFICE	3		
15	T23435	THREADED NIPPLE	1		
16	AT21138	BEARING	3		
17	T32343	CYLINDER LINER	3		
18	R48768	WASHER	3		
19	T32344	O-RING	3		
20	AR71618	KIT	3		
21	T20166	SCREW	5		
22	12H324	WASHER	5		3/8"
23	RE16149	PLATE	1		
24	AT21191	SET SCREW	8		
	AT22919	SET SCREW	2		
25	R90648	GASKET	1		
26	T25701	STUD	1		
27	T33279	STUD	2		
28	T18891	CAP	1		
29	R26493	BUSHING	1		
30	R26650	DOWEL PIN	1		
31	R73139	VALVE	1		
32	R46625	SPRING	1		
33	34H283	SPRING PIN	1		3/16" X 1-1/8"
34	T26324	THRUST WASHER	2		
35	R109863	PIN	2		
36	T26326	THRUST WASHER	2		
37	T26327	SCREW	1		1/2" X 2-1/4"
38	T26325	SCREW	2		9/16" X 3/4"
39	34H286	SPRING PIN	1		3/16" X 1-1/2"
40	R76126	WASHER	2		
41	T23474	CAP SCREW	8		
42	T20168	WASHER	8		
43	R79089	CAP	1		
44	R65215	BEARING CAP	3		
45	AT21140	BEARING	3		
46	AT21139	BEARING	1		
47	T26565	DOWEL PIN	1		
48	26H72	SHAFT KEY	1		1/8" X 5/8"
49	T20094	GEAR	1		
50	AT18031	CRANKSHAFT	1		(MARKED T23516) (SUB RE46896)
51	15H666	PIPE PLUG	1		3/8"
52	R75893	FITTING	1		
53	R75892	O-RING	1		
54	R48685	DOWEL PIN	1		
55	15H562	PIPE PLUG	1		1"
56	R48685	DOWEL PIN	2		
57	15H275	PIPE PLUG	1		1/4"
58	U13639	O-RING	1		
59	R39741	DRAIN PLUG	1		
60	T27658	SPRING	1		
61	RE19842	SHORT BLOCK ASSEMBLY	1		*, (MARKED R80408) (SUB FOR AR97035) (ALSO ORDER R81513)

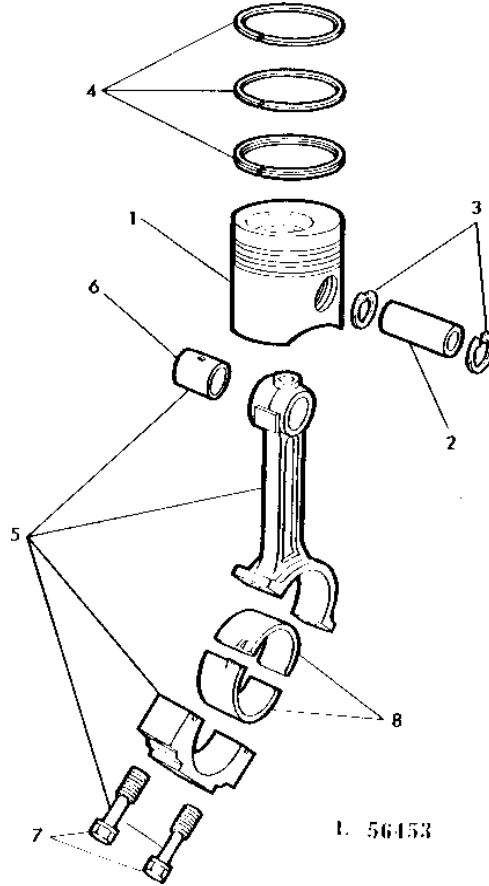
\* NOTE: INSTALL D2361R BALL

# 1B3

ENGINE

L56453 -UN-01JAN94

## PISTONS AND CONNECTING RODS



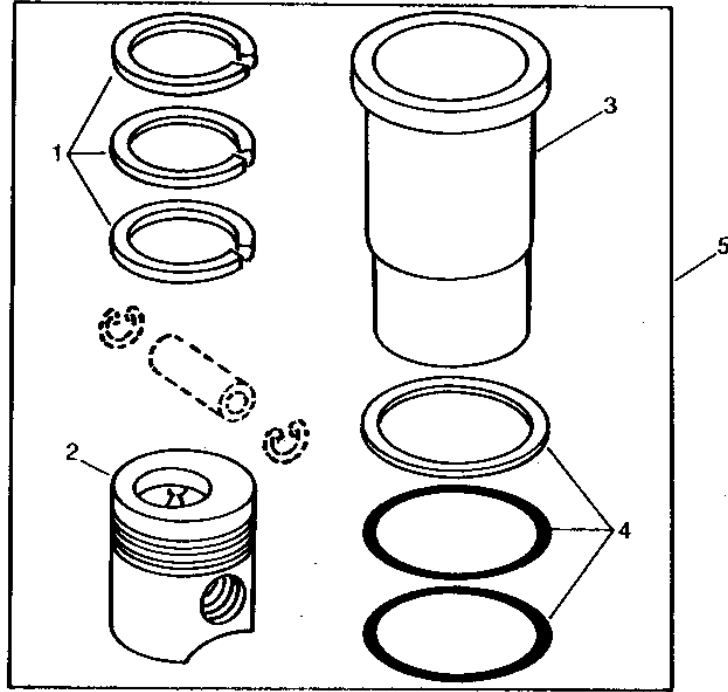
KEY	PART NO.	PART NAME	QTY	ENGINE SERIAL NO.	REMARKS
1	AR55984	PISTON	1	-XXXXXX	(SUB AR77762)
	AR77762	PISTON	1	XXXXXX-	
2	R51731	PISTON PIN	3		(SUB R125754)
3	U16538	SNAP RING	6		(SUB FOR M41029)
4	AR55759	PISTON RING KIT	3		(SET OF 3 RINGS)
5	AR55978	CONNECTING ROD	3		(SUB RE21076)
6	R55647	BUSHING	3		
7	R74194	SCREW	6		(SUB FOR T20009)
	R80033	SCREW	6		(USE WITH RE21076)
8	AT21138	BEARING	3		STD (2 HALVES)
	AT21122	BEARING	3		0.05MM (.002") US (2 HALVES)
	AT21124	BEARING	3		0.25MM (.010") US (2 HALVES)
	AT21126	BEARING	3		0.50MM (.020") US (2 HALVES)
	AT21128	BEARING	3		0.76MM (.030") US (2 HALVES)

# 1B4

ENGINE

RWP2613 -UN-01JAN94

## PISTON LINER KIT



RWP2613

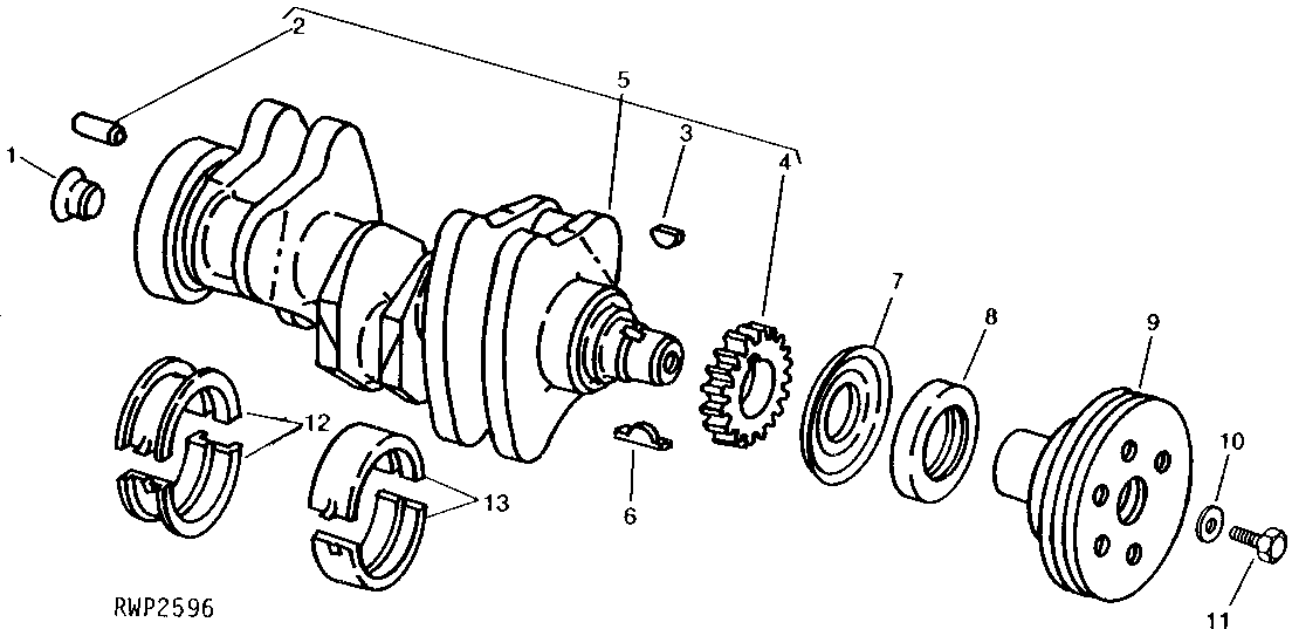
KEY	PART NO.	PART NAME	QTY	ENGINE SERIAL NO.	REMARKS
1	AR55759	PISTON RING KIT	3		
2	AR55984	PISTON	3	-XXXXXX	(WITH INSERT) (SUB AR77762)
	AR77762	PISTON	3	XXXXXX-	(WITH INSERT) (MARKED B) STD
	AR87736	PISTON	3		(WITH INSERT) (MARKED H) HIGH
3	T32343	CYLINDER LINER	3		
4	AR71618	KIT	3		
5	AR71592	PISTON-LINER KIT	3	-XXXXXX	(SUB AR78041) (INCLUDES AR55984)
	AR78041	PISTON-LINER KIT	3	XXXXXX-	(SUB FOR RE19895) (INCLUDES AR77762)
	AR90550	PISTON-LINER KIT	3		HIGH PISTON AND LINER, (INCLUDES AR87736)

# 1B5

ENGINE

RWP2596 -UN-01JAN94

## CRANKSHAFT AND MAIN BEARINGS



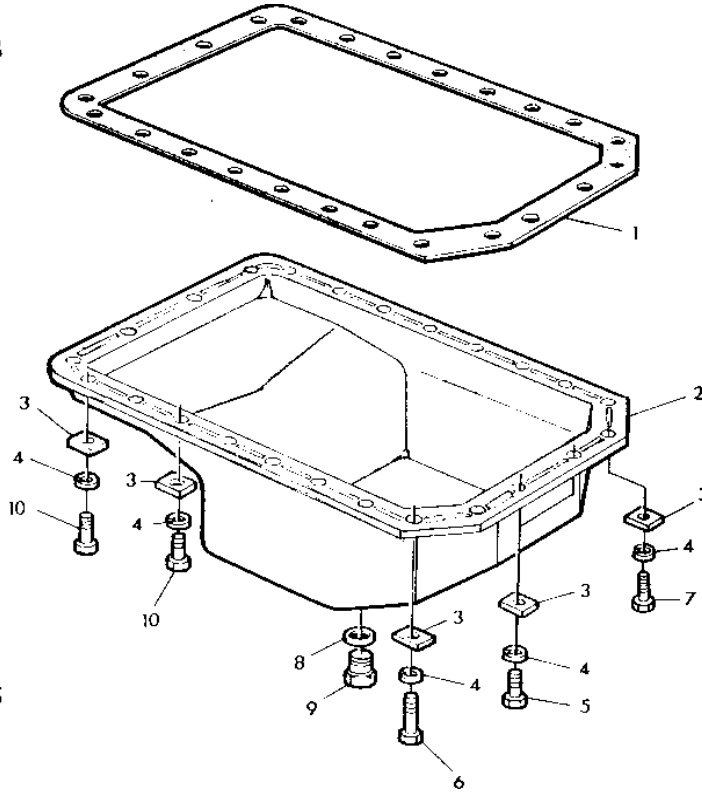
KEY	PART NO.	PART NAME	QTY	ENGINE SERIAL NO.	REMARKS
1	T20445	PLUG	1		(WITHOUT REVERSE AND HI-LO)
2	T26565	DOWEL PIN	1		
3	26H72	SHAFT KEY	1		1/8" X 5/8"
4	T20094	GEAR	1		
5	AT18031	CRANKSHAFT	1		(SUB RE46896)
6	T23604	SHAFT KEY	1		
7	T20046	OIL SLINGER	1		
8	AR67942	SEAL	1		
9	R59915	PULLEY	1		(SUB FOR T25366)
10	T20217	WASHER	1		
11	19H1721	CAP SCREW	1		1/2" X 1-1/2"
12	AT21139	BEARING	1		STD (2 HALVES)
	AT21130	BEARING	1		0.05MM (.002") US, REAR (2 HALVES)
	AT21132	BEARING	1		0.25MM (.010") US, REAR (2 HALVES)
	AT21134	BEARING	1		0.50MM (.020") US, REAR (2 HALVES)
	AT21136	BEARING	1		0.76MM (.030") US, REAR (2 HALVES)
13	AT21140	BEARING	3		STD (2 HALVES)
	AT21108	BEARING	3		0.05MM (.002") US, PLAIN (2 HALVES)
	AT21110	BEARING	3		0.25MM (.010") US, PLAIN (2 HALVES)
	AT21112	BEARING	3		0.50MM (.020") US, PLAIN (2 HALVES)
	AT21114	BEARING	3		0.76MM (.030") US, PLAIN (2 HALVES)

# 1B6

ENGINE

L59705 -UN-01JAN94

## OIL PAN



L 59705

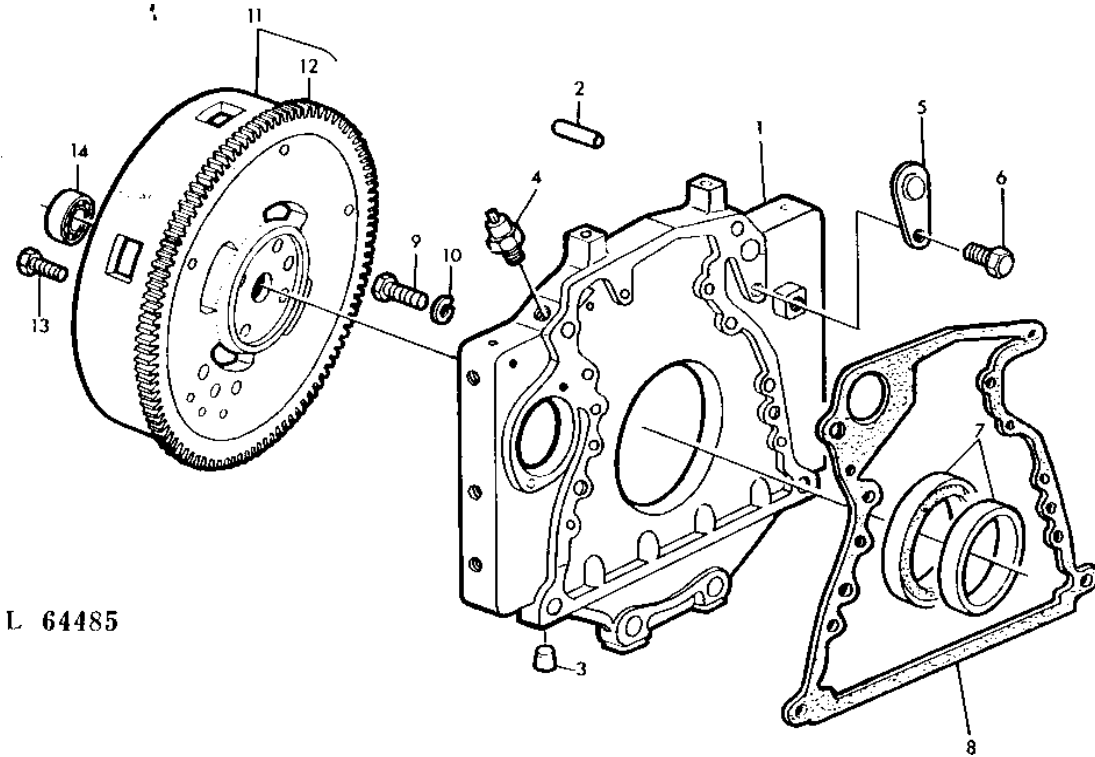
KEY	PART NO.	PART NAME	QTY	ENGINE SERIAL NO.	REMARKS
1	T24534	GASKET	1		
2	AT18180	OIL PAN	1		(SUB R119359)
	15H624	PIPE PLUG	1		1/2"
	15H665	PIPE PLUG	1		3/4"
3	T30726	STRAP	24		
4	12H304	LOCK WASHER	24		3/8"
5	19H1732	CAP SCREW	3		3/8" X 1-1/4"
6	19H1801	CAP SCREW	1		3/8" X 2"
7	19H2284	CAP SCREW	2		3/8" X 7/8"
8	T13213	WASHER	1		
9	T20098	DRAIN PLUG	1		
10	19H1936	CAP SCREW	18		3/8" X 3/4"

# 1B7

ENGINE

L64485 -UN-01JAN94

## FLYWHEEL AND FLYWHEEL HOUSING



L 64485

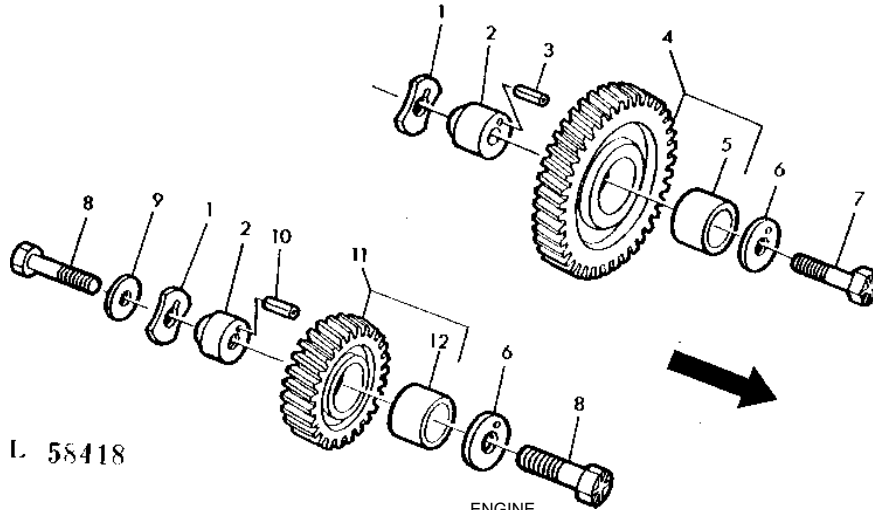
KEY	PART NO.	PART NAME	QTY	ENGINE SERIAL NO.	REMARKS
1	R63434	HOUSING	1		(ALSO ORDER T20089) (SUB FOR T28433)
2	T26565	DOWEL PIN	2		
3	T23590	PLUG	1		
4	AR27977	TOUCH SWITCH	1		OIL PRESSURE, (SUB AT85174)
5	T28435	COVER	1		(SUB R83554) (USE WITH T28433) (ALSO ORDER 19H2351)
	T20089	COVER	1		(USE WITH R63434)
6	19H2351	CAP SCREW	1		1/2" X 1/2"
7	RE44574	SEAL	1		(SUB FOR AT22965, RE17831 OR RE24959, THIS APPLICATION)
8	R97351	GASKET	1		(SUB FOR R70483)
9	19H1800	CAP SCREW	8		3/8" X 1-1/2"
10	12H304	LOCK WASHER	8		3/8"
11	AT21382	FLYWHEEL	1		
12	T20088	GEAR	1		(SUB R114282)
13	T20306	CAP SCREW	4		
14	JD10107	BALL BEARING	1		(SUB FOR AL28037 OR AL24903)

# 1B8

ENGINE

L58418 -UN-01JAN94

## TIMING GEARS



L 58418

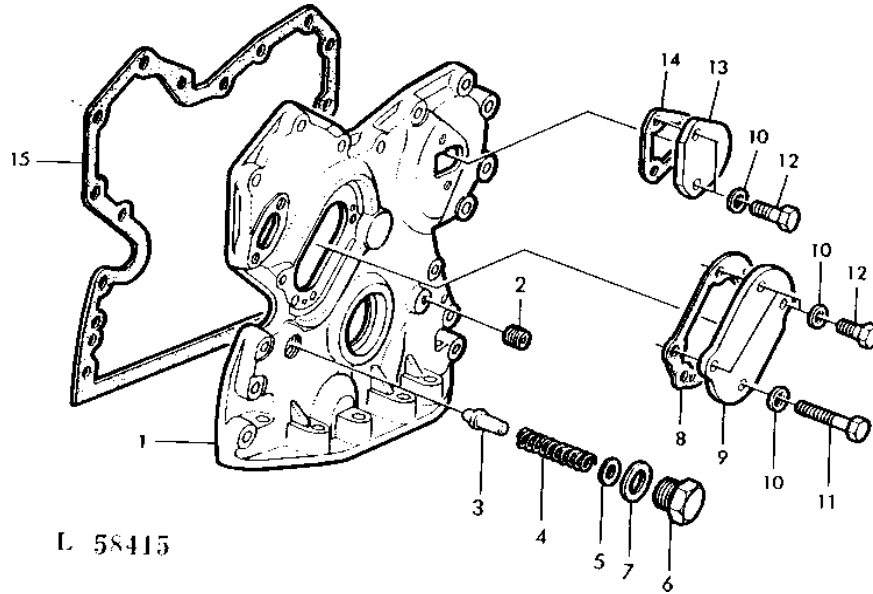
KEY	PART NO.	PART NAME	QTY	ENGINE SERIAL NO.	REMARKS
1	T26324	THRUST WASHER	2		
2	T26323	SHAFT	2	(SUB R109863)	
3	34H283	SPRING PIN	1	3/16" X 1-1/8"	
4	AR91660	GEAR	1	(SUB FOR AT18009)	
5	T20034	BUSHING	1		
6	T26326	THRUST WASHER	2		
7	T26327	SCREW	1		
8	T26325	SCREW	2		
9	24H1890	WASHER	1	19/32" X 1" X 1/4"	
10	34H286	SPRING PIN	1	3/16" X 1-1/2"	
11	AT24252	GEAR	1	LOWER IDLER	
12	T26321	BUSHING	1		

# 1B9

ENGINE

L58415 -UN-01JAN94

## TIMING GEAR COVER



KEY	PART NO.	PART NAME	QTY	ENGINE SERIAL NO.	REMARKS
1	AR58196	COVER	1		(ALSO ORDER T20273, T20272 AND 24M7106)
2	15H275	PIPE PLUG	1		1/4"
3	R51516	VALVE	1		(SUB R83169)
4	T27658	SPRING	1		
5	24H1290	WASHER	AR		21/64" X 3/4" X 0.035"
6	T27657	FITTING PLUG	1		
7	A4827R	WASHER	1		
8	T20273	GASKET	1		
9	T20272	COVER	1		
10	24M7106	WASHER	6		10 X 18 X 2.500 MM
11	19H1726	CAP SCREW	1		3/8" X 2-1/4"
12	19H2284	CAP SCREW	5		3/8" X 7/8"
13	T20362	COVER	1		
14	R125066	GASKET	1		(SUB FOR T20364, R69260, R78366 OR R97773)
15	R119269	GASKET	1		(SUB FOR T20155 OR R97454)

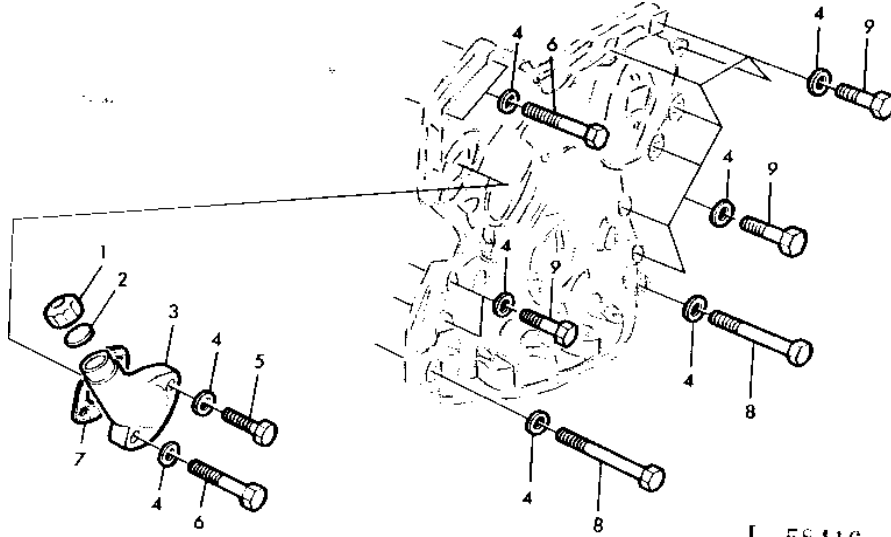


# 1B10

ENGINE

L58416 -UN-01JAN94

## OIL FILLER INLET



L 58416

KEY	PART NO.	PART NAME	QTY	ENGINE SERIAL NO.	REMARKS
1	T20294	CAP	1		
2	T20328	GASKET	1		
3	T23614	FILLER NECK	1		
4	24M7106	WASHER	15	10 X 18 X 2.500 MM	
5	19H2665	CAP SCREW	1	3/8" X 1-5/8"	
6	19H2128	CAP SCREW	3	3/8" X 3"	
7	T20336	GASKET	1	(SUB R97352)	
8	19H1733	CAP SCREW	2	3/8" X 2-1/2"	
9	19H1801	CAP SCREW	9	3/8" X 2"	

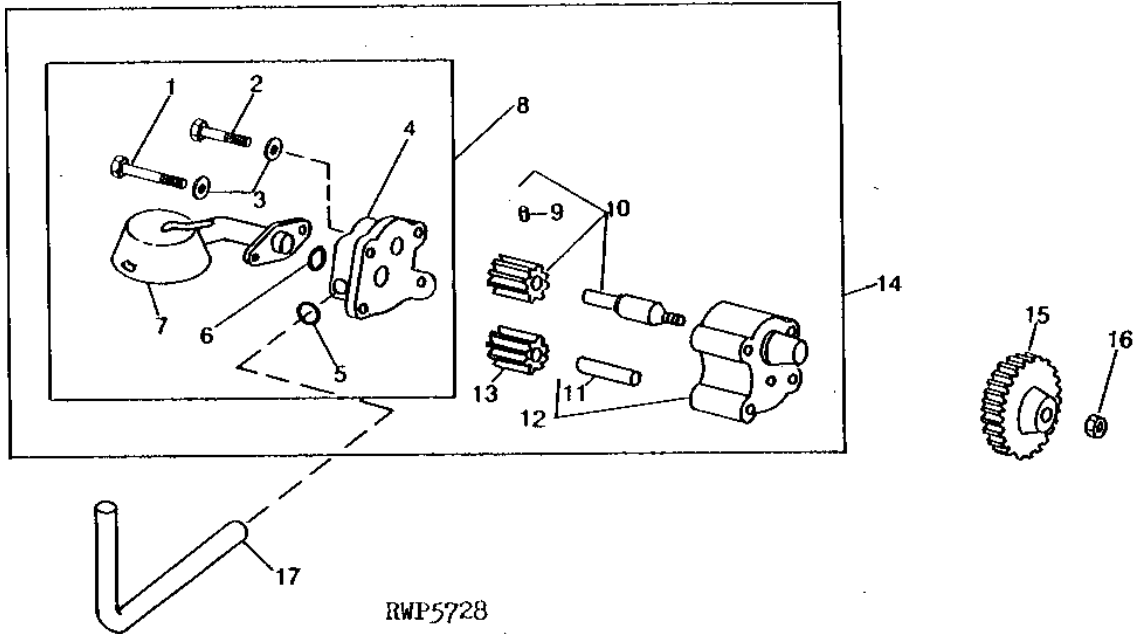
# 1B11

ENGINE

RWP5728

-UN-01JAN94

## ENGINE OIL PUMP



RWP5728

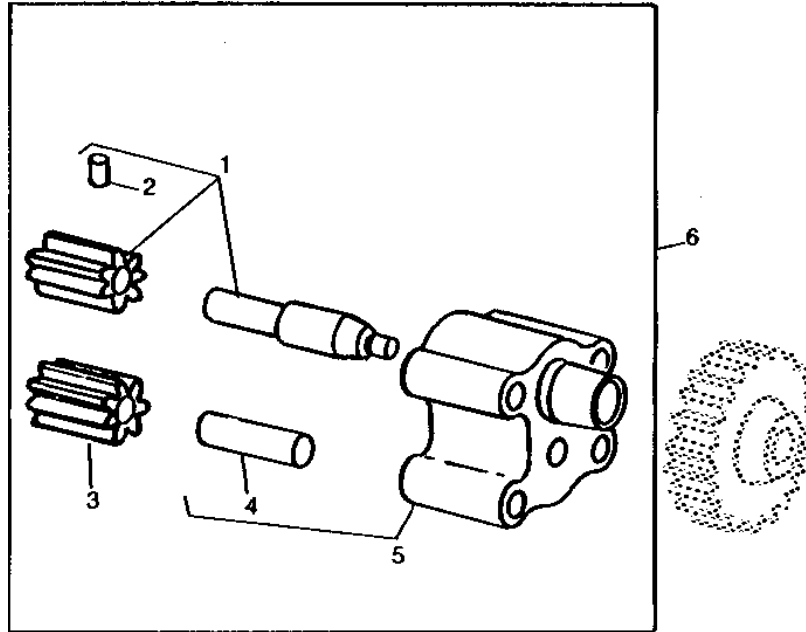
KEY	PART NO.	PART NAME	QTY	ENGINE SERIAL NO.	REMARKS
1	R59409	CAP SCREW	2		(SUB (2) R74552 AND (2) R74553)
2	R57059	CAP SCREW	2		
3	12H304	LOCK WASHER	4		3/8"
4	R53382	COVER	1		(SUB RE35685)
5	R74354	O-RING	1		(SUB FOR R27166, THIS APPLICATION)
6	R61871	O-RING	1		(SUB FOR A4730R, THIS APPLICATION)
7	RE36425	OIL PUMP INTAKE	1		(SUB FOR AR60701)
8	AR67670	KIT	1		INTAKE, (SUB RE55345 AND R113752)
9	M3853T	GROOVE PIN	1		
10	AR62978	PINION	1		
11	T20091	DOWEL PIN	1		
12	AR62979	HOUSING	1		(SUB RE35685)
13	R54614	GEAR	1		Z=7
14	AR67074	OIL PUMP	1		
15	T20298	GEAR	1		Z=33
16	14H826	NUT	1		1/2"
17	T20050	OIL TUBE	1		

# 1B12

ENGINE

RWP3500 -UN-01JAN94

## ENGINE OIL PUMP KIT



RWP3500

KEY	PART NO.	PART NAME	QTY	ENGINE SERIAL NO.	REMARKS
1	AR62978	PINION	1		
2	M3853T	GROOVE PIN	1		
3	R54614	GEAR	2		
4	T20091	DOWEL PIN	1		
5	AR62979	HOUSING	1		(MARKED R54615) (SUB RE35685)
6	RE15381	OIL PUMP	1		(INCLUDES R74354) (SUB RE35685)

---

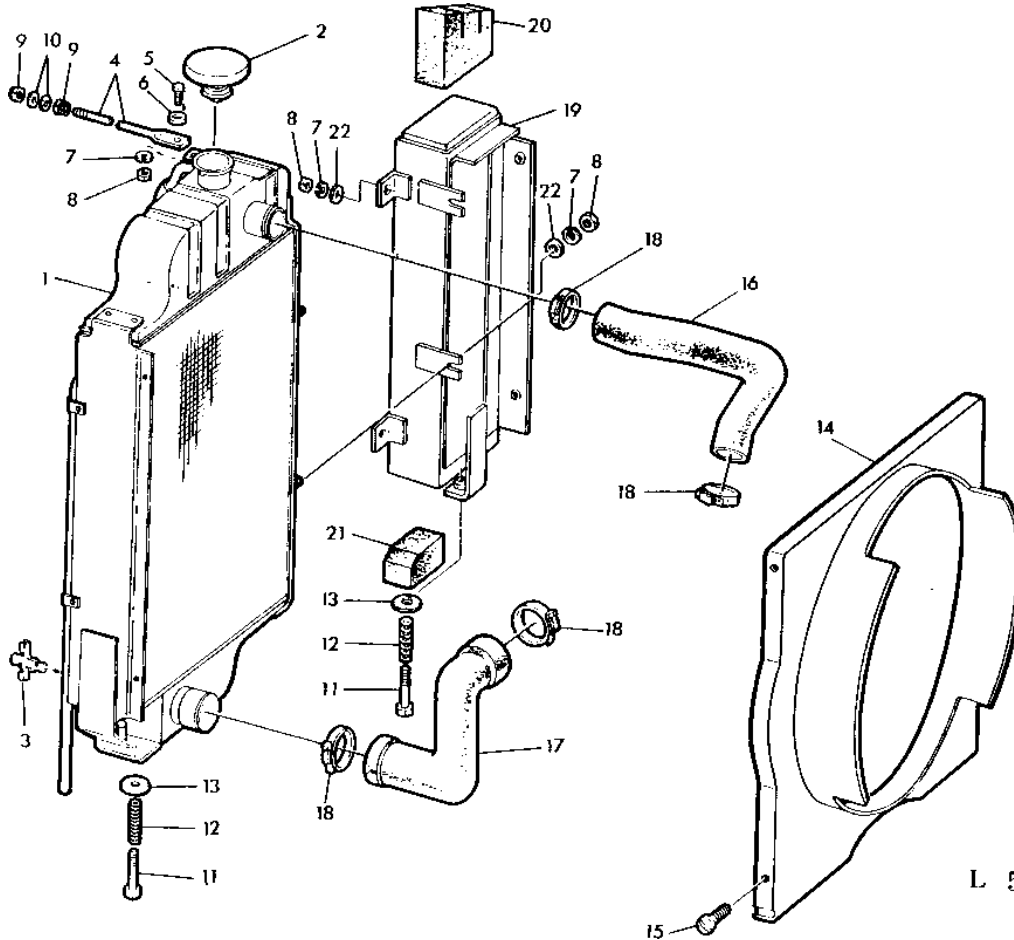
MEMORANDA

# 1B13

ENGINE

L59692 -UN-01JAN94

## RADIATOR ASSEMBLY



L 59692

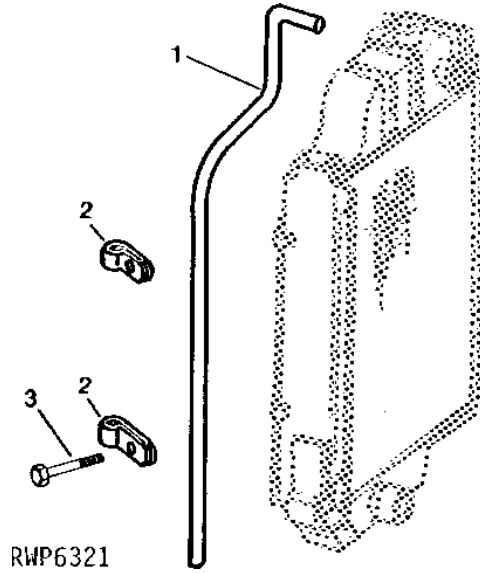
KEY	PART NO.	PART NAME	QTY	TRACTOR SERIAL NO.	REMARKS
1	AT20849	RADIATOR	1		
2	AT27585	CAP	1		
3	AT13740	DRAIN VALVE	1		
4	R61460	ROD	1		
5	19H1900	CAP SCREW	1		5/16" X 3/4"
6	24H1122	WASHER	1		3/8" X 7/8" X 0.083"
7	12H303	LOCK WASHER	5		5/16"
8	14H785	NUT	5		5/16"
9	T11234	LOCK NUT	2	-XXXXXX	
10	24H1305	WASHER	2	-XXXXXX	13/32" X 13/16" X 0.065"
11	19H2128	CAP SCREW	2	-XXXXXX	3/8" X 3"
	19H2023	CAP SCREW	2	XXXXXX-	3/8" X 3-1/4"
12	R62372	SPRING	2		
13	T22381	WASHER	2		
14	T21687	SHROUD	1		
15	37H24	SCREW	4		1/4" X 3/4"
16	T23534	HOSE	1		
17	T22500	HOSE	1		
18	AR21840	CLAMP	4		
19	AR55384	PARTITION	1		
20	T22376	FOAM PAD	1		
21	T26043	FOAM PAD	1		
22	24H1685	WASHER	4		11/32" X 47/64" X 0.083"

# 1B14

ENGINE

RWP6321 -UN-01JAN94

## RADIATOR OVERFLOW KIT



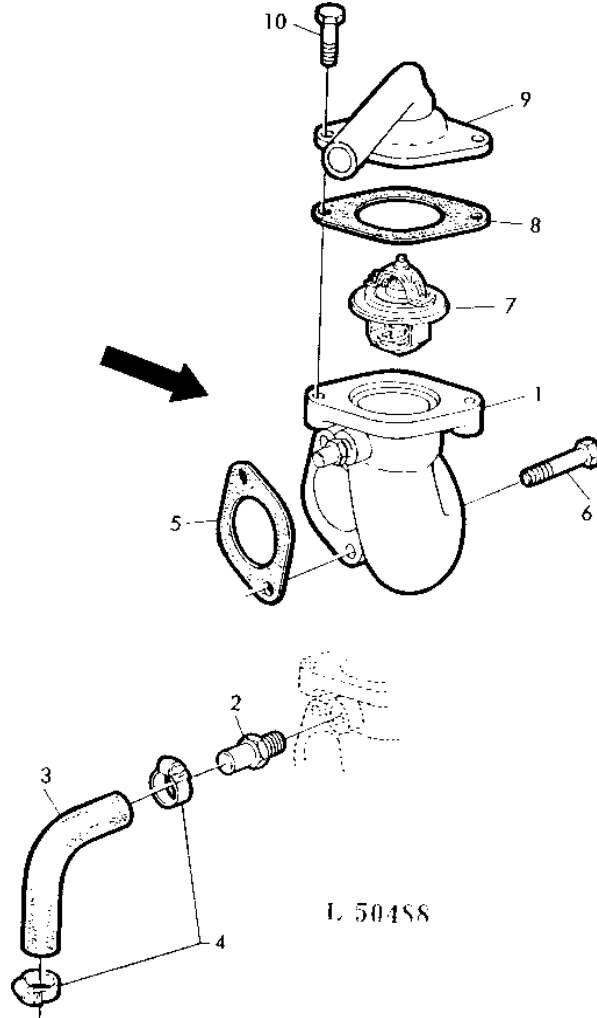
KEY	PART NO.	PART NAME	QTY	TRACTOR SERIAL NO.	REMARKS
1	R67035	HOSE	1		
2	T12250	CLIP	2		
3	19H1900	CAP SCREW	2	5/16" X 3/4"	

# 1B15

ENGINE

L50488 -UN-01JAN94

## THERMOSTAT HOUSING ASSEMBLY



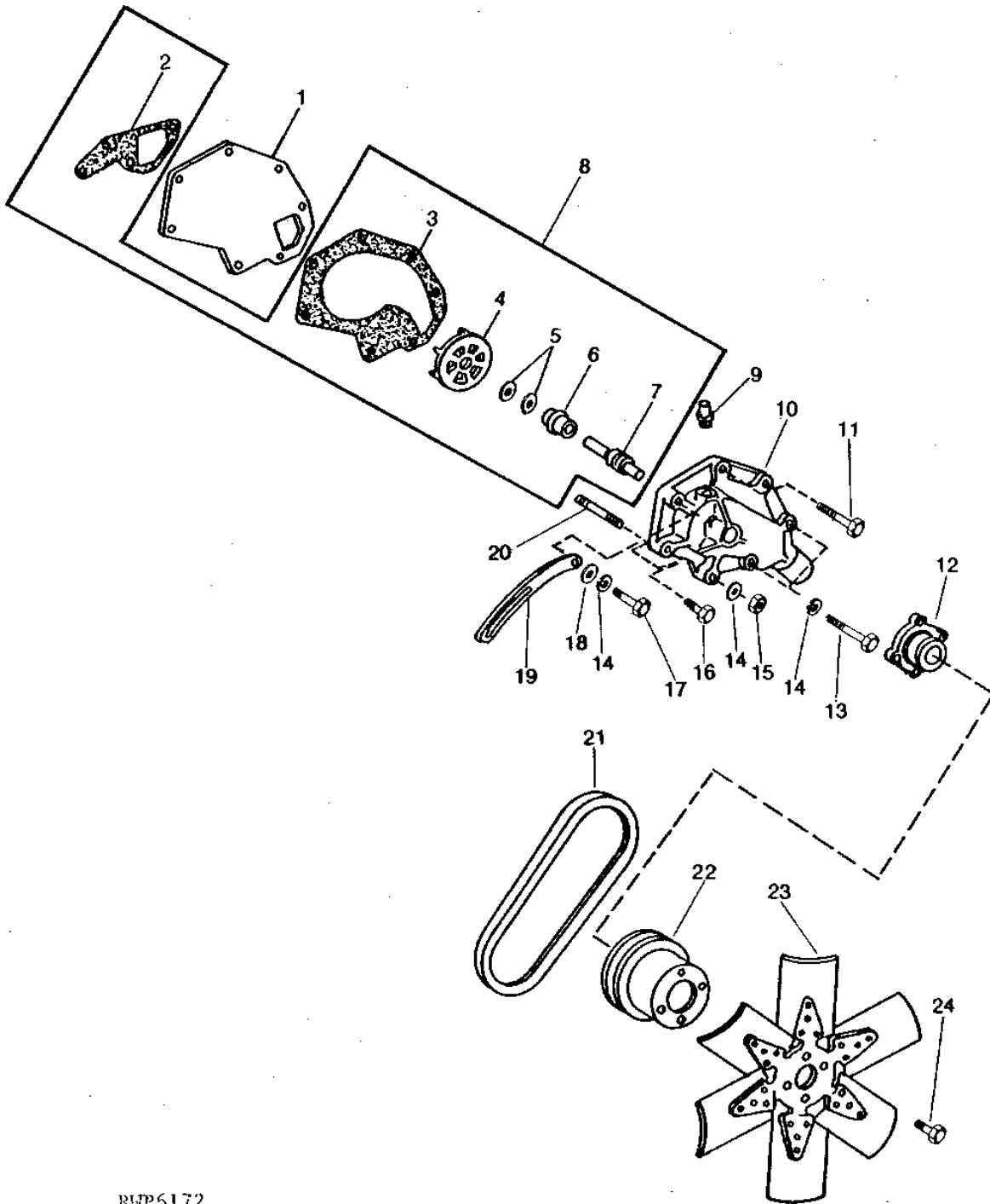
KEY	PART NO.	PART NAME	QTY	ENGINE SERIAL NO.	REMARKS
1	AT18074	HOUSING	1	(SUB AR73097)	
2	T19651	HOSE FITTING	1		
3	T20277	HOSE	1		
4	AR21837	CLAMP	2		
5	T20219	GASKET	1		
6	19H1726	CAP SCREW	2	3/8" X 2-1/4"	
7	AT22961	THERMOSTAT	1	82XC (180XF) (SUB RE33705)	
	AT22963	THERMOSTAT	1	89°C (192°F)	
	AT24013	THERMOSTAT	1	96°C (205°F)	
8	T20215	GASKET	1		
9	T23620	COVER	1		
10	19H1732	CAP SCREW	2	3/8" X 1-1/4"	

# 1B16

ENGINE

RWP6172 -UN-01JAN94

## WATER PUMP ASSEMBLY



RWP6172



# 1B17

ENGINE

## WATER PUMP ASSEMBLY - CONTINUED

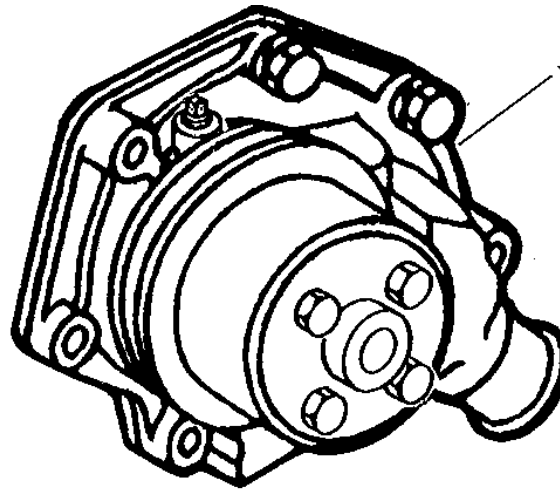
KEY	PART NO.	PART NAME	QTY	ENGINE SERIAL NO.	REMARKS
1	T20270	COVER	1		
2	T20243	GASKET	1		
3	T20271	GASKET	1		(SUB R97455)
4	R94419	IMPELLER	1		(SUB FOR T30897)
5	AR41691	INSERT	1		(SUB AR101549)
6	T27261	SEAL	1		(SUB AR101549)
7	JD9257	BALL BEARING	1		
8	RE62638	KIT	1		(REPAIR) (SUB FOR RE11345, RE19507 OR RE37483)
9	T19651	HOSE FITTING	1		
10	R51039	HOUSING	1		(SUB RE19949)
11	19H3219	CAP SCREW	2		3/8" X 1-3/8"
12	T30720	HUB	1		
13	19H1912	CAP SCREW	2		3/8" X 3-1/2"
14	12H304	LOCK WASHER	6		3/8"
15	14H812	NUT	1		3/8"
16	19H1801	CAP SCREW	2		3/8" X 2"
17	19H1726	CAP SCREW	1		3/8" X 2-1/4"
18	24M7106	WASHER	1		10 X 18 X 2.500 MM
19	T20204	STRAP	1		(SUB R107734)
20	T25701	STUD	1		
21	T20334	BELT	1		(SUB R97758)
22	T30721	PULLEY	1		(SUB T23628)
23	AT23180	FAN	1		
24	19H2127	CAP SCREW	4		5/16" X 7/8"
	12H303	LOCK WASHER	4		5/16"

# 1B18

ENGINE

RWP1578 -UN-01JAN94

WATER PUMP COMPLETE



RWP 1578

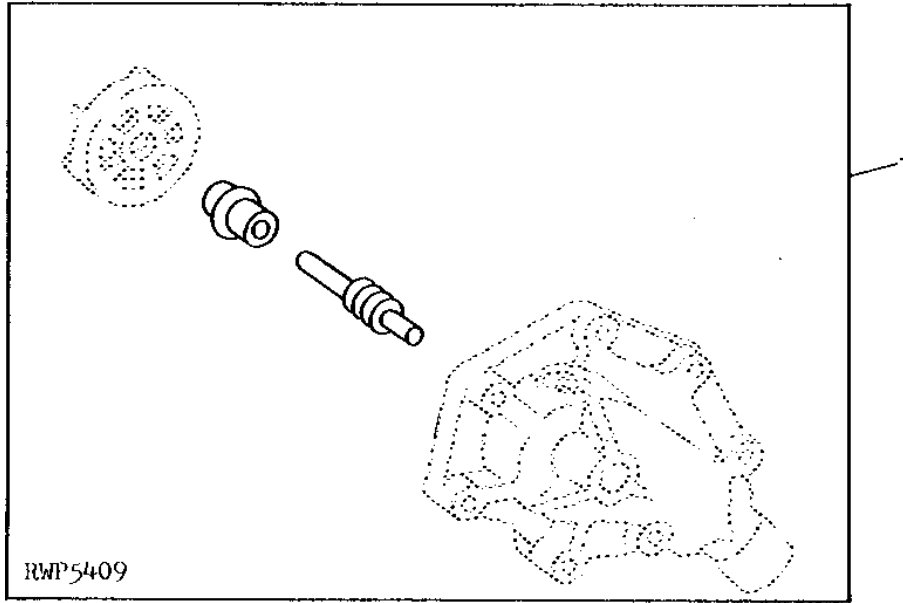
KEY	PART NO.	PART NAME	QTY	ENGINE SERIAL NO.	REMARKS
1	AR55094	WATER PUMP	1	(SUB RE19944, T30720, T23628, T20270, R97455, (2) 19H3219 AND (4) 19H2127)	

# 1B19

ENGINE

RWP5409 -UN-01JAN94

## WATER PUMP OVERHAUL KIT



KEY	PART NO.	PART NAME	QTY	ENGINE SERIAL NO.	REMARKS
1	RE19505	KIT	1		(SUB FOR AT32489) (SUB AR101549 AND JD9257) (ALSO ORDER AR41691 INSERT)

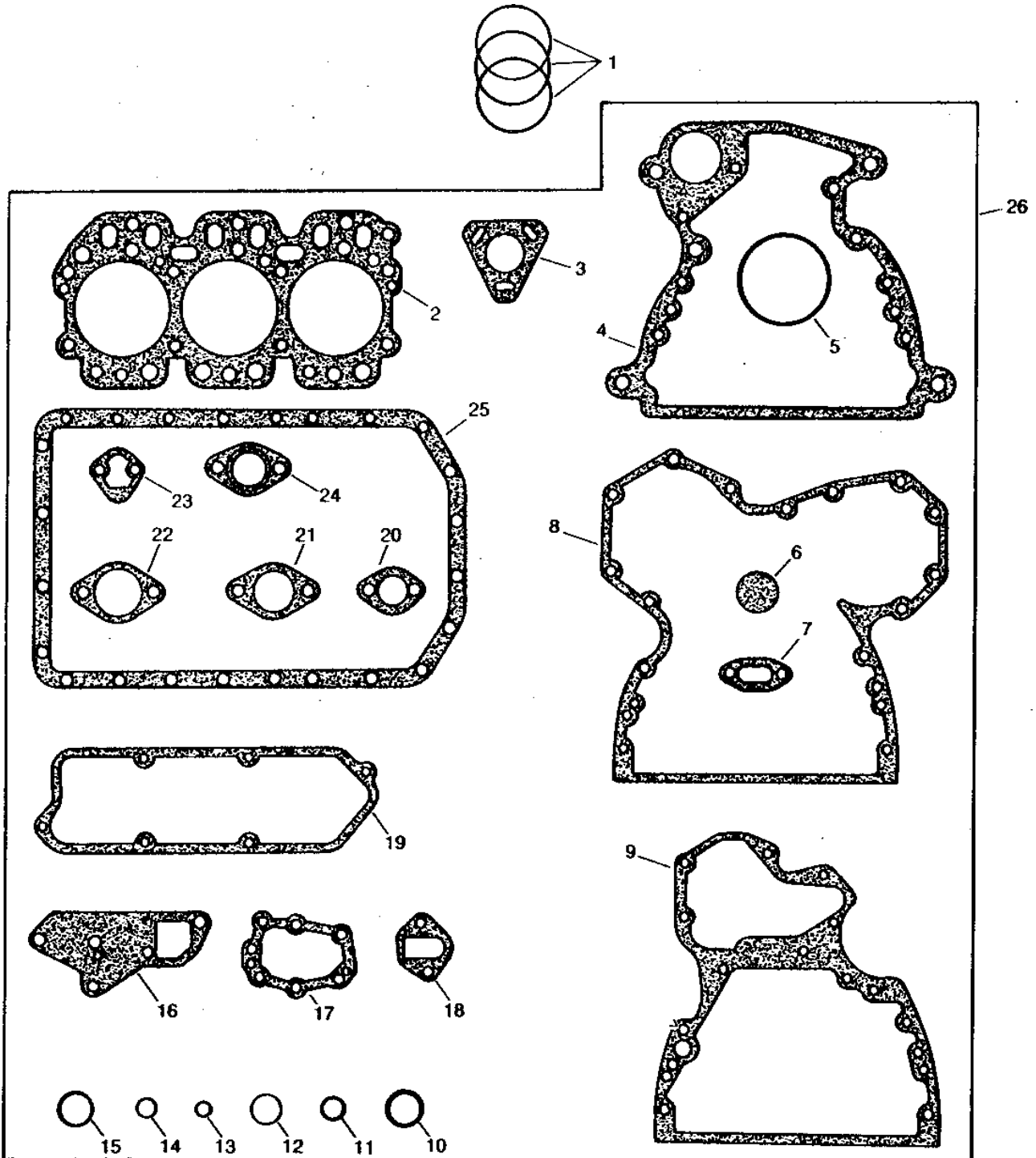
# 1B20

ENGINE

RWP2345

-UN-01JAN94

## ENGINE OVERHAUL GASKET KIT



RWP2345

# 1B21

ENGINE

## ENGINE OVERHAUL GASKET KIT - CONTINUED

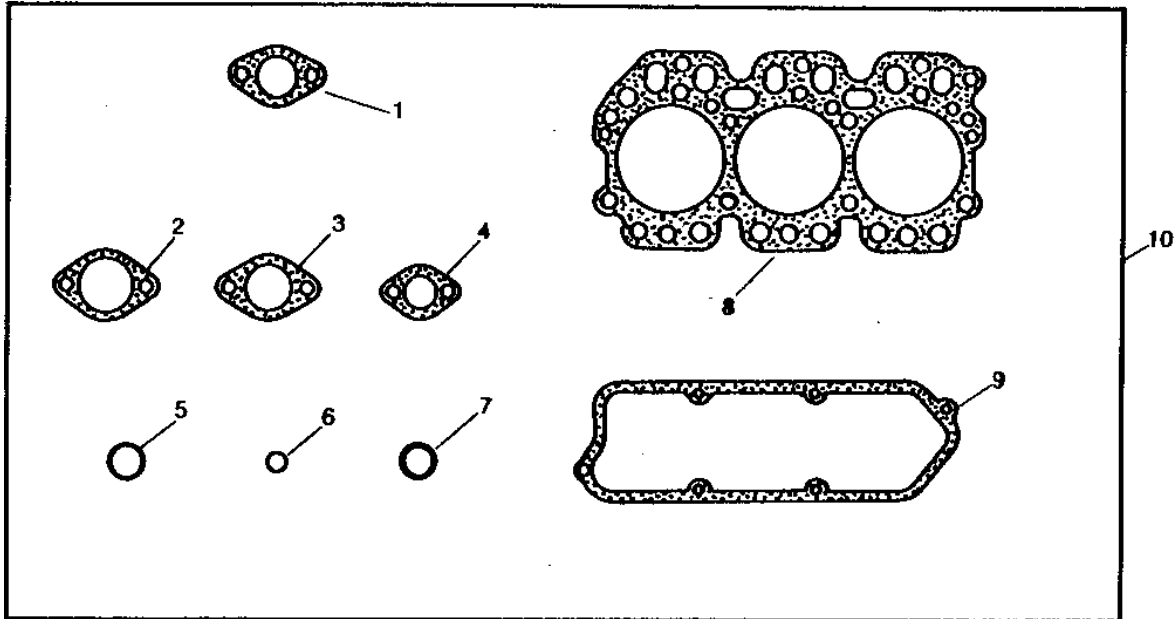
KEY	PART NO.	PART NAME	QTY	ENGINE SERIAL NO.	REMARKS
1	AR71618	KIT	1		
2	R80241	GASKET	1	(SUB R97356)	
3	T24460	GASKET	1		
4	R97351	GASKET	1	(SUB FOR R70483)	
5	R70956	WASHER	1	(SUB FOR R55434)	
6	T20328	GASKET	1		
7	T20336	GASKET	1	(SUB R97352)	
8	R119269	GASKET	1	(SUB FOR T20155 OR R97454)	
9	R90648	GASKET	1	(SUB FOR T24965 OR R73140)	
10	T13213	WASHER	1		
11	T20304	WASHER	1	TACH DRIVE SHAFT	
12	R48000	WASHER	3		
13	R34764	WASHER	3		
14	R74354	O-RING	1		
15	R56463	O-RING	1		
16	T20243	GASKET	1		
17	T20273	GASKET	1		
18	R97773	GASKET	1	(SUB R125066)	
19	T20111	GASKET	1	(SUB R75729 AND (6) AR100124)	
20	T20219	GASKET	1		
21	T20215	GASKET	1		
22	T20159	GASKET	1	AIR INLET, (SUB R81275)	
23	R97350	GASKET	1	(SUB FOR R27285)	
24	R90658	GASKET	3	(SUB FOR T20006)	
25	R49514	GASKET	1	(SUB R97341)	
	T24534	GASKET	1	(SUB R119359)	
26	RE37492	GASKET KIT	1	(SUB FOR AR102290 OR RE16912) (SUB RE38853)	

# 1B22

ENGINE

RWP4691 -UN-01JAN94

## CYLINDER HEAD REPLACEMENT KIT



RWP4691

KEY	PART NO.	PART NAME	QTY	ENGINE SERIAL NO.	REMARKS
1	R90658	GASKET	3		(A) EXHAUST MANIFOLD, (SUB FOR T20006)
2	R81275	GASKET	1		AIR INLET, (SUB FOR T20159)
3	T20215	GASKET	1		THERMOSTAT COVER
4	T20219	GASKET	1		THERMOSTAT HOUSING
5	R56463	O-RING	1		VENT TUBE
6	R34764	WASHER	3		INJECTION NOZZLE, UPPER
7	R48000	WASHER	3		INJECTION NOZZLE, LOWER, (SUB FOR R34767)
8	R97356	GASKET	1		CYLINDER HEAD, (SUB FOR R59447 OR R80241)
9	R75729	GASKET	1		ROCKER ARM COVER, (ALSO ORDER (6) AR100214) (SUB FOR T20111)
10	RE37489	GASKET KIT	1		(SUB FOR AT21626, AR79920, AR71990, AR102297 OR RE16911) (SUB RE38850) (ALSO ORDER (6) AR100124)

(A) ALL T20006 OR R90658 GASKETS MUST BE REPLACED AT THE SAME TIME. DO NOT MIX T20006 AND R90658.

---

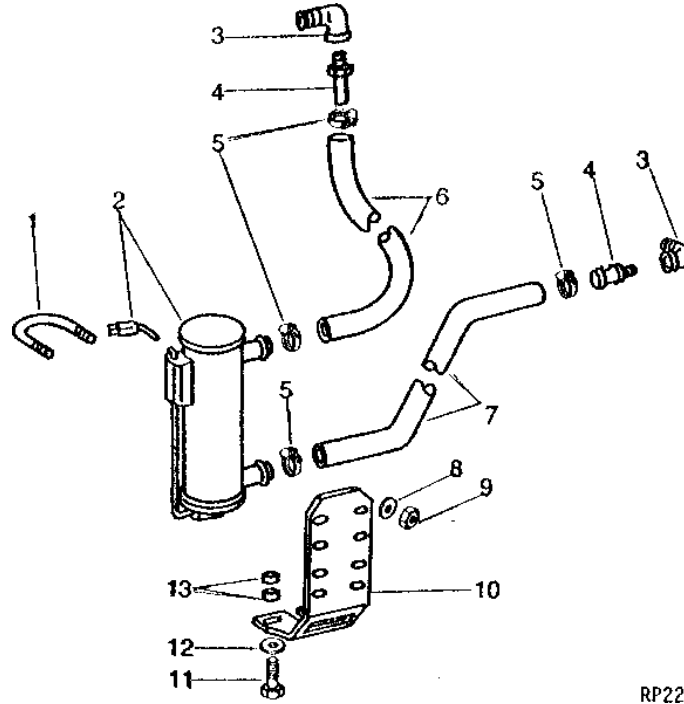
MEMORANDA

# 1B23

ENGINE

RP226 -UN-01JAN94

## ENGINE COOLANT HEATER



RP226

KEY	PART NO.	PART NAME	QTY	ENGINE SERIAL NO.	REMARKS
1	R60124	U-BOLT	2		
2	AR72957	COOLANT HEATER	1		(SUB FOR AT27413) (ALSO ORDER R60123 AND (2) R60124)
3	15H613	ELBOW FITTING	2	90°	
4	T29388	UNION FITTING	2		
5	AR21837	CLAMP	4		
6	T29384	HOSE	1	16 X 406MM (5/8" X 16")	
7	T29385	HOSE	1	16 X 356MM (5/8" X 14")	
8	24H1287	WASHER	4	9/32" X 5/8" X 0.065"	
9	14H786	NUT	4	1/4"	
10	R60123	BRACKET	1	(SUB FOR T29377)	
11	19H2665	CAP SCREW	2	3/8" X 1-5/8"	
12	12H304	LOCK WASHER	2	3/8"	
13	R28040	WASHER	4		

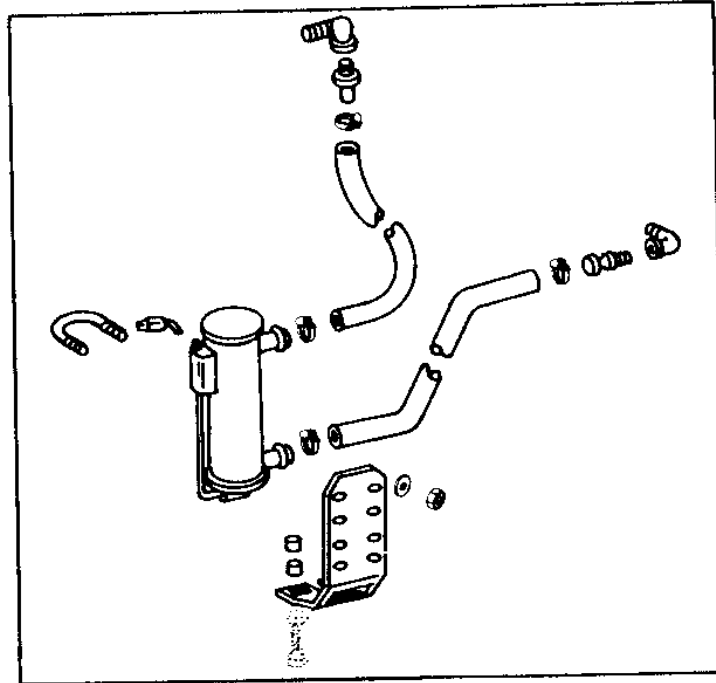


# 1B24

ENGINE

RP358 -UN-01JAN94

## ENGINE COOLANT HEATER COMPLETE



RP358

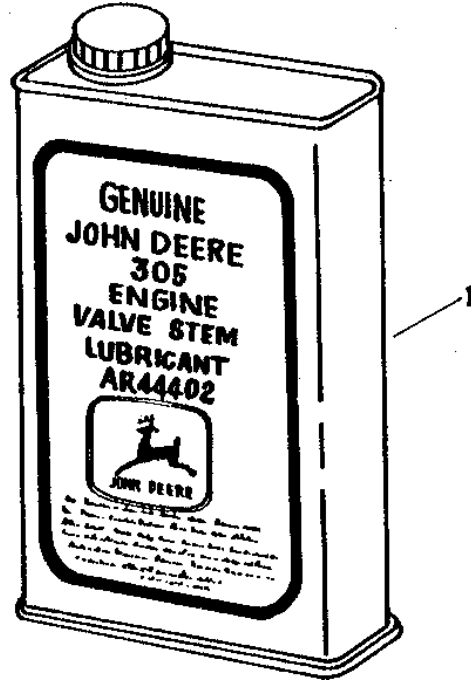
KEY	PART NO.	PART NAME	QTY	ENGINE SERIAL NO.	REMARKS
1	AT72330	COOLANT HEATER	1	(SUB FOR AT27406)	

# 1B25

ENGINE

T71654 -UN-01JAN94

## ENGINE VALVE STEM LUBRICANT



T71654

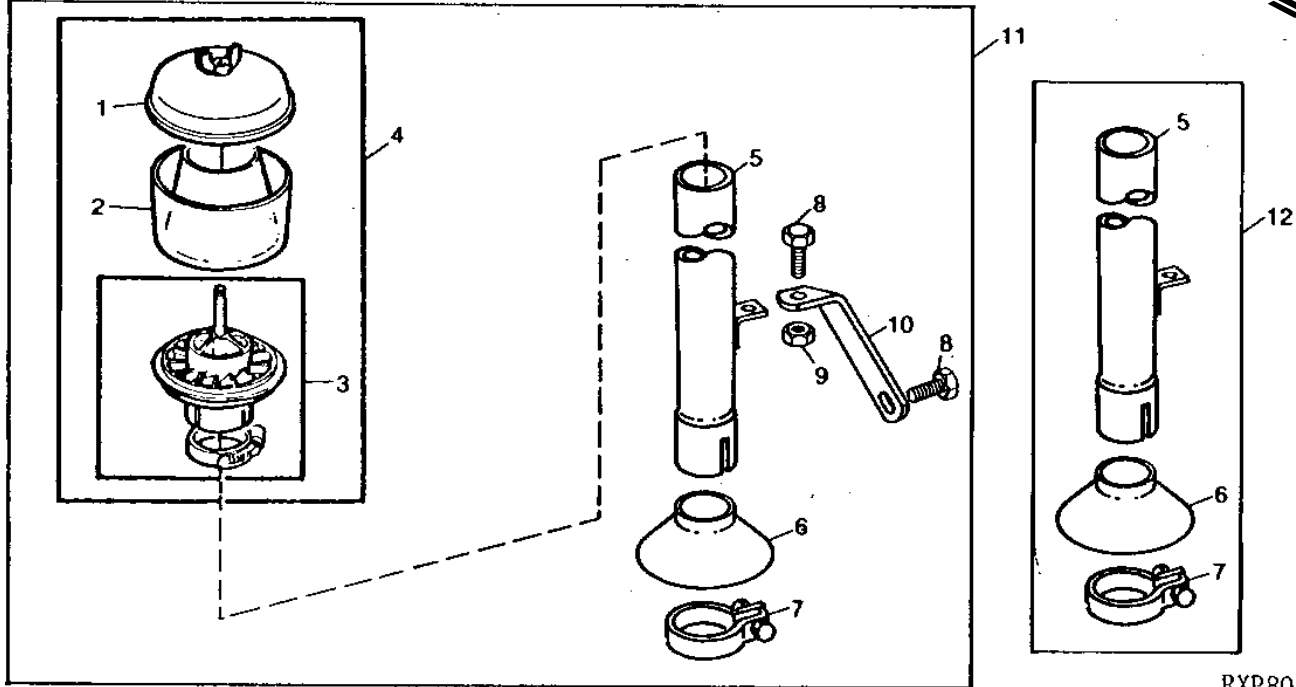
KEY	PART NO.	PART NAME	QTY	ENGINE SERIAL NO.	REMARKS
1	AR44402	OIL	1	0.9L (1 QT.) CAN	

# 1C3

FUEL AND AIR

RXP8014 -UN-01JAN94

## PRE-CLEANER WITH AIR STACK



RXP8014

KEY	PART NO.	PART NAME	QTY	TRACTOR SERIAL NO.	REMARKS
1	AL37364	COVER	1		(SUB FOR AF3583R) (SUB AL63309)
2	L60631	BOWL	1		(SUB FOR R28794)
3	AL63298	BASE	1		(SUB FOR AL37365 OR L41855)
4	AL39934	PRESCREENER	1		(SUB FOR AF3580R OR AL37357)
5	AR78485	AIR INTAKE STACK	1		
6	R57119	SEAL	1		
7	AR26930	CLAMP	1		
8	19H1936	CAP SCREW	2	3/8" X 3/4"	
9	14H1076	NUT	1	3/8"	
10	R70150	BRACE	1		
11	AR91594	AIR DUCT	1		
12	AR40386	AIR DUCT	1		(SUB AR78485, AR26930 AND R57119)

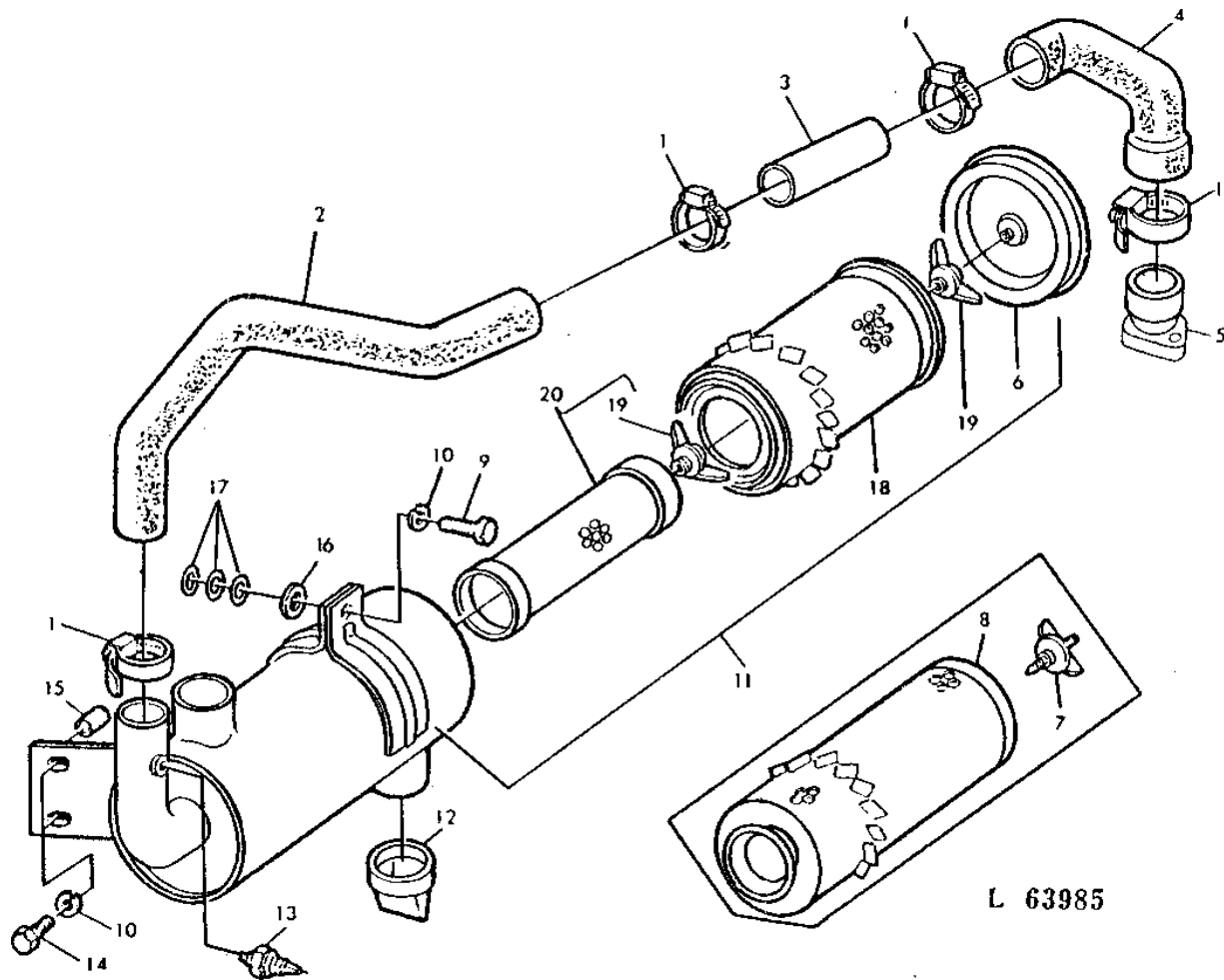
# 1C4

FUEL AND AIR

L63985

-UN-01JAN94

DRY AIR CLEANER



L 63985

# 1C5

FUEL AND AIR

## DRY AIR CLEANER - CONTINUED

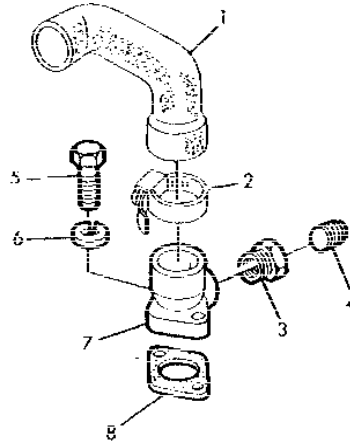
KEY	PART NO.	PART NAME	QTY	TRACTOR SERIAL NO.	REMARKS
1	AR21999	CLAMP	1		
2	L29374	HOSE	1		
3	L29372	TUBE	1		
4	L29373	HOSE	1		
5	R56455	FILLER NECK	1		
6	AT24438	COVER	1		(SUB AT81398)
7	AT24437	WING SCREW	1	-190319	
8	AT20728	FILTER ELEMENT	1	-190319	
9	19H2284	CAP SCREW	1		3/8" X 7/8"
10	12H304	LOCK WASHER	1		3/8"
11	AT20727	AIR CLEANER	1	-190319	
	AL27156	AIR CLEANER	1	190320-	(SUB AL28179)
12	T23262	VALVE	1		(SUB T23263)
13	RE17515	SENSOR	1		VACUUM, (SUB FOR AL32975)
14	19H2021	CAP SCREW	1		3/8" X 5/8"
15	M1335T	WASHER	1		
16	24H1308	WASHER	1		13/32" X 1" X 0.134"
17	24H1307	WASHER	1		13/32" X 1" X 1/16"
18	AR84228	FILTER ELEMENT	1	190320-	PRIMARY
19	AH20849	WING NUT	1	190320-	
20	AE31724	FILTER ELEMENT	1		(SUB FOR AL27159)

# 1C6

FUEL AND AIR

L64484 -UN-01JAN94

AIR INTAKE



L 64484

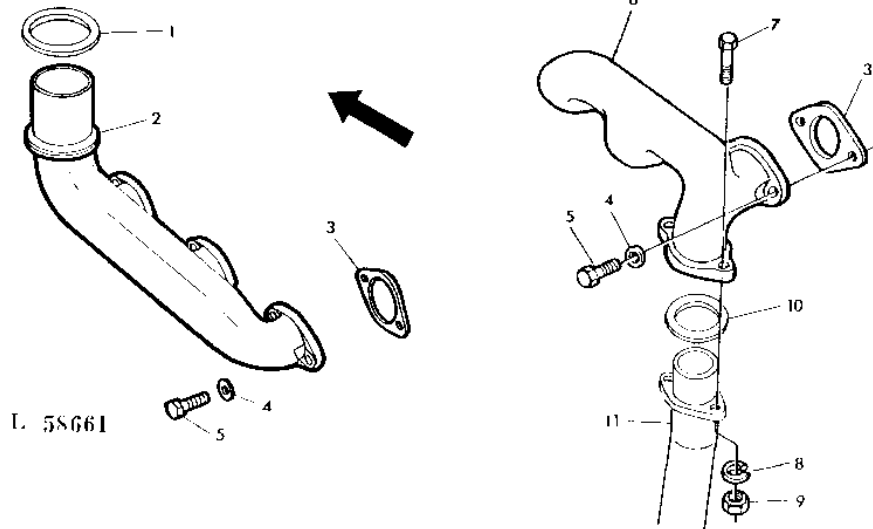
KEY	PART NO.	PART NAME	QTY	TRACTOR SERIAL NO.	REMARKS
1	L29373	HOSE	1		
2	AR21999	CLAMP	1		
3	T27986	FITTING	1		
4	15H255	PIPE PLUG	1	3/8", (STARTING AID HOLE)	
5	19H1732	CAP SCREW	2	3/8" X 1-1/4"	
6	12H304	LOCK WASHER	2	3/8"	
7	R56455	FILLER NECK	1		
8	T20159	GASKET	1	(SUB R81275)	

# 1C7

FUEL AND AIR

L58661 -UN-01JAN94

## EXHAUST MANIFOLD



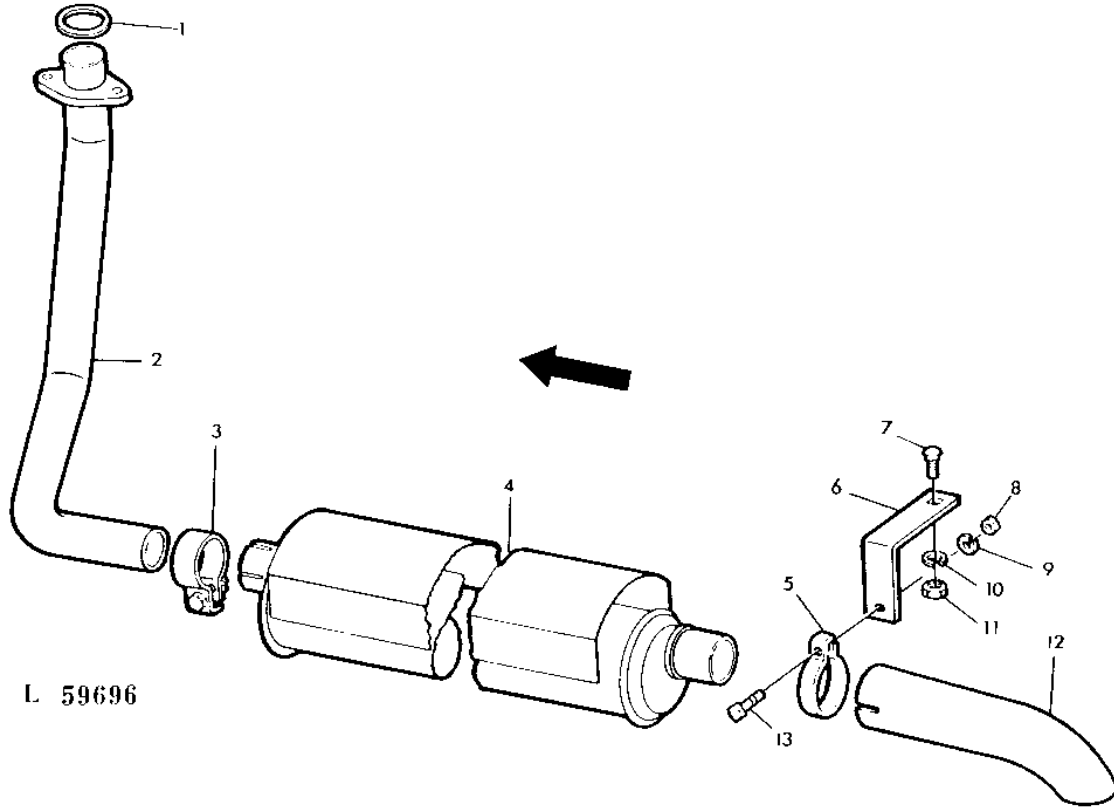
KEY	PART NO.	PART NAME	QTY	ENGINE SERIAL NO.	REMARKS
1	T20141	SEAL	1		(SUB R98844)
2	T20252	EXHAUST MANIFOLD	1		(VERTICAL MUFFLER)
3	R90658	GASKET	3		(SUB FOR T20006)
4	24M7106	WASHER	6		10 X 18 X 2.500 MM
5	19H1732	CAP SCREW	6		3/8" X 1-1/4"
6	T20257	EXHAUST MANIFOLD	1		(HORIZONTAL MUFFLER)
7	19H2733	CAP SCREW	2		3/8" X 2-3/8"
8	12H304	LOCK WASHER	2		3/8"
9	14H812	NUT	2		3/8"
10	51M4282	RING	1		38MM X 44MM X 2.5MM, (SUB 51M4249)
11	AT20154	EXHAUST PIPE	1		

# 1C8

FUEL AND AIR

L59696 -UN-01JAN94

## HORIZONTAL MUFFLER



L 59696

KEY	PART NO.	PART NAME	QTY	TRACTOR SERIAL NO.	REMARKS
1	51M4282	RING	1		38 X 44 X 2.5MM, (SUB 51M4249)
2	AT20154	EXHAUST PIPE	1		
3	AR26928	CLAMP	1		
4	AT21795	MUFFLER	1		
5	M3119T	CLAMP	1		
6	T24844	ANGLE	1		
7	03H1765	BOLT	1		3/8" X 3/4"
8	14H785	NUT	1		5/16"
9	12H303	LOCK WASHER	1		5/16"
10	12H304	LOCK WASHER	1		3/8"
11	14H812	NUT	1		3/8"
12	R48634	EXHAUST PIPE	1		
13	19H1849	CAP SCREW	1		5/16" X 1-1/4"

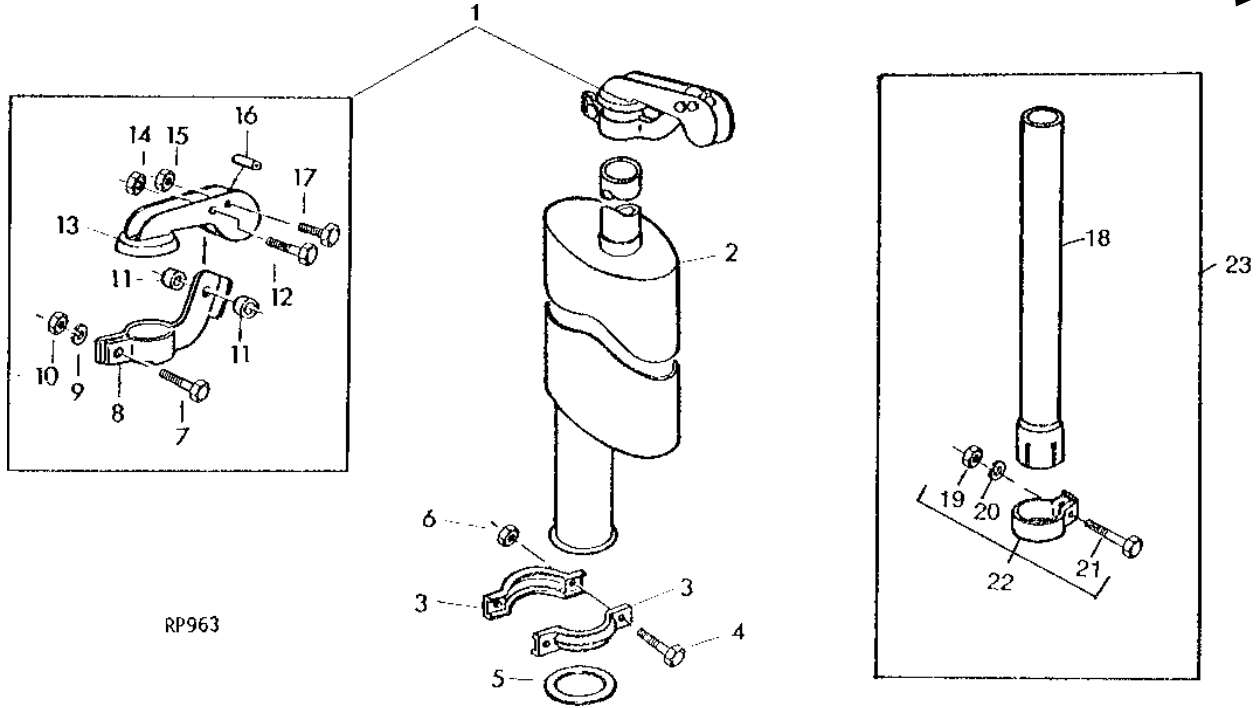


# 1C9

FUEL AND AIR

RP963 -UN-01JAN94

## VERTICAL MUFFLER



RP963

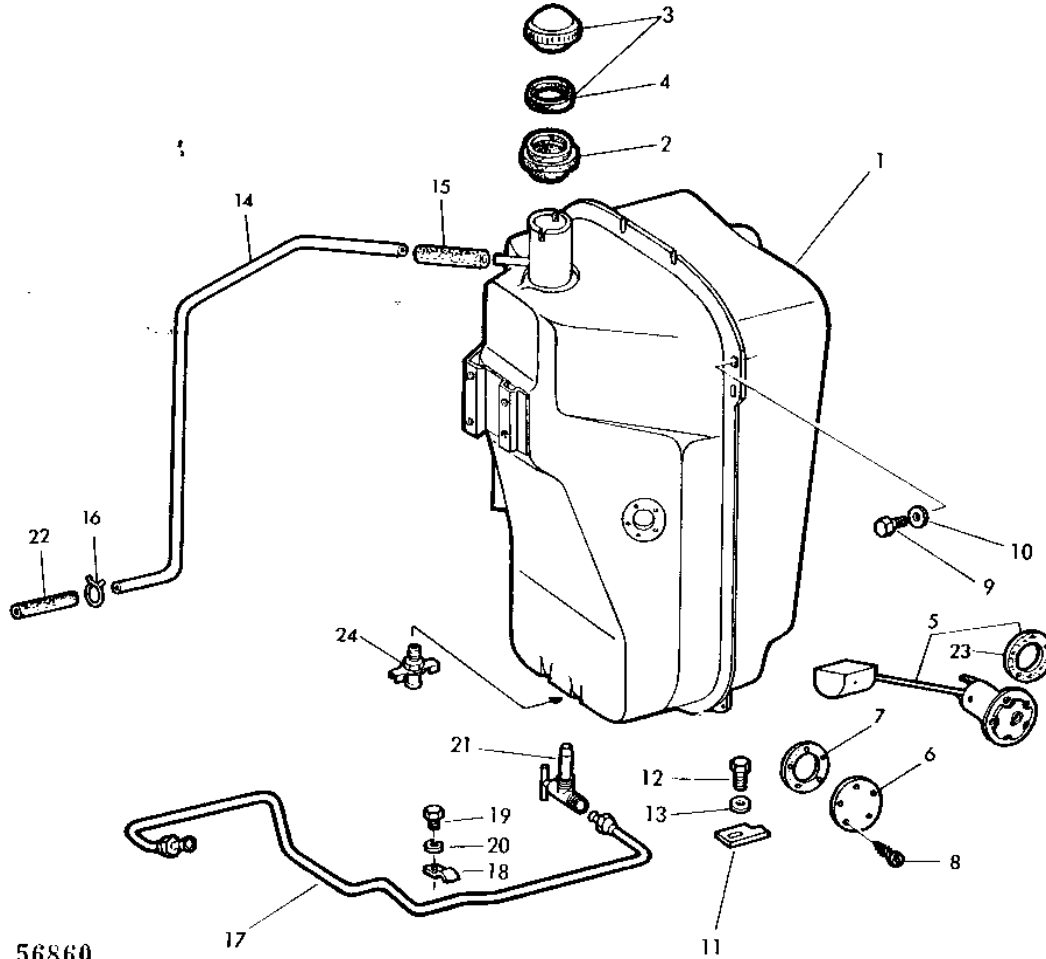
KEY	PART NO.	PART NAME	QTY	TRACTOR SERIAL NO.	REMARKS
1	AR56782	EXHAUST CAP	1		
2	AT21689	MUFFLER	1		
3	T19978	HALF CLAMP	2		
4	19H3552	CAP SCREW	2	5/16" X 1-1/2"	
5	T20141	SEAL	1	(SUB R98844)	
6	14H785	NUT	2	5/16"	
7	19M7163	CAP SCREW	1	M8 X 25	
8	AL18236	RETAINER	1	(SUB AR56782)	
9	12M7065	LOCK WASHER	1	M8	
10	14M6825	NUT	1	M8	
11	L24921	SPACER	2		
12	19M7177	CAP SCREW	1	M6 X 35	
13	AL18047	EXHAUST CAP	1		
14	14M7027	NUT	1	M6	
15	14M7297	NUT	1	M5	
16	L24922	SPACER	1		
17	19M7176	CAP SCREW	1	M5 X 35	
18	R38358	EXHAUST PIPE	1		
19	14H785	NUT	1	5/16"	
20	12H303	LOCK WASHER	1	5/16"	
21	19H1849	CAP SCREW	1	5/16" X 1-1/4"	
22	AR38398	CLAMP	1		
23	AR38397	MUFFLER EXTENSION	1	(USE WITH CANOPY)	

# 1C10

FUEL AND AIR

L56860 -UN-01JAN94

## FUEL TANK



L 56860

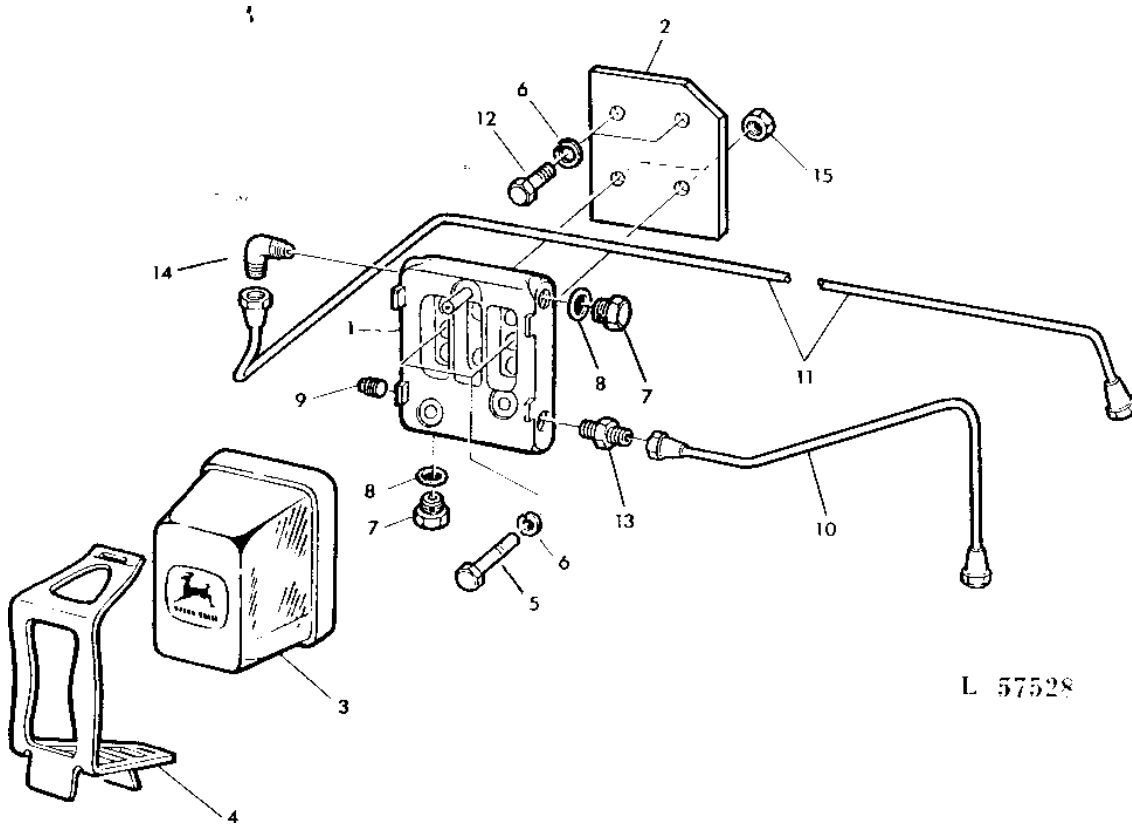
KEY	PART NO.	PART NAME	QTY	TRACTOR SERIAL NO.	REMARKS
1	AR72910	FUEL TANK	1		
2	R39613	GROMMET	1		(SUB R82873)
3	AT20911	FILLER CAP	1		
4	R39615	WASHER	1		
5	AT31619	FLOAT	1		
6	F2506R	COVER	1		
7	R27181	GASKET	1		
8	37H95	SCREW	5		NO. 8 X 1/2"
9	19H1731	CAP SCREW	4		3/8" X 1"
10	24H1305	WASHER	8		13/32" X 13/16" X 0.065"
11	T33232	STOP	2		
12	19H3385	CAP SCREW	2		1/2" X 1-1/8"
13	24H1341	WASHER	2		17/32" X 15/16" X 0.060"
14	L34848	HOSE	1	-XXXXXX	(SUB FOR L29396) (MAKE FROM R68281)
.....	.....	HOSE	1	XXXXXX-	840MM (33-1/16") (MAKE FROM R68281)
15	.....	HOSE	1	-XXXXXX	44.5MM (1-3/4") (MAKE FROM R68281)
16	R34766	CLAMP	1	-XXXXXX	
17	AT48214	FUEL LINE	1		(SUB FOR AT19983)
18	A4881R	CLIP	1		
19	19H2038	CAP SCREW	1		3/8" X 1/2"
20	12H304	LOCK WASHER	1		3/8"
21	R34656	SHUT-OFF VALVE	1		
22	.....	HOSE	1	-XXXXXX	44.5MM (1-3/4") (MAKE FROM R68281)
23	L29265	GASKET	1		
24	AT13740	DRAIN VALVE	1		
..	R68281	BULK HOSE	1		1524MM (60")

# 1C11

FUEL AND AIR

L57528 -UN-01JAN94

## FUEL FILTER AND FUEL LINES



L 57528

KEY	PART NO.	PART NAME	QTY	ENGINE SERIAL NO.	REMARKS
1	AR50040	HOUSING	1		
2	R54998	BRACKET	1		
3	AR50041	FUEL FILTER	1		
4	R66821	CLAMP	1		(SUB FOR R57258)
5	19H2284	CAP SCREW	2		3/8" X 7/8"
6	12H304	LOCK WASHER	4		3/8"
7	R48071	DRAIN PLUG	2		
8	R26287	O-RING	2		
9	15H558	PIPE PLUG	1		1/8"
10	AR63653	FUEL LINE	1		(FUEL PUMP TO FUEL FILTER)
11	AR67091	FUEL LINE	1		(FUEL PUMP TO INJECTION PUMP)
12	19H2284	CAP SCREW	2		3/8" X 7/8"
13	R27346	FITTING	1		
14	T30738	ELBOW FITTING	1		90°
15	14H812	NUT	2		3/8"

---

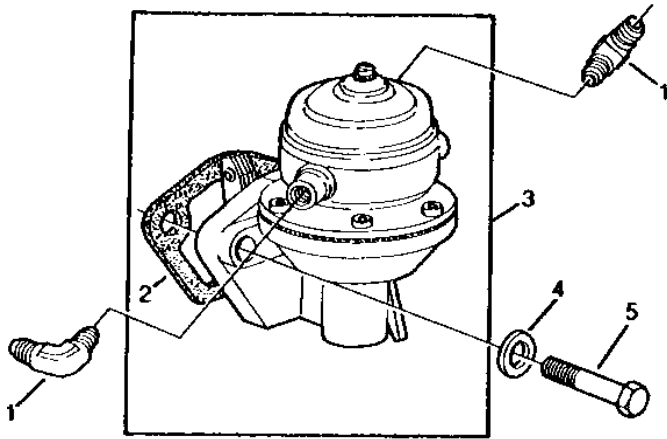
MEMORANDA

# 1C12

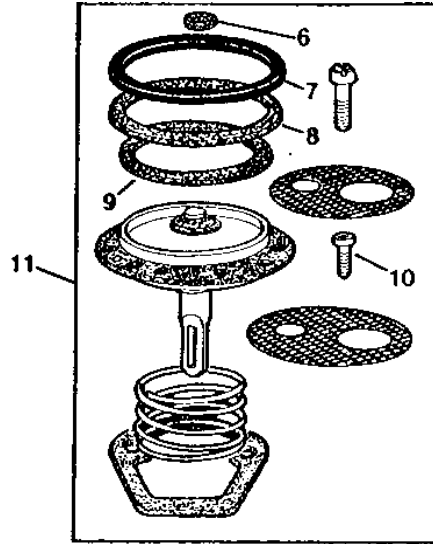
FUEL AND AIR

RXP8335 -UN-01JAN94

## FUEL TRANSFER PUMP



RXP8335



KEY	PART NO.	PART NAME	QTY	TRACTOR SERIAL NO.	REMARKS
1	T30738	ELBOW FITTING	2	90°	
2	R97350	GASKET	1	(SUB FOR R27285)	
3	RE37482	FUEL PUMP	1	(SUB FOR AR55730 OR RE13517)	(SUB RE42211 AND R97350)
4	24H1136	WASHER	2	11/32" X 11/16" X 0.065"	
5	19H1849	CAP SCREW	2	5/16" X 1-1/4"	
6	R75832	GASKET	1		
7	R30409	GASKET	1		
8	R64506	WASHER	1		
9	R40565	WASHER	1		
10	R49266	BOLT	8		
11	RE37463	KIT	1		OVERHAUL, (SUB FOR AR60559 OR RE13517)

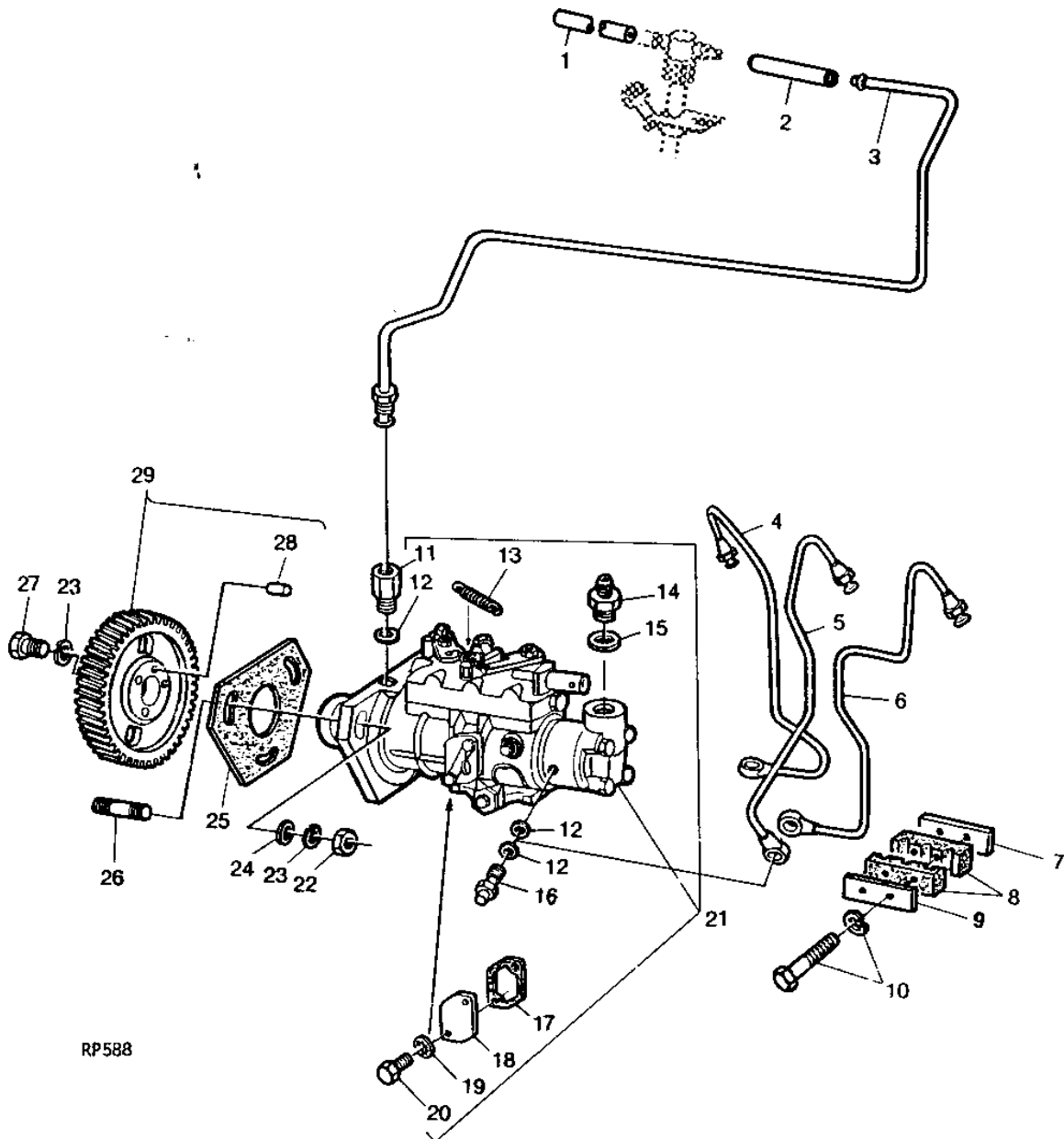
# 1C13

FUEL AND AIR

RP588

-UN-01JAN94

## FUEL INJECTION PUMP AND FUEL LINES



RP588

# 1C14

FUEL AND AIR

## FUEL INJECTION PUMP AND FUEL LINES - CONTINUED

KEY	PART NO.	PART NAME	QTY	ENGINE SERIAL NO.	REMARKS
1	.....	HOSE	1		112MM (4-7/16") (MAKE FROM R68281)
2	.....	HOSE	1		44.5MM (1-3/4") (MAKE FROM R68281)
3	AR72881	FUEL LINE	1		
4	AR80332	FUEL LINE	1		NO. 1, (SUB FOR AR67002) (SUB RE38259)
5	AR67003	FUEL LINE	1		NO. 2
6	AR67004	FUEL LINE	1		NO. 3, (SUB RE38261)
7	R61145	STRAP	1		(ALSO ORDER (2) AR76704)
8	R59297	HALF CLAMP	2		
9	R59298	STRAP	1		
10	AR76704	SCREW	2		(ALSO ORDER R61145)
11	AR76102	CHECK VALVE	1		(SUB RE11602)
12	T20055	WASHER	6		
13	T26058	SPRING	1		
14	T24607	ADAPTER	1		(SUB R79015)
15	T24608	WASHER	1		
16	AT29464	VALVE	3		
17	T24543	GASKET	1		
18	T24542	COVER	1		
19	12M7060	WASHER	2		0.209"
20	R81683	SCREW	NA		
21	AR72872	FUEL PUMP	1	-XXXXXX	(A) (SUB RE11312, R76964 AND RE16149)
	AR91769	FUEL INJECTION PUMP	1	XXXXXX-	(A) (SUB FOR AR78631 OR AR72872) (SUB RE11312)
22	14H785	NUT	3		5/16"
23	12H303	LOCK WASHER	6		5/16"
24	24H1243	WASHER	3		11/32" X 5/8" X 1/16"
25	R97354	GASKET	1		(SUB FOR T24460 OR R77126)
26	T23442	STUD	3		
27	19H2551	CAP SCREW	3		5/16" X 3/4"
28	T28030	DOWEL PIN	1		
29	AR85710	GEAR	1	-XXXXXX	(MARKED T29720 OR R66126) (SUB FOR T29720 OR AT27917)
	R76964	PINION	1	XXXXXX-	(USE WITH RE11312)

(A) "SEE YOUR AUTHORIZED PUMP REPAIR STATION FOR PARTS NOT LISTED."

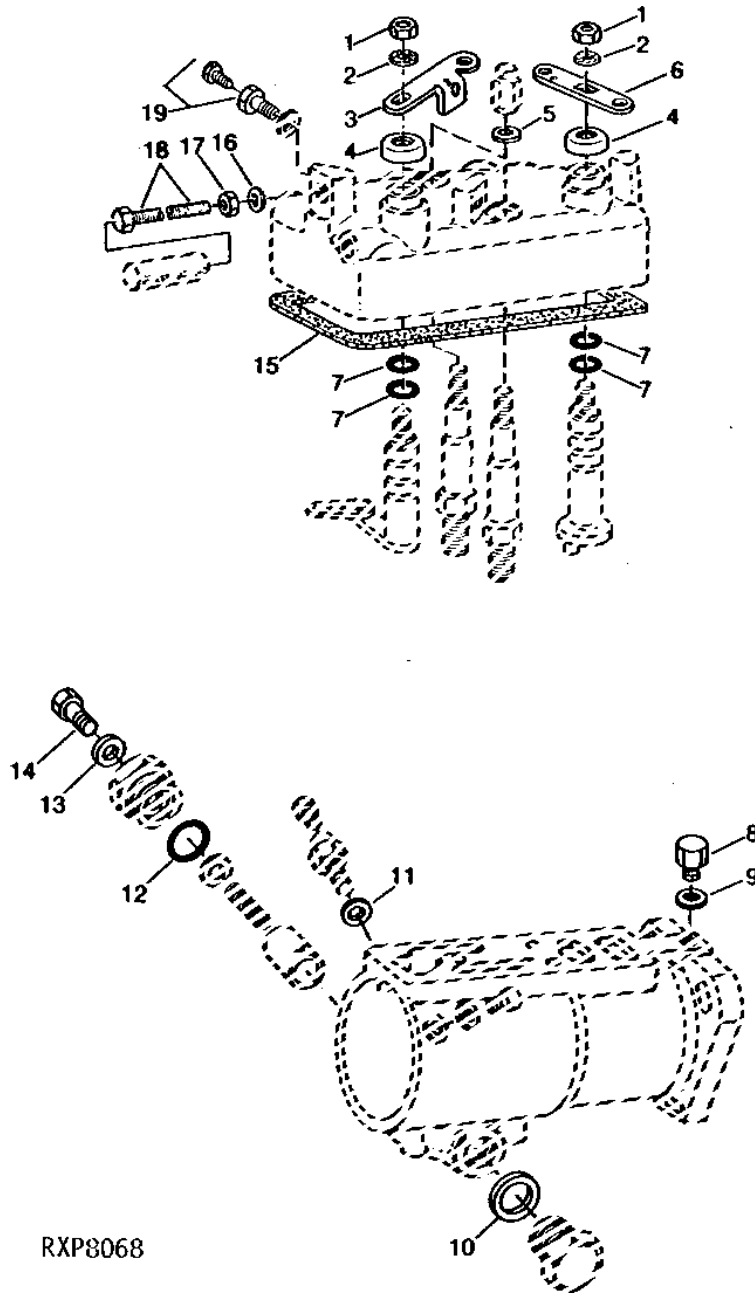
# 1C15

FUEL AND AIR

RXP8068

-UN-01JAN94

## FUEL INJECTION PUMP PARTS



RXP8068



# 1C16

FUEL AND AIR

## FUEL INJECTION PUMP PARTS - CONTINUED

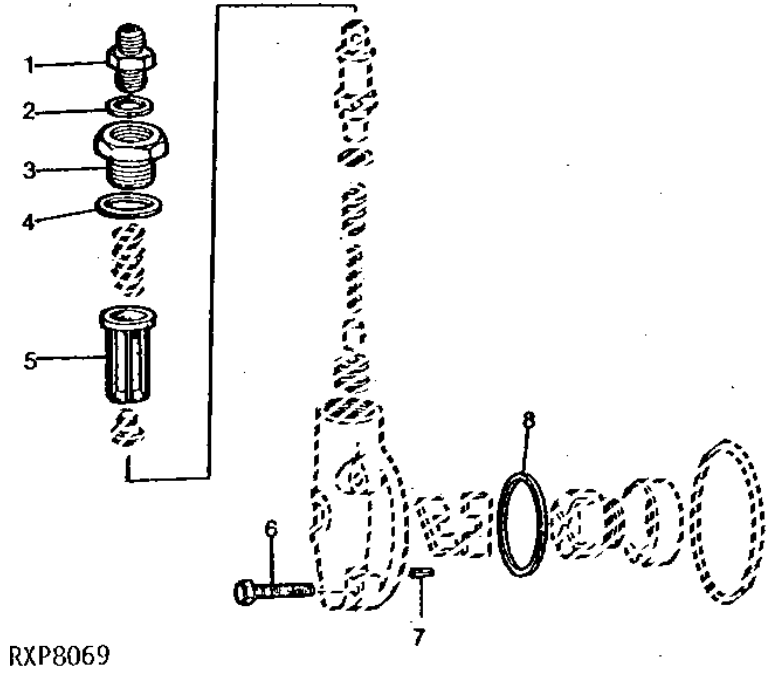
KEY	PART NO.	PART NAME	QTY	TRACTOR SERIAL NO.	REMARKS
1	T24589	NUT	2		
2	12M7060	WASHER	2		0.209"
3	T24588	LEVER	1		
4	T24590	CAP	2		
5	T24599	WASHER	2		
6	T30664	LEVER	1		
7	T24647	O-RING	4		
8	AR76102	CHECK VALVE	1		(SUB RE11602)
9	T20055	WASHER	1		
10	T24650	O-RING	1		
11	T24553	WASHER	2		
12	T24650	O-RING	1		
13	T24627	WASHER	1		
14	T24649	SCREW	1		
15	T24600	GASKET	1		
16	T24604	WASHER	2		
17	T24589	NUT	2		
18	T24605	CAP SCREW	2		
19	AR76101	SCREW	1		

# 1C17

FUEL AND AIR

RXP8069 -UN-01JAN94

## FUEL INJECTION PUMP TRANSFER GROUP



RXP8069

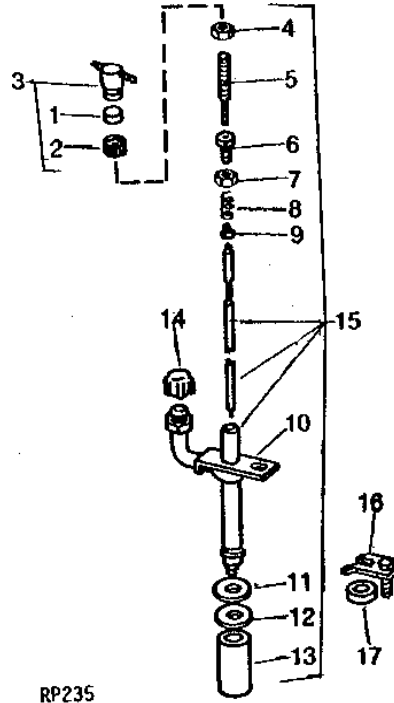
KEY	PART NO.	PART NAME	QTY	ENGINE SERIAL NO.	REMARKS
1	T24607	ADAPTER	1		(SUB R79015)
2	T24608	WASHER	1	-XXXXXX	
3	T24620	FITTING	1		(SUB R79015)
4	T24619	WASHER	1		
5	T24618	FUEL FILTER	1		
6	T24621	SCREW	4		
7	34H240	SPRING PIN	1		1/8" X 1/4"
8	T24549	WASHER	1		

# 1C18

FUEL AND AIR

RP235 -UN-01JAN94

## FUEL INJECTION NOZZLE ASSEMBLY



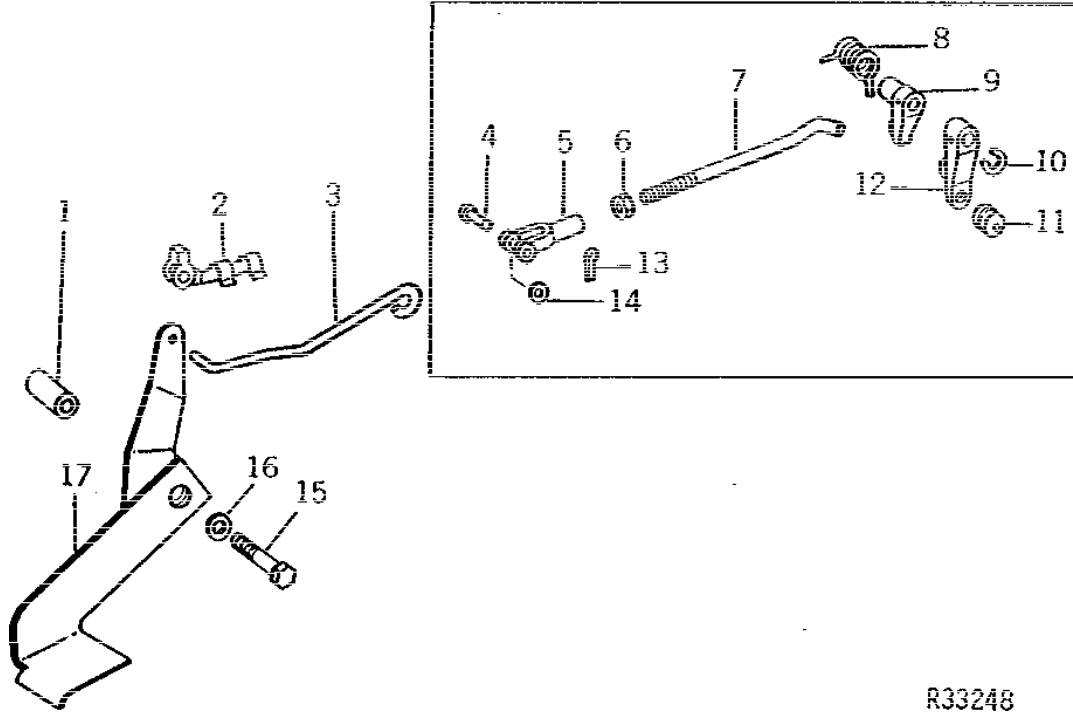
KEY	PART NO.	PART NAME	QTY	ENGINE SERIAL NO.	REMARKS
1	R79605	WASHER	1		(SUB FOR T29539)
2	R79604	TUBE NUT	1		(SUB FOR T29540)
3	AT27622	CAP	1		
4	R47733	LOCK NUT	1		
5	R47732	SCREW	1		
6	R47734	SCREW	1		
7	R46675	NUT	1		
8	R47731	SPRING	1		
9	R39886	GUIDE	1		
10	R67779	CLAMP	1		
11	R34764	WASHER	3		(USE WITH AR56290)
	R60746	WASHER	3		(USE WITH AR73673 OR AR88239)
12	R48000	WASHER	3		
13	T24472	PLUG	1		
14	T31174	PLUG	1		(USE FOR SERVICING FUEL INJECTION NOZZLE)
15	AR88239	INJECTION NOZZLE	1		(SUB FOR AR56290 OR AR73673) (SUB AR89564)
16	R34760	CLAMP	1		
17	R60745	SPACER	1		

# 1C19

FUEL AND AIR

R33248 -UN-01JAN94

## FOOT THROTTLE



R33248

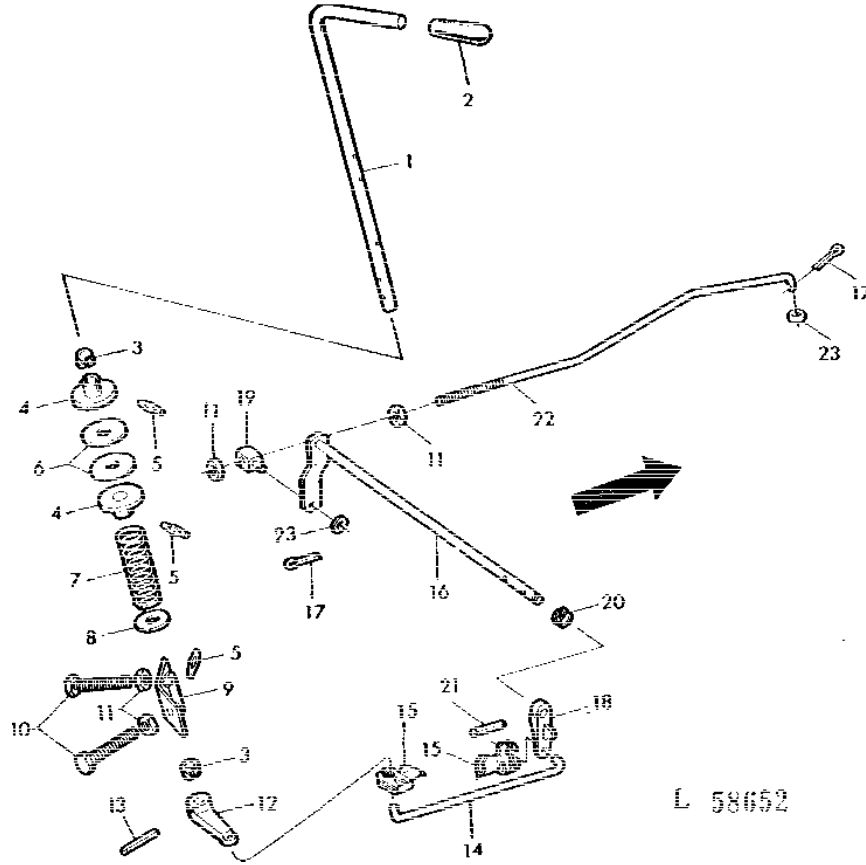
KEY	PART NO.	PART NAME	QTY	TRACTOR SERIAL NO.	REMARKS
1	M1339T	SPACER	1		
2	R26501	CLIP	1	XXXXXX-	
3	L32574	PIN	1	XXXXXX-	
4	L4667T	PIN	1	-XXXXXX	(SUB R72660 AND 11M7081)
5	M3742T	YOKE	1	-XXXXXX	
6	14H649	NUT	1	-XXXXXX	1/4"
7	T22149	ROD	1	-XXXXXX	
8	T50467	SPRING	1	-XXXXXX	(SUB T77165)
9	T22150	ARM	1	-XXXXXX	
10	F3396R	SNAP RING	1	-XXXXXX	
11	T26937	CAP	1	-XXXXXX	
12	T22240	ARM	1	-XXXXXX	
13	11M7077	COTTER PIN	1	-XXXXXX	0.063" X 0.984"
14	24H1286	WASHER	2	-XXXXXX	9/32" X 1/2" X 1/16"
15	19H1765	CAP SCREW	1		3/8" X 1-3/4"
16	24H1305	WASHER	1		13/32" X 13/16" X 0.065"
17	AR94952	PEDAL	1		(SUB FOR AT20044)

# 1C20

FUEL AND AIR

L58652 -UN-01JAN94

## THROTTLE LINKAGE (TRACTOR SERIAL NO. -XXXXXX)



L 58652

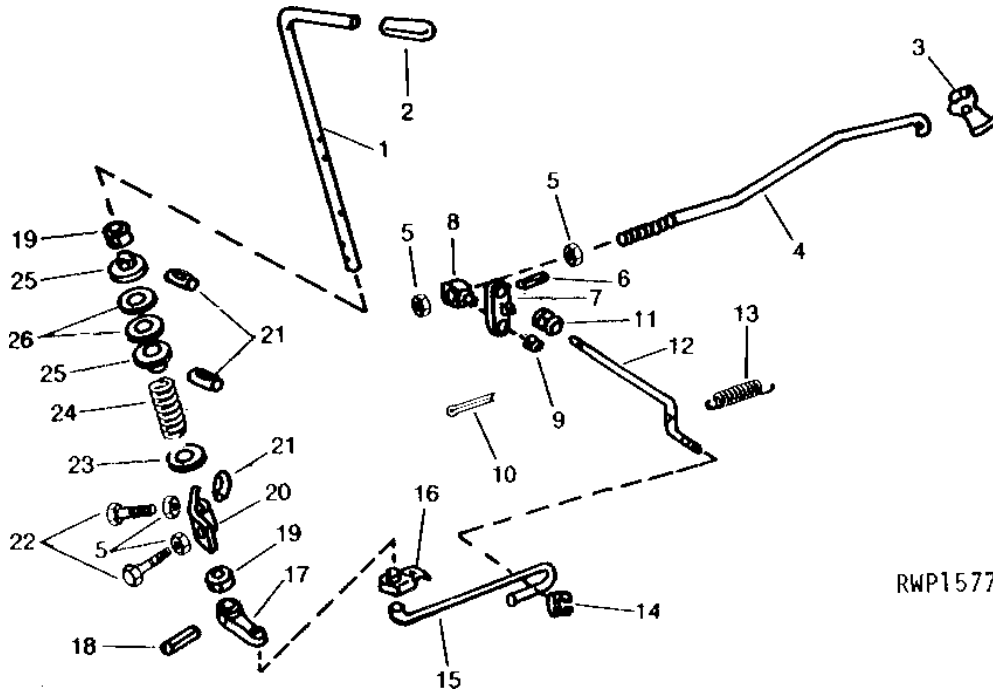
KEY	PART NO.	PART NAME	QTY	TRACTOR SERIAL NO.	REMARKS
1	T35675	PIN	1		(SUB FOR T35674)
2	R54271	KNOB	1		
3	R34811	GROMMET	2		
4	T22698	DISK	2		
5	25H747	GROOVE PIN	3		3/16" X 3/4"
6	R50226	WASHER	2		(SUB FOR R39985) (SUB R105814)
7	R26637	SPRING	1		
8	24H1211	WASHER	1		9/16" X 1-3/8" X 0.105"
9	AT24885	STOP	1		(SUB FOR R60462)
10	19H1738	CAP SCREW	2		1/4" X 2"
11	14H850	NUT	4		1/4"
12	T22239	LEVER	1		
13	34H284	SPRING PIN	1		3/16" X 1-1/4"
14	T22134	ROD	1		
15	R26524	CLIP	2		
16	AT20930	ROD	1		
17	11M7077	COTTER PIN	2		0.063" X 0.984"
18	T22240	ARM	1		
19	T48835	SWIVEL	1		
20	T22241	GROMMET	2		
21	34H264	SPRING PIN	1		5/32" X 7/8"
22	T27349	ROD	1		
23	24H1286	WASHER	2		9/32" X 1/2" X 1/16"

# 1C21

FUEL AND AIR

RWP1577 -UN-01JAN94

## THROTTLE LINKAGE (TRACTOR SERIAL NO. XXXXXX- )



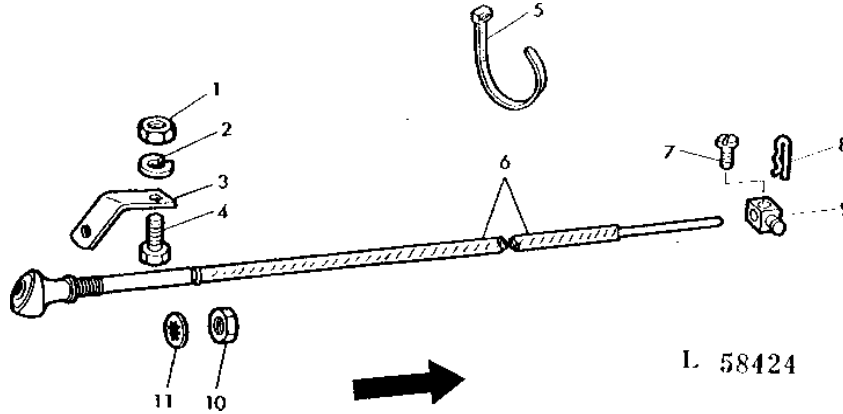
KEY	PART NO.	PART NAME	QTY	TRACTOR SERIAL NO.	REMARKS
1	T35675	PIN	1		(SUB FOR T35674)
2	R54271	KNOB	1		
3	R26501	CLIP	1		
4	T27349	ROD	1		(SUB L35774)
5	14H850	NUT	4		1/4"
6	34H264	SPRING PIN	1		5/32" X 7/8"
7	T22240	ARM	1		
8	T48835	SWIVEL	1		
9	24H1286	WASHER	2		9/32" X 1/2" X 1/16"
10	11M7077	COTTER PIN	2		0.063" X 0.984"
11	T22241	GROMMET	2		
12	L28415	ROD	1		
13	L28414	EXTENSION SPRING	1		
14	L28416	NUT	1		
15	L36653	ROD	1		(SUB FOR L28413)
16	R26524	CLIP	1		
17	T22239	LEVER	1		
18	34H284	SPRING PIN	1		3/16" X 1-1/4"
19	R34811	GROMMET	2		
20	AT24885	STOP	1		
21	25H747	GROOVE PIN	3		3/16" X 3/4"
22	19H1738	CAP SCREW	2		1/4" X 2"
23	24H1211	WASHER	1		9/16" X 1-3/8" X 0.105"
24	R26637	SPRING	1		
25	T22698	DISK	2		
26	R39985	WASHER	2		(SUB R105812)

# 1C22

FUEL AND AIR

L58424 -UN-01JAN94

## SHUT-OFF KNOB



L 58424

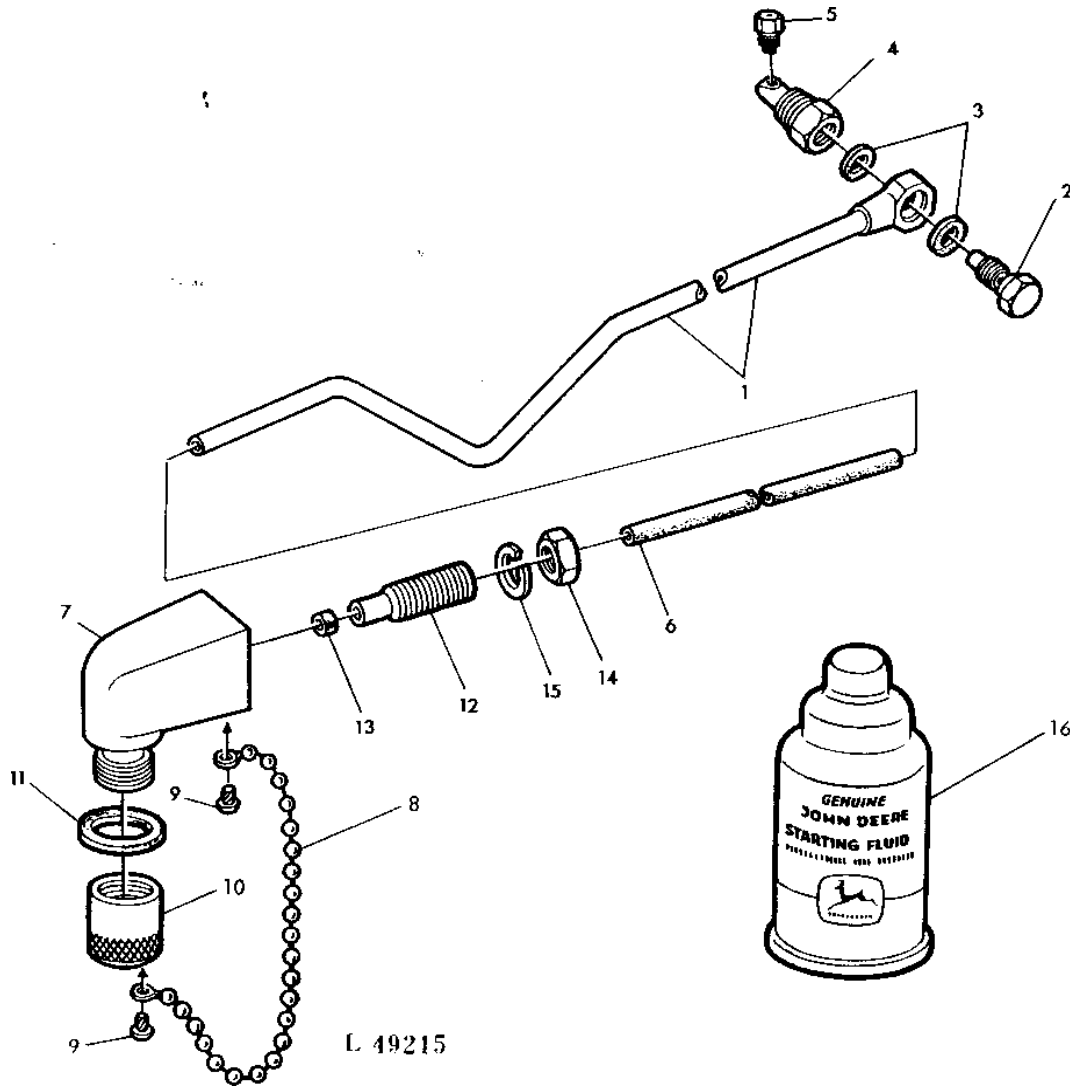
KEY	PART NO.	PART NAME	QTY	TRACTOR SERIAL NO.	REMARKS
1	14H812	NUT	1	3/8"	
2	12H304	LOCK WASHER	1	3/8"	
3	T30525	BRACKET	1		
4	19H1936	CAP SCREW	1	3/8" X 3/4"	
5	R44302	TIE BAND	1		
6	RE10596	CABLE	1		(SUB FOR AL24155) (INCLUDES R59082)
	R59082	SPRING	1		
7	21H1293	SCREW	1	0.164" X 5/16"	
8	R10185	SPRING PIN	1		
9	R10184	SWIVEL	1		
10	14H934	NUT	1	7/16"	
11	12H325	LOCK WASHER	1	7/16"	

# 1C23

FUEL AND AIR

## COLD WEATHER STARTING AID

L49215 -UN-01JAN94



L 49215

KEY	PART NO.	PART NAME	QTY	TRACTOR SERIAL NO.	REMARKS
1	AT20748	LINE	1		
2	R26726	FITTING	1		
3	T11292	WASHER	2		COPPER
4	R28584	FITTING	1		
5	R28583	NOZZLE	1		
6	.....	HOSE	1		635MM (25") (SUB FOR T32029 OR T64421) (MAKE FROM T79479)
7	T22534	ADAPTER	1		
8	AR27940	LINK CHAIN	1		
9	37H44	SCREW	2		0.151" X 3/8"
10	R32306	CAP	1		
11	R26149	PACKING	1		
12	R34395	ADAPTER	1		
13	R34394	WASHER	1		
14	14H1040	NUT	1		1/2"
15	12H301	LOCK WASHER	1		1/2"
16	RE33636	STARTING FLUID	1		(SUB FOR AR27814, RE24561 OR RE33636)

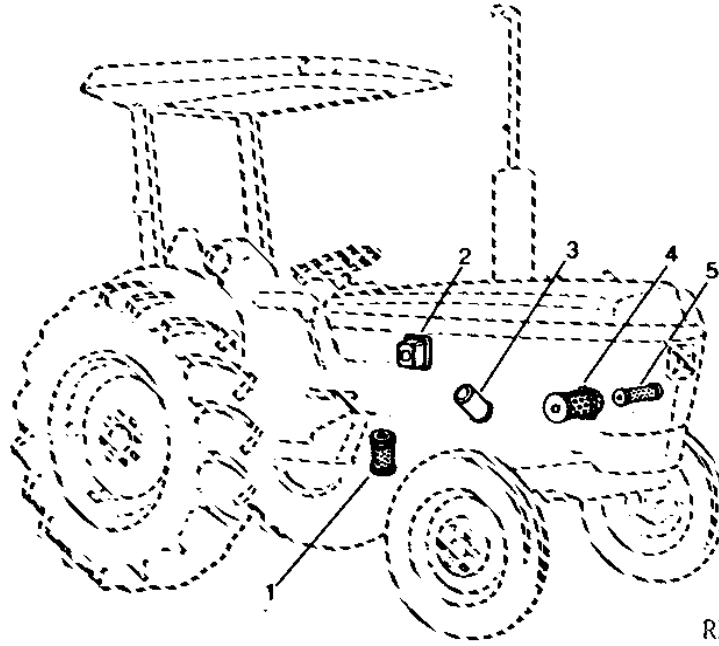


# 1C24

FUEL AND AIR

RXP8015 -UN-01JAN94

## FILTERS



RXP8015

KEY	PART NO.	PART NAME	QTY	TRACTOR SERIAL NO.	REMARKS
1	AR75603	FILTER ELEMENT	1		(TRANSMISSION)
2	AR50041	FUEL FILTER	1		(FUEL)
3	T19044	OIL FILTER	1		(ENGINE)
4	AT20728	FILTER ELEMENT	1	-190319	(AIR)
	AR84228	FILTER ELEMENT	1	190320-	(AIR)
5	AE31724	FILTER ELEMENT	1		(AIR)

---

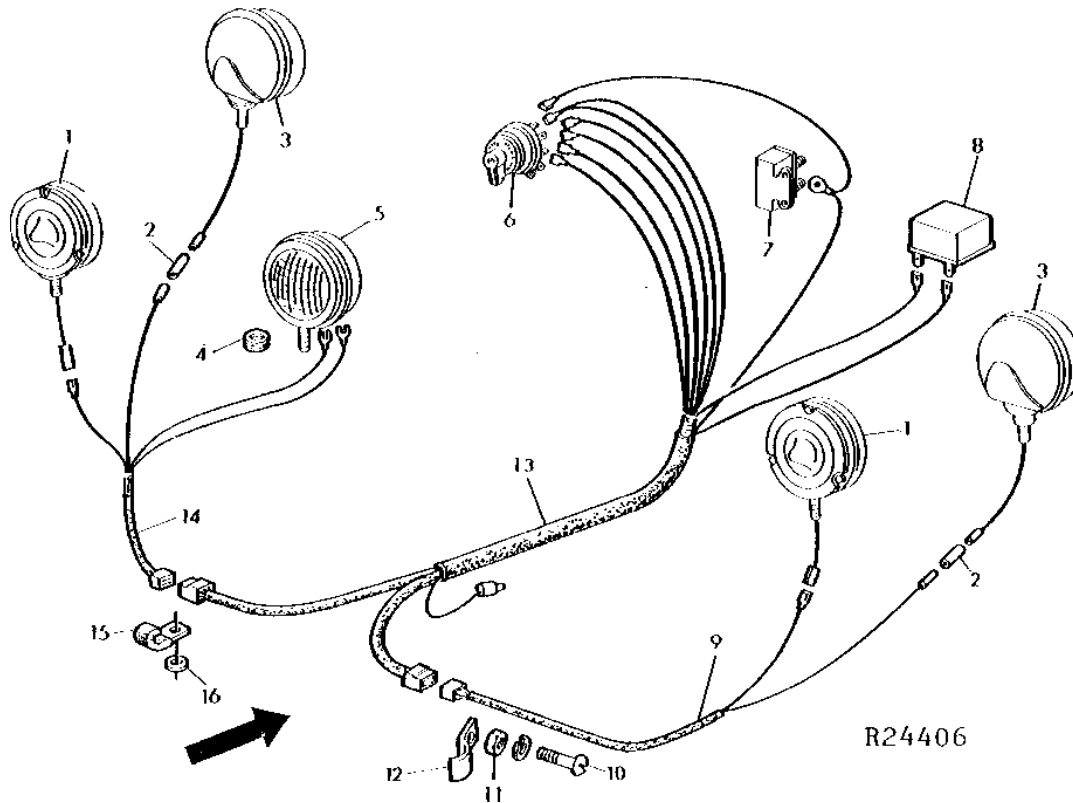
MEMORANDA

# 1D4

ELECTRICAL

R24406 -UN-01JAN94

## ELECTRICAL WIRING SYSTEM



R24406

KEY	PART NO.	PART NAME	QTY	TRACTOR SERIAL NO.	REMARKS
1	AR50580	LAMP	2		WARNING
2	R32029	TERMINAL	2		(SUB AL2976T)
3	AT18815	HEADLIGHT	2		
4	R26409	GROMMET	1		
5	AR77326	FLOODLAMP	1		(SUB FOR AT16288)
6	AR66478	SWITCH	1		LIGHT
7	AR28403	CIRCUIT BREAKER	1		
8	AU41465	FLASHER	1		WARNING LAMP
9	AL25349	WIRING HARNESS	1		R.H. FENDER
10	21H1317	SCREW	2		0.190" X 5/8"
	12H246	LOCK WASHER	2		0.190"
	14H778	NUT	2		0.190"
12	99M7055	CLAMP	2		
13	AL25347	WIRING HARNESS	1		DASH TO FENDERS
14	AL25348	WIRING HARNESS	1		L.H. FENDER
15	T13744	CLAMP	3		
16	24H1227	WASHER	AR		17/32" X 13/16" X 0.060"

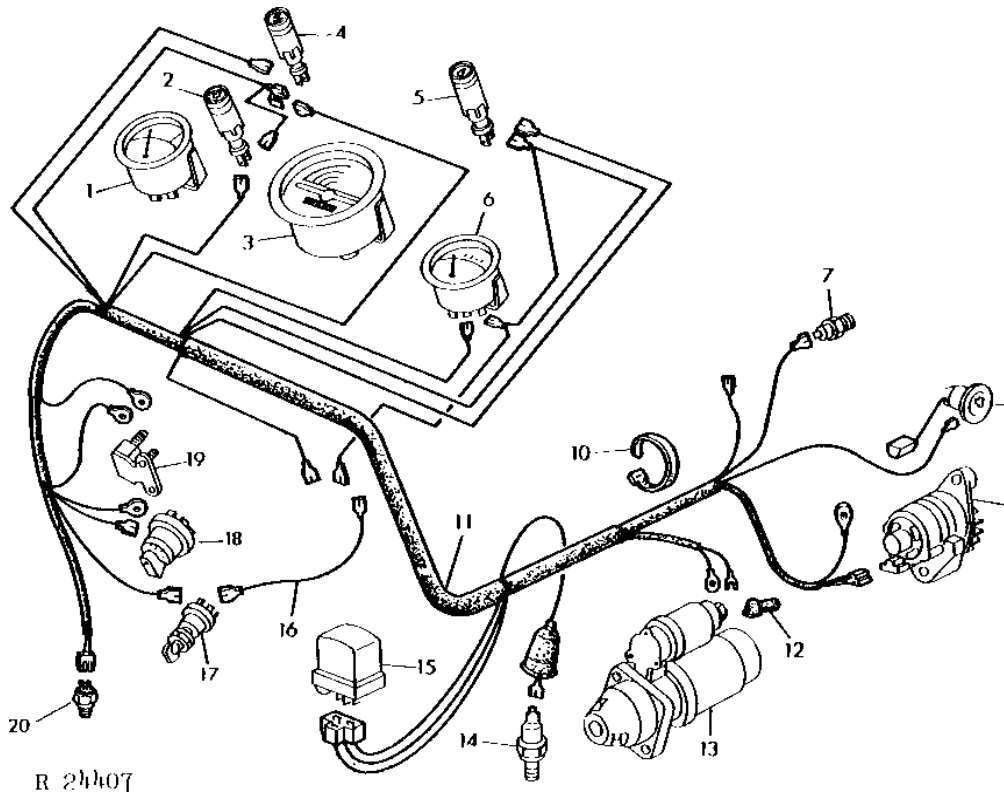
# 1D5

ELECTRICAL

R24407

-UN-01JAN94

## ELECTRICAL WIRING SYSTEM



# 1D6

ELECTRICAL

## ELECTRICAL WIRING SYSTEM

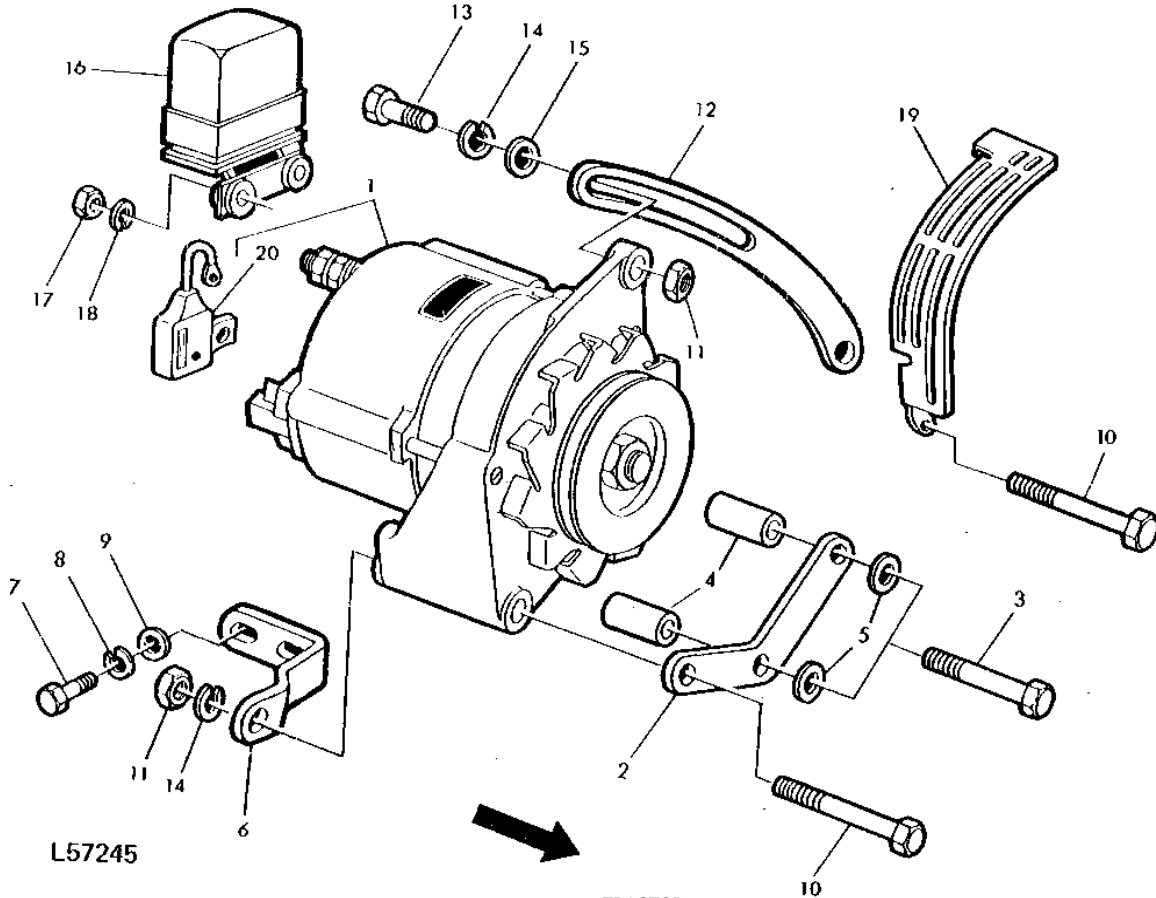
KEY	PART NO.	PART NAME	QTY	TRACTOR SERIAL NO.	REMARKS
1	AR65443	GAUGE	1	-XXXXXX	WATER TEMPERATURE, (SUB AT67693, T366T, (2) 12M7060 AND (2) 14H631)
	AL24526	TEMPERATURE GAUGE	1	XXXXXX-	WATER TEMPERATURE
	RE51774	SENSOR	1	XXXXXX-	(SUB FOR AL24527)
	AL28497	WIRING LEAD	1	XXXXXX-	(GAUGE TO SENDER)
	AL28498	WIRING LEAD	1	XXXXXX-	(GAUGE TO RESTRICTION INDICATOR LAMP)
	AL28499	WIRING LEAD	1	XXXXXX-	(GAUGE TO FUSE BOX)
2	AT24692	INDICATOR LIGHT	1		ALTERNATOR
3	AR65445	TACHOMETER	1		(ALSO ORDER T21828, (2) 14H631 AND (2) 12M7060)
4	AL19907	INDICATOR LIGHT	1		AIR CLEANER RESTRICTION
	57M6394	BULB	1		(12-VOLT) 4W
5	AT24693	HEADLIGHT	1		ENGINE OIL PRESSURE
6	AL24187	GAUGE	1		FUEL
7	RE17515	SENSOR	1		AIR CLEANER RESTRICTION, (SUB FOR AL32975 OR AL24199)
8	AT31619	FLOAT	1		
9	AR62401	ALTERNATOR	1		(28 AMP) (SUB AL36391)
	AL36391	ALTERNATOR	1		(55 AMP) (SUB FOR AR62401)
	TY6651	ALTERNATOR	1		(33 AMP) (REMANUFACTURED) (SUB FOR TY6605)
	TY6652	ALTERNATOR	1		(55 AMP) (REMANUFACTURED)
10	R44302	TIE BAND	3		
11	AL24189	WIRING HARNESS	1		ENGINE
12	L12809	TERMINAL NIPPLE	1		
13	RE62916	STARTER	1		(DELCO-REMY) (SUB FOR RE19187, AT25619, RE42730 OR RE50095)
	TY6702	STARTER	1		(DELCO-REMY) (REMANUFACTURED) (SUB FOR TY6620)
	AR70436	STARTER	1		(ROBERT BOSCH) (SUB TY6720)
	AL41247	STARTER	1		(ROBERT BOSCH) (SUB TY6727)
	TY6720	STARTER	1		(ROBERT BOSCH) (REMANUFACATURED) (SUB FOR AR70436 OR TY6615)
	TY6727	STARTER	1		(ROBERT BOSCH) (REMANUFACTURED) (SUB FOR AL41247 OR AL62690)
14	AR27977	TOUCH SWITCH	1		ENGINE OIL PRESSURE
15	AT31413	VOLTAGE REGULATOR	1		
16	.....	WIRING LEAD	1		445MM (17-1/2") (MAKE FROM R66319, (2) R32024 AND (2) R32027)
17	AR58126	KEY SWITCH	1		STARTER
	AR51481	KEY	1		(SET OF 2)
18	AR66478	SWITCH	1		LIGHT
19	AR28403	CIRCUIT BREAKER	1		
20	RE38390	SWITCH	1		NEUTRAL START, (SUB FOR R36265, AR85323 OR AR89691)
..	AT66865	LUBRICANT	1		0.15L (5.3 OZ) TUBE, (SUB FOR AR94760)

# 1D7

ELECTRICAL

## ALTERNATOR, VOLTAGE REGULATOR AND MOUNTING PARTS (ROBERT BOSCH)

L57245 -UN-01JAN94



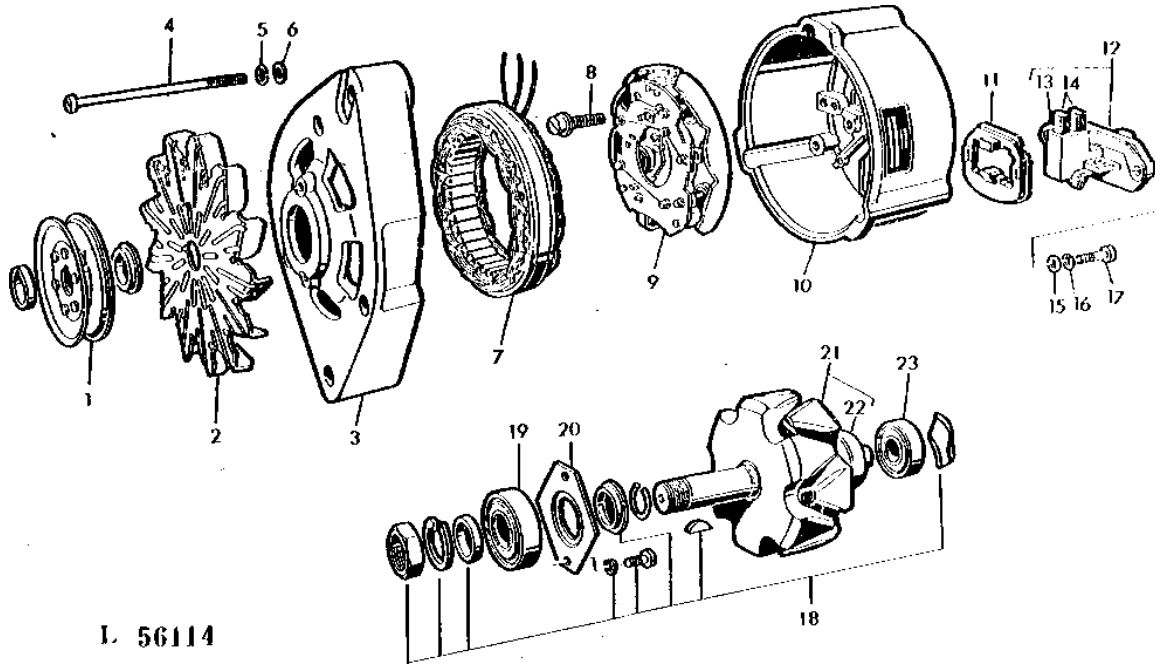
KEY	PART NO.	PART NAME	QTY	TRACTOR SERIAL NO.	REMARKS
1	AR62401	ALTERNATOR	1	(SUB AL36391) (R.BOSCH NO. 0120300535)(28 AMP)	
	AL36391	ALTERNATOR	1	(SUB FOR AR62401) (55 AMP)	
	AL81436	ALTERNATOR	1	(SUB FOR AL35998, AL67175 OR AL78689) (R. BOSCH NO.0120488290),14V(55 AMP)	
	TY6651	ALTERNATOR	1	(SUB FOR TY6605) (REMANUFACTURED)(33 AMP)	
	TY6652	ALTERNATOR	1	(REMANUFACTURED)(55 AMP)	
2	T20202	BRACKET	1	(SUB FOR R60827)	
3	19H2128	CAP SCREW	2	3/8" X 3"	
4	28H2547	SPACER	2	3/8" X 1"	
5	24M7106	WASHER	2	10 X 18 X 2.500 MM	
6	R60828	BRACKET	1		
7	19H2284	CAP SCREW	2	3/8" X 7/8"	
8	12H304	LOCK WASHER	3	3/8"	
9	24H1305	WASHER	2	13/32" X 13/16" X 0.065"	
10	19H1921	CAP SCREW	1	5/16" X 3-1/4"	
11	14H785	NUT	2	5/16"	
12	T20204	STRAP	1		
13	19H2661	CAP SCREW	1	5/16" X 1-3/8"	
14	12H303	LOCK WASHER	2	5/16"	
15	24H1136	WASHER	1	11/32" X 11/16" X 0.065"	
16	AT31413	VOLTAGE REGULATOR	1		
17	14H631	NUT	2	0.190"	
18	12H246	LOCK WASHER	2	0.190"	
19	R56012	SHIELD	1		
20	AL23434	CAPACITOR	1		

# 1D8

ELECTRICAL

**ALTERNATOR  
(12-VOLT) (28 AMP)  
(ROBERT BOSCH NO.0120300535)**

L56114 -UN-01JAN94



**L 56114**

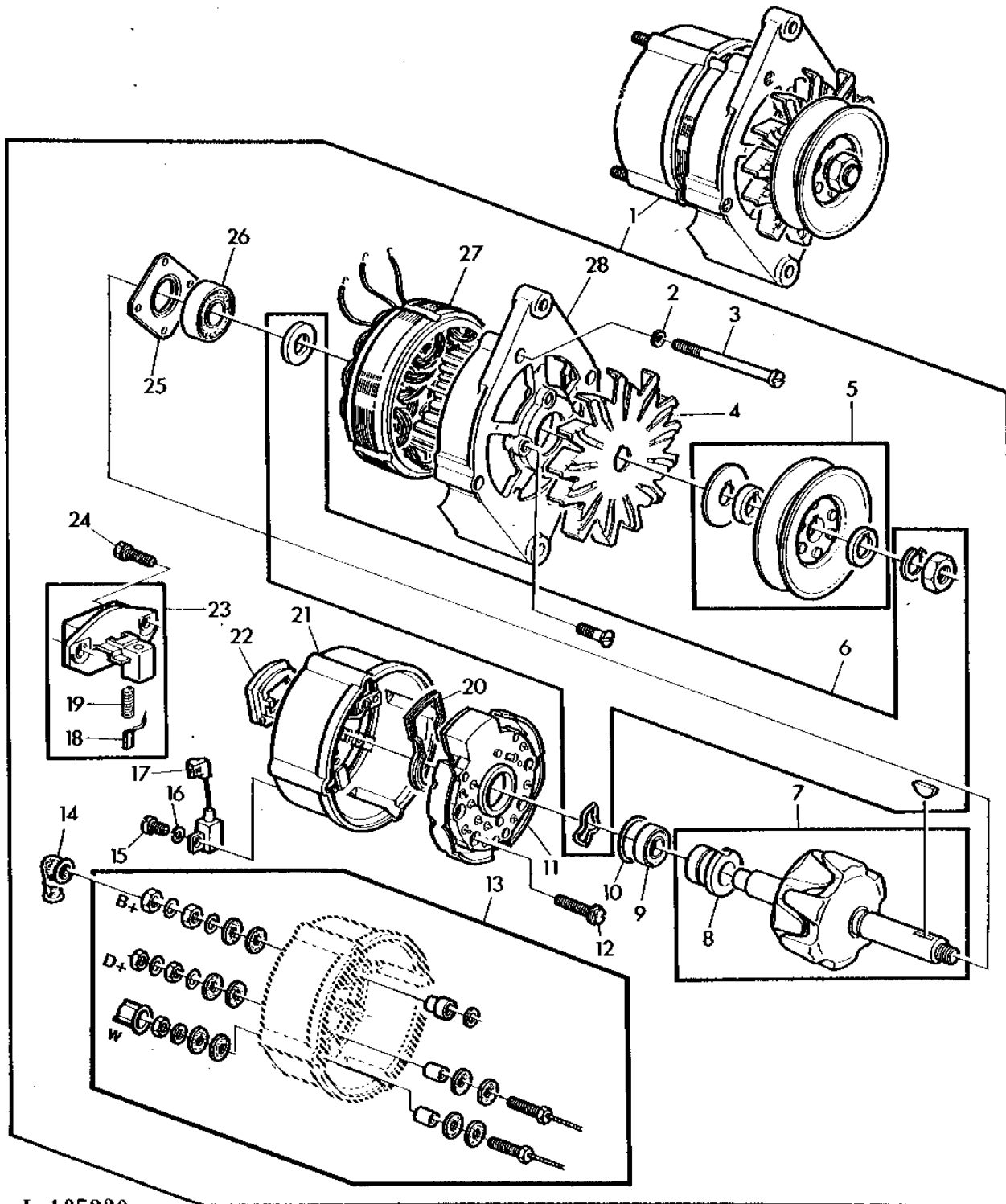
KEY	PART NO.	PART NAME	QTY	TRACTOR SERIAL NO.	REMARKS
1	AL68891	PULLEY	1		(SUB FOR AL23856 OR AL32863)
2	L29167	FAN	1		
3	L29159	CASE	1		
4	L32147	SCREW	3		
5	12M7064	LOCK WASHER	3	M5	
6	24M7027	WASHER	3	5.300 X 10 X 1 MM	
7	AL27371	STATOR	1		(SUB FOR AL23849) (SUB Z42049)
8	L29163	SCREW	3		(SUB Z42049)
9	AL27374	RECTIFIER	1		(SUB FOR AL23855)
10	L29164	HOUSING	1		SLIP RING END
11	L29165	GASKET	1		
12	AL27372	CARBON BRUSH HOLDER	1		(SUB FOR AL23853)
13	L27339	SPRING	2		
14	AL27373	CARBON BRUSH CONDUCTOR	1		BRUSH, (SUB FOR AL23854)
15	L29162	WASHER	2		
16	12M7031	LOCK WASHER	2	4.100 MM	
17	AL19208	SCREW	2		
18	AL23857	KIT	1		ROTOR HARDWARE
19	AL23851	BEARING	1		
20	L29161	PLATE	1		
21	AL23850	ROTOR	1		
22	L29160	RING	1		
23	AL23852	BEARING	1		
..	AR62401	ALTERNATOR	1		(SUB AL36391) (28 AMP)
..	TY6651	ALTERNATOR	1		(SUB FOR TY6605) (REMANUFACTURED)(33 AMP)

# 1D9

ELECTRICAL

ALTERNATOR  
(12-VOLT) (55 AMP)  
(ROBERT BOSCH)

L105220 -UN-01JAN94



L 105220



# 1D10

ELECTRICAL

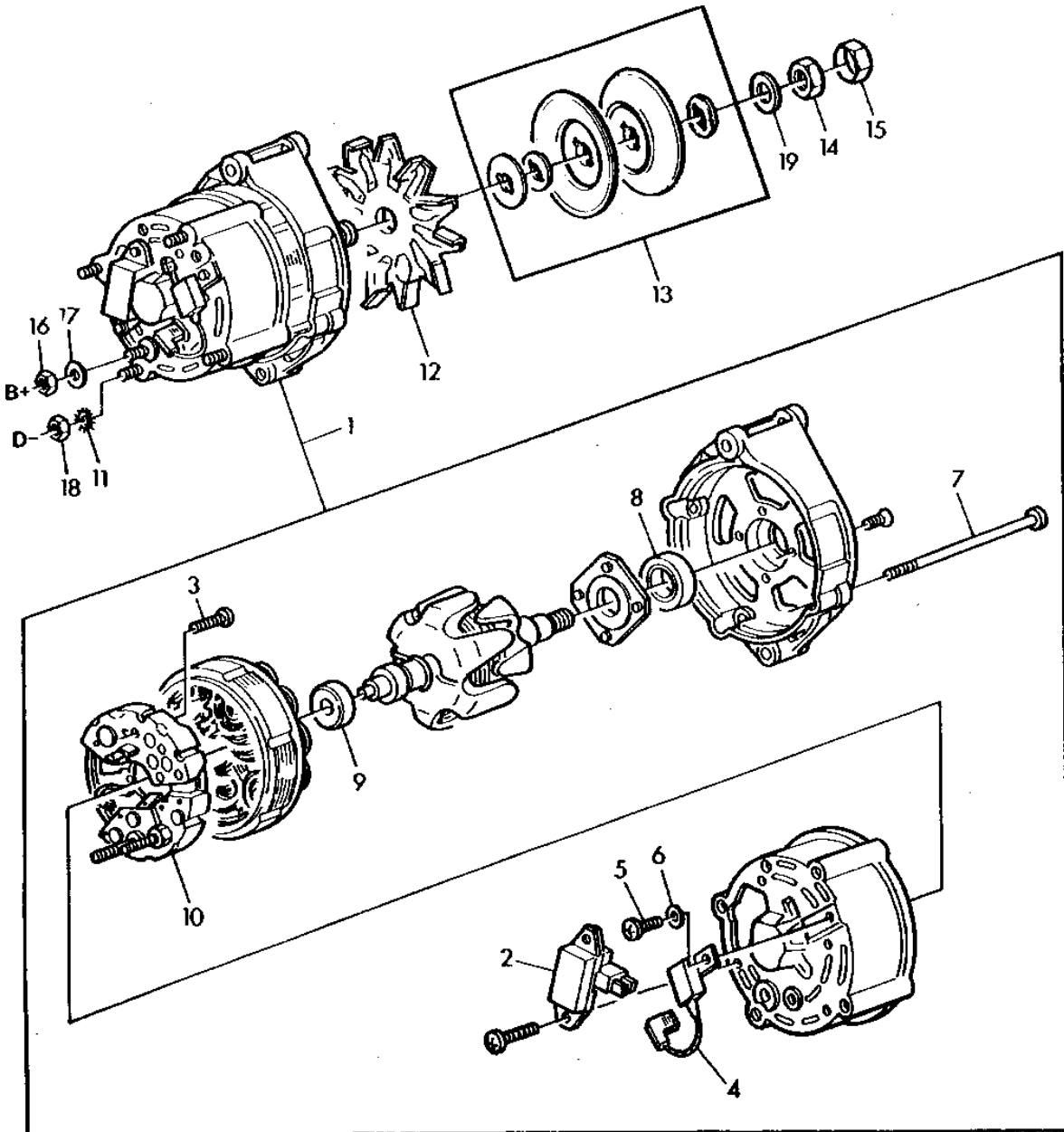
**ALTERNATOR - CONTINUED  
(12-VOLT) (55 AMP)  
(ROBERT BOSCH)**

KEY	PART NO.	PART NAME	QTY	SERIAL NO.	REMARKS
1	AL36391	ALTERNATOR	1		(INCLUDES AL36390)
	AL35998	ALTERNATOR	1		(SUB AL81436, 12M7060, 14M7273, 14M7297 AND 24M7238)
	AL36390	WIRING LEAD	1		
	TY6652	ALTERNATOR	1		(REMANUFACTURED)
2	24M7027	WASHER	4		5.300 X 10 X 1 MM, (R.BOSCH NO.0120489704),14V
3	L41575	SCREW	4		
4	L33993	FAN	1		
5	AL32863	PULLEY	1		(SUB AL68891)
6	AL30424	KIT	1		(SUB AL23857)
7	AL30416	ROTOR	1		
8	L33986	RING	1		
9	AL30417	BEARING	1		
10	L33987	O-RING	1		
11	AL30419	DIODE HOLDER	1		(ALSO ORDER AL30425)
12	Z42049	SCREW	3		
13	AL30425	KIT	1		
14	L33994	TERMINAL NIPPLE	2		
15	21M7198	SCREW	1		M5 X 8
16	12M7075	WASHER	1		5.300 X 11 X 0.500 MM
17	AL30423	CAPACITOR	1		
18	AL30421	CARBON BRUSH CONDUCTOR	1		(SUB AL65077) KIT
19	Z42048	SPRING	2		
20	L41296	GASKET	1		
21	AL30418	HOUSING	1		
22	L33992	INSULATOR	1		(ORDER AL81436 OR TY6652) (NLA)
23	AL35999	REGULATOR	1		(SUB AR65077)
24	Z42047	SCREW	2		
25	L33985	FLANGE	1		
26	JD10036	BALL BEARING	1		
27	AL30422	STATOR	1		
28	AL30414	CASE	1		

# 1D11

ELECTRICAL

ALTERNATOR (55A)  
LX003705 -UN-01JAN94



LX003705

# 1D12

ELECTRICAL

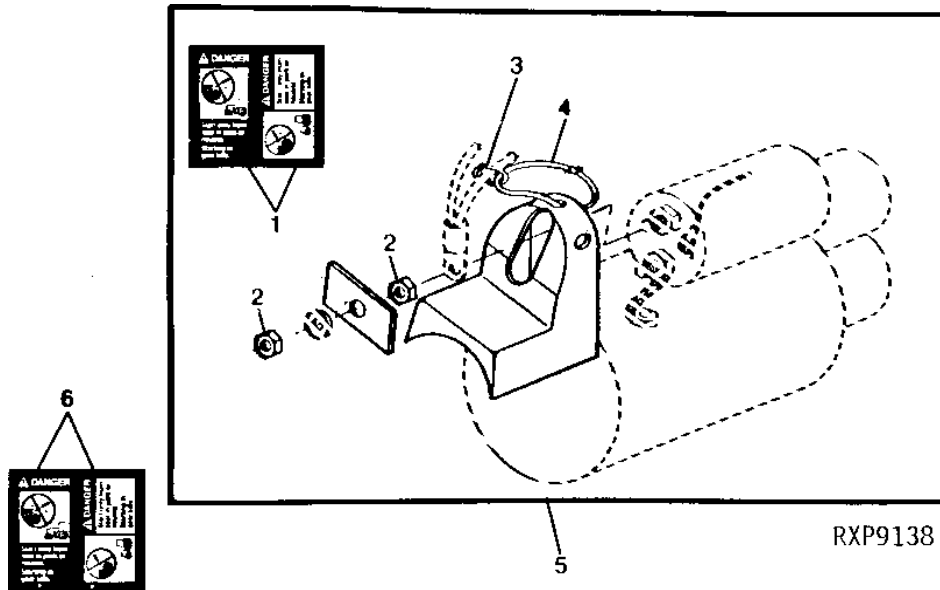
KEY	PART NO.	PART NAME	QTY	SERIAL NO.	REMARKS
1	AL81436	ALTERNATOR	1		R.BOSCH-14V, 55A, 0120488267 (SUB FOR AL78689)
2	AL65077	REGULATOR	1		
3	Z42047	SCREW	2		
4	AL30423	CAPACITOR	1		
5	21M7198	SCREW	1		M5 X 8
6	12M7075	WASHER	1		
7	L41575	SCREW	4		
8	JD30001	BALL BEARING	1		
9	JD10036	BALL BEARING	1		
10	AL81450	RECTIFIER	1		(SUB FOR AL68887)
11	12M7060	WASHER	1		
12	L77042	FAN	1		
13	AL68891	PULLEY	1		
14	L65174	NUT	1		M16
15	L30960	NUT	1		(SUB FOR L65058)
16	14M7273	NUT	1		M8
17	24M7036	WASHER	1		
18	14M7028	NUT	1		M5
19	12M7131	WASHER	1		

# 1D13

ELECTRICAL

## SOLENOID COVER KIT (ROBERT BOSCH)

RXP9138 -UN-18AUG95



RXP9138

KEY	PART NO.	PART NAME	QTY	TRACTOR SERIAL NO.	REMARKS
1	T146102	WARNING LABEL	1	(ENGLISH)	
2	14M7152	NUT	2	M10	
3	R44302	TIE BAND	1		
4	R76477	TIE BAND	1		
5	RE39065	SHIELD	1	(A)	
6	T146106	WARNING LABEL	1	(SPANISH) (ESPAÑOL)	
	T146104	WARNING LABEL	1	(FRENCH) (FRANÇAIS)	
	T146515	WARNING LABEL	1	(GERMAN) (DEUTSCH)	
	T146516	WARNING LABEL	1	(ITALIAN) (ITALIANO)	
	T146517	WARNING LABEL	1	(ENGLISH) (FRANÇAIS)	

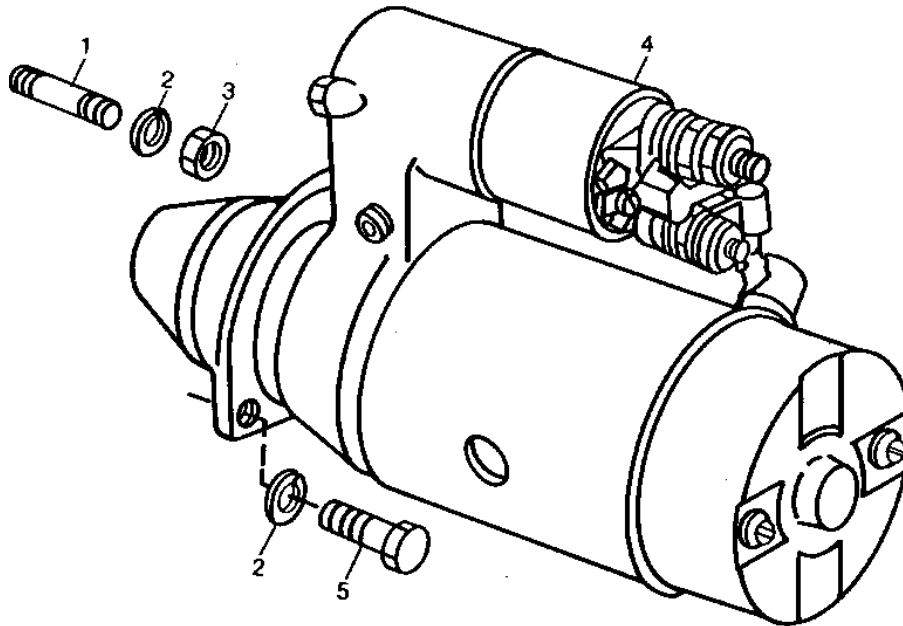
(A) USE ON AL41247, AR70436, TY6720 AND TY6727

# 1D14

ELECTRICAL

RXP8021 -UN-01JAN94

STARTING MOTOR  
(ROBERT BOSCH)



RXP8021

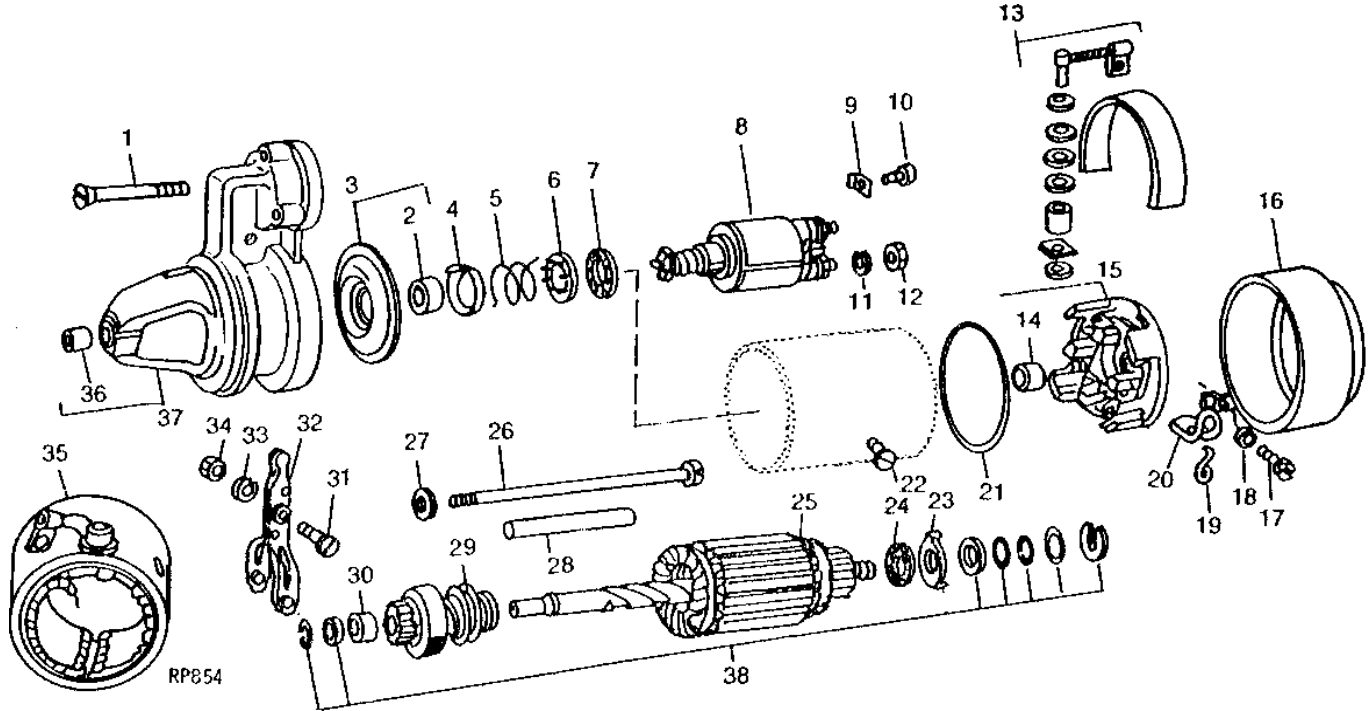
KEY	PART NO.	PART NAME	QTY	TRACTOR SERIAL NO.	REMARKS
1	M3636T	STUD	1	3/8" X 1-1/2"	
2	12H304	LOCK WASHER	2	3/8"	
3	14H1076	NUT	1	3/8"	
4	AR70436	STARTER	1	(SUB TY6720)	
	AL41247	STARTER	1	(SUB TY6727)	
	TY6720	STARTER	1	(REMANUFACTURED) (SUB FOR AR70436 OR TY6615)	
	TY6727	STARTER	1	(REMANUFACTURED) (SUB FOR AL41247)	
5	19H1731	CAP SCREW	1	3/8" X 1"	

# 1D15

ELECTRICAL

## STARTING MOTOR (ROBERT BOSCH) (AR70436)

RP854 -UN-01JAN94



KEY	PART NO.	PART NAME	QTY	TRACTOR SERIAL NO.	REMARKS
1	L30860	SCREW	3		
2	L30862	BUSHING	1		
3	AL25267	QUILL	1		
4	L30864	GUIDE	1		
5	L41579	COMPRESSION SPRING	1		(SUB FOR L30865)
6	L41579	COMPRESSION SPRING	1		(SUB FOR L30866)
7	L30867	BRAKE DISK	1		
8	AL55046	SOLENOID	1		(SUB FOR AL25268)
9	L29156	CLAMP	1		
10	21M1211	SCREW	1	M4 X 6	
11	R53858	LOCK WASHER	2		
12	14M7152	NUT	4	M10	
13	AL25269	KIT	1		
14	Z24799	BUSHING	1		
15	AL25270	COMMUTATOR HOUSING	1		
16	L29158	COVER	1		
17	21M7198	SCREW	4	M5 X 8	
18	12M7064	LOCK WASHER	4	5.100 MM	
19	L41579	COMPRESSION SPRING	4		(SUB FOR Z24810)
20	AL25271	CARBON BRUSH CONDUCTOR	1		
21	T27670	RING	1		(SUB FOR Z24801)
22	L29157	SCREW	1		
23	L30868	THRUST WASHER	1		
24	L30869	DISK	1		(ORDER TY6720) (NO LONGER AVAILABLE)
25	AL25274	ARMATURE	1		
26	L29152	SCREW	2		
27	L30863	WASHER	2		(SUB 24M7054)
28	L30861	PIPE	2		
29	AL25275	DRIVE	1		
30	Z24800	BUSHING	1		
31	T27671	SCREW	1		
32	AL25273	LEVER	1		
33	12H303	LOCK WASHER	1	5/16"	
34	14M7151	NUT	1	M8	
35	AL25272	FIELD WINDING COIL	1		
36	L19651	BUSHING	1		
37	AL25266	HOUSING	1		
38	AL23848	ARMATURE	1		KIT
..	AR70436	STARTER	1		COMPLETE, (SUB TY6720)

---

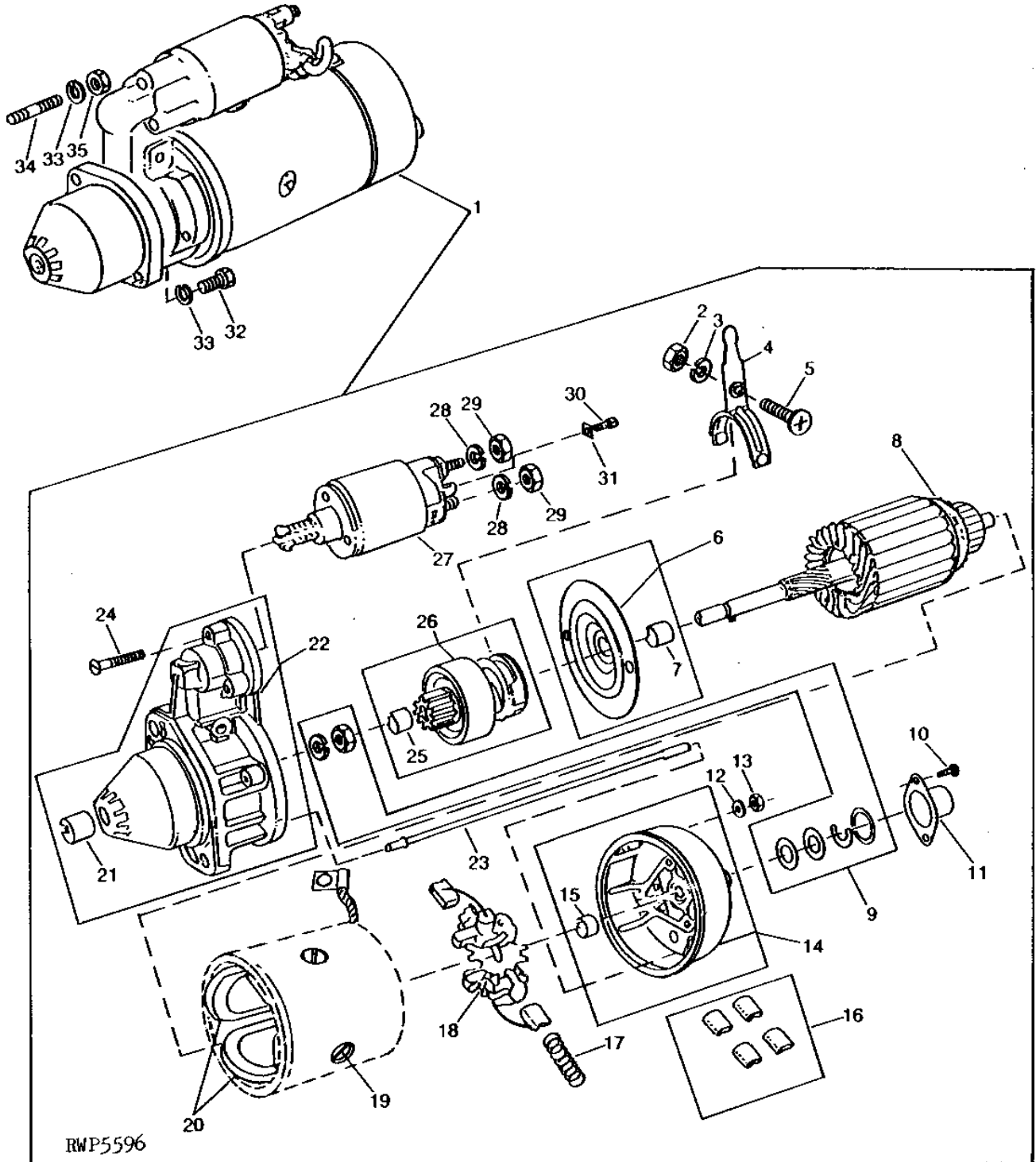
MEMORANDA

# 1D16

ELECTRICAL

STARTING MOTOR  
(ROBERT BOSCH)  
(AL41247)

RWP5596 -UN-01JAN94





# 1D17

ELECTRICAL

**STARTING MOTOR - CONTINUED  
(ROBERT BOSCH)  
(AL41247)**

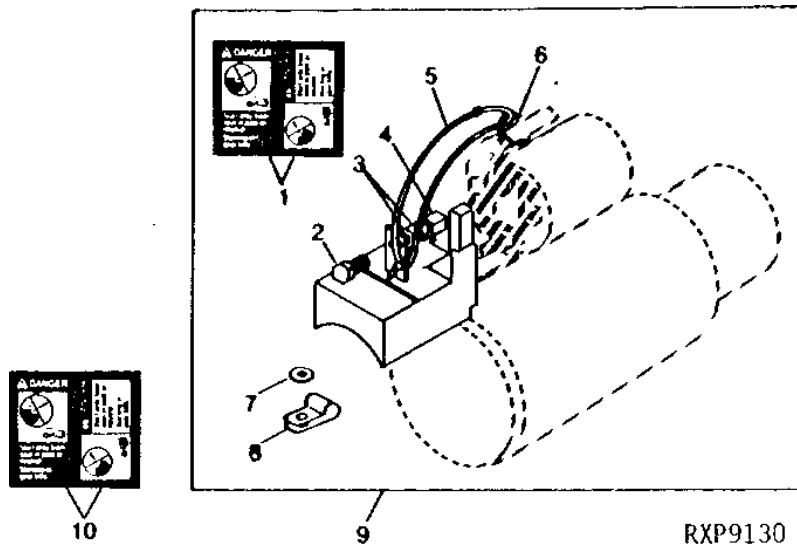
KEY	PART NO.	PART NAME	QTY	TRACTOR SERIAL NO.	REMARKS
1	AL41247	STARTER	1		(SUB TY6727)
	TY6727	STARTER	1		(REMANUFACTURED)
2	14M7151	NUT	1		M8
3	12M7065	LOCK WASHER	1		M8
4	AL25273	LEVER	1		
5	L41582	SCREW	1		
6	AL25267	QUILL	1		
7	L30862	BUSHING	1		
8	AL55042	ARMATURE	1		
9	AL41522	KIT	1		
10	21M7271	SCREW	2		M5 X 16
11	L42043	CAP	1		
12	24M7088	WASHER	2		6.600 X 12 X 1.600 MM
13	14M7272	NUT	2		M6
14	AL41520	COMMUTATOR HOUSING	1		
15	L41081	BUSHING	1		
16	AL55047	CARBON BRUSH CONDUCTOR	1		
17	L55066	COMPRESSION SPRING	1		
18	AL55044	CARBON BRUSH HOLDER	1		
19	L29157	SCREW	4		
20	AL55043	FIELD WINDING COIL	1		
21	L19651	BUSHING	1		
22	AL41525	HOUSING	1		
23	L55064	STUD	2		
24	L30860	SCREW	3		
25	.....	BUSHING	2		(NOT SUPPLIED SEPARATELY) (ORDER AL63095)
26	AL63095	BENDIX DRIVE	1		(SUB FOR AL41626)
27	AL55046	SOLENOID	1		
28	12M7013	LOCK WASHER	2		M10
29	14M7152	NUT	2		M10
30	21M1211	SCREW	1		M4 X 6
31	L29156	CLAMP	1		
32	19H1731	CAP SCREW	1		3/8" X 1"
33	12H304	LOCK WASHER	2		3/8"
34	M3636T	STUD	1		
35	14H1076	NUT	1		3/8"

# 1D18

ELECTRICAL

## STARTER SOLENOID COVER KIT (DELCO-REMY)

RXP9130 -UN-01JAN94



RXP9130

KEY	PART NO.	PART NAME	QTY	TRACTOR SERIAL NO.	REMARKS
1	T146102	WARNING LABEL	1	(ENGLISH)	
2	19H2038	CAP SCREW	1	3/8" X 1/2"	
3	24H1305	WASHER	2	13/32" X 13/16" X 0.065"	
4	R100380	NUT	1		
5	R76477	TIE BAND	1		
6	R44302	TIE BAND	1		
7	24H1288	WASHER	1	9/32" X 1" X 1/16"	
8	R46414	CLAMP	1		
9	RE39061	SHIELD	1	(A)	
10	T146106	WARNING LABEL	1	(ESPANOL)	
	T146104	WARNING LABEL	1	(FRANCAIS)	
	T146515	WARNING LABEL	1	(DEUTSCH)	
	T146516	WARNING LABEL	1	(ITALIANO)	
	T146517	WARNING LABEL	1	(ENGLISH/FRANCAIS)	

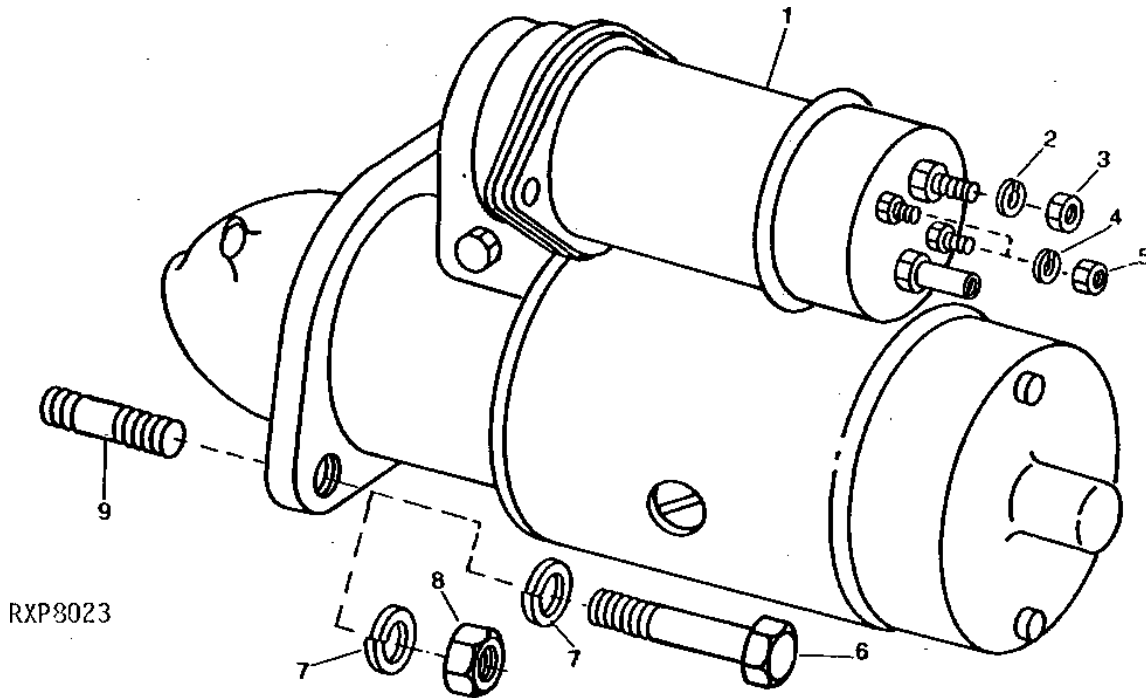
(A) USE ON AT25619, RE19187, RE42730, TY6620 OR TY6702

# 1D19

ELECTRICAL

RXP8023 -UN-01JAN94

## STARTING MOTOR (DELCO-REMY)



RXP8023

KEY	PART NO.	PART NAME	QTY	TRACTOR SERIAL NO.	REMARKS
1	RE19187	STARTER	1	(DELCO-REMY NO. 1107871 OR 1998367)	(SUB FOR AT25619) (SUB RE62916 OR TY6702)
	RE62916	STARTER	1	(DELCO-REMY)	(SUB FOR AT25619, RE19187, RE42730 OR RE50095)
	TY6702	STARTER	1	(REMANUFACTURED)	(SUB FOR TY6620)
2	12M7013	LOCK WASHER	1	(A) 10.200 MM	
3	14M7274	NUT	1	(A) M10	
4	12M7064	LOCK WASHER	2	(A) M5	
5	14M7297	NUT	2	(A) M5	
6	19H1731	CAP SCREW	1	3/8" X 1"	
7	12H304	LOCK WASHER	2	3/8"	
8	14H1076	NUT	1	3/8"	
9	R56481	STUD	1	3/8" X 1-1/2"	

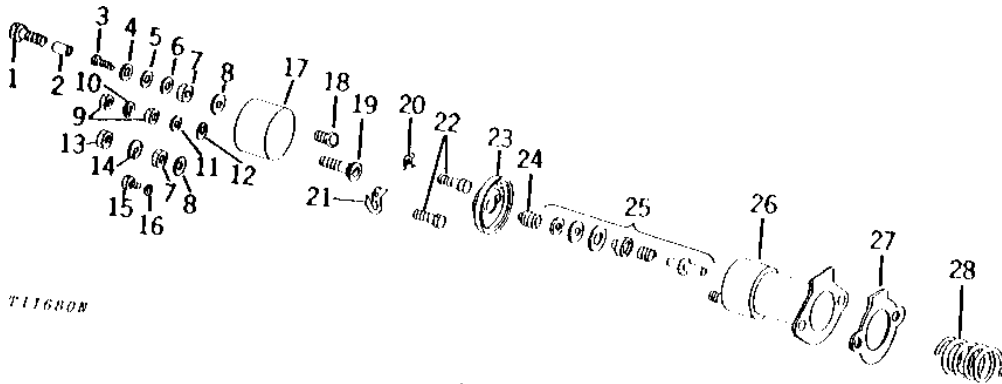
(A) USE WITH RE19187, RE42730, RE50095 OR RE62916

# 1D20

ELECTRICAL

STARTING MOTOR SOLENOID SWITCH  
(DELCO-REMY NO. 1114356)  
(AT25619)

T11680 -UN-01JAN94



T11680N

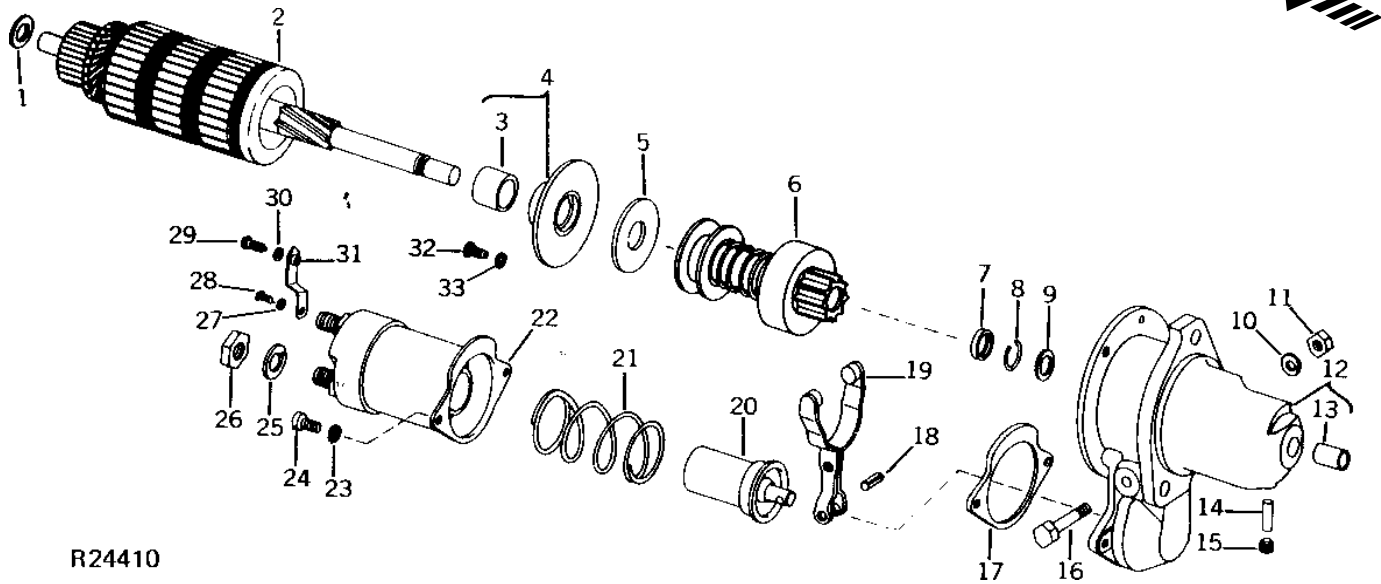
KEY	PART NO.	PART NAME	QTY	TRACTOR SERIAL NO.	REMARKS
1	T19610	CAP SCREW	1		
2	T19608	BUSHING	1		
3	T15564	SCREW	1		
4	12M7060	WASHER	1	0.209"	
5	T19600	WASHER	1		
6	T19602	WASHER	1		
7	14H732	NUT	2	3/8", (SUB FOR R11195)	
8	T18107	WASHER	2		
9	14H605	NUT	4	0.164"	
10	T19603	LOCK WASHER	2		
11	T19601	WASHER	2		
12	T19607	WASHER	2		
13	14H732	NUT	1	3/8"	
14	12H304	LOCK WASHER	1	3/8"	
15	21H1127	SCREW	2	0.190" X 7/16"	
16	R11039	WASHER	2		
17	R61134	COVER	1	(SUB FOR R57452) (SUB AR68304) (ALSO ORDER R61133)	
18	T18354	SCREW	1	MOTOR TERMINAL	
19	T18105	STUD	1	BATTERY TERMINAL	
20	T19605	CLIP	1	SWITCH TERMINAL	
21	T19604	CONTACT	1		
22	T19606	STUD	2	SWITCH AND RESISTOR TERMINALS	
23	R61133	GASKET	1	(SUB FOR R49394)	
24	R11066	SPRING	1		
25	AT15146	CONTACT	1		
26	.....	HOUSING	1	(ORDER AR68304 OR TY6690)	
27	T17058	GASKET	1		
28	T11675	SPRING	1		
..	AR68304	SOLENOID	1	(SUB FOR R11240)	

# 1D21

ELECTRICAL

## STARTING MOTOR DRIVE MOTOR AND ARMATURE ASSEMBLY (DELCO-REMY NO. 1107871) (AT25619)

R24410 -UN-01JAN94



R24410

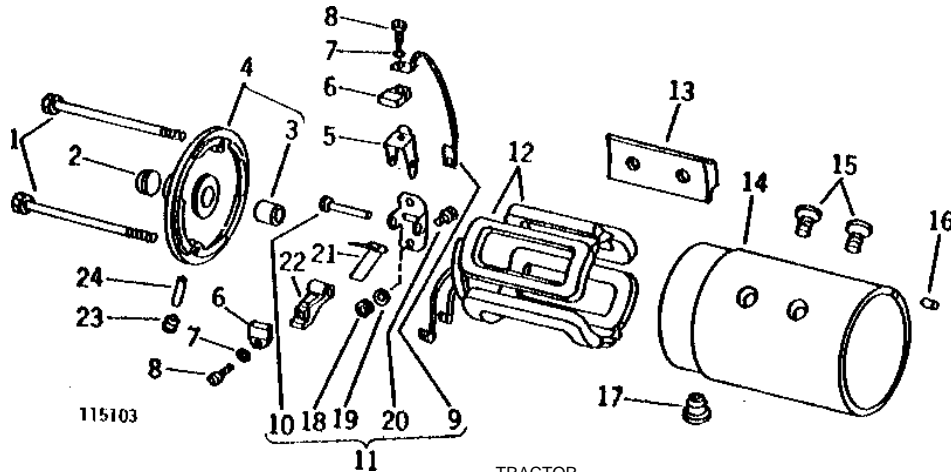
KEY	PART NO.	PART NAME	QTY	TRACTOR SERIAL NO.	REMARKS
1	R11096	WASHER	1		
2	AT16291	ARMATURE	1		
3	T11684	BUSHING	1		(SUB FOR 820149)
4	820149	BEARING	1		
5	R11095	WASHER	1		
6	AR54923	BENDIX DRIVE	1		(SUB FOR AT17981 OR AT23160)
7	R11116	SPACER	1		
8	R11117	SNAP RING	1		
9	T24539	WASHER	1		
10	12H303	LOCK WASHER	1		5/16"
11	14H611	NUT	1		5/16"
12	RE19193	HOUSING	1		(SUB FOR AR70082)
13	T17987	BUSHING	1		
14	R40337	WICK	1		
15	15H558	PIPE PLUG	1		1/8", (SUB FOR R11085)
16	T11672	CAP SCREW	1		
17	T17058	GASKET	1		
18	34H279	SPRING PIN	1		3/16" X 13/16"
19	T18113	SHIFTER	1		(SUB FOR T11674)
20	AT15147	PLUNGER	1		
21	R81176	COMPRESSION SPRING	1		(SUB FOR T11675)
22	AR68304	SOLENOID	1		SOLENOID (DELCO-REMY NO. 114458) (SUB FOR R11240) (REMANUFACTURED)
	TY6690	SOLENOID	1		
23	12H302	LOCK WASHER	2		1/4"
24	21H1142	SCREW	2		1/4" X 1/2"
25	12H304	LOCK WASHER	1		3/8"
26	14H732	NUT	1		3/8"
27	12M7060	WASHER	1		0.209"
28	T15564	SCREW	1		NO. 10 X 7/16"
29	21H1127	SCREW	1		0.190" X 7/16"
30	12H246	LOCK WASHER	1		0.190"
31	R11235	FITTING	1		
32	T19589	SCREW	2		
33	T19569	LOCK WASHER	2		
..	AT25619	STARTER	1		(SUB RE62916 OR TY6702)

# 1D22

ELECTRICAL

STARTING MOTOR HOUSING AND COIL ASSEMBLY  
(DELCO-REMY NO. 1107871)  
(AT25619)

T15103 -UN-01JAN94



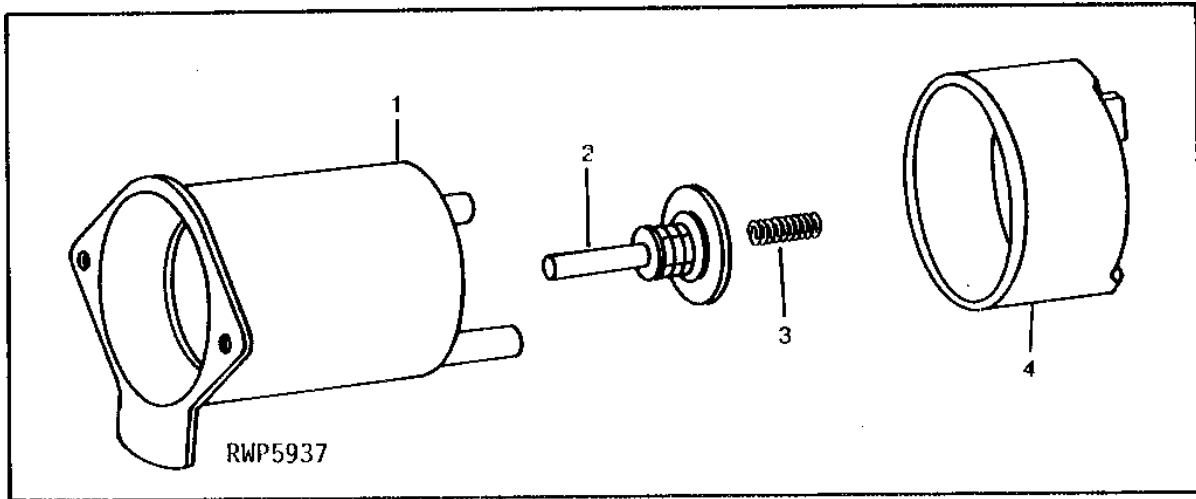
KEY	PART NO.	PART NAME	QTY	TRACTOR SERIAL NO.	REMARKS
1	R11243	CAP SCREW	2		
2	30H9	PLUG	1	3/4"	
3	R61932	BUSHING	1	(SUB FOR T11739)	
4	R11238	END PLATE	1		
5	T738T	HOLDER	2	(SUB FOR T18099)	
6	R11239	BRUSH	4		
7	12M7084	LOCK WASHER	4	0.169"	
8	37H78	SCREW	4	0.164" X 3/4"	
9	AT514T	WIRING LEAD	2		
10	T736T	PIN	2		
11	AT516T	KIT	2		
12	AT16290	FIELD WINDING COIL	1		
13	T11680	SHOE	4		
14	.....	HOUSING	1	(ORDER RE62916 OR TY6702)	
15	21H1280	SCREW	8	3/8" X 3/4", (SUB FOR T18353)	
16	R11087	DOWEL PIN	1		
17	R11236	GROMMET	1		
18	14H778	NUT	4	0.190"	
19	12H246	LOCK WASHER	4	0.190"	
20	21H1301	SCREW	4	0.190" X 1/2"	
21	T740T	SPRING	4		
22	T739T	HOLDER	2		
23	15H558	PIPE PLUG	1	1/8"	
24	H23193	FELT	1		
..	AT25619	STARTER	1	(SUB RE62916 OR TY6702)	

# 1D23

ELECTRICAL

RWP5937 -UN-01JAN94

SOLENOID SWITCH  
(DELCO-REMY NO. 1114524)



KEY	PART NO.	PART NAME	QTY	ENGINE SERIAL NO.	REMARKS
1	.....	SOLENOID	1	(SUB AM39968)	
2	AM39969	CONTACT	1		
3	R11066	SPRING	1		
4	RE24175	COVER	1		
5	AM39968	SOLENOID	1	(A) (12-VOLT)	

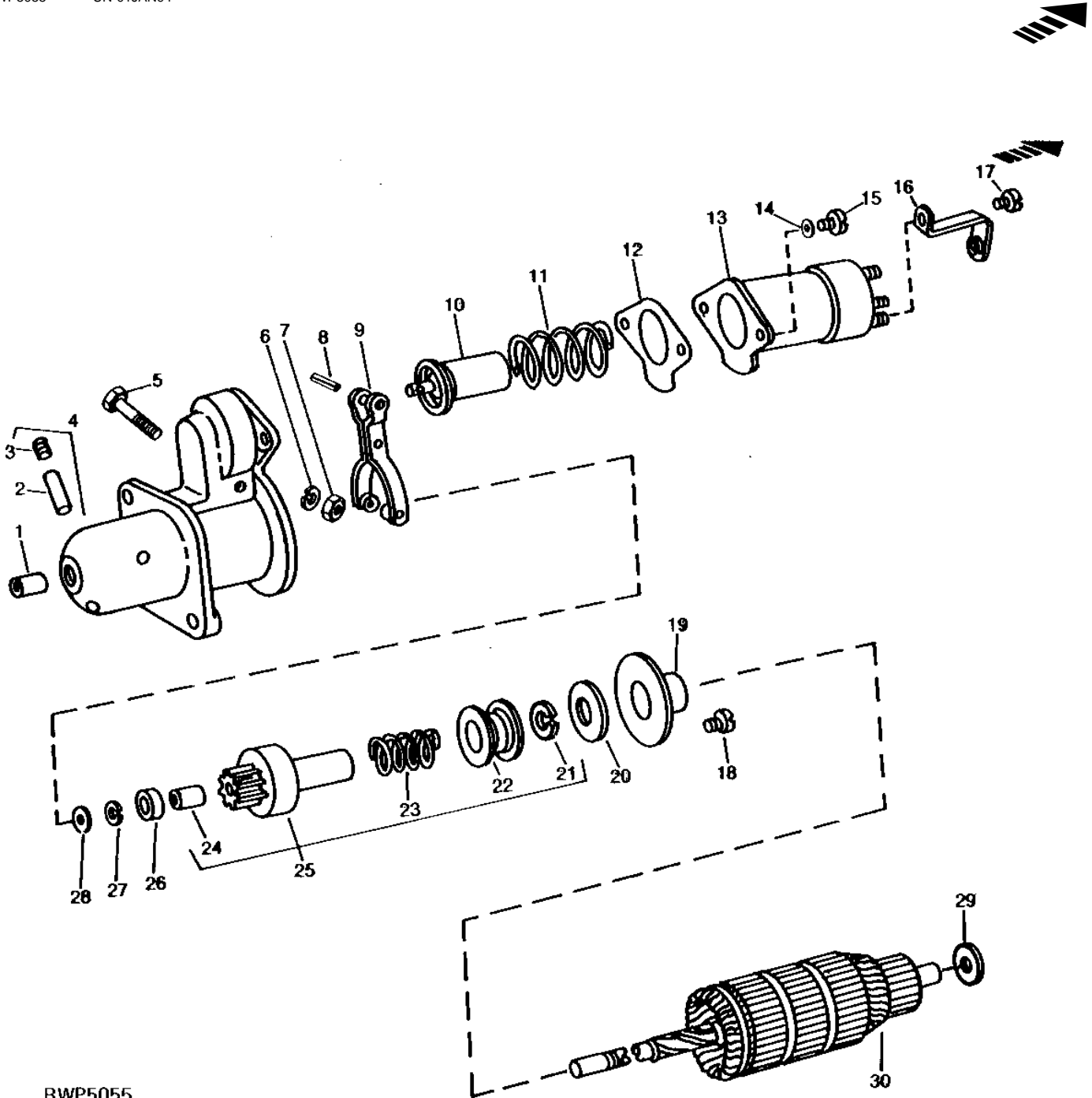
(A) USE ON RE19187 OR RE42730

# 1D24

ELECTRICAL

## STARTING MOTOR DRIVE MOTOR AND SWITCH ASSEMBLY (DELCO-REMY NO. 1998367) (RE19187 AND RE42730)

RWP5055 -UN-01JAN94



RWP5055



# 1D25

ELECTRICAL

STARTING MOTOR DRIVE MOTOR AND SWITCH ASSEMBLY - CONTINUED  
 (DELCO-REMY NO. 1998367)  
 (RE19187 AMD RE42730)

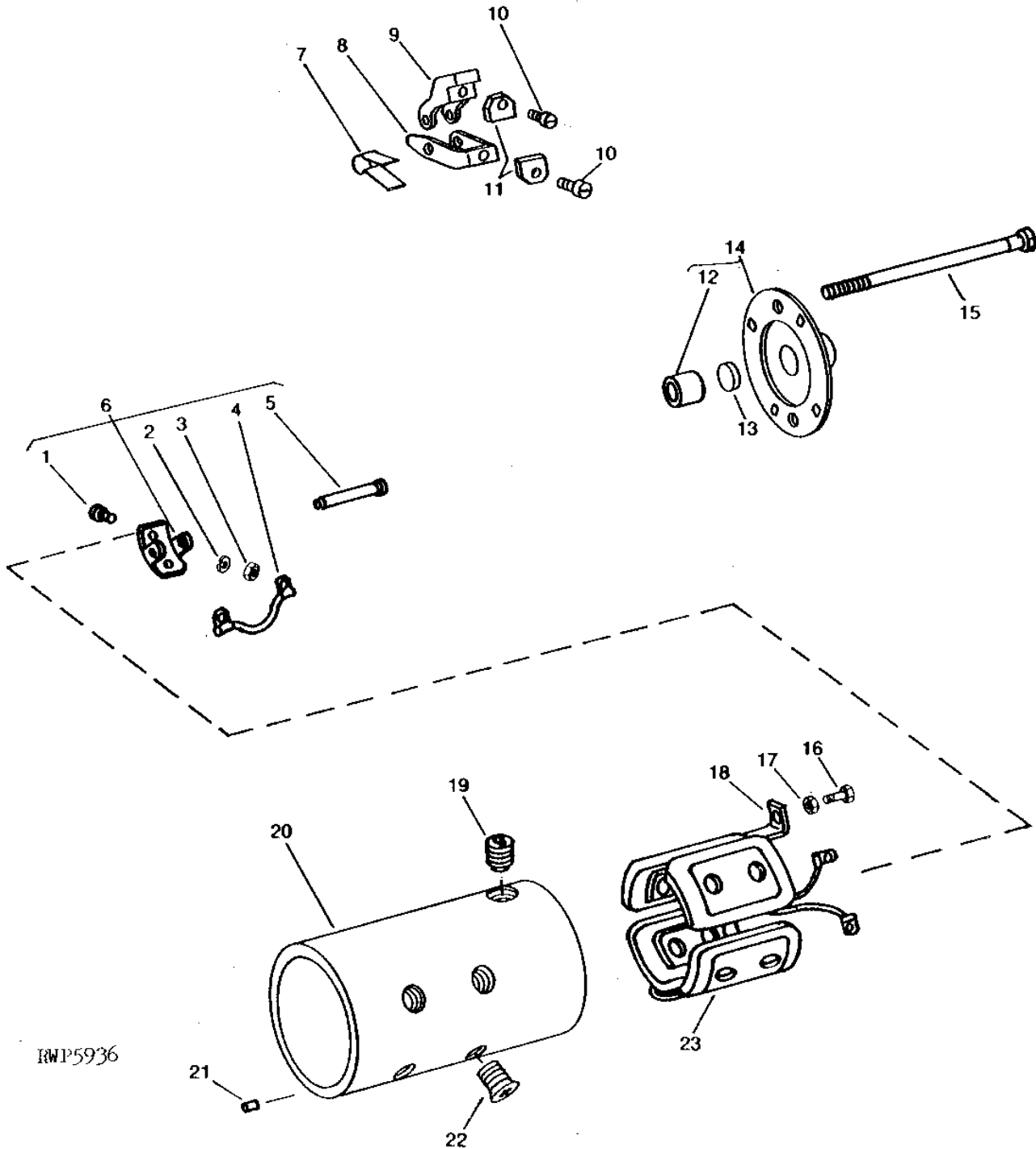
KEY	PART NO.	PART NAME	QTY	ENGINE SERIAL NO.	REMARKS
1	R57029	BUSHING	1		
2	R81175	WICK	1		
3	R81174	PLUG	1		
4	RE19193	HOUSING	1		
5	T11672	CAP SCREW	1		
6	12H303	LOCK WASHER	1	5/16"	
7	14H611	NUT	1	5/16"	
8	34H279	SPRING PIN	1	3/16" X 13/16"	
9	T18113	SHIFTER	1		
10	AM39970	PLUNGER	1		
11	R81176	COMPRESSION SPRING	1		
12	T17058	GASKET	1		
13	AM39968	SOLENOID	1		
14	12H302	LOCK WASHER	2	1/4"	
15	21H1142	SCREW	2	1/4" X 1/2"	
16	R57025	FITTING	1		
17	T15564	SCREW	1		
18	RE19191	SCREW, WITH WASHER	2		
19	RE19192	PLATE	1		
20	R81172	WASHER	1		
21	R11118	WIRE	1		
22	.....	SHIFT COLLAR	1		(SUB AR54923)
23	T26601	SPRING	1		
24	1873796	BUSHING	2		
25	AR54923	BENDIX DRIVE	1		
26	R11116	SPACER	1		
27	R11117	SNAP RING	1		
28	T24539	WASHER	1		
29	R81198	THRUST WASHER	1		
30	AR68299	ARMATURE	1		
..	RE19187	STARTER	1		(SUB RE62916 OR TY6702)
..	RE42730	STARTER	1		(SUB RE62916 OR TY6702)

# 1E1

ELECTRICAL

## STARTING MOTOR COIL ASSEMBLY, HOUSING AND BRUSHES (DELCO-REMY NO. 1998367) (RE19187 AND RE42730)

RWP5936 -UN-01JAN94



RWP5936

# 1E2

ELECTRICAL

**STARTING MOTOR COIL ASSEMBLY, HOUSING AND BRUSHES - CONTINUED**  
**(DELCO-REMY NO. 1998367)**  
**(RE19187 AND RE42730)**

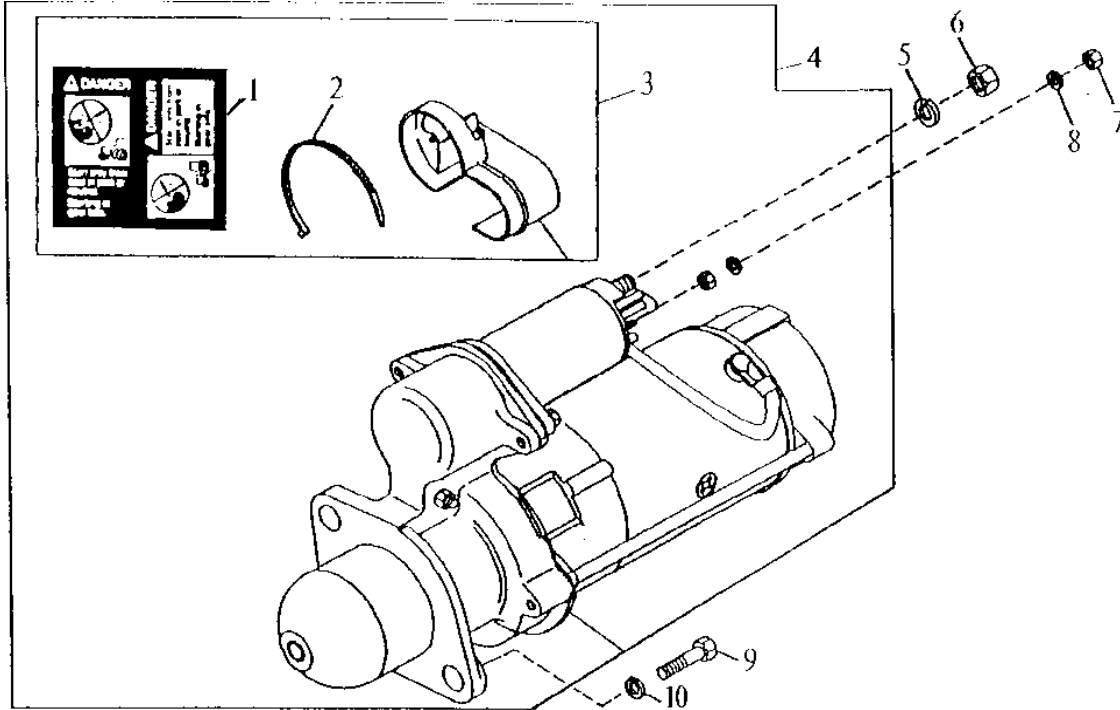
KEY	PART NO.	PART NAME	QTY	ENGINE SERIAL NO.	REMARKS
1	21H1301	SCREW	4		
2	12H246	LOCK WASHER	4		0.190" X 1/2"
3	14H778	NUT	4		0.190"
4	R57028	WIRING LEAD	2		
5	T736T	PIN	2		
6	AR68302	KIT	2		
7	R81170	SPRING	2		
8	R57027	HOLDER	2		
9	R81169	CARBON BRUSH HOLDER	2		
10	37H78	SCREW	4		0.164" X 3/4"
11	R81168	BRUSH	4		
12	R61932	BUSHING	1		
13	R61934	WICK	1		
14	R81167	END PLATE	1		
15	R81171	BOLT	2		
16	37H91	SCREW	1		0.190" X 1/2"
17	12H246	LOCK WASHER	1		0.190"
18	RE19188	FIELD WINDING COIL	1		
19	R11236	GROMMET	1		
20	.....	HOUSING	1		(ORDER RE62916 OR TY6702)
21	R81173	DOWEL PIN	1		
22	21H1280	SCREW	8		3/8" X 3/4"
23	T11680	SHOE	4		
..	RE19187	STARTER	1		(SUB RE62916 OR TY6702)
..	RE42730	STARTER	1		(SUB RE62916 OR TY6702)

# 1E3

ELECTRICAL

## STARTING MOTOR WITH ATTACHING HARDWARE (RE62916)

RXP021236 -UN-23AUG95



RXP021236

KEY	PART NO.	PART NAME	QTY	ENGINE SERIAL NO.	REMARKS
1	T146102	WARNING LABEL	1	(ENGLISH)	
	T146106	WARNING LABEL	1	(ESPAÑOL)	
	T146104	WARNING LABEL	1	(FRANCAIS)	
	T146515	WARNING LABEL	1	(DEUTSCH)	
	T146516	WARNING LABEL	1	(ITALIANO)	
	T146517	WARNING LABEL	1	(ENGLISH/FRANCAIS)	
2	H113196	TIE BAND	1		
	R44302	TIE BAND	2		
3	RE50096	KIT	1		
4	RE62916	STARTER	1	(SUB FOR AT25619, RE19187, RE42730 OR RE50095)	
5	12M7013	LOCK WASHER	1	10.200 MM	
6	14M7274	NUT	1	M10	
7	14M7297	NUT	1	M5	
8	12M7064	LOCK WASHER	1	5.100 MM	
9	19H3239	CAP SCREW	2	3/8" X 1-1/4"	
10	12H304	LOCK WASHER	2	3/8"	

---

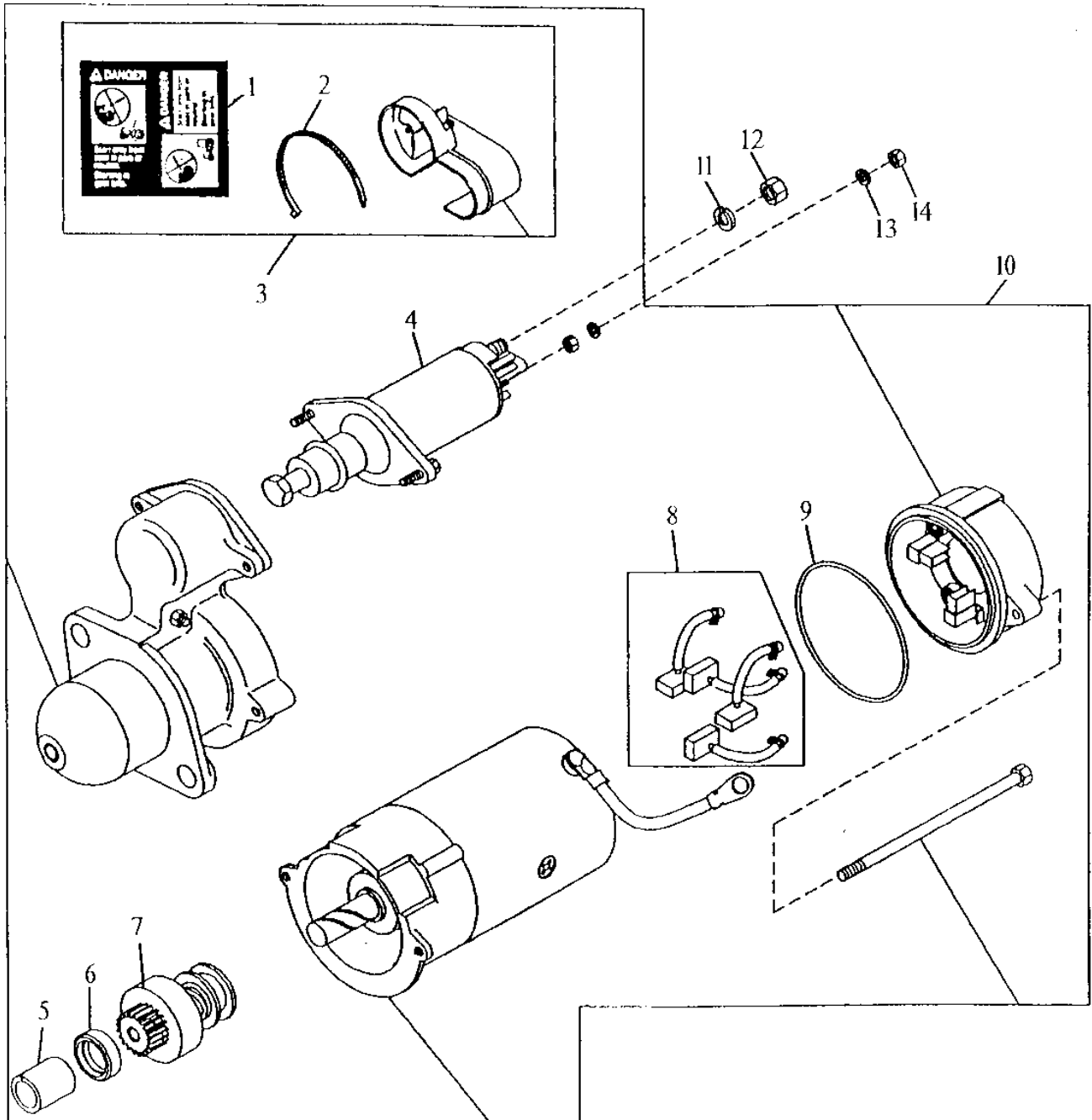
MEMORANDA

# 1E4

ELECTRICAL

## STARTING MOTOR (RE62916)

RXP021237 -UN-18AUG95



RXP021237

# 1E5

ELECTRICAL

## STARTING MOTOR - CONTINUED (RE62916)

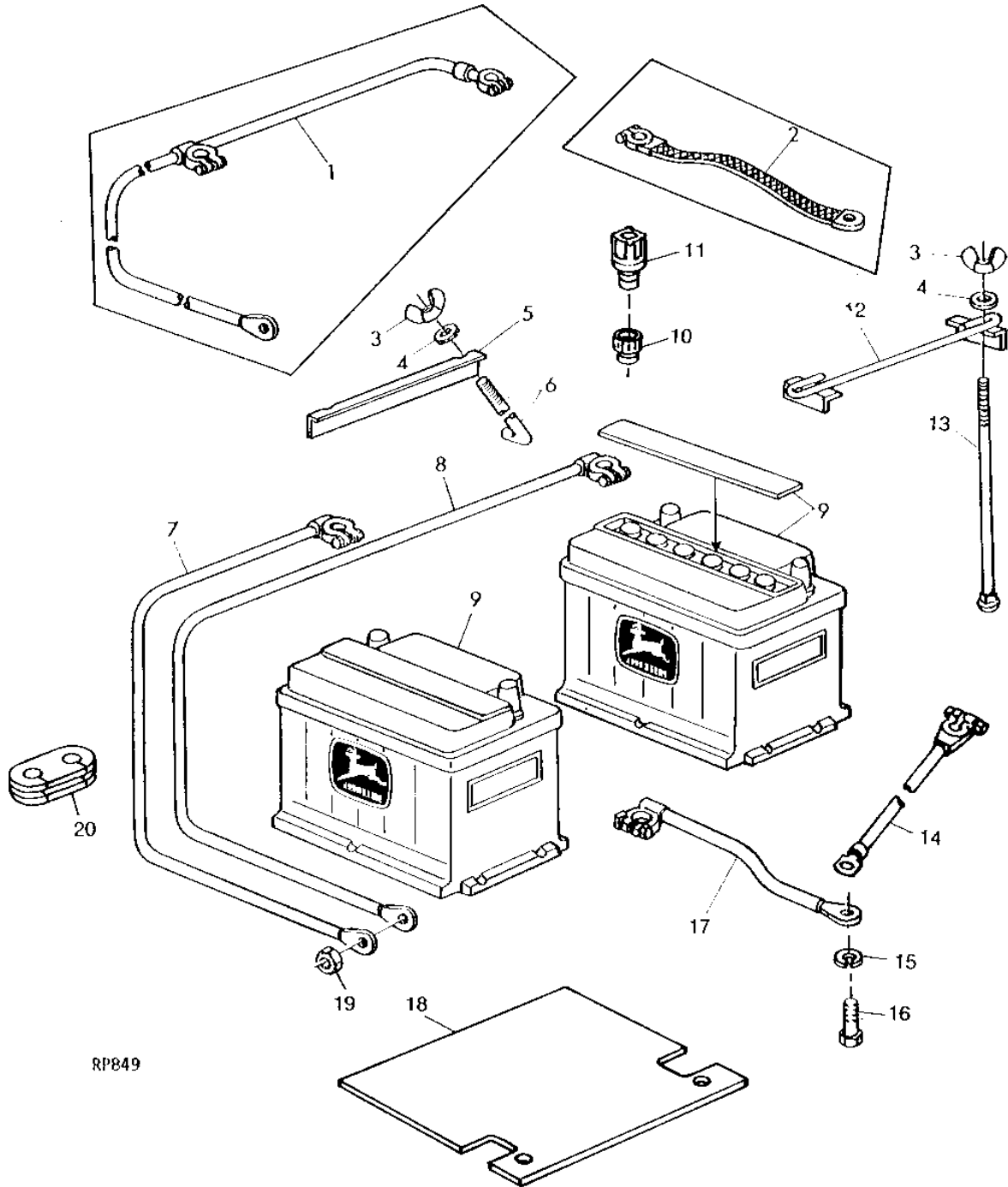
KEY	PART NO.	PART NAME	QTY	ENGINE SERIAL NO.	REMARKS
1	T146102	WARNING LABEL	1	(ENGLISH)	
	T146106	WARNING LABEL	1	(ESPANOL)	
	T146104	WARNING LABEL	1	(FRANCAIS)	
	T146515	WARNING LABEL	1	(DEUTSCH)	
	T146516	WARNING LABEL	1	(ITALIANO)	
	T146517	WARNING LABEL	1	(ENGLISH/FRANCAIS)	
2	H113196	TIE BAND	1		
	R44302	TIE BAND	2		
3	RE50096	KIT	1		
4	RE49984	SWITCH	1		
5	R112923	BUSHING	1		
6	R112922	STOP	1		
7	RE49985	BENDIX DRIVE	1		
8	RE49986	KIT	1		
9	R112926	O-RING	1		
10	RE62916	STARTER	1		(SUB FOR AT25619, RE19187, RE42730 OR RE50095)
11	12M7013	LOCK WASHER	1		10.200 MM
12	14M7274	NUT	1		M10
13	12M7064	LOCK WASHER	1		5.100 MM
14	14M7297	NUT	1		M5

# 1E6

ELECTRICAL

RP849 -UN-01JAN94

BATTERY, CABLES AND CLAMPS



RP849



# 1E7

ELECTRICAL

## BATTERY, CABLES AND CLAMPS - CONTINUED

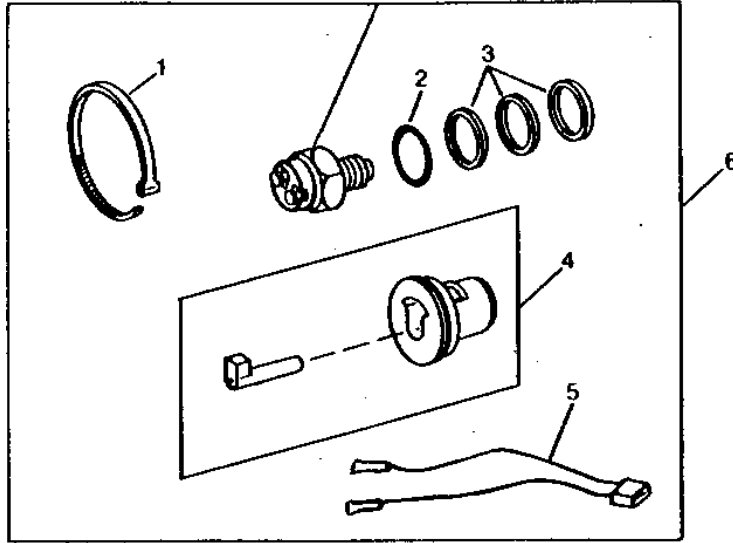
KEY	PART NO.	PART NAME	QTY	TRACTOR SERIAL NO.	REMARKS
1	AR53999	CABLE	1		(BATTERY TO STARTING MOTOR) (DUAL BATTERY)
	T21887	CABLE	1		(BATTERY TO STARTING MOTOR) (SINGLE BATTERY) (SUB AR103525)
2	AL11176	GROUND CABLE	1		270MM (10.63")
3	14H952	WING NUT	2		1/4"
4	24H1821	WASHER	2		9/32" X 47/64" X 1/16"
5	T22570	CLAMP	1		(SINGLE BATTERY)
6	R56525	BOLT	2		(SINGLE BATTERY)
7	AL33442	CABLE	1		550MM (21.65") (SUB AR53999)
8	AL33443	CABLE	1		900MM (35.40") (DUAL BATTERY) (SUB AR53999)
9	TY21730	BATTERY	1		(12-VOLT) 420 COLD CRANKING AMPS AT -18°C (0°F) 70 MINUTE RESERVE CAPACITY AT 25 AMPS
	TY6092	BATTERY	AR		(12-VOLT) 370 COLD CRANKING AMPS AT -18°C (0°F) 106 MINUTE RESERVE CAPACITY AT 25 AMPS (CANADA ONLY) (SUB FOR AR67338)
10	R60035	ADAPTER	AR		(FOR ORIGINAL BATTERY WITH ROLL-GARD) (SUB FOR AR72847)
11	AR61868	CAP	AR		
12	AT20452	CLAMP	1		(DUAL BATTERIES)
13	R56526	BOLT	2		
14	AR67453	CABLE	1		190MM (7.5") (DUAL BATTERY)
15	12H304	LOCK WASHER	1		3/8"
16	19H2021	CAP SCREW	1		3/8" X 5/8"
17	AL33444	CABLE	1		300MM (11.81")
18	.....	INSULATOR	1		(NO LONGER AVAILABLE)
19	14H732	NUT	1		3/8"
20	R26418	GROMMET	1		

# 1E8

ELECTRICAL

RXP8097 -UN-01JAN94

## NEUTRAL START SWITCH KIT



RXP8097

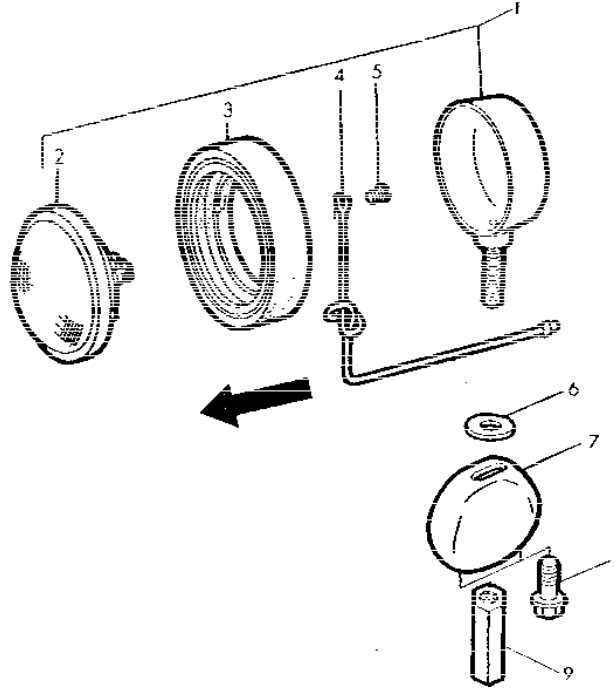
KEY	PART NO.	PART NAME	QTY	TRACTOR SERIAL NO.	REMARKS
1	R44302	TIE BAND	2		
2	R26448	O-RING	1		
3	T16911	SHIM	3		
4	RE37996	GAUGE	1		(NEUTRAL START SWITCH ADJ.)
5	RE14069	WIRING HARNESS	1		
6	RE38390	SWITCH	1		

# 1E9

ELECTRICAL

L59661 -UN-01JAN94

## FRONT LIGHTS AND MOUNTING BRACKETS



L 59661

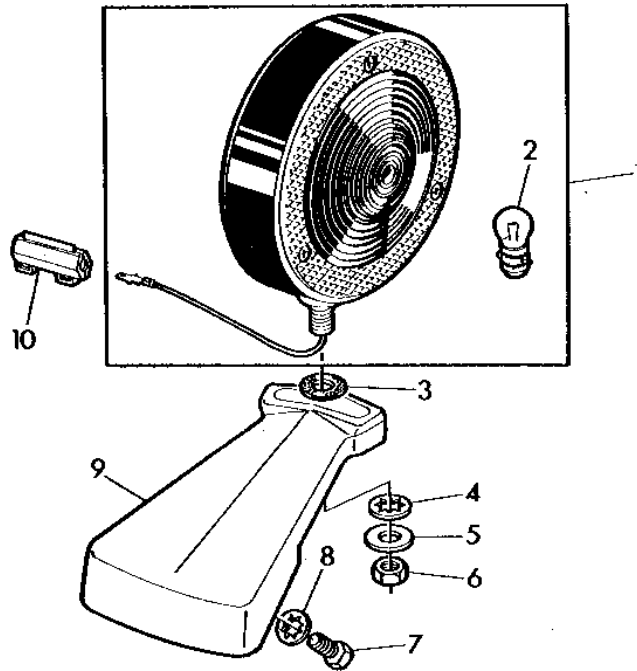
KEY	PART NO.	PART NAME	QTY	TRACTOR SERIAL NO.	REMARKS
1	AT18815	HEADLIGHT	2		
2	AR21059	HEADLIGHT	1		(12-VOLT) (NO. 4406)
3	R30182	BEZEL	2		(HOBBS)
	R31250	BEZEL	2		(GUIDE)
4	.....	WIRING LEAD	2		406MM (16") (HOBBS) (MAKE FROM R66319 AND R32016)
	AT18995	WIRING LEAD	2		(GUIDE)
	T16623	TERMINAL	1		
5	21H1293	SCREW	2		0.164" X 5/16"
6	24H1355	WASHER	2		37/64" X 1-1/8" X 0.120", (SUB FOR R31892)
7	T21761	SUPPORT	2		
8	19H2021	CAP SCREW	4		3/8" X 5/8"
	24H1307	WASHER	4		13/32" X 1" X 1/16"
9	T22522	NUT	2		

# 1E10

ELECTRICAL

L40381 -UN-01JAN94

## WARNING LIGHT



L 40381

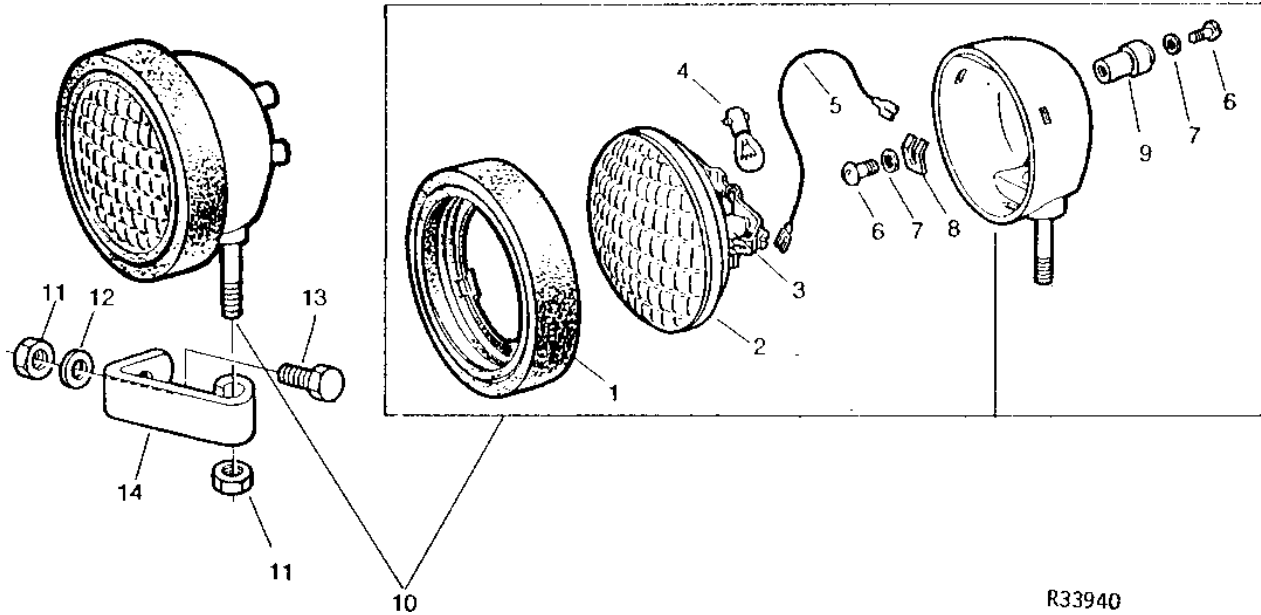
KEY	PART NO.	PART NAME	QTY	TRACTOR SERIAL NO.	REMARKS
1	AR50580	LAMP	2		
	R48664	LENS	1		RED REFLECTOR
	R48665	LENS	1		AMBER
2	AD2062R	BULB	2		12V, 16W
3	R47831	WASHER	2		
4	12H301	LOCK WASHER	2		1/2"
5	24H1341	WASHER	2		17/32" X 15/16" X 0.060"
6	14H865	NUT	2		1/2"
7	19H2021	CAP SCREW	4		3/8" X 5/8"
8	12H310	LOCK WASHER	4		3/8"
9	L29390	SUPPORT	2		
10	L31124	INSULATING CAPSULE	2		

# 1E11

ELECTRICAL

R33940 -UN-01JAN94

## REAR LIGHT AND BRACKET



R33940

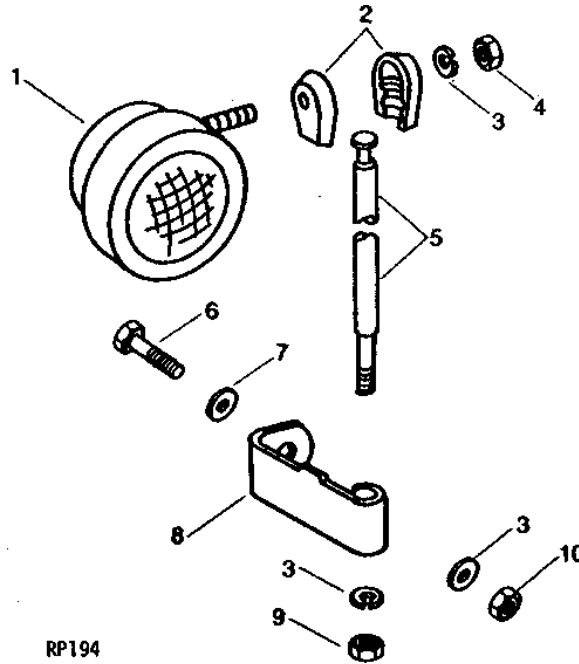
KEY	PART NO.	PART NAME	QTY	TRACTOR SERIAL NO.	REMARKS
1	R30182	BEZEL	1		(HOBBS)
	R31250	BEZEL	1		(GUIDE)
2	AR21737	LAMP	1	-XXXXXX	(SUB AR77324, AD2062R AND AR77325)
	AR77324	LAMP	1		(USE WITH AR77326)
	AR55888	SOCKET	1		(USE WITH AT16288)
	AR77325	SOCKET	1		(USE WITH AR77326)
3	AR21737	LAMP	1		(SUB AD2062R, AR77324 AND AR77325)
4	AR86969	BULB	1		(USE WITH AT16288) (SUB FOR AR21739) (12-VOLT)
	AD2062R	BULB	1		(USE WITH AR77326) (12-VOLT)
5	.....	WIRING LEAD	1		165MM (6-1/2") (SEALED UNIT TO TERMINAL PLATE) (MAKE FROM R66319 AND (2) R32016)
6	21H1293	SCREW	4		0.164" X 5/16"
7	12M7084	LOCK WASHER	4		0.169"
8	A2899R	ASSEMBLY LINE PARTS	2		
9	AA3495R	SUPPORT	2		(GUIDE)
	R30181	PLATE	2		(HOBBS)
10	AR77326	FLOODLAMP	2		(SUB FOR AT16288)
11	14H1040	NUT	2		1/2"
12	24H1211	WASHER	1		9/16" X 1-3/8" X 0.105"
13	19H1792	CAP SCREW	1		1/2" X 1"
14	R59160	BRACKET	1		(SUB FOR T19178 OR R27460)

# 1E12

ELECTRICAL

RP194 -UN-01JAN94

## REAR COMBINATION LAMP EXTENSION



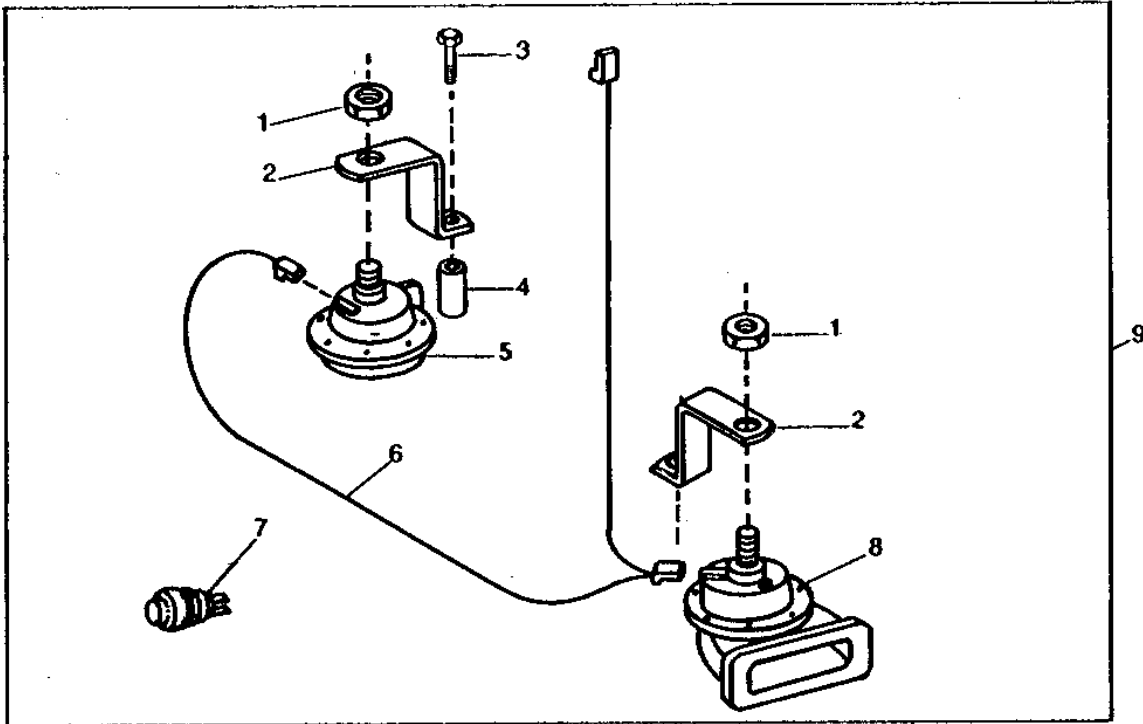
KEY	PART NO.	PART NAME	QTY	TRACTOR SERIAL NO.	REMARKS
1	AR77326	FLOODLAMP	1		(SUB FOR AT16288)
2	R27460	CLAMP	2		
3	12H301	LOCK WASHER	3	1/2"	
4	14H1040	NUT	1	1/2"	
5	R48473	EXTENSION	1		
6	19H1792	CAP SCREW	1	1/2" X 1"	
7	24H1211	WASHER	1	9/16" X 1-3/8" X 0.105"	
8	R59160	BRACKET	1		
9	14H1040	NUT	1	1/2"	
10	14H1040	NUT	1	1/2"	

# 1E13

ELECTRICAL

RWP4155 -UN-01JAN94

## HORN



RWP4155

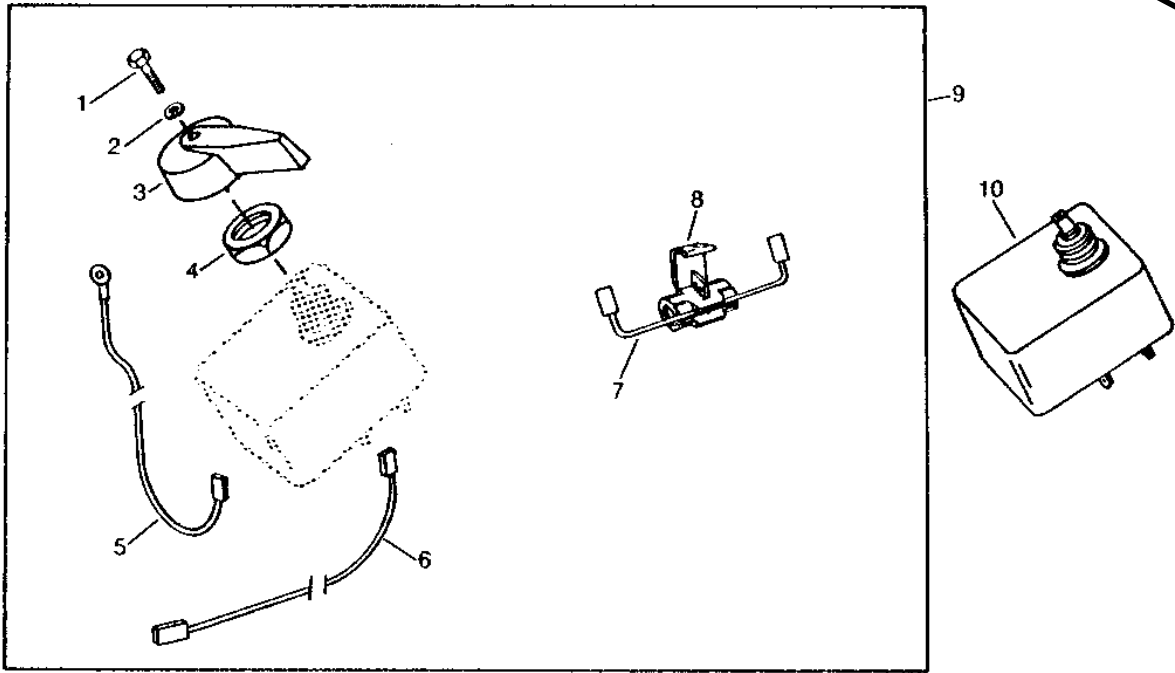
KEY	PART NO.	PART NAME	QTY	TRACTOR SERIAL NO.	REMARKS
1	R11278	NUT	2		
2	R75833	BRACKET	2		(SUB FOR R66069)
3	19H1726	CAP SCREW	2		3/8" X 2-1/4"
4	28H3381	SPACER	1		
5	AT39043	HIGH NOTE HORN	1		
6	AR85578	WIRING HARNESS	1		
7	AL17684	PUSH BUTTON	1		
8	R64700	LOW NOTE HORN	1		
9	RE12715	HORN	1		(CA)

# 1E14

ELECTRICAL

RP1529 -UN-01JAN94

## TURN SIGNAL CONTROL



KEY	PART NO.	PART NAME	QTY	TRACTOR SERIAL NO.	REMARKS
1	21H1372	SCREW	1	1/8" X 3/8"	
2	12H233	LOCK WASHER	1	1/8"	
3	R56026	KNOB	1		
4	R56410	NUT	1		
5	.....	WIRING LEAD	1		310MM (12-1/4") (CIRCUIT BREAKER TO TURN SIGNAL CONTROLLER) (SUB FOR AR68120) (MAKE FROM R66319, R32018, R32027 AND R32024)
6	AR72233	WIRING LEAD	1		(SUB FOR AR68121) (TURN SIGNAL CONTROLLER TO WARNING LAMP LEAD)
7	.....	WIRING LEAD	1		(NOT USED THIS APPLICATION)
8	.....	CONNECTOR	1		(NOT USED THIS APPLICATION)
9	AR98023	KIT	1		(SUB FOR AR68450) TURN SIGNAL CONTROLLER
10	AR64422	TURN SIGNAL CONTROLLER	1		(SUB FOR AR67398)

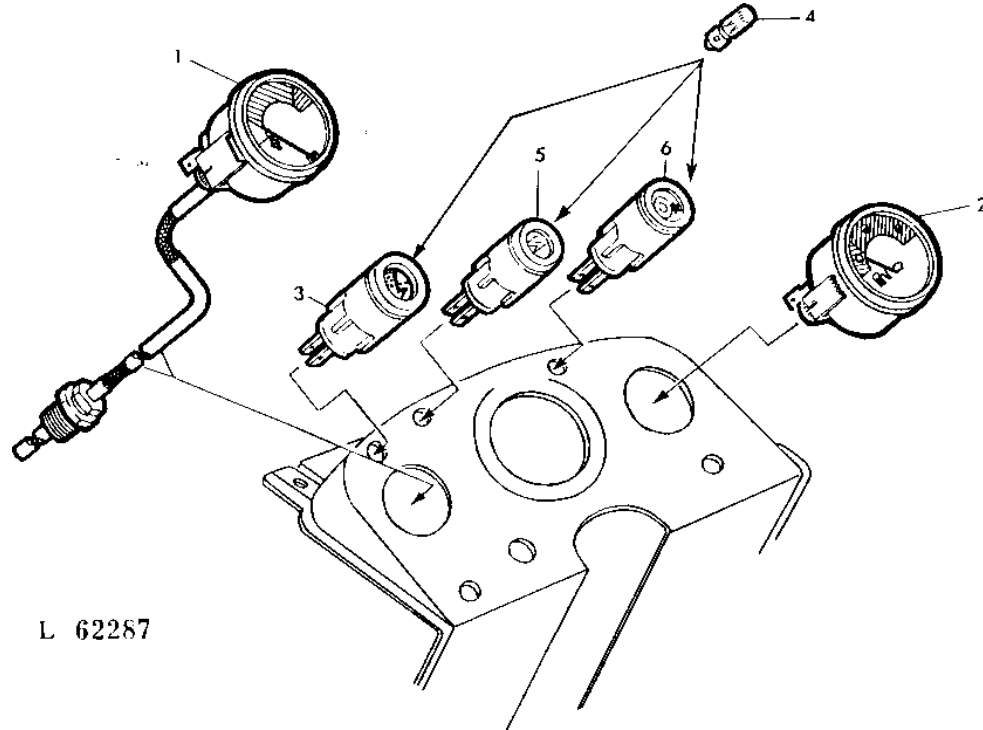


# 1E15

ELECTRICAL

L62287 -UN-01JAN94

## ELECTRICAL INSTRUMENTS



L 62287

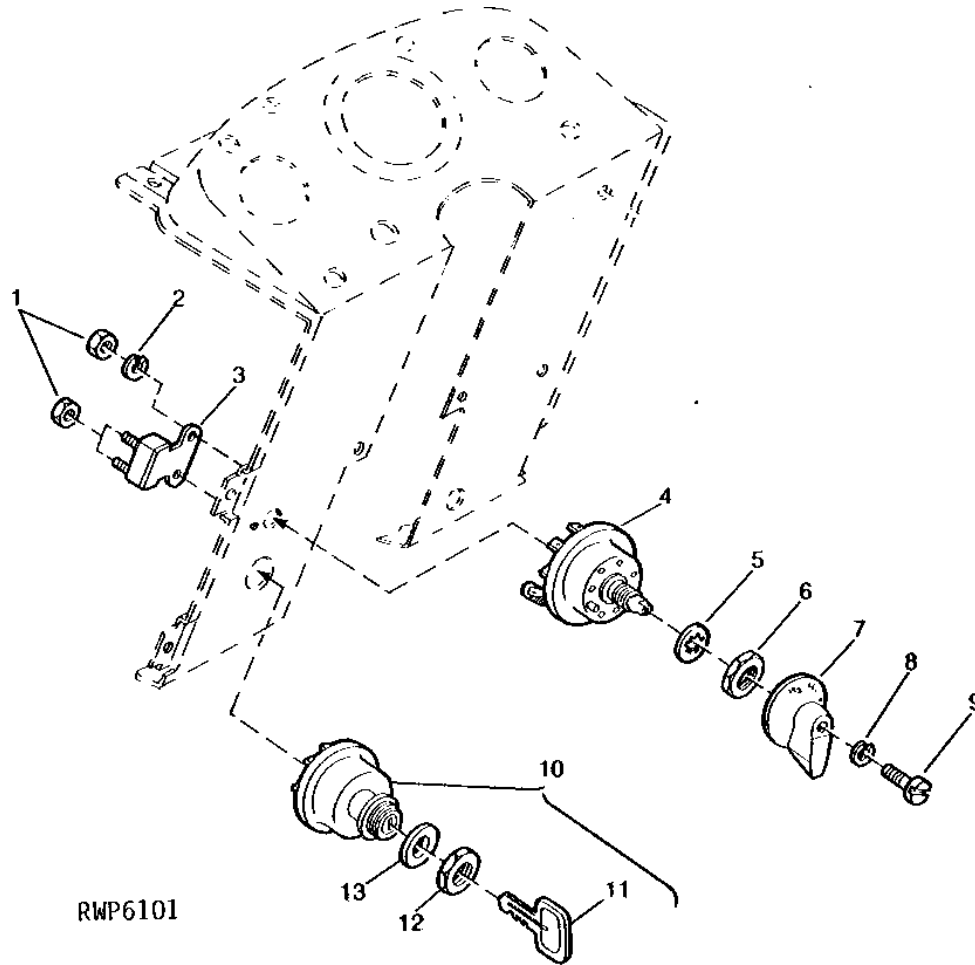
KEY	PART NO.	PART NAME	QTY	TRACTOR SERIAL NO.	REMARKS
1	AR65443	GAUGE	1	-268526	WATER TEMPERATURE, (SUB AT67693, T366T, (2) 12M7060 AND (2) 14H631)
	AL24526	TEMPERATURE GAUGE	1	268527-	WATER TEMPERATURE
	RE51774	SENSOR	1	268527-	(SUB FOR AL24527)
	AL28497	WIRING LEAD	1	268527-	(GAUGE TO SENSOR)
	AL28498	WIRING LEAD	1	268527-	(GAUGE TO RESTRICTION INDICATOR LAMP)
	AL28499	WIRING LEAD	1	268527-	(GAUGE TO FUSE BOX)
	R26936	GROMMET	1		
2	AL24187	GAUGE	1		FUEL
3	AL19907	INDICATOR LIGHT	1		AIR CLEANER RESTRICTION
4	57M6394	BULB	1		(12-VOLT) 4 WATT
5	AT24692	INDICATOR LIGHT	1		ALTERNATOR
6	AT24693	HEADLIGHT	1		ENGINE OIL PRESSURE

# 1E16

ELECTRICAL

RWP6101 -UN-01JAN94

## ELECTRICAL INSTRUMENTS



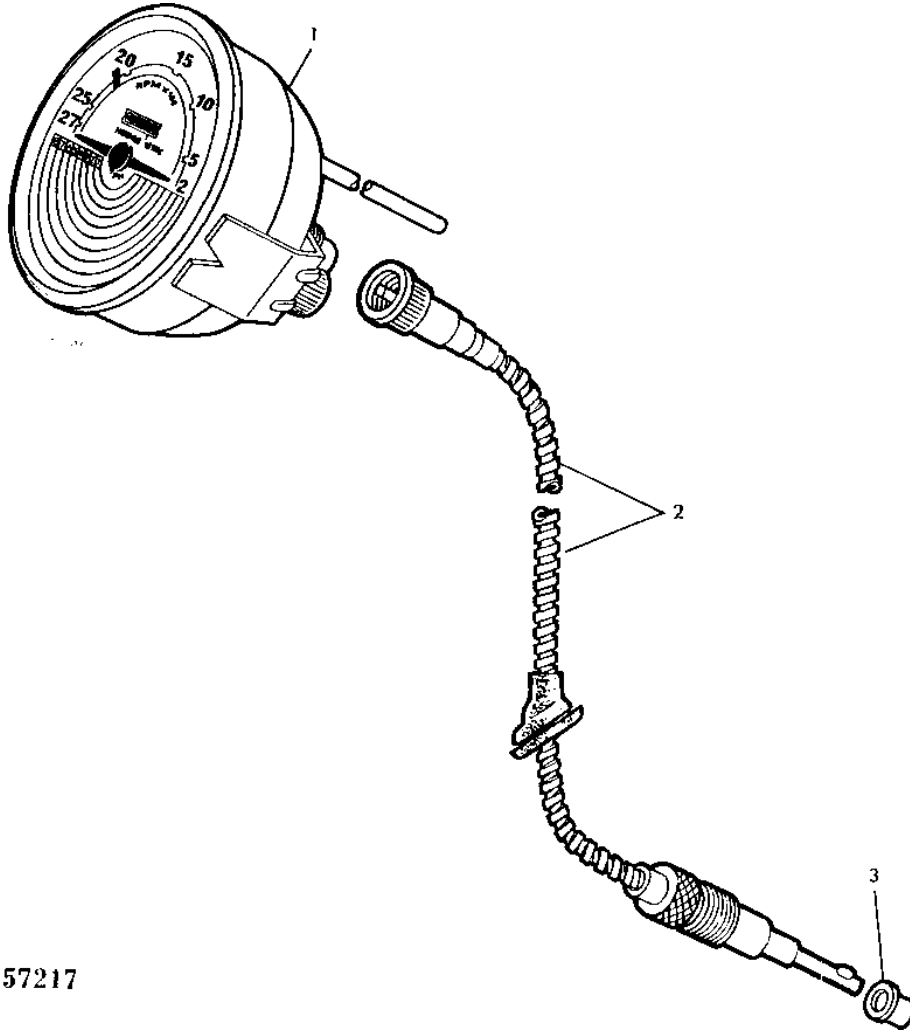
KEY	PART NO.	PART NAME	QTY	TRACTOR SERIAL NO.	REMARKS
1	14H631	NUT	4	0.190"	
2	12M7060	WASHER	2	0.209"	
3	AR28403	CIRCUIT BREAKER	1		
4	AR66478	SWITCH	1	LIGHT	
5	12H292	LOCK WASHER	1	1/2"	
6	A4655R	NUT	1		
7	AR66799	KNOB	1		
8	12H315	LOCK WASHER	1	0.164"	
9	21H973	SCREW	1	0.164" X 3/8"	
10	AR58126	KEY SWITCH	1	STARTER	
11	AR51481	KEY	1		
12	R44342	NUT	1		
13	24H1462	WASHER	1	1-1/16" X 1-1/2" X 0.060"	

# 1E17

ELECTRICAL

L57217 -UN-01JAN94

## SPEED-HOUR METER



L 57217

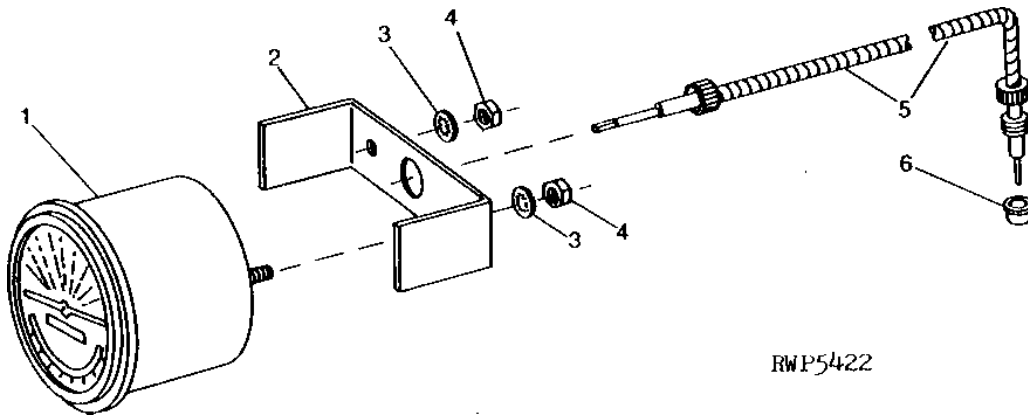
KEY	PART NO.	PART NAME	QTY	TRACTOR SERIAL NO.	REMARKS
1	AR65445	TACHOMETER	1		(ALSO ORDER T21828, (2) 14H631 AND (2) 12M7060)
2	AT19905	CABLE	1		
3	T31437	BUSHING	1		

# 1E18

ELECTRICAL

RWP5422 -UN-01JAN94

## TACHOMETER



RWP5422

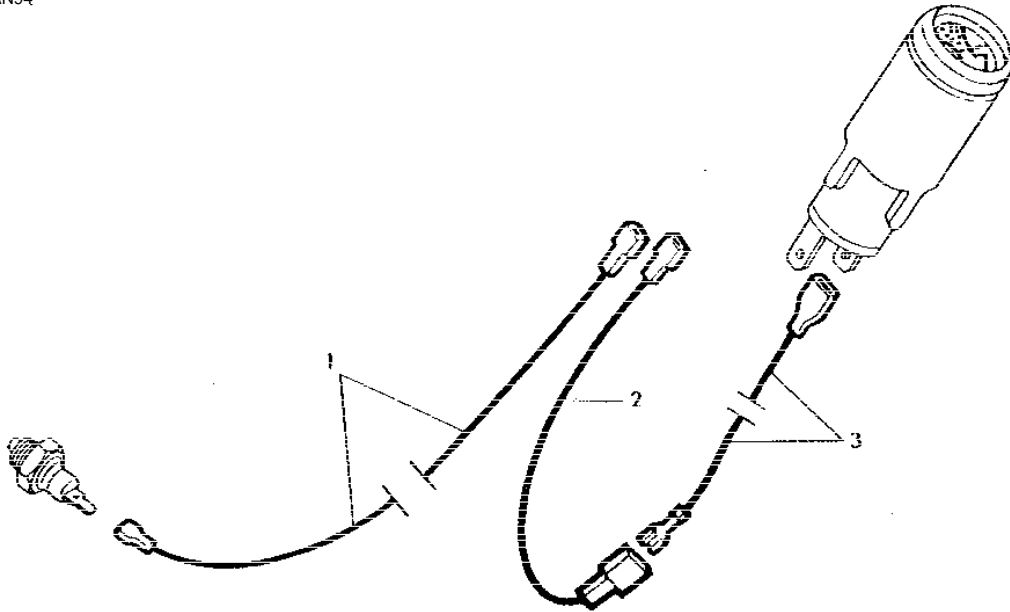
KEY	PART NO.	PART NAME	QTY	TRACTOR SERIAL NO.	REMARKS
1	AR65445	TACHOMETER	1		(SUB FOR AT20641 OR AR50954)
2	T21828	CHANNEL	1		
3	12H295	LOCK WASHER	2	0.190"	
4	14H631	NUT	2	0.190"	
5	AT19904	CABLE	1		
6	T31437	BUSHING	1		

# 1E19

ELECTRICAL

L57213 -UN-01JAN94

## PARTS FOR AIR CLEANER RESTRICTION INDICATOR



**L 57213**

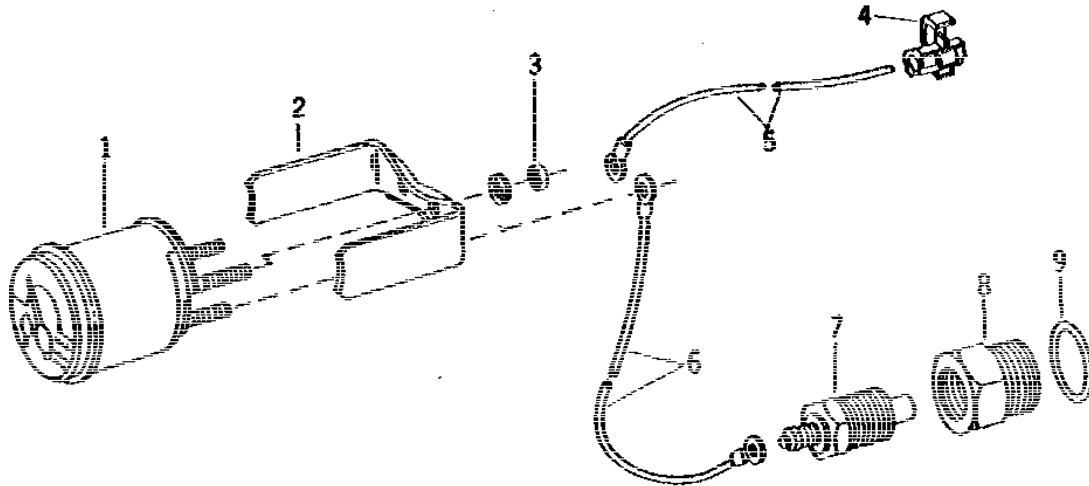
KEY	PART NO.	PART NAME	QTY	TRACTOR SERIAL NO.	REMARKS
1	AL19905	WIRING LEAD	1		VACUUM INDICATOR
2	AL18604	WIRING LEAD	1		
3	AL19906	WIRING LEAD	1		MAIN

# 1E20

ELECTRICAL

R23787 -UN-01JAN94

## TRANSMISSION OIL TEMPERATURE GAUGE



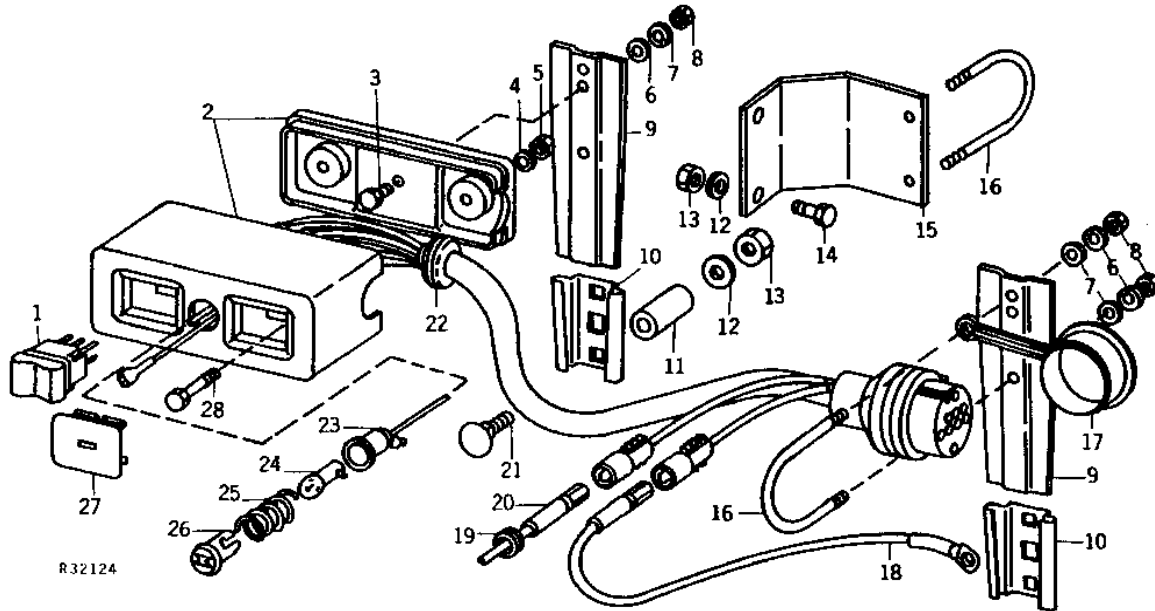
KEY	PART NO.	PART NAME	QTY	TRACTOR SERIAL NO.	REMARKS
1	AT38821	TEMPERATURE GAUGE	1		(SUB AT148831)
2	T39395	BRACKET	1		
3	14H631	NUT	2		0.190"
	12H295	LOCK WASHER	2		0.190"
4	AR67855	CONNECTOR	1		
5	AR73622	WIRING LEAD	1		(GAUGE TO MAIN HARNESS)
6	AR73621	WIRING LEAD	1		(GAUGE TO SENDER)
7	AT37368	SENDER	1		
8	R60722	ADAPTER	1		
9	F3171R	O-RING	1		
..	AR73620	GAUGE	1		(TRANSMISSION TEMPERATURE GAUGE)

# 1E21

ELECTRICAL

R32124 -UN-01JAN94

## ELECTRICAL REMOTE CONTROL



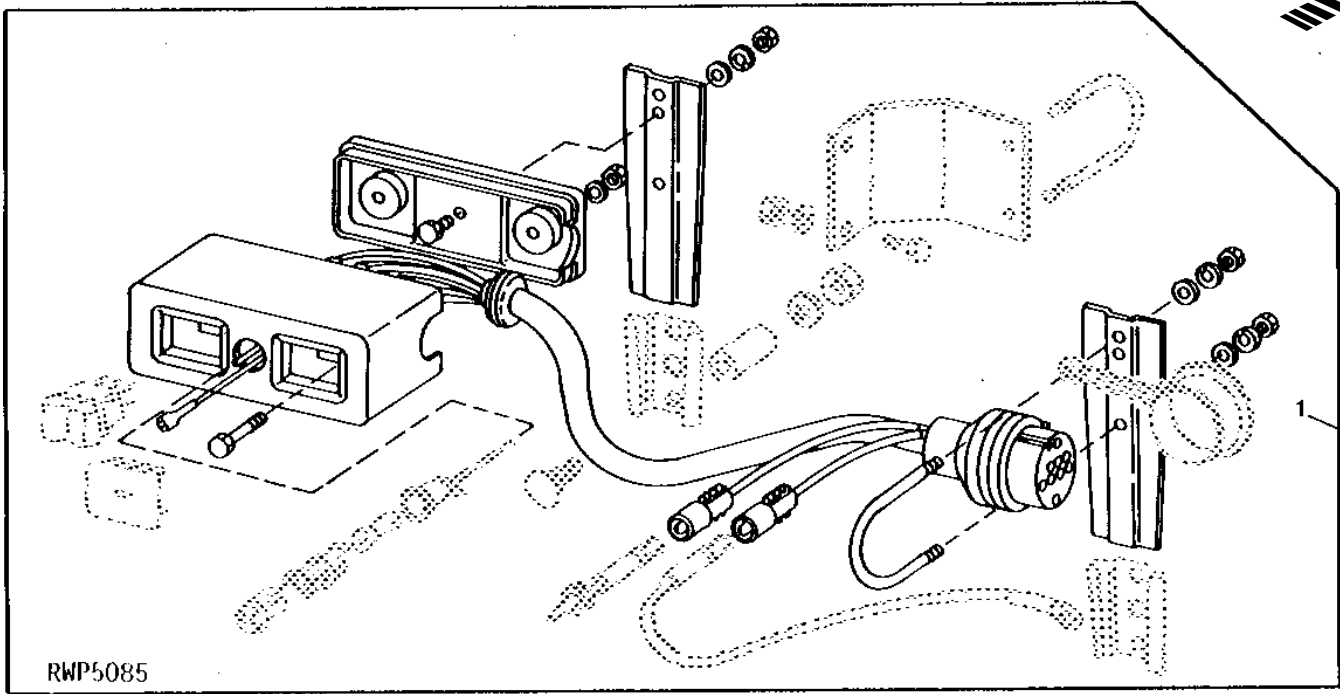
KEY	PART NO.	PART NAME	QTY	TRACTOR SERIAL NO.	REMARKS
1	AR49797	TOGGLE SWITCH	1		MOMENTARY ROCKER (CA)
	AR49798	ROCKER SWITCH	1		DETENT ROCKER (CA)
2	AR50779	WIRING HARNESS	1		(ILLUSTRATED) (TWO SWITCH)
	AR50780	WIRING HARNESS	1		(FOUR SWITCH)
3	19H1914	CAP SCREW	1		1/4" X 1"
4	12H315	LOCK WASHER	2		0.164"
5	14H605	NUT	2		0.164"
6	24H1821	WASHER	3		9/32" X 47/64" X 1/16"
7	12H302	LOCK WASHER	3		1/4"
8	14H786	NUT	3		1/4"
9	R47861	BRACKET	AR		(2 USED TWO SWITCH) (1 USED FOUR SWITCH)
	R47860	BRACKET	1		(FOUR SWITCH)
10	JD126	SOCKET	2		
11	28H1495	SPACER	2		3/8" X 1"
12	24M7207	WASHER	4		8.400 X 24 X 2 MM
13	14H785	NUT	4		5/16"
14	21H1304	SCREW	2		5/16" X 3/4"
15	R54467	BRACKET	1		
16	E16050	U-BOLT	1		
17	R48048	CAP	1		
18	AR50928	WIRING LEAD	1		
19	H987R	GROMMET	4		
20	AR50927	WIRING LEAD	1		(RELAY TO SWITCH BOX)
21	03H1515	BOLT	2		5/16" X 2"
22	R36235	GROMMET	1		
23	AR48034	INDICATOR LIGHT	1	-XXXXXX	(SUB AT44165, AT48673 AND R30378)
	AT44165	WIRING LEAD	1	XXXXXX-	
24	AR55694	BULB	1		
25	R30378	SPRING	1		
26	AT48673	LENS	1		(SUB FOR AT45438)
27	R48049	PLUG	1		
28	R48028	SCREW	2		
..	R48026	DECAL	1		WARNING

# 1E22

ELECTRICAL

RWP5085 -UN-01JAN94

## ELECTRICAL REMOTE CONTROL KIT



KEY	PART NO.	PART NAME	QTY	TRACTOR SERIAL NO.	REMARKS
1	AR62360	KIT	1		(TWO SWITCHES ) (CA)



---

MEMORANDA

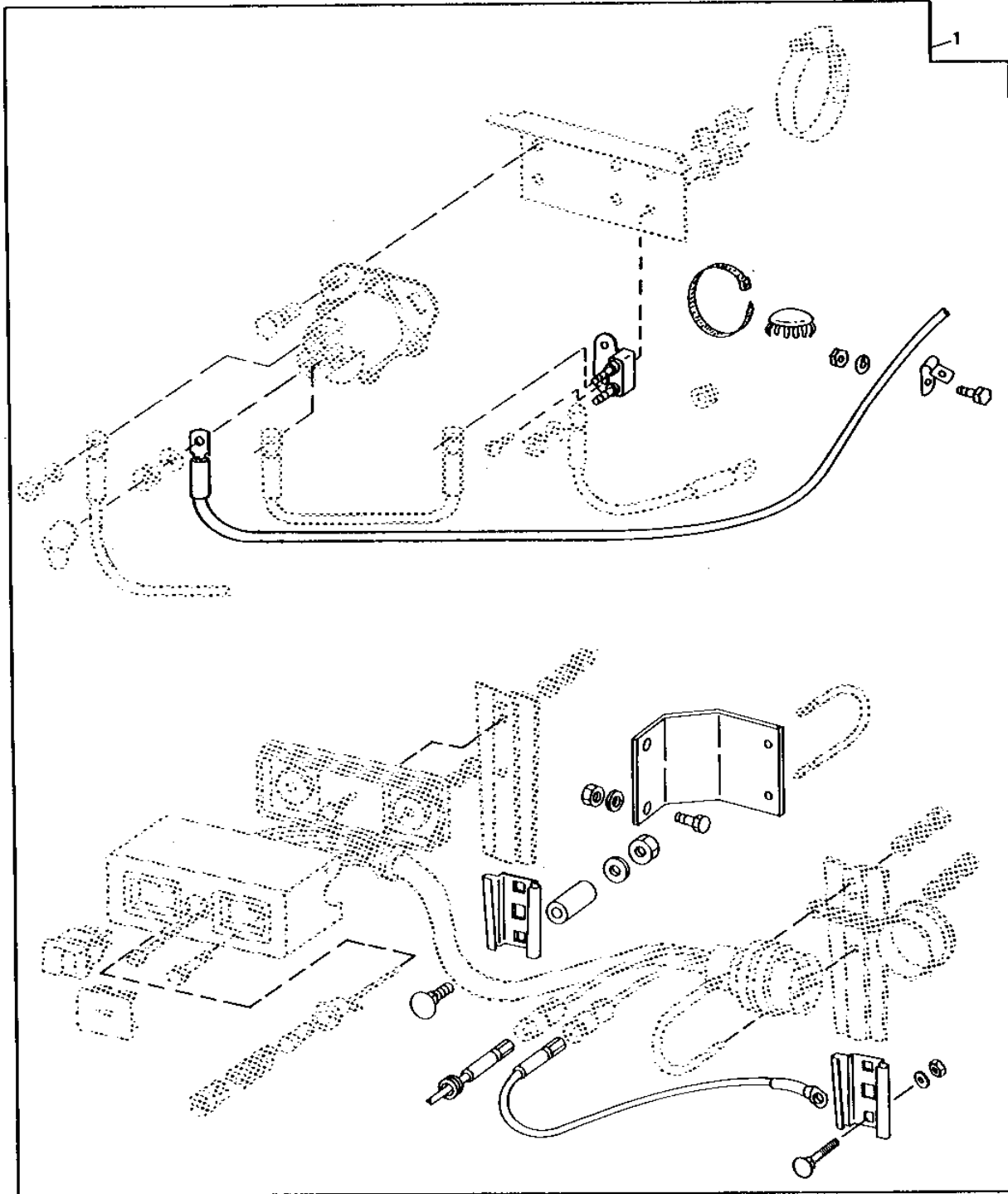
# 1E23

ELECTRICAL

RWP5666

-UN-01JAN94

## ELECTRICAL REMOTE CONTROL WIRING KIT



RWP5666

# 1E24

ELECTRICAL

---

ELECTRICAL REMOTE CONTROL WIRING KIT - CONTINUED

KEY	PART NO.	PART NAME	QTY	TRACTOR SERIAL NO.	REMARKS
1	RE25621	KIT	1		

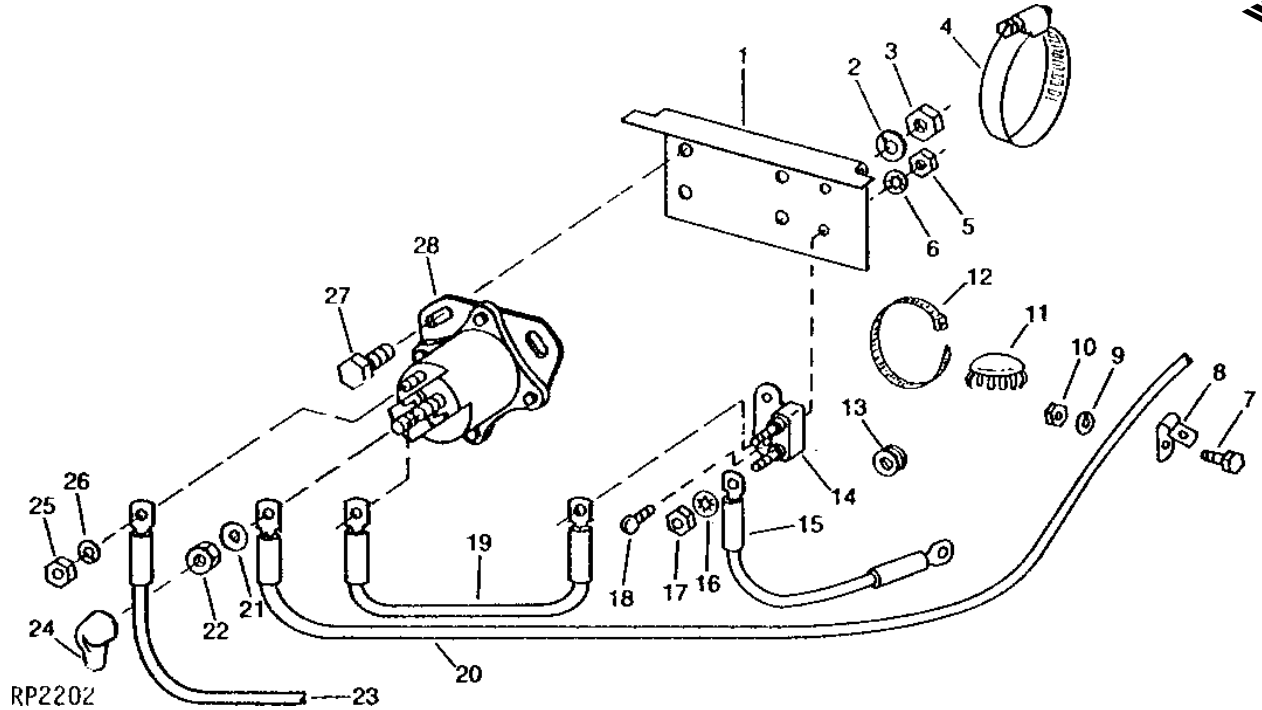
---

# 1E25

ELECTRICAL

RP2202 -UN-01JAN94

## ELECTRICAL REMOTE CONTROL WIRING



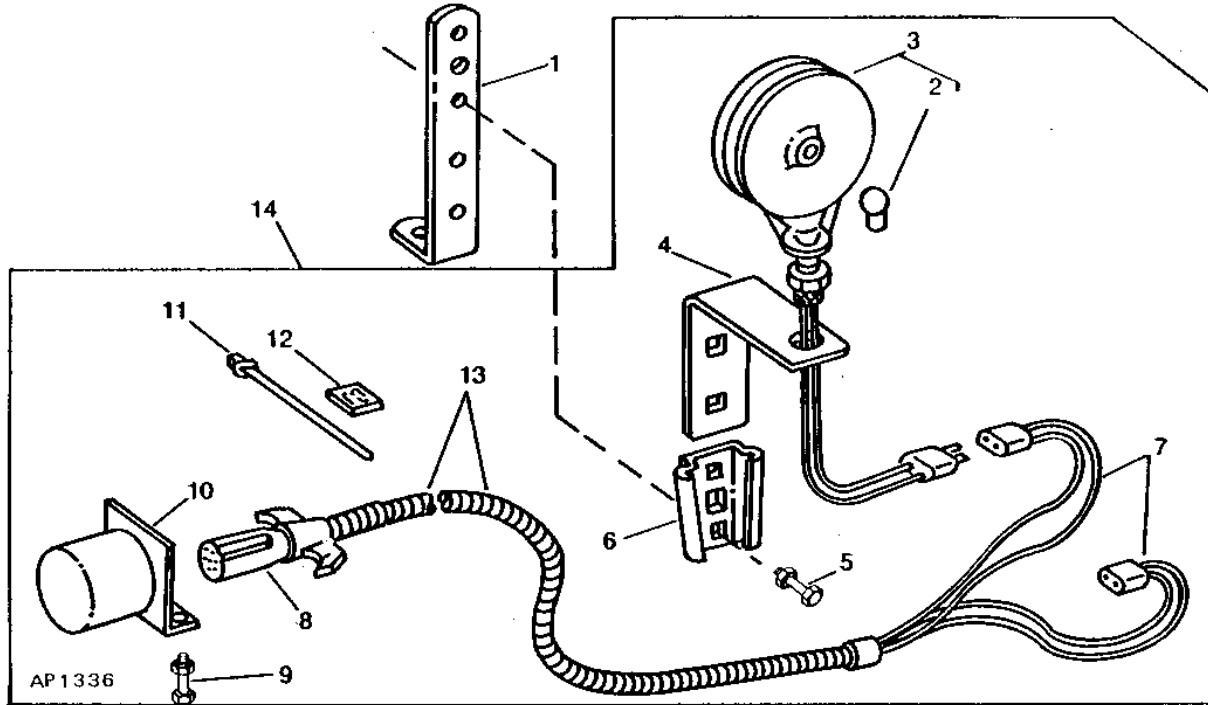
KEY	PART NO.	PART NAME	QTY	TRACTOR SERIAL NO.	REMARKS
1	R69109	BRACKET	1	(SUB FOR R47859)	
2	12H297	LOCK WASHER	2	1/4"	
3	14H786	NUT	2	1/4"	
4	AR52392	CLAMP	2		
5	14H631	NUT	2	0.190"	
6	12M7060	WASHER	2	0.209"	
7	19H1731	CAP SCREW	2	3/8" X 1"	
8	T14264	CLAMP	2		
9	12H304	LOCK WASHER	2	3/8"	
10	14H732	NUT	2	3/8"	
11	R32276	PLUG	1	(CAB OPENING)	
12	R44302	TIE BAND	AR		
13	R41439	GROMMET	1		
14	AR50926	CIRCUIT BREAKER	1		
15	AR50930	WIRING LEAD	1		
16	12M7060	WASHER	2	0.209"	
17	14H631	NUT	2	0.190"	
18	21H1295	SCREW	2	0.190" X 5/8"	
19	AR50929	WIRING LEAD	1	(SUB AH95264)	
20	AR50927	WIRING LEAD	1		
21	12H303	LOCK WASHER	2	5/16"	
22	14H785	NUT	2	5/16"	
23	AR50931	WIRING LEAD	1		
24	R36732	BOOT	2		
25	14H631	NUT	1	0.190"	
26	12H246	LOCK WASHER	1	0.190"	
27	19H1919	CAP SCREW	2	1/4" X 5/8"	
28	RE44657	RELAY	1	(CA)	

# 1F1

ELECTRICAL

AP1336 -UN-01JAN94

## WARNING LAMP (FLASHING)



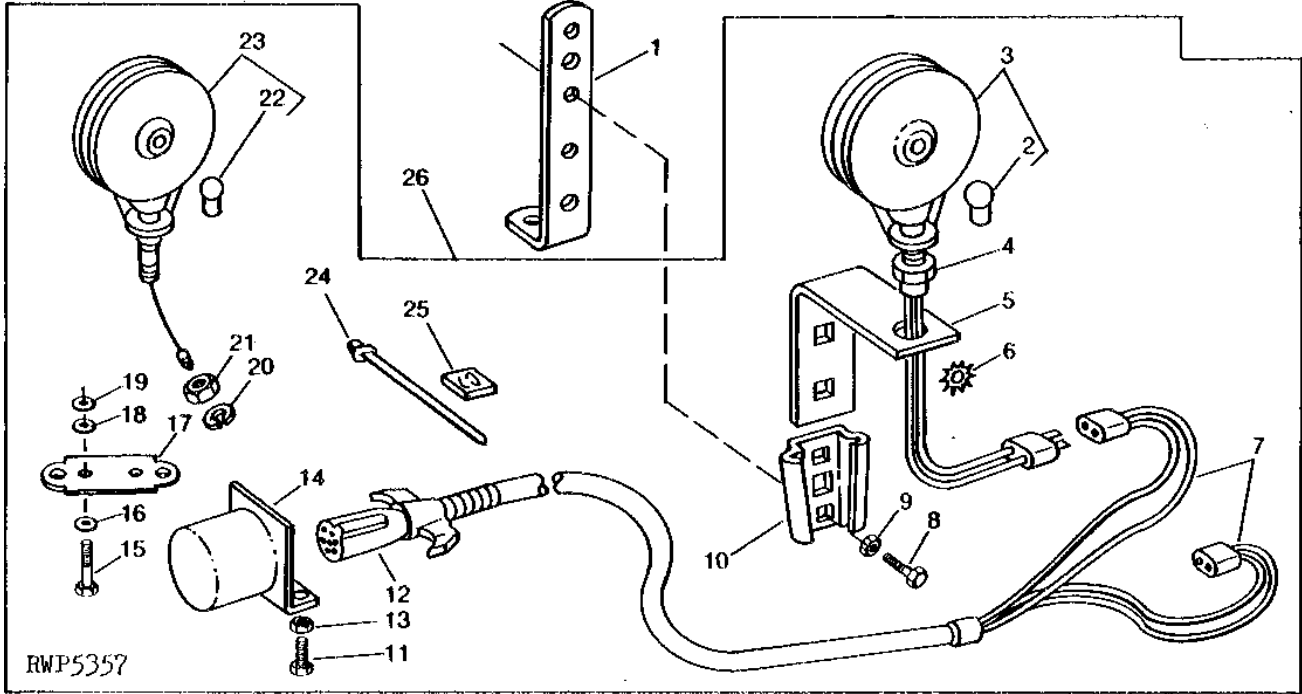
KEY	PART NO.	PART NAME	QTY	SERIAL NO. OR YEAR	REMARKS
1	A39716	BRACKET	2		
2	AD2062R	BULB	2		
3	PT1293	LAMP	2	(SUB AA34967)	
4	PT9319	BRACKET	2	(SUB FOR PT1624) (SUB PT18180)	
5	37H57	SCREW	4	5/16" X 3/4"	
	14H785	NUT	4	5/16"	
6	JD126	SOCKET	2		
7	PT1294	CABLE	2	(2-CONDUCTOR) (SUB PT9318)	
8	AH93625	PLUG	1	(7-PIN)	
9	37H24	SCREW	4	1/4" X 3/4"	
	14H786	NUT	4	1/4"	
10	PT1296	BRACKET	1	(STORING, 7-PIN PLUG)	
11	R44302	TIE BAND	AR		
12	PT1297	TAPE	AR	(ADHESIVE) NLA	
13	PT1295	CONDUIT	1	(PROTECTIVE WIRING) NLA	
14	<b>TY9305</b>	<b>WARNING LIGHT KIT</b>	1	<b>(SUB TY16055) (FI)</b>	

# 1F2

ELECTRICAL

RWP5357 -UN-01JAN94

## IMPLEMENT WARNING LAMP KIT



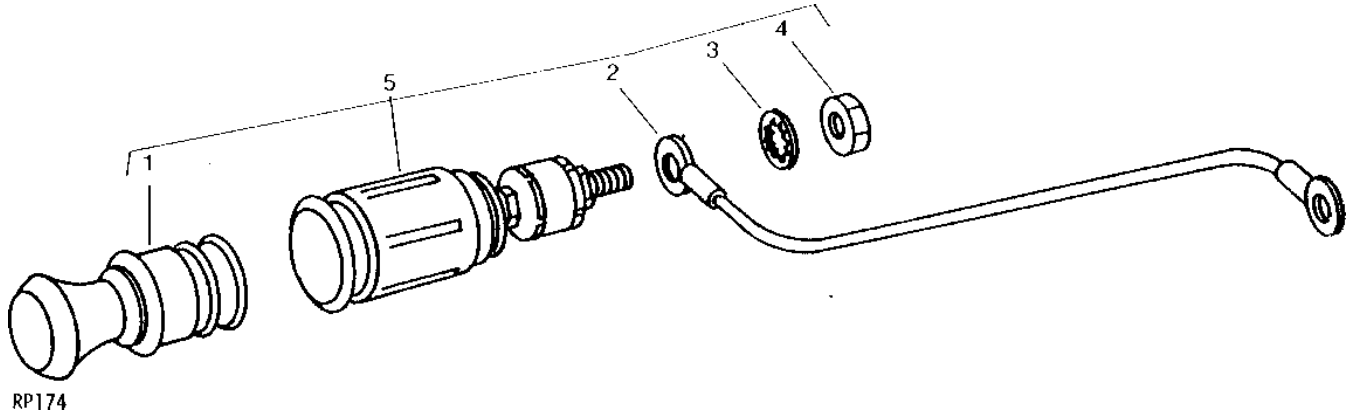
KEY	PART NO.	PART NAME	QTY	TRACTOR SERIAL NO.	REMARKS
1	A39716	BRACKET	2		
2	AD2062R	BULB	2		
3	AA34967	LAMP	2		
	A48331	LENS	2		
4	12H301	LOCK WASHER	2	1/2"	
	14H856	NUT	2	1/2"	
5	PT9319	BRACKET	2	(SUB PT18180)	
6	PT9390	WASHER	1		
7	PT9318	WIRING HARNESS	1		
8	37H57	SCREW	5	5/16" X 3/4"	
9	14H785	NUT	5	5/16"	
10	JD126	SOCKET	2		
11	37H3	SCREW	2	1/4" X 5/8"	
12	AH93625	PLUG	1		
13	14H786	NUT	2	1/4"	
14	PT1296	BRACKET	1		
15	37H57	SCREW	5	5/16" X 3/4"	
16	24H1822	WASHER	1	11/32" X 7/8" X 1/16"	
17	PT9320	BRACKET	1		
18	24H1822	WASHER	1	11/32" X 7/8" X 1/16"	
19	14H788	NUT	5	3/8"	
20	12H301	LOCK WASHER	1	1/2"	
21	14H856	NUT	1	1/2"	
22	AR48041	BULB	1		
23	AA34968	TAIL LAMP	1		
	A48332	LENS	1		
24	R44302	TIE BAND	AR		
25	PT9321	SUPPORT	AR	(SUB AT55441)	
26	TY15263	WARNING LIGHT KIT	1	(SUB TY16055) (FI)	
..	AA32178	WIRING LEAD	1	ACCESSORY	

# 1F3

ELECTRICAL

RP174 -UN-01JAN94

## CIGAR LIGHTER ASSEMBLY

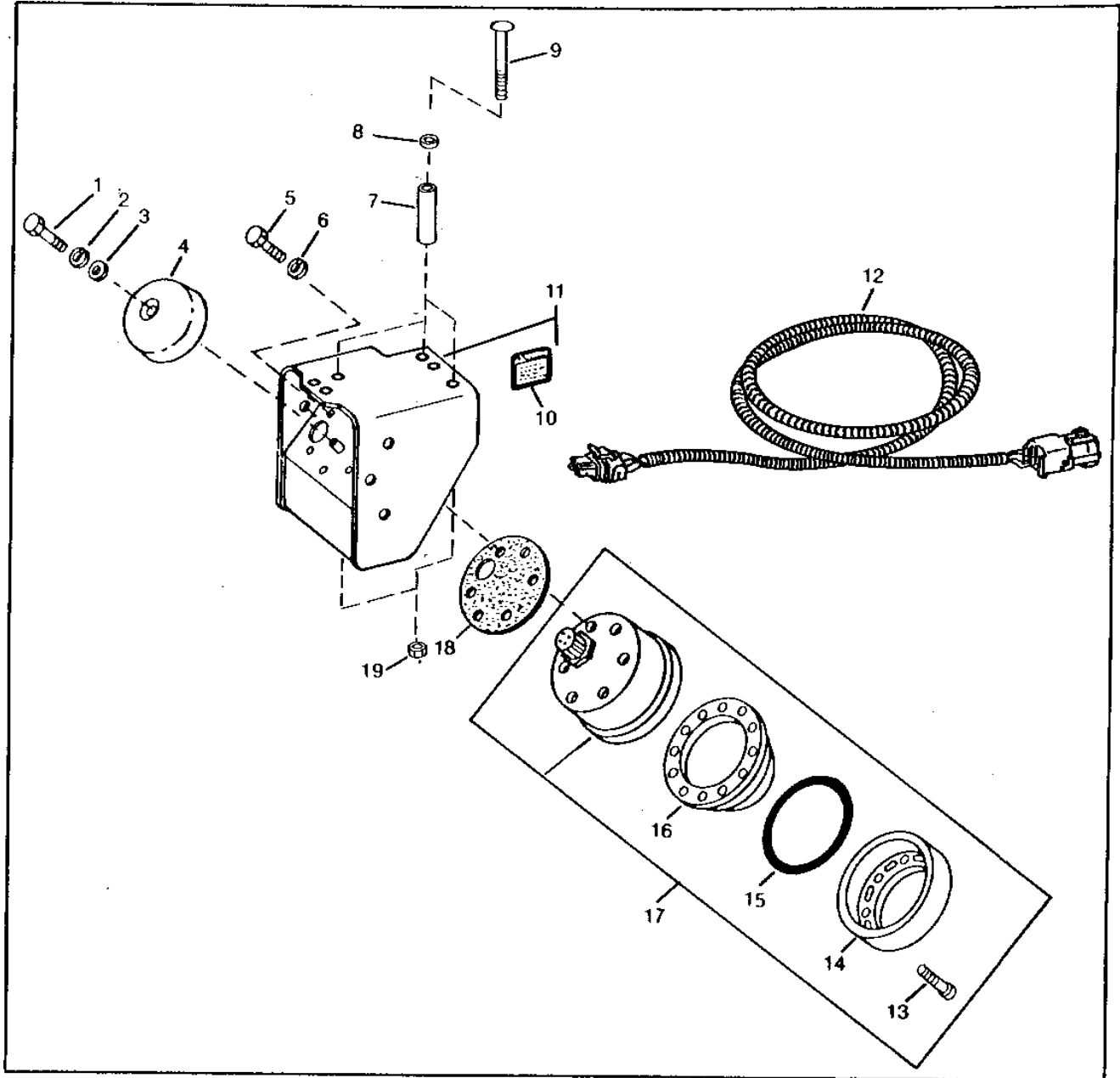


KEY	PART NO.	PART NAME	QTY	TRACTOR SERIAL NO.	REMARKS
1	AR60937	LIGHTER	1		
2	AR94130	WIRING LEAD	1		
3	12M7084	LOCK WASHER	1	0.169"	
4	14H605	NUT	2	0.164"	
5	AR48643	LIGHTER	1	CIGAR, (12-VOLT)	

# 1F4

ELECTRICAL

RADAR SENSOR  
RXP9306 -UN-01JAN94



RXP9306

20



# 1F5

ELECTRICAL

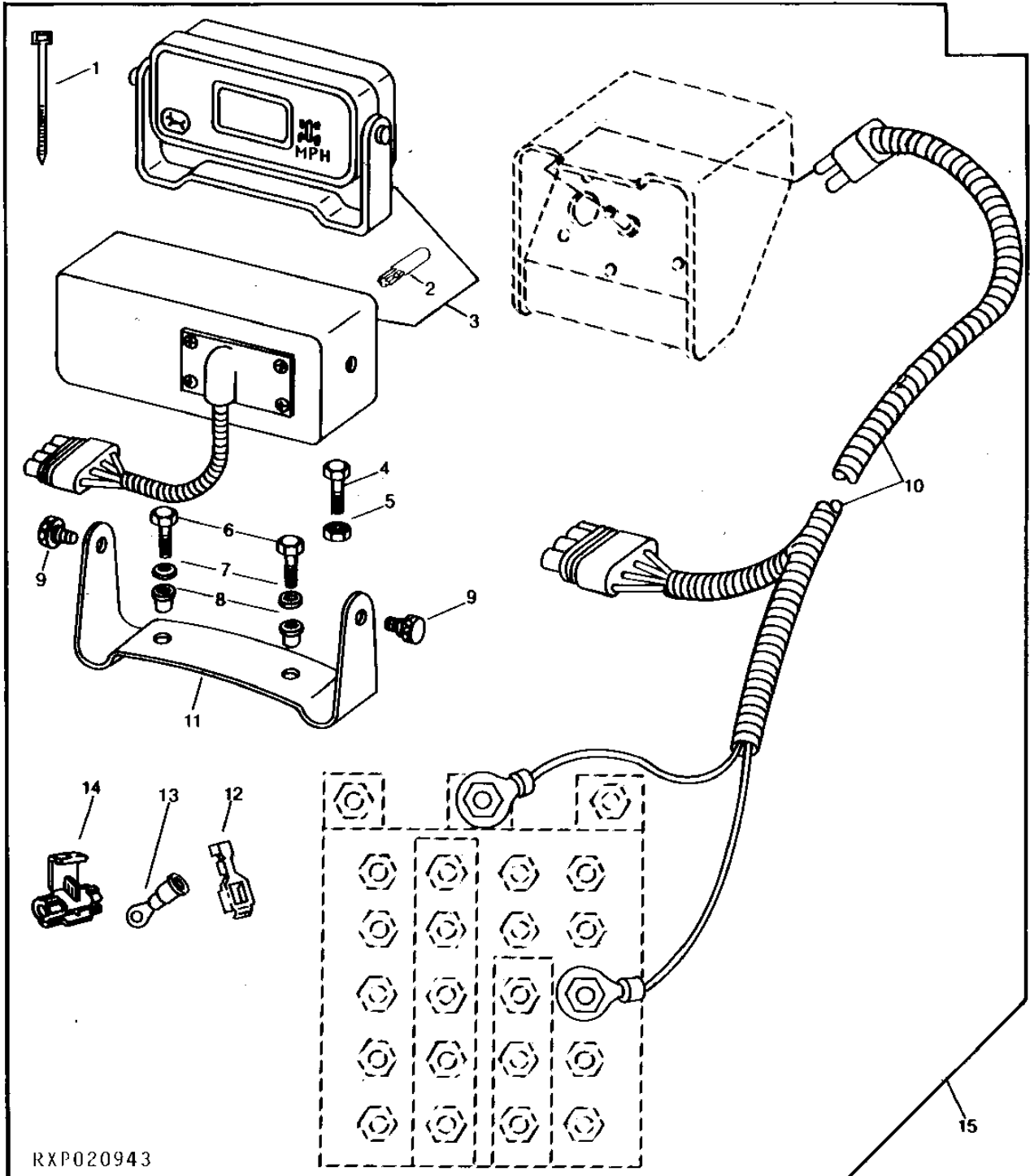
## RADAR SENSOR - CONTINUED

KEY	PART NO.	PART NAME	QTY	TRACTOR SERIAL NO.	REMARKS
1	19H1813	CAP SCREW	1	5/16" X 5/8"	
2	12H303	LOCK WASHER	1	5/16"	
3	24H1136	WASHER	1	11/32" X 11/16" X 0.065"	
4	R82355	SHIELD	1		
5	19H1813	CAP SCREW	6	5/16" X 5/8"	
6	12H303	LOCK WASHER	6	5/16"	
7	28H3343	BUSHING	3	0.546" X 0.840" X 5-3/8"	
8	24H1625	WASHER	2	17/32" X 1" X 0.120"	
9	03H2052	BOLT	3	1/2" X 6-1/2"	
10	R120107	LABEL	1	(ENGLISH)	
	R120106	LABEL	1	(FRENCH)	
	R105942	LABEL	1	(GERMAN)	
	R120108	LABEL	1	(SPANISH)	
	L65000	LABEL	1		
11	RE46317	BRACKET	1	(SUB FOR RE21096 OR RE38707)	
12	RE46414	WIRING HARNESS	1		
13	R82239	SCREW	12		
14	R82237	SNAP RING	1		
15	R82238	O-RING	1		
16	R82236	COVER	1		
17	RE43025	RADAR SENSOR	1	(SUB FOR RE21073)	
18	R82243	GASKET	1		
19	14H1040	NUT	3	1/2"	
20	AR111058	SENSOR	1	(SUB FOR RE21510 OR RW26466) (CA)	

# 1F6

ELECTRICAL

PERFORMANCE TRAK II MINI-MONITOR  
(ANALOG TACHOMETER)  
RXP020943 -UN-12OCT94



RXP020943

# 1F7

ELECTRICAL

**PERFORMANCE TRAK II MINI-MONITOR - CONTINUED  
(ANALOG TACHOMETER)**

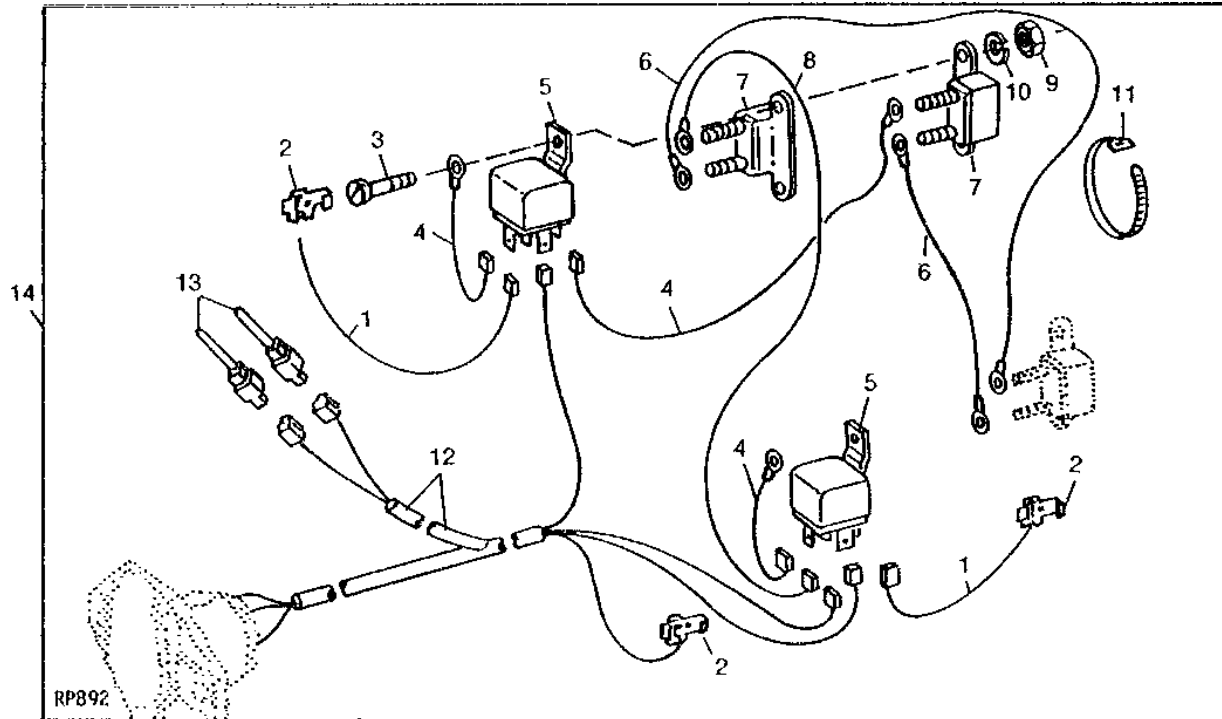
KEY	PART NO.	PART NAME	QTY	TRACTOR SERIAL NO.	REMARKS
1	R44302	TIE BAND	AR		
2	RE22589	LAMP	1		
3	RE21112	MONITOR CONSOLE	1		
4	19H1978	CAP SCREW	3	7/16" X 1-1/2"	
	12H293	LOCK WASHER	3	7/16"	
5	14H1047	NUT	3	7/16"	
	14H786	NUT	2	1/4"	
6	19H1914	CAP SCREW	2	1/4" X 1"	
7	24H1287	WASHER	4	9/32" X 5/8" X 0.065"	
8	R82423	NUT	2	RUBBER	
9	R83055	WING SCREW	2		
10	RE21113	WIRING HARNESS	1	3500MM (138")	
11	R83109	BRACKET	1		
12	U46662	TERMINAL	1		
13	R77489	TERMINAL	1		
	R84158	TERMINAL	1		
14	AR67855	CONNECTOR	3		
15	RE21738	MONITOR CONSOLE	1	(CA)	

# 1F8

ELECTRICAL

## 7-TERMINAL ELECTRICAL OUTLET SOCKET SUPPLEMENTARY WIRING KIT

RP892 -UN-01JAN94



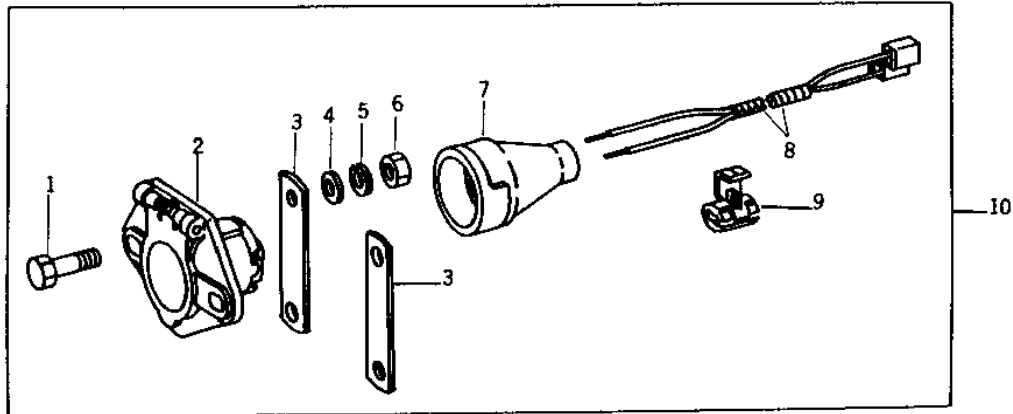
KEY	PART NO.	PART NAME	QTY	TRACTOR SERIAL NO.	REMARKS
1	.....	WIRING LEAD	2		300MM (11-7/8") (MAKE FROM R32007 AND R65600)
2	AR67855	CONNECTOR	3		
3	21H1282	SCREW	2		0.190" X 7/8"
4	.....	WIRING LEAD	3		152MM (6") (MAKE FROM R32007, R32025, R32021 AND R32027)
5	AR74411	RELAY	2		
6	.....	WIRING LEAD	2		152MM (6") (MAKE FROM R32007 AND (2) R32018)
7	AR28403	CIRCUIT BREAKER	2		(20 AMP)
8	.....	WIRING LEAD	1		310MM (12-1/4") (MAKE FROM R32007, R32024, R32018 AND R32027)
9	14H631	NUT	6		0.190"
10	12M7060	WASHER	6		0.209"
11	R44302	TIE BAND	10		
12	AR82908	WIRING HARNESS	1		
13	AR82911	WIRING LEAD	2		
14	AR82906	KIT	1	(FI)	

# 1F9

ELECTRICAL

R32128 -UN-01JAN94

## 7-TERMINAL ELECTRICAL OUTLET SOCKET



R32128

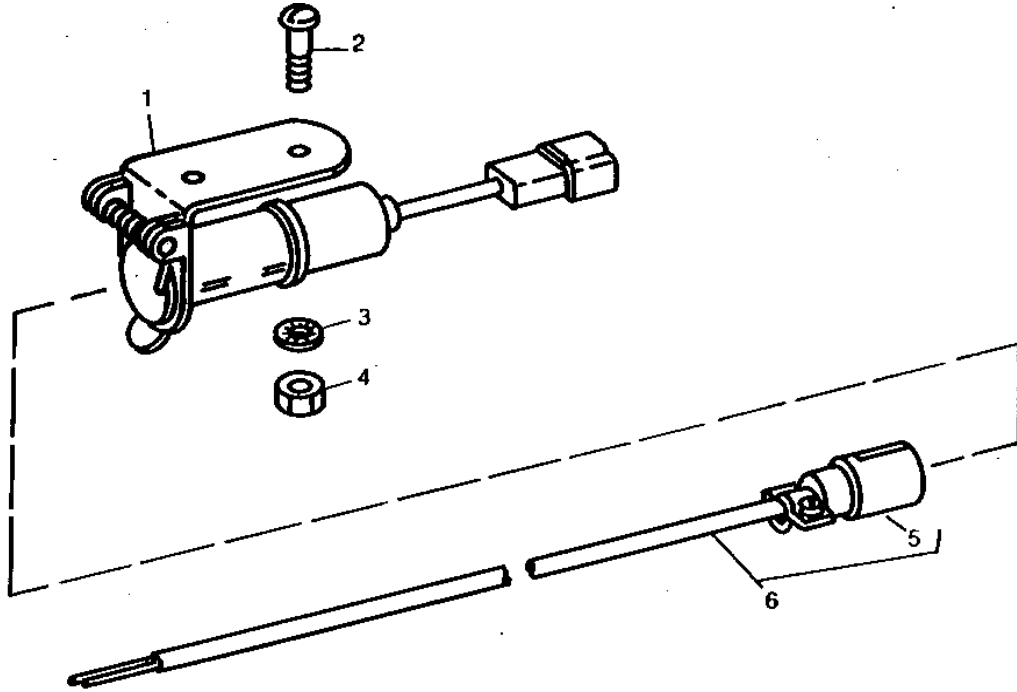
KEY	PART NO.	PART NAME	QTY	TRACTOR SERIAL NO.	REMARKS
1	19H1905	CAP SCREW	4	5/16" X 1"	
2	AR75695	SOCKET OUTLET	1		
3	R61776	STRAP	2		
4	24H1136	WASHER	4	11/32" X 11/16" X 0.065"	
5	12H303	LOCK WASHER	4	5/16"	
6	14H785	NUT	4	5/16"	
7	R61775	BOOT	1		
8	AR75696	WIRING HARNESS	1		EXTENSION
.....		WIRING LEAD	1		3963MM (156") TAIL LAMP LEAD, (MAKE FROM R77500)
9	AR67855	CONNECTOR	3		
10	RE17282	KIT	1		(FI) (SUB FOR AR75694)
..	AH93625	PLUG	1		OUTLET

# 1F10

ELECTRICAL

RXP8343 -UN-01JAN94

## ELECTRICAL OUTLET SOCKET



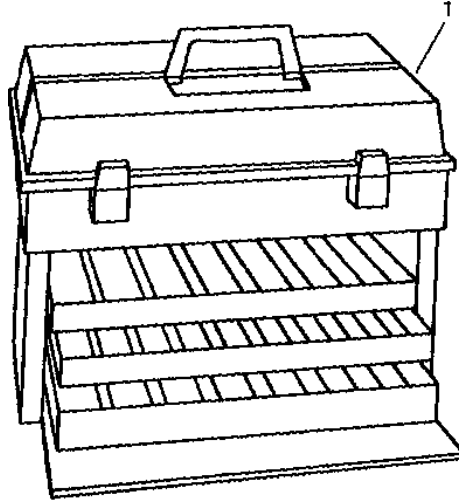
RXP8343

KEY	PART NO.	PART NAME	QTY	SERIAL NO.	REMARKS
1	AT20709	SOCKET OUTLET	1	(FI)	
2	21H1301	SCREW	2	0.190" X 1/2"	
3	12M7060	WASHER	6	0.209"	
4	14H778	NUT	2	0.190"	
5	AA5692R	ELECTRICAL PLUG	1		
6	AR40710	PLUG	1	(FI)	

# 1F11

ELECTRICAL

ELECTRICAL CONNECTOR AND TERMINAL KIT  
RXP010001 -UN-01JAN94



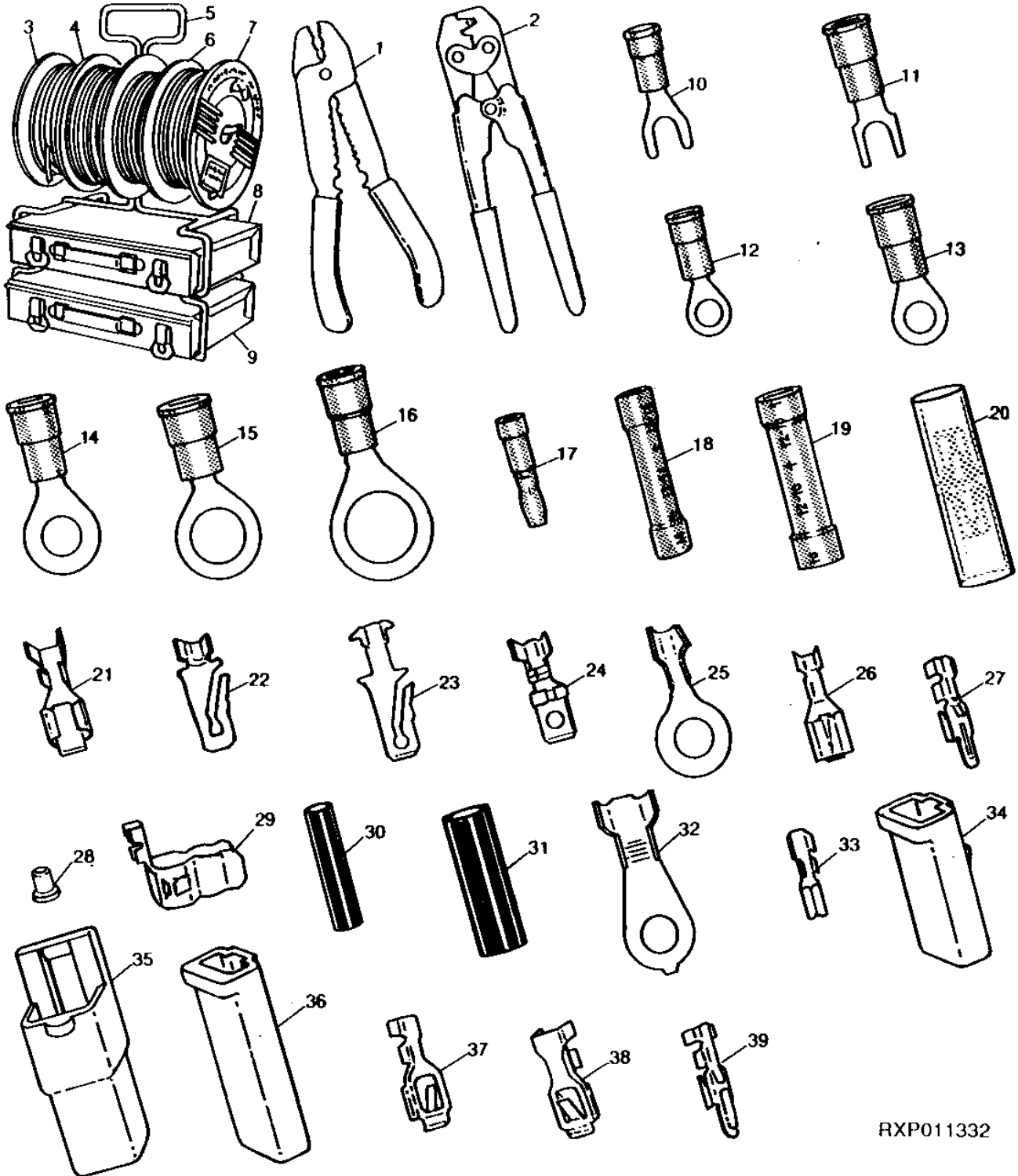
RXP010001

KEY	PART NO.	PART NAME	QTY	TRACTOR SERIAL NO.	REMARKS
1	PM797NA	KIT	1	(A)	
(A) KIT INCLUDES CONNECTORS,TERMINALS AND TOOLS					

# 1F12

ELECTRICAL

ELECTRICAL TERMINALS, CONNECTORS AND WIRING  
RXP011332 -UN-27SEP94



RXP011332



# 1F13

ELECTRICAL

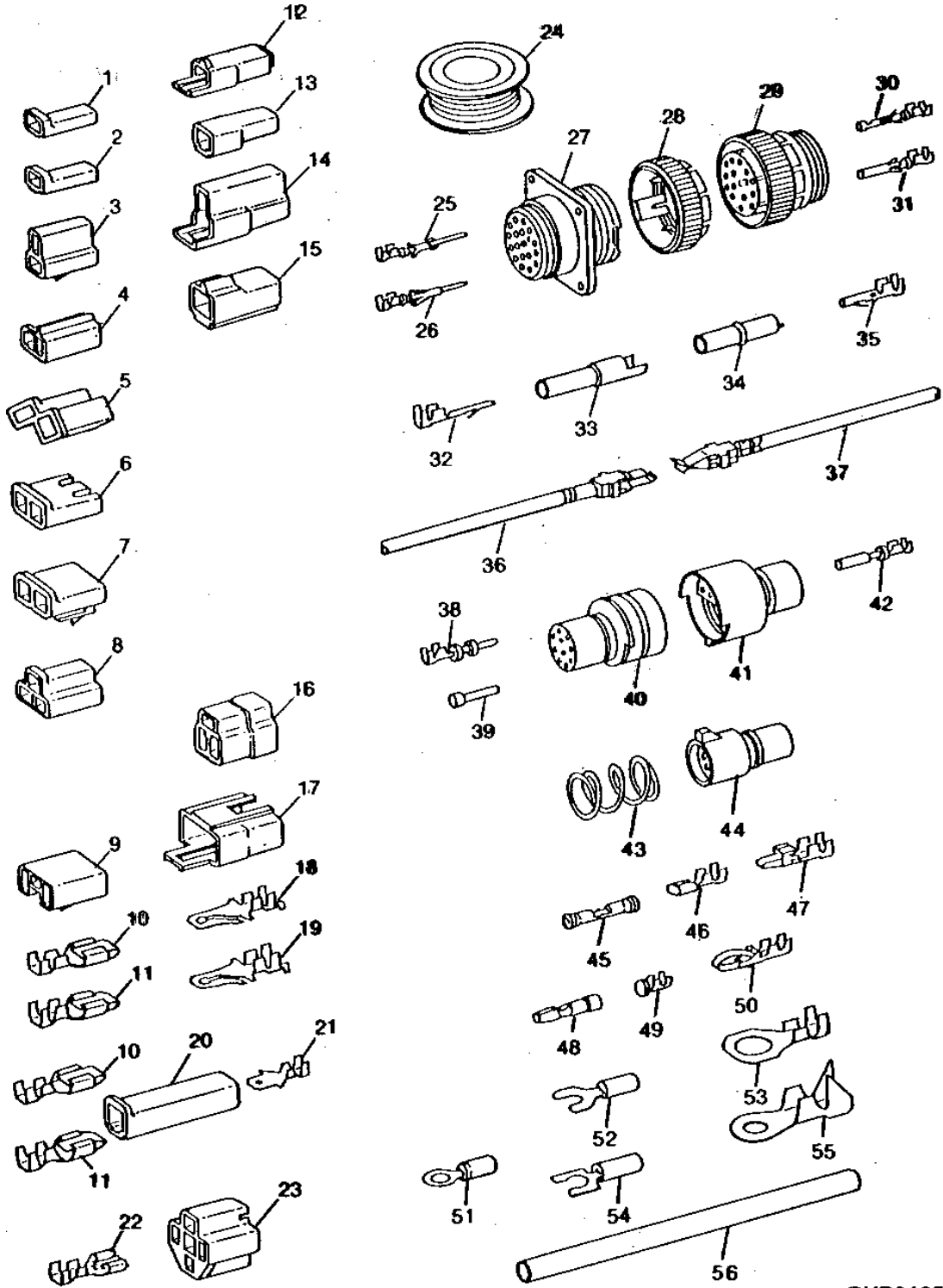
**ELECTRICAL TERMINALS,CONNECTORS AND WIRING - CONTINUED**

KEY	PART NO.	PART NAME	QTY	TRACTOR SERIAL NO.	REMARKS
1	R32011	TOOL	1	(NLA)	
2	R65594	TOOL	1		
3	R66319	WIRING LEAD	1	14 GA., 30.5 M (100 FT.) (1 SPOOL)	
4	R65593	WIRING LEAD	1	16 GA., 30.5 M (100 FT.) (1 SPOOL)	
5	R65608	RACK	1		
6	R66321	WIRING LEAD	1	10 GA., 15 M (50 FT.) (1 SPOOL)	
7	R66320	WIRING LEAD	1	12 GA., 30.5 M (100 FT.) (1 SPOOL)	
8	R65609	CONTAINER	1	(NLA)	
9	R65610	CONTAINER	1		
10	R32016	TERMINAL	1	14-16 GA., NO. 10 SPADE	
11	R32017	TERMINAL	1	10-12 GA., NO. 10 SPADE	
12	R32018	TERMINAL	1	14-16 GA., NO. 10 EYELET	
13	R32019	TERMINAL	1	10-12 GA., NO. 10 EYELET	
14	R32021	TERMINAL	1	10-12 GA., 1/4" EYELET	
15	R32022	TERMINAL	1	10-12 GA., 3/8" EYELET	
16	R32023	TERMINAL	1	10-12 GA., 1/2" EYELET	
17	R32026	TERMINAL	1	MALE BULLETT	
18	R32027	CONNECTOR	1	SPLICE, 14-16 GA.	
19	R32028	TERMINAL	1	SPLICE, 10-12 GA.	
20	AL2976T	CONNECTOR	1	(SUB FOR R32029) 2-WIRE BULLETT CONNECTOR	
21	R65595	TERMINAL	1	FEMALE, 10 GA.	
22	R65596	TERMINAL	1	MALE, 10 GA. OR TWO 14 GA. CABLES	
23	R65597	TERMINAL	1	MALE, 14-16 GA.	
24	R65598	TERMINAL	1	MALE, SHORT, 14-16 GA.	
25	R65599	TERMINAL	1	14-16 GA., 1/4" EYELET	
26	R65600	TERMINAL	1	FEMALE, 14-16 GA.	
27	R65601	TERMINAL	1	TWIN-LOCK, TWO 16 GA. CABLES	
28	R65602	SOCKET CONTACT	1	BULB SOCKET, 16-18 GA.	
29	R65603	TERMINAL NIPPLE	1	FUSE	
30	R65604	INSULATING SLEEVE	1	14-18 GA.	
31	R65605	INSULATING SLEEVE	1	8-12 GA.	
32	R65606	TERMINAL	1	6-8 GA., 1/4" EYELET	
33	R65607	TERMINAL	1	18-20 GA.	
34	T28583	RECEPTACLE	1	ONE CONTACT LOCK-TYPE, MALE	
35	T28585	TERMINAL	1	ONE CONTACT LOCK-TYPE, FEMALE	
36	U46370	CONNECTOR	1	CONNECTOR, ONE CONTACT SINGLE BODY, MALE	
37	U46662	TERMINAL	1	FEMALE	
38	U46663	TERMINAL	1	FEMALE	
39	U46664	TERMINAL	1	FEMALE	

# 1F14

ELECTRICAL

ELECTRICAL CONNECTORS, TERMINALS AND WIRING  
RXP010581 -UN-01JAN94



RXP010581

# 1F15

ELECTRICAL

**ELECTRICAL CONNECTORS, TERMINALS AND WIRING - CONTINUED**

KEY	PART NO.	PART NAME	QTY	TRACTOR SERIAL NO.	REMARKS
1	T28583	RECEPTACLE	1	(B)	
2	M43835	FLAT CONNECTOR	1	(B)	
3	R77476	CONNECTOR	1	(A)	
4	R77477	CONNECTOR	1	(A)	
5	R77479	CONNECTOR	1	(A)	
6	R77480	CONNECTOR	1	(A)	
7	R77481	CONNECTOR	1	(A)	
8	R77482	CONNECTOR	1		
9	H104855	CONNECTOR	1		
10	U46662	TERMINAL	1	(E) (F)	
11	N115096	TERMINAL	1	(G) (SUB R65595) (PKG. OF 15)	
12	T28585	TERMINAL	1	(B)	
13	R77475	CONNECTOR	1	(B)	
14	T28586	CONNECTOR	1	(A)	
15	R77478	CONNECTOR	1	(A)	
16	R77483	CONNECTOR	1		
17	R48887	RECEPTACLE	1		
18	T34067	TERMINAL	1	(E) (F)	
19	R77484	TERMINAL	1	(G) (PKG. OF 15)	
20	U46370	CONNECTOR	1	(B)	
21	R77485	TAB	1	(C) (F)	
22	R77486	TERMINAL	1	(E) (F)	
23	R77487	CONNECTOR	1	(B)	
24	R66321	WIRING LEAD	1	15M (50 FT.) 10 GA.	
	R66320	WIRING LEAD	1	30.5M (100 FT.) 12 GA.	
	R77501	WIRE	1	30.5M (100 FT.) 14 GA.	
	R77500	WIRE	1	30.5M (100 FT.) 16 GA.	
	R77499	WIRE	1	30.5M (100 FT.) 18 GA.	
	R77498	WIRE	1	30.5M (100 FT.) 20 GA.	
25	R77462	PIN CONTACT	1	(PKG. OF 40) (20-22 OR 24 GA. WIRE)	
26	R77464	PIN CONTACT	1	(H) (PKG. OF 50)	
27	R77456	RECEPTACLE	1	(37 WAY)	
28	R77458	CONNECTOR	1	(A) (SIZE 23)	
	R77459	CONNECTOR	1	(A) (SIZE 17)	
	R77460	CONNECTOR	1	(A) (SIZE 13)	
	R77461	CONNECTOR	1	(A) (SIZE 11)	
29	R77457	ELECTRICAL PLUG	1	(37 WAY)	
30	R77463	SOCKET CONTACT	1	(PKG. OF 40) (20-22 OR 24 GA. WIRE)	
31	R77465	SOCKET CONTACT	1	(H) (PKG. OF 50)	
32	R77468	TERMINAL	1	(PKG. OF 5)	
33	R77466	CONNECTOR	1	(A)	
34	R77467	CONNECTOR	1	(A)	

(A) PKG. OF 2

(B) PKG. OF 3

(C) PKG. OF 10

(D) PKG. OF 20

(E) PKG. OF 25

(F) 14 OR 16 GA. WIRE

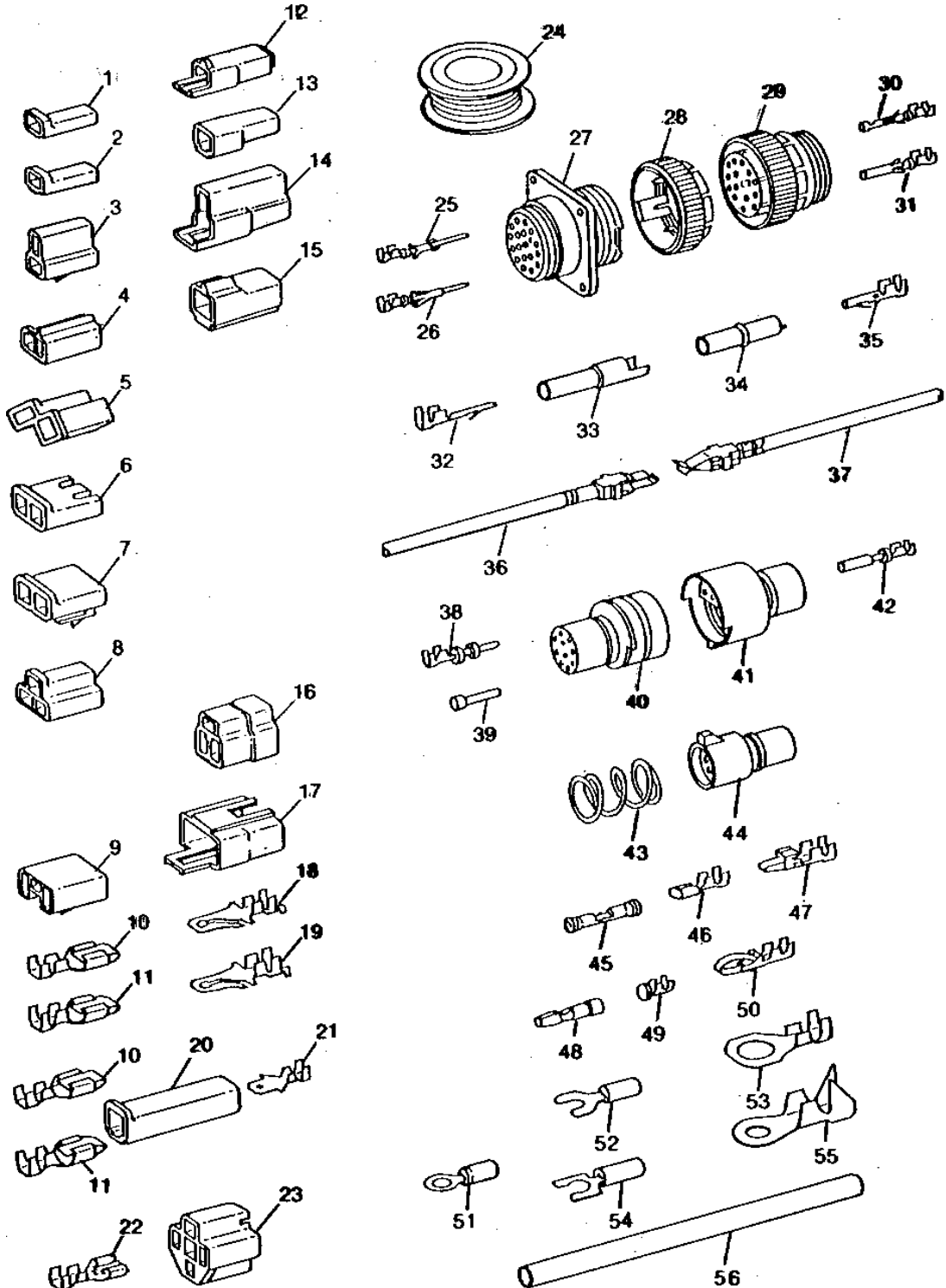
(G) 10 OR 12 GA. WIRE

(H) 14-16 OR 18 GA. WIRE

# 1F16

ELECTRICAL

ELECTRICAL CONNECTORS, TERMINALS AND WIRING - CONTINUED  
RXP010581 -UN-01JAN94



RXP010581

# 1F17

ELECTRICAL

**ELECTRICAL CONNECTORS, TERMINALS AND WIRING - CONTINUED**

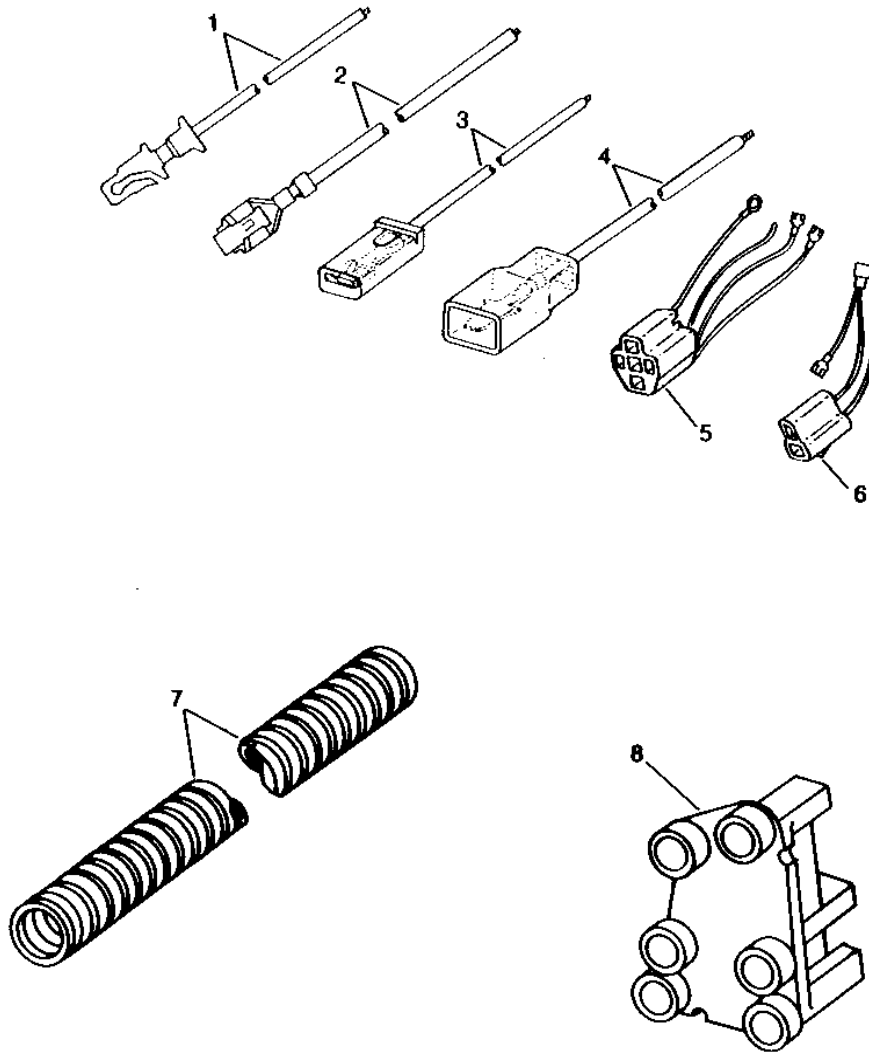
KEY	PART NO.	PART NAME	QTY	TRACTOR SERIAL NO.	REMARKS
35	R77469	TERMINAL	1		(PKG. OF 5)
36	RE11156	TERMINAL	1		(B) (MALE)
37	RE11157	TERMINAL	1		(B) (FEMALE)
38	R70222	PIN CONTACT	1		(D) (H)
39	R70221	ELECTRICAL PLUG	1		(E)
40	R70219	PLUG	1		(A) (10 WAY)
	R70217	PLUG	1		(A) (7 WAY)
	R70215	PLUG	1		(A) (4 WAY)
	R70213	PLUG	1		(A) (3 WAY)
41	R70211	CONNECTOR	1		(A) (2 WAY)
	R70218	RECEPTACLE	1		(A) (10 WAY)
	R70216	RECEPTACLE	1		(A) (7 WAY)
	R70214	RECEPTACLE	1		(A) (4 WAY)
	R70212	RECEPTACLE	1		(A) (3 WAY)
	R70210	RECEPTACLE	1		(A) (2 WAY)
42	AR91793	SOCKET CONTACT	1		(D)
43	R30378	SPRING	1		(C)
44	R77474	CONNECTOR	1		(A) (6 WAY)
45	R77470	TERMINAL	1		SPLICE (PKG. OF 15) (16-18-20 OR 22 GA. WIRE)
	R77471	TERMINAL	1		(C) (G) SPLICE
	R77472	TERMINAL	1		(A) SPLICE (8 GA. WIRE)
	R77473	TERMINAL	1		(A) SPLICE (6 GA. WIRE)
46	R65607	TERMINAL	1		(C) (18 OR 20 GA. WIRE)
47	U46664	TERMINAL	1		(C) (F)
48	R32026	TERMINAL	1		(D) (F)
49	R65602	SOCKET CONTACT	1		(C) (16 OR 18 GA. WIRE)
50	R70220	TERMINAL	1		(C) (18 OR 20 GA. WIRE)
51	R77489	TERMINAL	1		(D) (14-16-18 OR 20 GA. WIRE) (NO. 10 EYELET)
	R77493	TERMINAL	1		(D) (G) (NO. 10 EYELET)
	R77488	TERMINAL	1		(D) (14-16-18 OR 20 GA. WIRE) (3/8" EYELET)
	R77490	TERMINAL	1		(D) (G) (1/2" EYELET)
52	R77496	TERMINAL	1		(D) (F) (NO. 8 SPADE)
	R77495	TERMINAL	1		(D) (18 GA. WIRE) (NO. 10 SPADE)
53	R77497	TERMINAL	1		(D) (F) (NO. 6 SPADE)
54	R77491	TERMINAL	1		(D) (G) (3/8" EYELET)
	R77492	TERMINAL	1		(D) (G) (1/4" EYELET)
55	R77494	TERMINAL	1		(D) (6 OR 8 GA. WIRE) (1/4" EYELET)
56	R77502	TUBE	1		(PKG. OF 8) 3/8" (HEAT SHRINK)
	R77503	TUBE	1		(PKG. OF 8) 3/16" (HEAT SHRINK)

- (A) PKG. OF 2
- (B) PKG. OF 3
- (C) PKG. OF 10
- (D) PKG. OF 20
- (E) PKG. OF 25
- (F) 14 OR 16 GA. WIRE
- (G) 10 OR 12 GA. WIRE
- (H) 14-16 OR 18 GA. WIRE

# 1F18

ELECTRICAL

SUPPLEMENTARY TERMINALS AND CONNECTORS  
RXP8619 -UN-28NOV94



# 1F19

ELECTRICAL

SUPPLEMENTARY TERMINALS, CONNECTORS AND REPAIR CONDUIT - CONTINUED

KEY	PART NO.	PART NAME	QTY	TRACTOR SERIAL NO.	REMARKS
1	AR65005	TERMINAL	1		
2	AR65006	TERMINAL	1		
3	R32024	WIRING LEAD	1		
4	R32025	WIRING LEAD	1		
5	RE21730	TERMINAL	1		
	RE21731	TERMINAL	1		
6	RE21732	TERMINAL	1		
7	R93219	CONDUIT	1		6.3 X 3048MM (1/4" X 120")
	R93220	CONDUIT	1		10.4 X 3048MM (13/32" X 120")
	R93221	CONDUIT	1		15.9 X 3048MM (5/8" X 120")
	R93222	CONDUIT	1		25.4 X 3048MM (1" X 120")
8	AR83425	RECEPTACLE CONNECTOR BODY	1		(LIGHT SWITCH)

---

MEMORANDA

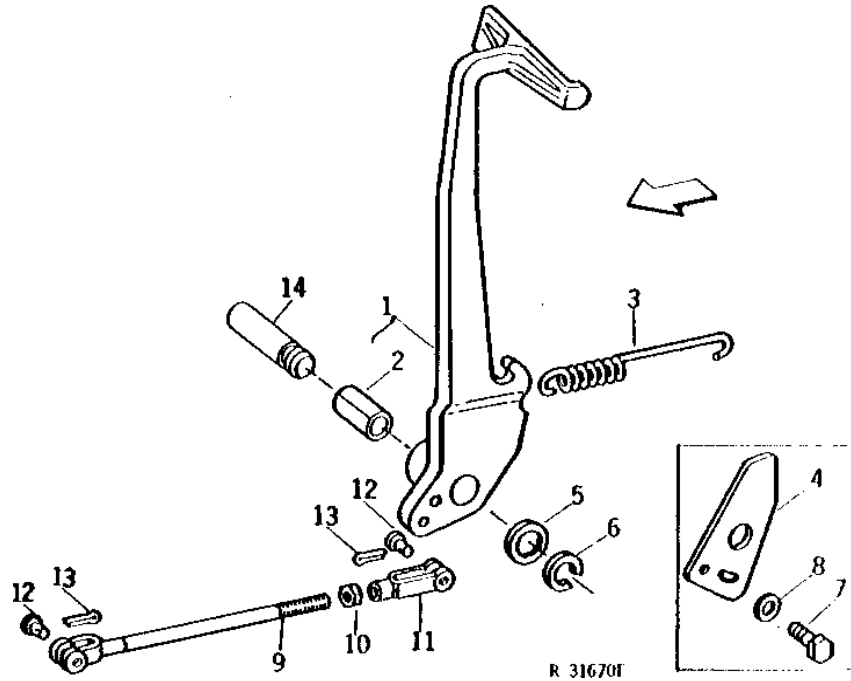


# 1F22

POWER TRAIN

R31670 -UN-01JAN94

## CLUTCH PEDAL AND LINKAGE



R 31670I

KEY	PART NO.	PART NAME	QTY	TRACTOR SERIAL NO.	REMARKS
1	AT22096	PEDAL	1	-224347	(SUB AL38242)
	AL27229	PEDAL	1	224348-	(SUB AL38242)
	AL38242	PEDAL	1		(MARKED R40438) (SUB FOR AT22096 OR AL27229)
2	T21998	BUSHING	1		(A)
	L40446	BUSHING	1		(B)
3	T21452	EXTENSION SPRING	1		
4	T22529	ARM	1	-224347	(SUB AL38242)
5	24H1451	WASHER	1		1-1/32" X 1-3/4" X 0.060"
6	A602R	SNAP RING	1		
7	19H3579	CAP SCREW	1	-224347	1/2" X 1-3/8"
8	T26198	WASHER	1	-224347	
9	AT22926	ROD	1		(SUB L62679, (2) M80373 AND (2) 14H774)
10	14H774	NUT	1		3/8"
11	M80373	YOKE	1		(SUB FOR L324T)
12	R65563	PIN	2		(SUB FOR C1067R)
13	11M7059	COTTER PIN	2		3.200 X 20 MM
14	T21448	PIN	1		

(A) USE WITH AT22096 OR AL27229

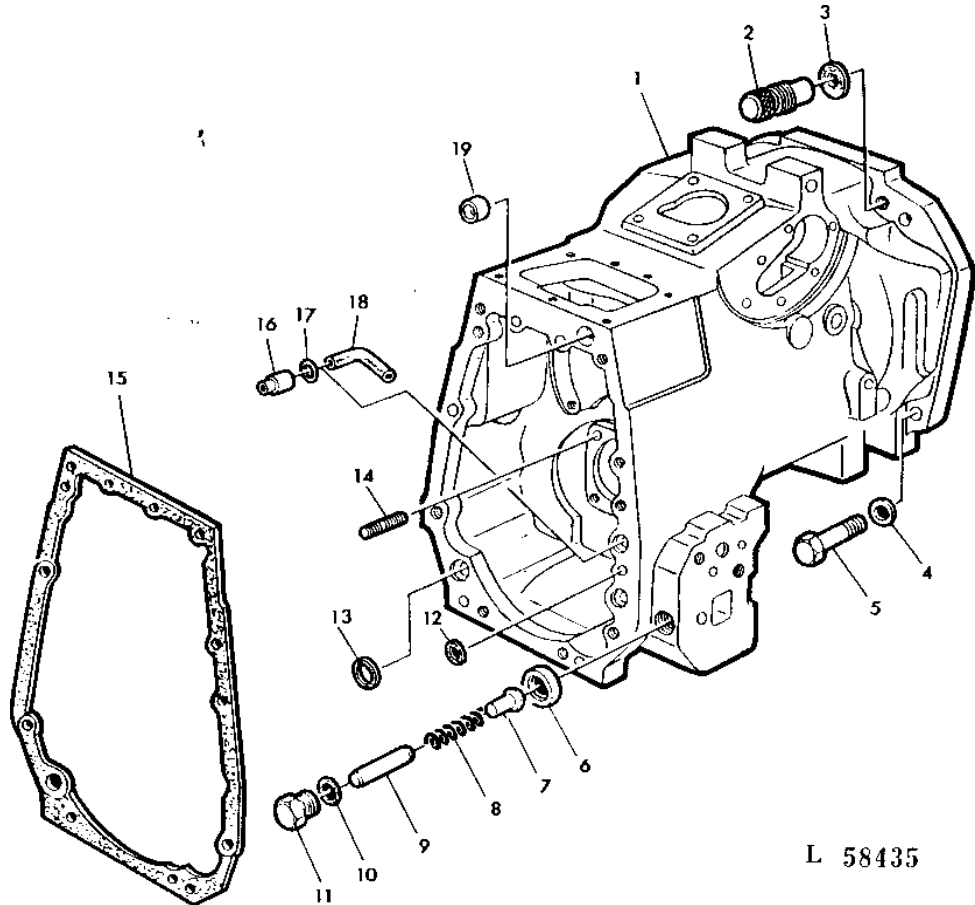
(B) USE WITH AL38242

# 1F23

POWER TRAIN

L58435 -UN-01JAN94

## CLUTCH HOUSING



L 58435

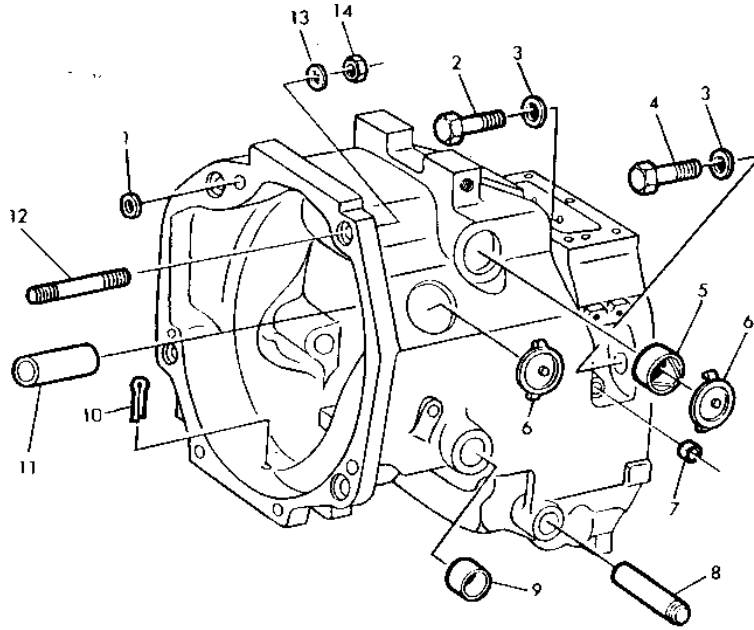
KEY	PART NO.	PART NAME	QTY	TRACTOR SERIAL NO.	REMARKS
1	AT41649	HOUSING	1	-XXXXXX	(MARKED R56981 OR R63438) (ALSO ORDER T25408, R64806, R375R, R39112, R26375 AND 19H1801) (SUB AR94535, T23059, L29854 AND 14H1039)
	AR94535	HOUSING	1	XXXXXX-	(MARKED R71696)
2	T22898	PLUG	1		
3	T21827	WASHER	1		
4	R70268	WASHER	3		(SUB FOR R42363)
5	19H2133	CAP SCREW	3		5/8" X 4-1/2"
6	T22858	VALVE SEAT INSERT	1		
7	T26430	VALVE	1	-266749	
8	T30141	SPRING	1	-266749	
	T14059	SPRING	1	266750-	
9	T26431	GUIDE	1	-266749	
	T22850	PIN	1	266750-	
10	F3171R	O-RING	1		
11	L40568	PIPE PLUG	1		
12	A4847R	WASHER	1		
13	T22851	WASHER	1		
14	R55396	STUD	3		3/8" X 1-11/16", (SUB FOR C2175R)
	T32508	STUD	1		
15	T36236	GASKET	1		
16	T25408	SLEEVE	1		
17	R375R	O-RING	1		
18	R64806	OIL TUBE	1		(SUB FOR R48290)
19	T12083	CAP	1		
..	RE50756	GASKET KIT	1		(CLUTCH HOUSING TO TRANSMISSION CASE) (SUB FOR AR94702)

# 1F24

POWER TRAIN

L62336 -UN-01JAN94

## CLUTCH HOUSING



L 62336

KEY	PART NO.	PART NAME	QTY	TRACTOR SERIAL NO.	REMARKS
1	R26919	WASHER	1		
2	19H2550	CAP SCREW	2	1/2" X 1-5/8"	
3	T20168	WASHER	5		
4	19H1831	CAP SCREW	3	1/2" X 2"	
5	T21445	BUSHING	1		
6	R1680R	PLUG	2	(SUB FOR T22569)	
7	M4224T	PLUG	1		
8	T21448	PIN	1		
9	T21446	BUSHING	1		
10	11M7084	COTTER PIN	1	5 X 25 MM	
11	T21447	SLEEVE	1		
12	R53790	STUD	1	5/8"	
13	R70268	WASHER	1	(SUB FOR R42363)	
14	14H1039	NUT	1	5/8"	

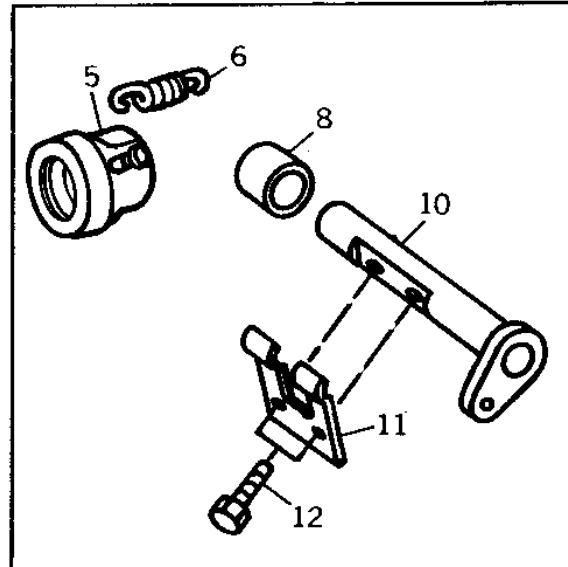
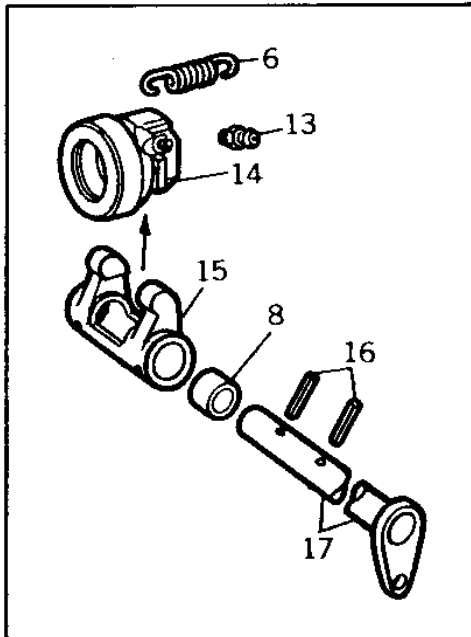
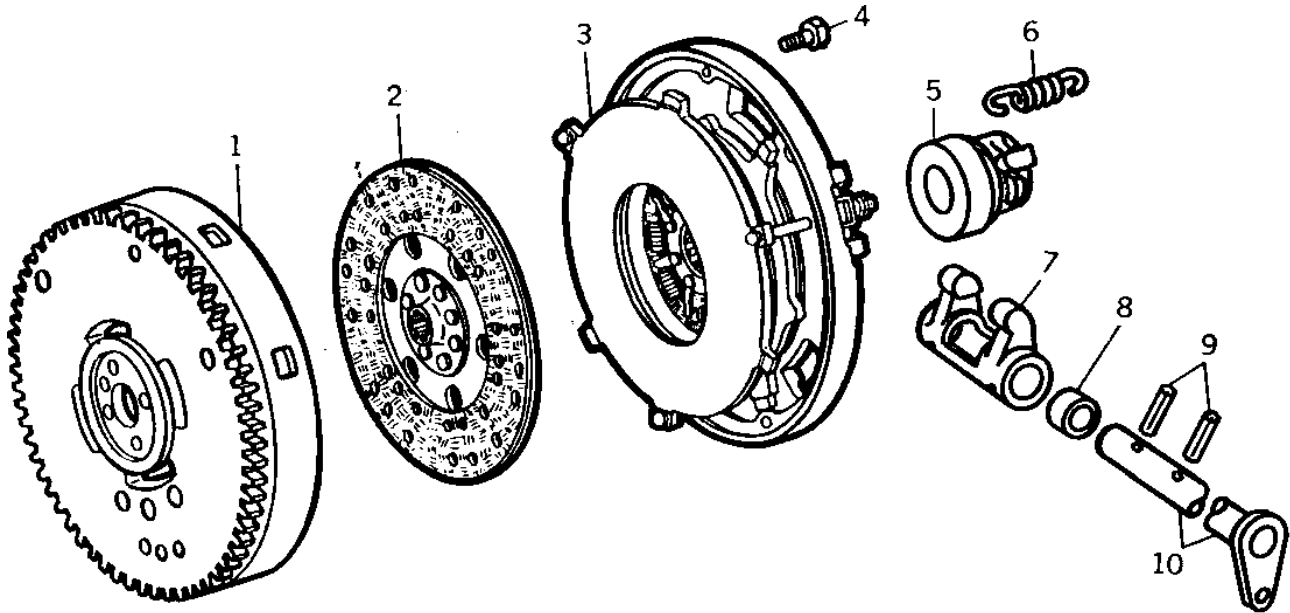
# 1G1

POWER TRAIN

R33493

-UN-01JAN94

## DUAL STAGE CLUTCH



R33493

# 1G2

POWER TRAIN

## DUAL STAGE CLUTCH - CONTINUED

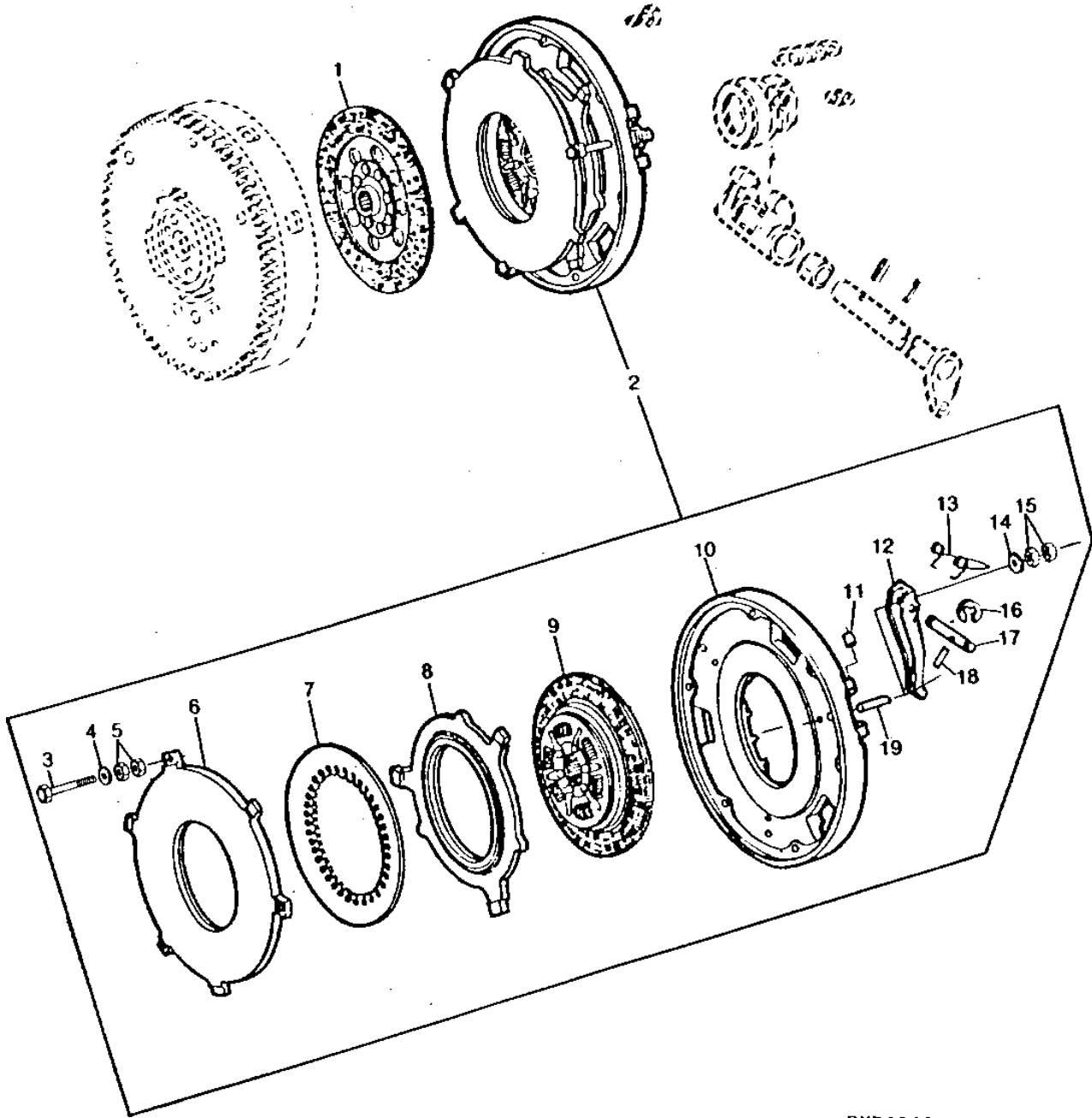
KEY	PART NO.	PART NAME	QTY	TRACTOR SERIAL NO.	REMARKS
1	.....	FLYWHEEL	1		
2	RE29882	CLUTCH DISK	1	-XXXXXX	TRANSMISSION DRIVE, (SUB FOR AR66924)
3	AL18714	CLUTCH	1	-XXXXXX	(SUB AL55140)
	AL40882	CLUTCH	1	-XXXXXX	(SUB FOR AL18714) (SUB AL55140)
	AL55140	CLUTCH	1	XXXXXX-	(SUB FOR AL18714 OR AL40882)
4	19H3219	CAP SCREW	6		3/8" X 1-3/8"
5	AL27231	THRUST BEARING	1	224348-XXXXXX	(SUB AL30777, T21999, AT19837, (2) 34H353 AND A2552R)
	AL30777	THRUST BEARING	1	XXXXXX-	(SUB FOR AT24699 OR AL27231)
6	T21450	EXTENSION SPRING	1		
7	T21999	FORK	1	XXXXXX-	
8	T21446	BUSHING	1		
9	34H353	SPRING PIN	2	XXXXXX-	3/8" X 1-3/4"
10	AL27230	SHAFT	1	224348-XXXXXX	
	AT19837	SHAFT	1	XXXXXX-	
11	L32029	FORK	1	224348-XXXXXX	
12	T22874	BOLT	2	224348-XXXXXX	3/8" X 1.120"
13	T27178	LUBRICATION FITTING	1	-224347	
14	AT24699	BEARING	1	-224347	(SUB AL30777)
15	T21999	FORK	1	-224347	
16	34H353	SPRING PIN	2	-224347	3/8" X 1-3/4"
17	AT19837	SHAFT	1	-224347	

# 1G3

POWER TRAIN

RXP8040 -UN-01JAN94

## DUAL STAGE CLUTCH ASSEMBLY



RXP8040

# 1G4

POWER TRAIN

## DUAL STAGE CLUTCH ASSEMBLY - CONTINUED

KEY	PART NO.	PART NAME	QTY	TRACTOR SERIAL NO.	REMARKS
1	RE29882	CLUTCH DISK	1		(TRANSMISSION DRIVE) (SUB FOR AR66924)
2	AL18714	CLUTCH	1	-XXXXXX	(3-BOLT) (SUB AL55140)
	AL40882	CLUTCH	1	-XXXXXX	(SUB AL55140)
	AL55140	CLUTCH	1	XXXXXX-	(SUB FOR AL18714 OR AL40882)
3	T29648	CAP SCREW	3		(A)
	L41388	CAP SCREW	3		(B) (C)
	L41588	COMPRESSION SPRING	3		(B)
	L41589	WASHER	3		(B)
4	T29650	WASHER	3		(A) (B)
5	T29649	NUT	6		(A) (B)
6	T29647	CLUTCH PLATE	1		
7	L39302	DIAPHRAGM	1		(SUB FOR L29246)
8	T29646	CLUTCH PLATE	1		(PTO)
9	AL19092	CLUTCH	1		(PTO DRIVE)
10	T29353	PLATE	1		
11	T28225	BUSHING	6		
12	T28221	LEVER	3	-XXXXXX	(A) (SUB AL60271)
	L41389	LEVER	3	-XXXXXX	(B) (SUB AL60271)
	L55213	LEVER	3	XXXXXX-	(C)
13	T28230	SPRING	3		(A) (B)
	L55216	PIN	3		(C)
14	T29650	WASHER	3		
15	T29649	NUT	6		
16	L38513	SNAP RING	6		(A) (B) (SUB FOR T28231)
17	L41387	PIN	3		(A) (B) (SUB FOR T28222)
	L55215	PIN	3		(C)
18	T28226	SPRING PIN	3		(A)
	34M7010	SPRING PIN	3		(B) (C) 3 X 20 MM
19	T28224	PIN	3		(A)
	L41390	PIN	3		(B)
	L55216	PIN	3		(C)

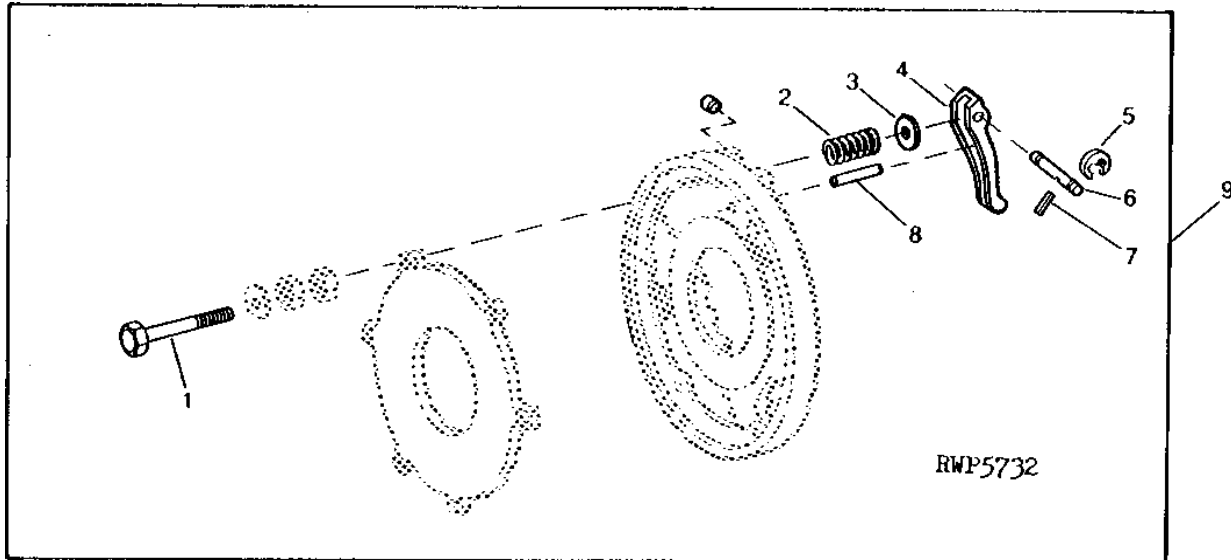
(A) USE WITH AL18714  
 (B) USE WITH AL40882  
 (C) USE WITH AL55140

# 1G5

POWER TRAIN

RWP5732 -UN-01JAN94

## DUAL-STAGE CLUTCH REPAIR KIT



KEY	PART NO.	PART NAME	QTY	TRACTOR SERIAL NO.	REMARKS
1	L41388	CAP SCREW	3		
2	L41588	COMPRESSION SPRING	3		
	L41587	COMPRESSION SPRING	3		
3	L41589	WASHER	3		
4	L41389	LEVER	1		
5	L38513	SNAP RING	7		
6	L41387	PIN	3		
7	34M7010	SPRING PIN	3	3 X 20 MM	
8	L41390	PIN	3		
9	AL39936	KIT	1	(SUB FOR AL60271)	

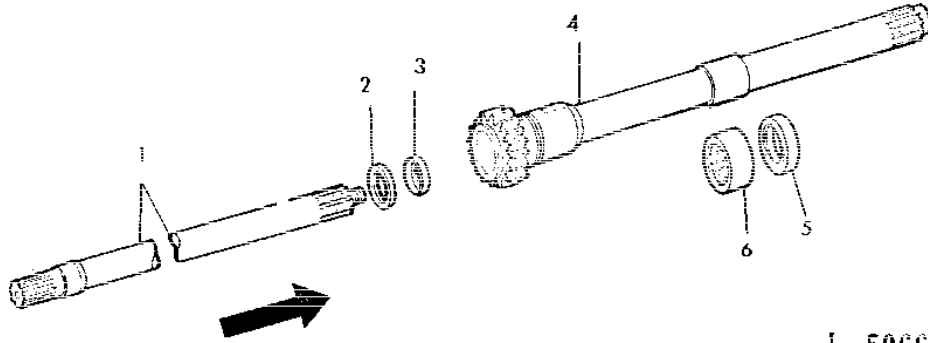


# 1G6

POWER TRAIN

L59667 -UN-01JAN94

## CLUTCH SHAFT AND PILOT



L 59667

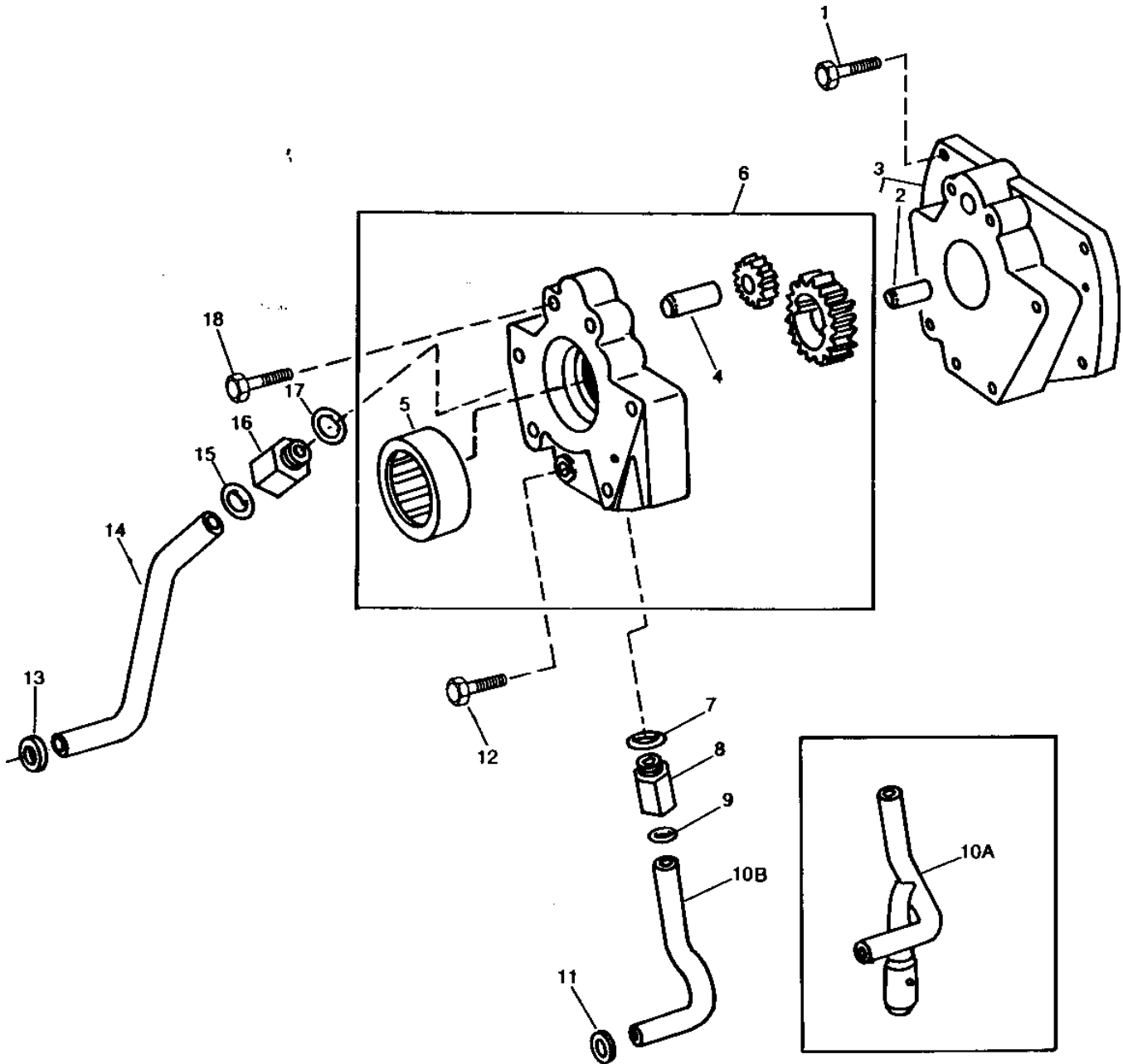
KEY	PART NO.	PART NAME	QTY	TRACTOR SERIAL NO.	REMARKS
1	R56514	SHAFT	1		
2	AT21780	SEAL	1		
3	T23062	CAP	1		
4	T42381	SHAFT	1		
5	T22198	SEAL	1		
6	JD9813	NEEDLE BEARING	1		

# 1G7

POWER TRAIN

RWP4302 -UN-01JAN94

## TRANSMISSION OIL PUMP AND OIL LINES



RWP4302

# 1G8

POWER TRAIN

## TRANSMISSION OIL PUMP AND OIL LINES - CONTINUED

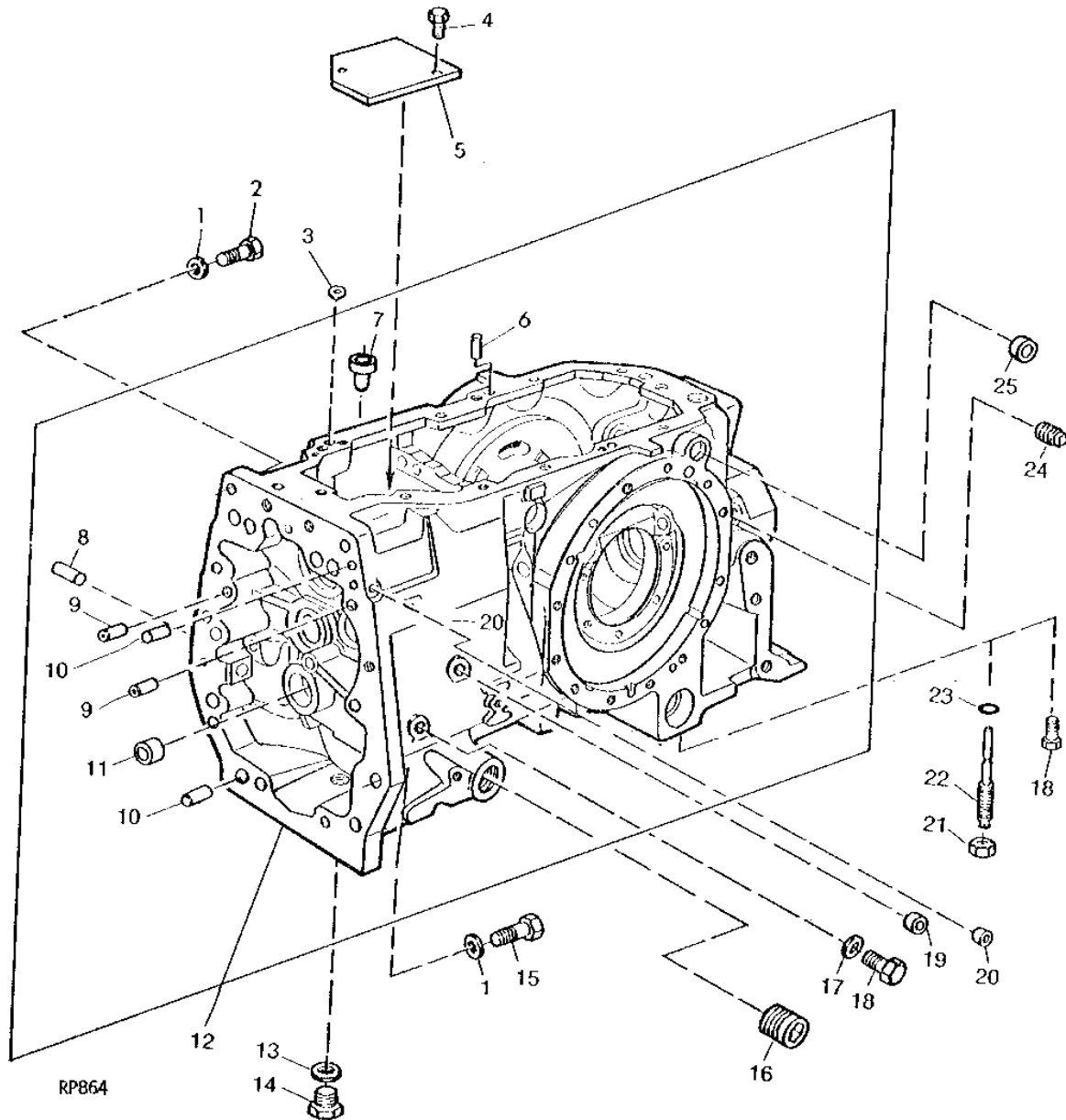
KEY	PART NO.	PART NAME	QTY	TRACTOR SERIAL NO.	REMARKS
1	19H2552	CAP SCREW	4		3/8" X 1-1/8"
2	R30587	DOWEL PIN	3		
3	AR69659	ADAPTER	1		
4	R58661	DOWEL PIN	1		(SUB FOR R39224)
5	JD8720	ROLLER BEARING	1		
6	AR96662	OIL PUMP	1		(MARKED R57959) (SUB FOR AR39053, AR39107 OR AR39164)
7	R26906	O-RING	1		
8	T22862	ADAPTER	1		
9	R375R	O-RING	1		
10A	AT24392	OIL LINE	1	-266749	
10B	T25419	OIL TUBE	1	266750-	OIL PUMP OUTLET
11	T22851	WASHER	1		
12	R41041	CAP SCREW	1		
13	R26149	PACKING	1		
14	T25418	OIL TUBE	1		OIL PUMP INLET
15	T13119	O-RING	1		
16	T30754	ADAPTER	1		
17	F3171R	O-RING	1		
18	R40235	CAP SCREW	5		

# 1G9

POWER TRAIN

RP864 -UN-01JAN94

## TRANSMISSION CASE



# 1G10

POWER TRAIN

## TRANSMISSION CASE - CONTINUED

KEY	PART NO.	PART NAME	QTY	TRACTOR SERIAL NO.	REMARKS
1	T20168	WASHER	8		
2	19H1831	CAP SCREW	2		
3	T17882	WASHER	1		
4	19H2021	CAP SCREW	2	3/8" X 5/8"	
5	T22854	COVER	1		
6	R48685	DOWEL PIN	2		
7	L32578	BUSHING	1	(USE WITH AL29650)	
	T21562	TUBE	1	(USE WITH AR101832)	
8	R48685	DOWEL PIN	4		
9	T24729	BUSHING	2		
10	T26565	DOWEL PIN	2		
11	T22128	BUSHING	1	(WITH REAR PTO)	
12	AT43407	TRANSMISSION CASE	1	-305839	(MARKED T44556) (SUB AR101832, (2) 19H2510, (2) 19H2644, 19H2735, T22955, R54380, JD8276, R67336, T21442, T21443 AND T21444)
	AL29650	TRANSMISSION CASE	1	305840-	(MARKED L33503) (SUB AL63639 AND AL64330)
13	A4827R	WASHER	2		
14	R51895	FITTING	2		
15	19H2550	CAP SCREW	6	1/2" X 1-5/8"	
16	15H562	PIPE PLUG	1	1"	
17	R27003	WASHER	1		
	T27716	SPRING	1		
	R26552	BALL	1	8MM (5/16")	
18	R53802	CAP SCREW	2	1/2" X 1/2"	
19	T18891	CAP	2		
20	M1102T	CAP	1		
21	14H971	NUT	1	1/2"	
22	T21776	SCREW	1		
23	R27490	O-RING	1		
24	15H584	PIPE PLUG	1	1/2"	
25	T21937	CAP	1		
..	RE50756	GASKET KIT	1		(CLUTCH HOUSING TO TRANSMISSION CASE) (SUB FOR AR94702)
..	AR94726	KIT	1		TRANSMISSION REPLACEMENT QUILL AND SHIM, (SUB T22955, R54380, JD8276, R67336, T21442, T21443 AND T21444)

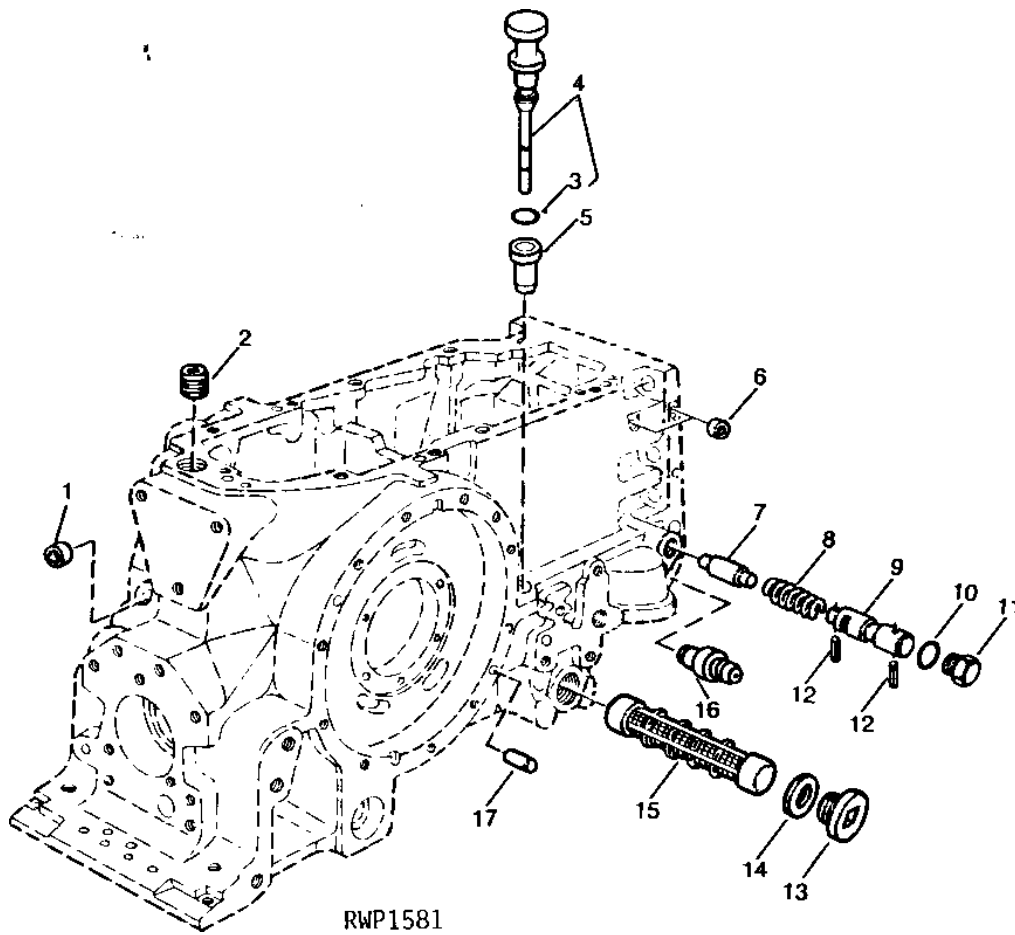
# 1G11

POWER TRAIN

RWP1581

-UN-01JAN94

## TRANSMISSION DIPSTICK AND OIL SCREEN



RWP1581

# 1G12

POWER TRAIN

## TRANSMISSION DIPSTICK AND OIL SCREEN - CONTINUED

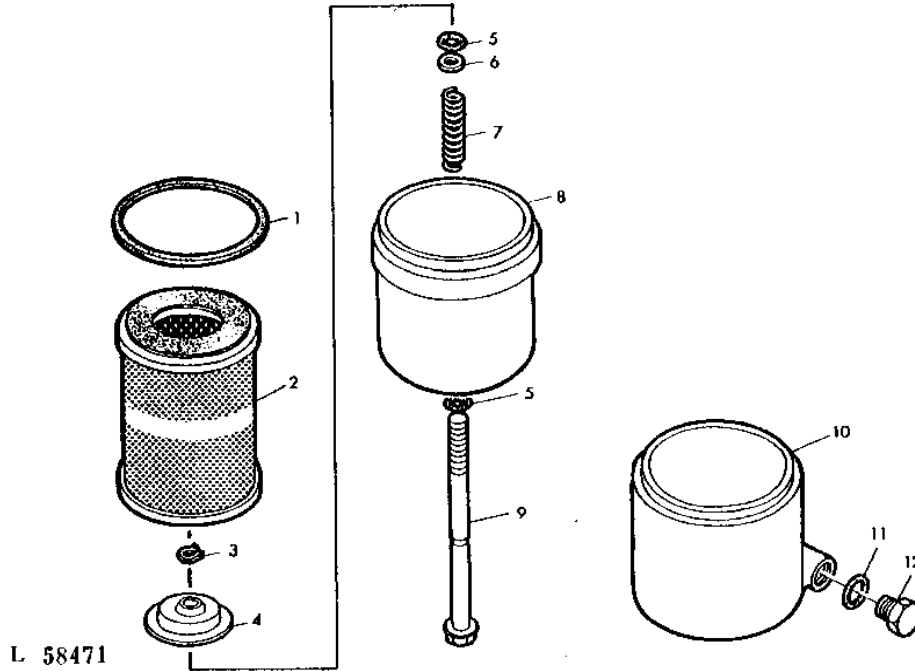
KEY	PART NO.	PART NAME	QTY	TRACTOR SERIAL NO.	REMARKS
1	T18891	CAP	1		
2	15H562	PIPE PLUG	1		1"
3	R1590R	WASHER	1	-232410	
4	AT19830	DIPSTICK	1	-232410	(SCREW ON)
	AL28090	DIPSTICK	1	232411-	(RED) (SNAP ON) (SUB AL32587 AND L35260)
	L33662	O-RING	2	232411-	
5	T21562	TUBE	1	-232410	
	L32578	BUSHING	1	232411-	
6	M1102T	CAP	2		
7	R39294	PIN	1		
8	R31698	SPRING	1		(SUB R74418)
9	T22853	SLEEVE	1		
10	F3171R	O-RING	1		
11	L40568	PIPE PLUG	1		
12	34H247	SPRING PIN	2		1/8" X 3/4"
13	R40147	FITTING	1		
14	51M4282	RING	1		38 X 44 X 2.5MM, (SUB 51M4249)
15	R53169	SCREEN	1		PUMP INTAKE (NYLON)
	AR26375	SCREEN	1		PUMP INTAKE (STEEL)
16	T26435	FITTING	1	-266749	
17	R48685	DOWEL PIN	4		

# 1G13

POWER TRAIN

L58471 -UN-01JAN94

## TRANSMISSION OIL FILTER



KEY	PART NO.	PART NAME	QTY	TRACTOR SERIAL NO.	REMARKS
1	R34733	WASHER	1		
2	AR75603	FILTER ELEMENT	1		(DOES NOT INCLUDE R34733)
3	R32507	SNAP RING	1		
4	L29251	RETAINER	1		
5	R394R	O-RING	2		
6	24H1227	WASHER	1		17/32" X 13/16" X 0.060"
7	L29252	COMPRESSION SPRING	1		
8	L29250	COVER	1	-298678	(SUB T31170, F3171R AND L40568, THIS APPLICATION)
9	L29253	CAP SCREW	1		
10	T31170	COVER	1	298679-	
11	F3171R	O-RING	1	298679-	
12	L40568	PIPE PLUG	1	298679-	1-1/16"

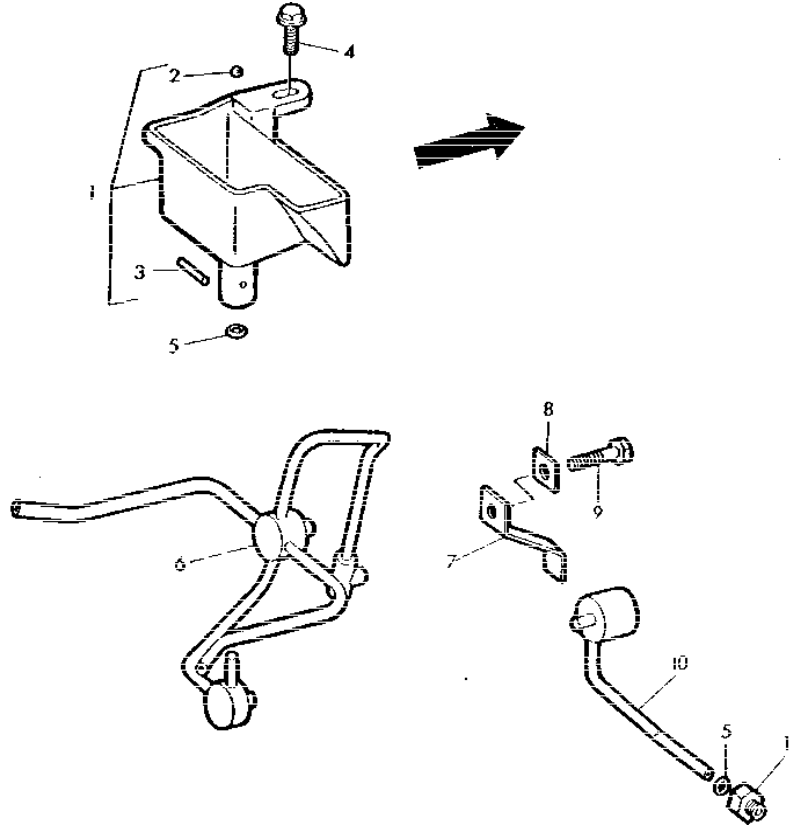


# 1G14

POWER TRAIN

L58570 -UN-01JAN94

## TRANSMISSION LUBRICATING OIL LINES



L 58570

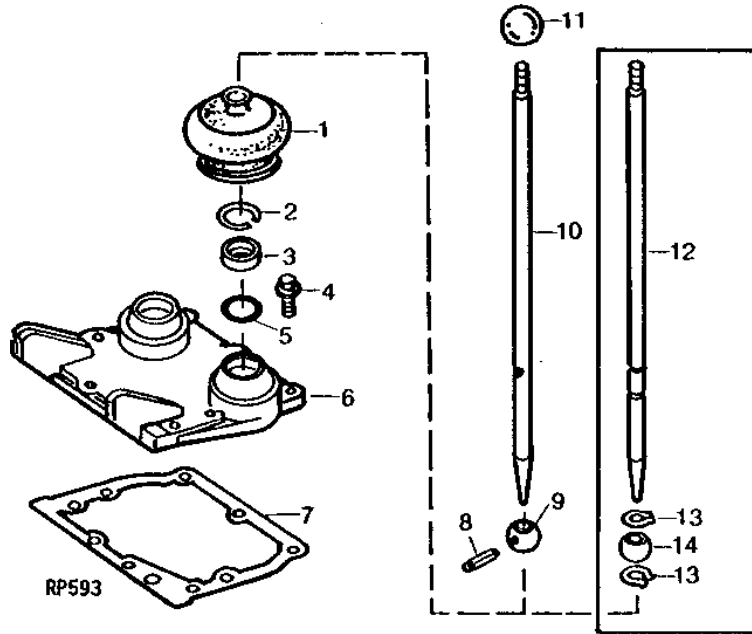
KEY	PART NO.	PART NAME	QTY	TRACTOR SERIAL NO.	REMARKS
1	AR87416	OIL CUP	1		(SUB FOR AR66588) (ALSO ORDER 21H1322)
2	R26552	BALL	1		8MM (5/16")
3	R39090	NEEDLE ROLLER	1		
4	T22728	SCREW	1		3/8" X 1", (USE WITH AR66588)
	21H1322	SCREW	1		3/8" X 7/8", (USE WITH AR87416)
5	A3917R	O-RING	2		
6	AL28232	MANIFOLD	1		REAR, (SUB FOR AL24496)
7	T22974	CLAMP	1		
8	H246R	STRAP	1		
9	19H1800	CAP SCREW	1		3/8" X 1-1/2"
10	AT29752	OIL LINE	1		FRONT
11	T22852	ADAPTER	1		9/16"-18

# 1G15

POWER TRAIN

RP593 -UN-01JAN94

## GEAR SHIFTING PARTS



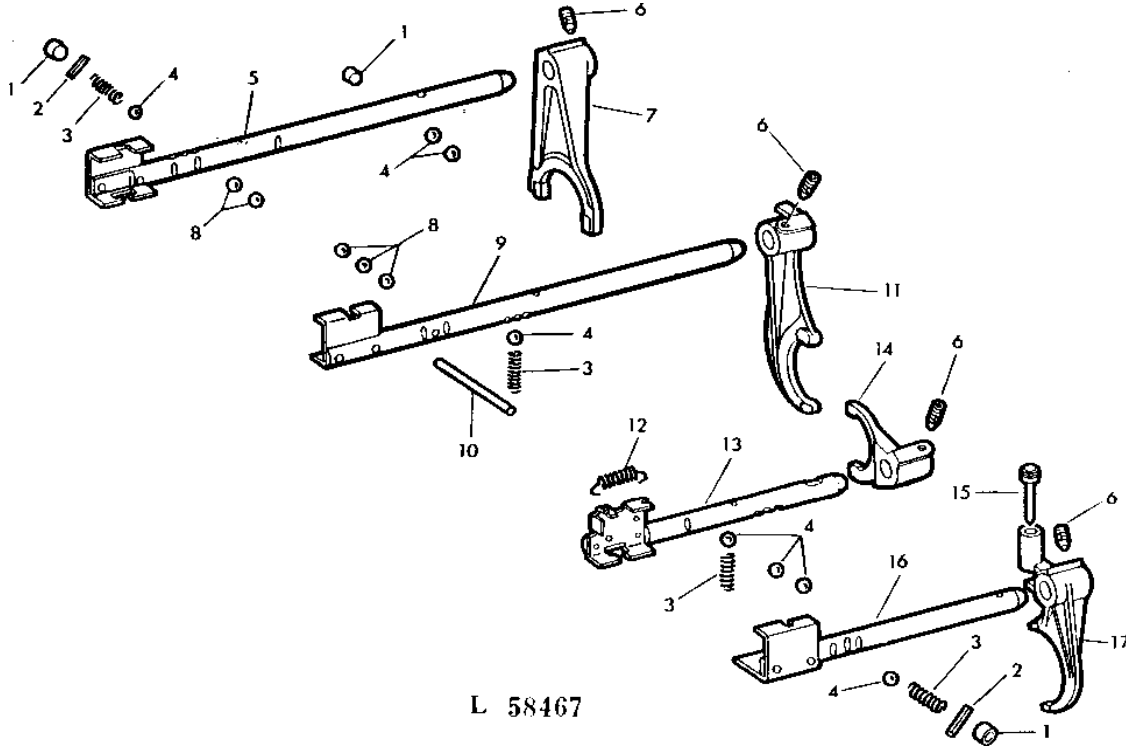
KEY	PART NO.	PART NAME	QTY	TRACTOR SERIAL NO.	REMARKS
1	L31055	BOOT	2		
2	L4035T	SNAP RING	2		
3	L4027T	BUSHING	2		
4	T22728	SCREW	7		
5	R29936	O-RING	2	XXXXXX-	
6	AT23579	COVER	1	-XXXXXX	(USE WITH R53817, AL32791, R29936, R32507 AND R53815)
	AL31218	HOUSING	1	XXXXXX-	(USE WITH L34349, CE14048 AND 34H251) (SUB R58768 AND T24395)
7	R54189	GASKET	1		
8	34H251	SPRING PIN	2	XXXXXX-	1/8" X 1"
9	CE14048	BALL	2	XXXXXX-	
10	L34349	GEARSHIFT LEVER	2	XXXXXX-	
11	R50864	KNOB	2		
12	R53817	GEARSHIFT LEVER	2	-XXXXXX	(SUB AL32791 AND R29936)
13	R32507	SNAP RING	4	-XXXXXX	
14	R53815	BALL STUD	2	-XXXXXX	

# 1G16

POWER TRAIN

L58467 -UN-01JAN94

## GEAR SHIFTING PARTS



L 58467

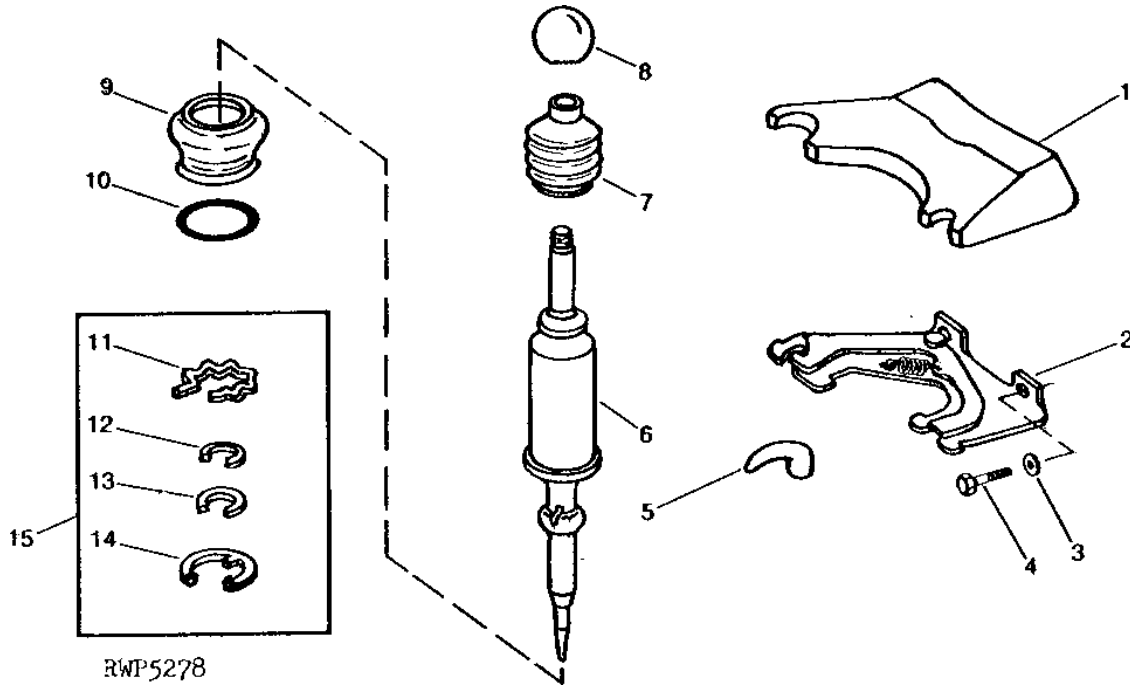
KEY	PART NO.	PART NAME	QTY	TRACTOR SERIAL NO.	REMARKS
1	M1102T	CAP	3		
2	34H251	SPRING PIN	2	1/8" X 1"	
3	T27716	SPRING	1		
4	R26552	BALL	5	8MM (5/16")	
5	AR95992	SHAFT	1	1ST AND 5TH, 2ND AND 6TH SPEED, (SUB FOR AT20786)	
6	T25614	SET SCREW	4		
7	L28401	SHIFTER	1	1ST AND 5TH, 2ND AND 6TH SPEED, (SUB FOR T21603)	
8	400R	BALL	5	6MM (1/4")	
9	AR95991	SHAFT	1	(SUB FOR AT20784)	
10	T22736	PIN	1		
11	R59032	SHIFTER	1	3RD AND 7TH, 4TH AND 8TH SPEED, (SUB FOR T32142)	
12	T28680	SPRING	1		
13	RE18646	SHAFT	1	HIGH RANGE	
14	R59176	SHIFTER	1	HIGH RANGE	
15	R98941	PIN	1	(SUB FOR T22435)	
16	AL33250	SHIFTER ROD	1	LOW AND REVERSE RANGE, (SUB FOR AT29387)	
17	R60556	SHIFTER	1	LOW AND REVERSE RANGE, (SUB FOR T21602)	

# 1G17

POWER TRAIN

RWP5278 -UN-01JAN94

## PARK LOCK ASSURANCE KIT



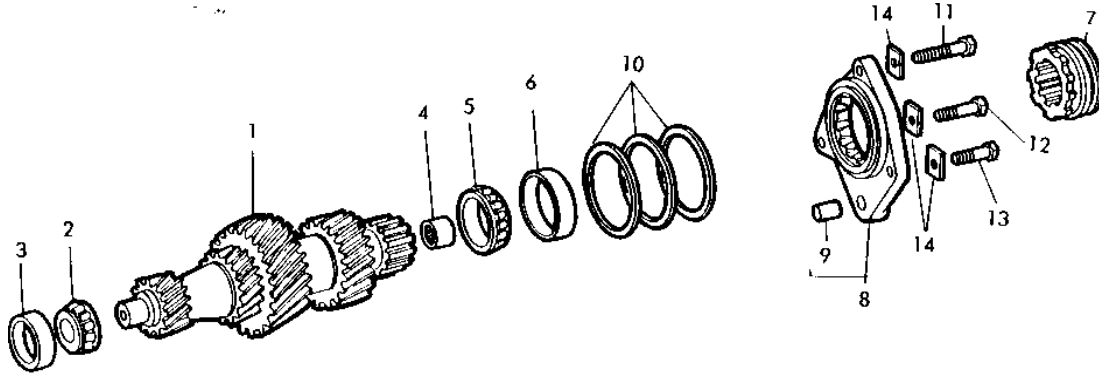
KEY	PART NO.	PART NAME	QTY	TRACTOR SERIAL NO.	REMARKS
1	R75442	COVER	1		
2	AR101754	BRACKET	1		
3	24H1822	WASHER	18		11/32" X 7/8" X 1/16"
4	19H1901	CAP SCREW	2		5/16" X 2"
5	R75440	HANDLE	1		
6	AR101755	LEVER	1		
7	R75451	BOOT	1		
8	R50864	KNOB	1		
9	R78249	BOOT	1		
10	L31311	O-RING	1		
11	R80839	SNAP RING	1		(SUB FOR R75450)
12	R80840	SHIM	3		
13	R80841	SHIM	3		
14	R75449	BEARING	1		
15	RE18116	KIT	1		

# 1G18

POWER TRAIN

L55508 -UN-01JAN94

## TRANSMISSION DRIVE SHAFT ASSEMBLY



L 55508

KEY	PART NO.	PART NAME	QTY	TRACTOR SERIAL NO.	REMARKS
1	T21980	DRIVE SHAFT	1		
2	JD7375	BEARING CONE	1		
3	JD7449	BEARING CUP	1		
4	JD9839	NEEDLE BEARING	1		
5	JD8171	BEARING CONE	1		
6	L31077	BEARING CUP	1		
7	R67336	SHIFT COLLAR	1		HIGH RANGE, (SUB FOR T22934 OR R65579)
	R67336	SHIFT COLLAR	1		HIGH RANGE, (SUB FOR L28666) (RECESSED TOOTH END)
8	AL23119	QUILL	1		
9	R54380	DOWEL PIN	1		
10	L29041	SHIM	AR		0.07MM (.003")
	L29042	SHIM	AR		0.12MM (.005")
	L29043	SHIM	AR		0.25MM (.010")
	L29044	SHIM	AR		0.50MM (.020")
11	19H1731	CAP SCREW	1		3/8" X 1"
12	19H1800	CAP SCREW	1		3/8" X 1-1/2"
13	19H1732	CAP SCREW	1		3/8" X 1-1/4"
14	H246R	STRAP	3		

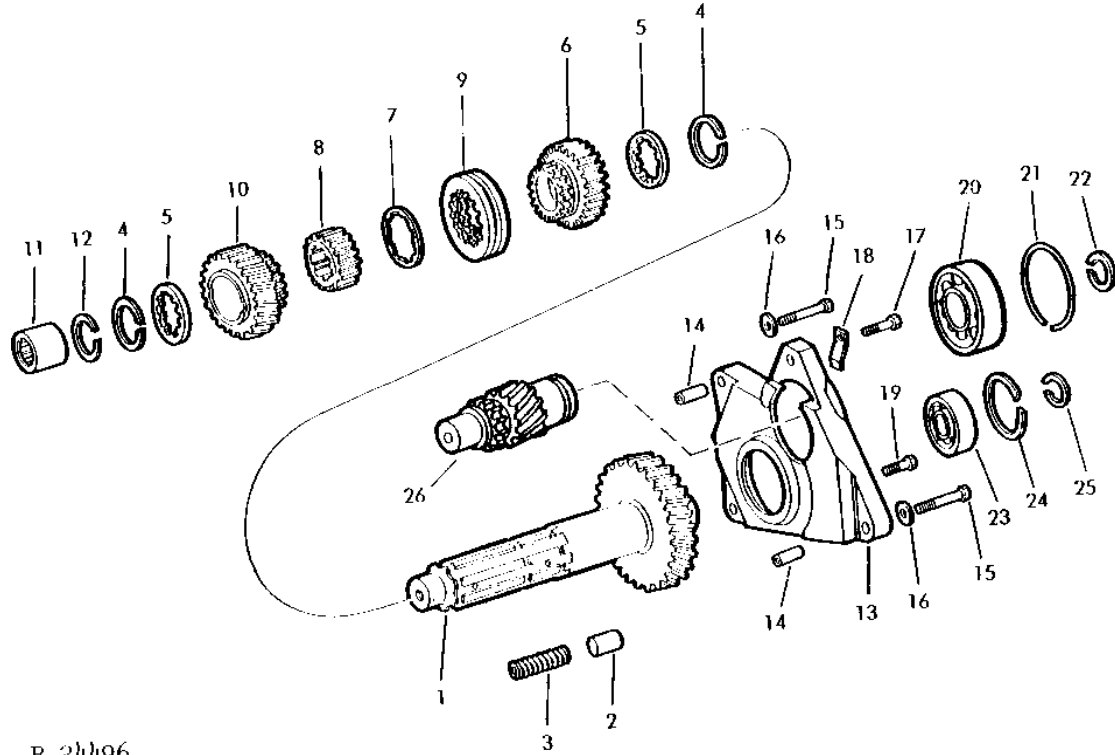
# 1G19

POWER TRAIN

R24496

-UN-01JAN94

## COUNTERSHAFT AND BEARING SUPPORT



R 24496

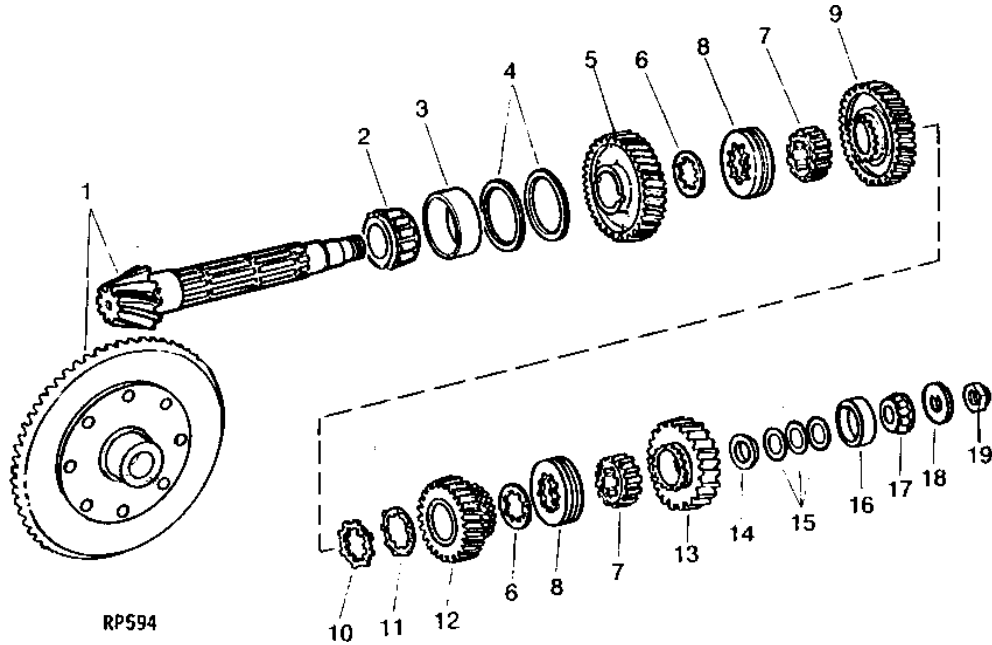
KEY	PART NO.	PART NAME	QTY	TRACTOR SERIAL NO.	REMARKS
1	T24726	COUNTERSHAFT	1		
2	T21969	FRICION PLUG	2		
3	T24732	SPRING	2		
4	T19242	SNAP RING	2		
5	T19245	THRUST WASHER	2		
6	T21981	GEAR	1		REVERSE RANGE
7	R55721	THRUST WASHER	1		
8	T21964	SLEEVE	1		
9	T21970	SHIFT COLLAR	1		
10	T30065	GEAR	1		LOW RANGE
11	AL25598	NEEDLE BEARING	1		
12	L29048	SNAP RING	1		
13	T24691	SUPPORT	1		
14	T24729	BUSHING	2		
15	19H1801	CAP SCREW	2		
16	R1870R	WASHER	1		3/8" X 2" (SUB R57696)
17	19H1732	CAP SCREW	1		3/8" X 1-1/4"
18	T24736	CLAMP	1		
19	19H1731	CAP SCREW	1		3/8" X 1"
20	JD7674	BALL BEARING	1		
21	T24737	SNAP RING	1		
22	A364R	SNAP RING	1		
23	JD9465	BALL BEARING	1		(SUB JD9258)
24	B190R	SNAP RING	1		
25	F215R	RING	1		
26	R67341	GEAR	1		(SUB FOR T24728 OR R65576)

# 1G20

POWER TRAIN

RP594 -UN-01JAN94

## DIFFERENTIAL DRIVE SHAFT ASSEMBLY



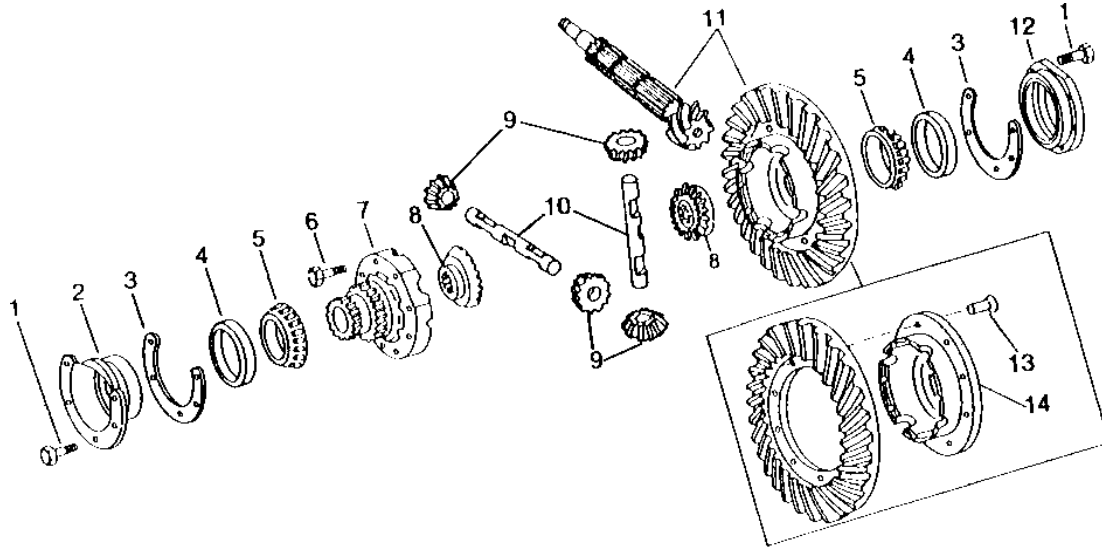
KEY	PART NO.	PART NAME	QTY	TRACTOR SERIAL NO.	REMARKS
1	AT21620	DIFFERENTIAL	1		(MATCHED SET) (8:35 RATIO)
2	JD8997	BEARING CONE	1		
3	JD8255	BEARING CUP	1		
4	T31794	SHIM	2	0.25MM (.010")	
5	L31503	GEAR	1	1ST AND 5TH SPEED	
6	R55721	THRUST WASHER	2		
7	T21964	SLEEVE	2		
8	T21970	SHIFT COLLAR	2		
9	T21976	GEAR	1	2ND AND 6TH SPEED	
10	R55722	THRUST WASHER	1		
11	R56473	THRUST WASHER	1		
12	T21977	GEAR	1	4TH AND 8TH SPEED	
13	AT19966	GEAR	1	3RD AND 7TH SPEED	
14	T21965	WASHER	1		
15	M2056T	SHIM	AR	0.05MM (.002")	
	M2057T	SHIM	AR	0.12MM (.005")	
	M2058T	SHIM	AR	0.25MM (.010")	
	L35024	SHIM	AR	0.39MM (.015")	
16	JD8267	BEARING CUP	1		
17	JD8979	BEARING	1		
18	T24918	WASHER	1		
19	L32843	NUT	1	(SUB FOR T24917)	

# 1G21

POWER TRAIN

RXP021239 -UN-18AUG95

## DIFFERENTIAL ASSEMBLY



### RXP021239

KEY	PART NO.	PART NAME	QTY	TRACTOR SERIAL NO.	REMARKS
1	T22874	BOLT	10		
2	T21433	QUILL	1		L.H.
3	T21434	SHIM	AR		0.07MM (.003")
	T21435	SHIM	AR		0.12MM (.005")
	T21436	SHIM	AR		0.25MM (.010")
4	JD7425	BEARING CUP	2		
5	JD8147	BEARING CONE	2		
6	T21430	CAP SCREW	8		
7	R51500	HOUSING	1		L.H.
8	T29394	BEVEL GEAR	2		(SUB (2) T118949 AND (2) T118950)
9	L29227	GEAR	4		
10	L29226	SHAFT	2		(SUB FOR L29228)
11	AT21620	DIFFERENTIAL	1		R.H. (MATCHED SET)
12	T21458	QUILL	1		R.H.
13	16H1592	RIVET	8		7/16" X 1-3/4"
14	T24382	HOUSING	1		R.H.

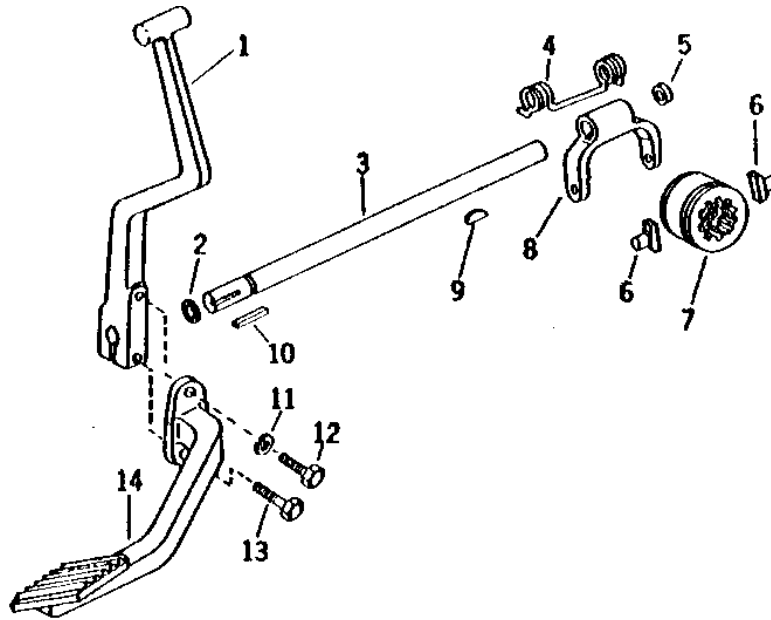


# 1G22

POWER TRAIN

L59695 -UN-01JAN94

## DIFFERENTIAL LOCK MECHANISM



L59695

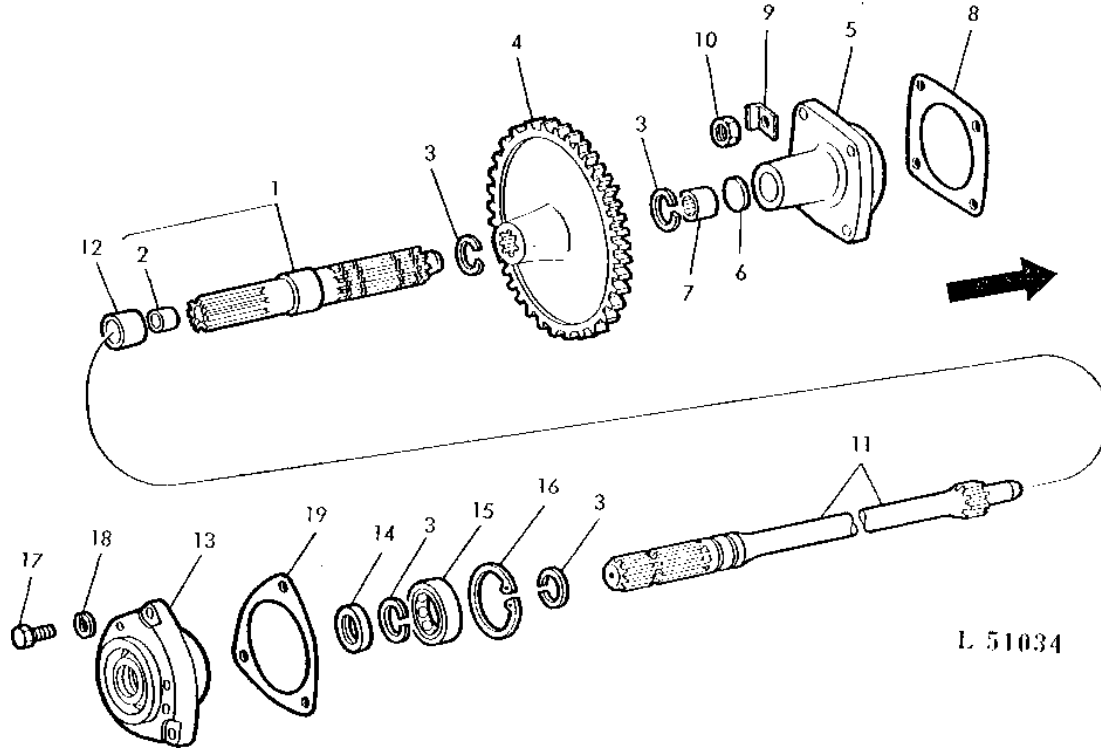
KEY	PART NO.	PART NAME	QTY	TRACTOR SERIAL NO.	REMARKS
1	T27429	LEVER	1		
2	L29406	O-RING	1		(USE WITH L29833)
	R28776	O-RING	1		(USE WITH L32839 OR T21839)
3	L29833	SHAFT	1		(SUB L32839 OR T21839 AND R28776) (O-RING GROOVE WIDTH 1.30 MM (.051"))
	L32839	SHAFT	1		(O-RING GROOVE WIDTH 3.05 MM (.120"))
	T21839	SHAFT	1		(ALSO ORDER R28776)
4	R63850	SPRING	1		(SUB FOR T24522)
5	T18891	CAP	1		
6	T21841	SHOE	2		
7	R51501	SHIFT COLLAR	1		
8	T21840	YOKE	1		
9	26H77	SHAFT KEY	2	3/16" X 3/4"	
10	L29834	SHAFT KEY	1		
11	12H304	LOCK WASHER	1	3/8"	
12	19H1731	CAP SCREW	1	3/8" X 1"	
13	19H2665	CAP SCREW	1	3/8" X 1-5/8"	
14	T27430	PEDAL	1		

# 1G23

POWER TRAIN

L51034 -UN-01JAN94

## GEARS AND SHAFTS - 540 RPM PTO, REAR



L 51034

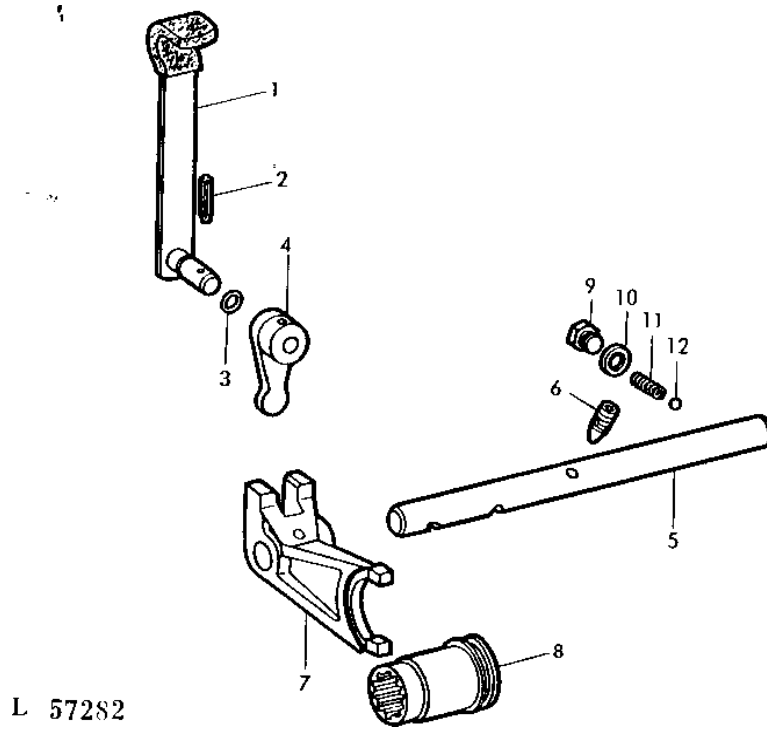
KEY	PART NO.	PART NAME	QTY	TRACTOR SERIAL NO.	REMARKS
1	AT23224	SHAFT	1		
2	T22127	BUSHING	1		
3	M2353T	SNAP RING	4		
4	T22214	GEAR	1		
5	T22234	QUILL	1		
6	R26656	WASHER	1		
7	JD8877	NEEDLE BEARING	1		
8	T21997	GASKET	1		
9	R30958	LOCK PLATE	4		
10	14H812	NUT	4	3/8"	
11	R47249	SHAFT	1	POWER	
12	T22128	BUSHING	1		
13	R47514	QUILL	1		
14	AL56820	SEAL	1	(SUB FOR T22069)	
15	JD9344	BALL BEARING	1		
16	40M7044	SNAP RING	1	(SUB FOR R47513)	
17	19H1721	CAP SCREW	3	1/2" X 1-1/2"	
18	12H301	LOCK WASHER	3	1/2"	
19	T22080	GASKET	1		

# 1G24

POWER TRAIN

L57282 -UN-01JAN94

## REAR POWER SHAFT SHIFTER LINKAGE



L 57282

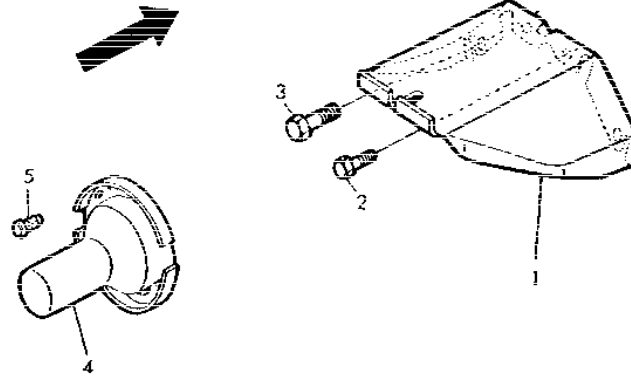
KEY	PART NO.	PART NAME	QTY	TRACTOR SERIAL NO.	REMARKS
1	AT29827	LEVER	1		(SUB AL34733)
2	T27544	GROOVE PIN	1		
3	R28776	O-RING	1		
4	AT20025	ARM	1		
5	R48289	SHAFT	1		
6	T25614	SET SCREW	1		
7	T21992	SHIFTER	1		
8	T26337	SHIFT COLLAR	1		
9	R53802	CAP SCREW	1		
10	R27003	WASHER	1		
11	T27716	SPRING	1		
12	R26552	BALL	1	8MM (5/16")	

# 1G25

POWER TRAIN

L57280 -UN-01JAN94

## POWER SHAFT SHIELD AND GUARD



L 57280

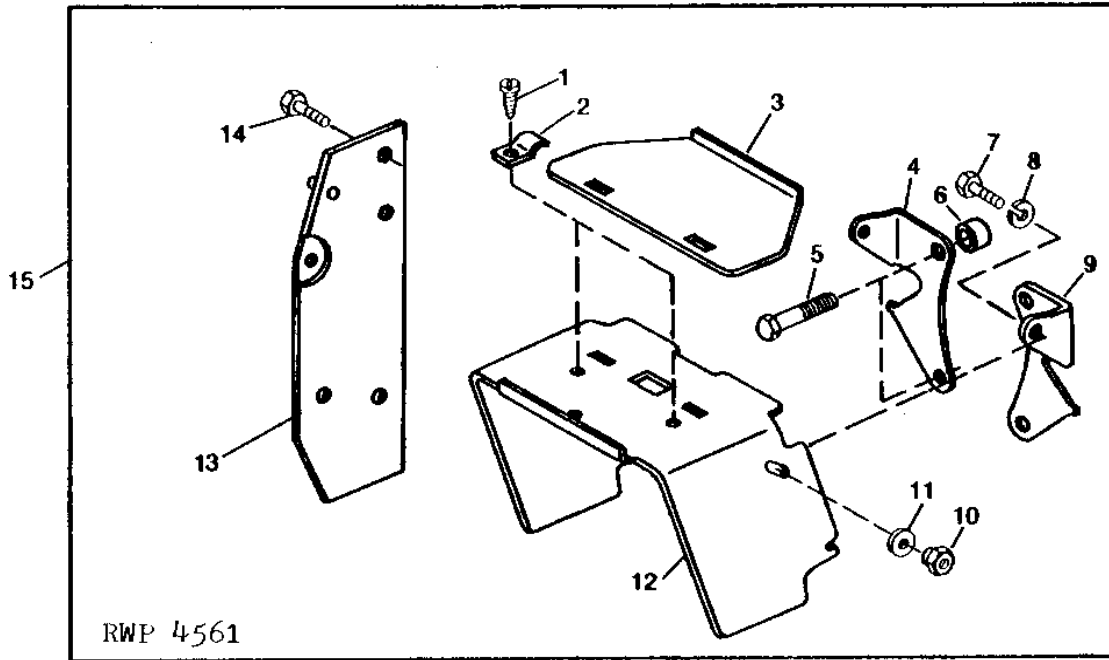
KEY	PART NO.	PART NAME	QTY	TRACTOR SERIAL NO.	REMARKS
1	RE13912	KIT	1		(SUB FOR AT20761)
2	19H2284	CAP SCREW	2		3/8" X 7/8"
3	19H1792	CAP SCREW	2		1/2" X 1"
4	AR26782	GUARD	1		PTO SHAFT, (SUB L64456)
5	R27329	SCREW	2		

# 1H1

POWER TRAIN

RWP4561 -UN-01JAN94

## PTO MASTER SHIELD KIT



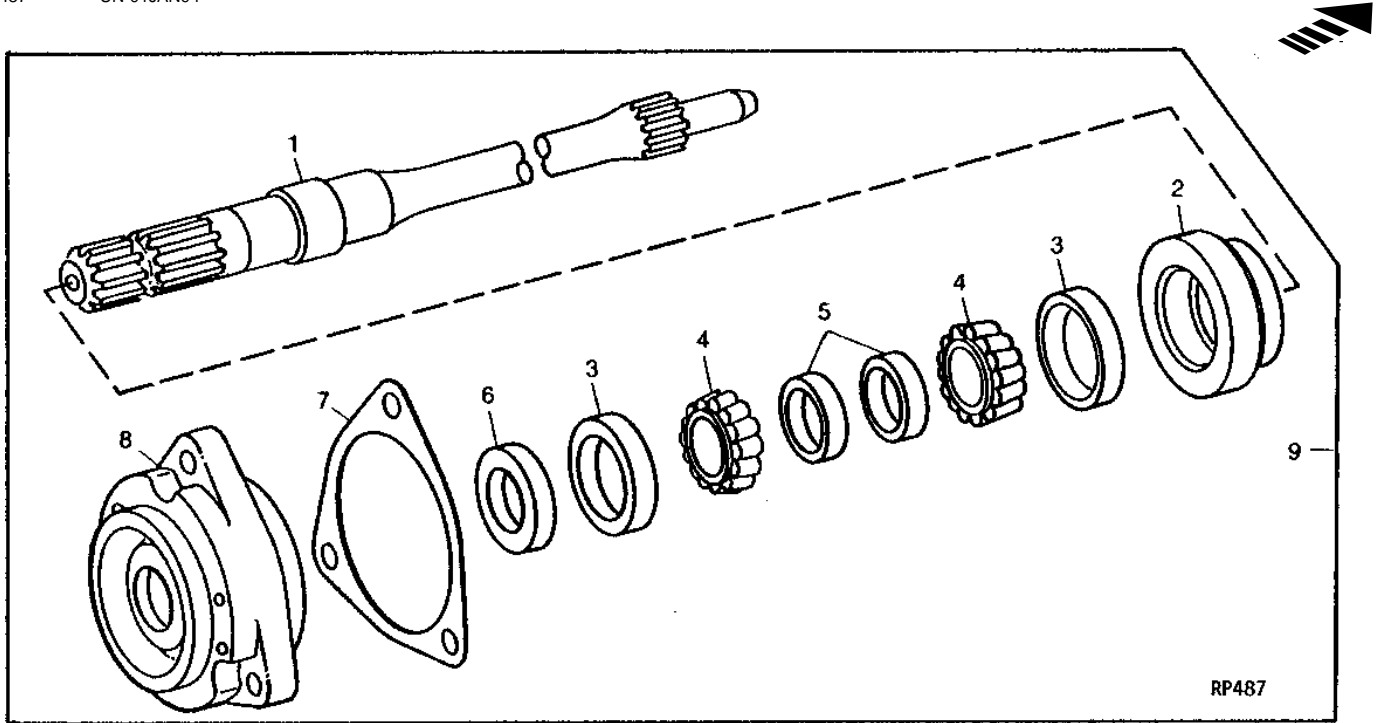
KEY	PART NO.	PART NAME	QTY	TRACTOR SERIAL NO.	REMARKS
1	37H52	SCREW	2		1/4" X 3/8"
2	R69657	CLAMP	2		
3	L38694	COVER	1		
4	R69655	SUPPORT	1		L.H.
5	19H1831	CAP SCREW	4		1/2" X 2"
6	28H1785	BUSHING	4		0.546" X 0.840" X 1-1/16"
7	19H1731	CAP SCREW	2		3/8" X 1"
8	12H304	LOCK WASHER	2		3/8"
9	R69654	SUPPORT	1		R.H.
10	R63607	WELD NUT	2		3/8"
11	24M7338	WASHER	2		
12	R69628	SHIELD	1		
13	AR90971	SUPPORT	1		
14	19H1792	CAP SCREW	1		1/2" X 1"
15	RE13912	KIT	1		
..	R120111	LABEL	1		

# 1H2

POWER TRAIN

## THRUST CAPACITY IMPROVEMENT KIT (SINGLE 540 RPM PTO)

RP487 -UN-01JAN94



KEY	PART NO.	PART NAME	QTY	TRACTOR SERIAL NO.	REMARKS
1	R69509	SHAFT	1		
2	R69511	BUSHING	1		
3	JD9125	BEARING CUP	1		
4	JD9065	BEARING CONE	1		
5	R69510	SPACER	2		
6	AL56820	SEAL	1		(SUB FOR T22069)
7	R69513	SHIM	AR		0.10MM (.005") STEEL, (SUB AT146240)
	R69515	SHIM	AR		0.25MM (.010") STEEL, (SUB AT146240)
	R69516	SHIM	AR		0.50MM (.020") STEEL, (SUB AT146240)
	R69514	SHIM	AR		0.10MM (.005") PAPER, (SUB AT146240)
8	R69512	QUILL	1		
9	AR93928	KIT	1		

---

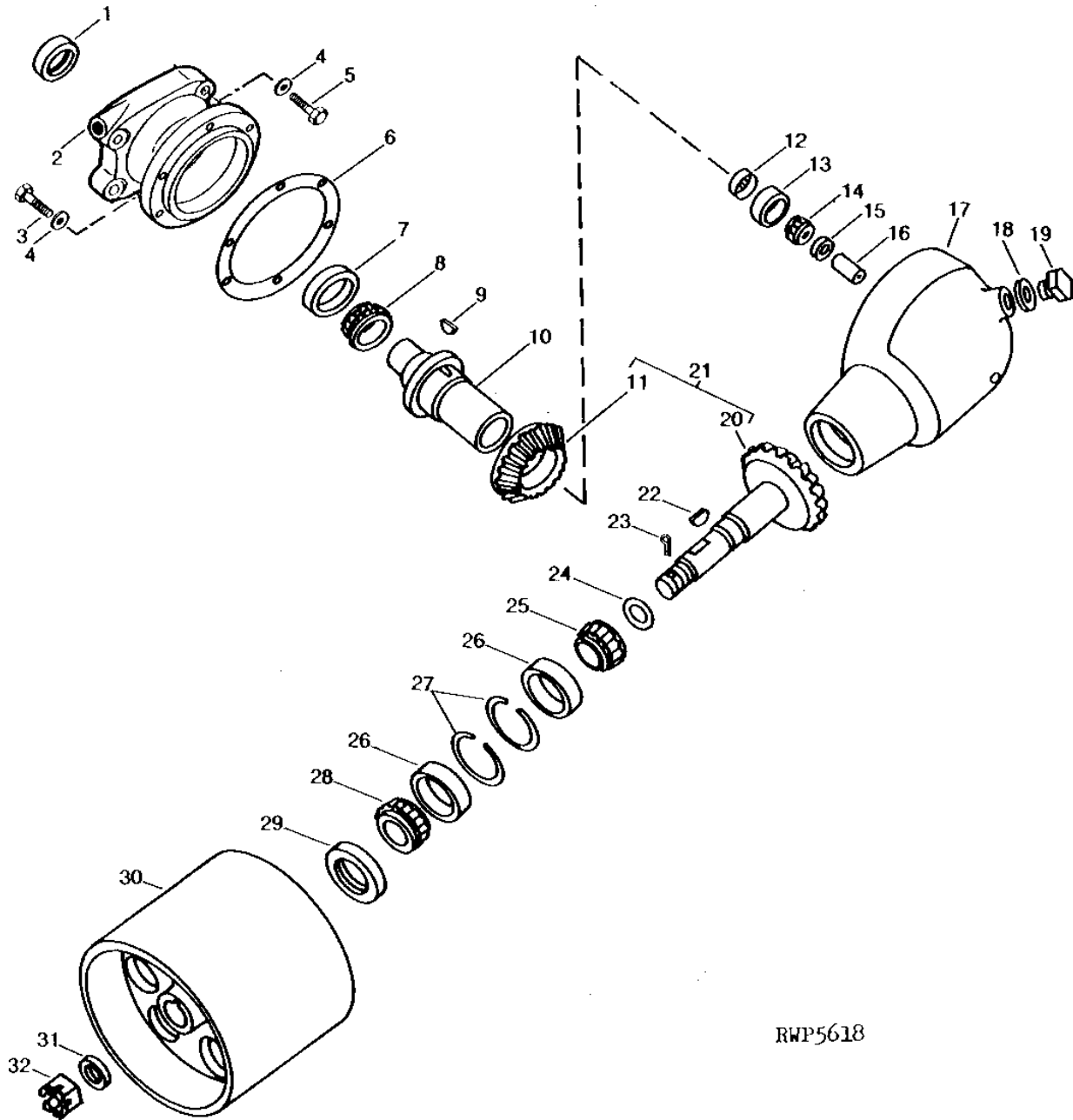
MEMORANDA

# 1H3

POWER TRAIN

RWP5618 -UN-01JAN94

BELT PULLEY  
(540 RPM PTO)



RWP5618



# 1H4

POWER TRAIN

## BELT PULLEY - CONTINUED (540 RPM PTO)

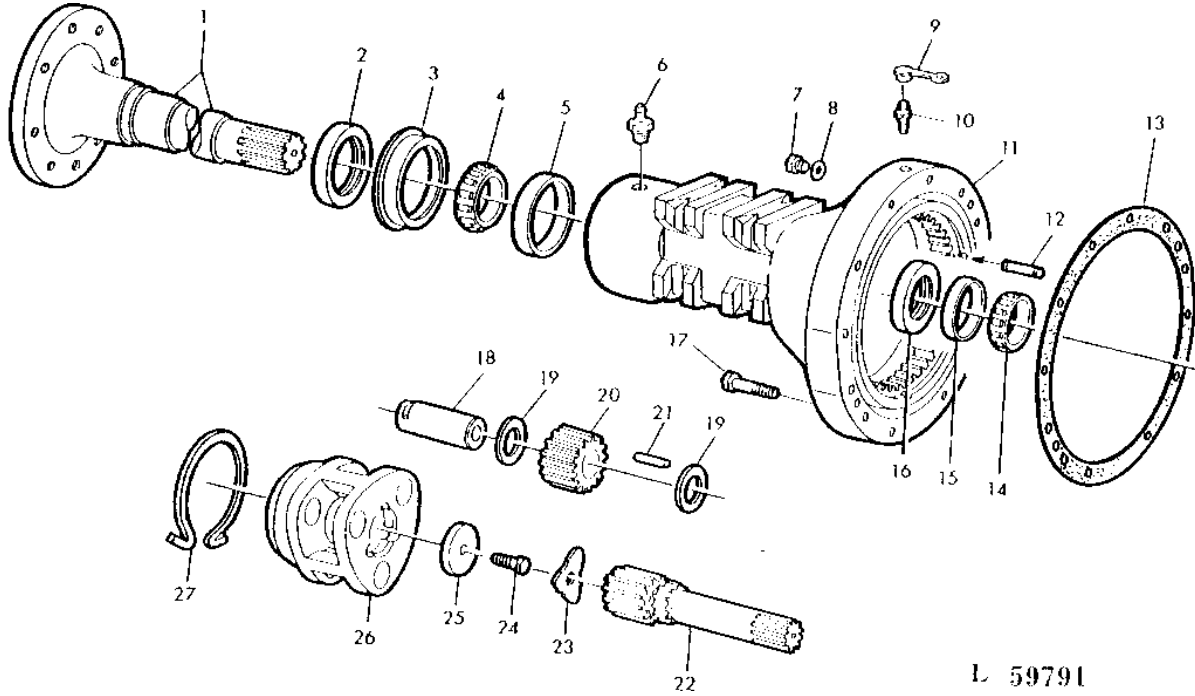
KEY	PART NO.	PART NAME	QTY	TRACTOR SERIAL NO.	REMARKS
1	AT12431	SEAL	1		
2	T29243	QUILL	1		
3	19H3579	CAP SCREW	6		1/2" X 1-3/8"
4	12H301	LOCK WASHER	10		1/2"
5	19H2644	CAP SCREW	4		1/2" X 2-1/2"
6	R44361	SHIM	AR		0.08MM (.003")
	R44372	SHIM	AR		0.13MM (.005") PAPER
	T13341	SHIM	AR		0.25MM (.010")
7	JD8247	BEARING CUP	1		
8	JD8922	BEARING CONE	1		
9	26H85	SHAFT KEY	1		1/4" X 1"
10	T22999	HUB	1		
11	T23000	GEAR	1		(ORDER AT28049)
12	M2206T	CAP	1		
13	JD7438	BEARING CUP	1		
14	JD8135	BEARING CONE	1		
15	T13331	SHIM	AR		0.08MM (.003")
	T13332	SHIM	AR		0.13MM (.005")
	T13333	SHIM	AR		0.25MM (.010")
16	T13471	PIN	1		
17	T29242	CASE	1		
18	A4827R	WASHER	1		
19	R26727	DRAIN PLUG	1		
20	T22998	SHAFT	1		
21	AT28049	SHAFT	1		
22	26H93	SHAFT KEY	1		1/4" X 1-1/4"
23	11M7032	COTTER PIN	1		0.197" X 1.969"
24	L11027	SHIM	AR		0.10MM (.004")
	L11028	SHIM	AR		0.20MM (.008")
	R48566	SHIM	AR		0.15MM (.006")
25	JD8969	BEARING CONE	1		
26	JD7418	BEARING CUP	2		
27	T13325	SNAP RING	2		
28	JD8982	BEARING CONE	1		
29	AT124396	SEAL	1		(SUB FOR AT16887)
30	T18718	PULLEY	1		
31	R30399	WASHER	1		(SUB FOR T18996)
32	14H920	NUT	1		1"

# 1H5

POWER TRAIN

L59791 -UN-01JAN94

## REAR AXLE AND FINAL DRIVE



L 59791

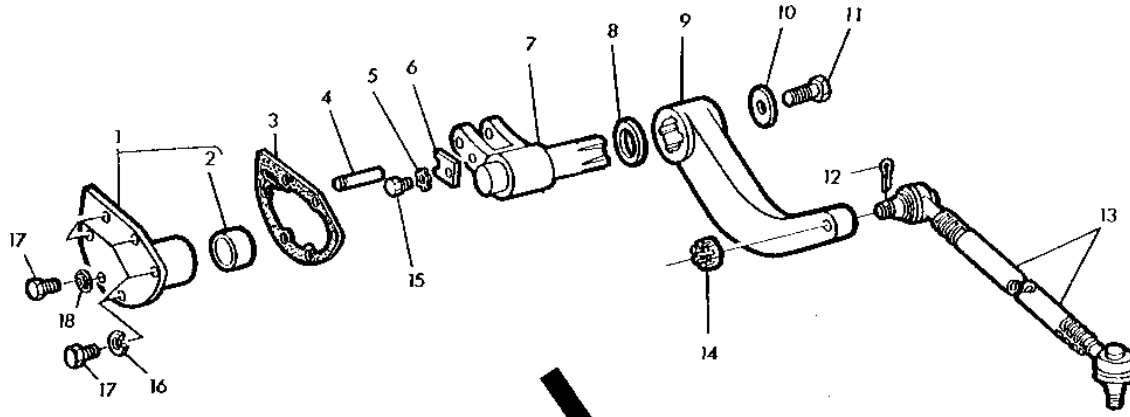
KEY	PART NO.	PART NAME	QTY	TRACTOR SERIAL NO.	REMARKS
1	T21620	SPINDLE	2		FLANGED REAR AXLE
2	AT20703	SEAL	2		
3	T21429	BEARING CUP	2		
4	JD8147	BEARING CONE	2		
5	JD7425	BEARING CUP	2		
6	JD7759	LUBRICATION FITTING	2	1/8"	
7	R27216	DRAIN PLUG	2		
8	R26287	O-RING	2		
9	R47862	CAP	2		
10	R21612	BLEED SCREW	2		
11	AT19628	HOUSING	2		(ALSO ORDER (3) T21428)
12	T21428	DOWEL PIN	6		
13	R98915	GASKET	2		(SUB FOR T21419)
14	JD8171	BEARING CONE	2		
15	JD8217	BEARING CUP	2		
16	AT20701	SEAL	2		(SUB AN102006)
17	19H1990	CAP SCREW	22		1/2" X 2-1/4"
18	T21886	PINION SHAFT	6		
19	T21424	THRUST WASHER	12		
20	T21885	GEAR	6		
21	R26006	NEEDLE ROLLER	138		
22	T71925	DRIVE SHAFT	1		R.H. (SUB FOR T28907)
	T71926	DRIVE SHAFT	1		L.H. (SUB FOR T28908)
23	T21427	LOCK PLATE	2		
24	L37325	CAP SCREW	2		
25	L38057	WASHER	2		(SUB FOR T21423)
26	T21415	PLANET PINION CARRIER	2		
27	T21409	SNAP RING	2		

# 1H7

## STEERING AND BRAKES

L59025 -UN-01JAN94

### STEERING ARM AND DRAG LINK



L 59025

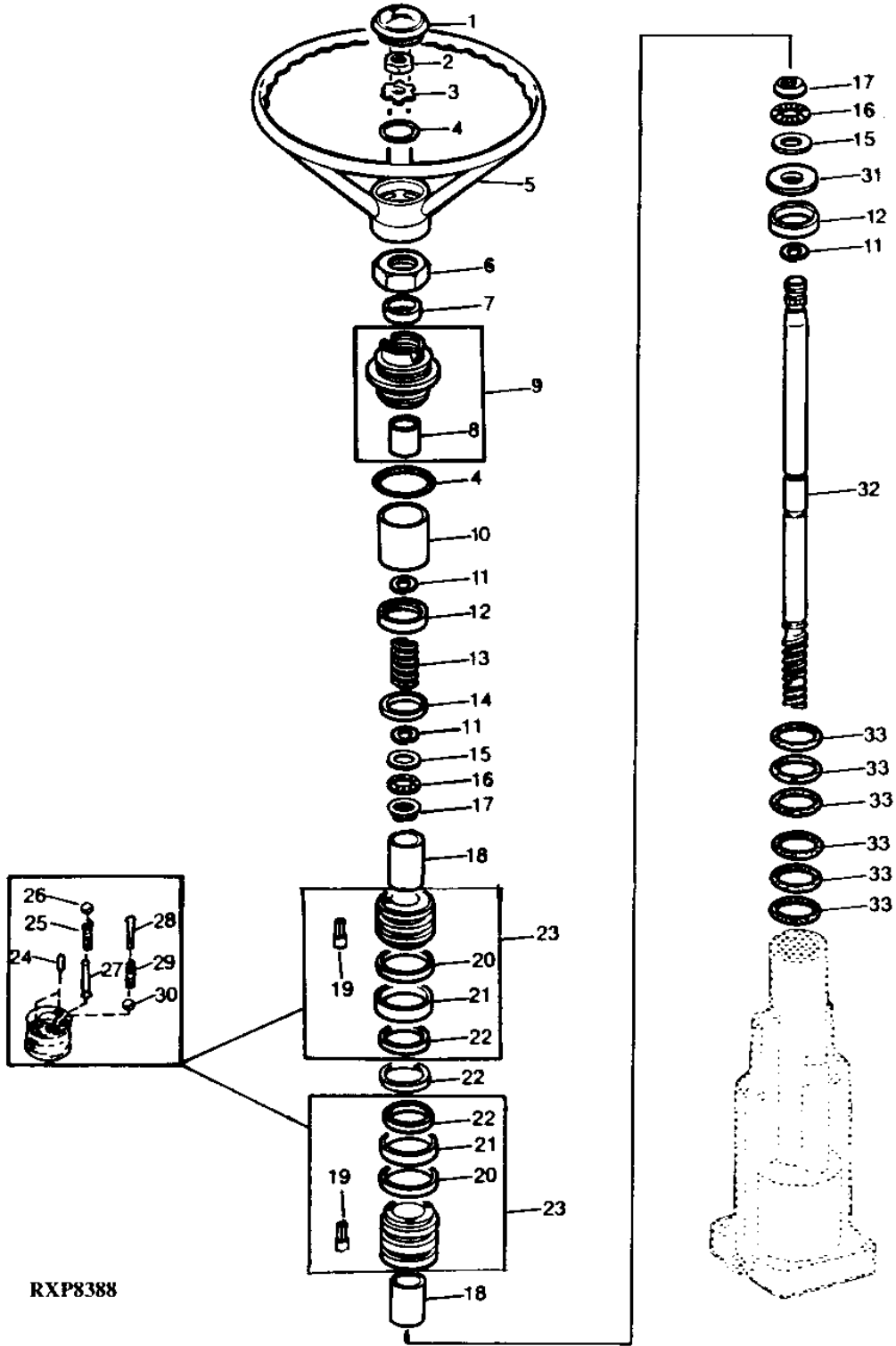
KEY	PART NO.	PART NAME	QTY	TRACTOR SERIAL NO.	REMARKS
1	AR55356	COVER	1	-266749	(MARKED R51263)
	AT54955	COVER	1	266750-	(MARKED T47920 OR T57001) (SUB FOR AT46457)
	T21445	BUSHING	1		
3	T21527	GASKET	1	-266749	(USE WITH AT46457)
	L62423	GASKET	1	266750-	(USE WITH AT54955) (SUB FOR L35654)
4	T21722	PIN	1		
5	12H297	LOCK WASHER	1		1/4"
6	T21659	PLATE	1		
7	T36482	SHAFT	1		
8	AT11927	SEAL	1		
9	T28272	LEVER	1		
10	R20135	WASHER	1		
11	19H1833	CAP SCREW	1		5/8" X 1-1/4"
12	11M7083	COTTER PIN	2		0.126" X 1.969"
13	AR68818	DRAG LINK	1		
14	14H918	NUT	2		5/8"
15	19H1227	CAP SCREW	1		1/4" X 1/2"
16	12H304	LOCK WASHER	5		3/8"
17	19H2552	CAP SCREW	6		3/8" X 1-1/8"
18	T11292	WASHER	1		

# 1H8

## STEERING AND BRAKES

RXP8388 -UN-18AUG95

### POWER STEERING



RXP8388

# 1H9

STEERING AND BRAKES

POWER STEERING - CONTINUED

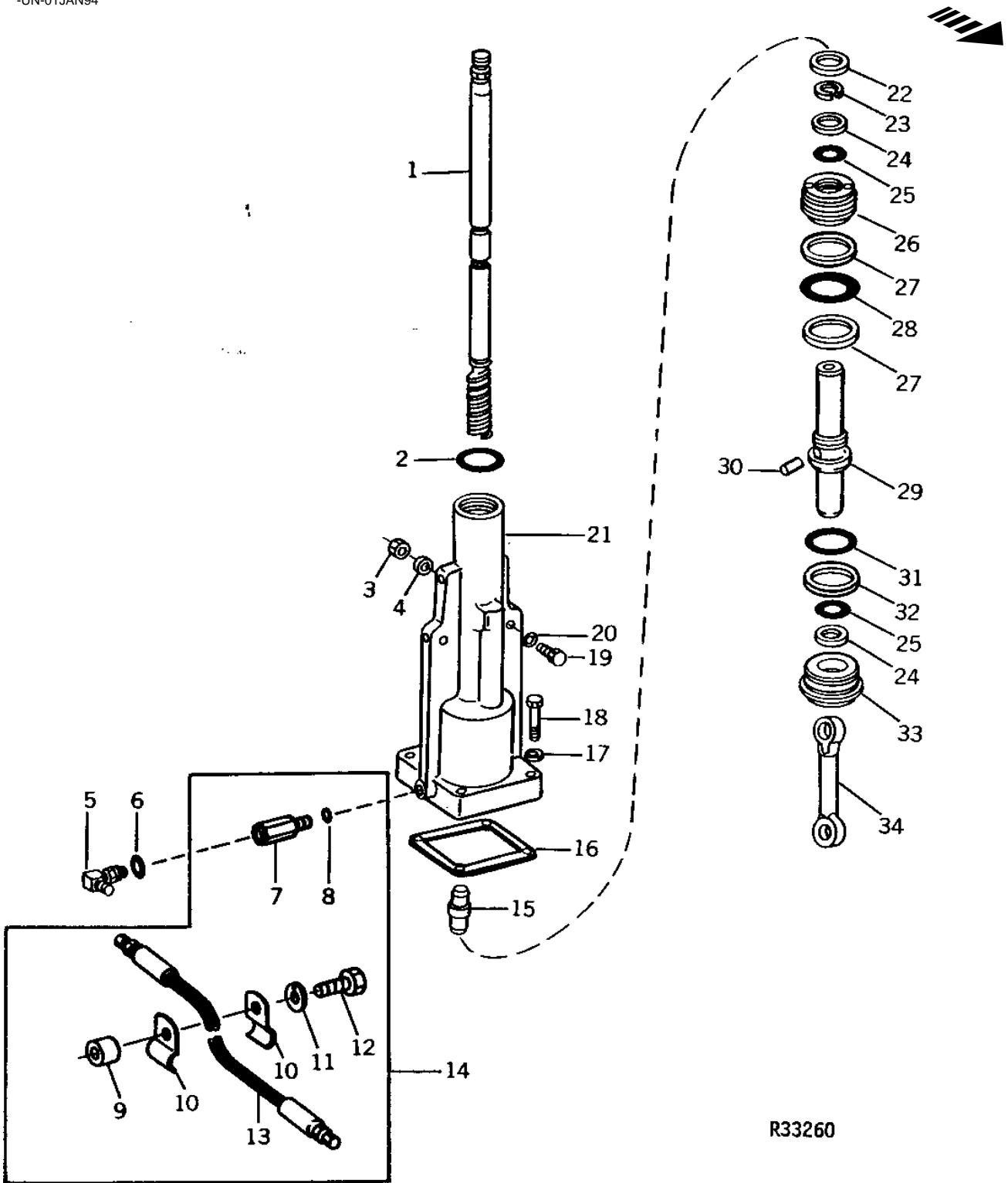
KEY	PART NO.	PART NAME	QTY	TRACTOR SERIAL NO.	REMARKS
1	R47998	CAP	1		
2	14H904	NUT	1	3/4"	
3	T17148	LOCK WASHER	1		
4	B3690R	O-RING	AR		
5	T22875	STEERING WHEEL	1		
6	T21718	NUT	1	2"	
7	T22260	SEAL	1	(ALSO ORDER AT19858)	
8	R27320	BUSHING	1		
9	AT19858	ADJUSTER	1	(ALSO ORDER T22260)	
10	T22823	SLEEVE	1		
11	R35226	SNAP RING	3		
12	T22824	BUSHING	2		
13	T13555	SPRING	1		
14	L29197	THRUST WASHER	1		
15	T21716	WASHER	2		
16	JD9832	THRUST BEARING	2		
17	T25329	WASHER	2		
18	R49980	SLEEVE	2		
19	R49982	SLEEVE	2	266750-	
20	T25333	SHIM	4		0.051MM (0.002")
	T25334	SHIM	8		0.254MM (0.010")
21	T25332	WASHER	2		
22	T27409	WASHER	3	-266749	
	T27409	WASHER	2	266750-	
23	AR55358	HOUSING	2	-266749	
	AR81610	HOUSING	2	266750-	
24	R51260	DOWEL PIN	4	-266749	
25	R52651	SPRING	4	-266749	
26	40M7000	SNAP RING	4	-266749	2.3 X 0.6MM
27	R51262	SPOOL	4	-266749	
28	R54576	PIN	4	-266749	
29	R54575	SPRING	4	-266749	
30	R52650	WASHER	4	-266749	
31	T25741	SHIM	AR		0.051MM (0.002")
	T22825	SHIM	AR		0.127MM (0.005")
	T31290	SHIM	AR		0.762MM (0.030")
32	L29199	STEERING WHEEL SHAFT	1		
33	L34451	O-RING	6		

# 1H10

STEERING AND BRAKES

R33260 -UN-01JAN94

POWER STEERING



R33260

# 1H11

STEERING AND BRAKES

POWER STEERING - CONTINUED

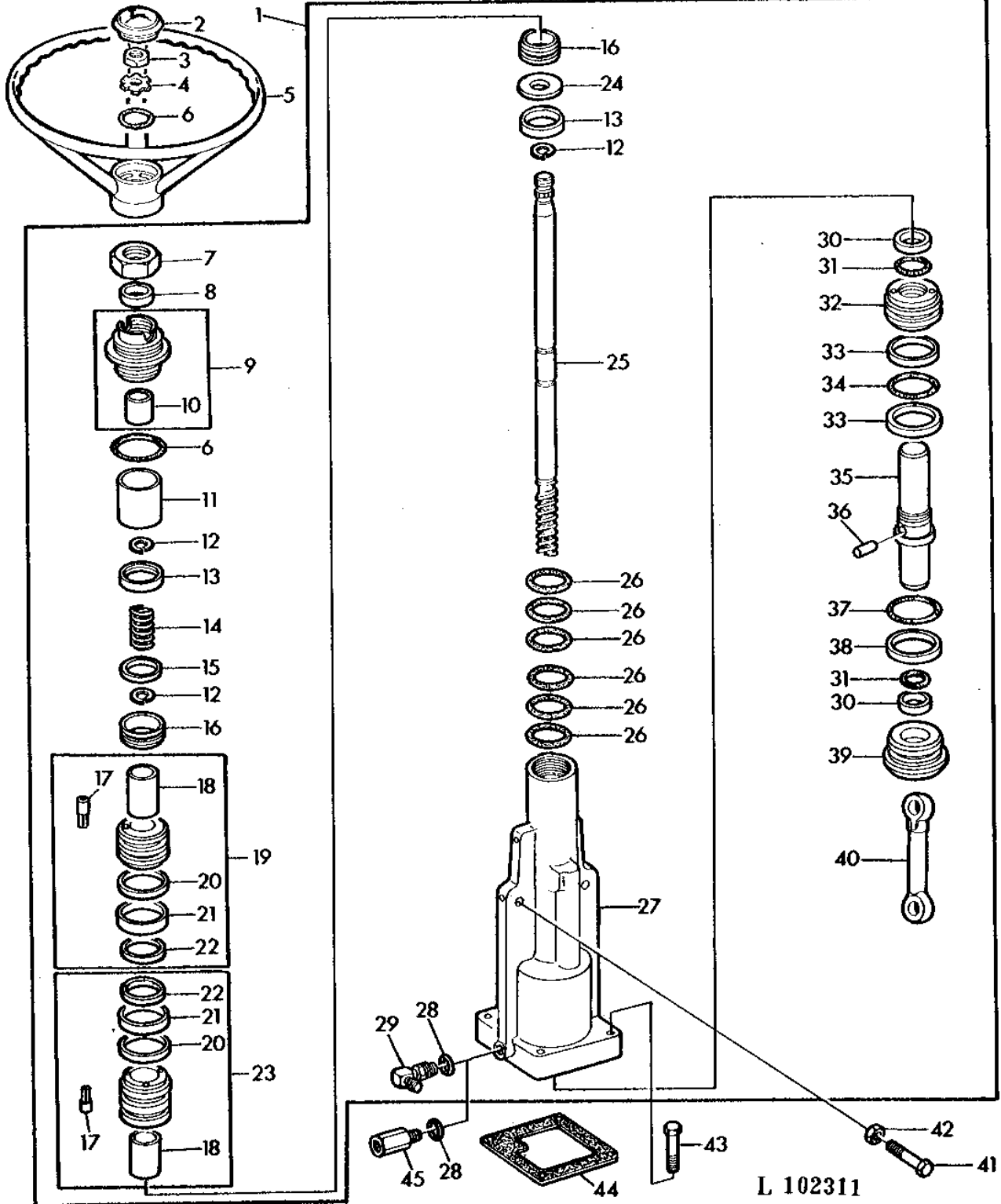
KEY	PART NO.	PART NAME	QTY	TRACTOR SERIAL NO.	REMARKS
1	L29199	STEERING WHEEL SHAFT	1		
2	B3690R	O-RING	1		
3	14H785	NUT	2		5/16"
4	12H303	LOCK WASHER	2		5/16"
5	AT35121	ELBOW FITTING	1		90°
6	R26448	O-RING	1		
7	AT54132	CHECK VALVE	1		
8	R26448	O-RING	1		
9	28H1878	SPACER	1		3/8" X 7/16"
10	R35726	CLAMP	2		
11	12H304	LOCK WASHER	1		3/8"
12	19H1801	CAP SCREW	1		3/8" X 2"
13	AH83485	HYDRAULIC HOSE	1		
14	AR89099	KIT	1	266750-	INLET CHECK VALVE (NLA)
	AT21781	VALVE	1	266750-	
15	R51258	SLEEVE	1	-266749	
16	R98910	GASKET	1		(SUB FOR T25337 OR T21528)
17	12H304	LOCK WASHER	4		3/8"
18	19H1801	CAP SCREW	4		3/8" X 2"
19	19H1849	CAP SCREW	2		5/16" X 1-1/4"
20	24H1122	WASHER	2		3/8" X 7/8" X 0.083"
21	AT23175	HOUSING	1		(SUB RE10800)
22	T22824	BUSHING	1		
23	R35226	SNAP RING	1		
24	T25327	BACK-UP RING	2		
25	U10289	O-RING	2		
26	T25325	PISTON	1		(SUB FOR R57292, THIS APPLICATION)
27	T25326	BACK-UP RING	2		
28	F3450R	O-RING	1		
29	T25323	ROD	1		
30	T21655	PIN	1		
31	U12331	O-RING	1		
32	R35684	BACK-UP RING	1		
33	T25336	GUIDE	1		
34	T25324	ROD	1	-XXXXXX	
	L35639	DRAG LINK	1	XXXXXX-	

# 1H12

STEERING AND BRAKES

POWER STEERING  
(SERIAL NO. 266750- )

L102311 -UN-01JAN94



L 102311



# 1H13

## STEERING AND BRAKES

### POWER STEERING - CONTINUED (SERIAL NO. 266750- )

KEY	PART NO.	PART NAME	QTY	TRACTOR SERIAL NO.	REMARKS
1	AL31262	VALVE	1		
2	AL24052	COVER	1		
	R47998	CAP	1	(A)	
3	14H904	NUT	1	3/4"	
4	T17148	LOCK WASHER	1		
5	AL31236	STEERING WHEEL	1		
6	B3690R	O-RING	AR		
7	T21718	NUT	1	2"	
8	T22260	SEAL	1	(ALSO ORDER AT19858)	
9	AT19858	ADJUSTER	1	(ALSO ORDER T22260)	
10	R27320	BUSHING	1		
11	T22823	SLEEVE	1		
12	R35226	SNAP RING	3		
13	T22824	BUSHING	2		
14	T13555	SPRING	1		
15	L29197	THRUST WASHER	1		
16	AL25855	THRUST BEARING	2		
17	R49982	SLEEVE	2		
18	R49980	SLEEVE	2		
19	AR81610	HOUSING	1	UP	
20	T25333	SHIM	4	0.051MM (0.002")	
	T25334	SHIM	8	0.254MM (0.010")	
21	T25332	WASHER	2		
22	L31434	WASHER	2		
23	AR81610	HOUSING	1	LOW	
24	T25741	SHIM	AR	0.051MM (0.002")	
	T22825	SHIM	AR	0.127MM (0.005")	
	T31290	SHIM	AR	0.762MM (0.030")	
25	L29199	STEERING WHEEL SHAFT	1		
26	L34451	O-RING	6		
27	AL31515	HOUSING	1		
28	R26448	O-RING	AR		
29	AR26725	ELBOW FITTING	1		
30	T25327	BACK-UP RING	2		
31	N131838	O-RING	2		
32	T25325	PISTON	1		
33	T25326	BACK-UP RING	2		
34	F3450R	O-RING	1		
35	T25323	ROD	1		
36	T21655	PIN	1		
37	L34452	O-RING	1		
38	R35684	BACK-UP RING	1		
39	L34454	GUIDE	1		
40	L35639	DRAG LINK	1		
41	19H1849	CAP SCREW	2	5/16" X 1-1/4"	
42	14H785	NUT	2	5/16"	
43	19H1801	CAP SCREW	4	3/8" X 2"	
44	T21528	GASKET	1		
45	AT54132	CHECK VALVE	1		

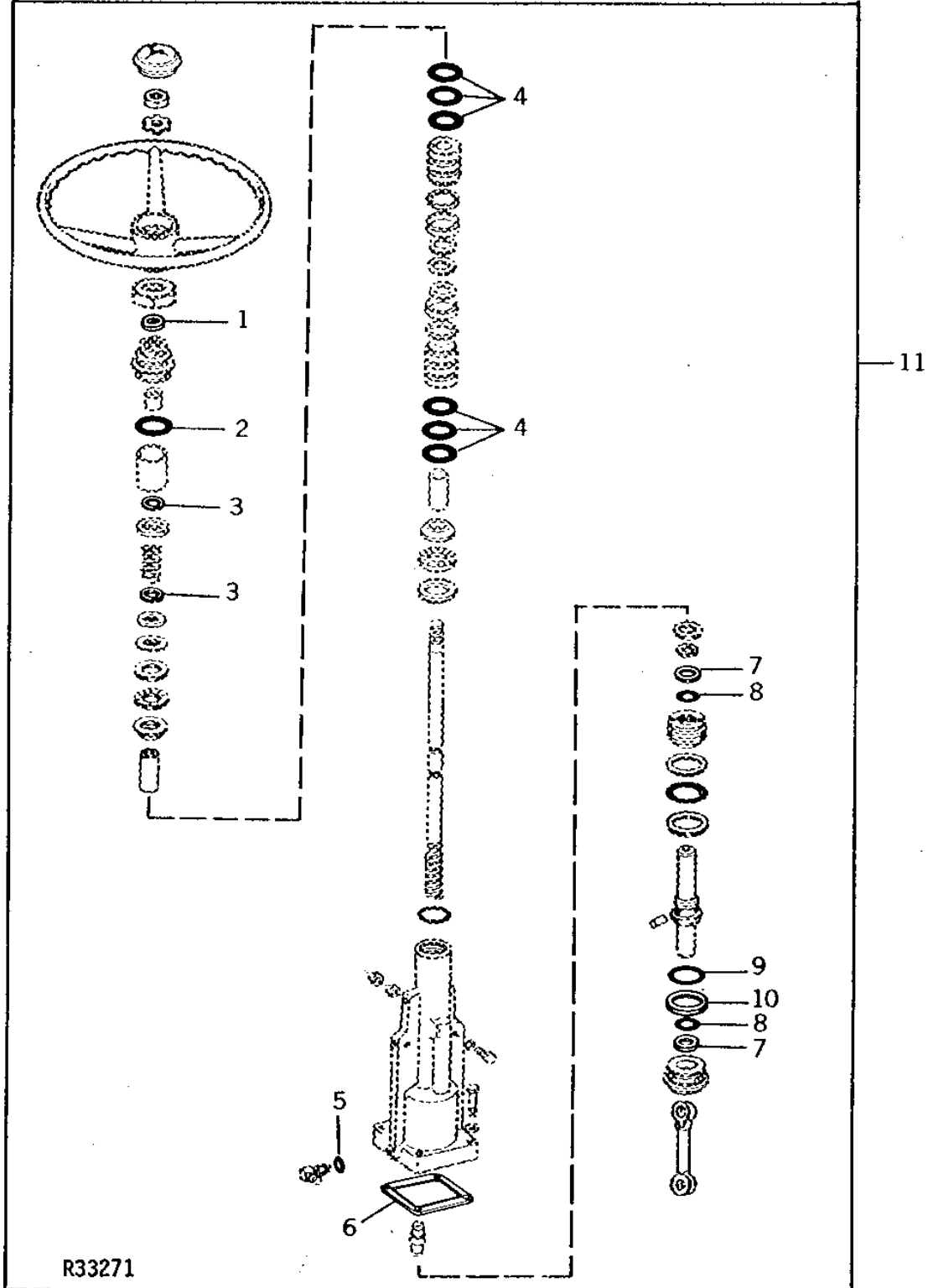
(A) CHECK LOCAL AVAILABILITY

# 1H14

R33271

-UN-01JAN94

## POWER STEERING OVERHAUL KIT



R33271

# 1H15

STEERING AND BRAKES

## POWER STEERING OVERHAUL KIT - CONTINUED

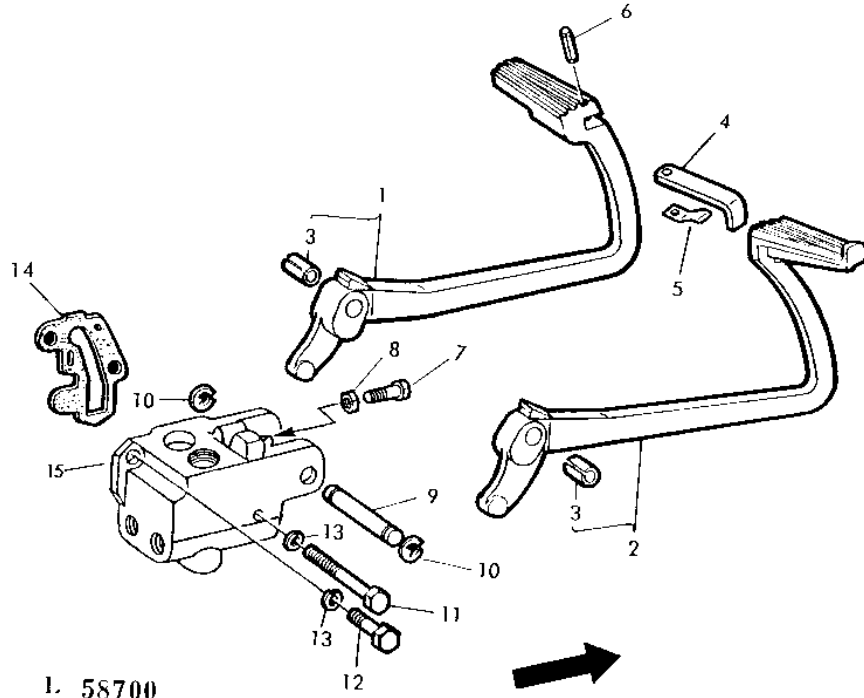
KEY	PART NO.	PART NAME	QTY	TRACTOR SERIAL NO.	REMARKS
1	T22260	SEAL	1		(ALSO ORDER AT19858)
2	B3690R	O-RING	1		
3	R35226	SNAP RING	3		
4	L34451	O-RING	6		(SUB FOR T25335)
5	R26448	O-RING	1		
6	T21528	GASKET	1		(SUB FOR T25337)
7	T25327	BACK-UP RING	2		
8	U10289	O-RING	2		
9	U12331	O-RING	1		
10	R35684	BACK-UP RING	1		
11	AT26188	KIT	1		

# 1H16

STEERING AND BRAKES

## BRAKE PEDALS

L58700 -UN-01JAN94



I. 58700

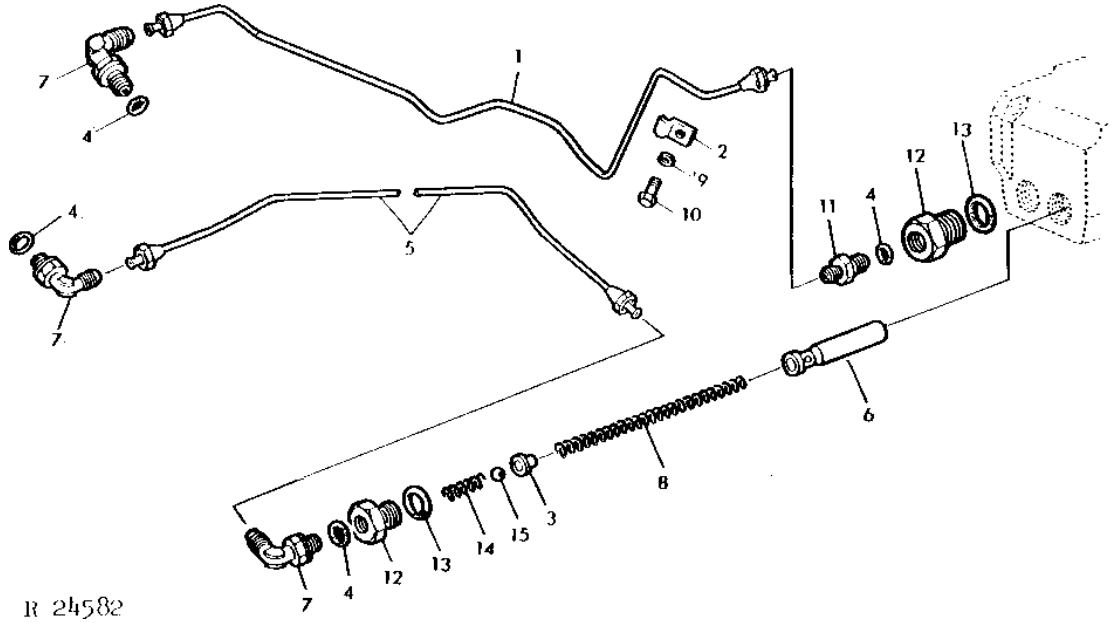
KEY	PART NO.	PART NAME	QTY	TRACTOR SERIAL NO.	REMARKS
1	AT20756	PEDAL	1	L.H. (ALSO ORDER AT20755)	
2	AT20755	PEDAL	1	R.H. (ALSO ORDER AT20756)	
3	B177R	BUSHING	2		
4	R50879	ARM	1	(SUB FOR T23225)	
5	R50034	LEAF SPRING	1	(SUB FOR T31134)	
6	34H312	SPRING PIN	1	1/4" X 1"	
7	19H1732	CAP SCREW	2	3/8" X 1-1/4"	
8	14H732	NUT	2	3/8"	
9	T49189	PIN	1		
10	F2863R	SNAP RING	2		
11	19H3597	CAP SCREW	1	1/2" X 4-3/4"	
12	19H3579	CAP SCREW	1	1/2" X 1-3/8", (USE WITH R54979)	
	19H3586	CAP SCREW	1	1/2" X 4-1/4", (USE WITH R49665)	
13	12H301	LOCK WASHER	2	1/2"	
14	T30687	GASKET	1		
15	AR53494	HOUSING	1	(MARKED R49665 OR R54979)	

# 1H17

STEERING AND BRAKES

R24582 -UN-01JAN94

## BRAKE OIL LINES



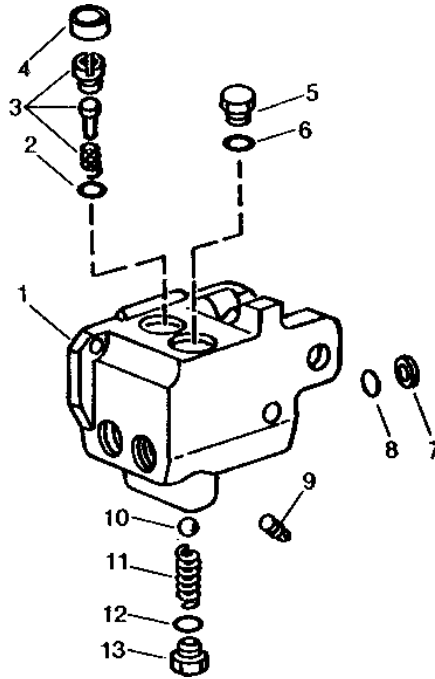
KEY	PART NO.	PART NAME	QTY	TRACTOR SERIAL NO.	REMARKS
1	AR65686	LINE	1		L.H.
2	R27528	CLAMP	2		
3	T21815	RETAINER	2		
4	R26287	O-RING	4		
5	AR65688	LINE	1		R.H.
6	L34040	PISTON	2		(SUB FOR T22100)
7	AT32335	ELBOW FITTING	3		90°, (SUB FOR AR26746)
8	T21817	SPRING	2		
9	12H304	LOCK WASHER	2		3/8"
10	19H1936	CAP SCREW	2		3/8" X 3/4"
11	R27527	ADAPTER	1		
12	T21813	SEAT	2		
13	F3171R	O-RING	2		
14	T21814	SPRING	2		
15	400R	BALL	1		6MM (1/4")

# 1H18

STEERING AND BRAKES

RWP2340 -UN-01JAN94

## BRAKE VALVE



RWP2340

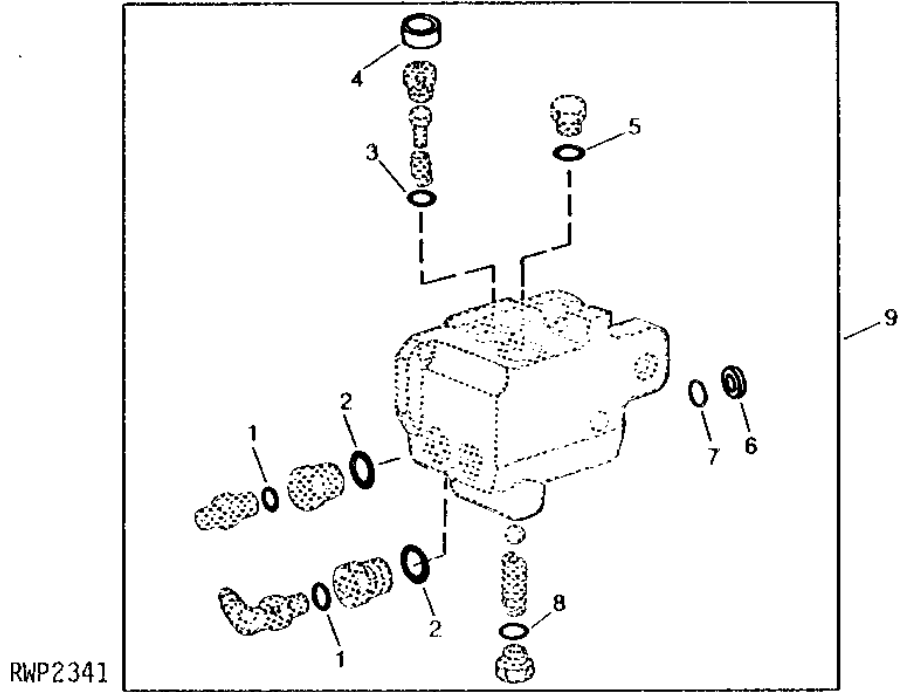
KEY	PART NO.	PART NAME	QTY	TRACTOR SERIAL NO.	REMARKS
1	AR53494	HOUSING	1		(MARKED R49665 OR R54979) (ALSO ORDER T21806, R29936 AND 19H3586)
2	R26906	O-RING	2		
3	AL23836	CHECK VALVE	2		(SUB AL70242)
4	R35286	CAP	AR		(2 USED WITH R54979) (1 USED WITH R49665)
5	T21806	DRAIN PLUG	1		(USE WITH R49665)
6	R29936	O-RING	1		(USE WITH R49665)
7	T22101	SEAL	2		
8	R495R	O-RING	2		
9	15H638	PIPE PLUG	1		1/8", (USE WITH R54979)
10	D2361R	BALL	2		(1/2")
11	T21816	SPRING	2		
12	R26375	O-RING	2		
13	R39112	FITTING	2		

# 1H19

STEERING AND BRAKES

RWP2341 -UN-01JAN94

## BRAKE VALVE OVERHAUL KIT



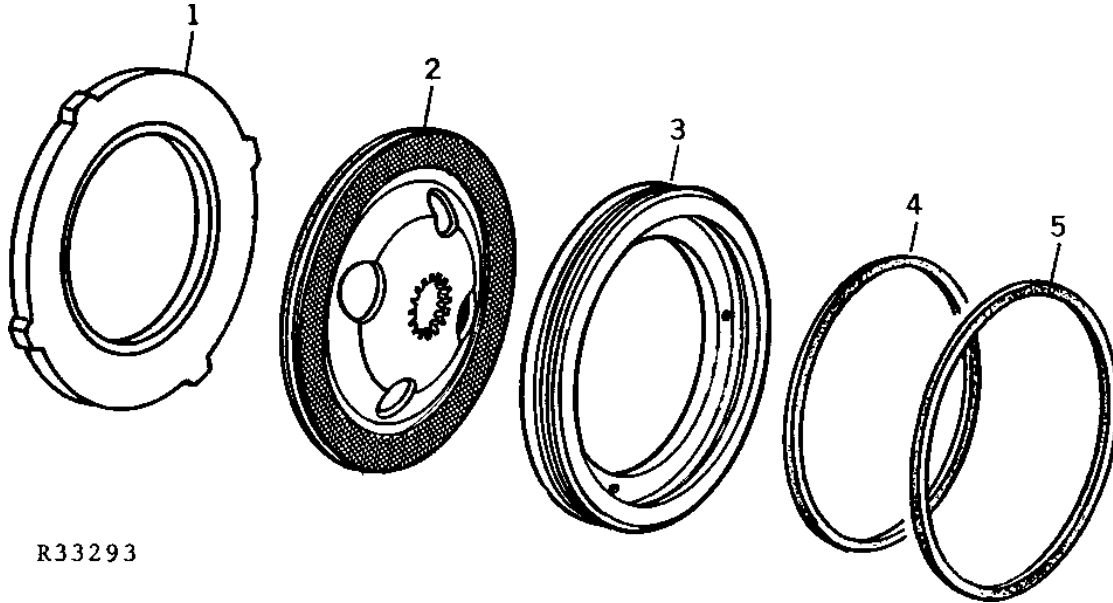
KEY	PART NO.	PART NAME	QTY	TRACTOR SERIAL NO.	REMARKS
1	R26287	O-RING	2		
2	F3171R	O-RING	2		
3	R26906	O-RING	2		
4	R35286	CAP	1		
5	R29936	O-RING	1		
6	T22101	SEAL	2		
7	R495R	O-RING	2		
8	R26375	O-RING	2		
9	AR54929	KIT	1		(ALSO ORDER R35286) (ONLY WITH R54978)

# 1H20

STEERING AND BRAKES

R33293 -UN-01JAN94

## BRAKE DISK ASSEMBLY



R33293

KEY	PART NO.	PART NAME	QTY	TRACTOR SERIAL NO.	REMARKS
1	L33497	BRAKE ACTUATING DISK	2	305840-	(SUB FOR L56247)
2	AT22034	BRAKE DISK	2	-305839	(SUB AT63106)
	AL38234	DISK, INNER SPLINE	2	305840-	(SUB FOR AL29645)
3	L31016	PLATE	2	-305839	
	L33483	BRAKE ACTUATING DISK	2	305840-	
4	R50703	WASHER	2		INSIDE
5	R50704	SEALING WASHER	2		OUTSIDE

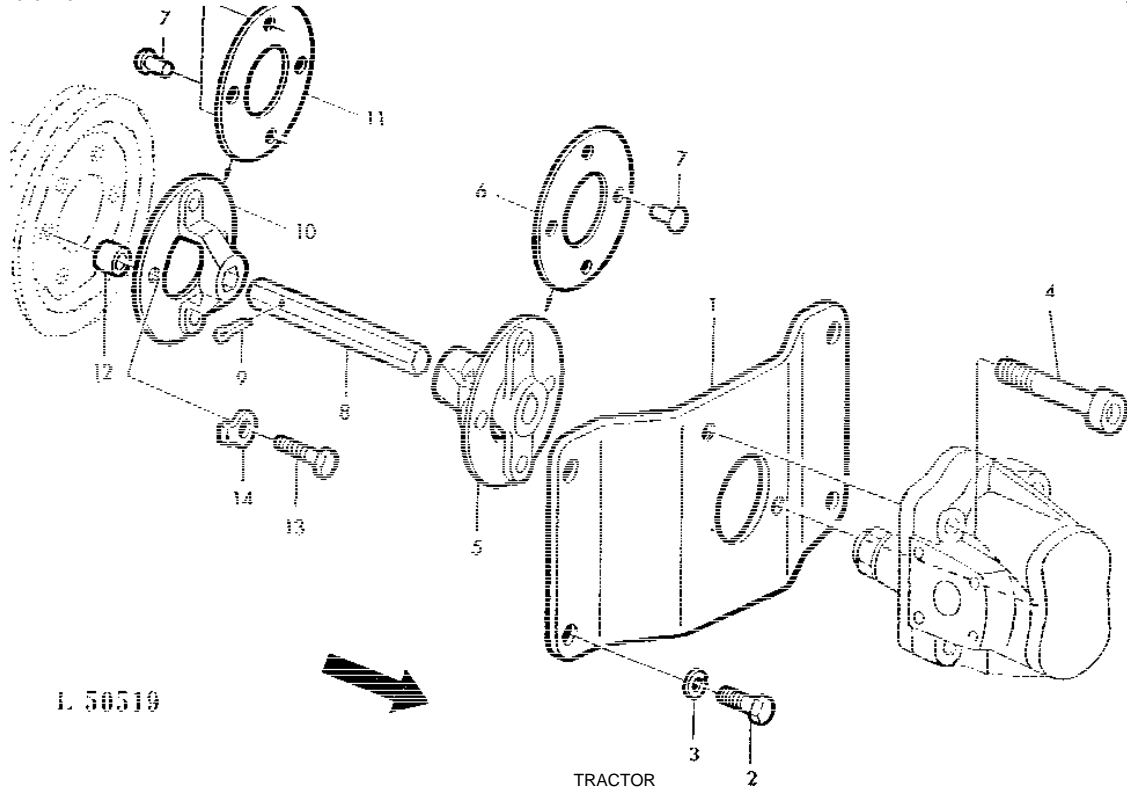


# 2A19

HYDRAULICS

## HYDRAULIC PUMP DRIVE AND MOUNTING PARTS (TRACTOR SERIAL NO. -266749)

L50519 -UN-01JAN94



L 50519

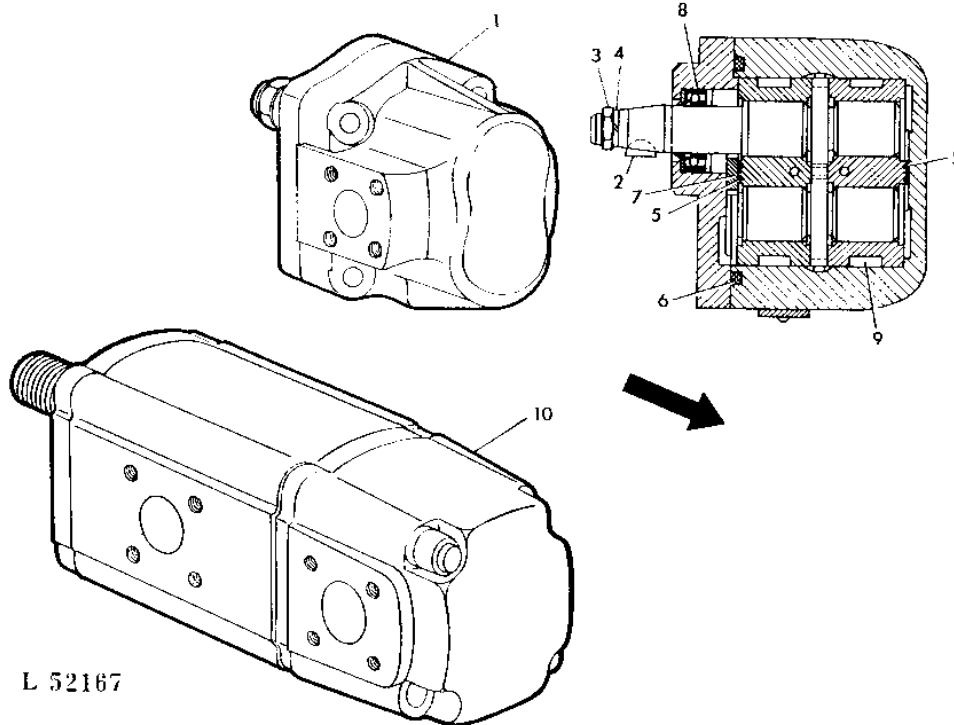
KEY	PART NO.	PART NAME	QTY	TRACTOR SERIAL NO.	REMARKS
1	T25774	PLATE	1		
2	19H3579	CAP SCREW	4	1/2" X 1-3/8"	
3	12H301	LOCK WASHER	4	1/2"	
4	19H3103	SCREW	2	7/16" X 1.620"	
	19H3237	SCREW	2	7/16" X 5-3/4", (WITH POWER STEERING)	
5	AL16163	COUPLING	1	(TO PUMP)	
6	L22772	WASHER	3		
7	16M4707	RIVET	6	8 X 12 MM	
8	T25775	SHAFT	1		
9	11M7015	COTTER PIN	1	3.200 X 25 MM	
10	AL16162	COUPLING	1	(TO ENGINE)	
11	L22773	WASHER	3		
12	M89028	SPACER	2	(SUB FOR M48997)	
13	19H1732	CAP SCREW	2	3/8" X 1-1/4"	
14	L24199	PLATE	2	10.5MM, (SUB FOR 12M1359)	

# 2A20

HYDRAULICS

REPLACEMENT HYDRAULIC PUMP ASSEMBLY  
(11CM3 (0.67 IN.3))  
(TRACTOR SERIAL NO. -266749)

L52167 -UN-01JAN94



L 52167

KEY	PART NO.	PART NAME	QTY	TRACTOR SERIAL NO.	REMARKS
1	AT28460	HYDRAULIC PUMP	1	(SUB AL37751, AL36652, AL36654, (2) 12H293 AND (2) 19H1828)	
2	26M4222	SHAFT KEY	1	3 X 16 MM	
3	14M7155	NUT	1	M12	
4	12H301	LOCK WASHER	1	1/2" M12.2	
5	L25366	RING	2	(SUB AL25629)	
6	L24688	RING	1		
7	L25367	SPACER	1	(SUB AL25629)	
8	L25365	RING	1	(SUB AL25629)	
9	L25368	PLUG	1	(SUB AL25629)	
10	AR55346	HYDRAULIC PUMP	1	(WITH POWER STEERING PUMP) (SUB AL37750, AL36651, AL36652, AL36653, (2) 12H293 AND (2) 19H3241) (ALSO ORDER R27218 AND R26287)	

---

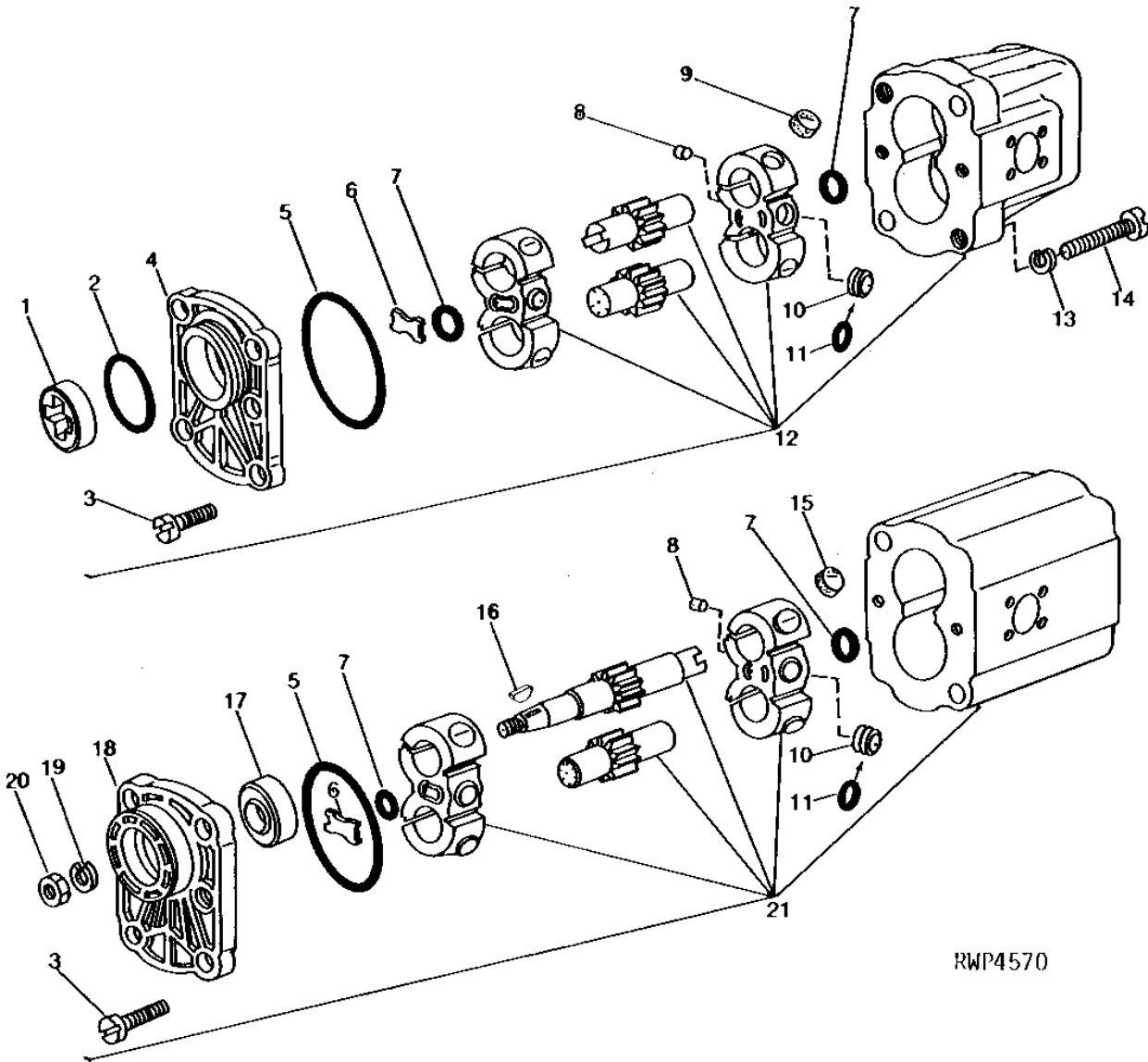
MEMORANDA

# 2A21

HYDRAULICS

HYDRAULIC PUMP  
(POWER STEERING PUMP)  
(11CM3 (0.67 IN.3))  
(TRACTOR SERIAL NO. -266749)

RWP4570 -UN-01JAN94



RWP4570

# 2A22

HYDRAULICS

HYDRAULIC PUMP - CONTINUED  
 (POWER STEERING PUMP)  
 (11 CM3 (0.67 IN.3))  
 (TRACTOR SERIAL NO. -266749)

KEY	PART NO.	PART NAME	QTY	TRACTOR SERIAL NO.	REMARKS
1	L29364	DRIVER	1		
2	L29371	O-RING	1		
3	L29366	SCREW	4		
4	L29359	COVER	1		(SUB AL37750, AL36651, AL36652, AL36653, (2) 12H293 AND 19H3241)
5	L24688	RING	2		(SUB AL25629 OR AL25630)
6	L25367	SPACER	2		(SUB AL37750, AL36651, AL36652, AL36653, (2) 12H293 AND (2) 19H3241)
7	L25366	RING	4		(SUB AL25629)
8	L29362	PLUG	4		(SUB AL25629)
9	L29363	PLUG	4		(SUB AL25630)
10	L29360	PLUG	4		(SUB AL25629)
11	L29361	PACKING	4		(SUB AL25629)
12	AL24191	KIT	1		(SUB AL37750, AL36651, AL36652, AL36653, (2) 12H293 AND (2) 19H3241) PUMP (PART 2)
13	L29368	LOCK WASHER	2		
14	L29367	SCREW	2		
15	L25368	PLUG	4		(SUB AL25629)
16	26M4222	SHAFT KEY	1		3 X 16 MM
17	L25365	RING	1		(SUB AL25629)
18	L29365	COVER	1		(SUB AL37750, AL36651, AL36652, AL36653, (2) 12H293 AND (2) 19H3241)
19	12H301	LOCK WASHER	1		1/2" M12.2
20	14M7155	NUT	1		M12
21	AL24190	KIT	1		PUMP (PART 1) (SUB AL37750, AL36651, AL36652, AL36653, (2) 12H293 AND 19H3241)
..	AR55346	HYDRAULIC PUMP	1		(WITH POWER STEERING PUMP) (SUB AL37750, AL36651, AL36652, AL36653, (2) 19H3241 AND (2) 12H293)
..	AL25629	KIT	1		PACKING (PUMP PART 1)
..	AL25630	KIT	1		PACKING (PUMP PART 2)

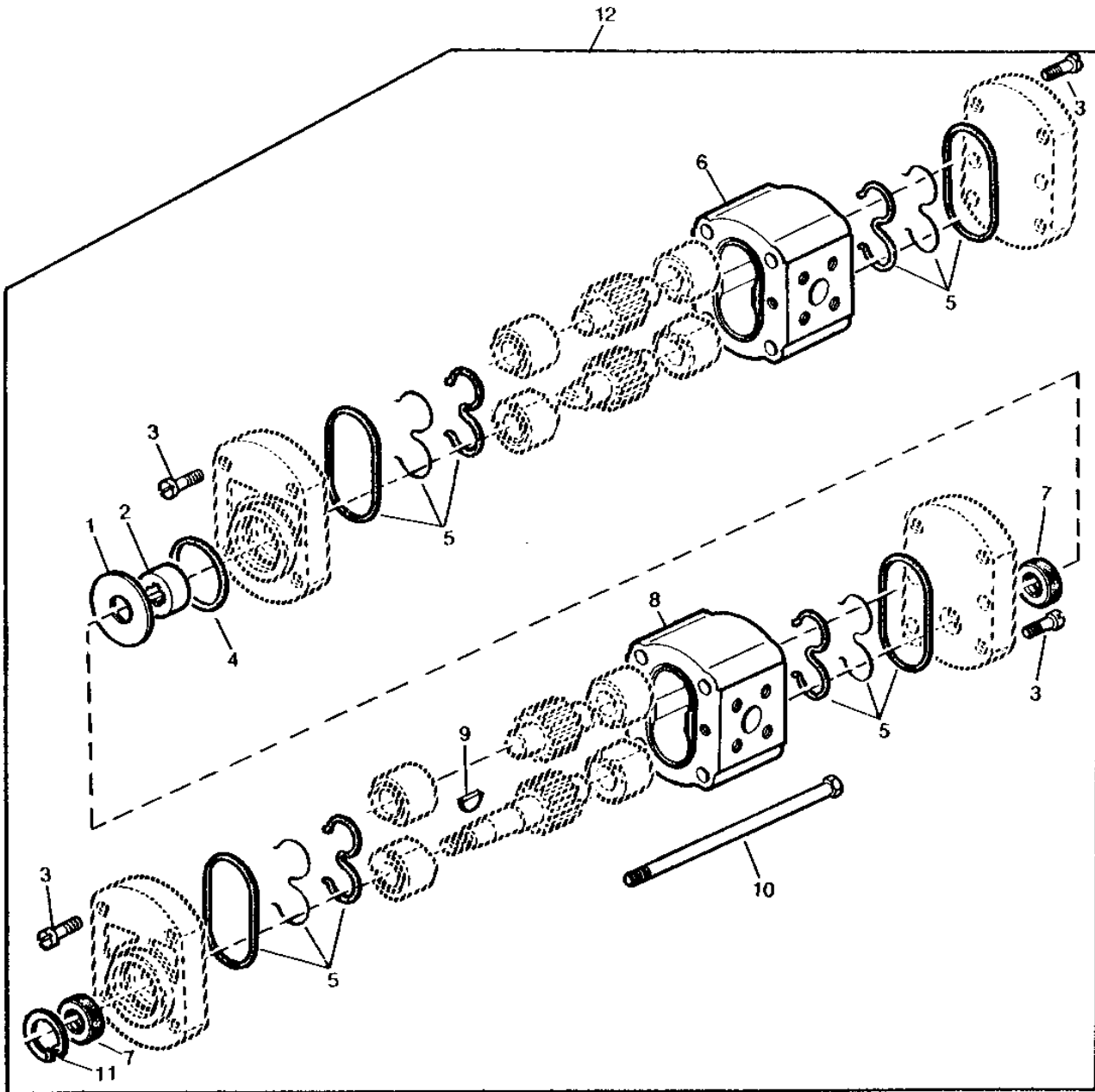
# 2A23

HYDRAULICS

RWP4573

-UN-01JAN94

HYDRAULIC PUMP  
(11CM3 (0.67 IN.3))



RWP4573

# 2A24

HYDRAULICS

HYDRAULIC PUMP - CONTINUED  
(11CM3 (0.67 IN.3))

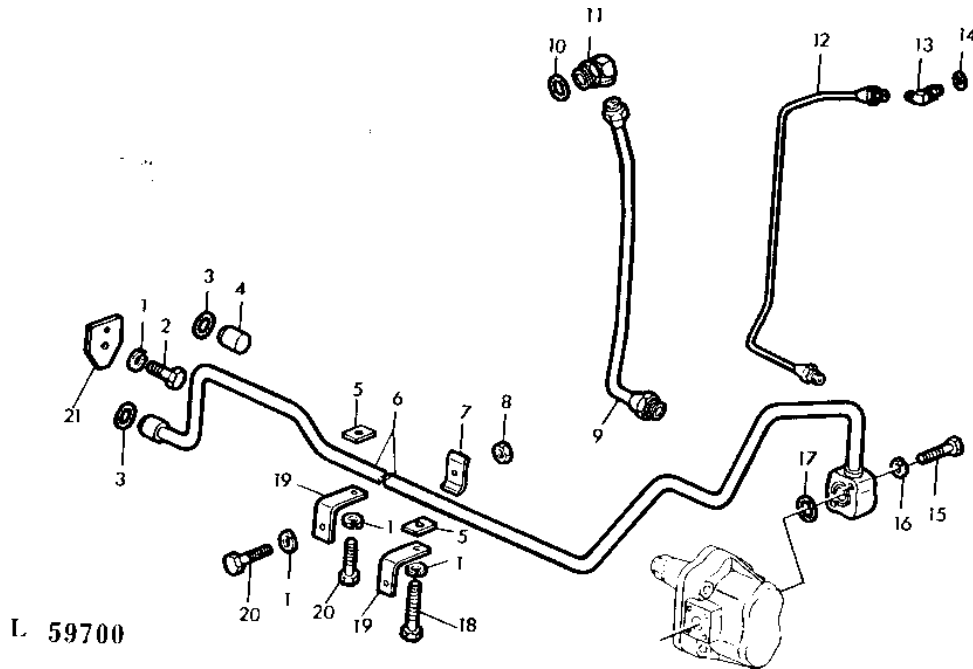
KEY	PART NO.	PART NAME	QTY	TRACTOR SERIAL NO.	REMARKS
1	L40914	WASHER	1		
2	L29364	DRIVER	1		
3	21M7095	SCREW	8		M8 X 16
4	L29371	O-RING	1		
5	AZ30292	SEAL KIT	1		
6	AL39150	HYDRAULIC PUMP	1		
7	AZ25987	SEAL	2		
8	AL39149	HYDRAULIC PUMP	1		
9	26M4221	SHAFT KEY	1		3 X 13 MM
10	19M8198	CAP SCREW	2		M10 X 175
11	40M1855	SNAP RING	1		30 X 1.2MM
12	AL37750	HYDRAULIC PUMP	1		

# 2A25

HYDRAULICS

## HYDRAULIC OIL LINES (TRACTOR SERIAL NO. -266749)

L59700 -UN-01JAN94



KEY	PART NO.	PART NAME	QTY	TRACTOR SERIAL NO.	REMARKS
1	12H304	LOCK WASHER	5	3/8"	
2	19H2552	CAP SCREW	1	3/8" X 1-1/8"	
3	R1662R	WASHER	2		
4	T25783	PLUG	1		
5	T23200	PLATE	4		
6	AT23682	LINE	1	(A) INLET	
	AL36654	OIL LINE	1	(B)	
7	T25781	CLAMP	2		
8	14H1076	NUT	2	3/8"	
9	AT23688	LINE	1		
10	R26375	O-RING	1		
11	AT32332	ELBOW FITTING	1	90°, 3/4"-16	
12	AT23690	OIL LINE	1		
13	AT32335	ELBOW FITTING	1	90°, 3/8"-24	
14	R26287	O-RING	1		
15	19M7374	CAP SCREW	2	M6 X 40	
16	12H302	LOCK WASHER	2	1/4"	
17	L53840	O-RING	1		
18	19H1801	CAP SCREW	1	3/8" X 2"	
19	T25782	SUPPORT	2		
20	19H1732	CAP SCREW	3	3/8" X 1-1/4"	
21	T23059	RETAINER	1		

(A) USE WITH AT28460 PUMP  
(B) USE WITH AL37751 PUMP

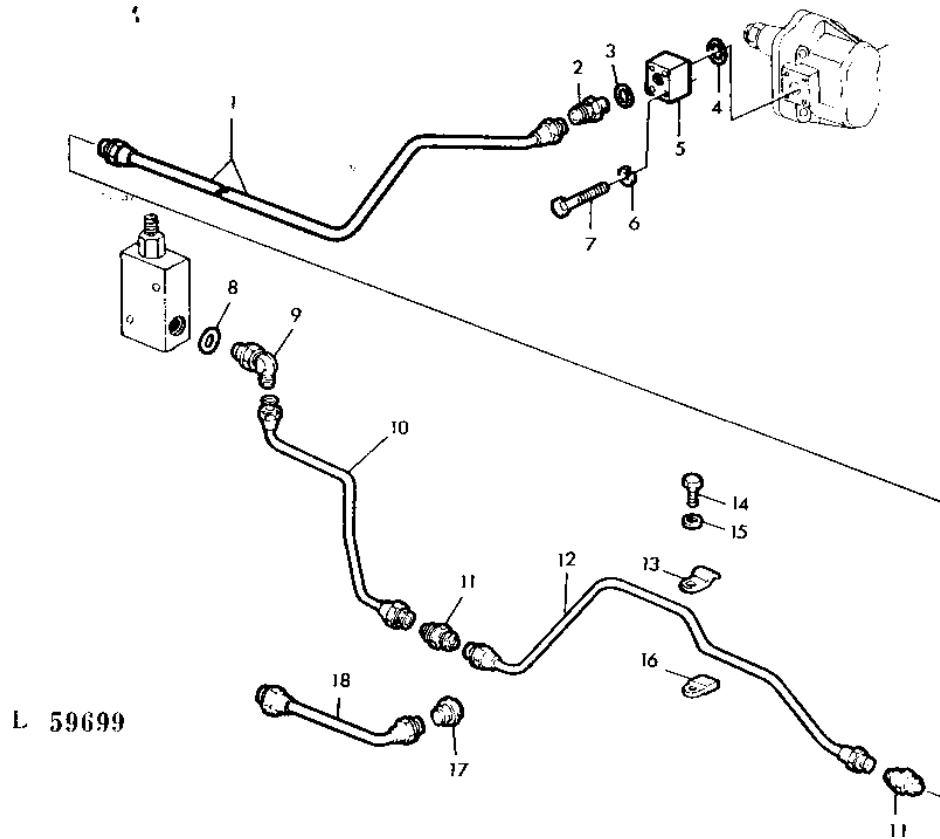


# 2B1

HYDRAULICS

## HYDRAULIC OIL LINES (TRACTOR SERIAL NO. -266749)

L59699 -UN-01JAN94



KEY	PART NO.	PART NAME	QTY	TRACTOR SERIAL NO.	REMARKS
1	AL28469	OIL LINE	1	(A) (SUB FOR AT23683)	
	AL36652	OIL LINE	1	(B) (ALSO ORDER R26287 AND R27218)	
2	R39249	ADAPTER	1		
3	R26448	O-RING	1		
4	L53839	O-RING	1		
5	T25780	ADAPTER	1	(SUB R52653, R26287 AND R27216) NLA	
6	12H302	LOCK WASHER	4	1/4"	
7	19M2841	CAP SCREW	4	M6 X 50	
8	R26375	O-RING	1		
9	AT32332	ELBOW FITTING	1	90°	
10	AL28482	OIL LINE	1	HYDRAULIC PUMP REAR PRESSURE, (SUB FOR AR52341)	
11	R34063	FITTING	2		
12	AL28483	OIL LINE	1	HYDRAULIC PUMP REAR PRESSURE, (SUB FOR AR52342)	
13	R28538	CLAMP	1	(SUB (2) R27539, 28H1518, 19H1732 AND 12H304, THIS APPLICATION)	
14	19H2284	CAP SCREW	1	3/8" X 7/8"	
15	12H304	LOCK WASHER	1	3/8"	
16	R28539	CLAMP	1	(SUB (2) R27539, 28H1518, 19H1732 AND 12H304, THIS APPLICATION)	
17	T26435	FITTING	1		
18	AT23689	LINE	1		

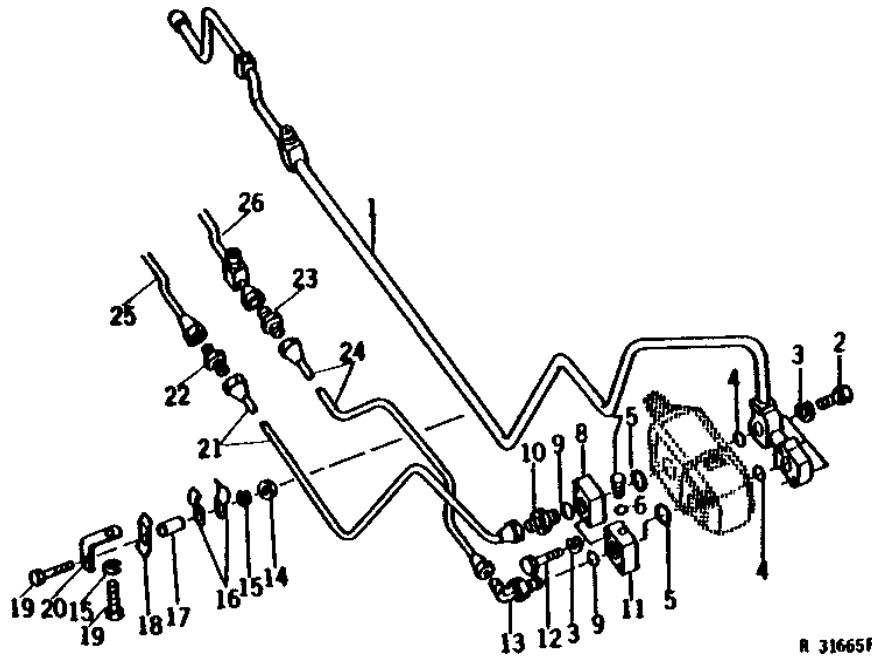
(A) USE WITH AR55346 OR AT28460 PUMP  
(B) USE WITH AL37750 OR AL37751 PUMP

# 2B2

HYDRAULICS

HYDRAULIC OIL LINES (WITH POWER STEERING)  
(TRACTOR SERIAL NO. -266749)

R31665F -UN-01JAN94



R 31665F

KEY	PART NO.	PART NAME	QTY	TRACTOR SERIAL NO.	REMARKS
1	AL24495	LINE	1	(A)	
	AL36653	OIL LINE	1	(B) (ALSO ORDER R26287 AND R27218)	
2	19M7374	CAP SCREW	4	M6 X 40	
3	12H302	LOCK WASHER	12	1/4"	
4	L53840	O-RING	2		
5	L53839	O-RING	2		
6	R26287	O-RING	2		
7	R27216	DRAIN PLUG	1		
8	T25780	ADAPTER	1	(SUB R52653) NLA	
9	R26448	O-RING	2		
10	R39249	ADAPTER	1		
11	R52653	ADAPTER	1		
12	19M2841	CAP SCREW	8	M6 X 50	
13	AT35121	ELBOW FITTING	1	90°	
14	14H1076	NUT	2	3/8"	
15	12H304	LOCK WASHER	2	3/8"	
16	R31654	CLAMP	4		
17	28H1884	SPACER	2	3/8" X 1/2"	
18	T25781	CLAMP	2		
19	19H1801	CAP SCREW	4	3/8" X 2"	
20	T25782	SUPPORT	2		
21	AL28469	OIL LINE	1	(C) (SUB FOR AT23683)	
	AL36652	OIL LINE	1	(D)	
22	R34063	FITTING	1		
23	R27095	FITTING	1		
24	AR55348	LINE	1	(PUMP, POWER STEERING)	
25	AL28483	OIL LINE	1		
26	AR55349	LINE	1	(A)	
	AL36651	OIL LINE	1	(B)	

- (A) USE WITH AR55346 PUMP
- (B) USE WITH AL37750 PUMP
- (C) USE WITH AR55346 OR AT28460 PUMP
- (D) USE WITH AR37750 OR AR37751 PUMP

---

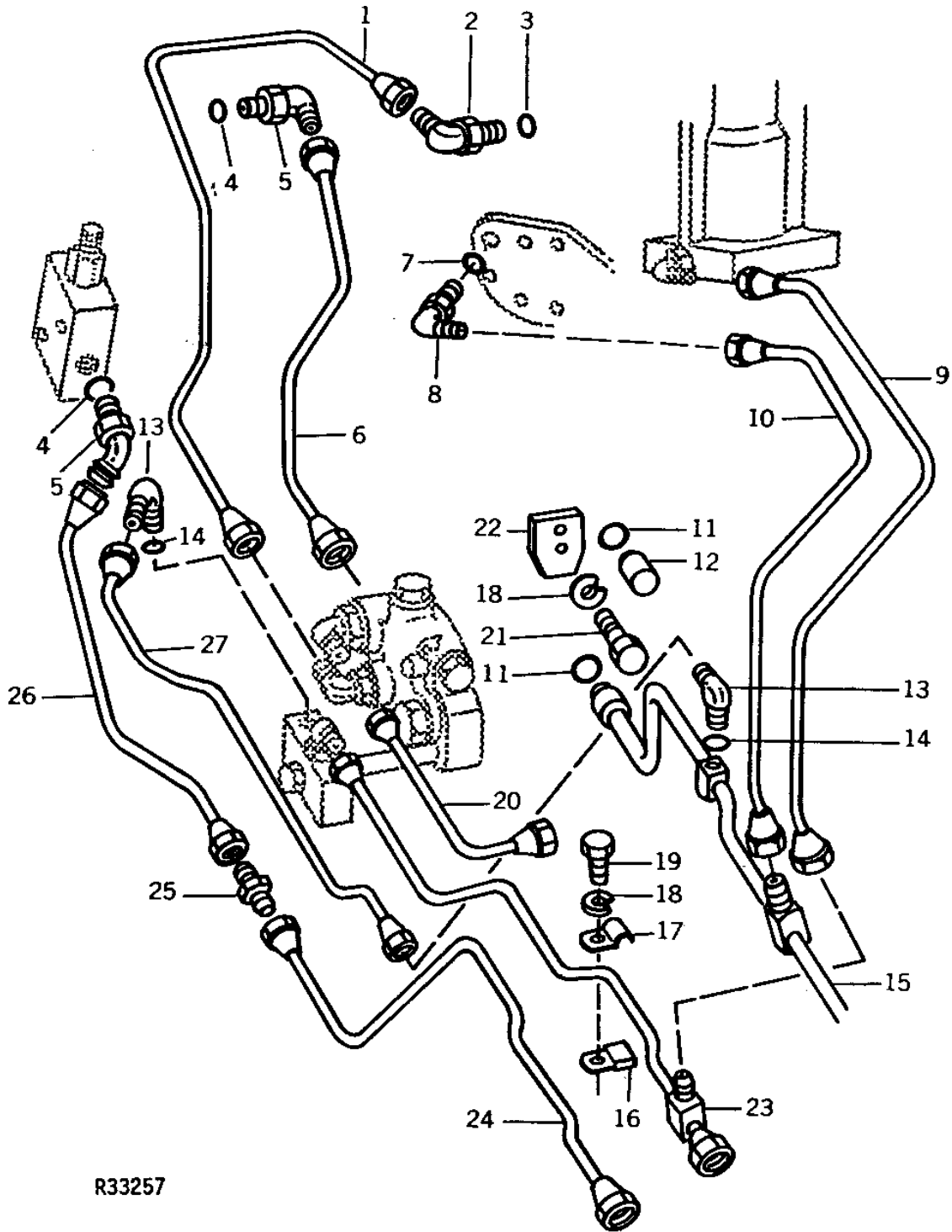
MEMORANDA

# 2B3

HYDRAULICS

HYDRAULIC OIL LINES (WITH POWER STEERING)  
(TRACTOR SERIAL NO. -266749)

R33257 -UN-01JAN94



R33257

# 2B4

HYDRAULICS

HYDRAULIC OIL LINES (WITH POWER STEERING) - CONTINUED  
(TRACTOR SERIAL NO. -266749)

KEY	PART NO.	PART NAME	QTY	TRACTOR SERIAL NO.	REMARKS
1	AT23690	OIL LINE	1		
2	AT32335	ELBOW FITTING	1	90°	
3	R26287	O-RING	1		
4	R26375	O-RING	2		
5	AT32332	ELBOW FITTING	1	90°	
6	AT23688	LINE	1		(ROCKSHAFT OR HYDRAULIC OIL RETURN)
7	R26448	O-RING	1		
8	AT35121	ELBOW FITTING	1	90°	
9	AR55353	LINE	1		(BODY, POWER STEERING)
10	AR55354	LINE	1		(STEERING HOUSING-COVER)
11	R1662R	WASHER	2		
12	T25783	PLUG	1		
13	AT35121	ELBOW FITTING	2	90°	
14	R26448	O-RING	2		
15	AL24495	LINE	1	(A)	
	AL36652	LINE	1	(B)	(ALSO ORDER R26287 AND R27218)
16	R28539	CLAMP	1		(SUB (2) R27539, 28H1518, 19H1732 AND 12H304)
17	R28538	CLAMP	1		(SUB (2) R27539, 28H1518, 19H1732 AND 12H304)
18	12H304	LOCK WASHER	2	3/8"	
19	19H2284	CAP SCREW	1	3/8" X 7/8"	
20	AT23689	LINE	1		TRANSMISSION LUBRICATING
21	19H2552	CAP SCREW	1	3/8" X 1-1/8"	
22	T23509	BRACKET	1		
23	AR55349	LINE	1	(A)	(PUMP, POWER STEERING)
	AL36651	OIL LINE	1	(B)	
24	AL28483	OIL LINE	1		HYDRAULIC PUMP REAR PRESSURE
25	R34063	FITTING	1		
26	AL28482	OIL LINE	1		HYDRAULIC PUMP REAR PRESSURE, (SUB FOR AR52341)
27	AL24494	LINE	1		

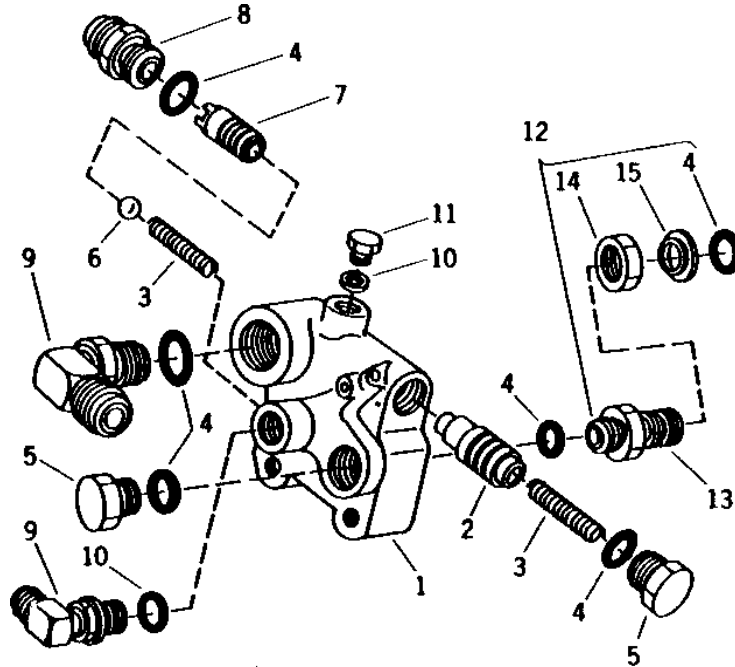
(A) USE WITH AR55346 PUMP  
(B) USE WITH AL37750 PUMP

# 2B5

HYDRAULICS

R23875 -UN-01JAN94

DUMP VALVE  
(TRACTOR SERIAL NO. -266749)



R23875

TRACTOR  
SERIAL NO.

KEY	PART NO.	PART NAME	QTY	TRACTOR SERIAL NO.	REMARKS
1	AT23708	HOUSING	1		
2	T24173	VALVE	1		
3	R31278	SPRING	2		
4	R26375	O-RING	5		
5	R39112	FITTING	2		
6	T23426	BALL	1		10MM (13/32")
7	T25792	VALVE	1		UNLOADING
8	R27237	FITTING	1		
9	AT32335	ELBOW FITTING	2		
10	R26287	O-RING	2		
11	R27216	DRAIN PLUG	1		(SUB FOR R31631)
12	AT23709	FITTING	1		
13	T25791	THREADED NIPPLE	1		(SUB AT23709)
14	R27448	NUT	1		
15	R27449	WASHER	1		

# 2B6

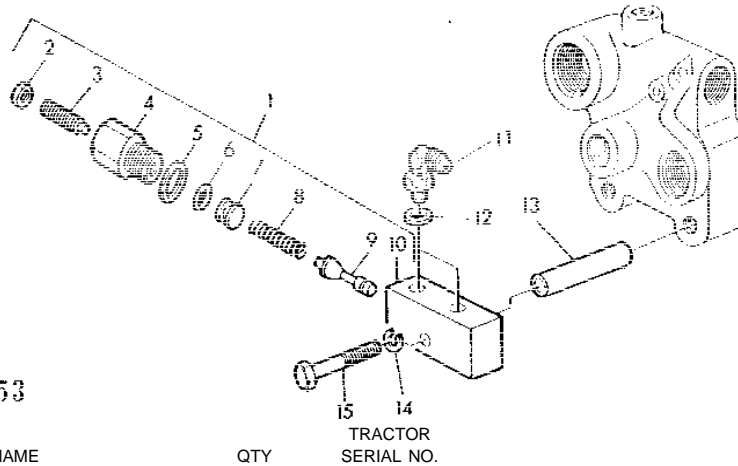
HYDRAULICS

**PRESSURE RELIEF VALVE  
(POWER STEERING)  
(TRACTOR SERIAL NO. -266749)**

L59653 -UN-01JAN94



L 59653



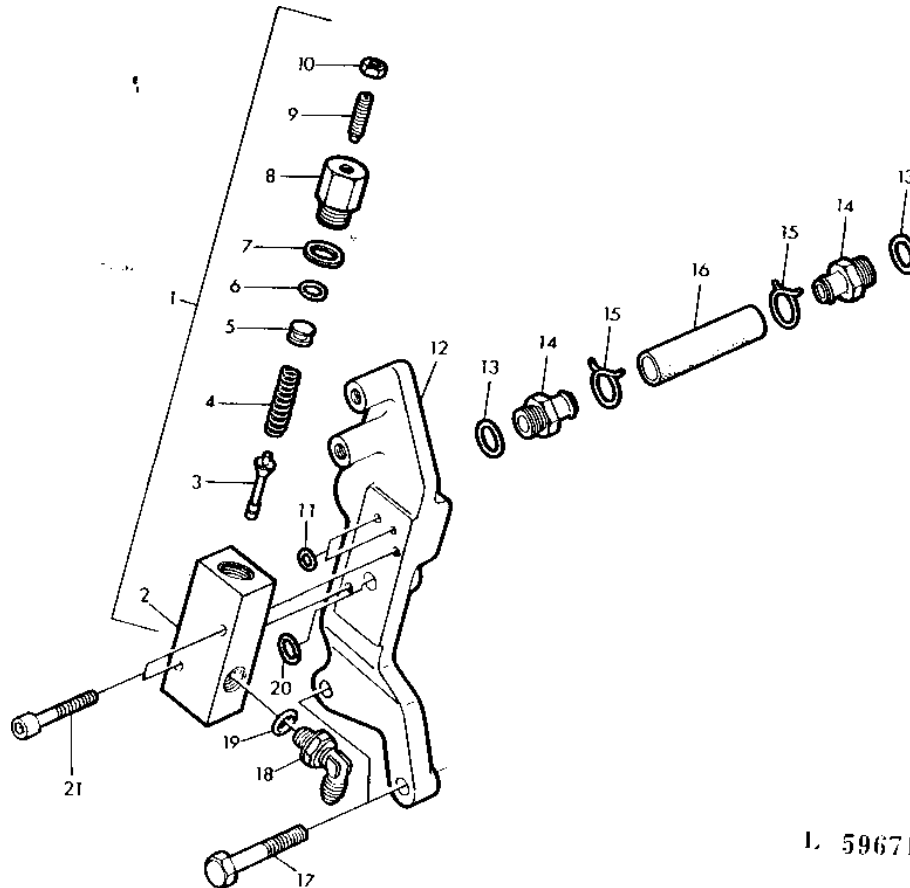
KEY	PART NO.	PART NAME	QTY	TRACTOR SERIAL NO.	REMARKS
1	AR55350	VALVE	1	NLA	
2	14M1975	LOCK NUT	1	M8 8MM	
3	22M6535	SET SCREW	1	M8 X 30	
4	L17650	CAP	1		
5	51M4242	RING	1		
6	L53826	O-RING	1		
7	L20093	WASHER	1		
8	T28676	SPRING	1		
9	T26437	VALVE	1		
10	R51251	HOUSING	1		
11	AT35121	ELBOW FITTING	2	90°, (SUB FOR AR26725)	
12	R26448	O-RING	2		
13	28H1685	SPACER	1	3/8" X 1-11/16"	
14	12H304	LOCK WASHER	1	3/8"	
15	19H1854	CAP SCREW	1	3/8" X 3-3/4"	

# 2B7

HYDRAULICS

## PRESSURE RELIEF VALVE AND BRACKET (TRACTOR SERIAL NO. -266749)

L59671 -UN-01JAN94



L 59671

KEY	PART NO.	PART NAME	QTY	TRACTOR SERIAL NO.	REMARKS
1	AR52340	VALVE	1	NLA	
2	R48922	HOUSING	1		
3	T26437	VALVE	1		
4	T28676	SPRING	1		
5	L20093	WASHER	1		
6	L53826	O-RING	1		
7	51M4242	RING	1		
8	L17650	CAP	1		
9	22M6535	SET SCREW	1	M8 X 30	
10	14M7273	NUT	1	M8	
11	L53830	O-RING	2		
12	T25789	BRACKET	1		
13	R26906	O-RING	2		
14	R39171	HOSE FITTING	2		
15	AR21837	CLAMP	2		
16	T23753	HOSE	1	16MM X 111MM (5/8" X 4-11/32")	
17	19H1945	CAP SCREW	2	1/2" X 3-1/4"	
18	AT32332	ELBOW FITTING	1	90°	
19	R26375	O-RING	1		
20	L53836	O-RING	1		
21	19H3152	SCREW	2	5/16" X 2-3/4", (SINGLE SELECTIVE CONTROL)	
	19H3246	SCREW	2	5/16" X 4", (DUAL SELECTIVE CONTROL)	
	19H3191	SCREW	2	5/16" X 1.620", (LESS SELECTIVE CONTROL VALVE)	
	19H3211	SCREW	2	5/16" X 5-1/4", (DUAL SELECTIVE CONTROL WITH ADAPTER BLOCK)	

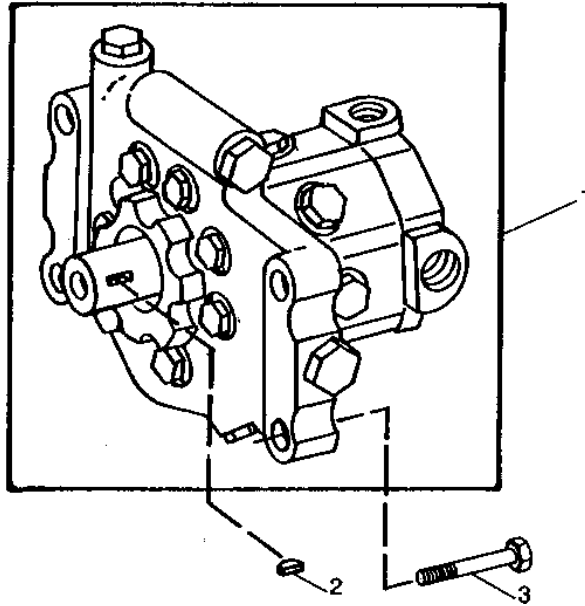


# 2B8

HYDRAULICS

REPLACEMENT HYDRAULIC PUMP ASSEMBLY - MODEL CA1  
 (23 CM3 (1.38 IN.3))  
 (TRACTOR SERIAL NO. 266750- )

RP3304 -UN-01JAN94



RP3304

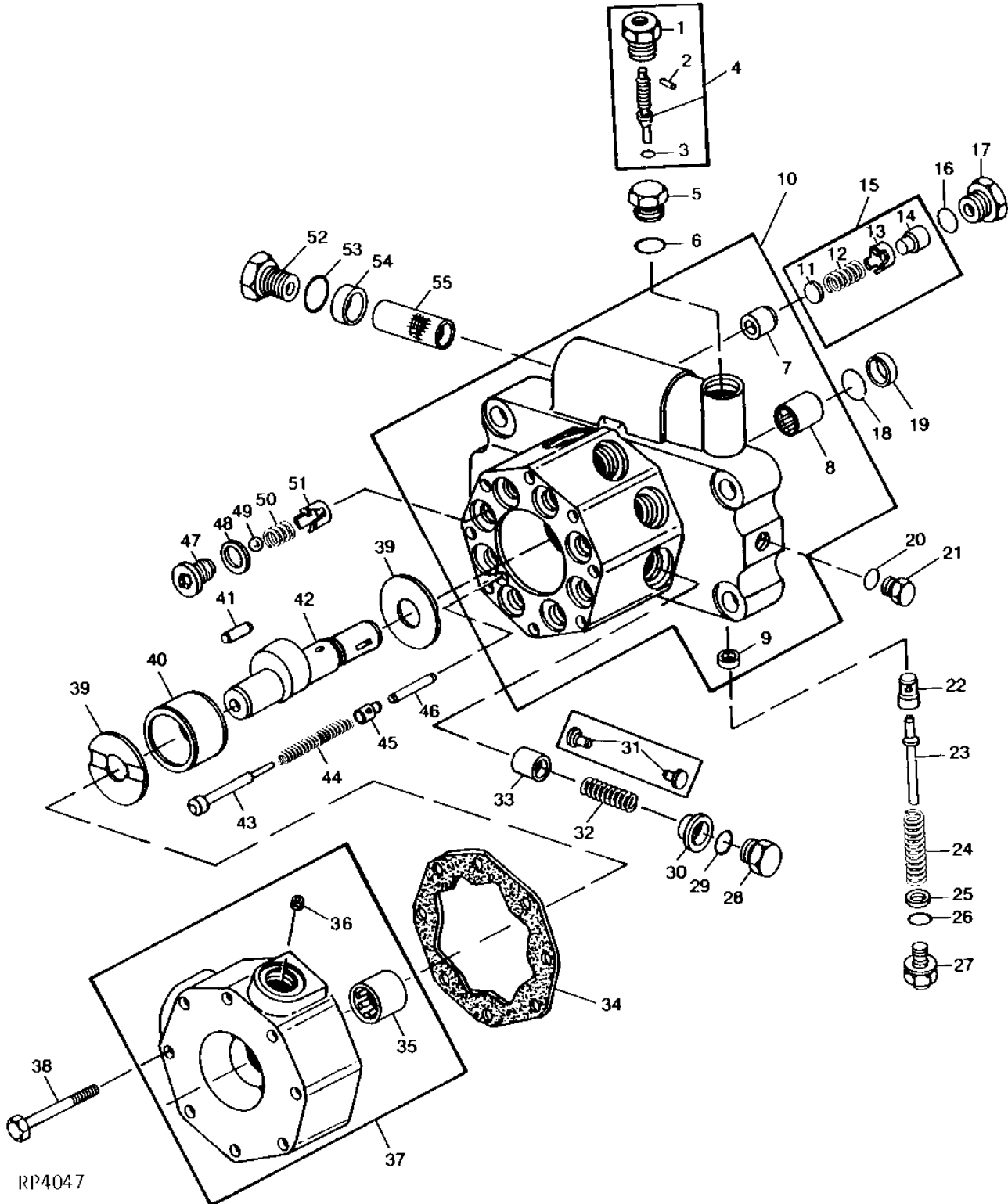
KEY	PART NO.	PART NAME	QTY	TRACTOR SERIAL NO.	REMARKS
1	AR103033	HYDRAULIC PUMP	1	23 CM3 (1.38 IN.3)	(SUB FOR AR39168 OR AR89064)
2	26H77	SHAFT KEY	1	3/16" X 3/4"	
3	19H1974	CAP SCREW	4	1/2" X 2-3/4"	

# 2B9

HYDRAULICS

HYDRAULIC PUMP - MODEL CA1  
23 CM3 (1.38 IN.3)  
(TRACTOR SERIAL NO. 266750- )

RP4047 -UN-01JAN94



RP4047

# 2B10

HYDRAULICS

HYDRAULIC PUMP - MODEL CA1 - CONTINUED  
 23 CM3 (1.38 IN.3)  
 (TRACTOR SERIAL NO. 266750- )

KEY	PART NO.	PART NAME	QTY	MODEL NO.	REMARKS
1	R38053	BUSHING	1		
2	34H254	SPRING PIN	1	1/8" X 1-1/2"	
3	R30903	O-RING	1		
4	AR38225	SCREW	1		(MANUAL DESTROKE)(OPTIONAL)
5	R39112	PLUG	1		(USE WITHOUT MANUAL DESTROKE)
6	R26375	O-RING	1		
7	R105583	SEAT	8		(SUB FOR R39067)
8	JD9858	NEEDLE BEARING	1		
9	R72936	VALVE SEAT INSERT	1		(ALSO ORDER R68384)
10	AR39170	HOUSING	1	-7PP2	(MARKED R39317 OR R60969) (SUB AR89075, (2) R68382, R68381, R39112 AND R26375)
	AR89075	HOUSING	1	7PP3-	(MARKED R68385)
11	R49297	DISK	8		
12	R39228	SPRING	8		
13	R48738	GUIDE	8		
14	R83508	STOP	8		(SUB FOR R72886)
15	RE23382	VALVE	8		(OUTLET) (SUB FOR AR52785 OR AR96613)
16	R26375	O-RING	8		
17	R39112	PLUG	8		
18	R39182	RING	1		(USE WITH R39317 OR R60969)
	R63605	O-RING	1		(USE WITH R68385)
19	AR39052	SEAL	1		
20	R26286	O-RING	1		
21	R27094	PLUG	1		
22	R68384	CONTROL VALVE	1		(ALSO ORDER R72936)
23	R68383	GUIDE	1	-7PP4	(USE WITH R39317 OR R60969) (SUB R76167 AND AR103040)
	R76167	GUIDE	1	7PP5-	(USE WITH R68385)
24	R39240	SPRING	1		
25	24M7096	WASHER	1	-7PP4	10.500 X 18 X 1.600 MM, (USE WITH R39317 OR R60969)
26	R26906	O-RING	1		
27	AR39106	SCREW	1	-7PP2	(USE WITH R39317 OR R60969) (SUB AR103040 AND R76167)
	AR103040	SCREW	1	7PP5-	(USE WITH R68385) (SUB FOR AR89073)
28	R39112	PLUG	8		
29	R26375	O-RING	8		
30	AR101238	SHIELD	1	XXXX-	(SET OF 8)
31	R39070	GUIDE	16	-XXXX	(USE WITH R39317 OR R60969)
32	AR39041	SPRING	1		(SET OF 8)
33	R63022	PISTON	8		(ALSO ORDER R63629)
34	R59234	GASKET	1		
35	JD9858	NEEDLE BEARING	1		
36	R39321	ORIFICE	1		
37	AR90453	COVER	1		(MARKED R39318, R68380 OR R81065)
38	19H1944	CAP SCREW	8		3/8" X 2-3/4"
39	R66164	THRUST WASHER	2		
40	R63629	BEARING RACE	1		(ALSO ORDER (8) R63022)
41	R39073	NEEDLE ROLLER	33		
42	R39319	SHAFT	1		
43	R39181	GUIDE	1		
44	R68390	SPRING	1		
45	R39180	VALVE	1		
46	R39179	NEEDLE ROLLER	1		
47	R68553	VALVE SEAT INSERT	8		
48	R26375	O-RING	8		
49	D2361R	BALL	8		
50	R39078	SPRING	8		
51	R39076	GUIDE	8		
52	R27175	PLUG	1		(USE WITH R39317 OR R60969)
	R39112	PLUG	1		(USE WITH R68385)
53	F3171R	O-RING	1		(USE WITH R39317 OR R60969)
	R26375	O-RING	1		(USE WITH R68385)
54	R27174	PACKING	2		(USE WITH R39317 OR R60969)
	R68382	PACKING	2		(USE WITH R68385)
55	R27173	FILTER	1		(USE WITH R39317 OR R60969)
	R68381	FILTER	1		(USE WITH R68385)
..	AR103033	HYDRAULIC PUMP	1		(A) (SUB FOR AR39168 OR AR89064)

(A) MODEL CA1 - PUMP WITH SERIAL PLATE

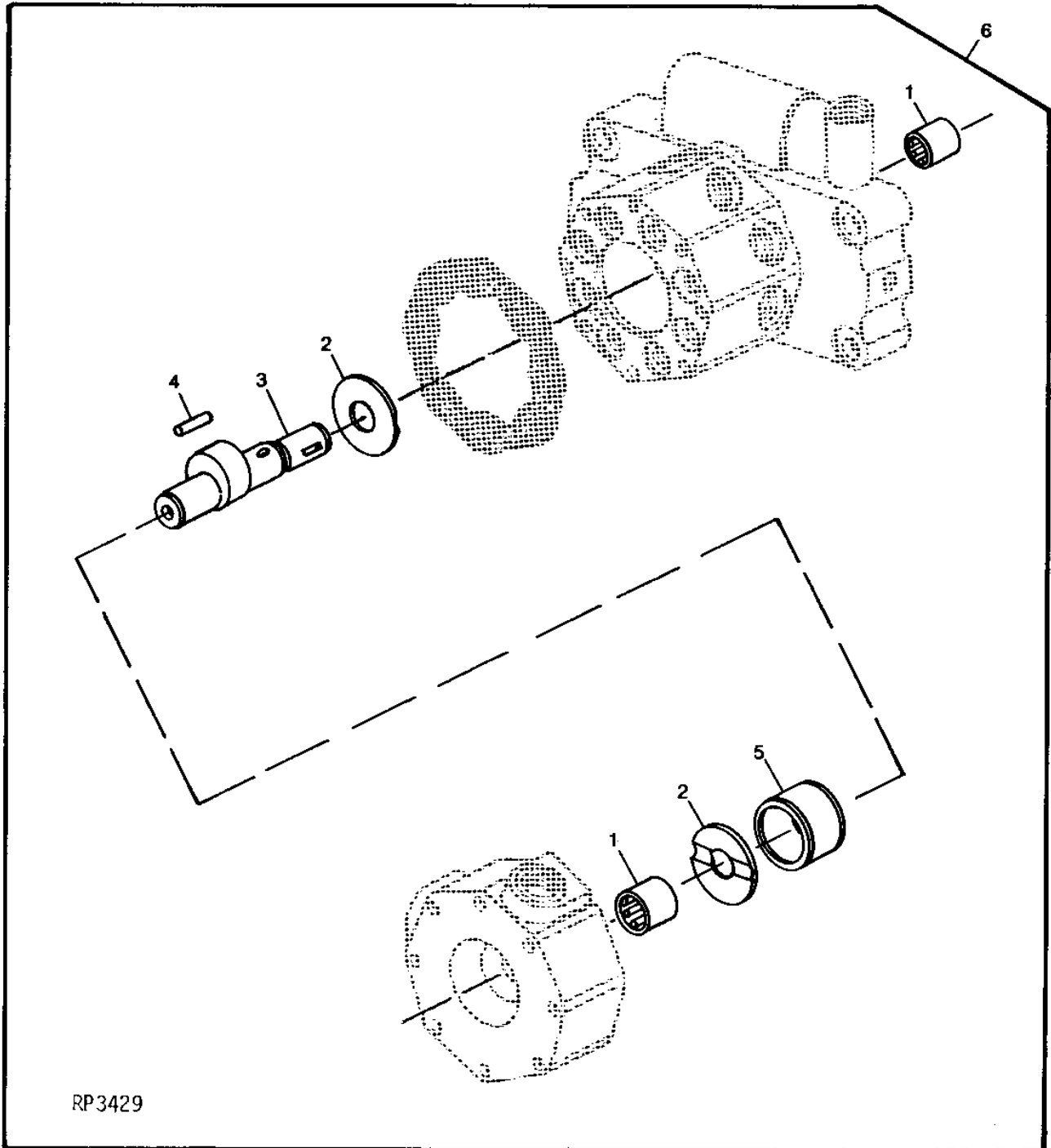
# 2B11

HYDRAULICS

## HYDRAULIC PUMP SHAFT OVERHAUL KIT 23 CM3 (1.38 IN.3)

RP3429

-UN-01JAN94



# 2B12

HYDRAULICS

HYDRAULIC PUMP SHAFT OVERHAUL KIT - CONTINUED  
23 CM3 (1.38 IN.3)

KEY	PART NO.	PART NAME	QTY	TRACTOR SERIAL NO.	REMARKS
1	JD9858	NEEDLE BEARING	2		
2	R66164	THRUST WASHER	2		
3	R39319	SHAFT	1		
4	R39073	NEEDLE ROLLER	33		
5	R63629	BEARING RACE	1		
6	AL35755	KIT	1	(A)	

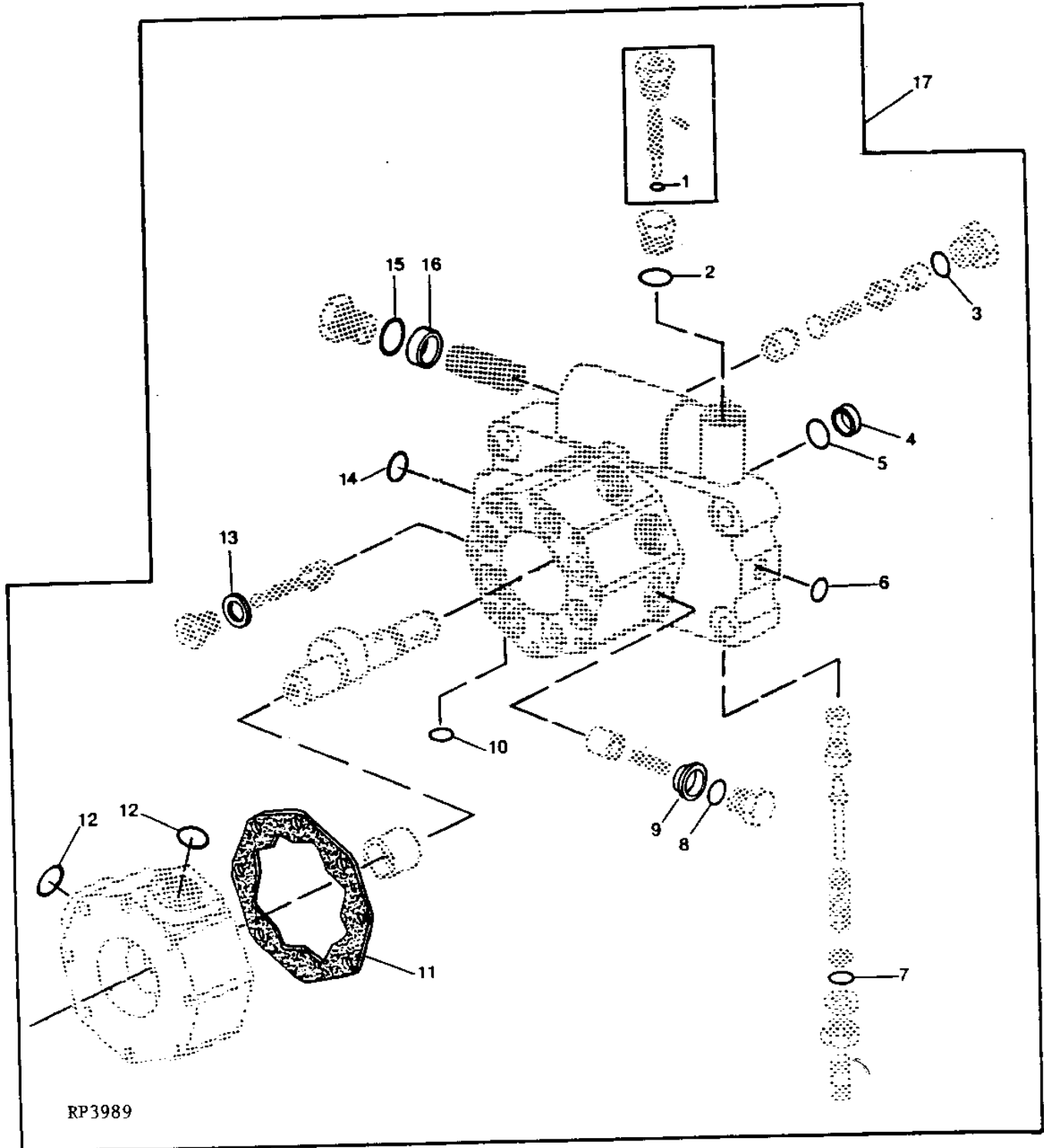
(A) USE WITH HOUSING MARKED R39316, R39317, R60969, R68358 OR R68386

# 2B13

HYDRAULICS

HYDRAULIC PUMP OVERHAUL KIT  
23 CM3 (1.38 IN.3)

RP3989 -UN-01JAN94



# 2B14

HYDRAULICS

HYDRAULIC PUMP OVERHAUL KIT - CONTINUED  
23 CM3 (1.38 IN.3)

KEY	PART NO.	PART NAME	QTY	TRACTOR SERIAL NO.	REMARKS
1	R30903	O-RING	1		
2	R26375	O-RING	1		
3	R26375	O-RING	8		
4	AR39052	SEAL	1		
5	R63605	O-RING	1		
6	R26286	O-RING	1		
7	R26906	O-RING	1		
8	R26375	O-RING	8		
9	AR101238	SHIELD	1		(SET OF 8)
10	R26287	O-RING	1		
11	R59234	GASKET	1		
12	F3171R	O-RING	2		
13	R26375	O-RING	8		
14	R26375	O-RING	1		
15	F3171R	O-RING	1		(A)
	R26375	O-RING	1		(A)
16	R27174	PACKING	2		(A)
	R68382	PACKING	2		(A)
17	AR98993	KIT	1		(SUB FOR AR39156)

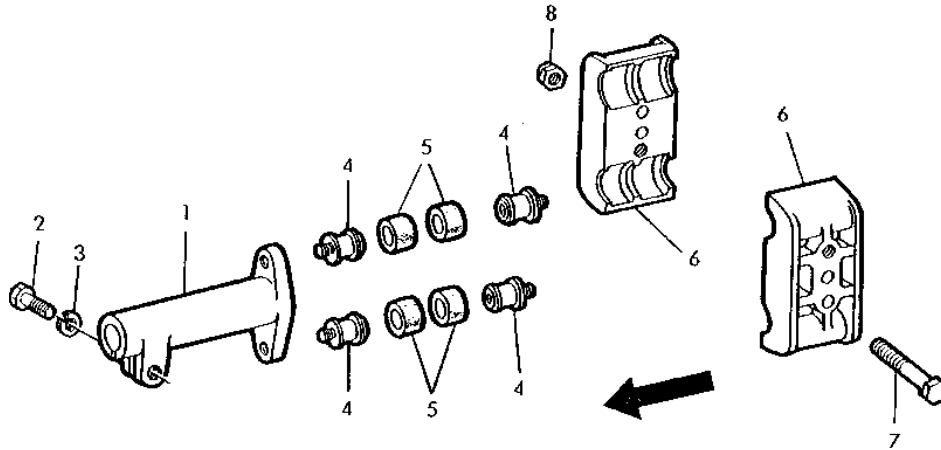
(A) UNIVERSAL KIT - APPLICATIONS WILL VARY

# 2B15

HYDRAULICS

HYDRAULIC PUMP DRIVE  
(TRACTOR SERIAL NO. 266750- )

L49578 -UN-01JAN94



L 49578

KEY	PART NO.	PART NAME	QTY	TRACTOR SERIAL NO.	REMARKS
1	T22914	DRIVE SHAFT	1		
2	19H1800	CAP SCREW	1	3/8" X 1-1/2"	
3	12H304	LOCK WASHER	1	3/8"	
4	R34360	SCREW	4		
5	R45822	BUSHING	4	(SUB FOR AR49427)	
6	R38348	EXTERNAL HALF COUPLER	2		
7	19H2116	CAP SCREW	2	3/8" X 2-1/2"	
8	T11234	LOCK NUT	2		

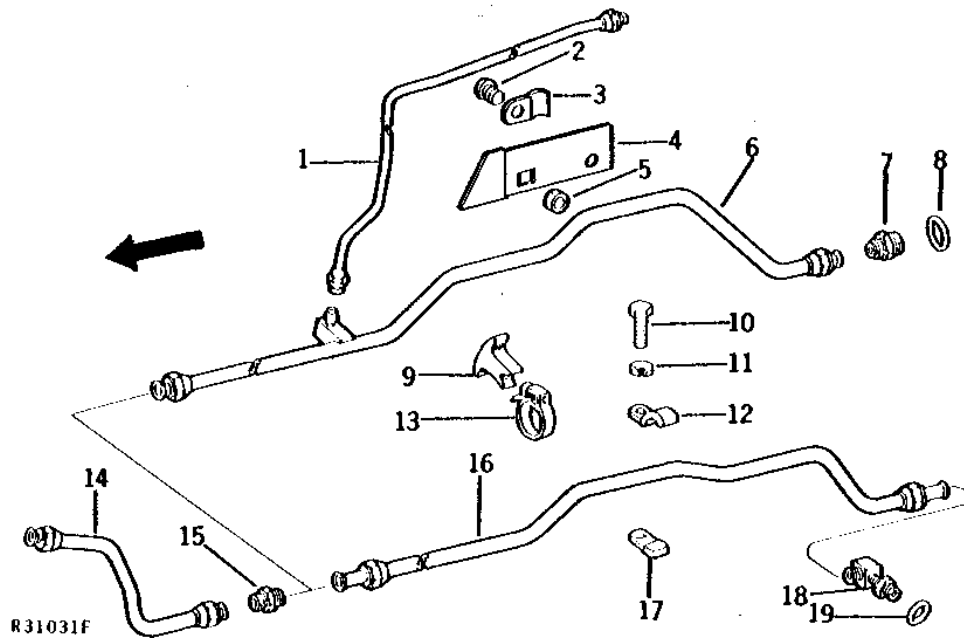


# 2B16

HYDRAULICS

## HYDRAULIC OIL LINES (TRACTOR SERIAL NO. 266750-288080)

R31031 -UN-01JAN94



KEY	PART NO.	PART NAME	QTY	TRACTOR SERIAL NO.	REMARKS
1	AT23552	OIL LINE	1	(A)	(SUB AR103470, THIS APPLICATION)
2	03H1681	BOLT	1		3/8" X 5/8"
3	R27590	CLAMP	1		
4	R65246	BRACKET	1		
5	14H812	NUT	1		3/8"
6	AT23550	OIL LINE	1	(A)	
7	R31665	FITTING	1	(A)	
8	R26906	O-RING	1	(A)	
9	R49076	SPACER	2		(SUB AR21999, L32580 AND L32581)
10	19H2284	CAP SCREW	1		3/8" X 7/8"
11	12H304	LOCK WASHER	1		3/8"
12	R28538	CLAMP	1		(SUB (2) R27539, 28H1518, 19H1732 AND 12H304)
13	AR65293	CLAMP	2		(SUB FOR AR48499)
14	AT22079	OIL LINE	1		HYDRAULIC PUMP FRONT PRESSURE
15	R34063	FITTING	1		
16	AT22083	OIL LINE	1	(B)	
17	R28539	CLAMP	1		(SUB (2) R27539, 28H1518, 19H1732 AND 12H304)
18	AR27699	ELBOW FITTING	1	(B)	90°
19	R26375	O-RING	1	(B)	
..	AR21969	KIT	1		CAP PLUG ASSORTMENT

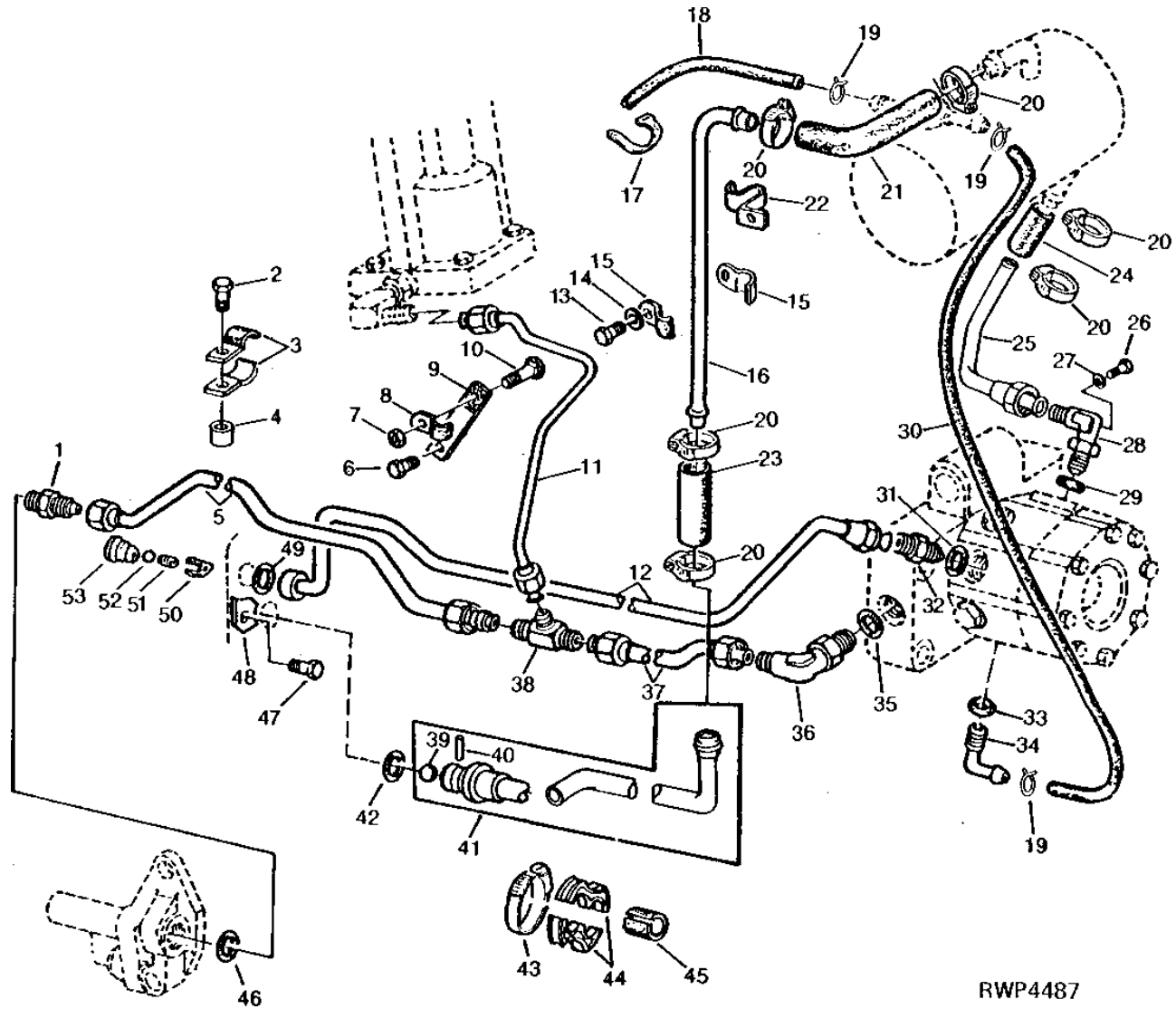
(A) POWER STEERING  
(B) MANUAL STEERING

# 2B17

HYDRAULICS

RWP4487 -UN-01JAN94

HYDRAULIC OIL LINES  
(TRACTOR SERIAL NO. 266750- )



RWP4487

# 2B18

HYDRAULICS

HYDRAULIC OIL LINES - CONTINUED  
(TRACTOR SERIAL NO. 266750- )

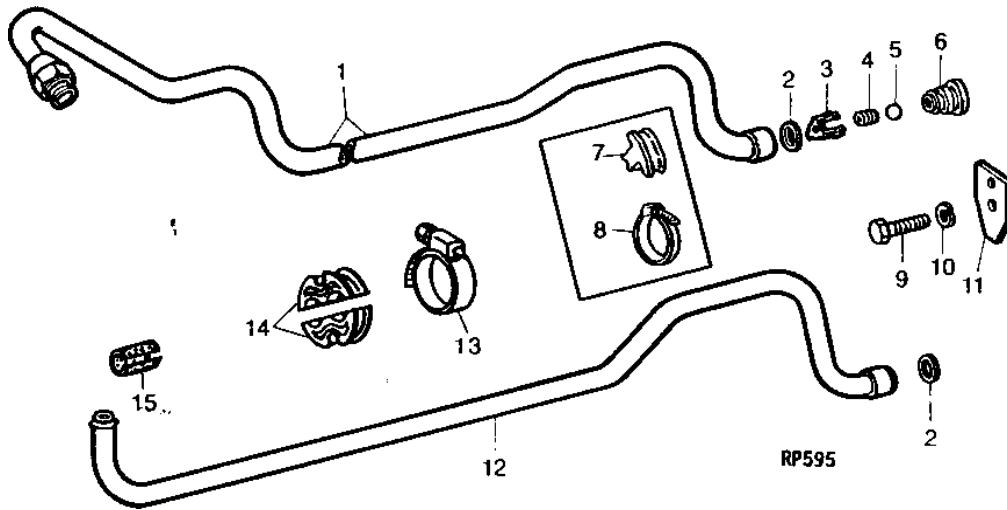
KEY	PART NO.	PART NAME	QTY	TRACTOR SERIAL NO.	REMARKS
1	R27270	FITTING	1		
2	19H1732	CAP SCREW	1		
3	R35726	CLAMP	2		3/8" X 1-1/4"
4	28H1878	SPACER	1		0.493" X 0.675" X 7/16"
5	AL28954	OIL LINE	1		
6	19H2552	CAP SCREW	1		3/8" X 1-1/8"
7	14H1076	NUT	1		3/8"
8	R27590	CLAMP	1		
9	R65246	BRACKET	1		
10	03H1681	BOLT	1		3/8" X 5/8"
11	AL28956	OIL LINE	1		
12	AL30011	OIL LINE	1		
13	37H84	SCREW	1		
14	24H1289	WASHER	1		21/64" X 5/8" X 0.049"
15	R27531	CLAMP	2		
16	L35842	OIL LINE	1		
17	R44302	TIE BAND	1		
18	T23073	TUBE	1	-XXXXXX	
	L36136	HOSE	1	XXXXXX-	
19	T19324	CLAMP	3		
20	AL31992	CLAMP	6		
21	L35213	HOSE	1		
22	L39269	CLAMP	1	XXXXXX-	
23	.....	HOSE	1		80MM (3-3/16") (MAKE FROM TY22329) (SUB FOR L34954)
24	.....	HOSE	1		80MM (3-3/16") (MAKE FROM TY22329) (SUB FOR L34954)
25	AT20961	OIL LINE	1		
26	R27216	DRAIN PLUG	1	-XXXXXX	
27	R26287	O-RING	1	-XXXXXX	
28	AR73684	TEE FITTING	1	-XXXXXX	
	AR26723	ELBOW FITTING	1	XXXXXX-	
29	F3171R	O-RING	1		
30	AT20960	OIL LINE	1	-XXXXXX	
	L36121	HOSE	1	XXXXXX-	
31	F3171R	O-RING	1		
32	R27267	FITTING	1		
33	R26287	O-RING	1		
34	AT32335	ELBOW FITTING	1	-XXXXXX	
	AL28468	ELBOW FITTING	1	XXXXXX-	
35	R26375	O-RING	1		
36	AR27738	ELBOW FITTING	1		W/REVERSER
	AL28658	ELBOW FITTING	1		W/O REVERSER
37	AL30010	OIL LINE	1		
38	T28991	TEE FITTING	1		
39	L38752	BALL	1		
40	34M7062	SPRING PIN	1		5 X 32 MM
41	AL32220	OIL LINE	1		
42	L34995	O-RING	1		
43	AR21999	CLAMP	2		
44	L32580	RETAINER	4		
45	L32581	HOSE	2		
46	R26906	O-RING	1		
47	19H2552	CAP SCREW	1		3/8" X 1-1/8"
48	AL28864	RETAINER	1		
49	R1662R	WASHER	1		
50	R39076	GUIDE	1		
51	R39078	SPRING	1		
52	D2361R	BALL	1		
53	T23203	VALVE SEAT	1		

# 2B19

HYDRAULICS

RP595 -UN-01JAN94

HYDRAULIC OIL LINES  
(TRACTOR SERIAL NO. 266750- )



KEY	PART NO.	PART NAME	QTY	TRACTOR SERIAL NO.	REMARKS
1	AT22201	OIL LINE	1	-288079	PUMP INLET
	AL30011	OIL LINE	1	288080-	PUMP INLET
2	R1662R	WASHER	2		
3	R39076	GUIDE	1	(A)	
4	R39078	SPRING	1	(A)	
5	D2361R	BALL	1	(A)	13MM (1/2")
6	T23203	VALVE SEAT	1	(A)	
7	R49076	SPACER	2	-288079	(SUB T23053, (2) T23054, (2) 19H1732 AND (2) 12H304)
8	AR65293	CLAMP	2	-288079	
9	19H2552	CAP SCREW	1		3/8" X 1-1/8"
10	12H304	LOCK WASHER	1		3/8"
11	T23059	RETAINER	1	-XXXXXX	
	AT27313	RETAINER	1	XXXXXX-	
12	AT22145	OIL LINE	1	-288079	(TO CLUTCH HOUSING)
	AL30018	OIL LINE	1	288080-	(TO CLUTCH HOUSING)
13	AR21999	CLAMP	2	288080-	
14	L32580	RETAINER	4	288080-	
15	L32581	HOSE	2	288080-	

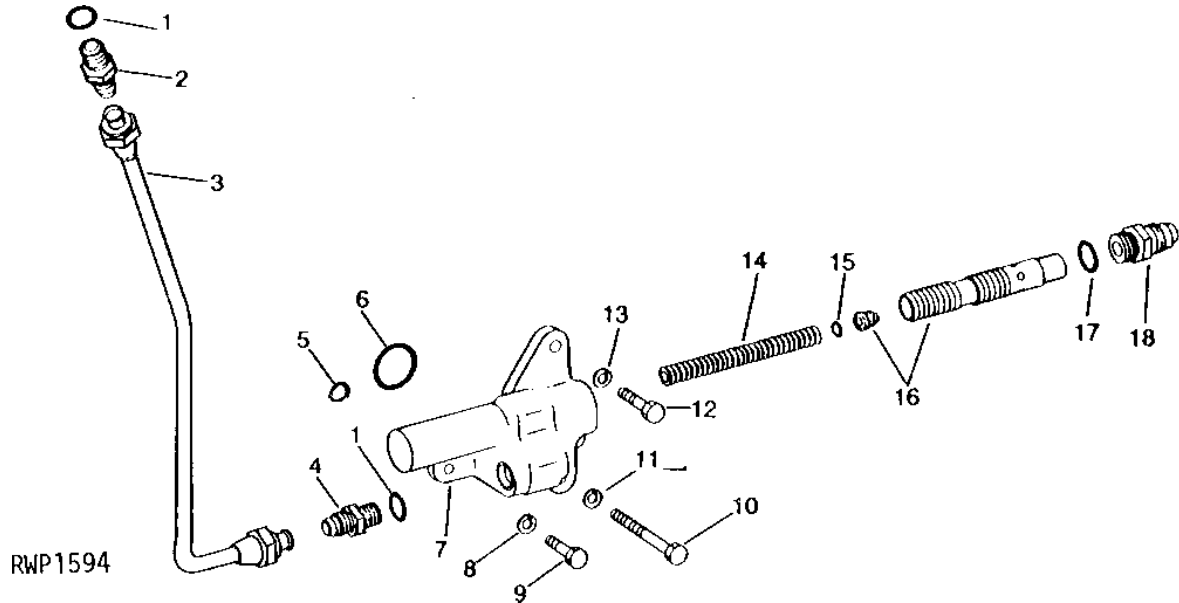
(A) LESS HI-LO SHIFT, LESS INDEPENDENT PTO

# 2B20

HYDRAULICS

## PRESSURE CONTROL VALVE (TRACTOR SERIAL NO. 266750- )

RWP1594 -UN-01JAN94



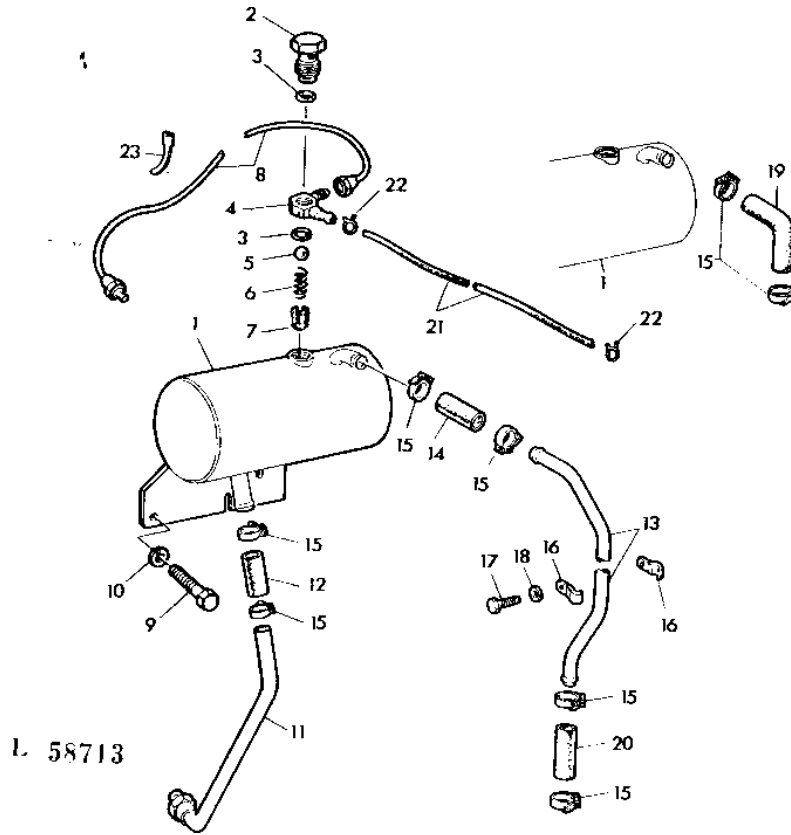
KEY	PART NO.	PART NAME	QTY	TRACTOR SERIAL NO.	REMARKS
1	R26375	O-RING	2		
2	R27237	FITTING	1		
3	AR91029	OIL LINE	1		
4	R27237	FITTING	1		(SELECTIVE CONTROL VALVE)
	R39112	FITTING	1		(LESS SELECTIVE CONTROL VALVE)
5	R28776	O-RING	1		
6	R60332	O-RING	1		
7	R39273	HOUSING	1		(SUB R66083, R66084, L55202, R26375 AND T13119)
8	12H304	LOCK WASHER	1	3/8"	
9	19H2552	CAP SCREW	1	3/8" X 1-1/8"	
10	19H2128	CAP SCREW	1	3/8" X 3"	
11	12H304	LOCK WASHER	1	3/8"	
12	19H1800	CAP SCREW	1	3/8" X 1-1/2"	
13	12H304	LOCK WASHER	1	3/8"	
14	R40072	SPRING	1		
15	24H1283	WASHER	1	7/32" X 1/2" X 0.049"	
16	AR65881	VALVE	1		(22.6 CM3 (1.38 IN3) PUMP)
17	R26906	O-RING	1		
18	R31665	FITTING	1		(22.6 CM3 (1.38 IN3) PUMP)

# 2B21

HYDRAULICS

## HYDRAULIC OIL RESERVOIR AND ASSOCIATED PARTS (TRACTOR SERIAL NO. 266750- )

L58713 -UN-01JAN94



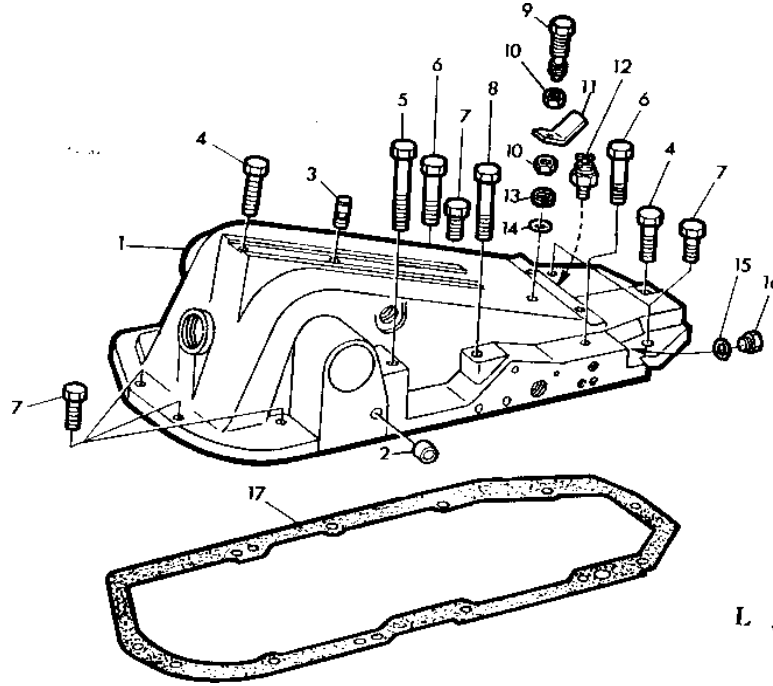
KEY	PART NO.	PART NAME	QTY	TRACTOR SERIAL NO.	REMARKS
1	AR62440	RESERVOIR	1		
2	T22970	PLUG	1		
3	U11343	O-RING	2		
4	AT20983	FITTING	1		
5	D2361R	BALL	1		13MM (1/2") CHECK VALVE
6	R39078	SPRING	1		
7	R39076	GUIDE	1		
8	AT20960	OIL LINE	1		(OIL PUMP DRAIN)
9	19H1936	CAP SCREW	2		3/8" X 3/4"
10	12H304	LOCK WASHER	2		3/8"
11	AT20961	OIL LINE	1		(TO PUMP)
12	.....	HOSE	1		19 X 64MM (3/4" X 2-1/2") (MAKE FROM TY22329)
13	T23104	OIL LINE	1	-279042	(TO CLUTCH OIL HOUSING OIL LINE)
	L33840	OIL LINE	1	279043-	(TO CLUTCH OIL HOUSING OIL LINE)
14	.....	HOSE	1		19 X 129MM (3/4" X 5-3/32") (MAKE FROM R57300) (SUB FOR R32087)
15	AR21839	CLAMP	6		
16	R27531	CLAMP	2		
17	37H84	SCREW	2		1/4" X 3/4"
18	24H1289	WASHER	2		21/64" X 5/8" X 0.049"
19	L35844	HOSE	1		(HI-LO SHIFT)
20	.....	HOSE	1		19 X 86MM (3/4" X 3-11/32") (MAKE FROM TY22329) (SUB FOR R34147)
21	T23073	TUBE	1		BLEED (TO CLUTCH HOUSING)
22	T19324	CLAMP	2		
23	R44302	TIE BAND	1		

# 2B22

HYDRAULICS

L58714 -UN-01JAN94

## ROCKSHAFT HOUSING



L 58714

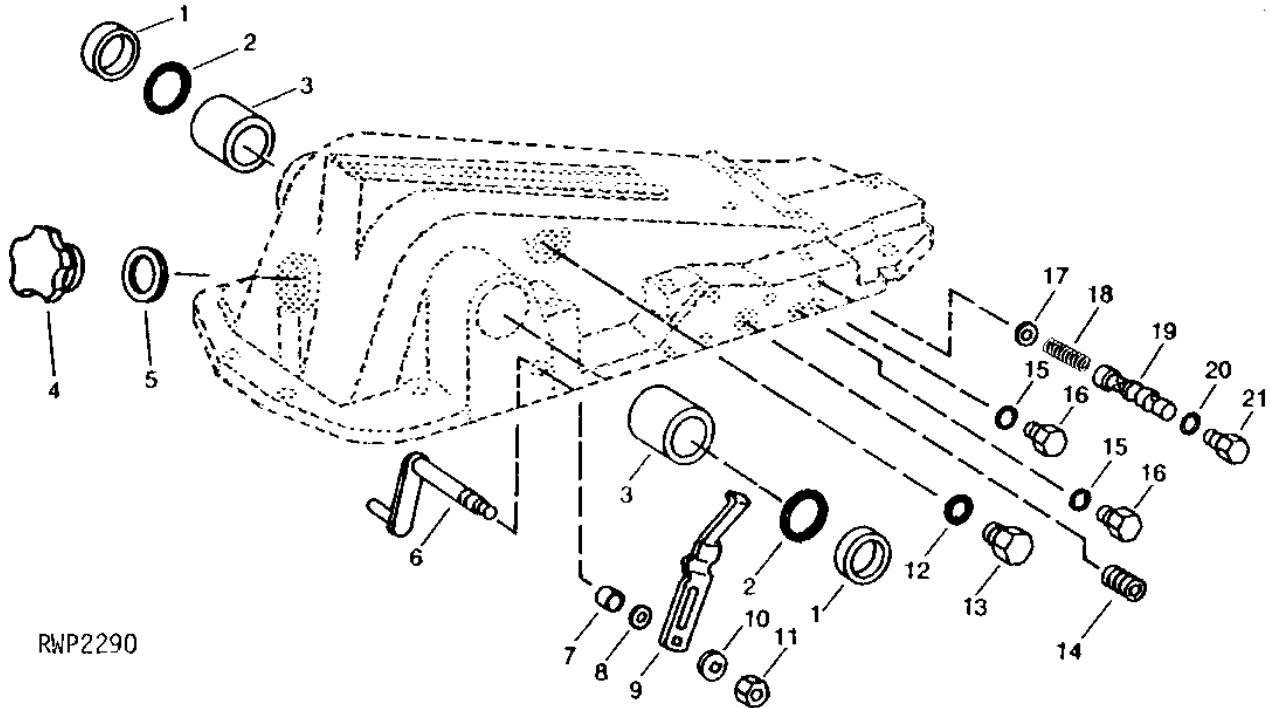
KEY	PART NO.	PART NAME	QTY	TRACTOR SERIAL NO.	REMARKS
1	AL25795	HOUSING	1		(INCLUDES T21630 AND T21631) (SUB AR104660)
2	T21631	BUSHING	1		
3	T21630	PIN	1		
4	19H1831	CAP SCREW	2	1/2" X 2"	
5	19H3550	CAP SCREW	1	1/2" X 4"	
6	19H1974	CAP SCREW	3	1/2" X 2-3/4"	
7	19H1721	CAP SCREW	6	1/2" X 1-1/2"	
8	19H3520	CAP SCREW	1	1/2" X 3-1/4"	
9	T22471	SCREW	1		
10	14H832	NUT	2	9/16"	
11	T27258	STRAP	1		
12	RE38390	SWITCH	1		NEUTRAL-START, (SUB FOR R36265, AR85323 OR AR89691)
13	T27260	WASHER	1		
14	R26448	O-RING	1		
15	R26287	O-RING	1		
16	R27216	DRAIN PLUG	1		
17	T21641	GASKET	1		

# 2B23

HYDRAULICS

RWP2290 -UN-01JAN94

## ROCKSHAFT HOUSING PARTS



RWP2290

KEY	PART NO.	PART NAME	QTY	TRACTOR SERIAL NO.	REMARKS
1	T21615	CAP	2		
2	T26904	O-RING	2		
3	T22474	BUSHING	2		
4	AL38083	FILLER CAP	1		
5	T21564	WASHER	1		
6	AL28674	LEVER	1		(SUB FOR AL28227 OR AT19839)
7	T21631	BUSHING	1		
8	F3353R	O-RING	1		
9	T22465	LEVER	1		
10	T22876	WASHER	1		
11	14H732	NUT	1	3/8"	
12	R26906	O-RING	1		
13	R27474	DRAIN PLUG	1		
14	15H562	PIPE PLUG	1	1"	
15	R26287	O-RING	2		
16	R27216	DRAIN PLUG	2		
17	24H1283	WASHER	1	7/32" X 1/2" X 0.049"	
18	T22968	SPRING	1		
19	R26460	CONTROL VALVE	1	FLOW CONTROL	
20	R26375	O-RING	1		
21	T22867	DRAIN PLUG	1		

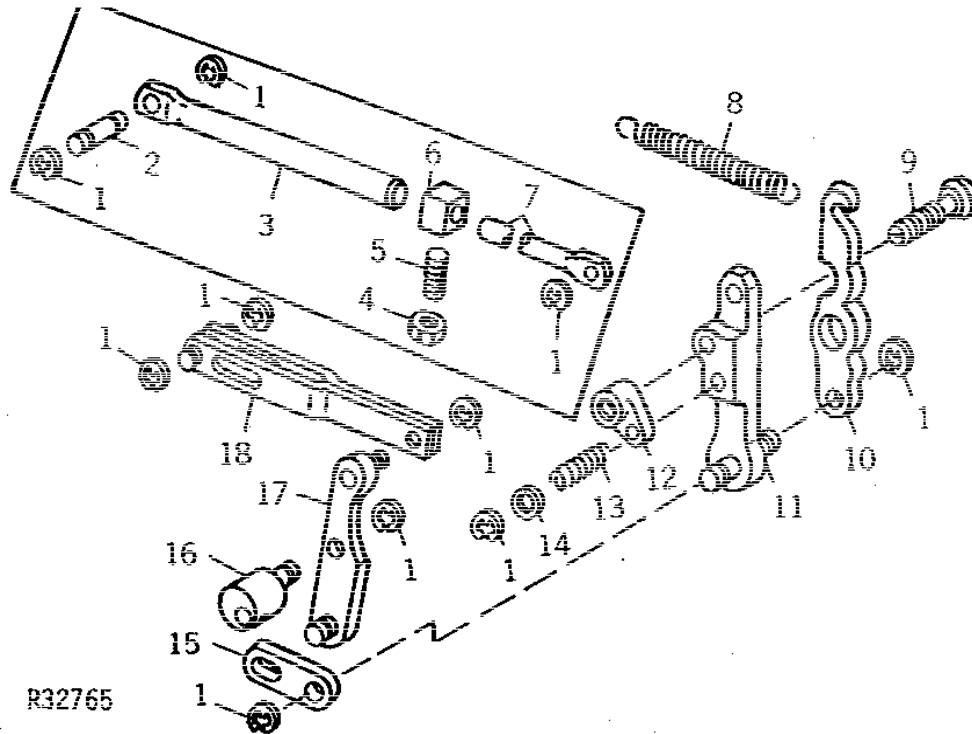


# 2B24

HYDRAULICS

R32765 -UN-01JAN94

## ROCKSHAFT CYLINDER AND VALVE HOUSING LINKAGE



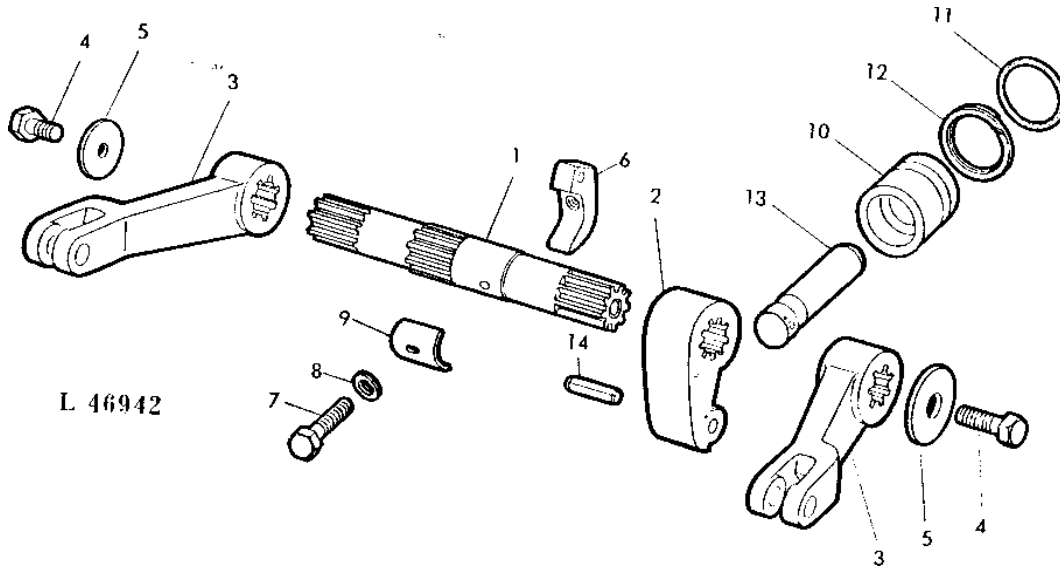
KEY	PART NO.	PART NAME	QTY	TRACTOR SERIAL NO.	REMARKS
1	R72653	SNAP RING	10		(SUB FOR M2396T)
2	T24181	PIN	1	-276655	
3	R73443	TUBE	1	-276655	(SUB FOR T24169)
4	14H785	NUT	1	-276655	5/16"
5	22H812	SET SCREW	1	-276655	5/16" X 3/4"
6	L29873	BUSHING	1	-276655	
7	T24171	PIN	1	-276655	
8	T22473	SPRING	1		
9	T22228	SCREW	1		3/8"
10	T22224	CAM	1		
11	AT21416	LINK	1	-276655	(SUB FOR AR52278) (SUB AT20084 AND R31316)
	AT20084	LINK	1	276656-	
12	T22229	NUT	1		
13	F1942R	SPRING	1		
14	24H1290	WASHER	1		21/64" X 3/4" X 0.035"
15	T22232	STRAP	1		
16	AT19840	FULCRUM	1		
17	AT20085	LINK	1		
18	AT20141	LEVER	1		

# 2B25

HYDRAULICS

L46942 -UN-01JAN94

## ROCKSHAFT, PISTON AND LIFT ARMS



KEY	PART NO.	PART NAME	QTY	TRACTOR SERIAL NO.	REMARKS
1	L41932	ROCKSHAFT	1		(ALSO ORDER T26904) (SUB FOR T22318)
2	T21474	LEVER	1		
3	T29931	LIFT ARM	2		
4	19H1792	CAP SCREW	2		1/2" X 1"
5	T21956	WASHER	2		
6	T22319	CAM	1		
7	19H2151	CAP SCREW	1		1/4" X 3"
8	24H1287	WASHER	1		9/32" X 5/8" X 0.065"
9	T28362	SPACER	1		
10	R47345	PISTON	1	-306068	(76MM BORE)
	R47344	PISTON	1	306069-	(SUB R65619) (82.5MM BORE)
11	A4728R	O-RING	1	-306068	(76MM BORE)
	R65621	WASHER	1	306069-	(ALSO ORDER R65620) (82.5MM BORE)
12	R27649	BACK-UP RING	1	-306068	(76MM BORE)
	R65620	WASHER	1	306069-	(ALSO ORDER R65621) (82.5MM BORE)
13	F2570R	ROD	1		
14	34H320	SPRING PIN	1		1/4" X 2-1/4"

---

MEMORANDA

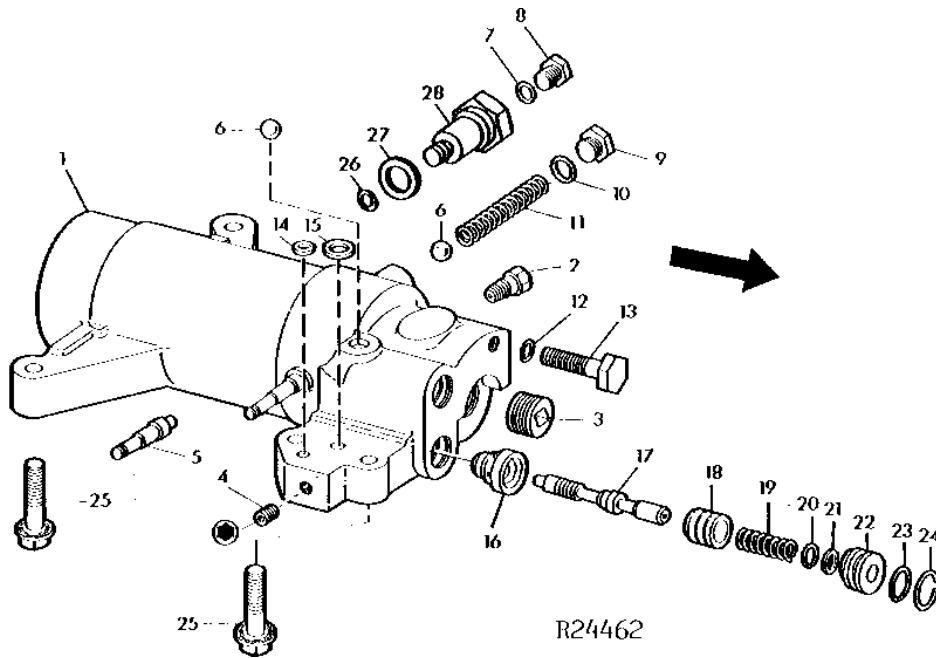
# 2C1

HYDRAULICS

R24462

-UN-01JAN94

## ROCKSHAFT CYLINDER AND VALVE HOUSING



R24462

# 2C2

HYDRAULICS

## ROCKSHAFT CYLINDER AND VALVE HOUSING - CONTINUED

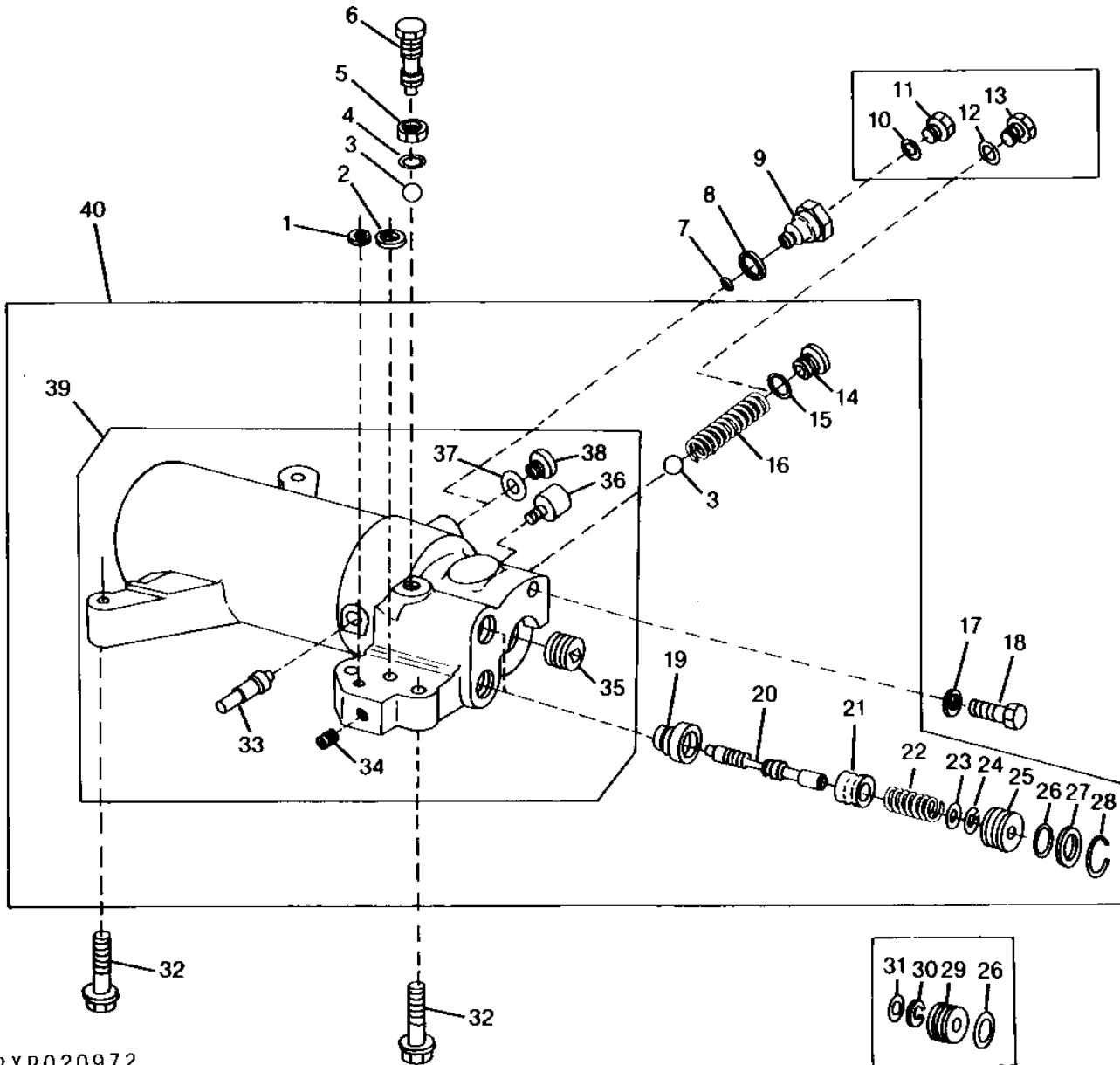
KEY	PART NO.	PART NAME	QTY	TRACTOR SERIAL NO.	REMARKS
1	AR67095	HOUSING	1	-306068	(76MM BORE) (MARKED R56501) (INCLUDES AT21781, 15H562, 15H559 AND T22469) (ALSO ORDER R26488 AND R27218) (SUB AL40887)
	AR63911	HOUSING	1	306069-XXXXXX	(82.5MM BORE) (MARKED R55137) (INCLUDES AT21781, 15H562, 15H559 AND T22469) (ALSO ORDER R26488 AND R27218) (SUB AL64830, F1791R, L41383, L41384, L41536 AND L41538)
	AL40887	HOUSING	1	XXXXXX-	(INCLUDES F1791R, L41383, L41384, L41536, L41538 AND L41726)
	AL40888	HOUSING	1	XXXXXX-	(MARKED L41725) (SUB AL64830)
2	AT21781	VALVE	1		
3	15H562	PIPE PLUG	1		1"
4	15H559	PIPE PLUG	1		1/4"
5	T22469	PIN	1		
6	D2361R	BALL	2		13MM (1/2")
7	R26448	O-RING	1	-XXXXXX	(USE WITH AR63911 OR AR67095)
	L41536	O-RING	2	XXXXXX-	(USE WITH AL40888 OR AL64830)
8	R27218	FITTING PLUG	1	-XXXXXX	(USE WITH AR63911 OR AR67095)
	L41726	PIPE PLUG	1	XXXXXX-	(USE WITH AL40888 OR AL64830)
9	T22867	DRAIN PLUG	1	-XXXXXX	(USE WITH AR63911 OR AR67095)
	L41384	PIPE PLUG	1	XXXXXX-	(USE WITH AL40888 OR AL64830)
10	R26375	O-RING	1	-XXXXXX	(USE WITH AR63911 OR AR67095)
	L41383	RING	2	XXXXXX-	(USE WITH AL40888 OR AL64830)
11	F3322R	SPRING	1		
12	R26286	O-RING	1		
13	19H1765	CAP SCREW	1		3/8" X 1-3/4"
14	A4847R	WASHER	1		
15	F2741R	PACKING	1		
16	T28538	VALVE SEAT INSERT	2		(ALSO ORDER R54969)
17	R54969	VALVE SPOOL	2		(ALSO ORDER T28538) (SUB FOR T28537)
18	T24540	SLEEVE	2		
19	R49648	SPRING	2		
20	R10093	O-RING	2		
21	R31136	BACK-UP RING	2		
22	T24485	PLUG	2		
23	L55204	O-RING	2		(SUB FOR R65548)
24	M3265T	SNAP RING	2		
25	19H2633	CAP SCREW	4		3/8" X 1-1/2"
26	R26448	O-RING	1	-XXXXXX	
27	F1791R	WASHER	1	-XXXXXX	
28	T21638	ADAPTER	1	-XXXXXX	9/16"

# 2C3

HYDRAULICS

RXP020972 -UN-08DEC94

## ROCKSHAFT CYLINDER AND VALVE HOUSING



RXP020972

# 2C4

HYDRAULICS

## ROCKSHAFT CYLINDER AND VALVE HOUSING - CONTINUED

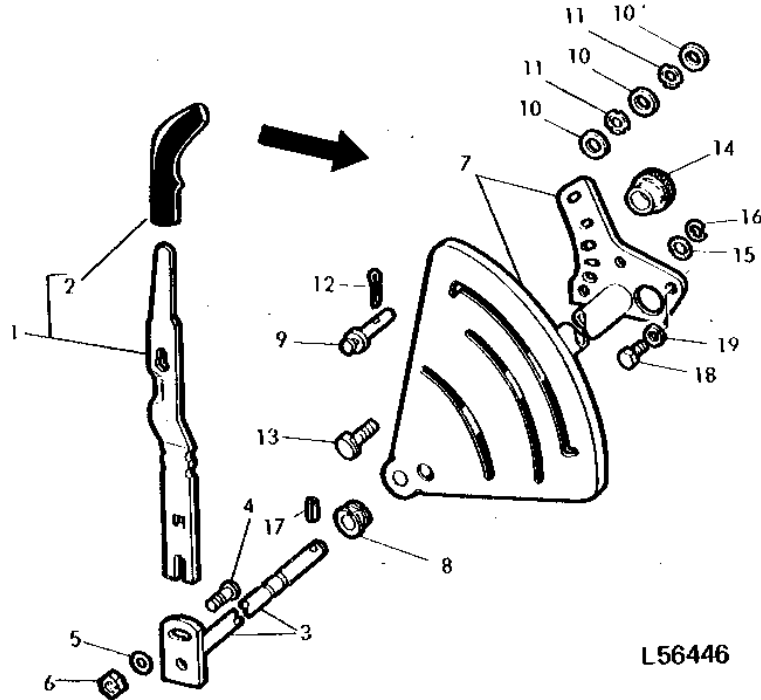
KEY	PART NO.	PART NAME	QTY	TRACTOR SERIAL NO.	REMARKS
1	L34383	WASHER	1		(SUB FOR A4847R)
2	L34382	WASHER	1		
3	D2361R	BALL	2		
4	R26448	O-RING	1		
5	14H888	NUT	1		9/16"
6	T22471	SCREW	1		
7	R26448	O-RING	1		
8	F1791R	WASHER	1		
9	T21638	ADAPTER	1	-562534	(USE WITH R55137)
	L62507	ADAPTER	1	562535-	(USE WITH L41725)
10	R26448	O-RING	1	-562534	(USE WITH AR63911)
11	R27218	FITTING PLUG	1	-562534	(USE WITH AR63911)
12	R26375	O-RING	1	-562534	(USE WITH AR63911)
13	T22867	DRAIN PLUG	1	-562534	(USE WITH AR63911)
14	T22867	DRAIN PLUG	1	-562534	(USE WITH R55137)
	L41384	PIPE PLUG	1	562535-	(USE WITH L41725)
15	R26375	O-RING	1	-562534	(USE WITH R55137)
	L41383	RING	1	562535-	(USE WITH L41725)
16	F3322R	SPRING	1		
17	R26286	O-RING	1		
18	19H3217	CAP SCREW	1		3/8" X 1-3/4"
19	T28538	VALVE SEAT INSERT	2		(ALSO ORDER R54969) (SUB FOR T22483)
20	R54969	VALVE SPOOL	2		(ALSO ORDER T28538) (SUB FOR T24484 OR T28537)
21	T24540	SLEEVE	2		
22	R49648	SPRING	2		(SUB FOR A354R OR T19526)
23	L55203	O-RING	2	573842-	
24	L56957	BACK-UP RING	2	573842-	
25	L42314	PLUG	2	573843-	
26	L55204	O-RING	2		(SUB FOR R65548)
27	L55202	BACK-UP RING	2	573843-	
28	M3265T	SNAP RING	2		
29	L34381	PLUG	2	-573842	(ORDER L42314, L55202, L55204, L56957, L55203) (SUB FOR T24485)
30	R31136	BACK-UP RING	2	-573842	
31	R10093	O-RING	2	-573842	
32	R48593	CAP SCREW	4		
33	L64852	PIN	1		(SUB FOR T22469)
34	15H559	PIPE PLUG	1		1/4"
35	15H562	PIPE PLUG	1		
36	AT21781	VALVE	1		
37	R26448	O-RING	1	-562534	(USE WITH R55137)
	L41536	O-RING	1	562535-	(USE WITH L41725)
38	R27218	FITTING PLUG	1	-562534	(USE WITH R55137)
	L41726	PIPE PLUG	1	562535-	(USE WITH L41725)
39	AR63911	HOUSING	1	-562534	(MARKED R55137) (SUB FOR AT20197) (ALSO ORDER R27218, R26448 AND F3322R) (SUB AL64830, F1791R, L41383, L41384, (2) L41536 AND L41538)
	AL40888	HOUSING	1	562535-	(MARKED L41725) (SUB AL64830)
40	AL64830	SHIPPING BUNDLE	1	562535-	(MARKED L41725)

# 2C5

HYDRAULICS

L56446 -UN-01JAN94

## ROCKSHAFT CONTROL LEVER AND QUADRANT



L56446

KEY	PART NO.	PART NAME	QTY	TRACTOR SERIAL NO.	REMARKS
1	AL24015	LEVER	1		
2	R54273	GRIP	1		
3	AT19838	SHAFT	1		
4	03H1765	BOLT	1		3/8" X 3/4"
5	24H1305	WASHER	1		13/32" X 13/16" X 0.065"
6	14H812	NUT	1		3/8"
7	AL33044	QUADRANT	1		(SUB FOR AT24725)
8	T26626	GROMMET	1		
9	T26625	PIN	1		
10	24M7207	WASHER	3		8.400 X 24 X 2 MM
11	T22877	LOCK WASHER	2		
12	11M7081	COTTER PIN	1		0.098" X 0.787"
13	T22865	SCREW	1		
14	T22470	KNOB	1		
15	R10093	O-RING	1		
16	R30437	SNAP RING	1		
17	34H268	SPRING PIN	1		5/32" X 1-1/4"
18	19H2284	CAP SCREW	3		3/8" X 7/8"
19	12H304	LOCK WASHER	3		3/8"

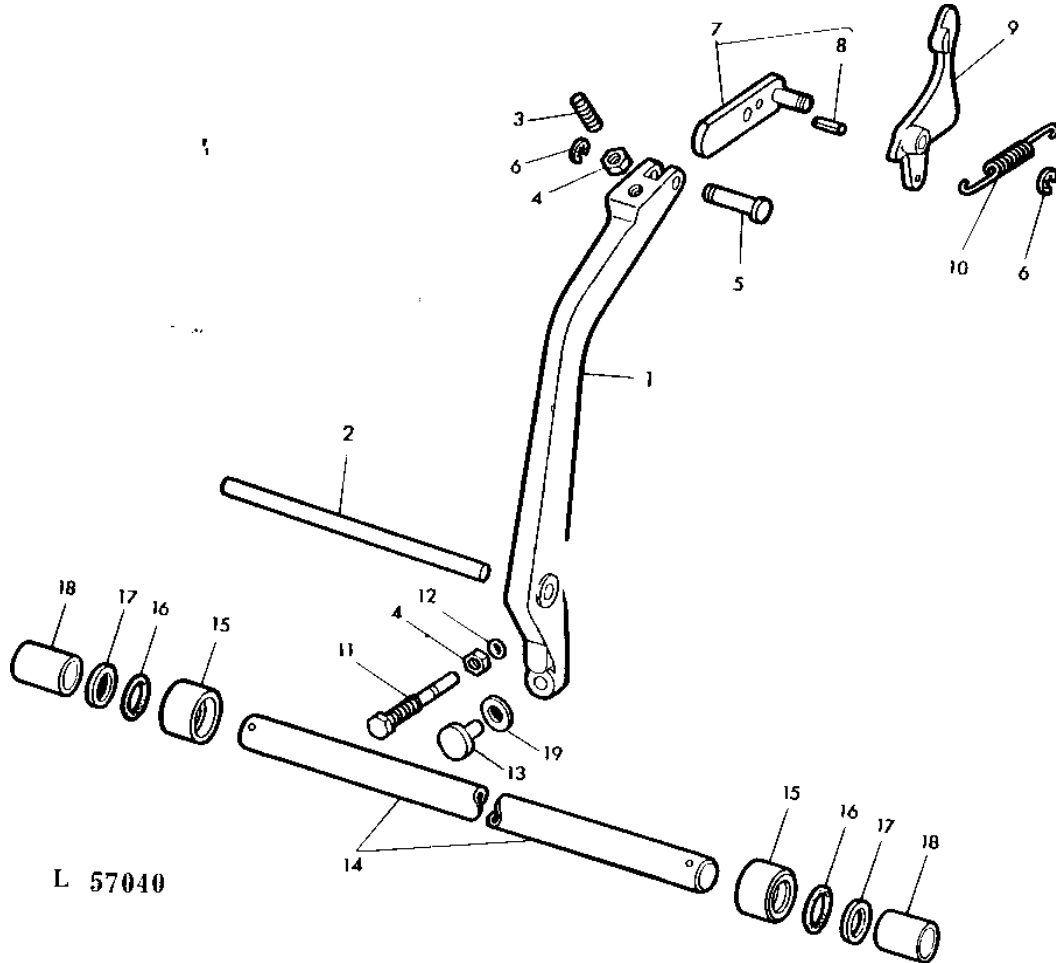


# 2C6

HYDRAULICS

L57040 -UN-01JAN94

## LOAD CONTROL



L 57040

KEY	PART NO.	PART NAME	QTY	TRACTOR SERIAL NO.	REMARKS
1	L39881	LEVER	1		(SUB FOR T21487) (SUB L58389 AND L56824)
2	T21681	DOWEL PIN	1		
3	T29311	SET SCREW	1		
4	14H856	NUT	2	1/2"	
5	T24690	PIN	1		
6	R72653	SNAP RING	2		(SUB FOR M2396T)
7	AL61479	EXTENSION	1		(SUB FOR AT30631)
8	34H279	SPRING PIN	1		3/16" X 13/16"
9	T28551	CAM FOLLOWER	1		
10	T21955	EXTENSION SPRING	1		
11	T23216	CAP SCREW	1		
12	A4365R	O-RING	1		
13	T21680	PIN	1		
14	L26932	PIN	1		
15	T22097	BUSHING	2		
16	A4730R	O-RING	2		
17	T22098	WASHER	2		
18	T22099	BUSHING	2		
	R66197	THRUST WASHER	2		(SUB FOR R43216)
19	24H1302	WASHER	1		13/32" X 11/16" X 0.035"

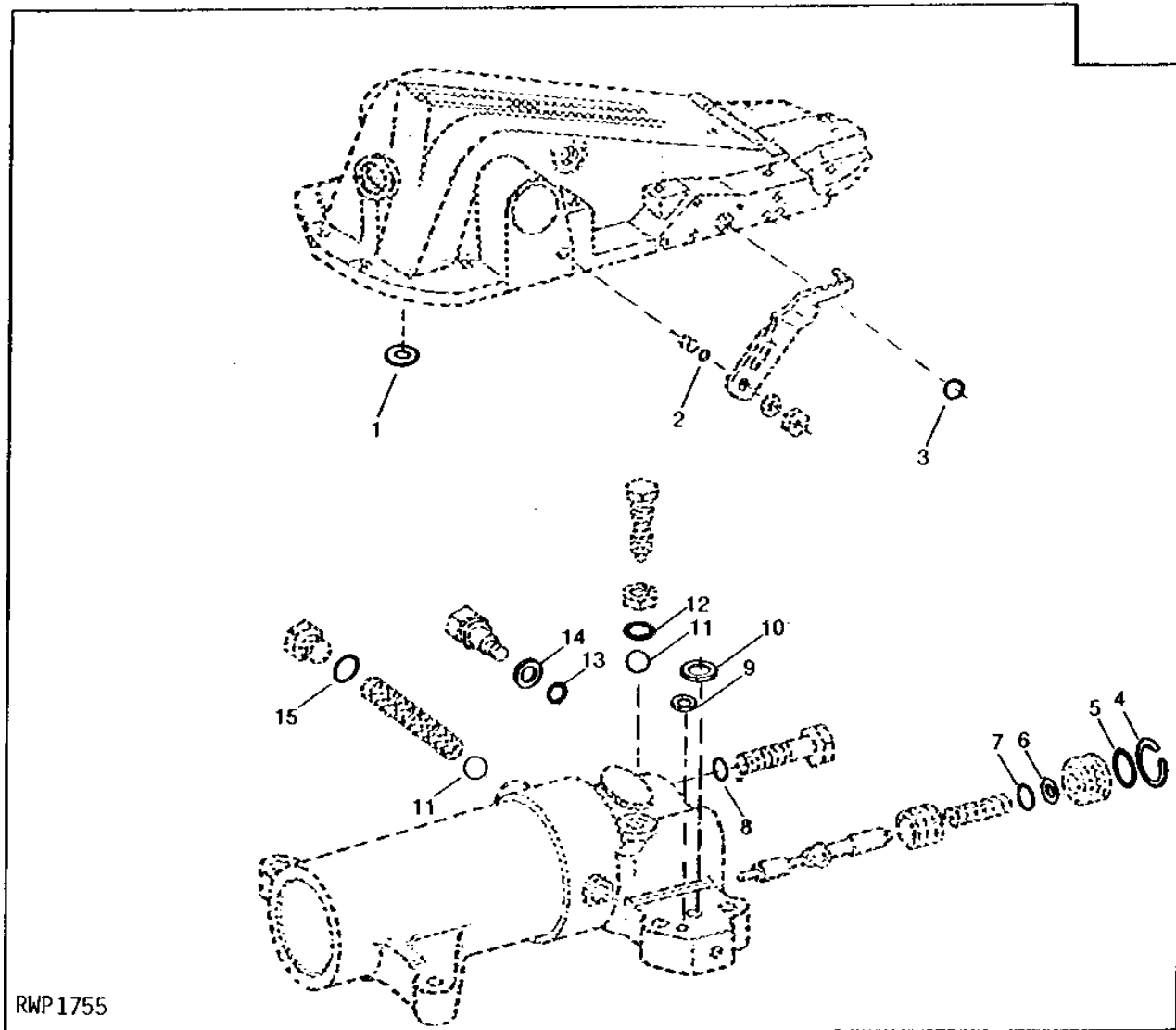
# 2C7

HYDRAULICS

RWP1755

-UN-01JAN94

## ROCKSHAFT REBUILD SEAL KIT



RWP 1755

# 2C8

HYDRAULICS

## ROCKSHAFT REBUILD SEAL KIT - CONTINUED

KEY	PART NO.	PART NAME	QTY	TRACTOR SERIAL NO.	REMARKS
1	T17882	WASHER	1		
2	F3353R	O-RING	1		
3	R10093	O-RING	1		
4	M3265T	SNAP RING	2		
5	L55204	O-RING	2		(SUB FOR T13119 OR R65548)
6	R31136	BACK-UP RING	2		
7	R10093	O-RING	2		
8	R26286	O-RING	1		
9	A4847R	WASHER	1		
10	F2741R	PACKING	1		
11	D2361R	BALL	2		
12	R26448	O-RING	1		
	T27260	WASHER	1		
13	R26448	O-RING	1		
14	F1791R	WASHER	1		
15	R26375	O-RING	1		
16	AR92385	KIT	1		

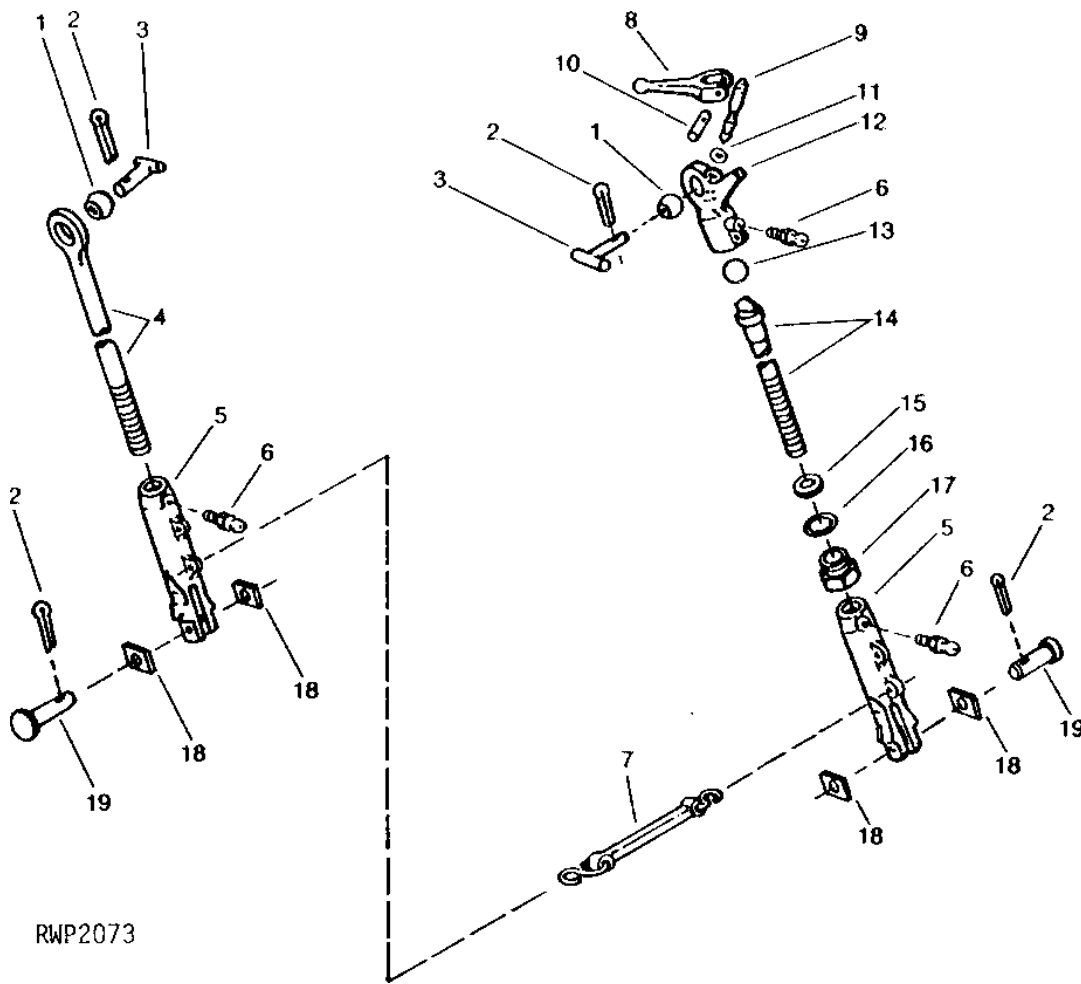
# 2C9

HYDRAULICS

RWP2073

-UN-01JAN94

## 3-POINT HITCH (RIGHT AND LEFT LIFT LINK)



RWP2073

# 2C10

HYDRAULICS

## 3-POINT HITCH - CONTINUED (RIGHT AND LEFT LIFT LINK)

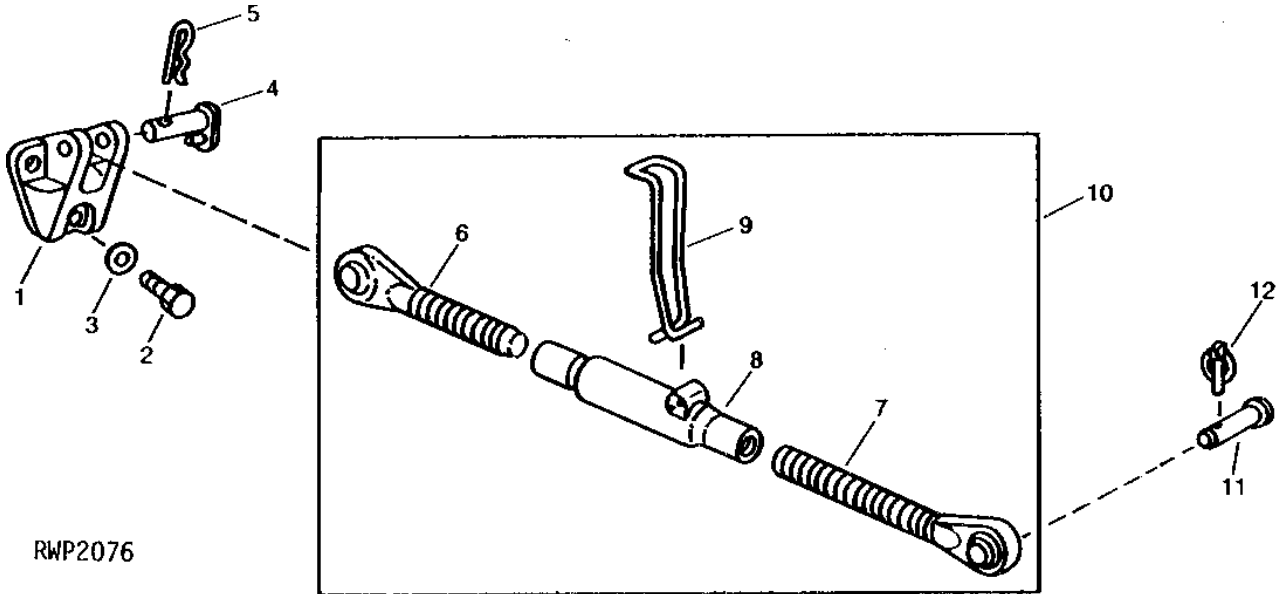
KEY	PART NO.	PART NAME	QTY	TRACTOR SERIAL NO.	REMARKS
1	T21901	BALL	2		
2	11M7030	COTTER PIN	4		0.197" X 1.575"
3	AT21754	PIN	2		
4	T25836	END	1		547MM (21-1/2") L.H.
5	R48595	LINK BODY	2		(SUB FOR T21497)
6	JD7798	LUBRICATION FITTING	3		1/8", (SUB JD7759)
7	AR68071	STRAP	1		(SUB FOR AR64845)
8	T21559	HANDLE	1		R.H.
9	T21558	SHAFT	1		R.H.
10	34H314	SPRING PIN	1		1/4" X 1-1/4"
11	P46051	O-RING	1		
12	L28374	HOUSING	1		R.H. (SUB FOR T21462)
13	T22399	BALL	1		R.H.
14	T25835	SHAFT	1		445MM (17-1/2") LEVELING, R.H.
15	T32488	WASHER	1		R.H.
16	T21903	WASHER	1		R.H.
17	T21758	ADAPTER	4		R.H.
18	T21759	STRAP	4		
19	T22714	PIN	2		

# 2C11

HYDRAULICS

RWP2076 -UN-01JAN94

## 3-POINT HITCH (CENTER LINK)



RWP2076

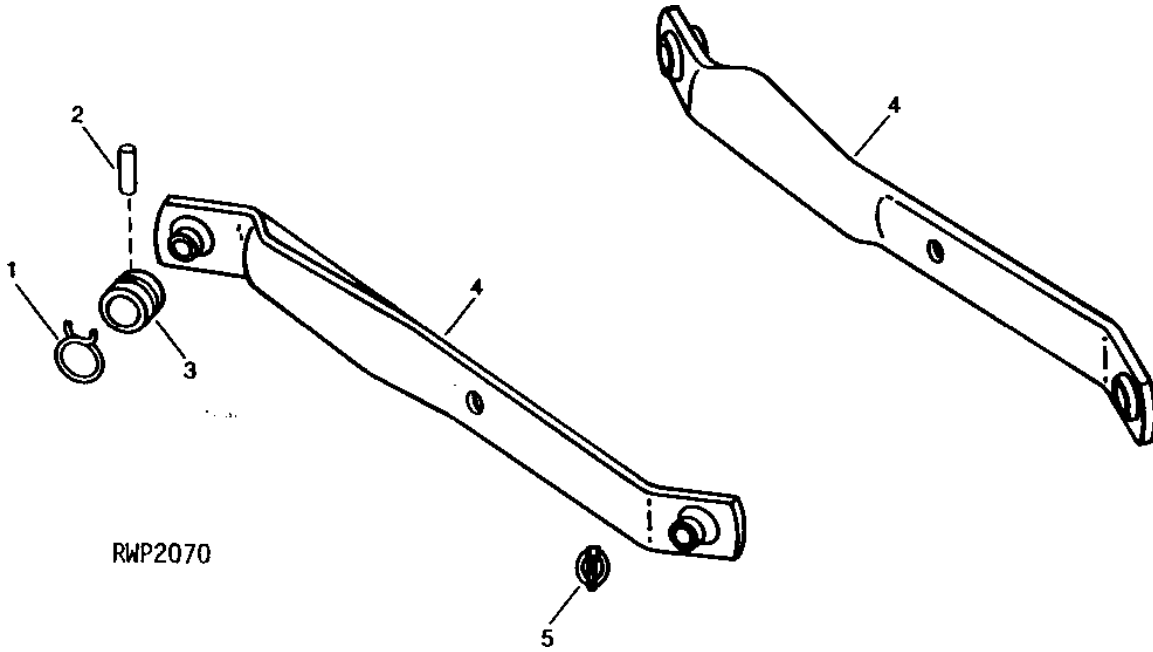
KEY	PART NO.	PART NAME	QTY	TRACTOR SERIAL NO.	REMARKS
1	T21685	BRACKET	1		
2	19H1708	CAP SCREW	3	5/8" X 1-3/4"	
3	12H294	LOCK WASHER	3	5/8"	
4	AT21912	PIN	1		
5	A3581R	SPRING LOCKING PIN	1		
6	AL67293	CENTER LINK END	1	1-1/8", L.H. THREAD, (SUB FOR AT23759 OR AL39172)	
7	AL24058	ADJUSTER	1	1-1/8"	
8	AL18135	LINK BODY	1		
9	T27136	HANDLE	1		
10	AL24057	LINK	1		(SUB AL18135, AL24058, AL67293 AND T27136)
11	R58262	PIN	1		(SUB FOR R44917)
12	AR62151	QUICK LOCK PIN	1		

# 2C12

HYDRAULICS

RWP2070 -UN-01JAN94

## 3-POINT HITCH (DRAFT LINKS)



RWP2070

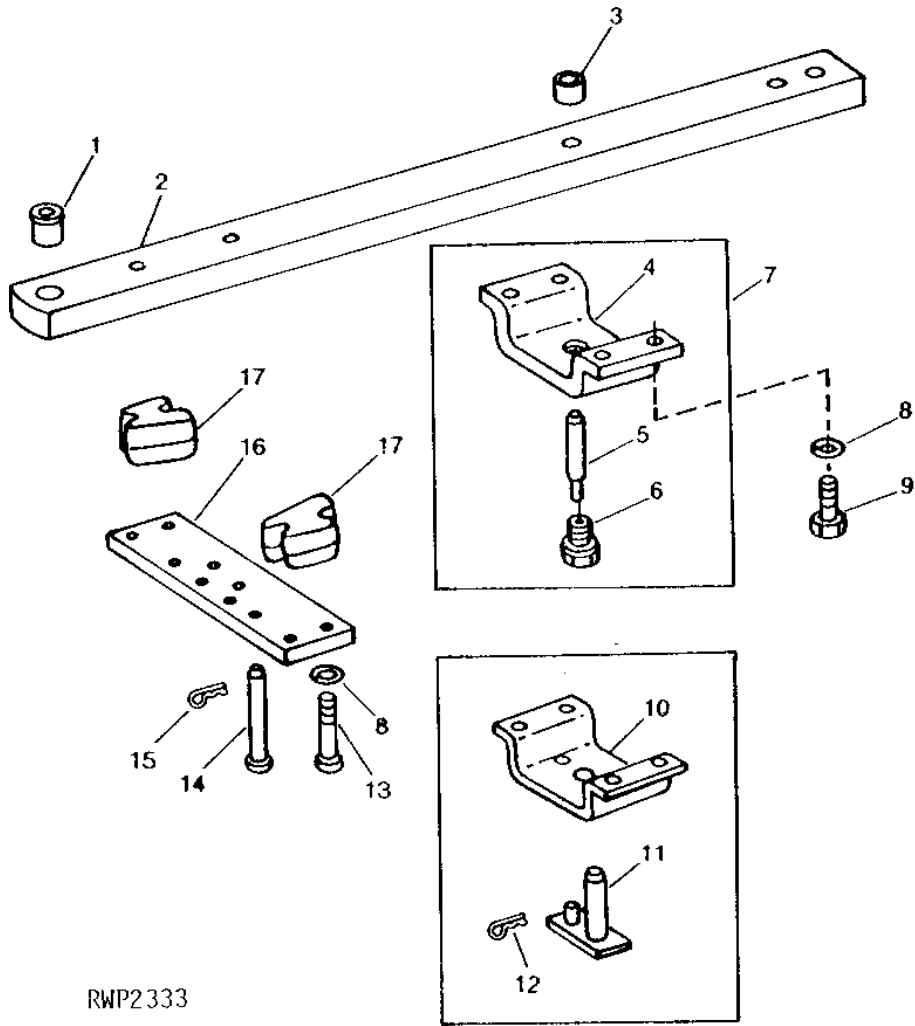
KEY	PART NO.	PART NAME	QTY	TRACTOR SERIAL NO.	REMARKS
1	L26936	CLAMP	2		
2	L26935	PIN	2		
3	L26933	BUSHING	2		
4	AT56648	DRAFT LINK	2	(SUB FOR AT28057)	
5	AR62149	QUICK LOCK PIN	2		

# 2C13

HYDRAULICS

RWP2333 -UN-01JAN94

DRAWBAR



RWP2333



# 2C14

HYDRAULICS

## DRAWBAR - CONTINUED

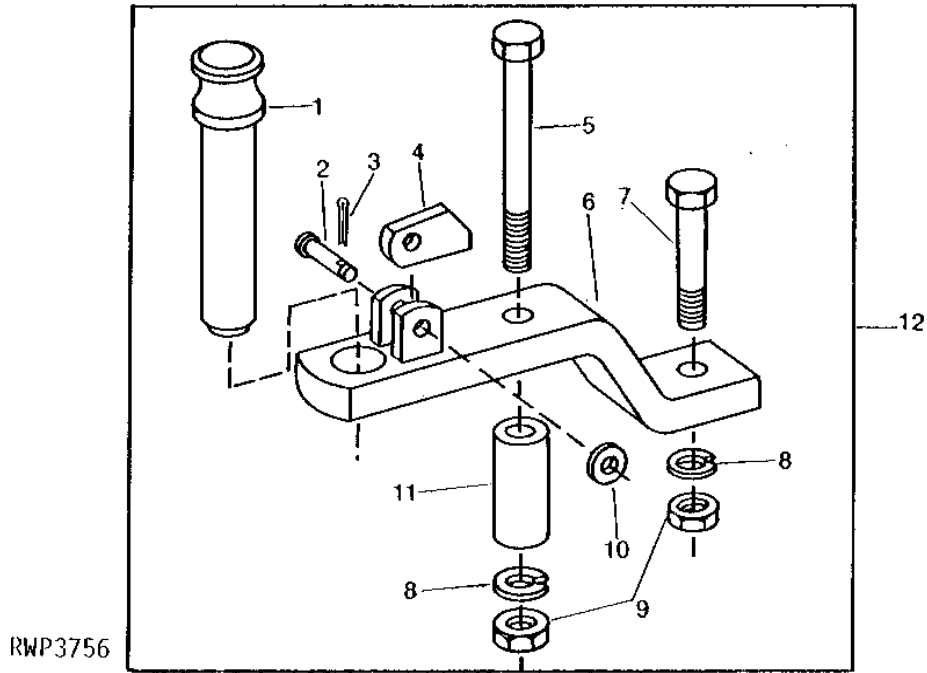
KEY	PART NO.	PART NAME	QTY	TRACTOR SERIAL NO.	REMARKS
1	R70080	SPACER	1		(TO CONVERT 33MM TO 19.8MM)
2	R61126	DRAWBAR	1		(ALSO ORDER (2) L29023) (SUB FOR T21667)
3	T21671	BUSHING	1		
4	AL27203	SUPPORT	1	XXXXXX-	
5	L32016	PIN	1	XXXXXX-	
6	L31849	ADAPTER	1	XXXXXX-	
7	AR101210	KIT	1	XXXXXX-	NLA
8	12H301	LOCK WASHER	8		1/2"
9	19H1815	CAP SCREW	4		1/2" X 1-1/4"
10	T21672	SUPPORT	1	-XXXXXX	(SUB AL27203, L32016 AND L31849)
11	AT19850	PIN	1	-XXXXXX	(SUB AL27203, L32016 AND L31849)
12	T22848	SPRING LOCKING PIN	1	-XXXXXX	
13	19H1820	CAP SCREW	4		1/2" X 3"
14	L29022	PIN	2		(SUB FOR T32016)
15	A3581R	SPRING LOCKING PIN	2		
16	T21677	SUPPORT	1		
17	T21913	SPACER	2		
	L29023	SPACER	2		(USE WITH R61126)

# 2C15

HYDRAULICS

RWP3756 -UN-01JAN94

## HAMMER STRAP ASSEMBLY



RWP3756

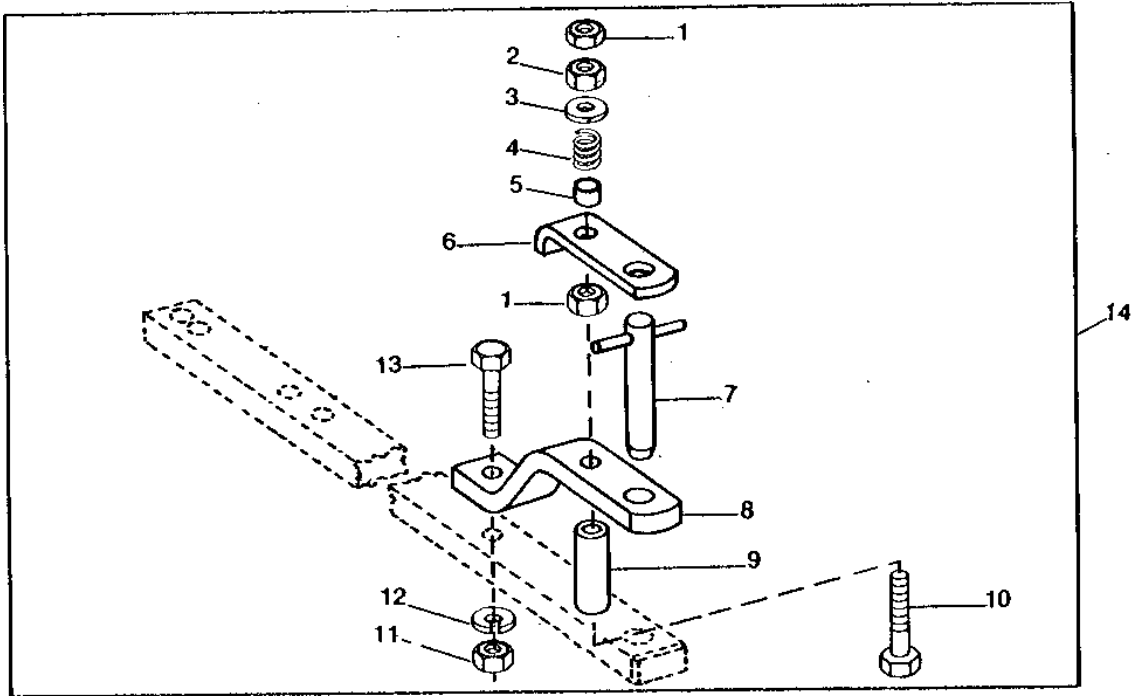
KEY	PART NO.	PART NAME	QTY	TRACTOR SERIAL NO.	REMARKS
1	T29645	PIN	1		
2	R52107	PIN	1		
3	11M7077	COTTER PIN	1	0.063" X 0.984"	
4	T29644	LATCH	1		
5	19H3174	CAP SCREW	1	5/8" X 5-1/4"	
6	AT28198	STRAP	1		
7	19H1863	CAP SCREW	1	5/8" X 3"	
8	12H294	LOCK WASHER	2	5/8"	
9	14H1039	NUT	2	5/8"	
10	24H1136	WASHER	1	11/32" X 11/16" X 0.065"	
11	T29892	SPACER	1		
12	AR74111	KIT	1		HAMMER STRAP FOR HEAVY-DUTY DRAWBAR, (SUB RE39829) (USE WITH R61126)

# 2C16

HYDRAULICS

RWP3979 -UN-01JAN94

## DRAWBAR HAMMER STRAP



RWP3979

KEY	PART NO.	PART NAME	QTY	TRACTOR SERIAL NO.	REMARKS
1	14H821	NUT	2	(E)	
2	14H1039	NUT	1	5/8"	
3	24H1372	WASHER	1	(A) 21/32" X 1-1/2" X 0.060"	
4	F3541R	SPRING	1		
5	F3542R	BUSHING	1		
6	F3539R	RETAINER	1		
7	AR69988	PIN	1		
8	T29899	STRAP	1		STRAIGHT DRAWBAR
9	L57595	SPACER	1		(A) (C) (SUB FOR T29892) (SUB (7) 24H1372)
	N186901	SPACER	1		(A) (D)
	24H1372	WASHER	7		(B) (D) 21/32" X 1-1/2" X 0.060"
10	19H2432	CAP SCREW	1		(A) (C) 5/8" X 7-1/2"
	08H4770	CAP SCREW	1		(A) (B) (D) 5/8" X 8-1/4"
11	14H1039	NUT	1	5/8"	
12	12H294	LOCK WASHER	1	5/8"	
13	19H1863	CAP SCREW	1	5/8" X 3"	
14	RE13089	KIT	1		STRAIGHT DRAWBAR, (SUB RE39829)

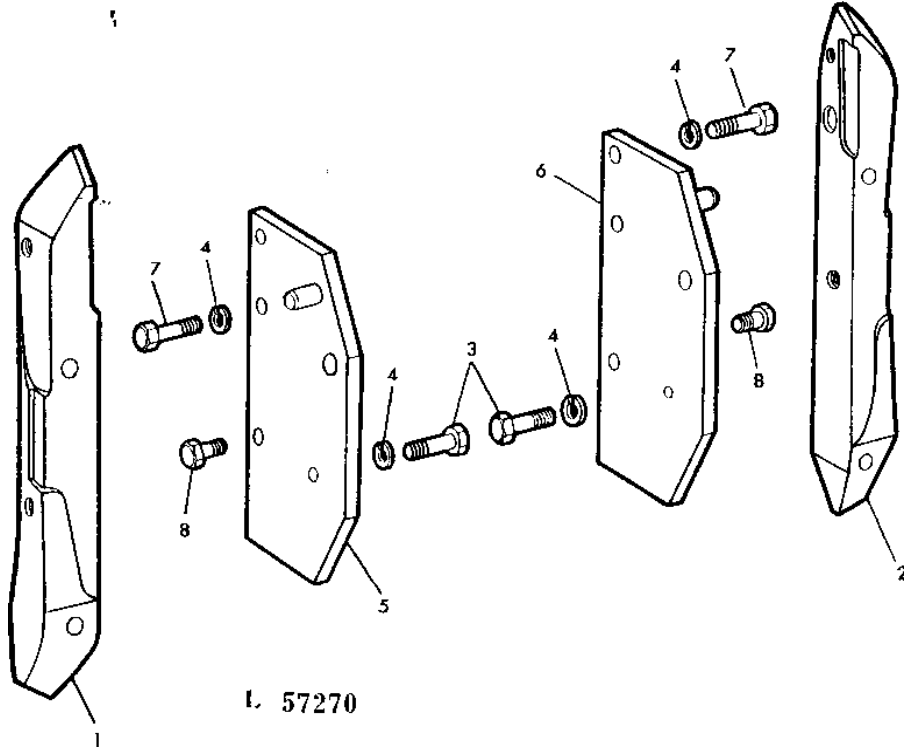
- (A) USE ON RE13089 KIT
- (B) USE ON RE39829 KIT
- (C) WITHOUT SAFETY CHAIN CLEVIS
- (D) WITH SAFETY CHAIN CLEVIS

# 2C17

HYDRAULICS

L57270 -UN-01JAN94

## SWAY BLOCKS AND SUPPORTS



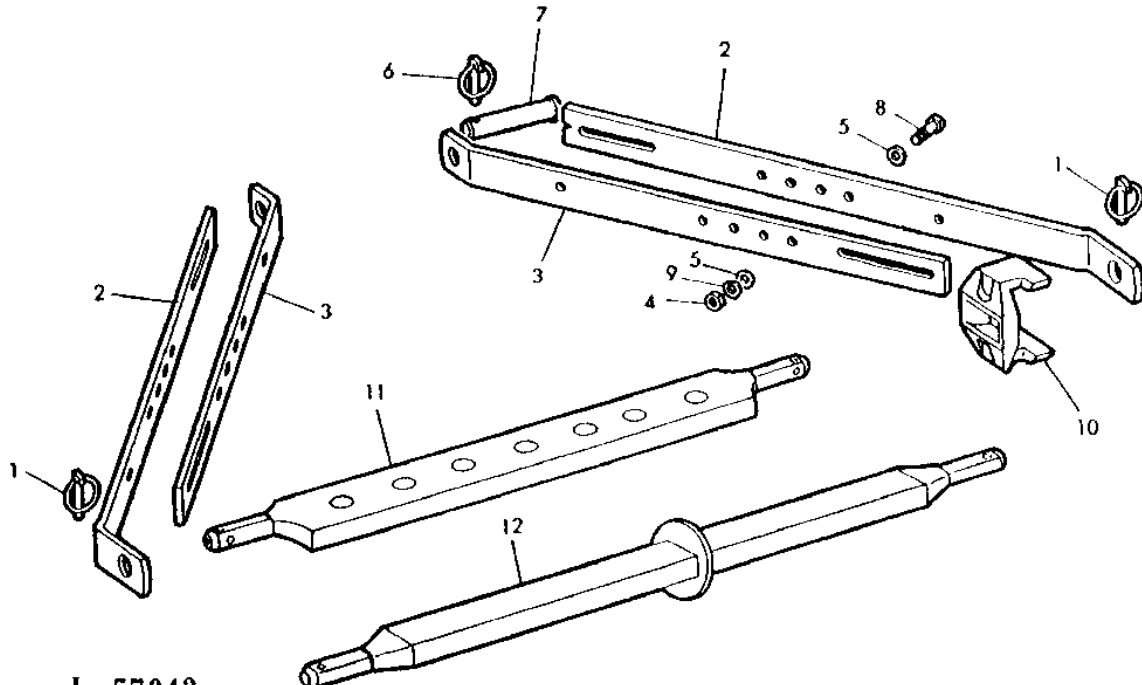
KEY	PART NO.	PART NAME	QTY	TRACTOR SERIAL NO.	REMARKS
1	T30277	SWAY BLOCK	1	L.H.	
2	T30276	SWAY BLOCK	1	R.H.	
3	19H1721	CAP SCREW	2	1/2" X 1-1/2"	
4	12H301	LOCK WASHER	8	1/2"	
5	AR90971	SUPPORT	1	L.H. (SUB FOR AT20168)	
6	AT20167	SUPPORT	1	R.H.	
7	19H1815	CAP SCREW	4	1/2" X 1-1/4"	
8	19H1936	CAP SCREW	2	3/8" X 3/4"	
..	T23230	STRAP	1	SWAY CONTROL BLOCK, (SUB FOR AT29301)	

# 2C18

HYDRAULICS

L57042 -UN-01JAN94

## 3-POINT HITCH DRAWBAR



**L 57042**

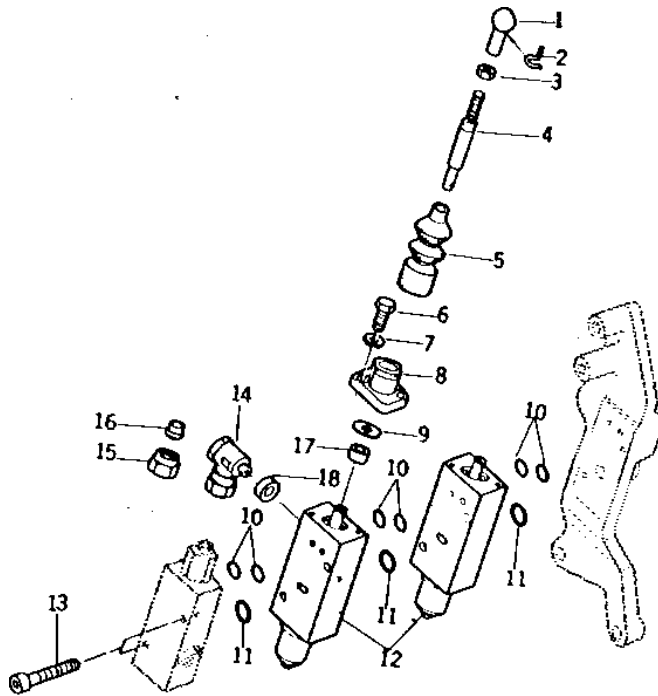
KEY	PART NO.	PART NAME	QTY	TRACTOR SERIAL NO.	REMARKS
1	AR62149	QUICK LOCK PIN	2		
2	T22124	STRAP	2		ADJUSTING REAR
3	T22119	STRAP	2		ADJUSTING FRONT
4	14H1040	NUT	6		1/2"
5	24H1341	WASHER	12		17/32" X 15/16" X 0.060"
6	AR62151	QUICK LOCK PIN	1		
7	T22120	PIN	1		
8	19H2473	CAP SCREW	6		1/2" X 1-3/4"
9	12H301	LOCK WASHER	6		1/2"
10	T30930	STABILIZER	1		
11	T21679	DRAWBAR	1		
12	AM3719T	DRAWBAR	1		NLA

# 2C19

HYDRAULICS

RXP8024 -UN-01JAN94

SELECTIVE CONTROL VALVES  
(TRACTOR SERIAL NO. -266749)



RXP8024

KEY	PART NO.	PART NAME	QTY	TRACTOR SERIAL NO.	REMARKS
1	56M4437	BALL JOINT SOCKET	AR	(A) M13	
2	56M4537	BALL JOINT RETAINER	1	M13	
3	14M7273	NUT	AR	(A) M8	
4	AT23719	ROD	AR	(A)	
5	L17657	BOOT	AR	(A)	
6	19M7375	CAP SCREW	AR	M6 X 18, (2 USED SINGLE) (4 USED DUAL)	
7	12H302	LOCK WASHER	AR	1/4", (2 USED SINGLE) (4 USED DUAL)	
8	L17659	COVER	AR	(A)	
9	L17658	WASHER	AR	(A)	
10	L53830	O-RING	AR	(4 USED SINGLE) (6 USED DUAL)	
11	L53836	O-RING	AR	(A)	
12	AL26986	CONTROL VALVE	AR	(A) (SUB FOR AL14160)	
13	19H3191	SCREW	2	5/16" X 1.620", (LESS SELECTIVE CONTROL VALVE)	
	19H3152	SCREW	2	5/16" X 2-3/4", (SINGLE)	
	19H3246	SCREW	2	5/16" X 4", (DUAL)	
	19H3211	SCREW	2	5/16" X 5-1/4", (DUAL SELECTIVE CONTROL WITH ADAPTER)	
14	AL14157	UNION FITTING	AR	(A) (INCLUDES 15M6139 AND 15M6130)	
15	15M6139	FITTING	1	M12	
16	15M6130	SLEEVE FITTING	AR	(A) M12	
17	L20102	SEAL	AR	(A)	
18	51M4238	RING	AR	(A)	

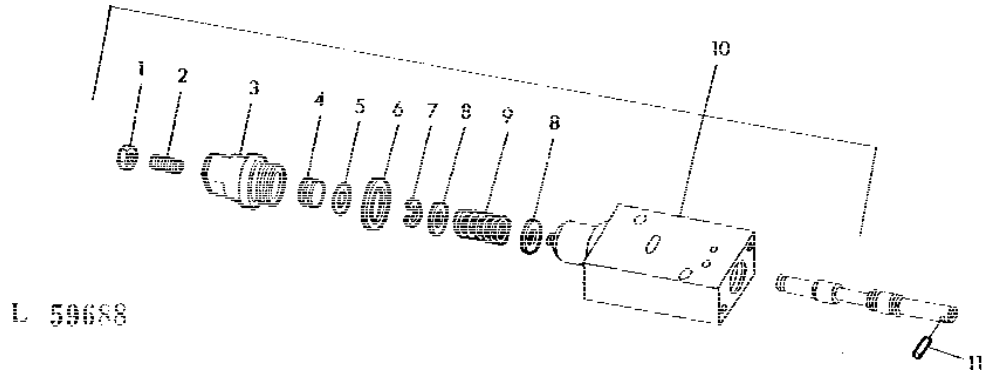
(A) (1 USED SINGLE) (2 USED DUAL)

# 2C20

HYDRAULICS

L59688 -UN-01JAN94

**SELECTIVE CONTROL VALVE**  
(TRACTOR SERIAL NO. -266749)



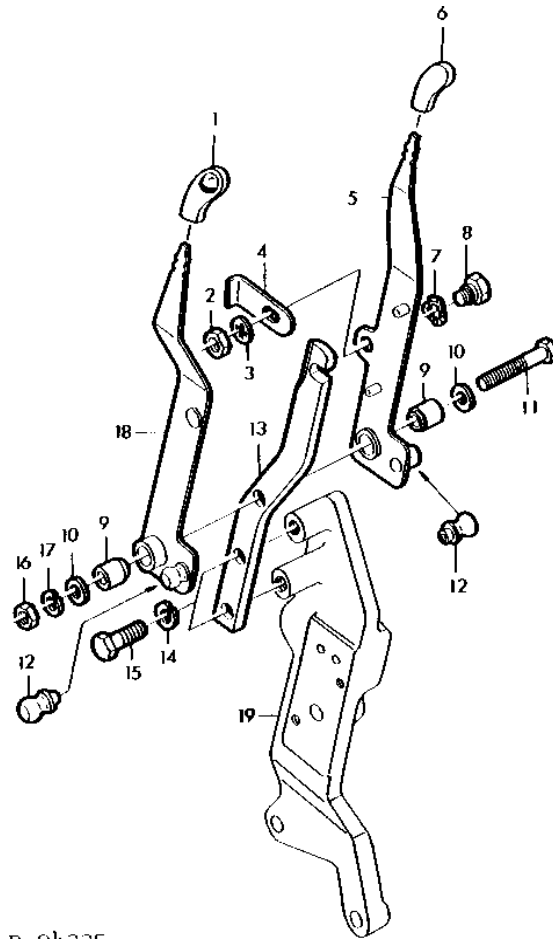
KEY	PART NO.	PART NAME	QTY	TRACTOR SERIAL NO.	REMARKS
1	14M1775	NUT	1	M6	
2	L39810	SET SCREW	1	M6 X 16	
3	L20094	COVER	1	NLA	
4	L20093	WASHER	1		
5	L53826	O-RING	1		
6	51M4245	RING	1		
7	L18893	SNAP RING	1		
8	L20095	WASHER	2		
9	L17056	SPRING	1		
10	AL14160 AL26986	CONTROL CONTROL VALVE	AR 1		(1 USED SINGLE) (2 USED DUAL) (SUB AL26986) (INCLUDES L17056, L18893, (2) L20095, L31754, L39810 AND 51M4245)
11	R53218	NEEDLE ROLLER	1		

# 2C21

HYDRAULICS

**CONTROL LEVERS  
(FOR ONE OR TWO SELECTIVE CONTROL VALVES)  
(TRACTOR SERIAL NO. -266749)**

R24335 -UN-01JAN94



R 24335

KEY	PART NO.	PART NAME	QTY	TRACTOR SERIAL NO.	REMARKS
1	R54275	GRIP	1		(SUB R62148)
2	14H611	NUT	1		5/16"
3	12M7032	LOCK WASHER	1		0.331"
4	T25802	LEVER	1		
5	AR66937	LEVER	1		5/16", (INCLUDES 55M6194)
6	R54274	GRIP	1		(SUB R62147)
7	T25804	LOCK WASHER	1		
8	T25803	CAP SCREW	1		
9	L17652	BUSHING	2		
10	24M7055	WASHER	2		8.400 X 16 X 1.600 MM
11	19M7184	CAP SCREW	1		M8 X 55
12	55M6194	BALL STUD	2		M13 X 5
13	T23755	SUPPORT	1		
14	12H304	LOCK WASHER	2		3/8"
15	19H1731	CAP SCREW	2		3/8" X 1"
16	14M7273	NUT	AR		M8, (2 USED SINGLE) (3 USED DUAL)
17	12H304	LOCK WASHER	1		3/8"
18	AR66938	LEVER	1		(INCLUDES 55M6194)
19	T25789	BRACKET	1		

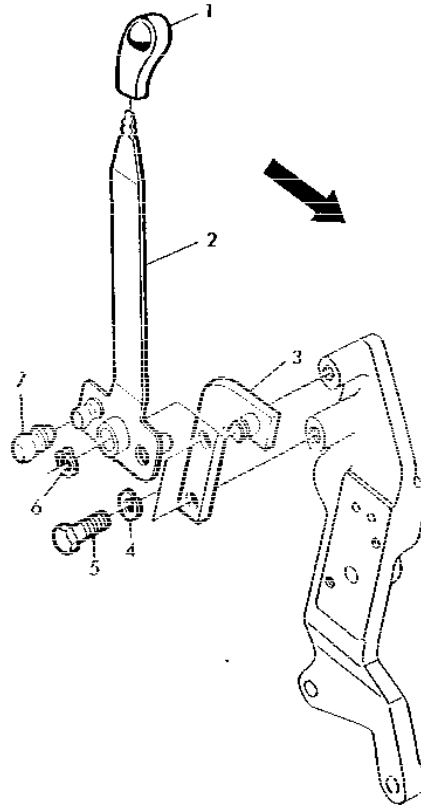


# 2C22

HYDRAULICS

**CONTROL LEVER  
(DOUBLE ACTING FOR TWO SELECTIVE CONTROL VALVES)  
(TRACTOR SERIAL NO. -266749)**

L59690 -UN-01JAN94



**I. 59690**

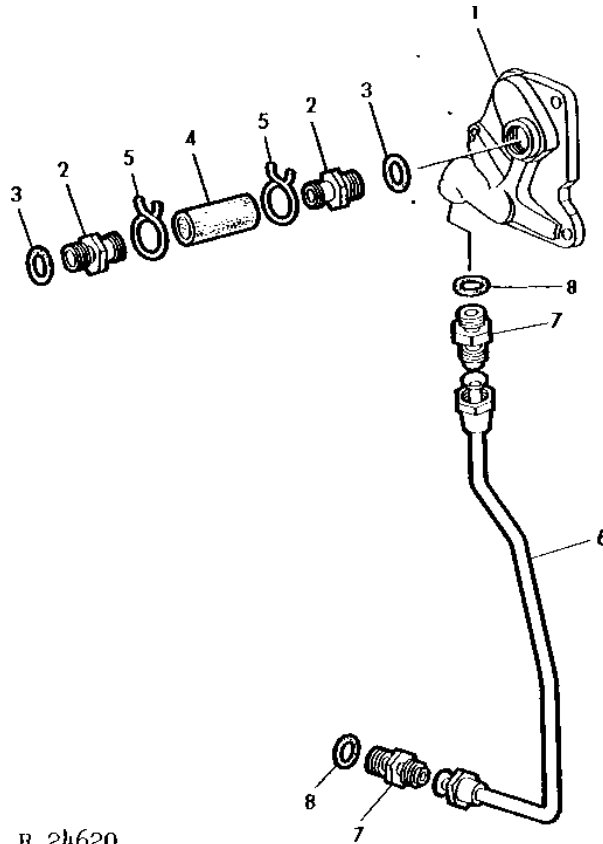
KEY	PART NO.	PART NAME	QTY	TRACTOR SERIAL NO.	REMARKS
1	R54274	GRIP	1		(SUB R62147)
2	AR66939	LEVER	1		(INCLUDES 55M6194)
3	AR51872	BRACKET	1		
4	12H304	LOCK WASHER	2		3/8"
5	19H2021	CAP SCREW	2		3/8" X 5/8"
6	40M1821	SNAP RING	1		15 X 1MM
7	55M6194	BALL STUD	2		13 X 5MM

# 2C23

HYDRAULICS

R24620 -UN-01JAN94

## SELECTIVE CONTROL VALVE COVER AND OIL LINES (TRACTOR SERIAL NO. 266750- )



R 24620

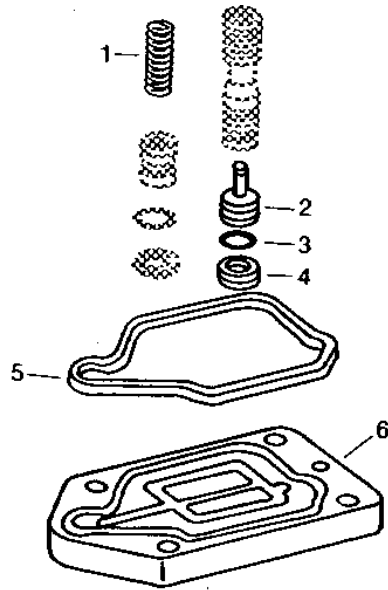
KEY	PART NO.	PART NAME	QTY	TRACTOR SERIAL NO.	REMARKS
1	R39289	COVER	1		
2	R39171	HOSE FITTING	2		
3	R26906	O-RING	2		
4	R20922	HOSE	1		(SUB FOR T22881)
5	AR21837	CLAMP	2		
6	AR91029	OIL LINE	1		
7	R27237	FITTING	AR		
8	R26375	O-RING	2		

# 2C24

HYDRAULICS

RXP8037 -UN-01JAN94

## SELECTIVE CONTROL VALVE CAP WITH PACKING



RXP8037

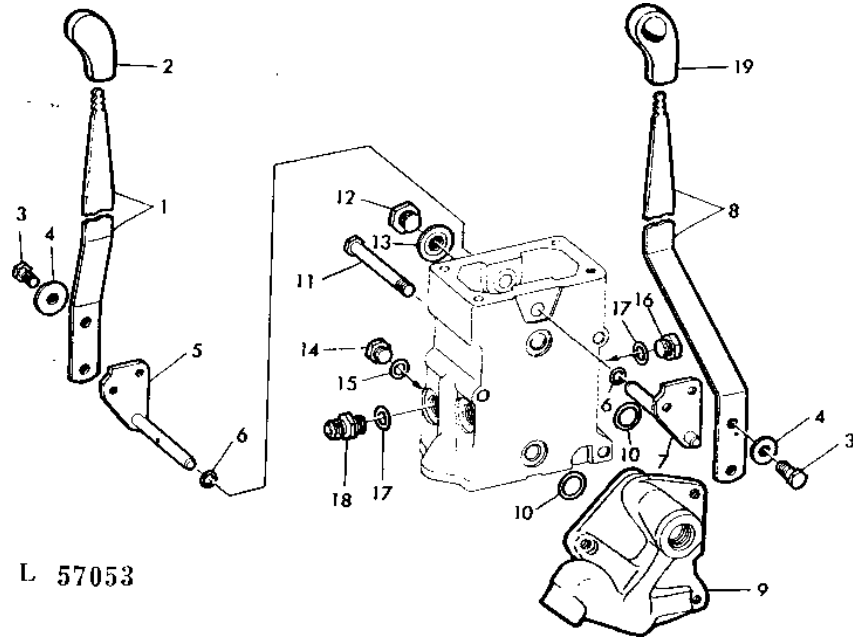
KEY	PART NO.	PART NAME	QTY	TRACTOR SERIAL NO.	REMARKS
1	R65501	SPRING	2		RETURN PRESSURE
	R65502	SPRING	2		
2	R66916	STOP	1		
3	R27166	O-RING	1		
4	R41057	BACK-UP RING	1		
5	R74695	WASHER	1		
6	R59629	CAP	1		

# 2C25

HYDRAULICS

## SELECTIVE CONTROL VALVE LEVERS AND ARMS (TRACTOR SERIAL NO. 266750- )

L57053 -UN-01JAN94



L 57053

KEY	PART NO.	PART NAME	QTY	MODEL NO.	REMARKS
1	T23071	LEVER	1	(DUAL)	
2	R62148	GRIP	AR	(SUB FOR R54275)	
3	19H1895	CAP SCREW	AR	1/2" X 3/4"	
4	24H1625	WASHER	2	17/32" X 1" X 0.120"	
5	AR39158	ARM	1	OUTER (DUAL)	
6	R394R	O-RING	2	-XXXXXX	(SUB R65287, THIS APPLICATION)
7	R65287	O-RING	2	XXXXXX-	
8	AR39157	ARM	1	INNER	
9	T23069	LEVER	1		(NARROW VERSION)
10	L31747	LEVER	1		
11	R39289	COVER	1		
12	R26149	PACKING	2		
13	19H3328	CAP SCREW	3	3/8" X 6-1/2", (DUAL)	
14	19H1912	CAP SCREW	3	3/8" X 3-1/2", (SINGLE)	
15	R41155	PLUG	1		
16	AR26697	SEALING WASHER	1		
17	R27218	FITTING PLUG	1		
18	R26448	O-RING	1		
19	R39112	FITTING	2		
20	R26375	O-RING	4		
21	R27237	FITTING	2		
22	R62147	GRIP	1	(SUB FOR R54274)	

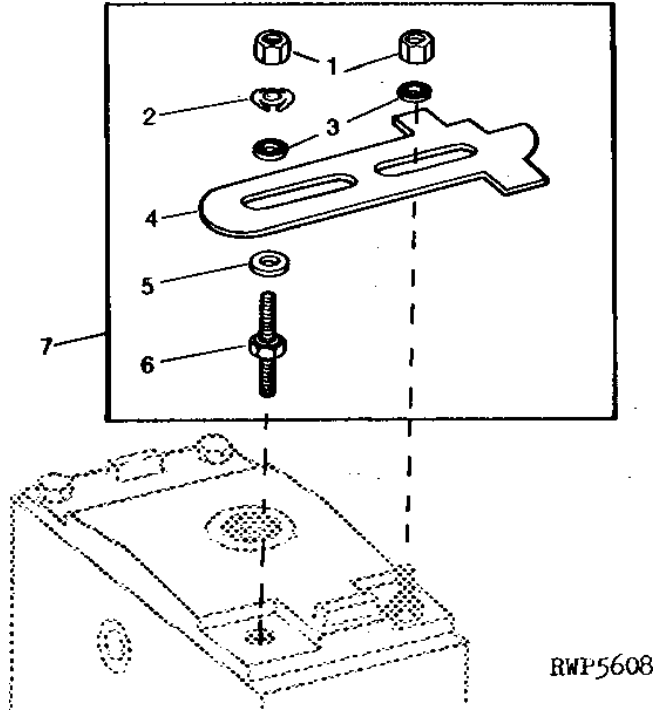
# 2D1

HYDRAULICS

RWP5608

-UN-01JAN94

## SELECTIVE CONTROL VALVE LEVER LOCK



RWP5608

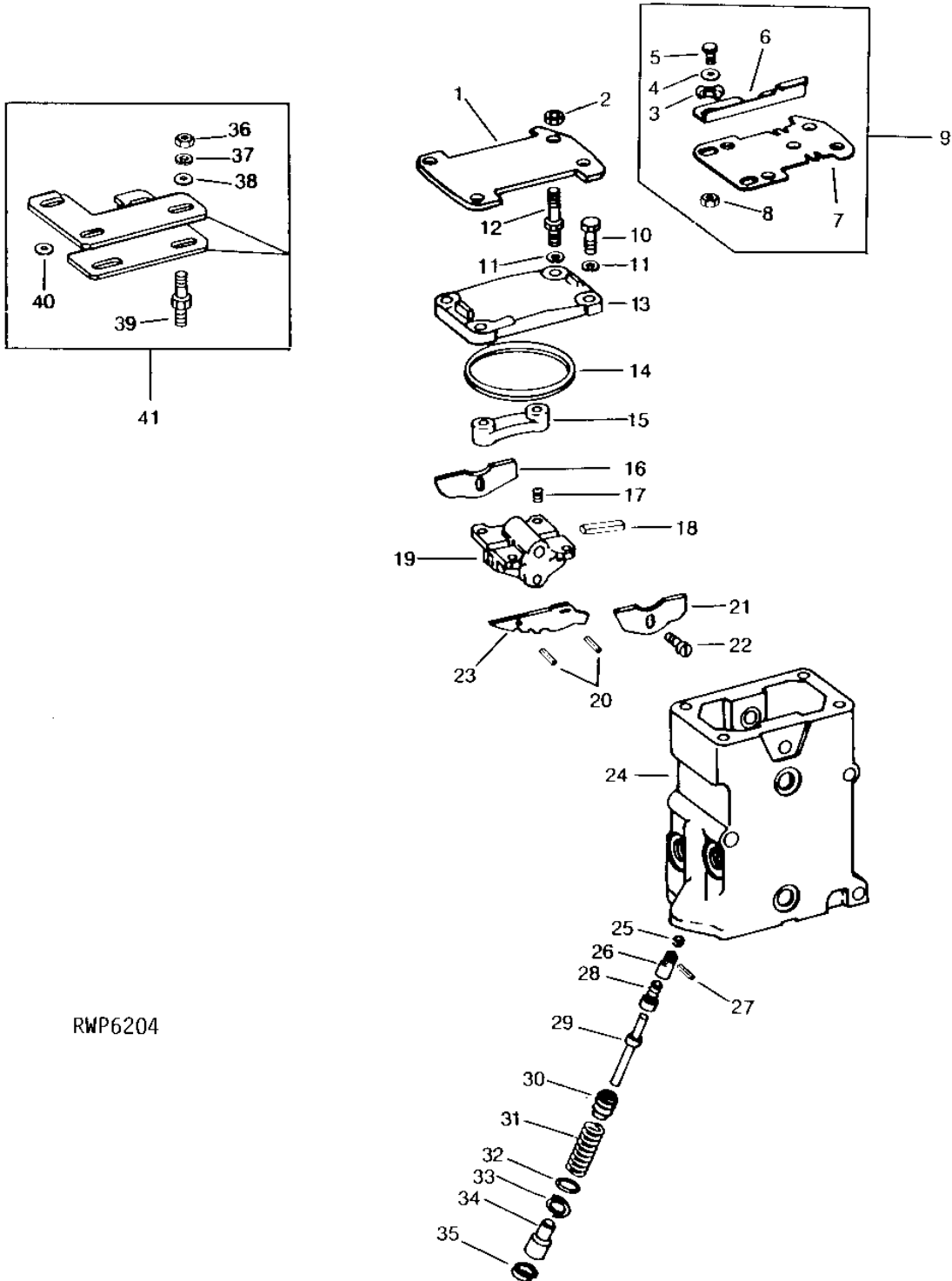
KEY	PART NO.	PART NAME	QTY	TRACTOR SERIAL NO.	REMARKS
1	K40003	LOCK NUT	2		(SUB FOR R41564, THIS APPLICATION)
2	T25804	LOCK WASHER	1		
3	R52921	WASHER	2		
4	R81293	LOCK PLATE	1		
5	24H1305	WASHER	1		13/32" X 13/16" X 0.065"
6	R39225	STUD	1		
7	RE19419	LOCK	1		

# 2D2

HYDRAULICS

RWP6204 -UN-01JAN94

## SELECTIVE CONTROL VALVE PARTS (TRACTOR SERIAL NO. 266750- )



RWP6204

# 2D3

HYDRAULICS

SELECTIVE CONTROL VALVE PARTS - CONTINUED  
(TRACTOR SERIAL NO. 266750- )

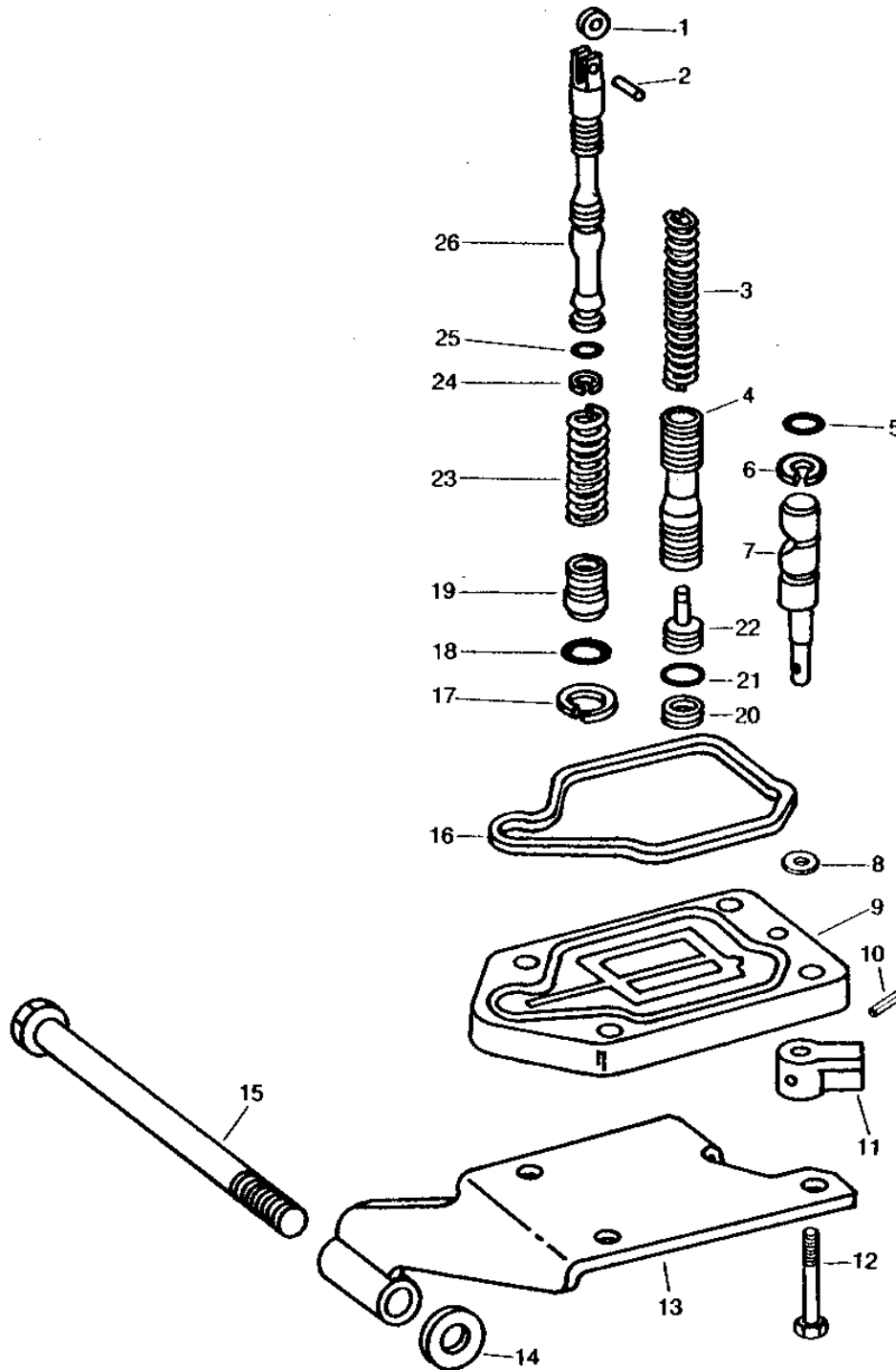
KEY	PART NO.	PART NAME	QTY	TRACTOR SERIAL NO.	REMARKS
1	T22996	ADJUSTING STRAP	1		
2	14H732	NUT	2	3/8"	
3	T25804	LOCK WASHER	1		
4	24H1320	WASHER	1	29/64" X 3/4" X 0.035"	
5	T25803	CAP SCREW	1		
6	T29519	LOCK PLATE	1		
7	T29518	PLATE	1		
8	14H785	NUT	1	5/16"	
9	AT29222	LOCK	1		(FOR DUAL SELECTIVE CONTROL) (SUB RE19419)
10	19H1731	CAP SCREW	2	3/8" X 1"	
11	12H304	LOCK WASHER	4	3/8"	
12	R39225	STUD	2		
13	R49186	COVER	1		
14	R49187	WASHER	1		
15	R49221	RETAINER	2		
16	R51414	CAM	1	UPPER	
17	22H1025	SET SCREW	4	1/4" X 7/8"	
18	R56504	SPRING PIN	1		
19	R51412	ROCKER	1		
20	R28744	PIN	2		
21	R51415	CAM	1	LOWER	
22	R27233	SCREW	2		
23	R51413	CAM	1		
24	AR83549	HOUSING	1	(MARKED R65504)	
25	R51409	SPACER	1		
26	R51410	CAM FOLLOWER	1		
27	R51411	PIN	1		
28	R48978	GUIDE	1		
29	R55398	PIN	1		
30	R48980	PISTON	1		
31	R41055	SPRING	1		
32	B2762R	O-RING	1		
33	R26546	BACK-UP RING	1		
34	R55397	GUIDE	1		
35	R46722	SNAP RING	1		
36	14H732	NUT	2	3/8"	
37	12H304	LOCK WASHER	2	3/8"	
38	24H1305	WASHER	4	13/32" X 13/16" X 0.065"	
39	R39225	STUD	2		
40	24H1682	WASHER	1	13/32" X 7/8" X 0.120"	
41	RE13523	STOP	1	(SUB FOR AR93948)	

# 2D4

HYDRAULICS

## SELECTIVE CONTROL VALVE POPPET, METERING AND FLOW CONTROL VALVE (TRACTOR SERIAL NO. 266750- )

RP378 -UN-01JAN94



RP378



# 2D5

HYDRAULICS

**SELECTIVE CONTROL VALVE POPPET, METERING AND FLOW CONTROL VALVE - CONTINUED**  
(TRACTOR SERIAL NO. 266750- )

KEY	PART NO.	PART NAME	QTY	MODEL NO.	REMARKS
1	R51409	SPACER	4		
2	34H242	SPRING PIN	4		
3	R41549	SPRING	1		1/8" X 7/16"
4	R52549	SHUT-OFF VALVE	1		
5	P46051	O-RING	1		
6	R40937	BACK-UP RING	1		
7	R65289	VALVE	1		
8	R41339	SHIM	1		
9	R59629	CAP	1		
10	34H231	SPRING PIN	1		3/32" X 3/4"
11	R62652	ARM	1		(SUB FOR R41338)
12	19H1732	CAP SCREW	4		3/8" X 1-1/4", (DUAL)
	19H1800	CAP SCREW	4		3/8" X 1-1/2"
13	AR39162	BRACKET	1		(SUB AR99025)
14	24H1111	WASHER	2		17/32" X 1-1/16" X 0.090"
15	19H3597	CAP SCREW	2		1/2" X 4-3/4"
16	R74695	WASHER	1		(SUB FOR R49187, THIS APPLICATION)
17	R41057	BACK-UP RING	4		
18	R27166	O-RING	4		
19	R66416	BUSHING	4		
20	R41057	BACK-UP RING	1		
21	R27166	O-RING	1		
22	R66916	STOP	1		
23	R65501	SPRING	2		RETURN
	R65502	SPRING	2		PRESSURE
24	R26484	BACK-UP RING	6		
25	R65286	O-RING	6		
26	AR86535	VALVE	4		(SUB FOR AR78396)

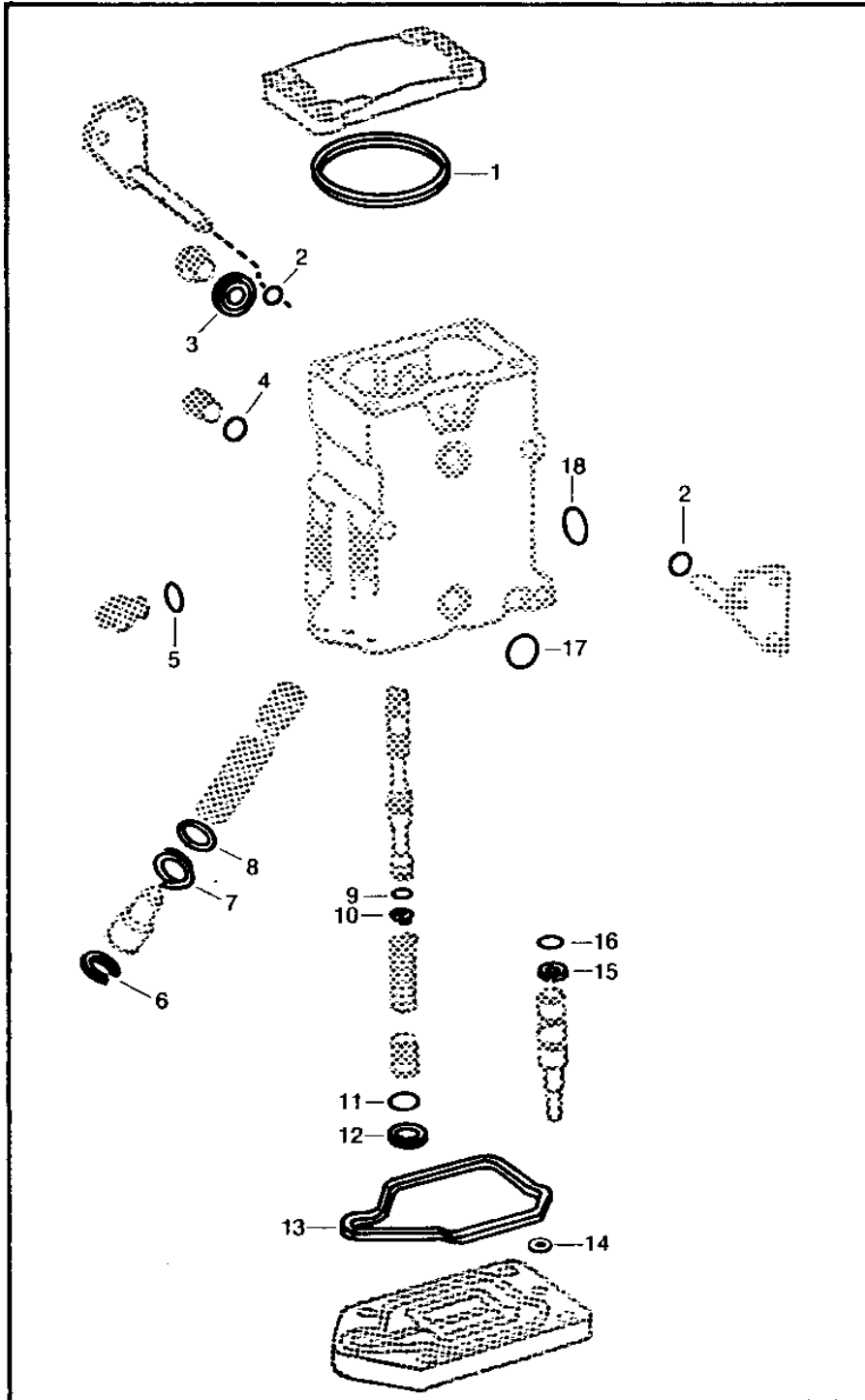
# 2D6

HYDRAULICS

RP578

-UN-01JAN94

## SELECTIVE CONTROL VALVE OVERHAUL KIT



# 2D7

HYDRAULICS

## SELECTIVE CONTROL VALVE OVERHAUL KIT - CONTINUED

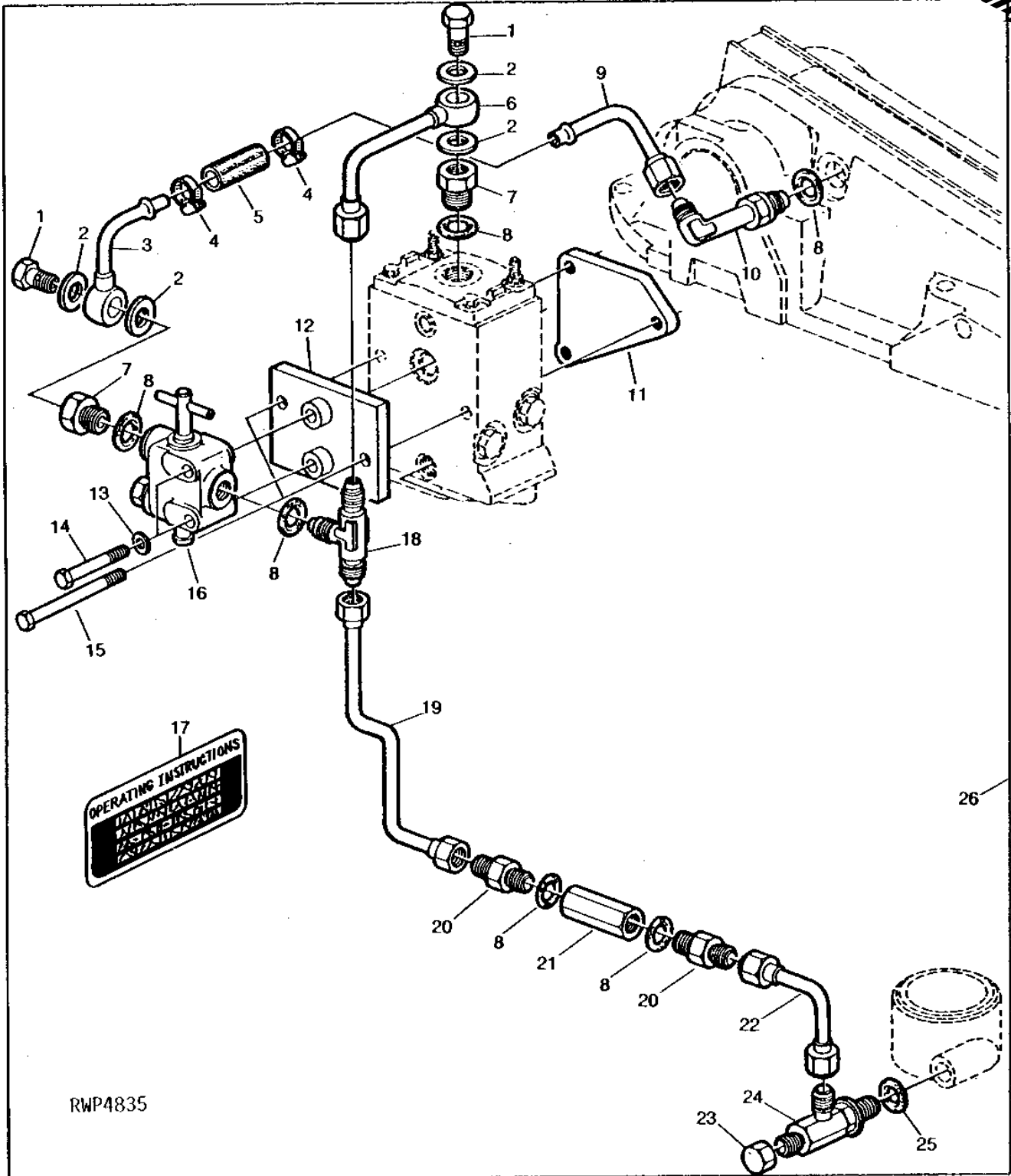
KEY	PART NO.	PART NAME	QTY	TRACTOR SERIAL NO.	REMARKS
1	R49187	WASHER	1		
2	R65287	O-RING	2		
3	AR26697	SEALING WASHER	1		
4	R26448	O-RING	1		
5	R26375	O-RING	2		
6	R46722	SNAP RING	1		
7	R26546	BACK-UP RING	1		
8	B2762R	O-RING	1		
9	R65286	O-RING	AR		(4 USED PRESSURE VALVE) (2 USED RETURN VALVE)
10	R26484	BACK-UP RING	AR		(4 USED PRESSURE VALVE) (2 USED RETURN VALVE)
11	R27166	O-RING	4		
12	R41057	BACK-UP RING	4		
13	R74695	WASHER	1		
14	R41339	SHIM	1		
15	R40937	BACK-UP RING	1		
16	P46051	O-RING	1		
17	R26448	O-RING	1		
18	R26149	PACKING	1		
19	AR82571	KIT	1		(SUB RE10924)

# 2D8

HYDRAULICS

## DUAL RETURN OIL CONVERSION KIT (SINGLE SELECTIVE CONTROL VALVE)

RWP4835 -UN-01JAN94



# 2D9

HYDRAULICS

## DUAL RETURN OIL CONVERSION KIT - CONTINUED (SINGLE SELECTIVE CONTROL VALVE)

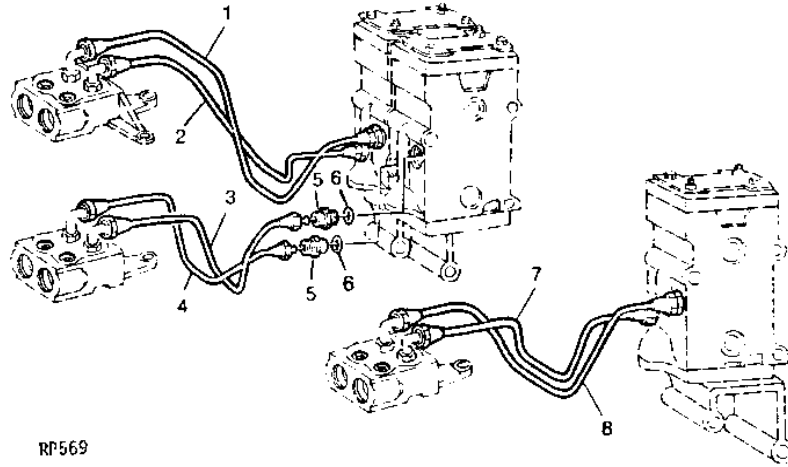
KEY	PART NO.	PART NAME	QTY	TRACTOR SERIAL NO.	REMARKS
1	T32204	HOLLOW SCREW	2		
2	51M4238	RING	4		
3	AL37931	OIL LINE	1		
4	AR21837	CLAMP	2		
5	L61849	HOSE	1		(SUB FOR L36134)
6	AL38205	HOSE	1		
7	L39693	ADAPTER	2		
8	R26906	O-RING	6		
	R74695	WASHER	1		SCV COVER
9	AL37936	OIL LINE	1		
10	AL31989	ELBOW FITTING	1		
11	R37479	COVER	1		
12	AL38122	BRACKET	1		
13	24M7055	WASHER	2		8.400 X 16 X 1.600 MM
14	19M7164	CAP SCREW	2		M8 X 50
15	19M2228	CAP SCREW	2		
16	AA23586	VALVE	1		(SUB AN193413, R26906 AND R27474)
17	R79585	DECAL	1		OPERATING INSTRUCTIONS
18	AL38125	TEE FITTING	1		
19	AL38123	OIL LINE	1		
20	R27270	FITTING	2		
21	AT34811	VALVE	1		
22	AL38124	OIL LINE	1		
23	R36927	FITTING	1		
24	AL38025	TEE FITTING	1		
25	F3171R	O-RING	1		
26	RE13714	KIT	1		

# 2D10

HYDRAULICS

## SELECTIVE CONTROL VALVE COUPLER OIL LINES (TRACTOR SERIAL NO. 266750- )

RP569 -UN-01JAN94



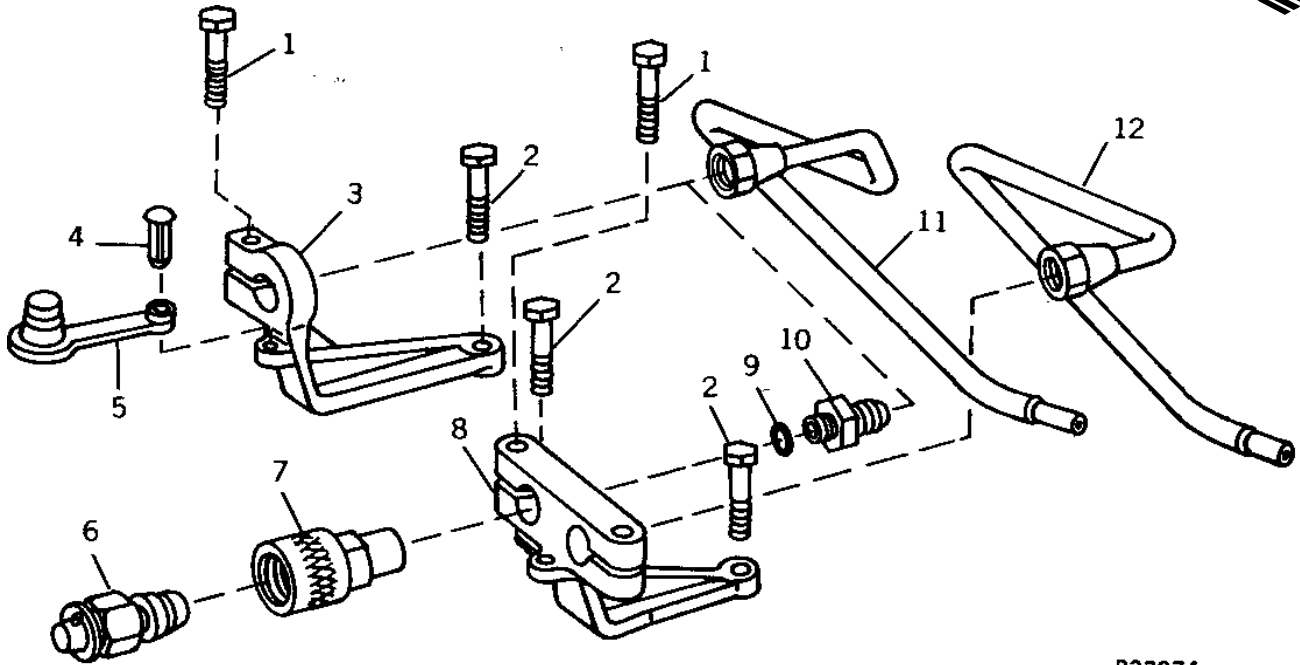
KEY	PART NO.	PART NAME	QTY	TRACTOR SERIAL NO.	REMARKS
1	AT20039	OIL LINE	1		UPPER L.H. (DUAL)
2	AT20040	OIL LINE	1		LOWER L.H. (DUAL)
3	AT20037	OIL LINE	1		UPPER R.H. (DUAL)
4	AT20038	OIL LINE	1		LOWER R.H. (DUAL)
5	R27237	FITTING	AR		(2 USED SINGLE) (4 USED DUAL)
6	R26375	O-RING	AR		(2 USED SINGLE) (4 USED DUAL)
7	AT22170	OIL LINE	1		LOWER R.H. (SINGLE)
8	AT22169	OIL LINE	1		UPPER R.H. (SINGLE)

# 2D11

HYDRAULICS

**QUICK DISCONNECT COUPLERS AND BRACKETS**  
(TRACTOR SERIAL NO. -266749)

R33274 -UN-01JAN94



**R33274**

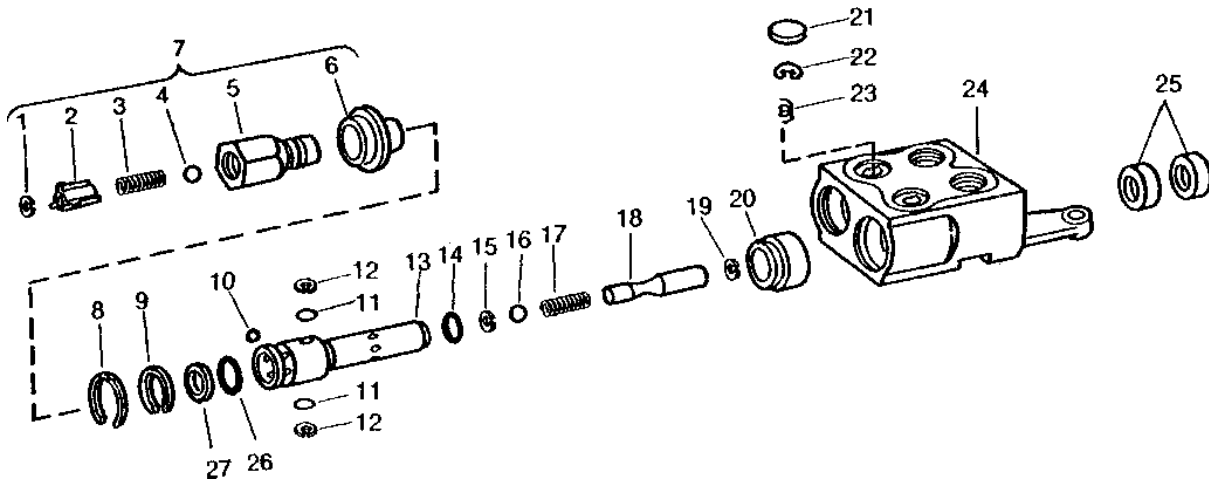
KEY	PART NO.	PART NAME	QTY	TRACTOR SERIAL NO.	REMARKS
1	19H1765	CAP SCREW	AR		3/8" X 1-3/4", (1 USED SINGLE) (2 USED DUAL)
2	19H1831	CAP SCREW	2		1/2" X 2"
3	T26440	BRACKET	1		
4	T22244	STUD	AR		(1 USED SINGLE) (2 USED DUAL)
5	R32419	COVER	AR		(1 USED SINGLE) (2 USED DUAL)
6	AR93819	HYD. QUICK-CONNECT COUPLER	1		(SUB FOR AR30210)
7	AR47331	SOCKET OUTLET	1		(SUB RE15361)
8	T22243	CLAMP	1		
9	R26375	O-RING	3		
10	R27237	FITTING	3		
11	AL28484	OIL LINE	2		(SUB FOR AT23734)
12	AL28485	OIL LINE	1		(SUB FOR AT23738)

# 2D12

HYDRAULICS

## SELECTIVE CONTROL VALVE BREAKAWAY COUPLER (TRACTOR SERIAL NO. 266750- )

RP437 -UN-01JAN94



RP437

KEY	PART NO.	PART NAME	QTY	TRACTOR SERIAL NO.	REMARKS
1	R59633	WEAR RING	2		(SUB FOR R28204)
2	R28085	GUIDE	2		(SUB AR93819 OR AR93820, THIS APPLICATION)
3	R28084	SPRING	2		
4	D2361R	BALL	2		13MM (1/2")
5	R27430	HYD. QUICK-CONNECT COUPLER	2		(SUB AR93819)
6	R28006	CAP	2		
7	AR93819	HYD. QUICK-CONNECT COUPLER	1		(SUB FOR AR30210)
8	R34399	SNAP RING	2		
9	R32356	SNAP RING	2		
10	400R	BALL	12		6MM (1/4")
11	R65286	O-RING	4		(SUB FOR A3917R, THIS APPLICATION)
12	R26484	BACK-UP RING	4		
13	R34397	SOCKET OUTLET	2		
14	R375R	O-RING	2		
15	R26482	RING	2		
16	D2361R	BALL	2		13MM (1/2")
17	R28084	SPRING	2		
18	R34400	PLUG	2		
19	R26483	SNAP RING	2		
20	R34398	SLEEVE	2		
21	30H15	PLUG	2		1-1/8"
22	R72653	SNAP RING	2		(SUB FOR M2396T)
23	R31890	SPRING	2		
24	AR52621	COUPLING	1		R.H.
25	A4730R	O-RING	4		
	R26480	BACK-UP RING	4		
26	R495R	O-RING	2		(SUB R59343, THIS APPLICATION)
27	R26485	BACK-UP RING	2		

NOTE: QUANTITIES SHOWN ABOVE ARE FOR SINGLE SELECTIVE CONTROL VALVE BREAKAWAY COUPLER.  
DOUBLE THE QUANTITY FOR DUAL SELECTIVE CONTROL VALVE BREAKAWAY COUPLER.

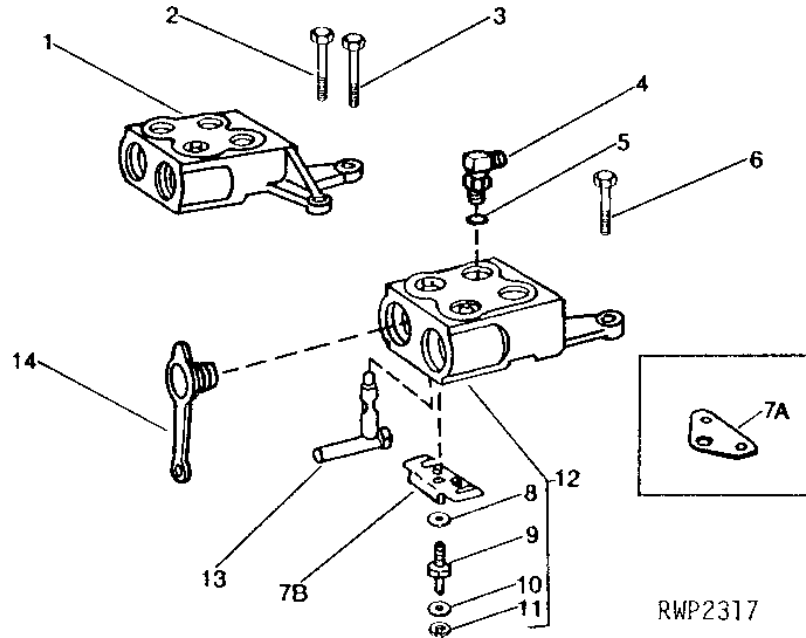


# 2D13

HYDRAULICS

RWP2317 -UN-01JAN94

## SELECTIVE CONTROL VALVE BREAKAWAY COUPLER AND DUST PLUG



KEY	PART NO.	PART NAME	QTY	TRACTOR SERIAL NO.	REMARKS
1	AR52622	COUPLING	1	(A) (MARKED R39110) (SUB R39110, R49191, R72654, 12M7065 AND 24H1286)	
2	19H1831	CAP SCREW	1	(A) 1/2" X 2"	
3	19H1974	CAP SCREW	1	(A) 1/2" X 2-3/4"	
4	AT32332	ELBOW FITTING	2	90°	
5	R26375	O-RING	2		
6	19H1831	CAP SCREW	2	(B) 1/2" X 2"	
7A	R51285	PLATE	1	(SUB R61957 AND R74850)	
7B	AR75958	CAM	1	(SUB R61957 AND R74850)	
8	12H303	LOCK WASHER	1	5/16"	
9	R49191	SCREW	1		
10	24H1286	WASHER	1	9/32" X 1/2" X 1/16"	
11	R27507	SNAP RING	1	(SUB R72654)	
12	AR52621	COUPLING	1	(B) (MARKED R39109)	
13	AR82576	LEVER	2	(SUB AR99100)	
14	R32419	COVER	2		

NOTE: QUANTITIES SHOWN ABOVE ARE FOR A SINGLE SELECTIVE CONTROL VALVE BREAKAWAY COUPLER.  
DOUBLE THE QUANTITY FOR A DUAL SELECTIVE CONTROL VALVE BREAKAWAY COUPLER.

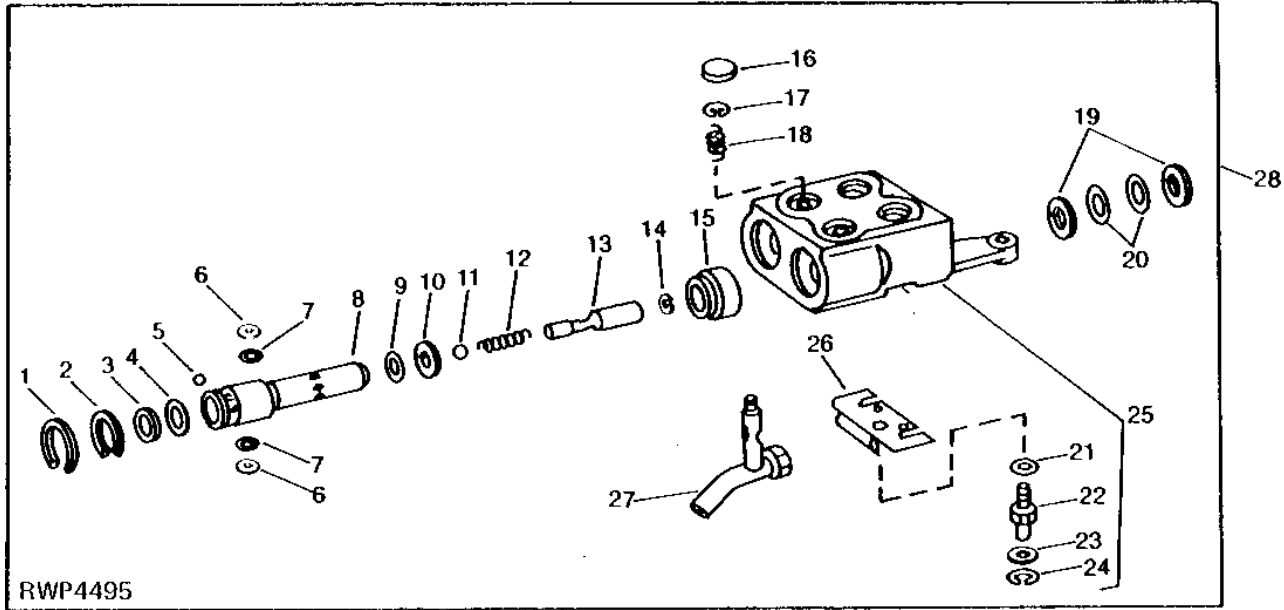
(A) DUAL SELECTIVE CONTROL  
(B) SINGLE SELECTIVE CONTROL

# 2D14

HYDRAULICS

## BREAKAWAY COUPLER (SINGLE AND DUAL)

RWP4495 -UN-01JAN94



KEY	PART NO.	PART NAME	QTY	TRACTOR SERIAL NO.	REMARKS
1	R34399	SNAP RING	2		
2	R32356	SNAP RING	2		
3	R26485	BACK-UP RING	2		
4	R59343	RING	2		
5	400R	BALL	12	6MM (1/4")	
6	R26484	BACK-UP RING	4		
7	R65286	O-RING	4		
8	R34397	SOCKET OUTLET	2		
9	R375R	O-RING	2		
10	R26482	RING	2		
11	D2361R	BALL	2	13MM (1/2")	
12	R28084	SPRING	2		
13	R34400	PLUG	2		
14	R26483	SNAP RING	2		
15	R34398	SLEEVE	2		
16	30H15	PLUG	2	1-1/8"	
17	R72653	SNAP RING	2	(SUB FOR M2396T)	
18	R31890	SPRING	2		
19	R26480	BACK-UP RING	4		
20	A4730R	O-RING	4		
21	12H303	LOCK WASHER	1	5/16"	
22	R49191	SCREW	1		
23	24H1286	WASHER	1	9/32" X 1/2" X 1/16"	
24	R27507	SNAP RING	1	(SUB R72654)	
25	AR52621	COUPLING	1	(MARKED R39109) (SINGLE SELECTIVE CONTROL)	
	AR52622	COUPLING	1	(MARKED R39110) (SUB R39110, R49191, R72654, 12M7065 AND 24H1286) (DUAL SELECTIVE CONTROL)	
26	AR75958	CAM	1	LATCH KIT, (SUB R61957 AND R74850)	
27	AR82576	LEVER	2	(SUB AR99100)	
28	AR39036	BREAKAWAY COUPLER	1	R.H. (SINGLE SELECTIVE CONTROL)	
	AR39037	BREAKAWAY COUPLER	1	L.H. (DUAL SELECTIVE CONTROL)	

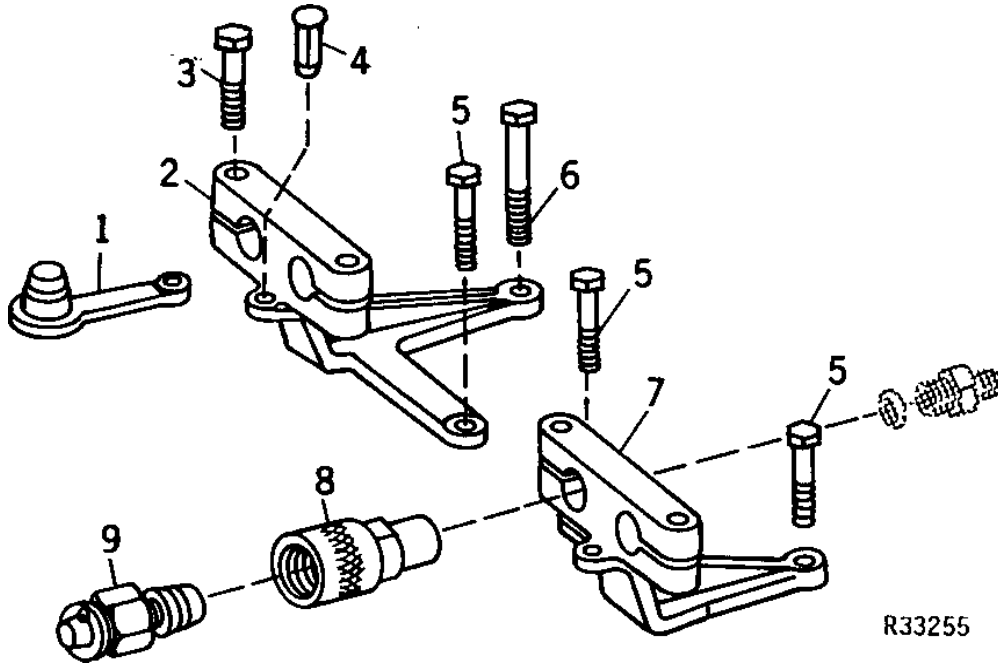
NOTE: QUANTITIES SHOWN ABOVE ARE FOR SINGLE SELECTIVE CONTROL VALVE BREAKAWAY COUPLER.  
DOUBLE THE QUANTITY FOR DUAL SELECTIVE CONTROL VALVE BREAKAWAY COUPLER.

# 2D15

HYDRAULICS

## SELECTIVE CONTROL VALVE DISCONNECT COUPLERS (ROCKSHAFT CYLINDER OUTLET COUPLER) (TRACTOR SERIAL NO. 266750- )

R33255 -UN-01JAN94



R33255

KEY	PART NO.	PART NAME	QTY	TRACTOR SERIAL NO.	REMARKS
1	R32419	COVER	AR		(1 USED SINGLE) (2 USED DUAL) (SUB R80324)
2	T22245	CLAMP	1		L.H.
3	19H1765	CAP SCREW	AR		3/8" X 1-3/4", (2 USED SINGLE) (4 USED DUAL)
4	T22244	STUD	AR		(1 USED SINGLE) (2 USED DUAL)
5	19H1831	CAP SCREW	AR		1/2" X 2"
6	19H1974	CAP SCREW	1		1/2" X 2-3/4"
7	T22243	CLAMP	1		R.H.
8	RE15361	COUPLING	AR		(SUB FOR AR31613 OR AR47331)
9	AR93819	HYD. QUICK-CONNECT COUPLER	AR		(SUB FOR AR30210)

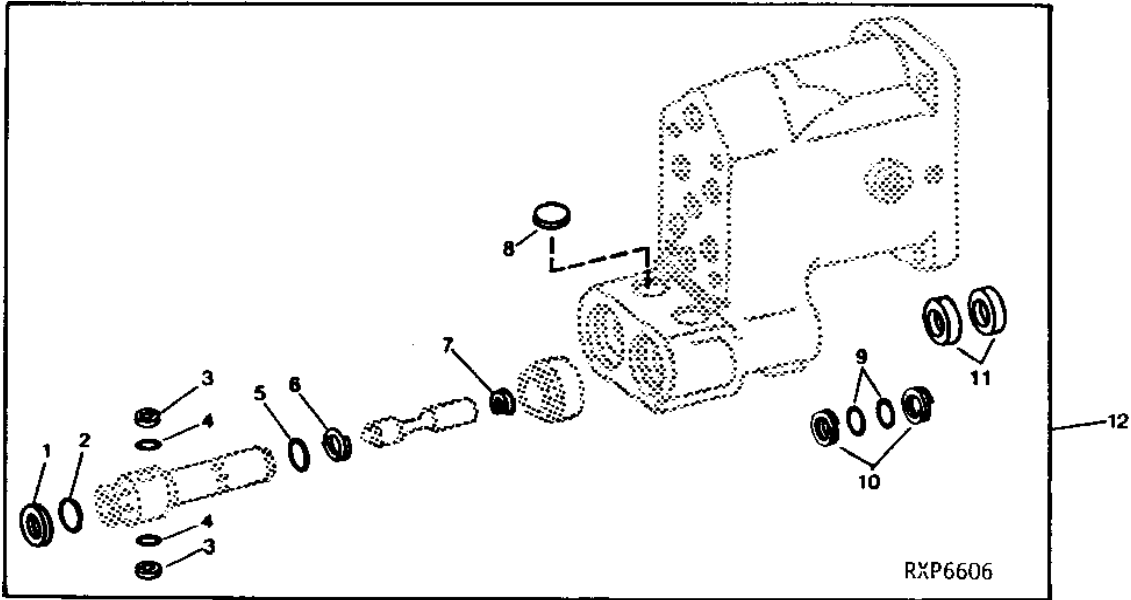
# 2D16

HYDRAULICS

RXP6606

-UN-06OCT94

## BREAKAWAY COUPLER OVERHAUL KIT



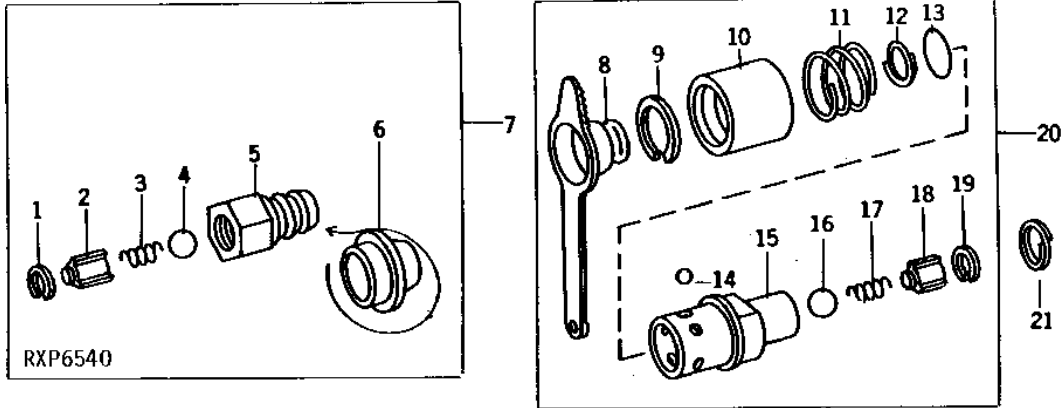
KEY	PART NO.	PART NAME	QTY	TRACTOR SERIAL NO.	REMARKS
1	R26485	BACK-UP RING	2		
2	R59343	RING	2		
3	R26484	BACK-UP RING	4		
4	A3917R	O-RING	4		
5	R375R	O-RING	2		
6	R26482	RING	2		
7	R26483	SNAP RING	2		
8	30H15	PLUG	2	1-1/8"	
9	A4730R	O-RING	4	(EARLY DESIGN)	
10	R26480	BACK-UP RING	4	(EARLY DESIGN)	
11	R79311	SEAL	4	(CURRENT DESIGN) (SUB FOR R65285 AND R74530)	
12	AR82570	KIT	1	(SUB FOR AR30685)	

# 2D17

HYDRAULICS

RXP6540 -UN-06OCT94

## FLEXIBLE OIL LINE COUPLER



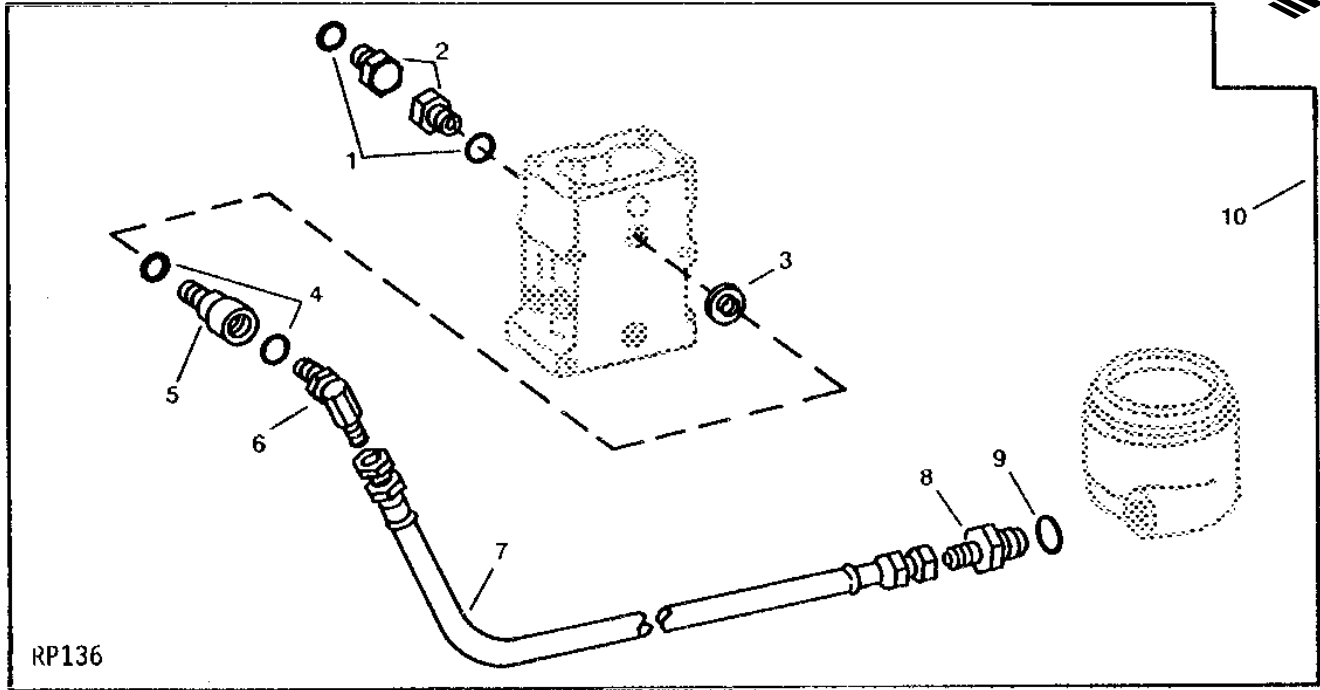
KEY	PART NO.	PART NAME	QTY	TRACTOR SERIAL NO.	REMARKS
1	R59633	WEAR RING	1		(SUB FOR R28204)
2	R28085	GUIDE	1		(SUB AR93819 OR AR93820, THIS APPLICATION)
3	R28084	SPRING	1		
4	D2361R	BALL	1		13MM (1/2")
5	R27430	HYD. QUICK-CONNECT COUPLER	1		PRESSURE, (SUB AR93819)
	R45630	HYD. QUICK-CONNECT COUPLER	1		RETURN, (SUB AR93820)
6	R28006	CAP	1		
7	AR93819	HYD. QUICK-CONNECT COUPLER	1		PRESSURE, (SUB FOR AR30210)
	AR93820	FITTING	1		RETURN, (SUB FOR AR47643)
8	R32419	COVER	1		
9	R32356	SNAP RING	1		
10	R32355	SLEEVE	1		
11	R32354	SPRING	1		(SUB RE15361)
12	R26485	BACK-UP RING	1		
13	R495R	O-RING	1		
14	400R	BALL	6		6MM (1/4")
15	R32353	SOCKET OUTLET	1		
16	D2361R	BALL	1		13MM (1/2")
17	R28084	SPRING	1		
18	R28085	GUIDE	1		(SUB RE15361)
19	R59633	WEAR RING	1		(SUB FOR R28204)
20	AR47331	SOCKET OUTLET	1		(SUB RE15361)
21	R36946	SPRING	1		

# 2D18

HYDRAULICS

## SELECTIVE CONTROL VALVE OIL FILTER RETURN KIT (TRACTOR SERIAL NO. 266750- )

RP136 -UN-01JAN94



KEY	PART NO.	PART NAME	QTY	TRACTOR SERIAL NO.	REMARKS
1	R26906	O-RING	2		
2	R27474	DRAIN PLUG	2		
3	AR26697	SEALING WASHER	1		
4	R26375	O-RING	2		
5	N110523	ADAPTER	1		
6	AR30110	ELBOW FITTING	1	90°	
7	AU30241	HYDRAULIC HOSE	1		
8	R36075	FITTING	1		
9	F3171R	O-RING	1		
10	AR71945	KIT	1		

---

MEMORANDA

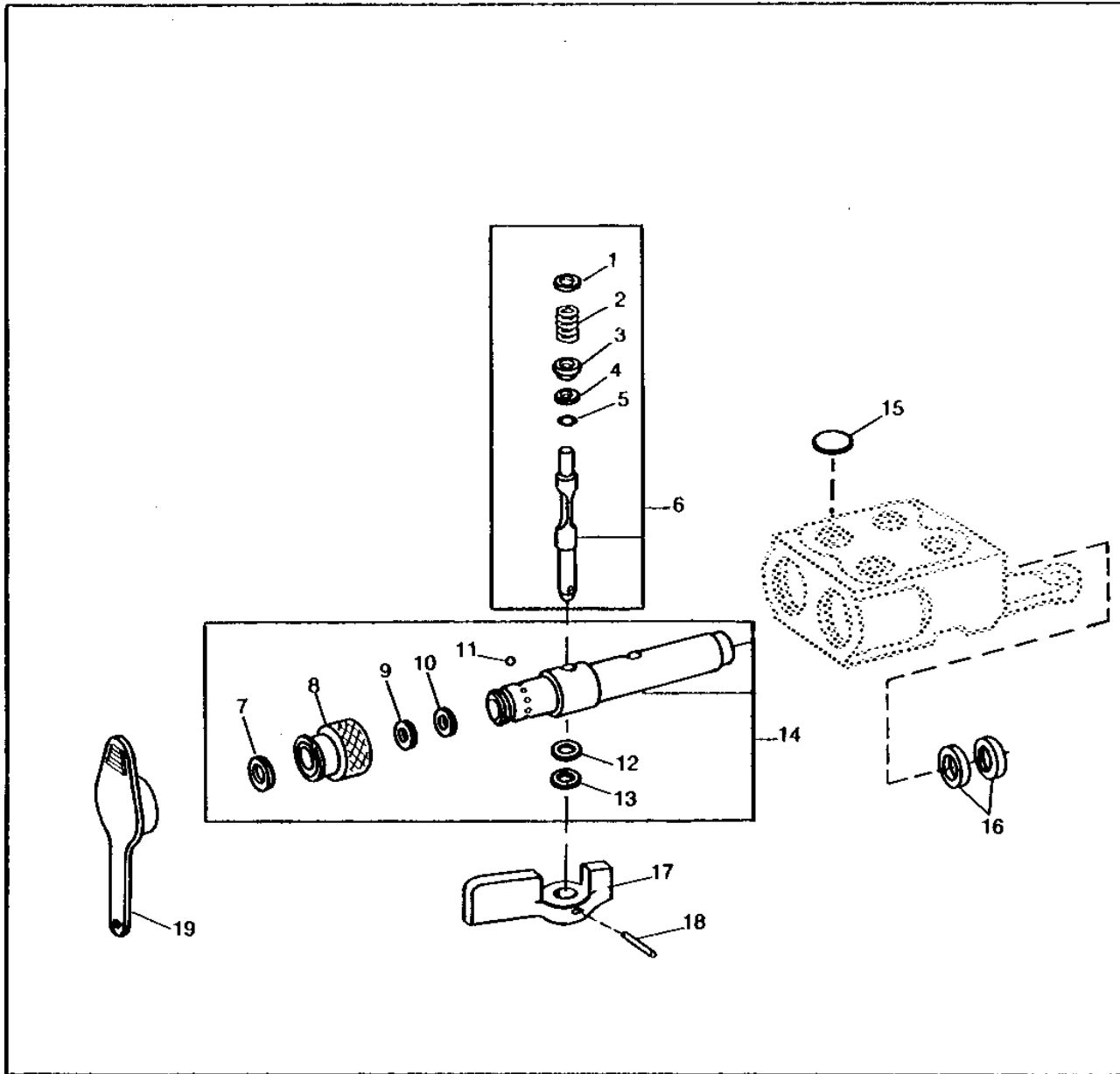
# 2D19

HYDRAULICS

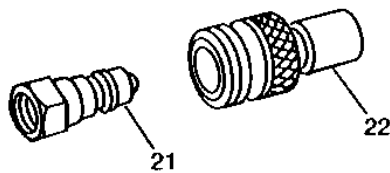
RWP3518

-UN-01JAN94

JOHN DEERE TO ISO COUPLER CONVERSION KIT



RWP3518





# 2D20

HYDRAULICS

## JOHN DEERE TO ISO COUPLER CONVERSION KIT - CONTINUED

KEY	PART NO.	PART NAME	QTY	TRACTOR SERIAL NO.	REMARKS
1	R54242	SNAP RING	2		
2	R78767	SPRING	2		
3	R48698	WASHER	2		
4	R31136	BACK-UP RING	2		
5	R10093	O-RING	2		
6	RE13814	SHAFT	2		
7	40M4378	SNAP RING	2		
8	R78765	SLEEVE	2		
9	R71387	WASHER	2		
10	R74210	O-RING	2		
11	H871R	BALL	16		
12	P51212	O-RING	2		
13	R78766	BACK-UP RING	2		
14	RE13813	RECEPTACLE	2		
15	30H15	PLUG	2		1-1/8", (NOT USED THIS APPLICATION)
16	R79311	SEAL	2		(SUB FOR R74530)
17	R78769	HANDLE	2		
18	34H247	SPRING PIN	2		1/8" X 3/4"
19	R78768	COVER	2		
20	RE12121	RECEIVER	1		
21	AR94522	INTERNAL HALF COUPLER	AR		(SUB FOR AR94522)
22	AL26972	EXTERNAL HALF COUPLER	AR		

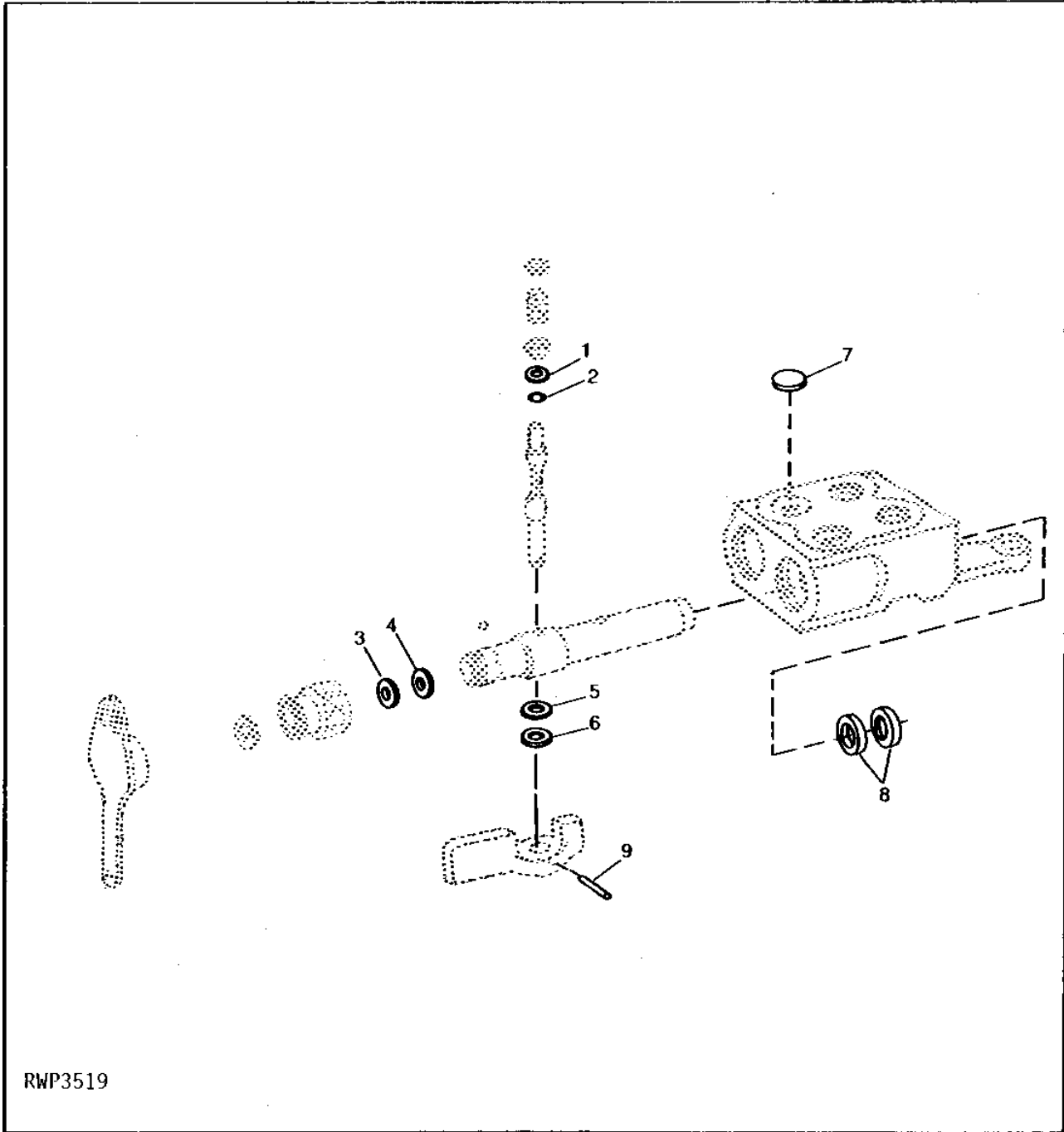
# 2D21

HYDRAULICS

RWP3519

-UN-01JAN94

ISO COUPLER OVERHAUL KIT



RWP3519

# 2D22

HYDRAULICS

## ISO COUPLER OVERHAUL KIT - CONTINUED

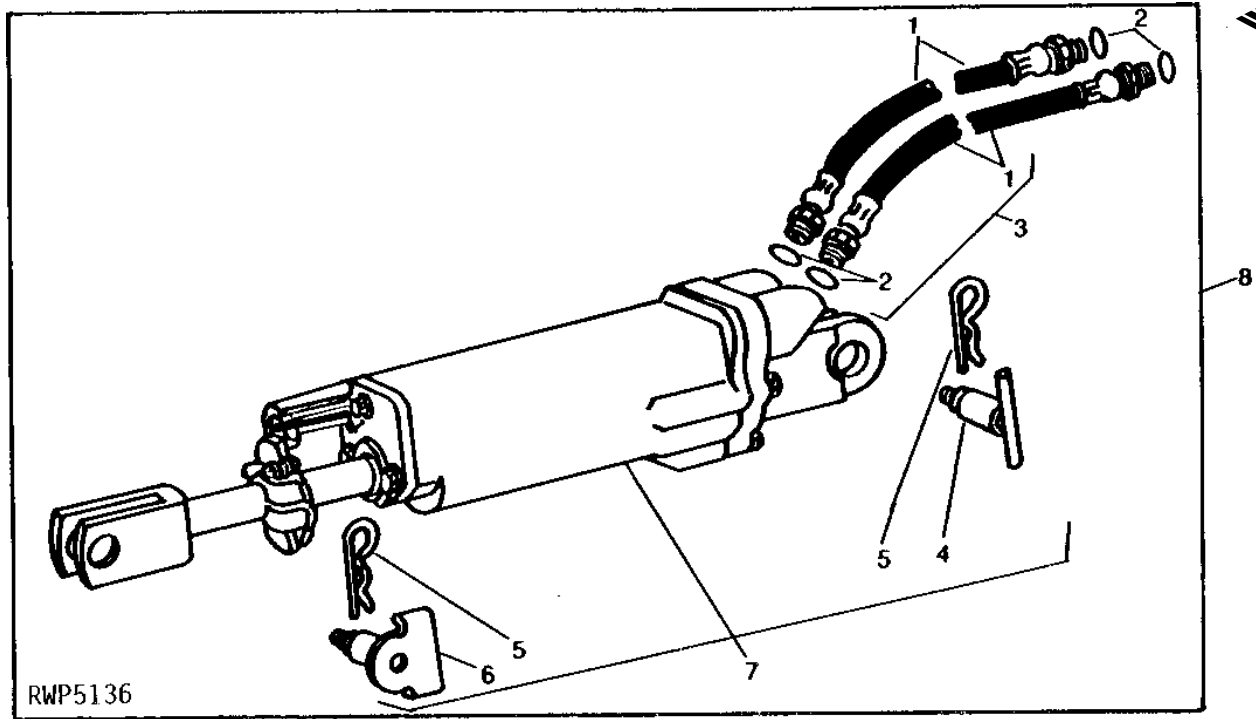
KEY	PART NO.	PART NAME	QTY	TRACTOR SERIAL NO.	REMARKS
1	R31136	BACK-UP RING	2		
2	R10093	O-RING	2		
3	R71387	WASHER	2		
4	R74210	O-RING	2		
5	P51212	O-RING	2		
6	R78766	BACK-UP RING	2		
7	30H15	PLUG	2		1-1/8", (NOT USED THIS APPLICATION)
8	R79311	SEAL	4		(SUB FOR R74530)
9	34H247	SPRING PIN	2		1/8" X 3/4"
10	RE13815	KIT	1		

# 2D23

HYDRAULICS

RWP5136 -UN-01JAN94

## REMOTE CYLINDER AND HOSES



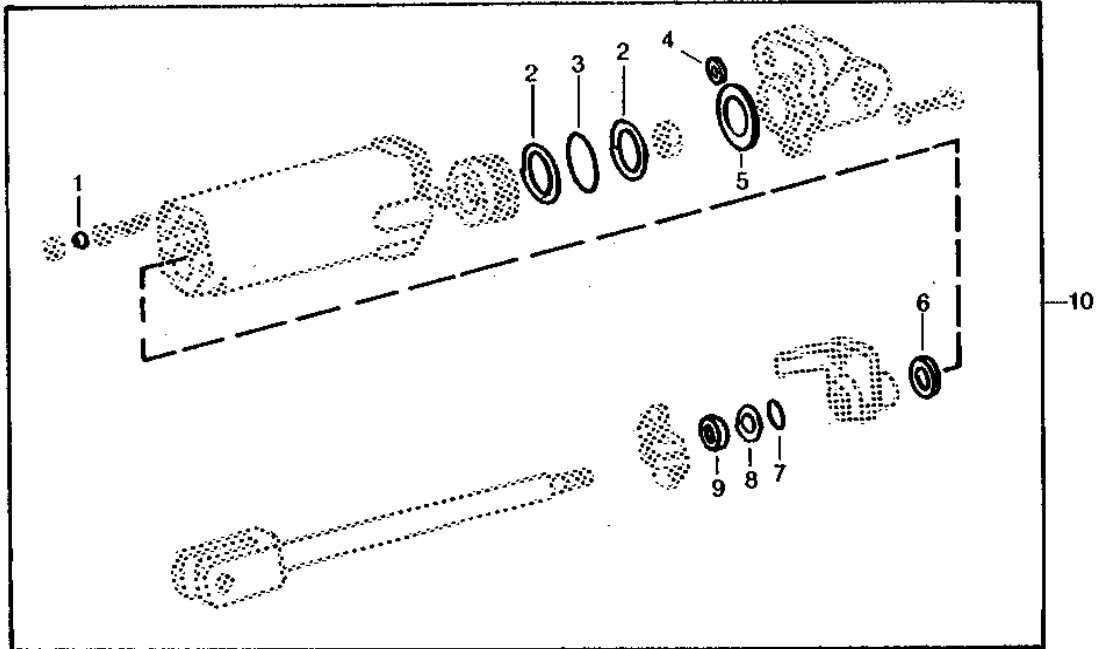
KEY	PART NO.	PART NAME	QTY	TRACTOR SERIAL NO.	REMARKS
1	AR26407	HYDRAULIC HOSE	2		9.5 X 2337MM (3/8" X 92")
2	R26375	O-RING	4		
3	AR27440	HYDRAULIC HOSE	1		
4	AR47825	PIN	1		
5	A3581R	SPRING LOCKING PIN	2		
6	AR71902	PIN	1		
7	AR38426	HYDRAULIC CYLINDER	1		(SUB AR38239)
8	AR38425	CYLINDER	1		(SUB AR38239)
..	AR30784	TEE FITTING	1		

# 2D24

HYDRAULICS

RP576 -UN-01JAN94

## REMOTE CYLINDER OVERHAUL KIT



RP576

KEY	PART NO.	PART NAME	QTY	MODEL NO.	REMARKS
1	A4745R	PACKING	3	"V"	
2	R39009	BACK-UP RING	2		
3	L2104N	O-RING	1		
4	A4723R	WASHER	2		
5	R39029	WASHER	1		
6	A4733R	WASHER	1		
7	A4730R	O-RING	1		
8	A4731R	WASHER	1		
9	AA5607R	SEAL	1		
10	AR38713	KIT	1		

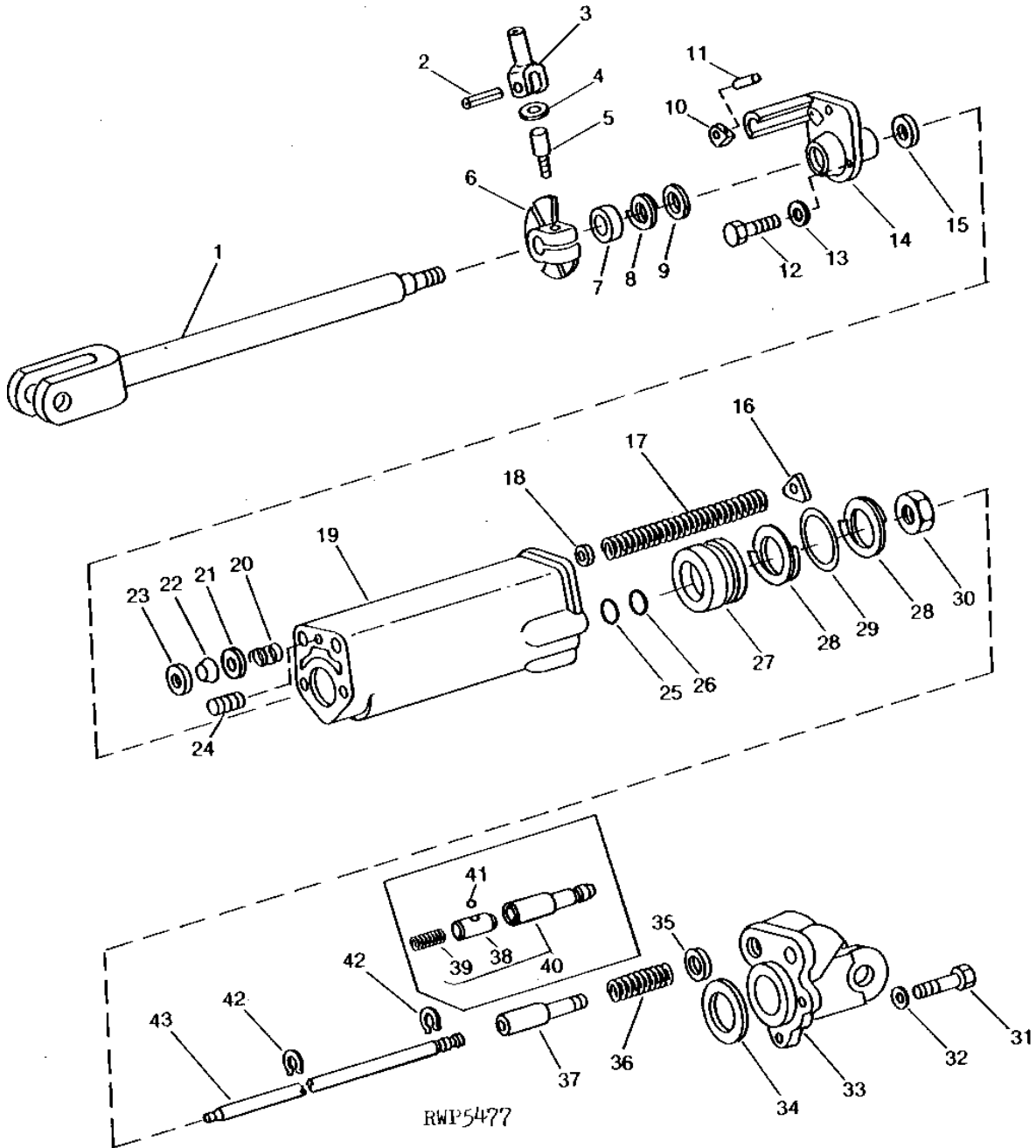
# 2E1

HYDRAULICS

RWP5477

-UN-01JAN94

## REMOTE CYLINDER PARTS



# 2E2

HYDRAULICS

## REMOTE CYLINDER PARTS - CONTINUED

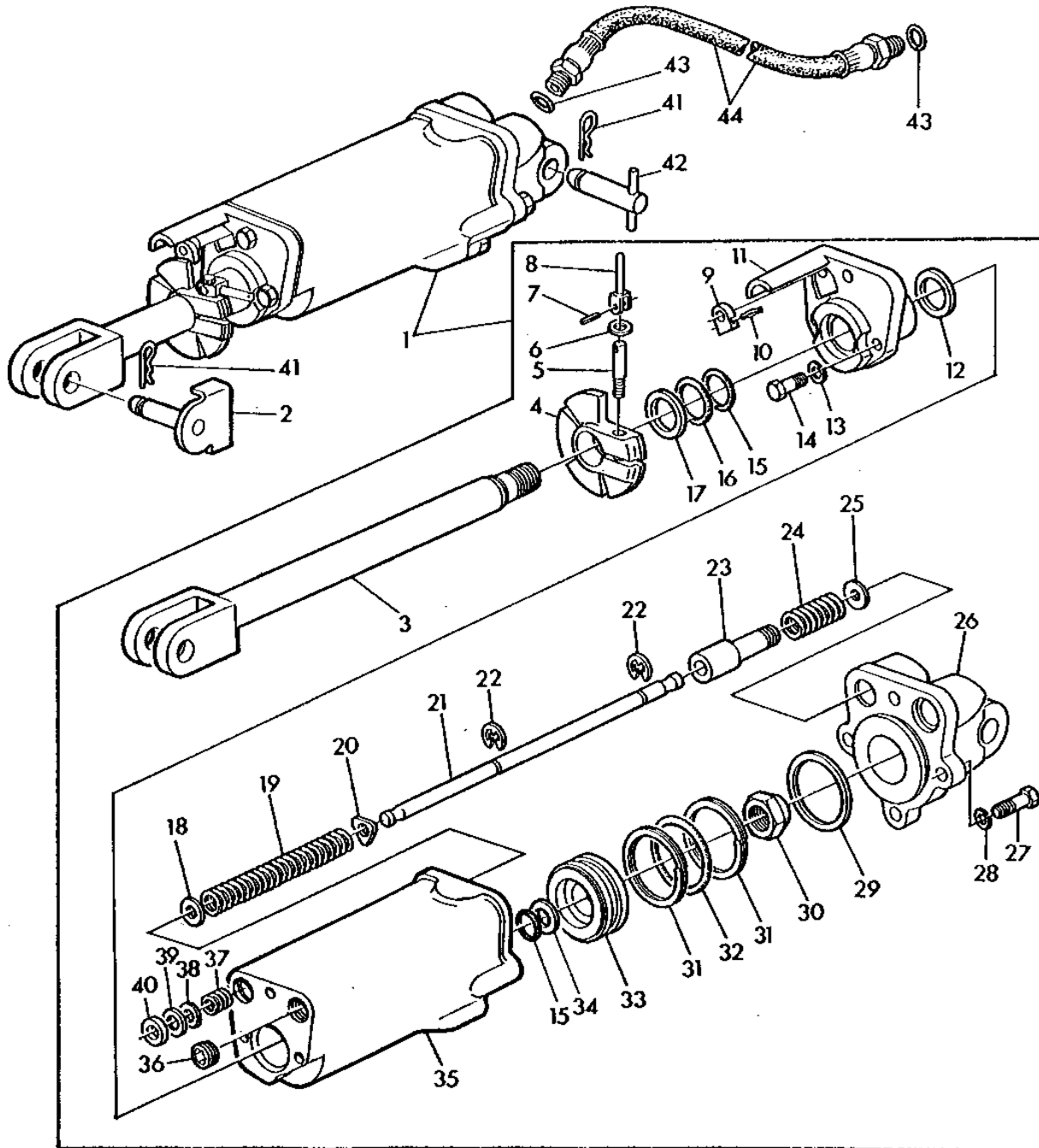
KEY	PART NO.	PART NAME	QTY	MODEL NO.	REMARKS
1	AR38849	ROD	1		
2	34H264	SPRING PIN	1		5/32" X 7/8"
3	A5302R	YOKE	1		
4	A147R	LOCK WASHER	1		
5	A5301R	SCREW	1		
6	R39064	STOP	1		
7	AA5607R	SEAL	1		
8	A4731R	WASHER	1		PAPER
9	A4730R	O-RING	1		
10	R27426	ARM	1		
11	25H760	GROOVE PIN	1		7/32" X 1-1/4"
12	19H2552	CAP SCREW	3		3/8" X 1-1/8"
13	12H304	LOCK WASHER	3		3/8"
14	A4732R	GUIDE	1		
15	A4733R	WASHER	1		
16	R57696	WASHER	1		
17	A4737R	SPRING	1		
18	24H1301	WASHER	1		13/32" X 9/16" X 0.065"
19	R39006	CYLINDER	1		
20	A4748R	SPRING ASSEMBLY	1		
21	A4747R	WASHER	1		
22	A4745R	PACKING	3		
23	A4746R	ADAPTER	1		
24	15H624	PIPE PLUG	1		1/2"
25	A4730R	O-RING	1		
26	R26480	BACK-UP RING	1		
27	R38537	PISTON	1		
28	R39009	BACK-UP RING	2		
29	L2104N	O-RING	1		
30	R38508	NUT	1		
31	19H2473	CAP SCREW	4		1/2" X 1-3/4"
32	12H301	LOCK WASHER	4		1/2"
33	R39013	COVER	1		
34	R39029	WASHER	1		
35	A4723R	WASHER	2		
36	R49352	SPRING	1		
37	R39012	VALVE	1	5RC3-	
38	A4740R	VALVE	1	-5RC2	(SUB AA5731R)
39	A4741R	SPRING	1	-5RC2	(FIELD OPTION)
40	AA5731R	VALVE	1	-5RC2	(ILLUSTRATED) (FIELD OPTION)
41	A4742R	BALL	1	-5RC2	(5/32") (FIELD OPTION)
42	A4739R	RING	2		
43	A4736R	ROD	1		
..	AR38426	HYDRAULIC CYLINDER	1		(SUB AR38239)

# 2E3

HYDRAULICS

L112237 -UN-01JAN94

## REMOTE CONTROL CYLINDER



L 112237



# 2E4

HYDRAULICS

## REMOTE CONTROL CYLINDER - CONTINUED

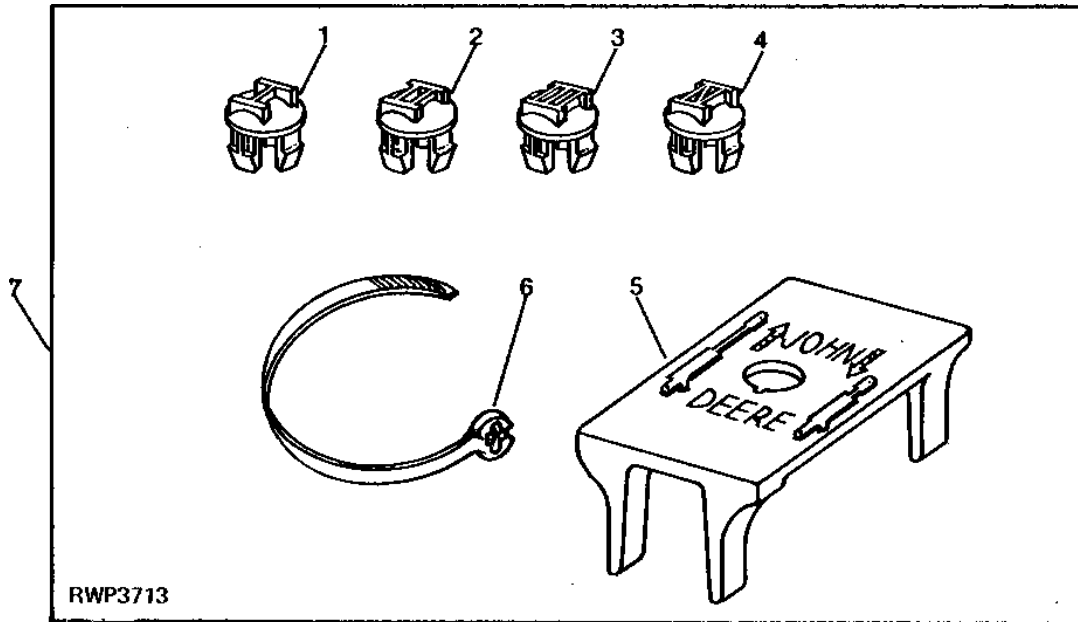
KEY	PART NO.	PART NAME	QTY	SERIAL NO.	REMARKS
1	AR38239	HYDRAULIC CYLINDER	1		
2	AR71902	PIN	1		
3	AR38849	ROD	1		
4	R39064	STOP	1		
5	A5301R	SCREW	1		
6	R1870R	WASHER	1	(SUB R57696)	
7	34H264	SPRING PIN	1	5/32" X 7/8"	
8	A5302R	YOKE	1		
9	R27426	ARM	1		
10	25H760	GROOVE PIN	1	7/32" X 1-1/4"	
11	A4732R	GUIDE	1		
12	A4733R	WASHER	1		
13	12H304	LOCK WASHER	3	3/8"	
14	19H2552	CAP SCREW	3	3/8" X 1-1/8"	
15	A4730R	O-RING	2		
16	A4731R	WASHER	1		
17	AA5607R	SEAL	1		
18	24H1301	WASHER	1	13/32" X 9/16" X 0.065"	
19	A4737R	SPRING	1		
20	R57696	WASHER	1		
21	A4736R	ROD	1		
22	A4739R	RING	2		
23	R39012	VALVE	1		
24	R49352	SPRING	1		
25	A4723R	WASHER	2		
26	R39013	COVER	1		
27	19H2473	CAP SCREW	4	1/2" X 1-3/4"	
28	12H301	LOCK WASHER	4	1/2"	
29	R39029	WASHER	1		
30	R38508	NUT	1		
31	R39009	BACK-UP RING	2		
32	L2104N	O-RING	1		
33	R38537	PISTON	1		
34	R26480	BACK-UP RING	1		
35	R39006	CYLINDER	1		
36	15H625	PIPE BUSHING	1	1/4"	
37	A4748R	SPRING ASSEMBLY	1		
38	A4747R	WASHER	1		
39	A4745R	PACKING	3		
40	A4746R	ADAPTER	1		
41	A3581R	SPRING LOCKING PIN	2		
42	AR47825	PIN	1		
43	R26375	O-RING	4		
44	AR26407	HYDRAULIC HOSE	2	I.D.=3/8",LENGTH= 2337MM (92")	

# 2E5

HYDRAULICS

RWP3713 -UN-01JAN94

## REMOTE CYLINDER HOSE IDENTIFICATION KIT



RWP3713

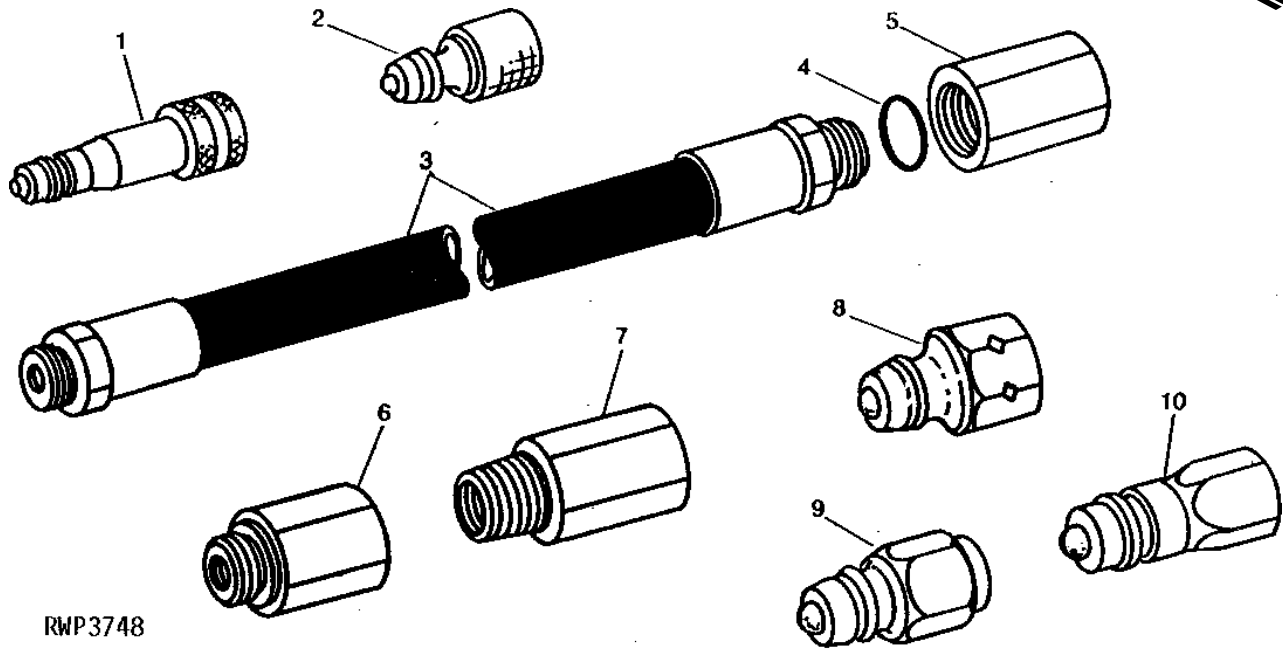
KEY	PART NO.	PART NAME	QTY	TRACTOR SERIAL NO.	REMARKS
1	R74242	PLUG	1		
2	R74243	PLUG	1		
3	R74244	PLUG	1		
4	R74246	PLUG	1		
5	R76459	TAG	1		
6	R76477	TIE BAND	2		
7	AR103808	KIT	1		

# 2E6

HYDRAULICS

RWP3748 -UN-01JAN94

## IMPLEMENT HYDRAULIC OIL LINES AND FITTINGS



RWP3748

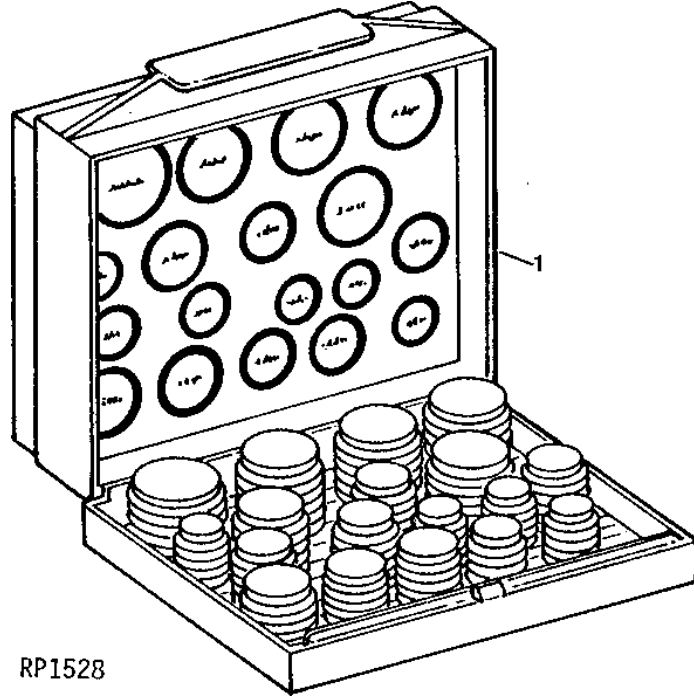
KEY	PART NO.	PART NAME	QTY	TRACTOR SERIAL NO.	REMARKS
1	AR98202	HYD. QUICK-CONNECT COUPLER	1	JOHN DEERE TO ISO	
	R21722	O-RING	1	(INCLUDED IN AR98202)	
	RE11457	ADAPTER	1	IHC TO ISO	
	U11647	O-RING	1	(INCLUDED IN RE11457)	
2	AR98201	HYD. QUICK-CONNECT COUPLER	1	ISO TO JOHN DEERE (FI)	
	R21722	O-RING	1	(INCLUDED IN AR98201, RE11458 AND RE11463)	
	R71387	WASHER	1	(INCLUDED IN AR98201) (FI)	
	RE11456	ADAPTER	1	IHC TO JOHN DEERE	
	RE11458	ADAPTER	1	JOHN DEERE TO IHC	
	RE11463	ADAPTER	1	ISO TO IHC	
3	AR28754	HYDRAULIC HOSE	1	10 X 610MM (3/8" X 24") (SUB TY3018)	
	AR28755	HYDRAULIC HOSE	1	10 X 914MM (3/8" X 36") (SUB TY3019)	
	R36658	HYDRAULIC HOSE	1	13 X 610MM (1/2" X 24")	
	R36659	HYDRAULIC HOSE	1	13 X 914MM (1/2" X 36")	
4	R26375	O-RING	1		
5	R30815	FITTING	1	3/4" THREAD	
6	R30817	ADAPTER	1	3/4"-16UNF MALE X 1/2"-14NPT FEMALE	
7	R30816	ADAPTER	1	1/2"-14NPT MALE X 3/4"-16UNF FEMALE	
8	AR93820	FITTING	1	JOHN DEERE, 3/4"-16 UNF	
9	RE11447	FITTING	1	JOHN DEERE, 1/2"-14NPT	
10	AR94522	INTERNAL HALF COUPLER	1	ISO, 3/4"-16UNF	

# 2E7

HYDRAULICS

RP1528 -UN-01JAN94

O-RING KIT



RP1528

KEY	PART NO.	PART NAME	QTY	TRACTOR SERIAL NO.	REMARKS
1	AR73500	KIT	1		

# 2E8

HYDRAULICS

R32261F -UN-01JAN94

## TRANSMISSION AND HYDRAULIC OIL



R32261F

KEY	PART NO.	PART NAME	QTY	TRACTOR SERIAL NO.	REMARKS
..	AR69444	HY-GARD	1		19L (5 GAL) JOHN DEERE HY-GARD
..	AR69445	HY-GARD	1		208L (55 GAL) JOHN DEERE HY-GARD (EMPTY DRUMS NOT RETURNABLE)

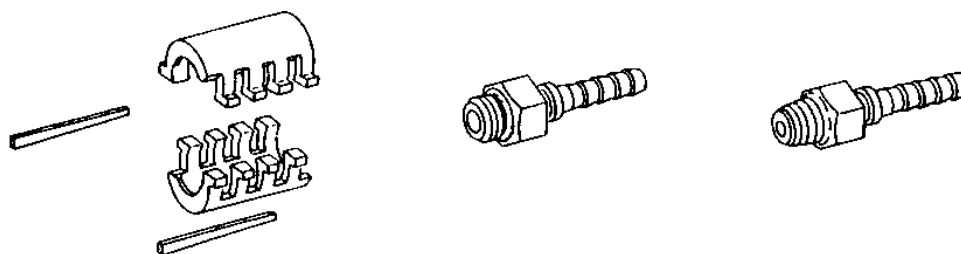
# 2E9

HYDRAULICS

RXP7733

-UN-23SEP94

## BULK FLEXIBLE OIL LINE AND REUSABLE LOK-PIN COUPLINGS



Oil Line (Length) Approx. 50 ft.)		Set of Ferrules with Pins*	Stem-Straight Thread with O-ring	Stem-Pipe Thread
R 34790	3/8" I.D. — 1 Wire	.....	AR 39635* *	R 39687
R 34791	1/2" I.D. — 1 Wire	.....	AR 39636* *	R 39688
R 34792	3/4" I.D. — 1 Wire	.....	AR 39637#	R 39689
R 34793	3/8" I.D. — 2 Wire	AR 39632	AR 39635* *	R 39687
R 34794	1/2" I.D. — 2 Wire	.....	AR 39636* *	R 39688
R 34795	3/4" I.D. — 2 Wire	.....	AR 39637#	R 39689

\* Each set of ferrules includes two R39681 pins - extra pins may be ordered, packed 20 in a package.  
 \*\*Includes R26375 O-ring.  
 # Includes F3171R O-ring.

## REUSABLE COUPLINGS (Use With Braid Flexible Oil Line)



1 WR Single Wire		2 WR Double Wire		I.D.	Thread
Coupling No.		Coupling No.			
AF 3585	R	AR 21629		3/8"	18 NPTF
AF 3586	R	AR 21630		1/2"	14 NPTF
AF 3587	R	.....		5/8"	14 NPTF
AF 3588	R	AR 21632		3/4"	14 NPTF
		AR 21634		1"	11-1/2" NPTF
R 34644		.....		3/8"	16 O-ring type thread
R 34646		R 34647		1/2"	16 O-ring type thread

## BULK SINGLE WIRE BRAID FLEXIBLE OIL LINE (Use With Reusable Coupling for Single Wire Braid Flexible Oil Line)

Part No.	I.D.	O.D.	Length
A 5776 R	1/2"	29/32"	Approx. 50 ft.
A 5777 R	5/8"	1-1/32"	Approx. 50 ft.

## BULK DOUBLE WIRE BRAID FLEXIBLE OIL LINE (Use with Reusable Coupling for Double Wire Braid Flexible Oil Line)

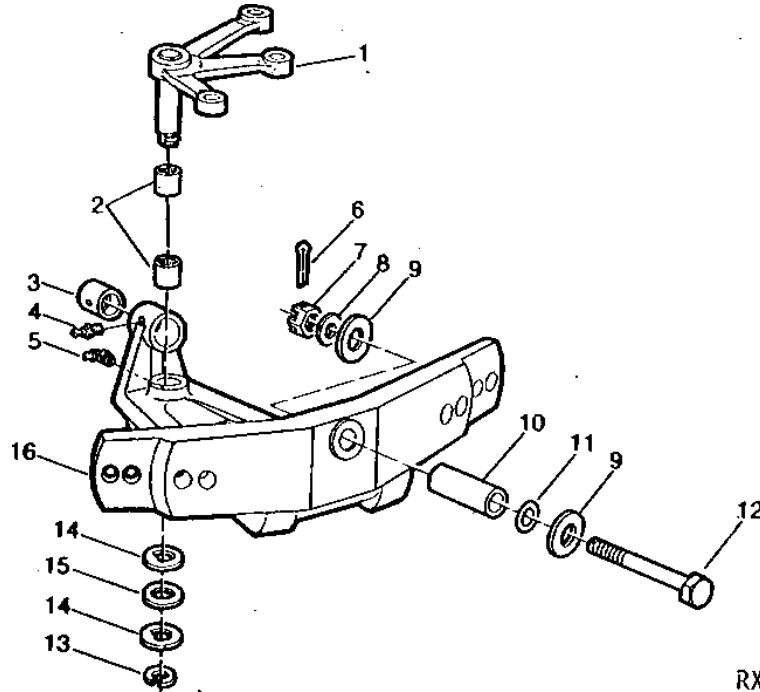
Part No.	I.D.	O.D.	Length
R 21531	3/8"	29/32"	Approx. 50 ft.
R 21532 RXP7733	1/2"	31/32"	Approx. 50 ft.

# 2E12

WHEELS, FRONT AXLES, SHEET METAL

## SWEPT BACK ADJUSTABLE FRONT AXLE FOR 16.1" REAR TIRES

RXP8011 -UN-01JAN94



RXP8011

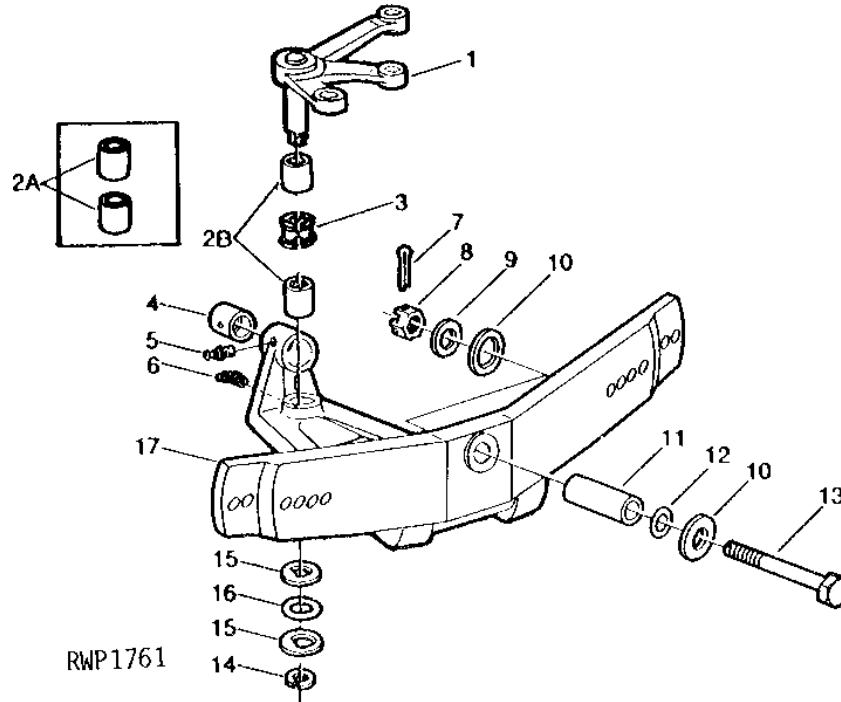
KEY	PART NO.	PART NAME	QTY	TRACTOR SERIAL NO.	REMARKS
1	AT19794	LEVER	1		(USE WITH T21941 OR R49855)
2	JD9911	NEEDLE BEARING	2		(USE WITH R49855)
	T23118	BUSHING	2		(USE WITH T21941)
3	T23170	BUSHING	1		
4	JD7798	LUBRICATION FITTING	1		1/8", (SUB JD7759)
5	JD7799	LUBRICATION FITTING	1		90°, 1/8"
6	11M7030	COTTER PIN	1		0.197" X 1.575"
7	14H902	NUT	1		3/4"
8	T10510	WASHER	1		
9	T25922	WASHER	1		
10	T21669	BUSHING	1		
11	T25921	SHIM	AR		0.40MM (.016")
	T30991	WASHER	AR		1.00MM (.040")
12	T25840	CAP SCREW	1		
13	F534R	SNAP RING	1		
14	T23229	WASHER	2		
15	R49065	SHIM	AR		0.10MM (.004")
	R49066	SHIM	AR		0.50MM (.020")
	R49067	WASHER	AR		1.00MM (.040")
	T23228	SHIM	AR		0.25MM (.010")
16	AT22278	AXLE	1		(MARKED T21941) (INCLUDES T23170, T23118, T21669, JD7798 AND JD7799)
	AR53863	AXLE	1		(MARKED R49855)

# 2E13

WHEELS, FRONT AXLES, SHEET METAL

## SWEPT BACK ADJUSTABLE FRONT AXLE (24" AND 28" REAR TIRES)

RWP1761 -UN-01JAN94



KEY	PART NO.	PART NAME	QTY	TRACTOR SERIAL NO.	REMARKS
1	AT19794	LEVER	1		(USE WITH T36118 OR R49854)
	AR92944	LEVER	1		(USE WITH R70227)
2A	T23118	BUSHING	2		(USE WITH T36118)
	JD8827	NEEDLE BEARING	2		(USE WITH R70227)
2B	JD10054	NEEDLE BEARING	2		(ALSO ORDER L34206) (USE WITH R49854)
3	L34206	SPACER	1		(USE WITH R49854)
4	T23170	BUSHING	1		
5	JD7798	LUBRICATION FITTING	1		1/8", (SUB JD7759)
6	JD7799	LUBRICATION FITTING	1		90°, 1/8"
7	11M7030	COTTER PIN	1		0.197" X 1.575"
8	14H902	NUT	1		3/4"
9	T10510	WASHER	1		
10	T25921	SHIM	AR		0.40MM (.016")
	T30991	WASHER	AR		1.00MM (.040")
11	T21669	BUSHING	1		
12	T25922	WASHER	2		
13	T25840	CAP SCREW	1		
14	F534R	SNAP RING	1		
15	T23229	WASHER	2		
16	R49065	SHIM	AR		0.10MM (.004")
	R49066	SHIM	AR		0.50MM (.020")
	R49067	WASHER	AR		1.00MM (.040")
	T23228	SHIM	AR		0.25MM (.010")
17	AR91808	FRONT AXLE	1		(MARKED R70227 OR T36118) (SUB FOR AT34970)
	AR53862	AXLE	1		(ALSO ORDER AR92944) (MARKED R49854) (SUB AT34970)

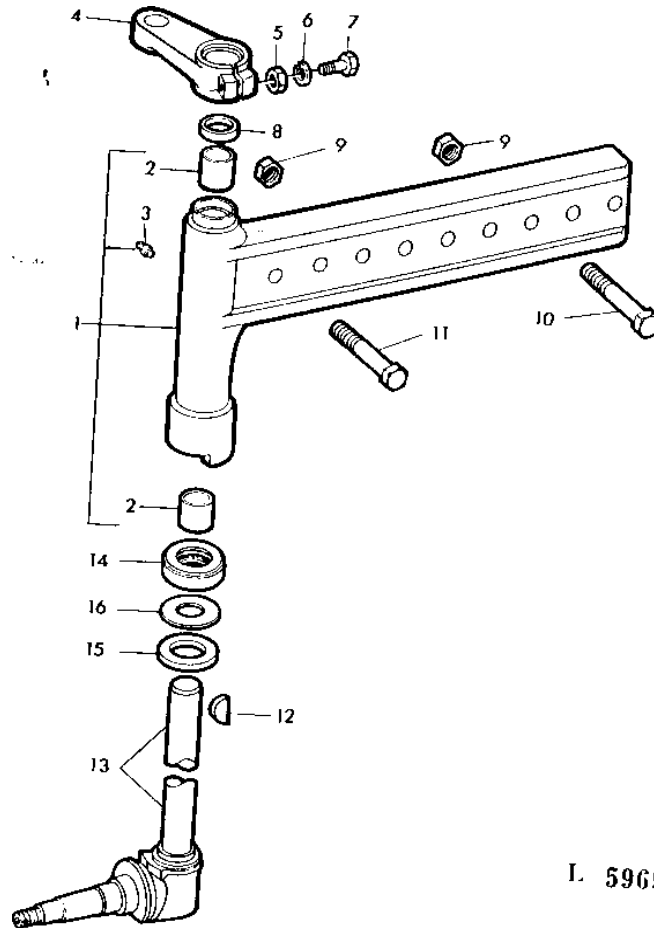


# 2E14

WHEELS, FRONT AXLES, SHEET METAL

## FRONT AXLE KNEE, SPINDLE AND KNUCKLE (SWEEPED BACK FRONT AXLE FOR 16.1", 24" AND 28" REAR TIRES)

L59698 -UN-01JAN94



I. 59698

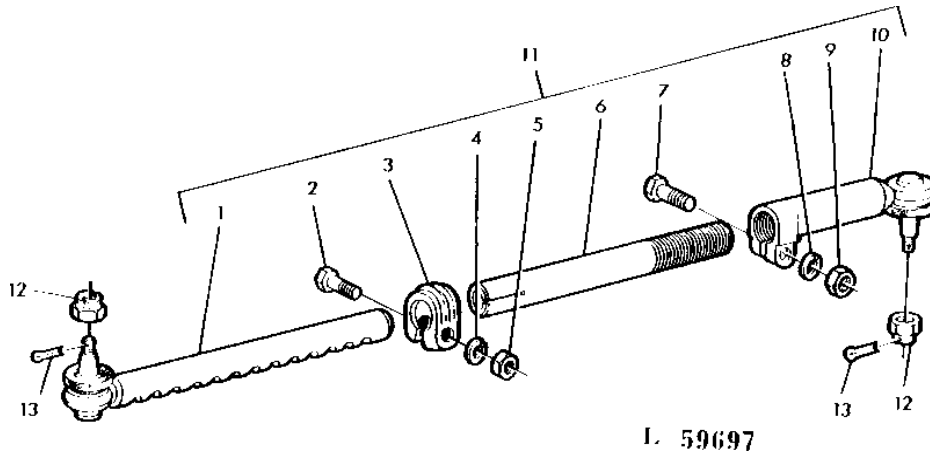
KEY	PART NO.	PART NAME	QTY	TRACTOR SERIAL NO.	REMARKS
1	AT22221	AXLE KNEE	1		R.H. (24" AND 28" REAR TIRES)
	AT22222	AXLE KNEE	1		L.H. (24" AND 28" REAR TIRES)
	AT22279	AXLE KNEE	1		R.H. (16.1" REAR TIRES) (SUB T21942, (2) T21539 AND JD7798)
	AT22280	AXLE KNEE	1		L.H. (16.1" REAR TIRES)
2	T21539	BUSHING	4		
3	JD7798	LUBRICATION FITTING	2		1/8", (SUB JD7759)
4	T21517	LEVER	1		R.H.
	T21518	LEVER	1		L.H.
5	14H1040	NUT	2		1/2"
6	12H301	LOCK WASHER	2		1/2"
7	19H2644	CAP SCREW	2		1/2" X 2-1/2"
8	M1518T	WASHER	2		
9	14H794	NUT	4		3/4"
10	19H2826	CAP SCREW	2		3/4" X 4-1/2", HS, SAE 8
11	19H3196	CAP SCREW	2		3/4" X 4", HS, SAE 8
12	26H93	SHAFT KEY	2		1/4" X 1-1/4"
13	AR52861	KNUCKLE	2		(SPINDLE LENGTH 300MM (11.81")) (24" AND 28" REAR TIRES) (SUB AR103472)
	AR52862	KNUCKLE	2		(SPINDLE LENGTH 250MM (9.80")) (16.1" REAR TIRES) (SUB AR103473)
14	JD8407	THRUST BEARING	2		
15	M2282T	WASHER	2		
16	M2283T	WASHER	2		

# 2E15

WHEELS, FRONT AXLES, SHEET METAL

## TIE ROD ASSEMBLY (SWEPT BACK FRONT AXLE FOR 16.1", 24" AND 28" REAR TIRES)

L59697 -UN-01JAN94



KEY	PART NO.	PART NAME	QTY	TRACTOR SERIAL NO.	REMARKS
1	AT23885	ROD	2		(24" AND 28" REAR TIRES)
	AT27131	TIE ROD END	2		(16.1" REAR TIRES)
2	19H3183	CAP SCREW	2		1/2" X 2-1/8"
3	R50507	CLAMP	2		
4	12H301	LOCK WASHER	2		1/2"
5	14H865	NUT	2		1/2"
6	T25901	PIPE	2		(24" AND 28" REAR TIRES)
	T29106	PIPE	2		(16.1" REAR TIRES)
7	19H2544	CAP SCREW	2		3/8" X 1-1/2"
8	12H304	LOCK WASHER	2		3/8"
9	14H1080	NUT	2		3/8"
10	AT27130	TIE ROD END	2		INNER
11	AR54634	ROD	2		(24" AND 28" REAR TIRES)
	AR54635	ROD	2		(16.1" REAR TIRES)
12	14H918	NUT	4		5/8"
13	11M7083	COTTER PIN	4		0.126" X 1.969"

---

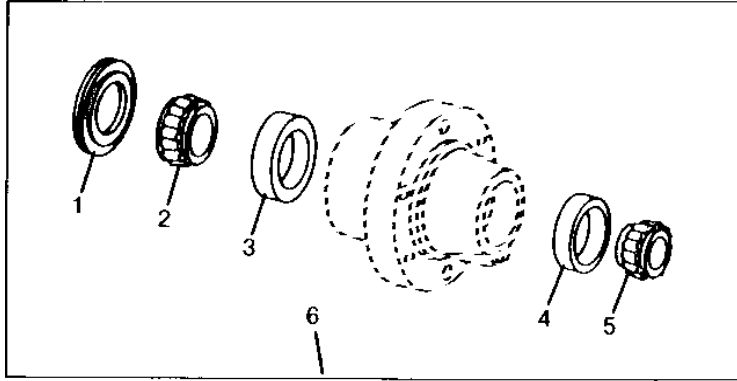
MEMORANDA

# 2E16

WHEELS, FRONT AXLES, SHEET METAL

RXP9982 -UN-05JUL95

## FRONT WHEEL BEARING KIT



RXP9982

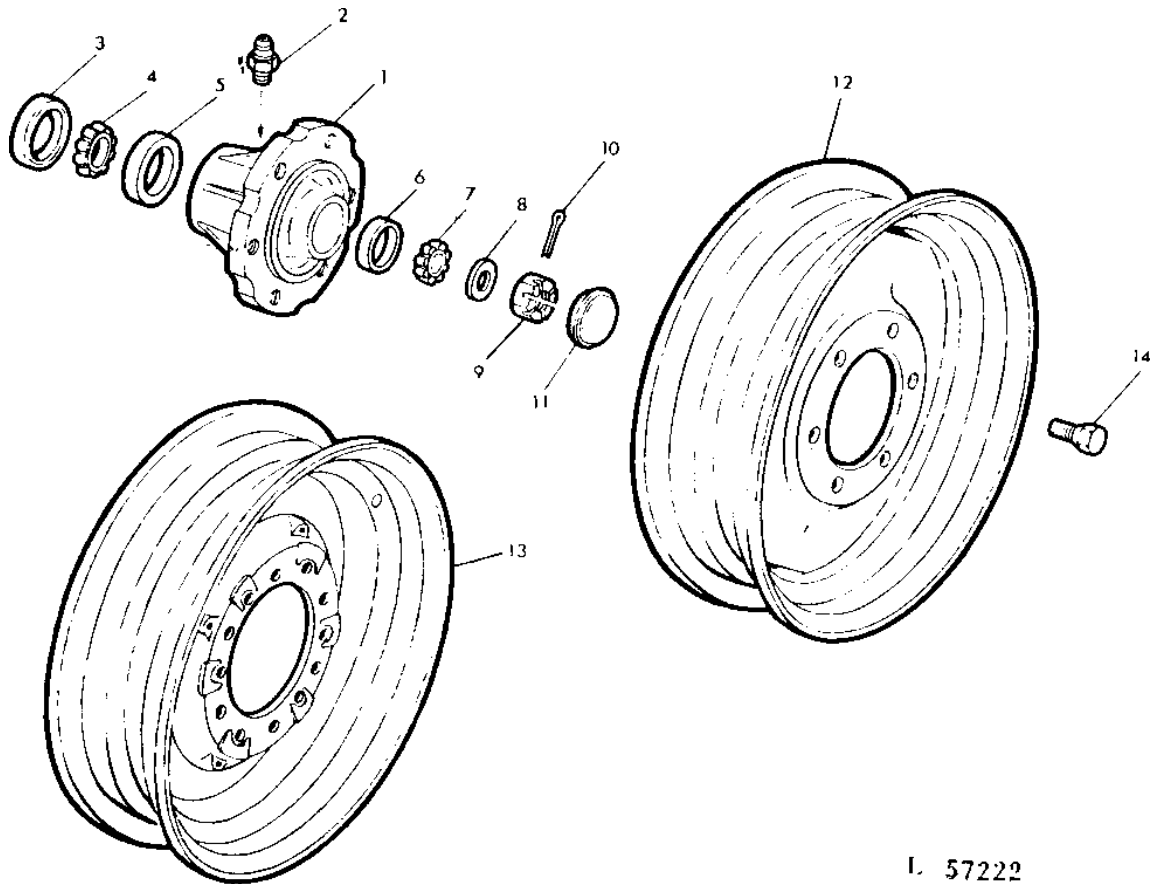
KEY	PART NO.	PART NAME	QTY	TRACTOR SERIAL NO.	REMARKS
1	AT10344	SEAL	1		
2	JD8194	BEARING CONE	1		
3	JD8230	BEARING CUP	1		
4	JD8239	BEARING CUP	1		
5	JD8905	BEARING CONE	1		
6	RE54817	BEARING KIT	1		

# 2E17

WHEELS, FRONT AXLES, SHEET METAL

L57222 -UN-01JAN94

## FRONT WHEEL ASSEMBLY



L 57222

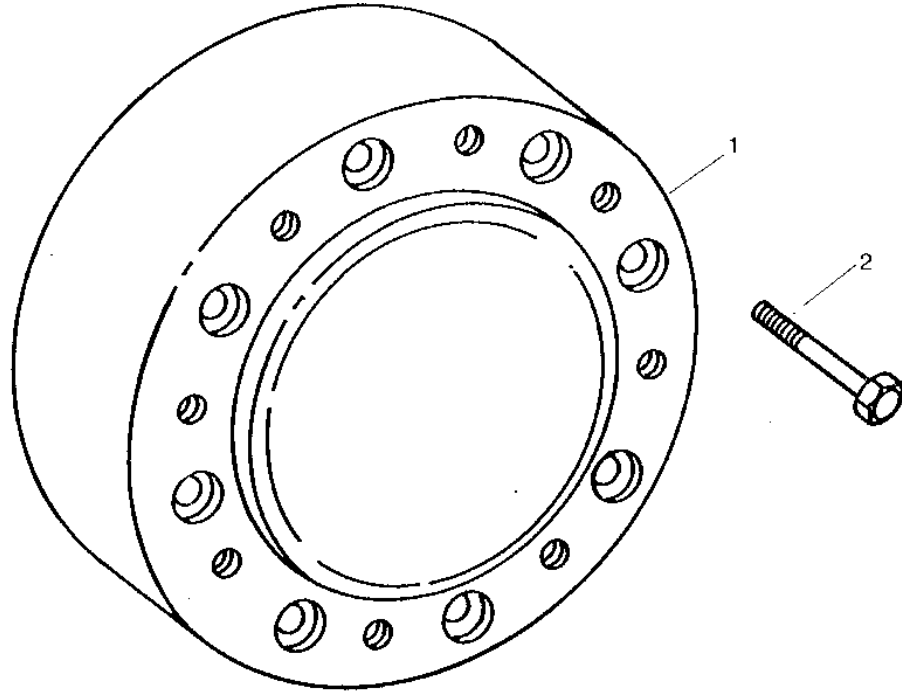
KEY	PART NO.	PART NAME	QTY	TRACTOR SERIAL NO.	REMARKS
1	T25809	HUB	1		(ALSO ORDER AT10344)
2	JD7798	LUBRICATION FITTING	1		1/8", (SUB JD7759)
3	AR49592	SEAL	1		(USE WITH R47076)
	AT10344	SEAL	1		(USE WITH T25809)
4	JD8194	BEARING CONE	1		
5	JD8230	BEARING CUP	1		
6	JD8239	BEARING CUP	1		
7	JD8905	BEARING CONE	1		
8	T10510	WASHER	1		
9	14H902	NUT	1		3/4"
10	11M7023	COTTER PIN	1		4 X 32 MM
11	T12688	CAP	1		
12	JD3002	RIM	1		(6.00-16, 6.50-16 TIRE)
13	JD3039	WHEEL	1		(7.50-16 TIRE)
	JD3047	WHEEL	1		(27/9.5-15 TIRE)
	JD691	WHEEL	1		(23/10.5-12 TIRE)
14	JD21	WHEEL BOLT	6		9/16"
..	AM30347	TIRE VALVE STEM	1		VALVE, (SUB FOR AR55282)

# 2E18

WHEELS, FRONT AXLES, SHEET METAL

RP249 -UN-01JAN94

## FLANGED AXLE EXTENSION



RP249

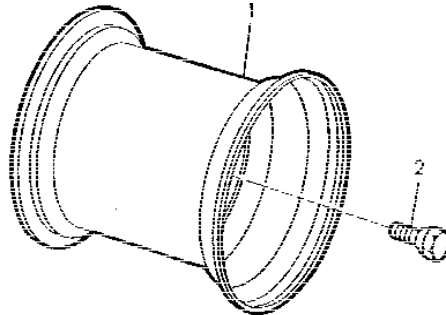
KEY	PART NO.	PART NAME	QTY	TRACTOR SERIAL NO.	REMARKS
1	T22690	EXTENSION	2		
2	19H2647	CAP SCREW	16	(18.4-16.1 TIRE) 9/16" X 4-1/2"	

# 2E19

WHEELS, FRONT AXLES, SHEET METAL

L57249 -UN-01JAN94

## STEEL DISK REAR WHEELS



L 57249

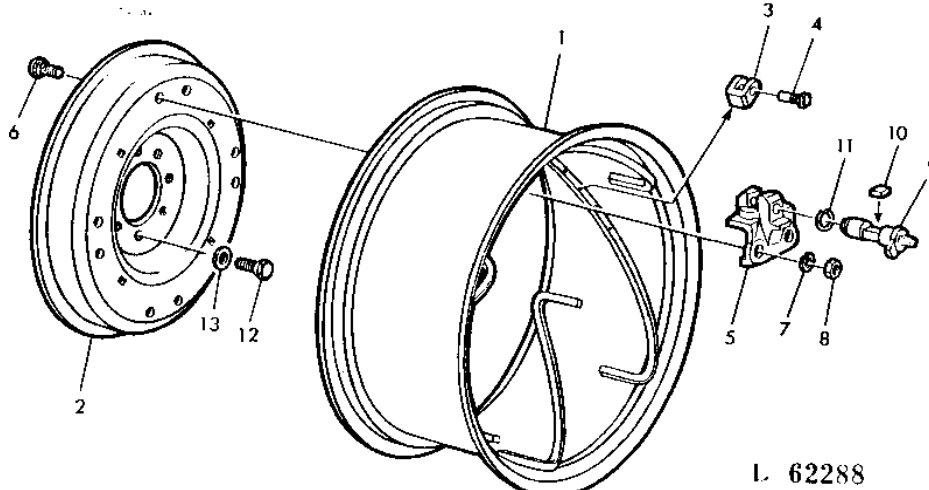
KEY	PART NO.	PART NAME	QTY	TRACTOR SERIAL NO.	REMARKS
1	AL24094	WHEEL	1		(16.5-16.1 TIRE) NLA
	JD3038	WHEEL	1		(18.4-16.1 AND 21.5-16.1 TIRE)
2	JD21	WHEEL BOLT	8		9/16"

# 2E20

WHEELS, FRONT AXLES, SHEET METAL

L62288 -UN-01JAN94

## POWER ADJUSTED REAR WHEELS



KEY	PART NO.	PART NAME	QTY	TRACTOR SERIAL NO.	REMARKS
1	AL24151	RIM	1		(13.6-28 OR 14.9-28 TIRE)
2	L29350	WHEEL	1	-XXXXXX	(SUB AL59587)
	L31664	WHEEL	1	XXXXXX-	(SUB AL59587)
	AL59587	WHEEL	1	XXXXXX-	(SUB FOR L29350 OR L31664)
3	L29351	STOP	2		
4	L29352	PIN	2		
5	L29346	BRACKET	4		(SUB L41715)
6	03H1399	BOLT	8		5/8" X 1-3/4"
7	12H294	LOCK WASHER	8		5/8"
8	14H1039	NUT	8		5/8"
9	L29347	PIN	4		(SUB L37426)
10	L29348	DETENT	4		
11	L29349	SNAP RING	4		
12	JD21	WHEEL BOLT	8	-XXXXXX	9/16"
	L31689	CAP SCREW	8	XXXXXX-	
13	24M7112	WASHER	8	XXXXXX-	15 X 28 X 3 MM
..	AT25226	STEM	1		VALVE

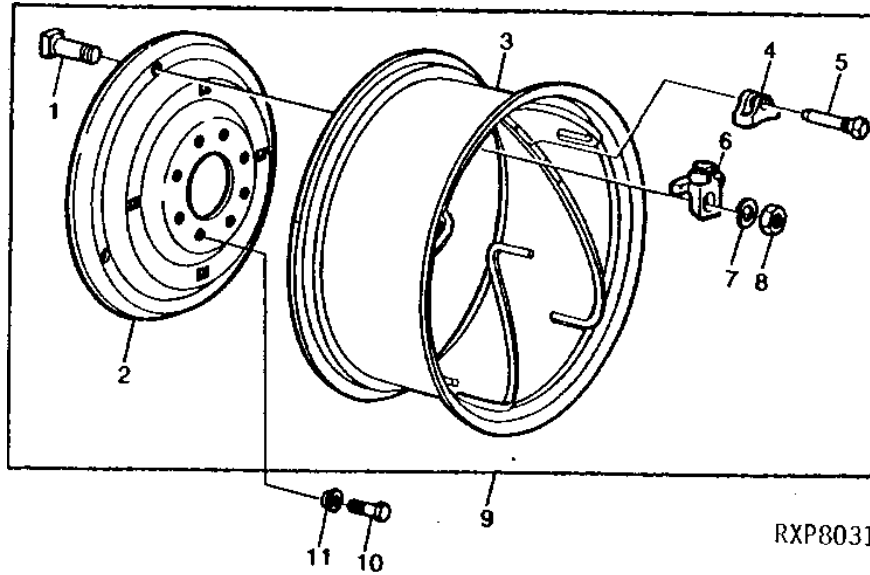


# 2E21

WHEELS, FRONT AXLES, SHEET METAL

RXP8031 -UN-01JAN94

## STEEL DISK REAR WHEEL



RXP8031

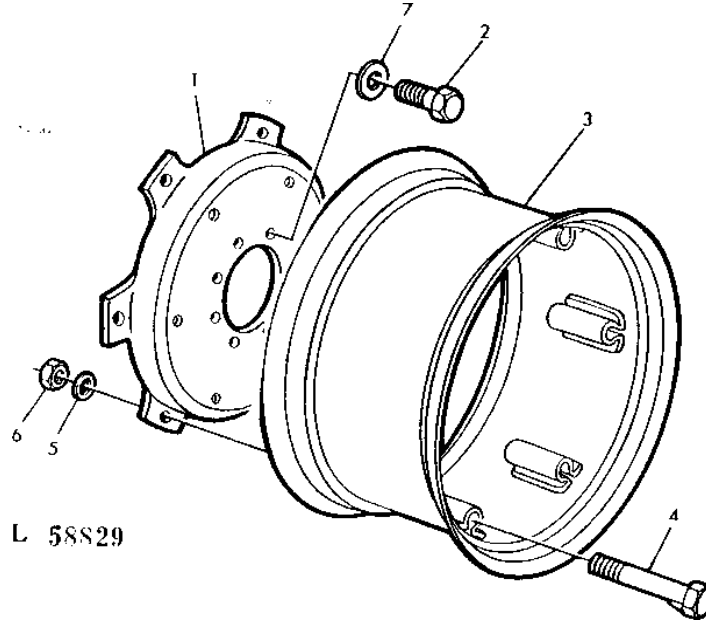
KEY	PART NO.	PART NAME	QTY	TRACTOR SERIAL NO.	REMARKS
1	L59225	BOLT	AR	M18	
2	L59208	WHEEL CENTER	1	14.9-28, 13.6-28	
3	AL60764	RIM	1	14.9-28, 13.6-28	
4	L59211	STOP	2		
5	L59212	PIN	2	M14	
6	L59210	HOLDER	AR		
7	L59226	WASHER	AR	34 X 19 X 4MM	
8	14M7447	NUT	AR	M18	
9	AL59587	WHEEL	1	14.9-28, 13.6-28	
10	L31689	CAP SCREW	16	9/16"	
11	L31686	BUSHING	16		

# 2E22

WHEELS, FRONT AXLES, SHEET METAL

L58829 -UN-01JAN94

## STEEL DISK REAR WHEELS (WELDED BRACKET)



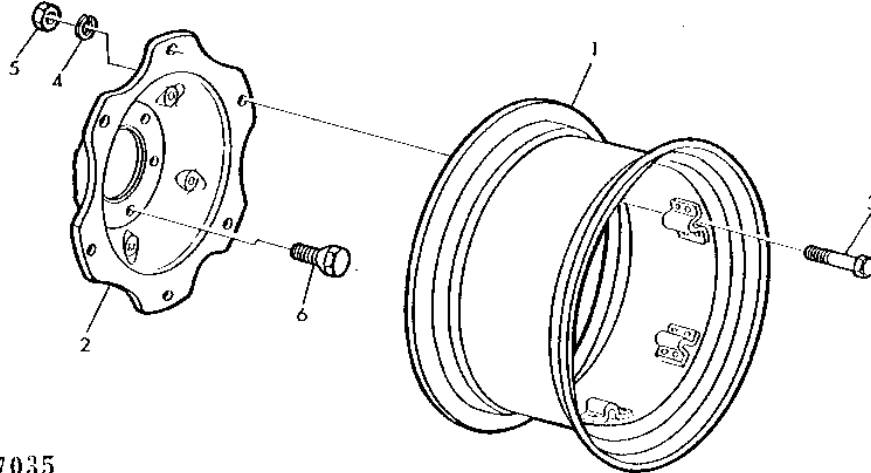
KEY	PART NO.	PART NAME	QTY	TRACTOR SERIAL NO.	REMARKS
1	L31667	WHEEL CENTER	1		(ALSO ORDER (8) L31689 AND (8) 24M7112) (SUB FOR L25819) (13.6-28 TIRE)
2	JD21	WHEEL BOLT	8		(USE WITH L25819)
	L31689	CAP SCREW	8		(USE WITH L31667)
3	AL15369	RIM	1		(13.6-28 TIRE)
4	T27511	CAP SCREW	6		
5	24M7145	WASHER	6		15 X 24 X 2.500 MM, (SUB FOR T31506)
6	14H888	NUT	6		9/16"
7	24M7112	WASHER	8		15 X 28 X 3 MM, (USE WITH L31667)
..	AT25226	STEM	1		VALVE

# 2E23

WHEELS, FRONT AXLES, SHEET METAL

L57035 -UN-01JAN94

## STEEL DISK REAR WHEELS (RIVETED BRACKET)



L 57035

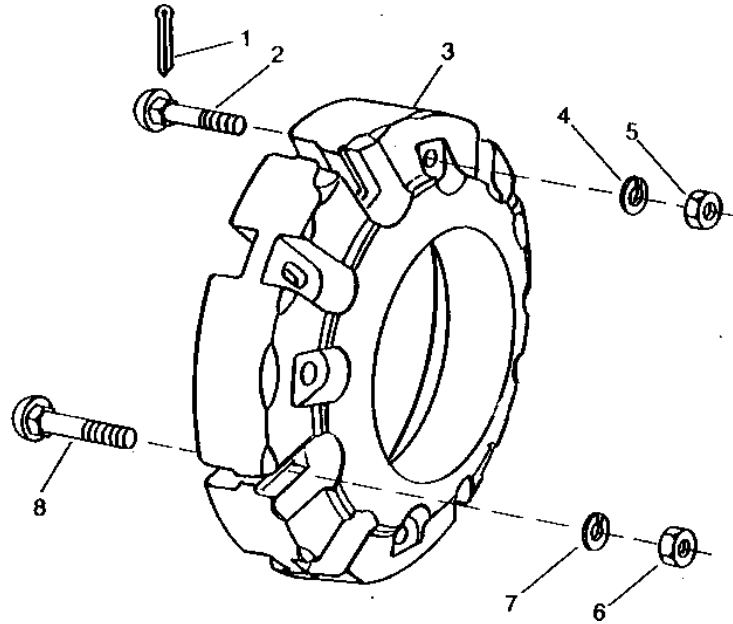
KEY	PART NO.	PART NAME	QTY	TRACTOR SERIAL NO.	REMARKS
1	AT20521	RIM	1	(16.9-24 TIRE)	
2	T19638	WHEEL CENTER	1	(16.9-24 TIRE)	
3	19H1863	CAP SCREW	6	5/8" X 3"	
4	12H294	LOCK WASHER	6	5/8"	
5	14H1039	NUT	6	5/8"	
6	JD21	WHEEL BOLT	8	9/16"	
..	AT25226	STEM	1	VALVE	

# 2E24

WHEELS, FRONT AXLES, SHEET METAL

## REAR WHEEL WEIGHT (24" DEMOUNTABLE STEEL DISK WHEEL) (FLANGED AXLE) (LU)

RWP5455 -UN-01JAN94



RWP5455

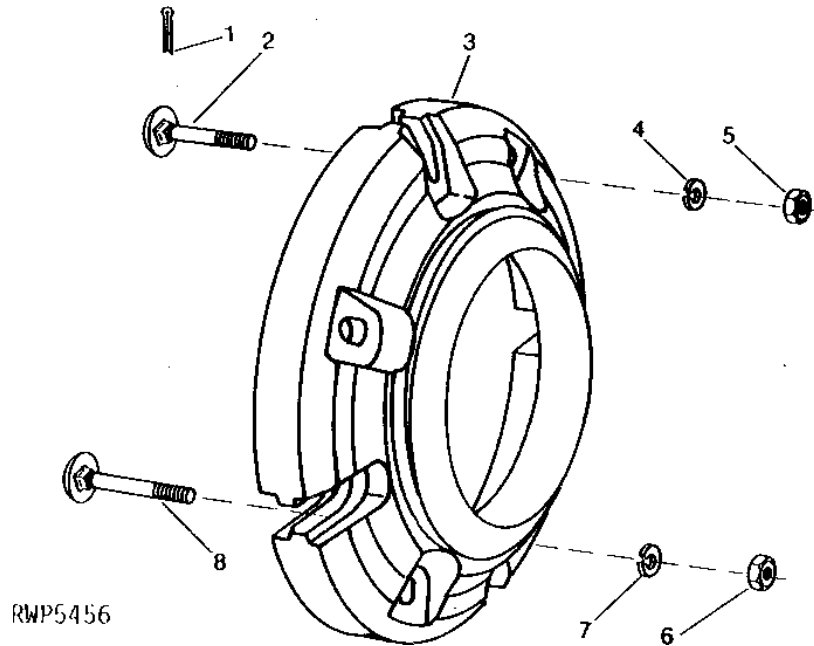
KEY	PART NO.	PART NAME	QTY	TRACTOR SERIAL NO.	REMARKS
1	11M7015	COTTER PIN	1	3.200 X 25 MM	
2	R28493	BOLT	4	5/8" X 3-1/4", (1ST WEIGHT TO WHEEL)	
3	<b>T19293</b>	<b>WEIGHT</b>	1	<b>50 KG (110 LB) (CA)</b>	
4	12H294	LOCK WASHER	4	5/8"	
5	14H1039	NUT	4	5/8"	
6	14H1039	NUT	4	5/8"	
7	12H294	LOCK WASHER	4	5/8"	
8	03H1786	BOLT	4	5/8" X 4-1/2", (ADDITIONAL WEIGHTS TO WHEEL)	

# 2E25

WHEELS, FRONT AXLES, SHEET METAL

## REAR WHEEL WEIGHT (26" AND 28" DEMOUNTABLE STEEL DISK WHEELS) (FLANGED AXLE) (LU, RU)

RWP5456 -UN-01JAN94



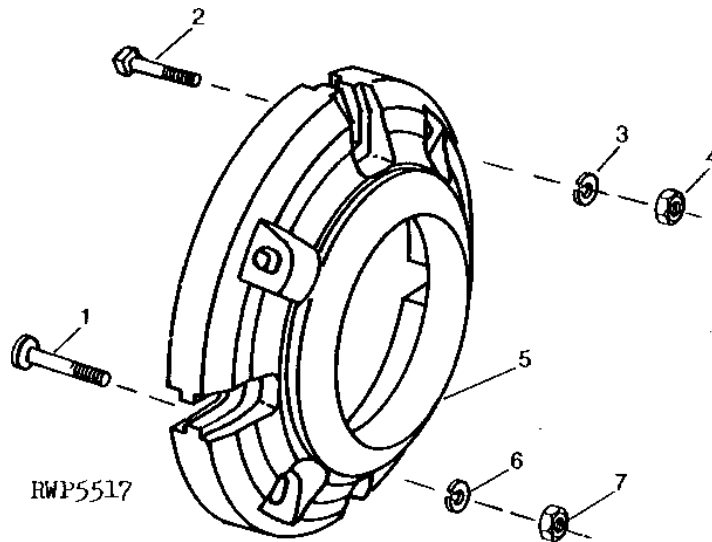
KEY	PART NO.	PART NAME	QTY	TRACTOR SERIAL NO.	REMARKS
1	11M7015	COTTER PIN	4		3.200 X 25 MM
2	R55602	GANG BOLT	4		5/8" X 2-3/4" (1ST WEIGHT TO WHEEL) (SUB FOR T21824)
3	<b>R56920</b>	<b>WEIGHT</b>	1		<b>54 KG (120 LB) (SUB FOR T21688 OR T25341) (CA)</b>
4	12H294	LOCK WASHER	4		5/8"
5	14H1039	NUT	4		5/8"
6	14H1039	NUT	4		5/8"
7	12H294	LOCK WASHER	4		5/8"
8	03H1516	BOLT	4		5/8" X 3-3/4", (ADDITIONAL WEIGHTS TO WHEEL)

# 2F1

WHEELS, FRONT AXLES, SHEET METAL

## REAR WHEEL WEIGHTS (28" CAST OR 28" POWER ADJUSTED WHEEL) (FLANGED AXLE) (RU)

RWP5517 -UN-01JAN94



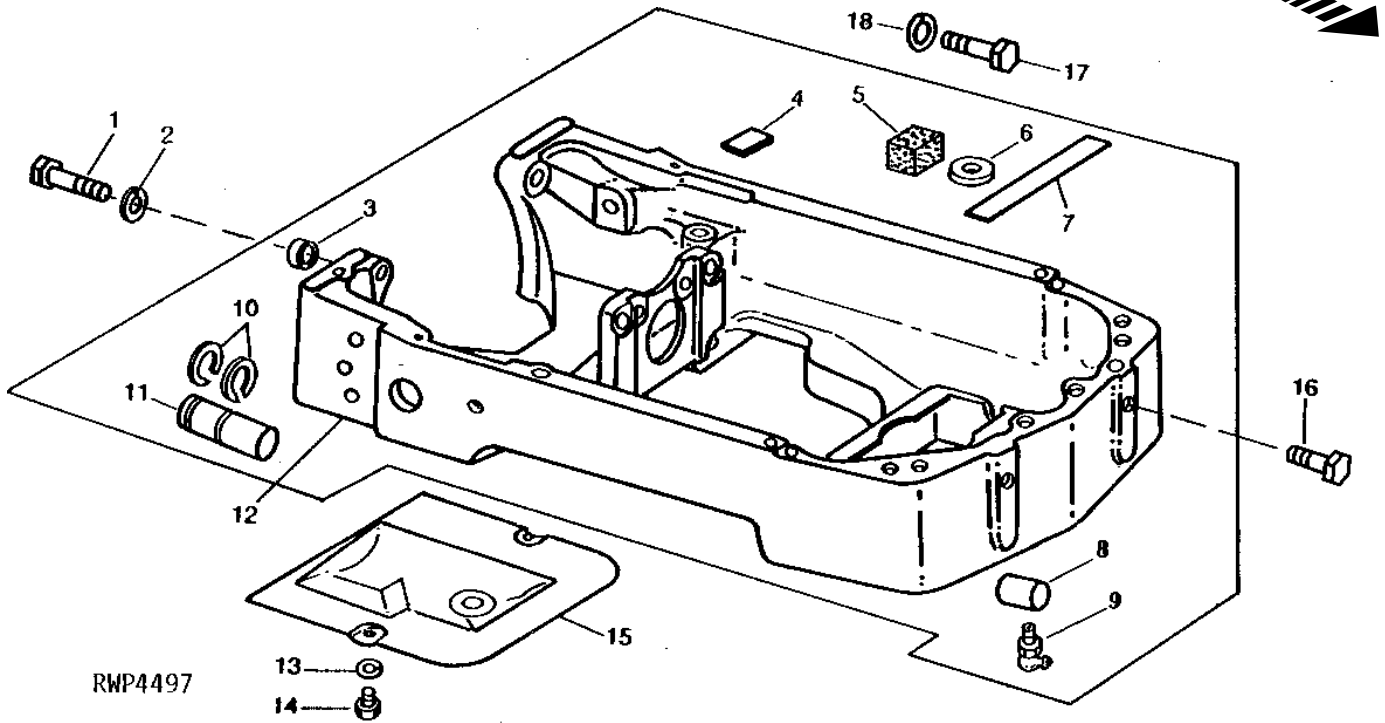
KEY	PART NO.	PART NAME	QTY	TRACTOR SERIAL NO.	REMARKS
1	03H1516	BOLT	4		5/8" X 3-3/4", (ADDITIONAL WEIGHTS TO WHEEL)
2	R21302	WHEEL BOLT	4		5/8" X 3-1/2", (1ST WEIGHT TO WHEEL)
3	12H294	LOCK WASHER	4		5/8"
4	14H1039	NUT	4		5/8"
5	<b>R56920</b>	<b>WEIGHT</b>	1		<b>54KG (120 LB) (SUB FOR T21688 OR T25341) (CA)</b>
6	12H294	LOCK WASHER	4		5/8"
7	14H1039	NUT	4		5/8"

# 2F2

WHEELS, FRONT AXLES, SHEET METAL

RWP4497 -UN-01JAN94

## FRONT SUPPORT



RWP4497

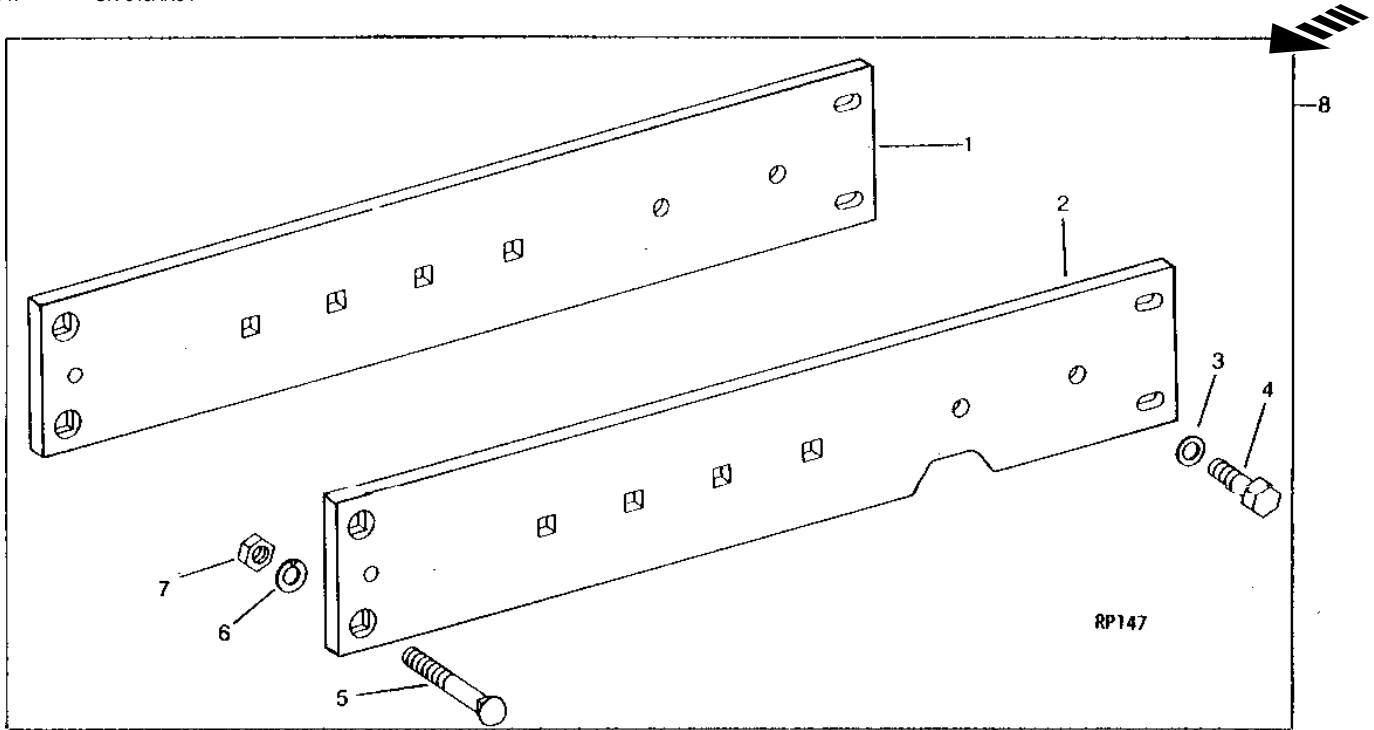
KEY	PART NO.	PART NAME	QTY	TRACTOR SERIAL NO.	REMARKS
1	19H2358	CAP SCREW	2	9/16" X 2-1/4"	
2	12H317	LOCK WASHER	2	9/16"	
3	T26929	BUSHING	2		
4	T22375	FOAM PAD	1		
5	.....	FOAM PAD	1	25 X 38 X 102MM (1" X 1-1/2" X 4") (MAKE FROM R91749)	
6	T22381	WASHER	2		
7	T21540	PAD	2		
8	T23118	BUSHING	1		
9	JD7799	LUBRICATION FITTING	1		
10	T24160	SNAP RING	2		
11	R54195	SPRING PIN	1		
12	AR72474	SUPPORT	1	(SUB FOR AR55890)	
13	12H304	LOCK WASHER	2	3/8"	
14	19H2021	CAP SCREW	2	3/8" X 5/8"	
15	T22864	COVER	1		
16	19H2009	CAP SCREW	2	3/4" X 1-5/8"	
17	19H1890	CAP SCREW	4	5/8" X 2-3/4"	
18	12H294	LOCK WASHER	4	5/8"	

# 2F3

WHEELS, FRONT AXLES, SHEET METAL

## SIDE FRAMES

RP147 -UN-01JAN94



RP147

KEY	PART NO.	PART NAME	QTY	TRACTOR SERIAL NO.	REMARKS
1	T21653	FRAME	1		R.H.
2	T21654	FRAME	1		L.H.
3	24H1375	WASHER	4		11/16" X 1-1/8" X 0.060"
4	19H1756	CAP SCREW	4		5/8" X 1-1/2"
5	10H1157	BOLT	4		5/8" X 3-1/4"
6	12H294	LOCK WASHER	4		5/8"
7	14H1039	NUT	4		5/8"
8	AT37356	FRAME	1		(NLA) ORDER COMPONENT PARTS

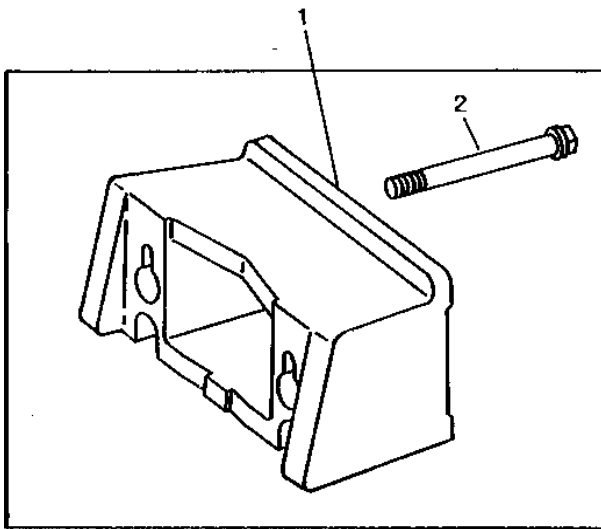


# 2F4

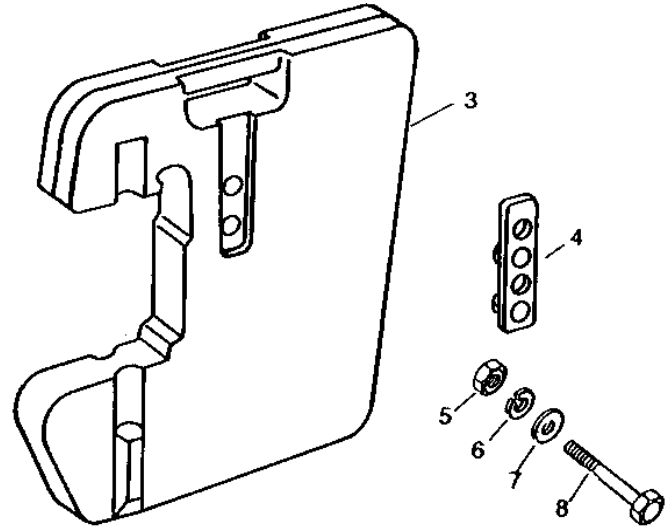
WHEELS, FRONT AXLES, SHEET METAL

RWP5458 -UN-01JAN94

## TWO, FOUR, OR SIX QUIK-TATCH FRONT WEIGHTS



RWP5458



KEY	PART NO.	PART NAME	QTY	TRACTOR SERIAL NO.	REMARKS
1	AR92425	SUPPORT	1	NLA	
2	R52924	SELF-LOCKING SCREW	2		
3	<b>R51680</b>	<b>WEIGHT</b>	<b>1</b>	<b>(CA)</b>	
4	AR68801	RETAINER	2		(NOT REQUIRED THIS APPLICATION) (WITH EIGHT WEIGHTS ONLY)
5	14H1039	NUT	1		5/8"
6	12H294	LOCK WASHER	1		5/8"
7	24H1367	WASHER	1		21/32" X 1-1/4" X 1/4"
8	19H1926	CAP SCREW	1		5/8" X 4-3/4", (FOR TWO QUIK-TATCH WEIGHTS)
	08H4260	CAP SCREW	1		5/8" X 9", (FOR FOUR QUIK-TATCH WEIGHTS)

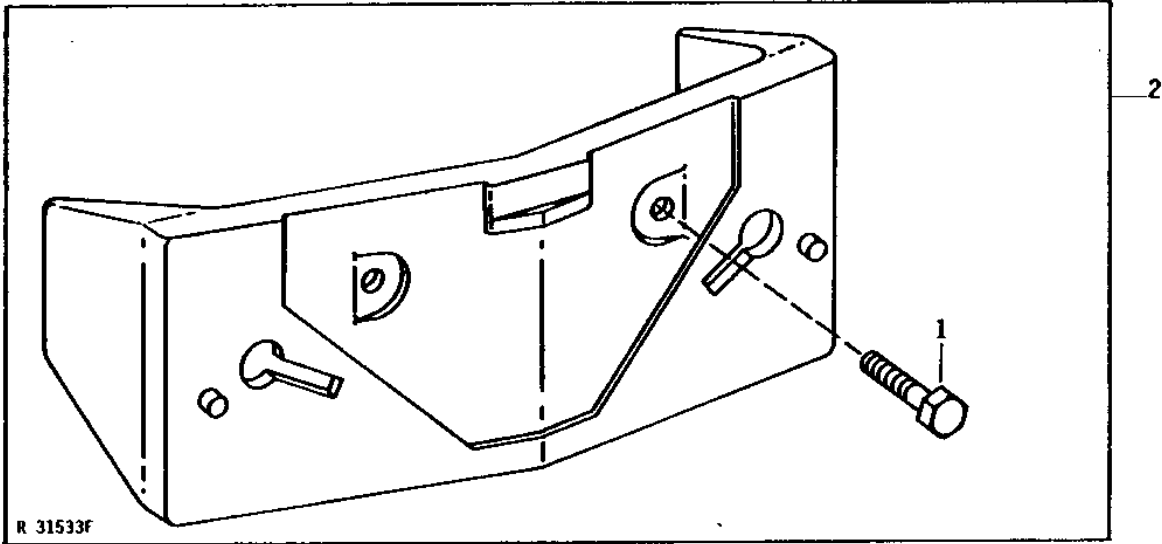
# 2F5

WHEELS, FRONT AXLES, SHEET METAL

R31533F

-UN-01JAN94

## FRAME WEIGHT KIT



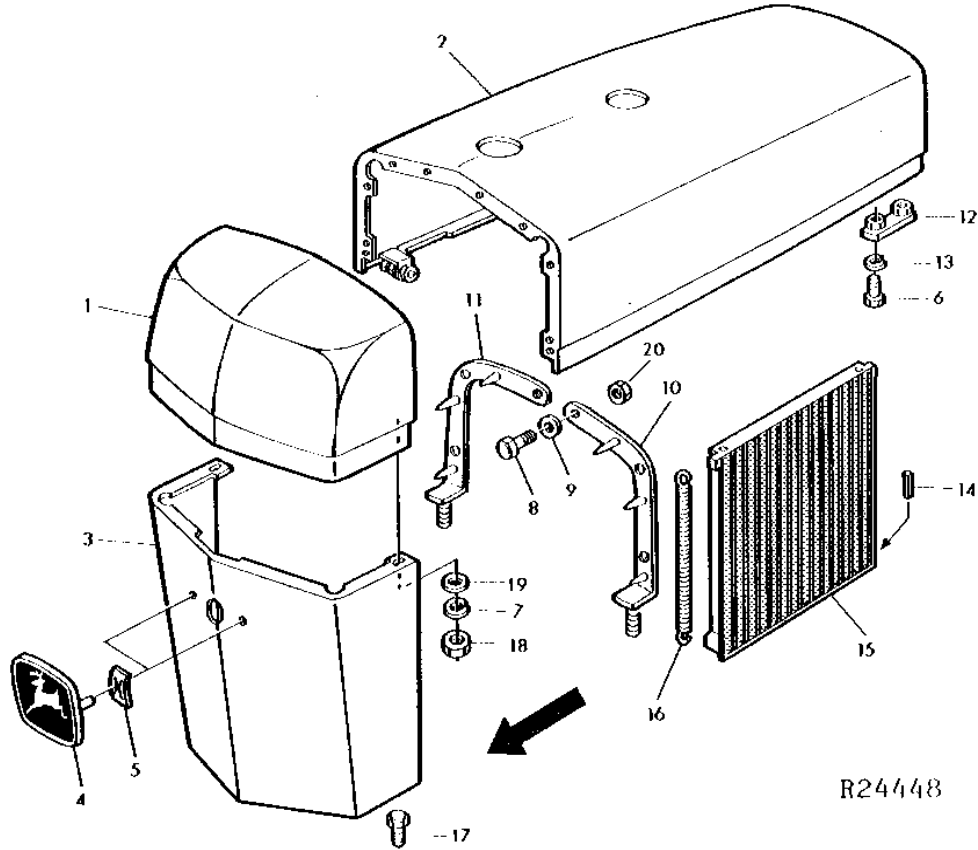
KEY	PART NO.	PART NAME	QTY	TRACTOR SERIAL NO.	REMARKS
1	19H3167	CAP SCREW	2		
2	AR91996	WEIGHT	1		3/4" X 3-1/4" (SUB FOR AR86921) (SUB R70340 AND (2) 19H3167)

# 2F6

WHEELS, FRONT AXLES, SHEET METAL

R24448 -UN-01JAN94

## FRONT PLATE, HOOD AND GRILLE ASSEMBLY



R24448

KEY	PART NO.	PART NAME	QTY	TRACTOR SERIAL NO.	REMARKS
1	R59961	HOOD	1		
2	AR72377	HOOD	1		(VERTICAL MUFFLER)
	AR72376	HOOD	1		(HORIZONTAL MUFFLER)
3	AR72837	SHIELD	1		
4	R59991	MEDALLION	1		(SUB R67027)
5	L31750	CLIP	2		(SUB FOR R27888)
6	19H1936	CAP SCREW	4		3/8" X 3/4"
7	12H304	LOCK WASHER	2		3/8"
8	19H1948	CAP SCREW	6		1/4" X 3/4"
9	24H1287	WASHER	6		9/32" X 5/8" X 0.065"
10	AR72365	STRAP	1		L.H.
11	AR72364	STRAP	1		R.H.
12	T25291	REINFORCEMENT	2		
13	12H310	LOCK WASHER	4		3/8"
14	34H340	SPRING PIN	4		5/16" X 13/16"
15	AR72949	GRILLE	2		
16	R26858	SPRING	2		
17	19H3530	CAP SCREW	8		1/2" X 7/8", (SUB 19H3530)
18	14H812	NUT	2		3/8"
19	24H1305	WASHER	2		13/32" X 13/16" X 0.065"
20	14H786	NUT	6		1/4"

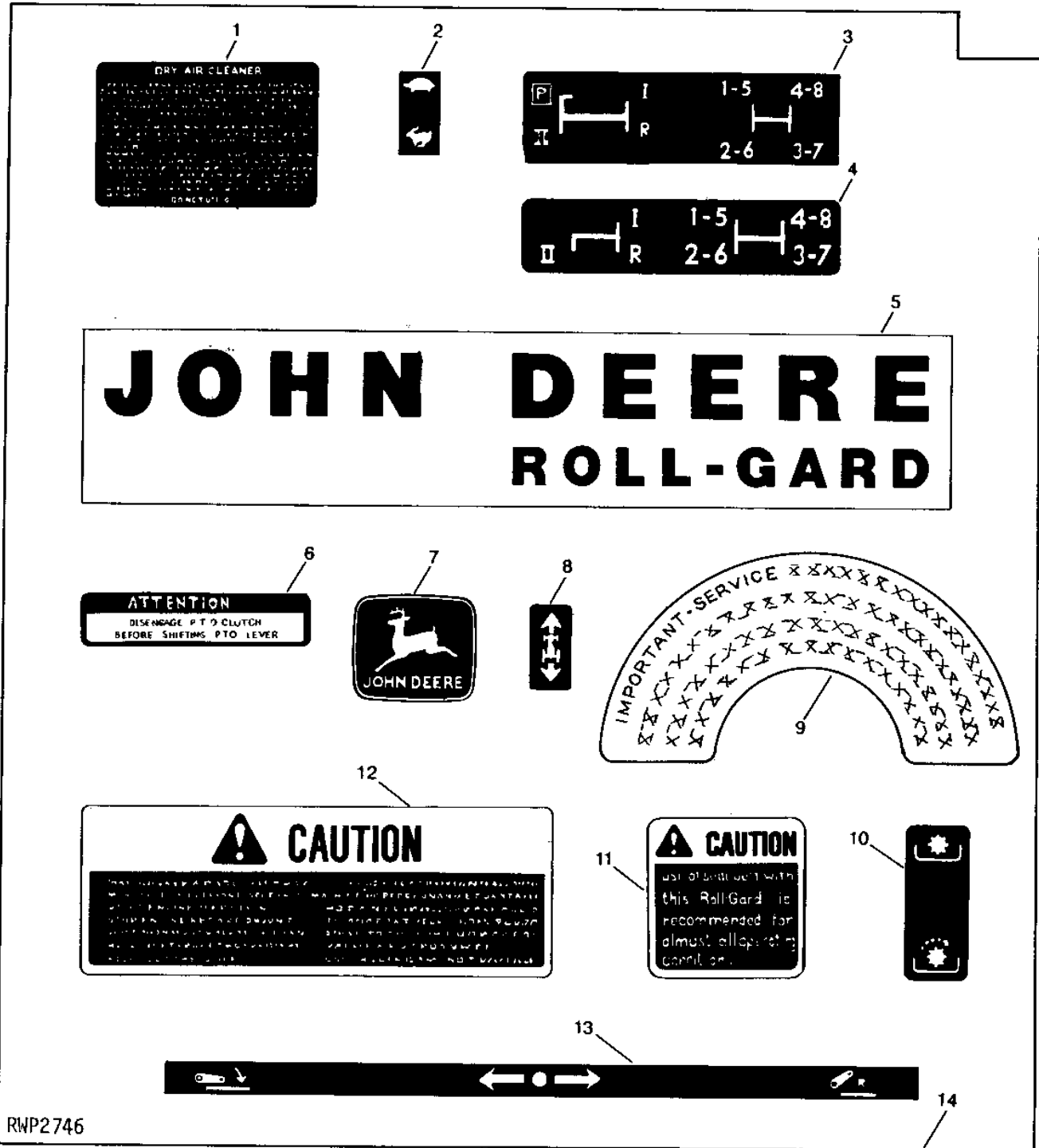
# 2F7

WHEELS, FRONT AXLES, SHEET METAL

RWP2746

-UN-01JAN94

## LABEL REFINISHING KIT



RWP2746

# 2F8

WHEELS, FRONT AXLES, SHEET METAL

## LABEL REFINISHING KIT - CONTINUED

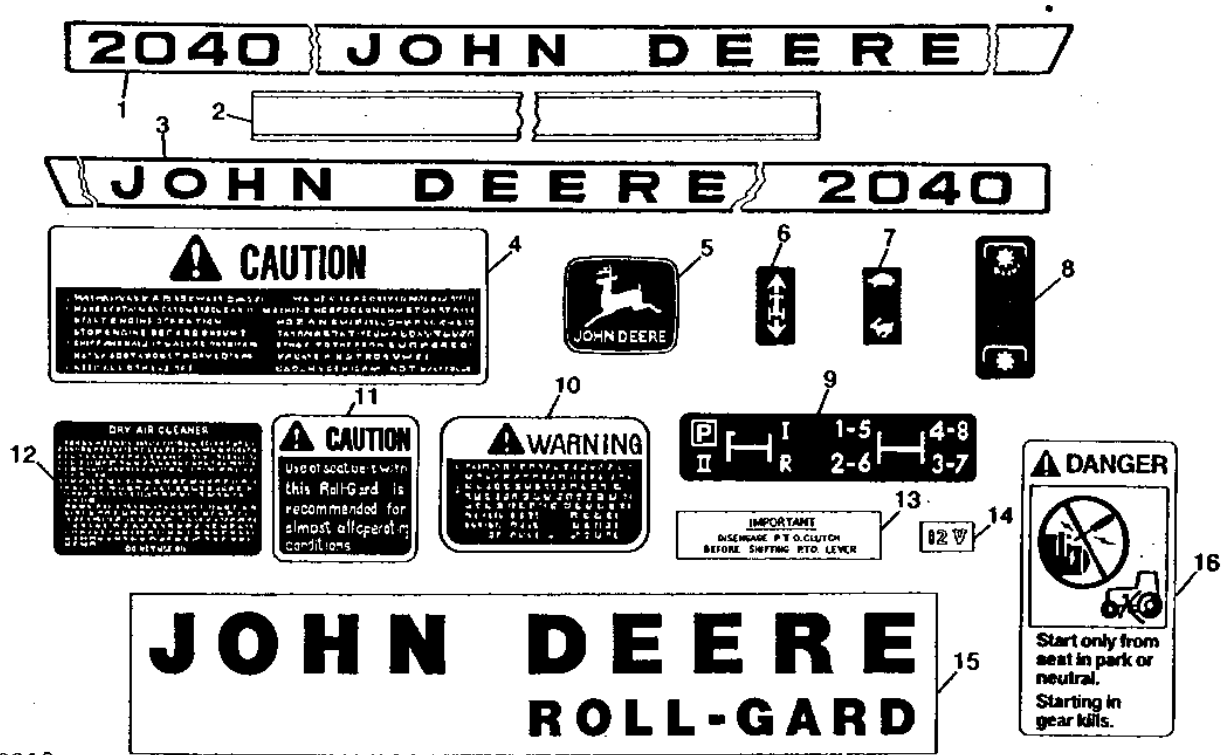
KEY	PART NO.	PART NAME	QTY	TRACTOR SERIAL NO.	REMARKS
1	R56902	LABEL	1		DRY AIR CLEANER (FUEL TANK)
2	R56467	LABEL	1		TRANSMISSION HI-LO CONTROL LEVER
3	R68277	LABEL	1		SHIFT LEVER
4	L35521	LABEL	1		SHIFT LEVER (COLLAR SHIFT)
5	R47292	LABEL	1		ROLL-GARD (CROSSMEMBER)
6	T65880	WARNING LABEL	1		CONTINUOUS PTO
7	JD5272	LABEL	1		(TOOL BOX)
8	R56468	LABEL	1		REVERSER TRANSMISSION CONTROL LEVER
9	R72816	LABEL	1		DRY AIR CLEANER (COVER)
10	T30772	LABEL	1		PTO CLUTCH LEVER
11	R87527	LABEL	1		CAUTION, ROLL-GARD (STRUT) (SUB FOR R41781)
12	R87529	LABEL	1		SAFETY (FENDER) (SUB FOR R76341 OR R82425)
13	L36319	DECAL	1		ROCKSHAFT QUADRANT, (SUB AL70963)
14	AR105634	KIT	1		(ALSO ORDER T84409 (ENGLISH))
..	T146102	WARNING LABEL	1		BYPASS START (ENGLISH)
..	T146106	WARNING LABEL	1		BYPASS START (SPANISH)
..	T146104	WARNING LABEL	1		BYPASS START (FRENCH)
..	T146515	WARNING LABEL	1		BYPASS START (GERMAN)
..	T146516	WARNING LABEL	1		BYPASS START (ITALIAN)

# 2F9

WHEELS, FRONT AXLES, SHEET METAL

RXP8012 -UN-01JAN94

## LABELS, NAME PLATES AND DECALS



RXP8012

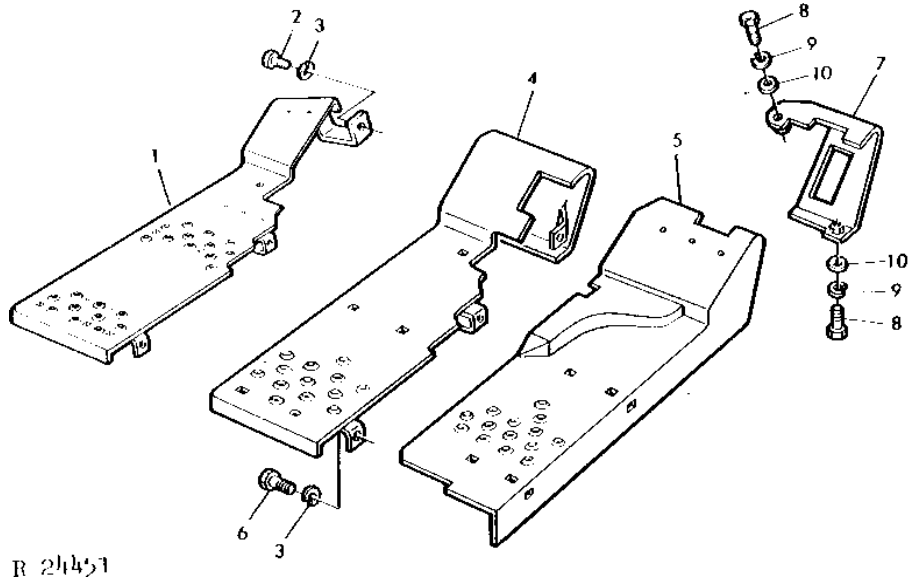
KEY	PART NO.	PART NAME	QTY	TRACTOR SERIAL NO.	REMARKS
1	R60661	LABEL	1		L.H.
2	R60502	DECAL	1		FRONT
3	R60660	LABEL	1		R.H.
4	R69270	LABEL	1		(SUB FOR R51821) (SUB R87529)
5	JD5272	LABEL	1	-XXXXXX	
	JD5602	LABEL	1	XXXXXX-	
6	R56468	LABEL	1		TRANSMISSION REVERSER
7	R56467	LABEL	1		TRANSMISSION CONTROL LEVER (HI-LO)
8	L29301	LABEL	1		PTO CLUTCH LEVER (INDEPENDENT PTO)
9	R68277	LABEL	1		(SUB FOR T32214)
10	R83103	LABEL	1		PTO SAFETY, (SUB FOR R64391) (SUB R120111)
11	R41781	DECAL	1		(SUB R87527)
12	R56902	LABEL	1		
13	T25899	INSTRUCTION PLATE	1		PTO
14	A5180R	DECAL	1		(ELECTRICAL OUTLET) (NO LONGER USED)
15	R47292	LABEL	1	-XXXXXX	
16	T146102	WARNING LABEL	1		BYPASS START (ENGLISH)
	T146106	WARNING LABEL	1		BYPASS START (SPANISH)
	T146104	WARNING LABEL	1		BYPASS START (FRENCH)
	T146515	WARNING LABEL	1		BYPASS START (GERMAN)
	T146516	WARNING LABEL	1		BYPASS START (ITALIAN)
..	AR73918	LABEL	1		REFINISHING, (SUB AR105634)

# 2F10

WHEELS, FRONT AXLES, SHEET METAL

R24451 -UN-01JAN94

## FOOTRESTS



R 24451

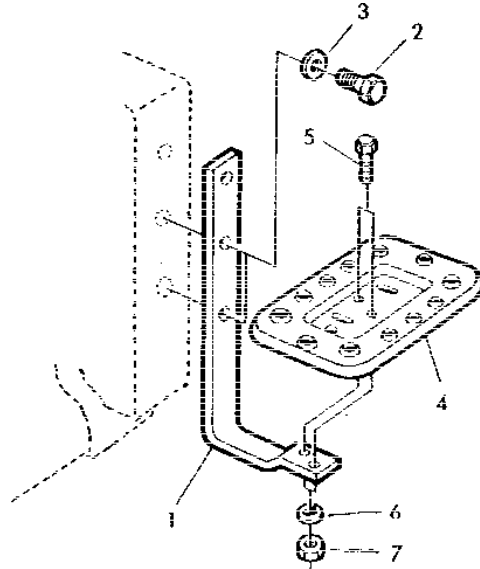
KEY	PART NO.	PART NAME	QTY	TRACTOR SERIAL NO.	REMARKS
1	AT19847	FOOTREST	1		L.H. (WITH HORIZONTAL MUFFLER ONLY) (SUB AL32907)
2	19H1731	CAP SCREW	5		3/8" X 1"
3	12H304	LOCK WASHER	5		3/8"
4	AR72831	FOOTREST	1		L.H. (WITH VERTICAL MUFFLER ONLY) (SUB AL32906)
5	AR72829	FOOTREST	1		R.H. (WITH VERTICAL MUFFLER ONLY)
6	19H2552	CAP SCREW	5		3/8" X 1-1/8"
7	AR72830	COVER	1		R.H. (WITH VERTICAL MUFFLER ONLY)
8	19H1813	CAP SCREW	2		5/16" X 5/8"
9	12H303	LOCK WASHER	2		5/16"
10	24H1243	WASHER	2		11/32" X 5/8" X 1/16"

# 2F11

WHEELS, FRONT AXLES, SHEET METAL

L47334 -UN-01JAN94

## STEP AND SUPPORT



L 47334

KEY	PART NO.	PART NAME	QTY	TRACTOR SERIAL NO.	REMARKS
1	T25703	SUPPORT	1		(WITH HORIZONTAL MUFFLER)
2	19H1756	CAP SCREW	2		5/8" X 1-1/2"
3	24H1375	WASHER	2		11/16" X 1-1/8" X 0.060"
4	F3195R	STEP	1		
5	19H2552	CAP SCREW	2		3/8" X 1-1/8"
6	12H304	LOCK WASHER	2		3/8"
7	14H812	NUT	2		3/8"
..	AT23541	STEP	1		(NLA) ORDER COMPONENT PARTS

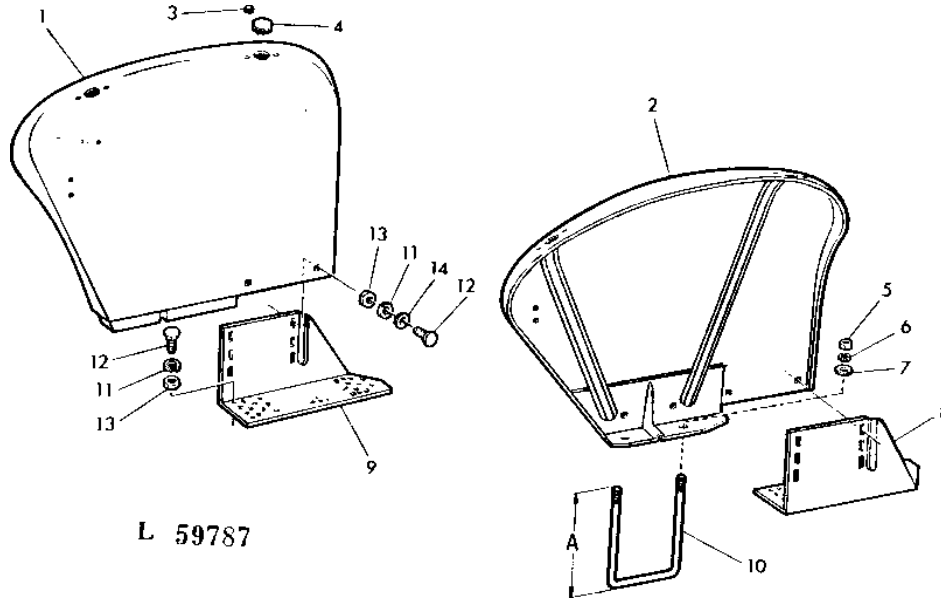


# 2F12

WHEELS, FRONT AXLES, SHEET METAL

## REAR FENDERS

L59787 -UN-01JAN94



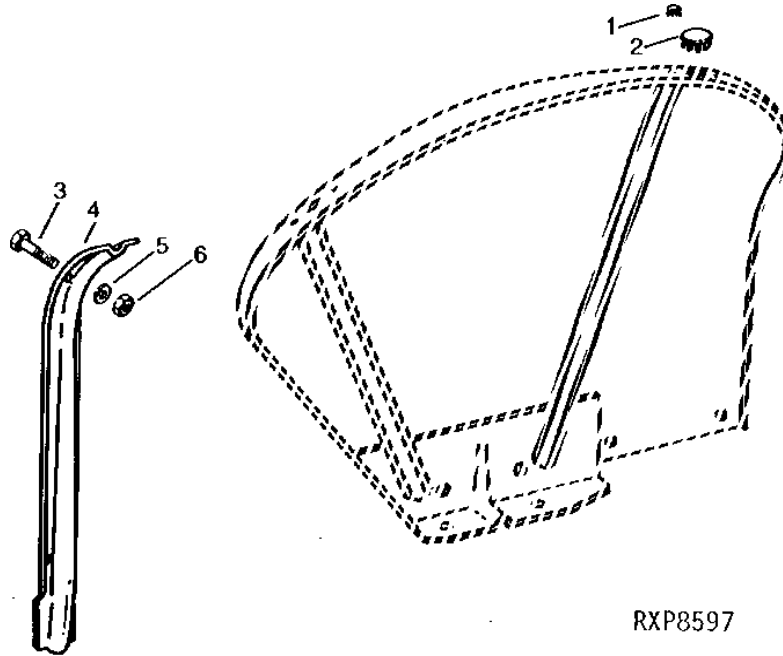
KEY	PART NO.	PART NAME	QTY	TRACTOR SERIAL NO.	REMARKS
1	AL24124	FENDER	1		L.H. (TIRES 21.5-16.1, 18.4-16.1 AND 16.5-16.1) (SUB AL65458)
	AR51407	FENDER	1		L.H. (TIRES 16.9-24, 14.9-28 AND 13.6-28)
2	AL24123	FENDER	1		R.H. (TIRES 21.5-16.1, 18.4-16.1 AND 16.5-16.1)
	AT20777	FENDER	1		R.H. (TIRES 16.9-24, 14.9-28 AND 13.6-28)
3	H113924	PLUG	4		(SUB FOR R42451)
4	H23746	PLUG	2		(SUB FOR T22520)
5	14H1039	NUT	4		5/8"
6	12H294	LOCK WASHER	4		5/8"
7	24H1698	WASHER	4		21/32" X 1-5/8" X 1/4"
8	T32413	SPACER	1		R.H.
9	T32414	SPACER	1		L.H.
10	T22705	U-BOLT	2		175MM (6.89")
	T22706	U-BOLT	2		230MM (9.06") (SUB L60517)
11	12H304	LOCK WASHER	8		3/8"
12	03H1765	BOLT	8		3/8" X 3/4"
13	14H812	NUT	8		3/8"
14	24H1307	WASHER	4		13/32" X 1" X 1/16"

# 2F13

WHEELS, FRONT AXLES, SHEET METAL

RXP8597 -UN-01JAN94

## FENDER BRACE AND HARDWARE



RXP8597

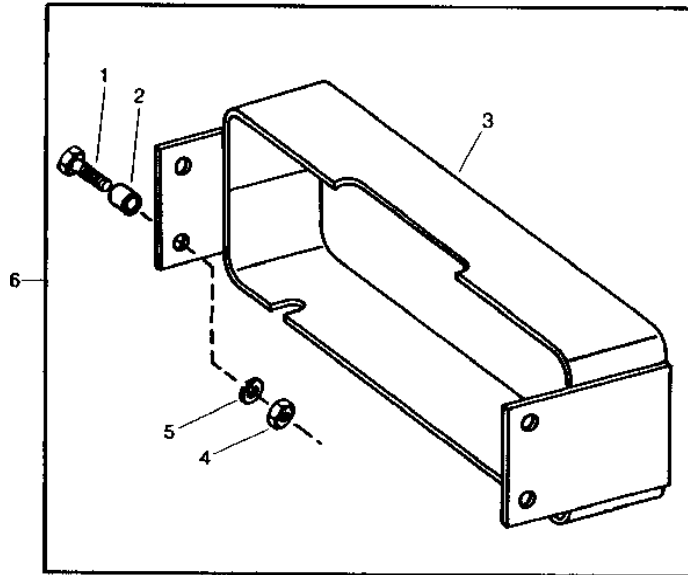
KEY	PART NO.	PART NAME	QTY	TRACTOR SERIAL NO.	REMARKS
1	H113924	PLUG	4		(SUB FOR R42451)
2	H23746	PLUG	2		
3	21H1303	SCREW	8	1/4" X 3/4"	
4	R56822	BRACE	2		
5	12H302	LOCK WASHER	8	1/4"	
6	14H786	NUT	8	1/4"	

# 2F14

WHEELS, FRONT AXLES, SHEET METAL

RP152 -UN-01JAN94

## LIGHT GARD



RP152

KEY	PART NO.	PART NAME	QTY	TRACTOR SERIAL NO.	REMARKS
1	03H1731	BOLT	4		1/2" X 1-1/2"
2	28H1597	WASHER	4		0.546" X 0.840" X 3/8"
3	AR72953	GUARD	1		
4	14H809	NUT	4		1/2"
5	12H301	LOCK WASHER	4		1/2"
6	AR91611	GUARD	1		
..	AR72233	WIRING LEAD	1		(RIGHT LAMP LEAD TO LIGHT SWITCH)
..	AR67855	CONNECTOR	1		(LEFT LAMP LEAD TO RIGHT LAMP LEAD)
..	R21551	CLIP	3		(LEFT LIGHT LEAD)
..	R44302	TIE BAND	AR		

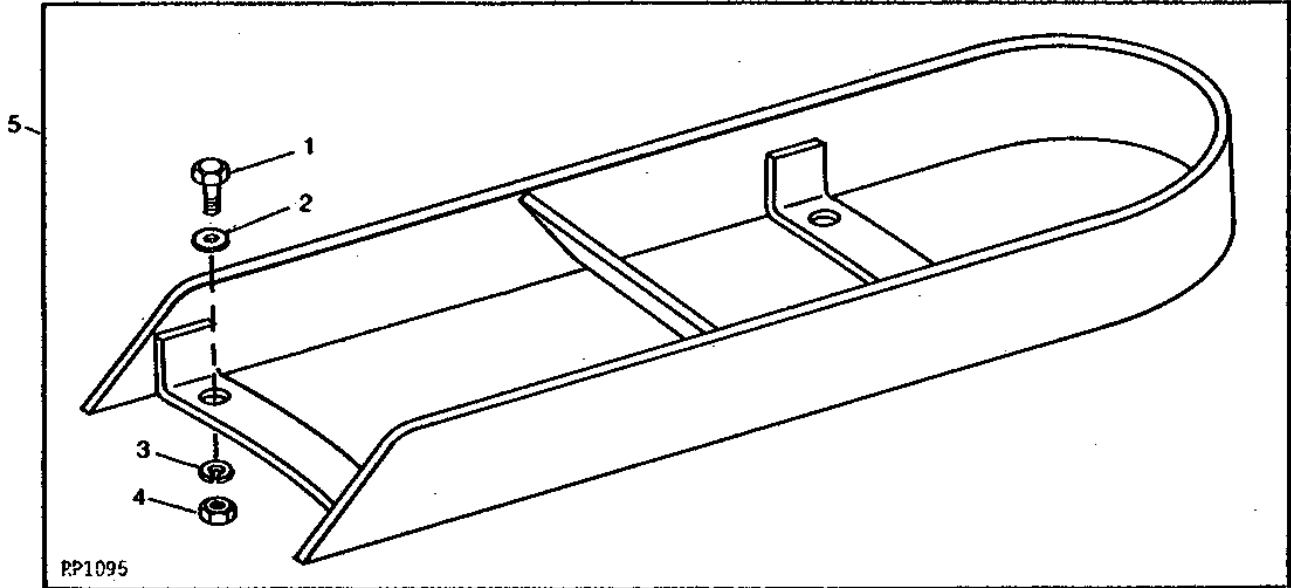
# 2F15

WHEELS, FRONT AXLES, SHEET METAL

RP1095

-UN-01JAN94

## FUEL AND RADIATOR CAP SHIELD



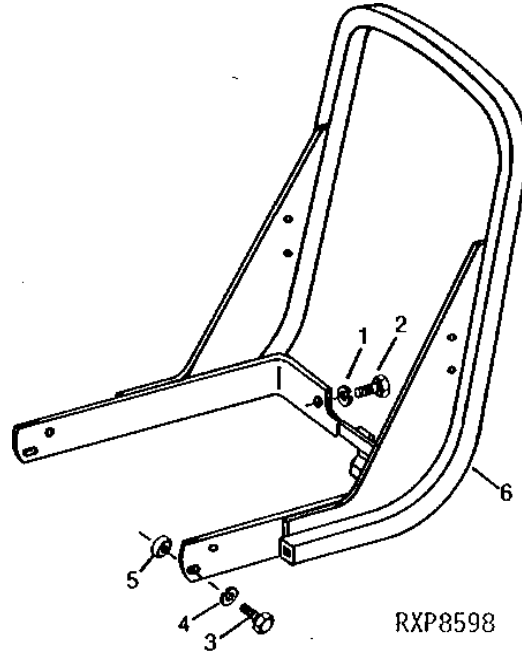
KEY	PART NO.	PART NAME	QTY	TRACTOR SERIAL NO.	REMARKS
1	19H1936	CAP SCREW	4	3/8" X 3/4"	
2	24H1306	WASHER	4	13/32" X 1" X 0.035"	
3	12H304	LOCK WASHER	4	3/8"	
4	14H812	NUT	4	3/8"	
5	AR91614	SHIELD	1	(SUB FOR AR66039)	

# 2F16

WHEELS, FRONT AXLES, SHEET METAL

RXP8598 -UN-01JAN94

## GRILLE GUARD



KEY	PART NO.	PART NAME	QTY	TRACTOR SERIAL NO.	REMARKS
1	19H1798	CAP SCREW	2	3/4" X 1-3/4"	
2	12H236	LOCK WASHER	2	3/4"	
3	19H1847	CAP SCREW	2	5/8" X 2-1/2"	
4	12H294	LOCK WASHER	2	5/8"	
5	T18145	BUSHING	2		
6	AR91612	GUARD	1		(SUB FOR AR77083 OR AR91610)
..	AR72233	WIRING LEAD	1		(SUB FOR AR68121) (USE FOR R.H. LAMP TO SWITCH WHEN GUARD IS INSTALLED)
..	AR67855	CONNECTOR	1		(USE FOR R.H. LAMP LEAD TO L.H. LAMP LEAD WHEN GUARD IS INSTALLED)
..	R44302	TIE BAND	AR		

---

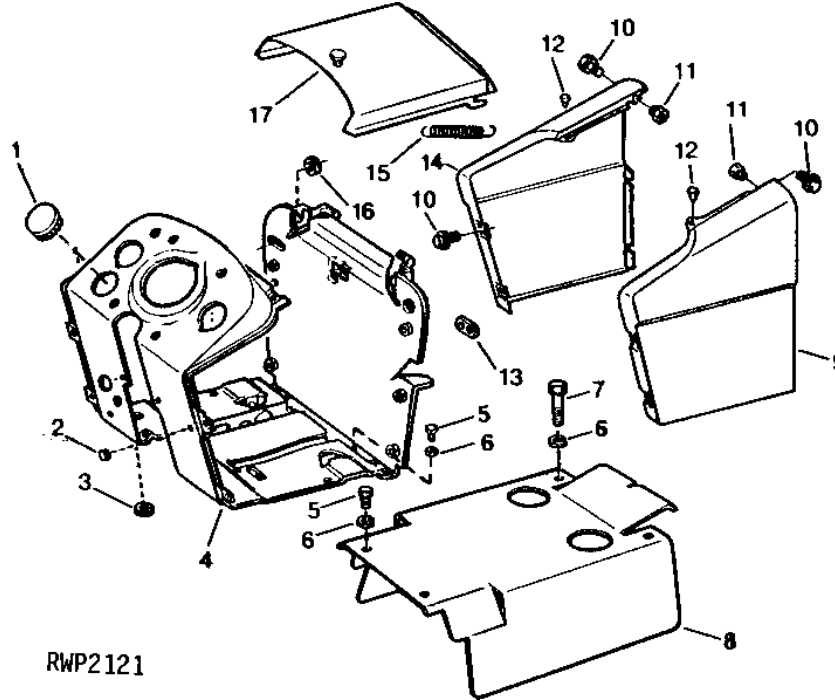
MEMORANDA

# 2F18

OPERATOR'S STATION

RWP2121 -UN-01JAN94

## DASH AND COWL



RWP2121

KEY	PART NO.	PART NAME	QTY	TRACTOR SERIAL NO.	REMARKS
1	M42229	PLUG	1		
2	H84660	PLUG	1		(SUB FOR P48093) (REPLACEMENT DASH ONLY)
3	T23247	GROMMET	1		
4	AL24181	COWL	1		
5	19H2021	CAP SCREW	6	3/8" X 5/8"	
6	12H304	LOCK WASHER	10	3/8"	
7	19H1765	CAP SCREW	4	3/8" X 1-3/4"	
8	R48684	SHIELD	1		(SUB FOR T22394)
9	T22087	COWL	1		R.H.
10	T22211	SCREW, WITH WASHER	10		
11	T22086	NUT	2		
12	T22085	BUMPER	2		
13	R26418	GROMMET	1		
14	T22088	COWL	1		L.H.
15	T25367	EXTENSION SPRING	1		
16	R26936	GROMMET	1		
17	AT20026	COVER	1		

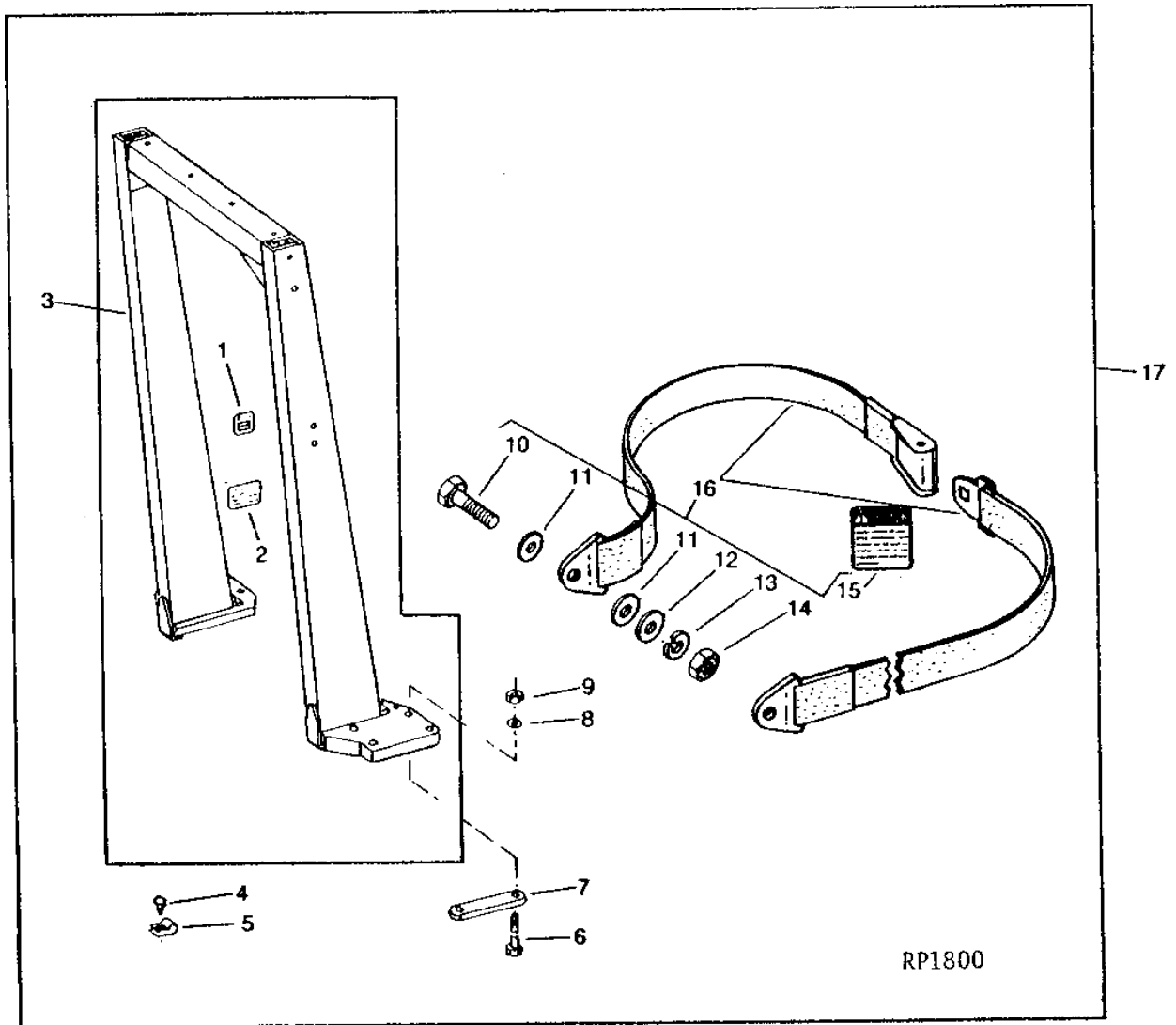
# 2F19

OPERATOR'S STATION

RP1800

-UN-01JAN94

ROLL-GARD





# 2F20

OPERATOR'S STATION

## ROLL-GARD - CONTINUED

KEY	PART NO.	PART NAME	QTY	TRACTOR SERIAL NO.	REMARKS
1	R87527	LABEL	1		(SUB FOR R41781) CAUTION
2	.....	LABEL	1		(NOT FURNISHED)
3	.....	ROLL-GARD	1		(ORDER AR51143)
4	37H3	SCREW	2		1/4" X 5/8"
5	T22645	CLIP	2		
6	R48139	CAP SCREW	8		(28" AND UNDER REAR WHEELS)
7	U40656	STRAP	4		
8	24H1400	WASHER	8		25/32" X 1-5/8" X 1/4"
9	14H794	NUT	8		3/4"
10	R41778	BOLT	2		
11	24H1226	WASHER	4		1/2" X 1-1/4" X 0.083"
12	24H1363	WASHER	2		41/64" X 1-1/16" X 0.105"
13	12H293	LOCK WASHER	2		7/16"
14	14H813	NUT	2		7/16"
15	R81424	LABEL	1		CAUTION, (SUB FOR R42732)
16	AT37833	SEAT BELT	1		51MM (2") WIDTH
17	AR51143	ROLL-GARD	1		(REGULAR FENDERS) (SUB AL70191)

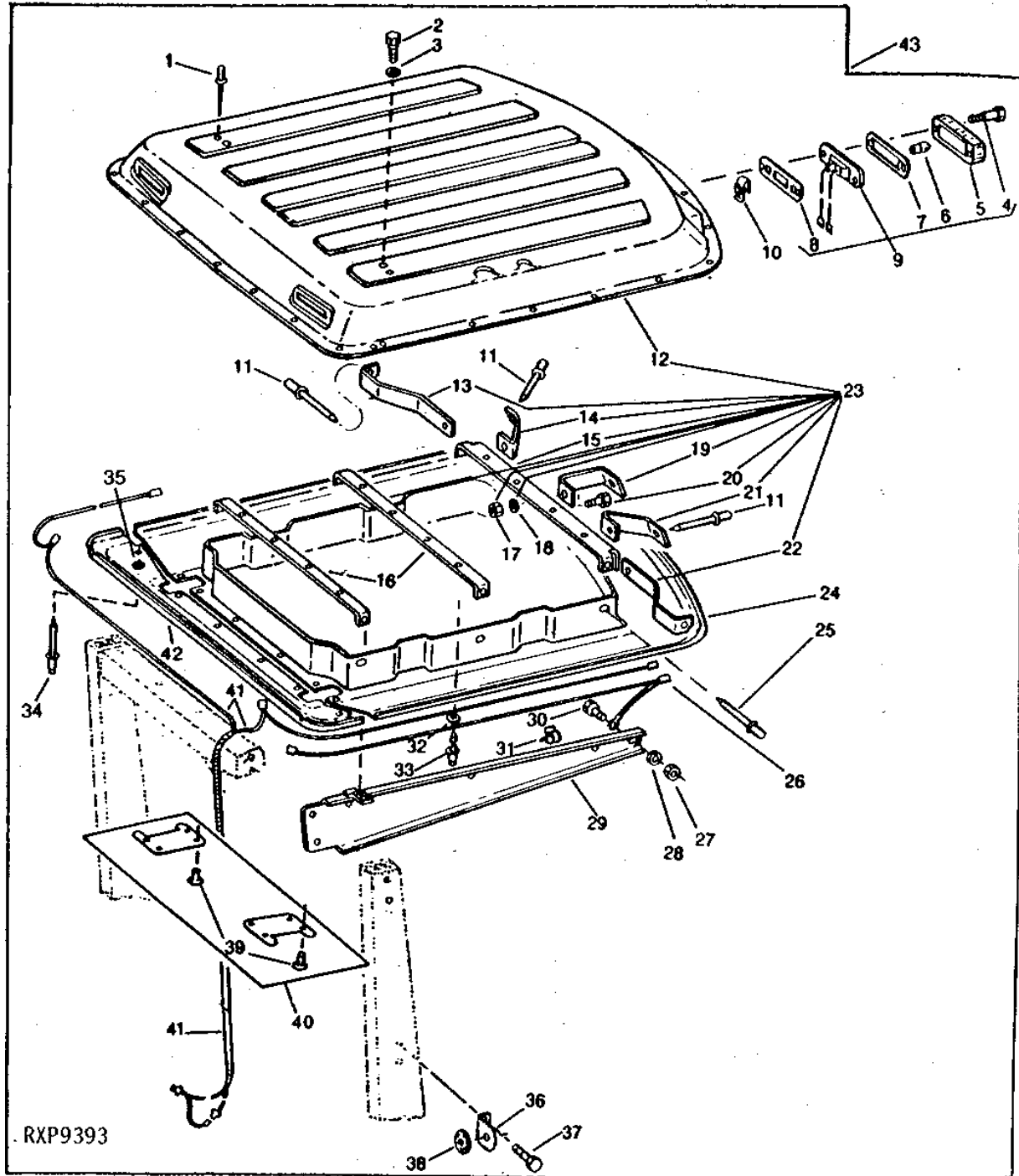
# 2F21

OPERATOR'S STATION

RXP9393

-UN-01JAN94

## ROLL-GARD AND CANOPY



RXP9393

# 2F22

OPERATOR'S STATION

## ROLL-GARD CANOPY - CONTINUED

KEY	PART NO.	PART NAME	QTY	TRACTOR SERIAL NO.	REMARKS
1	R55326	RIVET	2		
2	19H1792	CAP SCREW	2	1/2" X 1"	
3	24H1227	WASHER	2	17/32" X 13/16" X 0.060"	
4	R54781	SCREW	8		
5	R54779	LENS	4		
6	AD2062R	BULB	4	(12-VOLT)	
7	R54782	GASKET	4		
8	R61179	GASKET	4		
9	AR60250	LAMP	4		
10	R99350	NUT	8	(SUB FOR R53528, THIS APPLICATION)	
11	R55326	RIVET	17		
12	AR78261	ROOF	1	(SUB R60100)	
13	R62926	BRACE	1		
14	R62924	BRACKET	1	-XXXXXX (SUB R81223)	
	R81223	BRACKET	1	XXXXXX-	
15	AR77698	SUPPORT	1		
16	R62922	SUPPORT	2		
17	14H1076	NUT	7	3/8"	
18	24H1682	WASHER	7	13/32" X 7/8" X 0.120"	
19	R62929	BRACKET	1	-XXXXXX (SUB R81221)	
	R81221	BRACKET	1	XXXXXX-	
20	19H1731	CAP SCREW	7	3/8" X 1"	
21	R62923	BRACKET	1	-XXXXXX (SUB R81222)	
	R81222	BRACKET	1	XXXXXX-	
22	R62925	BRACE	1		
23	AR73338	ROOF	1		
	R60101	ISOLATOR	1		
24	R60103	PANEL	1		
25	R55326	RIVET	6		
26	AR56211	WIRING HARNESS	2		
27	14H1076	NUT	6	3/8"	
28	24H1682	WASHER	2	13/32" X 7/8" X 0.120"	
29	AR72902	SUPPORT	1	R.H.	
	AR72903	SUPPORT	1	L.H.	
30	19H1731	CAP SCREW	6	3/8" X 1"	
31	R21551	CLIP	4		
32	R52119	WASHER	32		
33	19H1820	CAP SCREW	32	1/2" X 3"	
34	R63679	RIVET	6		
35	R52119	WASHER	6		
36	R60459	BRACKET	2		
37	37H3	SCREW	4	1/4" X 5/8"	
38	T33745	REFLECTOR	2		
39	R63679	RIVET	8	XXXXXX-	
40	AR76583	COVER	2	XXXXXX-	
41	AR72987	WIRING HARNESS	1		
	H97644	CONDUIT	1	(SUB FOR R50452)	
42	R60104	PANEL	1	(ALSO ORDER AR87385)	
43	RE19445	CANOPY	1	XXXXXX-	(SUB FOR AR73336) (CA)

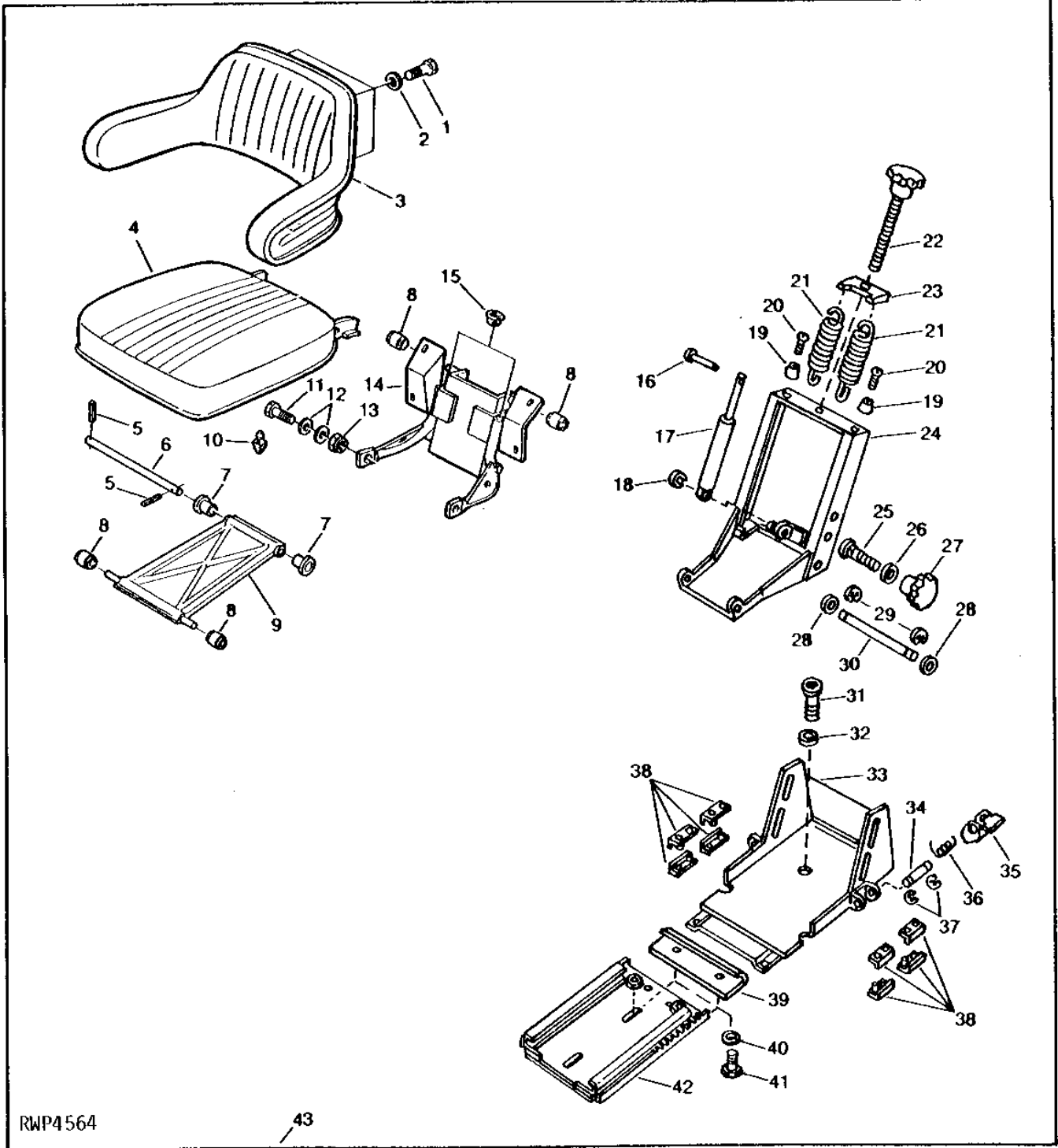
# 2F23

OPERATOR'S STATION

RWP4564

-UN-01JAN94

## DELUXE SEAT AND SUPPORT



# 2F24

OPERATOR'S STATION

## DELUXE SEAT AND SUPPORT - CONTINUED

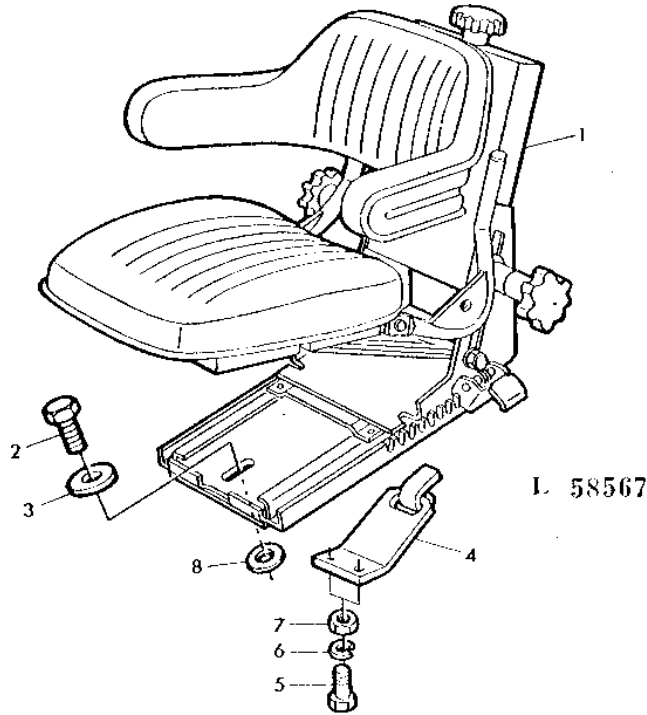
KEY	PART NO.	PART NAME	QTY	TRACTOR SERIAL NO.	REMARKS
1	19H1813	CAP SCREW	4		5/16" X 5/8"
2	24M7055	WASHER	4		8.400 X 16 X 1.600 MM
3	AL24163	ARMREST	1		
4	AL24170	CUSHION	1		
5	34M3851	SPRING PIN	2		4 X 24 MM
6	L29209	PIN	1		
7	L27167	BUSHING	4		
8	L25686	ROLLER	4		
9	AL24164	SEAT	1		
10	L25678	BUMPER	1		
11	19H3579	CAP SCREW	2		1/2" X 1-3/8"
12	24M7047	WASHER	4		13 X 24 X 2.500 MM
13	T27645	NUT	2		(SUB K40014)
14	AL24169	SUPPORT	1		
15	L25689	PLUG	2		
16	16M7061	RIVET	1		4 X 25 MM, (SUB FOR L28081)
17	AL24165	ABSORBER	1		
18	L27166	SNAP RING	1		
19	L28078	BUMPER	2		
20	37M7016	SCREW	2		4.8 X 22MM
21	L28076	EXTENSION SPRING	2		
22	AL23886	BOLT	1		
23	L28077	RETAINER	1		
24	AL24168	SPRING	1	-229006	(SUB AL30692)
	AL30692	HOUSING	1	229007-	
25	03M7191	BOLT	1		M10 X 25
26	24M7149	WASHER	2		10.500 X 30 X 2.500 MM
27	L29211	HANDLE	2		
28	24M7044	WASHER	2		13 X 20 X 2 MM
29	40M7030	SNAP RING	2		M9
30	L29208	PIN	1		
31	19M7695	SCREW	1		M10 X 20
32	12H304	LOCK WASHER	1		3/8"
33	AL24167	ADJUSTER	1	-229006	HEIGHT ADJUSTMENT, (SUB AL30691)
	AL30691	FRAME	1	229007-	
34	L29205	PIN	1		
35	L29204	PAWL	1		
36	L29206	SPRING	1		
37	40M7041	SNAP RING	2		M5
38	L29202	RAIL	8	-116799	
	L31729	RAIL	8	116800-	HEIGHT ADJUSTMENT
39	L29353	RETAINER	1		
40	12H303	LOCK WASHER	2		5/16"
41	19H1813	CAP SCREW	2		5/16" X 5/8"
42	AL24166	ALIGNER	1		HEIGHT ADJUSTMENT
43	AL24161	SEAT	1		(SUB AL56097 AND (2) 19H1815)

# 2F25

OPERATOR'S STATION

L58567 -UN-01JAN94

## DELUXE SEAT ASSEMBLY



L. 58567

KEY	PART NO.	PART NAME	QTY	TRACTOR SERIAL NO.	REMARKS
1	.....	SEAT	1		
2	19H1815	CAP SCREW	2	1/2" X 1-1/4"	
3	24H1349	WASHER	2	9/16" X 1-1/4" X 0.134"	
4	AL23433	RETAINER	1	(SUB AL63296)	
5	19H1849	CAP SCREW	2	5/16" X 1-1/4"	
6	12H303	LOCK WASHER	2	5/16"	
7	14H785	NUT	2	5/16"	
8	24H1254	WASHER	1	17/32" X 1-1/8" X 0.105"	

---

MEMORANDA

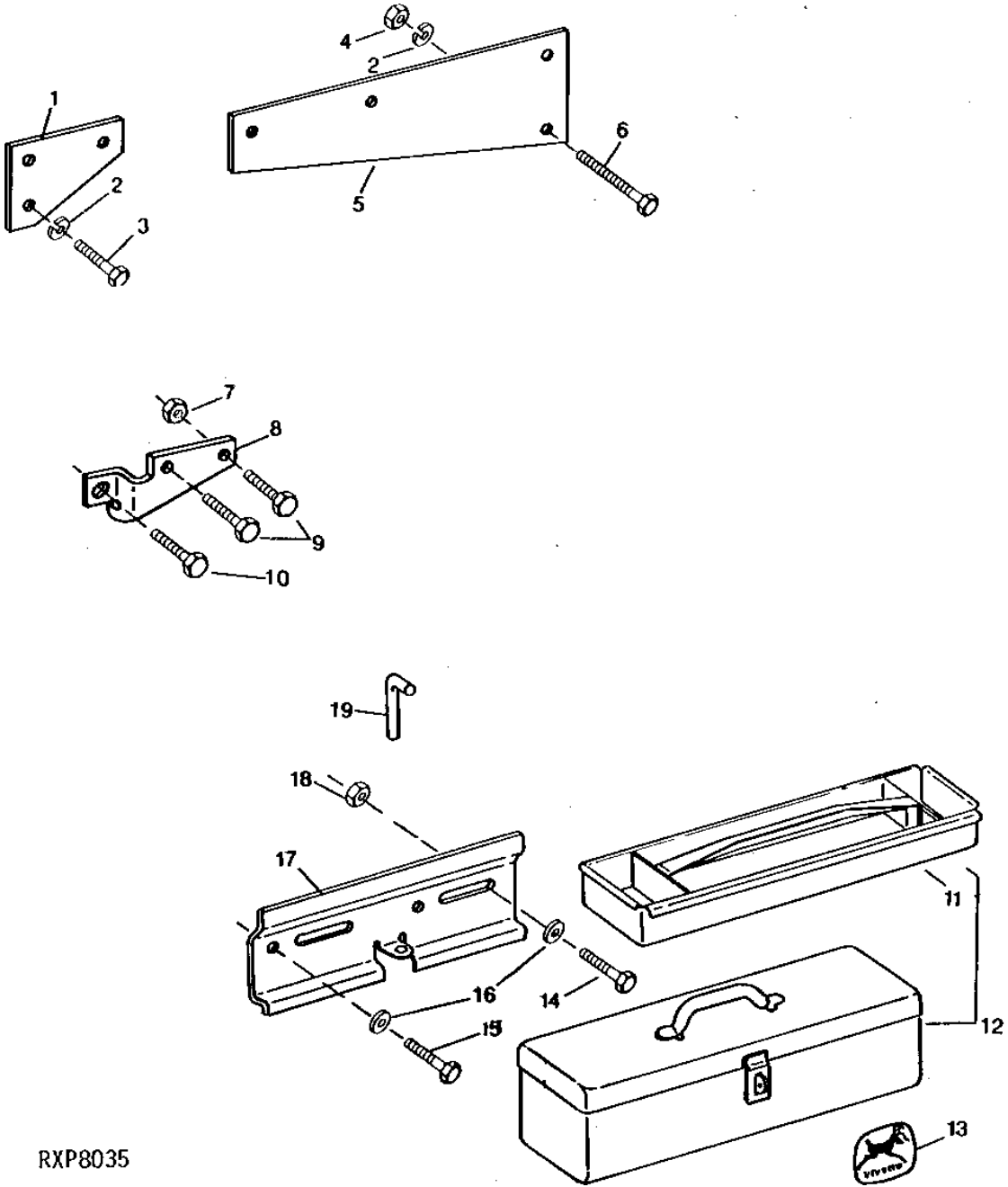
# 2G1

OPERATOR'S STATION

RXP8035

-UN-01JAN94

## TOOLBOX AND SUPPORTS



RXP8035



# 2G2

OPERATOR'S STATION

## TOOLBOX AND SUPPORTS - CONTINUED

KEY	PART NO.	PART NAME	QTY	TRACTOR SERIAL NO.	REMARKS
1	T23035	PLATE	1	(A)	
2	12H294	LOCK WASHER	4	(A) 5/8"	
3	19H1833	CAP SCREW	2	(A) 5/8" X 1-1/4"	
4	14H1039	NUT	2	(A) 5/8"	
5	R77511	SUPPORT	1	(A)	
6	19H1863	CAP SCREW	2	(A) 5/8" X 3"	
7	14H1039	NUT	2	5/8"	
8	L34351	BRACKET	1		
9	19H1833	CAP SCREW	2	5/8" X 1-1/4"	
10	19H1871	CAP SCREW	1	3/4" X 1-1/4"	
11	AT22073	HOLDER	1		
12	AT22070	TOOLBOX	1		
13	JD5602	LABEL	1	-XXXXXX	
14	19H1833	CAP SCREW	1	5/8" X 1-1/4"	
15	19H1916	CAP SCREW	1	5/8" X 1"	
16	24H1363	WASHER	2	41/64" X 1-1/16" X 0.105"	
17	T23033	BRACKET	1		
18	14H1039	NUT	1	5/8"	
19	T23027	PIN	1		

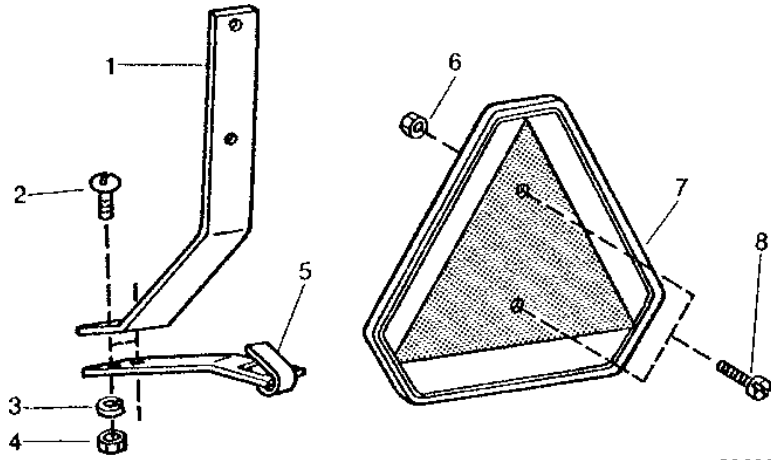
(A) LESS SIDE FRAME

# 2G3

OPERATOR'S STATION

RP388 -UN-01JAN94

## EMBLEM FOR SLOW MOVING VEHICLES



RP388

KEY	PART NO.	PART NAME	QTY	TRACTOR SERIAL NO.	REMARKS
1	R54972	BRACKET	1		(SUB FOR AR63597)
2	21H1331	SCREW	2		5/16" X 1"
3	12H303	LOCK WASHER	2		5/16"
4	14H785	NUT	2		5/16"
5	AL23433	RETAINER	1		(SUB AL63296)
6	14H786	NUT	2		1/4"
7	TY2615	SMV EMBLEM	1		(SUB FOR AR61194)
8	21H1303	SCREW	2		1/4" X 3/4"

---

MEMORANDA

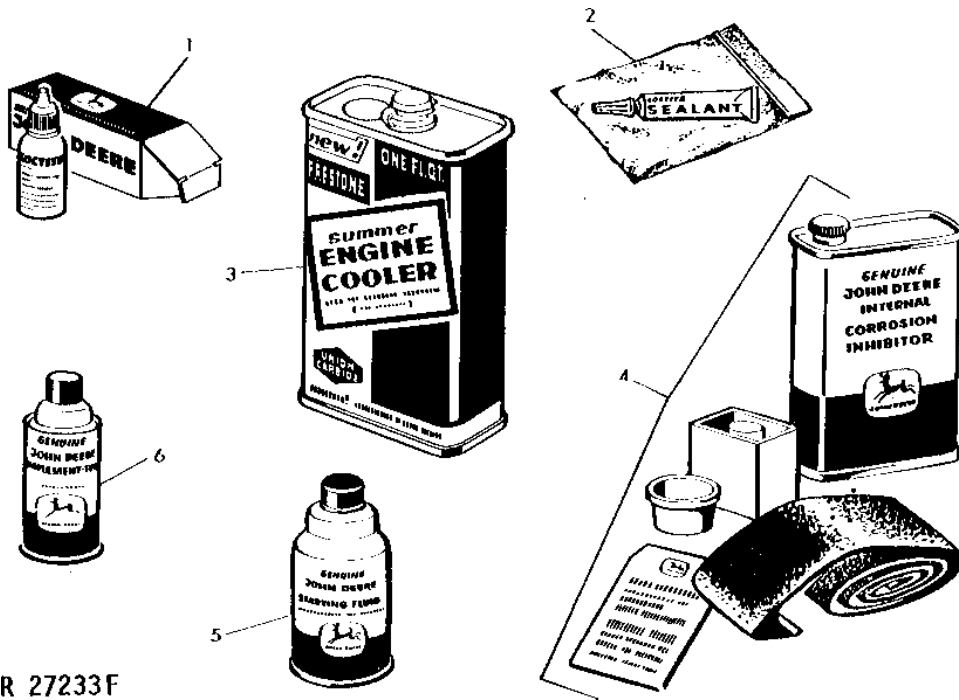
# 2G4

OPERATOR'S STATION

R27233

-UN-01JAN94

## ACCESSORY PARTS



R 27233F

# 2G5

OPERATOR'S STATION

## ACCESSORY PARTS - CONTINUED

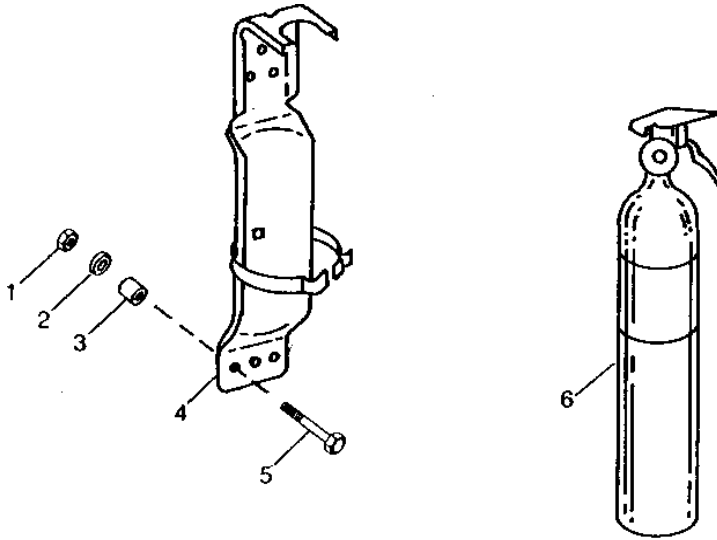
KEY	PART NO.	PART NAME	QTY	TRACTOR SERIAL NO.	REMARKS
1	AT26340	SEALANT	1		59CC (2 FL. OZ) (LOW VISCOSITY) (SUB T43514)
	AL27132	ADHESIVE	1		
	AT24538	ADHESIVE	1		10CC (2 FL. OZ) (SUB TY9371)
2	TY9371	ADHESIVE	1		2CC (HIGH VISCOSITY) (SUB FOR AT14927)
3	T19566	COOLANT	1		RUST INHIBITOR, (SUB RE23182)
4	AR41785	KIT	1		OFF-SEASON STORAGE, FOR ENGINE POWERED EQUIPMENT (CONTAINS 0.9L (1 QT) INTERNAL CORROSION INHIBITOR, (1) ROLL OF TAPE, AND (6) PLASTIC BAGS)
	AR41870	RUST INHIBITOR	1		0.9L (1 QT) CAN, (SUB AR41785)
5	RE30174	STARTING FLUID	1		(SUB FOR AR27814) (SUB RE33636)
6	L94772	PAINT	1		(SUB PT99)

# 2G6

OPERATOR'S STATION

RWP2787 -UN-01JAN94

## FIRE EXTINGUISHER



### RWP2787

KEY	PART NO.	PART NAME	QTY	TRACTOR SERIAL NO.	REMARKS
1	14H786	NUT	2	1/4"	
2	24H1287	WASHER	2	9/32" X 5/8" X 0.065"	
3	28H1914	BUSHING	2		
4	AT75387	BRACKET	1	(SUB FOR AT62019)	
5	21H1035	SCREW	2	1/4" X 1-1/2"	
6	AT81764	FIRE EXTINGUISHER	1	(SUB FOR AT62018) (SUB AT141924)	

# 1L4

2040 UTILITY TRACTOR (SERIAL NO. -349999)

## NUMERICAL INDEX

PART NO.	GRID	KEY	PAGE	PART NO.	GRID	KEY	PAGE	PART NO.	GRID	KEY	PAGE
AA23586	2D9	16	70 - 67	AL23886	2F24	22	90 - 7	AL25795	2B22	1	70 - 31
AA32178	1F2	..	40 - 46	AL24015	2C5	1	70 - 38	AL25855	1H13	16	60 - 7
AA3495R	1E11	9	40 - 29	AL24052	1H13	2	60 - 7	AL26972	2D20	22	70 - 79
AA34967	1F1	3	40 - 45	AL24057	2C11	10	70 - 44	AL26986	2C19	12	70 - 52
AA34967	1F2	3	40 - 46	AL24058	2C11	7	70 - 44	AL26986	2C20	10	70 - 53
AA34968	1F2	23	40 - 46	AL24058	2C11	10	70 - 44	AL27132	2G5	1	90 - 15
AA5607R	2D24	9	70 - 83	AL24094	2E19	1	80 - 7	AL27156	1C5	11	30 - 3
AA5607R	2E2	7	70 - 85	AL24123	2F12	2	80 - 25	AL27159	1C5	20	30 - 3
AA5607R	2E4	17	70 - 87	AL24124	2F12	1	80 - 25	AL27203	2C14	4	70 - 47
AA5692R	1F10	5	40 - 54	AL24151	2E20	1	80 - 8	AL27203	2C14	10	70 - 47
AA5731R	2E2	38	70 - 85	AL24155	1C22	6	30 - 21	AL27203	2C14	11	70 - 47
AA5731R	2E2	40	70 - 85	AL24161	2F24	43	90 - 7	AL27229	1F22	1	50 - 1
AD2062R	1E10	2	40 - 28	AL24163	2F24	3	90 - 7	AL27229	1F22	..	50 - 1
AD2062R	1E11	2	40 - 29	AL24164	2F24	9	90 - 7	AL27230	1G2	10	50 - 5
AD2062R	1E11	3	40 - 29	AL24165	2F24	17	90 - 7	AL27231	1G2	5	50 - 5
AD2062R	1E11	4	40 - 29	AL24166	2F24	42	90 - 7	AL27371	1D8	7	40 - 5
AD2062R	1F1	2	40 - 45	AL24167	2F24	33	90 - 7	AL27372	1D8	12	40 - 5
AD2062R	1F2	2	40 - 46	AL24168	2F24	24	90 - 7	AL27373	1D8	14	40 - 5
AD2062R	2F22	6	90 - 5	AL24169	2F24	14	90 - 7	AL27374	1D8	9	40 - 5
AE31724	1C5	20	30 - 3	AL24170	2F24	4	90 - 7	AL28037	1B7	14	20 - 16
AE31724	1C24	5	30 - 23	AL24181	2F18	4	90 - 1	AL28090	1G12	4	50 - 15
AF3580R	1C3	4	30 - 1	AL24187	1D6	6	40 - 3	AL28179	1C5	11	30 - 3
AF3583R	1C3	1	30 - 1	AL24187	1E15	2	40 - 33	AL28227	2B23	6	70 - 32
AH20849	1C5	19	30 - 3	AL24189	1D6	11	40 - 3	AL28232	1G14	6	50 - 17
AH83485	1H11	13	60 - 5	AL24190	2A22	21	70 - 5	AL28468	2B18	34	70 - 27
AH93625	1F1	8	40 - 45	AL24191	2A22	12	70 - 5	AL28469	2B1	1	70 - 9
AH93625	1F2	12	40 - 46	AL24199	1D6	7	40 - 3	AL28469	2B2	21	70 - 10
AH93625	1F9	..	40 - 53	AL24494	2B4	27	70 - 13	AL28482	2B1	10	70 - 9
AH95264	1E25	19	40 - 44	AL24495	2B2	1	70 - 10	AL28482	2B4	26	70 - 13
AL11176	1E7	2	40 - 25	AL24495	2B4	15	70 - 13	AL28483	2B1	12	70 - 9
AL14157	2C19	14	70 - 52	AL24496	1G14	6	50 - 17	AL28483	2B2	25	70 - 10
AL14160	2C19	12	70 - 52	AL24526	1D6	1	40 - 3	AL28483	2B4	24	70 - 13
AL14160	2C20	10	70 - 53	AL24526	1E15	1	40 - 33	AL28484	2D11	11	70 - 69
AL15369	2E22	3	80 - 10	AL24527	1D6	1	40 - 3	AL28485	2D11	12	70 - 69
AL16162	2A19	10	70 - 1	AL24527	1E15	1	40 - 33	AL28497	1D6	1	40 - 3
AL16163	2A19	5	70 - 1	AL24903	1B7	14	20 - 16	AL28497	1E15	1	40 - 33
AL17684	1E13	7	40 - 31	AL25266	1D15	37	40 - 10	AL28498	1D6	1	40 - 3
AL18047	1C9	13	30 - 7	AL25267	1D15	3	40 - 10	AL28498	1E15	1	40 - 33
AL18135	2C11	8	70 - 44	AL25267	1D17	6	40 - 13	AL28499	1D6	1	40 - 3
AL18135	2C11	10	70 - 44	AL25268	1D15	8	40 - 10	AL28499	1E15	1	40 - 33
AL18236	1C9	8	30 - 7	AL25269	1D15	13	40 - 10	AL28658	2B18	36	70 - 27
AL18604	1E19	2	40 - 37	AL25270	1D15	15	40 - 10	AL28674	2B23	6	70 - 32
AL18714	1G2	3	50 - 5	AL25271	1D15	20	40 - 10	AL28864	2B18	48	70 - 27
AL18714	1G4	2	50 - 7	AL25272	1D15	35	40 - 10	AL28954	2B18	5	70 - 27
AL18714	1G4	..	50 - 7	AL25273	1D15	32	40 - 10	AL28956	2B18	11	70 - 27
AL19092	1G4	9	50 - 7	AL25273	1D17	4	40 - 13	AL29645	1H20	2	60 - 14
AL19208	1D8	17	40 - 5	AL25274	1D15	25	40 - 10	AL29650	1G10	7	50 - 13
AL19905	1E19	1	40 - 37	AL25275	1D15	29	40 - 10	AL29650	1G10	12	50 - 13
AL19906	1E19	3	40 - 37	AL25347	1D4	13	40 - 1	AL2976T	1D4	2	40 - 1
AL19907	1D6	4	40 - 3	AL25348	1D4	14	40 - 1	AL2976T	1F13	20	40 - 57
AL19907	1E15	3	40 - 33	AL25349	1D4	9	40 - 1	AL30010	2B18	37	70 - 27
AL23119	1G18	8	50 - 21	AL25598	1G19	11	50 - 22	AL30011	2B18	12	70 - 27
AL23433	2F25	4	90 - 8	AL25629	2A20	5	70 - 2	AL30011	2B19	1	70 - 28
AL23433	2G3	5	90 - 12	AL25629	2A20	7	70 - 2	AL30018	2B19	12	70 - 28
AL23434	1D7	20	40 - 4	AL25629	2A20	8	70 - 2	AL30414	1D10	28	40 - 7
AL23836	1H18	3	60 - 12	AL25629	2A20	9	70 - 2	AL30416	1D10	7	40 - 7
AL23848	1D15	38	40 - 10	AL25629	2A22	5	70 - 5	AL30417	1D10	9	40 - 7
AL23849	1D8	7	40 - 5	AL25629	2A22	7	70 - 5	AL30418	1D10	21	40 - 7
AL23850	1D8	21	40 - 5	AL25629	2A22	8	70 - 5	AL30419	1D10	11	40 - 7
AL23851	1D8	19	40 - 5	AL25629	2A22	10	70 - 5	AL30421	1D10	18	40 - 7
AL23852	1D8	23	40 - 5	AL25629	2A22	11	70 - 5	AL30422	1D10	27	40 - 7
AL23853	1D8	12	40 - 5	AL25629	2A22	15	70 - 5	AL30423	1D10	17	40 - 7
AL23854	1D8	14	40 - 5	AL25629	2A22	17	70 - 5	AL30423	1D12	4	40 - 7B
AL23855	1D8	9	40 - 5	AL25629	2A22	..	70 - 5	AL30424	1D10	6	40 - 7
AL23856	1D8	1	40 - 5	AL25630	2A22	5	70 - 5	AL30425	1D10	11	40 - 7
AL23857	1D8	18	40 - 5	AL25630	2A22	9	70 - 5	AL30425	1D10	13	40 - 7
AL23857	1D10	6	40 - 7	AL25630	2A22	..	70 - 5	AL30691	2F24	33	90 - 7

# 1L5

2040 UTILITY TRACTOR (SERIAL NO. -349999)

## NUMERICAL INDEX - CONTINUED

PART NO.	GRID	KEY	PAGE	PART NO.	GRID	KEY	PAGE	PART NO.	GRID	KEY	PAGE
AL30692	2F24	24	90 - 7	AL37750	2A20	10	70 - 2	AL61479	2C6	7	70 - 39
AL30777	1G2	5	50 - 5	AL37750	2A22	4	70 - 5	AL62690	1D6	13	40 - 3
AL30777	1G2	14	50 - 5	AL37750	2A22	6	70 - 5	AL63095	1D17	25	40 - 13
AL31218	1G15	6	50 - 18	AL37750	2A22	12	70 - 5	AL63095	1D17	26	40 - 13
AL31236	1H13	5	60 - 7	AL37750	2A22	18	70 - 5	AL63296	2F25	4	90 - 8
AL31262	1H13	1	60 - 7	AL37750	2A22	21	70 - 5	AL63296	2G3	5	90 - 12
AL31515	1H13	27	60 - 7	AL37750	2A22	..	70 - 5	AL63298	1C3	3	30 - 1
AL31989	2D9	10	70 - 67	AL37750	2A24	12	70 - 7	AL63309	1C3	1	30 - 1
AL31992	2B18	20	70 - 27	AL37750	2B1	..	70 - 9	AL63639	1G10	12	50 - 13
AL32220	2B18	41	70 - 27	AL37750	2B2	..	70 - 10	AL64330	1G10	12	50 - 13
AL32587	1G12	4	50 - 15	AL37750	2B4	..	70 - 13	AL64830	2C2	1	70 - 37
AL32791	1G15	6	50 - 18	AL37751	2A20	1	70 - 2	AL64830	2C2	7	70 - 37
AL32791	1G15	12	50 - 18	AL37751	2A25	..	70 - 8	AL64830	2C2	8	70 - 37
AL32863	1D8	1	40 - 5	AL37751	2B1	..	70 - 9	AL64830	2C2	9	70 - 37
AL32863	1D10	5	40 - 7	AL37931	2D9	3	70 - 67	AL64830	2C2	10	70 - 37
AL32906	2F10	4	80 - 23	AL37936	2D9	9	70 - 67	AL64830	2C4	39	70 - 37B
AL32907	2F10	1	80 - 23	AL38025	2D9	24	70 - 67	AL64830	2C4	40	70 - 37B
AL32975	1C5	13	30 - 3	AL38083	2B23	4	70 - 32	AL65077	1D10	18	40 - 7
AL32975	1D6	7	40 - 3	AL38122	2D9	12	70 - 67	AL65077	1D12	2	40 - 7B
AL33044	2C5	7	70 - 38	AL38123	2D9	19	70 - 67	AL65458	2F12	1	80 - 25
AL33250	1G16	16	50 - 19	AL38124	2D9	22	70 - 67	AL67175	1D7	1	40 - 4
AL33442	1E7	7	40 - 25	AL38125	2D9	18	70 - 67	AL67293	2C11	6	70 - 44
AL33443	1E7	8	40 - 25	AL38205	2D9	6	70 - 67	AL67293	2C11	10	70 - 44
AL33444	1E7	17	40 - 25	AL38234	1H20	2	60 - 14	AL68887	1D12	10	40 - 7B
AL34733	1G24	1	50 - 27	AL38242	1F22	1	50 - 1	AL68891	1D8	1	40 - 5
AL35755	2B12	6	70 - 21	AL38242	1F22	4	50 - 1	AL68891	1D10	5	40 - 7
AL35998	1D7	1	40 - 4	AL38242	1F22	..	50 - 1	AL68891	1D12	13	40 - 7B
AL35998	1D10	1	40 - 7	AL39149	2A24	8	70 - 7	AL70191	2F20	17	90 - 3
AL35999	1D10	23	40 - 7	AL39150	2A24	6	70 - 7	AL70242	1H18	3	60 - 12
AL36390	1D10	1	40 - 7	AL39172	2C11	6	70 - 44	AL70963	2F8	13	80 - 21
AL36391	1D6	9	40 - 3	AL39934	1C3	4	30 - 1	AL78689	1D7	1	40 - 4
AL36391	1D7	1	40 - 4	AL39936	1G5	9	50 - 8	AL78689	1D12	1	40 - 7B
AL36391	1D8	..	40 - 5	AL40882	1G2	3	50 - 5	AL81436	1D7	1	40 - 4
AL36391	1D10	1	40 - 7	AL40882	1G4	2	50 - 7	AL81436	1D10	1	40 - 7
AL36651	2A20	10	70 - 2	AL40882	1G4	..	50 - 7	AL81436	1D10	22	40 - 7
AL36651	2A22	4	70 - 5	AL40887	2C2	1	70 - 37	AL81436	1D12	1	40 - 7B
AL36651	2A22	6	70 - 5	AL40888	2C2	1	70 - 37	AL81450	1D12	10	40 - 7B
AL36651	2A22	12	70 - 5	AL40888	2C2	7	70 - 37	AM30347	2E17	..	80 - 5
AL36651	2A22	18	70 - 5	AL40888	2C2	8	70 - 37	AM3719T	2C18	12	70 - 51
AL36651	2A22	21	70 - 5	AL40888	2C2	9	70 - 37	AM39968	1D23	1	40 - 19
AL36651	2A22	..	70 - 5	AL40888	2C2	10	70 - 37	AM39968	1D23	5	40 - 19
AL36651	2B2	26	70 - 10	AL40888	2C4	39	70 - 37B	AM39968	1D25	13	40 - 21
AL36651	2B4	23	70 - 13	AL41247	1D6	13	40 - 3	AM39969	1D23	2	40 - 19
AL36652	2A20	1	70 - 2	AL41247	1D13	..	40 - 8	AM39970	1D25	10	40 - 21
AL36652	2A20	10	70 - 2	AL41247	1D14	4	40 - 9	AN102006	1H5	16	50 - 34
AL36652	2A22	4	70 - 5	AL41247	1D17	1	40 - 13	AN193413	2D9	16	70 - 67
AL36652	2A22	6	70 - 5	AL41520	1D17	14	40 - 13	AR100124	1B21	19	20 - 29
AL36652	2A22	12	70 - 5	AL41522	1D17	9	40 - 13	AR100124	1B22	10	20 - 30
AL36652	2A22	18	70 - 5	AL41525	1D17	22	40 - 13	AR100214	1B22	9	20 - 30
AL36652	2A22	21	70 - 5	AL41626	1D17	26	40 - 13	AR101210	2C14	7	70 - 47
AL36652	2A22	..	70 - 5	AL55042	1D17	8	40 - 13	AR101238	2B10	30	70 - 19
AL36652	2B1	1	70 - 9	AL55043	1D17	20	40 - 13	AR101238	2B14	9	70 - 23
AL36652	2B2	21	70 - 10	AL55044	1D17	18	40 - 13	AR101549	1B17	5	20 - 25
AL36652	2B4	15	70 - 13	AL55046	1D15	8	40 - 10	AR101549	1B17	6	20 - 25
AL36653	2A20	10	70 - 2	AL55046	1D17	27	40 - 13	AR101549	1B19	1	20 - 27
AL36653	2A22	4	70 - 5	AL55047	1D17	16	40 - 13	AR101754	1G17	2	50 - 20
AL36653	2A22	6	70 - 5	AL55140	1G2	3	50 - 5	AR101755	1G17	6	50 - 20
AL36653	2A22	12	70 - 5	AL55140	1G4	2	50 - 7	AR101832	1G10	7	50 - 13
AL36653	2A22	18	70 - 5	AL55140	1G4	..	50 - 7	AR101832	1G10	12	50 - 13
AL36653	2A22	21	70 - 5	AL56097	2F24	43	90 - 7	AR102290	1B21	26	20 - 29
AL36653	2A22	..	70 - 5	AL56820	1G23	14	50 - 26	AR102297	1B22	10	20 - 30
AL36653	2B2	1	70 - 10	AL56820	1H2	6	50 - 30	AR103033	2B8	1	70 - 17
AL36654	2A20	1	70 - 2	AL59587	2E20	2	80 - 8	AR103033	2B10	..	70 - 19
AL36654	2A25	6	70 - 8	AL59587	2E21	9	80 - 9	AR103040	2B10	23	70 - 19
AL37357	1C3	4	30 - 1	AL60271	1G4	12	50 - 7	AR103040	2B10	27	70 - 19
AL37364	1C3	1	30 - 1	AL60271	1G5	9	50 - 8	AR103470	2B16	1	70 - 25
AL37365	1C3	3	30 - 1	AL60764	2E21	3	80 - 9	AR103472	2E14	13	80 - 3



# 1L6

2040 UTILITY TRACTOR (SERIAL NO. -349999)

## NUMERICAL INDEX - CONTINUED

PART NO.	GRID	KEY	PAGE	PART NO.	GRID	KEY	PAGE	PART NO.	GRID	KEY	PAGE
AR103473	2E14	13	80 - 3	AR38239	2E2	..	70 - 85	AR51407	2F12	1	80 - 25
AR103525	1E7	1	40 - 25	AR38239	2E4	1	70 - 87	AR51481	1D6	17	40 - 3
AR103769	1A22	5	20 - 6	AR38397	1C9	23	30 - 7	AR51481	1E16	11	40 - 34
AR103808	2E5	7	70 - 88	AR38398	1C9	22	30 - 7	AR51872	2C22	3	70 - 55
AR103811	1A21	8	20 - 5	AR38425	2D23	8	70 - 82	AR52278	2B24	11	70 - 33
AR104660	2B22	1	70 - 31	AR38426	2D23	7	70 - 82	AR52340	2B7	1	70 - 16
AR105634	2F8	14	80 - 21	AR38426	2E2	..	70 - 85	AR52341	2B1	10	70 - 9
AR105634	2F9	..	80 - 22	AR38713	2D24	10	70 - 83	AR52341	2B4	26	70 - 13
AR111058	1F5	20	40 - 49	AR38849	2E2	1	70 - 85	AR52342	2B1	12	70 - 9
AR21059	1E9	2	40 - 27	AR38849	2E4	3	70 - 87	AR52392	1E25	4	40 - 44
AR21737	1E11	2	40 - 29	AR39036	2D14	28	70 - 72	AR52621	2D12	24	70 - 70
AR21737	1E11	3	40 - 29	AR39037	2D14	28	70 - 72	AR52621	2D13	12	70 - 71
AR21739	1E11	4	40 - 29	AR39041	2B10	32	70 - 19	AR52621	2D14	25	70 - 72
AR21837	1B15	4	20 - 23	AR39052	2B10	19	70 - 19	AR52622	2D13	1	70 - 71
AR21837	1B23	5	20 - 32	AR39052	2B14	4	70 - 23	AR52622	2D14	25	70 - 72
AR21837	2B7	15	70 - 16	AR39053	1G8	6	50 - 11	AR52785	2B10	15	70 - 19
AR21837	2C23	5	70 - 56	AR39106	2B10	27	70 - 19	AR52861	2E14	13	80 - 3
AR21837	2D9	4	70 - 67	AR39107	1G8	6	50 - 11	AR52862	2E14	13	80 - 3
AR21839	2B21	15	70 - 30	AR39156	2B14	17	70 - 23	AR53494	1H16	15	60 - 10
AR21840	1B13	18	20 - 21	AR39157	2C25	7	70 - 58	AR53494	1H18	1	60 - 12
AR21969	2B16	..	70 - 25	AR39158	2C25	5	70 - 58	AR53862	2E13	17	80 - 2
AR21999	1C5	1	30 - 3	AR39162	2D5	13	70 - 63	AR53863	2E12	16	80 - 1
AR21999	1C6	2	30 - 4	AR39164	1G8	6	50 - 11	AR53999	1E7	1	40 - 25
AR21999	2B16	9	70 - 25	AR39168	2B8	1	70 - 17	AR53999	1E7	7	40 - 25
AR21999	2B18	43	70 - 27	AR39168	2B10	..	70 - 19	AR53999	1E7	8	40 - 25
AR21999	2B19	13	70 - 28	AR39170	2B10	10	70 - 19	AR54634	2E15	11	80 - 4
AR26375	1G12	15	50 - 15	AR40386	1C3	12	30 - 1	AR54635	2E15	11	80 - 4
AR26407	2D23	1	70 - 82	AR40710	1F10	6	40 - 54	AR54749	1A19	4	20 - 3
AR26407	2E4	44	70 - 87	AR41691	1B17	5	20 - 25	AR54923	1D21	6	40 - 17
AR26697	2C25	13	70 - 58	AR41691	1B19	1	20 - 27	AR54923	1D25	22	40 - 21
AR26697	2D7	3	70 - 65	AR41785	1A18	..	20 - 1	AR54923	1D25	25	40 - 21
AR26697	2D18	3	70 - 76	AR41785	2G5	4	90 - 15	AR54929	1H19	9	60 - 13
AR26723	2B18	28	70 - 27	AR41870	2G5	4	90 - 15	AR55094	1B18	1	20 - 26
AR26725	1H13	29	60 - 7	AR44402	1A19	1	20 - 3	AR55282	2E17	..	80 - 5
AR26725	2B6	11	70 - 15	AR44402	1B25	1	20 - 34	AR55346	2A20	10	70 - 2
AR26746	1H17	7	60 - 11	AR45530	1A21	8	20 - 5	AR55346	2A22	..	70 - 5
AR26782	1G25	4	50 - 28	AR47331	2D11	7	70 - 69	AR55346	2B1	..	70 - 9
AR26928	1C8	3	30 - 6	AR47331	2D15	8	70 - 73	AR55346	2B2	..	70 - 10
AR26930	1C3	7	30 - 1	AR47331	2D17	20	70 - 75	AR55346	2B4	..	70 - 13
AR26930	1C3	12	30 - 1	AR47643	2D17	7	70 - 75	AR55348	2B2	24	70 - 10
AR27440	2D23	3	70 - 82	AR47825	2D23	4	70 - 82	AR55349	2B2	26	70 - 10
AR27699	2B16	18	70 - 25	AR47825	2E4	42	70 - 87	AR55349	2B4	23	70 - 13
AR27738	2B18	36	70 - 27	AR48034	1E21	23	40 - 39	AR55350	2B6	1	70 - 15
AR27814	1C23	16	30 - 22	AR48041	1F2	22	40 - 46	AR55353	2B4	9	70 - 13
AR27814	2G5	5	90 - 15	AR48499	2B16	13	70 - 25	AR55354	2B4	10	70 - 13
AR27940	1C23	8	30 - 22	AR48643	1F3	5	40 - 47	AR55356	1H7	1	60 - 1
AR27977	1B7	4	20 - 16	AR49427	2B15	5	70 - 24	AR55358	1H9	23	60 - 3
AR27977	1D6	14	40 - 3	AR49592	2E17	3	80 - 5	AR55384	1B13	19	20 - 21
AR28403	1D4	7	40 - 1	AR49797	1E21	1	40 - 39	AR55694	1E21	24	40 - 39
AR28403	1D6	19	40 - 3	AR49798	1E21	1	40 - 39	AR55730	1C12	3	30 - 11
AR28403	1E16	3	40 - 34	AR50040	1C11	1	30 - 9	AR55759	1B2	7	20 - 11
AR28403	1F8	7	40 - 52	AR50041	1C11	3	30 - 9	AR55759	1B3	4	20 - 12
AR28754	2E6	3	70 - 89	AR50041	1C24	2	30 - 23	AR55759	1B4	1	20 - 13
AR28755	2E6	3	70 - 89	AR50580	1D4	1	40 - 1	AR55888	1E11	2	40 - 29
AR30110	2D18	6	70 - 76	AR50580	1E10	1	40 - 28	AR55890	2F2	12	80 - 15
AR30210	2D11	6	70 - 69	AR50779	1E21	2	40 - 39	AR55978	1B3	5	20 - 12
AR30210	2D12	7	70 - 70	AR50780	1E21	2	40 - 39	AR55984	1B3	1	20 - 12
AR30210	2D15	9	70 - 73	AR50926	1E25	14	40 - 44	AR55984	1B4	2	20 - 13
AR30210	2D17	7	70 - 75	AR50927	1E21	20	40 - 39	AR55984	1B4	5	20 - 13
AR30685	2D16	12	70 - 74	AR50927	1E25	20	40 - 44	AR56211	2F22	26	90 - 5
AR30784	2D23	..	70 - 82	AR50928	1E21	18	40 - 39	AR56290	1C18	11	30 - 17
AR31613	2D15	8	70 - 73	AR50929	1E25	19	40 - 44	AR56290	1C18	15	30 - 17
AR37750	2B2	..	70 - 10	AR50930	1E25	15	40 - 44	AR56782	1C9	1	30 - 7
AR37751	2B2	..	70 - 10	AR50931	1E25	23	40 - 44	AR56782	1C9	8	30 - 7
AR38225	2B10	4	70 - 19	AR50954	1E18	1	40 - 36	AR58126	1D6	17	40 - 3
AR38239	2D23	7	70 - 82	AR51143	2F20	3	90 - 3	AR58126	1E16	10	40 - 34
AR38239	2D23	8	70 - 82	AR51143	2F20	17	90 - 3	AR58196	1B9	1	20 - 18

# 1L7

2040 UTILITY TRACTOR (SERIAL NO. -349999)

## NUMERICAL INDEX - CONTINUED

PART NO.	GRID	KEY	PAGE	PART NO.	GRID	KEY	PAGE	PART NO.	GRID	KEY	PAGE
AR60250	2F22	9	90 - 5	AR67091	1C11	11	30 - 9	AR72910	1C10	1	30 - 8
AR60559	1C12	11	30 - 11	AR67095	2C2	1	70 - 37	AR72949	2F6	15	80 - 19
AR60701	1B11	7	20 - 20	AR67095	2C2	7	70 - 37	AR72953	2F14	3	80 - 27
AR60937	1F3	1	40 - 47	AR67095	2C2	8	70 - 37	AR72957	1B23	2	20 - 32
AR61194	2G3	7	90 - 12	AR67095	2C2	9	70 - 37	AR72987	2F22	41	90 - 5
AR61868	1E7	11	40 - 25	AR67095	2C2	10	70 - 37	AR73097	1B15	1	20 - 23
AR62149	2C12	5	70 - 45	AR67338	1E7	9	40 - 25	AR73336	2F22	43	90 - 5
AR62149	2C18	1	70 - 51	AR67398	1E14	10	40 - 32	AR73338	2F22	23	90 - 5
AR62151	2C11	12	70 - 44	AR67453	1E7	14	40 - 25	AR73500	2E7	1	70 - 90
AR62151	2C18	6	70 - 51	AR67670	1B11	8	20 - 20	AR73620	1E20	..	40 - 38
AR62360	1E22	1	40 - 40	AR67855	1E20	4	40 - 38	AR73621	1E20	6	40 - 38
AR62401	1D6	9	40 - 3	AR67855	1F7	14	40 - 51	AR73622	1E20	5	40 - 38
AR62401	1D7	1	40 - 4	AR67855	1F8	2	40 - 52	AR73673	1C18	11	30 - 17
AR62401	1D8	..	40 - 5	AR67855	1F9	9	40 - 53	AR73673	1C18	15	30 - 17
AR62440	2B21	1	70 - 30	AR67855	2F14	..	80 - 27	AR73684	2B18	28	70 - 27
AR62978	1B11	10	20 - 20	AR67855	2F16	..	80 - 29	AR73918	2F9	..	80 - 22
AR62978	1B12	1	20 - 20A	AR67942	1B5	8	20 - 14	AR74111	2C15	12	70 - 48
AR62979	1B11	12	20 - 20	AR68071	2C10	7	70 - 43	AR74411	1F8	5	40 - 52
AR62979	1B12	5	20 - 20A	AR68120	1E14	5	40 - 32	AR75603	1C24	1	30 - 23
AR63218	1A18	1	20 - 1	AR68121	1E14	6	40 - 32	AR75603	1G13	2	50 - 16
AR63219	1A18	1	20 - 1	AR68121	2F16	..	80 - 29	AR75694	1F9	10	40 - 53
AR63222	1A18	1	20 - 1	AR68299	1D25	30	40 - 21	AR75695	1F9	2	40 - 53
AR63597	2G3	1	90 - 12	AR68302	1E2	6	40 - 23	AR75696	1F9	8	40 - 53
AR63653	1C11	10	30 - 9	AR68304	1D20	17	40 - 16	AR75958	2D13	7B	70 - 71
AR63911	2C2	1	70 - 37	AR68304	1D20	26	40 - 16	AR75958	2D14	26	70 - 72
AR63911	2C2	7	70 - 37	AR68304	1D20	..	40 - 16	AR76101	1C16	19	30 - 15
AR63911	2C2	8	70 - 37	AR68304	1D21	22	40 - 17	AR76102	1C14	11	30 - 13
AR63911	2C2	9	70 - 37	AR68450	1E14	9	40 - 32	AR76102	1C16	8	30 - 15
AR63911	2C2	10	70 - 37	AR68801	2F4	4	80 - 17	AR76583	2F22	40	90 - 5
AR63911	2C4	10	70 - 37B	AR68818	1H7	13	60 - 1	AR76704	1C14	7	30 - 13
AR63911	2C4	11	70 - 37B	AR69444	2E8	..	70 - 91	AR76704	1C14	10	30 - 13
AR63911	2C4	12	70 - 37B	AR69445	2E8	..	70 - 91	AR77083	2F16	6	80 - 29
AR63911	2C4	13	70 - 37B	AR69659	1G8	3	50 - 11	AR77324	1E11	2	40 - 29
AR63911	2C4	39	70 - 37B	AR69988	2C16	7	70 - 49	AR77324	1E11	3	40 - 29
AR63979	1A18	1	20 - 1	AR70082	1D21	12	40 - 17	AR77325	1E11	2	40 - 29
AR64422	1E14	10	40 - 32	AR70436	1D6	13	40 - 3	AR77325	1E11	3	40 - 29
AR64724	1A25	37	20 - 9	AR70436	1D13	..	40 - 8	AR77326	1D4	5	40 - 1
AR64845	2C10	7	70 - 43	AR70436	1D14	4	40 - 9	AR77326	1E11	2	40 - 29
AR65005	1F19	1	40 - 63	AR70436	1D15	..	40 - 10	AR77326	1E11	4	40 - 29
AR65006	1F19	2	40 - 63	AR70582	1A21	11	20 - 5	AR77326	1E11	10	40 - 29
AR65077	1D10	23	40 - 7	AR70583	1A21	11	20 - 5	AR77326	1E12	1	40 - 30
AR65293	2B16	13	70 - 25	AR71592	1B4	5	20 - 13	AR77698	2F22	15	90 - 5
AR65293	2B19	8	70 - 28	AR71618	1A25	6	20 - 9	AR77762	1B2	10	20 - 11
AR65443	1D6	1	40 - 3	AR71618	1B2	20	20 - 11	AR77762	1B3	1	20 - 12
AR65443	1E15	1	40 - 33	AR71618	1B4	4	20 - 13	AR77762	1B4	2	20 - 13
AR65445	1D6	3	40 - 3	AR71618	1B21	1	20 - 29	AR77762	1B4	5	20 - 13
AR65445	1E17	1	40 - 35	AR71902	2D23	6	70 - 82	AR78041	1B4	5	20 - 13
AR65445	1E18	1	40 - 36	AR71902	2E4	2	70 - 87	AR78261	2F22	12	90 - 5
AR65686	1H17	1	60 - 11	AR71945	2D18	10	70 - 76	AR78396	2D5	26	70 - 63
AR65688	1H17	5	60 - 11	AR71990	1B22	10	20 - 30	AR78485	1C3	5	30 - 1
AR65881	2B20	16	70 - 29	AR72233	1E14	6	40 - 32	AR78485	1C3	12	30 - 1
AR66039	2F15	5	80 - 28	AR72233	2F14	..	80 - 27	AR78631	1C14	21	30 - 13
AR66478	1D4	6	40 - 1	AR72233	2F16	..	80 - 29	AR79920	1B22	10	20 - 30
AR66478	1D6	18	40 - 3	AR72364	2F6	11	80 - 19	AR80332	1C14	4	30 - 13
AR66478	1E16	4	40 - 34	AR72365	2F6	10	80 - 19	AR81610	1H9	23	60 - 3
AR66588	1G14	1	50 - 17	AR72376	2F6	2	80 - 19	AR81610	1H13	19	60 - 7
AR66588	1G14	4	50 - 17	AR72377	2F6	2	80 - 19	AR81610	1H13	23	60 - 7
AR66799	1E16	7	40 - 34	AR72474	2F2	12	80 - 15	AR82294	1A25	32	20 - 9
AR66924	1G2	2	50 - 5	AR72829	2F10	5	80 - 23	AR82295	1A25	35	20 - 9
AR66924	1G4	1	50 - 7	AR72830	2F10	7	80 - 23	AR82570	2D16	12	70 - 74
AR66937	2C21	5	70 - 54	AR72831	2F10	4	80 - 23	AR82571	2D7	19	70 - 65
AR66938	2C21	18	70 - 54	AR72837	2F6	3	80 - 19	AR82576	2D13	13	70 - 71
AR66939	2C22	2	70 - 55	AR72847	1E7	10	40 - 25	AR82576	2D14	27	70 - 72
AR67002	1C14	4	30 - 13	AR72872	1C14	21	30 - 13	AR82906	1F8	14	40 - 52
AR67003	1C14	5	30 - 13	AR72881	1C14	3	30 - 13	AR82908	1F8	12	40 - 52
AR67004	1C14	6	30 - 13	AR72902	2F22	29	90 - 5	AR82911	1F8	13	40 - 52
AR67074	1B11	14	20 - 20	AR72903	2F22	29	90 - 5	AR83425	1F19	8	40 - 63

# 1L8

2040 UTILITY TRACTOR (SERIAL NO. -349999)

## NUMERICAL INDEX - CONTINUED

PART NO.	GRID	KEY	PAGE	PART NO.	GRID	KEY	PAGE	PART NO.	GRID	KEY	PAGE
AR83549	2D3	24	70 - 61	AR94760	1D6	..	40 - 3	AT19904	1E18	5	40 - 36
AR84228	1C5	18	30 - 3	AR94952	1C19	17	30 - 18	AT19905	1E17	2	40 - 35
AR84228	1C24	4	30 - 23	AR95991	1G16	9	50 - 19	AT19966	1G20	13	50 - 23
AR85323	1D6	20	40 - 3	AR95992	1G16	5	50 - 19	AT19983	1C10	17	30 - 8
AR85323	2B22	12	70 - 31	AR96613	2B10	15	70 - 19	AT20025	1G24	4	50 - 27
AR85578	1E13	6	40 - 31	AR96662	1G8	6	50 - 11	AT20026	2F18	17	90 - 1
AR85710	1C14	29	30 - 13	AR97026	1A25	37	20 - 9	AT20037	2D10	3	70 - 68
AR86535	2D5	26	70 - 63	AR97035	1B2	61	20 - 11	AT20038	2D10	4	70 - 68
AR86921	2F5	2	80 - 18	AR98023	1E14	9	40 - 32	AT20039	2D10	1	70 - 68
AR86969	1E11	4	40 - 29	AR98201	2E6	2	70 - 89	AT20040	2D10	2	70 - 68
AR87385	2F22	42	90 - 5	AR98202	2E6	1	70 - 89	AT20044	1C19	17	30 - 18
AR87416	1G14	1	50 - 17	AR98993	2B14	17	70 - 23	AT20084	2B24	11	70 - 33
AR87416	1G14	4	50 - 17	AR99025	2D5	13	70 - 63	AT20085	2B24	17	70 - 33
AR87736	1B4	2	20 - 13	AR99100	2D13	13	70 - 71	AT20141	2B24	18	70 - 33
AR87736	1B4	5	20 - 13	AR99100	2D14	27	70 - 72	AT20154	1C7	11	30 - 5
AR88239	1C18	11	30 - 17	AT10344	2E16	1	80 - 4B	AT20154	1C8	2	30 - 6
AR88239	1C18	15	30 - 17	AT10344	2E17	1	80 - 5	AT20167	2C17	6	70 - 50
AR89064	2B8	1	70 - 17	AT10344	2E17	3	80 - 5	AT20168	2C17	5	70 - 50
AR89064	2B10	..	70 - 19	AT11927	1H7	8	60 - 1	AT20197	2C4	39	70 - 37B
AR89073	2B10	27	70 - 19	AT12431	1H4	1	50 - 33	AT20452	1E7	12	40 - 25
AR89075	2B10	10	70 - 19	AT124396	1H4	29	50 - 33	AT20521	2E23	1	80 - 11
AR89099	1H11	14	60 - 5	AT13740	1A25	4	20 - 9	AT20641	1E18	1	40 - 36
AR89564	1C18	15	30 - 17	AT13740	1B13	3	20 - 21	AT20701	1H5	16	50 - 34
AR89691	1D6	20	40 - 3	AT13740	1C10	24	30 - 8	AT20703	1H5	2	50 - 34
AR89691	2B22	12	70 - 31	AT141924	2G6	6	90 - 16	AT20709	1F10	1	40 - 54
AR90453	2B10	37	70 - 19	AT146240	1H2	7	50 - 30	AT20727	1C5	11	30 - 3
AR90550	1B4	5	20 - 13	AT148831	1E20	1	40 - 38	AT20728	1C5	8	30 - 3
AR90971	1H1	13	50 - 29	AT14927	2G5	2	90 - 15	AT20728	1C24	4	30 - 23
AR90971	2C17	5	70 - 50	AT15146	1D20	25	40 - 16	AT20748	1C23	1	30 - 22
AR91029	2B20	3	70 - 29	AT15147	1D21	20	40 - 17	AT20755	1H16	1	60 - 10
AR91029	2C23	6	70 - 56	AT16288	1D4	5	40 - 1	AT20755	1H16	2	60 - 10
AR91594	1C3	11	30 - 1	AT16288	1E11	2	40 - 29	AT20756	1H16	1	60 - 10
AR91610	2F16	6	80 - 29	AT16288	1E11	4	40 - 29	AT20756	1H16	2	60 - 10
AR91611	2F14	6	80 - 27	AT16288	1E11	10	40 - 29	AT20761	1G25	1	50 - 28
AR91612	2F16	6	80 - 29	AT16288	1E12	1	40 - 30	AT20777	2F12	2	80 - 25
AR91614	2F15	5	80 - 28	AT16290	1D22	12	40 - 18	AT20784	1G16	9	50 - 19
AR91660	1B8	4	20 - 17	AT16291	1D21	2	40 - 17	AT20786	1G16	5	50 - 19
AR91769	1C14	21	30 - 13	AT16887	1H4	29	50 - 33	AT20849	1B13	1	20 - 21
AR91793	1F17	42	40 - 61	AT17981	1D21	6	40 - 17	AT20911	1C10	3	30 - 8
AR91808	2E13	17	80 - 2	AT18009	1B8	4	20 - 17	AT20930	1C20	16	30 - 19
AR91996	2F5	2	80 - 18	AT18016	1A21	6	20 - 5	AT20960	2B18	30	70 - 27
AR92385	2C8	16	70 - 41	AT18031	1B2	50	20 - 11	AT20960	2B21	8	70 - 30
AR92425	2F4	1	80 - 17	AT18031	1B5	5	20 - 14	AT20961	2B18	25	70 - 27
AR92944	2E13	1	80 - 2	AT18053	1A23	1	20 - 7	AT20961	2B21	11	70 - 30
AR92944	2E13	17	80 - 2	AT18055	1A23	1	20 - 7	AT20983	2B21	4	70 - 30
AR93819	2D11	6	70 - 69	AT18074	1B15	1	20 - 23	AT21108	1B5	13	20 - 14
AR93819	2D12	2	70 - 70	AT18180	1B6	2	20 - 15	AT21110	1B5	13	20 - 14
AR93819	2D12	5	70 - 70	AT18815	1D4	3	40 - 1	AT21112	1B5	13	20 - 14
AR93819	2D12	7	70 - 70	AT18815	1E9	1	40 - 27	AT21114	1B5	13	20 - 14
AR93819	2D15	9	70 - 73	AT18995	1E9	4	40 - 27	AT21122	1B3	8	20 - 12
AR93819	2D17	2	70 - 75	AT19628	1H5	11	50 - 34	AT21124	1B3	8	20 - 12
AR93819	2D17	5	70 - 75	AT19794	2E12	1	80 - 1	AT21126	1B3	8	20 - 12
AR93819	2D17	7	70 - 75	AT19794	2E13	1	80 - 2	AT21128	1B3	8	20 - 12
AR93820	2D12	2	70 - 70	AT19830	1G12	4	50 - 15	AT21130	1B5	12	20 - 14
AR93820	2D17	2	70 - 75	AT19837	1G2	5	50 - 5	AT21132	1B5	12	20 - 14
AR93820	2D17	5	70 - 75	AT19837	1G2	10	50 - 5	AT21134	1B5	12	20 - 14
AR93820	2D17	7	70 - 75	AT19837	1G2	17	50 - 5	AT21136	1B5	12	20 - 14
AR93820	2E6	8	70 - 89	AT19838	2C5	3	70 - 38	AT21138	1B2	16	20 - 11
AR93928	1H2	9	50 - 30	AT19839	2B23	6	70 - 32	AT21138	1B3	8	20 - 12
AR93948	2D3	41	70 - 61	AT19840	2B24	16	70 - 33	AT21139	1B2	46	20 - 11
AR94130	1F3	2	40 - 47	AT19847	2F10	1	80 - 23	AT21139	1B5	12	20 - 14
AR94522	2D20	21	70 - 79	AT19850	2C14	11	70 - 47	AT21140	1B2	45	20 - 11
AR94522	2E6	10	70 - 89	AT19858	1H9	7	60 - 3	AT21140	1B5	13	20 - 14
AR94535	1F23	1	50 - 2	AT19858	1H9	9	60 - 3	AT21191	1A25	21	20 - 9
AR94702	1F23	..	50 - 2	AT19858	1H13	8	60 - 7	AT21191	1A25	22	20 - 9
AR94702	1G10	..	50 - 13	AT19858	1H13	9	60 - 7	AT21191	1B2	24	20 - 11
AR94726	1G10	..	50 - 13	AT19858	1H15	1	60 - 9	AT21226	1A25	32	20 - 9

# 1L9

2040 UTILITY TRACTOR (SERIAL NO. -349999)

## NUMERICAL INDEX - CONTINUED

PART NO.	GRID	KEY	PAGE	PART NO.	GRID	KEY	PAGE	PART NO.	GRID	KEY	PAGE
AT21227	1A25	35	20-9	AT24437	1C5	7	30-3	AT35121	2B4	8	70-13
AT21382	1B7	11	20-16	AT24438	1C5	6	30-3	AT35121	2B4	13	70-13
AT21416	2B24	11	70-33	AT24538	2G5	1	90-15	AT35121	2B6	11	70-15
AT21534	1A25	10	20-9	AT24692	1D6	2	40-3	AT37356	2F3	8	80-16
AT21620	1G20	1	50-23	AT24692	1E15	5	40-33	AT37368	1E20	7	40-38
AT21620	1G21	11	50-24	AT24693	1D6	5	40-3	AT37833	2F20	16	90-3
AT21626	1B22	10	20-30	AT24693	1E15	6	40-33	AT38821	1E20	1	40-38
AT21689	1C9	2	30-7	AT24699	1G2	5	50-5	AT39043	1E13	5	40-31
AT21754	2C10	3	70-43	AT24699	1G2	14	50-5	AT41649	1F23	1	50-2
AT21780	1G6	2	50-9	AT24725	2C5	7	70-38	AT43407	1G10	12	50-13
AT21781	1H11	14	60-5	AT24885	1C20	9	30-19	AT44165	1E21	23	40-39
AT21781	2C2	1	70-37	AT24885	1C21	20	30-20	AT45438	1E21	26	40-39
AT21781	2C2	2	70-37	AT25226	2E20	..	80-8	AT46457	1H7	1	60-1
AT21781	2C4	36	70-37B	AT25226	2E22	..	80-10	AT46457	1H7	3	60-1
AT21795	1C8	4	30-6	AT25226	2E23	..	80-11	AT48214	1C10	17	30-8
AT21912	2C11	4	70-44	AT25619	1D6	13	40-3	AT48673	1E21	23	40-39
AT22034	1H20	2	60-14	AT25619	1D18	..	40-14	AT48673	1E21	26	40-39
AT22070	2G2	12	90-11	AT25619	1D19	1	40-15	AT514T	1D22	9	40-18
AT22073	2G2	11	90-11	AT25619	1D21	..	40-17	AT516T	1D22	11	40-18
AT22079	2B16	14	70-25	AT25619	1D22	..	40-18	AT54132	1H11	7	60-5
AT22083	2B16	16	70-25	AT25619	1E3	4	40-23A	AT54132	1H13	45	60-7
AT22096	1F22	1	50-1	AT25619	1E5	10	40-23D	AT54955	1H7	1	60-1
AT22096	1F22	..	50-1	AT26188	1H15	11	60-9	AT54955	1H7	3	60-1
AT22145	2B19	12	70-28	AT26340	2G5	1	90-15	AT55441	1F2	25	40-46
AT22169	2D10	8	70-68	AT27130	2E15	10	80-4	AT56648	2C12	4	70-45
AT22170	2D10	7	70-68	AT27131	2E15	1	80-4	AT62018	2G6	6	90-16
AT22201	2B19	1	70-28	AT27313	2B19	11	70-28	AT62019	2G6	4	90-16
AT22221	2E14	1	80-3	AT27406	1B24	1	20-33	AT63106	1H20	2	60-14
AT22222	2E14	1	80-3	AT27413	1B23	2	20-32	AT66865	1D6	..	40-3
AT22278	2E12	16	80-1	AT27585	1B13	2	20-21	AT67693	1D6	1	40-3
AT22279	2E14	1	80-3	AT27622	1C18	3	30-17	AT67693	1E15	1	40-33
AT22280	2E14	1	80-3	AT27917	1C14	29	30-13	AT72330	1B24	1	20-33
AT22919	1A25	21	20-9	AT28049	1H4	11	50-33	AT75387	2G6	4	90-16
AT22919	1A25	22	20-9	AT28049	1H4	21	50-33	AT81398	1C5	6	30-3
AT22919	1B2	24	20-11	AT28057	2C12	4	70-45	AT81764	2G6	6	90-16
AT22926	1F22	9	50-1	AT28198	2C15	6	70-48	AT85174	1B7	4	20-16
AT22961	1B15	7	20-23	AT28460	2A20	1	70-2	AU30241	2D18	7	70-76
AT22963	1B15	7	20-23	AT28460	2A25	..	70-8	AU41465	1D4	8	40-1
AT22965	1B7	7	20-16	AT28460	2B1	..	70-9	AZ25987	2A24	7	70-7
AT23160	1D21	6	40-17	AT28460	2B2	..	70-10	AZ30292	2A24	5	70-7
AT23175	1H11	21	60-5	AT29222	2D3	9	70-61	A147R	2E2	4	70-85
AT23180	1B17	23	20-25	AT29301	2C17	..	70-50	A2552R	1G2	5	50-5
AT23224	1G23	1	50-26	AT29387	1G16	16	50-19	A2899R	1E11	8	40-29
AT23541	2F11	..	80-24	AT29464	1C14	16	30-13	A354R	2C4	22	70-37B
AT23550	2B16	6	70-25	AT29752	1G14	10	50-17	A3581R	2C11	5	70-44
AT23552	2B16	1	70-25	AT29827	1G24	1	50-27	A3581R	2C14	15	70-47
AT23579	1G15	6	50-18	AT30631	2C6	7	70-39	A3581R	2D23	5	70-82
AT23682	2A25	6	70-8	AT31250	1A22	5	20-6	A3581R	2E4	41	70-87
AT23683	2B1	1	70-9	AT31413	1D6	15	40-3	A364R	1G19	22	50-22
AT23683	2B2	21	70-10	AT31413	1D7	16	40-4	A3910R	1A21	10	20-5
AT23688	2A25	9	70-8	AT31619	1C10	5	30-8	A3917R	1G14	5	50-17
AT23688	2B4	6	70-13	AT31619	1D6	8	40-3	A3917R	2D12	11	70-70
AT23689	2B1	18	70-9	AT32332	2A25	11	70-8	A3917R	2D16	4	70-74
AT23689	2B4	20	70-13	AT32332	2B1	9	70-9	A39716	1F1	1	40-45
AT23690	2A25	12	70-8	AT32332	2B4	5	70-13	A39716	1F2	1	40-46
AT23690	2B4	1	70-13	AT32332	2B7	18	70-16	A4365R	2C6	12	70-39
AT23708	2B5	1	70-14	AT32332	2D13	4	70-71	A4655R	1E16	6	40-34
AT23709	2B5	12	70-14	AT32335	1H17	7	60-11	A4723R	2D24	4	70-83
AT23709	2B5	13	70-14	AT32335	2A25	13	70-8	A4723R	2E2	35	70-85
AT23719	2C19	4	70-52	AT32335	2B4	2	70-13	A4723R	2E4	25	70-87
AT23734	2D11	11	70-69	AT32335	2B5	9	70-14	A4728R	2B25	11	70-34
AT23738	2D11	12	70-69	AT32335	2B18	34	70-27	A4730R	1B11	6	20-20
AT23759	2C11	6	70-44	AT32489	1B19	1	20-27	A4730R	2C6	16	70-39
AT23885	2E15	1	80-4	AT34811	2D9	21	70-67	A4730R	2D12	25	70-70
AT24013	1B15	7	20-23	AT34970	2E13	17	80-2	A4730R	2D14	20	70-72
AT24252	1B8	11	20-17	AT35121	1H11	5	60-5	A4730R	2D16	9	70-74
AT24392	1G8	10A	50-11	AT35121	2B2	13	70-10	A4730R	2D24	7	70-83

# 1L10

2040 UTILITY TRACTOR (SERIAL NO. -349999)

## NUMERICAL INDEX - CONTINUED

PART NO.	GRID	KEY	PAGE	PART NO.	GRID	KEY	PAGE	PART NO.	GRID	KEY	PAGE
A4730R	2E2	9	70 - 85	D2361R	2C4	3	70 - 37B	JD126	1E21	10	40 - 39
A4730R	2E2	25	70 - 85	D2361R	2C8	11	70 - 41	JD126	1F1	6	40 - 45
A4730R	2E4	15	70 - 87	D2361R	2D12	4	70 - 70	JD126	1F2	10	40 - 46
A4731R	2D24	8	70 - 83	D2361R	2D12	16	70 - 70	JD21	2E17	14	80 - 5
A4731R	2E2	8	70 - 85	D2361R	2D14	11	70 - 72	JD21	2E19	2	80 - 7
A4731R	2E4	16	70 - 87	D2361R	2D17	4	70 - 75	JD21	2E20	12	80 - 8
A4732R	2E2	14	70 - 85	D2361R	2D17	16	70 - 75	JD21	2E22	2	80 - 10
A4732R	2E4	11	70 - 87	E16050	1E21	16	40 - 39	JD21	2E23	6	80 - 11
A4733R	2D24	6	70 - 83	F1791R	2C2	1	70 - 37	JD30001	1D12	8	40 - 7B
A4733R	2E2	15	70 - 85	F1791R	2C2	27	70 - 37	JD3002	2E17	12	80 - 5
A4733R	2E4	12	70 - 87	F1791R	2C4	8	70 - 37B	JD3038	2E19	1	80 - 7
A4736R	2E2	43	70 - 85	F1791R	2C4	39	70 - 37B	JD3039	2E17	13	80 - 5
A4736R	2E4	21	70 - 87	F1791R	2C8	14	70 - 41	JD3047	2E17	13	80 - 5
A4737R	2E2	17	70 - 85	F1942R	2B24	13	70 - 33	JD5272	2F8	7	80 - 21
A4737R	2E4	19	70 - 87	F215R	1G19	25	50 - 22	JD5272	2F9	5	80 - 22
A4739R	2E2	42	70 - 85	F2506R	1C10	6	30 - 8	JD5602	2F9	5	80 - 22
A4739R	2E4	22	70 - 87	F2570R	2B25	13	70 - 34	JD5602	2G2	13	90 - 11
A4740R	2E2	38	70 - 85	F2741R	2C2	15	70 - 37	JD691	2E17	13	80 - 5
A4741R	2E2	39	70 - 85	F2741R	2C8	10	70 - 41	JD7375	1G18	2	50 - 21
A4742R	2E2	41	70 - 85	F2863R	1H16	10	60 - 10	JD7418	1H4	26	50 - 33
A4745R	2D24	1	70 - 83	F3171R	1E20	9	40 - 38	JD7425	1G21	4	50 - 24
A4745R	2E2	22	70 - 85	F3171R	1F23	10	50 - 2	JD7425	1H5	5	50 - 34
A4745R	2E4	39	70 - 87	F3171R	1G8	17	50 - 11	JD7438	1H4	13	50 - 33
A4746R	2E2	23	70 - 85	F3171R	1G12	10	50 - 15	JD7449	1G18	3	50 - 21
A4746R	2E4	40	70 - 87	F3171R	1G13	8	50 - 16	JD7674	1G19	20	50 - 22
A4747R	2E2	21	70 - 85	F3171R	1G13	11	50 - 16	JD7759	1H5	6	50 - 34
A4747R	2E4	38	70 - 87	F3171R	1H17	13	60 - 11	JD7759	2C10	6	70 - 43
A4748R	2E2	20	70 - 85	F3171R	1H19	2	60 - 13	JD7759	2E12	4	80 - 1
A4748R	2E4	37	70 - 87	F3171R	2B10	53	70 - 19	JD7759	2E13	5	80 - 2
A4827R	1B9	7	20 - 18	F3171R	2B14	12	70 - 23	JD7759	2E14	3	80 - 3
A4827R	1G10	13	50 - 13	F3171R	2B14	15	70 - 23	JD7759	2E17	2	80 - 5
A4827R	1H4	18	50 - 33	F3171R	2B18	29	70 - 27	JD7798	2C10	6	70 - 43
A48331	1F2	3	40 - 46	F3171R	2B18	31	70 - 27	JD7798	2E12	4	80 - 1
A48332	1F2	23	40 - 46	F3171R	2D9	25	70 - 67	JD7798	2E12	16	80 - 1
A4847R	1F23	12	50 - 2	F3171R	2D18	9	70 - 76	JD7798	2E13	5	80 - 2
A4847R	2C2	14	70 - 37	F3195R	2F11	4	80 - 24	JD7798	2E14	1	80 - 3
A4847R	2C4	1	70 - 37B	F3322R	2C2	11	70 - 37	JD7798	2E14	3	80 - 3
A4847R	2C8	9	70 - 41	F3322R	2C4	16	70 - 37B	JD7798	2E17	2	80 - 5
A4881R	1C10	18	30 - 8	F3322R	2C4	39	70 - 37B	JD7799	2E12	5	80 - 1
A5180R	2F9	14	80 - 22	F3353R	2B23	8	70 - 32	JD7799	2E12	16	80 - 1
A5301R	2E2	5	70 - 85	F3353R	2C8	2	70 - 41	JD7799	2E13	6	80 - 2
A5301R	2E4	5	70 - 87	F3396R	1C19	10	30 - 18	JD7799	2F2	9	80 - 15
A5302R	2E2	3	70 - 85	F3450R	1H11	28	60 - 5	JD8135	1H4	14	50 - 33
A5302R	2E4	8	70 - 87	F3450R	1H13	34	60 - 7	JD8147	1G21	5	50 - 24
A602R	1F22	6	50 - 1	F3539R	2C16	6	70 - 49	JD8147	1H5	4	50 - 34
B177R	1H16	3	60 - 10	F3541R	2C16	4	70 - 49	JD8171	1G18	5	50 - 21
B190R	1G19	24	50 - 22	F3542R	2C16	5	70 - 49	JD8171	1H5	14	50 - 34
B2762R	2D3	32	70 - 61	F534R	2E12	13	80 - 1	JD8194	2E16	2	80 - 4B
B2762R	2D7	8	70 - 65	F534R	2E13	14	80 - 2	JD8194	2E17	4	80 - 5
B3690R	1H9	4	60 - 3	H104855	1F15	9	40 - 59	JD8217	1H5	15	50 - 34
B3690R	1H11	2	60 - 5	H113196	1E3	2	40 - 23A	JD8230	2E16	3	80 - 4B
B3690R	1H13	6	60 - 7	H113196	1E5	2	40 - 23D	JD8230	2E17	5	80 - 5
B3690R	1H15	2	60 - 9	H113924	2F12	3	80 - 25	JD8239	2E16	4	80 - 4B
CD13979	1A21	12	20 - 5	H113924	2F13	1	80 - 26	JD8239	2E17	6	80 - 5
CD13979	1A23	11	20 - 7	H23193	1D22	24	40 - 18	JD8247	1H4	7	50 - 33
CD15465	1A25	8	20 - 9	H23746	2F12	4	80 - 25	JD8255	1G20	3	50 - 23
CE14048	1G15	6	50 - 18	H23746	2F13	2	80 - 26	JD8267	1G20	16	50 - 23
CE14048	1G15	9	50 - 18	H246R	1G14	8	50 - 17	JD8276	1G10	12	50 - 13
C1067R	1F22	12	50 - 1	H246R	1G18	14	50 - 21	JD8276	1G10	..	50 - 13
C2175R	1F23	14	50 - 2	H84660	2F18	2	90 - 1	JD8407	2E14	14	80 - 3
DD12119	1A22	2	20 - 6	H871R	2D20	11	70 - 79	JD8720	1G8	5	50 - 11
D2361R	1H18	10	60 - 12	H97644	2F22	41	90 - 5	JD8827	2E13	2A	80 - 2
D2361R	2B10	49	70 - 19	H987R	1E21	19	40 - 39	JD8877	1G23	7	50 - 26
D2361R	2B18	52	70 - 27	JD10036	1D10	26	40 - 7	JD8905	2E16	5	80 - 4B
D2361R	2B19	5	70 - 28	JD10036	1D12	9	40 - 7B	JD8905	2E17	7	80 - 5
D2361R	2B21	5	70 - 30	JD10054	2E13	2B	80 - 2	JD8922	1H4	8	50 - 33
D2361R	2C2	6	70 - 37	JD10107	1B7	14	20 - 16	JD8969	1H4	25	50 - 33

# 1L11

2040 UTILITY TRACTOR (SERIAL NO. -349999)

## NUMERICAL INDEX - CONTINUED

PART NO.	GRID	KEY	PAGE	PART NO.	GRID	KEY	PAGE	PART NO.	GRID	KEY	PAGE
JD8979	1G20	17	50 - 23	L26936	2C12	1	70 - 45	L29359	2A22	4	70 - 5
JD8982	1H4	28	50 - 33	L27166	2F24	18	90 - 7	L29360	2A22	10	70 - 5
JD8997	1G20	2	50 - 23	L27167	2F24	7	90 - 7	L29361	2A22	11	70 - 5
JD9065	1H2	4	50 - 30	L27339	1D8	13	40 - 5	L29362	2A22	8	70 - 5
JD9125	1H2	3	50 - 30	L28076	2F24	21	90 - 7	L29363	2A22	9	70 - 5
JD9257	1B17	7	20 - 25	L28077	2F24	23	90 - 7	L29364	2A22	1	70 - 5
JD9257	1B19	1	20 - 27	L28078	2F24	19	90 - 7	L29364	2A24	2	70 - 7
JD9258	1G19	23	50 - 22	L28081	2F24	16	90 - 7	L29365	2A22	18	70 - 5
JD9344	1G23	15	50 - 26	L28374	2C10	12	70 - 43	L29366	2A22	3	70 - 5
JD9465	1G19	23	50 - 22	L28401	1G16	7	50 - 19	L29367	2A22	14	70 - 5
JD9813	1G6	6	50 - 9	L28413	1C21	15	30 - 20	L29368	2A22	13	70 - 5
JD9832	1H9	16	60 - 3	L28414	1C21	13	30 - 20	L29371	2A22	2	70 - 5
JD9839	1G18	4	50 - 21	L28415	1C21	12	30 - 20	L29371	2A24	4	70 - 7
JD9858	2B10	8	70 - 19	L28416	1C21	14	30 - 20	L29372	1C5	3	30 - 3
JD9858	2B10	35	70 - 19	L28666	1G18	7	50 - 21	L29373	1C5	4	30 - 3
JD9858	2B12	1	70 - 21	L29022	2C14	14	70 - 47	L29373	1C6	1	30 - 4
JD9911	2E12	2	80 - 1	L29023	2C14	2	70 - 47	L29374	1C5	2	30 - 3
K40003	2D1	1	70 - 59	L29023	2C14	17	70 - 47	L29390	1E10	9	40 - 28
K40014	2F24	13	90 - 7	L29041	1G18	10	50 - 21	L29396	1C10	14	30 - 8
L11027	1H4	24	50 - 33	L29042	1G18	10	50 - 21	L29406	1G22	2	50 - 25
L11028	1H4	24	50 - 33	L29043	1G18	10	50 - 21	L29833	1G22	2	50 - 25
L12809	1D6	12	40 - 3	L29044	1G18	10	50 - 21	L29833	1G22	3	50 - 25
L17056	2C20	9	70 - 53	L29048	1G19	12	50 - 22	L29834	1G22	10	50 - 25
L17056	2C20	10	70 - 53	L29152	1D15	26	40 - 10	L29854	1F23	1	50 - 2
L17650	2B6	4	70 - 15	L29156	1D15	9	40 - 10	L29873	2B24	6	70 - 33
L17650	2B7	8	70 - 16	L29156	1D17	31	40 - 13	L30860	1D15	1	40 - 10
L17652	2C21	9	70 - 54	L29157	1D15	22	40 - 10	L30860	1D17	24	40 - 13
L17657	2C19	5	70 - 52	L29157	1D17	19	40 - 13	L30861	1D15	28	40 - 10
L17658	2C19	9	70 - 52	L29158	1D15	16	40 - 10	L30862	1D15	2	40 - 10
L17659	2C19	8	70 - 52	L29159	1D8	3	40 - 5	L30862	1D17	7	40 - 13
L18893	2C20	7	70 - 53	L29160	1D8	22	40 - 5	L30863	1D15	27	40 - 10
L18893	2C20	10	70 - 53	L29161	1D8	20	40 - 5	L30864	1D15	4	40 - 10
L19651	1D15	36	40 - 10	L29162	1D8	15	40 - 5	L30865	1D15	5	40 - 10
L19651	1D17	21	40 - 13	L29163	1D8	8	40 - 5	L30866	1D15	6	40 - 10
L20093	2B6	7	70 - 15	L29164	1D8	10	40 - 5	L30867	1D15	7	40 - 10
L20093	2B7	5	70 - 16	L29165	1D8	11	40 - 5	L30868	1D15	23	40 - 10
L20093	2C20	4	70 - 53	L29167	1D8	2	40 - 5	L30869	1D15	24	40 - 10
L20094	2C20	3	70 - 53	L29197	1H9	14	60 - 3	L30960	1D12	15	40 - 7B
L20095	2C20	8	70 - 53	L29197	1H13	15	60 - 7	L31016	1H20	3	60 - 14
L20095	2C20	10	70 - 53	L29199	1H9	32	60 - 3	L31055	1G15	1	50 - 18
L20102	2C19	17	70 - 52	L29199	1H11	1	60 - 5	L31077	1G18	6	50 - 21
L2104N	2D24	3	70 - 83	L29199	1H13	25	60 - 7	L31124	1E10	10	40 - 28
L2104N	2E2	29	70 - 85	L29202	2F24	38	90 - 7	L31311	1G17	10	50 - 20
L2104N	2E4	32	70 - 87	L29204	2F24	35	90 - 7	L31434	1H13	22	60 - 7
L22772	2A19	6	70 - 1	L29205	2F24	34	90 - 7	L31503	1G20	5	50 - 23
L22773	2A19	11	70 - 1	L29206	2F24	36	90 - 7	L31664	2E20	2	80 - 8
L24199	2A19	14	70 - 1	L29208	2F24	30	90 - 7	L31667	2E22	1	80 - 10
L24688	2A20	6	70 - 2	L29209	2F24	6	90 - 7	L31667	2E22	2	80 - 10
L24688	2A22	5	70 - 5	L29211	2F24	27	90 - 7	L31667	2E22	7	80 - 10
L24921	1C9	11	30 - 7	L29226	1G21	10	50 - 24	L31686	2E21	11	80 - 9
L24922	1C9	16	30 - 7	L29227	1G21	9	50 - 24	L31689	2E20	12	80 - 8
L25365	2A20	8	70 - 2	L29228	1G21	10	50 - 24	L31689	2E21	10	80 - 9
L25365	2A22	17	70 - 5	L29246	1G4	7	50 - 7	L31689	2E22	1	80 - 10
L25366	2A20	5	70 - 2	L29250	1G13	8	50 - 16	L31689	2E22	2	80 - 10
L25366	2A22	7	70 - 5	L29251	1G13	4	50 - 16	L31729	2F24	38	90 - 7
L25367	2A20	7	70 - 2	L29252	1G13	7	50 - 16	L31747	2C25	8	70 - 58
L25367	2A22	6	70 - 5	L29253	1G13	9	50 - 16	L31750	2F6	5	80 - 19
L25368	2A20	9	70 - 2	L29265	1C10	23	30 - 8	L31754	2C20	10	70 - 53
L25368	2A22	15	70 - 5	L29301	2F9	8	80 - 22	L31849	2C14	6	70 - 47
L25678	2F24	10	90 - 7	L29346	2E20	5	80 - 8	L31849	2C14	10	70 - 47
L25686	2F24	8	90 - 7	L29347	2E20	9	80 - 8	L31849	2C14	11	70 - 47
L25689	2F24	15	90 - 7	L29348	2E20	10	80 - 8	L32016	2C14	5	70 - 47
L25819	2E22	1	80 - 10	L29349	2E20	11	80 - 8	L32016	2C14	10	70 - 47
L25819	2E22	2	80 - 10	L29350	2E20	2	80 - 8	L32016	2C14	11	70 - 47
L26932	2C6	14	70 - 39	L29351	2E20	3	80 - 8	L32029	1G2	11	50 - 5
L26933	2C12	3	70 - 45	L29352	2E20	4	80 - 8	L32147	1D8	4	40 - 5
L26935	2C12	2	70 - 45	L29353	2F24	39	90 - 7	L324T	1F22	11	50 - 1

# 1L12

2040 UTILITY TRACTOR (SERIAL NO. -349999)

## NUMERICAL INDEX - CONTINUED

PART NO.	GRID	KEY	PAGE	PART NO.	GRID	KEY	PAGE	PART NO.	GRID	KEY	PAGE
L32574	1C19	3	30 - 18	L39810	2C20	10	70 - 53	L53830	2C19	10	70 - 52
L32578	1G10	7	50 - 13	L39881	2C6	1	70 - 39	L53836	2B7	20	70 - 16
L32578	1G12	5	50 - 15	L4027T	1G15	3	50 - 18	L53836	2C19	11	70 - 52
L32580	2B16	9	70 - 25	L4035T	1G15	2	50 - 18	L53839	2B1	4	70 - 9
L32580	2B18	44	70 - 27	L40446	1F22	2	50 - 1	L53839	2B2	5	70 - 10
L32580	2B19	14	70 - 28	L40568	1F23	11	50 - 2	L53840	2A25	17	70 - 8
L32581	2B16	9	70 - 25	L40568	1G12	11	50 - 15	L53840	2B2	4	70 - 10
L32581	2B18	45	70 - 27	L40568	1G13	8	50 - 16	L55064	1D17	23	40 - 13
L32581	2B19	15	70 - 28	L40568	1G13	12	50 - 16	L55066	1D17	17	40 - 13
L32839	1G22	2	50 - 25	L40914	2A24	1	70 - 7	L55202	2B20	7	70 - 29
L32839	1G22	3	50 - 25	L41081	1D17	15	40 - 13	L55202	2C4	27	70 - 37B
L32843	1G20	19	50 - 23	L41296	1D10	20	40 - 7	L55202	2C4	29	70 - 37B
L33483	1H20	3	60 - 14	L41383	2C2	1	70 - 37	L55203	2C4	23	70 - 37B
L33497	1H20	1	60 - 14	L41383	2C2	10	70 - 37	L55203	2C4	29	70 - 37B
L33503	1G10	12	50 - 13	L41383	2C4	15	70 - 37B	L55204	2C2	23	70 - 37
L33662	1G12	4	50 - 15	L41383	2C4	39	70 - 37B	L55204	2C4	26	70 - 37B
L33840	2B21	13	70 - 30	L41384	2C2	1	70 - 37	L55204	2C4	29	70 - 37B
L33985	1D10	25	40 - 7	L41384	2C2	9	70 - 37	L55204	2C8	5	70 - 41
L33986	1D10	8	40 - 7	L41384	2C4	14	70 - 37B	L55213	1G4	12	50 - 7
L33987	1D10	10	40 - 7	L41384	2C4	39	70 - 37B	L55215	1G4	17	50 - 7
L33992	1D10	22	40 - 7	L41387	1G4	17	50 - 7	L55216	1G4	13	50 - 7
L33993	1D10	4	40 - 7	L41387	1G5	6	50 - 8	L55216	1G4	19	50 - 7
L33994	1D10	14	40 - 7	L41388	1G4	3	50 - 7	L56247	1H20	1	60 - 14
L34040	1H17	6	60 - 11	L41388	1G5	1	50 - 8	L56824	2C6	1	70 - 39
L34206	2E13	2B	80 - 2	L41389	1G4	12	50 - 7	L56957	2C4	24	70 - 37B
L34206	2E13	3	80 - 2	L41389	1G5	4	50 - 8	L56957	2C4	29	70 - 37B
L34349	1G15	6	50 - 18	L41390	1G4	19	50 - 7	L57595	2C16	9	70 - 49
L34349	1G15	10	50 - 18	L41390	1G5	8	50 - 8	L58389	2C6	1	70 - 39
L34351	2G2	8	90 - 11	L41536	2C2	1	70 - 37	L59208	2E21	2	80 - 9
L34381	2C4	29	70 - 37B	L41536	2C2	7	70 - 37	L59210	2E21	6	80 - 9
L34382	2C4	2	70 - 37B	L41536	2C4	37	70 - 37B	L59211	2E21	4	80 - 9
L34383	2C4	1	70 - 37B	L41536	2C4	39	70 - 37B	L59212	2E21	5	80 - 9
L34451	1H9	33	60 - 3	L41538	2C2	1	70 - 37	L59225	2E21	1	80 - 9
L34451	1H13	26	60 - 7	L41538	2C4	39	70 - 37B	L59226	2E21	7	80 - 9
L34451	1H15	4	60 - 9	L41575	1D10	3	40 - 7	L60517	2F12	10	80 - 25
L34452	1H13	37	60 - 7	L41575	1D12	7	40 - 7B	L60631	1C3	2	30 - 1
L34454	1H13	39	60 - 7	L41579	1D15	5	40 - 10	L61849	2D9	5	70 - 67
L34848	1C10	14	30 - 8	L41579	1D15	6	40 - 10	L62423	1H7	3	60 - 1
L34954	2B18	23	70 - 27	L41579	1D15	19	40 - 10	L62507	2C4	9	70 - 37B
L34954	2B18	24	70 - 27	L41582	1D17	5	40 - 13	L62679	1F22	9	50 - 1
L34995	2B18	42	70 - 27	L41587	1G5	2	50 - 8	L64456	1G25	4	50 - 28
L35024	1G20	15	50 - 23	L41588	1G4	3	50 - 7	L64852	2C4	33	70 - 37B
L35213	2B18	21	70 - 27	L41588	1G5	2	50 - 8	L65000	1F5	10	40 - 49
L35260	1G12	4	50 - 15	L41589	1G4	3	50 - 7	L65058	1D12	15	40 - 7B
L35521	2F8	4	80 - 21	L41589	1G5	3	50 - 8	L65174	1D12	14	40 - 7B
L35639	1H11	34	60 - 5	L41715	2E20	5	80 - 8	L77042	1D12	12	40 - 7B
L35639	1H13	40	60 - 7	L41725	2C2	1	70 - 37	L94772	2G5	6	90 - 15
L35654	1H7	3	60 - 1	L41725	2C4	9	70 - 37B	M1102T	1G10	20	50 - 13
L35774	1C21	4	30 - 20	L41725	2C4	14	70 - 37B	M1102T	1G12	6	50 - 15
L35842	2B18	16	70 - 27	L41725	2C4	15	70 - 37B	M1102T	1G16	1	50 - 19
L35844	2B21	19	70 - 30	L41725	2C4	37	70 - 37B	M1335T	1C5	15	30 - 3
L36121	2B18	30	70 - 27	L41725	2C4	38	70 - 37B	M1339T	1C19	1	30 - 18
L36134	2D9	5	70 - 67	L41725	2C4	39	70 - 37B	M1518T	2E14	8	80 - 3
L36136	2B18	18	70 - 27	L41725	2C4	40	70 - 37B	M2056T	1G20	15	50 - 23
L36319	2F8	13	80 - 21	L41726	2C2	1	70 - 37	M2057T	1G20	15	50 - 23
L36653	1C21	15	30 - 20	L41726	2C2	8	70 - 37	M2058T	1G20	15	50 - 23
L37325	1H5	24	50 - 34	L41726	2C4	38	70 - 37B	M2206T	1H4	12	50 - 33
L37426	2E20	9	80 - 8	L41855	1C3	3	30 - 1	M2282T	2E14	15	80 - 3
L38057	1H5	25	50 - 34	L41932	2B25	1	70 - 34	M2283T	2E14	16	80 - 3
L38513	1G4	16	50 - 7	L42043	1D17	11	40 - 13	M2353T	1G23	3	50 - 26
L38513	1G5	5	50 - 8	L42314	2C4	25	70 - 37B	M2396T	2B24	1	70 - 33
L38694	1H1	3	50 - 29	L42314	2C4	29	70 - 37B	M2396T	2C6	6	70 - 39
L38752	2B18	39	70 - 27	L4667T	1C19	4	30 - 18	M2396T	2D12	22	70 - 70
L39269	2B18	22	70 - 27	L53826	2B6	6	70 - 15	M2396T	2D14	17	70 - 72
L39302	1G4	7	50 - 7	L53826	2B7	6	70 - 16	M3119T	1C8	5	30 - 6
L39693	2D9	7	70 - 67	L53826	2C20	5	70 - 53	M3265T	2C2	24	70 - 37
L39810	2C20	2	70 - 53	L53830	2B7	11	70 - 16	M3265T	2C4	28	70 - 37B

# 1L13

2040 UTILITY TRACTOR (SERIAL NO. -349999)

## NUMERICAL INDEX - CONTINUED

PART NO.	GRID	KEY	PAGE	PART NO.	GRID	KEY	PAGE	PART NO.	GRID	KEY	PAGE
M3265T	2C8	4	70 - 41	RE13523	2D3	41	70 - 61	RE24959	1B7	7	20 - 16
M3636T	1D14	1	40 - 9	RE13714	2D9	26	70 - 67	RE25621	1E24	1	40 - 43
M3636T	1D17	34	40 - 13	RE13813	2D20	14	70 - 79	RE29882	1G2	2	50 - 5
M3742T	1C19	5	30 - 18	RE13814	2D20	6	70 - 79	RE29882	1G4	1	50 - 7
M3853T	1B11	9	20 - 20	RE13815	2D22	10	70 - 81	RE30174	2G5	5	90 - 15
M3853T	1B12	2	20 - 20A	RE13912	1G25	1	50 - 28	RE31973	1A22	5	20 - 6
M41029	1B2	8	20 - 11	RE13912	1H1	15	50 - 29	RE31973	1A22	6	20 - 6
M41029	1B3	3	20 - 12	RE14069	1E8	5	40 - 26	RE32140	1A21	6	20 - 5
M42229	2F18	1	90 - 1	RE15361	2D11	7	70 - 69	RE33636	1C23	16	30 - 22
M4224T	1F24	7	50 - 3	RE15361	2D15	8	70 - 73	RE33636	2G5	5	90 - 15
M43835	1F15	2	40 - 59	RE15361	2D17	11	70 - 75	RE33705	1B15	7	20 - 23
M48997	2A19	12	70 - 1	RE15361	2D17	18	70 - 75	RE35685	1B11	4	20 - 20
M80373	1F22	9	50 - 1	RE15361	2D17	20	70 - 75	RE35685	1B11	12	20 - 20
M80373	1F22	11	50 - 1	RE15381	1B12	6	20 - 20A	RE35685	1B12	5	20 - 20A
M89028	2A19	12	70 - 1	RE16149	1A25	22	20 - 9	RE35685	1B12	6	20 - 20A
N110523	2D18	5	70 - 76	RE16149	1B2	23	20 - 11	RE35992	1A19	3	20 - 3
N115096	1F15	11	40 - 59	RE16149	1C14	21	30 - 13	RE36425	1B11	7	20 - 20
N131838	1H13	31	60 - 7	RE16911	1B22	10	20 - 30	RE37463	1C12	11	30 - 11
N186901	2C16	9	70 - 49	RE16912	1B21	26	20 - 29	RE37482	1C12	3	30 - 11
PM797NA	1F11	1	40 - 55	RE17282	1F9	10	40 - 53	RE37483	1B17	8	20 - 25
PT1293	1F1	3	40 - 45	RE17515	1C5	13	30 - 3	RE37489	1B22	10	20 - 30
PT1294	1F1	7	40 - 45	RE17515	1D6	7	40 - 3	RE37492	1B21	26	20 - 29
PT1295	1F1	13	40 - 45	RE17831	1B7	7	20 - 16	RE37996	1E8	4	40 - 26
PT1296	1F1	10	40 - 45	RE18116	1G17	15	50 - 20	RE38259	1C14	4	30 - 13
PT1296	1F2	14	40 - 46	RE18646	1G16	13	50 - 19	RE38261	1C14	6	30 - 13
PT1297	1F1	12	40 - 45	RE19187	1D6	13	40 - 3	RE38390	1D6	20	40 - 3
PT1624	1F1	4	40 - 45	RE19187	1D18	..	40 - 14	RE38390	1E8	6	40 - 26
PT18180	1F1	4	40 - 45	RE19187	1D19	1	40 - 15	RE38390	2B22	12	70 - 31
PT18180	1F2	5	40 - 46	RE19187	1D19	..	40 - 15	RE38707	1F5	11	40 - 49
PT9318	1F1	7	40 - 45	RE19187	1D23	..	40 - 19	RE38850	1B22	10	20 - 30
PT9318	1F2	7	40 - 46	RE19187	1D25	..	40 - 21	RE38853	1B21	26	20 - 29
PT9319	1F1	4	40 - 45	RE19187	1E2	..	40 - 23	RE39061	1D18	9	40 - 14
PT9319	1F2	5	40 - 46	RE19187	1E3	4	40 - 23A	RE39065	1D13	5	40 - 8
PT9320	1F2	17	40 - 46	RE19187	1E5	10	40 - 23D	RE39829	2C15	12	70 - 48
PT9321	1F2	25	40 - 46	RE19188	1E2	18	40 - 23	RE39829	2C16	14	70 - 49
PT9390	1F2	6	40 - 46	RE19191	1D25	18	40 - 21	RE39829	2C16	..	70 - 49
PT99	2G5	6	90 - 15	RE19192	1D25	19	40 - 21	RE42211	1C12	3	30 - 11
P46051	2C10	11	70 - 43	RE19193	1D21	12	40 - 17	RE42730	1D6	13	40 - 3
P46051	2D5	5	70 - 63	RE19193	1D25	4	40 - 21	RE42730	1D18	..	40 - 14
P46051	2D7	16	70 - 65	RE19419	2D1	7	70 - 59	RE42730	1D19	1	40 - 15
P48093	2F18	2	90 - 1	RE19419	2D3	9	70 - 61	RE42730	1D19	..	40 - 15
P51212	2D20	12	70 - 79	RE19445	2F22	43	90 - 5	RE42730	1D23	..	40 - 19
P51212	2D22	5	70 - 81	RE19505	1B19	1	20 - 27	RE42730	1D25	..	40 - 21
RE10596	1C22	6	30 - 21	RE19507	1B17	8	20 - 25	RE42730	1E2	..	40 - 23
RE10800	1H11	21	60 - 5	RE19841	1A25	37	20 - 9	RE42730	1E3	4	40 - 23A
RE10924	2D7	19	70 - 65	RE19842	1B2	61	20 - 11	RE42730	1E5	10	40 - 23D
RE11156	1F17	36	40 - 61	RE19895	1B4	5	20 - 13	RE43025	1F5	17	40 - 49
RE11157	1F17	37	40 - 61	RE19944	1B18	1	20 - 26	RE44202	1A21	6	20 - 5
RE11312	1A25	22	20 - 9	RE19949	1B17	10	20 - 25	RE44574	1B7	7	20 - 16
RE11312	1C14	21	30 - 13	RE21073	1F5	17	40 - 49	RE44657	1E25	28	40 - 44
RE11312	1C14	29	30 - 13	RE21076	1B2	13	20 - 11	RE46317	1F5	11	40 - 49
RE11345	1B17	8	20 - 25	RE21076	1B3	5	20 - 12	RE46414	1F5	12	40 - 49
RE11410	1A23	8	20 - 7	RE21076	1B3	7	20 - 12	RE46896	1B2	50	20 - 11
RE11447	2E6	9	70 - 89	RE21096	1F5	11	40 - 49	RE46896	1B5	5	20 - 14
RE11456	2E6	2	70 - 89	RE21112	1F7	3	40 - 51	RE49984	1E5	4	40 - 23D
RE11457	2E6	1	70 - 89	RE21113	1F7	10	40 - 51	RE49985	1E5	7	40 - 23D
RE11458	2E6	2	70 - 89	RE21510	1F5	20	40 - 49	RE49986	1E5	8	40 - 23D
RE11463	2E6	2	70 - 89	RE21730	1F19	5	40 - 63	RE50095	1D6	13	40 - 3
RE11602	1C14	11	30 - 13	RE21731	1F19	5	40 - 63	RE50095	1D19	1	40 - 15
RE11602	1C16	8	30 - 15	RE21732	1F19	6	40 - 63	RE50095	1D19	..	40 - 15
RE12121	2D20	20	70 - 79	RE21738	1F7	15	40 - 51	RE50095	1E3	4	40 - 23A
RE12715	1E13	9	40 - 31	RE22589	1F7	2	40 - 51	RE50095	1E5	10	40 - 23D
RE12842	1A19	2	20 - 3	RE23182	1A19	2	20 - 3	RE50096	1E3	3	40 - 23A
RE13089	2C16	14	70 - 49	RE23182	2G5	3	90 - 15	RE50096	1E5	3	40 - 23D
RE13089	2C16	..	70 - 49	RE23382	2B10	15	70 - 19	RE50756	1F23	..	50 - 2
RE13517	1C12	3	30 - 11	RE24175	1D23	4	40 - 19	RE50756	1G10	..	50 - 13
RE13517	1C12	11	30 - 11	RE24561	1C23	16	30 - 22	RE51774	1A21	16	20 - 5



# 1L14

2040 UTILITY TRACTOR (SERIAL NO. -349999)

## NUMERICAL INDEX - CONTINUED

PART NO.	GRID	KEY	PAGE	PART NO.	GRID	KEY	PAGE	PART NO.	GRID	KEY	PAGE
RE51774	1D6	1	40-3	R119359	1B6	1	20-15	R26375	2B7	19	70-16
RE51774	1E15	1	40-33	R119359	1B21	25	20-29	R26375	2B10	6	70-19
RE53241	1A25	11	20-9	R119707	1A23	1	20-7	R26375	2B10	10	70-19
RE54817	2E16	6	80-4B	R119707	1B2	1	20-11	R26375	2B10	16	70-19
RE55345	1B11	8	20-20	R120106	1F5	10	40-49	R26375	2B10	29	70-19
RE56309	1A21	11	20-5	R120107	1F5	10	40-49	R26375	2B10	48	70-19
RE62638	1B17	8	20-25	R120108	1F5	10	40-49	R26375	2B10	53	70-19
RE62916	1D6	13	40-3	R120111	1H1	..	50-29	R26375	2B14	2	70-23
RE62916	1D19	1	40-15	R120111	2F9	10	80-22	R26375	2B14	3	70-23
RE62916	1D19	..	40-15	R122226	1A25	18	20-9	R26375	2B14	8	70-23
RE62916	1D21	..	40-17	R125066	1B9	14	20-18	R26375	2B14	13	70-23
RE62916	1D22	14	40-18	R125066	1B21	18	20-29	R26375	2B14	14	70-23
RE62916	1D22	..	40-18	R125754	1B2	9	20-11	R26375	2B14	15	70-23
RE62916	1D25	..	40-21	R125754	1B3	2	20-12	R26375	2B16	19	70-25
RE62916	1E2	20	40-23	R1590R	1G12	3	50-15	R26375	2B18	35	70-27
RE62916	1E2	..	40-23	R1662R	2A25	3	70-8	R26375	2B20	1	70-29
RE62916	1E3	4	40-23A	R1662R	2B4	11	70-13	R26375	2B20	7	70-29
RE62916	1E5	10	40-23D	R1662R	2B18	49	70-27	R26375	2B23	20	70-32
RW26466	1F5	20	40-49	R1662R	2B19	2	70-28	R26375	2C2	10	70-37
R100380	1D18	4	40-14	R1680R	1F24	6	50-3	R26375	2C4	12	70-37B
R10093	1A25	13	20-9	R1870R	1G19	16	50-22	R26375	2C4	15	70-37B
R10093	2C2	20	70-37	R1870R	2E4	6	70-87	R26375	2C8	15	70-41
R10093	2C4	31	70-37B	R20135	1H7	10	60-1	R26375	2C23	8	70-56
R10093	2C5	15	70-38	R20922	2C23	4	70-56	R26375	2C25	17	70-58
R10093	2C8	3	70-41	R21302	2F1	2	80-14	R26375	2D7	5	70-65
R10093	2C8	7	70-41	R21551	2F14	..	80-27	R26375	2D10	6	70-68
R10093	2D20	5	70-79	R21551	2F22	31	90-5	R26375	2D11	9	70-69
R10093	2D22	2	70-81	R21612	1H5	10	50-34	R26375	2D13	5	70-71
R10184	1C22	9	30-21	R21722	2E6	1	70-89	R26375	2D18	4	70-76
R10185	1C22	8	30-21	R21722	2E6	2	70-89	R26375	2D23	2	70-82
R105583	2B10	7	70-19	R26006	1H5	21	50-34	R26375	2E4	43	70-87
R105812	1C21	26	30-20	R26125	1A23	9	20-7	R26375	2E6	4	70-89
R105814	1C20	6	30-19	R26149	1D23	11	30-22	R26409	1D4	4	40-1
R105942	1F5	10	40-49	R26149	1G8	13	50-11	R26418	1E7	20	40-25
R107734	1B17	19	20-25	R26149	2C25	10	70-58	R26418	2F18	13	90-1
R109863	1B2	35	20-11	R26149	2D7	18	70-65	R26448	1E8	2	40-26
R109863	1B8	2	20-17	R26241	1A25	3	20-9	R26448	1H11	6	60-5
R11039	1D20	16	40-16	R26286	2B10	20	70-19	R26448	1H11	8	60-5
R11066	1D20	24	40-16	R26286	2B14	6	70-23	R26448	1H13	28	60-7
R11066	1D23	3	40-19	R26286	2C2	12	70-37	R26448	1H15	5	60-9
R11085	1D21	15	40-17	R26286	2C4	17	70-37B	R26448	2B1	3	70-9
R11087	1D22	16	40-18	R26286	2C8	8	70-41	R26448	2B2	9	70-10
R11095	1D21	5	40-17	R26287	1C11	8	30-9	R26448	2B4	7	70-13
R11096	1D21	1	40-17	R26287	1H5	8	50-34	R26448	2B4	14	70-13
R11116	1D21	7	40-17	R26287	1H17	4	60-11	R26448	2B6	12	70-15
R11116	1D25	26	40-21	R26287	1H19	1	60-13	R26448	2B22	14	70-31
R11117	1D21	8	40-17	R26287	2A20	10	70-2	R26448	2C2	7	70-37
R11117	1D25	27	40-21	R26287	2A25	14	70-8	R26448	2C2	26	70-37
R11118	1D25	21	40-21	R26287	2B1	1	70-9	R26448	2C4	4	70-37B
R11195	1D20	7	40-16	R26287	2B1	5	70-9	R26448	2C4	7	70-37B
R11235	1D21	31	40-17	R26287	2B2	1	70-10	R26448	2C4	10	70-37B
R11236	1D22	17	40-18	R26287	2B2	6	70-10	R26448	2C4	37	70-37B
R11236	1E2	19	40-23	R26287	2B4	3	70-13	R26448	2C4	39	70-37B
R11238	1D22	4	40-18	R26287	2B4	15	70-13	R26448	2C8	12	70-41
R11239	1D22	6	40-18	R26287	2B5	10	70-14	R26448	2C8	13	70-41
R11240	1D20	..	40-16	R26287	2B14	10	70-23	R26448	2C25	15	70-58
R11240	1D21	22	40-17	R26287	2B18	27	70-27	R26448	2D7	4	70-65
R11243	1D22	1	40-18	R26287	2B18	33	70-27	R26448	2D7	17	70-65
R11278	1E13	1	40-31	R26287	2B22	15	70-31	R26460	2B23	19	70-32
R112922	1E5	6	40-23D	R26287	2B23	15	70-32	R26480	2D12	25	70-70
R112923	1E5	5	40-23D	R26375	1F23	1	50-2	R26480	2D14	19	70-72
R112926	1E5	9	40-23D	R26375	1H18	12	60-12	R26480	2D16	10	70-74
R113752	1B11	8	20-20	R26375	1H19	8	60-13	R26480	2E2	26	70-85
R114282	1B7	12	20-16	R26375	2A25	10	70-8	R26480	2E4	34	70-87
R116411	1A25	11	20-9	R26375	2B1	8	70-9	R26482	2D12	15	70-70
R119269	1B9	15	20-18	R26375	2B4	4	70-13	R26482	2D14	10	70-72
R119269	1B21	8	20-29	R26375	2B5	4	70-14	R26482	2D16	6	70-74

# 1L15

2040 UTILITY TRACTOR (SERIAL NO. -349999)

## NUMERICAL INDEX - CONTINUED

PART NO.	GRID	KEY	PAGE	PART NO.	GRID	KEY	PAGE	PART NO.	GRID	KEY	PAGE
R26483	2D12	19	70 - 70	R27216	2B5	11	70 - 14	R28085	2D12	2	70 - 70
R26483	2D14	14	70 - 72	R27216	2B18	26	70 - 27	R28085	2D17	2	70 - 75
R26483	2D16	7	70 - 74	R27216	2B22	16	70 - 31	R28085	2D17	18	70 - 75
R26484	2D5	24	70 - 63	R27216	2B23	16	70 - 32	R28204	2D12	1	70 - 70
R26484	2D7	10	70 - 65	R27218	2A20	10	70 - 2	R28204	2D17	1	70 - 75
R26484	2D12	12	70 - 70	R27218	2B1	1	70 - 9	R28204	2D17	19	70 - 75
R26484	2D14	6	70 - 72	R27218	2B2	1	70 - 10	R28493	2E24	2	80 - 12
R26484	2D16	3	70 - 74	R27218	2B4	15	70 - 13	R28538	2B1	13	70 - 9
R26485	2D12	27	70 - 70	R27218	2C2	1	70 - 37	R28538	2B4	17	70 - 13
R26485	2D14	3	70 - 72	R27218	2C2	8	70 - 37	R28538	2B16	12	70 - 25
R26485	2D16	1	70 - 74	R27218	2C4	11	70 - 37B	R28539	2B1	16	70 - 9
R26485	2D17	12	70 - 75	R27218	2C4	38	70 - 37B	R28539	2B4	16	70 - 13
R26488	2C2	1	70 - 37	R27218	2C4	39	70 - 37B	R28539	2B16	17	70 - 25
R26493	1A25	29	20 - 9	R27218	2C25	14	70 - 58	R28583	1C23	5	30 - 22
R26493	1B2	29	20 - 11	R27233	2D3	22	70 - 61	R28584	1C23	4	30 - 22
R26501	1C19	2	30 - 18	R27237	2B5	8	70 - 14	R28744	2D3	20	70 - 61
R26501	1C21	3	30 - 20	R27237	2B20	2	70 - 29	R28776	1G22	2	50 - 25
R26524	1C20	15	30 - 19	R27237	2B20	4	70 - 29	R28776	1G22	3	50 - 25
R26524	1C21	16	30 - 20	R27237	2C23	7	70 - 56	R28776	1G24	3	50 - 27
R26546	2D3	33	70 - 61	R27237	2C25	18	70 - 58	R28776	2B20	5	70 - 29
R26546	2D7	7	70 - 65	R27237	2D10	5	70 - 68	R28794	1C3	2	30 - 1
R26552	1G10	17	50 - 13	R27237	2D11	10	70 - 69	R29936	1G15	5	50 - 18
R26552	1G14	2	50 - 17	R27267	2B18	32	70 - 27	R29936	1G15	6	50 - 18
R26552	1G16	4	50 - 19	R27270	2B18	1	70 - 27	R29936	1G15	12	50 - 18
R26552	1G24	12	50 - 27	R27270	2D9	20	70 - 67	R29936	1H18	1	60 - 12
R26637	1C20	7	30 - 19	R27285	1B21	23	20 - 29	R29936	1H18	6	60 - 12
R26637	1C21	24	30 - 20	R27285	1C12	2	30 - 11	R29936	1H19	5	60 - 13
R26650	1A25	30	20 - 9	R27320	1H9	8	60 - 3	R30181	1E11	9	40 - 29
R26650	1B2	30	20 - 11	R27320	1H13	10	60 - 7	R30182	1E9	3	40 - 27
R26656	1G23	6	50 - 26	R27329	1G25	5	50 - 28	R30182	1E11	1	40 - 29
R26726	1C23	2	30 - 22	R27346	1C11	13	30 - 9	R30378	1E21	23	40 - 39
R26727	1H4	19	50 - 33	R27426	2E2	10	70 - 85	R30378	1E21	25	40 - 39
R26858	2F6	16	80 - 19	R27426	2E4	9	70 - 87	R30378	1F17	43	40 - 61
R26906	1G8	7	50 - 11	R27430	2D12	5	70 - 70	R30399	1H4	31	50 - 33
R26906	1H18	2	60 - 12	R27430	2D17	5	70 - 75	R30409	1C12	7	30 - 11
R26906	1H19	3	60 - 13	R27448	2B5	14	70 - 14	R30437	2C5	16	70 - 38
R26906	2B7	13	70 - 16	R27449	2B5	15	70 - 14	R30587	1G8	2	50 - 11
R26906	2B10	26	70 - 19	R27460	1E11	14	40 - 29	R30815	2E6	5	70 - 89
R26906	2B14	7	70 - 23	R27460	1E12	2	40 - 30	R30816	2E6	7	70 - 89
R26906	2B16	8	70 - 25	R27474	2B23	13	70 - 32	R30817	2E6	6	70 - 89
R26906	2B18	46	70 - 27	R27474	2D9	16	70 - 67	R30903	2B10	3	70 - 19
R26906	2B20	17	70 - 29	R27474	2D18	2	70 - 76	R30903	2B14	1	70 - 23
R26906	2B23	12	70 - 32	R27490	1G10	23	50 - 13	R30958	1G23	9	50 - 26
R26906	2C23	3	70 - 56	R27507	2D13	11	70 - 71	R31136	2C2	21	70 - 37
R26906	2D9	8	70 - 67	R27507	2D14	24	70 - 72	R31136	2C4	30	70 - 37B
R26906	2D9	16	70 - 67	R27527	1H17	11	60 - 11	R31136	2C8	6	70 - 41
R26906	2D18	1	70 - 76	R27528	1H17	2	60 - 11	R31136	2D20	4	70 - 79
R26919	1F24	1	50 - 3	R27531	2B18	15	70 - 27	R31136	2D22	1	70 - 81
R26936	1E15	1	40 - 33	R27531	2B21	16	70 - 30	R31250	1E9	3	40 - 27
R26936	2F18	16	90 - 1	R27539	2B1	13	70 - 9	R31250	1E11	1	40 - 29
R27003	1G10	17	50 - 13	R27539	2B1	16	70 - 9	R31278	2B5	3	70 - 14
R27003	1G24	10	50 - 27	R27539	2B4	16	70 - 13	R31316	2B24	11	70 - 33
R27094	2B10	21	70 - 19	R27539	2B4	17	70 - 13	R31631	2B5	11	70 - 14
R27095	2B2	23	70 - 10	R27539	2B16	12	70 - 25	R31654	2B2	16	70 - 10
R27166	1B11	5	20 - 20	R27539	2B16	17	70 - 25	R31665	2B16	7	70 - 25
R27166	2C24	3	70 - 57	R27590	2B16	3	70 - 25	R31665	2B20	18	70 - 29
R27166	2D5	18	70 - 63	R27590	2B18	8	70 - 27	R31698	1G12	8	50 - 15
R27166	2D5	21	70 - 63	R27649	2B25	12	70 - 34	R31890	2D12	23	70 - 70
R27166	2D7	11	70 - 65	R27888	2F6	5	80 - 19	R31890	2D14	18	70 - 72
R27173	2B10	55	70 - 19	R28006	2D12	6	70 - 70	R31892	1E9	6	40 - 27
R27174	2B10	54	70 - 19	R28006	2D17	6	70 - 75	R32007	1F8	1	40 - 52
R27174	2B14	16	70 - 23	R28040	1B23	13	20 - 32	R32007	1F8	4	40 - 52
R27175	2B10	52	70 - 19	R28084	2D12	3	70 - 70	R32007	1F8	6	40 - 52
R27181	1C10	7	30 - 8	R28084	2D12	17	70 - 70	R32007	1F8	8	40 - 52
R27216	1H5	7	50 - 34	R28084	2D14	12	70 - 72	R32011	1F13	1	40 - 57
R27216	2B1	5	70 - 9	R28084	2D17	3	70 - 75	R32016	1E9	4	40 - 27
R27216	2B2	7	70 - 10	R28084	2D17	17	70 - 75	R32016	1E11	5	40 - 29

# 1L16

2040 UTILITY TRACTOR (SERIAL NO. -349999)

## NUMERICAL INDEX - CONTINUED

PART NO.	GRID	KEY	PAGE	PART NO.	GRID	KEY	PAGE	PART NO.	GRID	KEY	PAGE
R32016	1F13	10	40-57	R34767	1B22	7	20-30	R39110	2D13	1	70-71
R32017	1F13	11	40-57	R34811	1C20	3	30-19	R39110	2D14	25	70-72
R32018	1E14	5	40-32	R34811	1C21	19	30-20	R39112	1F23	1	50-2
R32018	1F8	6	40-52	R35226	1H9	11	60-3	R39112	1H18	13	60-12
R32018	1F8	8	40-52	R35226	1H11	23	60-5	R39112	2B5	5	70-14
R32018	1F13	12	40-57	R35226	1H13	12	60-7	R39112	2B10	5	70-19
R32019	1F13	13	40-57	R35226	1H15	3	60-9	R39112	2B10	10	70-19
R32021	1F8	4	40-52	R35286	1H18	4	60-12	R39112	2B10	17	70-19
R32021	1F13	14	40-57	R35286	1H19	4	60-13	R39112	2B10	28	70-19
R32022	1F13	15	40-57	R35286	1H19	9	60-13	R39112	2B10	52	70-19
R32023	1F13	16	40-57	R35684	1H11	32	60-5	R39112	2B20	4	70-29
R32024	1D6	16	40-3	R35684	1H13	38	60-7	R39112	2C25	16	70-58
R32024	1E14	5	40-32	R35684	1H15	10	60-9	R39171	2B7	14	70-16
R32024	1F8	8	40-52	R35726	1H11	10	60-5	R39171	2C23	2	70-56
R32024	1F19	3	40-63	R35726	2B18	3	70-27	R39179	2B10	46	70-19
R32025	1F8	4	40-52	R36075	2D18	8	70-76	R39180	2B10	45	70-19
R32025	1F19	4	40-63	R36235	1E21	22	40-39	R39181	2B10	43	70-19
R32026	1F13	17	40-57	R36265	1D6	20	40-3	R39182	2B10	18	70-19
R32026	1F17	48	40-61	R36265	2B22	12	70-31	R39224	1G8	4	50-11
R32027	1D6	16	40-3	R36658	2E6	3	70-89	R39225	2D1	6	70-59
R32027	1E14	5	40-32	R36659	2E6	3	70-89	R39225	2D3	12	70-61
R32027	1F8	4	40-52	R36732	1E25	24	40-44	R39225	2D3	39	70-61
R32027	1F8	8	40-52	R36927	2D9	23	70-67	R39228	2B10	12	70-19
R32027	1F13	18	40-57	R36946	2D17	21	70-75	R39240	2B10	24	70-19
R32028	1F13	19	40-57	R37479	2D9	11	70-67	R39249	2B1	2	70-9
R32029	1D4	2	40-1	R375R	1F23	1	50-2	R39249	2B2	10	70-10
R32029	1F13	20	40-57	R375R	1F23	17	50-2	R39273	2B20	7	70-29
R32087	2B21	14	70-30	R375R	1G8	9	50-11	R39289	2C23	1	70-56
R32276	1E25	11	40-44	R375R	2D12	14	70-70	R39289	2C25	9	70-58
R32306	1C23	10	30-22	R375R	2D14	9	70-72	R39294	1G12	7	50-15
R32353	2D17	15	70-75	R375R	2D16	5	70-74	R39316	2B12	..	70-21
R32354	2D17	11	70-75	R38053	2B10	1	70-19	R39317	2B10	10	70-19
R32355	2D17	10	70-75	R38348	2B15	6	70-24	R39317	2B10	18	70-19
R32356	2D12	9	70-70	R38358	1C9	18	30-7	R39317	2B10	23	70-19
R32356	2D14	2	70-72	R38508	2E2	30	70-85	R39317	2B10	25	70-19
R32356	2D17	9	70-75	R38508	2E4	30	70-87	R39317	2B10	27	70-19
R32419	2D11	5	70-69	R38537	2E2	27	70-85	R39317	2B10	31	70-19
R32419	2D13	14	70-71	R38537	2E4	33	70-87	R39317	2B10	52	70-19
R32419	2D15	1	70-73	R39006	2E2	19	70-85	R39317	2B10	53	70-19
R32419	2D17	8	70-75	R39006	2E4	35	70-87	R39317	2B10	54	70-19
R32507	1G13	3	50-16	R39009	2D24	2	70-83	R39317	2B10	55	70-19
R32507	1G15	6	50-18	R39009	2E2	28	70-85	R39317	2B12	..	70-21
R32507	1G15	13	50-18	R39009	2E4	31	70-87	R39318	2B10	37	70-19
R34063	2B1	11	70-9	R39012	2E2	37	70-85	R39319	2B10	42	70-19
R34063	2B2	22	70-10	R39012	2E4	23	70-87	R39319	2B12	3	70-21
R34063	2B4	25	70-13	R39013	2E2	33	70-85	R39321	2B10	36	70-19
R34063	2B16	15	70-25	R39013	2E4	26	70-87	R394R	1G13	5	50-16
R34147	2B21	20	70-30	R39029	2D24	5	70-83	R394R	2C25	6	70-58
R34360	2B15	4	70-24	R39029	2E2	34	70-85	R39613	1C10	2	30-8
R34394	1C23	13	30-22	R39029	2E4	29	70-87	R39615	1C10	4	30-8
R34395	1C23	12	30-22	R39064	2E2	6	70-85	R39741	1B2	59	20-11
R34397	2D12	13	70-70	R39064	2E4	4	70-87	R39886	1C18	9	30-17
R34397	2D14	8	70-72	R39067	2B10	7	70-19	R39985	1C20	6	30-19
R34398	2D12	20	70-70	R39070	2B10	31	70-19	R39985	1C21	26	30-20
R34398	2D14	15	70-72	R39073	2B10	41	70-19	R40072	2B20	14	70-29
R34399	2D12	8	70-70	R39073	2B12	4	70-21	R40147	1G12	13	50-15
R34399	2D14	1	70-72	R39076	2B10	51	70-19	R40235	1G8	18	50-11
R34400	2D12	18	70-70	R39076	2B18	50	70-27	R40337	1D21	14	40-17
R34400	2D14	13	70-72	R39076	2B19	3	70-28	R40438	1F22	1	50-1
R34656	1C10	21	30-8	R39076	2B21	7	70-30	R40565	1C12	9	30-11
R34733	1G13	1	50-16	R39078	2B10	50	70-19	R40791	1A21	3	20-5
R34733	1G13	2	50-16	R39078	2B18	51	70-27	R40937	2D5	6	70-63
R34760	1C18	16	30-17	R39078	2B19	4	70-28	R40937	2D7	15	70-65
R34764	1B21	13	20-29	R39078	2B21	6	70-30	R41041	1G8	12	50-11
R34764	1B22	6	20-30	R39090	1G14	3	50-17	R41055	2D3	31	70-61
R34764	1C18	11	30-17	R39109	2D13	12	70-71	R41057	2C24	4	70-57
R34766	1C10	16	30-8	R39109	2D14	25	70-72	R41057	2D5	17	70-63

# 1L17

2040 UTILITY TRACTOR (SERIAL NO. -349999)

## NUMERICAL INDEX - CONTINUED

PART NO.	GRID	KEY	PAGE	PART NO.	GRID	KEY	PAGE	PART NO.	GRID	KEY	PAGE
R41057	2D5	20	70 - 63	R47998	1H13	2	60 - 7	R49665	1H18	5	60 - 12
R41057	2D7	12	70 - 65	R48000	1B21	12	20 - 29	R49665	1H18	6	60 - 12
R41155	2C25	12	70 - 58	R48000	1B22	7	20 - 30	R49854	2E13	1	80 - 2
R41338	2D5	11	70 - 63	R48000	1C18	12	30 - 17	R49854	2E13	2B	80 - 2
R41339	2D5	8	70 - 63	R48026	1E21	..	40 - 39	R49854	2E13	3	80 - 2
R41339	2D7	14	70 - 65	R48028	1E21	28	40 - 39	R49854	2E13	17	80 - 2
R41439	1E25	13	40 - 44	R48048	1E21	17	40 - 39	R49855	2E12	1	80 - 1
R41549	2D5	3	70 - 63	R48049	1E21	27	40 - 39	R49855	2E12	2	80 - 1
R41564	2D1	1	70 - 59	R48071	1C11	7	30 - 9	R49855	2E12	16	80 - 1
R41778	2F20	10	90 - 3	R48139	2F20	6	90 - 3	R49980	1H9	18	60 - 3
R41781	2F8	11	80 - 21	R48289	1G24	5	50 - 27	R49980	1H13	18	60 - 7
R41781	2F9	11	80 - 22	R48290	1F23	18	50 - 2	R49982	1H9	19	60 - 3
R41781	2F20	1	90 - 3	R48473	1E12	5	40 - 30	R49982	1H13	17	60 - 7
R42363	1F23	4	50 - 2	R48566	1H4	24	50 - 33	R50034	1H16	5	60 - 10
R42363	1F24	13	50 - 3	R48593	2C4	32	70 - 37B	R50226	1C20	6	30 - 19
R42451	2F12	3	80 - 25	R48595	2C10	5	70 - 43	R50452	2F22	41	90 - 5
R42451	2F13	1	80 - 26	R48634	1C8	12	30 - 6	R50507	2E15	3	80 - 4
R42732	2F20	15	90 - 3	R48664	1E10	1	40 - 28	R50703	1H20	4	60 - 14
R43216	2C6	18	70 - 39	R48665	1E10	1	40 - 28	R50704	1H20	5	60 - 14
R44302	1C22	5	30 - 21	R48684	2F18	8	90 - 1	R50864	1G15	11	50 - 18
R44302	1D6	10	40 - 3	R48685	1A25	1	20 - 9	R50864	1G17	8	50 - 20
R44302	1D13	3	40 - 8	R48685	1B2	54	20 - 11	R50879	1H16	4	60 - 10
R44302	1D18	6	40 - 14	R48685	1B2	56	20 - 11	R51039	1B17	10	20 - 25
R44302	1E3	2	40 - 23A	R48685	1G10	6	50 - 13	R51251	2B6	10	70 - 15
R44302	1E5	2	40 - 23D	R48685	1G10	8	50 - 13	R51258	1H11	15	60 - 5
R44302	1E8	1	40 - 26	R48685	1G12	17	50 - 15	R51260	1H9	24	60 - 3
R44302	1E25	12	40 - 44	R48698	2D20	3	70 - 79	R51262	1H9	27	60 - 3
R44302	1F1	11	40 - 45	R48738	2B10	13	70 - 19	R51263	1H7	1	60 - 1
R44302	1F2	24	40 - 46	R48768	1B2	18	20 - 11	R51285	2D13	7A	70 - 71
R44302	1F7	1	40 - 51	R48887	1F15	17	40 - 59	R51409	2D3	25	70 - 61
R44302	1F8	11	40 - 52	R48922	2B7	2	70 - 16	R51409	2D5	1	70 - 63
R44302	2B18	17	70 - 27	R48978	2D3	28	70 - 61	R51410	2D3	26	70 - 61
R44302	2B21	23	70 - 30	R48980	2D3	30	70 - 61	R51411	2D3	27	70 - 61
R44302	2F14	..	80 - 27	R49065	2E12	15	80 - 1	R51412	2D3	19	70 - 61
R44302	2F16	..	80 - 29	R49065	2E13	16	80 - 2	R51413	2D3	23	70 - 61
R44342	1E16	12	40 - 34	R49066	2E12	15	80 - 1	R51414	2D3	16	70 - 61
R44361	1H4	6	50 - 33	R49066	2E13	16	80 - 2	R51415	2D3	21	70 - 61
R44372	1H4	6	50 - 33	R49067	2E12	15	80 - 1	R51500	1G21	7	50 - 24
R44917	2C11	11	70 - 44	R49067	2E13	16	80 - 2	R51501	1G22	7	50 - 25
R45630	2D17	5	70 - 75	R49076	2B16	9	70 - 25	R51516	1B9	3	20 - 18
R45822	2B15	5	70 - 24	R49076	2B19	7	70 - 28	R51680	2F4	3	80 - 17
R46414	1D18	8	40 - 14	R49186	2D3	13	70 - 61	R51731	1B3	2	20 - 12
R46625	1A25	27	20 - 9	R49187	2D3	14	70 - 61	R51821	2F9	4	80 - 22
R46625	1A25	37	20 - 9	R49187	2D5	16	70 - 63	R51895	1G10	14	50 - 13
R46625	1B2	32	20 - 11	R49187	2D7	1	70 - 65	R52107	2C15	2	70 - 48
R46675	1C18	7	30 - 17	R49191	2D13	1	70 - 71	R52119	2F22	32	90 - 5
R46722	2D3	35	70 - 61	R49191	2D13	9	70 - 71	R52119	2F22	35	90 - 5
R46722	2D7	6	70 - 65	R49191	2D14	22	70 - 72	R52251	1A23	10	20 - 7
R46906	1A25	8	20 - 9	R49191	2D14	25	70 - 72	R52252	1A23	12	20 - 7
R47076	2E17	3	80 - 5	R49221	2D3	15	70 - 61	R52549	2D5	4	70 - 63
R47249	1G23	11	50 - 26	R49266	1C12	10	30 - 11	R52650	1H9	30	60 - 3
R47292	2F8	5	80 - 21	R49297	2B10	11	70 - 19	R52651	1H9	25	60 - 3
R47292	2F9	15	80 - 22	R49352	2E2	36	70 - 85	R52653	2B1	5	70 - 9
R47344	2B25	10	70 - 34	R49352	2E4	24	70 - 87	R52653	2B2	8	70 - 10
R47345	2B25	10	70 - 34	R49394	1D20	23	40 - 16	R52653	2B2	11	70 - 10
R47513	1G23	16	50 - 26	R495R	1A21	1	20 - 5	R52921	2D1	3	70 - 59
R47514	1G23	13	50 - 26	R495R	1H18	8	60 - 12	R52924	2F4	2	80 - 17
R47731	1C18	8	30 - 17	R495R	1H19	7	60 - 13	R53169	1G12	15	50 - 15
R47732	1C18	5	30 - 17	R495R	2D12	26	70 - 70	R53218	2C20	11	70 - 53
R47733	1C18	4	30 - 17	R495R	2D17	13	70 - 75	R53223	1A21	15	20 - 5
R47734	1C18	6	30 - 17	R49514	1B21	25	20 - 29	R53382	1B11	4	20 - 20
R47831	1E10	3	40 - 28	R49648	2C2	19	70 - 37	R53528	2F22	10	90 - 5
R47859	1E25	1	40 - 44	R49648	2C4	22	70 - 37B	R53790	1F24	12	50 - 3
R47860	1E21	9	40 - 39	R49665	1H16	12	60 - 10	R53802	1G10	18	50 - 13
R47861	1E21	9	40 - 39	R49665	1H16	15	60 - 10	R53802	1G24	9	50 - 27
R47862	1H5	9	50 - 34	R49665	1H18	1	60 - 12	R53815	1G15	6	50 - 18
R47998	1H9	1	60 - 3	R49665	1H18	4	60 - 12	R53815	1G15	14	50 - 18

# 1L18

2040 UTILITY TRACTOR (SERIAL NO. -349999)

## NUMERICAL INDEX - CONTINUED

PART NO.	GRID	KEY	PAGE	PART NO.	GRID	KEY	PAGE	PART NO.	GRID	KEY	PAGE
R53817	1G15	6	50 - 18	R56455	1C6	7	30 - 4	R59915	1B5	9	20 - 14
R53817	1G15	12	50 - 18	R56463	1B21	15	20 - 29	R59961	2F6	1	80 - 19
R53858	1D15	11	40 - 10	R56463	1B22	5	20 - 30	R59991	2F6	4	80 - 19
R54189	1G15	7	50 - 18	R56467	2F8	2	80 - 21	R60035	1E7	10	40 - 25
R54195	2F2	11	80 - 15	R56467	2F9	7	80 - 22	R60100	2F22	12	90 - 5
R54242	2D20	1	70 - 79	R56468	2F8	8	80 - 21	R60101	2F22	23	90 - 5
R54271	1C20	2	30 - 19	R56468	2F9	6	80 - 22	R60103	2F22	24	90 - 5
R54271	1C21	2	30 - 20	R56473	1G20	11	50 - 23	R60104	2F22	42	90 - 5
R54273	2C5	2	70 - 38	R56481	1D19	9	40 - 15	R60123	1B23	2	20 - 32
R54274	2C21	6	70 - 54	R56501	2C2	1	70 - 37	R60123	1B23	10	20 - 32
R54274	2C22	1	70 - 55	R56504	2D3	18	70 - 61	R60124	1B23	1	20 - 32
R54274	2C25	19	70 - 58	R56514	1G6	1	50 - 9	R60124	1B23	2	20 - 32
R54275	2C21	1	70 - 54	R56525	1E7	6	40 - 25	R60332	2B20	6	70 - 29
R54275	2C25	2	70 - 58	R56526	1E7	13	40 - 25	R60459	2F22	36	90 - 5
R54380	1G10	12	50 - 13	R56736	1A25	22	20 - 9	R60462	1C20	9	30 - 19
R54380	1G10	..	50 - 13	R56822	2F13	4	80 - 26	R60502	2F9	2	80 - 22
R54380	1G18	9	50 - 21	R56902	2F8	1	80 - 21	R60556	1G16	17	50 - 19
R54467	1E21	15	40 - 39	R56902	2F9	12	80 - 22	R60660	2F9	3	80 - 22
R54565	1A22	1	20 - 6	R56920	2E25	3	80 - 13	R60661	2F9	1	80 - 22
R54575	1H9	29	60 - 3	R56920	2F1	5	80 - 14	R60722	1E20	8	40 - 38
R54576	1H9	28	60 - 3	R56981	1F23	1	50 - 2	R60745	1C18	17	30 - 17
R54614	1B11	13	20 - 20	R57025	1D25	16	40 - 21	R60746	1C18	11	30 - 17
R54614	1B12	3	20 - 20A	R57027	1E2	8	40 - 23	R60827	1D7	2	40 - 4
R54615	1B12	5	20 - 20A	R57028	1E2	4	40 - 23	R60828	1D7	6	40 - 4
R54779	2F22	5	90 - 5	R57029	1D25	1	40 - 21	R60890	1A21	2	20 - 5
R54781	2F22	4	90 - 5	R57059	1B11	2	20 - 20	R60969	2B10	10	70 - 19
R54782	2F22	7	90 - 5	R57119	1C3	6	30 - 1	R60969	2B10	18	70 - 19
R54802	1A25	15	20 - 9	R57119	1C3	12	30 - 1	R60969	2B10	23	70 - 19
R54802	1B2	14	20 - 11	R57258	1C11	4	30 - 9	R60969	2B10	25	70 - 19
R54969	2C2	16	70 - 37	R57292	1H11	26	60 - 5	R60969	2B10	27	70 - 19
R54969	2C2	17	70 - 37	R57300	2B21	14	70 - 30	R60969	2B10	31	70 - 19
R54969	2C4	19	70 - 37B	R57332	1A23	10	20 - 7	R60969	2B10	52	70 - 19
R54969	2C4	20	70 - 37B	R57333	1A23	12	20 - 7	R60969	2B10	53	70 - 19
R54972	2G3	1	90 - 12	R57334	1A23	10	20 - 7	R60969	2B10	54	70 - 19
R54978	1H19	9	60 - 13	R57335	1A23	12	20 - 7	R60969	2B10	55	70 - 19
R54979	1H16	12	60 - 10	R57336	1A23	10	20 - 7	R60969	2B12	..	70 - 21
R54979	1H16	15	60 - 10	R57337	1A23	12	20 - 7	R61126	2C14	2	70 - 47
R54979	1H18	1	60 - 12	R57452	1D20	17	40 - 16	R61126	2C14	17	70 - 47
R54979	1H18	4	60 - 12	R57582	1A25	7	20 - 9	R61126	2C15	12	70 - 48
R54979	1H18	9	60 - 12	R57696	1G19	16	50 - 22	R61133	1D20	17	40 - 16
R54985	1A22	2	20 - 6	R57696	2E2	16	70 - 85	R61133	1D20	23	40 - 16
R54998	1C11	2	30 - 9	R57696	2E4	6	70 - 87	R61134	1D20	17	40 - 16
R55120	1A25	37	20 - 9	R57696	2E4	20	70 - 87	R61145	1C14	7	30 - 13
R55137	2C2	1	70 - 37	R57959	1G8	6	50 - 11	R61145	1C14	10	30 - 13
R55137	2C4	9	70 - 37B	R58262	2C11	11	70 - 44	R61179	2F22	8	90 - 5
R55137	2C4	14	70 - 37B	R58661	1G8	4	50 - 11	R61460	1B13	4	20 - 21
R55137	2C4	15	70 - 37B	R58768	1G15	6	50 - 18	R61775	1F9	7	40 - 53
R55137	2C4	37	70 - 37B	R59032	1G16	11	50 - 19	R61776	1F9	3	40 - 53
R55137	2C4	38	70 - 37B	R59082	1C22	6	30 - 21	R61871	1B11	6	20 - 20
R55137	2C4	39	70 - 37B	R59160	1E11	14	40 - 29	R61932	1D22	3	40 - 18
R55326	2F22	1	90 - 5	R59160	1E12	8	40 - 30	R61932	1E2	12	40 - 23
R55326	2F22	11	90 - 5	R59176	1G16	14	50 - 19	R61934	1E2	13	40 - 23
R55326	2F22	25	90 - 5	R59234	2B10	34	70 - 19	R61957	2D13	7A	70 - 71
R55396	1F23	14	50 - 2	R59234	2B14	11	70 - 23	R61957	2D13	7B	70 - 71
R55397	2D3	34	70 - 61	R59297	1C14	8	30 - 13	R61957	2D14	26	70 - 72
R55398	2D3	29	70 - 61	R59298	1C14	9	30 - 13	R62147	2C21	6	70 - 54
R55434	1B21	5	20 - 29	R59343	2D12	26	70 - 70	R62147	2C22	1	70 - 55
R55602	2E25	2	80 - 13	R59343	2D14	4	70 - 72	R62147	2C25	19	70 - 58
R55647	1B2	11	20 - 11	R59343	2D16	2	70 - 74	R62148	2C21	1	70 - 54
R55647	1B3	6	20 - 12	R59409	1B11	1	20 - 20	R62148	2C25	2	70 - 58
R55721	1G19	7	50 - 22	R59447	1A21	13	20 - 5	R62372	1B13	12	20 - 21
R55721	1G20	6	50 - 23	R59447	1B22	8	20 - 30	R62652	2D5	11	70 - 63
R55722	1G20	10	50 - 23	R59629	2C24	6	70 - 57	R62922	2F22	16	90 - 5
R56012	1D7	19	40 - 4	R59629	2D5	9	70 - 63	R62923	2F22	21	90 - 5
R56026	1E14	3	40 - 32	R59633	2D12	1	70 - 70	R62924	2F22	14	90 - 5
R56410	1E14	4	40 - 32	R59633	2D17	1	70 - 75	R62925	2F22	22	90 - 5
R56455	1C5	5	30 - 3	R59633	2D17	19	70 - 75	R62926	2F22	13	90 - 5

# 1L19

2040 UTILITY TRACTOR (SERIAL NO. -349999)

## NUMERICAL INDEX - CONTINUED

PART NO.	GRID	KEY	PAGE	PART NO.	GRID	KEY	PAGE	PART NO.	GRID	KEY	PAGE
R62929	2F22	19	90 - 5	R65619	2B25	10	70 - 34	R69512	1H2	8	50 - 30
R63022	2B10	33	70 - 19	R65620	2B25	11	70 - 34	R69513	1H2	7	50 - 30
R63022	2B10	40	70 - 19	R65620	2B25	12	70 - 34	R69514	1H2	7	50 - 30
R63434	1B7	1	20 - 16	R65621	2B25	11	70 - 34	R69515	1H2	7	50 - 30
R63434	1B7	5	20 - 16	R65621	2B25	12	70 - 34	R69516	1H2	7	50 - 30
R63438	1F23	1	50 - 2	R66069	1E13	2	40 - 31	R69628	1H1	12	50 - 29
R63605	2B10	18	70 - 19	R66083	2B20	7	70 - 29	R69654	1H1	9	50 - 29
R63605	2B14	5	70 - 23	R66084	2B20	7	70 - 29	R69655	1H1	4	50 - 29
R63607	1H1	10	50 - 29	R66126	1C14	29	30 - 13	R69657	1H1	2	50 - 29
R63629	2B10	33	70 - 19	R66164	2B10	39	70 - 19	R70080	2C14	1	70 - 47
R63629	2B10	40	70 - 19	R66164	2B12	2	70 - 21	R70150	1C3	10	30 - 1
R63629	2B12	5	70 - 21	R66197	2C6	18	70 - 39	R70210	1F17	41	40 - 61
R63679	2F22	34	90 - 5	R66319	1D6	16	40 - 3	R70211	1F17	40	40 - 61
R63679	2F22	39	90 - 5	R66319	1E9	4	40 - 27	R70212	1F17	41	40 - 61
R63850	1G22	4	50 - 25	R66319	1E11	5	40 - 29	R70213	1F17	40	40 - 61
R64151	1A21	13	20 - 5	R66319	1E14	5	40 - 32	R70214	1F17	41	40 - 61
R64391	2F9	10	80 - 22	R66319	1F13	3	40 - 57	R70215	1F17	40	40 - 61
R64506	1C12	8	30 - 11	R66320	1F13	7	40 - 57	R70216	1F17	41	40 - 61
R64700	1E13	8	40 - 31	R66320	1F15	24	40 - 59	R70217	1F17	40	40 - 61
R64806	1F23	1	50 - 2	R66321	1F13	6	40 - 57	R70218	1F17	41	40 - 61
R64806	1F23	18	50 - 2	R66321	1F15	24	40 - 59	R70219	1F17	40	40 - 61
R65215	1A25	32	20 - 9	R66416	2D5	19	70 - 63	R70220	1F17	50	40 - 61
R65215	1B2	44	20 - 11	R66821	1C11	4	30 - 9	R70221	1F17	39	40 - 61
R65246	2B16	4	70 - 25	R66916	2C24	2	70 - 57	R70222	1F17	38	40 - 61
R65246	2B18	9	70 - 27	R66916	2D5	22	70 - 63	R70227	2E13	1	80 - 2
R65283	1A25	11	20 - 9	R67027	2F6	4	80 - 19	R70227	2E13	2A	80 - 2
R65285	2D16	11	70 - 74	R67035	1B14	1	20 - 22	R70227	2E13	17	80 - 2
R65286	2D5	25	70 - 63	R67336	1G10	12	50 - 13	R70268	1F23	4	50 - 2
R65286	2D7	9	70 - 65	R67336	1G10	..	50 - 13	R70268	1F24	13	50 - 3
R65286	2D12	11	70 - 70	R67336	1G18	7	50 - 21	R70340	2F5	2	80 - 18
R65286	2D14	7	70 - 72	R67341	1G19	26	50 - 22	R70483	1B7	8	20 - 16
R65287	2C25	6	70 - 58	R67779	1C18	10	30 - 17	R70483	1B21	4	20 - 29
R65287	2D7	2	70 - 65	R68277	2F8	3	80 - 21	R70956	1B21	5	20 - 29
R65289	2D5	7	70 - 63	R68277	2F9	9	80 - 22	R71387	2D20	9	70 - 79
R65501	2C24	1	70 - 57	R68281	1C10	14	30 - 8	R71387	2D22	3	70 - 81
R65501	2D5	23	70 - 63	R68281	1C10	15	30 - 8	R71387	2E6	2	70 - 89
R65502	2C24	1	70 - 57	R68281	1C10	22	30 - 8	R71696	1F23	1	50 - 2
R65502	2D5	23	70 - 63	R68281	1C10	..	30 - 8	R72653	2B24	1	70 - 33
R65504	2D3	24	70 - 61	R68281	1C14	1	30 - 13	R72653	2C6	6	70 - 39
R65548	2C2	23	70 - 37	R68281	1C14	2	30 - 13	R72653	2D12	22	70 - 70
R65548	2C4	26	70 - 37B	R68358	2B12	..	70 - 21	R72653	2D14	17	70 - 72
R65548	2C8	5	70 - 41	R68380	2B10	37	70 - 19	R72654	2D13	1	70 - 71
R65563	1F22	12	50 - 1	R68381	2B10	10	70 - 19	R72654	2D13	11	70 - 71
R65576	1G19	26	50 - 22	R68381	2B10	55	70 - 19	R72654	2D14	24	70 - 72
R65579	1G18	7	50 - 21	R68382	2B10	10	70 - 19	R72654	2D14	25	70 - 72
R65593	1F13	4	40 - 57	R68382	2B10	54	70 - 19	R72660	1C19	4	30 - 18
R65594	1F13	2	40 - 57	R68382	2B14	16	70 - 23	R72816	2F8	9	80 - 21
R65595	1F13	21	40 - 57	R68382	2B10	23	70 - 19	R72886	2B10	14	70 - 19
R65595	1F15	11	40 - 59	R68383	2B10	9	70 - 19	R72936	2B10	9	70 - 19
R65596	1F13	22	40 - 57	R68384	2B10	22	70 - 19	R72936	2B10	22	70 - 19
R65597	1F13	23	40 - 57	R68385	2B10	10	70 - 19	R72965	1A25	37	20 - 9
R65598	1F13	24	40 - 57	R68385	2B10	18	70 - 19	R73139	1A25	28	20 - 9
R65599	1F13	25	40 - 57	R68385	2B10	23	70 - 19	R73139	1A25	37	20 - 9
R65600	1F8	1	40 - 52	R68385	2B10	27	70 - 19	R73139	1B2	31	20 - 11
R65600	1F13	26	40 - 57	R68385	2B10	52	70 - 19	R73140	1A25	25	20 - 9
R65601	1F13	27	40 - 57	R68385	2B10	53	70 - 19	R73140	1B21	9	20 - 29
R65602	1F13	28	40 - 57	R68385	2B10	54	70 - 19	R73443	2B24	3	70 - 33
R65602	1F17	49	40 - 61	R68385	2B10	55	70 - 19	R74194	1B3	7	20 - 12
R65603	1F13	29	40 - 57	R68386	2B12	..	70 - 21	R74210	2D20	10	70 - 79
R65604	1F13	30	40 - 57	R68390	2B10	44	70 - 19	R74210	2D22	4	70 - 81
R65605	1F13	31	40 - 57	R68553	2B10	47	70 - 19	R74242	2E5	1	70 - 88
R65606	1F13	32	40 - 57	R69109	1E25	1	40 - 44	R74243	2E5	2	70 - 88
R65607	1F13	33	40 - 57	R69260	1B9	14	20 - 18	R74244	2E5	3	70 - 88
R65607	1F17	46	40 - 61	R69270	2F9	4	80 - 22	R74246	2E5	4	70 - 88
R65608	1F13	5	40 - 57	R69509	1H2	1	50 - 30	R74354	1B11	5	20 - 20
R65609	1F13	8	40 - 57	R69510	1H2	5	50 - 30	R74354	1B12	6	20 - 20A
R65610	1F13	9	40 - 57	R69511	1H2	2	50 - 30	R74354	1B21	14	20 - 29

# 1L20

2040 UTILITY TRACTOR (SERIAL NO. -349999)

## NUMERICAL INDEX - CONTINUED

PART NO.	GRID	KEY	PAGE	PART NO.	GRID	KEY	PAGE	PART NO.	GRID	KEY	PAGE
R74418	1G12	8	50 - 15	R77487	1F15	23	40 - 59	R81176	1D21	21	40 - 17
R74530	2D16	11	70 - 74	R77488	1F17	51	40 - 61	R81176	1D25	11	40 - 21
R74530	2D20	16	70 - 79	R77489	1F7	13	40 - 51	R81198	1D25	29	40 - 21
R74530	2D22	8	70 - 81	R77489	1F17	51	40 - 61	R81221	2F22	19	90 - 5
R74552	1B11	1	20 - 20	R77490	1F17	51	40 - 61	R81222	2F22	21	90 - 5
R74553	1B11	1	20 - 20	R77491	1F17	54	40 - 61	R81223	2F22	14	90 - 5
R74695	2C24	5	70 - 57	R77492	1F17	54	40 - 61	R81275	1B21	22	20 - 29
R74695	2D5	16	70 - 63	R77493	1F17	51	40 - 61	R81275	1B22	2	20 - 30
R74695	2D7	13	70 - 65	R77494	1F17	55	40 - 61	R81275	1C6	8	30 - 4
R74695	2D9	8	70 - 67	R77495	1F17	52	40 - 61	R81293	2D1	4	70 - 59
R74850	2D13	7A	70 - 71	R77496	1F17	52	40 - 61	R81424	2F20	15	90 - 3
R74850	2D13	7B	70 - 71	R77497	1F17	53	40 - 61	R81513	1A23	1	20 - 7
R74850	2D14	26	70 - 72	R77498	1F15	24	40 - 59	R81513	1B2	61	20 - 11
R75440	1G17	5	50 - 20	R77499	1F15	24	40 - 59	R81683	1C14	20	30 - 13
R75442	1G17	1	50 - 20	R77500	1F9	8	40 - 53	R82236	1F5	16	40 - 49
R75449	1G17	14	50 - 20	R77500	1F15	24	40 - 59	R82237	1F5	14	40 - 49
R75450	1G17	11	50 - 20	R77501	1F15	24	40 - 59	R82238	1F5	15	40 - 49
R75451	1G17	7	50 - 20	R77502	1F17	56	40 - 61	R82239	1F5	13	40 - 49
R75729	1A21	9	20 - 5	R77503	1F17	56	40 - 61	R82243	1F5	18	40 - 49
R75729	1B21	19	20 - 29	R77511	2G2	5	90 - 11	R82355	1F5	4	40 - 49
R75729	1B22	9	20 - 30	R78249	1G17	9	50 - 20	R82423	1F7	8	40 - 51
R75832	1C12	6	30 - 11	R78366	1B9	14	20 - 18	R82425	2F8	12	80 - 21
R75833	1E13	2	40 - 31	R78765	2D20	8	70 - 79	R82819	1B2	1	20 - 11
R75892	1B2	53	20 - 11	R78766	2D20	13	70 - 79	R82873	1C10	2	30 - 8
R75893	1B2	52	20 - 11	R78766	2D22	6	70 - 81	R82896	1A23	4	20 - 7
R76126	1B2	40	20 - 11	R78767	2D20	2	70 - 79	R83055	1F7	9	40 - 51
R76167	2B10	23	70 - 19	R78768	2D20	19	70 - 79	R83103	2F9	10	80 - 22
R76167	2B10	27	70 - 19	R78769	2D20	17	70 - 79	R83109	1F7	11	40 - 51
R76341	2F8	12	80 - 21	R79015	1C14	14	30 - 13	R83169	1B9	3	20 - 18
R76459	2E5	5	70 - 88	R79015	1C17	1	30 - 16	R83508	2B10	14	70 - 19
R76477	1D13	4	40 - 8	R79015	1C17	3	30 - 16	R83554	1B7	5	20 - 16
R76477	1D18	5	40 - 14	R79089	1A25	35	20 - 9	R84158	1F7	13	40 - 51
R76477	2E5	6	70 - 88	R79089	1B2	43	20 - 11	R87527	2F8	11	80 - 21
R76964	1C14	21	30 - 13	R79311	2D16	11	70 - 74	R87527	2F9	11	80 - 22
R76964	1C14	29	30 - 13	R79311	2D20	16	70 - 79	R87527	2F20	1	90 - 3
R77126	1C14	25	30 - 13	R79311	2D22	8	70 - 81	R87529	2F8	12	80 - 21
R77456	1F15	27	40 - 59	R79585	2D9	17	70 - 67	R87529	2F9	4	80 - 22
R77457	1F15	29	40 - 59	R79604	1C18	2	30 - 17	R90648	1A25	25	20 - 9
R77458	1F15	28	40 - 59	R79605	1C18	1	30 - 17	R90648	1A25	37	20 - 9
R77459	1F15	28	40 - 59	R79623	1A23	10	20 - 7	R90648	1B2	25	20 - 11
R77460	1F15	28	40 - 59	R79624	1A23	12	20 - 7	R90648	1B21	9	20 - 29
R77461	1F15	28	40 - 59	R79625	1A23	12	20 - 7	R90658	1B21	24	20 - 29
R77462	1F15	25	40 - 59	R79626	1A23	12	20 - 7	R90658	1B22	1	20 - 30
R77463	1F15	30	40 - 59	R79627	1A23	12	20 - 7	R90658	1B22	..	20 - 30
R77464	1F15	26	40 - 59	R79628	1A23	10	20 - 7	R90658	1C7	3	30 - 5
R77465	1F15	31	40 - 59	R79629	1A23	10	20 - 7	R91749	2F2	5	80 - 15
R77466	1F15	33	40 - 59	R79630	1A23	10	20 - 7	R93219	1F19	7	40 - 63
R77467	1F15	34	40 - 59	R80033	1B2	12	20 - 11	R93220	1F19	7	40 - 63
R77468	1F15	32	40 - 59	R80033	1B3	7	20 - 12	R93221	1F19	7	40 - 63
R77469	1F17	35	40 - 61	R80241	1A21	13	20 - 5	R93222	1F19	7	40 - 63
R77470	1F17	45	40 - 61	R80241	1B21	2	20 - 29	R94419	1B17	4	20 - 25
R77471	1F17	45	40 - 61	R80241	1B22	8	20 - 30	R97341	1B21	25	20 - 29
R77472	1F17	45	40 - 61	R80324	2D15	1	70 - 73	R97350	1B21	23	20 - 29
R77473	1F17	45	40 - 61	R80408	1B2	61	20 - 11	R97350	1C12	2	30 - 11
R77474	1F17	44	40 - 61	R80839	1G17	11	50 - 20	R97350	1C12	3	30 - 11
R77475	1F15	13	40 - 59	R80840	1G17	12	50 - 20	R97351	1B7	8	20 - 16
R77476	1F15	3	40 - 59	R80841	1G17	13	50 - 20	R97351	1B21	4	20 - 29
R77477	1F15	4	40 - 59	R81065	2B10	37	70 - 19	R97352	1B10	7	20 - 19
R77478	1F15	15	40 - 59	R81167	1E2	14	40 - 23	R97352	1B21	7	20 - 29
R77479	1F15	5	40 - 59	R81168	1E2	11	40 - 23	R97354	1C14	25	30 - 13
R77480	1F15	6	40 - 59	R81169	1E2	9	40 - 23	R97356	1A21	13	20 - 5
R77481	1F15	7	40 - 59	R81170	1E2	7	40 - 23	R97356	1A25	37	20 - 9
R77482	1F15	8	40 - 59	R81171	1E2	15	40 - 23	R97356	1B21	2	20 - 29
R77483	1F15	16	40 - 59	R81172	1D25	20	40 - 21	R97356	1B22	8	20 - 30
R77484	1F15	19	40 - 59	R81173	1E2	21	40 - 23	R97454	1B9	15	20 - 18
R77485	1F15	21	40 - 59	R81174	1D25	3	40 - 21	R97454	1B21	8	20 - 29
R77486	1F15	22	40 - 59	R81175	1D25	2	40 - 21	R97455	1B17	3	20 - 25

# 1L21

2040 UTILITY TRACTOR (SERIAL NO. -349999)

## NUMERICAL INDEX - CONTINUED

PART NO.	GRID	KEY	PAGE	PART NO.	GRID	KEY	PAGE	PART NO.	GRID	KEY	PAGE
R97455	1B18	1	20-26	TY6702	1D18	..	40-14	T146104	2F8	..	80-21
R97758	1B17	21	20-25	TY6702	1D19	1	40-15	T146104	2F9	16	80-22
R97773	1B9	14	20-18	TY6702	1D21	..	40-17	T146106	1D13	6	40-8
R97773	1B21	18	20-29	TY6702	1D22	14	40-18	T146106	1D18	10	40-14
R97778	1A21	12	20-5	TY6702	1D22	..	40-18	T146106	1E3	1	40-23A
R97778	1A23	11	20-7	TY6702	1D25	..	40-21	T146106	1E5	1	40-23D
R98844	1C7	1	30-5	TY6702	1E2	20	40-23	T146106	2F8	..	80-21
R98844	1C9	5	30-7	TY6702	1E2	..	40-23	T146106	2F9	16	80-22
R98910	1H11	16	60-5	TY6720	1D6	13	40-3	T146515	1D13	6	40-8
R98915	1H5	13	50-34	TY6720	1D13	..	40-8	T146515	1D18	10	40-14
R98941	1G16	15	50-19	TY6720	1D14	4	40-9	T146515	1E3	1	40-23A
R99350	2F22	10	90-5	TY6720	1D15	24	40-10	T146515	1E5	1	40-23D
TY15263	1F2	26	40-46	TY6720	1D15	..	40-10	T146515	2F8	..	80-21
TY16055	1F1	14	40-45	TY6727	1D6	13	40-3	T146515	2F9	16	80-22
TY16055	1F2	26	40-46	TY6727	1D13	..	40-8	T146516	1D13	6	40-8
TY21730	1E7	9	40-25	TY6727	1D14	4	40-9	T146516	1D18	10	40-14
TY22007	1A18	2	20-1	TY6727	1D17	1	40-13	T146516	1E3	1	40-23A
TY22008	1A18	2	20-1	TY9305	1F1	14	40-45	T146516	1E5	1	40-23D
TY22009	1A18	1	20-1	TY9371	2G5	1	90-15	T146516	2F8	..	80-21
TY22010	1A18	2	20-1	TY9371	2G5	2	90-15	T146516	2F9	16	80-22
TY22011	1A18	2	20-1	T10510	2E12	8	80-1	T146517	1D13	6	40-8
TY22041	1A18	..	20-1	T10510	2E13	9	80-2	T146517	1D18	10	40-14
TY22042	1A18	..	20-1	T10510	2E17	8	80-5	T146517	1E3	1	40-23A
TY22329	2B18	23	70-27	T11234	1B13	9	20-21	T146517	1E5	1	40-23D
TY22329	2B18	24	70-27	T11234	2B15	8	70-24	T15564	1D20	3	40-16
TY22329	2B21	12	70-30	T11292	1C23	3	30-22	T15564	1D21	28	40-17
TY22329	2B21	20	70-30	T11292	1H7	18	60-1	T15564	1D25	17	40-21
TY2615	2G3	7	90-12	T11672	1D21	16	40-17	T16623	1E9	4	40-27
TY3018	2E6	3	70-89	T11672	1D25	5	40-21	T16911	1E8	3	40-26
TY3019	2E6	3	70-89	T11674	1D21	19	40-17	T17058	1D20	27	40-16
TY6092	1E7	9	40-25	T11675	1D20	28	40-16	T17058	1D21	17	40-17
TY6280	1A18	1	20-1	T11675	1D21	21	40-17	T17058	1D25	12	40-21
TY6297	1A18	1	20-1	T11680	1D22	13	40-18	T17148	1H9	3	60-3
TY6298	1A18	1	20-1	T11680	1E2	23	40-23	T17148	1H13	4	60-7
TY6300	1A18	1	20-1	T11684	1D21	3	40-17	T17882	1G10	3	50-13
TY6301	1A18	1	20-1	T11739	1D22	3	40-18	T17882	2C8	1	70-41
TY6311	1A18	1	20-1	T118949	1G21	8	50-24	T17987	1D21	13	40-17
TY6312	1A18	1	20-1	T118950	1G21	8	50-24	T18099	1D22	5	40-18
TY6313	1A18	1	20-1	T12083	1F23	19	50-2	T18105	1D20	19	40-16
TY6359	1A18	1	20-1	T12250	1B14	2	20-22	T18107	1D20	8	40-16
TY6360	1A18	1	20-1	T12688	2E17	11	80-5	T18113	1D21	19	40-17
TY6361	1A18	1	20-1	T13119	1G8	15	50-11	T18113	1D25	9	40-21
TY6364	1A18	1	20-1	T13119	2B20	7	70-29	T18145	2F16	5	80-29
TY6389	1A18	2	20-1	T13119	2C8	5	70-41	T18353	1D22	15	40-18
TY6390	1A18	2	20-1	T13213	1B6	8	20-15	T18354	1D20	18	40-16
TY6391	1A18	2	20-1	T13213	1B21	10	20-29	T18718	1H4	30	50-33
TY6392	1A18	2	20-1	T13325	1H4	27	50-33	T18891	1A25	26	20-9
TY6393	1A18	2	20-1	T13331	1H4	15	50-33	T18891	1B2	28	20-11
TY6394	1A18	2	20-1	T13332	1H4	15	50-33	T18891	1G10	19	50-13
TY6605	1D6	9	40-3	T13333	1H4	15	50-33	T18891	1G12	1	50-15
TY6605	1D7	1	40-4	T13341	1H4	6	50-33	T18891	1G22	5	50-25
TY6605	1D8	..	40-5	T13471	1H4	16	50-33	T18996	1H4	31	50-33
TY6615	1D6	13	40-3	T13555	1H9	13	60-3	T19044	1A25	9	20-9
TY6615	1D14	4	40-9	T13555	1H13	14	60-7	T19044	1C24	3	30-23
TY6620	1D6	13	40-3	T13744	1D4	15	40-1	T19178	1E11	14	40-29
TY6620	1D18	..	40-14	T14059	1F23	8	50-2	T19242	1G19	4	50-22
TY6620	1D19	1	40-15	T14264	1E25	8	40-44	T19245	1G19	5	50-22
TY6651	1D6	9	40-3	T146102	1D13	1	40-8	T19293	2E24	3	80-12
TY6651	1D7	1	40-4	T146102	1D18	1	40-14	T19324	2B18	19	70-27
TY6651	1D8	..	40-5	T146102	1E3	1	40-23A	T19324	2B21	22	70-30
TY6652	1D6	9	40-3	T146102	1E5	1	40-23D	T19526	2C4	22	70-37B
TY6652	1D7	1	40-4	T146102	2F8	..	80-21	T19566	1A19	2	20-3
TY6652	1D10	1	40-7	T146102	2F9	16	80-22	T19566	2G5	3	90-15
TY6652	1D10	22	40-7	T146104	1D13	6	40-8	T19569	1D21	33	40-17
TY6690	1D20	26	40-16	T146104	1D18	10	40-14	T19589	1D21	32	40-17
TY6690	1D21	22	40-17	T146104	1E3	1	40-23A	T19600	1D20	5	40-16
TY6702	1D6	13	40-3	T146104	1E5	1	40-23D	T19601	1D20	11	40-16



# 1L22

2040 UTILITY TRACTOR (SERIAL NO. -349999)

## NUMERICAL INDEX - CONTINUED

PART NO.	GRID	KEY	PAGE	PART NO.	GRID	KEY	PAGE	PART NO.	GRID	KEY	PAGE
T19602	1D20	6	40 - 16	T20243	1B17	2	20 - 25	T21528	1H11	16	60 - 5
T19603	1D20	10	40 - 16	T20243	1B21	16	20 - 29	T21528	1H13	44	60 - 7
T19604	1D20	21	40 - 16	T20252	1C7	2	30 - 5	T21528	1H15	6	60 - 9
T19605	1D20	20	40 - 16	T20257	1C7	6	30 - 5	T21539	2E14	1	80 - 3
T19606	1D20	22	40 - 16	T20270	1B17	1	20 - 25	T21539	2E14	2	80 - 3
T19607	1D20	12	40 - 16	T20270	1B18	1	20 - 26	T21540	2F2	7	80 - 15
T19608	1D20	2	40 - 16	T20271	1B17	3	20 - 25	T21558	2C10	9	70 - 43
T19610	1D20	1	40 - 16	T20272	1B9	1	20 - 18	T21559	2C10	8	70 - 43
T19638	2E23	2	80 - 11	T20272	1B9	9	20 - 18	T21562	1G10	7	50 - 13
T19651	1B15	2	20 - 23	T20273	1B9	1	20 - 18	T21562	1G12	5	50 - 15
T19651	1B17	9	20 - 25	T20273	1B9	8	20 - 18	T21564	2B23	5	70 - 32
T19978	1C9	3	30 - 7	T20273	1B21	17	20 - 29	T21602	1G16	17	50 - 19
T20006	1B21	24	20 - 29	T20277	1B15	3	20 - 23	T21603	1G16	7	50 - 19
T20006	1B22	1	20 - 30	T20294	1B10	1	20 - 19	T21615	2B23	1	70 - 32
T20006	1B22	..	20 - 30	T20298	1B11	15	20 - 20	T21620	1H5	1	50 - 34
T20006	1C7	3	30 - 5	T20304	1A23	16	20 - 7	T21630	2B22	1	70 - 31
T20009	1B3	7	20 - 12	T20304	1B21	11	20 - 29	T21630	2B22	3	70 - 31
T20034	1B8	5	20 - 17	T20306	1B7	13	20 - 16	T21631	2B22	1	70 - 31
T20046	1B5	7	20 - 14	T20310	1A23	4	20 - 7	T21631	2B22	2	70 - 31
T20050	1B11	17	20 - 20	T20314	1A22	4	20 - 6	T21631	2B23	7	70 - 32
T20055	1C14	12	30 - 13	T20315	1A22	9	20 - 6	T21638	2C2	28	70 - 37
T20055	1C16	9	30 - 15	T20316	1A22	3	20 - 6	T21638	2C4	9	70 - 37B
T20070	1A23	13	20 - 7	T20328	1B10	2	20 - 19	T21641	2B22	17	70 - 31
T20070	1B2	6	20 - 11	T20328	1B21	6	20 - 29	T21653	2F3	1	80 - 16
T20071	1A23	2	20 - 7	T20334	1B17	21	20 - 25	T21654	2F3	2	80 - 16
T20072	1A23	15	20 - 7	T20336	1B10	7	20 - 19	T21655	1H11	30	60 - 5
T20072	1B2	4	20 - 11	T20336	1B21	7	20 - 29	T21655	1H13	36	60 - 7
T20073	1A23	5	20 - 7	T20362	1B9	13	20 - 18	T21659	1H7	6	60 - 1
T20073	1B2	2	20 - 11	T20364	1B9	14	20 - 18	T21667	2C14	2	70 - 47
T20077	1A23	7	20 - 7	T20445	1B5	1	20 - 14	T21669	2E12	10	80 - 1
T20088	1B7	12	20 - 16	T21409	1H5	27	50 - 34	T21669	2E12	16	80 - 1
T20089	1B7	1	20 - 16	T21415	1H5	26	50 - 34	T21669	2E13	11	80 - 2
T20089	1B7	5	20 - 16	T21419	1H5	13	50 - 34	T21671	2C14	3	70 - 47
T20091	1B11	11	20 - 20	T21423	1H5	25	50 - 34	T21672	2C14	10	70 - 47
T20091	1B12	4	20 - 20A	T21424	1H5	19	50 - 34	T21677	2C14	16	70 - 47
T20094	1B2	49	20 - 11	T21427	1H5	23	50 - 34	T21679	2C18	11	70 - 51
T20094	1B5	4	20 - 14	T21428	1H5	11	50 - 34	T21680	2C6	13	70 - 39
T20098	1B6	9	20 - 15	T21428	1H5	12	50 - 34	T21681	2C6	2	70 - 39
T20111	1A21	9	20 - 5	T21429	1H5	3	50 - 34	T21685	2C11	1	70 - 44
T20111	1B21	19	20 - 29	T21430	1G21	6	50 - 24	T21687	1B13	14	20 - 21
T20111	1B22	9	20 - 30	T21433	1G21	2	50 - 24	T21688	2E25	3	80 - 13
T20129	1A23	6	20 - 7	T21434	1G21	3	50 - 24	T21688	2F1	5	80 - 14
T20141	1C7	1	30 - 5	T21435	1G21	3	50 - 24	T21716	1H9	15	60 - 3
T20141	1C9	5	30 - 7	T21436	1G21	3	50 - 24	T21718	1H9	6	60 - 3
T20155	1B9	15	20 - 18	T21442	1G10	12	50 - 13	T21718	1H13	7	60 - 7
T20155	1B21	8	20 - 29	T21442	1G10	..	50 - 13	T21722	1H7	4	60 - 1
T20159	1B21	22	20 - 29	T21443	1G10	12	50 - 13	T21758	2C10	17	70 - 43
T20159	1B22	2	20 - 30	T21443	1G10	..	50 - 13	T21759	2C10	18	70 - 43
T20159	1C6	8	30 - 4	T21444	1G10	12	50 - 13	T21761	1E9	7	40 - 27
T20166	1A25	24	20 - 9	T21444	1G10	..	50 - 13	T21776	1G10	22	50 - 13
T20166	1B2	21	20 - 11	T21445	1F24	5	50 - 3	T21806	1H18	1	60 - 12
T20168	1A21	14	20 - 5	T21445	1H7	2	60 - 1	T21806	1H18	5	60 - 12
T20168	1A25	34	20 - 9	T21446	1F24	9	50 - 3	T21813	1H17	12	60 - 11
T20168	1B2	42	20 - 11	T21446	1G2	8	50 - 5	T21814	1H17	14	60 - 11
T20168	1F24	3	50 - 3	T21447	1F24	11	50 - 3	T21815	1H17	3	60 - 11
T20168	1G10	1	50 - 13	T21448	1F22	14	50 - 1	T21816	1H18	11	60 - 12
T20176	1A23	8	20 - 7	T21448	1F24	8	50 - 3	T21817	1H17	8	60 - 11
T20202	1D7	2	40 - 4	T21450	1G2	6	50 - 5	T21824	2E25	2	80 - 13
T20204	1B17	19	20 - 25	T21452	1F22	3	50 - 1	T21827	1F23	3	50 - 2
T20204	1D7	12	40 - 4	T21458	1G21	12	50 - 24	T21828	1D6	3	40 - 3
T20215	1B15	8	20 - 23	T21462	2C10	12	70 - 43	T21828	1E17	1	40 - 35
T20215	1B21	21	20 - 29	T21474	2B25	2	70 - 34	T21828	1E18	2	40 - 36
T20215	1B22	3	20 - 30	T21487	2C6	1	70 - 39	T21839	1G22	2	50 - 25
T20217	1B5	10	20 - 14	T21497	2C10	5	70 - 43	T21839	1G22	3	50 - 25
T20219	1B15	5	20 - 23	T21517	2E14	4	80 - 3	T21840	1G22	8	50 - 25
T20219	1B21	20	20 - 29	T21518	2E14	4	80 - 3	T21841	1G22	6	50 - 25
T20219	1B22	4	20 - 30	T21527	1H7	3	60 - 1	T21885	1H5	20	50 - 34

# 1L23

2040 UTILITY TRACTOR (SERIAL NO. -349999)

## NUMERICAL INDEX - CONTINUED

PART NO.	GRID	KEY	PAGE	PART NO.	GRID	KEY	PAGE	PART NO.	GRID	KEY	PAGE
T21886	1H5	18	50 - 34	T22244	2D11	4	70 - 69	T22874	1G21	1	50 - 24
T21887	1E7	1	40 - 25	T22244	2D15	4	70 - 73	T22875	1H9	5	60 - 3
T21901	2C10	1	70 - 43	T22245	2D15	2	70 - 73	T22876	2B23	10	70 - 32
T21903	2C10	16	70 - 43	T22260	1H9	7	60 - 3	T22877	2C5	11	70 - 38
T21913	2C14	17	70 - 47	T22260	1H9	9	60 - 3	T22881	2C23	4	70 - 56
T21937	1G10	25	50 - 13	T22260	1H13	8	60 - 7	T22898	1F23	2	50 - 2
T21941	2E12	1	80 - 1	T22260	1H13	9	60 - 7	T22914	2B15	1	70 - 24
T21941	2E12	2	80 - 1	T22260	1H15	1	60 - 9	T22934	1G18	7	50 - 21
T21941	2E12	16	80 - 1	T22318	2B25	1	70 - 34	T22955	1G10	12	50 - 13
T21942	2E14	1	80 - 3	T22319	2B25	6	70 - 34	T22955	1G10	..	50 - 13
T21955	2C6	10	70 - 39	T22375	2F2	4	80 - 15	T22968	2B23	18	70 - 32
T21956	2B25	5	70 - 34	T22376	1B13	20	20 - 21	T22970	2B21	2	70 - 30
T21964	1G19	8	50 - 22	T22381	1B13	13	20 - 21	T22974	1G14	7	50 - 17
T21964	1G20	7	50 - 23	T22381	2F2	6	80 - 15	T22996	2D3	1	70 - 61
T21965	1G20	14	50 - 23	T22394	2F18	8	90 - 1	T22998	1H4	20	50 - 33
T21969	1G19	2	50 - 22	T22399	2C10	13	70 - 43	T22999	1H4	10	50 - 33
T21970	1G19	9	50 - 22	T22435	1G16	15	50 - 19	T23000	1H4	11	50 - 33
T21970	1G20	8	50 - 23	T22465	2B23	9	70 - 32	T23027	2G2	19	90 - 11
T21976	1G20	9	50 - 23	T22469	2C2	1	70 - 37	T23033	2G2	17	90 - 11
T21977	1G20	12	50 - 23	T22469	2C2	5	70 - 37	T23035	2G2	1	90 - 11
T21980	1G18	1	50 - 21	T22469	2C4	33	70 - 37B	T23053	2B19	7	70 - 28
T21981	1G19	6	50 - 22	T22470	2C5	14	70 - 38	T23054	2B19	7	70 - 28
T21992	1G24	7	50 - 27	T22471	2B22	9	70 - 31	T23059	1F23	1	50 - 2
T21997	1G23	8	50 - 26	T22471	2C4	6	70 - 37B	T23059	2A25	21	70 - 8
T21998	1F22	2	50 - 1	T22473	2B24	8	70 - 33	T23059	2B19	11	70 - 28
T21999	1G2	5	50 - 5	T22474	2B23	3	70 - 32	T23062	1G6	3	50 - 9
T21999	1G2	7	50 - 5	T22483	2C4	19	70 - 37B	T23069	2C25	8	70 - 58
T21999	1G2	15	50 - 5	T22500	1B13	17	20 - 21	T23071	2C25	1	70 - 58
T22069	1G23	14	50 - 26	T22520	2F12	4	80 - 25	T23073	2B18	18	70 - 27
T22069	1H2	6	50 - 30	T22522	1E9	9	40 - 27	T23073	2B21	21	70 - 30
T22080	1G23	19	50 - 26	T22529	1F22	4	50 - 1	T23104	2B21	13	70 - 30
T22085	2F18	12	90 - 1	T22534	1C23	7	30 - 22	T23118	2E12	2	80 - 1
T22086	2F18	11	90 - 1	T22569	1F24	6	50 - 3	T23118	2E12	16	80 - 1
T22087	2F18	9	90 - 1	T22570	1E7	5	40 - 25	T23118	2E13	2A	80 - 2
T22088	2F18	14	90 - 1	T22645	2F20	5	90 - 3	T23118	2F2	8	80 - 15
T22097	2C6	15	70 - 39	T22690	2E18	1	80 - 6	T23170	2E12	3	80 - 1
T22098	2C6	17	70 - 39	T22698	1C20	4	30 - 19	T23170	2E12	16	80 - 1
T22099	2C6	18	70 - 39	T22698	1C21	25	30 - 20	T23170	2E13	4	80 - 2
T22100	1H17	6	60 - 11	T22705	2F12	10	80 - 25	T23200	2A25	5	70 - 8
T22101	1H18	7	60 - 12	T22706	2F12	10	80 - 25	T23203	2B18	53	70 - 27
T22101	1H19	6	60 - 13	T22714	2C10	19	70 - 43	T23203	2B19	6	70 - 28
T22119	2C18	3	70 - 51	T22728	1G14	4	50 - 17	T23216	2C6	11	70 - 39
T22120	2C18	7	70 - 51	T22728	1G15	4	50 - 18	T23225	1H16	4	60 - 10
T22124	2C18	2	70 - 51	T22736	1G16	10	50 - 19	T23228	2E12	15	80 - 1
T22127	1G23	2	50 - 26	T22823	1H9	10	60 - 3	T23228	2E13	16	80 - 2
T22128	1G10	11	50 - 13	T22823	1H13	11	60 - 7	T23229	2E12	14	80 - 1
T22128	1G23	12	50 - 26	T22824	1H9	12	60 - 3	T23229	2E13	15	80 - 2
T22134	1C20	14	30 - 19	T22824	1H11	22	60 - 5	T23230	2C17	..	70 - 50
T22149	1C19	7	30 - 18	T22824	1H13	13	60 - 7	T23247	2F18	3	90 - 1
T22150	1C19	9	30 - 18	T22825	1H9	31	60 - 3	T23262	1C5	12	30 - 3
T22198	1G6	5	50 - 9	T22825	1H13	24	60 - 7	T23263	1C5	12	30 - 3
T22211	2F18	10	90 - 1	T22848	2C14	12	70 - 47	T23426	2B5	6	70 - 14
T22214	1G23	4	50 - 26	T22850	1F23	9	50 - 2	T23435	1A25	12	20 - 9
T22224	2B24	10	70 - 33	T22851	1F23	13	50 - 2	T23435	1B2	15	20 - 11
T22228	2B24	9	70 - 33	T22851	1G8	11	50 - 11	T23442	1C14	26	30 - 13
T22229	2B24	12	70 - 33	T22852	1G14	11	50 - 17	T23474	1A25	33	20 - 9
T22232	2B24	15	70 - 33	T22853	1G12	9	50 - 15	T23474	1B2	41	20 - 11
T22234	1G23	5	50 - 26	T22854	1G10	5	50 - 13	T23509	2B4	22	70 - 13
T22239	1C20	12	30 - 19	T22858	1F23	6	50 - 2	T23516	1B2	50	20 - 11
T22239	1C21	17	30 - 20	T22862	1G8	8	50 - 11	T23534	1B13	16	20 - 21
T22240	1C19	12	30 - 18	T22864	2F2	15	80 - 15	T23590	1B7	3	20 - 16
T22240	1C20	18	30 - 19	T22865	2C5	13	70 - 38	T23604	1B5	6	20 - 14
T22240	1C21	7	30 - 20	T22867	2B23	21	70 - 32	T23614	1B10	3	20 - 19
T22241	1C20	20	30 - 19	T22867	2C2	9	70 - 37	T23620	1B15	9	20 - 23
T22241	1C21	11	30 - 20	T22867	2C4	13	70 - 37B	T23628	1B17	22	20 - 25
T22243	2D11	8	70 - 69	T22867	2C4	14	70 - 37B	T23628	1B18	1	20 - 26
T22243	2D15	7	70 - 73	T22874	1G2	12	50 - 5	T23670	1A25	31	20 - 9

# 1L24

2040 UTILITY TRACTOR (SERIAL NO. -349999)

## NUMERICAL INDEX - CONTINUED

PART NO.	GRID	KEY	PAGE	PART NO.	GRID	KEY	PAGE	PART NO.	GRID	KEY	PAGE
T23671	1A25	31	20 - 9	T25325	1H11	26	60 - 5	T26058	1C14	13	30 - 13
T23753	2B7	16	70 - 16	T25325	1H13	32	60 - 7	T26198	1F22	8	50 - 1
T23755	2C21	13	70 - 54	T25326	1H11	27	60 - 5	T26321	1B8	12	20 - 17
T24151	1A21	7	20 - 5	T25326	1H13	33	60 - 7	T26323	1B8	2	20 - 17
T24160	2F2	10	80 - 15	T25327	1H11	24	60 - 5	T26324	1B2	34	20 - 11
T24169	2B24	3	70 - 33	T25327	1H13	30	60 - 7	T26324	1B8	1	20 - 17
T24171	2B24	7	70 - 33	T25327	1H15	7	60 - 9	T26325	1B2	38	20 - 11
T24173	2B5	2	70 - 14	T25327	1H9	17	60 - 3	T26325	1B8	8	20 - 17
T24181	2B24	2	70 - 33	T25332	1H9	21	60 - 3	T26326	1B2	36	20 - 11
T24382	1G21	14	50 - 24	T25332	1H13	21	60 - 7	T26326	1B8	6	20 - 17
T24395	1G15	6	50 - 18	T25333	1H9	20	60 - 3	T26327	1B2	37	20 - 11
T24460	1B21	3	20 - 29	T25333	1H13	20	60 - 7	T26327	1B8	7	20 - 17
T24460	1C14	25	30 - 13	T25334	1H9	20	60 - 3	T26337	1G24	8	50 - 27
T24472	1C18	13	30 - 17	T25334	1H13	20	60 - 7	T26430	1F23	7	50 - 2
T24484	2C4	20	70 - 37B	T25335	1H15	4	60 - 9	T26431	1F23	9	50 - 2
T24485	2C2	22	70 - 37	T25336	1H11	33	60 - 5	T26435	1G12	16	50 - 15
T24485	2C4	29	70 - 37B	T25337	1H11	16	60 - 5	T26435	2B1	17	70 - 9
T24522	1G22	4	50 - 25	T25337	1H15	6	60 - 9	T26437	2B6	9	70 - 15
T24534	1B6	1	20 - 15	T25341	2E25	3	80 - 13	T26437	2B7	3	70 - 16
T24534	1B21	25	20 - 29	T25341	2F1	5	80 - 14	T26440	2D11	3	70 - 69
T24539	1D21	9	40 - 17	T25366	1B5	9	20 - 14	T26565	1B2	47	20 - 11
T24539	1D25	28	40 - 21	T25367	2F18	15	90 - 1	T26565	1B5	2	20 - 14
T24540	2C2	18	70 - 37	T25408	1F23	1	50 - 2	T26565	1B7	2	20 - 16
T24540	2C4	21	70 - 37B	T25408	1F23	16	50 - 2	T26565	1G10	10	50 - 13
T24542	1C14	18	30 - 13	T25418	1G8	14	50 - 11	T26601	1D25	23	40 - 21
T24543	1C14	17	30 - 13	T25419	1G8	10B	50 - 11	T26625	2C5	9	70 - 38
T24549	1C17	8	30 - 16	T25614	1G16	6	50 - 19	T26626	2C5	8	70 - 38
T24553	1C16	11	30 - 15	T25614	1G24	6	50 - 27	T26904	2B23	2	70 - 32
T24588	1C16	3	30 - 15	T25701	1A25	19	20 - 9	T26904	2B25	1	70 - 34
T24589	1C16	1	30 - 15	T25701	1B2	26	20 - 11	T26929	2F2	3	80 - 15
T24589	1C16	17	30 - 15	T25701	1B17	20	20 - 25	T26937	1C19	11	30 - 18
T24590	1C16	4	30 - 15	T25703	2F11	1	80 - 24	T27136	2C11	9	70 - 44
T24599	1C16	5	30 - 15	T25741	1H9	31	60 - 3	T27136	2C11	10	70 - 44
T24600	1C16	15	30 - 15	T25741	1H13	24	60 - 7	T27178	1G2	13	50 - 5
T24604	1C16	16	30 - 15	T25774	2A19	1	70 - 1	T27258	2B22	11	70 - 31
T24605	1C16	18	30 - 15	T25775	2A19	8	70 - 1	T27260	2B22	13	70 - 31
T24607	1C14	14	30 - 13	T25780	2B1	5	70 - 9	T27260	2C8	12	70 - 41
T24607	1C17	1	30 - 16	T25780	2B2	8	70 - 10	T27261	1B17	6	20 - 25
T24608	1C14	15	30 - 13	T25781	2A25	7	70 - 8	T27349	1C20	22	30 - 19
T24608	1C17	2	30 - 16	T25781	2B2	18	70 - 10	T27349	1C21	4	30 - 20
T24618	1C17	5	30 - 16	T25782	2A25	19	70 - 8	T27409	1H9	22	60 - 3
T24619	1C17	4	30 - 16	T25782	2B2	20	70 - 10	T27429	1G22	1	50 - 25
T24620	1C17	3	30 - 16	T25783	2A25	4	70 - 8	T27430	1G22	14	50 - 25
T24621	1C17	6	30 - 16	T25783	2B4	12	70 - 13	T27511	2E22	4	80 - 10
T24627	1C16	13	30 - 15	T25789	2B7	12	70 - 16	T27544	1G24	2	50 - 27
T24647	1C16	7	30 - 15	T25789	2C21	19	70 - 54	T27645	2F24	13	90 - 7
T24649	1C16	14	30 - 15	T25791	2B5	13	70 - 14	T27657	1B9	6	20 - 18
T24650	1C16	10	30 - 15	T25792	2B5	7	70 - 14	T27658	1B2	60	20 - 11
T24650	1C16	12	30 - 15	T25802	2C21	4	70 - 54	T27658	1B9	4	20 - 18
T24690	2C6	5	70 - 39	T25803	2C21	8	70 - 54	T27670	1D15	21	40 - 10
T24691	1G19	13	50 - 22	T25803	2D3	5	70 - 61	T27671	1D15	31	40 - 10
T24726	1G19	1	50 - 22	T25804	2C21	7	70 - 54	T27716	1G10	17	50 - 13
T24728	1G19	26	50 - 22	T25804	2D1	2	70 - 59	T27716	1G16	3	50 - 19
T24729	1G10	9	50 - 13	T25804	2D3	3	70 - 61	T27716	1G24	11	50 - 27
T24729	1G19	14	50 - 22	T25809	2E17	1	80 - 5	T27986	1C6	3	30 - 4
T24732	1G19	3	50 - 22	T25809	2E17	3	80 - 5	T28030	1C14	28	30 - 13
T24736	1G19	18	50 - 22	T25835	2C10	14	70 - 43	T28041	1A23	3	20 - 7
T24737	1G19	21	50 - 22	T25836	2C10	4	70 - 43	T28041	1B2	3	20 - 11
T24844	1C8	6	30 - 6	T25840	2E12	12	80 - 1	T28221	1G4	12	50 - 7
T24917	1G20	19	50 - 23	T25840	2E13	13	80 - 2	T28222	1G4	17	50 - 7
T24918	1G20	18	50 - 23	T25899	2F9	13	80 - 22	T28224	1G4	19	50 - 7
T24965	1A25	25	20 - 9	T25901	2E15	6	80 - 4	T28225	1G4	11	50 - 7
T24965	1B21	9	20 - 29	T25921	2E12	11	80 - 1	T28226	1G4	18	50 - 7
T25291	2F6	12	80 - 19	T25921	2E13	10	80 - 2	T28230	1G4	13	50 - 7
T25323	1H11	29	60 - 5	T25922	2E12	9	80 - 1	T28231	1G4	16	50 - 7
T25323	1H13	35	60 - 7	T25922	2E13	12	80 - 2	T28272	1H7	9	60 - 1
T25324	1H11	34	60 - 5	T26043	1B13	21	20 - 21	T28362	2B25	9	70 - 34

# 1L25

2040 UTILITY TRACTOR (SERIAL NO. -349999)

## NUMERICAL INDEX - CONTINUED

PART NO.	GRID	KEY	PAGE	PART NO.	GRID	KEY	PAGE	PART NO.	GRID	KEY	PAGE
T28433	1B7	1	20 - 16	T30991	2E13	10	80 - 2	U12331	1H11	31	60 - 5
T28433	1B7	5	20 - 16	T31134	1H16	5	60 - 10	U12331	1H15	9	60 - 9
T28435	1B7	5	20 - 16	T31170	1G13	8	50 - 16	U13639	1B2	58	20 - 11
T28537	2C2	17	70 - 37	T31170	1G13	10	50 - 16	U16538	1B3	3	20 - 12
T28537	2C4	20	70 - 37B	T31174	1C18	14	30 - 17	U40656	2F20	7	90 - 3
T28538	2C2	16	70 - 37	T31290	1H9	31	60 - 3	U46370	1F13	36	40 - 57
T28538	2C2	17	70 - 37	T31290	1H13	24	60 - 7	U46370	1F15	20	40 - 59
T28538	2C4	19	70 - 37B	T31437	1E17	3	40 - 35	U46662	1F7	12	40 - 51
T28538	2C4	20	70 - 37B	T31437	1E18	6	40 - 36	U46662	1F13	37	40 - 57
T28551	2C6	9	70 - 39	T31506	2E22	5	80 - 10	U46662	1F15	10	40 - 59
T28583	1F13	34	40 - 57	T31794	1G20	4	50 - 23	U46663	1F13	38	40 - 57
T28583	1F15	1	40 - 59	T32016	2C14	14	70 - 47	U46664	1F13	39	40 - 57
T28585	1F13	35	40 - 57	T32029	1C23	6	30 - 22	U46664	1F17	47	40 - 61
T28585	1F15	12	40 - 59	T32142	1G16	11	50 - 19	Z24799	1D15	14	40 - 10
T28586	1F15	14	40 - 59	T32204	2D9	1	70 - 67	Z24800	1D15	30	40 - 10
T28676	2B6	8	70 - 15	T32214	2F9	9	80 - 22	Z24801	1D15	21	40 - 10
T28676	2B7	4	70 - 16	T32343	1A25	7	20 - 9	Z24810	1D15	19	40 - 10
T28680	1G16	12	50 - 19	T32343	1A25	37	20 - 9	Z42047	1D10	24	40 - 7
T28907	1H5	22	50 - 34	T32343	1B2	17	20 - 11	Z42047	1D12	3	40 - 7B
T28908	1H5	22	50 - 34	T32343	1B4	3	20 - 13	Z42048	1D10	19	40 - 7
T28991	2B18	38	70 - 27	T32344	1B2	19	20 - 11	Z42049	1D8	7	40 - 5
T29106	2E15	6	80 - 4	T32413	2F12	8	80 - 25	Z42049	1D8	8	40 - 5
T29242	1H4	17	50 - 33	T32414	2F12	9	80 - 25	Z42049	1D10	12	40 - 7
T29243	1H4	2	50 - 33	T32488	2C10	15	70 - 43	1873796	1D25	24	40 - 21
T29311	2C6	3	70 - 39	T32508	1F23	14	50 - 2	400R	1G16	8	50 - 19
T29353	1G4	10	50 - 7	T33232	1C10	11	30 - 8	400R	1H17	15	60 - 11
T29377	1B23	10	20 - 32	T33279	1A25	18	20 - 9	400R	2D12	10	70 - 70
T29384	1B23	6	20 - 32	T33279	1B2	27	20 - 11	400R	2D14	5	70 - 72
T29385	1B23	7	20 - 32	T33745	2F22	38	90 - 5	400R	2D17	14	70 - 75
T29388	1B23	4	20 - 32	T34067	1F15	18	40 - 59	820149	1D21	3	40 - 17
T29394	1G21	8	50 - 24	T35674	1C20	1	30 - 19	820149	1D21	4	40 - 17
T29518	2D3	7	70 - 61	T35674	1C21	1	30 - 20				
T29519	2D3	6	70 - 61	T35675	1C20	1	30 - 19				
T29539	1C18	1	30 - 17	T35675	1C21	1	30 - 20				
T29540	1C18	2	30 - 17	T36118	2E13	1	80 - 2				
T29644	2C15	4	70 - 48	T36118	2E13	2A	80 - 2				
T29645	2C15	1	70 - 48	T36118	2E13	17	80 - 2				
T29646	1G4	8	50 - 7	T36236	1F23	15	50 - 2				
T29647	1G4	6	50 - 7	T36482	1H7	7	60 - 1				
T29648	1G4	3	50 - 7	T366T	1D6	1	40 - 3				
T29649	1G4	5	50 - 7	T366T	1E15	1	40 - 33				
T29649	1G4	15	50 - 7	T39395	1E20	2	40 - 38				
T29650	1G4	4	50 - 7	T42381	1G6	4	50 - 9				
T29650	1G4	14	50 - 7	T43514	2G5	1	90 - 15				
T29720	1C14	29	30 - 13	T44556	1G10	12	50 - 13				
T29892	2C15	11	70 - 48	T47920	1H7	1	60 - 1				
T29892	2C16	9	70 - 49	T48835	1C20	19	30 - 19				
T29899	2C16	8	70 - 49	T48835	1C21	8	30 - 20				
T29931	2B25	3	70 - 34	T49189	1H16	9	60 - 10				
T30065	1G19	10	50 - 22	T50467	1C19	8	30 - 18				
T30141	1F23	8	50 - 2	T57001	1H7	1	60 - 1				
T30276	2C17	2	70 - 50	T64421	1C23	6	30 - 22				
T30277	2C17	1	70 - 50	T65880	2F8	6	80 - 21				
T30525	1C22	3	30 - 21	T71925	1H5	22	50 - 34				
T30664	1C16	6	30 - 15	T71926	1H5	22	50 - 34				
T30687	1H16	14	60 - 10	T736T	1D22	10	40 - 18				
T30720	1B17	12	20 - 25	T736T	1E2	5	40 - 23				
T30720	1B18	1	20 - 26	T738T	1D22	5	40 - 18				
T30721	1B17	22	20 - 25	T739T	1D22	22	40 - 18				
T30726	1B6	3	20 - 15	T740T	1D22	21	40 - 18				
T30738	1C11	14	30 - 9	T77165	1C19	8	30 - 18				
T30738	1C12	1	30 - 11	T79479	1C23	6	30 - 22				
T30754	1G8	16	50 - 11	T84409	2F8	14	80 - 21				
T30772	2F8	10	80 - 21	U10289	1H11	25	60 - 5				
T30897	1B17	4	20 - 25	U10289	1H15	8	60 - 9				
T30930	2C18	10	70 - 51	U11343	2B21	3	70 - 30				
T30991	2E12	11	80 - 1	U11647	2E6	1	70 - 89				